

1998
ILLUSTRATED
PARTS LIST

DS GOLF CARS
GASOLINE/ELECTRIC

MANUAL NUMBER 1019683-01
PRINT CODE 0897B0101A

USING THE ILLUSTRATED PARTS LIST

WARNING

- THIS MANUAL IS TO BE USED ONLY FOR IDENTIFICATION AND ORDERING OF SERVICE PARTS. BE SURE TO READ AND USE THE MAINTENANCE AND SERVICE MANUAL BEFORE ATTEMPTING ANY VEHICLE REPAIRS.

This manual covers all 1998 Club Car® DS Tranquility®, V-Glide 36 volt, DS PowerDrive® System 48™ and DS PowerDrive Plus™ vehicles.

The manual is divided into 16 sections. Sections 1 through 6 pertain to both gasoline and electric vehicles, sections 7 through 12 pertain to gasoline vehicles only, and sections 13 through 16 pertain to electric vehicles only. Note that there are two or three flags on the outside edge of each page. The first flag contains the section number of which that page is a part. The other flag (or flags) contains either the letter G or E, signifying that the page pertains to either the gasoline or electric vehicle only, or to both the gasoline and electric vehicles.

Use the Table of Contents to find the sections and pages that contain the parts and assemblies you seek. The Table of Contents lists section titles and numbers, and under them, the individual page titles and numbers to be found in that section. Unless a page title specifies a particular vehicle(s), the page applies to all DS vehicles.

Typically, there is a two-page spread for each individual page title in the Table of Contents (however, some titles require several spreads). On the left-hand page is an illustration showing the parts in their relative positions; the parts are each tagged with an item number in a balloon. The right-hand page is the parts list page, and gives the page title at the top, then the item numbers (corresponding to the numbers on the illustration), part descriptions, and quantity of parts used. Some item numbers have more than one part number because several models and/or configurations of a component are represented together on one spread.

Note that a part description may be indented. This indentation corresponds to a parts assembly level indicated by the numbers 1, 2, 3, and 4 at the top left corner of the parts description area of the parts list page. A part that is indented to *level 2* is a component of the *level 1* part (assembly) that it is listed under. A *level 3* part is a component of the *level 2* part that it is listed under, and a *level 4* part is a component of the *level 3* part preceding it. In each case, the part quantity given for a level 2, 3, or 4 part *is the quantity used per next higher level assembly of which it is a component*. A part that is not indented is a *level 1* part. This means that the quantity given is the quantity used per the portion of the vehicle illustrated on that particular spread.



P. O. Box 204658
Augusta, Georgia 30917-4658 USA
Telephone 706-863-3000
Service Parts Fax 706-855-7413

© 1997, CLUB CAR, INC.

All rights reserved.

This manual effective August 18, 1997
Manual print code: 0897B0101A

CONTENTS

MAINTENANCE AND SERVICE TOOLS

SECTION

1

MAINTENANCE AND SERVICE TOOLS 1-3 - 1-5

BODY AND TRIM

SECTION

2

BODY TRIM 2-3
FRONT BODY 2-5
REAR BODY AND FENDER - GASOLINE VEHICLE 2-7
REAR BODY AND FENDER - ELECTRIC VEHICLE 2-9
SEAT BOTTOM AND ARMREST 2-11
SEAT BACK AND BAG HOOP 2-13

WHEELS AND TIRES

SECTION

3

WHEELS AND TIRES 3-3

SAFETY DECALS

SECTION

4

SAFETY DECALS - GASOLINE VEHICLE 4-3
SAFETY DECALS - ELECTRIC VEHICLE 4-5

BRAKES, PEDAL, AND CABLE ASSEMBLIES

SECTION

5

BRAKE ASSEMBLY 5-3
BRAKE PEDAL AND CABLE ASSEMBLY 5-5
ACCELERATOR PEDAL ASSEMBLY 5-7

STEERING, FRONT AND REAR SUSPENSION

SECTION

6

STEERING COLUMN 6-3
STEERING GEAR ASSEMBLY 6-5
FRONT SUSPENSION, UPPER 6-7
FRONT SUSPENSION, LOWER 6-9
REAR SUSPENSION 6-11

ELECTRICAL SYSTEM - GASOLINE VEHICLE

SECTION

7

WIRING - GASOLINE VEHICLE 7-3
FORWARD AND REVERSE SHIFTER ASSEMBLY - GASOLINE VEHICLE 7-5
ELECTRICAL COMPONENT BOX - GASOLINE VEHICLE 7-7
ELECTRICAL COMPONENTS - GASOLINE VEHICLE 7-9
STARTER/GENERATOR ASSEMBLY 7-11
STARTER/GENERATOR MOUNTING 7-13
BATTERY - GASOLINE VEHICLE 7-15

FE 290 ENGINE

SECTION

8

FE 290 ENGINE 8-3 - 8-13
ENGINE MOUNTING 8-15

CONTENTS

FUEL, INTAKE, AND GOVERNOR SYSTEMS

SECTION

9

FUEL SYSTEM	9-3
CARBURETOR ASSEMBLY	9-5
CARBURETOR INSTALLATION	9-7
GOVERNOR AND ACCELERATOR CABLES	9-9
INTAKE DUCT, CHOKE, AND AIR BOX ASSEMBLY	9-11

EXHAUST SYSTEM

SECTION

10

EXHAUST SYSTEM	10-3
----------------------	------

TORQUE CONVERTER

SECTION

11

DRIVE CLUTCH	11-3
DRIVEN CLUTCH	11-5

UNITIZED TRANSAXLE - GASOLINE VEHICLE

SECTION

12

UNITIZED TRANSAXLE - GASOLINE VEHICLE	12-3 - 12-7
---	-------------

ELECTRICAL SYSTEM - ELECTRIC VEHICLE

SECTION

13

ELECTRICAL COMPONENTS, FRONT BODY - ELECTRIC VEHICLE	13-3
WIRING - V-GLIDE 36 VOLT VEHICLE	13-5
FORWARD AND REVERSE SWITCH - V-GLIDE 36 VOLT VEHICLE	13-7
WIPER SWITCH - V-GLIDE 36 VOLT VEHICLE	13-9
RESISTOR AND BOARD ASSEMBLY - V-GLIDE 36 VOLT VEHICLE	13-11
BATTERIES, CHARGER RECEPTACLE, SOLENOID - V-GLIDE 36 VOLT VEHICLE	13-13
WIRING - POWERDRIVE SYSTEM 48 VEHICLE	13-15
FORWARD AND REVERSE SWITCH - POWERDRIVE SYSTEM 48 VEHICLE	13-17
BATTERIES, CHARGER RECEPTACLE - POWERDRIVE SYSTEM 48 VEHICLE	13-19
COMPUTER, CONTROLLER, AND SOLENOID - POWERDRIVE SYSTEM 48 VEHICLE	13-21
MULTI-STEP POTENTIOMETER - POWERDRIVE SYSTEM 48 AND POWERDRIVE PLUS	13-23
WIRING - POWERDRIVE PLUS VEHICLE	13-25
FORWARD AND REVERSE SWITCH, TOW SWITCH - POWERDRIVE PLUS VEHICLE	13-27
BATTERIES, CHARGER RECEPTACLE - POWERDRIVE PLUS VEHICLE	13-29
SOLENOIDS, ENERGY DISPLACEMENT MODULE - POWERDRIVE PLUS VEHICLE	13-31
CONTROLLER, ON-BOARD COMPUTER - POWERDRIVE PLUS VEHICLE	13-33

BATTERY CHARGER

SECTION

14

ACCU-POWER® CHARGER, DOMESTIC - V-GLIDE 36 VOLT VEHICLE	14-3
ACCU-POWER CHARGER, EXPORT - V-GLIDE 36 VOLT VEHICLE	14-5
ACCU-POWER CHARGER, EXPORT, 100 VOLT - V-GLIDE 36 VOLT VEHICLE	14-7
POWERDRIVE CHARGER, DOMESTIC - POWERDRIVE SYSTEM 48 AND POWERDRIVE PLUS	14-9
POWERDRIVE CHARGER, EXPORT - POWERDRIVE SYSTEM 48 AND POWERDRIVE PLUS	14-11
POWERDRIVE CHARGER, EUROPEAN - POWERDRIVE SYSTEM 48 AND POWERDRIVE PLUS	14-13

ELECTRIC MOTOR

SECTION

15

MOTOR - V-GLIDE 36 VOLT VEHICLE	15-3
MOTOR - POWERDRIVE SYSTEM 48 VEHICLE	15-5
MOTOR - POWERDRIVE PLUS VEHICLE	15-7

CONTENTS

TRANSAXLE - ELECTRIC VEHICLE

SECTION

16

TRANSAXLE - ELECTRIC VEHICLE	16-3
------------------------------------	------

1
G
E

MAINTENANCE AND SERVICE TOOLS

1

G

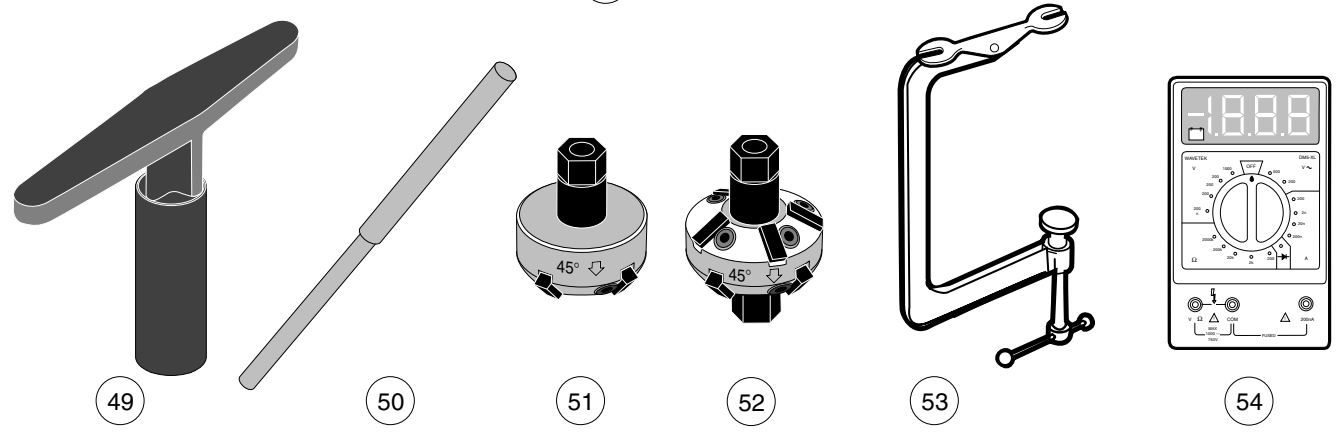
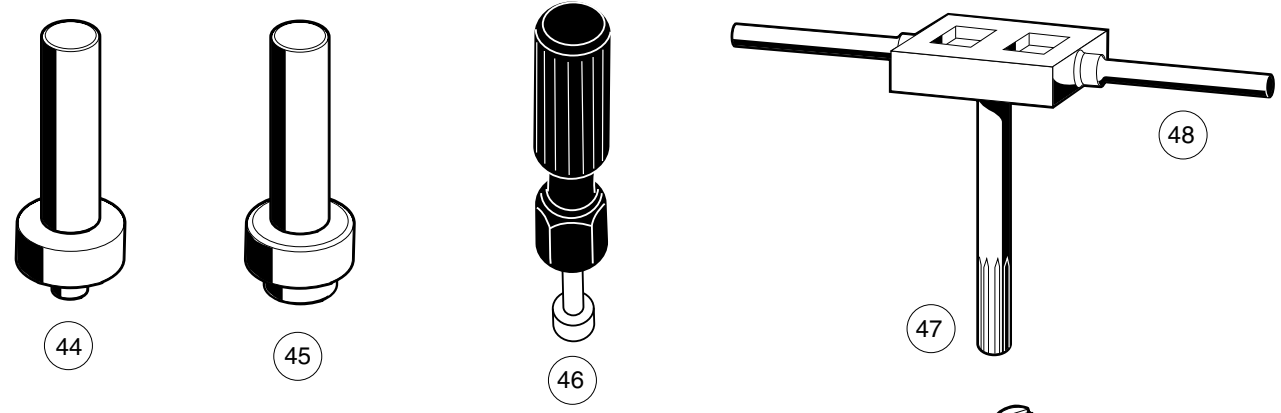
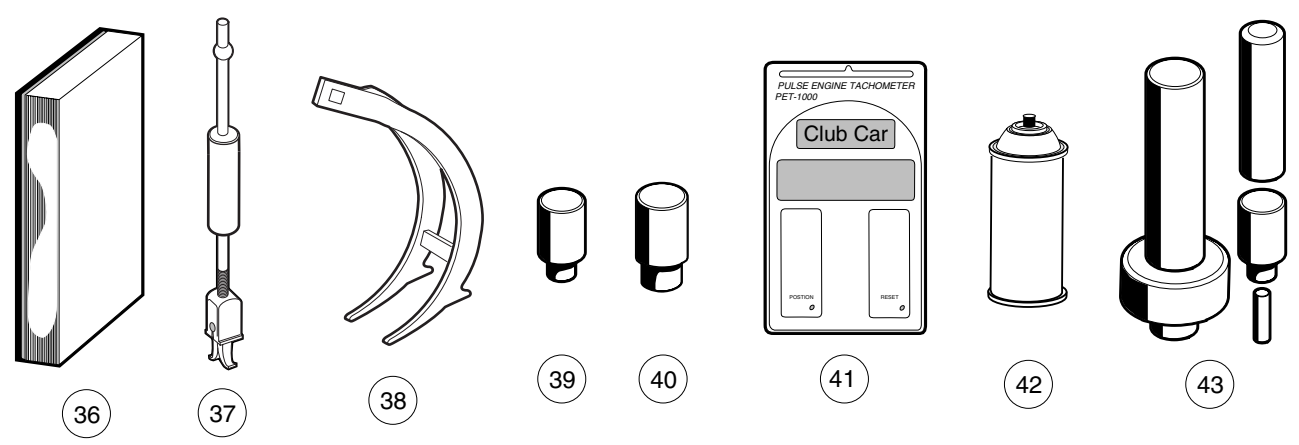
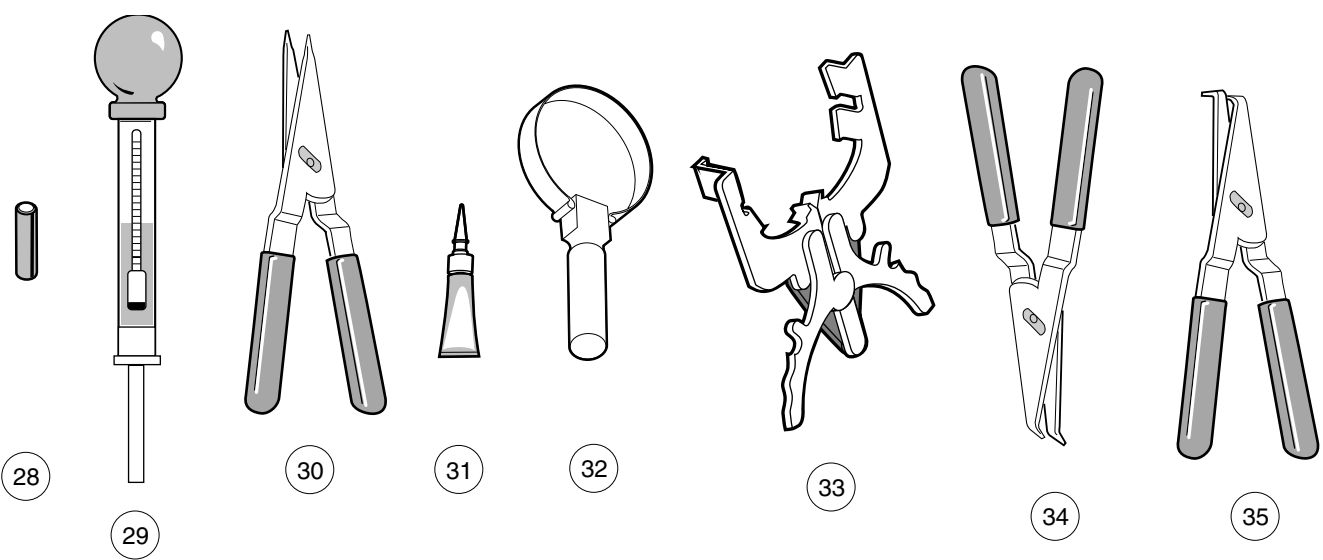
E

MAINTENANCE AND SERVICE TOOLS

ITEM	PART NO.	DESCRIPTION	QTY GAS	QTY ELEC
		1 2 3 4		
1	<u>1018710-01</u>	ACCELERATOR PEDAL ADJUSTMENT TOOL	1	1
2	1016985	ADHESION PROMOTER - ARMORFLEX®	1	1
3	<u>1018132-02</u>	ADHESIVE, GUIDE RING, 3 GRAM TUBE		1
4	1017295	ARMORFLEX REPAIR KIT	1	1
5	<u>1018319-01</u>	BATTERY DISCHARGE MACHINE, 36/48 VOLT		1
6	<u>1014305</u>	BATTERY TERMINAL PROTECTOR SPRAY	1	1
7	1011767	BATTERY THERMOMETER		1
8	<u>1016417</u>	BEARING AND OIL SEAL REMOVER ASSEMBLY	1	1
9	<u>1016416</u>	BEARING DRIVER SET	1	1
10	<u>1012811</u>	BEARING PULLER	1	1
11	<u>1012812</u>	BEARING PULLER WEDGE ATTACHMENT	1	1
12	<u>1018871-01</u>	CALIBRATION TEST MODULE		1
13	<u>1018084-01</u>	CAM INSTALLATION TOOL	1	
	<u>1014510</u>	CLUTCH TOOL KIT (INCLUDES ITEMS 14 - 20)	1	
14	<u>1014498</u>	CLUTCH ALIGNMENT TOOL	1	
15	<u>1014496</u>	DRIVE CLUTCH PULLER	1	
16	<u>1014497</u>	CLUTCH DRIVE HUB PULLER	1	
17	<u>1014508</u>	DRIVEN CLUTCH CAM PULLER	1	
18	<u>1014507</u>	DRIVEN CLUTCH PULLER PLUG	1	
19	<u>1015524</u>	DRIVE CLUTCH HOLDER TOOL ASSEMBLY	1	
20	<u>1018091-01</u>	PRESS WELDMENT	1	
21	1018318-01	COMMUNICATION DISPLAY MODULE		1
22	1016410-02	COMPRESSION GAUGE AND ADAPTER	1	
23	1011273	CONTINUITY TESTER	1	1
24	<u>1012151</u>	DRY MOLY LUBRICANT	1	1
25	<u>1016627</u>	FLY WHEEL PULLER KIT	1	
26	<u>1016418</u>	GEAR YOKE	1	1
		PLEASE REFER TO THE MAINTENANCE AND SERVICE MANUAL FOR PROPER TOOL APPLICATION.		

1
G
E

**1
G
E**



MAINTENANCE AND SERVICE TOOLS

ITEM	PART NO.	DESCRIPTION	QTY GAS	QTY ELEC
		1 2 3 4		
28	<u>1019331-01</u>	GOVERNOR SHAFT INSTALLATION TOOL	1	
29	<u>1011478</u>	HYDROMETER	1	1
30	<u>1013593</u>	INTERNAL RETAINING RING PLIERS	1	1
31	<u>1019287-01</u>	LIQUID GASKET (TRANSAXLE CASE)	1	
32	<u>1016414</u>	PISTON RING COMPRESSOR KIT	1	
33	<u>1016415</u>	PISTON RING PLIERS	1	
34	<u>1012549</u>	RETAINING RING PLIERS - 45° EXTERNAL	1	1
35	<u>1012560</u>	RETAINING RING PLIERS - 90° INTERNAL	1	1
36	<u>1018231-01</u>	SAFETY FIRST CARD (50 PER PACK)	1	1
37	<u>1012809</u>	SEAL PULLER	1	1
38	<u>1016867</u>	STARTER/GENERATOR BELT TENSION TOOL	1	
39	<u>1014264</u>	STEERING COLUMN BEARING PRESS TOOL	1	1
40	<u>1014259</u>	STEERING COLUMN RETAINING RING TOOL	1	1
41	<u>1016112</u>	TACHOMETER	1	
42	N/A	TOUCH-UP PAINT, LACQUER - BEIGE	1	1
42	N/A	TOUCH-UP PAINT, LACQUER - WHITE	1	1
42	N/A	TOUCH-UP PAINT, LACQUER - GREY	1	1
42	N/A	TOUCH-UP PAINT, LACQUER - RED	1	1
42	N/A	TOUCH-UP PAINT, LACQUER - DARK BLUE	1	1
42	N/A	TOUCH-UP PAINT, LACQUER - DARK GREEN	1	1
43	<u>1014115</u>	TRANSMISSION TOOL KIT	1	
44	<u>1014161</u>	TRANSAXLE PINION SEAL TOOL	1	1
45	<u>1014162</u>	TRANSAXLE AXLE SEAL TOOL	1	1
46	<u>1016413</u>	VALVE CLEARANCE ADJUSTER SCREW HOLDER	1	
47	<u>1016412-01</u>	VALVE GUIDE REAMER (INCLUDES ITEM 48).....	1	
48	<u>1016412-02</u>	ARBOR	1	
49	<u>1016551</u>	VALVE SEAT CUTTER T-WRENCH	1	
50	<u>1016552</u>	VALVE SEAT CUTTER GUIDE	1	
51	<u>1016553</u>	VALVE SEAT CUTTER, 45° (32MM DIAMETER)	1	
52	<u>1016554</u>	VALVE SEAT CUTTER, 32° AND 45° (35MM DIAMETER)	1	
53	<u>1016411-01</u>	VALVE SPRING COMPRESSOR	1	
54	<u>1011480</u>	VOLT OHM METER	1	1
55	<u>1016110-02</u>	TUNE-UP KIT (FE 290) (INCLUDES AIR FILTER, SPARK PLUG, OIL FILTER, FUEL FILTERS) (NOT SHOWN)	1	
PLEASE REFER TO THE MAINTENANCE AND SERVICE MANUAL FOR PROPER TOOL APPLICATION.				



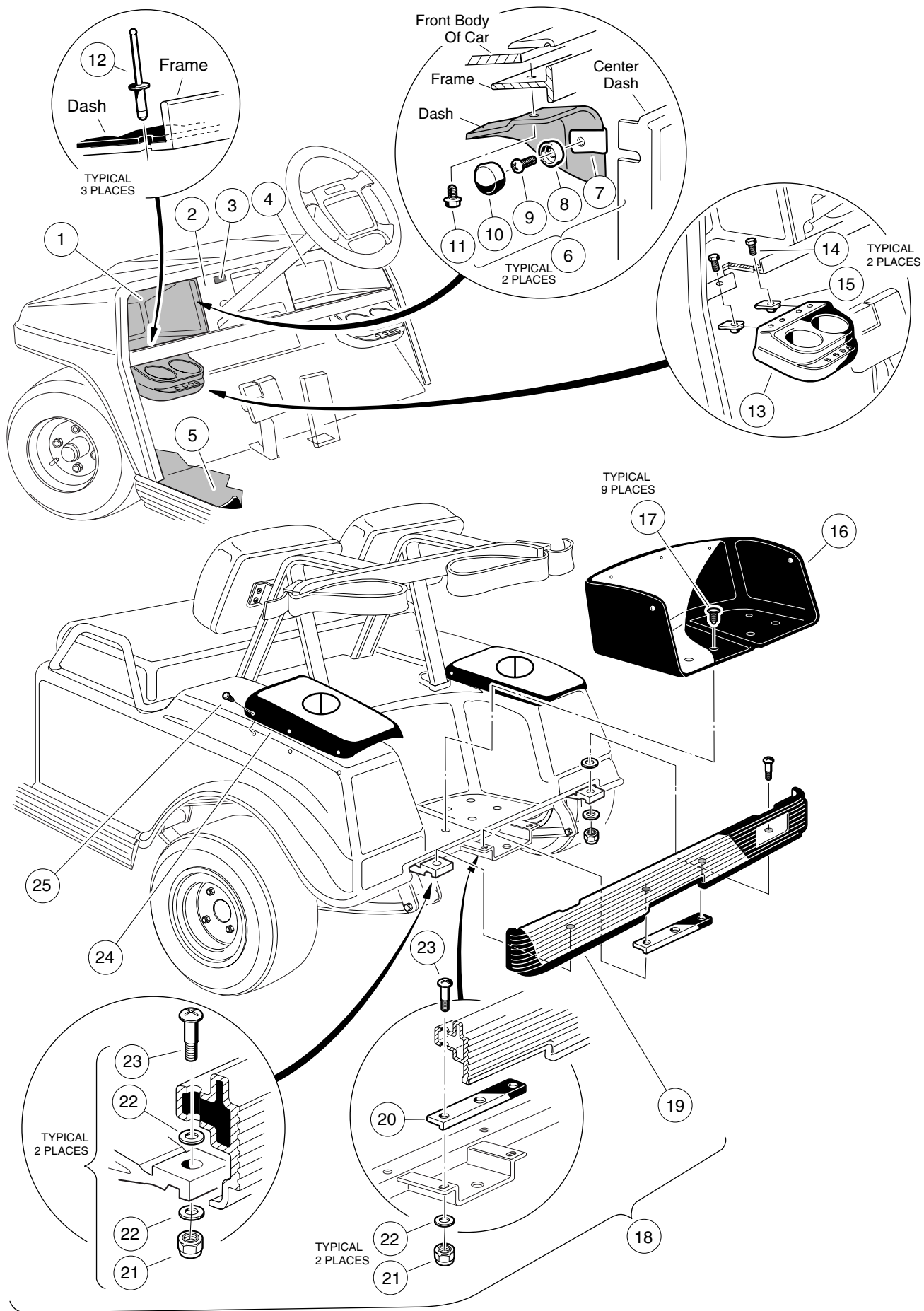
1
G
E

BODY AND TRIM

2

G

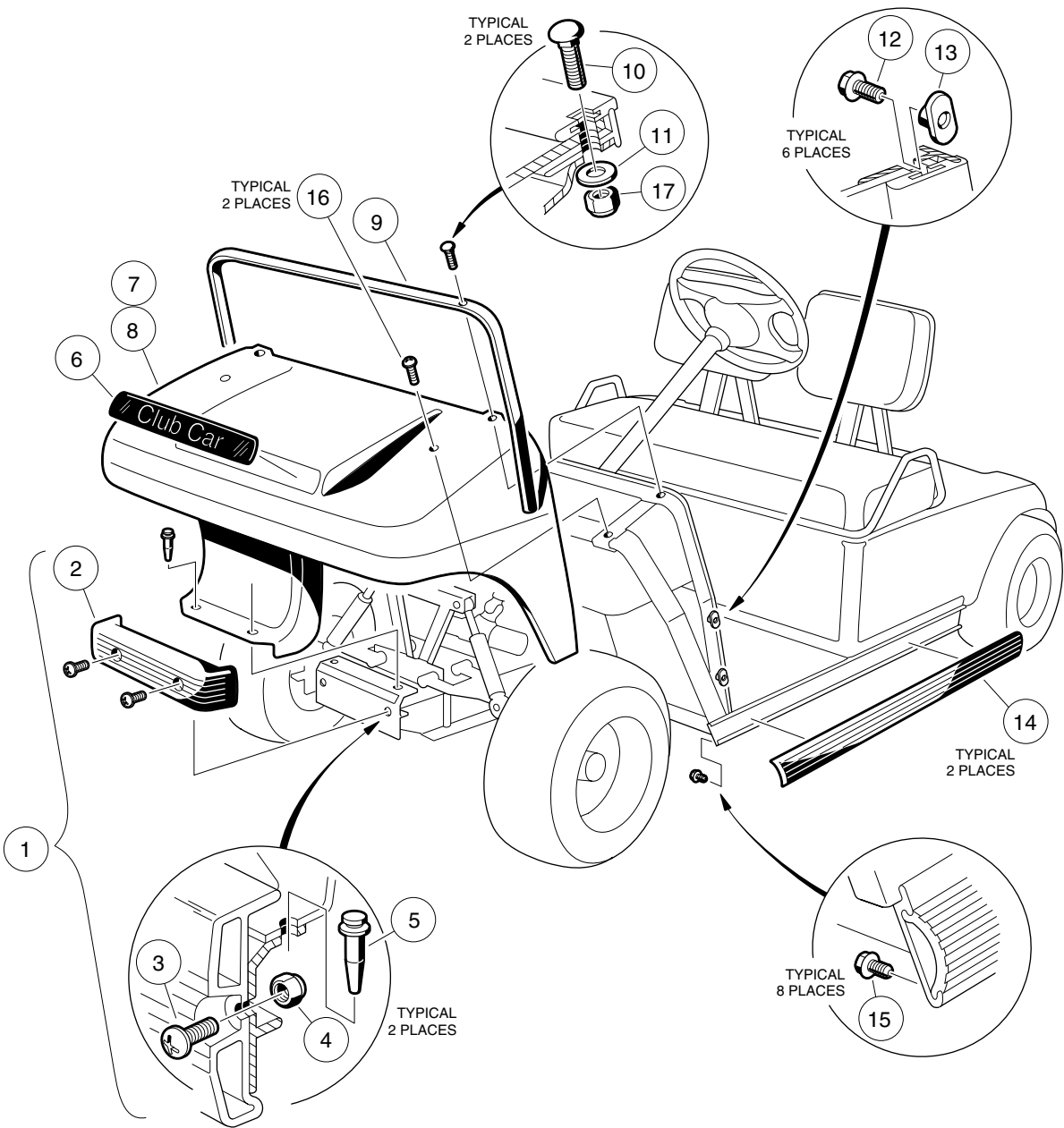
E



BODY TRIM

ITEM	PART NO.	DESCRIPTION	QTY GAS	QTY ELEC
		1 2 3 4		
1	1013344	COMPONENT, LEFT DASH, BLACK	1	1
2	1016604-04	PANEL, CENTER DASH, BLACK	1	1
3	<u>1018026-01</u>	PLUG, HOLE (V-GLIDE 36 VOLT VEHICLE ONLY)		1
4	<u>1013343</u>	COMPONENT, RIGHT DASH, BLACK	1	1
5	<u>1015032</u>	MAT, FLOOR	1	1
6	<u>1014645</u>	KIT, SNAP WASHER, BLACK (INCLUDES ITEMS 7 - 10)	2	2
7	N/A	NUT, SPEED	1	1
8	N/A	WASHER, #10	1	1
9	N/A	SCREW, #10 SHEET METAL	1	1
10	N/A	COVER, SCREW HEAD	1	1
11	<u>1011017</u>	SCREW, FLANGE LOCK	2	2
12	0007973	RIVET, ALUMINUM POP, 3/16	3	3
13	<u>1017083-01</u>	KIT, DRINK HOLDER (INCLUDES ITEMS 14 AND 15)	2	2
14	0007847	BOLT, HEX HEAD, 1/4 - 20 x 3/4	2	2
15	1016952	NUT, "U", 1/4 - 20	2	2
16	<u>1017682-02</u>	KIT, BAGWELL PROTECTOR (INCLUDES ITEM 17)	1	1
17	<u>1010434</u>	FASTENER, PLASTIC BARREL	9	9
18	<u>1017079</u>	KIT, REAR BUMPER (INCLUDES ITEMS 19 - 23)	1	1
19	<u>1016379</u>	BUMPER, REAR	1	1
20	<u>1016875</u>	PLATE, MOUNTING, LONG	1	1
21	0007473	NUT, NYLON LOCK, 5/16 - 18	4	4
22	<u>1011697</u>	WASHER, SPECIAL, 5/16	6	6
23	<u>1016876</u>	BOLT, PHILLIPS TRUSS HEAD SHOULDER, 3/8 - 18 x 2	4	4
24	1017067-02	KIT, SCUFF GUARD (INCLUDES ITEM 25)	1	1
25	<u>1010434</u>	FASTENER, PLASTIC BARREL	12	12

2
G
E



FRONT BODY

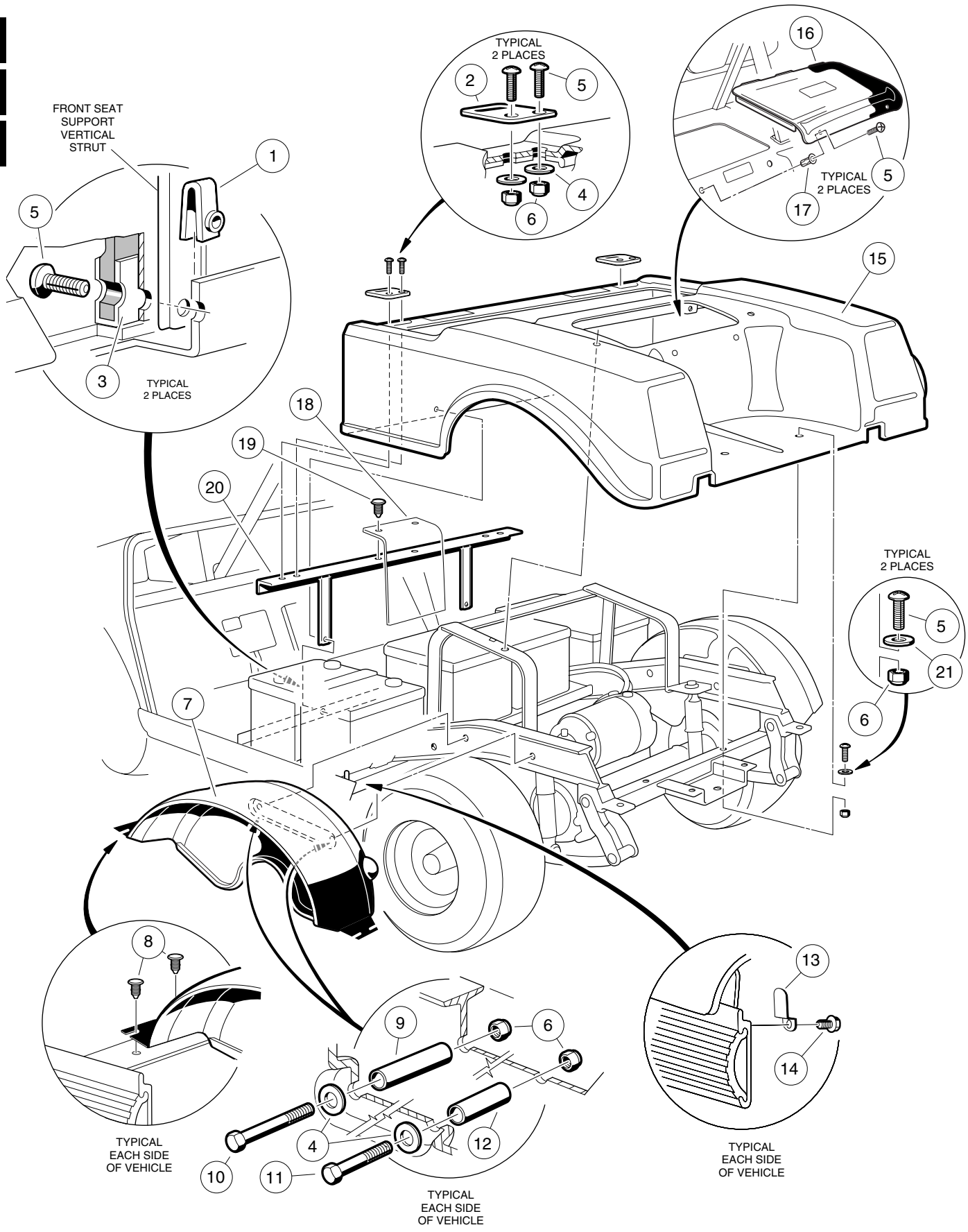
2
G
E

ITEM	PART NO.	DESCRIPTION	QTY GAS	QTY ELEC
		1 2 3 4		
1	<u>1017080</u>	KIT, FRONT BUMPER (INCLUDES ITEMS 2 - 5)	1	1
2	<u>1016868</u>	BUMPER, FRONT	1	1
3	0007251	SCREW, PHILLIPS TRUSS HEAD, 5/16 - 18 x 1	2	2
4	0007473	NUT, NYLON LOCK, 5/16 - 18	2	2
5	<u>1016967</u>	RIVET, PUSH TYPE BLIND	2	2
6	<u>1014198</u>	NAMEPLATE - GOLD	1	1
7	<u>1016925-01</u>	BODY, FRONT - BEIGE	1	1
7	<u>1016925-02</u>	BODY, FRONT - WHITE	1	1
7	<u>1016925-04</u>	BODY, FRONT - GRAY	1	1
7	<u>1016925-06</u>	BODY, FRONT - RED	1	1
7	<u>1016925-09</u>	BODY, FRONT - DARK BLUE	1	1
7	<u>1016925-10</u>	BODY, FRONT - DARK GREEN	1	1
8	<u>1016939-01</u>	BODY, FRONT WITH HEADLIGHT OPENING - BEIGE	1	1
8	<u>1016939-02</u>	BODY, FRONT WITH HEADLIGHT OPENING - WHITE	1	1
8	<u>1016939-04</u>	BODY, FRONT WITH HEADLIGHT OPENING - GRAY	1	1
8	<u>1016939-06</u>	BODY, FRONT WITH HEADLIGHT OPENING - RED	1	1
8	<u>1016939-08</u>	BODY, FRONT WITH HEADLIGHT OPENING - DARK BLUE	1	1
8	<u>1016939-09</u>	BODY, FRONT WITH HEADLIGHT OPENING - DARK GREEN	1	1
9	<u>1011014</u>	TRIM, FRONT BODY	1	1
10	<u>1010435</u>	BOLT, CARRIAGE, 5/16 - 18 x 1	2	2
11	0001241	WASHER, FLAT, 5/16	2	2
12	<u>1011017</u>	SCREW, FLANGE LOCK	6	6
13	1011394	NUT, SLAB BASE "T" (PACKAGE OF 4)	1	1
14	1013475-01	BUMPER, SIDE GUARD TRIM	2	2
15	<u>1012047</u>	SCREW, SELF-TAPPING, #8 - 32 x 3/8	8	8
16	0007251	SCREW, PHILLIPS TRUSS HEAD, 5/16 - 18 x 1	2	2
17	0007473	NUT, NYLON LOCK, 5/16 - 18	2	2

REAR BODY AND FENDER - GASOLINE VEHICLE

ITEM	PART NO.	DESCRIPTION	QTY GAS	QTY ELEC
		1 2 3 4		
1	0008251	SCREW, PHILLIPS HEAD, 1/4 - 20 x 1	10	
2	<u>1019041-01</u>	PLATE, BODY KICK	1	
3	1016952	U-NUT, 1/4 - 20	2	
4	1012412	PLATE, BODY HINGE	2	
5	0000332	WASHER, FLAT, 1/4	8	
6	0008233	NUT, NYLON LOCK, 1/4 - 20	10	
7	<u>1015829-02</u>	ASSEMBLY, ACCESS DOOR - BLACK	1	
7	1015829-01	ASSEMBLY, ACCESS DOOR - BEIGE	1	
8	<u>1015525</u>	NUT, BLIND, 1/4 - 20	2	
9	N/A	INSULATION, SOUND, FRONT	1	
10	N/A	INSULATION, SOUND, LEFT SIDE BODY	1	
11	N/A	INSULATION, SOUND, BODY LEFT / RIGHT FENDER	2	
12	<u>1016926-01</u>	BODY - BEIGE	1	
12	<u>1016926-02</u>	BODY - WHITE	1	
12	<u>1016926-04</u>	BODY - GRAY	1	
12	<u>1016926-06</u>	BODY - RED	1	
12	<u>1016926-09</u>	BODY - DARK BLUE	1	
12	1016926-10	BODY - DARK GREEN	1	
12	<u>1016962-08</u>	BODY WITH TAILLIGHT OPENING - BEIGE	1	
12	<u>1016962-09</u>	BODY WITH TAILLIGHT OPENING - WHITE	1	
12	<u>1016962-11</u>	BODY WITH TAILLIGHT OPENING - GRAY	1	
12	<u>1016962-13</u>	BODY WITH TAILLIGHT OPENING - RED	1	
12	<u>1016962-15</u>	BODY WITH TAILLIGHT OPENING - DARK BLUE	1	
12	<u>1016962-16</u>	BODY WITH TAILLIGHT OPENING - DARK GREEN	1	
13	N/A	INSULATION, SOUND, RIGHT SIDE FENDER - SHORT	1	
14	N/A	INSULATION, SOUND, LEFT SIDE FENDER - LONG	1	
15	<u>1017141</u>	SUPPORT, FRONT BODY	1	
16	1018962-01	KIT, FORWARD AND REVERSE SWITCH COVER (INCLUDES 2 OF ITEM 17)	1	
17	<u>1010434</u>	FASTENER, PLASTIC BARREL	2	
18	<u>1017748</u>	CLIP, BODY KEEPER	2	
19	<u>1012047</u>	SCREW, SELF-TAPPING, #8 - 32 x 3/8	2	
20	0000304	SCREW, HEX HEAD CAP, 1/4 - 20 x 1	4	
21	<u>1010434</u>	BARREL, PLASTIC	4	
22	<u>1017936</u>	FENDER, INNER	2	
23	<u>1014306</u>	WASHER, FLAT, TYPE B, 1/4	2	

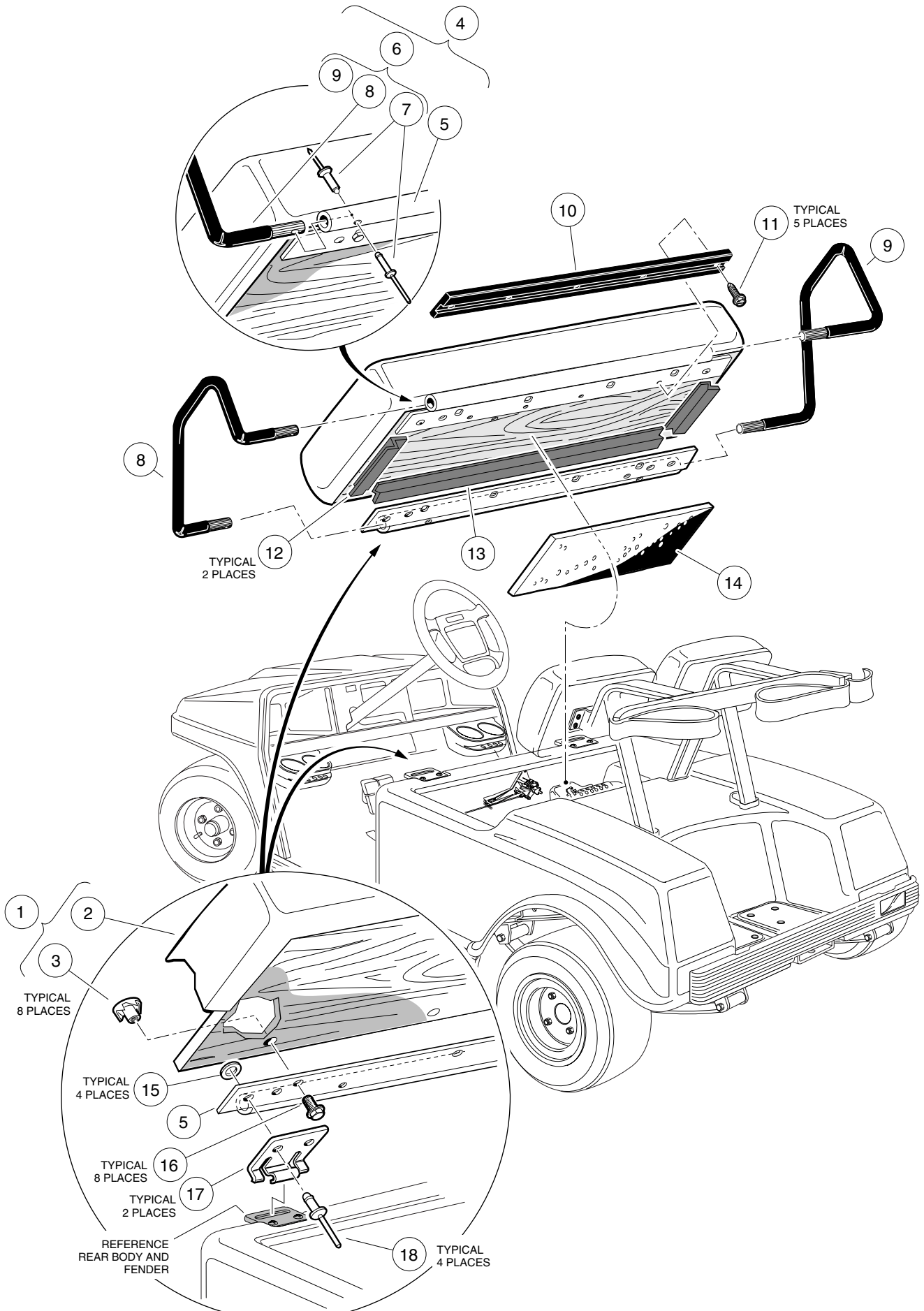
2
G
E



REAR BODY AND FENDER - ELECTRIC VEHICLE

ITEM	PART NO.	DESCRIPTION	QTY GAS	QTY ELEC
		1 2 3 4		
1	1016952	NUT, "U", 1/4 - 20		2
2	1012412	PLATE, BODY HINGE		2
3	<u>1019041-01</u>	PLATE, BODY KICK		1
4	0000332	WASHER, FLAT, 1/4		8
5	0008251	SCREW, PHILLIPS HEAD, 1/4 - 20 x 1		10
6	0008233	NUT, NYLON LOCK, 1/4 - 20		10
7	<u>1017936</u>	FENDER, INNER		2
8	<u>1010434</u>	FASTENER, PLASTIC BARREL		4
9	<u>1017814</u>	SPACER, 1 7/8		2
10	<u>1012159</u>	BOLT, HEX HEAD, 1/4 - 20 x 2 3/4		2
11	0007479	BOLT, HEX HEAD, 1/4 - 20 x 1 1/4		2
12	<u>1017815</u>	SPACER, 1/2		2
13	<u>1017748</u>	CLIP, BODY KEEPER		2
14	<u>1012047</u>	SCREW, SELF-TAPPING, #8 - 32		2
15	<u>1016933-01</u>	BODY - BEIGE		1
15	<u>1016933-02</u>	BODY - WHITE		1
15	<u>1016933-04</u>	BODY - GRAY		1
15	<u>1016933-06</u>	BODY - RED		1
15	<u>1016933-09</u>	BODY - DARK BLUE		1
15	<u>1016933-10</u>	BODY - DARK GREEN		1
15	<u>1016962-01</u>	BODY WITH TAILLIGHT OPENING - BEIGE		1
15	<u>1016962-02</u>	BODY WITH TAILLIGHT OPENING - WHITE		1
15	<u>1016962-04</u>	BODY WITH TAILLIGHT OPENING - GRAY		1
15	<u>1016962-06</u>	BODY WITH TAILLIGHT OPENING - RED		1
15	<u>1016962-17</u>	BODY WITH TAILLIGHT OPENING - DARK BLUE		1
15	<u>1016962-18</u>	BODY WITH TAILLIGHT OPENING - DARK GREEN		1
16	<u>1013032</u>	DOOR, ACCESS - BLACK		1
16	1013140	DOOR, ACCESS - BEIGE		1
17	<u>1015525</u>	NUT, BLIND, 1/4 - 20		2
18	1018962-01	KIT, FORWARD AND REVERSE SWITCH COVER (INCLUDES 2 OF ITEM 19)		1
19	<u>1010434</u>	FASTENER, PLASTIC BARREL		2
20	<u>1017141</u>	SUPPORT, FRONT BODY		1
21	<u>1014306</u>	WASHER, FLAT, TYPE B, 1/4		2

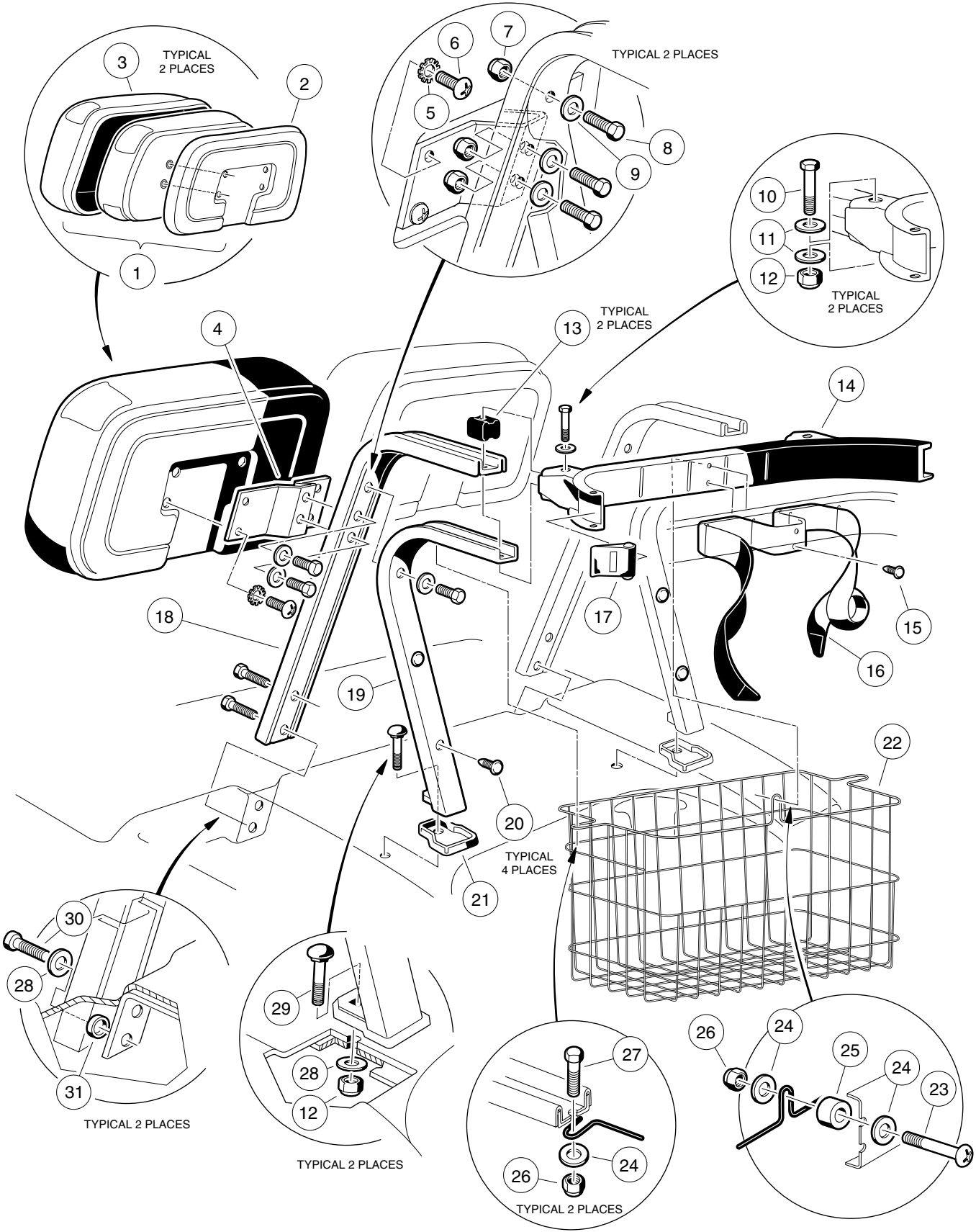
2
G
E



SEAT BOTTOM AND ARMREST

ITEM	PART NO.	DESCRIPTION	QTY GAS	QTY ELEC
		1 2 3 4		
1	<u>1015648-04</u>	ASSEMBLY, SEAT BOTTOM - BUFF (INCLUDES ITEMS 2 AND 3)	1	1
1	<u>1015648-05</u>	ASSEMBLY, SEAT BOTTOM - WHITE (INCLUDES ITEMS 2 AND 3)	1	1
1	<u>1015648-07</u>	ASSEMBLY, SEAT BOTTOM - GRAY (INCLUDES ITEMS 2 AND 3)	1	1
1	<u>1015648-08</u>	ASSEMBLY, SEAT BOTTOM - BLACK (INCLUDES ITEMS 2 AND 3)	1	1
2	<u>1015627-01</u>	COVER, VINYL SEAT BOTTOM - BUFF	1	1
2	<u>1015627-02</u>	COVER, VINYL SEAT BOTTOM - WHITE	1	1
2	<u>1015627-04</u>	COVER, VINYL SEAT BOTTOM - BLACK	1	1
2	<u>1015627-10</u>	COVER, VINYL SEAT BOTTOM - GRAY	1	1
3	1010543	INSERT, WOOD	8	8
4	1015670	ASSEMBLY, SEAT BOTTOM AND ARMREST (INCLUDES ITEMS 5 - 9)	1	1
5	<u>1015625</u>	BRACKET, SEAT SUPPORT	2	2
6	<u>1019511-01</u>	KIT, ARMREST (INCLUDES ITEMS 7 - 9)	1	1
7	<u>1018809-01</u>	RIVET, MATING, 3/16	8	8
8	N/A	ASSEMBLY, ARMREST, LEFT	1	1
9	N/A	ASSEMBLY, ARMREST, RIGHT	1	1
10	<u>1012597</u>	BUMPER, SEAT	1	1
11	<u>1017384</u>	SCREW, WASHER HEAD TAP, #12	5	5
12	<u>1012656</u>	GASKET, SEAT, SHORT (GASOLINE VEHICLE ONLY)	2	
13	<u>1012657</u>	GASKET, SEAT, LONG (GASOLINE VEHICLE ONLY)	1	
14	N/A	INSULATION, SOUND (GASOLINE VEHICLE ONLY)	1	
15	<u>1018817-01</u>	WASHER, FLAT, STAINLESS STEEL, #8	4	4
16	0000304	SCREW, HEX HEAD CAP, 1/4 - 20 x 1	8	8
17	<u>1011652</u>	PLATE, SEAT HINGE, STAINLESS STEEL	2	2
18	<u>1018809-01</u>	RIVET, POP, STAINLESS STEEL, 3/16	4	4

2
G
E



SEAT BACK AND BAG HOOP

ITEM	PART NO.	DESCRIPTION	QTY GAS	QTY ELEC
		1 2 3 4		
1	<u>1015651-02</u>	ASSEMBLY, SEAT BACK - WHITE (INCLUDES ITEMS 2 AND 3)	2	2
1	<u>1015651-05</u>	ASSEMBLY, SEAT BACK - BUFF (INCLUDES ITEMS 2 AND 3)	2	2
1	<u>1015651-06</u>	ASSEMBLY, SEAT BACK - GRAY (INCLUDES ITEMS 2 AND 3)	2	2
1	1015651-07	ASSEMBLY, SEAT BACK - BLACK (INCLUDES ITEMS 2 AND 3)	2	2
2	<u>1013335</u>	CAP, SEAT BACK - BLACK	2	2
3	<u>1015626-01</u>	COVER, VINYL, SEAT BACK - BUFF	2	2
3	<u>1015626-02</u>	COVER, VINYL, SEAT BACK - WHITE	2	2
3	<u>1015626-04</u>	COVER, VINYL, SEAT BACK - BLACK	2	2
3	<u>1015626-05</u>	COVER, VINYL, SEAT BACK - GRAY	2	2
4	1017409	MOUNT, SEAT BACK	2	2
5	<u>1019462-01</u>	WASHER, EXTERNAL TOOTH LOCK, 1/4	8	8
6	0008248	SCREW, PHILLIPS TRUSS HEAD, 1/4 - 20 x 3/4	8	8
7	0008233	NUT, NYLON LOCK, 1/4 - 20	6	6
8	0007847	SCREW, HEX HEAD, 1/4 - 20 x 3/4	6	6
9	0000332	WASHER, FLAT, 1/4	8	8
10	0008935	SCREW, CAP HEX HEAD, 5/16 - 18 x 2 1/4	2	2
11	1015075	WASHER, FLAT, 5/16	4	4
12	0007473	NUT, NYLON LOCK, 5/16 - 18	4	4
13	1013884	SPACER, BAG HOOP	2	2
14	1013935	ASSEMBLY, BAG HOOP (INCLUDES ITEMS 15 - 17)	1	1
15	<u>1010434</u>	FASTENER, PLASTIC BARREL	2	2
16	<u>1010413</u>	STRAP, BAG	1	1
17	<u>1013754</u>	BUCKLE, BAG STRAP	2	2
18	<u>1011708</u>	SUPPORT, SEAT BACK, MAIN	2	2
19	<u>1011710</u>	ASSEMBLY, KNEE BRACE WELDMENT	2	2
20	<u>1017234</u>	FASTENER, PLASTIC BARREL - GRAY	4	4
21	1011706	PAD, MOUNTING, SEAT BACK SUPPORT	2	2
22	<u>1017072-06</u>	KIT, SWEATER BASKET (INCLUDES ITEMS 23 - 27)	1	1
23	0008418	SCREW, PHILLIPS TRUSS HEAD, 1/4 - 20 x 1 1/2	1	1
24	1015075	WASHER, FLAT, 5/16	4	4
25	<u>1014482</u>	SPACER, NYLON	1	1
26	0008233	NUT, NYLON LOCK, 1/4 - 20	3	3
27	0000304	BOLT, HEX HEAD, 1/4-20 x 1	2	2
28	0001241	WASHER, FLAT, 5/16	2	2
29	0007818	BOLT, CARRIAGE, 5/16 - 18 x 1 1/2	2	2
30	<u>1019104-01</u>	SCREW, SELF-TAPPING, 5/16 - 18 x 1 1/4	4	4
31	1017774	SPACER, BODY	4	4

2
G
E

2

G

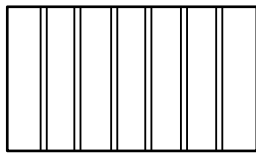
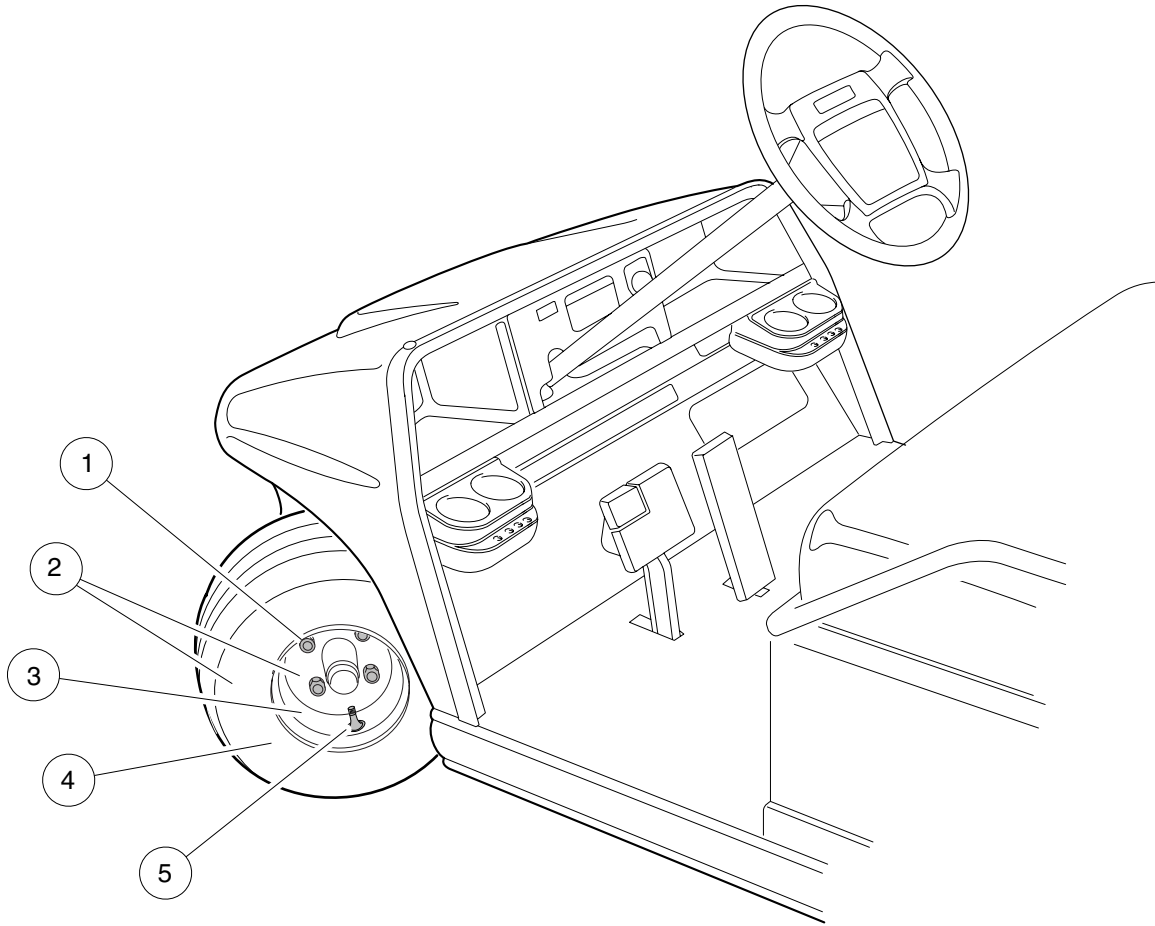
E

WHEELS AND TIRES

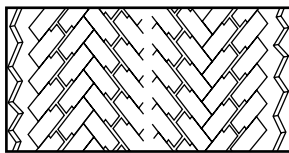
3

G

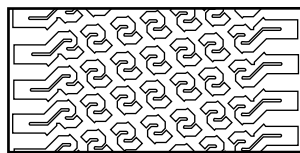
E



STANDARD
TREAD



PREMIUM
TREAD



EXTRA
TRACTION

WHEELS AND TIRES

ITEM	PART NO.	DESCRIPTION	QTY GAS	QTY ELEC
		1 2 3 4		
1	<u>1010984</u>	NUT, LUG	16	16
2	<u>1015705-01</u>	ASSEMBLY, BEIGE WHEEL AND STANDARD TREAD TIRE (18 x 8.5 - 8)	4	4
2	<u>1015705-02</u>	ASSEMBLY, BEIGE WHEEL AND PREMIUM TREAD TIRE (18 x 8.5 - 8)	4	4
2	N/A	ASSEMBLY, BEIGE WHEEL AND PREMIUM TREAD TIRE, WHITE WALL (18 x 8.5 - 8)	4	4
2	<u>1015705-07</u>	ASSEMBLY, BEIGE WHEEL AND EXTRA TRACTION TIRE, 6 PLY (18 x 8.5 - 8)	4	4
2	<u>1016514-01</u>	ASSEMBLY, WHITE WHEEL AND STANDARD TREAD TIRE (18 x 8.5 - 8)	4	4
2	<u>1016514-02</u>	ASSEMBLY, WHITE WHEEL AND PREMIUM TREAD TIRE (18 x 8.5 - 8)	4	4
2	N/A	ASSEMBLY, WHITE WHEEL AND PREMIUM TREAD TIRE, WHITE WALL (18 x 8.5 - 8)	4	4
2	<u>1016514-07</u>	ASSEMBLY, WHITE WHEEL AND EXTRA TRACTION TIRE, 6 PLY (18 x 8.5 - 8)	4	4
3	1015707	WHEEL RIM, BEIGE	4	4
3	<u>1014771</u>	WHEEL RIM, WHITE	4	4
4	0007271-02	TIRE, UNMOUNTED, STANDARD TREAD (18 x 8.5 - 8)	4	4
4	<u>1015672-02</u>	TIRE, UNMOUNTED, PREMIUM TREAD (18 x 8.5 - 8)	4	4
4	<u>1017693-02</u>	TIRE, UNMOUNTED, EXTRA TRACTION, 6 PLY (18 x 8.5 - 8)	4	4
5	0007310	STEM, VALVE	4	4

3
G
E

3

G

E

SAFETY DECALS

4

G

E

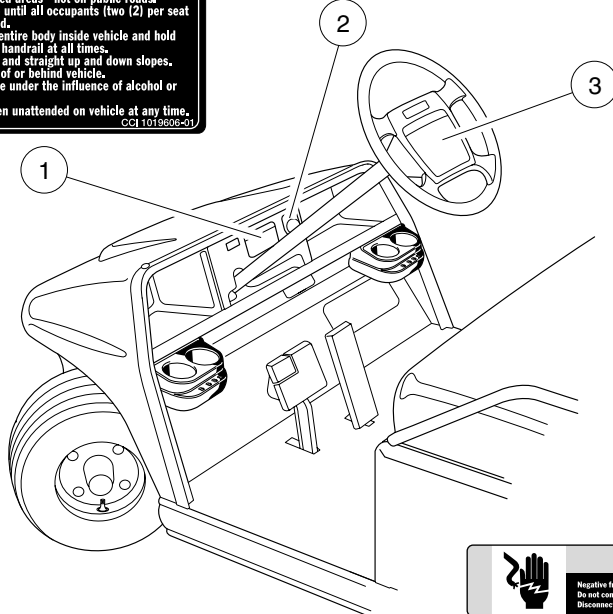
**DRIVER / PASSENGER
WARNING DECAL**

⚠ WARNING
 READ AND FOLLOW THESE WARNINGS AND THE OPERATING INSTRUCTIONS BEFORE USING VEHICLE. FAILURE TO DO SO CAN CAUSE SEVERE INJURY OR DEATH.

- Operate from driver side by authorized persons only and only in designated areas - not on public roads.
- DO NOT start vehicle until all occupants (two (2) per seat maximum) are seated.
- Remain seated with entire body inside vehicle and hold on to seat handle or handrail at all times.
- Drive slowly in turns and straight up and down slopes.
- Never stand in front of or behind vehicle.
- DO NOT operate while under the influence of alcohol or drugs.
- DO NOT leave children unattended on vehicle at any time.

CCI 1019606-01

KEY SWITCH



OPERATING INSTRUCTIONS

- Read Owner's Manual and safety warnings located on dash panel prior to driving.
- Study and understand controls.
- Make sure wheels are turned in desired direction.
- Turn key to "ON" position and be sure nothing is in your path.
- While vehicle is stopped, select direction by placing shift lever or switch in desired position:
 F - Forward N - Neutral R - Reverse (Buzzer will sound)
- Vehicle will start moving when accelerator pedal is depressed.
- Slowly depress accelerator pedal to increase speed. Park brake will release when accelerator pedal is depressed.
- To stop, release accelerator pedal and depress brake pedal.
- After stopping, firmly depress park brake until it locks.
- Place forward and reverse switch in neutral position. Turn key "OFF" and remove key when not in use.

CCI 1016216-01

**OPERATING INSTRUCTIONS
DECAL**

⚠ WARNING
 Negative frame ground. Can cause severe injury. Do not connect positive (+) battery post or cable to frame. Disconnect negative battery lead first.

⚠ WARNING
 Excessive speed. Can cause severe injury or death. Do not tamper with engine governor adjustment.

CCI 1019610-01

**FRAME GROUND AND
GOVERNOR WARNING DECAL
(ON VEHICLE FRAME NEAR BATTERY)**

⚠ WARNING

- GASOLINE EXPLOSION / FIRE.
- CAN CAUSE SEVERE INJURY OR DEATH.
- NO SMOKING, SPARKS, OR OPEN FLAME.
- STOP ENGINE, ALLOW TO COOL BEFORE REFUELING.

CCI 1015476-01

**GASOLINE WARNING DECAL
(ON VEHICLE FRAME NEAR FUEL TANK)**

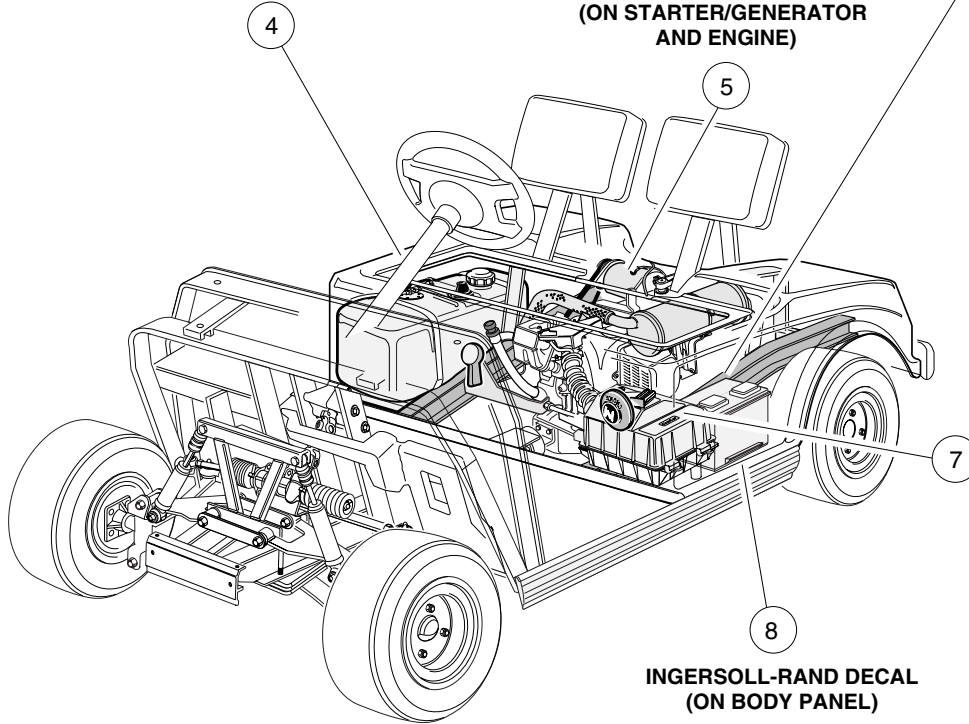
⚠ WARNING
 CAN CAUSE SEVERE INJURY

Moving parts

HOT manifold & muffler

KEEP CLEAR CCI 1019605-01

**MOVING PARTS AND
HOT MANIFOLD DECAL
(ON STARTER/GENERATOR
AND ENGINE)**



**PERIODIC SERVICE DECAL
(ON AIR INTAKE BOX)**

Periodic Service Schedule	
Service	Regular Interval
1. Check Engine Oil Level	Monthly
2. Change Engine Oil and Filter	First 100 Hours * Then One Year or 200 hours.
3. Check and Clean Air Filter Element†	One Year Under Normal Use Six Months Under Dusty Conditions
4. Change Air Filter*	* Two Years or 300 Hours
5. Check Tire Pressure	Monthly (See Manual)
6. Replace Fuel Filters	* Two Years or 300 Hours
7. Check / Fill Transaxle	* One Year or 150 Hours

* Whichever comes first
 † For easy access to air filter housing, remove the intake hose from the front of the housing.

**INGERSOLL-RAND DECAL
(ON BODY PANEL)**

SAFETY DECALS - GASOLINE VEHICLE

ITEM	PART NO.	DESCRIPTION	QTY GAS	QTY ELEC
		1 2 3 4		
1	1019606-01	DECAL, DRIVER/PASSENGER WARNING	1	
2	<u>1018251-01</u>	DECAL, KEY SWITCH	1	
3	1016216-01	DECAL, OPERATING INSTRUCTIONS	1	
4	<u>1015476-01</u>	DECAL, GASOLINE DANGER	1	
5	<u>1019605-01</u>	DECAL, HOT MANIFOLD WARNING	2	
6	<u>1019152-01</u>	DECAL, NEGATIVE FRAME GROUND WARNING	1	
7	1019443-01	DECAL, PERIODIC SERVICE SCHEDULE	1	
8	1019524-01	DECAL, INGERSOLL-RAND	2	

4
G
E

**DRIVER / PASSENGER
WARNING DECAL**

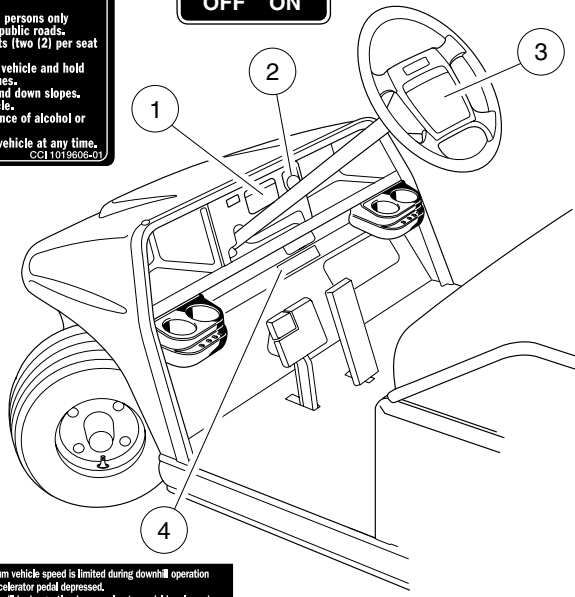
⚠ WARNING

READ AND FOLLOW THESE WARNINGS AND THE OPERATING INSTRUCTIONS BEFORE USING VEHICLE. FAILURE TO DO SO CAN CAUSE SEVERE INJURY OR DEATH.

- Operate from driver side by authorized persons only and only in designated areas - not on public roads.
- DO NOT start vehicle until all occupants (two (2) per seat maximum) are seated.
- Remain seated with entire body inside vehicle and hold on to seat handle or handrail at all times.
- Drive slowly in turns and straight up and down slopes.
- Never stand in front of or behind vehicle.
- DO NOT operate while under the influence of alcohol or drugs.
- DO NOT leave children unattended on vehicle at any time.

CCI 1019806-01

KEY SWITCH



OPERATING INSTRUCTIONS

- Read Owner's Manual and safety warnings located on dash panel prior to driving.
 - Study and understand controls.
- Make sure wheels are turned in desired direction.
- Turn key to "ON" position and be sure nothing is in your path.
- While vehicle is stopped, select direction by placing shift lever or switch in desired position:
 - F - Forward N - Neutral R - Reverse (Buzzer will sound)
- Vehicle will start moving when accelerator pedal is depressed.
- Slowly depress accelerator pedal to increase speed. Park brake will release when accelerator pedal is depressed.
- To stop, release accelerator pedal and depress brake pedal.
- After stopping, firmly depress park brake until it locks.
- Place forward and reverse switch in neutral position. Turn key "OFF" and remove key when not in use.

CCI 1016216-01

**OPERATING INSTRUCTIONS
DECAL**

**IMPORTANT
NOTICE**

VEHICLE EQUIPPED TO LIMIT DOWNHILL SPEED

- Maximum vehicle speed is limited during downhill operation with accelerator pedal depressed.
 - Vehicle will brake gently when accelerator pedal is released.
 - System is activated only when tow switch is in the "RUN" position.
 - When towing vehicle, tow switch must be in the "TOW" position.
- CCI 1019599-01

**MOTOR BRAKING DECAL
(POWERDRIVE PLUS VEHICLES ONLY)**

**DANGER DECAL
(ON BODY UNDER SEAT)**

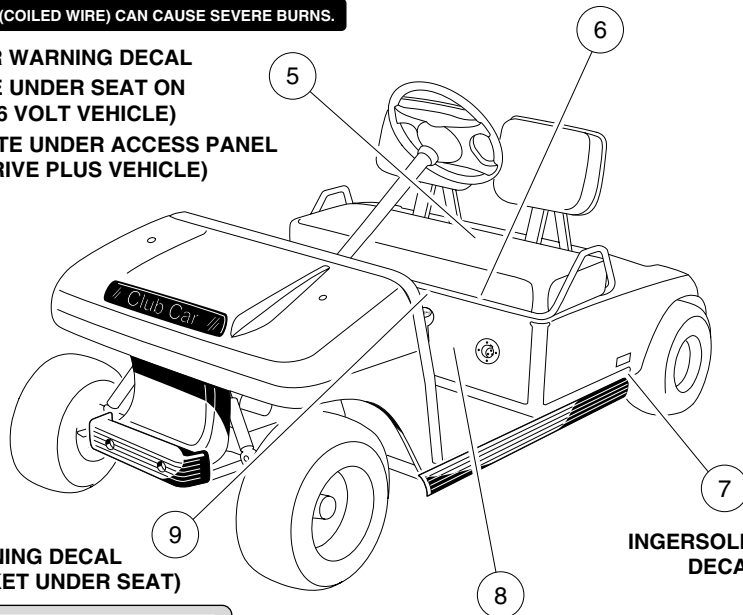
⚠ DANGER / POISON

EXPLOSIVE GASES CAN CAUSE BLINDNESS OR INJURY	SHIELD EYES	NO SPARKS, FLAMES, SMOKING	SULFURIC ACID CAN CAUSE BLINDNESS OR SEVERE BURNS	FLUSH EYES IMMEDIATELY WITH WATER. GET MEDICAL HELP FAST.
---	-------------	----------------------------	---	---

KEEP OUT OF THE REACH OF CHILDREN - DO NOT TIP - KEEP VENT CAPS TIGHT AND LEVEL

⚠ WARNING HOT RESISTORS (COILED WIRE) CAN CAUSE SEVERE BURNS.

**RESISTOR WARNING DECAL
(ON FRAME UNDER SEAT ON
V-GLIDE 36 VOLT VEHICLE)
(ON MOUNTING PLATE UNDER ACCESS PANEL
ON POWERDRIVE PLUS VEHICLE)**



**TOW SWITCH WARNING DECAL
(ON TOW SWITCH BRACKET UNDER SEAT)**

⚠ WARNING

TOW	RUN
PLACE TOW SWITCH IN "TOW" POSITION BEFORE:	FAILURE TO DO SO COULD RESULT IN DAMAGE TO VEHICLE OR BATTERY EXPLOSION.
<ul style="list-style-type: none"> • TOWING • EXTENDED STORAGE • SERVICING • DISCONNECTING BATTERIES 	

CCI 1019086-01

(POWERDRIVE PLUS VEHICLES ONLY)

NOTICE

- DO NOT OPERATE VEHICLE WITHOUT COVER IN PLACE.
- DO NOT DIRECT WATER STREAM AT THIS SWITCH.

CCI 1016109-01

**POTENTIOMETER CAUTION DECAL
(ON WIPER SWITCH COVER INSIDE
BATTERY COMPARTMENT)**

**INGERSOLL-RAND
DECAL**

SAFETY DECALS - ELECTRIC VEHICLE

ITEM	PART NO.	DESCRIPTION	QTY GAS	QTY ELEC
		1 2 3 4		
1	1019606-01	DECAL, DRIVER/PASSENGER WARNING		1
2	<u>1018251-01</u>	DECAL, KEY SWITCH		1
3	1016216-01	DECAL, OPERATING INSTRUCTIONS		1
4	<u>1019599-01</u>	DECAL, MOTOR BRAKING (POWERDRIVE PLUS VEHICLE)		1
5	<u>1013496</u>	DECAL, RESISTOR WARNING (V-GLIDE 36 VOLT AND POWERDRIVE PLUS VEHICLES)		1
6	<u>1013677</u>	DECAL, BATTERY DANGER/POISON		1
7	1019524-01	DECAL, INGERSOLL-RAND		2
8	<u>1016109-01</u>	DECAL, POTENTIOMETER CAUTION		1
9	<u>1019086-01</u>	DECAL, TOW SWITCH (POWERDRIVE PLUS VEHICLE)		1

4
G
E

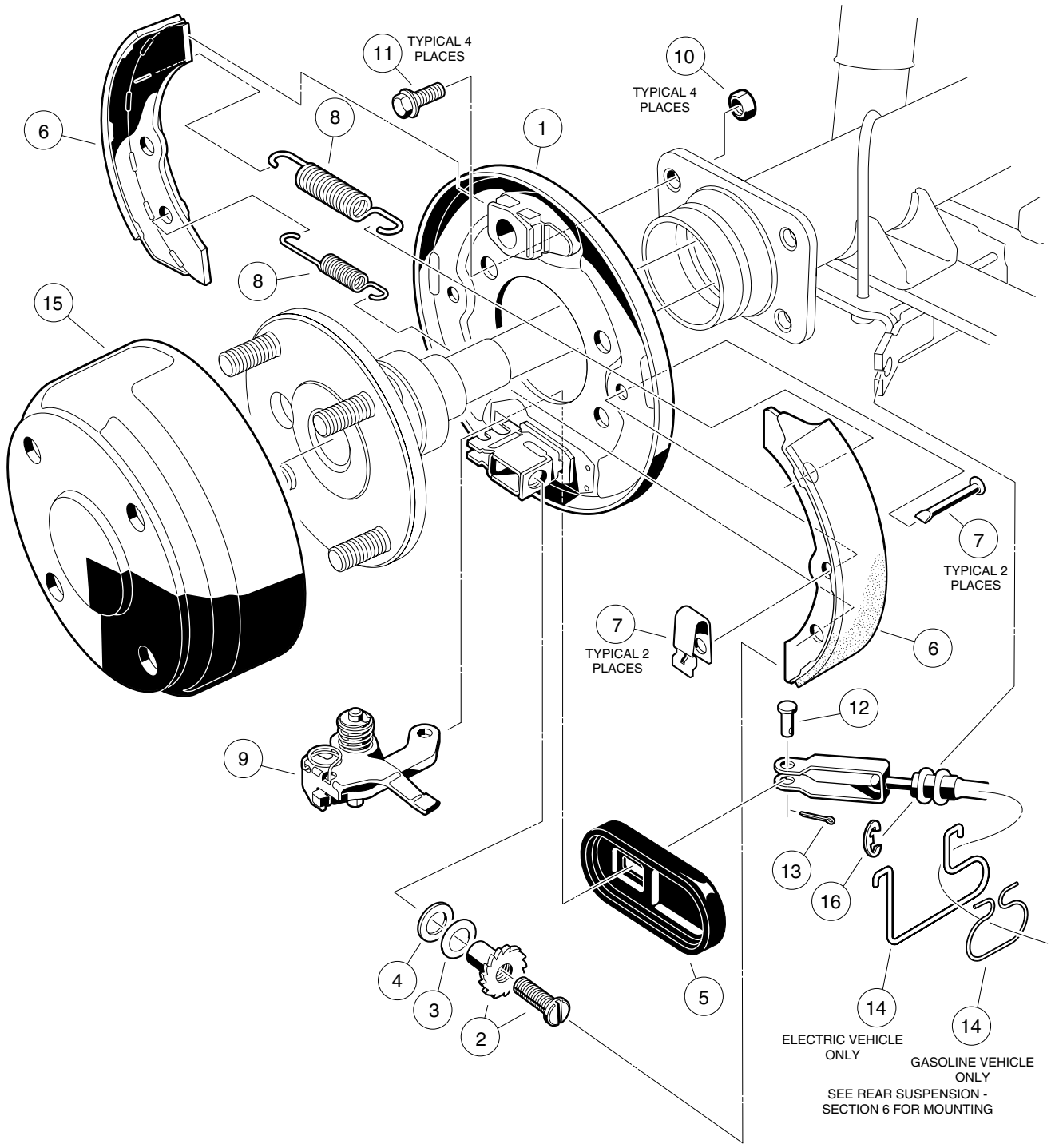
4
G
E

BRAKES, PEDAL, AND CABLE ASSEMBLIES

5

G

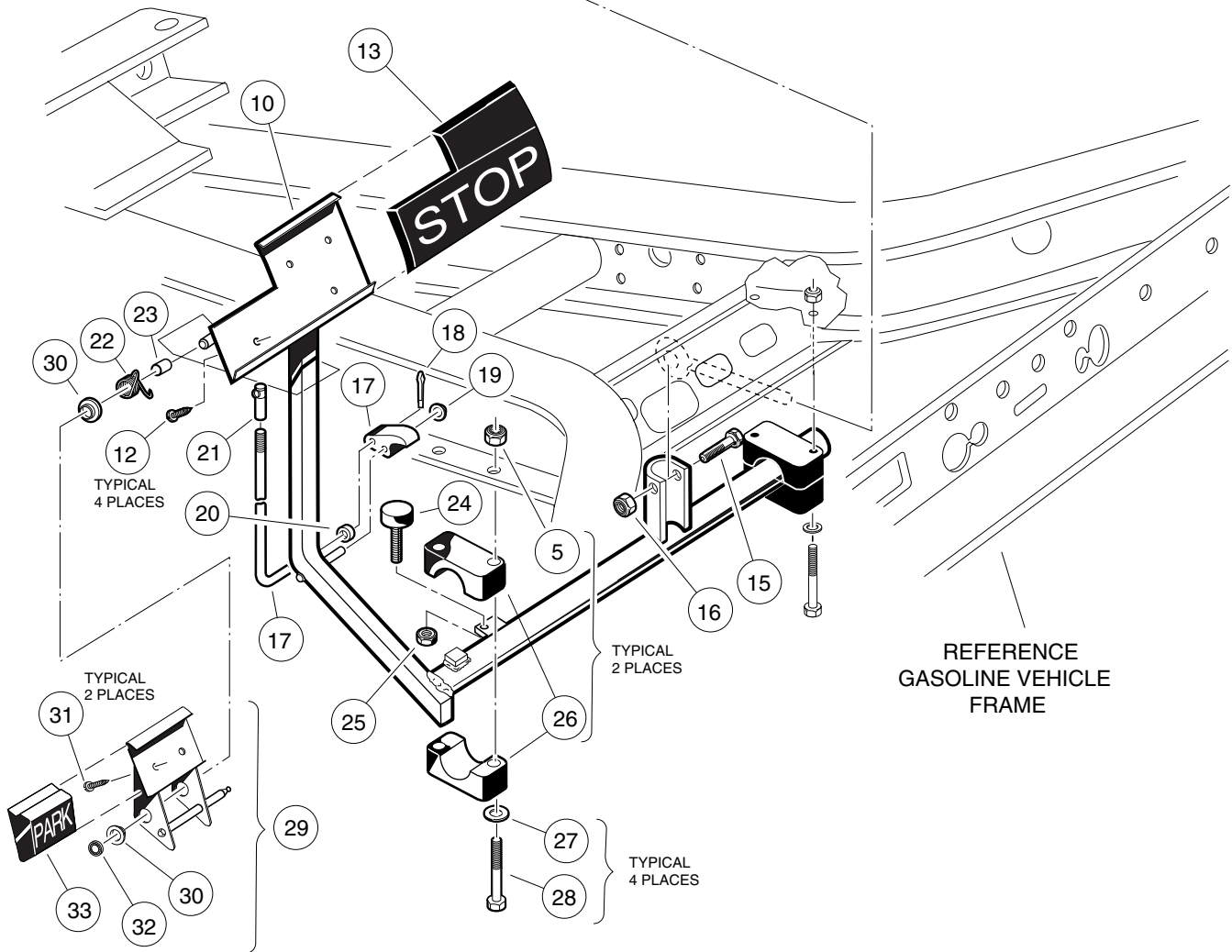
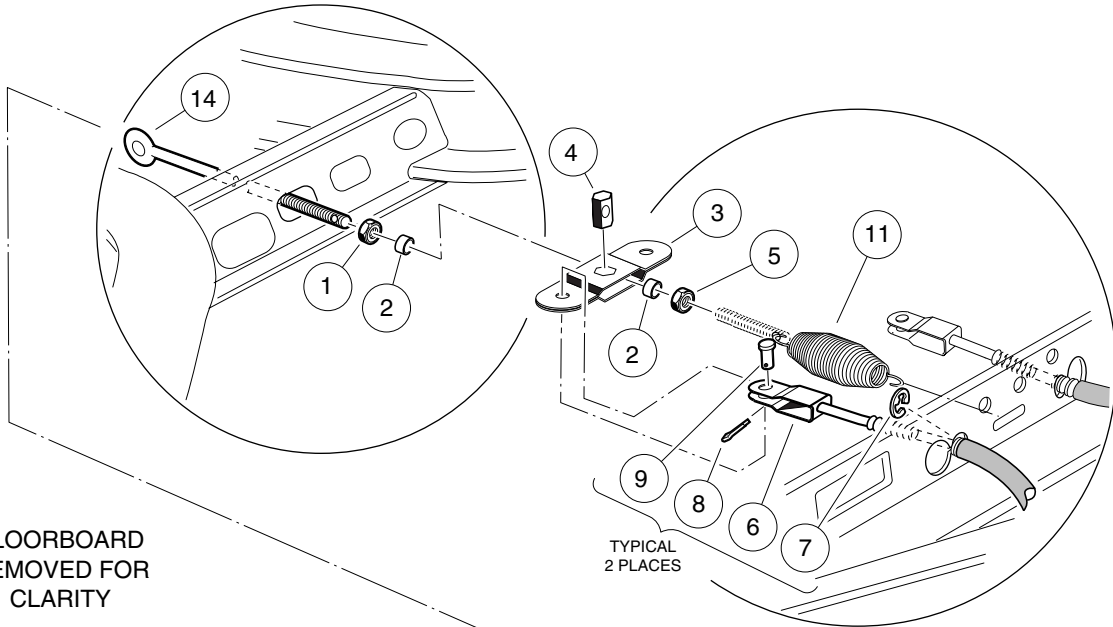
E



BRAKE ASSEMBLY

5
G
E

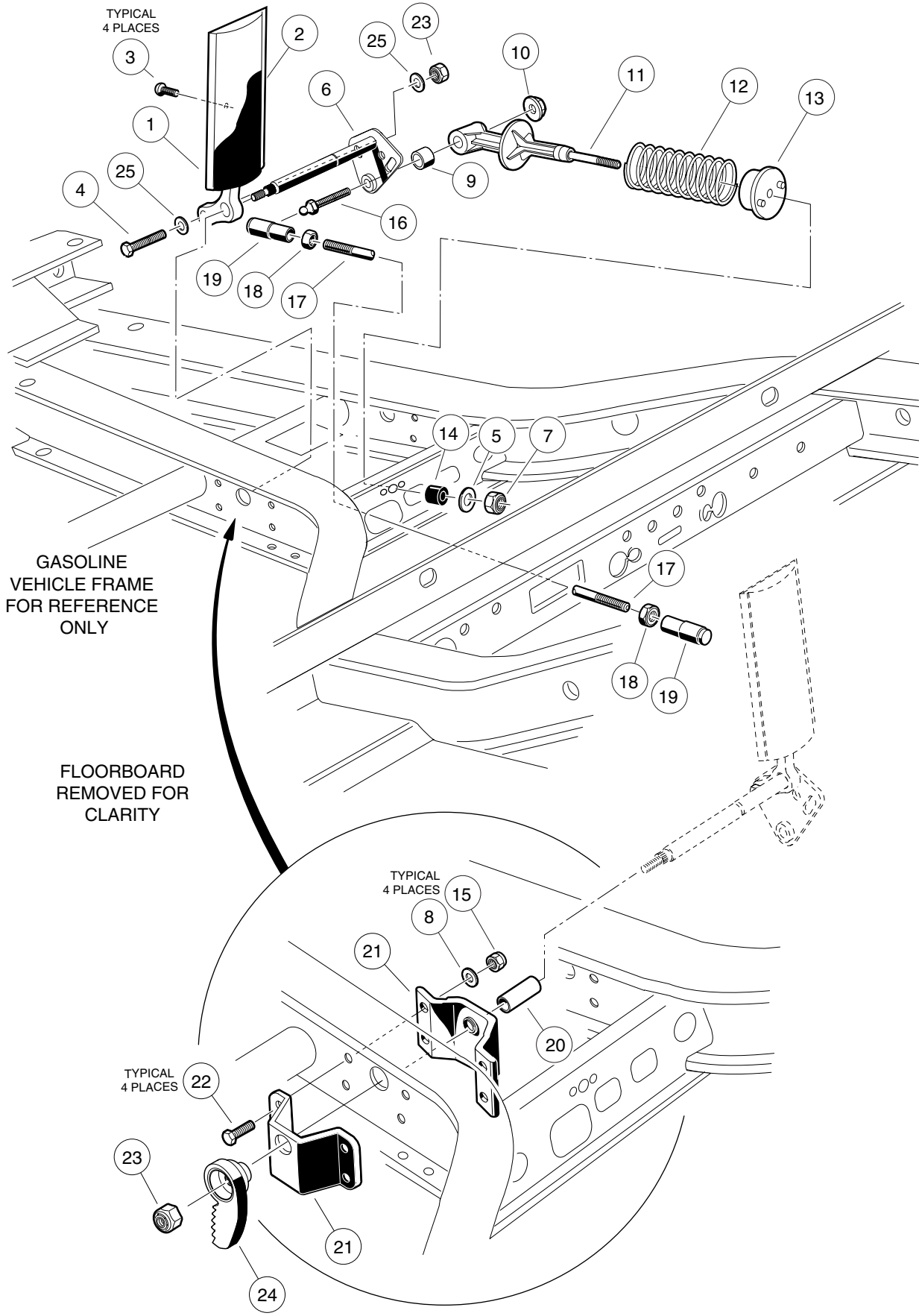
ITEM	PART NO.	DESCRIPTION	QTY GAS	QTY ELEC
		1 2 3 4		
	<u>1018233-01</u>	CLUSTER, RIGHT BRAKE (INCLUDES ITEMS 1 - 9)	1	1
	<u>1018233-02</u>	CLUSTER, LEFT BRAKE (INCLUDES ITEMS 1 - 9)	1	1
1	<u>1018240-01</u>	ASSEMBLY, BACKING PLATE, RIGHT (INCLUDES ITEMS 2, 3 AND 4)	1	1
1	<u>1018240-02</u>	ASSEMBLY, BACKING PLATE, LEFT (INCLUDES ITEMS 2, 3 AND 4)	1	1
2	<u>1018165-01</u>	MECHANISM, ADJUSTING, RIGHT	1	1
2	<u>1018165-02</u>	MECHANISM, ADJUSTING, LEFT	1	1
3	<u>1018239-01</u>	WASHER	1	1
4	<u>1018238-01</u>	WASHER, PLATE	1	1
5	<u>1010850</u>	COVER, DUST	1	1
6	<u>1018232-01</u>	PACKAGE, BRAKE SHOE (FOUR PIECES)	1	1
7	<u>1011466</u>	KIT, SHOE RETAINER (FOUR PIECES)	1	1
8	<u>1018163-01</u>	PACKAGE, BRAKE SPRING (FOUR PIECES)	1	1
9	<u>1018155-01</u>	ASSEMBLY, LEVER, RIGHT	1	1
9	<u>1018155-02</u>	ASSEMBLY, LEVER, LEFT	1	1
10	<u>1013924</u>	NUT, HEX HEAD LOCK, GRADE 8, 5/16 - 24	8	8
11	<u>1014153</u>	BOLT, BRAKE CLUSTER MOUNTING	8	8
12	<u>1010829</u>	PIN, CLEVIS, 5/16	2	2
13	<u>0001035</u>	PIN, COTTER, 3/32 x 1	2	2
14	<u>1019008-01</u>	HANGER, BRAKE CABLE (GASOLINE VEHICLE ONLY)	2	
14	<u>1013207</u>	HANGER, BRAKE CABLE (ELECTRIC VEHICLE ONLY)		2
15	<u>1017911-01</u>	DRUM, BRAKE	2	2
16	<u>1011779</u>	E-CLIP, 1/2	2	2



BRAKE PEDAL AND CABLE ASSEMBLY

ITEM	PART NO.	DESCRIPTION	QTY GAS	QTY ELEC
		1 2 3 4		
1	0001242	NUT, HEX, 5/16 - 18	1	1
2	<u>1018653-01</u>	SPACER, EQUALIZER	2	2
3	<u>1017211</u>	KIT, EQUALIZER AND PIVOT LIMITER (INCLUDES ITEM 4)	1	1
4	N/A	PIN, EQUALIZER PIVOT	1	1
5	0007473	NUT, NYLON LOCK, 5/16 - 18	1	1
6	<u>1011403</u>	KIT, BRAKE CABLE (INCLUDES ITEMS 7 - 9)	2	2
7	<u>1011779</u>	E-CLIP, 1/2	2	2
8	<u>0001035</u>	PIN, COTTER, 3/32 x 1	2	2
9	<u>1010829</u>	PIN, CLEVIS, 5/16	2	2
10	<u>1019540-01</u>	KIT, BRAKE PEDAL (INCLUDES ITEMS 11 - 16, 19 AND 32)	1	1
11	<u>1013531</u>	SPRING, BRAKE RETURN		1
12	0007716	SCREW, SLOTTED HEX WASHER HEAD, #10 - 16 x 1/2	4	4
13	<u>1013869</u>	PAD, BRAKE PEDAL	1	1
14	<u>1019531-01</u>	ROD, EQUALIZER	1	1
15	<u>1019530-01</u>	BOLT, HEX HEAD SHOULDER, 3/8 x 1	1	1
16	0007473	NUT, NYLON LOCK, 5/16 - 18	1	1
	<u>1011877-02</u>	KIT, PARK BRAKE (INCLUDES ITEMS 17-21 AND ITEM 24 ON PAGE 5-7).....	1	1
17	N/A	ROD AND PAWL	1	1
18	<u>1017029</u>	PIN, COTTER, 7/64 x 1/2	1	1
19	<u>1010877</u>	NUT, PUSH, 5/16	1	1
20	<u>1010805</u>	SLEEVE, PARK BRAKE ROD	1	1
21	1010932	JOINT, BALL, 1/4 - 28	1	1
22	<u>1010933</u>	SPRING, PARK BRAKE TORSION	1	1
23	<u>1010927</u>	SPACER, PARK BRAKE	1	1
24	<u>1010878</u>	STOP, BRAKE	1	1
25	0001028	NUT, HEX, 1/4 - 20	1	1
26	<u>1011402</u>	PACKAGE, BRAKE MOUNTING BLOCK (CONTAINS UPPER AND LOWER FOR LEFT AND RIGHT SIDES)	1	1
27	0001241	WASHER, FLAT, 5/16	4	4
28	<u>1010921</u>	SCREW, HEX HEAD CAP, 5/16 - 18 x 2 1/2	4	4
29	<u>1011418</u>	KIT, PARK BRAKE PEDAL (INCLUDES ITEMS 30 - 33)	1	1
30	<u>0001032</u>	BUSHING, NYLON	2	2
31	0007716	SCREW, SLOTTED HEX WASHER HEAD, #10 -16 x 1/2	2	2
32	<u>1013876</u>	NUT, PUSH, 3/8	1	1
33	<u>1013870</u>	PAD, PARK BRAKE	1	1

**5
G
E**



ACCELERATOR PEDAL ASSEMBLY

ITEM	PART NO.	DESCRIPTION	QTY GAS	QTY ELEC
		1 2 3 4		
1	<u>1017696</u>	SUB-ASSEMBLY, ACCELERATOR PEDAL (INCLUDES ITEM 2 AND 3)	1	1
2	1013871	PAD, PEDAL	1	1
3	0007716	SCREW, SLOTTED HEX WASHER HEAD, #10 - 16 x 1/2	4	4
4	0001624	SCREW, HEX CAP, 3/8 - 16 x 1 1/2	1	1
5	0001241	WASHER, FLAT, 5/16	1	1
6	1017325	ASSEMBLY, ACCELERATOR PIVOT ROD	1	1
7	0007473	NUT, NYLON LOCK, 5/16 - 18	1	1
8	0000332	WASHER, FLAT, 1/4	4	4
9	<u>1017424</u>	BEARING, PIVOT SUPPORT	1	1
10	<u>1019669-01</u>	NUT, FLANGED LOCK, 1/4 - 28	1	1
11	<u>1018174-01</u>	RETAINER, SPRING	1	1
12	1017962-01	SPRING, RETURN	1	1
13	<u>1017378</u>	CUP, SPRING	1	1
14	<u>1017380</u>	BUMPER, RETURN SPRING	1	1
15	0008233	NUT, NYLON LOCK, 1/4 - 20	4	4
16	1018188-01	STUD, BALL	1	1
17	1018719-01	ASSEMBLY, ACCELERATOR ROD (POWERDRIVE SYSTEM 48 AND V-GLIDE 36 VOLT VEHICLES) (INCLUDES ITEMS 18 AND 19)		1
17	1019124-01	ASSEMBLY, ACCELERATOR ROD (GASOLINE VEHICLE ONLY) (INCLUDES ITEMS 18 AND 19)	1	
18	<u>1011084</u>	NUT, UNF HEX JAM, 1/4 - 28	2	2
19	<u>1011734</u>	JOINT, SPRING-LOADED BALL	2	2
20	<u>1011700</u>	SPACER	1	1
21	<u>1011694</u>	SUPPORT, ACCELERATOR PIVOT ROD	2	2
22	<u>1018619-01</u>	SCREW, HEX CAP, 1/4 - 20 x 1 1/8	4	4
23	0008754	NUT, NYLON LOCK, 3/8 - 16	2	2
	<u>1011877-02</u>	KIT, PARK BRAKE (INCLUDES ITEM 24 AND ITEMS 17-21 ON PAGE 5-4).....	1	1
24	N/A	ASSEMBLY, RATCHET	1	1
25	0000334	WASHER, FLAT, 3/8	2	2

5
G
E

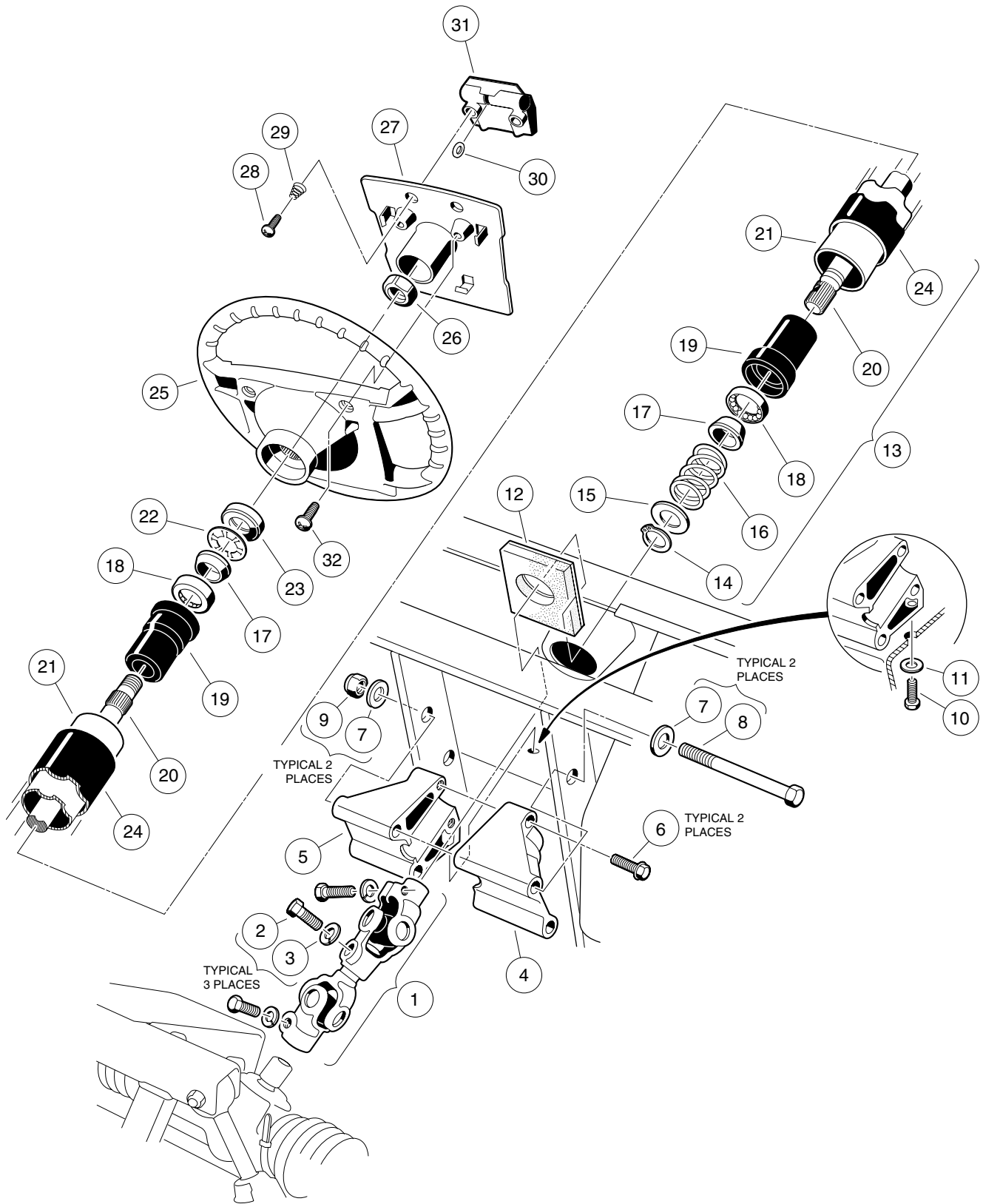
5
G
E

STEERING, FRONT AND REAR SUSPENSION

6

G

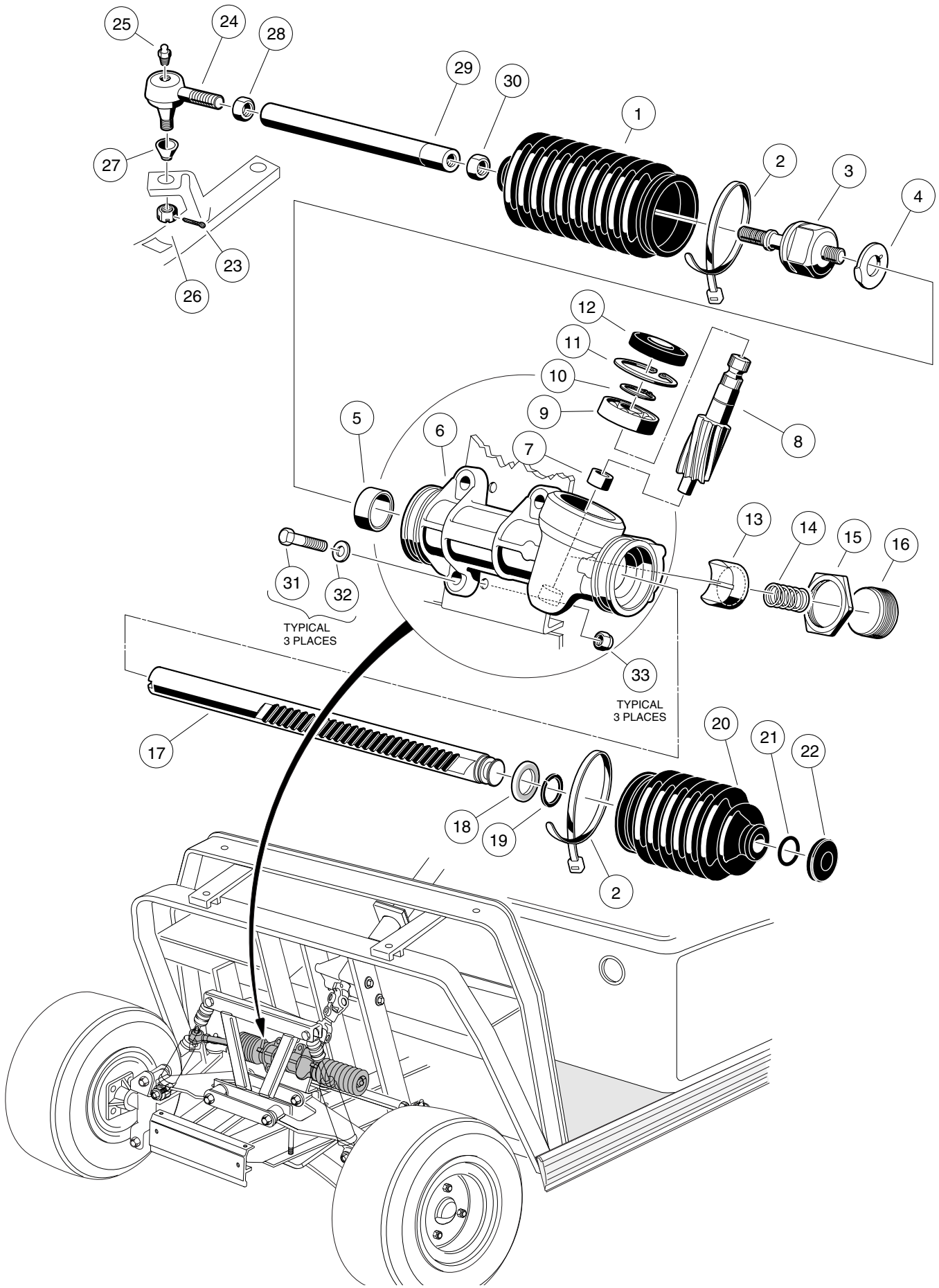
E



STEERING COLUMN

ITEM	PART NO.	DESCRIPTION	QTY GAS	QTY ELEC
		1 2 3 4		
1	<u>1013861</u>	JOINT, COMPOUND STEERING (INCLUDES ITEMS 2 AND 3)	1	1
2	<u>1017226</u>	SCREW, HEX HEAD CAP, M8 x 1.25 x 30MM	3	3
3	0007174	WASHER, LOCK, 5/16	3	3
4	1016185	MOUNT, STEERING COLUMN, LEFT HAND	1	1
5	1016184	MOUNT, STEERING COLUMN, RIGHT HAND	1	1
6	<u>1016269</u>	SCREW, HEX WASHER HEAD THREAD FORMING, 5/16 - 18 x 2	2	2
7	0000334	WASHER, FLAT, 3/8	4	4
8	<u>1016183</u>	SCREW, HEX HEAD CAP, 3/8 - 16 x 7	2	2
9	0008754	NUT, NYLON LOCK, 3/8 - 16	2	2
10	<u>1014288</u>	SCREW, HEX WASHER HEAD THREAD FORMING, 5/16 - 18 x 3/4	1	1
11	<u>1011697</u>	WASHER, FLAT, 5/16	1	1
12	<u>1012499</u>	BOOT, STEERING COLUMN	1	1
13	1016181	ASSEMBLY, STEERING COLUMN (INCLUDES ITEMS 14 - 23)	1	1
14	<u>1012605</u>	RING, RETAINING	1	1
15	<u>1012604</u>	WASHER, STEEL, 5/8	1	1
16	<u>1014217</u>	SPRING, COMPRESSION	1	1
17	1014125	WEDGE	2	2
18	<u>1014213</u>	ASSEMBLY, BEARING	2	2
19	<u>1014126</u>	SEAT, BEARING	2	2
20	<u>1015545</u>	SHAFT, STEERING COLUMN	1	1
21	1016622	COLUMN, ALUMINUM STEERING	1	1
22	1014214	RING, RETAINING	1	1
23	<u>1014211</u>	SEAL, BEARING	1	1
24	1016263	COVER, STEERING COLUMN	1	1
25	<u>1016156</u>	WHEEL, STEERING	1	1
26	<u>1017273</u>	NUT, NYLON LOCK, 5/8 - 18	1	1
27	1016219	ASSEMBLY, SCORECARD PLATE (INCLUDES ITEMS 28 - 31)	1	1
28	<u>1012565</u>	SCREW, ROUND HEAD, #12 - 14 x 1	2	2
29	<u>1012566</u>	SPRING, TAPERED COMPRESSION	2	2
30	<u>1016214</u>	GRIP, PENCIL	2	2
31	1016154	CLIP, SCORE CARD	1	1
32	<u>1016663</u>	SCREW, PHILLIPS, TYPE A, #12 - 11 x 5/8	2	2

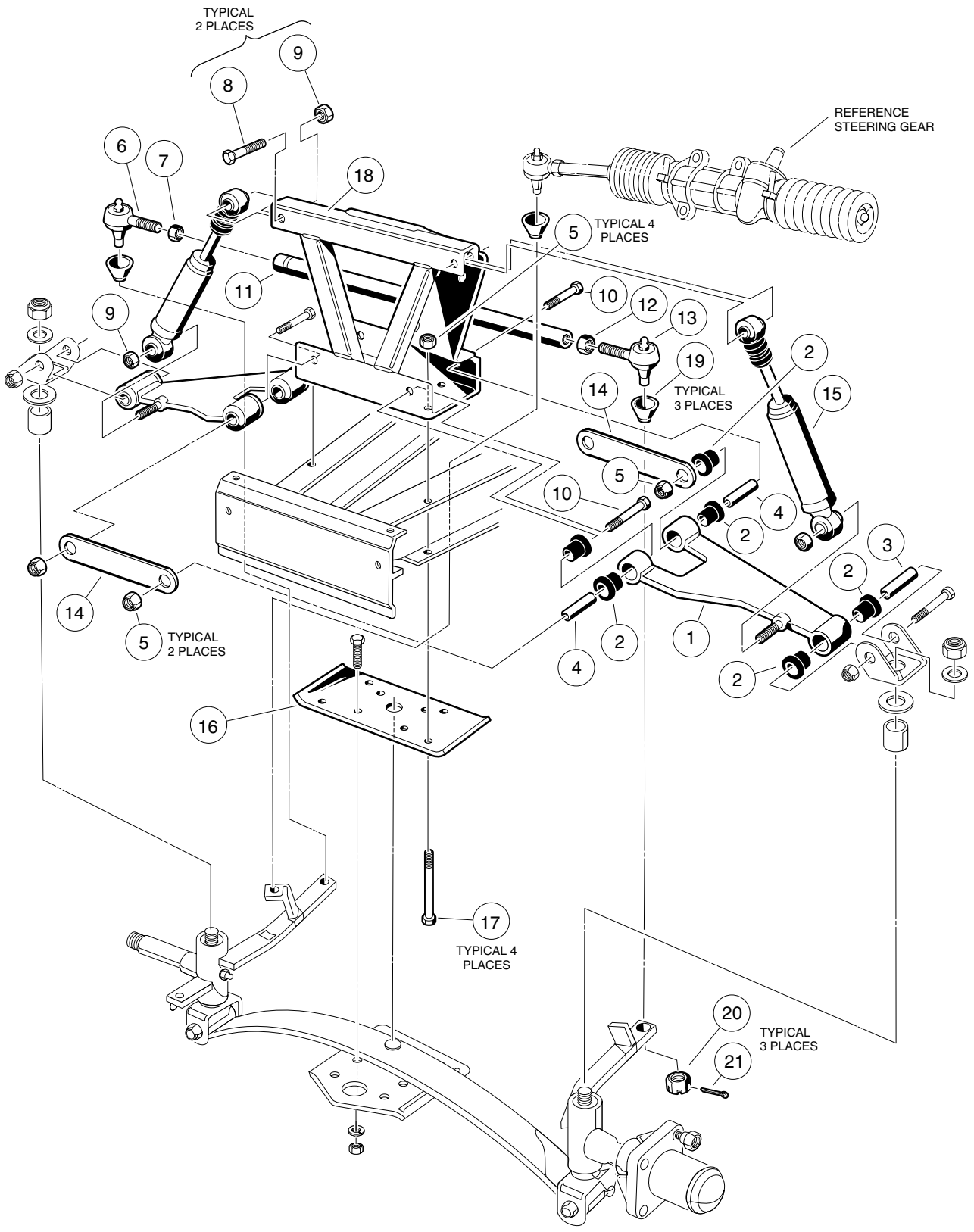
6
G
E



STEERING GEAR ASSEMBLY

ITEM	PART NO.	DESCRIPTION	QTY GAS	QTY ELEC
		1 2 3 4		
	<u>1018783-02</u>	ASSEMBLY, STEERING GEAR BOX (INCLUDES ITEMS 1 - 22)	1	1
1	<u>1013035</u>	SEAL, DUST, RIGHT	1	1
2	0008990	WRAP, TIE	2	2
3	<u>1018802-01</u>	ASSEMBLY, INNER BALL JOINT	1	1
4	<u>1018803-01</u>	WASHER, TAB	2	2
5	N/A	BUSHING, RACK	1	1
6	N/A	BOX, STEERING GEAR	1	1
7	N/A	BEARING, LOWER PINION	1	1
8	N/A	PINION, STEERING	1	1
9	<u>1018794-01</u>	BEARING, UPPER PINION	1	1
10	<u>1018799-01</u>	RING, C-TYPE STOP	1	1
11	1013051	RING, SNAP	1	1
12	<u>1013052</u>	SEAL, DUST, STEERING PINION	1	1
13	<u>1018797-01</u>	GUIDE, STEERING RACK	1	1
14	<u>1018798-01</u>	SPRING, YOKE	1	1
15	<u>1013044</u>	NUT, LOCK, RACK SCREW	1	1
16	N/A	SCREW, RACK GUIDE	1	1
17	N/A	RACK, STEERING	1	1
18	<u>1018795-01</u>	WASHER, STOP	2	2
19	1018796-01	RING, C-TYPE STOP	1	1
20	<u>1018800-01</u>	SEAL, DUST, LEFT	1	1
21	1018801-01	O-RING, DUST SEAL RETAINING	1	1
22	1019260-01	CAP, RACK END DUST	1	1
23	<u>0001035</u>	PIN, COTTER, 3/32 x 1	1	1
24	0007540	BALL JOINT, LEFT HAND THREAD (INCLUDES ITEMS 25, 26 AND 27)	1	1
25	<u>1015597</u>	FITTING, THREAD FORM GREASE, 1/4 - 28	1	1
26	<u>0007602</u>	NUT, HEX SLOTTED, 3/8 - 24	1	1
27	<u>1011930</u>	BOOT, DUST.....	1	1
28	0007555	NUT, HEX, LEFT HAND THREAD, 1/2 - 20	1	1
29	<u>1012467</u>	LINK, RACK AND PINION DRAG	1	1
30	1013042	NUT, HEX, M12 x 1.75	1	1
31	0001624	BOLT, HEX HEAD, 3/8 - 16 x 1 1/2	3	3
32	0000334	WASHER, FLAT, 3/8	3	3
33	<u>1010138</u>	NUT, DIMPLED LOCK, 3/8 - 16	3	3

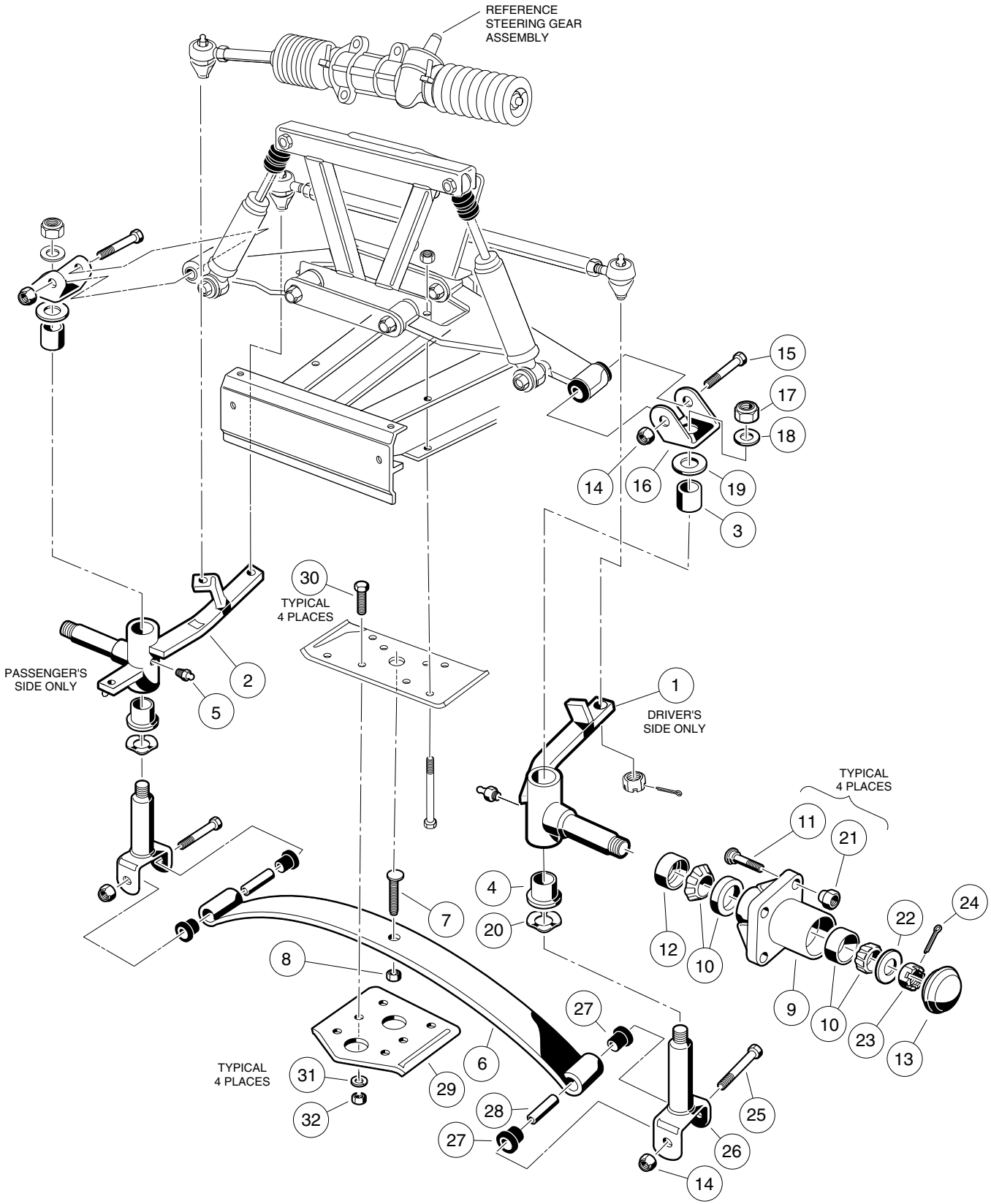
6
G
E



FRONT SUSPENSION, UPPER

ITEM	PART NO.	DESCRIPTION	QTY GAS	QTY ELEC
		1 2 3 4		
1	<u>1016353</u>	ASSEMBLY, DELTA A-PLATE (INCLUDES ITEMS 2, 3 AND 4)	2	2
2	<u>1016346</u>	BUSHING, URETHANE	6	6
3	<u>1016350</u>	SLEEVE, DELTA OUTER	1	1
4	<u>1016349</u>	SLEEVE, DELTA INNER	2	2
5	0008754	NUT, NYLON LOCK, 3/8 - 16	8	8
6	0007539	BALL JOINT	1	1
7	0001308	NUT, HEX, 1/2 - 20	1	1
8	0001624	BOLT, HEX HEAD, 3/8 - 16 x 1 1/2	2	2
9	<u>1010138</u>	NUT, DIMPLED LOCK, 3/8 - 16	4	4
10	0002402	SCREW, HEX CAP, 3/8 - 16 x 2 1/4	4	4
11	<u>1010219</u>	ROD, TIE	1	1
12	0007555	NUT, HEX, LEFT HAND THREAD, 1/2 - 20	1	1
13	0007540	BALL JOINT, LEFT HAND THREAD	1	1
14	<u>1017266</u>	STRAP, A-PLATE	2	2
15	1015813	SHOCK ABSORBER, FRONT (GASOLINE VEHICLE ONLY)	2	
15	<u>1014235</u>	SHOCK ABSORBER, FRONT (ELECTRIC VEHICLE ONLY)		2
16	<u>1010124</u>	PLATE, SPRING MOUNTING	1	1
17	<u>1010200</u>	BOLT, HEX HEAD, 3/8 - 16 x 4 1/4	4	4
18	<u>1016385</u>	ASSEMBLY, DELTA SHOCK AND GEAR SUPPORT	1	1
19	<u>1011930</u>	SEAL, DUST	3	3
20	<u>0007602</u>	NUT, SLOTTED HEX, 3/8 - 24	3	3
21	<u>0001035</u>	PIN, COTTER, 3/32 x 1	1	1

6
G
E



FRONT SUSPENSION, LOWER

ITEM	PART NO.	DESCRIPTION	QTY GAS	QTY ELEC
		1 2 3 4		
1	<u>1010348</u>	ASSEMBLY, LEFT SPINDLE (INCLUDES ITEMS 3, 4 AND 5)	1	1
2	<u>1010347</u>	ASSEMBLY, RIGHT SPINDLE (INCLUDES ITEMS 3, 4 AND 5)	1	1
3	0008067	BUSHING, BRONZE SPINDLE	1	1
4	0007048	BUSHING, BRONZE	1	1
5	<u>1015597</u>	FITTING, GREASE, 1/4 - 28	1	1
6	<u>1012030</u>	SPRING, TAPERED LEAF	1	1
7	0008745	ECCENTRIC	1	1
8	0000706	NUT, HEX, 3/8 - 16	1	1
9	<u>1011892</u>	ASSEMBLY, HUB (INCLUDES ITEMS 10 - 13)	2	2
10	<u>1011393</u>	PACKAGE, HUB BEARING	2	2
11	<u>1011304</u>	STUD, LUG, 1/2 - 20	4	4
12	<u>1013135</u>	SEAL, DOUBLE LIP	1	1
13	<u>1011887</u>	COVER, DUST	1	1
14	0008754	NUT, NYLON LOCK, 3/8 - 16	4	4
15	<u>1016387</u>	SCREW, HEX HEAD CAP, 3/8 - 16 x 2 3/4	2	2
16	<u>1016384</u>	CLEVIS, UPPER DELTA	2	2
17	<u>1019031-01</u>	NUT, NYLON LOCK, 1/2 - 20	2	2
18	<u>1010028</u>	WASHER, FLAT, 1/2	2	2
19	<u>1010150</u>	BEARING, THRUST	2	2
20	<u>1016389</u>	WASHER, KINGPIN WAVE	2	2
21	<u>1010984</u>	NUT, LUG	8	8
22	<u>1010005</u>	WASHER, FLAT, 3/4	2	2
23	0007840	NUT, HEX SLOTTED, 3/4 - 16	2	2
24	0007910	PIN, COTTER, 5/32 x 1	2	2
25	0008755	SCREW, HEX HEAD CAP, 3/8 - 16 x 3 3/8	2	2
26	<u>1016386</u>	KINGPIN	2	2
27	<u>1015583</u>	BUSHING, URETHANE	4	4
28	<u>1012303</u>	BUSHING, STEEL	2	2
29	<u>1014276</u>	PLATE, FRONT SPRING RETAINER	1	1
30	0001624	SCREW, HEX HEAD CAP, 3/8 - 16 x 1 1/2	4	4
31	0000357	WASHER, LOCK, 3/8	4	4
32	0000706	NUT, HEX, 3/8 - 16	4	4

6
G
E

REAR SUSPENSION

ITEM	PART NO.	DESCRIPTION	QTY GAS	QTY ELEC
		1 2 3 4		
1	<u>1012304</u>	SHACKLE, REAR SPRING (GASOLINE VEHICLE)	4	
1	0007569	SHACKLE, REAR SPRING (ELECTRIC VEHICLE)		4
2	0008754	NUT, NYLON LOCK, 3/8 - 16	6	6
3	<u>1012303</u>	BUSHING, STEEL	4	4
4	<u>1015583</u>	BUSHING, URETHANE	12	12
5	<u>1010145</u>	NUT, UNF HEX, 3/8 - 24	4	4
6	<u>1013164</u>	KIT, SHOCK ABSORBER (INCLUDES ITEMS 7, 9 AND 10)	1	1
7	<u>1014236</u>	SHOCK ABSORBER, REAR	2	2
8	<u>1011415</u>	KIT, SHOCK ABSORBER CUSHION (INCLUDES ITEMS 9 AND 10)	4	4
9	N/A	RETAINER, SHOCK ABSORBER CUSHION	8	8
10	N/A	CUSHION, SHOCK ABSORBER	8	8
11	<u>1012180</u>	U-BOLT	2	2
12	<u>1012324</u>	SPRING, REAR LEAF (GASOLINE VEHICLE)	2	
12	<u>1010974</u>	SPRING, REAR LEAF (ELECTRIC VEHICLE)		2
13	<u>1014557</u>	WASHER, FLAT, 7/16	4	4
14	<u>1014555</u>	NUT, NYLON LOCK, 7/16 - 24	4	4
15	0008755	SCREW, HEX HEAD CAP, 3/8 - 16 x 3 3/8	6	6
16	1012182	PAD, SPRING LEFT	1	1
16	1012181	PAD, SPRING RIGHT	1	1
17	1019008-01	HANGER, BRAKE CABLE (GASOLINE VEHICLE)	2	
17	<u>1013207</u>	HANGER, BRAKE CABLE (ELECTRIC VEHICLE)		2

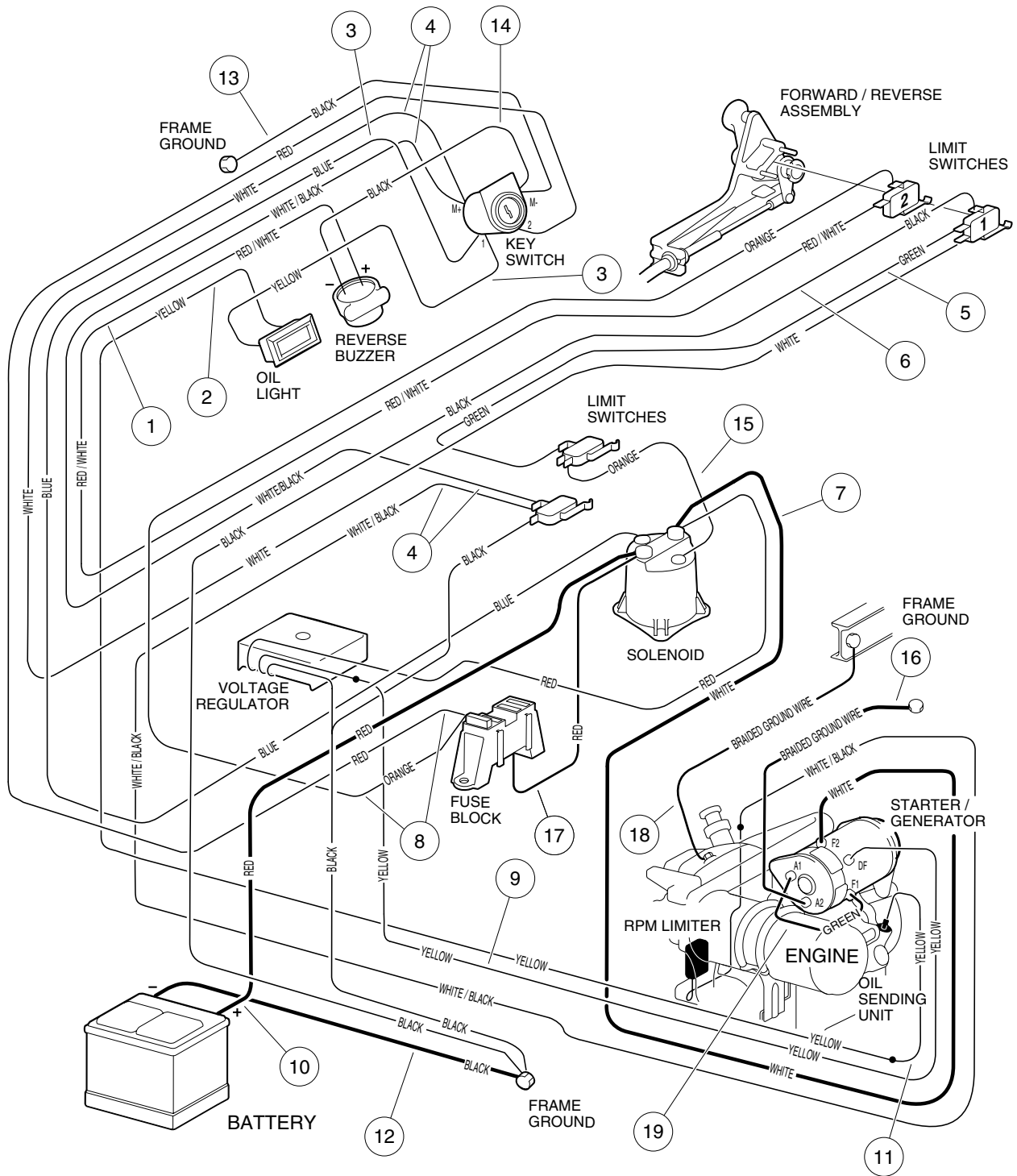
6
G
E

6
G
E

ELECTRICAL SYSTEM GASOLINE VEHICLE

7

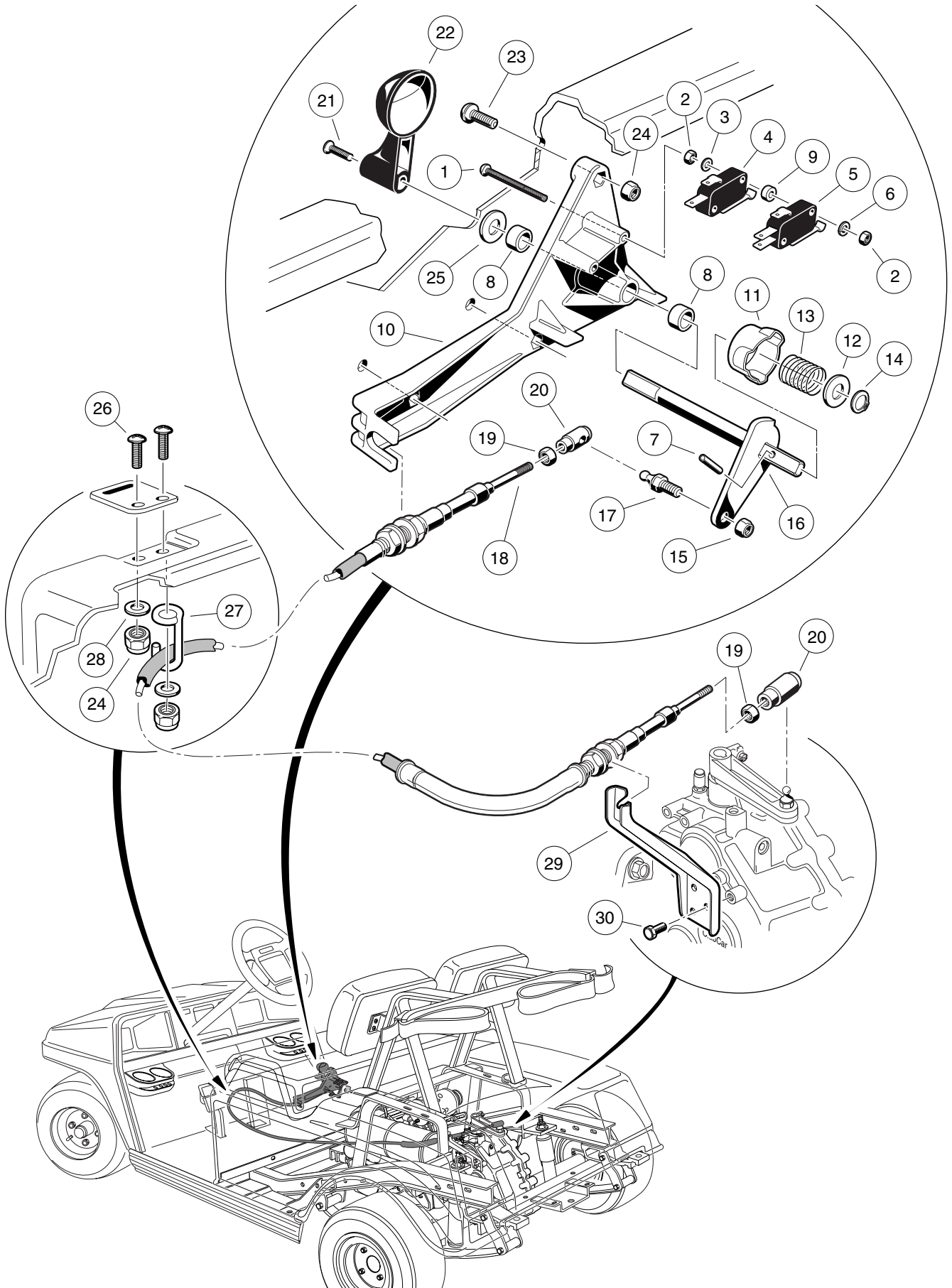
G



WIRING - GASOLINE VEHICLE

ITEM	PART NO.	DESCRIPTION	QTY
		1 2 3 4	
	1018893-02	WIRE HARNESS (INCLUDES ITEMS 1 - 11)	1
1	N/A	WIRE ASSEMBLY, #18 RED/WHITE	1
2	N/A	WIRE ASSEMBLY, #18 YELLOW	1
3	N/A	WIRE ASSEMBLY, #18 YELLOW AND #16 BLUE	1
4	N/A	WIRE ASSEMBLY, #18 WHITE/BLACK AND #18 WHITE	1
5	N/A	WIRE ASSEMBLY, #18 GREEN	1
6	N/A	WIRE ASSEMBLY, #18 BLACK	1
7	<u>1015769</u>	WIRE ASSEMBLY, #6 WHITE	1
8	N/A	WIRE ASSEMBLY, #16 RED AND #16 ORANGE	1
9	N/A	WIRE ASSEMBLY, #16 YELLOW	1
10	<u>1014119</u>	WIRE ASSEMBLY, #6 RED	1
11	N/A	WIRE ASSEMBLY, #18 YELLOW	1
12	<u>1012382</u>	WIRE ASSEMBLY, #6 BLACK	1
13	N/A	WIRE ASSEMBLY, #18 BLACK	1
14	N/A	WIRE ASSEMBLY, #18 BLACK (PART OF REVERSE BUZZER KIT)	1
15	N/A	WIRE ASSEMBLY, #16 ORANGE (PART OF THE ELECTRICAL COMPONENT BOX)	1
16	<u>1015920</u>	WIRE ASSEMBLY, #6 BRAIDED GROUND	1
17	<u>1015737</u>	WIRE ASSEMBLY, #10 RED (PART OF THE ELECTRICAL COMPONENT BOX)	1
18	<u>1015332</u>	WIRE ASSEMBLY, #10 BRAIDED GROUND	1
19	<u>1018373-01</u>	WIRE ASSEMBLY, #6 GREEN	1

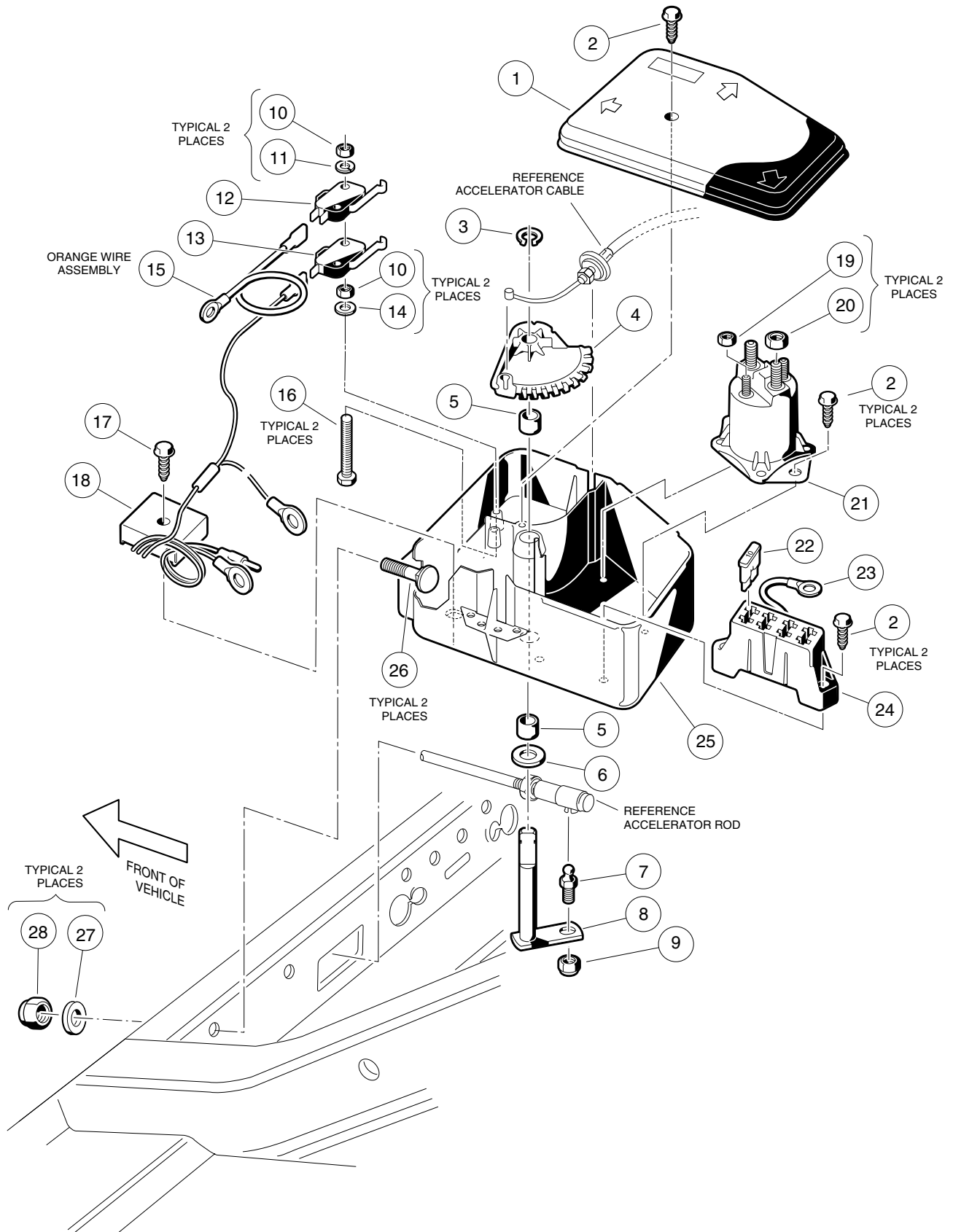




FORWARD AND REVERSE SHIFTER ASSEMBLY GASOLINE VEHICLE

ITEM	PART NO.	DESCRIPTION	QTY
		1 2 3 4	
	1016947	ASSEMBLY, FORWARD AND REVERSE SHIFTER (INCLUDES ITEMS 1 - 17)	1
1	<u>1012594</u>	SCREW, MACHINE, #4 - 40 x 1 1/2	2
2	0008057	NUT, HEX HEAD, #4 - 40	4
3	1012431	WASHER, FLAT, #4	2
4	<u>1014808</u>	SWITCH, LIMIT	1
5	<u>1014807</u>	SWITCH, LIMIT	1
6	0008058	WASHER, LOCK, #4	2
7	<u>1013591</u>	PIN, ROLL, 1/8	1
8	<u>1014145</u>	BUSHING, BRONZE	2
9	<u>1014727</u>	WASHER, NYLON FLAT, #4	2
10	<u>1016342</u>	BASE, FORWARD AND REVERSE SHIFTER	1
11	1014089	KIT, NEUTRAL LOCK-OUT CAM (INCLUDES ITEM 12)	1
12	<u>1014065</u>	WASHER, FLAT	1
13	<u>1013590</u>	SPRING, FORWARD AND REVERSE CAM	1
14	<u>1013589</u>	RING, RETAINING	1
15	0008717	NUT, NYLON LOCK, 1/4 - 28	1
16	1013587	WELDMENT, FORWARD AND REVERSE BELL CRANK	1
17	<u>1010954</u>	STUD, BALL, 1/4 - 28 x 1/4	1
18	<u>1019515-01</u>	CABLE, TRANSMISSION (INCLUDES ITEMS 19 AND 20)	1
19	0007893	NUT, HEX, #10 - 32	2
20	<u>1012333</u>	JOINT, BALL	2
21	<u>1013198</u>	SCREW, PHILLIPS OVAL COUNTERSUNK MACHINE, #8 - 32 x 5/8	1
22	<u>1012987</u>	HANDLE, FORWARD AND REVERSE SWITCH	1
23	0008248	SCREW, PHILLIPS TRUSS HEAD, 1/4 - 20 x 3/4	4
24	0008233	NUT, NYLON LOCK, 1/4 - 20	8
25	<u>1014065</u>	WASHER, FLAT, 3/8	1
26	0008251	SCREW, PHILLIPS HEAD, 1/4 - 20 x 1	4
27	<u>1018558-01</u>	RETAINER, CABLE	1
28	0000332	WASHER, FLAT, 1/4	4
29	<u>1019226-01</u>	BRACKET, TRANSMISSION CABLE SUPPORT	1
30	<u>1012285</u>	SCREW, THREAD ROLLING, 1/4 - 20 x 5/8	3

7
G

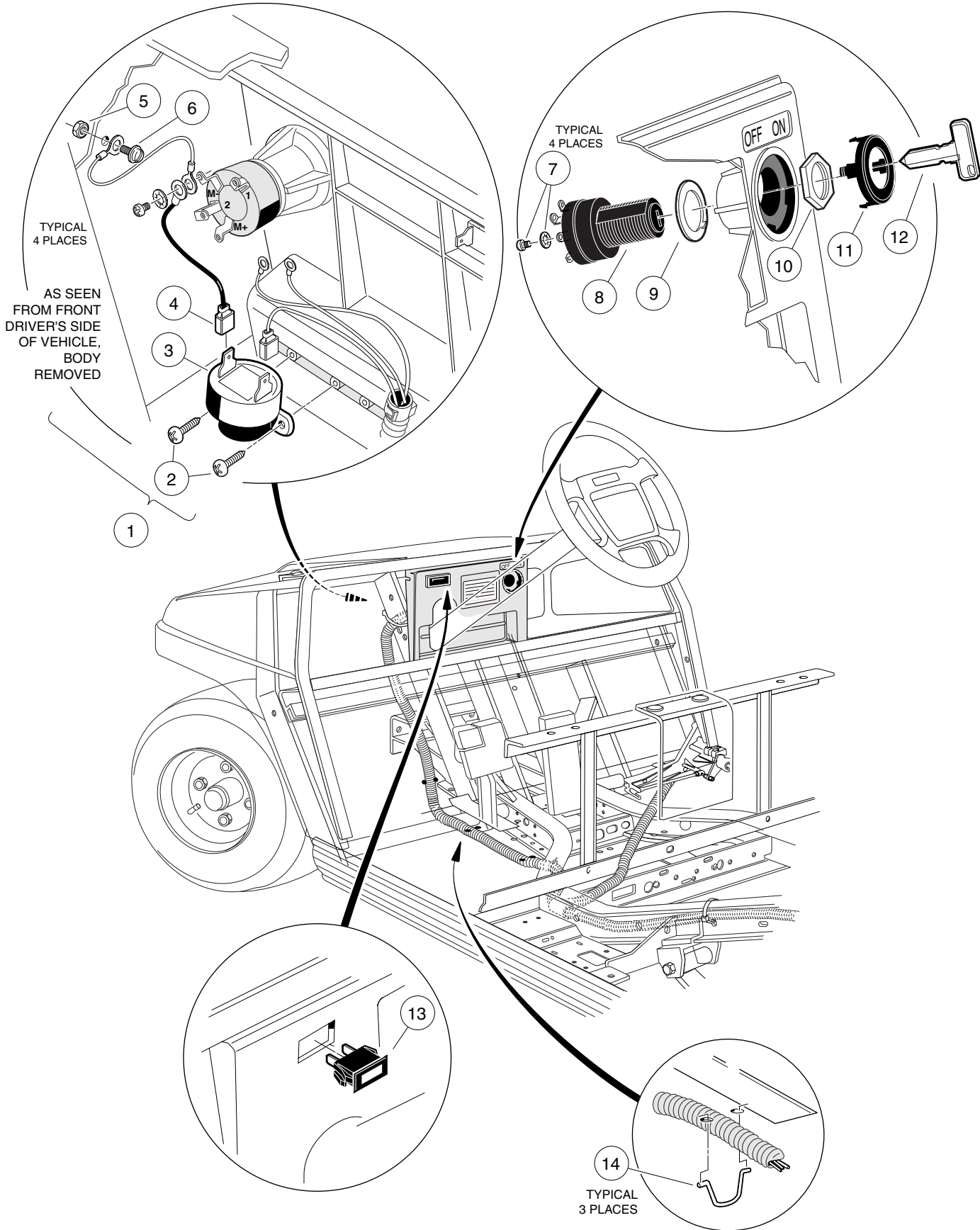


ELECTRICAL COMPONENT BOX GASOLINE VEHICLE

7
G

ITEM	PART NO.	DESCRIPTION	QTY
		1 2 3 4	
	<u>1018276-01</u>	BOX, ELECTRICAL COMPONENT, COMPLETE (INCLUDES ITEMS 1 - 25 AND 1018893-02 - SEE PAGE 7-3)	1
1	<u>1015372</u>	COVER, ELECTRICAL COMPONENT BOX	1
2	<u>1015752</u>	SCREW, HI-LO, #12 - 16 x 5/8	5
3	<u>1013589</u>	RING, RETAINING	1
4	<u>1015373</u>	CAM, ELECTRICAL BOX	1
5	<u>1014145</u>	BUSHING, BRONZE	2
6	<u>1014065</u>	WASHER, FLAT	1
7	<u>1010954</u>	STUD, BALL, 1/4 - 28	1
8	<u>1018213-01</u>	ASSEMBLY, BELL CRANK SHAFT	1
9	0008717	NUT, NYLON LOCK, 1/4 - 28	1
10	0008057	NUT, HEX, #4 - 40	4
11	0008058	WASHER, LOCK, #4	2
12	<u>1014807</u>	SWITCH, LIMIT	1
13	<u>1014808</u>	SWITCH, LIMIT	1
14	1012431	WASHER, FLAT, #4	2
15	N/A	WIRE ASSEMBLY, #16 ORANGE	1
16	<u>1015878</u>	SCREW, HEX HEAD MACHINE, #4 - 40 x 1 5/8	2
17	<u>1018561-01</u>	SCREW, HEX WASHER HEAD HI-LO, 1/4 - 15 x 1/2	1
18	<u>1015777</u>	ASSEMBLY, VOLTAGE REGULATOR	1
19	0007893	NUT, HEX, #10 - 32	2
20	0001242	NUT, HEX, 5/16 - 18	2
21	<u>1013609</u>	SOLENOID, 12 VOLT	1
22	<u>1012295</u>	FUSE, 10 AMP	1
23	<u>1015737</u>	WIRE ASSEMBLY, #10 RED	1
24	<u>1015741</u>	BLOCK, FUSE	1
25	<u>1015371</u>	BOX, ELECTRICAL COMPONENT	1
26	<u>1015405</u>	BOLT, CARRIAGE, 5/16 - 18 x 2	2
27	0001241	WASHER, FLAT, 5/16	2
28	0007473	NUT, NYLON LOCK, 5/16 - 18	2

7
G

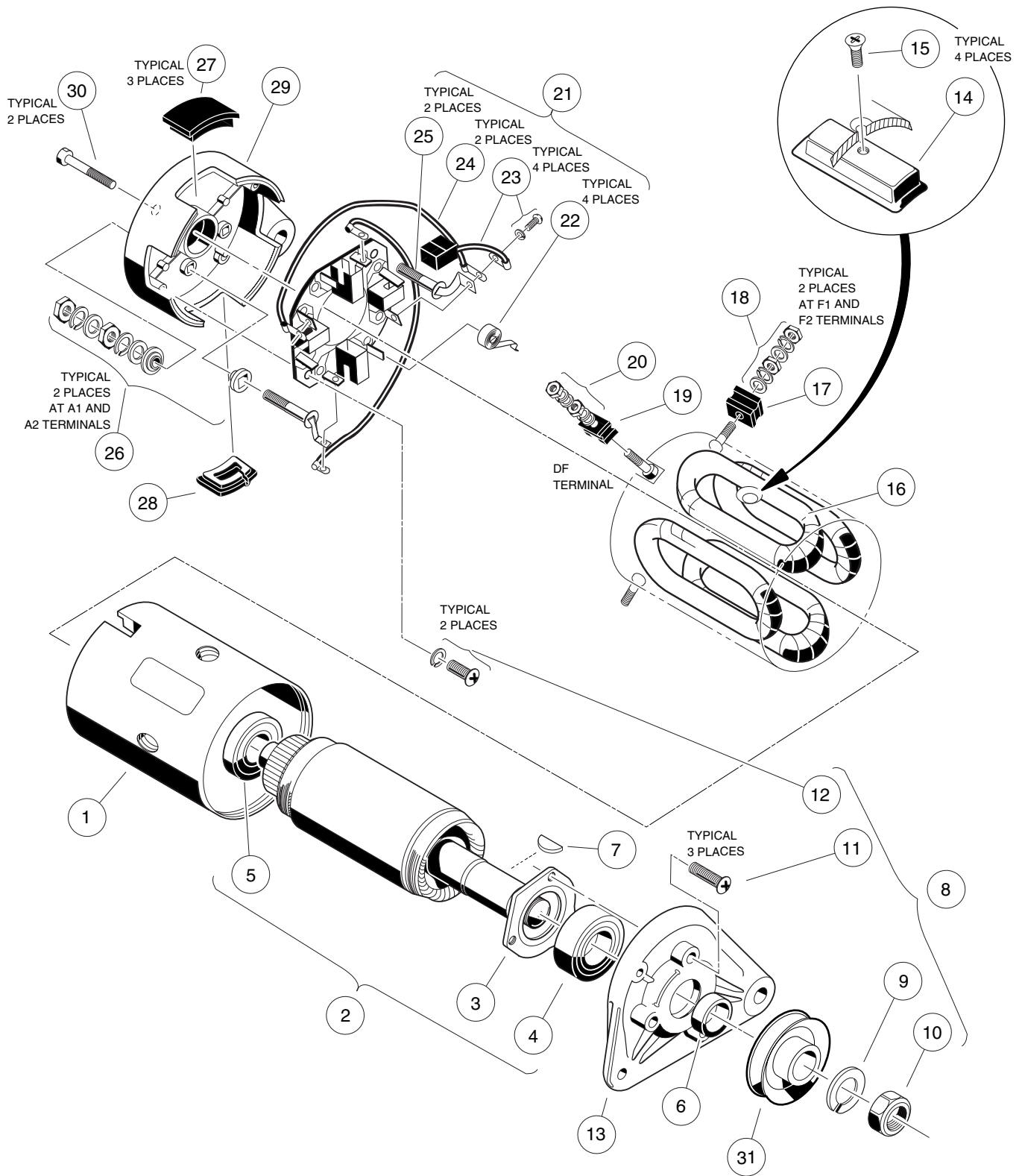


ELECTRICAL COMPONENTS GASOLINE VEHICLE

7
G

ITEM	PART NO.	DESCRIPTION	QTY
		1 2 3 4	
1	<u>1016859</u>	KIT, REVERSE BUZZER (INCLUDES ITEMS 2, 3 AND 4)	1
2	<u>1016849</u>	SCREW, PAN HEAD HI-LO, #4 - 24 x 5/16	2
3	<u>1016851</u>	BUZZER, REVERSE	1
4	N/A	WIRE ASSEMBLY, #18 BLACK	1
5	<u>1011229</u>	NUT, K LOCK, #6 - 32	1
6	<u>1015720</u>	BOLT, HEX WASHER HEAD, #6 - 32 x 1/2	1
7	1018306-01	ASSEMBLY, SCREW AND WASHER	4
8	<u>1018263-01</u>	SWITCH, KEY	1
9	<u>1018511-01</u>	WASHER	1
10	<u>1018307-01</u>	NUT, KEY SWITCH	1
11	<u>1018345-02</u>	CAP, KEY SWITCH (BLACK)	1
12	<u>1012505</u>	KEY (PAIR)	1
13	<u>1016630</u>	LIGHT, OIL WARNING	1
14	1019001-01	RETAINER, HARNESS	3

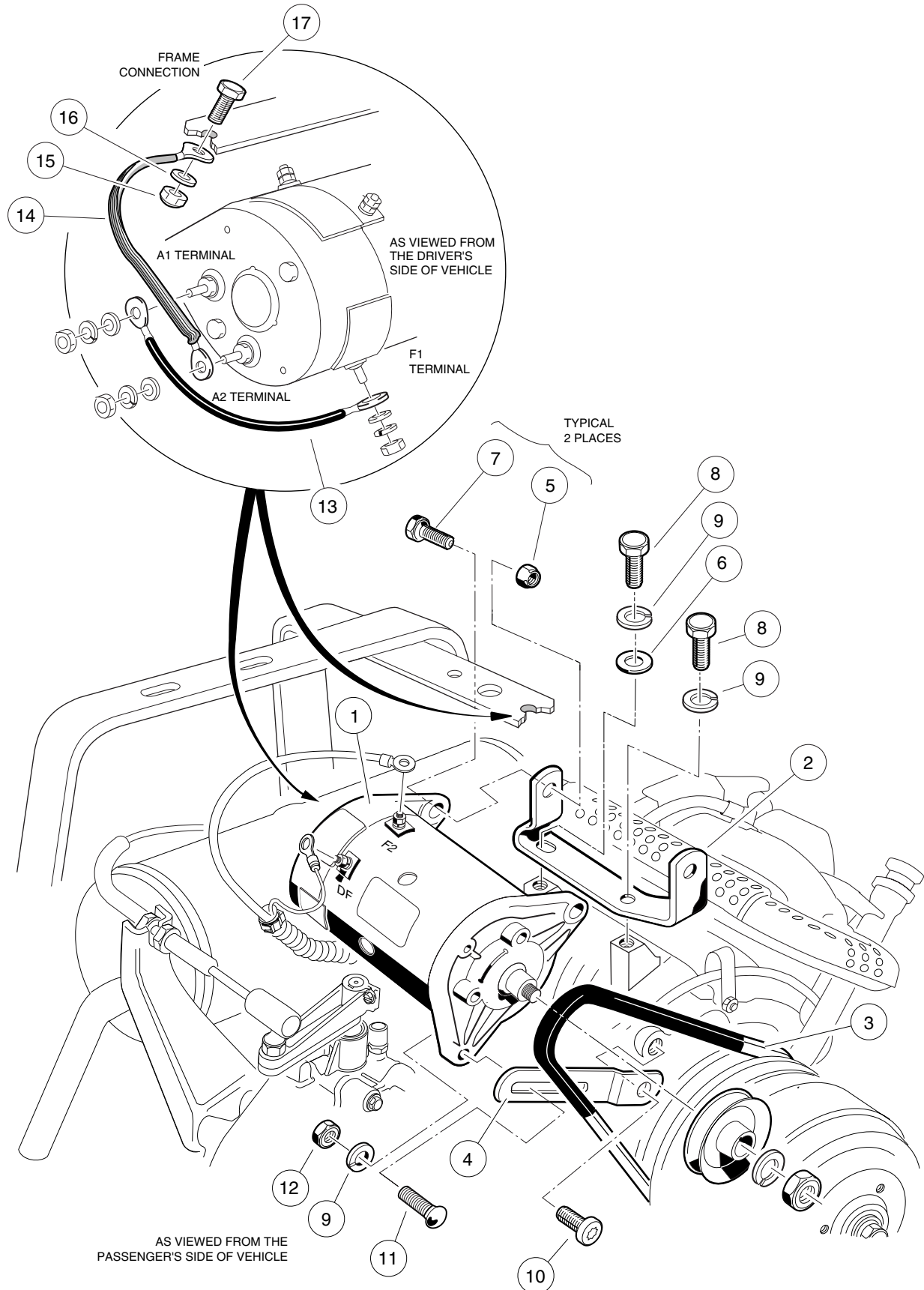
7
G



STARTER/GENERATOR ASSEMBLY

ITEM	PART NO.	DESCRIPTION	QTY
		1 2 3 4	
	<u>1018337-01</u>	STARTER/GENERATOR (CLOCKWISE ROTATION) (INCLUDES ITEMS 1 - 30)	1
1	<u>1018752-01</u>	HOUSING, FIELD COIL	1
2	<u>1018751-01</u>	ASSEMBLY, ARMATURE (INCLUDES ITEMS 3, 4 AND 5)	1
3	<u>1018750-01</u>	RETAINER, BEARING	1
4	<u>1013001</u>	BALL BEARING, OUTPUT SHAFT	1
5	<u>1013005</u>	COMMUTATOR, BALL BEARING	1
6	<u>1019399-01</u>	SPACER, 5/16	1
7	<u>1013003</u>	KEY, WOODRUFF	1
8	<u>1018765-01</u>	KIT, PULLEY NUT AND SCREW (INCLUDES ITEMS 9 - 12)	1
9	N/A	WASHER, LOCK, M14	1
10	N/A	NUT, HEX, M14 x 2	1
11	N/A	SCREW, CROSS - RECESSED, M5 x .8 x 18MM	3
12	<u>1018965-01</u>	SCREW, CROSS - RECESSED, M5 x .8 x 16MM (WITH LOCK WASHER)	2
13	<u>1018749-01</u>	END BELL, OUTPUT SHAFT	1
14	<u>1018753-01</u>	SET, POLE (SET OF 4)	1
15	<u>1018754-01</u>	SCREW, POLE PIECE (SET OF 4)	1
16	<u>1018755-01</u>	ASSEMBLY, FIELD COIL	1
17	<u>1018756-01</u>	SET, F INSULATOR	2
18	<u>1018776-01</u>	PACKAGE, TERMINAL HARDWARE (F1 AND F2)	2
19	<u>1018757-01</u>	SET, DF INSULATOR	1
20	<u>1018777-01</u>	PACKAGE, TERMINAL HARDWARE (DF)	1
21	<u>1013011-02</u>	HOLDER, BRUSH (INCLUDES ITEMS 22 - 25)	1
22	<u>1018781-01</u>	SPRING, BRUSH	4
23	<u>1018693-02</u>	PACKAGE, BRUSH (INCLUDES 4 BRUSHES, 4 SCREWS, 4 WASHERS)	1
24	<u>1018762-02</u>	ASSEMBLY, BRUSH CONNECTOR	2
25	<u>1018758-02</u>	A CONNECTOR (SET OF 2)	1
26	<u>1018760-01</u>	PACKAGE, TERMINAL HARDWARE (A1 AND A2)	2
27	<u>1018763-01</u>	COVER, BRUSH INSPECTION PORT (SET OF 4) (INCLUDES ITEM 28)	1
28	<u>1017653</u>	COVER, BRUSH INSPECTION PORT, WITH DRAIN	1
29	<u>1018764-02</u>	END BELL, COMMUTATOR	1
30	<u>1018790-01</u>	BOLT, CLAMP, M6 x 1 x 180MM	2
31	<u>1014289</u>	PULLEY (SILVER COLOR)	1

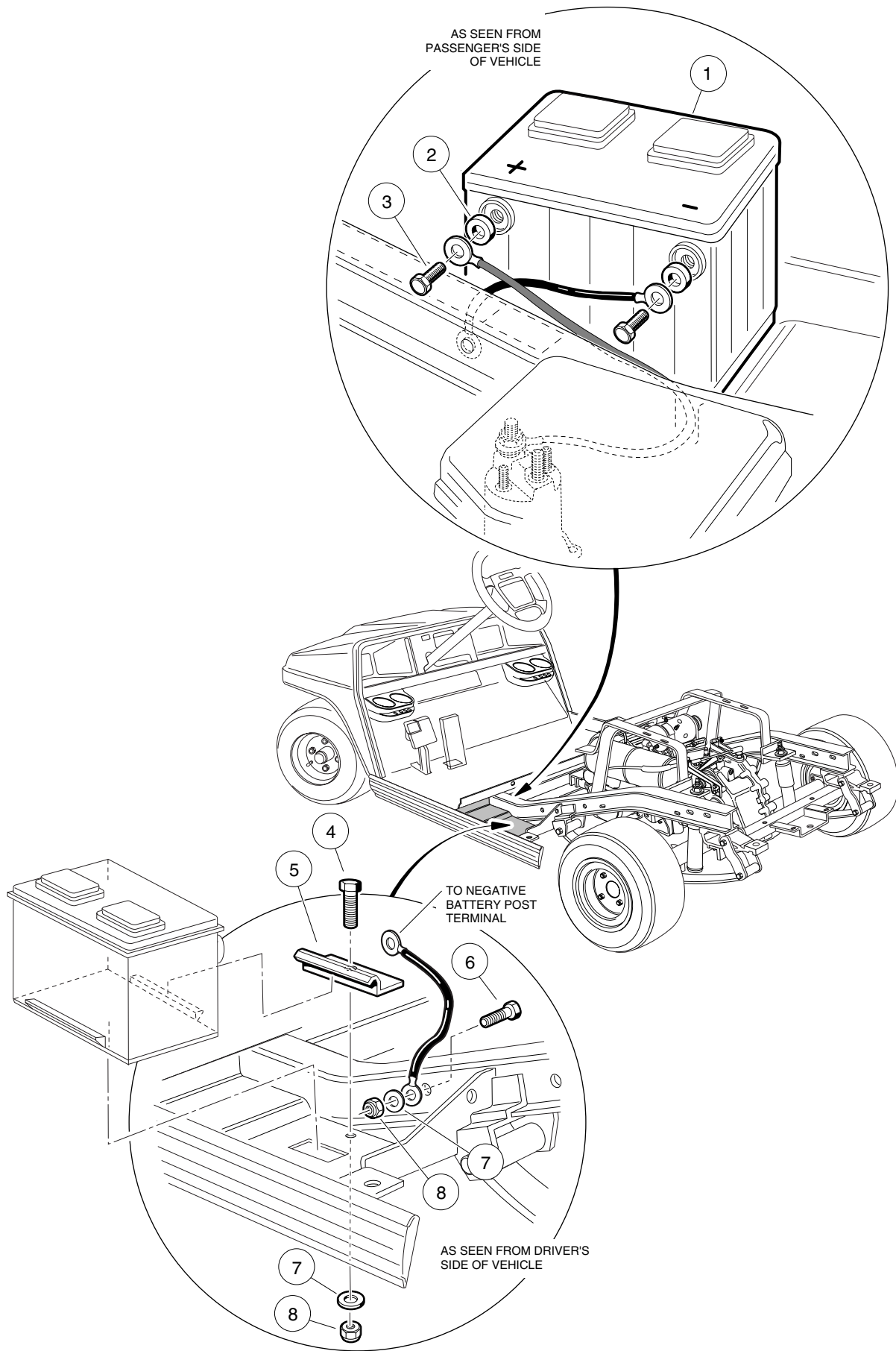




STARTER/GENERATOR MOUNTING

ITEM	PART NO.	DESCRIPTION	QTY
		1 2 3 4	
1	<u>1018337-01</u>	STARTER/GENERATOR	1
2	<u>1015240-01</u>	BRACKET, MOUNTING, FE 290	1
3	<u>1019167-01</u>	BELT	1
4	<u>1016883</u>	BRACKET, ADJUSTING	1
5	0008754	NUT, NYLON LOCK, 3/8 - 16	2
6	1015075	WASHER, FLAT, 5/16	1
7	0000705	BOLT, HEX HEAD, 3/8 - 16 x 1 1/4	2
8	1019035-01	SCREW, HEX HEAD CAP, M8 x 1.25 x 24MM	2
9	0007174	WASHER, LOCK, 5/16	3
10	<u>1016074</u>	SCREW, TORX HEAD, M8 x 1.25 x 18MM	1
11	<u>1015932</u>	BOLT, CARRIAGE, 5/16 - 18 x 1	1
12	0001242	NUT, HEX, 5/16 - 18	1
13	<u>1018373-01</u>	WIRE ASSEMBLY, #6 GREEN	1
14	<u>1015920</u>	WIRE ASSEMBLY, #6 BRAIDED GROUND	1
15	0007473	NUT, NYLON LOCK, 5/16 - 18	1
16	0001241	WASHER, FLAT, 5/16	1
17	0007173	SCREW, HEX HEAD CAP, 5/16 - 18 x 3/4	1

7
G



BATTERY - GASOLINE VEHICLE

ITEM	PART NO.	DESCRIPTION	QTY
		1 2 3 4	
1	<u>1012328</u>	BATTERY, 12 VOLT	1
2	<u>1014374</u>	SPACER, BATTERY TERMINAL BOLT	2
3	<u>1014375</u>	SCREW, HEX HEAD CAP, STAINLESS STEEL, 3/8 - 16 x 1/2	2
4	<u>1010934</u>	BOLT, HEX HEAD, 5/16 - 18 x 1	1
5	<u>1018980-01</u>	CLAMP, BATTERY	1
6	0007173	SCREW, HEX CAP, 5/16 - 18 x 3/4	1
7	0001241	WASHER, FLAT, 5/16	2
8	0007473	NUT, NYLON LOCK, 5/16 - 18	2

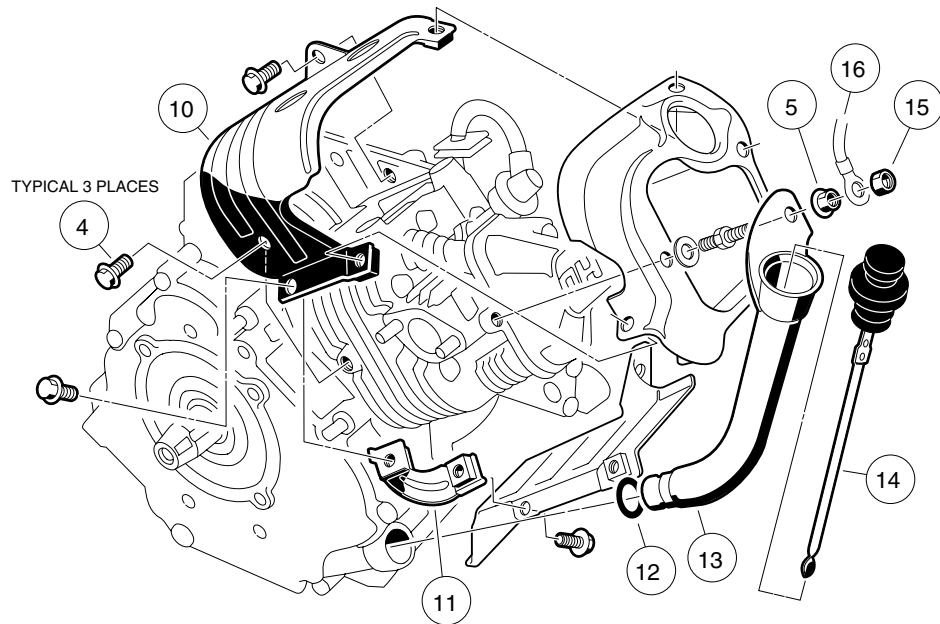
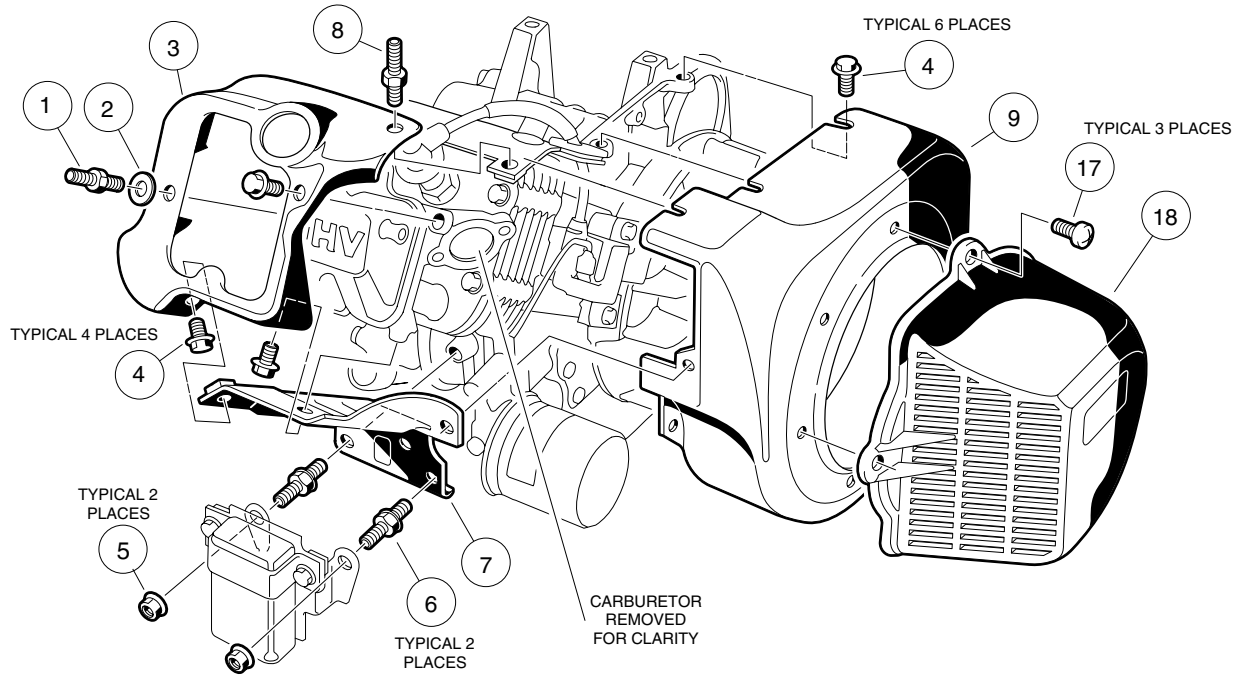
7
G

7
G

FE 290 ENGINE

8

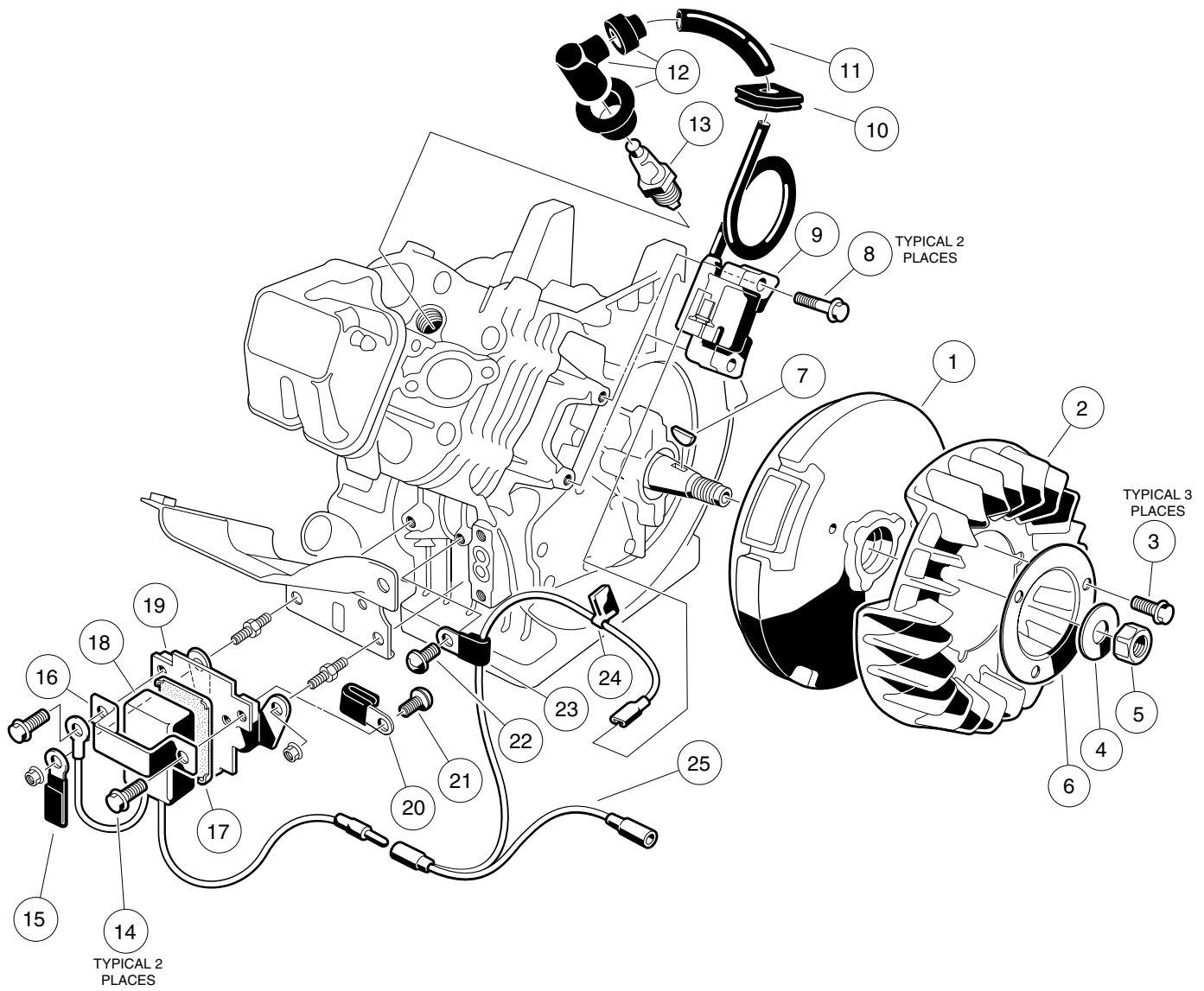
G



FE 290 ENGINE

8
G

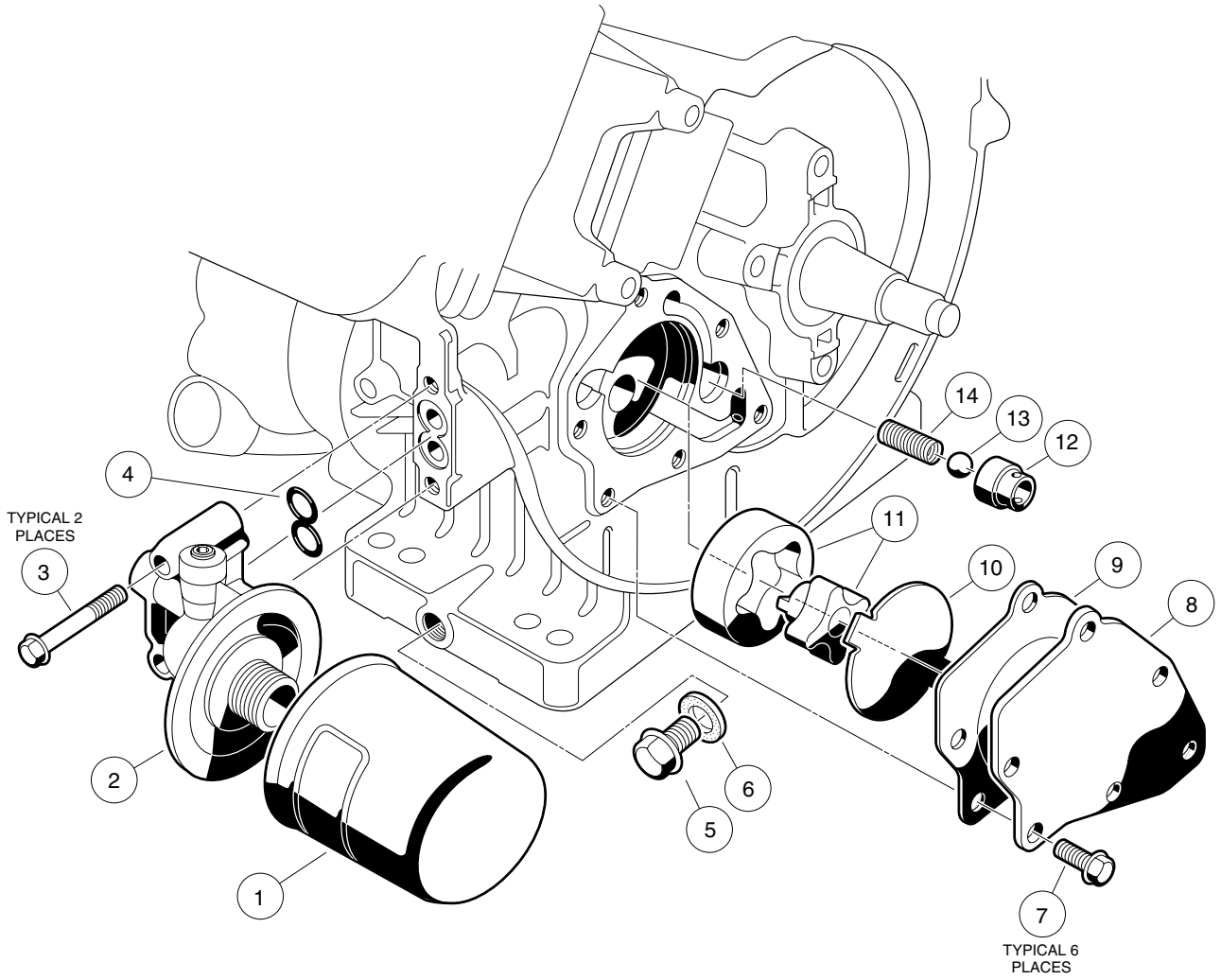
ITEM	PART NO.	DESCRIPTION	QTY
		1 2 3 4	
	<u>1019539-01</u>	FE 290 OHV GASOLINE ENGINE (CLOCKWISE ROTATION) WITH CARBURETOR (DOES NOT INCLUDE ITEMS 15 THROUGH 18)	1
1	<u>1016507</u>	BOLT, 2-ENDED, M6 x 1 x 29MM	1
2	<u>1016512</u>	WASHER, FLAT, 6MM	1
3	<u>1016524</u>	SHROUD, ENGINE, FE 290	1
4	1016456	BOLT, FLANGED, M6 x 1 x 12MM	15
5	1016547	NUT, M6 x 1	3
6	<u>1019097-01</u>	BOLT, 2-ENDED, M6 x 1 x 27MM	1
7	1016526	SHROUD, ENGINE, FE 290 (LOWER)	1
8	<u>1017221</u>	SCREW, 2-ENDED, M6 x 1 x 46MM	1
9	1019156-01	HOUSING, FAN	1
10	<u>1016525</u>	SHROUD, ENGINE, FE 290 (UPPER)	1
11	<u>1016443</u>	BRACKET	1
12	<u>1016539</u>	O-RING	1
13	<u>1016536</u>	TUBE, OIL FILLER, FE 290	1
14	1016531	DIPSTICK	1
15	<u>1011114</u>	NUT, M6 x1	1
16	<u>1015332</u>	WIRE ASSEMBLY, #10 BRAIDED GROUND	1
17	<u>1015969</u>	SCREW, PAN HEAD, M6 x 1 x 14MM	3
18	<u>1015649</u>	SHROUD, FAN	1



FE 290 ENGINE

ITEM	PART NO.	DESCRIPTION	QTY
		1 2 3 4	
1	<u>1019157-01</u>	FLYWHEEL	1
2	<u>1019158-01</u>	FAN, FLYWHEEL, GRAY	1
3	<u>1017448</u>	SCREW, FLANGED HEX HEAD, M6 x 1 x 10MM	3
4	<u>1016548</u>	WASHER, FLAT, 16MM	1
5	<u>1016505</u>	NUT, HEX, M16 x 2	1
6	<u>1017455</u>	PLATE, FLYWHEEL FAN	1
7	<u>1016562</u>	KEY	1
8	<u>1016455</u>	BOLT, FLANGED, M5 x .8 x 25MM	2
9	<u>1019092-01</u>	COIL, IGNITION (WITH INTERNAL IGNITER)	1
10	<u>1016578</u>	GROMMET	1
11	<u>1016588</u>	TUBE, 7MM x 70MM	1
12	<u>1016493</u>	ASSEMBLY, PLUG CAP	1
13	1016111	SPARK PLUG - OHV	1
14	1016456	BOLT, FLANGED, M6 x 1 x 12MM	2
15	<u>1012981</u>	CLAMP	1
16	<u>1016579</u>	MOUNT, RPM LIMITER	1
17	1016586	DAMPER, RPM LIMITER	1
18	1019094-01	LIMITER, RPM - OHV	1
19	1016445	BRACKET, RPM LIMITER	1
20	1019095-01	CLAMP	1
21	<u>1016497</u>	SCREW, CROSS PAN HEAD, M5 x .8 x 8MM	1
22	<u>1016544</u>	SCREW, CROSS PAN HEAD SELF-TAPPING, M5 x .8 x 12MM	1
23	<u>1016561</u>	CLAMP	1
24	<u>1016587</u>	CLAMP	1
25	<u>1019093-01</u>	WIRE, LEAD	1

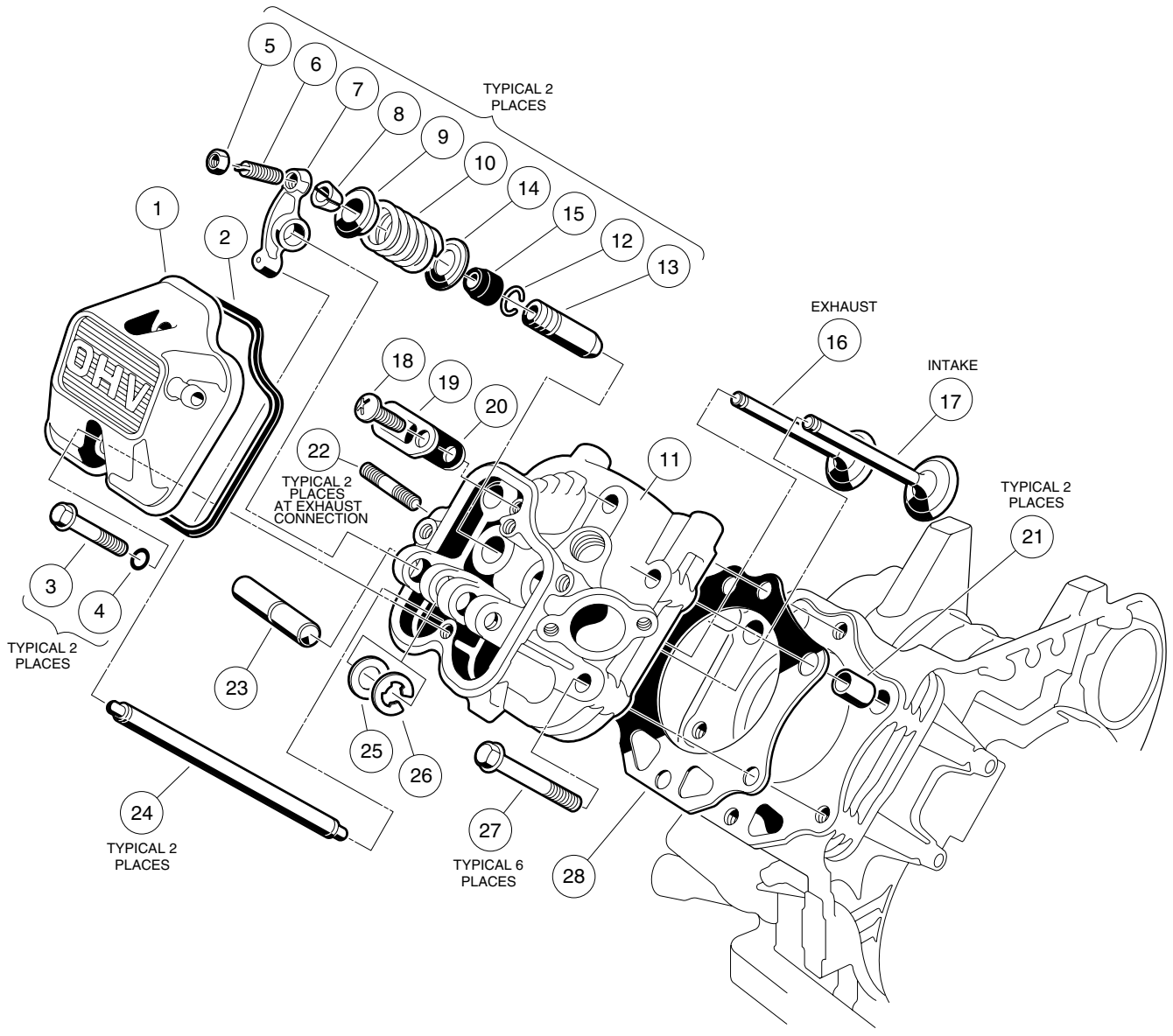
8
G



FE 290 ENGINE

8
G

ITEM	PART NO.	DESCRIPTION	QTY
		1 2 3 4	
1	<u>1016467</u>	ASSEMBLY, OIL FILTER, OHV	1
2	<u>1016502</u>	BRACKET, OIL FILTER	1
3	<u>1016457</u>	BOLT, FLANGED HEX HEAD, M6 x 1 x 40MM	2
4	<u>1016570</u>	O-RING, OIL FILTER MOUNT	1
5	<u>1016576</u>	PLUG, DRAIN, FE 290	1
6	<u>1016432</u>	GASKET, DRAIN PLUG	1
7	<u>1017456</u>	SCREW, FLANGED HEX HEAD, M6 x 1 x 12MM	6
8	<u>1016484</u>	COVER, PUMP	1
9	<u>1016435</u>	GASKET, OIL PUMP	1
10	<u>1016473</u>	PLATE, OIL PUMP	1
11	<u>1016482-03</u>	PUMP, OIL, AND ROTOR	1
12	<u>1016429</u>	SEAT, VALVE	1
13	<u>1016537</u>	BALL, STEEL, PRESSURE RELIEF	1
14	<u>1016581</u>	SPRING	1



FE 290 ENGINE

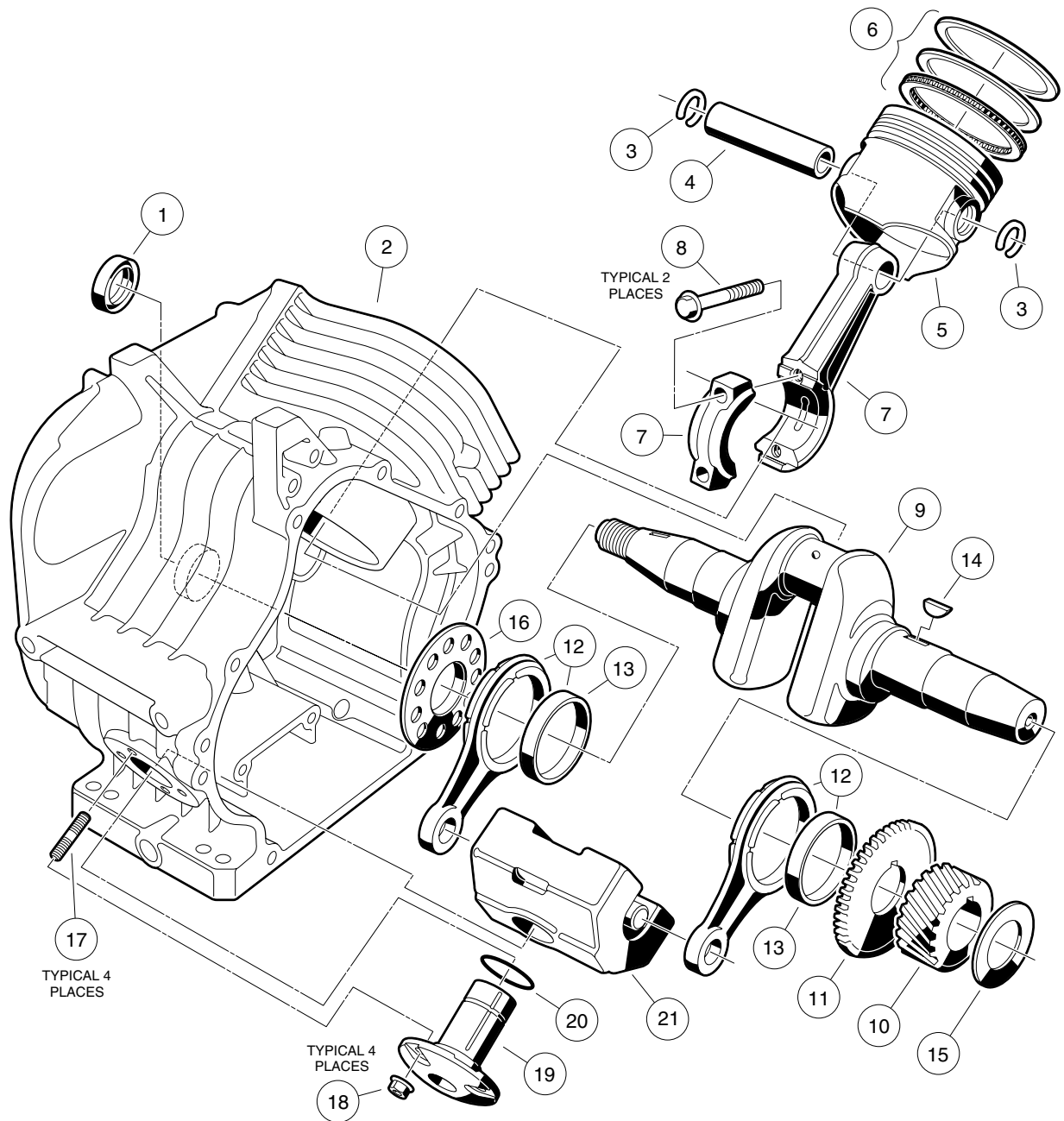
ITEM	PART NO.	DESCRIPTION	QTY
		1 2 3 4	
1	<u>1016442</u>	CASE, ROCKER	1
2	<u>1016436</u>	GASKET, ROCKER CASE	1
3	<u>1016583</u>	BOLT, FLANGED, M6 x 1 x 35MM	2
4	<u>1016569</u>	O-RING	2
5	<u>1016545</u>	NUT, HEX, M5 x .8	2
6	<u>1016542</u>	SCREW, STUD, M5 x .8	2
7	<u>1016451</u>	ARM, ROCKER	2
8	<u>1016450</u>	COLLET	2
9	<u>1016449</u>	RETAINER, VALVE SPRING	2
10	<u>1016523</u>	SPRING, ENGINE VALVE	2
11	<u>1016431</u>	ASSEMBLY, CYLINDER HEAD, OHV (INCLUDES ITEMS 12 AND 13)	1
12	<u>1016560</u>	RING, SNAP	2
13	<u>1016519</u>	GUIDE, VALVE	2
14	<u>1016479</u>	SEAT, SPRING	2
15	<u>1016566</u>	SEAL, VALVE	2
16	<u>1016448</u>	VALVE, EXHAUST	1
17	<u>1016447</u>	VALVE, INTAKE	1
18	<u>1016544</u>	SCREW, CROSS PAN HEAD SELF-TAPPING, M5 x .8 x 12MM	1
19	<u>1016474</u>	PLATE	1
20	<u>1016483</u>	VALVE	1
21	<u>1016563</u>	PIN	2
22	<u>1016489</u>	BOLT, STUD, M8 x 1.25 x 29MM	2
23	<u>1016452</u>	SHAFT, ROCKER	1
24	<u>1016471</u>	ROD, PUSH	2
25	<u>1016549</u>	WASHER, FLAT, M12	1
26	<u>1016517</u>	CIRCLIP, TYPE E	1
27	<u>1016458</u>	BOLT, FLANGED, M8 x 1.25 x 45MM	6
28	<u>1016430</u>	GASKET, HEAD	1

8
G

FE 290 ENGINE

8
G

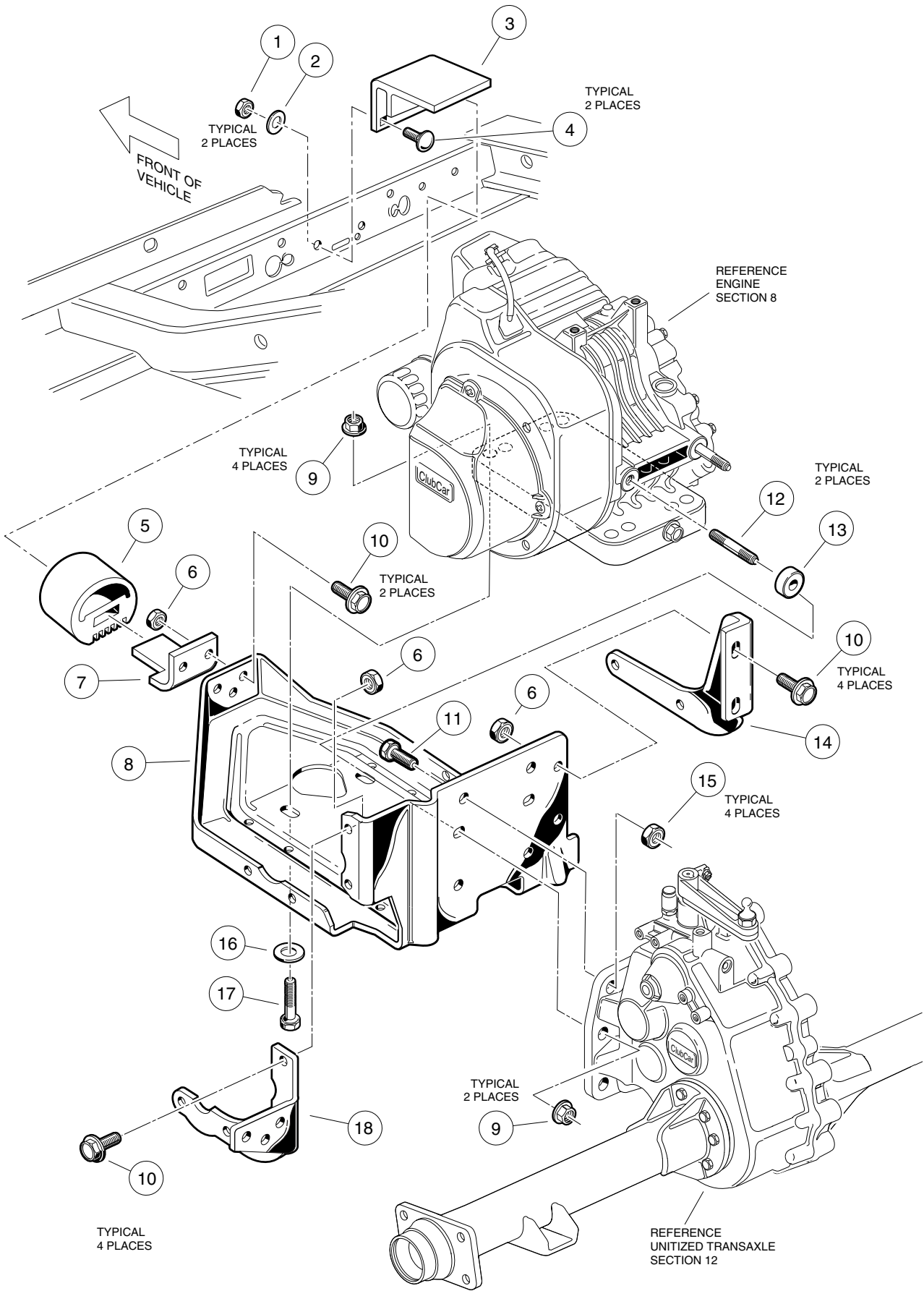
ITEM	PART NO.	DESCRIPTION	QTY
		1 2 3 4	
1	<u>1016535</u>	CONNECTOR, CORD	1
2	<u>1016538</u>	O-RING	1
3	<u>1016506</u>	CLAMP	1
4	<u>1016544</u>	SCREW, CROSS PAN HEAD SELF-TAPPING, M5 x .8 x 12MM	1
5	<u>1016564</u>	PIN	2
6	<u>1016565</u>	BEARING, BALL	1
7	<u>1016567</u>	SEAL, CRANKSHAFT	1
8	<u>1016584</u>	BOLT, 2-ENDED, M8 x 1.25 x 69MM	2
9	<u>1016458</u>	BOLT, FLANGED, M8 x 1.25 x 45MM	6
10	<u>1016520</u>	COVER, CRANKCASE	1
11	<u>1016446</u>	GASKET, CRANKCASE COVER	1
12	<u>1016456</u>	BOLT, FLANGED, M6 x 1 x 12MM	2
13	<u>1016510</u>	BRACKET, OIL LEVEL SWITCH	1
14	<u>1016494</u>	SENSOR, OIL LEVEL	1
15	<u>1016496</u>	SCREW, CROSS PAN HEAD, M4 x .7 x 8MM	3
16	<u>1016454</u>	BOLT, FLANGED, M5 x .8 x 8MM	2
17	<u>1016472</u>	PLATE, OIL FILTER SCREEN	1
18	<u>1016521</u>	SCREEN, OIL FILTER	1
19	<u>1019154-01</u>	CAMSHAFT, COMPLETE	1
20	<u>1016453</u>	TAPPET	2



FE 290 ENGINE

8
G

ITEM	PART NO.	DESCRIPTION	QTY
		1 2 3 4	
1	<u>1016568</u>	SEAL, OIL	1
2	<u>1019155-01</u>	CRANKCASE, COMPLETE, OHV	1
3	<u>1016558</u>	RING, SNAP	2
4	1016460	PIN, PISTON	1
5	<u>1016459-01</u>	PISTON, STANDARD	1
5	1016459-02	PISTON, .25MM OVERSIZED	1
5	<u>1016459-03</u>	PISTON, .50MM OVERSIZED	1
6	<u>1016461-01</u>	RING SET, PISTON, STANDARD	1
6	1016461-02	RING SET, PISTON, .25MM OVERSIZED	1
6	<u>1016461-03</u>	RING SET, PISTON, .50MM OVERSIZED	1
7	<u>1016475-01</u>	ASSEMBLY, CONNECTING ROD, STANDARD (INCLUDES 2 EACH OF ITEM 8)	1
7	1016475-02	ASSEMBLY, CONNECTING ROD, .50MM UNDERSIZED (INCLUDES 2 EACH OF ITEM 8)	1
8	<u>1016509</u>	BOLT, HEX HEAD, M7 x 1 x 36MM	2
9	1019223-01	CRANKSHAFT, OHV (INCLUDES ITEMS 10, 11 AND 12)	1
10	<u>1016533</u>	GEAR, HELICAL	1
11	<u>1016532</u>	GEAR, SPUR	1
12	<u>1016516</u>	ASSEMBLY, CONNECTING ROD (INCLUDES ITEM 13)	2
13	1016580	BEARING, PLAIN	2
14	<u>1016562</u>	KEY	1
15	<u>1016550-01</u>	SHIM, CRANKSHAFT, 1.13MM THICK	A/R
15	<u>1016550-02</u>	SHIM, CRANKSHAFT, 1.18MM THICK	A/R
15	<u>1016550-03</u>	SHIM, CRANKSHAFT, 1.23MM THICK	A/R
15	<u>1016550-04</u>	SHIM, CRANKSHAFT, 1.28MM THICK	A/R
15	<u>1016550-05</u>	SHIM, CRANKSHAFT, 1.33MM THICK	A/R
15	<u>1016550-06</u>	SHIM, CRANKSHAFT, 1.38MM THICK	A/R
15	<u>1016550-07</u>	SHIM, CRANKSHAFT, 1.43MM THICK	A/R
15	<u>1016550-08</u>	SHIM, CRANKSHAFT, 1.48MM THICK	A/R
15	<u>1016550-09</u>	SHIM, CRANKSHAFT, 1.53MM THICK	A/R
16	1016559	SPACER	1
17	<u>1016541</u>	BOLT, STUD, M6 x 1 x 22MM	4
18	1016547	NUT, FLANGED, M6 x 1	4
19	1016470	SHAFT, GUIDE COUNTERBALANCE	1
20	<u>1016571</u>	O-RING	1
21	<u>1016469</u>	WEIGHT, COUNTERBALANCE	1



ENGINE MOUNTING

8
G

ITEM	PART NO.	DESCRIPTION	QTY
		1 2 3 4	
1	0007473	NUT, NYLON LOCK, 5/16 - 18	2
2	0001241	WASHER, FLAT, 5/16 - 18	2
3	<u>1018646-01</u>	RETAINER, SNUBBER	1
4	<u>1010435</u>	BOLT, CARRIAGE, 5/16 - 18 x 1	2
5	1012164	SNUBBER	1
6	<u>1013924</u>	NUT, HEX LOCK, 5/16 - 24, UNF	10
7	<u>1018346-01</u>	BRACKET, SNUBBER	1
8	<u>1018271-01</u>	PLATE, MOUNTING	1
9	1018330-01	NUT, FLANGE, M8 x 1.25	6
10	<u>1018848-01</u>	SCREW, HEX WASHER, 5/16 -248 x 7/8	10
11	<u>1018333-01</u>	SCREW, HEX HEAD CAP, M10 x 1.25 x 30MM	4
12	<u>1018332-01</u>	STUD, M8 x 1.25	2
13	<u>1018321-01</u>	SPACER	2
14	<u>1018326-01</u>	STIFFENER, DRIVE CLUTCH SIDE	1
15	<u>1018329-01</u>	NUT, FLANGE, M10 x 1.25	4
16	1012571	WASHER, HEAVY FLAT, 5/16	4
17	<u>1018559-01</u>	SCREW, HEX HEAD CAP, M8 x 1.25 x 43MM	4
18	<u>1018327-01</u>	STIFFENER, FLYWHEEL SIDE	1

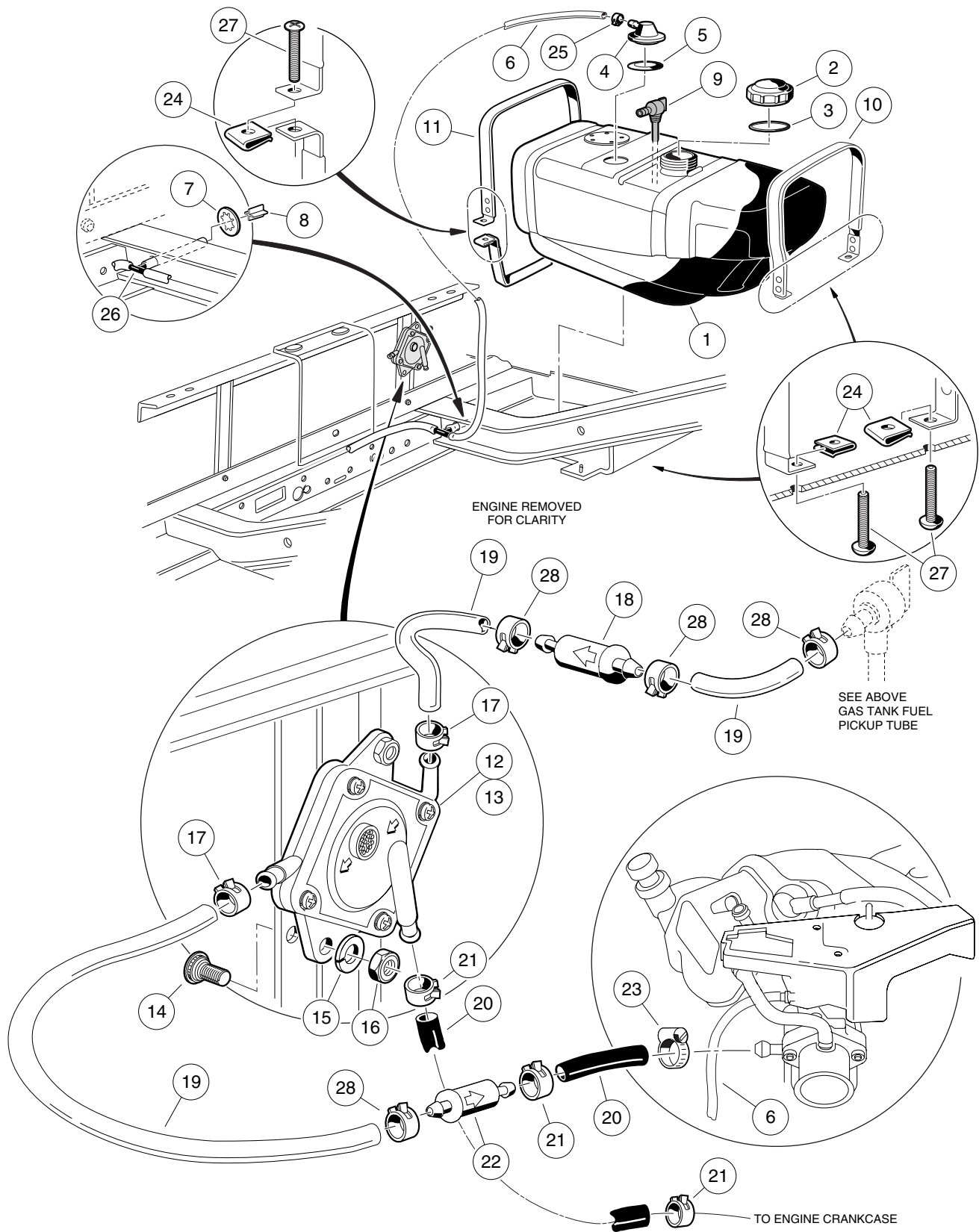
8

G

FUEL, INTAKE, AND GOVERNOR SYSTEMS

9

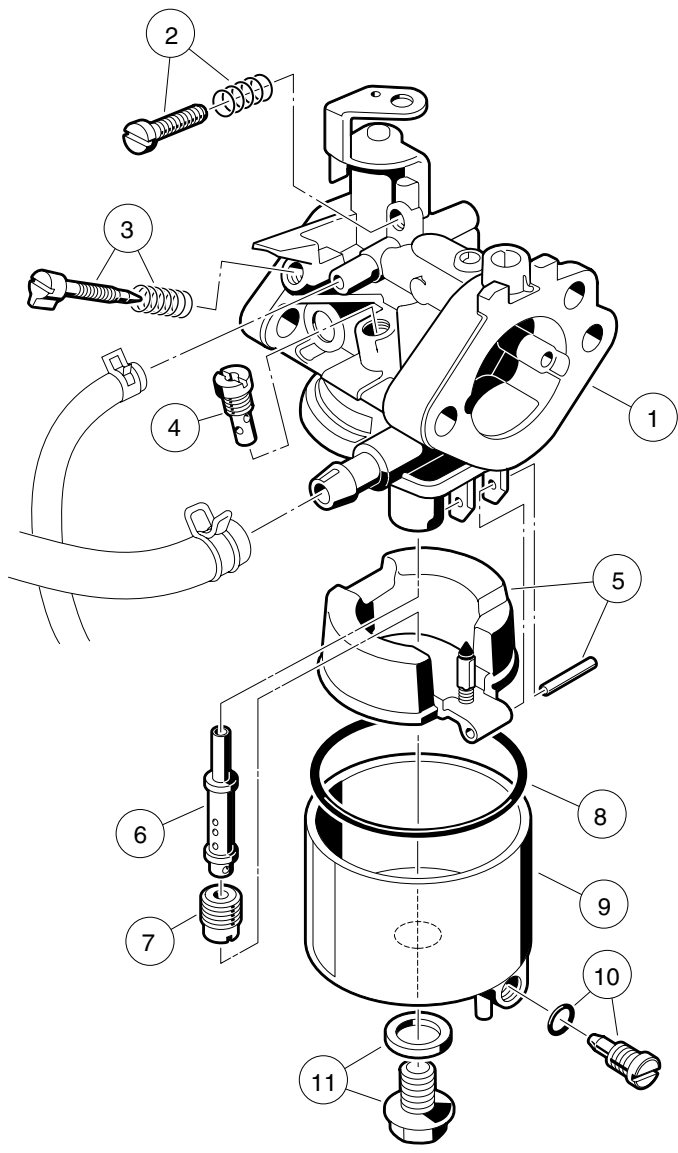
G



FUEL SYSTEM

9
G

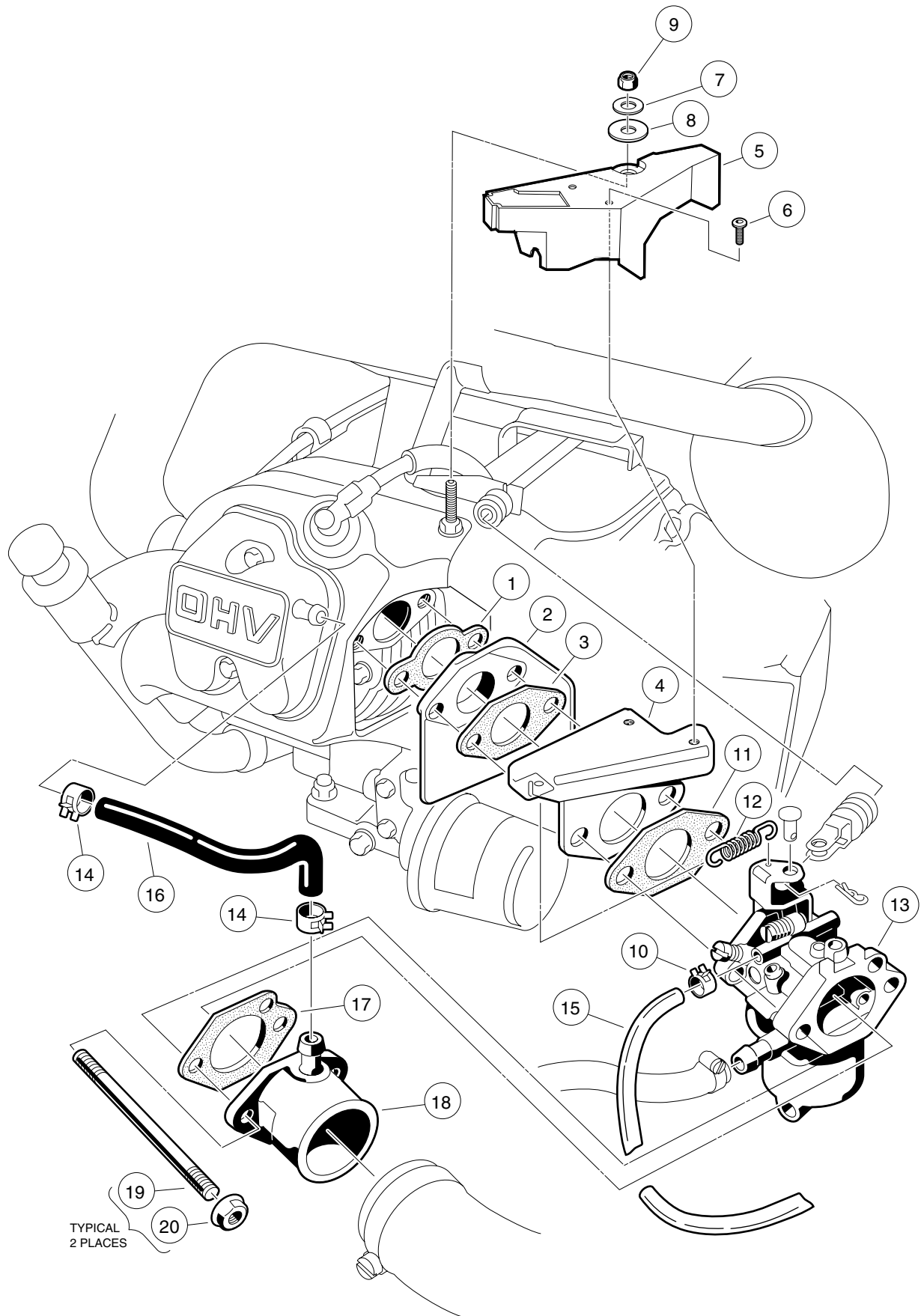
ITEM	PART NO.	DESCRIPTION	QTY
		1 2 3 4	
1	<u>1016003</u>	KIT, FUEL TANK, (INCLUDES ITEMS 2 - 9)	1
2	<u>1015188</u>	CAP, FUEL TANK, NONVENTED (INCLUDES ITEM 3)	1
3	<u>1014535</u>	GASKET, FUEL CAP	1
4	<u>1015143</u>	ASSEMBLY, FUEL TANK VENT	1
5	<u>1015139</u>	GROMMET, INSULATION	1
6	<u>1015137</u>	LINE, BULK VENT (AVAILABLE BY THE FOOT)	A/R
7	<u>1016059</u>	CLIP, STUD	1
8	<u>1018244-01</u>	BARB, VENT	1
9	<u>1018969-01</u>	VALVE, FUEL PICKUP TUBE WITH SHUT-OFF	1
10	<u>1014928</u>	ASSEMBLY, REAR FUEL STRAP	1
11	<u>1019553-01</u>	ASSEMBLY, FRONT FUEL STRAP	1
12	<u>1014523</u>	PUMP, FUEL IMPULSE, SQUARE BODY	1
13	<u>1014524</u>	PUMP, FUEL IMPULSE, SQUARE BODY REBUILD KIT	1
14	<u>1010433</u>	STUD, FLUSH HEAD, 1/4 - 20 x 3/4	2
15	0000451	WASHER, LOCK, 1/4	2
16	0001028	NUT, HEX, 1/4 - 20	2
17	<u>1013134-01</u>	CLAMP, HOSE (BLACK)	2
18	1013684	FILTER , PRIMARY FUEL (WHITE)	1
19	<u>1012293</u>	LINE, BULK FUEL (YELLOW)	A/R
20	<u>1013692</u>	LINE, BULK FUEL (BLACK)	A/R
21	<u>1012649</u>	CLAMP, HOSE (RED)	3
22	1014522	FILTER, SECONDARY FUEL (BLUE)	1
23	<u>1013687</u>	CLAMP, HOSE, 3/8	1
24	<u>1014116</u>	NUT, U-TYPE SPEED, 1/4 - 20	3
25	<u>1013746</u>	CLAMP, HOSE	1
26	<u>1019556-01</u>	T-FITTING	1
27	<u>1011988</u>	SCREW, PHILLIPS TRUSS HEAD, 1/4 - 20 x 2	3
28	<u>1013134-02</u>	CLAMP, HOSE (GREEN)	4



CARBURETOR ASSEMBLY

ITEM	PART NO.	DESCRIPTION	QTY
		1 2 3 4	
1	<u>1019056-01</u>	ASSEMBLY, CARBURETOR (INCLUDES ITEMS 2 - 11)	1
2	<u>1016501</u>	ASSEMBLY, IDLE SCREW	1
3	N/A	ASSEMBLY, PILOT AIR SCREW	1
4	<u>1019731-01</u>	JET, PILOT, #40	1
5	<u>1016486</u>	ASSEMBLY, FLOAT	1
6	<u>1019732-01</u>	NOZZLE, MAIN	1
		STANDARD JETTING:	
7	<u>1016425-82</u>	JET, MAIN, 0 - 3,000 FEET	A/R
7	<u>1016425-80</u>	JET, MAIN, 3,000 - 5,000 FEET	A/R
7	<u>1016425-78</u>	JET, MAIN, 5,000 - 8,000 FEET	A/R
7	<u>1016425-75</u>	JET, MAIN, 8,000 - 10,000 FEET	A/R
7	<u>1016425-72</u>	JET, MAIN, 10,000 FEET AND ABOVE	A/R
8	<u>1016437</u>	GASKET, FLOAT CHAMBER	1
9	<u>1017461</u>	ASSEMBLY, FLOAT CHAMBER (INCLUDES ITEM 10)	1
10	<u>1016499</u>	ASSEMBLY, SCREW	1
11	<u>1016585</u>	ASSEMBLY, BOLT	1

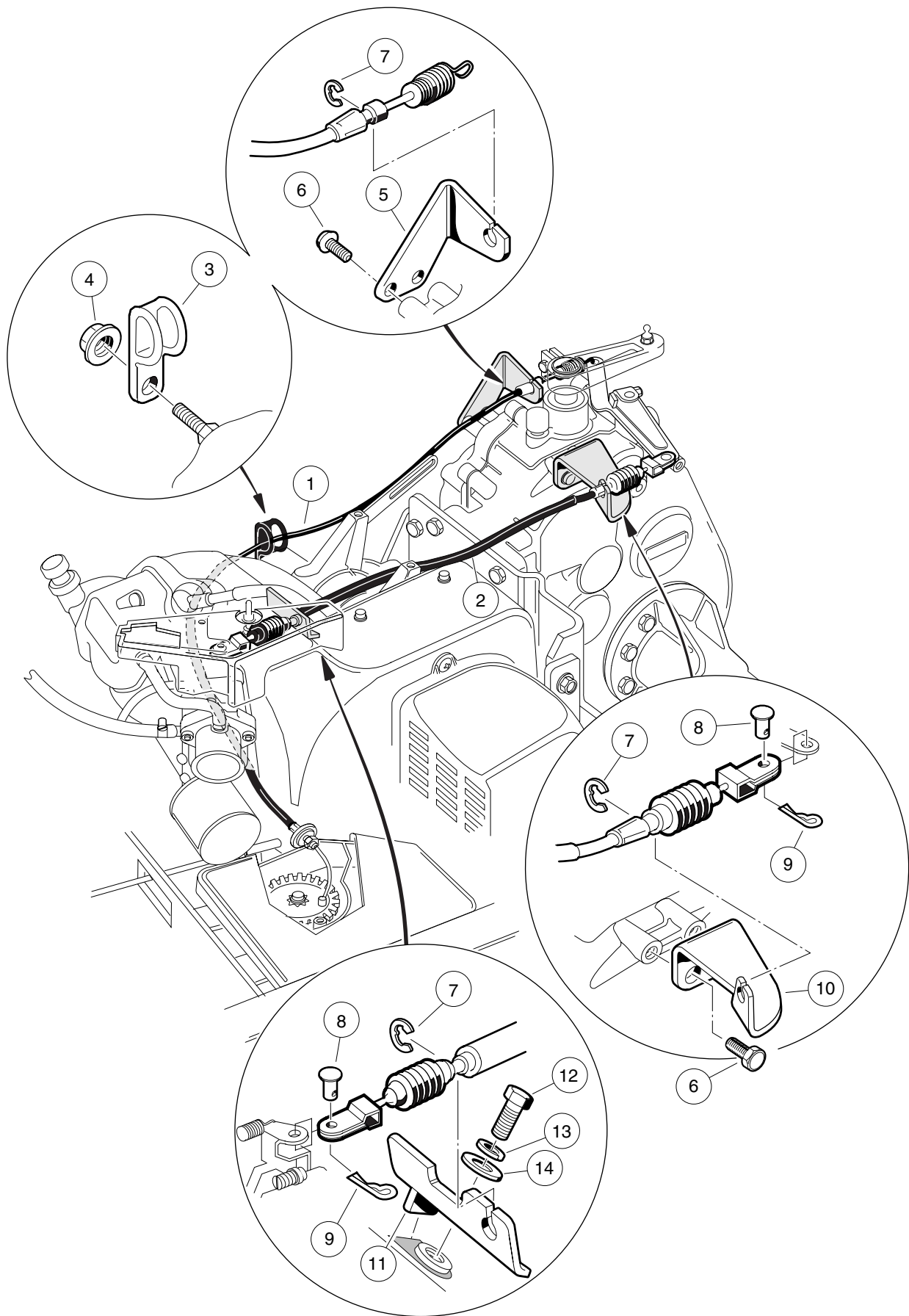
9
G



CARBURETOR INSTALLATION

ITEM	PART NO.	DESCRIPTION	QTY
		1 2 3 4	
1	<u>1016440</u>	GASKET, INSULATOR	1
2	1016481-02	INSULATOR, CARBURETOR	1
3	<u>1016439</u>	GASKET, CARBURETOR INSULATOR TO THROTTLE BRACKET	1
4	<u>1016444</u>	BRACKET, THROTTLE	1
5	1018202-01	GUARD, GOVERNOR	1
6	<u>1016103</u>	SCREW, PAN/TORX HEAD SELF-TAPPING, #6 - 32 x 1/4	2
7	0000332	WASHER, FLAT, 1/4	1
8	0000334	WASHER, FLAT, 3/8	1
9	<u>1018876-01</u>	NUT, NYLON LOCK, M6 x 1	1
10	<u>1013746</u>	CLAMP, HOSE	1
11	<u>1016441</u>	GASKET, THROTTLE BRACKET TO CARBURETOR	1
12	<u>1016582</u>	SPRING, THROTTLE RETURN	1
13	<u>1019056-01</u>	ASSEMBLY, CARBURETOR	1
14	<u>1017466</u>	CLAMP, HOSE	2
15	<u>1015137</u>	LINE, BULK VENT	1
16	<u>1016572</u>	TUBE, CRANKCASE VENT	1
17	<u>1016438</u>	GASKET, CARBURETOR TO INTAKE MANIFOLD	1
18	1016480	PIPE, INTAKE	1
19	<u>1016490-02</u>	SCREW, 2-ENDED STUD, M6 x 1 x 90MM	2
20	1016547	NUT, FLANGED, M6 x 1	2

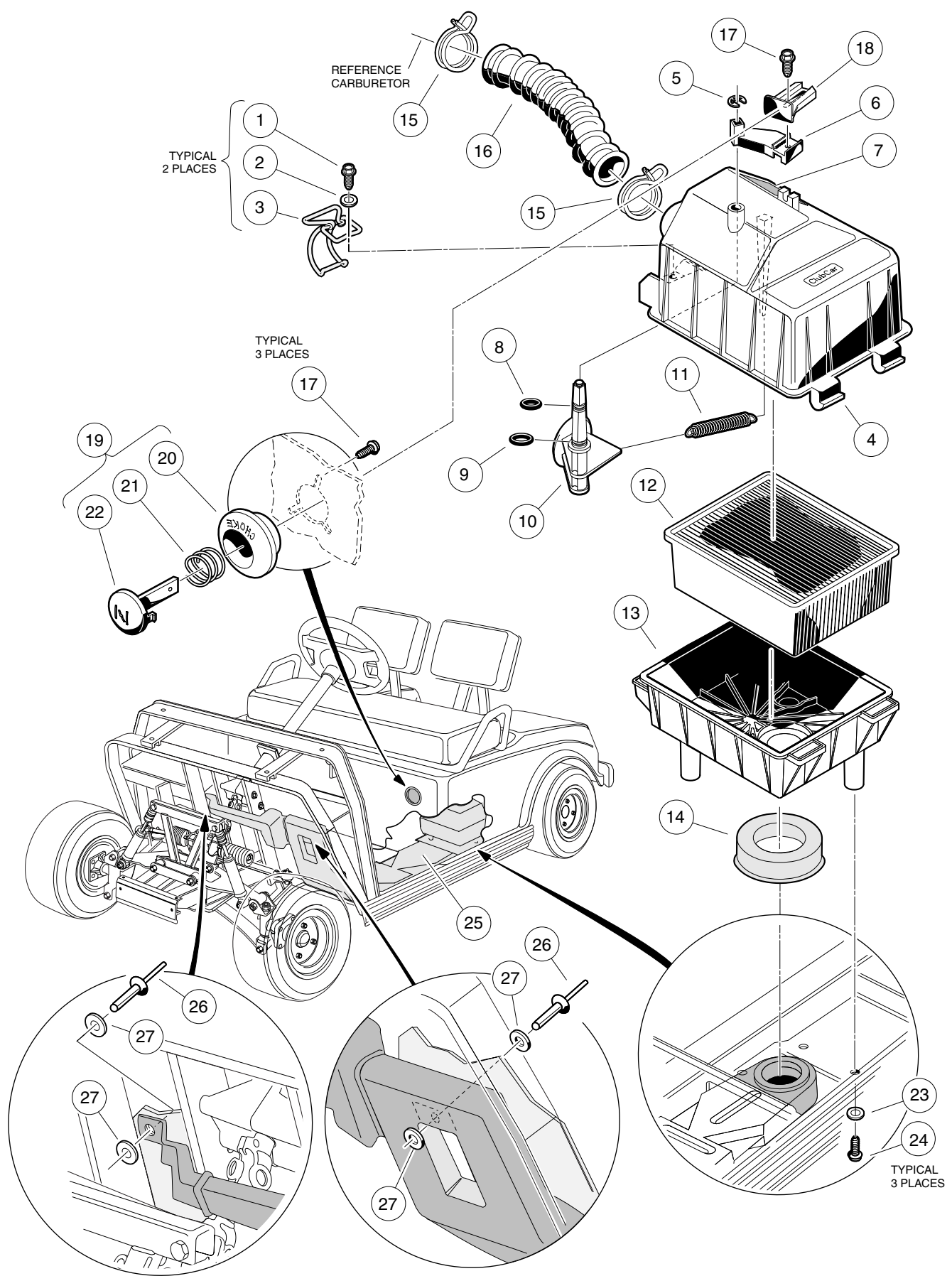
9
G



GOVERNOR AND ACCELERATOR CABLES

ITEM	PART NO.	DESCRIPTION	QTY
		1 2 3 4	
1	<u>1018325-01</u>	CABLE, ACCELERATOR	1
2	<u>1018324-01</u>	CABLE, GOVERNOR	1
3	<u>1013700</u>	CLAMP, CABLE RETAINING	2
4	<u>1016546</u>	NUT, FLANGED HEX, M8 x 1.25	2
5	<u>1018323-01</u>	BRACKET, ACCELERATOR SUPPORT	1
6	<u>1012285</u>	SCREW, THREAD ROLLING, 1/4 - 20 x 5/8	4
7	<u>1016202</u>	E-RING	3
8	<u>1015408</u>	PIN, GOVERNOR CABLE CLEVIS	2
9	<u>1014413</u>	PIN, HAIR SPRING COTTER, 1/8 I.D. x 5/8	2
10	<u>1018322-01</u>	BRACKET, SUPPORT	1
11	<u>1015845</u>	BRACKET, GOVERNOR CABLE ENGINE	1
12	<u>1019035-01</u>	SCREW, HEX HEAD CAP, M8 x 1.25 x 24 MM	1
13	<u>0007174</u>	WASHER, LOCK, 5/16	1
14	<u>1011697</u>	WASHER, FLAT, 5/16	1

9
G



INTAKE DUCT, CHOKE, AND AIR BOX ASSEMBLY

ITEM	PART NO.	DESCRIPTION	QTY
		1 2 3 4	
	<u>1018215-01</u>	ASSEMBLY, AIR BOX (INCLUDES ITEMS 1 - 14)	1
1	<u>1018043-01</u>	SCREW, HI-LO HEX HEAD, #8 - 1/2	2
2	<u>1018817-01</u>	WASHER, STAINLESS STEEL, #8	2
3	<u>1019257-01</u>	LATCH, WIRE	2
4	<u>1018118-01</u>	ASSEMBLY, AIR BOX TOP (INCLUDES ITEMS 5 - 11)	1
5	<u>1018130-01</u>	E-CLIP	1
6	<u>1019176-01</u>	LEVER, CHOKE	1
7	<u>1019443-01</u>	DECAL, SERVICE	1
8	N/A	O-RING, 5/16 (RED)	1
9	N/A	O-RING, 3/8 (GREEN)	1
10	N/A	VALVE, CHOKE	1
11	<u>1018123-01</u>	SPRING, RETURN	1
12	<u>1015426</u>	FILTER, AIR	1
13	<u>1018119-01</u>	BOTTOM, AIR BOX	1
14	<u>1019215-01</u>	SEAL, INTAKE	1
15	<u>1019713-01</u>	CLAMP, HOSE (AIR INTAKE)	2
16	<u>1018371-01</u>	HOSE, INTAKE	1
17	<u>1018503-01</u>	SCREW, HI-LO, #12 x 1/2	4
18	<u>1019177-01</u>	POSITIONER, CHOKE	1
19	<u>1018057-01</u>	ASSEMBLY, CHOKE BUTTON (INCLUDES ITEMS 20, 21 AND 22)	1
20	<u>1018115-01</u>	GUIDE, CHOKE LEVER	1
21	<u>1018562-01</u>	SPRING, COMPRESSION	1
22	<u>1018114-01</u>	LEVER, CHOKE	1
23	0000332	WASHER, FLAT, 1/4	3
24	1015752	SCREW, HI-LO, #12 - 16 x 5/8	3
25	<u>1019581-01</u>	ASSEMBLY, AIR DUCT	1
26	0001606	RIVET, POP, 3/16	2
27	0000183	WASHER, FLAT, #10	4
	1019710-01	AIR DUCT REPAIR KIT (NOT SHOWN)	A/R

9
G

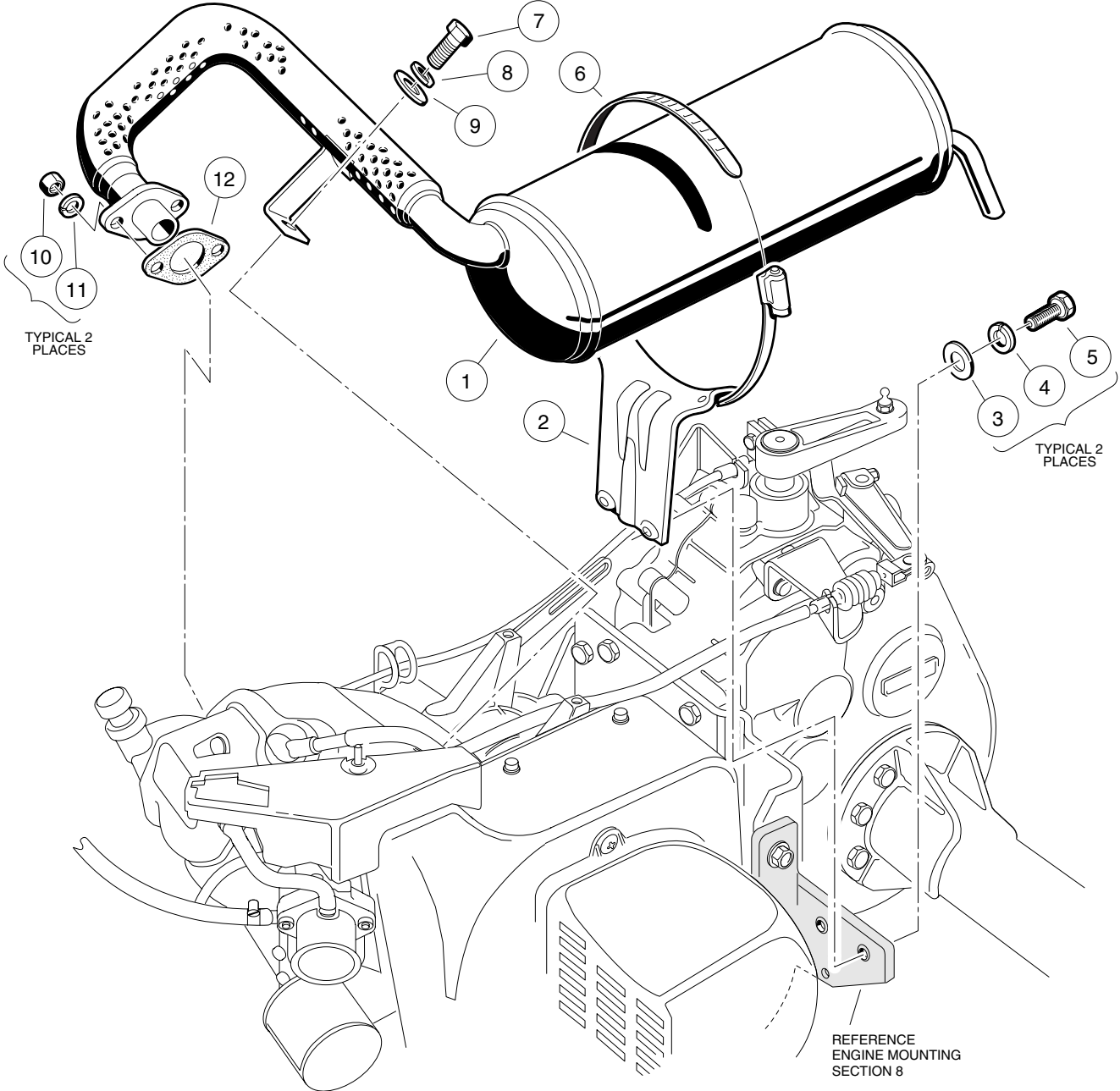
9

G

EXHAUST SYSTEM

10

G



EXHAUST SYSTEM

10
G

ITEM	PART NO.	DESCRIPTION	QTY
		1 2 3 4	
1	<u>1018593-01</u>	SYSTEM, EXHAUST	1
2	<u>1015814</u>	BRACKET, MUFFLER MOUNTING	1
3	0000332	WASHER, FLAT, 1/4	2
4	0000451	WASHER, LOCK, 1/4	2
5	0007847	SCREW, HEX HEAD, 1/4 - 20 x 3/4	2
6	1017689	CLAMP, MUFFLER	1
7	1019035-01	SCREW, HEX HEAD CAP, M8 x 1.25 x 24MM	1
8	0007174	WASHER, LOCK, 5/16	1
9	1015075	WASHER, FLAT, 5/16	1
10	<u>1012528</u>	NUT, HEX, M8 x 1.25	2
11	<u>1013734</u>	WASHER, LOCK, 8MM	2
12	<u>1015330</u>	GASKET, EXHAUST	1

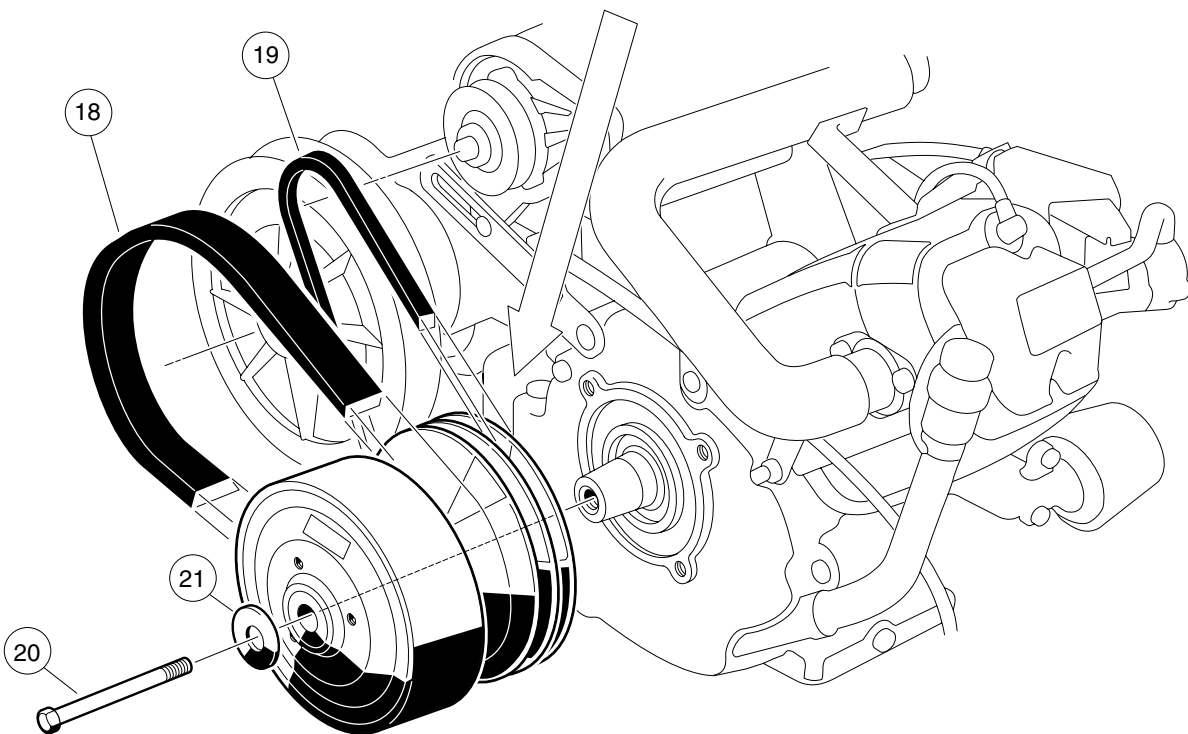
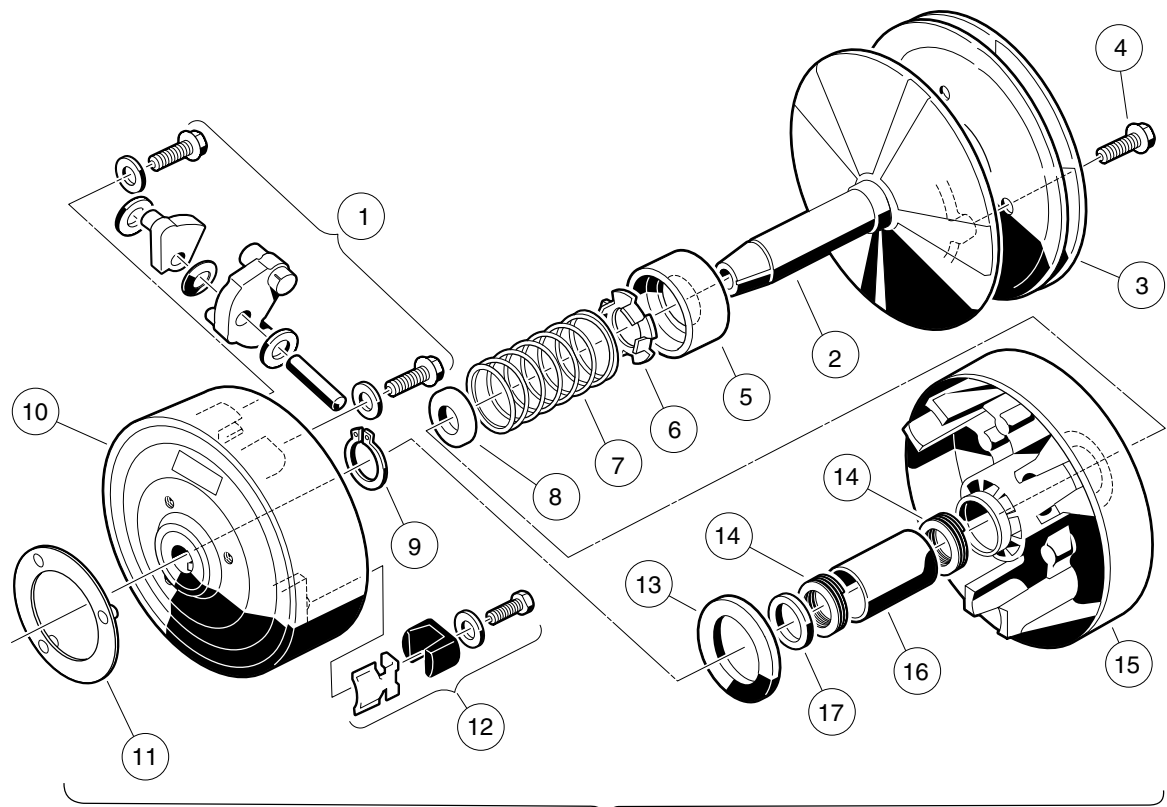
10

G

TORQUE CONVERTER

11

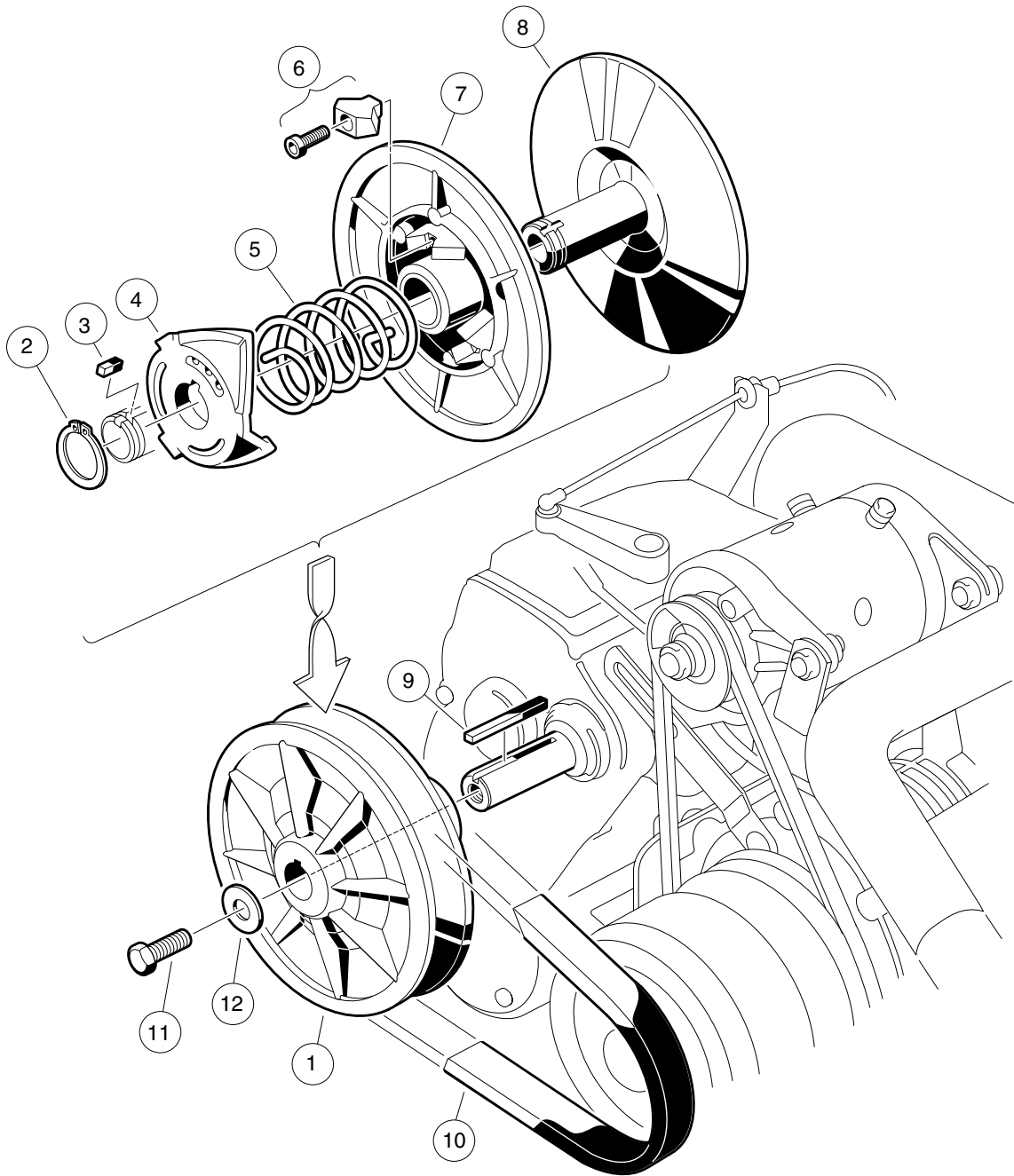
G



DRIVE CLUTCH

11
G

ITEM	PART NO.	DESCRIPTION	QTY
		1 2 3 4	
	<u>1018339-02</u>	ASSEMBLY, DRIVE CLUTCH (INCLUDES ITEMS 1 - 17)	1
1	<u>1016801</u>	KIT, DRIVE CLUTCH WEIGHT	1
2	<u>1019298-01</u>	ASSEMBLY, FIXED FACE (INCLUDES ITEMS 3 AND 4)	1
3	N/A	PULLEY	1
4	N/A	SCREW, WASHER HEAD HEX MACHINE	3
5	1014049	BEARING, IDLER	1
6	<u>1014050</u>	RETAINER, SPRING.....	1
7	<u>1014051</u>	SPRING, DRIVE CLUTCH - BLACK	1
8	<u>1016289</u>	SPACER, FIXED FACE SHAFT	1
9	<u>1014057</u>	RING, RETAINING	1
10	1014059	ASSEMBLY, DRIVE HUB	1
11	<u>1019256-01</u>	PLUG, DRIVE CLUTCH	1
12	<u>1014453</u>	KIT, DRIVE CLUTCH BUTTON	1
13	1014058	WASHER, THRUST	1
14	<u>1014056</u>	RING, SPIRAL BACK-UP	2
15	1014052	ASSEMBLY, MOVEABLE FACE (INCLUDES ITEMS 16 AND 17).....	1
16	N/A	BUSHING	1
17	<u>1014055</u>	RETAINER	1
18	<u>1016203</u>	BELT, DRIVE	1
19	<u>1019167-01</u>	BELT, STARTER/GENERATOR	1
20	<u>1019165-01</u>	SCREW, HEX HEAD CAP, 3/8 - 24 x 5 1/2 (LEFT HAND THREADS)	1
21	<u>1017328</u>	WASHER, MOUNTING - GREEN	1



DRIVEN CLUTCH

11
G

ITEM	PART NO.	DESCRIPTION	QTY
		1 2 3 4	
1	<u>1018340-01</u>	ASSEMBLY, DRIVEN CLUTCH (INCLUDES ITEMS 2 - 8)	1
2	<u>1014080</u>	RING, RETAINING	1
3	<u>1014078</u>	KEY	1
4	<u>1017686</u>	CAM	1
5	<u>1018362-01</u>	SPRING - GREEN	1
6	<u>1014454</u>	KIT, BUTTON	1
7	<u>1014072</u>	ASSEMBLY, MOVEABLE FACE, WITH BUSHING	1
8	<u>1014070</u>	ASSEMBLY, FIXED FACE	1
9	<u>1018334-01</u>	KEY, SQUARE TRANSMISSION	1
10	<u>1016203</u>	BELT, DRIVE	1
11	0007173	SCREW, HEX HEAD CAP, 5/16 - 18 x 3/4	1
12	<u>1017327</u>	WASHER, MOUNTING - YELLOW	1

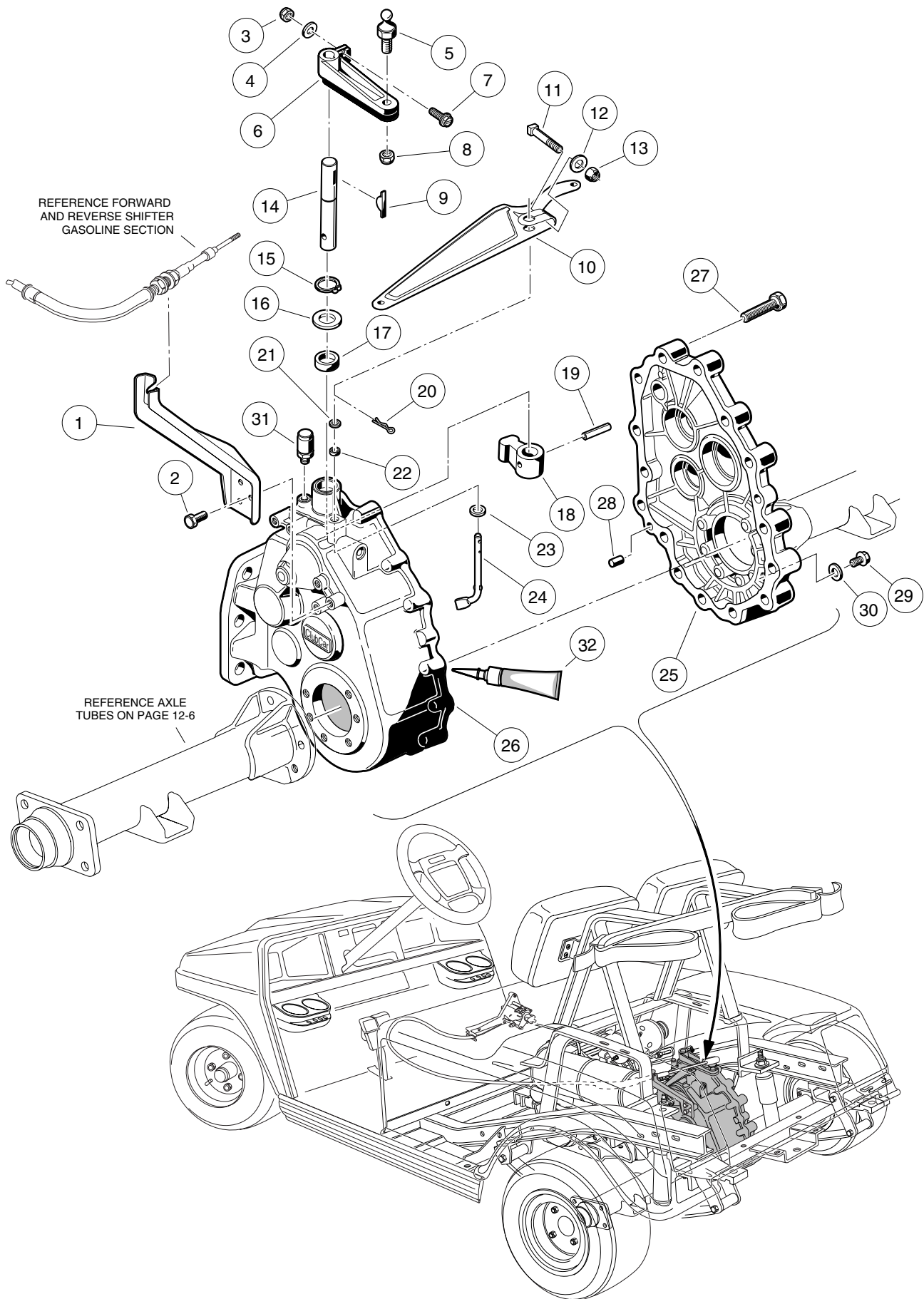
11

G

UNITIZED TRANSAXLE GASOLINE VEHICLE

12

G

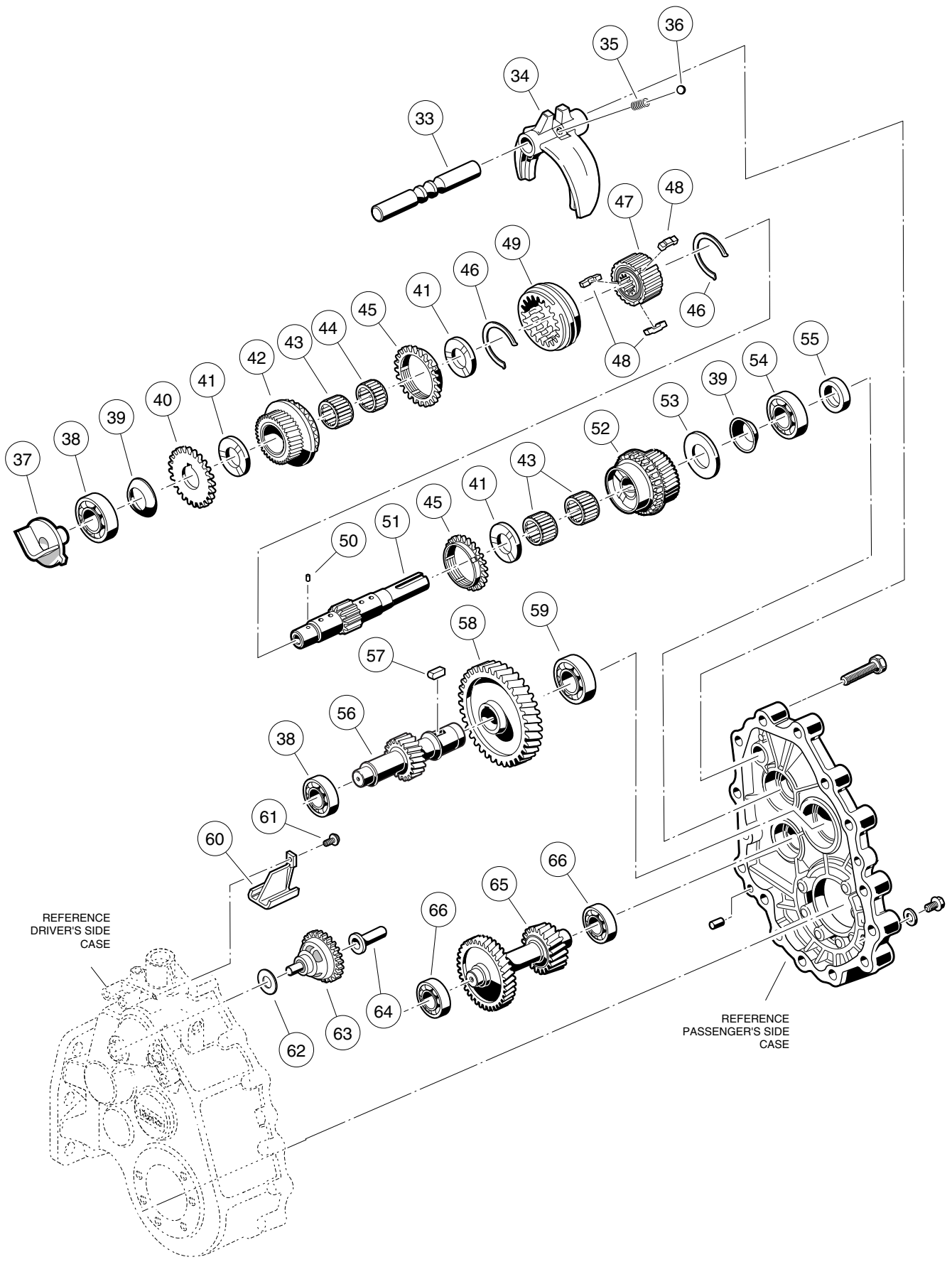


UNITIZED TRANSAXLE - GASOLINE VEHICLE

ITEM	PART NO.	DESCRIPTION	QTY
		1 2 3 4	
1	<u>1019226-01</u>	BRACKET, TRANSMISSION CABLE SUPPORT	1
2	<u>1012285</u>	SCREW, THREAD ROLLING, 1/4 - 20 x 5/8	3
3	<u>1013061</u>	NUT, NYLON LOCK, #10 - 32	1
4	0000183	WASHER, FLAT, #10	1
5	<u>1010954</u>	STUD, BALL, 1/4 - 28 x 9/16	1
6	<u>1016341</u>	LEVER, TRANSMISSION SHIFTER	1
7	<u>1017082</u>	SCREW, HEX WASHER HEAD, #10 - 32 x 3/4	1
8	0008717	NUT, NYLON LOCK, 1/4 - 28	1
9	<u>1017231</u>	KEY, WOODRUFF	1
10	<u>1018348-01</u>	ARM, GOVERNOR LEVER	1
11	<u>1018861-01</u>	SCREW, SQUARE HEAD, 1/4 - 20 x 1	1
12	0000332	WASHER, FLAT	1
13	0008233	NUT, NYLON LOCK, 1/4 - 20	1
	<u>1018336-01</u>	UNITIZED TRANSAXLE (INCLUDES ITEMS 14 - 90)	1
14	<u>1018902-01</u>	SHAFT, SHIFTER	1
15	<u>1019273-01</u>	RING, SNAP	1
16	<u>1018929-01</u>	WASHER, FLAT	1
17	<u>1019272-01</u>	SEAL, OIL	1
18	<u>1018901-01</u>	LEVER, SHIFTER	1
19	<u>1012752</u>	PIN, ROLL	1
20	<u>1019286-01</u>	PIN, COTTER	1
21	<u>1016513</u>	WASHER, FLAT	1
22	<u>1019271-01</u>	SEAL, OIL	1
23	<u>1018938-01</u>	WASHER	1
24	<u>1018913-01</u>	ARM, PIVOT	1
25	<u>1018906-01</u>	GEAR CASE (RIGHT)	1
26	<u>1018905-01</u>	GEAR CASE (LEFT)	1
27	<u>1019269-01</u>	BOLT, FLANGED, M8 x 1.25 x 40MM	15
28	<u>1012896</u>	PIN, DOWEL	2
29	<u>1013759</u>	PLUG, DRAIN (INCLUDES ITEM 30)	2
30	<u>1016432</u>	GASKET	1
31	<u>1012711</u>	BREATHER	1
32	<u>1019287-01</u>	GASKET, LIQUID, 8.8 OZ. (250 GRAMS)	A/R

12

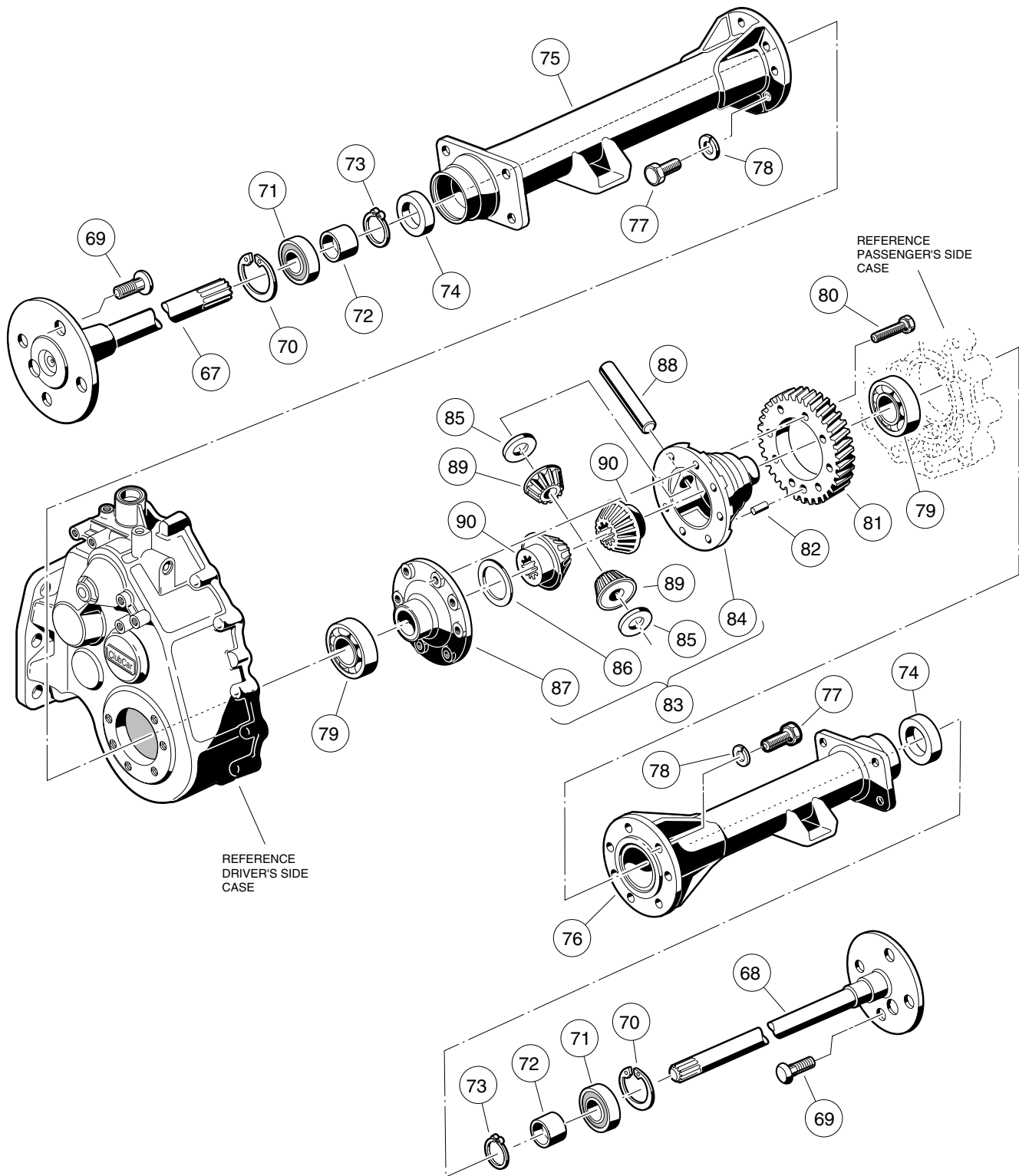
G



UNITIZED TRANSAXLE - GASOLINE VEHICLE

ITEM	PART NO.	DESCRIPTION	QTY
		1 2 3 4	
33	1018920-01	ROD, SHIFT	1
34	<u>1018900-01</u>	FORK, SHIFT	1
35	<u>1012748</u>	SPRING	1
36	<u>1012747</u>	BALL, STEEL	1
37	<u>1018894-01</u>	GUIDE	1
38	0007336	BEARING, BALL	4
39	<u>1016338</u>	WASHER, SPRING	2
40	<u>1018924-01</u>	GEAR, SPUR	1
41	<u>1018922-01</u>	PLATE, THRUST	3
42	<u>1018897-01</u>	GEAR ASSEMBLY, 28 TOOTH, INPUT (13°) (SEE PARTS BULLETIN 98-21)	1
43	1019276-01	BEARING, NEEDLE	3
44	<u>1019275-01</u>	BEARING, NEEDLE	1
45	<u>1012742</u>	RING, SYNCHRONIZER (13°) (SEE PARTS BULLETIN 98-21)	2
46	<u>1012741</u>	SPRING, SYNCHRONIZER	2
47	<u>1019280-01</u>	HUB, SYNCHRONIZER CLUTCH	1
48	<u>1012740</u>	INSERT, SYNCHRONIZER	3
49	<u>1019279-01</u>	SLEEVE, SYNCHRONIZER	1
50	<u>1019277-01</u>	PIN, DOWEL	1
51	<u>1018899-01</u>	SHAFT, INPUT	1
52	<u>1018896-01</u>	GEAR ASSEMBLY, 25 TOOTH, INPUT (13°) (SEE PARTS BULLETIN 98-21)	1
53	<u>1016337</u>	WASHER, THRUST	1
54	<u>1019278-01</u>	BEARING, BALL	1
55	<u>1012714</u>	SEAL, OIL, INPUT SHAFT	1
56	<u>1018926-01</u>	GEAR, 17 TOOTH	1
57	<u>1018932-01</u>	KEY	1
58	<u>1018925-01</u>	GEAR, 61 TOOTH	1
59	1019281-01	BEARING, BALL	1
60	<u>1018895-01</u>	GUIDE, OIL	1
61	<u>1019282-01</u>	SCREW, M8 x 1.25 x 10 MM	1
62	<u>1018939-01</u>	WASHER	1
63	<u>1018923-01</u>	GOVERNOR ASSEMBLY	1
64	<u>1018916-01</u>	SLEEVE	1
65	<u>1018919-01</u>	GEAR, CLUSTER IDLER	1
66	0007335	BEARING, BALL	2

12
G



UNITIZED TRANSAXLE - GASOLINE VEHICLE

ITEM	PART NO.	DESCRIPTION	QTY
		1 2 3 4	
67	<u>1018915-01</u>	AXLE ASSEMBLY, LEFT (INCLUDES ITEMS 69 - 73)	1
68	<u>1018914-01</u>	AXLE ASSEMBLY, RIGHT (INCLUDES ITEMS 69 - 73)	1
69	<u>1013787</u>	STUD, LUG	4
70	<u>1013792</u>	RING, RETAINING	1
71	<u>1011291</u>	BEARING, OUTER AXLE TUBE	1
72	<u>1014207</u>	COLLAR, 25 MM I. D.	1
73	<u>1016672</u>	RING, RETAINING	1
74	<u>1013794</u>	SEAL, OIL	1
75	<u>1018910-01</u>	ASSEMBLY, AXLE TUBE, LEFT SIDE	1
76	<u>1018909-01</u>	ASSEMBLY, AXLE TUBE, RIGHT SIDE	1
77	<u>1013790</u>	BOLT, M10 x 1.5 x 30MM	14
78	<u>1013791</u>	WASHER, LOCK, M10	14
79	0007330	BEARING, INNER AXLE TUBE	2
80	<u>1019283-01</u>	BOLT, M8 x 1.25 x 37MM	8
81	<u>1018927-01</u>	GEAR, OUTPUT	1
82	<u>1014193</u>	PIN, DOWEL	1
83	<u>1019105-01</u>	KIT, DIFFERENTIAL GEAR CASE (INCLUDES ITEMS 84 - 87)	1
84	<u>1013768</u>	CASE, GEAR CARRIER	1
85	<u>1013774</u>	PLATE, THRUST (IDLER GEAR)	2
86	<u>1013773</u>	PLATE, THRUST (DIFFERENTIAL GEAR)	1
87	<u>1013769</u>	COVER, GEAR CASE	1
88	<u>1013772</u>	PIN, DIFFERENTIAL	1
89	<u>1013770</u>	GEAR, DIFFERENTIAL IDLER	2
90	<u>1013771</u>	GEAR, DIFFERENTIAL	2

12

G

12

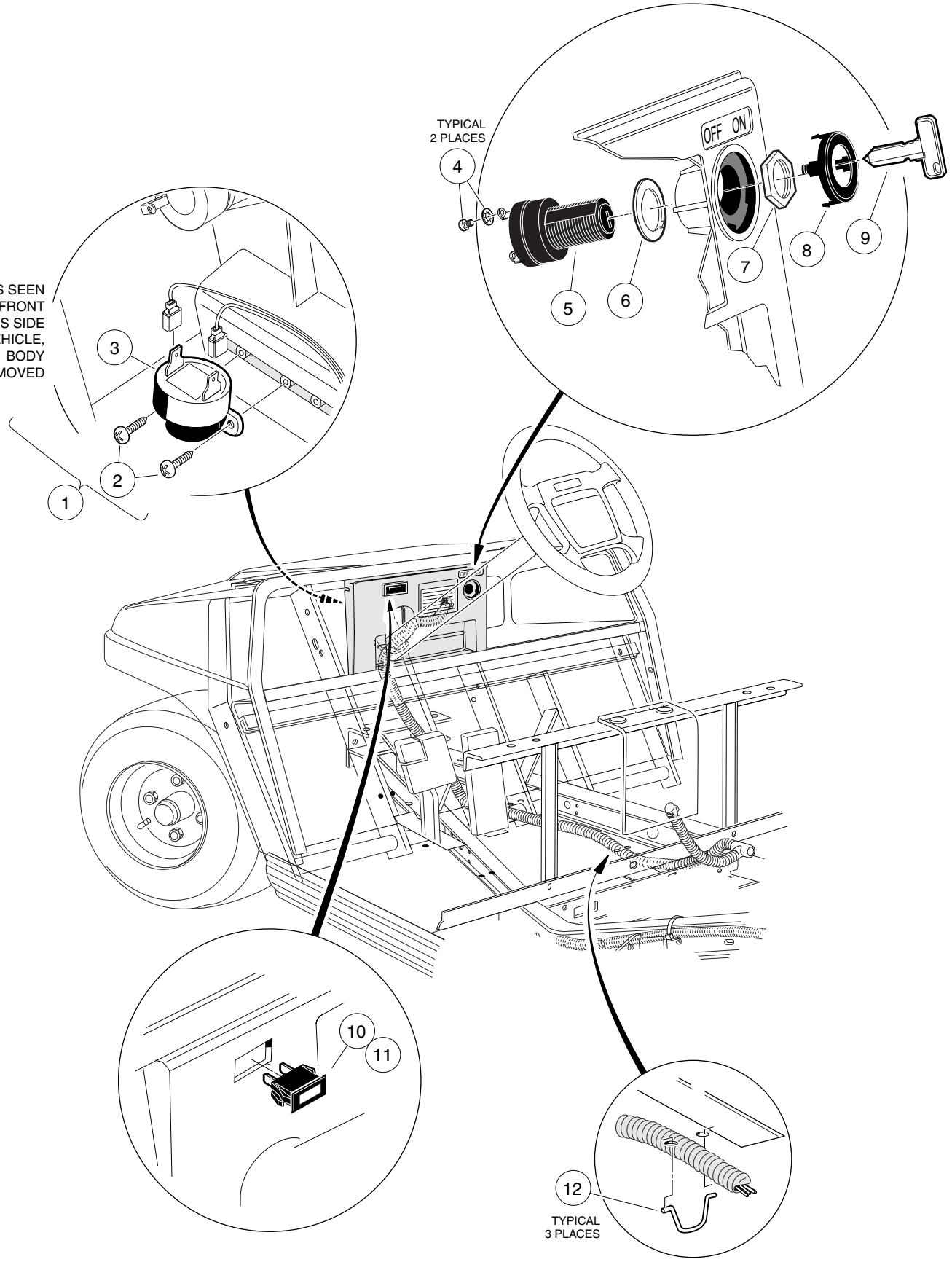
G

ELECTRICAL SYSTEM

13

E

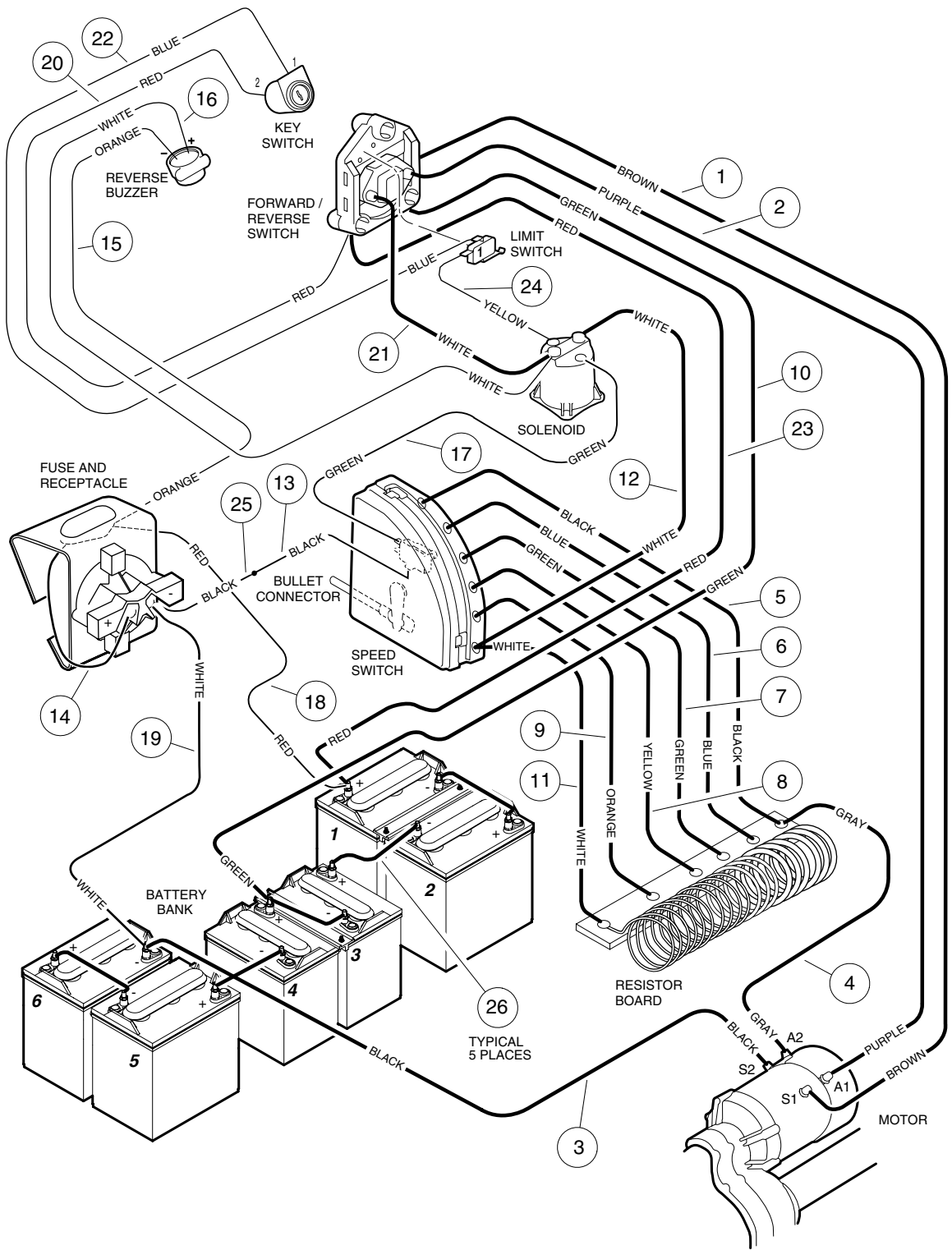
AS SEEN
FROM FRONT
DRIVER'S SIDE
OF VEHICLE,
BODY
REMOVED



ELECTRICAL COMPONENTS, FRONT BODY ELECTRIC VEHICLE

ITEM	PART NO.	DESCRIPTION	QTY
		1 2 3 4	
1	<u>1016859</u>	KIT, REVERSE BUZZER (INCLUDES ITEMS 2 AND 3)	1
2	<u>1016849</u>	SCREW, PAN HEAD HI-LO, #4 - 24 x 5/16	2
3	<u>1016851</u>	BUZZER, REVERSE	1
4	1018306-01	ASSEMBLY, SCREW AND WASHER	2
5	<u>1018262-01</u>	SWITCH, KEY	1
6	<u>1018511-01</u>	WASHER	1
7	<u>1018307-01</u>	NUT, KEY SWITCH	1
8	<u>1018345-02</u>	CAP, KEY SWITCH	1
9	<u>1012505</u>	KEY (PAIR)	1
10	<u>1018026-01</u>	PLUG, HOLE (V-GLIDE 36 VOLT VEHICLE ONLY)	1
11	<u>1019355-01</u>	LIGHT, BATTERY WARNING (AMBER) (POWERDRIVE SYSTEM 48 AND POWERDRIVE PLUS)	1
12	<u>1019009-01</u>	RETAINER, HARNESS	3

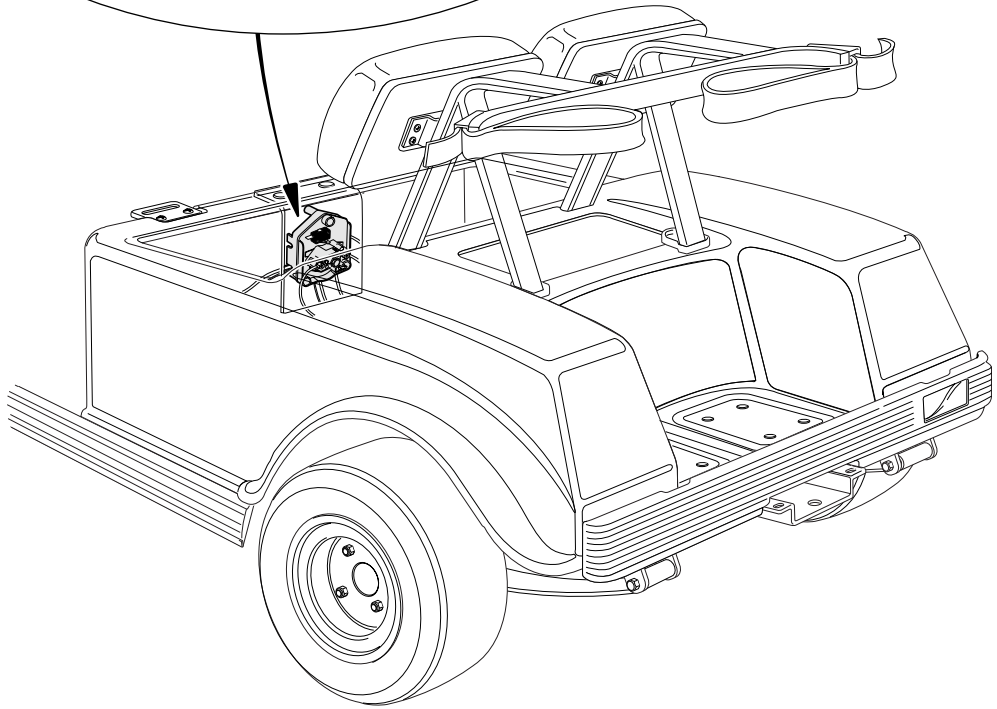
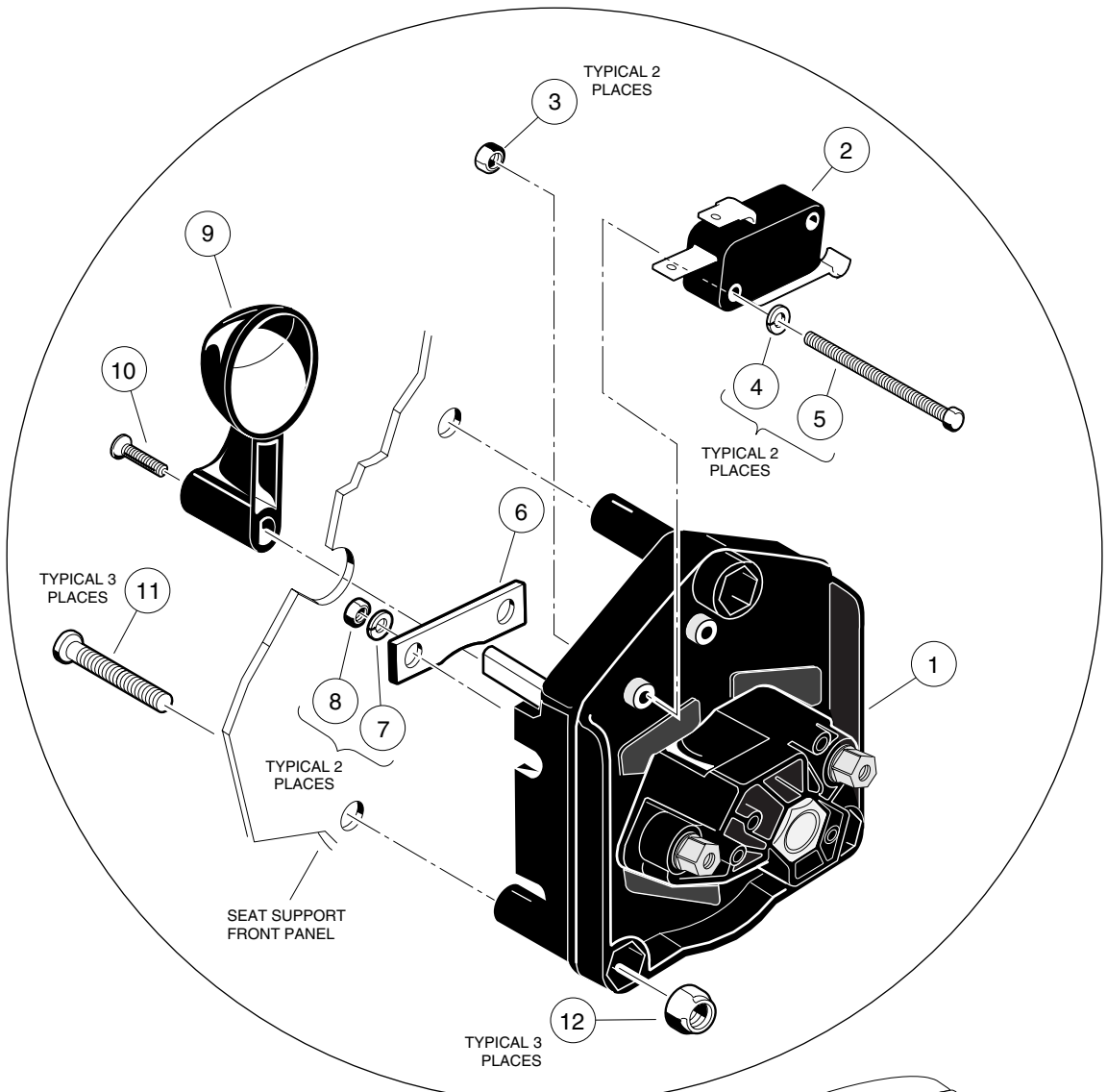
13
E



WIRING - V-GLIDE 36 VOLT VEHICLE

ITEM	PART NO.	DESCRIPTION	QTY
		1 2 3 4	
1	<u>1016070</u>	WIRE ASSEMBLY, #6 BROWN	1
2	<u>1016069</u>	WIRE ASSEMBLY, #6 PURPLE	1
3	<u>1012651</u>	WIRE ASSEMBLY, #6 BLACK	1
4	<u>1016068</u>	WIRE ASSEMBLY, #6 GRAY	1
5	<u>1014036</u>	WIRE ASSEMBLY, #6 BLACK, 6TH SPEED	1
6	<u>1014035</u>	WIRE ASSEMBLY, #6 BLUE, 5TH SPEED	1
7	<u>1014034</u>	WIRE ASSEMBLY, #6 GREEN, 4TH SPEED	1
8	<u>1014033</u>	WIRE ASSEMBLY, #6 YELLOW, 3RD SPEED	1
9	<u>1014032</u>	WIRE ASSEMBLY, #6 ORANGE, 2ND SPEED	1
10	<u>1014828</u>	WIRE ASSEMBLY, #6 GREEN	1
11	<u>1014030</u>	WIRE ASSEMBLY, #6 WHITE	1
12	<u>1014029</u>	WIRE ASSEMBLY, #6 WHITE	1
13	N/A	WIRE ASSEMBLY, #18 BLACK	1
14	<u>1013092</u>	WIRE ASSEMBLY, #10 RED	1
15	N/A	WIRE ASSEMBLY, #18 ORANGE	1
16	N/A	WIRE ASSEMBLY, #18 WHITE	1
17	N/A	WIRE ASSEMBLY, #18 GREEN	1
18	<u>1020180-01</u>	WIRE ASSEMBLY, #10 RED	1
19	<u>1011010</u>	WIRE ASSEMBLY, #10 WHITE	1
20	N/A	WIRE ASSEMBLY, #18 RED	1
21	<u>1014039</u>	WIRE ASSEMBLY, #6 WHITE	1
22	N/A	WIRE ASSEMBLY, #18 BLUE	1
23	<u>1011069</u>	WIRE ASSEMBLY, #6 RED	1
24	N/A	WIRE ASSEMBLY, #18 YELLOW	1
25	N/A	WIRE ASSEMBLY, #18 BLACK	1
26	<u>1010958</u>	WIRE ASSEMBLY, #6 BLACK	5

13
E



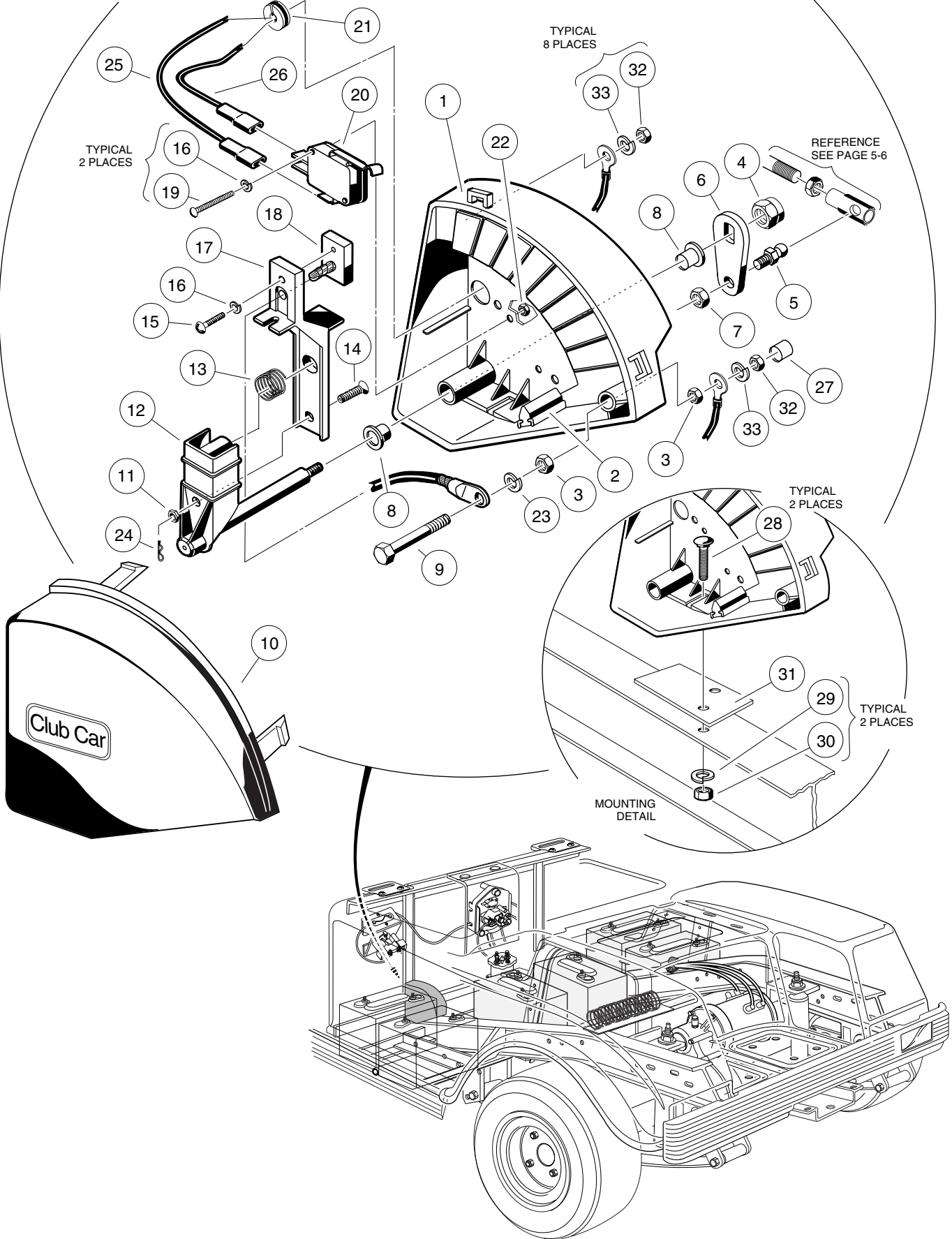
FORWARD AND REVERSE SWITCH V-GLIDE 36 VOLT VEHICLE

13

E

ITEM	PART NO.	DESCRIPTION	QTY
		1 2 3 4	
1	1017530-03	ASSEMBLY, FORWARD AND REVERSE SWITCH (INCLUDES ITEMS 2 - 8)	1
2	<u>1014808</u>	SWITCH, LIMIT	1
3	0008057	NUT, HEX, #4 - 40	2
4	0008058	WASHER, LOCK, #4	2
5	<u>1011991</u>	SCREW, SLOTTED ROUND HEAD, #4 - 40 x 1 1/8	2
6	<u>1017799</u>	BAR, BUS	1
7	0000451	WASHER, LOCK, 1/4	2
8	0001028	NUT, HEX, 1/4 - 20	2
9	<u>1012987</u>	HANDLE, FORWARD AND REVERSE SWITCH	1
10	<u>1013198</u>	SCREW, PHILLIPS HEAD MACHINE, #8 - 32 x 5/8	1
11	1016845	SCREW, PHILLIPS TRUSS HEAD, 1/4 - 20 x 2 1/8	3
12	0008233	NUT, NYLON LOCK, 1/4 - 20	3

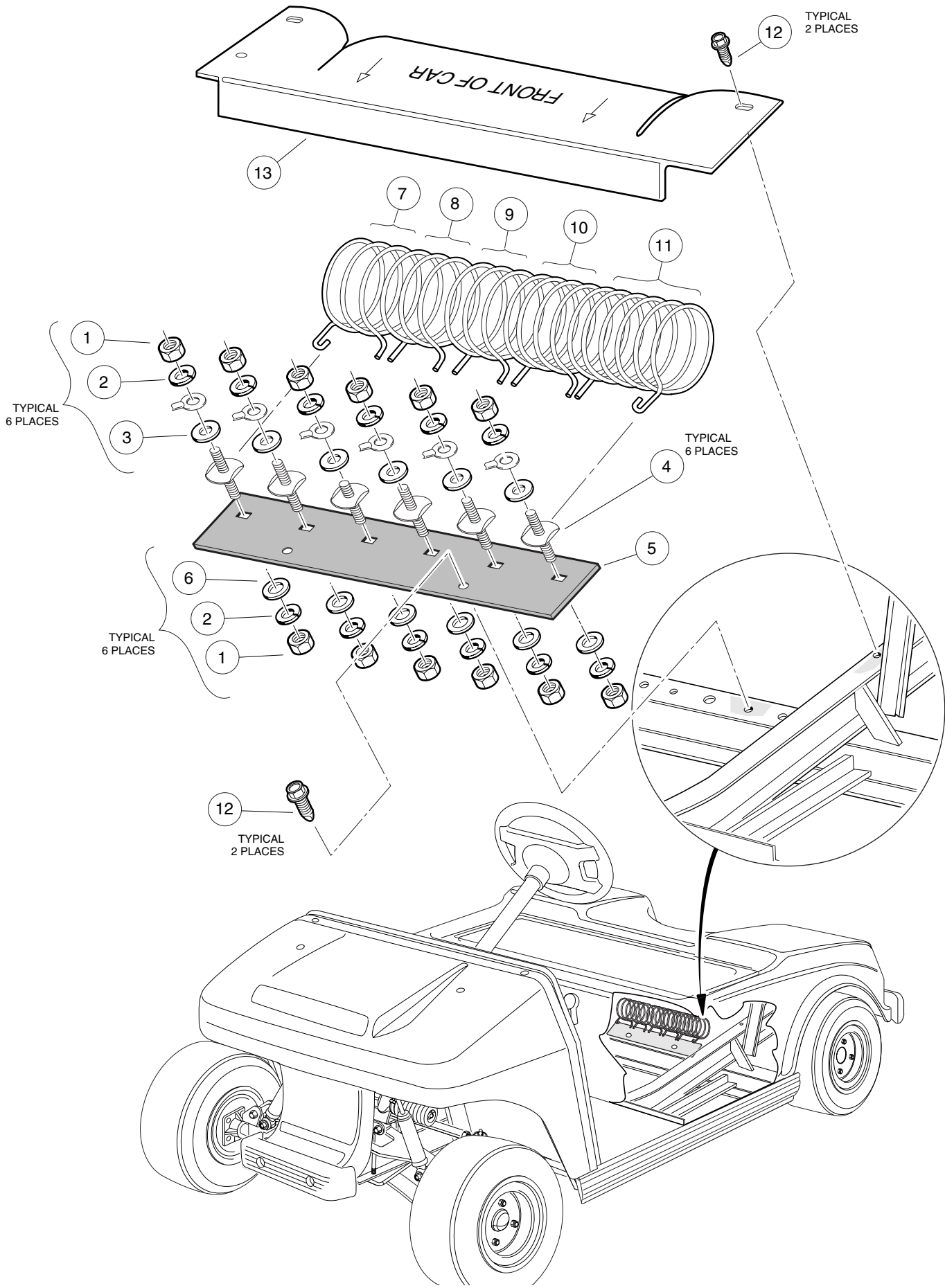
13
E



WIPER SWITCH - V-GLIDE 36 VOLT VEHICLE

ITEM	PART NO.	DESCRIPTION	QTY
		1 2 3 4	
	<u>1016140</u>	ASSEMBLY, V-GLIDE WIPER SWITCH (INCLUDES ITEMS 1 - 27)	1
1	<u>1014999</u>	ASSEMBLY, WIPER SWITCH CASE, 6 SPEED (INCLUDES ITEM 2)	1
2	<u>1014414</u>	BUMPER, WIPER SWITCH	1
3	<u>1014253</u>	NUT, BRASS HEX JAM, 1/4 - 20	2
4	<u>0007473</u>	NUT, NYLON LOCK, 5/16 - 18	1
5	<u>1012353</u>	STUD, SHORT BALL, 1/4 - 28	1
6	<u>1014003</u>	CRANK, BELL	1
7	<u>0008449</u>	NUT, DIMPLED LOCK, 1/4 - 28	1
8	<u>1012903</u>	BEARING, BRONZE, 3/8 x 1/2	2
9	<u>1014189</u>	SCREW, BRONZE HEX HEAD CAP, 1/4 - 20 x 2	1
10	<u>1013886</u>	COVER, WIPER SWITCH CASE	1
11	<u>0007893</u>	NUT, HEX, #10 - 32	1
12	<u>1014017</u>	CARRIER, WIPER SWITCH ARM	1
13	<u>1013998</u>	SPRING, WIPER SWITCH BRUSH	1
14	<u>1014000</u>	STUD, WIPER SWITCH ADJUSTING	1
15	<u>1014019</u>	SCREW, SELF-TAPPING, #4 - 40 x 3/8	1
16	<u>0008058</u>	WASHER, LOCK, #4	3
17	<u>1013887</u>	ARM, SPEED SWITCH	1
18	<u>1013860</u>	ASSEMBLY, SWITCH BRUSH	1
19	<u>0008056</u>	SCREW, ROUND HEAD MACHINE, #4 - 40 x 3/4	2
20	<u>1014807</u>	SWITCH, LIMIT	1
21	<u>1014010</u>	GROMMET, SPLIT	1
22	<u>0008057</u>	NUT, HEX, #4 - 40	2
23	<u>0000451</u>	WASHER, LOCK, 1/4	1
24	<u>1014413</u>	PIN, HAIR SPRING COTTER	1
25	N/A	WIRE ASSEMBLY, #18 BLACK	1
26	N/A	WIRE ASSEMBLY, #18 GREEN	1
27	<u>1017692</u>	CAP, PROTECTOR	1
28	<u>1014109</u>	BOLT, CARRIAGE, #10 - 24 x 1	2
29	<u>1016175</u>	WASHER, LOCK, #10	2
30	<u>0001017</u>	NUT, HEX, #10 - 24	2
31	<u>1019492-01</u>	SHIM, WIPER SWITCH	1
32	<u>0001014</u>	NUT, BRASS HEX, 1/4 - 20	9
33	<u>0000451</u>	WASHER, LOCK, 1/4	9

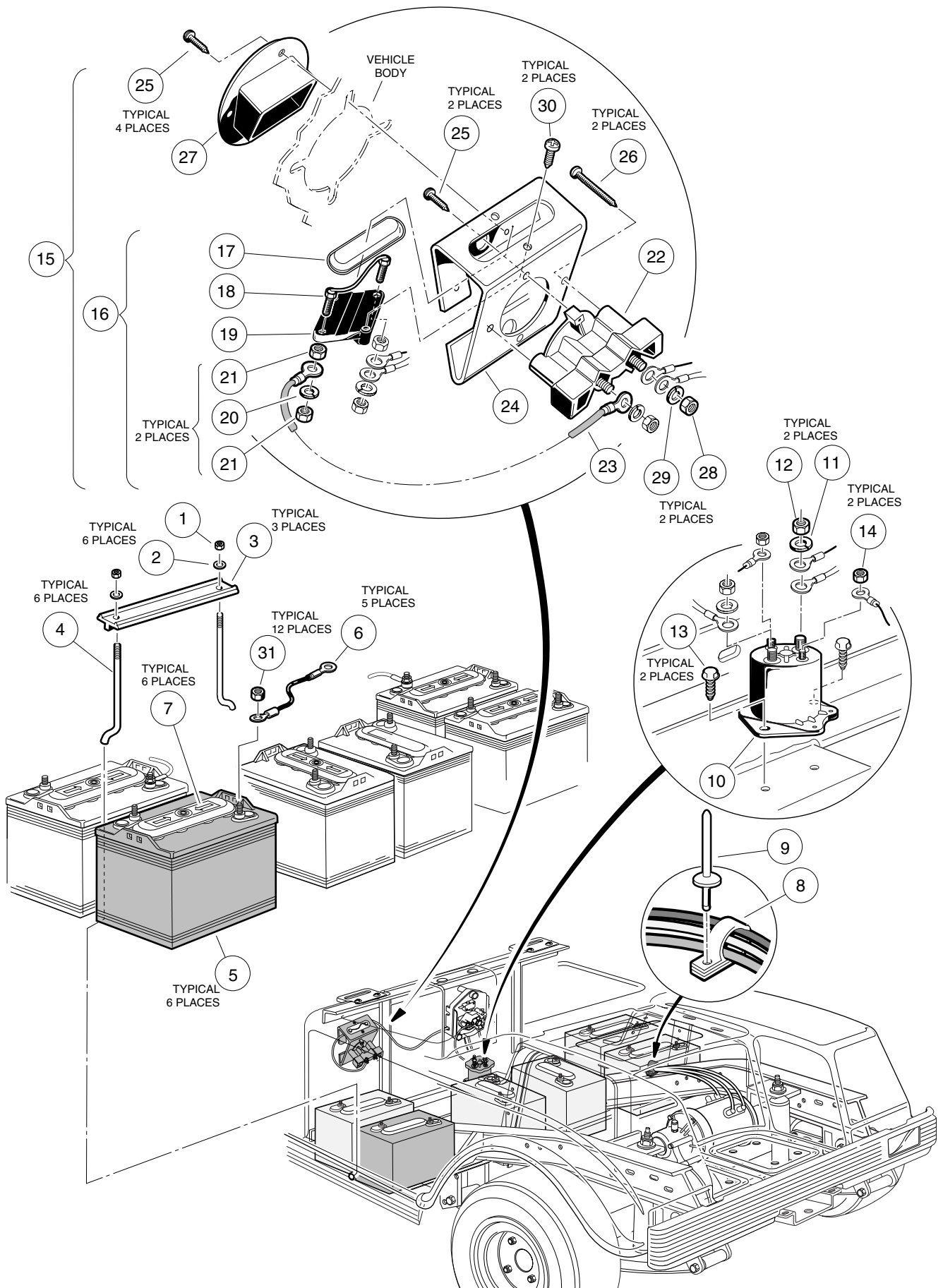
13
E



RESISTOR AND BOARD ASSEMBLY V-GLIDE 36 VOLT VEHICLE

ITEM	PART NO.	DESCRIPTION	QTY
		1 2 3 4	
1	0001028	NUT, HEX, 1/4 - 20	12
2	0000451	WASHER, LOCK, 1/4	12
3	<u>1011931</u>	WASHER, FLAT, 1/4	6
4	1014045	STAND-OFF, RESISTOR COIL	6
5	1014728	BOARD, RESISTOR MOUNTING	1
6	0000332	WASHER, FLAT, 1/4	6
7	1014476	COIL, RESISTOR, 5TH SPEED, .182" WIRE DIAMETER, 3-COIL	1
8	<u>1014012</u>	COIL, RESISTOR, 4TH SPEED, .162" WIRE DIAMETER, 3-COIL	1
9	<u>1014013</u>	COIL, RESISTOR, 3RD SPEED, .144" WIRE DIAMETER, 3-COIL	1
10	<u>1014014</u>	COIL, RESISTOR, 2ND SPEED, .128" WIRE DIAMETER, 4-COIL	1
11	<u>1014729</u>	COIL, RESISTOR, 1ST SPEED, .128" WIRE DIAMETER, 6-COIL	1
12	<u>1012285</u>	SCREW, THREAD-ROLLING, 1/4 - 20 x 5/8	4
13	<u>1013971</u>	SHIELD, RESISTOR	1

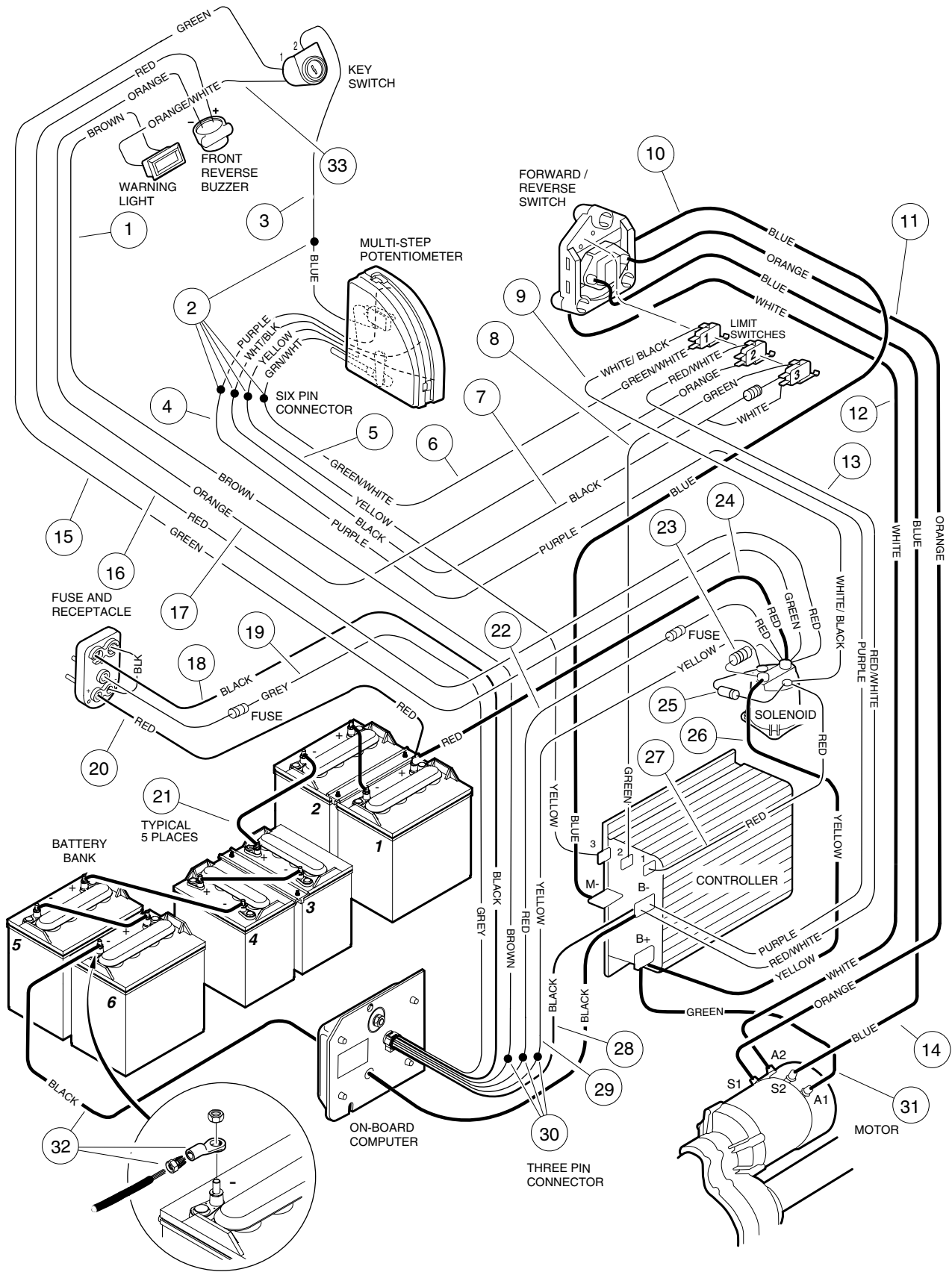
13
E



BATTERIES, CHARGER RECEPTACLE, SOLENOID V-GLIDE 36 VOLT VEHICLE

ITEM	PART NO.	DESCRIPTION	QTY
		1 2 3 4	
1	1015072	NUT, NYLON LOCK, STAINLESS STEEL, 5/6 - 18	6
2	<u>1011578</u>	WASHER, FLAT, TYPE B WIDE, 5/16	6
3	1010908	HOLD-DOWN, BATTERY	3
4	1013683	J-BOLT	6
5	<u>1016616-01</u>	BATTERY, 6 VOLT	6
5	<u>1016616-02</u>	BATTERY, 6 VOLT, DRY	6
6	<u>1010958</u>	WIRE ASSEMBLY, #6 BLACK	5
7	<u>1018314-01</u>	CAP, 6 VOLT BATTERY	6
8	<u>1012022</u>	CLAMP, CABLE	2
9	0001606	RIVET, POP, 3/16	2
10	N/A	SOLENOID, 36 VOLT (FOR REPLACEMENT SOLENOID, SEE BOTTOM OF PAGE)	1
11	0007174	WASHER, LOCK, 5/16	2
12	0001242	NUT, HEX, 5/16 - 18	2
13	<u>1012285</u>	SCREW, THREAD ROLLING, 1/4 - 20 x 5/8	2
14	0007893	NUT, HEX, #10 - 32	2
15	<u>1013425-01</u>	KIT, FUSE AND RECEPTACLE (INCLUDES ITEMS 16 - 30)	1
16	1014516	KIT, FUSE (INCLUDES ITEMS 17 - 21)	1
17	N/A	LENS, FUSE	1
18	N/A	FUSE, 80 AMP	1
19	N/A	HOLDER, FUSE	1
20	0001016	WASHER, LOCK, #10	2
21	0008797	NUT, BRASS, #10 - 32	4
22	0004107	RECEPTACLE, CHARGER, 2 PRONG	1
23	<u>1013092</u>	WIRE ASSEMBLY, #10 RED	1
24	<u>1013628</u>	BRACKET, FUSE AND RECEPTACLE MOUNTING	1
25	0008796	SCREW, PHILLIPS PAN HEAD SELF-TAPPING, #7 -19 x 3/4	6
26	0008795	SCREW, PHILLIPS PAN HEAD SELF-TAPPING, #7 -19 x 1 3/4	2
27	<u>1013649</u>	BEZEL, CHARGER RECEPTACLE	1
28	0008797	NUT, BRASS, #10 - 32	2
29	0001016	WASHER, LOCK, #10	2
30	<u>1013266</u>	SCREW, PHILLIPS PAN HEAD SELF-TAPPING, #8 - 18 x 1/2	2
31	<u>1014304</u>	NUT, HEX, STAINLESS STEEL, 5/6 - 18	12
	<u>1019759-01</u>	SOLENOID, 36 VOLT (NOT SHOWN).....	1
		IF ORDERING SOLENOID <u>1019759-01</u> , THE FOLLOWING ITEMS WILL ALSO BE REQUIRED:	
	1014948	DIODE (NOT SHOWN).....	1
	<u>1020472-01</u>	SNUBBER (NOT SHOWN).....	1
	<u>1020483-01</u>	BASE, MOUNTING (NOT SHOWN).....	1
	<u>8639</u>	TIE, WIRE (NOT SHOWN).....	1

13
E

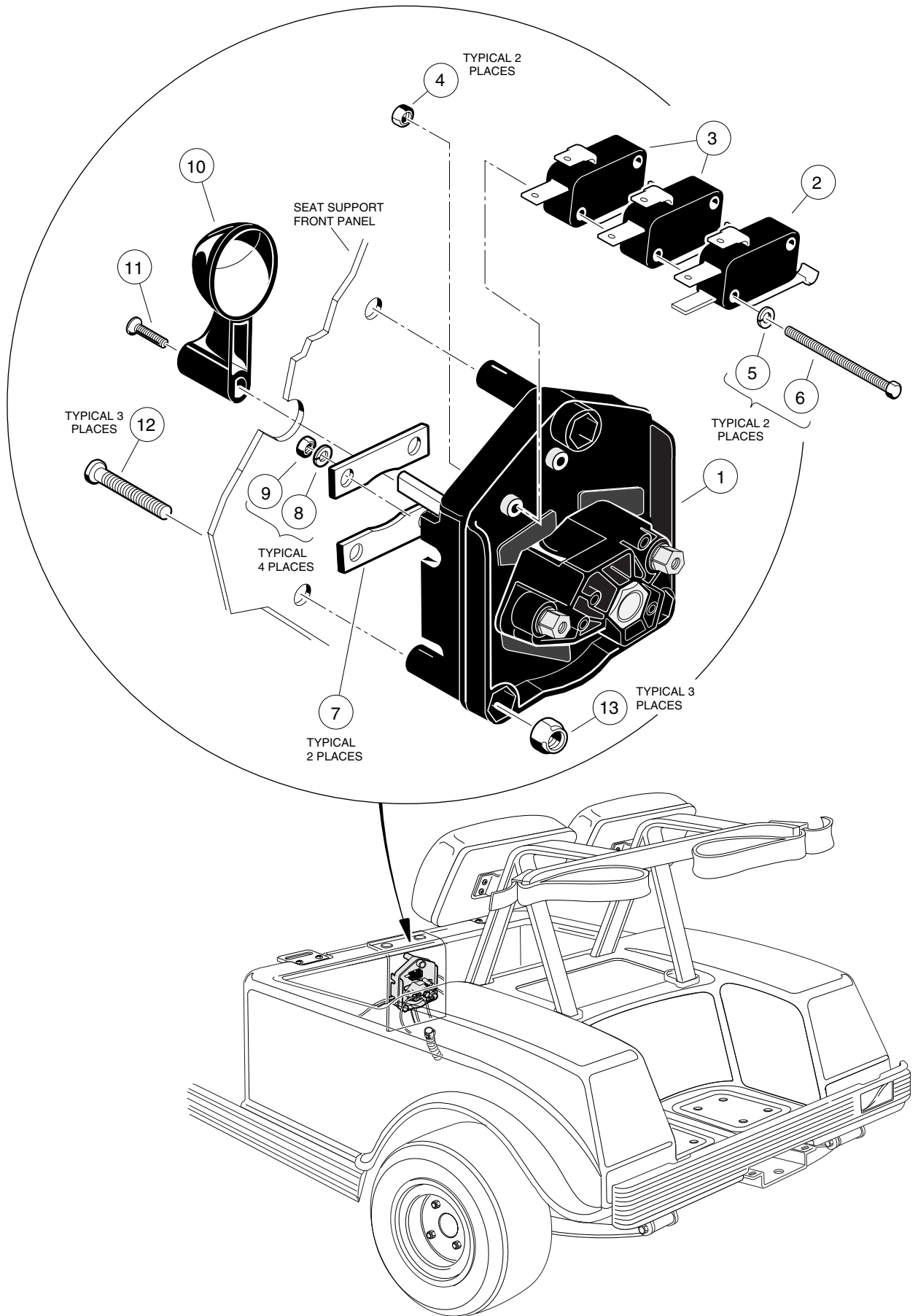


WIRING - POWERDRIVE SYSTEM 48 VEHICLE

13

E

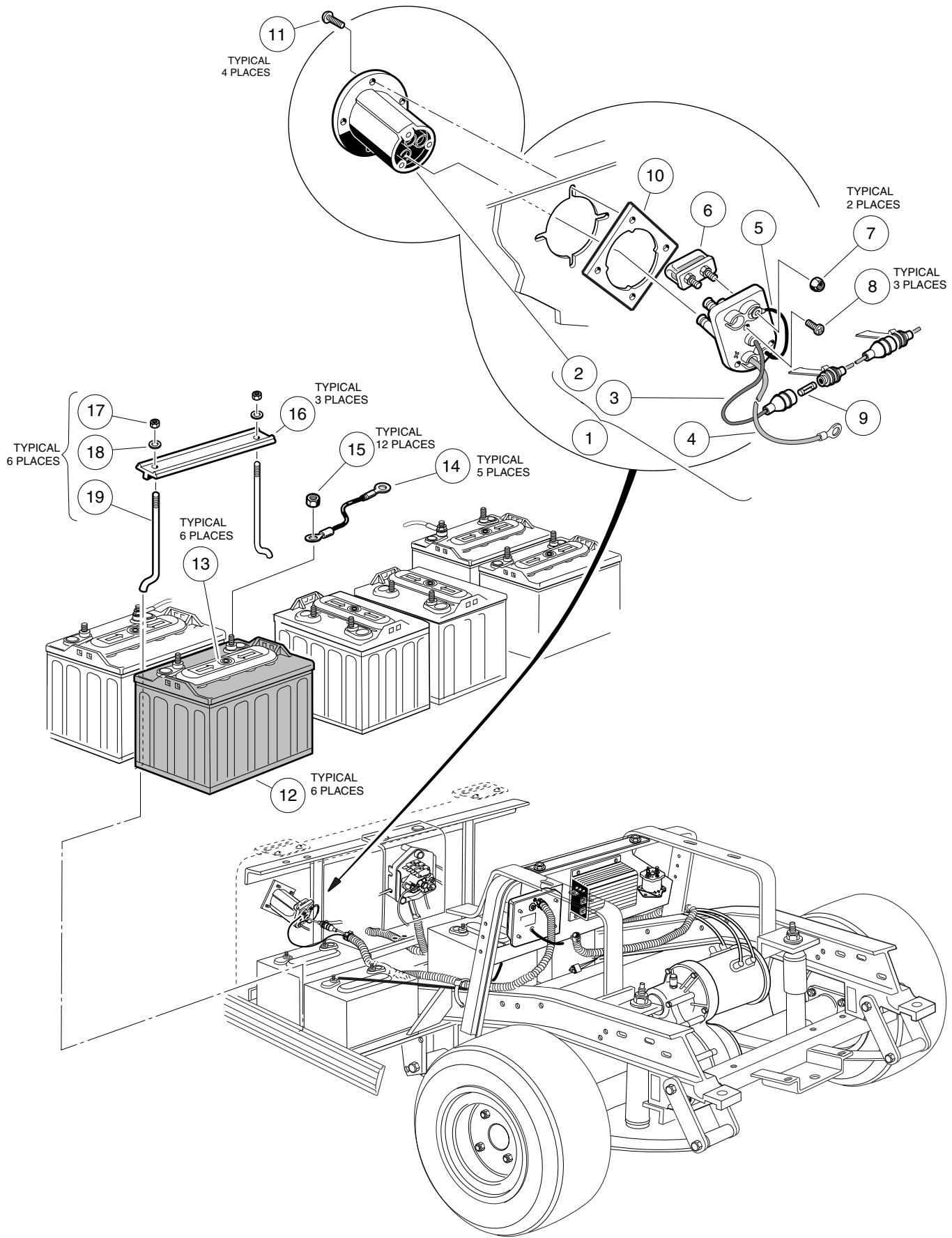
ITEM	PART NO.	DESCRIPTION	QTY
		1 2 3 4	
	1019110-01	WIRE HARNESS (INCLUDES ITEMS 1 - 17)	1
1	N/A	WIRE ASSEMBLY, #18 BROWN	1
2	1019327-01	KIT, 6-PIN PLUG ASSEMBLY	1
3	N/A	WIRE ASSEMBLY, #18 BLUE	1
4	N/A	WIRE ASSEMBLY, #18 PURPLE	1
5	N/A	WIRE ASSEMBLY, #18 YELLOW	1
6	N/A	WIRE ASSEMBLY, #18 GREEN/WHITE	1
7	N/A	WIRE ASSEMBLY, #18 BLACK (INCLUDES RESISTOR AND #18 WHITE WIRE)	1
8	N/A	WIRE ASSEMBLY, #18 GREEN	1
9	N/A	WIRE ASSEMBLY, #18 WHITE/BLACK	1
10	<u>1019014-01</u>	WIRE ASSEMBLY, #6 BLUE	1
11	<u>1019012-01</u>	WIRE ASSEMBLY, #6 ORANGE	1
12	<u>1019015-01</u>	WIRE ASSEMBLY, #6 WHITE	1
13	N/A	WIRE ASSEMBLY, #18 RED/WHITE	1
14	<u>1019013-01</u>	WIRE ASSEMBLY, #6 BLUE	1
15	N/A	WIRE ASSEMBLY, #18 GREEN	1
16	N/A	WIRE ASSEMBLY, #18 RED	1
17	N/A	WIRE ASSEMBLY, #18 ORANGE	1
18	N/A	WIRE ASSEMBLY, #10 BLACK (PART OF ON-BOARD COMPUTER ASSEMBLY)	1
19	N/A	WIRE ASSEMBLY, #18 GREY (PART OF ON-BOARD COMPUTER ASSEMBLY)	1
20	N/A	WIRE ASSEMBLY, #10 RED (PART OF FUSE AND RECEPTACLE ASSEMBLY)	1
21	<u>1017957-01</u>	WIRE ASSEMBLY, #6 BLACK	5
22	N/A	WIRE ASSEMBLY, #18 RED	1
23	<u>1014947</u>	ASSEMBLY, RESISTOR	1
24	<u>1019028-01</u>	WIRE ASSEMBLY, #6 RED	1
25	1014948	ASSEMBLY, DIODE	1
26	<u>1019030-01</u>	WIRE ASSEMBLY, #6 YELLOW	1
27	N/A	WIRE ASSEMBLY, #18 RED	1
28	N/A	WIRE ASSEMBLY, #10 BLACK (PART OF ON-BOARD COMPUTER ASSEMBLY)	1
29	N/A	WIRE ASSEMBLY, #18 YELLOW	1
30	<u>1019201-01</u>	HOUSING, MALE, 3-WIRE	1
31	<u>1019029-01</u>	WIRE ASSEMBLY, #6 GREEN	1
32	<u>1018278-01</u>	KIT, WIRE AND TERMINAL, #6 BLACK	1
33	N/A	WIRE ASSEMBLY, #18 ORANGE/WHITE	1



FORWARD AND REVERSE SWITCH POWERDRIVE SYSTEM 48 VEHICLE

13
E

ITEM	PART NO.	DESCRIPTION	QTY
		1 2 3 4	
1	<u>1017530-05</u>	ASSEMBLY, FORWARD AND REVERSE SWITCH (INCLUDES ITEMS 2 - 9)	1
2	<u>1014807</u>	SWITCH, LIMIT	1
3	<u>1014808</u>	SWITCH, LIMIT	2
4	0008057	NUT, HEX, #4 - 40	2
5	0008058	WASHER, LOCK, #4	2
6	<u>1014871</u>	SCREW, HEX WASHER HEAD, #4 - 40 x 2	2
7	<u>1017799</u>	BAR, BUS	2
8	0000451	WASHER, LOCK, 1/4	4
9	0001028	NUT, HEX, 1/4 - 20	4
10	<u>1012987</u>	HANDLE, FORWARD AND REVERSE SWITCH	1
11	<u>1013198</u>	SCREW, PHILLIPS HEAD MACHINE, #8 - 32 x 5/8	1
12	1016845	SCREW, PHILLIPS TRUSS HEAD, 1/4 - 20 x 2 1/8	3
13	0008233	NUT, NYLON LOCK, 1/4 - 20	3

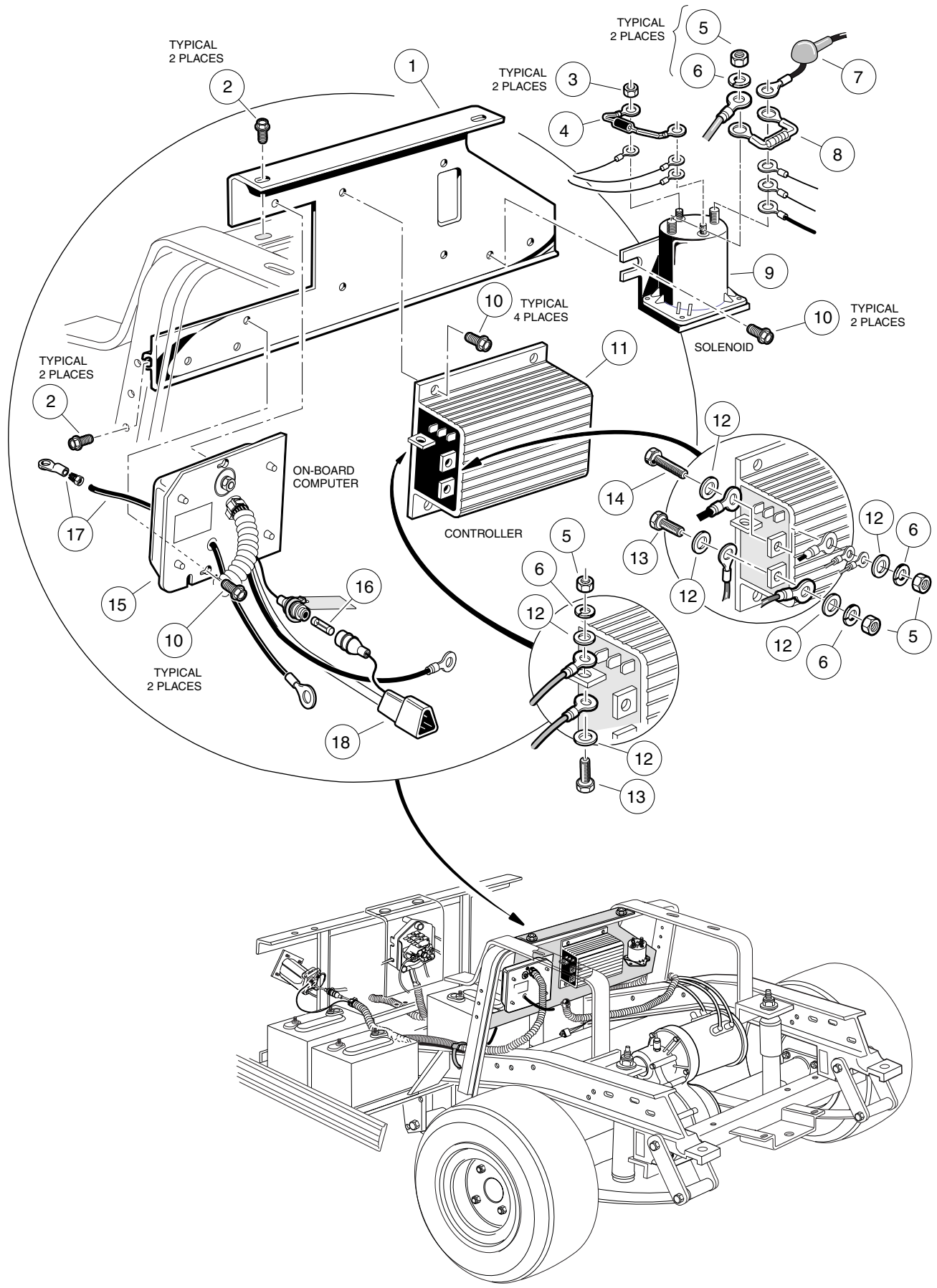


BATTERIES, CHARGER RECEPTACLE POWERDRIVE SYSTEM 48 VEHICLE

13

E

ITEM	PART NO.	DESCRIPTION	QTY
		1 2 3 4	
1	<u>1018021-01</u>	KIT, FUSE AND RECEPTACLE (INCLUDES ITEMS 2 - 9)	1
2	<u>1017965-01</u>	BEZEL, RECEPTACLE	1
3	N/A	WIRE ASSEMBLY, SENSE LEAD, GRAY	1
4	N/A	WIRE ASSEMBLY, #10 RED	1
5	N/A	WIRE ASSEMBLY, #10 BLACK	1
6	<u>1017968-01</u>	ASSEMBLY, FUSE, 48 VOLT (INCLUDES ITEM 7)	1
7	<u>1013061</u>	NUT, NYLON LOCK, #10	2
8	<u>1017705</u>	SCREW, PHILLIPS PAN HEAD, #8 TYPE AB	3
9	<u>1018949-01</u>	ASSEMBLY, FUSE, 3/8 AMP	1
10	<u>1018010-01</u>	PLATE, RECEPTACLE BACKING	1
11	<u>1018320-01</u>	SCREW, PHILLIPS PAN HEAD, #7 - 18 x 3/4	4
12	<u>1017977-01</u>	BATTERY, 8 VOLT POWERDRIVE	6
12	<u>1017977-02</u>	BATTERY, 8 VOLT POWERDRIVE, DRY	6
13	<u>1017978-01</u>	CAP, BATTERY, 4 PORT GANG	6
14	<u>1017957-01</u>	WIRE ASSEMBLY, #6 BLACK	5
15	<u>1014304</u>	NUT, HEX, STAINLESS STEEL, 5/16 - 18	12
16	<u>1018030-01</u>	HOLD-DOWN, BATTERY	3
17	1015072	NUT, NYLON LOCK, STAINLESS STEEL, 5/16 - 18	6
18	<u>1011578</u>	WASHER, FLAT, TYPE B WIDE, 5/16	6
19	1013683	J-BOLT	6

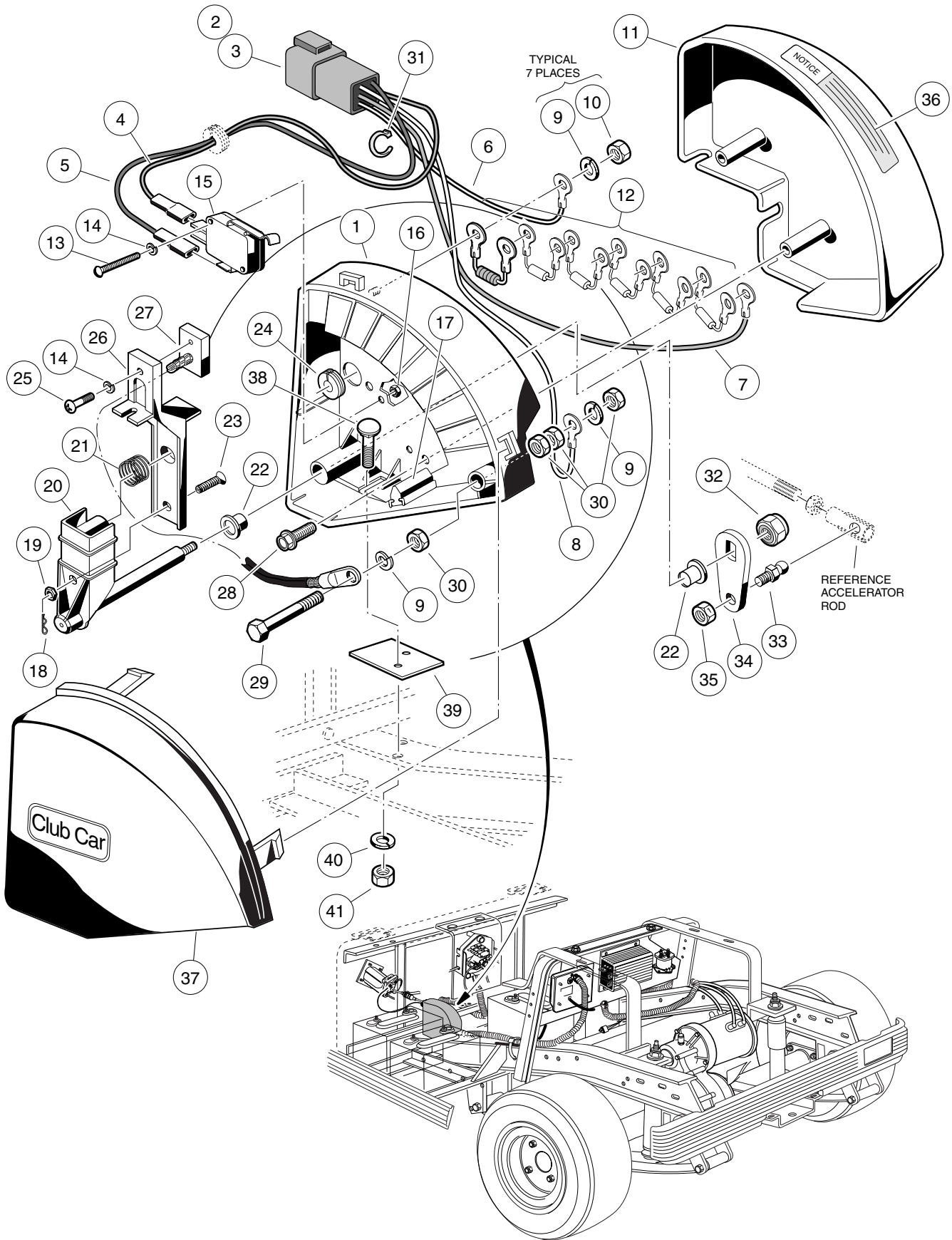


COMPUTER, CONTROLLER, AND SOLENOID POWERDRIVE SYSTEM 48 VEHICLE

13

E

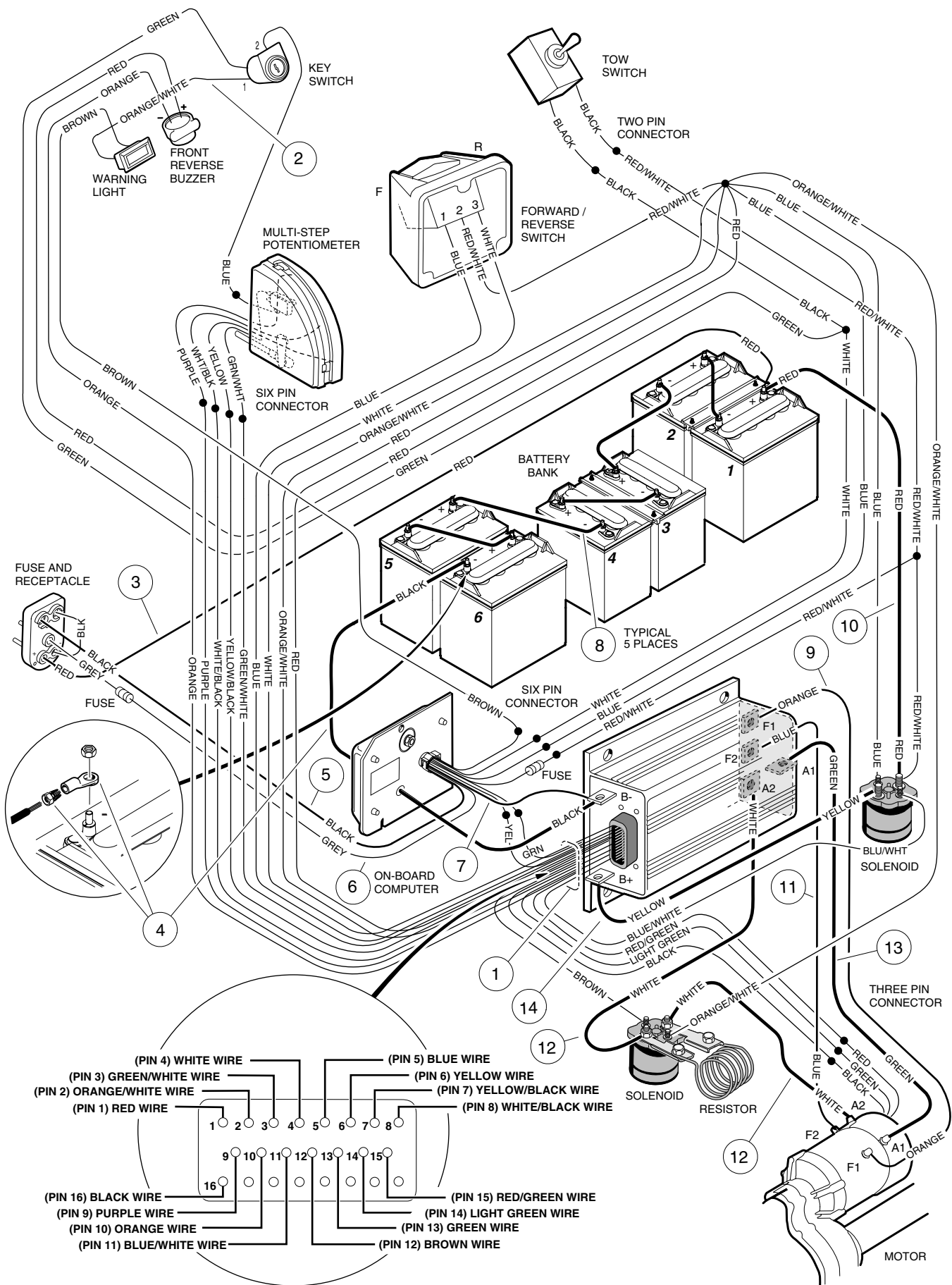
ITEM	PART NO.	DESCRIPTION	QTY
		1 2 3 4	
1	1019652-01	PLATE, COMPONENT MOUNTING	1
2	<u>1014288</u>	SCREW, THREAD-FORMING, 5/16 - 18 x 3/4	4
3	0007893	NUT, HEX, #10 - 32	2
4	1014948	ASSEMBLY, DIODE	1
5	0001242	NUT, HEX, 5/16 - 18	5
6	0007174	WASHER, LOCK, 5/16	5
7	<u>1019026-01</u>	BOOT, WIRE	1
8	<u>1014947</u>	ASSEMBLY, RESISTOR	1
9	<u>1019087-01</u>	SOLENOID, 48 VOLT	1
10	<u>1012285</u>	SCREW, THREAD-ROLLING, 1/4 - 20 x 5/8	8
11	<u>1018402-01</u>	CONTROLLER, 48 VOLT (225 AMP)	1
12	0001241	WASHER, FLAT, 5/16	6
13	0007173	BOLT, HEX HEAD, 5/16 - 18 x 3/4	2
14	0001218	BOLT, HEX HEAD, 5/16 - 18 x 1 1/4	1
15	<u>1019099-01</u>	COMPUTER, ON-BOARD (INCLUDES ITEMS 16, 17 AND 18)	1
16	<u>1018949-01</u>	FUSE ASSEMBLY, 3/8 AMP	2
17	1018278-01	KIT, WIRE AND TERMINAL, #6 BLACK	1
18	<u>1019423-01</u>	RECEPTACLE, 3-PIN	1



MULTI-STEP POTENTIOMETER POWERDRIVE SYSTEM 48 AND POWERDRIVE PLUS

13
E

ITEM	PART NO.	DESCRIPTION	QTY
		1 2 3 4	
	1019320-03	ASSEMBLY, WIPER SWITCH (INCLUDES ITEMS 1 - 37)	1
1	<u>1014999</u>	ASSEMBLY, WIPER SWITCH CASE, 6 SPEED	1
2	1019580-02	ASSEMBLY, 5-WIRE AND RECEPTACLE (INCLUDES ITEMS 3 - 8)	1
3	<u>1019326-01</u>	KIT, 6-PIN RECEPTACLE	1
4	N/A	WIRE ASSEMBLY, #18 GREEN/WHITE	1
5	N/A	WIRE ASSEMBLY, #18 BLUE	1
6	N/A	WIRE ASSEMBLY, #18 BLACK/WHITE	1
7	N/A	WIRE ASSEMBLY, #18 PURPLE.....	1
8	N/A	WIRE ASSEMBLY, #18 YELLOW.....	1
9	0000451	WASHER, LOCK, 1/4	17
10	0001014	NUT, BRASS HEX, 1/4 - 20	15
11	<u>1019469-01</u>	PROTECTOR, WIPER SWITCH RESISTOR	1
12	<u>1019711-01</u>	KIT, RESISTOR ASSEMBLY	1
13	0008056	SCREW, ROUND HEAD MACHINE, #4 - 40 x 3/4	2
14	0008058	WASHER, LOCK, #4	3
15	<u>1014807</u>	SWITCH, LIMIT.....	1
16	0008057	NUT, HEX, #4 - 40	2
17	1014414	BUMPER, WIPER SWITCH	1
18	<u>1014413</u>	PIN, HAIR SPRING COTTER	1
19	0007893	NUT, HEX, #10 - 32	1
20	<u>1014017</u>	CARRIER, WIPER SWITCH ARM	1
21	<u>1013998</u>	SPRING, WIPER SWITCH BRUSH	1
22	<u>1012903</u>	BEARING, BRONZE	2
23	<u>1014000</u>	STUD, WIPER SWITCH ADJUSTING	1
24	<u>1014010</u>	GROMMET, SPLIT	1
25	<u>1014019</u>	SCREW, SELF-TAPPING, #4 - 40 x 3/8	1
26	<u>1013887</u>	ARM, SPEED SWITCH	1
27	<u>1013860</u>	ASSEMBLY, SWITCH BRUSH	1
28	<u>1013461</u>	SCREW, HEX HEAD HI-LO, #10 - 16 x 1/2	2
29	<u>1014189</u>	SCREW, HEX HEAD CAP, 1/4 - 20 x 2	1
30	<u>1014253</u>	NUT, BRASS HEX JAM, 1/4 - 20	3
31	0008990	WRAP, TIE	1
32	0007473	NUT, NYLON LOCK, 5/16 - 18	1
33	<u>1012353</u>	STUD, SHORT BALL, 1/4 - 28	1
34	<u>1014003</u>	CRANK, BELL	1
35	0008449	NUT, DIMPLED LOCK, 1/4 - 28	1
36	<u>1016109-01</u>	DECAL, WIPER SWITCH WARNING	1
37	<u>1013886</u>	COVER, WIPER SWITCH	1
38	<u>1014109</u>	BOLT, CARRIAGE, #10 - 24 x 1	2
39	<u>1019492-01</u>	SHIM, WIPER SWITCH	1
40	<u>1016175</u>	WASHER, LOCK, #10	2
41	0001017	NUT, HEX, #10 - 24	2

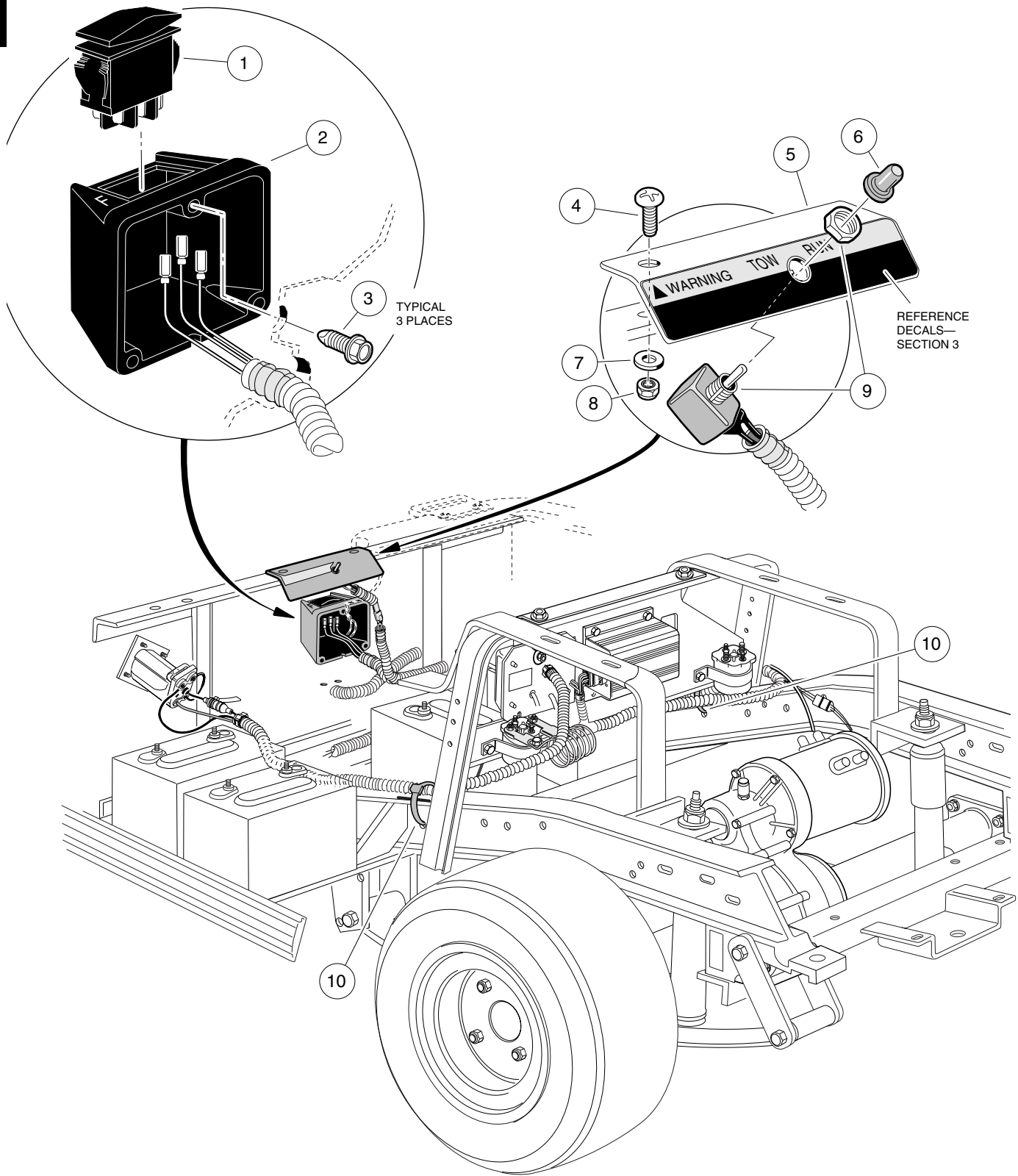


WIRING - POWERDRIVE PLUS VEHICLE

ITEM	PART NO.	DESCRIPTION	QTY
		1 2 3 4	
1	1019648-01	WIRE HARNESS	1
2	N/A	WIRE ASSEMBLY, #18 ORANGE/WHITE	1
3	N/A	WIRE ASSEMBLY, #10 RED (PART OF FUSE AND RECEPTACLE ASSEMBLY)	1
4	1018278-01	KIT, WIRE AND TERMINAL, #6 BLACK	1
5	N/A	WIRE ASSEMBLY, #10 BLACK (PART OF ON-BOARD COMPUTER ASSEMBLY)	1
6	N/A	WIRE ASSEMBLY, #18 GRAY (PART OF ON-BOARD COMPUTER ASSEMBLY)	1
7	N/A	WIRE ASSEMBLY, #10 BLACK (PART OF ON-BOARD COMPUTER ASSEMBLY)	1
8	<u>1017957-01</u>	WIRE ASSEMBLY, #6 BLACK	5
9	<u>1018535-02</u>	WIRE ASSEMBLY, #10 ORANGE	1
10	<u>1019028-01</u>	WIRE ASSEMBLY, #6 RED	1
11	1018536-02	WIRE ASSEMBLY, #10 BLUE	1
12	1019687-01	WIRE ASSEMBLY, #6 WHITE	2
13	<u>1019029-01</u>	WIRE ASSEMBLY, #6 GREEN (SEE SERVICE BULLETIN 00-09)	1
14	1019200-01	WIRE ASSEMBLY, #6 YELLOW	1

13
E

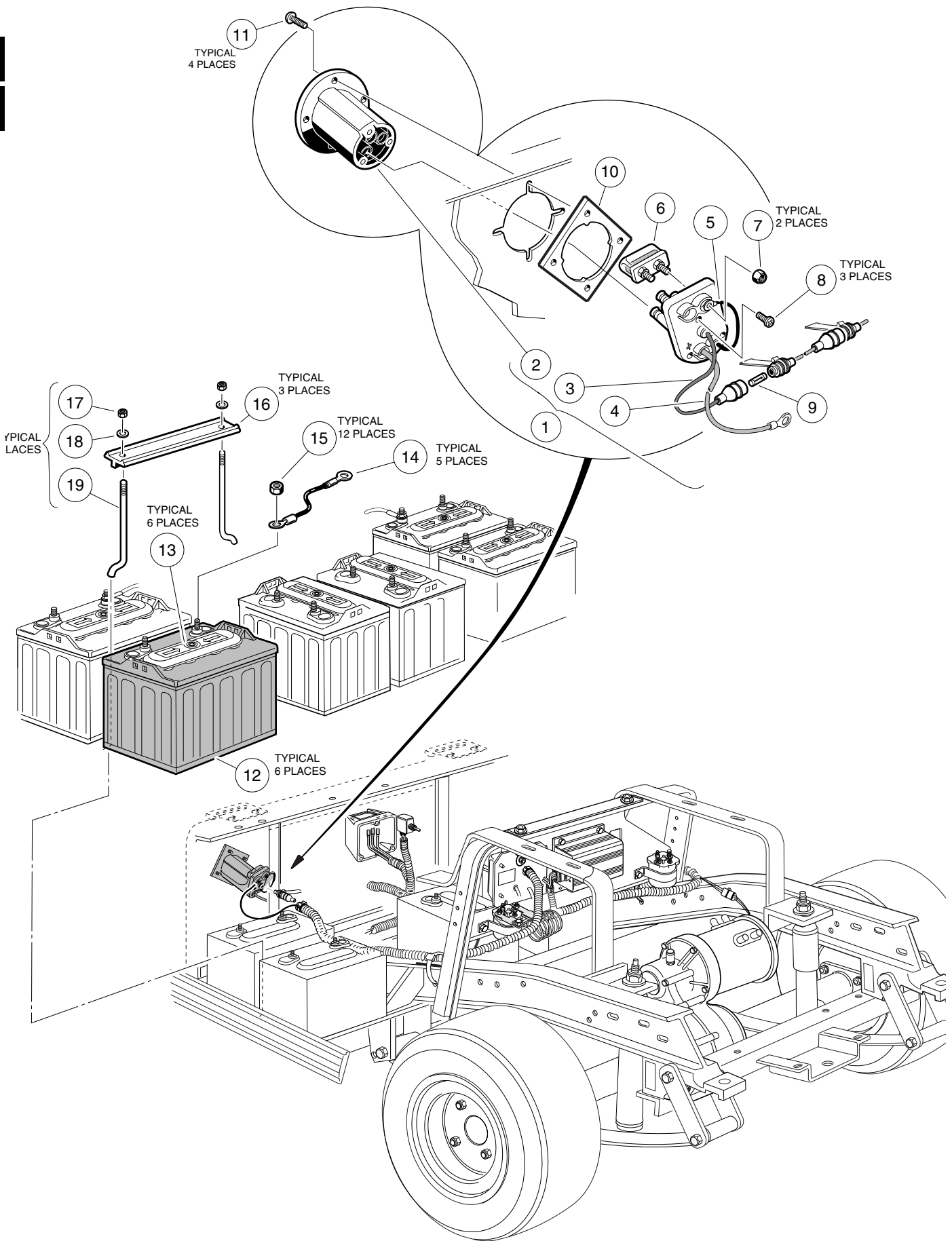
13
E



FORWARD AND REVERSE SWITCH, TOW SWITCH POWERDRIVE PLUS VEHICLE

ITEM	PART NO.	DESCRIPTION	QTY
		1 2 3 4	
1	<u>1018560-01</u>	SWITCH, FORWARD AND REVERSE	1
2	<u>1018550-01</u>	CASE, FORWARD AND REVERSE SWITCH	1
3	<u>1018561-01</u>	SCREW, HI-LO HEX HEAD, 1/4 - 15 x 1/2	3
4	0008248	SCREW, TRUSS PHILLIPS MACHINE, 1/4 - 20 x 3/4	2
5	<u>1019225-01</u>	BRACKET, TOW SWITCH	1
6	<u>1019084-01</u>	BOOT, TOW SWITCH	1
7	0000332	WASHER, FLAT, 1/4	2
8	0008233	NUT, NYLON LOCK, 1/4 - 20	2
9	<u>1019081-01</u>	SWITCH, TOW	1
10	0008990	TIE, WIRE	A/R

13
E

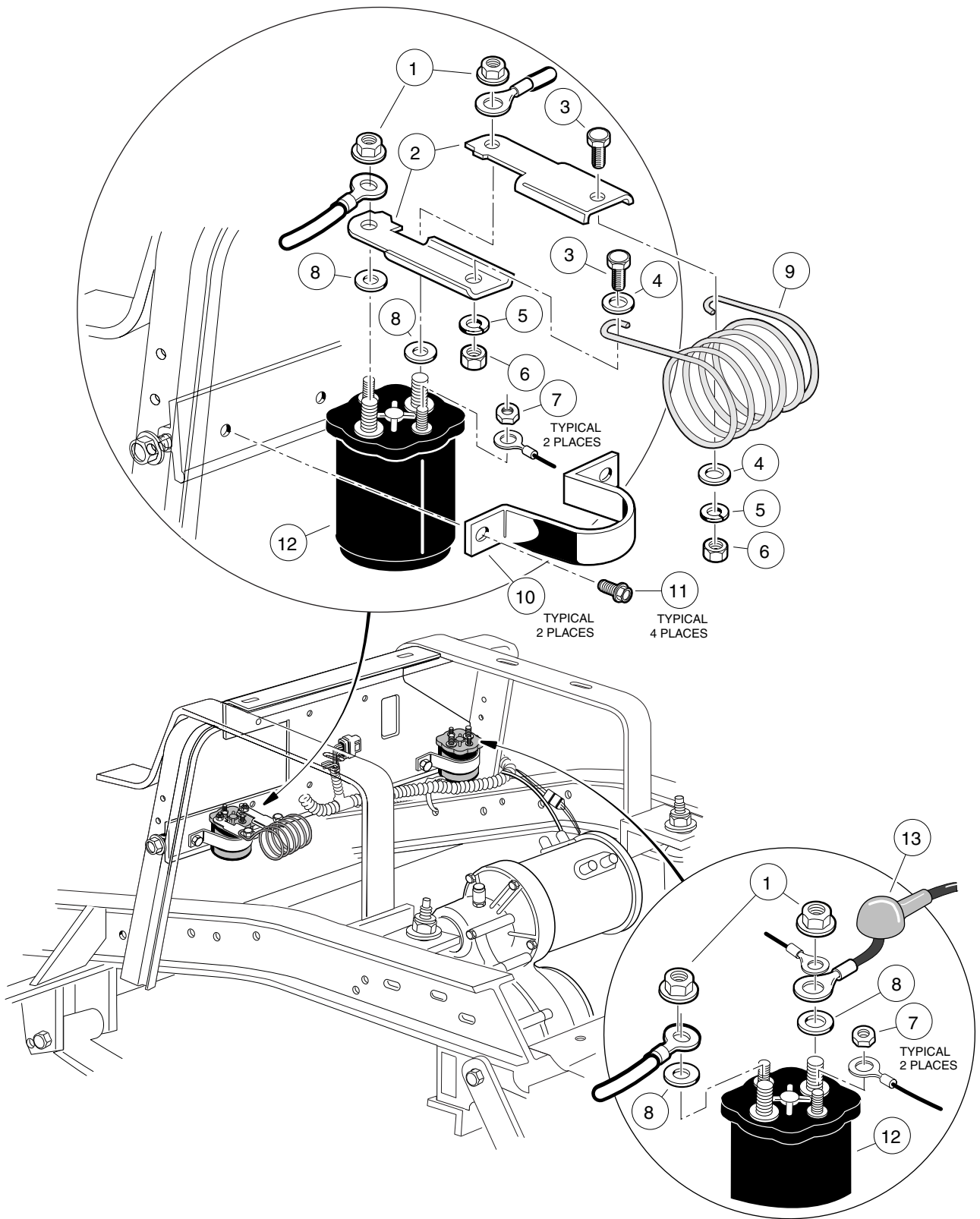


BATTERIES, CHARGER RECEPTACLE POWERDRIVE PLUS VEHICLE

13

E

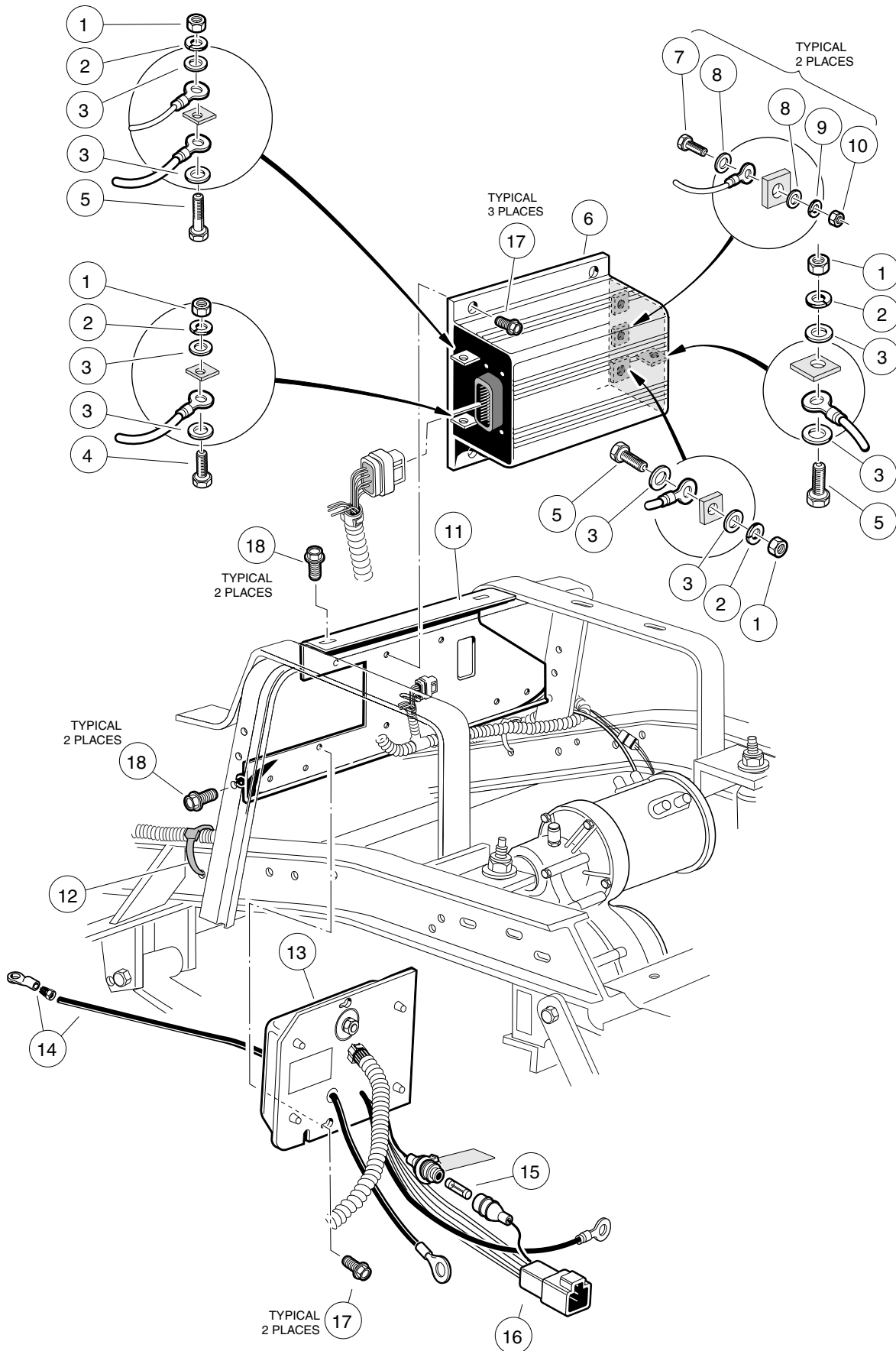
ITEM	PART NO.	DESCRIPTION	QTY
		1 2 3 4	
1	<u>1018021-01</u>	KIT, FUSE AND RECEPTACLE (INCLUDES ITEMS 2 - 9)	1
2	<u>1017965-01</u>	BEZEL, RECEPTACLE	1
3	N/A	WIRE ASSEMBLY, SENSE LEAD, GRAY	1
4	N/A	WIRE ASSEMBLY, #10 RED	1
5	N/A	WIRE ASSEMBLY, #10 BLACK	1
6	<u>1017968-01</u>	ASSEMBLY, FUSE, 48 VOLT (INCLUDES ITEM 7)	1
7	<u>1013061</u>	NUT, NYLON LOCK, #10	2
8	<u>1017705</u>	SCREW, PHILLIPS PAN HEAD, #8 TYPE AB	3
9	<u>1018949-01</u>	ASSEMBLY, FUSE, 3/8 AMP	1
10	<u>1018010-01</u>	PLATE, RECEPTACLE BACKING	1
11	<u>1018320-01</u>	SCREW, PHILLIPS PAN HEAD, #7 - 18 x 3/4	4
12	<u>1017977-01</u>	BATTERY, 8 VOLT POWERDRIVE	6
12	<u>1017977-02</u>	BATTERY, 8 VOLT POWERDRIVE, DRY	6
13	<u>1017978-01</u>	CAP, BATTERY, 4 PORT GANG	6
14	<u>1017957-01</u>	WIRE ASSEMBLY, #6 BLACK	5
15	<u>1014304</u>	NUT, HEX, STAINLESS STEEL, 5/16 - 18	12
16	<u>1018030-01</u>	HOLD-DOWN, BATTERY	3
17	1015072	NUT, NYLON LOCK, STAINLESS STEEL, 5/16 - 18	6
18	<u>1011578</u>	WASHER, FLAT, TYPE B WIDE, 5/16	6
19	1013683	J-BOLT	6



SOLENOIDS, ENERGY DISPLACEMENT MODULE POWERDRIVE PLUS VEHICLE

ITEM	PART NO.	DESCRIPTION	QTY
		1 2 3 4	
1	<u>1017237</u>	NUT, HEX FLANGED LOCK, 5/16 - 24	4
2	<u>1018882-01</u>	TAB, MOUNTING	2
3	<u>1015069</u>	SCREW, HEX HEAD, 1/4 - 20 x 3/4	2
4	<u>1011931</u>	WASHER, FLAT, 1/4	2
5	0000451	WASHER, LOCK, 1/4	2
6	0001028	NUT, HEX, 1/4 - 20	2
7	<u>1018028</u>	NUT, SERRATED, #10 - 32	4
8	<u>1019344-01</u>	WASHER, FLAT, BRASS, 5/16	4
9	<u>1019644-01</u>	MODULE, ENERGY DISPLACEMENT	1
10	<u>1019579-01</u>	BRACKET, MOUNTING	2
11	<u>1012285</u>	SCREW, THREAD-ROLLING, 1/4 - 20 x 5/8	4
12	<u>1018836-01</u>	SOLENOID, 48 VOLT	2
13	<u>1019026-01</u>	BOOT, WIRE	1

13
E



CONTROLLER, ON-BOARD COMPUTER POWERDRIVE PLUS VEHICLE

13

E

ITEM	PART NO.	DESCRIPTION	QTY
		1 2 3 4	
1	0001242	NUT, HEX, 5/16 - 18	4
2	0007174	WASHER, LOCK, 5/16	4
3	0001241	WASHER, FLAT, 5/16	8
4	0001218	BOLT, HEX HEAD, 5/16 - 18 x 1 1/4	1
5	0007173	BOLT, HEX HEAD, 5/16 - 18 x 3/4	3
6	<u>1018879-01</u>	CONTROLLER, 48 VOLT (225 AMP)	1
7	0008450	SCREW, HEX HEAD, #10 - 24 x 1/2	2
8	<u>1018038</u>	WASHER, #10	4
9	<u>1016175</u>	WASHER, LOCK, #10	2
10	0001017	NUT, HEX HEAD, #10 - 24	2
11	1019652-01	PLATE, COMPONENT MOUNTING	1
12	0008990	TIE, WIRE	A/R
13	<u>1019099-02</u>	COMPUTER, ON-BOARD (INCLUDES ITEMS 14, 15 AND 16)	1
14	1018278-01	KIT, WIRE AND TERMINAL, #6 BLACK	1
15	<u>1018949-01</u>	FUSE ASSEMBLY, 3/8 AMP	1
16	<u>1019326-01</u>	KIT, 6-PIN RECEPTACLE	1
17	<u>1012285</u>	SCREW, THREAD-ROLLING, 1/4 - 20 x 5/8	5
18	<u>1014288</u>	SCREW, THREAD-FORMING, 5/16 - 18 x 3/4	4

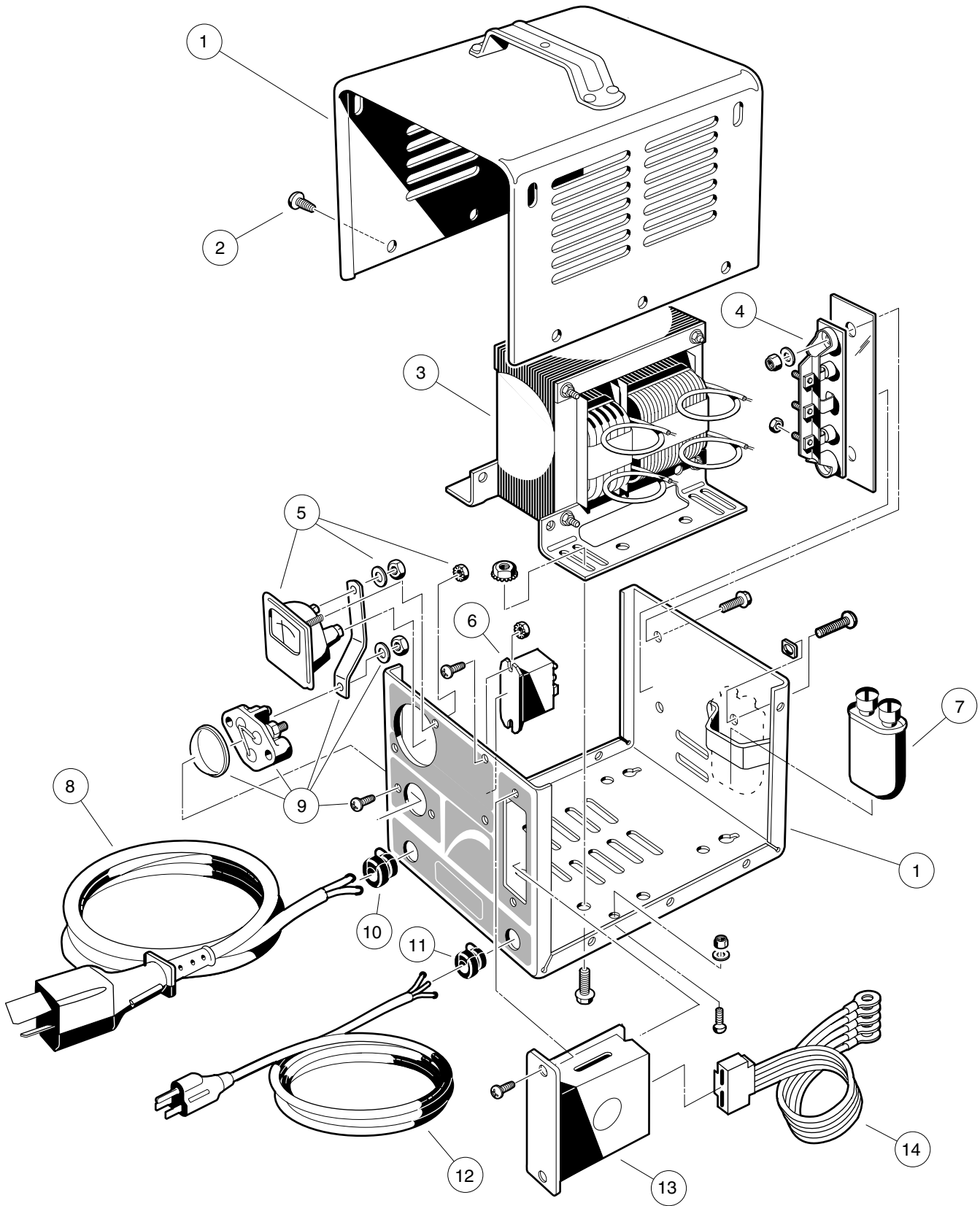
13

E

BATTERY CHARGER

14

E

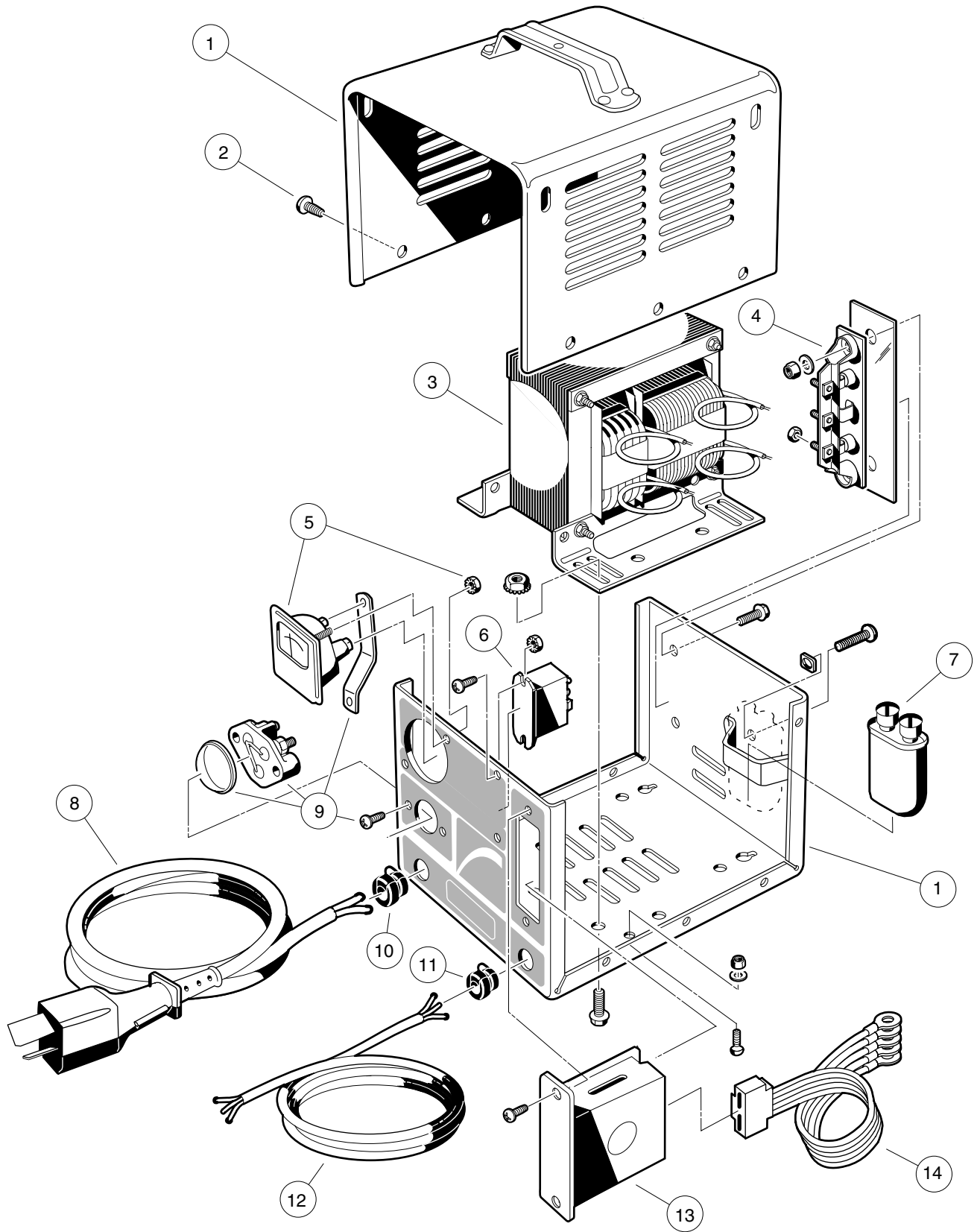


ACCU-POWER CHARGER, DOMESTIC V-GLIDE 36 VOLT VEHICLE

ITEM	PART NO.	DESCRIPTION	QTY
		1 2 3 4	
	1016464-01	CHARGER, ACCU-POWER, DOMESTIC, 120 VAC, 36 VDC, 60 HZ (MODEL NUMBER 13800-11) (INCLUDES ITEMS 1 - 14) 108 IN. DC CORD, 72 IN. AC CORD	1
1	1015907	ASSEMBLY, CASE (INCLUDES FASTENERS)	1
2	0007577	SCREW, PAN HEAD, SELF-TAPPING, #10 - 16 x 1/2	10
3	<u>1015912</u>	ASSEMBLY, TRANSFORMER	1
4	<u>1015914</u>	ASSEMBLY, HEATSINK, WITH DIODES (INCLUDES MOUNTING HARDWARE)	1
5	<u>1015905</u>	AMMETER (INCLUDES MOUNTING HARDWARE)	1
6	<u>1015911</u>	36 VDC RELAY	1
7	1015910	CAPACITOR	1
8	<u>1016433-01</u>	CORDSET, DC, 108 INCHES LONG (STANDARD) 12 AWG	1
8	<u>1016433-02</u>	CORDSET, DC, 146 INCHES LONG, 10 AWG	1
8	<u>1016433-03</u>	CORDSET, DC, 242 INCHES LONG, 10 AWG	1
9	<u>1012101</u>	ASSEMBLY, FUSE (INCLUDES HARDWARE)	1
10	<u>1012098</u>	BUSHING, STRAIN RELIEF, 12 AWG DC CORD	1
10	<u>1012042</u>	BUSHING, STRAIN RELIEF, 10 AWG DC CORD	1
11	<u>1015917</u>	BUSHING, STRAIN RELIEF, AC CORD	1
12	<u>1015916-01</u>	CORDSET, AC, 72 INCHES LONG (STANDARD)	1
12	<u>1015916-02</u>	CORDSET, AC, 108 INCHES LONG	1
13	<u>1015906</u>	ASSEMBLY, TIMER KIT (INCLUDES MOUNTING HARDWARE)	1
14	<u>1015913</u>	ASSEMBLY, CONTROL CABLE	1

14

E

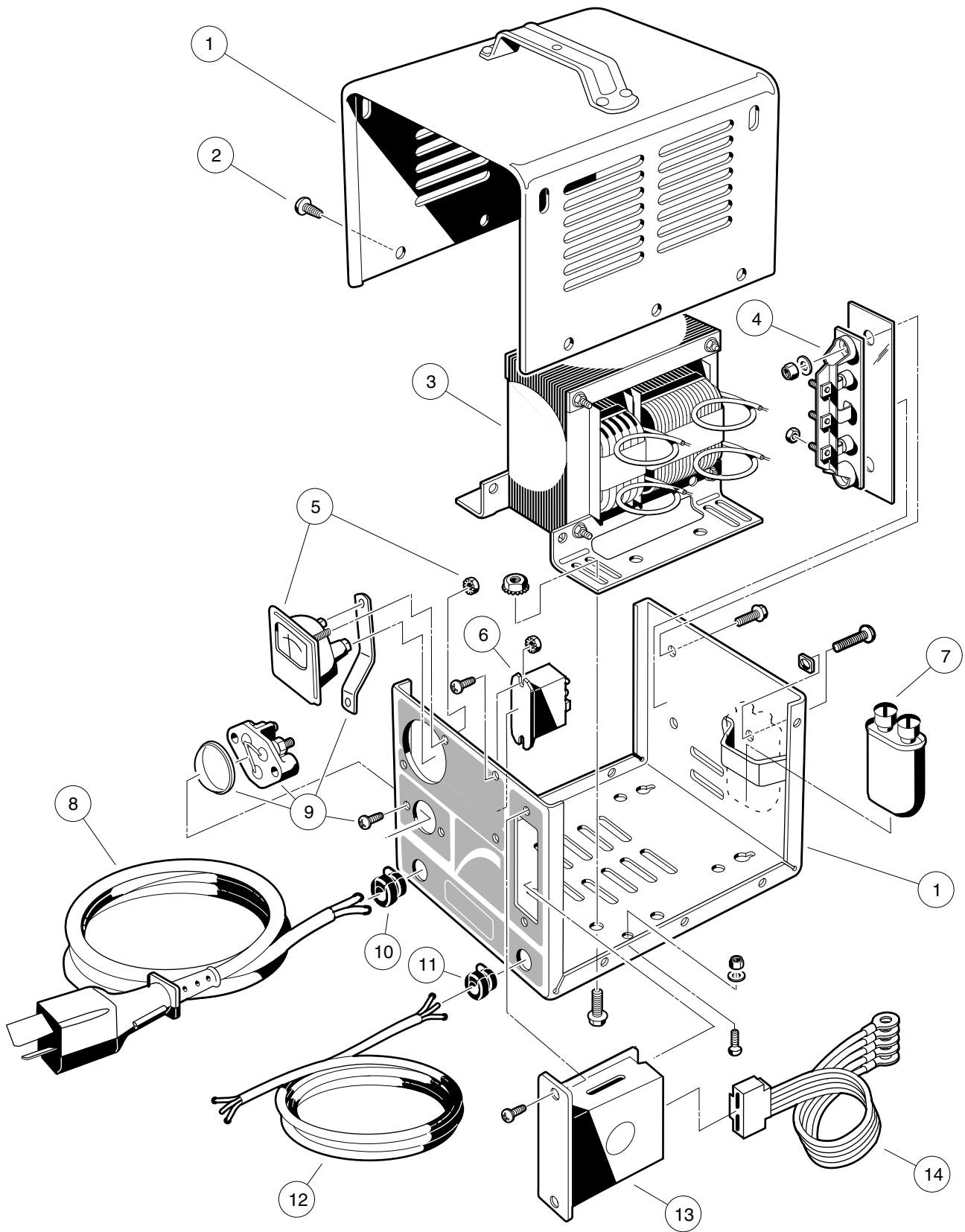


ACCU-POWER CHARGER, EXPORT, 230 VOLT V-GLIDE 36 VOLT VEHICLE

ITEM	PART NO.	DESCRIPTION	QTY
		1 2 3 4	
	<u>1016434-01</u>	CHARGER, ACCU-POWER, EXPORT, 230 VAC, 36 VDC, 50 HZ (MODEL NUMBER 14410-11) (INCLUDES ITEMS 1 - 14) 108 IN. DC CORD, 108 IN. AC CORD	1
1	N/A	ASSEMBLY, CASE (INCLUDES FASTENERS)	1
2	0007577	SCREW, PAN HEAD, SELF-TAPPING, #10 - 16 x 1/2	10
3	<u>1015936</u>	ASSEMBLY, TRANSFORMER	1
4	<u>1015914</u>	ASSEMBLY, HEATSINK, WITH DIODES (INCLUDES MOUNTING HARDWARE)	1
5	<u>1015905</u>	AMMETER (INCLUDES MOUNTING HARDWARE)	1
6	<u>1015911</u>	36 VDC RELAY	1
7	1015910	CAPACITOR	1
8	<u>1016433-01</u>	CORDSET, DC, 108 INCHES LONG, 12 AWG (STANDARD)	1
8	<u>1016433-02</u>	CORDSET, DC, 146 INCHES LONG, 10 AWG	1
8	<u>1016433-03</u>	CORDSET, DC, 242 INCHES LONG, 10 AWG	1
9	<u>1012101</u>	ASSEMBLY, FUSE (INCLUDES MOUNTING HARDWARE)	1
10	<u>1012098</u>	BUSHING, STRAIN RELIEF, 12 AWG DC CORD	1
10	<u>1012042</u>	BUSHING, STRAIN RELIEF, 10 AWG DC CORD	1
11	<u>1015917</u>	BUSHING, STRAIN RELIEF, AC CORD	1
12	1014696	CORDSET, AC, 108 INCHES LONG (STANDARD)	1
13	<u>1015906</u>	ASSEMBLY, TIMER KIT (INCLUDES MOUNTING HARDWARE)	1
14	<u>1015913</u>	ASSEMBLY, CONTROL CABLE	1

14

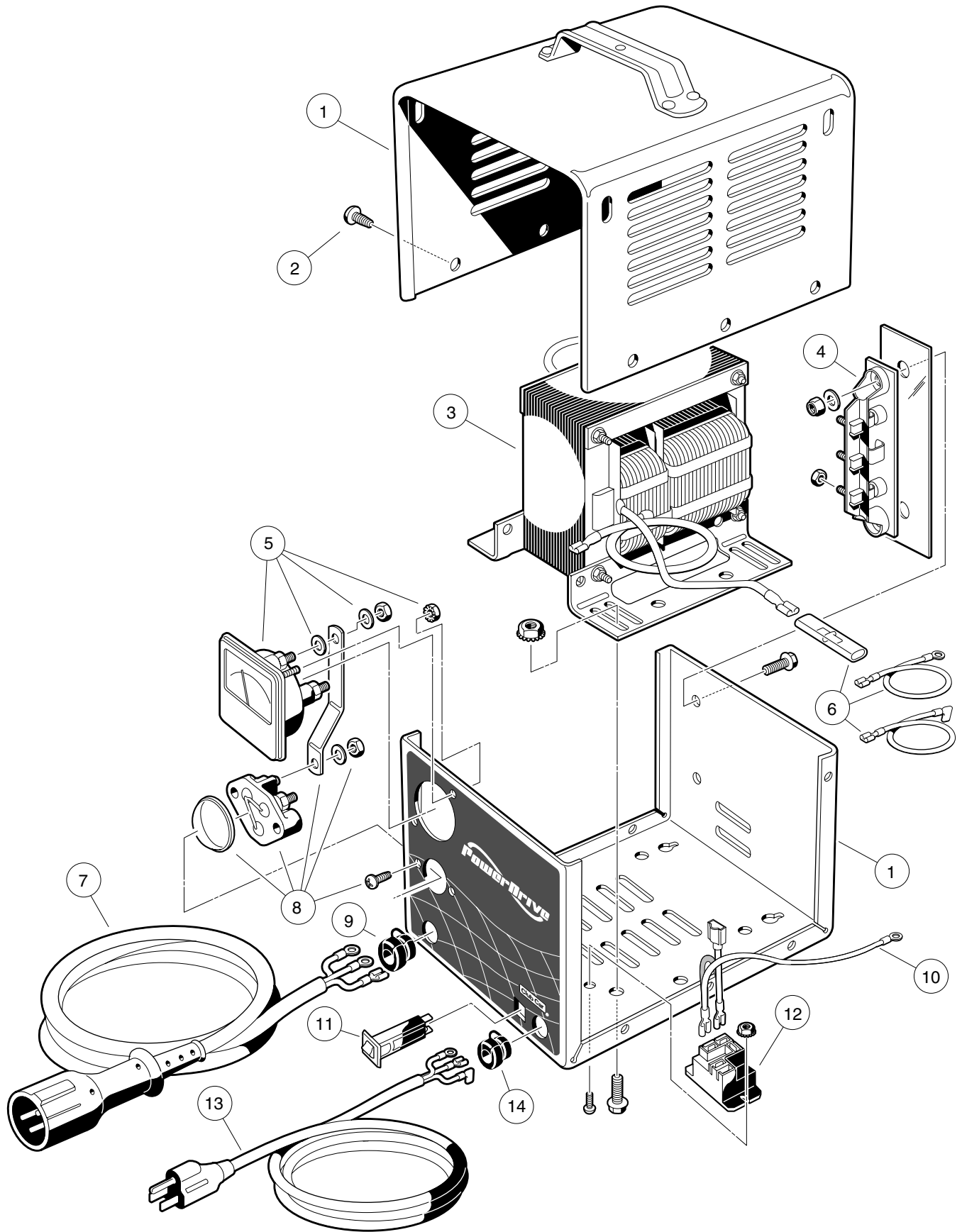
E



ACCU-POWER CHARGER, EXPORT, 100 VOLT V-GLIDE 36 VOLT VEHICLE

14
E

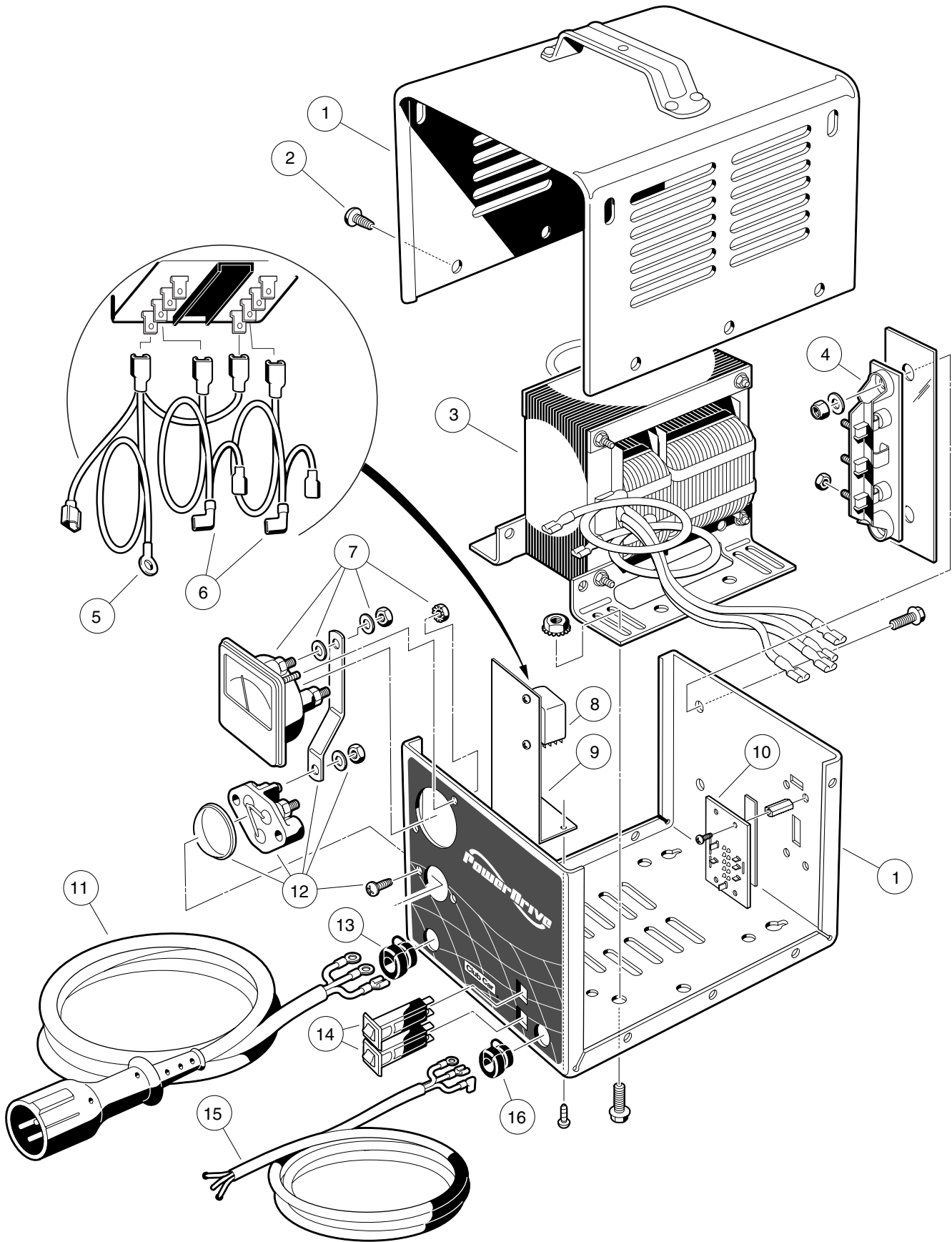
ITEM	PART NO.	DESCRIPTION	QTY
		1 2 3 4	
	<u>1016462-01</u>	CHARGER, ACCU-POWER, EXPORT, 100 VAC, 36 VDC, 50 HZ (MODEL NUMBER 14900) (INCLUDES ITEMS 1 - 14) 108 IN. DC CORD, 108 IN. AC CORD	1
1	N/A	ASSEMBLY, CASE (INCLUDES FASTENERS)	1
2	0007577	SCREW, PAN HEAD, SELF-TAPPING, #10 - 16 x 1/2	10
3	<u>1016336</u>	ASSEMBLY, TRANSFORMER	1
4	<u>1015914</u>	ASSEMBLY, HEATSINK, WITH DIODES (INCLUDES MOUNTING HARDWARE)	1
5	<u>1015905</u>	AMMETER (INCLUDES MOUNTING HARDWARE)	1
6	<u>1015911</u>	36 VDC RELAY	1
7	<u>1015939</u>	CAPACITOR	1
8	<u>1016433-01</u>	CORDSET, DC, 108 INCHES LONG, 12 AWG (STANDARD)	1
8	<u>1016433-02</u>	CORDSET, DC, 146 INCHES LONG, 10 AWG	1
8	<u>1016433-03</u>	CORDSET, DC, 242 INCHES LONG, 10 AWG	1
9	<u>1012101</u>	ASSEMBLY, FUSE (INCLUDES MOUNTING HARDWARE)	1
10	<u>1012098</u>	BUSHING, STRAIN RELIEF, 12 AWG DC CORD	1
10	<u>1012042</u>	BUSHING, STRAIN RELIEF, 10 AWG DC CORD	1
11	<u>1015917</u>	BUSHING, STRAIN RELIEF, AC CORD	1
12	<u>1016282</u>	CORDSET, AC, 108 INCHES LONG	1
13	<u>1015906</u>	ASSEMBLY, TIMER KIT (INCLUDES MOUNTING HARDWARE)	1
14	<u>1015913</u>	ASSEMBLY, CONTROL CABLE	1



POWERDRIVE CHARGER, DOMESTIC POWERDRIVE SYSTEM 48 AND POWERDRIVE PLUS

14
E

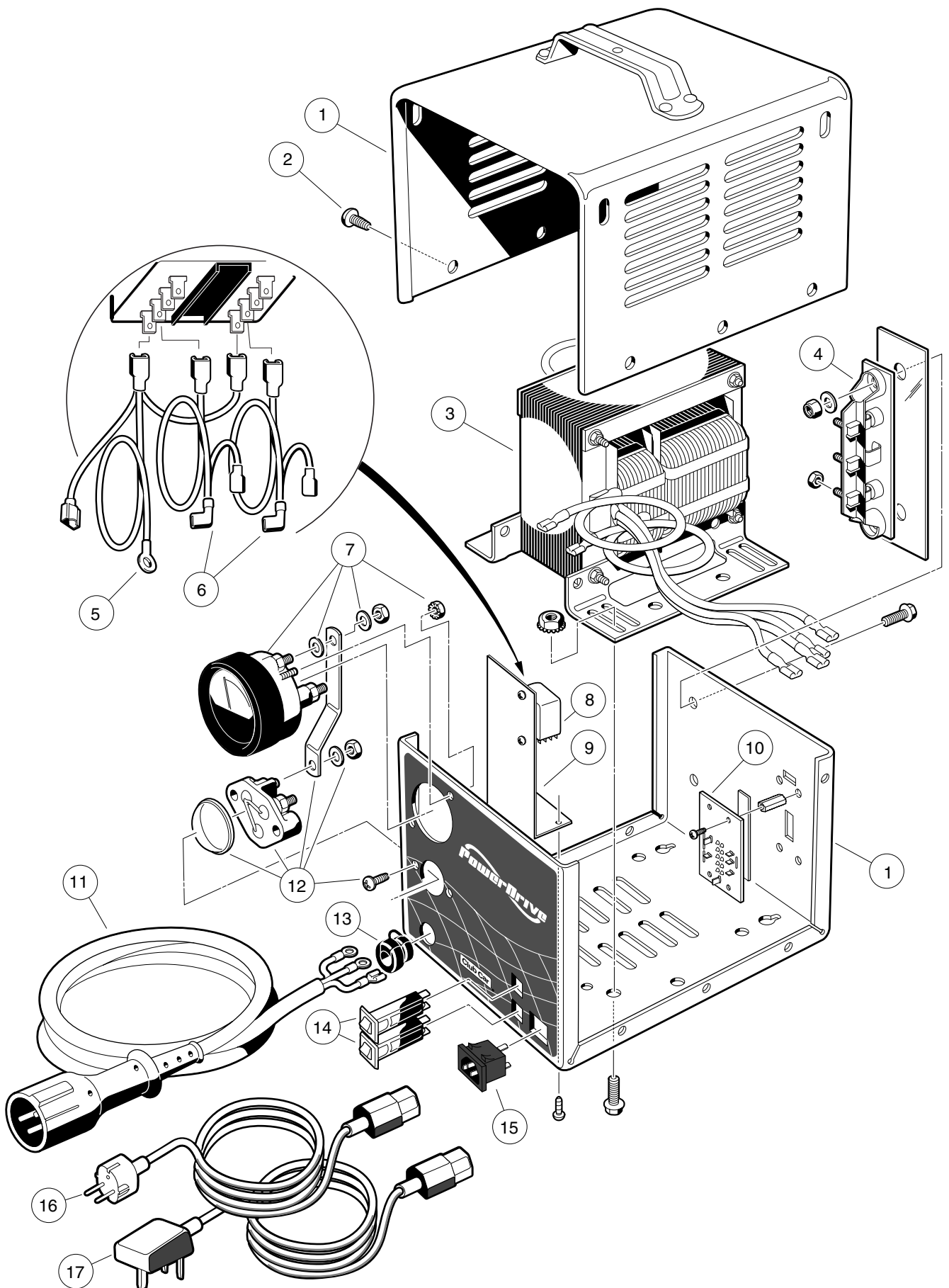
ITEM	PART NO.	DESCRIPTION	QTY
		1 2 3 4	
	<u>1018022-01</u>	CHARGER, BATTERY, POWERDRIVE, DOMESTIC 120VAC 48VDC 60 HZ (MODEL NUMBER 17930-11) (INCLUDES ITEMS 1 - 14) 103 IN. DC CORD WITH MALE 3-PIN PLUG, 12 AWG 74 IN. AC CORD WITH MALE GROUNDED PLUG	1
	<u>1018022-02</u>	CHARGER, BATTERY, POWERDRIVE 120VAC 48VDC 60 HZ (MODEL NUMBER 17930-18) (INCLUDES ITEMS 1 - 14) 144 IN. DC CORD WITH MALE 3-PIN PLUG, 12 AWG 108 IN. AC CORD WITH MALE GROUNDED PLUG	1
	<u>1018022-03</u>	CHARGER, BATTERY, POWERDRIVE 120VAC 48VDC 60 HZ (MODEL NUMBER 17930-19) (INCLUDES ITEMS 1 - 14) 240 IN. DC CORD WITH MALE 3-PIN PLUG, 12 AWG 108 IN. AC CORD WITH MALE GROUNDED PLUG	1
1	<u>1018283-01</u>	ASSEMBLY, CASE (INCLUDES FASTENERS)	1
2	0007577	SCREW, PAN HEAD, SELF-TAPPING, #10 - 16 x 1/2	10
3	<u>1018197-01</u>	ASSEMBLY, TRANSFORMER	1
4	<u>1015914</u>	ASSEMBLY, HEATSINK, WITH DIODES (INCLUDES MOUNTING HARDWARE)	1
5	<u>1018285-01</u>	AMMETER (INCLUDES MOUNTING HARDWARE)	1
6	<u>1018311-01</u>	KIT, WIRE ASSEMBLY	1
7	<u>1018289-01</u>	CORDSET, DC, 113 INCHES LONG WITH MALE 3-PIN PLUG, 12 AWG	1
7	<u>1018289-02</u>	CORDSET, DC, 154 INCHES LONG WITH MALE 3-PIN PLUG, 12 AWG	1
7	<u>1018289-03</u>	CORDSET, DC, 250 INCHES LONG WITH MALE 3-PIN PLUG, 12 AWG	1
8	<u>1012101</u>	ASSEMBLY, FUSE (INCLUDES MOUNTING HARDWARE)	1
9	<u>1012098</u>	BUSHING, STRAIN RELIEF, DC CORD, 12 AWG	1
10	<u>1019144-01</u>	ASSEMBLY, VOLTAGE SUPPRESSOR	1
11	<u>1018287-01</u>	BREAKER, CIRCUIT, 15 AMP	1
12	<u>1018286-01</u>	RELAY, POWER, 48 VDC	1
13	<u>1018288-01</u>	CORDSET, AC, 80 INCHES LONG	1
13	<u>1018288-02</u>	CORDSET, AC, 116 INCHES LONG	1
14	<u>1015917</u>	BUSHING, STRAIN RELIEF, AC CORD	1



POWERDRIVE CHARGER, EXPORT POWERDRIVE SYSTEM 48 AND POWERDRIVE PLUS

14
E

ITEM	PART NO.	DESCRIPTION	QTY
		1 2 3 4	
	<u>1018315-03</u>	CHARGER, BATTERY, POWERDRIVE, EXPORT WITH 4-POSITION SWITCH 100 - 200 - 220 - 240 VAC, 48 VDC 50/60 HZ (MODEL NUMBER 18780-11) (INCLUDES ITEMS 1 - 16) 103 IN. DC CORD WITH MALE 3-PIN PLUG, 12 AWG 74 IN. AC CORD WITH NO PLUG	1
	1018315-04	CHARGER, BATTERY, POWERDRIVE EXPORT WITH 4-POSITION SWITCH 100 - 200 - 220 - 240 VAC, 48 VDC 50/60 HZ (MODEL NUMBER 18780-18) (INCLUDES ITEMS 1 - 16) 144 IN. DC CORD WITH MALE 3-PIN PLUG, 12 AWG 108 IN. AC CORD WITH NO PLUG	1
1	<u>1018381-01</u>	ASSEMBLY, CASE (INCLUDES FASTENERS)	1
2	0007577	SCREW, PAN HEAD, SELF-TAPPING, #10 - 16 x 1/2	10
3	1018382-01	ASSEMBLY, TRANSFORMER	1
4	<u>1015914</u>	ASSEMBLY, HEATSINK, WITH DIODES (INCLUDES MOUNTING HARDWARE)	1
5	1019144-01	ASSEMBLY, VOLTAGE SUPPRESSOR	1
6	1018385-01	KIT, WIRE ASSEMBLY	1
7	<u>1018285-01</u>	AMMETER (INCLUDES HARDWARE)	1
8	<u>1018383-01</u>	RELAY, POWER, 48 VDC (INCLUDES MOUNTING HARDWARE)	1
9	<u>1018387-01</u>	BRACKET, POWER RELAY MOUNTING	1
10	1018386-01	SWITCH, 4-POSITION, SLIDE	1
11	<u>1018289-01</u>	CORDSET, DC, 113 INCHES LONG WITH MALE 3-PIN PLUG, 12 AWG	1
11	<u>1018289-02</u>	CORDSET, DC, 154 INCHES LONG WITH MALE 3-PIN PLUG, 12 AWG	1
11	<u>1018289-03</u>	CORDSET, DC, 250 INCHES LONG WITH MALE 3-PIN PLUG, 12 AWG	1
12	<u>1012101</u>	ASSEMBLY, FUSE (INCLUDES HARDWARE)	1
13	<u>1012098</u>	BUSHING, STRAIN RELIEF, DC CORD, 12 AWG	1
14	1018384-01	BREAKER, CIRCUIT, 15 AMP	2
15	<u>1018317-01</u>	CORDSET, AC, 80 INCHES LONG, WITH LEADS (NO PLUG)	1
15	<u>1018317-02</u>	CORDSET, AC, 116 INCHES LONG, WITH LEADS (NO PLUG)	1
16	<u>1015917</u>	BUSHING, STRAIN RELIEF, AC CORD	1



POWERDRIVE CHARGER, EUROPEAN POWERDRIVE SYSTEM 48 AND POWERDRIVE PLUS

14
E

ITEM	PART NO.	DESCRIPTION	QTY
		1 2 3 4	
	<u>1019562-01</u>	CHARGER, BATTERY, POWERDRIVE, EUROPEAN WITH 4-POSITION SWITCH 100 - 200 - 220 - 240 VAC, 48 VDC 50/60 HZ (MODEL NUMBER 20300) (INCLUDES ITEMS 1 - 15) 103" DC CORD WITH MALE 3-PIN PLUG, 12 AWG	1
	<u>1019562-02</u>	CHARGER, BATTERY, POWERDRIVE EUROPEAN WITH 4-POSITION SWITCH 100 - 200 - 220 - 240 VAC, 48 VDC 50/60 HZ (MODEL NUMBER 20310) (INCLUDES ITEMS 1 - 15) 144" DC CORD WITH MALE 3-PIN PLUG, 12 AWG	1
1	1018381-02	ASSEMBLY, CASE (INCLUDES FASTENERS)	1
2	0007577	SCREW, PAN HEAD, SELF-TAPPING, #10 - 16 x 1/2	10
3	1018382-01	ASSEMBLY, TRANSFORMER	1
4	<u>1015914</u>	ASSEMBLY, HEATSINK, WITH DIODES (INCLUDES MOUNTING HARDWARE)	1
5	1019144-01	ASSEMBLY, VOLTAGE SUPPRESSOR	1
6	1018385-01	KIT, WIRE ASSEMBLY	1
7	1019766-01	AMMETER (INCLUDES HARDWARE)	1
8	<u>1019875-01</u>	RELAY, POWER, 48 VDC (INCLUDES MOUNTING HARDWARE)	1
9	<u>1018387-01</u>	BRACKET, POWER RELAY MOUNTING	1
10	1018386-01	SWITCH, 4-POSITION, SLIDE	1
11	<u>1018289-01</u>	CORDSET, DC, 103" LONG WITH MALE 3-PIN PLUG, 12 AWG	1
11	<u>1018289-02</u>	CORDSET, DC, 144" LONG WITH MALE 3-PIN PLUG, 12 AWG	1
11	<u>1018289-03</u>	CORDSET, DC, 250" LONG WITH MALE 3-PIN PLUG, 12 AWG	1
12	<u>1012101</u>	ASSEMBLY, FUSE (INCLUDES HARDWARE)	1
13	<u>1012098</u>	BUSHING, STRAIN RELIEF, DC CORD, 12 AWG	1
14	1018384-01	BREAKER, CIRCUIT, 15 AMP	2
15	1019735-01	RECEPTACLE, AC CORD	1
16	1019583-01	CORDSET, AC, CONTINENTAL EUROPE, 96" LONG, WITH MALE 2-PIN PLUG)	1
17	<u>1019582-01</u>	CORDSET, AC, U.K., 96" LONG, WITH MALE 3-PIN PLUG)	1

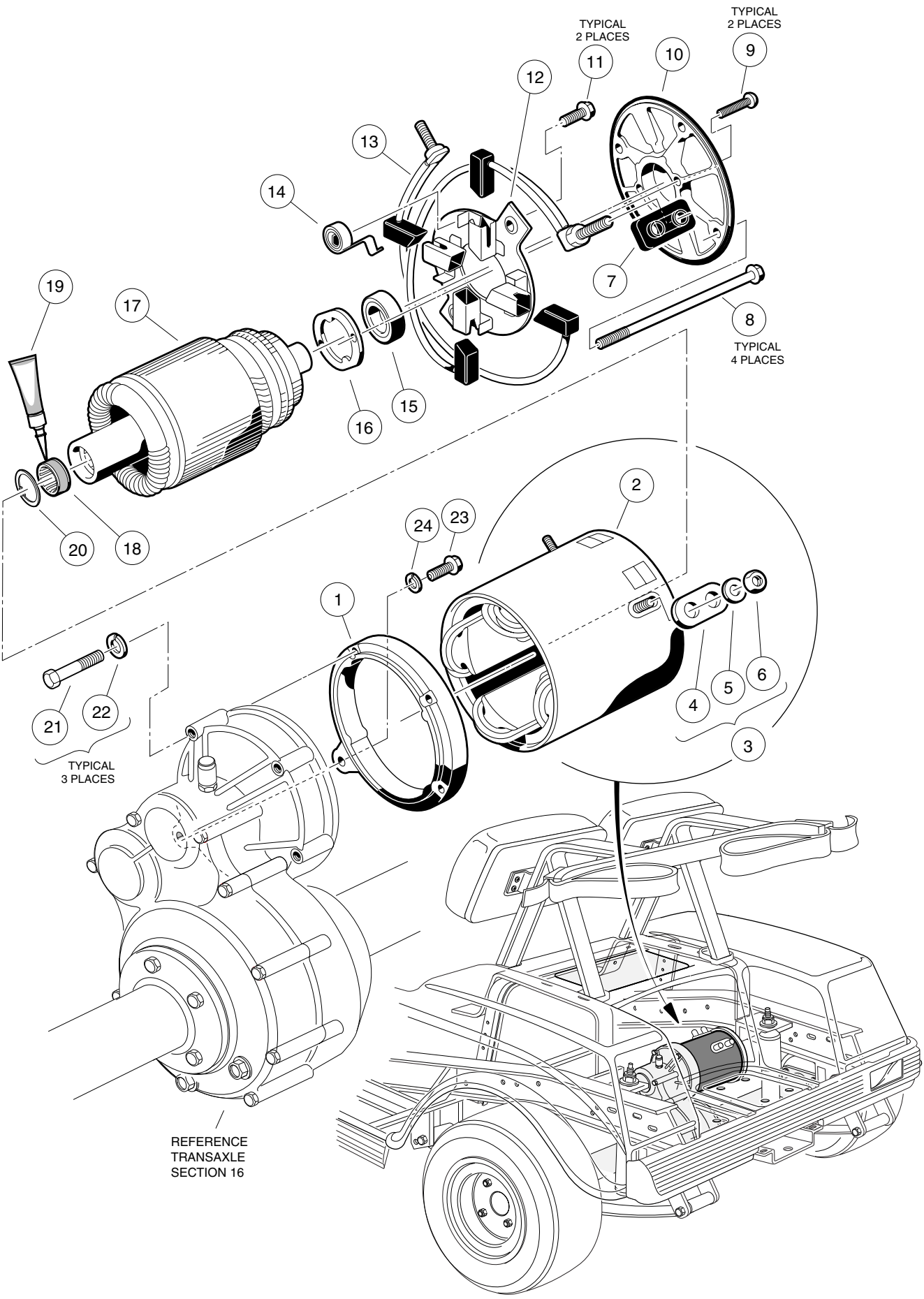
14

E

ELECTRIC MOTOR

15

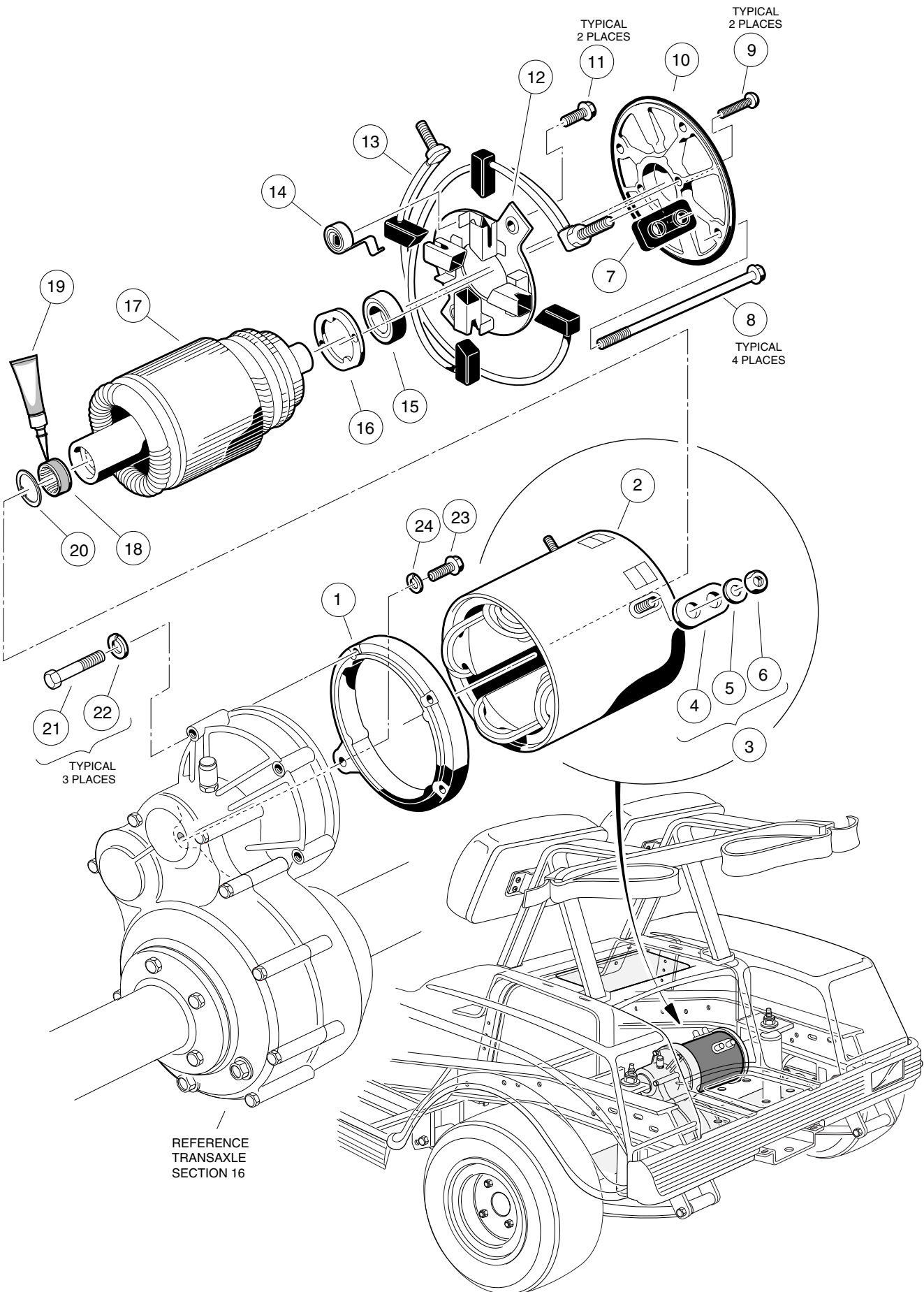
E



MOTOR - V-GLIDE 36 VOLT VEHICLE

ITEM	PART NO.	DESCRIPTION	QTY
		1 2 3 4	
	1018134-01	ASSEMBLY, 36 VOLT MOTOR, 2.97 HP (INCLUDES ITEMS 1 - 20)	1
1	<u>1017944</u>	SHIELD, END	1
2	<u>1017954</u>	ASSEMBLY, STATOR SHELL AND WINDING	1
3	<u>1017947</u>	PACKAGE, HARDWARE (INCLUDES ITEMS 4 - 7)	1
4	N/A	BUSHING, INSULATOR	2
5	N/A	WASHER, FLAT, 5/16	4
6	N/A	NUT, HEX, 5/16 - 18	4
7	N/A	BUSHING, INSULATOR	2
8	<u>1017952</u>	SCREW, CLAMP	4
9	<u>1017953</u>	SCREW, BEARING RETAINER	2
10	<u>1017951</u>	SHIELD, END	1
11	<u>1017949</u>	SCREW, BRUSH HOLDER	2
12	<u>1017948</u>	RIGGING, BRUSH	1
13	<u>1017946</u>	PACKAGE, BRUSH (2 PIECES)	1
14	1011411	PACKAGE, BRUSH SPRING (4 PIECES)	1
15	<u>1011290</u>	BEARING, BALL	1
16	<u>1017950</u>	RETAINER, BEARING	1
17	N/A	ARMATURE	1
18	<u>1017891-01</u>	RING, GUIDE	1
19	<u>1018132-02</u>	ADHESIVE, GUIDE RING, 3 GRAM TUBE	A/R
20	<u>1018228-01</u>	RING, INTERNAL RETAINING	1
21	1014201	BOLT, HEX HEAD, 1/4 - 20 x 2 1/4	3
22	0000451	WASHER, LOCK, 1/4	3
23	<u>1010934</u>	BOLT, HEX HEAD, 5/16 - 18 x 1	1
24	0007174	WASHER, LOCK, 5/16	1

15
E



REFERENCE
TRANSAXLE
SECTION 16

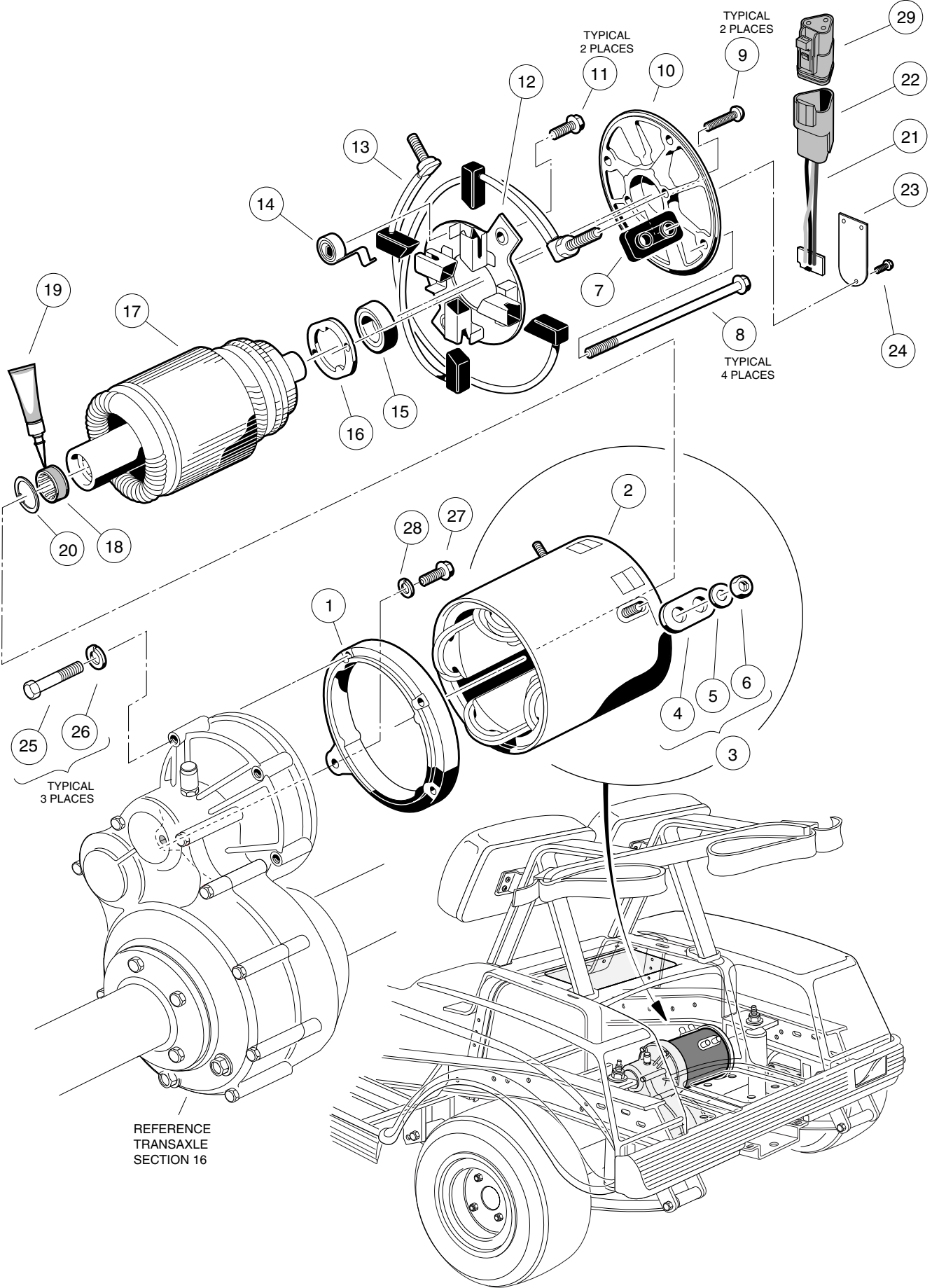
MOTOR - POWERDRIVE SYSTEM 48 VEHICLE

ITEM	PART NO.	DESCRIPTION	QTY
		1 2 3 4	
	1018133-01	ASSEMBLY, 48 VOLT MOTOR, 3.10 HP (INCLUDES ITEMS 1 - 20)	1
1	<u>1017944</u>	SHIELD, END	1
2	<u>1017958</u>	ASSEMBLY, STATOR SHELL AND WINDING	1
3	<u>1017947</u>	PACKAGE, HARDWARE (INCLUDES ITEMS 4 - 7)	1
4	N/A	BUSHING, INSULATOR	2
5	N/A	WASHER, FLAT, 5/16	4
6	N/A	NUT, HEX, 5/16 - 18	4
7	N/A	BUSHING, INSULATOR	2
8	<u>1017961</u>	SCREW, CLAMP	4
9	<u>1017953</u>	SCREW, BEARING RETAINER	2
10	<u>1017951</u>	SHIELD, END	1
11	<u>1017949</u>	SCREW, BRUSH HOLDER	2
12	<u>1017948</u>	RIGGING, BRUSH	1
13	<u>1017946</u>	PACKAGE, BRUSH (2 PIECES)	1
14	1011411	PACKAGE, BRUSH SPRING (4 PIECES)	1
15	<u>1011290</u>	BEARING, BALL	1
16	<u>1017950</u>	RETAINER, BEARING	1
17	N/A	ARMATURE	1
18	<u>1017891-01</u>	RING, GUIDE	1
19	<u>1018132-02</u>	ADHESIVE, GUIDE RING, 3 GRAM TUBE	A/R
20	<u>1018228-01</u>	RING, INTERNAL RETAINING	1
21	1014201	BOLT, HEX HEAD, 1/4 - 20 x 2 1/4	3
22	0000451	WASHER, LOCK, 1/4	3
23	<u>1010934</u>	BOLT, HEX HEAD, 5/16 - 18 x 1	1
24	0007174	WASHER, LOCK, 5/16	1

15

E

15
E



MOTOR - POWERDRIVE PLUS VEHICLE

ITEM	PART NO.	DESCRIPTION	QTY
		1 2 3 4	
	1018546-01	ASSEMBLY, 48 VOLT MOTOR, 3.10 HP (INCLUDES ITEMS 1 - 24)	1
1	<u>1017944</u>	SHIELD, END	1
2	<u>1018792-01</u>	ASSEMBLY, STATOR SHELL AND WINDING	1
3	<u>1017947</u>	PACKAGE, HARDWARE (INCLUDES ITEMS 4 - 7)	1
4	N/A	BUSHING, INSULATOR	2
5	N/A	WASHER, FLAT, 5/16	4
6	N/A	NUT, HEX, 5/16 - 18	4
7	N/A	BUSHING, INSULATOR	2
8	<u>1017961</u>	SCREW, CLAMP	4
9	<u>1017953</u>	SCREW, BEARING RETAINER	2
10	1018793-01	SHIELD, END (WITH SPEED SENSOR)	1
11	<u>1017949</u>	SCREW, BRUSH HOLDER	2
12	<u>1017948</u>	RIGGING, BRUSH	1
13	<u>1017946</u>	PACKAGE, BRUSH (2 PIECES)	1
14	1011411	PACKAGE, BRUSH SPRING (4 PIECES)	1
15	<u>1011290</u>	BEARING, BALL	1
16	<u>1017950</u>	RETAINER, BEARING	1
17	N/A	ARMATURE	1
18	<u>1017891-01</u>	RING, GUIDE	1
19	<u>1018132-02</u>	ADHESIVE, GUIDE RING, 3 GRAM TUBE	A/R
20	<u>1018228-01</u>	RING, INTERNAL RETAINING	1
21	<u>1019258-01</u>	SENSOR, HALL EFFECT (INCLUDES ITEM 22)	1
22	<u>1018951-01</u>	HOUSING, FEMALE 3-WIRE, GREY	1
23	1019303-01	PLATE, RETAINING	1
24	1019304-01	SCREW, RETAINING	3
25	1014201	BOLT, HEX HEAD, 1/4 - 20 x 2 1/4	3
26	0000451	WASHER, LOCK, 1/4	3
27	<u>1010934</u>	BOLT, HEX HEAD, 5/16 - 18 x 1	1
28	0007174	WASHER, LOCK, 5/16	1
29	<u>1019201-01</u>	HOUSING, MALE 3-WIRE, GREY	1

15

E

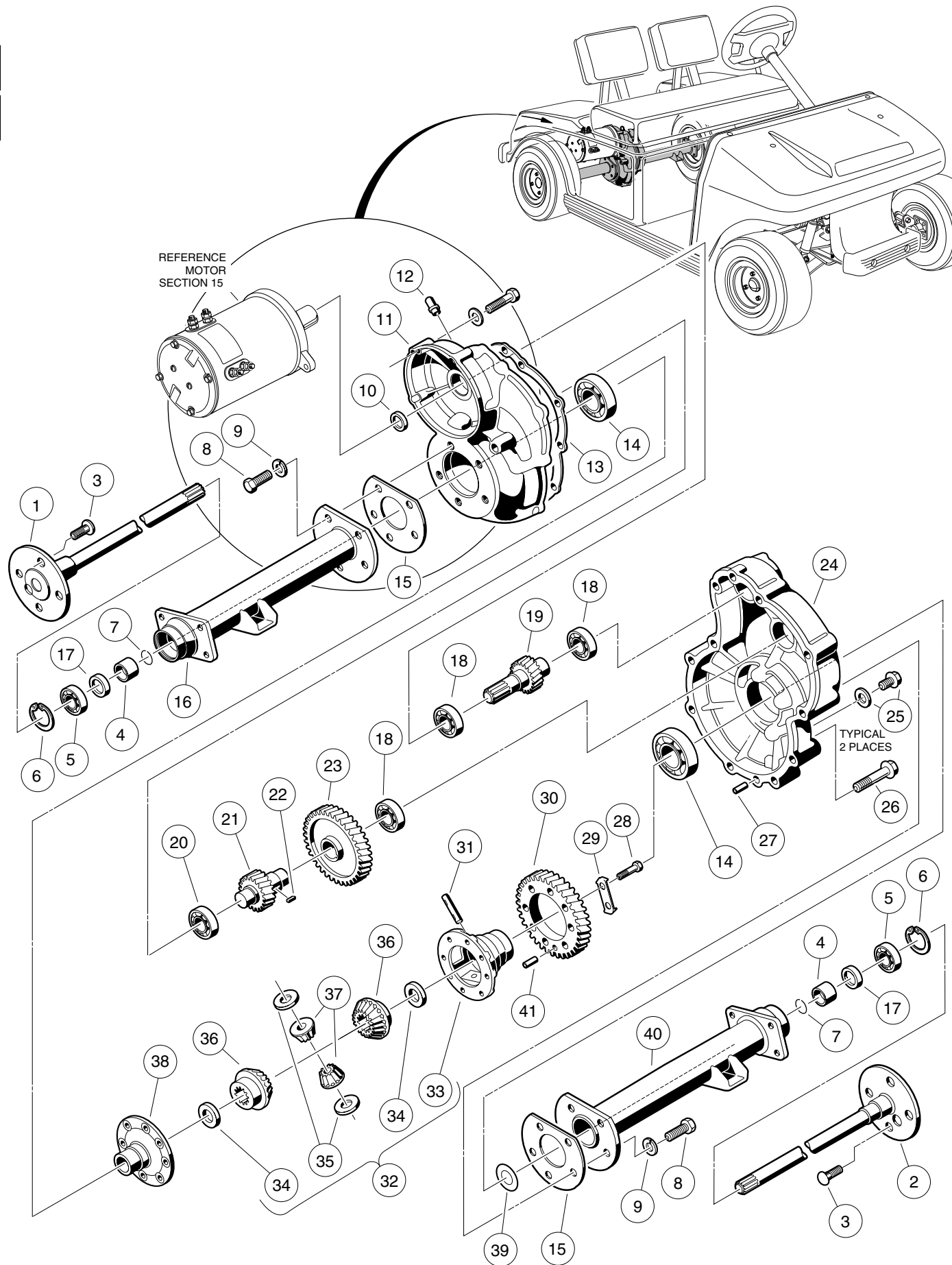
15

E

TRANSAXLE ELECTRIC VEHICLE

16

E



TRANSAXLE, TYPE K - ELECTRIC VEHICLE

16
E

ITEM	PART NO.	DESCRIPTION	QTY
		1 2 3 4	
	N/A	TRANSAXLE (INCLUDES ITEMS 1 - 41)	1
1	1013785	AXLE ASSEMBLY, RIGHT (INCLUDES ITEMS 3 - 7)	1
2	1013786	AXLE ASSEMBLY, LEFT (INCLUDES ITEMS 3 - 7)	1
3	<u>1013787</u>	STUD, LUG	8
4	1014207	BUSHING, 25 MM I. D.	1
5	<u>1011291</u>	BEARING, OUTER AXLE TUBE	2
6	<u>1013792</u>	CIRCLIP, TYPE C	2
7	<u>1016672</u>	RING, RETAINING	2
8	<u>1013790</u>	BOLT, M10 x 1.5 x 30MM	10
9	<u>1013791</u>	WASHER, LOCK, 13/32	10
10	<u>1013775</u>	SEAL, INPUT SHAFT OIL	1
11	1013756	GEAR CASE, RIGHT	1
12	<u>1012711</u>	BREATHER	1
13	<u>1013758</u>	GASKET, CASE	1
14	0007330	BEARING, INNER AXLE TUBE	2
15	<u>1013789</u>	GASKET, AXLE TUBE	2
16	1017704	ASSEMBLY, AXLE TUBE, RIGHT SIDE	1
17	<u>1013794</u>	SEAL, AXLE SHAFT OIL	2
18	0007335	BEARING, INPUT GEAR	3
19	<u>1013764</u>	SHAFT, INPUT	1
20	0007336	BEARING, INTERMEDIATE GEAR	1
21	<u>1013766</u>	GEAR, INTERMEDIATE, SMALL	1
22	<u>1013780</u>	KEY, SUNK	1
23	1013765	GEAR, INTERMEDIATE, LARGE	1
24	1013757	GEAR CASE, LEFT	1
25	<u>1013759</u>	PLUG, FILL, WITH GASKET	2
26	<u>1013763</u>	BOLT, M6 x 1 x 50MM	10
27	<u>1012710</u>	PIN, DOWEL	2
28	<u>1013779</u>	BOLT, M8 x 1.25 x 37MM	8
29	<u>1013782</u>	PLATE, LOCK	4
30	<u>1013767</u>	GEAR, OUTPUT	1
31	<u>1013772</u>	PIN, DIFFERENTIAL	1
32	<u>1019105-01</u>	KIT, DIFFERENTIAL GEAR CASE (INCLUDES ITEMS 33 - 35)	1
33	1013768	GEAR CASE, DIFFERENTIAL (LEFT)	1
34	<u>1013773</u>	PLATE, THRUST (DIFFERENTIAL GEAR)	2
35	<u>1013774</u>	PLATE, THRUST (IDLER GEAR)	2
36	1013771	GEAR, DIFFERENTIAL	2
37	<u>1013770</u>	GEAR, DIFFERENTIAL IDLER	2
38	1013769	GEAR CASE, DIFFERENTIAL (RIGHT)	1
39	<u>1013781</u>	SHIM	1
40	<u>1017703</u>	ASSEMBLY, AXLE TUBE, LEFT SIDE	1
41	<u>1014193</u>	PIN, DOWEL	1

16

E



Golf Cars

Club Car Inc.

P.O. Box 204658

Augusta, GA 30917-4658