



**1997**  
**ILLUSTRATED**  
**PARTS LIST**



**DS GOLF CARS**  
**GASOLINE/ELECTRIC**

MANUAL NUMBER 1019285-01  
EDITION CODE 0796F0708A



# USING THE ILLUSTRATED PARTS LIST

## WARNING

- THIS MANUAL IS TO BE USED ONLY FOR IDENTIFICATION AND ORDERING OF SERVICE PARTS. BE SURE TO READ AND USE THE MAINTENANCE AND SERVICE MANUAL BEFORE ATTEMPTING ANY VEHICLE REPAIRS.

This manual covers all 1997 Club Car® DS Tranquility®, V-Glide 36 volt, DS PowerDrive® System 48™ and DS PowerDrive Plus™ vehicles.

The manual is divided into 15 sections. Sections 1 through 5 pertain to both gasoline and electric vehicles, sections 6 through 11 pertain to gasoline vehicles only, sections 12 through 15 pertain to electric vehicles only. Note that there are two or three flags on the outside edge of each page. The first flag will contain the section number of which that page is a part. The other flag (or flags) will contain either the letter G or E, signifying that the page pertains to either the gasoline or electric vehicle only, or to both the gasoline and electric vehicles.

Use the Table of Contents to find the sections and pages that contain the parts and assemblies you seek. The Table of Contents lists section titles and numbers, and under them, the individual page titles and numbers to be found in that section. Unless a page title specifies a particular vehicle(s), the page applies to all DS vehicles.

You will also find vehicle models and serial numbers specified within the listings for individual page titles. These model and serial number specifications identify the vehicles on which parts usage as described on a particular page either began or ended. Have the serial number(s) of your vehicle(s) at hand and read the listings carefully when using the table of contents.

Typically, there is a two-page spread for each individual page title in the Table of Contents (however, some titles required several spreads). On the left-hand page is an illustration showing the parts in their relative positions; the parts are each tagged with an item number in a balloon. The right-hand page is the parts list page, and gives the page title at the top, then the item numbers (corresponding to the numbers on the illustration), part descriptions, and quantity of parts used. Some item numbers have more than one part number because several models and/or configurations of a component are represented together on one spread.

Note that a part description may be indented. This indentation corresponds to a parts assembly level indicated by the numbers 1, 2, 3, and 4 at the top left corner of the parts description area of the parts list page. A part that is indented to level 2 is a component of the level 1 part (assembly) that it is listed under. A level 3 part is a component of the level 2 part that it is listed under, and a level 4 part is a component of the level 3 part preceding it. In each case, the part quantity given for a level 2, 3, or 4 part is the quantity used per next higher level assembly of which it is a component. A part that is not indented is a level 1 part. This means that the quantity given is the quantity used per the portion of the vehicle illustrated on that particular spread.



P. O. Box 204658  
Augusta, Georgia 30917-4658 USA  
Telephone 706-863-3000  
Service Parts Fax 706-855-7413

© 1996, CLUB CAR INC.  
All rights reserved.  
This manual effective August 1, 1996  
Manual print code: 0796E00000



# CONTENTS

---

## **MAINTENANCE AND SERVICE TOOLS** SECTION **1**

THIS SECTION OF THIS MANUAL CONTAINS A LIST OF MAINTENANCE AND SERVICE TOOLS AVAILABLE FROM CLUB CAR.

---

## **BODY AND TRIM** SECTION **2**

BODY TRIM .....	2-3
FRONT BODY .....	2-5
REAR BODY AND FENDER - GASOLINE VEHICLE .....	2-7
REAR BODY AND FENDER - ELECTRIC VEHICLE .....	2-9
SEAT BOTTOM AND ARMREST .....	2-11
SEAT BACK AND BAG HOOP .....	2-13
WHEELS AND TIRES .....	2-15

---

## **SAFETY DECALS** SECTION **3**

SAFETY DECALS - GASOLINE VEHICLE .....	3-3
SAFETY DECALS - ELECTRIC VEHICLE .....	3-5

---

## **BRAKES, PEDAL, AND CABLE ASSEMBLIES** SECTION **4**

BRAKE ASSEMBLY .....	4-3
BRAKE PEDAL AND CABLE ASSEMBLY .....	4-5
ACCELERATOR PEDAL ASSEMBLY - GASOLINE AND V-GLIDE 36 VOLT VEHICLES .....	4-7
ACCELERATOR PEDAL ASSEMBLY - POWERDRIVE SYSTEM 48 AND POWERDRIVE PLUS .....	4-9

---

## **STEERING, FRONT AND REAR SUSPENSION** SECTION **5**

STEERING COLUMN .....	5-3
STEERING GEAR ASSEMBLY .....	5-5
FRONT SUSPENSION, UPPER .....	5-7
FRONT SUSPENSION, LOWER .....	5-9
REAR SUSPENSION .....	5-11

---

## **ELECTRICAL SYSTEM - GASOLINE VEHICLE** SECTION **6**

WIRING - GASOLINE VEHICLE .....	6-3
FORWARD AND REVERSE SHIFTER ASSEMBLY - GASOLINE VEHICLE .....	6-5
ELECTRICAL COMPONENT BOX - GASOLINE VEHICLE .....	6-7
ELECTRICAL COMPONENTS - GASOLINE VEHICLE .....	6-9
STARTER/GENERATOR ASSEMBLY .....	6-11
STARTER/GENERATOR MOUNTING .....	6-13
BATTERY MOUNTING - GASOLINE VEHICLE .....	6-15

---

## **ENGINE** SECTION **7**

FE 290 ENGINE .....	7-3 - 7-13
ENGINE MOUNTING .....	7-15

---

## **FUEL, INTAKE, AND GOVERNOR SYSTEMS** SECTION **8**

FUEL SYSTEM .....	8-3
CARBURETOR ASSEMBLY .....	8-5
CARBURETOR INSTALLATION .....	8-7
GOVERNOR AND ACCELERATOR CABLES .....	8-9
EXPANSION CHAMBER, CHOKE, AND FILTER .....	8-11

# CONTENTS

<b>EXHAUST SYSTEM</b>	<b>SECTION</b>	<b>9</b>
EXHAUST SYSTEM .....	9-3	
<b>TORQUE CONVERTER</b>	<b>SECTION</b>	<b>10</b>
DRIVE CLUTCH .....	10-3	
DRIVEN CLUTCH .....	10-5	
<b>UNITIZED TRANSAXLE - GASOLINE VEHICLE</b>	<b>SECTION</b>	<b>11</b>
UNITIZED TRANSAXLE - GASOLINE VEHICLE .....	11-3 - 11-5	
<b>ELECTRICAL SYSTEM - ELECTRIC VEHICLE</b>	<b>SECTION</b>	<b>12</b>
ELECTRICAL COMPONENTS, FRONT BODY - ELECTRIC VEHICLE .....	12-3	
WIRING - V-GLIDE 36 VOLT VEHICLE .....	12-5	
FORWARD AND REVERSE SWITCH - V-GLIDE 36 VOLT VEHICLE .....	12-7	
WIPER SWITCH - V-GLIDE 36 VOLT VEHICLE .....	12-9	
RESISTOR AND BOARD ASSEMBLY - V-GLIDE 36 VOLT VEHICLE .....	12-11	
ELECTRICAL COMPONENTS, REAR BODY - V-GLIDE 36 VOLT VEHICLE .....	12-13	
WIRING - POWERDRIVE SYSTEM 48 VEHICLE .....	12-15	
FORWARD AND REVERSE SWITCH - POWERDRIVE SYSTEM 48 VEHICLE .....	12-17	
ELECTRICAL COMPONENTS, REAR BODY - POWERDRIVE SYSTEM 48 VEHICLE .....	12-19 - 12-21	
ON-BOARD COMPUTER - POWERDRIVE SYSTEM 48 VEHICLE .....	12-23	
CONTINUOUSLY VARIABLE POTENTIOMETER - POWERDRIVE SYSTEM 48 AND POWERDRIVE PLUS .....	12-25	
WIRING - POWERDRIVE PLUS VEHICLE .....	12-27	
ON-BOARD COMPUTER - POWERDRIVE PLUS VEHICLE .....	12-29	
FORWARD AND REVERSE SWITCH - POWERDRIVE PLUS VEHICLE .....	12-31	
ENERGY DISPLACEMENT MODULE - POWERDRIVE PLUS VEHICLE .....	12-33	
ELECTRICAL COMPONENTS, REAR BODY - POWERDRIVE PLUS VEHICLE .....	12-35 - 12-37	
<b>BATTERY CHARGER</b>	<b>SECTION</b>	<b>13</b>
ACCU-POWER® CHARGER, DOMESTIC - V-GLIDE 36 VOLT VEHICLE .....	13-3	
ACCU-POWER CHARGER, EXPORT - V-GLIDE 36 VOLT VEHICLE .....	13-5	
ACCU-POWER CHARGER, EXPORT, 100 VOLT - V-GLIDE 36 VOLT VEHICLE .....	13-7	
POWERDRIVE CHARGER, DOMESTIC - POWERDRIVE SYSTEM 48 AND POWERDRIVE PLUS .....	13-9	
POWERDRIVE CHARGER, EXPORT - POWERDRIVE SYSTEM 48 AND POWERDRIVE PLUS .....	13-11	
<b>ELECTRIC MOTOR</b>	<b>SECTION</b>	<b>14</b>
MOTOR - V-GLIDE 36 VOLT VEHICLE .....	14-3	
MOTOR - POWERDRIVE SYSTEM 48 VEHICLE .....	14-5	
MOTOR - POWERDRIVE PLUS VEHICLE .....	14-7	
<b>TRANSAXLE - ELECTRIC VEHICLE</b>	<b>SECTION</b>	<b>15</b>
TRANSAXLE - ELECTRIC VEHICLE .....	15-3	

# MAINTENANCE AND SERVICE TOOLS

---

1

G

E

# MAINTENANCE AND SERVICE TOOLS

## DESCRIPTION

## PART NUMBER

ACCELERATOR PEDAL ADJUSTMENT TOOL .....	1018710-01
ADAPTER PLUG ASSEMBLY .....	1018945-01
ADHESION PROMOTER - ARMORFLEX® .....	1016985
ADHESIVE, GUIDE RING, 3 GRAM TUBE .....	1018132-02
ARMORFLEX REPAIR KIT .....	1017295
BATTERY DISCHARGE MACHINE 36/48 VOLT .....	1018319-01
BATTERY TERMINAL PROTECTOR SPRAY .....	1014305
BATTERY THERMOMETER .....	1011767
BEARING AND OIL SEAL REMOVER ASSEMBLY .....	1016417
BEARING DRIVER SET .....	1016416
BEARING PULLER .....	1012811
BEARING PULLER WEDGE ATTACHMENT .....	1012812
CALIBRATION TEST MODULE .....	1018871-01
CAM INSTALLATION TOOL .....	1018084-01
CLUTCH TOOL KIT .....	1014510
CLUTCH ALIGNMENT TOOL (USED ON VEHICLES PRIOR TO SERIAL NUMBER 9701) .....	1014498
DRIVE CLUTCH PULLER .....	1014496
CLUTCH DRIVE HUB PULLER .....	1014497
DRIVEN CLUTCH CAM PULLER .....	1014508
DRIVEN CLUTCH PULLER PLUG .....	1014507
DRIVEN CLUTCH HOLDER TOOL ASSEMBLY .....	1015524
PRESS WELDMENT .....	1018091-01
COMMUNICATION DISPLAY MODULE .....	1018318-01
COMPRESSION GAUGE .....	1016410-01
ADAPTER .....	1016410-02
CONTINUITY TESTER .....	1011273
DRY MOLY LUBRICANT .....	1012151
FLY WHEEL PULLER KIT .....	1016627
GEAR YOKE .....	1016418
HYDROMETER .....	1011478
INTERNAL RETAINING RING PLIERS .....	1013593
LIQUID GASKET (TRANSAXLE CASE) .....	1019287-01
PISTON RING COMPRESSOR KIT .....	1016414
PISTON RING PLIERS .....	1016415
RETAINING RING PLIERS - 45° EXTERNAL .....	1012549
RETAINING RING PLIERS - 90° INTERNAL .....	1012560
SAFETY FIRST CARD (50 PER PACK) .....	1018231-01
SEAL PULLER .....	1012809
STARTER/GENERATOR BELT TENSION TOOL .....	1016867
STEERING COLUMN BEARING PRESS TOOL .....	1014264
STEERING COLUMN RETAINING RING TOOL .....	1014259
TACHOMETER .....	1016112



# MAINTENANCE AND SERVICE TOOLS

1

G

E

DESCRIPTION	PART NUMBER
TOUCH-UP PAINT, LACQUER - BEIGE .....	1017097-01
TOUCH-UP PAINT, LACQUER - WHITE .....	1017097-02
TOUCH-UP PAINT, LACQUER - GRAY .....	1017097-04
TOUCH-UP PAINT, LACQUER - RED .....	1017097-06
TOUCH-UP PAINT, LACQUER - DARK BLUE .....	1017097-08
TOUCH-UP PAINT, LACQUER - DARK GREEN .....	1017097-09
TRANSMISSION TOOL KIT .....	1014115
TRANSAXLE PINION SEAL TOOL .....	1014161
TRANSAXLE AXLE SEAL TOOL .....	1014162
TUNE-UP KIT (FE 290) .....	1016110-02
VALVE CLEARANCE ADJUSTER SCREW HOLDER .....	1016413
VALVE GUIDE REAMER .....	1016412-01
ARBOR .....	1016412-02
VALVE SEAT CUTTER HOLDER BAR .....	1016551
VALVE SEAT CUTTER HOLDER .....	1016552
VALVE SEAT CUTTER 45° (32MM DIAMETER) .....	1016553
VALVE SEAT CUTTER 45° (35MM DIAMETER) .....	1016554
VALVE SEAT CUTTER 32° (35MM DIAMETER) .....	1016555
VALVE SPRING COMPRESSOR .....	1016411-01
VOLT OHM METER .....	1011480

PLEASE REFER TO THE MAINTENANCE AND SERVICE MANUAL FOR PROPER TOOL APPLICATION.



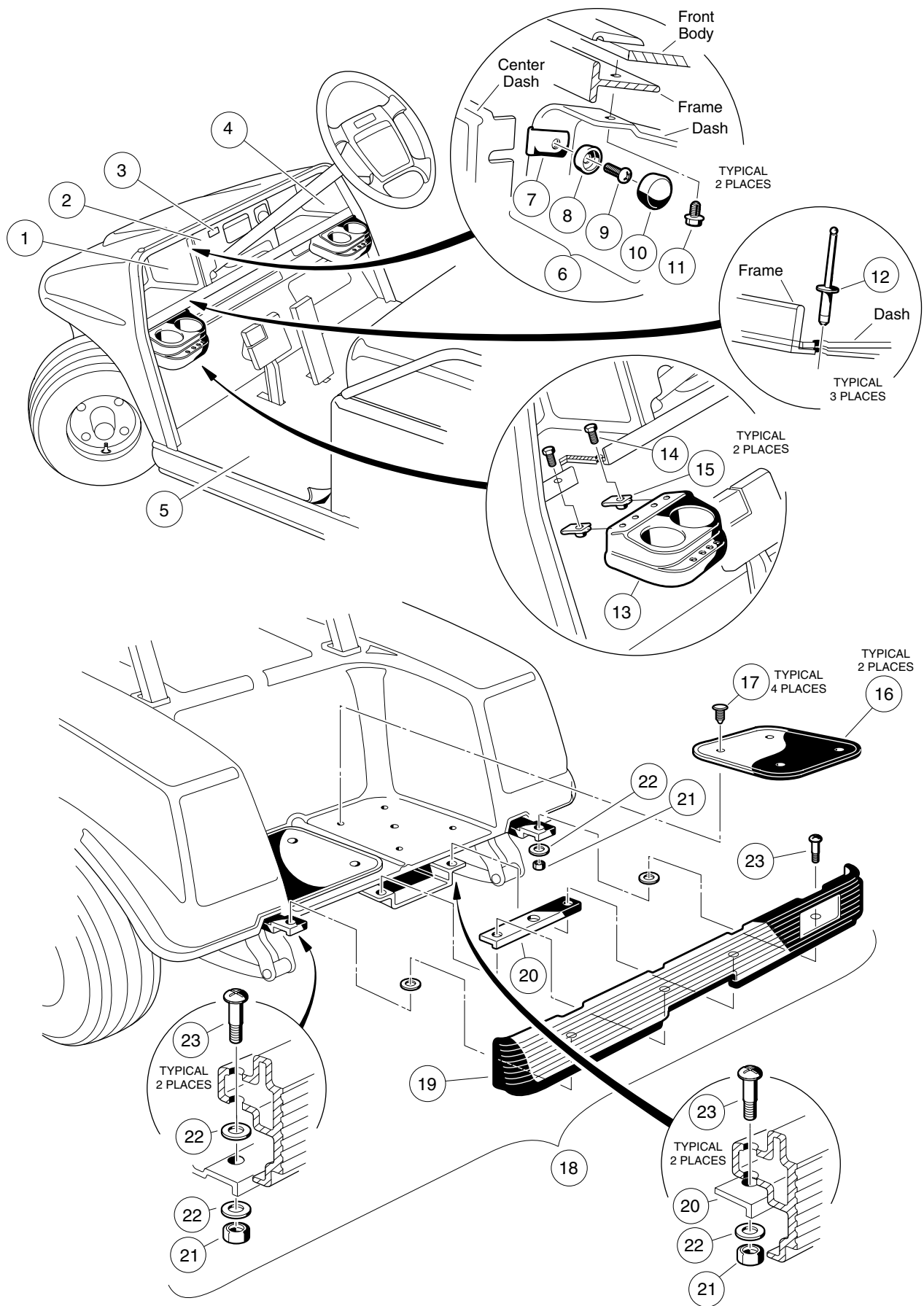
# BODY AND TRIM

---

2

G

E



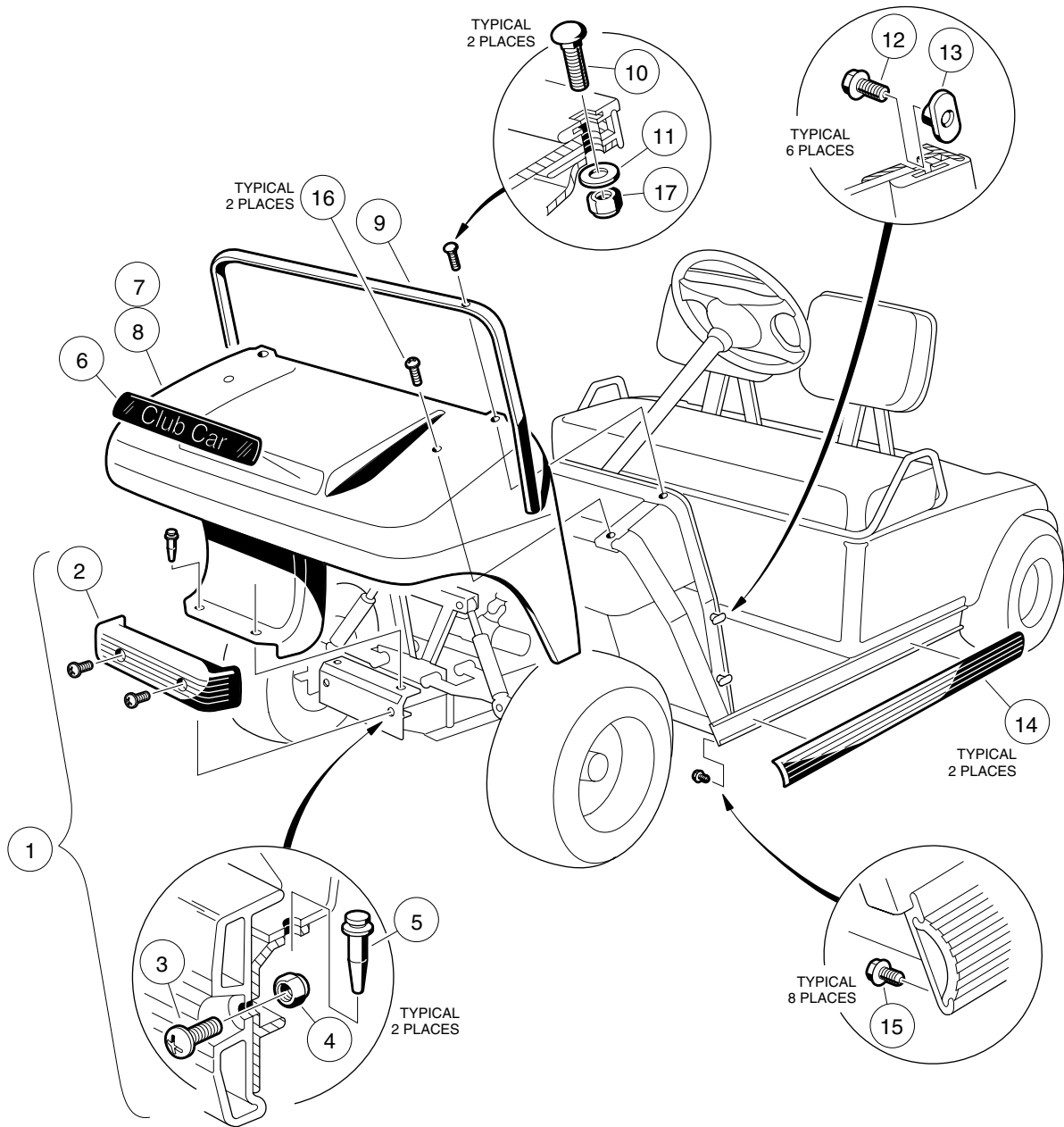
# BODY TRIM

2

G

E

ITEM	PART NO.	DESCRIPTION	QTY GAS	QTY ELEC
		1 2 3 4		
1	1013344	COMPONENT, LEFT DASH, BLACK .....	1	1
2	1016604-04	PANEL, CENTER DASH, BLACK .....	1	1
3	<u>1018026-01</u>	PLUG, HOLE (V-GLIDE 36 VOLT VEHICLE ONLY) .....		1
4	<u>1013343</u>	COMPONENT, RIGHT DASH, BLACK .....	1	1
5	<u>1015032</u>	MAT, FLOOR .....	1	1
6	<u>1014645</u>	KIT, SNAP WASHER, BLACK (INCLUDES ITEMS 7 - 10) .....	2	2
7	N/A	NUT, SPEED .....	1	1
8	N/A	WASHER, #10 .....	1	1
9	N/A	SCREW, #10 SHEET METAL .....	1	1
10	N/A	COVER, SCREW HEAD .....	1	1
11	<u>1011017</u>	SCREW, FLANGE LOCK .....	2	2
12	0007973	RIVET, ALUMINUM POP, 3/16 .....	3	3
13	<u>1017083-01</u>	KIT, DRINK HOLDER (INCLUDES ITEMS 14 AND 15) .....	2	2
14	0007847	BOLT, HEX HEAD, 1/4 - 20 x 3/4 .....	2	2
15	1016952	NUT, "U", 1/4 - 20 .....	2	2
16	<u>1014392</u>	MAT, BAG REST .....	2	2
17	<u>1010434</u>	FASTENER, PLASTIC BARREL .....	8	8
18	<u>1017079</u>	KIT, REAR BUMPER (INCLUDES ITEMS 19 - 23) .....	1	1
19	<u>1016379</u>	BUMPER, REAR .....	1	1
20	<u>1016875</u>	PLATE, MOUNTING, LONG .....	1	1
21	0007473	NUT, NYLON LOCK, 5/16 - 18 .....	4	4
22	<u>1011697</u>	WASHER, SPECIAL, 5/16 .....	6	6
23	<u>1016876</u>	BOLT, PHILLIPS TRUSS HEAD SHOULDER, 3/8 - 18 x 2 .....	4	4



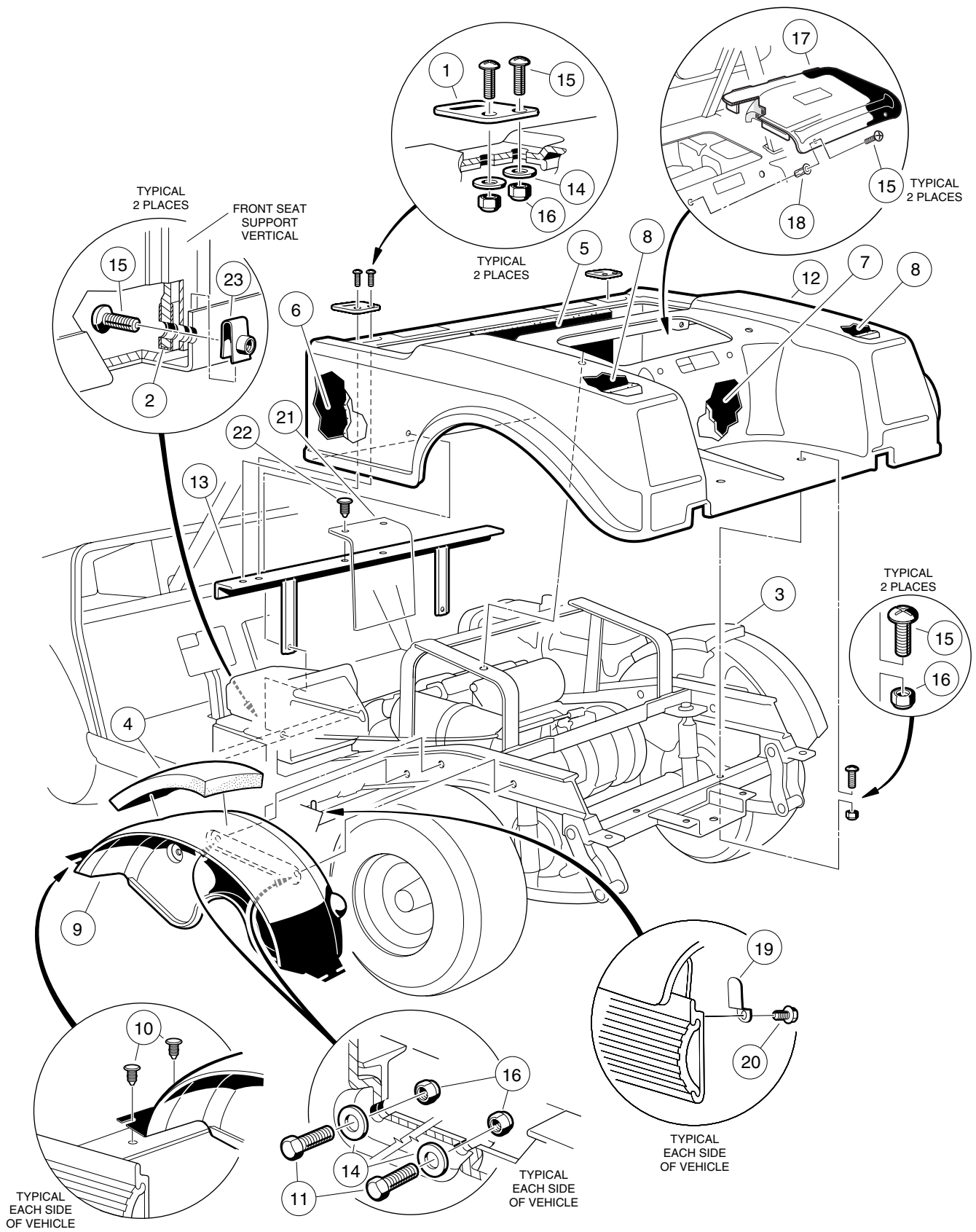
# FRONT BODY

2

G

E

ITEM	PART NO.	DESCRIPTION	QTY GAS	QTY ELEC
		1 2 3 4		
1	<u>1017080</u>	KIT, FRONT BUMPER (INCLUDES ITEMS 2 - 5) .....	1	1
2	<u>1016868</u>	BUMPER, FRONT .....	1	1
3	0007251	SCREW, PHILLIPS TRUSS HEAD, 5/16 - 18 x 1 .....	2	2
4	0007473	NUT, NYLON LOCK, 5/16 - 18 .....	2	2
5	<u>1016967</u>	RIVET, PUSH TYPE BLIND .....	2	2
6	<u>1014198</u>	NAMEPLATE - GOLD .....	1	1
7	<u>1016925-01</u>	BODY, FRONT - BEIGE .....	1	1
7	<u>1016925-02</u>	BODY, FRONT - WHITE .....	1	1
7	<u>1016925-04</u>	BODY, FRONT - GRAY .....	1	1
7	<u>1016925-06</u>	BODY, FRONT - RED .....	1	1
7	<u>1016925-09</u>	BODY, FRONT - DARK BLUE .....	1	1
7	<u>1016925-10</u>	BODY, FRONT - DARK GREEN .....	1	1
8	<u>1016939-01</u>	BODY, FRONT WITH HEADLIGHT OPENING - BEIGE .....	1	1
8	<u>1016939-02</u>	BODY, FRONT WITH HEADLIGHT OPENING - WHITE .....	1	1
8	<u>1016939-04</u>	BODY, FRONT WITH HEADLIGHT OPENING - GRAY .....	1	1
8	<u>1016939-06</u>	BODY, FRONT WITH HEADLIGHT OPENING - RED .....	1	1
8	<u>1016939-08</u>	BODY, FRONT WITH HEADLIGHT OPENING - DARK BLUE .....	1	1
8	<u>1016939-09</u>	BODY, FRONT WITH HEADLIGHT OPENING - DARK GREEN .....	1	1
9	<u>1011014</u>	TRIM, FRONT BODY .....	1	1
10	<u>1010435</u>	BOLT, CARRIAGE, 5/16 - 18 x 1 .....	2	2
11	0001241	WASHER, FLAT, 5/16 .....	2	2
12	<u>1011017</u>	SCREW, FLANGE LOCK .....	6	6
13	1011394	NUT, SLAB BASE "T" (PACKAGE OF 4) .....	1	1
14	<u>1013983</u>	BUMPER, SIDE GUARD TRIM .....	2	2
15	<u>1012047</u>	SCREW, SELF-TAPPING, #8 - 32 x 3/8 .....	8	8
16	0007251	SCREW, PHILLIPS TRUSS HEAD, 5/16 - 18 x 1 .....	2	2
17	0007473	NUT, NYLON LOCK, 5/16 - 18 .....	2	2





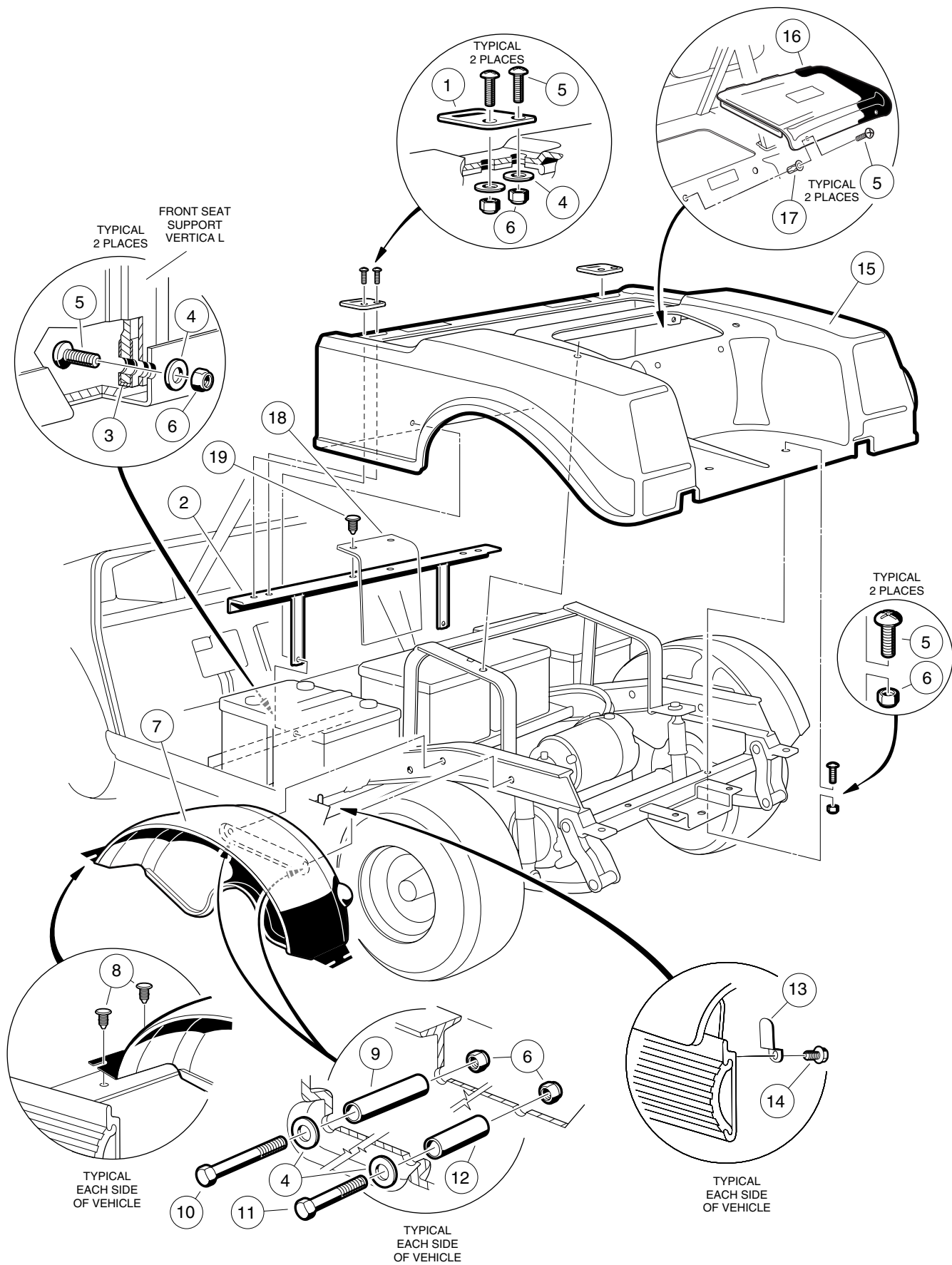
# REAR BODY AND FENDER - GASOLINE VEHICLE

2

G

E

ITEM	PART NO.	DESCRIPTION	QTY GAS	QTY ELEC
		1 2 3 4		
1	1012412	PLATE, BODY HINGE .....	2	
2	<u>1019041-01</u>	PLATE, BODY KICK .....	1	
3	1015422	INSULATION, SOUND, RIGHT SIDE FENDER - SHORT .....	1	
4	1015421	INSULATION, SOUND, LEFT SIDE FENDER - LONG .....	1	
5	1016963	INSULATION, SOUND, FRONT .....	1	
6	1017113	INSULATION, SOUND, LEFT SIDE BODY .....	1	
7	1015419	INSULATION, SOUND, BAGWELL AREA .....	1	
8	1015420	INSULATION, SOUND, BODY LEFT / RIGHT FENDER .....	2	
9	<u>1017936</u>	FENDER, INNER .....	2	
10	<u>1010434</u>	BARREL, PLASTIC .....	4	
11	0000304	SCREW, HEX HEAD CAP, 1/4 - 20 x 1 .....	4	
12	<u>1016926-01</u>	BODY - BEIGE .....	1	
12	<u>1016926-02</u>	BODY - WHITE .....	1	
12	<u>1016926-04</u>	BODY - GRAY .....	1	
12	<u>1016926-06</u>	BODY - RED .....	1	
12	<u>1016926-09</u>	BODY - DARK BLUE .....	1	
12	1016926-10	BODY - DARK GREEN .....	1	
12	<u>1016962-08</u>	BODY WITH TAILLIGHT OPENING - BEIGE .....	1	
12	<u>1016962-09</u>	BODY WITH TAILLIGHT OPENING - WHITE .....	1	
12	<u>1016962-11</u>	BODY WITH TAILLIGHT OPENING - GRAY .....	1	
12	<u>1016962-13</u>	BODY WITH TAILLIGHT OPENING - RED .....	1	
12	<u>1016962-15</u>	BODY WITH TAILLIGHT OPENING - DARK BLUE .....	1	
12	<u>1016962-16</u>	BODY WITH TAILLIGHT OPENING - DARK GREEN .....	1	
13	<u>1017141</u>	SUPPORT, FRONT BODY .....	1	
14	0000332	WASHER, FLAT, 1/4 .....	8	
15	0008251	SCREW, PHILLIPS HEAD, 1/4 - 20 x 1 .....	10	
16	0008233	NUT, NYLON LOCK, 1/4 - 20 .....	10	
17	<u>1015829-02</u>	ASSEMBLY, ACCESS DOOR (BLACK) .....	1	
17	1015829-01	ASSEMBLY, ACCESS DOOR (BEIGE) .....	1	
18	<u>1015525</u>	NUT, BLIND, 1/4 - 20 .....	2	
19	<u>1017748</u>	CLIP, BODY KEEPER .....	2	
20	<u>1012047</u>	SCREW, SELF-TAPPING, #8 - 32 x 3/8 .....	2	
21	1018962-01	KIT, FORWARD AND REVERSE SWITCH COVER (INCLUDES 2 OF ITEM 22) ....	1	
22	<u>1010434</u>	FASTENER, PLASTIC BARREL .....	2	
23	1016952	NUT, "U", 1/4 - 20 .....	2	



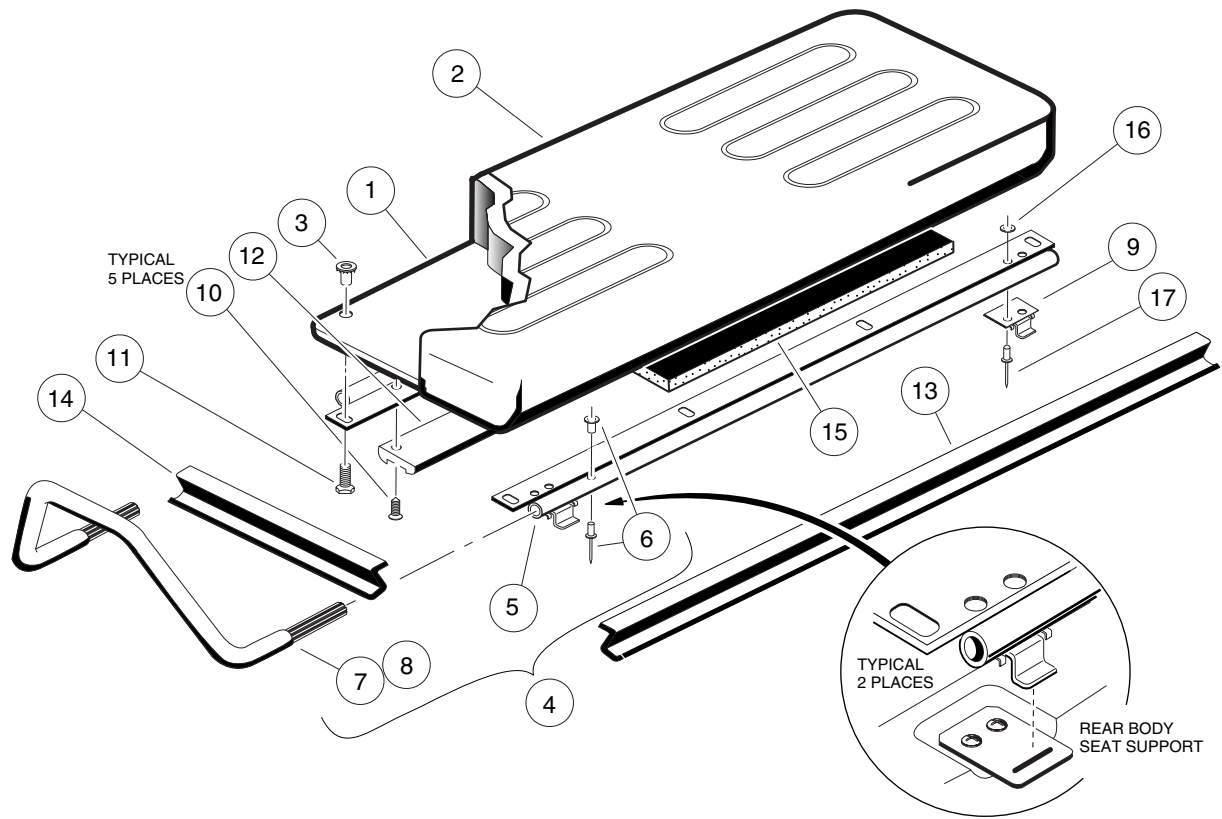
# REAR BODY AND FENDER - ELECTRIC VEHICLE

2

G

E

ITEM	PART NO.	DESCRIPTION	QTY GAS	QTY ELEC
		1 2 3 4		
1	1012412	PLATE, BODY HINGE .....		2
2	<u>1017141</u>	SUPPORT, FRONT BODY .....		1
3	<u>1019041-01</u>	PLATE, BODY KICK .....		1
4	0000332	WASHER, FLAT, 1/4 .....		10
5	0008251	SCREW, PHILLIPS HEAD, 1/4 - 20 x 1 .....		10
6	0008233	NUT, NYLON LOCK, 1/4 - 20 .....		12
7	<u>1017936</u>	FENDER, INNER .....		2
8	<u>1010434</u>	FASTENER, PLASTIC BARREL .....		4
9	<u>1017814</u>	SPACER, 1 7/8 .....		2
10	<u>1012159</u>	BOLT, HEX HEAD, 1/4 - 20 x 2 3/4 .....		2
11	0007479	BOLT, HEX HEAD, 1/4 - 20 x 1 1/4 .....		2
12	<u>1017815</u>	SPACER, 1/2 .....		2
13	<u>1017748</u>	CLIP, BODY KEEPER .....		2
14	<u>1012047</u>	SCREW, SELF-TAPPING, #8 - 32 .....		2
15	<u>1016933-01</u>	BODY - BEIGE .....		1
15	<u>1016933-02</u>	BODY - WHITE .....		1
15	<u>1016933-04</u>	BODY - GRAY .....		1
15	<u>1016933-06</u>	BODY - RED .....		1
15	<u>1016933-09</u>	BODY - DARK BLUE .....		1
15	<u>1016933-10</u>	BODY - DARK GREEN .....		1
15	<u>1016962-01</u>	BODY WITH TAILLIGHT OPENING - BEIGE .....		1
15	<u>1016962-02</u>	BODY WITH TAILLIGHT OPENING - WHITE .....		1
15	<u>1016962-04</u>	BODY WITH TAILLIGHT OPENING - GRAY .....		1
15	<u>1016962-06</u>	BODY WITH TAILLIGHT OPENING - RED .....		1
15	<u>1016962-17</u>	BODY WITH TAILLIGHT OPENING - DARK BLUE .....		1
15	<u>1016962-18</u>	BODY WITH TAILLIGHT OPENING - DARK GREEN .....		1
16	<u>1013032</u>	DOOR, ACCESS (BLACK) .....		1
16	1013140	DOOR, ACCESS (BEIGE) .....		1
17	<u>1015525</u>	NUT, BLIND, 1/4 - 20 .....		2
18	1018962-01	KIT, FORWARD AND REVERSE SWITCH COVER (INCLUDES 2 OF ITEM 19) (POWERDRIVE AND POWERDRIVE PLUS VEHICLES) .....		1
19	<u>1010434</u>	FASTENER, PLASTIC BARREL .....		2



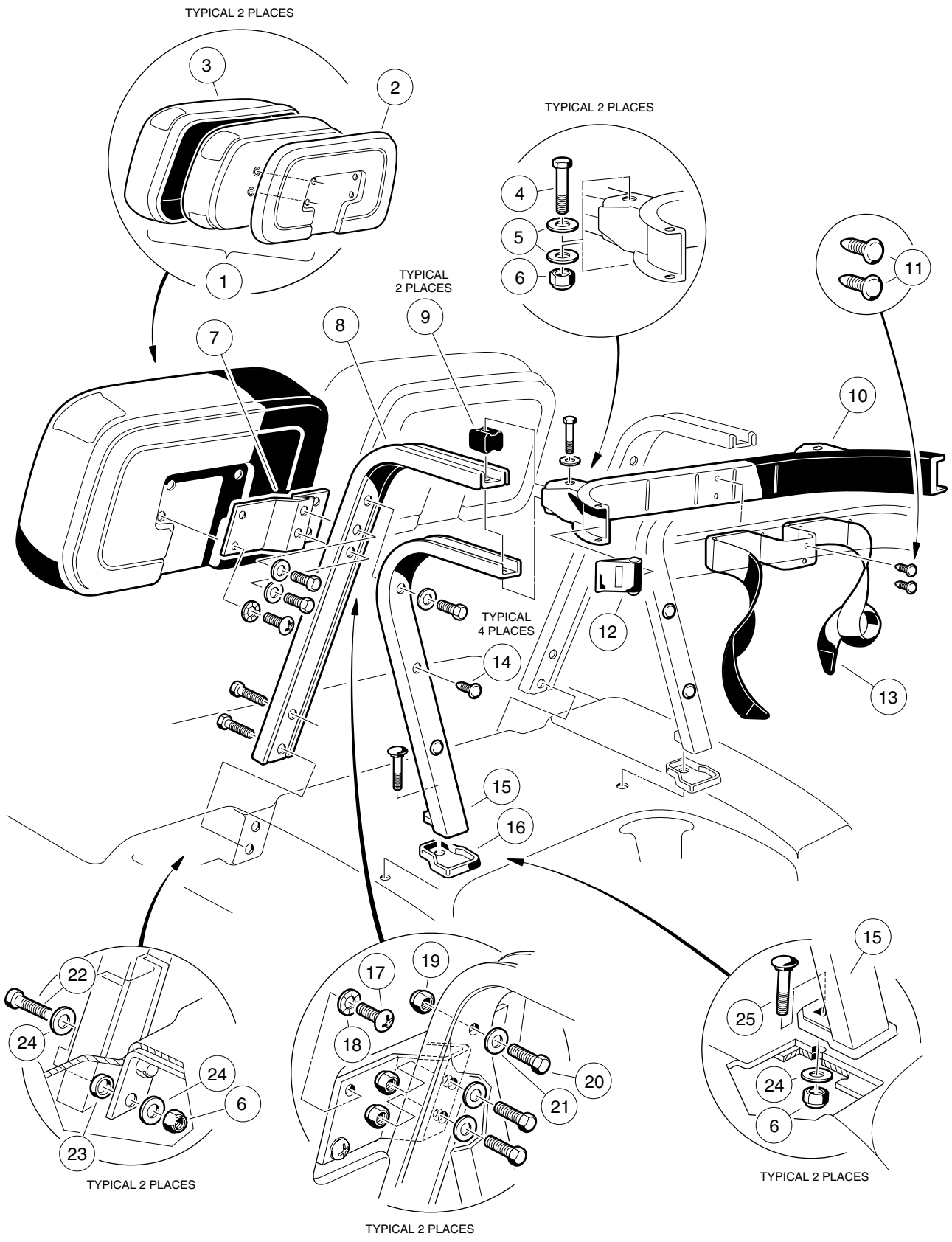
# SEAT BOTTOM AND ARMREST

**2**

**G**

**E**

ITEM	PART NO.	DESCRIPTION	QTY GAS	QTY ELEC
		1 2 3 4		
1	<u>1015648-04</u>	ASSEMBLY, SEAT BOTTOM - BUFF (INCLUDES ITEMS 2 AND 3) .....	1	1
1	<u>1015648-05</u>	ASSEMBLY, SEAT BOTTOM - WHITE (INCLUDES ITEMS 2 AND 3) .....	1	1
1	<u>1015648-07</u>	ASSEMBLY, SEAT BOTTOM - GRAY (INCLUDES ITEMS 2 AND 3) .....	1	1
1	<u>1015648-08</u>	ASSEMBLY, SEAT BOTTOM - BLACK (INCLUDES ITEMS 2 AND 3) .....	1	1
2	<u>1015627-01</u>	COVER, VINYL SEAT BOTTOM - BUFF .....	1	1
2	<u>1015627-02</u>	COVER, VINYL SEAT BOTTOM - WHITE .....	1	1
2	<u>1015627-08</u>	COVER, VINYL SEAT BOTTOM - BLACK .....	1	1
2	<u>1015627-09</u>	COVER, VINYL SEAT BOTTOM - GRAY .....	1	1
3	<u>1010543</u>	INSERT, WOOD .....	8	8
4	<u>1015670</u>	ASSEMBLY, ARMREST, SEAT BOTTOM (INCLUDES ITEMS 5 - 8) .....	1	1
5	<u>1015625</u>	BRACKET, SEAT SUPPORT .....	2	2
6	<u>1012327</u>	RIVET, MATING, 3/16 .....	4	4
7	<u>1011786</u>	ASSEMBLY, ARMREST, LEFT .....	1	1
8	<u>1011780</u>	ASSEMBLY, ARMREST, RIGHT .....	1	1
9	<u>1011652</u>	PLATE, SEAT HINGE, STAINLESS STEEL .....	2	2
10	<u>1017384</u>	SCREW, WASHER HEAD TAP, #12 .....	5	5
11	<u>0000304</u>	SCREW, HEX HEAD CAP, 1/4 - 20 x 1 .....	8	8
12	<u>1012597</u>	BUMPER, SEAT .....	1	1
13	<u>1012657</u>	GASKET, SEAT, LONG (GASOLINE VEHICLE ONLY) .....	1	
14	<u>1012656</u>	GASKET, SEAT, SHORT (GASOLINE VEHICLE ONLY) .....	2	
15	<u>1015417</u>	INSULATION, SOUND (GASOLINE VEHICLE ONLY) .....	1	
16	<u>1018817-01</u>	WASHER, FLAT, STAINLESS STEEL, #8 .....	4	4
17	<u>1018809-01</u>	RIVET, POP, STAINLESS STEEL, 3/16 .....	4	4



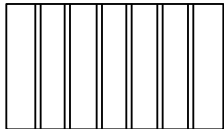
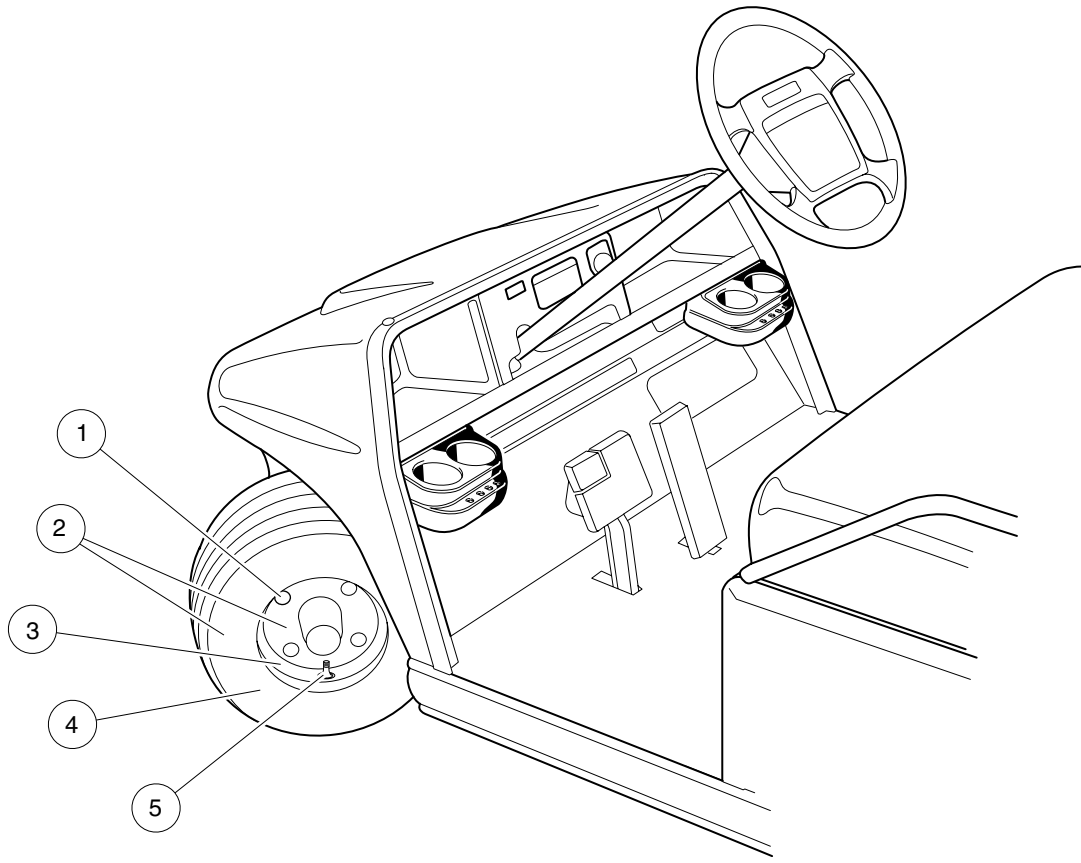
# SEAT BACK AND BAG HOOP

**2**

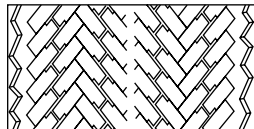
**G**

**E**

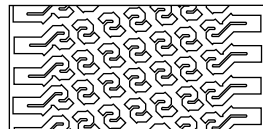
ITEM	PART NO.	DESCRIPTION	QTY GAS	QTY ELEC
		1 2 3 4		
1	<u>1015651-02</u>	ASSEMBLY, SEAT BACK - WHITE (INCLUDES ITEMS 2 AND 3) .....	2	2
1	<u>1015651-05</u>	ASSEMBLY, SEAT BACK - BUFF (INCLUDES ITEMS 2 AND 3) .....	2	2
1	<u>1015651-07</u>	ASSEMBLY, SEAT BACK - GRAY (INCLUDES ITEMS 2 AND 3) .....	2	2
1	<u>1015651-08</u>	ASSEMBLY, SEAT BACK - BLACK (INCLUDES ITEMS 2 AND 3) .....	2	2
2	<u>1013335</u>	CAP, SEAT BACK - BLACK .....	2	2
3	<u>1015626-01</u>	COVER, VINYL, SEAT BACK - BUFF .....	2	2
3	<u>1015626-02</u>	COVER, VINYL, SEAT BACK - WHITE .....	2	2
3	<u>1015626-04</u>	COVER, VINYL, SEAT BACK - BLACK .....	2	2
3	<u>1015626-05</u>	COVER, VINYL, SEAT BACK - GRAY .....	2	2
4	0008935	SCREW, CAP HEX HEAD, 5/16 - 18 x 2 1/4 .....	2	2
5	1015075	WASHER, FLAT, 5/16 .....	4	4
6	0007473	NUT, NYLON LOCK, 5/16 - 18 .....	8	8
7	1017409	MOUNT, SEAT BACK .....	2	2
8	<u>1011708</u>	SUPPORT, SEAT BACK, MAIN .....	2	2
9	1013884	SPACER, BAG HOOP .....	2	2
10	1013935	ASSEMBLY, BAG HOOP (INCLUDES ITEMS 11 - 13) .....	1	1
11	<u>1010434</u>	FASTENER, PLASTIC BARREL .....	2	2
12	<u>1013754</u>	BUCKLE, BAG STRAP .....	2	2
13	<u>1010413</u>	ASSEMBLY, BAG STRAP, LONG .....	1	1
14	<u>1017234</u>	FASTENER, PLASTIC BARREL - GRAY .....	4	4
15	<u>1011710</u>	ASSEMBLY, KNEE BRACE WELDMENT .....	2	2
16	1011706	PAD, MOUNTING, SEAT BACK SUPPORT .....	2	2
17	0008248	SCREW, PHILLIPS TRUSS HEAD, 1/4 - 20 x 3/4 .....	8	8
18	0008304	WASHER, INTERNAL TOOTH LOCK, 1/4 .....	8	8
19	0008233	NUT, NYLON LOCK, 1/4 - 20 .....	6	6
20	0007847	SCREW, HEX HEAD, 1/4 - 20 x 3/4 .....	6	6
21	0000332	WASHER, FLAT, 1/4 .....	8	8
22	0001218	SCREW, HEX HEAD CAP, 5/16 - 18 x 1 1/4 .....	4	4
23	1017774	SPACER, BODY .....	4	4
24	0001241	WASHER, FLAT, 5/16 .....	6	6
25	0007818	BOLT, CARRIAGE, 5/16 - 18 x 1 1/2 .....	2	2



RIB TERRA



POWER RIB



SOFTTRAC



# WHEELS AND TIRES

2

G

E

ITEM	PART NO.	DESCRIPTION	QTY GAS	QTY ELEC
		1 2 3 4		
1	<u>1010984</u>	NUT, LUG .....	16	16
2	<u>1015705-01</u>	ASSEMBLY, BEIGE WHEEL AND TIRE, RIB TERRA (18 x 8.5 - 8) .....	4	4
2	<u>1015705-02</u>	ASSEMBLY, BEIGE WHEEL AND TIRE, POWER RIB (18 x 8.5 - 8) .....	4	4
2	1015705-04	ASSEMBLY, BEIGE WHEEL AND TIRE, WHITE WALL POWER RIB (18 x 8.5 - 8) .....	4	4
2	<u>1015705-07</u>	ASSEMBLY, BEIGE WHEEL AND TIRE, SOFTRAC, 6 PLY (18 x 8.5 - 8) .....	4	4
2	<u>1016514-01</u>	ASSEMBLY, WHITE WHEEL AND TIRE, RIB TERRA (18 x 8.5 - 8) .....	4	4
2	<u>1016514-02</u>	ASSEMBLY, WHITE WHEEL AND TIRE, POWER RIB (18 x 8.5 - 8) .....	4	4
2	1016514-04	ASSEMBLY, WHITE WHEEL AND TIRE, WHITE WALL POWER RIB (18 x 8.5 - 8) .....	4	4
2	<u>1016514-07</u>	ASSEMBLY, WHITE WHEEL AND TIRE, SOFTRAC, 6 PLY (18 x 8.5 - 8) .....	4	4
3	1015707	WHEEL RIM, BEIGE .....	4	4
3	<u>1014771</u>	WHEEL RIM, WHITE .....	4	4
4	0007271	TIRE, UNMOUNTED, RIB TERRA (18 x 8.5 - 8) .....	4	4
4	1015672	TIRE, UNMOUNTED, POWER RIB (18 x 8.5 - 8) .....	4	4
4	1017693	TIRE, UNMOUNTED, SOFTRAC, 6 PLY (18 x 8.5 - 8) .....	4	4
5	0007310	STEM, VALVE .....	4	4



# SAFETY DECALS

---

3

G

E

**PRACTICE GOLF ETIQUETTE**

- Observe club rules.
- Drive on golf car paths when possible.
- Keep proper distance from greens.
- Replace divots.
- Repair ball marks on greens.
- Rake sand traps.
- Allow faster players to play through.
- Help speed up play.
- Dispose of litter properly.

**Club Car**

**GOLF ETIQUETTE DECAL**

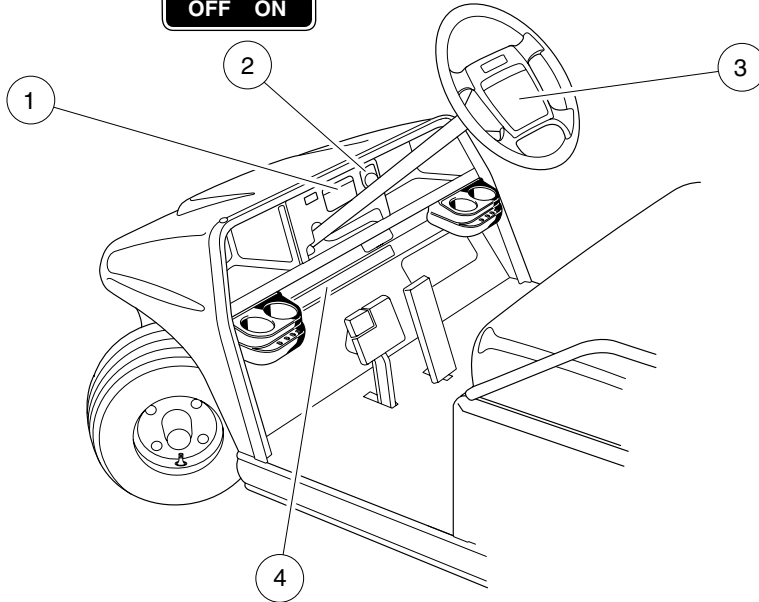
**KEY SWITCH DECAL**



**OPERATING INSTRUCTIONS DECAL**

**OPERATING INSTRUCTIONS**

- Read owner's manual prior to operation.
- Study and understand controls. Be sure everyone is seated.
- Before driving, read safety warnings located above pedals. Make sure wheels are turned in desired direction.
- Turn key to "ON" position and be sure nothing is in your path.
- Select direction by placing shift lever in desired position.
  - Forward (F), Neutral (N), Reverse (R).
- Vehicle will start moving when accelerator pedal is depressed.
- Slowly depress accelerator pedal to increase speed. Park brake will release when accelerator pedal is depressed.
- To stop, release accelerator pedal and depress brake pedal.
- After stopping, firmly depress park brake until it locks.
- Place forward and reverse switch in neutral position.
- Turn key "OFF" and remove key when not in use.



**WARNING**

- Read operating instructions before using vehicle.
- Never stand in front or behind vehicle.
- Vehicle should be driven only in specified areas by trained persons.
- Do not use on public roads.
- Only two persons per front seat.
- Operate vehicle from driver's side only.
- Do not start vehicle until all people are seated.
- Remain seated and hold on in moving vehicle.
- Keep arms, legs, feet and body inside vehicle.
- Stop vehicle before changing direction.
- Buzzer will sound in reverse.
- Drive slowly in turns.
- Drive slowly straight up and down slopes.
- Set park brake before leaving vehicle.
- Remove key when vehicle is not in use.
- Place shift lever in neutral when vehicle is not in use.

**SAFETY WARNING DECAL**

**GASOLINE TANK DANGER DECAL (ON BODY ADJACENT TO FUEL TANK)**

**DANGER**

- Gasoline - extremely flammable.
- Keep heat, sparks and open flame away from fuel tank and fuel lines.
- Do not add fuel while engine is running or hot.
- Service by trained personnel.

**HOT MANIFOLD AND MUFFLER DECAL (ON ENGINE)**

**WARNING**

**HOT manifold and muffler can cause severe burns.**

**PERIODIC SERVICE SCHEDULE DECAL (ON AIR INTAKE BOX)**

**Club Car**

**Periodic Service Schedule**

Checking Engine Oil Level

Interval	Check Oil Level	Replace
1. Check Oil Level	Oil	Oil
2. Check Air Filter	Replace	Replace
3. Check Spark Plugs	Inspect	Replace
4. Check Water Pump	Inspect	Replace
5. Check Belts	Inspect	Replace
6. Check Air Filter	Replace	Replace
7. Check Spark Plugs	Inspect	Replace
8. Check Water Pump	Inspect	Replace
9. Check Belts	Inspect	Replace
10. Check Oil Level	Oil	Oil

**WARNING**

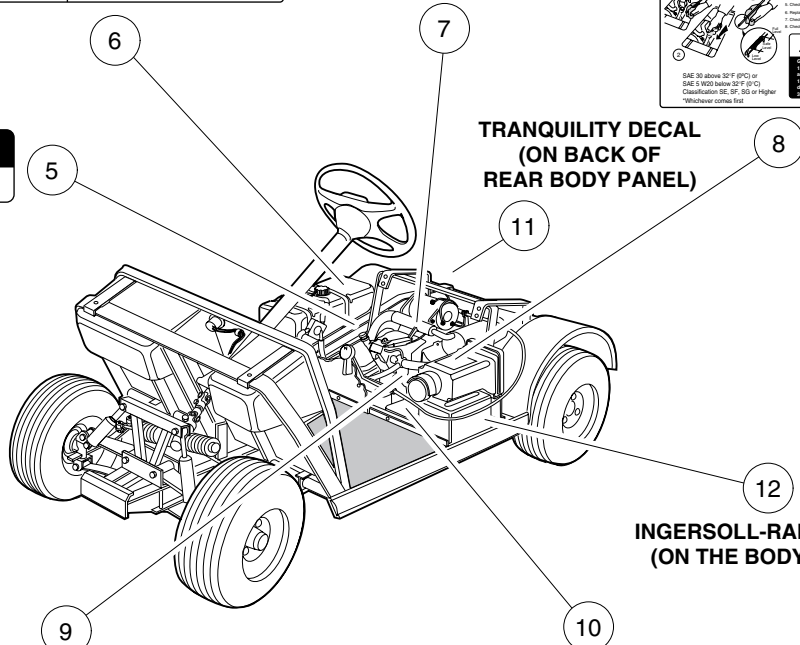
Operation is limited to a maximum of 14 hours per day. Exceeding this limit may result in overheating and engine failure. Excessive use could result in severe personal injury.

**MOVING PARTS DECAL (ON FRAME)**

**WARNING**

**MOVING PARTS**

**TRANQUILITY DECAL (ON BACK OF REAR BODY PANEL)**



**INGERSOLL-RAND DECAL (ON THE BODY PANEL)**

**DANGER / POISON**

NO OPEN FLAMES OR FIRE

FLUSH EYES IMMEDIATELY WITH WATER

SEEK MEDICAL FIRST AID

KEEP OUT OF THE REACH OF CHILDREN - DO NOT TIP - KEEP CARS TIGHT AND LEVEL

**DANGER DECAL (ON BODY UNDER SEAT)**

**WARNING**

Negative frame ground. Do not contact positive (+) battery post or cable to frame as this can cause battery explosion, electrical shocks, and burns.

**FRAME GROUND WARNING DECAL (ON FRAME)**

# SAFETY DECALS - GASOLINE VEHICLE

**3**

**G**

ITEM	PART NO.	DESCRIPTION	QTY GAS
		1 2 3 4	
1	<u>1013390</u>	DECAL, GOLF ETIQUETTE .....	1
2	<u>1018251-01</u>	DECAL, KEY SWITCH .....	1
3	1016216	DECAL, OPERATING INSTRUCTIONS .....	1
4	<u>1014883</u>	DECAL, SAFETY WARNING .....	1
5	1015475	DECAL, MOVING PARTS WARNING .....	1
6	1015476	DECAL, GASOLINE DANGER .....	1
7	1017257	DECAL, HOT MANIFOLD WARNING .....	1
8	1016062	DECAL, PERIODIC SERVICE SCHEDULE .....	1
9	<u>1013677</u>	DECAL, BATTERY DANGER/POISON .....	1
10	1015474	DECAL, NEGATIVE FRAME GROUND WARNING .....	1
11	1016476-02	DECAL, TRANQUILITY - GOLD .....	1
12	<u>1019219-01</u>	DECAL, INGERSOLL-RAND .....	2

**PRACTICE GOLF ETIQUETTE**

- Observe club rules.
- Drive on golf car paths when possible.
- Keep proper distance from greens.
- Replace divots.
- Repair ball marks on greens.
- Rake sand traps.
- Allow faster players to play through.
- Help speed up play.
- Dispose of litter properly.

Club Car

**GOLF ETIQUETTE  
DECAL  
V-GLIDE 36 VOLT AND  
POWERDRIVE SYSTEM 48 VEHICLES  
OR**

**IMPORTANT NOTICE**  
VEHICLE EQUIPPED TO CONTROL DOWNHILL SPEED

- Maximum vehicle speed is controlled during downhill operation with accelerator pedal depressed.
- Vehicle will brake gently when accelerator pedal is released.
- System is activated only when key is in the "ON" position.
- When towing vehicle, key must be in the "OFF" position.

Club Car

**REGENERATIVE  
BRAKING DECAL  
POWERDRIVE PLUS VEHICLE  
ONLY**

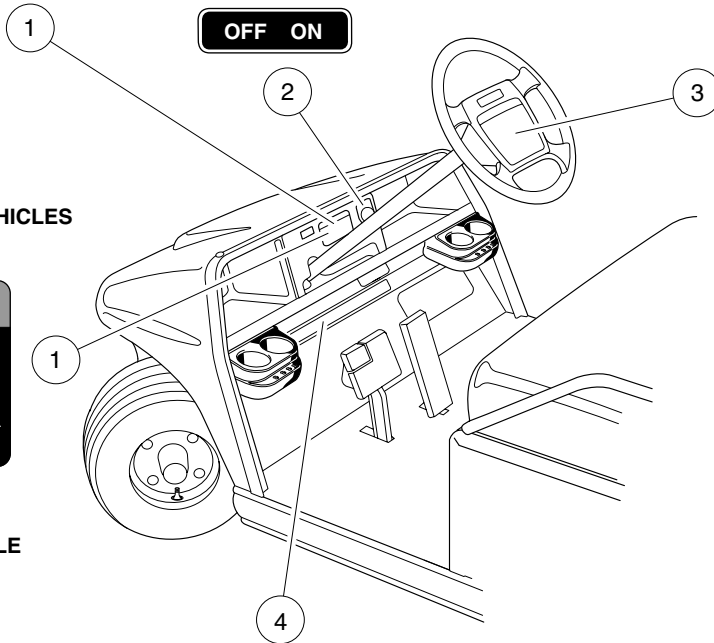
**KEY SWITCH  
DECAL**



**OPERATING INSTRUCTIONS  
DECAL**

**OPERATING INSTRUCTIONS**

- Read owner's manual prior to operation.
- Study and understand controls. Be sure everyone is seated.
- Before driving, read safety warnings located above pedals.
- Make sure wheels are turned in desired direction.
- Turn key to "ON" position and be sure nothing is in your path.
- Select direction by placing shift lever in desired position:
  - Forward (F) - Neutral (N) - Reverse
- Vehicle will start moving when accelerator pedal is depressed.
- Release when accelerator pedal is depressed.
- Slowly depress accelerator pedal to increase speed. Park brake will release when accelerator pedal is depressed.
- To stop, release accelerator pedal and depress brake pedal.
- After stopping, firmly depress park brake until locked.
- Place forward and reverse switch in neutral position.
- Turn key "OFF" and remove key when not in use.



**WARNING**

- Read operating instructions before using vehicle.
- Never stand in front or behind vehicle.
- Vehicle should be driven only in specified areas by trained persons.
- Do not use on public roads.
- Only two persons per front seat.
- Operate vehicle from driver's side only.
- Do not start vehicle until all people are seated.
- Remain seated and hold on in moving vehicle.
- Keep arms, legs, feet and body inside vehicle.
- Stop vehicle before changing direction.
- Buzzer will sound in reverse.
- Drive slowly in turns.
- Drive slowly straight up and down slopes.
- Set park brake before leaving vehicle.
- Remove key when vehicle is not in use.
- Place shift lever in neutral when vehicle is not in use.

**SAFETY WARNING DECAL**

**DANGER DECAL  
(ON BODY UNDER SEAT)**

**WARNING** HOT RESISTORS CAN CAUSE SEVERE BURNS.

**RESISTOR WARNING DECAL  
V-GLIDE 36 VOLT AND POWERDRIVE PLUS VEHICLES  
(ON BODY UNDER SEAT)**

**DANGER / POISON**

EXPLOSIVE GASES CAN CAUSE BLINDNESS OR INJURY

SHIELD EYES

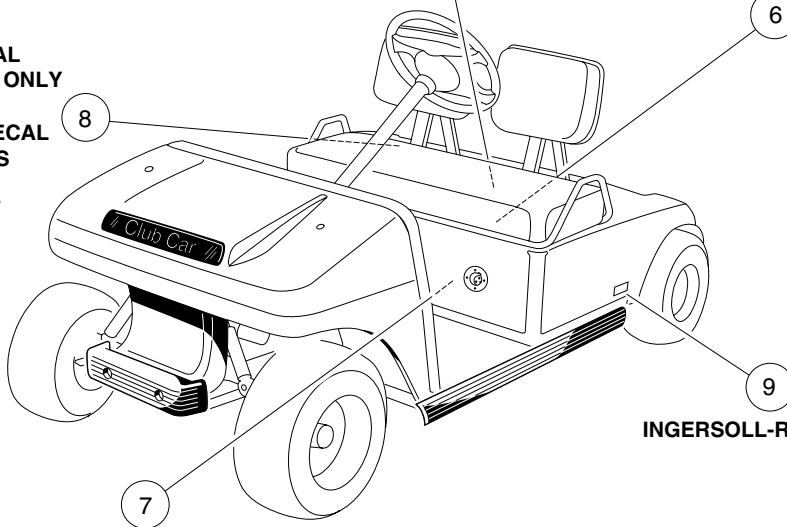
NO SPARKS, FLAMES, SMOKING

SULFURIC ACID CAN CAUSE BLINDNESS OR SILVER BURNS

FLUSH EYES IMMEDIATELY WITH WATER. GET MEDICAL HELP FAST.

KEEP OUT OF THE REACH OF CHILDREN - DO NOT TIP - KEEP VENT CAPS TIGHT AND LEVEL.

**POWERDRIVE DECAL  
POWERDRIVE VEHICLE ONLY  
OR  
POWERDRIVE PLUS DECAL  
POWERDRIVE PLUS  
VEHICLE ONLY  
(ON THE BACK OF  
THE REAR BODY)**



**INGERSOLL-RAND DECAL**

**CAUTION**

- DO NOT OPERATE VEHICLE WITHOUT COVER IN PLACE • DO NOT DIRECT WATER STREAM AT THIS SWITCH

**SPEED SWITCH CAUTION DECAL  
V-GLIDE 36 VOLT VEHICLE ONLY  
(ON WIPER SWITCH COVER)**

# SAFETY DECALS - ELECTRIC VEHICLE

ITEM	PART NO.	DESCRIPTION	QTY ELEC
		1 2 3 4	
1	<u>1013390</u>	DECAL, GOLF ETIQUETTE (V-GLIDE 36 VOLT AND POWERDRIVE SYSTEM 48) .....	1
1	<u>1018621-01</u>	DECAL, REGENERATIVE BRAKING (POWERDRIVE PLUS VEHICLE ONLY) .....	1
2	<u>1018251-01</u>	DECAL, KEY SWITCH .....	1
3	1016216	DECAL, OPERATING INSTRUCTIONS .....	1
4	<u>1014883</u>	DECAL, SAFETY WARNING .....	1
5	<u>1013496</u>	DECAL, HOT RESISTORS WARNING (V-GLIDE 36 VOLT AND POWERDRIVE PLUS VEHICLES) .....	1
6	<u>1013677</u>	DECAL, BATTERY DANGER/POISON .....	1
7	1016109	DECAL, WIPER SWITCH CAUTION (V-GLIDE 36 VOLT VEHICLE ONLY) .....	1
8	<u>1018304-01</u>	DECAL, POWERDRIVE (POWERDRIVE SYSTEM 48 VEHICLE ONLY) .....	1
8	<u>1018854-01</u>	DECAL, POWERDRIVE PLUS (POWERDRIVE PLUS VEHICLE ONLY) .....	1
9	<u>1019219-01</u>	DECAL, INGERSOLL-RAND .....	2





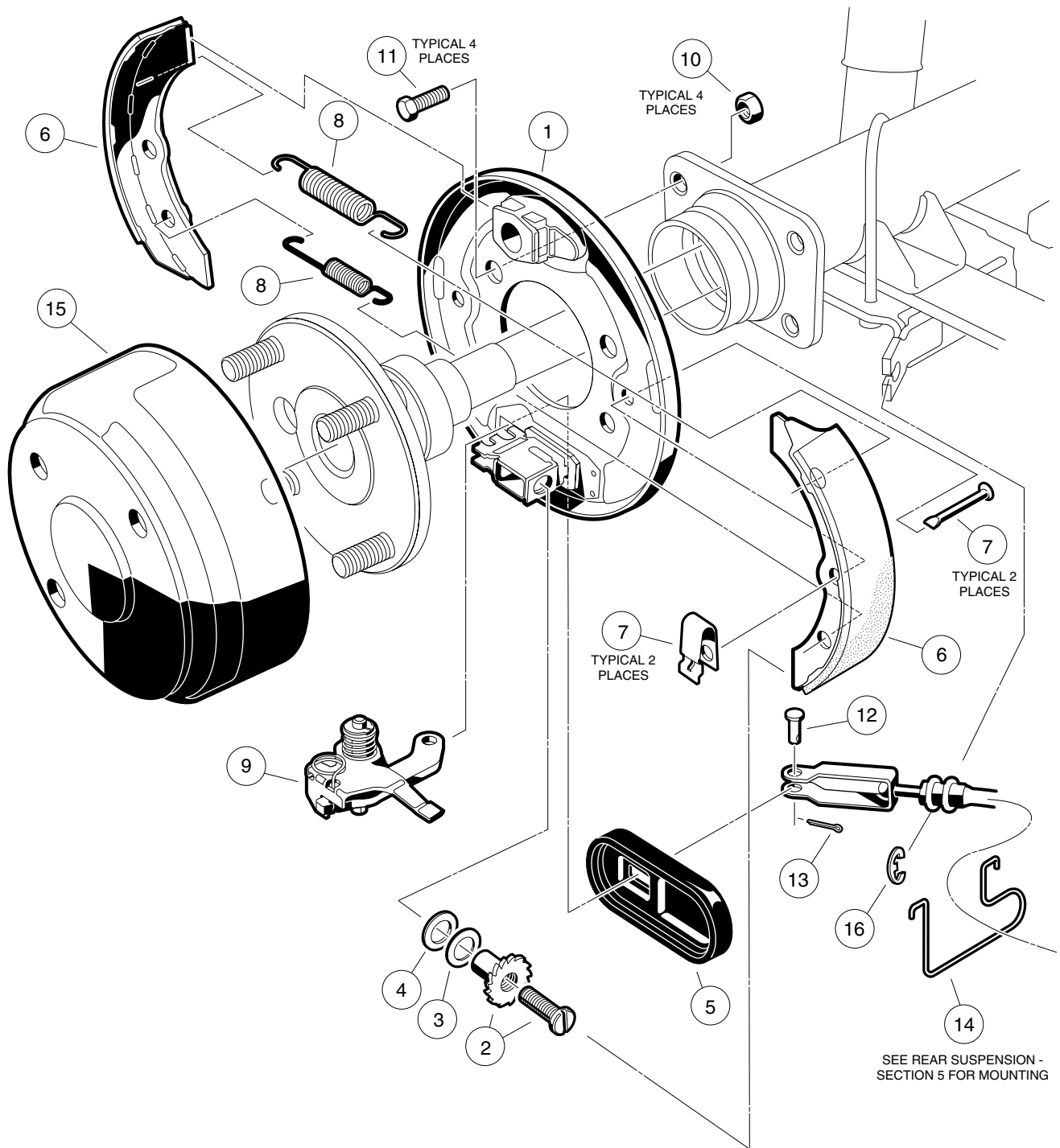
# BRAKES, PEDAL, AND CABLE ASSEMBLIES

---

4

G

E



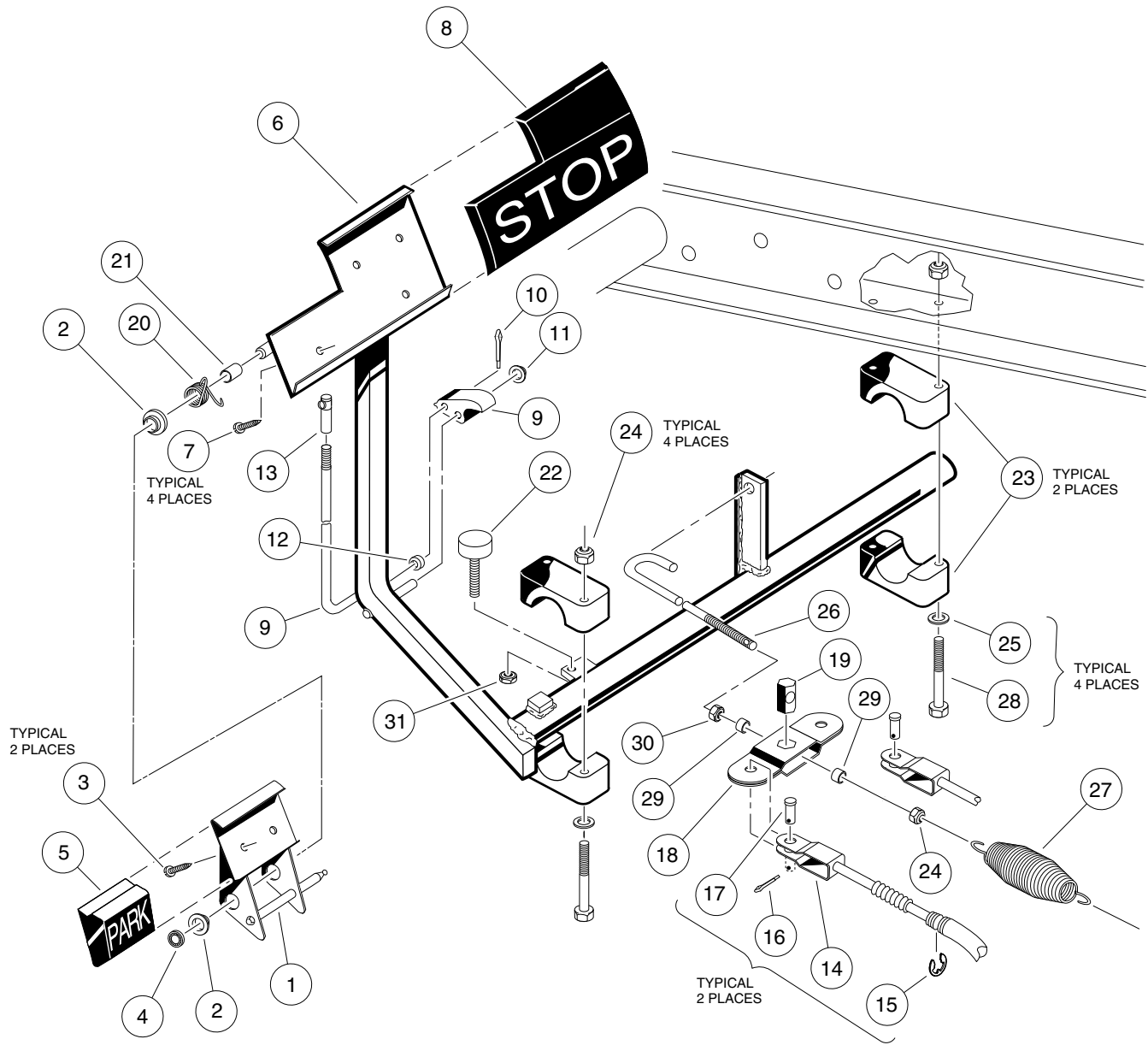
# BRAKE ASSEMBLY

4

G

E

ITEM	PART NO.	DESCRIPTION	QTY GAS	QTY ELEC
		1 2 3 4		
	<u>1018233-01</u>	CLUSTER, RIGHT BRAKE (INCLUDES ITEMS 1 - 9) .....	1	1
	<u>1018233-02</u>	CLUSTER, LEFT BRAKE (INCLUDES ITEMS 1 - 9) .....	1	1
1	<u>1018240-01</u>	ASSEMBLY, BACKING PLATE, RIGHT (INCLUDES ITEMS 2, 3 AND 4) .....	1	1
1	<u>1018240-02</u>	ASSEMBLY, BACKING PLATE, LEFT (INCLUDES ITEMS 2, 3 AND 4) .....	1	1
2	<u>1018165-01</u>	MECHANISM, ADJUSTING, RIGHT .....	1	1
2	<u>1018165-02</u>	MECHANISM, ADJUSTING, LEFT .....	1	1
3	<u>1018239-01</u>	WASHER .....	1	1
4	<u>1018238-01</u>	WASHER, PLATE .....	1	1
5	<u>1010850</u>	COVER, DUST .....	1	1
6	<u>1018232-01</u>	PACKAGE, BRAKE SHOE (FOUR PIECES) .....	1	1
7	<u>1011466</u>	KIT, SHOE RETAINER (FOUR PIECES) .....	1	1
8	<u>1018163-01</u>	PACKAGE, BRAKE SPRING (FOUR PIECES) .....	1	1
9	<u>1018155-01</u>	ASSEMBLY, LEVER, RIGHT .....	1	1
9	<u>1018155-02</u>	ASSEMBLY, LEVER, LEFT .....	1	1
10	<u>1013924</u>	NUT, HEX CONE, 5/16 - 24 .....	8	8
11	<u>1014153</u>	BOLT, BRAKE CLUSTER MOUNTING .....	8	8
12	<u>1010829</u>	PIN, CLEVIS, 5/16 .....	2	2
13	<u>0001035</u>	PIN, COTTER, 3/32 x 1 .....	2	2
14	<u>1013207</u>	HANGER, BRAKE CABLE .....	2	2
15	<u>1017911-01</u>	DRUM, BRAKE .....	2	2
16	<u>1011779</u>	CLIP, "E", 1/2 .....	2	2



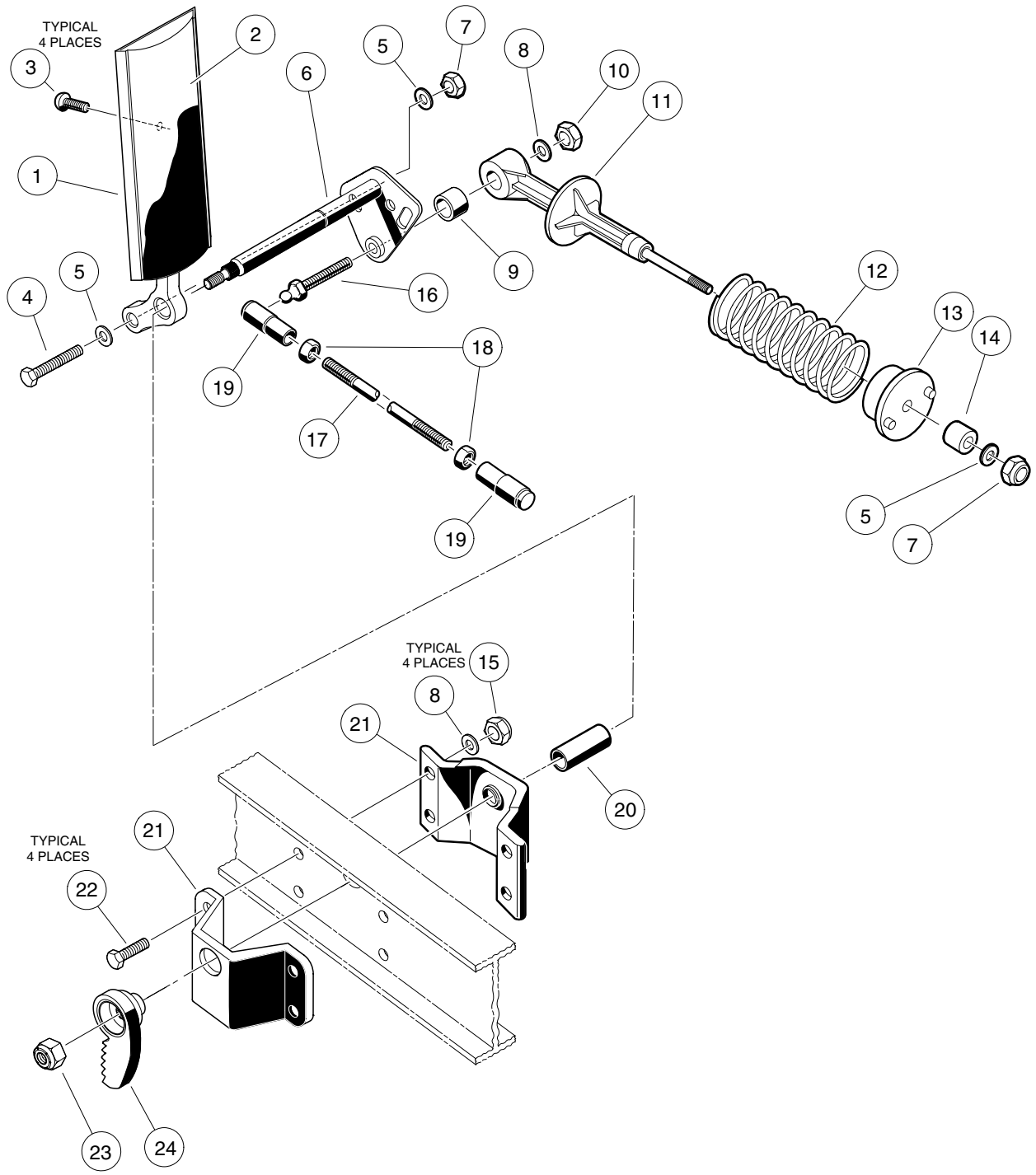
# BRAKE PEDAL AND CABLE ASSEMBLY

**4**

**G**

**E**

ITEM	PART NO.	DESCRIPTION	QTY GAS	QTY ELEC
		1 2 3 4		
1	<u>1011418</u>	KIT, PARK BRAKE PEDAL (INCLUDES ITEMS 2 - 5) .....	1	1
2	<u>0001032</u>	BUSHING, NYLON .....	2	2
3	0007716	SCREW, SLOTTED HEX WASHER HEAD, #10 -16 x 1/2 .....	2	2
4	<u>1013876</u>	NUT, PUSH, 3/8 .....	1	1
5	<u>1013870</u>	PAD, PARK BRAKE .....	1	1
6	1011406	KIT, BRAKE PEDAL (INCLUDES ITEMS 7 AND 8) .....	1	1
7	0007716	SCREW, SLOTTED HEX WASHER HEAD, #10 - 16 x 1/2 .....	4	4
8	<u>1013869</u>	PAD, BRAKE PEDAL .....	1	1
9	<u>1016173</u>	KIT, PARK BRAKE ROD AND PAWL (INCLUDES ITEMS 10 - 13) .....	1	1
10	<u>1017029</u>	PIN, COTTER, 7/64 x 1/2 .....	1	1
11	<u>1010877</u>	NUT, PUSH, 5/16 .....	1	1
12	<u>1010805</u>	SLEEVE, PARK BRAKE ROD .....	1	1
13	1010932	JOINT, BALL, 1/4 - 28 .....	1	1
14	<u>1011403</u>	KIT, BRAKE CABLE (INCLUDES ITEMS 15 - 17) .....	2	2
15	<u>1011779</u>	CLIP, "E", 1/2 .....	2	2
16	<u>0001035</u>	PIN, COTTER, 3/32 x 1 .....	2	2
17	<u>1010829</u>	PIN, CLEVIS, 5/16 .....	2	2
18	<u>1017211</u>	KIT, EQUALIZER AND PIVOT LIMITER (INCLUDES ITEM 19) .....	1	1
19	N/A	PIN, EQUALIZER PIVOT .....	1	1
20	<u>1010933</u>	SPRING, PARK BRAKE TORSION .....	1	1
21	<u>1010927</u>	SPACER, PARK BRAKE .....	1	1
22	<u>1010878</u>	STOP, BRAKE .....	1	1
23	<u>1011402</u>	PACKAGE, BRAKE MOUNTING BLOCK (CONTAINS UPPER AND LOWER FOR LEFT AND RIGHT SIDES) .....	1	1
24	0008986	NUT, DIMPLED LOCK, 5/16 - 18 .....	5	5
25	0001241	WASHER, FLAT, 5/16 .....	4	4
26	1010808	ROD, EQUALIZER .....	1	1
27	<u>1013532</u>	SPRING, BRAKE RETURN (GASOLINE VEHICLE) .....	1	
27	<u>1013531</u>	SPRING, BRAKE RETURN (ELECTRIC VEHICLE) .....		1
28	<u>1010921</u>	SCREW, HEX HEAD CAP, 5/16 - 18 x 2 1/2 .....	4	4
29	<u>1018653-01</u>	SPACER, EQUALIZER .....	2	2
30	0001242	NUT, HEX, 5/16 - 18 .....	1	1
31	0001028	NUT, HEX, 1/4 - 20 .....	1	1



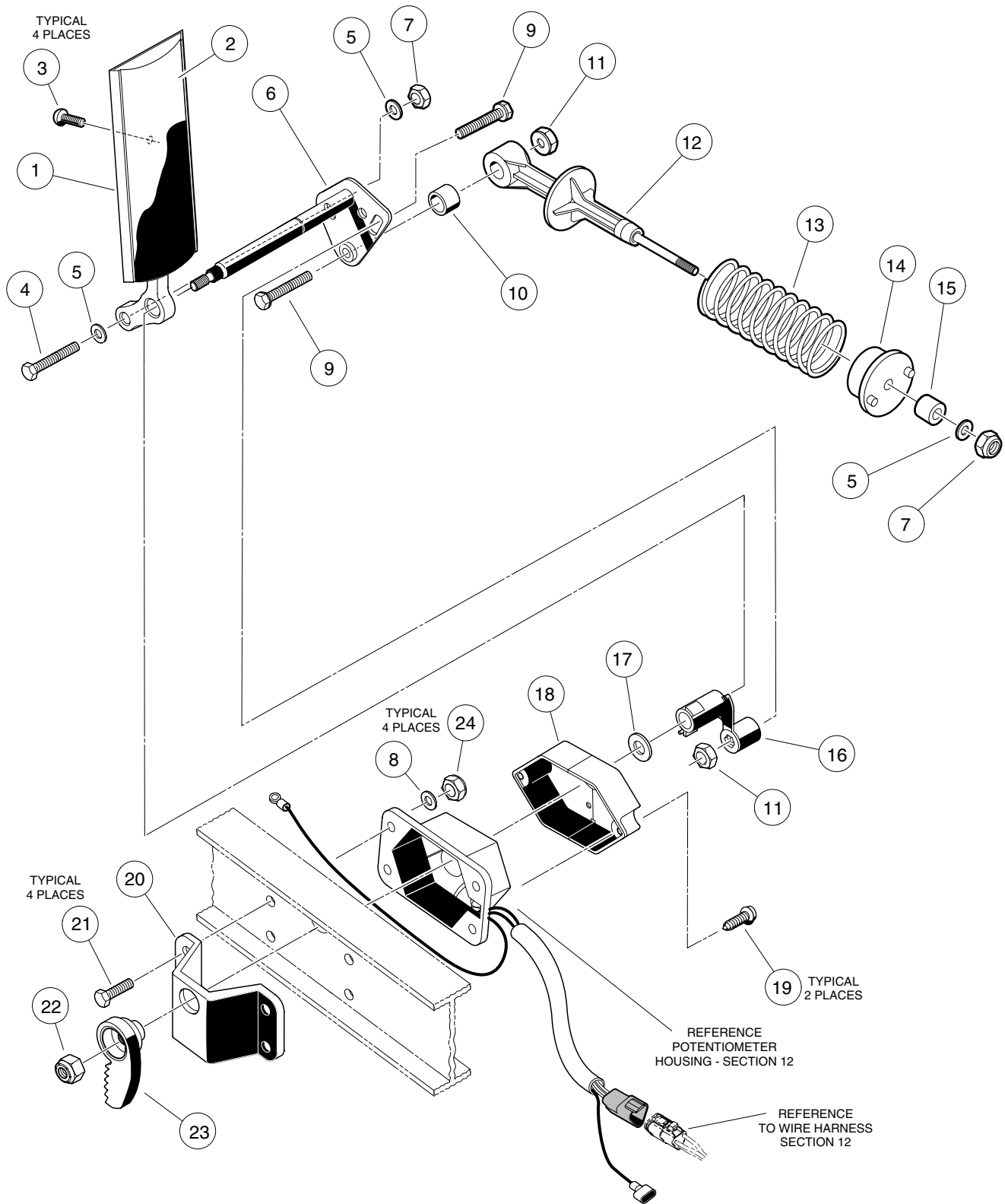
# ACCELERATOR PEDAL ASSEMBLY GASOLINE AND V-GLIDE 36 VOLT VEHICLES

**4**

**G**

**E**

ITEM	PART NO.	DESCRIPTION	QTY GAS	QTY ELEC
		1 2 3 4		
1	<u>1017696</u>	SUB-ASSEMBLY, ACCELERATOR PEDAL (INCLUDES ITEM 2 AND 3) .....	1	1
2	1013871	PAD, PEDAL .....	1	1
3	0007716	SCREW, SLOTTED HEX WASHER HEAD, #10 - 16 x 1/2 .....	4	4
4	0001218	SCREW, HEX CAP, 5/16 - 18 x 1 1/4 .....	1	1
5	0001241	WASHER, FLAT, 5/16 .....	3	3
6	1017325	ASSEMBLY, ACCELERATOR PIVOT ROD .....	1	1
7	0007473	NUT, NYLON LOCK, 5/16 - 18 .....	2	2
8	0000332	WASHER, FLAT, 1/4 .....	5	5
9	<u>1017424</u>	BEARING, PIVOT SUPPORT .....	1	1
10	0008717	NUT, NYLON LOCK, 1/4 - 28 .....	1	1
11	<u>1018174-01</u>	RETAINER, SPRING .....	1	1
12	1017962-01	SPRING, RETURN .....	1	1
13	<u>1017378</u>	CUP, SPRING .....	1	1
14	<u>1017380</u>	BUMPER, RETURN SPRING .....	1	1
15	0008233	NUT, NYLON LOCK, 1/4 - 20 .....	4	4
16	1018188-01	STUD, BALL .....	1	1
17	1018719-01	ASSEMBLY, ACCELERATOR ROD (V-GLIDE 36 VOLT VEHICLE ONLY) (INCLUDES ITEMS 18 AND 19) .....		1
17	<u>1016168</u>	ASSEMBLY, ACCELERATOR ROD (GASOLINE VEHICLE ONLY) (INCLUDES ITEMS 18 AND 19) .....	1	
18	<u>1011084</u>	NUT, UNF HEX JAM, 1/4 - 28 .....	2	2
19	<u>1011734</u>	JOINT, SPRING-LOADED BALL .....	2	2
20	<u>1011700</u>	SPACER .....	1	1
21	<u>1011694</u>	SUPPORT, ACCELERATOR PIVOT ROD .....	2	2
22	<u>1018619-01</u>	SCREW, HEX CAP, 1/4 - 20 x 1 1/8 .....	4	4
23	0008754	NUT, NYLON LOCK, 3/8 x 16 .....	1	1
24	<u>1017322</u>	RACHET, PARK BRAKE .....	1	1





# ACCELERATOR PEDAL ASSEMBLY POWERDRIVE SYSTEM 48 AND POWERDRIVE PLUS

**4**

**G**

**E**

ITEM	PART NO.	DESCRIPTION	QTY GAS	QTY ELEC
		1 2 3 4		
1	<u>1017696</u>	SUB-ASSEMBLY, ACCELERATOR PEDAL (INCLUDES ITEM 2 AND 3) .....		1
2	1013871	PAD, PEDAL .....		1
3	0007716	SCREW, SLOTTED HEX WASHER HEAD, #10 - 16 x 1/2 .....		4
4	0001218	SCREW, HEX CAP, 5/16 - 18 x 1 1/4 .....		1
5	0001241	WASHER, FLAT, 5/16 .....		3
6	1017325	ASSEMBLY, ACCELERATOR PIVOT ROD .....		1
7	0007473	NUT, NYLON LOCK, 5/16 - 18 .....		2
8	0000332	WASHER, FLAT, 1/4 .....		4
9	<u>1018620-01</u>	SCREW, FLANGED HEX HEAD CAP, 1/4 - 20 x 1 3/8 .....		2
10	<u>1017424</u>	BEARING, PIVOT SUPPORT .....		1
11	<u>1015661</u>	NUT, FLANGED LOCK, 1/4 - 20 .....		2
12	<u>1018174-01</u>	RETAINER, SPRING .....		1
13	<u>1017962-01</u>	SPRING, RETURN .....		1
14	<u>1017378</u>	CUP, SPRING .....		1
15	<u>1017380</u>	BUMPER, RETURN SPRING .....		1
16	<u>1017400</u>	LEVER, ACTUATOR .....		1
17	<u>1018042-01</u>	WASHER, PLASTIC, 1/2 .....		1
18	<u>1017743</u>	COVER, ACCELERATOR .....		1
19	<u>1018043-01</u>	SCREW, HI-LO HEX HEAD, #8 - 18 x 1/2 .....		2
20	<u>1011694</u>	SUPPORT, ACCELERATOR PIVOT ROD .....		1
21	<u>1018619-01</u>	SCREW, HEX CAP, 1/4 - 20 x 1 1/8 .....		4
22	0008754	NUT, NYLON LOCK, 3/8 - 16 .....		1
23	<u>1017322</u>	RATCHET, PARK BRAKE .....		1
24	0008233	NUT, NYLON LOCK, 1/4 - 20 .....		4



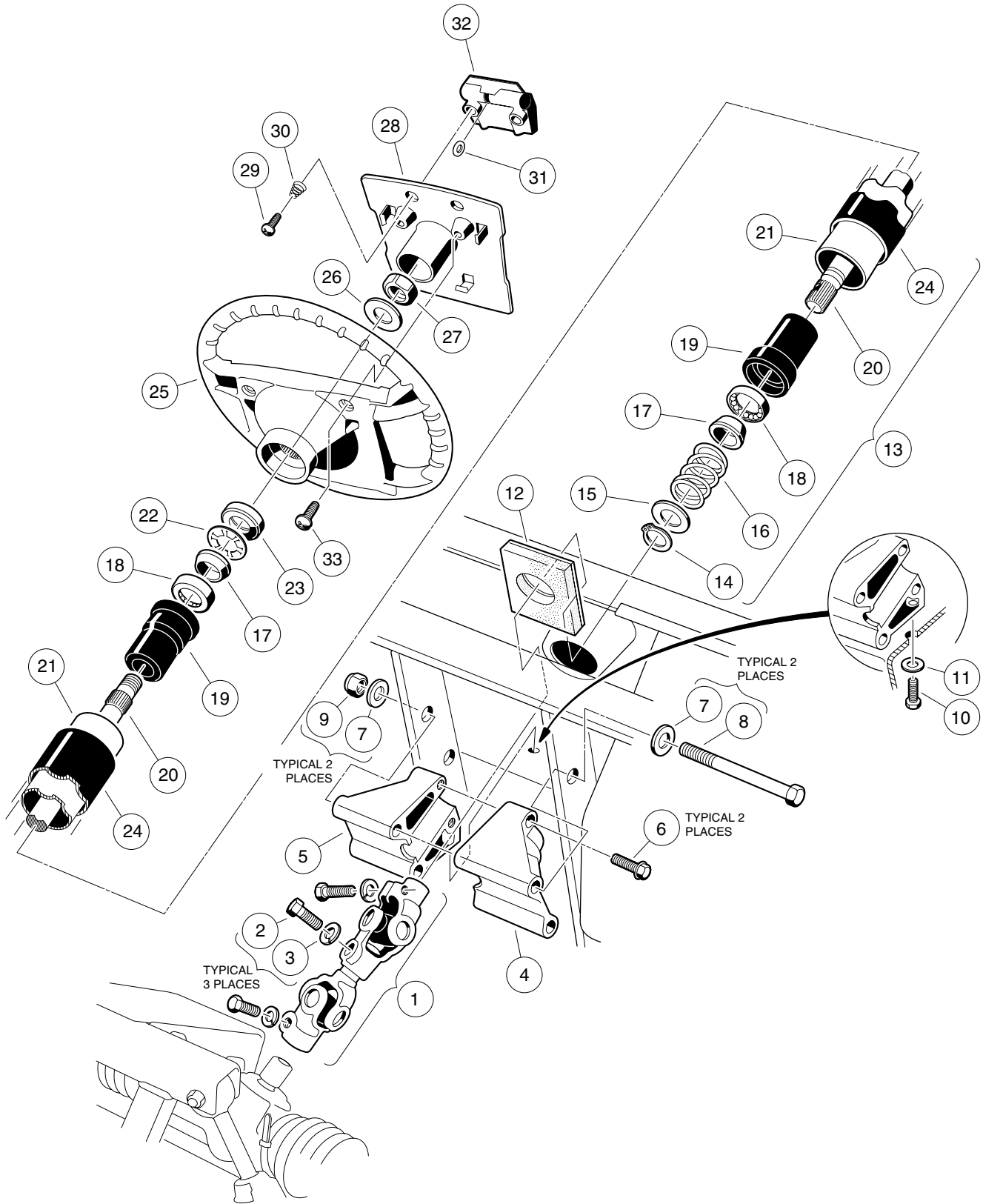
# STEERING, FRONT AND REAR SUSPENSION

---

5

G

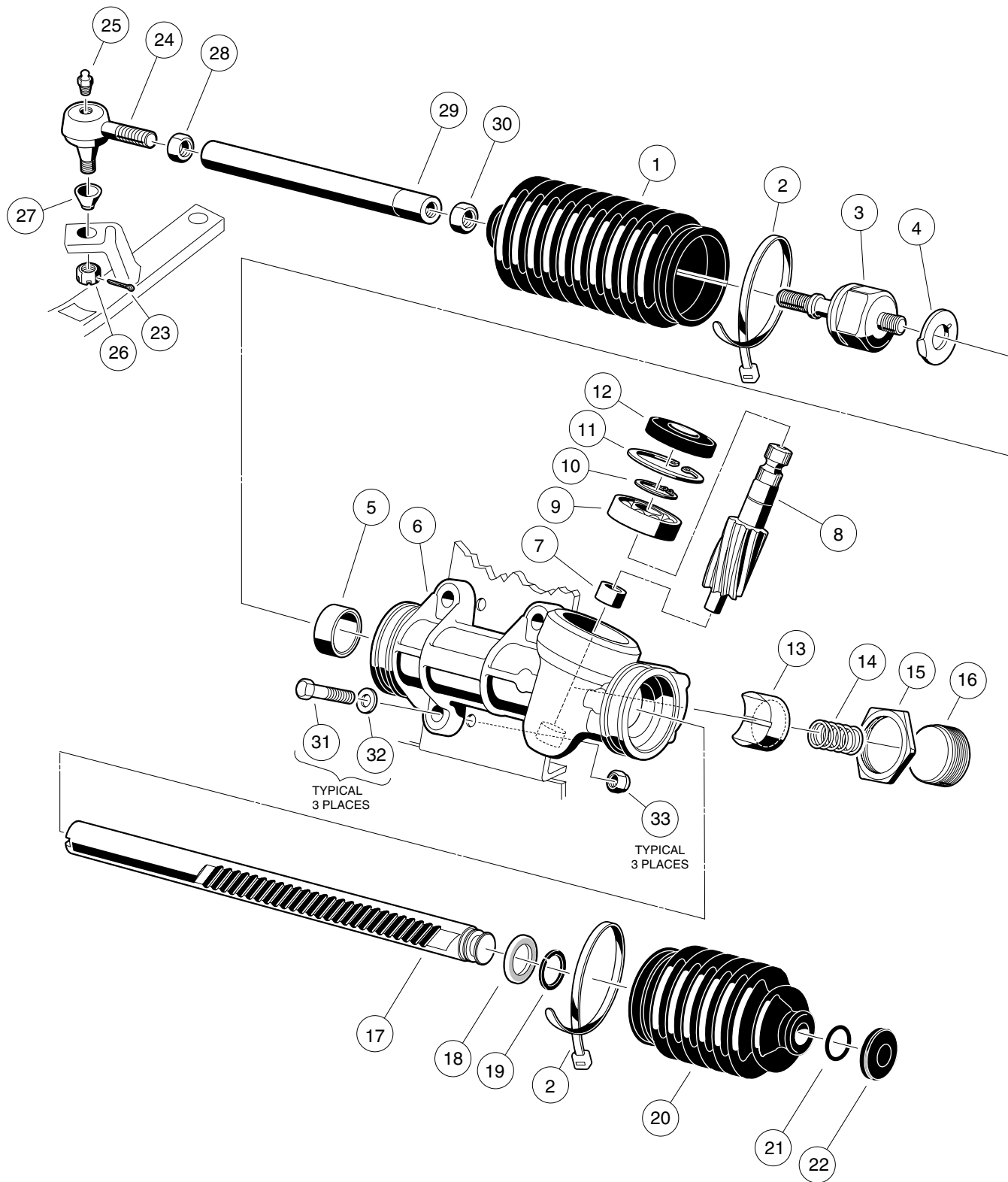
E



# STEERING COLUMN

**5**  
**G**  
**E**

ITEM	PART NO.	DESCRIPTION	QTY GAS	QTY ELEC
		1 2 3 4		
1	<u>1013861</u>	JOINT, COMPOUND STEERING (INCLUDES ITEMS 2 AND 3) .....	1	1
2	<u>1017226</u>	SCREW, HEX HEAD CAP, M8 x 1.25 x 30MM .....	3	3
3	0007174	WASHER, LOCK, 5/16 .....	3	3
4	1016185	MOUNT, STEERING COLUMN, LEFT HAND .....	1	1
5	1016184	MOUNT, STEERING COLUMN, RIGHT HAND .....	1	1
6	<u>1016269</u>	SCREW, HEX WASHER HEAD THREAD FORMING, 5/16 - 18 x 2 .....	2	2
7	0000334	WASHER, FLAT, 3/8 .....	4	4
8	<u>1016183</u>	SCREW, HEX HEAD CAP, 3/8 - 16 x 6 3/4 .....	2	2
9	0008754	NUT, NYLON LOCK, 3/8 - 16 .....	2	2
10	<u>1014288</u>	SCREW, HEX WASHER HEAD THREAD FORMING, 5/16 - 18 x 3/4 .....	1	1
11	<u>1011697</u>	WASHER, FLAT, 5/16 .....	1	1
12	<u>1012499</u>	BOOT, STEERING COLUMN .....	1	1
13	1016181	ASSEMBLY, STEERING COLUMN (INCLUDES ITEMS 14 - 23) .....	1	1
14	<u>1012605</u>	RING, RETAINING .....	1	1
15	<u>1012604</u>	WASHER, STEEL, 5/8 .....	1	1
16	<u>1014217</u>	SPRING, COMPRESSION .....	1	1
17	1014125	WEDGE .....	2	2
18	<u>1014213</u>	ASSEMBLY, BEARING .....	2	2
19	<u>1014126</u>	SEAT, BEARING .....	2	2
20	<u>1015545</u>	SHAFT, STEERING COLUMN .....	1	1
21	1016622	COLUMN, ALUMINUM STEERING .....	1	1
22	1014214	RING, RETAINING .....	1	1
23	<u>1014211</u>	SEAL, BEARING .....	1	1
24	1016263	COVER, STEERING COLUMN .....	1	1
25	<u>1016156</u>	WHEEL, STEERING .....	1	1
26	<u>1012604</u>	WASHER, STEEL, 5/8 .....	1	1
27	<u>1017273</u>	NUT, NYLON LOCK, 5/8 - 18 .....	1	1
28	1016219	ASSEMBLY, SCORECARD PLATE (INCLUDES ITEMS 29 - 32) .....	1	1
29	<u>1012565</u>	SCREW, ROUND HEAD, #12 - 14 x 1 .....	2	2
30	<u>1012566</u>	SPRING, TAPERED COMPRESSION .....	2	2
31	<u>1016214</u>	GRIP, PENCIL .....	2	2
32	1016154	CLIP, SCORE CARD .....	1	1
33	<u>1010715</u>	SCREW, PHILLIPS, #10 - 14 x 3/8 .....	2	2



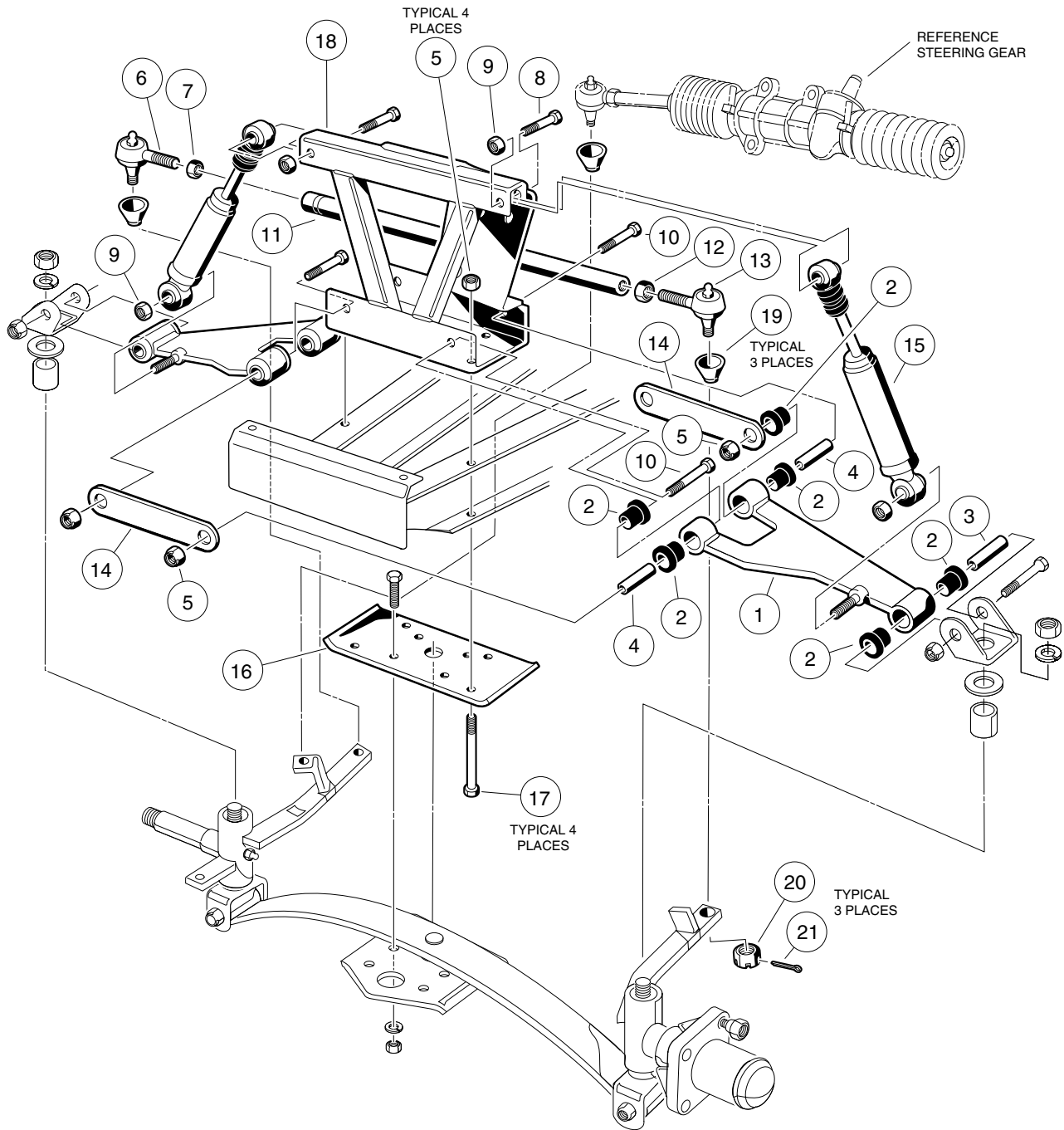
# STEERING GEAR ASSEMBLY

5

G

E

ITEM	PART NO.	DESCRIPTION	QTY GAS	QTY ELEC
		1 2 3 4		
	<u>1018783-02</u>	ASSEMBLY, STEERING GEAR BOX (INCLUDES ITEMS 1 - 22) .....	1	1
1	<u>1013035</u>	SEAL, DUST, RIGHT .....	1	1
2	0008990	WRAP, TIE .....	2	2
3	<u>1018802-01</u>	ASSEMBLY, INNER BALL JOINT .....	1	1
4	<u>1018803-01</u>	WASHER, TAB .....	2	2
5	1013036	BUSHING, RACK .....	1	1
6	N/A	BOX, STEERING GEAR .....	1	1
7	N/A	BEARING, LOWER PINION .....	1	1
8	N/A	PINION, STEERING .....	1	1
9	<u>1018794-01</u>	BEARING, UPPER PINION .....	1	1
10	<u>1018799-01</u>	RING, C-TYPE STOP .....	1	1
11	1013051	RING, SNAP .....	1	1
12	<u>1013052</u>	SEAL, DUST, STEERING PINION .....	1	1
13	<u>1018797-01</u>	GUIDE, STEERING RACK .....	1	1
14	<u>1018798-01</u>	SPRING, YOKE .....	1	1
15	<u>1013044</u>	NUT, LOCK, RACK SCREW .....	1	1
16	N/A	SCREW, RACK GUIDE .....	1	1
17	N/A	RACK, STEERING .....	1	1
18	<u>1018795-01</u>	WASHER, STOP .....	2	2
19	1018796-01	RING, C-TYPE STOP .....	1	1
20	<u>1018800-01</u>	SEAL, DUST, LEFT .....	1	1
21	1018801-01	O-RING, DUST SEAL RETAINING .....	1	1
22	1019260-01	CAP, RACK END DUST .....	1	1
23	<u>0001035</u>	PIN, COTTER, 3/32 x 1 .....	1	1
24	0007540	BALL JOINT, LEFT HAND THREAD (INCLUDES ITEMS 25, 26 AND 27) .....	1	1
25	<u>1015597</u>	FITTING, THREAD FORM GREASE, 1/4 - 28 .....	1	1
26	<u>0007602</u>	NUT, HEX SLOTTED, 3/8 - 24 .....	1	1
27	<u>1011930</u>	BOOT, DUST .....	1	1
28	0007555	NUT, HEX, LEFT HAND THREAD, 1/2 - 20 .....	1	1
29	<u>1012467</u>	LINK, RACK AND PINION DRAG .....	1	1
30	1013042	NUT, HEX, M12 x 1.75 .....	1	1
31	0001624	BOLT, HEX HEAD, 3/8 - 16 x 1 1/2 .....	3	3
32	0000334	WASHER, FLAT, 3/8 .....	3	3
33	<u>1010138</u>	NUT, DIMPLED LOCK, 3/8 - 16 .....	3	3





# FRONT SUSPENSION, UPPER

**5**

**G**

**E**

ITEM	PART NO.	DESCRIPTION	QTY GAS	QTY ELEC
		1 2 3 4		
1	<u>1016353</u>	ASSEMBLY, DELTA A-PLATE (INCLUDES ITEMS 2, 3 AND 4) .....	2	2
2	<u>1016346</u>	BUSHING, URETHANE .....	6	6
3	<u>1016350</u>	SLEEVE, DELTA OUTER .....	1	1
4	<u>1016349</u>	SLEEVE, DELTA INNER .....	2	2
5	0008754	NUT, NYLON LOCK, 3/8 - 16 .....	8	8
6	0007539	BALL JOINT .....	1	1
7	0001308	NUT, HEX, 1/2 - 20 .....	1	1
8	0001624	BOLT, HEX HEAD, 3/8 - 16 x 1 1/2 .....	2	2
9	<u>1010138</u>	NUT, DIMPLED LOCK, 3/8 - 16 .....	4	4
10	0002402	SCREW, HEX CAP, 3/8 - 16 x 2 1/4 .....	4	4
11	<u>1010219</u>	ROD, TIE .....	1	1
12	0007555	NUT, HEX, LEFT HAND THREAD, 1/2 - 20 .....	1	1
13	0007540	BALL JOINT, LEFT HAND THREAD .....	1	1
14	<u>1017266</u>	STRAP, A-PLATE .....	2	2
15	1015813	SHOCK ABSORBER, FRONT (GASOLINE VEHICLE ONLY) .....	2	
15	<u>1014235</u>	SHOCK ABSORBER, FRONT (ELECTRIC VEHICLES ONLY) .....		2
16	<u>1010124</u>	PLATE, SPRING MOUNTING .....	1	1
17	<u>1010200</u>	BOLT, HEX HEAD, 3/8 - 16 x 4 1/4 .....	4	4
18	<u>1016385</u>	ASSEMBLY, DELTA SHOCK AND GEAR SUPPORT .....	1	1
19	<u>1011930</u>	SEAL, DUST .....	3	3
20	<u>0007602</u>	NUT, SLOTTED HEX, 3/8 - 24 .....	3	3
21	<u>0001035</u>	PIN, COTTER, 3/32 x 1 .....	1	1



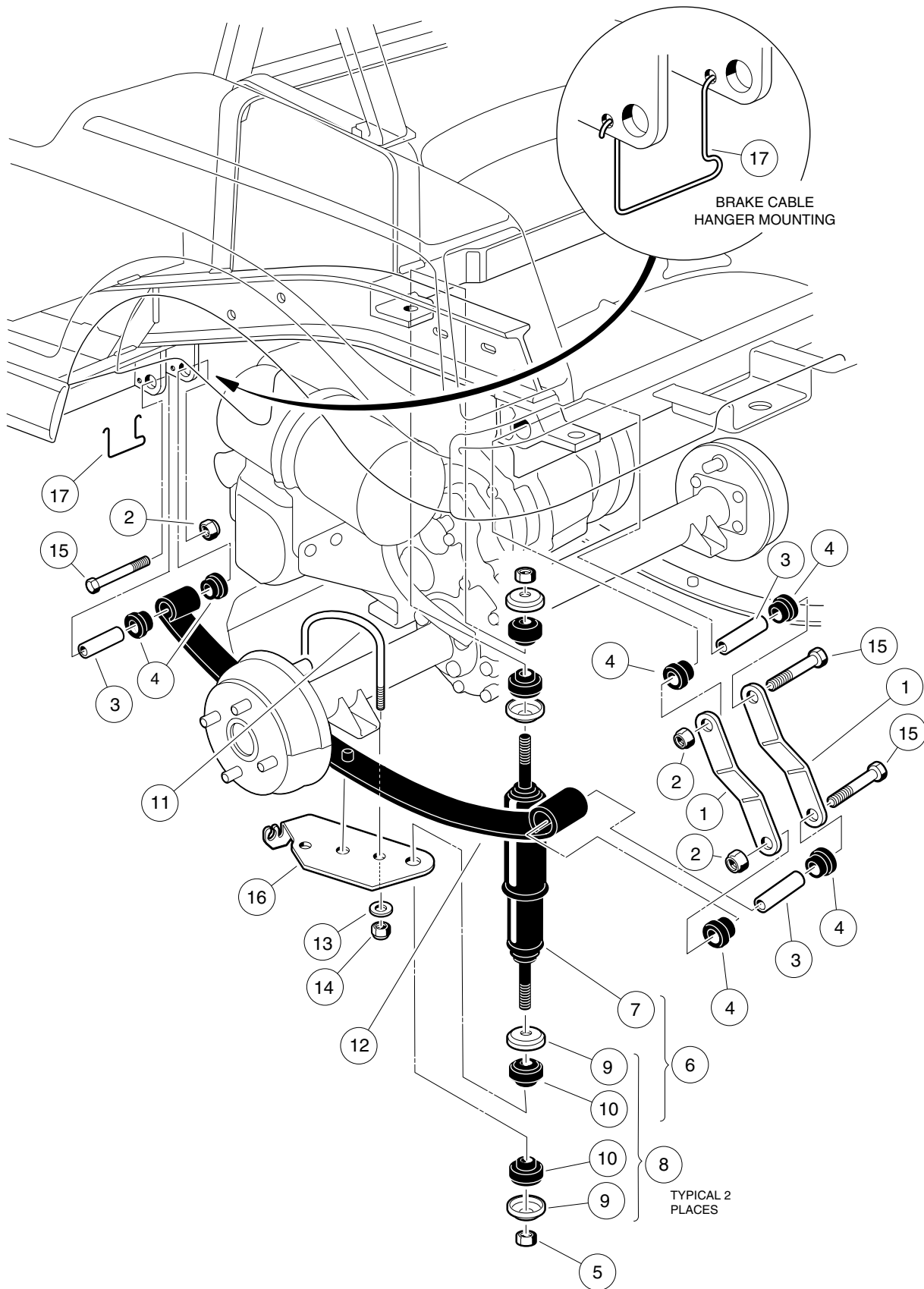
# FRONT SUSPENSION, LOWER

**5**

**G**

**E**

ITEM	PART NO.	DESCRIPTION	QTY GAS	QTY ELEC
		1 2 3 4		
1	<u>1010348</u>	ASSEMBLY, LEFT SPINDLE (INCLUDES ITEMS 3, 4 AND 5) .....	1	1
2	<u>1010347</u>	ASSEMBLY, RIGHT SPINDLE (INCLUDES ITEMS 3, 4 AND 5) .....	1	1
3	0008067	BUSHING, BRONZE SPINDLE .....	1	1
4	0007048	BUSHING, BRONZE .....	1	1
5	<u>1015597</u>	FITTING, GREASE, 1/4 - 28 .....	1	1
6	1015108	SPRING, TAPERED LEAF (GASOLINE VEHICLE ONLY) .....	1	
6	<u>1012030</u>	SPRING, TAPERED LEAF (ELECTRIC VEHICLES ONLY) .....		1
7	0008745	ASSEMBLY, ECCENTRIC .....	1	1
8	0000706	NUT, HEX, 3/8 - 16 .....	1	1
9	<u>1011892</u>	ASSEMBLY, HUB (INCLUDES ITEMS 10 - 13) .....	2	2
10	<u>1011393</u>	PACKAGE, HUB BEARING .....	2	2
11	<u>1011304</u>	STUD, LUG, 1/2 - 20 .....	4	4
12	<u>1013135</u>	SEAL, DOUBLE LIP .....	1	1
13	<u>1011887</u>	COVER, DUST .....	1	1
14	0008754	NUT, NYLON LOCK, 3/8 - 16 .....	4	4
15	<u>1016387</u>	SCREW, HEX HEAD CAP, 3/8 - 16 x 2 3/4 .....	2	2
16	<u>1016384</u>	CLEVIS, UPPER DELTA .....	2	2
17	0001308	NUT, HEX, 1/2 - 20 .....	2	2
18	0000209	WASHER, SPLIT LOCK, 1/2 .....	2	2
19	<u>1010150</u>	BEARING, THRUST .....	2	2
20	<u>1016389</u>	WASHER, KINGPIN WAVE .....	2	2
21	<u>1010984</u>	NUT, LUG .....	8	8
22	<u>1010005</u>	WASHER, FLAT, 3/4 .....	2	2
23	0007840	NUT, HEX SLOTTED, 3/4 - 16 .....	2	2
24	0007910	PIN, COTTER, 5/32 x 1 .....	2	2
25	0008755	SCREW, HEX HEAD CAP, 3/8 - 16 x 3 3/8 .....	2	2
26	<u>1016386</u>	KINGPIN .....	2	2
27	<u>1015583</u>	BUSHING, URETHANE .....	4	4
28	<u>1012303</u>	BUSHING, STEEL .....	2	2
29	<u>1014276</u>	PLATE, FRONT SPRING RETAINER .....	1	1
30	0001624	SCREW, HEX HEAD CAP, 3/8 - 16 x 1 1/2 .....	4	4
31	0000357	WASHER, LOCK, 3/8 .....	4	4
32	0000706	NUT, HEX, 3/8 - 16 .....	4	4



# REAR SUSPENSION

5

G

E

ITEM	PART NO.	DESCRIPTION	QTY GAS	QTY ELEC
		1 2 3 4		
1	<u>1012304</u>	SHACKLE, REAR SPRING (GASOLINE VEHICLE) .....	4	
1	0007569	SHACKLE, REAR SPRING (ELECTRIC VEHICLE) .....		4
2	0008754	NUT, NYLON LOCK, 3/8 - 16 .....	6	6
3	<u>1012303</u>	BUSHING, STEEL .....	4	4
4	<u>1015583</u>	BUSHING, URETHANE .....	12	12
5	<u>1010145</u>	NUT, UNF HEX, 3/8 - 24 .....	4	4
6	<u>1013164</u>	KIT, SHOCK ABSORBER (INCLUDES ITEMS 7, 9 AND 10) .....	1	1
7	<u>1014236</u>	SHOCK ABSORBER, REAR .....	2	2
8	<u>1011415</u>	KIT, SHOCK ABSORBER CUSHION (INCLUDES ITEMS 9 AND 10).....	4	4
9	N/A	RETAINER, SHOCK ABSORBER CUSHION .....	8	8
10	N/A	CUSHION, SHOCK ABSORBER .....	8	8
11	<u>1012180</u>	BOLT, "U" .....	2	2
12	<u>1012324</u>	SPRING, REAR LEAF (GASOLINE VEHICLE) .....	2	
12	<u>1010974</u>	SPRING, REAR LEAF (ELECTRIC VEHICLE) .....		2
13	<u>1014557</u>	WASHER, FLAT, 7/16 .....	4	4
14	<u>1014555</u>	NUT, NYLON LOCK, 7/16 - 24 .....	4	4
15	0008755	SCREW, HEX HEAD CAP, 3/8 - 16 x 3 3/8 .....	6	6
16	1012182	PAD, SPRING LEFT.....	1	1
16	1012181	PAD, SPRING RIGHT .....	1	1
17	<u>1013207</u>	HANGER, BRAKE CABLE .....	2	2

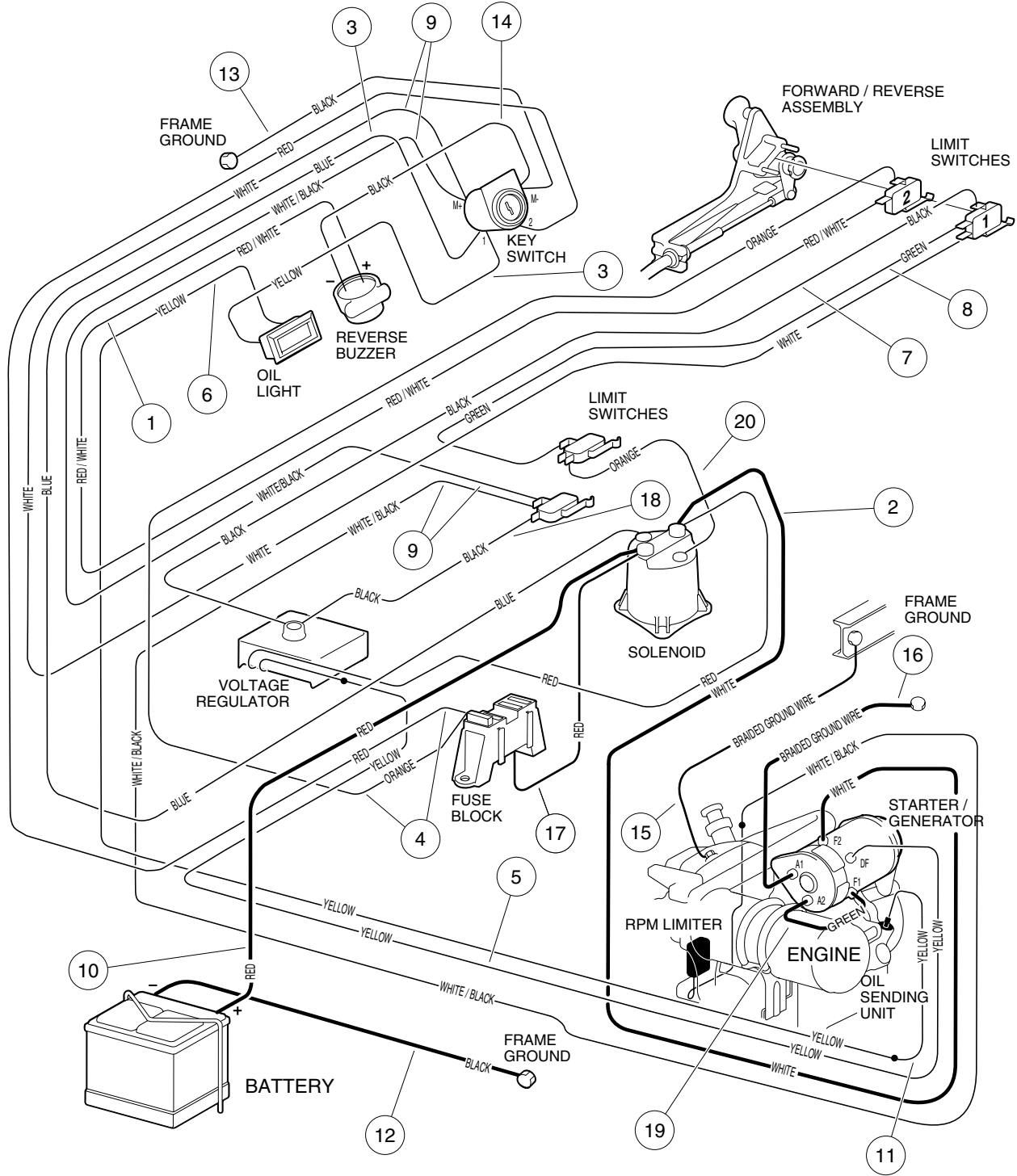


# ELECTRICAL SYSTEM GASOLINE VEHICLE

---

6

G



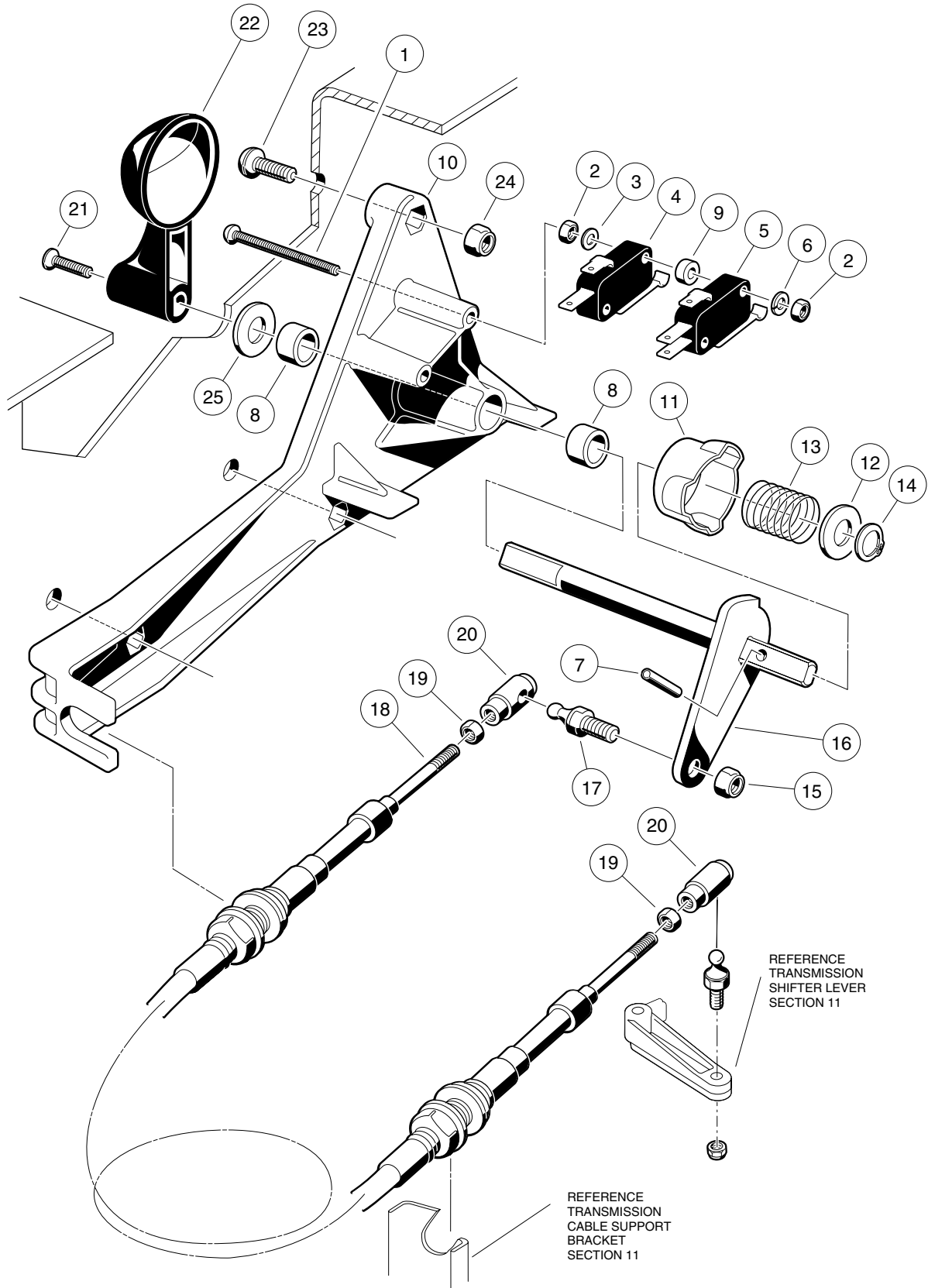


# WIRING - GASOLINE VEHICLE

**6**

**G**

ITEM	PART NO.	DESCRIPTION	QTY
		1 2 3 4	
	1018893-02	WIRE HARNESS (INCLUDES ITEMS 1 - 11) .....	1
1	1013723	WIRE ASSEMBLY, #18 RED/WHITE .....	1
2	<u>1015769</u>	WIRE ASSEMBLY, #6 WHITE .....	1
3	1013601	WIRE ASSEMBLY, #18 YELLOW AND #16 BLUE .....	1
4	1018282-01	WIRE ASSEMBLY, #16 RED AND #16 ORANGE .....	1
5	1015738	WIRE ASSEMBLY, #16 YELLOW .....	1
6	1018930-01	WIRE ASSEMBLY, #18 YELLOW .....	1
7	1015780	WIRE ASSEMBLY, #18 BLACK .....	1
8	1015779	WIRE ASSEMBLY, #18 GREEN .....	1
9	<u>1015781</u>	WIRE ASSEMBLY, #18 WHITE/BLACK AND #18 WHITE .....	1
10	<u>1014119</u>	WIRE ASSEMBLY, #6 RED .....	1
11	1018850-01	WIRE ASSEMBLY, #18 YELLOW .....	1
12	<u>1012382</u>	WIRE ASSEMBLY, #6 BLACK .....	1
13	1012396	WIRE ASSEMBLY, #18 BLACK .....	1
14	1016857	WIRE ASSEMBLY, #18 BLACK (PART OF REVERSE BUZZER KIT) .....	1
15	<u>1015332</u>	WIRE ASSEMBLY, #10 BRAIDED GROUND .....	1
16	<u>1015920</u>	WIRE ASSEMBLY, #6 BRAIDED GROUND .....	1
17	<u>1015737</u>	WIRE ASSEMBLY, #10 RED (PART OF THE ELCTRICAL COMPONENT BOX) .....	1
18	1016402	WIRE ASSEMBLY, #18 BLACK (PART OF THE ELCTRICAL COMPONENT BOX) .....	1
19	<u>1018373-01</u>	WIRE ASSEMBLY, #6 GREEN .....	1
20	1016401	WIRE ASSEMBLY, #18 ORANGE (PART OF THE ELCTRICAL COMPONENT BOX) .....	1

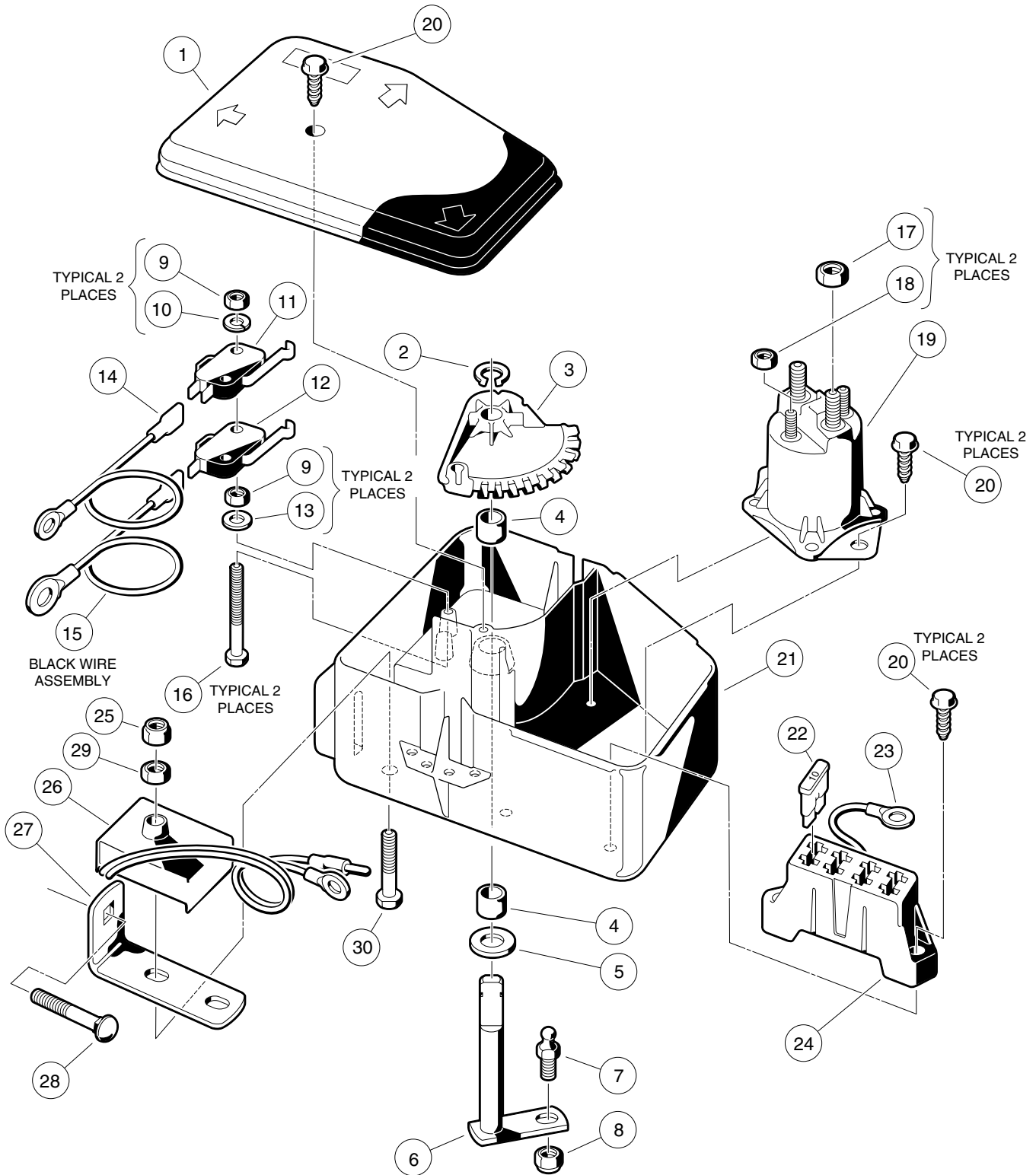


# FORWARD AND REVERSE SHIFTER ASSEMBLY GASOLINE VEHICLE

**6**

**G**

ITEM	PART NO.	DESCRIPTION	QTY
		1 2 3 4	
	1016947	ASSEMBLY, FORWARD AND REVERSE SHIFTER (INCLUDES ITEMS 1 - 17) .....	1
1	<u>1012594</u>	SCREW, MACHINE, #4 - 40 x 1 1/2 .....	2
2	0008057	NUT, HEX HEAD, #4 - 40 .....	4
3	1012431	WASHER, FLAT, #4 .....	2
4	<u>1014808</u>	SWITCH, LIMIT .....	1
5	<u>1014807</u>	SWITCH, LIMIT .....	1
6	0008058	WASHER, LOCK, #4 .....	2
7	<u>1013591</u>	PIN, ROLL, 1/8 .....	1
8	<u>1014145</u>	BUSHING, BRONZE .....	2
9	<u>1014727</u>	WASHER, NYLON FLAT, #4 .....	2
10	<u>1016342</u>	BASE, FORWARD AND REVERSE SHIFTER .....	1
11	1014089	KIT, NEUTRAL LOCK-OUT CAM (INCLUDES ITEM 12) .....	1
12	<u>1014065</u>	WASHER, FLAT .....	1
13	<u>1013590</u>	SPRING, FORWARD AND REVERSE CAM .....	1
14	<u>1013589</u>	RING, RETAINING .....	1
15	0008717	NUT, NYLON LOCK, 1/4 - 28 .....	2
16	1013587	WELDMENT, FORWARD AND REVERSE BELL CRANK .....	1
17	<u>1010954</u>	STUD, BALL, 1/4 - 28 x 1/4 .....	2
18	<u>1013085</u>	CABLE, TRANSMISSION (INCLUDES ITEMS 19 AND 20) .....	1
19	0007893	NUT, HEX, #10 - 32 .....	2
20	<u>1012333</u>	JOINT, BALL .....	2
21	<u>1013198</u>	SCREW, PHILLIPS OVAL COUNTERSUNK MACHINE, #8 - 32 x 5/8 .....	1
22	<u>1012987</u>	HANDLE, FORWARD AND REVERSE SWITCH .....	1
23	0008248	SCREW, PHILLIPS TRUSS HEAD, 1/4 - 20 x 3/4 .....	4
24	0008233	NUT, NYLON LOCK, 1/4 - 20 .....	4
25	<u>1014065</u>	WASHER, FLAT .....	1

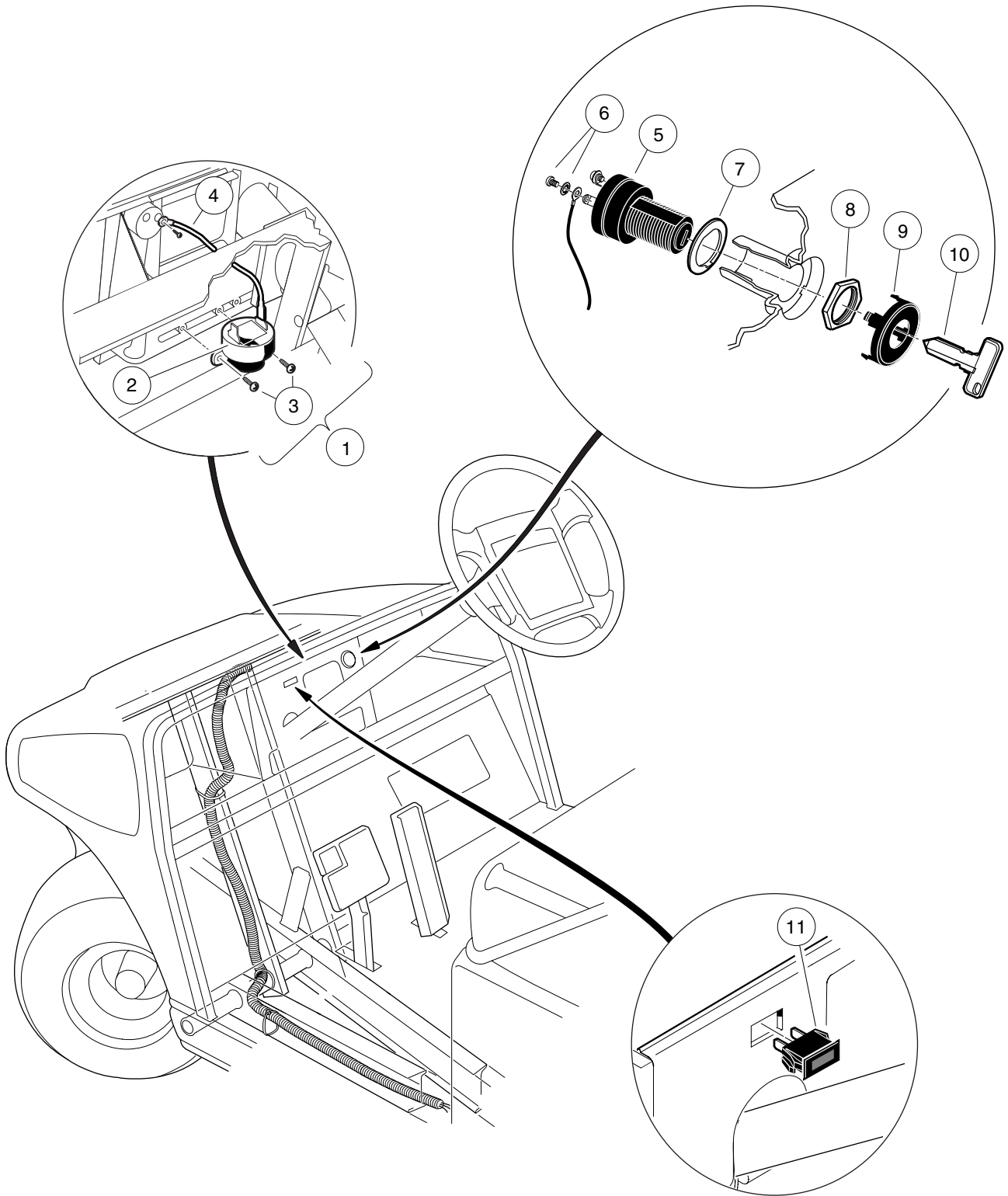


# ELECTRICAL COMPONENT BOX GASOLINE VEHICLE

**6**

**G**

ITEM	PART NO.	DESCRIPTION	QTY
		1 2 3 4	
	<u>1018276-01</u>	BOX, ELECTRICAL COMPONENT, COMPLETE (INCLUDES ITEMS 1 - 30 AND 1018893-02 - SEE PAGE 6-3) .....	1
1	<u>1015372</u>	COVER, ELECTRICAL COMPONENT BOX .....	1
2	<u>1013589</u>	RING, RETAINING .....	1
3	<u>1015373</u>	CAM, ELECTRICAL BOX .....	1
4	<u>1014145</u>	BUSHING, BRONZE .....	2
5	<u>1014065</u>	WASHER, FLAT .....	1
6	<u>1018213-01</u>	ASSEMBLY, BELL CRANK SHAFT .....	1
7	<u>1010954</u>	STUD, BALL, 1/4 - 28 .....	1
8	0008717	NUT, NYLON LOCK, 1/4 - 28 .....	1
9	0008057	NUT, HEX, #4 - 40 .....	4
10	0008058	WASHER, LOCK, #4 .....	2
11	<u>1014807</u>	SWITCH, LIMIT .....	1
12	<u>1014808</u>	SWITCH, LIMIT .....	1
13	1012431	WASHER, FLAT, #4 .....	2
14	1016401	WIRE ASSEMBLY, #16 ORANGE .....	1
15	1016402	WIRE ASSEMBLY, #16 BLACK .....	1
16	<u>1015878</u>	SCREW, HEX HEAD MACHINE, #4 - 40 x 1 5/8 .....	2
17	0001242	NUT, HEX, 5/16 - 18 .....	2
18	0007893	NUT, HEX, #10 - 32 .....	2
19	<u>1013609</u>	SOLENOID, 12 VOLT .....	1
20	<u>1015752</u>	SCREW, HILO, #12 - 16 x 5/8 .....	5
21	<u>1015371</u>	BOX, ELECTRICAL COMPONENT .....	1
22	<u>1012295</u>	FUSE, 10 AMP .....	1
23	<u>1015737</u>	WIRE ASSEMBLY, #10 RED .....	1
24	<u>1015741</u>	BLOCK, FUSE .....	1
25	0008233	NUT, NYLON LOCK, 1/4 - 20 .....	1
26	<u>1015777</u>	ASSEMBLY, VOLTAGE REGULATOR .....	1
27	1015343	STRAP, GROUND .....	1
28	<u>1015405</u>	BOLT, CARRIAGE, 5/16 - 18 x 2 .....	1
29	<u>1015919</u>	NUT, HEX JAM, 1/4 - 20 .....	1
30	<u>1013509</u>	SCREW, HEX HEAD CAP, 1/4 - 20 x 1 3/4 .....	1

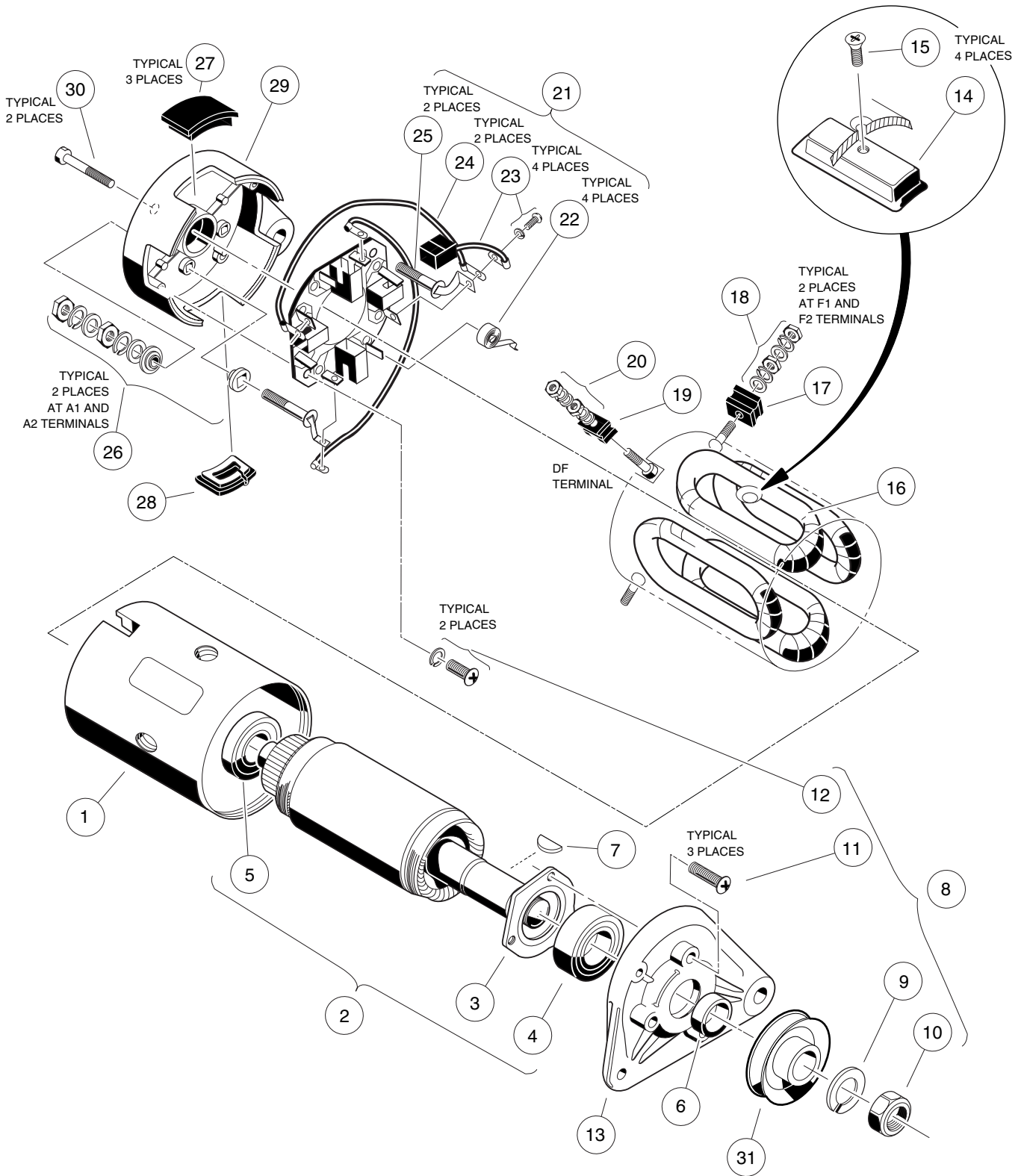


# ELECTRICAL COMPONENTS GASOLINE VEHICLE

**6**

**G**

ITEM	PART NO.	DESCRIPTION	QTY
		1 2 3 4	
1	<u>1016859</u>	KIT, REVERSE BUZZER (INCLUDES ITEMS 2, 3 AND 4) .....	1
2	<u>1016851</u>	BUZZER, REVERSE .....	1
3	<u>1016849</u>	SCREW, PAN HEAD HI-LO, #4 - 24 x 5/16 .....	2
4	1016857	WIRE ASSEMBLY, #18 BLACK .....	1
5	<u>1018263-01</u>	SWITCH, KEY .....	1
6	<u>1018306-01</u>	ASSEMBLY, SCREW AND WASHER .....	4
7	<u>1018511-01</u>	WASHER .....	1
8	<u>1018307-01</u>	NUT, KEY SWITCH .....	1
9	<u>1018345-02</u>	CAP, KEY SWITCH .....	1
10	<u>1012505</u>	KEY (PAIR) .....	1
11	<u>1016630</u>	LIGHT, OIL WARNING (WITH INTERNAL RESISTOR) .....	1



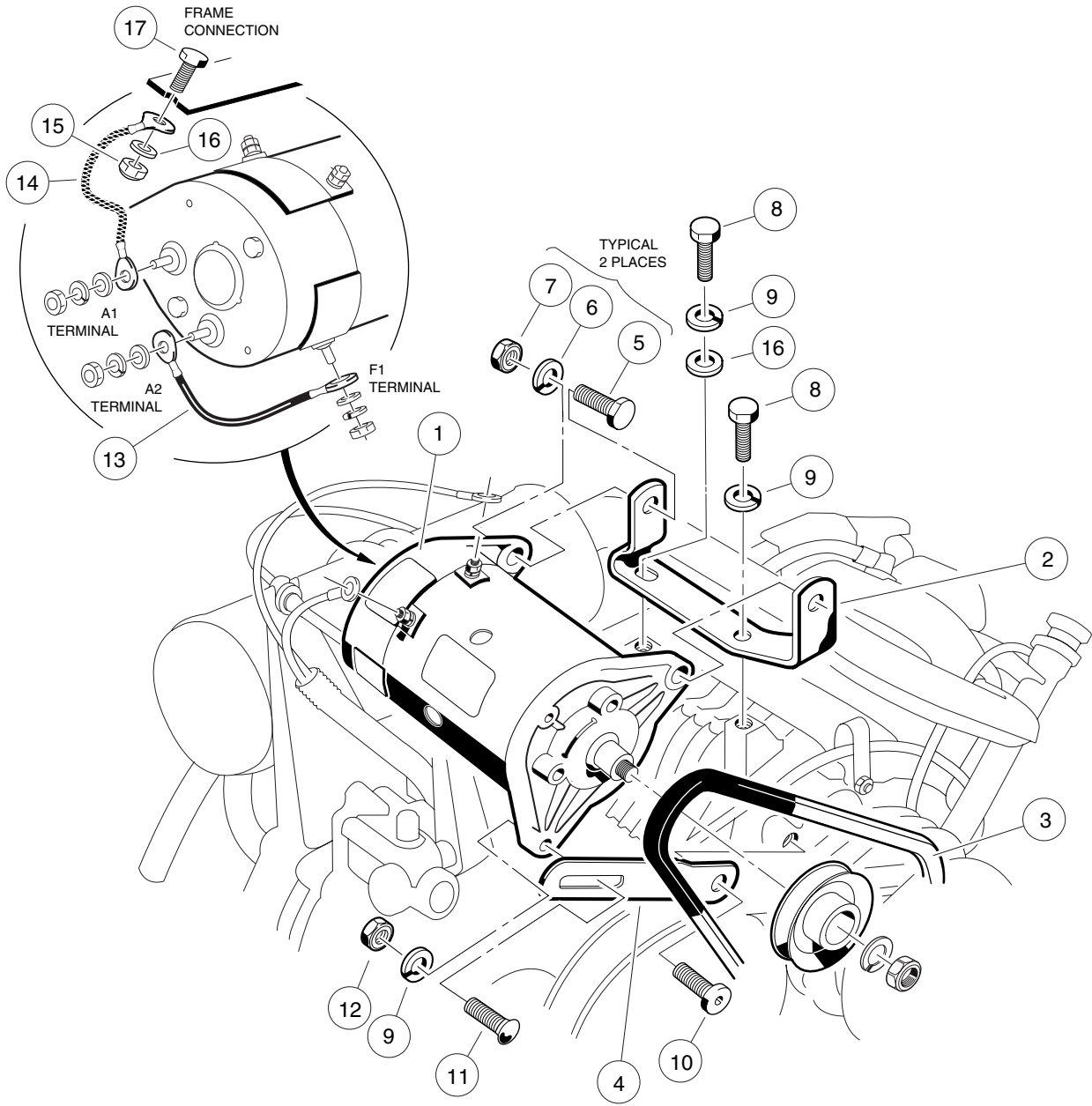


# STARTER/GENERATOR ASSEMBLY

6

G

ITEM	PART NO.	DESCRIPTION	QTY
		1 2 3 4	
	<u>1018337-01</u>	STARTER/GENERATOR (CLOCKWISE ROTATION) (INCLUDES ITEMS 1 - 30) .....	1
1	<u>1018752-01</u>	HOUSING, FIELD COIL .....	1
2	<u>1018751-01</u>	ASSEMBLY, ARMATURE (INCLUDES ITEMS 3, 4 AND 5) .....	1
3	<u>1018750-01</u>	RETAINER, BEARING .....	1
4	<u>1013001</u>	BALL BEARING, OUTPUT SHAFT .....	1
5	<u>1013005</u>	COMMUTATOR, BALL BEARING .....	1
6	<u>1018748-01</u>	SPACER .....	1
7	<u>1013003</u>	KEY, WOODRUFF .....	1
8	<u>1018765-01</u>	KIT, PULLEY NUT AND SCREW (INCLUDES ITEMS 9 - 12) .....	1
9	N/A	WASHER, LOCK, M14 .....	1
10	N/A	NUT, HEX, M14 x 2 .....	1
11	N/A	SCREW, CROSS - RECESSED, M5 x .8 x 18MM .....	3
12	<u>1018965-01</u>	SCREW, CROSS - RECESSED, M5 x .8 x 16MM (WITH LOCK WASHER) .....	2
13	<u>1018749-01</u>	END BELL, OUTPUT SHAFT .....	1
14	<u>1018753-01</u>	SET, POLE (SET OF 4) .....	1
15	<u>1018754-01</u>	SCREW, POLE PIECE (SET OF 4) .....	1
16	<u>1018755-01</u>	ASSEMBLY, FIELD COIL .....	1
17	<u>1018756-01</u>	SET, F MOLD .....	2
18	<u>1018776-01</u>	PACKAGE, TERMINAL HARDWARE (F1 AND F2) .....	2
19	<u>1018757-01</u>	SET, DF MOLD .....	1
20	<u>1018777-01</u>	PACKAGE, TERMINAL HARDWARE (DF) .....	1
21	<u>1013011-02</u>	HOLDER, BRUSH (INCLUDES ITEMS 22 - 25) .....	1
22	<u>1018781-01</u>	SPRING, BRUSH .....	4
23	<u>1018693-02</u>	PACKAGE, BRUSH (INCLUDES 4 BRUSHES, 4 SCREWS, 4 WASHERS) .....	1
24	<u>1018762-02</u>	ASSEMBLY, BRUSH CONNECTOR .....	2
25	<u>1018758-02</u>	A CONNECTOR (SET OF 2) .....	1
26	<u>1018760-01</u>	PACKAGE, TERMINAL HARDWARE (A1 AND A2) .....	2
27	<u>1018763-01</u>	COVER, BRUSH INSPECTION PORT (SET OF 4) (INCLUDES ITEM 28) .....	1
28	<u>1017653</u>	COVER, BRUSH INSPECTION PORT, WITH DRAIN .....	1
29	<u>1018764-02</u>	END BELL, COMMUTATOR .....	1
30	<u>1018790-01</u>	BOLT, CLAMP, M6 x 1 x 180MM .....	2
31	<u>1014289</u>	PULLEY .....	1

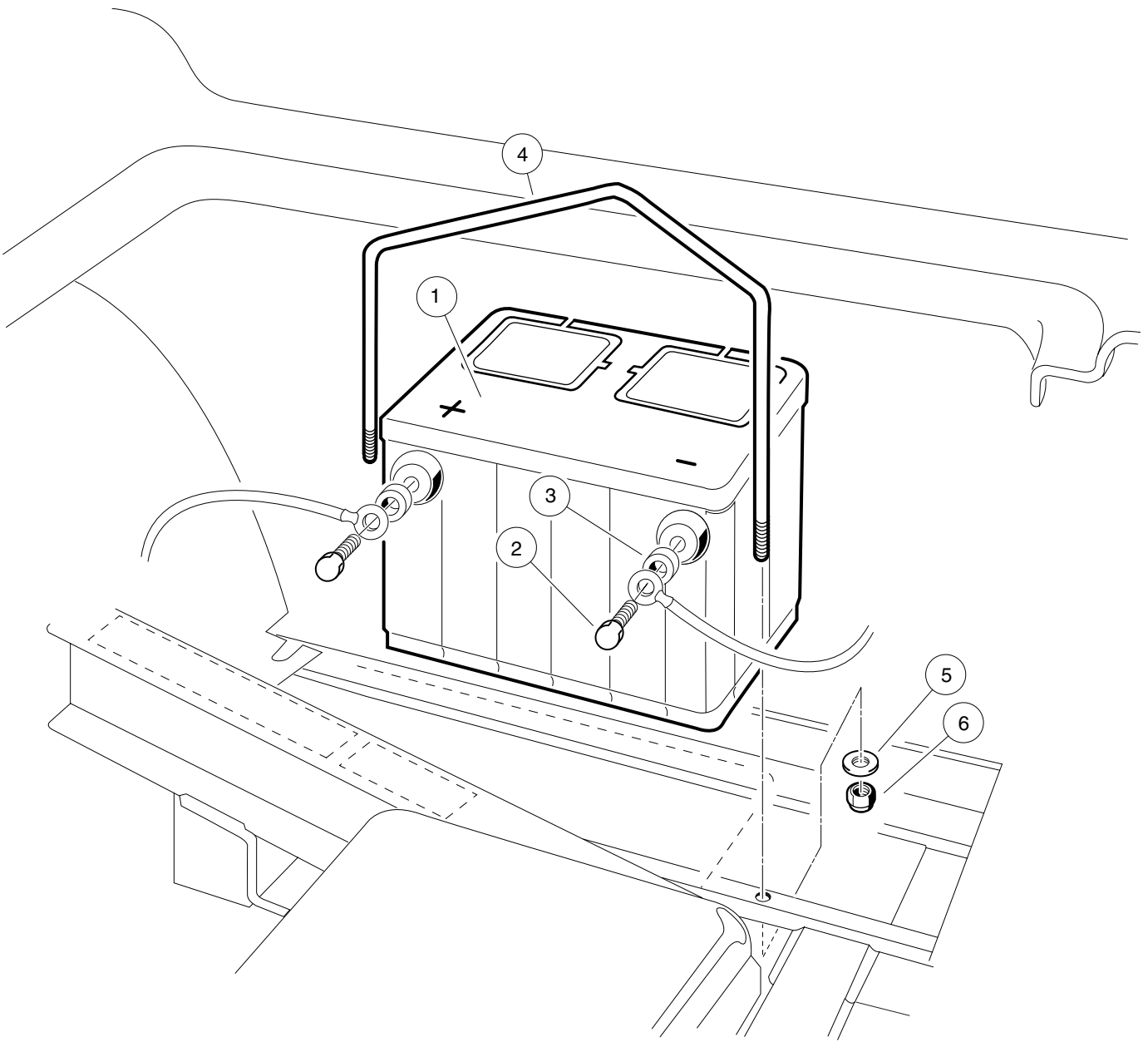


# STARTER/GENERATOR MOUNTING

6

G

ITEM	PART NO.	DESCRIPTION	QTY
		1 2 3 4	
1	<u>1018337-01</u>	STARTER/GENERATOR .....	1
2	<u>1015240-01</u>	BRACKET, MOUNTING, FE 290 .....	1
3	<u>1019167-01</u>	BELT .....	1
4	<u>1016883</u>	BRACKET, ADJUSTING .....	1
5	0000705	SCREW, HEX HEAD CAP, 3/8 - 16 x 1 1/4 .....	2
6	0000357	WASHER, LOCK, 3/8 .....	2
7	0000706	NUT, HEX, 3/8 - 16 .....	2
8	1019035-01	SCREW, HEX HEAD CAP, M8 x 1.25 x 24MM .....	2
9	0007174	WASHER, LOCK, 5/16 .....	3
10	<u>1016074</u>	SCREW, TORX HEAD, M8 x 1.25 x 18MM .....	1
11	<u>1015932</u>	BOLT, CARRIAGE, 5/16 - 18 x 1 .....	1
12	0001242	NUT, HEX, 5/16 - 18 .....	1
13	<u>1018373-01</u>	WIRE ASSEMBLY, #6 GREEN .....	1
14	<u>1015920</u>	WIRE ASSEMBLY, #6 BRAIDED GROUND .....	1
15	0007473	NUT, NYLON LOCK, 5/16 - 18 .....	1
16	0001241	WASHER, FLAT, 5/16 .....	2
17	0007173	SCREW, HEX HEAD CAP, 5/16 - 18 x 3/4 .....	1



# BATTERY MOUNTING - GASOLINE VEHICLE

6

G

ITEM	PART NO.	DESCRIPTION	QTY
		1 2 3 4	
1	<u>1012328</u>	BATTERY, 12 VOLT .....	1
2	<u>1014375</u>	SCREW, HEX HEAD CAP, STAINLESS STEEL, 3/8 - 16 x 1/2 .....	2
3	<u>1014374</u>	SPACER, BATTERY TERMINAL BOLT .....	2
4	<u>1013882</u>	HOLD-DOWN, BATTERY, STAINLESS STEEL .....	1
5	1011964	WASHER, FLAT, STAINLESS STEEL, 1/4 .....	2
6	1015068	NUT, NYLON LOCK, STAINLESS STEEL, 1/4 - 20 .....	2

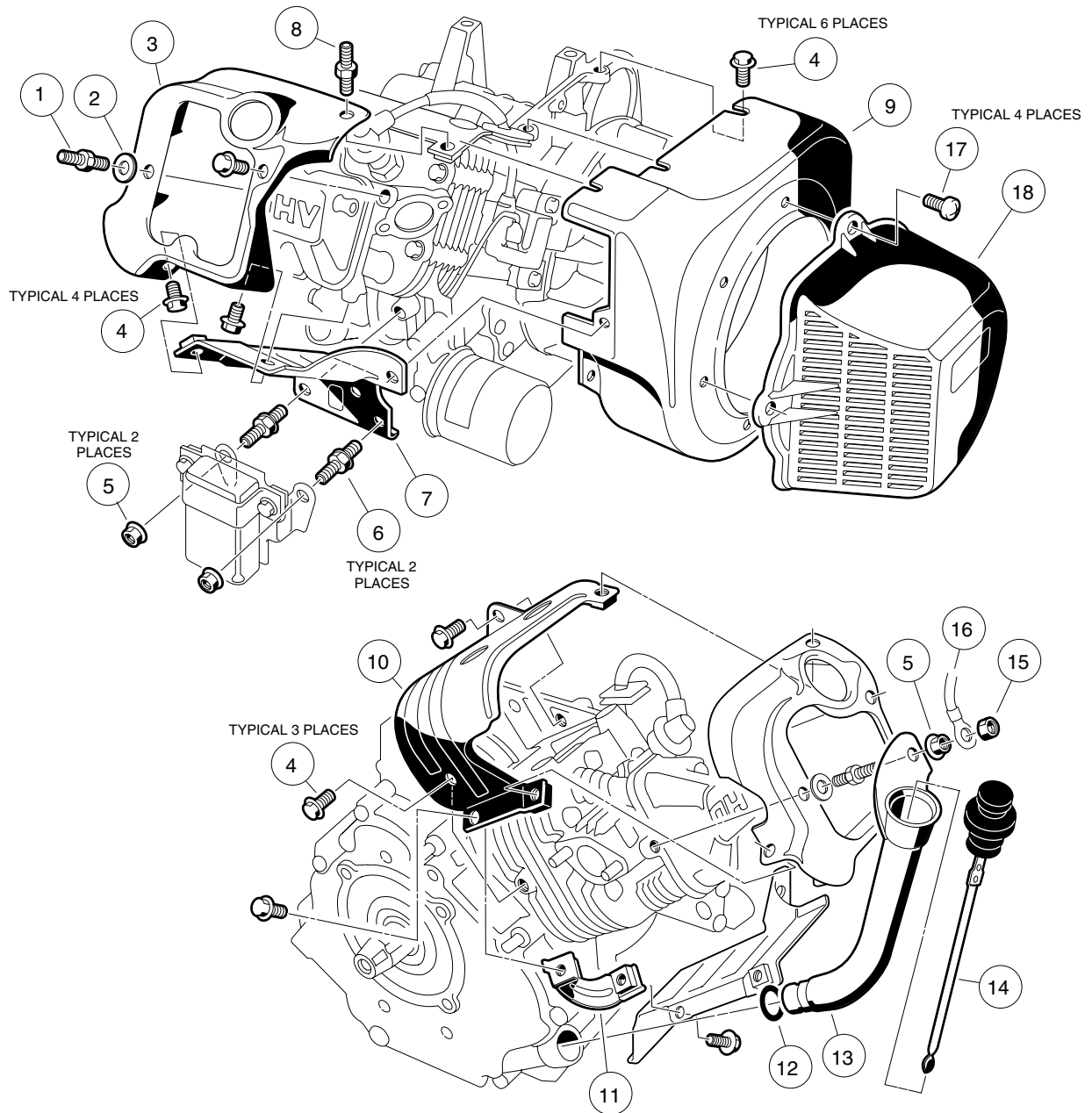


# ENGINE

---

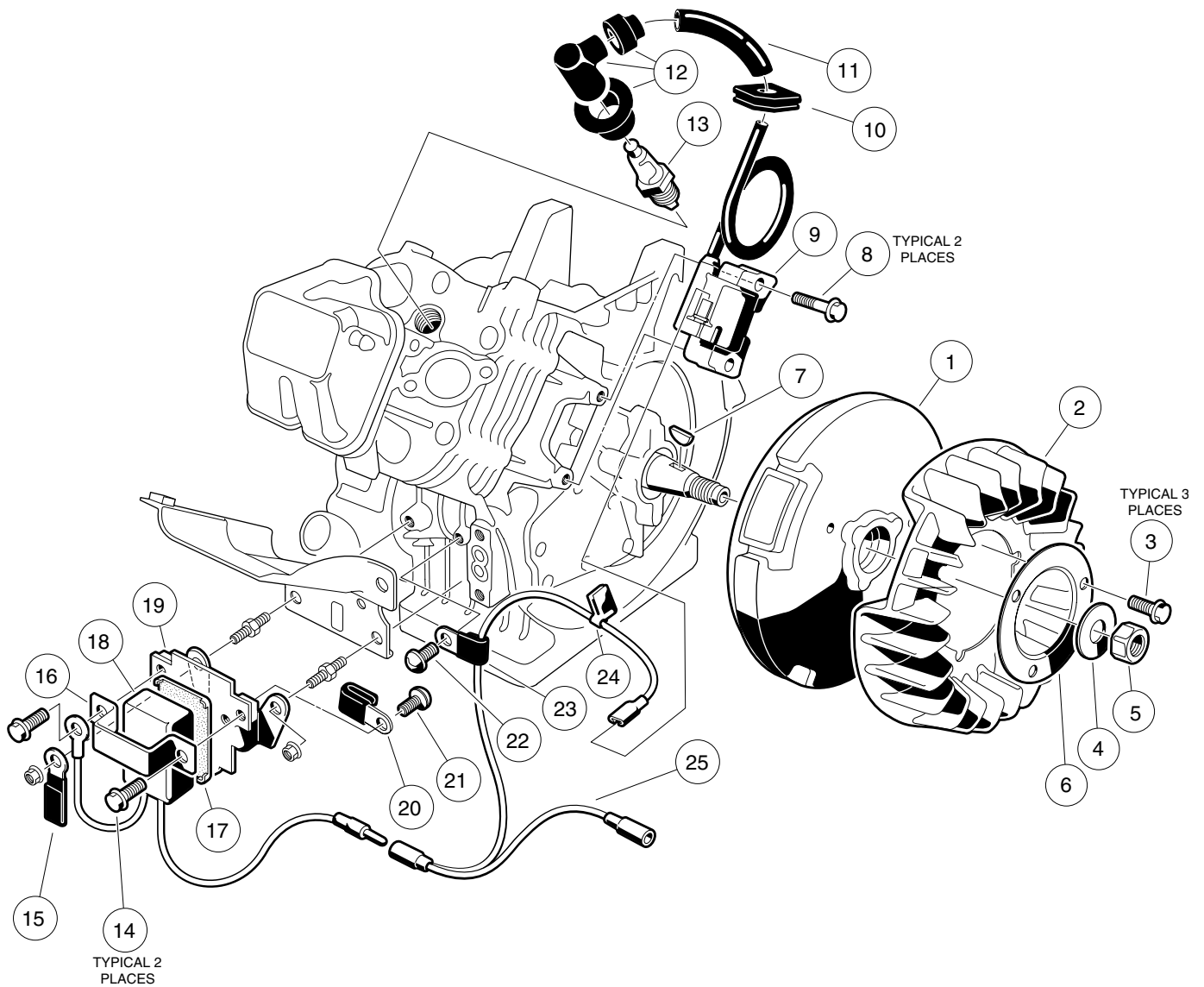
7

G

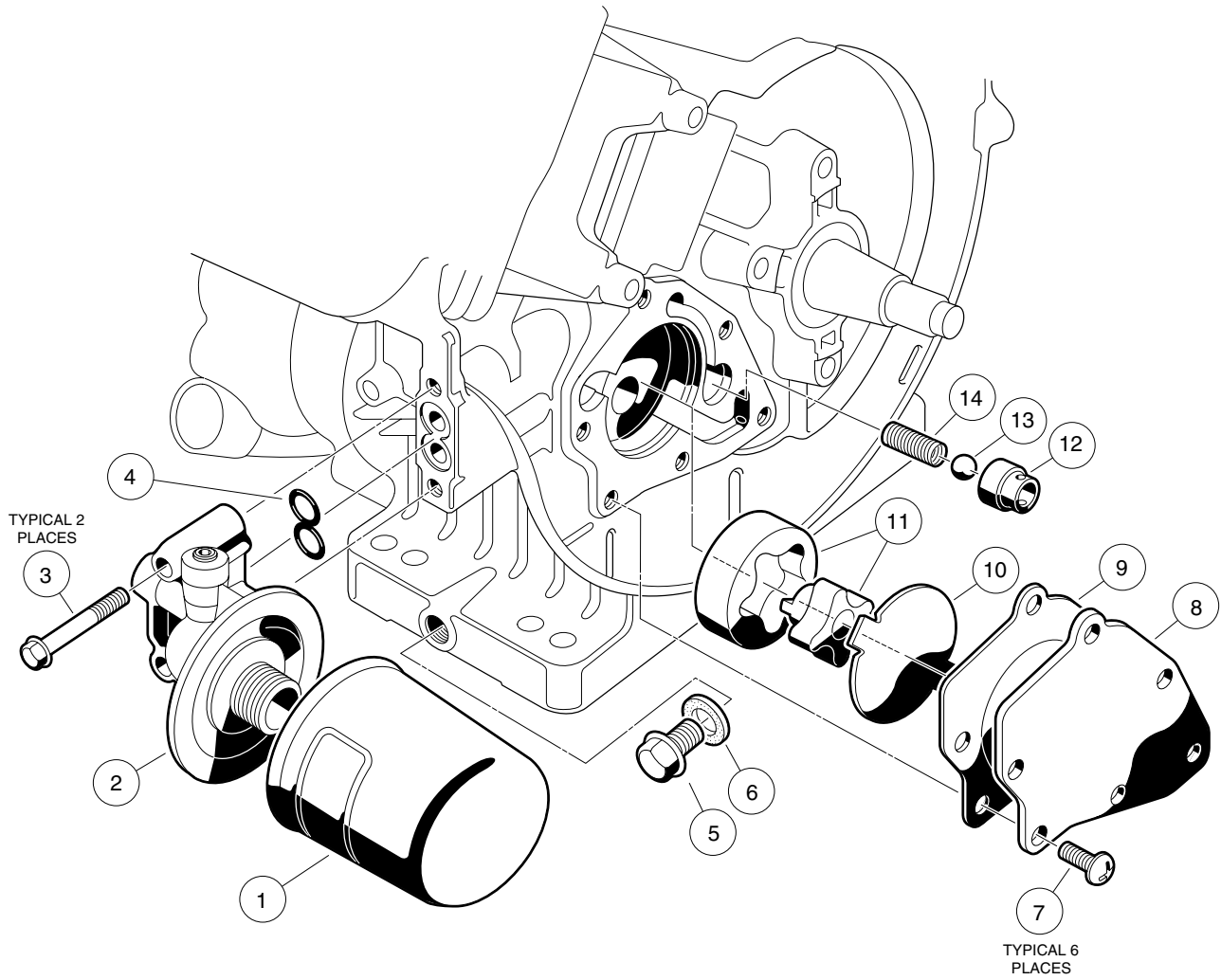




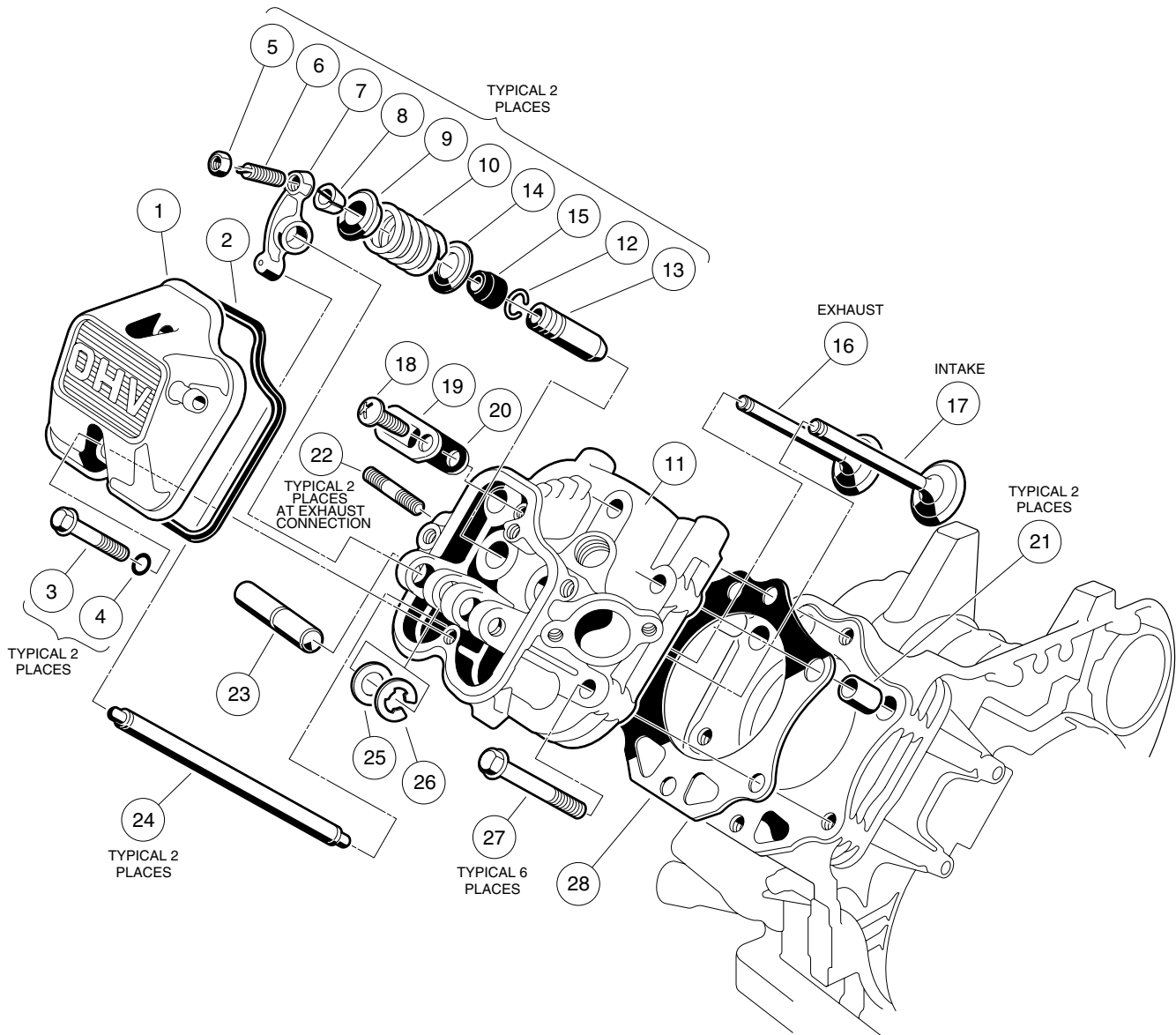
ITEM	PART NO.	DESCRIPTION	QTY
		1 2 3 4	
	1018335-01	FE 290 OHV GASOLINE ENGINE (CLOCKWISE ROTATION) (DOES NOT INCLUDE ITEMS 15 THRU 18) .....	1
1	<u>1016507</u>	BOLT, 2-ENDED, M6 x 1 x 29MM .....	1
2	<u>1016512</u>	WASHER, FLAT, 6MM .....	1
3	<u>1016524</u>	SHROUD, ENGINE, FE 290 .....	1
4	1016456	BOLT, FLANGED, M6 x 1 x 12MM .....	15
5	1016547	NUT, M6 x 1 .....	3
6	<u>1019097-01</u>	BOLT, 2-ENDED, M6 x 1 x 27MM .....	1
7	1016526	SHROUD, ENGINE, FE 290 (LOWER) .....	1
8	<u>1017221</u>	SCREW, 2-ENDED, M6 x 1 x 46MM .....	1
9	1019156-01	HOUSING, FAN .....	1
10	<u>1016525</u>	SHROUD, ENGINE, FE 290 (UPPER) .....	1
11	<u>1016443</u>	BRACKET .....	1
12	<u>1016539</u>	O-RING .....	1
13	<u>1016536</u>	TUBE, OIL FILLER, FE 290 .....	1
14	1016531	DIPSTICK .....	1
15	<u>1011114</u>	NUT, M6 x1 .....	1
16	<u>1015332</u>	WIRE ASSEMBLY, #10 BRAIDED GROUND .....	1
17	<u>1015969</u>	SCREW, PAN HEAD, M6 x 1 x 14MM .....	4
18	<u>1015649</u>	SHROUD, FAN .....	1



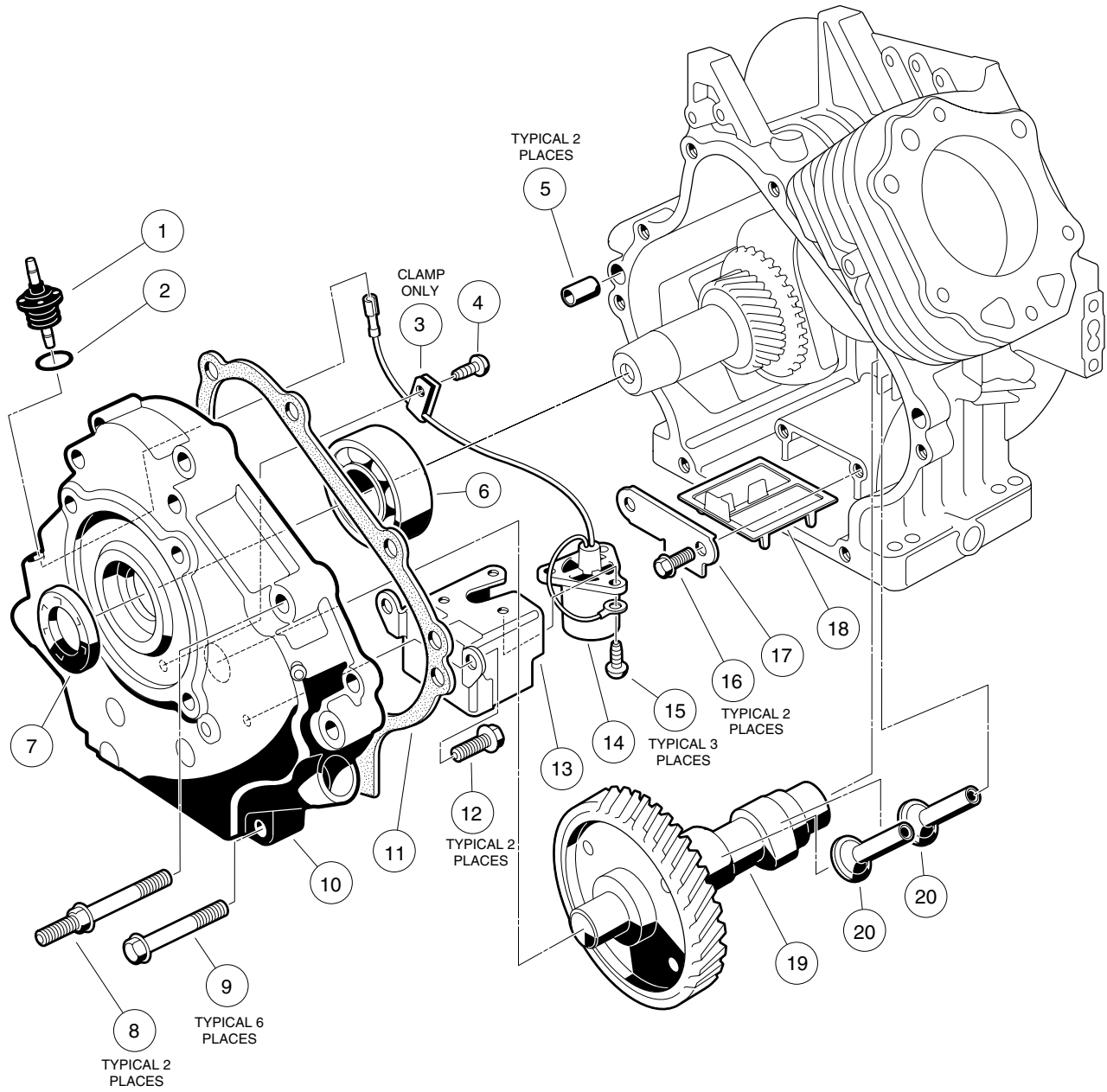
ITEM	PART NO.	DESCRIPTION	QTY
		1 2 3 4	
1	<u>1019157-01</u>	FLYWHEEL .....	1
2	<u>1019158-01</u>	FAN, FLYWHEEL, GRAY .....	1
3	<u>1017448</u>	SCREW, FLANGED HEX HEAD, M6 x 1 x 10MM .....	3
4	<u>1016548</u>	WASHER, FLAT, 16MM .....	1
5	<u>1016505</u>	NUT, HEX, M16 x 2 .....	1
6	<u>1017455</u>	PLATE, FLYWHEEL FAN .....	1
7	<u>1016562</u>	KEY .....	1
8	<u>1016455</u>	BOLT, FLANGED, M5 x .8 x 25MM .....	2
9	<u>1019092-01</u>	COIL, IGNITION .....	1
10	<u>1016578</u>	GROMMET .....	1
11	<u>1016588</u>	TUBE, 7MM x 70MM .....	1
12	<u>1016493</u>	ASSEMBLY, PLUG CAP .....	1
13	1016111	SPARK PLUG - OHV .....	1
14	1016456	BOLT, FLANGED, M6 x 1 x 12MM .....	2
15	<u>1012981</u>	CLAMP .....	1
16	<u>1016579</u>	MOUNT, RPM LIMITER .....	1
17	1016586	DAMPER, RPM LIMITER .....	1
18	1019094-01	LIMITER, RPM - OHV .....	1
19	1016445	BRACKET, RPM LIMITER .....	1
20	1019095-01	CLAMP .....	1
21	<u>1016497</u>	SCREW, CROSS PAN HEAD, M5 x .8 x 8MM .....	1
22	<u>1016544</u>	SCREW, CROSS PAN HEAD SELF-TAPPING, M5 x .8 x 12MM .....	1
23	<u>1016561</u>	CLAMP .....	1
24	<u>1016587</u>	CLAMP .....	1
25	<u>1019093-01</u>	WIRE, LEAD .....	1



ITEM	PART NO.	DESCRIPTION	QTY
		1 2 3 4	
1	<u>1016467</u>	ASSEMBLY, OIL FILTER, OHV .....	1
2	<u>1016502</u>	BRACKET, OIL FILTER .....	1
3	<u>1016457</u>	BOLT, FLANGED HEX HEAD, M6 x 1 x 40MM .....	2
4	<u>1016570</u>	O-RING, OIL FILTER MOUNT .....	1
5	<u>1016576</u>	PLUG, DRAIN, FE 290 .....	1
6	<u>1016432</u>	GASKET, DRAIN PLUG .....	1
7	<u>1016498</u>	SCREW, CROSS PAN HEAD, M6 x 1 x 12MM .....	6
8	<u>1016484</u>	COVER, PUMP .....	1
9	<u>1016435</u>	GASKET, OIL PUMP .....	1
10	<u>1016473</u>	PLATE, OIL PUMP .....	1
11	<u>1016482-03</u>	PUMP, OIL, AND ROTOR .....	1
12	<u>1016429</u>	SEAT, VALVE .....	1
13	<u>1016537</u>	BALL, STEEL, PRESSURE RELIEF .....	1
14	<u>1016581</u>	SPRING .....	1

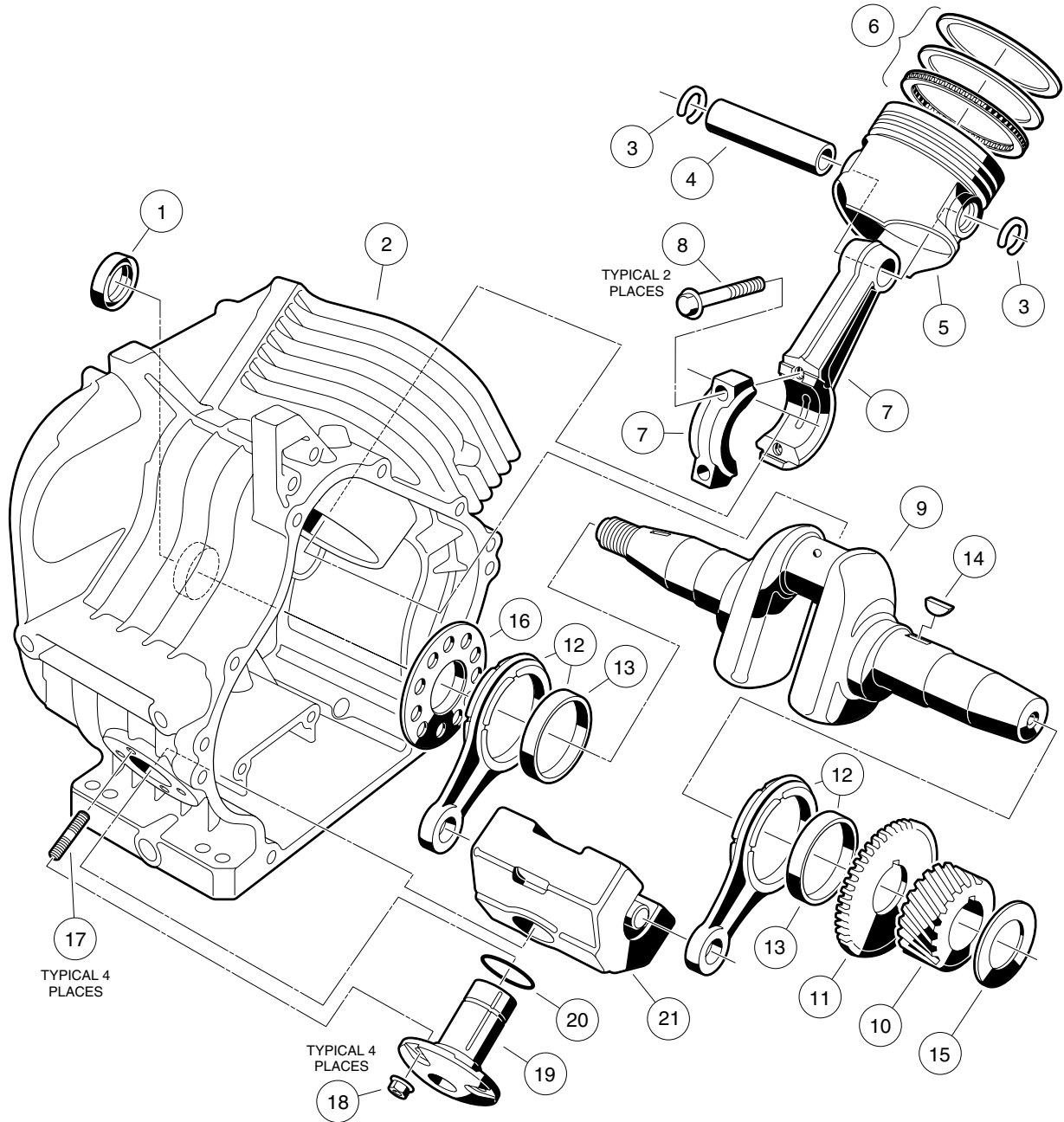


ITEM	PART NO.	DESCRIPTION	QTY
		1 2 3 4	
1	<u>1016442</u>	CASE, ROCKER .....	1
2	<u>1016436</u>	GASKET, ROCKER CASE .....	1
3	<u>1016583</u>	BOLT, FLANGED, M6 x 1 x 35MM .....	2
4	<u>1016569</u>	O-RING .....	2
5	<u>1016545</u>	NUT, HEX, M5 x .8 .....	2
6	<u>1016542</u>	SCREW, STUD, M5 x .8 .....	2
7	<u>1016451</u>	ARM, ROCKER .....	2
8	<u>1016450</u>	COLLET .....	2
9	<u>1016449</u>	RETAINER, VALVE SPRING .....	2
10	<u>1016523</u>	SPRING, ENGINE VALVE .....	2
11	<u>1016431</u>	ASSEMBLY, CYLINDER HEAD, OHV (INCLUDES ITEMS 12 AND 13) .....	1
12	<u>1016560</u>	RING, SNAP .....	2
13	<u>1016519</u>	GUIDE, VALVE .....	2
14	<u>1016479</u>	SEAT, SPRING .....	2
15	<u>1016566</u>	SEAL, VALVE .....	2
16	<u>1016448</u>	VALVE, EXHAUST .....	1
17	<u>1016447</u>	VALVE, INTAKE .....	1
18	<u>1016544</u>	SCREW, CROSS PAN HEAD SELF-TAPPING, M5 x .8 x 12MM .....	1
19	<u>1016474</u>	PLATE .....	1
20	<u>1016483</u>	VALVE .....	1
21	<u>1016563</u>	PIN .....	2
22	<u>1016489</u>	BOLT, STUD, M8 x 1.25 x 29MM .....	2
23	<u>1016452</u>	SHAFT, ROCKER .....	1
24	<u>1016471</u>	ROD, PUSH .....	2
25	<u>1016549</u>	WASHER, FLAT, M12 .....	1
26	<u>1016517</u>	CIRCLIP, TYPE E .....	1
27	<u>1016458</u>	BOLT, FLANGED, M8 x 1.25 x 45MM .....	6
28	<u>1016430</u>	GASKET, HEAD .....	1

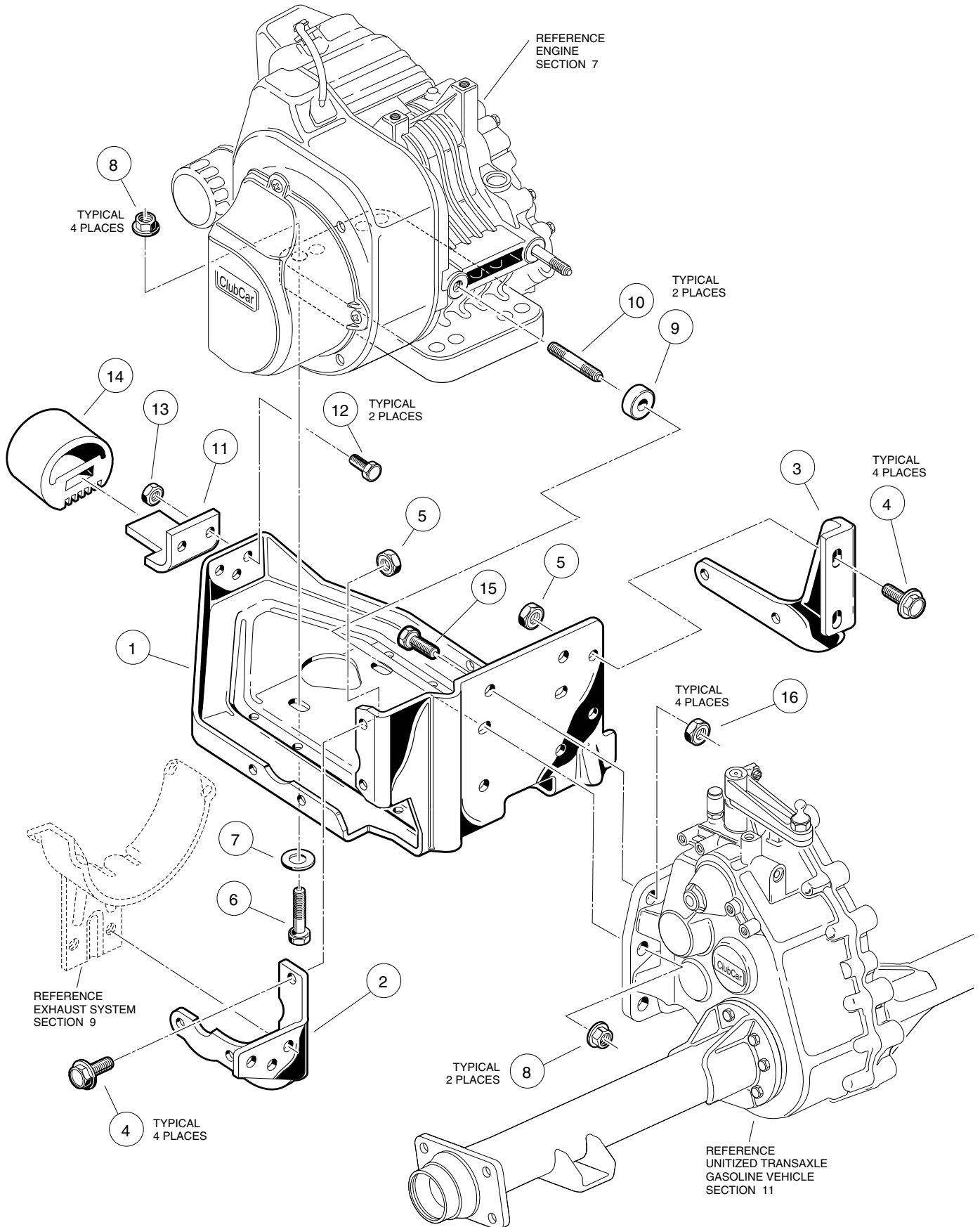




ITEM	PART NO.	DESCRIPTION	QTY
		1 2 3 4	
1	<u>1016535</u>	CONNECTOR, CORD .....	1
2	<u>1016538</u>	O-RING .....	1
3	<u>1016506</u>	CLAMP .....	1
4	<u>1016544</u>	SCREW, CROSS PAN HEAD SELF-TAPPING, M5 x .8 x 12MM .....	1
5	<u>1016564</u>	PIN .....	2
6	<u>1016565</u>	BEARING, BALL .....	1
7	<u>1016567</u>	SEAL, CRANKSHAFT .....	1
8	<u>1016584</u>	BOLT, 2-ENDED, M8 x 1.25 x 69MM .....	2
9	<u>1016458</u>	BOLT, FLANGED, M8 x 1.25 x 45MM .....	6
10	<u>1016520</u>	COVER, CRANKCASE .....	1
11	<u>1016446</u>	GASKET, CRANKCASE COVER .....	1
12	<u>1016456</u>	BOLT, FLANGED, M6 x 1 x 12MM .....	2
13	<u>1016510</u>	BRACKET, OIL LEVEL SWITCH .....	1
14	<u>1016494</u>	SENSOR, OIL LEVEL .....	1
15	<u>1016496</u>	SCREW, CROSS PAN HEAD, M4 x .7 x 8MM .....	3
16	<u>1016454</u>	BOLT, FLANGED, M5 x .8 x 8MM .....	2
17	<u>1016472</u>	PLATE, OIL FILTER SCREEN .....	1
18	<u>1016521</u>	SCREEN, OIL FILTER .....	1
19	<u>1019154-01</u>	CAMSHAFT, COMPLETE .....	1
20	<u>1016453</u>	TAPPET .....	2



ITEM	PART NO.	DESCRIPTION	QTY
		1 2 3 4	
1	<u>1016568</u>	SEAL, OIL .....	1
2	<u>1019155-01</u>	CRANKCASE, COMPLETE, OHV .....	1
3	<u>1016558</u>	RING, SNAP .....	2
4	1016460	PIN, PISTON .....	1
5	<u>1016459-01</u>	PISTON, STANDARD .....	1
5	1016459-02	PISTON, .25MM OVERSIZED .....	1
5	<u>1016459-03</u>	PISTON, .50MM OVERSIZED .....	1
6	<u>1016461-01</u>	RING SET, PISTON, STANDARD .....	1
6	1016461-02	RING SET, PISTON, .25MM OVERSIZED .....	1
6	<u>1016461-03</u>	RING SET, PISTON, .50MM OVERSIZED .....	1
7	<u>1016475-01</u>	ASSEMBLY, CONNECTING ROD, STANDARD (INCLUDES 2 EACH OF ITEM 8) .....	1
7	1016475-02	ASSEMBLY, CONNECTING ROD, .50MM UNDERSIZED (INCLUDES 2 EACH OF ITEM 8) .....	1
8	<u>1016509</u>	BOLT, HEX HEAD, M7 x 1 x 36MM .....	2
9	1019233-01	CRANKSHAFT, OHV (INCLUDES ITEMS 10, 11 AND 12) .....	1
10	<u>1016533</u>	GEAR, HELICAL .....	1
11	<u>1016532</u>	GEAR, SPUR .....	1
12	<u>1016516</u>	ASSEMBLY, CONNECTING ROD (INCLUDES ITEM 13) .....	2
13	1016580	BEARING, PLAIN .....	2
14	<u>1016562</u>	KEY .....	1
15	<u>1016550-01</u>	SHIM, CRANKSHAFT, 1.13MM THICK .....	A/R
15	<u>1016550-02</u>	SHIM, CRANKSHAFT, 1.18MM THICK .....	A/R
15	<u>1016550-03</u>	SHIM, CRANKSHAFT, 1.23MM THICK .....	A/R
15	<u>1016550-04</u>	SHIM, CRANKSHAFT, 1.28MM THICK .....	A/R
15	<u>1016550-05</u>	SHIM, CRANKSHAFT, 1.33MM THICK .....	A/R
15	<u>1016550-06</u>	SHIM, CRANKSHAFT, 1.38MM THICK .....	A/R
15	<u>1016550-07</u>	SHIM, CRANKSHAFT, 1.43MM THICK .....	A/R
15	<u>1016550-08</u>	SHIM, CRANKSHAFT, 1.48MM THICK .....	A/R
15	<u>1016550-09</u>	SHIM, CRANKSHAFT, 1.53MM THICK .....	A/R
16	1016559	SPACER .....	1
17	<u>1016541</u>	BOLT, STUD, M6 x 1 x 22MM .....	4
18	1016547	NUT, FLANGED, M6 x 1 .....	4
19	1016470	SHAFT, GUIDE COUNTERBALANCE .....	1
20	<u>1016571</u>	O-RING .....	1
21	<u>1016469</u>	WEIGHT, COUNTERBALANCE .....	1



# ENGINE MOUNTING

7

G

ITEM	PART NO.	DESCRIPTION	QTY
		1 2 3 4	
1	<u>1018271-01</u>	PLATE, MOUNTING .....	1
2	<u>1018327-01</u>	STIFFENER, FLYWHEEL SIDE .....	1
3	<u>1018326-01</u>	STIFFENER, DRIVE CLUTCH SIDE .....	1
4	<u>1018848-01</u>	SCREW, HEX HEAD, 5/16 - 24 x 7/8 .....	8
5	<u>1013924</u>	NUT, HEX LOCK, 5/16 - 24 .....	8
6	<u>1018559-01</u>	SCREW, HEX HEAD CAP, M8 x 1.25 x 43MM .....	4
7	1012571	WASHER, HEAVY FLAT, 5/16 .....	4
8	1018330-01	NUT, FLANGE, M8 x 1.25 .....	6
9	<u>1018321-01</u>	SPACER .....	2
10	<u>1018332-01</u>	STUD, M8 x 1.25 .....	2
11	<u>1018346-01</u>	BRACKET, SNUBBER .....	1
12	1018347-01	SCREW, HEX HEAD CAP, 5/16 - 18 x 7/8 .....	2
13	0007473	NUT, NYLON LOCK, 5/16 - 18 .....	2
14	1012164	SNUBBER .....	1
15	<u>1018333-01</u>	SCREW, HEX HEAD CAP, M10 x 1.25 x 30MM .....	4
16	<u>1018329-01</u>	NUT, FLANGE, M10 x 1.25 .....	4

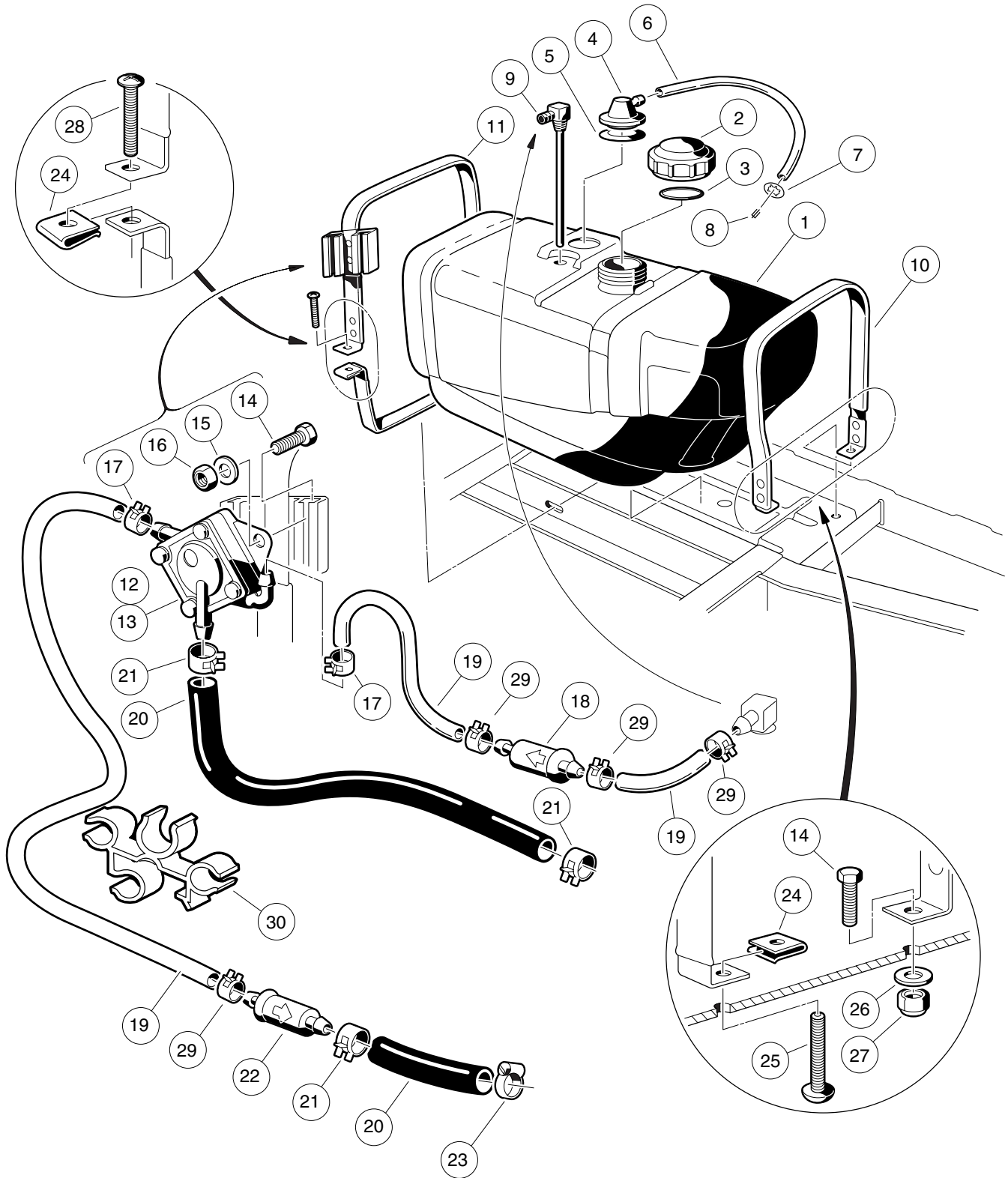


# FUEL, INTAKE, AND GOVERNOR SYSTEMS

---

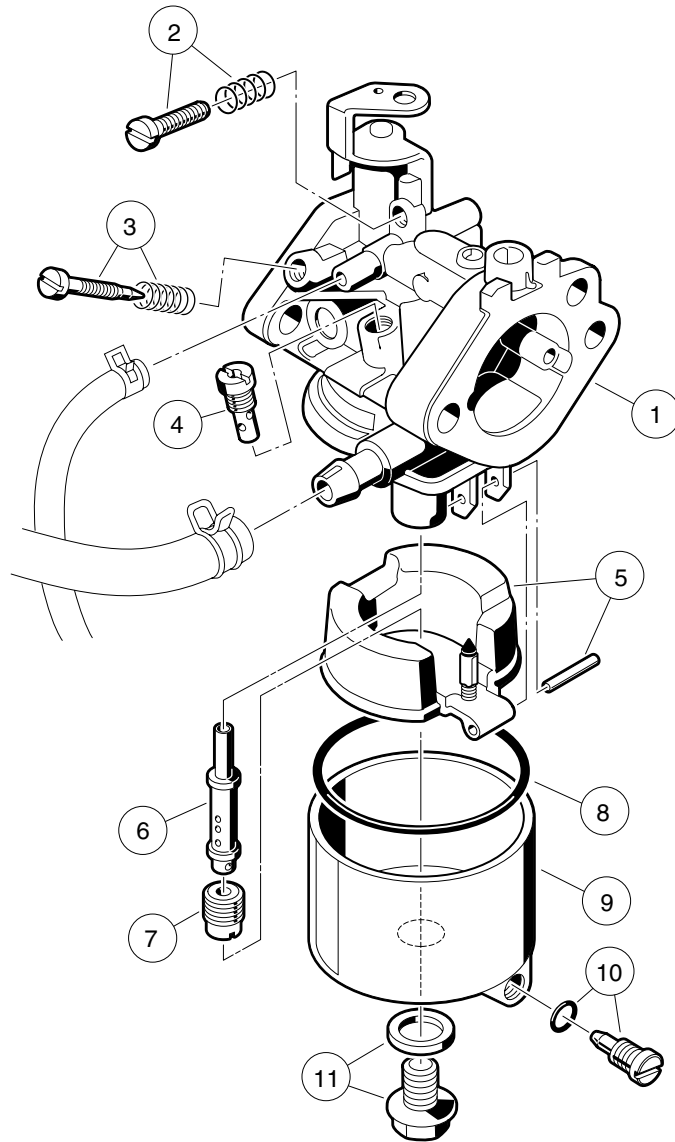
8

G





ITEM	PART NO.	DESCRIPTION	QTY
		1 2 3 4	
1	<u>1016003</u>	KIT, FUEL TANK, (INCLUDES ITEMS 2 - 9) .....	1
2	<u>1015188</u>	CAP, FUEL TANK, NONVENTED (INCLUDES GASKET) .....	1
3	<u>1014535</u>	GASKET, FUEL CAP .....	1
4	<u>1015143</u>	ASSEMBLY, FUEL TANK VENT .....	1
5	<u>1015139</u>	GROMMET, INSULATION .....	1
6	<u>1015137</u>	LINE, BULK (FUEL TANK VENT) .....	A/R
7	<u>1016059</u>	CLIP, STUD .....	1
8	<u>1018244-01</u>	BARB, VENT .....	1
9	<u>1012619</u>	TUBE, FUEL PICK-UP .....	1
10	<u>1014928</u>	ASSEMBLY, REAR FUEL STRAP .....	1
11	<u>1014927</u>	ASSEMBLY, FRONT FUEL STRAP .....	1
12	<u>1014523</u>	PUMP, FUEL IMPULSE, SQUARE BODY .....	1
13	<u>1014524</u>	PUMP, FUEL IMPULSE, SQUARE BODY REBUILD KIT .....	1
14	0007847	SCREW, HEX HEAD CAP, 1/4 - 20 x 3/4 .....	3
15	0000451	WASHER, LOCK, 1/4 .....	2
16	0001028	NUT, HEX, 1/4 - 20 .....	2
17	<u>1013134-01</u>	CLAMP, HOSE (BLACK) .....	2
18	<u>1013684</u>	FILTER , PRIMARY FUEL (WHITE) .....	1
19	<u>1012293</u>	LINE, BULK FUEL (YELLOW) .....	A/R
20	<u>1013692</u>	LINE, BULK FUEL (BLACK) .....	A/R
21	<u>1012649</u>	CLAMP, HOSE (RED) .....	3
22	<u>1014522</u>	FILTER, SECONDARY FUEL (BLUE) .....	1
23	<u>1013687</u>	CLAMP, HOSE, 3/8 .....	1
24	<u>1014116</u>	NUT, U-TYPE SPEED, 1/4 - 20 .....	2
25	<u>1013176</u>	SCREW, PHILLIPS TRUSS HEAD, 1/4 - 20 x 2 1/2 .....	1
26	0000332	WASHER, FLAT, 1/4 .....	1
27	0008233	NUT, NYLON LOCK, 1/4 - 20 .....	1
28	<u>1011988</u>	SCREW, PHILLIPS TRUSS HEAD, 1/4 - 20 x 2 .....	1
29	<u>1013134-02</u>	CLAMP, HOSE (GREEN) .....	4
30	<u>1016666</u>	CLIP, BLACK FUEL .....	2
	<u>1015014</u>	KIT, FUEL TANK SERVICE (INCLUDES ITEMS 10, 11, 14, 15, 16, 19, 20, 24, 26, 27 AND 28) .....	A/R



# CARBURETOR ASSEMBLY

8

G

ITEM	PART NO.	DESCRIPTION	QTY
		1 2 3 4	
1	<u>1016478</u>	ASSEMBLY, CARBURETOR (INCLUDES ITEMS 2 - 11) .....	1
2	<u>1016501</u>	ASSEMBLY, IDLE SCREW .....	1
3	<u>1016500</u>	ASSEMBLY, PILOT AIR SCREW .....	1
4	<u>1016574</u>	JET, PILOT, #45 .....	1
5	<u>1016486</u>	ASSEMBLY, FLOAT .....	1
6	<u>1016530</u>	NOZZLE, MAIN .....	1
		STANDARD JETTING:	
7	<u>1016425-80</u>	JET, MAIN, 0 - 3,000 FEET .....	A/R
7	<u>1016425-78</u>	JET, MAIN, 3,000 - 5,000 FEET .....	A/R
7	<u>1016425-75</u>	JET, MAIN, 5,000 - 8,000 FEET .....	A/R
7	<u>1016425-72</u>	JET, MAIN, 8,000 - 10,000 FEET .....	A/R
7	<u>1016425-70</u>	JET, MAIN, 10,000 FEET AND ABOVE .....	A/R
		BEST COLD STARTING:	
7	<u>1016425-82</u>	JET, MAIN, 0 - 3,000 FEET .....	A/R
7	<u>1016425-80</u>	JET, MAIN, 3,000 - 5,000 FEET .....	A/R
7	<u>1016425-78</u>	JET, MAIN, 5,000 - 8,000 FEET .....	A/R
7	<u>1016425-75</u>	JET, MAIN, 8,000 - 10,000 FEET .....	A/R
7	<u>1016425-72</u>	JET, MAIN, 10,000 FEET AND ABOVE .....	A/R
8	<u>1016437</u>	GASKET, FLOAT CHAMBER .....	1
9	<u>1016487</u>	ASSEMBLY, FLOAT CHAMBER (INCLUDES ITEM 10) .....	1
10	<u>1016499</u>	ASSEMBLY, SCREW .....	1
11	<u>1016585</u>	ASSEMBLY, BOLT .....	1

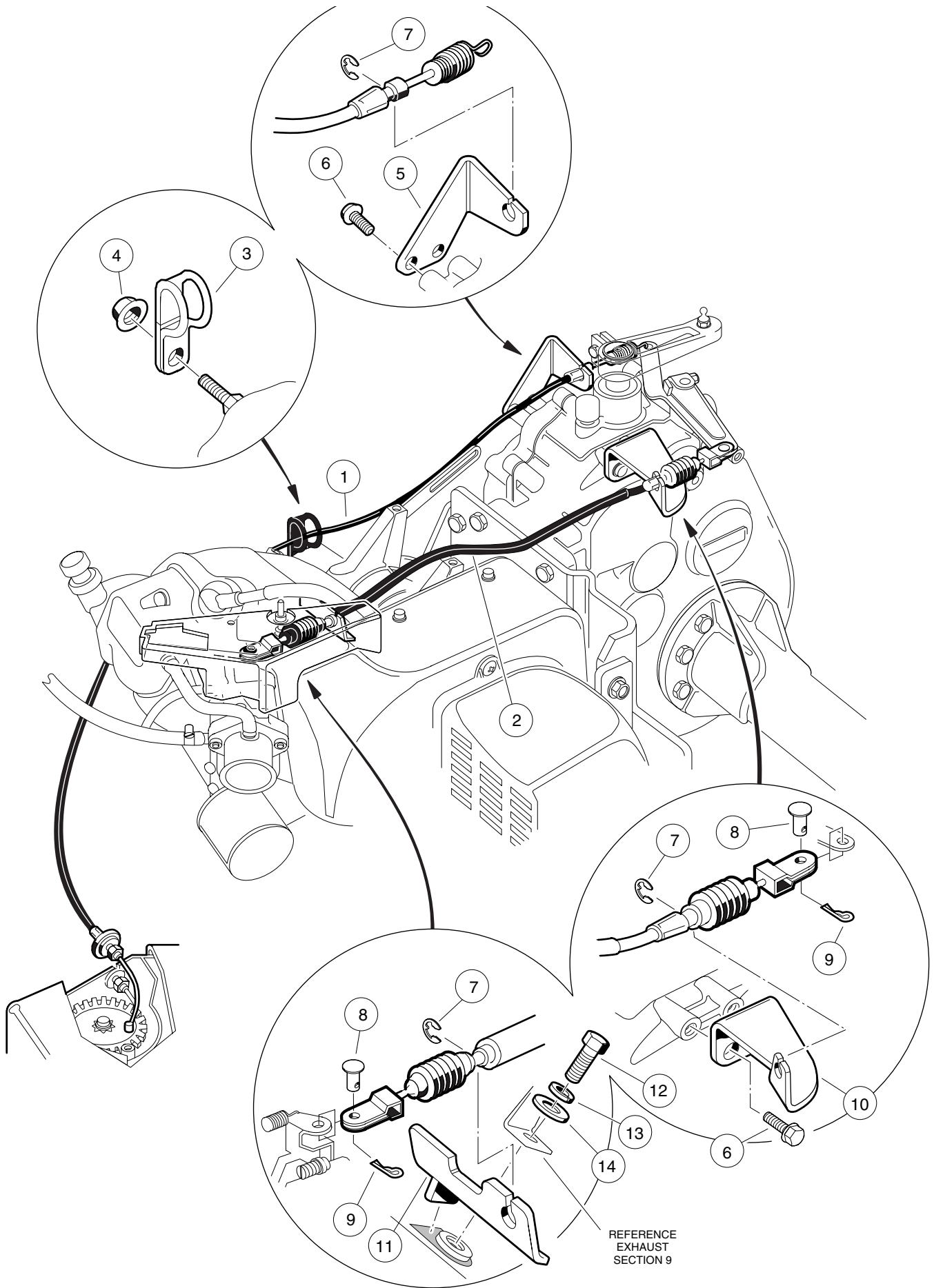


# CARBURETOR INSTALLATION

8

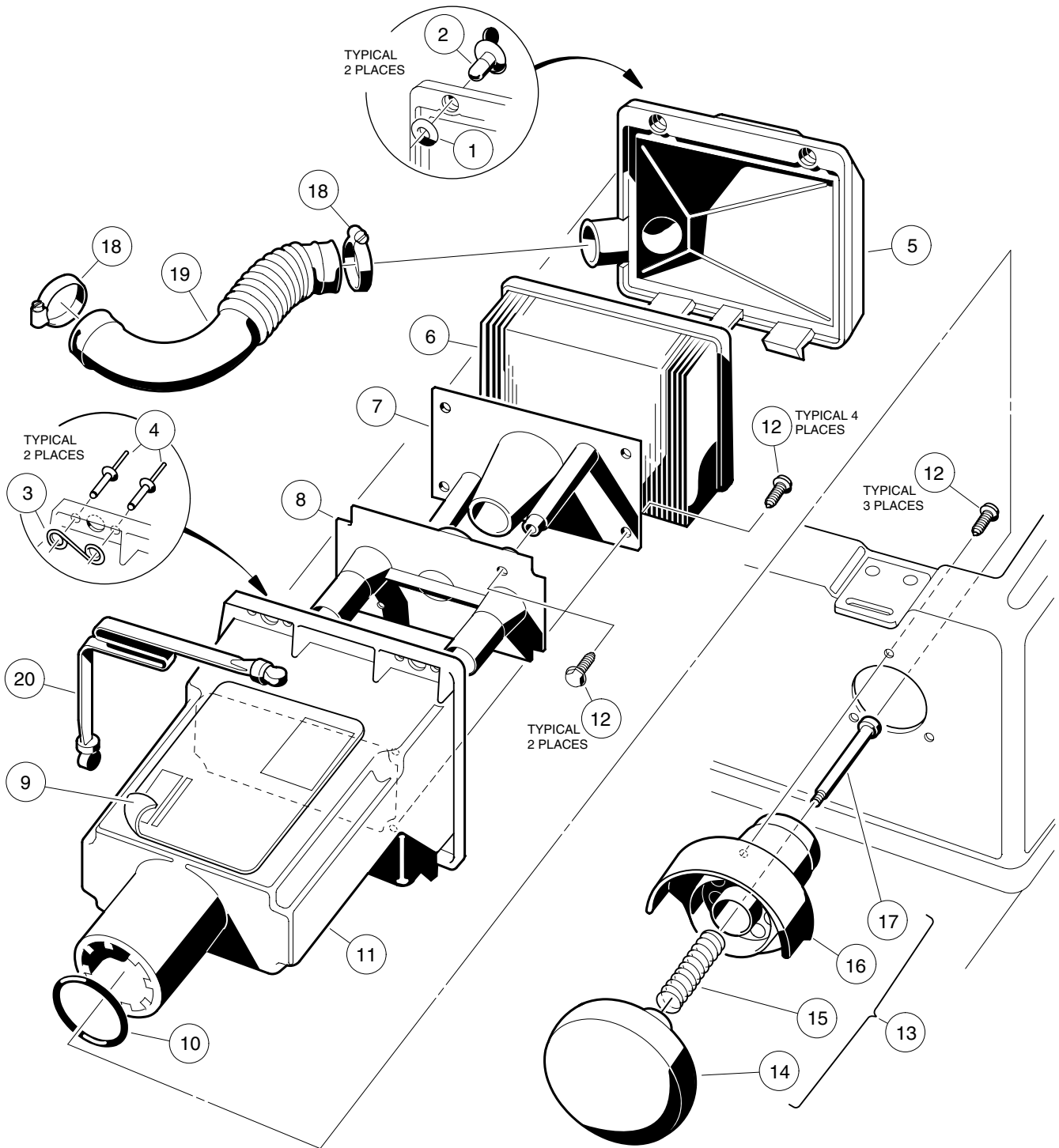
G

ITEM	PART NO.	DESCRIPTION	QTY
		1 2 3 4	
1	<u>1016440</u>	GASKET, INSULATOR .....	1
2	<u>1016481</u>	INSULATOR, CARBURETOR .....	1
3	<u>1016439</u>	GASKET, CARBURETOR INSULATOR TO THROTTLE BRACKET .....	1
4	<u>1016444</u>	BRACKET, THROTTLE .....	1
5	<u>1018202-01</u>	GUARD, GOVERNOR .....	1
6	<u>1016103</u>	SCREW, PAN/TORX HEAD SELF-TAPPING, #6 - 32 x 1/4 .....	2
7	0000332	WASHER, FLAT, 1/4 .....	1
8	0000334	WASHER, FLAT, 3/8 .....	1
9	0000451	WASHER, LOCK, 1/4 .....	1
10	<u>1018876-01</u>	NUT, NYLON LOCK, M6 x 1 .....	1
11	<u>1016441</u>	GASKET, THROTTLE BRACKET TO CARBURETOR .....	1
12	<u>1016582</u>	SPRING, THROTTLE RETURN .....	1
13	<u>1016478</u>	ASSEMBLY, CARBURETOR .....	1
14	<u>1017466</u>	CLAMP, HOSE .....	2
15	<u>1015877-01</u>	TUBE, AIR VENT .....	1
16	<u>1016572</u>	TUBE, CRANKCASE VENT .....	1
17	<u>1016438</u>	GASKET, CARBURETOR TO INTAKE MANIFOLD .....	1
18	<u>1016480</u>	PIPE, INTAKE .....	1
19	<u>1016490</u>	SCREW, 2-ENDED STUD, M6 x 1 x 92MM .....	2
20	<u>1016547</u>	NUT, FLANGED, M6 x 1 .....	2
21	<u>1016059</u>	CLIP, STUD .....	1
22	<u>1013746</u>	CLAMP, HOSE .....	1



# GOVERNOR AND ACCELERATOR CABLES

ITEM	PART NO.	DESCRIPTION	QTY
		1 2 3 4	
1	<u>1018325-01</u>	CABLE, ACCELERATOR .....	1
2	<u>1018324-01</u>	CABLE, GOVERNOR .....	1
3	<u>1013700</u>	CLAMP, CABLE RETAINING .....	2
4	<u>1016546</u>	NUT, FLANGED HEX, M8 x 1.25 .....	2
5	<u>1018323-01</u>	BRACKET, ACCELERATOR SUPPORT .....	1
6	<u>1012285</u>	SCREW, THREAD ROLLING, 1/4 - 20 x 5/8 .....	4
7	<u>1016202</u>	"E" RING .....	3
8	<u>1015408</u>	PIN, GOVERNOR CABLE CLEVIS .....	2
9	<u>1014413</u>	PIN, HAIR SPRING COTTER, 1/8 I.D. x 5/8 .....	2
10	<u>1018322-01</u>	BRACKET, SUPPORT .....	1
11	<u>1015845</u>	BRACKET, GOVERNOR CABLE ENGINE .....	1
12	<u>1019035-01</u>	SCREW, HEX HEAD CAP, M8 x 1.25 x 24 MM .....	1
13	<u>0007174</u>	WASHER, LOCK, 5/16 .....	1
14	<u>1011697</u>	WASHER, FLAT, 5/16 .....	1





# EXPANSION CHAMBER, CHOKE, AND FILTER

8

G

ITEM	PART NO.	DESCRIPTION	QTY
		1 2 3 4	
	<u>1015431</u>	ASSEMBLY, INTAKE EXPANSION CHAMBER (INCLUDES ITEMS 1 - 12) .....	1
1	<u>1015291</u>	RETAINER, STUD, #6 .....	2
2	<u>1015290</u>	STUD, WING HEAD, #6 .....	2
3	<u>1015292</u>	SPRING, RECEPTACLE, #6 .....	2
4	<u>1015727</u>	RIVET, POP, 1/8 .....	4
5	<u>1015293</u>	COVER, EXPANSION CHAMBER .....	1
6	<u>1015426</u>	ELEMENT, AIR FILTER .....	1
7	<u>1015542</u>	BAFFLE, SECONDARY AIR BOX .....	1
8	<u>1015541</u>	BAFFLE, PRIMARY AIR BOX .....	1
9	<u>1016062</u>	DECAL, SERVICE .....	1
10	<u>1015425</u>	O-RING .....	1
11	<u>1015540</u>	CHAMBER, EXPANSION .....	1
12	<u>1015289</u>	SCREW, HI-LO HEX, #10 - 16 x 5/8 .....	9
13	<u>1015745</u>	ASSEMBLY, CHOKE (INCLUDES ITEMS 14 - 17) .....	1
14	<u>1012629</u>	COVER, CHOKE .....	1
15	<u>1012633</u>	SPRING, CHOKE .....	1
16	<u>1015485</u>	BASE, CHOKE .....	1
17	<u>1012634</u>	SCREW, HEX SOCKET HEAD SHOULDER, 1/4 - 20 x 2 .....	1
18	<u>1015430</u>	CLAMP, HOSE (AIR INTAKE) .....	2
19	<u>1016228</u>	HOSE, INTAKE .....	1
20	<u>1015577</u>	STRAP, EXPANSION CHAMBER RETENSION .....	1

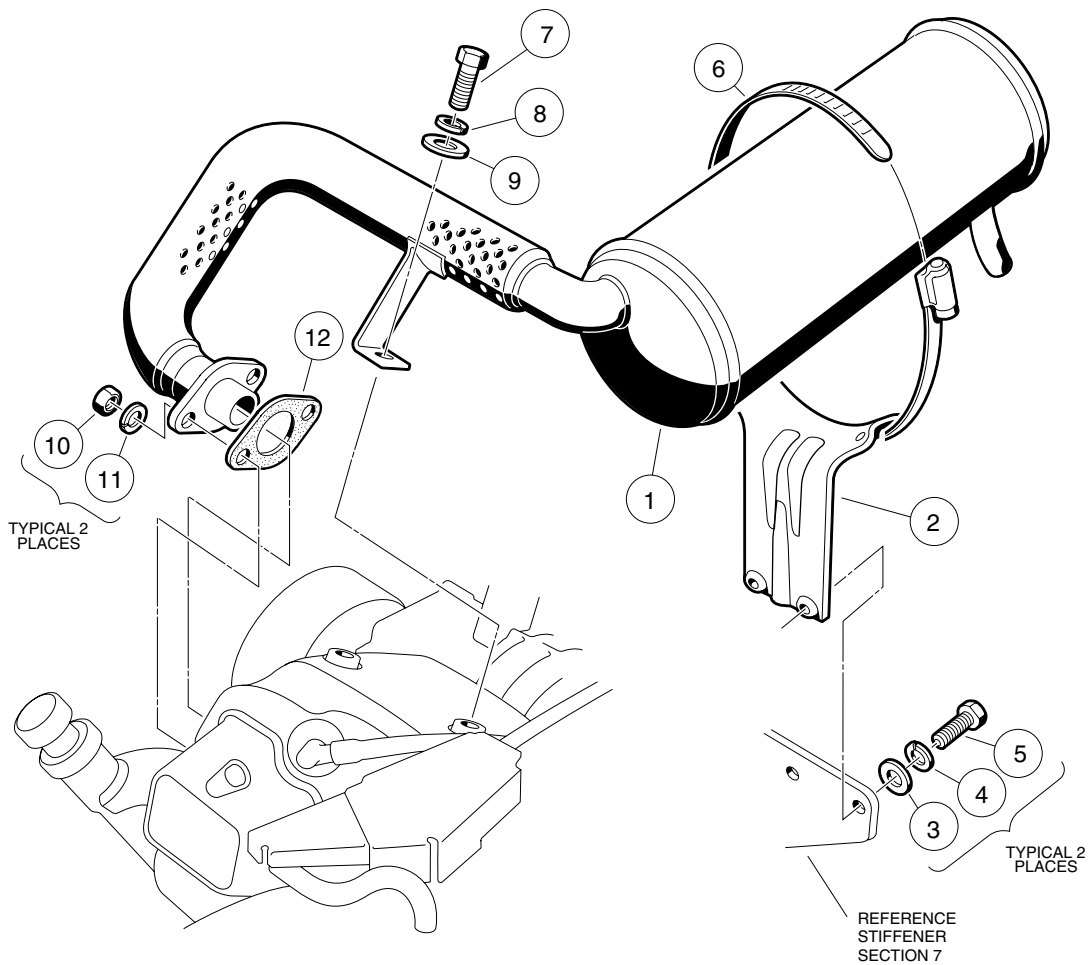


# EXHAUST SYSTEM

---

9

G



# EXHAUST SYSTEM

ITEM	PART NO.	DESCRIPTION	QTY
		1 2 3 4	
1	<u>1018593-01</u>	SYSTEM, EXHAUST .....	1
2	<u>1015814</u>	BRACKET, MUFFLER MOUNTING .....	1
3	0000332	WASHER, FLAT, 1/4 .....	2
4	0000451	WASHER, LOCK, 1/4 .....	2
5	0007847	SCREW, HEX HEAD, 1/4 - 20 x 3/4 .....	2
6	1017689	CLAMP, MUFFLER .....	1
7	1019035-01	SCREW, HEX HEAD CAP, M8 x 1.25 x 24MM .....	1
8	0007174	WASHER, LOCK, 5/16 .....	1
9	1015075	WASHER, FLAT, 5/16 .....	1
10	<u>1012528</u>	NUT, HEX, M8 x 1.25 .....	2
11	<u>1013734</u>	WASHER, LOCK, 8MM .....	2
12	<u>1015330</u>	GASKET, EXHAUST .....	1

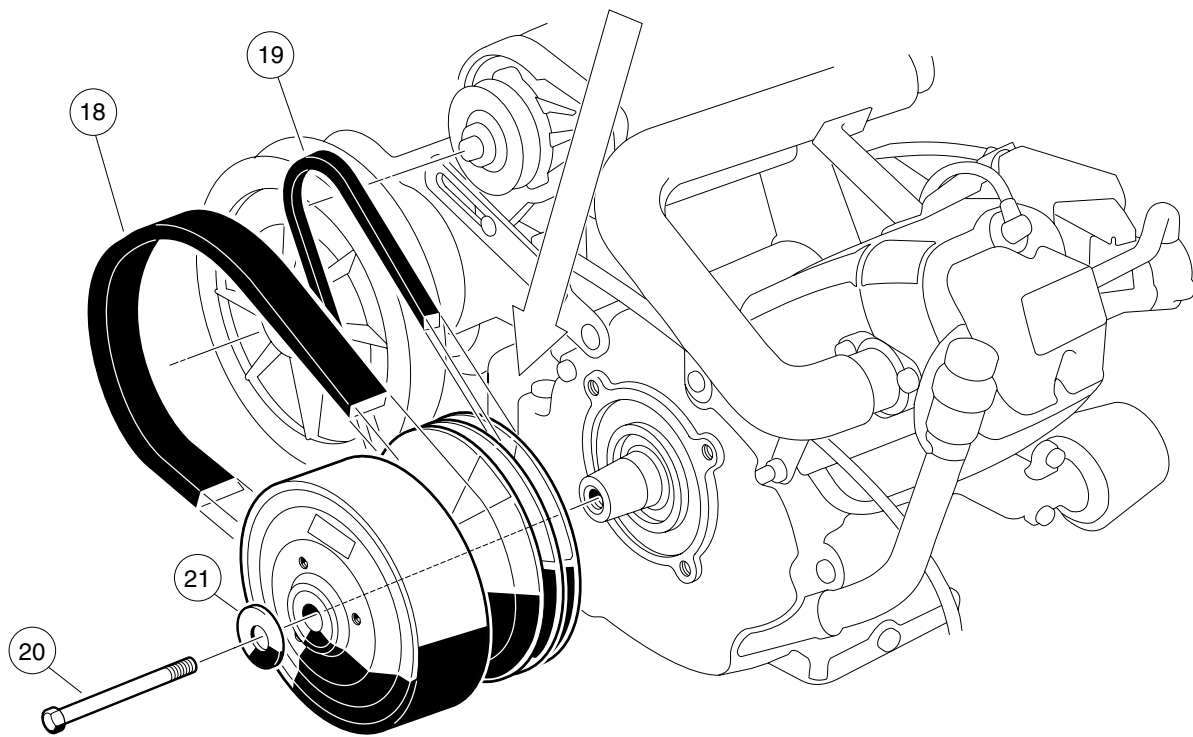
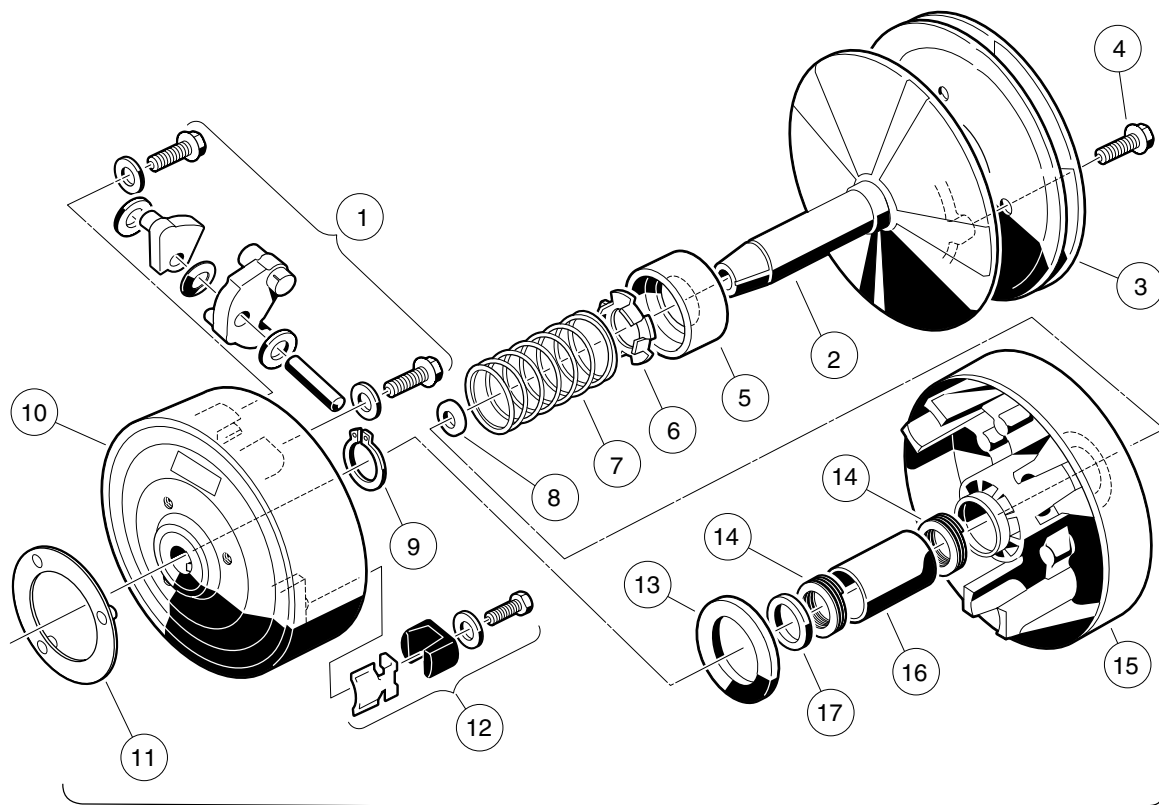


# TORQUE CONVERTER

---

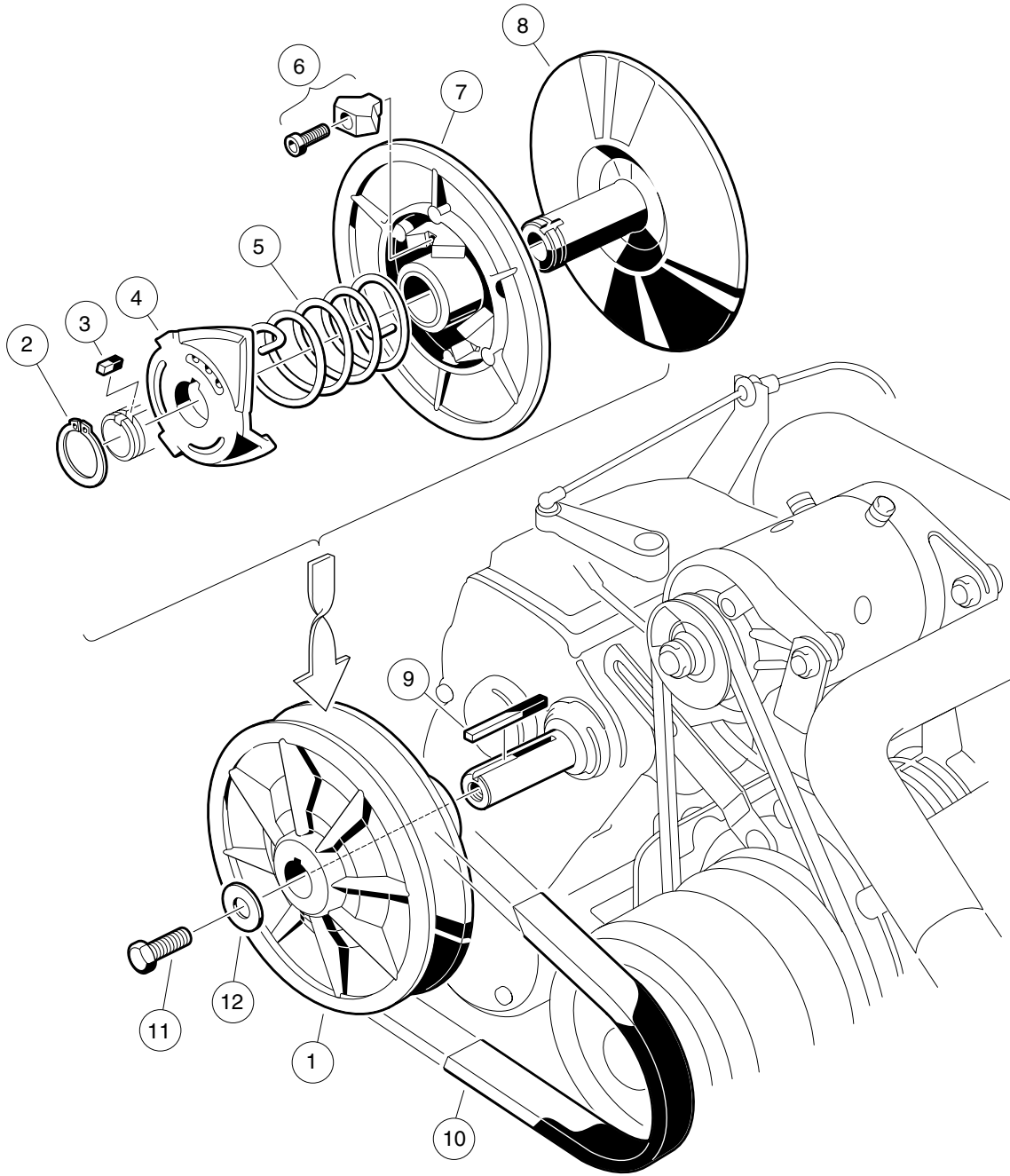
10

G





ITEM	PART NO.	DESCRIPTION	QTY
		1 2 3 4	
	<u>1018339-02</u>	ASSEMBLY, DRIVE CLUTCH (INCLUDES ITEMS 1 - 17) .....	1
1	<u>1016801</u>	KIT, DRIVE CLUTCH WEIGHT .....	1
2	<u>1019298-01</u>	ASSEMBLY, FIXED FACE (INCLUDES ITEMS 3 AND 4) .....	1
3	N/A	PULLEY .....	1
4	N/A	SCREW, WASHER HEAD HEX MACHINE .....	3
5	1014049	BEARING, IDLER .....	1
6	<u>1014050</u>	SPRING, RETAINER .....	1
7	<u>1014051</u>	SPRING, DRIVE CLUTCH .....	1
8	<u>1016289</u>	SPACER, FIXED FACE SHAFT .....	1
9	<u>1014057</u>	RING, RETAINING .....	1
10	1014059	ASSEMBLY, DRIVE HUB .....	1
11	<u>1019256-01</u>	PLUG, DRIVE CLUTCH .....	1
12	<u>1014453</u>	KIT, DRIVE CLUTCH BUTTON .....	1
13	1014058	WASHER, THRUST .....	1
14	<u>1014056</u>	RING, SPIRAL BACK-UP .....	2
15	1014052	ASSEMBLY, MOVABLE FACE (INCLUDES ITEMS 16 AND 17) .....	1
16	N/A	BUSHING .....	1
17	<u>1014055</u>	RETAINER .....	1
18	<u>1016203</u>	BELT, DRIVE .....	1
19	<u>1019167-01</u>	BELT, STARTER/GENERATOR .....	1
20	<u>1019165-01</u>	SCREW, HEX HEAD CAP, 3/8 - 24 x 5 1/2 (LEFT HAND THREADS) .....	1
21	<u>1017328</u>	WASHER, MOUNTING .....	1



# DRIVEN CLUTCH

10

G

ITEM	PART NO.	DESCRIPTION	QTY
		1 2 3 4	
1	<u>1018340-01</u>	ASSEMBLY, DRIVEN CLUTCH (INCLUDES ITEMS 2 - 8) .....	1
2	<u>1014080</u>	RING, RETAINING .....	1
3	<u>1014078</u>	KEY .....	1
4	<u>1017686</u>	CAM .....	1
5	<u>1018362-01</u>	SPRING .....	1
6	<u>1014454</u>	KIT, BUTTON .....	1
7	<u>1014072</u>	ASSEMBLY, MOVEABLE FACE, WITH BUSHING .....	1
8	<u>1014070</u>	ASSEMBLY, FIXED FACE .....	1
9	<u>1018334-01</u>	KEY, SQUARE TRANSMISSION .....	1
10	<u>1016203</u>	BELT, DRIVE .....	1
11	0007173	SCREW, HEX HEAD CAP, 5/16 - 18 x 3/4 .....	1
12	<u>1017327</u>	WASHER, MOUNTING .....	1



# UNITIZED TRANSAXLE GASOLINE VEHICLE

---

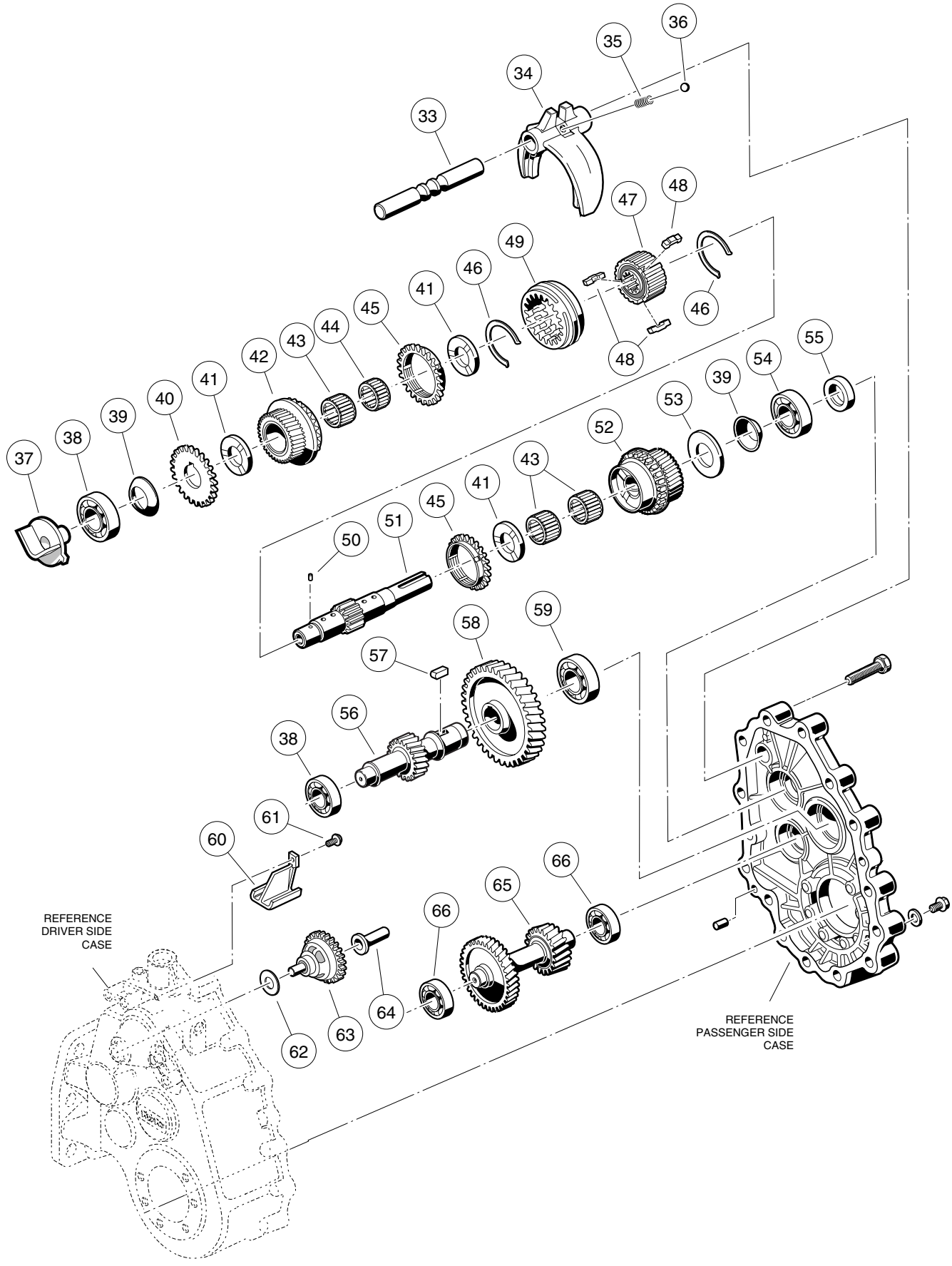
11

G



# UNITIZED TRANSAXLE - GASOLINE VEHICLE

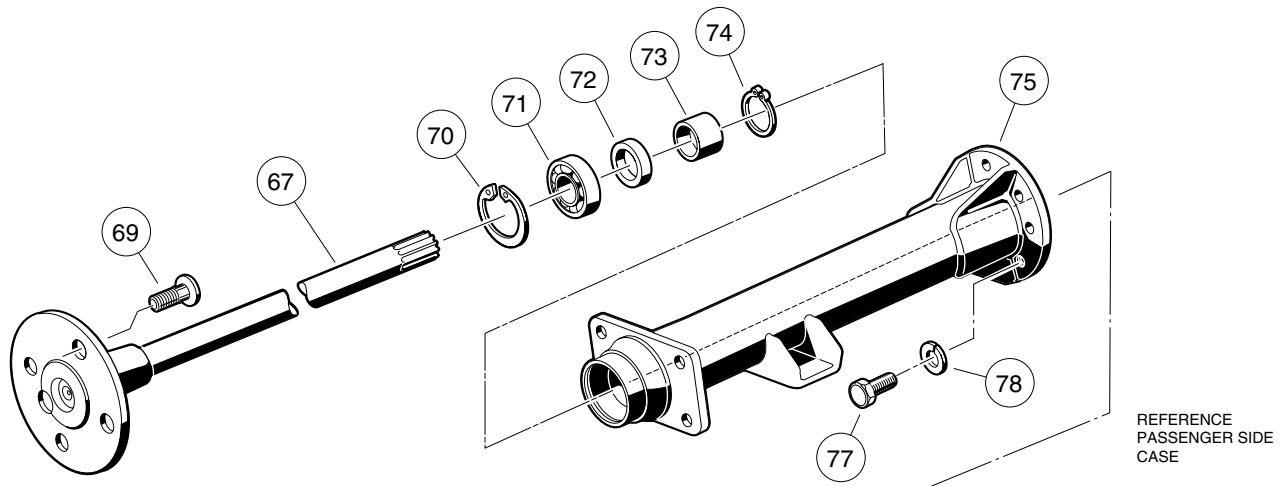
ITEM	PART NO.	DESCRIPTION	QTY
		1 2 3 4	
1	<u>1019226-01</u>	BRACKET, TRANSMISSION CABLE SUPPORT .....	1
2	<u>1012285</u>	SCREW, THREAD ROLLING, 1/4 - 20 x 5/8 .....	3
	<u>1018336-01</u>	UNITIZED TRANSAXLE (INCLUDES ITEMS 3 - 90) .....	1
3	<u>1013061</u>	NUT, NYLON LOCK, #10 - 32 .....	1
4	0000183	WASHER, FLAT, #10 .....	1
5	<u>1010954</u>	STUD, BALL, 1/4 - 28 x 9/16 .....	1
6	<u>1016341</u>	LEVER, TRANSMISSION SHIFTER .....	1
7	<u>1017082</u>	SCREW, HEX WASHER HEAD, #10 - 32 x 3/4 .....	1
8	0008717	NUT, NYLON LOCK, 1/4 - 28 .....	1
9	<u>1018902-01</u>	SHAFT, SHIFTER .....	1
10	<u>1017231</u>	KEY, WOODRUFF .....	1
11	<u>1019273-01</u>	RING, SNAP .....	1
12	<u>1018929-01</u>	WASHER, FLAT .....	1
13	<u>1019272-01</u>	SEAL, OIL .....	1
14	<u>1018901-01</u>	LEVER, SHIFTER .....	1
15	<u>1012752</u>	PIN, ROLL .....	1
16	<u>1018348-01</u>	ARM, GOVERNOR LEVER .....	1
17	<u>1018861-01</u>	SCREW, SQUARE HEAD, 1/4 - 20 x 1 .....	1
18	0000332	WASHER, FLAT .....	1
19	0008233	NUT, NYLON LOCK, 1/4 - 20 .....	1
20	<u>1019286-01</u>	PIN, COTTER .....	1
21	<u>1016513</u>	WASHER, FLAT .....	1
22	<u>1019271-01</u>	SEAL, OIL .....	1
23	<u>1018938-01</u>	WASHER .....	1
24	<u>1018913-01</u>	ARM, PIVOT .....	1
25	<u>1018906-01</u>	GEAR CASE (RIGHT) .....	1
26	<u>1018905-01</u>	GEAR CASE (LEFT) .....	1
27	<u>1019269-01</u>	BOLT, FLANGED, M8 x 1.25 x 40MM .....	15
28	<u>1012896</u>	PIN, DOWEL .....	2
29	<u>1013759</u>	PLUG, DRAIN (INCLUDES ITEM 30) .....	2
30	<u>1016432</u>	GASKET .....	1
31	<u>1012711</u>	BREATHER .....	1
32	<u>1019287-01</u>	GASKET, LIQUID, 8.8 OZ. (250 GRAMS) .....	A/R



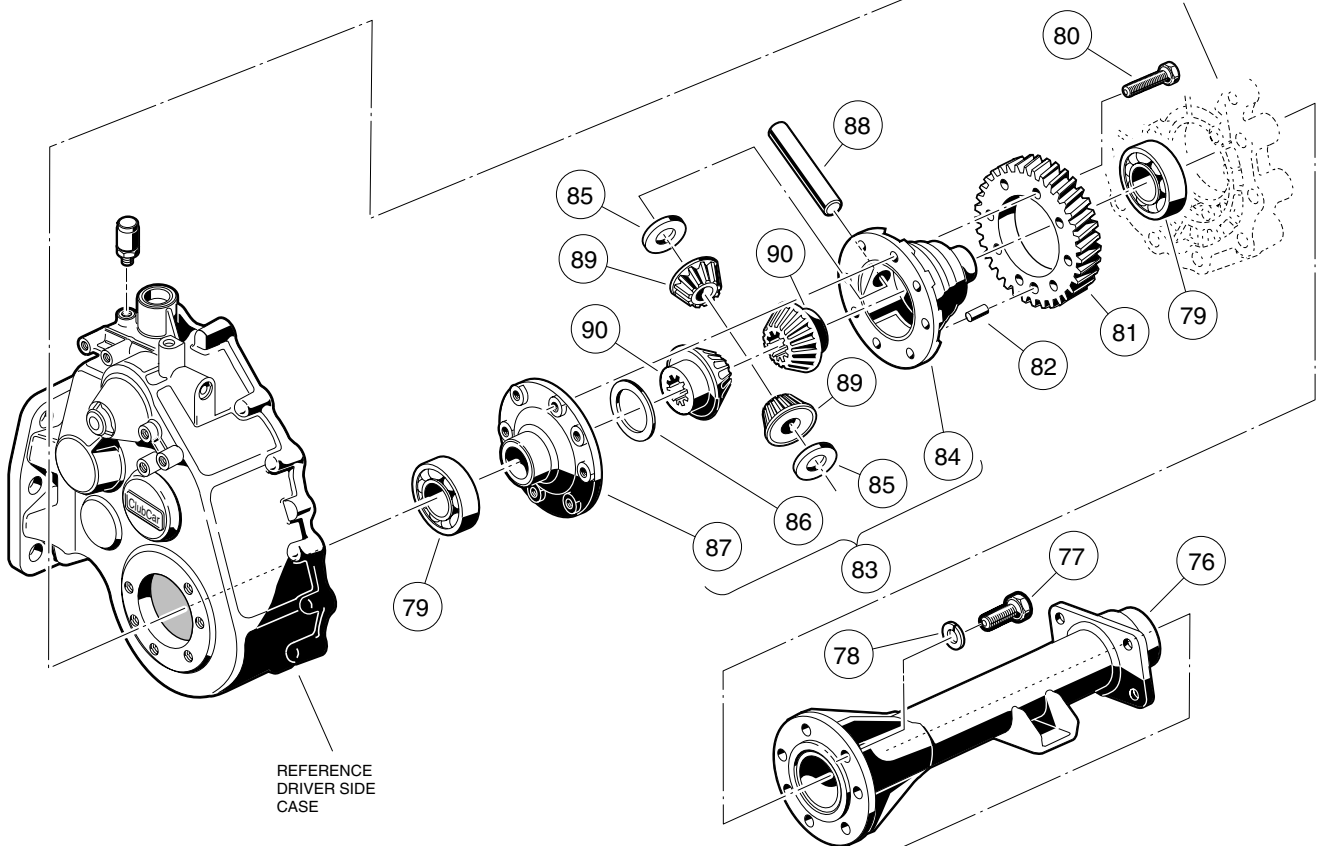


# UNITIZED TRANSAXLE - GASOLINE VEHICLE

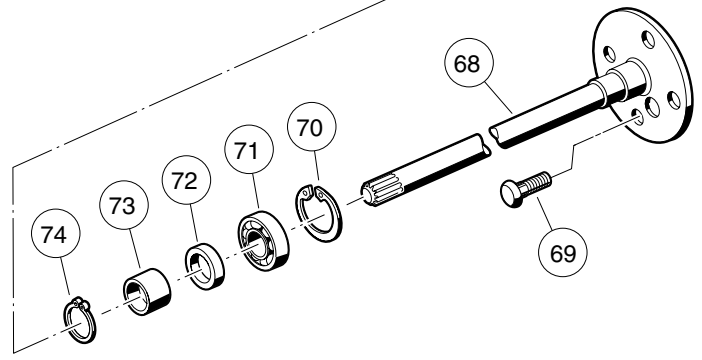
ITEM	PART NO.	DESCRIPTION	QTY
		1 2 3 4	
33	1018920-01	ROD, SHIFT .....	1
34	1018900-01	FORK, SHIFT .....	1
35	1012748	SPRING .....	1
36	1012747	BALL, STEEL .....	1
37	1018894-01	GUIDE .....	1
38	0007336	BEARING, BALL .....	4
39	1016338	WASHER, SPRING .....	2
40	1018924-01	GEAR, SPUR .....	1
41	1018922-01	PLATE, THRUST .....	3
42	1018897-01	GEAR, ASSEMBLY, 34 TOOTH, INPUT .....	1
43	1019276-01	BEARING, NEEDLE .....	3
44	1019275-01	BEARING, NEEDLE .....	1
45	1012742	RING, SYNCHRONIZER .....	2
46	1012741	SPRING, SYNCHRONIZER .....	2
47	1019279-01	SLEEVE, SYNCHRONIZER .....	1
48	1012740	INSERT, SYNCHRONIZER .....	3
49	1019280-01	HUB, SYNCHRONIZER CLUTCH .....	1
50	1019277-01	PIN, DOWEL .....	1
51	1018899-01	SHAFT, INPUT .....	1
52	1018896-01	GEAR, ASSEMBLY, 34 TOOTH, INPUT .....	1
53	1016337	WASHER, THRUST .....	1
54	1019278-01	BEARING, BALL .....	1
55	1012714	SEAL, INPUT SHAFT, OIL .....	1
56	1018926-01	GEAR, 17 TOOTH .....	1
57	1018932-01	KEY .....	1
58	1018925-01	GEAR, 61 TOOTH .....	1
59	1019281-01	BEARING, BALL .....	1
60	1018895-01	GUIDE, OIL .....	1
61	1019282-01	SCREW, M8 x 1.25 x 10 MM .....	1
62	1018939-01	WASHER.....	1
63	1018923-01	GOVERNOR, ASSEMBLY .....	1
64	1018916-01	SLEEVE .....	1
65	1018919-01	GEAR, CLUSTER IDLER .....	1
66	0007335	BEARING, BALL .....	2



REFERENCE  
PASSENGER SIDE  
CASE



REFERENCE  
DRIVER SIDE  
CASE



# UNITIZED TRANSAXLE - GASOLINE VEHICLE

11

G

ITEM	PART NO.	DESCRIPTION	QTY
		1 2 3 4	
67	<u>1018914-01</u>	AXLE ASSEMBLY, LEFT (INCLUDES ITEMS 69 - 74) .....	1
68	<u>1018915-01</u>	AXLE ASSEMBLY, RIGHT (INCLUDES ITEMS 69 - 74) .....	1
69	<u>1013787</u>	STUD, LUG .....	4
70	<u>1013792</u>	RING, RETAINING .....	1
71	<u>1011291</u>	BEARING, OUTER AXLE TUBE .....	1
72	<u>1013794</u>	SEAL, OIL .....	1
73	1014207	BUSHING, 25 MM I. D. ....	1
74	<u>1016672</u>	RING, RETAINING .....	1
75	<u>1018910-01</u>	ASSEMBLY, AXLE TUBE, LEFT SIDE .....	1
76	<u>1018909-01</u>	ASSEMBLY, AXLE TUBE, RIGHT SIDE .....	1
77	<u>1013790</u>	BOLT, M10 x 1.5 x 30MM .....	14
78	<u>1013791</u>	WASHER, LOCK, M10 .....	14
79	0007330	BEARING, INNER AXLE TUBE .....	2
80	<u>1019283-01</u>	BOLT, M8 x 1.25 x 37MM .....	8
81	<u>1018927-01</u>	GEAR, OUTPUT .....	1
82	<u>1014193</u>	PIN, DOWEL .....	1
83	<u>1019105-01</u>	KIT, DIFFERENTIAL GEAR CASE (INCLUDES ITEMS 84 - 87) .....	1
84	1013768	CASE, GEAR CARRIER .....	1
85	<u>1013774</u>	PLATE, THRUST (IDLER GEAR) .....	2
86	<u>1013773</u>	PLATE, THRUST (DIFFERENTIAL GEAR) .....	1
87	1013769	COVER, GEAR CASE .....	1
88	<u>1013772</u>	PIN, DIFFERENTIAL .....	1
89	<u>1013770</u>	GEAR, DIFFERENTIAL IDLER .....	2
90	1013771	GEAR, DIFFERENTIAL .....	2

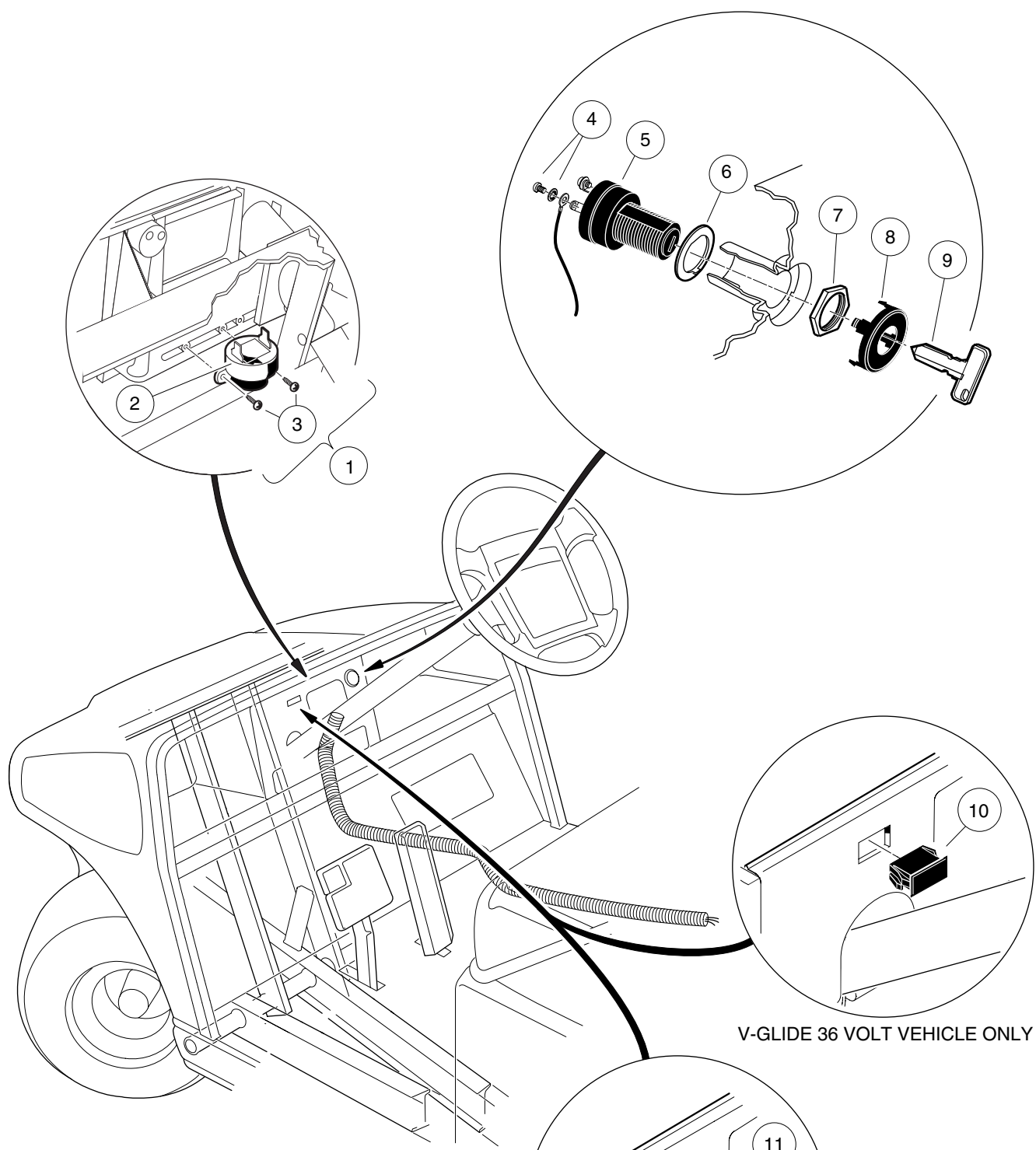


# ELECTRICAL SYSTEM ELECTRIC VEHICLE

---

12

E



V-GLIDE 36 VOLT VEHICLE ONLY

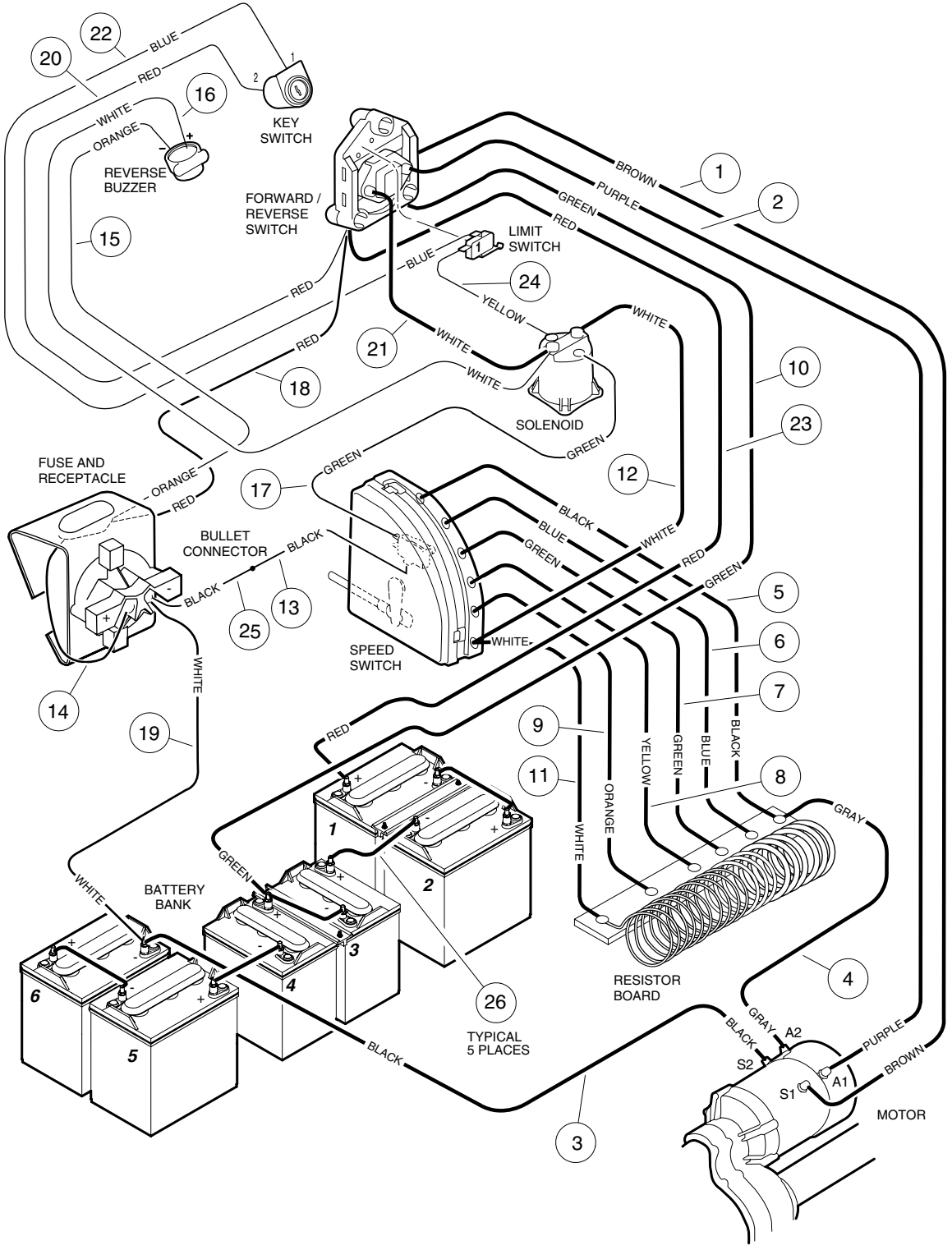
POWERDRIVE SYSTEM 48 AND  
POWERDRIVE PLUS VEHICLES

# ELECTRICAL COMPONENTS, FRONT BODY ELECTRIC VEHICLE

**12**

**E**

ITEM	PART NO.	DESCRIPTION	QTY
		1 2 3 4	
1	<u>1016859</u>	KIT, REVERSE BUZZER (INCLUDES ITEMS 2 AND 3) .....	1
2	<u>1016851</u>	BUZZER, REVERSE .....	1
3	<u>1016849</u>	SCREW, PAN HEAD HILO, #4 - 24 x 5/16 .....	2
4	1018306-01	ASSEMBLY, SCREW AND WASHER .....	2
5	<u>1018262-01</u>	SWITCH, KEY .....	1
6	<u>1018511-01</u>	WASHER .....	1
7	<u>1018307-01</u>	NUT, KEY SWITCH .....	1
8	<u>1018345-02</u>	CAP, KEY SWITCH .....	1
9	<u>1012505</u>	KEY (PAIR) .....	1
10	<u>1018026-01</u>	PLUG, HOLE (V-GLIDE 36 VOLT VEHICLE ONLY) .....	1
11	<u>1018025-01</u>	LIGHT, BATTERY WARNING (POWERDRIVE SYSTEM 48 AND POWERDRIVE PLUS) .....	1



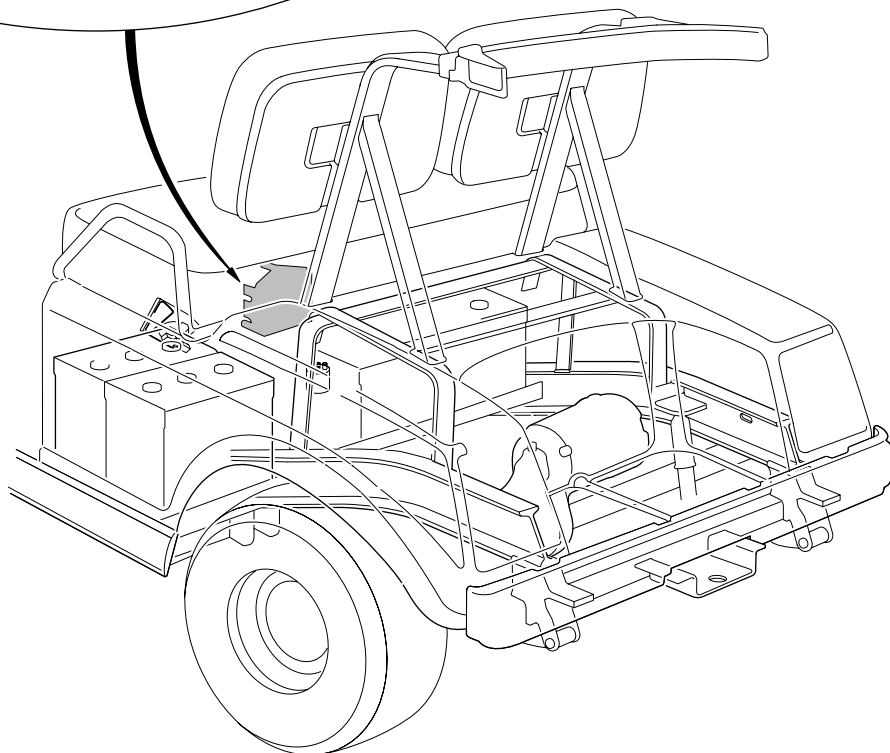
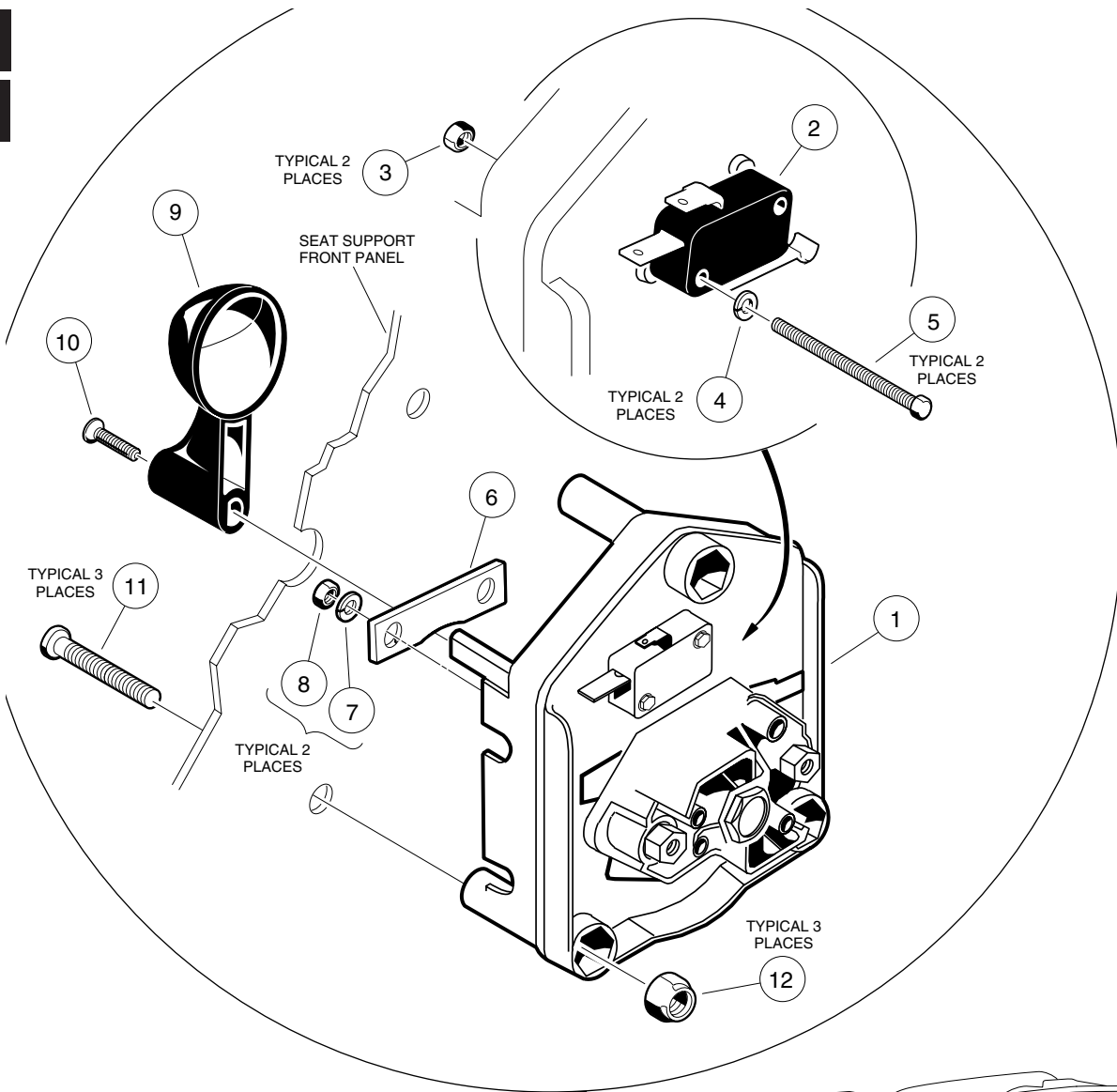


# WIRING - V-GLIDE 36 VOLT VEHICLE

12

E

ITEM	PART NO.	DESCRIPTION	QTY
		1 2 3 4	
1	<u>1016070</u>	WIRE ASSEMBLY, #6 BROWN .....	1
2	<u>1016069</u>	WIRE ASSEMBLY, #6 PURPLE .....	1
3	<u>1012651</u>	WIRE ASSEMBLY, #6 BLACK .....	1
4	<u>1016068</u>	WIRE ASSEMBLY, #6 GRAY .....	1
5	<u>1014036</u>	WIRE ASSEMBLY, #6 BLACK, 6TH SPEED.....	1
6	<u>1014035</u>	WIRE ASSEMBLY, #6 BLUE, 5TH SPEED .....	1
7	<u>1014034</u>	WIRE ASSEMBLY, #6 GREEN, 4TH SPEED .....	1
8	<u>1014033</u>	WIRE ASSEMBLY, #6 YELLOW, 3RD SPEED .....	1
9	<u>1014032</u>	WIRE ASSEMBLY, #6 ORANGE, 2ND SPEED .....	1
10	<u>1014828</u>	WIRE ASSEMBLY, #6 GREEN .....	1
11	<u>1014030</u>	WIRE ASSEMBLY, #6 WHITE .....	1
12	<u>1014029</u>	WIRE ASSEMBLY, #6 WHITE .....	1
13	1016636	WIRE ASSEMBLY, #18 BLACK .....	1
14	<u>1013092</u>	WIRE ASSEMBLY, #10 RED .....	1
15	1016639	WIRE ASSEMBLY, #18 ORANGE .....	1
16	1016640	WIRE ASSEMBLY, #18 WHITE .....	1
17	1014023	WIRE ASSEMBLY, #18 GREEN .....	1
18	1012237	WIRE ASSEMBLY, #10 RED .....	1
19	<u>1011010</u>	WIRE ASSEMBLY, #10 WHITE .....	1
20	1016637	WIRE ASSEMBLY, #18 RED .....	1
21	<u>1014039</u>	WIRE ASSEMBLY, #6 WHITE .....	1
22	1011006	WIRE ASSEMBLY, #18 BLUE .....	1
23	<u>1011069</u>	WIRE ASSEMBLY, #6 RED .....	1
24	1014040	WIRE ASSEMBLY, #18 YELLOW .....	1
25	1016632	WIRE ASSEMBLY, #18 BLACK .....	1
26	<u>1010958</u>	WIRE ASSEMBLY, #6 BLACK .....	5

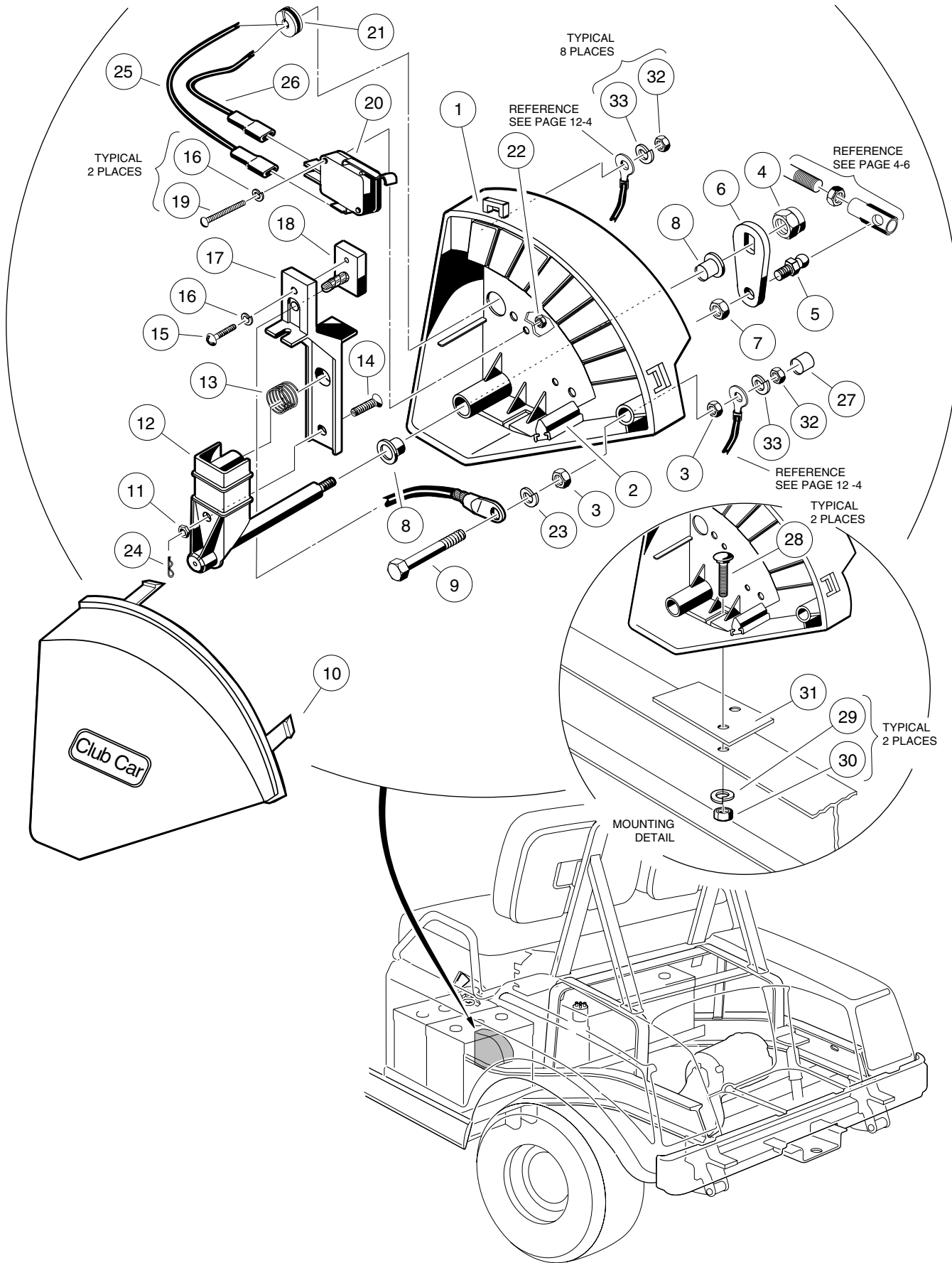


# FORWARD AND REVERSE SWITCH V-GLIDE 36 VOLT VEHICLE

**12**

**E**

ITEM	PART NO.	DESCRIPTION	QTY
		1 2 3 4	
1	1017530-03	ASSEMBLY, FORWARD AND REVERSE SWITCH (INCLUDES ITEMS 2 - 8) .....	1
2	<u>1014808</u>	SWITCH, LIMIT .....	1
3	0008057	NUT, HEX, #4 - 40 .....	2
4	0008058	WASHER, LOCK, #4 .....	2
5	<u>1011991</u>	SCREW, SLOTTED ROUND HEAD, #4 - 40 x 1 1/8 .....	2
6	<u>1017799</u>	BAR, BUS .....	1
7	0000451	WASHER, LOCK, 1/4 .....	2
8	0001028	NUT, HEX, 1/4 - 20 .....	2
9	<u>1012987</u>	HANDLE, FORWARD AND REVERSE SWITCH .....	1
10	<u>1013198</u>	SCREW, PHILLIPS HEAD MACHINE, #8 - 32 x 5/8 .....	1
11	1016845	SCREW, PHILLIPS TRUSS HEAD, 1/4 - 20 x 2 1/8 .....	3
12	0008233	NUT, NYLON LOCK, 1/4 - 20 .....	3

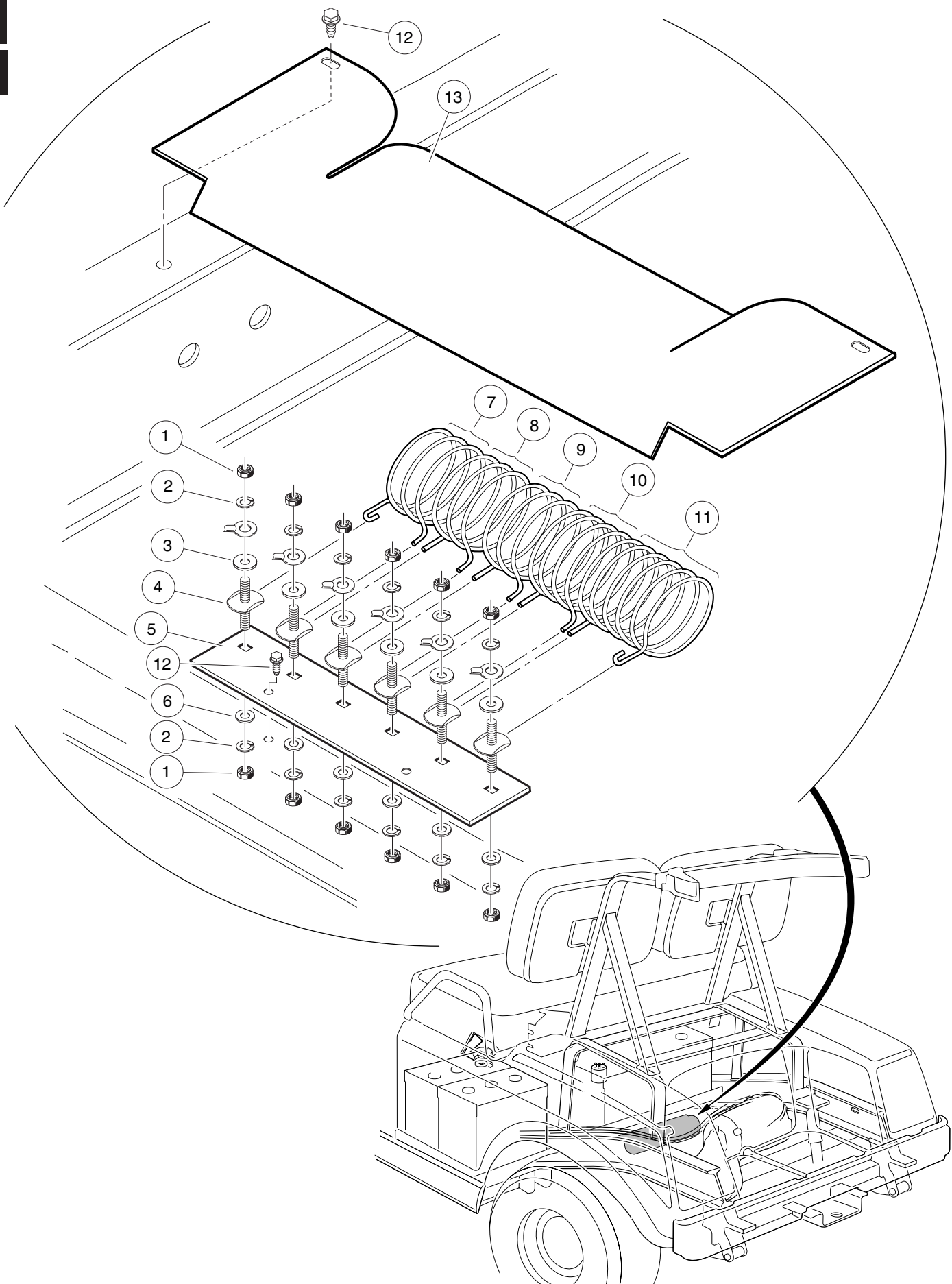


# WIPER SWITCH - V-GLIDE 36 VOLT VEHICLE

12

E

ITEM	PART NO.	DESCRIPTION	QTY
		1 2 3 4	
	<u>1016140</u>	ASSEMBLY, V-GLIDE WIPER SWITCH (INCLUDES ITEMS 1 - 26) .....	1
1	<u>1014999</u>	ASSEMBLY, WIPER SWITCH CASE, 6 SPEED (INCLUDES ITEM 2) .....	1
2	<u>1014414</u>	BUMPER, WIPER SWITCH .....	1
3	<u>1014253</u>	NUT, BRASS HEX JAM, 1/4 - 20 .....	2
4	<u>0007473</u>	NUT, NYLON LOCK, 5/16 - 18 .....	1
5	<u>1012353</u>	STUD, SHORT BALL, 1/4 - 28 .....	1
6	<u>1014003</u>	CRANK, BELL .....	1
7	<u>0008449</u>	NUT, DIMPLED LOCK, 1/4 - 28 .....	1
8	<u>1012903</u>	BEARING, BRONZE, 3/8 x 1/2 .....	2
9	<u>1014189</u>	SCREW, BRONZE HEX HEAD CAP, 1/4 - 20 x 2 .....	1
10	<u>1013886</u>	COVER, WIPER SWITCH CASE .....	1
11	<u>0007893</u>	NUT, HEX, #10 - 32 .....	1
12	<u>1014017</u>	CARRIER, WIPER SWITCH ARM .....	1
13	<u>1013998</u>	SPRING, WIPER SWITCH BRUSH .....	1
14	<u>1014000</u>	STUD, WIPER SWITCH ADJUSTING .....	1
15	<u>1014019</u>	SCREW, SELF-TAPPING, #4 - 40 x 3/8 .....	1
16	<u>0008058</u>	WASHER, LOCK, #4 .....	3
17	<u>1013887</u>	ARM, SPEED SWITCH .....	1
18	<u>1013860</u>	ASSEMBLY, SWITCH BRUSH .....	1
19	<u>0008056</u>	SCREW, ROUND HEAD MACHINE, #4 - 40 x 3/4 .....	2
20	<u>1014807</u>	SWITCH, LIMIT .....	1
21	<u>1014010</u>	GROMMET, SPLIT .....	1
22	<u>0008057</u>	NUT, HEX, #4 - 40 .....	2
23	<u>0000451</u>	WASHER, LOCK, 1/4 .....	1
24	<u>1014413</u>	PIN, HAIR SPRING COTTER .....	1
25	<u>1016636</u>	WIRE ASSEMBLY, #18 BLACK .....	1
26	<u>1014023</u>	WIRE ASSEMBLY, #18 GREEN .....	1
27	<u>1017692</u>	CAP, PROTECTOR .....	1
28	<u>1014109</u>	BOLT, CARRIAGE, #10 - 24 x 1 .....	2
29	<u>1016175</u>	WASHER, LOCK, #10 .....	2
30	<u>0001017</u>	NUT, HEX, #10 - 24 .....	2
31	<u>1014367</u>	SHIM, WIPER SWITCH .....	1
32	<u>0001014</u>	NUT, BRASS HEX, 1/4 - 20 .....	9
33	<u>0000451</u>	WASHER, LOCK, 1/4 .....	9

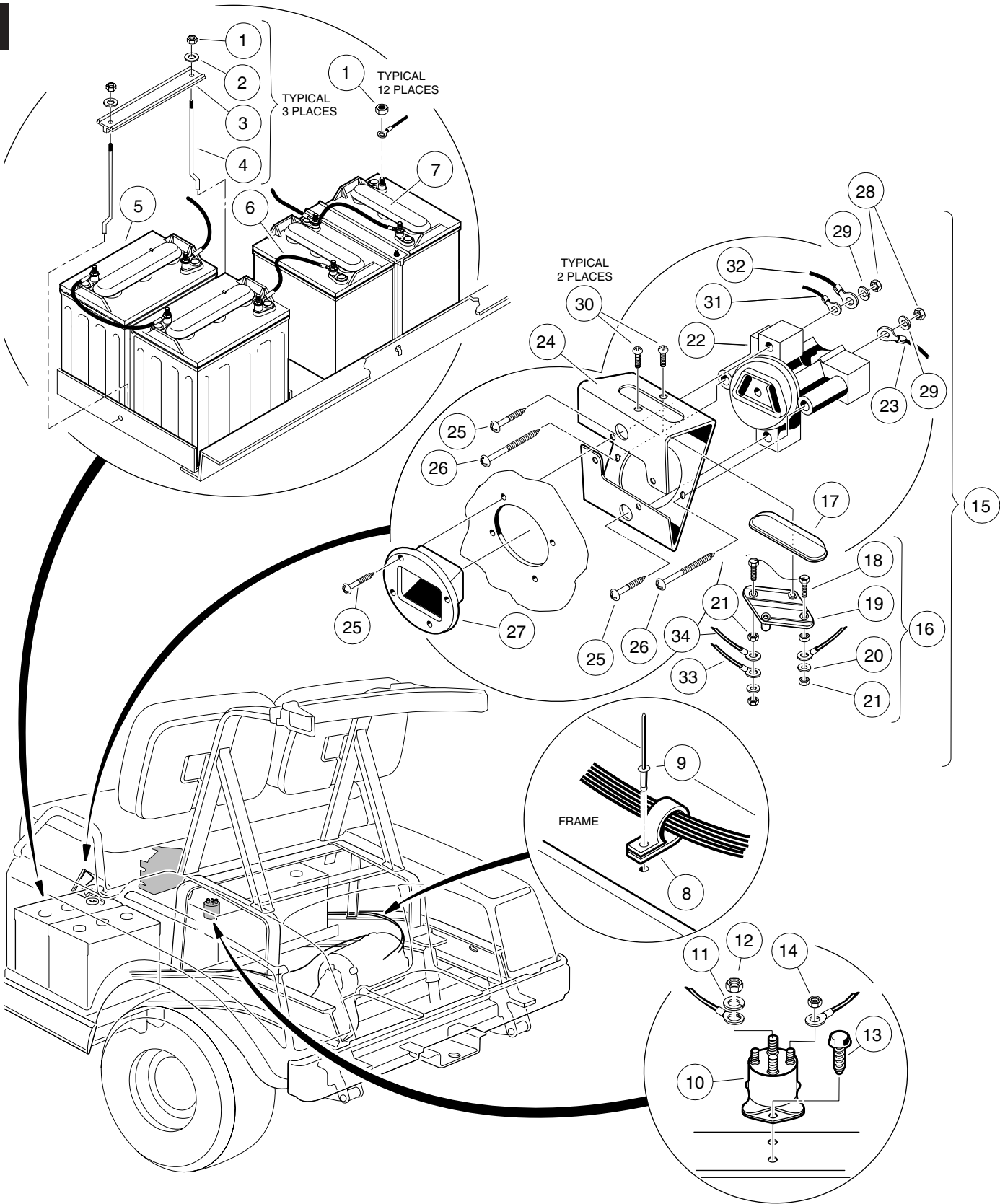


# RESISTOR AND BOARD ASSEMBLY V-GLIDE 36 VOLT VEHICLE

**12**

**E**

ITEM	PART NO.	DESCRIPTION	QTY
		1 2 3 4	
1	0001028	NUT, HEX, 1/4 - 20 .....	12
2	0000451	WASHER, LOCK, 1/4 .....	12
3	<u>1011931</u>	WASHER, FLAT, 1/4 .....	6
4	1014045	STAND-OFF, RESISTOR COIL .....	6
5	1014728	BOARD, RESISTOR MOUNTING .....	1
6	0000332	WASHER, FLAT, 1/4 .....	6
7	1014476	COIL, RESISTOR .....	1
8	<u>1014012</u>	COIL, RESISTOR .....	1
9	<u>1014013</u>	COIL, RESISTOR .....	1
10	<u>1014014</u>	COIL, RESISTOR .....	1
11	<u>1014729</u>	COIL, RESISTOR .....	1
12	<u>1012285</u>	SCREW, THREAD ROLLING, 1/4 - 20 x 5/8 .....	4
13	<u>1013971</u>	SHIELD, RESISTOR .....	1



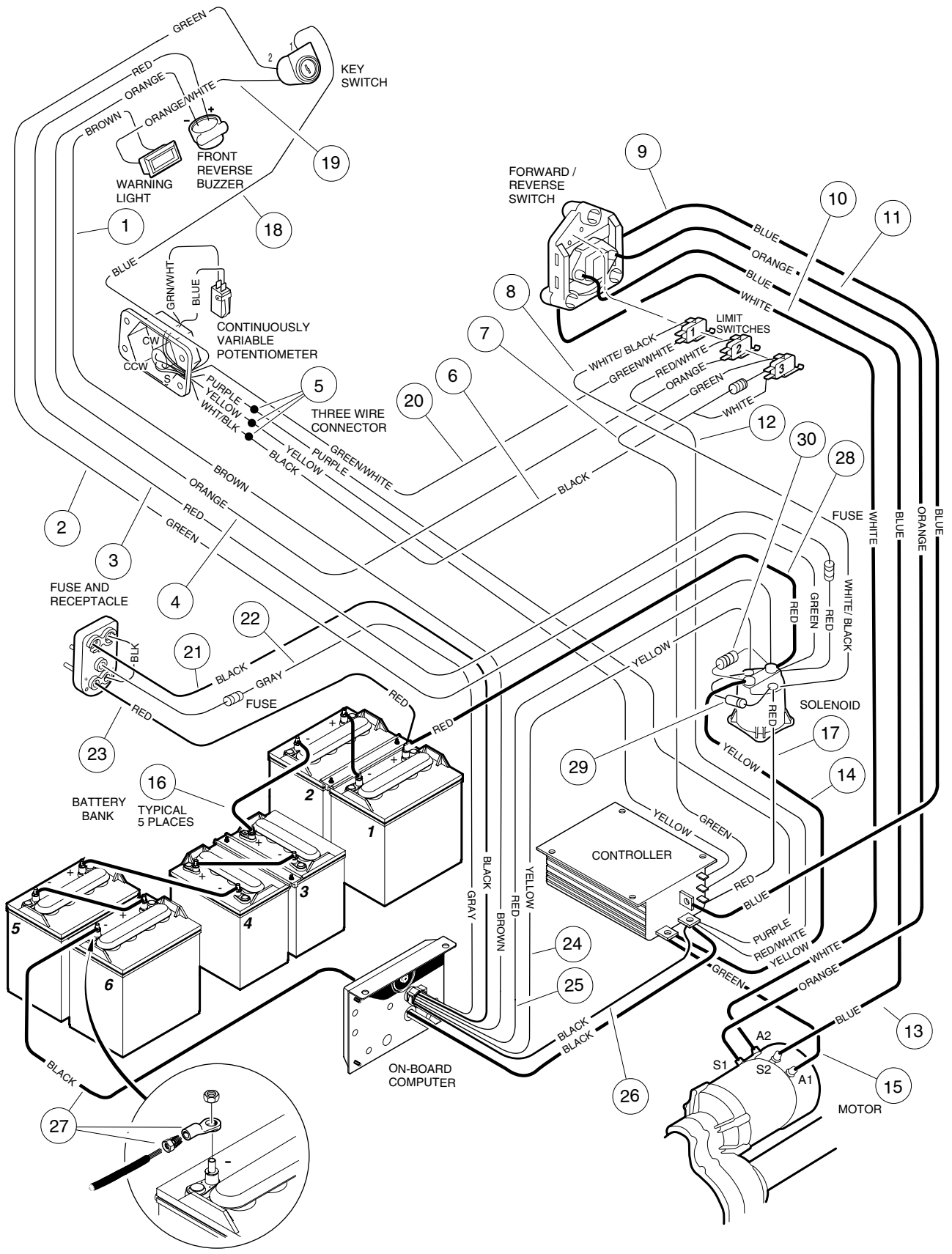


# ELECTRICAL COMPONENTS, REAR BODY V-GLIDE 36 VOLT VEHICLE

**12**

**E**

ITEM	PART NO.	DESCRIPTION	QTY
		1 2 3 4	
1	<u>1014304</u>	NUT, HEX, STAINLESS STEEL, 5/6 - 18 .....	18
2	<u>1011578</u>	WASHER, FLAT, TYPE B WIDE, 5/16 .....	6
3	1010908	HOLD-DOWN, BATTERY .....	3
4	1013683	BOLT, "J" .....	6
5	<u>1016616-01</u>	BATTERY, 6 VOLT .....	6
5	<u>1016616-02</u>	BATTERY, 6 VOLT, DRY .....	6
6	<u>1010958</u>	WIRE ASSEMBLY, #6 BLACK .....	5
7	<u>1018314-01</u>	CAP, 6 VOLT BATTERY .....	6
8	<u>1012022</u>	CLAMP, CABLE .....	2
9	0001606	RIVET, POP, 3/16 .....	2
10	0008016	SOLENOID, 36 VOLT .....	1
11	0007174	WASHER, LOCK, 5/16 .....	2
12	0001242	NUT, HEX, 5/16 - 18 .....	2
13	<u>1012285</u>	SCREW, THREAD ROLLING, 1/4 - 20 x 5/8 .....	2
14	0007893	NUT, HEX, #10 - 32 .....	2
15	<u>1013425-01</u>	KIT, FUSE AND RECEPTACLE (INCLUDES ITEMS 16 - 30) .....	1
16	1014516	KIT, FUSE (INCLUDES ITEMS 17 - 21) .....	1
17	1012143	LENS, FUSE .....	1
18	<u>1012085</u>	FUSE, 80 AMP .....	1
19	<u>1012142</u>	HOLDER, FUSE .....	1
20	0001016	WASHER, LOCK, #10 .....	2
21	0008797	NUT, BRASS, #10 - 32 .....	4
22	0004107	RECEPTACLE, CHARGER, 2 PRONG .....	1
23	<u>1013092</u>	WIRE ASSEMBLY, #10 RED .....	1
24	<u>1013628</u>	BRACKET, FUSE AND RECEPTACLE MOUNTING .....	1
25	0008796	SCREW, PHILLIPS PAN HEAD SELF-TAPPING, #7 -19 x 3/4 .....	6
26	0008795	SCREW, PHILLIPS PAN HEAD SELF-TAPPING, #7 -19 x 1 3/4 .....	2
27	<u>1013649</u>	BEZEL, CHARGER RECEPTACLE .....	1
28	0008797	NUT, BRASS, #10 - 32 .....	2
29	0001016	WASHER, LOCK, #10 .....	2
30	<u>1013266</u>	SCREW, PHILLIPS PAN HEAD SELF-TAPPING, #8 - 18 x 1/2 .....	2
31	1016632	WIRE ASSEMBLY, #18 BLACK .....	1
32	<u>1011010</u>	WIRE ASSEMBLY, #10 WHITE .....	1
33	1012237	WIRE ASSEMBLY, #10 RED .....	1
34	1016639	WIRE ASSEMBLY, #18 ORANGE .....	1

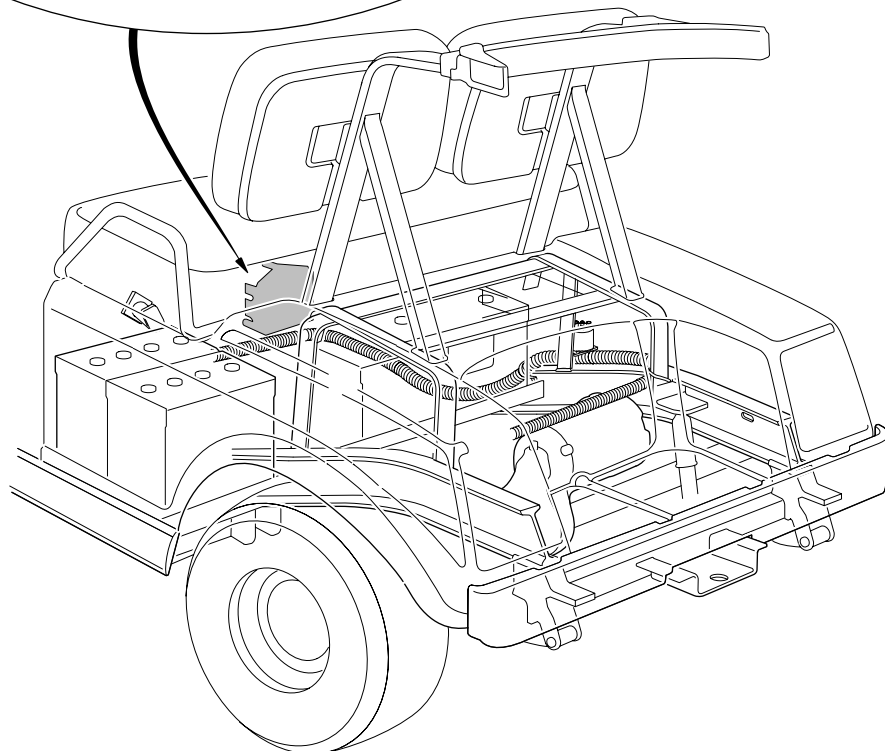
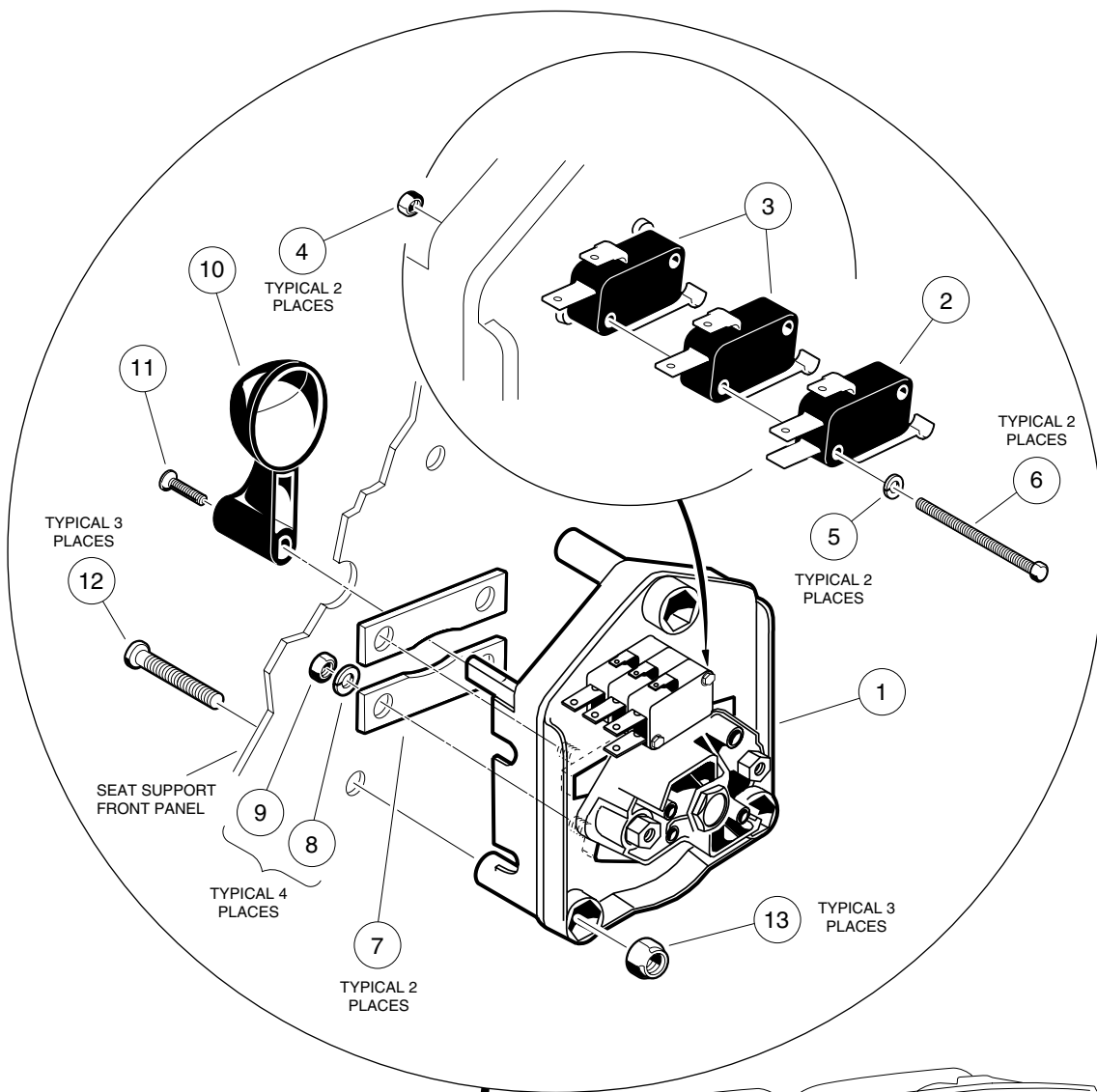


# WIRING - POWERDRIVE SYSTEM 48 VEHICLE

12

E

ITEM	PART NO.	DESCRIPTION	QTY
		1 2 3 4	
	<u>1017942-03</u>	WIRE HARNESS (INCLUDES ITEMS 1 - 13) .....	1
1	1017956	WIRE ASSEMBLY, #18 BROWN .....	1
2	1016121	WIRE ASSEMBLY, #18 GREEN .....	1
3	1016135	WIRE ASSEMBLY, #18 RED .....	1
4	1016134	WIRE ASSEMBLY, #18 ORANGE .....	1
5	<u>1018651-01</u>	ASSEMBLY, 3-WAY PLUG (INCLUDES #18 PURPLE, #18 YELLOW AND ITEM 6) ...	1
6	1018830-01	WIRE ASSEMBLY, #18 BLACK (INCLUDES RESISTOR AND #18 WHITE WIRE) ..	1
7	1018403-01	WIRE ASSEMBLY, #18 GREEN .....	1
8	1016122	WIRE ASSEMBLY, #18 WHITE/BLACK .....	1
9	<u>1018110</u>	WIRE ASSEMBLY, #6 BLUE .....	1
10	<u>1015769</u>	WIRE ASSEMBLY, #6 WHITE .....	1
11	<u>1014854</u>	WIRE ASSEMBLY, #6 ORANGE .....	1
12	1017993	WIRE ASSEMBLY, #18 RED/WHITE .....	1
13	<u>1018109</u>	WIRE ASSEMBLY, #6 BLUE .....	1
14	<u>1015858</u>	WIRE ASSEMBLY, #6 YELLOW .....	1
15	<u>1015860</u>	WIRE ASSEMBLY, #6 GREEN .....	1
16	<u>1017957-01</u>	WIRE ASSEMBLY, #6 BLACK .....	5
17	1018565	WIRE ASSEMBLY, #18 RED .....	1
18	1016133	WIRE ASSEMBLY, #18 BLUE .....	1
19	1017967-01	WIRE ASSEMBLY, #18 ORANGE/WHITE .....	1
20	1017394	WIRE ASSEMBLY, #18 GREEN/WHITE .....	1
21	N/A	WIRE ASSEMBLY, #10 BLACK (PART OF ON-BOARD COMPUTER ASSEMBLY) .....	1
22	N/A	WIRE ASSEMBLY, #18 GRAY (PART OF ON-BOARD COMPUTER ASSEMBLY) .....	1
23	N/A	WIRE ASSEMBLY, #10 RED (PART OF FUSE AND RECEPTACLE ASSEMBLY) .....	1
24	N/A	WIRE ASSEMBLY, #18 YELLOW (PART OF ON-BOARD COMPUTER ASSEMBLY) .....	1
25	N/A	WIRE ASSEMBLY, #18 RED (PART OF ON-BOARD COMPUTER ASSEMBLY) .....	1
26	N/A	WIRE ASSEMBLY, #10 BLACK (PART OF ON-BOARD COMPUTER ASSEMBLY) .....	1
27	1018278-01	KIT, WIRE AND TERMINAL, #6 BLACK .....	1
28	<u>1018376-01</u>	WIRE ASSEMBLY, #6 RED .....	1
29	<u>1017948</u>	ASSEMBLY, DIODE .....	1
30	<u>1017947</u>	ASSEMBLY, RESISTOR .....	1

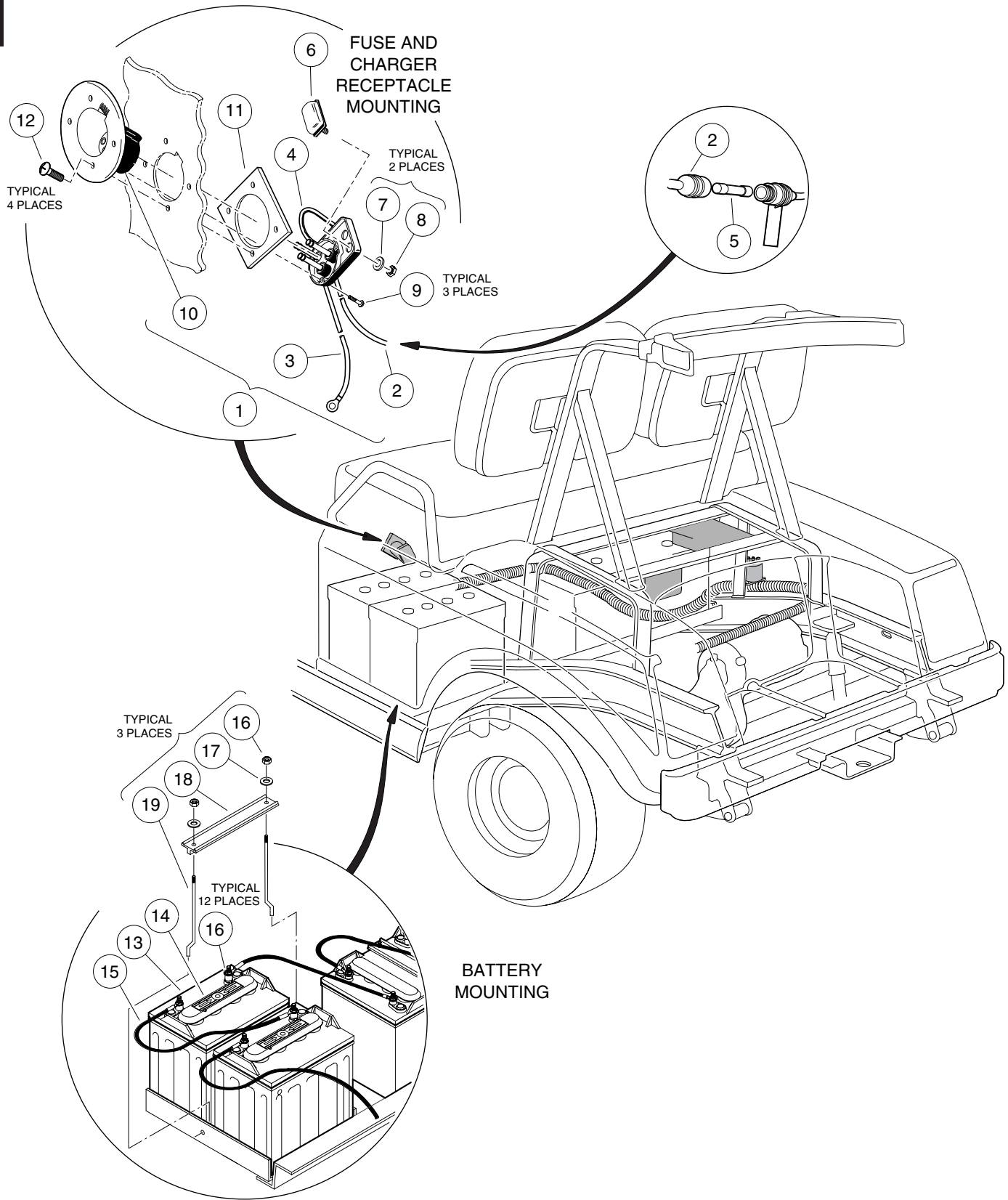


# FORWARD AND REVERSE SWITCH POWERDRIVE SYSTEM 48 VEHICLE

**12**

**E**

ITEM	PART NO.	DESCRIPTION	QTY
		1 2 3 4	
1	<u>1017530-05</u>	ASSEMBLY, FORWARD AND REVERSE SWITCH (INCLUDES ITEMS 2 - 9) .....	1
2	<u>1014807</u>	SWITCH, LIMIT .....	1
3	<u>1014808</u>	SWITCH, LIMIT .....	2
4	0008057	NUT, HEX, #4 - 40 .....	2
5	0008058	WASHER, LOCK, #4 .....	2
6	<u>1014871</u>	SCREW, HEX WASHER HEAD, #4 - 40 x 2 .....	2
7	<u>1017799</u>	BAR, BUS.....	2
8	0000451	WASHER, LOCK, 1/4 .....	4
9	0001028	NUT, HEX, 1/4 - 20 .....	4
10	<u>1012987</u>	HANDLE, FORWARD AND REVERSE SWITCH .....	1
11	<u>1013198</u>	SCREW, PHILLIPS HEAD MACHINE, #8 - 32 x 5/8 .....	1
12	1016845	SCREW, PHILLIPS TRUSS HEAD, 1/4 - 20 x 2 1/8 .....	3
13	0008233	NUT, NYLON LOCK, 1/4 - 20 .....	3

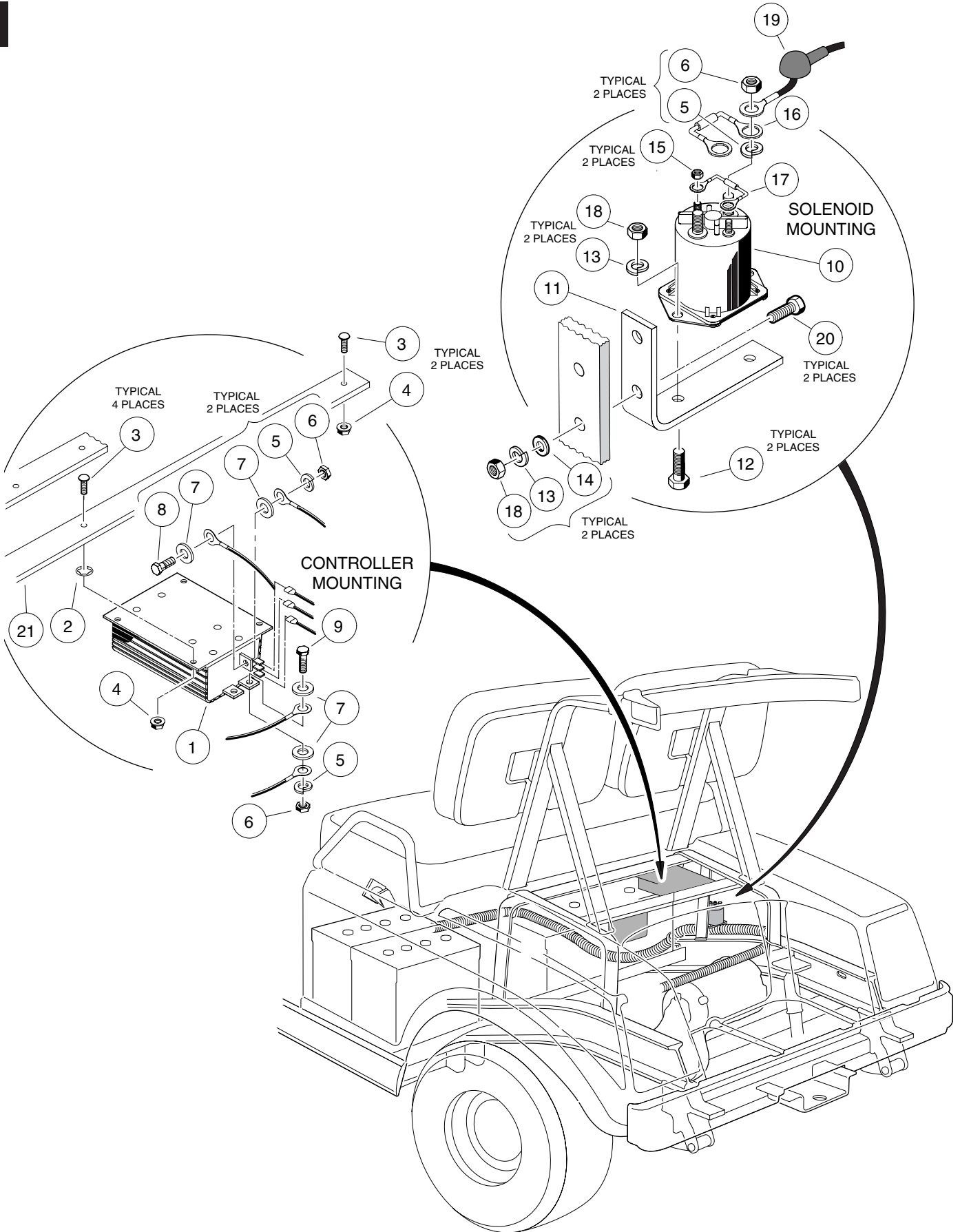


# ELECTRICAL COMPONENTS, REAR BODY POWERDRIVE SYSTEM 48 VEHICLE

**12**

**E**

ITEM	PART NO.	DESCRIPTION	QTY
		1 2 3 4	
1	<u>1018021-01</u>	KIT, FUSE AND RECEPTACLE (INCLUDES ITEMS 2 - 10) .....	1
2	N/A	WIRE ASSEMBLY, SENSE LEAD, GRAY .....	1
3	N/A	WIRE ASSEMBLY, #10 RED .....	1
4	N/A	WIRE ASSEMBLY, #10 BLACK .....	1
5	<u>1018949-01</u>	ASSEMBLY, FUSE, 3/8 AMP .....	1
6	<u>1017968-01</u>	ASSEMBLY, FUSE, 48 VOLT (INCLUDES ITEMS 7 AND 8) .....	1
7	<u>1018038</u>	WASHER, NARROW TYPE 13, #10 .....	2
8	<u>1018028</u>	NUT, SERRATED, #10 - 32 .....	2
9	<u>1017705</u>	SCREW, PHILLIPS PAN HEAD, #8 TYPE AB .....	3
10	<u>1017965-01</u>	BEZEL, RECEPTACLE .....	1
11	<u>1018010-01</u>	PLATE, RECEPTACLE BACKING .....	1
12	<u>1018320-01</u>	SCREW, PHILLIPS PAN HEAD, #7 - 18 x 3/4 .....	4
13	<u>1017977-01</u>	BATTERY, 8 VOLT POWERDRIVE .....	6
13	<u>1017977-02</u>	BATTERY, 8 VOLT POWERDRIVE, DRY .....	6
14	<u>1017978-01</u>	CAP, BATTERY, 4 PORT GANG .....	6
15	<u>1017957-01</u>	WIRE ASSEMBLY, #6 BLACK .....	5
16	<u>1014304</u>	NUT, STAINLESS STEEL HEX, 5/16 - 18 .....	18
17	<u>1011578</u>	WASHER, FLAT, TYPE B WIDE, 5/16 .....	6
18	<u>1018030-01</u>	HOLD-DOWN, BATTERY .....	3
19	1013683	BOLT, "J" .....	6



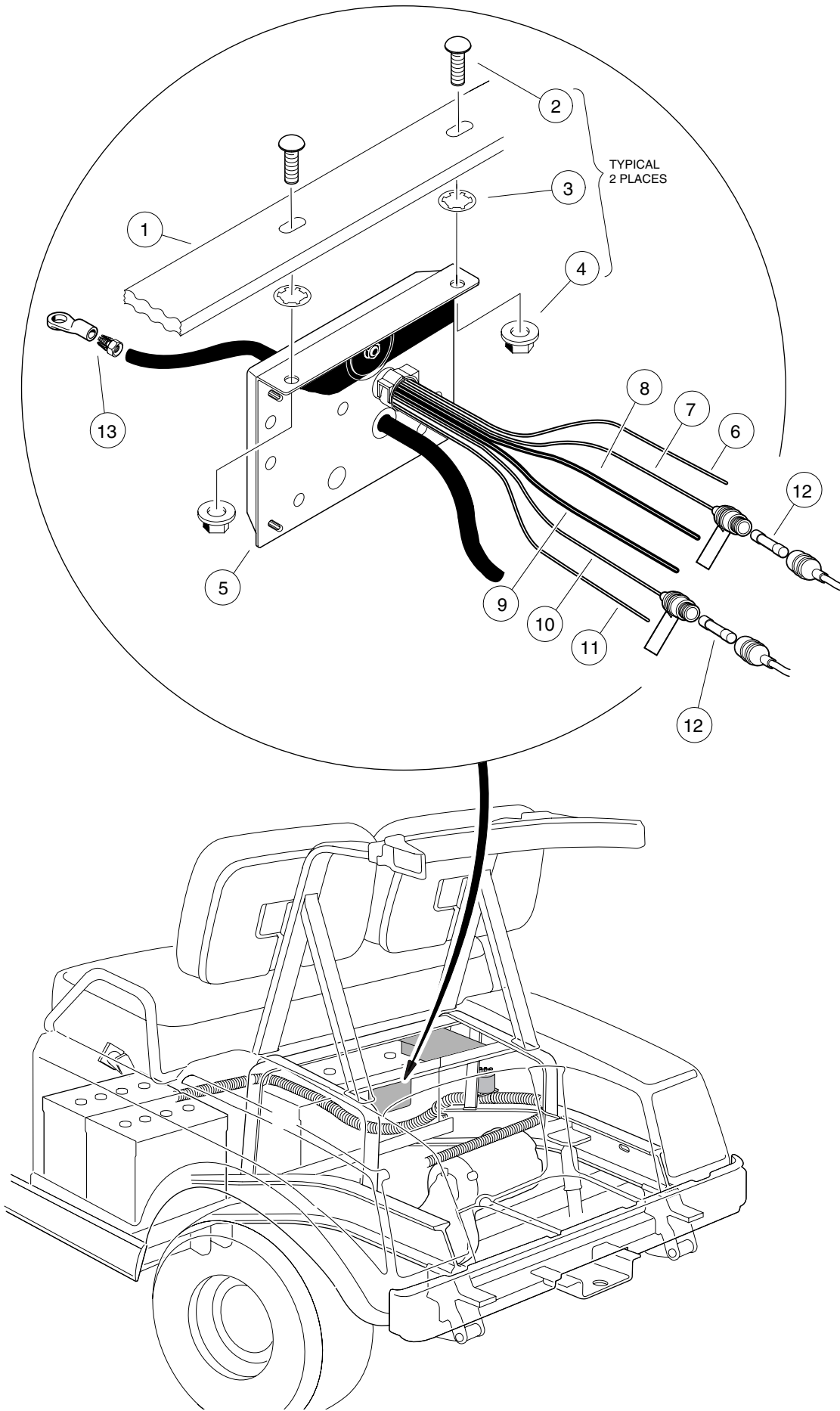


# ELECTRICAL COMPONENTS, REAR BODY POWERDRIVE SYSTEM 48 VEHICLE

**12**

**E**

ITEM	PART NO.	DESCRIPTION	QTY
		1 2 3 4	
1	<u>1018402-01</u>	CONTROLLER, 48 VOLT (225 AMP) .....	1
2	<u>1016631</u>	NUT, PUSH .....	4
3	<u>1017203</u>	BOLT, CARRIAGE, 1/4 - 20 x 1 .....	6
4	<u>1018356-01</u>	NUT, HEX FLANGED LOCK, 1/4 - 20 .....	6
5	0007174	WASHER, LOCK, 5/16 .....	5
6	0001242	NUT, HEX, 5/16 - 18 .....	5
7	0001241	WASHER, FLAT, 5/16 .....	6
8	0007173	BOLT, HEX HEAD, 5/16 - 18 x 3/4 .....	2
9	0001218	BOLT, HEX HEAD, 5/16 - 18 x 1 1/4 .....	1
10	<u>1018070-01</u>	SOLENOID, 48 VOLT .....	1
11	<u>1015838</u>	BRACKET, SOLENOID MOUNTING .....	1
12	0007847	BOLT, HEX HEAD, 1/4 - 20 x 3/4 .....	2
13	0000451	WASHER, LOCK, 1/4 .....	4
14	0000332	WASHER, FLAT, 1/4 .....	2
15	0007893	NUT, HEX, #10 - 32 .....	2
16	<u>1014947</u>	ASSEMBLY, RESISTOR .....	1
17	1014948	ASSEMBLY, DIODE .....	1
18	0001028	NUT, HEX, 1/4 - 20 .....	4
19	<u>1019026-01</u>	BOOT, WIRE .....	1
20	0000304	BOLT, HEX HEAD, 1/4 - 20 x 1 .....	2
21	1015837	PLATE, CONTROLLER MOUNTING .....	1

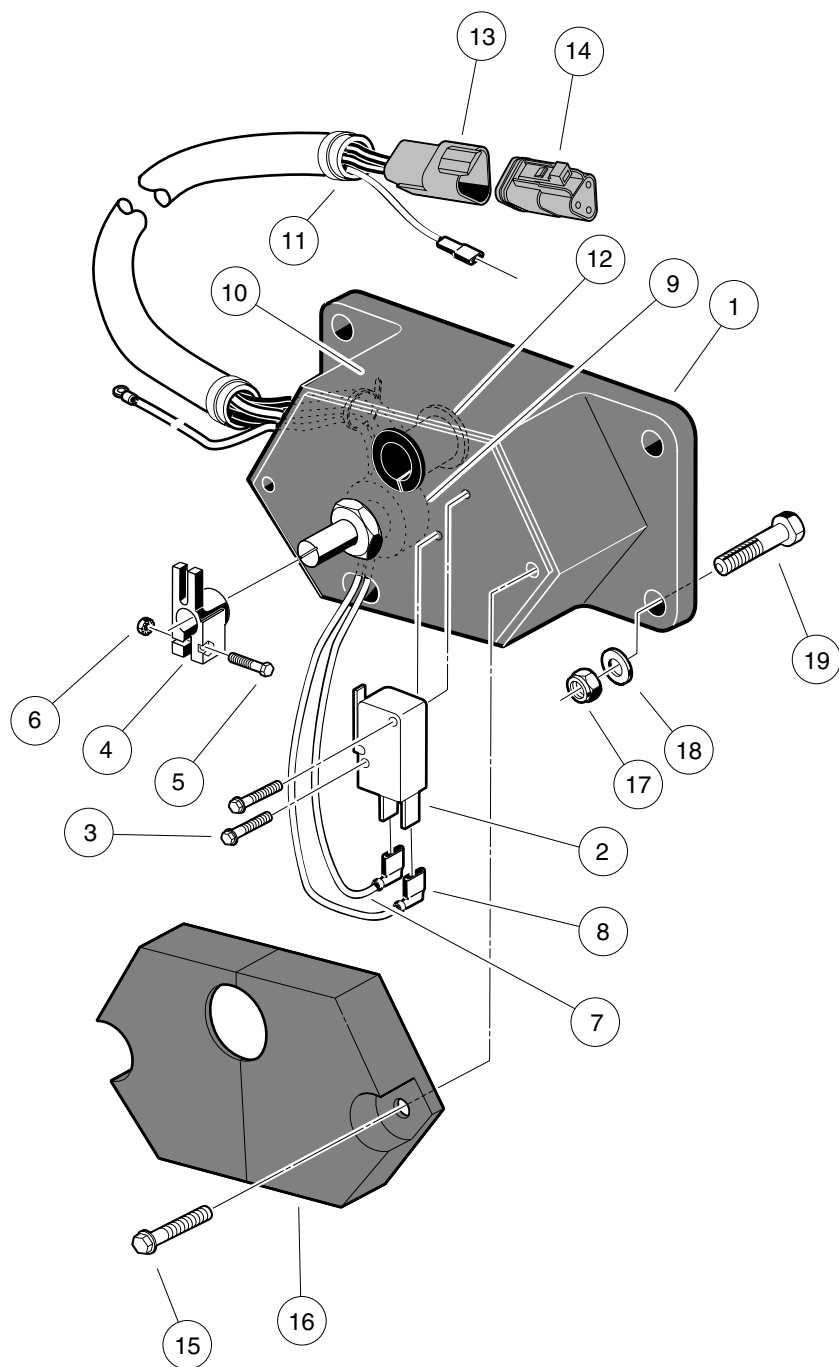


# ON-BOARD COMPUTER POWERDRIVE SYSTEM 48 VEHICLE

**12**

**E**

ITEM	PART NO.	DESCRIPTION	QTY
		1 2 3 4	
1	1015837	PLATE, CONTROLLER MOUNTING .....	1
2	<u>1017203</u>	BOLT, CARRIAGE, 1/4 - 20 x 1 .....	2
3	<u>1016631</u>	NUT, PUSH, 3/16 .....	2
4	<u>1018356-01</u>	NUT, HEX FLANGED LOCK, 1/4 - 20 .....	2
5	1018006-01	COMPUTER, ON-BOARD (INCLUDES ITEMS 6 - 13) .....	1
6	N/A	WIRE ASSEMBLY, #18 BROWN .....	1
7	N/A	WIRE ASSEMBLY, #18 GRAY .....	1
8	N/A	WIRE ASSEMBLY, #10 BLACK .....	1
9	N/A	WIRE ASSEMBLY, #10 BLACK .....	1
10	N/A	WIRE ASSEMBLY, #18 RED .....	1
11	N/A	WIRE ASSEMBLY, #18 YELLOW .....	1
12	<u>1018949-01</u>	FUSE ASSEMBLY, 3/8 AMP .....	2
13	1018278-01	KIT, WIRE AND TERMINAL, #6 BLACK .....	1

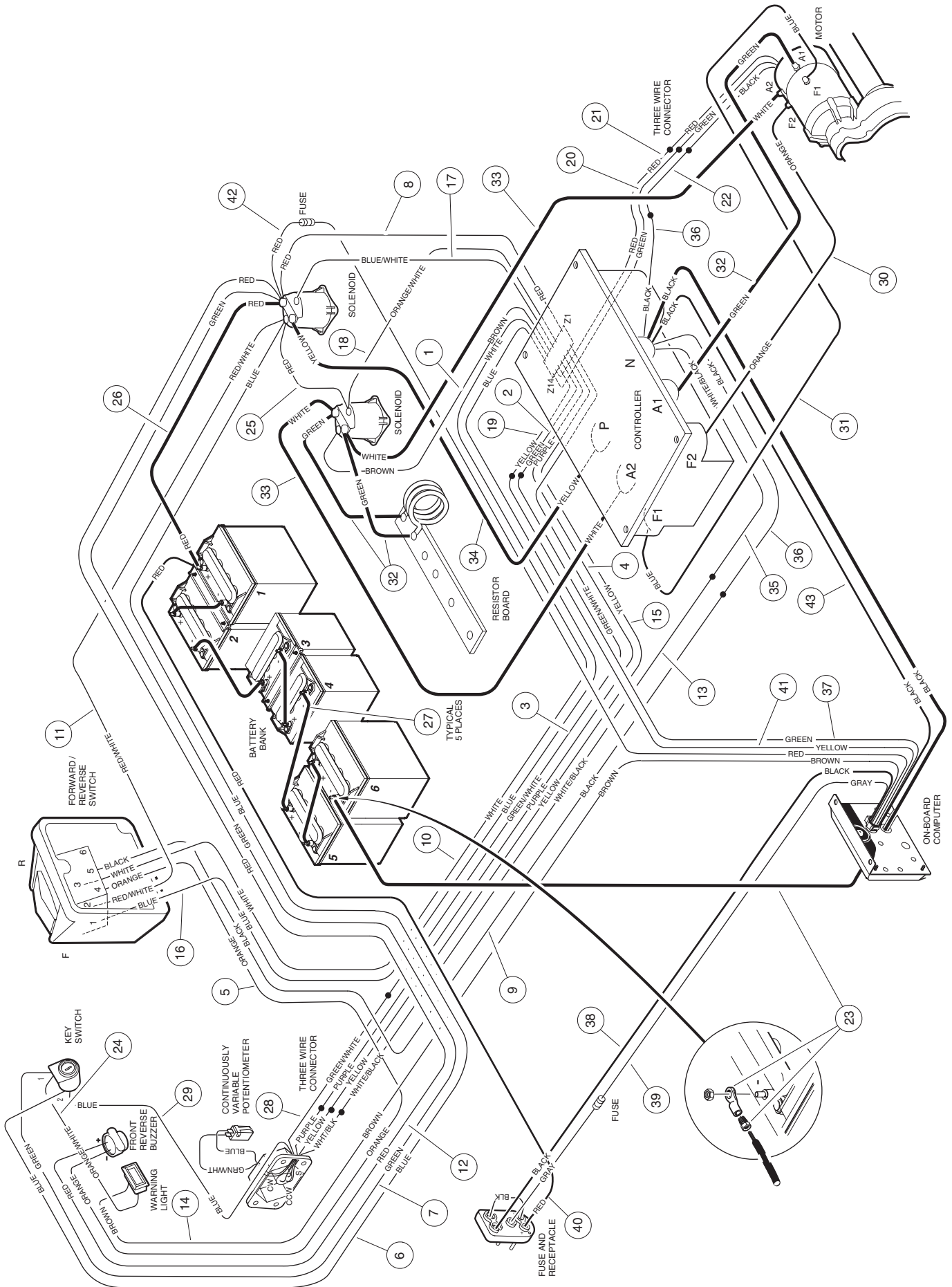


# CONTINUOUSLY VARIABLE POTENTIOMETER POWERDRIVE SYSTEM 48 AND POWERDRIVE PLUS

**12**

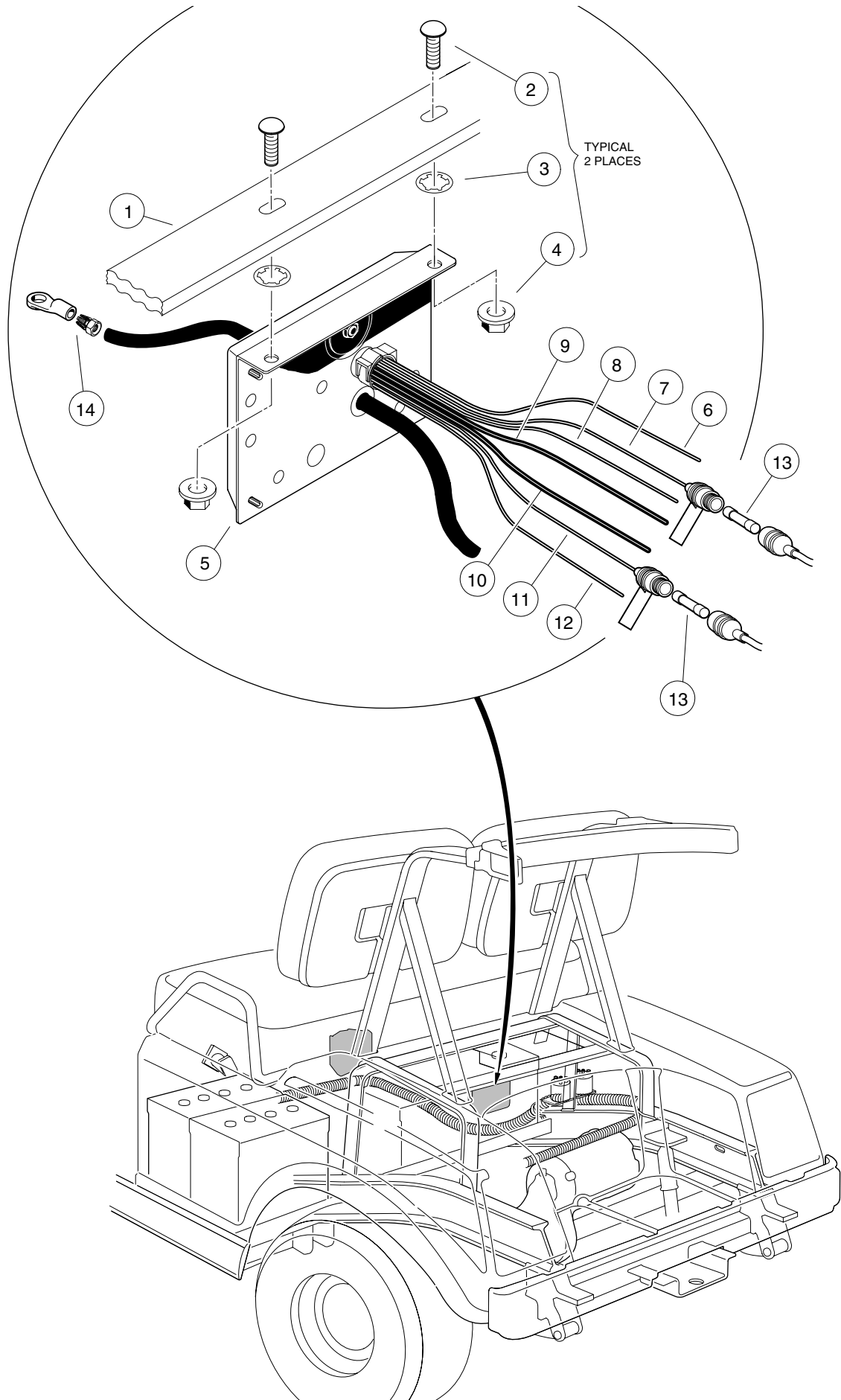
**E**

ITEM	PART NO.	DESCRIPTION	QTY
		1 2 3 4	
	<u>1017392-01</u>	ASSEMBLY, POTENTIOMETER HOUSING WITH GRAY PLUG (INCLUDES ITEMS 1 - 13) .....	1
1	N/A	HOUSING, POTENTIOMETER .....	1
2	<u>1017830</u>	SWITCH, LIMIT .....	1
3	<u>1018226-01</u>	SCREW, HEX HEAD, #4 - 24 .....	2
4	<u>1018090-01</u>	LEVER, POTENTIOMETER .....	1
5	<u>1017853</u>	SCREW, HEX HEAD, #6 - 32 x 3/4 .....	1
6	<u>1011229</u>	NUT, LOCK, "K", #6 - 32 .....	1
7	1017393	WIRE ASSEMBLY, #18 BLUE .....	1
8	1017394	WIRE ASSEMBLY, #18 GREEN/WHITE .....	1
9	N/A	POTENTIOMETER .....	1
10	0008168	WRAP, TIE .....	3
11	N/A	CONDUIT, ELECTRICAL .....	1
12	<u>1017424</u>	BEARING, PIVOT SUPPORT .....	1
13	<u>1018951-01</u>	HOUSING, FEMALE, 3-WIRE, GRAY .....	1
14	<u>1019201-01</u>	HOUSING, MALE, 3-WIRE, GRAY .....	1
15	<u>1018043-01</u>	SCREW, HI-LO HEX HEAD, #8 - 18 x 1/2 .....	2
16	<u>1017743</u>	COVER, ACCELERATOR .....	1
17	0008233	NUT, NYLON LOCK, 1/4 - 20 .....	4
18	0000332	WASHER, FLAT, 1/4 .....	4
19	<u>1018619-01</u>	SCREW, HEX HEAD CAP, 1/4 - 20 x 1 1/8 .....	4



# WIRING - POWERDRIVE PLUS VEHICLE

ITEM	PART NO.	DESCRIPTION	QTY
		1 2 3 4	
	1018608-01	WIRE HARNESS (INCLUDES ITEMS 1 - 22) .....	1
1	<u>1018569-01</u>	WIRE ASSEMBLY, #18 BROWN .....	1
2	1018556-01	WIRE ASSEMBLY, #18 GREEN .....	1
3	1018533-01	WIRE ASSEMBLY, #18 GREEN/WHITE .....	1
4	1018529-01	WIRE ASSEMBLY, #18 PURPLE .....	1
5	1018523-01	WIRE ASSEMBLY, #18 ORANGE .....	1
6	1018525-01	WIRE ASSEMBLY, #18 BLUE .....	1
7	1016121	WIRE ASSEMBLY, #18 GREEN .....	1
8	1018531-01	WIRE ASSEMBLY, #18 RED .....	1
9	1018522-01	WIRE ASSEMBLY, #18 BLACK .....	1
10	<u>1018521-01</u>	WIRE ASSEMBLY, #18 WHITE .....	1
11	1018524-01	WIRE ASSEMBLY, #18 RED/WHITE .....	1
12	1016135	WIRE ASSEMBLY, #18 RED .....	1
13	1018526-01	WIRE ASSEMBLY, #18 WHITE/BLACK .....	1
14	1017956	WIRE ASSEMBLY, #18 BROWN .....	1
15	1018530-01	WIRE ASSEMBLY, #18 YELLOW .....	1
16	1018519-01	WIRE ASSEMBLY, #18 BLUE .....	1
17	1018528-01	WIRE ASSEMBLY, #18 BLUE/WHITE .....	1
18	<u>1018538-01</u>	WIRE ASSEMBLY, #18 ORANGE/WHITE .....	1
19	1018539-01	WIRE ASSEMBLY, #18 YELLOW .....	1
20	1018540-01	WIRE ASSEMBLY, #18 GREEN .....	1
21	1018543-01	WIRE ASSEMBLY, #18 RED .....	1
22	1018544-01	WIRE ASSEMBLY, #18 BLACK .....	1
23	1018278-01	KIT, WIRE AND TERMINAL, #6 BLACK .....	1
24	1017967-01	WIRE ASSEMBLY, #18 ORANGE/WHITE .....	1
25	1018565-01	WIRE ASSEMBLY, #18 RED .....	1
26	<u>1018376-01</u>	WIRE ASSEMBLY, #6 RED .....	1
27	1017957	WIRE ASSEMBLY, #6 BLACK .....	5
28	1017394	WIRE ASSEMBLY, #18 GREEN/WHITE .....	1
29	1016133	WIRE ASSEMBLY, #18 BLUE .....	1
30	1018535-01	WIRE ASSEMBLY, #10 ORANGE .....	1
31	<u>1018536-01</u>	WIRE ASSEMBLY, #10 BLUE .....	1
32	<u>1015860</u>	WIRE ASSEMBLY, #6 GREEN .....	3
33	<u>1015861</u>	WIRE ASSEMBLY, #6 WHITE .....	2
34	<u>1015858</u>	WIRE ASSEMBLY, #6 YELLOW .....	1
35	1018610-01	WIRE ASSEMBLY, #18 BLACK/WHITE .....	1
36	1018609-01	WIRE ASSEMBLY, #18 BLACK .....	2
37	N/A	WIRE ASSEMBLY, #18 GREEN (PART OF ON-BOARD COMPUTER ASSEMBLY) .....	1
38	N/A	WIRE ASSEMBLY, #10 BLACK (PART OF ON-BOARD COMPUTER ASSEMBLY) .....	1
39	N/A	WIRE ASSEMBLY, #18 GRAY (PART OF ON-BOARD COMPUTER ASSEMBLY) .....	1
40	N/A	WIRE ASSEMBLY, #10 RED (PART OF FUSE AND RECEPTACLE ASSEMBLY) .....	1
41	N/A	WIRE ASSEMBLY, #18 YELLOW (PART OF ON-BOARD COMPUTER ASSEMBLY) .....	1
42	N/A	WIRE ASSEMBLY, #18 RED (PART OF ON-BOARD COMPUTER ASSEMBLY) .....	1
43	N/A	WIRE ASSEMBLY, #10 BLACK (PART OF ON-BOARD COMPUTER ASSEMBLY) .....	1



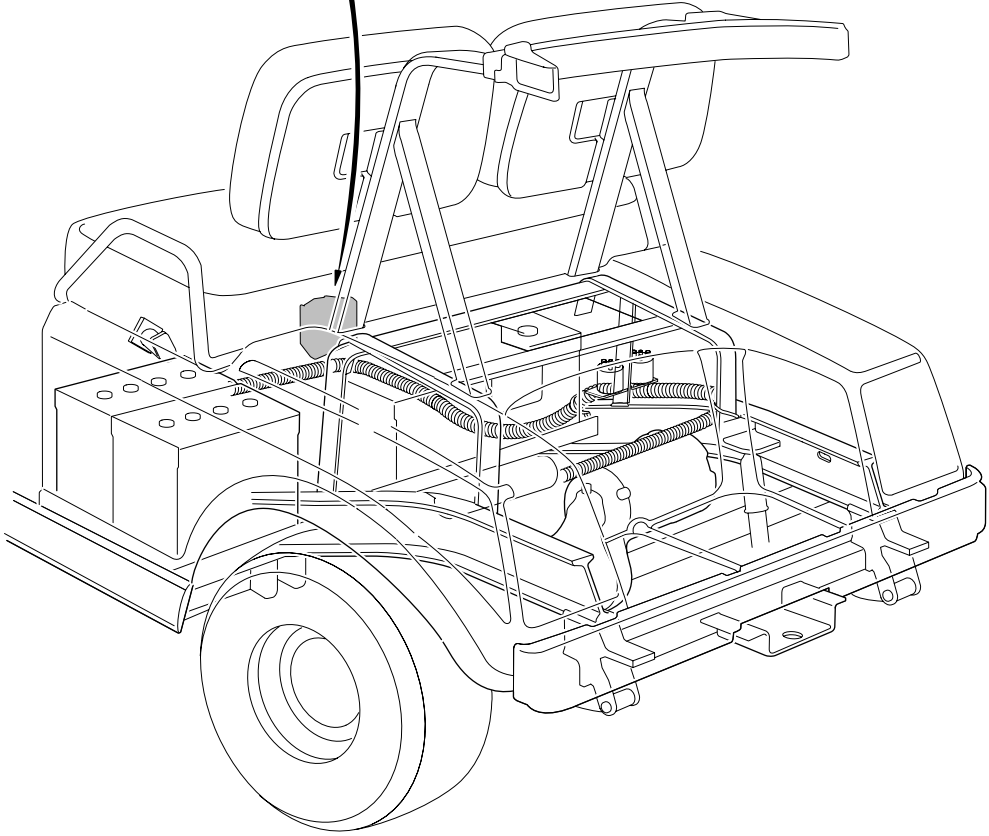
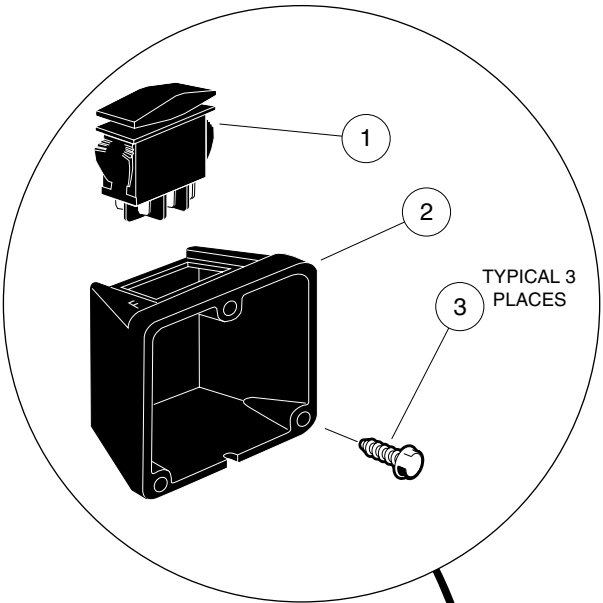


# ON-BOARD COMPUTER POWERDRIVE PLUS VEHICLE

**12**

**E**

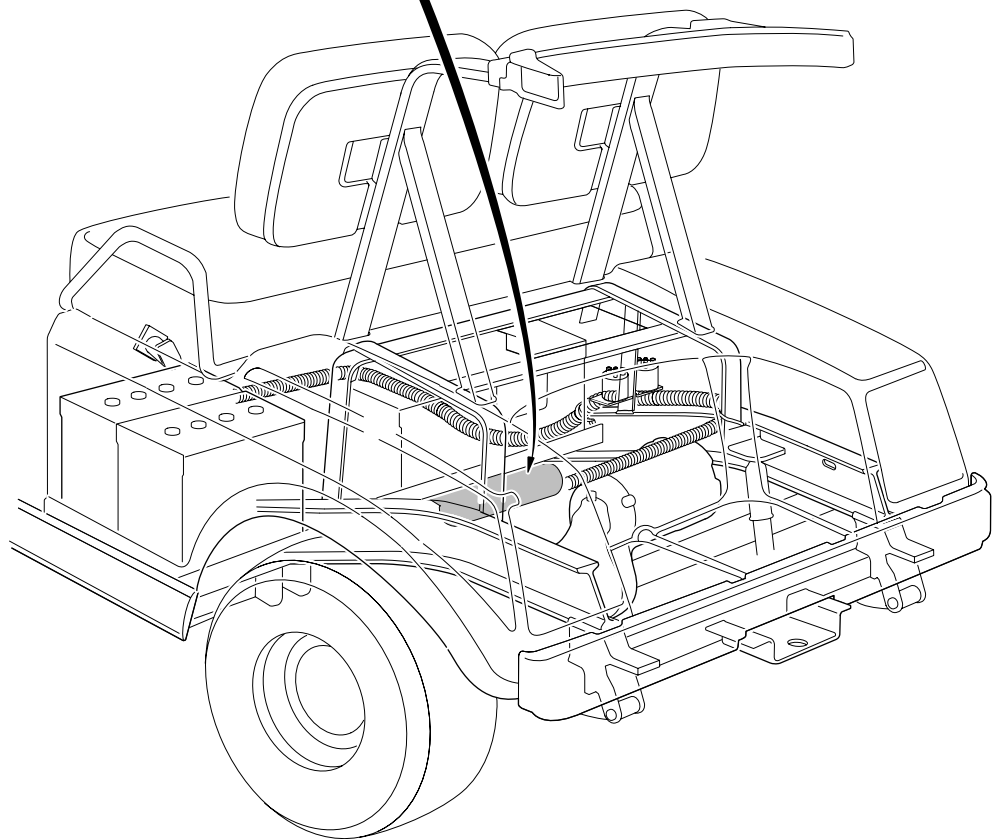
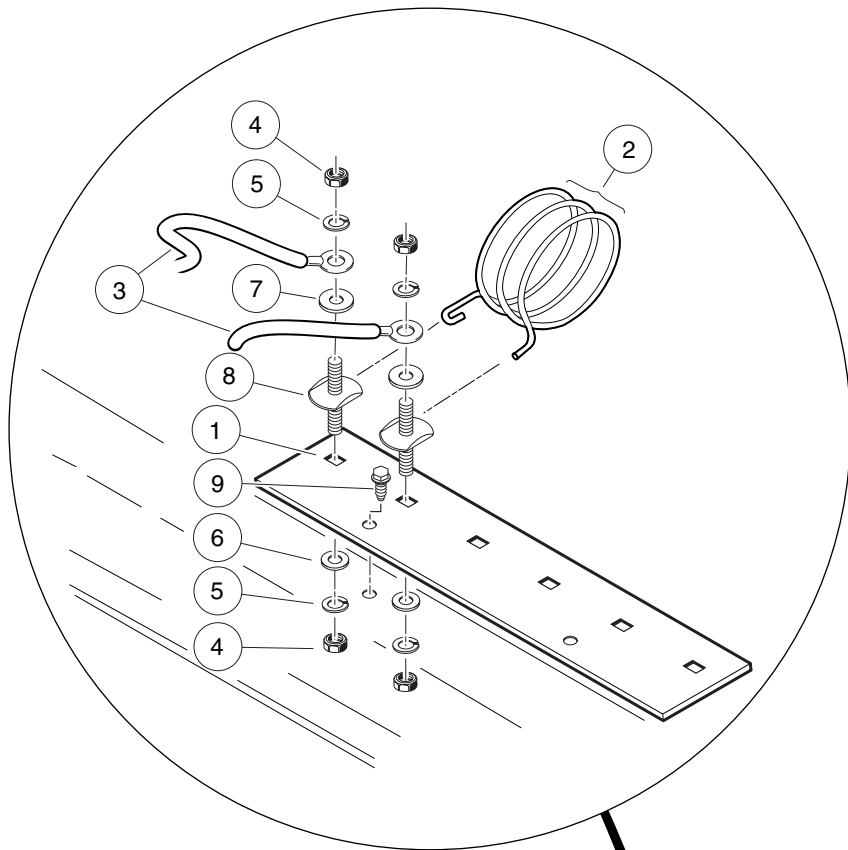
ITEM	PART NO.	DESCRIPTION	QTY
		1 2 3 4	
1	1015837	PLATE, CONTROLLER MOUNTING .....	1
2	<u>1017203</u>	BOLT, CARRIAGE, 1/4 - 20 x 1 .....	2
3	<u>1016631</u>	NUT, PUSH, 3/16 .....	2
4	<u>1018356-01</u>	NUT, HEX FLANGED LOCK, 1/4 - 20 .....	2
5	<u>1018006-03</u>	COMPUTER, ON-BOARD (INCLUDES ITEMS 6 - 14) .....	1
6	N/A	WIRE ASSEMBLY, #18 BROWN .....	1
7	N/A	WIRE ASSEMBLY, #18 GRAY .....	1
8	N/A	WIRE ASSEMBLY, #18 GREEN .....	1
9	N/A	WIRE ASSEMBLY, #10 BLACK .....	1
10	N/A	WIRE ASSEMBLY, #10 BLACK .....	1
11	N/A	WIRE ASSEMBLY, #18 RED .....	1
12	N/A	WIRE ASSEMBLY, #18 YELLOW .....	1
13	<u>1018949-01</u>	FUSE ASSEMBLY, 3/8 AMP .....	2
14	1018278-01	KIT, WIRE AND TERMINAL, #6 BLACK .....	1



# FORWARD AND REVERSE SWITCH POWERDRIVE PLUS VEHICLE

12  
E

ITEM	PART NO.	DESCRIPTION	QTY
		1 2 3 4	
1	<u>1018560-01</u>	SWITCH, FORWARD AND REVERSE .....	1
2	<u>1018550-01</u>	CASE, FORWARD AND REVERSE SWITCH .....	1
3	<u>1018561-01</u>	SCREW, HI-LO HEX HEAD, 1/4 .....	3

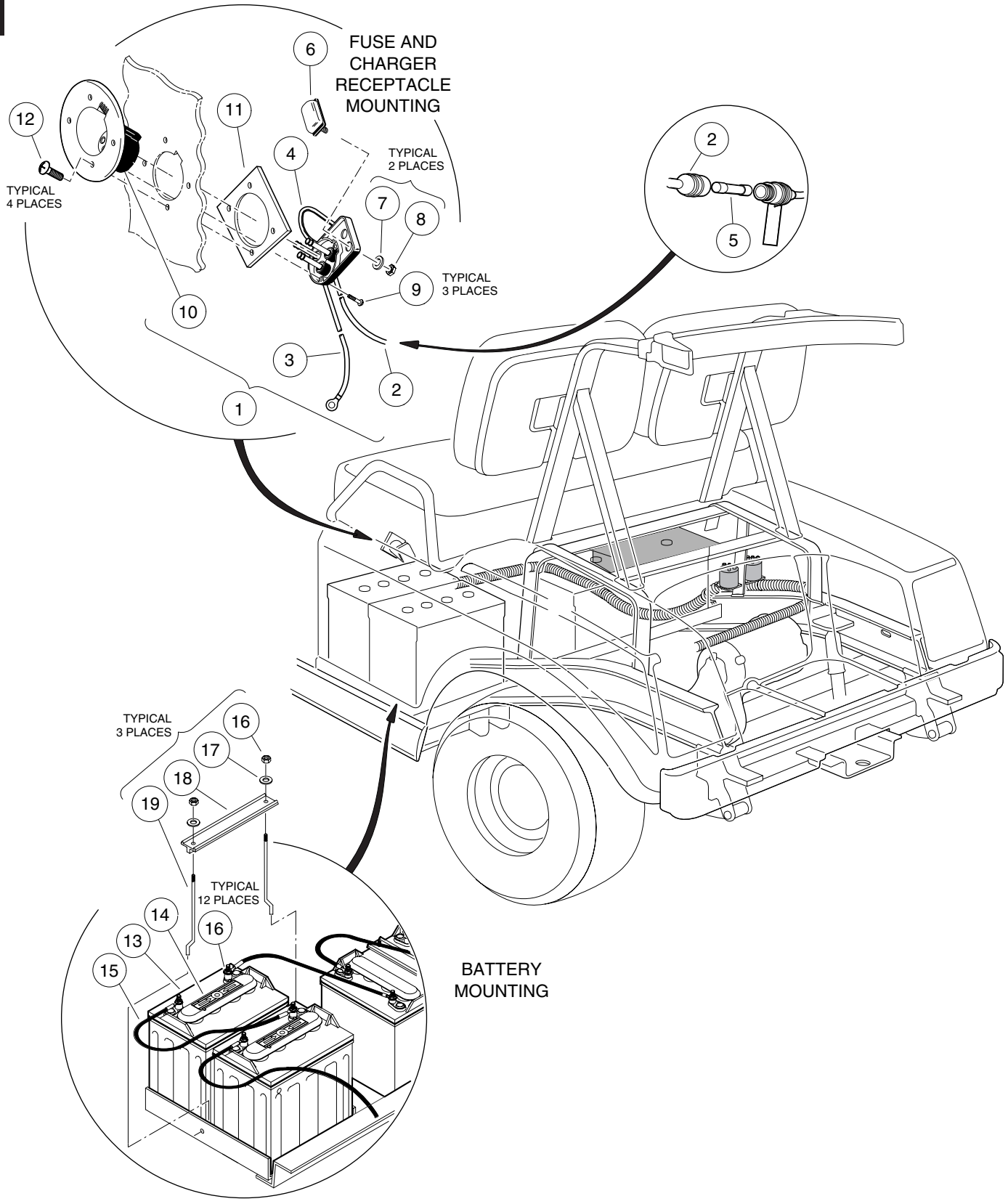


# ENERGY DISPLACEMENT MODULE POWERDRIVE PLUS VEHICLE

**12**

**E**

ITEM	PART NO.	DESCRIPTION	QTY
		1 2 3 4	
	1018566-01	ASSEMBLY, RESISTOR BOARD (INCLUDES ITEMS 1 - 8) .....	1
1	1014728	BOARD, RESISTOR MOUNTING .....	1
2	<u>1014729</u>	RESISTOR .....	1
3	<u>1015860</u>	WIRE ASSEMBLY, #6 GREEN .....	2
4	0001028	NUT, HEX, 1/4 - 20 .....	4
5	0000451	WASHER, LOCK, 1/4 .....	2
6	0000332	WASHER, FLAT, 1/4 .....	2
7	<u>1011931</u>	WASHER, FLAT, 1/4 .....	2
8	1014045	STANDOFF, RESISTOR COIL .....	2
9	<u>1012285</u>	SCREW, THREAD ROLLING, 1/4 - 20 x 5/8 .....	2

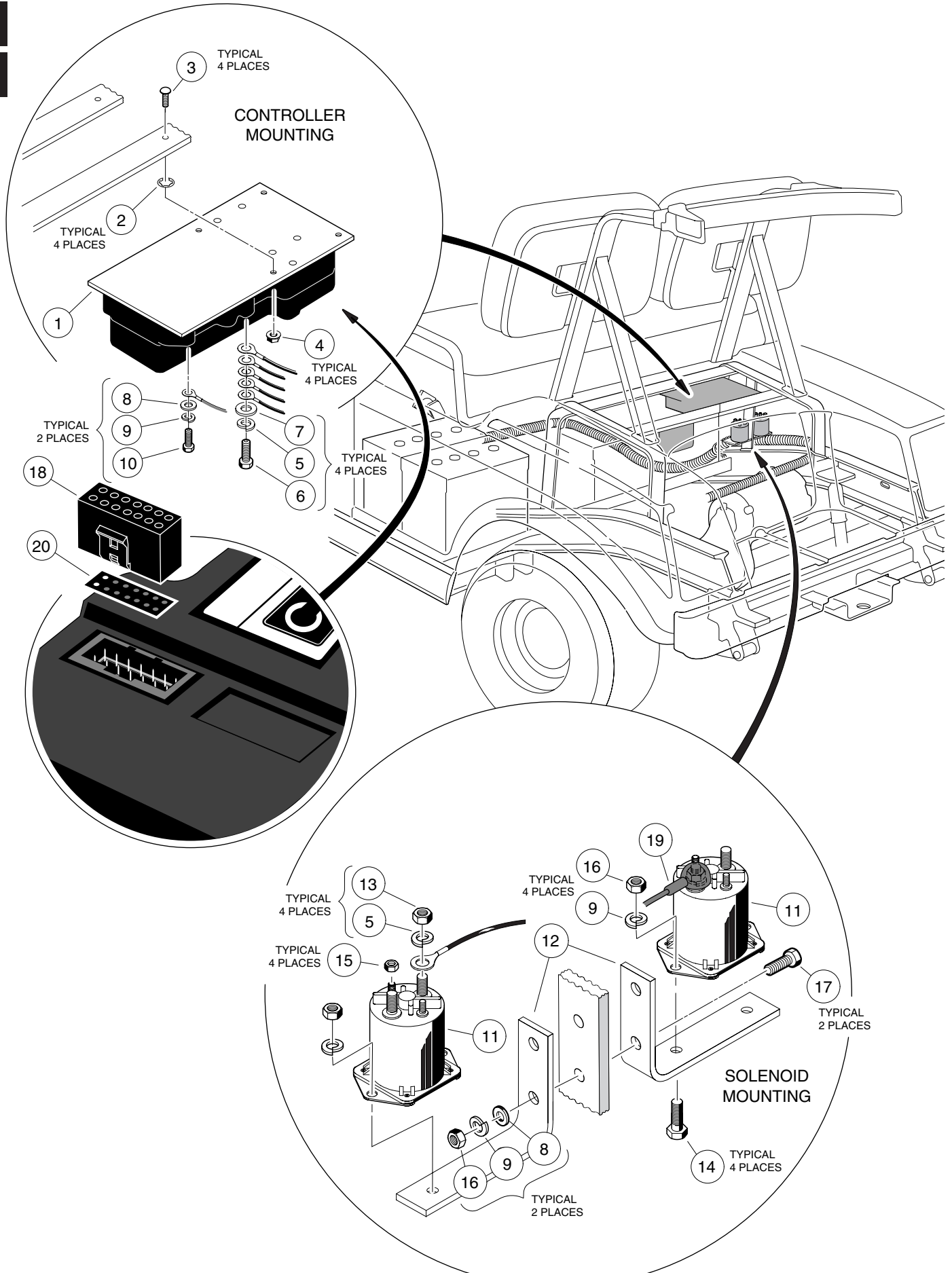


# ELECTRICAL COMPONENTS, REAR BODY POWERDRIVE PLUS VEHICLE

**12**

**E**

ITEM	PART NO.	DESCRIPTION	QTY
		1 2 3 4	
1	<u>1018021-01</u>	KIT, FUSE AND RECEPTACLE (INCLUDES ITEMS 2 - 10) .....	1
2	N/A	WIRE ASSEMBLY, SENSE LEAD, GRAY .....	1
3	N/A	WIRE ASSEMBLY, #10 RED .....	1
4	N/A	WIRE ASSEMBLY, #10 BLACK .....	1
5	<u>1018949-01</u>	ASSEMBLY, FUSE, 3/8 AMP .....	1
6	<u>1017968-01</u>	ASSEMBLY, FUSE, 48 VOLT (INCLUDES ITEMS 7 AND 8) .....	1
7	<u>1018038</u>	WASHER, NARROW TYPE 13, #10 .....	2
8	<u>1018028</u>	NUT, SERRATED, #10 - 32 .....	2
9	<u>1017705</u>	SCREW, PHILLIPS PAN HEAD, #8 TYPE AB .....	3
10	<u>1017965-01</u>	BEZEL, RECEPTACLE .....	1
11	<u>1018010-01</u>	PLATE, RECEPTACLE BACKING .....	1
12	<u>1018320-01</u>	SCREW, PHILLIPS PAN HEAD, #7 - 18 x 3/4 .....	4
13	<u>1017977-01</u>	BATTERY, 8 VOLT POWERDRIVE .....	6
13	<u>1017977-02</u>	BATTERY, 8 VOLT POWERDRIVE, DRY .....	6
14	<u>1017978-01</u>	CAP, BATTERY, 4 PORT GANG .....	6
15	1017957	WIRE ASSEMBLY, #6 BLACK .....	5
16	<u>1014304</u>	NUT, STAINLESS STEEL HEX, 5/16 - 18 .....	18
17	<u>1011578</u>	WASHER, FLAT, TYPE B WIDE, 5/16 .....	6
18	<u>1018030-01</u>	HOLD-DOWN, BATTERY .....	3
19	1013683	BOLT, "J" .....	6





# ELECTRICAL COMPONENTS, REAR BODY POWERDRIVE PLUS VEHICLE

**12**

**E**

ITEM	PART NO.	DESCRIPTION	QTY
		1 2 3 4	
1	<u>1018537-01</u>	CONTROLLER, 48 VOLT .....	1
2	<u>1016631</u>	NUT, PUSH .....	4
3	<u>1017203</u>	BOLT, CARRIAGE, 1/4 - 20 x 1 .....	4
4	<u>1018356-01</u>	NUT, HEX FLANGED LOCK, 1/4 - 20 .....	4
5	0007174	WASHER, LOCK, 5/16 .....	8
6	<u>1015331</u>	BOLT, HEX HEAD, M8 x 1 1/4 x 25MM .....	4
7	0001241	WASHER, FLAT, 5/16 .....	4
8	0000332	WASHER, FLAT, 1/4 .....	4
9	0000451	WASHER, LOCK, 1/4 .....	8
10	<u>1018557-01</u>	BOLT, HEX HEAD, M6 x 1 x 25MM .....	2
11	<u>1018070-01</u>	SOLENOID, 48 VOLT .....	2
12	<u>1015838</u>	BRACKET, SOLENOID MOUNTING .....	2
13	0001242	NUT, HEX, 5/16 - 18 .....	4
14	0007847	BOLT, HEX HEAD, 1/4 - 20 x 3/4 .....	4
15	0007893	NUT, HEX, #10 - 32 .....	4
16	0001028	NUT, HEX, 1/4 - 20 .....	6
17	0000304	BOLT, HEX HEAD, 1/4 - 20 x 1 .....	2
18	<u>1018555-01</u>	"Z" PLUG .....	1
19	<u>1019026-01</u>	BOOT, WIRE .....	1
20	<u>1018554-01</u>	SEAL, Z PLUG.....	1

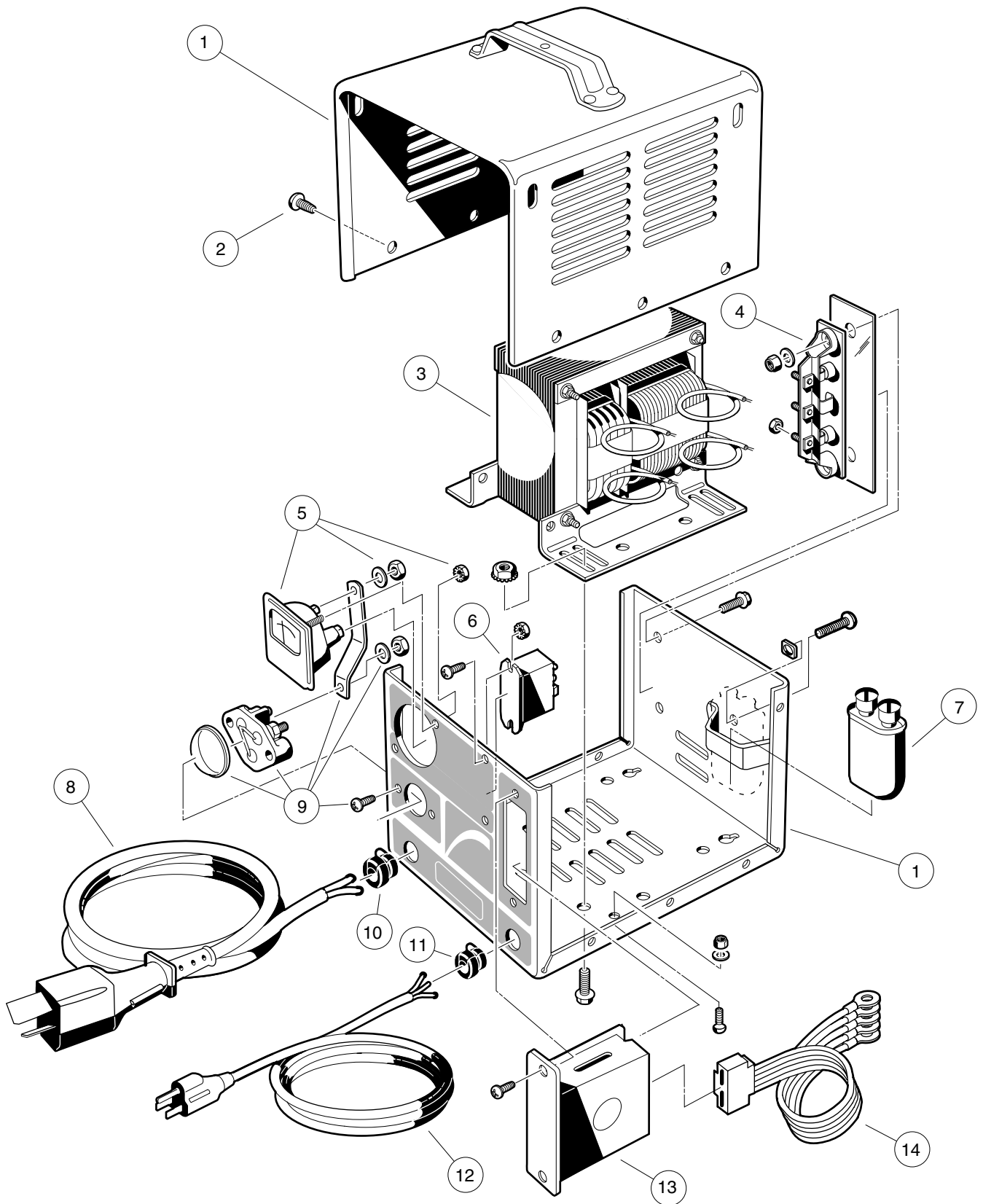


# BATTERY CHARGERS

---

13

E

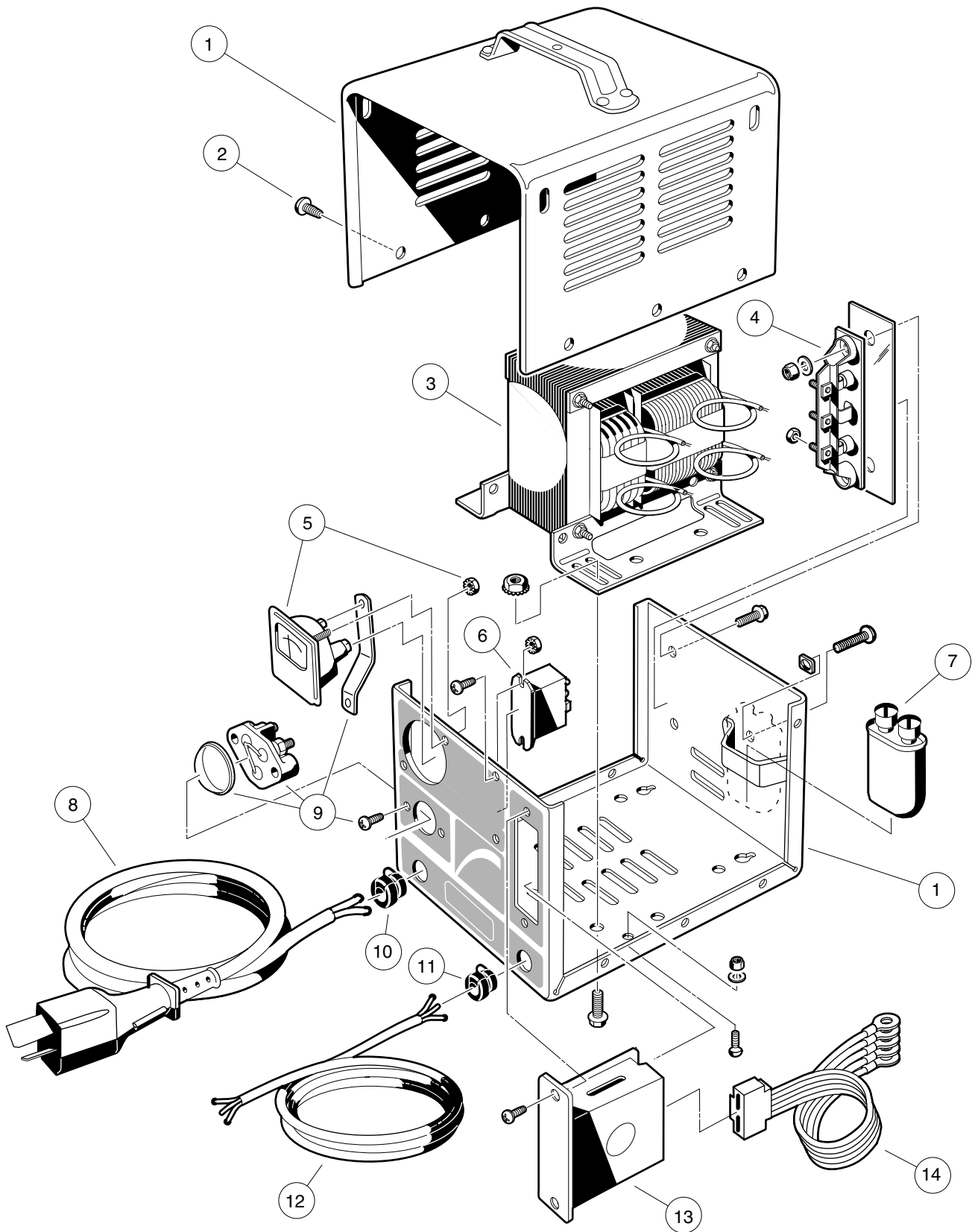


# ACCU-POWER CHARGER, DOMESTIC V-GLIDE 36 VOLT VEHICLE

**13**

**E**

ITEM	PART NO.	DESCRIPTION	QTY
		1 2 3 4	
	1016464-01	CHARGER, ACCU-POWER, DOMESTIC, 120 VAC, 36 VDC, 60 HZ (MODEL NUMBER 13800-11) (INCLUDES ITEMS 1 - 14 ) 108 IN. DC CORD, 72 IN. AC CORD .....	1
1	1015907	ASSEMBLY, CASE (INCLUDES FASTENERS) .....	1
2	0007577	SCREW, PAN HEAD, SELF-TAPPING, #10 - 16 x 1/2 .....	10
3	<u>1015912</u>	ASSEMBLY, TRANSFORMER .....	1
4	<u>1015914</u>	ASSEMBLY, HEATSINK, WITH DIODES (INCLUDES MOUNTING HARDWARE) .....	1
5	<u>1015905</u>	AMMETER (INCLUDES MOUNTING HARDWARE) .....	1
6	<u>1015911</u>	36 VDC RELAY .....	1
7	1015910	CAPACITOR .....	1
8	<u>1016433-01</u>	CORDSET, DC, 108 INCHES LONG (STANDARD) 12 AWG .....	1
8	<u>1016433-02</u>	CORDSET, DC, 146 INCHES LONG, 10 AWG .....	1
8	<u>1016433-03</u>	CORDSET, DC, 242 INCHES LONG, 10 AWG .....	1
9	<u>1012101</u>	ASSEMBLY, FUSE (INCLUDES HARDWARE) .....	1
10	<u>1012098</u>	BUSHING, STRAIN RELIEF, 12 AWG DC CORD .....	1
10	<u>1012042</u>	BUSHING, STRAIN RELIEF, 10 AWG DC CORD .....	1
11	<u>1015917</u>	BUSHING, STRAIN RELIEF, AC CORD .....	1
12	<u>1015916-01</u>	CORDSET, AC, 72 INCHES LONG (STANDARD) .....	1
12	<u>1015916-02</u>	CORDSET, AC, 108 INCHES LONG .....	1
13	<u>1015906</u>	ASSEMBLY, TIMER KIT (INCLUDES MOUNTING HARDWARE) .....	1
14	<u>1015913</u>	ASSEMBLY, CONTROL CABLE .....	1

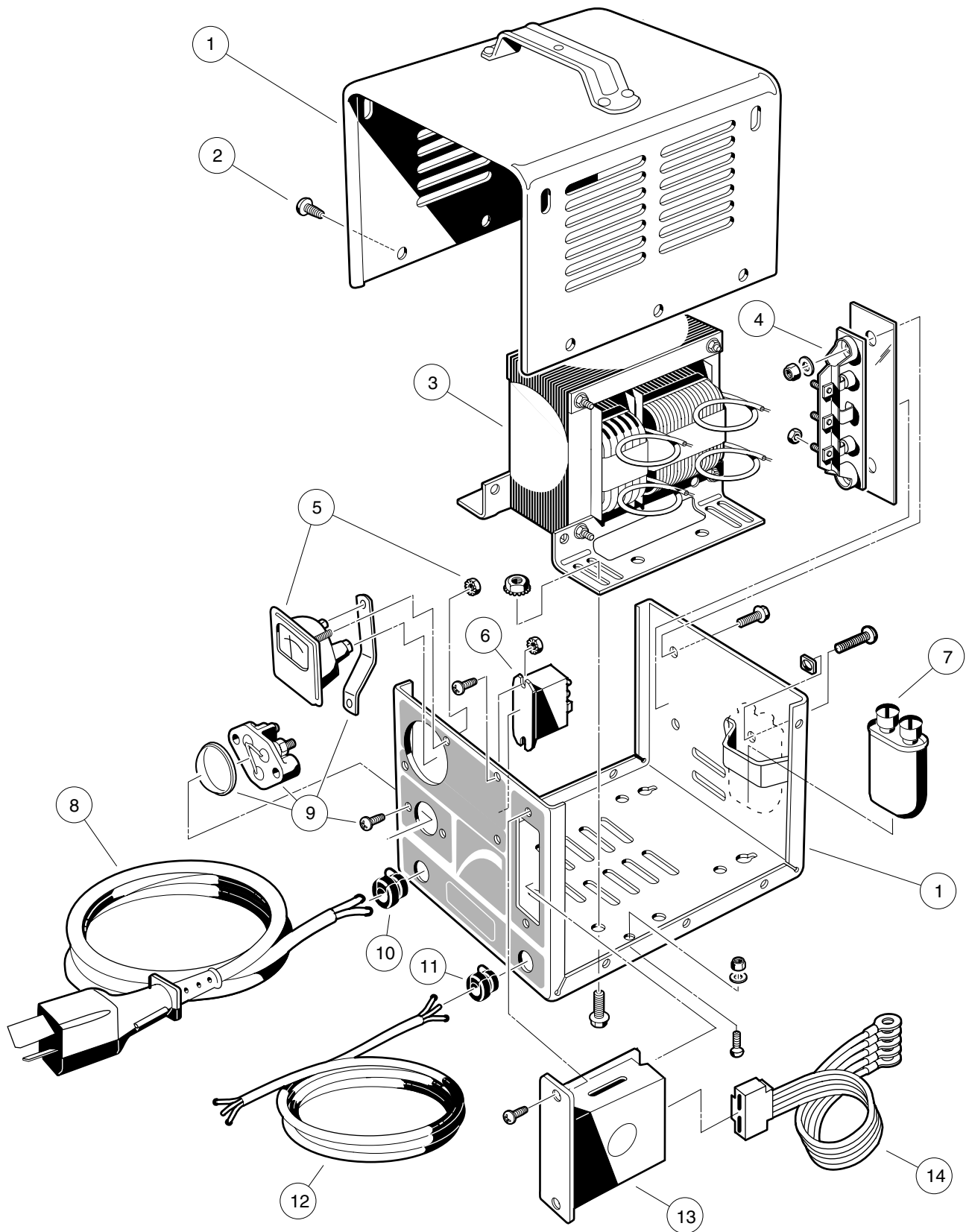


# ACCU-POWER CHARGER, EXPORT, 230 VOLT V-GLIDE 36 VOLT VEHICLE

**13**

**E**

ITEM	PART NO.	DESCRIPTION	QTY
		1 2 3 4	
	<u>1016434-01</u>	CHARGER, ACCU-POWER, EXPORT, 230 VAC, 36 VDC, 50 HZ (MODEL NUMBER 14410-11) (INCLUDES ITEMS 1 - 14) 108 IN. DC CORD, 108 IN. AC CORD .....	1
1	1015907	ASSEMBLY, CASE (INCLUDES FASTENERS) .....	1
2	0007577	SCREW, PAN HEAD, SELF-TAPPING, #10 - 16 x 1/2 .....	10
3	<u>1015936</u>	ASSEMBLY, TRANSFORMER .....	1
4	<u>1015914</u>	ASSEMBLY, HEATSINK, WITH DIODES (INCLUDES MOUNTING HARDWARE) .....	1
5	<u>1015905</u>	AMMETER (INCLUDES MOUNTING HARDWARE) .....	1
6	<u>1015911</u>	36 VDC RELAY .....	1
7	1015910	CAPACITOR .....	1
8	<u>1016433-01</u>	CORDSET, DC, 108 INCHES LONG, 12 AWG (STANDARD) .....	1
8	<u>1016433-02</u>	CORDSET, DC, 146 INCHES LONG, 10 AWG .....	1
8	<u>1016433-03</u>	CORDSET, DC, 242 INCHES LONG, 10 AWG .....	1
9	<u>1012101</u>	ASSEMBLY, FUSE (INCLUDES MOUNTING HARDWARE) .....	1
10	<u>1012098</u>	BUSHING, STRAIN RELIEF, 12 AWG DC CORD .....	1
10	<u>1012042</u>	BUSHING, STRAIN RELIEF, 10 AWG DC CORD .....	1
11	<u>1015917</u>	BUSHING, STRAIN RELIEF, AC CORD .....	1
12	1014696	CORDSET, AC, 108 INCHES LONG (STANDARD) .....	1
13	<u>1015906</u>	ASSEMBLY, TIMER KIT (INCLUDES MOUNTING HARDWARE) .....	1
14	<u>1015913</u>	ASSEMBLY, CONTROL CABLE .....	1



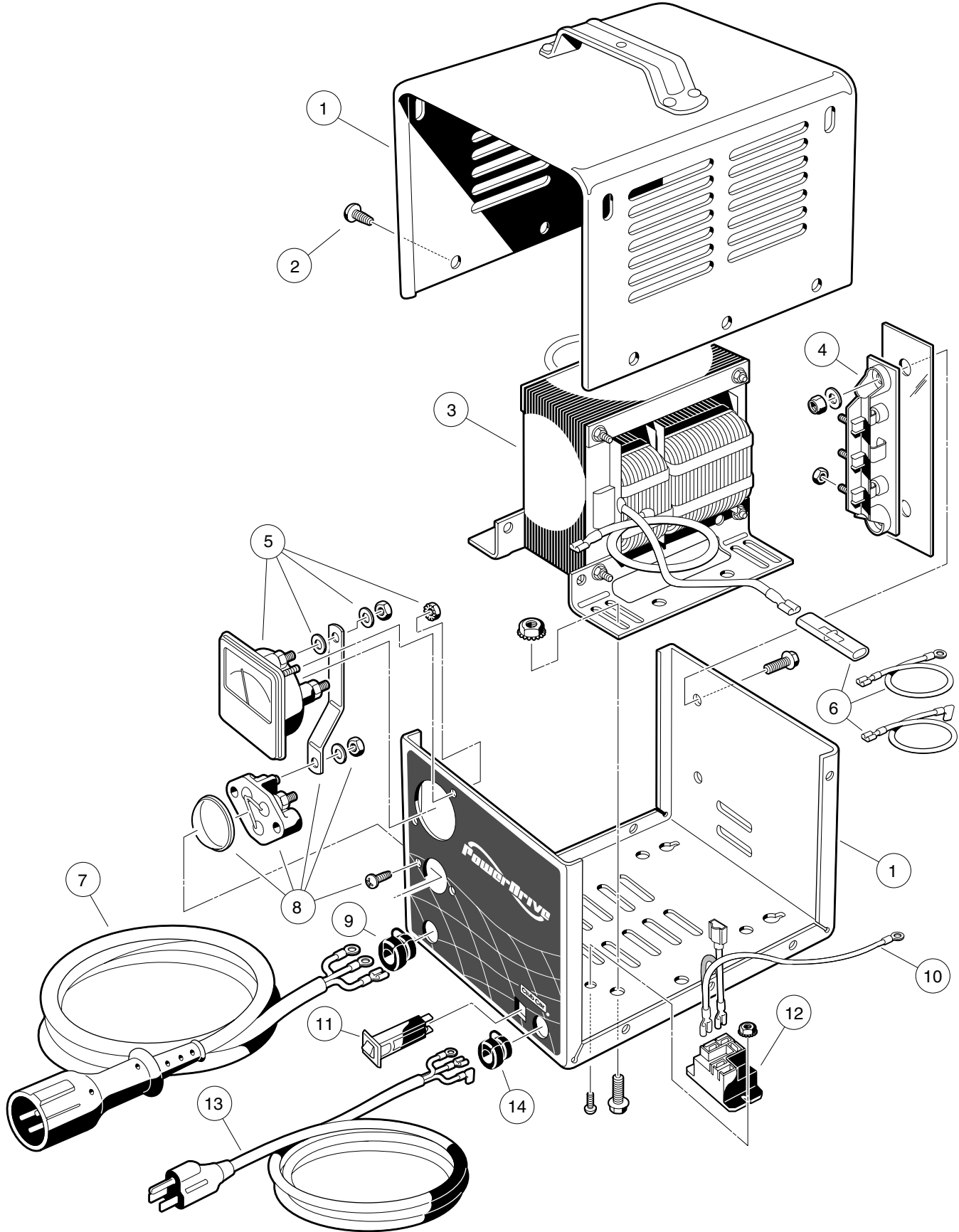


# ACCU-POWER CHARGER, EXPORT, 100 VOLT V-GLIDE 36 VOLT VEHICLE

**13**

**E**

ITEM	PART NO.	DESCRIPTION	QTY
		1 2 3 4	
	<u>1016462-01</u>	CHARGER, ACCU-POWER, EXPORT, 100 VAC, 36 VDC, 50 HZ (MODEL NUMBER 14900) (INCLUDES ITEMS 1 - 14) 108 IN. DC CORD, 108 IN. AC CORD .....	1
1	1016283	ASSEMBLY, CASE (INCLUDES FASTENERS) .....	1
2	0007577	SCREW, PAN HEAD, SELF-TAPPING, #10 - 16 x 1/2 .....	10
3	<u>1016336</u>	ASSEMBLY, TRANSFORMER .....	1
4	<u>1015914</u>	ASSEMBLY, HEATSINK, WITH DIODES (INCLUDES MOUNTING HARDWARE) .....	1
5	<u>1015905</u>	AMMETER (INCLUDES MOUNTING HARDWARE) .....	1
6	<u>1015911</u>	36 VDC RELAY .....	1
7	<u>1015939</u>	CAPACITOR .....	1
8	<u>1016433-01</u>	CORDSET, DC, 108 INCHES LONG, 12 AWG (STANDARD) .....	1
8	<u>1016433-02</u>	CORDSET, DC, 146 INCHES LONG, 10 AWG .....	1
8	<u>1016433-03</u>	CORDSET, DC, 242 INCHES LONG, 10 AWG .....	1
9	<u>1012101</u>	ASSEMBLY, FUSE (INCLUDES MOUNTING HARDWARE) .....	1
10	<u>1012098</u>	BUSHING, STRAIN RELIEF, 12 AWG DC CORD .....	1
10	<u>1012042</u>	BUSHING, STRAIN RELIEF, 10 AWG DC CORD .....	1
11	<u>1015917</u>	BUSHING, STRAIN RELIEF, AC CORD .....	1
12	<u>1016282</u>	CORDSET, AC, 108 INCHES LONG .....	1
13	<u>1015906</u>	ASSEMBLY, TIMER KIT (INCLUDES MOUNTING HARDWARE) .....	1
14	<u>1015913</u>	ASSEMBLY, CONTROL CABLE .....	1

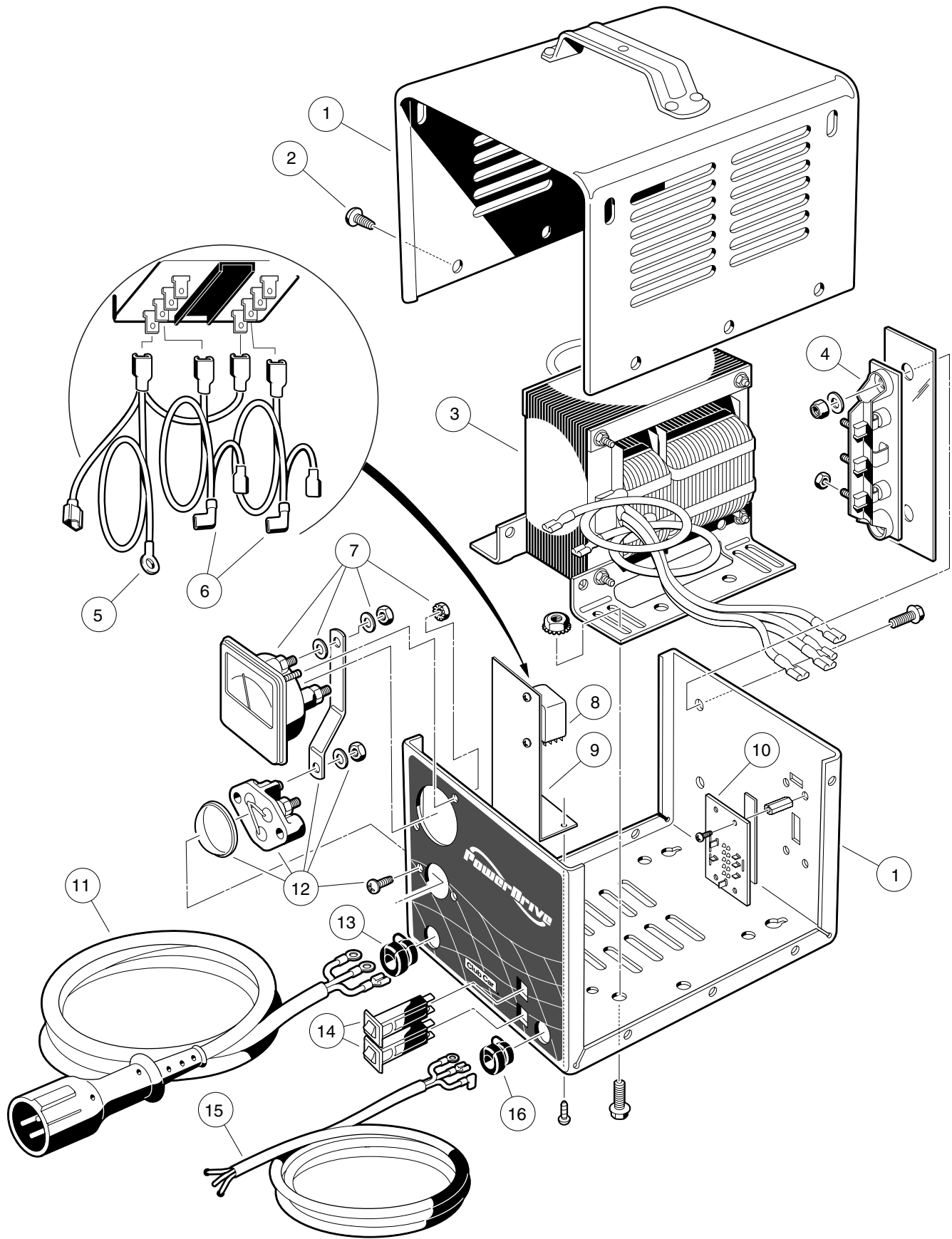


# POWERDRIVE CHARGER, DOMESTIC POWERDRIVE SYSTEM 48 AND POWERDRIVE PLUS

**13**

**E**

ITEM	PART NO.	DESCRIPTION	QTY
		1 2 3 4	
	<u>1018022-01</u>	CHARGER, BATTERY, POWERDRIVE, DOMESTIC 120VAC 48VDC 60 HZ (MODEL NUMBER 17930-11) (INCLUDES ITEMS 1 - 14) 103 IN. DC CORD WITH MALE 3-PIN PLUG, 12 AWG 74 IN. AC CORD WITH MALE GROUNDED PLUG .....	1
	<u>1018022-02</u>	CHARGER, BATTERY, POWERDRIVE 120VAC 48VDC 60 HZ (MODEL NUMBER 17930-18) (INCLUDES ITEMS 1 - 14) 144 IN. DC CORD WITH MALE 3-PIN PLUG, 12 AWG 108 IN. AC CORD WITH MALE GROUNDED PLUG .....	1
	<u>1018022-03</u>	CHARGER, BATTERY, POWERDRIVE 120VAC 48VDC 60 HZ (MODEL NUMBER 17930-19) (INCLUDES ITEMS 1 - 14) 240 IN. DC CORD WITH MALE 3-PIN PLUG, 12 AWG 108 IN. AC CORD WITH MALE GROUNDED PLUG .....	1
1	<u>1018283-01</u>	ASSEMBLY, CASE (INCLUDES FASTENERS) .....	1
2	0007577	SCREW, PAN HEAD, SELF-TAPPING, #10 - 16 x 1/2 .....	10
3	<u>1018197-01</u>	ASSEMBLY, TRANSFORMER .....	1
4	<u>1015914</u>	ASSEMBLY, HEATSINK, WITH DIODES (INCLUDES MOUNTING HARDWARE) .....	1
5	<u>1018285-01</u>	AMMETER (INCLUDES MOUNTING HARDWARE) .....	1
6	<u>1018311-01</u>	KIT, WIRE ASSEMBLY .....	1
7	<u>1018289-01</u>	CORDSET, DC, 113 INCHES LONG WITH MALE 3-PIN PLUG, 12 AWG .....	1
7	<u>1018289-02</u>	CORDSET, DC, 154 INCHES LONG WITH MALE 3-PIN PLUG, 12 AWG .....	1
7	<u>1018289-03</u>	CORDSET, DC, 250 INCHES LONG WITH MALE 3-PIN PLUG, 12 AWG .....	1
8	<u>1012101</u>	ASSEMBLY, FUSE (INCLUDES MOUNTING HARDWARE) .....	1
9	<u>1012098</u>	BUSHING, STRAIN RELIEF, DC CORD, 12 AWG .....	1
10	<u>1019144-01</u>	ASSEMBLY, VOLTAGE SUPPRESSOR .....	1
11	<u>1018287-01</u>	BREAKER, CIRCUIT, 15 AMP .....	1
12	<u>1018286-01</u>	RELAY, POWER, 48 VDC .....	1
13	<u>1018288-01</u>	CORDSET, AC, 80 INCHES LONG .....	1
13	<u>1018288-02</u>	CORDSET, AC, 116 INCHES LONG .....	1
14	<u>1015917</u>	BUSHING, STRAIN RELIEF, AC CORD .....	1



# POWERDRIVE CHARGER, EXPORT POWERDRIVE SYSTEM 48 AND POWERDRIVE PLUS

**13**

**E**

ITEM	PART NO.	DESCRIPTION	QTY
		1 2 3 4	
	<u>1018315-03</u>	CHARGER, BATTERY, POWERDRIVE, EXPORT WITH 4-POSITION SWITCH 100 - 200 - 220 - 240 VAC, 48 VDC 50/60 HZ (MODEL NUMBER 18780-11) (INCLUDES ITEMS 1 - 16) 103 IN. DC CORD WITH MALE 3-PIN PLUG, 12 AWG 74 IN. AC CORD WITH NO PLUG .....	1
	1018315-04	CHARGER, BATTERY, POWERDRIVE EXPORT WITH 4-POSITION SWITCH 100 - 200 - 220 - 240 VAC, 48 VDC 50/60 HZ (MODEL NUMBER 18780-18) (INCLUDES ITEMS 1 - 16) 144 IN. DC CORD WITH MALE 3-PIN PLUG, 12 AWG 108 IN. AC CORD WITH NO PLUG .....	1
1	<u>1018381-01</u>	ASSEMBLY, CASE (INCLUDES FASTENERS) .....	1
2	0007577	SCREW, PAN HEAD, SELF-TAPPING, #10 - 16 x 1/2 .....	10
3	1018382-01	ASSEMBLY, TRANSFORMER .....	1
4	<u>1015914</u>	ASSEMBLY, HEATSINK, WITH DIODES (INCLUDES MOUNTING HARDWARE) .....	1
5	1019144-01	ASSEMBLY, VOLTAGE SUPPRESSOR .....	1
6	1018385-01	KIT, WIRE ASSEMBLY .....	1
7	<u>1018285-01</u>	AMMETER (INCLUDES HARDWARE) .....	1
8	<u>1018383-01</u>	RELAY, POWER, 48 VDC (INCLUDES MOUNTING HARDWARE) .....	1
9	<u>1018387-01</u>	BRACKET, POWER RELAY MOUNTING .....	1
10	1018386-01	SWITCH, 4-POSITION, SLIDE .....	1
11	<u>1018289-01</u>	CORDSET, DC, 113 INCHES LONG WITH MALE 3-PIN PLUG, 12 AWG .....	1
11	<u>1018289-02</u>	CORDSET, DC, 154 INCHES LONG WITH MALE 3-PIN PLUG, 12 AWG .....	1
11	<u>1018289-03</u>	CORDSET, DC, 250 INCHES LONG WITH MALE 3-PIN PLUG, 12 AWG .....	1
12	<u>1012101</u>	ASSEMBLY, FUSE (INCLUDES HARDWARE) .....	1
13	<u>1012098</u>	BUSHING, STRAIN RELIEF, DC CORD, 12 AWG .....	1
14	1018384-01	BREAKER, CIRCUIT, 15 AMP .....	2
15	<u>1018317-01</u>	CORDSET, AC, 80 INCHES LONG, WITH LEADS (NO PLUG) .....	1
15	<u>1018317-02</u>	CORDSET, AC, 116 INCHES LONG, WITH LEADS (NO PLUG) .....	1
16	<u>1015917</u>	BUSHING, STRAIN RELIEF, AC CORD .....	1

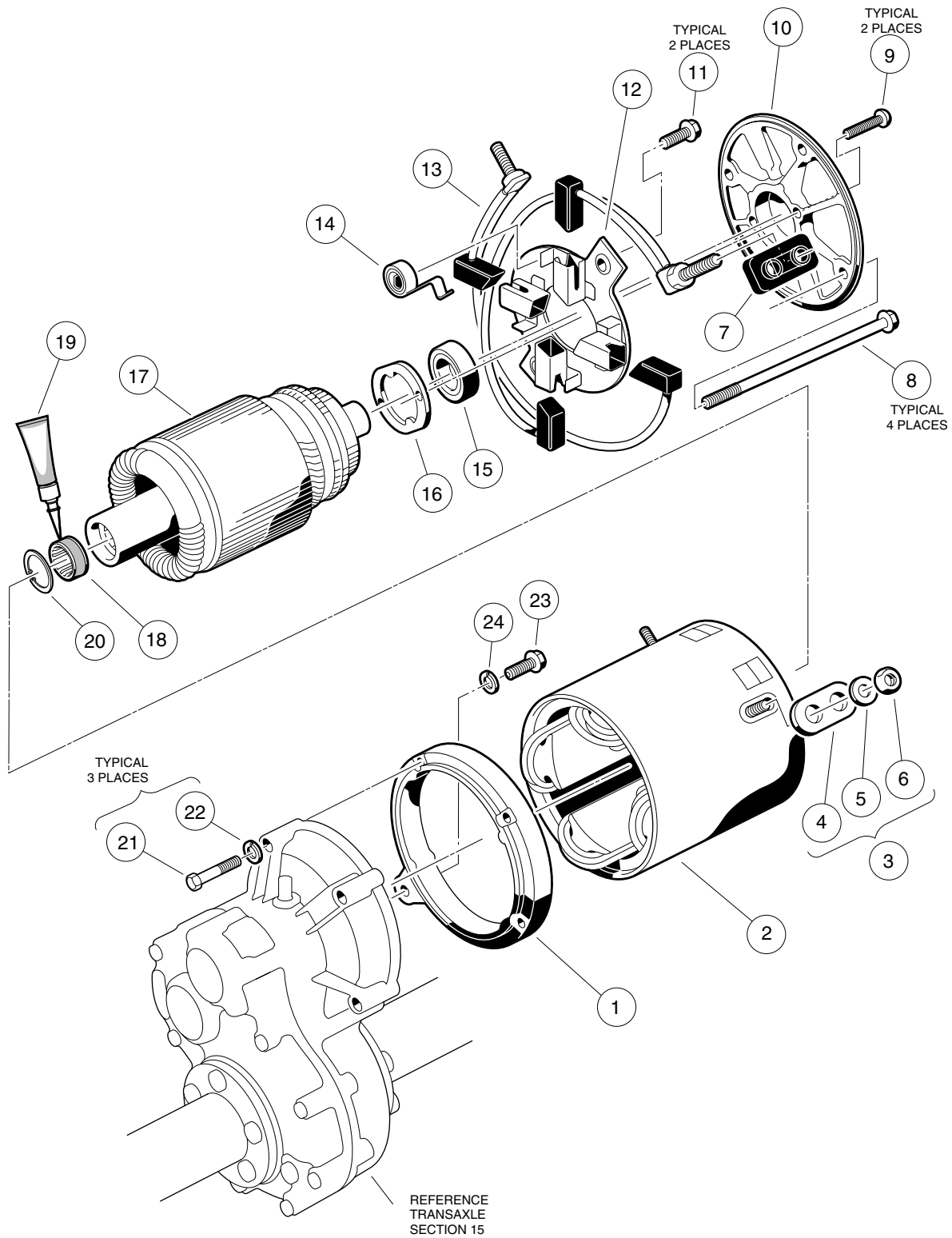


# ELECTRIC MOTOR

---

14

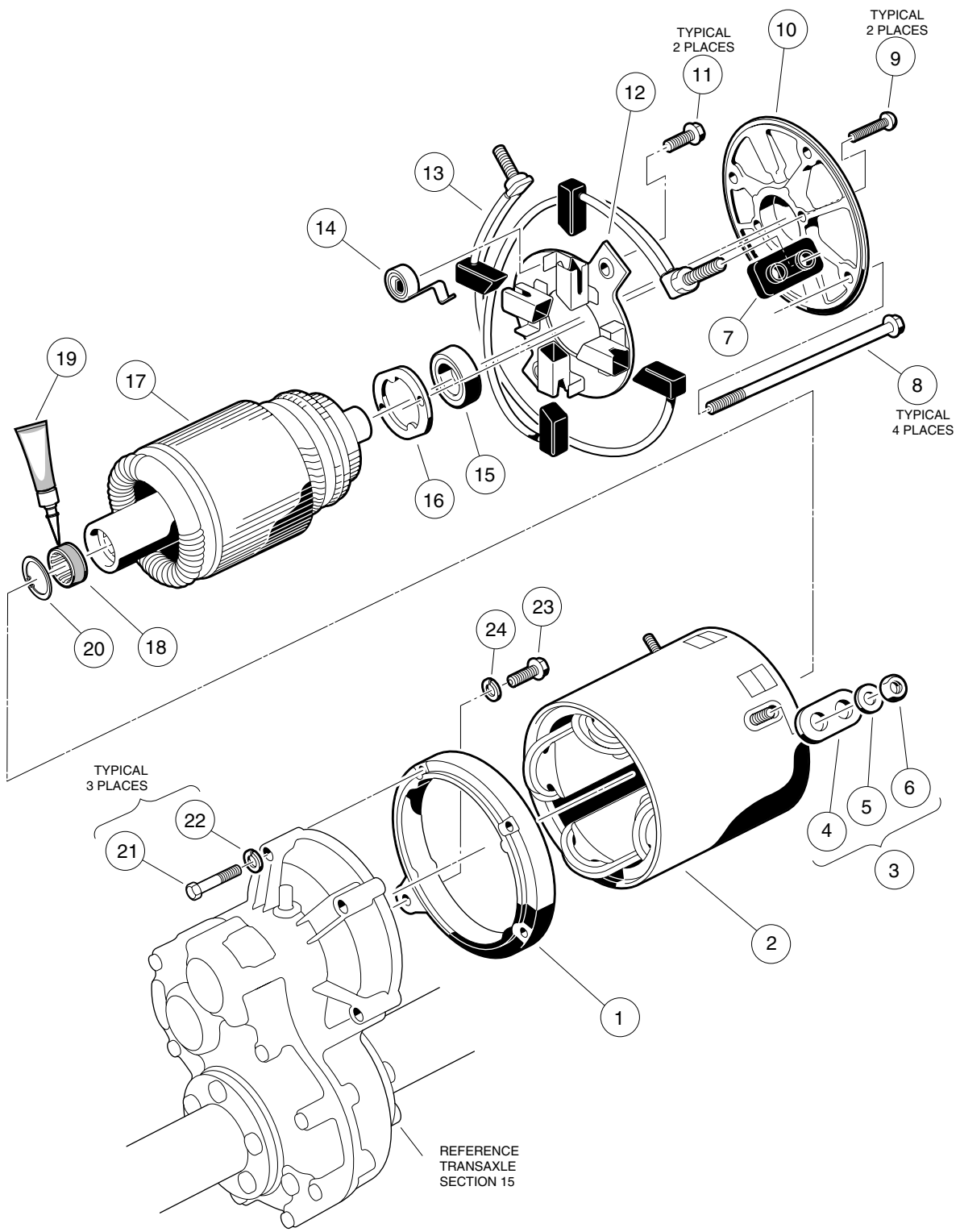
E





# MOTOR - V-GLIDE 36 VOLT VEHICLE

ITEM	PART NO.	DESCRIPTION	QTY
		1 2 3 4	
	1018134-01	ASSEMBLY, 36 VOLT MOTOR, 2.97 HP (INCLUDES ITEMS 1 - 20) .....	1
1	<u>1017944</u>	SHIELD, END .....	1
2	<u>1017954</u>	ASSEMBLY, STATOR SHELL AND WINDING .....	1
3	<u>1017947</u>	PACKAGE, HARDWARE (INCLUDES ITEMS 4 - 7) .....	1
4	N/A	BUSHING, INSULATOR .....	2
5	N/A	WASHER, FLAT, 5/16 .....	4
6	N/A	NUT, HEX, 5/16 - 18 .....	4
7	N/A	BUSHING, INSULATOR .....	2
8	<u>1017952</u>	SCREW, CLAMP .....	4
9	<u>1017953</u>	SCREW, BEARING RETAINER .....	2
10	<u>1017951</u>	SHIELD, END .....	1
11	<u>1017949</u>	SCREW, BRUSH HOLDER .....	2
12	<u>1017948</u>	RIGGING, BRUSH .....	1
13	<u>1017946</u>	PACKAGE, BRUSH (2 PIECES) .....	1
14	1011411	PACKAGE, BRUSH SPRING (4 PIECES) .....	1
15	<u>1011290</u>	BEARING, BALL .....	1
16	<u>1017950</u>	RETAINER, BEARING .....	1
17	N/A	ARMATURE .....	1
18	<u>1017891-01</u>	RING, GUIDE .....	1
19	<u>1018132-02</u>	ADHESIVE, GUIDE RING, 3 GRAM TUBE .....	A/R
20	<u>1018228-01</u>	RING, INTERNAL RETAINING .....	1
21	1014201	BOLT, HEX HEAD, 1/4 - 20 x 2 1/4 .....	3
22	0000451	WASHER, LOCK, 1/4 .....	3
23	<u>1010934</u>	BOLT, HEX HEAD, 5/16 - 18 x 1 .....	1
24	0007174	WASHER, LOCK, 5/16 .....	1

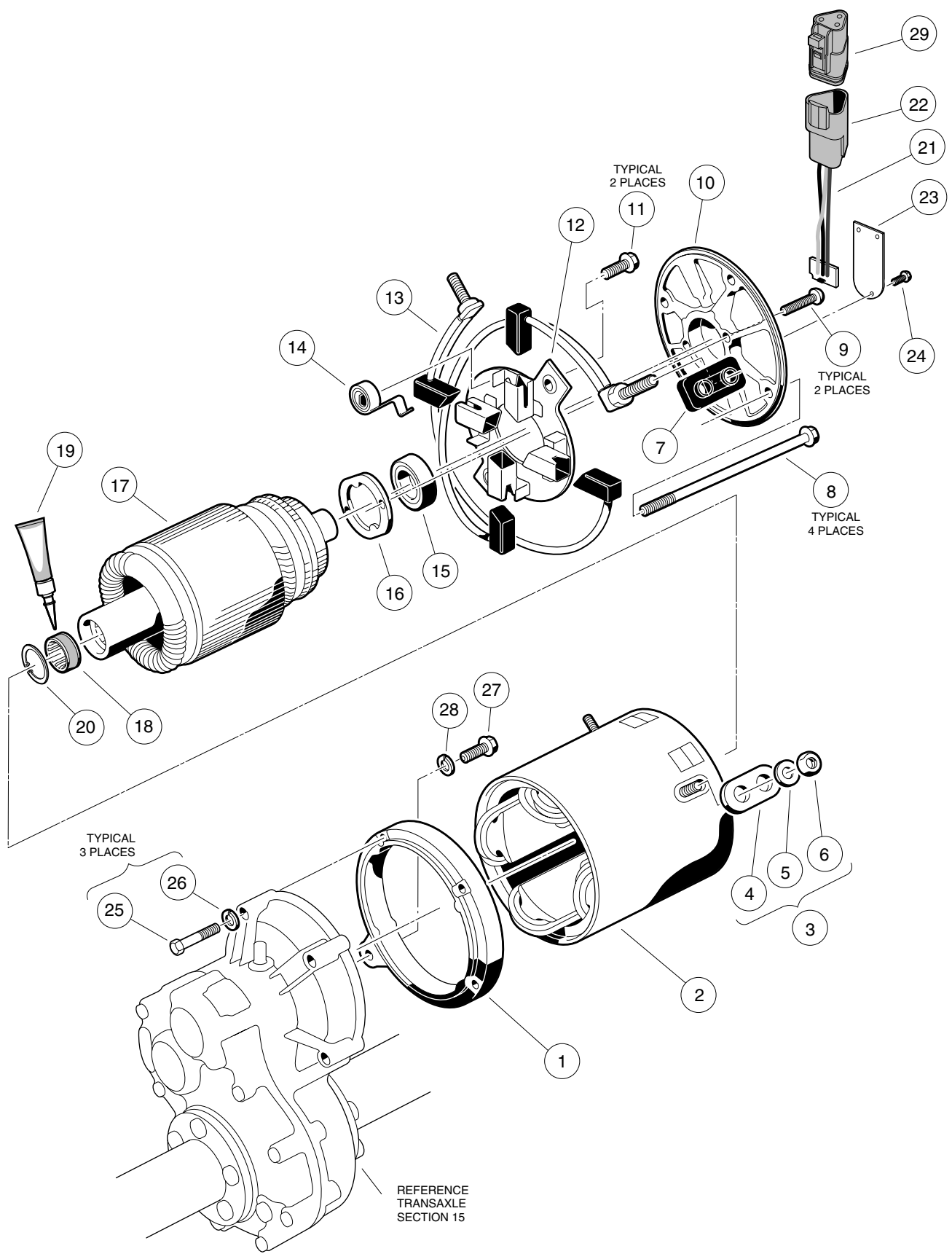


# MOTOR - POWERDRIVE SYSTEM 48 VEHICLE

14

E

ITEM	PART NO.	DESCRIPTION	QTY
		1 2 3 4	
	1018133-01	ASSEMBLY, 48 VOLT MOTOR, 3.10 HP (INCLUDES ITEMS 1 - 20) .....	1
1	<u>1017944</u>	SHIELD, END .....	1
2	<u>1017958</u>	ASSEMBLY, STATOR SHELL AND WINDING .....	1
3	<u>1017947</u>	PACKAGE, HARDWARE (INCLUDES ITEMS 4 - 7) .....	1
4	N/A	BUSHING, INSULATOR .....	2
5	N/A	WASHER, FLAT, 5/16 .....	4
6	N/A	NUT, HEX, 5/16 - 18 .....	4
7	N/A	BUSHING, INSULATOR .....	2
8	<u>1017961</u>	SCREW, CLAMP .....	4
9	<u>1017953</u>	SCREW, BEARING RETAINER .....	2
10	<u>1017951</u>	SHIELD, END .....	1
11	<u>1017949</u>	SCREW, BRUSH HOLDER .....	2
12	<u>1017948</u>	RIGGING, BRUSH .....	1
13	<u>1017946</u>	PACKAGE, BRUSH (2 PIECES) .....	1
14	1011411	PACKAGE, BRUSH SPRING (4 PIECES) .....	1
15	<u>1011290</u>	BEARING, BALL .....	1
16	<u>1017950</u>	RETAINER, BEARING .....	1
17	N/A	ARMATURE .....	1
18	<u>1017891-01</u>	RING, GUIDE .....	1
19	<u>1018132-02</u>	ADHESIVE, GUIDE RING, 3 GRAM TUBE .....	A/R
20	<u>1018228-01</u>	RING, INTERNAL RETAINING .....	1
21	1014201	BOLT, HEX HEAD, 1/4 - 20 x 2 1/4 .....	3
22	0000451	WASHER, LOCK, 1/4 .....	3
23	<u>1010934</u>	BOLT, HEX HEAD, 5/16 - 18 x 1 .....	1
24	0007174	WASHER, LOCK, 5/16 .....	1



# MOTOR - POWERDRIVE PLUS VEHICLE

ITEM	PART NO.	DESCRIPTION	QTY
		1 2 3 4	
	1018546-01	ASSEMBLY, 48 VOLT MOTOR, 3.10 HP (INCLUDES ITEMS 1 - 24) .....	1
1	<u>1017944</u>	SHIELD, END .....	1
2	<u>1018792-01</u>	ASSEMBLY, STATOR SHELL AND WINDING .....	1
3	<u>1017947</u>	PACKAGE, HARDWARE (INCLUDES ITEMS 4 - 7) .....	1
4	N/A	BUSHING, INSULATOR .....	2
5	N/A	WASHER, FLAT, 5/16 .....	4
6	N/A	NUT, HEX, 5/16 - 18 .....	4
7	N/A	BUSHING, INSULATOR .....	2
8	<u>1017961</u>	SCREW, CLAMP .....	4
9	<u>1017953</u>	SCREW, BEARING RETAINER .....	2
10	1018793-01	SHIELD, END (WITH SPEED SENSOR) .....	1
11	<u>1017949</u>	SCREW, BRUSH HOLDER .....	2
12	<u>1017948</u>	RIGGING, BRUSH .....	1
13	<u>1017946</u>	PACKAGE, BRUSH (2 PIECES) .....	1
14	1011411	PACKAGE, BRUSH SPRING (4 PIECES) .....	1
15	<u>1011290</u>	BEARING, BALL .....	1
16	<u>1017950</u>	RETAINER, BEARING .....	1
17	N/A	ARMATURE .....	1
18	<u>1017891-01</u>	RING, GUIDE .....	1
19	<u>1018132-02</u>	ADHESIVE, GUIDE RING, 3 GRAM TUBE .....	A/R
20	<u>1018228-01</u>	RING, INTERNAL RETAINING .....	1
21	<u>1019258-01</u>	SENSOR, HALL EFFECT (INCLUDES ITEM 22) .....	1
22	<u>1018951-01</u>	HOUSING, FEMALE 3-WIRE, GRAY .....	1
23	1019303-01	PLATE, RETAINING .....	1
24	1019304-01	SCREW, RETAINING .....	3
25	1014201	BOLT, HEX HEAD, 1/4 - 20 x 2 1/4 .....	3
26	0000451	WASHER, LOCK, 1/4 .....	3
27	<u>1010934</u>	BOLT, HEX HEAD, 5/16 - 18 x 1 .....	1
28	0007174	WASHER, LOCK, 5/16 .....	1
29	<u>1019201-01</u>	HOUSING, MALE 3-WIRE, GRAY .....	1

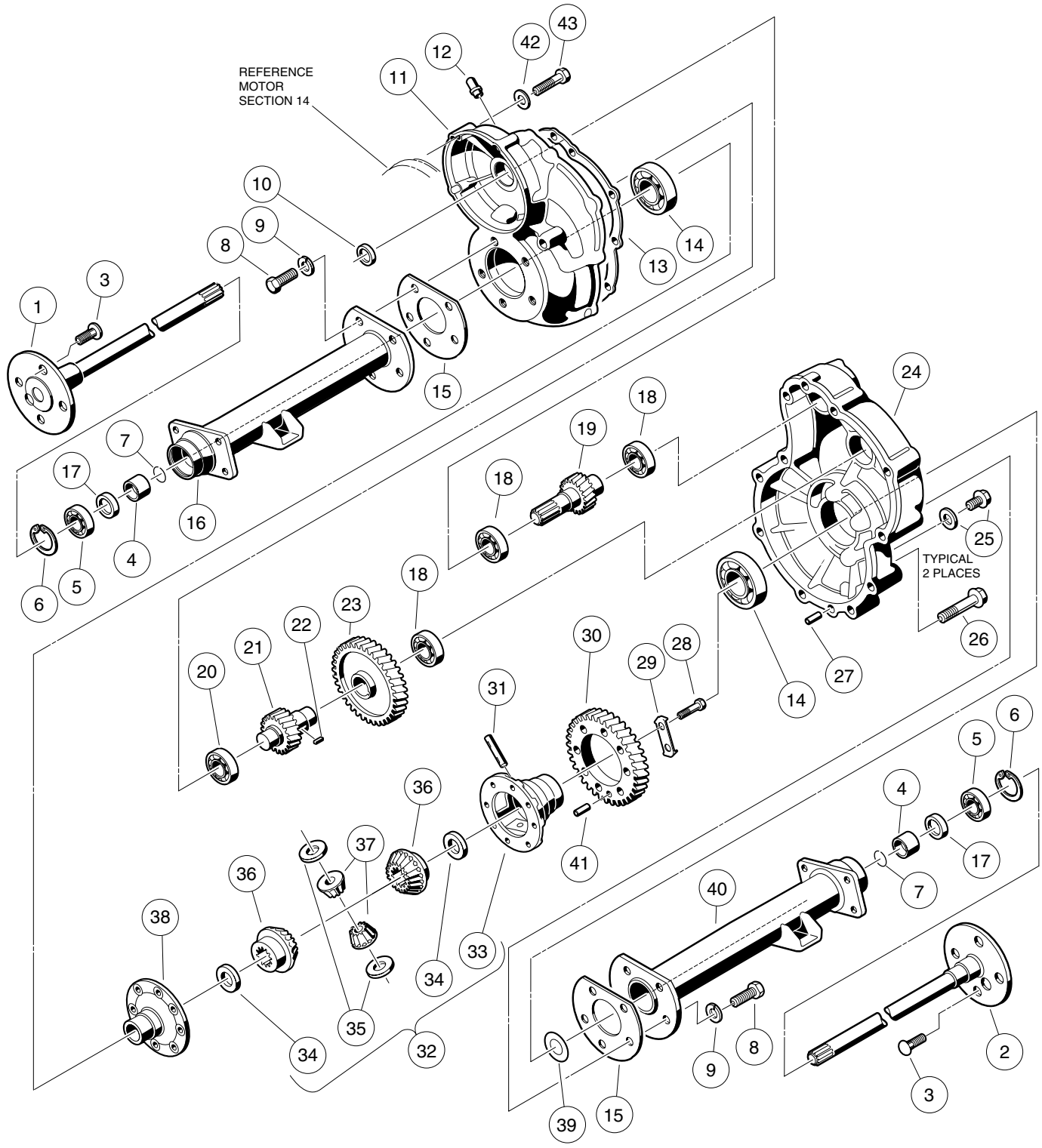


# TRANSAXLE ELECTRIC VEHICLE

---

15

E





# TRANSAXLE - ELECTRIC VEHICLE

ITEM	PART NO.	DESCRIPTION	QTY
		1 2 3 4	
	1017683-02	TRANSAXLE (INCLUDES ITEMS 1 - 41) .....	1
1	1013785	AXLE ASSEMBLY, RIGHT (INCLUDES ITEMS 3 - 7) .....	1
2	1013786	AXLE ASSEMBLY, LEFT (INCLUDES ITEMS 3 - 7) .....	1
3	<u>1013787</u>	STUD, LUG .....	8
4	1014207	BUSHING, 25 MM I. D. ....	1
5	<u>1011291</u>	BEARING, OUTER AXLE TUBE .....	2
6	<u>1013792</u>	CIRCLIP, TYPE C .....	2
7	<u>1016672</u>	RING, RETAINING .....	2
8	<u>1013790</u>	BOLT, M10 x 1.5 x 30MM .....	10
9	<u>1013791</u>	WASHER, LOCK, 13/32 .....	10
10	<u>1013775</u>	SEAL, INPUT SHAFT OIL .....	1
11	1013756	GEAR CASE, RIGHT .....	1
12	<u>1012711</u>	BREATHER .....	1
13	<u>1013758</u>	GASKET, CASE .....	1
14	0007330	BEARING, INNER AXLE TUBE .....	2
15	<u>1013789</u>	GASKET, AXLE TUBE .....	2
16	1017704	ASSEMBLY, AXLE TUBE, RIGHT SIDE .....	1
17	<u>1013794</u>	SEAL, AXLE SHAFT OIL .....	2
18	0007335	BEARING, INPUT GEAR .....	3
19	<u>1013764</u>	SHAFT, INPUT .....	1
20	0007336	BEARING, INTERMEDIATE GEAR .....	1
21	<u>1013766</u>	GEAR, INTERMEDIATE, SMALL .....	1
22	<u>1013780</u>	KEY, SUNK .....	1
23	1013765	GEAR, INTERMEDIATE, LARGE .....	1
24	1013757	GEAR CASE, LEFT .....	1
25	<u>1013759</u>	PLUG, FILL, WITH GASKET .....	2
26	<u>1013763</u>	BOLT, M6 x 1 x 50MM .....	10
27	<u>1012710</u>	PIN, DOWEL .....	2
28	<u>1013779</u>	BOLT, M8 x 1.25 x 37MM .....	8
29	<u>1013782</u>	PLATE, LOCK .....	4
30	<u>1013767</u>	GEAR, OUTPUT .....	1
31	<u>1013772</u>	PIN, DIFFERENTIAL .....	1
32	<u>1019105-01</u>	KIT, DIFFERENTIAL GEAR CASE (INCLUDES ITEMS 33 - 35) .....	1
33	1013768	GEAR CASE, DIFFERENTIAL (LEFT) .....	1
34	<u>1013773</u>	PLATE, THRUST (DIFFERENTIAL GEAR) .....	2
35	<u>1013774</u>	PLATE, THRUST (IDLER GEAR) .....	2
36	1013771	GEAR, DIFFERENTIAL .....	2
37	<u>1013770</u>	GEAR, DIFFERENTIAL IDLER .....	2
38	1013769	GEAR CASE, DIFFERENTIAL (RIGHT) .....	1
39	<u>1013781</u>	SHIM .....	1
40	<u>1017703</u>	ASSEMBLY, AXLE TUBE, LEFT SIDE .....	1
41	<u>1014193</u>	PIN, DOWEL .....	1
42	1014201	BOLT, HEX HEAD, 1/4 - 20 x 2 1/4 .....	3
43	0000451	WASHER, LOCK, 1/4 .....	3





**CLUB CAR**  
**INGERSOLL-RAND**

**Golf Cars**

---

Club Car Inc.  
P.O. Box 204658  
Augusta, GA 30917-4658