

**Club Car**®

**1995**

**ILLUSTRATED**  
**PARTS LIST**



**DS GOLF CARS**  
**GASOLINE/ELECTRIC**

MANUAL NUMBER 101829201

EDITION CODE 1094C0396A



# ***USING THE ILLUSTRATED PARTS LIST***

---

This manual is to be used for identification and ordering of service parts for the 1995 DS Gasoline and DS Electric golf cars.

The first four (4) sections and Section 16 include information common to both the Gasoline and Electric vehicles. Sections 5 through 11 contain information related solely to the Gasoline vehicles, and Sections 12 through 15 relate solely to Electric vehicles.

The Table of Contents on the following page will provide quick reference to each section.

## **WARNING:**

This manual is to be used only for identification and ordering of service parts. Be sure to read and use the Maintenance and Service Manual before attempting any vehicle repairs.



P. O. Box 204658  
Augusta, Georgia 30917-4658 USA  
Telephone 706-863-3000  
Service Parts Fax 706-855-7413

© 1994, CLUB CAR INC.  
All rights reserved.  
This manual effective August 1, 1994



# CONTENTS

<b>BODY AND TRIM</b>	<b>SECTION 1</b>
BODY TRIM .....	1-2
FRONT BODY .....	1-4
REAR BODY AND FENDER - GASOLINE VEHICLE .....	1-6
REAR BODY AND FENDER - ELECTRIC VEHICLE .....	1-8
SEAT BOTTOM AND ARMREST .....	1-10
SEAT BACK AND BAG HOOP .....	1-12
WHEELS AND TIRES .....	1-14
<b>TRANSAXLE</b>	<b>SECTION 2</b>
TRANSAXLE .....	2-2
<b>BRAKES AND PEDAL AND CABLE ASSEMBLIES</b>	<b>SECTION 3</b>
BRAKE ASSEMBLY .....	3-2
BRAKE PEDAL AND CABLE ASSEMBLY .....	3-4
ACCELERATOR PEDAL ASSEMBLY .....	3-6
<b>STEERING AND SUSPENSION</b>	<b>SECTION 4</b>
STEERING COLUMN .....	4-2
STEERING GEAR ASSEMBLY .....	4-4
FRONT SUSPENSION - UPPER .....	4-6
FRONT SUSPENSION - LOWER .....	4-8
<b>ELECTRICAL SYSTEM - GASOLINE VEHICLES</b>	<b>SECTION 5</b>
WIRING .....	5-2
ELECTRICAL COMPONENT BOX .....	5-4
FORWARD AND REVERSE SHIFTER ASSEMBLY .....	5-6
STARTER / GENERATOR ASSEMBLY .....	5-8
STARTER / GENERATOR MOUNTING .....	5-10
BATTERY MOUNTING .....	5-12
REVERSE BUZZER .....	5-14
<b>ENGINE</b>	<b>SECTION 6</b>
ENGINE .....	6-2 - 6-12
<b>FUEL, INTAKE, AND GOVERNOR SYSTEMS</b>	<b>SECTION 7</b>
FUEL SYSTEM .....	7-2
CARBURETOR ASSEMBLY .....	7-4
GOVERNOR GUARD AND INTAKE HOSE .....	7-6
GOVERNOR AND ACCELERATOR CABLES .....	7-8
EXPANSION CHAMBER, CHOKE AND FILTER .....	7-10
<b>EXHAUST SYSTEM</b>	<b>SECTION 8</b>
EXHAUST SYSTEM .....	8-2
<b>TORQUE CONVERTER</b>	<b>SECTION 9</b>
DRIVE CLUTCH .....	9-2
DRIVEN CLUTCH .....	9-4

# CONTENTS

---

## TRANSMISSION SECTION

TRANSMISSION ..... 10-2 - 10-4

---

## REAR SUSPENSION - GASOLINE VEHICLE SECTION

REAR SUSPENSION ..... 11-2

INNER FRAME ..... 11-4

---

## ELECTRICAL SYSTEM - ELECTRIC VEHICLE SECTION

FORWARD AND REVERSE SWITCH ..... 12-2

POWER WIRING - 36 VOLT V-GLIDE VEHICLE ..... 12-4

ELECTRICAL COMPONENT MOUNTING - 36 VOLT V-GLIDE VEHICLE ..... 12-6

WIPER SWITCH - 36 VOLT V-GLIDE VEHICLE ..... 12-8

RESISTOR AND BOARD ASSEMBLY - 36 VOLT V-GLIDE VEHICLE ..... 12-10

FORWARD AND REVERSE SWITCH - POWERDRIVE VEHICLE ..... 12-12

POWER WIRING - POWERDRIVE VEHICLE ..... 12-16

CHARGER RECEPTACLE AND BATTERY MOUNTING - POWERDRIVE VEHICLE ..... 12-18

ON-BOARD COMPUTER, CONTROLLER, AND SOLENOID MOUNTING - POWERDRIVE VEHICLE ..... 12-20

MULTI-STEP POTENTIOMETER - POWERDRIVE VEHICLE ..... 12-22

REVERSE BUZZER ..... 12-24

---

## BATTERY CHARGERS SECTION

36 VOLT ACCU-POWER CHARGER ..... 13-2

POWERDRIVE CHARGER - DOMESTIC ..... 13-4

POWERDRIVE CHARGER - EXPORT ..... 13-6

---

## ELECTRIC MOTORS SECTION

36 VOLT MOTOR ..... 14-2

POWERDRIVE 48 VOLT MOTOR ..... 14-4

---

## REAR SUSPENSION - ELECTRIC VEHICLE SECTION

REAR SUSPENSION - ELECTRIC VEHICLE ..... 15-2

---

## SAFETY DECALS SECTION

SAFETY DECALS - GASOLINE VEHICLES ..... 16-2

SAFETY DECALS - ELECTRIC VEHICLES ..... 16-4

---

## MAINTENANCE AND SERVICE TOOLS

THE LAST PAGE OF THIS MANUAL CONTAINS A LIST OF MAINTENANCE AND SERVICE TOOLS AVAILABLE FROM CLUB CAR .

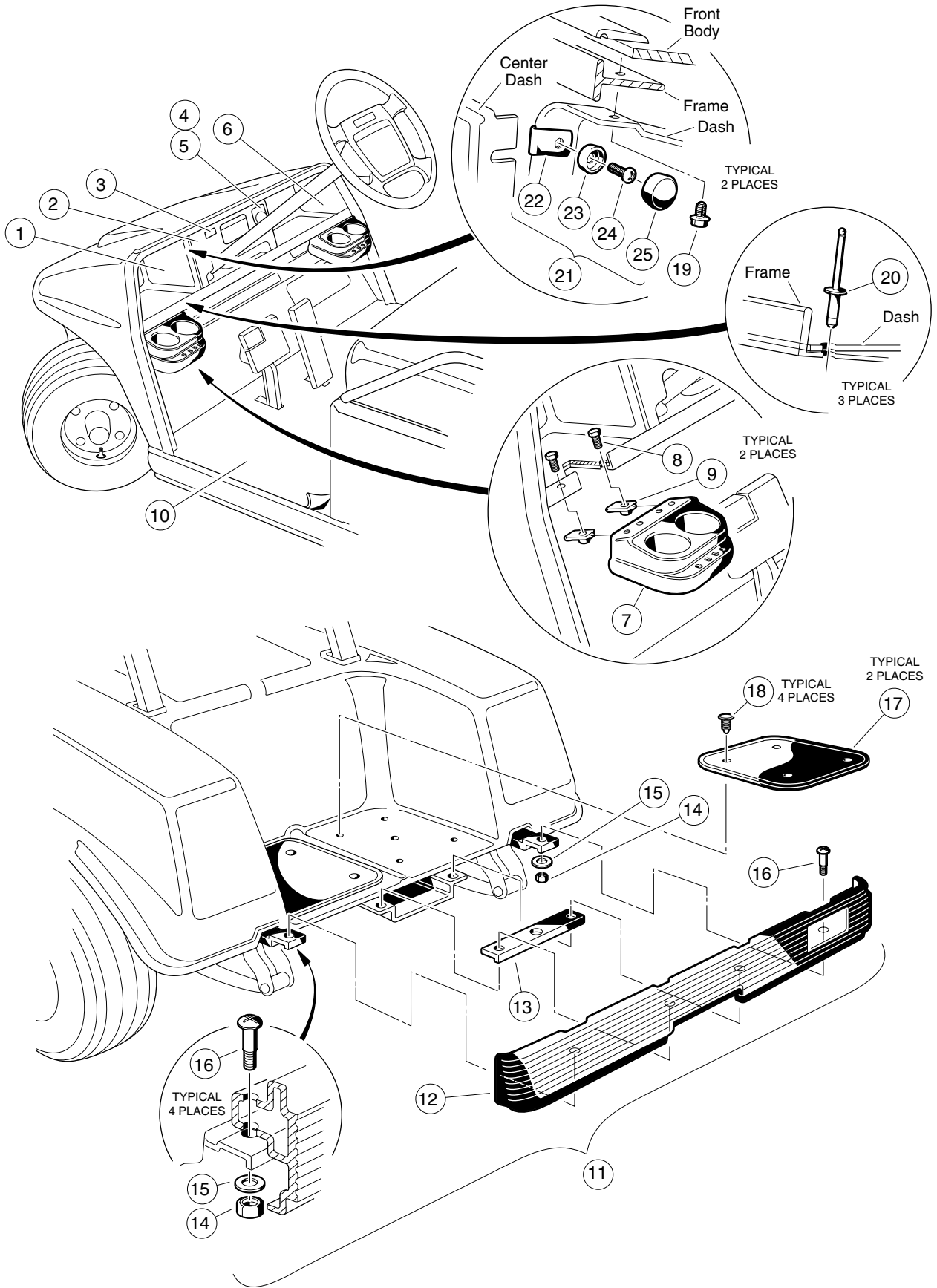
# ***BODY AND TRIM***

---

**G**

**F**

**1**

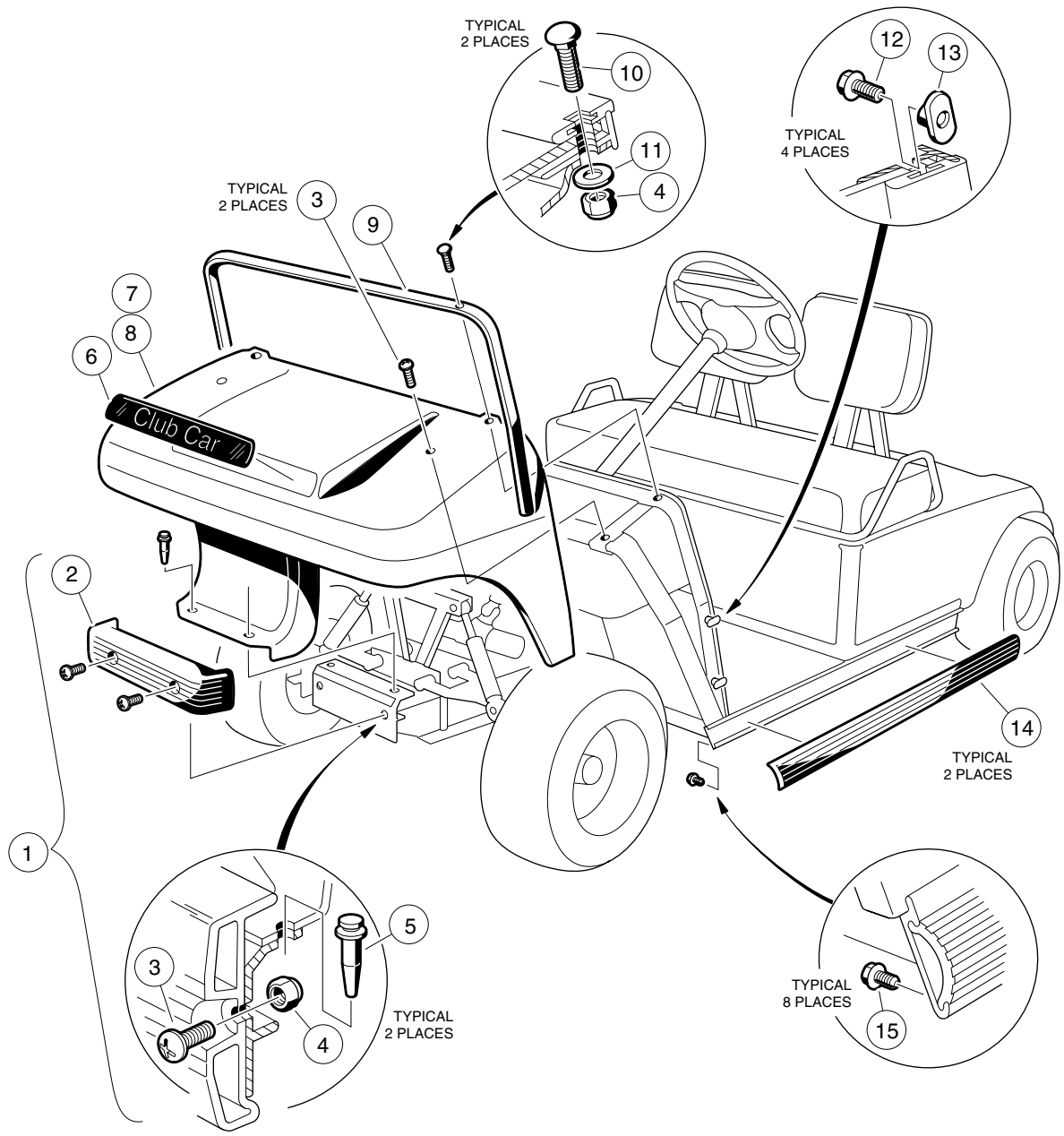




# BODY TRIM

**G**  
**F**  
**1**

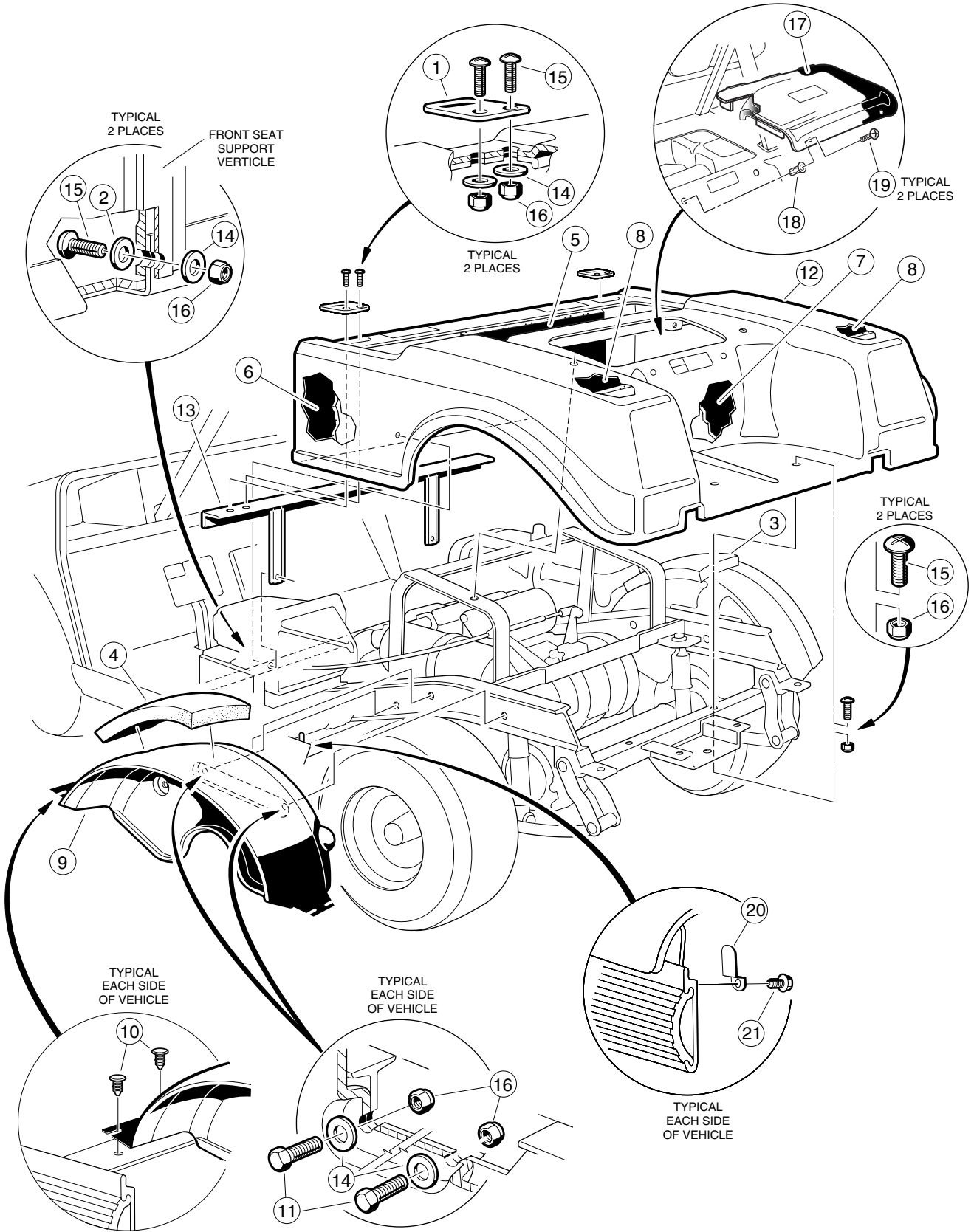
ITEM	PART NO.	DESCRIPTION	QTY GAS	QTY ELEC
		1 2 3 4		
1	1013344	COMPONENT, LEFT DASH, BLACK .....	1	1
2	<u>1016620-02</u>	PANEL, CENTER DASH, BLACK, (WITH HOLE PLUG) .....	1	1
3	<u>1016630</u>	LIGHT, OIL, WITH INTERNAL RESISTOR .....	1	
3	<u>1018025-01</u>	LIGHT, BATTERY WARNING .....		1
4	<u>1012415</u>	SWITCH, KEY (INCLUDES 2 KEYS) (GASOLINE VEHICLE) .....	1	
4	<u>1012531</u>	SWITCH, KEY (INCLUDES 2 KEYS) (ELECTRIC VEHICLE) .....		1
5	<u>1012505</u>	KEY (PAIR) .....	1	1
6	<u>1013343</u>	COMPONENT, RIGHT DASH (BLACK) .....	1	1
7	<u>1017083-01</u>	KIT, DRINK HOLDER (INCLUDES ITEMS 8 AND 9) .....	2	2
8	0007847	BOLT, HEX HEAD, 1/4 - 20 x 3/4 .....	2	2
9	1016952	NUT, "U", 1/4 - 20 .....	2	2
10	<u>1015032</u>	MAT, FLOOR .....	1	1
11	<u>1017079</u>	KIT, REAR BUMPER (INCLUDES ITEMS 12 - 16) .....	1	1
12	<u>1016379</u>	BUMPER, REAR .....	1	1
13	<u>1016875</u>	PLATE, MOUNTING, LONG .....	1	1
14	0007473	NUT, NYLON LOCK, 5/16 - 18 .....	4	4
15	<u>1011697</u>	WASHER, SPECIAL, 5/16 .....	4	4
16	<u>1016876</u>	BOLT, PHILLIPS TRUSS HEAD SHOULDER, 3/8 - 18 x 2 .....	4	4
17	<u>1014392</u>	MAT, BAG REST .....	2	2
18	<u>1010434</u>	FASTENER, PLASTIC BARREL .....	8	8
19	<u>1011017</u>	SCREW, FLANGE LOCK .....	2	2
20	0007973	RIVET, ALUMINUM POP, 3/16 .....	3	3
21	<u>1014645</u>	KIT, SNAP WASHER, BLACK (INCLUDES ITEMS 22 - 25) .....	1	1
22	N/A	NUT, SPEED .....	1	1
23	N/A	WASHER, #10 .....	1	1
24	N/A	SCREW, #10 SHEET METAL .....	1	1
25	N/A	COVER, SCREW HEAD .....	1	1



# FRONT BODY

ITEM	PART NO.	DESCRIPTION	QTY GAS	QTY ELEC
		1 2 3 4		
1	<u>1017080</u>	KIT, FRONT BUMPER (INCLUDES ITEMS 2, 3, 4, 5).....	1	1
2	<u>1016868</u>	BUMPER, FRONT .....	1	1
3	0007251	SCREW, PHILLIPS TRUSS HEAD SCREW, 5/16 - 18 x 1 .....	4	4
4	0007473	NUT, NYLON LOCK, 5/16 - 18 .....	4	4
5	<u>1016967</u>	RIVET, PUSH TYPE BLIND .....	2	2
6	<u>1014198</u>	KIT, NAMEPLATE .....	1	1
6	1016702	NAMEPLATE, CLEAR (GRAY FRONT BODIES ONLY).....	1	1
7	<u>1016925-01</u>	BODY, FRONT - BEIGE .....	1	1
7	<u>1016925-02</u>	BODY, FRONT - WHITE .....	1	1
7	<u>1016925-04</u>	BODY, FRONT - GRAY .....	1	1
7	1016925-05	BODY, FRONT - GREEN .....	1	1
7	<u>1016925-06</u>	BODY, FRONT - RED.....	1	1
7	1016925-07	BODY, FRONT - LIGHT BLUE .....	1	1
7	<u>1016925-09</u>	BODY, FRONT - DARK BLUE .....	1	1
7	<u>1016925-10</u>	BODY, FRONT - DARK GREEN .....	1	1
8	<u>1016939-01</u>	BODY, FRONT WITH HEADLIGHT OPENING - BEIGE.....	1	1
8	<u>1016939-02</u>	BODY, FRONT WITH HEADLIGHT OPENING - WHITE .....	1	1
8	<u>1016939-04</u>	BODY, FRONT WITH HEADLIGHT OPENING - GRAY .....	1	1
8	1016939-05	BODY, FRONT WITH HEADLIGHT OPENING - GREEN .....	1	1
8	<u>1016939-06</u>	BODY, FRONT WITH HEADLIGHT OPENING - RED.....	1	1
8	1016939-07	BODY, FRONT WITH HEADLIGHT OPENING - LIGHT BLUE .....	1	1
8	<u>1016939-08</u>	BODY, FRONT WITH HEADLIGHT OPENING - DARK BLUE.....	1	1
8	<u>1016939-09</u>	BODY, FRONT WITH HEADLIGHT OPENING - DARK GREEN.....	1	1
9	<u>1011014</u>	TRIM, FRONT BODY .....	1	1
10	<u>1010435</u>	BOLT, ROUND HEAD SQUARE NECK, 5/16 - 18 x 1 .....	2	2
11	0001241	WASHER, FLAT, 5/16 .....	2	2
12	<u>1011017</u>	SCREW, FLANGE LOCK .....	4	4
13	1011394	NUT, SLAB BASE "T" (PACKAGE OF 4) .....	1	1
14	<u>1013983</u>	BUMPER, SIDE GUARD TRIM .....	2	2
15	<u>1012047</u>	SCREW, SELF TAPPING #8 - 32 x 3/8 .....	8	8

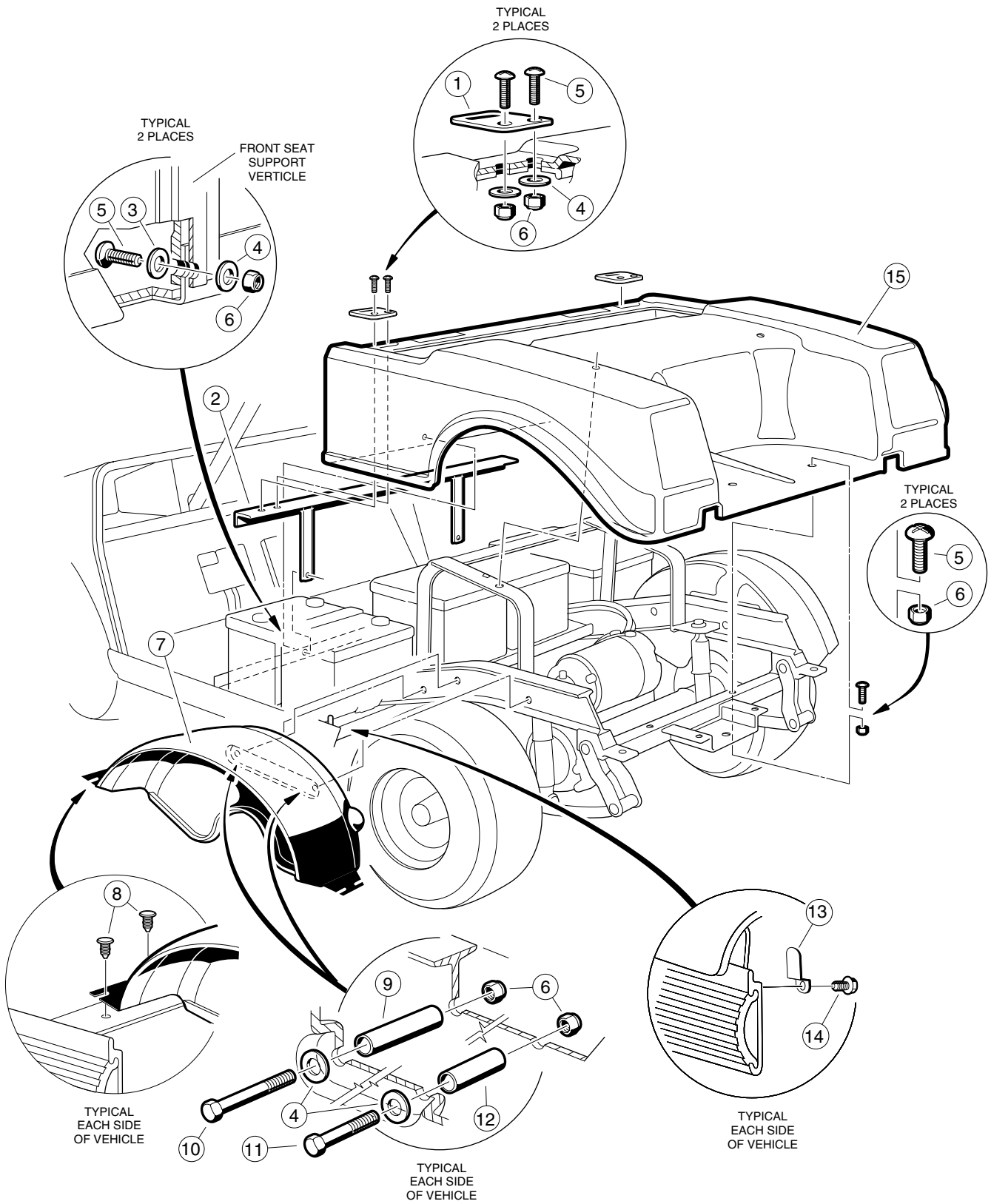
**G**  
**F**  
**1**



# REAR BODY AND FENDER - GASOLINE VEHICLE

ITEM	PART NO.	DESCRIPTION	QTY GAS	QTY ELEC
		1 2 3 4		
1	1012412	PLATE, BODY HINGE.....	2	
2	<u>1014528</u>	WASHER, PLASTIC 1/4.....	2	
3	1015422	INSULATION, SOUND, RIGHT SIDE FENDER - SHORT.....	1	
4	1015421	INSULATION, SOUND, LEFT SIDE FENDER - LONG.....	1	
5	1016963	INSULATION, SOUND, FRONT.....	1	
6	1017113	INSULATION, SOUND, LEFT SIDE BODY.....	1	
7	1015419	INSULATION, SOUND, BAGWELL AREA.....	1	
8	1015420	INSULATION, SOUND, BODY LEFT / RIGHT FENDER.....	2	
9	<u>1017936</u>	FENDER, INNER.....	2	
10	<u>1010434</u>	BARREL, PLASTIC.....	4	
11	0000304	SCREW, HEX HEAD CAP, 1/4 - 20 x 1.....	4	
12	<u>1016926-01</u>	BODY, BEIGE.....	1	
12	<u>1016926-02</u>	BODY, WHITE.....	1	
12	<u>1016926-04</u>	BODY, GRAY.....	1	
12	<u>1016926-05</u>	BODY, GREEN.....	1	
12	<u>1016926-06</u>	BODY, RED.....	1	
12	<u>1016926-07</u>	BODY, LIGHT BLUE.....	1	
12	<u>1016926-09</u>	BODY, DARK BLUE.....	1	
12	<u>1016926-10</u>	BODY, DARK GREEN.....	1	
12	<u>1016962-08</u>	BODY WITH TAILLIGHT OPENING, BEIGE.....	1	
12	<u>1016962-09</u>	BODY WITH TAILLIGHT OPENING, WHITE.....	1	
12	<u>1016962-11</u>	BODY WITH TAILLIGHT OPENING, GRAY.....	1	
12	<u>1016962-12</u>	BODY WITH TAILLIGHT OPENING, GREEN.....	1	
12	<u>1016962-13</u>	BODY WITH TAILLIGHT OPENING, RED.....	1	
12	<u>1016962-14</u>	BODY WITH TAILLIGHT OPENING, LIGHT BLUE.....	1	
12	<u>1016962-15</u>	BODY WITH TAILLIGHT OPENING, DARK BLUE.....	1	
12	<u>1016962-16</u>	BODY WITH TAILLIGHT OPENING, DARK GREEN.....	1	
13	<u>1017141</u>	SUPPORT, FRONT BODY.....	1	
14	0000332	WASHER, FLAT, 1/4.....	10	
15	0008251	SCREW, PHILLIPS HEAD, 1/4 - 20 x 1.....	8	
16	0008233	NUT, NYLON LOCK, 1/4 - 20.....	12	
17	<u>1015829-02</u>	ACCESS DOOR ASSEMBLY (BLACK).....	1	
18	<u>1015525</u>	NUT, BLIND, 1/4 - 20.....	2	
19	1017114	SCREW, PHILLIPS HEAD (BLACK), 1/4 - 20 x 1.....	2	
20	<u>1017748</u>	CLIP, BODY KEEPER.....	2	
21	<u>1012047</u>	SCREW, SELF- TAPPING, #8 - 32 x 3/8.....	2	
	<u>1017220</u>	KIT, BODY SUPPORT RETROFIT ( INCLUDES ITEMS 13 - 16).....	1	

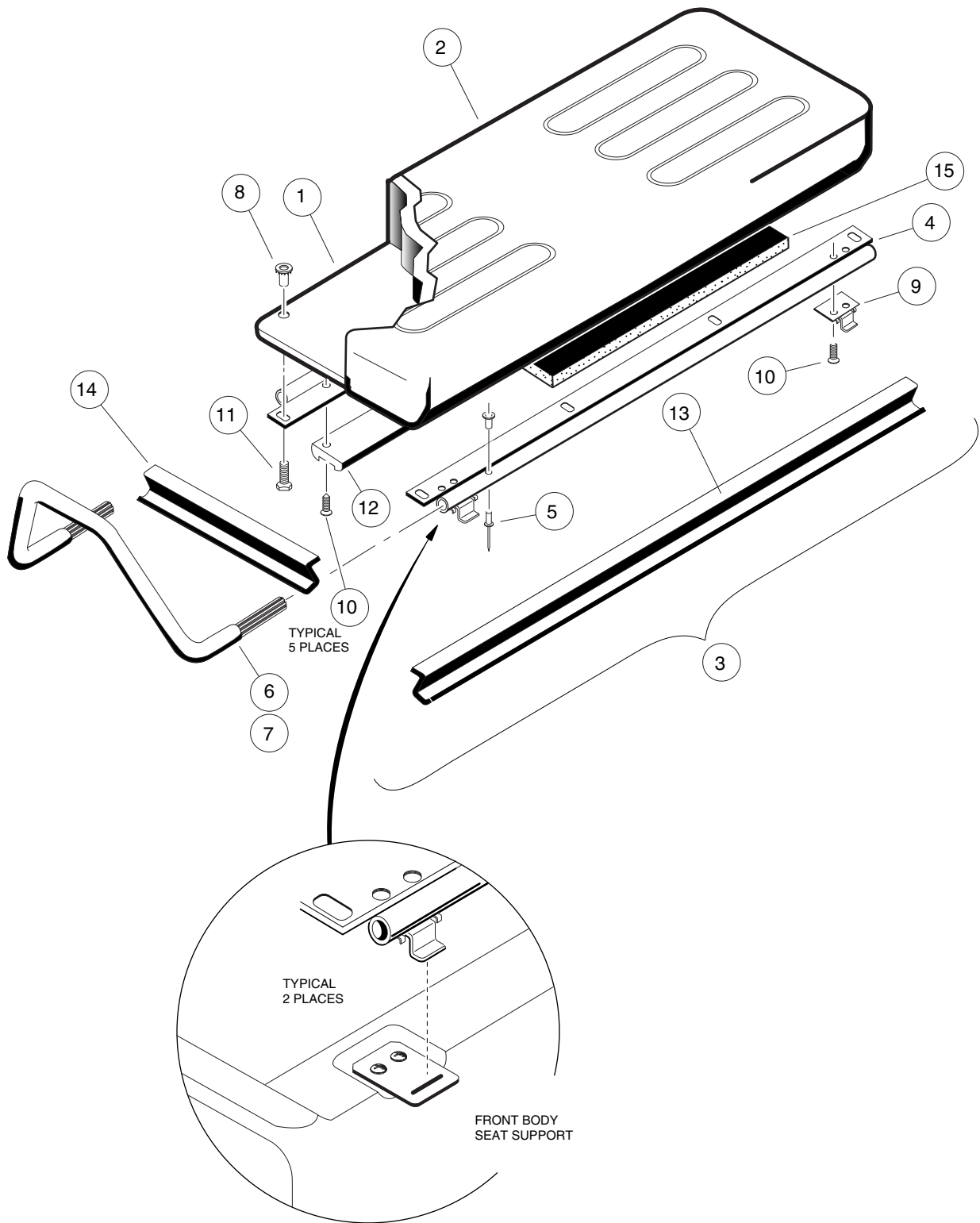
G  
F  
1



# REAR BODY AND FENDER - ELECTRIC VEHICLE

ITEM	PART NO.	DESCRIPTION	QTY GAS	QTY ELEC
		1 2 3 4		
1	1012412	PLATE, BODY HINGE .....		2
2	<u>1017141</u>	SUPPORT, FRONT BODY .....		1
3	<u>1014528</u>	WASHER, PLASTIC FLAT, 1/4 .....		2
4	0000332	WASHER, FLAT, 1/4 .....		10
5	0008251	SCREW, PHILLIPS HEAD, 1/4 - 20 x 1 .....		8
6	0008233	NUT, NYLON LOCK, 1/4 - 20 .....		12
7	<u>1017936</u>	FENDER, INNER .....		2
8	<u>1010434</u>	BARREL, PLASTIC .....		4
9	<u>1017814</u>	SPACER, 1 7/8" .....		2
10	<u>1012159</u>	BOLT, HEX HEAD, 1/4 - 20 x 2 3/4 .....		2
11	0007479	BOLT, HEX HEAD, 1/4 - 20 x 1 1/4 .....		2
12	<u>1017815</u>	SPACER, 1/2" .....		2
13	<u>1017748</u>	CLIP, BODY KEEPER .....		2
14	<u>1012047</u>	SCREW, SELF-TAPPING, #8 - 32 .....		2
15	<u>1016933-01</u>	BODY, BEIGE .....		1
15	<u>1016933-02</u>	BODY, WHITE .....		1
15	<u>1016933-04</u>	BODY, GRAY .....		1
15	1016933-05	BODY, GREEN .....		1
15	<u>1016933-06</u>	BODY, RED .....		1
15	1016933-07	BODY, LIGHT BLUE .....		1
15	<u>1016933-09</u>	BODY, DARK BLUE .....		1
15	<u>1016933-10</u>	BODY, DARK GREEN .....		1
15	<u>1016962-01</u>	BODY WITH TAILLIGHT OPENING, BEIGE .....		1
15	<u>1016962-02</u>	BODY WITH TAILLIGHT OPENING, WHITE .....		1
15	<u>1016962-04</u>	BODY WITH TAILLIGHT OPENING, GRAY .....		1
15	1016962-05	BODY WITH TAILLIGHT OPENING, GREEN .....		1
15	<u>1016962-06</u>	BODY WITH TAILLIGHT OPENING, RED .....		1
15	1016962-07	BODY WITH TAILLIGHT OPENING, LIGHT BLUE .....		1
15	<u>1016962-17</u>	BODY WITH TAILLIGHT OPENING, DARK BLUE .....		1
15	<u>1016962-18</u>	BODY WITH TAILLIGHT OPENING, DARK GREEN .....		1
	<u>1017220</u>	KIT, BODY SUPPORT RETROFIT (INCLUDES ITEMS 2,3,4,5, AND 6) .....		1

G  
F  
1

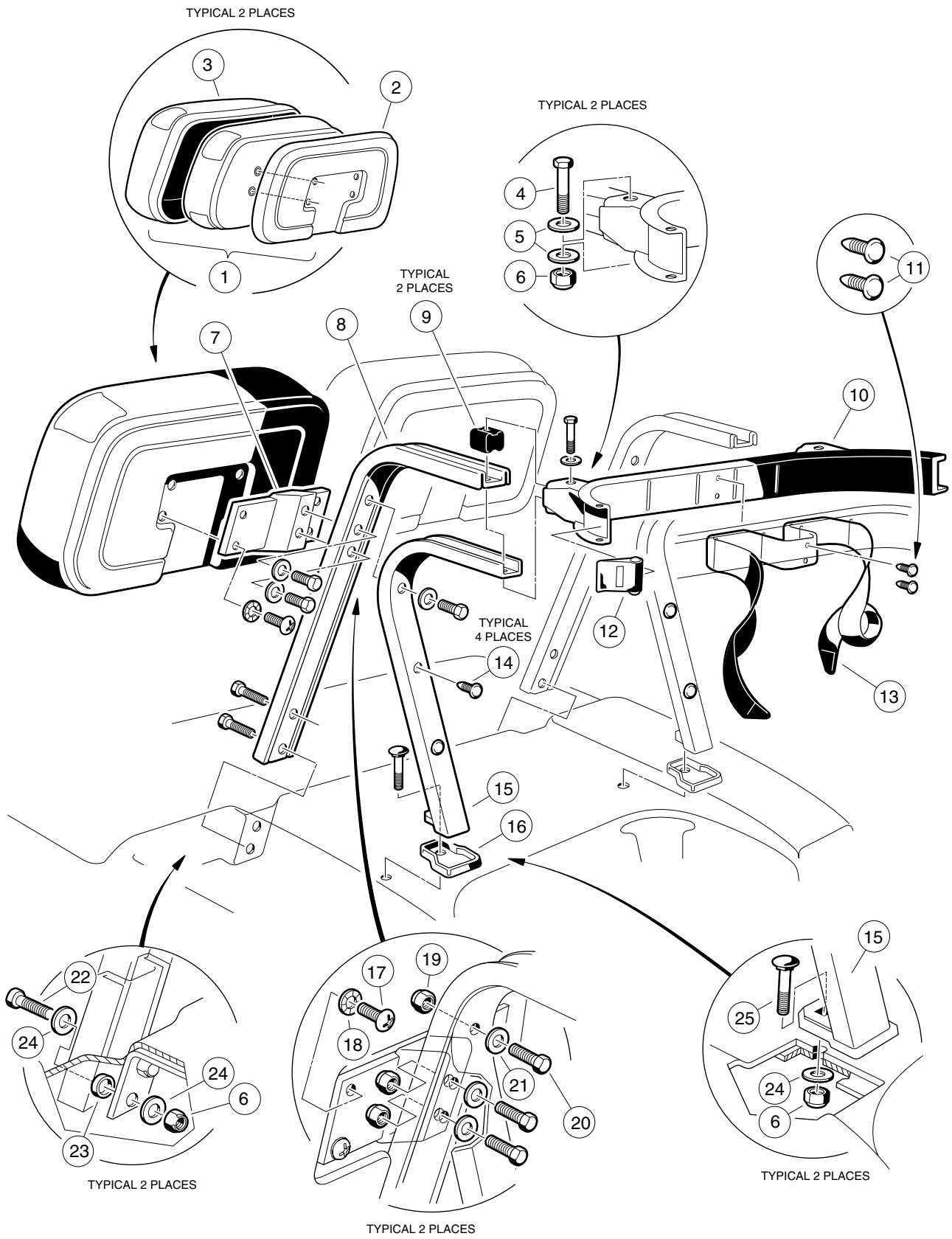




# SEAT BOTTOM AND ARMREST

ITEM	PART NO.	DESCRIPTION	QTY GAS	QTY ELEC
		1 2 3 4		
1	<u>1015648-04</u>	ASSEMBLY, SEAT BOTTOM , BUFF (INCLUDES ITEM 2) .....	1	1
1	<u>1015648-05</u>	ASSEMBLY, SEAT BOTTOM, WHITE (INCLUDES ITEM 2) .....	1	1
2	<u>1015627-01</u>	COVER, VINYL - SEAT COVER BOTTOM, BUFF .....	1	1
2	<u>1015627-02</u>	COVER, VINYL - SEAT COVER BOTTOM, WHITE .....	1	1
3	1015670	ASSEMBLY, ARMREST, SEAT BOTTOM (INCLUDES ITEMS 4 - 8) .....	1	1
4	<u>1015625</u>	BRACKET, SEAT SUPPORT .....	2	2
5	1012327	RIVET, MATING, 3/16 .....	4	4
6	1011786	ASSEMBLY, ARMREST, LEFT .....	1	1
7	1011780	ASSEMBLY, ARMREST, RIGHT .....	1	1
8	1010543	INSERT, WOOD .....	8	8
9	<u>1011652</u>	PLATE, SEAT HINGE .....	2	2
10	<u>1017384</u>	SCREW, WASHER HEAD TAP, #12 .....	9	9
11	0000304	SCREW, CAP HEX HEAD CAP, 1/4 - 20 x 1 .....	8	8
12	<u>1012597</u>	BUMPER, SEAT .....	1	1
13	<u>1012657</u>	GASKET, SEAT, LONG (GASOLINE VEHICLE ONLY) .....	1	
14	<u>1012656</u>	GASKET, SEAT, SHORT (GASOLINE VEHICLE ONLY) .....	2	
15	1015417	INSULATION, SOUND (GASOLINE VEHICLE ONLY) .....	1	

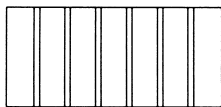
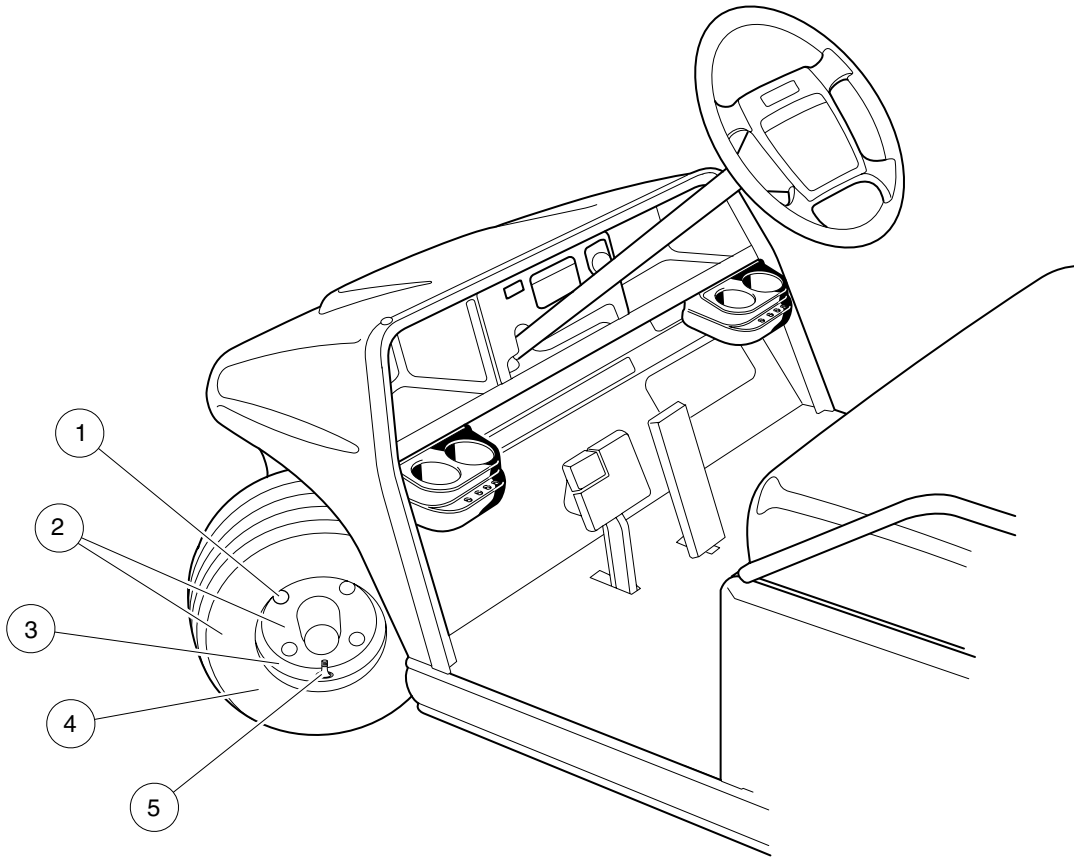
G  
E  
1



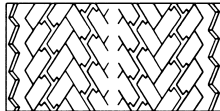
# SEAT BACK AND BAG HOOP

ITEM	PART NO.	DESCRIPTION	QTY GAS	QTY ELEC
		1 2 3 4		
1	<u>1015651-02</u>	ASSEMBLY, SEAT BACK - WHITE WITH BLACK CAP ..... (INCLUDES ITEMS 2 AND 3)	2	2
1	<u>1015651-05</u>	ASSEMBLY, SEAT BACK - BUFF WITH BLACK CAP ..... (INCLUDES ITEMS 2 AND 3)	2	2
2	<u>1013335</u>	CAP, SEAT BACK (BLACK).....	2	2
3	<u>1015626-01</u>	COVER, VINYL, SEAT BACK (BUFF).....	2	2
3	<u>1015626-02</u>	COVER, VINYL, SEAT BACK (WHITE).....	2	2
4	0008935	SCREW, CAP HEX HEAD, 5/16 - 18 x 2 1/4.....	2	2
5	1015075	WASHER, FLAT, 5/16 .....	4	4
6	0007473	NUT, NYLON LOCK, 5/16 - 18.....	8	8
7	1017409	MOUNT, SEAT BACK.....	2	2
8	<u>1011708</u>	SUPPORT, SEAT BACK, MAIN .....	2	2
9	1013884	SPACER, BAG HOOP .....	2	2
10	1013935	ASSEMBLY, BAG HOOP (INCLUDES ITEMS 11, 12 AND 13) .....	1	1
11	<u>1010434</u>	BARREL, PLASTIC (BLACK).....	2	2
12	<u>1013754</u>	BUCKLE, BAG STRAP .....	2	2
13	<u>1010413</u>	ASSEMBLY, BAG STRAP (LONG) .....	1	1
14	<u>1017234</u>	BARREL, FASTENER (GRAY) .....	4	4
15	<u>1011710</u>	ASSEMBLY, KNEE BRACE WELD .....	2	2
16	1011706	PAD, MOUNTING, SEAT BACK SUPPORT .....	2	2
17	0008248	SCREW, PHILLIPS TRUSS HEAD, 1/4 - 20 x 3/4.....	8	8
18	0008304	WASHER, LOCK , 1/4 INTERNAL TOOTH.....	8	8
19	0008233	NUT, NYLON LOCK, 1/4 - 20.....	6	6
20	0007847	SCREW, HEX HEAD, 1/4 - 20 x 3/4 .....	6	6
21	0000332	WASHER, FLAT, 1/4 .....	8	8
22	0001218	SCREW, HEX HEAD CAP, 5/16 - 18 x 1 1/4.....	4	4
23	1017774	SPACER, BODY .....	4	4
24	0001241	WASHER, FLAT, 5/16 .....	6	6
25	0007818	BOLT, ROUND HEAD SQUARE NECK, 5/16 - 18 x 1 1/2 .....	2	2

G  
E  
1



RIB TERRA



POWER RIB



SOFTRAC

# WHEELS AND TIRES

ITEM	PART NO.	DESCRIPTION	QTY GAS	QTY ELEC
		1 2 3 4		
1	1011390	NUT, LUG (PACKAGE, 8 PIECES) .....	2	2
2	<u>1015705-01</u>	ASSEMBLY, TIRE AND WHEEL, BEIGE, RIB TERRA.....	4	4
2	<u>1015705-02</u>	ASSEMBLY, TIRE AND WHEEL, BEIGE, POWER RIB .....	4	4
2	1015705-03	ASSEMBLY, TIRE AND WHEEL, BEIGE, SOFTRAC .....	4	4
2	1015705-04	ASSEMBLY, TIRE AND WHEEL, BEIGE, WHITE WALL POWER RIB .....	4	4
2	<u>1016514-01</u>	ASSEMBLY, TIRE AND WHEEL, WHITE, RIB TERRA .....	4	4
2	<u>1016514-02</u>	ASSEMBLY, TIRE AND WHEEL, WHITE, POWER RIB.....	4	4
2	1016514-03	ASSEMBLY, TIRE AND WHEEL, WHITE, SOFTRAC.....	4	4
2	1016514-04	ASSEMBLY, TIRE AND WHEEL, WHITE, WHITE WALL POWER RIB.....	4	4
2	<u>1016514-06</u>	ASSEMBLY, TIRE AND WHEEL, WHITE, POWER RIB, 6 PLY.....	4	4
2	<u>1016514-07</u>	ASSEMBLY, TIRE AND WHEEL, WHITE, SOFTRAC, 6 PLY.....	4	4
3	1015707	WHEEL RIM, BEIGE .....	4	4
3	<u>1014771</u>	WHEEL RIM, WHITE .....	4	4
4	0007271	TIRE, UNMOUNTED, RIB TERRA .....	4	4
4	1015672	TIRE, UNMOUNTED, POWER RIB.....	4	4
4	1015674	TIRE, UNMOUNTED, SOFTRAC .....	4	4
4	1015945	TIRE, UNMOUNTED, WHITE WALL POWER RIB .....	4	4
4	1017370	TIRE, UNMOUNTED, POWER RIB, 6 PLY.....	4	4
4	1017693	TIRE, UNMOUNTED, SOFTRAC, 6 PLY .....	4	4
5	0007310	STEM, VALVE .....	4	4

G  
E  
1



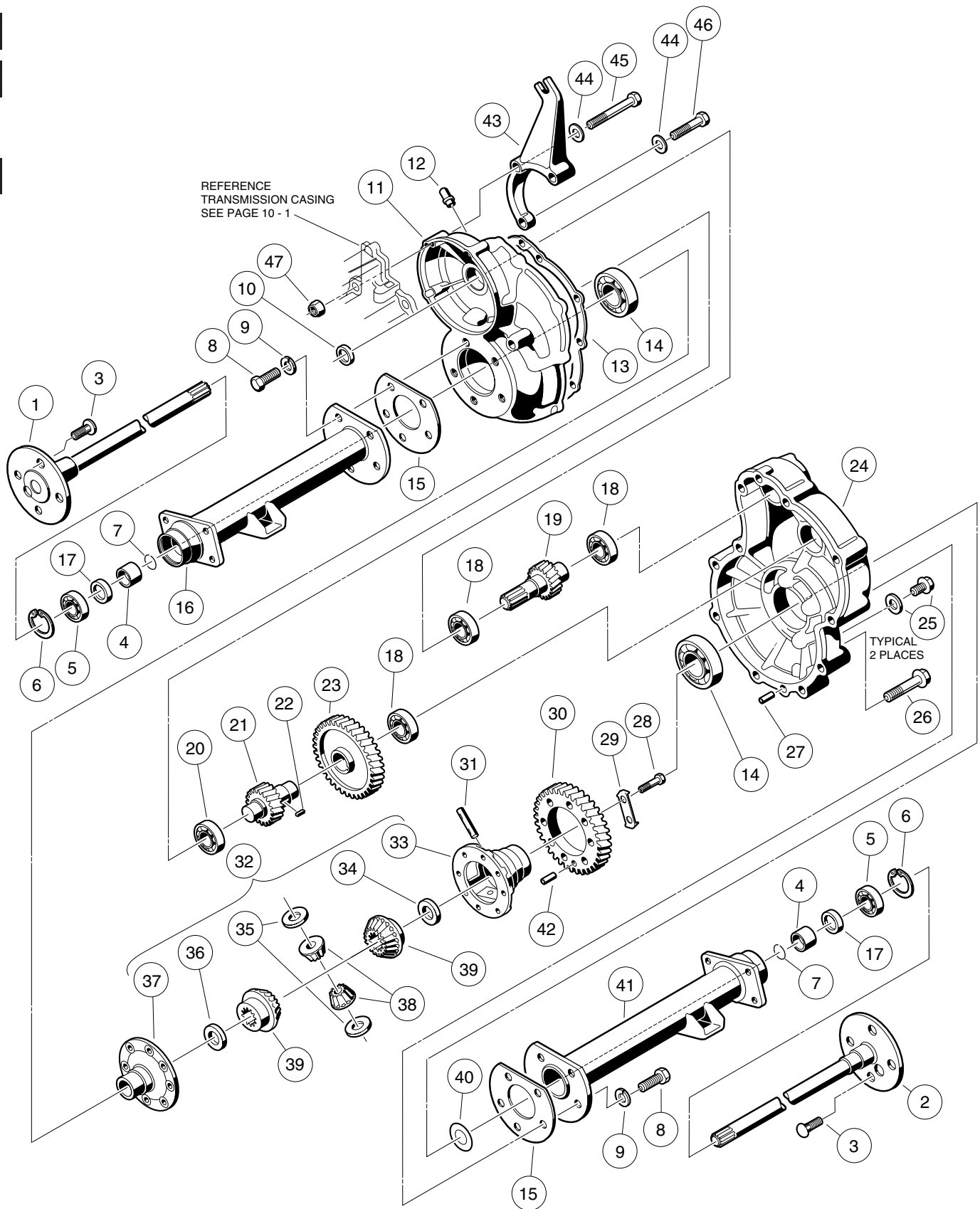
# ***TRANSAXLE***

---

**G**

**F**

**2**





# TRANSAXLE

ITEM	PART NO.	DESCRIPTION	QTY GAS	QTY ELEC
		1 2 3 4		
	1017683-02	TRANSAXLE (INCLUDES ITEMS 1 - 42) .....	1	1
1	1013785	AXLE ASSEMBLY, RIGHT (INCLUDES ITEMS 3 - 7) .....	1	1
2	1013786	AXLE ASSEMBLY, LEFT (INCLUDES ITEMS 3 - 7) .....	1	1
3	<u>1013787</u>	STUD, LUG .....	8	8
4	1014207	BUSHING, 25 MM I. D. ....	1	1
5	<u>1011291</u>	BEARING, OUTER AXLE TUBE .....	2	2
6	<u>1013792</u>	CIRCLIP, TYPE C .....	2	2
7	<u>1016672</u>	RING, RETAINING .....	2	2
8	<u>1013790</u>	BOLT, M10 x 1.5 x 30MM .....	10	10
9	<u>1013791</u>	WASHER, LOCK, 13/32 .....	10	10
10	<u>1013775</u>	SEAL, INPUT SHAFT OIL .....	1	1
11	1013756	GEAR CASE, RIGHT .....	1	1
12	<u>1012711</u>	BREATHER .....	1	1
13	<u>1013758</u>	GASKET, CASE .....	1	1
14	0007330	BEARING, INNER AXLE TUBE .....	2	2
15	<u>1013789</u>	GASKET, AXLE TUBE .....	2	2
16	1017704	ASSEMBLY, AXLE TUBE, RIGHT SIDE .....	1	1
17	<u>1013794</u>	SEAL, AXLE SHAFT OIL .....	2	2
18	0007335	BEARING, INPUT GEAR .....	3	3
19	<u>1013764</u>	SHAFT, INPUT .....	1	1
20	0007336	BEARING, INTERMEDIATE GEAR .....	1	1
21	<u>1013766</u>	GEAR, INTERMEDIATE, SMALL .....	1	1
22	<u>1013780</u>	KEY, SUNK .....	1	1
23	1013765	GEAR, INTERMEDIATE, LARGE .....	1	1
24	1013757	GEAR CASE, LEFT .....	1	1
25	<u>1013759</u>	PLUG, FILL, WITH GASKET .....	2	2
26	<u>1013763</u>	BOLT, M6 x 1 x 50MM .....	10	10
27	<u>1012710</u>	PIN, DOWEL .....	2	2
28	<u>1013779</u>	BOLT, M8 x 1.25 x 37MM .....	8	8
29	<u>1013782</u>	PLATE, LOCK .....	4	4
30	<u>1013767</u>	GEAR, OUTPUT .....	1	1
31	<u>1013772</u>	PIN, DIFFERENTIAL .....	1	1
32	<u>1019105-01</u>	KIT, DIFFERENTIAL GEAR CASE (INCLUDES ITEMS 33 - 37) (USE WHOLE KIT AS RECEIVED. SOME KITS DO NOT CONTAIN ITEM 34) .....	1	1
33	1013768	GEAR CASE, DIFFERENTIAL (LEFT) .....	1	1
34	<u>1013773</u>	PLATE, THRUST (DIFFERENTIAL GEAR) (WHEN REPLACING THRUST PLATES ONLY, REPLACE PER ORIGINAL ASSEMBLY) .....	1	1
35	<u>1013774</u>	PLATE, THRUST (IDLER GEAR) .....	2	2
36	<u>1013773</u>	PLATE, THRUST (DIFFERENTIAL GEAR) .....	1	1
37	1013769	GEAR CASE, DIFFERENTIAL (RIGHT) .....	1	1
38	<u>1013770</u>	GEAR, DIFFERENTIAL IDLER .....	1	1
39	1013771	GEAR, DIFFERENTIAL .....	2	2
40	<u>1013781</u>	SHIM .....	1	1
41	<u>1017703</u>	ASSEMBLY, AXLE TUBE, LEFT SIDE .....	1	1
42	<u>1014193</u>	PIN, DOWEL .....	1	1
43	1013866	KIT, TRANSMISSION CABLE SUPPORT BRACKET (INCLUDES 44 - 47) .....	1	
44	0000332	WASHER, FLAT, 1/4 .....	6	
45	<u>1013872</u>	SCREW, HEX HEAD CAP, 1/4 - 20 x 4 .....	2	
46	<u>1012462</u>	SCREW, HEX HEAD CAP, 1/4 - 20 x 3 1/2 .....	1	
47	0008233	NUT, NYLON LOCK, 1/4 - 20 .....	3	

**G**  
**F**  
**2**



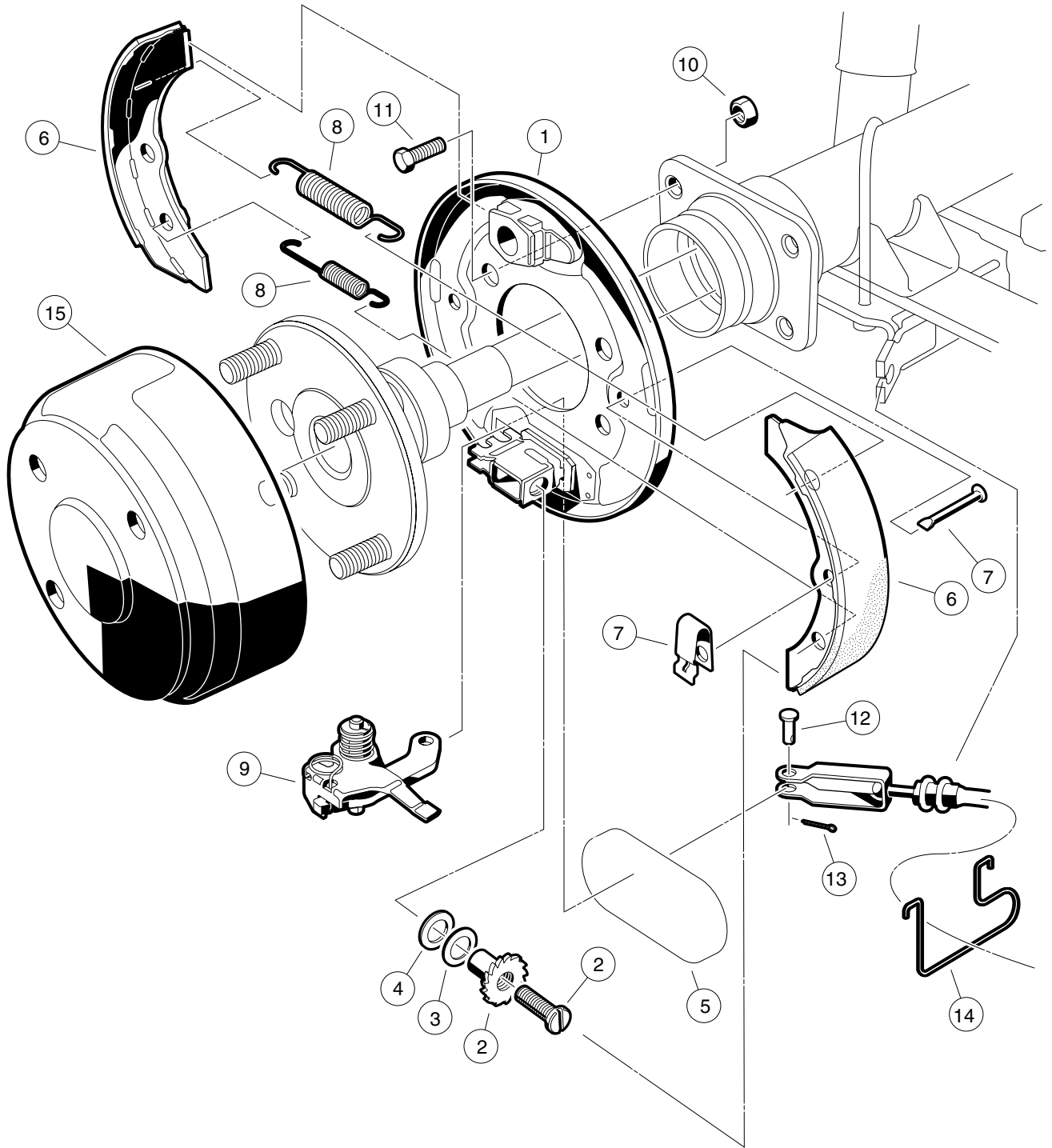
# ***BRAKES AND PEDAL AND CABLE ASSEMBLIES***

---

**G**

**F**

**3**

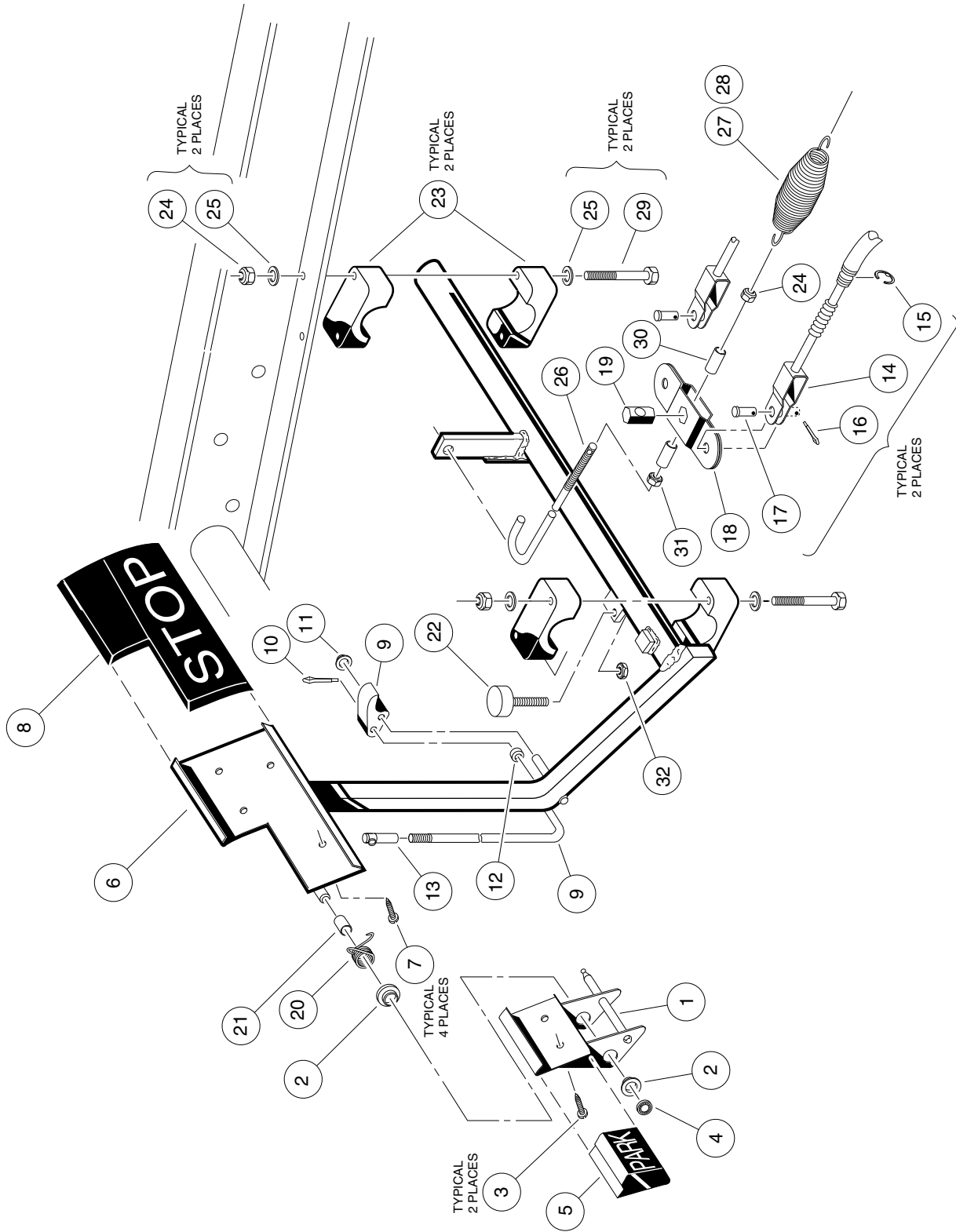


# BRAKE ASSEMBLY

ITEM	PART NO.	DESCRIPTION	QTY GAS	QTY ELEC
		1 2 3 4		
	<u>1018233-01</u>	CLUSTER, RIGHT BRAKE (INCLUDES ITEMS 1 - 8) .....	1	1
	<u>1018233-02</u>	CLUSTER, LEFT BRAKE (INCLUDES ITEMS 1 - 8) .....	1	1
1	<u>1018240-01</u>	ASSEMBLY, BACKING PLATE, RIGHT (INCLUDES ITEMS 2 - 4) .....	1	1
1	<u>1018240-02</u>	ASSEMBLY, BACKING PLATE, LEFT (INCLUDES ITEMS 2 - 4) .....	1	1
2	<u>1018165-01</u>	MECHANISM, ADJUSTING, RIGHT .....	1	1
2	<u>1018165-02</u>	MECHANISM, ADJUSTING, LEFT .....	1	1
3	<u>1018239-01</u>	WASHER .....	1	1
4	<u>1018238-01</u>	WASHER, PLATE .....	1	1
5	<u>1010850</u>	COVER, DUST .....	1	1
6	<u>1018232-01</u>	PACKAGE, BRAKE SHOE (4 PCS.) .....	1	1
7	<u>1011466</u>	KIT, SHOE RETAINER .....	1	1
8	<u>1018163-01</u>	PACKAGE, BRAKE SPRING (4 PCS.) .....	1	1
9	<u>1018155-01</u>	ASSEMBLY, LEVER - RIGHT .....	1	1
9	<u>1018155-02</u>	ASSEMBLY, LEVER - LEFT .....	1	1
10	<u>1013924</u>	NUT, HEX CONE, 5/16 - 24 .....	8	8
11	<u>1014153</u>	BOLT, BRAKE CLUSTER MOUNTING .....	8	8
12	<u>1010829</u>	PIN, CLEVIS, 5/16 .....	2	2
13	<u>0001035</u>	PIN, COTTER, 3/32 X 1 .....	2	2
14	<u>1013207</u>	HANGER, BRAKE CABLE .....	2	2
15	<u>1017911-01</u>	DRUM, BRAKE .....	2	2

G  
E

3

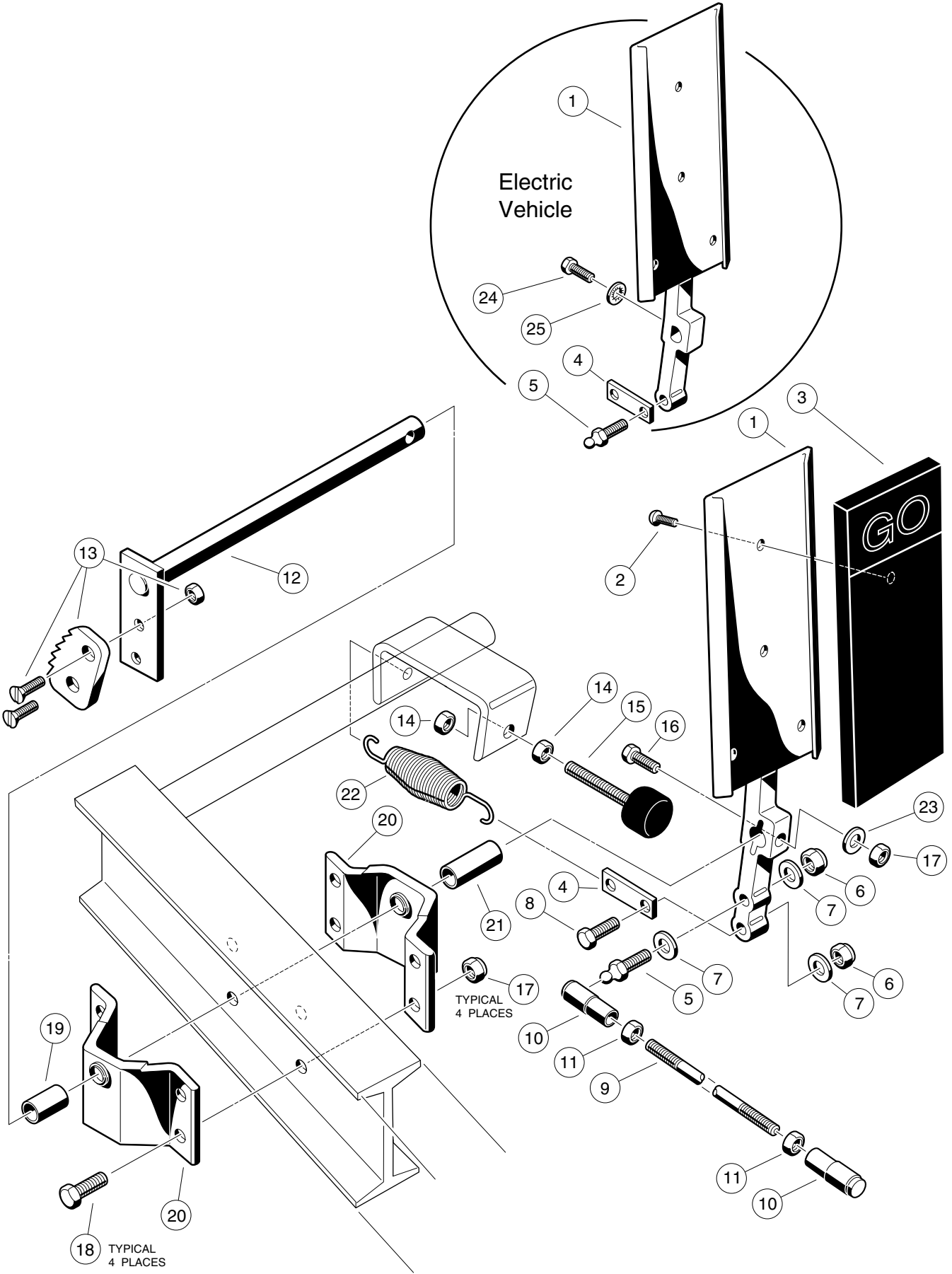


# BRAKE PEDAL AND CABLE ASSEMBLY

ITEM	PART NO.	DESCRIPTION	QTY GAS	QTY ELEC
		1 2 3 4		
1	<u>1011418</u>	KIT, HILL BRAKE PEDAL (INCLUDES ITEMS 2 - 5) .....	1	1
2	<u>0001032</u>	BUSHING, NYLON .....	2	2
3	0007716	SCREW, SLOTTED HEX WASHER HEAD, #10 -16 x 1/2 .....	2	2
4	<u>1013876</u>	NUT, PUSH, 3/8 .....	1	1
5	<u>1013870</u>	PAD, HILL BRAKE .....	1	1
6	1011406	KIT, BRAKE PEDAL (INCLUDES ITEMS 7 AND 8) .....	1	1
7	0007716	SCREW, SLOTTED HEX WASHER HEAD, #10 - 16 x 1/2 .....	4	4
8	<u>1013869</u>	PAD, BRAKE PEDAL .....	1	1
9	<u>1016173</u>	KIT, HILL BRAKE ROD AND PAWL (INCLUDES ITEMS 10 - 13) .....	1	1
10	<u>1017029</u>	PIN, COTTER, 7/64 x 1/2 .....	1	1
11	<u>1010877</u>	NUT, PUSH, 5/16 .....	1	1
12	<u>1010805</u>	SLEEVE, HILL BRAKE ROD .....	1	1
13	1010932	JOINT, BALL, 1/4 - 28 .....	1	1
14	<u>1011403</u>	KIT, BRAKE CABLE (INCLUDES ITEMS 15, 16 AND 17) .....	2	2
15	<u>1011779</u>	CLIP, E-50 ROTOR, 1/2" .....	4	4
16	<u>0001035</u>	PIN, COTTER, 3/32 x 1 .....	2	2
17	<u>1010829</u>	PIN, CLEVIS, 5/16 .....	2	2
18	<u>1017211</u>	KIT, EQUALIZER AND PIVOT LIMITER (INCLUDES ITEM 19) .....	1	1
19	N/A	PIN, EQUALIZER PIVOT .....	1	1
20	<u>1010933</u>	SPRING, HILL BRAKE TORSION .....	1	1
21	<u>1010927</u>	SPACER, HILL BRAKE .....	1	1
22	<u>1010878</u>	STOP, BRAKE .....	1	1
23	<u>1011402</u>	PACKAGE, BRAKE MOUNTING BLOCK (CONTAINS UPPER AND LOWER FOR LEFT AND RIGHT SIDES) .....	1	1
24	0008986	NUT, DIMPLED LOCK, 5/16 - 18 .....	5	5
25	0001241	WASHER, FLAT, 5/16 .....	8	8
26	1010808	ROD, EQUALIZER .....	1	1
27	<u>1013532</u>	SPRING, BRAKE RETURN (GASOLINE VEHICLE) .....	1	
28	<u>1013531</u>	SPRING, BRAKE RETURN (ELECTRIC VEHICLE) .....		1
29	<u>1010921</u>	SCREW, HEX HEAD CAP, 5/16 - 18 x 2 1/2 .....	4	4
30	<u>1018653-01</u>	SPACER, EQUALIZER .....	2	2
31	0001242	NUT, HEX, 5/16 - 18 .....	1	1
32	0001028	NUT, HEX, 1/4 - 20 .....	1	1

**G**  
**F**

**3**





# ACCELERATOR PEDAL ASSEMBLY

ITEM	PART NO.	DESCRIPTION	QTY GAS	QTY ELEc
		1 2 3 4		
1	1016377-01	ASSEMBLY, ACCELERATOR PEDAL (GASOLINE VEHICLE) (INCLUDES ITEMS 2 - 8) .....	1	
1	1010969	ASSEMBLY, ACCELERATOR PEDAL (ELECTRIC VEHICLE) (INCLUDES ITEMS 2 - 5) .....		1
2	0007716	SCREW, SLOTTED HEX WASHER HEAD, #10 - 16 x 1/2.....	4	4
3	1013871	PAD, ACCELERATOR PEDAL .....	1	1
4	<u>1011691</u>	HANGER, ACCELERATOR PEDAL SPRING .....	1	1
5	1016157	STUD, BALL 1/4 - 28 x 1 (GASOLINE VEHICLE) .....	1	
5	<u>1010954</u>	STUD, BALL 1/4 - 28 (ELECTRIC VEHICLE) .....		1
6	0008717	NUT, NYLON HEX, 1/4 - 28 .....	2	
7	<u>1014007</u>	WASHER, FLAT, 1/4 .....	3	
8	0007510	SCREW, HEX HEAD CAP, 1/4 - 28 x 1 1/4 .....	1	
9	<u>1016168</u>	ASSEMBLY, ACCELERATOR ROD (GASOLINE VEHICLE) (INCLUDES ITEMS 10 & 11) .....	1	
9	<u>1014085</u>	ASSEMBLY, ACCELERATOR ROD (ELECTRIC VEHICLE) (INCLUDES ITEMS 10 & 11) .....		1
10	<u>1011734</u>	JOINT, BALL, SPRING LOADED 1/4 - 28.....	2	2
11	<u>1011084</u>	NUT, HEX JAM 1/4 - 28.....	2	2
12	<u>1016166</u>	ASSEMBLY, SUB, ACCELERATOR PIVOT ROD (GASOLINE VEHICLE) (INCLUDES ITEMS 13) .....	1	
12	<u>1010973</u>	ASSEMBLY, SUB, ACCELERATOR PIVOT ROD (ELECTRIC VEHICLE) (INCLUDES ITEMS 13) .....		1
13	<u>1011877</u>	KIT, HILL BRAKE LATCH .....	1	1
14	0001028	NUT, HEX, 1/4 - 20.....	1	1
15	<u>1010878</u>	STOP, BRAKE .....	1	1
16	<u>1016619</u>	SCREW, HEX HEAD CAP, 1/4 - 20 x 1 1/2.....	1	1
17	0008233	NUT, NYLON LOCK, 1/4 - 20.....	5	4
18	0007479	SCREW, HEX HEAD CAP, 1/4 - 20 x 1 1/4.....	4	4
19	<u>1011699</u>	SPACER, 1/2 .....	1	1
20	<u>1011694</u>	BRACKET, ACCELERATOR BEARING .....	2	2
21	<u>1011700</u>	SPACER, ACCELERATOR.....	1	1
22	1012075	SPRING, EXTENSION .....	1	1
23	0000332	WASHER, FLAT, 1/4 .....	1	
24	0000403	SCREW, HEX HEAD CAP, 1/4 - 20 x 5/8 .....		1
25	0008304	WASHER, INTERNAL TOOTH, 1/4.....		1

**G**  
**F**

**3**



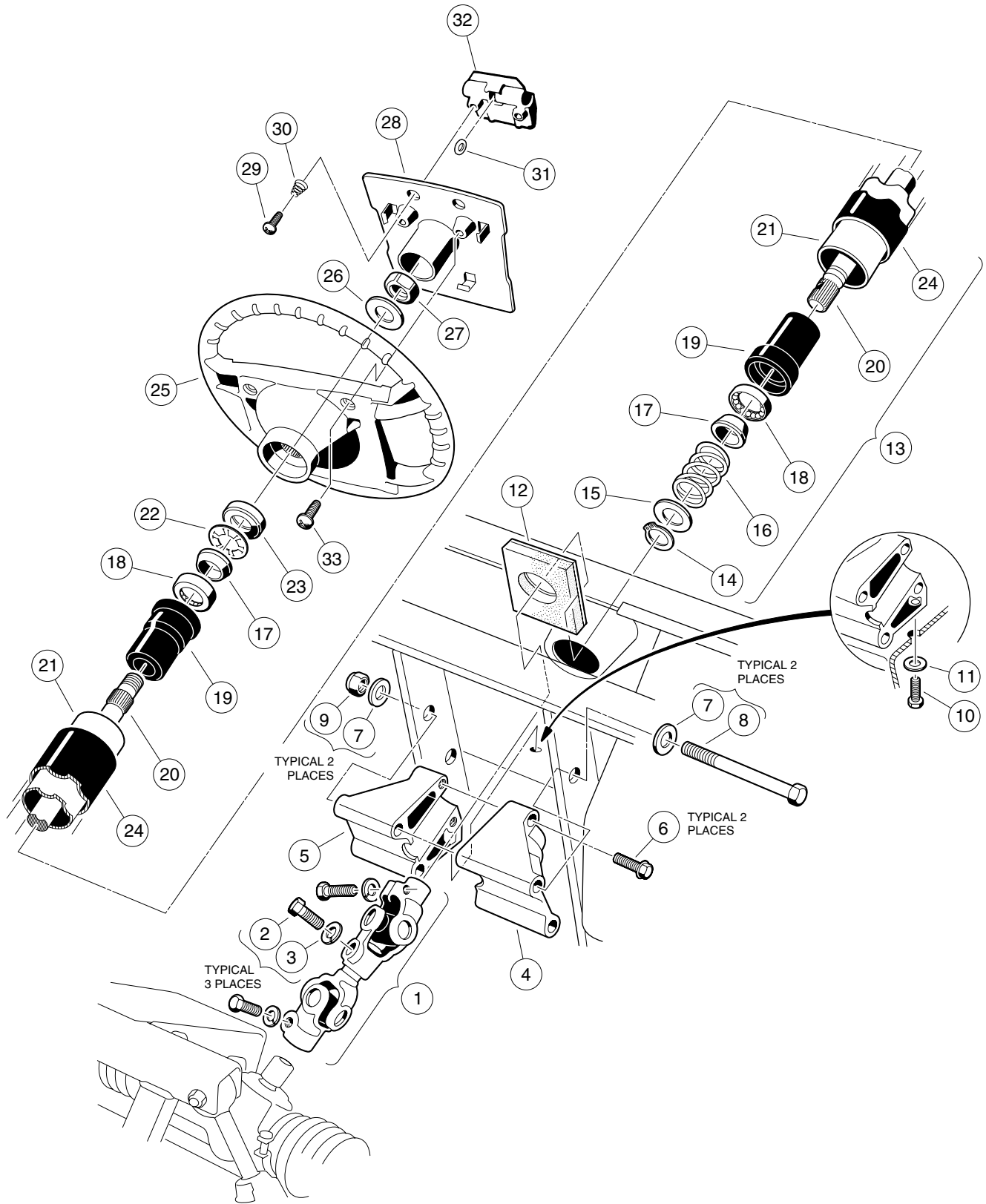
# ***STEERING AND SUSPENSION***

---

**G**

**F**

**4**

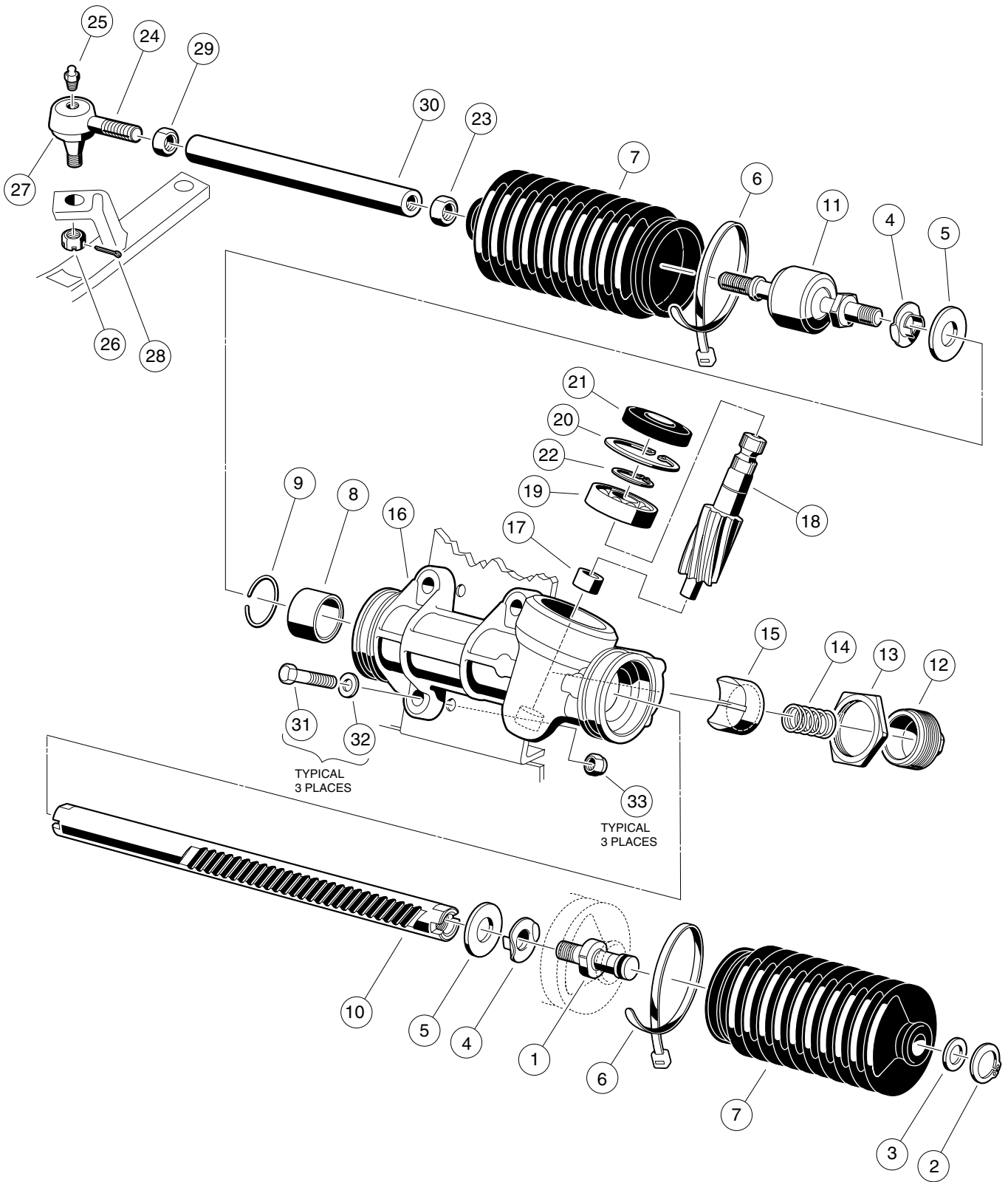


# STEERING COLUMN

ITEM	PART NO.	DESCRIPTION	QTY GAS	QTY ELEC
		1 2 3 4		
1	<u>1013861</u>	JOINT, COMPOUND STEERING (INCLUDES ITEMS 2 AND 3) .....	1	1
2	<u>1017226</u>	SCREW, HEX HEAD CAP M8 x 1.25 x 30MM .....	3	3
3	0007174	WASHER, LOCK, 5/16 .....	3	3
4	1016185	MOUNT, STEERING COLUMN, LEFT HAND .....	1	1
5	1016184	MOUNT, STEERING COLUMN, RIGHT HAND .....	1	1
6	<u>1016269</u>	SCREW, HEX WASHER HEAD THREAD FORMING 5/16 - 18 x 2.....	2	2
7	0000334	WASHER, FLAT, 3/8 .....	4	4
8	<u>1016183</u>	SCREW, HEX HEAD CAP, 3/8 - 16 x 6 3/4.....	2	2
9	0008754	NUT, NYLON LOCK, 3/8 - 16 .....	2	2
10	<u>1014288</u>	SCREW, HEX WASH HEAD MACHINE 5/16 - 18 x 3/4.....	1	1
11	<u>1011697</u>	WASHER, FLAT, 5/16 .....	1	1
12	<u>1012499</u>	BOOT, STEERING COLUMN .....	1	1
13	1016181	ASSEMBLY, STEERING COLUMN (INCLUDES ITEMS 14 - 23) .....	1	1
14	<u>1012605</u>	RING, RETAINING .....	1	1
15	<u>1012604</u>	WASHER, STEEL, 5/8.....	1	1
16	<u>1014217</u>	SPRING, COMPRESSION.....	1	1
17	1014125	WEDGE .....	2	2
18	<u>1014213</u>	ASSEMBLY, BEARING .....	2	2
19	<u>1014126</u>	SEAT, BEARING .....	2	2
20	<u>1015545</u>	SHAFT, STEERING COLUMN .....	1	1
21	1016622	COLUMN, ALUMINUM STEERING .....	1	1
22	1014214	RING, RETAINING .....	1	1
23	<u>1014211</u>	SEAL, BEARING .....	1	1
24	1016263	COVER, BEARING TUBE .....	1	1
25	<u>1016156</u>	WHEEL, STEERING .....	1	1
26	<u>1012604</u>	WASHER, STEEL, 5/8.....	1	1
27	<u>1017273</u>	NUT, NYLON JAM, 5/8 - 18 .....	1	1
28	1016219	ASSEMBLY, SCORECARD PLATE (INCLUDES ITEMS 29 - 32) .....	1	1
29	<u>1012565</u>	SCREW, ROUND HEAD, #12 - 14 x 1 .....	2	2
30	<u>1012566</u>	SPRING, TAPERED COMPRESSION .....	2	2
31	<u>1016214</u>	GRIP, PENCIL .....	1	1
32	1016154	CLIP, SCORE CARD .....	1	1
33	<u>1010715</u>	SCREW, PHILLIPS, #10 - 14 x 3/8.....	2	2

**G**  
**F**

**4**

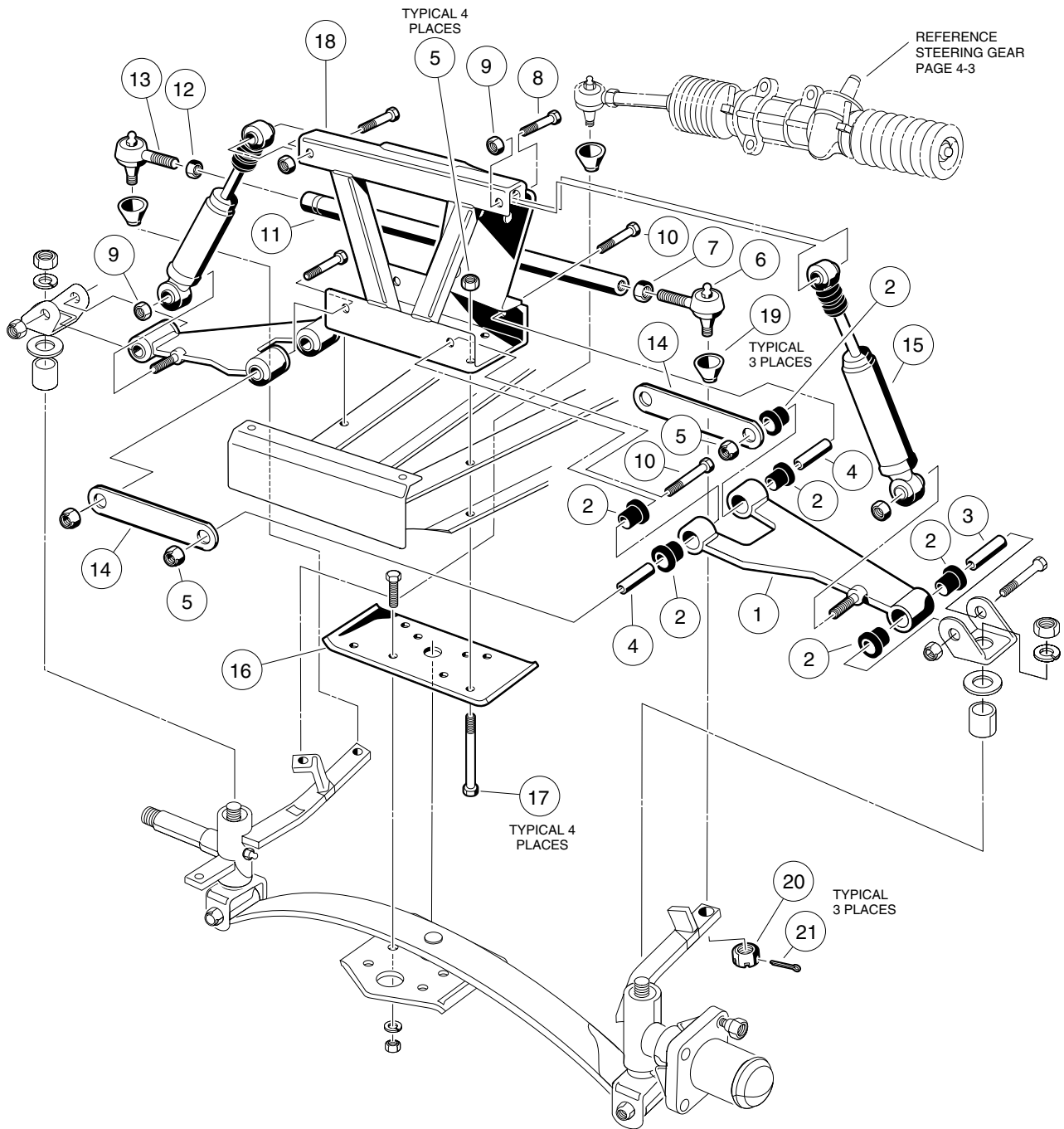


# STEERING GEAR ASSEMBLY

ITEM	PART NO.	DESCRIPTION	QTY GAS	QTY ELEC
		1 2 3 4		
	1012452	ASSEMBLY, STEERING GEAR BOX (INCLUDES ITEMS 1 - 22) .....	1	1
1	<u>1018309-01</u>	BOLT, STOPPER KIT (INCLUDES ITEMS 2 AND 3) .....	1	1
2	N/A	RING, SNAP .....	1	1
3	N/A	WASHER, END .....	1	1
4	<u>1013040</u>	WASHER, LOCK, TIE ROD .....	2	2
5	<u>1013039</u>	WASHER, TIE ROD STOPPER .....	2	2
6	0008990	TIE WRAP.....	2	2
7	<u>1013035</u>	SEAL, DUST .....	2	2
8	1013036	BUSHING, RACK.....	1	1
9	<u>1013037</u>	RING, SNAP .....	1	1
10	N/A	RACK, STEERING .....	1	1
11	1013041	RACK, END.....	1	1
12	N/A	SCREW, RACK GUIDE .....	1	1
13	<u>1013044</u>	NUT, LOCK, RACK SCREW .....	1	1
14	<u>1013045</u>	SPRING, RACK GUIDE PRESSURE .....	1	1
15	1013046	GUIDE, STEERING RACK.....	1	1
16	N/A	BOX, STEERING GEAR.....	1	1
17	N/A	BUSHING, PINION.....	1	1
18	N/A	PINION, STEERING.....	1	1
19	<u>1012884</u>	BEARING, BALL .....	1	1
20	1013051	RING, SNAP .....	1	1
21	<u>1013052</u>	SEAL, DUST, STEERING PINION .....	1	1
22	<u>1013031</u>	RING, EXTERNAL RETAINING .....	1	1
23	1013042	NUT, HEX, M12 x 1.75 .....	1	1
24	0007540	SOCKET, VERTICAL LEFT HAND (INCLUDES ITEMS 25, 26 AND 27) .....	1	1
25	<u>1015597</u>	FITTING, THREAD FORM GREASE, 1/4 - 28 .....	1	1
26	<u>0007602</u>	NUT, HEX SLOTTED, 3/8 - 24 .....	1	1
27	<u>1011930</u>	BOOT, DUST .....	1	1
28	<u>0001035</u>	PIN, COTTER, 3/32 x 1 .....	1	1
29	0007555	NUT, HEX, 1/2 - 20.....	1	1
30	<u>1012467</u>	LINK, RACK AND PINION DRAG .....	1	1
31	0001624	BOLT, HEX HEAD, 3/8 - 16 x 1 1/2 .....	3	3
32	0000334	WASHER, FLAT, 3/8 .....	3	3
33	<u>1010138</u>	NUT, DIMPLED LOCK, 3/8 - 16 .....	3	3

**G**  
**F**

**4**





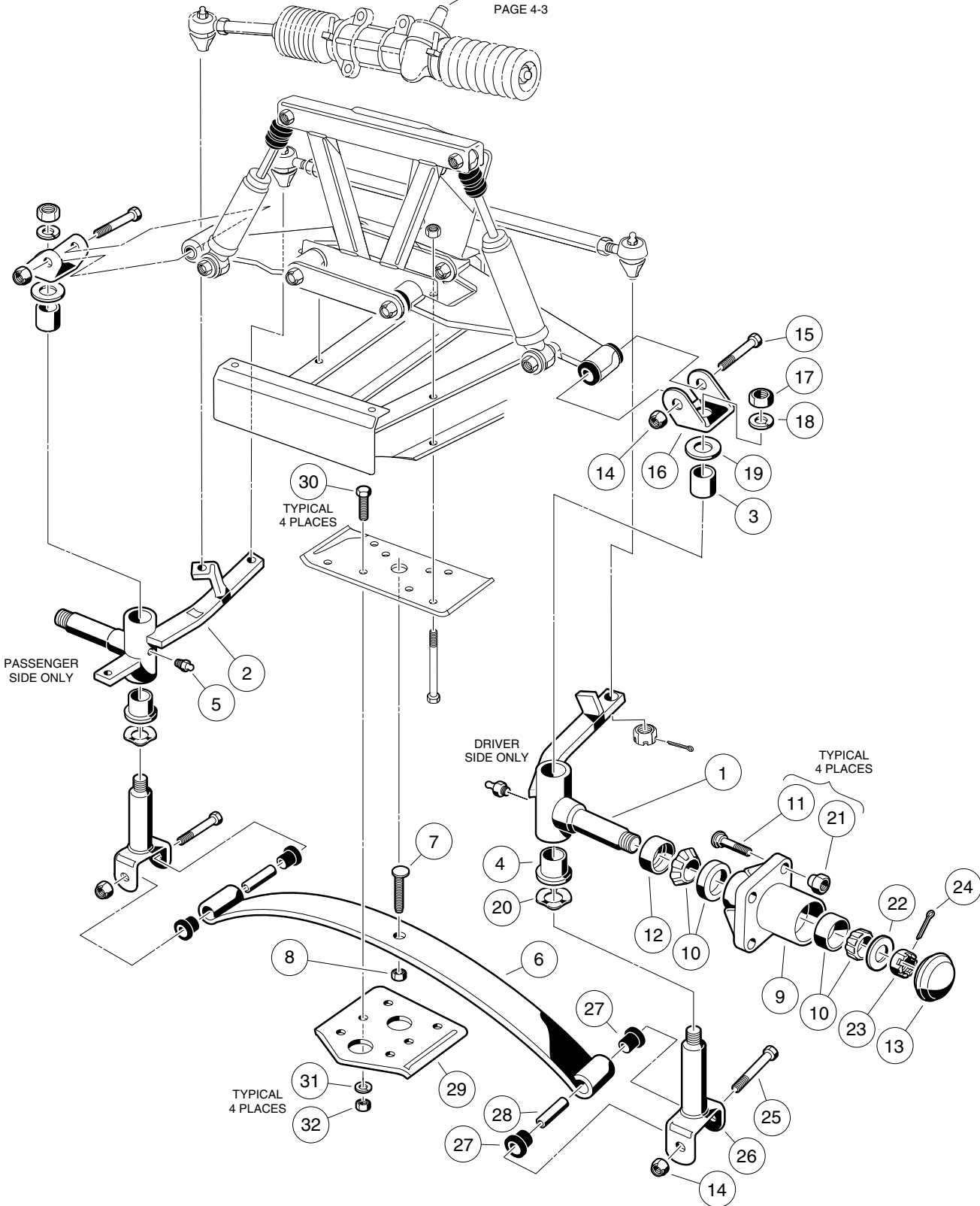
# FRONT SUSPENSION - UPPER

ITEM	PART NO.	DESCRIPTION	QTY GAS	QTY ELEC
		1 2 3 4		
1	<u>1016353</u>	ASSEMBLY, DELTA A-PLATE (INCLUDES ITEMS 2, 3 AND 4) .....	2	2
2	<u>1016346</u>	BUSHING, URETHANE .....	6	6
3	<u>1016350</u>	SLEEVE, DELTA OUTER .....	1	1
4	<u>1016349</u>	SLEEVE, DELTA INNER .....	2	2
5	0008754	NUT, NYLON LOCK, 3/8 - 16 .....	8	8
6	0007539	BALL JOINT .....	1	1
7	0001308	NUT, HEX, 1/2 - 20 .....	1	1
8	0001624	BOLT, HEX HEAD, 3/8 - 16 x 1 1/2 .....	2	2
9	<u>1010138</u>	NUT, DIMPLED LOCK, 3/8 - 16 .....	4	4
10	0002402	SCREW, HEX CAP, 3/8 - 16 x 2 1/4 .....	4	4
11	<u>1010219</u>	ROD, TIE .....	1	1
12	0007555	NUT, HEX, LEFT HAND THREAD, 1/2 - 20 .....	1	1
13	0007540	BALL JOINT, LEFT HAND THREAD .....	1	1
14	<u>1017266</u>	STRAP, A-PLATE .....	2	2
15	1015813	SHOCK ABSORBER, FRONT (GASOLINE VEHICLE ONLY) .....	2	
15	<u>1014235</u>	SHOCK ABSORBER, FRONT (ELECTRIC VEHICLES ONLY) .....		2
16	<u>1010124</u>	PLATE, SPRING MOUNTING .....	1	1
17	<u>1010200</u>	BOLT, HEX HEAD, 3/8 - 16 x 4 1/4 .....	4	4
18	<u>1016385</u>	ASSEMBLY, DELTA SHOCK AND GEAR SUPPORT .....	1	1
19	<u>1011930</u>	SEAL, DUST .....	3	3
20	<u>0007602</u>	NUT, SLOTTED HEX, 3/8 - 24 .....	3	3
21	<u>0001035</u>	PIN, COTTER, 3/32 x 1 .....	1	1

**G**  
**F**

**4**

REFERENCE  
STEERING GEAR  
PAGE 4-3



# FRONT SUSPENSION - LOWER

ITEM	PART NO.	DESCRIPTION	QTY GAS	QTY ELEC
		1 2 3 4		
1	<u>1010348</u>	ASSEMBLY, LEFT SPINDLE (INCLUDES ITEMS 3, 4 AND 5) .....	1	1
2	<u>1010347</u>	ASSEMBLY, RIGHT SPINDLE (INCLUDES ITEMS 3, 4 AND 5) .....	1	1
3	0008067	BUSHING, BRONZE SPINDLE .....	1	1
4	0007048	BUSHING, BRONZE .....	1	1
5	<u>1015597</u>	FITTING, GREASE, 1/4 - 28 .....	1	1
6	1015108	SPRING, TAPERED LEAF (GASOLINE VEHICLE ONLY) .....	1	
6	<u>1012030</u>	SPRING, TAPERED LEAF (ELECTRIC VEHICLES ONLY) .....		1
7	0008745	ASSEMBLY, ECCENTRIC .....	1	1
8	0000706	NUT, HEX, 3/8 - 16 .....	1	1
9	<u>1011892</u>	ASSEMBLY, HUB (INCLUDES ITEMS 10 - 13) .....	2	2
10	<u>1011393</u>	PACKAGE, HUB BEARING .....	2	2
11	<u>1011304</u>	STUD, LUG, 1/2 - 20 .....	4	4
12	<u>1013135</u>	SEAL, DOUBLE LIP .....	1	1
13	<u>1011887</u>	COVER, DUST .....	1	1
14	0008754	NUT, NYLON LOCK, 3/8 - 16 .....	4	4
15	<u>1016387</u>	SCREW, HEX HEAD CAP, 3/8 - 16 x 2 3/4 .....	2	2
16	<u>1016384</u>	CLEVIS, UPPER DELTA .....	2	2
17	0001308	NUT, HEX, 1/2 - 20 .....	2	2
18	0000209	WASHER, SPLIT LOCK, 1/2 .....	2	2
19	<u>1010150</u>	BEARING, THRUST .....	2	2
20	<u>1016389</u>	WASHER, KINGPIN WAVE .....	2	2
21	<u>1010984</u>	NUT, LUG .....	8	8
22	<u>1010005</u>	WASHER, FLAT, 3/4 .....	2	2
23	0007840	NUT, HEX SLOTTED, 3/4 - 16 .....	2	2
24	0007910	PIN, COTTER, 5/32 x 1 .....	2	2
25	0008755	SCREW, HEX HEAD CAP, 3/8 - 16 x 3 3/8 .....	2	2
26	<u>1016386</u>	KINGPIN .....	2	2
27	<u>1015583</u>	BUSHING, URETHANE .....	4	4
28	<u>1012303</u>	BUSHING, STEEL .....	2	2
29	<u>1014276</u>	PLATE, FRONT SPRING RETAINER .....	1	1
30	0001624	SCREW, HEX HEAD CAP, 3/8 - 16 x 1 1/2 .....	4	4
31	0000357	WASHER, LOCK, 3/8 .....	4	4
32	0000706	NUT, HEX, 3/8 - 16 .....	4	4

**G**  
**F**

**4**

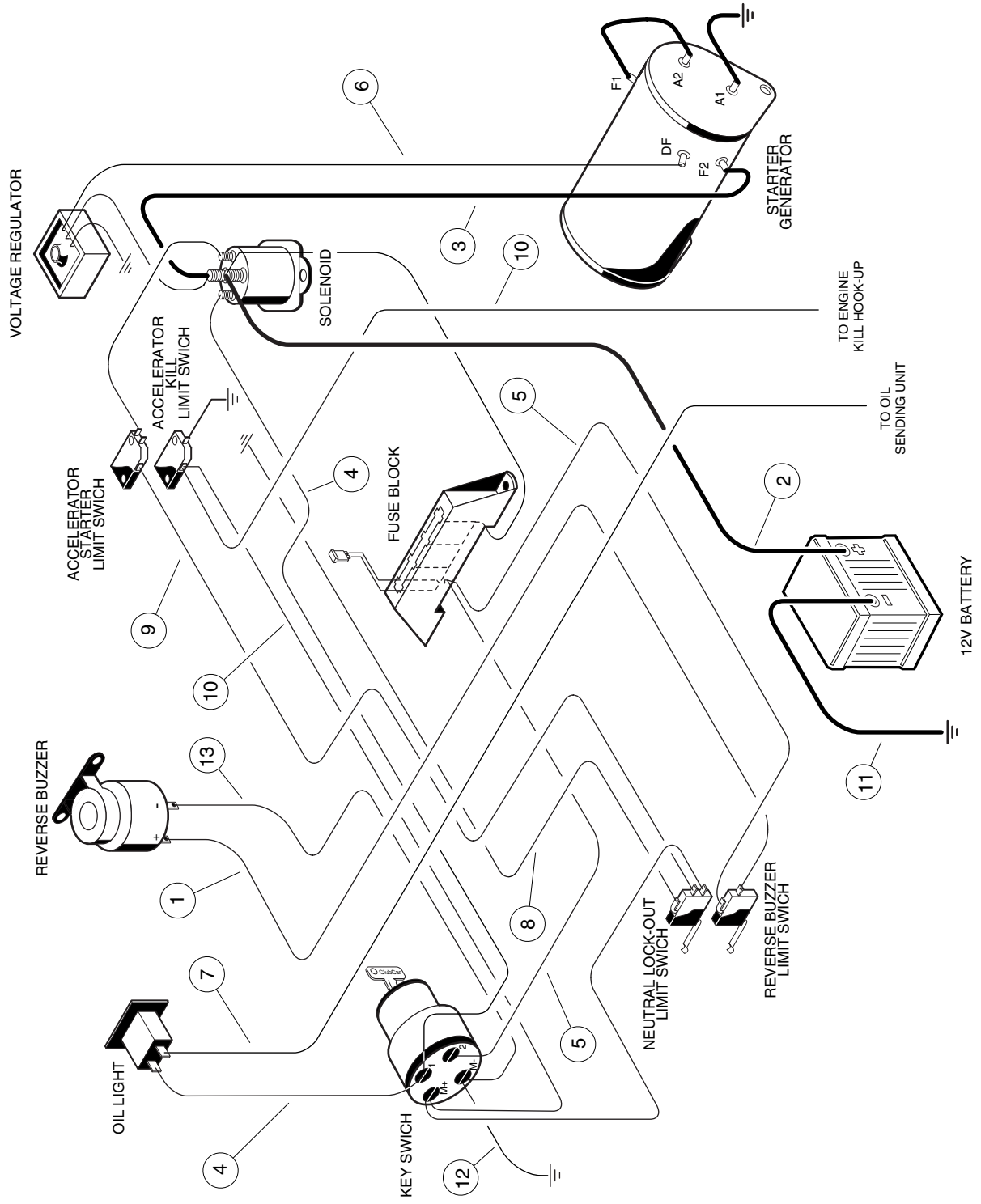


# ***ELECTRICAL SYSTEM GASOLINE VEHICLES***

---

**G**

**5**

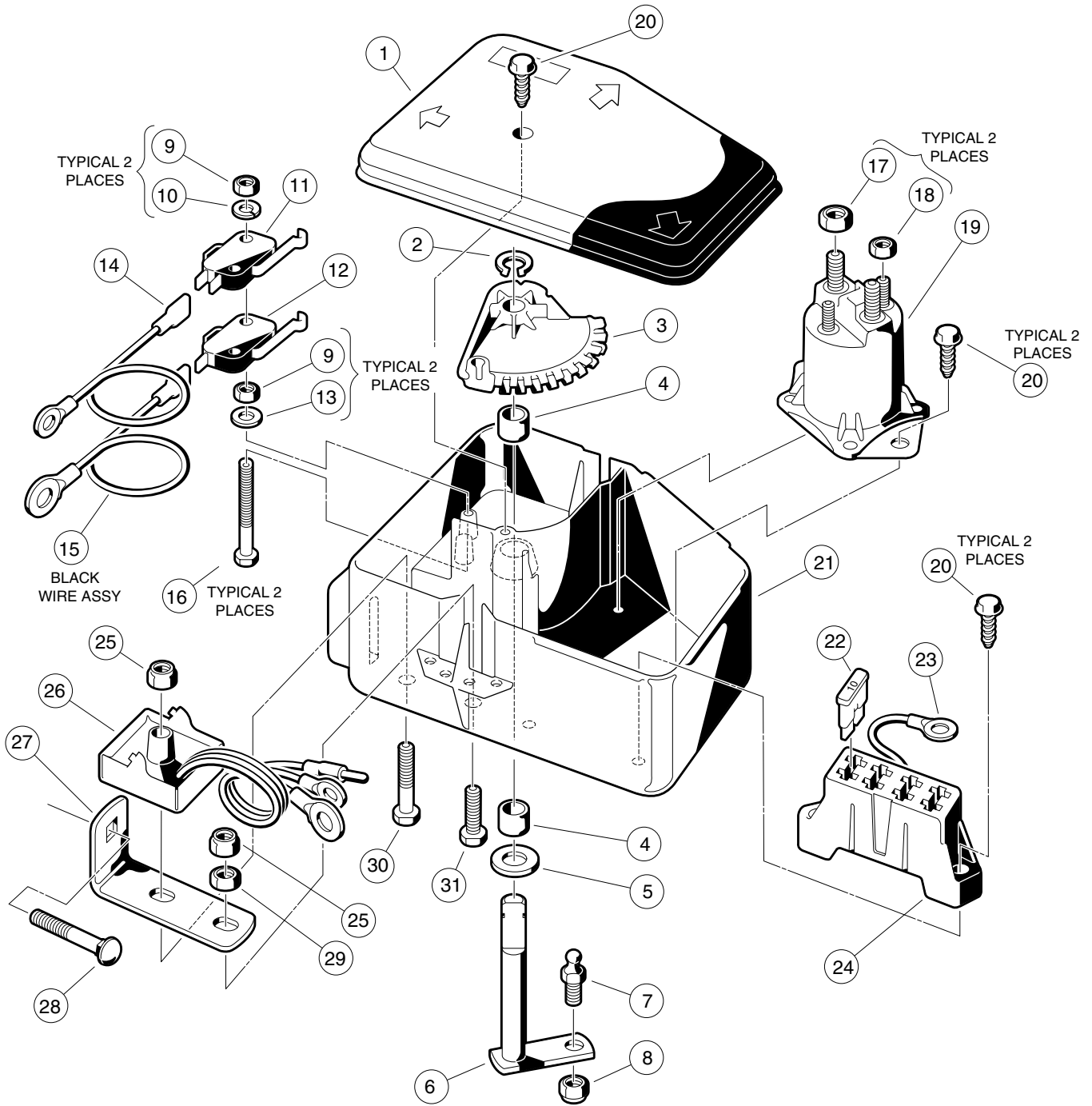


# WIRING

ITEM	PART NO.	DESCRIPTION	QTY
		1 2 3 4	
	<u>1015735</u>	WIRE HARNESS ASSEMBLY (INCLUDES ITEMS 1 - 10) .....	1
1	1013723	WIRE ASSEMBLY, #18 RED/WHITE .....	1
2	<u>1014119</u>	WIRE ASSEMBLY, #6 RED .....	1
3	<u>1015769</u>	WIRE ASSEMBLY, #6 WHITE .....	1
4	1013601	WIRE ASSEMBLY, #18 YELLOW/#16 BLUE .....	1
5	1018282-01	WIRE ASSEMBLY, #16 RED AND #16 ORANGE .....	1
6	1015738	WIRE ASSEMBLY, #16 YELLOW .....	1
7	1015740	WIRE ASSEMBLY, #18 YELLOW .....	1
8	1015780	WIRE ASSEMBLY, #18 BLACK .....	1
9	1015779	WIRE ASSEMBLY, #18 GREEN .....	1
10	<u>1015781</u>	WIRE ASSEMBLY, #18 WHITE/BLACK.....	1
11	<u>1012382</u>	WIRE ASSEMBLY, #6 BLACK .....	1
12	1012396	WIRE ASSEMBLY, #18 BLACK .....	1
13	1016857	WIRE ASSEMBLY, #18 BLACK .....	1

G

5



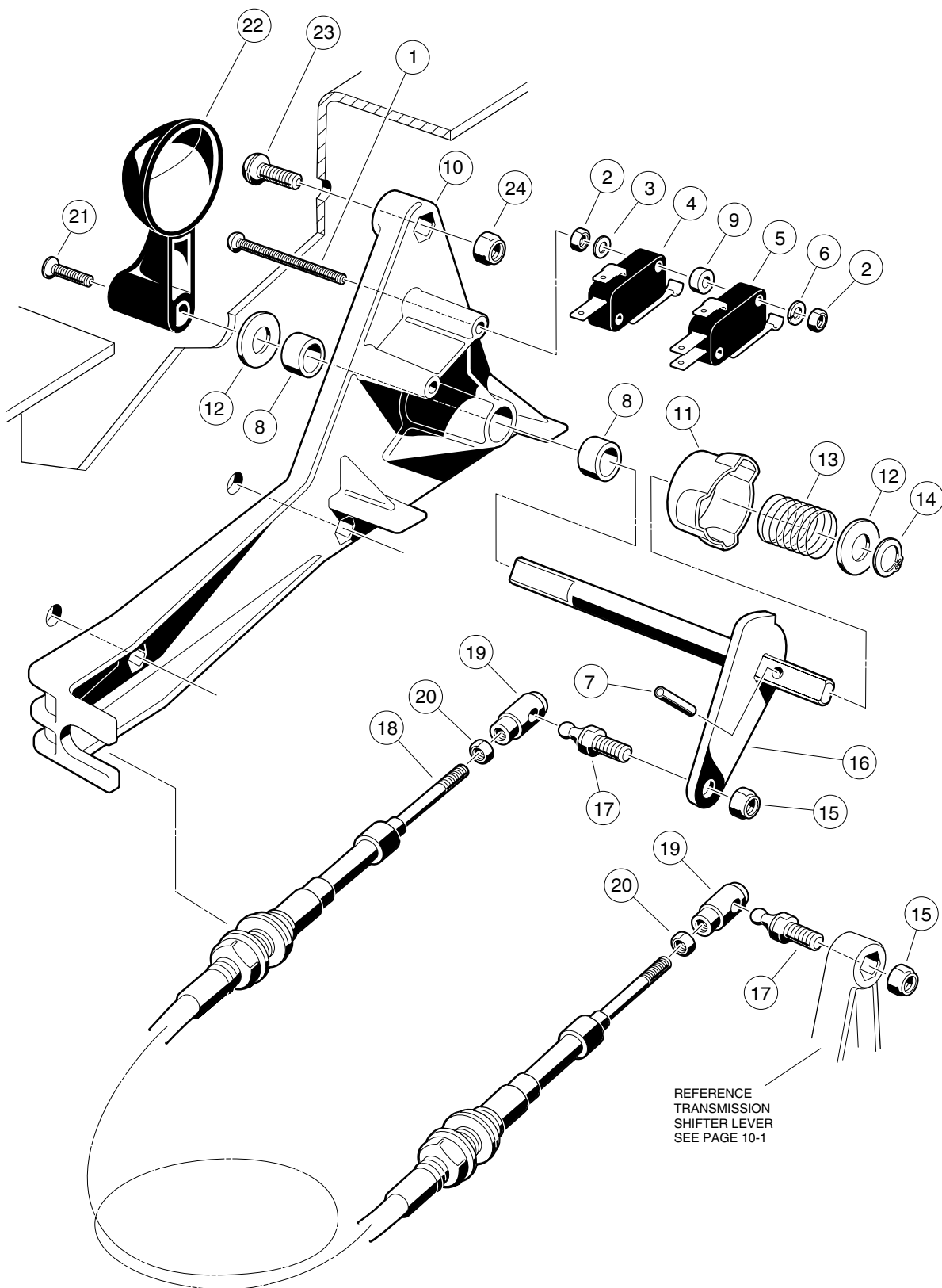


# ELECTRICAL COMPONENT BOX

ITEM	PART NO.	DESCRIPTION	QTY
		1 2 3 4	
	<u>1018276-01</u>	BOX, ELECTRICAL COMPONENT, COMPLETE (INCLUDES ITEMS 1 - 31 AND 1015735 - SEE PAGE 5-2) .....	1
1	<u>1015372</u>	COVER, ELECTRICAL COMPONENT BOX .....	1
2	<u>1013589</u>	RING, RETAINING .....	1
3	<u>1015373</u>	CAM, ELECTRICAL BOX .....	1
4	<u>1014145</u>	BUSHING, BRONZE .....	2
5	<u>1014065</u>	WASHER, FLAT .....	1
6	1015345	ASSEMBLY, BELL CRANK SHAFT .....	1
7	<u>1010954</u>	STUD, BALL, 1/4 - 28 .....	1
8	0008717	NUT, NYLON LOCK , 1/4 - 28 .....	1
9	0008057	NUT, UNC HEX, #4 - 40 .....	4
10	0008058	WASHER, LOCK, #4 .....	2
11	<u>1014807</u>	SWITCH, LIMIT .....	1
12	<u>1014808</u>	SWITCH, LIMIT .....	1
13	1012431	WASHER, FLAT, #4 .....	2
14	1016401	WIRE ASSEMBLY, #16 ORANGE .....	1
15	1016402	WIRE ASSEMBLY, #16 BLACK .....	1
16	<u>1015878</u>	SCREW, HEX HEAD MACHINE, #4 - 40 x 1 5/8 .....	2
17	0001242	NUT, HEX, 5/16 - 18 .....	2
18	0007893	NUT, HEX, #10 - 32 .....	2
19	<u>1013609</u>	SOLENOID, 12 VOLT .....	1
20	<u>1015752</u>	SCREW, HILO, #12 - 16 x 5/8 .....	4
21	<u>1015371</u>	BOX, ELECTRICAL COMPONENT .....	1
22	<u>1012295</u>	FUSE, 10 AMP .....	1
23	<u>1015737</u>	WIRE ASSEMBLY, #10 RED .....	1
24	<u>1015741</u>	BLOCK, FUSE .....	1
25	0008233	NUT, NYLON LOCK, 1/4 - 20 .....	2
26	<u>1015777</u>	ASSEMBLY, VOLTAGE REGULATOR .....	1
27	1015343	STRAP, GROUND .....	1
28	<u>1015405</u>	SCREW, ROUND HEAD SQUARE NECK, 5/16 - 18 x 2 .....	1
29	<u>1015919</u>	NUT, HEX JAM, 1/4 - 20 .....	1
30	0001703	SCREW, HEX HEAD CAP, 1/4 - 20 x 1 1/2 .....	1
31	0000304	SCREW, HEX HEAD CAP, 1/4 - 20 x 1 .....	1

G

5

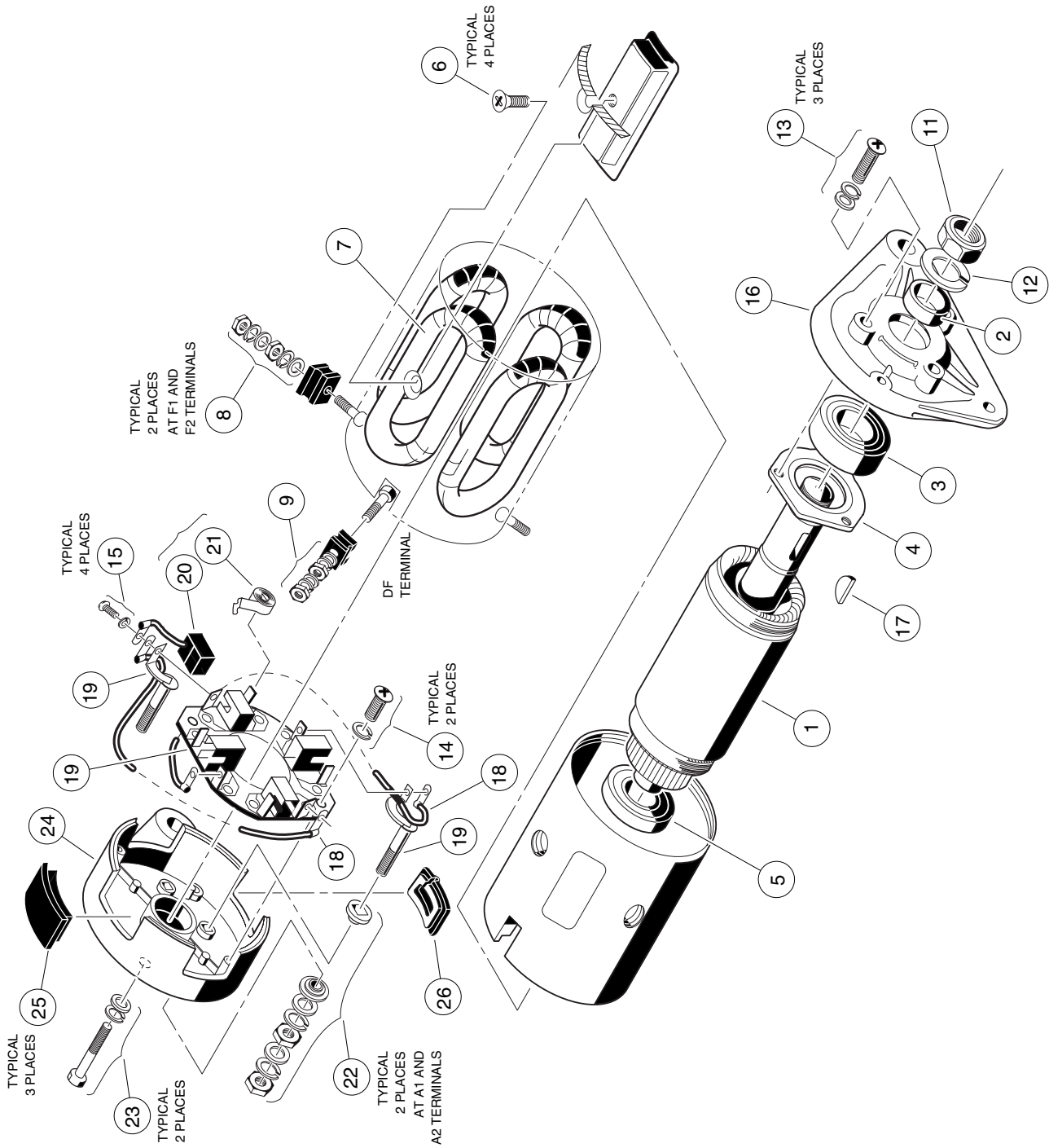


# FORWARD AND REVERSE SHIFTER ASSEMBLY

ITEM	PART NO.	DESCRIPTION	QTY
		1 2 3 4	
	1016947	ASSEMBLY, F & R SHIFTER (INCLUDES ITEMS 1 - 17) .....	1
1	<u>1012594</u>	SCREW, MACHINE, #4 - 40 x 11/2 .....	2
2	0008057	NUT, HEX HEAD, #4 - 40 .....	4
3	1012431	WASHER, FLAT, #4 .....	2
4	<u>1014808</u>	SWITCH, LIMIT .....	1
5	<u>1014807</u>	SWITCH, LIMIT .....	1
6	0008058	WASHER, LOCK, #4 .....	2
7	<u>1013591</u>	PIN, ROLL, 1/8 .....	1
8	<u>1014145</u>	BUSHING, BRONZE .....	2
9	<u>1014727</u>	WASHER, NYLON FLAT, #4 .....	2
10	<u>1016342</u>	BASE, F & R SHIFTER .....	1
11	1014089	KIT, NEUTRAL LOCK-OUT CAM (INCLUDES ITEM 12) .....	1
12	<u>1014065</u>	WASHER, FLAT .....	1
13	<u>1013590</u>	SPRING, F & R CAM .....	1
14	<u>1013589</u>	RING, RETAINING .....	1
15	0008717	NUT, NYLON LOCK, 1/4 - 28 .....	2
16	1013587	WELDMENT, F & R BELL CRANK .....	1
17	<u>1010954</u>	STUD, BALL, 1/4 - 28 x 1/4 .....	2
18	<u>1013085</u>	CABLE, TRANSMISSION (INCLUDES ITEMS 19 & 20) .....	1
19	<u>1012333</u>	JOINT, BALL .....	2
20	0007893	NUT, HEX, #10 - 32 .....	2
21	<u>1013198</u>	SCREW, PHILLIPS OVAL COUNTERSUNK MACHINE, #8 - 32 x 5/8 .....	1
22	<u>1012987</u>	HANDLE, F & R SWITCH .....	1
23	0008248	SCREW, PHILLIPS TRUSS HEAD, 1/4 - 20 x 3/4 .....	4
24	0008233	NUT, NYLON LOCK, 1/4 - 20 .....	4

G

5

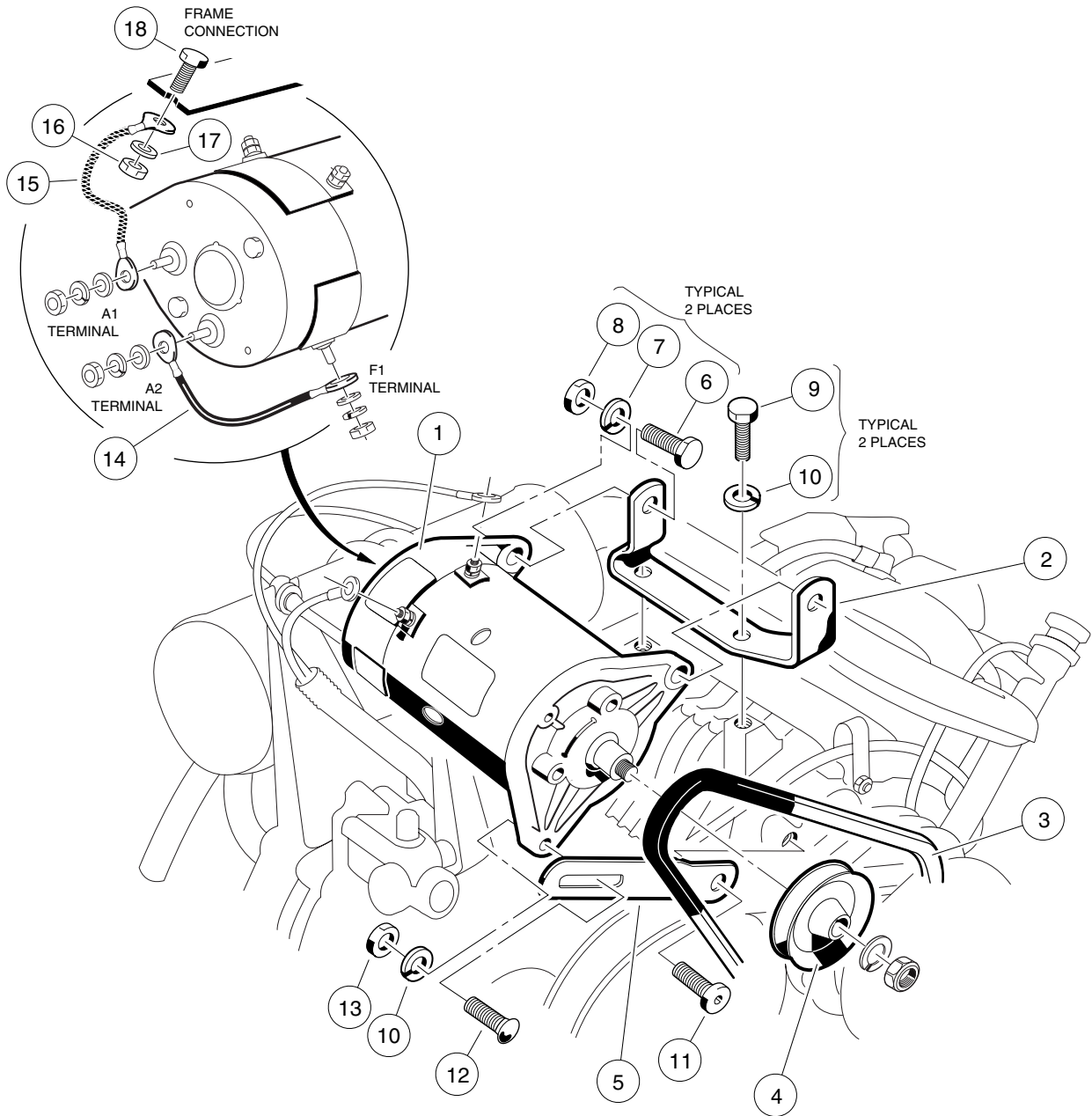


# STARTER / GENERATOR ASSEMBLY

ITEM	PART NO.	DESCRIPTION	QTY
		1 2 3 4	
	<u>1012316</u>	STARTER - GENERATOR (INCLUDES ITEMS 1 - 26) .....	1
1	<u>1013004</u>	ASSEMBLY, ARMATURE (INCLUDES ITEMS 2, 3, 4, 5 AND ARMATURE) .....	1
2	1013000	SPACER.....	1
3	<u>1013001</u>	SHAFT, BALL BEARING OUTPUT .....	1
4	<u>1013002</u>	RETAINER, BEARING .....	1
5	<u>1013005</u>	COMMUTATOR, BALL BEARING .....	1
6	<u>1013009</u>	SCREW, POLE PIECE .....	4
7	<u>1013010</u>	ASSEMBLY, FIELD COIL .....	1
8	<u>1013007</u>	PACKAGE, TERMINAL HARDWARE (F1 AND F2) .....	2
9	<u>1013017</u>	PACKAGE, TERMINAL HARDWARE (DF) .....	1
10	1013018	KIT , PULLEY NUT AND SCREW (INCLUDES ITEMS 11 - 15) .....	1
11	N/A	HEX NUT, M14 x 2.....	1
12	N/A	WASHER, LOCK, M14 .....	1
13	N/A	SCREW, CROSS - RECESSED, M5 x .8 x 18MM (WITH LOCK WASHER AND FLAT WASHER) .....	3
14	N/A	SCREW, CROSS - RECESSED, M5 x .8 x 16MM (WITH LOCK WASHER) .....	2
15	N/A	SCREW, CROSS - RECESSED, M4 x .7 x 10MM (WITH LOCK WASHER) .....	4
16	<u>1012999</u>	BELL, OUTPUT SHAFT END .....	1
17	<u>1013003</u>	KEY.....	1
18	1013013	LEAD, CROSSOVER .....	2
19	<u>1013011</u>	HOLDER, BRUSH .....	1
20	1014699	PACKAGE, BRUSH (INCLUDES 4 BRUSHES).....	1
21	1013016	SPRING, BRUSH .....	4
22	1012990	PACKAGE, TERMINAL HARDWARE (A1 AND A2) .....	2
23	1012992	BOLT, CLAMP, M6 x 1 x 180MM .....	2
24	<u>1012993</u>	BELL, COMMUTATOR END .....	1
25	<u>1012991</u>	COVER, BRUSH INSPECTION PORT .....	3
26	<u>1017653</u>	COVER, BRUSH INSPECTION PORT, WITH DRAIN .....	1

G

5

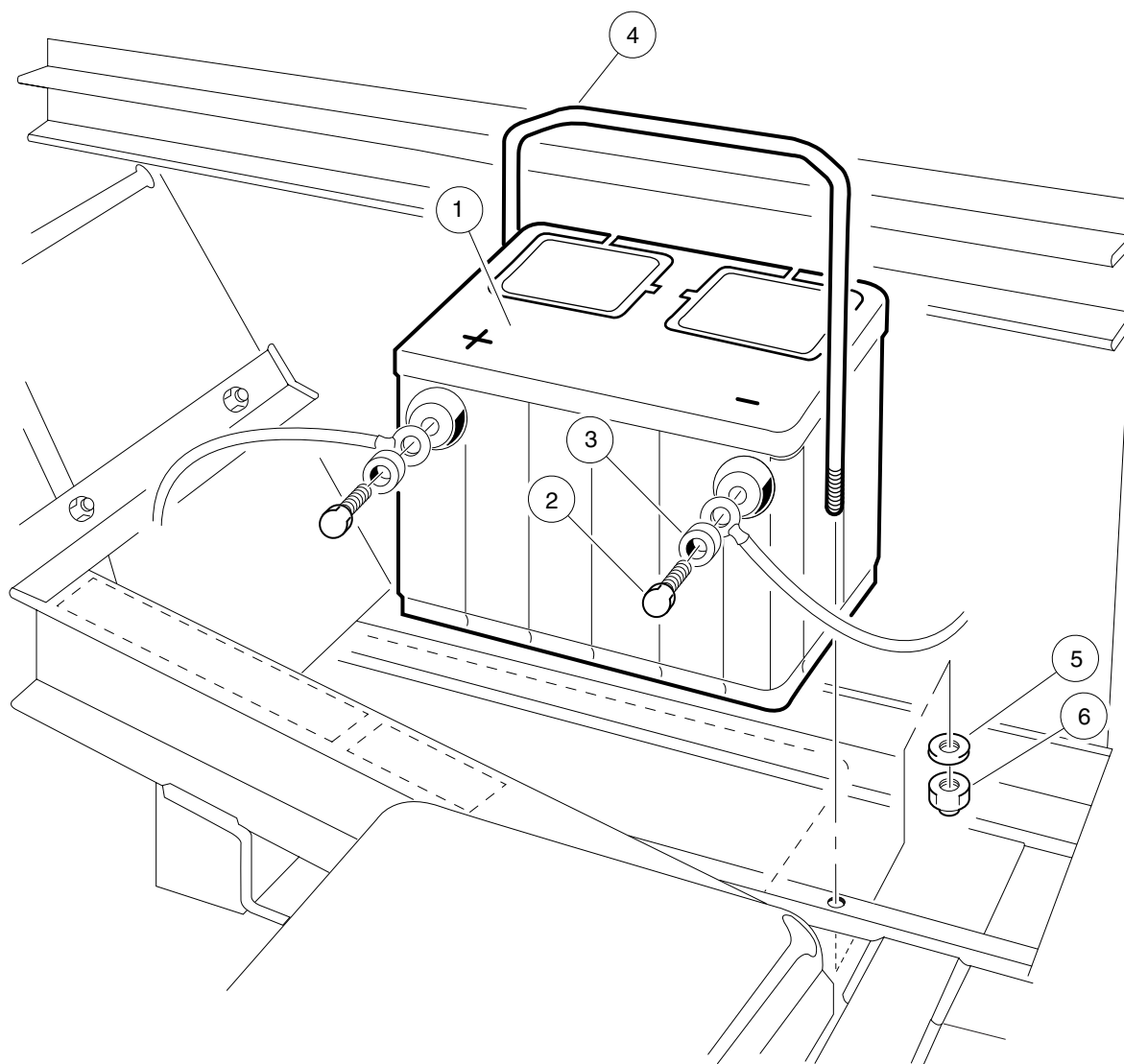


# STARTER / GENERATOR MOUNTING

ITEM	PART NO.	DESCRIPTION	QTY
		1 2 3 4	
1	<u>1012316</u>	STARTER / GENERATOR .....	1
2	<u>1015240-01</u>	BRACKET, MOUNTING .....	1
3	<u>1015241</u>	BELT .....	1
4	<u>1014289</u>	PULLEY .....	1
5	<u>1016883</u>	BRACKET, ADJUSTING .....	1
6	0000705	SCREW, HEX HEAD CAP, 3/8 - 16 x 1 1/4 .....	2
7	0000357	WASHER, LOCK, 3/8 .....	2
8	0000706	NUT, HEX, 3/8 - 16 .....	2
9	<u>1015331</u>	SCREW, HEX HEAD CAP, M8 x 1.25 x 25MM .....	2
10	0007174	WASHER, LOCK, 5/16 .....	3
11	<u>1016074</u>	SCREW, TORX HEAD, M8 x 1.25 x 18MM .....	1
12	<u>1015932</u>	BOLT, ROUND HEAD SQUARE NECK, 5/16 - 18 x 1 .....	1
13	0001242	NUT, HEX, 5/16 - 18 .....	1
14	<u>1012384</u>	WIRE ASSEMBLY, #6 BLACK .....	1
15	<u>1015920</u>	WIRE, GROUND .....	1
16	0007473	NUT, NYLON LOCK, 5/16 - 18 .....	1
17	0001241	WASHER, FLAT, 5/16 .....	1
18	0007173	SCREW, HEX HEAD CAP, 5/16 - 18 x 3/4 .....	1

G

5





# BATTERY MOUNTING

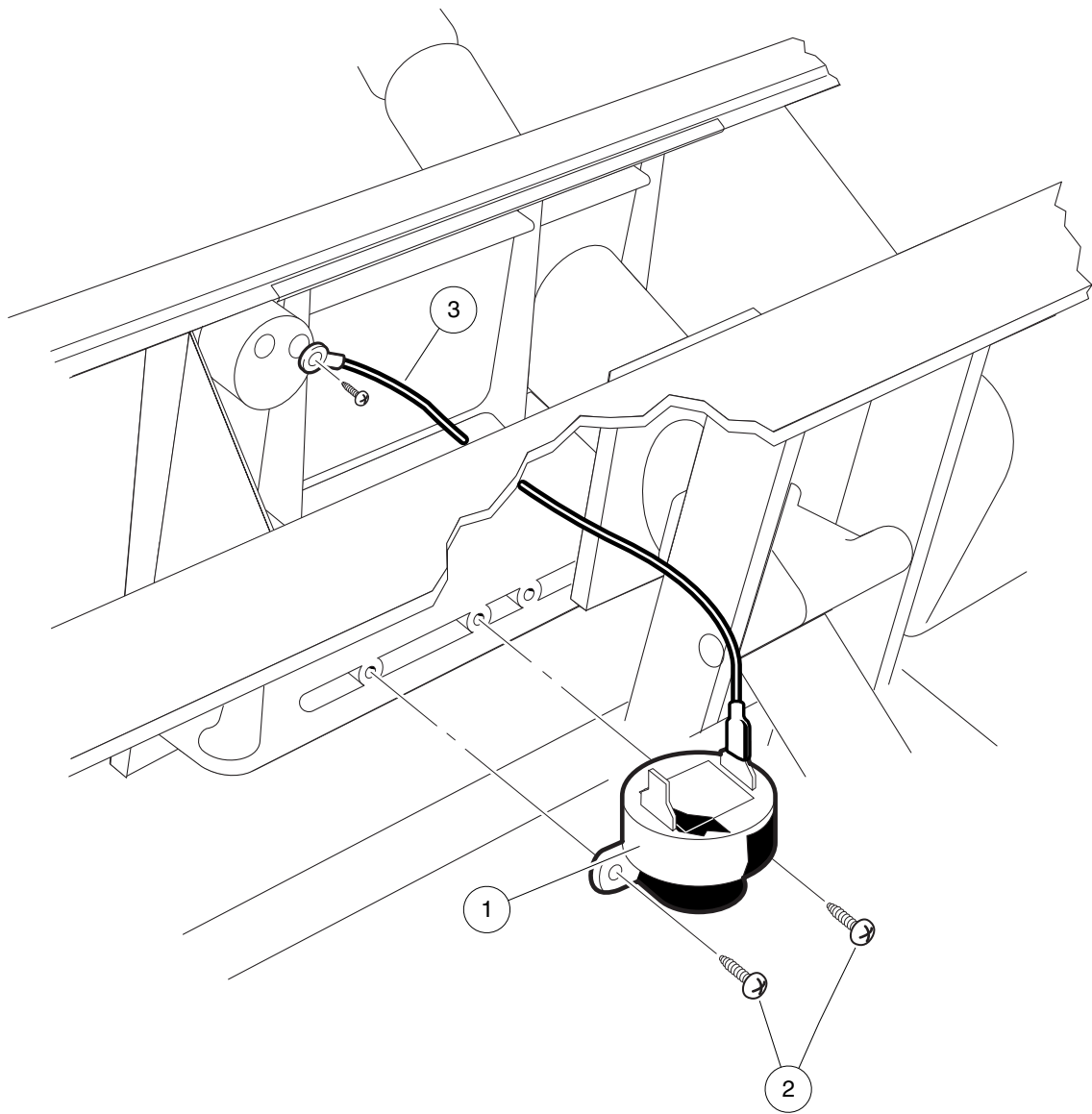
ITEM	PART NO.	DESCRIPTION	QTY
		1 2 3 4	
1	<u>1012328</u>	BATTERY, 12 VOLT .....	1
2	<u>1014375</u>	SCREW, HEX HEAD CAP, STAINLESS STEEL, 3/8 - 16 x 1/2 .....	2
3	<u>1014374</u>	SPACER, BATTERY TERMINAL BOLT .....	2
4	<u>1013882</u>	HOLD-DOWN, BATTERY .....	1
5	1011964	WASHER, FLAT, STAINLESS STEEL, 1/4 .....	2
6	1015068	NUT, NYLON LOCK, STAINLESS STEEL, 1/4 - 20 .....	2

**G**

**5**

**G**

**5**



# REVERSE BUZZER

ITEM	PART NO.	DESCRIPTION	QTY
		1 2 3 4	
	<u>1016859</u>	KIT, REVERSE BUZZER (INCLUDES ITEMS 1, 2, AND 3) .....	1
1	<u>1016851</u>	BUZZER, REVERSE (9-48 VOLT) .....	1
2	<u>1016849</u>	SCREW, PAN HEAD HILO, #4 - 24 x 5/16 .....	2
3	1016857	WIRE ASSEMBLY, #18 BLACK .....	1

G

5

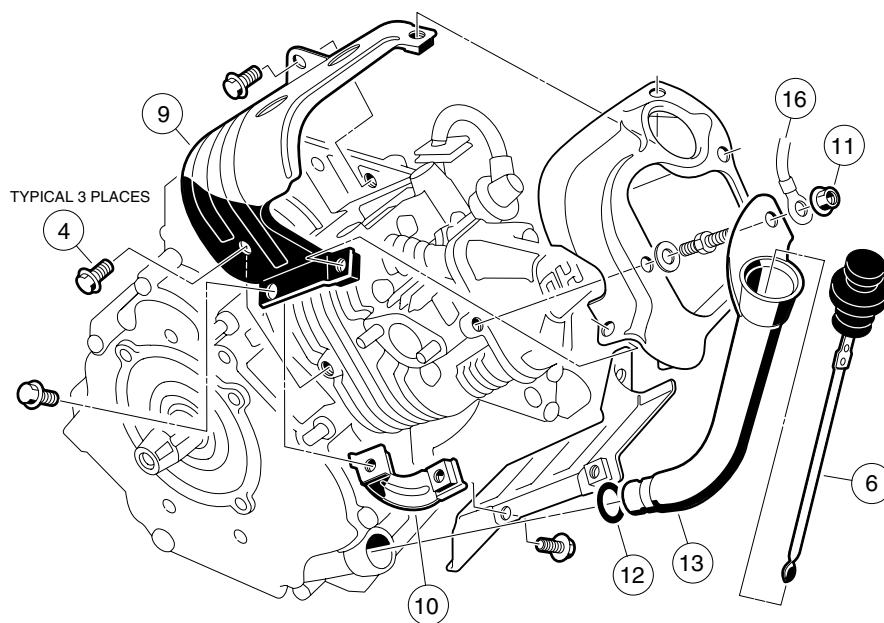
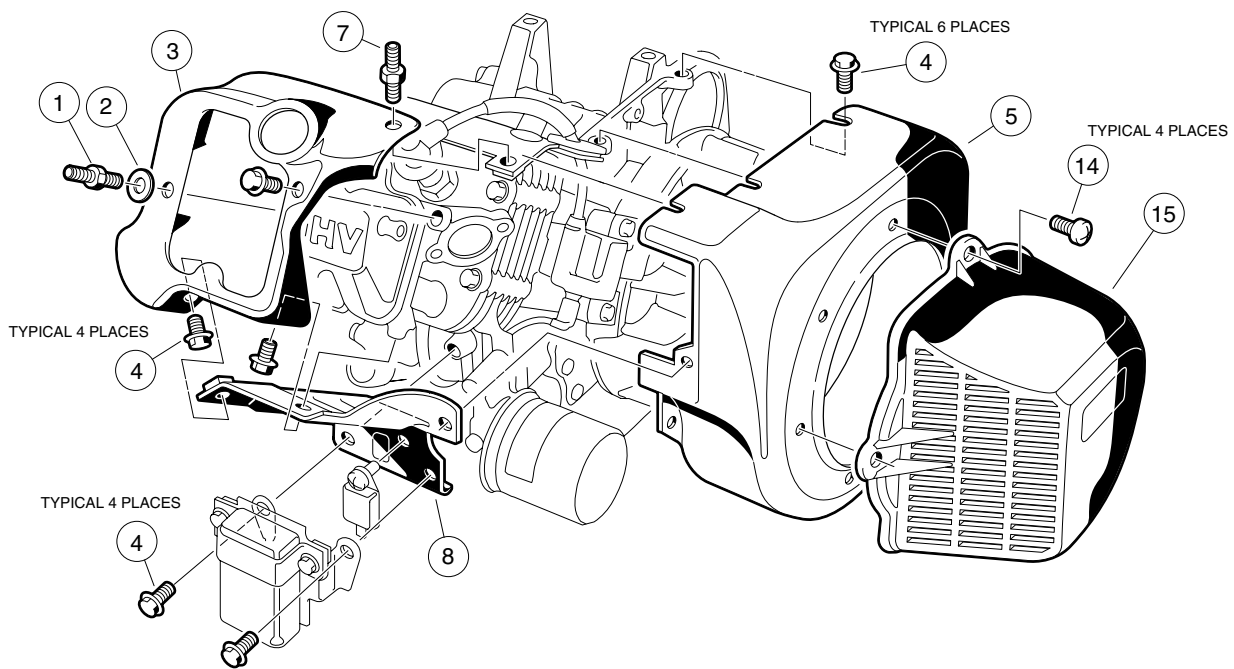


# ***ENGINE***

---

**G**

**6**

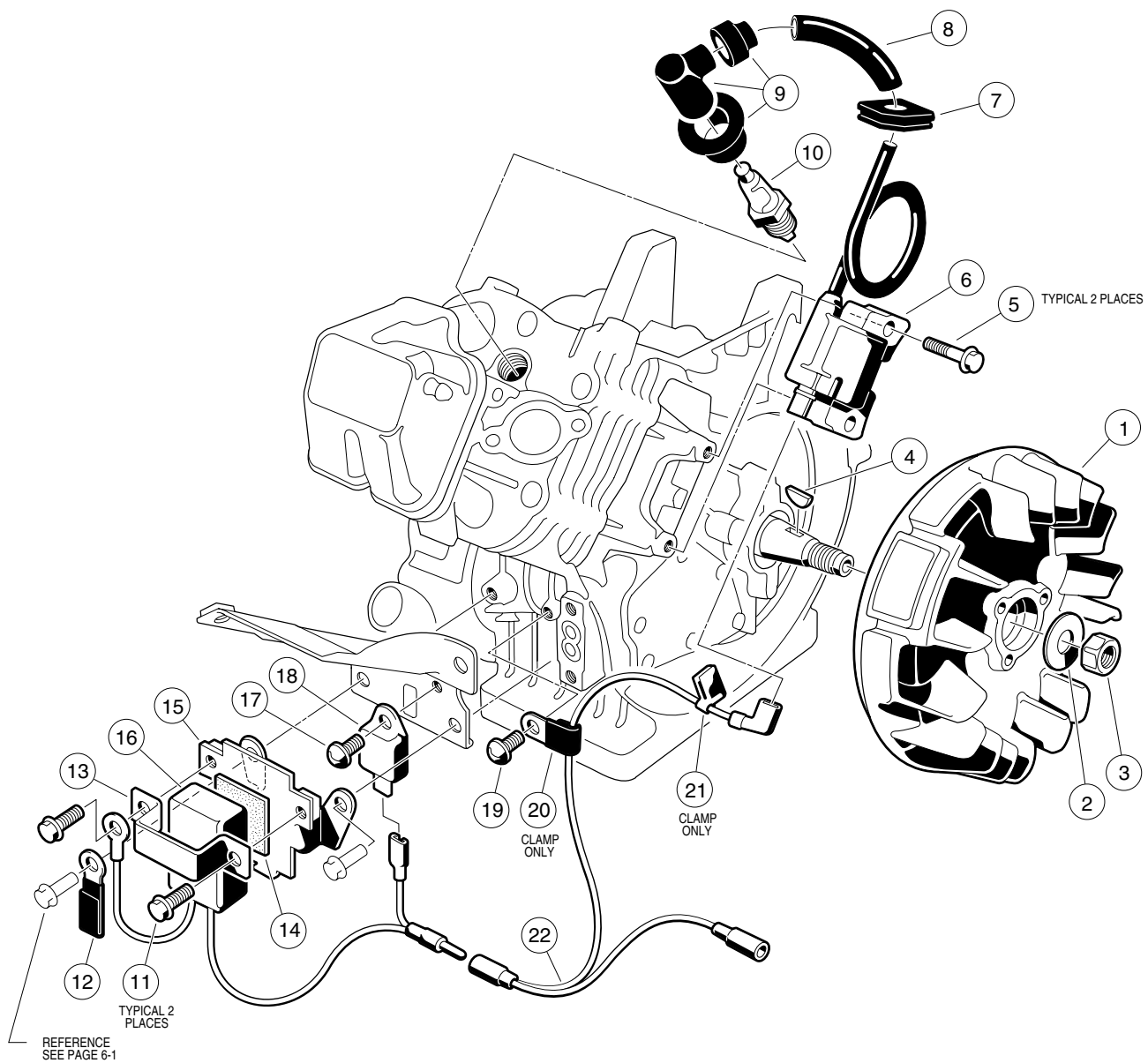


# ENGINE

ITEM	PART NO.	DESCRIPTION	QTY
		1 2 3 4	
	<u>1015731</u>	FE 290 OHV GASOLINE ENGINE - COMPLETE .....	1
1	<u>1016507</u>	BOLT, 2-ENDED, M6 x 1 x 29MM .....	1
2	<u>1016512</u>	WASHER, FLAT, 6MM.....	1
3	<u>1016524</u>	SHROUD, ENGINE FE 290.....	1
4	<u>1016456</u>	BOLT, FLANGED, M6 x 1 x 12MM .....	17
5	<u>1016534</u>	HOUSING, FAN .....	1
6	<u>1016531</u>	DIPSTICK, FE 290.....	1
7	<u>1017221</u>	SCREW, 2-ENDED, M6 x 1 x 46MM.....	1
8	<u>1016526</u>	SHROUD, ENGINE, FE 290.....	1
9	<u>1016525</u>	SHROUD, ENGINE, FE 290.....	1
10	<u>1016443</u>	BRACKET .....	1
11	<u>1016547</u>	NUT, M6 x 1.....	1
12	<u>1016539</u>	O-RING .....	1
13	<u>1016536</u>	TUBE, OIL FILLER, FE 290.....	1
14	<u>1015969</u>	SCREW, PAN HEAD, M6 x 1 x 14MM .....	4
15	<u>1015649</u>	SHROUD, FAN.....	1
16	<u>1015332</u>	WIRE ASSEMBLY, GROUND .....	1

**G**

**6**



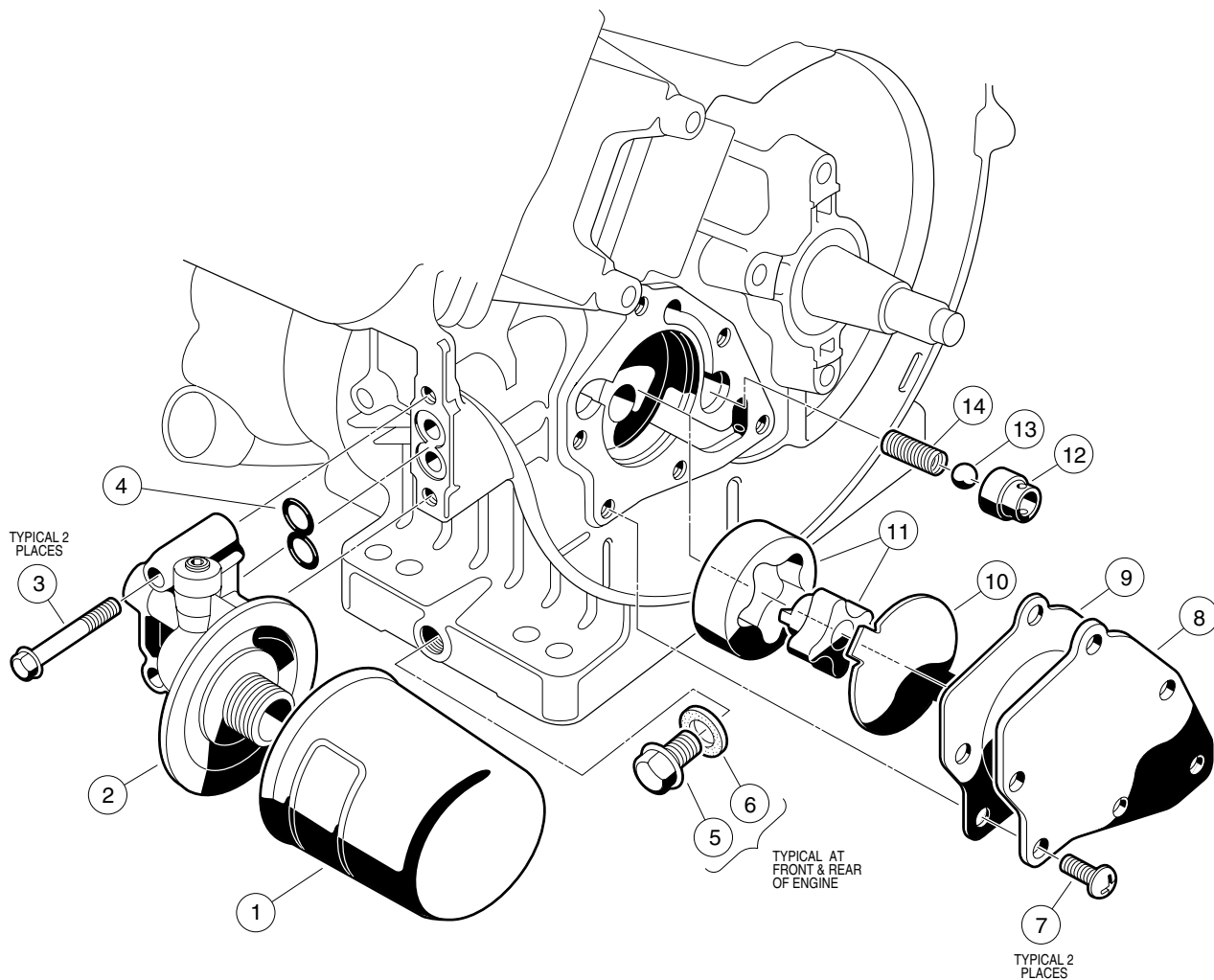


# ENGINE

ITEM	PART NO.	DESCRIPTION	QTY
		1 2 3 4	
1	<u>1016495</u>	FLYWHEEL, COMPLETE .....	1
2	<u>1016548</u>	WASHER, FLAT, 16MM .....	1
3	<u>1016505</u>	NUT, HEX M16 x 2.....	1
4	<u>1016562</u>	KEY.....	1
5	<u>1016455</u>	BOLT, FLANGED, M5 x .8 x 25MM .....	2
6	<u>1016492</u>	COIL, IGNITION .....	1
7	<u>1016578</u>	GROMMET.....	1
8	<u>1016588</u>	TUBE, 7MM x 70MM .....	1
9	<u>1016493</u>	ASSEMBLY, PLUG CAP .....	1
10	1016111	SPARK PLUG - OHV .....	1
11	1016456	BOLT, FLANGED, M6 x 1 x 12MM .....	2
12	<u>1012981</u>	CLAMP.....	1
13	<u>1016579</u>	MOUNT, RPM LIMITER .....	1
14	1016586	DAMPER, RPM LIMITER .....	1
15	1016445	BRACKET, RPM LIMITER .....	1
16	<u>1016511</u>	LIMITER, RPM - OHV .....	1
17	<u>1016497</u>	SCREW, CROSS PAN HEAD, M5 x .8 x 8MM .....	1
18	<u>1016491</u>	IGNITER - OHV .....	1
19	<u>1016544</u>	SCREW, CROSS PAN HEAD SELF TAP, M5 x .8 x 12MM.....	1
20	<u>1016561</u>	CLAMP.....	1
21	<u>1016587</u>	CLAMP.....	1
22	<u>1016503</u>	WIRE, LEAD .....	1

G

6

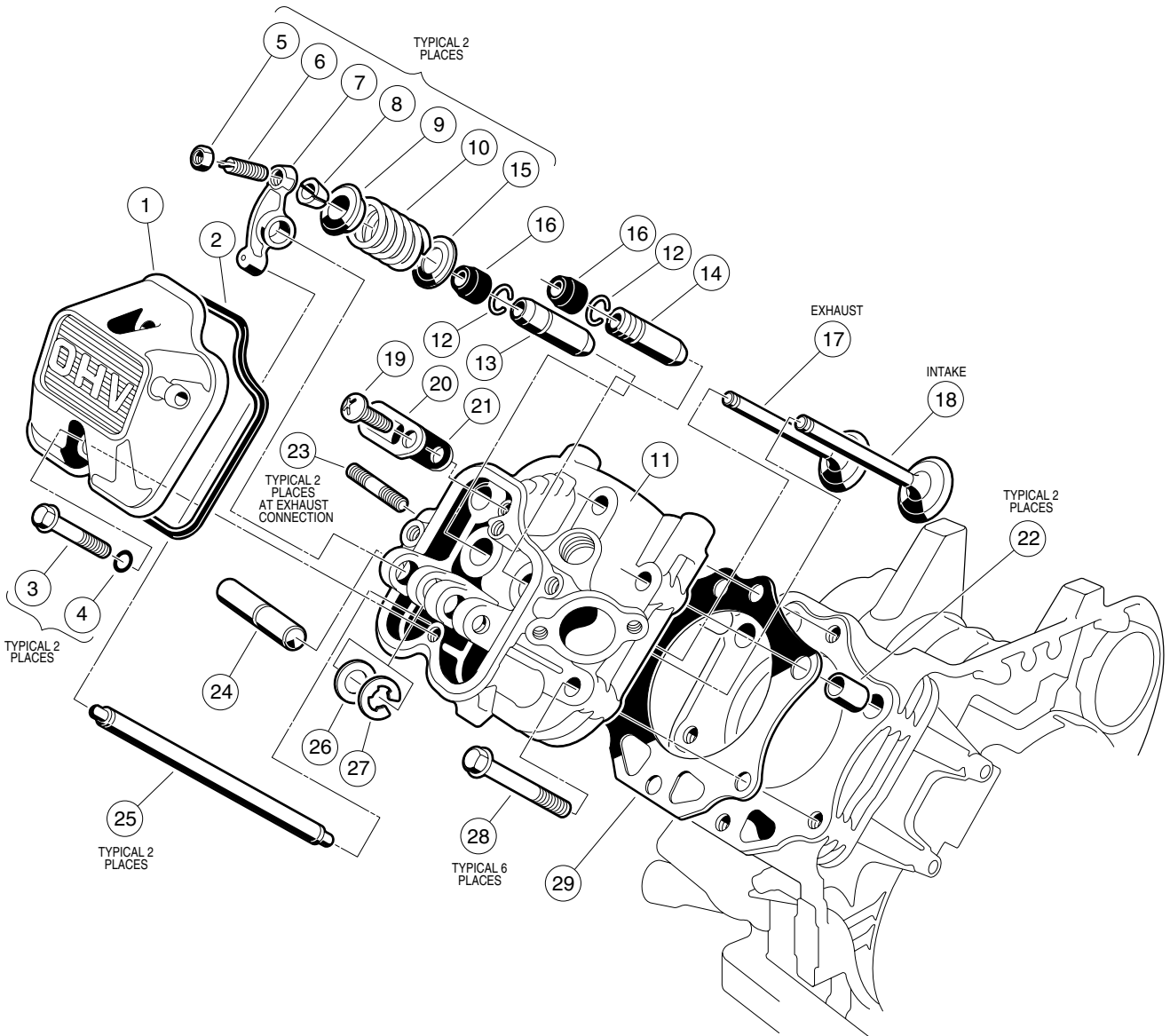


# ENGINE

ITEM	PART NO.	DESCRIPTION	QTY
		1 2 3 4	
1	<u>1016467</u>	ASSEMBLY, OIL FILTER, OHV.....	1
2	<u>1016502</u>	BRACKET, OIL FILTER .....	1
3	<u>1016457</u>	BOLT, FLANGED HEX HEAD, M6 x 1 x 40MM .....	2
4	<u>1016570</u>	O-RING, OIL FILTER MOUNT.....	1
5	<u>1016576</u>	PLUG, DRAIN, FE 290.....	2
6	<u>1016432</u>	GASKET, DRAIN PLUG.....	2
7	<u>1016498</u>	SCREW, CROSS PAN HEAD, M6 x 1 x 12MM .....	6
8	<u>1016484</u>	COVER, PUMP .....	1
9	<u>1016435</u>	GASKET, OIL PUMP .....	1
10	<u>1016473</u>	PLATE, OIL PUMP .....	1
11	<u>1016482-03</u>	PUMP, OIL, AND ROTOR .....	1
12	<u>1016429</u>	SEAT, VALVE .....	1
13	<u>1016537</u>	BALL, STEEL, PRESS RELIEF .....	1
14	<u>1016581</u>	SPRING .....	1

**G**

**6**

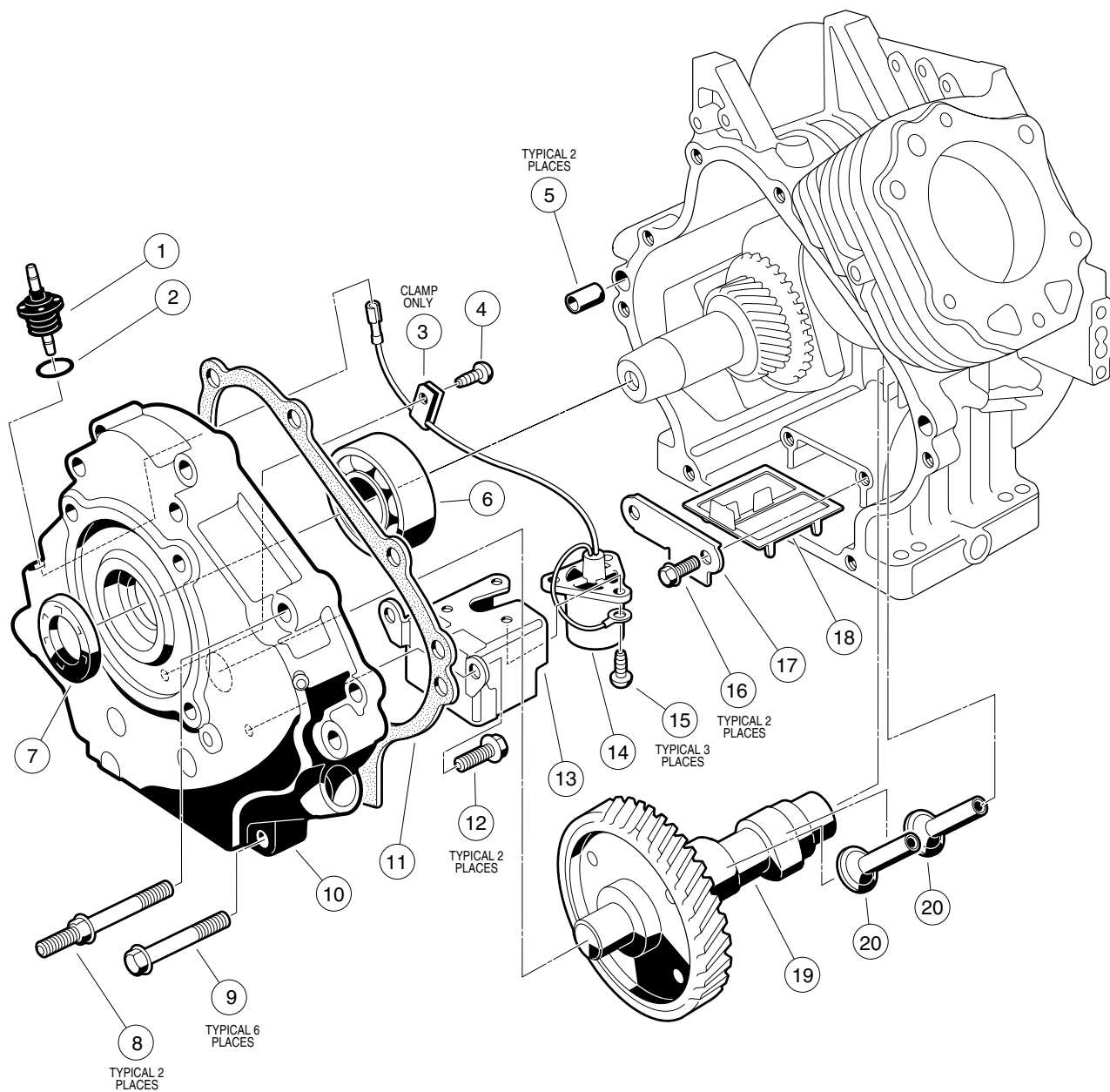


# ENGINE

ITEM	PART NO.	DESCRIPTION	QTY
		1 2 3 4	
1	<u>1016442</u>	CASE, ROCKER .....	1
2	<u>1016436</u>	GASKET, ROCKER CASE .....	1
3	<u>1016583</u>	BOLT, FLANGED, M6 x 1 x 35MM .....	2
4	<u>1016569</u>	O-RING .....	2
5	<u>1016545</u>	NUT, HEX, M5 x .8 .....	2
6	<u>1016542</u>	SCREW, STUD, M5 x .8.....	2
7	<u>1016451</u>	ARM , ROCKER .....	2
8	<u>1016450</u>	COLLET .....	2
9	<u>1016449</u>	RETAINER, VALVE SPRING .....	2
10	<u>1016523</u>	SPRING, ENGINE VALVE .....	2
11	<u>1016431</u>	ASSEMBLY, CYLINDER HEAD, OHV (INCLUDES ITEMS 12, 13 AND 14) .....	1
12	<u>1016560</u>	RING, SNAP .....	2
13	<u>1016518</u>	GUIDE, VALVE (EXHAUST).....	1
14	<u>1016519</u>	GUIDE, VALVE (INTAKE) .....	1
15	<u>1016479</u>	SEAT, SPRING .....	2
16	<u>1016566</u>	SEAL, VALVE .....	2
17	<u>1016448</u>	VALVE, EXHAUST .....	1
18	<u>1016447</u>	VALVE, INTAKE .....	1
19	<u>1016544</u>	SCREW, CROSS PAN HEAD SELF TAPPING, M5 x .8 x 12MM .....	1
20	<u>1016474</u>	PLATE.....	1
21	<u>1016483</u>	VALVE.....	1
22	<u>1016563</u>	PIN.....	2
23	<u>1016489</u>	BOLT, STUD, M8 x 1.25 x 29MM.....	2
24	<u>1016452</u>	SHAFT, ROCKER .....	1
25	<u>1016471</u>	ROD, PUSH .....	2
26	<u>1016549</u>	WASHER, FLAT, M12 .....	1
27	<u>1016517</u>	CIRCLIP, TYPE-E .....	1
28	<u>1016458</u>	BOLT, FLANGED, M8 x 1.25 x 45MM .....	6
29	<u>1016430</u>	GASKET, HEAD .....	1

G

6

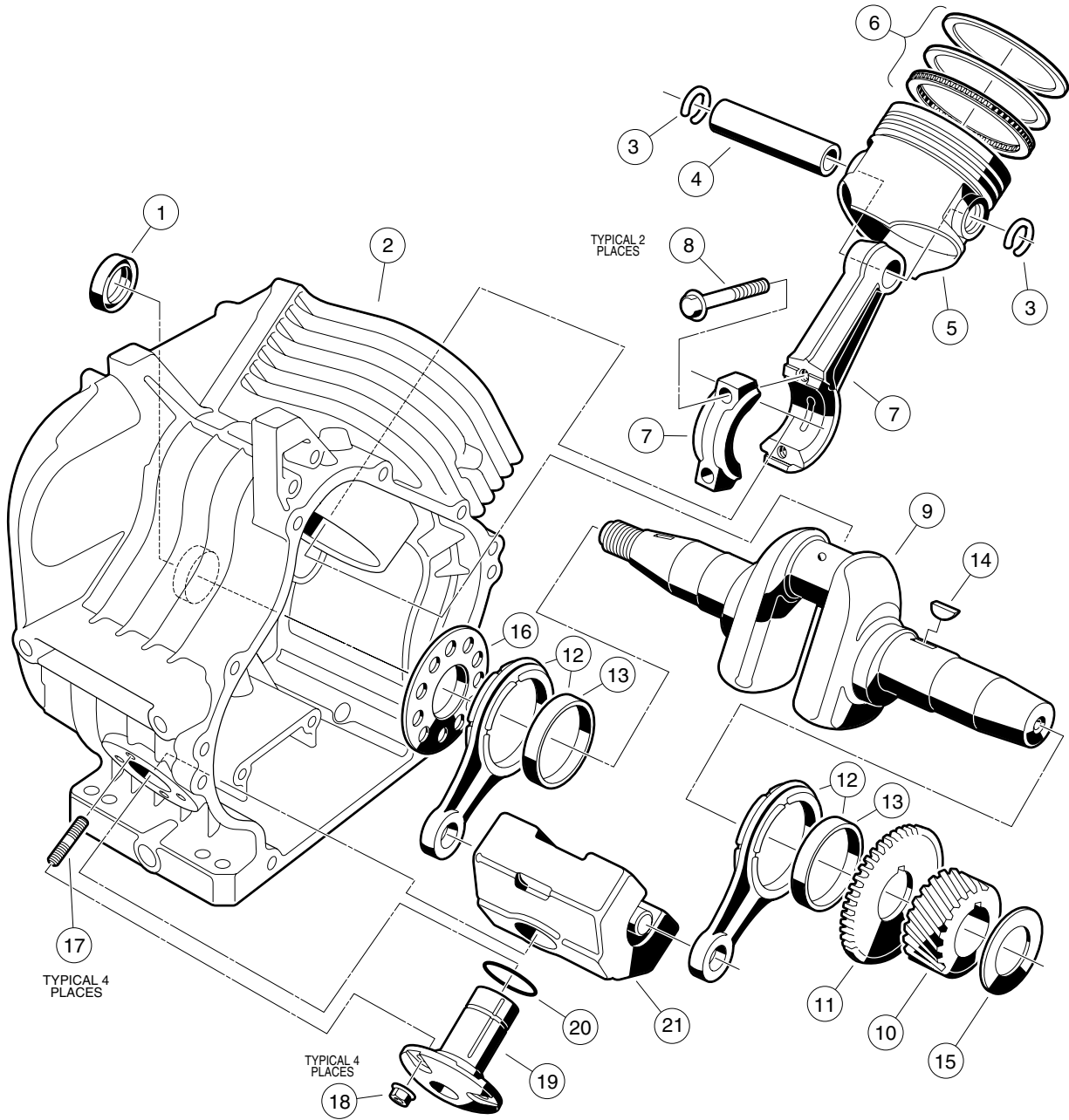


# ENGINE

ITEM	PART NO.	DESCRIPTION	QTY
		1 2 3 4	
1	<u>1016535</u>	CONNECTOR, CORD .....	1
2	<u>1016538</u>	O-RING .....	1
3	<u>1016506</u>	CLAMP .....	1
4	<u>1016544</u>	SCREW, CROSS PAN HEAD SELF TAPPING, M5 x .8 x 12MM .....	1
5	<u>1016564</u>	PIN .....	2
6	1016565	BEARING, BALL .....	1
7	<u>1016567</u>	SEAL, CRANKSHAFT .....	1
8	<u>1016584</u>	BOLT, 2- ENDED, M8 x 1.25 x 69MM .....	2
9	<u>1016458</u>	BOLT, FLANGED, M8 x 1.25 x 45MM .....	6
10	<u>1016520</u>	COVER, CRANKCASE .....	1
11	<u>1016446</u>	GASKET, CRANKCASE COVER .....	1
12	1016456	BOLT, FLANGED, M6 x 1 x 12MM .....	2
13	<u>1016510</u>	BRACKET, OIL LEVEL SWITCH .....	1
14	1016494	SENSOR, OIL LEVEL .....	1
15	<u>1016496</u>	SCREW, CROSS PAN HEAD, M4 x .7 x 8MM .....	3
16	<u>1016454</u>	BOLT, FLANGED, M5 x .8 x 8MM .....	2
17	<u>1016472</u>	PLATE, OIL FILTER SCREEN .....	1
18	<u>1016521</u>	SCREEN, OIL FILTER .....	1
19	1016528	CAMSHAFT, COMPLETE .....	1
20	1016453	TAPPET .....	2

**G**

**6**





# ENGINE

ITEM	PART NO.	DESCRIPTION	QTY
		1 2 3 4	
1	<u>1016568</u>	SEAL, OIL .....	1
2	<u>1016529</u>	CRANKCASE, COMPLETE, OHV.....	1
3	<u>1016558</u>	RING, SNAP .....	2
4	1016460	PIN, PISTON .....	1
5	<u>1016459-01</u>	PISTON, STANDARD .....	1
5	1016459-02	PISTON, .25MM OVERSIZED .....	1
5	<u>1016459-03</u>	PISTON, .50MM OVERSIZED .....	1
6	<u>1016461-01</u>	RING SET, PISTON, STANDARD .....	1
6	1016461-02	RING SET, PISTON, .25MM OVERSIZED .....	1
6	<u>1016461-03</u>	RING SET, PISTON, .50MM OVERSIZED .....	1
7	<u>1016475-01</u>	ASSEMBLY, CONNECTING ROD, STANDARD (INCLUDES 2 EACH OF ITEM 8) .....	1
7	1016475-02	ASSEMBLY, CONNECTING ROD, .50MM UNDERSIZED (INCLUDES 2 EACH OF ITEM 8) .....	1
8	<u>1016509</u>	BOLT, HEX HEAD M7 x 1 x 36MM .....	2
9	1016468	CRANKSHAFT, OHV (INCLUDES ITEMS 10, 11 AND 12) .....	1
10	<u>1016533</u>	GEAR, HELICAL .....	1
11	<u>1016532</u>	GEAR, SPUR.....	1
12	<u>1016516</u>	ASSEMBLY, CONNECTING ROD (INCLUDES ITEM 13).....	2
13	1016580	BEARING, PLAIN.....	2
14	<u>1016562</u>	KEY .....	1
15	<u>1016550-01</u>	SHIM, CRANKSHAFT, 1.13MM THICK.....	1
15	<u>1016550-02</u>	SHIM, CRANKSHAFT, 1.18MM THICK.....	1
15	<u>1016550-03</u>	SHIM, CRANKSHAFT, 1.23MM THICK.....	1
15	<u>1016550-04</u>	SHIM, CRANKSHAFT, 1.28MM THICK.....	1
15	<u>1016550-05</u>	SHIM, CRANKSHAFT, 1.33MM THICK.....	1
15	<u>1016550-06</u>	SHIM, CRANKSHAFT, 1.38MM THICK.....	1
15	<u>1016550-07</u>	SHIM, CRANKSHAFT, 1.43MM THICK.....	1
15	<u>1016550-08</u>	SHIM, CRANKSHAFT, 1.48MM THICK.....	1
15	<u>1016550-09</u>	SHIM, CRANKSHAFT, 1.53MM THICK.....	1
16	1016559	SPACER.....	1
17	<u>1016541</u>	BOLT, STUD, M6 x 1 x 22MM .....	4
18	1016547	NUT, FLANGED, M6 x 1.....	4
19	1016470	SHAFT, GUIDE COUNTER BALANCE .....	1
20	<u>1016571</u>	O-RING .....	1
21	<u>1016469</u>	WEIGHT, COUNTER BALANCE .....	1

G

6

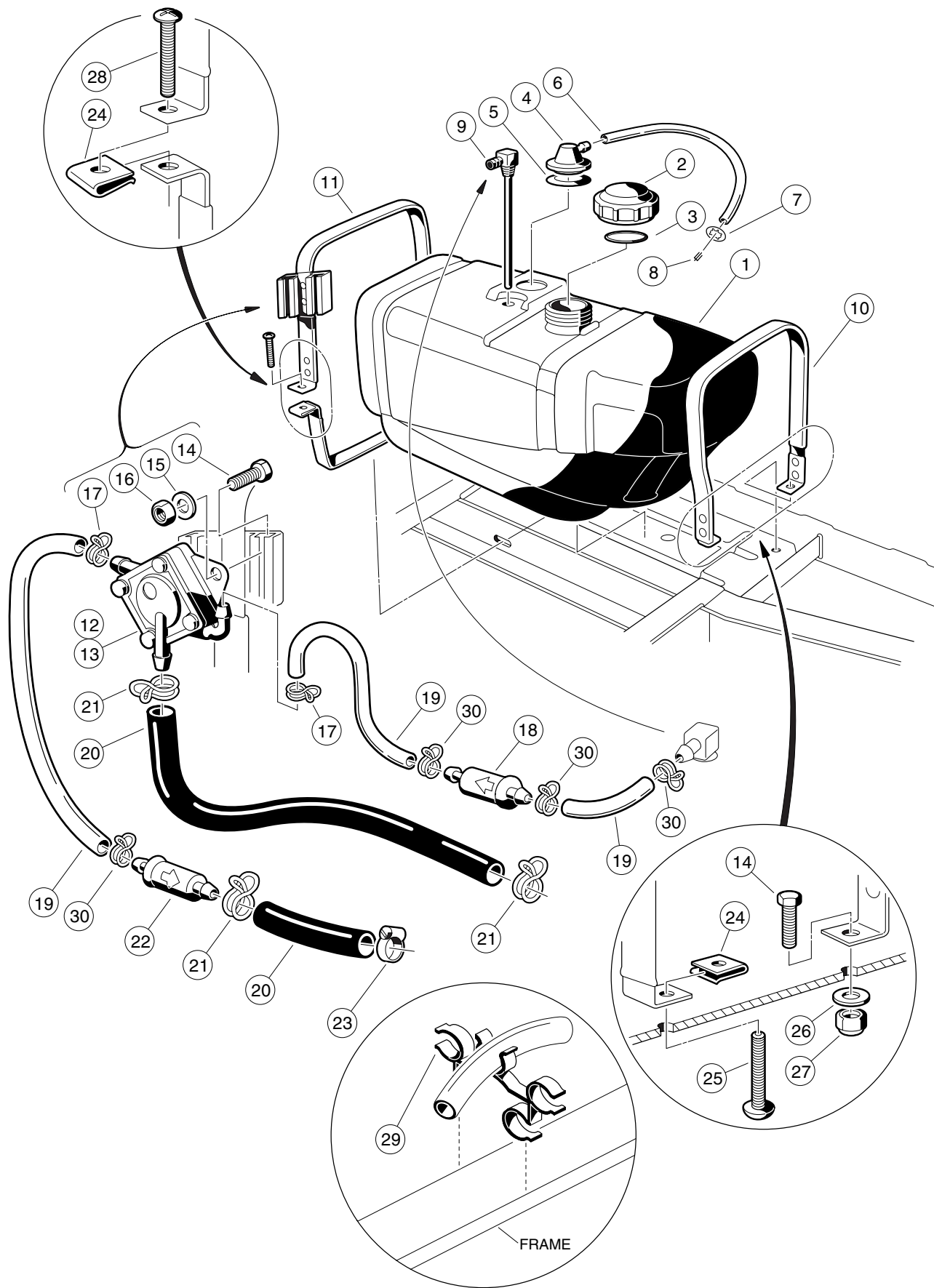


# ***FUEL, INTAKE, AND GOVERNOR SYSTEMS***

---

**G**

**7**

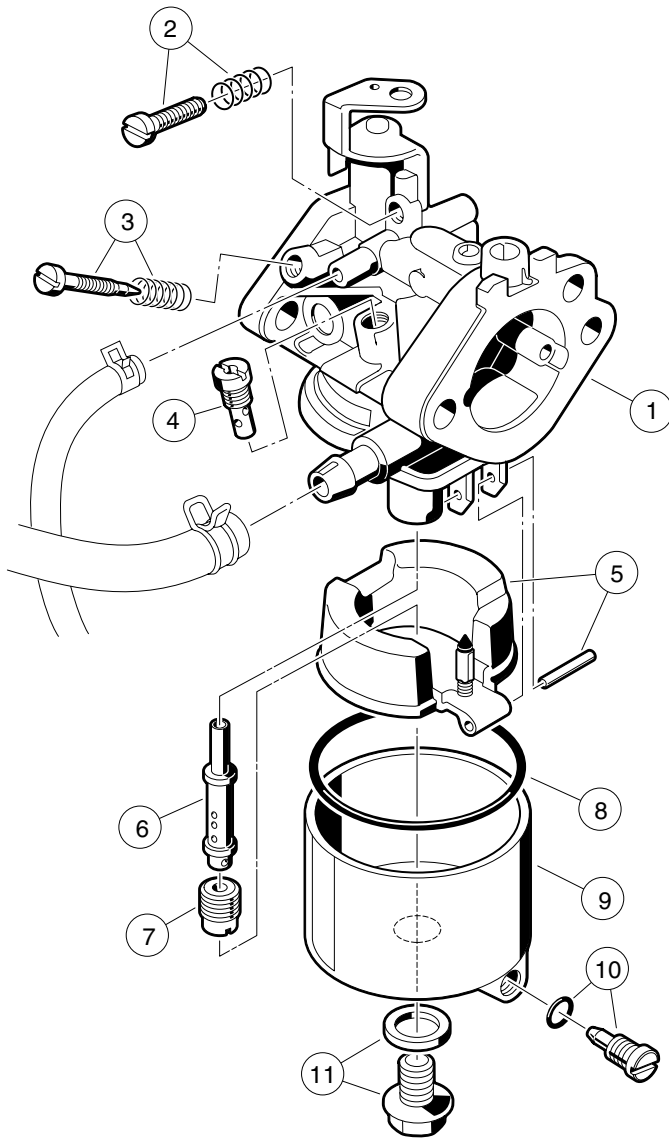


# FUEL SYSTEM

ITEM	PART NO.	DESCRIPTION	QTY
		1 2 3 4	
1	<u>1016003</u>	KIT, FUEL TANK (INCLUDES ITEMS 2 - 8).....	1
2	<u>1015188</u>	CAP, FUEL TANK, NONVENTED (INCLUDES GASKET).....	1
3	<u>1014535</u>	GASKET, FUEL CAP .....	1
4	<u>1015143</u>	ASSEMBLY, FUEL TANK VENT .....	1
5	<u>1015139</u>	GROMMET, INSULATION .....	1
6	<u>1015137</u>	LINE, BULK FUEL (VENT) .....	A/R
7	<u>1016059</u>	CLIP, STUD.....	1
8	<u>1018244-01</u>	BARB, VENT .....	1
9	1012619	ASSEMBLY, FUEL TUBE AND FITTING .....	1
10	<u>1014928</u>	ASSEMBLY, REAR FUEL STRAP .....	1
11	<u>1014927</u>	ASSEMBLY, FRONT FUEL STRAP .....	1
12	<u>1014523</u>	PUMP, FUEL IMPULSE, SQUARE BODY .....	1
13	<u>1014524</u>	PUMP, FUEL IMPULSE, SQUARE BODY REBUILD KIT .....	1
14	0007847	SCREW, HEX HEAD CAP, 1/4 - 20 x 3/4.....	3
15	0000451	WASHER, LOCK, 1/4.....	2
16	0001028	NUT, HEX, 1/4 - 20 .....	2
17	<u>1013134-01</u>	CLAMP, HOSE (RED).....	2
18	1013684	FILTER , PRIMARY FUEL (WHITE) .....	1
19	<u>1012293</u>	LINE, BULK FUEL (#2) .....	A/R
20	<u>1013692</u>	LINE, BULK FUEL (#4) .....	A/R
21	<u>1012649</u>	CLAMP, HOSE .....	3
22	1014522	FILTER, SECONDARY FUEL (BLUE) .....	1
23	<u>1013687</u>	CLAMP, HOSE, 3/8.....	1
24	<u>1014116</u>	NUT, U-TYPE SPEED, 1/4 - 20 .....	2
25	<u>1013176</u>	SCREW, PHILLIP TRUSS HEAD, 1/4 - 20 x 2 1/2.....	1
26	0000332	WASHER, FLAT, 1/4.....	1
27	0008233	NUT, NYLON INSERT LOCK, 1/4 - 20.....	1
28	<u>1011988</u>	SCREW, PHILLIP TRUSS HEAD, 1/4 - 20 x 2 .....	1
29	1016666	CLIP, BLACK FUEL .....	2
30	<u>1013134-02</u>	CLAMP, HOSE (GOLD) .....	4
	<u>1015014</u>	KIT, FUEL TANK SERVICE (INCLUDES ITEMS 10, 11, 14, 15, 16, 19, 20, 24, 26, 27 & 28) .....	1

G

7

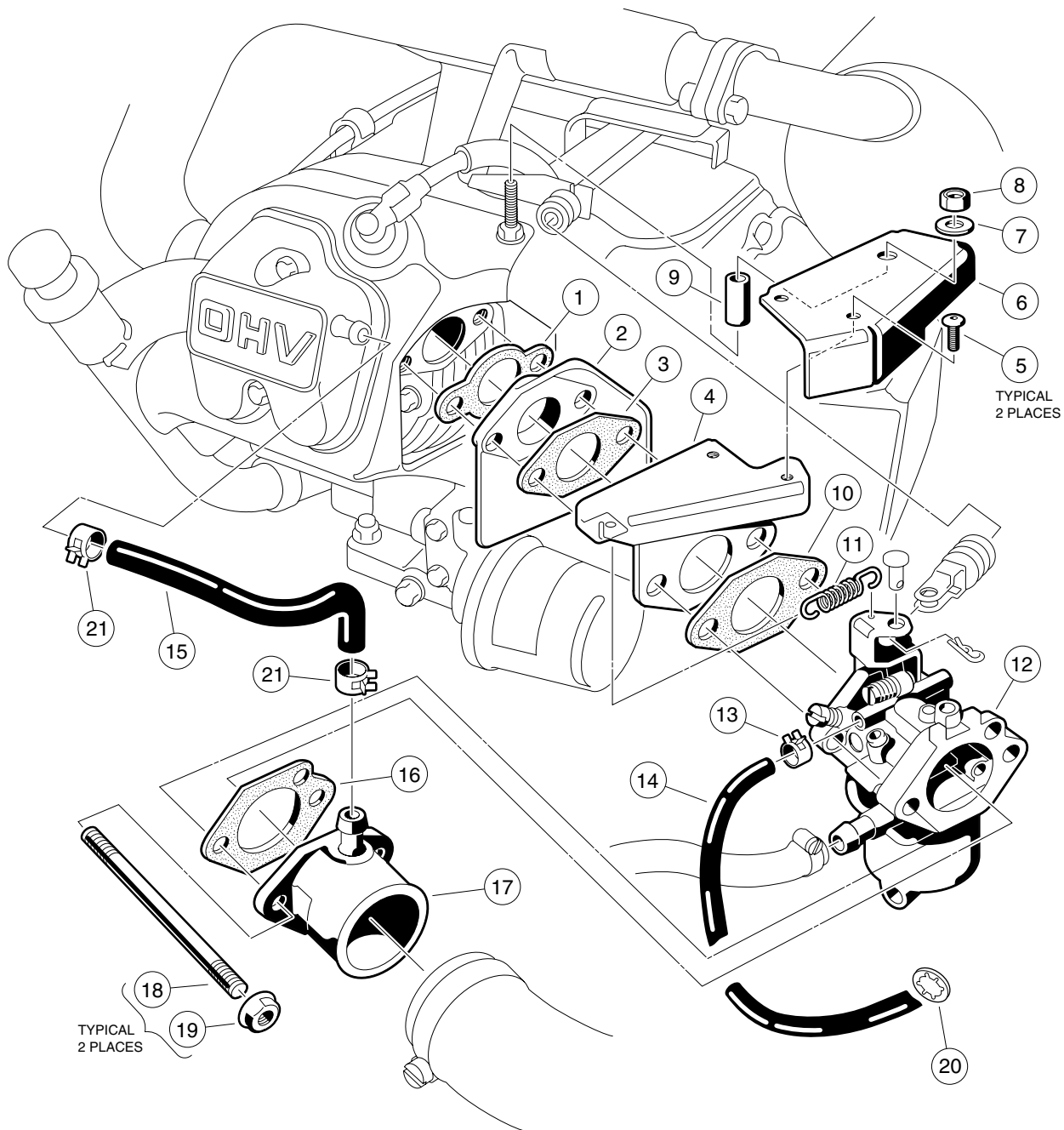


# CARBURETOR ASSEMBLY

ITEM	PART NO.	DESCRIPTION	QTY
		1 2 3 4	
1	<u>1016478</u>	ASSEMBLY, CARBURETOR (INCLUDES ITEMS 2 - 11) .....	1
2	<u>1016501</u>	ASSEMBLY, IDLE SCREW .....	1
3	<u>1016500</u>	ASSEMBLY, PILOT AIR SCREW .....	1
4	<u>1016574</u>	JET, PILOT, #45 .....	1
5	<u>1016486</u>	ASSEMBLY, FLOAT .....	1
6	<u>1016530</u>	NOZZLE, MAIN .....	1
7	<u>1016425-80</u>	JET, MAIN .....	1
8	<u>1016437</u>	GASKET, CARBURETOR BOWL .....	1
9	<u>1016487</u>	ASSEMBLY, FLOAT CHAMBER (INCLUDES ITEM 10) .....	1
10	<u>1016499</u>	ASSEMBLY, SCREW .....	1
11	<u>1016585</u>	ASSEMBLY, BOLT .....	1

G

7



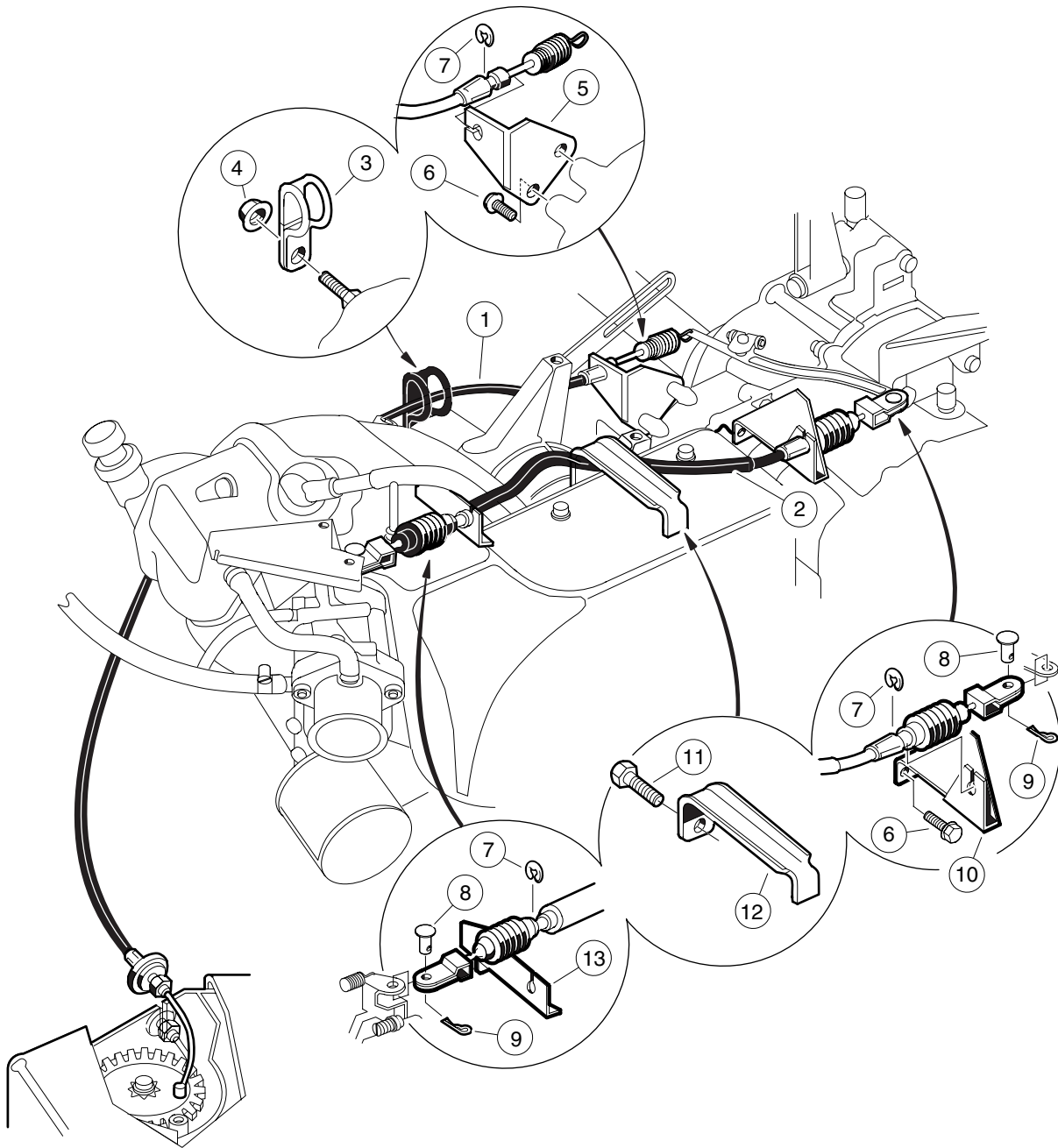


# GOVERNOR GUARD AND INTAKE HOSE

ITEM	PART NO.	DESCRIPTION	QTY
		1 2 3 4	
1	<u>1016440</u>	GASKET, INSULATOR .....	1
2	<u>1016481</u>	INSULATOR, CARBURETOR .....	1
3	<u>1016439</u>	GASKET, CARBURETOR INSULATOR TO THROTTLE BRACKET .....	1
4	<u>1016444</u>	BRACKET, THROTTLE .....	1
5	<u>1016103</u>	SCREW, PAN / TORX HEAD SELF-TAPPING, #6 - 32 x 1/4 .....	2
6	1016102	GUARD, GOVERNOR .....	1
7	0000451	WASHER, LOCK, 1/4 .....	1
8	<u>1011114</u>	NUT, HEX, M6 x 1.....	1
9	<u>1016848</u>	SPACER, GOVERNOR GUARD .....	1
10	<u>1016441</u>	GASKET, THROTTLE BRACKET TO CARBURETOR .....	1
11	<u>1016582</u>	SPRING, THROTTLE RETURN .....	1
12	<u>1016478</u>	ASSEMBLY, CARBURETOR .....	1
13	<u>1013746</u>	CLAMP, HOSE .....	1
14	1015877-01	TUBE, AIR VENT .....	1
15	<u>1016572</u>	TUBE, CRANKCASE VENT .....	1
16	<u>1016438</u>	GASKET, CARBURETOR TO INTAKE MANIFOLD .....	1
17	1016480	PIPE, INTAKE .....	1
18	<u>1016490</u>	BOLT, 2-ENDED STUD, M6 x 1 x 92MM .....	2
19	1016547	NUT, FLANGED, M6 x 1 .....	2
20	<u>1016059</u>	CLIP, STUD .....	1
21	<u>1012849</u>	CLIP, HOSE .....	2

G

7

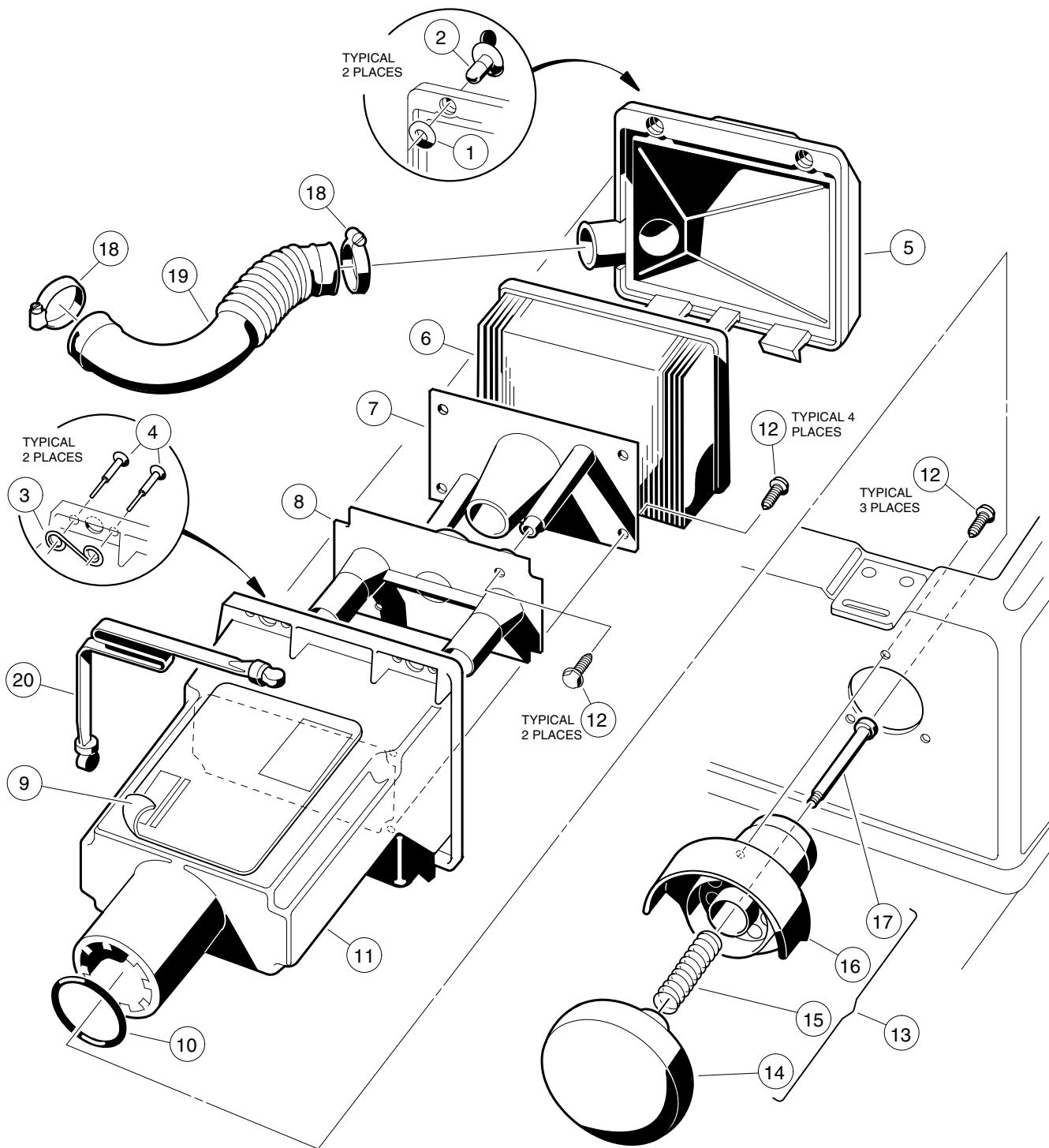


# GOVERNOR AND ACCELERATOR CABLES

ITEM	PART NO.	DESCRIPTION	QTY
		1 2 3 4	
1	<u>1015225</u>	CABLE, ACCELERATOR .....	1
2	<u>1015226-01</u>	CABLE, GOVERNOR .....	1
3	<u>1013700</u>	CLAMP, HOSE RETAINING .....	1
4	<u>1016546</u>	NUT, FLANGED HEX, M8 x 1.25.....	1
5	<u>1015410</u>	BRACKET, ACCELERATOR SUPPORT .....	1
6	<u>1012285</u>	SCREW, HEX HEAD MACHINE, 1/4 - 20 x 5/8 .....	4
7	<u>1016202</u>	"E" RING .....	3
8	<u>1015408</u>	PIN, GOVERNOR CABLE CLEVIS .....	2
9	<u>1014413</u>	PIN, HAIR SPRING COTTER, 1/8 x 5/8 .....	2
10	<u>1015411</u>	BRACKET, SUPPORT .....	1
11	1016456	BOLT, FLANGED, M6 x 1 x 12MM.....	1
12	<u>1016057</u>	CLAMP, THROTTLE CABLE .....	1
13	<u>1015845</u>	BRACKET, GOVERNOR CABLE ENGINE .....	1

G

7



# EXPANSION CHAMBER, CHOKE, AND FILTER

ITEM	PART NO.	DESCRIPTION	QTY
		1 2 3 4	
	<u>1015431</u>	ASSEMBLY, INTAKE EXPANSION CHAMBER (INCLUDES ITEMS 1-12) .....	1
1	<u>1015291</u>	RETAINER, STUD, #6 .....	2
2	<u>1015290</u>	STUD, WING HEAD, #6 .....	2
3	<u>1015292</u>	SPRING, RECEPTACLE, #6 .....	2
4	<u>1015727</u>	RIVET, POP, 1/8 .....	4
5	<u>1015293</u>	COVER, EXPANSION CHAMBER .....	1
6	<u>1015426</u>	ELEMENT, AIR FILTER .....	1
7	<u>1015542</u>	BAFFLE, SECONDARY AIR BOX .....	1
8	<u>1015541</u>	BAFFLE, PRIMARY AIR BOX .....	1
9	<u>1016062</u>	DECAL, SERVICE .....	1
10	<u>1015425</u>	O-RING .....	1
11	<u>1015540</u>	CHAMBER, EXPANSION .....	1
12	<u>1015289</u>	SCREW, HI-LO HEX, #10 - 16 x 5/8 .....	9
13	<u>1015745</u>	ASSEMBLY, CHOKE (INCLUDES ITEMS 14-17) .....	1
14	<u>1012629</u>	COVER, CHOKE .....	1
15	<u>1012633</u>	SPRING, CHOKE .....	1
16	<u>1015485</u>	BASE, CHOKE .....	1
17	<u>1012634</u>	SCREW, HEX SOCKET HEAD SHOULDER, 1/4 - 20 x 2 .....	1
18	<u>1015430</u>	CLAMP, HOSE (AIR INTAKE) .....	2
19	<u>1016228</u>	HOSE, INTAKE .....	1
20	<u>1015577</u>	STRAP, EXPANSION CHAMBER RETENSION .....	1

G

7

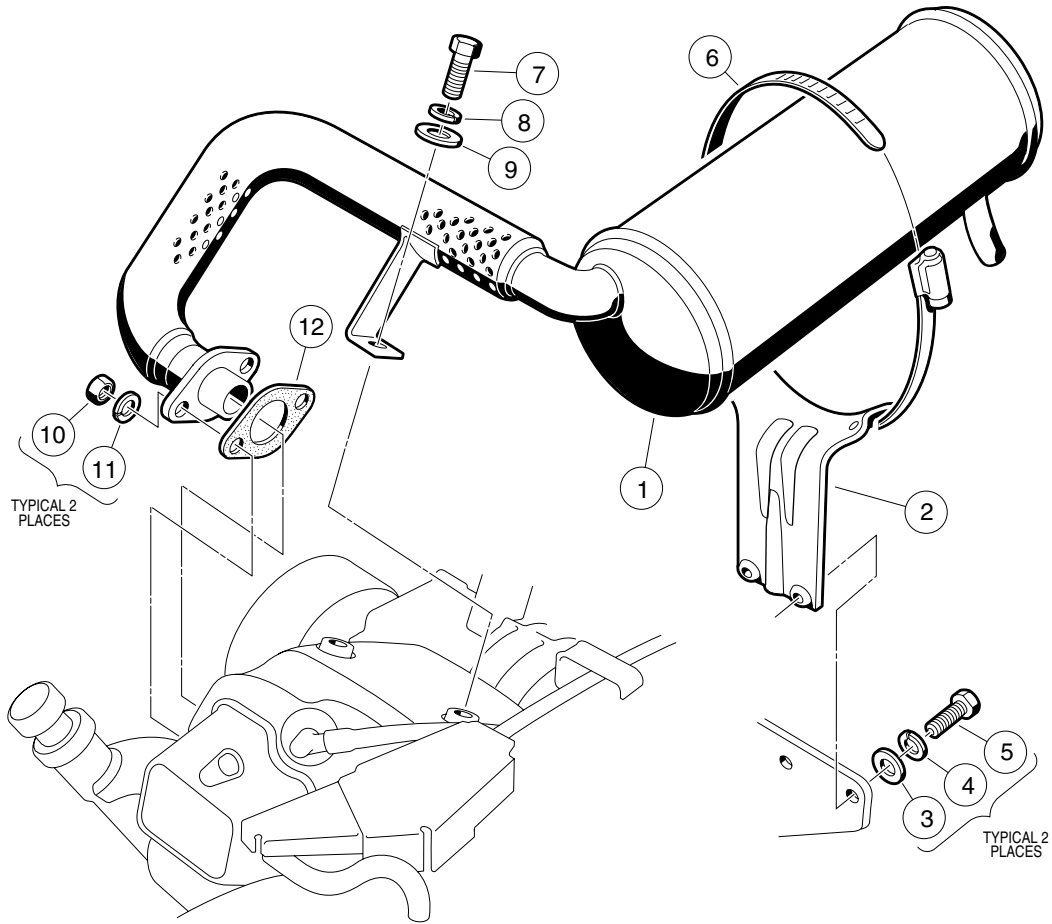


# ***EXHAUST SYSTEM***

---

**G**

**8**





# EXHAUST SYSTEM

ITEM	PART NO.	DESCRIPTION	QTY
		1 2 3 4	
1	<u>1018593-01</u>	MUFFLER .....	1
2	<u>1015814</u>	BRACKET, MUFFLER MOUNTING .....	1
3	0000332	WASHER, FLAT, 1/4 .....	2
4	0000451	WASHER, LOCK, 1/4 .....	2
5	0007847	SCREW, HEX HEAD, 1/4 - 20 x 3/4 .....	2
6	1017689	CLAMP, MUFFLER .....	1
7	<u>1012830</u>	SCREW, HEX HEAD CAP, M8 x 1.25 x 22MM .....	1
8	0007174	WASHER, LOCK, 5/16 .....	1
9	<u>1011697</u>	WASHER, FLAT, 5/16 .....	1
10	<u>1012528</u>	NUT, HEX, M8 x 1.25 .....	2
11	<u>1013734</u>	WASHER, LOCK, 8MM .....	2
12	<u>1015330</u>	GASKET, EXHAUST .....	1

**G**

**8**

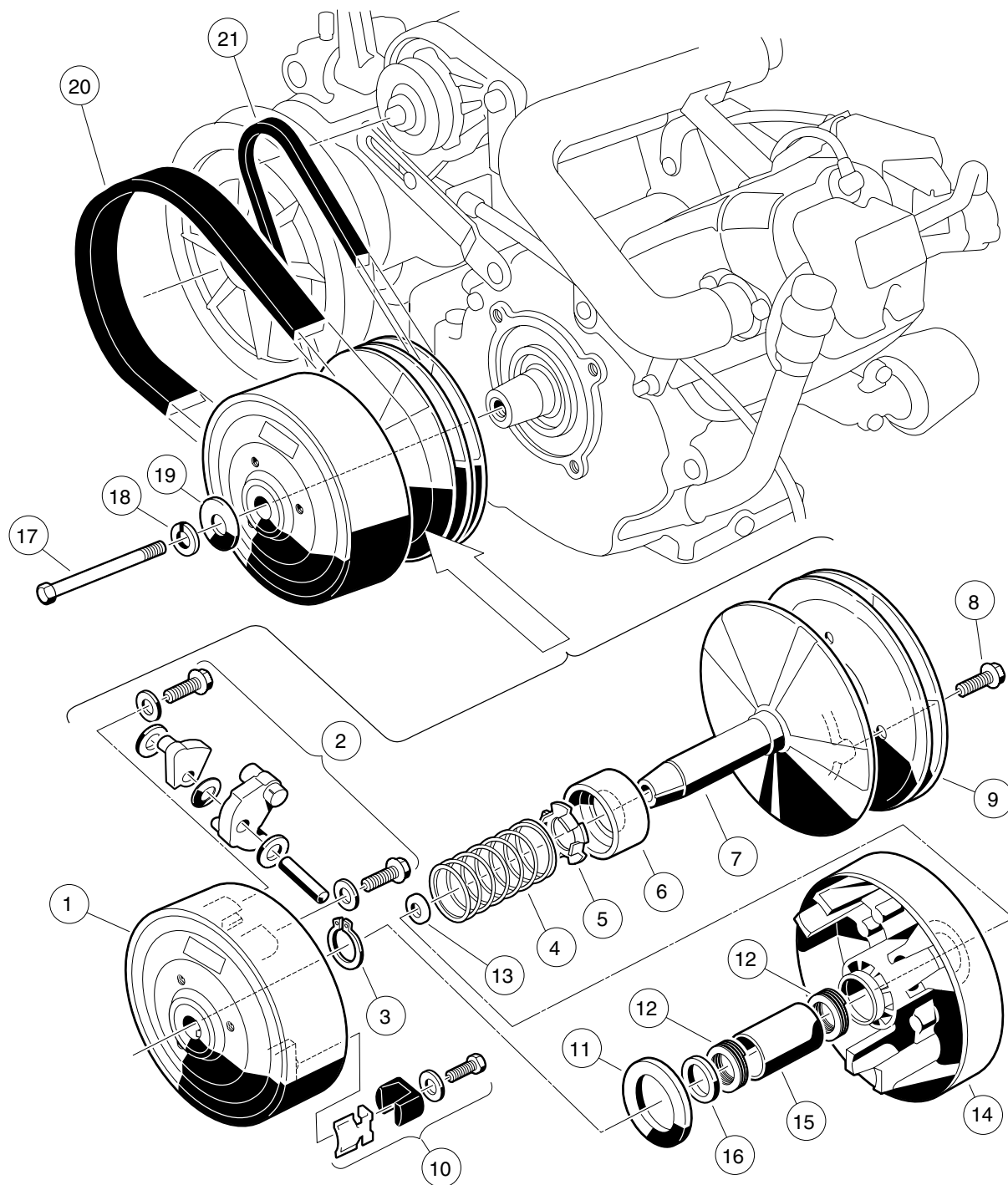


# ***TORQUE CONVERTER***

---

**G**

**9**

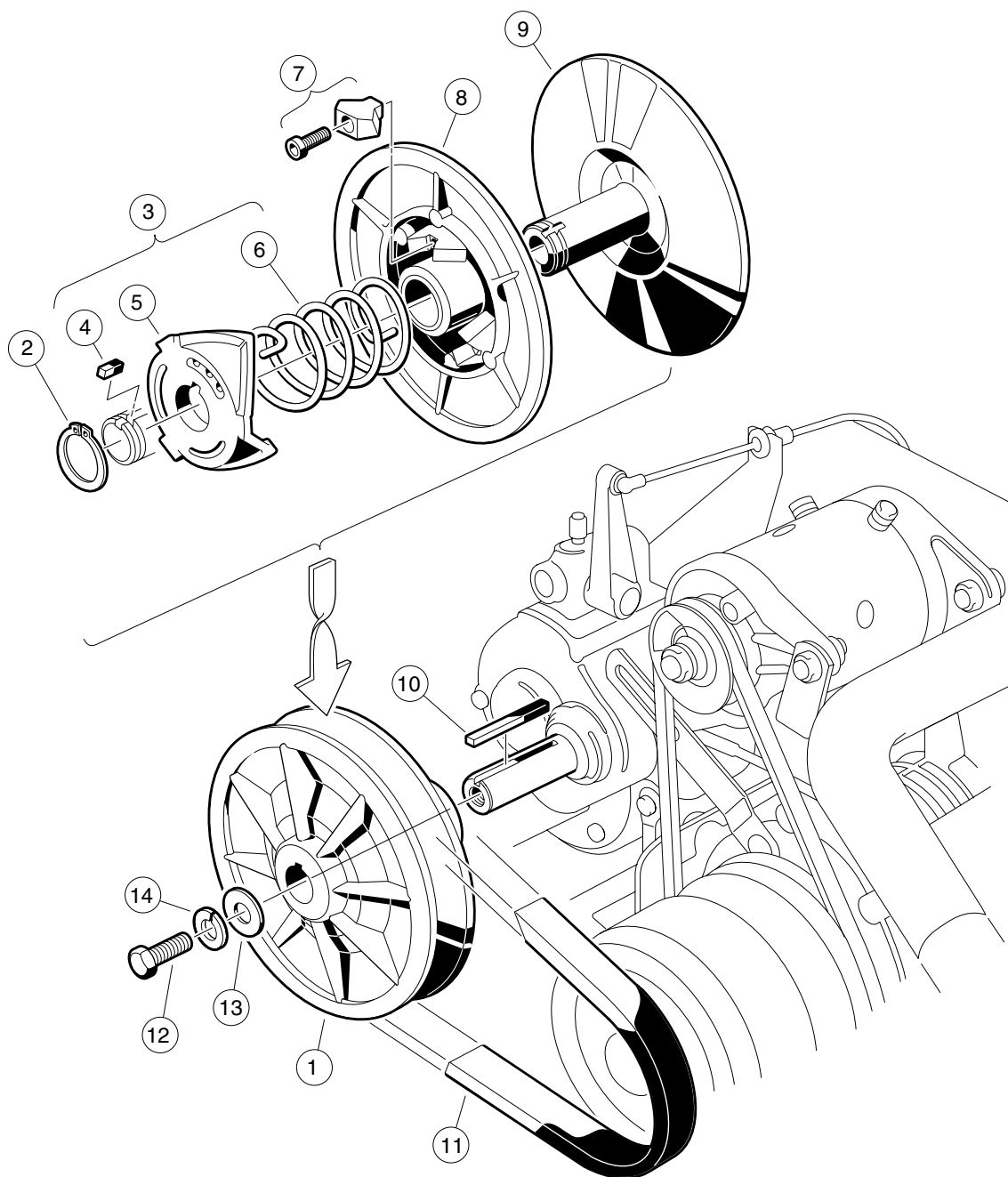


# DRIVE CLUTCH

ITEM	PART NO.	DESCRIPTION	QTY
		1 2 3 4	
	<u>1016378-02</u>	ASSEMBLY, DRIVE CLUTCH (INCLUDES ITEMS 1 - 16) .....	1
1	1014059	ASSEMBLY, DRIVE HUB .....	1
2	<u>1016801</u>	KIT, DRIVE CLUTCH WEIGHT .....	1
3	<u>1014057</u>	RING, RETAINING .....	1
4	<u>1014051</u>	SPRING, DRIVE CLUTCH .....	1
5	<u>1014050</u>	SPRING, RETAINER .....	1
6	1014049	BEARING, IDLER .....	1
7	<u>1017383-01</u>	ASSEMBLY, FIXED FACE (INCLUDES ITEMS 8 AND 9) .....	1
8	N/A	SCREW, WASHER HEAD HEX MACHINE .....	3
9	N/A	PULLEY .....	1
10	<u>1014453</u>	KIT, DRIVE CLUTCH BUTTON .....	1
11	1014058	WASHER, THRUST .....	1
12	<u>1014056</u>	RING, SPIRAL BACK-UP .....	2
13	<u>1016289</u>	SPACER, FIXED FACE SHAFT .....	1
14	1014052	ASSEMBLY, MOVABLE FACE (INCLUDES ITEMS 15 AND 16) .....	1
15	N/A	BUSHING .....	1
16	<u>1014055</u>	RETAINER .....	1
17	1012441	SCREW, HEX HEAD CAP, 3/8 - 24 x 5 1/2 .....	1
18	0000357	WASHER, LOCK, 3/8 .....	1
19	0000808	WASHER, FLAT, 3/8 .....	1
20	<u>1016203</u>	BELT, DRIVE .....	1
21	<u>1015241</u>	BELT, STARTER/GENERATOR .....	1

**G**

**9**



# DRIVEN CLUTCH

ITEM	PART NO.	DESCRIPTION	QTY
		1 2 3 4	
1	<u>1016360-01</u>	ASSEMBLY, DRIVEN CLUTCH (INCLUDES ITEMS 2 - 9).....	1
2	<u>1014080</u>	RING, RETAINING .....	1
3	<u>1017755</u>	KIT , CAM (INCLUDES ITEMS 4 - 6) .....	1
4	<u>1014078</u>	KEY.....	1
5	N/A	CAM .....	1
6	N/A	SPRING .....	1
7	<u>1014454</u>	KIT, BUTTON .....	1
8	<u>1014072</u>	ASSEMBLY, MOVEABLE FACE, WITH BUSHING.....	1
9	1014458	ASSEMBLY, FIXED FACE .....	1
10	1012455	KEY, SQUARE TRANSMISSION.....	1
11	<u>1016203</u>	BELT, DRIVE .....	1
12	0007173	SCREW, HEX HEAD CAP, 5/16 - 18 x 3/4 .....	1
13	<u>1017327</u>	WASHER, MOUNTING .....	1
14	0007174	WASHER, LOCK, 5/16.....	1

**G**

**9**



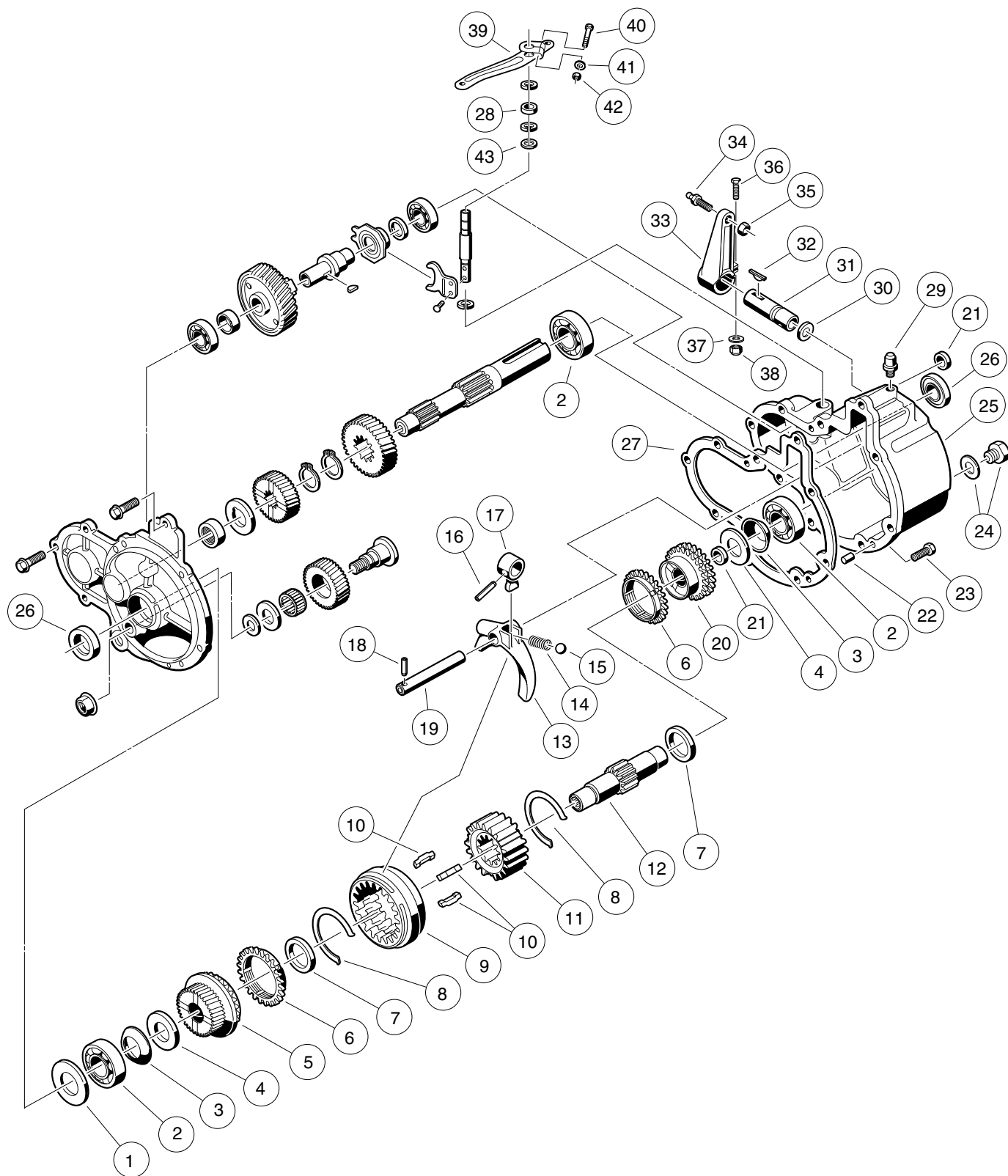


# ***TRANSMISSION***

---

**G**

**10**

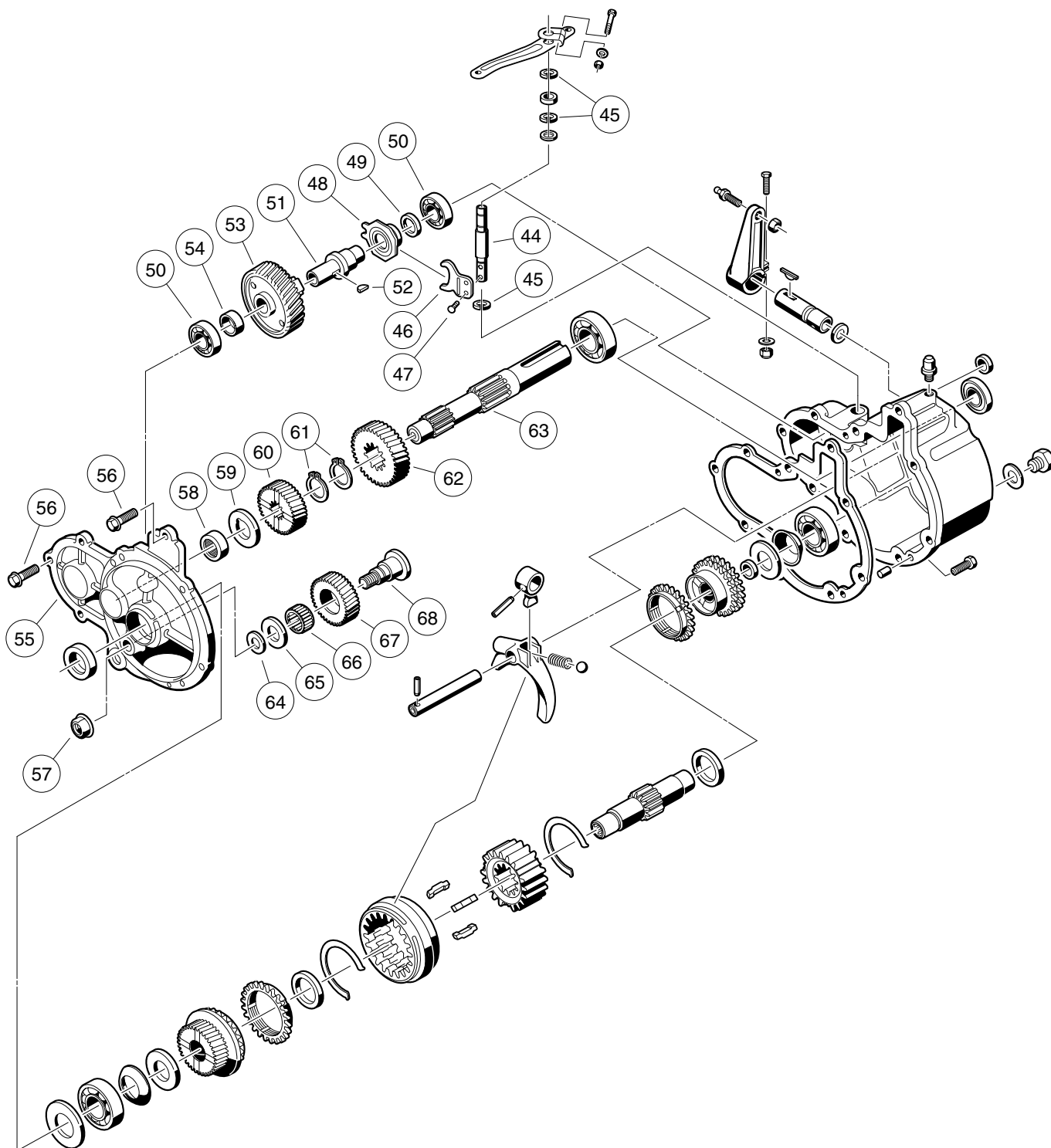


# TRANSMISSION

ITEM	PART NO.	DESCRIPTION	QTY
		1 2 3 4	
	<u>1015747</u>	TRANSMISSION .....	1
1	<u>1012783</u>	SHIM, 0.2MM .....	A/R
1	<u>1012784</u>	SHIM, 0.1MM .....	A/R
2	0007336	BEARING, BALL .....	3
3	<u>1016338</u>	WASHER, SPRING .....	2
4	<u>1016337</u>	WASHER, THRUST .....	2
5	<u>1012737</u>	ASSEMBLY, GEAR, 34 TOOTH .....	1
6	<u>1012742</u>	RING, SYNCHRONIZER .....	2
7	<u>1012743</u>	WASHER, THRUST .....	2
8	<u>1012741</u>	SPRING, SYNCHRONIZER .....	2
9	<u>1012739</u>	SLEEVE, CLUTCH .....	1
10	<u>1012740</u>	INSERT, SYNCHRONIZER .....	3
11	<u>1012738</u>	HUB, CLUTCH .....	1
12	<u>1012734</u>	SHAFT, OUTPUT .....	1
13	<u>1012746</u>	ARM, SLEEVE SHIFT .....	1
14	<u>1012748</u>	SPRING, SHIFTER .....	1
15	<u>1012747</u>	BALL, SHIFTER .....	1
16	<u>1012752</u>	PIN, ROLL .....	1
17	<u>1012750</u>	LEVER, SHIFTER ARM, INSIDE .....	1
18	<u>1012749</u>	PIN, ROLL .....	1
19	<u>1012745</u>	ROD, SHIFT .....	1
20	<u>1016591</u>	ASSEMBLY, GEAR, 28 TOOTH .....	1
21	<u>1012735</u>	PLUG .....	2
22	<u>1012710</u>	PIN, DOWEL .....	2
23	<u>1012719</u>	SCREW, HEX HEAD CAP, M6 x 1 x 14MM .....	1
24	<u>1013759</u>	PLUG, FILL, WITH GASKET .....	1
25	<u>1013960</u>	CASE, GEAR, WITHOUT LOCKOUT OPENING .....	1
26	<u>1012714</u>	SEAL, OIL .....	2
27	1012717	GASKET, CASE .....	1
28	<u>1012767</u>	SEAL, OIL .....	1
29	<u>1012711</u>	BREATHER .....	1
30	<u>1012754</u>	O-RING .....	1
31	<u>1012751</u>	SHAFT, SHIFTER .....	1
32	<u>1017231</u>	KEY, WOODRUFF .....	1
33	<u>1016341</u>	LEVER, TRANSMISSION SHIFTER .....	1
34	<u>1010954</u>	STUD, BALL, 1/4 - 28 x 9/16 .....	1
35	0008717	NUT, NYLON LOCK, 1/4 - 28 .....	1
36	<u>1017082</u>	SCREW, HEX WASHER HEAD, #10 - 32 x 3/4 .....	1
37	0000183	WASHER, FLAT, #10 .....	1
38	<u>1013061</u>	NUT, NYLON LOCK, #10 - 32 .....	1
39	<u>1015710</u>	ARM, GOVERNOR LEVER .....	1
40	<u>1016686</u>	BOLT, HEX, M6 x 1 x 28MM .....	1
41	<u>1016513</u>	WASHER, FLAT, M6 .....	1
42	<u>1012919</u>	NUT, M6 x 1 .....	1
43	<u>1012765</u>	WASHER, FLAT, M8 .....	1

G

10



# TRANSMISSION

ITEM	PART NO.	DESCRIPTION	QTY
		1 2 3 4	
44	<u>1012762</u>	SHAFT, GOVERNOR ARM .....	1
45	<u>1012766</u>	RING, SNAP .....	3
46	<u>1012763</u>	ARM, GOVERNOR, INTERNAL .....	1
47	<u>1012764</u>	SCREW, M4 x .7 x 6MM .....	2
48	<u>1012757</u>	SLEEVE, GOVERNOR .....	1
49	<u>1012758</u>	SPACER, THIN .....	1
50	<u>1012761</u>	BEARING, BALL .....	2
51	<u>1016598</u>	SHAFT, GOVERNOR .....	1
52	<u>1012760</u>	KEY, GOVERNOR SHAFT .....	1
53	<u>1012755</u>	GEAR, GOVERNOR, 41 TOOTH .....	1
54	<u>1012759</u>	SPACER, THICK .....	1
55	<u>1016592</u>	COVER .....	1
56	<u>1012718</u>	SCREW, HEX HEAD CAP, M6 x 1 x 20MM .....	4
57	<u>1012733</u>	NUT, FLANGE, M8 x 1.75 .....	1
58	<u>1012716</u>	BEARING, NEEDLE .....	1
59	<u>1012723</u>	WASHER, THRUST, 3.0MM .....	A/R
59	<u>1012724</u>	WASHER, THRUST, 3.3MM (WHITE) .....	A/R
59	<u>1012725</u>	WASHER, THRUST, 3.6MM (YELLOW) .....	A/R
60	<u>1012722</u>	GEAR, 25 TOOTH .....	1
61	<u>1012727</u>	RING, SNAP .....	2
62	<u>1016594</u>	GEAR, 29 TOOTH .....	1
63	<u>1012720</u>	SHAFT, INPUT .....	1
64	<u>1012732</u>	O-RING .....	1
65	<u>1012730</u>	WASHER, THRUST .....	1
66	<u>1012731</u>	BEARING, NEEDLE .....	1
67	<u>1012729</u>	GEAR, REVERSE IDLER .....	1
68	<u>1012728</u>	SHAFT, IDLER .....	1

**G**

**10**

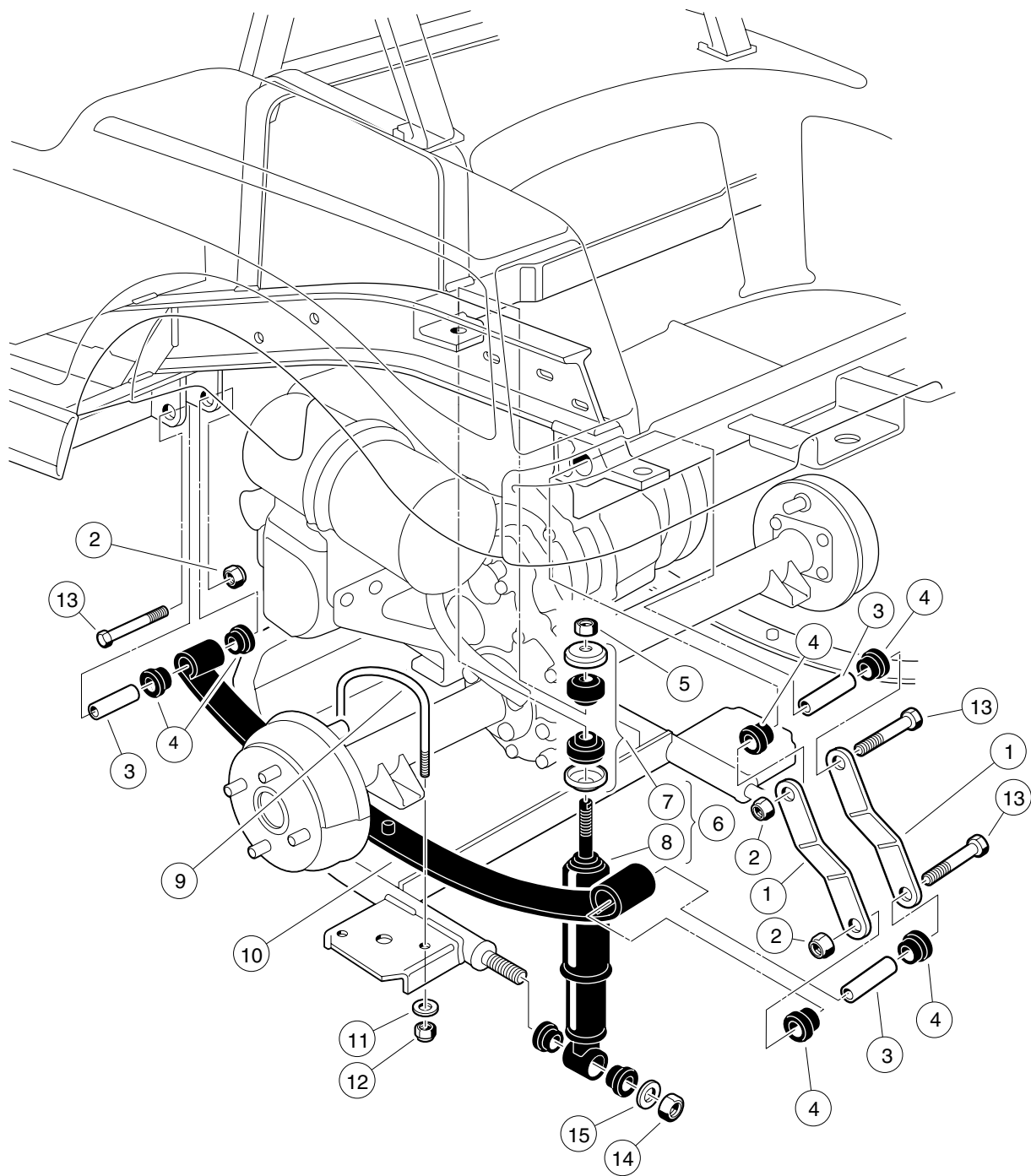


# ***REAR SUSPENSION GASOLINE VEHICLE***

---

**G**

**11**

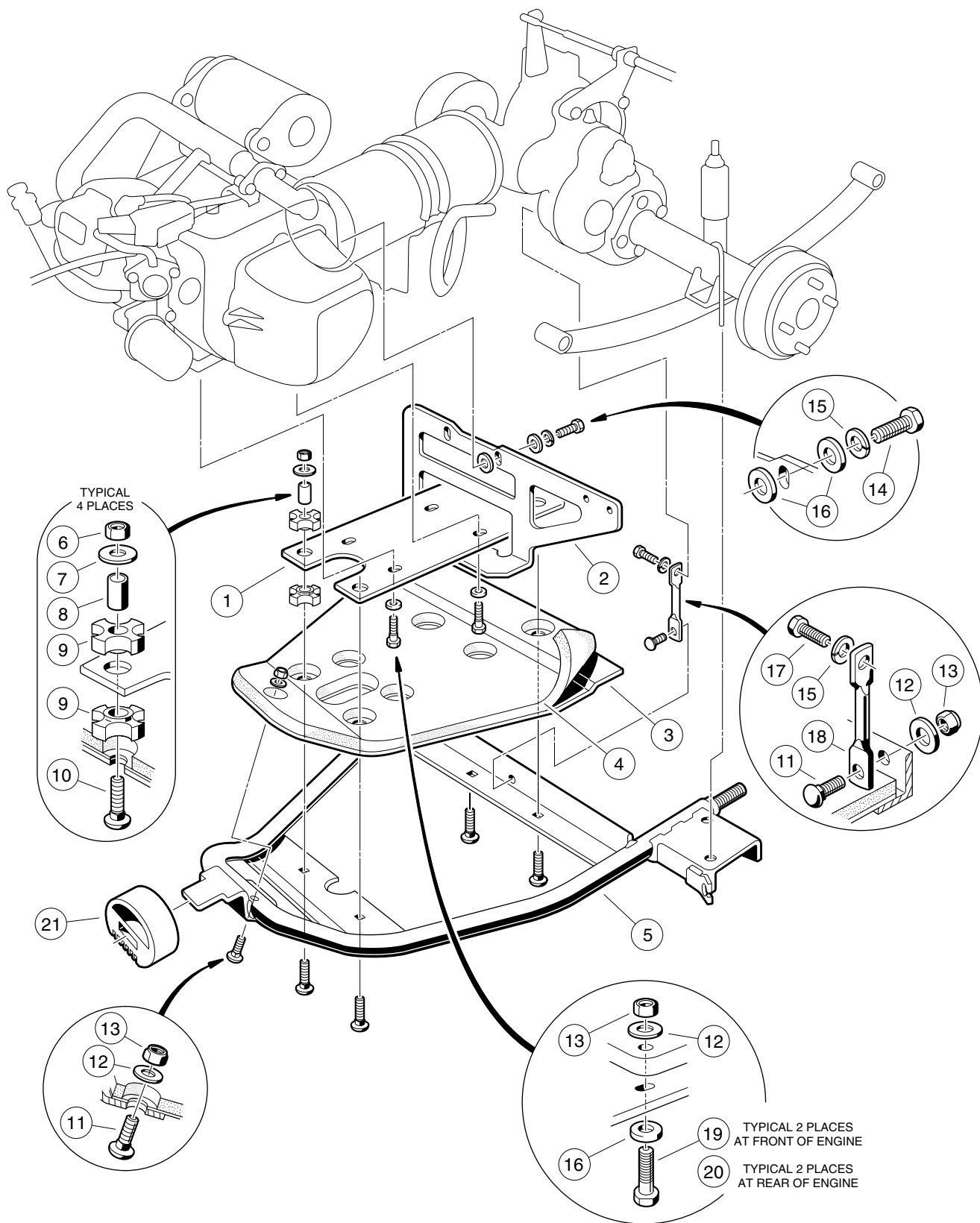




# REAR SUSPENSION

ITEM	PART NO.	DESCRIPTION	QTY
		1 2 3 4	
1	<u>1012304</u>	SHACKLE, REAR SPRING .....	4
2	0008754	NUT, NYLON LOCK, 3/8 - 16 .....	6
3	<u>1012303</u>	BUSHING, STEEL .....	4
4	<u>1015583</u>	BUSHING, URETHANE .....	12
5	<u>1010145</u>	NUT, HEX, 3/8 - 24 .....	2
6	<u>1012781</u>	KIT, SHOCK ABSORBER (INCLUDES ITEMS 7 AND 8).....	2
7	<u>1011415</u>	KIT, SHOCK ABSORBER CUSHION .....	2
8	<u>1014234</u>	SHOCK ABSORBER, REAR .....	2
9	<u>1012180</u>	"U" BOLT .....	2
10	<u>1012324</u>	SPRING, REAR LEAF .....	2
11	<u>1014557</u>	WASHER, FLAT, 7/16.....	4
12	<u>1014555</u>	NUT, NYLON LOCK, 7/16 - 24 .....	4
13	0008755	SCREW, HEX HEAD CAP, 3/8 - 16 x 3 3/8 .....	6
14	1010188	NUT, DIMPLED LOCK, 5/8 - 11.....	2
15	<u>1010193</u>	WASHER, FLAT, 5/8.....	2





# INNER FRAME

ITEM	PART NO.	DESCRIPTION	QTY
		1 2 3 4	
1	<u>1016869</u>	PLATE, INNER FRAME MOUNTING .....	1
2	<u>1016206</u>	PLATE, MUFFLER MOUNTING .....	1
3	1016196	PAN, BELLY .....	1
4	1016197	INSULATION, BELLY PAN SOUND .....	1
5	<u>1016870</u>	ASSEMBLY, INNER FRAME WELD .....	1
6	0008754	NUT, NYLON LOCK, 3/8 - 16 .....	4
7	0000808	WASHER, FLAT, 3/8.....	4
8	<u>1017033</u>	BUSHING, STEEL .....	4
9	1016810	MOUNT, ENGINE .....	8
10	<u>1012428</u>	BOLT, ROUND HEAD SQUARE NECK, 3/8 - 16 x 2 1/4.....	4
11	<u>1015932</u>	BOLT, ROUND HEAD SQUARE NECK, 5/16 - 18 x 1 .....	1
12	0001241	WASHER, FLAT, 5/16.....	5
13	0007473	NUT, NYLON LOCK, 5/16 - 18 .....	5
14	<u>1015709</u>	SCREW, HEX HEAD CAP, M8 x 1.25 x 30MM .....	2
15	0007174	WASHER, LOCK, 5/16.....	3
16	1012571	WASHER, HEAVY FLAT, 5/16 .....	8
17	<u>1010577</u>	SCREW, HEX HEAD CAP, 5/16 - 18 x 1 1/2 .....	1
18	<u>1016200-01</u>	SUPPORT, TRANSMISSION STRAP .....	1
19	0008963	SCREW, HEX HEAD CAP, 5/16 - 18 x 1 3/4 .....	2
20	0008916	SCREW, HEX HEAD CAP, 5/16 - 18 x 2.....	2
21	1012164	SNUBBER, INNER FRAME.....	1



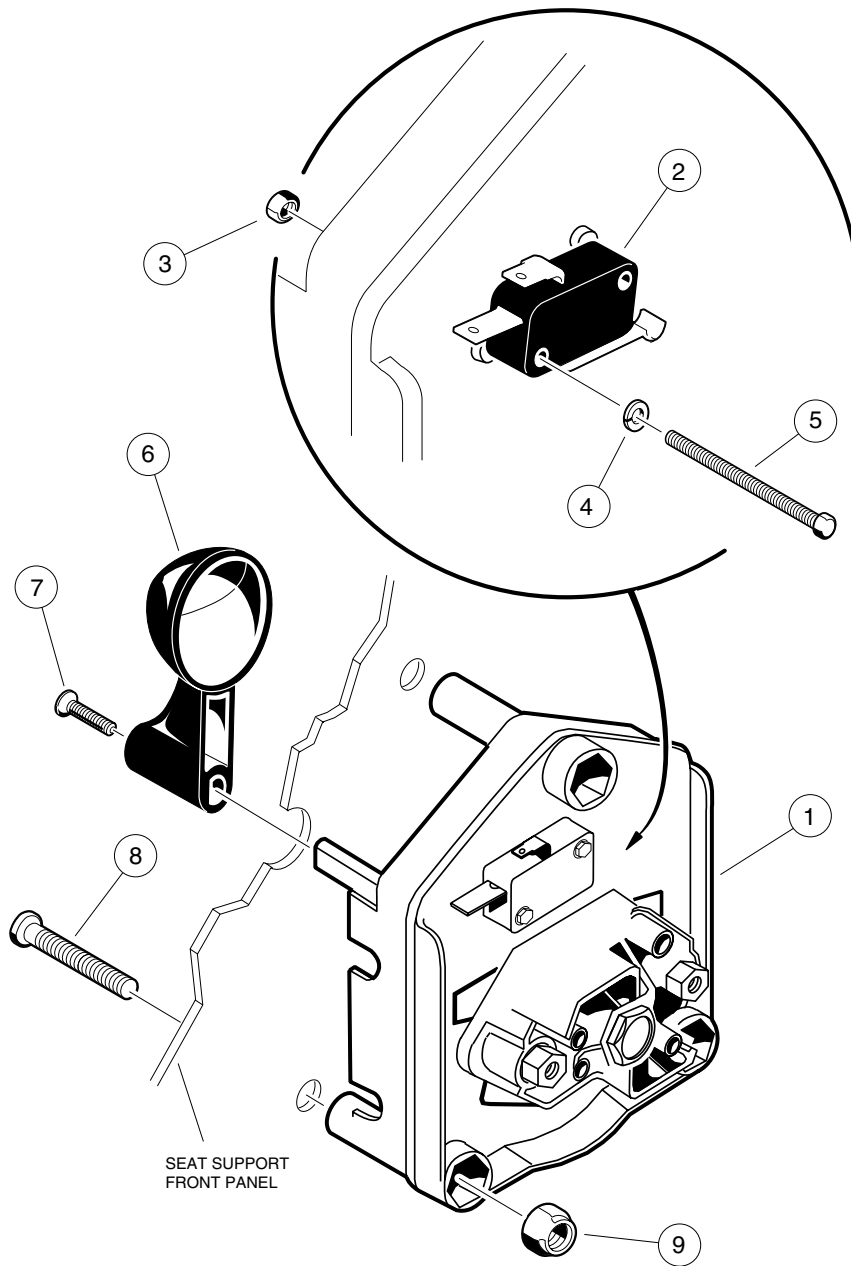


# ***ELECTRICAL SYSTEM ELECTRIC VEHICLE***

---

***F***

***12***

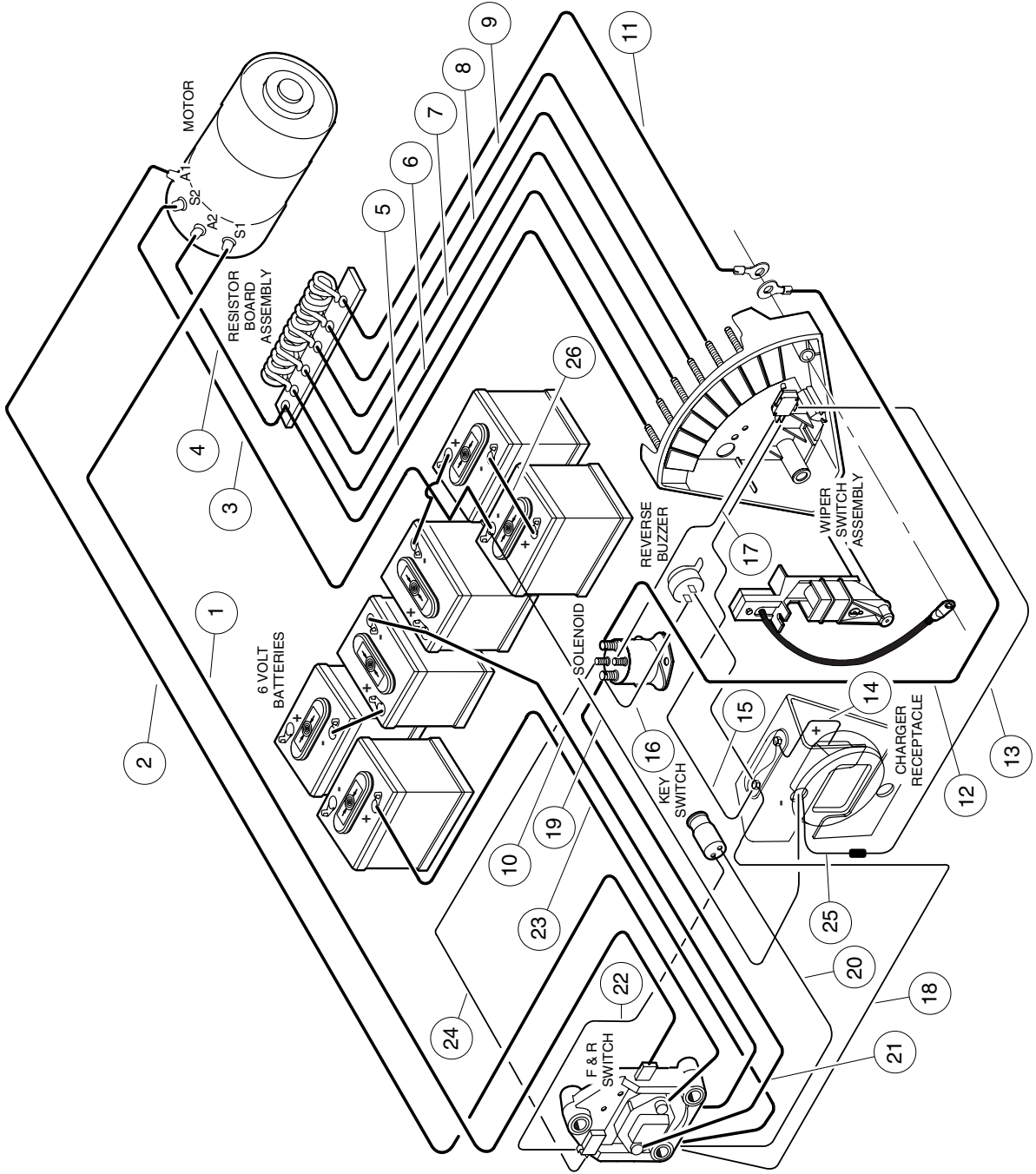


# FORWARD AND REVERSE SWITCH - 36 VOLT

ITEM	PART NO.	DESCRIPTION	QTY
		1 2 3 4	
1	1017530-03	ASSEMBLY, FOWARD AND REVERSE SWITCH (INCLUDES ITEMS 2-5).....	1
2	<u>1014808</u>	SWITCH, LIMIT .....	1
3	0008057	NUT, HEX, #4 - 40 .....	2
4	0008058	WASHER, LOCK, #4 .....	2
5	<u>1014871</u>	SCREW, HEX WASHER HEAD, #4 - 40 x 2 .....	2
6	<u>1012987</u>	HANDLE, FOWARD AND REVERSE SWITCH .....	1
7	<u>1013198</u>	SCREW, PHILLIPS HEAD MACHINE, #8 - 32 x 5/8 .....	1
8	1016845	SCREW, PHILLIPS TRUSS HEAD, 1/4 - 20 x 2 1/8 .....	3
9	0008233	NUT, NYLON LOCK, 1/4 - 20 .....	3

**E**

**12**





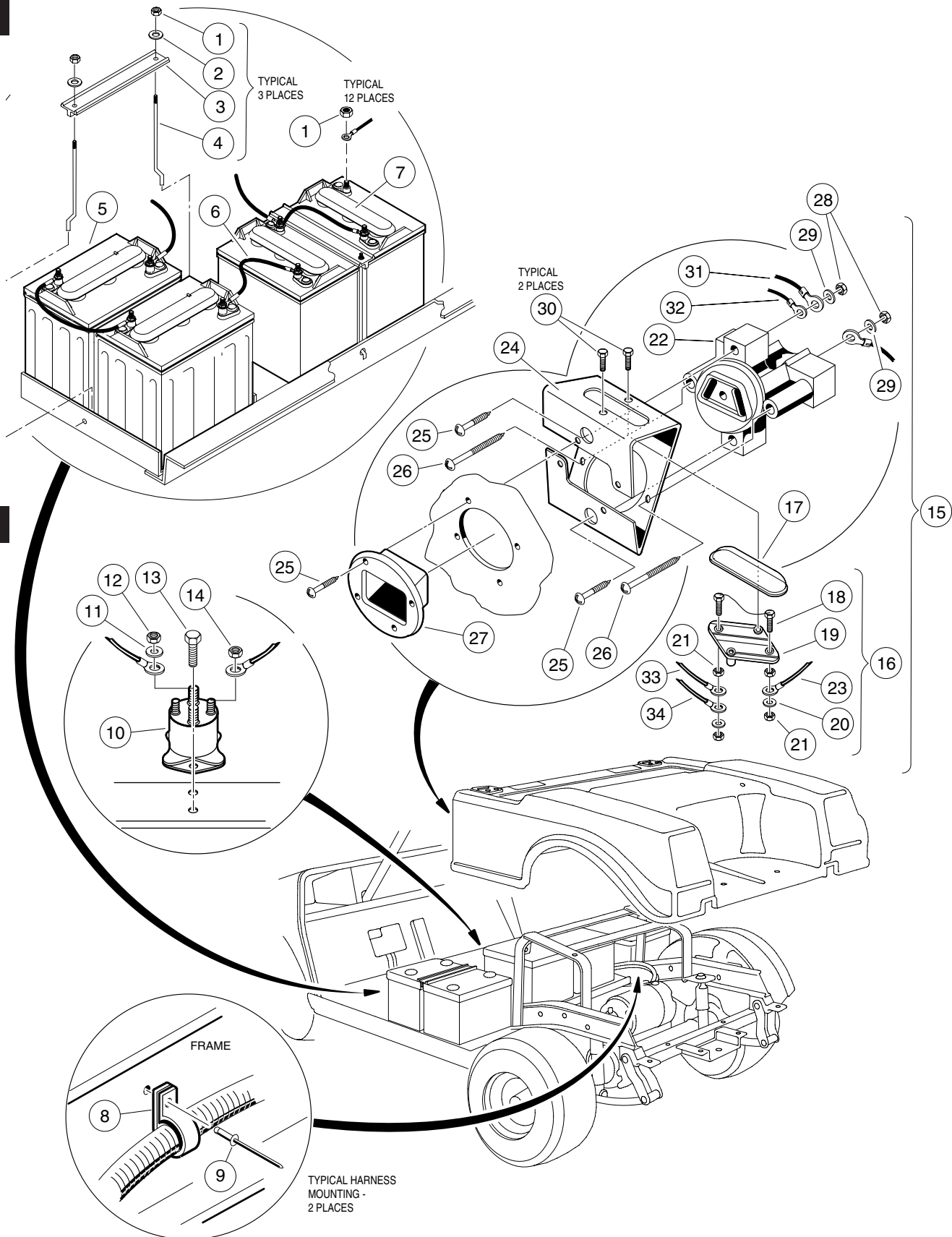
# POWER WIRING - 36 VOLT V-GLIDE VEHICLE

ITEM	PART NO.	DESCRIPTION	QTY
		1 2 3 4	
1	<u>1016070</u>	WIRE ASSEMBLY, #6 BROWN .....	1
2	<u>1016069</u>	WIRE ASSEMBLY, #6 PURPLE .....	1
3	<u>1012651</u>	WIRE ASSEMBLY, #6 BLACK .....	1
4	<u>1016068</u>	WIRE ASSEMBLY, #6 GRAY .....	1
5	<u>1014036</u>	WIRE ASSEMBLY, #6 BLACK .....	1
6	<u>1014035</u>	WIRE ASSEMBLY, #6 BLUE, 6TH SPEED .....	1
7	<u>1014034</u>	WIRE ASSEMBLY, #6 GREEN, 5TH SPEED .....	1
8	<u>1014033</u>	WIRE ASSEMBLY, #6 YELLOW, 4TH SPEED .....	1
9	<u>1014032</u>	WIRE ASSEMBLY, #6 ORANGE, 3RD SPEED .....	1
10	<u>1014828</u>	WIRE ASSEMBLY, #6 GREEN .....	1
11	<u>1014030</u>	WIRE ASSEMBLY, #6 WHITE, 1ST SPEED .....	1
12	<u>1014029</u>	WIRE ASSEMBLY, #6 WHITE .....	1
13	1016636	WIRE ASSEMBLY, #18 BLACK .....	1
14	<u>1013092</u>	WIRE ASSEMBLY, #10 RED .....	1
15	1016639	WIRE ASSEMBLY, #18 ORANGE .....	1
16	1016640	WIRE ASSEMBLY, #18 WHITE .....	1
17	1014023	WIRE ASSEMBLY, #18 GREEN .....	1
18	1012237	WIRE ASSEMBLY, #10 RED .....	1
19	<u>1011010</u>	WIRE ASSEMBLY, #10 WHITE .....	1
20	1016637	WIRE ASSEMBLY, #18 RED .....	1
21	<u>1014039</u>	WIRE ASSEMBLY, #6 WHITE .....	1
22	1011006	WIRE ASSEMBLY, #18 BLUE .....	1
23	<u>1011069</u>	WIRE ASSEMBLY, #6 RED .....	1
24	1014040	WIRE ASSEMBLY, #18 YELLOW .....	1
25	1016632	WIRE ASSEMBLY, #18 BLACK .....	1
26	<u>1010958</u>	WIRE ASSEMBLY, #6 BLACK .....	1

**F**

**12**

**E**

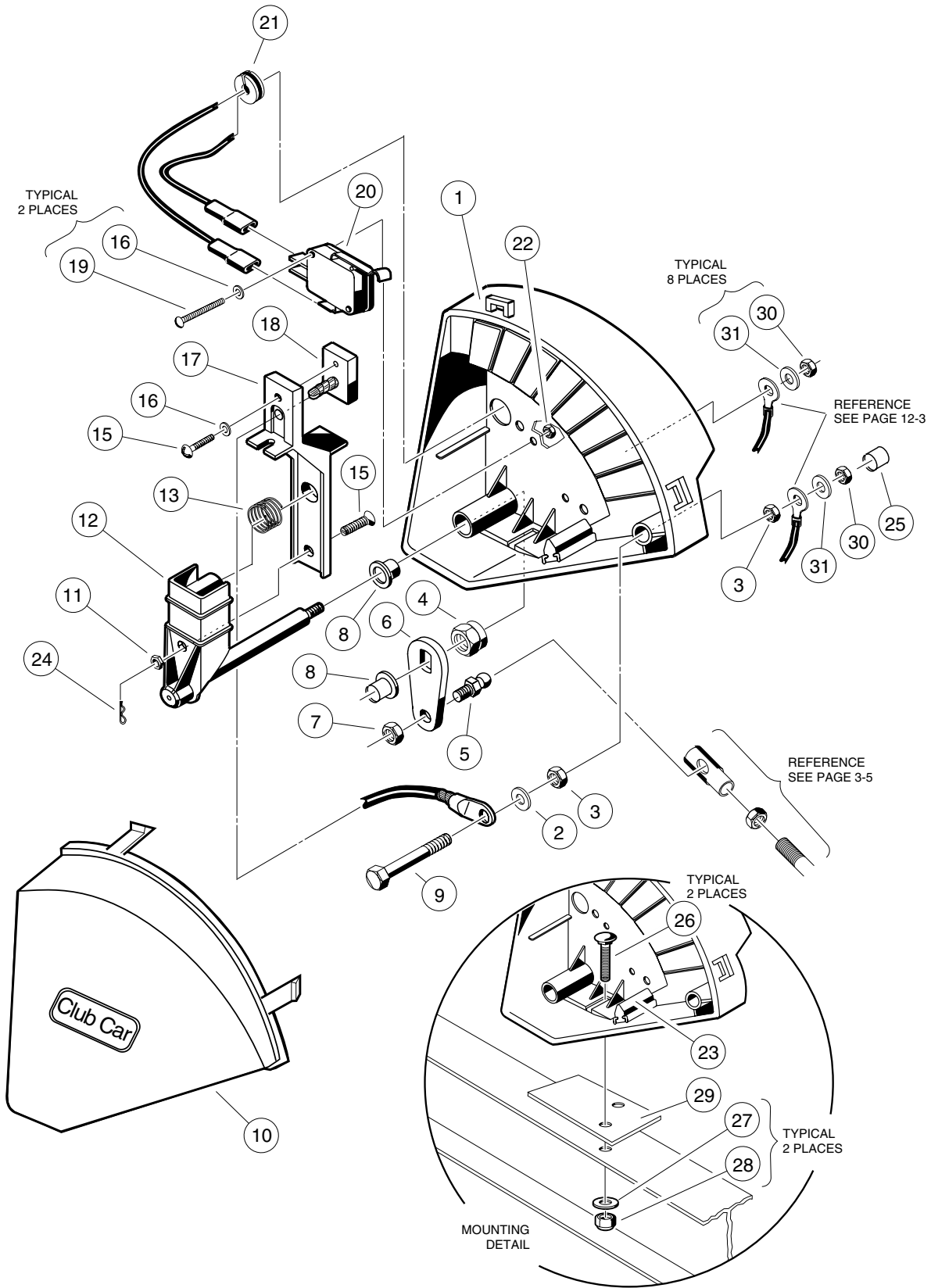


# ELECTRICAL COMPONENT MOUNTING 36 VOLT V-GLIDE VEHICLE

ITEM	PART NO.	DESCRIPTION	QTY
		1 2 3 4	
1	<u>1014304</u>	NUT, HEX, 5/6 - 18 .....	18
2	<u>1011578</u>	WASHER, FLAT, 5/16 .....	6
3	1010908	HOLD-DOWN, BATTERY .....	3
4	1013683	BOLT, "J" .....	6
5	<u>1016616-01</u>	BATTERY, 6 VOLT .....	6
6	<u>1010958</u>	ASSEMBLY, WIRE, #6 BLACK .....	5
7	<u>1018314-01</u>	CAP, 6 VOLT BATTERY .....	6
8	<u>1012022</u>	CLAMP, CABLE .....	2
9	0001606	RIVET, POP, 3/16 .....	2
10	0008016	SOLENOID, 36 VOLT .....	1
11	0007174	WASHER, HELICAL SPRING, 5/16 .....	2
12	0001242	NUT, HEX, 5/16 - 18 .....	2
13	<u>1012285</u>	SCREW, THREAD ROLLING, 1/4 - 20 x 5/8 .....	2
14	0007893	NUT, HEX, #10 - 32 .....	2
15	<u>1013425-01</u>	KIT, FUSE AND RECEPTACLE (INCLUDES ITEMS 16-30) .....	1
16	1014516	KIT, FUSE (INCLUDES ITEMS 17-21) .....	1
17	1012143	LENS, FUSE .....	1
18	<u>1012085</u>	FUSE, 80 AMP .....	1
19	<u>1012142</u>	HOLDER, FUSE .....	1
20	0001016	WASHER, LOCK, #10 .....	2
21	0008797	NUT, BRASS, #10 - 32 .....	4
22	0004107	RECEPTACLE, CHARGER, 2 PRONG .....	1
23	<u>1013092</u>	ASSEMBLY, WIRE, #10 RED .....	1
24	<u>1013628</u>	BRACKET, FUSE AND RECEPTACLE MOUNTING .....	1
25	0008796	SCREW, PHILLIPS PAN HEAD SELF-TAPPING, #7 -19 x 3/4 .....	6
26	0008795	SCREW, PHILLIPS PAN HEAD SELF-TAPPING, #7 -19 x 1 3/4 .....	2
27	<u>1013649</u>	BEZEL, CHARGER RECEPTACLE .....	1
28	0008797	NUT, BRASS, #10 - 32 .....	2
29	0001016	WASHER, LOCK, #10 .....	2
30	<u>1013266</u>	SCREW, PHILLIPS TRUSS HEAD, #8 - 18 x 1/2 .....	2
31	1016632	ASSEMBLY, WIRE, #18 BLACK .....	1
32	<u>1011010</u>	ASSEMBLY, WIRE, #10 WHITE .....	1
33	1012237	ASSEMBLY, WIRE, # 10 RED .....	1
34	1016639	ASSEMBLY, WIRE, #18 ORANGE .....	1

**E**

**12**



# WIPER SWITCH - 36 VOLT V-GLIDE VEHICLE

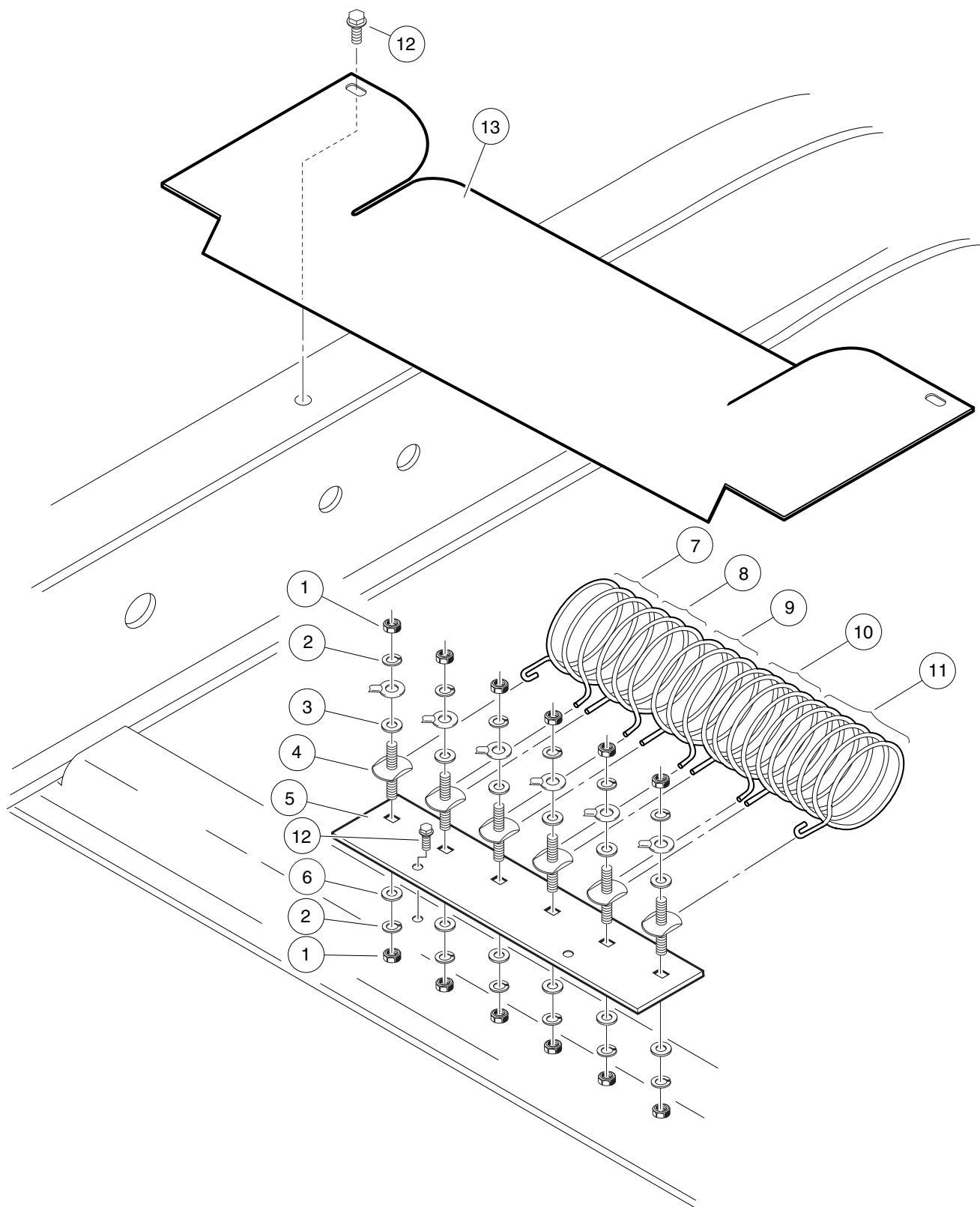
ITEM	PART NO.	DESCRIPTION	QTY
		1 2 3 4	
	<u>1016140</u>	ASSEMBLY, V - GLIDE WIPER SWITCH (INCLUDES ITEMS 1 - 24).....	1
1	<u>1014999</u>	ASSEMBLY, WIPER SWITCH CASE, 6 SPEED .....	1
2	0000451	WASHER, LOCK, 1/4.....	1
3	<u>1014253</u>	NUT, BRASS HEX JAM, 1/4 - 20 .....	2
4	0007473	NUT, NYLON LOCK, 5/16 - 18 .....	1
5	<u>1012353</u>	STUD, SHORT BALL 1/4 - 28.....	1
6	<u>1014003</u>	CRANK, BELL .....	1
7	0008449	NUT, DIMPLED LOCK, 1/4 - 28.....	1
8	<u>1012903</u>	BEARING, BRONZE, 3/8 x 1/2 .....	2
9	<u>1014189</u>	SCREW, BRONZE HEX HEAD CAP, 1/4 - 20 x 2.....	1
10	<u>1013886</u>	COVER, WIPER SWITCH CASE .....	1
11	0007893	NUT, HEX, #10 - 32 .....	1
12	<u>1014017</u>	CARRIER, WIPER SWITCH ARM .....	1
13	<u>1013998</u>	SPRING, WIPER SWITCH BRUSH .....	1
14	<u>1014000</u>	STUD, WIPER SWITCH ADJUSTING .....	1
15	<u>1014019</u>	SCREW, SELF-TAPPING, #4 - 40 x 3/8.....	1
16	0008058	WASHER, LOCK, #4.....	3
17	<u>1013887</u>	ARM, SPEED SWITCH .....	1
18	<u>1013860</u>	ASSEMBLY, SWITCH BRUSH .....	1
19	0008056	SCREW, ROUND HEAD MACHINE, #4 - 40 x 3/4.....	2
20	<u>1014807</u>	SWITCH, LIMIT .....	1
21	<u>1014010</u>	GROMMET, SPLIT .....	1
22	0008057	NUT, HEX, #4 - 40 .....	2
23	1014414	BUMPER, WIPER SWITCH .....	1
24	<u>1014413</u>	PIN, HAIR SPRING COTTER.....	1
25	<u>1017692</u>	CAP, PROTECTOR .....	1
26	<u>1014109</u>	BOLT, ROUND HEAD SQUARE NECK, #10 - 24 x 1 .....	2
27	<u>1016175</u>	WASHER, LOCK, #10.....	2
28	0001017	NUT, HEX, #10 - 24 .....	2
29	1014367	SHIM, WIPER SWITCH .....	1
30	0001014	NUT, BRASS HEX, 1/4 - 20.....	9
31	0000451	WASHER, LOCK, 1/4.....	9

E

12

**E**

**12**

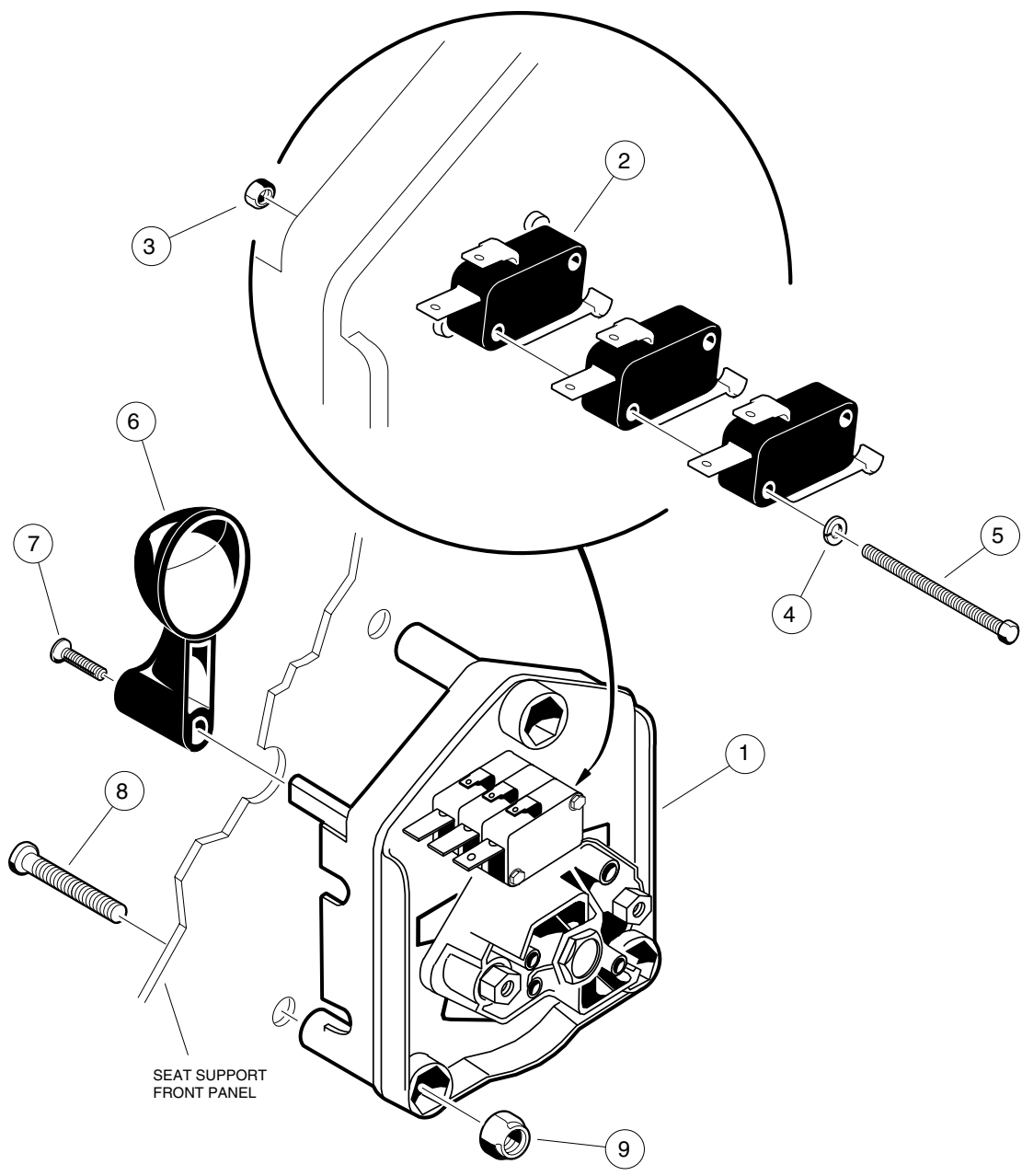


# RESISTOR AND BOARD ASSEMBLY 36 VOLT V-GLIDE VEHICLE

ITEM	PART NO.	DESCRIPTION	QTY
		1 2 3 4	
1	0001028	NUT, HEX 1/4 - 20 .....	12
2	0000451	WASHER, LOCK, 1/4 .....	12
3	<u>1011931</u>	WASHER, FLAT, 1/4 .....	6
4	1014045	STAND-OFF, RESISTOR COIL .....	6
5	1014728	BOARD, RESISTOR MOUNTING .....	1
6	0000332	WASHER, FLAT, 1/4 .....	6
7	<u>1014655</u>	COIL, RESISTOR .....	1
8	<u>1014654</u>	COIL, RESISTOR .....	1
9	<u>1014013</u>	COIL, RESISTOR .....	1
10	<u>1014014</u>	COIL, RESISTOR .....	1
11	<u>1014729</u>	COIL, RESISTOR .....	1
12	<u>1012285</u>	SCREW, THREAD ROLLING 1/4 - 20 x 5/8 .....	4
13	<u>1013971</u>	SHIELD, RESISTOR .....	1

**F**

**12**



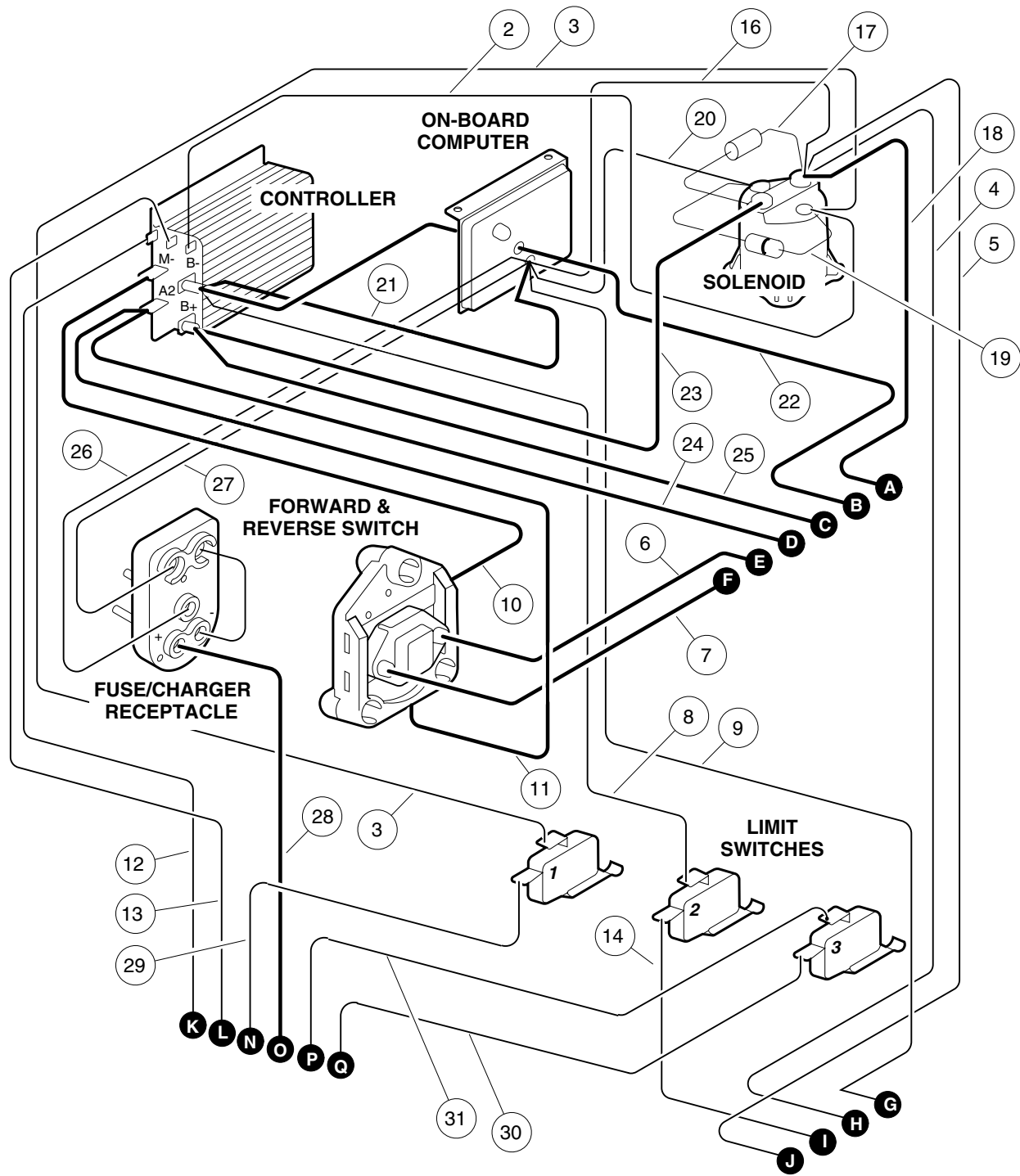


# FORWARD AND REVERSE SWITCH - POWERDRIVE

ITEM	PART NO.	DESCRIPTION	QTY
		1 2 3 4	
1	<u>1017530-04</u>	ASSEMBLY, FOWARD AND REVERSE SWITCH (INCLUDES ITEMS 2-5).....	1
2	<u>1014808</u>	SWITCH, LIMIT .....	3
3	0008057	NUT, HEX, #4 - 40 .....	2
4	0008058	WASHER, LOCK, #4 .....	2
5	<u>1014871</u>	SCREW, HEX WASHER HEAD, #4 - 40 x 2 .....	2
6	<u>1012987</u>	HANDLE, FOWARD AND REVERSE SWITCH .....	1
7	<u>1013198</u>	SCREW, PHILLIPS HEAD MACHINE, #8 - 32 x 5/8 .....	1
8	1016845	SCREW, PHILLIPS TRUSS HEAD, 1/4 - 20 x 2 1/8 .....	3
9	0008233	NUT, NYLON LOCK, 1/4 - 20 .....	3

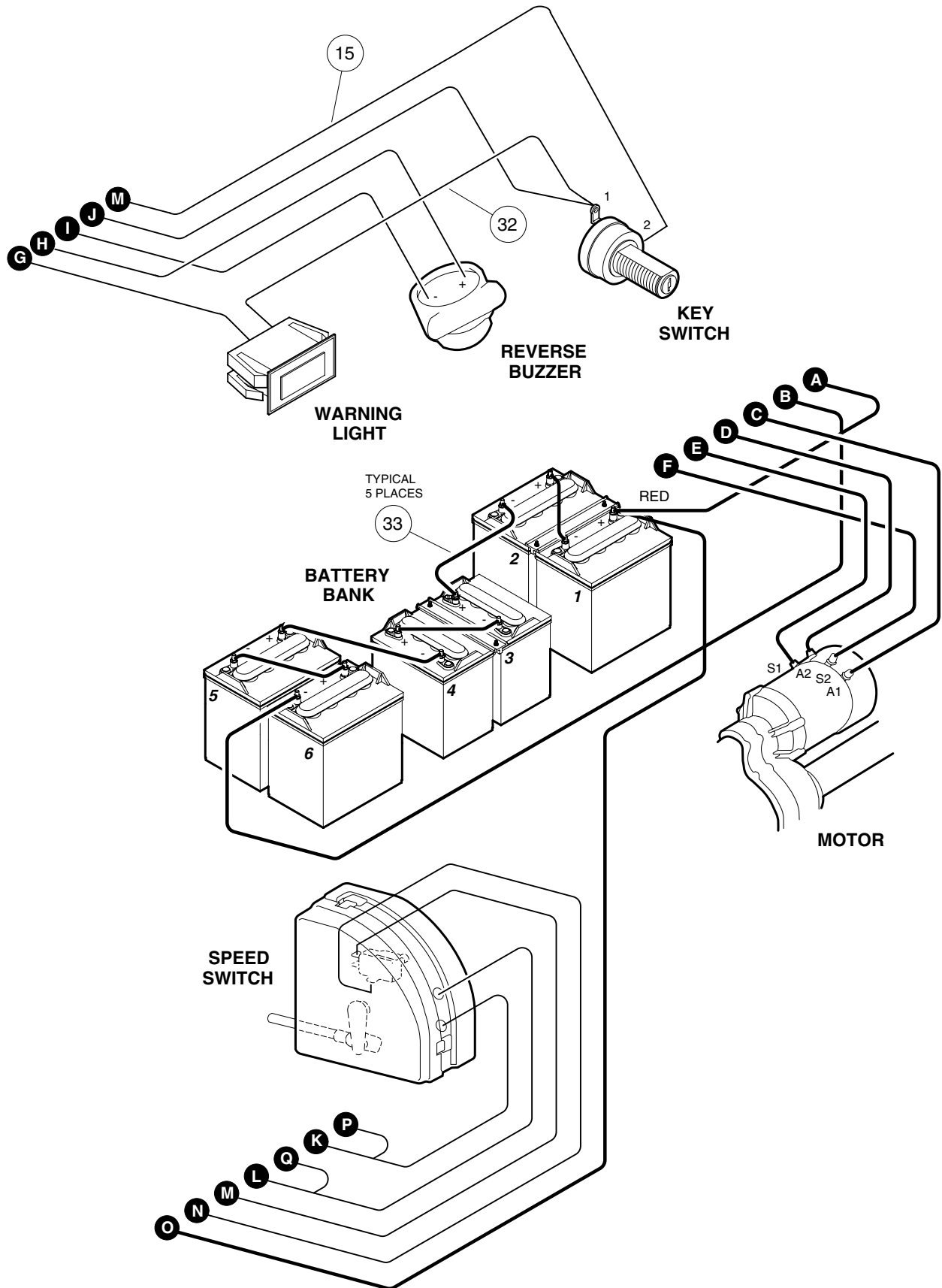
**F**

**12**

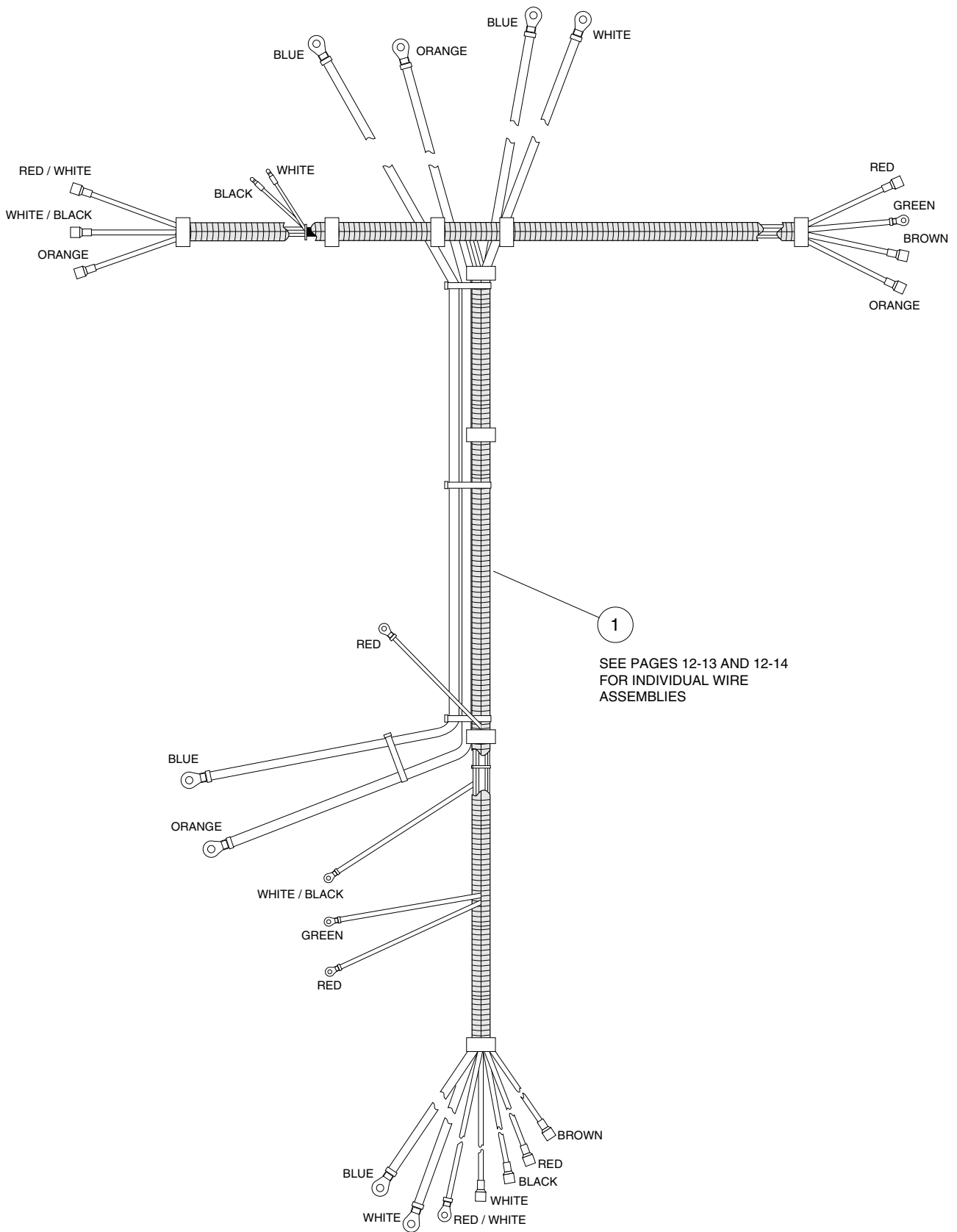


# POWER WIRING - POWERDRIVE SYSTEM 48

**E**



**12**

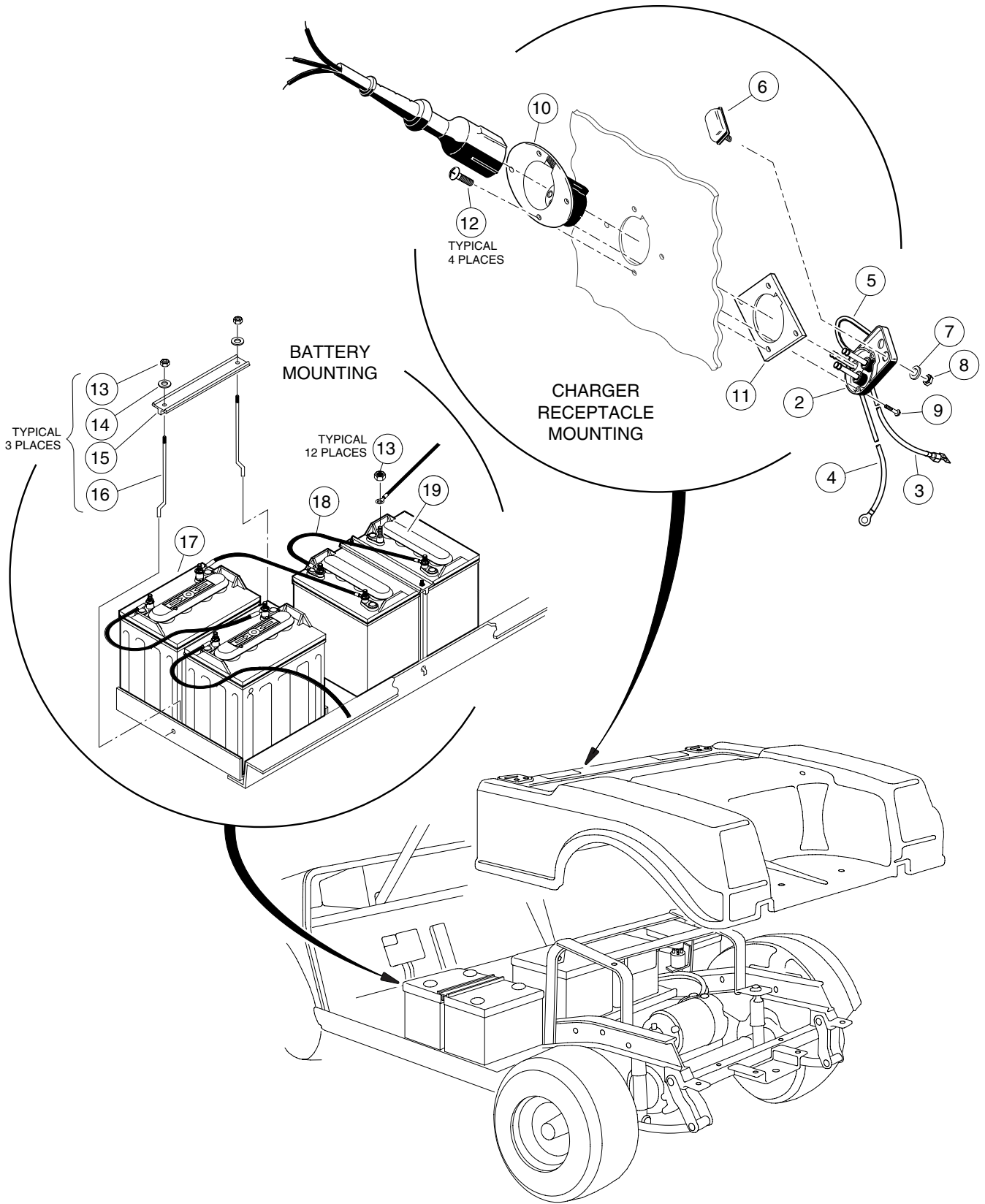


# POWER WIRING - POWERDRIVE SYSTEM 48

ITEM	PART NO.	DESCRIPTION	QTY
		1 2 3 4	
1	<u>1017942-02</u>	HARNESS, POWERDRIVE POWER WIRING (PAGE 12-15, INCLUDES ITEMS 2 - 16 ON PAGES 12-13 AND 12-14) .....	1
2	1015865	WIRE ASSEMBLY, #18 RED .....	1
3	1016122	WIRE ASSEMBLY, #18 WHITE/BLACK .....	1
4	1016135	WIRE ASSEMBLY, #18 RED .....	1
5	1016121	WIRE ASSEMBLY, #18 GREEN .....	1
6	<u>1014854</u>	WIRE ASSEMBLY, #6 ORANGE .....	1
7	<u>1018109</u>	WIRE ASSEMBLY, #6 BLUE .....	1
8	1017993	WIRE ASSEMBLY, #18 RED/WHITE .....	1
9	1017956	WIRE ASSEMBLY, #18 BROWN .....	1
10	<u>1018110</u>	WIRE ASSEMBLY, #6 BLUE .....	1
11	<u>1015769</u>	WIRE ASSEMBLY, #6 WHITE .....	1
12	1015864	WIRE ASSEMBLY, #18 WHITE .....	1
13	1015863	WIRE ASSEMBLY, #18 BLACK .....	1
14	1016134	WIRE ASSEMBLY, #18 ORANGE .....	1
15	1016133	WIRE ASSEMBLY, #18 BLUE .....	1
16	N/A	WIRE ASSEMBLY, #18 RED (PART OF ON-BOARD COMPUTER ASSEMBLY) .....	1
17	<u>1014947</u>	RESISTOR ASSEMBLY .....	1
18	<u>1015859</u>	WIRE ASSEMBLY, #6 RED .....	1
19	1014978	DIODE ASSEMBLY .....	1
20	N/A	WIRE ASSEMBLY, #18 YELLOW (PART OF ON-BOARD COMPUTER ASSEMBLY) .....	1
21	N/A	WIRE ASSEMBLY, #10 BLACK (PART OF ON-BOARD COMPUTER ASSEMBLY) .....	1
22	1018278-01	KIT, WIRE AND TERMINAL, #6 BLACK .....	1
23	<u>1015858</u>	WIRE ASSEMBLY, # YELLOW .....	1
24	<u>1015861</u>	WIRE ASSEMBLY, #6 WHITE .....	1
25	<u>1015860</u>	WIRE ASSEMBLY, #6 GREEN .....	1
26	N/A	WIRE ASSEMBLY, #10 GREY (PART OF ON-BOARD COMPUTER ASSEMBLY) .....	1
27	N/A	WIRE ASSEMBLY, #10 BLACK (PART OF ON-BOARD COMPUTER ASSEMBLY) .....	1
28	N/A	WIRE ASSEMBLY, #10 RED (PART OF FUSE AND RECEPTACLE ASSEMBLY) .....	1
29	1017394	WIRE ASSEMBLY, #18 GREEN/WHITE .....	1
30	1015863	WIRE ASSEMBLY, #18 BLACK .....	1
31	1015864	WIRE ASSEMBLY, #18 WHITE .....	1
32	1017967	WIRE ASSEMBLY, #18 ORANGE/WHITE .....	1
33	<u>1017957-01</u>	WIRE ASSEMBLY, #6 BLACK .....	5

**E**

**12**



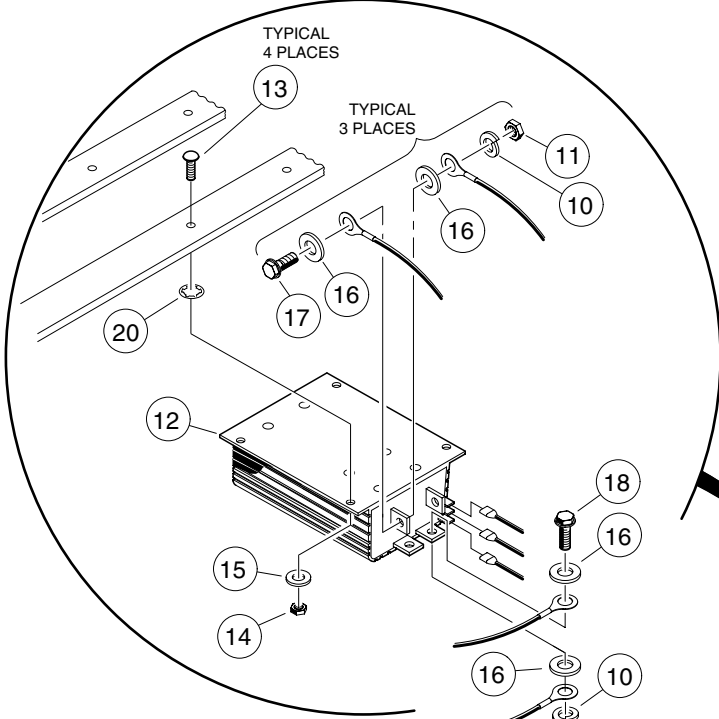
# CHARGER RECEPTACLE AND BATTERY MOUNTING - POWERDRIVE VEHICLE

ITEM	PART NO.	DESCRIPTION	QTY
		1 2 3 4	
1	<u>1018021-01</u>	KIT, FUSE AND RECEPTACLE (INCLUDES ITEMS 2 - 10) .....	1
2	1018468-01	ASSEMBLY, FUSE AND RECEPTACLE (INCLUDES ITEMS 3 - 9) .....	1
3	N/A	WIRE ASSEMBLY, #10 GREY .....	1
4	N/A	WIRE ASSEMBLY, #10 RED .....	1
5	N/A	WIRE ASSEMBLY, #10 BLACK .....	1
6	<u>1017968-01</u>	ASSEMBLY, FUSE, 48 VOLT (INCLUDES ITEMS 7 AND 8) .....	1
7	<u>1018038</u>	WASHER, NARROW TYPE 13, #10 .....	2
8	<u>1018028</u>	NUT, SERRATED, #10-32 .....	2
9	<u>1017705</u>	SCREW, PHILLIPS PAN HEAD, #8 TYPE AB .....	3
10	<u>1017965-01</u>	BEZEL, RECEPTACLE .....	1
11	<u>1018010-01</u>	PLATE, RECEPTACLE BACKING .....	1
12	<u>1018320-01</u>	SCREW, PHILLIPS PAN HEAD, #7-18 x 3/4 .....	4
13	<u>1014304</u>	NUT, STAINLESS STEEL HEX, 5/16-18 .....	18
14	<u>1011578</u>	WASHER, FLAT, 5/16 .....	6
15	<u>1018030-01</u>	HOLD-DOWN, BATTERY .....	3
16	1013683	BOLT, "J" .....	6
17	<u>1017977-01</u>	BATTERY, 8 VOLT POWERDRIVE .....	6
18	1017957	ASSEMBLY, WIRE, #6 BLACK .....	5
19	<u>1017978-01</u>	CAP, BATTERY, 4 PORT GANG .....	6

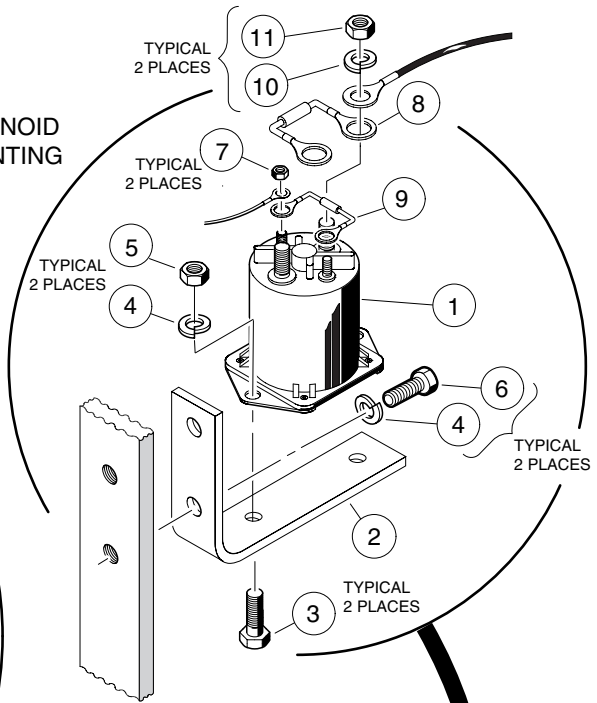
**F**

**12**

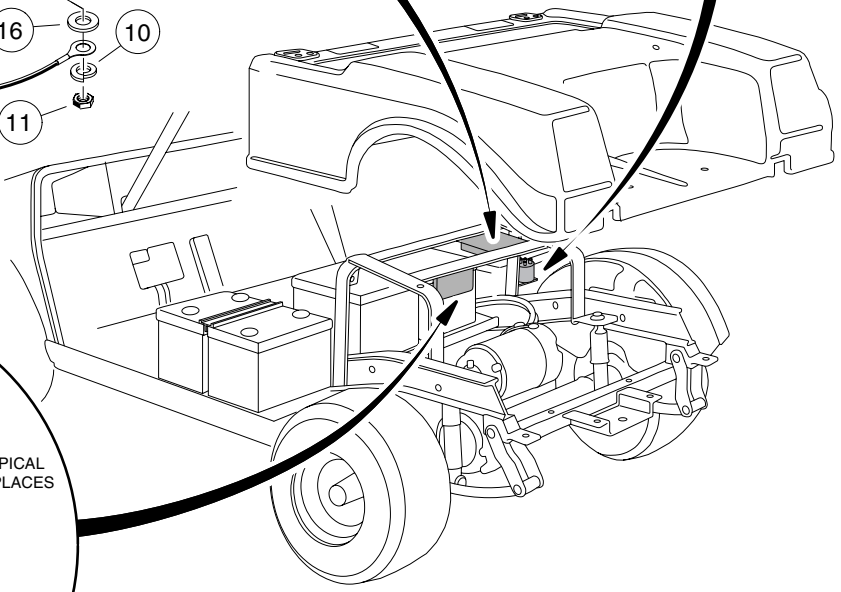
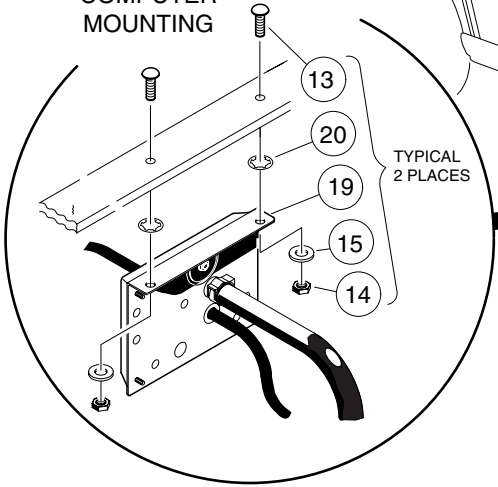
### CONTROLLER MOUNTING



### SOLENOID MOUNTING



### ON-BOARD COMPUTER MOUNTING



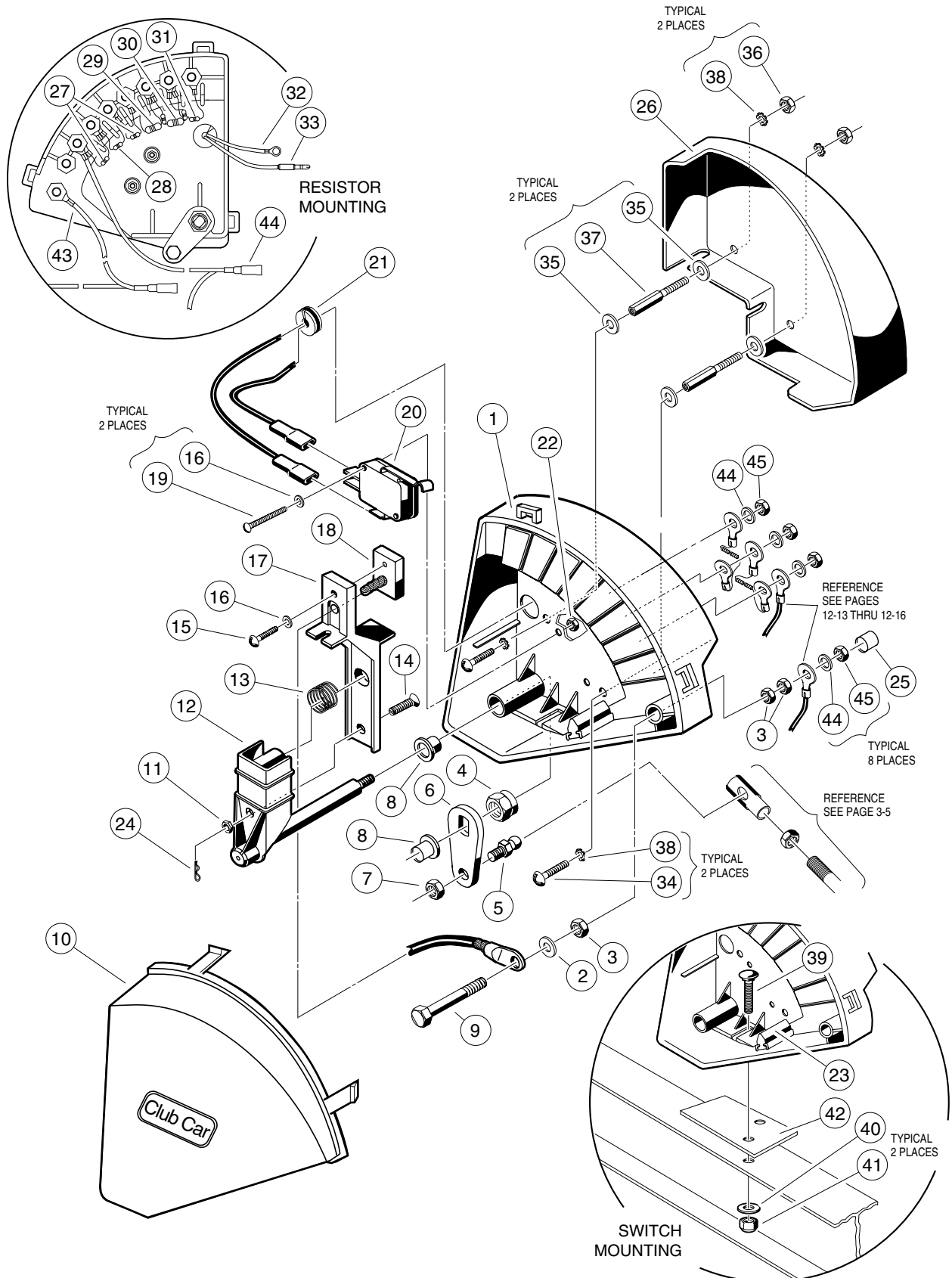


# ON-BOARD COMPUTER, CONTROLLER, AND SOLENOID MOUNTING - POWERDRIVE VEHICLE

ITEM	PART NO.	DESCRIPTION	QTY
		1 2 3 4	
1	<u>1018070-01</u>	SOLENOID, 48 VOLT .....	1
2	<u>1015838</u>	BRACKET, SOLENOID MOUNTING .....	1
3	0007847	BOLT, HEX HEAD, 1/4 - 20 x 3/4 .....	2
4	0000451	WASHER, LOCK, 1/4 .....	4
5	0001028	NUT, HEX, 1/4 - 20 .....	2
6	<u>1012285</u>	SCREW, HEX WASHER HEAD, 1/4 - 20 x 5/8 .....	2
7	0007893	NUT, HEX, #10 - 32 .....	2
8	<u>1014947</u>	ASSEMBLY, RESISTOR .....	1
9	1014948	ASSEMBLY, DIODE .....	1
10	0007174	WASHER, LOCK, 5/16 .....	6
11	0001242	NUT, HEX, 5/16 - 18 .....	6
12	1018008	CONTROLLER, 48 VOLT .....	1
13	<u>1017203</u>	BOLT, ROUND HEAD SQUARE NECK, 1/4 - 20 x 1 .....	6
14	0008233	NUT, NYLON LOCK, 1/4 - 20 .....	6
15	0000332	WASHER, FLAT, 1/4 .....	6
16	0001241	WASHER, FLAT, 5/16 .....	8
17	0007173	BOLT, HEX, 5/16 - 18 x 3/4 .....	3
18	0001218	BOLT, HEX, 5/16 - 18 x 1 1/4 .....	1
19	1018006-01	COMPUTER, ON-BOARD .....	1
20	<u>1016631</u>	NUT, PUSH, 3/16 .....	6

**F**

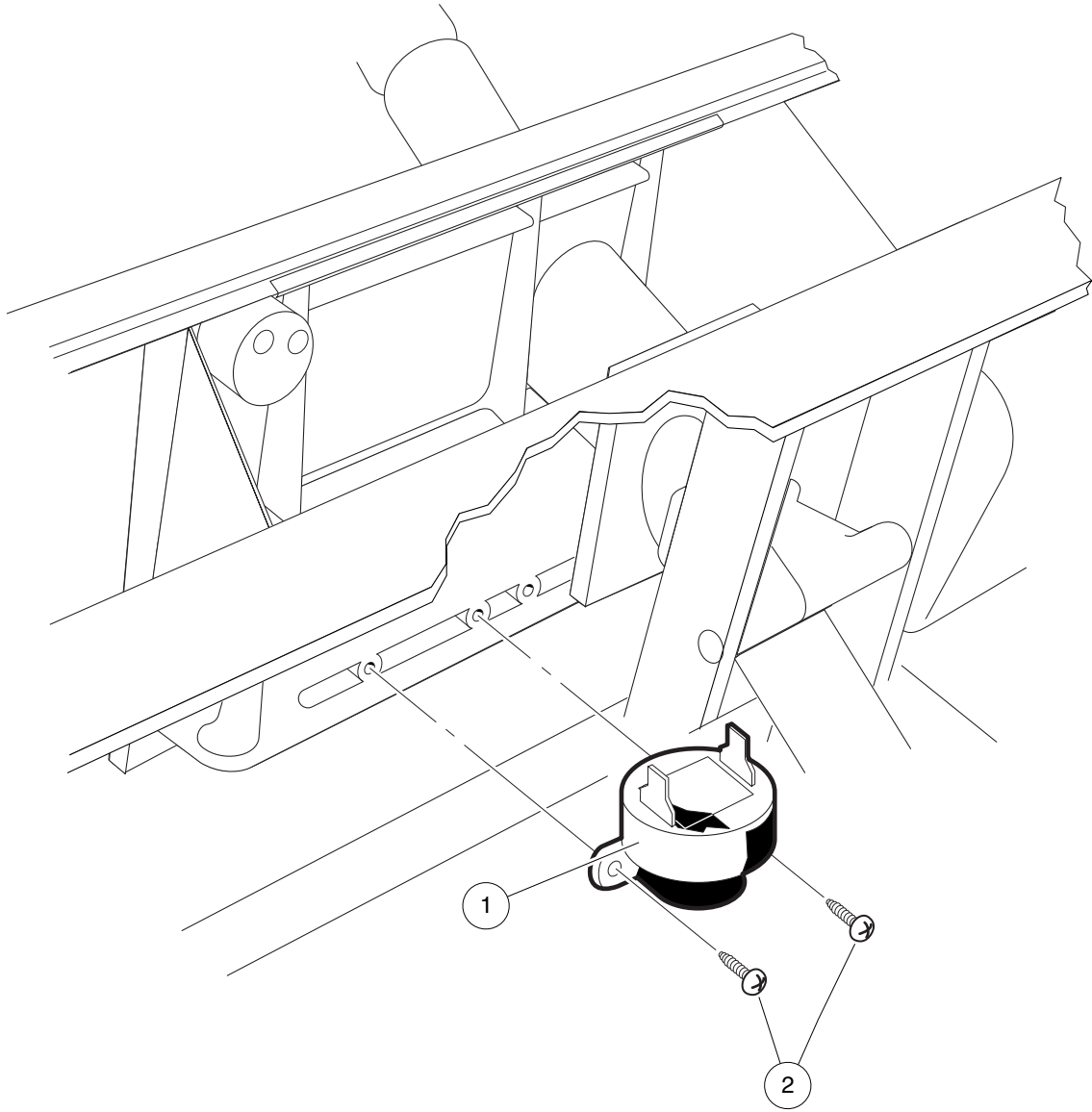
**12**



# MULTI-STEP POTENTIOMETER POWERDRIVE SYSTEM 48

ITEM	PART NO.	DESCRIPTION	QTY
		1 2 3 4	
	<u>1016012</u>	ASSEMBLY, WIPER SWITCH (INCLUDES ITEMS 1 - 38) .....	1
1	<u>1014999</u>	ASSEMBLY, WIPER SWITCH CASE, 6 SPEED .....	1
2	0000451	WASHER, LOCK, 1/4.....	1
3	<u>1014253</u>	NUT, BRASS HEX JAM, 1/4 - 20 .....	3
4	0007473	NUT, NYLON LOCK, 5/16 - 18 .....	1
5	<u>1012353</u>	STUD, SHORT BALL, 1/4 - 28.....	1
6	<u>1014003</u>	CRANK, BELL .....	1
7	0008449	NUT, DIMPLED LOCK, 1/4 - 28.....	1
8	<u>1012903</u>	BEARING, BRONZE .....	2
9	<u>1014189</u>	SCREW, HEX HEAD CAP, 1/4 - 20 x 2.....	1
10	<u>1013886</u>	COVER, WIPER SWITCH .....	1
11	0007893	NUT, HEX, #10 - 32 .....	1
12	<u>1014017</u>	CARRIER, WIPER SWITCH ARM .....	1
13	<u>1013998</u>	SPRING, WIPER SWITCH BRUSH .....	1
14	<u>1014000</u>	STUD, WIPER SWITCH ADJUSTING .....	1
15	<u>1014019</u>	SCREW, SELF-TAPPING, #4 - 40 x 3/8.....	1
16	0008058	WASHER, LOCK #4.....	3
17	<u>1013887</u>	ARM, SPEED SWITCH .....	1
18	<u>1013860</u>	ASSEMBLY, SWITCH BRUSH .....	1
19	0008056	SCREW, ROUND HEAD MACHINE, #4 - 40 x 3/4 .....	2
20	<u>1014807</u>	SWITCH, LIMIT .....	1
21	<u>1014010</u>	GROMMET, SPLIT .....	1
22	0008057	NUT, HEX, #4 - 40 .....	2
23	1014414	BUMPER, WIPER SWITCH .....	1
24	<u>1014413</u>	PIN, HAIR SPRING COTTER.....	1
25	<u>1017692</u>	CAP, PROTECTOR .....	1
26	1016061	PROTECTOR, WIPER SWITCH RESISTOR .....	1
27	<u>1018269-01</u>	ASSEMBLY, RESISTOR, 300Ω.....	2
28	<u>1018269-02</u>	ASSEMBLY, RESISTOR, 390Ω.....	1
29	<u>1016015</u>	ASSEMBLY, RESISTOR, 750Ω.....	1
30	<u>1018269-03</u>	ASSEMBLY, RESISTOR, 1000Ω.....	1
31	<u>1018269-04</u>	ASSEMBLY, RESISTOR, 2200Ω.....	1
32	1014839	ASSEMBLY, WIRE, #18 GREEN/WHITE.....	1
33	1016142	ASSEMBLY, WIRE, #18 BLUE.....	1
34	<u>1013266</u>	SCREW, PHILLIPS TRUSS HEAD, #8 -18 x 1/2 .....	2
35	<u>1013529</u>	WASHER, FLAT, #8 .....	4
36	<u>1011571</u>	NUT, HEX, #8 - 32 .....	2
37	<u>1016090</u>	STAND-OFF, HEX MALE/FEMALE, #8 - 32 .....	2
38	<u>1012076</u>	WASHER, EXTERNAL TOOTH LOCK, #8 .....	4
39	<u>1014109</u>	BOLT, ROUND HEAD SQUARE NECK, #10 - 24 x 1 .....	2
40	<u>1016175</u>	WASHER, LOCK, #10.....	2
41	0001017	NUT, HEX, #10 - 24 .....	2
42	1014367	SHIM, WIPER SWITCH .....	1
43	<u>1016018</u>	ASSEMBLY, WIRE, #18 BLACK .....	1
44	1016019	ASSEMBLY, WIRE, #18 WHITE .....	1
45	0001014	NUT, BRASS HEX. 1/4 - 20.....	8
46	0000451	WASHER, LOCK, 1/4.....	8





# REVERSE BUZZER

ITEM	PART NO.	DESCRIPTION	QTY
		1 2 3 4	
	<u>1016859</u>	KIT, REVERSE BUZZER (INCLUDES ITEMS 1 AND 2).....	1
1	<u>1016851</u>	BUZZER, REVERSE (9-48 VOLT) .....	1
2	<u>1016849</u>	SCREW, PAN HEAD HILO, #4 - 24 x 5/16 .....	2

E

12

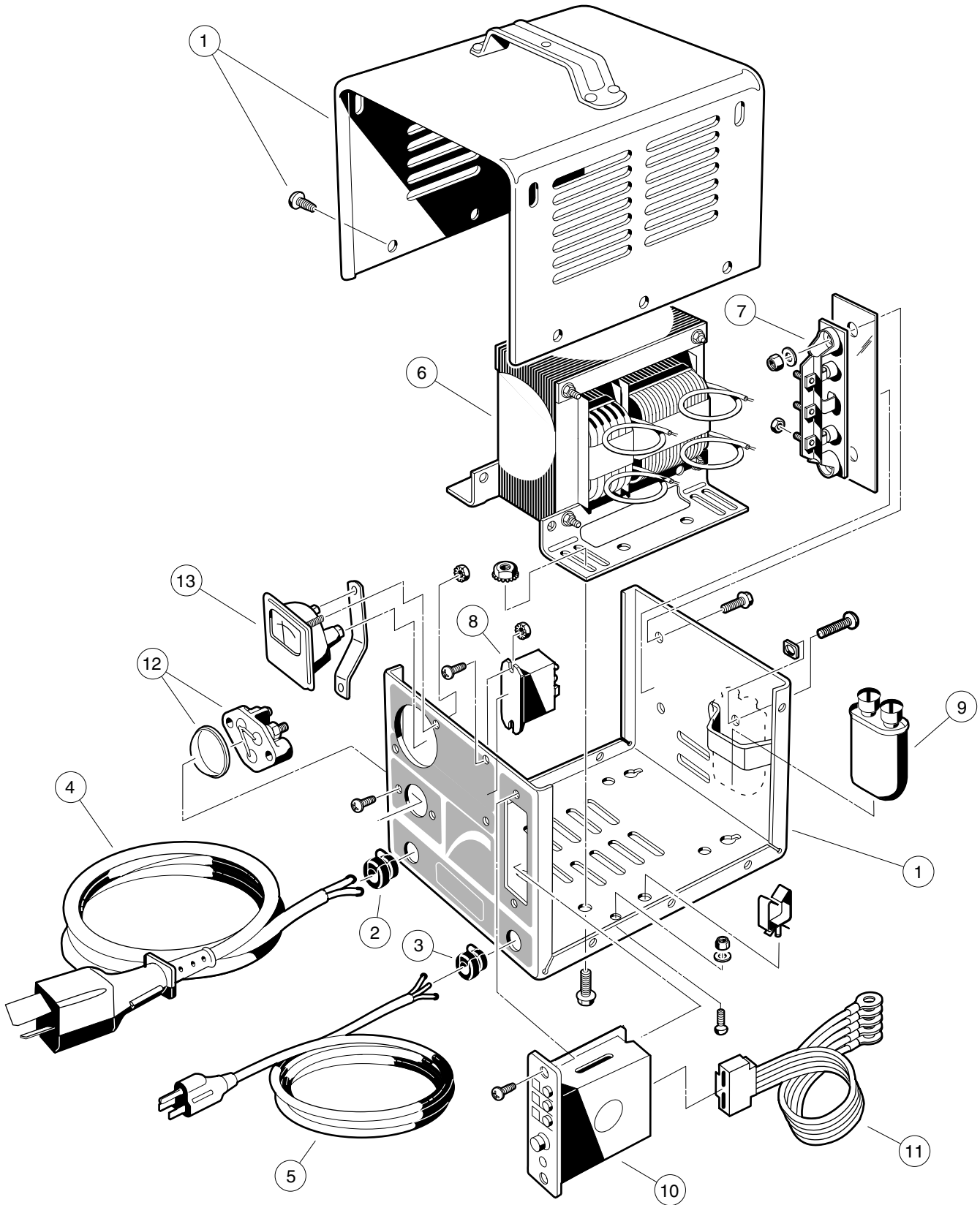


# ***BATTERY CHARGERS***

---

***F***

***13***



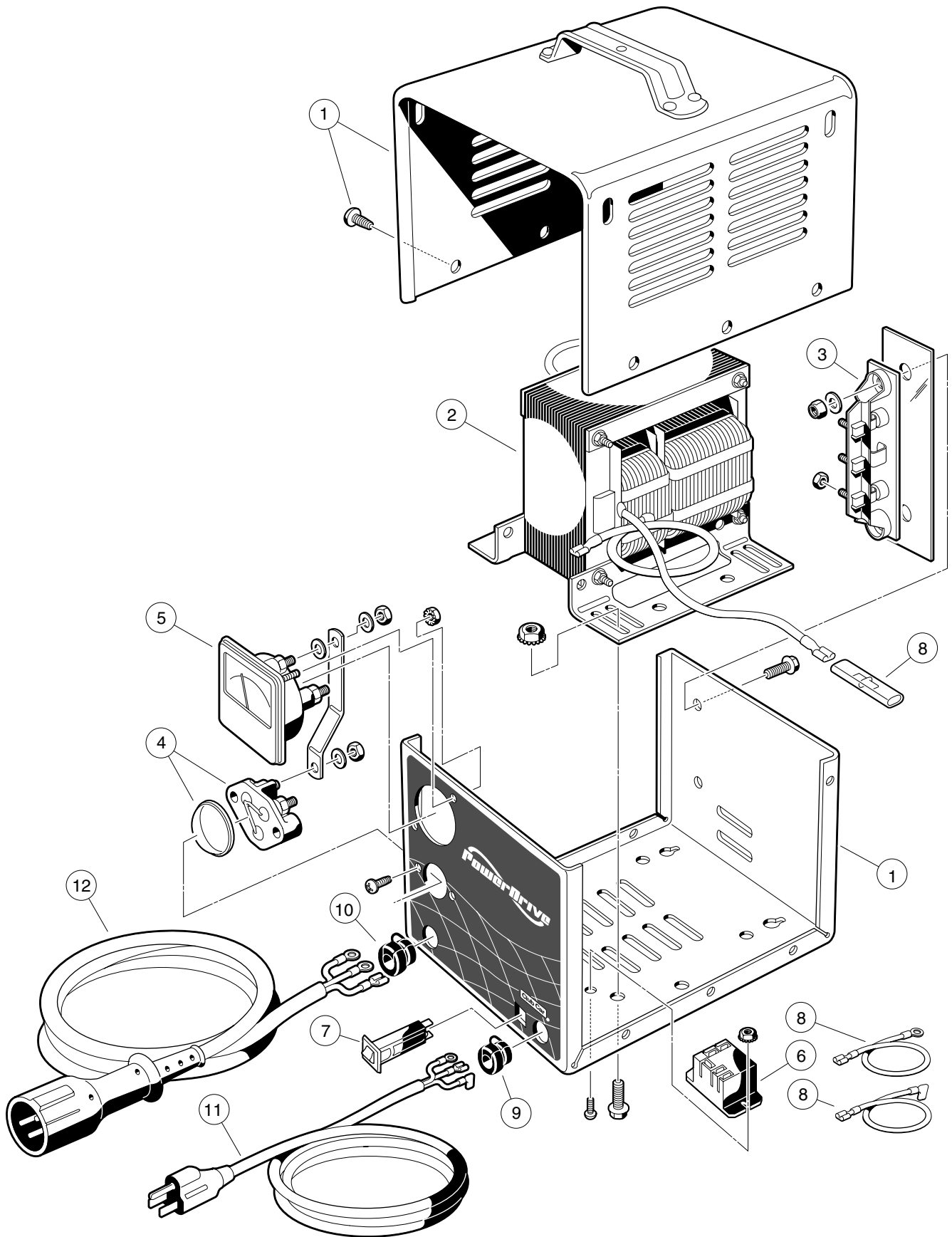


# 36 VOLT ACCU-POWER CHARGER

ITEM	PART NO.	DESCRIPTION	QTY
	1016464-01	1 2 3 4 CHARGER, ACCU-POWER, 120 VAC, 36 VDC, 60 HZ (INCLUDES ITEMS 1 - 13) 102 IN. DC CORD WITH MALE 2-PIN PLUG 72 IN. AC CORD WITH MALE 5-15 PIN PLUG .....	1
1	1015907	ASSEMBLY, CASE (INCLUDES FASTENERS) .....	1
2	<u>1012098</u>	BUSHING, STRAIN RELIEF, 12 AWG DC CORD .....	1
2	<u>1012042</u>	BUSHING, STRAIN RELIEF, 10 AWG DC CORD .....	1
3	<u>1015917</u>	BUSHING, STRAIN RELIEF, AC CORD .....	1
4	<u>1016433-01</u>	CORDSET, DC, 12/3 AWG x 110 INCHES LONG (STANDARD) .....	1
4	<u>1016433-02</u>	CORDSET, DC, 12/3 AWG x 146 INCHES LONG .....	1
4	<u>1016433-03</u>	CORDSET, DC, 10/3 AWG x 242 INCHES LONG .....	1
5	<u>1015916-01</u>	CORDSET, AC, 16/3 AWG x 80 INCHES LONG (STANDARD) .....	1
5	<u>1015916-02</u>	CORDSET, AC, 16/3 AWG x 110 INCHES LONG .....	1
6	<u>1015912</u>	ASSEMBLY, TRANSFORMER .....	1
7	<u>1015914</u>	ASSEMBLY, HEATSINK, WITH DIODES (INCLUDES MOUNTING HARDWARE) .....	1
8	<u>1015911</u>	36 VDC RELAY .....	1
9	1015910	CAPACITOR .....	1
10	<u>1015906</u>	ASSEMBLY, TIMER KIT (INCLUDES MOUNTING HARDWARE) .....	1
11	<u>1015913</u>	ASSEMBLY, CONTROL CABLE .....	1
12	<u>1012101</u>	ASSEMBLY, FUSE (INCLUDES MOUNTING HARDWARE) .....	1
13	<u>1015905</u>	AMMETER (INCLUDES MOUNTING HARDWARE) .....	1

E

13

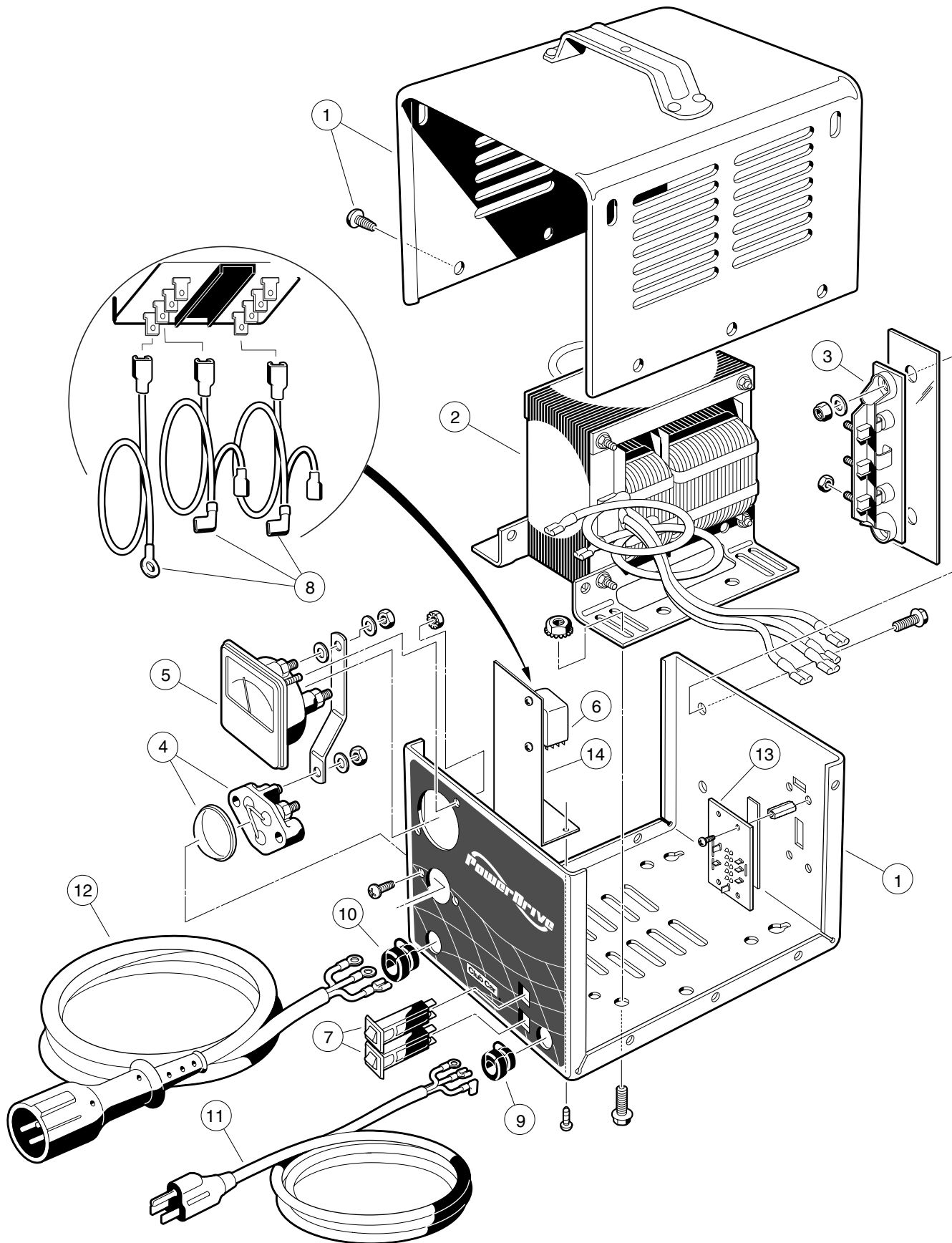


# POWERDRIVE CHARGER - DOMESTIC

ITEM	PART NO.	DESCRIPTION	QTY
		1 2 3 4	
	<u>1018022-01</u>	CHARGER, BATTERY, POWERDRIVE STATIONARY 120VAC 48VDC 50/60 HZ 104 IN. DC CORD WITH MALE 3-PIN PLUG 72 IN. AC CORD WITH MALE 5-15 PIN PLUG .....	1
	<u>1018022-02</u>	CHARGER, BATTERY, POWERDRIVE STATIONARY 120VAC 48VDC 50/60 HZ 144 IN. DC CORD WITH MALE 3-PIN PLUG 108 IN. AC CORD WITH MALE 5-15 PIN PLUG .....	1
	<u>1018022-03</u>	CHARGER, BATTERY, POWERDRIVE STATIONARY 120VAC 48VDC 50/60 HZ 240 IN. DC CORD WITH MALE 3-PIN PLUG 108 IN. AC CORD WITH MALE 5-15 PIN PLUG .....	1
1	<u>1018283-01</u>	ASSEMBLY, CASE (INCLUDES FASTENERS) .....	1
2	<u>1018197</u>	ASSEMBLY, TRANSFORMER .....	1
3	<u>1015914</u>	ASSEMBLY, HEATSINK, WITH DIODES (INCLUDES MOUNTING HARDWARE) .....	1
4	<u>1012101</u>	ASSEMBLY, FUSE (INCLUDES MOUNTING HARDWARE) .....	1
5	<u>1018285-01</u>	AMMETER (INCLUDES MOUNTING HARDWARE) .....	1
6	<u>1018286-01</u>	RELAY, POWER .....	1
7	<u>1018287-01</u>	BREAKER, CIRCUIT .....	1
8	<u>1018311-01</u>	KIT, WIRE ASSEMBLY .....	1
9	<u>1015917</u>	BUSHING, STRAIN RELIEF, AC CORD .....	1
10	<u>1012098</u>	BUSHING, STRAIN RELIEF, DC CORD .....	1
11	<u>1018288-01</u>	CORDSET, AC, 16/3 AWG x 80 INCHES LONG .....	1
11	<u>1018288-02</u>	CORDSET, AC, 14/3 AWG x 116 INCHES LONG .....	1
12	<u>1018289-01</u>	CORDSET, DC, 12/3 AWG x 113 INCHES LONG WITH MALE 3-PIN PLUG .....	1
12	<u>1018289-02</u>	CORDSET, DC, 12/3 AWG x 154 INCHES LONG WITH MALE 3-PIN PLUG .....	1
12	<u>1018289-03</u>	CORDSET, DC, 12/3 AWG x 250 INCHES LONG WITH MALE 3-PIN PLUG .....	1

**E**

**13**



# POWERDRIVE CHARGER - EXPORT

ITEM	PART NO.	DESCRIPTION	QTY
		1 2 3 4	
	1018315-01	CHARGER, BATTERY, POWERDRIVE STATIONARY WITH 4-POSITION SWITCH 100 - 200 - 220 - 240 VAC, 48 VDC 50/60 HZ 104 IN. DC CORD WITH MALE 3-PIN PLUG 72 IN. AC CORD WITH NO PLUG .....	1
1	<u>1018381-01</u>	ASSEMBLY, CASE (INCLUDES FASTENERS) .....	1
2	1018382-01	ASSEMBLY, TRANSFORMER .....	1
3	<u>1015914</u>	ASSEMBLY, HEATSINK, WITH DIODES (INCLUDES MOUNTING HARDWARE) .....	1
4	<u>1012101</u>	ASSEMBLY, FUSE (INCLUDES MOUNTING HARDWARE) .....	1
5	<u>1018285-01</u>	AMMETER (INCLUDES MOUNTING HARDWARE).....	1
6	<u>1018383-01</u>	RELAY, POWER (INCLUDES MOUNTING HARDWARE).....	1
7	1018384-01	BREAKER, CIRCUIT .....	2
8	1018385-01	KIT, WIRE ASSEMBLY .....	1
9	<u>1015917</u>	BUSHING, STRAIN RELIEF, AC CORD .....	1
10	<u>1012098</u>	BUSHING, STRAIN RELIEF, DC CORD .....	1
11	<u>1018317-01</u>	CORDSET, AC, 3 x 1.5MM 2 HAR x 80 INCHES LONG, WITH LEADS (NO PLUG) .....	1
12	<u>1018289-01</u>	CORDSET, DC, 12/3 AWG x 113 INCHES LONG WITH MALE 3-PIN PLUG .....	1
13	1018386-01	SWITCH, 4-POSITION, SLIDE .....	1
14	<u>1018387-01</u>	BRACKET, POWER RELAY MOUNTING .....	1

**E**

**13**

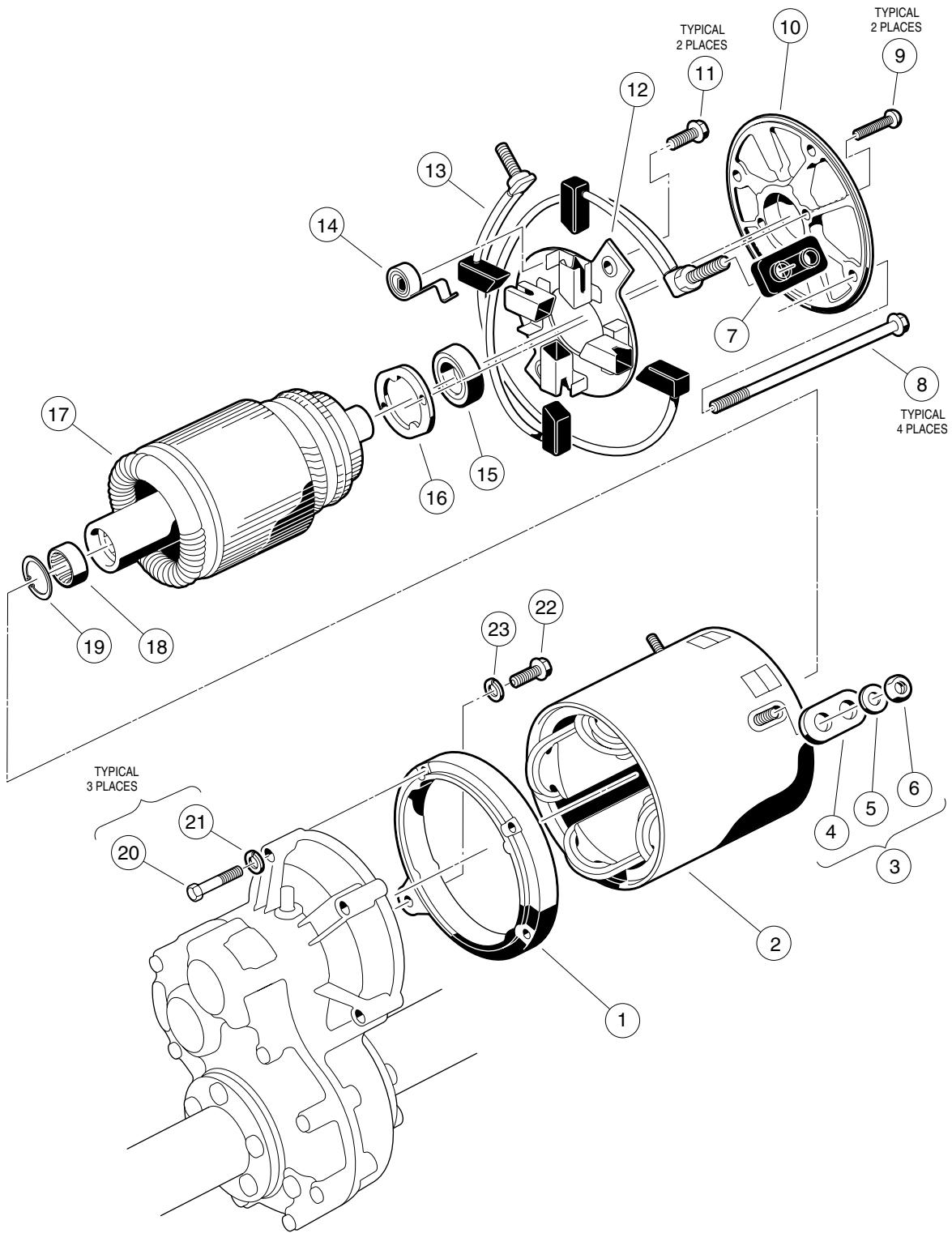


# ***ELECTRIC MOTORS***

---

***F***

***14***



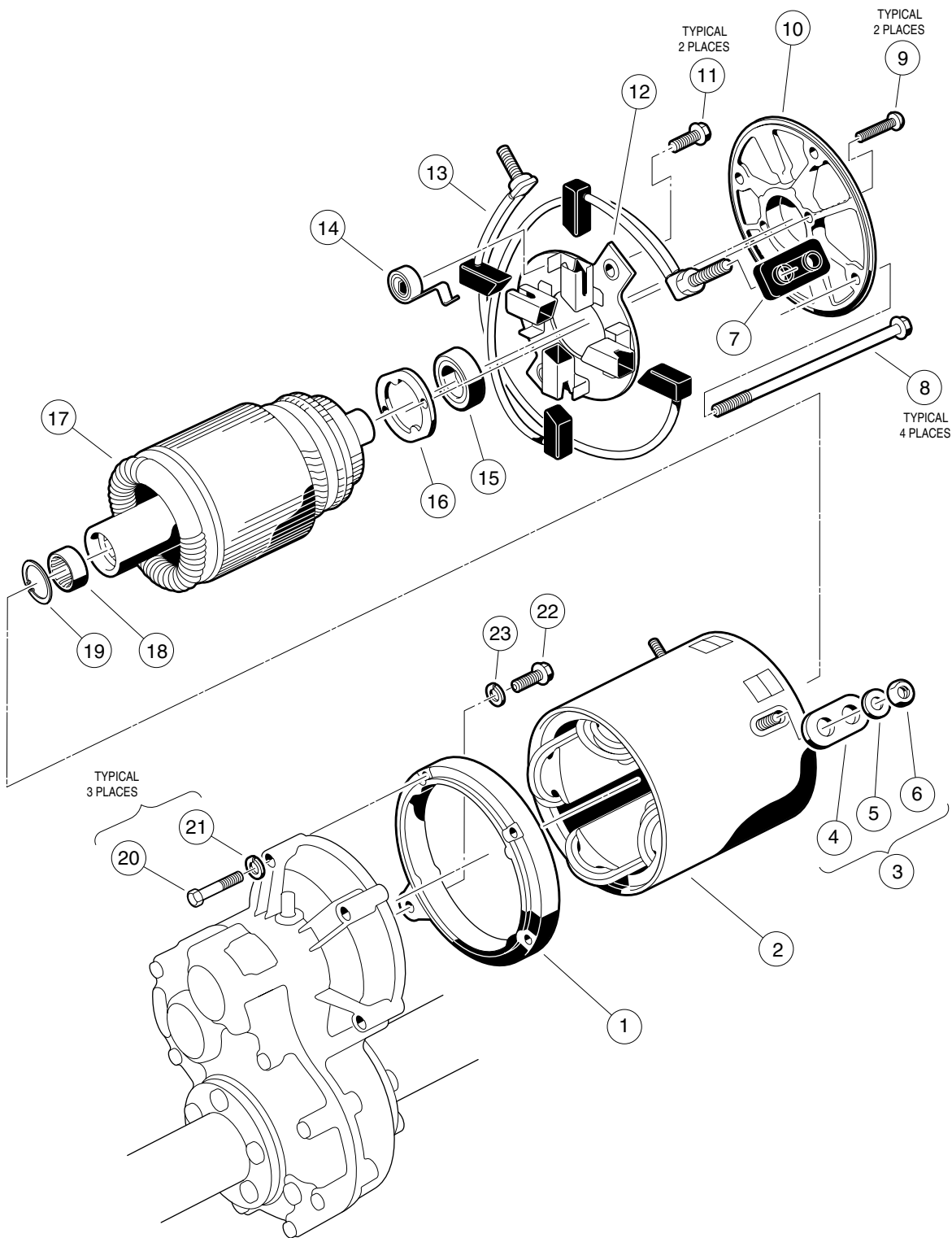


# MOTOR - 36 VOLT

ITEM	PART NO.	DESCRIPTION	QTY
		1 2 3 4	
	1018134-01	ASSEMBLY, 36 VOLT MOTOR, 2.97 HP .....	1
1	<u>1017944</u>	SHIELD, END .....	1
2	<u>1017945</u>	ASSEMBLY, STATOR SHELL AND WINDING.....	1
3	<u>1017947</u>	PACKAGE, HARDWARE (INCLUDES ITEMS 4 - 7).....	1
4	N/A	BUSHING, INSULATOR .....	2
5	N/A	WASHER, FLAT, 5/16.....	4
6	N/A	NUT, LOCK, 5/16 - 18 .....	4
7	N/A	BUSHING, INSULATOR .....	2
8	<u>1017952</u>	SCREW, CLAMP .....	4
9	<u>1017953</u>	SCREW, BEARING RETAINER.....	2
10	<u>1017951</u>	SHIELD, END .....	1
11	<u>1017949</u>	SCREW, BRUSH HOLDER .....	2
12	<u>1017948</u>	RIGGING, BRUSH .....	1
13	<u>1017946</u>	PACKAGE, BRUSH (2 PCS.) .....	2
14	1011411	PACKAGE, BRUSH SPRING (4 PCS.) .....	1
15	<u>1011290</u>	BEARING, BALL .....	1
16	<u>1017950</u>	RETAINER, BEARING .....	1
17	N/A	ARMATURE .....	1
18	<u>1017891-01</u>	RING, GUIDE .....	1
19	<u>1018228-01</u>	RING, INTERNAL RETAINING .....	1
20	1014201	BOLT, HEX HEAD, 1/4 - 20 x 2 1/4 .....	3
21	0000451	WASHER, LOCK, 1/4 .....	3
22	<u>1010934</u>	BOLT, HEX HEAD, 5/16 - 18 x 1 .....	1
23	0007174	WASHER, LOCK, 5/16 .....	1

**E**

**14**



# MOTOR - POWERDRIVE SYSTEM 48

ITEM	PART NO.	DESCRIPTION	QTY
		1 2 3 4	
	1018133-01	ASSEMBLY, 48 VOLT MOTOR, 3.10 HP.....	1
1	<u>1017944</u>	SHIELD, END .....	1
2	<u>1017958</u>	ASSEMBLY, STATOR SHELL AND WINDING .....	1
3	<u>1017947</u>	PACKAGE, HARDWARE (INCLUDES ITEMS 4 - 7).....	1
4	N/A	BUSHING, INSULATOR.....	2
5	N/A	WASHER, FLAT, 5/16.....	4
6	N/A	NUT, LOCK, 5/16 - 18.....	4
7	N/A	BUSHING, INSULATOR .....	2
8	<u>1017961</u>	SCREW, CLAMP .....	4
9	<u>1017953</u>	SCREW, BEARING RETAINER.....	2
10	<u>1017951</u>	SHIELD, END .....	1
11	<u>1017949</u>	SCREW, BRUSH HOLDER .....	2
12	<u>1017948</u>	RIGGING, BRUSH .....	1
13	<u>1017946</u>	PACKAGE, BRUSH (2 PCS.) .....	2
14	1011411	PACKAGE, BRUSH SPRING (4 PCS.) .....	1
15	<u>1011290</u>	BEARING, BALL .....	1
16	<u>1017950</u>	RETAINER, BEARING .....	1
17	N/A	ARMATURE .....	1
18	<u>1017891-01</u>	RING, GUIDE .....	1
19	<u>1018228-01</u>	RING, INTERNAL RETAINING .....	1
20	1014201	BOLT, HEX HEAD, 1/4 - 20 x 2 1/4 .....	3
21	0000451	WASHER, LOCK, 1/4 .....	3
22	<u>1010934</u>	BOLT, HEX HEAD, 5/16 - 18 x 1 .....	1
23	0007174	WASHER, LOCK, 5/16 .....	1

E

14

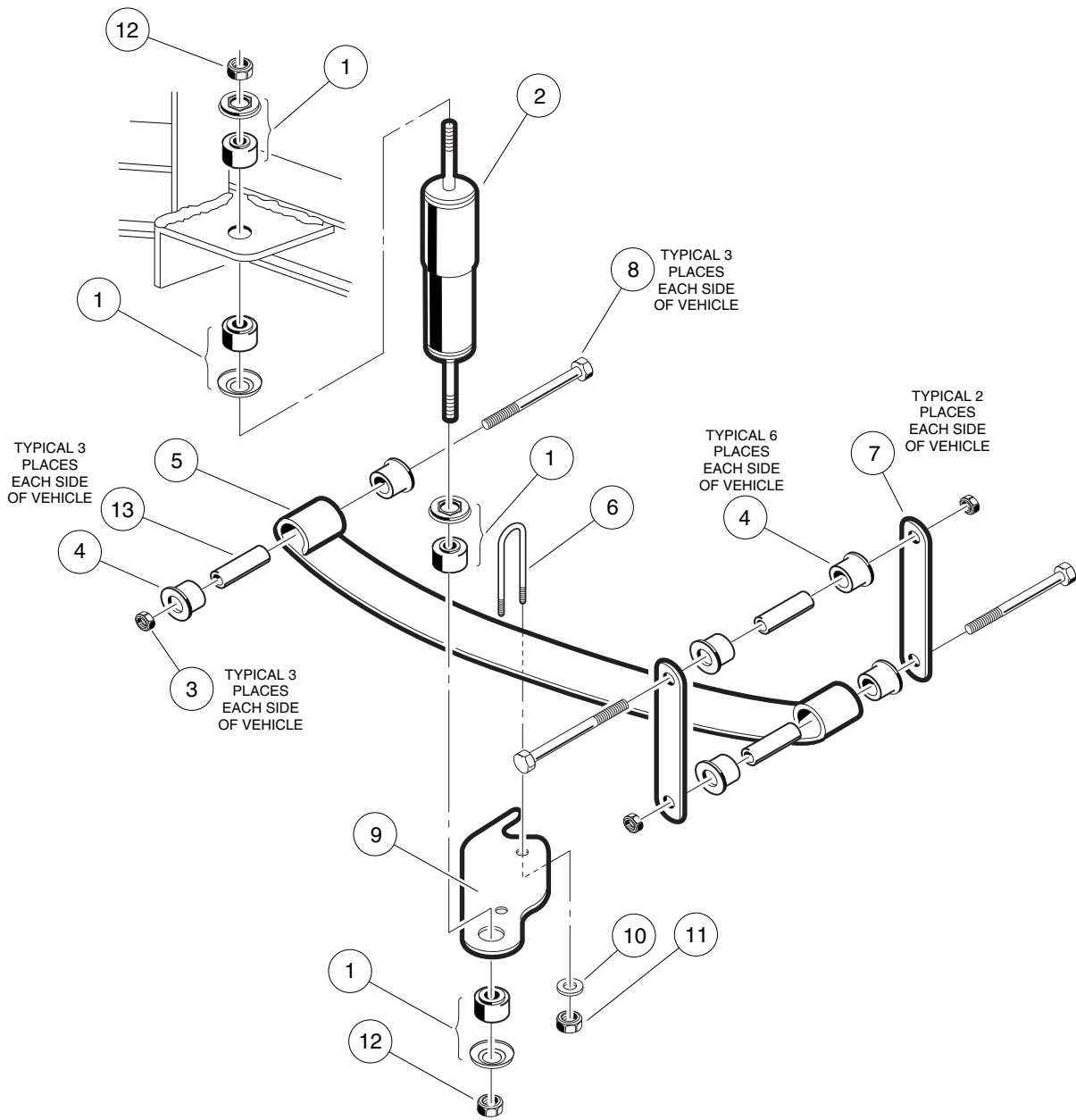


# ***REAR SUSPENSION ELECTRIC VEHICLE***

---

***F***

***15***



# REAR SUSPENSION - ELECTRIC VEHICLE

ITEM	PART NO.	DESCRIPTION	QTY
		1 2 3 4	
	<u>1013164</u>	KIT, SHOCK ABSORBER (INCLUDES ITEMS 1 & 2).....	1
1	<u>1011415</u>	KIT, SHOCK ABSORBER CUSHION .....	4
2	<u>1014236</u>	SHOCK ABSORBER, ELECTRIC REAR .....	2
3	0008754	NUT, NYLON LOCK, 3/8 - 16 .....	6
4	<u>1015583</u>	BUSHING, URETHANE .....	12
5	<u>1010974</u>	SPRING, REAR LEAF .....	2
6	<u>1012180</u>	"U" BOLT .....	2
7	0007569	SHACKLE, REAR SPRING .....	4
8	0008755	SCREW, HEX HEAD CAP, 3/8 - 16 x 3 3/8 .....	6
9	1012181	BRACKET, RIGHT HAND SHOCK MOUNT .....	1
9	1012182	BRACKET, LEFT HAND SHOCK MOUNT .....	1
10	<u>1014557</u>	WASHER, FLAT, 7/16.....	4
11	<u>1014555</u>	NUT, NYLON LOCK, 7/16 - 14 .....	4
12	<u>1010145</u>	NUT, HEX SHOCK ABSORBER, 3/8 - 24 .....	4
13	<u>1012303</u>	BUSHING, STEEL .....	6

**E**

**15**





# ***SAFETY DECALS***

---

**G**

**F**

**16**

**PRACTICE GOLF ETIQUETTE**

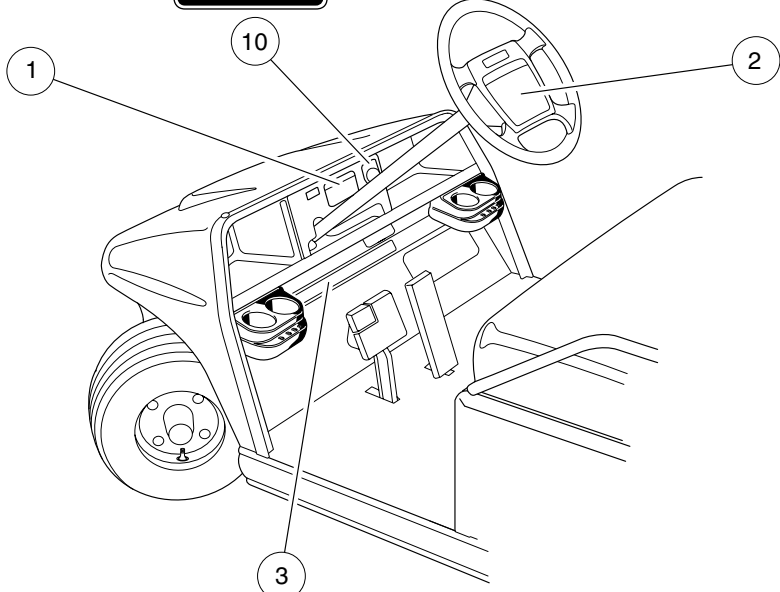
- Observe club rules.
- Drive on golf car paths when possible.
- Keep proper distance from greens.
- Replaces divots.
- Repair ball marks on greens.
- Rake sand traps.
- Allow faster players to play through.
- Help speed up play.
- Dispose of litter properly.

**Club Car**

**OFF ON**

**OPERATING INSTRUCTIONS**

- Head restraint is removed prior to operation.
- Study and understand controls. Be sure everyone is seated.
- Before driving, read safety warnings located above pedals.
- Make sure wheels are turned in desired direction.
- Turn key to "ON" position and be sure nothing is in gear path.
- Select direction by placing shift lever in desired direction.
- Turn key to "OFF" position and be sure nothing is in gear path.
- Select direction by placing shift lever in desired position.
- P - Forward; N - Neutral; R - Reverse.
- Vehicle will start moving when accelerator pedal is depressed.
- Slowly depress accelerator pedal to increase speed. Pedal brake will release when accelerator pedal is depressed.
- To stop, release accelerator pedal and depress brake pedal.
- After stopping, firmly depress park brake until it locks.
- Turn key to "OFF" position, remove key and place shift lever in the straight-up neutral position when not in use.



**WARNING** Failure to follow these instructions can cause severe injury or death.

- Read operating instructions before using vehicle.
- Never stand in front or behind vehicle.
- Vehicle should be driven only in specified areas by trained persons.
- Do not use on public roads.
- Only two persons per seat.
- Operate vehicle from driver's side only.
- Do not start vehicle until all people are seated.
- Remain seated and hold on in moving vehicle.
- Keep arms, legs, feet and body inside vehicle.
- Stop vehicle before changing direction.
- Buzzer will sound in reverse.
- Drive slowly in turns.
- Drive slowly straight up and down slopes.
- Set park brake before leaving vehicle.
- Remove key when vehicle is not in use.
- Place shift lever in neutral when vehicle is not in use.

**ON BODY ADJACENT TO FUEL TANK**

**ON ENGINE**

**ON AIR INTAKE BOX**

**WARNING**

**FLAME**

**DANGER**

- Gasoline - extremely flammable.
- Keep heat, sparks and open flames away from fuel tank and fuel lines.
- Do not add fuel while engine is running or hot.
- Service by trained personnel.

**WARNING**

**HOT manifold and muffler can cause severe burns.**

**ClubCar** Periodic Service Schedule

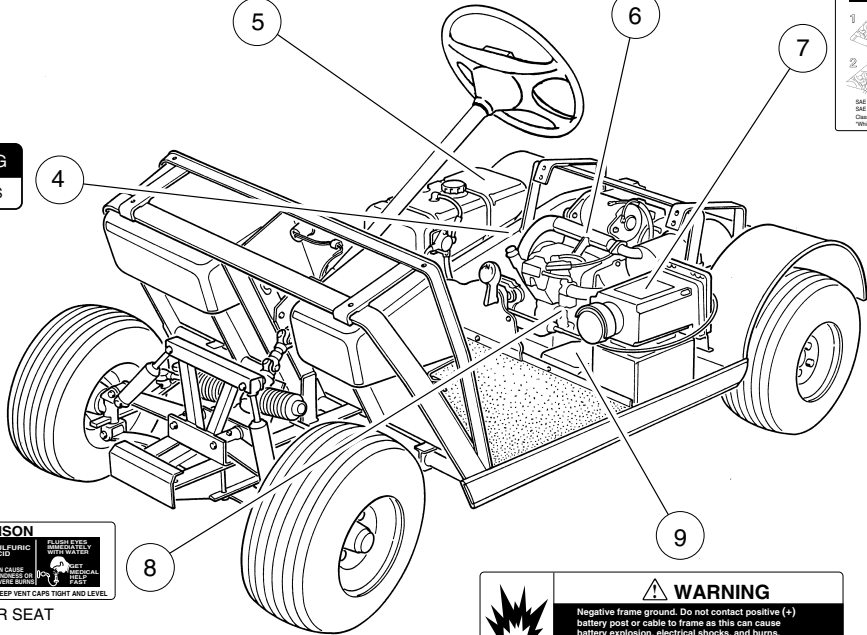
Checklist	Engine Oil Change	Regular Interval
1. Check Oil Level	Weekly	Weekly
2. Check Air Filter	Monthly	Monthly
3. Check Spark Plugs	Monthly	Monthly
4. Check Water Level	Monthly	Monthly
5. Check Battery	Monthly	Monthly
6. Check Tire Pressure	Monthly	Monthly
7. Check Brake Pads	Monthly	Monthly
8. Check Tire Condition	Monthly	Monthly
9. Check Fluids	Monthly	Monthly

**WARNING**

Operator is hereby advised that the ClubCar is not intended for use on public roads. It will not meet the safety standards required for use on public roads. ClubCar is not intended for use on public roads.

**WARNING**

**MOVING PARTS**



**DANGER / POISON**

**NO SPARKS, FLAMES OR OPEN FLAMES**

**FLASH EYES, IRRITATE SKIN, AND HARM WATER**

**NO FUMES**

**NO CAUSE OF SEVERE BURNS**

**NO ELECTRICAL SHOCKS**

**KEEP OUT OF THE REACH OF CHILDREN - DO NOT TIP - KEEP VENT CAPS TIGHT AND LEVEL**

**WARNING**

**Negative frame ground. Do not contact positive (+) battery post or cable to frame as this can cause battery explosion, electrical shocks, and burns.**

# SAFETY DECALS - GASOLINE VEHICLES

ITEM	PART NO.	DESCRIPTION	QTY
		1 2 3 4	
1	<u>1013390</u>	DECAL, GOLF ETIQUETTE .....	1
2	1016216	DECAL, OPERATING INSTRUCTIONS .....	1
3	<u>1014883</u>	DECAL, DASH WARNING .....	1
4	1015475	DECAL, MOVING PARTS WARNING .....	1
5	1015476	DECAL, GASOLINE DANGER .....	1
6	1017257	DECAL, HOT MANIFOLD WARNING .....	1
7	1016062	DECAL, PERIODIC SERVICE SCHEDULE .....	1
8	<u>1013677</u>	DECAL, BATTERY DANGER/POISON .....	1
9	1015474	DECAL, NEGATIVE FRAME GROUND WARNING .....	1
10	<u>1018251-01</u>	DECAL, KEY SWITCH .....	1



**PRACTICE GOLF ETIQUETTE**

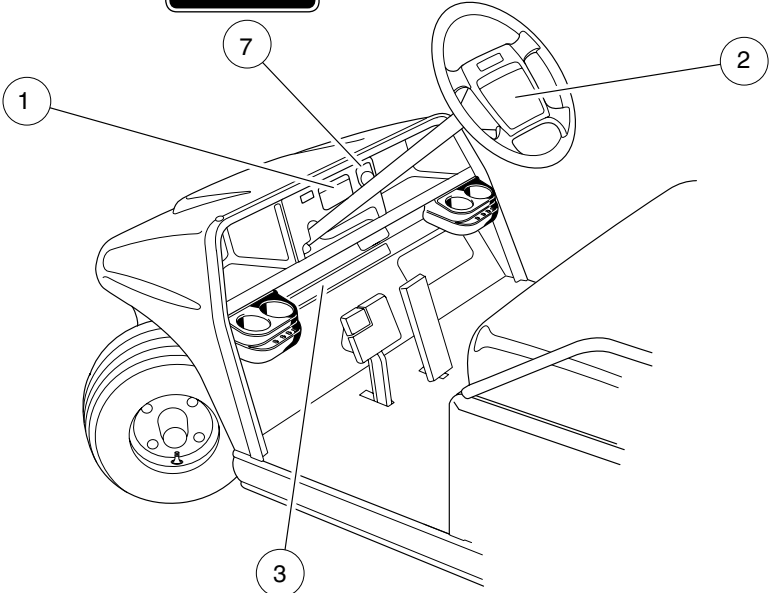
- Observe club rules.
- Drive on golf car paths when possible.
- Keep proper distance from greens.
- Replace divots.
- Repair ball marks on greens.
- Rake sand traps.
- Allow faster players to play through.
- Help speed up play.
- Dispose of litter properly.

**Club Car**

**OFF ON**

**OPERATING INSTRUCTIONS**

- Read owner's manual prior to operation.
- Body and underseat controls. Be sure everyone is seated.
- Before driving, read safety warnings located above pedals.
- Make sure wheels are turned in desired direction.
- Turn key to "OFF" position and be sure nothing is in your path.
- Select direction by placing shift lever in desired direction.
- Select direction by placing shift lever in desired position:
  - Forward (D, Neutral, R, Reverse)
- Vehicle will start moving when accelerator pedal is depressed.
- Slowly depress accelerator pedal to increase speed. Park brake will release when accelerator pedal is depressed.
- To stop, release accelerator pedal and depress brake pedal.
- After stopping, firmly depress park brake until it locks.
- Turn key to "OFF" position, remove key and place shift lever in the straight up neutral position when not in use.



<p><b>WARNING</b></p> <p>Failure to follow these instructions can cause severe injury or death.</p>	<ul style="list-style-type: none"> <li>• Read operating instructions before using vehicle.</li> <li>• Never stand in front or behind vehicle.</li> <li>• Vehicle should be driven only in specified areas by trained persons.</li> </ul>	<ul style="list-style-type: none"> <li>• Do not use on public roads.</li> <li>• Only two persons per seat.</li> <li>• Operate vehicle from driver's side only.</li> <li>• Do not start vehicle until all people are seated.</li> </ul>	<ul style="list-style-type: none"> <li>• Remain seated and hold on in moving vehicle.</li> <li>• Keep arms, legs, feet and body inside vehicle.</li> <li>• Stop vehicle before changing direction.</li> <li>• Buzzer will sound in reverse.</li> <li>• Drive slowly in turns.</li> </ul>	<ul style="list-style-type: none"> <li>• Drive slowly straight up and down slopes.</li> <li>• Set park brake before leaving vehicle.</li> <li>• Remove key when vehicle is not in use.</li> <li>• Place shift lever in neutral when vehicle is not in use.</li> </ul>
---	--	--	--	---

**ON BODY UNDER SEAT**

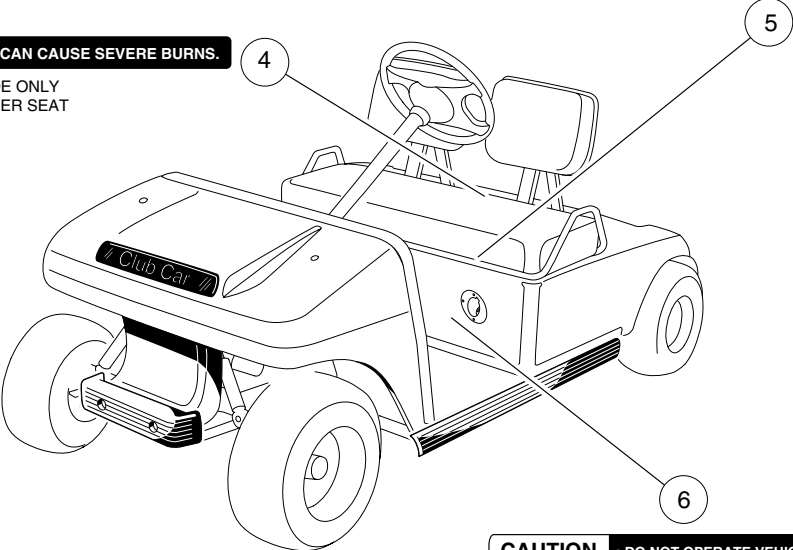
**⚠ DANGER / POISON**

<p>EXPLOSIVE GASES CAN CAUSE BLINDNESS OR INJURY</p> <p>SHIELD EYES</p>	<p>NO SPARKS, FLAMES OR SMOKING</p>	<p>SULFURIC ACID</p> <p>CAN CAUSE BLINDNESS OR SEVERE BURNS</p>	<p>FLUSH EYES IMMEDIATELY WITH WATER</p> <p>GET MEDICAL HELP FAST</p>
---	-------------------------------------	---	---

KEEP OUT OF THE REACH OF CHILDREN - DO NOT TIP - KEEP VENT CAPS TIGHT AND LEVEL

**⚠ WARNING HOT RESISTORS CAN CAUSE SEVERE BURNS.**

36V V-GLIDE ONLY  
ON BODY UNDER SEAT



**CAUTION**

• DO NOT OPERATE VEHICLE WITHOUT COVER IN PLACE • DO NOT DIRECT WATER STREAM AT THIS SWITCH

ON WIPER SWITCH COVER

# SAFETY DECALS - ELECTRIC VEHICLES

ITEM	PART NO.	DESCRIPTION	QTY
		1 2 3 4	
1	<u>1013390</u>	DECAL, GOLF ETIQUETTE .....	1
2	1016216	DECAL, OPERATING INSTRUCTIONS .....	1
3	<u>1014883</u>	DECAL, DASH WARNING .....	1
4	<u>1013496</u>	DECAL, HOT RESISTORS WARNING (36 VOLT V-GLIDE ONLY) .....	1
5	<u>1013677</u>	DECAL, BATTERY DANGER/POISON .....	1
6	1016109	DECAL, WIPER SWITCH CAUTION .....	1
7	<u>1018251-01</u>	DECAL, KEY SWITCH .....	1

**E**

**16**



# MAINTENANCE AND SERVICE TOOLS

DESCRIPTION	PART NUMBER
COMMUNICATION DISPLAY MODULE .....	1018318-01
BRAKE ADJUSTING TOOL .....	1013582
VOLT OHM METER .....	1011480
CONTINUITY TESTER .....	1011273
INTERNAL RETAINING RING PLIERS .....	1013593
RETAINING RING PLIERS - 45° EXTERNAL .....	1012549
RETAINING RING PLIERS - 90° INTERNAL .....	1012560
KEYSWITCH TOOL .....	1012801
SEAL PULLER .....	1012809
BEARING PULLER .....	1012811
BEARING PULLER WEDGE ATTACHMENT .....	1012812
TACHOMETER .....	1016112
DRIVE CLUTCH PULLER .....	1014496
CLUTCH ALIGNMENT TOOL .....	1014498
TOUCH-UP PAINT - BEIGE .....	1017097-01
TRANSMISSION TOOL KIT .....	1014115
TRANSAXLE PINION SEAL TOOL .....	1014161
TRANSAXLE AXLE SEAL TOOL .....	1014162
STEERING COLUMN BEARING PRESS TOOL .....	1014264
STEERING COLUMN RETAINING RING TOOL .....	1014259
BATTERY TERMINAL PROTECTOR .....	1014305
DRY MOLY LUBRICANT .....	1012151
HYDROMETER .....	1011478
BATTERY DISCHARGE MACHINE .....	1018319-01
BATTERY THERMOMETER .....	1011767
FLY WHEEL PULLER KIT .....	1016627
VALVE SEAT CUTTER HOLDER BAR .....	1016551
VALVE SEAT CUTTER HOLDER .....	1016552
VALVE SEAT CUTTER 45° (32MM DIAMETER) .....	1016553
VALVE SEAT CUTTER 45° (35MM DIAMETER) .....	1016554
VALVE SEAT CUTTER 32° (35MM DIAMETER) .....	1016555
CLUTCH TOOL KIT .....	1014510
TUNE-UP KIT .....	1016110-02
COMPRESSION GAUGE .....	1016410-01
ADAPTER .....	1016410-02
VALVE SPRING COMPRESSOR .....	1016411-01
ADAPTER .....	1016411-02
VALVE GUIDE REAMER .....	1016412-01
ARBOR .....	1016412-02
VALVE CLEARANCE ADJUSTER SCREW HOLDER .....	1016413
PISTON RING COMPRESSOR KIT .....	1016414
PISTON RING PLIERS .....	1016415
BEARING DRIVER SET .....	1016416
BEARING AND OIL SEAL REMOVER ASSEMBLY .....	1016417
GEAR YOKE .....	1016418
CAM INSTALLATION TOOL .....	1018084-01
GUIDE RING REMOVAL TOOL .....	1018256-01
GUIDE RING INSERTION TOOL .....	1018255-01
STARTER/GENERATOR BELT TENSION TOOL .....	1016867
ARMORFLEX REPAIR KIT .....	1017295
ADHESION PROMOTER - ARMORFLEX .....	1016985
GUIDE RING ADHESIVE, 3 GRAM TUBE .....	1018132-02
SAFETY FIRST CARD (50 PER PACK) .....	1018231-01











**CLUB CAR**  

---

**INGERSOLL-RAND**

**Golf Cars**  

---

Club Car Inc.  
P.O. Box 204658  
Augusta, GA 30917-4658