



2015 Carryall 510 LSV and Carryall 710 LSV Illustrated Parts List



Electric Low-Speed Vehicle (LSV)

Manual Number 105157106
Edition Code 0714D0616C

USING THE ILLUSTRATED PARTS LIST

⚠ WARNING

- **This manual is to be used only for identification and ordering of service parts. Be sure to read and use the maintenance and service manual before attempting any vehicle repairs.**

This manual covers all 2015 Carryall 510 and Carryall 710 Low-Speed Vehicles (LSV).

The manual is divided into sections. Note that there are two or three flags on the outside edge of each page. The first flag contains the section number of which that page is a part. The other flag (or flags) contains the letter D, E, or G, signifying that the page pertains to the diesel, electric, or gasoline vehicles only.

Use the Table of Contents to find the sections and pages that contain the parts and assemblies you seek. The Table of Contents lists section numbers, and under them, the individual page titles and numbers to be found in that section. The index can be used to find specific parts and assemblies. The index is divided into numerical and alphabetical listings with the page numbers in italic text.

There is a two-page spread for each individual page title in the Table of Contents. On the left-hand page is an illustration showing the parts in their relative positions; the parts are each tagged with an item number in a balloon. The right-hand page is the parts list page, and gives the page title at the top, then the item numbers (corresponding to the numbers on the illustration), part descriptions, and quantity of parts used.

Note that a part description may be indented. This indentation corresponds to a parts assembly level indicated by the numbers 1, 2, 3, and 4 at the top left corner of the parts description area of the parts list page. A part that is indented to *level 2* is a component of the *level 1* part (assembly) that it is listed under. A *level 3* part is a component of the *level 2* part that it is listed under, and a *level 4* part is a component of the *level 3* part preceding it. In each case, the part quantity given for a level 2, 3, or 4 part is the quantity used per next higher level assembly of which it is a component. A part that is not indented is a *level 1* part. This means that the quantity given is the quantity used per the portion of the vehicle illustrated on that particular spread.



P. O. Box 204658
Augusta, Georgia 30917-4658 USA
Telephone 706-863-3000
Service Parts Fax 706-855-7413
www.clubcar.com

HOW TO ORDER PARTS

Replacement parts and accessories can be obtained from our network of authorized dealers and distributors. You can obtain the name and phone number of your closest authorized Club Car dealer or distributor by visiting our web site at www.clubcardealer.com, by calling our toll-free Service Parts and Technical Assistance hotline at (800) 872-2246 or (706) 863-3000, extension 3887, or by scanning this Quick Response (QR) code to be taken to the Club Car dealer locator. **Refer to Figure 1.** Download a QR code reader such as RedLaser or Barcode Scanner to your cell phone or tablet.



Figure 1 Dealer Locator QR Code

CUSTOMER SATISFACTION SURVEY

Let your voice be heard!

Please take time to participate in the Technical Publications satisfaction survey. Obtaining feedback from our customers is important to the department's continuous improvement process. The online survey takes less than five minutes and responses will help the department to examine current performance as well as identify areas for future improvement.

Our top priority is to provide timely, accurate, and user friendly manuals.

The online satisfaction survey can be found at: <http://bit.ly/1w9uFMh>



Figure 2 Survey QR Code

NOTE: *This illustrated parts list represents the most current information at the time of publication. Club Car, LLC is continually working to further improve its vehicles and other products. These improvements may affect the parts used to service the vehicle. Any modification and/or significant change in specifications will be forwarded to all Club Car and Carryall distributors/dealers and will, when applicable, appear in future editions of this illustrated parts list.*

Club Car, LLC reserves the right to change specifications and designs at any time without notice and without the obligation of making changes to units previously sold.

Copyright © 2014 Club Car, LLC.

Club Car is a registered trademark of Club Car, LLC.

This manual effective July 7, 2014.

CONTENTS

SECTION 1 – BODY AND TRIM

| | |
|---|------|
| Heavy Duty Front Bumper | 1-3 |
| Headlight Guard | 1-5 |
| Fender Guard | 1-7 |
| Front License Plate Holder | 1-9 |
| Front Body | 1-11 |
| Body Touch-Up Paint | 1-13 |
| Front Bumper, Grille, and Fenders | 1-15 |
| Headlight Bezels | 1-17 |
| Dash, Glovebox Door, and Floormat | 1-19 |
| Front Frame, Standard | 1-21 |
| Bucket Seats and Frame | 1-23 |
| Inner Rear Fenders | 1-25 |
| Rear Fenders and Tail Skirt | 1-27 |
| Bed Hinge, Latch, and Prop Rod – Medium | 1-29 |
| Tilt Bed (Long) Hinge – Electric Vehicle | 1-31 |
| Tilt Bed and Bed Latch – Medium | 1-33 |
| Tilt Bed – Long | 1-35 |
| Electric Bed Lift – Medium, Electric Vehicles | 1-37 |
| Electric Bed Lift, Long – Electric Vehicles | 1-39 |
| Latch Plate | 1-41 |
| Flat Bed Trim – Medium | 1-43 |
| Flat Bed Trim – Long | 1-45 |
| Cargo Box Kit – Medium (Page 1 of 2) | 1-47 |
| Cargo Box Kit – Long (Page 1 of 2) | 1-49 |
| Cargo Box Kit (Page 2 of 2) | 1-51 |
| Tailgate Teather | 1-53 |
| Stake Side Kit – Long | 1-55 |
| Modular Bed Accessories | 1-57 |
| Modular Bed Accessories | 1-59 |
| Modular Bed Accessories | 1-61 |
| Stake Side Kit – Medium | 1-63 |
| Heavy Duty Trailer Hitch | 1-65 |
| Rear Reciever Hitch | 1-67 |
| Trailer Hitch Ball | 1-69 |
| Cab Canopy | 1-71 |
| Cab Doors – Glass | 1-73 |
| Cab Doors – Vent | 1-75 |
| Cab - Mirrors | 1-77 |

CONTENTS

| | |
|--|-------|
| Cab – Windshield | 1-79 |
| Cab – Seat Belts – 3-Point | 1-81 |
| Cab – Electrical, Power Harness, Electric Vehicle to Cab | 1-83 |
| Cab – Electrical, Overhead Console | 1-85 |
| Cab – Electrical, Windshield Wiper | 1-87 |
| Cab – Electrical, Windshield Washer | 1-89 |
| Cab – Electrical, Work Lights | 1-91 |
| Cab – Electrical, Warning Beacon | 1-93 |
| Cab – Rear Window | 1-95 |
| Van Box – Gray | 1-97 |
| Van Box – White | 1-99 |
| Van Box, Long – Gray | 1-101 |
| Van Box, Long – White | 1-103 |
| Van Box, Long – Service Parts | 1-105 |
| Van Box, Medium – Service Parts | 1-107 |
| Toolboxes | 1-109 |

SECTION 2 – WHEELS AND TIRES

| | |
|------------------------|-----|
| Wheels and Tires | 2-3 |
| Wheel Covers | 2-5 |

SECTION 3 – DECALS

| | |
|---|-----|
| Decals – Electric Carryall 510 and 710 | 3-3 |
| Decals – Electric Carryall 510 and 710, Continued | 3-5 |
| Badging Decals – Carryall 510 | 3-7 |
| Badging Decals – Carryall 710 | 3-9 |

SECTION 4 – LIGHTS, CONTROLS, AND INDICATORS

| | |
|---|------|
| Headlights | 4-3 |
| 12-Volt Fuse Block and Fuses – Electric Vehicle | 4-5 |
| Horn, Turn Signals, and Taillights – Electric and Gasoline Vehicles | 4-7 |
| Instrument Panel - LSV (Domestic) | 4-9 |
| Keyswitch, Private Speed Mode - Electric Vehicle | 4-11 |
| Rear Mounted Reverse Buzzer | 4-13 |
| DC Converter, Heavy Duty – Electric Vehicle | 4-15 |
| Slow Moving Vehicle Triangle | 4-17 |
| Reflectors | 4-19 |
| Heater Defogger – Electric Vehicle | 4-21 |

CONTENTS

SECTION 5 – BRAKES, PEDALS, AND CABLE ASSEMBLIES

| | |
|--|------|
| Hydraulic Front Drum Brake Assembly – Driver-Side | 5-3 |
| Hydraulic Front Drum Brake Assembly – Pass-Side | 5-5 |
| Brake Pedal Assembly | 5-7 |
| Accelerator Pedal Assembly – Electric Vehicles | 5-9 |
| Pedal Close-Out Kit | 5-11 |
| Master Cylinder, Bell Crank, and Brake Lines – CA510 | 5-13 |
| Hand Brake Assembly – CA510 | 5-15 |
| Master Cylinder, Bell Crank, and Brake Lines – CA710 | 5-17 |
| Hand Brake Assembly – CA710 | 5-19 |
| Hydraulic Rear Brake Assembly | 5-21 |

SECTION 6 – STEERING, FRONT AND REAR SUSPENSION

| | |
|---|------|
| Steering Gear Assembly | 6-3 |
| Steering Column | 6-5 |
| Steering Wheel | 6-7 |
| Steering Wheel with Clip | 6-9 |
| Front Suspension, Upper, HYD | 6-11 |
| Front Suspension, Lower, HYD, Drums 3 Leaf, 1 Plate | 6-13 |
| Steering Stop | 6-15 |
| Front Wheel Hubs | 6-17 |
| Rear Suspension Components | 6-19 |

SECTION 7 – ELECTRICAL SYSTEM – ELECTRIC VEHICLES

| | |
|---|------|
| Motor Controller Output Regulator (MCOR) | 7-3 |
| Main Wiring Harness, 48-Volt Fuse Block - CA510 | 7-5 |
| Main Wiring Harness, 48-Volt Fuse Block - CA710 | 7-7 |
| Tow/Run Switch | 7-9 |
| Electric Components – CA510 | 7-11 |
| Electric Components – CA710 | 7-13 |
| Batteries 6-Volt, Standard Duty - CA510 | 7-15 |
| Batteries 6-Volt, Heavy Duty - CA510 | 7-17 |
| Batteries 6-Volt, Standard Duty - CA710 | 7-19 |
| Batteries 6-Volt, Heavy Duty - CA710 | 7-21 |
| Single Point Watering System (SPWS) | 7-23 |
| Single Point Watering System (SPWS) – CA510 | 7-25 |
| Hand Pump and Deionizer (Battery-Powered Quality Light) | 7-27 |

CONTENTS

SECTION 8 – ELECTRIC MOTOR

| | |
|----------------|-----|
| AC Motor | 8-3 |
|----------------|-----|

SECTION 9 – TRANSAXLE – ELECTRIC VEHICLES

| | |
|-------------------------------------|-----|
| Transaxle – Electric Vehicles | 9-3 |
|-------------------------------------|-----|

SECTION 10 – BATTERY CHARGERS – HIGH-FREQUENCY

| | |
|---|------|
| Onboard Battery Charger, High-Freq. - CA510 | 10-3 |
| Onboard Battery Charger, High-Freq. - CA710 | 10-5 |

SECTION 11 – MAINTENANCE AND SERVICE TOOLS

| | |
|--|------|
| Maintenance and Service Tools | 11-3 |
| Maintenance and Service Tools, Continued | 11-5 |
| Maintenance and Service Tools, Continued | 11-7 |

SECTION i – INDEX

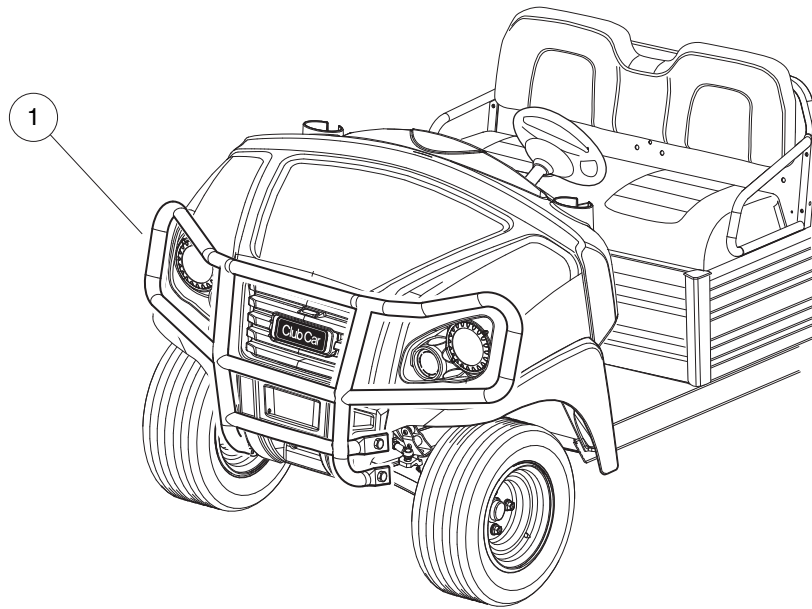
BODY AND TRIM

1

E

1

E



001100-002

HEAVY DUTY FRONT BUMPER

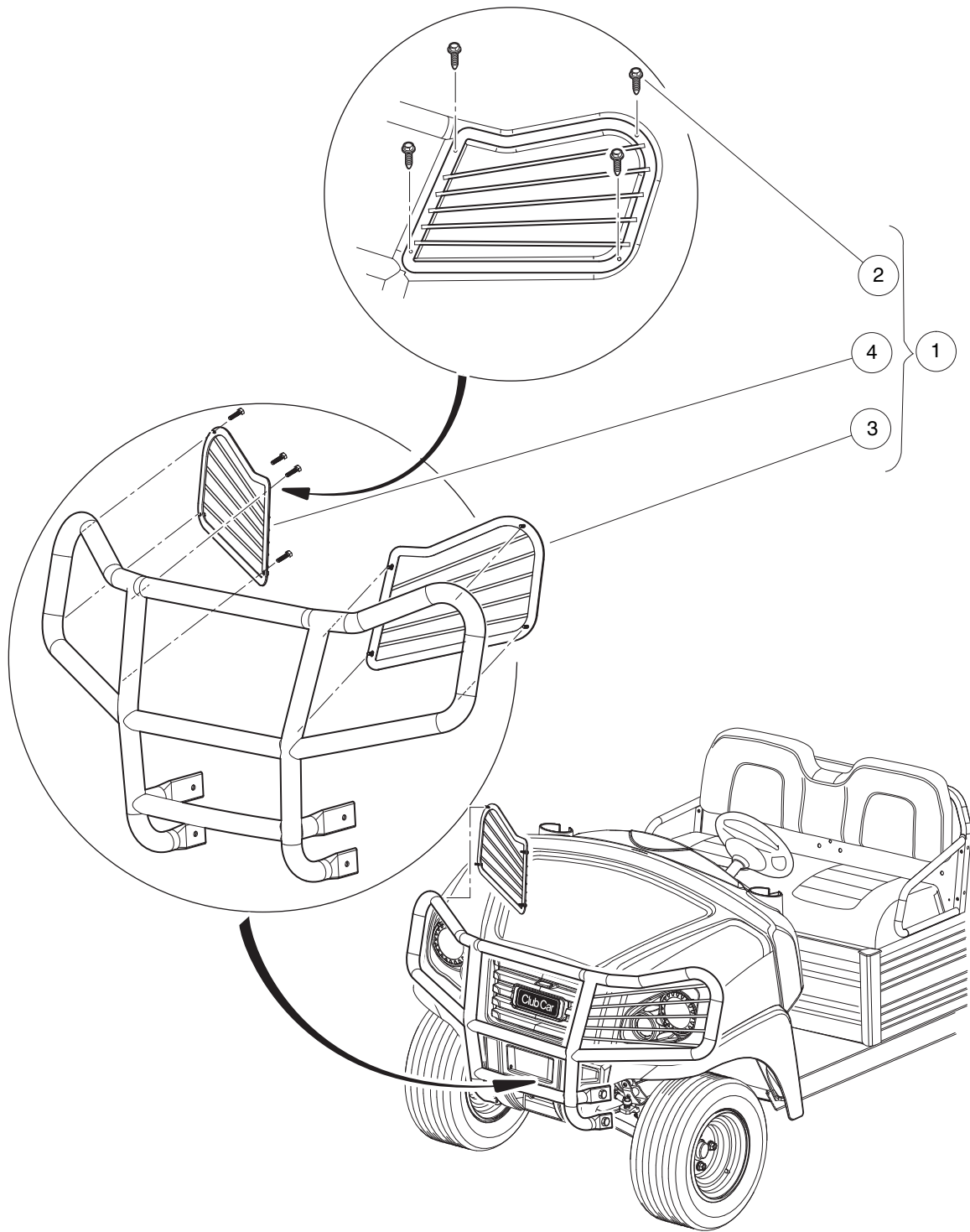
| ITEM | PART NO. | DESCRIPTION | QTY |
|------|------------------|--|-----|
| 1 | <u>105100601</u> | <p>1 2 3 4 Kit, Hd Bumper, Hb Res</p> <p>Note: Individual components are not procurable. Steering Stops, 105242801 and 105243001 are also required when installing the HD Bumper Kit.</p> | 1 |

1

E

1

E



001300-017

HEADLIGHT GUARD

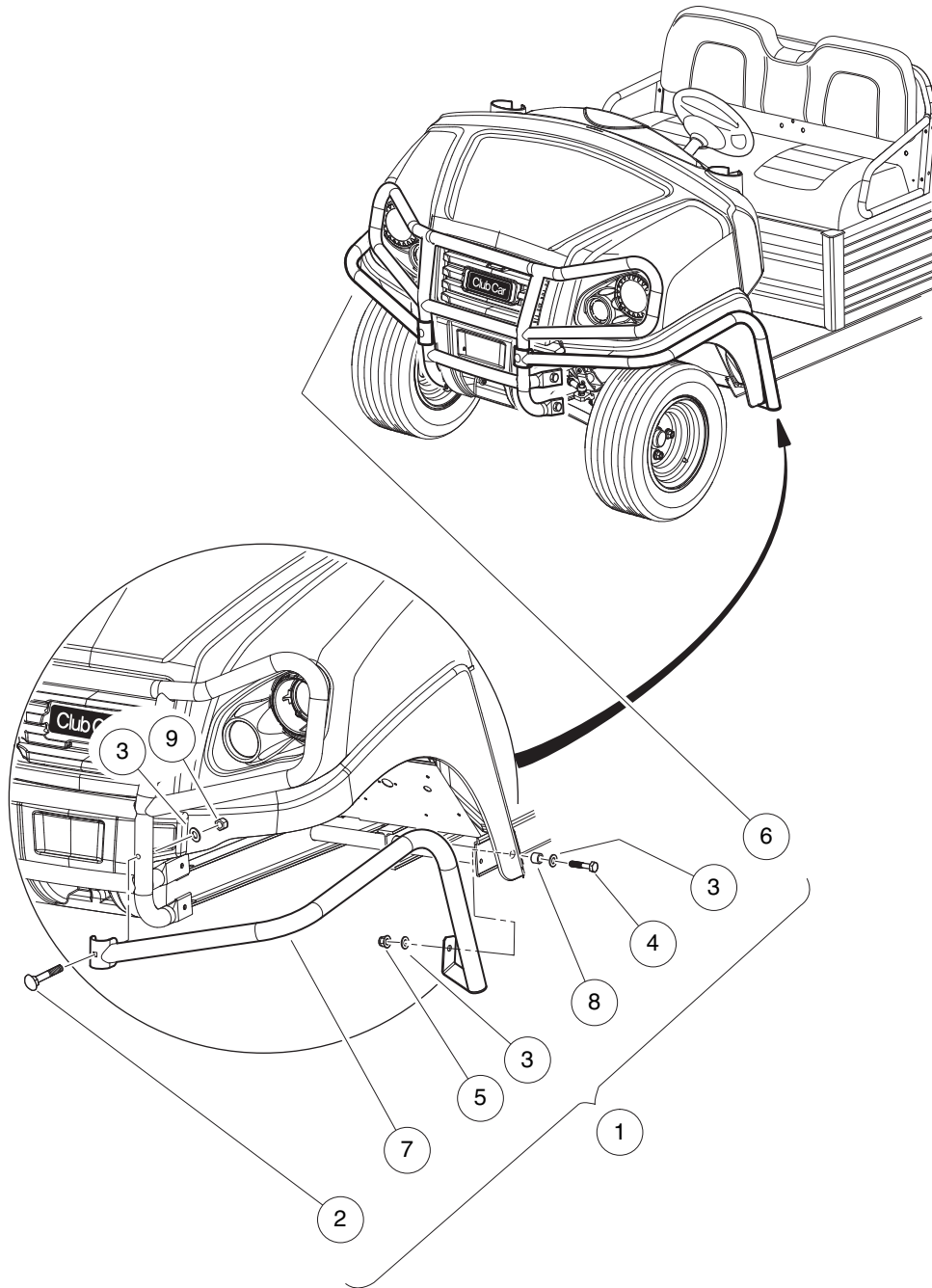
| ITEM | PART NO. | DESCRIPTION | QTY |
|------|------------------|---|-----|
| | | 1 2 3 4 | |
| 1 | <u>105156301</u> | Kit, Head Light Guard, Utl Res (includes items 2 through 4) | 1 |
| 2 | <u>102296819</u> | Screw-M6 x 19 | 8 |
| 3 | <u>105156701</u> | Guard, Headlight, UTL,LH | 1 |
| 4 | <u>105156702</u> | Guard, Head Light, Utl, Rh | 1 |

1

E

1

E



001300-002

FENDER GUARD

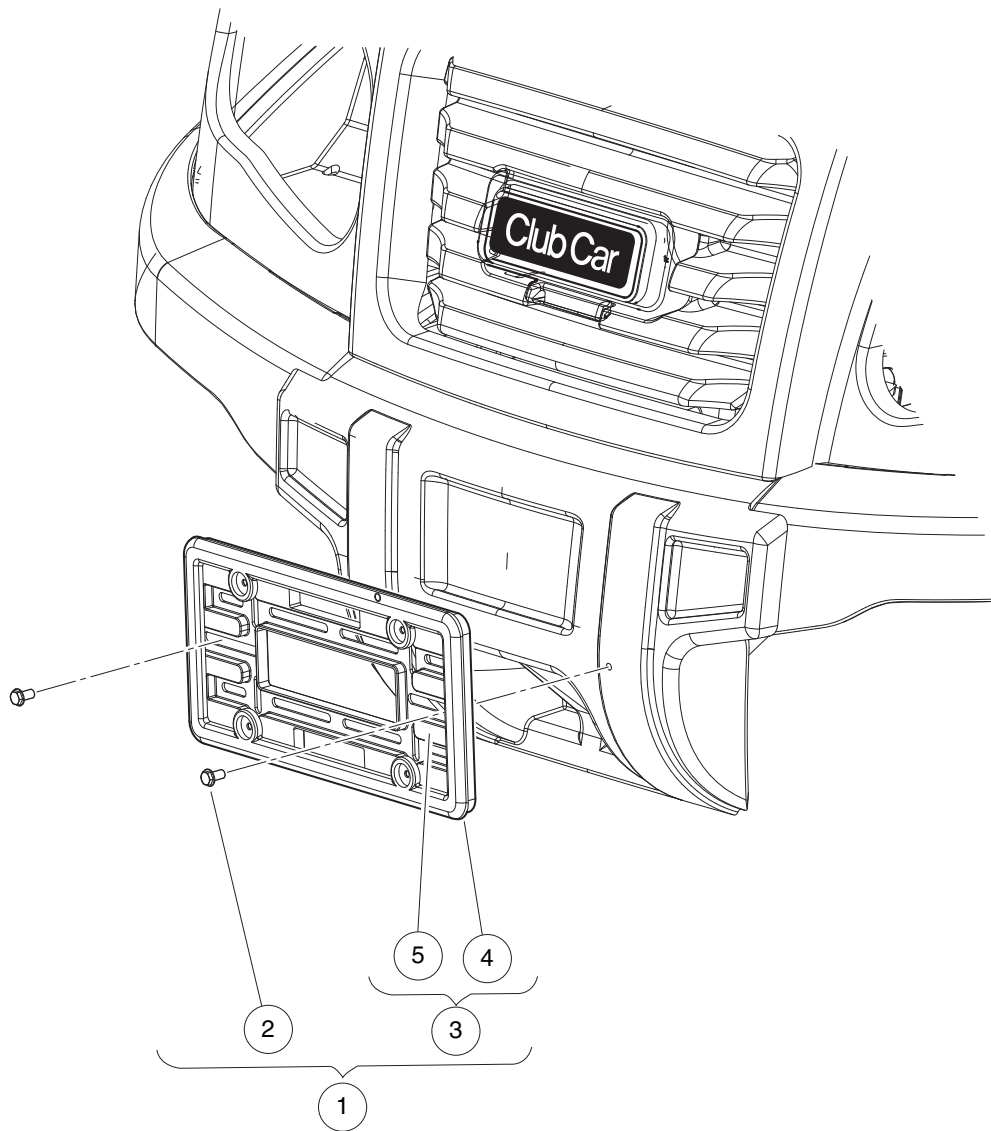
| ITEM | PART NO. | DESCRIPTION | QTY |
|------|------------------|--|-----|
| | | 1 2 3 4 | |
| 1 | <u>105124001</u> | Kit, Fender Guard, Hb Res (includes items 2 through 9) | 1 |
| 2 | 101242802 | Bolt, 3/8-16 X 2.25 Rd Hd Sq Bk | 2 |
| 3 | <u>102323501</u> | Washer, Flat, 3/8, Blk Fin | 6 |
| 4 | <u>102621601</u> | Bolt, M10 X 1.50 X 45 Black | 2 |
| 5 | <u>102670701</u> | Nut, Flange, M10 X 1.5 Nylon | 2 |
| 6 | 105074501 | Weldment, Fender Guard, Hb, Rh | 1 |
| 7 | 105074502 | Weldment, Fender Guard, Hb, Lh | 1 |
| 8 | <u>105094001</u> | Spacer, Canopy Support, Dash | 2 |
| 9 | <u>8754</u> | Locknut, 3/8-16 Hex | 2 |

1

E

1

E



001155-001

FRONT LICENSE PLATE HOLDER

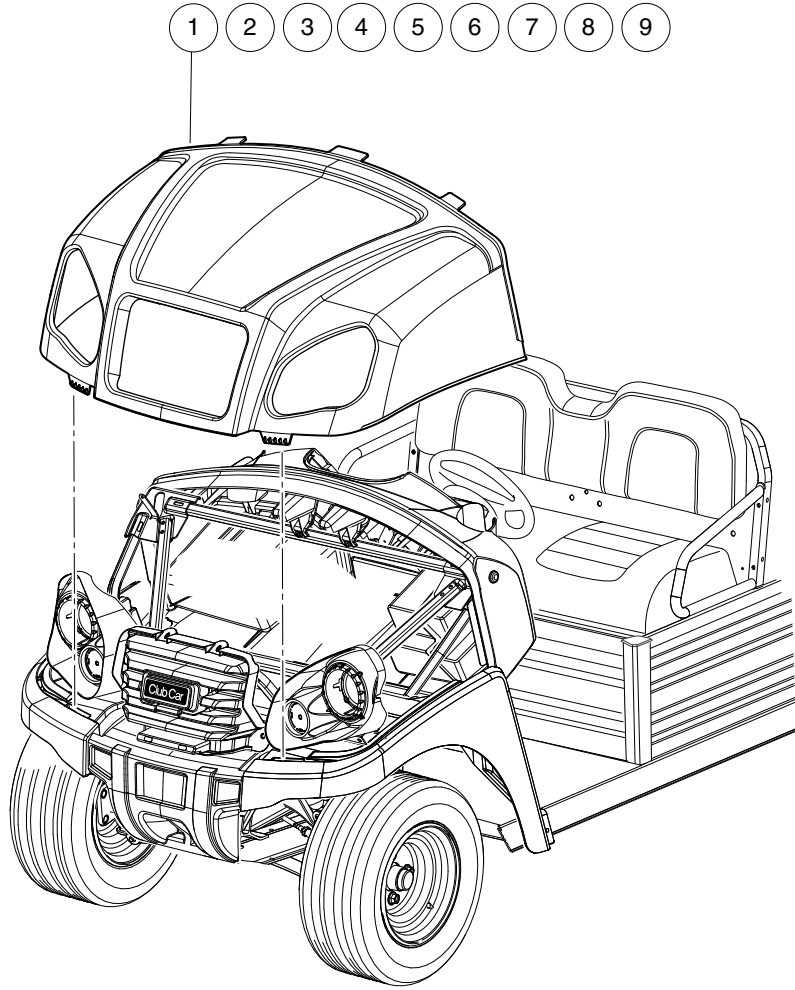
| ITEM | PART NO. | DESCRIPTION | QTY |
|------|------------------|---|-----|
| | | 1 2 3 4 | |
| 1 | <u>105124901</u> | Kit, Front, License Pl, Lsv (includes items 2 and 3) | 1 |
| 2 | <u>101856101</u> | Screw, 1/4-15 X .50 Hi-lo Hex | 2 |
| 3 | <u>102311501</u> | Front License Plate Assembly (includes items 4 and 5) | 1 |
| 4 | N/A | Frame, License Plate | 1 |
| 5 | N/A | Mount, License Plate | 1 |

1

E

1

E



001300-003

FRONT BODY

| ITEM | PART NO. | DESCRIPTION | QTY |
|------|------------------|------------------------------------|-----|
| | | 1 2 3 4 | |
| 1 | <u>105034321</u> | Cowl, Ca, Serv, Dk Green | 1 |
| 2 | <u>105034322</u> | Cowl, Ca, Serv, Dk Gray | 1 |
| 3 | <u>105034323</u> | Cowl, Ca, Serv, White | 1 |
| 4 | <u>105034324</u> | Cowl, Ca, Serv, Bright Blue | 1 |
| 5 | <u>105034325</u> | Cowl, Ca, Serv, Titn Silver | 1 |
| 6 | <u>105034326</u> | Cowl, Ca, Serv, Beige | 1 |
| 7 | <u>105034327</u> | Cowl, Ca, Serv, Red | 1 |
| 8 | <u>105034328</u> | Cowl, Ca, Serv, Black | 1 |
| 9 | <u>105034329</u> | Cowl, Ca, Serv, Classic Blue | 1 |

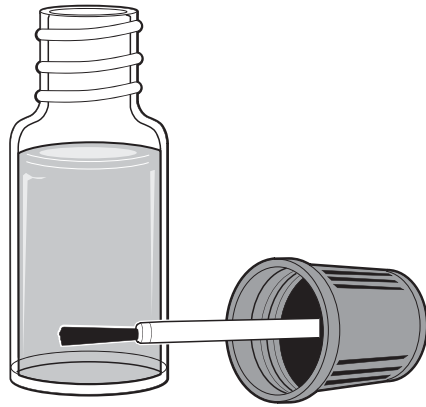
1

E

1

E

- 1
- 2
- 3
- 4
- 5
- 6
- 7
- 8
- 9
- 10



001300-020

BODY TOUCH-UP PAINT

| ITEM | PART NO. | DESCRIPTION | QTY |
|------|------------------|-------------------------------------|-----|
| | | 1 2 3 4 | |
| 1 | <u>105117701</u> | Paint, Touch-up, White | 1 |
| 2 | <u>105117702</u> | Paint, Touch-up, Classic Blue | 1 |
| 3 | <u>105117703</u> | Paint, Touch-up, Dark Green | 1 |
| 4 | <u>105117704</u> | Paint, Touch-up, Red | 1 |
| 5 | <u>105117705</u> | Paint, Touch-up, Dark Gray | 1 |
| 6 | <u>105117706</u> | Paint, Touch-up, Black | 1 |
| 7 | <u>105117707</u> | Paint, Touch-up, Tan | 1 |
| 8 | <u>105117708</u> | Paint, Touch-up, Bright Blue | 1 |
| 9 | <u>105117709</u> | Paint, Touch-up, Titn Silver | 1 |
| 10 | <u>105117710</u> | Paint, Touch-up, Light Gray | 1 |

1

E

FRONT BUMPER, GRILLE, AND FENDERS

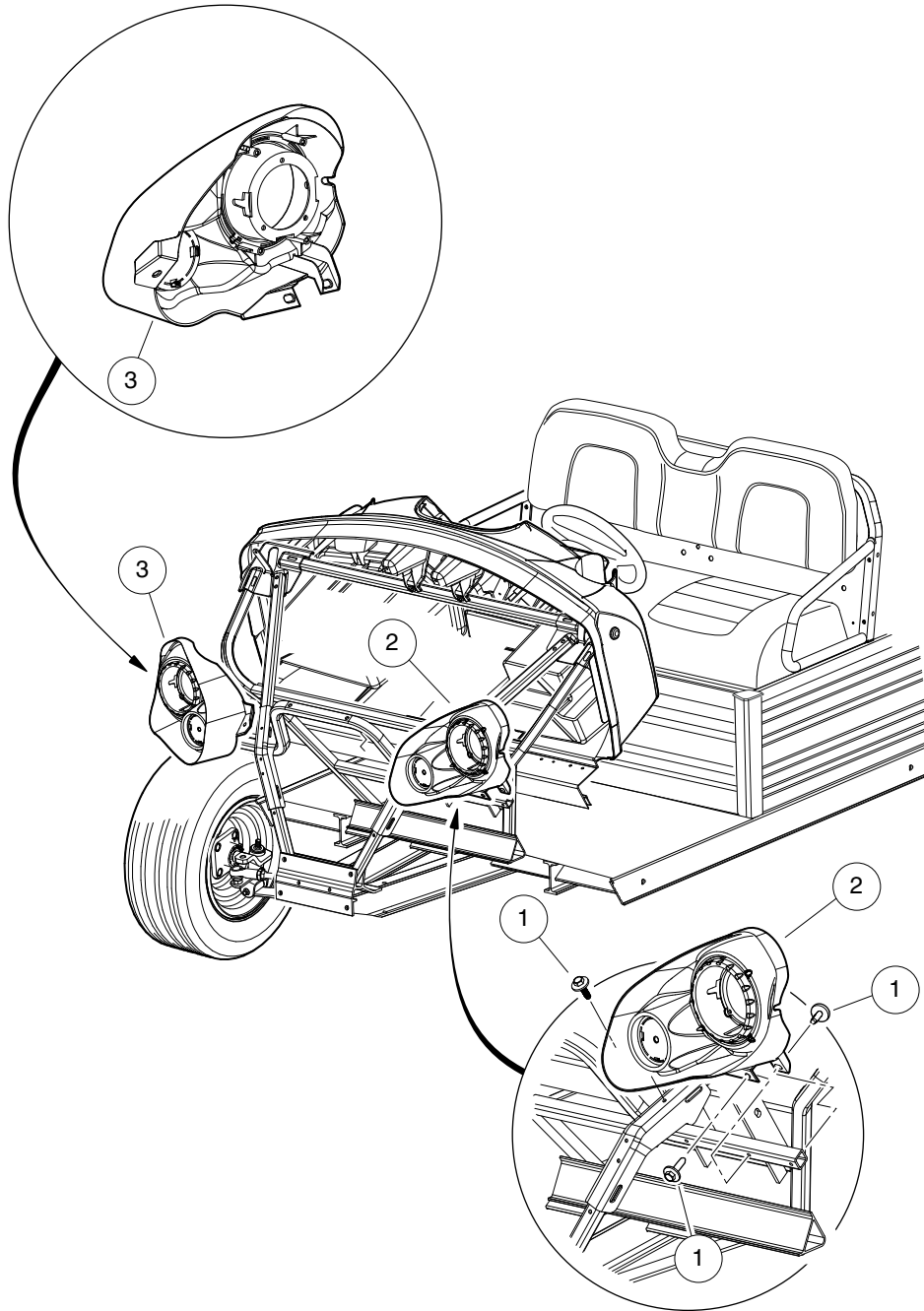
| ITEM | PART NO. | DESCRIPTION | QTY |
|------|------------------|--|-----|
| | | 1 2 3 4 | |
| 1 | <u>102292701</u> | Clip-body-trim | 2 |
| 2 | <u>102296301</u> | Washer, M6x18x1.6 Flat | 2 |
| 3 | <u>102296530</u> | Screw - M6 X 1.0 X 30 Sems | 6 |
| 4 | <u>102297125</u> | Screw, M6-1.0x25.4, Thread-Forming, SEMS | 8 |
| 5 | <u>102541501</u> | Nut-m6x1.0 Fl Mtl Lock,blk | 2 |
| 6 | <u>102883601</u> | Decal, Nameplate, CCI, Front | 1 |
| 7 | <u>105034401</u> | Fender, Front, Rh, Ca | 1 |
| 8 | <u>105034501</u> | Fender, Front, Lh, Ca | 1 |
| 9 | <u>105034601</u> | Bumper, Front, Plastic, Ca | 1 |
| 10 | <u>105034701</u> | Grille, Ca | 1 |
| 11 | <u>105034801</u> | Door, Charger Port, Ca | 1 |
| 12 | <u>105036701</u> | Spacer, Frt Fender, Ca | 2 |

1

E

1

E



001300-005

HEADLIGHT BEZELS

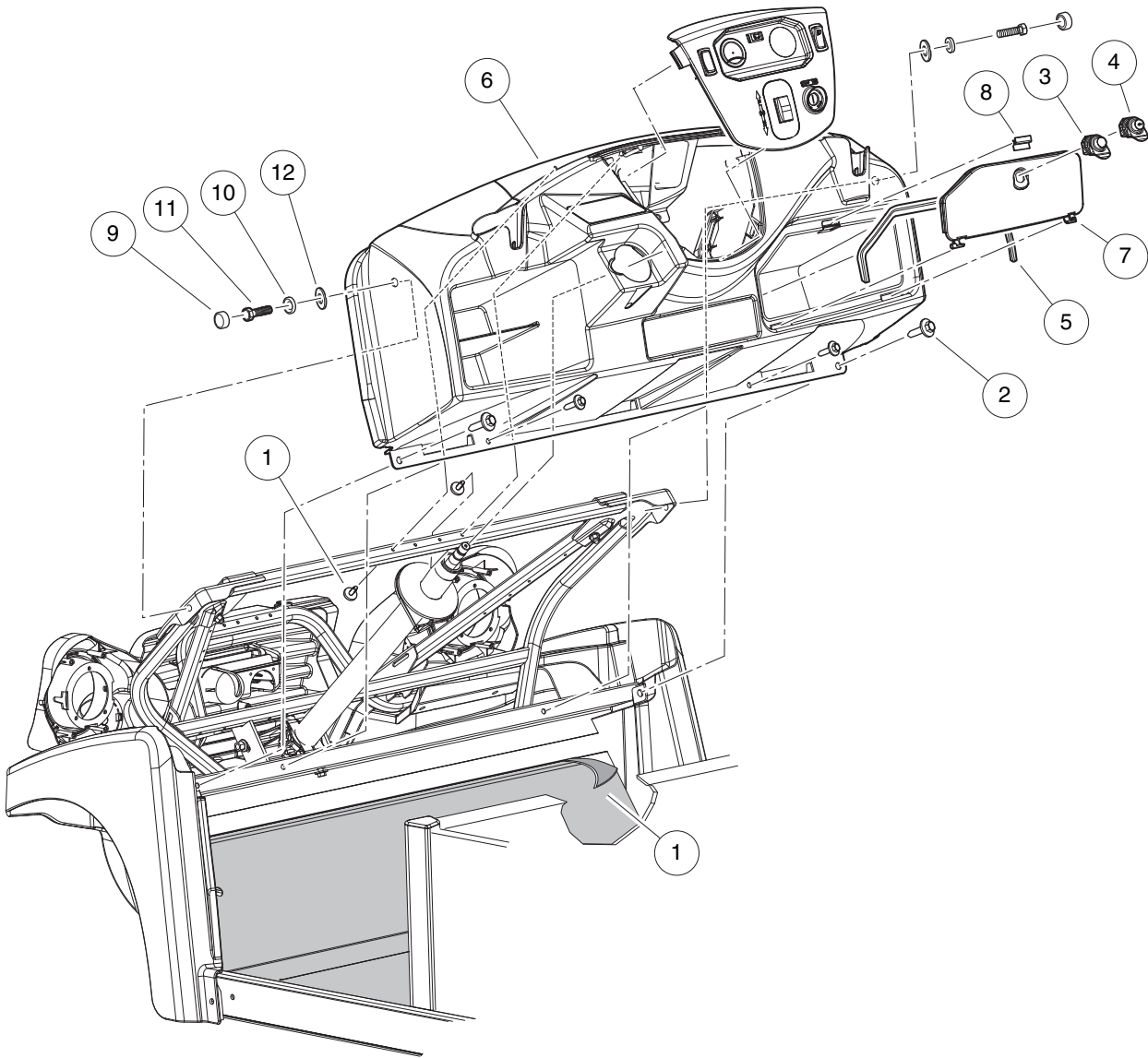
| ITEM | PART NO. | DESCRIPTION | QTY |
|------|------------------|--|-----|
| | | 1 2 3 4 | |
| 1 | <u>102297125</u> | Screw, M6-1.0x25.4, Thread-Forming, SEMS | 6 |
| 2 | <u>105034901</u> | Bezel, HI, Lh, Ca | 1 |
| 3 | <u>105035001</u> | Bezel, HI, Rh, Ca | 1 |

1

E

1

E



001300-006

DASH, GLOVEBOX DOOR, AND FLOORMAT

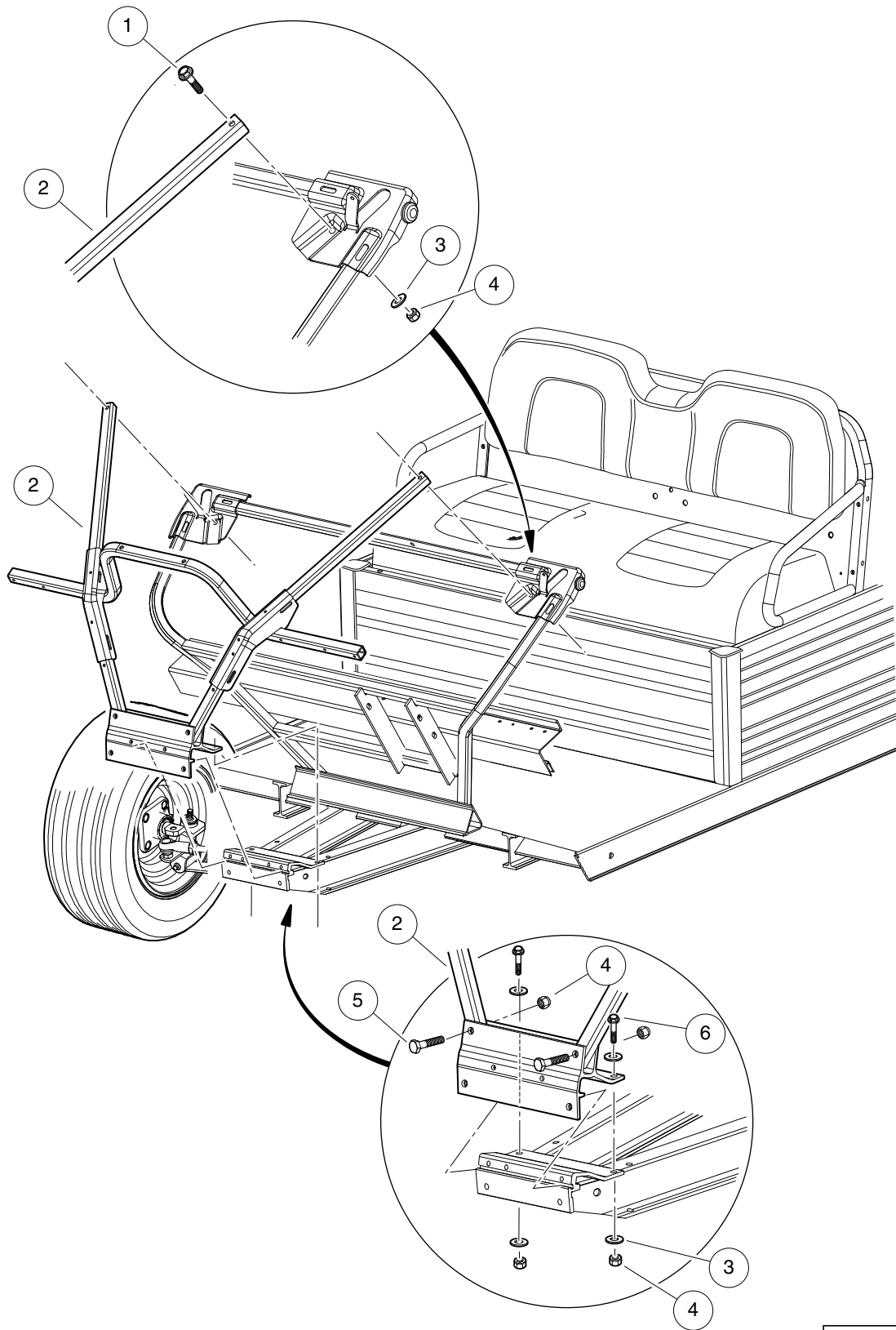
| ITEM | PART NO. | DESCRIPTION | QTY |
|------|------------------|--|-----|
| | | 1 2 3 4 | |
| 1 | <u>101503202</u> | Floormat | 1 |
| 2 | <u>102297125</u> | Screw, M6-1.0x25.4, Thread-Forming, SEMS | 6 |
| 3 | <u>103182701</u> | Latch, Push Close | 1 |
| 4 | <u>103182702</u> | Latch, Push Close W/ Key | 1 |
| 5 | 103540203 | Seal, Bulb, 13 X 27 X 579 Mm | 1 |
| 6 | <u>105034001</u> | Dash, Ca | 1 |
| 7 | <u>105034201</u> | Door, Glove Box, Ca | 1 |
| 8 | <u>105035701</u> | Keeper, Latch, Ca | 1 |
| 9 | <u>105049201</u> | Cover, Bolt, Rh Series | 2 |
| 10 | <u>105049301</u> | Cover, Washer, Rhw Series | 2 |
| 11 | 320 | Screw, 3/8-16 X 1.00 Hex-Head Cap | 2 |
| 12 | <u>334</u> | Washer, 3/8, Type A, Flat | 2 |

1

E

1

E



001107-001

FRONT FRAME, STANDARD

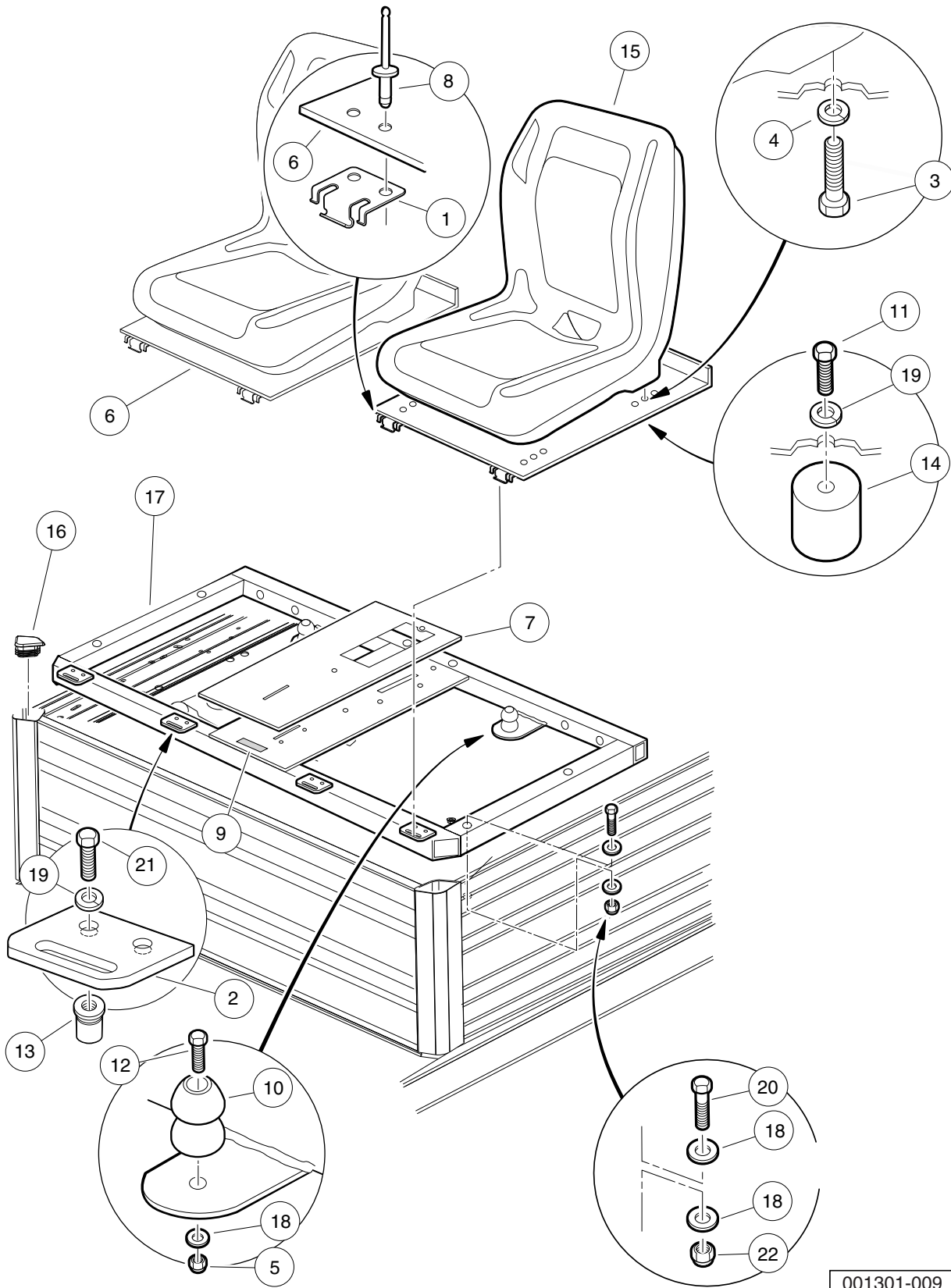
| ITEM | PART NO. | DESCRIPTION | QTY |
|------|------------------|--|-----|
| | | 1 2 3 4 | |
| 1 | <u>1011937</u> | Bolt, 5/16-18 X 1.25 Hex Head | 2 |
| 2 | <u>105007001</u> | Weldment, Front, Util, Std | 1 |
| 3 | <u>1241</u> | Washer, 5/16 Type A Flat | 6 |
| 4 | <u>7473</u> | Locknut, 5/16-18 Nylon Insert | 6 |
| 5 | <u>8935</u> | Screw, 5/16-18 X 2.25 Hex-Head Cap | 2 |
| 6 | <u>8963</u> | Screw, 5/16-18 X 1.75 Hex-Head Cap | 2 |

1

E

1

E



001301-009

BUCKET SEATS AND FRAME

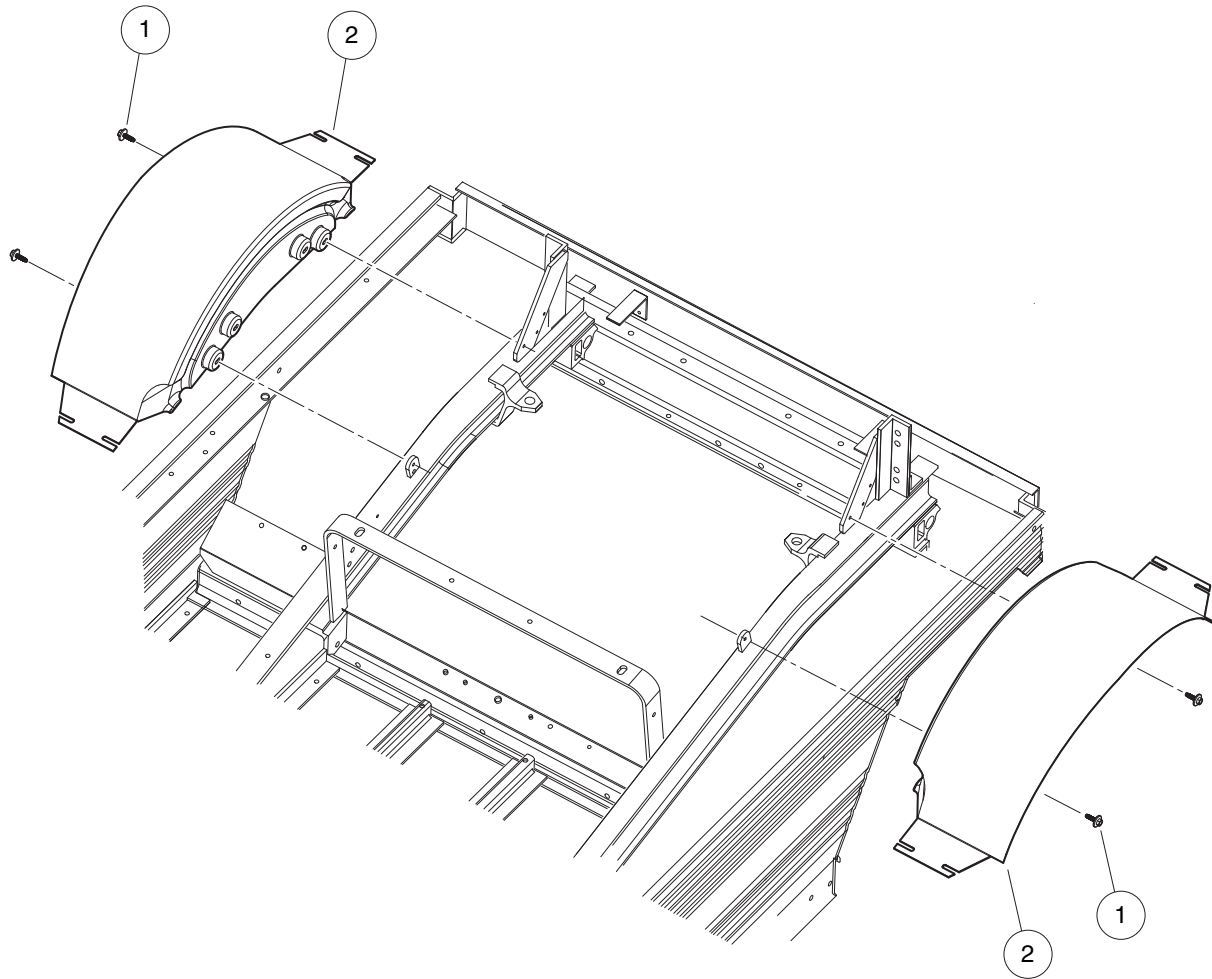
| ITEM | PART NO. | DESCRIPTION | QTY |
|------|------------------|---|-----|
| | | 1 2 3 4 | |
| 1 | <u>1011652</u> | Hinge Plate | 4 |
| 2 | <u>1012412</u> | Body, Hinge Plate | 4 |
| 3 | <u>1012830</u> | Screw, M8-125 X 22 Hex-Head | 8 |
| 4 | <u>1013734</u> | Lockwasher, 8mm Split | 8 |
| 5 | <u>101887601</u> | Locknut, M6-1.00 Nylon Insert | 2 |
| 6 | <u>102023701</u> | Pan, Seat | 2 |
| 7 | <u>102026401</u> | Console Cover | 1 |
| 8 | <u>102047001</u> | Rivet, 1/4 X .438 Blind | 8 |
| 9 | <u>102056201</u> | 3M VHB Tape 4936 | 1 |
| 10 | <u>102059001</u> | Seat Holder Base | 2 |
| 11 | <u>102059401</u> | Screw, 6m-1.00 X 10mm Hex Head | 2 |
| 12 | <u>102059501</u> | Screw, 6M-1.00 X 35mm, Hex Head | 2 |
| 13 | <u>102060201</u> | 1/4 - 20 Threaded Insert | 10 |
| 14 | <u>102061101</u> | Seat Holder Cup | 2 |
| 15 | <u>103267001</u> | Seat, Bucket, Gray | 2 |
| 16 | <u>105006501</u> | Cap, Corner, Frame | 2 |
| 17 | <u>105095701</u> | Asm, Bucket Seats, Support | 1 |
| 18 | <u>332</u> | Washer, 1/4 Type A Narrow Flat | 10 |
| 19 | <u>451</u> | Lockwasher, 1/4 Split | 10 |
| 20 | <u>7311</u> | Screw, 1/4-20 X 2.00 Hex-Head Cap | 4 |
| 21 | <u>7847</u> | Screw, 1/4-20 X 0.75 Hex-Head Cap | 8 |
| 22 | <u>8233</u> | Locknut, 1/4-20, Nylon Insert | 4 |

1

E

1

E



001123-001

INNER REAR FENDERS

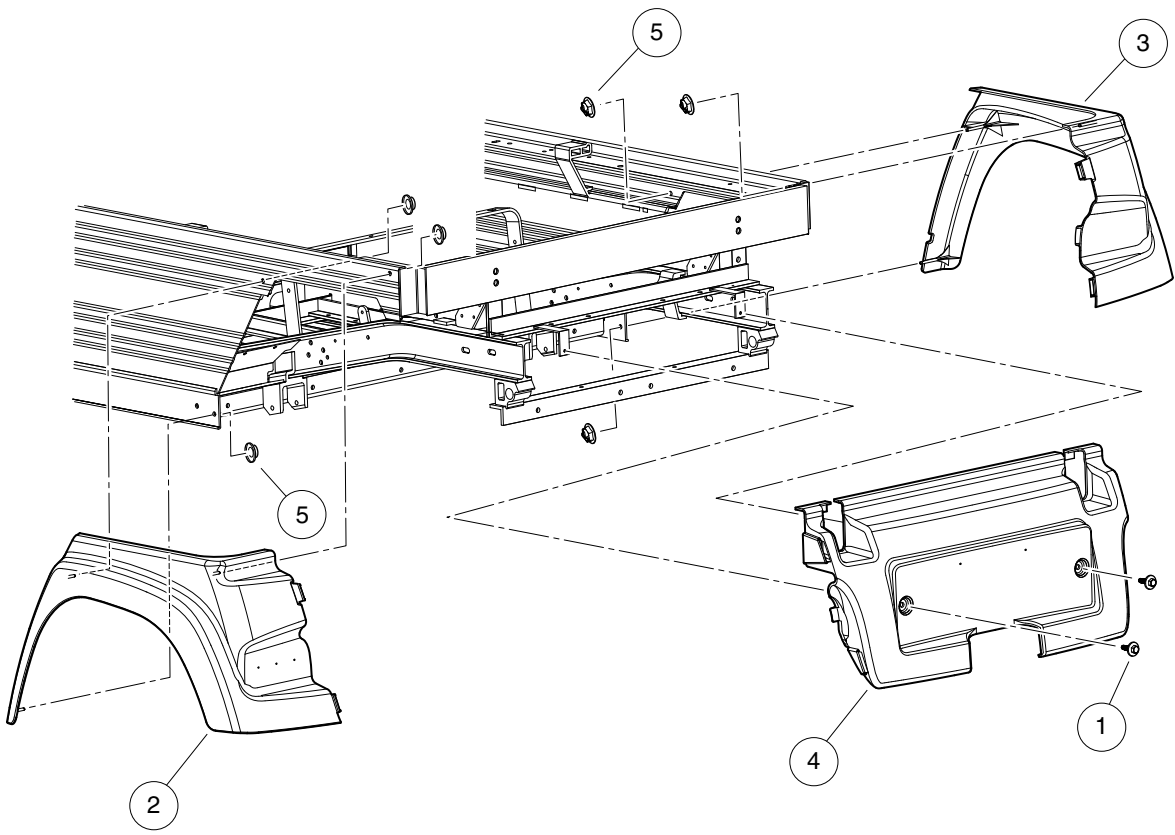
| ITEM | PART NO. | DESCRIPTION | QTY |
|------|------------------|---|-----|
| 1 | <u>102297125</u> | 1 2 3 4 Screw, M6-1.0x25.4, Thread-Forming, SEMS | 4 |
| 2 | <u>105035801</u> | Fender, Inner, Ca | 2 |

1

E

1

E



001124-001

REAR FENDERS AND TAIL SKIRT

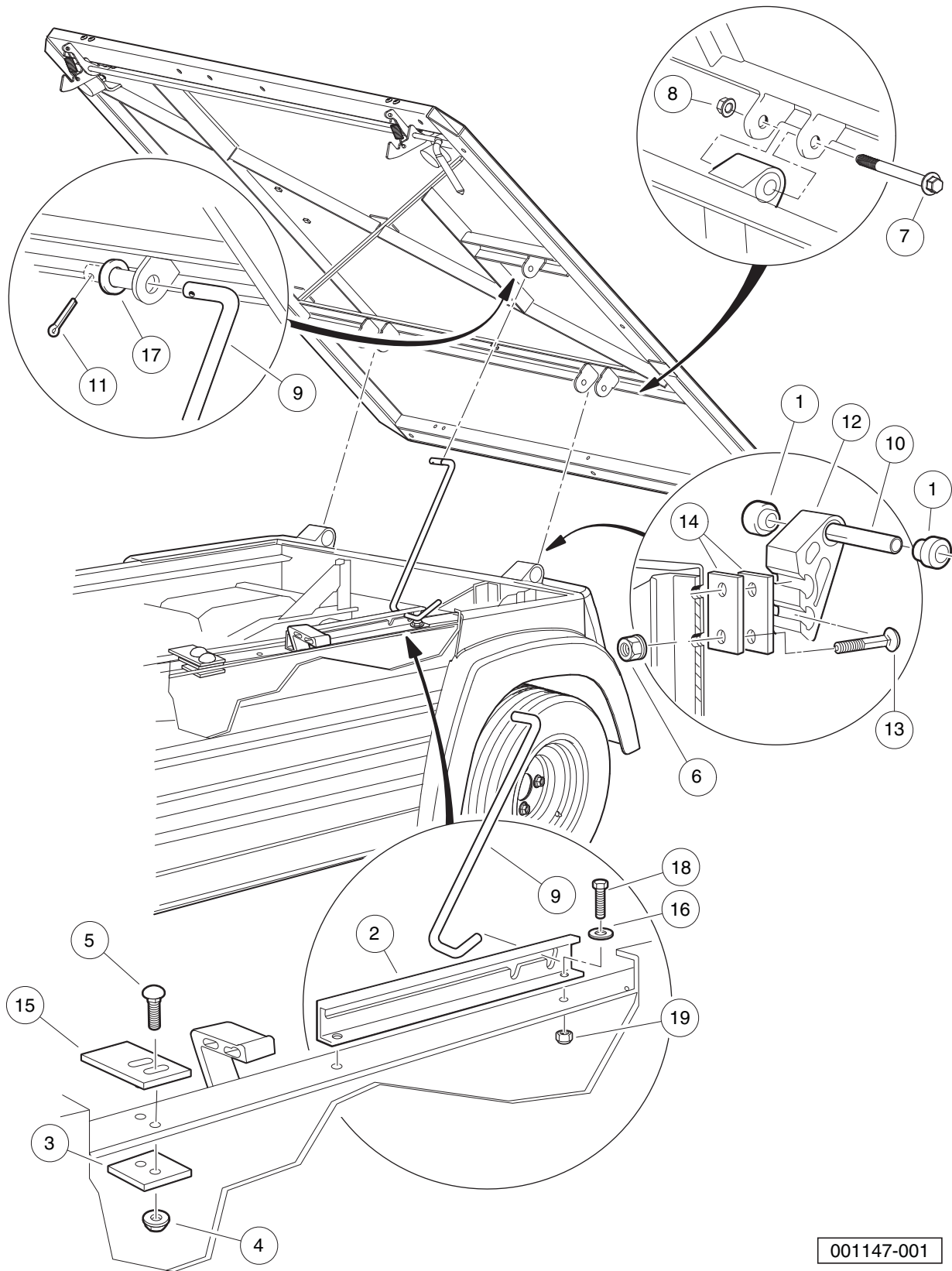
| ITEM | PART NO. | DESCRIPTION | QTY |
|------|------------------|--|-----|
| | | 1 2 3 4 | |
| 1 | <u>102297125</u> | Screw, M6-1.0x25.4, Thread-Forming, SEMS | 2 |
| 2 | <u>105035101</u> | Fender, Rear, Lh, Ca | 1 |
| 3 | <u>105035201</u> | Fender, Rear, Rh, Ca | 1 |
| 4 | <u>105035301</u> | Tailskirt, Ca | 1 |
| 5 | <u>105066401</u> | Nut, Self Thread, 5x10x15 | 6 |

1

E

1

E



001147-001

BED HINGE, LATCH, AND PROP ROD – MEDIUM

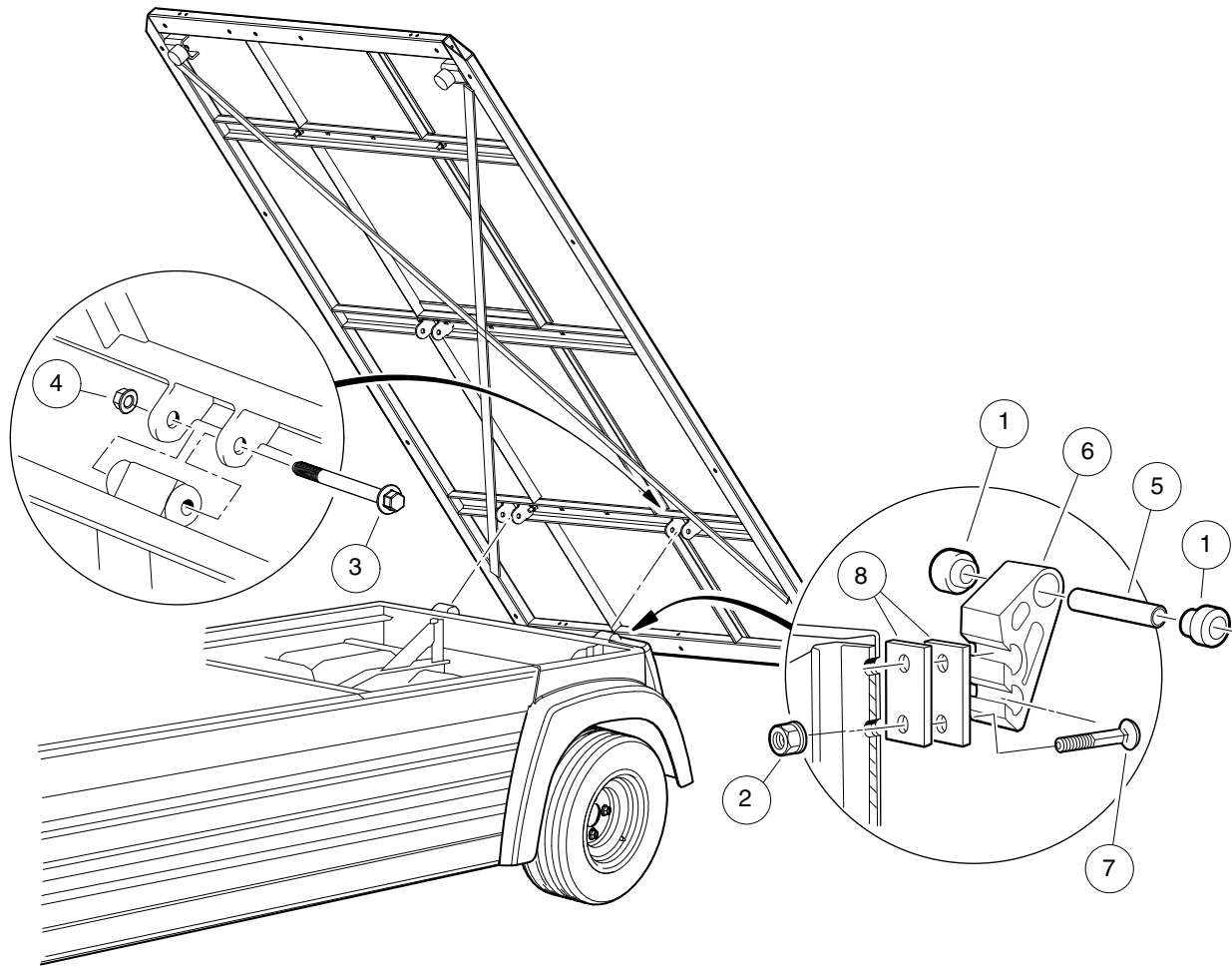
| ITEM | PART NO. | DESCRIPTION | QTY |
|------|------------------|---|-----|
| | | 1 2 3 4 | |
| 1 | <u>1015583</u> | Bushing, Urethane | 4 |
| 2 | <u>1015700</u> | Track Prop Rod Ca li | 1 |
| 3 | <u>1016060</u> | Plate, Latch Support | 2 |
| 4 | <u>101835601</u> | Locknut, 1/4-20 Hex Whiz | 4 |
| 5 | <u>101958602</u> | Bolt, Carriage, 1/4-20 X 1.0 | 4 |
| 6 | <u>102065901</u> | Locknut, 3/8-16 Flanged Dimple | 4 |
| 7 | <u>102298185</u> | Bolt - Flange Hd, M8 X 85.0 | 2 |
| 8 | <u>102298401</u> | Nut,m8,all Metal Lock | 2 |
| 9 | <u>102301401</u> | Rod, Prop | 1 |
| 10 | <u>102506401</u> | Sleeve - Spring Eye Mounts | 2 |
| 11 | <u>1035</u> | Cotter Pin, 3/32 x 1 | 1 |
| 12 | <u>103538701</u> | Bracket, Bed Hinge, Extruded | 2 |
| 13 | <u>103539001</u> | 3/8-16 X 1.25 Carr Blt Gr5 Zn | 4 |
| 14 | <u>103575801</u> | Shim, Bed Hinge, .125 Thick | 4 |
| 15 | <u>105110801</u> | Plate, Latch, Ca | 2 |
| 16 | <u>332</u> | Washer, 1/4 Type A Narrow Flat | 2 |
| 17 | <u>334</u> | Washer, 3/8, Type A, Flat | 1 |
| 18 | <u>7479</u> | Screw, 1/4-20 X 1.25 Hex-Head Cap | 2 |
| 19 | <u>8233</u> | Locknut, 1/4-20, Nylon Insert | 2 |

1

E

1

E



001149-001

TILT BED (LONG) HINGE – ELECTRIC VEHICLE

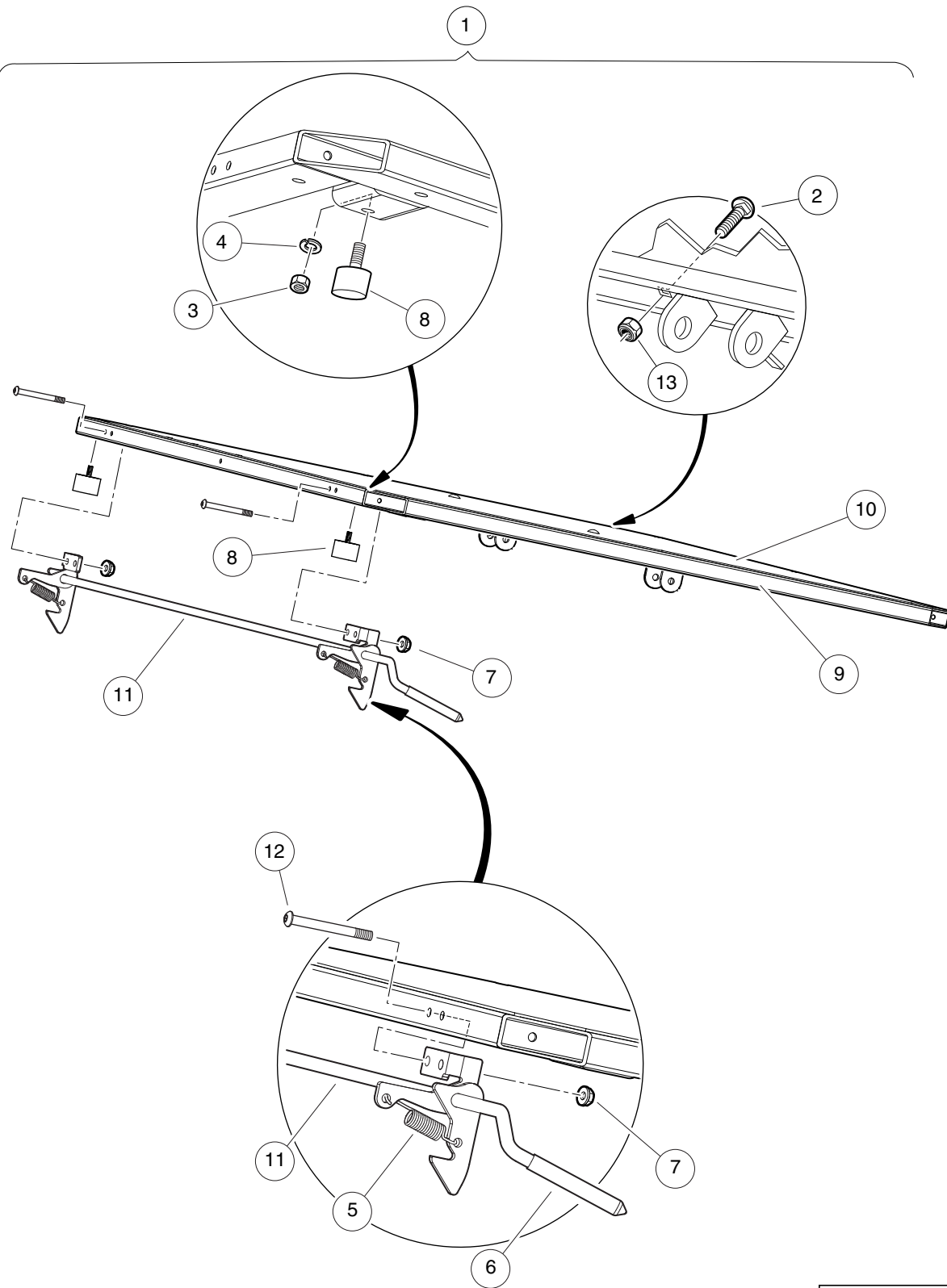
| ITEM | PART NO. | DESCRIPTION | QTY |
|------|------------------|--------------------------------------|-----|
| | | 1 2 3 4 | |
| 1 | <u>1015583</u> | Bushing, Urethane | 4 |
| 2 | <u>102065901</u> | Locknut, 3/8-16 Flanged Dimple | 4 |
| 3 | <u>102298185</u> | Bolt - Flange Hd, M8 X 85.0 | 2 |
| 4 | <u>102298401</u> | Nut,m8,all Metal Lock | 2 |
| 5 | <u>102506401</u> | Sleeve - Spring Eye Mounts | 2 |
| 6 | <u>103538701</u> | Bracket, Bed Hinge, Extruded | 2 |
| 7 | <u>103539002</u> | 3/8-16 X 1.75 Carr Blt Gr5 Zn | 4 |
| 8 | <u>103575801</u> | Shim, Bed Hinge, .125 Thick | 4 |

1

E

1

E



001148-001

TILT BED AND BED LATCH – MEDIUM

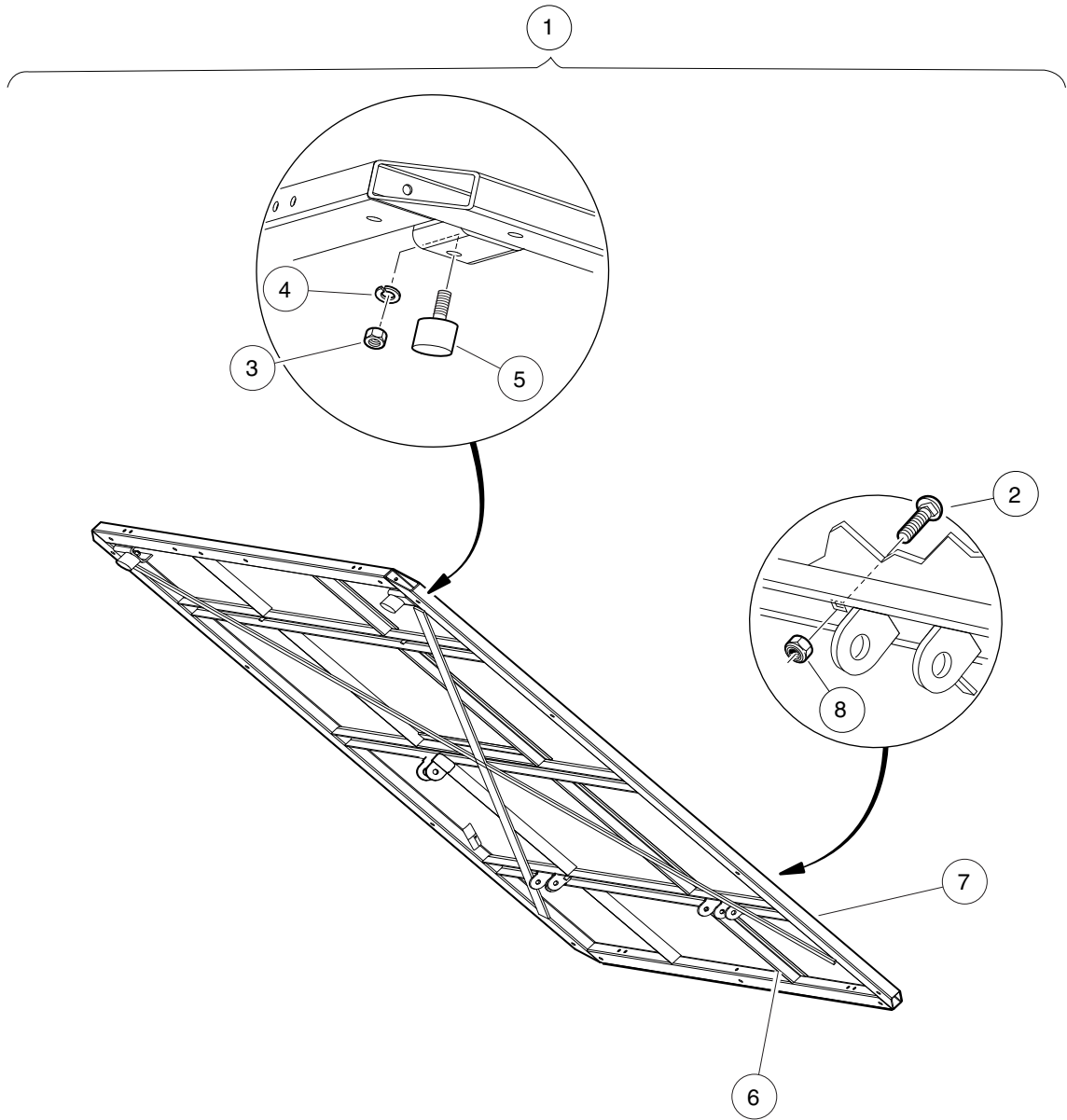
| ITEM | PART NO. | DESCRIPTION | QTY |
|------|------------------|---|-----|
| | | 1 2 3 4 | |
| 1 | <u>105197101</u> | Kit, Bed Floor, Med (includes items 2 through 13) | 1 |
| 2 | <u>101043502</u> | Bolt, Carriage, 5/16-18x1 blk | 4 |
| 3 | <u>1012528</u> | Nut, M8-1.25 Hex | 2 |
| 4 | <u>1013734</u> | Lockwasher, 8mm Split | 2 |
| 5 | <u>1015391</u> | Extension, Spring Latch | 2 |
| 6 | <u>1015400</u> | Grip, Tilt Latch Hand | 1 |
| 7 | <u>1015661</u> | Nut, Lock Hx Flanged 1/4-20 | 4 |
| 8 | <u>105036601</u> | Bumper, Bedfloor, Ca | 2 |
| 9 | N/A | Frame, Weldmnt, Bed, Medium | 1 |
| 10 | N/A | Plate, Floor, Bed, Rhino, Med | 1 |
| 11 | <u>105169101</u> | Weldment, Bed Latch, CA | 1 |
| 12 | <u>105194101</u> | 1/4-20 X 2.5, Bhcs, 6-lobe | 1 |
| 13 | <u>7473</u> | Locknut, 5/16-18 Nylon Insert | 4 |

1

E

1

E



001151-001

TILT BED – LONG

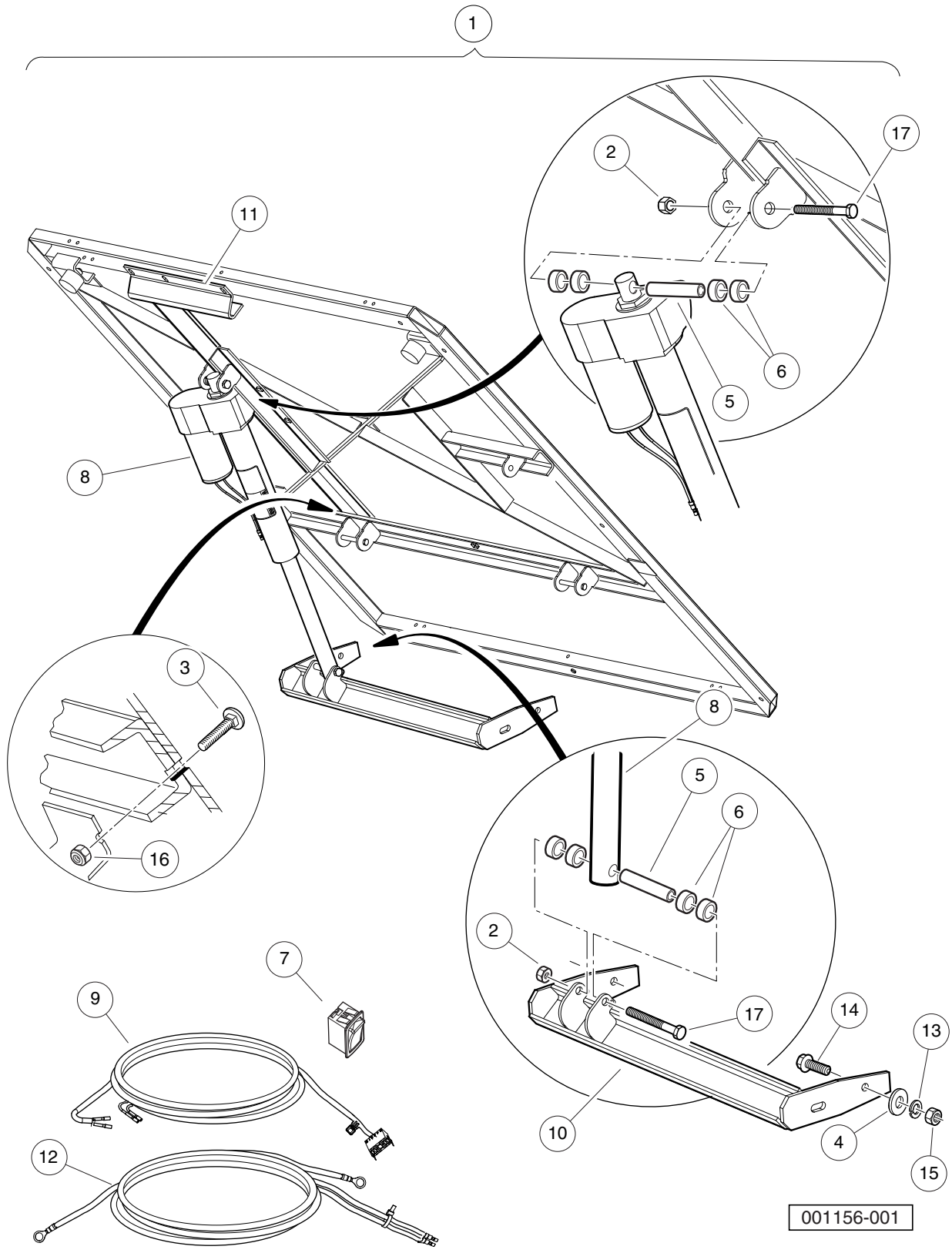
| ITEM | PART NO. | DESCRIPTION | QTY |
|------|------------------|---|-----|
| | | 1 2 3 4 | |
| 1 | <u>105197201</u> | Kit, Bed Floor, Long (includes items 2 through 8) | 1 |
| 2 | <u>101043502</u> | Bolt, Carriage, 5/16-18x1 blk | 4 |
| 3 | <u>1012528</u> | Nut, M8-1.25 Hex | 2 |
| 4 | <u>1013734</u> | Lockwasher, 8mm Split | 2 |
| 5 | <u>105036601</u> | Bumper, Bedfloor, Ca | 2 |
| 6 | N/A | Frame, Weldmnt, Bed, Long | 1 |
| 7 | N/A | Plate, Flr, Bed Utl, Lng Rhino | 1 |
| 8 | <u>7473</u> | Locknut, 5/16-18 Nylon Insert | 4 |

1

E

1

E



ELECTRIC BED LIFT – MEDIUM, ELECTRIC VEHICLES

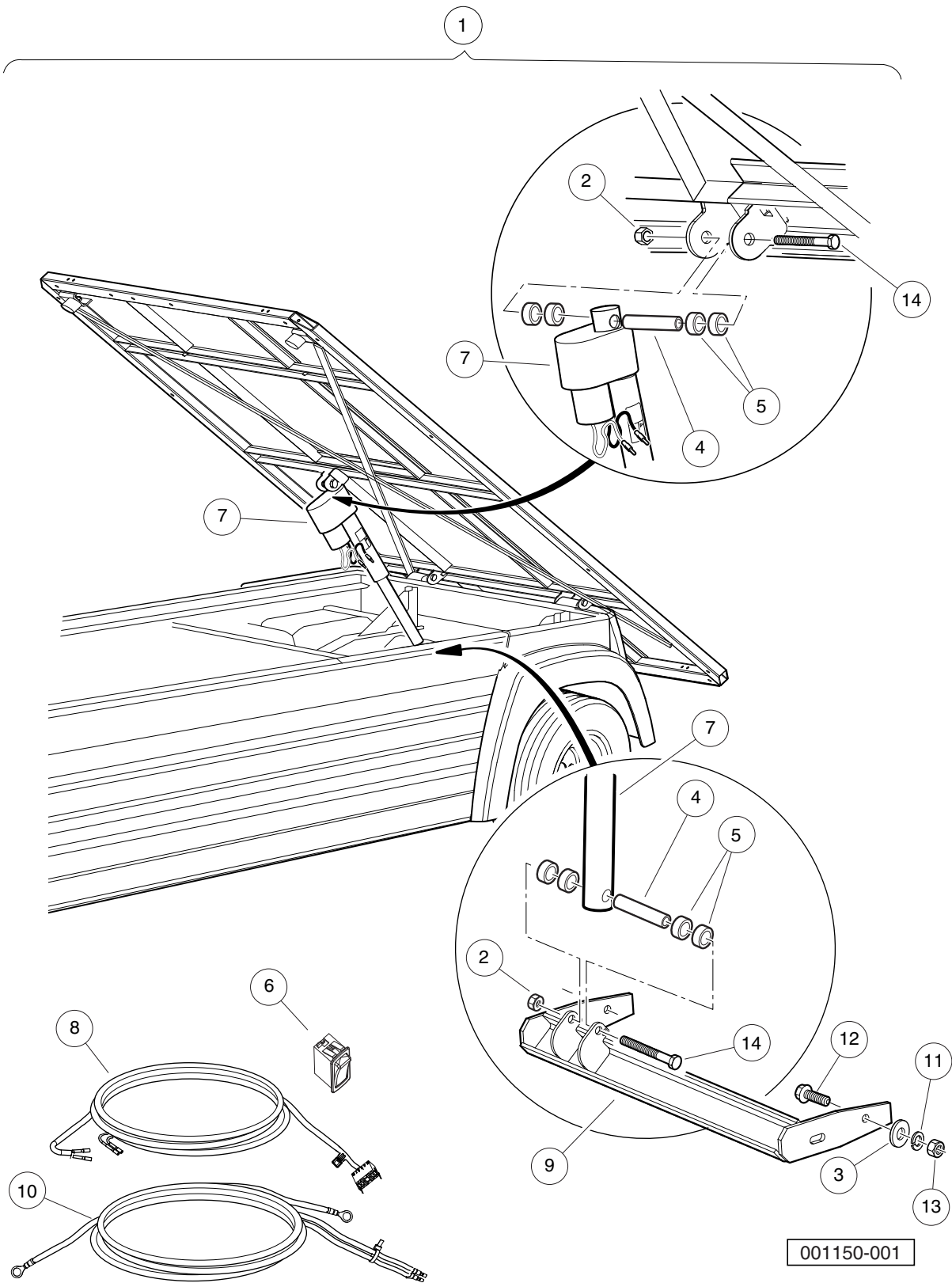
| ITEM | PART NO. | DESCRIPTION | QTY |
|------|------------------|--|-----|
| | | 1 2 3 4 | |
| 1 | <u>105170301</u> | Kit, Bed Lift, Elec, Med (includes items 2 through 17) | 1 |
| 2 | <u>1010138</u> | Locknut, 3/8-16 Dimpled | 2 |
| 3 | <u>101043502</u> | Bolt, Carriage, 5/16-18x1 blk | 1 |
| 4 | <u>1011990</u> | Washer, 3/8 Flat | 4 |
| 5 | <u>1016603</u> | Bushing, Long | 2 |
| 6 | <u>1017774</u> | Body Spacer | 8 |
| 7 | <u>102882501</u> | Switch, Rocker, Bed Lift | 1 |
| 8 | <u>103951802</u> | Actuator, Bed Lift, Elec, 48v | 1 |
| 9 | <u>105108901</u> | Harness, Bed Lift, Util | 1 |
| 10 | <u>105131001</u> | Weldment, Mnt, Bed Lift, Ca | 1 |
| 11 | <u>105193501</u> | Weldment, Bed Lift, Med | 1 |
| 12 | <u>105197601</u> | Asm, Jumper, Bedlift, Ca500 | 1 |
| 13 | <u>357</u> | Lockwasher, 3/8 Split | 4 |
| 14 | <u>705</u> | Screw, Cap-hex Hd 3/8-16x1.25 | 4 |
| 15 | <u>706</u> | Nut, Hex 3/8-16 | 4 |
| 16 | <u>7473</u> | Locknut, 5/16-18 Nylon Insert | 1 |
| 17 | <u>7561</u> | Bolt, 3/8-16 X 3.00 Hex Head | 2 |

1

E

1

E



ELECTRIC BED LIFT, LONG – ELECTRIC VEHICLES

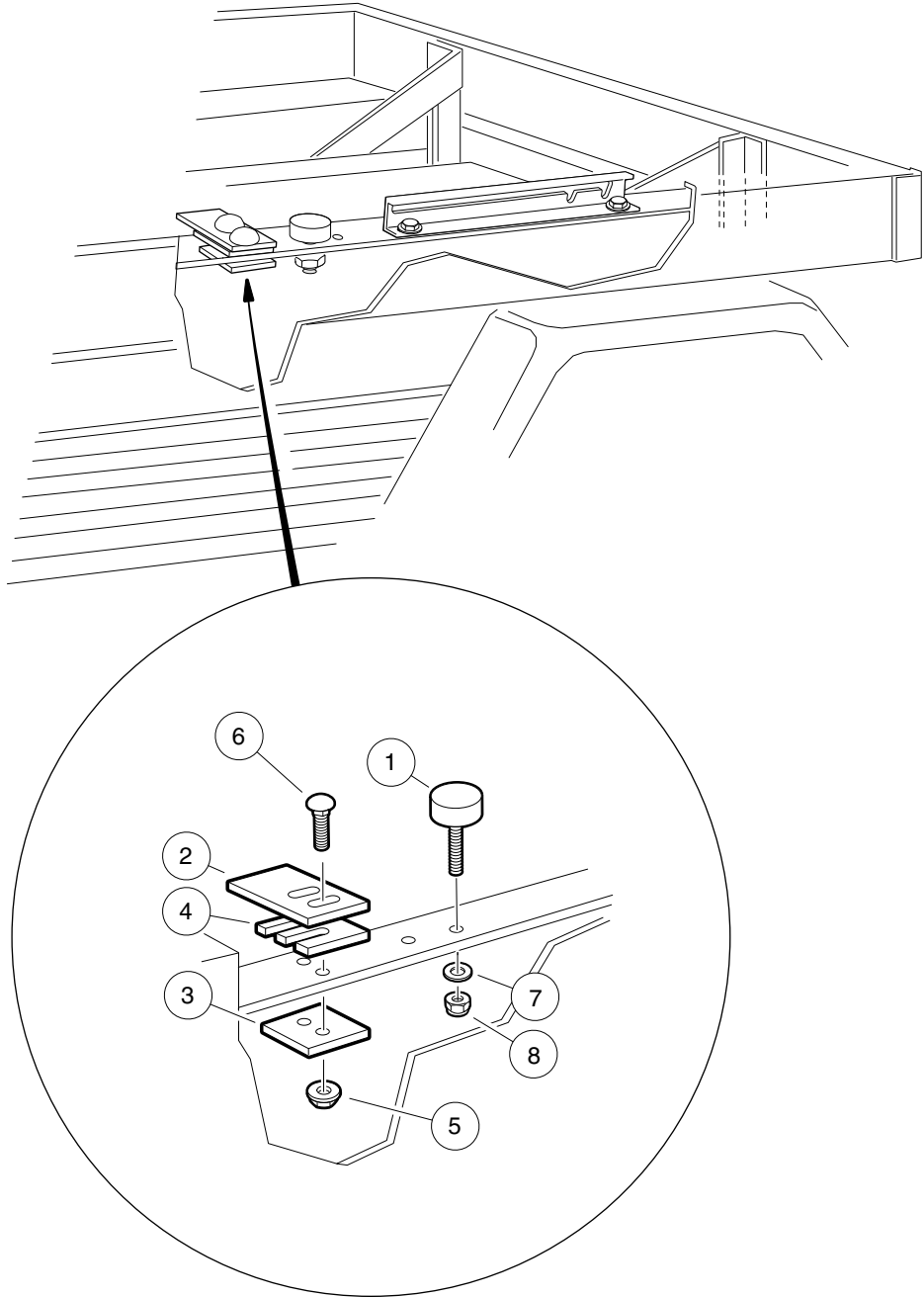
| ITEM | PART NO. | DESCRIPTION | QTY |
|------|------------------|--|-----|
| | | 1 2 3 4 | |
| 1 | 105170401 | Kit, Bed Lift, Elec, Lng (includes items 2 through 14) | 1 |
| 2 | <u>1010138</u> | Locknut, 3/8-16 Dimpled | 2 |
| 3 | <u>1011990</u> | Washer, 3/8 Flat | 4 |
| 4 | <u>1016603</u> | Bushing, Long | 2 |
| 5 | 1017774 | Body Spacer | 8 |
| 6 | <u>102882501</u> | Switch, Rocker, Bed Lift | 1 |
| 7 | 103951802 | Actuator, Bed Lift, Elec, 48v | 1 |
| 8 | <u>105108901</u> | Harness, Bed Lift, Util | 1 |
| 9 | <u>105131001</u> | Weldment, Mnt, Bed Lift, Ca | 1 |
| 10 | <u>105197602</u> | Asm, Jumper, Bedlift, Ca700 | 1 |
| 11 | <u>357</u> | Lockwasher, 3/8 Split | 4 |
| 12 | 705 | Screw, Cap-hex Hd 3/8-16x1.25 | 4 |
| 13 | <u>706</u> | Nut, Hex 3/8-16 | 4 |
| 14 | <u>7561</u> | Bolt, 3/8-16 X 3.00 Hex Head | 2 |

1

E

1

E



000258-002

LATCH PLATE

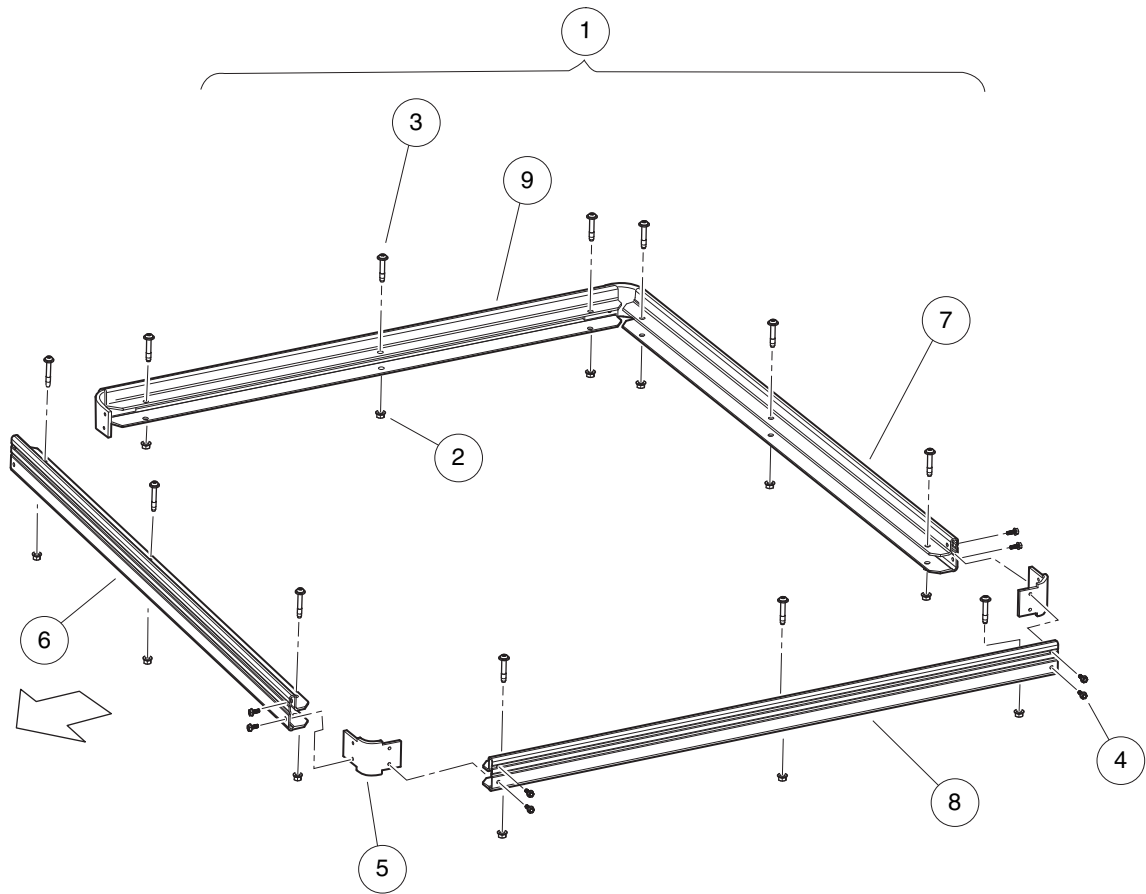
| ITEM | PART NO. | DESCRIPTION | QTY |
|------|------------------|--------------------------------------|-----|
| | | 1 2 3 4 | |
| 1 | <u>1010878</u> | Bumper, Rubber | 2 |
| 2 | <u>1015277</u> | Latch Plate, Tilt Bed | 2 |
| 3 | <u>1016060</u> | Plate, Latch Support | 2 |
| 4 | <u>1016078</u> | Latch Plate Shim | 1 |
| 5 | <u>101835601</u> | Locknut, 1/4-20 Hex Whiz | 4 |
| 6 | <u>101958601</u> | Carriage Bolt, 1/4-20 X 0.75 | 4 |
| 7 | <u>332</u> | Washer, 1/4 Type A Narrow Flat | 4 |
| 8 | <u>8233</u> | Locknut, 1/4-20, Nylon Insert | 4 |

1

E

1

E



001126-001

FLAT BED TRIM – MEDIUM

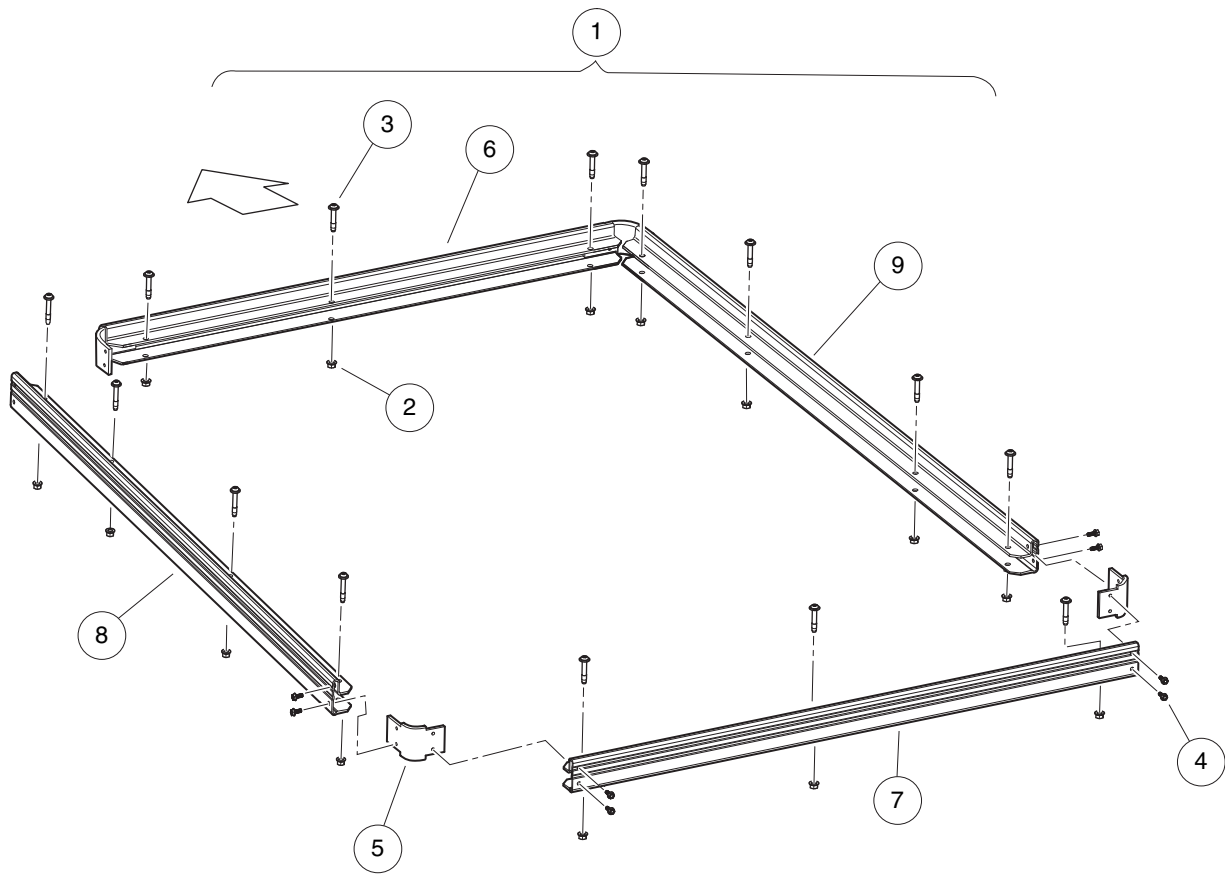
| ITEM | PART NO. | DESCRIPTION | QTY |
|------|------------------|--|-----|
| | | 1 2 3 4 | |
| 1 | 105122205 | Kit, Flat Trim, Ca, Med (includes items 2 through 9) | 1 |
| 2 | <u>102298401</u> | Nut,m8,all Metal Lock | 12 |
| 3 | <u>102299550</u> | Screw,m8x50,sems,tx,bttn,plt | 12 |
| 4 | <u>105185701</u> | Pan Head Screw, M6 X 16 Tt | 16 |
| 5 | <u>105185801</u> | Bracket,Bed Corner,CA | 4 |
| 6 | <u>105194801</u> | Trim, Bed, Cntr, Front | 1 |
| 7 | <u>105194802</u> | Trim, Bed, Cntr, Rear | 1 |
| 8 | <u>105194901</u> | Trim, Bed, Medium, Lh | 1 |
| 9 | <u>105194902</u> | Trim, Bed, Medium, Rh | 1 |

1

E

1

E



001127-001

FLAT BED TRIM – LONG

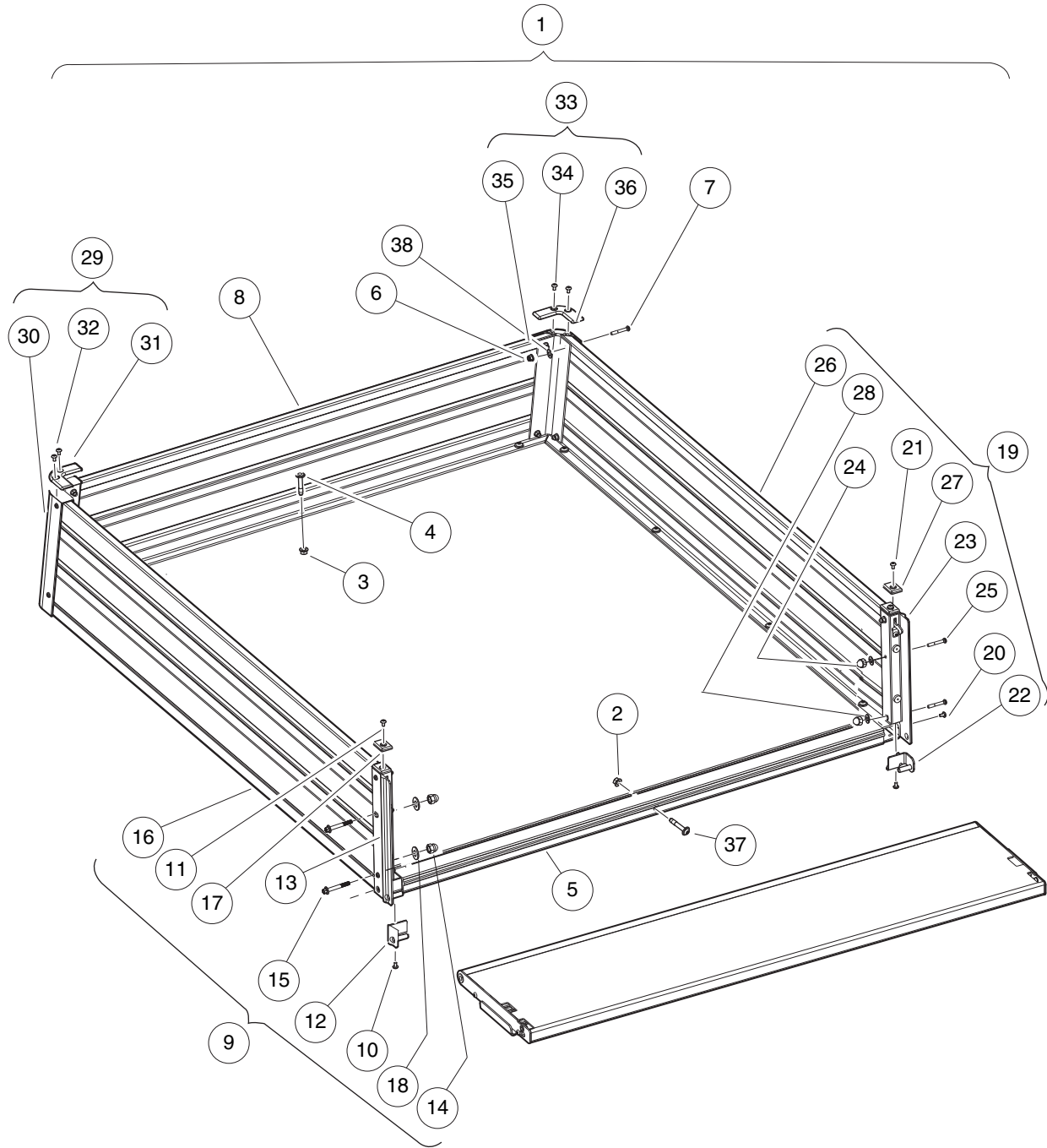
| ITEM | PART NO. | DESCRIPTION | QTY |
|------|------------------|---|-----|
| | | 1 2 3 4 | |
| 1 | <u>105122206</u> | Kit, Flat Trim, Ca, Long (includes items 2 through 9) | 1 |
| 2 | <u>102298401</u> | Nut,m8,all Metal Lock | 14 |
| 3 | <u>102299550</u> | Screw,m8x50,sems,tx,bttn,plt | 14 |
| 4 | <u>105185701</u> | Pan Head Screw, M6 X 16 Tt | 16 |
| 5 | <u>105185801</u> | Bracket,Bed Corner,CA | 4 |
| 6 | <u>105194801</u> | Trim, Bed, Cntr, Front | 1 |
| 7 | <u>105194802</u> | Trim, Bed, Cntr, Rear | 1 |
| 8 | <u>105195001</u> | Trim, Bed, Lng, Lh | 1 |
| 9 | <u>105195002</u> | Trim, Bed, Lng, Rh | 1 |

1

E

1

E



001136-002

CARGO BOX KIT – MEDIUM (PAGE 1 OF 2)

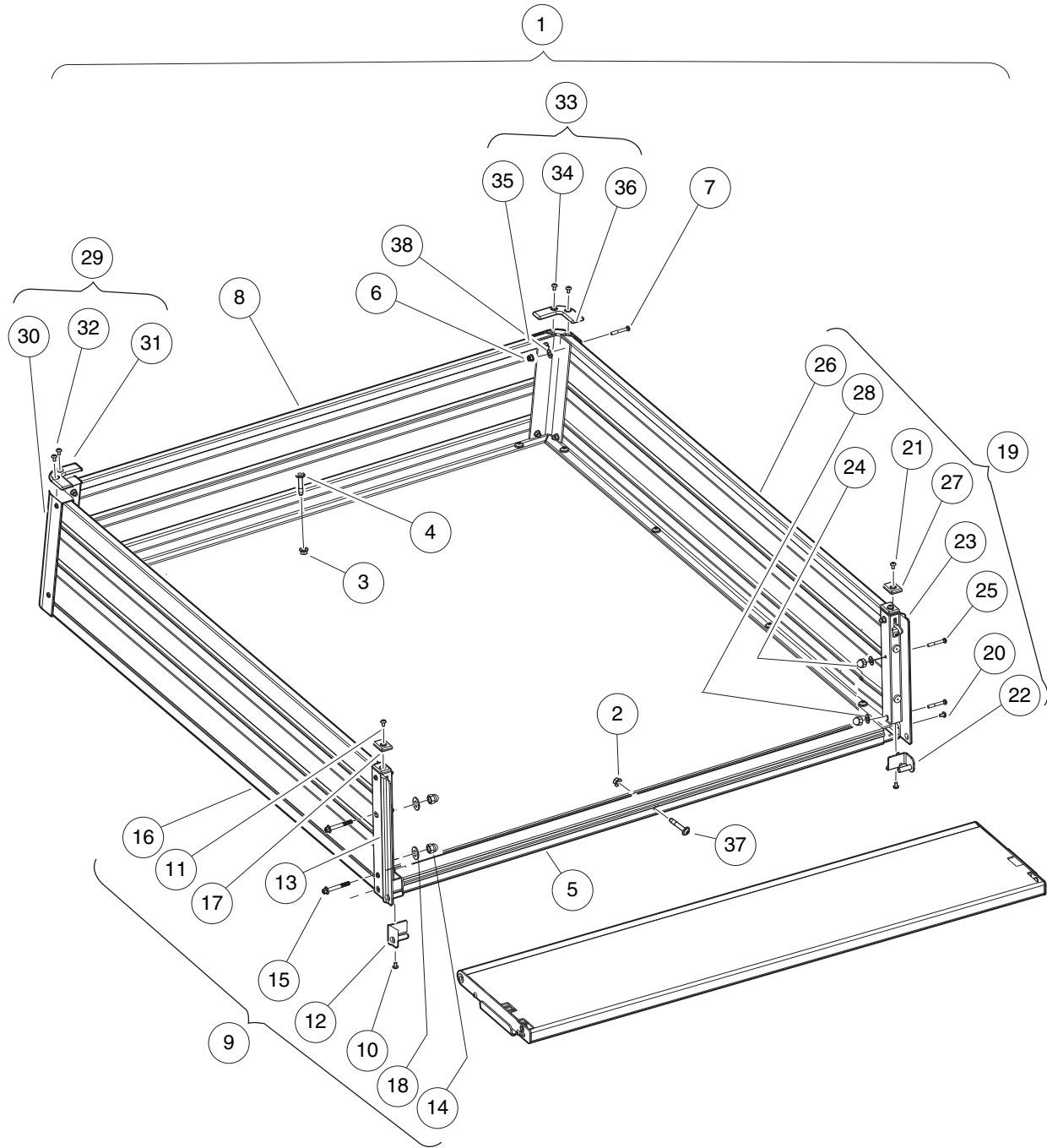
| ITEM | PART NO. | DESCRIPTION | QTY |
|------|------------------|---|-----|
| | | 1 2 3 4 | |
| 1 | <u>105122105</u> | Kit, Cargo Box,Med (includes items 2 through 38) | 1 |
| 2 | <u>1015661</u> | Nut, Lock Hx Flanged 1/4-20 | 3 |
| 3 | <u>102298401</u> | Nut,m8,all Metal Lock | 9 |
| 4 | <u>102299550</u> | Screw,m8x50,sems,tx,bttn,plt | 9 |
| 5 | <u>105192301</u> | Extr, Bed, Cargo, Rear | 1 |
| 6 | <u>105192901</u> | Nut, Acorn, M6, Lock, Silver | 8 |
| 7 | <u>105193001</u> | Screw, 6 Lobe, M6 X 35 | 8 |
| 8 | <u>105194601</u> | Panel, Cargo Box, Frt | 1 |
| 9 | <u>105200702</u> | Asm,Cargo Box,Side Panel,DS,Medium (includes items 10 through 18) | 1 |
| 10 | <u>1014321</u> | Screw, #10 Truss-Head Torx | 2 |
| 11 | <u>105127201</u> | Weldment, Pivot, Tailgate, Lh | 1 |
| 12 | <u>105127401</u> | Asm, Latch, Tailgate, Lh | 1 |
| 13 | <u>105192901</u> | Nut, Acorn, M6, Lock, Silver | 2 |
| 14 | <u>105193001</u> | Screw, 6 Lobe, M6 X 35 | 2 |
| 15 | <u>105194402</u> | Panel, Cargo Box, Lh, Med | 1 |
| 16 | <u>105196201</u> | Cap, Corner, Rear, Cargo Bed | 1 |
| 17 | <u>105205201</u> | Screw, 10-24 X .36, St Torx | 1 |
| 18 | <u>96705199</u> | Washer, M6 | 2 |
| 19 | <u>105200802</u> | Asm,Cargo Box,Side Panel,PS,Medium (includes items 20 through 28) | 1 |
| 20 | <u>1014321</u> | Screw, #10 Truss-Head Torx | 2 |
| 21 | <u>102554512</u> | Screw M5-08x12 Torx Pn Trs | 1 |
| 22 | <u>105127202</u> | Weldment, Pivot, Tailgate, Rh | 1 |
| 23 | <u>105127402</u> | Asm, Latch, Tailgate, Rh | 1 |
| 24 | <u>105192901</u> | Nut, Acorn, M6, Lock, Silver | 2 |
| 25 | <u>105193001</u> | Screw, 6 Lobe, M6 X 35 | 2 |
| 26 | N/A | Panel, Cargo Box, Rh Med | 1 |
| 27 | <u>105196201</u> | Cap, Corner, Rear, Cargo Bed | 1 |
| 28 | <u>96705199</u> | Washer, M6 | 2 |
| 29 | <u>105200901</u> | Asm, Cargo Box,Corner,DS (includes items 30 through 32) | 1 |
| 30 | N/A | Extr, Bed Corner, Lh | 1 |
| 31 | <u>105196101</u> | Cap, Corner, Frt, Cargo Bed | 1 |
| 32 | <u>105205201</u> | Screw, 10-24 X .36, St Torx | 2 |
| 33 | <u>105201001</u> | Asm,Cargo Box,Corner,PS (includes items 34 through 36) | 1 |
| 34 | N/A | Extr, Bed Corner, Rh | 1 |
| 35 | <u>105196101</u> | Cap, Corner, Frt, Cargo Bed | 1 |
| 36 | <u>105205201</u> | Screw, 10-24 X .36, St Torx | 2 |
| 37 | <u>324</u> | Screw, 1/4-20 X 2.50 Hx Hd Cap | 3 |
| 38 | <u>96705199</u> | Washer, M6 | 8 |

1

E

1

E



001136-002

CARGO BOX KIT – LONG (PAGE 1 OF 2)

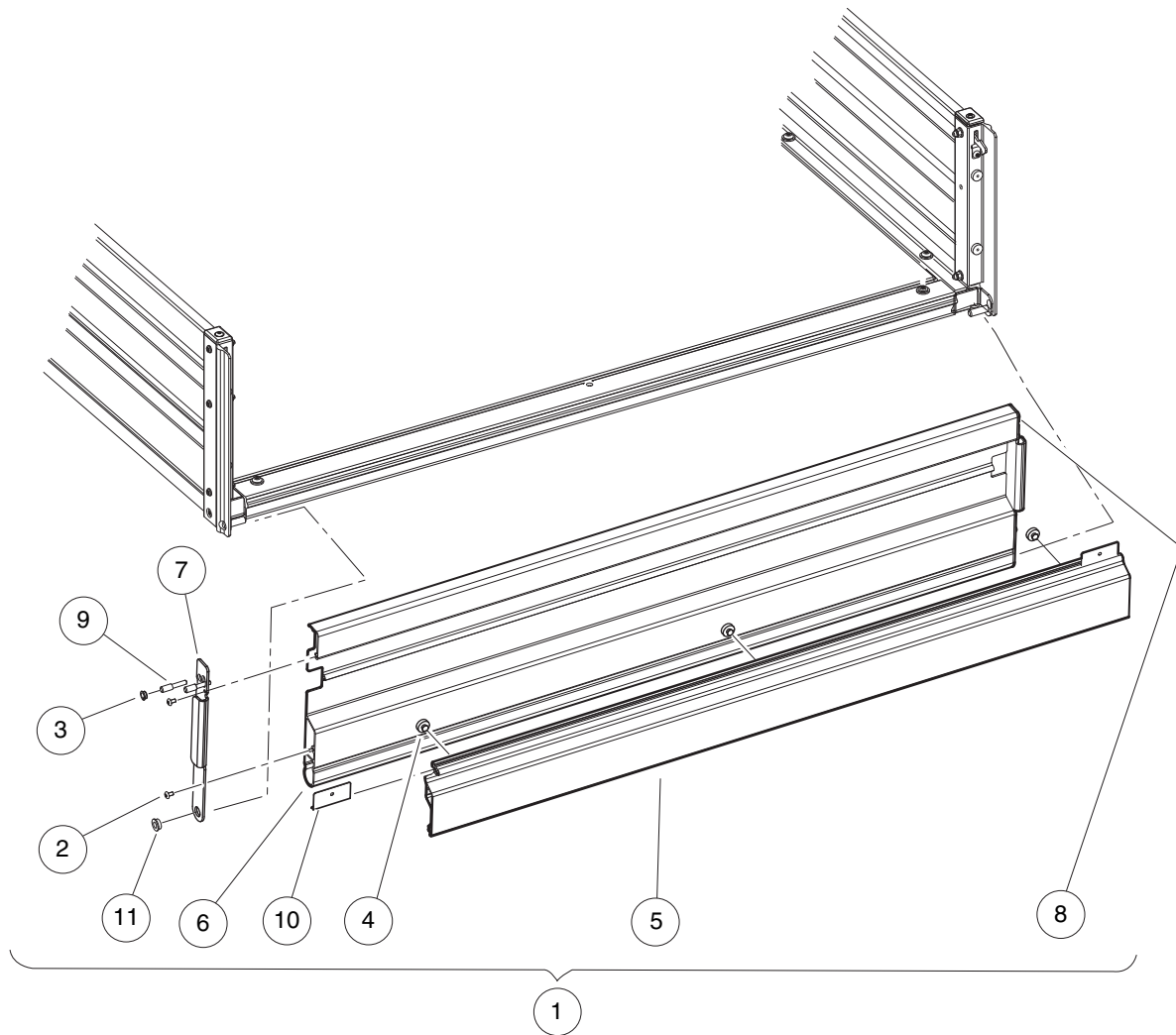
| ITEM | PART NO. | DESCRIPTION | QTY |
|------|------------------|--|-----|
| | | 1 2 3 4 | |
| 1 | <u>105122106</u> | Kit, Cargo Box,Long (includes items 2 through 38) | 1 |
| 2 | <u>1015661</u> | Nut, Lock Hx Flanged 1/4-20 | 3 |
| 3 | <u>102298401</u> | Nut,m8,all Metal Lock | 11 |
| 4 | <u>102299550</u> | Screw,m8x50,sems,tx,btt,plt | 11 |
| 5 | <u>105192301</u> | Extr, Bed, Cargo, Rear | 1 |
| 6 | <u>105192901</u> | Nut, Acorn, M6, Lock, Silver | 8 |
| 7 | <u>105193001</u> | Screw, 6 Lobe, M6 X 35 | 8 |
| 8 | <u>105194601</u> | Panel, Cargo Box, Frt | 1 |
| 9 | <u>105200703</u> | Asm,Cargo Box, Side Panel,DS,Long (includes items 10 through 18) | 1 |
| 10 | <u>1014321</u> | Screw, #10 Truss-Head Torx | 2 |
| 11 | <u>102554512</u> | Screw M5-08x12 Torx Pn Trs | 1 |
| 12 | <u>105127201</u> | Weldment, Pivot, Tailgate, Lh | 1 |
| 13 | <u>105127401</u> | Asm, Latch, Tailgate, Lh | 1 |
| 14 | <u>105192901</u> | Nut, Acorn, M6, Lock, Silver | 2 |
| 15 | <u>105193001</u> | Screw, 6 Lobe, M6 X 35 | 2 |
| 16 | N/A | Panel, Cargo Box, Lh, Long | 1 |
| 17 | <u>105196201</u> | Cap, Corner, Rear, Cargo Bed | 1 |
| 18 | <u>96705199</u> | Washer, M6 | 2 |
| 19 | <u>105200803</u> | Asm,Cargo Box, Side Panel,PS,Long (includes items 20 through 28) | 1 |
| 20 | <u>1014321</u> | Screw, #10 Truss-Head Torx | 2 |
| 21 | <u>102554512</u> | Screw M5-08x12 Torx Pn Trs | 1 |
| 22 | <u>105127202</u> | Weldment, Pivot, Tailgate, Rh | 1 |
| 23 | <u>105127402</u> | Asm, Latch, Tailgate, Rh | 1 |
| 24 | <u>105192901</u> | Nut, Acorn, M6, Lock, Silver | 2 |
| 25 | <u>105193001</u> | Screw, 6 Lobe, M6 X 35 | 2 |
| 26 | N/A | Panel, Cargo Box, Rh Long | 1 |
| 27 | <u>105196201</u> | Cap, Corner, Rear, Cargo Bed | 1 |
| 28 | <u>96705199</u> | Washer, M6 | 2 |
| 29 | <u>105200901</u> | Asm, Cargo Box,Corner,DS (includes items 30 through 32) | 1 |
| 30 | N/A | Extr, Bed Corner, Lh | 1 |
| 31 | <u>105196101</u> | Cap, Corner, Frt, Cargo Bed | 1 |
| 32 | <u>105205201</u> | Screw, 10-24 X .36, St Torx | 2 |
| 33 | <u>105201001</u> | Asm,Cargo Box,Corner,PS (includes items 34 through 36) | 1 |
| 34 | N/A | Extr, Bed Corner, Rh | 1 |
| 35 | <u>105196101</u> | Cap, Corner, Frt, Cargo Bed | 1 |
| 36 | <u>105205201</u> | Screw, 10-24 X .36, St Torx | 2 |
| 37 | <u>324</u> | Screw, 1/4-20 X 2.50 Hx Hd Cap | 3 |
| 38 | <u>96705199</u> | Washer, M6 | 12 |

1

E

1

E



001152-001

CARGO BOX KIT (PAGE 2 OF 2)

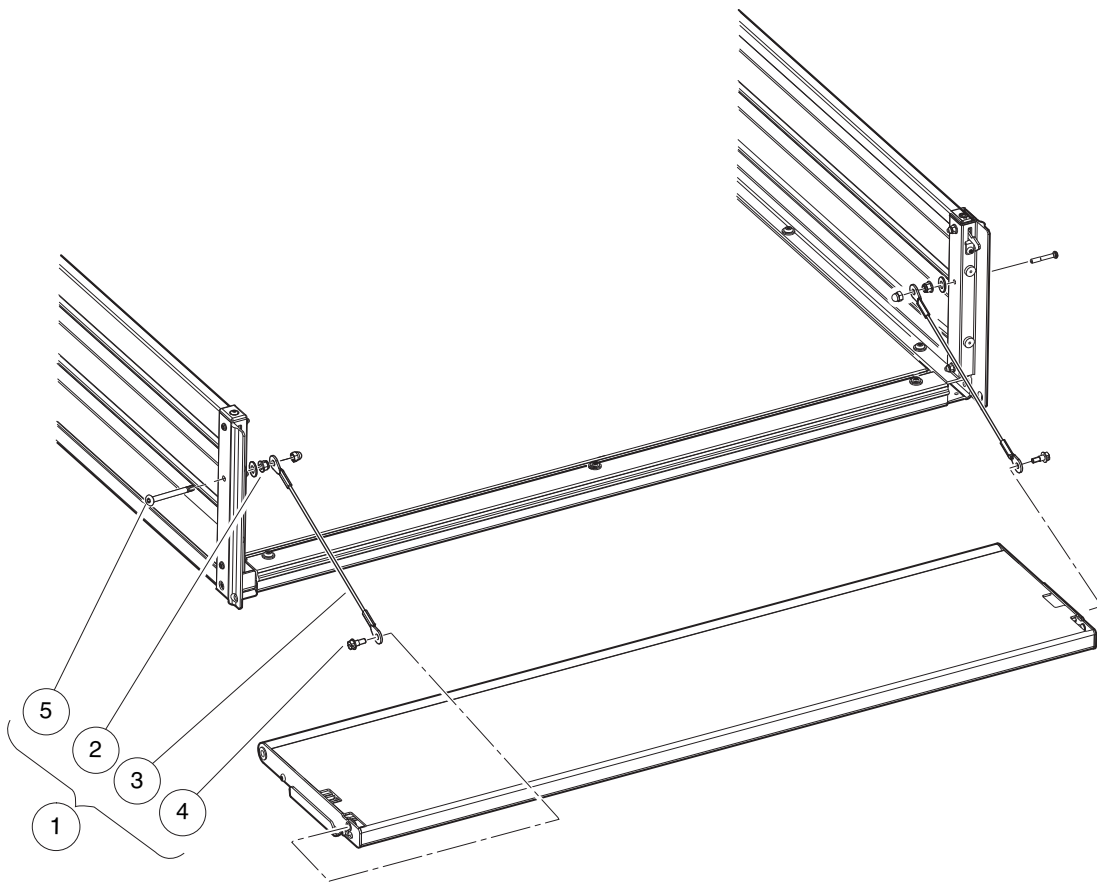
| ITEM | PART NO. | DESCRIPTION | QTY |
|------|------------------|--|-----|
| | | 1 2 3 4 | |
| 1 | <u>105128101</u> | Asm, Tailgate, Wide Handle (includes items 2 through 11) | 1 |
| 2 | <u>1014321</u> | Screw, #10 Truss-Head Torx | 4 |
| 3 | <u>1015363</u> | Bushing, Snap-In | 2 |
| 4 | <u>102590801</u> | Bumper, Rubber | 3 |
| 5 | <u>105128201</u> | Handle, Tailgate, Wide | 1 |
| 6 | N/A | Panel, Tailgate, Wide | 1 |
| 7 | <u>105130301</u> | Bracket, End, Tailgate, Lh | 1 |
| 8 | <u>105130302</u> | Bracket, End, Tailgate, Rh | 1 |
| 9 | <u>105130501</u> | Pin, Latch, Tailgate | 4 |
| 10 | 105130601 | Spring, Handle, Tailgate | 2 |
| 11 | <u>7049</u> | Bushing, Nylon | 2 |

1

E

1

E



001160-002

TAILGATE TEATHER

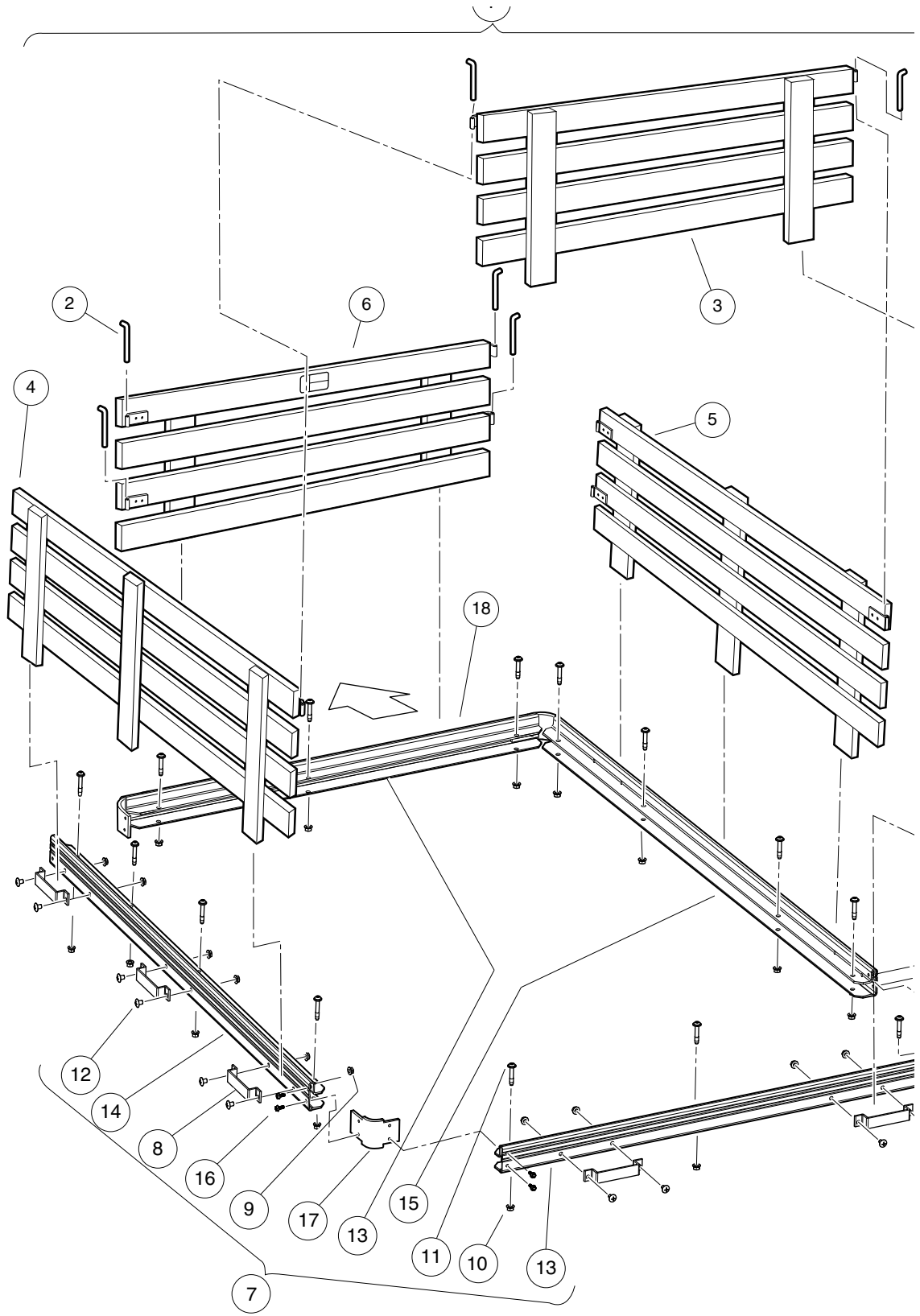
| ITEM | PART NO. | DESCRIPTION | QTY |
|------|------------------|--|-----|
| | | 1 2 3 4 | |
| 1 | <u>105127302</u> | Kit, Tether, Tailgate (includes items 2 through 5) | 1 |
| 2 | <u>102621501</u> | Nut, Flange, M6 X 1.0, Nylon | 2 |
| 3 | <u>105128001</u> | Cable, Tether, Tailgate | 2 |
| 4 | <u>105129901</u> | Screw, Shoulder, Self Thread | 2 |
| 5 | <u>105193101</u> | Screw, 6 Lobe, M6 X 50 | 2 |

1

E

1

E



STAKE SIDE KIT – LONG

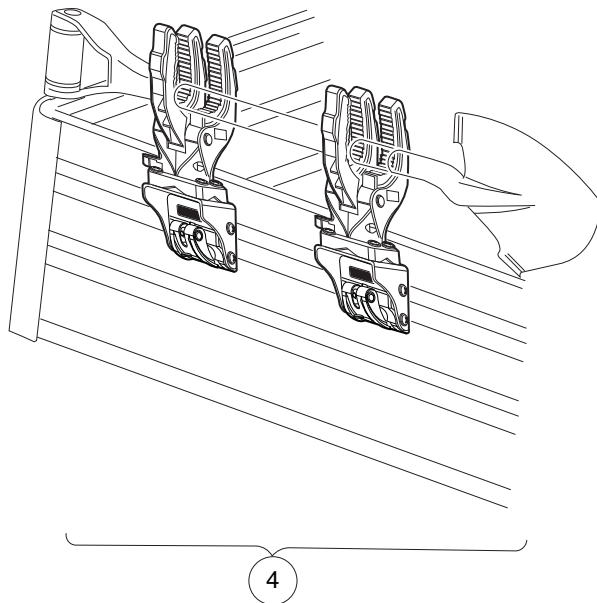
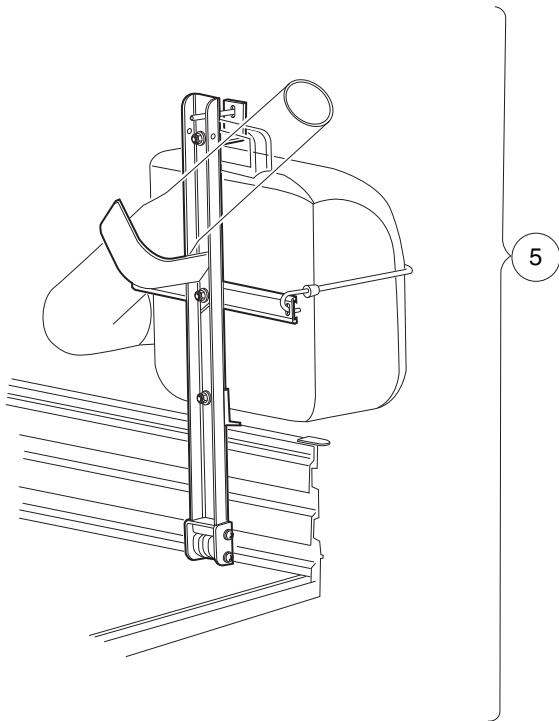
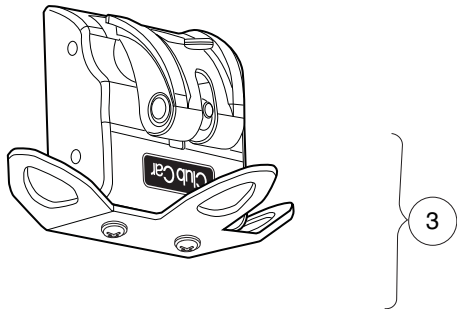
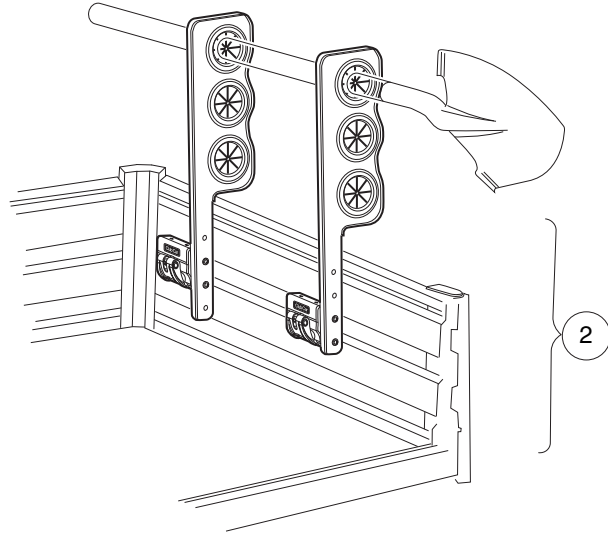
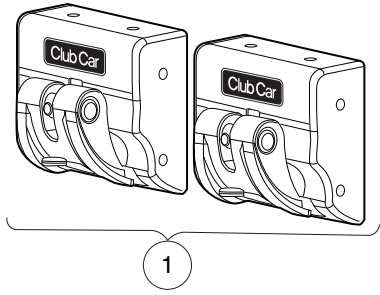
| ITEM | PART NO. | DESCRIPTION | QTY |
|------|------------------|---|-----|
| | | 1 2 3 4 | |
| 1 | <u>105109601</u> | Kit, Stake Side, Long (includes items 2 through 7) | 1 |
| 2 | <u>1015656</u> | Pin, hinge | 6 |
| 3 | <u>102847603</u> | Asm, Stake Side, 48 X 19 Rear | 1 |
| 4 | <u>105113401</u> | Stake Side, Ca Large, Lh | 1 |
| 5 | <u>105113402</u> | Stake Side, Ca Large, Rh | 1 |
| 6 | <u>105129501</u> | Stake Side, Front, Ca, 50" | 1 |
| 7 | <u>105148503</u> | Asm, Trim, Stake Side, Long (includes items 8 through 18) | 1 |
| 8 | <u>1016077</u> | Bracket, Stake Side | 8 |
| 9 | <u>101963401</u> | Locknut, 5/16-18 Hex Flange | 16 |
| 10 | <u>102298401</u> | Nut,m8,all Metal Lock | 14 |
| 11 | <u>102299550</u> | Screw,m8x50,sems,tx,bttn,plt | 16 |
| 12 | <u>105129601</u> | Screw, Phl Trus Hd, 5/16-18x.5 | 16 |
| 13 | <u>105148601</u> | Trim, Stake Side, Cen, Rear | 1 |
| 14 | <u>105148901</u> | Trim, Stake Side, Long, Lh | 1 |
| 15 | <u>105148902</u> | Trim, Stake Side, Long, Rh | 1 |
| 16 | <u>105185701</u> | Pan Head Screw, M6 X 16 Tt | 16 |
| 17 | <u>105185801</u> | Bracket,Bed Corner,CA | 4 |
| 18 | <u>105194801</u> | Trim, Bed, Cntr, Front | 1 |

1

E

1

E



001167-001

MODULAR BED ACCESSORIES

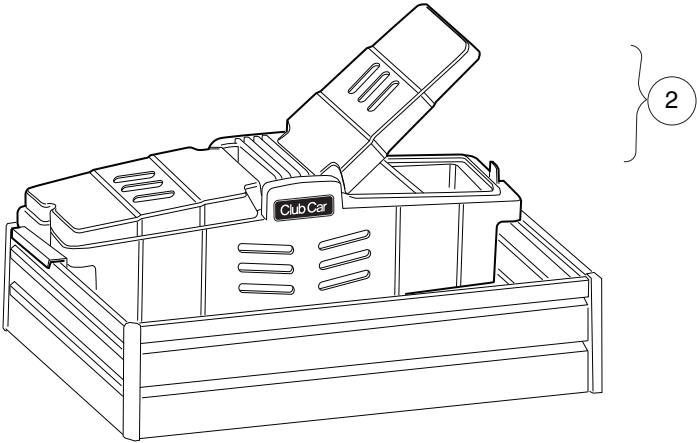
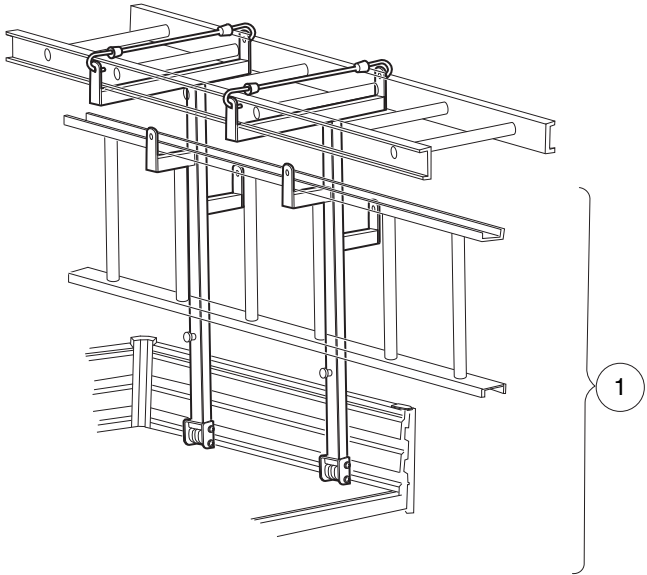
| ITEM | PART NO. | DESCRIPTION | QTY |
|---|------------------|--------------------------------|-----|
| | | 1 2 3 4 | |
| 1 | <u>105160401</u> | Bed Clamp, Set | 1 |
| 2 | <u>105160801</u> | Kit, Tool Rack | 1 |
| 3 | <u>105160901</u> | Kit, Tie Down | 1 |
| 4 | <u>105161101</u> | Kit, Static Grip | 1 |
| 5 | <u>105161401</u> | Kit, Holder, Leaf Blower | 1 |
| <p>Note: Component part numbers unavailable at publication.</p> | | | |

1

E

1

E



001168-001

MODULAR BED ACCESSORIES

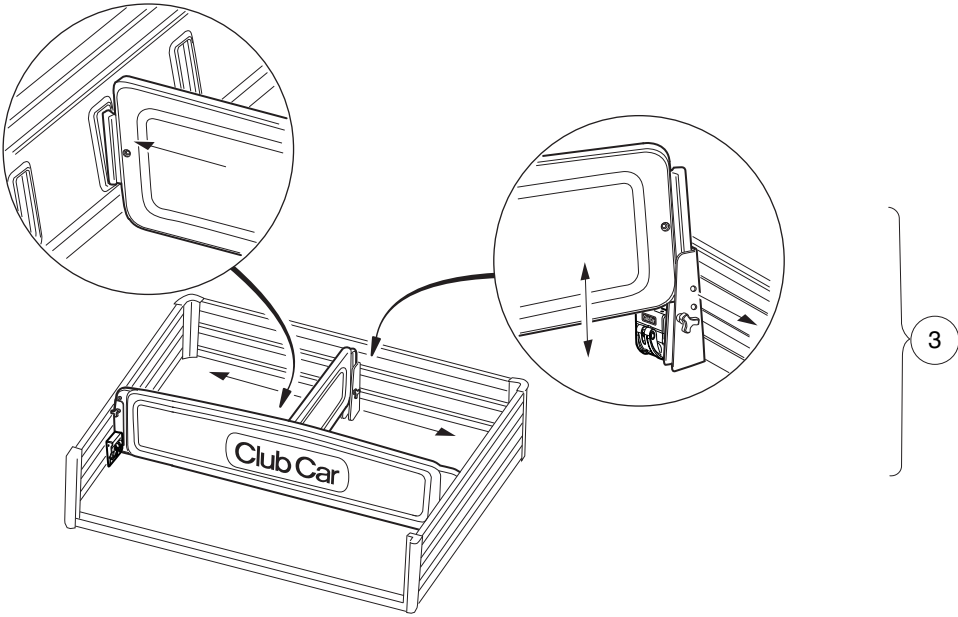
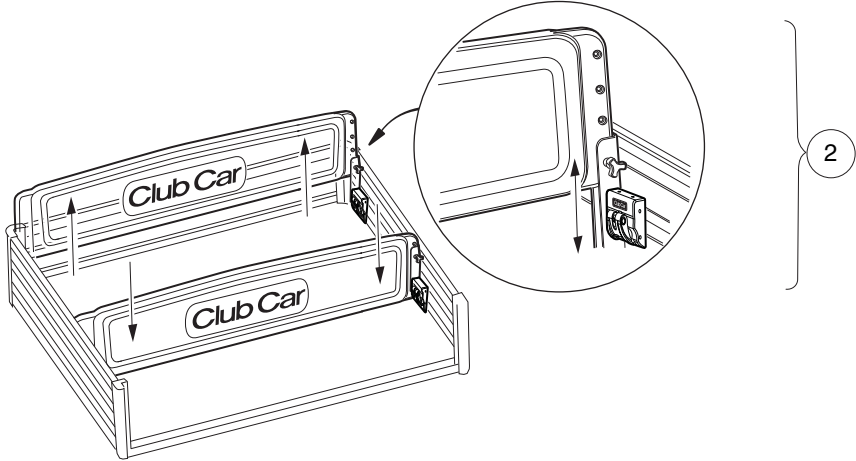
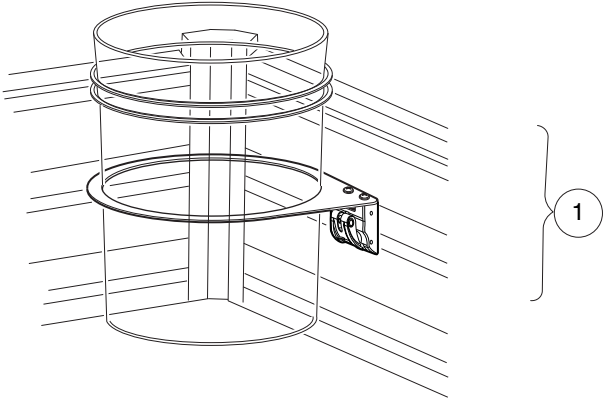
| ITEM | PART NO. | DESCRIPTION | QTY |
|---|------------------|------------------------------------|-----|
| 1 | <u>105161501</u> | 1 2 3 4 Kit, Rack, Ladder | 1 |
| 2 | 105161601 | Kit, Toolbox | 1 |
| <p>Note: Component part numbers unavailable at publication.</p> | | | |

1

E

1

E



001169-001

MODULAR BED ACCESSORIES

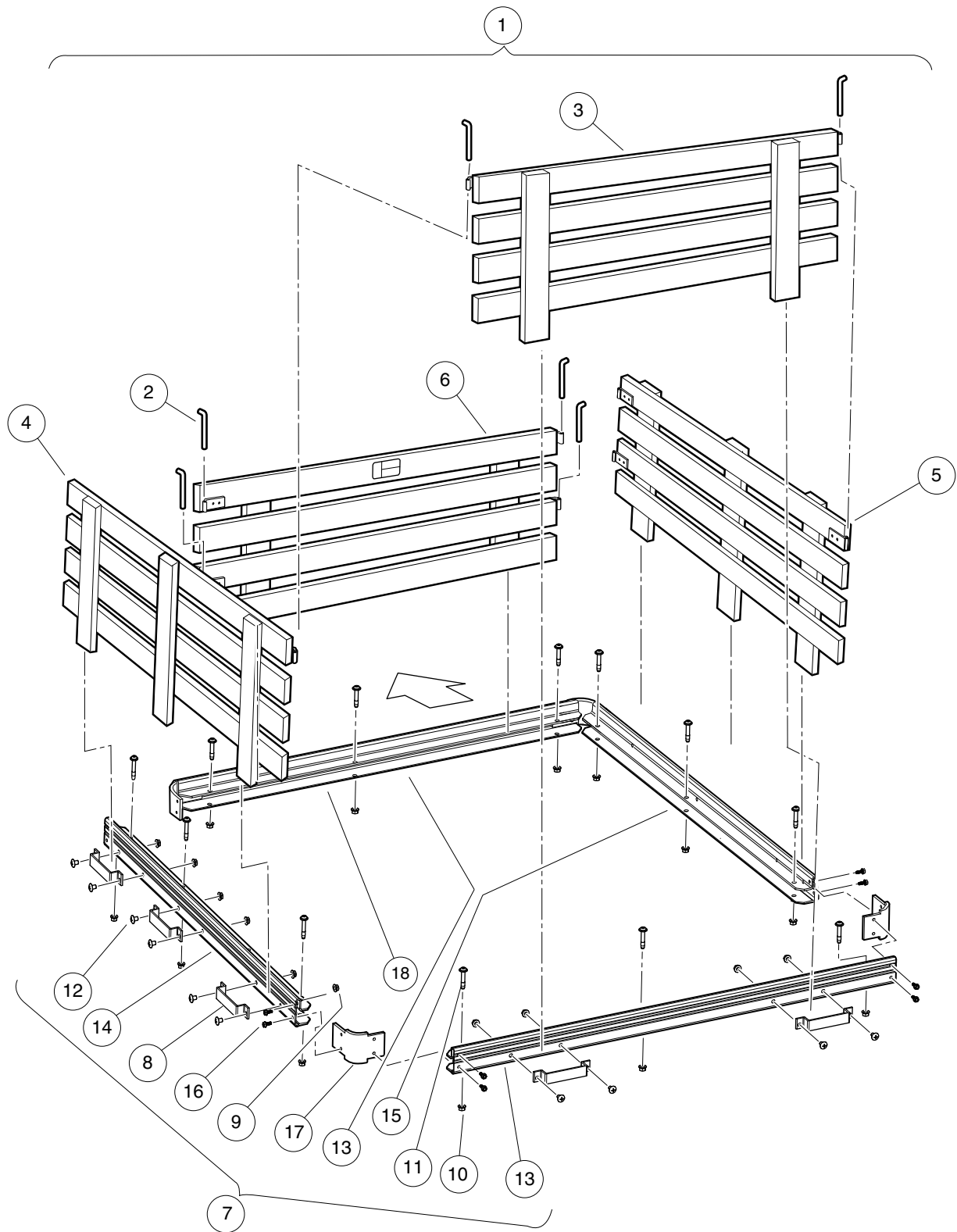
| ITEM | PART NO. | DESCRIPTION | QTY |
|---|------------------|--------------------------------------|-----|
| 1 | <u>105160501</u> | 1 2 3 4 Kit, Holder, Bucket | 1 |
| 2 | <u>105161201</u> | Kit, Bed Divider/extension | 1 |
| 3 | <u>105161301</u> | Kit, Bed Divider, Short | 1 |
| <p>Note: Component part numbers unavailable at publication.</p> | | | |

1

E

1

E



001130-001

STAKE SIDE KIT – MEDIUM

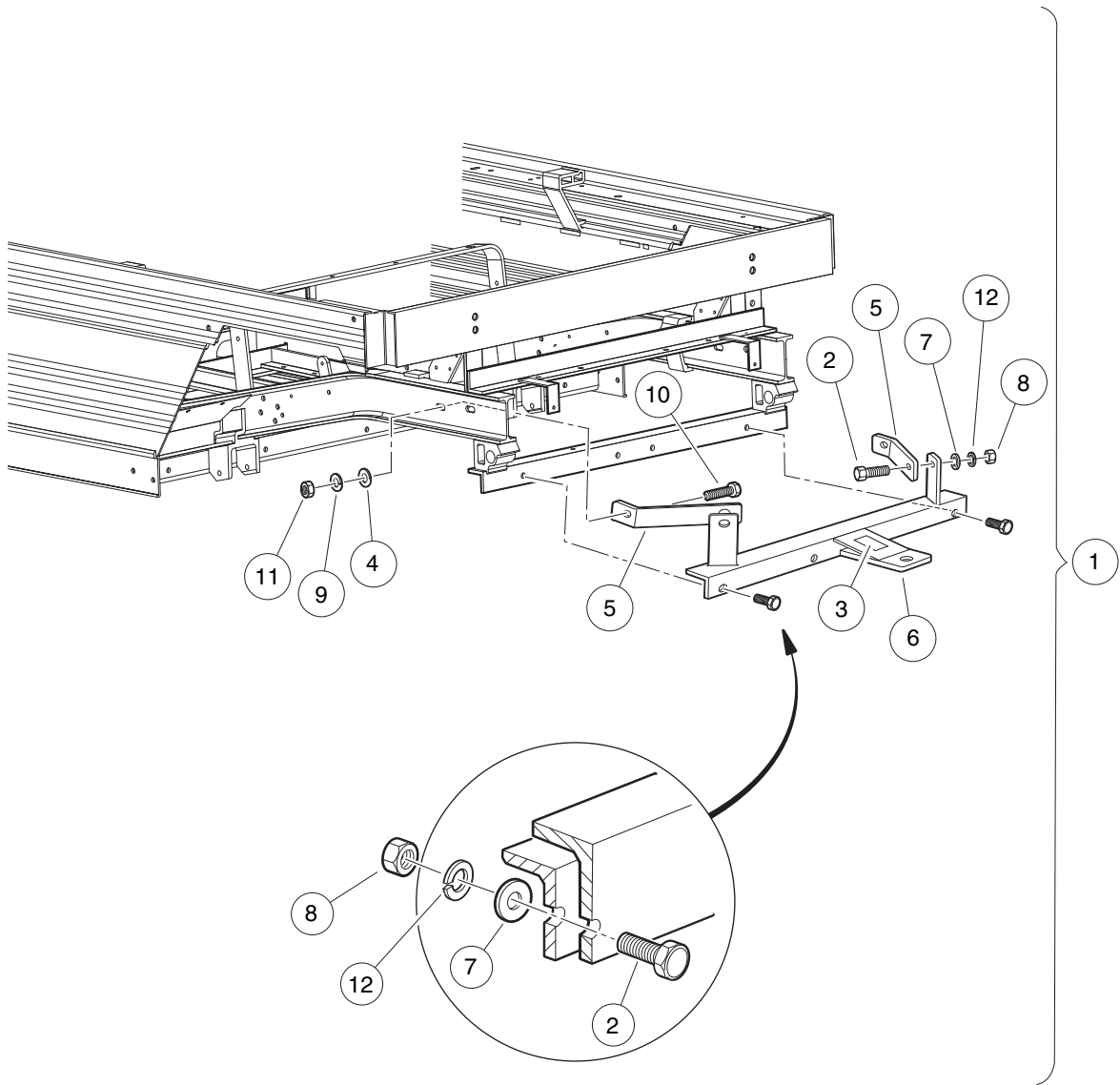
| ITEM | PART NO. | DESCRIPTION | QTY |
|------|------------------|--|-----|
| | | 1 2 3 4 | |
| 1 | <u>105109501</u> | Kit, Stake Side, Med (includes items 2 through 7) | 1 |
| 2 | <u>1015656</u> | Pin, hinge | 6 |
| 3 | <u>102847603</u> | Asm, Stake Side, 48 X 19 Rear | 1 |
| 4 | <u>105113301</u> | Stake Side, Ca Med, Lh | 1 |
| 5 | <u>105113302</u> | Stake Side, Ca Med, Rh | 1 |
| 6 | <u>105129501</u> | Stake Side, Front, Ca, 50" | 1 |
| 7 | <u>105148502</u> | Asm, Trim, Stake Side, Med (includes items 8 through 18) | 1 |
| 8 | <u>1016077</u> | Bracket, Stake Side | 8 |
| 9 | <u>101963401</u> | Locknut, 5/16-18 Hex Flange | 16 |
| 10 | <u>102298401</u> | Nut,m8,all Metal Lock | 14 |
| 11 | <u>102299550</u> | Screw,m8x50,sems,tx,bttn,plt | 14 |
| 12 | <u>105129601</u> | Screw, Phl Trus Hd, 5/16-18x.5 | 16 |
| 13 | <u>105148601</u> | Trim, Stake Side, Cen, Rear | 1 |
| 14 | <u>105148801</u> | Trim, Stake Side, Med, Lh | 1 |
| 15 | <u>105148802</u> | Trim, Stake Side, Med, Rh | 1 |
| 16 | <u>105185701</u> | Pan Head Screw, M6 X 16 Tt | 16 |
| 17 | <u>105185801</u> | Bracket,Bed Corner,CA | 4 |
| 18 | <u>105194801</u> | Trim, Bed, Cntr, Front | 1 |

1

E

1

E



001132-001

HEAVY DUTY TRAILER HITCH

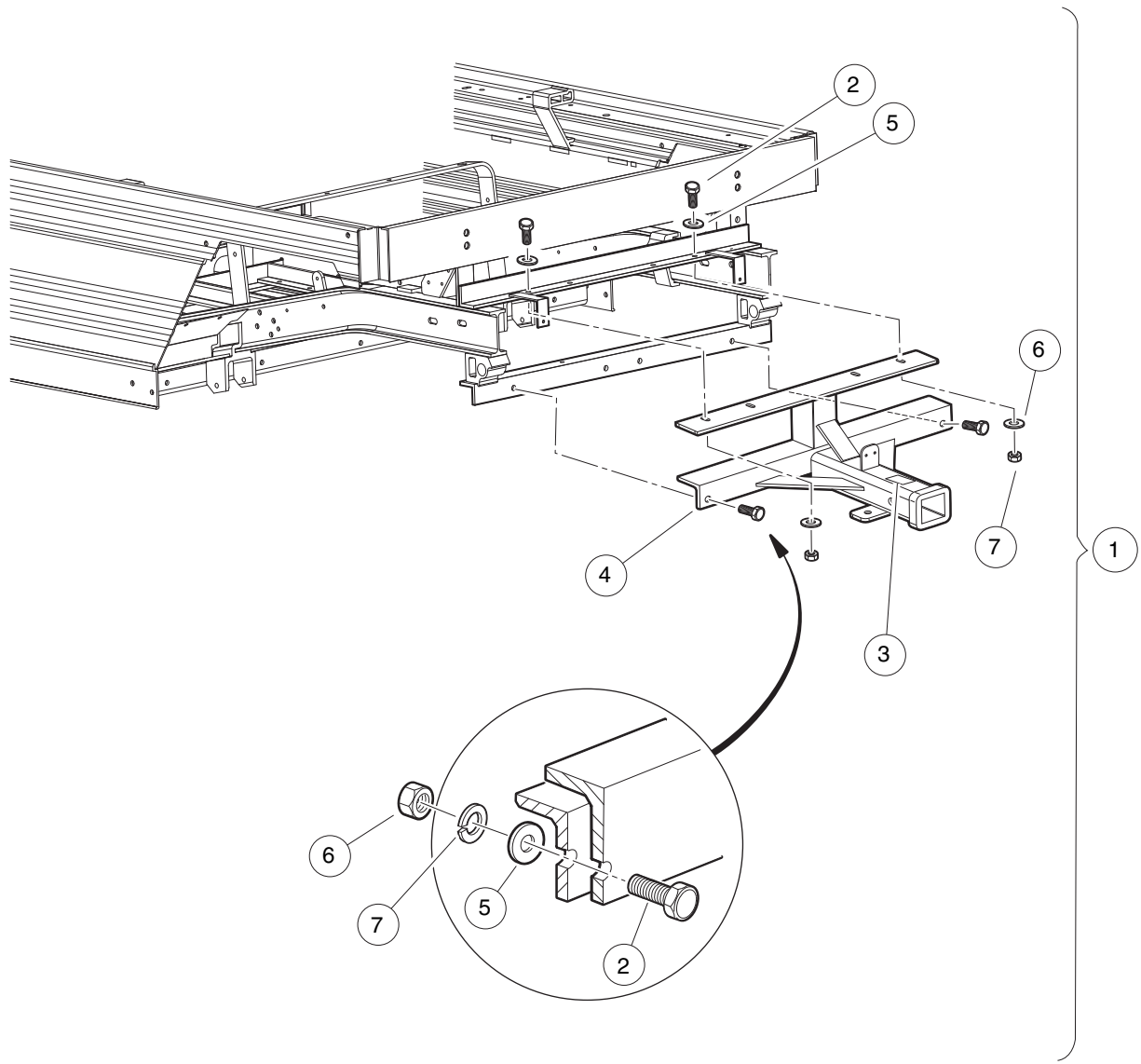
| ITEM | PART NO. | DESCRIPTION | QTY |
|------|----------------|--|-----|
| | | 1 2 3 4 | |
| 1 | <u>1015445</u> | Kit, Trailer Hitch (includes items 2 through 12) | 1 |
| 2 | <u>1010934</u> | Screw, 5/16-18 X 1.00 Hex Cap | 4 |
| 3 | <u>1011553</u> | Decal, Trailer Hitch | 1 |
| 4 | <u>1011990</u> | Washer, 3/8 Flat | 2 |
| 5 | <u>1013483</u> | Brace, Trailer Hitch | 2 |
| 6 | N/A | Asm, Trailer Hitch | 1 |
| 7 | <u>1241</u> | Washer, 5/16 Type A Flat | 4 |
| 8 | <u>1242</u> | Nut, 5/16-18 Hex | 4 |
| 9 | <u>357</u> | Lockwasher, 3/8 Split | 2 |
| 10 | 705 | Screw, Cap-hex Hd 3/8-16x1.25 | 2 |
| 11 | <u>706</u> | Nut, Hex 3/8-16 | 2 |
| 12 | <u>7174</u> | Lockwasher, 5/16 Split | 4 |

1

E

1

E



001133-001

REAR RECIEVER HITCH

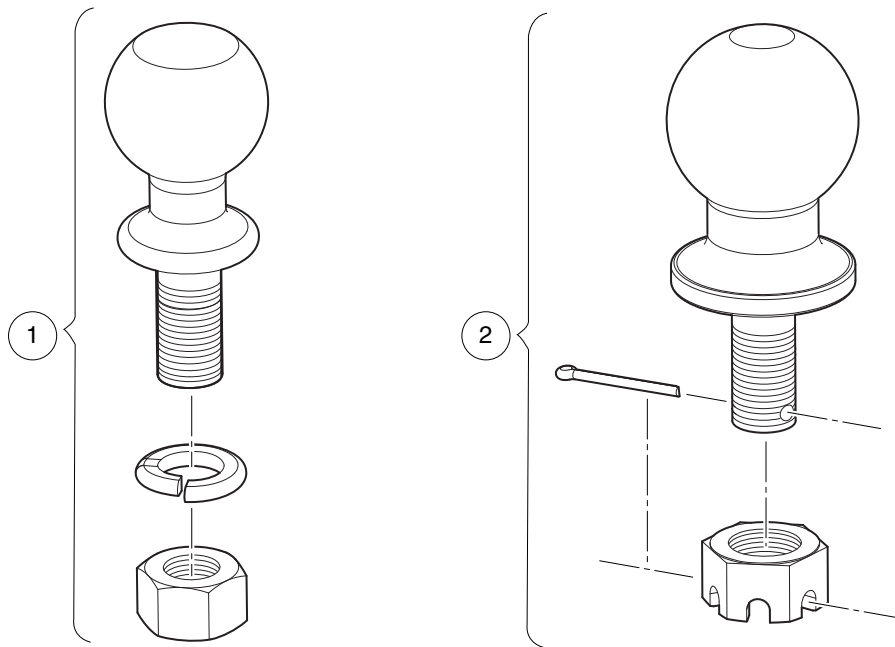
| ITEM | PART NO. | DESCRIPTION | QTY |
|------|------------------|---|-----|
| | | 1 2 3 4 | |
| 1 | <u>102065103</u> | Kit, Rear Receiver (includes items 2 through 7) | 1 |
| 2 | <u>1010934</u> | Screw, 5/16-18 X 1.00 Hex Cap | 6 |
| 3 | <u>1011553</u> | Decal, Trailer Hitch | 1 |
| 4 | <u>102056001</u> | Rear Receiver Weld Asm | 1 |
| 5 | <u>1241</u> | Washer, 5/16 Type A Flat | 6 |
| 6 | <u>1242</u> | Nut, 5/16-18 Hex | 6 |
| 7 | <u>7174</u> | Lockwasher, 5/16 Split | 6 |

1

E

1

E



001137-001

TRAILER HITCH BALL

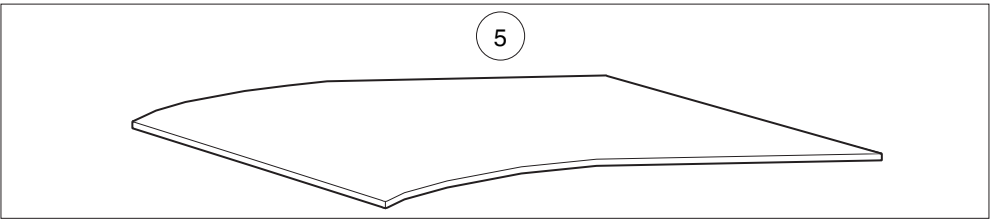
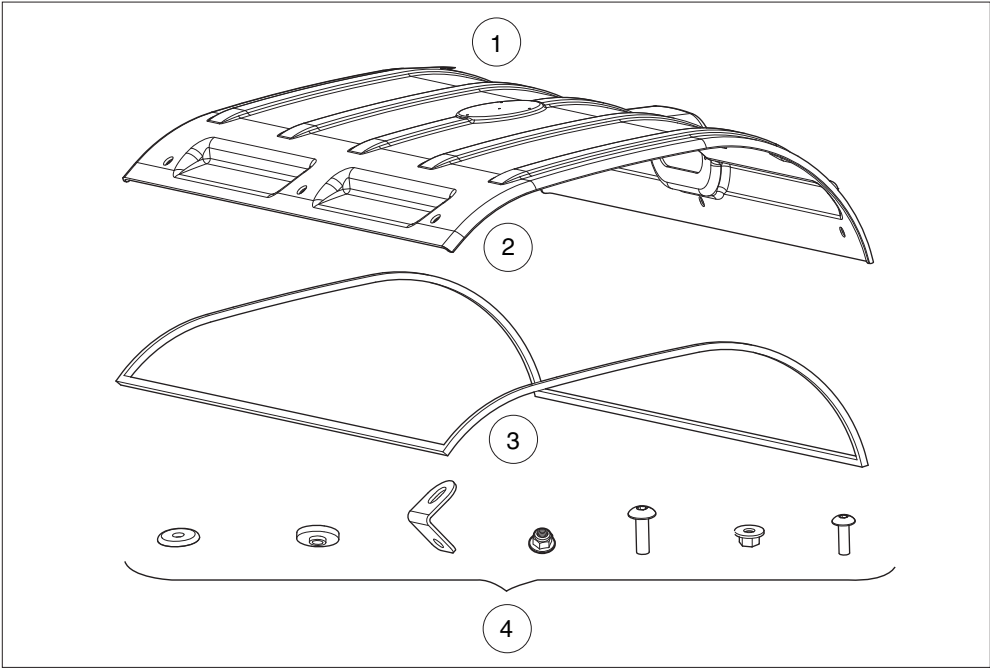
| ITEM | PART NO. | DESCRIPTION | QTY |
|------|------------------|--|-----|
| 1 | <u>1011546</u> | 1 2 3 4 Trailer Hitch Ball - 1 7/8" | 1 |
| 2 | <u>104033601</u> | Ball, Trailer Hitch, 50mm | 1 |

1

E

1

E



001183-001

CAB CANOPY

| ITEM | PART NO. | DESCRIPTION | QTY |
|------|------------------|---|-----|
| | | 1 2 3 4 | |
| 1 | 105096801 | Cab, Canopy, Lsv Kit (includes items 2 through 4) | 1 |
| 2 | <u>105177301</u> | Cab, Canopy | 1 |
| 3 | <u>105177601</u> | Seal, Cab Canopy | 1 |
| 4 | <u>105177701</u> | Hardware Kit, Canopy | 1 |
| 5 | <u>105097001</u> | Cab, Canopy, Liner Kit | 1 |

1

E

CAB DOORS – GLASS

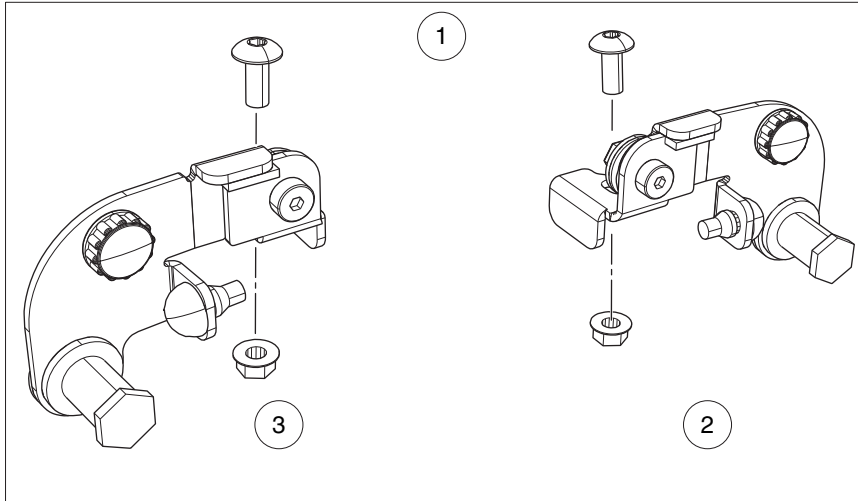
| ITEM | PART NO. | DESCRIPTION | QTY |
|------|------------------|---|-----|
| | | 1 2 3 4 | |
| 1 | 105097301 | Cab, Doors, Glass Kit (includes items 2 through 14) | 1 |
| 2 | <u>105181701</u> | Glass Door Asm, Lh (includes items 3 through 13) | 1 |
| 3 | <u>104001201</u> | Gas Spring | 1 |
| 4 | <u>105181801</u> | Glass Door Replacement, Lh | 1 |
| 5 | <u>105181901</u> | Hardware Kit, Glass Door | 1 |
| 6 | <u>105182001</u> | Handle, Push Button | 1 |
| 7 | <u>105182101</u> | Latch, Glass Door, Lh | 1 |
| 8 | <u>105182201</u> | Handle, Glass Door, Lh | 1 |
| 9 | <u>105182301</u> | Cover, Latch, Lh | 1 |
| 10 | <u>105182401</u> | Spring, Ball Stud | 1 |
| 11 | <u>105182501</u> | Hinge, Door | 2 |
| 12 | <u>105182601</u> | Spacer, Handle | 1 |
| 13 | <u>105182701</u> | Plate, Upper Hinge | 1 |
| 14 | <u>105182901</u> | Glass Door Asm, Rh (includes items 15 through 26) | 1 |
| 15 | <u>104001201</u> | Gas Spring | 1 |
| 16 | <u>105181901</u> | Hardware Kit, Glass Door | 1 |
| 17 | <u>105182002</u> | Handle, Glass Door, RH | 1 |
| 18 | <u>105182102</u> | Latch, Glass Door, Rh | 1 |
| 19 | <u>105182202</u> | Handle, Glass Door, Rh | 1 |
| 20 | <u>105182302</u> | Cover, Latch, Rh | 1 |
| 21 | <u>105182401</u> | Spring, Ball Stud | 1 |
| 22 | <u>105182501</u> | Hinge, Door | 2 |
| 23 | <u>105182601</u> | Spacer, Handle | 1 |
| 24 | <u>105182701</u> | Plate, Upper Hinge | 1 |
| 25 | <u>105182801</u> | Hardware Kit, Door Striker | 1 |
| 26 | <u>105183001</u> | Glass Door Replacement, Rh | 1 |

1

E

1

E



001143-002

CAB DOORS – VENT

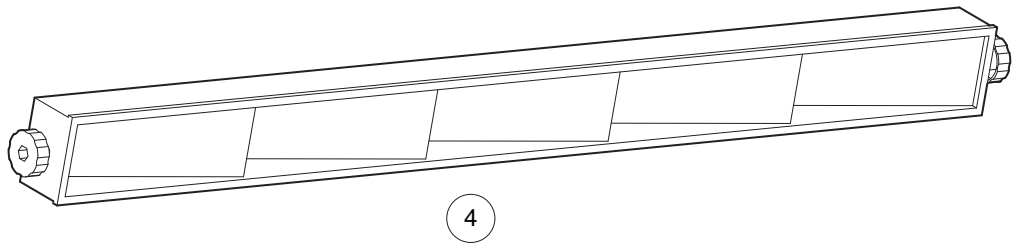
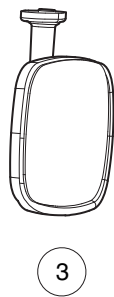
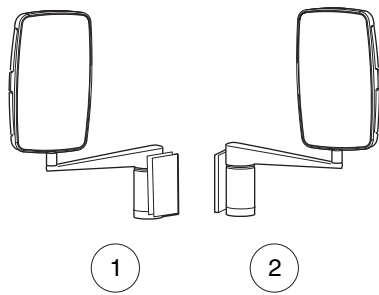
| ITEM | PART NO. | DESCRIPTION | QTY |
|------|------------------|--|-----|
| | | 1 2 3 4 | |
| 1 | 105097501 | Cab, Door, Vent Kit (includes items 2 and 3) | 1 |
| 2 | <u>105178301</u> | Door Vent Lh | 1 |
| 3 | <u>105178401</u> | Door Vent Rh | 1 |

1

E

1

E



001198-001

CAB - MIRRORS

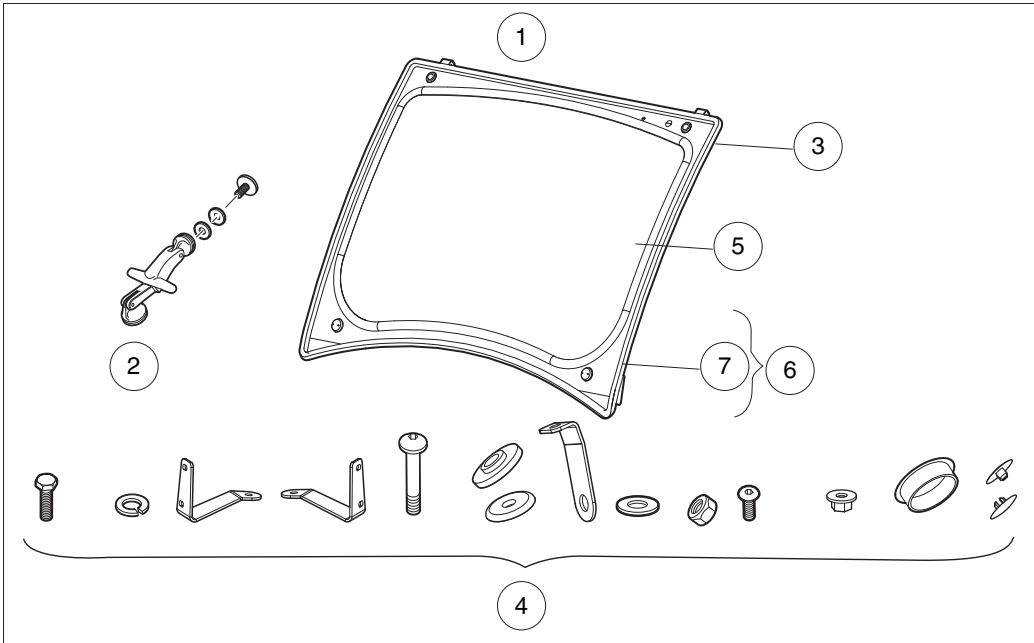
| ITEM | PART NO. | DESCRIPTION | QTY |
|------|------------------|-------------------------------------|-----|
| | | 1 2 3 4 | |
| 1 | <u>105098501</u> | Cab, Mirror, Left Hand Kit | 1 |
| 2 | <u>105098502</u> | Cab Passenger Side Mirror Kit | 1 |
| 3 | <u>105098701</u> | Cab, Mirror, Interior Kit | 1 |
| 4 | <u>105289301</u> | Kit, Mirror, 5 Panel, Cab | 1 |

1

E

1

E



001186-001

CAB – WINDSHIELD

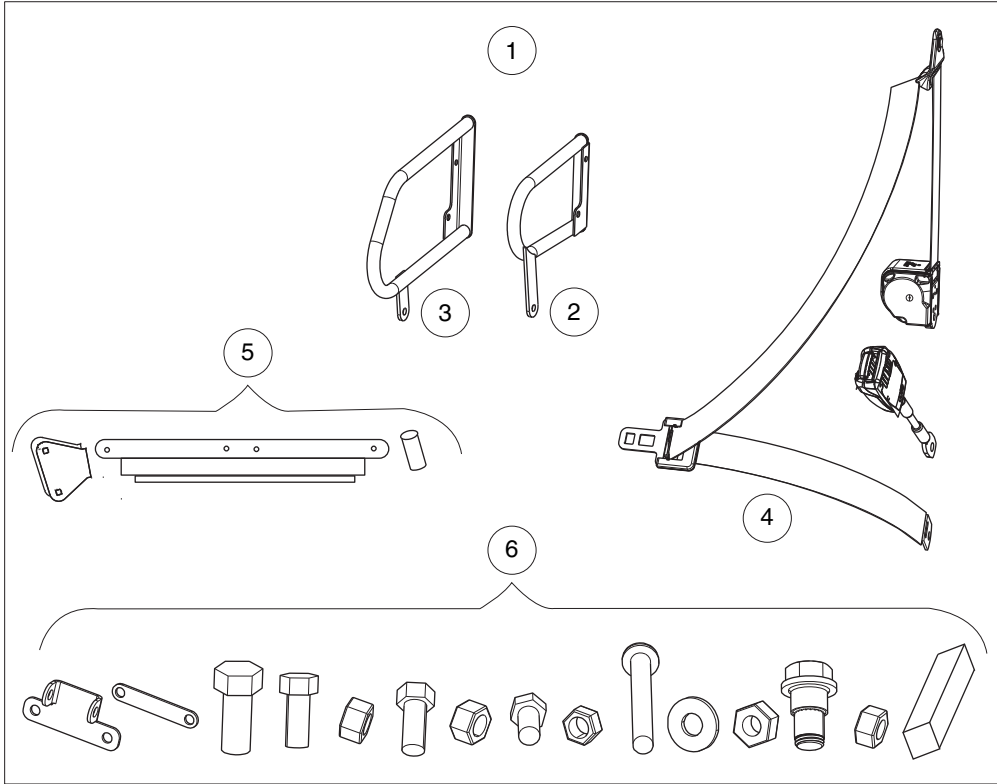
| ITEM | PART NO. | DESCRIPTION | QTY |
|------|------------------|---|-----|
| | | 1 2 3 4 | |
| 1 | <u>105097201</u> | Cab, Windshield, Lsv Kit (includes items 2 through 6) | 1 |
| 2 | <u>104003901</u> | Handle, Tee | 2 |
| 3 | <u>105177101</u> | Seal, Rubber Windshield | 1 |
| 4 | <u>105178001</u> | Hardware Kit, Windshield | 1 |
| 5 | <u>105178101</u> | Cab, Windshield, Lam Asm | 1 |
| 6 | <u>105178201</u> | Windshield, Lam W/ Rubber (includes item 7) | 1 |
| 7 | <u>105177101</u> | Seal, Rubber Windshield | 1 |

1

E

1

E



001181-001

CAB – SEAT BELTS – 3-POINT

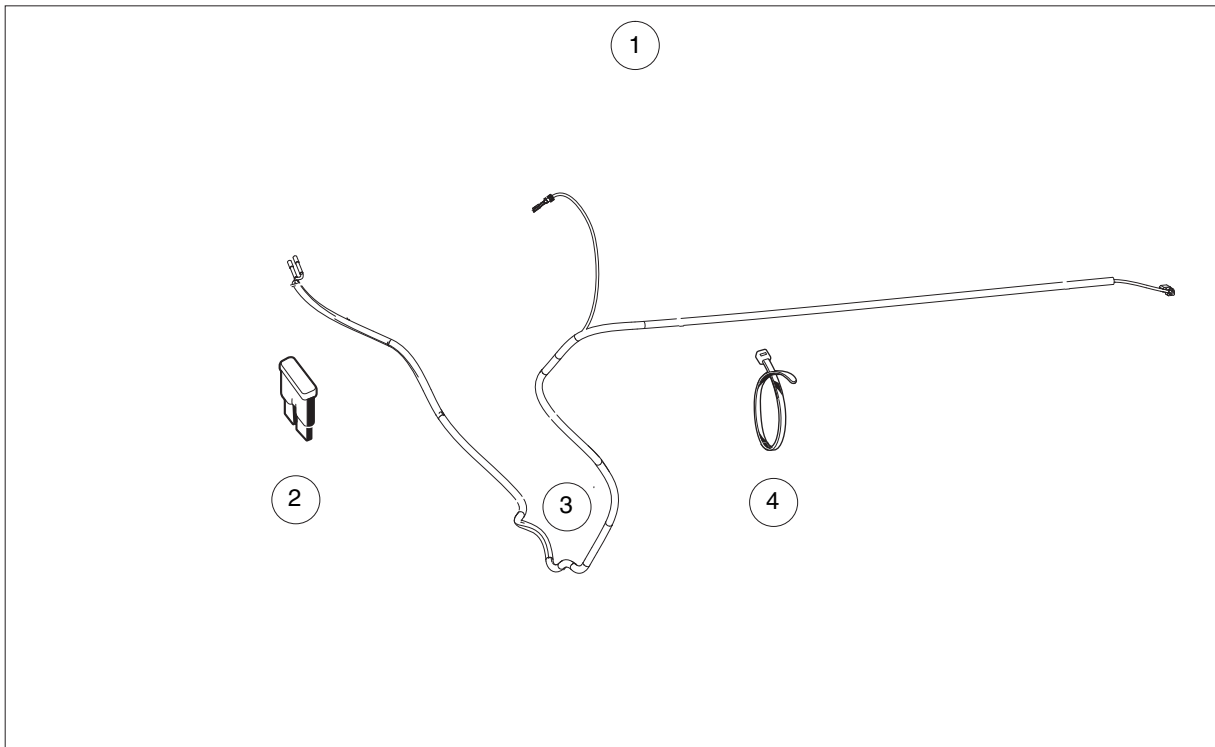
| ITEM | PART NO. | DESCRIPTION | QTY |
|------|------------------|---|-----|
| | | 1 2 3 4 | |
| 1 | 105096701 | Cab, 3 Pt Seat Belt, Hom Kit (includes items 2 through 6) | 1 |
| 2 | <u>105176101</u> | Hip Restraint Ds, Cab | 1 |
| 3 | <u>105176201</u> | Hip Restraint Ps, Cab | 1 |
| 4 | <u>105176401</u> | Seat Belt Asm 3pt Hom | 1 |
| 5 | <u>105176501</u> | Homologation Kit | 1 |
| 6 | <u>105176601</u> | Hardware Kit, 3pt Sbelt Hom | 1 |

1

E

1

E



001193-001

CAB – ELECTRICAL, POWER HARNESS, ELECTRIC VEHICLE TO CAB

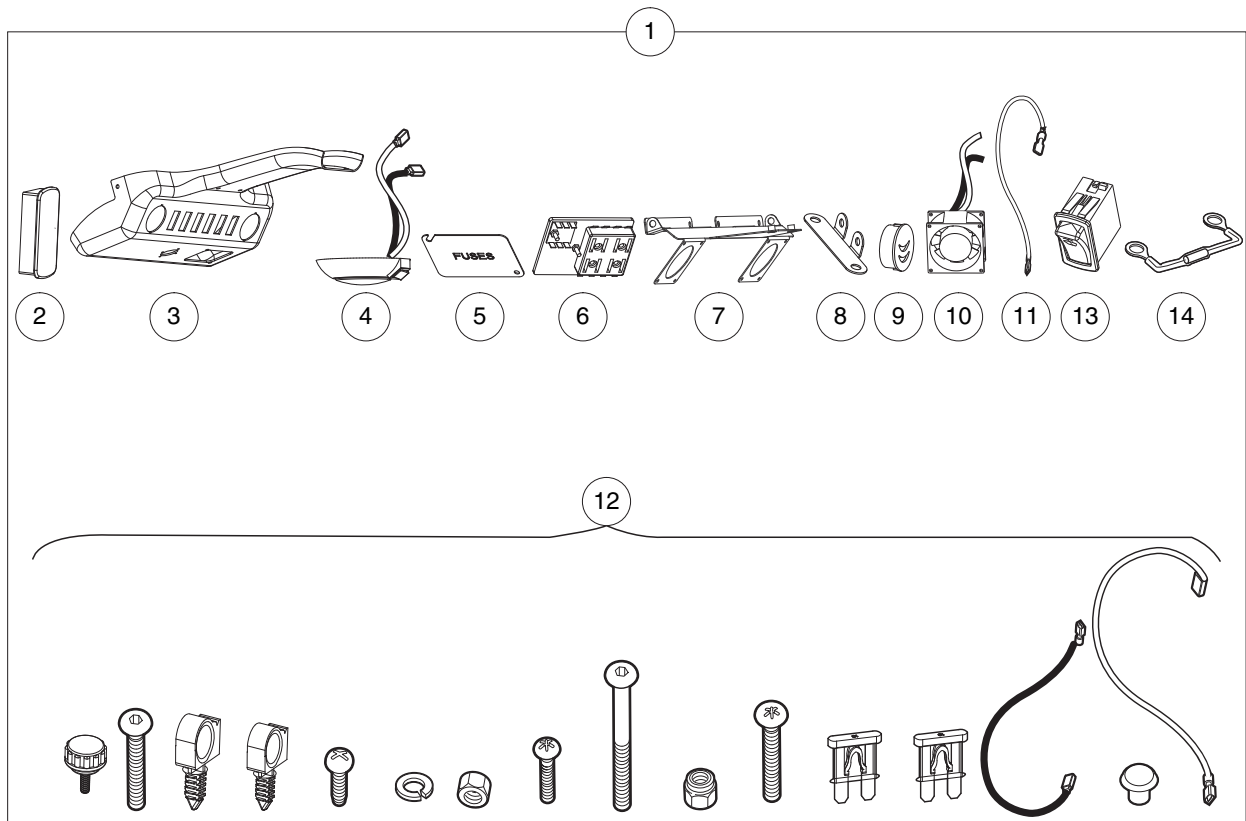
| ITEM | PART NO. | DESCRIPTION | QTY |
|------|------------------|---|-----|
| | | 1 2 3 4 | |
| 1 | <u>105234002</u> | Kit, Cab Pwr Harness, Elec (includes items 2 through 4) | 1 |
| 2 | <u>105114807</u> | Fuse, Mini, Atm, 15 Amp | 1 |
| 3 | <u>105205501</u> | Harn, Pwr Supply, Cab | 1 |
| 4 | <u>8639</u> | Tie Wrap, 11" Nylon | 5 |

1

E

1

E



001188-002

CAB – ELECTRICAL, OVERHEAD CONSOLE

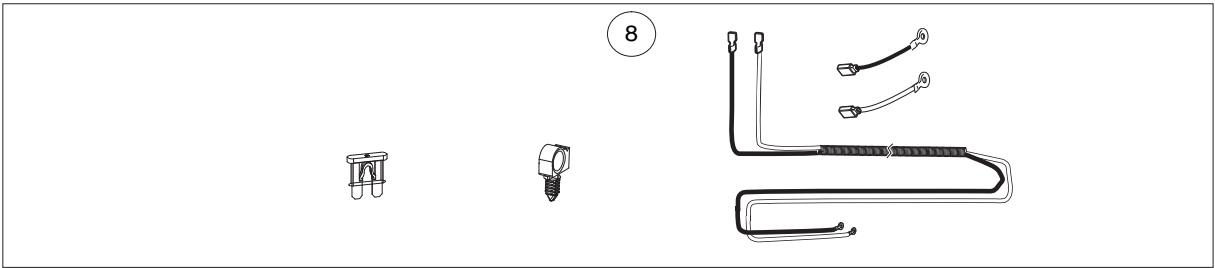
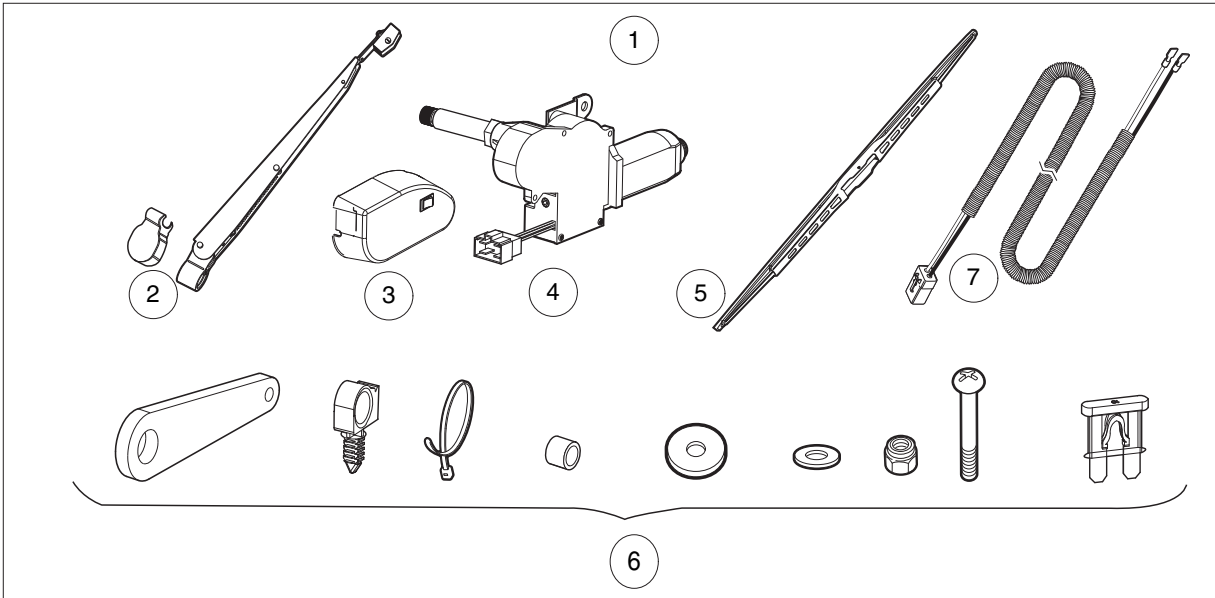
| ITEM | PART NO. | DESCRIPTION | QTY |
|------|------------------|--|-----|
| | | 1 2 3 4 | |
| 1 | <u>105097901</u> | Cab, Overhead Console, Kit (includes items 2 through 14) | 1 |
| 2 | <u>103180101</u> | Cover, Hole, Switch, Rocker | 5 |
| 3 | <u>105179001</u> | Overhead Console Asm | 1 |
| 4 | <u>105179101</u> | Cab, Dome Light | 1 |
| 5 | <u>105179201</u> | Cab, Fuse Cover | 1 |
| 6 | <u>105179301</u> | Cab, Fuse Holder 8 W Grnd | 1 |
| 7 | <u>105179401</u> | Front Fan Bracket, Asm | 1 |
| 8 | <u>105179501</u> | Rear Oh Console Bracket | 1 |
| 9 | <u>105179601</u> | Fan Louver | 2 |
| 10 | <u>105179701</u> | Oh Console Fan | 1 |
| 11 | <u>105179801</u> | Wire Jumper, Fan | 1 |
| 12 | <u>105179901</u> | Hardware Kit, Oh Console | 1 |
| 13 | <u>105183501</u> | Rocker, Fan | 1 |
| 14 | <u>105295301</u> | Asm, Capacitor, 0.47uf | 1 |

1

E

1

E



001190-001

CAB – ELECTRICAL, WINDSHIELD WIPER

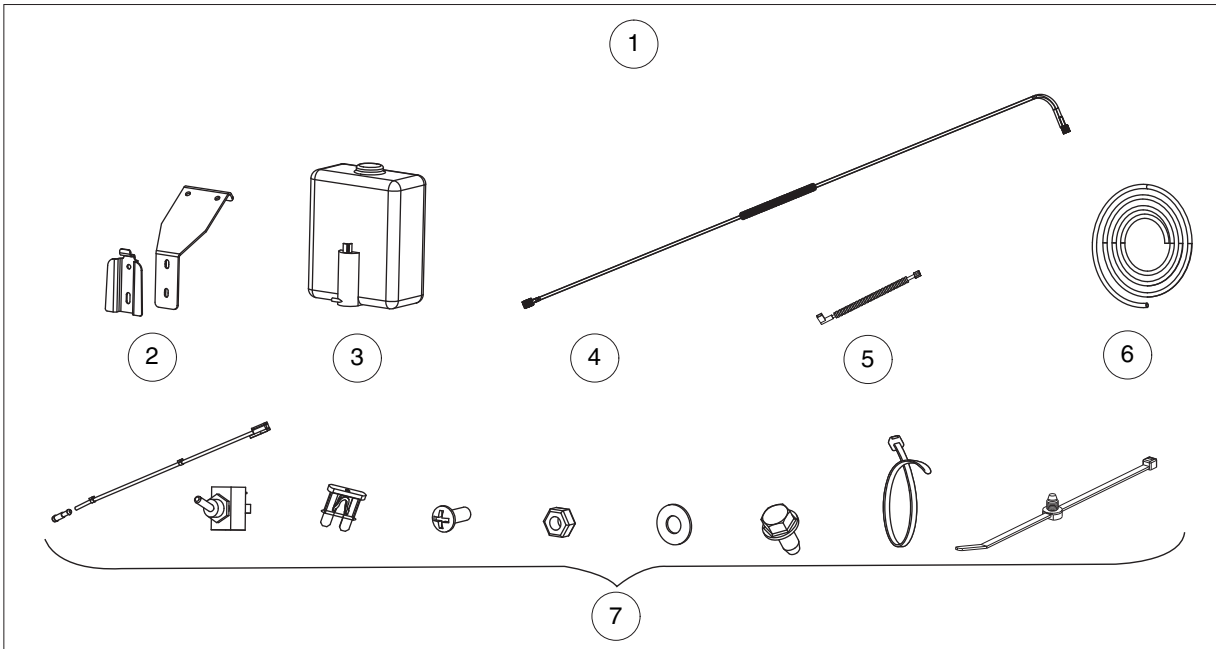
| ITEM | PART NO. | DESCRIPTION | QTY |
|---|------------------|---|-----|
| | | 1 2 3 4 | |
| 1 | <u>105098001</u> | Cab, Front Wiper Kit (includes items 2 through 7) | 1 |
| 2 | <u>104000901</u> | Wiper Arm, Modified | 1 |
| 3 | <u>104003501</u> | Cover, Wiper Mtr & Switch Asm | 1 |
| 4 | <u>105180001</u> | Wiper Motor, 85 Deg | 1 |
| 5 | <u>105180101</u> | Wiper Blade 18 inch | 1 |
| 6 | <u>105180201</u> | Hardware Kit, Wiper | 1 |
| 7 | <u>105183701</u> | Harness, Wiper | 1 |
| 8 | <u>105098002</u> | Cab, Wiper Power Harness Kit (w/o Console) | 1 |
| <p>Note: Vehicles not equipped with an overhead console will require kit part number <u>105098001</u>, Front Wiper Kit, and <u>105098002</u>, Cab Wiper Power Harness Kit. Vehicles equipped with an overhead console are wired for wiper power and require only the <u>105098001</u>, Front Wiper Kit.</p> | | | |

1

E

1

E



001189-001

CAB – ELECTRICAL, WINDSHIELD WASHER

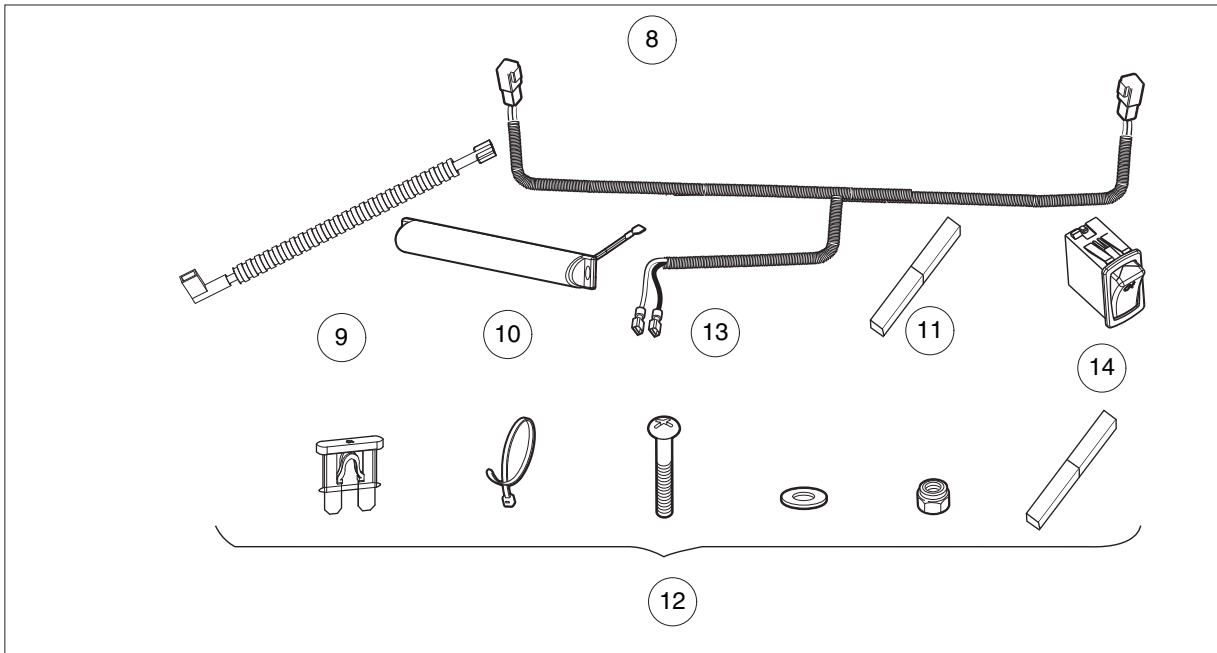
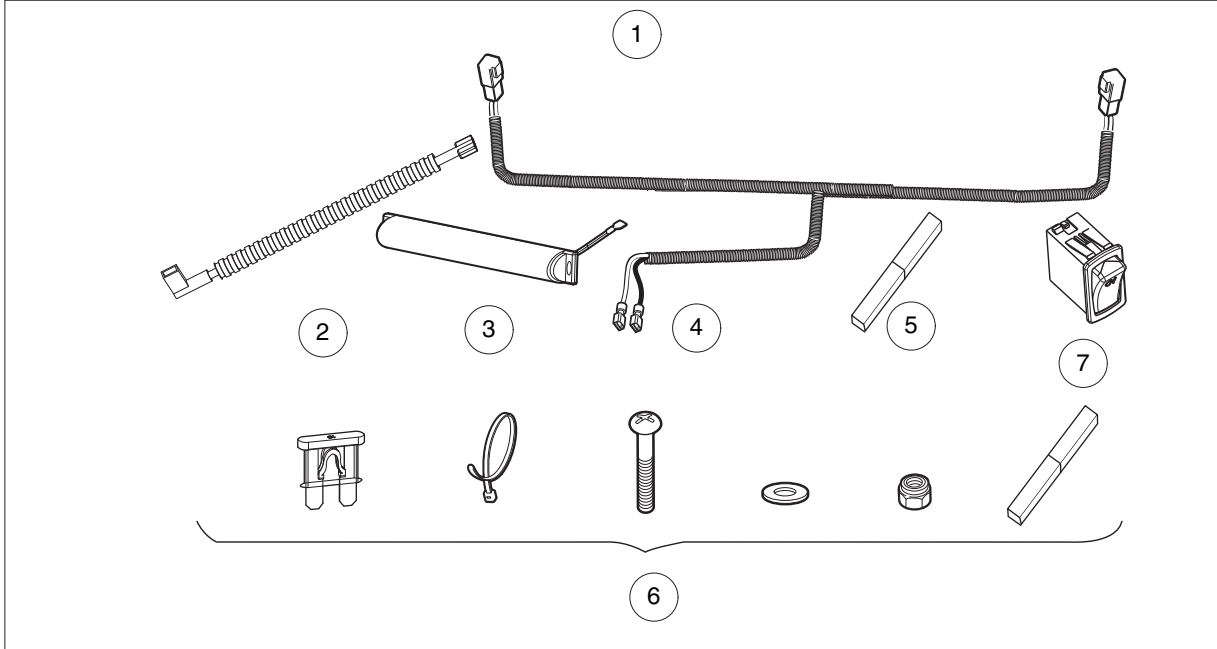
| ITEM | PART NO. | DESCRIPTION | QTY |
|------|------------------|---|-----|
| | | 1 2 3 4 | |
| 1 | <u>105098101</u> | Cab, Front Wiper, Washer Kit (includes items 2 through 7) | 1 |
| 2 | <u>105180301</u> | Washer Tank Mount Plate | 1 |
| 3 | <u>105180401</u> | Wash Tank Asm | 1 |
| 4 | <u>105180501</u> | Wire Harness Sw To Pump | 1 |
| 5 | <u>105180601</u> | Wire Harness Fb To Sw | 1 |
| 6 | <u>105180701</u> | Hose 18x31x17ft | 1 |
| 7 | <u>105180801</u> | Hardware Kit, Wiper Washer | 1 |

1

E

1

E



001191-001

CAB – ELECTRICAL, WORK LIGHTS

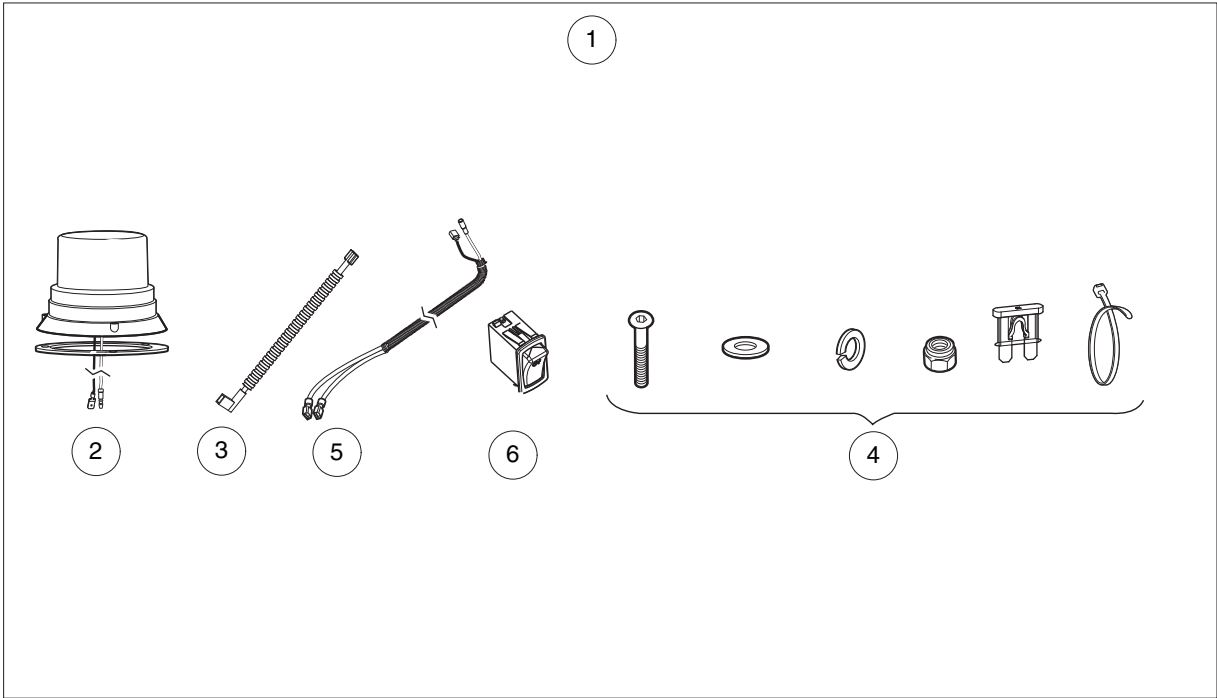
| ITEM | PART NO. | DESCRIPTION | QTY |
|------|------------------|--|-----|
| | | 1 2 3 4 | |
| 1 | <u>105098201</u> | Cab, Front Work Light Kit (includes items 2 through 7) | 1 |
| 2 | <u>105180601</u> | Wire Harness Fb To Sw | 1 |
| 3 | <u>105180901</u> | Cab Work Light Led | 2 |
| 4 | <u>105181001</u> | Wire Harn Front WI | 1 |
| 5 | <u>105181101</u> | Work Light Tape | 2 |
| 6 | <u>105181301</u> | Hardware Kit, Work Light | 1 |
| 7 | <u>105183601</u> | Switch, Rocker, Front Work Light | 1 |
| 8 | <u>105098301</u> | Cab, Rear Work Light Kit (includes items 9 through 14) | 1 |
| 9 | <u>105180601</u> | Wire Harness Fb To Sw | 1 |
| 10 | <u>105180901</u> | Cab Work Light Led | 2 |
| 11 | <u>105181101</u> | Work Light Tape | 2 |
| 12 | <u>105181301</u> | Hardware Kit, Work Light | 1 |
| 13 | <u>105181401</u> | Wire Harn Rear WI | 1 |
| 14 | <u>105181501</u> | Rocker Rear WI | 1 |

1

E

1

E



001192-001

CAB – ELECTRICAL, WARNING BEACON

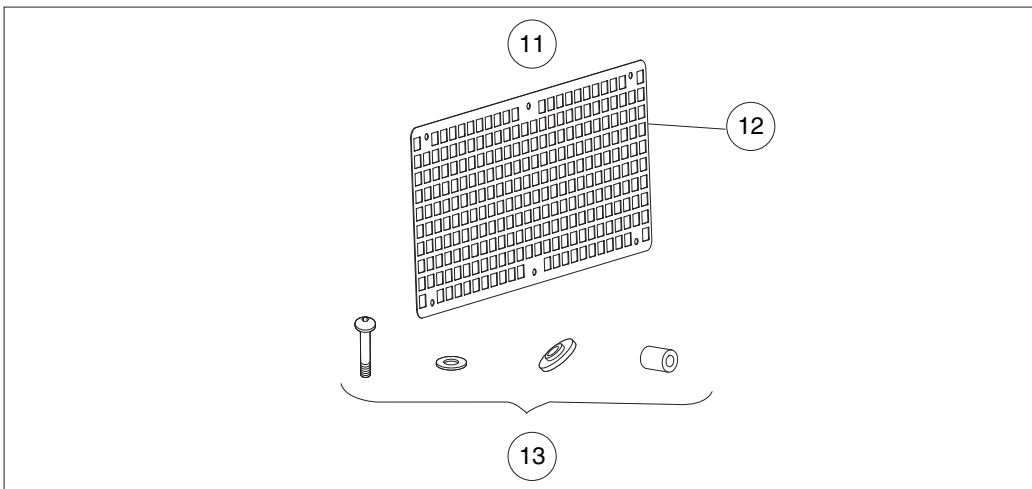
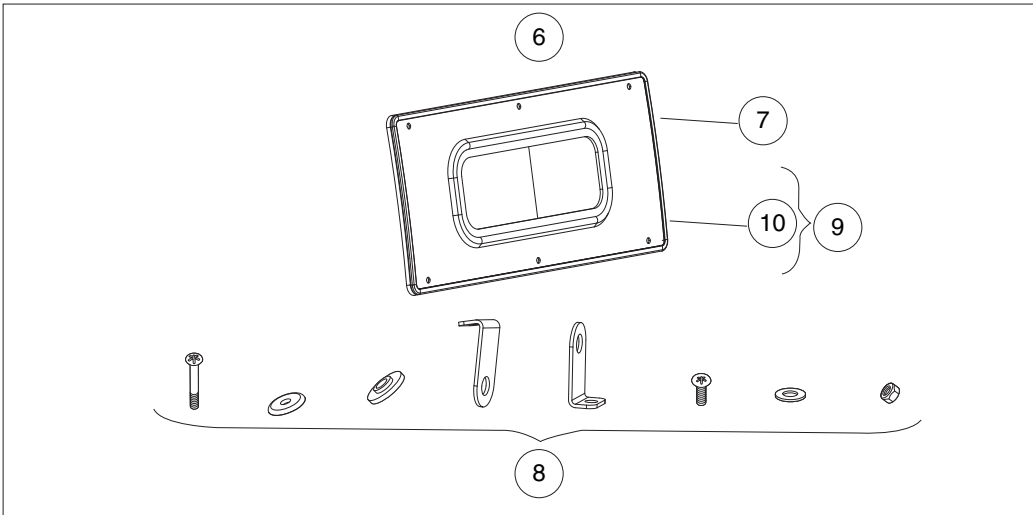
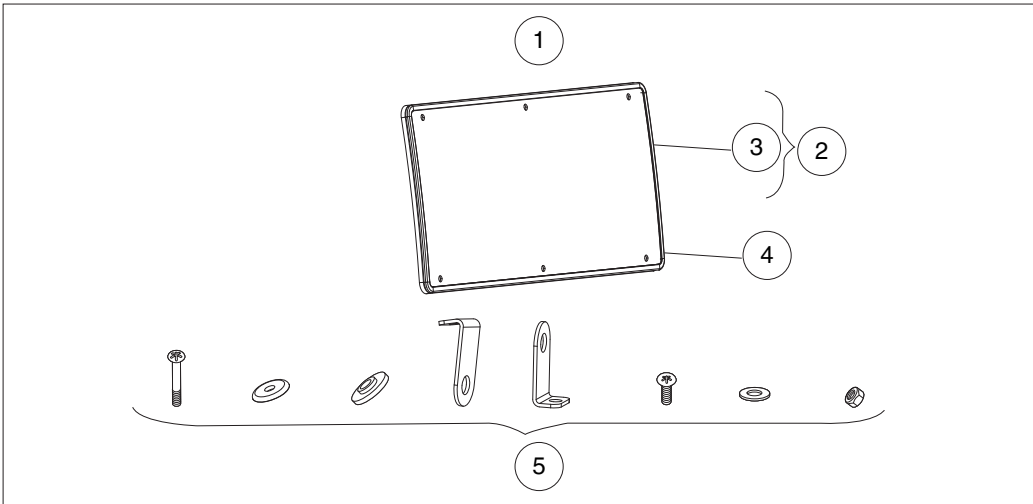
| ITEM | PART NO. | DESCRIPTION | QTY |
|------|------------------|--|-----|
| | | 1 2 3 4 | |
| 1 | <u>105098401</u> | Cab, Warning Beacon Kit (includes items 2 through 6) | 1 |
| 2 | <u>104002101</u> | Light, Strobe, Amber | 1 |
| 3 | <u>105180601</u> | Wire Harness Fb To Sw | 1 |
| 4 | <u>105181201</u> | Hardware Kit, Beacon Kit | 1 |
| 5 | <u>105181601</u> | Wire Harness Sw To Beac | 1 |
| 6 | <u>105183801</u> | Rocker Beacon | 1 |

1

E

1

E



001185-001

CAB – REAR WINDOW

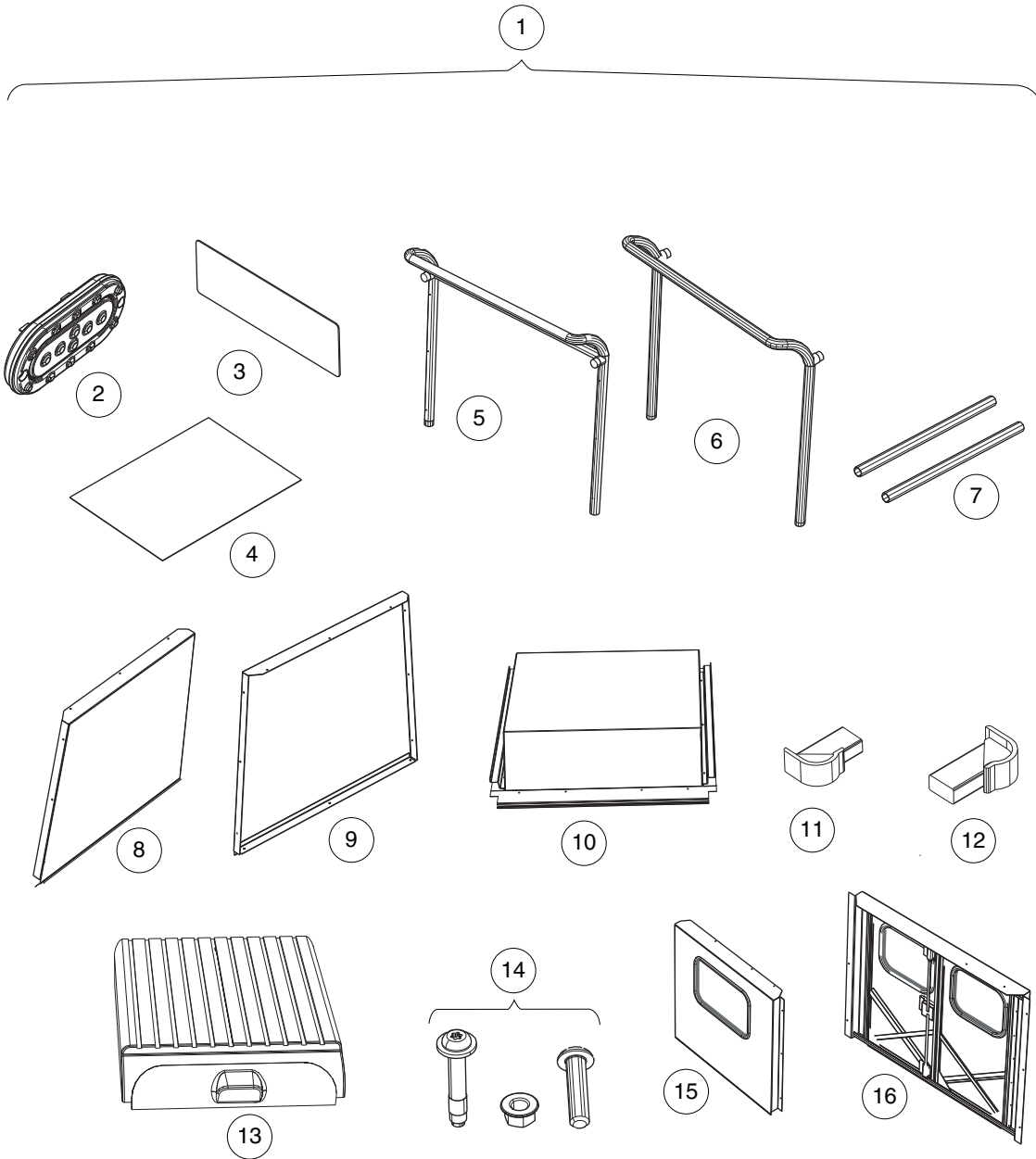
| ITEM | PART NO. | DESCRIPTION | QTY |
|------|------------------|---|-----|
| | | 1 2 3 4 | |
| 1 | 105097601 | Cab, Rear Window Kit (includes items 2 through 5) | 1 |
| 2 | <u>105178501</u> | Rear Window W/ Seal (includes item 3) | 1 |
| 3 | <u>105178601</u> | Seal, Rubber Rear Window | 1 |
| 4 | <u>105178601</u> | Seal, Rubber Rear Window | 1 |
| 5 | <u>105178701</u> | Hardware Kit, Rear Window | 1 |
| 6 | <u>105097701</u> | Cab, Rear Window, Slider Kit (includes items 7 through 9) | 1 |
| 7 | <u>105178601</u> | Seal, Rubber Rear Window | 1 |
| 8 | <u>105178701</u> | Hardware Kit, Rear Window | 1 |
| 9 | <u>105178801</u> | Rear Slider Window W/ Seal (includes item 10) | 1 |
| 10 | <u>105178601</u> | Seal, Rubber Rear Window | 1 |
| 11 | <u>105097801</u> | Cab, Rear Window, Screen Kit (includes items 12 and 13) | 1 |
| 12 | <u>105176901</u> | Rear Screen | 1 |
| 13 | <u>105178901</u> | Hardware Kit, Rear Screen | 1 |

1

E

1

E



001174-001

VAN BOX – GRAY

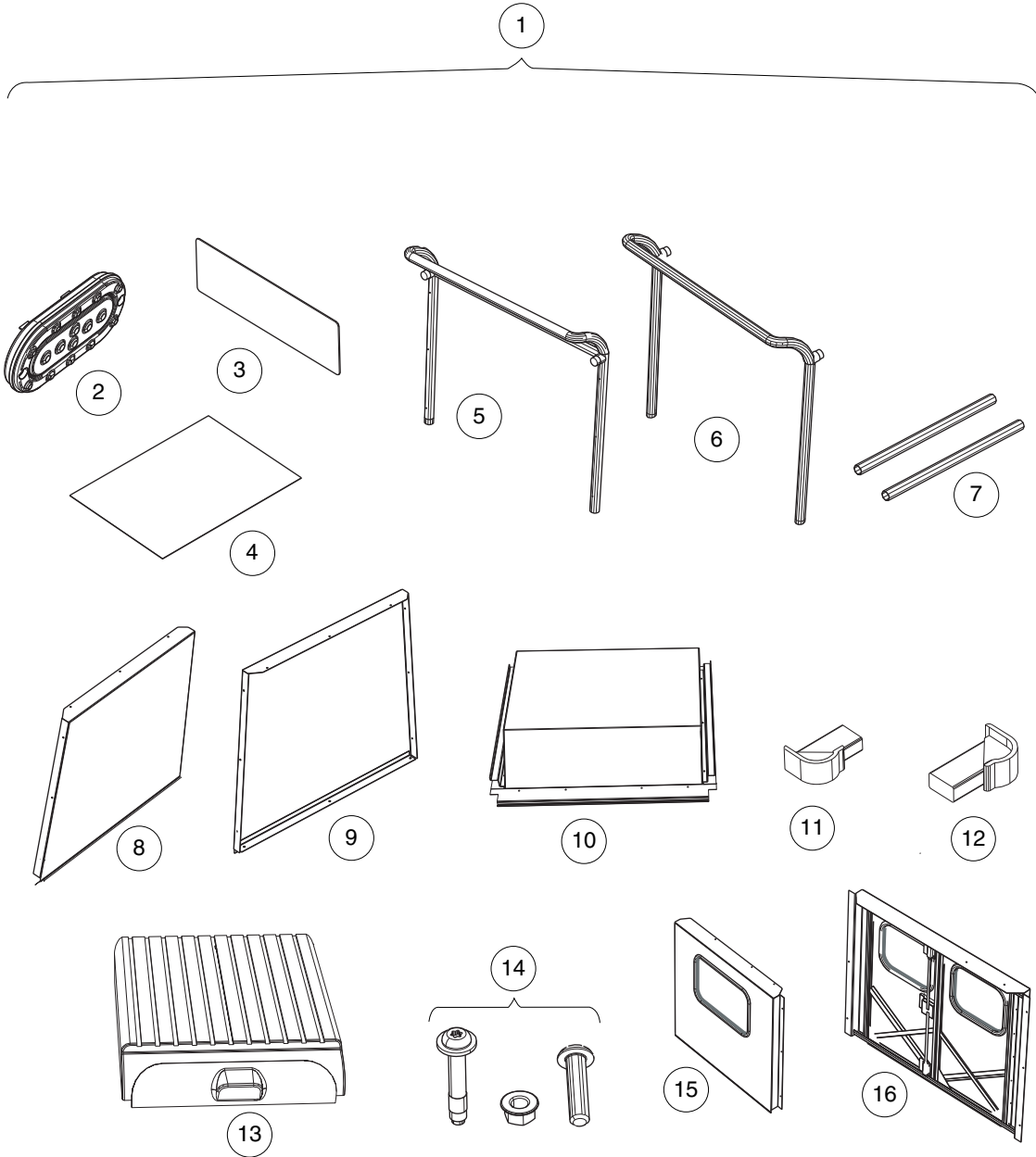
| ITEM | PART NO. | DESCRIPTION | QTY |
|------|------------------|--|-----|
| | | 1 2 3 4 | |
| 1 | 105158705 | Kit Van Box, 510, Gray (includes items 2 through 16) | 1 |
| 2 | <u>105175901</u> | Light Chmsl, Cab | 1 |
| 3 | 105237601 | Decal, Warn Rollover Van Box | 1 |
| 4 | 105237701 | Kit, Decal, Vanbox, Roll -all | 1 |
| 5 | <u>105238001</u> | Asm, Rear Tubing, Van | 1 |
| 6 | <u>105238101</u> | Asm, Front Tubing, Van | 1 |
| 7 | 105238701 | Tubing, 500, Van | 1 |
| 8 | <u>105238802</u> | Panel Lh, 500, Van, Gray | 1 |
| 9 | 105238902 | Panel Rh, 500, Van, Gray | 1 |
| 10 | 105239002 | Panel Attic, 500, Van, Gray | 1 |
| 11 | 105239101 | Bumpers Front, Van | 1 |
| 12 | <u>105239201</u> | Bumpers Rear, Van | 1 |
| 13 | 105239302 | Roof 500, Van, White, Chmsl | 1 |
| 14 | 105239401 | Hardware, 500, Van | 1 |
| 15 | 105241002 | Panel Ft W Window, Van, Gray | 1 |
| 16 | 105241102 | Panel Rr W Window, Van, Gray | 1 |

1

E

1

E



001174-001

VAN BOX – WHITE

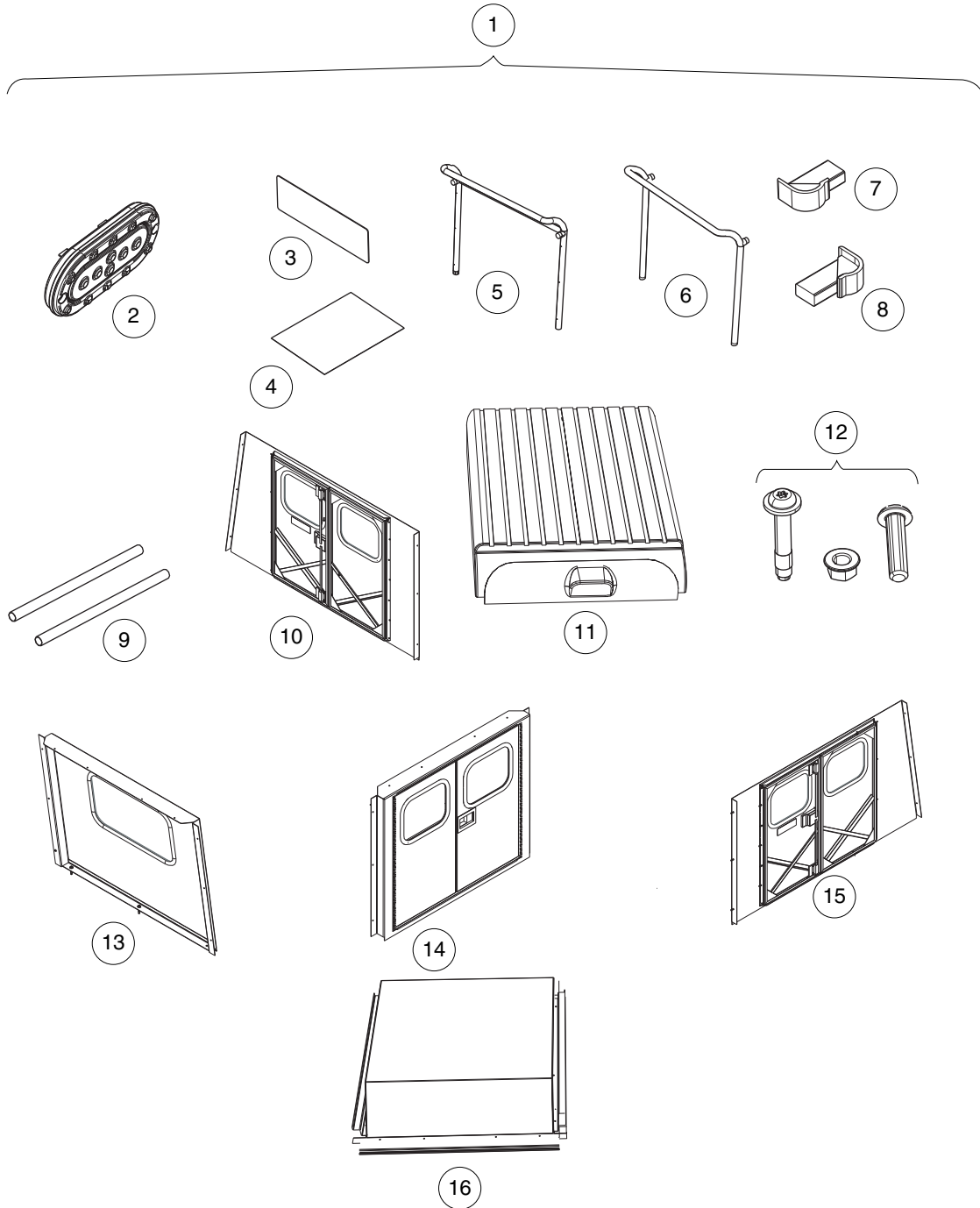
| ITEM | PART NO. | DESCRIPTION | QTY |
|------|------------------|---|-----|
| | | 1 2 3 4 | |
| 1 | 105158704 | Kit Van Box, 510, White (includes items 2 through 16) | 1 |
| 2 | <u>105175901</u> | Light Chmsl, Cab | 1 |
| 3 | 105237601 | Decal, Warn Rollover Van Box | 1 |
| 4 | 105237701 | Kit, Decal, Vanbox, Roll -all | 1 |
| 5 | <u>105238001</u> | Asm, Rear Tubing, Van | 1 |
| 6 | <u>105238101</u> | Asm, Front Tubing, Van | 1 |
| 7 | 105238701 | Tubing, 500, Van | 1 |
| 8 | 105238801 | Panel Lh, 500, Van, White | 1 |
| 9 | 105238901 | Panel Rh, 500, Van, White | 1 |
| 10 | 105239001 | Panel Attic, 500, Van, White | 1 |
| 11 | 105239101 | Bumpers Front, Van | 1 |
| 12 | <u>105239201</u> | Bumpers Rear, Van | 1 |
| 13 | 105239302 | Roof 500, Van, White, Chmsl | 1 |
| 14 | 105239401 | Hardware, 500, Van | 1 |
| 15 | <u>105241001</u> | Panel Ft W Window, Van, White | 1 |
| 16 | <u>105241101</u> | Panel Rr W Window, Van, White | 1 |

1

E

1

E



001177-001

VAN BOX, LONG – GRAY

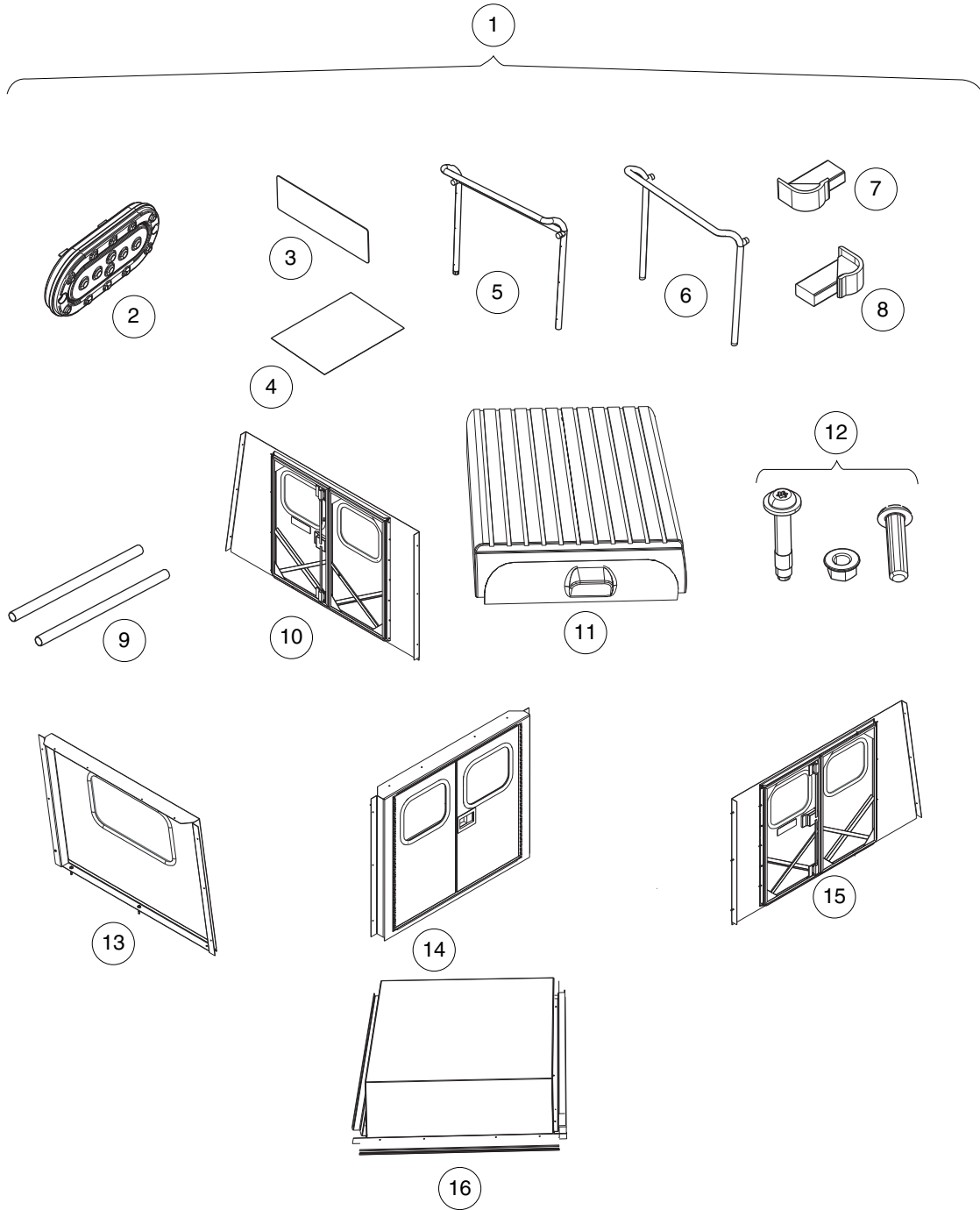
| ITEM | PART NO. | DESCRIPTION | QTY |
|------|------------------|--|-----|
| | | 1 2 3 4 | |
| 1 | 105158805 | Kit Van Box, 710, Gray (includes items 2 through 16) | 1 |
| 2 | <u>105175901</u> | Light Chmsl, Cab | 1 |
| 3 | 105237601 | Decal, Warn Rollover Van Box | 1 |
| 4 | 105237701 | Kit, Decal, Vanbox, Roll -all | 1 |
| 5 | <u>105238001</u> | Asm, Rear Tubing, Van | 1 |
| 6 | <u>105238101</u> | Asm, Front Tubing, Van | 1 |
| 7 | 105239101 | Bumpers Front, Van | 1 |
| 8 | <u>105239201</u> | Bumpers Rear, Van | 1 |
| 9 | 105239601 | Tubing, 700, Van | 1 |
| 10 | 105239802 | Panel Lh W/dr, 700, Van, Gray | 1 |
| 11 | <u>105240202</u> | Roof 700, Van, White, Chmsl | 1 |
| 12 | <u>105240301</u> | Hardware, 700, Van | 1 |
| 13 | 105241002 | Panel Ft W Window, Van, Gray | 1 |
| 14 | 105241102 | Panel Rr W Window, Van, Gray | 1 |
| 15 | 105244002 | Panel Rh W/dr, 700, Van, Gray | 1 |
| 16 | 105244102 | Panel Attic, 700, Van, Gray | 1 |

1

E

1

E



001177-001

VAN BOX, LONG – WHITE

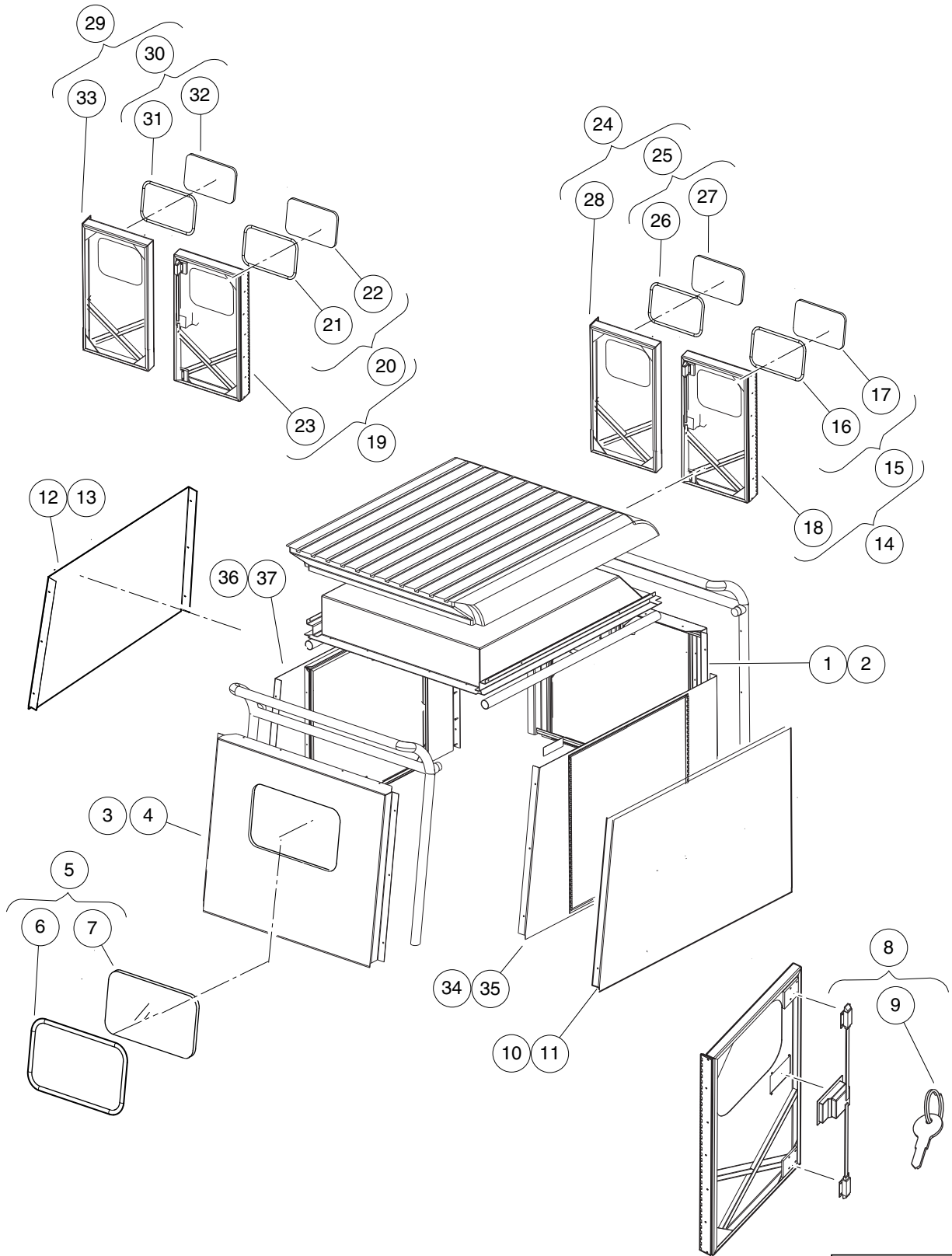
| ITEM | PART NO. | DESCRIPTION | QTY |
|------|------------------|---|-----|
| | | 1 2 3 4 | |
| 1 | <u>105158804</u> | Kit Van Box, 710, White (includes items 2 through 16) | 1 |
| 2 | <u>105175901</u> | Light Chmsl, Cab | 1 |
| 3 | <u>105237601</u> | Decal, Warn Rollover Van Box | 1 |
| 4 | <u>105237701</u> | Kit, Decal, Vanbox, Roll -all | 1 |
| 5 | <u>105238001</u> | Asm, Rear Tubing, Van | 1 |
| 6 | <u>105238101</u> | Asm, Front Tubing, Van | 1 |
| 7 | <u>105239101</u> | Bumpers Front, Van | 1 |
| 8 | <u>105239201</u> | Bumpers Rear, Van | 1 |
| 9 | <u>105239601</u> | Tubing, 700, Van | 1 |
| 10 | <u>105239801</u> | Panel Lh W/dr, 700, Van, White | 1 |
| 11 | <u>105240202</u> | Roof 700, Van, White, Chmsl | 1 |
| 12 | <u>105240301</u> | Hardware, 700, Van | 1 |
| 13 | <u>105241001</u> | Panel Ft W Window, Van, White | 1 |
| 14 | <u>105241101</u> | Panel Rr W Window, Van, White | 1 |
| 15 | <u>105244001</u> | Panel Rh W/dr, 700, Van, White | 1 |
| 16 | <u>105244101</u> | Panel Attic, 700, Van, White | 1 |

1

E

1

E



VAN BOX, LONG – SERVICE PARTS

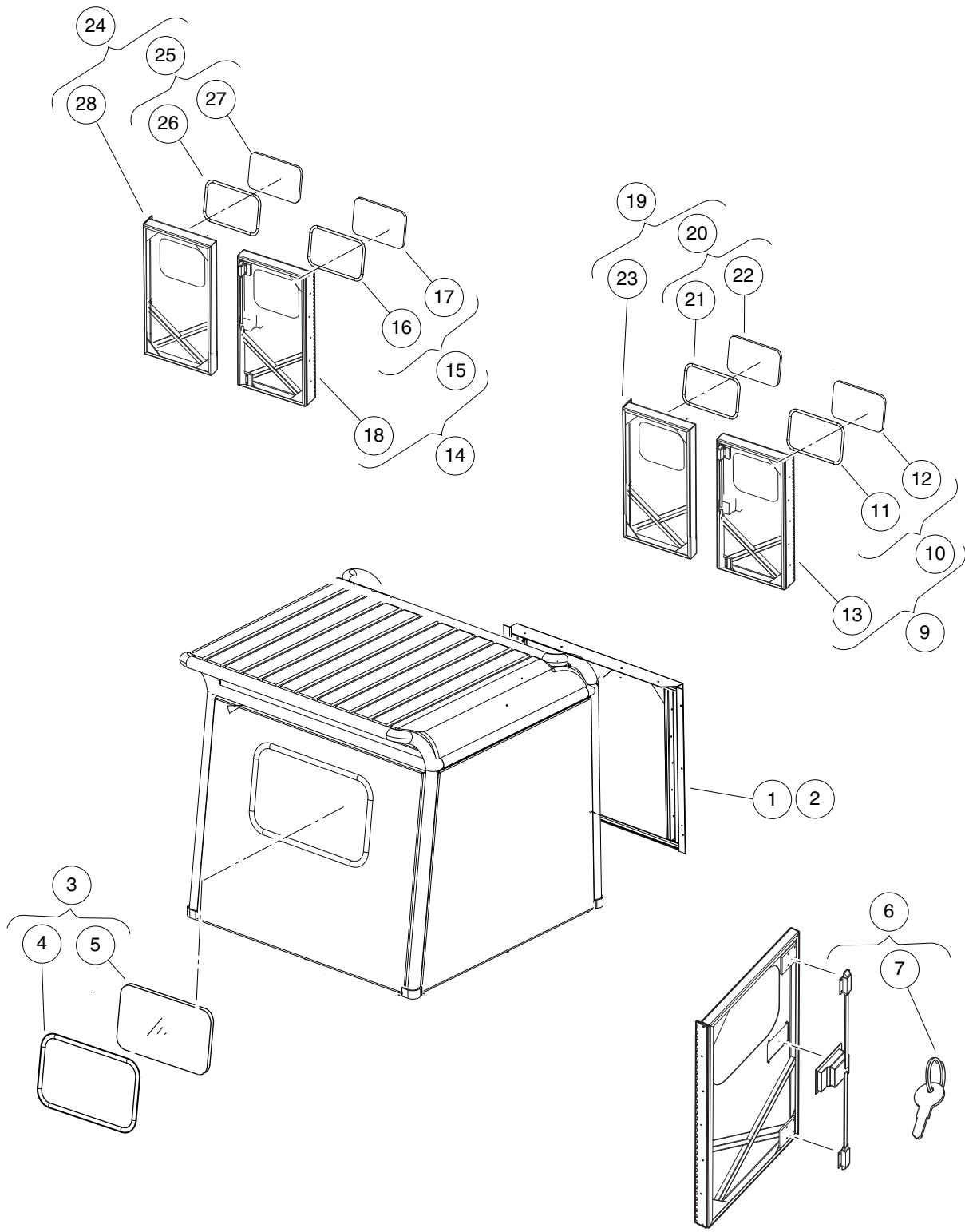
| ITEM | PART NO. | DESCRIPTION | QTY |
|------|------------------|---|-----|
| | | 1 2 3 4 | |
| 1 | 105237801 | Panel Rr, w/o Doors, Van, White | 1 |
| 2 | 105237802 | Panel Rr, w/o Doors, Van, Gray | 1 |
| 3 | 105237901 | Panel Ft, w/o Window, Van, White | 1 |
| 4 | 105237902 | Panel Ft, w/o Window, Van, Gray | 1 |
| 5 | 105238301 | Asm, Window, Frt Panel, Van (includes items 6 and 7) | 1 |
| 6 | <u>105241401</u> | Window Seal, Frt Panel, Van | 1 |
| 7 | 105241501 | Window Glass, Frt Panel, Van | 1 |
| 8 | 105238603 | Lock Mechanism, Door, Van (includes item 9) | 1 |
| 9 | 105238604 | Key, Van Box, 500, 700 | 1 |
| 10 | 105239701 | Panel, Solid, Lh, 700, Van, White | 1 |
| 11 | 105239702 | Panel, Solid, Lh, 700, Van, Gray | 1 |
| 12 | 105239901 | Panel, Solid, Rh, 700, Van, White | 1 |
| 13 | 105239902 | Panel, Solid, Rh, 700, Van, Gray | 1 |
| 14 | 105241601 | Door, W Window, Lh, Van, White (includes items 15 through 18) | 1 |
| 15 | 105238201 | Asm, Window, Door, Van (includes items 16 and 17) | 1 |
| 16 | <u>105241201</u> | Window Seal, Door, Van | 1 |
| 17 | 105241301 | Window Glass, Door, Van | 1 |
| 18 | 105238401 | Door,w/o Window, Left, Van, White | 1 |
| 19 | 105241602 | Door, W Window, Lh, Van, Gray (includes items 20 through 23) | 1 |
| 20 | 105238201 | Asm, Window, Door, Van (includes items 21 and 22) | 1 |
| 21 | <u>105241201</u> | Window Seal, Door, Van | 1 |
| 22 | 105241301 | Window Glass, Door, Van | 1 |
| 23 | 105238402 | Door, w/o Window, Left, Van, Gray | 1 |
| 24 | <u>105241701</u> | Door, W Window, Rh, Van, White (includes items 25 through 28) | 1 |
| 25 | 105238201 | Asm, Window, Door, Van (includes items 26 and 27) | 1 |
| 26 | <u>105241201</u> | Window Seal, Door, Van | 1 |
| 27 | 105241301 | Window Glass, Door, Van | 1 |
| 28 | 105238501 | Door, w/o Window, Right, Van, White | 1 |
| 29 | 105241702 | Door, W Window, Rh, Van, Gray (includes items 30 through 33) | 1 |
| 30 | 105238201 | Asm, Window, Door, Van (includes items 31 and 32) | 1 |
| 31 | <u>105241201</u> | Window Seal, Door, Van | 1 |
| 32 | 105241301 | Window Glass, Door, Van | 1 |
| 33 | 105238502 | Door, w/o Window, Right, Van, Gray | 1 |
| 34 | 105241801 | Pnl Lh, Open, No Doors, 700, Van, White | 1 |
| 35 | 105241802 | Pnl Lh, Open, No Doors, 700, Van, Gray | 1 |
| 36 | 105241901 | Pnl Rh, Open, No Doors, 700, Van, White | 1 |
| 37 | 105241902 | Pnl Rh, Open, No Doors, 700, Van, Gray | 1 |

1

E

1

E



001178-002

VAN BOX, MEDIUM – SERVICE PARTS

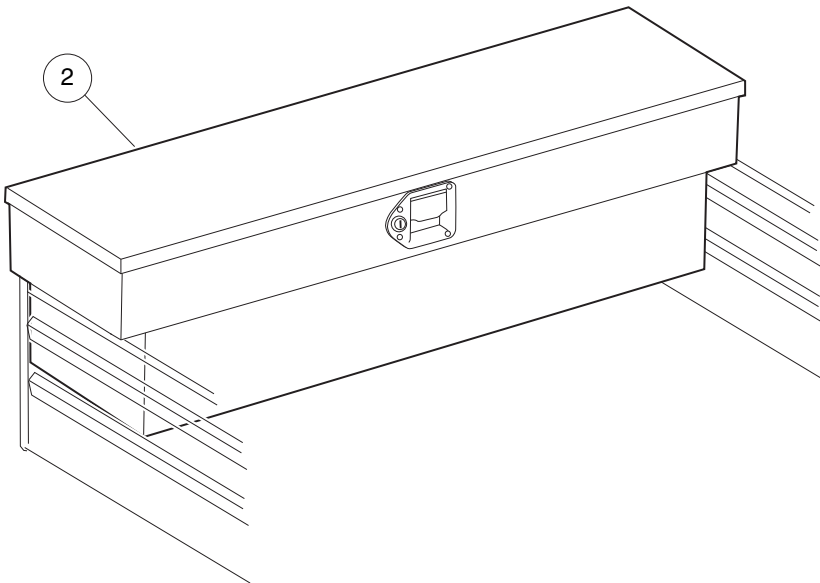
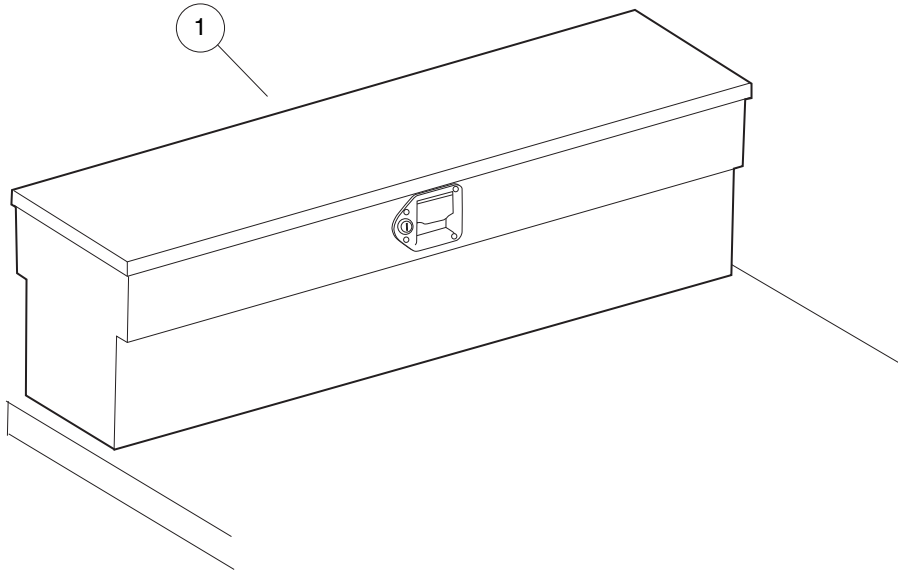
| ITEM | PART NO. | DESCRIPTION | QTY |
|------|------------------|---|-----|
| | | 1 2 3 4 | |
| 1 | 105237801 | Panel Rr, w/o Doors, Van, White | 1 |
| 2 | 105237802 | Panel Rr, w/o Doors, Van, Gray | 1 |
| 3 | 105238301 | Asm, Window, Frt Panel, Van (includes items 4 and 5) | 1 |
| 4 | <u>105241401</u> | Window Seal, Frt Panel, Van | 1 |
| 5 | 105241501 | Window Glass, Frt Panel, Van | 1 |
| 6 | 105238603 | Lock Mechanism, Door, Van (includes item 7) | 1 |
| 7 | 105238604 | Key, Van Box, 500, 700 | 1 |
| 8 | <u>105241401</u> | Window Seal, Frt Panel, Van | 1 |
| 9 | 105241601 | Door, W Window, Lh, Van, White (includes items 10 through 13) | 1 |
| 10 | 105238201 | Asm, Window, Door, Van (includes items 11 and 12) | 1 |
| 11 | <u>105241201</u> | Window Seal, Door, Van | 1 |
| 12 | 105241301 | Window Glass, Door, Van | 1 |
| 13 | 105238401 | Door,w/o Window, Left, Van, White | 1 |
| 14 | 105241602 | Door, W Window, Lh, Van, Gray (includes items 15 through 18) | 1 |
| 15 | 105238201 | Asm, Window, Door, Van (includes items 16 and 17) | 1 |
| 16 | <u>105241201</u> | Window Seal, Door, Van | 1 |
| 17 | 105241301 | Window Glass, Door, Van | 1 |
| 18 | 105238402 | Door, w/o Window, Left, Van, Gray | 1 |
| 19 | <u>105241701</u> | Door, W Window, Rh, Van, White (includes items 20 through 23) | 1 |
| 20 | 105238201 | Asm, Window, Door, Van (includes items 21 and 22) | 1 |
| 21 | <u>105241201</u> | Window Seal, Door, Van | 1 |
| 22 | 105241301 | Window Glass, Door, Van | 1 |
| 23 | 105238501 | Door, w/o Window, Right, Van, White | 1 |
| 24 | 105241702 | Door, W Window, Rh, Van, Gray (includes items 25 through 28) | 1 |
| 25 | 105238201 | Asm, Window, Door, Van (includes items 26 and 27) | 1 |
| 26 | <u>105241201</u> | Window Seal, Door, Van | 1 |
| 27 | 105241301 | Window Glass, Door, Van | 1 |
| 28 | 105238502 | Door, w/o Window, Right, Van, Gray | 1 |

1

E

1

E



001157-001

TOOLBOXES

| ITEM | PART NO. | DESCRIPTION | QTY |
|------|------------------|------------------------------------|-----|
| 1 | <u>101837401</u> | 1 2 3 4 Toolbox, Flat Bed | 1 |
| 2 | <u>101837502</u> | Toolbox, Box Bed | 1 |

1

E

1

E

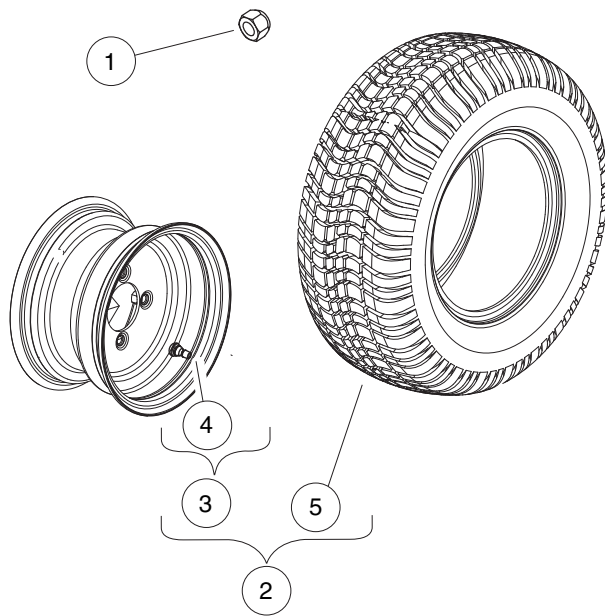
WHEELS AND TIRES

2

E

2

E



001352-001

WHEELS AND TIRES

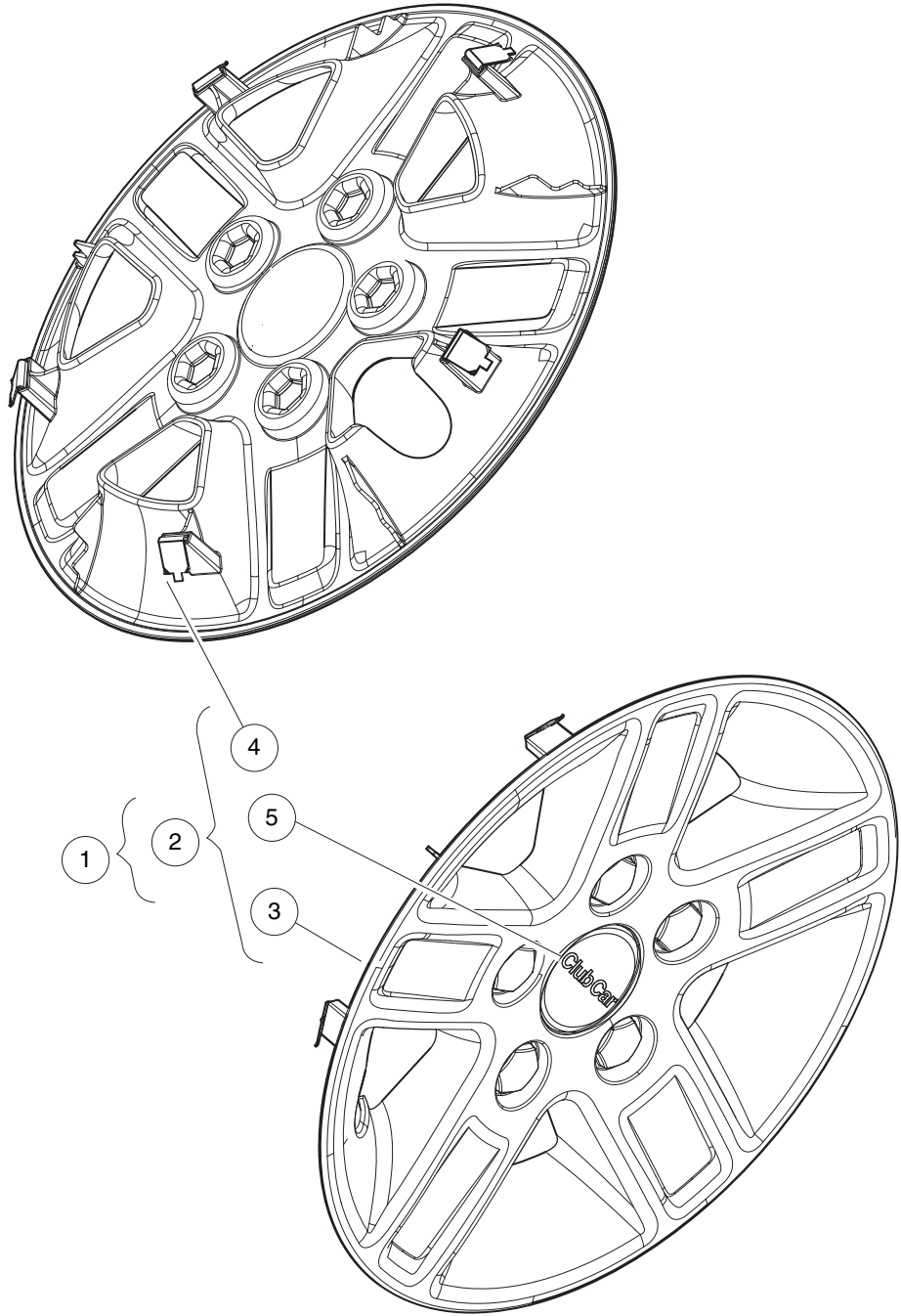
| ITEM | PART NO. | DESCRIPTION | QTY |
|------|------------------|--|-----|
| | | 1 2 3 4 | |
| 1 | <u>1010984</u> | .500-20 Unf Lug Nut | 16 |
| 2 | <u>105078811</u> | Asm,whl,dot,205-65-10,6pl (includes items 3 through 5) | 4 |
| 3 | <u>105079204</u> | Whl,10x6", Gray, 0 Os,rr W/ Vs (includes item 4) | 4 |
| 4 | <u>105078901</u> | Valve Stem, Kenda, Tr 412 | 1 |
| 5 | <u>105079501</u> | Tire, Dot, 205-65-10, 6pl | 4 |

2

E

2

E



001350-002

WHEEL COVERS

| ITEM | PART NO. | DESCRIPTION | QTY |
|------|------------------|---|-----|
| | | 1 2 3 4 | |
| 1 | <u>105106501</u> | Kit, Wheel Cover, 10x6" (includes item 2) | 1 |
| 2 | <u>105106301</u> | Asm, Whl Cover, 5 Spoke, 10x6" (includes items 3 through 5) | 4 |
| 3 | N/A | Wheel Cover, 5 Spoke, 10x7" | 1 |
| 4 | 105106101 | Wheel Cover, Clip | 5 |
| 5 | 105106201 | Decal, Wheel Cover, Club Car | 1 |

2

E

2

E

DECALS

3

E

WARNING

Unintended vehicle movement may cause severe injury or death. Before using vehicle, read owner's manual and vehicle safety warnings.

Before leaving vehicle:

- Engage park brake to lock wheels.
- Place vehicle in NEUTRAL.
- Turn key to OFF and remove key.

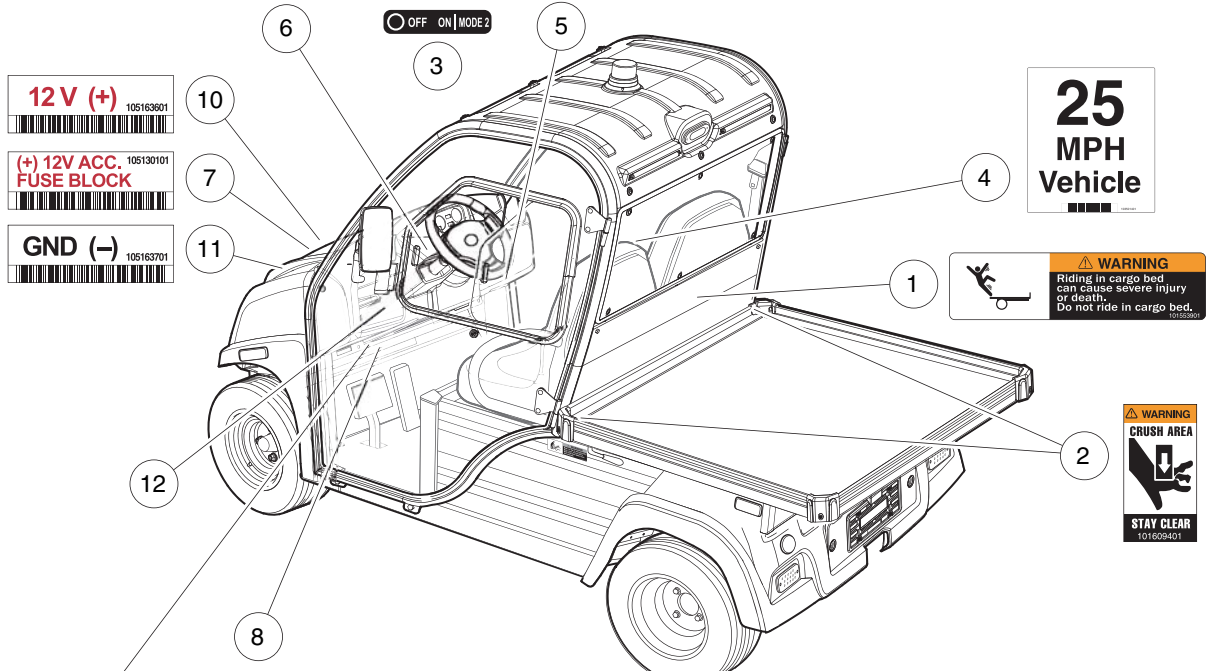
105046101

WARNING

UNINTENDED MOVEMENT, ROLLOVER, OR FALLING OUT CAN CAUSE SERIOUS INJURY OR DEATH.

- Vehicle to be operated by licensed and authorized persons only.
- Use in authorized areas only. Do not operate on public roads.
- One (1) person per bucket seat maximum.
- Two (2) persons per bench seat maximum.
- Operate from driver's seat only.
- Do not start vehicle until all occupants are fully seated.
- Drive slowly in turns and straight up and down slopes.
- Remain fully seated while moving.
- Hold on and keep entire body inside vehicle while moving.
- Never attempt jumps and avoid extreme braking in reverse.
- Do not leave children unattended in vehicle at any time.
- Children requiring a child safety seat must not ride in vehicle.
- Never operate under the influence of alcohol or drugs.

104026801



VEHICLE LOADING

Read owner's manual and warnings on dash.

- Vehicle rated capacity: 1250 lb (567 kg) on level surface only.
- Includes occupants and cargo load.
- Maximum cargo load: 850 lb (386 kg)
- Includes cargo, bed load, and optional equipment.
- Vehicle combination rated capacity: 1250 lb (567 kg)
- Includes vehicle rated capacity and gross trailer weight.

WARNING

ROLLOVER CAN CAUSE SERIOUS INJURY OR DEATH.

- Place cargo forward in the cargo bed and distribute evenly side to side. Secure load.
- On uneven or steep terrain, reduce speed and load.
- Avoid stopping on or backing down steep hills.
- Avoid top-heavy loads.

105137105

VEHICLE LOADING

Read owner's manual and warnings on dash.

- Vehicle rated capacity: 950 lb (431 kg) on level surface only.
- Includes occupants and cargo load.
- Maximum cargo load: 550 lb (249 kg)
- Includes cargo, bed load, and optional equipment.
- Vehicle combination rated capacity: 1250 lb (567 kg)
- Includes vehicle rated capacity and gross trailer weight.

WARNING

ROLLOVER CAN CAUSE SERIOUS INJURY OR DEATH.

- Place cargo forward in the cargo bed and distribute evenly side to side. Secure load.
- On uneven or steep terrain, reduce speed and load.
- Avoid stopping on or backing down steep hills.
- Avoid top-heavy loads.

105137104

DECALS – ELECTRIC CARRYALL 510 AND 710

| ITEM | PART NO. | DESCRIPTION | QTY |
|------|------------------|--------------------------------------|-----|
| | | 1 2 3 4 | |
| 1 | <u>101553901</u> | Decal, Bed Load Warning | 1 |
| 2 | <u>101609401</u> | Decal, Crush Area Warning | 2 |
| 3 | <u>101825103</u> | Decal, Keyswitch, Iq Plus Mode | 1 |
| 4 | <u>103501401</u> | Decal, 25 Mph | 1 |
| 5 | <u>104026901</u> | Decal, Oc, Warning, Lsv, Ca | 1 |
| 6 | <u>105046101</u> | Decal, Op, Instructions, Ca | 1 |
| 7 | <u>105130101</u> | Decal, Fuse Block, Acc, 12v | 1 |
| 8 | 105137104 | Decal, Veh Load, CA510 On-road | 1 |
| 9 | 105137105 | Decal, Veh Load, CA710 On-road | 1 |
| 10 | <u>105163601</u> | Decal, 12v (+) | 1 |
| 11 | <u>105163701</u> | Decal, Gnd (-) | 1 |


3

E

WARNING

BATTERY EXPLOSION COULD RESULT IN SEVERE PERSONAL INJURY.

- Do not store items in battery compartment.
- Place Run/Tow switch in TOW position before
 - Disconnecting or connecting battery cables
 - Towing this vehicle
 - Extended storage
 - Servicing the vehicle

TOW  RUN

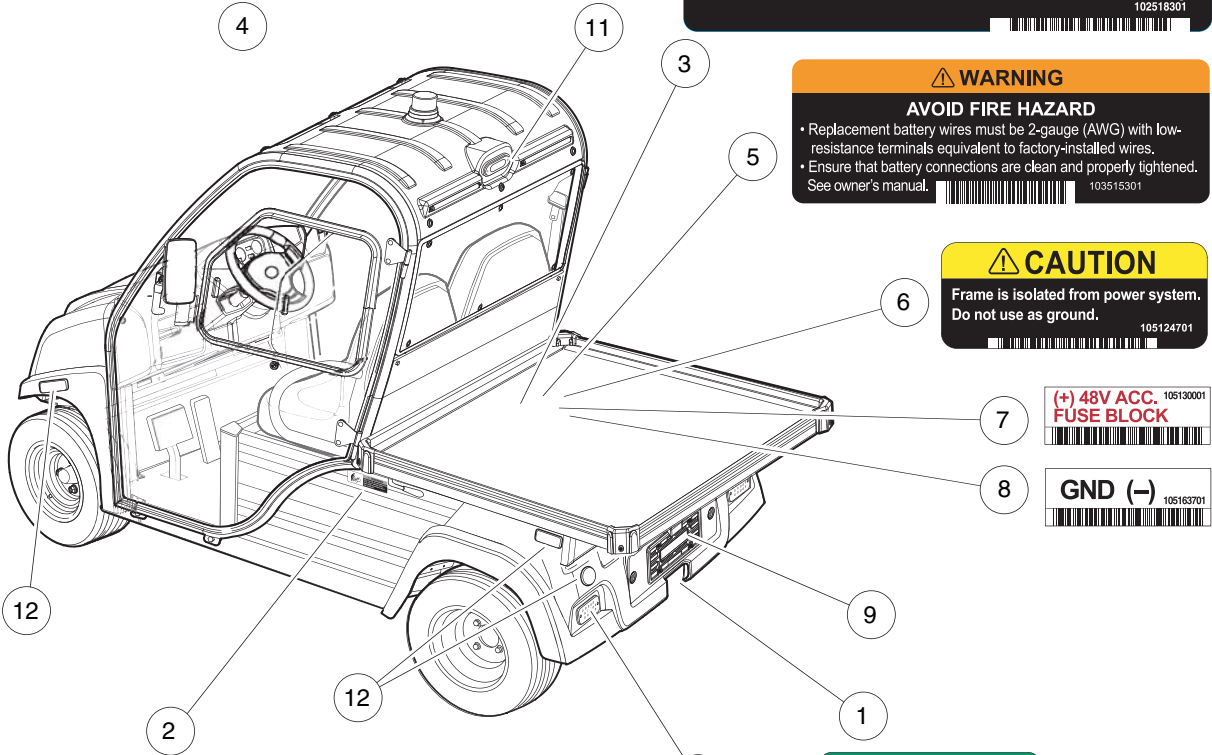
103499601

CAUTION

EXPOSURE TO WATER MAY DAMAGE ELECTRONIC COMPONENTS

- Do not operate vehicle without this cover properly installed.
- Do not direct water stream in the area of the cover without cover securely in place.
- See vehicle maintenance and service manual before servicing.

102516301



WARNING

AVOID FIRE HAZARD

- Replacement battery wires must be 2-gauge (AWG) with low-resistance terminals equivalent to factory-installed wires.
- Ensure that battery connections are clean and properly tightened.

See owner's manual.

103515301

CAUTION

Frame is isolated from power system. Do not use as ground.

105124701

(+) 48V ACC. FUSE BLOCK

105130001

GND (-)

105163701

LATCH

WARNING

Crush area. Can cause severe injury. Stay clear when closing bed.

102459301

NOTICE

MAXIMUM TONGUE WEIGHT-150 lb. (667 N)

1011553

DECALS – ELECTRIC CARRYALL 510 AND 710, CONTINUED

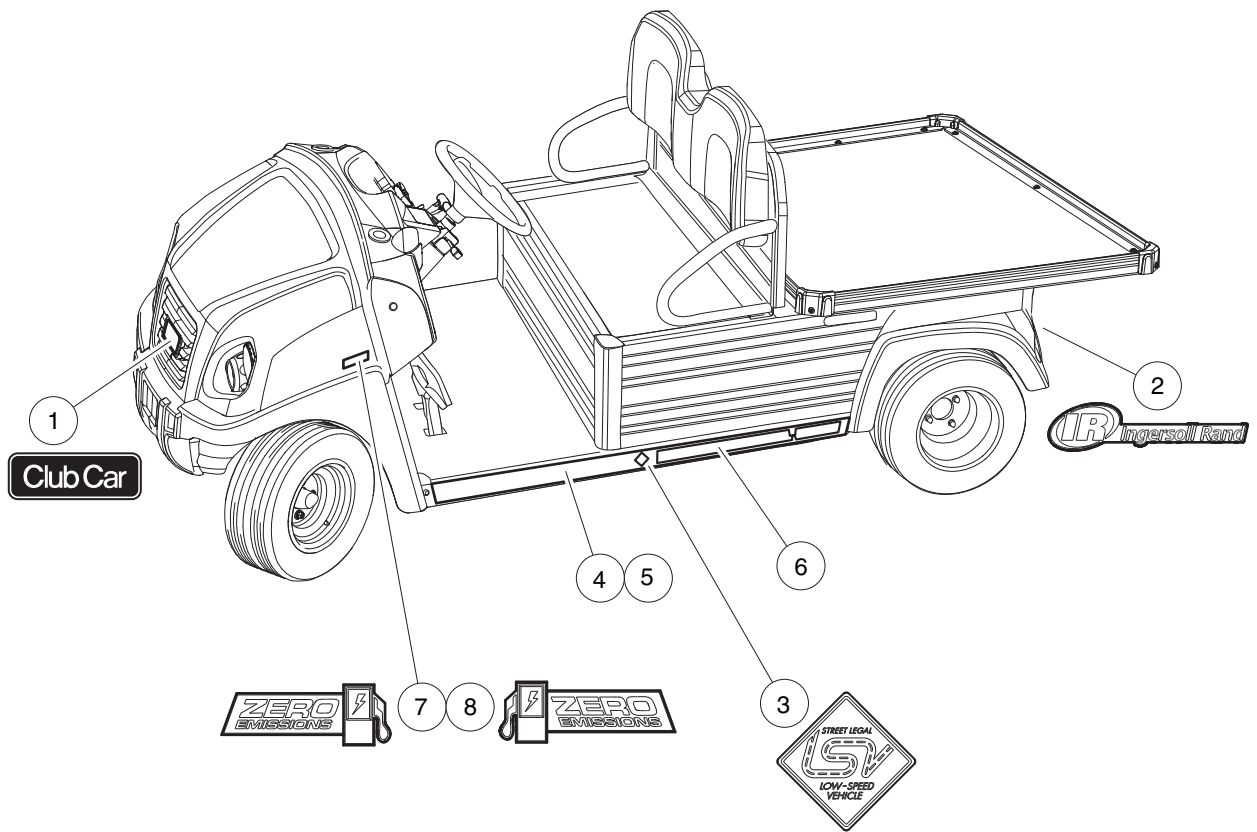
| ITEM | PART NO. | DESCRIPTION | QTY |
|------|------------------|--|-----|
| | | 1 2 3 4 | |
| 1 | <u>1011553</u> | Decal, Trailer Hitch | 1 |
| 2 | <u>102459301</u> | Decal, Bed Crush Area Warning | 1 |
| 3 | <u>102518301</u> | Decal, Caution, Electrical Component Cover | 1 |
| 4 | <u>102845101</u> | Decal, Tow Switch | 1 |
| 5 | <u>103515301</u> | Decal, Warning, 2 Ga | 1 |
| 6 | <u>105124701</u> | Decal, Caution, Not Use As Gnd | 1 |
| 7 | <u>105130001</u> | Decal, Fuse Block, Acc, 48v | 1 |
| 8 | <u>105163701</u> | Decal, Gnd (-) | 1 |

3

E

3

E



001027-001

BADGING DECALS – CARRYALL 510

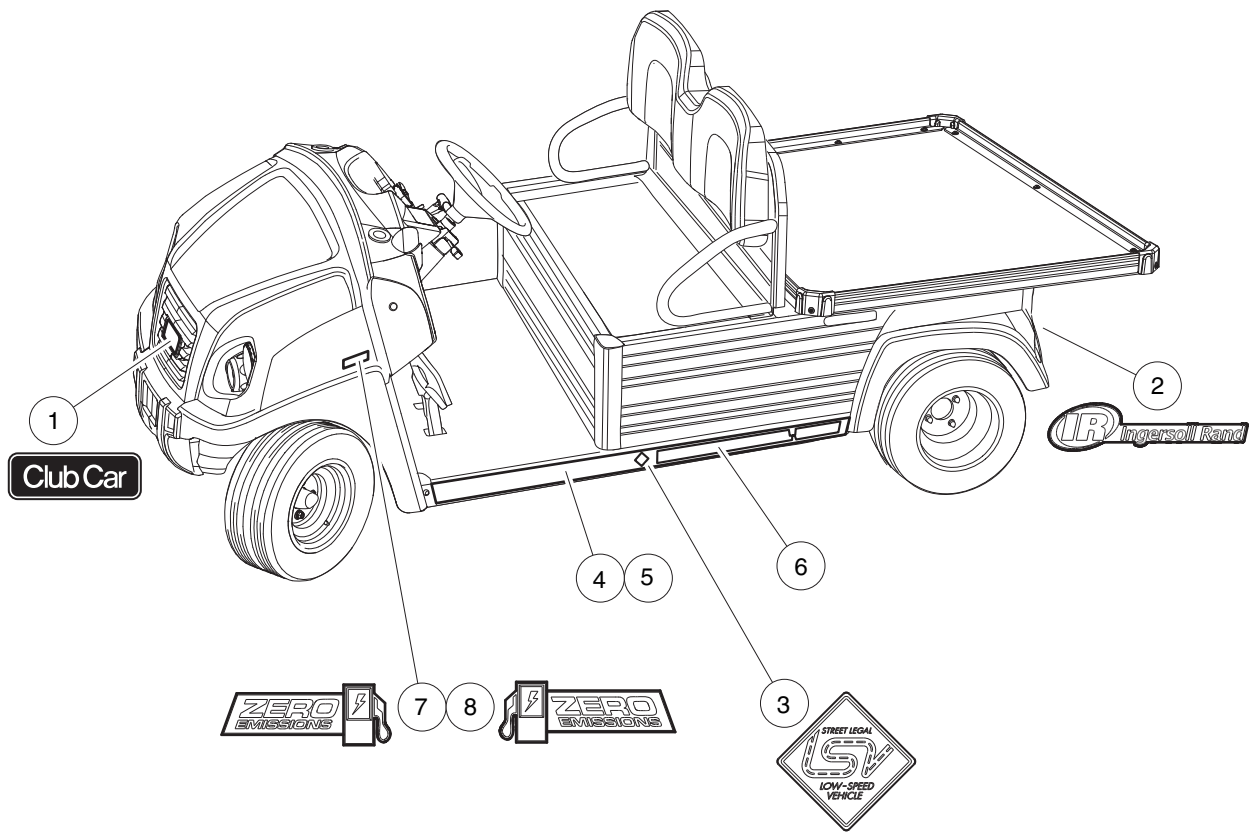
| ITEM | PART NO. | DESCRIPTION | QTY |
|------|------------------|--------------------------------------|-----|
| | | 1 2 3 4 | |
| 1 | <u>102883601</u> | Decal, Nameplate, CCI, Front | 1 |
| 2 | <u>103234304</u> | Decal, Badge, Ir, Red | 1 |
| 3 | <u>103517801</u> | Decal, Low Speed Vehicle | 2 |
| 4 | <u>105115002</u> | Decal, Side Stringer, Medium | 1 |
| 5 | 105115005 | Decal, R Side Stringer, Medium | 1 |
| 6 | 105152601 | Decal, Branding, Ca 510, Lsv | 2 |
| 7 | <u>105153201</u> | Decal, Zero Emission Vhcle, Lh | 1 |
| 8 | <u>105153202</u> | Decal, Zero Emission Vhcle, Rh | 1 |

3

E

3

E



001027-001

BADGING DECALS – CARRYALL 710

| ITEM | PART NO. | DESCRIPTION | QTY |
|------|------------------|--------------------------------------|-----|
| | | 1 2 3 4 | |
| 1 | <u>102883601</u> | Decal, Nameplate, CCI, Front | 1 |
| 2 | <u>103234304</u> | Decal, Badge, Ir, Red | 1 |
| 3 | <u>103517801</u> | Decal, Low Speed Vehicle | 2 |
| 4 | <u>105115003</u> | Decal, Side Stringer, Long | 1 |
| 5 | <u>105115006</u> | Decal, R Side Stringer, Long | 1 |
| 6 | <u>105153001</u> | Decal, Branding, Ca 710, Lsv | 2 |
| 7 | <u>105153201</u> | Decal, Zero Emission Vhcle, Lh | 1 |
| 8 | <u>105153202</u> | Decal, Zero Emission Vhcle, Rh | 1 |

3

E

3

E

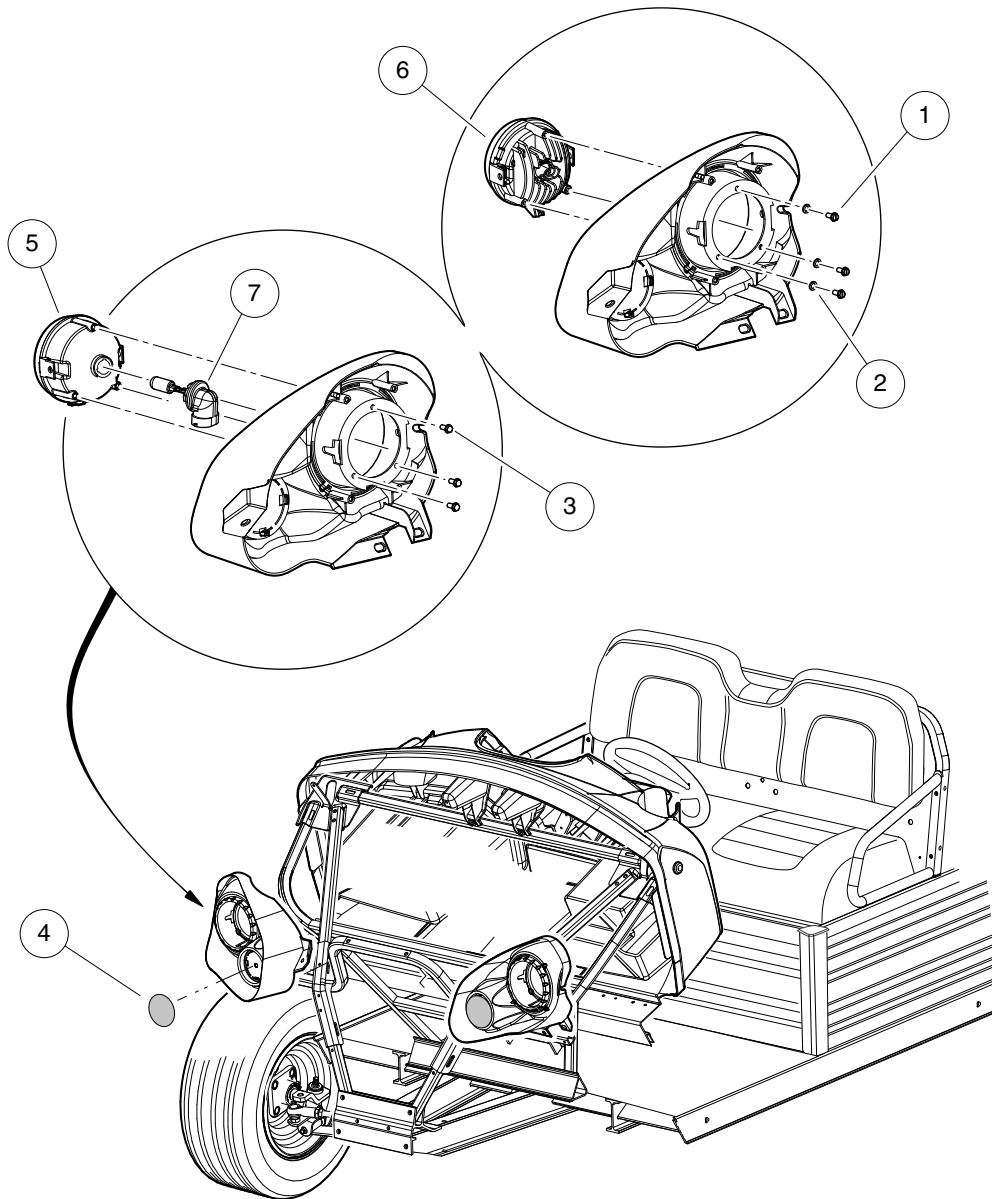
LIGHTS, CONTROLS, AND INDICATORS

4

E

4

E



001370-001

HEADLIGHTS

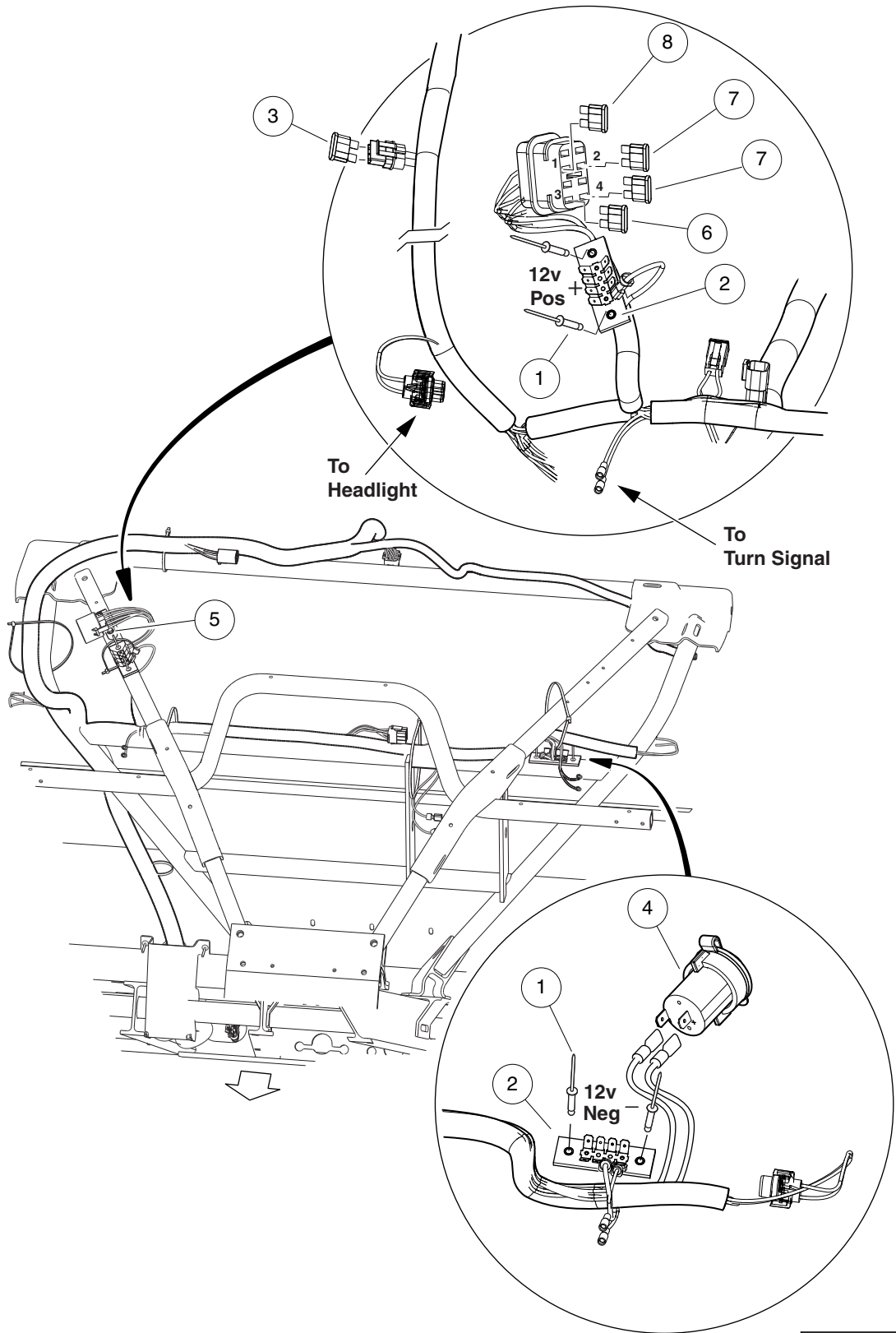
| ITEM | PART NO. | DESCRIPTION | QTY |
|------|------------------|--|-----|
| | | 1 2 3 4 | |
| 1 | <u>1011017</u> | Screw, #8-32 X 0.375 | 6 |
| 2 | <u>1011610</u> | Lockwasher, #8 Split SS | 6 |
| 3 | <u>101850301</u> | Screw, #12-16 X 0.50 Washer-Head Hi-Lo | 6 |
| 4 | <u>105036801</u> | Reflector, Decal, 3.20", Amber | 2 |
| 5 | <u>105073401</u> | Hdlight, Round, 4.5", Utl | 2 |
| 6 | <u>105093701</u> | Hdlight, Round, 4.5", Led, Utl | 2 |
| 7 | <u>105093801</u> | Bulb, Halogen, 862 | 2 |

4

E

4

E



001360-002

12-VOLT FUSE BLOCK AND FUSES – ELECTRIC VEHICLE

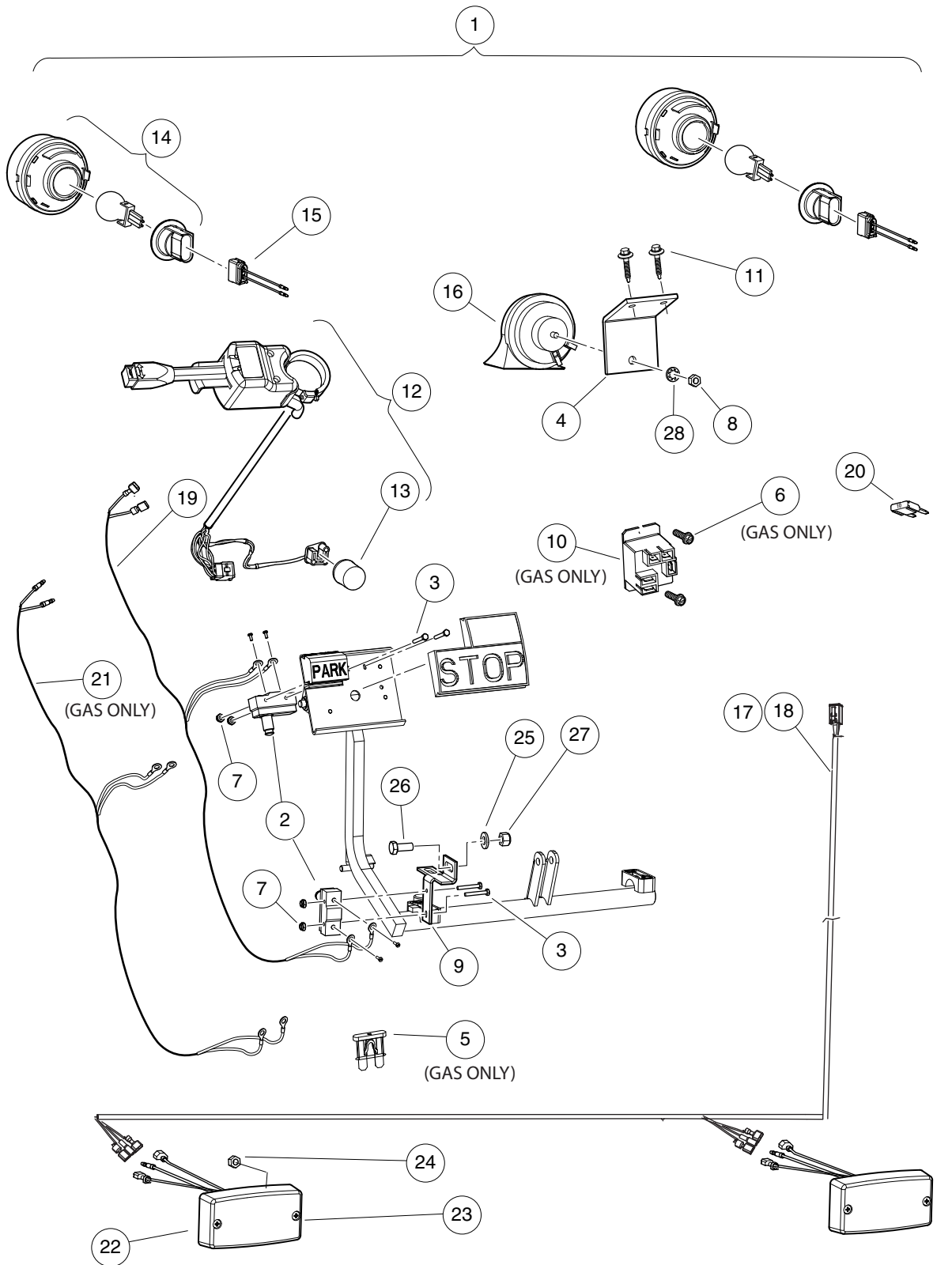
| ITEM | PART NO. | DESCRIPTION | QTY |
|------|------------------|-------------------------------------|-----|
| | | 1 2 3 4 | |
| 1 | <u>1013357</u> | Rivet, 5/32 Aluminum Pop | 4 |
| 2 | <u>1016356</u> | Terminal Block with Insulator | 2 |
| 3 | <u>1016423</u> | Fuse, 20-Amp | 1 |
| 4 | <u>102198001</u> | Receptacle, Accessory | 1 |
| 5 | <u>102238001</u> | #10-24 Taptite Screw | 1 |
| 6 | <u>105114805</u> | Fuse, Mini, Atm, 7.5 Amp | 1 |
| 7 | <u>105114806</u> | Fuse, Mini, Atm, 10 Amp | 2 |
| 8 | <u>105114807</u> | Fuse, Mini, Atm, 15 Amp | 1 |

4

E

4

E



001368-002

HORN, TURN SIGNALS, AND TAILLIGHTS – ELECTRIC AND GASOLINE VEHICLES

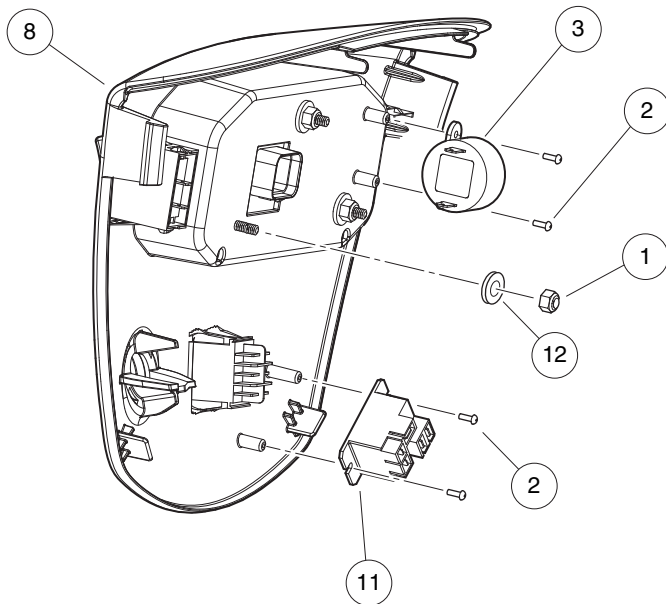
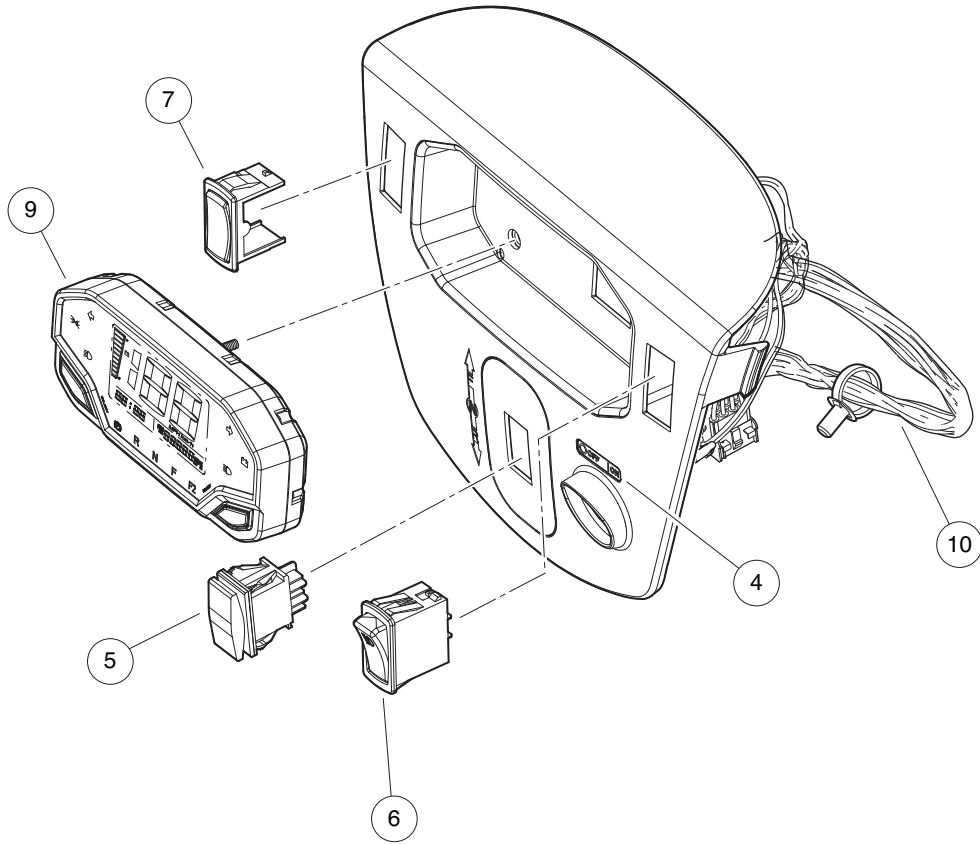
| ITEM | PART NO. | DESCRIPTION | QTY |
|--|------------------|---|-----|
| | | 1 2 3 4 | |
| 1 | <u>105122808</u> | Kit, Horn/Tail Light/Turn (includes items 2 through 28) | 1 |
| 2 | <u>1011439</u> | Switch, Limit | 2 |
| 3 | <u>1011557</u> | Screw, #6-32 X 1.00 Hex-Head Machine | 4 |
| 4 | <u>1011825</u> | Horn Bracket | 1 |
| 5 | <u>1012295</u> | Fuse, 10-Amp | 1 |
| 6 | <u>1016849</u> | Screw, #4-24 X 0.33, Pan-Head, Machine | 2 |
| 7 | <u>101932201</u> | Locknut, #6-32 Nylon | 4 |
| 8 | <u>101955101</u> | Nut, M6 Hex | 1 |
| 9 | <u>101957101</u> | Bracket, Brake Light Switch | 1 |
| 10 | <u>102199001</u> | Relay, 12-Volt | 1 |
| 11 | <u>102297125</u> | Screw, M6-1.0x25.4, Thread-Forming, SEMS | 2 |
| 12 | <u>102517501</u> | Turn Signal Asm (includes item 13) | 1 |
| 13 | <u>102546401</u> | Flasher Unit, Prec | 1 |
| 14 | <u>102894503</u> | Light, Turn Sig, Round 3", Utl | 2 |
| 15 | <u>103245001</u> | Jumper, Turn Signal, Ca/xrt/hu | 2 |
| 16 | <u>103484301</u> | Horn, 12v, Gnd Isolated | 1 |
| 17 | <u>105108201</u> | Harness, Tail Light, Utility, Short | 1 |
| 18 | <u>105108301</u> | Harness, Tail Light, Utility, Long | 1 |
| 19 | <u>105108401</u> | Harness, Brk, Pedal Switch Utl | 1 |
| 20 | <u>105114806</u> | Fuse, Mini, Atm, 10 Amp | 1 |
| 21 | <u>105135201</u> | Jumper, Hill Brake, Switch | 1 |
| 22 | <u>105165801</u> | Lamp, Stop/trn/tail, Footdeck | 2 |
| 23 | <u>105190601</u> | Screw, #8-32 X 0.625, Clr Znc | 4 |
| 24 | <u>105190701</u> | Nut, Flanged, #8-32, Serrated | 4 |
| 25 | <u>1241</u> | Washer, 5/16 Type A Flat | 1 |
| 26 | <u>7173</u> | Screw, 5/16-18 X 0.75, Hex-Head Cap | 1 |
| 27 | <u>7473</u> | Locknut, 5/16-18 Nylon Insert | 2 |
| 28 | <u>7820</u> | Washer, 5/16 Internal-Tooth | 1 |
| Note: 1051082, Harness, Tail Light, Utility, Short, fits the following vehicles with serial prefix: MA, MB, MC, MD, ME, MF, MK, ML, MM, MP, MU. | | | |

4

E

4

E



001369-001

INSTRUMENT PANEL - LSV (DOMESTIC)

| ITEM | PART NO. | DESCRIPTION | QTY |
|------|------------------|--|-----|
| | | 1 2 3 4 | |
| 1 | <u>1013061</u> | Locknut, #10-32 Nylon Insert | 3 |
| 2 | <u>1016849</u> | Screw, #4-24 X 0.33, Pan-Head, Machine | 4 |
| 3 | <u>1016851</u> | Buzzer, Reverse (9-48 VDC) | 1 |
| 4 | <u>101825101</u> | Decal, Off/On | 1 |
| 5 | <u>101856001</u> | Switch, Rocker, Double-Pole | 1 |
| 6 | <u>102869401</u> | Switch, Rocker, Light | 1 |
| 7 | <u>103180101</u> | Cover, Hole, Switch, Rocker | 1 |
| 8 | <u>105034103</u> | Panel, Instrument, Koso, Ca | 1 |
| 9 | <u>105073601</u> | Display, Dash, Koso, Elec | 1 |
| 10 | <u>105106901</u> | Harness, Ip, Lsv, Dom, Util | 1 |
| 11 | <u>105112401</u> | Relay, Spdt Nc, 48v 30a, Pmt | 1 |
| 12 | <u>332</u> | Washer, 1/4 Type A Narrow Flat | 3 |

4

E

KEYSWITCH, PRIVATE SPEED MODE - ELECTRIC VEHICLE

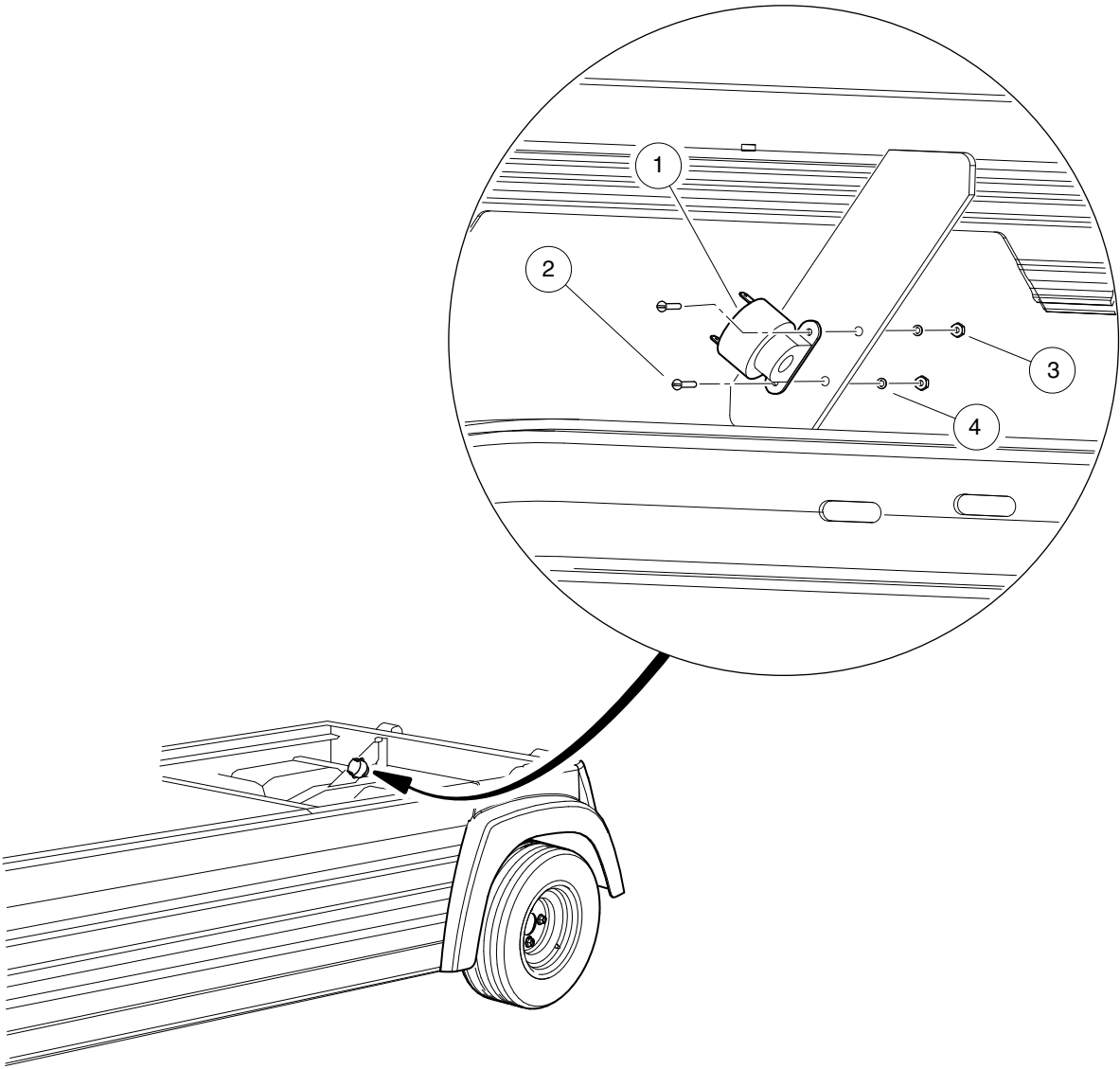
| ITEM | PART NO. | DESCRIPTION | QTY |
|------|------------------|--|-----|
| | | 1 2 3 4 | |
| 1 | <u>101830701</u> | Nut, Key Switch | 1 |
| 2 | <u>101834502</u> | Cap, Black Key Switch | 1 |
| 3 | <u>101851101</u> | Washer, Key Switch | 1 |
| 4 | <u>101974701</u> | Key, Uncommon 1a | 1 |
| 5 | <u>101974702</u> | Key, Uncommon 1b | 1 |
| 6 | <u>101974703</u> | Key, Uncommon 1c | 1 |
| 7 | <u>101974704</u> | Key, Uncommon 1d | 1 |
| 8 | <u>101974705</u> | Key, Uncommon 2a | 1 |
| 9 | <u>101974706</u> | Key, Uncommon 2b | 1 |
| 10 | <u>101974707</u> | Key, Uncommon 2c | 1 |
| 11 | <u>101974708</u> | Key, Uncommon 2d | 1 |
| 12 | <u>101974709</u> | Key, Uncommon 1e | 1 |
| 13 | <u>101974710</u> | Key, Uncommon 1f | 1 |
| 14 | <u>101974711</u> | Key, Uncommon 2e | 1 |
| 15 | <u>101974712</u> | Key, Uncommon 2f | 1 |
| 16 | <u>105082001</u> | Keysw, Uncom, 4t, Off/p2/p3 1a (includes item 17) | 1 |
| 17 | <u>105068001</u> | Key, Uncommon, Padded 1a | 1 |
| 18 | <u>105082002</u> | Keysw, Uncom, 4t, Off/p2/p3 1b (includes item 19) | 1 |
| 19 | <u>105068002</u> | Key, Uncommon, Padded 1b | 1 |
| 20 | <u>105082003</u> | Keysw, Uncom, 4t, Off/p2/p3 1c (includes item 21) | 1 |
| 21 | <u>105068003</u> | Key, Uncommon, Padded 1c | 1 |
| 22 | <u>105082004</u> | Keysw, Uncom, 4t, Off/p2/p3 1d (includes item 23) | 1 |
| 23 | <u>105068004</u> | Key, Uncommon, Padded 1d | 1 |
| 24 | <u>105082005</u> | Keysw, Uncom, 4t, Off/p2/p3 1e (includes item 25) | 1 |
| 25 | <u>105068005</u> | Key, Uncommon, Padded 1e | 1 |
| 26 | <u>105082006</u> | Keysw, Uncom, 4t, Off/p2/p3 1f (includes item 27) | 1 |
| 27 | <u>105068006</u> | Key, Uncommon, Padded 1f | 1 |
| 28 | <u>105082007</u> | Keysw, Uncom, 4t, Off/p2/p3 2a (includes item 29) | 1 |
| 29 | <u>105068007</u> | Key, Uncommon, Padded 2a | 1 |
| 30 | <u>105082008</u> | Keysw, Uncom, 4t, Off/p2/p3 2b (includes item 31) | 1 |
| 31 | <u>105068008</u> | Key, Uncommon, Padded 2b | 1 |
| 32 | <u>105082009</u> | Keysw, Uncom, 4t, Off/p2/p3 2c (includes item 33) | 1 |
| 33 | <u>105068009</u> | Key, Uncommon, Padded 2c | 1 |
| 34 | <u>105082010</u> | Keysw, Uncom, 4t, Off/p2/p3 2d (includes item 35) | 1 |
| 35 | <u>105068010</u> | Key, Uncommon, Padded 2d | 1 |
| 36 | <u>105082011</u> | Keysw, Uncom, 4t, Off/p2/p3 2e (includes item 37) | 1 |
| 37 | <u>105068011</u> | Key, Uncommon, Padded 2e | 1 |
| 38 | <u>105082012</u> | Keysw, Uncom, 4t, Off/p2/p3 2f (includes item 39) | 1 |
| 39 | <u>105068012</u> | Key, Uncommon, Padded 2f | 1 |
| | | Note: Keyswitch <u>105082001</u> , is standard for private speed mode electric vehicles equipped with a cab. Keyswitch <u>105082002</u> , is standard for private speed mode electric vehicles without a cab. Keyswitches <u>105082003</u> through <u>105082012</u> allows different key code combinations for private speed mode electric fleet vehicles. | |

4

E

4

E



001361-001

REAR MOUNTED REVERSE BUZZER

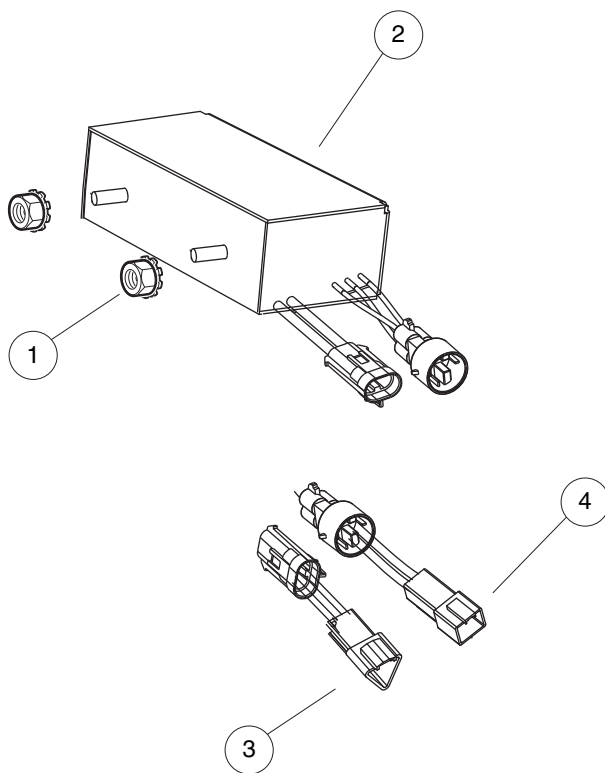
| ITEM | PART NO. | DESCRIPTION | QTY |
|------|----------------|--|-----|
| | | 1 2 3 4 | |
| 1 | <u>1016851</u> | Buzzer, Reverse (9-48 VDC) | 1 |
| 2 | <u>8056</u> | Screw, #4-40 X 0.75 Round-Head Machine | 2 |
| 3 | <u>8057</u> | Nut, #4-40 Hex Machine | 2 |
| 4 | <u>8058</u> | Lockwasher, #4 Split | 2 |

4

E

4

E



001359-001

DC CONVERTER, HEAVY DUTY – ELECTRIC VEHICLE

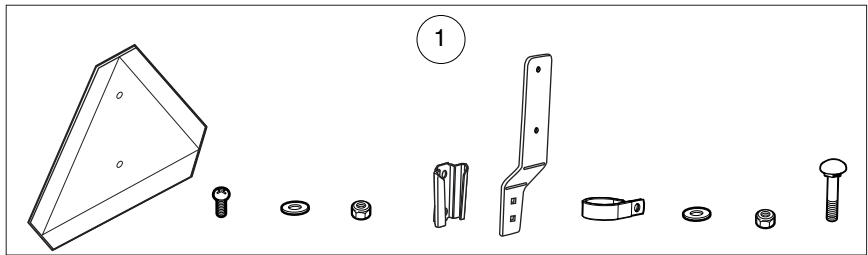
| ITEM | PART NO. | DESCRIPTION | QTY |
|------|------------------|-------------------------------------|-----|
| | | 1 2 3 4 | |
| 1 | <u>101835601</u> | Locknut, 1/4-20 Hex Whiz | 2 |
| 2 | <u>103449501</u> | Bead, Ferrite, Tdk | 1 |
| 3 | <u>103804901</u> | Converter, 25a, Isolated, Ce | 1 |
| 4 | <u>105146901</u> | Jmpr, Dc Conv, Dt/mp480s, In | 1 |
| 5 | <u>105147001</u> | Jmpr, Dc Conv, Dt/mp480s, Out | 1 |

4

E

4

E



000861-002

SLOW MOVING VEHICLE TRIANGLE

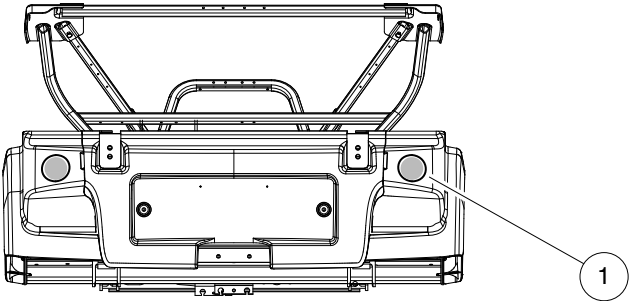
| ITEM | PART NO. | DESCRIPTION | QTY |
|------|------------------|--------------------------------|-----|
| 1 | <u>103764301</u> | 1 2 3 4 Kit, Smv, Lsv | 1 |

4

E

4

E



001362-001

REFLECTORS

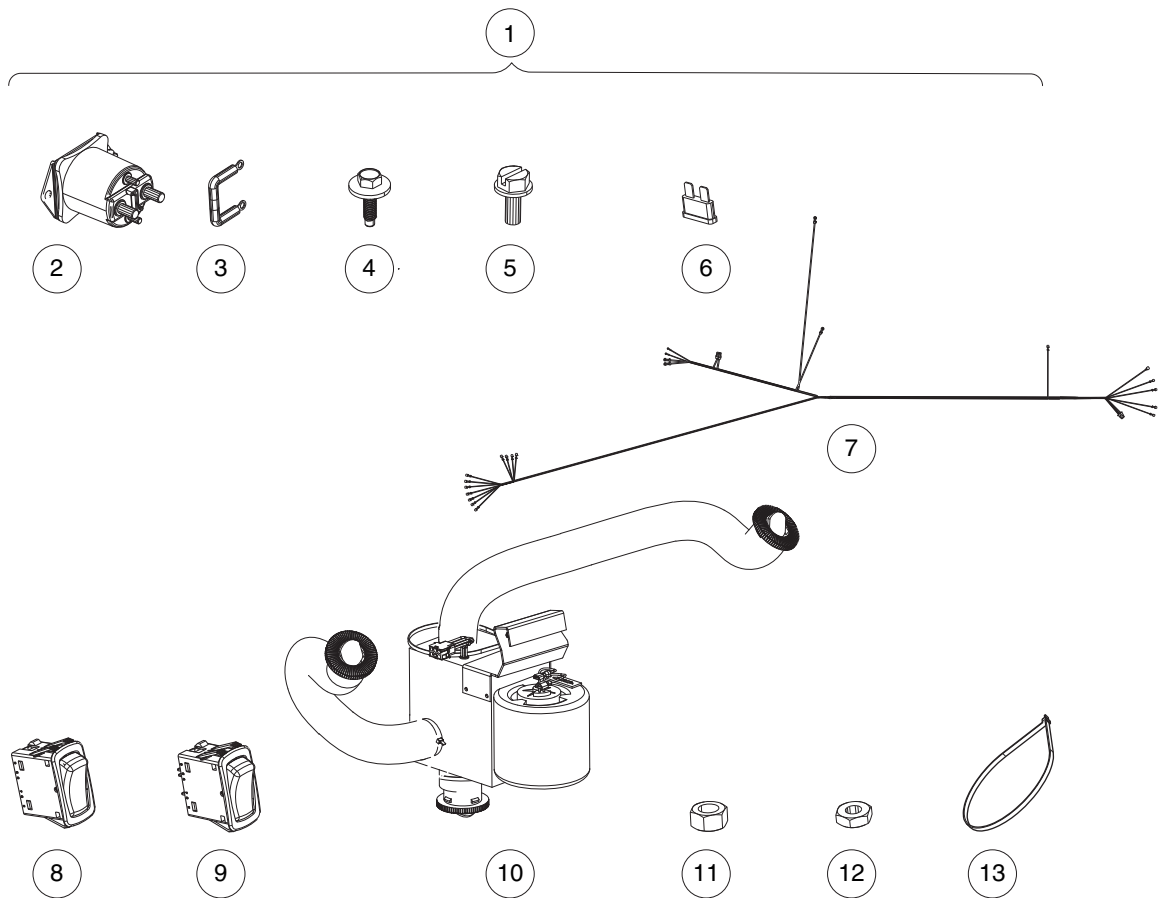
| ITEM | PART NO. | DESCRIPTION | QTY |
|------|------------------|----------------------------------|-----|
| | | 1 2 3 4 | |
| 1 | <u>103832501</u> | Reflector, Red, Round, Sae | 2 |
| 2 | <u>103832601</u> | Reflector, Yell, Rect, Sae | 2 |
| 3 | <u>105144801</u> | Reflector, Red, Rect, Sae | 2 |

4

E

4

E



001366-002

HEATER DEFOGGER – ELECTRIC VEHICLE

| ITEM | PART NO. | DESCRIPTION | QTY |
|------|------------------|---|-----|
| | | 1 2 3 4 | |
| 1 | <u>105135802</u> | Kit, Defogger, Heater (includes items 2 through 13) | 1 |
| 2 | <u>1013609</u> | Solenoid, 12-Volt | 1 |
| 3 | <u>1014948</u> | Diode | 1 |
| 4 | <u>102297125</u> | Screw, M6-1.0x25.4, Thread-Forming, SEMS | 2 |
| 5 | <u>102817101</u> | Screw, 1/4-20 X .50 Hex Wsh Hd | 2 |
| 6 | <u>103541401</u> | Fuse, Atc, 5 Amp | 1 |
| 7 | <u>105108801</u> | Harness, Heater, Cab, Util | 1 |
| 8 | <u>105112501</u> | Switch, Heater, 12vdc | 1 |
| 9 | <u>105112601</u> | Switch, Blower, 12vdc | 1 |
| 10 | N/A | Heater, Defogger | 1 |
| 11 | <u>1242</u> | Nut, 5/16-18 Hex | 2 |
| 12 | <u>7893</u> | Nut, #10-32 Hex | 2 |
| 13 | <u>8639</u> | Tie Wrap, 11" Nylon | 8 |

4

E

4

E

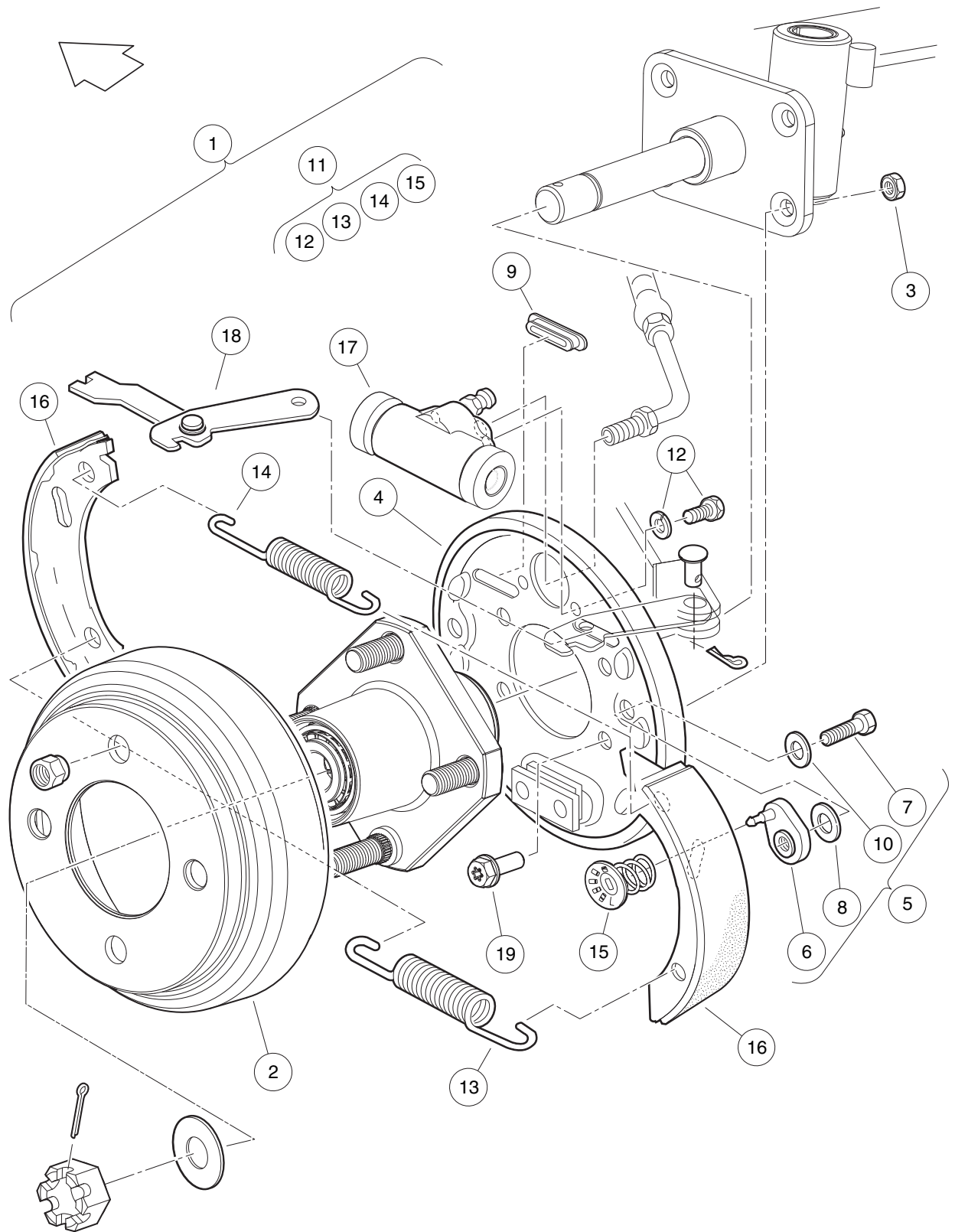
BRAKES, PEDALS, AND CABLE ASSEMBLIES

5

E

5

E



001416-002

HYDRAULIC FRONT DRUM BRAKE ASSEMBLY – DRIVER-SIDE

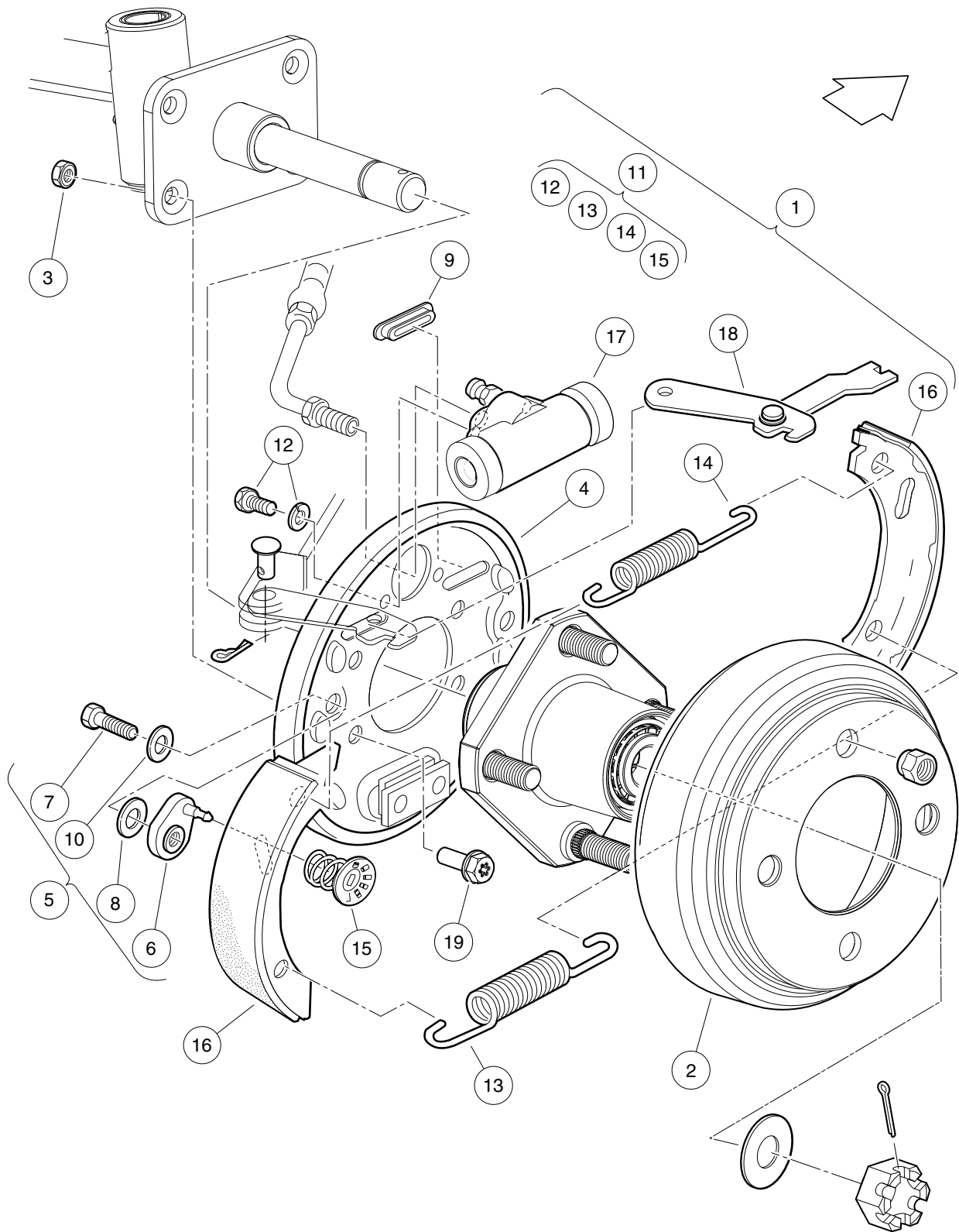
| ITEM | PART NO. | DESCRIPTION | QTY |
|------|------------------|--|-----|
| | | 1 2 3 4 | |
| 1 | <u>102033401</u> | Assembly, Brake Cluster LH (includes items 2 through 19) | 1 |
| 2 | <u>1011137</u> | Drum, Brake | 1 |
| 3 | <u>1013924</u> | Nut, 5/16-24, Hex Head Cone | 4 |
| 4 | <u>102049401</u> | Backing Plate Asm | 1 |
| 5 | <u>102049601</u> | Kit, Axle Adjuster (includes items 6 through 10) | 1 |
| 6 | <u>102049501</u> | Adjuster | 4 |
| 7 | <u>102049901</u> | Bolt, 1/4-28 UNF X .31 | 4 |
| 8 | <u>102050001</u> | Washer | 4 |
| 9 | <u>102050101</u> | Dust Cover | 4 |
| 10 | N/A | Washer, 1/4 Flat | 4 |
| 11 | <u>102049701</u> | Kit, Axle Hardware (includes items 12 through 15) | 1 |
| 12 | <u>102050401</u> | Bolt, Wheel Cylinder | 2 |
| 13 | <u>102050501</u> | Spring, Shoe To Shoe, Lower | 1 |
| 14 | <u>102050601</u> | Spring, Shoe To Shoe, Upper | 1 |
| 15 | <u>102050701</u> | Shoe Hold Down | 2 |
| 16 | <u>102050201</u> | Shoe Kit, Axle Set | 1 |
| 17 | <u>102050801</u> | Wheel Cylinder Assembly 0.875 Dia | 1 |
| 18 | <u>102050902</u> | Park Brake Assembly, Left-Hand | 1 |
| 19 | <u>103229601</u> | Bolt, Brake Cluster Mnt, Hyd | 4 |

5

E

5

E



001416-003

HYDRAULIC FRONT DRUM BRAKE ASSEMBLY – PASS-SIDE

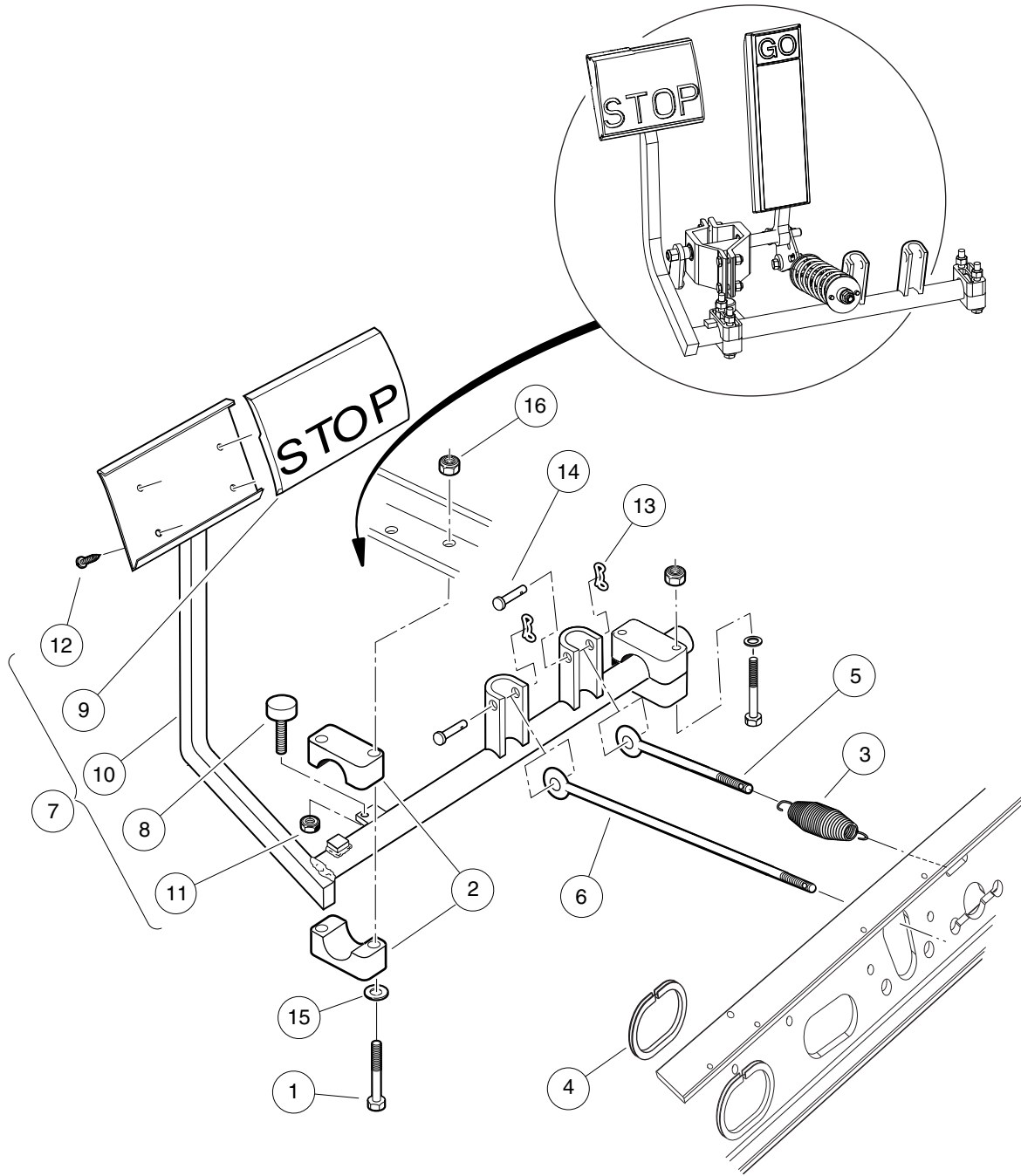
| ITEM | PART NO. | DESCRIPTION | QTY |
|------|------------------|--|-----|
| | | 1 2 3 4 | |
| 1 | <u>102033501</u> | Assembly, Brake Cluster RH (includes items 2 through 19) | 1 |
| 2 | <u>1011137</u> | Drum, Brake | 1 |
| 3 | <u>1013924</u> | Nut, 5/16-24, Hex Head Cone | 4 |
| 4 | <u>102049401</u> | Backing Plate Asm | 1 |
| 5 | <u>102049601</u> | Kit, Axle Adjuster (includes items 6 through 10) | 1 |
| 6 | <u>102049501</u> | Adjuster | 4 |
| 7 | <u>102049901</u> | Bolt, 1/4-28 UNF X .31 | 4 |
| 8 | <u>102050001</u> | Washer | 4 |
| 9 | <u>102050101</u> | Dust Cover | 4 |
| 10 | N/A | Washer, 1/4 Flat | 4 |
| 11 | <u>102049701</u> | Kit, Axle Hardware (includes items 12 through 15) | 1 |
| 12 | <u>102050401</u> | Bolt, Wheel Cylinder | 2 |
| 13 | <u>102050501</u> | Spring, Shoe To Shoe, Lower | 1 |
| 14 | <u>102050601</u> | Spring, Shoe To Shoe, Upper | 1 |
| 15 | <u>102050701</u> | Shoe Hold Down | 2 |
| 16 | <u>102050201</u> | Shoe Kit, Axle Set | 1 |
| 17 | <u>102050801</u> | Wheel Cylinder Assembly 0.875 Dia | 1 |
| 18 | <u>102050901</u> | Park Brake Assembly, Right-Hand | 1 |
| 19 | <u>103229601</u> | Bolt, Brake Cluster Mnt, Hyd | 4 |

5

E

5

E



001417-001

BRAKE PEDAL ASSEMBLY

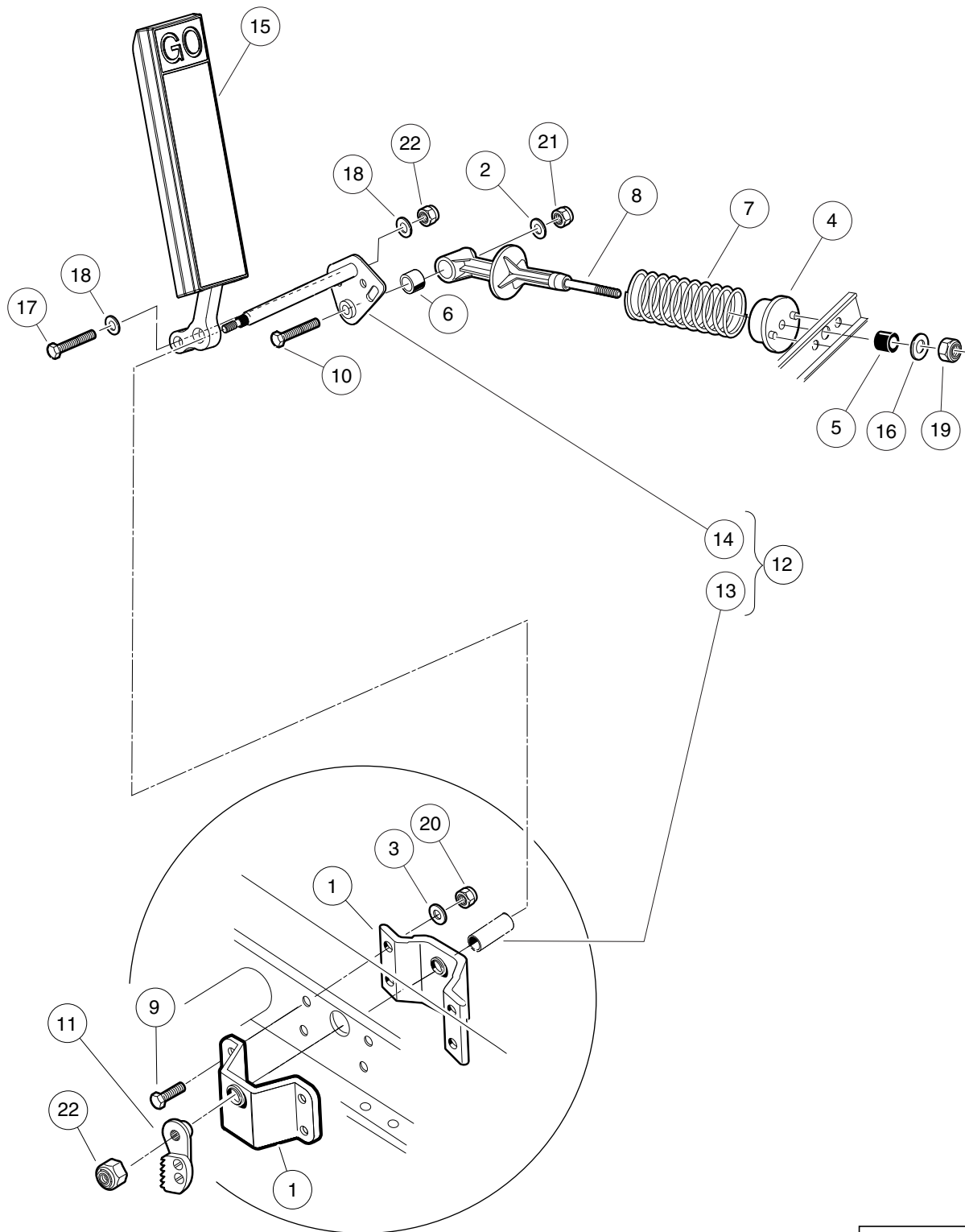
| ITEM | PART NO. | DESCRIPTION | QTY |
|------|------------------|---|-----|
| | | 1 2 3 4 | |
| 1 | <u>1010921</u> | Screw, 5/16-18 X 2.50 Hex Cap | 4 |
| 2 | <u>1011402</u> | Package, Brake Mounting Block | 1 |
| 3 | <u>1013531</u> | Spring, Brake Return | 1 |
| 4 | <u>101806005</u> | I-beam Grommet - 6.75 | 3 |
| 5 | <u>101953101</u> | Rod, Equalizer, 8.91" | 1 |
| 6 | <u>101953105</u> | Rod, Equalizer, 13.30" | 1 |
| 7 | <u>102028903</u> | Brake Pedal Asm (includes items 8 through 12) | 1 |
| 8 | <u>1010878</u> | Bumper, Rubber | 1 |
| 9 | <u>102028601</u> | Pad, Hydraulic Brake Pedal | 1 |
| 10 | N/A | Brake Pedal Weld Asm | 1 |
| 11 | <u>1028</u> | Nut, 1/4-20 Hex | 1 |
| 12 | 7716 | Screw, #10-16 Type AB, Sheet Metal | 4 |
| 13 | <u>102323101</u> | Pin, Bow Tie Locking | 2 |
| 14 | <u>102323201</u> | Pin, 3/8 X 1-5/16 Clevis | 2 |
| 15 | <u>1241</u> | Washer, 5/16 Type A Flat | 4 |
| 16 | <u>7473</u> | Locknut, 5/16-18 Nylon Insert | 4 |

5

E

5

E



001406-001

ACCELERATOR PEDAL ASSEMBLY – ELECTRIC VEHICLES

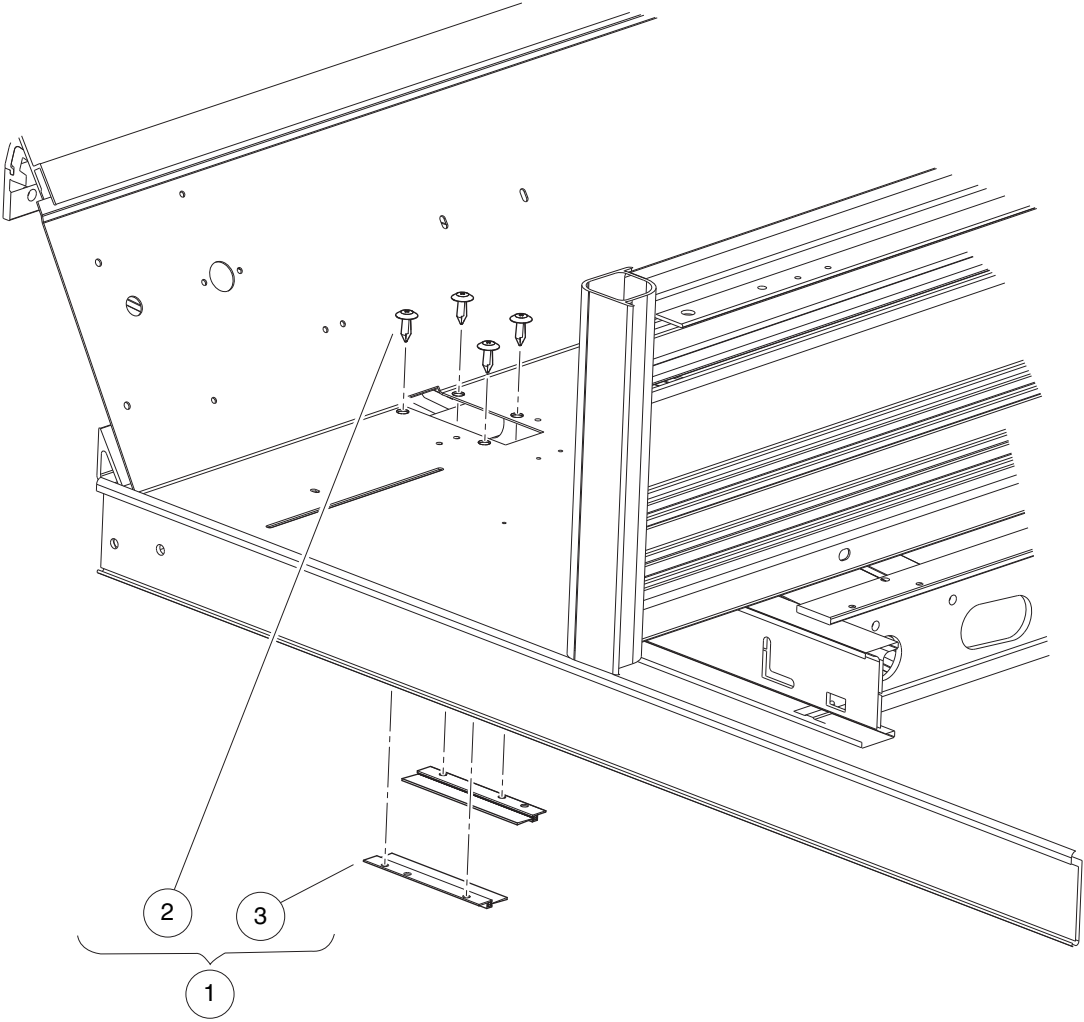
| ITEM | PART NO. | DESCRIPTION | QTY |
|------|------------------|--|-----|
| | | 1 2 3 4 | |
| 1 | <u>1011694</u> | Accelerator Bracket and Bearing Assembly | 2 |
| 2 | <u>1011931</u> | Washer, 1/4 Flat | 1 |
| 3 | <u>1014007</u> | Washer, 1/4, Flat | 4 |
| 4 | <u>1017378</u> | Cup, Spring | 1 |
| 5 | <u>1017380</u> | Bumper, Spring Return | 1 |
| 6 | <u>1017424</u> | Bearing, Pivot Support | 1 |
| 7 | 101796201 | Spring, Accelerator Return | 1 |
| 8 | <u>101817401</u> | Retainer, Spring | 1 |
| 9 | <u>101861901</u> | Screw, 1/4-20 X 1.125 Hex Cap | 4 |
| 10 | <u>101862001</u> | Screw, 1/4-20 X 1.500 Flange | 1 |
| 11 | 101918501 | Ratchet Assembly | 1 |
| 12 | <u>102026001</u> | Kit, Accelerator Pivot Rod Assembly (includes items 13 and 14) | 1 |
| 13 | 101919801 | Spacer, Accelerator | 1 |
| 14 | <u>102158901</u> | Pivot Rod Weldment | 1 |
| 15 | <u>103865101</u> | Pedal, Accel, Insert | A/R |
| 16 | <u>1241</u> | Washer, 5/16 Type A Flat | 1 |
| 17 | <u>1624</u> | Screw, 3/8-16 X 1.50, Hex-Head Cap | 1 |
| 18 | <u>334</u> | Washer, 3/8, Type A, Flat | 2 |
| 19 | <u>7473</u> | Locknut, 5/16-18 Nylon Insert | 1 |
| 20 | <u>8233</u> | Locknut, 1/4-20, Nylon Insert | 4 |
| 21 | <u>8717</u> | Locknut, Nylon Insert, 1/4-28 | 1 |
| 22 | <u>8754</u> | Locknut, 3/8-16 Hex | 2 |

5

E

5

E



001418-001

PEDAL CLOSE-OUT KIT

| ITEM | PART NO. | DESCRIPTION | QTY |
|------|------------------|---|-----|
| | | 1 2 3 4 | |
| 1 | <u>105149101</u> | Kit, Close Out, Pedal, Utl (includes items 2 and 3) | 1 |
| 2 | <u>102025701</u> | Screw, Tuflok Panel, 1/4 | 4 |
| 3 | <u>105149201</u> | Asm, Brush, Pedal Close Out | 2 |

5

E

MASTER CYLINDER, BELL CRANK, AND BRAKE LINES – CA510

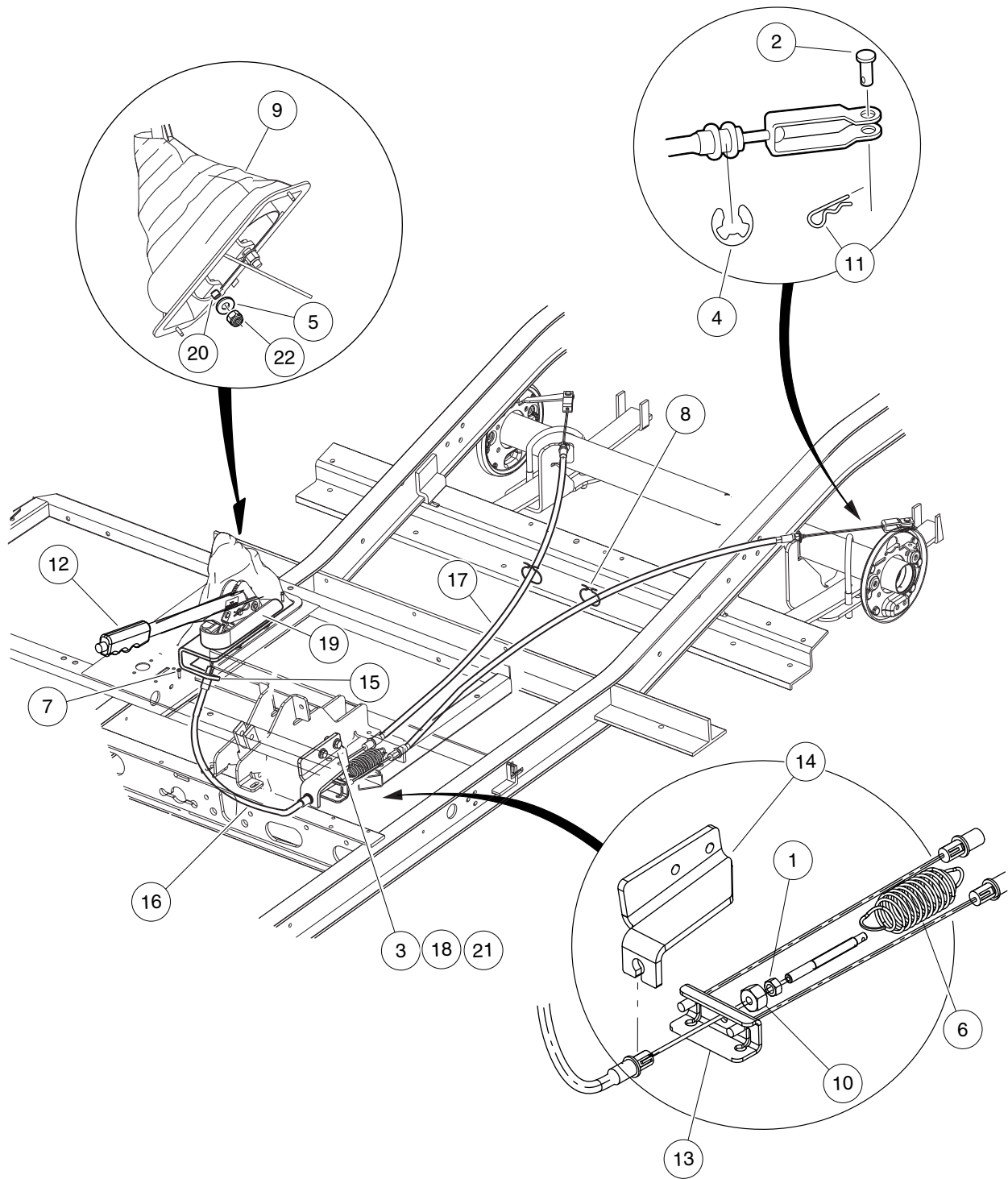
| ITEM | PART NO. | DESCRIPTION | QTY |
|------|------------------|--------------------------------------|-----|
| | | 1 2 3 4 | |
| 1 | <u>1010577</u> | Bolt, Hex-Head, 5/16-18 X 1.50 | 2 |
| 2 | <u>101082903</u> | Pin, Clevis, 5/16 X 1 | 1 |
| 3 | <u>1012285</u> | Screw, 1/4 X 0.625 Hex-Head | 5 |
| 4 | <u>102292801</u> | Pin, Bow Tie Locking - .072 | 2 |
| 5 | <u>102323101</u> | Pin, Bow Tie Locking | 1 |
| 6 | <u>102323201</u> | Pin, 3/8 X 1-5/16 Clevis | 1 |
| 7 | <u>102519001</u> | Pin, 1/2 X 2-1/2 Clevis | 1 |
| 8 | <u>102976701</u> | Clevis, Bellcrank, Autobrake | 1 |
| 9 | <u>103376101</u> | Cylinder, Master, Integral Res | 1 |
| 10 | 103635801 | Brkt, Service Brake, 4pass | 1 |
| 11 | 103665002 | Asm, Pivot Lever, Lsv | 1 |
| 12 | <u>103865001</u> | Asm, Brake-line, Frt, Flre End | 1 |
| 13 | <u>103971501</u> | Asm, Brake Line, Rr, Ca2 | 1 |
| 14 | <u>1241</u> | Washer, 5/16 Type A Flat | 4 |
| 15 | <u>334</u> | Washer, 3/8, Type A, Flat | 1 |
| 16 | <u>7473</u> | Locknut, 5/16-18 Nylon Insert | 2 |

5

E

5

E



001413-001

HAND BRAKE ASSEMBLY – CA510

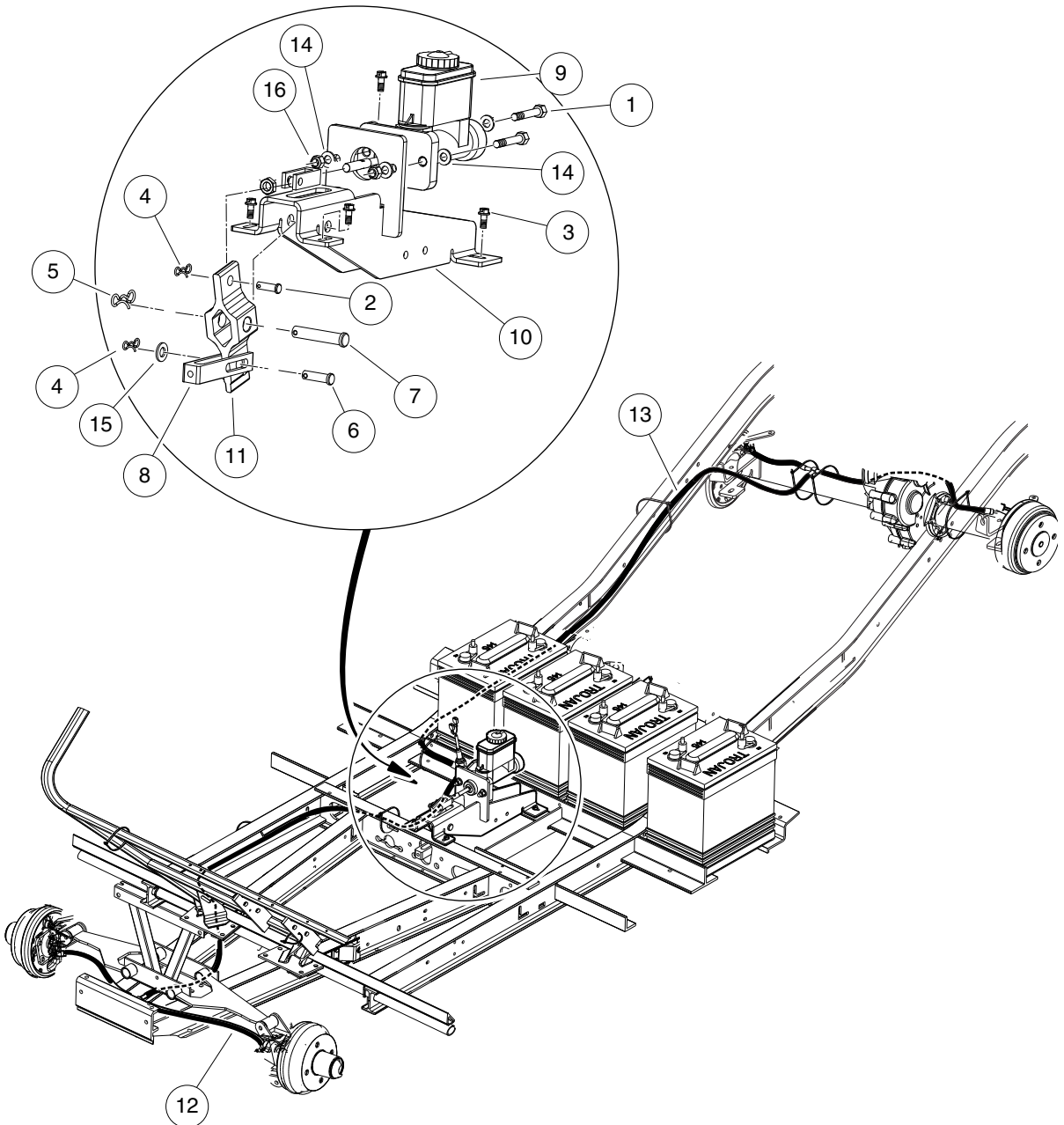
| ITEM | PART NO. | DESCRIPTION | QTY |
|------|------------------|--|-----|
| | | 1 2 3 4 | |
| 1 | <u>1010521</u> | Nut, 5/16-24 Hex | 1 |
| 2 | <u>1010829</u> | Pin, Clevis, 5/16 X 3/4 | 2 |
| 3 | <u>1010934</u> | Screw, 5/16-18 X 1.00 Hex Cap | 1 |
| 4 | <u>1011779</u> | E-Clip, 1/2 | 2 |
| 5 | <u>1011990</u> | Washer, 3/8 Flat | 2 |
| 6 | <u>1013531</u> | Spring, Brake Return | 1 |
| 7 | <u>101832001</u> | Screw, #7-19 X 0.625 Phillips Pan-Head Tap | 2 |
| 8 | 101900801 | Hanger, Brake Cable | 2 |
| 9 | <u>102033701</u> | Park Brake Boot | 1 |
| 10 | <u>102052801</u> | Nut, 5/16-24 Hex Cone | 1 |
| 11 | <u>102292801</u> | Pin, Bow Tie Locking - .072 | 2 |
| 12 | <u>102444601</u> | Lever, Box | 1 |
| 13 | <u>103525801</u> | Equalizer, Park Brake, lc | 1 |
| 14 | <u>103625801</u> | Brkt, Park Brake, Lower | 1 |
| 15 | <u>103625901</u> | Brkt, Park Brake, Upper | 1 |
| 16 | <u>103626001</u> | Cable, Park Brake, Front | 1 |
| 17 | <u>103627001</u> | Cable, Park Brake, Rear, Ca2 | 2 |
| 18 | <u>1241</u> | Washer, 5/16 Type A Flat | 2 |
| 19 | 705 | Screw, Cap-hex Hd 3/8-16x1.25 | 2 |
| 20 | <u>7473</u> | Locknut, 5/16-18 Nylon Insert | 1 |
| 21 | <u>8754</u> | Locknut, 3/8-16 Hex | 2 |

5

E

5

E



001420-001

MASTER CYLINDER, BELL CRANK, AND BRAKE LINES – CA710

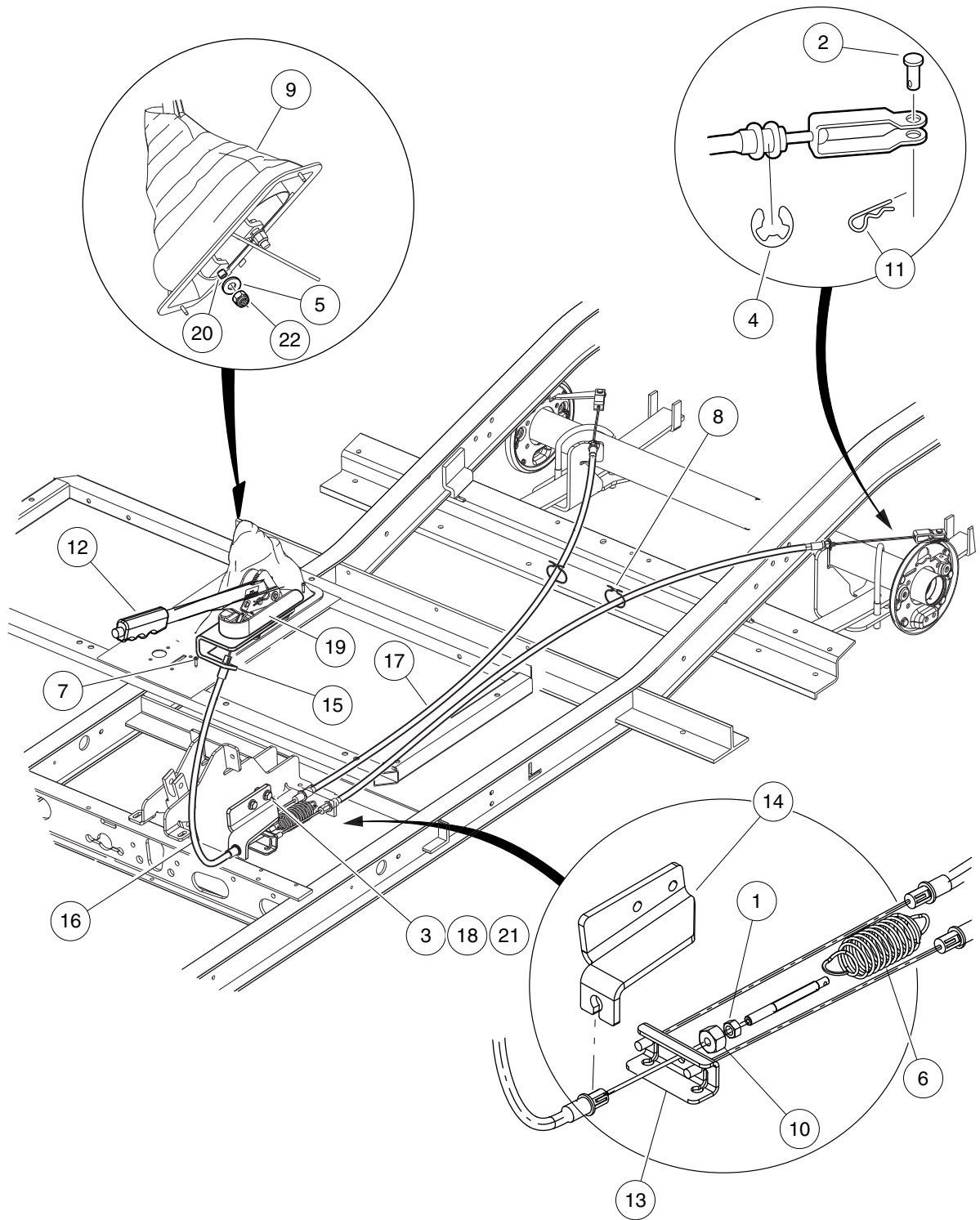
| ITEM | PART NO. | DESCRIPTION | QTY |
|------|------------------|--------------------------------------|-----|
| | | 1 2 3 4 | |
| 1 | <u>1010577</u> | Bolt, Hex-Head, 5/16-18 X 1.50 | 2 |
| 2 | <u>101082903</u> | Pin, Clevis, 5/16 X 1 | 1 |
| 3 | <u>1012285</u> | Screw, 1/4 X 0.625 Hex-Head | 5 |
| 4 | <u>102292801</u> | Pin, Bow Tie Locking - .072 | 2 |
| 5 | <u>102323101</u> | Pin, Bow Tie Locking | 1 |
| 6 | <u>102323201</u> | Pin, 3/8 X 1-5/16 Clevis | 1 |
| 7 | <u>102519001</u> | Pin, 1/2 X 2-1/2 Clevis | 1 |
| 8 | <u>102976701</u> | Clevis, Bellcrank, Autobrake | 1 |
| 9 | <u>103376101</u> | Cylinder, Master, Integral Res | 1 |
| 10 | 103635801 | Brkt, Service Brake, 4pass | 1 |
| 11 | 103665002 | Asm, Pivot Lever, Lsv | 1 |
| 12 | <u>103865001</u> | Asm, Brake-line, Frt, Flre End | 1 |
| 13 | <u>103971601</u> | Asm, Brake Line, Rr, Ca6 | 1 |
| 14 | <u>1241</u> | Washer, 5/16 Type A Flat | 4 |
| 15 | <u>334</u> | Washer, 3/8, Type A, Flat | 1 |
| 16 | <u>7473</u> | Locknut, 5/16-18 Nylon Insert | 2 |

5

E

5

E



001411-001

HAND BRAKE ASSEMBLY – CA710

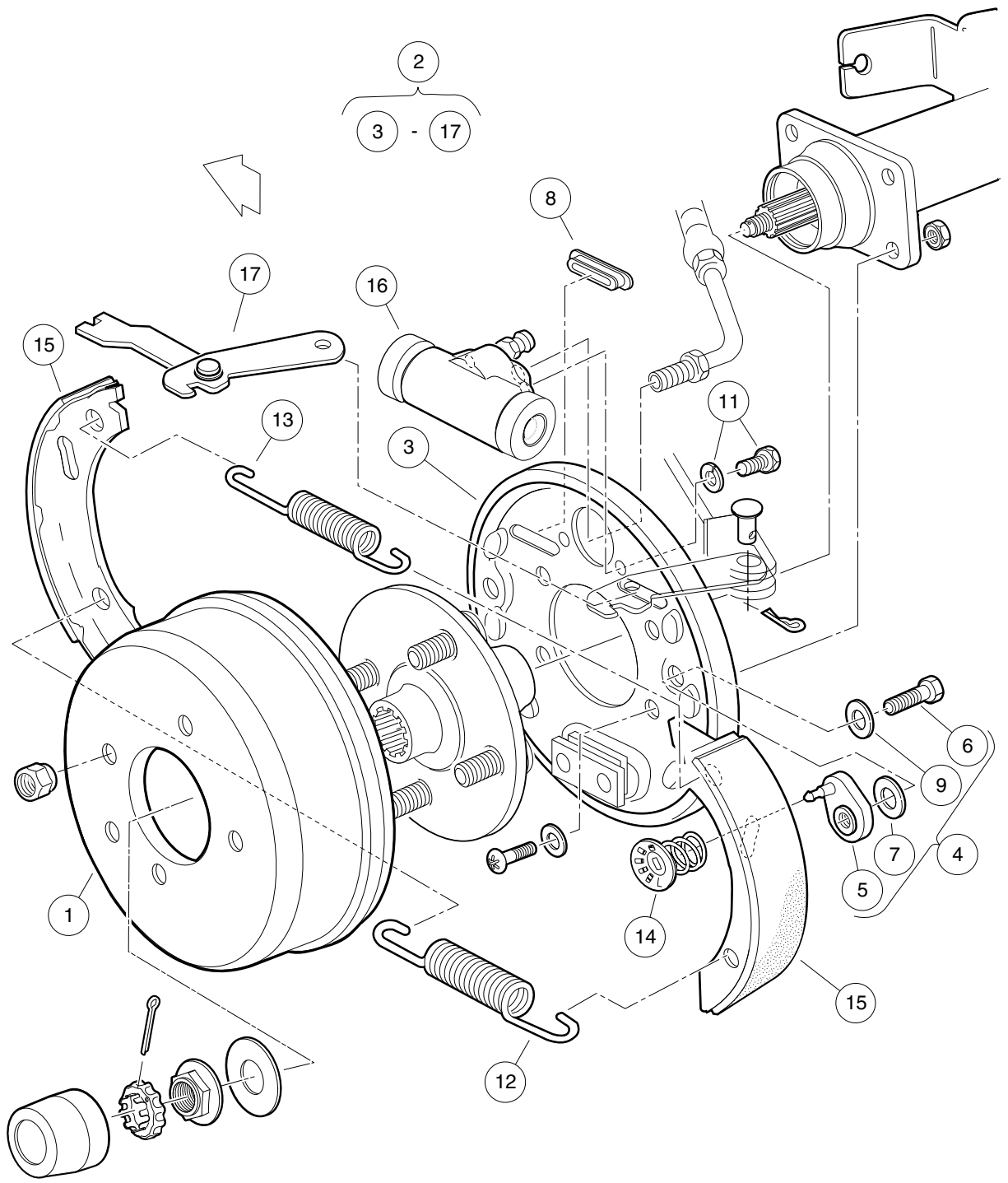
| ITEM | PART NO. | DESCRIPTION | QTY |
|------|------------------|--|-----|
| | | 1 2 3 4 | |
| 1 | <u>1010521</u> | Nut, 5/16-24 Hex | 1 |
| 2 | <u>1010829</u> | Pin, Clevis, 5/16 X 3/4 | 2 |
| 3 | <u>1010934</u> | Screw, 5/16-18 X 1.00 Hex Cap | 1 |
| 4 | <u>1011779</u> | E-Clip, 1/2 | 2 |
| 5 | <u>1011990</u> | Washer, 3/8 Flat | 2 |
| 6 | <u>1013531</u> | Spring, Brake Return | 1 |
| 7 | <u>101832001</u> | Screw, #7-19 X 0.625 Phillips Pan-Head Tap | 2 |
| 8 | <u>101900801</u> | Hanger, Brake Cable | 2 |
| 9 | <u>102033701</u> | Park Brake Boot | 1 |
| 10 | <u>102052801</u> | Nut, 5/16-24 Hex Cone | 1 |
| 11 | <u>102292801</u> | Pin, Bow Tie Locking - .072 | 2 |
| 12 | <u>102444601</u> | Lever, Box | 1 |
| 13 | <u>103525801</u> | Equalizer, Park Brake, lc | 1 |
| 14 | <u>103625801</u> | Brkt, Park Brake, Lower | 1 |
| 15 | <u>103625901</u> | Brkt, Park Brake, Upper | 1 |
| 16 | <u>103626001</u> | Cable, Park Brake, Front | 1 |
| 17 | <u>103627101</u> | Cable, Park Brake, Rear, Ca6 | 2 |
| 18 | <u>1241</u> | Washer, 5/16 Type A Flat | 2 |
| 19 | <u>705</u> | Screw, Cap-hex Hd 3/8-16x1.25 | 2 |
| 20 | <u>7473</u> | Locknut, 5/16-18 Nylon Insert | 1 |
| 21 | <u>8754</u> | Locknut, 3/8-16 Hex | 2 |

5

E

5

E



000107-001

HYDRAULIC REAR BRAKE ASSEMBLY

| ITEM | PART NO. | DESCRIPTION | QTY |
|------|------------------|---|-----|
| | | 1 2 3 4 | |
| 1 | <u>101791101</u> | Drum without Center Hole, Brake | 2 |
| 2 | <u>102033401</u> | Assembly, Brake Cluster LH (includes items 3 through 20) | 1 |
| 3 | <u>1011137</u> | Drum, Brake | 1 |
| 4 | <u>1013924</u> | Nut, 5/16-24, Hex Head Cone | 4 |
| 5 | <u>102049401</u> | Backing Plate Asm | 1 |
| 6 | <u>102049601</u> | Kit, Axle Adjuster (includes items 7 through 11) | 1 |
| 7 | <u>102049501</u> | Adjuster | 4 |
| 8 | <u>102049901</u> | Bolt, 1/4-28 UNF X .31 | 4 |
| 9 | <u>102050001</u> | Washer | 4 |
| 10 | <u>102050101</u> | Dust Cover | 4 |
| 11 | N/A | Washer, 1/4 Flat | 4 |
| 12 | <u>102049701</u> | Kit, Axle Hardware (includes items 13 through 16) | 1 |
| 13 | <u>102050401</u> | Bolt, Wheel Cylinder | 2 |
| 14 | <u>102050501</u> | Spring, Shoe To Shoe, Lower | 1 |
| 15 | <u>102050601</u> | Spring, Shoe To Shoe, Upper | 1 |
| 16 | <u>102050701</u> | Shoe Hold Down | 2 |
| 17 | <u>102050201</u> | Shoe Kit, Axle Set | 1 |
| 18 | <u>102050801</u> | Wheel Cylinder Assembly 0.875 Dia | 1 |
| 19 | <u>102050902</u> | Park Brake Assembly, Left-Hand | 1 |
| 20 | <u>103229601</u> | Bolt, Brake Cluster Mnt, Hyd | 4 |
| 21 | <u>102033501</u> | Assembly, Brake Cluster RH (includes items 22 through 39) | 1 |
| 22 | <u>1011137</u> | Drum, Brake | 1 |
| 23 | <u>1013924</u> | Nut, 5/16-24, Hex Head Cone | 4 |
| 24 | <u>102049401</u> | Backing Plate Asm | 1 |
| 25 | <u>102049601</u> | Kit, Axle Adjuster (includes items 26 through 30) | 1 |
| 26 | <u>102049501</u> | Adjuster | 4 |
| 27 | <u>102049901</u> | Bolt, 1/4-28 UNF X .31 | 4 |
| 28 | <u>102050001</u> | Washer | 4 |
| 29 | <u>102050101</u> | Dust Cover | 4 |
| 30 | N/A | Washer, 1/4 Flat | 4 |
| 31 | <u>102049701</u> | Kit, Axle Hardware (includes items 32 through 35) | 1 |
| 32 | <u>102050401</u> | Bolt, Wheel Cylinder | 2 |
| 33 | <u>102050501</u> | Spring, Shoe To Shoe, Lower | 1 |
| 34 | <u>102050601</u> | Spring, Shoe To Shoe, Upper | 1 |
| 35 | <u>102050701</u> | Shoe Hold Down | 2 |
| 36 | <u>102050201</u> | Shoe Kit, Axle Set | 1 |
| 37 | <u>102050801</u> | Wheel Cylinder Assembly 0.875 Dia | 1 |
| 38 | <u>102050901</u> | Park Brake Assembly, Right-Hand | 1 |
| 39 | <u>103229601</u> | Bolt, Brake Cluster Mnt, Hyd | 4 |
| | | Note: Passenger-side brake cluster components (items 18-33) not shown. Components have a similar appearance to the driver-side brake cluster components. | |

5

E

5

E

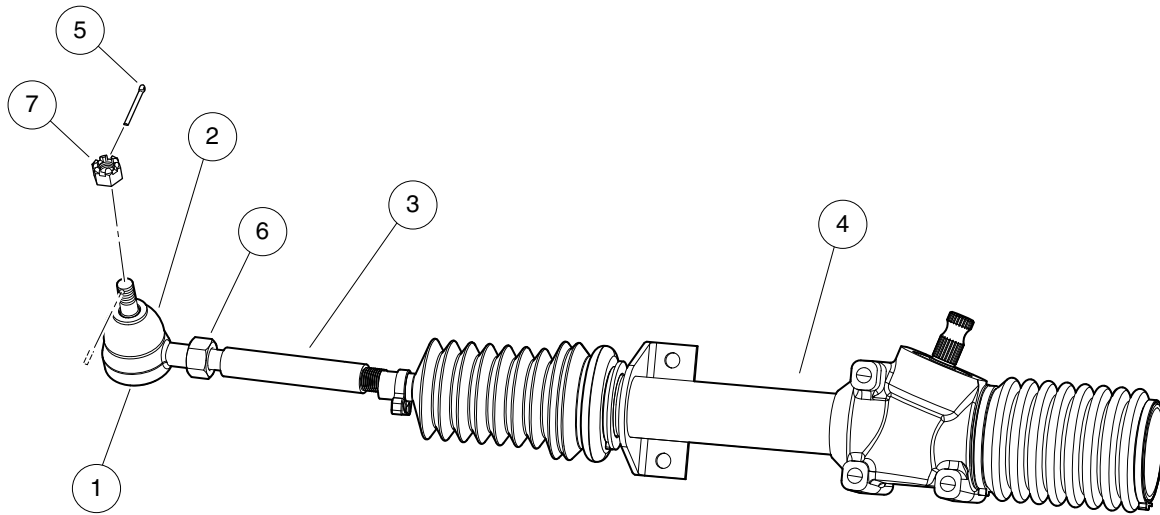
STEERING, FRONT AND REAR SUSPENSION

6

E

6

E



001527-001

STEERING GEAR ASSEMBLY

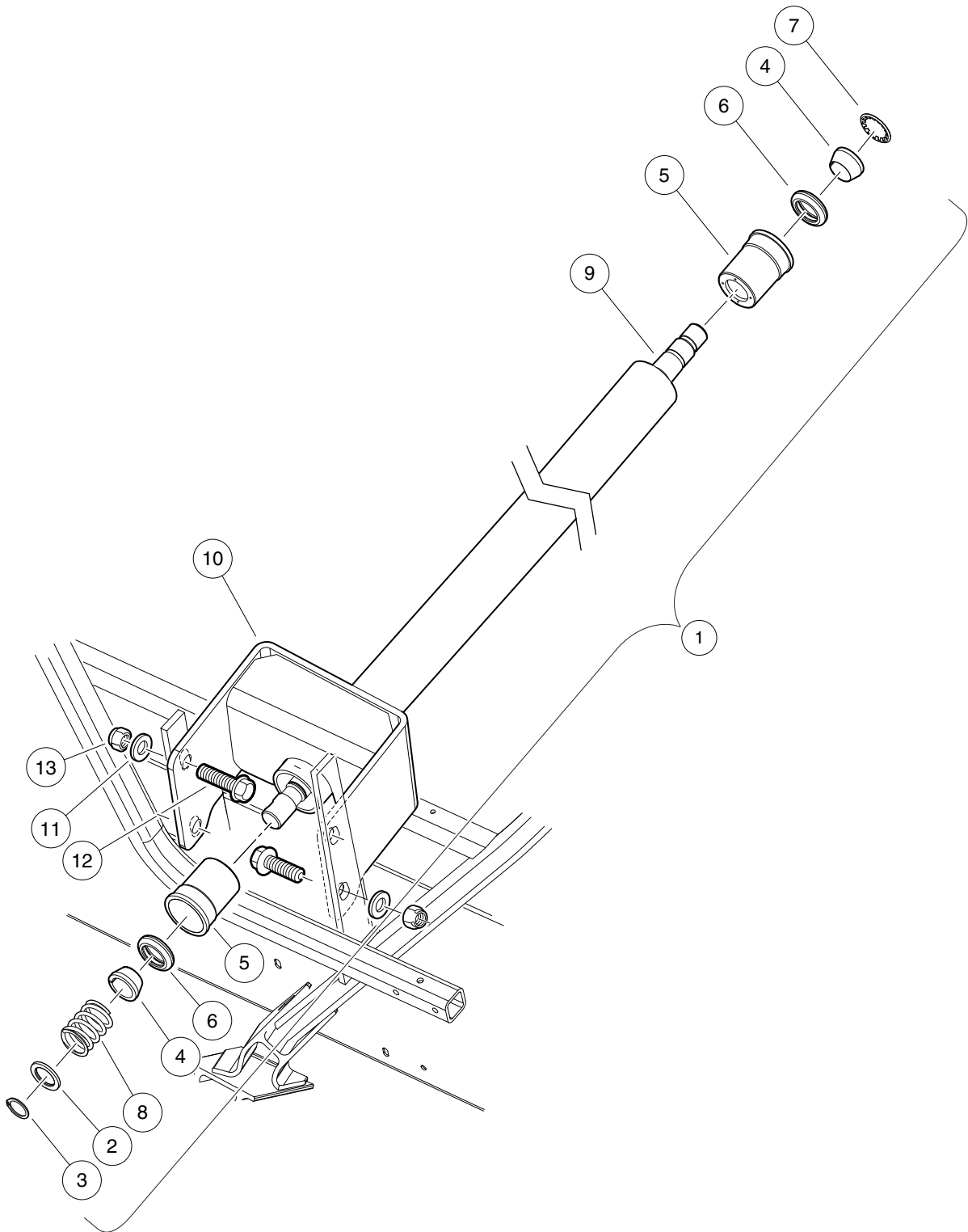
6

E

| ITEM | PART NO. | DESCRIPTION | QTY |
|------|------------------|---|-----|
| | | 1 2 3 4 | |
| 1 | 1011895 | Socket, LH Vertical | 1 |
| 2 | <u>1011930</u> | Seal, Vertical Socket Dust | 1 |
| 3 | <u>1012467</u> | Link, Rack and Pinion Drag | 1 |
| 4 | <u>103233101</u> | Rack, Steering, Modular | 1 |
| 5 | <u>1035</u> | Cotter Pin, 3/32 x 1 | 1 |
| 6 | <u>7555</u> | Nut, 1/2-20 Hex, Left-Hand Thread | 1 |
| 7 | 7602 | Nut, 3/8-24 UNF Hex | 1 |

6

E



001531-001

STEERING COLUMN

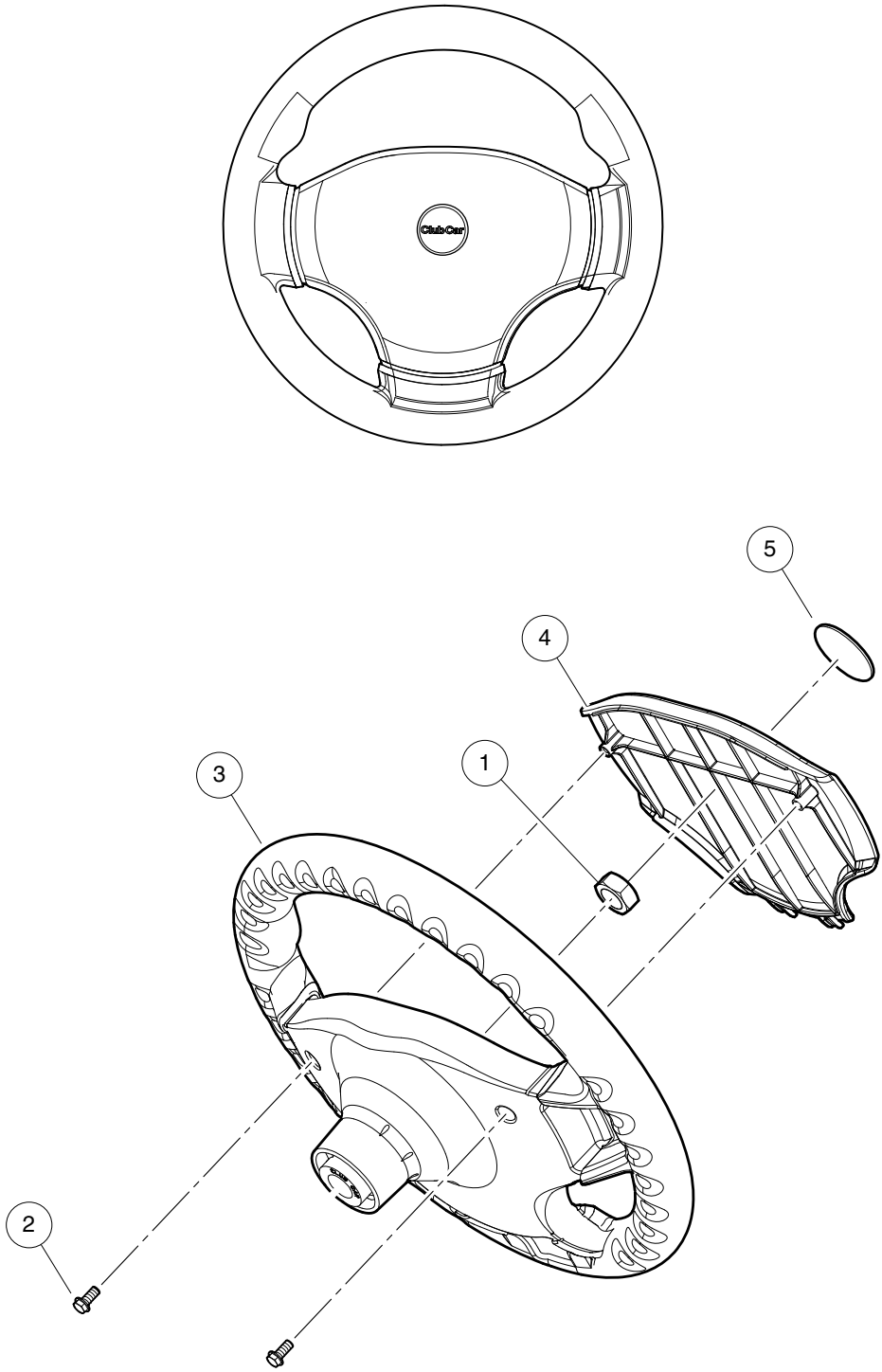
| ITEM | PART NO. | DESCRIPTION | QTY |
|------|------------------|--|-----|
| | | 1 2 3 4 | |
| 1 | <u>103232101</u> | Assy, Steering Column, Short (includes items 2 through 10) | 1 |
| 2 | <u>1012604</u> | Washer, 0.675 ID X 1.19 OD | 1 |
| 3 | <u>1012605</u> | Ring, 0.579 Internal Retaining | 1 |
| 4 | 1014125 | Wedge, Molded | 2 |
| 5 | <u>1014126</u> | Seat, Plastic Bearing | 2 |
| 6 | <u>1014213</u> | Bearing, Ball | 2 |
| 7 | 1014214 | Ring, Retaining | 1 |
| 8 | <u>1014217</u> | Spring, Steering Shaft | 1 |
| 9 | N/A | Shaft, Steering, 667.8 Oal | 1 |
| 10 | N/A | Weldment, †column, †lsv | 1 |
| 11 | <u>334</u> | Washer, 3/8, Type A, Flat | 4 |
| 12 | 705 | Screw, Cap-hex Hd 3/8-16x1.25 | 4 |
| 13 | <u>8754</u> | Locknut, 3/8-16 Hex | 4 |

6

E

6

E



001503-001

STEERING WHEEL

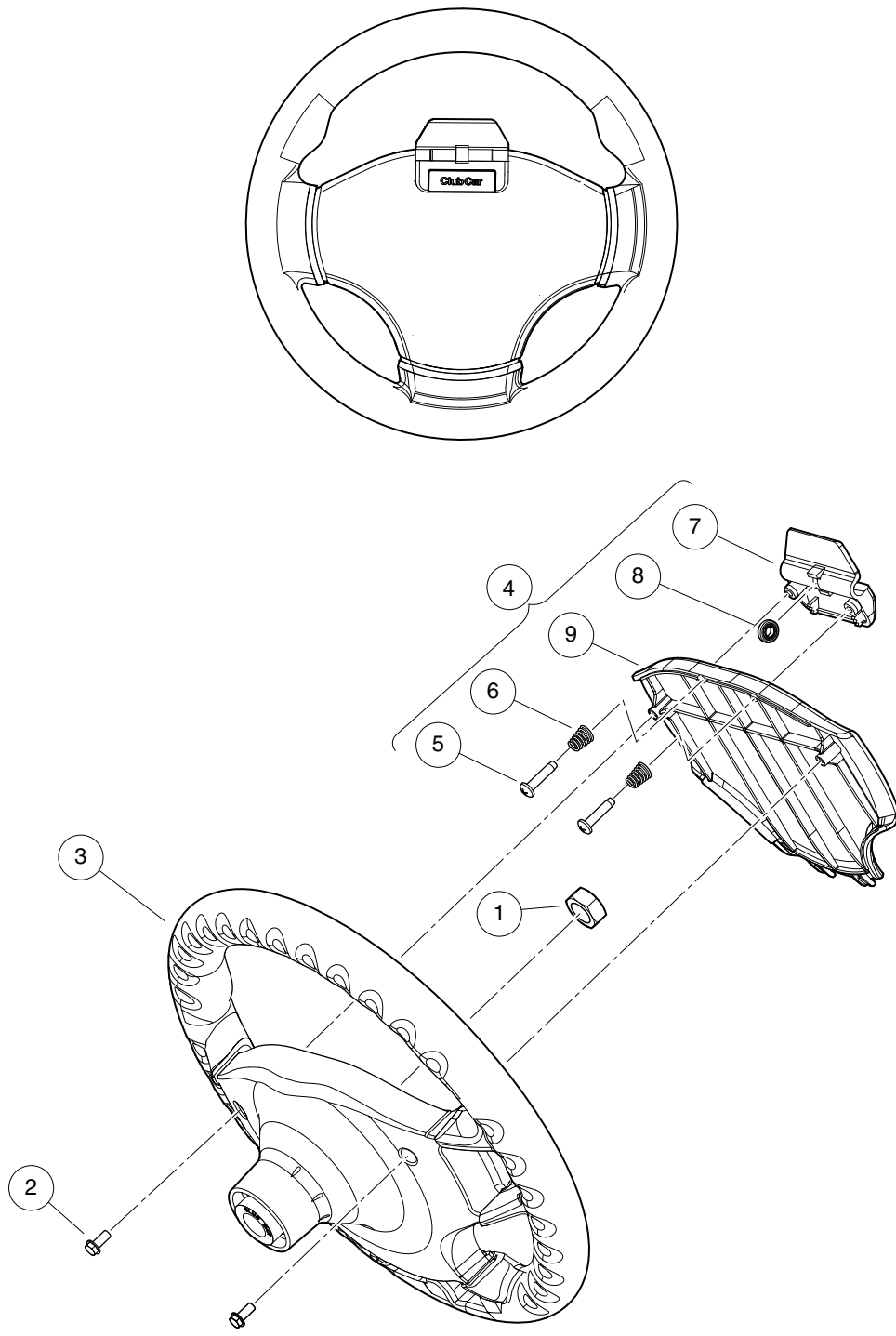
| ITEM | PART NO. | DESCRIPTION | QTY |
|------|------------------|--|-----|
| | | 1 2 3 4 | |
| 1 | <u>1017273</u> | Nut, 5/8-18 Nylon Insert Jam | 1 |
| 2 | <u>101850301</u> | Screw, #12-16 X 0.50 Washer-Head Hi-Lo | 2 |
| 3 | <u>103724504</u> | Steering Wheel, Soft Spl | 1 |
| 4 | <u>103724602</u> | Cover, Steering Wheel, Generic | 1 |
| 5 | <u>103829401</u> | Logo, Cci, Steer Wheel | 1 |

6

E

6

E



001504-001

STEERING WHEEL WITH CLIP

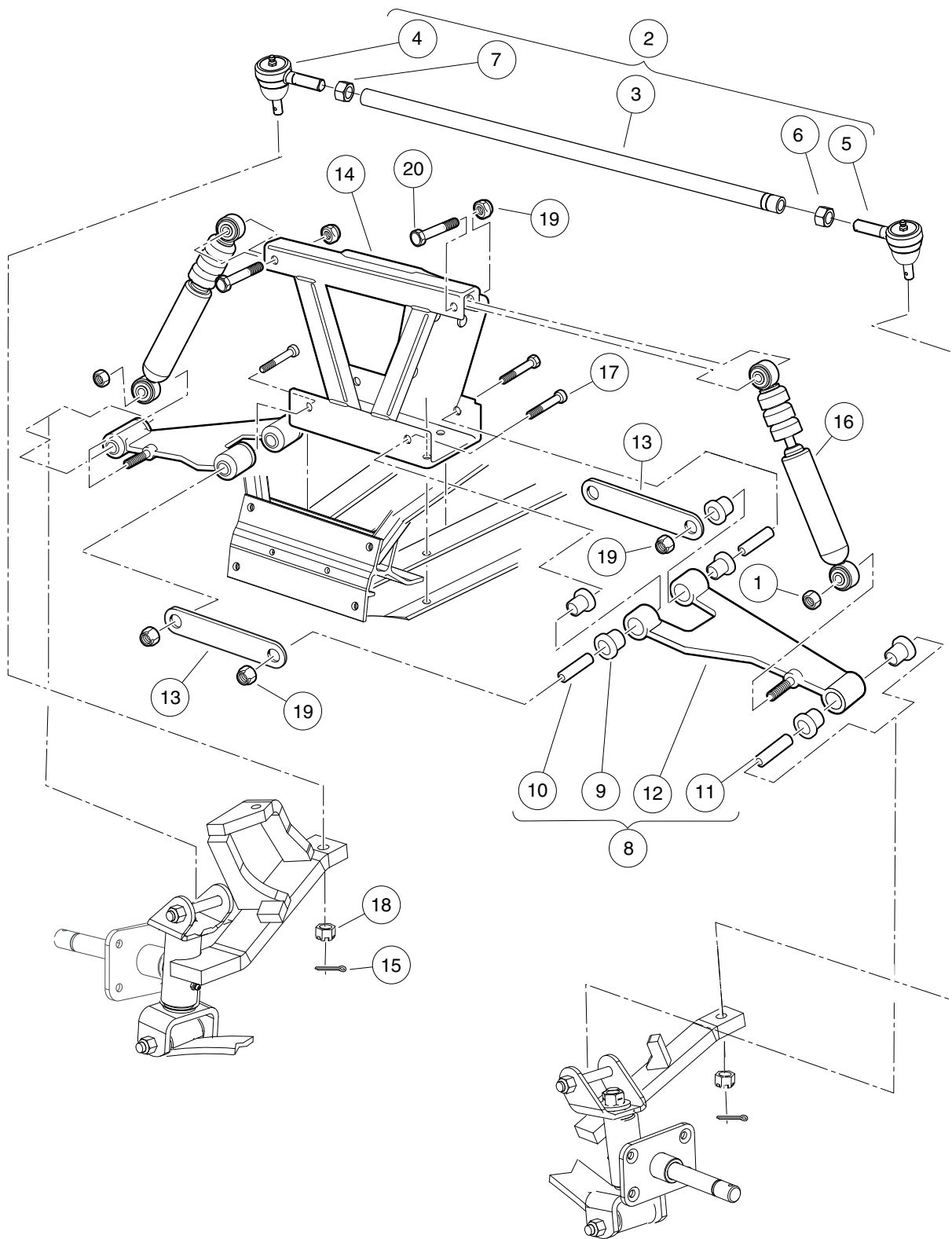
| ITEM | PART NO. | DESCRIPTION | QTY |
|------|------------------|---|-----|
| | | 1 2 3 4 | |
| 1 | <u>1017273</u> | Nut, 5/8-18 Nylon Insert Jam | 1 |
| 2 | <u>101850301</u> | Screw, #12-16 X 0.50 Washer-Head Hi-Lo | 2 |
| 3 | <u>103724504</u> | Steering Wheel, Soft Spl | 1 |
| 4 | <u>103724901</u> | Asm, Scorecard, Clip (includes items 5 through 9) | 1 |
| 5 | <u>1012565</u> | Screw, #12 Phillips Round Head | 2 |
| 6 | <u>1012566</u> | Tapered Compression Spring | 2 |
| 7 | 1016154 | Clip, Scorecard | 1 |
| 8 | <u>1016214</u> | Pencil Grip | 1 |
| 9 | 103724601 | Cover, Steering Wheel, Clip | 1 |

6

E

6

E



001518-002

FRONT SUSPENSION, UPPER, HYD

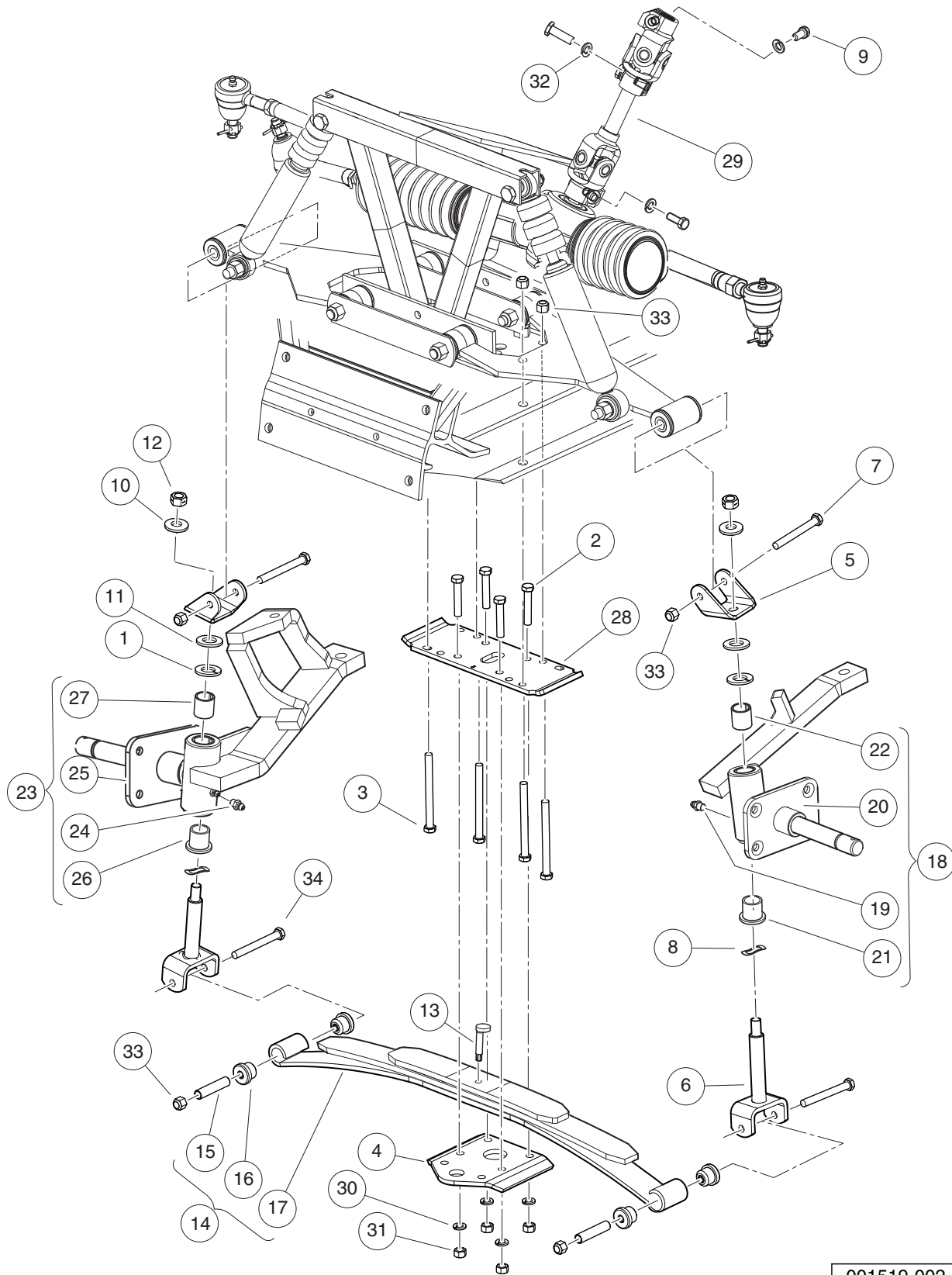
| ITEM | PART NO. | DESCRIPTION | QTY |
|------|------------------|---|-----|
| | | 1 2 3 4 | |
| 1 | <u>1010138</u> | Locknut, 3/8-16 Dimpled | 2 |
| 2 | N/A | Tie Rod Asm, 24.265 Lg (includes items 3 through 7) | 1 |
| 3 | <u>101021902</u> | Tie Rod 20.643" Lg | 1 |
| 4 | <u>1011893</u> | Socket, RH Vertical | 1 |
| 5 | <u>1011895</u> | Socket, LH Vertical | 1 |
| 6 | <u>1308</u> | Nut, 1/2-20 Hex | 1 |
| 7 | <u>7555</u> | Nut, 1/2-20 Hex, Left-Hand Thread | 1 |
| 8 | <u>1016353</u> | Sub-Assembly, Delta A-Plate (includes items 9 through 12) | 2 |
| 9 | <u>1016346</u> | Bushing, Urethane | 6 |
| 10 | <u>1016349</u> | Sleeve, Delta Inner | 2 |
| 11 | <u>1016350</u> | Sleeve, Delta Outer | 1 |
| 12 | <u>1016351</u> | Delta A-Plate | 1 |
| 13 | <u>1017266</u> | A-Plate Strap | 2 |
| 14 | <u>103264802</u> | Weldmnt, Shock & Rack Mnt, Lsv | 1 |
| 15 | <u>1035</u> | Cotter Pin, 3/32 x 1 | 2 |
| 16 | <u>105106702</u> | Shock Absorb, Frnt, 3 Bump Ele | 2 |
| 17 | <u>2402</u> | Screw, 3/8-16 X 2.25 Hx Hd Cap | 4 |
| 18 | <u>7602</u> | Nut, 3/8-24 UNF Hex | 2 |
| 19 | <u>8754</u> | Locknut, 3/8-16 Hex | 6 |
| 20 | <u>8861</u> | Bolt, 3/8-16 X 1.75 Hex | 2 |

6

E

6

E



001519-002

FRONT SUSPENSION, LOWER, HYD, DRUMS 3 LEAF, 1 PLATE

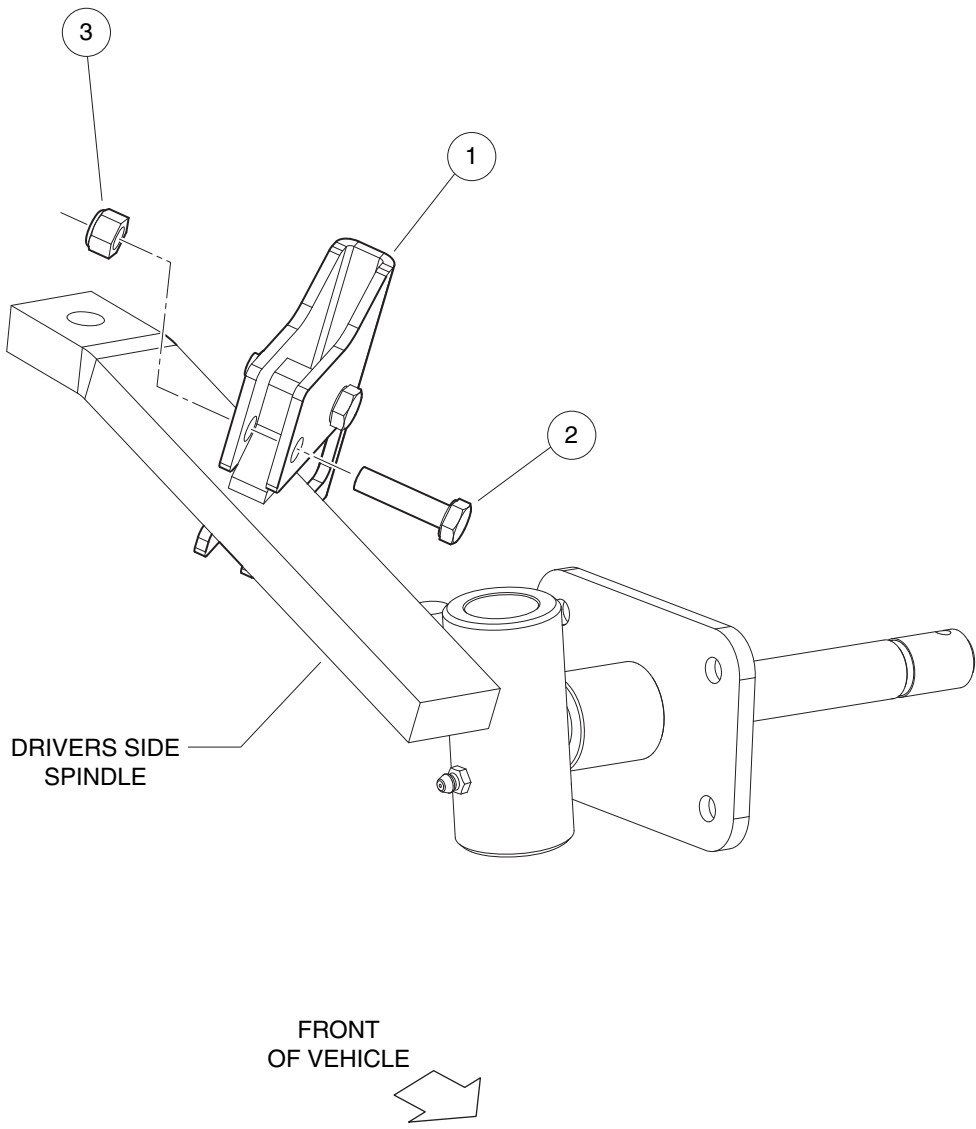
| ITEM | PART NO. | DESCRIPTION | QTY |
|------|------------------|--|-----|
| | | 1 2 3 4 | |
| 1 | <u>1010150</u> | Bearing, Thrust | 2 |
| 2 | <u>1010177</u> | Bolt, 3/8-16 X 2.00 Hex Head | 4 |
| 3 | <u>1010200</u> | Bolt, 3/8-16 X 4.25 Hex Head | 4 |
| 4 | <u>1014276</u> | Plate, Front Spring Retainer | 1 |
| 5 | <u>1016384</u> | Clevis, Delta Upper | 2 |
| 6 | <u>1016386</u> | King Pin Assembly | 2 |
| 7 | <u>1016387</u> | Screw, 3/8-16 X 2.75 Hx Hd Cap | 2 |
| 8 | <u>1016389</u> | Washer, 1.125 Od Wave | 2 |
| 9 | <u>1017226</u> | Bolt, Hex-Head, 8mm X 1.25 - 30 | 3 |
| 10 | <u>102564002</u> | Washer-1/2 Conical, Yellow | 2 |
| 11 | <u>102684501</u> | Washer, M12 Hard Regular | 2 |
| 12 | <u>102766301</u> | Nut, 1/2-20, Center Lock | 2 |
| 13 | <u>103507001</u> | Eccentric Bolt Common | 1 |
| 14 | <u>103628901</u> | Spring Asm, Front, 3 Leaf (includes items 15 through 17) | 1 |
| 15 | <u>1012303</u> | Bushing, Steel | 2 |
| 16 | <u>1015583</u> | Bushing, Urethane | 4 |
| 17 | 103502801 | Spring, Front, 3 Leaf | 1 |
| 18 | <u>103824101</u> | Asm, Spindle, Drum, Lh (includes items 19 through 22) | 1 |
| 19 | <u>1015597</u> | Fitting, 1/4-28 Thread-Forming Grease | 1 |
| 20 | N/A | Spindle, Drum, Lh | 1 |
| 21 | <u>7048</u> | Bushing, Flanged Bronze | 1 |
| 22 | <u>8067</u> | Bushing, Bronze Spindle | 1 |
| 23 | <u>103824201</u> | Asm, Spindle, Drum, Rh (includes items 24 through 27) | 1 |
| 24 | <u>1015597</u> | Fitting, 1/4-28 Thread-Forming Grease | 1 |
| 25 | N/A | Spindle, Drum, Rh | 1 |
| 26 | <u>7048</u> | Bushing, Flanged Bronze | 1 |
| 27 | <u>8067</u> | Bushing, Bronze Spindle | 1 |
| 28 | <u>105083301</u> | Plate, Spring Mount, Restyle | 1 |
| 29 | <u>105329301</u> | Shaft, Int, Steering, Lsv Adj | 1 |
| 30 | <u>357</u> | Lockwasher, 3/8 Split | 4 |
| 31 | <u>706</u> | Nut, Hex 3/8-16 | 5 |
| 32 | <u>7174</u> | Lockwasher, 5/16 Split | 3 |
| 33 | <u>8754</u> | Locknut, 3/8-16 Hex | 8 |
| 34 | <u>8755</u> | Screw, 3/8-16 X 3.375 Hex Cap | 2 |

6

E

6

E



001530-001

STEERING STOP

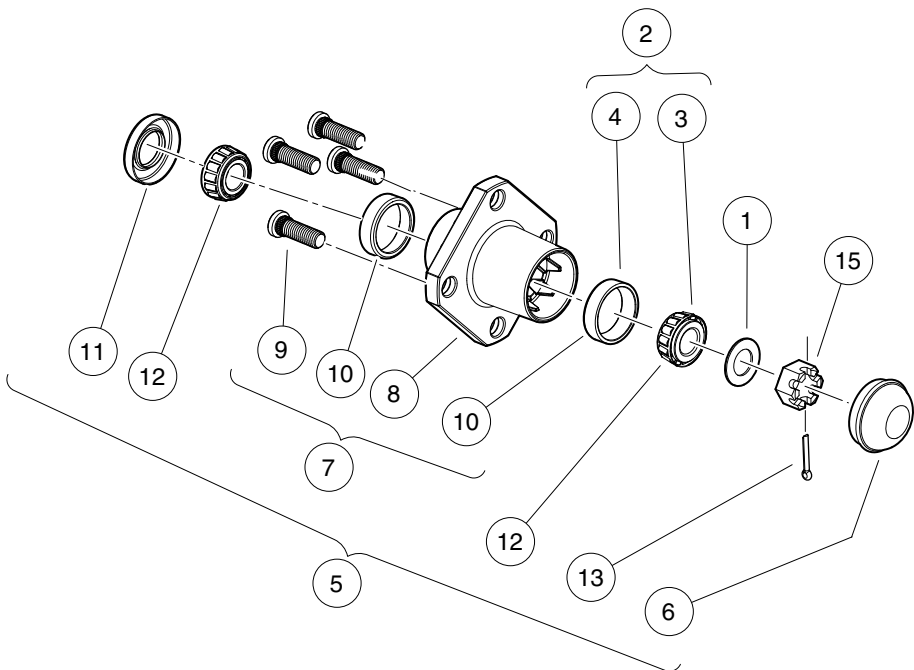
| ITEM | PART NO. | DESCRIPTION | QTY |
|--|-------------|--|-----|
| 1 | 105243002 | 1 2 3 4 Brkt,Steering Stop, CA, LSV | 1 |
| 2 | 1218 | Screw, 5/16-18 X 1.25 Hex-Head Cap | 2 |
| 3 | <u>7473</u> | Locknut, 5/16-18 Nylon Insert | 2 |
| <p style="text-align: center;">Note: Steering Stop 105243003 is required if vehicle is equipped with the 105100601, HD Bumper Kit.</p> | | | |

6

E

6

E



001520-002

FRONT WHEEL HUBS

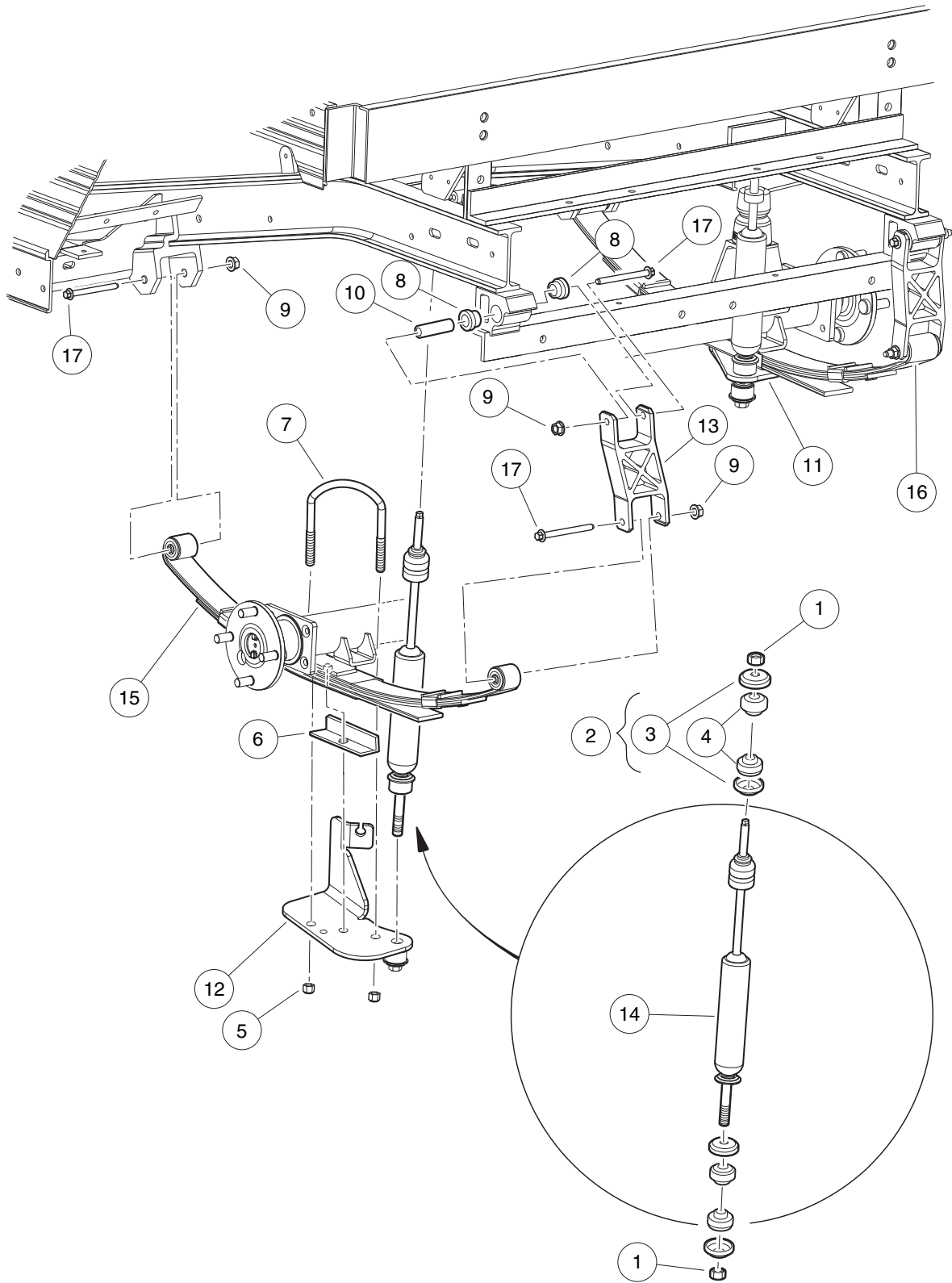
| ITEM | PART NO. | DESCRIPTION | QTY |
|------|------------------|--|-----|
| | | 1 2 3 4 | |
| 1 | <u>1010005</u> | Washer, 3/4 Flat | 2 |
| 2 | <u>1011393</u> | Hub Bearing Package (includes items 3 and 4) | 4 |
| 3 | 7274 | Bearing, Front Hub Wheel | 1 |
| 4 | 7308 | Race, Front Hub Bearing | 1 |
| 5 | <u>1011892</u> | Hub Assembly (includes items 6 through 13) | 1 |
| 6 | <u>1011887</u> | Dust Cover | 1 |
| 7 | N/A | Hub (includes items 8 through 10) | 1 |
| 8 | N/A | Front Hub | 1 |
| 9 | <u>103477901</u> | Lug Stud, 1/2-20 Unf, 4037 | 4 |
| 10 | 7308 | Race, Front Hub Bearing | 2 |
| 11 | <u>1013135</u> | Seal, Double Lip | 1 |
| 12 | 7274 | Bearing, Front Hub Wheel | 2 |
| 13 | <u>7910</u> | Pin, 5/32 X 1.00 Cotter | 1 |
| 14 | <u>1013135</u> | Seal, Double Lip | 2 |
| 15 | <u>7840</u> | Nut, 3/4-16 Hex Slotted | 2 |

6

E

6

E



001525-001

REAR SUSPENSION COMPONENTS

| ITEM | PART NO. | DESCRIPTION | QTY |
|------|------------------|--|-----|
| | | 1 2 3 4 | |
| 1 | <u>1010145</u> | Nut, 3/8-24 Hex | 4 |
| 2 | <u>1011415</u> | Kit, Shock Absorber Cushion (includes items 3 and 4) | 4 |
| 3 | N/A | Cushion, Shock Absorber | 2 |
| 4 | N/A | Retainer, Shock Absorber Cushion | 2 |
| 5 | <u>1014555</u> | Locknut, 7/16-14 Nylon Hex | 4 |
| 6 | <u>1014573</u> | Spring Retainer | 2 |
| 7 | <u>1014902</u> | U-Bolt | 2 |
| 8 | <u>101558302</u> | Bushing, Urethane, Soft | 4 |
| 9 | <u>102298401</u> | Nut,m8,all Metal Lock | 6 |
| 10 | <u>102506401</u> | Sleeve - Spring Eye Mounts | 2 |
| 11 | <u>103524601</u> | Brkt, Shock Mount Rh, lc | 1 |
| 12 | <u>103524701</u> | Brkt, Shock Mount Lh, lc | 1 |
| 13 | <u>105068902</u> | Shackle, 6", Com, Machined | 2 |
| 14 | <u>105106801</u> | Shock Absorber,Rear, 2 Bumper | 2 |
| 15 | <u>105186201</u> | Asm, Spring 600lb Nr Std, Lh | 1 |
| 16 | <u>105186202</u> | Asm, Spring 600lb Nr Std, Rh | 1 |
| 17 | <u>105188185</u> | Bolt, M8x85mm,10.9 Grade | 6 |

6

E

6

E

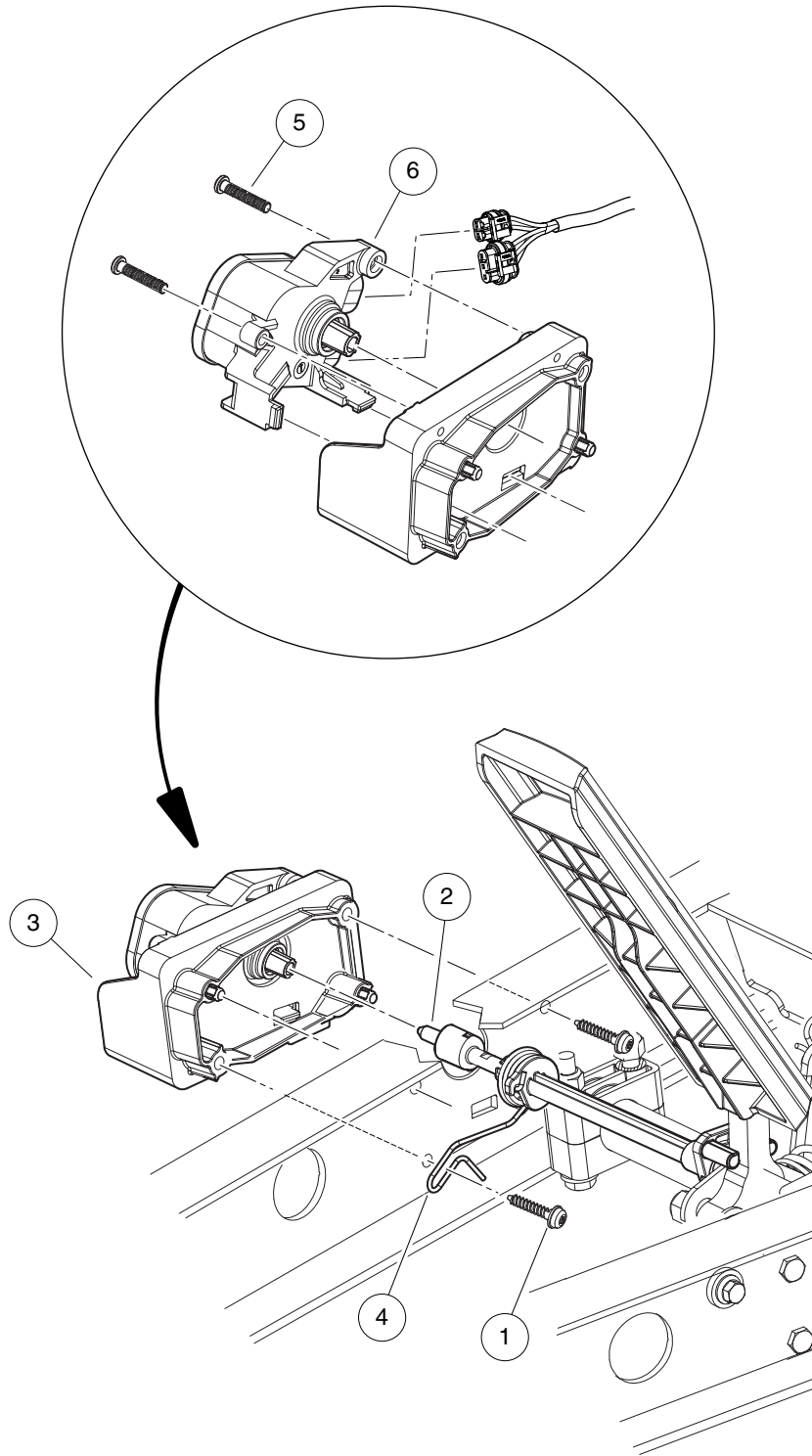
ELECTRICAL SYSTEM – ELECTRIC VEHICLES

7

E

7

E



002522-001

MOTOR CONTROLLER OUTPUT REGULATOR (MCOR)

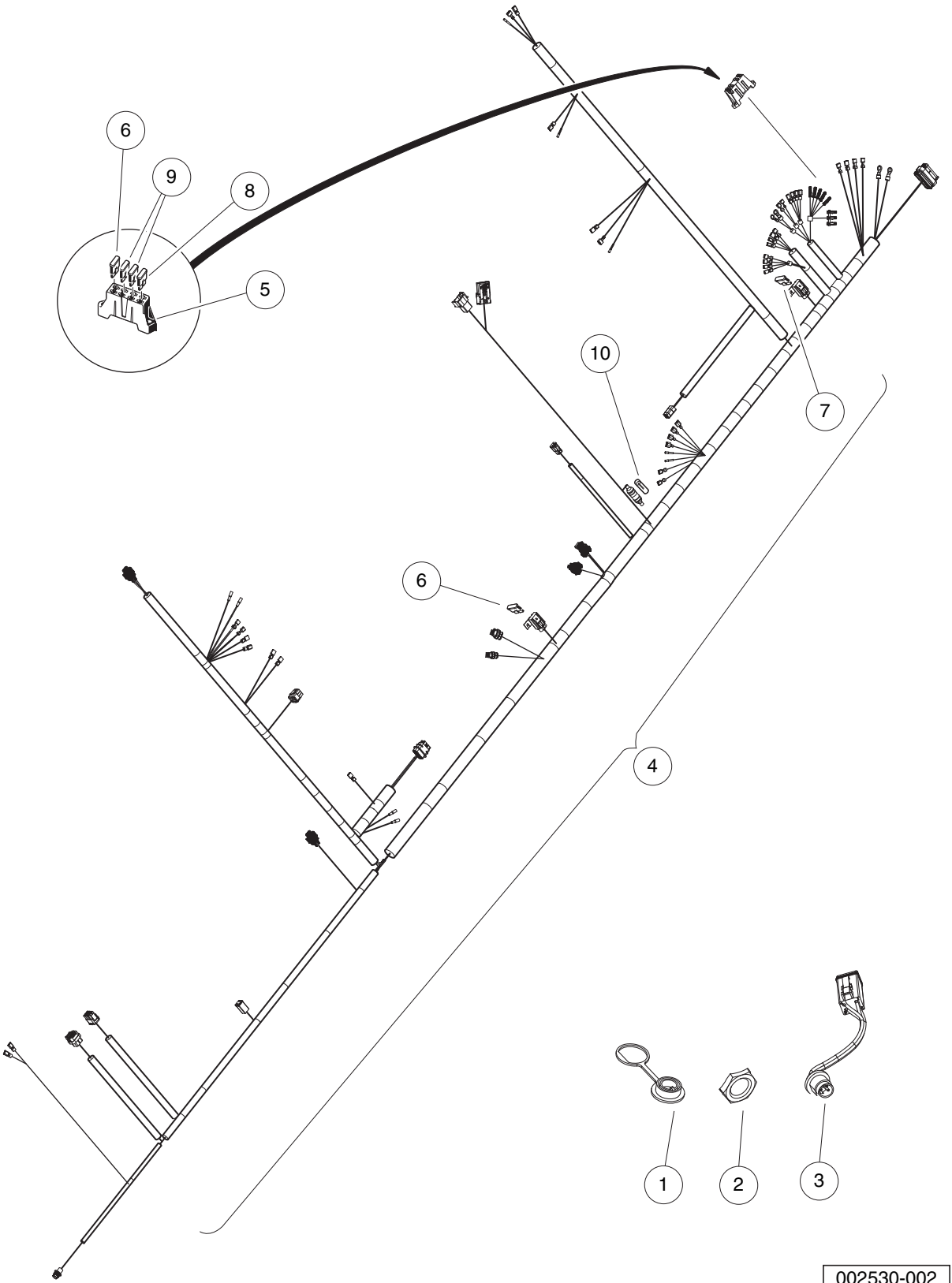
| ITEM | PART NO. | DESCRIPTION | QTY |
|------|------------------|---|-----|
| | | 1 2 3 4 | |
| 1 | <u>102297230</u> | Screw, M6, Torx, Interlock Thread | 2 |
| 2 | <u>103902101</u> | Bar, Drive, Cast | 1 |
| 3 | <u>103902301</u> | Housing, Mcor | 1 |
| 4 | <u>103902401</u> | Spring, Torsion | 1 |
| 5 | <u>103943401</u> | Screw, Pan, #10 X 1.00 Hi-lo | 2 |
| 6 | <u>105116301</u> | MCOR4, Type 16 Switch | 1 |

7

E

7

E



002530-002

MAIN WIRING HARNESS, 48-VOLT FUSE BLOCK - CA510

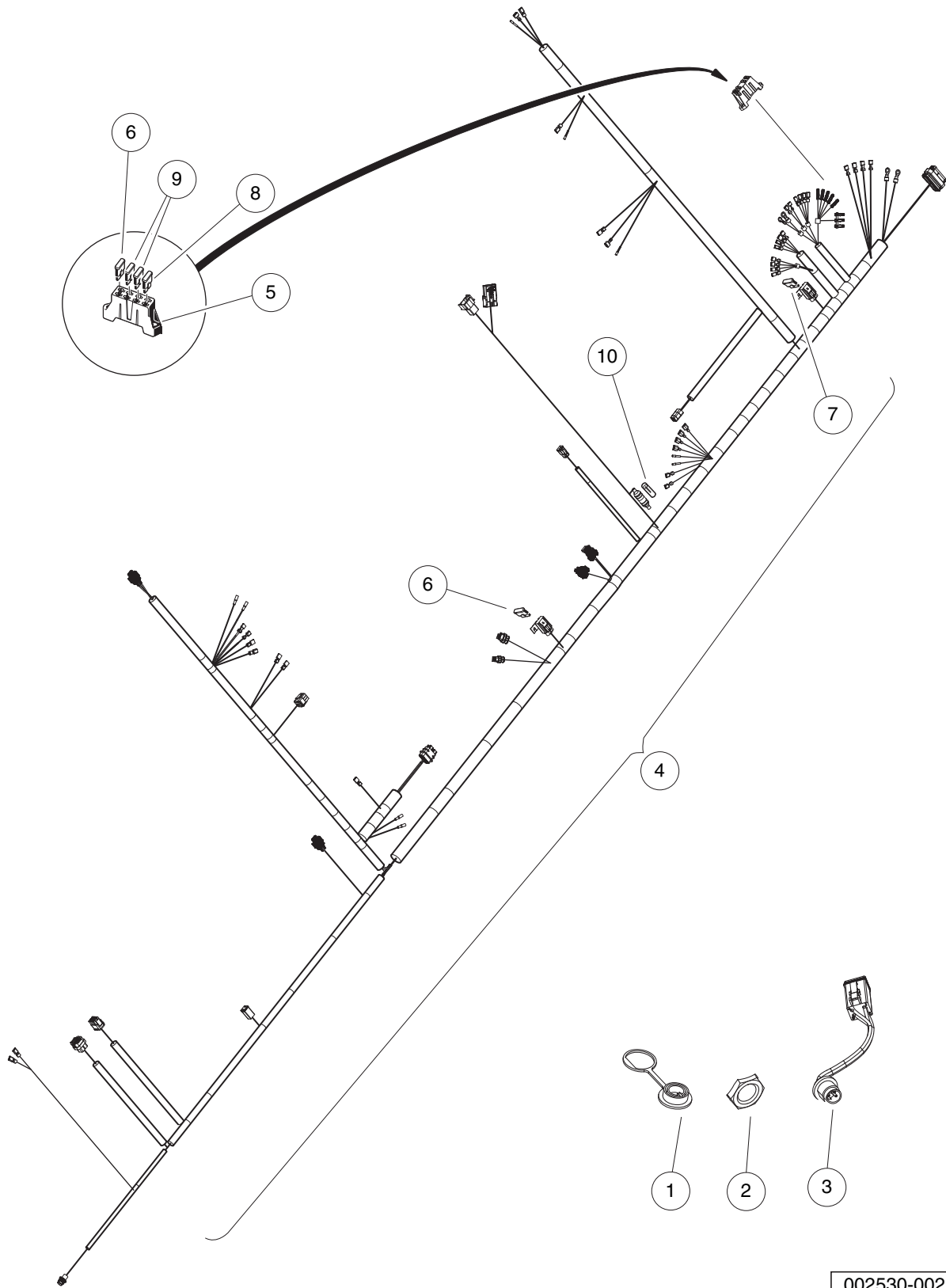
| ITEM | PART NO. | DESCRIPTION | QTY |
|------|------------------|---|-----|
| | | 1 2 3 4 | |
| 1 | <u>102196901</u> | Dust Cap | 1 |
| 2 | <u>102572401</u> | Nut, Diagnostic Port, Prec | 1 |
| 3 | <u>103218601</u> | Harness, Diagnostic Port | 1 |
| 4 | <u>105107201</u> | Asm, Harness, Ca510lsv, Dom (includes items 5 through 10) | 1 |
| 5 | <u>1015741</u> | Fuse Block | 1 |
| 6 | <u>1016423</u> | Fuse, 20-Amp | 2 |
| 7 | <u>102492301</u> | Fuse, 30-Amp | 1 |
| 8 | <u>102538601</u> | 15 Amp Fuse | 1 |
| 9 | <u>105167201</u> | Fuse, Atc, 2 Amp | 2 |
| 10 | <u>105173901</u> | Fuse, Agc, 1 Amp | 1 |

7

E

7

E



002530-002

MAIN WIRING HARNESS, 48-VOLT FUSE BLOCK - CA710

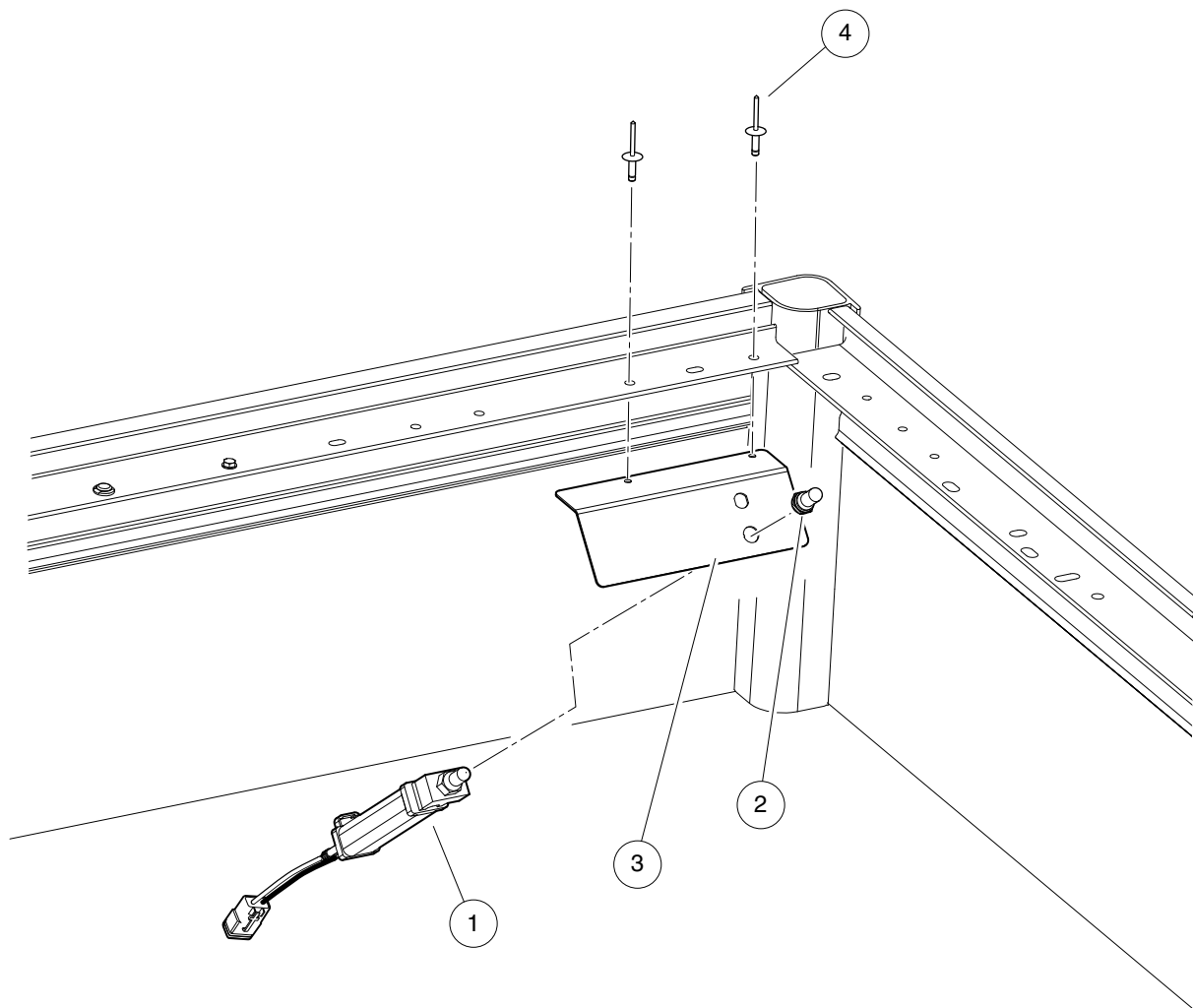
| ITEM | PART NO. | DESCRIPTION | QTY |
|------|------------------|---|-----|
| | | 1 2 3 4 | |
| 1 | <u>102196901</u> | Dust Cap | 1 |
| 2 | <u>102572401</u> | Nut, Diagnostic Port, Prec | 1 |
| 3 | <u>103218601</u> | Harness, Diagnostic Port | 1 |
| 4 | <u>105107501</u> | Asm, Harness, Ca710lsv, Dom (includes items 5 through 10) | 1 |
| 5 | <u>1015741</u> | Fuse Block | 1 |
| 6 | <u>1016423</u> | Fuse, 20-Amp | 2 |
| 7 | <u>102492301</u> | Fuse, 30-Amp | 1 |
| 8 | <u>102538601</u> | 15 Amp Fuse | 1 |
| 9 | <u>105167201</u> | Fuse, Atc, 2 Amp | 2 |
| 10 | <u>105173901</u> | Fuse, Agc, 1 Amp | 1 |

7

E

7

E



002521-001

TOW/RUN SWITCH

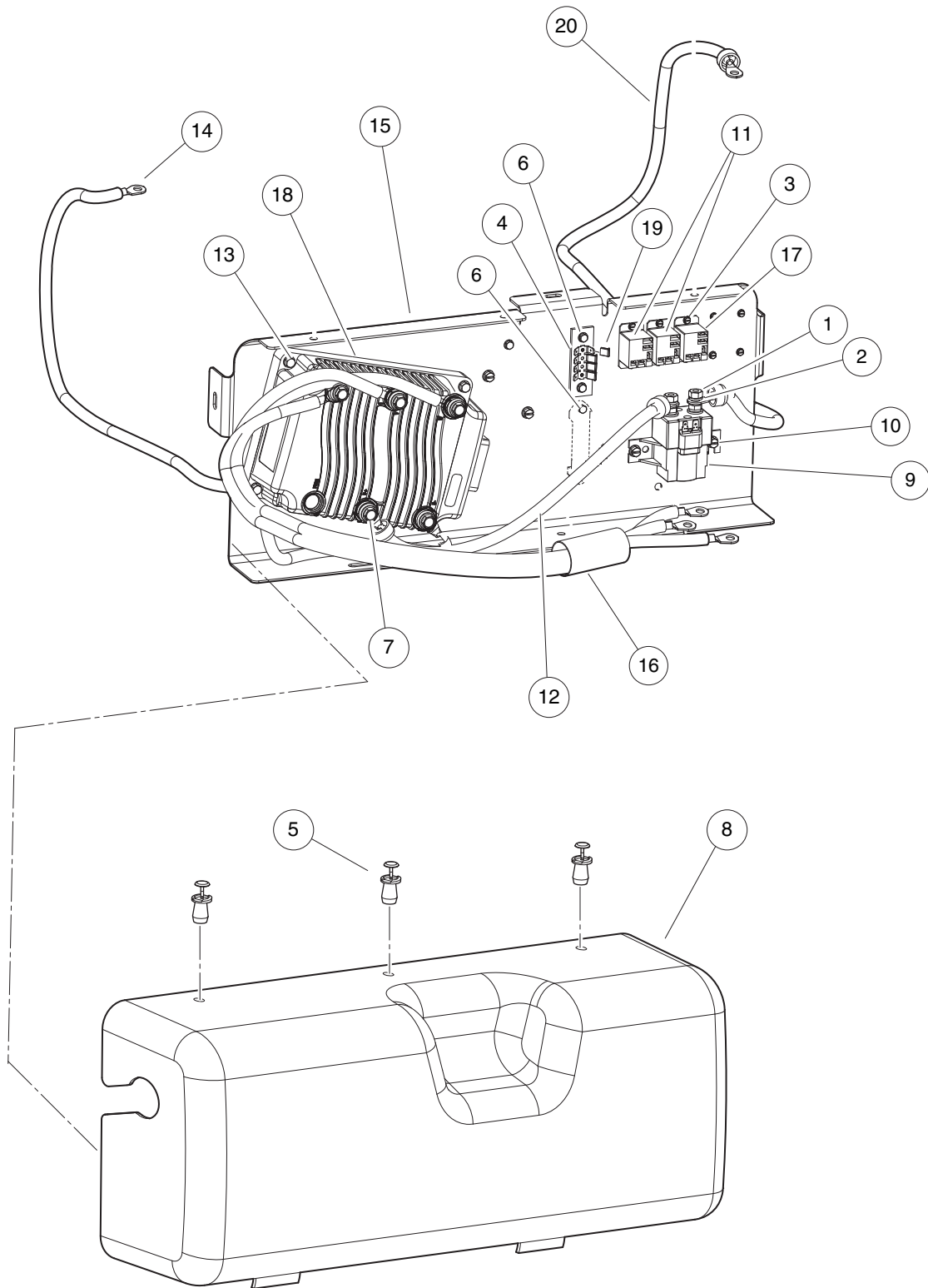
| ITEM | PART NO. | DESCRIPTION | QTY |
|------|------------------|------------------------------------|-----|
| | | 1 2 3 4 | |
| 1 | <u>101908101</u> | Switch Assembly, Tow/Run | 1 |
| 2 | <u>101908401</u> | Boot, Switch | 1 |
| 3 | <u>102915701</u> | Plate, Switch, Run Tow, Mode | 1 |
| 4 | <u>7973</u> | Rivet, 3/16 X .400 Blind | 2 |

7

E

7

E



002529-002

ELECTRIC COMPONENTS – CA510

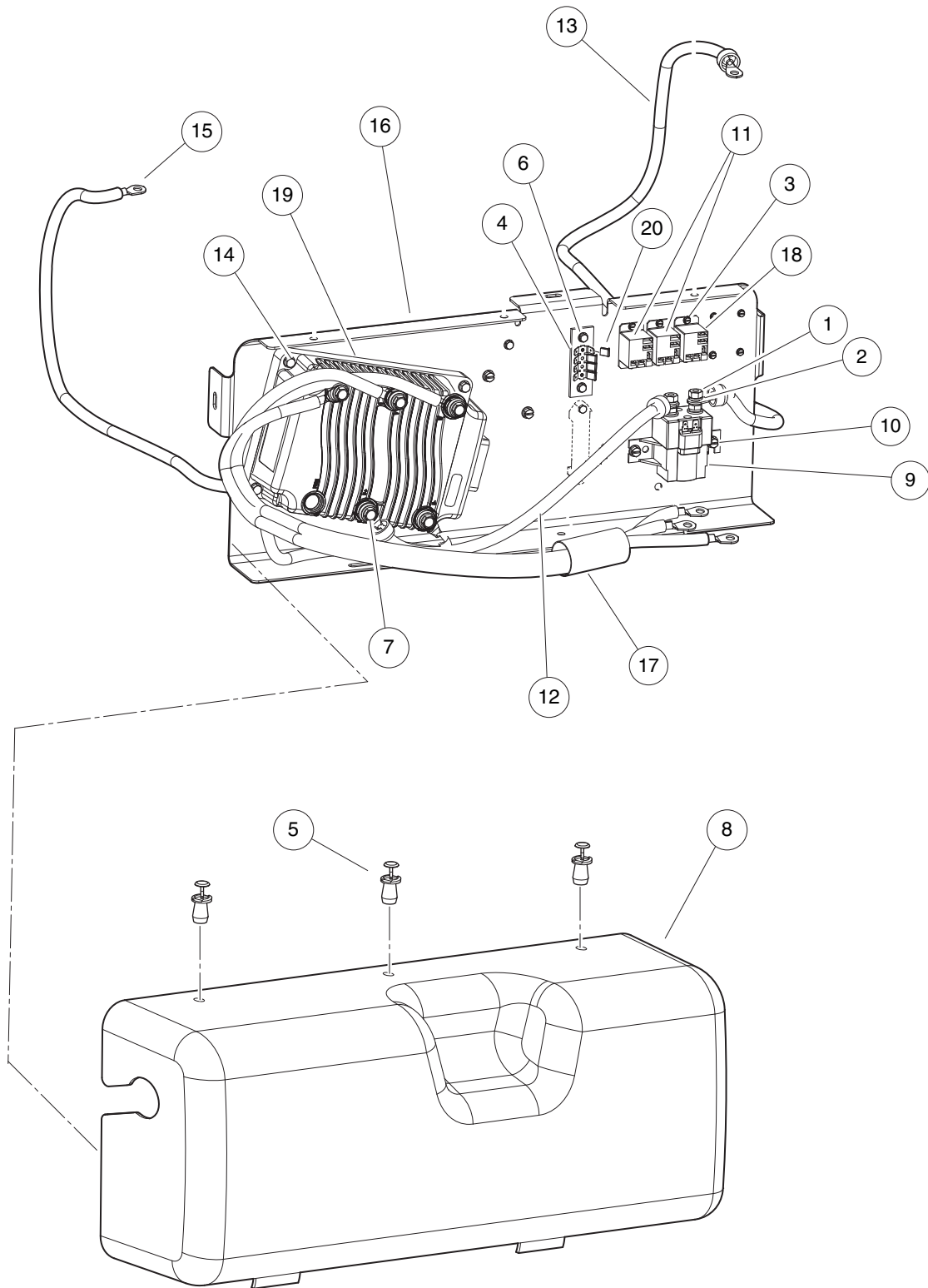
| ITEM | PART NO. | DESCRIPTION | QTY |
|------|------------------|--|-----|
| | | 1 2 3 4 | |
| 1 | <u>1012528</u> | Nut, M8-1.25 Hex | 2 |
| 2 | <u>1013734</u> | Lockwasher, 8mm Split | 2 |
| 3 | <u>1015720</u> | Screw, #6-32 X 1/2 Hex Washer-Head | 10 |
| 4 | <u>1016356</u> | Terminal Block with Insulator | 1 |
| 5 | <u>1016967</u> | Blind Rivet, Push Type | 3 |
| 6 | <u>102238001</u> | #10-24 Taptite Screw | 5 |
| 7 | <u>102240501</u> | Bolt, Controller, Terminal | 5 |
| 8 | <u>102772403</u> | Cover, Component, Elec, Ac | 1 |
| 9 | <u>102774701</u> | Solenoid, 48v | 1 |
| 10 | <u>102817101</u> | Screw, 1/4-20 X .50 Hex Wsh Hd | 4 |
| 11 | <u>103397901</u> | Relay, Spst No, 48v 30a, Pmt | 2 |
| 12 | <u>103510201</u> | Asm, Wire #2 Yellow, 420 | 1 |
| 13 | <u>103517901</u> | Scr, 1/4-20 X 1.25 Hwhcs, Tt | 4 |
| 14 | <u>103529004</u> | Wire, Asm, #2 Blk, 36 inch | 1 |
| 15 | <u>103823002</u> | Plate, Comp, Mtg, 5 Relay | 1 |
| 16 | <u>103964201</u> | Harness, Pwr, Ca2, Ac | 1 |
| 17 | <u>105112401</u> | Relay, Spdt Nc, 48v 30a, Pmt | 1 |
| 18 | <u>105168101</u> | Controller, Ac Motor, Ls, Ca | 1 |
| 19 | <u>105195501</u> | Cap, Quick Conn Tab, 1/4 In | 4 |
| 20 | <u>105247301</u> | Asm, Wire, #2 Red, 558mm | 1 |

7

E

7

E



002536-001

ELECTRIC COMPONENTS – CA710

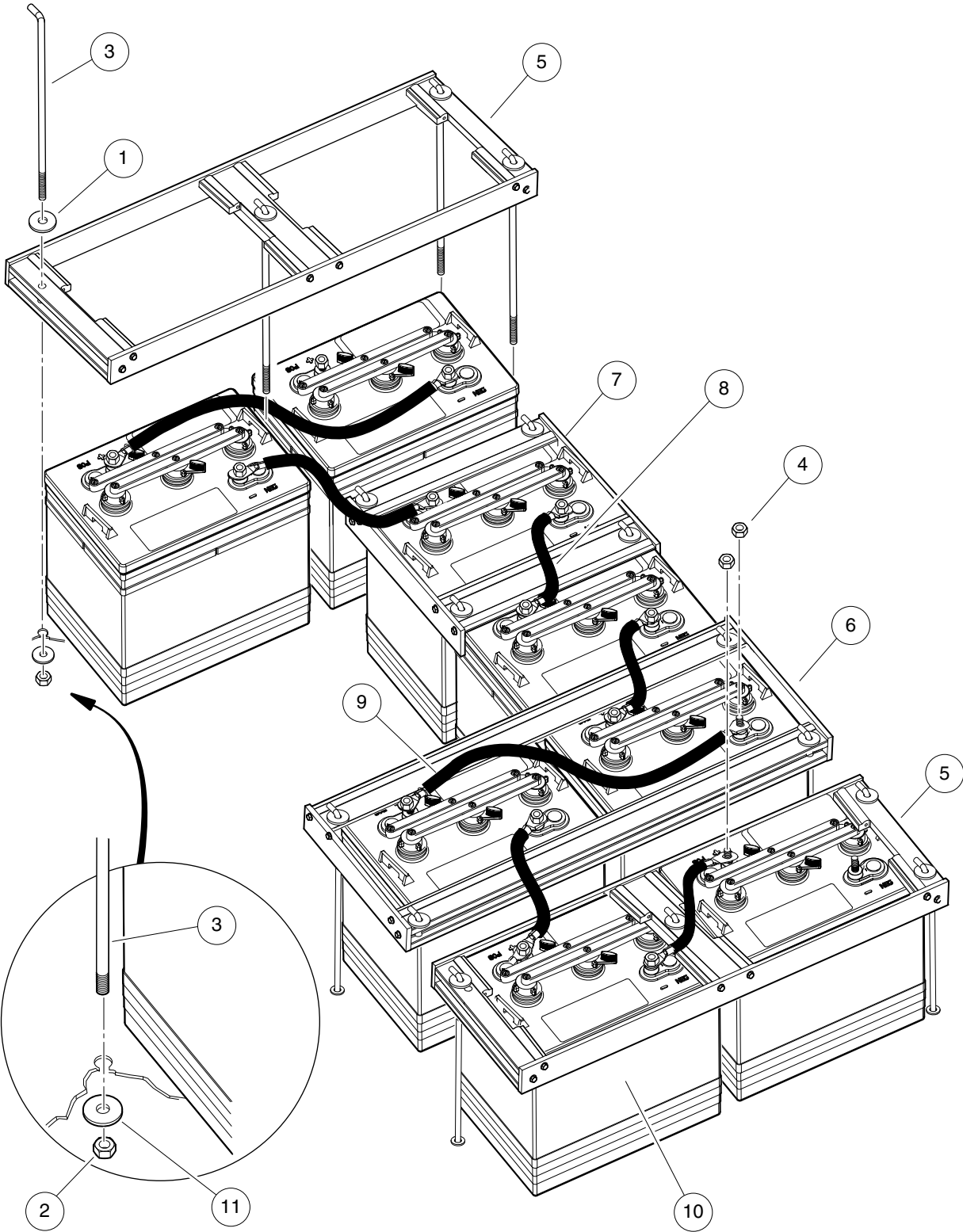
| ITEM | PART NO. | DESCRIPTION | QTY |
|------|------------------|--|-----|
| | | 1 2 3 4 | |
| 1 | <u>1012528</u> | Nut, M8-1.25 Hex | 2 |
| 2 | <u>1013734</u> | Lockwasher, 8mm Split | 2 |
| 3 | <u>1015720</u> | Screw, #6-32 X 1/2 Hex Washer-Head | 10 |
| 4 | <u>1016356</u> | Terminal Block with Insulator | 1 |
| 5 | <u>1016967</u> | Blind Rivet, Push Type | 3 |
| 6 | <u>102238001</u> | #10-24 Taptite Screw | 5 |
| 7 | <u>102240501</u> | Bolt, Controller, Terminal | 5 |
| 8 | <u>102772403</u> | Cover, Component, Elec, Ac | 1 |
| 9 | <u>102774701</u> | Solenoid, 48v | 1 |
| 10 | <u>102817101</u> | Screw, 1/4-20 X .50 Hex Wsh Hd | 4 |
| 11 | <u>103397901</u> | Relay, Spst No, 48v 30a, Pmt | 2 |
| 12 | <u>103510201</u> | Asm, Wire #2 Yellow, 420 | 1 |
| 13 | <u>103511001</u> | Asm, Wire #2 Red, 1000 | 1 |
| 14 | <u>103517901</u> | Scr, 1/4-20 X 1.25 Hwhcs, Tt | 4 |
| 15 | <u>103529003</u> | Wire, Asm #2 Blk, 54 Inch | 1 |
| 16 | <u>103823002</u> | Plate, Comp, Mtg, 5 Relay | 1 |
| 17 | <u>103964401</u> | Harness, Pwr, Ca6, Ac | 1 |
| 18 | <u>105112401</u> | Relay, Spdt Nc, 48v 30a, Pmt | 1 |
| 19 | <u>105168101</u> | Controller, Ac Motor, Ls, Ca | 1 |
| 20 | <u>105195501</u> | Cap, Quick Conn Tab, 1/4 In | 4 |

7

E

7

E



002507-002

BATTERIES 6-VOLT, STANDARD DUTY - CA510

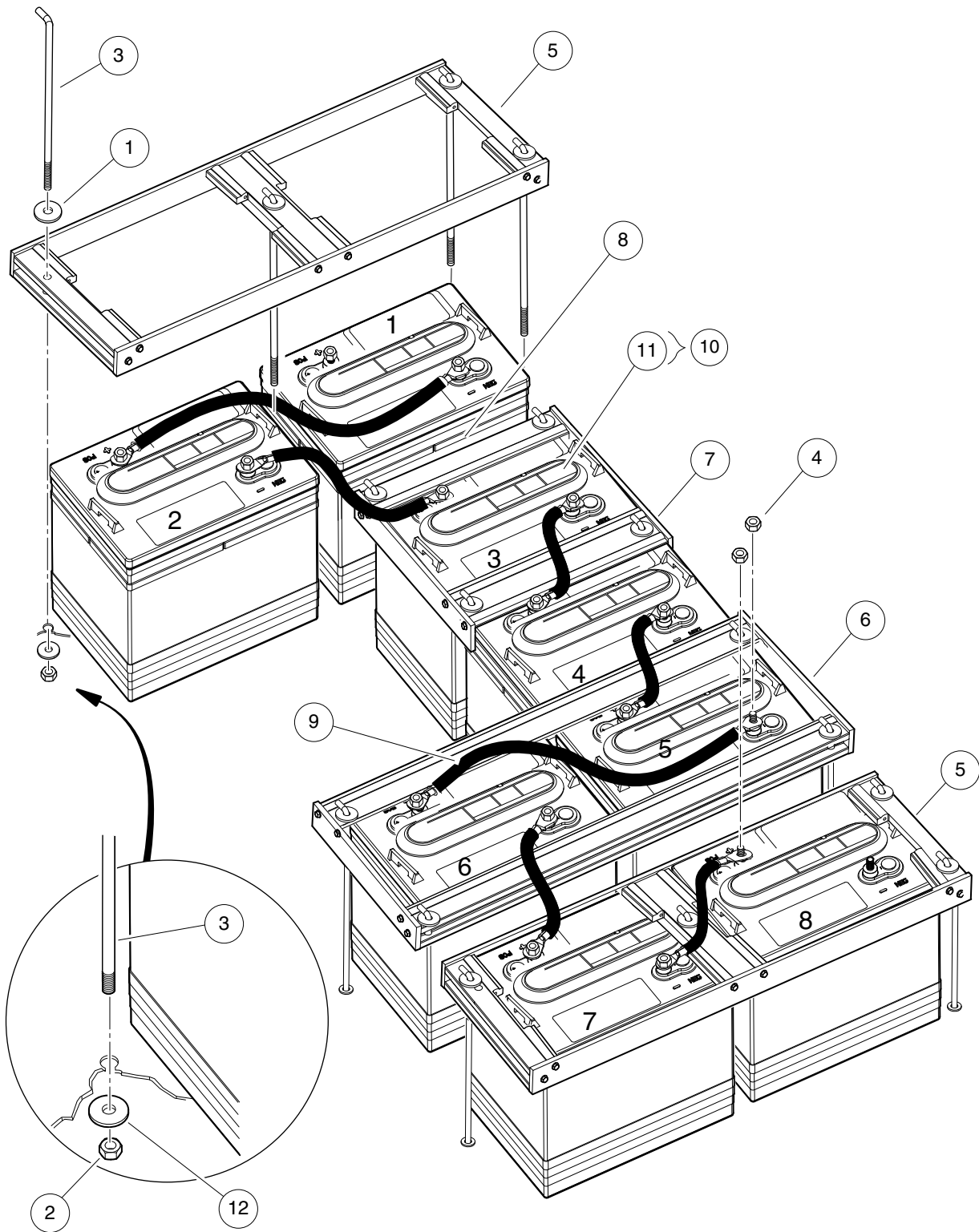
| ITEM | PART NO. | DESCRIPTION | QTY |
|------|------------------|--------------------------------------|-----|
| | | 1 2 3 4 | |
| 1 | 1012571 | Washer, 5/16 Extra Thick Flat | 16 |
| 2 | 1015072 | Locknut, 5/16-18 Nylon Insert | 16 |
| 3 | <u>102845203</u> | Rod, Battery Hold Down 10.7" | 16 |
| 4 | <u>102873401</u> | 5/16-18 Heavy Hex Nut | 16 |
| 5 | 103481301 | Asm, Batt Ret Ob, CA510 | 2 |
| 6 | 103481401 | Asm, Batt Ret Ctr Long, CA510 | 1 |
| 7 | 103481501 | Asm, Batt Ret Ctr Short, CA510 | 1 |
| 8 | <u>103528901</u> | Wire, Asm #2 Blk, 9 Inch | 5 |
| 9 | <u>103529101</u> | Wire, Asm #2 Blk, 25 Inch | 2 |
| 10 | <u>105210201</u> | Battery, 6v, Type E, Gc2, Wet | 8 |
| 11 | <u>1241</u> | Washer, 5/16 Type A Flat | 16 |

7

E

7

E



002508-002

BATTERIES 6-VOLT, HEAVY DUTY - CA510

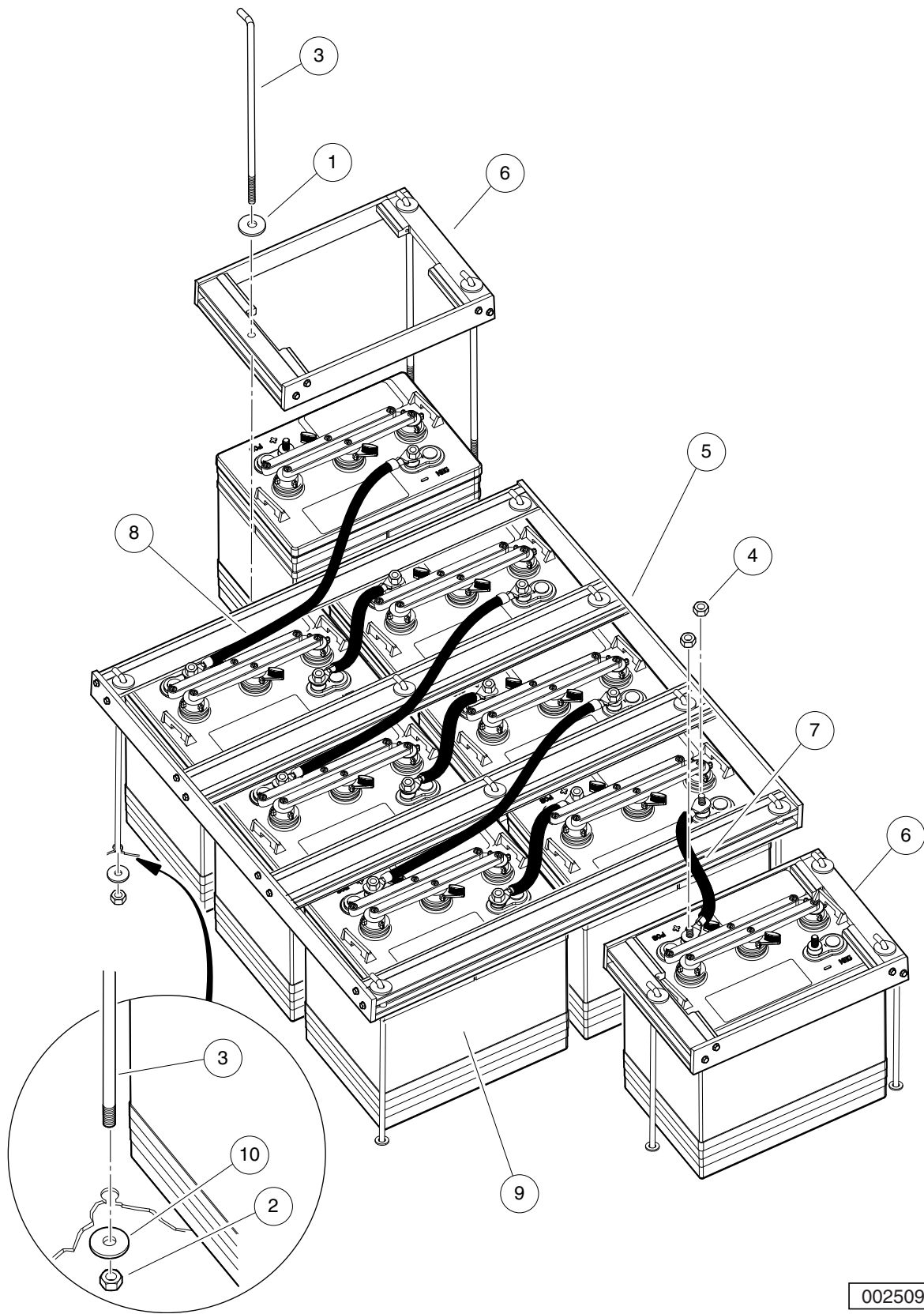
| ITEM | PART NO. | DESCRIPTION | QTY |
|------|------------------|---|-----|
| | | 1 2 3 4 | |
| 1 | 1012571 | Washer, 5/16 Extra Thick Flat | 16 |
| 2 | 1015072 | Locknut, 5/16-18 Nylon Insert | 16 |
| 3 | <u>102845204</u> | Rod, Battery Hold Down 12" | 16 |
| 4 | <u>102873401</u> | 5/16-18 Heavy Hex Nut | 16 |
| 5 | 103481301 | Asm, Batt Ret Ob, CA510 | 2 |
| 6 | 103481401 | Asm, Batt Ret Ctr Long, CA510 | 1 |
| 7 | 103481501 | Asm, Batt Ret Ctr Short, CA510 | 1 |
| 8 | <u>103528901</u> | Wire, Asm #2 Blk, 9 Inch | 5 |
| 9 | <u>103529101</u> | Wire, Asm #2 Blk, 25 Inch | 2 |
| 10 | <u>103969701</u> | Battery, 6-Volt, Trojan T145 (Wet) (includes item 11) | 8 |
| 11 | <u>101831401</u> | Battery Cap 6 Volt | 1 |
| 12 | <u>1241</u> | Washer, 5/16 Type A Flat | 16 |

7

E

7

E



002509-001

BATTERIES 6-VOLT, STANDARD DUTY - CA710

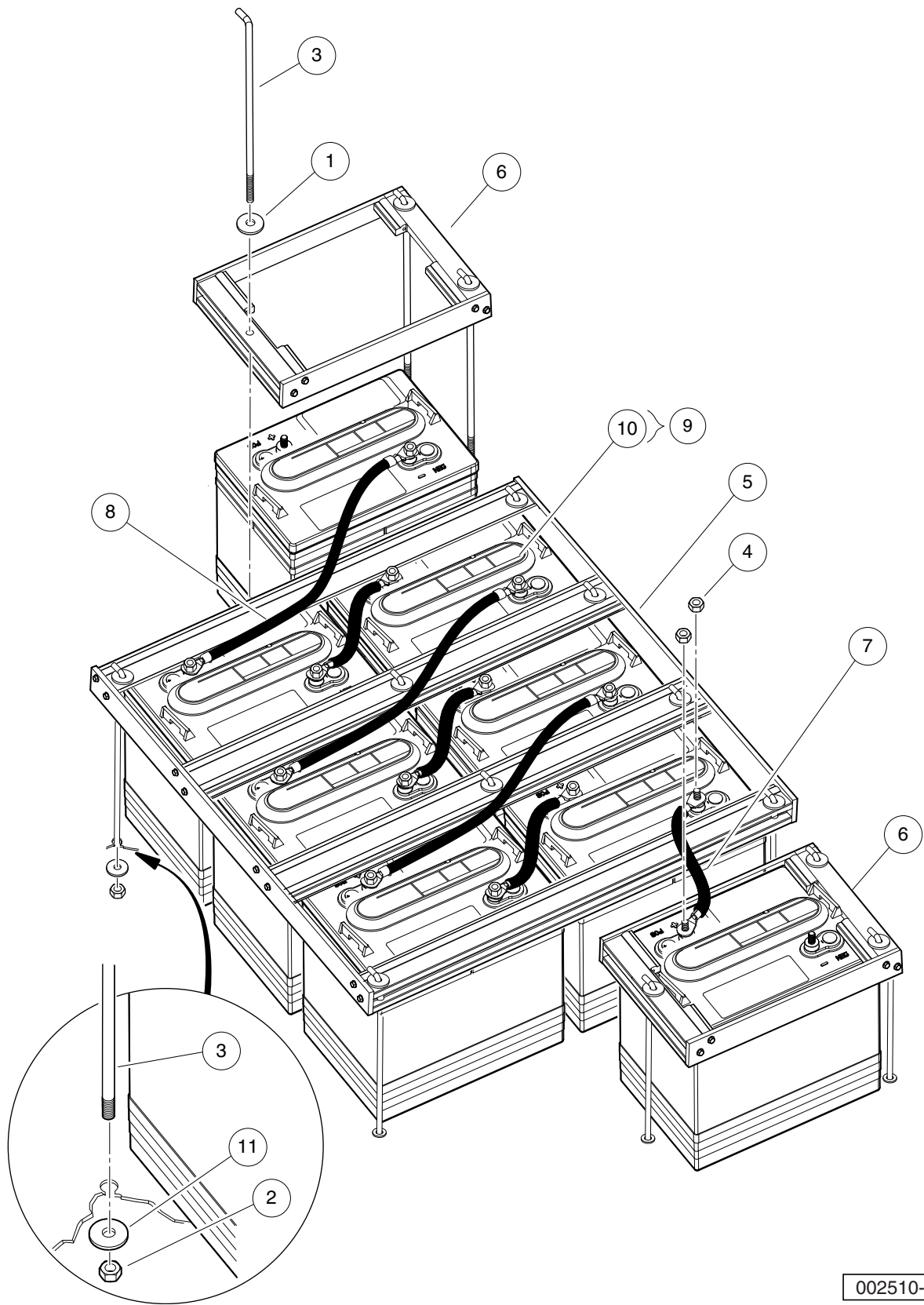
| ITEM | PART NO. | DESCRIPTION | QTY |
|------|------------------|--------------------------------------|-----|
| | | 1 2 3 4 | |
| 1 | 1012571 | Washer, 5/16 Extra Thick Flat | 14 |
| 2 | 1015072 | Locknut, 5/16-18 Nylon Insert | 14 |
| 3 | <u>102845203</u> | Rod, Battery Hold Down 10.7" | 14 |
| 4 | <u>102873401</u> | 5/16-18 Heavy Hex Nut | 14 |
| 5 | 103493101 | Asm, Batt Ret Ctr, CA710 | 1 |
| 6 | 103493201 | Asm, Batt Ret Side, CA710 | 2 |
| 7 | <u>103528901</u> | Wire, Asm #2 Blk, 9 Inch | 4 |
| 8 | <u>103529001</u> | Wire, Asm #2 Blk, 18.5 Inch | 3 |
| 9 | <u>103793101</u> | Battery, 6-Volt, JCI GC2 (Wet) | 8 |
| 10 | <u>1241</u> | Washer, 5/16 Type A Flat | 14 |

7

E

7

E



002510-001

BATTERIES 6-VOLT, HEAVY DUTY - CA710

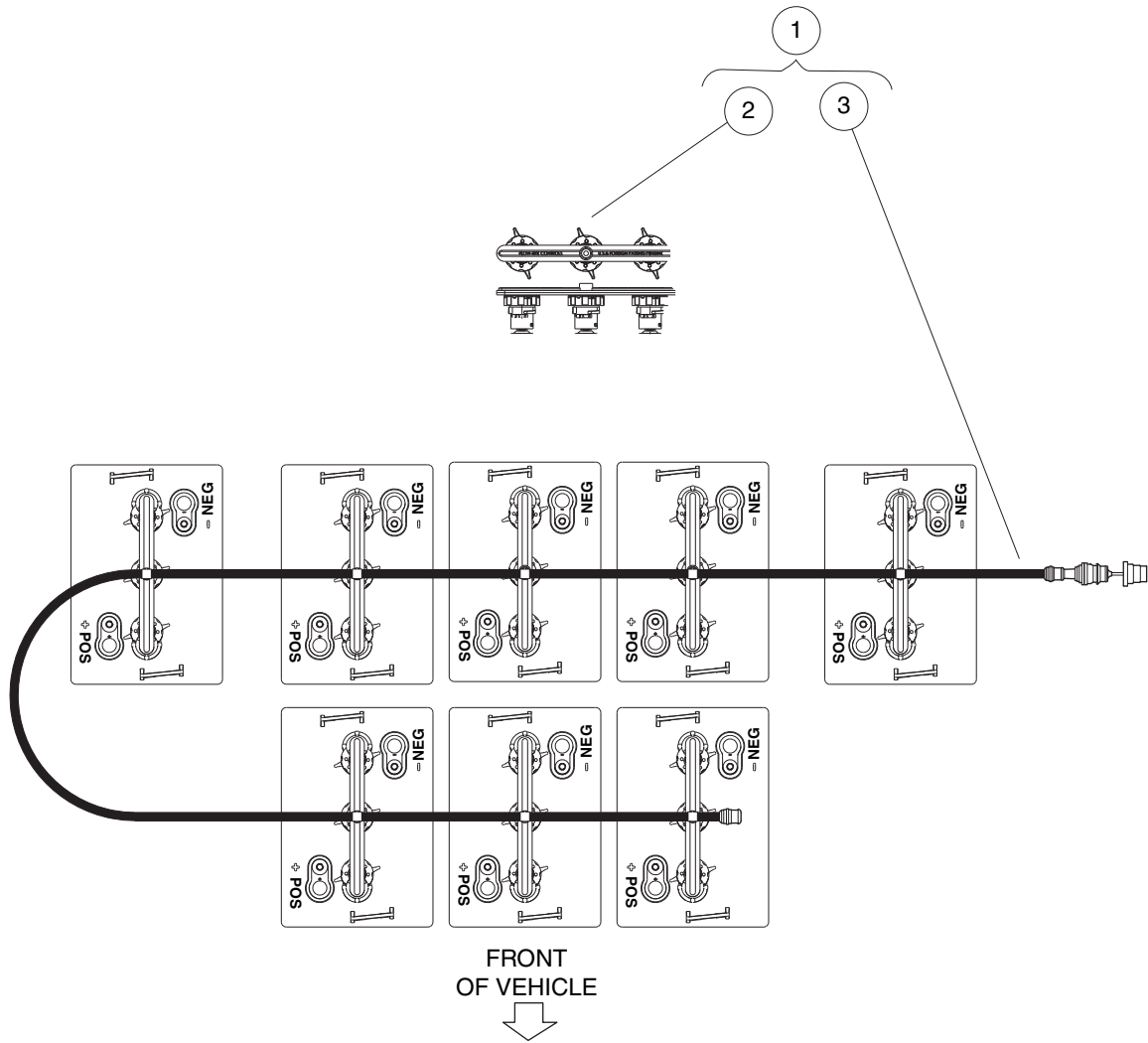
| ITEM | PART NO. | DESCRIPTION | QTY |
|------|------------------|---|-----|
| | | 1 2 3 4 | |
| 1 | 1012571 | Washer, 5/16 Extra Thick Flat | 14 |
| 2 | 1015072 | Locknut, 5/16-18 Nylon Insert | 14 |
| 3 | <u>102845204</u> | Rod, Battery Hold Down 12" | 14 |
| 4 | <u>102873401</u> | 5/16-18 Heavy Hex Nut | 16 |
| 5 | 103493101 | Asm, Batt Ret Ctr, CA710 | 1 |
| 6 | 103493201 | Asm, Batt Ret Side, CA710 | 2 |
| 7 | <u>103528901</u> | Wire, Asm #2 Blk, 9 Inch | 4 |
| 8 | <u>103529001</u> | Wire, Asm #2 Blk, 18.5 Inch | 3 |
| 9 | <u>103969701</u> | Battery, 6-Volt, Trojan T145 (Wet) (includes item 10) | 8 |
| 10 | <u>101831401</u> | Battery Cap 6 Volt | 1 |
| 11 | <u>1241</u> | Washer, 5/16 Type A Flat | 14 |

7

E

7

E



002524-001

SINGLE POINT WATERING SYSTEM (SPWS)

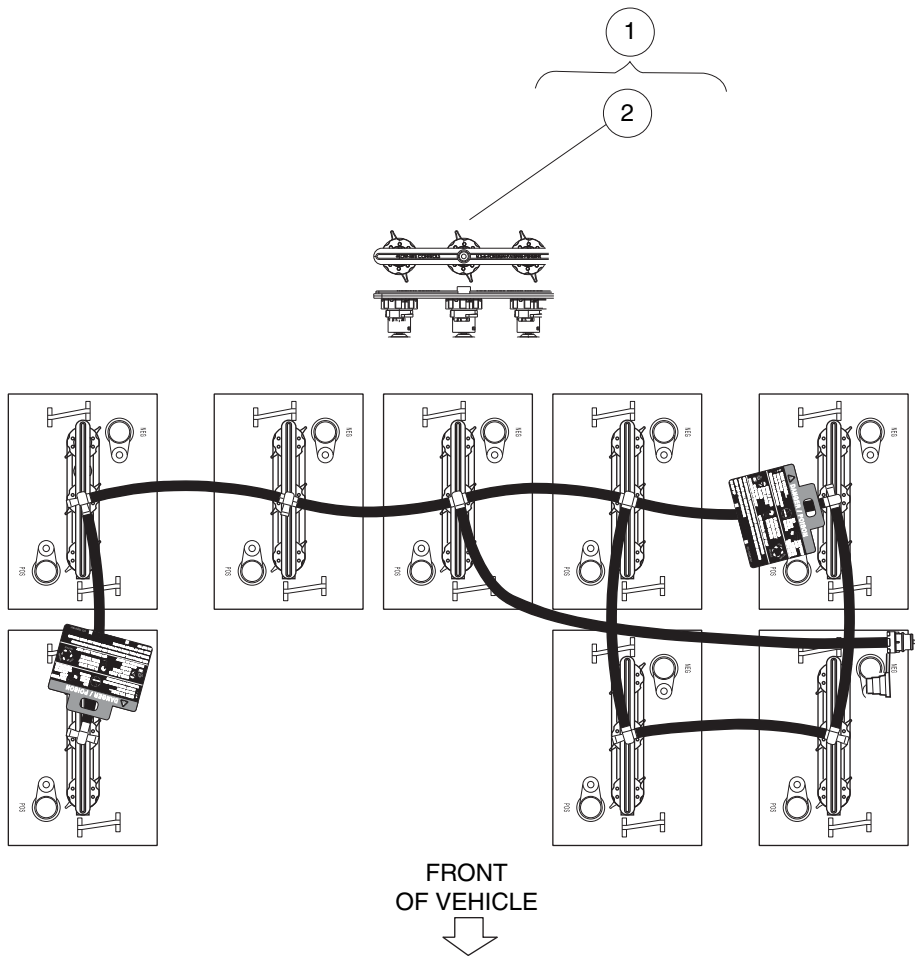
| ITEM | PART NO. | DESCRIPTION | QTY |
|------|------------------|--|-----|
| | | 1 2 3 4 | |
| 1 | <u>103497702</u> | Kit, Spws, 8x6v (includes items 2 and 3) | 1 |
| 2 | <u>103510501</u> | Manifold, Lpr, 3 Vlve, Spw | 8 |
| 3 | <u>103942601</u> | Spws, Carryall, 8x6v | 1 |

7

E

7

E



002540-001

SINGLE POINT WATERING SYSTEM (SPWS) – CA510

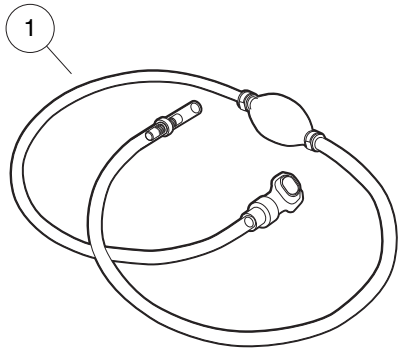
| ITEM | PART NO. | DESCRIPTION | QTY |
|------|------------------|---|-----|
| 1 | <u>103510901</u> | 1 2 3 4 Kit, Spws, 8x6v, Opt 1 (includes item 2) | 1 |
| 2 | <u>103510501</u> | Manifold, Lpr, 3 Vlve, Spw | 8 |

7

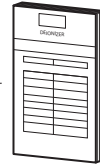
E

7

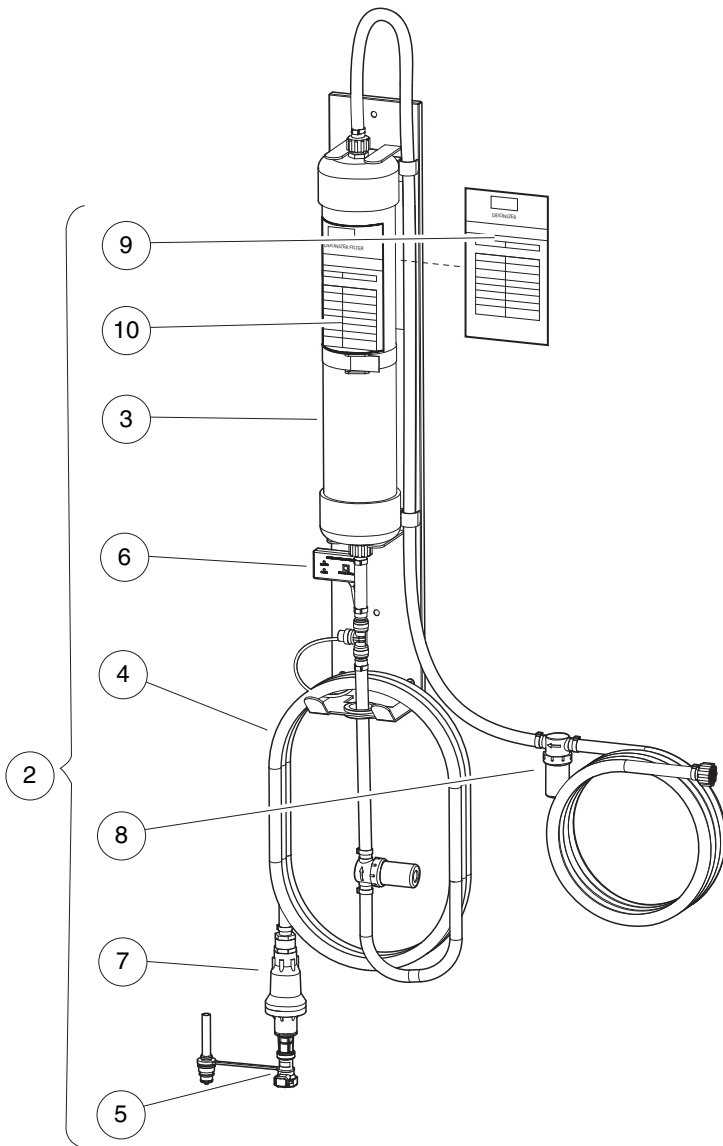
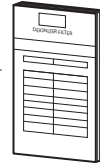
E



11



12



002523-003

HAND PUMP AND DEIONIZER (BATTERY-POWERED QUALITY LIGHT)

| ITEM | PART NO. | DESCRIPTION | QTY |
|------|------------------|--|-----|
| | | 1 2 3 4 | |
| 1 | <u>104006101</u> | Kit, Hand Pump, Spws | 1 |
| 2 | <u>105166801</u> | Deionizer, w/Battery-Powered Water Quality Light (includes items 3 through 10) | 1 |
| 3 | <u>104005901</u> | Cartridge, Deionizer | 1 |
| 4 | <u>105166901</u> | Hose,outlet,deionizer | 1 |
| 5 | <u>105167001</u> | Flow Ind, W/coupler, Deionizer | 1 |
| 6 | <u>105167101</u> | Light, Quality, Battery-Powered, w/T-Fitting | 1 |
| 7 | <u>105168501</u> | Regulator, Pressure, Deionizer | 1 |
| 8 | <u>105168601</u> | Strainer, In-line, Deionizer | 1 |
| 9 | <u>AM1300001</u> | Decal, Filter Log, Blue | 1 |
| 10 | <u>AM1300201</u> | Decal, Inspect Log, Yellow | 1 |
| 11 | AM1300101 | Decal, Filter Log, Blue, Pack of 100 | A/R |
| 12 | AM1300301 | Decal, Inspect Log, Yellow, Pack of 100 | A/R |

7

E

7

E

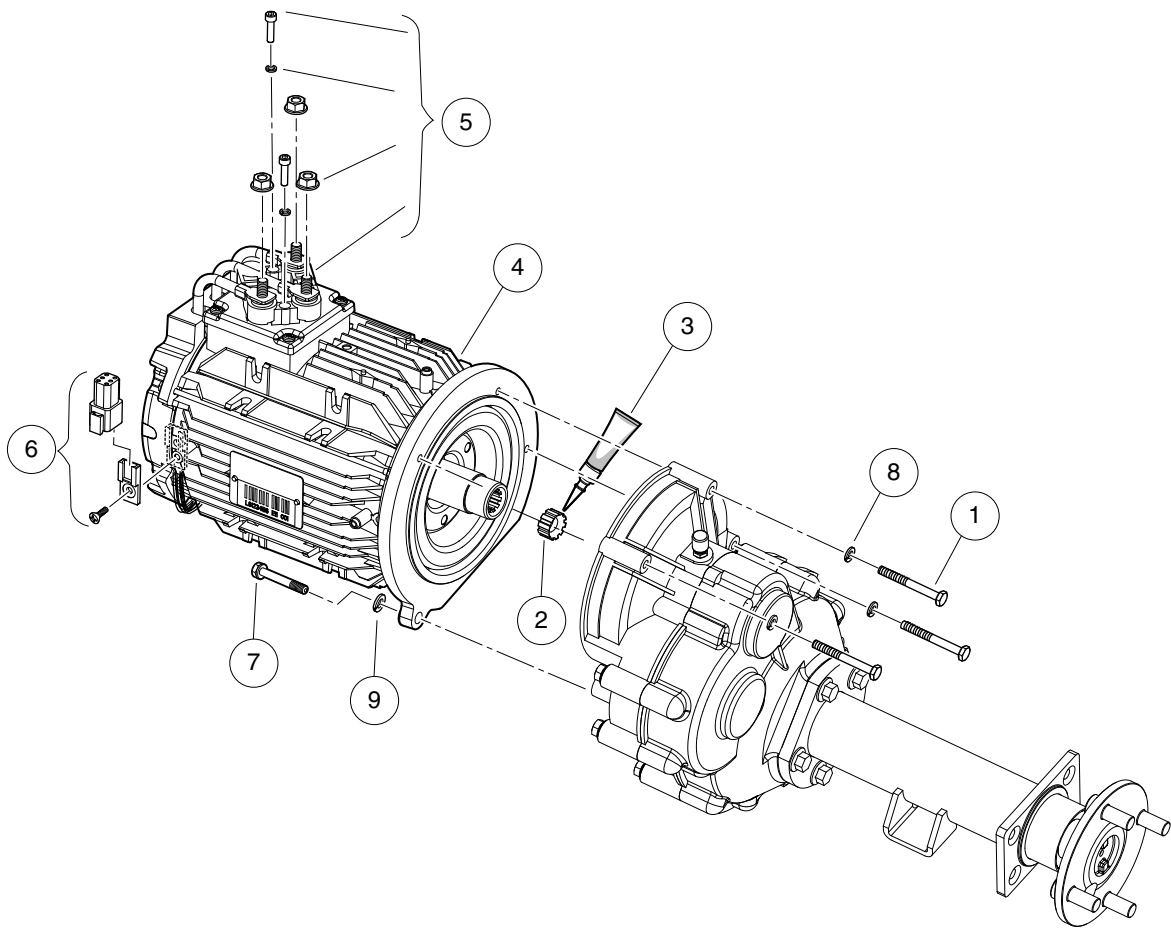
ELECTRIC MOTOR

8

E

8

E



000855-002

AC MOTOR

| ITEM | PART NO. | DESCRIPTION | QTY |
|------|------------------|--|-----|
| | | 1 2 3 4 | |
| 1 | 1014201 | Screw, 1/4-20 X 2.25 Hex Cap | 3 |
| 2 | <u>102235201</u> | Bumper, Drive Unit | 1 |
| 3 | <u>102243403</u> | Lubricant, Moly-Teflon (Single-Use Tube) | 1 |
| 4 | <u>103647101</u> | Motor, Ac, Aircooled, Ls | 1 |
| 5 | <u>103998701</u> | Kit, Svc, Ls Motor | 1 |
| 6 | <u>103998801</u> | Kit, Connector, Dtm04-6p | 1 |
| 7 | 1218 | Screw, 5/16-18 X 1.25 Hex-Head Cap | 1 |
| 8 | <u>451</u> | Lockwasher, 1/4 Split | 3 |
| 9 | <u>7174</u> | Lockwasher, 5/16 Split | 1 |

8

E

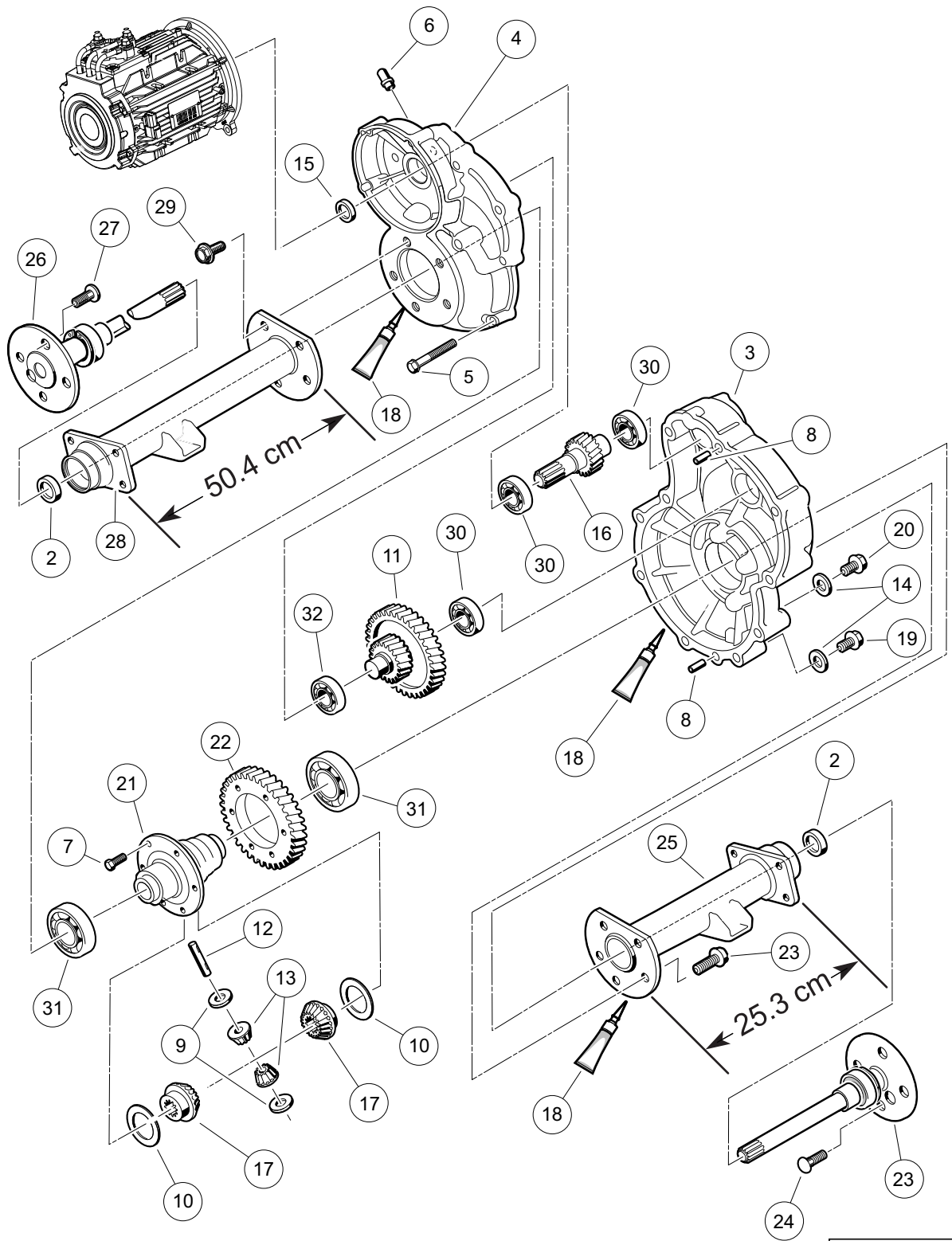
8

E

TRANSAXLE – ELECTRIC VEHICLES

9

E



000223-006

TRANSAXLE – ELECTRIC VEHICLES

| ITEM | PART NO. | DESCRIPTION | QTY |
|------|------------------|---|-----|
| | | 1 2 3 4 | |
| 1 | <u>103484801</u> | Transaxle, Electric, Hs (includes items 2 through 32) | 1 |
| 2 | <u>1013794</u> | Axle Shaft Oil Seal | 2 |
| 3 | <u>101895401</u> | Gear Case, Driver-Side | 1 |
| 4 | <u>101895501</u> | Gear Case, Passenger-Side | 1 |
| 5 | <u>101897001</u> | Screw, M8-1.25 X 60mm Hex-Head | 11 |
| 6 | <u>101897201</u> | Breather | 1 |
| 7 | <u>101897401</u> | Screw, M10-1.25 X 25mm | 6 |
| 8 | <u>101897601</u> | Pin, 11mm OD X 8.5mm ID X 10mm | 2 |
| 9 | <u>101903601</u> | Washer, Thrust | 2 |
| 10 | <u>101903701</u> | Washer, Thrust | 2 |
| 11 | <u>101906901</u> | Intermediate Shaft Assembly | 1 |
| 12 | <u>101922101</u> | Pin, 15.99mm X 88.7mm Dowel | 1 |
| 13 | <u>101923001</u> | Gear, Differential Idler | 2 |
| 14 | <u>101923201</u> | Gasket | 2 |
| 15 | <u>101923501</u> | Seal, Lip | 1 |
| 16 | N/A | Shaft, Input | 1 |
| 17 | <u>101923901</u> | Gear, Differential | 2 |
| 18 | <u>101928701</u> | Liquid Gasket (Transaxle case) | 1 |
| 19 | <u>101972101</u> | Plug, M14-1.5 X 12mm Magnetic | 1 |
| 20 | <u>101972201</u> | Plug, M14-1.5 X 12mm Hex | 1 |
| 21 | <u>102356601</u> | Housing, Differential, 6 Bolt | 1 |
| 22 | <u>102356801</u> | Gear, Differential Output, 6-Bolt | 1 |
| 23 | <u>102886301</u> | Axle Assembly, Driver-Side (includes item 24) | 1 |
| 24 | <u>101922201</u> | Lug Stud | 4 |
| 25 | <u>102886401</u> | Tube, Axle, Driver-Side | 1 |
| 26 | <u>102886501</u> | Axle Assembly, Passenger-Side (includes item 27) | 1 |
| 27 | <u>101922201</u> | Lug Stud | 4 |
| 28 | <u>102886601</u> | Tube, Axle, Passenger-Side | 1 |
| 29 | <u>102902801</u> | Screw, M10 X 30 | 10 |
| 30 | <u>103574501</u> | Bearing, 6204-c3 | 3 |
| 31 | <u>7330</u> | Inner Axle Tube Bearing | 2 |
| 32 | <u>7336</u> | Bearing | 1 |

9

E

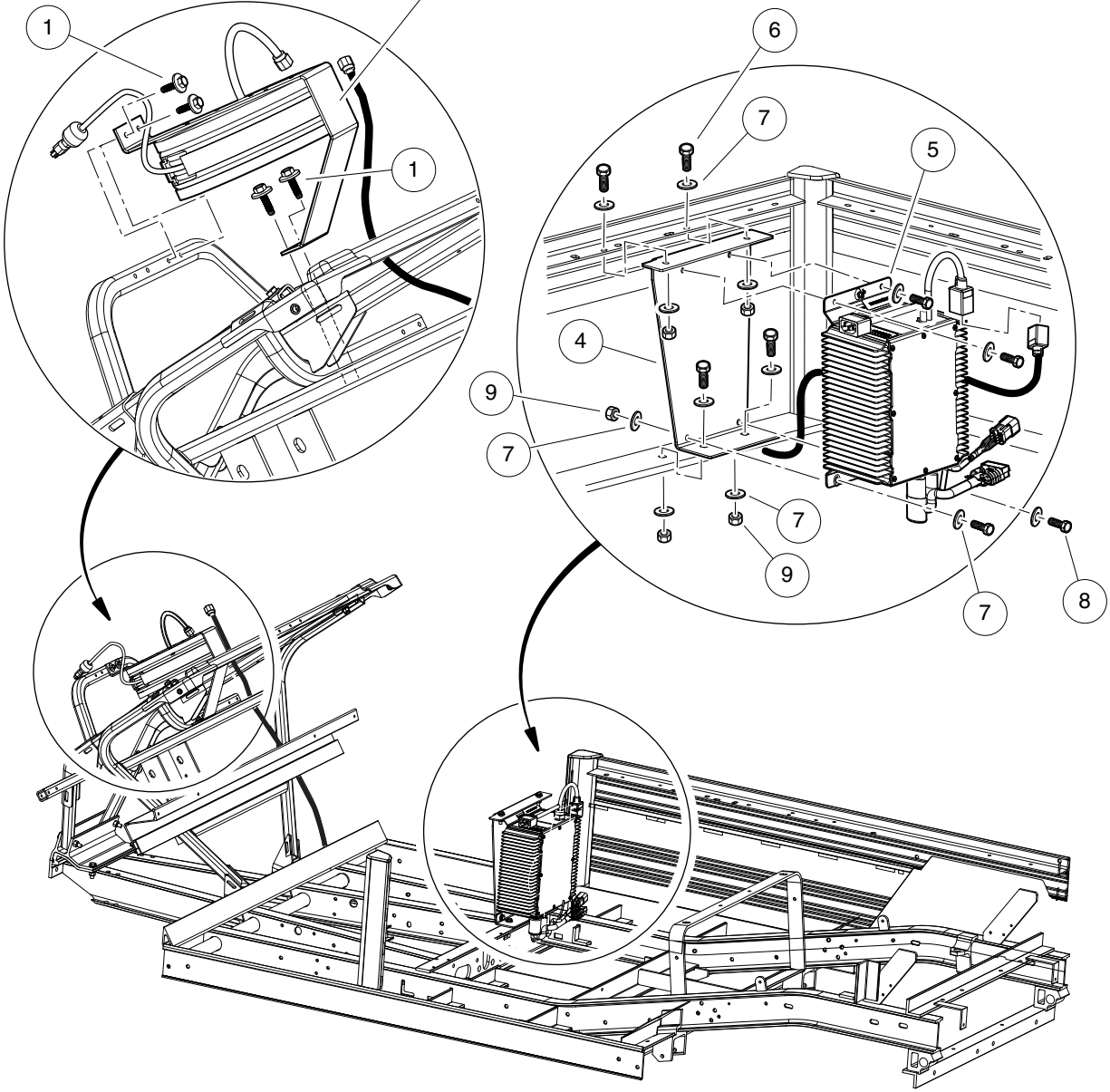
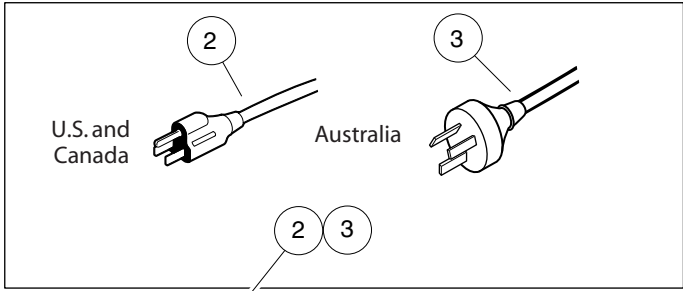
9

E

BATTERY CHARGERS – HIGH-FREQUENCY

10

E



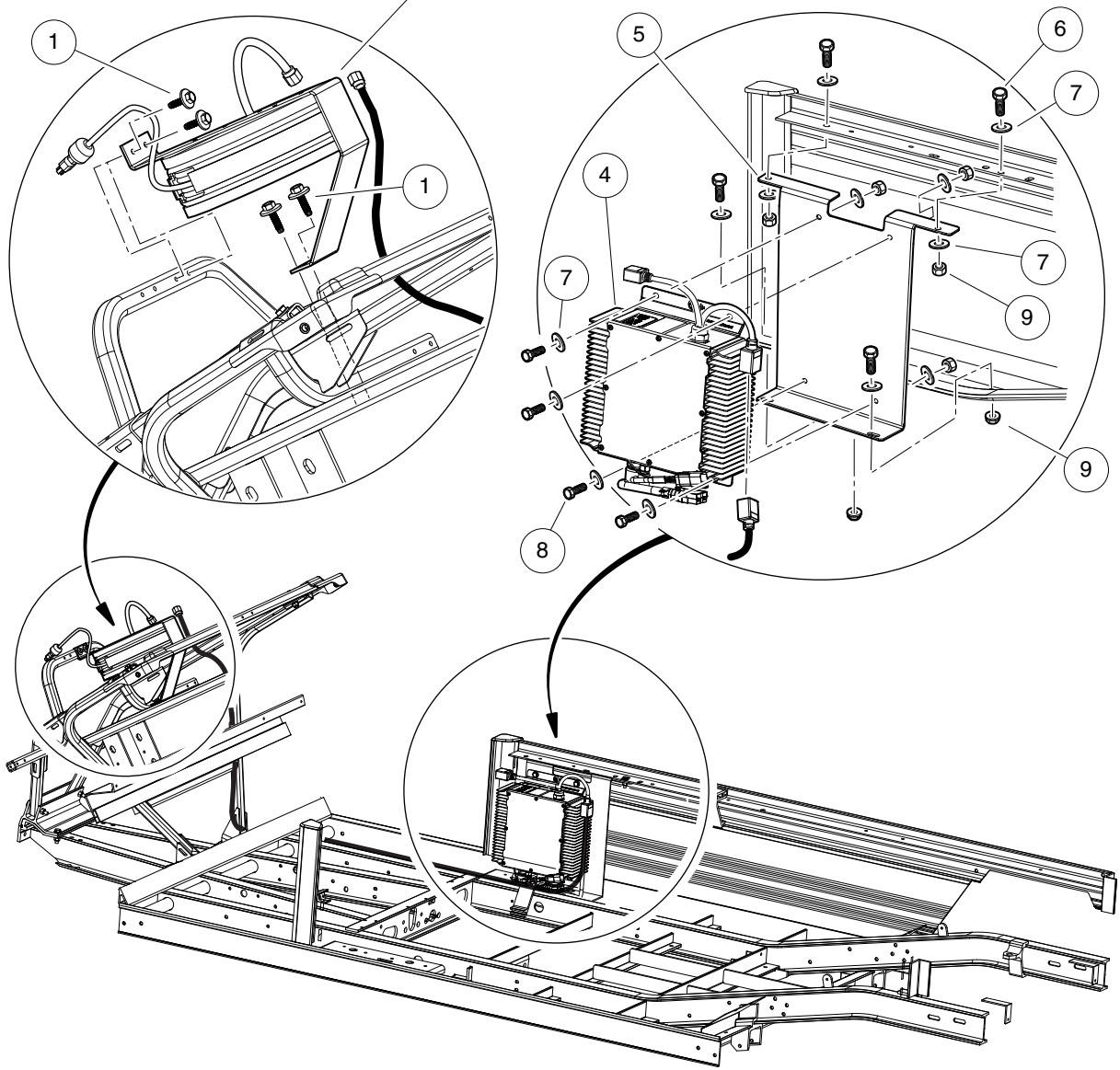
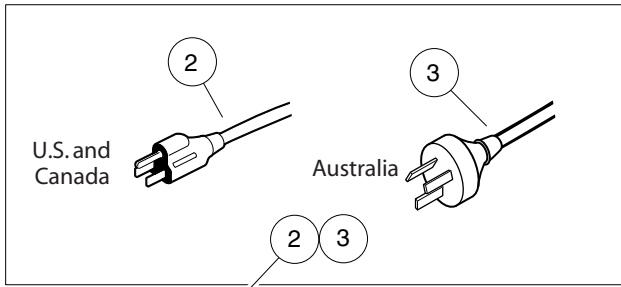
002802-001

ONBOARD BATTERY CHARGER, HIGH-FREQ. - CA510

| ITEM | PART NO. | DESCRIPTION | QTY |
|------|------------------|--|-----|
| | | 1 2 3 4 | |
| 1 | <u>102297125</u> | Screw, M6-1.0x25.4, Thread-Forming, SEMS | 4 |
| 2 | <u>105117601</u> | Cord Reel, Retractable, Us | 1 |
| 3 | <u>105117604</u> | Cord Reel, Retractable, Aus | 1 |
| 4 | <u>105131401</u> | Ob Charger Bracket, Ca510 Lsv | 1 |
| 5 | 105161901 | Asm, Chgr, Batt, Onboard, Quiq | 1 |
| 6 | 304 | Screw, 1/4-20 X 1.0 Hex-Head Cap | 4 |
| 7 | <u>332</u> | Washer, 1/4 Type A Narrow Flat | 16 |
| 8 | <u>7847</u> | Screw, 1/4-20 X 0.75 Hex-Head Cap | 4 |
| 9 | <u>8233</u> | Locknut, 1/4-20, Nylon Insert | 8 |

10

E



002807-002

ONBOARD BATTERY CHARGER, HIGH-FREQ. - CA710

| ITEM | PART NO. | DESCRIPTION | QTY |
|------|------------------|--|-----|
| | | 1 2 3 4 | |
| 1 | <u>102297125</u> | Screw, M6-1.0x25.4, Thread-Forming, SEMS | 4 |
| 2 | <u>105117601</u> | Cord Reel, Retractable, Us | 1 |
| 3 | <u>105117604</u> | Cord Reel, Retractable, Aus | 1 |
| 4 | 105161901 | Asm, Chgr, Batt, Onboard, Quiq | 1 |
| 5 | <u>105249601</u> | Bracket, On-Board Charger, CA7/TRANS | 1 |
| 6 | 304 | Screw, 1/4-20 X 1.0 Hex-Head Cap | 1 |
| 7 | <u>332</u> | Washer, 1/4 Type A Narrow Flat | 10 |
| 8 | <u>7847</u> | Screw, 1/4-20 X 0.75 Hex-Head Cap | 4 |
| 9 | <u>8233</u> | Locknut, 1/4-20, Nylon Insert | 5 |

10

E

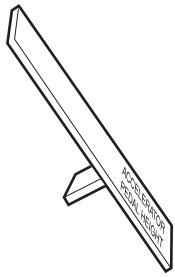
10

E

MAINTENANCE AND SERVICE TOOLS

11
G
E

11
G
E



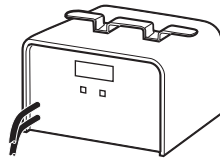
1



2



3



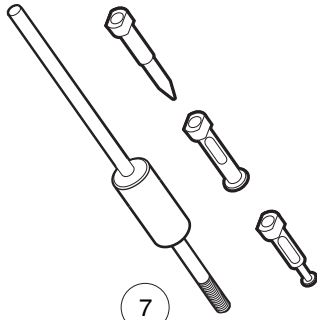
4



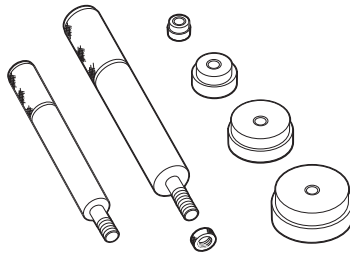
5



6



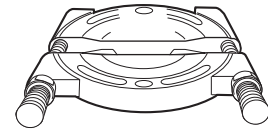
7



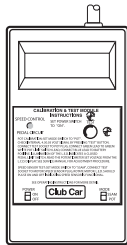
8



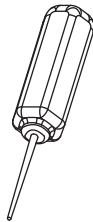
9



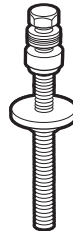
10



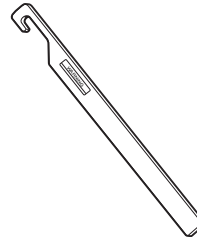
11



12



13



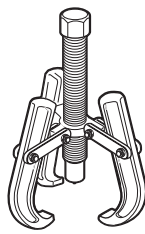
14



15



16



17



18



19

001060-002

MAINTENANCE AND SERVICE TOOLS

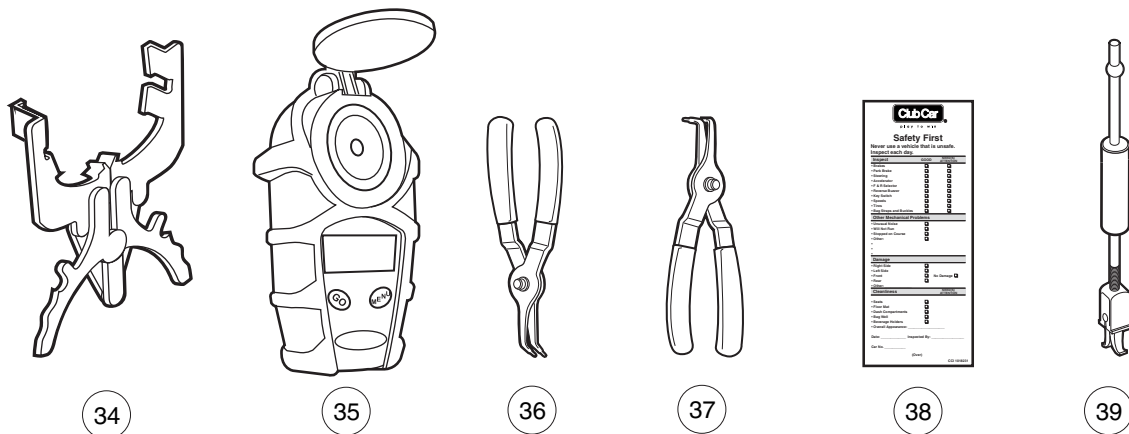
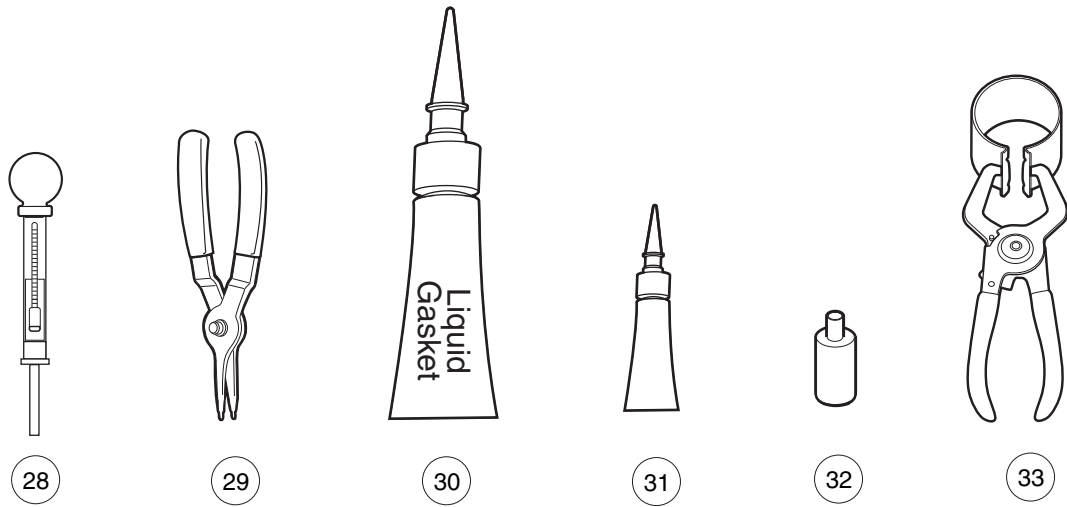
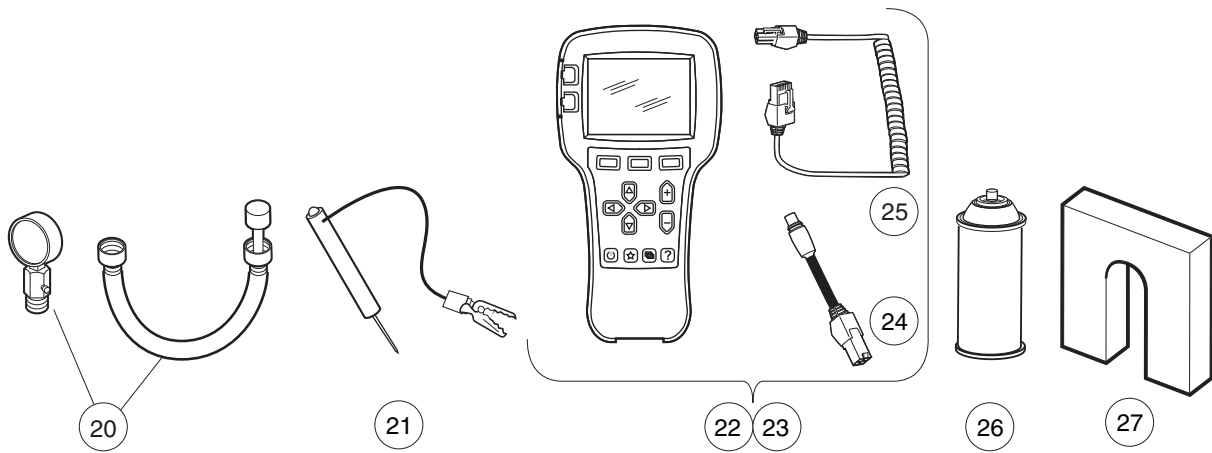
| ITEM | PART NO. | DESCRIPTION | QTY GAS | QTY ELEC |
|------|------------------|---|------------|-------------|
| | | <p>1 2 3 4</p> <p>The following tool list includes all tools available from Club Car for maintenance and service procedures for gasoline and electric golf and utility vehicles. Be sure to carefully examine the tool list for applicability to your vehicle before ordering.</p> | | |
| 1 | <u>101871001</u> | Accelerator Pedal Adjustment Tool (Utility Vehicles)..... | 1 | 1 |
| 2 | <u>101813202</u> | Adhesive, Guide Ring, 3-Gram Tube | | 1 |
| 3 | <u>101641202</u> | Arbor | 1 | |
| 4 | <u>101831901</u> | Battery Discharge Machine, 36/48 Volt | | 1 |
| 5 | <u>1014305</u> | Battery Terminal Protector Spray | 1 | 1 |
| 6 | <u>1011767</u> | Battery Thermometer | 1 | 1 |
| 7 | <u>1016417</u> | Bearing and Oil Seal Remover Assembly | 1 | 1 |
| 8 | <u>1016416</u> | Bearing Driver Set | 1 | 1 |
| 9 | <u>1012811</u> | Bearing Puller | 1 | 1 |
| 10 | <u>1012812</u> | Bearing Puller Wedge Attachment | 1 | 1 |
| 11 | <u>101887101</u> | Calibration Test Module | | 1 |
| 12 | <u>102562401</u> | Charger Bezel Tool | | 1 |
| | | Clutch Tools (items 14 - 20) | 1 | |
| 13 | <u>101808401</u> | Clutch Cam Installation Tool (for Subaru and Kawasaki engines) | 1 | |
| 14 | <u>105072501</u> | Drive Clutch Holder Tool Assembly (for Subaru and Kawasaki engines) | 1 | |
| 15 | <u>1014497</u> | Drive Clutch Hub Puller (for Subaru and Kawasaki engines) | 1 | |
| 16 | <u>1014496</u> | Drive Clutch Puller (for Subaru and Kawasaki engines) | 1 | |
| 17 | <u>1014508</u> | Driven Clutch Cam Puller (for Subaru and Kawasaki engines) | 1 | |
| 18 | <u>1014507</u> | Driven Clutch Puller Plug (for Subaru and Kawasaki engines) | 1 | |
| 19 | <u>101809101</u> | Press Weldment (for Subaru and Kawasaki engines) | 1 | |
| | | <p>Please refer to the maintenance and service manual for proper tool application.</p> | | |

11

G

E

11
G
E



001061-002

MAINTENANCE AND SERVICE TOOLS, CONTINUED

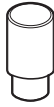
| ITEM | PART NO. | DESCRIPTION | QTY GAS | QTY ELEC |
|------|------------------|--|------------|-------------|
| | | 1 2 3 4 | | |
| 20 | 101641002 | Compression Gauge and Adapter | 1 | |
| 21 | 1011273 | Continuity Tester | 1 | 1 |
| 22 | <u>105234501</u> | Controller Diagnostic Tool (CDT) User Kit (includes items 25 and 26) | | 1 |
| 23 | <u>105234502</u> | Controller Diagnostic Tool (CDT) OEM Kit (includes items 25 and 26) | | 1 |
| 24 | <u>102251501</u> | Adaptor, Cable | | 1 |
| 25 | <u>105209601</u> | CDT Cable | | 1 |
| 26 | <u>1012151</u> | Dry Moly Lubricant | 1 | 1 |
| 27 | <u>1016418</u> | Gear Yoke | 1 | 1 |
| 28 | <u>1011478</u> | Hydrometer | 1 | 1 |
| 29 | <u>1013593</u> | Internal Retaining Ring Pliers | 1 | 1 |
| 30 | <u>101928701</u> | Liquid Gasket (transaxle case) | 1 | 1 |
| 31 | <u>102243402</u> | Moly-Teflon Lubricant (4-oz. (113-gram) tube) | | 1 |
| 32 | <u>102587201</u> | Paint Pen, Touch-Up, Precedent Underbody ,Ai Black..... | 1 | 1 |
| 33 | <u>1016414</u> | Piston Ring Compressor Kit | 1 | |
| 34 | <u>1016415</u> | Piston Ring Pliers | 1 | |
| 35 | <u>AM1285701</u> | Refractometer | 1 | 1 |
| 36 | <u>1012549</u> | Retaining Ring Pliers, 45→× External | 1 | 1 |
| 37 | <u>1012560</u> | Retaining Ring Pliers, 90→× Internal | 1 | 1 |
| 38 | <u>101823101</u> | Safety First Card (50 per pack) | 1 | 1 |
| 39 | <u>1012809</u> | Seal Puller | 1 | 1 |
| | | Please refer to the maintenance and service manual for proper tool application. | | |

11
G
E

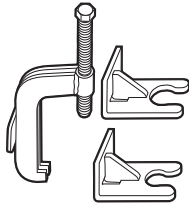
11
G
E



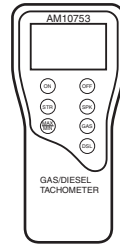
40



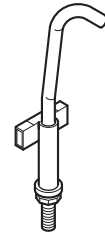
41



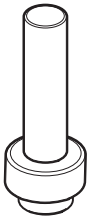
42



43



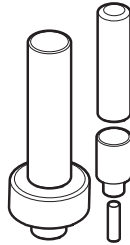
44



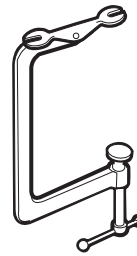
45



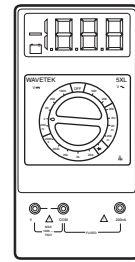
46



47



48



49

001062-001

MAINTENANCE AND SERVICE TOOLS, CONTINUED

| ITEM | PART NO. | DESCRIPTION | QTY GAS | QTY ELEC | |
|------|------------------|--|------------|-------------|----|
| | | 1 2 3 4 | | | 11 |
| 40 | <u>1014264</u> | Steering Column Bearing Press Tool | 1 | 1 | G |
| 41 | <u>1014259</u> | Steering Column Retaining Ring Tool | 1 | 1 | E |
| 42 | 102061201 | Steering Wheel Puller Tool | 1 | 1 | |
| 43 | <u>AM10753</u> | Tachometer (includes gasoline engine pick up lead only) | 1 | | |
| 44 | <u>102570401</u> | Tool, Tensioning, Starter Generator (For Precedent vehicles) | 1 | | |
| 45 | <u>1014162</u> | Transaxle Axle Seal Tool (for electric vehicles) | | 1 | |
| 46 | 1014161 | Transaxle Pinion Seal Tool (for electric vehicles) | | 1 | |
| 47 | <u>1014115</u> | Transmission Tool Kit (for electric vehicles)..... | | 1 | |
| 48 | <u>101641101</u> | Valve Spring Compressor | 1 | | |
| 49 | 1011480 | Volt Ohm Meter | 1 | 1 | |
| | | Please refer to the maintenance and service manual for proper tool application. | | | |

INDEX

Part Number and Page

| | | | | | |
|-----------|--|-----------|------------------------------|-----------|------------------------------|
| AM10753 | 11-7 | 8935 | 1-21 | 1012571 | 7-15, 7-17, 7-19, 7-21 |
| AM1300001 | 7-27 | 8963 | 1-21 | 1012604 | 6-5 |
| AM1300101 | 7-27 | 1010005 | 6-17 | 1012605 | 6-5 |
| AM1300201 | 7-27 | 1010138 | 1-37, 1-39, 6-11 | 1012809 | 11-5 |
| AM1300301 | 7-27 | 1010145 | 6-19 | 1012811 | 11-3 |
| 304 | 10-3, 10-5 | 1010150 | 6-13 | 1012812 | 11-3 |
| 320 | 1-19 | 1010177 | 6-13 | 1012830 | 1-23 |
| 324 | 1-47, 1-49 | 1010200 | 6-13 | 1013061 | 4-9 |
| 332 | 1-23, 1-29, 1-41, 4-9, 10-3, 10-5 | 101021902 | 6-11 | 1013135 | 6-17 |
| 334 | 1-19, 1-29, 5-9, 5-13, 5-17, 6-5 | 101043502 | 1-33, 1-35, 1-37 | 1013357 | 4-5 |
| 357 | 1-37, 1-39, 1-65, 6-13 | 1010521 | 5-15, 5-19 | 1013483 | 1-65 |
| 451 | 1-23, 8-3 | 1010577 | 5-13, 5-17 | 1013531 | 5-7, 5-15, 5-19 |
| 705 | 1-37, 1-39, 1-65, 5-15, 5-19, 6-5 | 1010829 | 5-15, 5-19 | 1013593 | 11-5 |
| 706 | 1-37, 1-39, 1-65, 6-13 | 101082903 | 5-13, 5-17 | 1013609 | 4-21 |
| 1028 | 5-7 | 1010878 | 1-41, 5-7 | 1013734 | 1-23, 1-33, 1-35, 7-11, 7-13 |
| 1035 | 1-29, 6-3, 6-11 | 1010921 | 5-7 | 1013794 | 9-3 |
| 1218 | 6-15, 8-3 | 1010934 | 1-65, 1-67, 5-15, 5-19 | 1013924 | 5-3, 5-5, 5-21 |
| 1241 | 1-21, 1-65, 1-67, 4-7, 5-7, 5-9, 5-13, 5-15, 5-17, 5-19, 7-15, 7-17, 7-19, 7-21 | 1010984 | 2-3 | 1014007 | 5-9 |
| 1242 | 1-65, 1-67, 4-21 | 1011017 | 4-3 | 1014115 | 11-7 |
| 1308 | 6-11 | 1011137 | 5-3, 5-5, 5-21 | 1014125 | 6-5 |
| 1624 | 5-9 | 1011273 | 11-5 | 1014126 | 6-5 |
| 2402 | 6-11 | 1011393 | 6-17 | 1014161 | 11-7 |
| 7048 | 6-13 | 1011402 | 5-7 | 1014162 | 11-7 |
| 7049 | 1-51 | 1011415 | 6-19 | 1014201 | 8-3 |
| 7173 | 4-7 | 1011439 | 4-7 | 1014213 | 6-5 |
| 7174 | 1-65, 1-67, 6-13, 8-3 | 1011478 | 11-5 | 1014214 | 6-5 |
| 7274 | 6-17 | 1011480 | 11-7 | 1014217 | 6-5 |
| 7308 | 6-17 | 1011546 | 1-69 | 1014259 | 11-7 |
| 7311 | 1-23 | 1011553 | 1-65, 1-67, 3-5 | 1014264 | 11-7 |
| 7330 | 9-3 | 1011557 | 4-7 | 1014276 | 6-13 |
| 7336 | 9-3 | 1011610 | 4-3 | 1014305 | 11-3 |
| 7473 | 1-21, 1-33, 1-35, 1-37, 4-7, 5-7, 5-9, 5-13, 5-15, 5-17, 5-19, 6-15 | 1011652 | 1-23 | 1014321 | 1-47, 1-49, 1-51 |
| 7479 | 1-29 | 1011694 | 5-9 | 1014496 | 11-3 |
| 7555 | 6-3, 6-11 | 1011767 | 11-3 | 1014497 | 11-3 |
| 7561 | 1-37, 1-39 | 1011779 | 5-15, 5-19 | 1014507 | 11-3 |
| 7602 | 6-3, 6-11 | 1011825 | 4-7 | 1014508 | 11-3 |
| 7716 | 5-7 | 1011887 | 6-17 | 1014555 | 6-19 |
| 7820 | 4-7 | 1011892 | 6-17 | 1014573 | 6-19 |
| 7840 | 6-17 | 1011893 | 6-11 | 1014902 | 6-19 |
| 7847 | 1-23, 10-3, 10-5 | 1011895 | 6-3, 6-11 | 1014948 | 4-21 |
| 7893 | 4-21 | 1011930 | 6-3 | 101503202 | 1-19 |
| 7910 | 6-17 | 1011931 | 5-9 | 1015072 | 7-15, 7-17, 7-19, 7-21 |
| 7973 | 7-9 | 1011937 | 1-21 | 1015277 | 1-41 |
| 8056 | 4-13 | 1011990 | 1-37, 1-39, 1-65, 5-15, 5-19 | 1015363 | 1-51 |
| 8057 | 4-13 | 1012151 | 11-5 | 1015391 | 1-33 |
| 8058 | 4-13 | 1012285 | 5-13, 5-17 | 1015400 | 1-33 |
| 8067 | 6-13 | 1012295 | 4-7 | 1015445 | 1-65 |
| 8233 | 1-23, 1-29, 1-41, 5-9, 10-3, 10-5 | 1012303 | 6-13 | 1015524 | 11-3 |
| 8639 | 1-83, 4-21 | 1012412 | 1-23 | 101553901 | 3-3 |
| 8717 | 5-9 | 101242802 | 1-7 | 1015583 | 1-29, 1-31, 6-13 |
| 8754 | 1-7, 5-9, 5-15, 5-19, 6-5, 6-11, 6-13 | 1012467 | 6-3 | 101558302 | 6-19 |
| 8755 | 6-13 | 1012528 | 1-33, 1-35, 7-11, 7-13 | 1015597 | 6-13 |
| 8861 | 6-11 | 1012549 | 11-5 | 1015656 | 1-55, 1-63 |
| | | 1012560 | 11-5 | 1015661 | 1-33, 1-47, 1-49 |
| | | 1012565 | 6-9 | 1015700 | 1-29 |
| | | 1012566 | 6-9 | 1015720 | 7-11, 7-13 |

INDEX

| | | | | | |
|-----------|------------------|-----------|------------|-----------|---|
| 1015741 | 7-5, 7-7 | 101851101 | 4-11 | 102028903 | 5-7 |
| 1016060 | 1-29, 1-41 | 101856001 | 4-9 | 102033401 | 5-3, 5-21 |
| 1016077 | 1-55, 1-63 | 101856101 | 1-9 | 102033501 | 5-5, 5-21 |
| 1016078 | 1-41 | 101861901 | 5-9 | 102033701 | 5-15, 5-19 |
| 101609401 | 3-3 | 101862001 | 5-9 | 102047001 | 1-23 |
| 1016154 | 6-9 | 101871001 | 11-3 | 102049401 | 5-3, 5-5, 5-21 |
| 1016214 | 6-9 | 101887101 | 11-3 | 102049501 | 5-3, 5-5, 5-21 |
| 1016346 | 6-11 | 101887601 | 1-23 | 102049601 | 5-3, 5-5, 5-21 |
| 1016349 | 6-11 | 101895401 | 9-3 | 102049701 | 5-3, 5-5, 5-21 |
| 1016350 | 6-11 | 101895501 | 9-3 | 102049901 | 5-3, 5-5, 5-21 |
| 1016351 | 6-11 | 101897001 | 9-3 | 102050001 | 5-3, 5-5, 5-21 |
| 1016353 | 6-11 | 101897201 | 9-3 | 102050101 | 5-3, 5-5, 5-21 |
| 1016356 | 4-5, 7-11, 7-13 | 101897401 | 9-3 | 102050201 | 5-3, 5-5, 5-21 |
| 1016384 | 6-13 | 101897601 | 9-3 | 102050401 | 5-3, 5-5, 5-21 |
| 1016386 | 6-13 | 101900801 | 5-15, 5-19 | 102050501 | 5-3, 5-5, 5-21 |
| 1016387 | 6-13 | 101903601 | 9-3 | 102050601 | 5-3, 5-5, 5-21 |
| 1016389 | 6-13 | 101903701 | 9-3 | 102050701 | 5-3, 5-5, 5-21 |
| 101641002 | 11-5 | 101906901 | 9-3 | 102050801 | 5-3, 5-5, 5-21 |
| 101641101 | 11-7 | 101908101 | 7-9 | 102050901 | 5-5, 5-21 |
| 101641202 | 11-3 | 101908401 | 7-9 | 102050902 | 5-3, 5-21 |
| 1016414 | 11-5 | 101918501 | 5-9 | 102052801 | 5-15, 5-19 |
| 1016415 | 11-5 | 101919801 | 5-9 | 102056001 | 1-67 |
| 1016416 | 11-3 | 101922101 | 9-3 | 102056201 | 1-23 |
| 1016417 | 11-3 | 101922201 | 9-3 | 102059001 | 1-23 |
| 1016418 | 11-5 | 101923001 | 9-3 | 102059401 | 1-23 |
| 1016423 | 4-5, 7-5, 7-7 | 101923201 | 9-3 | 102059501 | 1-23 |
| 1016603 | 1-37, 1-39 | 101923501 | 9-3 | 102060201 | 1-23 |
| 1016849 | 4-7, 4-9 | 101923901 | 9-3 | 102061101 | 1-23 |
| 1016851 | 4-9, 4-13 | 101928701 | 9-3, 11-5 | 102061201 | 11-7 |
| 1016967 | 7-11, 7-13 | 101932201 | 4-7 | 102065103 | 1-67 |
| 1017226 | 6-13 | 101953101 | 5-7 | 102065901 | 1-29, 1-31 |
| 1017266 | 6-11 | 101953105 | 5-7 | 102158901 | 5-9 |
| 1017273 | 6-7, 6-9 | 101955101 | 4-7 | 102196901 | 7-5, 7-7 |
| 1017378 | 5-9 | 101957101 | 4-7 | 102198001 | 4-5 |
| 1017380 | 5-9 | 101958601 | 1-41 | 102199001 | 4-7 |
| 1017424 | 5-9 | 101958602 | 1-29 | 102235201 | 8-3 |
| 1017774 | 1-37, 1-39 | 101963401 | 1-55, 1-63 | 102238001 | 4-5, 7-11, 7-13 |
| 101791101 | 5-21 | 101972101 | 9-3 | 102240501 | 7-11, 7-13 |
| 101796201 | 5-9 | 101972201 | 9-3 | 102243402 | 11-5 |
| 101806005 | 5-7 | 101974701 | 4-11 | 102243403 | 8-3 |
| 101808401 | 11-3 | 101974702 | 4-11 | 102251501 | 11-5 |
| 101809101 | 11-3 | 101974703 | 4-11 | 102292701 | 1-15 |
| 101813202 | 11-3 | 101974704 | 4-11 | 102292801 | 5-13, 5-15, 5-17, 5-19 |
| 101817401 | 5-9 | 101974705 | 4-11 | 102296301 | 1-15 |
| 101823101 | 11-5 | 101974706 | 4-11 | 102296530 | 1-15 |
| 101825101 | 4-9 | 101974707 | 4-11 | 102296819 | 1-5 |
| 101825103 | 3-3 | 101974708 | 4-11 | 102297125 | 1-15, 1-17, 1-19, 1-25, 1-27, 4-7, 4-21, 10-3, 10-5 |
| 101830701 | 4-11 | 101974709 | 4-11 | 102297230 | 7-3 |
| 101831401 | 7-17, 7-21 | 101974710 | 4-11 | 102298185 | 1-29, 1-31 |
| 101831901 | 11-3 | 101974711 | 4-11 | 102298401 | 1-29, 1-31, 1-43, 1-45, 1-47, 1-49, 1-55, 1-63, 6-19 |
| 101832001 | 5-15, 5-19 | 101974712 | 4-11 | 102299550 | 1-43, 1-45, 1-47, 1-49, 1-55, 1-63 |
| 101834502 | 4-11 | 102023701 | 1-23 | 102301401 | 1-29 |
| 101835601 | 1-29, 1-41, 4-15 | 102025701 | 5-11 | 102311501 | 1-9 |
| 101837401 | 1-109 | 102026001 | 5-9 | 102323101 | 5-7, 5-13, 5-17 |
| 101837502 | 1-109 | 102026401 | 1-23 | | |
| 101850301 | 4-3, 6-7, 6-9 | 102028601 | 5-7 | | |

INDEX

| | | | | | |
|-----------|------------------------|-----------|------------------------|-----------|------------|
| 102323201 | 5-7, 5-13, 5-17 | 103376101 | 5-13, 5-17 | 103829401 | 6-7 |
| 102323501 | 1-7 | 103397901 | 7-11, 7-13 | 103832501 | 4-19 |
| 102356601 | 9-3 | 103449501 | 4-15 | 103832601 | 4-19 |
| 102356801 | 9-3 | 103477901 | 6-17 | 103865001 | 5-13, 5-17 |
| 102444601 | 5-15, 5-19 | 103481301 | 7-15, 7-17 | 103865101 | 5-9 |
| 102459301 | 3-5 | 103481401 | 7-15, 7-17 | 103902101 | 7-3 |
| 102492301 | 7-5, 7-7 | 103481501 | 7-15, 7-17 | 103902301 | 7-3 |
| 102506401 | 1-29, 1-31, 6-19 | 103484301 | 4-7 | 103902401 | 7-3 |
| 102517501 | 4-7 | 103484801 | 9-3 | 103942601 | 7-23 |
| 102518301 | 3-5 | 103493101 | 7-19, 7-21 | 103943401 | 7-3 |
| 102519001 | 5-13, 5-17 | 103493201 | 7-19, 7-21 | 103951802 | 1-37, 1-39 |
| 102538601 | 7-5, 7-7 | 103497702 | 7-23 | 103964201 | 7-11 |
| 102541501 | 1-15 | 103501401 | 3-3 | 103964401 | 7-13 |
| 102546401 | 4-7 | 103502801 | 6-13 | 103969701 | 7-17, 7-21 |
| 102554512 | 1-47, 1-49 | 103507001 | 6-13 | 103971501 | 5-13 |
| 102562401 | 11-3 | 103510201 | 7-11, 7-13 | 103971601 | 5-17 |
| 102564002 | 6-13 | 103510501 | 7-23, 7-25 | 103998701 | 8-3 |
| 102570401 | 11-7 | 103510901 | 7-25 | 103998801 | 8-3 |
| 102572401 | 7-5, 7-7 | 103511001 | 7-13 | 104000901 | 1-87 |
| 102587201 | 11-5 | 103515301 | 3-5 | 104001201 | 1-73 |
| 102590801 | 1-51 | 103517801 | 3-7, 3-9 | 104002101 | 1-93 |
| 102621501 | 1-53 | 103517901 | 7-11, 7-13 | 104003501 | 1-87 |
| 102621601 | 1-7 | 103524601 | 6-19 | 104003901 | 1-79 |
| 102670701 | 1-7 | 103524701 | 6-19 | 104005901 | 7-27 |
| 102684501 | 6-13 | 103525801 | 5-15, 5-19 | 104006101 | 7-27 |
| 102766301 | 6-13 | 103528901 | 7-15, 7-17, 7-19, 7-21 | 104026901 | 3-3 |
| 102772403 | 7-11, 7-13 | 103529001 | 7-19, 7-21 | 104033601 | 1-69 |
| 102774701 | 7-11, 7-13 | 103529003 | 7-13 | 105006501 | 1-23 |
| 102817101 | 4-21, 7-11, 7-13 | 103529004 | 7-11 | 105007001 | 1-21 |
| 102845101 | 3-5 | 103529101 | 7-15, 7-17 | 105034001 | 1-19 |
| 102845203 | 7-15, 7-19 | 103538701 | 1-29, 1-31 | 105034103 | 4-9 |
| 102845204 | 7-17, 7-21 | 103539001 | 1-29 | 105034201 | 1-19 |
| 102847603 | 1-55, 1-63 | 103539002 | 1-31 | 105034321 | 1-11 |
| 102869401 | 4-9 | 103540203 | 1-19 | 105034322 | 1-11 |
| 102873401 | 7-15, 7-17, 7-19, 7-21 | 103541401 | 4-21 | 105034323 | 1-11 |
| 102882501 | 1-37, 1-39 | 103574501 | 9-3 | 105034324 | 1-11 |
| 102883601 | 1-15, 3-7, 3-9 | 103575801 | 1-29, 1-31 | 105034325 | 1-11 |
| 102886301 | 9-3 | 103625801 | 5-15, 5-19 | 105034326 | 1-11 |
| 102886401 | 9-3 | 103625901 | 5-15, 5-19 | 105034327 | 1-11 |
| 102886501 | 9-3 | 103626001 | 5-15, 5-19 | 105034328 | 1-11 |
| 102886601 | 9-3 | 103627001 | 5-15 | 105034329 | 1-11 |
| 102894503 | 4-7 | 103627101 | 5-19 | 105034401 | 1-15 |
| 102902801 | 9-3 | 103628901 | 6-13 | 105034501 | 1-15 |
| 102915701 | 7-9 | 103635801 | 5-13, 5-17 | 105034601 | 1-15 |
| 102976701 | 5-13, 5-17 | 103647101 | 8-3 | 105034701 | 1-15 |
| 103180101 | 1-85, 4-9 | 103665002 | 5-13, 5-17 | 105034801 | 1-15 |
| 103182701 | 1-19 | 103724504 | 6-7, 6-9 | 105034901 | 1-17 |
| 103182702 | 1-19 | 103724601 | 6-9 | 105035001 | 1-17 |
| 103218601 | 7-5, 7-7 | 103724602 | 6-7 | 105035101 | 1-27 |
| 103229601 | 5-3, 5-5, 5-21 | 103724901 | 6-9 | 105035201 | 1-27 |
| 103232101 | 6-5 | 103764301 | 4-17 | 105035301 | 1-27 |
| 103233101 | 6-3 | 103793101 | 7-19 | 105035701 | 1-19 |
| 103234304 | 3-7, 3-9 | 103804901 | 4-15 | 105035801 | 1-25 |
| 103245001 | 4-7 | 103823002 | 7-11, 7-13 | 105036601 | 1-33, 1-35 |
| 103264802 | 6-11 | 103824101 | 6-13 | 105036701 | 1-15 |
| 103267001 | 1-23 | 103824201 | 6-13 | 105036801 | 4-3 |

INDEX

| | | | | | |
|-----------|------|-----------|-----------------|-----------|------------|
| 105046101 | 3-3 | 105098301 | 1-91 | 105124701 | 3-5 |
| 105049201 | 1-19 | 105098401 | 1-93 | 105124901 | 1-9 |
| 105049301 | 1-19 | 105098501 | 1-77 | 105127201 | 1-47, 1-49 |
| 105066401 | 1-27 | 105098502 | 1-77 | 105127202 | 1-47, 1-49 |
| 105068001 | 4-11 | 105098701 | 1-77 | 105127302 | 1-53 |
| 105068002 | 4-11 | 105100601 | 1-3 | 105127401 | 1-47, 1-49 |
| 105068003 | 4-11 | 105106101 | 2-5 | 105127402 | 1-47, 1-49 |
| 105068004 | 4-11 | 105106201 | 2-5 | 105128001 | 1-53 |
| 105068005 | 4-11 | 105106301 | 2-5 | 105128101 | 1-51 |
| 105068006 | 4-11 | 105106501 | 2-5 | 105128201 | 1-51 |
| 105068007 | 4-11 | 105106702 | 6-11 | 105129501 | 1-55, 1-63 |
| 105068008 | 4-11 | 105106801 | 6-19 | 105129601 | 1-55, 1-63 |
| 105068009 | 4-11 | 105106901 | 4-9 | 105129901 | 1-53 |
| 105068010 | 4-11 | 105107201 | 7-5 | 105130001 | 3-5 |
| 105068011 | 4-11 | 105107501 | 7-7 | 105130101 | 3-3 |
| 105068012 | 4-11 | 105108201 | 4-7 | 105130301 | 1-51 |
| 105068902 | 6-19 | 105108301 | 4-7 | 105130302 | 1-51 |
| 105073401 | 4-3 | 105108401 | 4-7 | 105130501 | 1-51 |
| 105073601 | 4-9 | 105108801 | 4-21 | 105130601 | 1-51 |
| 105074501 | 1-7 | 105108901 | 1-37, 1-39 | 105131001 | 1-37, 1-39 |
| 105074502 | 1-7 | 105109501 | 1-63 | 105131401 | 10-3 |
| 105078811 | 2-3 | 105109601 | 1-55 | 105135201 | 4-7 |
| 105078901 | 2-3 | 105110801 | 1-29 | 105135802 | 4-21 |
| 105079204 | 2-3 | 105112401 | 4-9, 7-11, 7-13 | 105137104 | 3-3 |
| 105079501 | 2-3 | 105112501 | 4-21 | 105137105 | 3-3 |
| 105082001 | 4-11 | 105112601 | 4-21 | 105144801 | 4-19 |
| 105082002 | 4-11 | 105113301 | 1-63 | 105146901 | 4-15 |
| 105082003 | 4-11 | 105113302 | 1-63 | 105147001 | 4-15 |
| 105082004 | 4-11 | 105113401 | 1-55 | 105148502 | 1-63 |
| 105082005 | 4-11 | 105113402 | 1-55 | 105148503 | 1-55 |
| 105082006 | 4-11 | 105114805 | 4-5 | 105148601 | 1-55, 1-63 |
| 105082007 | 4-11 | 105114806 | 4-5, 4-7 | 105148801 | 1-63 |
| 105082008 | 4-11 | 105114807 | 1-83, 4-5 | 105148802 | 1-63 |
| 105082009 | 4-11 | 105115002 | 3-7 | 105148901 | 1-55 |
| 105082010 | 4-11 | 105115003 | 3-9 | 105148902 | 1-55 |
| 105082011 | 4-11 | 105115005 | 3-7 | 105149101 | 5-11 |
| 105082012 | 4-11 | 105115006 | 3-9 | 105149201 | 5-11 |
| 105083301 | 6-13 | 105116301 | 7-3 | 105152601 | 3-7 |
| 105093701 | 4-3 | 105117601 | 10-3, 10-5 | 105153001 | 3-9 |
| 105093801 | 4-3 | 105117604 | 10-3, 10-5 | 105153201 | 3-7, 3-9 |
| 105094001 | 1-7 | 105117701 | 1-13 | 105153202 | 3-7, 3-9 |
| 105095701 | 1-23 | 105117702 | 1-13 | 105156301 | 1-5 |
| 105096701 | 1-81 | 105117703 | 1-13 | 105156701 | 1-5 |
| 105096801 | 1-71 | 105117704 | 1-13 | 105156702 | 1-5 |
| 105097001 | 1-71 | 105117705 | 1-13 | 105158704 | 1-99 |
| 105097201 | 1-79 | 105117706 | 1-13 | 105158705 | 1-97 |
| 105097301 | 1-73 | 105117707 | 1-13 | 105158804 | 1-103 |
| 105097501 | 1-75 | 105117708 | 1-13 | 105158805 | 1-101 |
| 105097601 | 1-95 | 105117709 | 1-13 | 105160401 | 1-57 |
| 105097701 | 1-95 | 105117710 | 1-13 | 105160501 | 1-61 |
| 105097801 | 1-95 | 105122105 | 1-47 | 105160801 | 1-57 |
| 105097901 | 1-85 | 105122106 | 1-49 | 105160901 | 1-57 |
| 105098001 | 1-87 | 105122205 | 1-43 | 105161101 | 1-57 |
| 105098002 | 1-87 | 105122206 | 1-45 | 105161201 | 1-61 |
| 105098101 | 1-89 | 105122808 | 4-7 | 105161301 | 1-61 |
| 105098201 | 1-91 | 105124001 | 1-7 | 105161401 | 1-57 |

INDEX

| | | | | | |
|-----------|--------------------------|-----------|------------------------|-----------|--------------------------|
| 105161501 | 1-59 | 105180701 | 1-89 | 105197101 | 1-33 |
| 105161601 | 1-59 | 105180801 | 1-89 | 105197201 | 1-35 |
| 105161901 | 10-3, 10-5 | 105180901 | 1-91 | 105197601 | 1-37 |
| 105163601 | 3-3 | 105181001 | 1-91 | 105197602 | 1-39 |
| 105163701 | 3-3, 3-5 | 105181101 | 1-91 | 105200702 | 1-47 |
| 105165801 | 4-7 | 105181201 | 1-93 | 105200703 | 1-49 |
| 105166801 | 7-27 | 105181301 | 1-91 | 105200802 | 1-47 |
| 105166901 | 7-27 | 105181401 | 1-91 | 105200803 | 1-49 |
| 105167001 | 7-27 | 105181501 | 1-91 | 105200901 | 1-47, 1-49 |
| 105167101 | 7-27 | 105181601 | 1-93 | 105201001 | 1-47, 1-49 |
| 105167201 | 7-5, 7-7 | 105181701 | 1-73 | 105205201 | 1-47, 1-49 |
| 105168101 | 7-11, 7-13 | 105181801 | 1-73 | 105205501 | 1-83 |
| 105168501 | 7-27 | 105181901 | 1-73 | 105209601 | 11-5 |
| 105168601 | 7-27 | 105182001 | 1-73 | 105210201 | 7-15 |
| 105169101 | 1-33 | 105182002 | 1-73 | 105234002 | 1-83 |
| 105170301 | 1-37 | 105182101 | 1-73 | 105234501 | 11-5 |
| 105170401 | 1-39 | 105182102 | 1-73 | 105234502 | 11-5 |
| 105173901 | 7-5, 7-7 | 105182201 | 1-73 | 105237601 | 1-97, 1-99, 1-101, 1-103 |
| 105175901 | 1-97, 1-99, 1-101, 1-103 | 105182202 | 1-73 | 105237701 | 1-97, 1-99, 1-101, 1-103 |
| 105176101 | 1-81 | 105182301 | 1-73 | 105237801 | 1-105, 1-107 |
| 105176201 | 1-81 | 105182302 | 1-73 | 105237802 | 1-105, 1-107 |
| 105176401 | 1-81 | 105182401 | 1-73 | 105237901 | 1-105 |
| 105176501 | 1-81 | 105182501 | 1-73 | 105237902 | 1-105 |
| 105176601 | 1-81 | 105182601 | 1-73 | 105238001 | 1-97, 1-99, 1-101, 1-103 |
| 105176901 | 1-95 | 105182701 | 1-73 | 105238101 | 1-97, 1-99, 1-101, 1-103 |
| 105177101 | 1-79 | 105182801 | 1-73 | 105238201 | 1-105, 1-107 |
| 105177301 | 1-71 | 105182901 | 1-73 | 105238301 | 1-105, 1-107 |
| 105177601 | 1-71 | 105183001 | 1-73 | 105238401 | 1-105, 1-107 |
| 105177701 | 1-71 | 105183501 | 1-85 | 105238402 | 1-105, 1-107 |
| 105178001 | 1-79 | 105183601 | 1-91 | 105238501 | 1-105, 1-107 |
| 105178101 | 1-79 | 105183701 | 1-87 | 105238502 | 1-105, 1-107 |
| 105178201 | 1-79 | 105183801 | 1-93 | 105238603 | 1-105, 1-107 |
| 105178301 | 1-75 | 105185701 | 1-43, 1-45, 1-55, 1-63 | 105238604 | 1-105, 1-107 |
| 105178401 | 1-75 | 105185801 | 1-43, 1-45, 1-55, 1-63 | 105238701 | 1-97, 1-99 |
| 105178501 | 1-95 | 105186201 | 6-19 | 105238801 | 1-99 |
| 105178601 | 1-95 | 105186202 | 6-19 | 105238802 | 1-97 |
| 105178701 | 1-95 | 105188185 | 6-19 | 105238901 | 1-99 |
| 105178801 | 1-95 | 105190601 | 4-7 | 105238902 | 1-97 |
| 105178901 | 1-95 | 105190701 | 4-7 | 105239001 | 1-99 |
| 105179001 | 1-85 | 105192301 | 1-47, 1-49 | 105239002 | 1-97 |
| 105179101 | 1-85 | 105192901 | 1-47, 1-49 | 105239101 | 1-97, 1-99, 1-101, 1-103 |
| 105179201 | 1-85 | 105193001 | 1-47, 1-49 | 105239201 | 1-97, 1-99, 1-101, 1-103 |
| 105179301 | 1-85 | 105193101 | 1-53 | 105239302 | 1-97, 1-99 |
| 105179401 | 1-85 | 105193501 | 1-37 | 105239401 | 1-97, 1-99 |
| 105179501 | 1-85 | 105194101 | 1-33 | 105239601 | 1-101, 1-103 |
| 105179601 | 1-85 | 105194402 | 1-47 | 105239701 | 1-105 |
| 105179701 | 1-85 | 105194601 | 1-47, 1-49 | 105239702 | 1-105 |
| 105179801 | 1-85 | 105194801 | 1-43, 1-45, 1-55, 1-63 | 105239801 | 1-103 |
| 105179901 | 1-85 | 105194802 | 1-43, 1-45 | 105239802 | 1-101 |
| 105180001 | 1-87 | 105194901 | 1-43 | 105239901 | 1-105 |
| 105180101 | 1-87 | 105194902 | 1-43 | 105239902 | 1-105 |
| 105180201 | 1-87 | 105195001 | 1-45 | 105240202 | 1-101, 1-103 |
| 105180301 | 1-89 | 105195002 | 1-45 | 105240301 | 1-101, 1-103 |
| 105180401 | 1-89 | 105195501 | 7-11, 7-13 | 105241001 | 1-99, 1-103 |
| 105180501 | 1-89 | 105196101 | 1-47, 1-49 | 105241002 | 1-97, 1-101 |
| 105180601 | 1-89, 1-91, 1-93 | 105196201 | 1-47, 1-49 | 105241101 | 1-99, 1-103 |

INDEX

105241102 1-97, 1-101
105241201 1-105, 1-107
105241301 1-105, 1-107
105241401 1-105, 1-107
105241501 1-105, 1-107
105241601 1-105, 1-107
105241602 1-105, 1-107
105241701 1-105, 1-107
105241702 1-105, 1-107
105241801 1-105
105241802 1-105
105241901 1-105
105241902 1-105
105243002 6-15
105244001 1-103
105244002 1-101
105244101 1-103
105244102 1-101
105247301 7-11
105249601 10-5
105289301 1-77
105295301 1-85
105329301 6-13
96705199 1-47, 1-49

A

accelerator bracket and bearing assembly 5-9
accelerator pedal adjustment tool 11-3
accelerator pivot rod 5-9
accelerator return spring 5-9
accessory receptacle 4-5
adapter
 cable (IQDM) 11-5
adhesive, guide ring 11-3
AM1285701 11-5
A-plate strap 6-11
A-plate, delta 6-11
arbor 11-3
assembly
 accelerator bracket and bearing 5-9
 accelerator pivot rod 5-9
 backing plate 5-3, 5-5, 5-21
 bearing, steering shaft 6-5
 brake cluster 5-3, 5-5, 5-21
 delta A-plate 6-11
 kingpin 6-13
 park brake 5-3, 5-5, 5-21
 park brake lever 5-15, 5-19
 ratchet 5-9
axle 9-3
axle shaft oil seal 9-3
axle tube 9-3

B

backing plate 5-3, 5-5, 5-21

ball joint 6-3, 6-11
ball, trailer hitch 1-69
base, seat holder 1-23
battery cap, 6-volt 7-17, 7-21
battery discharge machine 11-3
battery HD, 6-volt, Trojan T145 7-17, 7-21
battery hold-down rod 7-15, 7-17, 7-19, 7-21
battery terminal protector spray 11-3
battery thermometer 11-3
battery, 6-volt, JCI GC2 7-19
bead, ferrite 4-15
bearing 9-3
 front wheel hub 6-17
 hub 6-17
 inner axle tube 9-3
 pivot support 5-9
 steering shaft 6-5
 thrust 6-13
bearing and oil seal remover 11-3
bearing driver set 11-3
bearing puller 11-3
bearing puller wedge 11-3
bearing seat 6-5
bed clamp kit 1-57
bed floor 1-33
bed floor kit 1-33, 1-35
bed floor weldment 1-35
bed latch weldment 1-33
bed lift harness 1-37, 1-39
bed lift kit, electric 1-37
bed lift kit, electric 1-39
bed lift weldment 1-37, 1-39
block, brake-mounting 5-7
block, fuse 7-5, 7-7
block, terminal 4-5, 7-11, 7-13
body kick plate 1-23
bolt, U- 6-19
boot
 park brake 5-15, 5-19
boot, switch 7-9
box
 tool 1-109
brace, trailer hitch 1-65
bracket
 brake light switch 4-7
 horn 4-7
 stake side 1-55, 1-63
bracket, hinge, bed 1-29, 1-31
Bracket, Steering Stop 6-15
bracket, tailgate Lh 1-51
bracket, tailgate Rh 1-51
brake cable hanger 5-15, 5-19
brake cluster 5-3, 5-5, 5-21
brake drum 5-3, 5-5, 5-21
brake light switch bracket 4-7
brake mounting block 5-7

brake pedal 5-7
brake return spring 5-7, 5-15, 5-19
brake, park 5-3, 5-5, 5-21
breather 9-3
bucket holder kit 1-61
bucket seat 1-23
bulb, halogen 4-3
bumper
 drive unit (motor) 8-3
 rubber 1-41, 5-7
 spring return 5-9
bumper kit 1-3
bumper, bed floor 1-33, 1-35
bushing 1-37, 1-39
 bronze 6-13
 nylon 1-51
 snap-in 1-51
 spindle 6-13
 steel 6-13
 urethane 1-29, 1-31, 6-11, 6-13, 6-19
buzzer, reverse 4-9, 4-13

C

cab liner 1-71
cab lsv windshield 1-79
cab mirror 1-77
cab mirror lh 1-77
cab overhead console 1-85
cab rear window kit 1-95
cab window screen 1-95
cab wiper kit 1-87
calibration test module 11-3
cap
 battery, 6-volt 7-17, 7-21
 dust 7-5, 7-7
 key switch 4-11
cap, quick connector 7-11, 7-13
card, safety first 11-5
cargo box kit 1-47
cargo box kit, long 1-49
cargo box, corner, ds 1-47, 1-49
cargo box, front panel 1-47, 1-49
cargo box, side panel, ds, medium 1-47
cargo box, corner, ps 1-47, 1-49
cargo box, side panel, ps, medium 1-47
case
 gear 9-3
CE mark ferrite bead, TDK 4-15
charger bezel tool 11-3
clevis pin 5-13, 5-17
clevis, upper delta 6-13
clip
 body trim 1-15
 wheel cover 2-5
clip, score card 6-9
clutch cam installation tool 11-3

INDEX

clutch tool kit 11-3
compression gauge 11-5
compressor, piston ring 11-5
compressor, valve spring 11-7
console cover 1-23
continuity tester 11-5
controller diagnostic tool (CDT) 11-5
controller diagnostic tool (CDT) cable 11-5
cover
 console 1-23
 dust 5-3, 5-5, 5-21, 6-17
 rocker switch hole 1-85, 4-9
cowl 1-11
cup holder, seat 1-23
cup, spring 5-9
cushion, shock absorber 6-19
cylinder, master 5-13, 5-17
cylinder, wheel 5-3, 5-5, 5-21

D

dash 1-19
dash display, Koso 4-9
dc converter, 25A 4-15
decal
 bed load warning 3-3
 crush area warning 3-3, 3-5
 electrical cover safety 3-5
 filter log 7-27
 inspect log 7-27
 nameplate 1-15, 3-7, 3-9
 on/off 4-9
 Tow/Run switch 3-5
 trailer hitch 1-65, 1-67, 3-5
 wheel cover 2-5
deionizer 7-27
 cartridge 7-27
delta A-plate 6-11
delta A-plate sub-assembly 6-11
diagnostic port 7-5, 7-7
differential gear 9-3
differential housing 9-3
diode 4-21
door, charger port 1-15
door, glove box 1-19
drive clutch holder tool 11-3
drive clutch hub puller 11-3
drive clutch puller 11-3
drive unit bumper 8-3
driven clutch cam puller 11-3
driven clutch puller plug 11-3
drum, brake 5-3, 5-5, 5-21
dry moly lubricant 11-5
dust cap 7-5, 7-7
dust cover 5-3, 5-5, 5-21, 6-17

E

eccentric bolt 6-13
E-clip 5-15, 5-19
equalizer rod 5-7
extension, spring latch 1-33

F

fender, front, lh 1-15
fender, front, rh 1-15
fender, inner 1-25
fender, rear 1-27
ferrite bead (CE), TDK 4-15
fitting, thread-forming grease 6-13
flasher, turn signal, 12-volt 4-7
flat bed trim kit 1-45
flat trim kit 1-43
floor mat 1-19
frame
 corner cap 1-23
frame weldment, front 1-21
frame, bed 1-33
front spring retainer plate 6-13
fuse
 10-amp 4-7
 15-amp 7-5, 7-7
 1-amp 7-5, 7-7
 20-amp 4-5, 7-5, 7-7
 2-amp 7-5, 7-7
 30-amp 7-5, 7-7
fuse block 7-5, 7-7
fuse, mini, 7.5A 4-5
fuse, mini, 10A 4-5, 4-7
fuse, mini, 15A 1-83, 4-5

G

gasket
 liquid 9-3, 11-5
 plug 9-3
gauge, compression 11-5
gear
 differential 9-3
 differential idler 9-3
 differential output 9-3
gear yoke 11-5
gearcase 9-3
grill 1-15
grip, pencil 6-9
grip, tilt latch hand 1-33
grommet 5-7
guide ring adhesive 11-3

H

handle, tee 1-79
hanger, brake cable 5-15, 5-19
hardware

axle 5-3, 5-5, 5-21
harness, brake pedal switch 4-7
harness, taillight 4-7
headlight 4-3
headlight bezel, lh 1-17
headlight bezel, rh 1-17
headlight guard kit 1-5
headlight, led 4-3
heater, defogger 4-21
heater, defogger kit 4-21
hinge pin 1-55, 1-63
hinge plate 1-23
hitch, trailer 1-65
hitch, trailer, ball 1-69
hold-down rod, battery 7-15, 7-17, 7-19, 7-21
hold-down, brake shoe 5-3, 5-5, 5-21
holder, license plate 1-9
horn bracket 4-7
housing
 differential 9-3
hub 6-17
hub bearing 6-17
hydraulic shoe 5-3, 5-5, 5-21
hydrometer 11-5

I

idler gear, differential 9-3
input shaft 9-3
instrument panel wire harness 4-9
instrument panel, koso 4-9
intermediate shaft 9-3
internal retaining ring pliers 11-5

K

key switch cap 4-11
key switch, uncommon 4-11
kick plate, body 1-23
kingpin 6-13
kit
 accelerator pivot rod 5-9
 axle adjuster 5-3, 5-5, 5-21
 axle hardware 5-3, 5-5, 5-21
 controller diagnostic tool (CDT) 11-5
 hand pump, SPWS 7-27
 hydraulic shoe 5-3, 5-5, 5-21
 rear receiver hitch 1-67
 shock absorber cushion 6-19
 trailer hitch 1-65

L

ladder rack kit 1-59
lamp, stop, turn, tail 4-7
latch 1-19
latch plate 1-29
latch plate, tilt bed 1-41

INDEX

leaf blower holder kit 1-57
lever
 park brake 5-15, 5-19
license frame kit 1-9
license plate 1-9
license plate holder 1-9
light
 strobe 1-93
 water quality 7-27
limit switch 4-7
link, rack and pinion drag 6-3
liquid gasket 9-3, 11-5
lubricant, dry moly 11-5
lubricant, moly-teflon 8-3, 11-5
lug nut 2-3
lug stud 9-3

M

master cylinder 5-13, 5-17
mat, floor 1-19
MCOR 7-3
meter, volt ohm 11-7
mirror 1-77
module
 calibration test 11-3
moly-teflon lubricant 11-5
motor bumper 8-3
mounting block, brake 5-7

N

nameplate decal 1-15, 3-7, 3-9
nut, lug 2-3

P

pad
 brake pedal 5-7
paint, underbody (black) 11-5
paint, touch-up 1-13
pan, seat 1-23
park brake 5-3, 5-5, 5-21
park brake lever 5-15, 5-19
pedal, brake 5-7
pencil grip 6-9
pin
 bow tie locking 5-13, 5-15, 5-17, 5-19
 clevis 5-15, 5-19
pin, clevis 5-13, 5-17
pin, hinge 1-55, 1-63
piston ring compressor 11-5
piston ring pliers 11-5
pivot support bearing 5-9
plate
 backing 5-3, 5-5, 5-21
 front spring retainer 6-13
 hinge 1-23

latch 1-41
license 1-9
plate, Tow/Run switch 7-9
pliers
 internal retaining ring 11-5
 piston ring 11-5
 retaining ring 11-5
plug
 driven clutch puller 11-3
port, diagnostic 7-5, 7-7
press weldment 11-3
prop rod 1-29
prop rod track 1-29
protector spray, battery terminal 11-3
puller
 bearing 11-3
 drive clutch 11-3
 drive clutch hub 11-3
 driven clutch cam 11-3
 seal 11-5

R

race, front hub bearing 6-17
rack and pinion drag link 6-3
ratchet, park brake 5-9
receiver hitch 1-67
receptacle, accessory 4-5
reflector, yellow 4-19
reflector, amber 4-3
reflector, red 4-19
reflector, red, rectangle 4-19
refractometer 11-5
relay 7-11, 7-13
relay 48v 4-9, 7-11, 7-13
relay, 12-volt 4-7
remover, bearing and oil seal 11-3
retainer
 accelerator pedal spring 5-9
 shock absorber cushion 6-19
 spring 6-19
retaining ring 6-5
retaining ring pliers 11-5
return spring bumper 5-9
reverse buzzer 4-9, 4-13
ring
 retaining 6-5
rivet, blind push 7-11, 7-13
rocker switch 1-37, 1-39, 4-9
rocker switch (lights) 4-9
rod
 accelerator pivot 5-9
 battery hold-down 7-15, 7-17, 7-19, 7-21
 equalizer 5-7
 prop 1-29
rod, tie 6-11

S

safety first card 11-5
score card clip 6-9
score card plate 6-9
seal
 lip 9-3
 oil 9-3
 vertical socket dust 6-3
seal puller 11-5
sealant 9-3
seat
 bucket 1-23
seat holder base 1-23
seat pan 1-23
seat support 1-23
seat, bearing 6-5
shaft
 input 9-3
 intermediate 9-3
shaft, steering 6-5
shim, latch plate 1-41
shock absorber 6-19
shock absorber cushion 6-19
shock absorber cushion retainer 6-19
side panel, ds, long 1-49
side panel, ps, long 1-49
sleeve 1-29, 1-31, 6-19
 delta A-plate 6-11
socket 6-3, 6-11
solenoid 7-11, 7-13
solenoid, 12-volt 4-21
spacer
 accelerator pivot rod 5-9
spindle 6-13
spindle asm 6-13
spray, battery terminal protector 11-3
spring
 accelerator return 5-9
 brake return 5-7, 5-15, 5-19
 compression 6-9
 extension 1-33
 shoe to shoe 5-3, 5-5, 5-21
 steering shaft compression 6-5
spring cup 5-9
spring mounting plate 6-13
spring retainer 6-19
spring, tailgate 1-51
SPWS manifold 7-23, 7-25
stake side 1-55, 1-63
stake side bracket 1-55, 1-63
stake side kit 1-55, 1-63
stake side panel, front 1-55, 1-63
stake side panel, lh 1-63
stake side panel, rh 1-63
stake side trim kit 1-55, 1-63

INDEX

stake side trim, center 1-55, 1-63
stake side trim, rh 1-63
stake side trim, lh 1-63
static grip kit 1-57
steel bushing 6-13
steering column 6-5
steering column bearing press tool 11-7
steering column retaining ring tool 11-7
steering column weldment 6-5
steering gear assembly 6-3
steering shaft 6-5
steering shaft compression spring 6-5
steering wheel puller tool 11-7
strap, A-plate 6-11
strobe light 1-93
stud
 lug 9-3
switch
 key, uncommon 4-11
 light rocker 4-9
 limit 4-7
 rocker 1-37, 1-39, 4-9
 Tow/Run 7-9
 turn signal 4-7
switch rubber boot 7-9

T

12-volt solenoid 4-21
tachometer 11-7
tailgate 1-51
tailgate handle 1-51
tailgate latch, lh 1-47, 1-49
tailgate latch, rh 1-47, 1-49
tailgate teather kit 1-53
tailskirt 1-27
tee handle 1-79
terminal block 4-5, 7-11, 7-13
tester, continuity 11-5
thermometer, battery 11-3
thread-forming grease fitting 6-13
thrust bearing 6-13
tie down kit 1-57
tie rod 6-11
tie wrap 1-83, 4-21
tilt latch hand grip 1-33
tool
 accelerator pedal adjustment 11-3
 belt tensioning, starter/generator 11-7
 charger bezel 11-3
 clutch cam installation 11-3
 drive clutch holder 11-3
 steering column bearing press 11-7
 steering column retaining ring 11-7
 steering wheel puller 11-7
 transaxle axle seal 11-7
 transaxle pinion seal 11-7

 transmission 11-7
tool kit, clutch 11-3
tool rack kit 1-57
toolbox 1-109
toolbox kit 1-59
touch-up paint 11-5
Tow/Run switch 7-9
Tow/Run switch plate 7-9
track, prop rod 1-29
trailer hitch 1-65
trailer hitch ball 1-69
trailer hitch brace 1-65
transaxle axle seal tool 11-7
transaxle pinion seal tool 11-7
transaxle, 9-3
transmission tool 11-7
tube
 axle 9-3
turn signal switch 4-7

U

U-bolt 6-19
upper delta clevis 6-13
urethane bushing 1-29, 1-31, 6-11, 6-13, 6-19

V

valve spring compressor 11-7
valve stem 2-3
vent, door, cab 1-75
vertical socket dust seal 6-3
volt ohm meter 11-7

W

warning beacon, cab 1-93
washer, cab 1-89
water quality light 7-27
wedge, bearing puller 11-3
weldment
 press 11-3
weldment, receiver hitch 1-67
wheel cover 2-5
wheel cylinder 5-3, 5-5, 5-21
window, slider, cab 1-95
work light, front, cab 1-91
work light, rear, cab 1-91
wrap, tie 1-83, 4-21

Y

yoke, gear 11-5



Club Car, Inc.
P.O. Box 204658
Augusta, GA 30917-4658
USA

Web www.clubcar.com
Phone 1.706.863.3000
1.800.ClubCar
Int'l +1 706.863.3000
Fax 1.706.863.5808