



**2016 Carryall 510 LSV and  
Carryall 710 LSV  
Homologated  
Illustrated Parts List**



**Electric Low-Speed Vehicle (LSV) Homologated**

Manual Number 105334611  
Edition Code 0615B0616A



# USING THE ILLUSTRATED PARTS LIST

---

## **WARNING**

- **This manual is to be used only for identification and ordering of service parts. Be sure to read and use the maintenance and service manual before attempting any vehicle repairs.**

This manual covers all 2016 Carryall 510 and Carryall 710 Homologated Low-Speed Vehicles (LSV).

The manual is divided into sections. Note that there are two or three flags on the outside edge of each page. The first flag contains the section number of which that page is a part. The other flag (or flags) contains the letter D, E, or G, signifying that the page pertains to the diesel, electric, or gasoline vehicles only.

Use the Table of Contents to find the sections and pages that contain the parts and assemblies you seek. The Table of Contents lists section numbers, and under them, the individual page titles and numbers to be found in that section. The index can be used to find specific parts and assemblies. The index is divided into numerical and alphabetical listings with the page numbers in italic text.

There is a two-page spread for each individual page title in the Table of Contents. On the left-hand page is an illustration showing the parts in their relative positions; the parts are each tagged with an item number in a balloon. The right-hand page is the parts list page, and gives the page title at the top, then the item numbers (corresponding to the numbers on the illustration), part descriptions, and quantity of parts used.

Note that a part description may be indented. This indentation corresponds to a parts assembly level indicated by the numbers 1, 2, 3, and 4 at the top left corner of the parts description area of the parts list page. A part that is indented to *level 2* is a component of the *level 1* part (assembly) that it is listed under. A *level 3* part is a component of the *level 2* part that it is listed under, and a *level 4* part is a component of the *level 3* part preceding it. In each case, the part quantity given for a level 2, 3, or 4 part is the quantity used per next higher level assembly of which it is a component. A part that is not indented is a *level 1* part. This means that the quantity given is the quantity used per the portion of the vehicle illustrated on that particular spread.



P. O. Box 204658  
Augusta, Georgia 30917-4658 USA  
Telephone 706-863-3000  
Service Parts Fax 706-855-7413  
[www.clubcar.com](http://www.clubcar.com)

## HOW TO ORDER PARTS

Replacement parts and accessories can be obtained from our network of authorized dealers and distributors. You can obtain the name and phone number of your closest authorized Club Car dealer or distributor by visiting our web site at [www.clubcardealer.com](http://www.clubcardealer.com), by calling our toll-free Service Parts and Technical Assistance hotline at (800) 872-2246 or (706) 863-3000, extension 3887, or by scanning this Quick Response (QR) code to be taken to the Club Car dealer locator. **Refer to Figure 1.** Download a QR code reader such as RedLaser or Barcode Scanner to your cell phone or tablet.



Figure 1 Dealer Locator QR Code

## CUSTOMER SATISFACTION SURVEY

Let your voice be heard!

Please take time to participate in the Technical Publications satisfaction survey. Obtaining feedback from our customers is important to the department's continuous improvement process. The online survey takes less than five minutes and responses will help the department to examine current performance as well as identify areas for future improvement.

Our top priority is to provide timely, accurate, and user friendly manuals.

The online satisfaction survey can be found at: <http://bit.ly/1w9uFMh>



Figure 2 Survey QR Code

**NOTE:** *This illustrated parts list represents the most current information at the time of publication. Club Car, LLC is continually working to further improve its vehicles and other products. These improvements may affect the parts used to service the vehicle. Any modification and/or significant change in specifications will be forwarded to all Club Car and Carryall distributors/dealers and will, when applicable, appear in future editions of this illustrated parts list.*

*Club Car, LLC reserves the right to change specifications and designs at any time without notice and without the obligation of making changes to units previously sold.*

Copyright © 2015 Club Car, LLC.

Club Car is a registered trademark of Club Car, LLC.

This manual effective July 7, 2015.

# CONTENTS

## SECTION 1 – BODY AND TRIM

Front License Plate Holder .....	1-3
Front Body .....	1-5
Body Touch-Up Paint .....	1-7
Front Bumper, Grille, and Fenders .....	1-9
Headlight Bezels .....	1-11
Dash, Glovebox Door, and Floormat .....	1-13
Front Frame, Standard .....	1-15
Bucket Seats and Frame .....	1-17
Inner Rear Fenders .....	1-19
Rear Fenders and Tail Skirt .....	1-21
Bed Hinge, Latch, and Prop Rod – Medium .....	1-23
Tilt Bed (Long) Hinge – Electric Vehicle .....	1-25
Long Bed Hinge Spacer Kit – Vehicle with CAB .....	1-27
Tilt Bed and Bed Latch – Medium .....	1-29
Tilt Bed – Long .....	1-31
Latch Plate .....	1-33
Flat Bed Trim – Medium .....	1-35
Flat Bed Trim – Long .....	1-37
Cargo Box Kit – Medium (Page 1 of 2) .....	1-39
Cargo Box Kit (Page 2 of 2) .....	1-41
Tailgate Teather .....	1-43
Modular Bed Accessories .....	1-45
Modular Bed Accessories .....	1-47
Stake Side Kit – Medium .....	1-49
Cab Canopy .....	1-51
Cab Doors – Glass .....	1-53
Cab Doors – Vent .....	1-55
Cab – Seat Belts – 3-Point .....	1-57
Cab – Electrical, Power Harness, Electric Vehicle to Cab .....	1-59
Cab – Electrical, Overhead Console .....	1-61
Cab – Electrical, Windshield Wiper .....	1-63
Cab – Electrical, Windshield Washer .....	1-65
Cab – Electrical, Work Lights .....	1-67
Cab - Mirrors .....	1-69
Cab – Rear Window .....	1-71
Cab – Windshield .....	1-73

# CONTENTS

---

## SECTION 2 – WHEELS AND TIRES

---

Wheels and Tires .....	2-3
Wheel Covers .....	2-5

## SECTION 3 – DECALS

---

Decals – Carryall 510 and 710 LSV Homologated .....	3-3
Decals – Electric Carryall 510 and 710, Continued .....	3-5
Badging Decals – Carryall 510 .....	3-7
Badging Decals – Carryall 710 .....	3-9

## SECTION 4 – LIGHTS, CONTROLS, AND INDICATORS

---

Headlights - CA510 and CA710 Homologated .....	4-3
12-Volt Fuse Block and Fuses – Electric Vehicle .....	4-5
Horn, Turn Signals, and Taillights – Electric and Gasoline Vehicles .....	4-7
Instrument Panel - CA510 and CA710 Homologated .....	4-9
Keyswitch, Private Speed Mode - Electric Vehicle .....	4-11
Rear Mounted Reverse Buzzer – CA710 .....	4-13
DC Converter, Heavy Duty – Electric Vehicle .....	4-15
Reflectors .....	4-17
Taillight and License Plate Bracket - CA510 and CA710 Homologated .....	4-19
Heater Defogger – Electric Vehicle .....	4-21

## SECTION 5 – BRAKES, PEDALS, AND CABLE ASSEMBLIES

---

Hydraulic Front Drum Brake Assembly – Driver-Side .....	5-3
Hydraulic Front Drum Brake Assembly – Pass-Side .....	5-5
Brake Pedal Assembly .....	5-7
Accelerator Pedal Assembly – Electric Vehicles .....	5-9
Pedal Close-Out Kit .....	5-11
Master Cylinder, Bell Crank, and Brake Lines – CA510 .....	5-13
Hand Brake Assembly – CA510 Homologated .....	5-15
Master Cylinder, Bell Crank, and Brake Lines – CA710 .....	5-17
Hand Brake Assembly – CA710 LSV Homologated .....	5-19
Hydraulic Rear Brake Assembly .....	5-21

## SECTION 6 – STEERING, FRONT AND REAR SUSPENSION

---

Steering Gear Assembly .....	6-3
Steering Column .....	6-5
Steering Wheel .....	6-7

# CONTENTS

---

Steering Wheel with Clip .....	6-9
Front Suspension, Upper, HYD .....	6-11
Front Suspension, Lower, HYD, Drums 3 Leaf, 1 Plate .....	6-13
Steering Stop .....	6-15
Front Wheel Hubs .....	6-17
Rear Suspension Components .....	6-19

## SECTION 7 – ELECTRICAL SYSTEM – ELECTRIC VEHICLES

---

Motor Controller Output Regulator (MCOR) .....	7-3
Main Wiring Harness, 48-Volt Fuse Block - CA510 Homologated .....	7-5
Main Wiring Harness, 48-Volt Fuse Block - CA710 Homologated .....	7-7
Tow/Run Switch .....	7-9
Electric Components - CA510 Homologated .....	7-11
Electric Components - CA710 Homologated .....	7-13
Batteries 6-Volt, Standard Duty - CA510 .....	7-15
Batteries 6-Volt, Heavy Duty - CA510 .....	7-17
Batteries 6-Volt, Standard Duty - CA710 .....	7-19
Batteries 6-Volt, Heavy Duty - CA710 .....	7-21
Single Point Watering System (SPWS) .....	7-23
Single Point Watering System (SPWS) – CA510 .....	7-25
Hand Pump and Deionizer (Battery-Powered Quality Light) .....	7-27

## SECTION 8 – ELECTRIC MOTOR

---

AC Motor .....	8-3
----------------	-----

## SECTION 9 – TRANSAXLE – ELECTRIC VEHICLES

---

Transaxle – Electric Vehicles .....	9-3
-------------------------------------	-----

## SECTION 10 – BATTERY CHARGERS – HIGH-FREQUENCY

---

Onboard Battery Charger, High-Freq. - CA510 – Homologated .....	10-3
Onboard Battery Charger, High-Freq. - CA710 – Homologated .....	10-5

## SECTION 11 – MAINTENANCE AND SERVICE TOOLS

---

Maintenance and Service Tools .....	11-3
Maintenance and Service Tools, Continued .....	11-5
Maintenance and Service Tools, Continued .....	11-7

# CONTENTS

---

## SECTION i – INDEX

---



# BODY AND TRIM

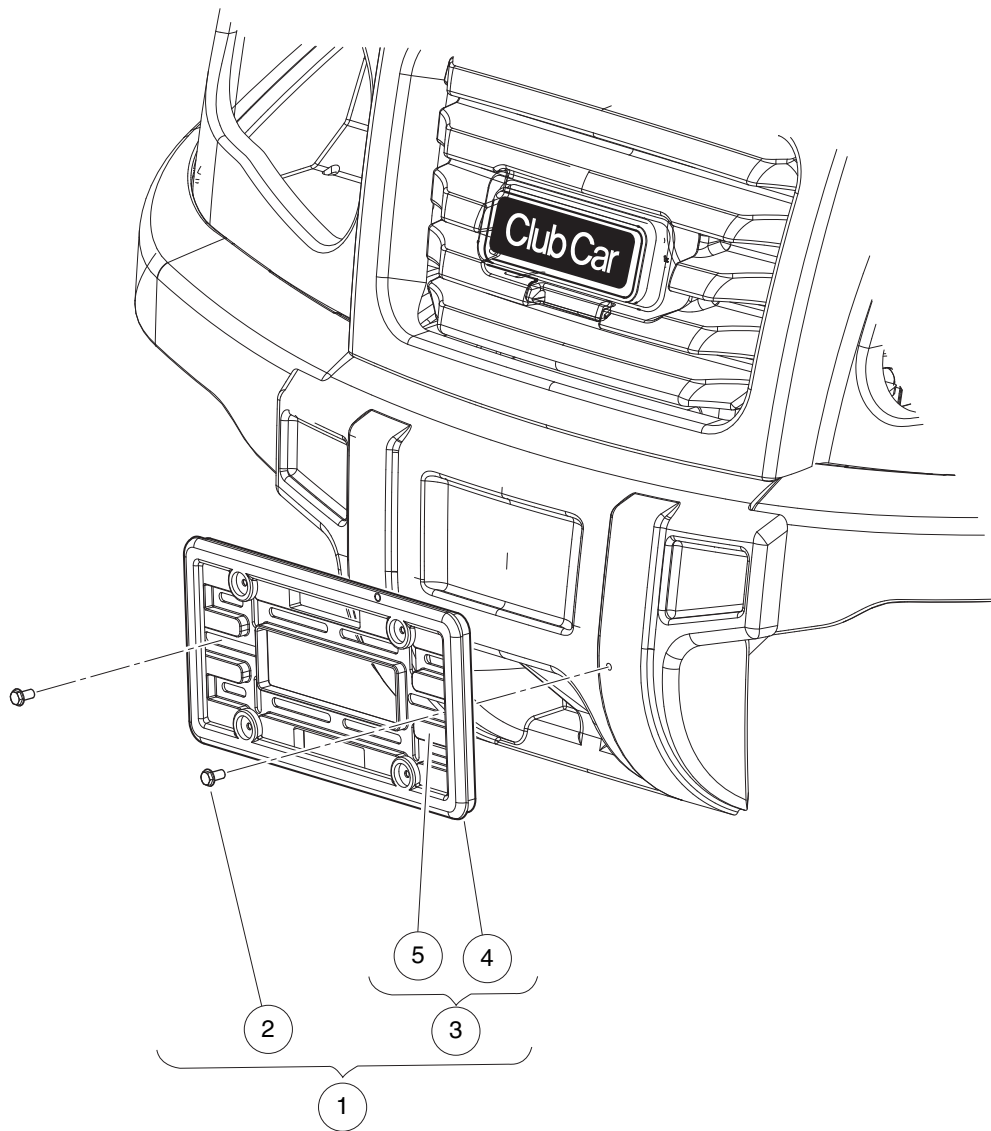
---

1

E

1

E



001155-001

# FRONT LICENSE PLATE HOLDER

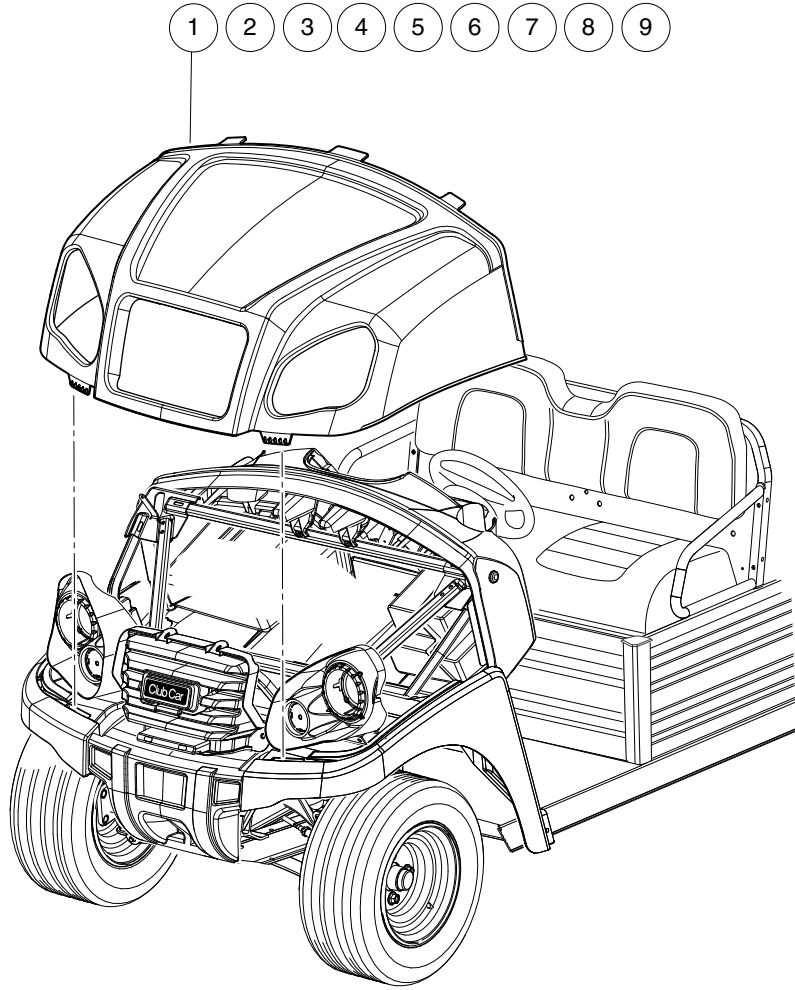
ITEM	PART NO.	DESCRIPTION	QTY
		<b>1 2 3 4</b>	
1	<u>105124901</u>	Kit, Front, License Pl, Lsv (includes items 2 and 3) .....	1
2	<u>101856101</u>	Screw, 1/4-15 X .50 Hi-lo Hex .....	2
3	<u>102311501</u>	Front License Plate Assembly (includes items 4 and 5) .....	1
4	N/A	Frame, License Plate .....	1
5	N/A	Mount, License Plate .....	1

**1**

**E**

1

E



001300-003

# FRONT BODY

ITEM	PART NO.	DESCRIPTION	QTY
		1 2 3 4	
1	<u>105034321</u>	Cowl, Ca, Serv, Dk Green .....	1
2	<u>105034322</u>	Cowl, Ca, Serv, Dk Gray .....	1
3	<u>105034323</u>	Cowl, Ca, Serv, White .....	1
4	<u>105034324</u>	Cowl, Ca, Serv, Bright Blue .....	1
5	<u>105034325</u>	Cowl, Ca, Serv, Titn Silver .....	1
6	<u>105034326</u>	Cowl, Ca, Serv, Beige .....	1
7	<u>105034327</u>	Cowl, Ca, Serv, Red .....	1
8	<u>105034328</u>	Cowl, Ca, Serv, Black .....	1
9	<u>105034329</u>	Cowl, Ca, Serv, Classic Blue .....	1

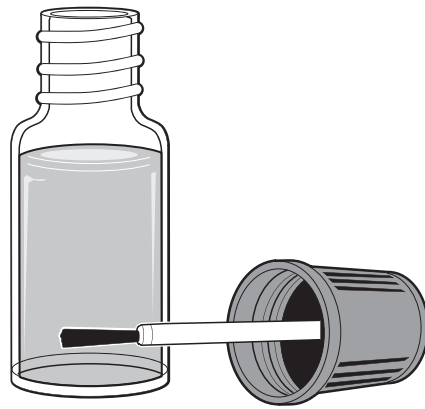
**1**

**E**

1

E

- 1
- 2
- 3
- 4
- 5
- 6
- 7
- 8
- 9
- 10



001300-020

# BODY TOUCH-UP PAINT

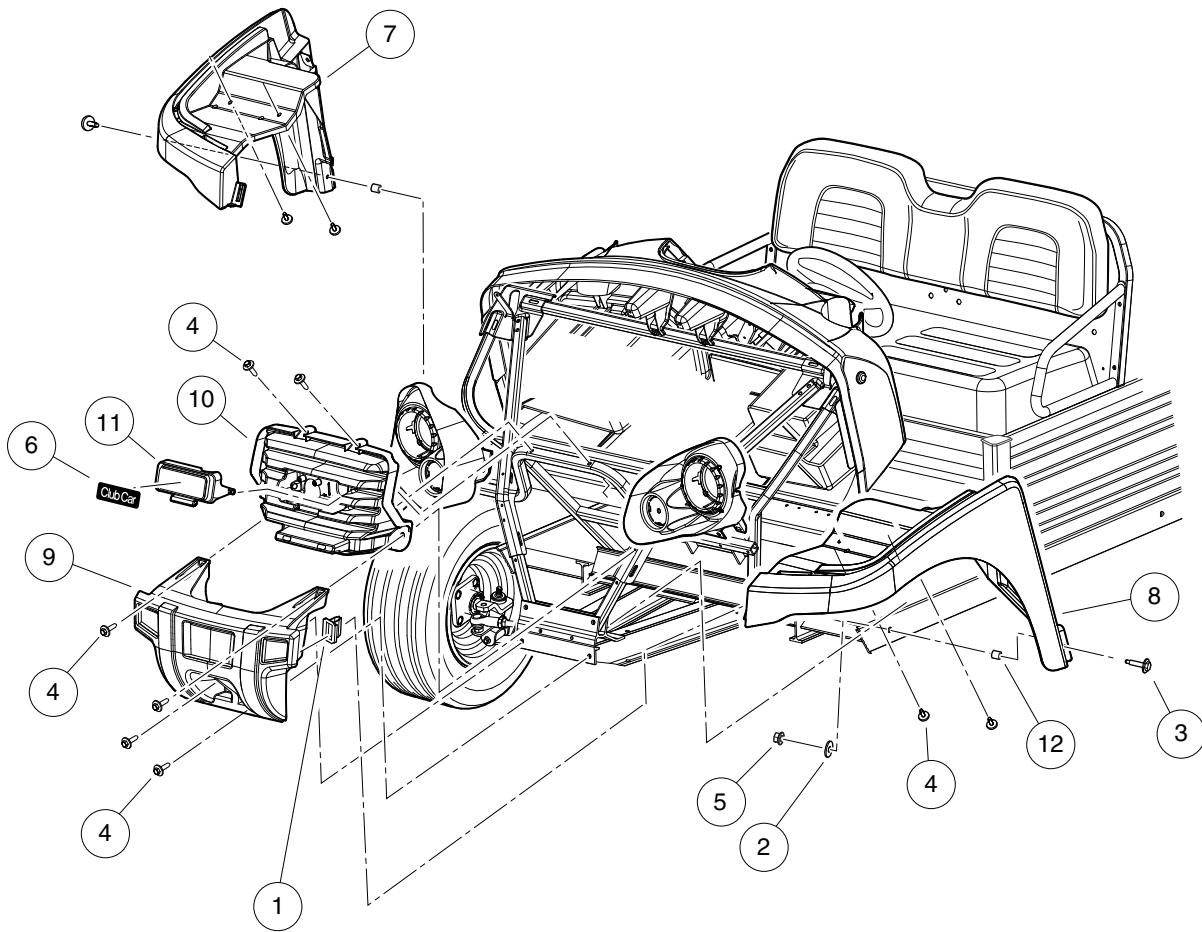
ITEM	PART NO.	DESCRIPTION	QTY
		<b>1 2 3 4</b>	
1	<u>105117701</u>	Paint, Touch-up, White .....	1
2	<u>105117702</u>	Paint, Touch-up, Classic Blue .....	1
3	<u>105117703</u>	Paint, Touch-up, Dark Green .....	1
4	<u>105117704</u>	Paint, Touch-up, Red .....	1
5	<u>105117705</u>	Paint, Touch-up, Dark Gray .....	1
6	<u>105117706</u>	Paint, Touch-up, Black .....	1
7	<u>105117707</u>	Paint, Touch-up, Tan .....	1
8	<u>105117708</u>	Paint, Touch-up, Bright Blue .....	1
9	<u>105117709</u>	Paint, Touch-up, Titn Silver .....	1
10	<u>105117710</u>	Paint, Touch-up, Light Gray .....	1

**1**

**E**

1

E



001300-004



# FRONT BUMPER, GRILLE, AND FENDERS

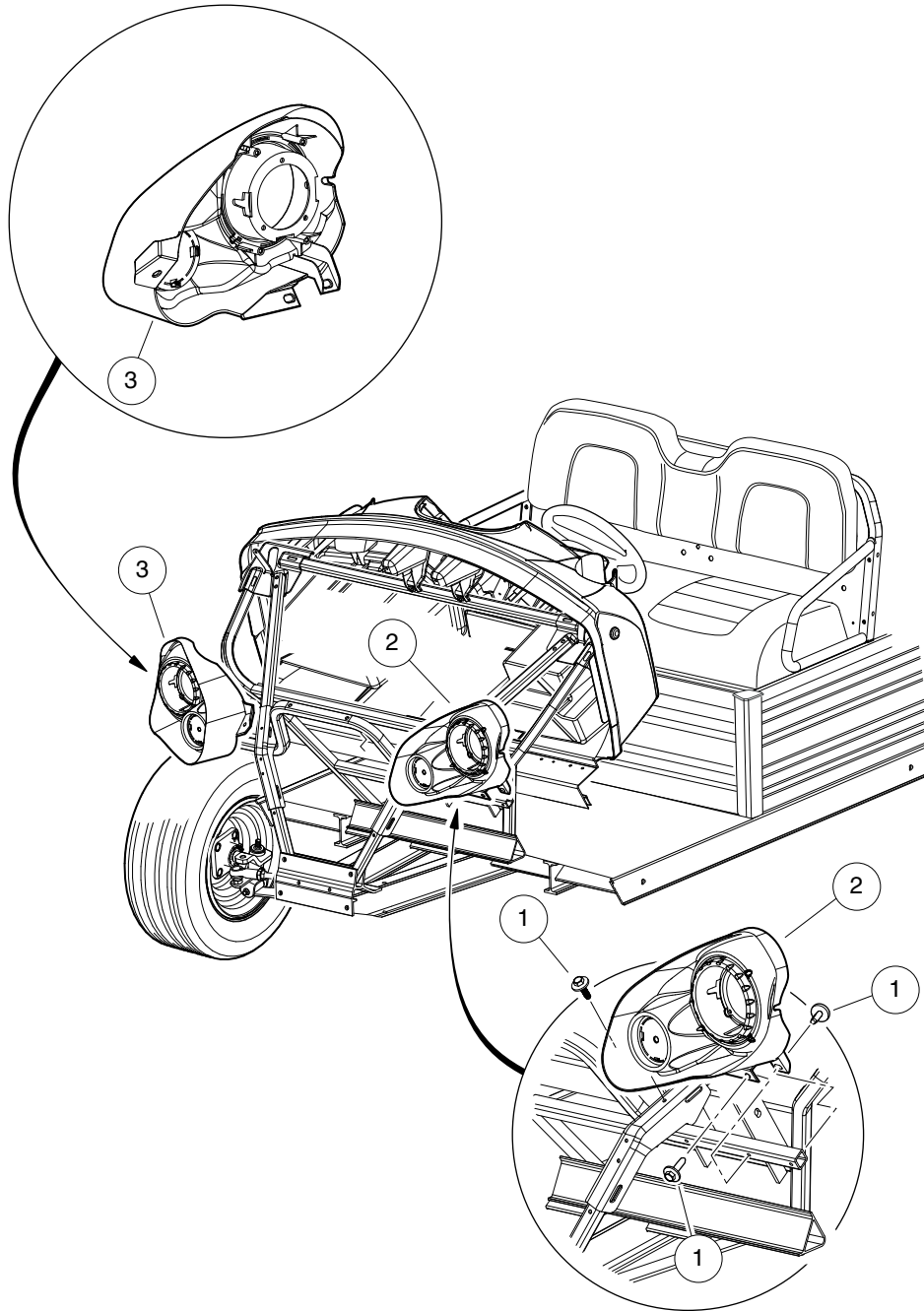
ITEM	PART NO.	DESCRIPTION	QTY
		<b>1 2 3 4</b>	
1	<u>102292701</u>	Clip-body-trim .....	2
2	<u>102296301</u>	Washer, M6x18x1.6 Flat .....	2
3	<u>102296530</u>	Screw - M6 X 1.0 X 30 Sems .....	6
4	<u>102297125</u>	Screw, M6-1.0x25.4, Thread-Forming, SEMS .....	8
5	<u>102541501</u>	Nut-m6x1.0 Fl Mtl Lock,blk .....	2
6	<u>102883601</u>	Decal, Nameplate, CCI, Front .....	1
7	<u>105034401</u>	Fender, Front, Rh, Ca .....	1
8	<u>105034501</u>	Fender, Front, Lh, Ca .....	1
9	<u>105034601</u>	Bumper, Front, Plastic, Ca .....	1
10	<u>105034701</u>	Grille, Ca .....	1
11	<u>105034801</u>	Door, Charger Port, Ca .....	1
12	<u>105036701</u>	Spacer, Frt Fender, Ca .....	2

**1**

**E**

1

E



001300-005

# HEADLIGHT BEZELS

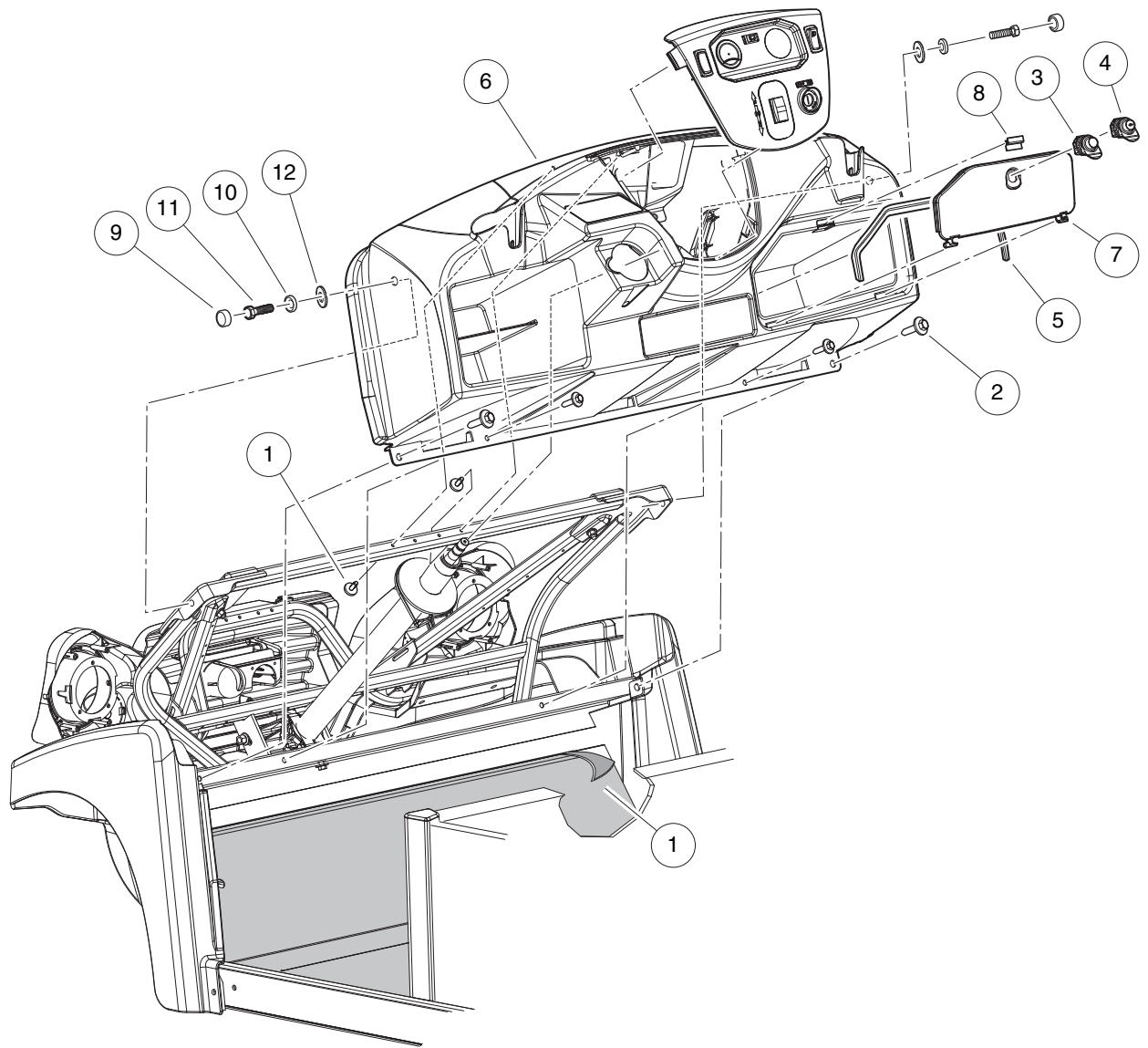
ITEM	PART NO.	DESCRIPTION	QTY
		1 2 3 4	
1	<u>102297125</u>	Screw, M6-1.0x25.4, Thread-Forming, SEMS .....	6
2	<u>105034901</u>	Bezel, Hl, Lh, Ca .....	1
3	<u>105035001</u>	Bezel, Hl, Rh, Ca .....	1

**1**

**E**

1

E



001300-006

# DASH, GLOVEBOX DOOR, AND FLOORMAT

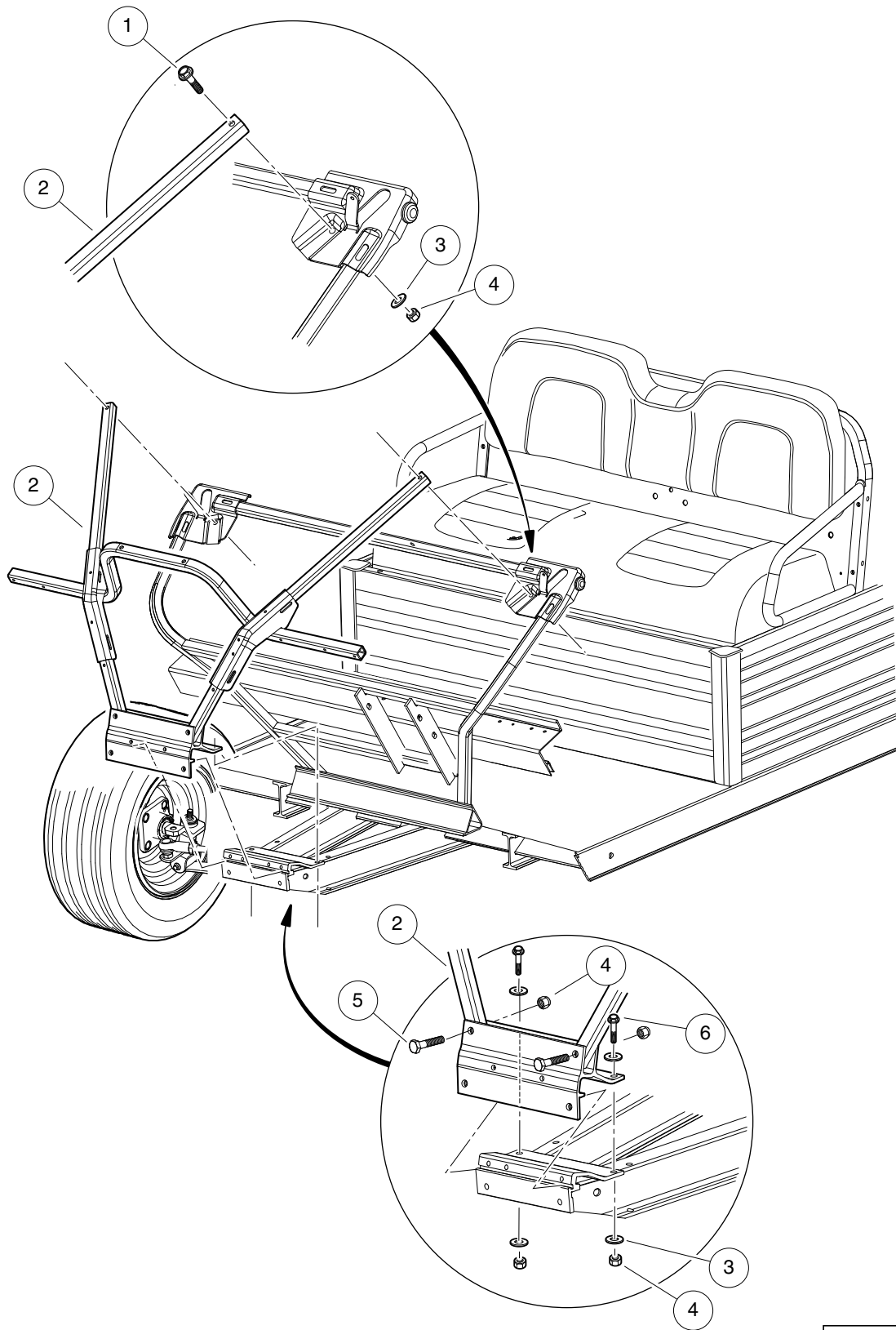
ITEM	PART NO.	DESCRIPTION	QTY
		1 2 3 4	
1	<u>101503202</u>	Floormat .....	1
2	<u>102297125</u>	Screw, M6-1.0x25.4, Thread-Forming, SEMS .....	6
3	<u>103182701</u>	Latch, Push Close .....	1
4	<u>103182702</u>	Latch, Push Close W/ Key .....	1
5	103540203	Seal, Bulb, 13 X 27 X 579 Mm .....	1
6	<u>105034001</u>	Dash, Ca .....	1
7	<u>105034201</u>	Door, Glove Box, Ca .....	1
8	<u>105035701</u>	Keeper, Latch, Ca .....	1
9	<u>105049201</u>	Cover, Bolt, Rh Series .....	2
10	<u>105049301</u>	Cover, Washer, Rhw Series .....	2
11	320	Screw, 3/8-16 X 1.00 Hex-Head Cap .....	2
12	<u>334</u>	Washer, 3/8, Type A, Flat .....	2

**1**

**E**

**1**

**E**



001107-001

# FRONT FRAME, STANDARD

ITEM	PART NO.	DESCRIPTION	QTY
		1 2 3 4	
1	<u>1011937</u>	Bolt, 5/16-18 X 1.25 Hex Head .....	2
2	<u>105007001</u>	Weldment, Front, Util, Std .....	1
3	<u>1241</u>	Washer, 5/16 Type A Flat .....	6
4	<u>7473</u>	Locknut, 5/16-18 Nylon Insert .....	6
5	<u>8935</u>	Screw, 5/16-18 X 2.25 Hex-Head Cap .....	2
6	<u>8963</u>	Screw, 5/16-18 X 1.75 Hex-Head Cap .....	2

**1**

**E**





# BUCKET SEATS AND FRAME

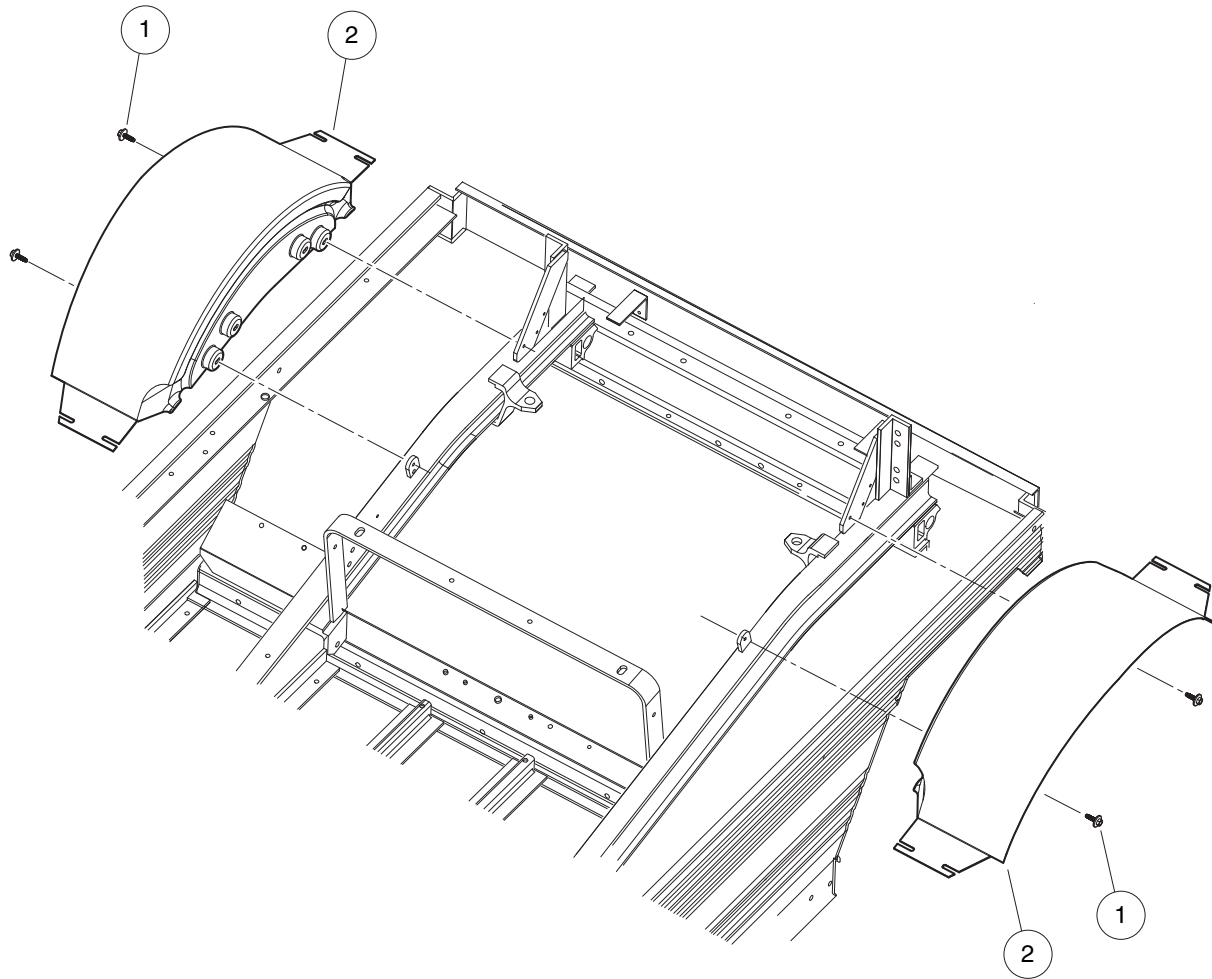
ITEM	PART NO.	DESCRIPTION	QTY
		1 2 3 4	
1	<u>1011652</u>	Hinge Plate .....	4
2	<u>1012412</u>	Body, Hinge Plate .....	4
3	<u>1012830</u>	Screw, M8-125 X 22 Hex-Head .....	8
4	<u>1013734</u>	Lockwasher, 8mm Split .....	8
5	<u>101887601</u>	Locknut, M6-1.00 Nylon Insert .....	2
6	<u>102023701</u>	Pan, Seat .....	2
7	<u>102026401</u>	Console Cover .....	1
8	<u>102047001</u>	Rivet, 1/4 X .438 Blind .....	8
9	<u>102056201</u>	3M VHB Tape 4936 .....	1
10	<u>102059001</u>	Seat Holder Base .....	2
11	<u>102059401</u>	Screw, 6m-1.00 X 10mm Hex Head .....	2
12	<u>102059501</u>	Screw, 6M-1.00 X 35mm, Hex Head .....	2
13	<u>102060201</u>	1/4 - 20 Threaded Insert .....	10
14	<u>102061101</u>	Seat Holder Cup .....	2
15	<u>103267001</u>	Seat, Bucket, Gray .....	2
16	<u>105006501</u>	Cap, Corner, Frame .....	2
17	<u>105095701</u>	Asm, Bucket Seats, Support .....	1
18	<u>332</u>	Washer, 1/4 Type A Narrow Flat .....	10
19	<u>451</u>	Lockwasher, 1/4 Split .....	10
20	<u>7311</u>	Screw, 1/4-20 X 2.00 Hex-Head Cap .....	4
21	<u>7847</u>	Screw, 1/4-20 X 0.75 Hex-Head Cap .....	8
22	<u>8233</u>	Locknut, 1/4-20, Nylon Insert .....	4

**1**

**E**

1

E



001123-001

# INNER REAR FENDERS

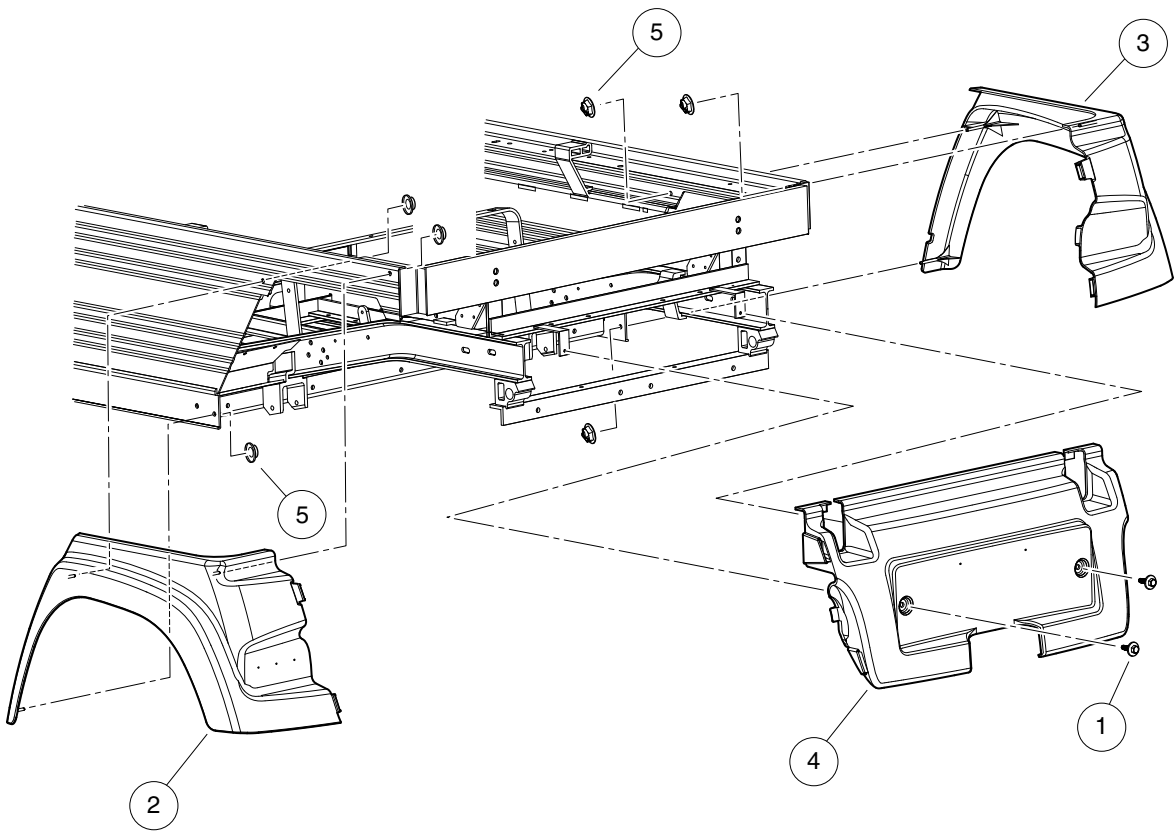
ITEM	PART NO.	DESCRIPTION	QTY
		1 2 3 4	
1	<u>102297125</u>	Screw, M6-1.0x25.4, Thread-Forming, SEMS .....	4
2	<u>105035801</u>	Fender, Inner, Ca .....	2

**1**

**E**

1

E



001124-001

# REAR FENDERS AND TAIL SKIRT

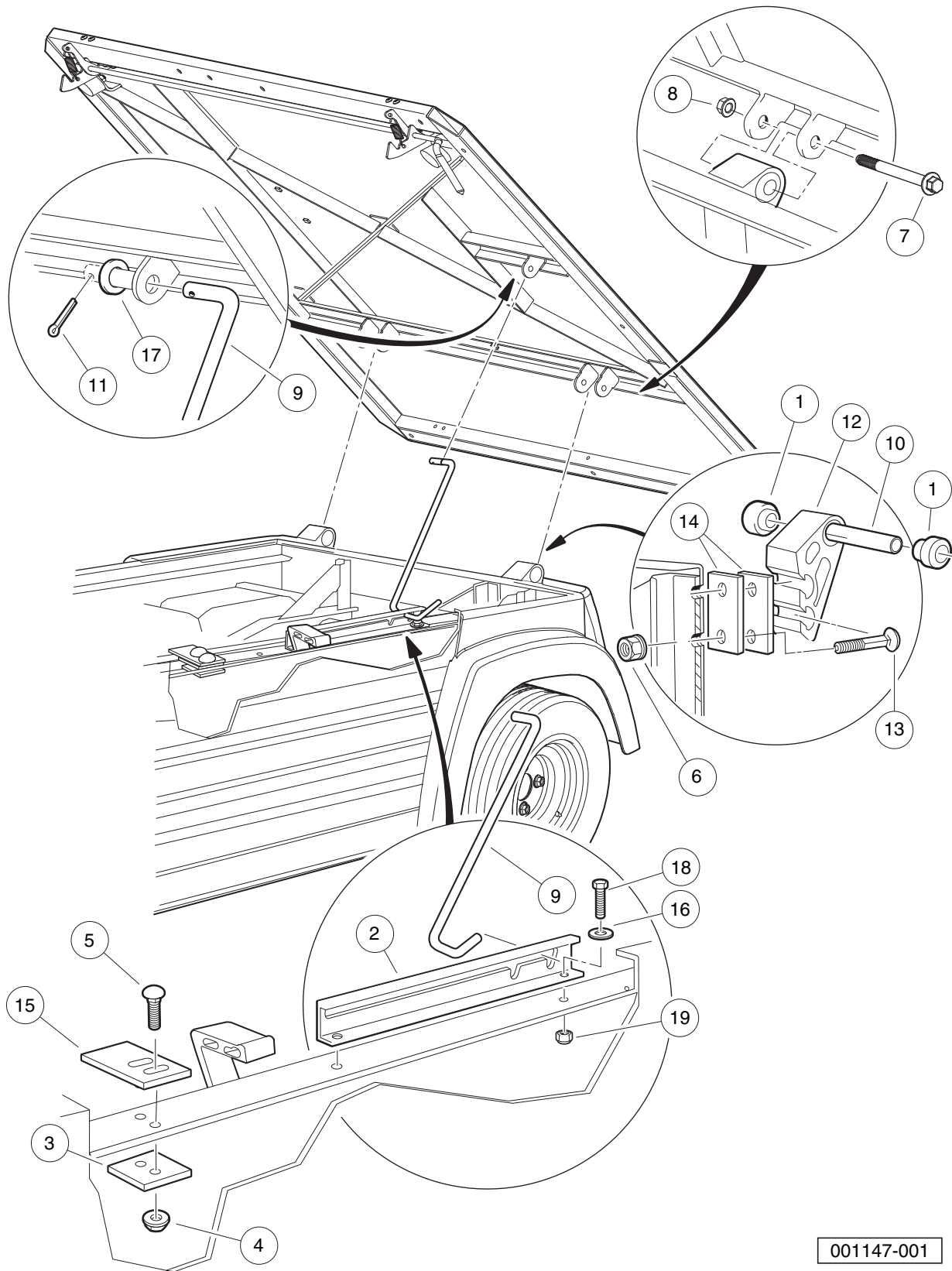
ITEM	PART NO.	DESCRIPTION	QTY
		1 2 3 4	
1	<u>102297125</u>	Screw, M6-1.0x25.4, Thread-Forming, SEMS .....	2
2	<u>105035101</u>	Fender, Rear, Lh, Ca .....	1
3	<u>105035201</u>	Fender, Rear, Rh, Ca .....	1
4	<u>105035301</u>	Tailskirt, Ca .....	1
5	<u>105066401</u>	Nut, Self Thread, 5x10x15 .....	6

**1**

**E**

1

E



001147-001

## BED HINGE, LATCH, AND PROP ROD – MEDIUM

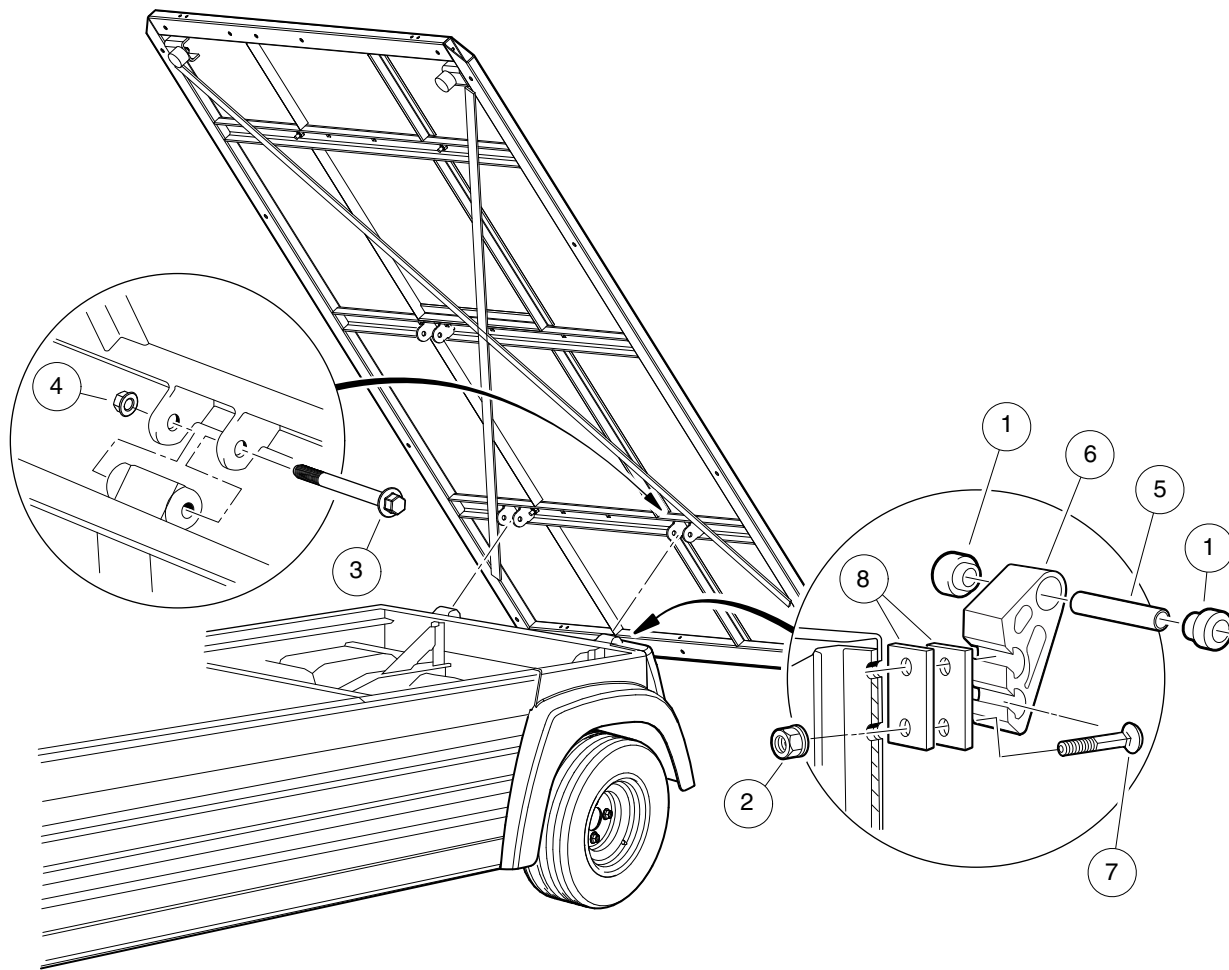
ITEM	PART NO.	DESCRIPTION	QTY
		1 2 3 4	
1	<u>1015583</u>	Bushing, Urethane .....	4
2	<u>1015700</u>	Track Prop Rod Ca li .....	1
3	<u>1016060</u>	Plate, Latch Support .....	2
4	<u>101835601</u>	Locknut, 1/4-20 Hex Whiz .....	4
5	<u>101958602</u>	Bolt, Carriage, 1/4-20 X 1.0 .....	4
6	<u>102065901</u>	Locknut, 3/8-16 Flanged Dimple .....	4
7	<u>102298185</u>	Bolt - Flange Hd, M8 X 85.0 .....	2
8	<u>102298401</u>	Nut,m8,all Metal Lock .....	2
9	<u>102301401</u>	Rod, Prop .....	1
10	<u>102506401</u>	Sleeve - Spring Eye Mounts .....	2
11	<u>1035</u>	Cotter Pin, 3/32 x 1 .....	1
12	<u>103538701</u>	Bracket, Bed Hinge, Extruded .....	2
13	<u>103539001</u>	3/8-16 X 1.25 Carr Blt Gr5 Zn .....	4
14	<u>103575801</u>	Shim, Bed Hinge, .125 Thick .....	4
15	<u>105110801</u>	Plate, Latch, Ca .....	2
16	<u>332</u>	Washer, 1/4 Type A Narrow Flat .....	2
17	<u>334</u>	Washer, 3/8, Type A, Flat .....	1
18	<u>7479</u>	Screw, 1/4-20 X 1.25 Hex-Head Cap .....	2
19	<u>8233</u>	Locknut, 1/4-20, Nylon Insert .....	2

**1**

**E**

1

E



001149-001



# TILT BED (LONG) HINGE – ELECTRIC VEHICLE

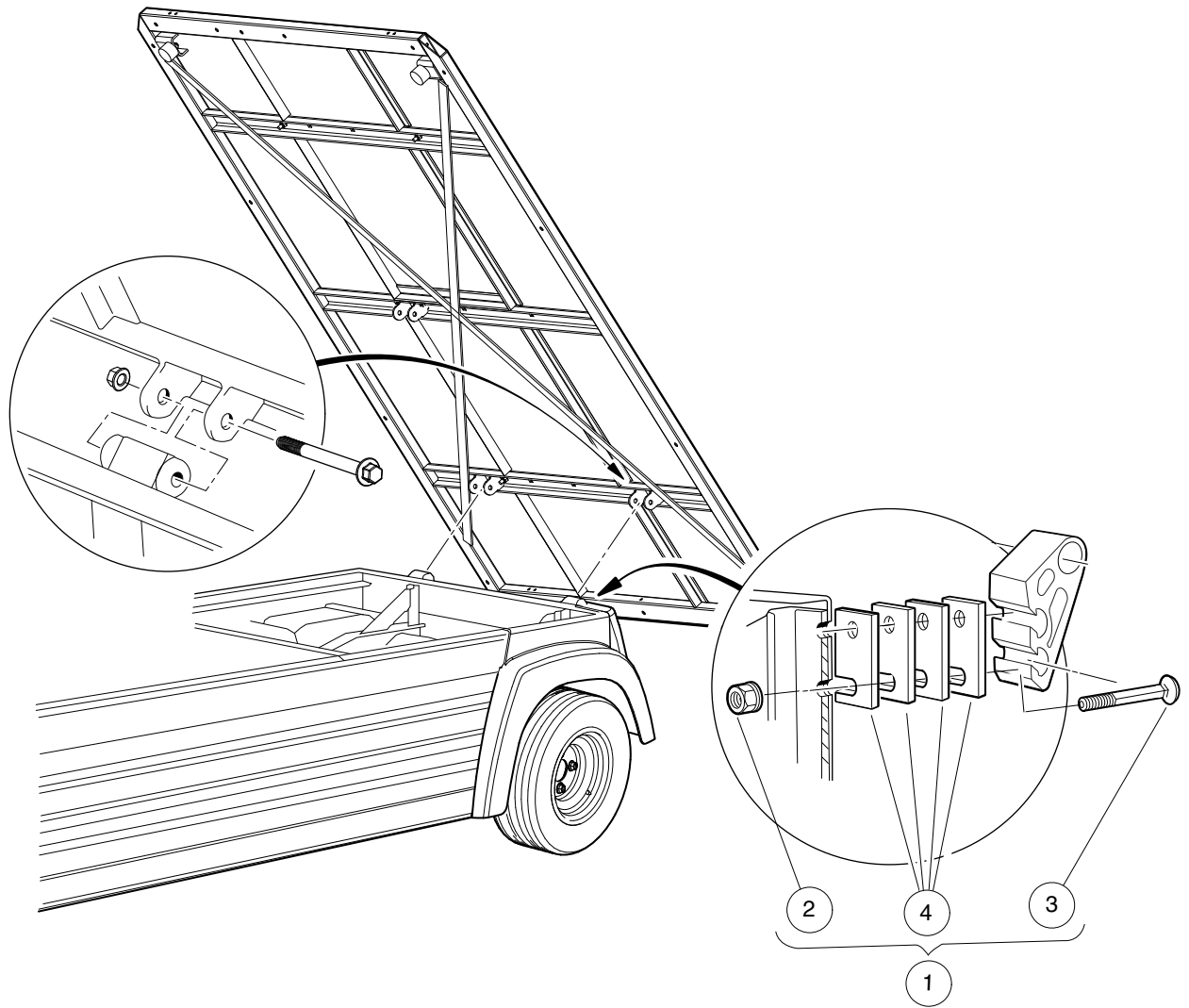
ITEM	PART NO.	DESCRIPTION	QTY
		1 2 3 4	
1	<u>1015583</u>	Bushing, Urethane .....	4
2	<u>102065901</u>	Locknut, 3/8-16 Flanged Dimple .....	4
3	<u>102298185</u>	Bolt - Flange Hd, M8 X 85.0 .....	2
4	<u>102298401</u>	Nut,m8,all Metal Lock .....	2
5	<u>102506401</u>	Sleeve - Spring Eye Mounts .....	2
6	<u>103538701</u>	Bracket, Bed Hinge, Extruded .....	2
7	<u>103539002</u>	3/8-16 X 1.75 Carr Blt Gr5 Zn .....	4
8	<u>103575801</u>	Shim, Bed Hinge, .125 Thick .....	4

**1**

**E**

1

E



001149-004

# LONG BED HINGE SPACER KIT – VEHICLE WITH CAB

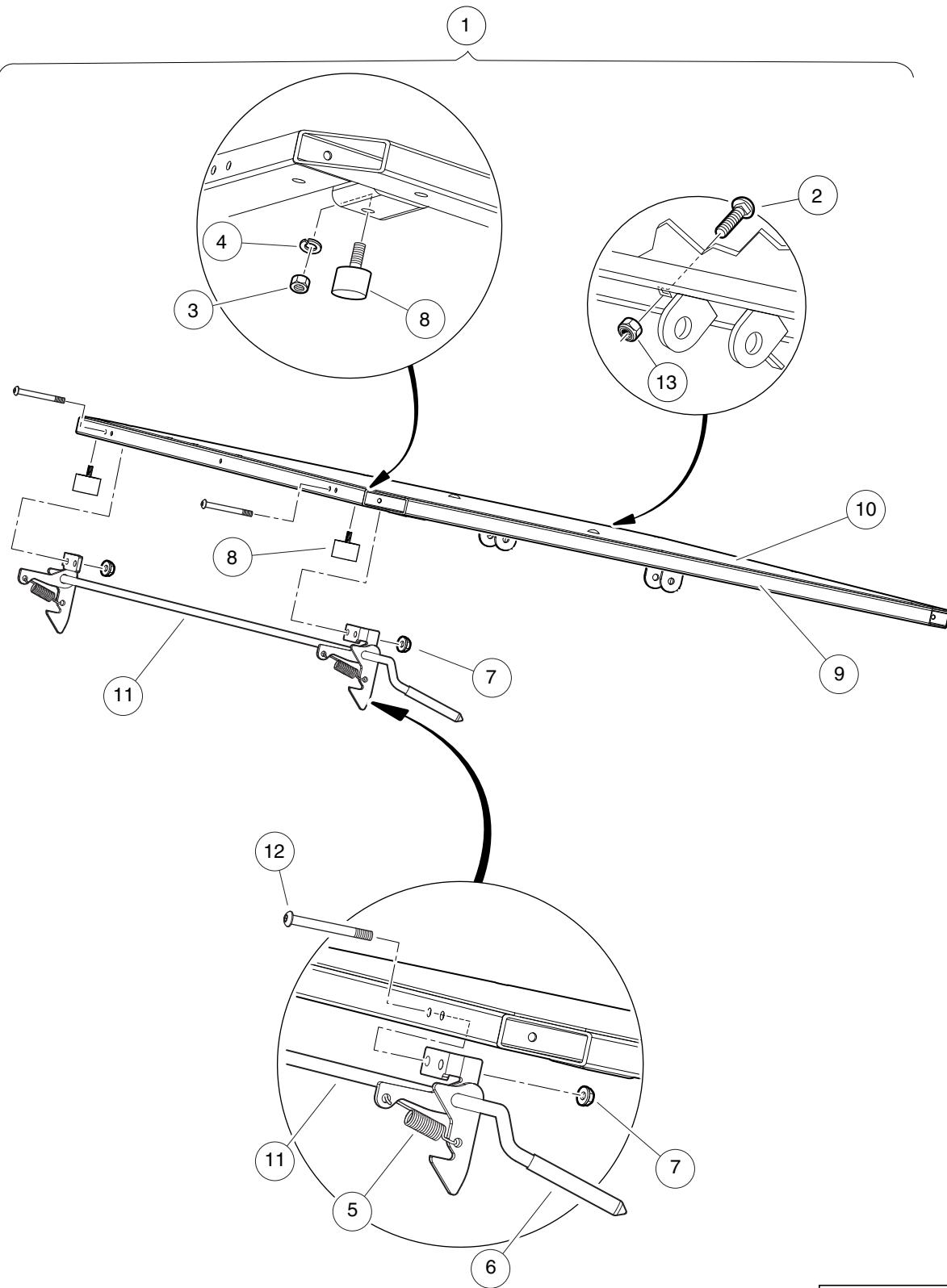
ITEM	PART NO.	DESCRIPTION	QTY
		1 2 3 4	
1	<u>105298002</u>	Kit, Extra Shims W/ Hardware (includes items 2 through 4) .....	1
2	<u>102065901</u>	Locknut, 3/8-16 Flanged Dimple .....	4
3	<u>103539002</u>	3/8-16 X 1.75 Carr Blt Gr5 Zn .....	4
4	<u>103575801</u>	Shim, Bed Hinge, .125 Thick .....	4

**1**

**E**

1

E



001148-001

# TILT BED AND BED LATCH – MEDIUM

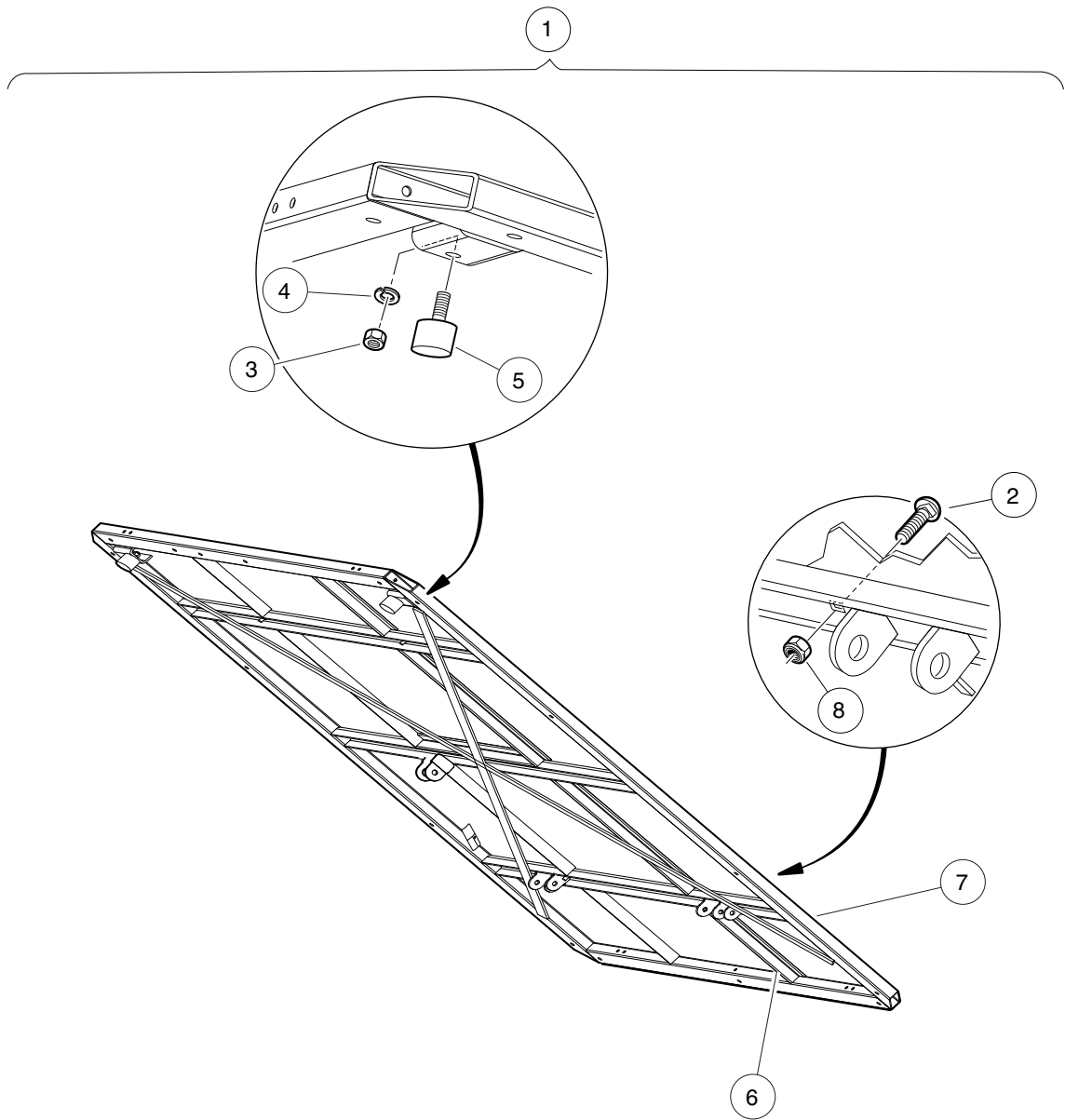
ITEM	PART NO.	DESCRIPTION	QTY
		<b>1 2 3 4</b>	
1	<u>105197101</u>	Kit, Bed Floor, Med (includes items 2 through 13) .....	1
2	<u>101043502</u>	Bolt, Carriage, 5/16-18x1 blk .....	4
3	<u>1012528</u>	Nut, M8-1.25 Hex .....	2
4	<u>1013734</u>	Lockwasher, 8mm Split .....	2
5	<u>1015391</u>	Extension, Spring Latch .....	2
6	<u>1015400</u>	Grip, Tilt Latch Hand .....	1
7	<u>1015661</u>	Nut, Lock Hx Flanged 1/4-20 .....	4
8	<u>105036601</u>	Bumper, Bedfloor, Ca .....	2
9	N/A	Frame, Weldmnt, Bed, Medium .....	1
10	N/A	Plate, Floor, Bed, Rhino, Med .....	1
11	<u>105169101</u>	Weldment, Bed Latch, CA .....	1
12	<u>105194101</u>	1/4-20 X 2.5, Bhcs, 6-lobe .....	1
13	<u>7473</u>	Locknut, 5/16-18 Nylon Insert .....	4

**1**

**E**

1

E



001151-001

# TILT BED – LONG

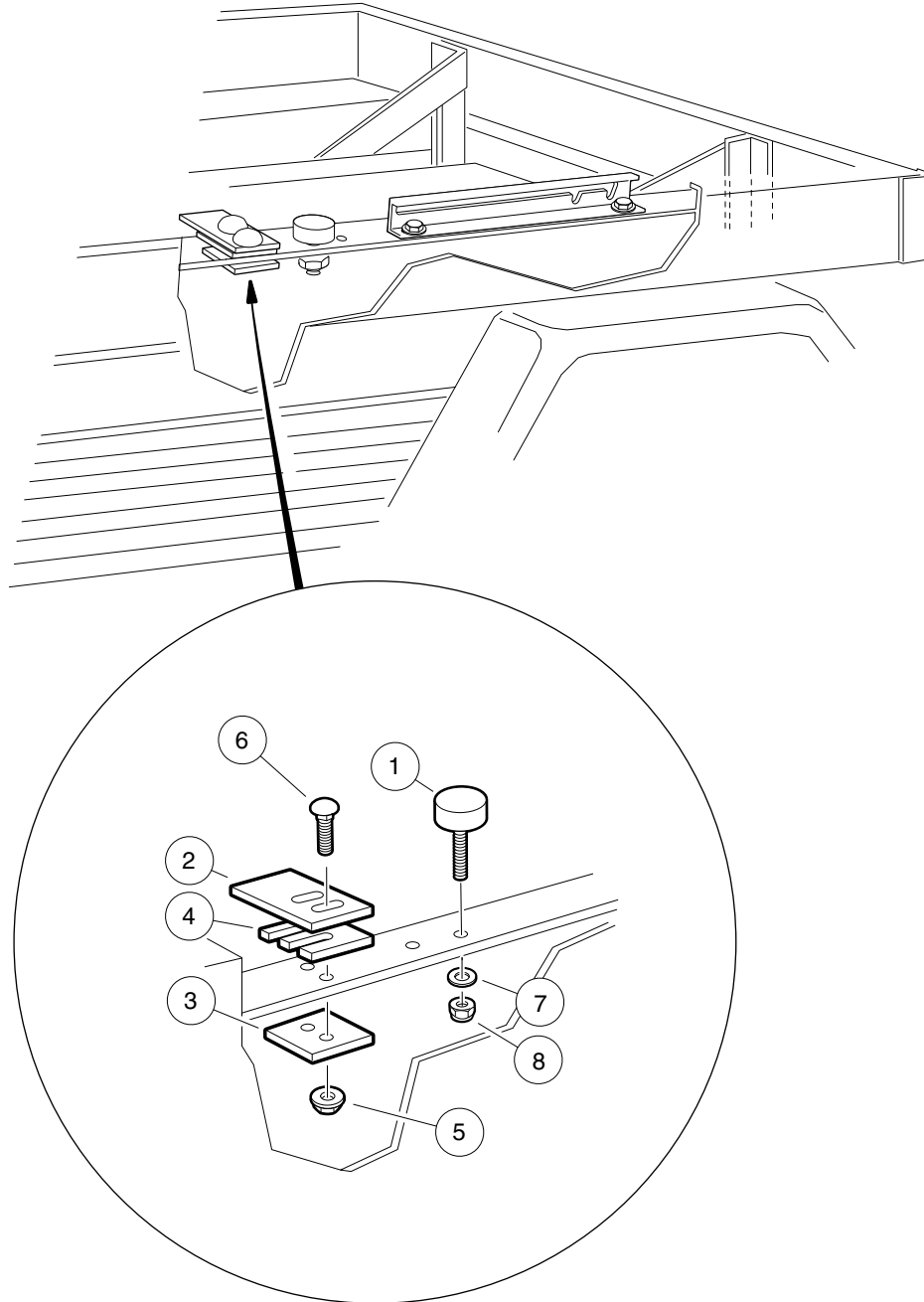
ITEM	PART NO.	DESCRIPTION	QTY
		<b>1 2 3 4</b>	
1	<u>105197201</u>	Kit, Bed Floor, Long (includes items 2 through 8) .....	1
2	<u>101043502</u>	Bolt, Carriage, 5/16-18x1 blk .....	4
3	<u>1012528</u>	Nut, M8-1.25 Hex .....	2
4	<u>1013734</u>	Lockwasher, 8mm Split .....	2
5	<u>105036601</u>	Bumper, Bedfloor, Ca .....	2
6	N/A	Frame, Weldmnt, Bed, Long .....	1
7	N/A	Plate, Flr, Bed Utl, Lng Rhino .....	1
8	<u>7473</u>	Locknut, 5/16-18 Nylon Insert .....	4

**1**

**E**

1

E



000258-002



# LATCH PLATE

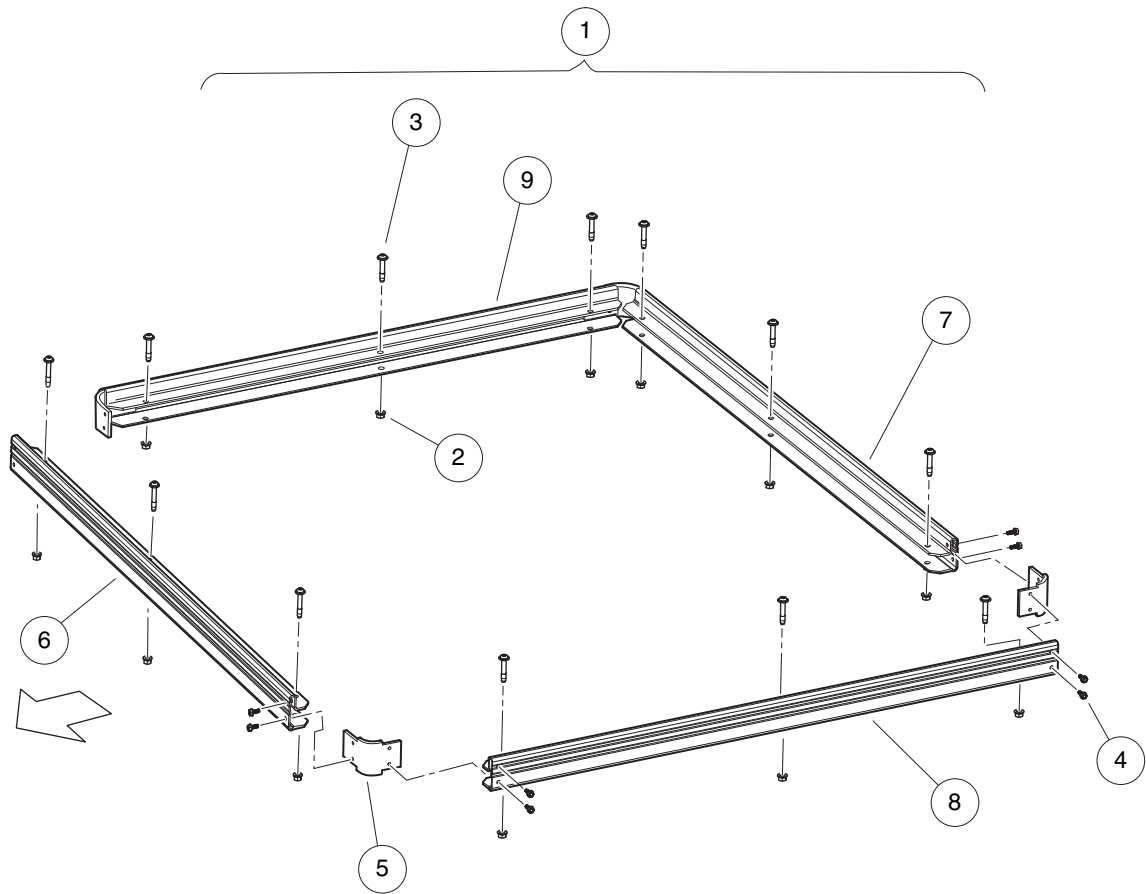
ITEM	PART NO.	DESCRIPTION	QTY
		<b>1 2 3 4</b>	
1	<u>1010878</u>	Bumper, Rubber .....	2
2	<u>1015277</u>	Latch Plate, Tilt Bed .....	2
3	<u>1016060</u>	Plate, Latch Support .....	2
4	<u>1016078</u>	Latch Plate Shim .....	1
5	<u>101835601</u>	Locknut, 1/4-20 Hex Whiz .....	4
6	<u>101958601</u>	Carriage Bolt, 1/4-20 X 0.75 .....	4
7	<u>332</u>	Washer, 1/4 Type A Narrow Flat .....	4
8	<u>8233</u>	Locknut, 1/4-20, Nylon Insert .....	4

**1**

**E**

1

E



001126-001

# FLAT BED TRIM – MEDIUM

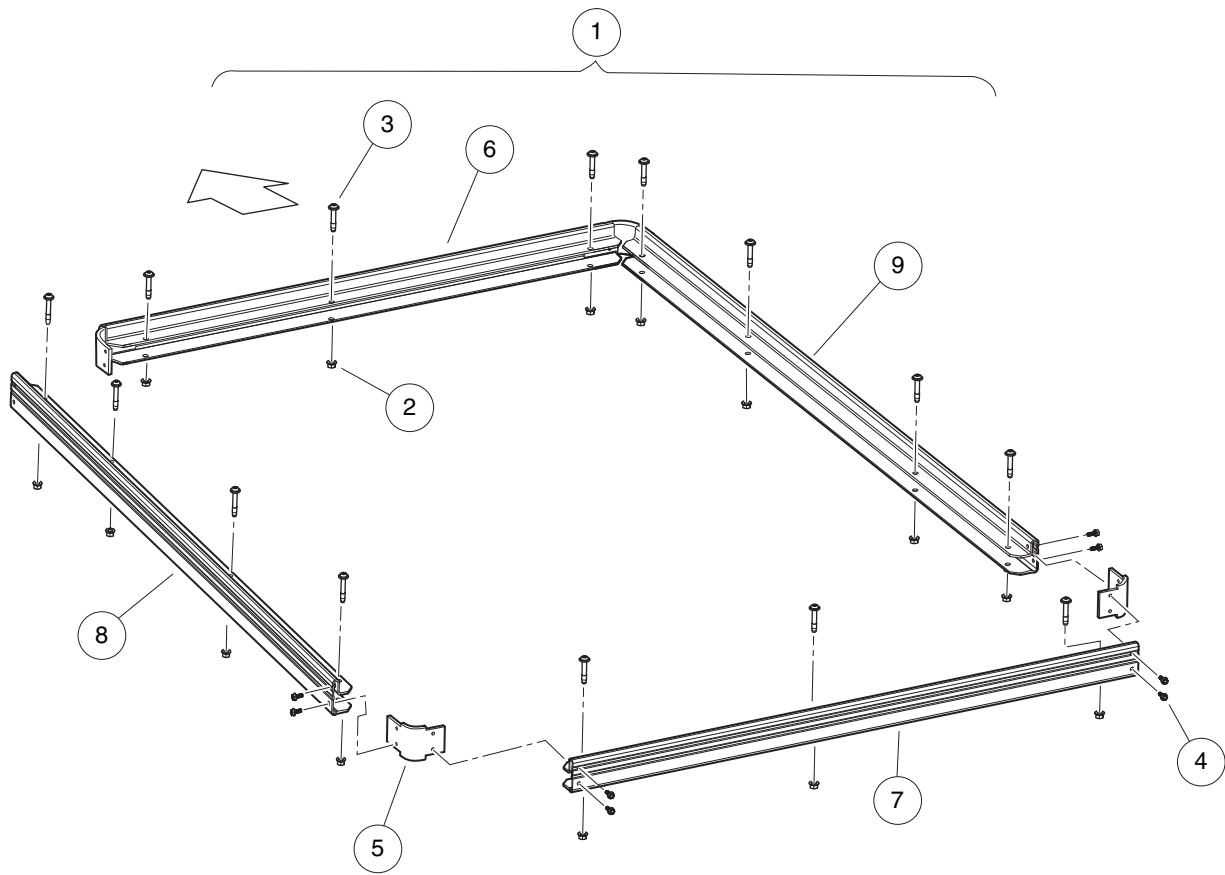
ITEM	PART NO.	DESCRIPTION	QTY
		<b>1 2 3 4</b>	
1	105122205	Kit, Flat Trim, Ca, Med (includes items 2 through 9) .....	1
2	<u>102298401</u>	Nut,m8,all Metal Lock .....	12
3	<u>102299550</u>	Screw,m8x50,sems,tx,bttn,plt .....	12
4	<u>105185701</u>	Pan Head Screw, M6 X 16 Tt .....	16
5	<u>105185801</u>	Bracket,Bed Corner,CA .....	4
6	<u>105194801</u>	Trim, Bed, Cntr, Front .....	1
7	<u>105194802</u>	Trim, Bed, Cntr, Rear .....	1
8	<u>105194901</u>	Trim, Bed, Medium, Lh .....	1
9	<u>105194902</u>	Trim, Bed, Medium, Rh .....	1

**1**

**E**

1

E



001127-001

# FLAT BED TRIM – LONG

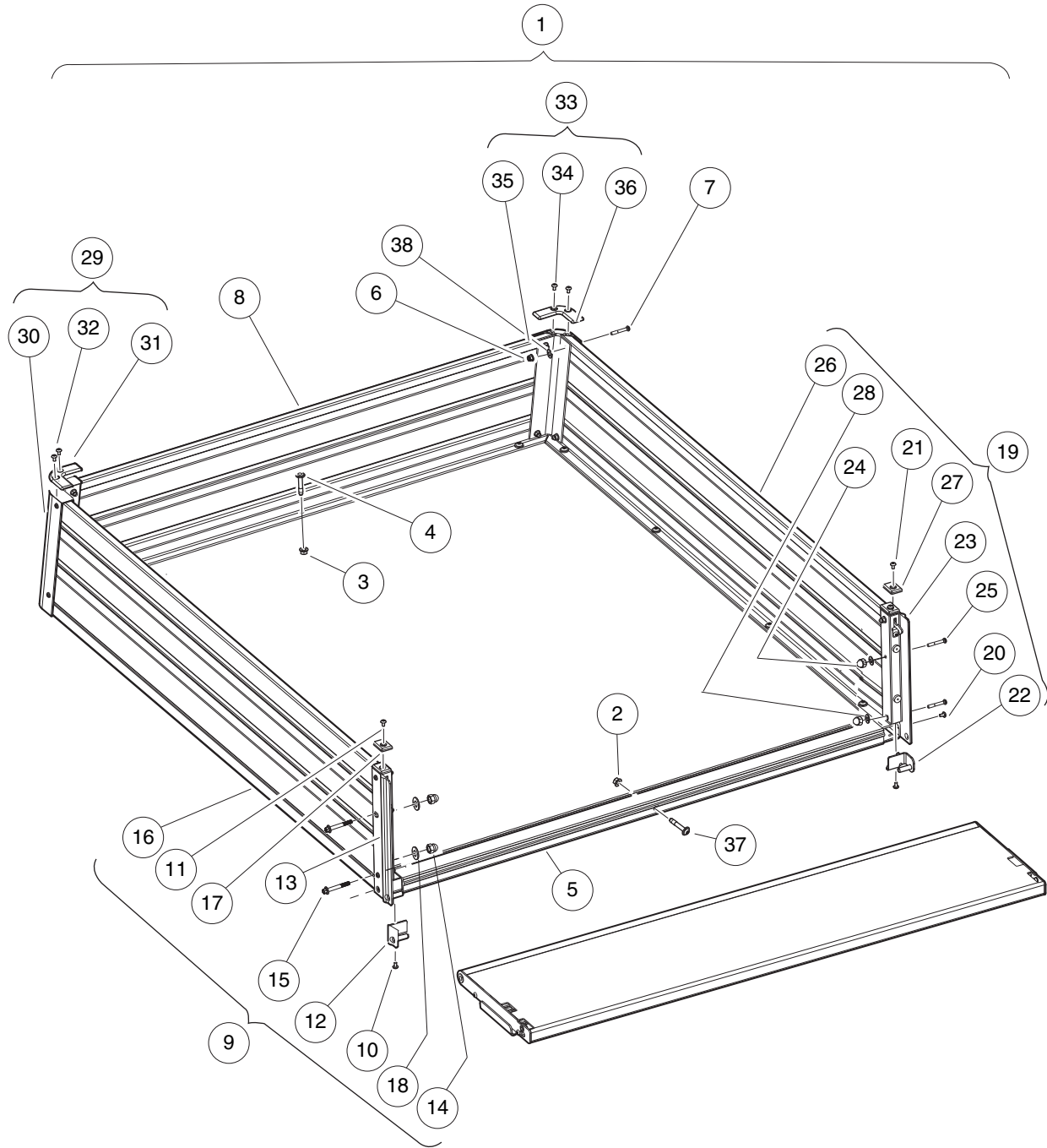
ITEM	PART NO.	DESCRIPTION	QTY
		<b>1 2 3 4</b>	
1	<u>105122206</u>	Kit, Flat Trim, Ca, Long (includes items 2 through 9) .....	1
2	<u>102298401</u>	Nut,m8,all Metal Lock .....	14
3	<u>102299550</u>	Screw,m8x50,sems,tx,bttn,plt .....	14
4	<u>105185701</u>	Pan Head Screw, M6 X 16 Tt .....	16
5	<u>105185801</u>	Bracket,Bed Corner,CA .....	4
6	<u>105194801</u>	Trim, Bed, Cntr, Front .....	1
7	<u>105194802</u>	Trim, Bed, Cntr, Rear .....	1
8	<u>105195001</u>	Trim, Bed, Lng, Lh .....	1
9	<u>105195002</u>	Trim, Bed, Lng, Rh .....	1

**1**

**E**

1

E



001136-002

## CARGO BOX KIT – MEDIUM (PAGE 1 OF 2)

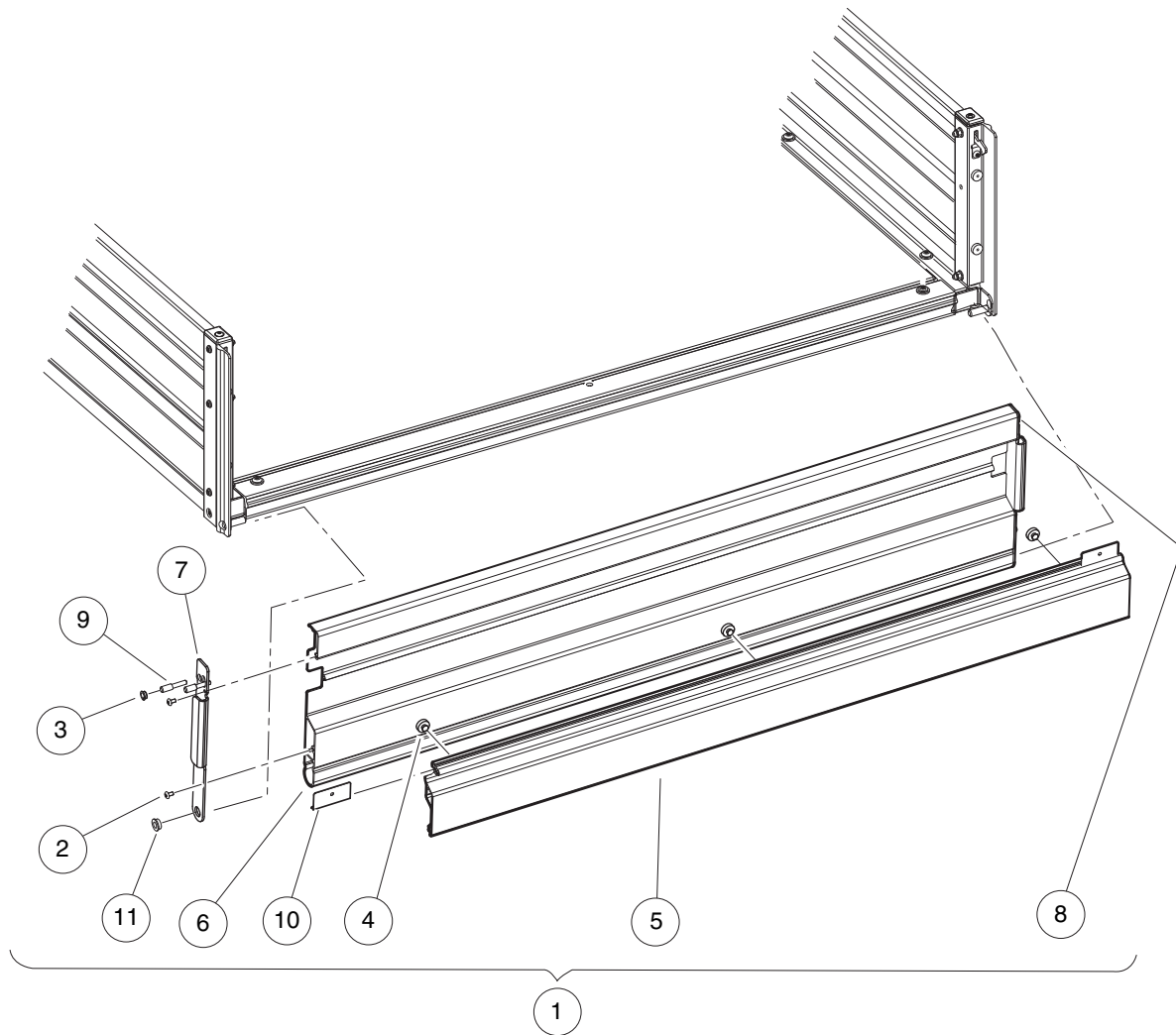
ITEM	PART NO.	DESCRIPTION	QTY
		1 2 3 4	
1	<u>105122105</u>	Kit, Cargo Box,Med (includes items 2 through 38) .....	1
2	<u>1015661</u>	Nut, Lock Hx Flanged 1/4-20 .....	3
3	<u>102298401</u>	Nut,m8,all Metal Lock .....	9
4	<u>102299550</u>	Screw,m8x50,sems,tx,bttn,plt .....	9
5	<u>105192301</u>	Extr, Bed, Cargo, Rear .....	1
6	<u>105192901</u>	Nut, Acorn, M6, Lock, Silver .....	8
7	<u>105193001</u>	Screw, 6 Lobe, M6 X 35 .....	8
8	<u>105194601</u>	Panel, Cargo Box, Frt .....	1
9	<u>105200702</u>	Asm,Cargo Box,Side Panel,DS,Medium (includes items 10 through 18) .....	1
10	<u>1014321</u>	Screw, #10 Truss-Head Torx .....	2
11	<u>105127201</u>	Weldment, Pivot, Tailgate, Lh .....	1
12	<u>105127401</u>	Asm, Latch, Tailgate, Lh .....	1
13	<u>105192901</u>	Nut, Acorn, M6, Lock, Silver .....	2
14	<u>105193001</u>	Screw, 6 Lobe, M6 X 35 .....	2
15	<u>105194402</u>	Panel, Cargo Box, Lh, Med .....	1
16	<u>105196201</u>	Cap, Corner, Rear, Cargo Bed .....	1
17	<u>105205201</u>	Screw, 10-24 X .36, St Torx .....	1
18	<u>96705199</u>	Washer, M6 .....	2
19	<u>105200802</u>	Asm,Cargo Box,Side Panel,PS,Medium (includes items 20 through 28) .....	1
20	<u>1014321</u>	Screw, #10 Truss-Head Torx .....	2
21	<u>102554512</u>	Screw M5-08x12 Torx Pn Trs .....	1
22	<u>105127202</u>	Weldment, Pivot, Tailgate, Rh .....	1
23	<u>105127402</u>	Asm, Latch, Tailgate, Rh .....	1
24	<u>105192901</u>	Nut, Acorn, M6, Lock, Silver .....	2
25	<u>105193001</u>	Screw, 6 Lobe, M6 X 35 .....	2
26	N/A	Panel, Cargo Box, Rh Med .....	1
27	<u>105196201</u>	Cap, Corner, Rear, Cargo Bed .....	1
28	<u>96705199</u>	Washer, M6 .....	2
29	<u>105200901</u>	Asm, Cargo Box,Corner,DS (includes items 30 through 32) .....	1
30	N/A	Extr, Bed Corner, Lh .....	1
31	<u>105196101</u>	Cap, Corner, Frt, Cargo Bed .....	1
32	<u>105205201</u>	Screw, 10-24 X .36, St Torx .....	2
33	<u>105201001</u>	Asm,Cargo Box,Corner,PS (includes items 34 through 36) .....	1
34	N/A	Extr, Bed Corner, Rh .....	1
35	<u>105196101</u>	Cap, Corner, Frt, Cargo Bed .....	1
36	<u>105205201</u>	Screw, 10-24 X .36, St Torx .....	2
37	<u>324</u>	Screw, 1/4-20 X 2.50 Hx Hd Cap .....	3
38	<u>96705199</u>	Washer, M6 .....	8

**1**

**E**

1

E



001152-001



## CARGO BOX KIT (PAGE 2 OF 2)

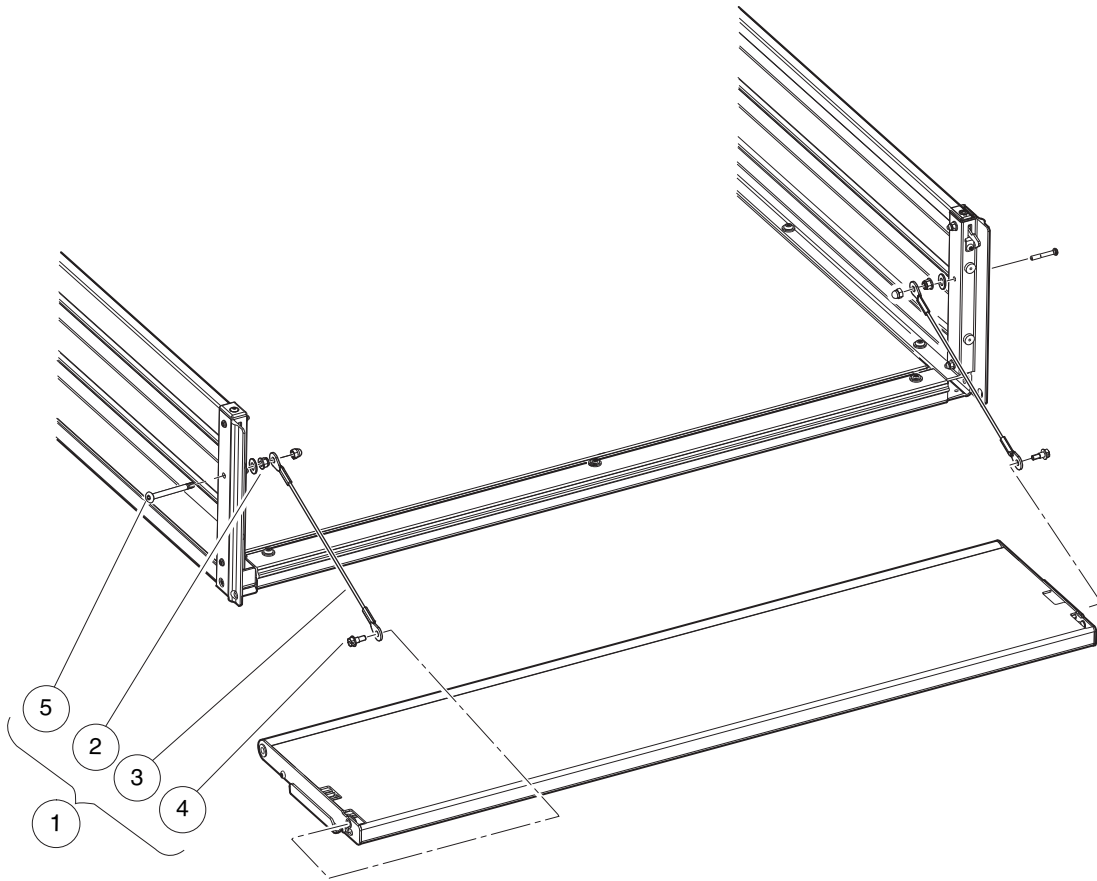
ITEM	PART NO.	DESCRIPTION	QTY
		1 2 3 4	
1	<u>105128101</u>	Asm, Tailgate, Wide Handle (includes items 2 through 11) .....	1
2	<u>1014321</u>	Screw, #10 Truss-Head Torx .....	4
3	<u>1015363</u>	Bushing, Snap-In .....	2
4	<u>102590801</u>	Bumper, Rubber .....	3
5	<u>105128201</u>	Handle, Tailgate, Wide .....	1
6	N/A	Panel, Tailgate, Wide .....	1
7	<u>105130301</u>	Bracket, End, Tailgate, Lh .....	1
8	<u>105130302</u>	Bracket, End, Tailgate, Rh .....	1
9	<u>105130501</u>	Pin, Latch, Tailgate .....	4
10	105130601	Spring, Handle, Tailgate .....	2
11	<u>7049</u>	Bushing, Nylon .....	2

**1**

**E**

1

E



001160-002

# TAILGATE TEATHER

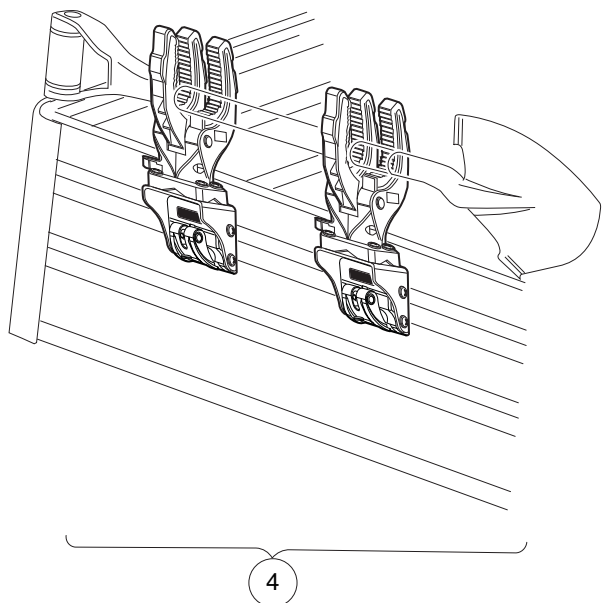
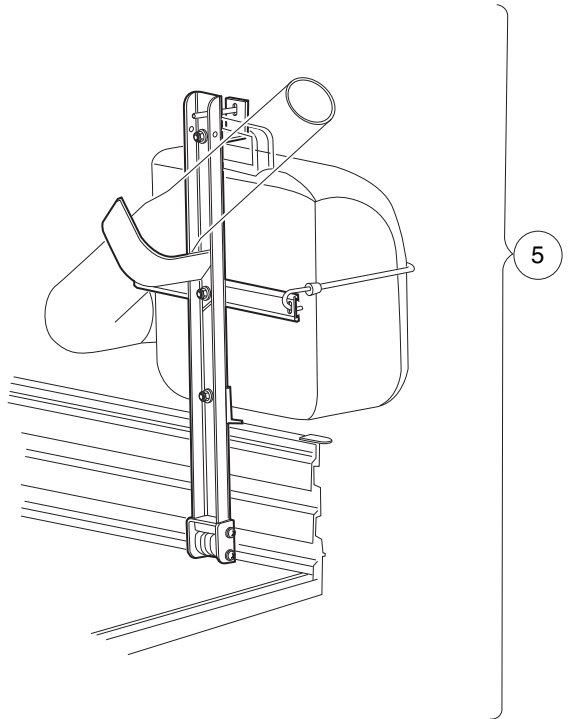
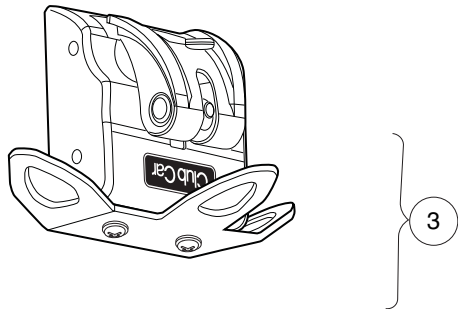
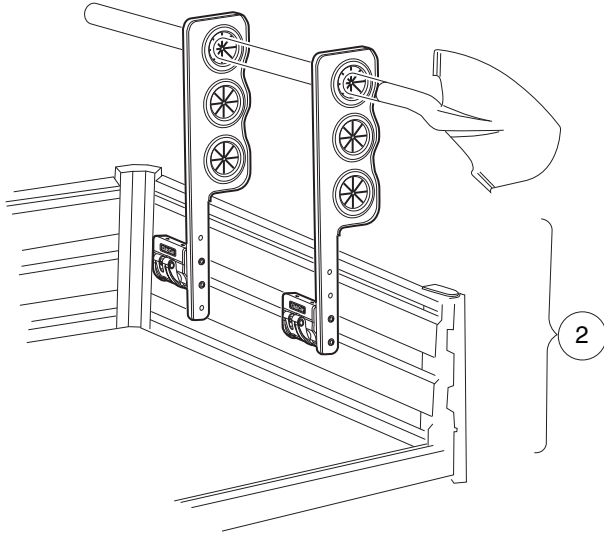
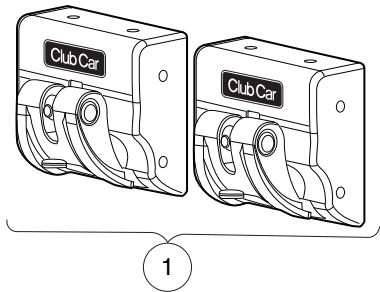
ITEM	PART NO.	DESCRIPTION	QTY
		<b>1 2 3 4</b>	
1	<u>105127302</u>	Kit, Tether, Tailgate (includes items 2 through 5) .....	1
2	<u>102621501</u>	Nut, Flange, M6 X 1.0, Nylon .....	2
3	<u>105128001</u>	Cable, Tether, Tailgate .....	2
4	<u>105129901</u>	Screw, Shoulder, Self Thread .....	2
5	<u>105193101</u>	Screw, 6 Lobe, M6 X 50 .....	2

**1**

**E**

1

E



001167-001

# MODULAR BED ACCESSORIES

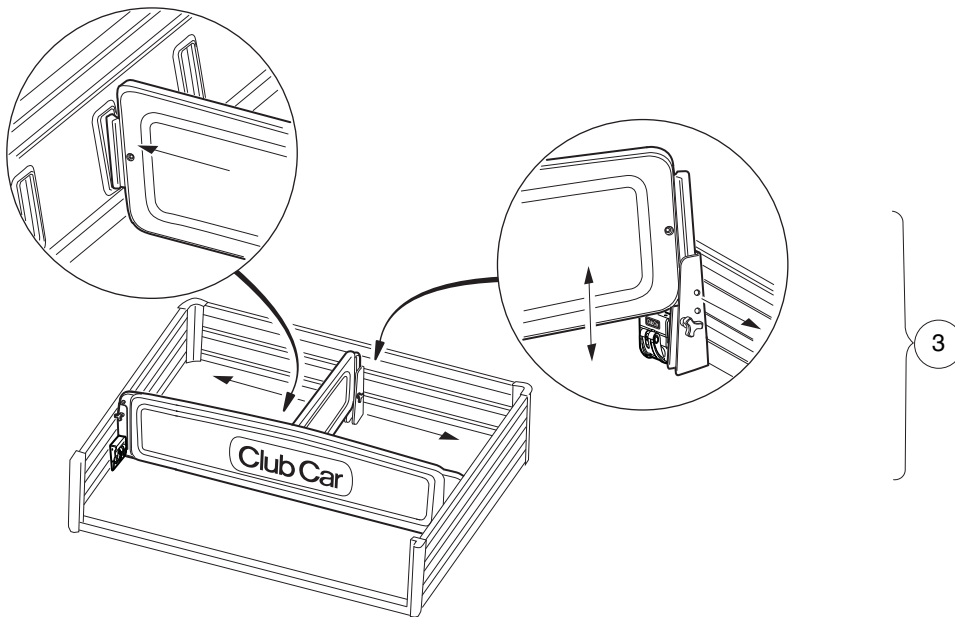
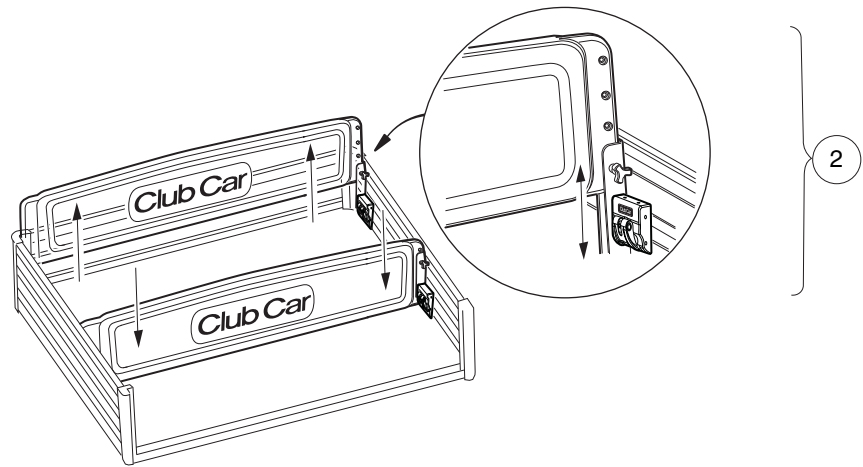
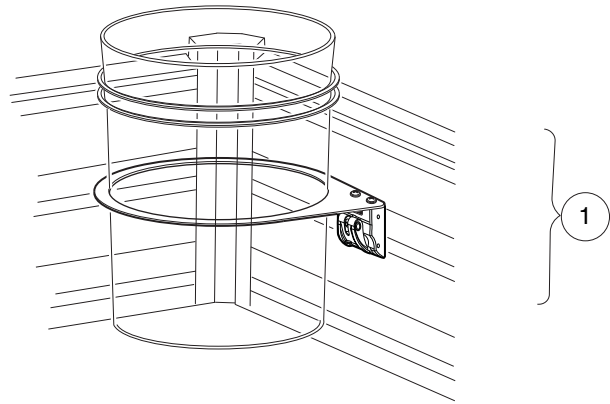
ITEM	PART NO.	DESCRIPTION	QTY
		<b>1 2 3 4</b>	
1	<u>105160401</u>	Bed Clamp, Set .....	1
2	<u>105160801</u>	Kit, Tool Rack .....	1
3	<u>105160901</u>	Kit, Tie Down .....	1
4	<u>105161101</u>	Kit, Static Grip .....	1
5	<u>105161401</u>	Kit, Holder, Leaf Blower .....	1
		Note: Component part numbers unavailable at publication.	

**1**

**E**

1

E



001169-002

# MODULAR BED ACCESSORIES

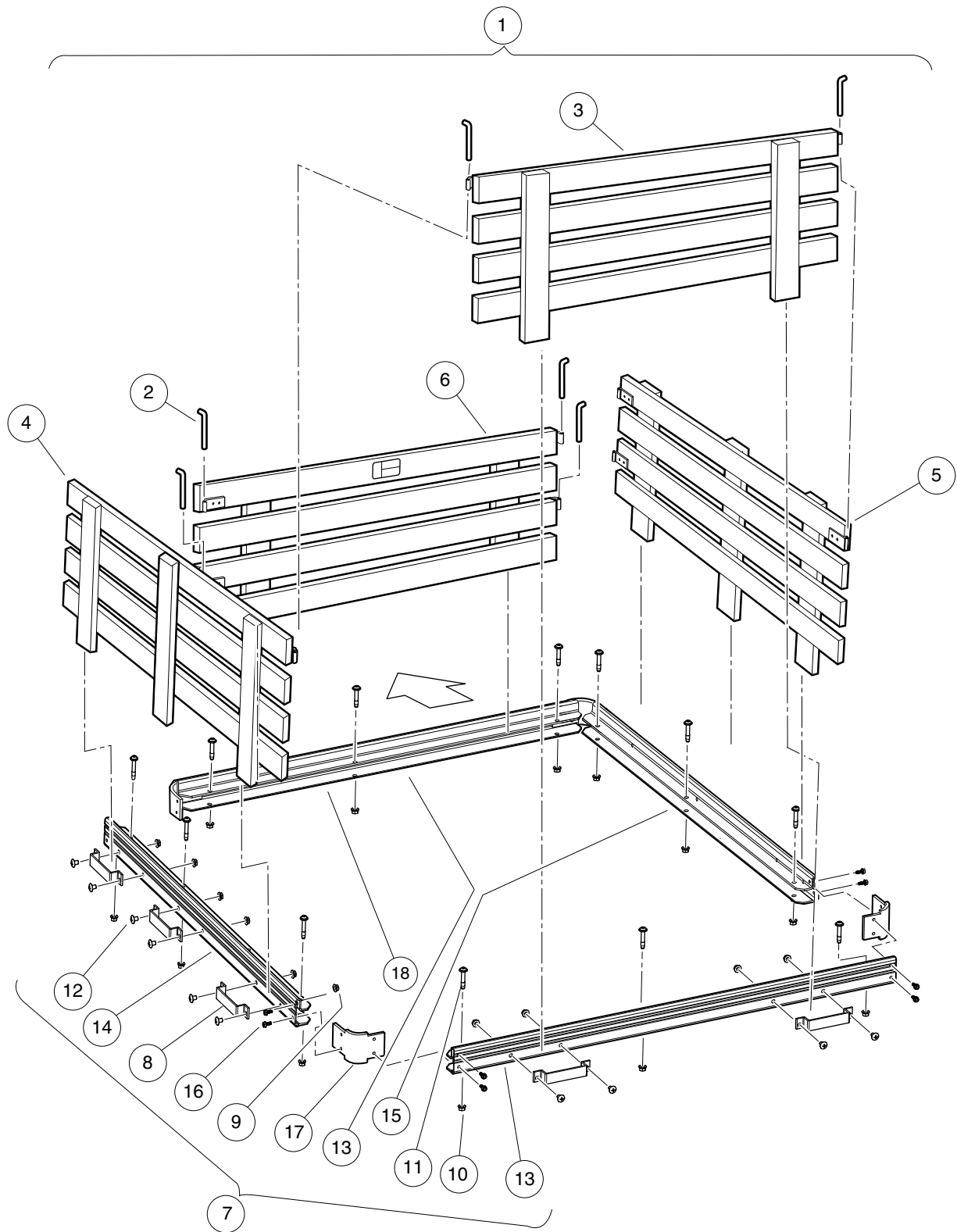
ITEM	PART NO.	DESCRIPTION	QTY
		1 2 3 4	
1	<u>105160501</u>	Kit, Holder, Bucket .....	1
2	<u>105161201</u>	Kit, Bed Divider/extension .....	1
3	<u>105161301</u>	Kit, Bed Divider, Short .....	1
		Note: Component part numbers unavailable at publication.	

**1**

**E**

1

E



001130-001



# STAKE SIDE KIT – MEDIUM

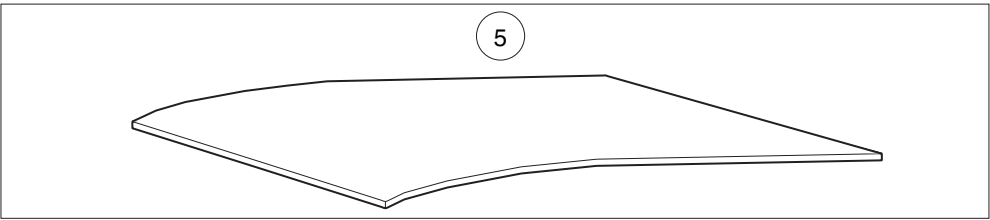
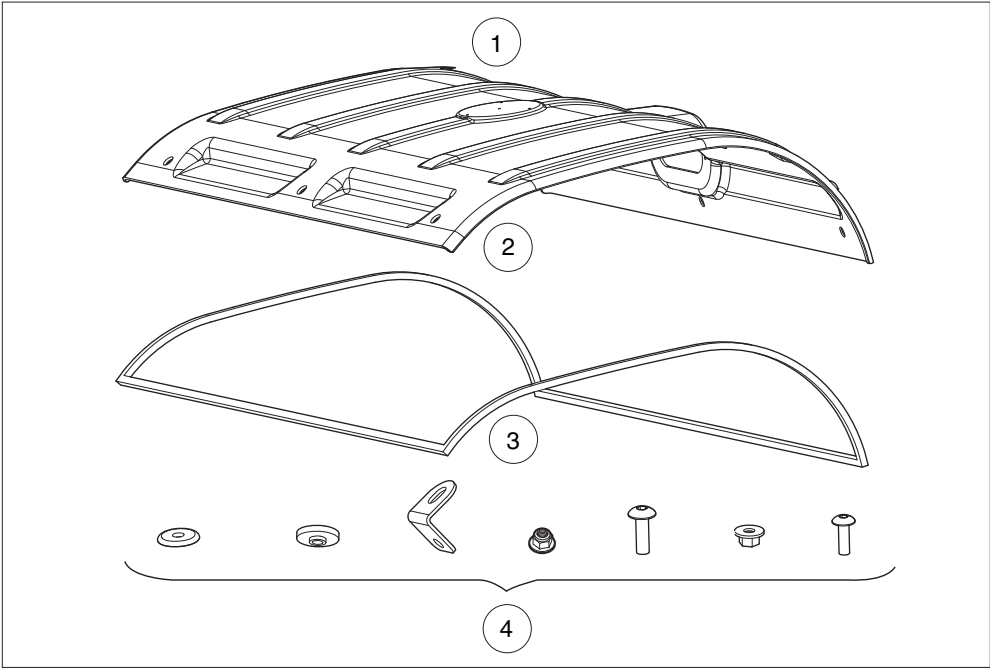
ITEM	PART NO.	DESCRIPTION	QTY
		<b>1 2 3 4</b>	
1	<u>105109501</u>	Kit, Stake Side, Med (includes items 2 through 7) .....	1
2	<u>1015656</u>	Pin, hinge .....	6
3	<u>102847603</u>	Asm, Stake Side, 48 X 19 Rear .....	1
4	<u>105113301</u>	Stake Side, Ca Med, Lh .....	1
5	<u>105113302</u>	Stake Side, Ca Med, Rh .....	1
6	<u>105129501</u>	Stake Side, Front, Ca, 50" .....	1
7	<u>105148502</u>	Asm, Trim, Stake Side, Med (includes items 8 through 18) .....	1
8	<u>1016077</u>	Bracket, Stake Side .....	8
9	<u>101963401</u>	Locknut, 5/16-18 Hex Flange .....	16
10	<u>102298401</u>	Nut,m8,all Metal Lock .....	14
11	<u>102299550</u>	Screw,m8x50,sems,tx,bttn,plt .....	14
12	<u>105129601</u>	Screw, Phl Trus Hd, 5/16-18x.5 .....	16
13	<u>105148601</u>	Trim, Stake Side, Cen, Rear .....	1
14	<u>105148801</u>	Trim, Stake Side, Med, Lh .....	1
15	<u>105148802</u>	Trim, Stake Side, Med, Rh .....	1
16	<u>105185701</u>	Pan Head Screw, M6 X 16 Tt .....	16
17	<u>105185801</u>	Bracket, Bed Corner, CA .....	4
18	<u>105194801</u>	Trim, Bed, Cntr, Front .....	1

**1**

**E**

1

E



001183-001

# CAB CANOPY

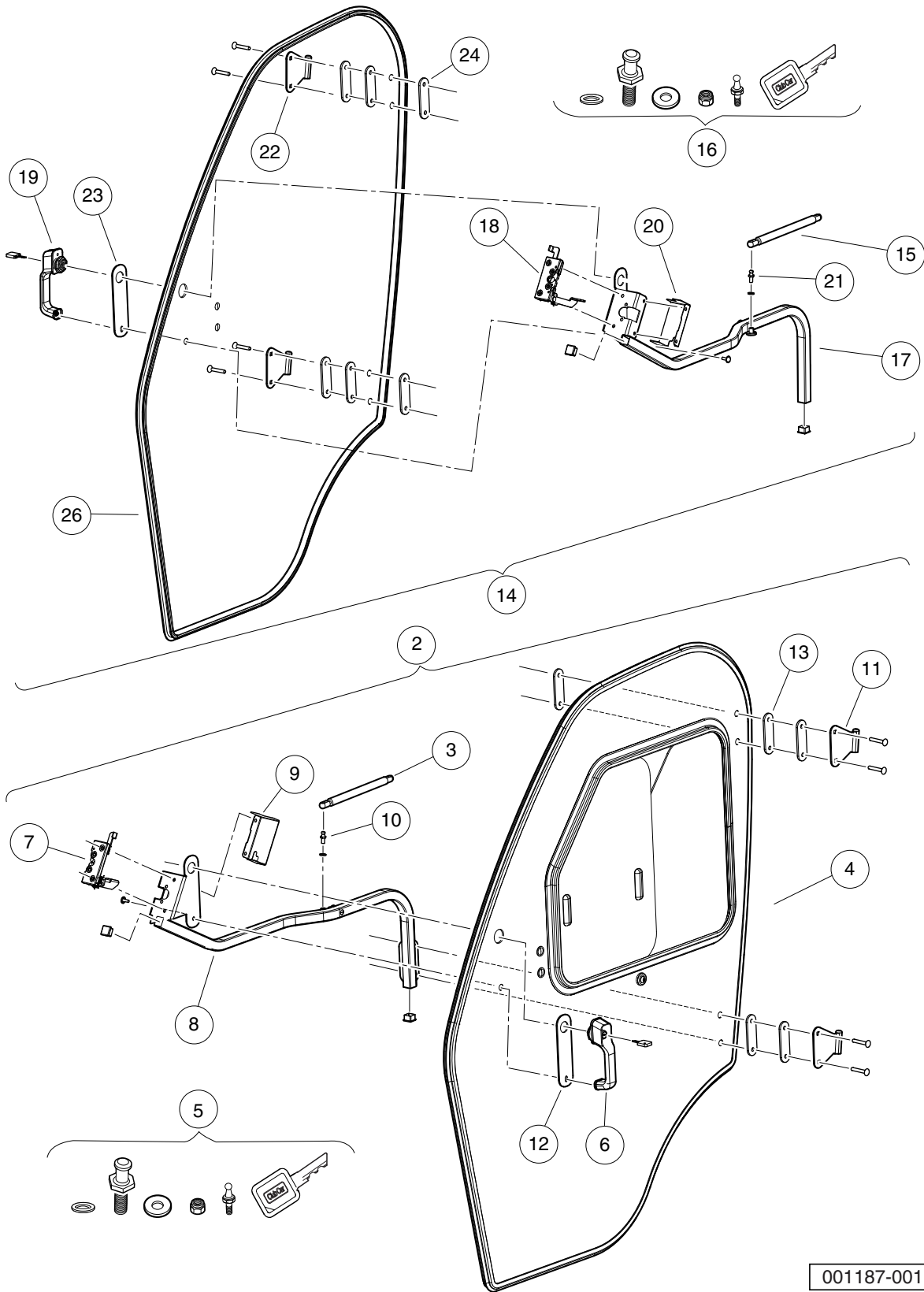
ITEM	PART NO.	DESCRIPTION	QTY
		1 2 3 4	
1	105096801	Cab, Canopy, Lsv Kit (includes items 2 through 4) .....	1
2	<u>105177301</u>	Cab, Canopy .....	1
3	<u>105177601</u>	Seal, Cab Canopy .....	1
4	<u>105177701</u>	Hardware Kit, Canopy .....	1
5	<u>105097001</u>	Cab, Canopy, Liner Kit .....	1

**1**

**E**

1

E



001187-001

# CAB DOORS – GLASS

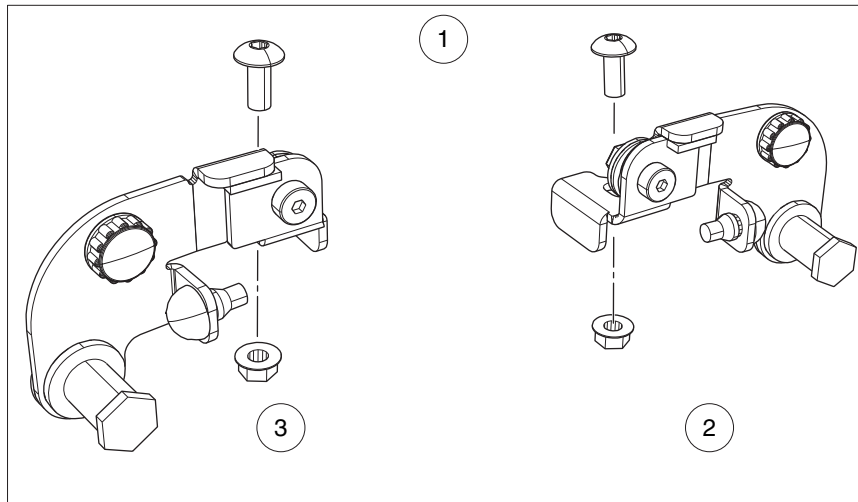
ITEM	PART NO.	DESCRIPTION	QTY
		1 2 3 4	
1	105097301	Cab, Doors, Glass Kit (includes items 2 through 14) .....	1
2	<u>105181701</u>	Glass Door Asm, Lh (includes items 3 through 13) .....	1
3	<u>104001201</u>	Gas Spring .....	1
4	<u>105181801</u>	Glass Door Replacement, Lh .....	1
5	<u>105181901</u>	Hardware Kit, Glass Door .....	1
6	<u>105182001</u>	Handle, Push Button .....	1
7	<u>105182101</u>	Latch, Glass Door, Lh .....	1
8	<u>105182201</u>	Handle, Glass Door, Lh .....	1
9	<u>105182301</u>	Cover, Latch, Lh .....	1
10	<u>105182401</u>	Spring, Ball Stud .....	1
11	<u>105182501</u>	Hinge, Door .....	2
12	<u>105182601</u>	Spacer, Handle .....	1
13	<u>105182701</u>	Plate, Upper Hinge .....	1
14	<u>105182901</u>	Glass Door Asm, Rh (includes items 15 through 26) .....	1
15	<u>104001201</u>	Gas Spring .....	1
16	<u>105181901</u>	Hardware Kit, Glass Door .....	1
17	<u>105182002</u>	Handle, Glass Door, RH .....	1
18	<u>105182102</u>	Latch, Glass Door, Rh .....	1
19	<u>105182202</u>	Handle, Glass Door, Rh .....	1
20	<u>105182302</u>	Cover, Latch, Rh .....	1
21	<u>105182401</u>	Spring, Ball Stud .....	1
22	<u>105182501</u>	Hinge, Door .....	2
23	<u>105182601</u>	Spacer, Handle .....	1
24	<u>105182701</u>	Plate, Upper Hinge .....	1
25	<u>105182801</u>	Hardware Kit, Door Striker .....	1
26	<u>105183001</u>	Glass Door Replacement, Rh .....	1

1

E

1

E



001143-002

# CAB DOORS – VENT

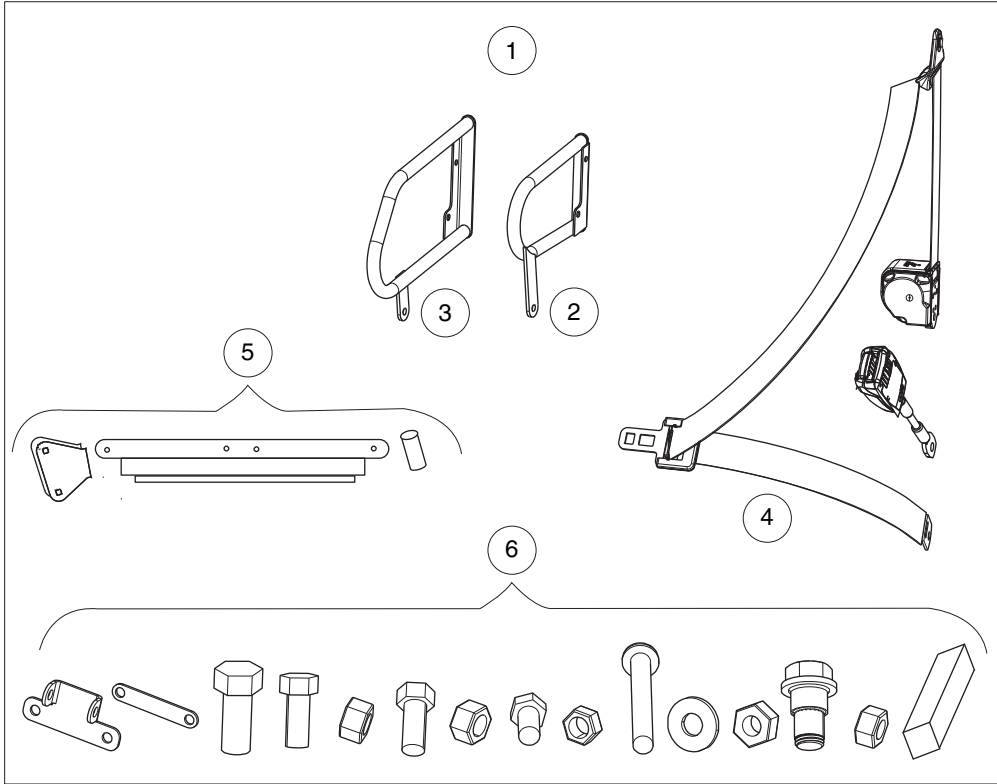
ITEM	PART NO.	DESCRIPTION	QTY
		1 2 3 4	
1	105097501	Cab, Door, Vent Kit (includes items 2 and 3) .....	1
2	<u>105178301</u>	Door Vent Lh .....	1
3	<u>105178401</u>	Door Vent Rh .....	1

**1**

**E**

1

E



001181-001



# CAB – SEAT BELTS – 3-POINT

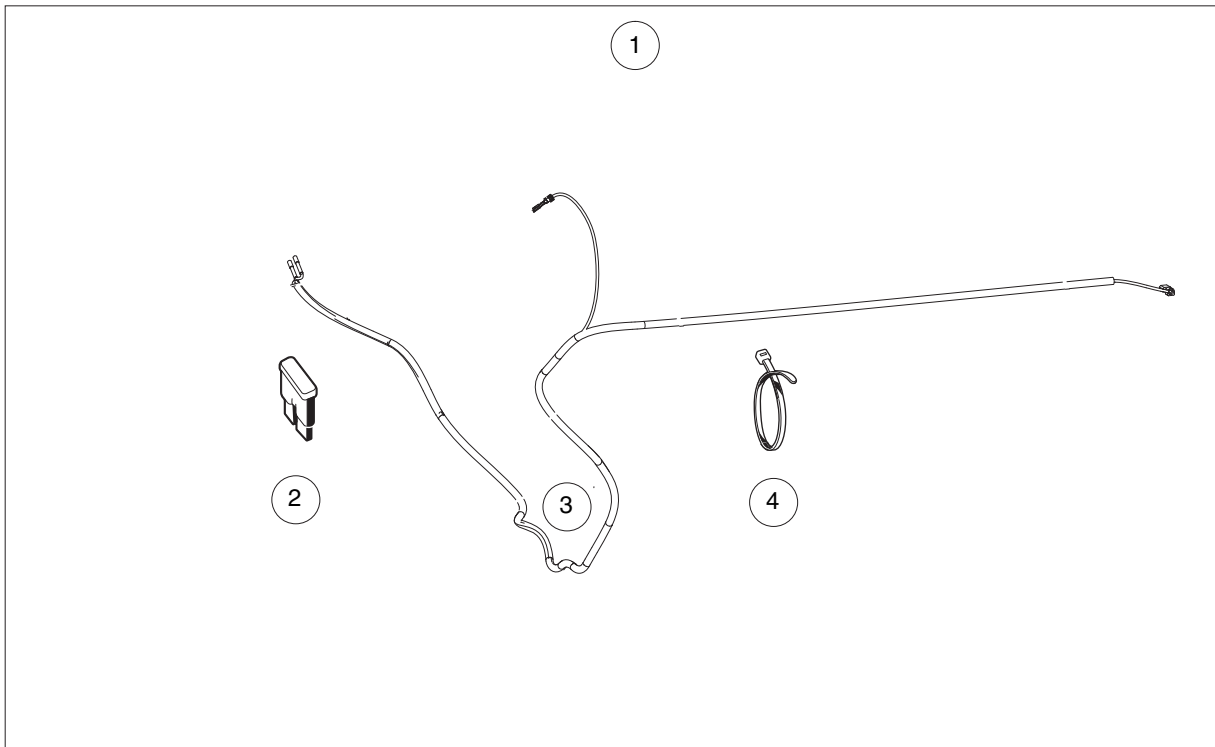
ITEM	PART NO.	DESCRIPTION	QTY
		<b>1 2 3 4</b>	
1	105096701	Cab, 3 Pt Seat Belt, Hom Kit (includes items 2 through 6) .....	1
2	<u>105176101</u>	Hip Restraint Ds, Cab .....	1
3	<u>105176201</u>	Hip Restraint Ps, Cab .....	1
4	<u>105176401</u>	Seat Belt Asm 3pt Hom .....	1
5	<u>105176501</u>	Homologation Kit .....	1
6	<u>105176601</u>	Hardware Kit, 3pt Sbelt Hom .....	1

**1**

**E**

1

E



001193-001

# CAB – ELECTRICAL, POWER HARNESS, ELECTRIC VEHICLE TO CAB

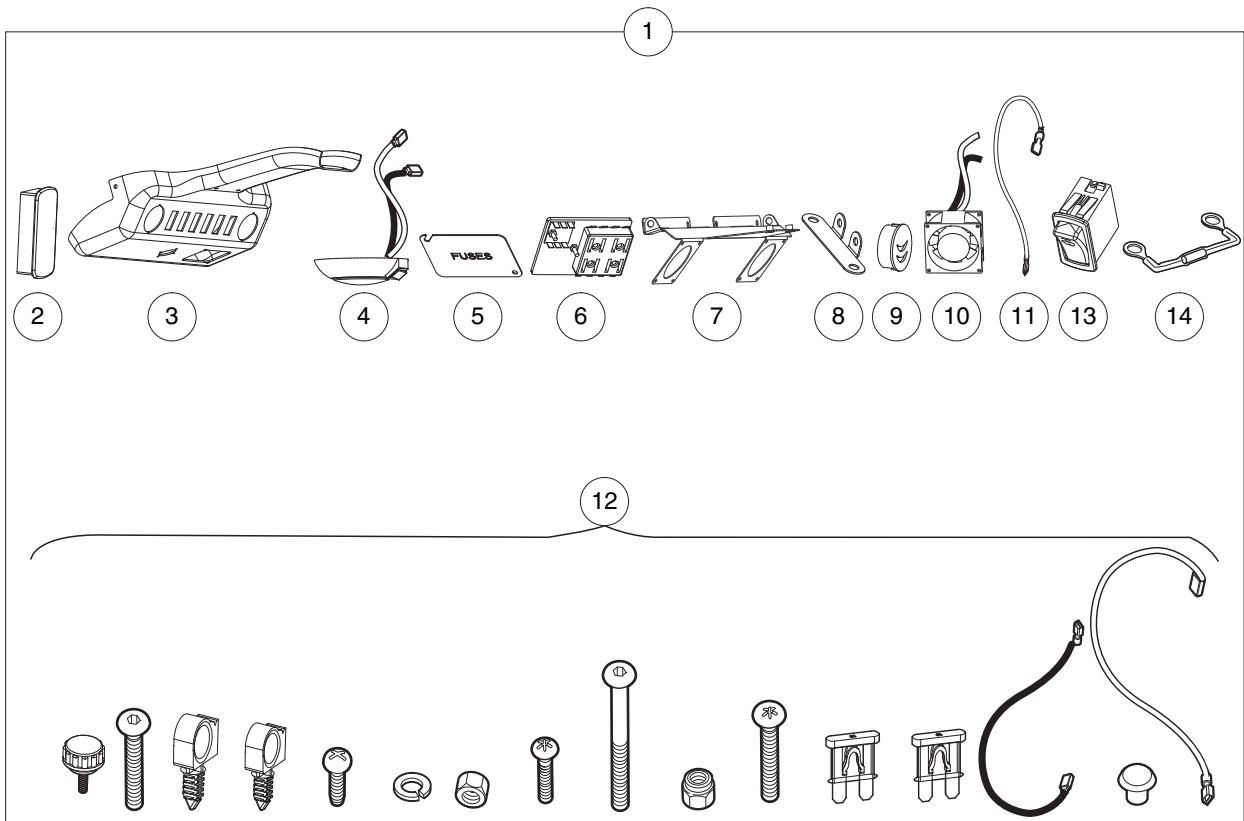
ITEM	PART NO.	DESCRIPTION	QTY
		1 2 3 4	
1	<u>105234002</u>	Kit, Cab Pwr Harness, Elec (includes items 2 through 4) .....	1
2	<u>105114807</u>	Fuse, Mini, Atm, 15 Amp .....	1
3	<u>105205501</u>	Harn, Pwr Supply, Cab .....	1
4	<u>8639</u>	Tie Wrap, 11" Nylon .....	5

**1**

**E**

1

E



001188-002

# CAB – ELECTRICAL, OVERHEAD CONSOLE

ITEM	PART NO.	DESCRIPTION	QTY
		1 2 3 4	
1	<u>105097901</u>	Cab, Overhead Console, Kit (includes items 2 through 14) .....	1
2	<u>103180101</u>	Cover, Hole, Switch, Rocker .....	5
3	<u>105179001</u>	Overhead Console Asm .....	1
4	<u>105179101</u>	Cab, Dome Light .....	1
5	<u>105179201</u>	Cab, Fuse Cover .....	1
6	<u>105179301</u>	Cab, Fuse Holder 8 W Grnd .....	1
7	<u>105179401</u>	Front Fan Bracket, Asm .....	1
8	<u>105179501</u>	Rear Oh Console Bracket .....	1
9	<u>105179601</u>	Fan Louver .....	2
10	<u>105179701</u>	Oh Console Fan .....	1
11	<u>105179801</u>	Wire Jumper, Fan .....	1
12	<u>105179901</u>	Hardware Kit, Oh Console .....	1
13	<u>105183501</u>	Rocker, Fan .....	1
14	<u>105295301</u>	Asm, Capacitor, 0.47uf .....	1

**1**

**E**



# CAB – ELECTRICAL, WINDSHIELD WIPER

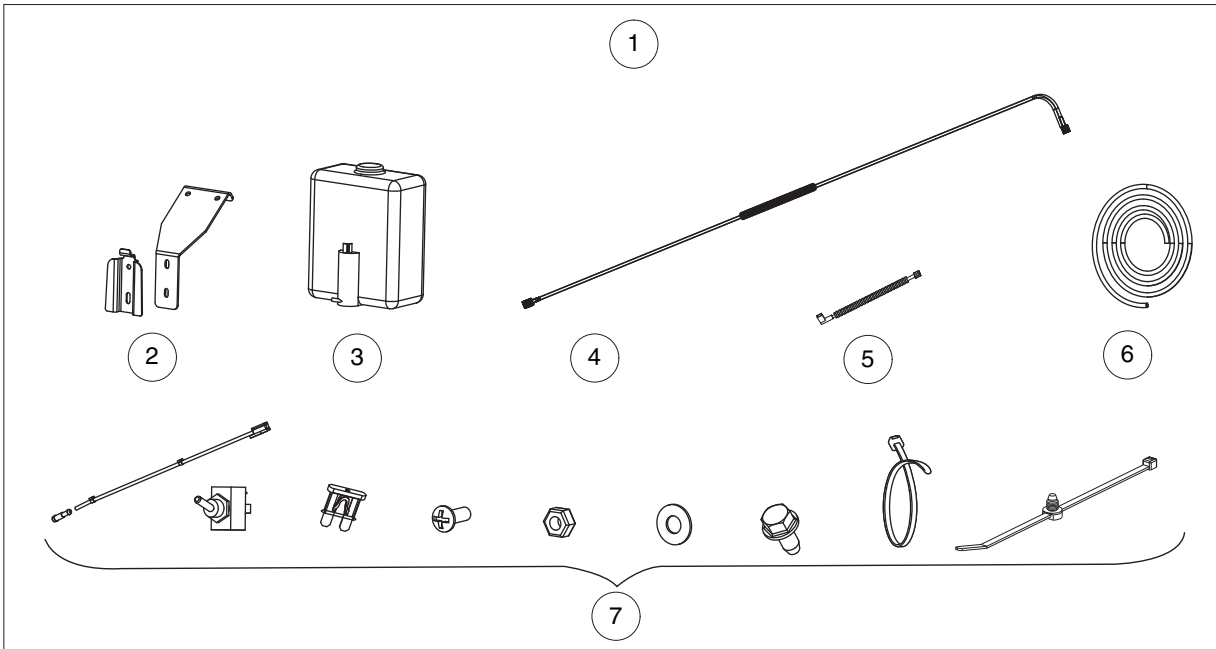
ITEM	PART NO.	DESCRIPTION	QTY
		1 2 3 4	
1	105098003	Cab, Front Wiper Kit, Homologated (includes items 2 through 7) .....	1
2	<u>104000901</u>	Wiper Arm, Modified .....	1
3	<u>104003501</u>	Cover, Wiper Mtr & Switch Asm .....	1
4	<u>105180002</u>	Motor, Wiper, 85 Degree, Homologated .....	1
5	<u>105180201</u>	Hardware Kit, Wiper .....	1
6	<u>105183701</u>	Harness, Wiper .....	1
7	<u>105205701</u>	Wiper Blade 18 .....	1
Note: Some part numbers not available at time of publication.			

**1**

**E**

1

E



001189-001



# CAB – ELECTRICAL, WINDSHIELD WASHER

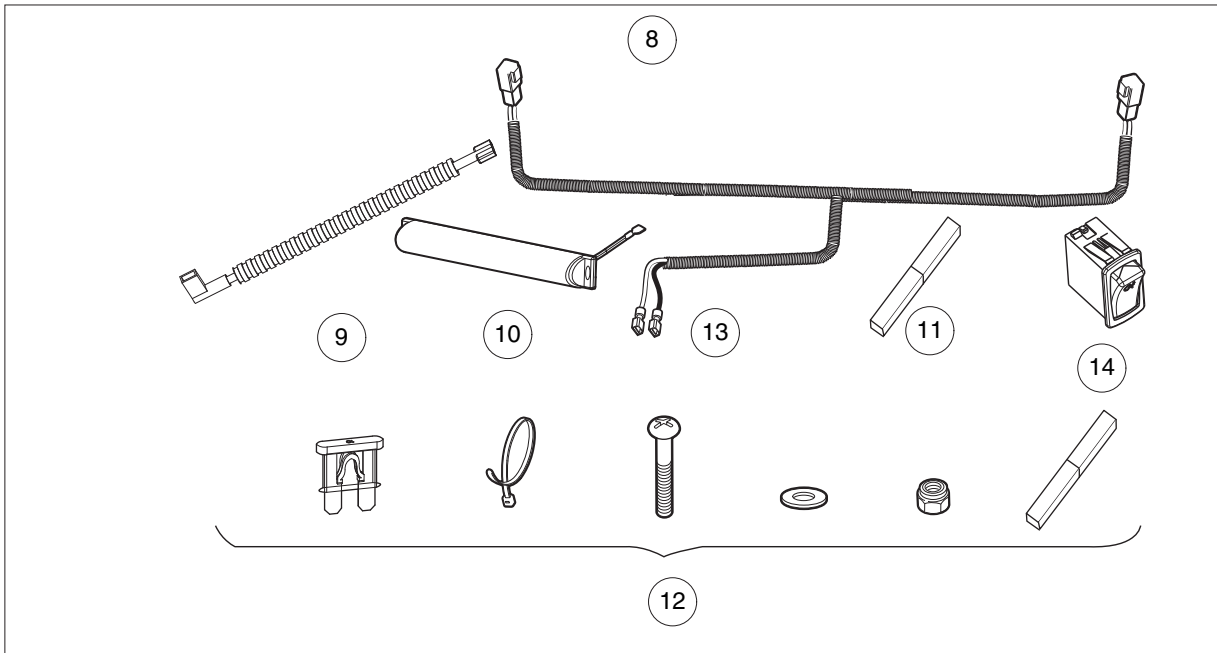
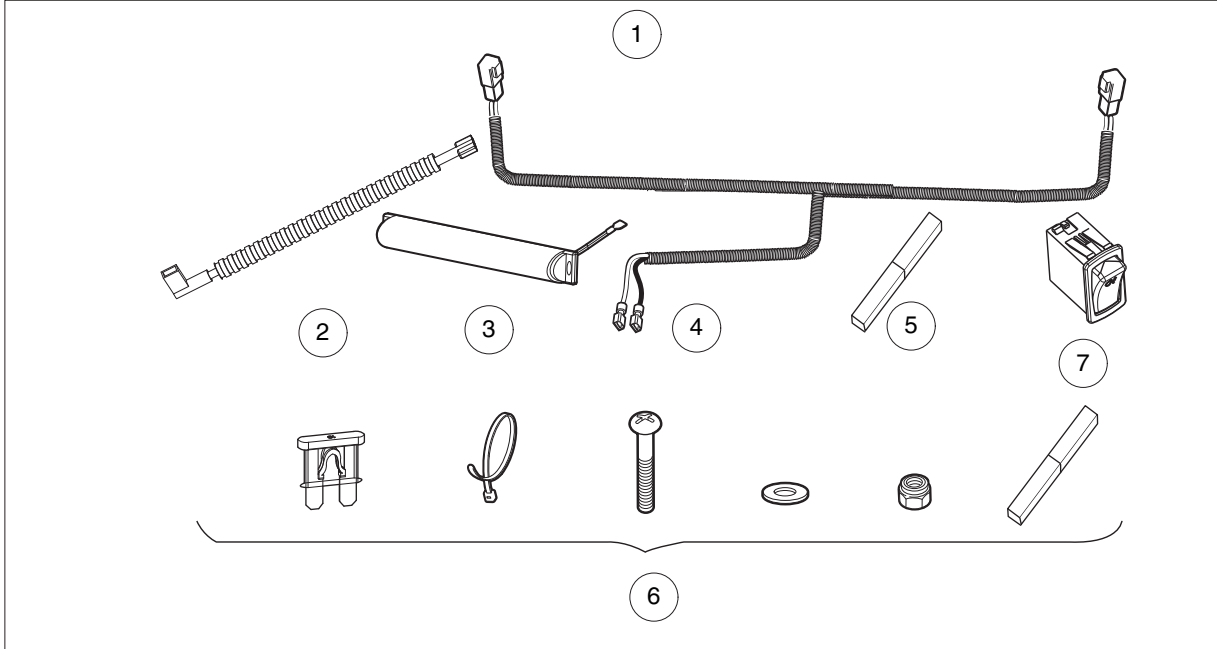
ITEM	PART NO.	DESCRIPTION	QTY
		<b>1 2 3 4</b>	
1	<u>105098101</u>	Cab, Front Wiper, Washer Kit (includes items 2 through 7) .....	1
2	<u>105180301</u>	Washer Tank Mount Plate .....	1
3	<u>105180401</u>	Wash Tank Asm .....	1
4	<u>105180501</u>	Wire Harness Sw To Pump .....	1
5	<u>105180601</u>	Wire Harness Fb To Sw .....	1
6	<u>105180701</u>	Hose 18x31x17ft .....	1
7	<u>105180801</u>	Hardware Kit, Wiper Washer .....	1

**1**

**E**

1

E



001191-001

# CAB – ELECTRICAL, WORK LIGHTS

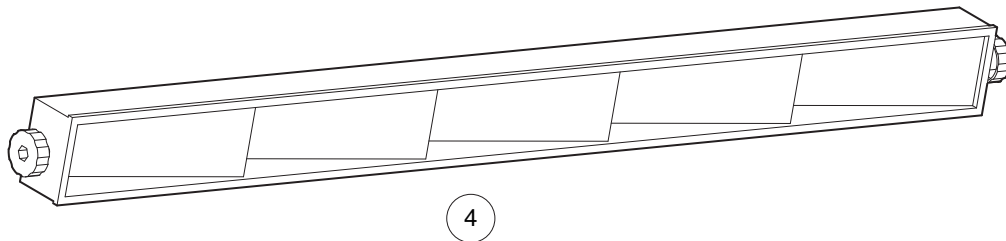
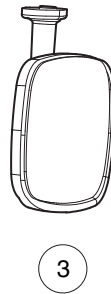
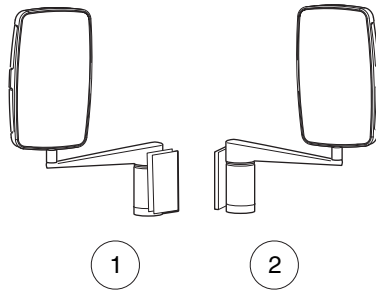
ITEM	PART NO.	DESCRIPTION	QTY
		1 2 3 4	
1	<u>105098201</u>	Cab, Front Work Light Kit (includes items 2 through 7) .....	1
2	<u>105180601</u>	Wire Harness Fb To Sw .....	1
3	<u>105180901</u>	Cab Work Light Led .....	2
4	<u>105181001</u>	Wire Harn Front WI .....	1
5	<u>105181101</u>	Work Light Tape .....	2
6	<u>105181301</u>	Hardware Kit, Work Light .....	1
7	<u>105183601</u>	Switch, Rocker, Front Work Light .....	1
8	<u>105098301</u>	Cab, Rear Work Light Kit (includes items 9 through 14) .....	1
9	<u>105180601</u>	Wire Harness Fb To Sw .....	1
10	<u>105180901</u>	Cab Work Light Led .....	2
11	<u>105181101</u>	Work Light Tape .....	2
12	<u>105181301</u>	Hardware Kit, Work Light .....	1
13	<u>105181401</u>	Wire Harn Rear WI .....	1
14	<u>105181501</u>	Rocker Rear WI .....	1

**1**

**E**

1

E



001198-001

# CAB - MIRRORS

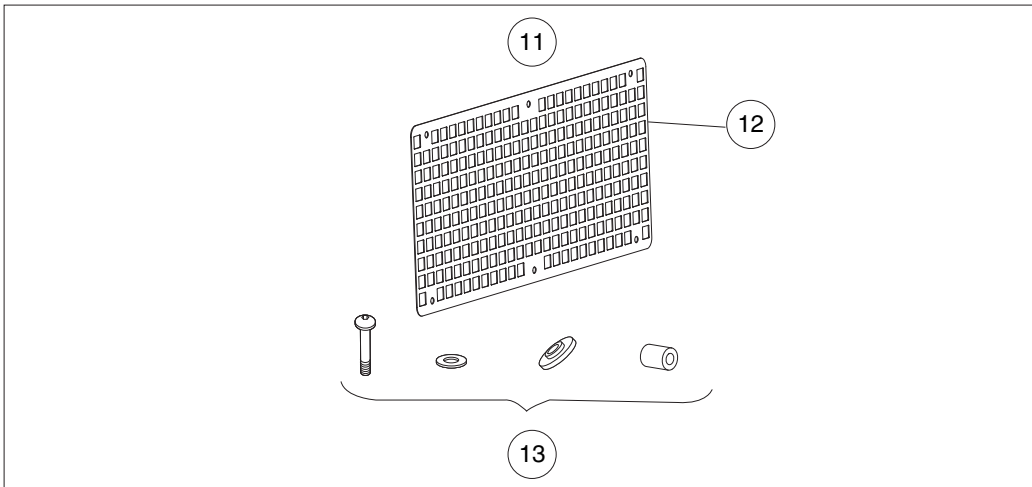
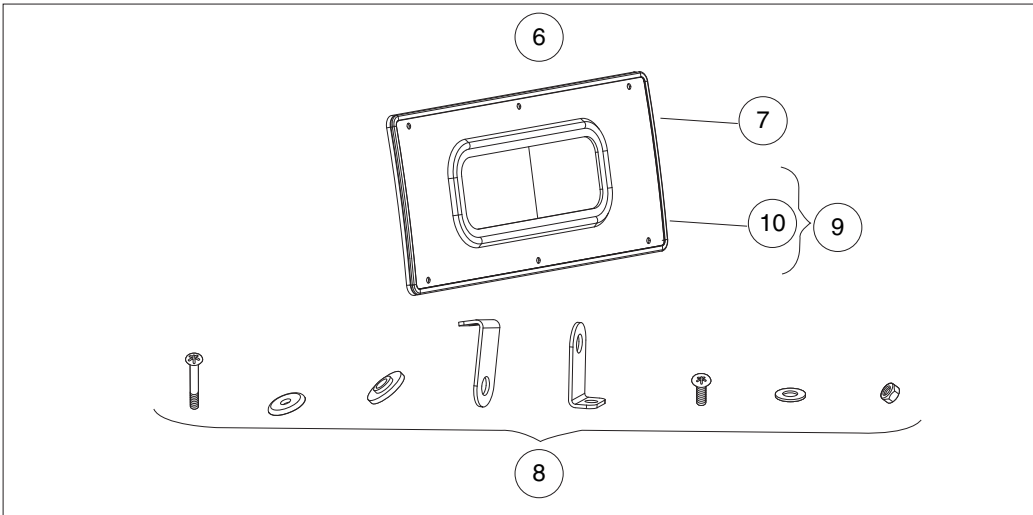
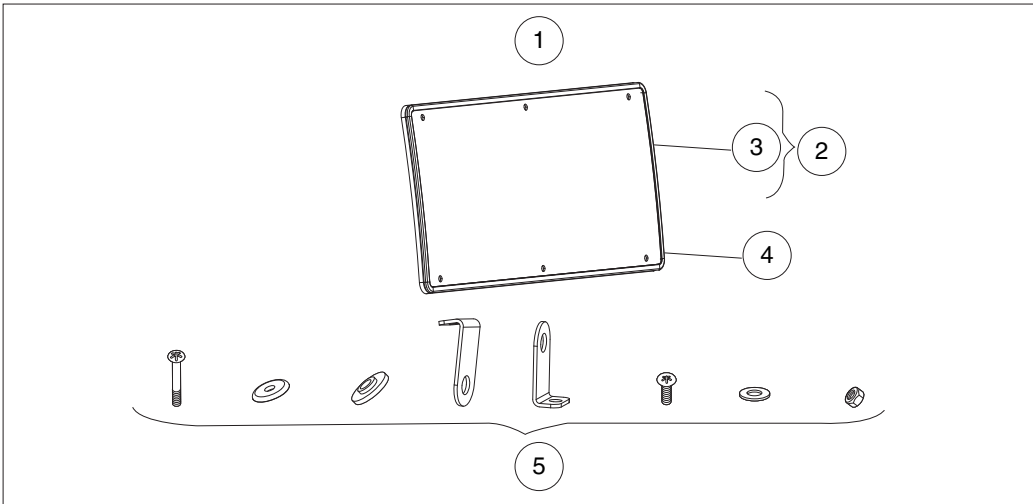
ITEM	PART NO.	DESCRIPTION	QTY
		1 2 3 4	
1	<u>105098601</u>	Cab, Mirror, Left Kit, Eu .....	1
2	<u>105098602</u>	Cab, Mirror, Right Kit, Eu .....	1
3	<u>105098701</u>	Cab, Mirror, Interior Kit .....	1

**1**

**E**

1

E



001185-001

# CAB – REAR WINDOW

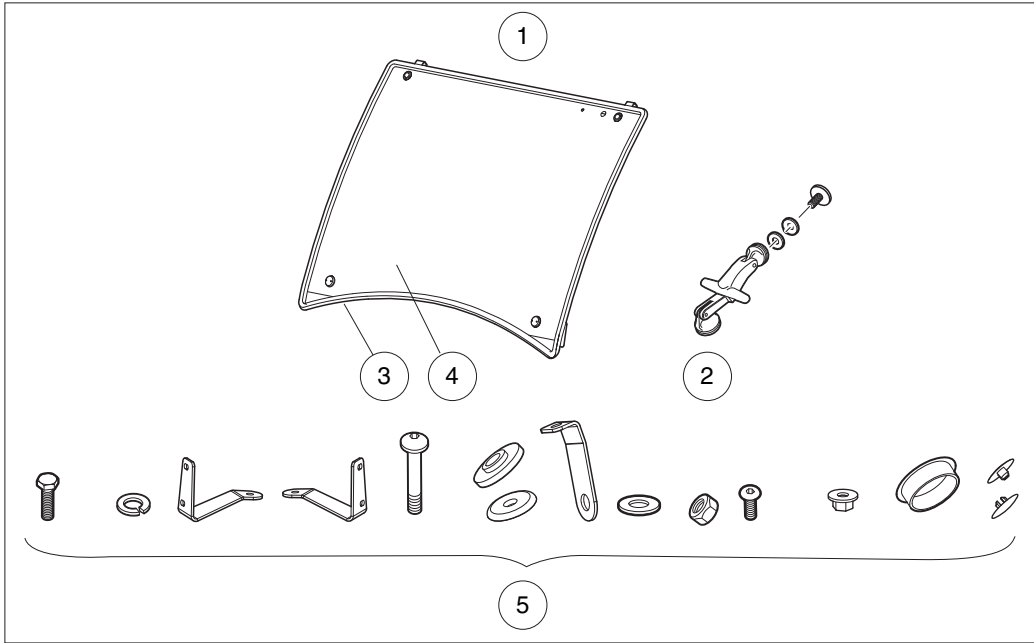
ITEM	PART NO.	DESCRIPTION	QTY
		<b>1 2 3 4</b>	
1	105097601	Cab, Rear Window Kit (includes items 2 through 5) .....	1
2	<u>105178501</u>	Rear Window W/ Seal (includes item 3) .....	1
3	<u>105178601</u>	Seal, Rubber Rear Window .....	1
4	<u>105178601</u>	Seal, Rubber Rear Window .....	1
5	<u>105178701</u>	Hardware Kit, Rear Window .....	1
6	<u>105097701</u>	Cab, Rear Window, Slider Kit (includes items 7 through 9) .....	1
7	<u>105178601</u>	Seal, Rubber Rear Window .....	1
8	<u>105178701</u>	Hardware Kit, Rear Window .....	1
9	<u>105178801</u>	Rear Slider Window W/ Seal (includes item 10) .....	1
10	<u>105178601</u>	Seal, Rubber Rear Window .....	1
11	<u>105097801</u>	Cab, Rear Window, Screen Kit (includes items 12 and 13) .....	1
12	<u>105176901</u>	Rear Screen .....	1
13	<u>105178901</u>	Hardware Kit, Rear Screen .....	1

**1**

**E**

1

E



001184-002



# CAB – WINDSHIELD

ITEM	PART NO.	DESCRIPTION	QTY
		1 2 3 4	
1	<u>105097101</u>	Cab, Windshield Kit (includes items 2 through 5) .....	1
2	<u>104003901</u>	Handle, Tee .....	2
3	<u>105177101</u>	Seal, Rubber Windshield .....	1
4	<u>105177901</u>	Cab, Windshield, Tempered .....	1
5	<u>105178001</u>	Hardware Kit, Windshield .....	1

**1**

**E**

**1**

**E**

# WHEELS AND TIRES

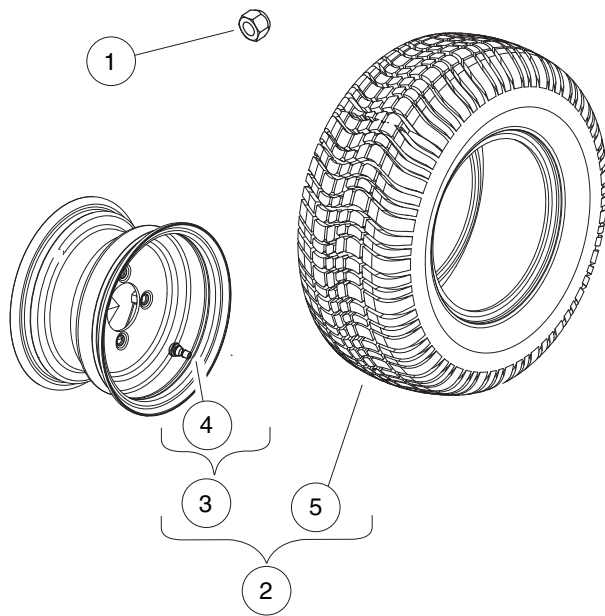
---

2

*E*

2

E



001352-001

# WHEELS AND TIRES

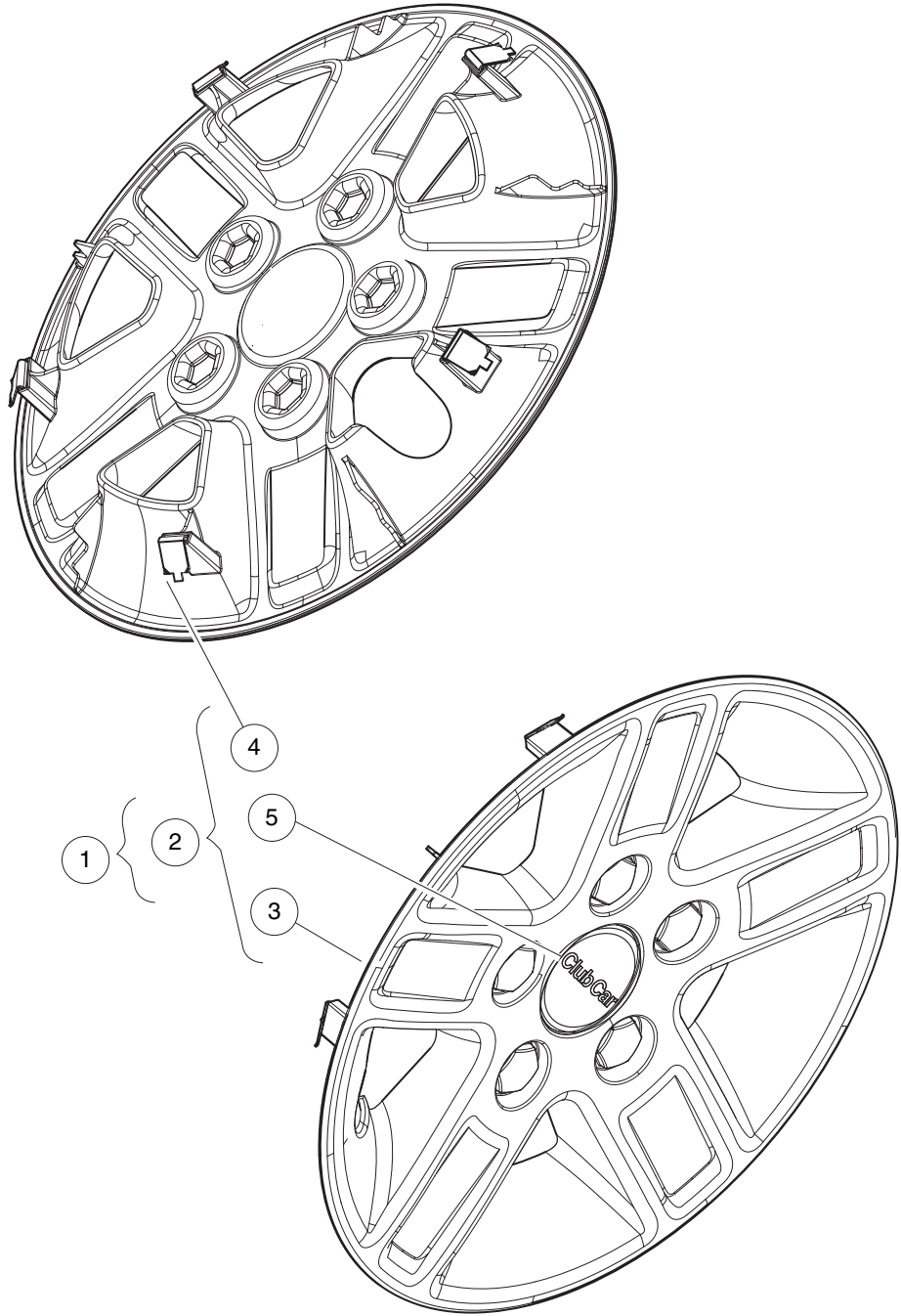
ITEM	PART NO.	DESCRIPTION	QTY
		1 2 3 4	
1	<u>1010984</u>	.500-20 Unf Lug Nut .....	16
2	<u>105078811</u>	Asm,whl,dot,205-65-10,6pl (includes items 3 through 5) .....	4
3	<u>105079204</u>	Whl,10x6", Gray, 0 Os,rr W/ Vs (includes item 4) .....	4
4	<u>105078901</u>	Valve Stem, Kenda, Tr 412 .....	1
5	<u>105079501</u>	Tire, Dot, 205-65-10, 6pl .....	4

**2**

**E**

2

E



001350-002

# WHEEL COVERS

ITEM	PART NO.	DESCRIPTION	QTY
		1 2 3 4	
1	<u>105106501</u>	Kit, Wheel Cover, 10x6" (includes item 2) .....	1
2	<u>105106301</u>	Asm, Whl Cover, 5 Spoke, 10x6" (includes items 3 through 5) .....	4
3	N/A	Wheel Cover, 5 Spoke, 10x7" .....	1
4	105106101	Wheel Cover, Clip .....	5
5	105106201	Decal, Wheel Cover, Club Car .....	1

2

E

2

*E*



# DECALS

---

3

*E*

**WARNING**

Unintended vehicle movement may cause severe injury or death. Before using vehicle, read owner's manual and vehicle safety warnings.

Before leaving vehicle:

- Engage park brake to lock wheels.
- Place vehicle in NEUTRAL.
- Turn key to OFF and remove key.

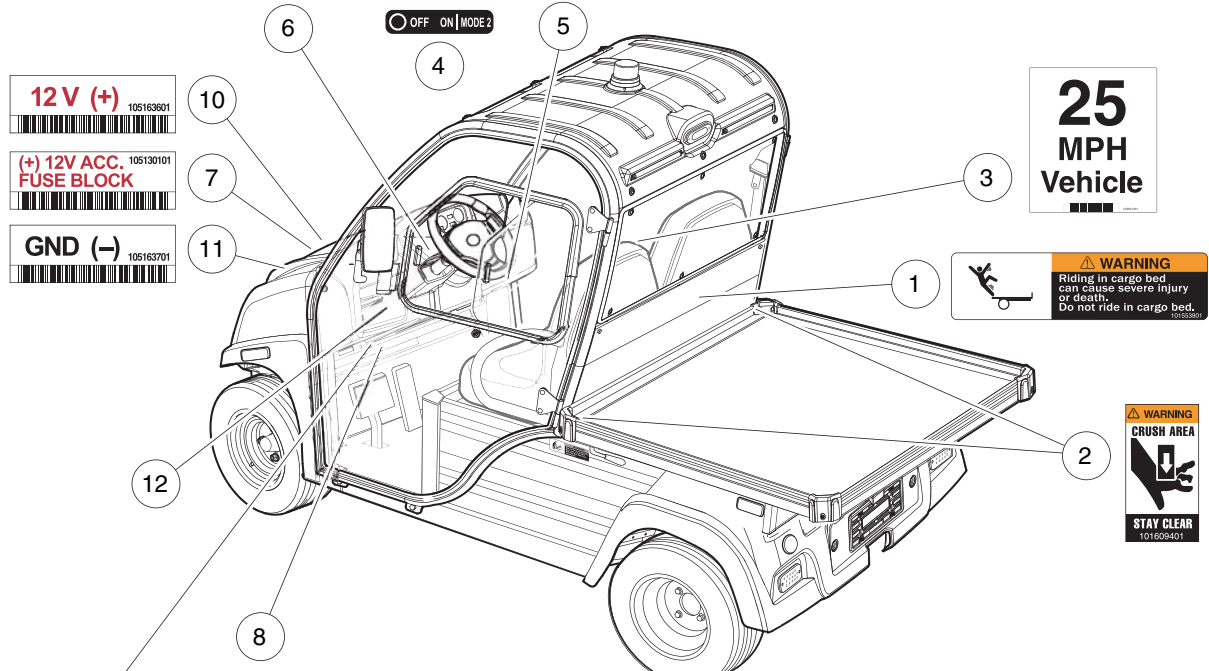
105046101

**WARNING**

**UNINTENDED MOVEMENT, ROLLOVER, OR FALLING OUT CAN CAUSE SERIOUS INJURY OR DEATH.**

- Vehicle to be operated by licensed and authorized persons only.
- Use in authorized areas only. Do not operate on public roads.
- One (1) person per bucket seat maximum.
- Two (2) persons per bench seat maximum.
- Operate from driver's seat only.
- Do not start vehicle until all occupants are fully seated.
- Drive slowly in turns and straight up and down slopes.
- Remain fully seated while moving.
- Hold on and keep entire body inside vehicle while moving.
- Never attempt jumps and avoid extreme braking in reverse.
- Do not leave children unattended in vehicle at any time.
- Children requiring a child safety seat must not ride in vehicle.
- Never operate under the influence of alcohol or drugs.

104026801



**12V (+)**

105163601

**(+) 12V ACC. FUSE BLOCK**

105130101

**GND (-)**

105163701

**25 MPH Vehicle**

**WARNING**

Riding in cargo bed can cause severe injury or death. Do not ride in cargo bed.

10502801

**WARNING**

**CRUSH AREA**

STAY CLEAR

101609401

**VEHICLE LOADING**

Read owner's manual and warnings on dash.

- Vehicle rated capacity: 950 lb (431 kg) on level surface only.
- Includes occupants and cargo load.
- Maximum cargo load: 550 lb (249 kg)
- Includes cargo, bed load, and optional equipment.
- Vehicle combination rated capacity: 1250 lb (567 kg)
- Includes vehicle rated capacity and gross trailer weight.

**WARNING**

**ROLLOVER CAN CAUSE SERIOUS INJURY OR DEATH.**

- Place cargo forward in the cargo bed and distribute evenly side to side. Secure load.
- On uneven or steep terrain, reduce speed and load.
- Avoid stopping on or backing down steep hills.
- Avoid top-heavy loads.

105137104

**VEHICLE LOADING**

Read owner's manual and warnings on dash.

- Vehicle rated capacity: 1250 lb (567 kg) on level surface only.
- Includes occupants and cargo load.
- Maximum cargo load: 850 lb (386 kg)
- Includes cargo, bed load, and optional equipment.
- Vehicle combination rated capacity: 1250 lb (567 kg)
- Includes vehicle rated capacity and gross trailer weight.

**WARNING**

**ROLLOVER CAN CAUSE SERIOUS INJURY OR DEATH.**

- Place cargo forward in the cargo bed and distribute evenly side to side. Secure load.
- On uneven or steep terrain, reduce speed and load.
- Avoid stopping on or backing down steep hills.
- Avoid top-heavy loads.

105137105

2908-002

## DECALS – CARRYALL 510 AND 710 LSV HOMOLOGATED

ITEM	PART NO.	DESCRIPTION	QTY
		1 2 3 4	
1	<u>101553901</u>	Decal, Bed Load Warning .....	1
2	<u>101609401</u>	Decal, Crush Area Warning .....	2
3	<u>103501401</u>	Decal, 25 Mph .....	1
4	103827201	Decal, Ignition, Homologated .....	1
5	<u>104026901</u>	Decal, Oc, Warning, Lsv, Ca .....	1
6	<u>105046101</u>	Decal, Op, Instructions, Ca .....	1
7	<u>105130101</u>	Decal, Fuse Block, Acc, 12v .....	1
8	105137104	Decal, Veh Load, CA510 On-road .....	1
9	105137105	Decal, Veh Load, CA710 On-road .....	1
10	<u>105163601</u>	Decal, 12v (+) .....	1
11	<u>105163701</u>	Decal, Gnd (-) .....	1

**3**

**E**

**WARNING**

**BATTERY EXPLOSION COULD RESULT IN SEVERE PERSONAL INJURY.**

- Do not store items in battery compartment.
- Place Run/Tow switch in TOW position before
  - Disconnecting or connecting battery cables
  - Towing this vehicle
  - Extended storage
  - Servicing the vehicle

TOW ○ RUN

103499601

**CAUTION**

**EXPOSURE TO WATER MAY DAMAGE ELECTRONIC COMPONENTS**

- Do not operate vehicle without this cover properly installed.
- Do not direct water stream in the area of the cover without cover securely in place.
- See vehicle maintenance and service manual before servicing.

102516301

**WARNING**

**AVOID FIRE HAZARD**

- Replacement battery wires must be 2-gauge (AWG) with low-resistance terminals equivalent to factory-installed wires.
- Ensure that battery connections are clean and properly tightened.

See owner's manual.

103515301

**CAUTION**

Frame is isolated from power system. Do not use as ground.

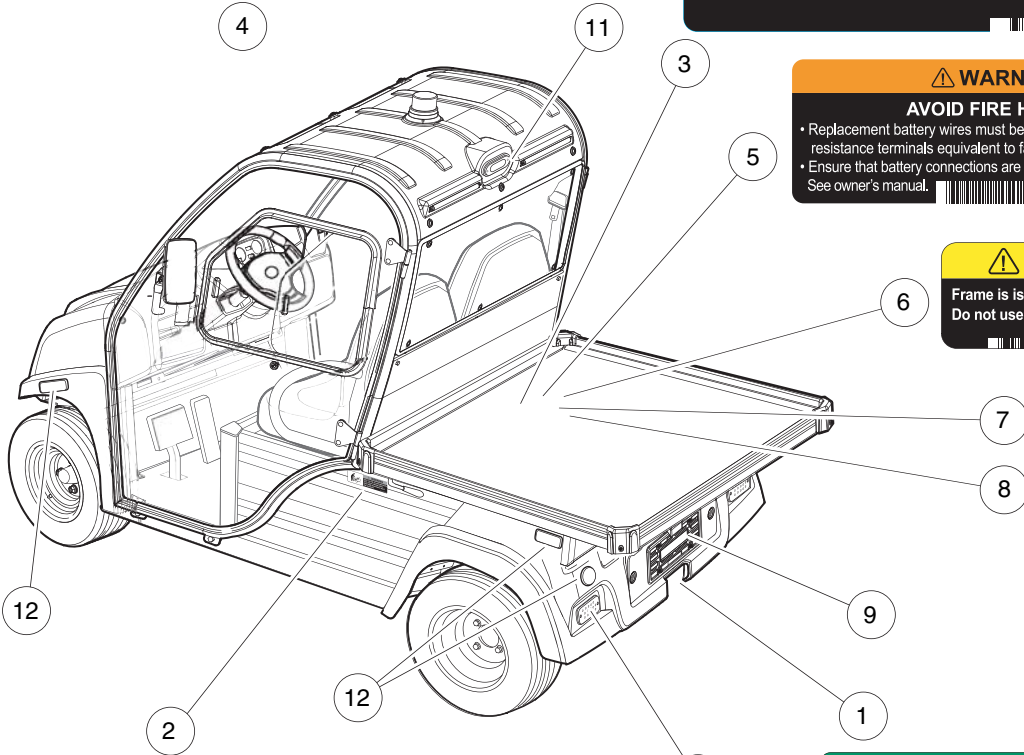
105124701

**(+) 48V ACC. FUSE BLOCK**

105130001

**GND (-)**

105163701



**LATCH**

**WARNING**

**Crush area. Can cause severe injury. Stay clear when closing bed.**

102459301

**NOTICE**

**MAXIMUM TONGUE WEIGHT-150 lb. (667 N)**

1011553

## DECALS – ELECTRIC CARRYALL 510 AND 710, CONTINUED

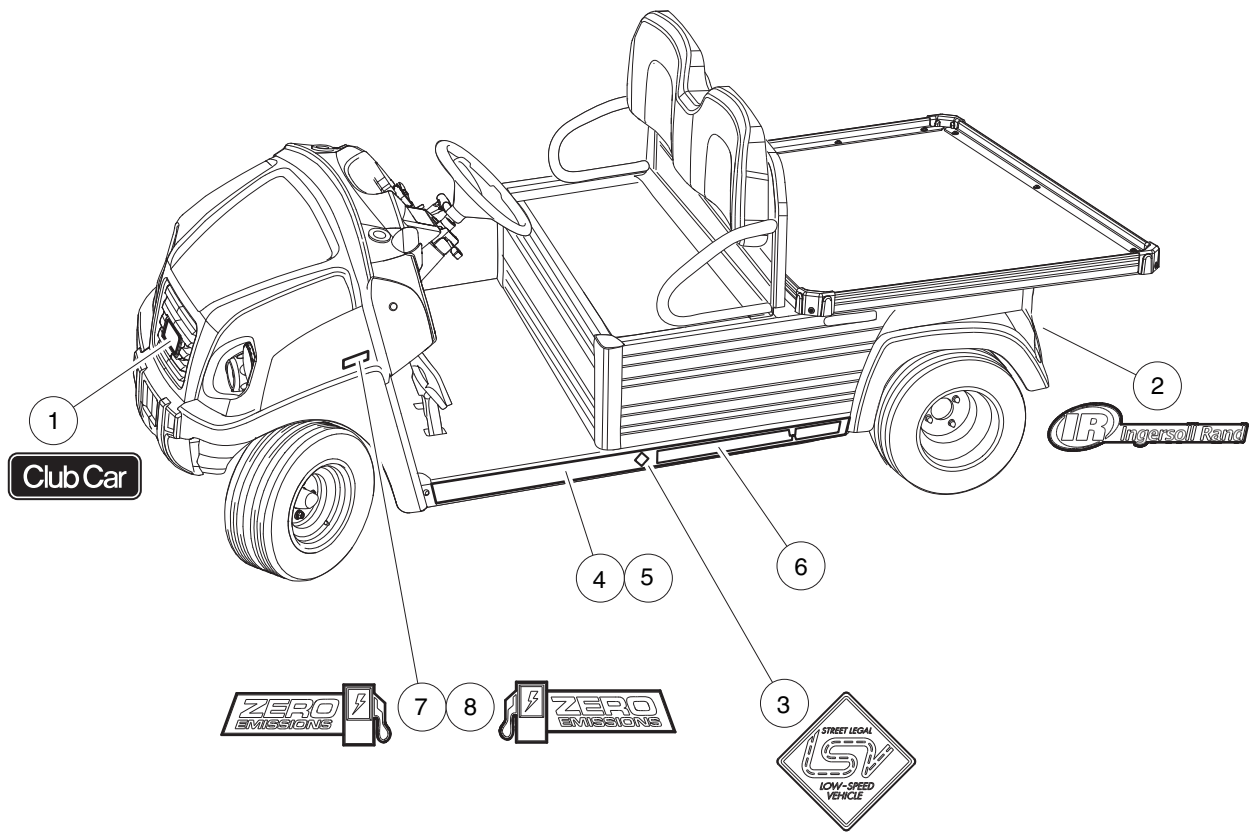
ITEM	PART NO.	DESCRIPTION	QTY
		1 2 3 4	
1	<u>1011553</u>	Decal, Trailer Hitch .....	1
2	<u>102459301</u>	Decal, Bed Crush Area Warning .....	1
3	<u>102518301</u>	Decal, Caution, Electrical Component Cover .....	1
4	<u>102845101</u>	Decal, Tow Switch .....	1
5	<u>103515301</u>	Decal, Warning, 2 Ga .....	1
6	<u>105124701</u>	Decal, Caution, Not Use As Gnd .....	1
7	<u>105130001</u>	Decal, Fuse Block, Acc, 48v .....	1
8	<u>105163701</u>	Decal, Gnd (-) .....	1

**3**

**E**

3

E



001027-001

## BADGING DECALS – CARRYALL 510

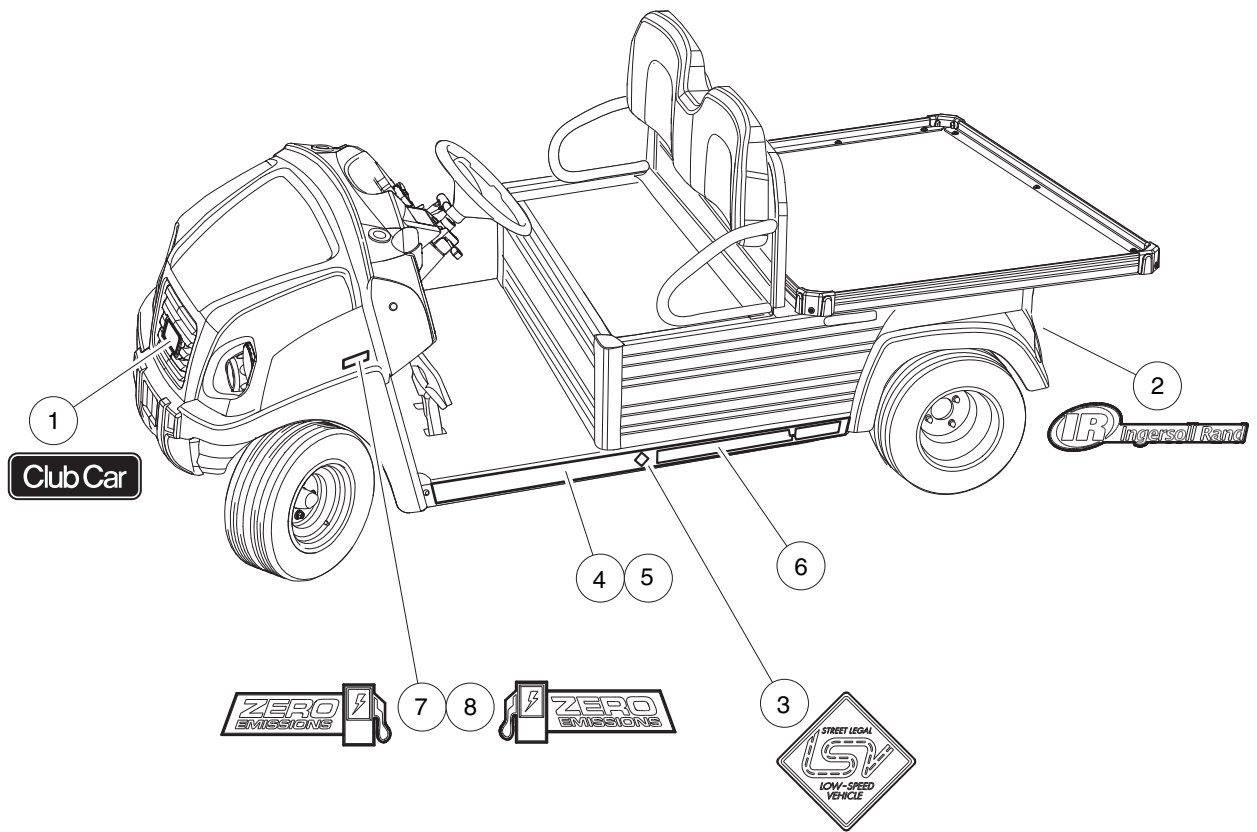
ITEM	PART NO.	DESCRIPTION	QTY
		<b>1 2 3 4</b>	
1	<u>102883601</u>	Decal, Nameplate, CCI, Front .....	1
2	<u>103234304</u>	Decal, Badge, Ir, Red .....	1
3	<u>103517801</u>	Decal, Low Speed Vehicle .....	2
4	<u>105115002</u>	Decal, Side Stringer, Medium .....	1
5	105115005	Decal, R Side Stringer, Medium .....	1
6	105152601	Decal, Branding, Ca 510, Lsv .....	2
7	<u>105153201</u>	Decal, Zero Emission Vhcle, Lh .....	1
8	<u>105153202</u>	Decal, Zero Emission Vhcle, Rh .....	1

**3**

**E**

3

E



001027-001



## BADGING DECALS – CARRYALL 710

ITEM	PART NO.	DESCRIPTION	QTY
		1 2 3 4	
1	<u>102883601</u>	Decal, Nameplate, CCI, Front .....	1
2	<u>103234304</u>	Decal, Badge, Ir, Red .....	1
3	<u>103517801</u>	Decal, Low Speed Vehicle .....	2
4	<u>105115003</u>	Decal, Side Stringer, Long .....	1
5	<u>105115006</u>	Decal, R Side Stringer, Long .....	1
6	<u>105153001</u>	Decal, Branding, Ca 710, Lsv .....	2
7	<u>105153201</u>	Decal, Zero Emission Vhcle, Lh .....	1
8	<u>105153202</u>	Decal, Zero Emission Vhcle, Rh .....	1

**3**

**E**

**3**

***E***

# LIGHTS, CONTROLS, AND INDICATORS

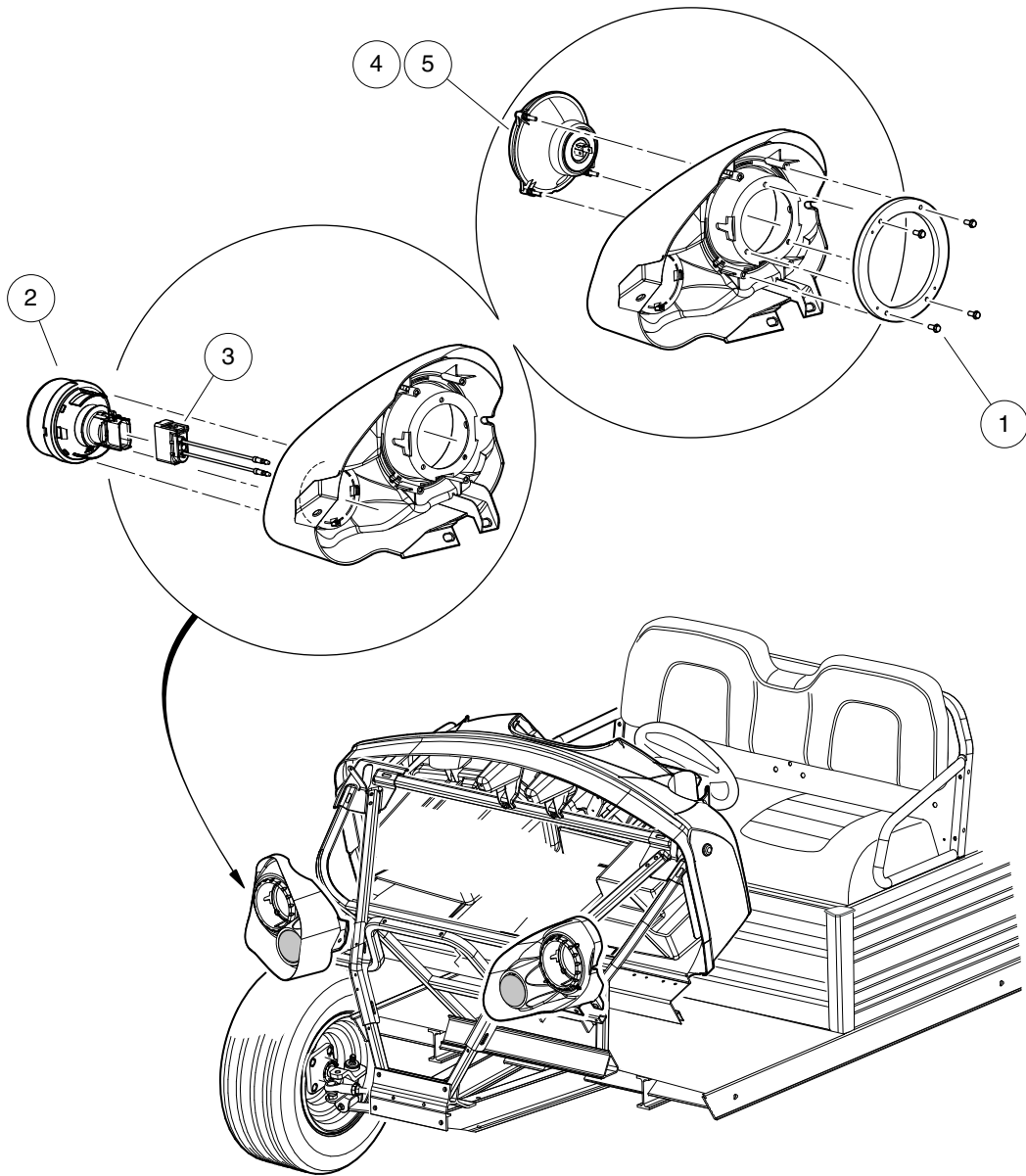
---

4

E

4

E



001349-001

## HEADLIGHTS - CA510 AND CA710 HOMOLOGATED

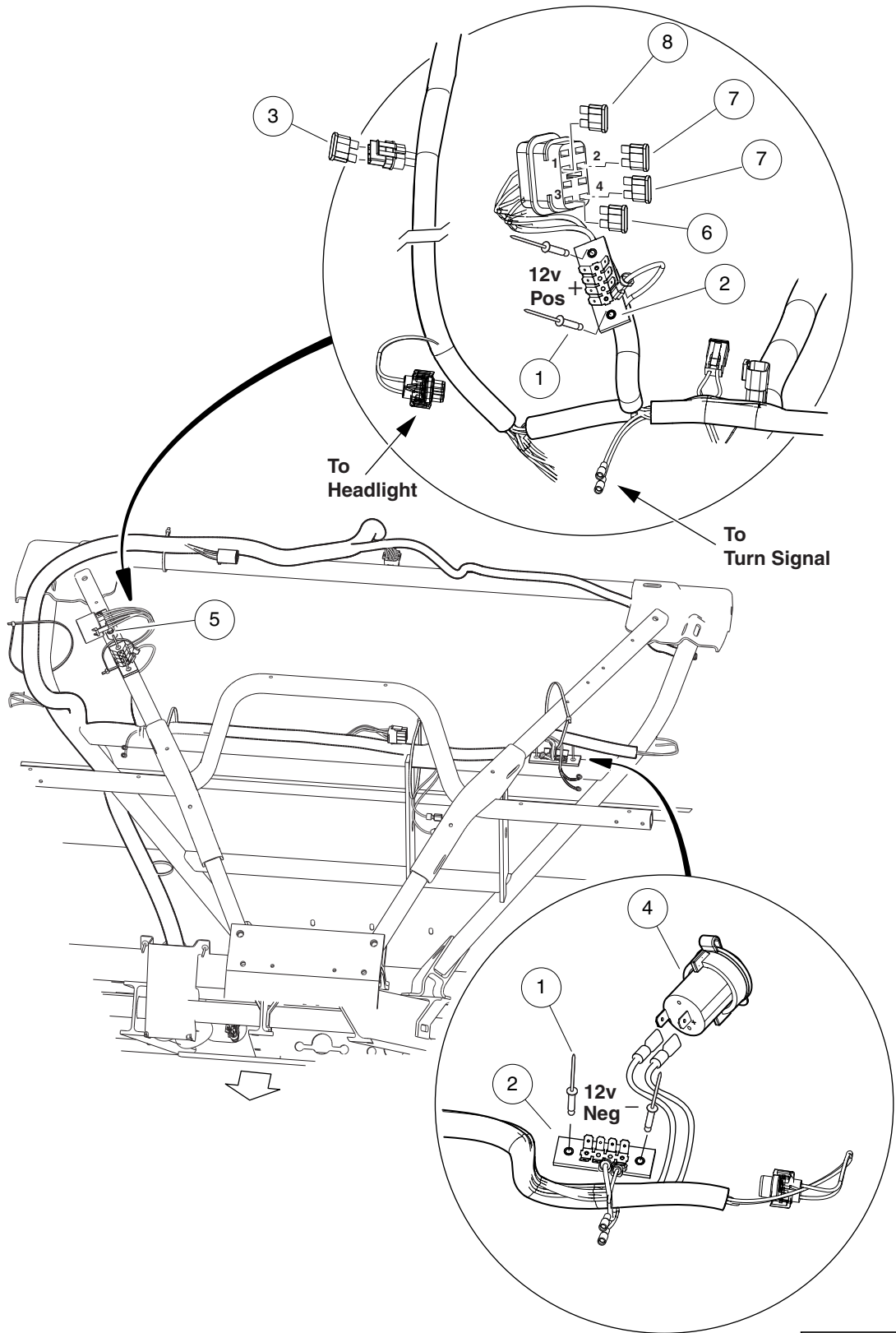
ITEM	PART NO.	DESCRIPTION	QTY
		1 2 3 4	
1	<u>101850301</u>	Screw, #12-16 X 0.50 Washer-Head Hi-Lo .....	8
2	<u>102894503</u>	Light, Turn Sig, Round 3", Utl .....	2
3	<u>103245001</u>	Jumper, Turn Signal, Ca/xrt/hu .....	2
4	<u>105073501</u>	HI, Rnd 5.5", Utl, Homol, Rh .....	2
5	<u>105073502</u>	HI, Rnd 5.5", Utl, Homol, Lh .....	2
		<p>Note: <u>105073501</u> is for country with right-hand traffic flow. <u>105073502</u> is for country with left-hand traffic flow.</p>	

**4**

**E**

4

E



001360-002

# 12-VOLT FUSE BLOCK AND FUSES – ELECTRIC VEHICLE

ITEM	PART NO.	DESCRIPTION	QTY
		1 2 3 4	
1	<u>1013357</u>	Rivet, 5/32 Aluminum Pop .....	4
2	<u>1016356</u>	Terminal Block with Insulator .....	2
3	<u>1016423</u>	Fuse, 20-Amp .....	1
4	<u>102198001</u>	Receptacle, Accessory .....	1
5	<u>102238001</u>	#10-24 Taptite Screw .....	1
6	<u>105114805</u>	Fuse, Mini, Atm, 7.5 Amp .....	1
7	<u>105114806</u>	Fuse, Mini, Atm, 10 Amp .....	2
8	<u>105114807</u>	Fuse, Mini, Atm, 15 Amp .....	1

**4**

**E**





# HORN, TURN SIGNALS, AND TAILLIGHTS – ELECTRIC AND GASOLINE VEHICLES

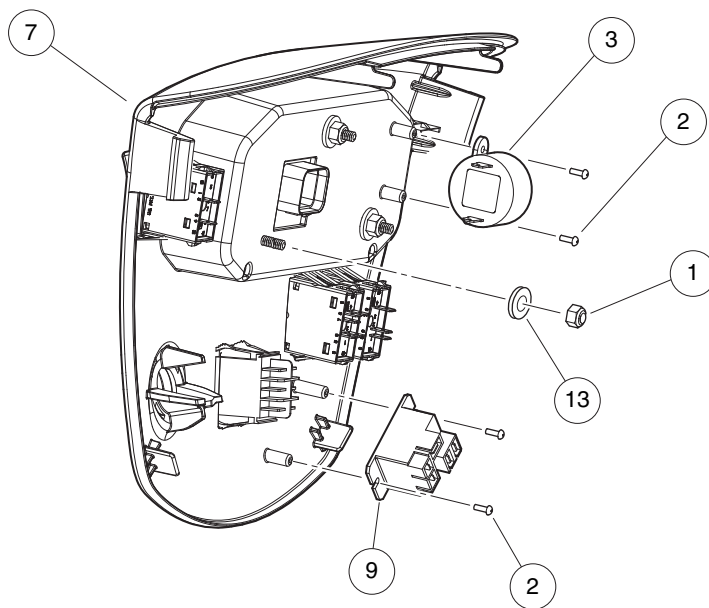
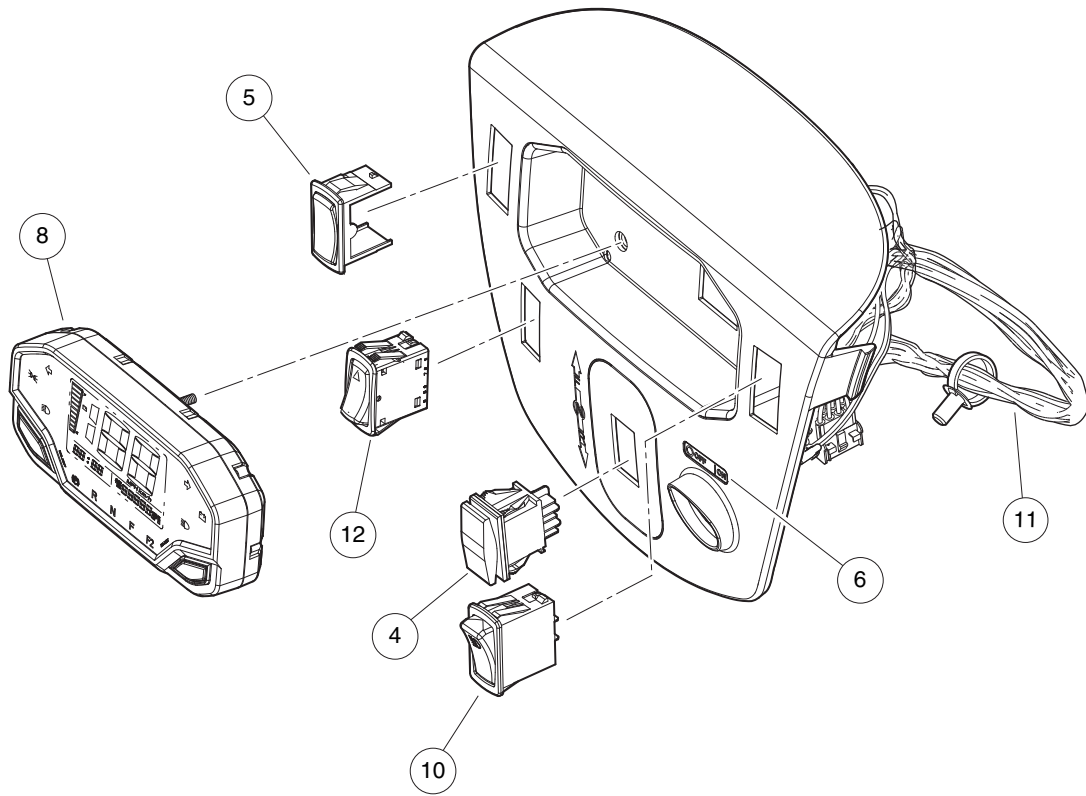
ITEM	PART NO.	DESCRIPTION	QTY
		1 2 3 4	
1	<u>105122808</u>	Kit, Horn/Tail Light/Turn (includes items 2 through 28) .....	1
2	<u>1011439</u>	Switch, Limit .....	2
3	<u>1011557</u>	Screw, #6-32 X 1.00 Hex-Head Machine .....	4
4	<u>1011825</u>	Horn Bracket .....	1
5	<u>1012295</u>	Fuse, 10-Amp .....	1
6	<u>1016849</u>	Screw, #4-24 X 0.33, Pan-Head, Machine .....	2
7	<u>101932201</u>	Locknut, #6-32 Nylon .....	4
8	<u>101955101</u>	Nut, M6 Hex .....	1
9	<u>101957101</u>	Bracket, Brake Light Switch .....	1
10	<u>102199001</u>	Relay, 12-Volt .....	1
11	<u>102297125</u>	Screw, M6-1.0x25.4, Thread-Forming, SEMS .....	2
12	<u>102517501</u>	Turn Signal Asm (includes item 13) .....	1
13	<u>102546401</u>	Flasher Unit, Prec .....	1
14	<u>102894503</u>	Light, Turn Sig, Round 3", Utl .....	2
15	<u>103245001</u>	Jumper, Turn Signal, Ca/xrt/hu .....	2
16	<u>103484301</u>	Horn, 12v, Gnd Isolated .....	1
17	<u>105108201</u>	Harness, Tail Light, Utility, Short .....	1
18	<u>105108301</u>	Harness, Tail Light, Utility, Long .....	1
19	<u>105108401</u>	Harness, Brk, Pedal Switch Utl .....	1
20	<u>105114806</u>	Fuse, Mini, Atm, 10 Amp .....	1
21	<u>105135201</u>	Jumper, Hill Brake, Switch .....	1
22	<u>105165801</u>	Lamp, Stop/trn/tail, Footdeck .....	2
23	<u>105190601</u>	Screw, #8-32 X 0.625, Clr Znc .....	4
24	<u>105190701</u>	Nut, Flanged, #8-32, Serrated .....	4
25	<u>1241</u>	Washer, 5/16 Type A Flat .....	1
26	<u>7173</u>	Screw, 5/16-18 X 0.75, Hex-Head Cap .....	1
27	<u>7473</u>	Locknut, 5/16-18 Nylon Insert .....	2
28	<u>7820</u>	Washer, 5/16 Internal-Tooth .....	1
Note: 1051082, Harness, Tail Light, Utility, Short, fits the following vehicles with serial prefix: MA, MB, MC, MD, ME, MF, MK, ML, MM, MP, MU.			

**4**

**E**

4

E



001354-002

# INSTRUMENT PANEL - CA510 AND CA710 HOMOLOGATED

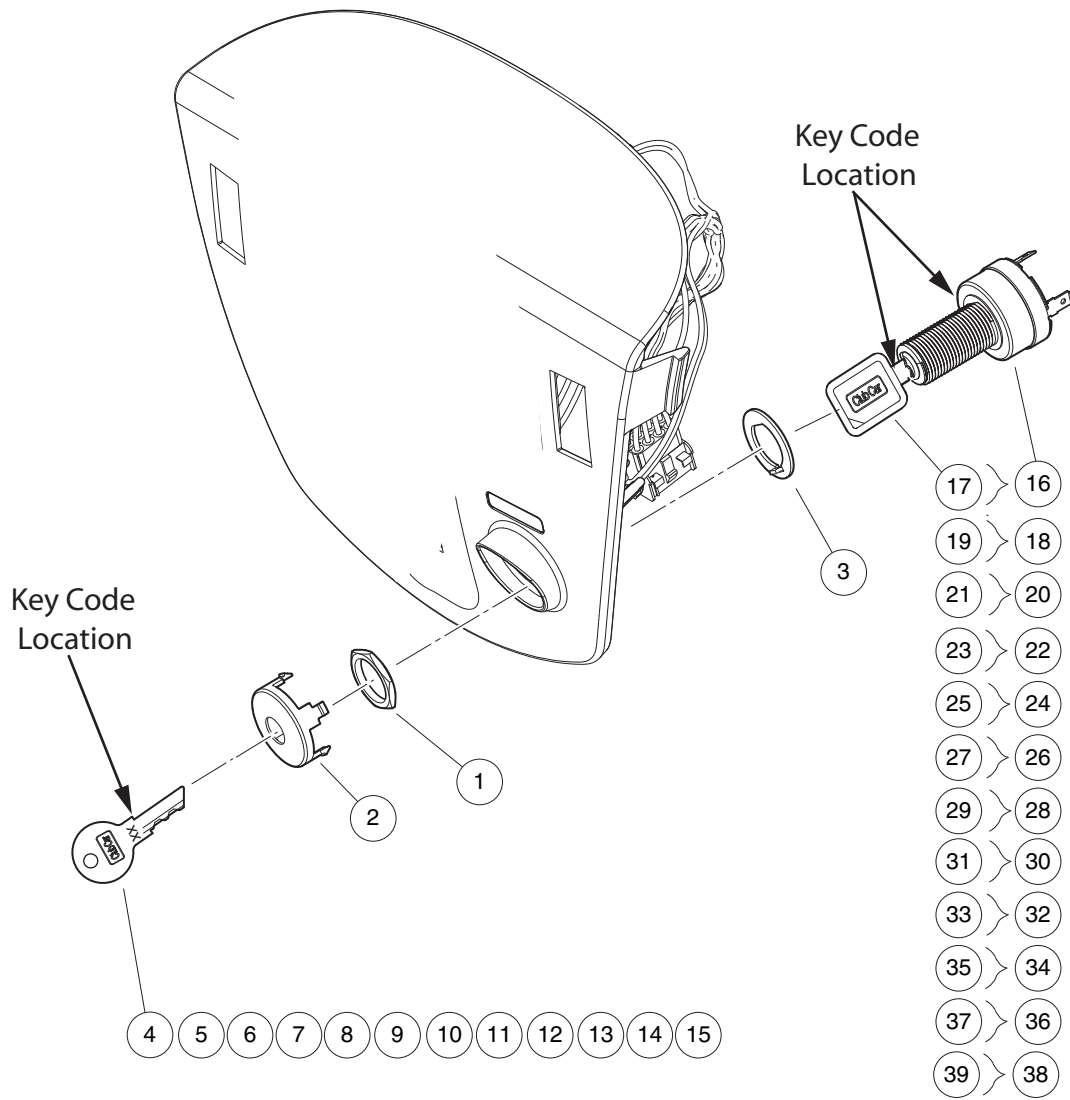
ITEM	PART NO.	DESCRIPTION	QTY
		1 2 3 4	
1	<u>1016849</u>	Screw, #4-24 X 0.33, Pan-Head, Machine .....	4
2	<u>1016851</u>	Buzzer, Reverse (9-48 VDC) .....	1
3	<u>101856001</u>	Switch, Rocker, Double-Pole .....	1
4	<u>103180101</u>	Cover, Hole, Switch, Rocker .....	1
5	103827201	Decal, Ignition, Homologated .....	1
6	<u>105034103</u>	Panel, Instrument, Koso, Ca .....	1
7	<u>105073601</u>	Display, Dash, Koso, Elec .....	1
8	<u>105112401</u>	Relay, Spdt Nc, 48v 30a, Pmt .....	1
9	<u>105113101</u>	Switch, High Beam, Lsv, Homol .....	1
10	<u>105146701</u>	Switch, Hazard, 12vdc .....	1
11	105247101	Nut, M5 X 0.8, Flange .....	3
12	105257901	Harness, Lsv, Homol, Ip .....	1
13	<u>332</u>	Washer, 1/4 Type A Narrow Flat .....	3

**4**

**E**

4

E



001355-001

# KEYSWITCH, PRIVATE SPEED MODE - ELECTRIC VEHICLE

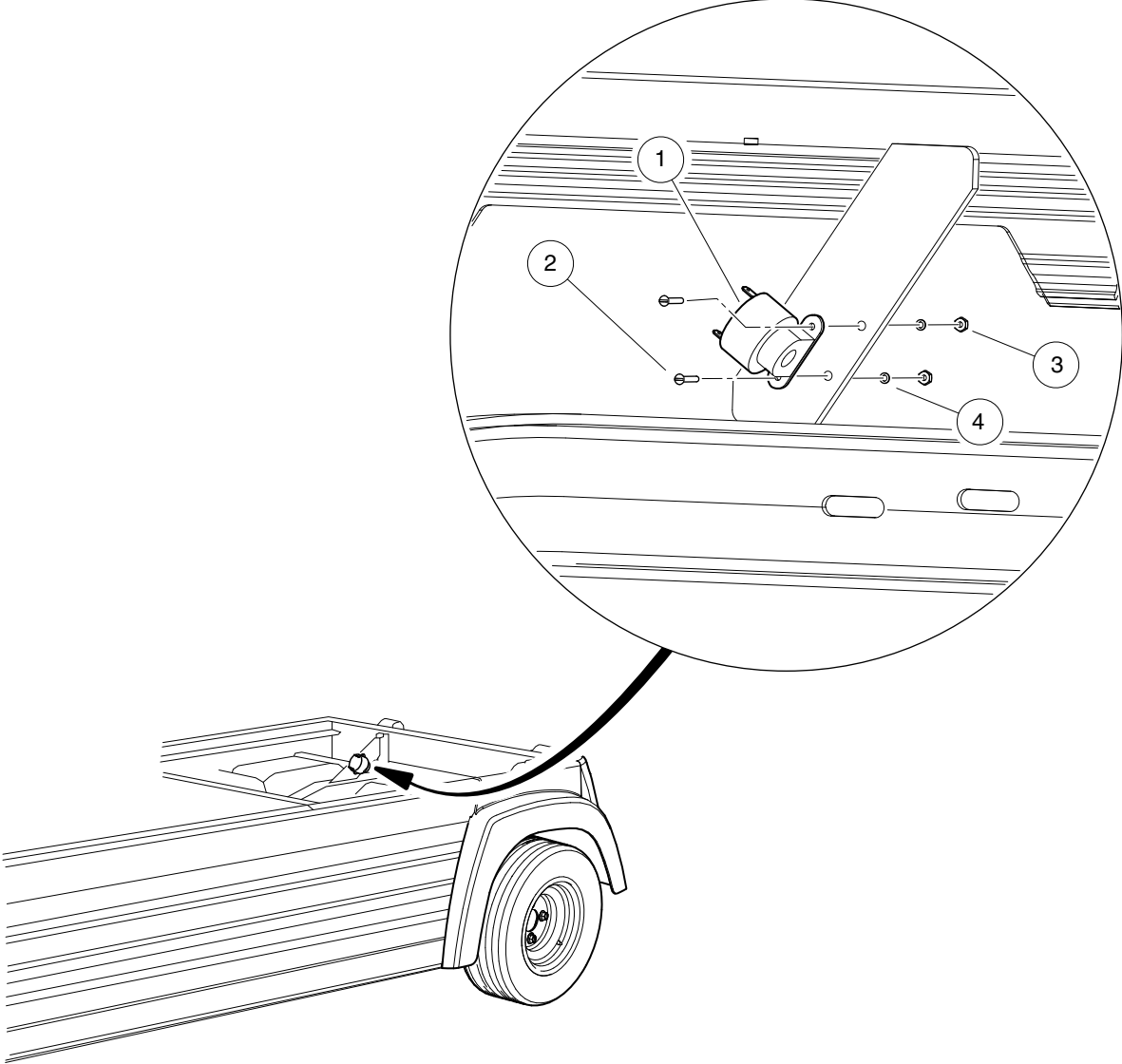
ITEM	PART NO.	DESCRIPTION	QTY
		1 2 3 4	
1	<u>101830701</u>	Nut, Key Switch .....	1
2	<u>101834502</u>	Cap, Black Key Switch .....	1
3	<u>101851101</u>	Washer, Key Switch .....	1
4	<u>101974701</u>	Key, Uncommon 1a .....	1
5	<u>101974702</u>	Key, Uncommon 1b .....	1
6	<u>101974703</u>	Key, Uncommon 1c .....	1
7	<u>101974704</u>	Key, Uncommon 1d .....	1
8	<u>101974705</u>	Key, Uncommon 2a .....	1
9	<u>101974706</u>	Key, Uncommon 2b .....	1
10	<u>101974707</u>	Key, Uncommon 2c .....	1
11	<u>101974708</u>	Key, Uncommon 2d .....	1
12	<u>101974709</u>	Key, Uncommon 1e .....	1
13	<u>101974710</u>	Key, Uncommon 1f .....	1
14	<u>101974711</u>	Key, Uncommon 2e .....	1
15	<u>101974712</u>	Key, Uncommon 2f .....	1
16	<u>105082001</u>	Keysw, Uncom, 4t, Off/p2/p3 1a (includes item 17) .....	1
17	<u>105068001</u>	Key, Uncommon, Padded 1a .....	1
18	<u>105082002</u>	Keysw, Uncom, 4t, Off/p2/p3 1b (includes item 19) .....	1
19	<u>105068002</u>	Key, Uncommon, Padded 1b .....	1
20	<u>105082003</u>	Keysw, Uncom, 4t, Off/p2/p3 1c (includes item 21) .....	1
21	<u>105068003</u>	Key, Uncommon, Padded 1c .....	1
22	<u>105082004</u>	Keysw, Uncom, 4t, Off/p2/p3 1d (includes item 23) .....	1
23	<u>105068004</u>	Key, Uncommon, Padded 1d .....	1
24	<u>105082005</u>	Keysw, Uncom, 4t, Off/p2/p3 1e (includes item 25) .....	1
25	<u>105068005</u>	Key, Uncommon, Padded 1e .....	1
26	<u>105082006</u>	Keysw, Uncom, 4t, Off/p2/p3 1f (includes item 27) .....	1
27	<u>105068006</u>	Key, Uncommon, Padded 1f .....	1
28	<u>105082007</u>	Keysw, Uncom, 4t, Off/p2/p3 2a (includes item 29) .....	1
29	<u>105068007</u>	Key, Uncommon, Padded 2a .....	1
30	<u>105082008</u>	Keysw, Uncom, 4t, Off/p2/p3 2b (includes item 31) .....	1
31	<u>105068008</u>	Key, Uncommon, Padded 2b .....	1
32	<u>105082009</u>	Keysw, Uncom, 4t, Off/p2/p3 2c (includes item 33) .....	1
33	<u>105068009</u>	Key, Uncommon, Padded 2c .....	1
34	<u>105082010</u>	Keysw, Uncom, 4t, Off/p2/p3 2d (includes item 35) .....	1
35	<u>105068010</u>	Key, Uncommon, Padded 2d .....	1
36	<u>105082011</u>	Keysw, Uncom, 4t, Off/p2/p3 2e (includes item 37) .....	1
37	<u>105068011</u>	Key, Uncommon, Padded 2e .....	1
38	<u>105082012</u>	Keysw, Uncom, 4t, Off/p2/p3 2f (includes item 39) .....	1
39	<u>105068012</u>	Key, Uncommon, Padded 2f .....	1
		Note: Keyswitch <u>105082001</u> , is standard for private speed mode electric vehicles equipped with a cab. Keyswitch <u>105082002</u> , is standard for private speed mode electric vehicles without a cab. Keyswitches <u>105082003</u> through <u>105082012</u> allows different key code combinations for private speed mode electric fleet vehicles.	

4

E

4

E



001361-001

## REAR MOUNTED REVERSE BUZZER – CA710

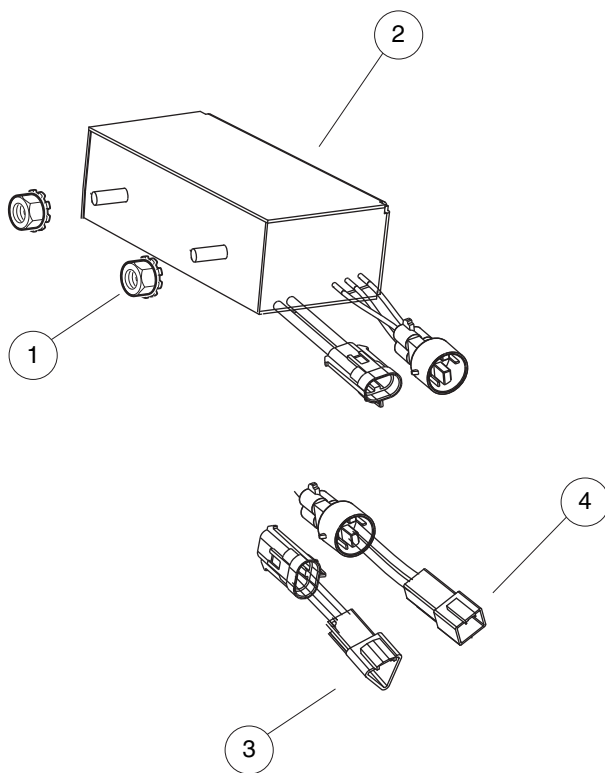
ITEM	PART NO.	DESCRIPTION	QTY
		1 2 3 4	
1	<u>1016851</u>	Buzzer, Reverse (9-48 VDC) .....	1
2	<u>8056</u>	Screw, #4-40 X 0.75 Round-Head Machine .....	2
3	<u>8057</u>	Nut, #4-40 Hex Machine .....	2
4	<u>8058</u>	Lockwasher, #4 Split .....	2

**4**

**E**

4

E



001359-001



# DC CONVERTER, HEAVY DUTY – ELECTRIC VEHICLE

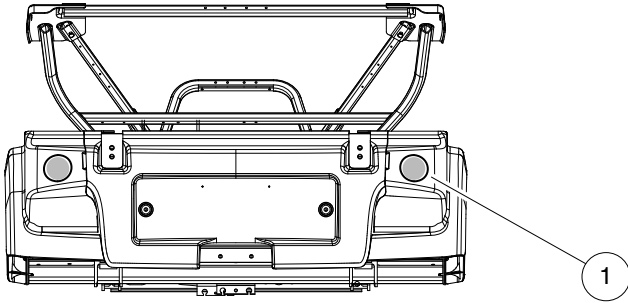
ITEM	PART NO.	DESCRIPTION	QTY
		1 2 3 4	
1	<u>101835601</u>	Locknut, 1/4-20 Hex Whiz .....	2
2	<u>103449501</u>	Bead, Ferrite, Tdk .....	1
3	<u>103804901</u>	Converter, 25a, Isolated, Ce .....	1
4	<u>105146901</u>	Jmpr, Dc Conv, Dt/mp480s, In .....	1
5	<u>105147001</u>	Jmpr, Dc Conv, Dt/mp480s, Out .....	1

**4**

**E**

4

E



001362-001

# REFLECTORS

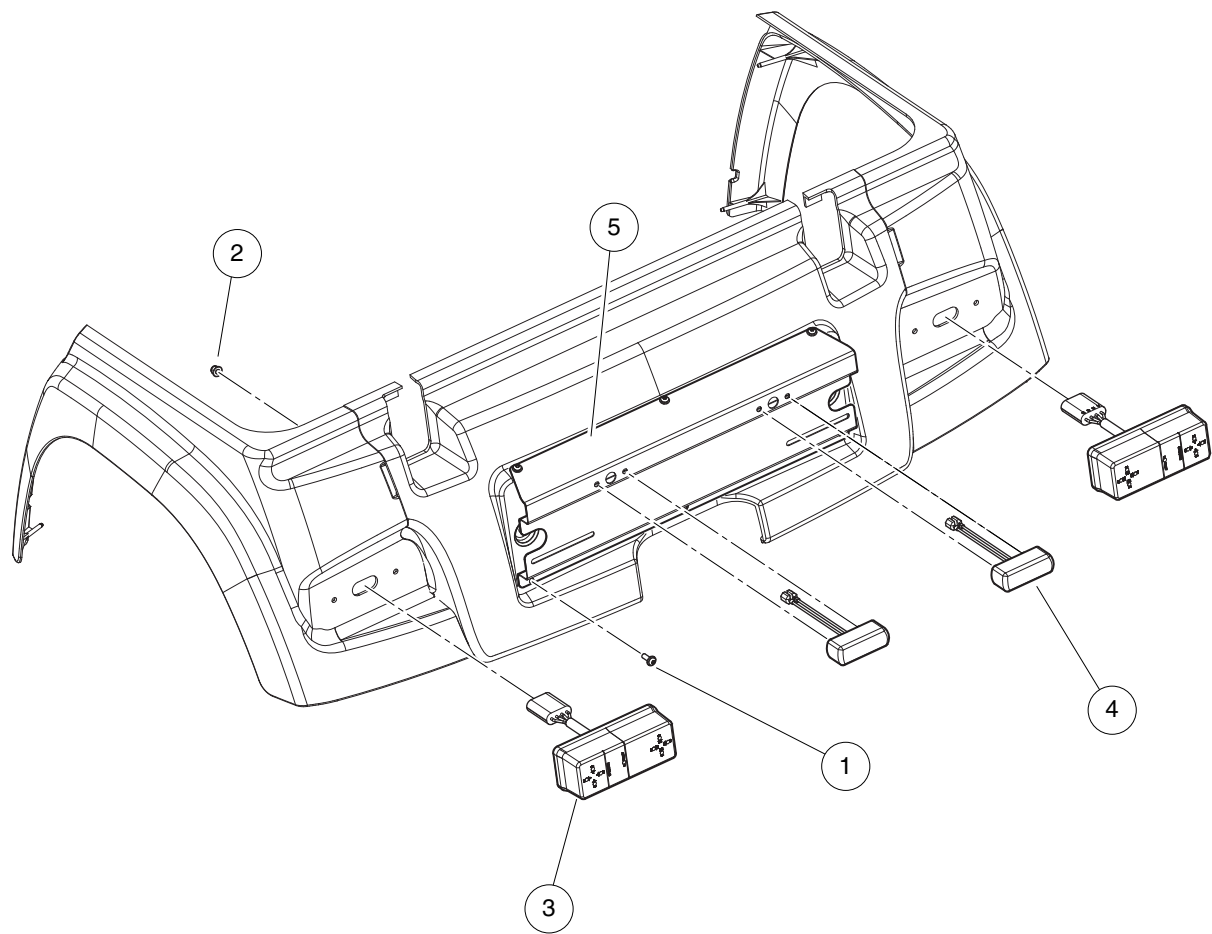
ITEM	PART NO.	DESCRIPTION	QTY
1	<u>103832501</u>	1 2 3 4 Reflector, Red, Round, Sae .....	2
2	<u>103832601</u>	Reflector, Yell, Rect, Sae .....	2
3	<u>105144801</u>	Reflector, Red, Rect, Sae .....	2

**4**

**E**

4

E



001348-001

# TAILLIGHT AND LICENSE PLATE BRACKET - CA510 AND CA710 HOMOLOGATED

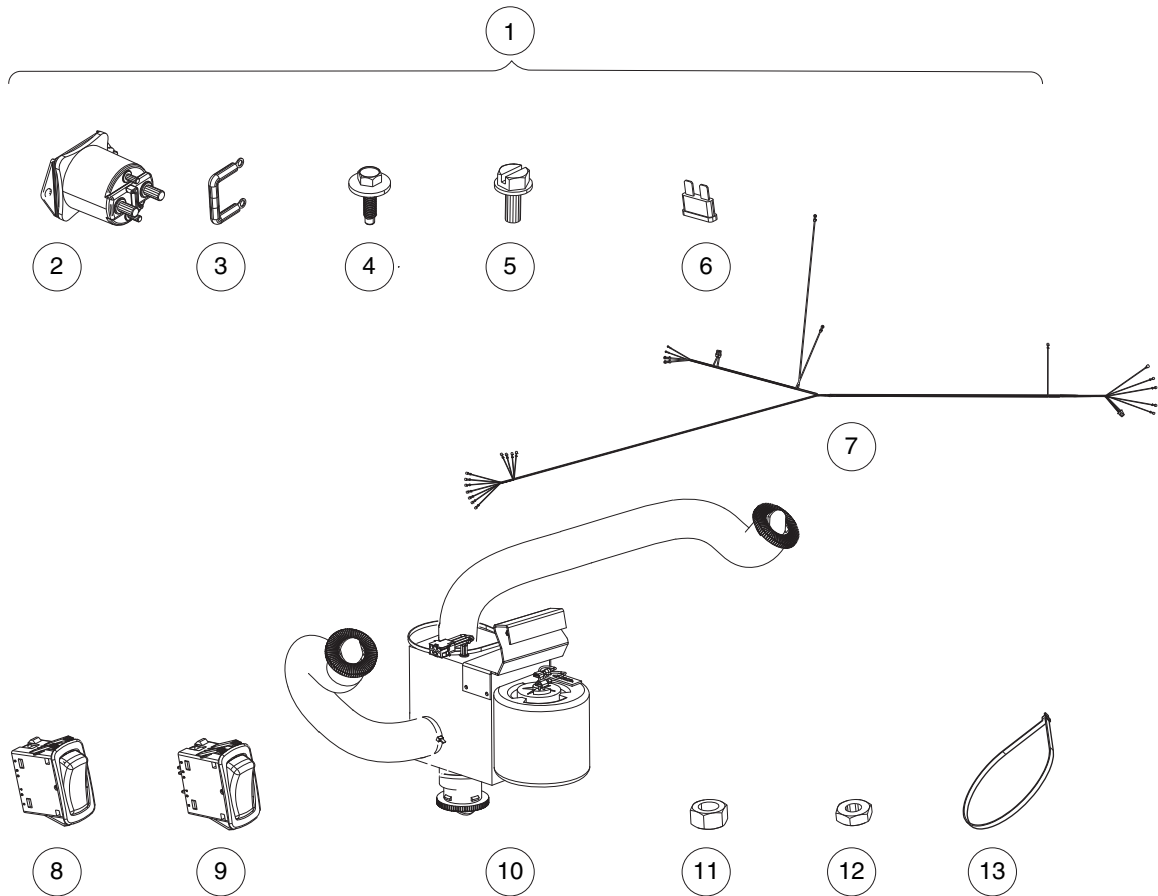
ITEM	PART NO.	DESCRIPTION	QTY
		1 2 3 4	
1	<u>102296920</u>	Screw, M6, Torx Button Head, Sems .....	6
2	<u>102621501</u>	Nut, Flange, M6 X 1.0, Nylon .....	6
3	<u>103810801</u>	Taillight, Stop/tl/trn, E-mark (Includes Mounting Hardware) .....	2
4	<u>103810901</u>	License Lamp, E-mark .....	2
5	<u>105250401</u>	Bracket, License Plate, Homol, UTL .....	1

**4**

**E**

4

E



001366-002

# HEATER DEFOGGER – ELECTRIC VEHICLE

ITEM	PART NO.	DESCRIPTION	QTY
		1 2 3 4	
1	<u>105135802</u>	Kit, Defogger, Heater (includes items 2 through 13) .....	1
2	<u>1013609</u>	Solenoid, 12-Volt .....	1
3	1014948	Diode .....	1
4	<u>102297125</u>	Screw, M6-1.0x25.4, Thread-Forming, SEMS .....	2
5	<u>102817101</u>	Screw, 1/4-20 X .50 Hex Wsh Hd .....	2
6	<u>103541401</u>	Fuse, Atc, 5 Amp .....	1
7	<u>105108801</u>	Harness, Heater, Cab, Util .....	1
8	<u>105112501</u>	Switch, Heater, 12vdc .....	1
9	<u>105112601</u>	Switch, Blower, 12vdc .....	1
10	N/A	Heater, Defogger .....	1
11	<u>1242</u>	Nut, 5/16-18 Hex .....	2
12	<u>7893</u>	Nut, #10-32 Hex .....	2
13	<u>8639</u>	Tie Wrap, 11" Nylon .....	8

**4**

**E**

**4**

***E***



# **BRAKES, PEDALS, AND CABLE ASSEMBLIES**

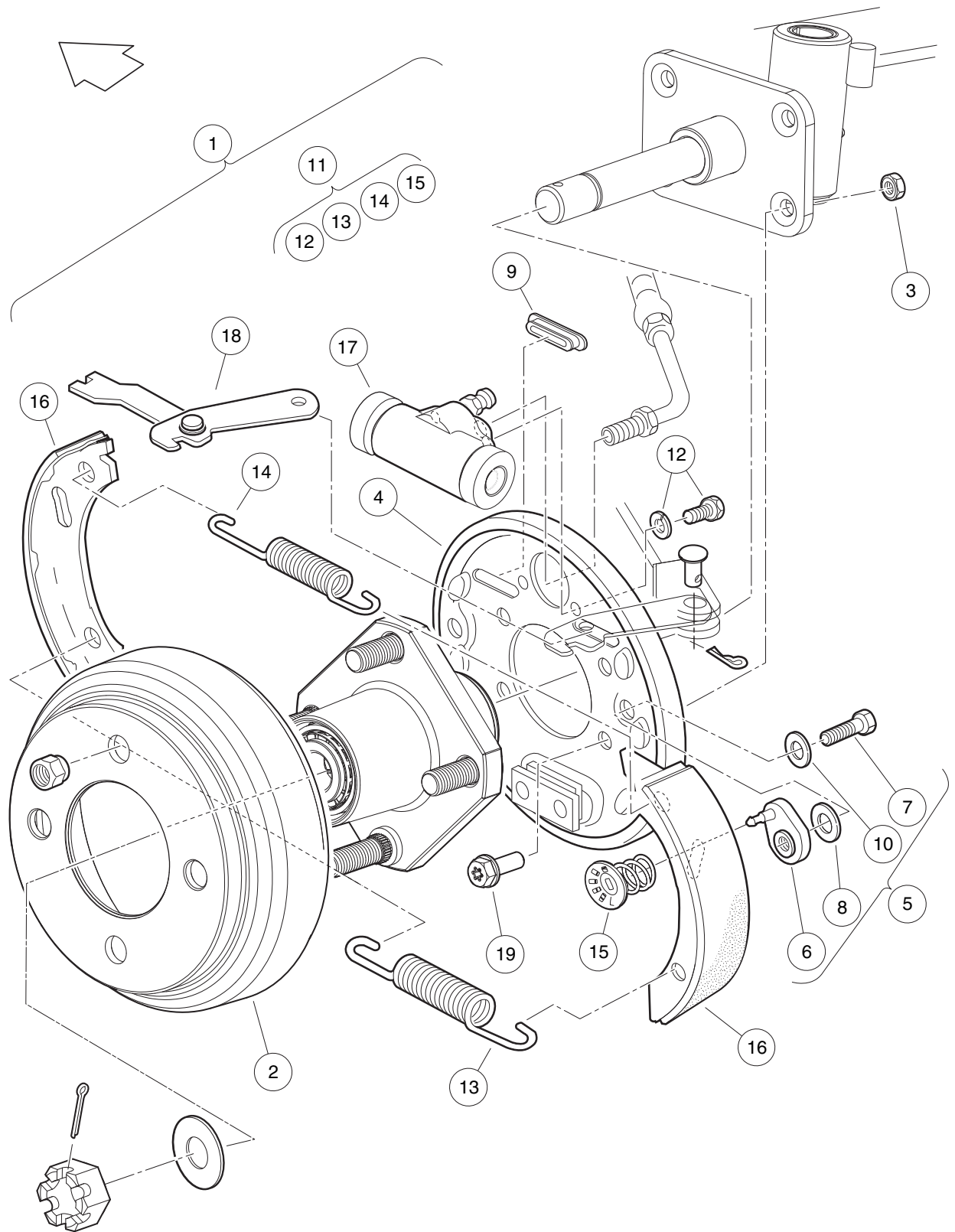
---

**5**

**E**

5

E



001416-002

# HYDRAULIC FRONT DRUM BRAKE ASSEMBLY – DRIVER-SIDE

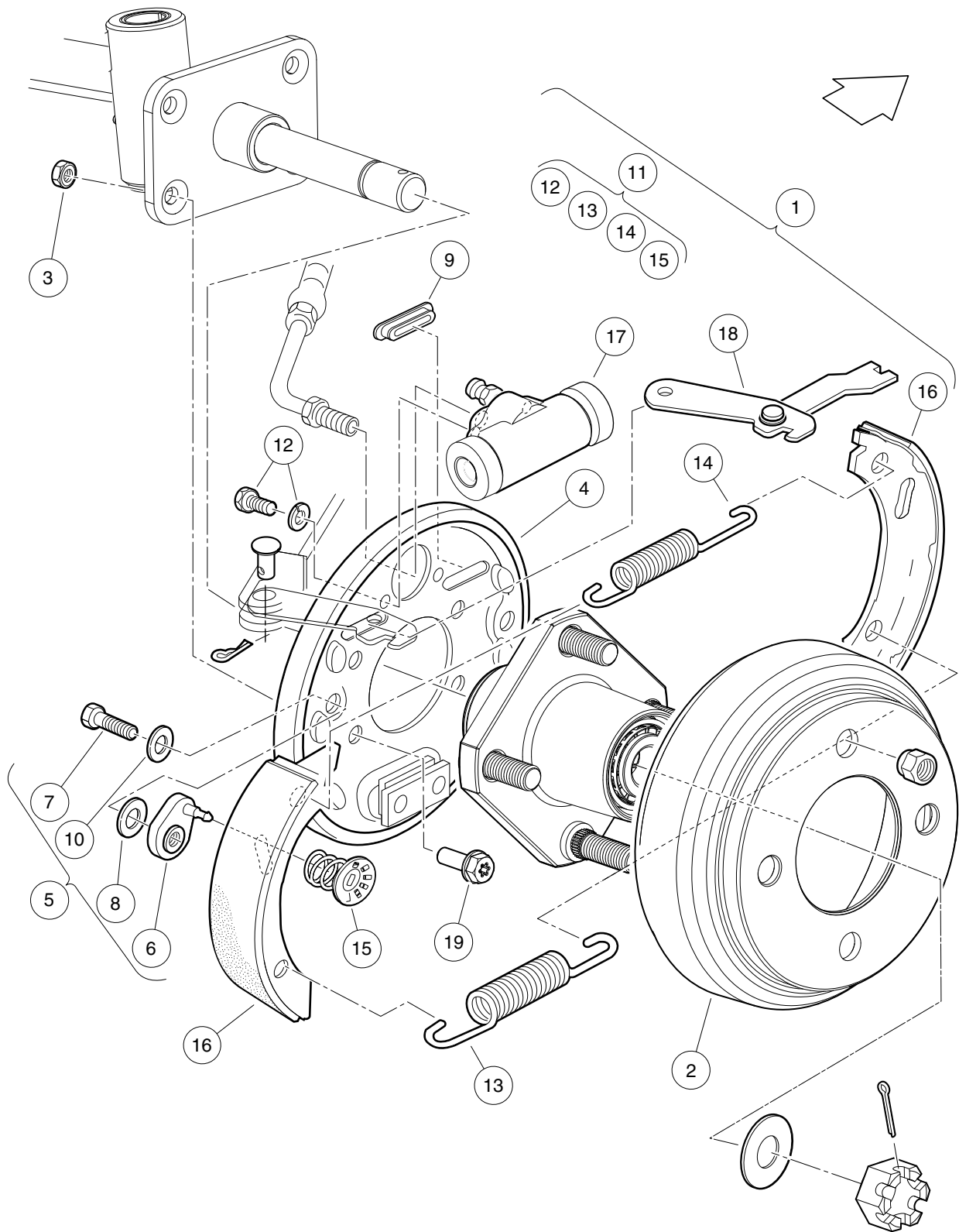
ITEM	PART NO.	DESCRIPTION	QTY
		1 2 3 4	
1	<u>102033401</u>	Assembly, Brake Cluster LH (includes items 2 through 19) .....	1
2	<u>1011137</u>	Drum, Brake .....	1
3	<u>1013924</u>	Nut, 5/16-24, Hex Head Cone .....	4
4	<u>102049401</u>	Backing Plate Asm .....	1
5	<u>102049601</u>	Kit, Axle Adjuster (includes items 6 through 10) .....	1
6	<u>102049501</u>	Adjuster .....	4
7	<u>102049901</u>	Bolt, 1/4-28 UNF X .31 .....	4
8	<u>102050001</u>	Washer .....	4
9	<u>102050101</u>	Dust Cover .....	4
10	N/A	Washer, 1/4 Flat .....	4
11	<u>102049701</u>	Kit, Axle Hardware (includes items 12 through 15) .....	1
12	<u>102050401</u>	Bolt, Wheel Cylinder .....	2
13	<u>102050501</u>	Spring, Shoe To Shoe, Lower .....	1
14	<u>102050601</u>	Spring, Shoe To Shoe, Upper .....	1
15	<u>102050701</u>	Shoe Hold Down .....	2
16	<u>102050201</u>	Shoe Kit, Axle Set .....	1
17	<u>102050801</u>	Wheel Cylinder Assembly 0.875 Dia .....	1
18	<u>102050902</u>	Park Brake Assembly, Left-Hand .....	1
19	<u>103229601</u>	Bolt, Brake Cluster Mnt, Hyd .....	4

5

E

5

E



001416-003

# HYDRAULIC FRONT DRUM BRAKE ASSEMBLY – PASS-SIDE

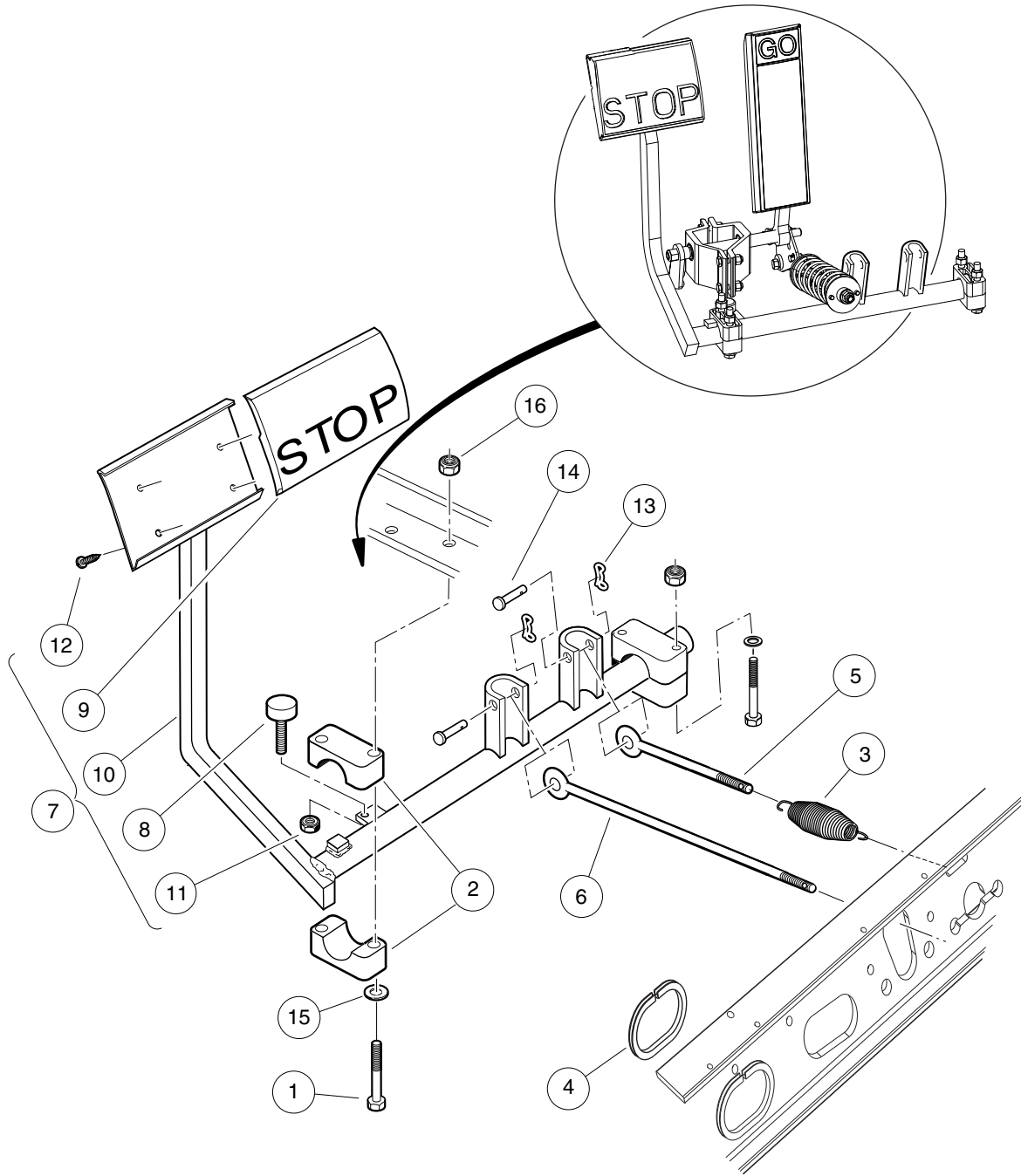
ITEM	PART NO.	DESCRIPTION	QTY
		1 2 3 4	
1	<u>102033501</u>	Assembly, Brake Cluster RH (includes items 2 through 19) .....	1
2	<u>1011137</u>	Drum, Brake .....	1
3	<u>1013924</u>	Nut, 5/16-24, Hex Head Cone .....	4
4	<u>102049401</u>	Backing Plate Asm .....	1
5	<u>102049601</u>	Kit, Axle Adjuster (includes items 6 through 10) .....	1
6	<u>102049501</u>	Adjuster .....	4
7	<u>102049901</u>	Bolt, 1/4-28 UNF X .31 .....	4
8	<u>102050001</u>	Washer .....	4
9	<u>102050101</u>	Dust Cover .....	4
10	N/A	Washer, 1/4 Flat .....	4
11	<u>102049701</u>	Kit, Axle Hardware (includes items 12 through 15) .....	1
12	<u>102050401</u>	Bolt, Wheel Cylinder .....	2
13	<u>102050501</u>	Spring, Shoe To Shoe, Lower .....	1
14	<u>102050601</u>	Spring, Shoe To Shoe, Upper .....	1
15	<u>102050701</u>	Shoe Hold Down .....	2
16	<u>102050201</u>	Shoe Kit, Axle Set .....	1
17	<u>102050801</u>	Wheel Cylinder Assembly 0.875 Dia .....	1
18	<u>102050901</u>	Park Brake Assembly, Right-Hand .....	1
19	<u>103229601</u>	Bolt, Brake Cluster Mnt, Hyd .....	4

**5**

**E**

5

E



001417-001

# BRAKE PEDAL ASSEMBLY

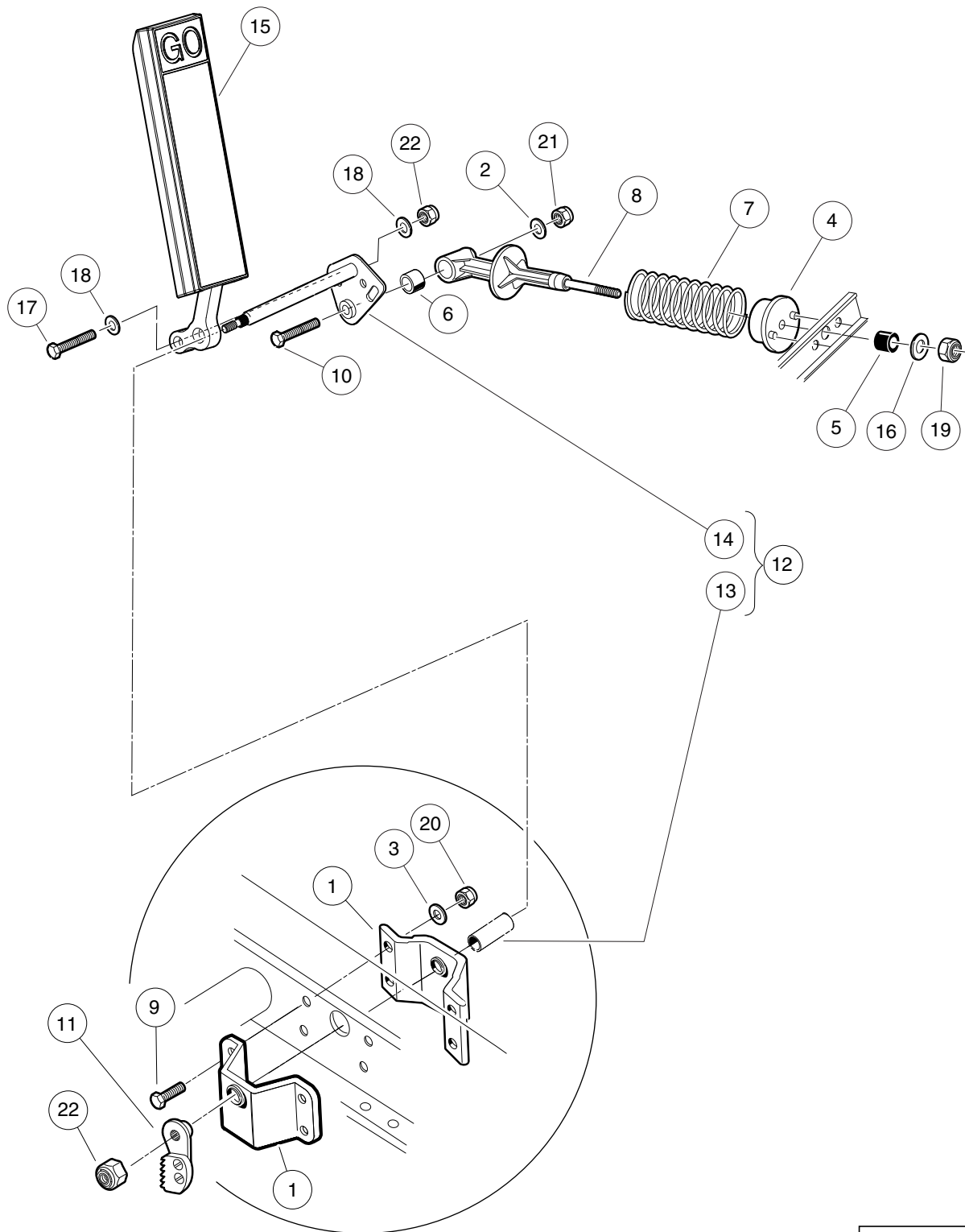
ITEM	PART NO.	DESCRIPTION	QTY
		1 2 3 4	
1	<u>1010921</u>	Screw, 5/16-18 X 2.50 Hex Cap .....	4
2	<u>1011402</u>	Package, Brake Mounting Block .....	1
3	<u>1013531</u>	Spring, Brake Return .....	1
4	<u>101806005</u>	I-beam Grommet - 6.75 .....	3
5	<u>101953101</u>	Rod, Equalizer, 8.91" .....	1
6	<u>101953105</u>	Rod, Equalizer, 13.30" .....	1
7	<u>102028903</u>	Brake Pedal Asm (includes items 8 through 12) .....	1
8	<u>1010878</u>	Bumper, Rubber .....	1
9	<u>102028601</u>	Pad, Hydraulic Brake Pedal .....	1
10	N/A	Brake Pedal Weld Asm .....	1
11	<u>1028</u>	Nut, 1/4-20 Hex .....	1
12	7716	Screw, #10-16 Type AB, Sheet Metal .....	4
13	<u>102323101</u>	Pin, Bow Tie Locking .....	2
14	<u>102323201</u>	Pin, 3/8 X 1-5/16 Clevis .....	2
15	<u>1241</u>	Washer, 5/16 Type A Flat .....	4
16	<u>7473</u>	Locknut, 5/16-18 Nylon Insert .....	4

5

E

5

E



001406-001



# ACCELERATOR PEDAL ASSEMBLY – ELECTRIC VEHICLES

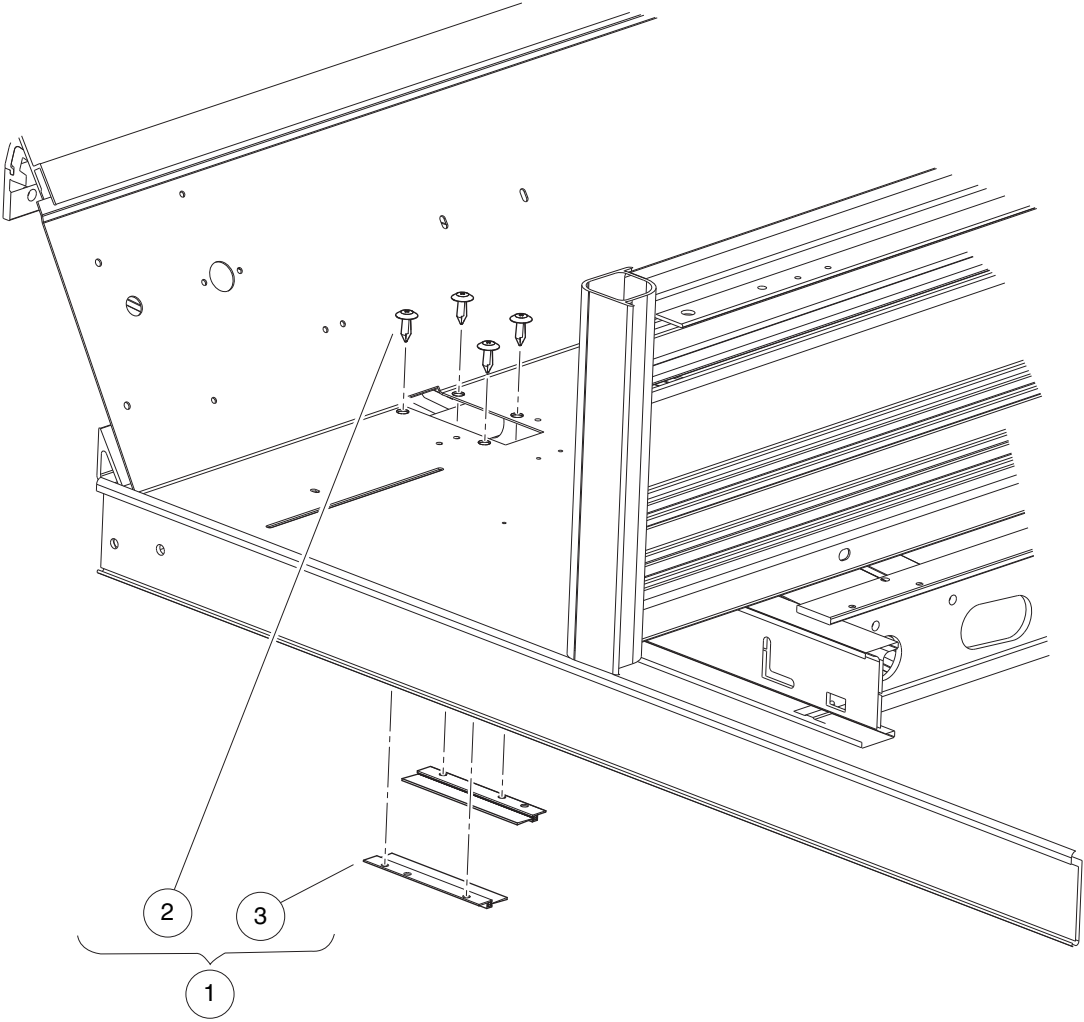
ITEM	PART NO.	DESCRIPTION	QTY
		1 2 3 4	
1	<u>1011694</u>	Accelerator Bracket and Bearing Assembly .....	2
2	<u>1011931</u>	Washer, 1/4 Flat .....	1
3	<u>1014007</u>	Washer, 1/4, Flat .....	4
4	<u>1017378</u>	Cup, Spring .....	1
5	<u>1017380</u>	Bumper, Spring Return .....	1
6	<u>1017424</u>	Bearing, Pivot Support .....	1
7	101796201	Spring, Accelerator Return .....	1
8	<u>101817401</u>	Retainer, Spring .....	1
9	<u>101861901</u>	Screw, 1/4-20 X 1.125 Hex Cap .....	4
10	<u>101862001</u>	Screw, 1/4-20 X 1.500 Flange .....	1
11	101918501	Ratchet Assembly .....	1
12	<u>102026001</u>	Kit, Accelerator Pivot Rod Assembly (includes items 13 and 14) .....	1
13	101919801	Spacer, Accelerator .....	1
14	<u>102158901</u>	Pivot Rod Weldment .....	1
15	<u>103865101</u>	Pedal, Accel, Insert .....	A/R
16	<u>1241</u>	Washer, 5/16 Type A Flat .....	1
17	<u>1624</u>	Screw, 3/8-16 X 1.50, Hex-Head Cap .....	1
18	<u>334</u>	Washer, 3/8, Type A, Flat .....	2
19	<u>7473</u>	Locknut, 5/16-18 Nylon Insert .....	1
20	<u>8233</u>	Locknut, 1/4-20, Nylon Insert .....	4
21	<u>8717</u>	Locknut, Nylon Insert, 1/4-28 .....	1
22	<u>8754</u>	Locknut, 3/8-16 Hex .....	2

**5**

**E**

5

E



001418-001

# PEDAL CLOSE-OUT KIT

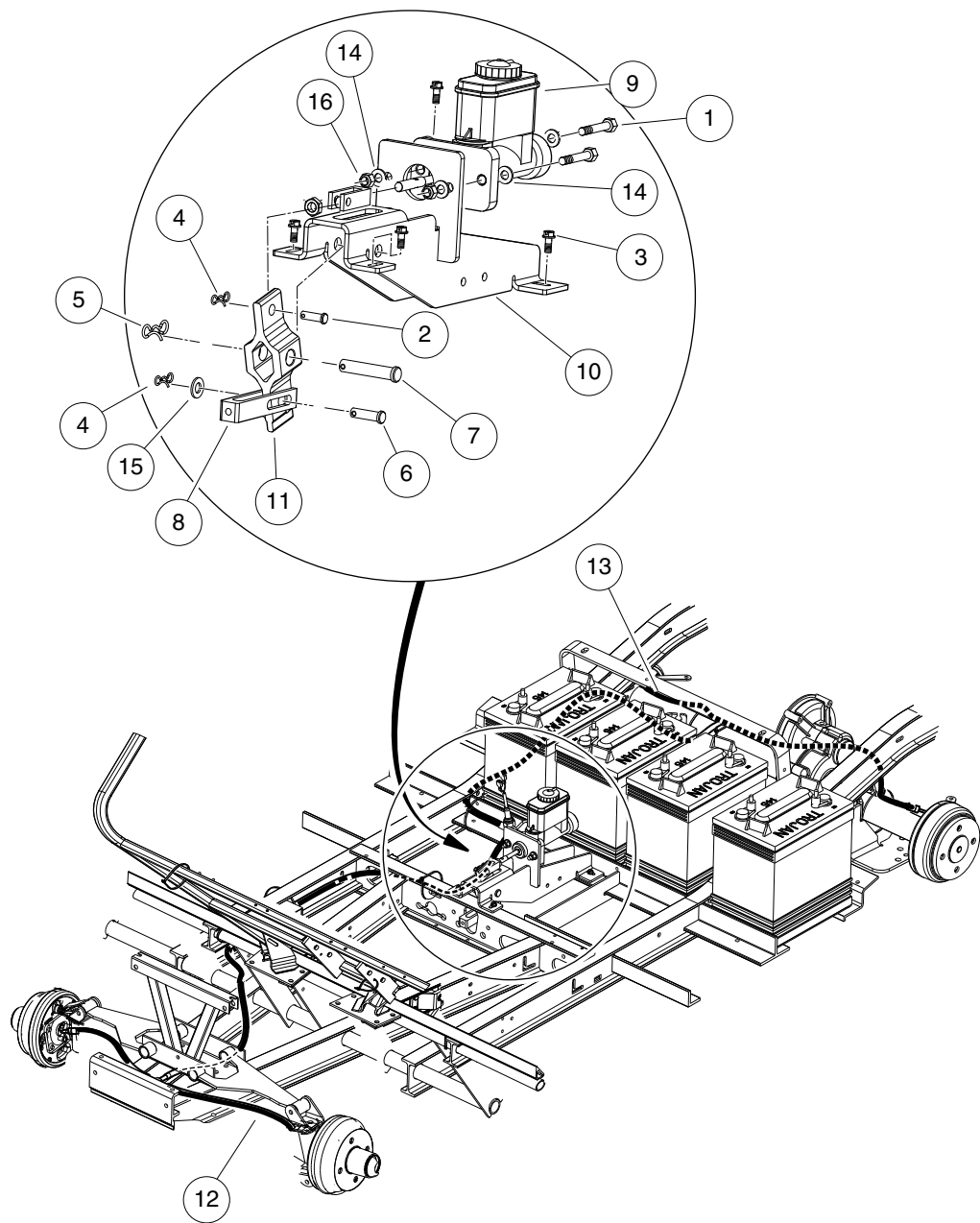
ITEM	PART NO.	DESCRIPTION	QTY
		<b>1 2 3 4</b>	
1	<u>105149101</u>	Kit, Close Out, Pedal, Utl (includes items 2 and 3) .....	1
2	<u>102025701</u>	Screw, Tuflok Panel, 1/4 .....	4
3	<u>105149201</u>	Asm, Brush, Pedal Close Out .....	2

**5**

**E**

5

E



001419-001

# MASTER CYLINDER, BELL CRANK, AND BRAKE LINES – CA510

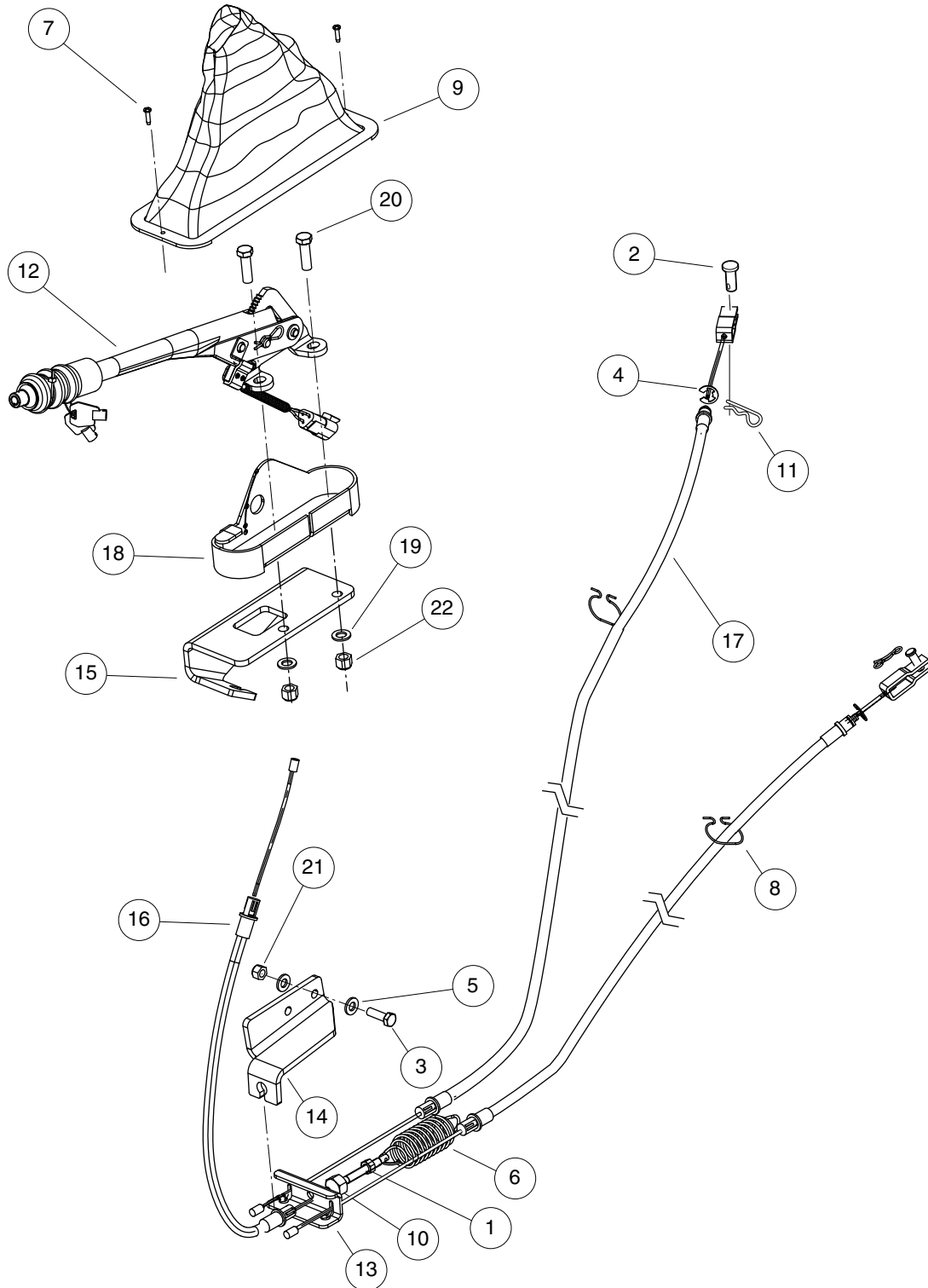
ITEM	PART NO.	DESCRIPTION	QTY
		1 2 3 4	
1	<u>1010577</u>	Bolt, Hex-Head, 5/16-18 X 1.50 .....	2
2	<u>101082903</u>	Pin, Clevis, 5/16 X 1 .....	1
3	<u>1012285</u>	Screw, 1/4 X 0.625 Hex-Head .....	5
4	<u>102292801</u>	Pin, Bow Tie Locking - .072 .....	2
5	<u>102323101</u>	Pin, Bow Tie Locking .....	1
6	<u>102323201</u>	Pin, 3/8 X 1-5/16 Clevis .....	1
7	<u>102519001</u>	Pin, 1/2 X 2-1/2 Clevis .....	1
8	<u>102976701</u>	Clevis, Bellcrank, Autobrake .....	1
9	<u>103376101</u>	Cylinder, Master, Integral Res .....	1
10	103635801	Brkt, Service Brake, 4pass .....	1
11	103665002	Asm, Pivot Lever, Lsv .....	1
12	<u>103865001</u>	Asm, Brake-line, Frt, Flre End .....	1
13	<u>103971501</u>	Asm, Brake Line, Rr, Ca2 .....	1
14	<u>1241</u>	Washer, 5/16 Type A Flat .....	4
15	<u>334</u>	Washer, 3/8, Type A, Flat .....	1
16	<u>7473</u>	Locknut, 5/16-18 Nylon Insert .....	2

5

E

5

E



000848-005

# HAND BRAKE ASSEMBLY – CA510 HOMOLOGATED

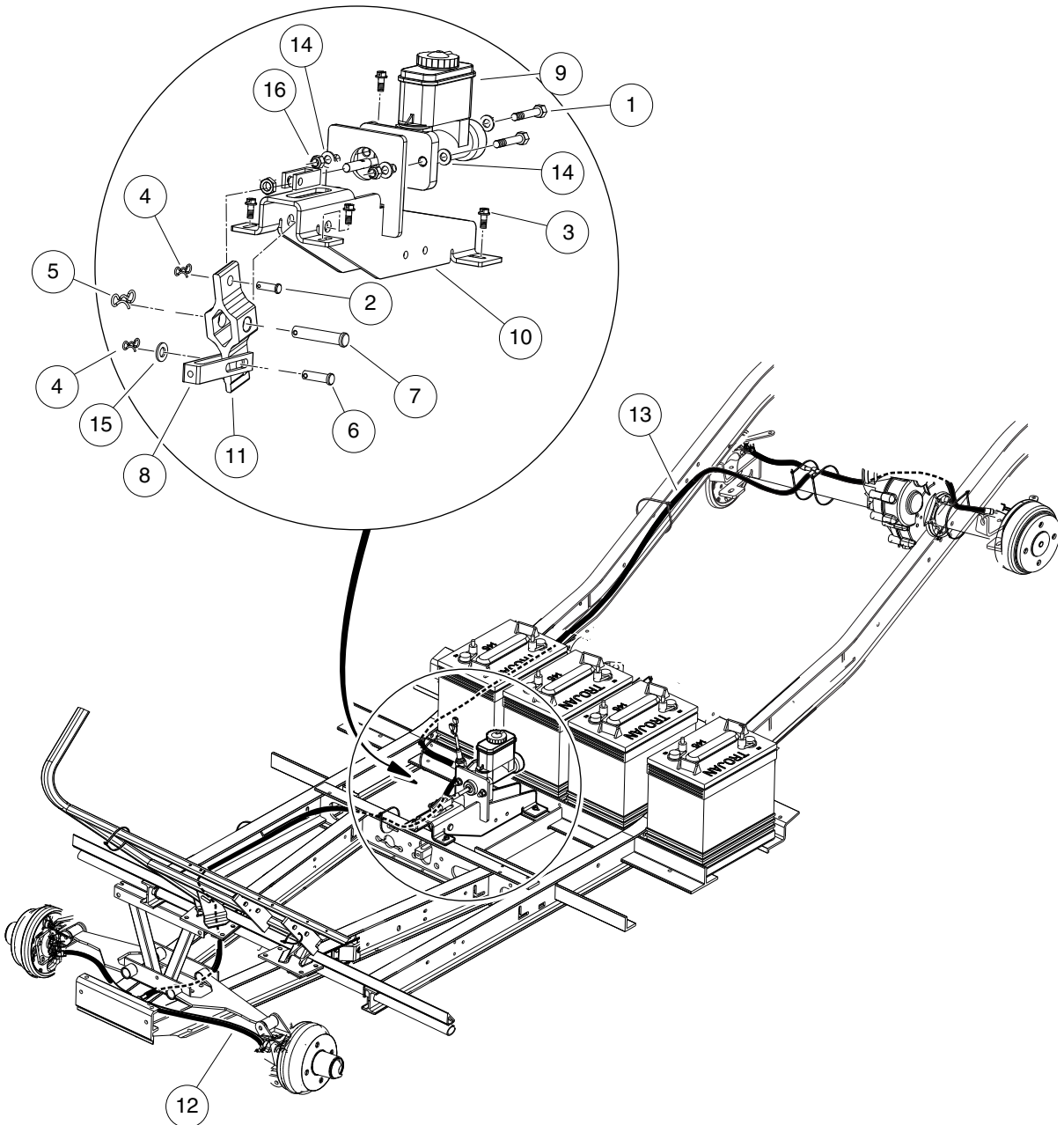
ITEM	PART NO.	DESCRIPTION	QTY
		1 2 3 4	
1	<u>1010521</u>	Nut, 5/16-24 Hex .....	1
2	<u>1010829</u>	Pin, Clevis, 5/16 X 3/4 .....	2
3	<u>1010934</u>	Screw, 5/16-18 X 1.00 Hex Cap .....	1
4	<u>1011779</u>	E-Clip, 1/2 .....	2
5	<u>1011990</u>	Washer, 3/8 Flat .....	2
6	<u>1013531</u>	Spring, Brake Return .....	1
7	<u>101832001</u>	Screw, #7-19 X 0.625 Phillips Pan-Head Tap .....	2
8	<u>101900801</u>	Hanger, Brake Cable .....	2
9	<u>102033701</u>	Park Brake Boot .....	1
10	<u>102052801</u>	Nut, 5/16-24 Hex Cone .....	1
11	<u>102292801</u>	Pin, Bow Tie Locking - .072 .....	2
12	<u>102444602</u>	Handlever, Box Config, Locking .....	1
13	<u>103525801</u>	Equalizer, Park Brake, lc .....	1
14	<u>103625801</u>	Brkt, Park Brake, Lower .....	1
15	<u>103625901</u>	Brkt, Park Brake, Upper .....	1
16	<u>103626001</u>	Cable, Park Brake, Front .....	1
17	<u>103627001</u>	Cable, Park Brake, Rear, Ca2 .....	2
18	<u>103807801</u>	Guard, Handbrake, Bottom Exit .....	1
19	<u>1241</u>	Washer, 5/16 Type A Flat .....	2
20	<u>705</u>	Screw, Cap-hex Hd 3/8-16x1.25 .....	2
21	<u>7473</u>	Locknut, 5/16-18 Nylon Insert .....	1
22	<u>8754</u>	Locknut, 3/8-16 Hex .....	2

5

E

5

E



001420-001



# MASTER CYLINDER, BELL CRANK, AND BRAKE LINES – CA710

ITEM	PART NO.	DESCRIPTION	QTY
		1 2 3 4	
1	<u>1010577</u>	Bolt, Hex-Head, 5/16-18 X 1.50 .....	2
2	<u>101082903</u>	Pin, Clevis, 5/16 X 1 .....	1
3	<u>1012285</u>	Screw, 1/4 X 0.625 Hex-Head .....	5
4	<u>102292801</u>	Pin, Bow Tie Locking - .072 .....	2
5	<u>102323101</u>	Pin, Bow Tie Locking .....	1
6	<u>102323201</u>	Pin, 3/8 X 1-5/16 Clevis .....	1
7	<u>102519001</u>	Pin, 1/2 X 2-1/2 Clevis .....	1
8	<u>102976701</u>	Clevis, Bellcrank, Autobrake .....	1
9	<u>103376101</u>	Cylinder, Master, Integral Res .....	1
10	103635801	Brkt, Service Brake, 4pass .....	1
11	103665002	Asm, Pivot Lever, Lsv .....	1
12	<u>103865001</u>	Asm, Brake-line, Frt, Flre End .....	1
13	<u>103971601</u>	Asm, Brake Line, Rr, Ca6 .....	1
14	<u>1241</u>	Washer, 5/16 Type A Flat .....	4
15	<u>334</u>	Washer, 3/8, Type A, Flat .....	1
16	<u>7473</u>	Locknut, 5/16-18 Nylon Insert .....	2

5

E



# HAND BRAKE ASSEMBLY – CA710 LSV HOMOLOGATED

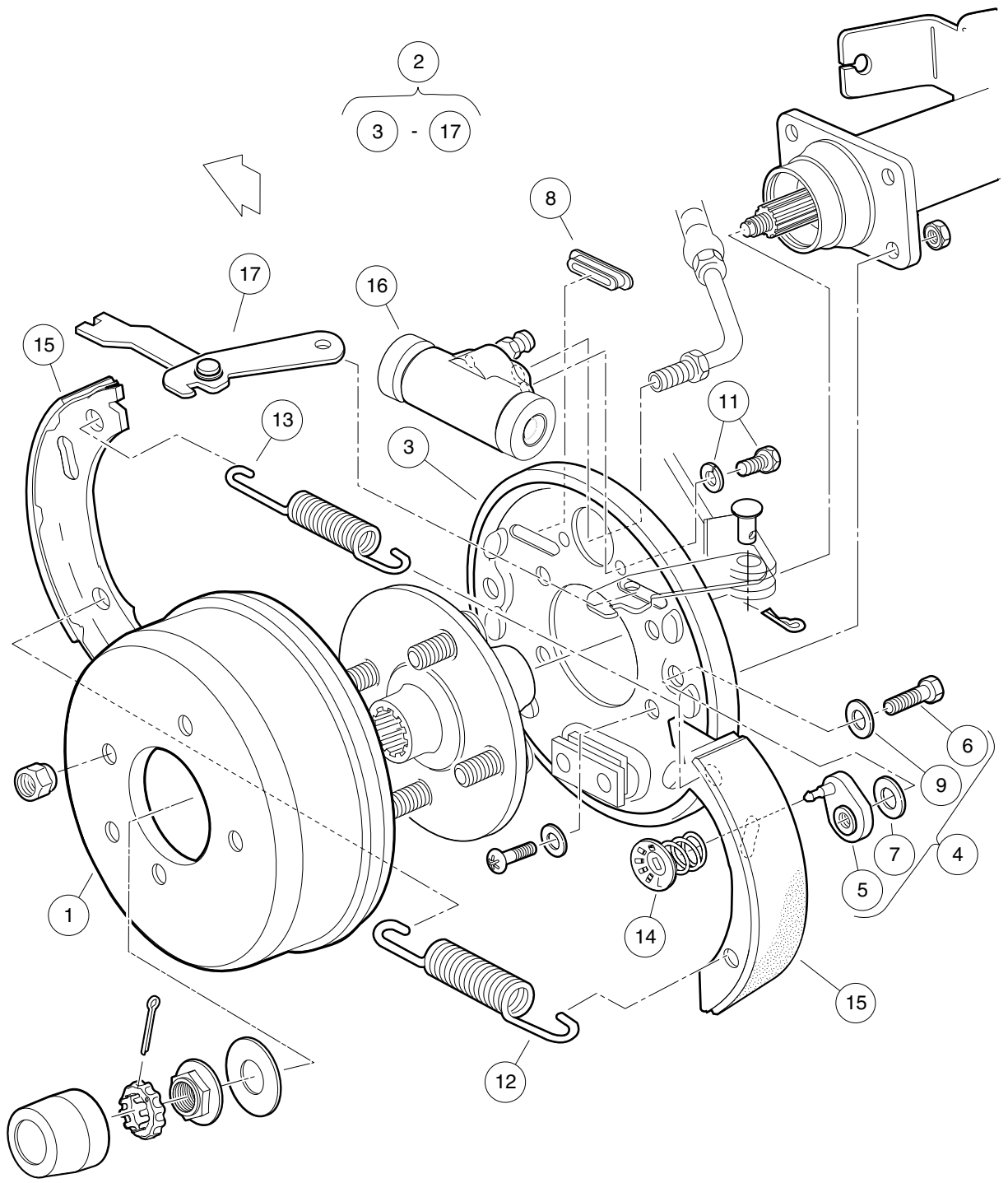
ITEM	PART NO.	DESCRIPTION	QTY
		1 2 3 4	
1	<u>1010521</u>	Nut, 5/16-24 Hex .....	1
2	<u>1010829</u>	Pin, Clevis, 5/16 X 3/4 .....	2
3	<u>1010934</u>	Screw, 5/16-18 X 1.00 Hex Cap .....	1
4	<u>1011779</u>	E-Clip, 1/2 .....	2
5	<u>1011990</u>	Washer, 3/8 Flat .....	2
6	<u>1012285</u>	Screw, 1/4 X 0.625 Hex-Head .....	1
7	<u>1013531</u>	Spring, Brake Return .....	1
8	<u>101832001</u>	Screw, #7-19 X 0.625 Phillips Pan-Head Tap .....	2
9	<u>101900801</u>	Hanger, Brake Cable .....	2
10	<u>102033701</u>	Park Brake Boot .....	1
11	<u>102052801</u>	Nut, 5/16-24 Hex Cone .....	2
12	<u>102292801</u>	Pin, Bow Tie Locking - .072 .....	2
13	<u>102444602</u>	Handlever, Box Config, Locking .....	1
14	<u>103525801</u>	Equalizer, Park Brake, Ic .....	1
15	<u>103625801</u>	Brkt, Park Brake, Lower .....	1
16	<u>103625901</u>	Brkt, Park Brake, Upper .....	1
17	<u>103626001</u>	Cable, Park Brake, Front .....	1
18	<u>103627101</u>	Cable, Park Brake, Rear, Ca6 .....	2
19	<u>103807801</u>	Guard, Handbrake, Bottom Exit .....	1
20	<u>103807901</u>	Cover, Equalizer, Anti-tamper .....	1
21	<u>1241</u>	Washer, 5/16 Type A Flat .....	2
22	<u>705</u>	Screw, Cap-hex Hd 3/8-16x1.25 .....	2
23	<u>7473</u>	Locknut, 5/16-18 Nylon Insert .....	1
24	<u>8754</u>	Locknut, 3/8-16 Hex .....	2

**5**

**E**

5

E



000107-001

# HYDRAULIC REAR BRAKE ASSEMBLY

ITEM	PART NO.	DESCRIPTION	QTY
		1 2 3 4	
1	<u>101791101</u>	Drum without Center Hole, Brake .....	2
2	<u>102033401</u>	Assembly, Brake Cluster LH (includes items 3 through 20) .....	1
3	<u>1011137</u>	Drum, Brake .....	1
4	<u>1013924</u>	Nut, 5/16-24, Hex Head Cone .....	4
5	<u>102049401</u>	Backing Plate Asm .....	1
6	<u>102049601</u>	Kit, Axle Adjuster (includes items 7 through 11) .....	1
7	<u>102049501</u>	Adjuster .....	4
8	<u>102049901</u>	Bolt, 1/4-28 UNF X .31 .....	4
9	<u>102050001</u>	Washer .....	4
10	<u>102050101</u>	Dust Cover .....	4
11	N/A	Washer, 1/4 Flat .....	4
12	<u>102049701</u>	Kit, Axle Hardware (includes items 13 through 16) .....	1
13	<u>102050401</u>	Bolt, Wheel Cylinder .....	2
14	<u>102050501</u>	Spring, Shoe To Shoe, Lower .....	1
15	<u>102050601</u>	Spring, Shoe To Shoe, Upper .....	1
16	<u>102050701</u>	Shoe Hold Down .....	2
17	<u>102050201</u>	Shoe Kit, Axle Set .....	1
18	<u>102050801</u>	Wheel Cylinder Assembly 0.875 Dia .....	1
19	<u>102050902</u>	Park Brake Assembly, Left-Hand .....	1
20	<u>103229601</u>	Bolt, Brake Cluster Mnt, Hyd .....	4
21	<u>102033501</u>	Assembly, Brake Cluster RH (includes items 22 through 39) .....	1
22	<u>1011137</u>	Drum, Brake .....	1
23	<u>1013924</u>	Nut, 5/16-24, Hex Head Cone .....	4
24	<u>102049401</u>	Backing Plate Asm .....	1
25	<u>102049601</u>	Kit, Axle Adjuster (includes items 26 through 30) .....	1
26	<u>102049501</u>	Adjuster .....	4
27	<u>102049901</u>	Bolt, 1/4-28 UNF X .31 .....	4
28	<u>102050001</u>	Washer .....	4
29	<u>102050101</u>	Dust Cover .....	4
30	N/A	Washer, 1/4 Flat .....	4
31	<u>102049701</u>	Kit, Axle Hardware (includes items 32 through 35) .....	1
32	<u>102050401</u>	Bolt, Wheel Cylinder .....	2
33	<u>102050501</u>	Spring, Shoe To Shoe, Lower .....	1
34	<u>102050601</u>	Spring, Shoe To Shoe, Upper .....	1
35	<u>102050701</u>	Shoe Hold Down .....	2
36	<u>102050201</u>	Shoe Kit, Axle Set .....	1
37	<u>102050801</u>	Wheel Cylinder Assembly 0.875 Dia .....	1
38	<u>102050901</u>	Park Brake Assembly, Right-Hand .....	1
39	<u>103229601</u>	Bolt, Brake Cluster Mnt, Hyd .....	4
		Note: Passenger-side brake cluster components (items 18-33) not shown. Components have a similar appearance to the driver-side brake cluster components.	

5

E

**5**

***E***

# STEERING, FRONT AND REAR SUSPENSION

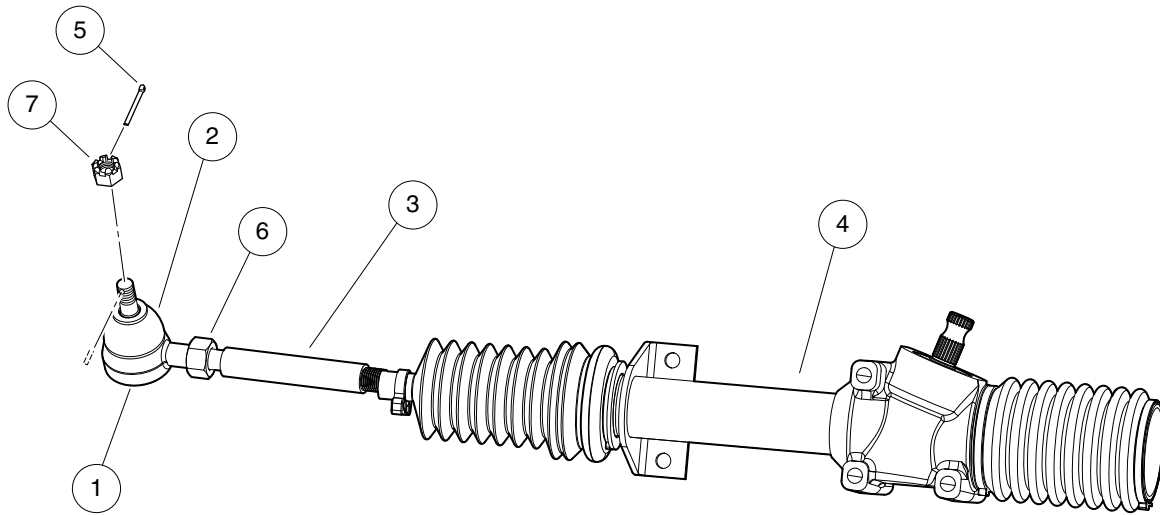
---

6

E

6

E



001527-001



# STEERING GEAR ASSEMBLY

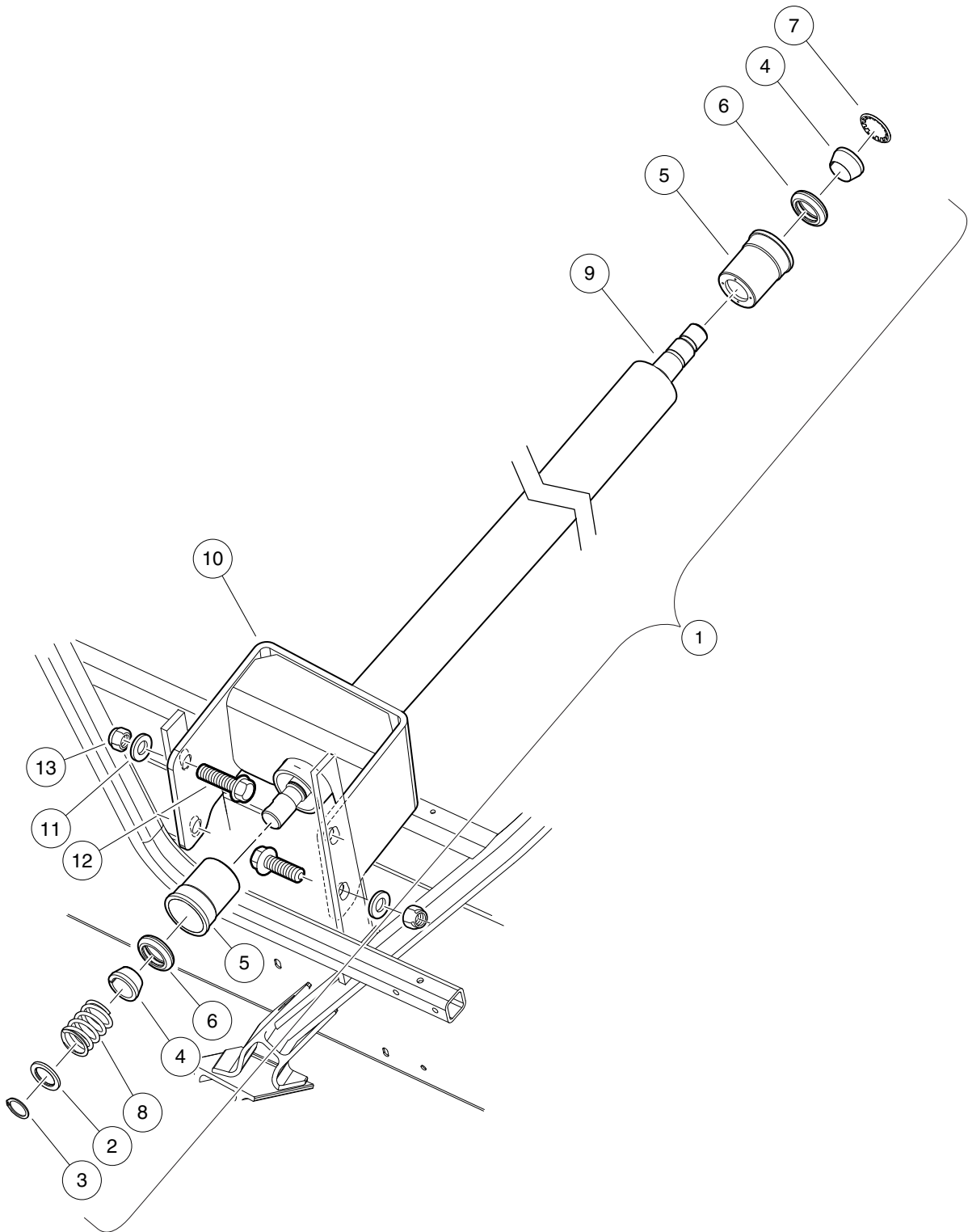
ITEM	PART NO.	DESCRIPTION	QTY
		1 2 3 4	
1	1011895	Socket, LH Vertical .....	1
2	<u>1011930</u>	Seal, Vertical Socket Dust .....	1
3	<u>1012467</u>	Link, Rack and Pinion Drag .....	1
4	<u>103233101</u>	Rack, Steering, Modular .....	1
5	<u>1035</u>	Cotter Pin, 3/32 x 1 .....	1
6	<u>7555</u>	Nut, 1/2-20 Hex, Left-Hand Thread .....	1
7	7602	Nut, 3/8-24 UNF Hex .....	1

6

E

**6**

**E**



001531-001

# STEERING COLUMN

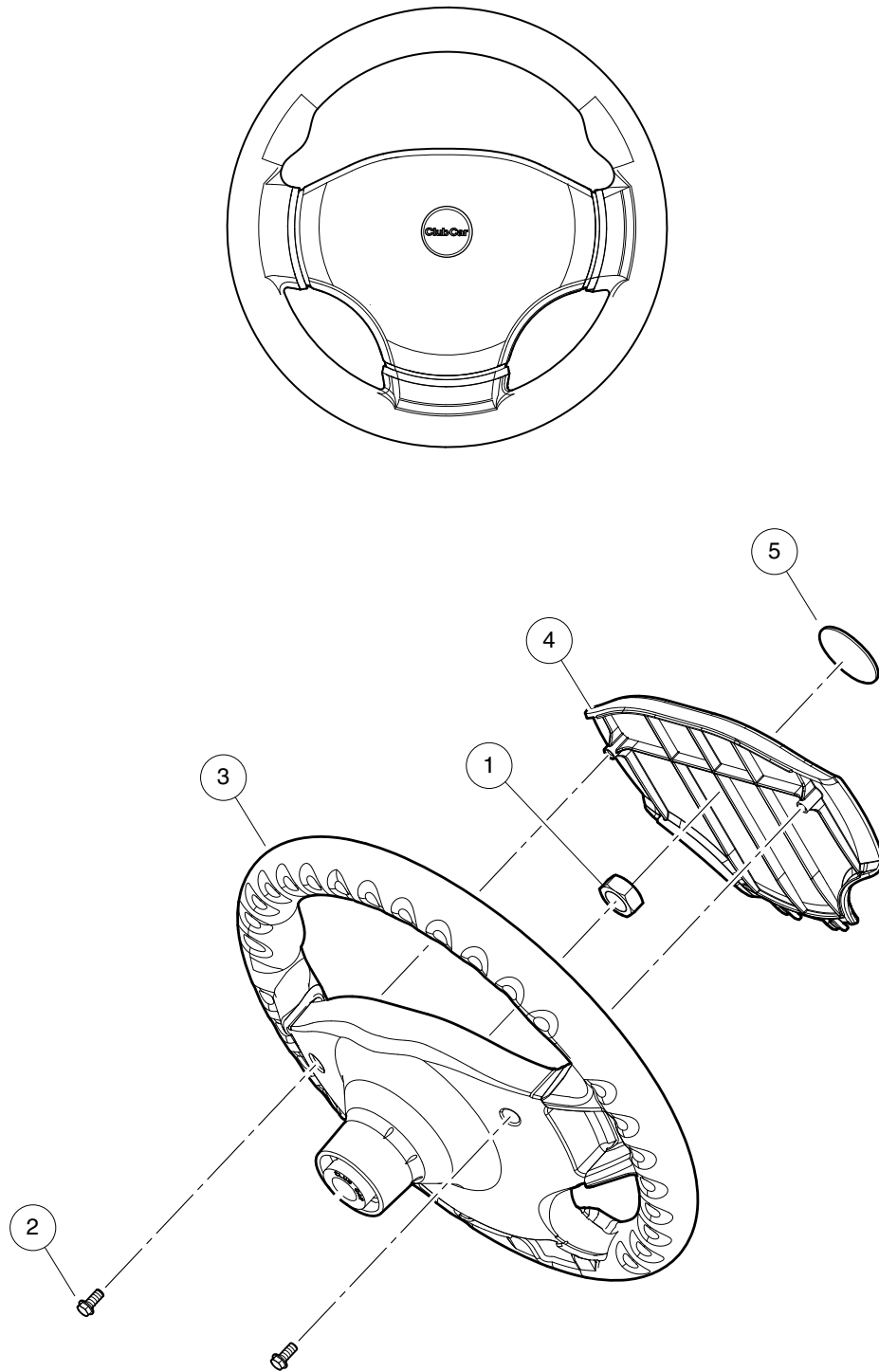
ITEM	PART NO.	DESCRIPTION	QTY
		<b>1 2 3 4</b>	
1	<u>103232101</u>	Assy, Steering Column, Short (includes items 2 through 10) .....	1
2	<u>1012604</u>	Washer, 0.675 ID X 1.19 OD .....	1
3	<u>1012605</u>	Ring, 0.579 Internal Retaining .....	1
4	1014125	Wedge, Molded .....	2
5	<u>1014126</u>	Seat, Plastic Bearing .....	2
6	<u>1014213</u>	Bearing, Ball .....	2
7	1014214	Ring, Retaining .....	1
8	<u>1014217</u>	Spring, Steering Shaft .....	1
9	N/A	Shaft, Steering, 667.8 Oal .....	1
10	N/A	Weldment, †column, †lsv .....	1
11	<u>334</u>	Washer, 3/8, Type A, Flat .....	4
12	705	Screw, Cap-hex Hd 3/8-16x1.25 .....	4
13	<u>8754</u>	Locknut, 3/8-16 Hex .....	4

**6**

**E**

**6**

**E**



001503-001

# STEERING WHEEL

ITEM	PART NO.	DESCRIPTION	QTY
		1 2 3 4	
1	<u>1017273</u>	Nut, 5/8-18 Nylon Insert Jam .....	1
2	<u>101850301</u>	Screw, #12-16 X 0.50 Washer-Head Hi-Lo .....	2
3	<u>103724504</u>	Steering Wheel, Soft Spl .....	1
4	<u>103724602</u>	Cover, Steering Wheel, Generic .....	1
5	<u>103829401</u>	Logo, Cci, Steer Wheel .....	1

**6**

**E**



# STEERING WHEEL WITH CLIP

ITEM	PART NO.	DESCRIPTION	QTY
		1 2 3 4	
1	<u>1017273</u>	Nut, 5/8-18 Nylon Insert Jam .....	1
2	<u>101850301</u>	Screw, #12-16 X 0.50 Washer-Head Hi-Lo .....	2
3	<u>103724504</u>	Steering Wheel, Soft Spl .....	1
4	<u>103724901</u>	Asm, Scorecard, Clip (includes items 5 through 9) .....	1
5	<u>1012565</u>	Screw, #12 Phillips Round Head .....	2
6	<u>1012566</u>	Tapered Compression Spring .....	2
7	1016154	Clip, Scorecard .....	1
8	<u>1016214</u>	Pencil Grip .....	1
9	103724601	Cover, Steering Wheel, Clip .....	1

**6**

**E**





## FRONT SUSPENSION, UPPER, HYD

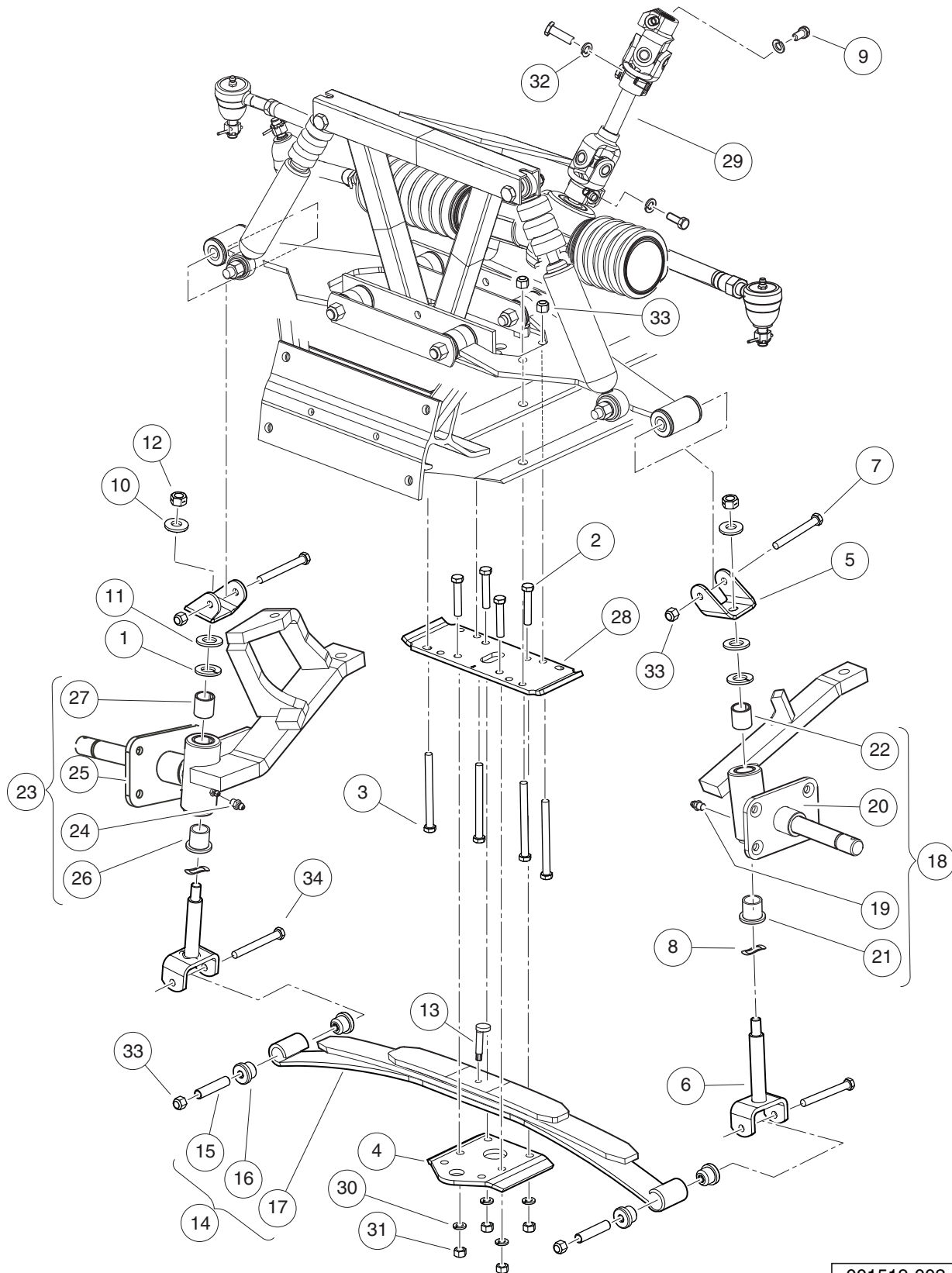
ITEM	PART NO.	DESCRIPTION	QTY
		<b>1 2 3 4</b>	
1	<u>1010138</u>	Locknut, 3/8-16 Dimpled .....	2
2	N/A	Tie Rod Asm, 24.265 Lg (includes items 3 through 7) .....	1
3	<u>101021902</u>	Tie Rod 20.643" Lg .....	1
4	<u>1011893</u>	Socket, RH Vertical .....	1
5	<u>1011895</u>	Socket, LH Vertical .....	1
6	<u>1308</u>	Nut, 1/2-20 Hex .....	1
7	<u>7555</u>	Nut, 1/2-20 Hex, Left-Hand Thread .....	1
8	<u>1016353</u>	Sub-Assembly, Delta A-Plate (includes items 9 through 12) .....	2
9	<u>1016346</u>	Bushing, Urethane .....	6
10	<u>1016349</u>	Sleeve, Delta Inner .....	2
11	<u>1016350</u>	Sleeve, Delta Outer .....	1
12	<u>1016351</u>	Delta A-Plate .....	1
13	<u>1017266</u>	A-Plate Strap .....	2
14	<u>103264802</u>	Weldmnt, Shock & Rack Mnt, Lsv .....	1
15	<u>1035</u>	Cotter Pin, 3/32 x 1 .....	2
16	<u>105106702</u>	Shock Absorb, Frnt, 3 Bump Ele .....	2
17	<u>2402</u>	Screw, 3/8-16 X 2.25 Hx Hd Cap .....	4
18	<u>7602</u>	Nut, 3/8-24 UNF Hex .....	2
19	<u>8754</u>	Locknut, 3/8-16 Hex .....	6
20	<u>8861</u>	Bolt, 3/8-16 X 1.75 Hex .....	2

**6**

**E**

6

E



001519-002

# FRONT SUSPENSION, LOWER, HYD, DRUMS 3 LEAF, 1 PLATE

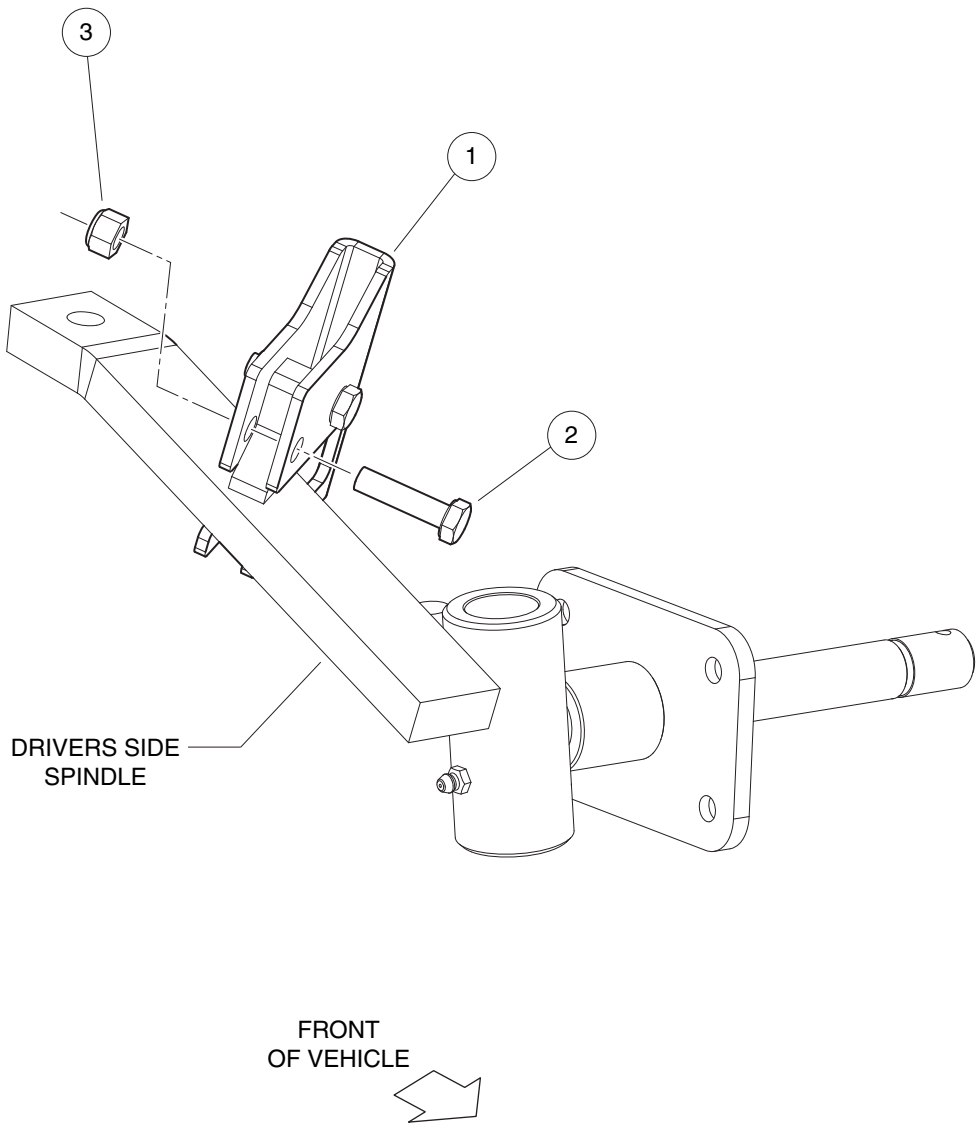
ITEM	PART NO.	DESCRIPTION	QTY
		1 2 3 4	
1	<u>1010150</u>	Bearing, Thrust .....	2
2	<u>1010177</u>	Bolt, 3/8-16 X 2.00 Hex Head .....	4
3	<u>1010200</u>	Bolt, 3/8-16 X 4.25 Hex Head .....	4
4	<u>1014276</u>	Plate, Front Spring Retainer .....	1
5	<u>1016384</u>	Clevis, Delta Upper .....	2
6	<u>1016386</u>	King Pin Assembly .....	2
7	<u>1016387</u>	Screw, 3/8-16 X 2.75 Hx Hd Cap .....	2
8	<u>1016389</u>	Washer, 1.125 Od Wave .....	2
9	<u>1017226</u>	Bolt, Hex-Head, 8mm X 1.25 - 30 .....	3
10	<u>102564002</u>	Washer-1/2 Conical, Yellow .....	2
11	<u>102684501</u>	Washer, M12 Hard Regular .....	2
12	<u>102766301</u>	Nut, 1/2-20, Center Lock .....	2
13	<u>103507001</u>	Eccentric Bolt Common .....	1
14	<u>103628901</u>	Spring Asm, Front, 3 Leaf (includes items 15 through 17) .....	1
15	<u>1012303</u>	Bushing, Steel .....	2
16	<u>1015583</u>	Bushing, Urethane .....	4
17	103502801	Spring, Front, 3 Leaf .....	1
18	<u>103824101</u>	Asm, Spindle, Drum, Lh (includes items 19 through 22) .....	1
19	<u>1015597</u>	Fitting, 1/4-28 Thread-Forming Grease .....	1
20	N/A	Spindle, Drum, Lh .....	1
21	<u>7048</u>	Bushing, Flanged Bronze .....	1
22	<u>8067</u>	Bushing, Bronze Spindle .....	1
23	<u>103824201</u>	Asm, Spindle, Drum, Rh (includes items 24 through 27) .....	1
24	<u>1015597</u>	Fitting, 1/4-28 Thread-Forming Grease .....	1
25	N/A	Spindle, Drum, Rh .....	1
26	<u>7048</u>	Bushing, Flanged Bronze .....	1
27	<u>8067</u>	Bushing, Bronze Spindle .....	1
28	<u>105083301</u>	Plate, Spring Mount, Restyle .....	1
29	<u>105329301</u>	Shaft, Int, Steering, Lsv Adj .....	1
30	<u>357</u>	Lockwasher, 3/8 Split .....	4
31	<u>706</u>	Nut, Hex 3/8-16 .....	5
32	<u>7174</u>	Lockwasher, 5/16 Split .....	3
33	<u>8754</u>	Locknut, 3/8-16 Hex .....	8
34	<u>8755</u>	Screw, 3/8-16 X 3.375 Hex Cap .....	2

6

E

6

E



001530-001

# STEERING STOP

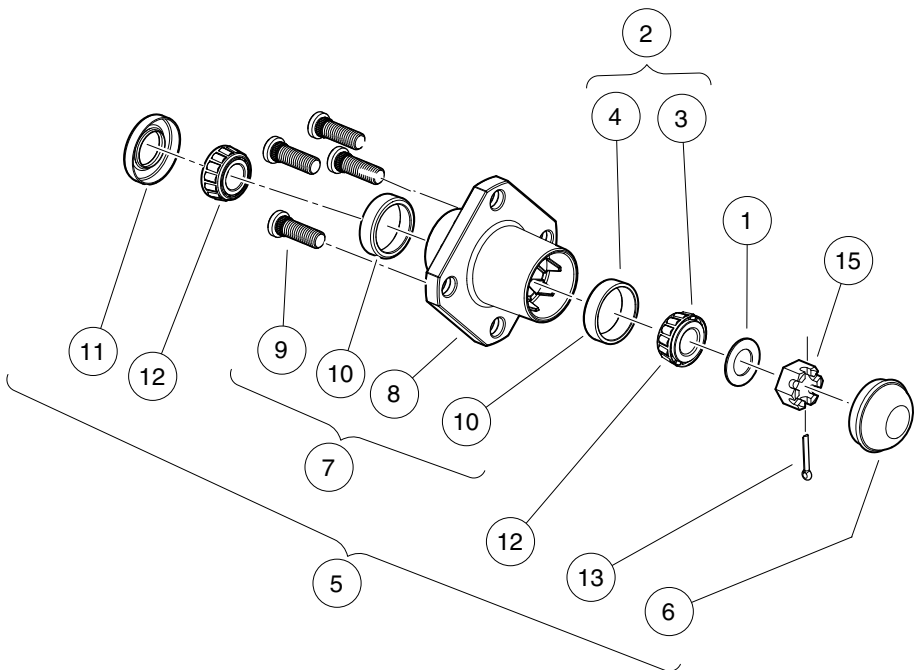
ITEM	PART NO.	DESCRIPTION	QTY
		1 2 3 4	
1	105243002	Brkt,Steering Stop, CA, LSV .....	1
2	1218	Screw, 5/16-18 X 1.25 Hex-Head Cap .....	2
3	<u>7473</u>	Locknut, 5/16-18 Nylon Insert .....	2
<p>Note: Steering Stop 105243003 is required if vehicle is equipped with the 105100601, HD Bumper Kit.</p>			

6

E

6

E



001520-002

# FRONT WHEEL HUBS

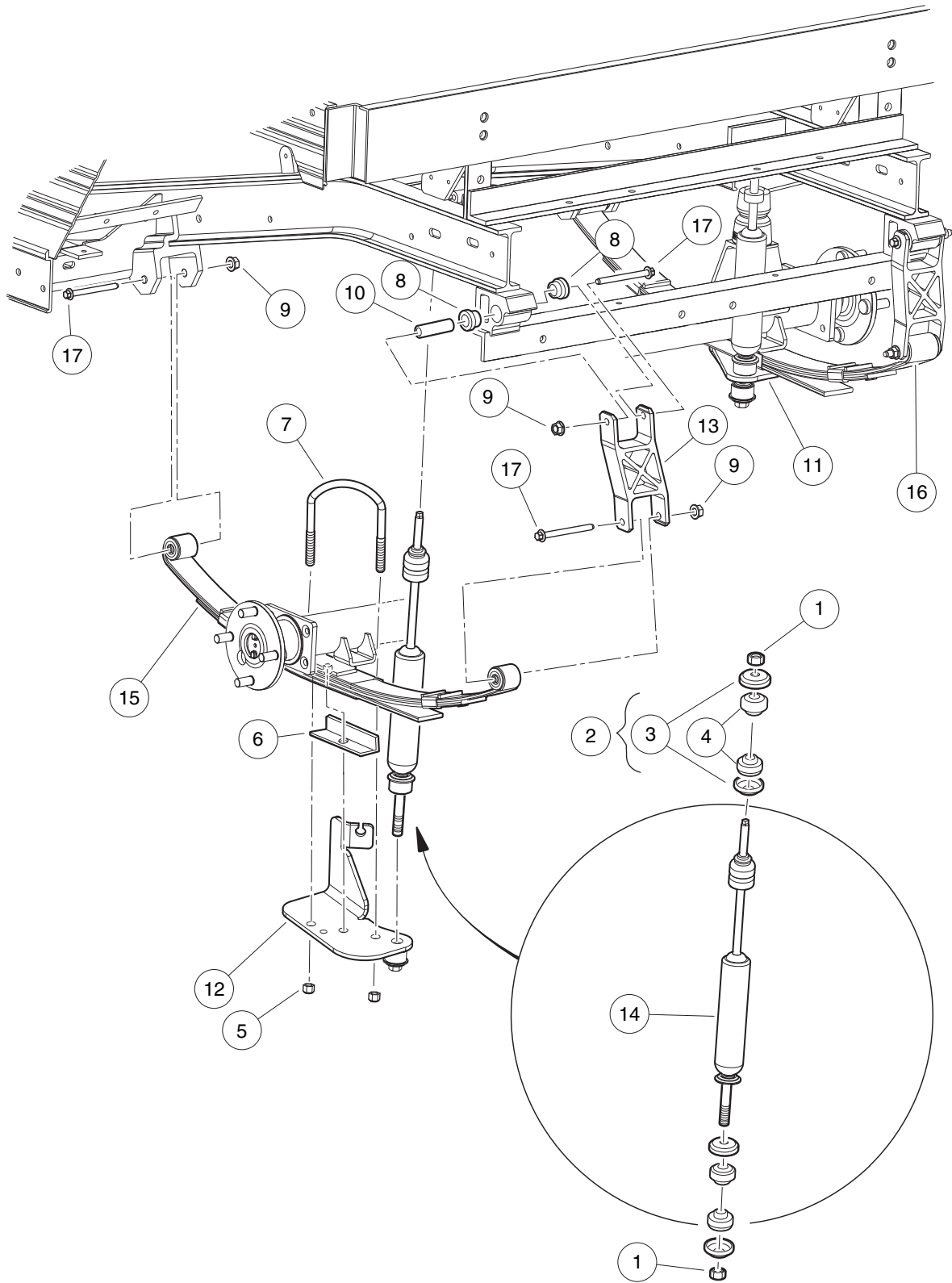
ITEM	PART NO.	DESCRIPTION	QTY
		1 2 3 4	
1	<u>1010005</u>	Washer, 3/4 Flat .....	2
2	<u>1011393</u>	Hub Bearing Package (includes items 3 and 4) .....	4
3	7274	Bearing, Front Hub Wheel .....	1
4	7308	Race, Front Hub Bearing .....	1
5	<u>1011892</u>	Hub Assembly (includes items 6 through 13) .....	1
6	<u>1011887</u>	Dust Cover .....	1
7	N/A	Hub (includes items 8 through 10) .....	1
8	N/A	Front Hub .....	1
9	<u>103477901</u>	Lug Stud, 1/2-20 Unf, 4037 .....	4
10	7308	Race, Front Hub Bearing .....	2
11	<u>1013135</u>	Seal, Double Lip .....	1
12	7274	Bearing, Front Hub Wheel .....	2
13	<u>7910</u>	Pin, 5/32 X 1.00 Cotter .....	1
14	<u>1013135</u>	Seal, Double Lip .....	2
15	<u>7840</u>	Nut, 3/4-16 Hex Slotted .....	2

**6**

**E**

6

E



001525-001



## REAR SUSPENSION COMPONENTS

ITEM	PART NO.	DESCRIPTION	QTY
		1 2 3 4	
1	<u>1010145</u>	Nut, 3/8-24 Hex .....	4
2	<u>1011415</u>	Kit, Shock Absorber Cushion (includes items 3 and 4) .....	4
3	N/A	Cushion, Shock Absorber .....	2
4	N/A	Retainer, Shock Absorber Cushion .....	2
5	<u>1014555</u>	Locknut, 7/16-14 Nylon Hex .....	4
6	<u>1014573</u>	Spring Retainer .....	2
7	<u>1014902</u>	U-Bolt .....	2
8	<u>101558302</u>	Bushing, Urethane, Soft .....	4
9	<u>102298401</u>	Nut,m8,all Metal Lock .....	6
10	<u>102506401</u>	Sleeve - Spring Eye Mounts .....	2
11	<u>103524601</u>	Brkt, Shock Mount Rh, lc .....	1
12	<u>103524701</u>	Brkt, Shock Mount Lh, lc .....	1
13	<u>105068902</u>	Shackle, 6", Com, Machined .....	2
14	<u>105106801</u>	Shock Absorber,Rear, 2 Bumper .....	2
15	<u>105186201</u>	Asm, Spring 600lb Nr Std, Lh .....	1
16	<u>105186202</u>	Asm, Spring 600lb Nr Std, Rh .....	1
17	<u>105188185</u>	Bolt, M8x85mm,10.9 Grade .....	6

6

E

**6**

***E***

# ELECTRICAL SYSTEM – ELECTRIC VEHICLES

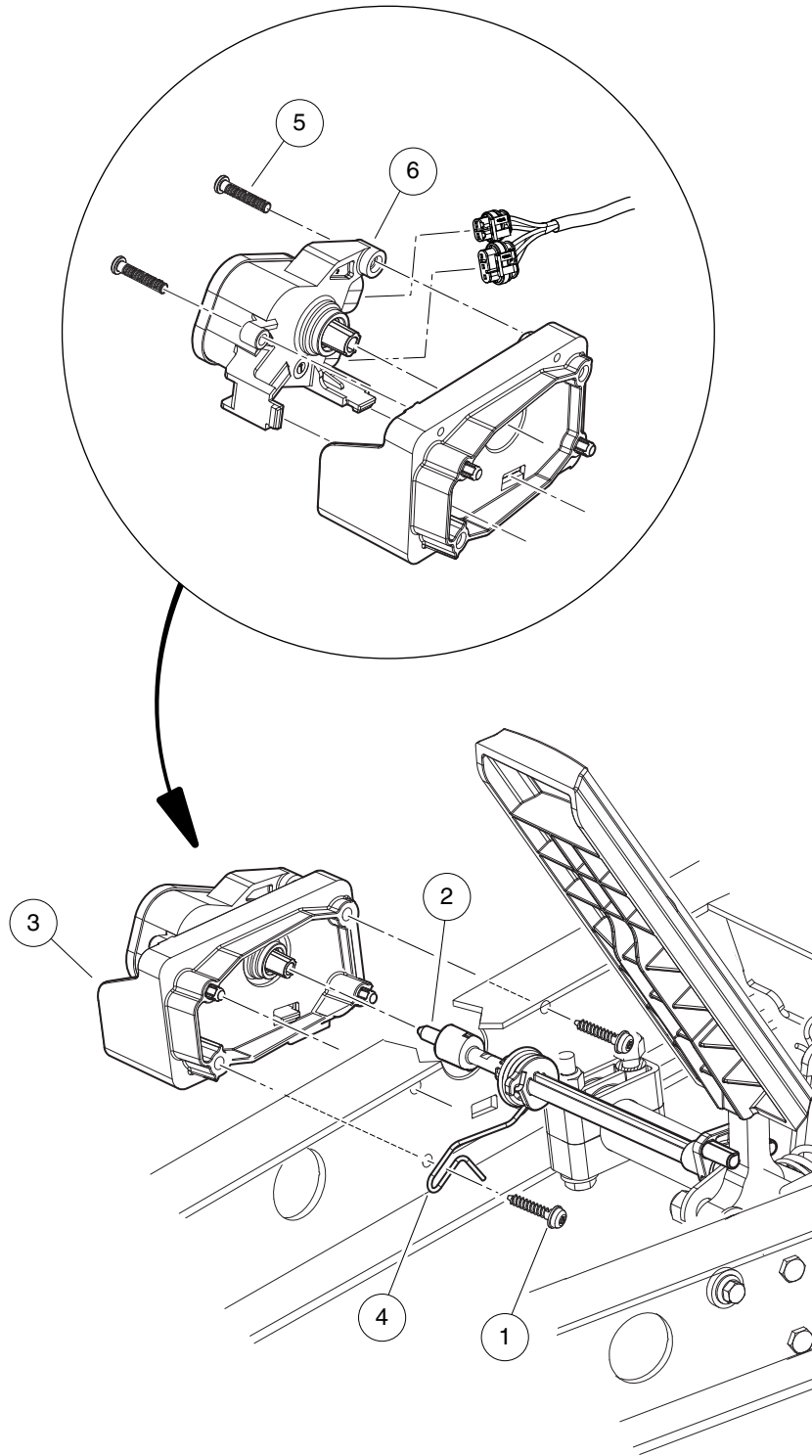
---

7

*E*

7

E



002522-001

# MOTOR CONTROLLER OUTPUT REGULATOR (MOTOR)

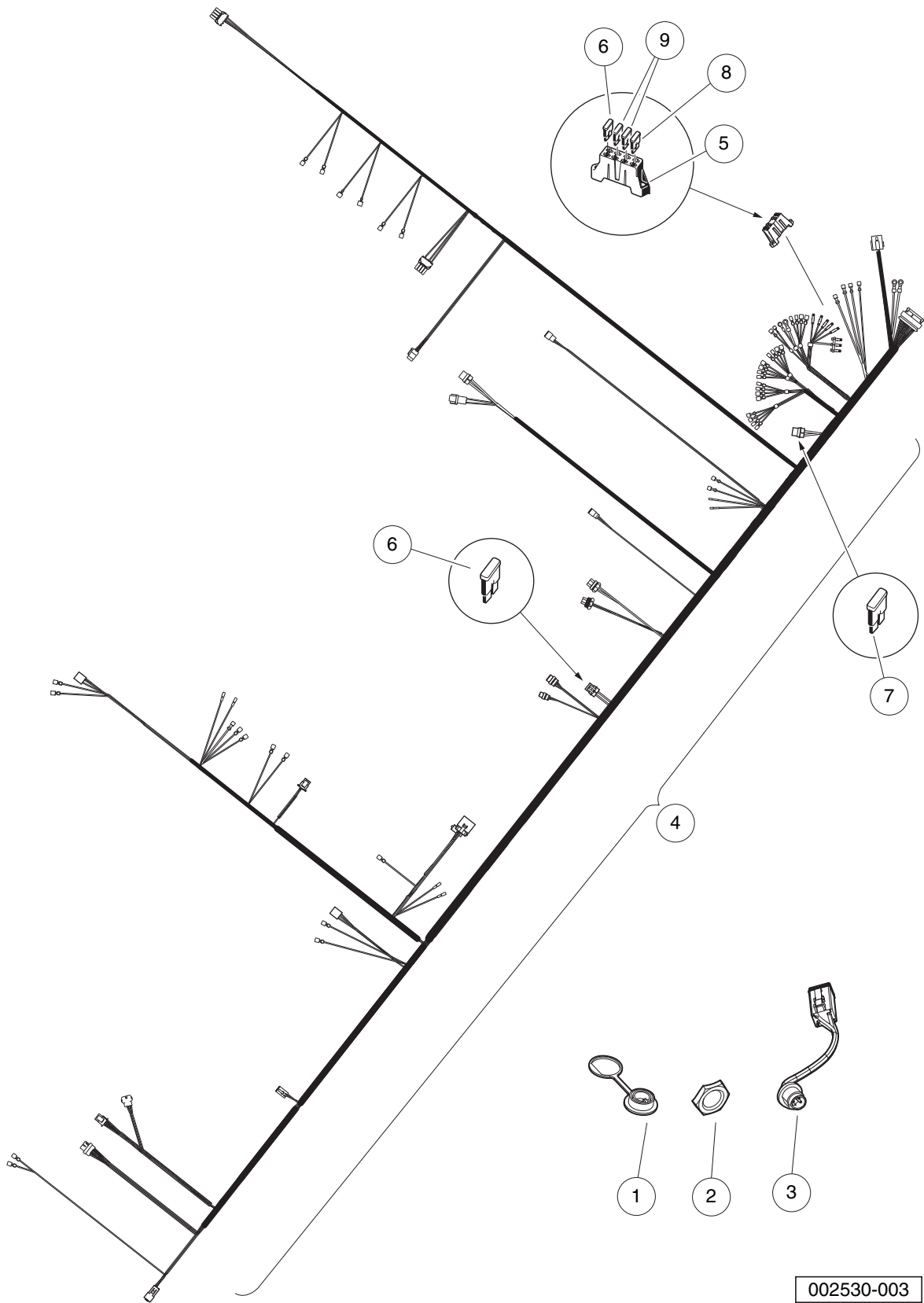
ITEM	PART NO.	DESCRIPTION	QTY
		1 2 3 4	
1	<u>102297230</u>	Screw, M6, Torx, Interlock Thread .....	2
2	<u>103902101</u>	Bar, Drive, Cast .....	1
3	<u>103902301</u>	Housing, Mcor .....	1
4	<u>103902401</u>	Spring, Torsion .....	1
5	<u>103943401</u>	Screw, Pan, #10 X 1.00 Hi-lo .....	2
6	<u>105116301</u>	MCOR4, Type 16 Switch .....	1

**7**

**E**

7

E



# MAIN WIRING HARNESS, 48-VOLT FUSE BLOCK - CA510 HOMOLOGATED

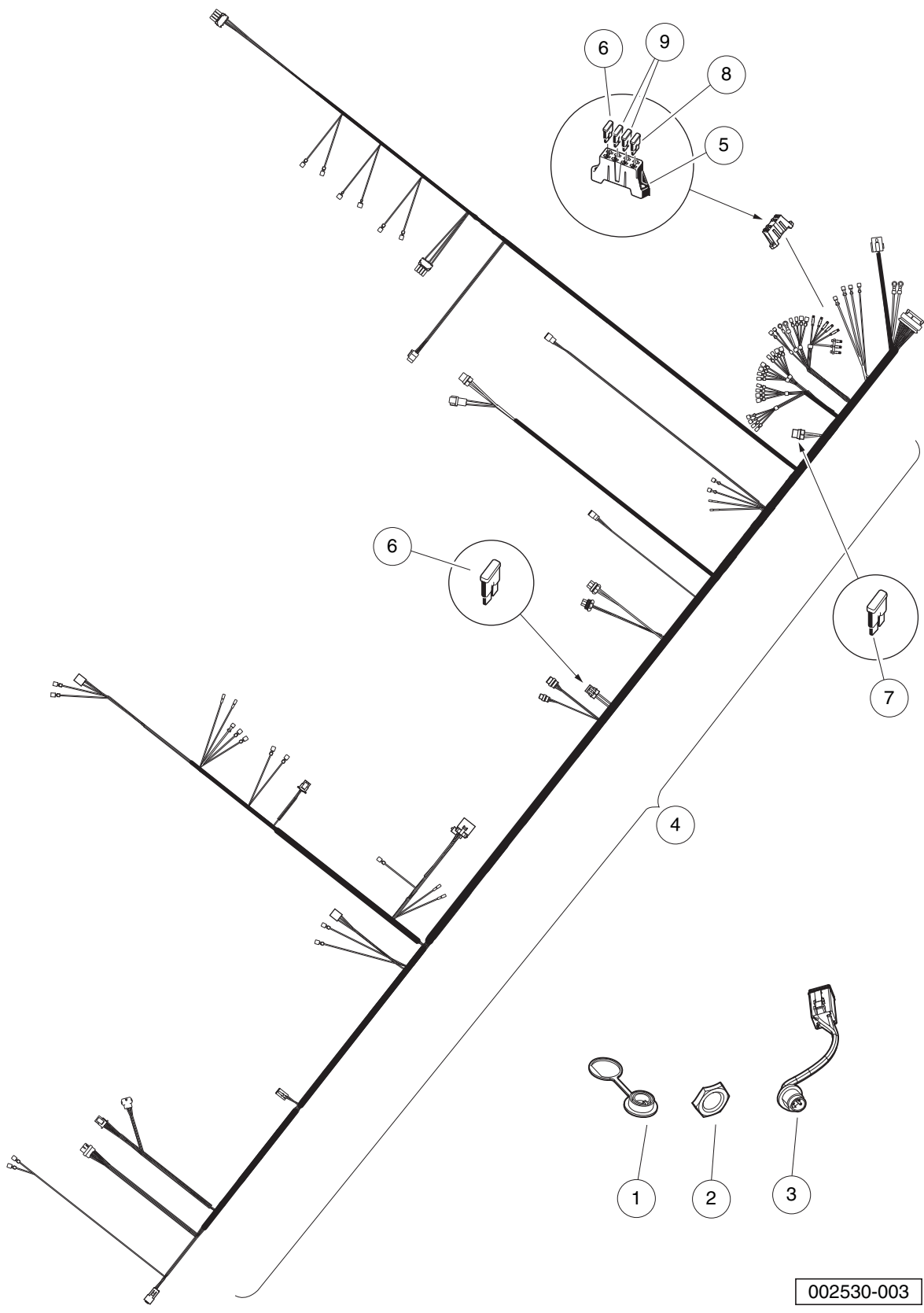
ITEM	PART NO.	DESCRIPTION	QTY
		1 2 3 4	
1	<u>102196901</u>	Dust Cap .....	1
2	<u>102572401</u>	Nut, Diagnostic Port, Prec .....	1
3	<u>103218601</u>	Harness, Diagnostic Port .....	1
4	<u>105107801</u>	Asm, Harness, Ca510lsv, Homol (includes items 5 through 10) .....	1
5	<u>1015741</u>	Fuse Block .....	1
6	<u>1016423</u>	Fuse, 20-Amp .....	2
7	<u>102492301</u>	Fuse, 30-Amp .....	1
8	<u>102538601</u>	15 Amp Fuse .....	1
9	<u>105167201</u>	Fuse, Atc, 2 Amp .....	2
10	<u>105173901</u>	Fuse, Agc, 1 Amp .....	1

**7**

**E**

7

E



002530-003



# MAIN WIRING HARNESS, 48-VOLT FUSE BLOCK - CA710 HOMOLOGATED

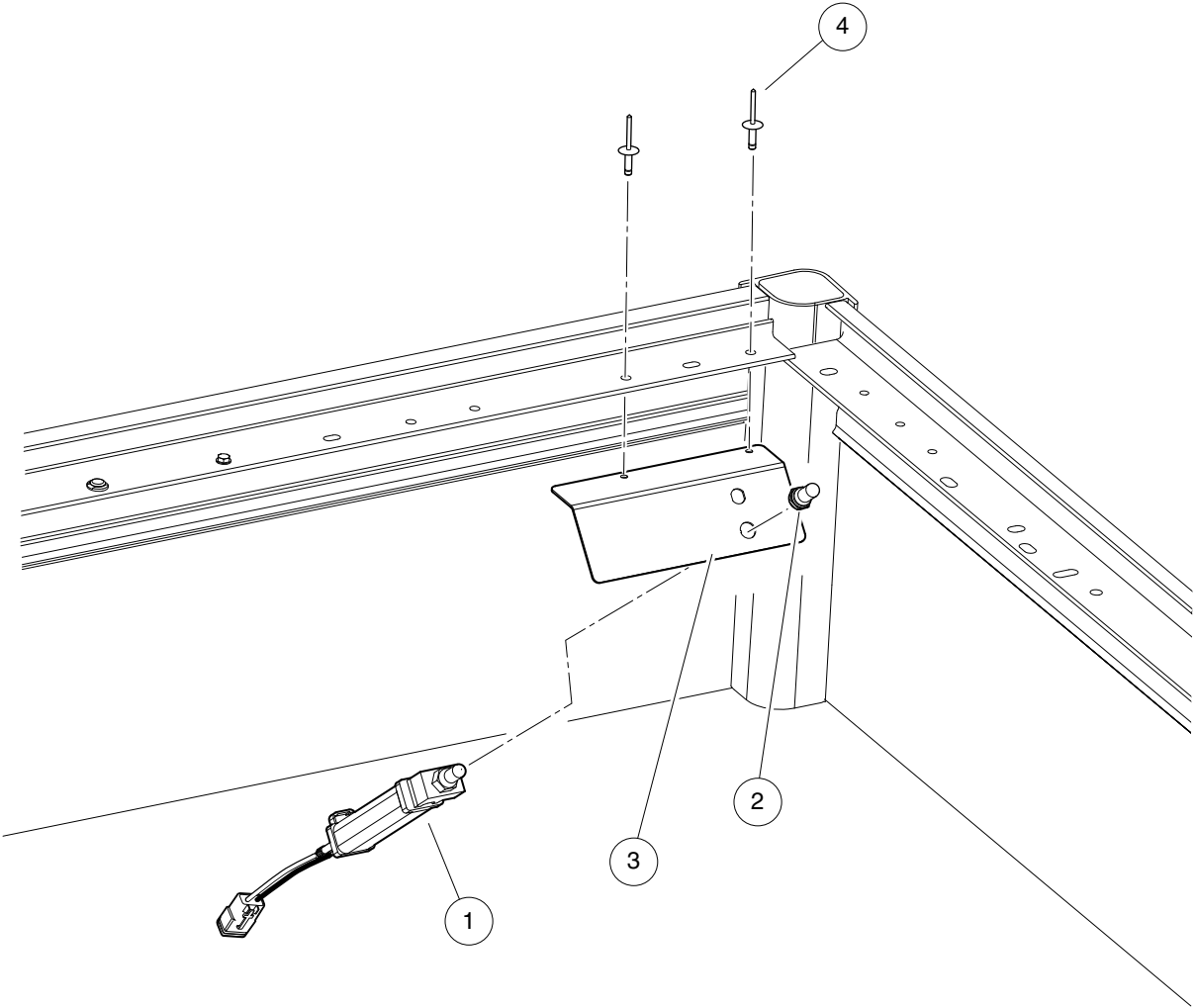
ITEM	PART NO.	DESCRIPTION	QTY
		<b>1 2 3 4</b>	
1	<u>102196901</u>	Dust Cap .....	1
2	<u>102572401</u>	Nut, Diagnostic Port, Prec .....	1
3	<u>103218601</u>	Harness, Diagnostic Port .....	1
4	<u>105108101</u>	Asm, Harness, Ca710lsv, Homol (includes items 5 through 10) .....	1
5	<u>1015741</u>	Fuse Block .....	1
6	<u>1016423</u>	Fuse, 20-Amp .....	2
7	<u>102492301</u>	Fuse, 30-Amp .....	1
8	<u>102538601</u>	15 Amp Fuse .....	1
9	<u>105167201</u>	Fuse, Atc, 2 Amp .....	2
10	<u>105173901</u>	Fuse, Agc, 1 Amp .....	1

**7**

**E**

7

E



002521-001

# TOW/RUN SWITCH

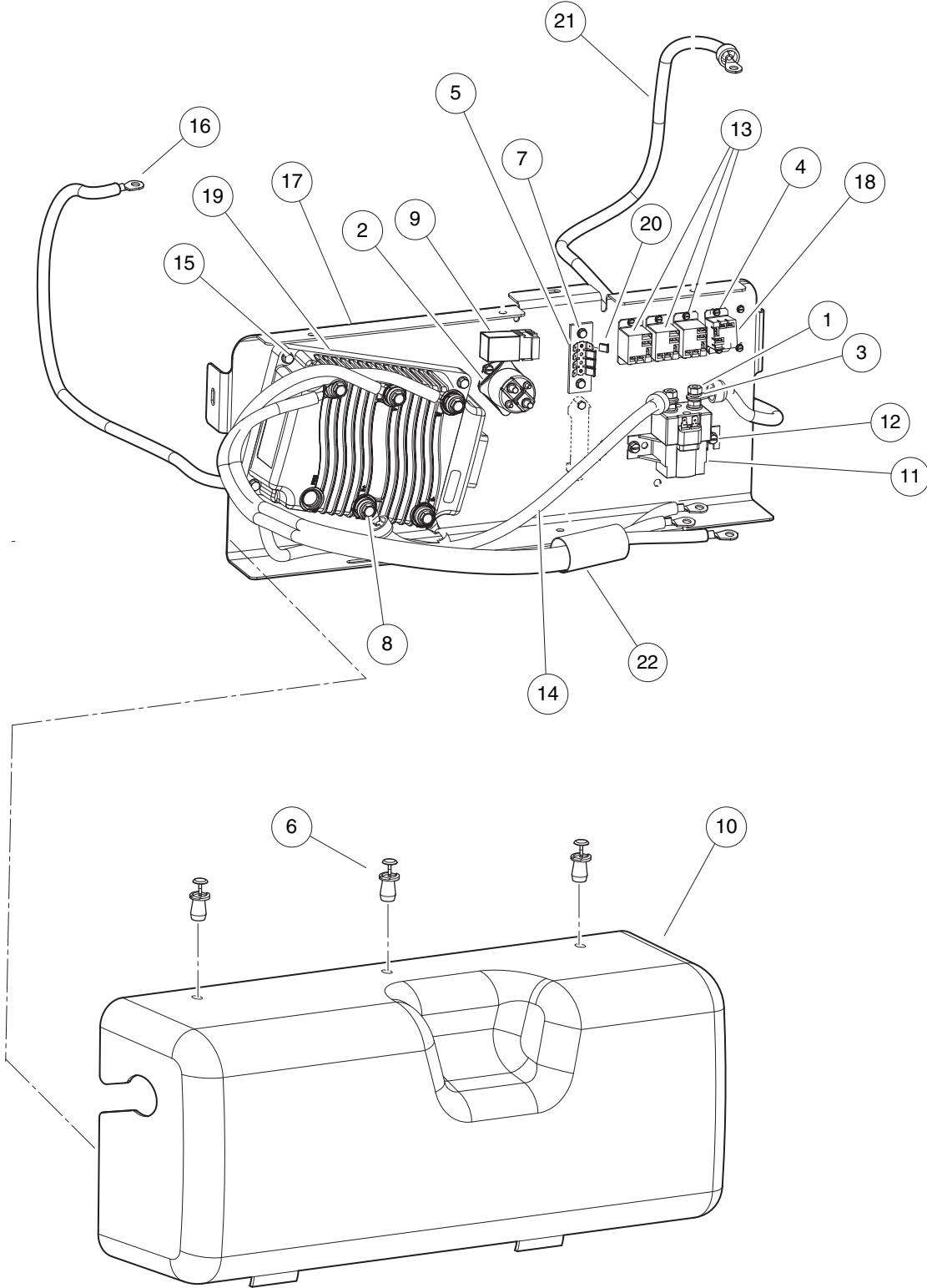
ITEM	PART NO.	DESCRIPTION	QTY
		<b>1 2 3 4</b>	
1	<u>101908101</u>	Switch Assembly, Tow/Run .....	1
2	<u>101908401</u>	Boot, Switch .....	1
3	<u>102915701</u>	Plate, Switch, Run Tow, Mode .....	1
4	<u>7973</u>	Rivet, 3/16 X .400 Blind .....	2

**7**

**E**

7

E



002535-001

## ELECTRIC COMPONENTS - CA510 HOMOLOGATED

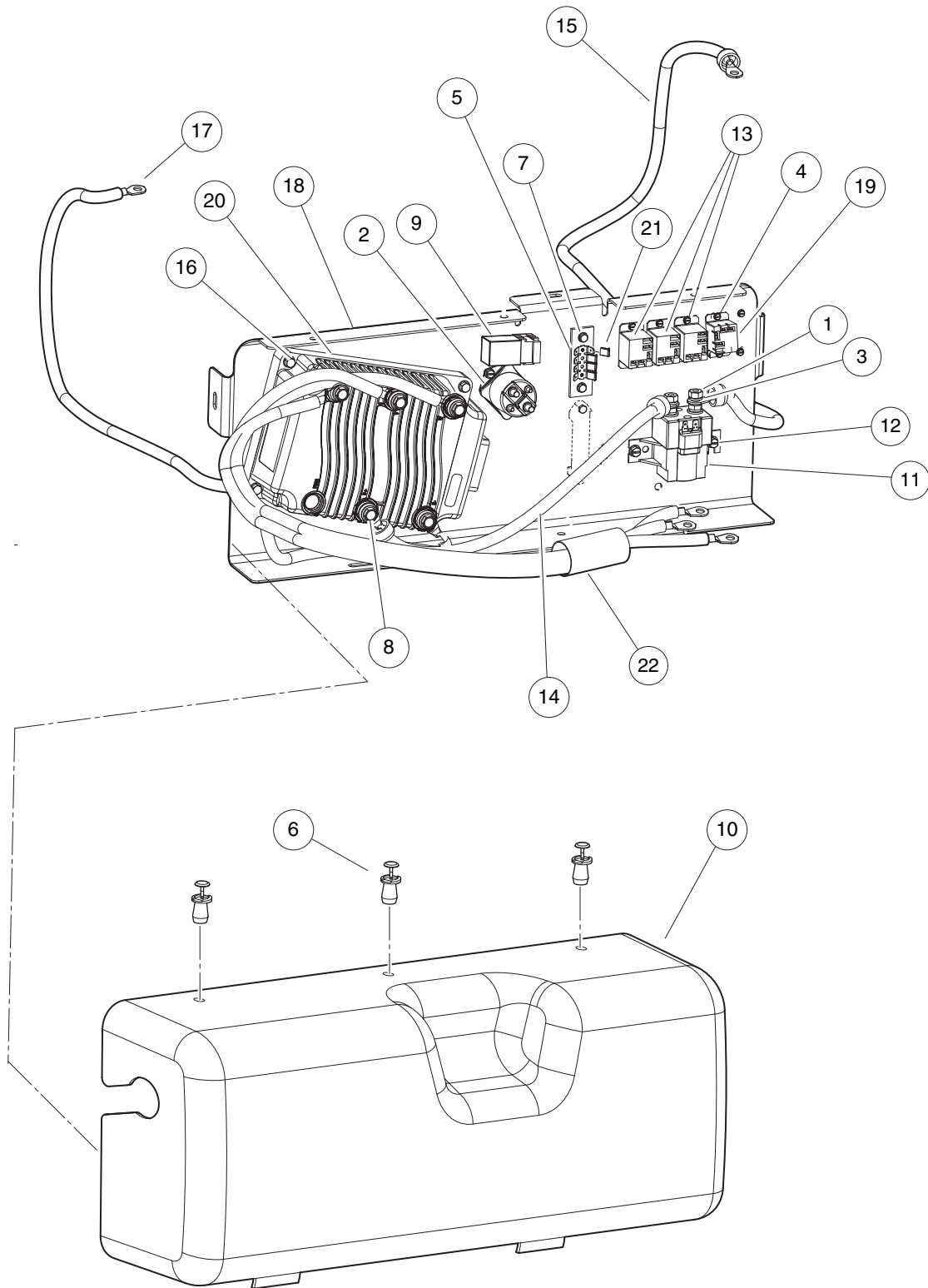
ITEM	PART NO.	DESCRIPTION	QTY
		1 2 3 4	
1	<u>1012528</u>	Nut, M8-1.25 Hex .....	2
2	<u>1013609</u>	Solenoid, 12-Volt .....	1
3	<u>1013734</u>	Lockwasher, 8mm Split .....	2
4	<u>1015720</u>	Screw, #6-32 X 1/2 Hex Washer-Head .....	10
5	<u>1016356</u>	Terminal Block with Insulator .....	1
6	<u>1016967</u>	Blind Rivet, Push Type .....	3
7	<u>102238001</u>	#10-24 Taptite Screw .....	5
8	<u>102240501</u>	Bolt, Controller, Terminal .....	5
9	<u>102742501</u>	Flasher, 12v, Fixed Load .....	1
10	102772403	Cover, Component, Elec, Ac .....	1
11	<u>102774701</u>	Solenoid, 48v .....	1
12	<u>102817101</u>	Screw, 1/4-20 X .50 Hex Wsh Hd .....	4
13	<u>103397901</u>	Relay, Spst No, 48v 30a, Pmt .....	3
14	<u>103510201</u>	Asm, Wire #2 Yellow, 420 .....	1
15	<u>103517901</u>	Scr, 1/4-20 X 1.25 Hwhcs, Tt .....	4
16	103529004	Wire, Asm, #2 Blk, 36 inch .....	1
17	<u>103823002</u>	Plate, Comp, Mtg, 5 Relay .....	1
18	<u>105112401</u>	Relay, Spdt Nc, 48v 30a, Pmt .....	1
19	<u>105168101</u>	Controller, Ac Motor, Ls, Ca .....	1
20	<u>105195501</u>	Cap, Quick Conn Tab, 1/4 In .....	4
21	105247301	Asm, Wire, #2 Red, 558mm .....	1
22	105255301	Harness, Pwr, CA510, Homol .....	1

**7**

**E**

7

E



002537-001

## ELECTRIC COMPONENTS - CA710 HOMOLOGATED

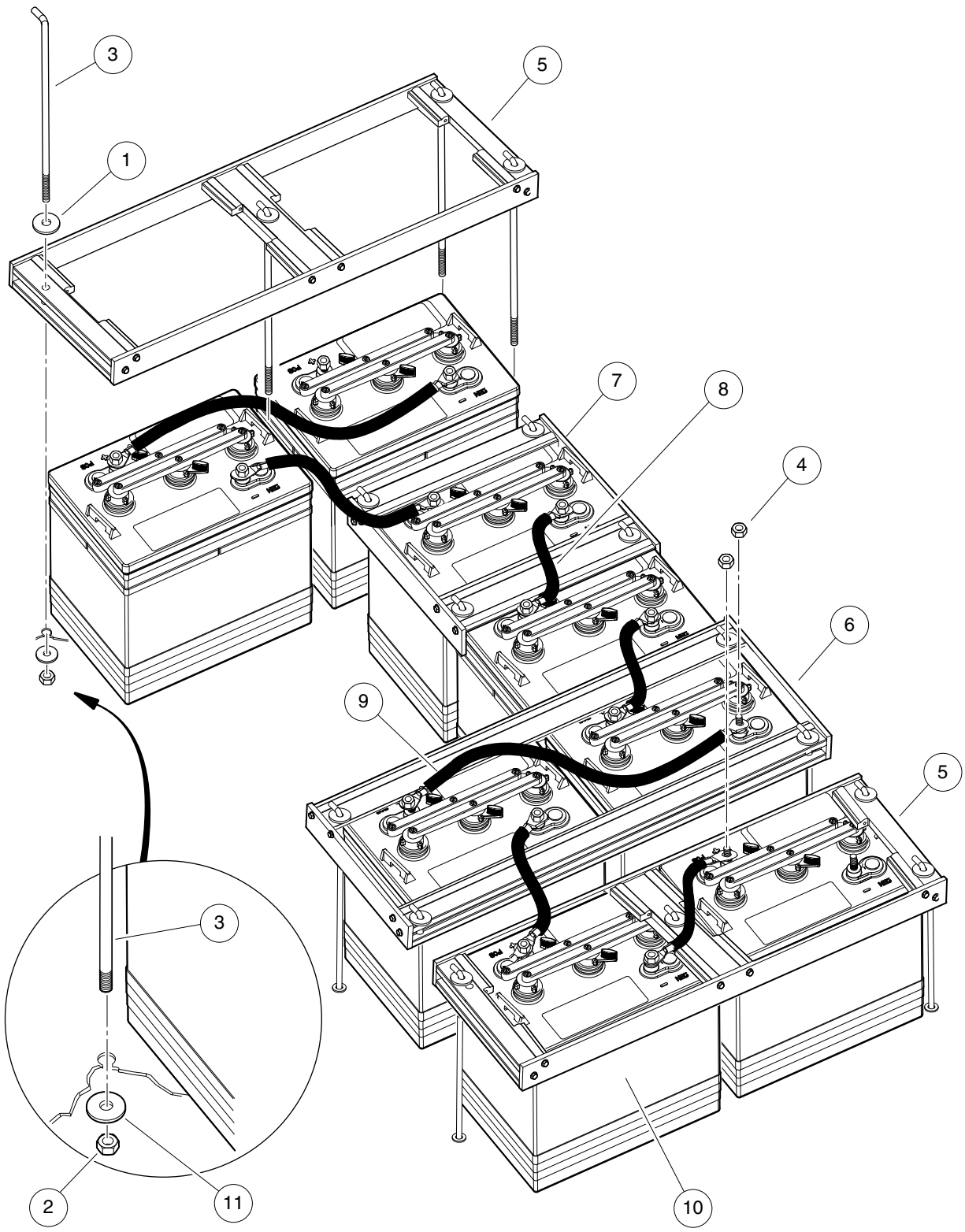
ITEM	PART NO.	DESCRIPTION	QTY
		1 2 3 4	
1	<u>1012528</u>	Nut, M8-1.25 Hex .....	2
2	<u>1013609</u>	Solenoid, 12-Volt .....	1
3	<u>1013734</u>	Lockwasher, 8mm Split .....	2
4	<u>1015720</u>	Screw, #6-32 X 1/2 Hex Washer-Head .....	10
5	<u>1016356</u>	Terminal Block with Insulator .....	1
6	<u>1016967</u>	Blind Rivet, Push Type .....	3
7	<u>102238001</u>	#10-24 Taptite Screw .....	5
8	<u>102240501</u>	Bolt, Controller, Terminal .....	5
9	<u>102742501</u>	Flasher, 12v, Fixed Load .....	1
10	102772403	Cover, Component, Elec, Ac .....	1
11	<u>102774701</u>	Solenoid, 48v .....	1
12	<u>102817101</u>	Screw, 1/4-20 X .50 Hex Wsh Hd .....	4
13	<u>103397901</u>	Relay, Spst No, 48v 30a, Pmt .....	3
14	<u>103510201</u>	Asm, Wire #2 Yellow, 420 .....	1
15	<u>103511001</u>	Asm, Wire #2 Red, 1000 .....	1
16	<u>103517901</u>	Scr, 1/4-20 X 1.25 Hwhcs, Tt .....	4
17	103529003	Wire, Asm #2 Blk, 54 Inch .....	1
18	<u>103823002</u>	Plate, Comp, Mtg, 5 Relay .....	1
19	<u>105112401</u>	Relay, Spdt Nc, 48v 30a, Pmt .....	1
20	<u>105168101</u>	Controller, Ac Motor, Ls, Ca .....	1
21	<u>105195501</u>	Cap, Quick Conn Tab, 1/4 In .....	4
22	105255401	Harness, Pwr, CA710, Homol .....	1

**7**

**E**

7

E



002507-002



## BATTERIES 6-VOLT, STANDARD DUTY - CA510

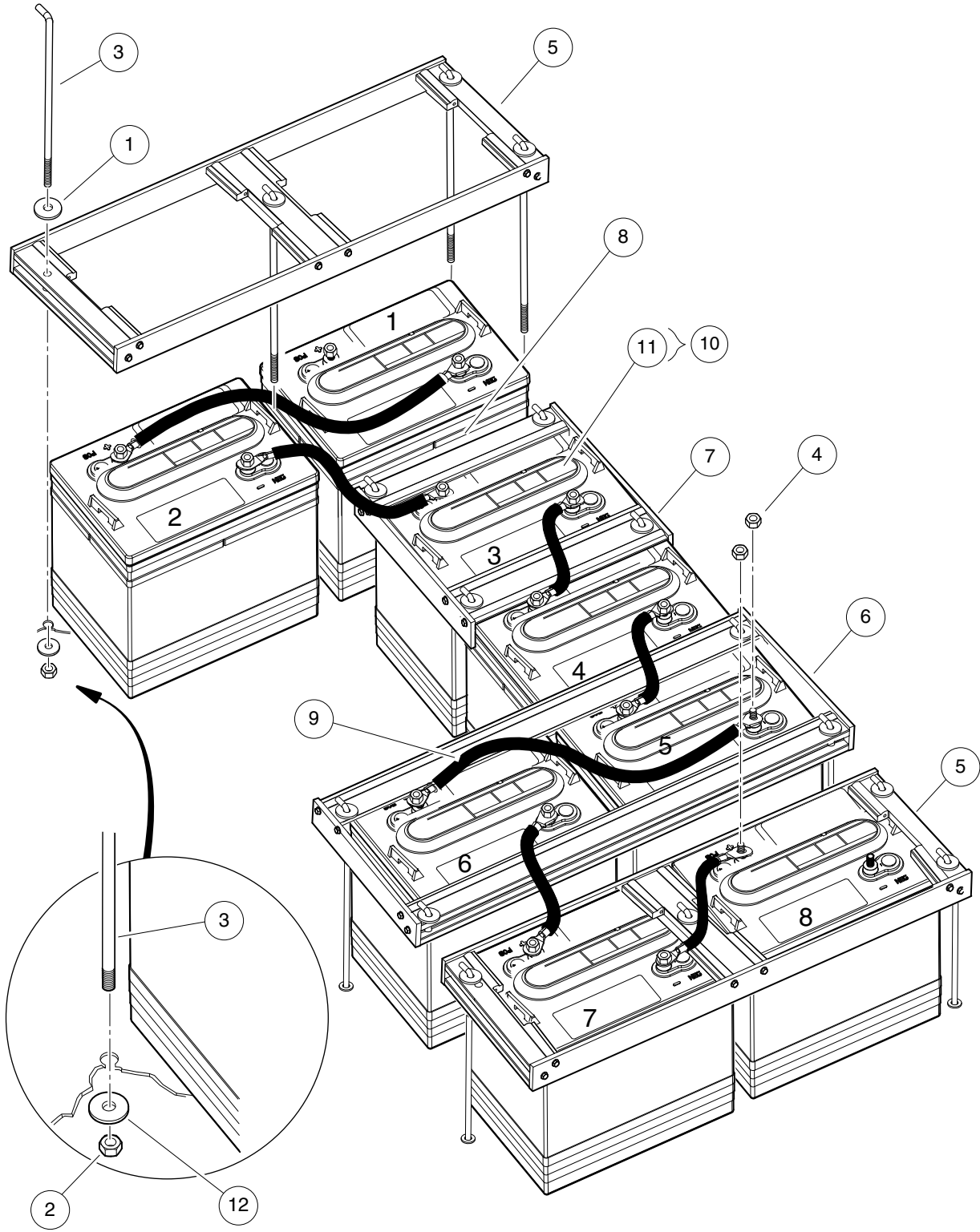
ITEM	PART NO.	DESCRIPTION	QTY
		1 2 3 4	
1	1012571	Washer, 5/16 Extra Thick Flat .....	16
2	1015072	Locknut, 5/16-18 Nylon Insert .....	16
3	<u>102845203</u>	Rod, Battery Hold Down 10.7" .....	16
4	<u>102873401</u>	5/16-18 Heavy Hex Nut .....	16
5	103481301	Asm, Batt Ret Ob, CA510 .....	2
6	103481401	Asm, Batt Ret Ctr Long, CA510 .....	1
7	103481501	Asm, Batt Ret Ctr Short, CA510 .....	1
8	<u>103528901</u>	Wire, Asm #2 Blk, 9 Inch .....	5
9	<u>103529101</u>	Wire, Asm #2 Blk, 25 Inch .....	2
10	<u>105210201</u>	Battery, 6v, Type E, Gc2, Wet .....	8
11	<u>1241</u>	Washer, 5/16 Type A Flat .....	16

**7**

**E**

7

E



002508-002

## BATTERIES 6-VOLT, HEAVY DUTY - CA510

ITEM	PART NO.	DESCRIPTION	QTY
		1 2 3 4	
1	1012571	Washer, 5/16 Extra Thick Flat .....	16
2	1015072	Locknut, 5/16-18 Nylon Insert .....	16
3	<u>102845204</u>	Rod, Battery Hold Down 12" .....	16
4	<u>102873401</u>	5/16-18 Heavy Hex Nut .....	16
5	103481301	Asm, Batt Ret Ob, CA510 .....	2
6	103481401	Asm, Batt Ret Ctr Long, CA510 .....	1
7	103481501	Asm, Batt Ret Ctr Short, CA510 .....	1
8	<u>103528901</u>	Wire, Asm #2 Blk, 9 Inch .....	5
9	<u>103529101</u>	Wire, Asm #2 Blk, 25 Inch .....	2
10	<u>103969701</u>	Battery, 6-Volt, Trojan T145 (Wet) (includes item 11) .....	8
11	<u>101831401</u>	Battery Cap 6 Volt .....	1
12	<u>1241</u>	Washer, 5/16 Type A Flat .....	16

**7**

**E**



## BATTERIES 6-VOLT, STANDARD DUTY - CA710

ITEM	PART NO.	DESCRIPTION	QTY
		1 2 3 4	
1	1012571	Washer, 5/16 Extra Thick Flat .....	14
2	1015072	Locknut, 5/16-18 Nylon Insert .....	14
3	<u>102845203</u>	Rod, Battery Hold Down 10.7" .....	14
4	<u>102873401</u>	5/16-18 Heavy Hex Nut .....	14
5	103493101	Asm, Batt Ret Ctr, CA710 .....	1
6	103493201	Asm, Batt Ret Side, CA710 .....	2
7	<u>103528901</u>	Wire, Asm #2 Blk, 9 Inch .....	4
8	<u>103529001</u>	Wire, Asm #2 Blk, 18.5 Inch .....	3
9	<u>103793101</u>	Battery, 6-Volt, JCI GC2 (Wet) .....	8
10	<u>1241</u>	Washer, 5/16 Type A Flat .....	14

**7**

**E**



# BATTERIES 6-VOLT, HEAVY DUTY - CA710

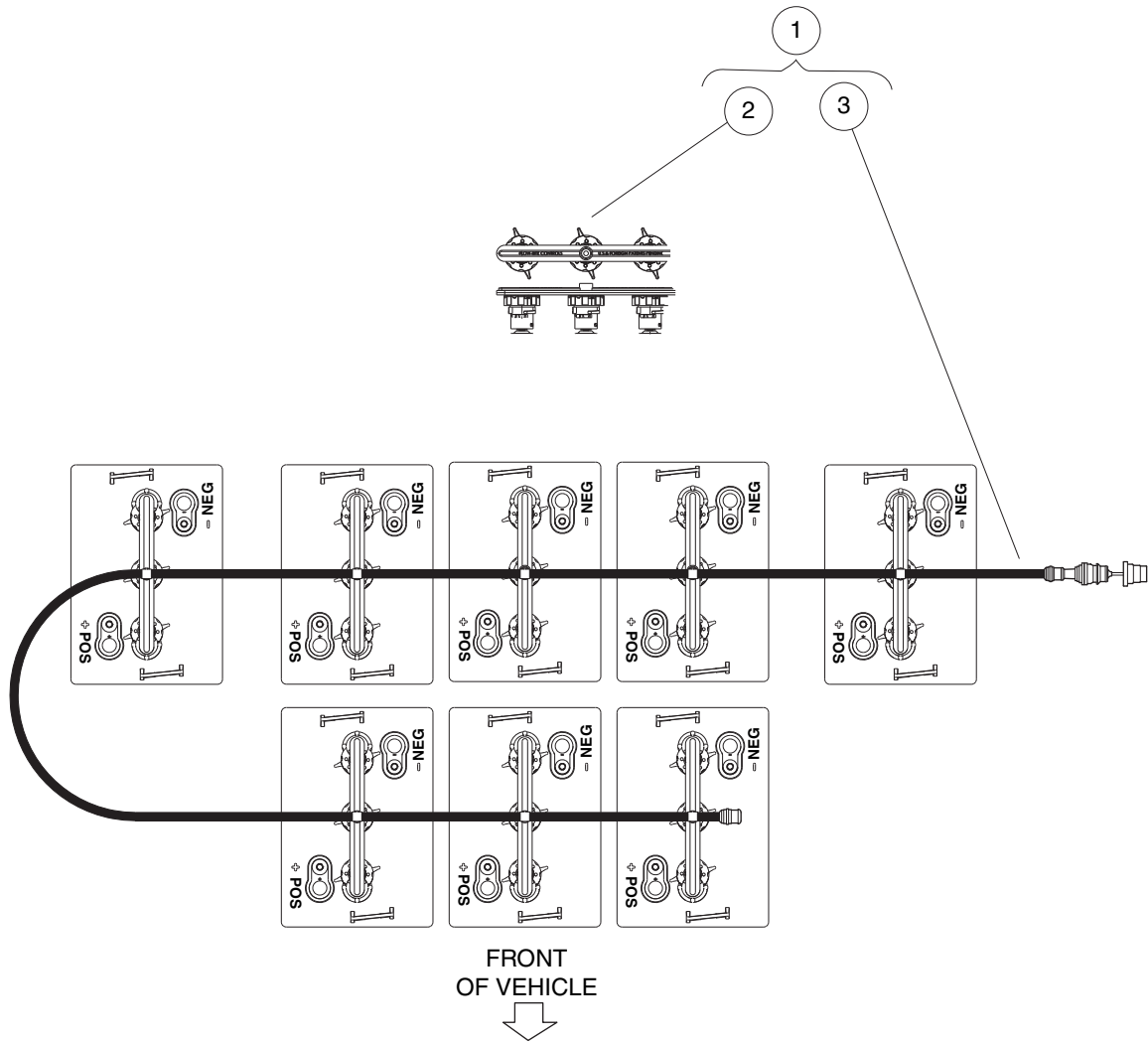
ITEM	PART NO.	DESCRIPTION	QTY
		1 2 3 4	
1	1012571	Washer, 5/16 Extra Thick Flat .....	14
2	1015072	Locknut, 5/16-18 Nylon Insert .....	14
3	<u>102845204</u>	Rod, Battery Hold Down 12" .....	14
4	<u>102873401</u>	5/16-18 Heavy Hex Nut .....	16
5	103493101	Asm, Batt Ret Ctr, CA710 .....	1
6	103493201	Asm, Batt Ret Side, CA710 .....	2
7	<u>103528901</u>	Wire, Asm #2 Blk, 9 Inch .....	4
8	<u>103529001</u>	Wire, Asm #2 Blk, 18.5 Inch .....	3
9	<u>103969701</u>	Battery, 6-Volt, Trojan T145 (Wet) (includes item 10) .....	8
10	<u>101831401</u>	Battery Cap 6 Volt .....	1
11	<u>1241</u>	Washer, 5/16 Type A Flat .....	14

**7**

**E**

7

E



002524-001



# SINGLE POINT WATERING SYSTEM (SPWS)

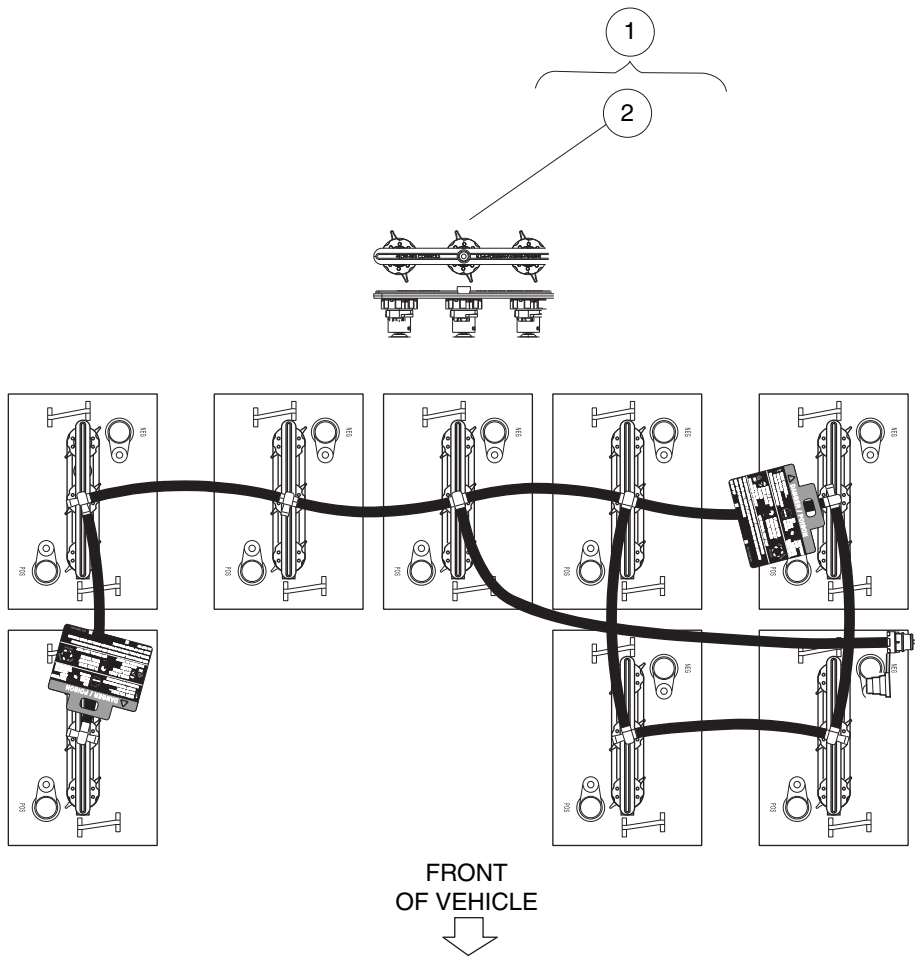
ITEM	PART NO.	DESCRIPTION	QTY
		1 2 3 4	
1	<u>103497702</u>	Kit, Spws, 8x6v (includes items 2 and 3) .....	1
2	<u>103510501</u>	Manifold, Lpr, 3 Vlve, Spw .....	8
3	<u>103942601</u>	Spws, Carryall, 8x6v .....	1

**7**

**E**

7

E



002540-001

# SINGLE POINT WATERING SYSTEM (SPWS) – CA510

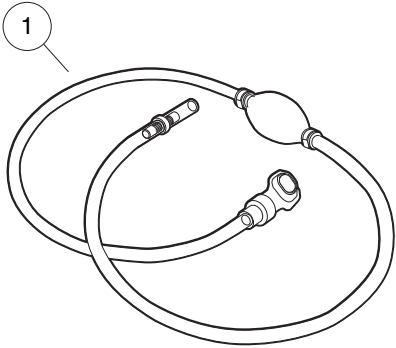
ITEM	PART NO.	DESCRIPTION	QTY
		1 2 3 4	
1	<u>103510901</u>	Kit, Spws, 8x6v, Opt 1 (includes item 2) .....	1
2	<u>103510501</u>	Manifold, Lpr, 3 Vlve, Spw .....	8

**7**

**E**

**7**

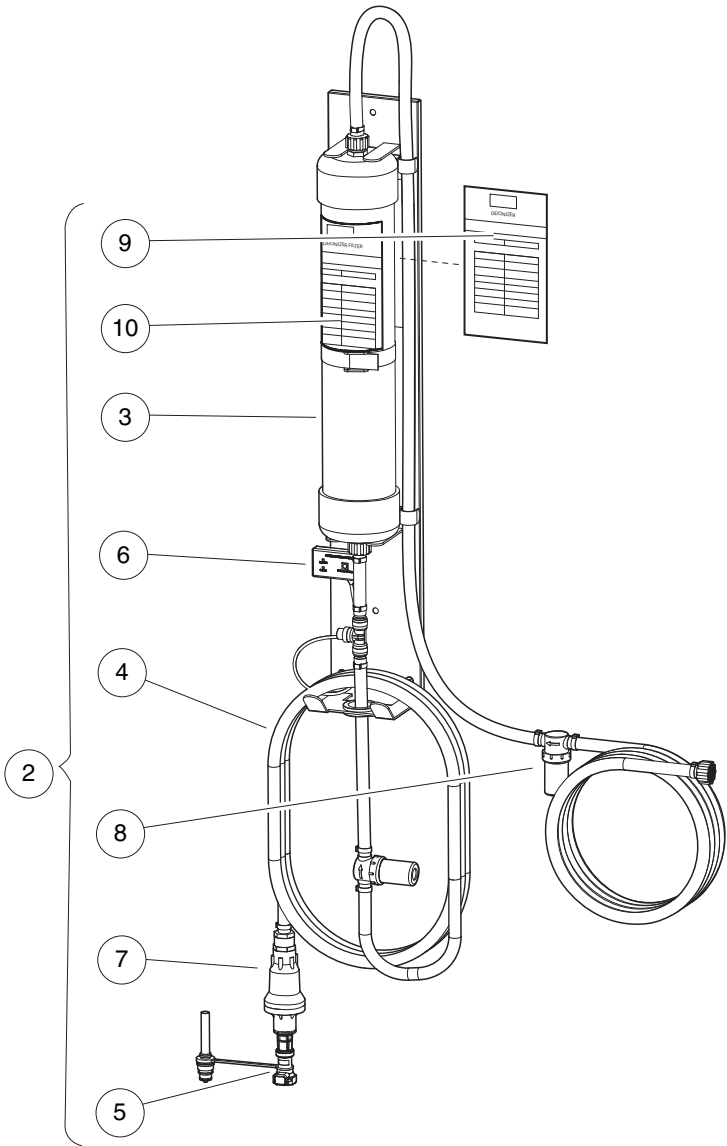
**E**



11



12



002523-003

# HAND PUMP AND DEIONIZER (BATTERY-POWERED QUALITY LIGHT)

ITEM	PART NO.	DESCRIPTION	QTY
		<b>1 2 3 4</b>	
1	<u>104006101</u>	Kit, Hand Pump, Spws .....	1
2	<u>105166801</u>	Deionizer, w/Battery-Powered Water Quality Light (includes items 3 through 10) .....	1
3	<u>104005901</u>	Cartridge, Deionizer .....	1
4	<u>105166901</u>	Hose,outlet,deionizer .....	1
5	<u>105167001</u>	Flow Ind, W/coupler, Deionizer .....	1
6	<u>105167101</u>	Light, Quality, Battery-Powered, w/T-Fitting .....	1
7	<u>105168501</u>	Regulator, Pressure, Deionizer .....	1
8	<u>105168601</u>	Strainer, In-line, Deionizer .....	1
9	<u>AM1300001</u>	Decal, Filter Log, Blue .....	1
10	<u>AM1300201</u>	Decal, Inspect Log, Yellow .....	1
11	AM1300101	Decal, Filter Log, Blue, Pack of 100 .....	A/R
12	AM1300301	Decal, Inspect Log, Yellow, Pack of 100 .....	A/R

**7**

**E**

**7**

**E**

# ELECTRIC MOTOR

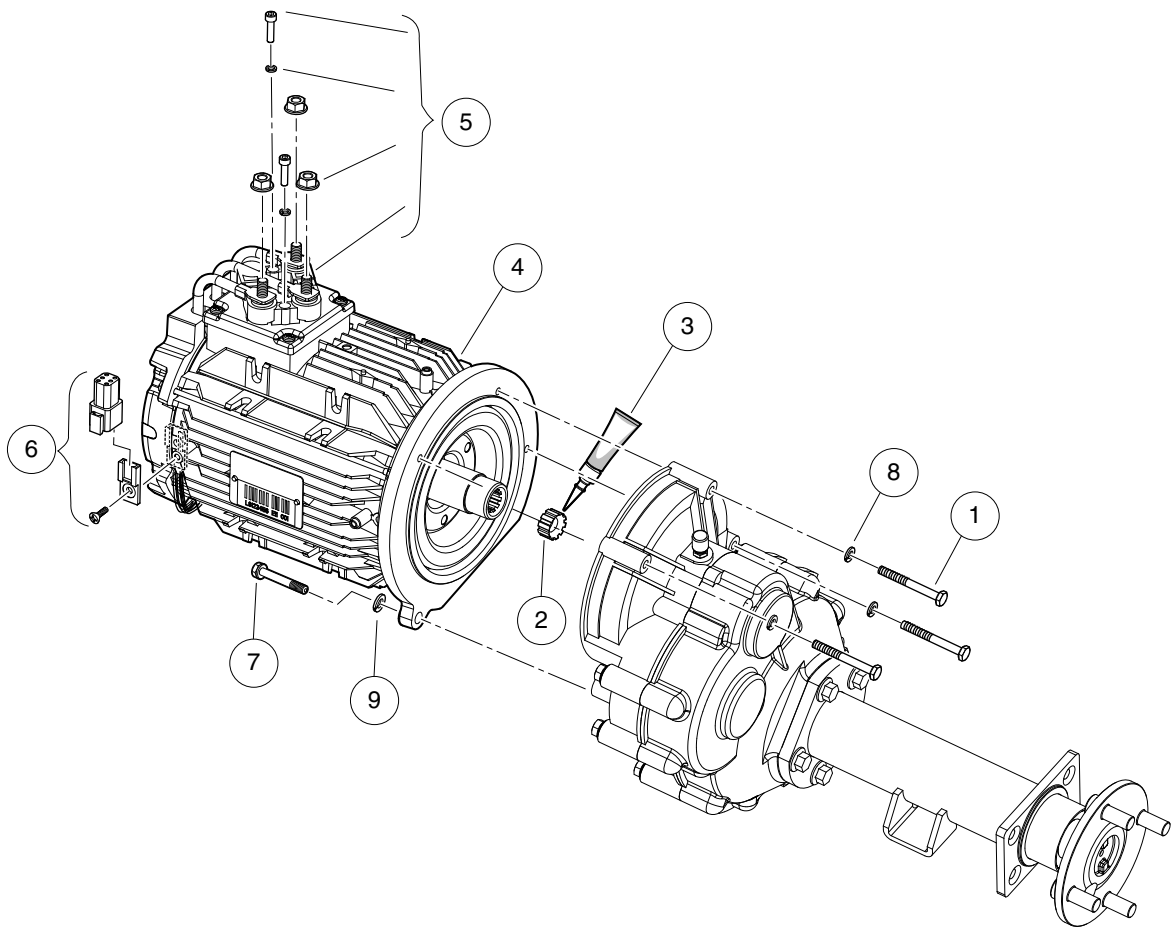
---

8

*E*

8

E



000855-002



# AC MOTOR

ITEM	PART NO.	DESCRIPTION	QTY
		<b>1 2 3 4</b>	
1	1014201	Screw, 1/4-20 X 2.25 Hex Cap .....	3
2	<u>102235201</u>	Bumper, Drive Unit .....	1
3	<u>102243403</u>	Lubricant, Moly-Teflon (Single-Use Tube) .....	1
4	<u>103647101</u>	Motor, Ac, Aircooled, Ls .....	1
5	<u>103998701</u>	Kit, Svc, Ls Motor .....	1
6	<u>103998801</u>	Kit, Connector, Dtm04-6p .....	1
7	1218	Screw, 5/16-18 X 1.25 Hex-Head Cap .....	1
8	<u>451</u>	Lockwasher, 1/4 Split .....	3
9	<u>7174</u>	Lockwasher, 5/16 Split .....	1

**8**

**E**

**8**

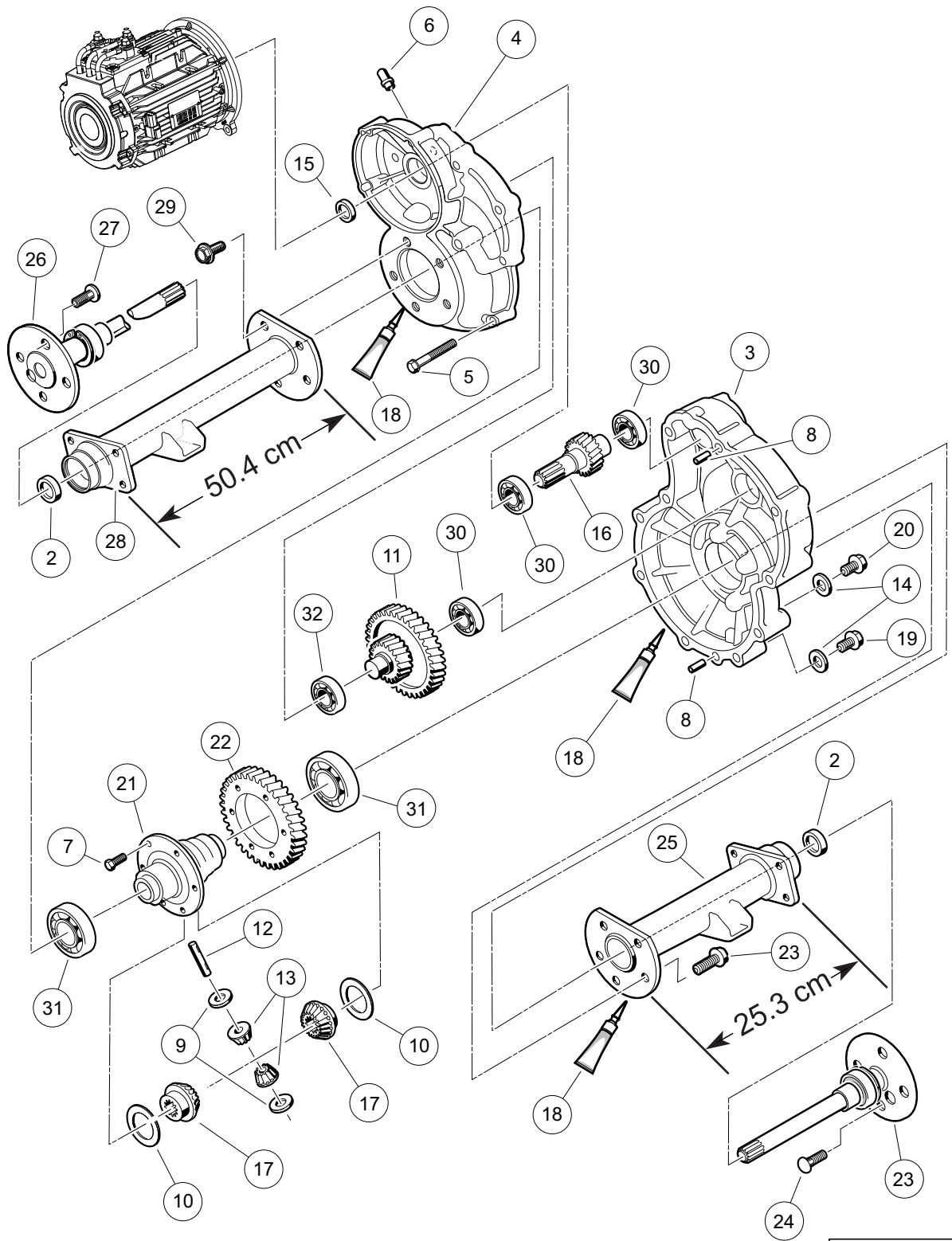
***E***

# TRANSAXLE – ELECTRIC VEHICLES

---

9

E



000223-006

# TRANSAXLE – ELECTRIC VEHICLES

ITEM	PART NO.	DESCRIPTION	QTY
		<b>1 2 3 4</b>	
1	<u>103484801</u>	Transaxle, Electric, Hs (includes items 2 through 32) .....	1
2	<u>1013794</u>	Axle Shaft Oil Seal .....	2
3	<u>101895401</u>	Gear Case, Driver-Side .....	1
4	<u>101895501</u>	Gear Case, Passenger-Side .....	1
5	<u>101897001</u>	Screw, M8-1.25 X 60mm Hex-Head .....	11
6	<u>101897201</u>	Breather .....	1
7	<u>101897401</u>	Screw, M10-1.25 X 25mm .....	6
8	<u>101897601</u>	Pin, 11mm OD X 8.5mm ID X 10mm .....	2
9	<u>101903601</u>	Washer, Thrust .....	2
10	<u>101903701</u>	Washer, Thrust .....	2
11	<u>101906901</u>	Intermediate Shaft Assembly .....	1
12	<u>101922101</u>	Pin, 15.99mm X 88.7mm Dowel .....	1
13	<u>101923001</u>	Gear, Differential Idler .....	2
14	<u>101923201</u>	Gasket .....	2
15	<u>101923501</u>	Seal, Lip .....	1
16	N/A	Shaft, Input .....	1
17	<u>101923901</u>	Gear, Differential .....	2
18	<u>101928701</u>	Liquid Gasket (Transaxle case) .....	1
19	<u>101972101</u>	Plug, M14-1.5 X 12mm Magnetic .....	1
20	<u>101972201</u>	Plug, M14-1.5 X 12mm Hex .....	1
21	<u>102356601</u>	Housing, Differential, 6 Bolt .....	1
22	<u>102356801</u>	Gear, Differential Output, 6-Bolt .....	1
23	<u>102886301</u>	Axle Assembly, Driver-Side (includes item 24) .....	1
24	<u>101922201</u>	Lug Stud .....	4
25	<u>102886401</u>	Tube, Axle, Driver-Side .....	1
26	<u>102886501</u>	Axle Assembly, Passenger-Side (includes item 27) .....	1
27	<u>101922201</u>	Lug Stud .....	4
28	<u>102886601</u>	Tube, Axle, Passenger-Side .....	1
29	<u>102902801</u>	Screw, M10 X 30 .....	10
30	<u>103574501</u>	Bearing, 6204-c3 .....	3
31	<u>7330</u>	Inner Axle Tube Bearing .....	2
32	<u>7336</u>	Bearing .....	1

9

E

9

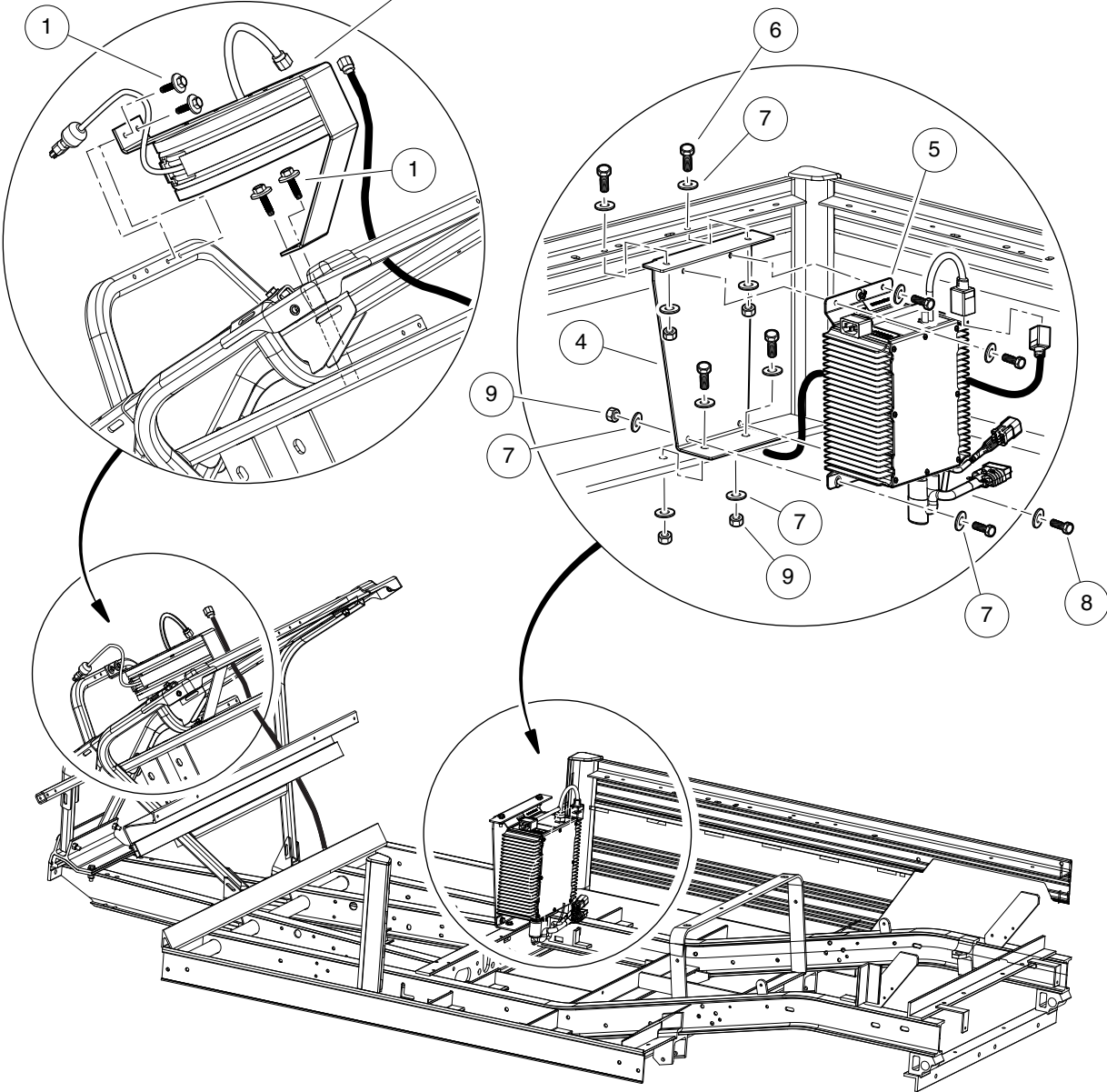
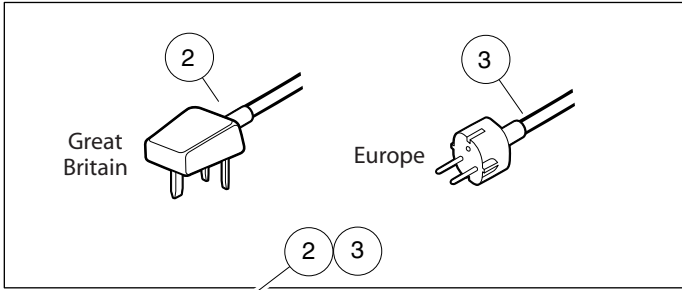
*E*

# BATTERY CHARGERS – HIGH-FREQUENCY

---

10

E



002806-001

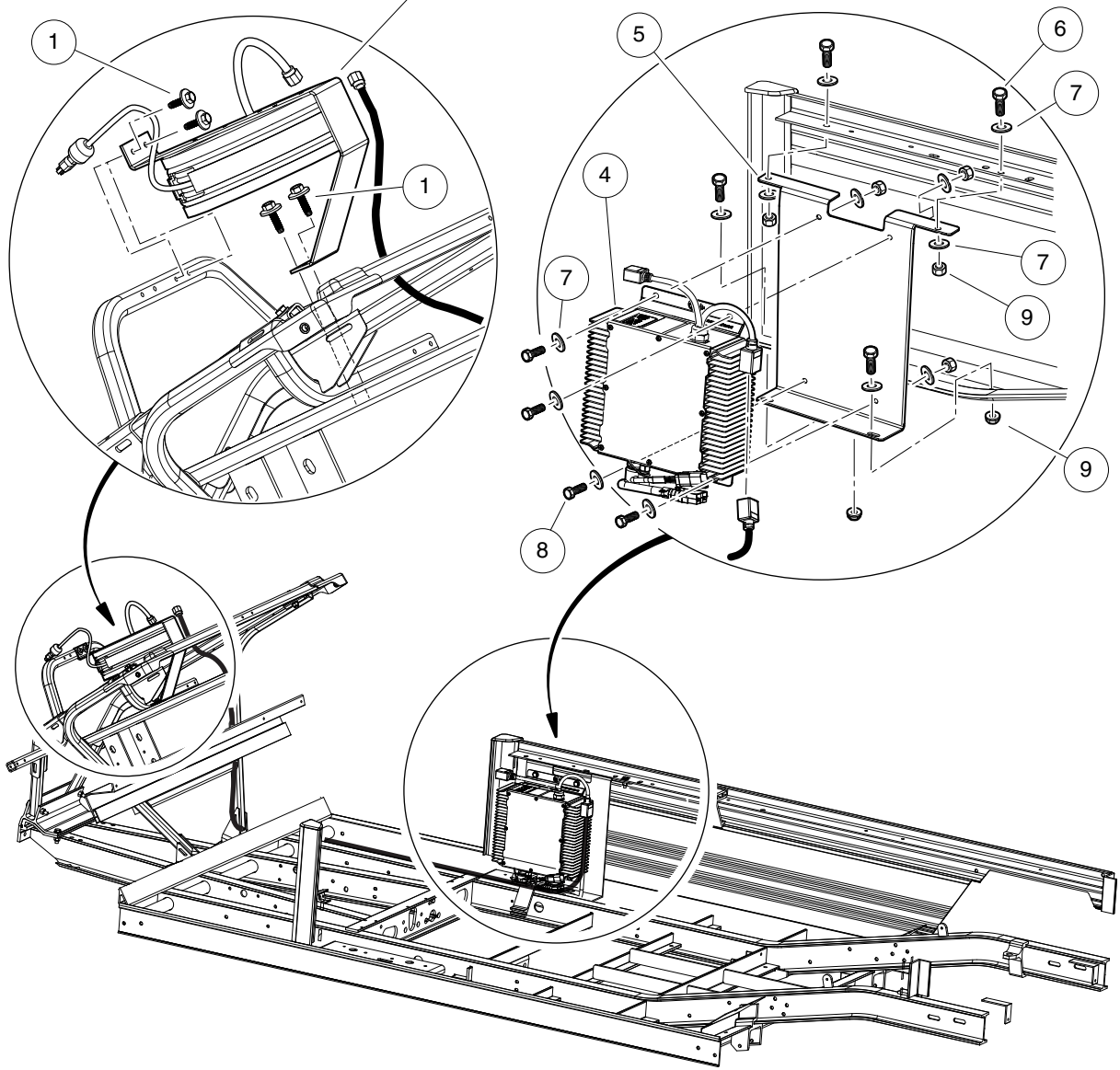
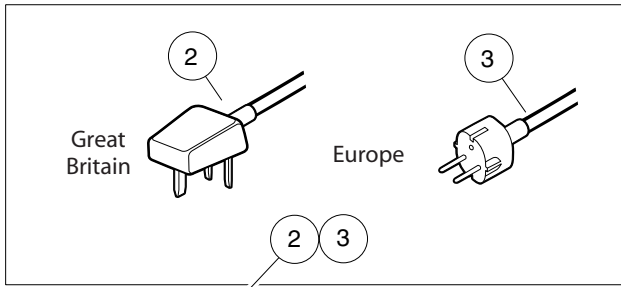


# ONBOARD BATTERY CHARGER, HIGH-FREQ. - CA510 - HOMOLOGATED

ITEM	PART NO.	DESCRIPTION	QTY
		1 2 3 4	
1	<u>102297125</u>	Screw, M6-1.0x25.4, Thread-Forming, SEMS .....	4
2	<u>105117602</u>	Cord Reel, Retractable, Uk .....	1
3	<u>105117603</u>	Cord Reel, Retractable, Eu .....	1
4	<u>105131401</u>	Ob Charger Bracket, Ca510 Lsv .....	1
5	<u>105161901</u>	Asm, Chgr, Batt, Onboard, Quiq .....	1
6	304	Screw, 1/4-20 X 1.0 Hex-Head Cap .....	4
7	<u>332</u>	Washer, 1/4 Type A Narrow Flat .....	16
8	<u>7847</u>	Screw, 1/4-20 X 0.75 Hex-Head Cap .....	4
9	<u>8233</u>	Locknut, 1/4-20, Nylon Insert .....	8

**10**

**E**



002805-002

# ONBOARD BATTERY CHARGER, HIGH-FREQ. - CA710 - HOMOLOGATED

ITEM	PART NO.	DESCRIPTION	QTY
		1 2 3 4	
1	<u>102297125</u>	Screw, M6-1.0x25.4, Thread-Forming, SEMS .....	4
2	<u>105117602</u>	Cord Reel, Retractable, Uk .....	1
3	<u>105117603</u>	Cord Reel, Retractable, Eu .....	1
4	105161901	Asm, Chgr, Batt, Onboard, Quiq .....	1
5	<u>105249601</u>	Bracket, On-Board Charger, CA7/TRANS .....	1
6	304	Screw, 1/4-20 X 1.0 Hex-Head Cap .....	1
7	<u>332</u>	Washer, 1/4 Type A Narrow Flat .....	10
8	<u>7847</u>	Screw, 1/4-20 X 0.75 Hex-Head Cap .....	4
9	<u>8233</u>	Locknut, 1/4-20, Nylon Insert .....	5

10

E

**10**

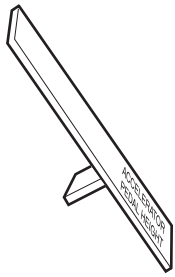
***E***

# MAINTENANCE AND SERVICE TOOLS

---

**11**  
**G**  
**E**

**11**  
**G**  
**E**



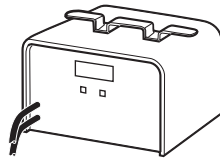
1



2



3



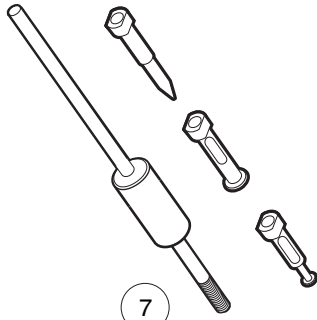
4



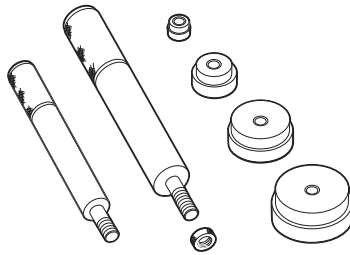
5



6



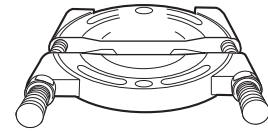
7



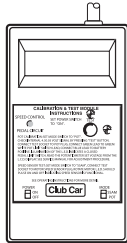
8



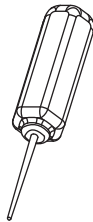
9



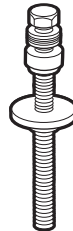
10



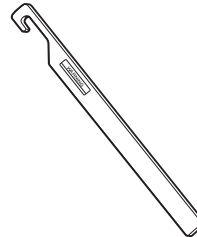
11



12



13



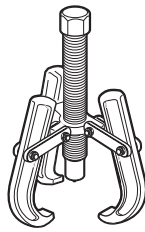
14



15



16



17



18



19

001060-002

# MAINTENANCE AND SERVICE TOOLS

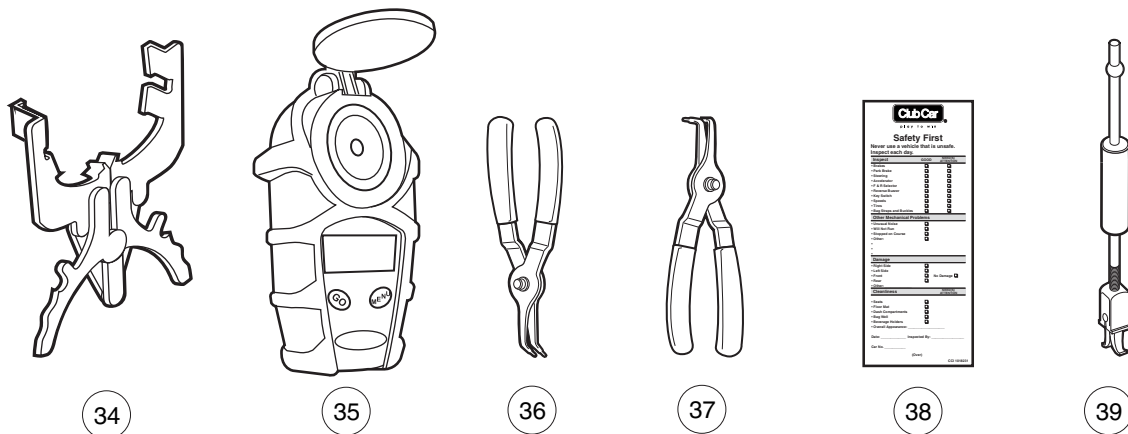
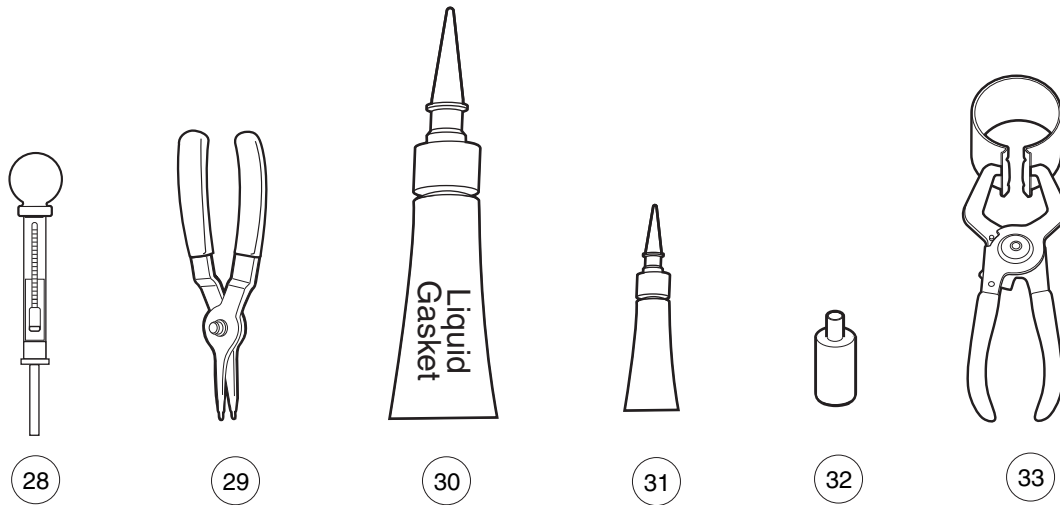
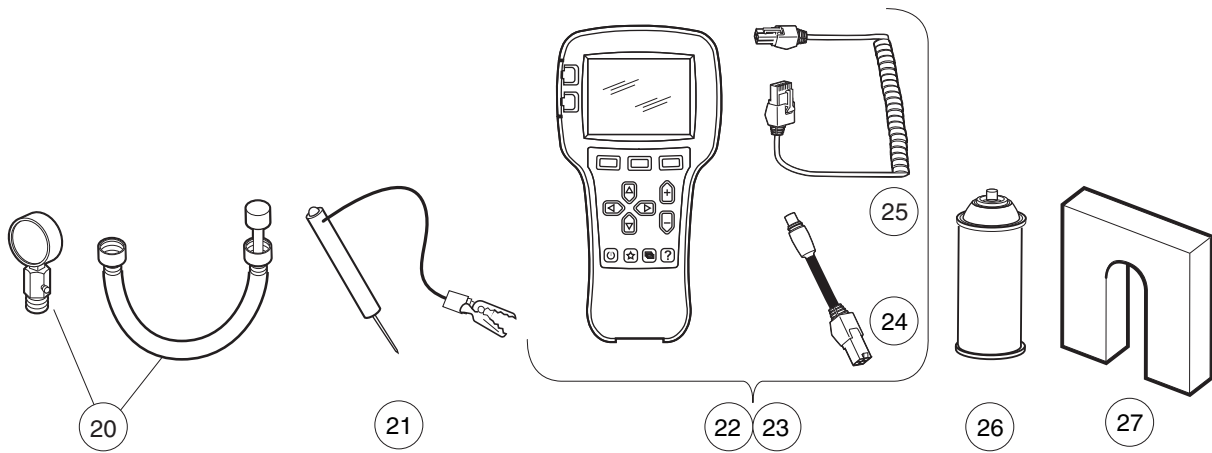
ITEM	PART NO.	DESCRIPTION	QTY GAS	QTY ELEC
		<p><b>1 2 3 4</b></p> <p>The following tool list includes all tools available from Club Car for maintenance and service procedures for gasoline and electric golf and utility vehicles. Be sure to carefully examine the tool list for applicability to your vehicle before ordering.</p>		
1	<u>101871001</u>	Accelerator Pedal Adjustment Tool (Utility Vehicles).....	1	1
2	<u>101813202</u>	Adhesive, Guide Ring, 3-Gram Tube .....		1
3	<u>101641202</u>	Arbor .....	1	
4	<u>101831901</u>	Battery Discharge Machine, 36/48 Volt .....		1
5	<u>1014305</u>	Battery Terminal Protector Spray .....	1	1
6	<u>1011767</u>	Battery Thermometer .....	1	1
7	<u>1016417</u>	Bearing and Oil Seal Remover Assembly .....	1	1
8	<u>1016416</u>	Bearing Driver Set .....	1	1
9	<u>1012811</u>	Bearing Puller .....	1	1
10	<u>1012812</u>	Bearing Puller Wedge Attachment .....	1	1
11	<u>101887101</u>	Calibration Test Module .....		1
12	<u>102562401</u>	Charger Bezel Tool .....		1
		Clutch Tools (items 14 - 20) .....	1	
13	<u>101808401</u>	Clutch Cam Installation Tool (for Subaru and Kawasaki engines) .....	1	
14	<u>105072501</u>	Drive Clutch Holder Tool Assembly (for Subaru and Kawasaki engines) .....	1	
15	<u>1014497</u>	Drive Clutch Hub Puller (for Subaru and Kawasaki engines) .....	1	
16	<u>1014496</u>	Drive Clutch Puller (for Subaru and Kawasaki engines) .....	1	
17	<u>1014508</u>	Driven Clutch Cam Puller (for Subaru and Kawasaki engines) .....	1	
18	<u>1014507</u>	Driven Clutch Puller Plug (for Subaru and Kawasaki engines) .....	1	
19	<u>101809101</u>	Press Weldment (for Subaru and Kawasaki engines) .....	1	
		<p>Please refer to the maintenance and service manual for proper tool application.</p>		

**11**

**G**

**E**

**11**  
**G**  
**E**



001061-002



## MAINTENANCE AND SERVICE TOOLS, CONTINUED

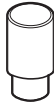
ITEM	PART NO.	DESCRIPTION	QTY GAS	QTY ELEC
		<b>1 2 3 4</b>		
20	101641002	Compression Gauge and Adapter .....	1	
21	1011273	Continuity Tester .....	1	1
22	<u>105234501</u>	Controller Diagnostic Tool (CDT) User Kit (includes items 25 and 26) .....		1
23	<u>105234502</u>	Controller Diagnostic Tool (CDT) OEM Kit (includes items 25 and 26) .....		1
24	<u>102251501</u>	Adaptor, Cable .....		1
25	<u>105209601</u>	CDT Cable .....		1
26	<u>1012151</u>	Dry Moly Lubricant .....	1	1
27	<u>1016418</u>	Gear Yoke .....	1	1
28	<u>1011478</u>	Hydrometer .....	1	1
29	<u>1013593</u>	Internal Retaining Ring Pliers .....	1	1
30	<u>101928701</u>	Liquid Gasket (transaxle case) .....	1	1
31	<u>102243402</u>	Moly-Teflon Lubricant (4-oz. (113-gram) tube) .....		1
32	<u>102587201</u>	Paint Pen, Touch-Up, Precedent Underbody ,Ai Black.....	1	1
33	<u>1016414</u>	Piston Ring Compressor Kit .....	1	
34	<u>1016415</u>	Piston Ring Pliers .....	1	
35	<u>AM1285701</u>	Refractometer .....	1	1
36	<u>1012549</u>	Retaining Ring Pliers, 45→× External .....	1	1
37	<u>1012560</u>	Retaining Ring Pliers, 90→× Internal .....	1	1
38	<u>101823101</u>	Safety First Card (50 per pack) .....	1	1
39	<u>1012809</u>	Seal Puller .....	1	1
		Please refer to the maintenance and service manual for proper tool application.		

**11**  
**G**  
**E**

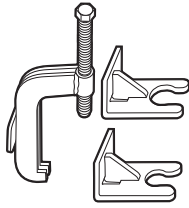
**11**  
**G**  
**E**



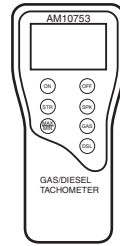
40



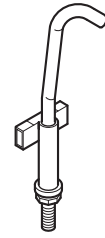
41



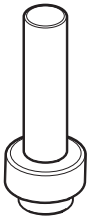
42



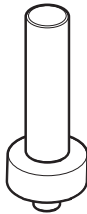
43



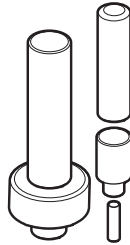
44



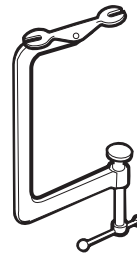
45



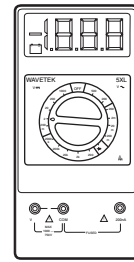
46



47



48



49

001062-001

## MAINTENANCE AND SERVICE TOOLS, CONTINUED

ITEM	PART NO.	DESCRIPTION	QTY GAS	QTY ELEC	
		1 2 3 4			<b>11</b>
40	<u>1014264</u>	Steering Column Bearing Press Tool .....	1	1	<b>G</b>
41	<u>1014259</u>	Steering Column Retaining Ring Tool .....	1	1	<b>E</b>
42	102061201	Steering Wheel Puller Tool .....	1	1	
43	<u>AM10753</u>	Tachometer (includes gasoline engine pick up lead only) .....	1		
44	<u>102570401</u>	Tool, Tensioning, Starter Generator (For Precedent vehicles) .....	1		
45	<u>1014162</u>	Transaxle Axle Seal Tool (for electric vehicles) .....		1	
46	1014161	Transaxle Pinion Seal Tool (for electric vehicles) .....		1	
47	<u>1014115</u>	Transmission Tool Kit (for electric vehicles).....		1	
48	<u>101641101</u>	Valve Spring Compressor .....	1		
49	1011480	Volt Ohm Meter .....	1	1	
		Please refer to the maintenance and service manual for proper tool application.			



# INDEX

## Part Number and Page

AM10753	11-7	8963	1-15	1012812	11-3
AM1300001	7-27	1010005	6-17	1012830	1-17
AM1300101	7-27	1010138	6-11	1013135	6-17
AM1300201	7-27	1010145	6-19	1013357	4-5
AM1300301	7-27	1010150	6-13	1013531	5-7, 5-15, 5-19
304	10-3, 10-5	1010177	6-13	1013593	11-5
320	1-13	1010200	6-13	1013609	4-21, 7-11, 7-13
324	1-39	101021902	6-11	1013734	1-17, 1-29, 1-31, 7-11, 7-13
332	1-17, 1-23, 1-33, 4-9, 10-3, 10-5	101043502	1-29, 1-31	1013794	9-3
334	1-13, 1-23, 5-9, 5-13, 5-17, 6-5	1010521	5-15, 5-19	1013924	5-3, 5-5, 5-21
357	6-13	1010577	5-13, 5-17	1014007	5-9
451	1-17, 8-3	1010829	5-15, 5-19	1014115	11-7
705	5-15, 5-19, 6-5	101082903	5-13, 5-17	1014125	6-5
706	6-13	1010878	1-33, 5-7	1014126	6-5
1028	5-7	1010921	5-7	1014161	11-7
1035	1-23, 6-3, 6-11	1010934	5-15, 5-19	1014162	11-7
1218	6-15, 8-3	1010984	2-3	1014201	8-3
1241	1-15, 4-7, 5-7, 5-9, 5-13, 5-15, 5-17, 5-19, 7-15, 7-17, 7-19, 7-21	1011137	5-3, 5-5, 5-21	1014213	6-5
1242	4-21	1011273	11-5	1014214	6-5
1308	6-11	1011393	6-17	1014217	6-5
1624	5-9	1011402	5-7	1014259	11-7
2402	6-11	1011415	6-19	1014264	11-7
7048	6-13	1011439	4-7	1014276	6-13
7049	1-41	1011478	11-5	1014305	11-3
7173	4-7	1011480	11-7	1014321	1-39, 1-41
7174	6-13, 8-3	1011553	3-5	1014496	11-3
7274	6-17	1011557	4-7	1014497	11-3
7308	6-17	1011652	1-17	1014507	11-3
7311	1-17	1011694	5-9	1014508	11-3
7330	9-3	1011767	11-3	1014555	6-19
7336	9-3	1011779	5-15, 5-19	1014573	6-19
7473	1-15, 1-29, 1-31, 4-7, 5-7, 5-9, 5-13, 5-15, 5-17, 5-19, 6-15	1011825	4-7	1014902	6-19
7479	1-23	1011887	6-17	1014948	4-21
7555	6-3, 6-11	1011892	6-17	101503202	1-13
7602	6-3, 6-11	1011893	6-11	1015072	7-15, 7-17, 7-19, 7-21
7716	5-7	1011895	6-3, 6-11	1015277	1-33
7820	4-7	1011930	6-3	1015363	1-41
7840	6-17	1011931	5-9	1015391	1-29
7847	1-17, 10-3, 10-5	1011937	1-15	1015400	1-29
7893	4-21	1011990	5-15, 5-19	1015524	11-3
7910	6-17	1012151	11-5	101553901	3-3
7973	7-9	1012285	5-13, 5-17, 5-19	1015583	1-23, 1-25, 6-13
8056	4-13	1012295	4-7	101558302	6-19
8057	4-13	1012303	6-13	1015597	6-13
8058	4-13	1012412	1-17	1015656	1-49
8067	6-13	1012467	6-3	1015661	1-29, 1-39
8233	1-17, 1-23, 1-33, 5-9, 10-3, 10-5	1012528	1-29, 1-31, 7-11, 7-13	1015700	1-23
8639	1-59, 4-21	1012549	11-5	1015720	7-11, 7-13
8717	5-9	1012560	11-5	1015741	7-5, 7-7
8754	5-9, 5-15, 5-19, 6-5, 6-11, 6-13	1012565	6-9	1016060	1-23, 1-33
8755	6-13	1012566	6-9	1016077	1-49
8861	6-11	1012571	7-15, 7-17, 7-19, 7-21	1016078	1-33
8935	1-15	1012604	6-5	101609401	3-3
		1012605	6-5	1016154	6-9
		1012809	11-5	1016214	6-9
		1012811	11-3	1016346	6-11

# INDEX

1016349	6-11	101900801	5-15, 5-19	102050501	5-3, 5-5, 5-21
1016350	6-11	101903601	9-3	102050601	5-3, 5-5, 5-21
1016351	6-11	101903701	9-3	102050701	5-3, 5-5, 5-21
1016353	6-11	101906901	9-3	102050801	5-3, 5-5, 5-21
1016356	4-5, 7-11, 7-13	101908101	7-9	102050901	5-5, 5-21
1016384	6-13	101908401	7-9	102050902	5-3, 5-21
1016386	6-13	101918501	5-9	102052801	5-15, 5-19
1016387	6-13	101919801	5-9	102056201	1-17
1016389	6-13	101922101	9-3	102059001	1-17
101641002	11-5	101922201	9-3	102059401	1-17
101641101	11-7	101923001	9-3	102059501	1-17
101641202	11-3	101923201	9-3	102060201	1-17
1016414	11-5	101923501	9-3	102061101	1-17
1016415	11-5	101923901	9-3	102061201	11-7
1016416	11-3	101928701	9-3, 11-5	102065901	1-23, 1-25, 1-27
1016417	11-3	101932201	4-7	102158901	5-9
1016418	11-5	101953101	5-7	102196901	7-5, 7-7
1016423	4-5, 7-5, 7-7	101953105	5-7	102198001	4-5
1016849	4-7, 4-9	101955101	4-7	102199001	4-7
1016851	4-9, 4-13	101957101	4-7	102235201	8-3
1016967	7-11, 7-13	101958601	1-33	102238001	4-5, 7-11, 7-13
1017226	6-13	101958602	1-23	102240501	7-11, 7-13
1017266	6-11	101963401	1-49	102243402	11-5
1017273	6-7, 6-9	101972101	9-3	102243403	8-3
1017378	5-9	101972201	9-3	102251501	11-5
1017380	5-9	101974701	4-11	102292701	1-9
1017424	5-9	101974702	4-11	102292801	5-13, 5-15, 5-17, 5-19
101791101	5-21	101974703	4-11	102296301	1-9
101796201	5-9	101974704	4-11	102296530	1-9
101806005	5-7	101974705	4-11	102296920	4-19
101808401	11-3	101974706	4-11	102297125	1-9, 1-11, 1-13, 1-19, 1-21, 4-7, 4-21, 10-3, 10-5
101809101	11-3	101974707	4-11	102297230	7-3
101813202	11-3	101974708	4-11	102298185	1-23, 1-25
101817401	5-9	101974709	4-11	102298401	1-23, 1-25, 1-35, 1-37, 1-39, 1-49, 6-19
101823101	11-5	101974710	4-11	102299550	1-35, 1-37, 1-39, 1-49
101830701	4-11	101974711	4-11	102301401	1-23
101831401	7-17, 7-21	101974712	4-11	102311501	1-3
101831901	11-3	102023701	1-17	102323101	5-7, 5-13, 5-17
101832001	5-15, 5-19	102025701	5-11	102323201	5-7, 5-13, 5-17
101834502	4-11	102026001	5-9	102356601	9-3
101835601	1-23, 1-33, 4-15	102026401	1-17	102356801	9-3
101850301	4-3, 6-7, 6-9	102028601	5-7	102444602	5-15, 5-19
101851101	4-11	102028903	5-7	102459301	3-5
101856001	4-9	102033401	5-3, 5-21	102492301	7-5, 7-7
101856101	1-3	102033501	5-5, 5-21	102506401	1-23, 1-25, 6-19
101861901	5-9	102033701	5-15, 5-19	102517501	4-7
101862001	5-9	102047001	1-17	102518301	3-5
101871001	11-3	102049401	5-3, 5-5, 5-21	102519001	5-13, 5-17
101887101	11-3	102049501	5-3, 5-5, 5-21	102538601	7-5, 7-7
101887601	1-17	102049601	5-3, 5-5, 5-21	102541501	1-9
101895401	9-3	102049701	5-3, 5-5, 5-21	102546401	4-7
101895501	9-3	102049901	5-3, 5-5, 5-21	102554512	1-39
101897001	9-3	102050001	5-3, 5-5, 5-21	102562401	11-3
101897201	9-3	102050101	5-3, 5-5, 5-21	102564002	6-13
101897401	9-3	102050201	5-3, 5-5, 5-21		
101897601	9-3	102050401	5-3, 5-5, 5-21		

# INDEX

102570401	11-7	103517801	3-7, 3-9	104001201	1-53
102572401	7-5, 7-7	103517901	7-11, 7-13	104003501	1-63
102587201	11-5	103524601	6-19	104003901	1-73
102590801	1-41	103524701	6-19	104005901	7-27
102621501	1-43, 4-19	103525801	5-15, 5-19	104006101	7-27
102684501	6-13	103528901	7-15, 7-17, 7-19, 7-21	104026901	3-3
102742501	7-11, 7-13	103529001	7-19, 7-21	105006501	1-17
102766301	6-13	103529003	7-13	105007001	1-15
102772403	7-11, 7-13	103529004	7-11	105034001	1-13
102774701	7-11, 7-13	103529101	7-15, 7-17	105034103	4-9
102817101	4-21, 7-11, 7-13	103538701	1-23, 1-25	105034201	1-13
102845101	3-5	103539001	1-23	105034321	1-5
102845203	7-15, 7-19	103539002	1-25, 1-27	105034322	1-5
102845204	7-17, 7-21	103540203	1-13	105034323	1-5
102847603	1-49	103541401	4-21	105034324	1-5
102873401	7-15, 7-17, 7-19, 7-21	103574501	9-3	105034325	1-5
102883601	1-9, 3-7, 3-9	103575801	1-23, 1-25, 1-27	105034326	1-5
102886301	9-3	103625801	5-15, 5-19	105034327	1-5
102886401	9-3	103625901	5-15, 5-19	105034328	1-5
102886501	9-3	103626001	5-15, 5-19	105034329	1-5
102886601	9-3	103627001	5-15	105034401	1-9
102894503	4-3, 4-7	103627101	5-19	105034501	1-9
102902801	9-3	103628901	6-13	105034601	1-9
102915701	7-9	103635801	5-13, 5-17	105034701	1-9
102976701	5-13, 5-17	103647101	8-3	105034801	1-9
103180101	1-61, 4-9	103665002	5-13, 5-17	105034901	1-11
103182701	1-13	103724504	6-7, 6-9	105035001	1-11
103182702	1-13	103724601	6-9	105035101	1-21
103218601	7-5, 7-7	103724602	6-7	105035201	1-21
103229601	5-3, 5-5, 5-21	103724901	6-9	105035301	1-21
103232101	6-5	103793101	7-19	105035701	1-13
103233101	6-3	103804901	4-15	105035801	1-19
103234304	3-7, 3-9	103807801	5-15, 5-19	105036601	1-29, 1-31
103245001	4-3, 4-7	103807901	5-19	105036701	1-9
103264802	6-11	103810801	4-19	105046101	3-3
103267001	1-17	103810901	4-19	105049201	1-13
103376101	5-13, 5-17	103823002	7-11, 7-13	105049301	1-13
103397901	7-11, 7-13	103824101	6-13	105066401	1-21
103449501	4-15	103824201	6-13	105068001	4-11
103477901	6-17	103827201	3-3, 4-9	105068002	4-11
103481301	7-15, 7-17	103829401	6-7	105068003	4-11
103481401	7-15, 7-17	103832501	4-17	105068004	4-11
103481501	7-15, 7-17	103832601	4-17	105068005	4-11
103484301	4-7	103865001	5-13, 5-17	105068006	4-11
103484801	9-3	103865101	5-9	105068007	4-11
103493101	7-19, 7-21	103902101	7-3	105068008	4-11
103493201	7-19, 7-21	103902301	7-3	105068009	4-11
103497702	7-23	103902401	7-3	105068010	4-11
103501401	3-3	103942601	7-23	105068011	4-11
103502801	6-13	103943401	7-3	105068012	4-11
103507001	6-13	103969701	7-17, 7-21	105068902	6-19
103510201	7-11, 7-13	103971501	5-13	105073501	4-3
103510501	7-23, 7-25	103971601	5-17	105073502	4-3
103510901	7-25	103998701	8-3	105073601	4-9
103511001	7-13	103998801	8-3	105078811	2-3
103515301	3-5	104000901	1-63	105078901	2-3

# INDEX

105079204	2-3	105115002	3-7	105153001	3-9
105079501	2-3	105115003	3-9	105153201	3-7, 3-9
105082001	4-11	105115005	3-7	105153202	3-7, 3-9
105082002	4-11	105115006	3-9	105160401	1-45
105082003	4-11	105116301	7-3	105160501	1-47
105082004	4-11	105117602	10-3, 10-5	105160801	1-45
105082005	4-11	105117603	10-3, 10-5	105160901	1-45
105082006	4-11	105117701	1-7	105161101	1-45
105082007	4-11	105117702	1-7	105161201	1-47
105082008	4-11	105117703	1-7	105161301	1-47
105082009	4-11	105117704	1-7	105161401	1-45
105082010	4-11	105117705	1-7	105161901	10-3, 10-5
105082011	4-11	105117706	1-7	105163601	3-3
105082012	4-11	105117707	1-7	105163701	3-3, 3-5
105083301	6-13	105117708	1-7	105165801	4-7
105095701	1-17	105117709	1-7	105166801	7-27
105096701	1-57	105117710	1-7	105166901	7-27
105096801	1-51	105122105	1-39	105167001	7-27
105097001	1-51	105122205	1-35	105167101	7-27
105097101	1-73	105122206	1-37	105167201	7-5, 7-7
105097301	1-53	105122808	4-7	105168101	7-11, 7-13
105097501	1-55	105124701	3-5	105168501	7-27
105097601	1-71	105124901	1-3	105168601	7-27
105097701	1-71	105127201	1-39	105169101	1-29
105097801	1-71	105127202	1-39	105173901	7-5, 7-7
105097901	1-61	105127302	1-43	105176101	1-57
105098003	1-63	105127401	1-39	105176201	1-57
105098101	1-65	105127402	1-39	105176401	1-57
105098201	1-67	105128001	1-43	105176501	1-57
105098301	1-67	105128101	1-41	105176601	1-57
105098601	1-69	105128201	1-41	105176901	1-71
105098602	1-69	105129501	1-49	105177101	1-73
105098701	1-69	105129601	1-49	105177301	1-51
105106101	2-5	105129901	1-43	105177601	1-51
105106201	2-5	105130001	3-5	105177701	1-51
105106301	2-5	105130101	3-3	105177901	1-73
105106501	2-5	105130301	1-41	105178001	1-73
105106702	6-11	105130302	1-41	105178301	1-55
105106801	6-19	105130501	1-41	105178401	1-55
105107801	7-5	105130601	1-41	105178501	1-71
105108101	7-7	105131401	10-3	105178601	1-71
105108201	4-7	105135201	4-7	105178701	1-71
105108301	4-7	105135802	4-21	105178801	1-71
105108401	4-7	105137104	3-3	105178901	1-71
105108801	4-21	105137105	3-3	105179001	1-61
105109501	1-49	105144801	4-17	105179101	1-61
105110801	1-23	105146701	4-9	105179201	1-61
105112401	4-9, 7-11, 7-13	105146901	4-15	105179301	1-61
105112501	4-21	105147001	4-15	105179401	1-61
105112601	4-21	105148502	1-49	105179501	1-61
105113101	4-9	105148601	1-49	105179601	1-61
105113301	1-49	105148801	1-49	105179701	1-61
105113302	1-49	105148802	1-49	105179801	1-61
105114805	4-5	105149101	5-11	105179901	1-61
105114806	4-5, 4-7	105149201	5-11	105180002	1-63
105114807	1-59, 4-5	105152601	3-7	105180201	1-63



# INDEX

105180301 1-65  
105180401 1-65  
105180501 1-65  
105180601 1-65, 1-67  
105180701 1-65  
105180801 1-65  
105180901 1-67  
105181001 1-67  
105181101 1-67  
105181301 1-67  
105181401 1-67  
105181501 1-67  
105181701 1-53  
105181801 1-53  
105181901 1-53  
105182001 1-53  
105182002 1-53  
105182101 1-53  
105182102 1-53  
105182201 1-53  
105182202 1-53  
105182301 1-53  
105182302 1-53  
105182401 1-53  
105182501 1-53  
105182601 1-53  
105182701 1-53  
105182801 1-53  
105182901 1-53  
105183001 1-53  
105183501 1-61  
105183601 1-67  
105183701 1-63  
105185701 1-35, 1-37, 1-49  
105185801 1-35, 1-37, 1-49  
105186201 6-19  
105186202 6-19  
105188185 6-19  
105190601 4-7  
105190701 4-7  
105192301 1-39  
105192901 1-39  
105193001 1-39  
105193101 1-43  
105194101 1-29  
105194402 1-39  
105194601 1-39  
105194801 1-35, 1-37, 1-49  
105194802 1-35, 1-37  
105194901 1-35  
105194902 1-35  
105195001 1-37  
105195002 1-37  
105195501 7-11, 7-13  
105196101 1-39  
105196201 1-39

105197101 1-29  
105197201 1-31  
105200702 1-39  
105200802 1-39  
105200901 1-39  
105201001 1-39  
105205201 1-39  
105205501 1-59  
105205701 1-63  
105209601 11-5  
105210201 7-15  
105234002 1-59  
105234501 11-5  
105234502 11-5  
105243002 6-15  
105247101 4-9  
105247301 7-11  
105249601 10-5  
105250401 4-19  
105255301 7-11  
105255401 7-13  
105257901 4-9  
105295301 1-61  
105298002 1-27  
105329301 6-13  
96705199 1-39

## A

accelerator bracket and bearing assembly 5-9  
accelerator pedal adjustment tool 11-3  
accelerator pivot rod 5-9  
accelerator return spring 5-9  
accessory receptacle 4-5  
adapter  
    cable (IQDM) 11-5  
adhesive, guide ring 11-3  
AM1285701 11-5  
A-plate strap 6-11  
A-plate, delta 6-11  
arbor 11-3  
assembly  
    accelerator bracket and bearing 5-9  
    accelerator pivot rod 5-9  
    backing plate 5-3, 5-5, 5-21  
    bearing, steering shaft 6-5  
    brake cluster 5-3, 5-5, 5-21  
    delta A-plate 6-11  
    kingpin 6-13  
    park brake 5-3, 5-5, 5-21  
    ratchet 5-9  
axle 9-3  
axle shaft oil seal 9-3  
axle tube 9-3

## B

backing plate 5-3, 5-5, 5-21  
ball joint 6-3, 6-11  
base, seat holder 1-17  
battery cap, 6-volt 7-17, 7-21  
battery discharge machine 11-3  
battery HD, 6-volt, Trojan T145 7-17, 7-21  
battery hold-down rod 7-15, 7-17, 7-19, 7-21  
battery terminal protector spray 11-3  
battery thermometer 11-3  
battery, 6-volt, JCI GC2 7-19  
bead, ferrite 4-15  
bearing 9-3  
    front wheel hub 6-17  
    hub 6-17  
    inner axle tube 9-3  
    pivot support 5-9  
    steering shaft 6-5  
    thrust 6-13  
bearing and oil seal remover 11-3  
bearing driver set 11-3  
bearing puller 11-3  
bearing puller wedge 11-3  
bearing seat 6-5  
bed clamp kit 1-45  
bed floor 1-29  
bed floor kit 1-29, 1-31  
bed floor weldment 1-31  
bed latch weldment 1-29  
block, brake-mounting 5-7  
block, fuse 7-5, 7-7  
block, terminal 4-5, 7-11, 7-13  
body kick plate 1-17  
bolt, U- 6-19  
boot  
    park brake 5-15, 5-19  
boot, switch 7-9  
bracket  
    brake light switch 4-7  
    horn 4-7  
    stake side 1-49  
bracket, hinge, bed 1-23, 1-25  
Bracket, License Plate 4-19  
Bracket, Steering Stop 6-15  
bracket, tailgate Lh 1-41  
bracket, tailgate Rh 1-41  
brake cable hanger 5-15, 5-19  
brake cluster 5-3, 5-5, 5-21  
brake drum 5-3, 5-5, 5-21  
brake light switch bracket 4-7  
brake mounting block 5-7  
brake pedal 5-7  
brake return spring 5-7, 5-15, 5-19  
brake, park 5-3, 5-5, 5-21  
breather 9-3

# INDEX

bucket holder kit 1-47  
bucket seat 1-17  
bumper  
    drive unit (motor) 8-3  
    rubber 1-33, 5-7  
    spring return 5-9  
bumper, bed floor 1-29, 1-31  
bushing  
    bronze 6-13  
    nylon 1-41  
    snap-in 1-41  
    spindle 6-13  
    steel 6-13  
    urethane 1-23, 1-25, 6-11, 6-13, 6-19  
buzzer, reverse 4-9, 4-13

**C**

cab liner 1-51  
cab mirror 1-69  
cab overhead console 1-61  
cab rear window kit 1-71  
cab window screen 1-71  
cab windshield kit 1-73  
calibration test module 11-3  
cap  
    battery, 6-volt 7-17, 7-21  
    dust 7-5, 7-7  
    key switch 4-11  
cap, quick connector 7-11, 7-13  
card, safety first 11-5  
cargo box kit 1-39  
cargo box, corner, ds 1-39  
cargo box, front panel 1-39  
cargo box, side panel, ds, medium 1-39  
cargo box, corner, ps 1-39  
cargo box, side panel, ps, medium 1-39  
case  
    gear 9-3  
CE mark ferrite bead, TDK 4-15  
charger bezel tool 11-3  
clevis pin 5-13, 5-17  
clevis, upper delta 6-13  
clip  
    body trim 1-9  
    wheel cover 2-5  
clip, score card 6-9  
clutch cam installation tool 11-3  
clutch tool kit 11-3  
compression gauge 11-5  
compressor, piston ring 11-5  
compressor, valve spring 11-7  
console cover 1-17  
continuity tester 11-5  
controller diagnostic tool (CDT) 11-5  
controller diagnostic tool (CDT) cable 11-5  
cover

console 1-17  
    dust 5-3, 5-5, 5-21, 6-17  
    rocker switch hole 1-61, 4-9  
cowl 1-5  
cup holder, seat 1-17  
cup, spring 5-9  
cushion, shock absorber 6-19  
cylinder, master 5-13, 5-17  
cylinder, wheel 5-3, 5-5, 5-21

## D

dash 1-13  
dash display, Koso 4-9  
dc converter, 25A 4-15  
decal  
    bed load warning 3-3  
    crush area warning 3-3, 3-5  
    electrical cover safety 3-5  
    filter log 7-27  
    inspect log 7-27  
    nameplate 1-9, 3-7, 3-9  
    Tow/Run switch 3-5  
    trailer hitch 3-5  
    wheel cover 2-5  
deionizer 7-27  
    cartridge 7-27  
delta A-plate 6-11  
delta A-plate sub-assembly 6-11  
diagnostic port 7-5, 7-7  
differential gear 9-3  
differential housing 9-3  
diode 4-21  
door, charger port 1-9  
door, glove box 1-13  
drive clutch holder tool 11-3  
drive clutch hub puller 11-3  
drive clutch puller 11-3  
drive unit bumper 8-3  
driven clutch cam puller 11-3  
driven clutch puller plug 11-3  
drum, brake 5-3, 5-5, 5-21  
dry moly lubricant 11-5  
dust cap 7-5, 7-7  
dust cover 5-3, 5-5, 5-21, 6-17

## E

eccentric bolt 6-13  
E-clip 5-15, 5-19  
equalizer rod 5-7  
extension, spring latch 1-29

## F

fender, front, lh 1-9  
fender, front, rh 1-9  
fender, inner 1-19

fender, rear 1-21  
ferrite bead (CE), TDK 4-15  
fitting, thread-forming grease 6-13  
flasher, turn signal, 12-volt 4-7, 7-11, 7-13  
flat bed trim kit 1-37  
flat trim kit 1-35  
floor mat 1-13  
frame  
    corner cap 1-17  
frame weldment, front 1-15  
frame, bed 1-29  
front spring retainer plate 6-13  
fuse  
    10-amp 4-7  
    15-amp 7-5, 7-7  
    1-amp 7-5, 7-7  
    20-amp 4-5, 7-5, 7-7  
    2-amp 7-5, 7-7  
    30-amp 7-5, 7-7  
fuse block 7-5, 7-7  
fuse, mini, 7.5A 4-5  
fuse, mini, 10A 4-5, 4-7  
fuse, mini, 15A 1-59, 4-5

## G

gasket  
    liquid 9-3, 11-5  
    plug 9-3  
gauge, compression 11-5  
gear  
    differential 9-3  
    differential idler 9-3  
    differential output 9-3  
gear yoke 11-5  
gearcase 9-3  
grill 1-9  
grip, pencil 6-9  
grip, tilt latch hand 1-29  
grommet 5-7  
guide ring adhesive 11-3

## H

handle, tee 1-73  
hanger, brake cable 5-15, 5-19  
hardware  
    axle 5-3, 5-5, 5-21  
harness, brake pedal switch 4-7  
harness, taillight 4-7  
headlight bezel, lh 1-11  
headlight bezel, rh 1-11  
heater, defogger 4-21  
heater, defogger kit 4-21  
hinge pin 1-49  
hinge plate 1-17  
hold-down rod, battery 7-15, 7-17, 7-19, 7-21

# INDEX

hold-down, brake shoe 5-3, 5-5, 5-21  
holder, license plate 1-3  
horn bracket 4-7  
housing  
    differential 9-3  
hub 6-17  
hub bearing 6-17  
hydraulic shoe 5-3, 5-5, 5-21  
hydrometer 11-5

## I

idler gear, differential 9-3  
input shaft 9-3  
instrument panel, koso 4-9  
intermediate shaft 9-3  
internal retaining ring pliers 11-5

## K

key switch cap 4-11  
key switch, uncommon 4-11  
kick plate, body 1-17  
kingpin 6-13  
kit  
    accelerator pivot rod 5-9  
    axle adjuster 5-3, 5-5, 5-21  
    axle hardware 5-3, 5-5, 5-21  
    controller diagnostic tool (CDT) 11-5  
    hand pump, SPWS 7-27  
    hydraulic shoe 5-3, 5-5, 5-21  
    shock absorber cushion 6-19

## L

lamp, stop, turn, tail 4-7  
latch 1-13  
latch plate 1-23  
latch plate, tilt bed 1-33  
leaf blower holder kit 1-45  
license frame kit 1-3  
license plate 1-3  
license plate holder 1-3  
light  
    water quality 7-27  
limit switch 4-7  
link, rack and pinion drag 6-3  
liquid gasket 9-3, 11-5  
lubricant, dry moly 11-5  
lubricant, moly-teflon 8-3, 11-5  
lug nut 2-3  
lug stud 9-3

## M

master cylinder 5-13, 5-17  
mat, floor 1-13  
MCOR 7-3  
meter, volt ohm 11-7

mirror 1-69  
module  
    calibration test 11-3  
moly-teflon lubricant 11-5  
motor bumper 8-3  
mounting block, brake 5-7

## N

nameplate decal 1-9, 3-7, 3-9  
nut, lug 2-3

## P

pad  
    brake pedal 5-7  
paint, underbody (black) 11-5  
paint, touch-up 1-7  
pan, seat 1-17  
park brake 5-3, 5-5, 5-21  
pedal, brake 5-7  
pencil grip 6-9  
pin  
    bow tie locking 5-13, 5-15, 5-17, 5-19  
    clevis 5-15, 5-19  
pin, clevis 5-13, 5-17  
pin, hinge 1-49  
piston ring compressor 11-5  
piston ring pliers 11-5  
pivot support bearing 5-9  
plate  
    backing 5-3, 5-5, 5-21  
    front spring retainer 6-13  
    hinge 1-17  
    latch 1-33  
    license 1-3  
plate, Tow/Run switch 7-9  
pliers  
    internal retaining ring 11-5  
    piston ring 11-5  
    retaining ring 11-5  
plug  
    driven clutch puller 11-3  
port, diagnostic 7-5, 7-7  
press weldment 11-3  
prop rod 1-23  
prop rod track 1-23  
protector spray, battery terminal 11-3  
puller  
    bearing 11-3  
    drive clutch 11-3  
    drive clutch hub 11-3  
    driven clutch cam 11-3  
    seal 11-5

## R

race, front hub bearing 6-17

rack and pinion drag link 6-3  
ratchet, park brake 5-9  
receptacle, accessory 4-5  
reflector, yellow 4-17  
reflector, red 4-17  
reflector, red, rectangle 4-17  
refractometer 11-5  
relay 7-11, 7-13  
relay 48v 4-9, 7-11, 7-13  
relay, 12-volt 4-7  
remover, bearing and oil seal 11-3  
retainer  
    accelerator pedal spring 5-9  
    shock absorber cushion 6-19  
    spring 6-19  
retaining ring 6-5  
retaining ring pliers 11-5  
return spring bumper 5-9  
reverse buzzer 4-9, 4-13  
ring  
    retaining 6-5  
rivet, blind push 7-11, 7-13  
rocker switch 4-9  
rod  
    accelerator pivot 5-9  
    battery hold-down 7-15, 7-17, 7-19, 7-21  
    equalizer 5-7  
    prop 1-23  
rod, tie 6-11

## S

safety first card 11-5  
score card clip 6-9  
score card plate 6-9  
seal  
    lip 9-3  
    oil 9-3  
    vertical socket dust 6-3  
seal puller 11-5  
sealant 9-3  
seat  
    bucket 1-17  
seat holder base 1-17  
seat pan 1-17  
seat support 1-17  
seat, bearing 6-5  
shaft  
    input 9-3  
    intermediate 9-3  
shaft, steering 6-5  
shim, latch plate 1-33  
shock absorber 6-19  
shock absorber cushion 6-19  
shock absorber cushion retainer 6-19  
sleeve 1-23, 1-25, 6-19  
    delta A-plate 6-11

# INDEX

socket 6-3, 6-11  
solenoid 7-11, 7-13  
solenoid, 12-volt 4-21, 7-11, 7-13  
spacer  
    accelerator pivot rod 5-9  
spindle 6-13  
spindle asm 6-13  
spray, battery terminal protector 11-3  
spring  
    accelerator return 5-9  
    brake return 5-7, 5-15, 5-19  
    compression 6-9  
    extension 1-29  
    shoe to shoe 5-3, 5-5, 5-21  
    steering shaft compression 6-5  
spring cup 5-9  
spring mounting plate 6-13  
spring retainer 6-19  
spring, tailgate 1-41  
SPWS manifold 7-23, 7-25  
stake side 1-49  
stake side bracket 1-49  
stake side kit 1-49  
stake side panel, front 1-49  
stake side panel, lh 1-49  
stake side panel, rh 1-49  
stake side trim kit 1-49  
stake side trim, center 1-49  
stake side trim, rh 1-49  
stake side trim, lh 1-49  
static grip kit 1-45  
steel bushing 6-13  
steering column 6-5  
steering column bearing press tool 11-7  
steering column retaining ring tool 11-7  
steering column weldment 6-5  
steering gear assembly 6-3  
steering shaft 6-5  
steering shaft compression spring 6-5  
steering wheel puller tool 11-7  
strap, A-plate 6-11  
stud  
    lug 9-3  
switch  
    key, uncommon 4-11  
    limit 4-7  
    rocker 4-9  
    Tow/Run 7-9  
    turn signal 4-7  
switch rubber boot 7-9  
switch, hazzard 4-9  
switch, high beam 4-9

## T

12-volt solenoid 4-21, 7-11, 7-13  
tachometer 11-7

tailgate 1-41  
tailgate handle 1-41  
tailgate latch, lh 1-39  
tailgate latch, rh 1-39  
tailgate teather kit 1-43  
tailskirt 1-21  
tee handle 1-73  
terminal block 4-5, 7-11, 7-13  
tester, continuity 11-5  
thermometer, battery 11-3  
thread-forming grease fitting 6-13  
thrust bearing 6-13  
tie down kit 1-45  
tie rod 6-11  
tie wrap 1-59, 4-21  
tilt latch hand grip 1-29  
tool  
    accelerator pedal adjustment 11-3  
    belt tensioning, starter/generator 11-7  
    charger bezel 11-3  
    clutch cam installation 11-3  
    drive clutch holder 11-3  
    steering column bearing press 11-7  
    steering column retaining ring 11-7  
    steering wheel puller 11-7  
    transaxle axle seal 11-7  
    transaxle pinion seal 11-7  
    transmission 11-7  
tool kit, clutch 11-3  
tool rack kit 1-45  
touch-up paint 11-5  
Tow/Run switch 7-9  
Tow/Run switch plate 7-9  
track, prop rod 1-23  
transaxle axle seal tool 11-7  
transaxle pinion seal tool 11-7  
transaxle, 9-3  
transmission tool 11-7  
tube  
    axle 9-3  
turn signal switch 4-7

## U

U-bolt 6-19  
upper delta clevis 6-13  
urethane bushing 1-23, 1-25, 6-11, 6-13, 6-19

## V

valve spring compressor 11-7  
valve stem 2-3  
vent, door, cab 1-55  
vertical socket dust seal 6-3  
volt ohm meter 11-7

## W

washer, cab 1-65  
water quality light 7-27  
wedge, bearing puller 11-3  
weldment  
    press 11-3  
wheel cover 2-5  
wheel cylinder 5-3, 5-5, 5-21  
window, slider, cab 1-71  
work light, front, cab 1-67  
work light, rear, cab 1-67  
wrap, tie 1-59, 4-21

## Y

yoke, gear 11-5









**Club Car, Inc.**  
P.O. Box 204658  
Augusta, GA 30917-4658  
USA

**Web** [www.clubcar.com](http://www.clubcar.com)  
**Phone** 1.706.863.3000  
1.800.ClubCar  
**Int'l** +1 706.863.3000  
**Fax** 1.706.863.5808