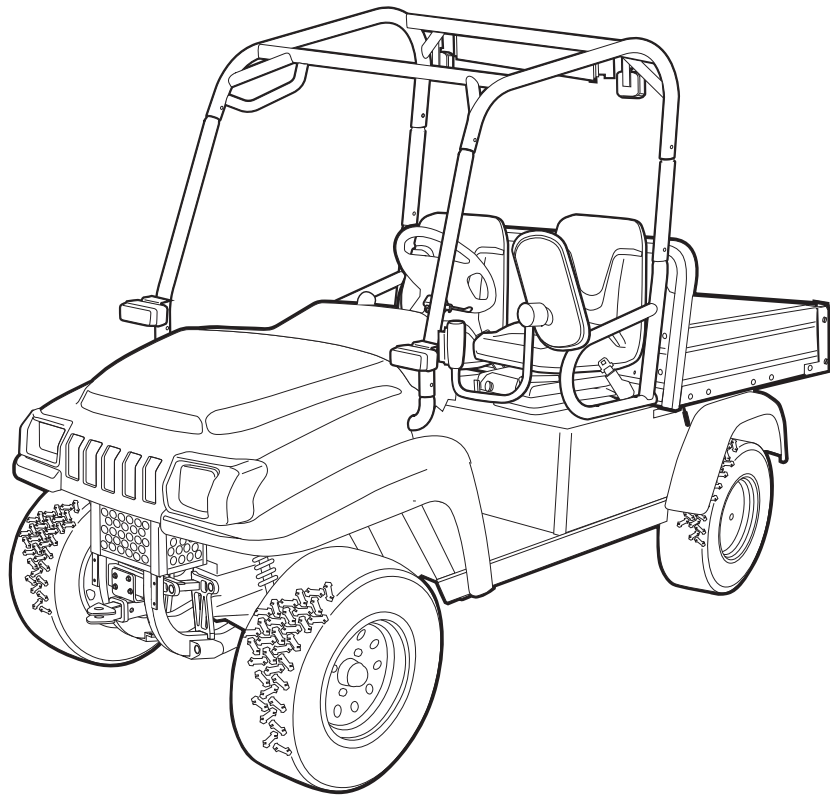




**2005-2006
Carryall 294
Homologated Vehicles
Illustrated Parts List**



Manual Number 102680311
Edition Code 1107J0112H

USING THE ILLUSTRATED PARTS LIST

⚠ WARNING

- **This manual is to be used only for identification and ordering of service parts. Be sure to read and use the maintenance and service manual before attempting any vehicle repairs.**

This manual covers 2005-2006 Carryall 294 Homologated vehicles.

Use the Table of Contents to find the sections and pages that contain the parts and assemblies you seek. The Table of Contents lists section numbers, and under them, the individual page titles and numbers to be found in that section. The index can be used to find specific parts and assemblies. The index is divided into numerical and alphabetical listings with the page numbers in italic text.

There is a two-page spread for each individual page title in the Table of Contents. On the left-hand page is an illustration showing the parts in their relative positions; the parts are each tagged with an item number in a balloon. The right-hand page is the parts list page, and gives the page title at the top, then the item numbers (corresponding to the numbers on the illustration), part descriptions, and quantity of parts used.

Note that a part description may be indented. This indentation corresponds to a parts assembly level indicated by the numbers 1, 2, 3, and 4 at the top left corner of the parts description area of the parts list page. A part that is indented to *level 2* is a component of the *level 1* part (assembly) that it is listed under. A *level 3* part is a component of the *level 2* part that it is listed under, and a *level 4* part is a component of the *level 3* part preceding it. In each case, the part quantity given for a level 2, 3, or 4 part *is the quantity used per next higher level assembly of which it is a component*. A part that is not indented is a *level 1* part. This means that the quantity given is the quantity used per the portion of the vehicle illustrated on that particular spread.

HOW TO ORDER PARTS

Replacement parts and accessories can be obtained from our network of authorized dealers and distributors. You can obtain the name and phone number of your closest authorized Club Car dealer or distributor by visiting our web site at www.clubcar.com and clicking on the "*Distributor Search*" link or by calling our toll-free Service Parts and Technical Assistance hotline at (800) 872-2246 or (706) 863-3000, extension 3887.



P. O. Box 204658
Augusta, Georgia 30917-4658 USA
Telephone 706-863-3000
Service Parts Fax 706-855-7413
www.clubcar.com

NOTE: *This illustrated parts list represents the most current information at the time of publication. Club Car, Inc. is continually working to further improve its vehicles and other products. These improvements may affect the parts used to service the vehicle. Any modification and/or significant change in specifications will be forwarded to all Club Car and Carryall distributors/dealers and will, when applicable, appear in future editions of this illustrated parts list.*

Club Car, Inc. reserves the right to change specifications and designs at any time without notice and without the obligation of making changes to units previously sold.

Copyright © 2007 Club Car, Inc.
Club Car is a registered trademark of Club Car, Inc.
This manual effective November 29, 2004.

CONTENTS

SECTION 1 – BODY AND TRIM

Front and Rear Hitches	1-3
Exterior Mirrors	1-5
Front Body Trim, Diesel Vehicles	1-7
Front Body Components	1-9
Seat – Drivers Side	1-11
Seat – Passengers Side	1-13
ROPS	1-15
Latch Plate and Prop Rod	1-17
Tilt Bed, Hinge, and Latch	1-19
Electric Bed Lift	1-21
Cargo Box	1-23
Rear Body Trim	1-25

SECTION 2 – WHEELS AND TIRES

Wheels and Tires	2-3
------------------------	-----

SECTION 3 – DECALS

Safety Decals, Diesel Vehicles	3-3
Safety Decals, Diesel Vehicles, Continued	3-5
Badging Decals, Carryall 294 Vehicles	3-7

SECTION 4 – PEDAL GROUP

Accelerator Pedal Assembly	4-3
Brake Pedal Assembly	4-5
Park Brake Pedal Assembly	4-7
Park Brake Pedal Assembly with Bellcrank System	4-9

SECTION 5 – BRAKE SYSTEMS

Front Brake Assembly	5-3
Rear Brake Assembly	5-5
Master Cylinder	5-7
Hydraulic Brake Lines and Clips	5-9
Park Brake Assembly with Pulley System	5-11
Park Brake Assembly with Bellcrank System	5-13

CONTENTS

SECTION 6 – STEERING AND SUSPENSION

Steering Column	6-3
Steering Gear Assembly	6-5
Front Suspension – A-Arms	6-7
Front Suspension (Standard)	6-9
Front Suspension (High-Capacity Option)	6-11
Rear Suspension (Standard)	6-13
Rear Suspension (High-Capacity Option)	6-15

SECTION 7 – ELECTRICAL SYSTEM

Wiring – Diesel Vehicles	7-5
Lighting	7-9
Lighting, Continued	7-11
Headlights	7-13
Electrical Component Box, Diesel Vehicles	7-15
Electrical Components, Instrument Panel, Diesel Vehicles	7-17
Battery – Diesel Vehicles	7-19

SECTION 8 – DIESEL ENGINE (OPEN BREATHER)

Kubota D722 Diesel Engine Mounting	8-3
Crankcase	8-5
Oil Pan	8-7
Cylinder Head	8-9
Gear Case	8-11
Head Cover	8-13
Dipstick and Guide	8-15
Oil Pump	8-17
Main Bearing Case	8-19
Camshaft and Idle Gear	8-21
Piston and Crankshaft	8-23
Flywheel	8-25
Shaft	8-27
Idle Apparatus	8-29
Stop Solenoid	8-31
Alternator (Diesel Vehicles)	8-33
Injection Pump	8-35
Speed Control Plate	8-37
Nozzle Holders and Glow Plugs	8-39

CONTENTS

Governor Components	8-41
Starter	8-43
Valves and Rocker Arms	8-45
Diesel Inlet Manifold	8-47
Exhaust Manifold	8-49
Gasket Kits	8-51
Piston Kit	8-53

SECTION 9 – FUEL, INTAKE, AND GOVERNOR SYSTEM

Fuel System – Diesel Vehicles	9-3
Fuel Tank – Diesel Vehicles	9-5
Accelerator Cable, Diesel Vehicles	9-7
Intake Duct and Air Box Assembly – Diesel Vehicles	9-9

SECTION 10 – EXHAUST SYSTEM

Exhaust System, Diesel Vehicles	10-3
---------------------------------------	------

SECTION 11 – CLUTCHES

Clutch Cover (Standard)	11-3
Clutch Cover (Sealed)	11-5
Drive Belt	11-7
Drive Clutch – Diesel Vehicles	11-9
Driven Clutch	11-11

SECTION 12 – DRIVETRAIN COMPONENTS

Front Differential Mounting and Half Shafts	12-3
Front Differential (Output Components)	12-5
Front Differential (Input Components)	12-7
Prop Shafts	12-9
Forward/Reverse Shifter Assembly	12-11
Transmission	12-13
Transmission, Continued	12-15
Transmission Shift Shaft and Bell CrankTransmission Shift Shaft and Bell Crank (Style A)	12-17
Transmission Shift Shaft and Bell Crank (Style B)	12-19
Transmission, Continued	12-21
Transmission Cable	12-23
Rear Differential	12-25
Rear Differential, Continued	12-27

CONTENTS

SECTION 13 – RADIATOR AND COOLANT SYSTEM (DIESEL VEHICLES)

Radiator	13-3
Coolant Expansion Tank	13-5
Coolant Pipes and Hoses	13-7
Water Flange and Thermostat	13-9
Water Pump	13-11
Block Coolant Pipe	13-13

SECTION 14 – MAINTENANCE AND SERVICE TOOLS

Maintenance and Service Tools	14-3
Maintenance and Service Tools, Continued	14-5
Maintenance and Service Tools, Continued	14-7
Maintenance and Service Tools, Continued	14-9
Maintenance and Service Tools, Continued	14-11

SECTION i – INDEX

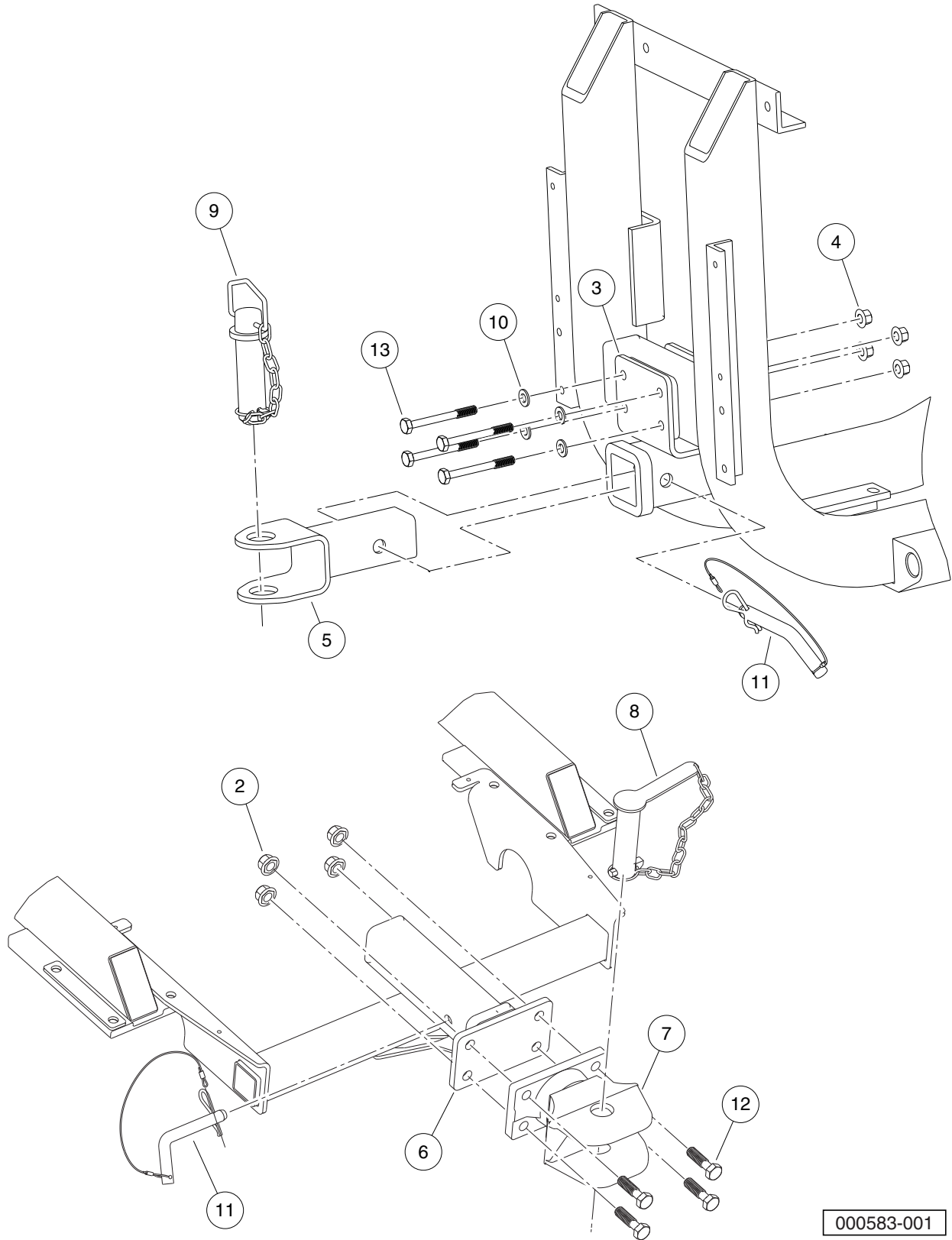
BODY AND TRIM

1

D

1

D



000583-001

FRONT AND REAR HITCHES

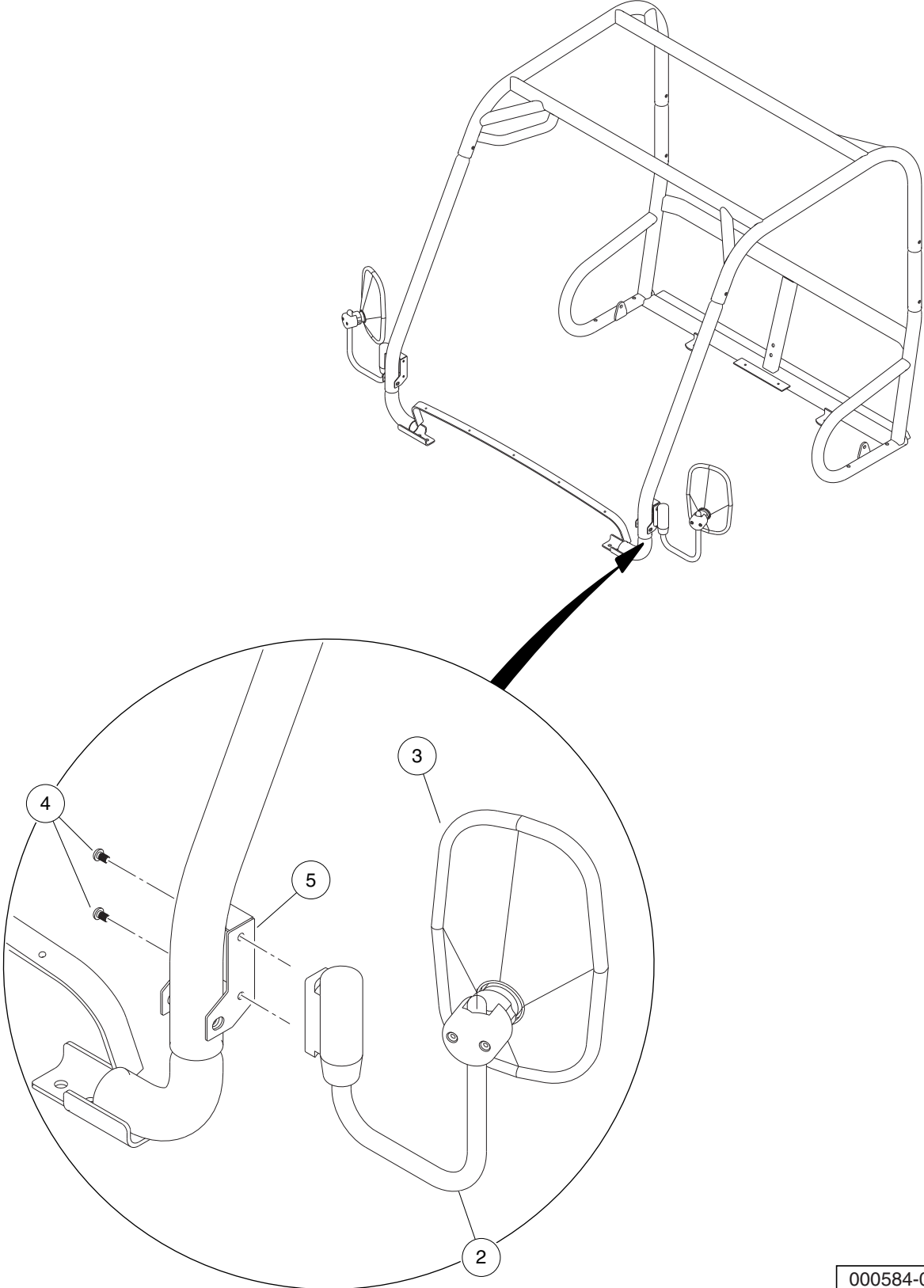
ITEM	PART NO.	DESCRIPTION	QTY
		1 2 3 4	
1	N/A	Instl, Hitches - Euro (includes items 2 through 13)	1
2	<u>102353301</u>	Hex Nut, Locking Flange, M14x2	4
3	<u>102445901</u>	Receiver, Weld Assy	1
4	<u>102617201</u>	Nut Flg M10 X 1.5 Mech Def	4
5	<u>102619401</u>	Coupling, Front Recovery	1
6	<u>102624701</u>	Adapter, Towing Hitch	1
7	<u>102708201</u>	Hitch, Towing, Clevis Type	1
8	<u>102708501</u>	Pin, Hitch, Towing	1
9	<u>102708601</u>	Pin, Hitch, Recovery	1
10	<u>102718101</u>	Washer, Hard, M10, Zn-Ni/Blk	4
11	<u>102718301</u>	Pin, Receiver, 5/8 X 3"	2
12	<u>102720401</u>	Bolt, M14 X 2 X 50	4
13	<u>102853801</u>	Bolt, M10 X 90, Zn-ni/black	4

1

D

1

D



000584-001

EXTERIOR MIRRORS

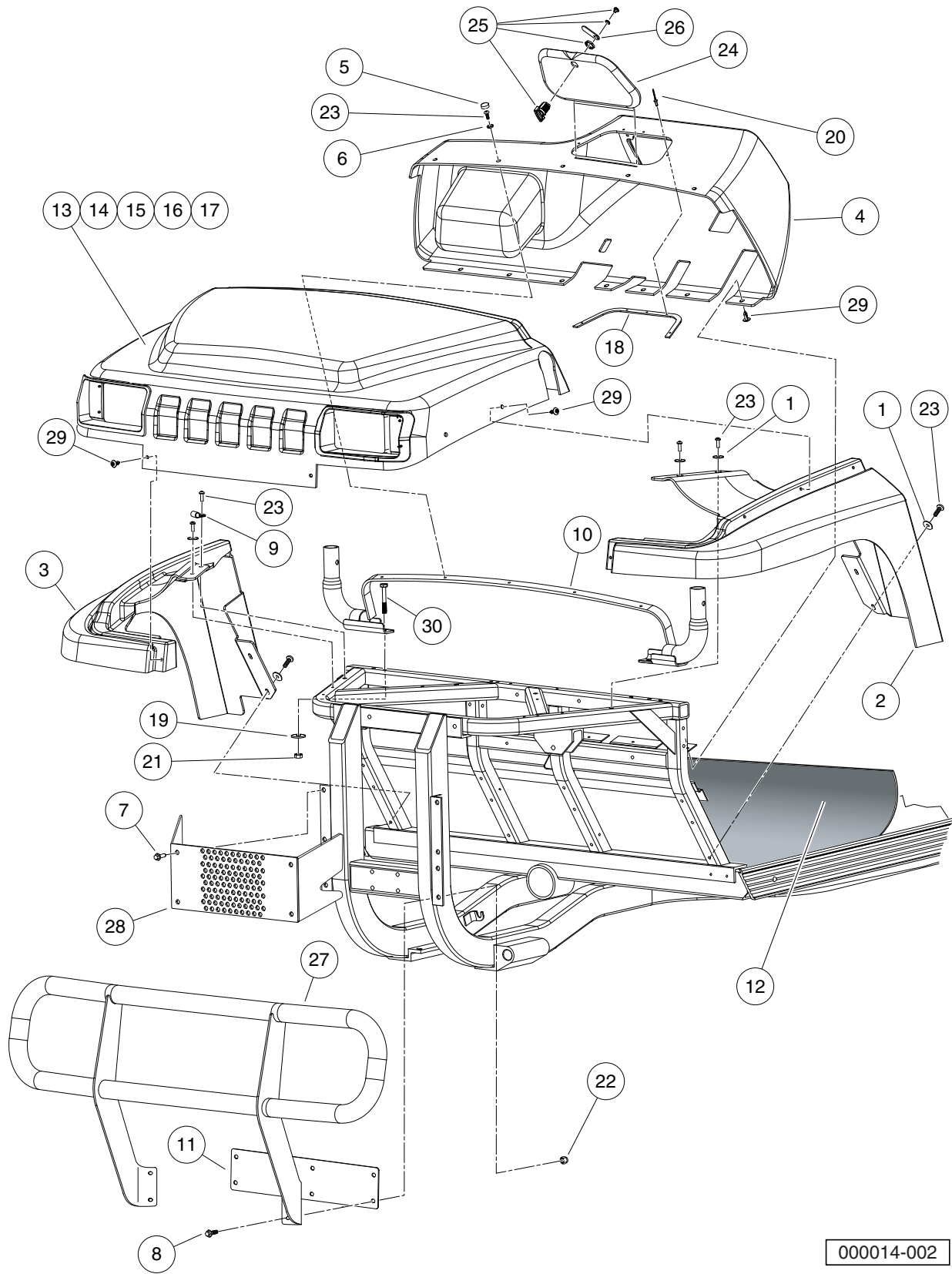
ITEM	PART NO.	DESCRIPTION	QTY
		1 2 3 4	
1	<u>103184001</u>	Kit, Mirror, Exterior (includes items 2 through 6)	1
2	N/A	Mirror Arm, Exterior	2
3	N/A	Mirror Lens, Exterior	2
4	N/A	Bhcs, M6 X 1 X 10 - Loctite	4
5	<u>103177101</u>	Bracket, Mount, Mirror	1
6	N/A	Instruction, Kit, Mirror, Exterior (Not Shown)	1

1

D

1

D



000014-002

FRONT BODY TRIM, DIESEL VEHICLES

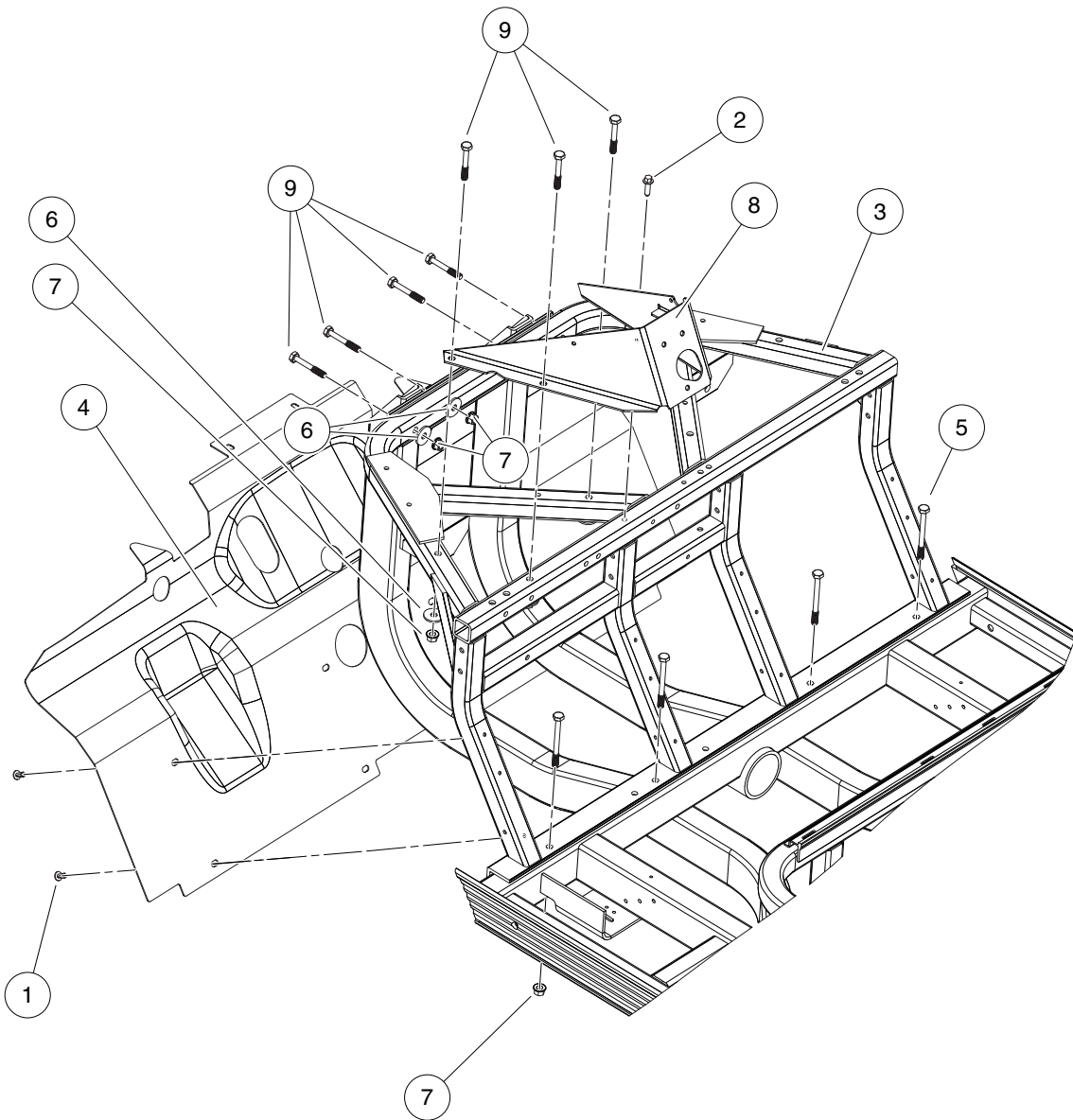
ITEM	PART NO.	DESCRIPTION	QTY
		1 2 3 4	
1	<u>1014306</u>	Washer, 1/4" Type B Flat	7
2	<u>102021502</u>	Fender, Left Front	1
3	<u>102021602</u>	Fender, Right Front	1
4	<u>102021802</u>	Dashboard with Access Hole	1
5	<u>102045001</u>	Cap, 1/4" Plastic Screw Head	5
6	<u>102048401</u>	Washer, 1/4 Id Scalloped Plast	5
7	<u>102289002</u>	Screw, M8 X 1.25 X 30 Tri, Blk	4
8	<u>102298130</u>	Bolt, Flange Head, M8 X 30.0	4
9	<u>102410603</u>	P-Clamp, Insulated .312 In	1
10	<u>102418501</u>	Weldment, Support, ROPS	1
11	N/A	Plate, Brush Mount	1
12	<u>102432001</u>	Mat, Floor	1
13	<u>102459710</u>	Cowl, Machined, Dark Green	1
14	<u>102459714</u>	Cowl, Machined, Dark Gray	1
15	<u>102459715</u>	Cowl, Machined, Red	1
16	<u>102459716</u>	Cowl, Machined, White	1
17	<u>102459718</u>	Cowl, Machined, Camo	1
18	<u>102477301</u>	Support, Access Panel, Dash	1
19	<u>102491501</u>	Washer Hard,m10	4
20	<u>102492801</u>	Rivet, .125" Dia, .311" Panel	5
21	<u>102617201</u>	Nut Flg M10 X 1.5 Mech Def	4
22	<u>102618601</u>	Lock Nut, Flg M8 X 1.25 Nylon	4
23	<u>102628601</u>	Screw, 1/4-20 X 1.0 Pn Hd Torx	13
24	<u>102760501</u>	Panel, Access, Dash	1
25	<u>102760701</u>	Cam Lock Body	1
26	<u>102760801</u>	Latch, Cam, Access Panel	1
27	<u>102778001</u>	Asm, Brush Guard	1
28	<u>102831601</u>	Guard, Radiator	1
29	<u>102967901</u>	Rivet, Removable, Tuflok 1/4"	15
30	<u>8248</u>	Screw, 1/4-20 X 0.75 Truss-Head Machine	4

1

D

1

D



000017-001

FRONT BODY COMPONENTS

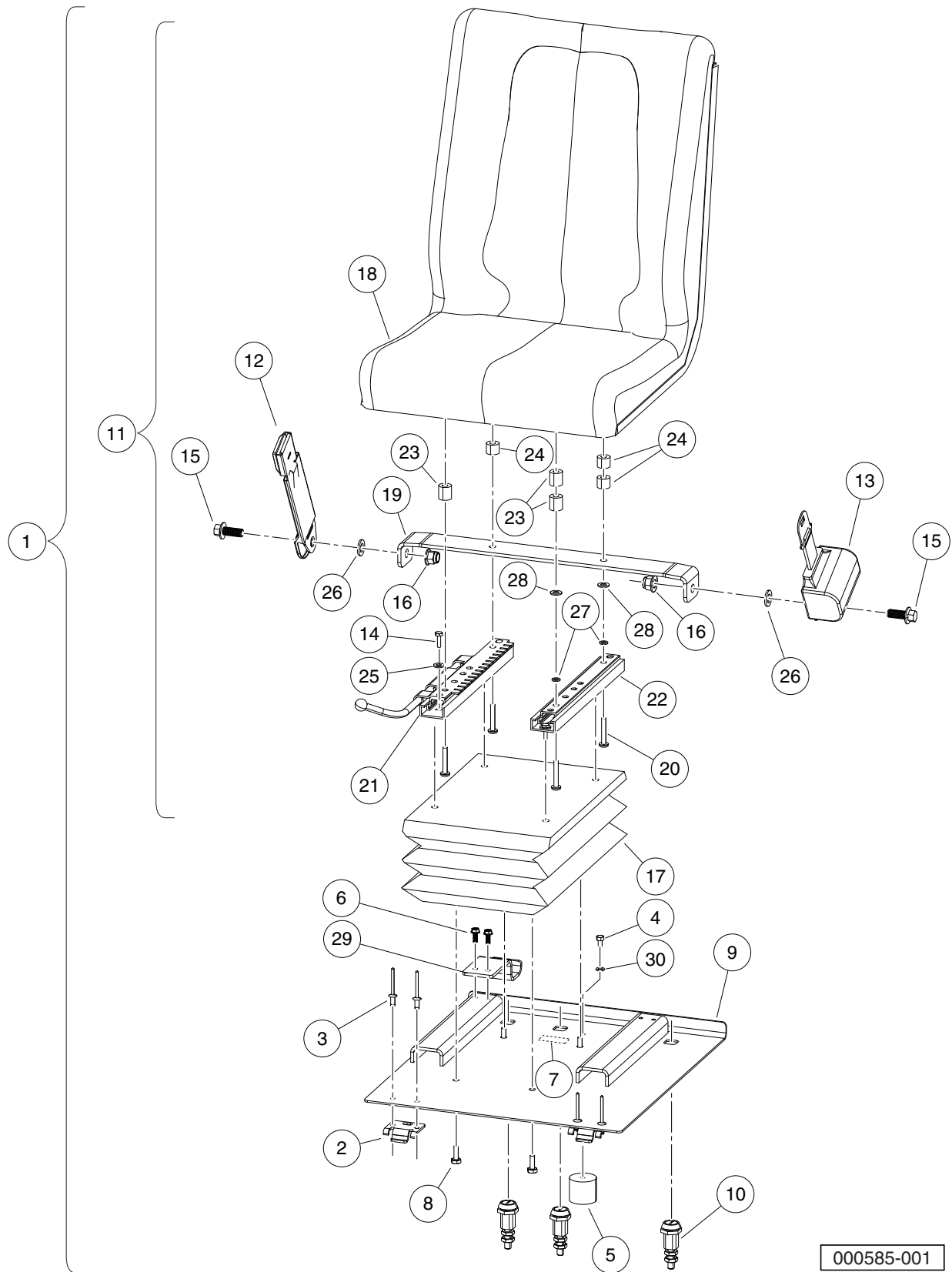
ITEM	PART NO.	DESCRIPTION	QTY
		1 2 3 4	
1	<u>1016967</u>	Blind Rivet, Push Type	8
2	<u>102289001</u>	Screw, M8X1.25X30, Hex	1
3	<u>102373401</u>	Weldment, Dash, Front	1
4	<u>102437201</u>	Guard, Splash	1
5	<u>102491301</u>	Bolt, M10x1.50x100 (Black)	4
6	<u>102491501</u>	Washer Hard,m10	7
7	<u>102617201</u>	Nut Flg M10 X 1.5 Mech Def	11
8	****	Bracket, Support, Steering	1
9	<u>96715552</u>	Bolt, M10 X 1.50 X 65	7
		**** Special order item available upon request.	

1

D

1

D



000585-001

SEAT – DRIVERS SIDE

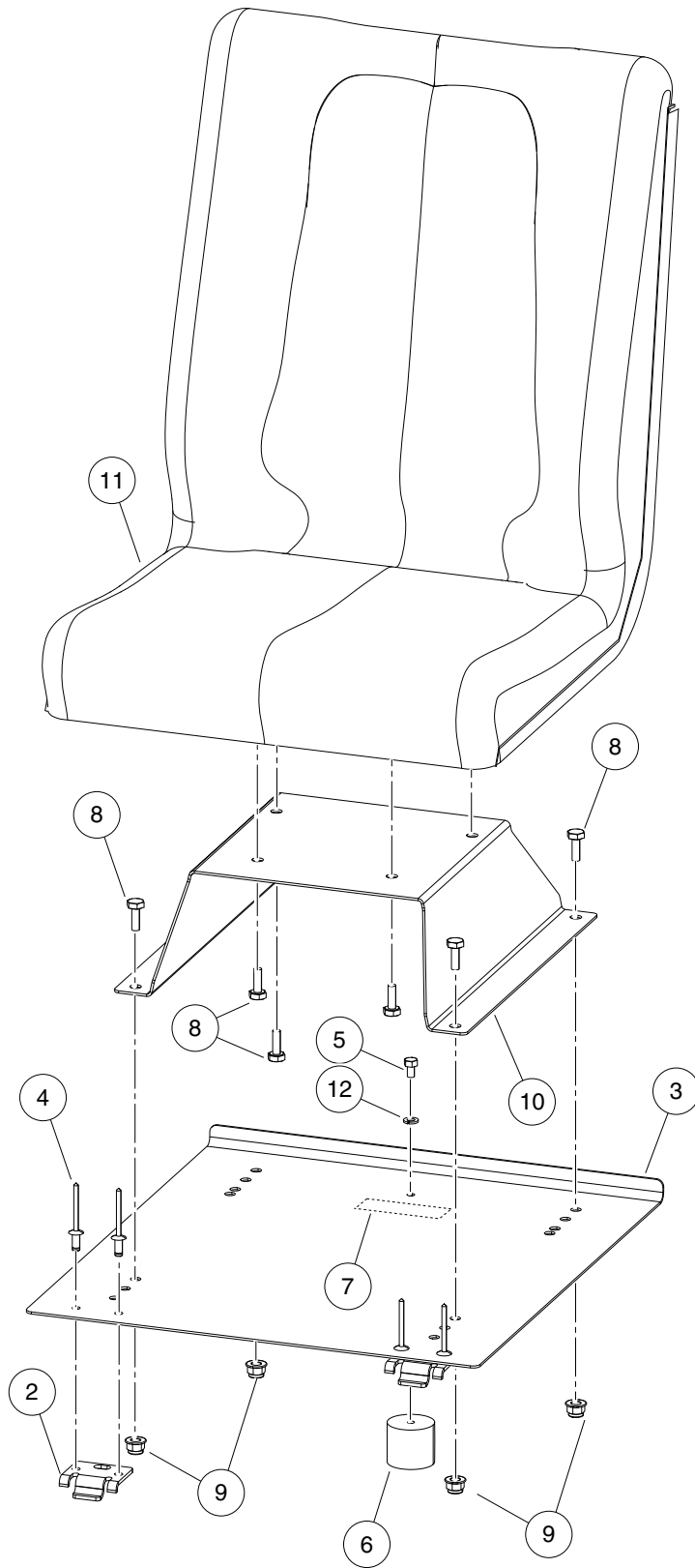
ITEM	PART NO.	DESCRIPTION	QTY
		1 2 3 4	
1	N/A	Asm, Seat, Suspension - D/s (includes items 2 through 30)	1
2	<u>1011652</u>	Hinge Plate	2
3	<u>102047001</u>	Rivet, 1/4 X .438 Blind	4
4	<u>102059401</u>	Screw, 6m-1.00 X 10mm Hex Head	1
5	<u>102061101</u>	Seat Holder Cup	1
6	<u>102296716</u>	Screw, M6 X 16 Tt Hx Fl Hd	2
7	<u>102458901</u>	Decal, Hot Surface Warning	1
8	<u>102498101</u>	Bolt, M8 X 1.25 X 20	4
9	<u>102738301</u>	Weldment, Susp Seat - Euro	1
10	<u>102738501</u>	Latch, Compression, Flat Hd	3
11	N/A	Asm, Sub, Euro Susp Seat (includes items 12 through 28)	1
12	<u>102447601</u>	Buckle, Seat Belt with Sleeve	1
13	<u>102447602</u>	Retractor, Seat Belt	1
14	<u>102490301</u>	Bolt, M6 X 1 X 16 Loctite	4
15	<u>102490801</u>	Bolt, Flange Head, M12x 1.75x 30 with Loctite	2
16	<u>102620501</u>	Nut Flg, M12x1.75, Nylon Gr 10	2
17	<u>102707301</u>	Suspension, Seat	1
18	<u>102707401</u>	Seat, Pan - Euro	1
19	<u>102712001</u>	Brkt, Seat Belt, Suspn Seat	1
20	<u>102738401</u>	Bhcs, M8 X 1.25 X 40 - Loctite	4
21	<u>102865301</u>	Rail, Adjustable	1
22	<u>102865401</u>	Rail, Slave	1
23	<u>102865501</u>	Bushing, 20mm	3
24	<u>102865601</u>	Bushing, 15mm	3
25	<u>332</u>	Washer, 1/4 Type A Narrow Flat	4
26	<u>96701412</u>	Washer, M12 Hard	2
27	<u>96705199</u>	Washer, M6	2
28	<u>96741038</u>	Washer, M8 Hard	2
29	<u>102776801</u>	Plate, Bent Seat Restrain	1
30	<u>451</u>	Lockwasher, 1/4 Split	1

1

D

1

D



000585-002

SEAT – PASSENGERS SIDE

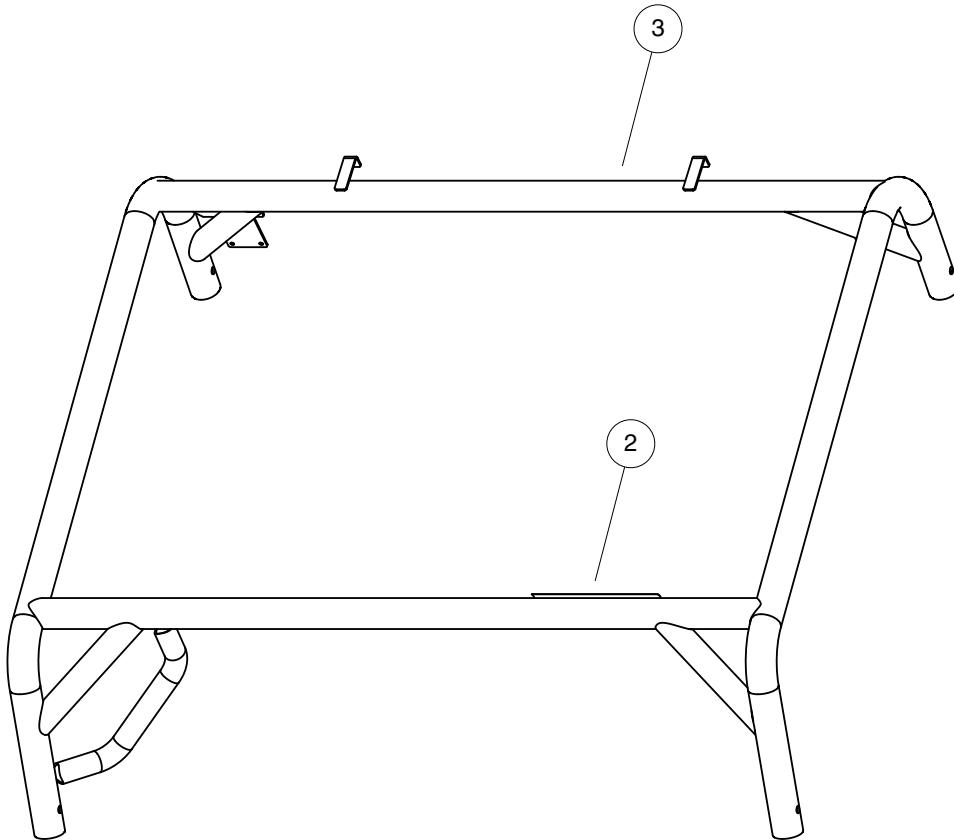
ITEM	PART NO.	DESCRIPTION	QTY
		1 2 3 4	
1	N/A	Asm, Seat, Static - P/s (includes items 2 through 12)	1
2	<u>1011652</u>	Hinge Plate	2
3	<u>102023703</u>	Pan, Seat, Passenger	1
4	<u>102047001</u>	Rivet, 1/4 X .438 Blind	4
5	<u>102059401</u>	Screw, 6m-1.00 X 10mm Hex Head	1
6	<u>102061101</u>	Seat Holder Cup	1
7	<u>102458901</u>	Decal, Hot Surface Warning	1
8	<u>102498101</u>	Bolt, M8 X 1.25 X 20	8
9	102618601	Lock Nut, Flg M8 X 1.25 Nylon	4
10	<u>102620901</u>	Riser, Passenger Seat	1
11	<u>102707401</u>	Seat, Pan - Euro	1
12	<u>451</u>	Lockwasher, 1/4 Split	1

1

D

1

D



000794-001

ROPS

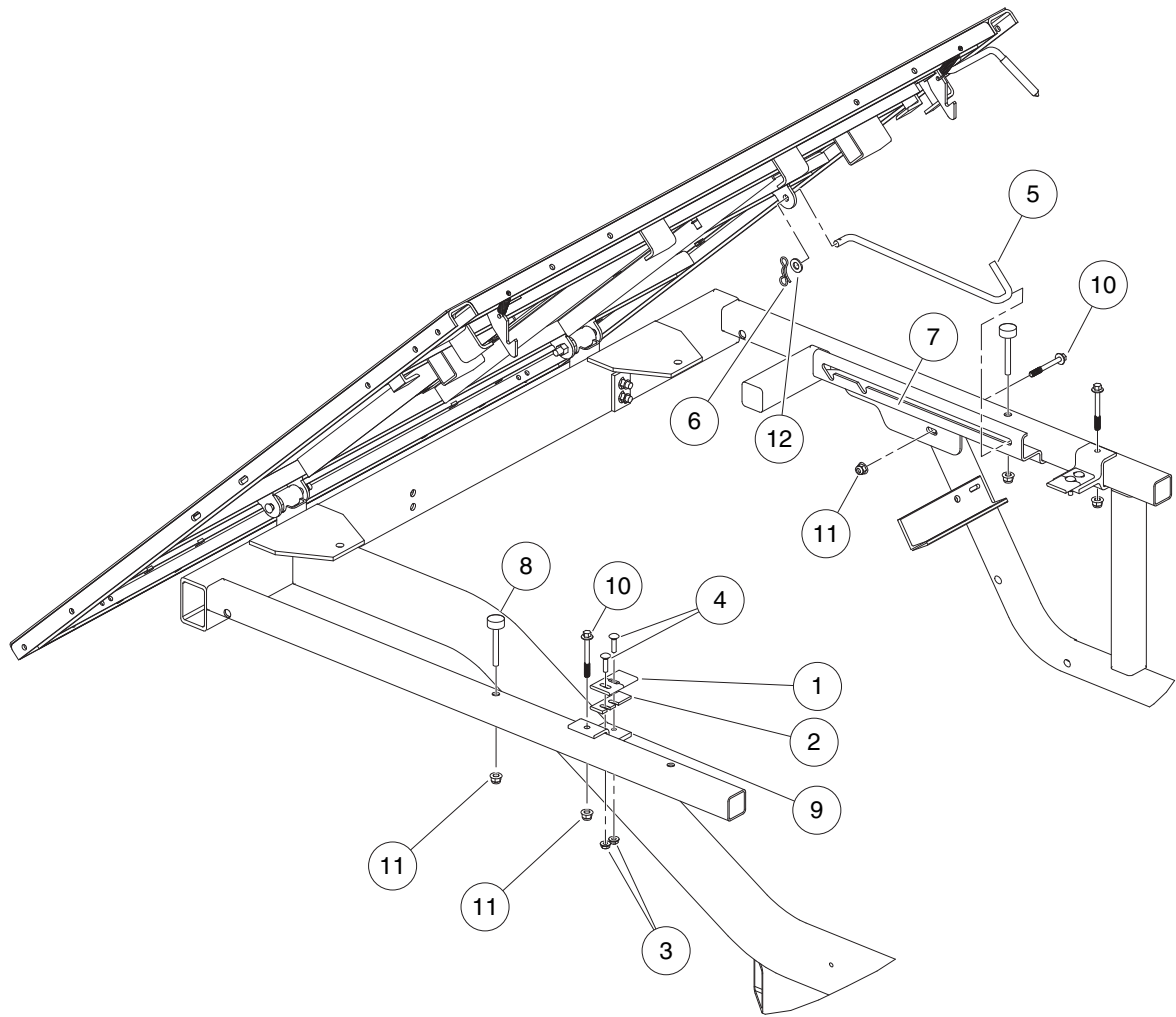
ITEM	PART NO.	DESCRIPTION	QTY
1	<u>102715201</u>	1 2 3 4 Top, Rops, Homologation (includes items 2 and 3)	1
2	<u>102459401</u>	Decal, Young Driver Warning	1
3	N/A	ROPS, Homologated	1

1

D

1

D



000036-001

LATCH PLATE AND PROP ROD

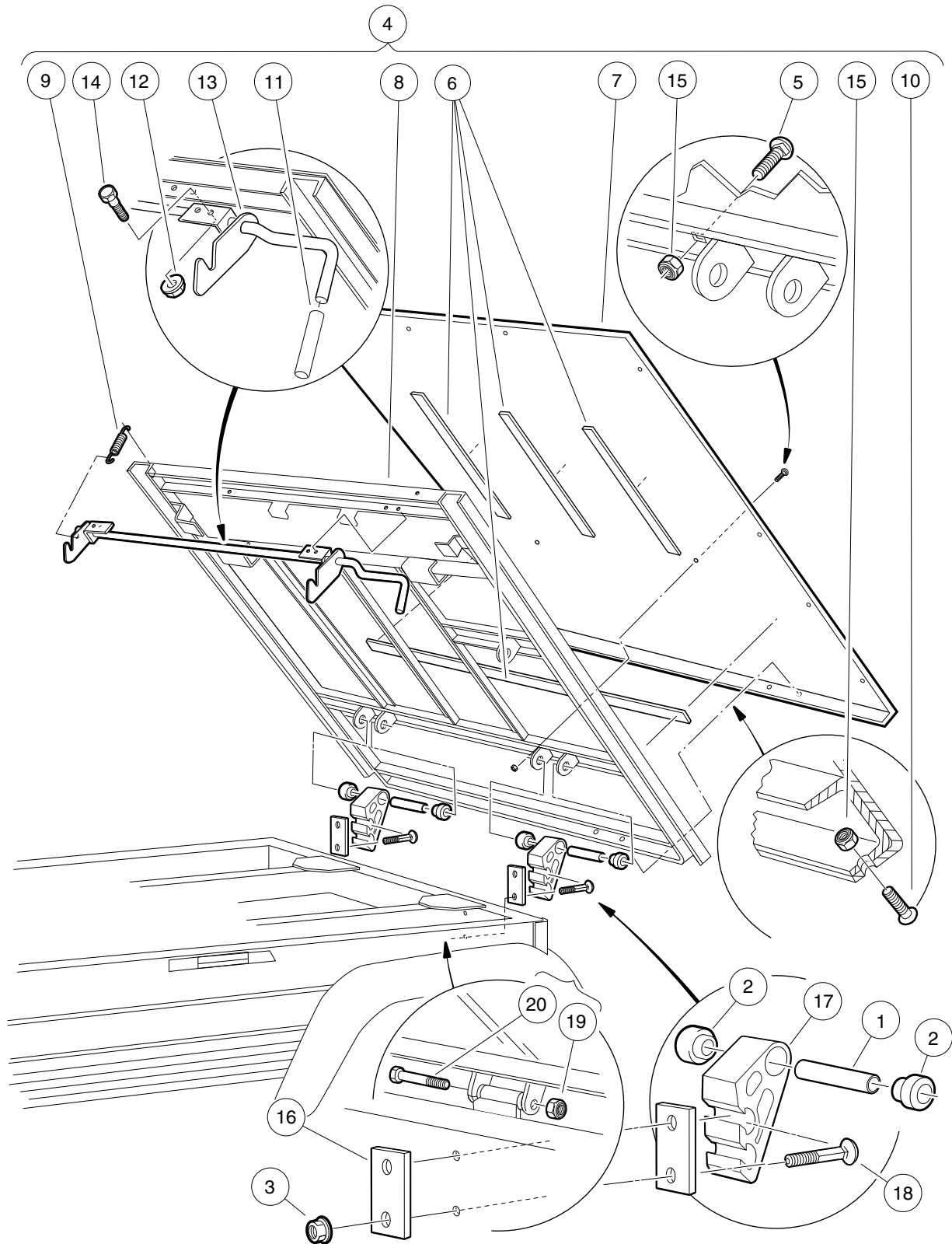
ITEM	PART NO.	DESCRIPTION	QTY
		1 2 3 4	
1	<u>1015277</u>	Latch Plate, Tilt Bed	2
2	<u>1016078</u>	Latch Plate Shim	1
3	<u>101835601</u>	Locknut, 1/4-20 Hex Whiz	4
4	<u>101958602</u>	Bolt, Carriage, 1/4-20 X 1.0	4
5	<u>102301401</u>	Rod, Prop	1
6	<u>102323101</u>	Pin, Bow Tie Locking	1
7	<u>102418101</u>	Track, Prop Rod	1
8	<u>102426601</u>	Bumper, Bed, Mtg, Front	2
9	<u>102493801</u>	Bracket, Latch, Bed	2
10	<u>102618301</u>	Bolt Flanged Head, M8 X 1.25 X 65	3
11	102618601	Lock Nut, Flg M8 X 1.25 Nylon	5
12	<u>334</u>	Washer, 3/8 Type A Flat	1

1

D

1

D



000037-001

TILT BED, HINGE, AND LATCH

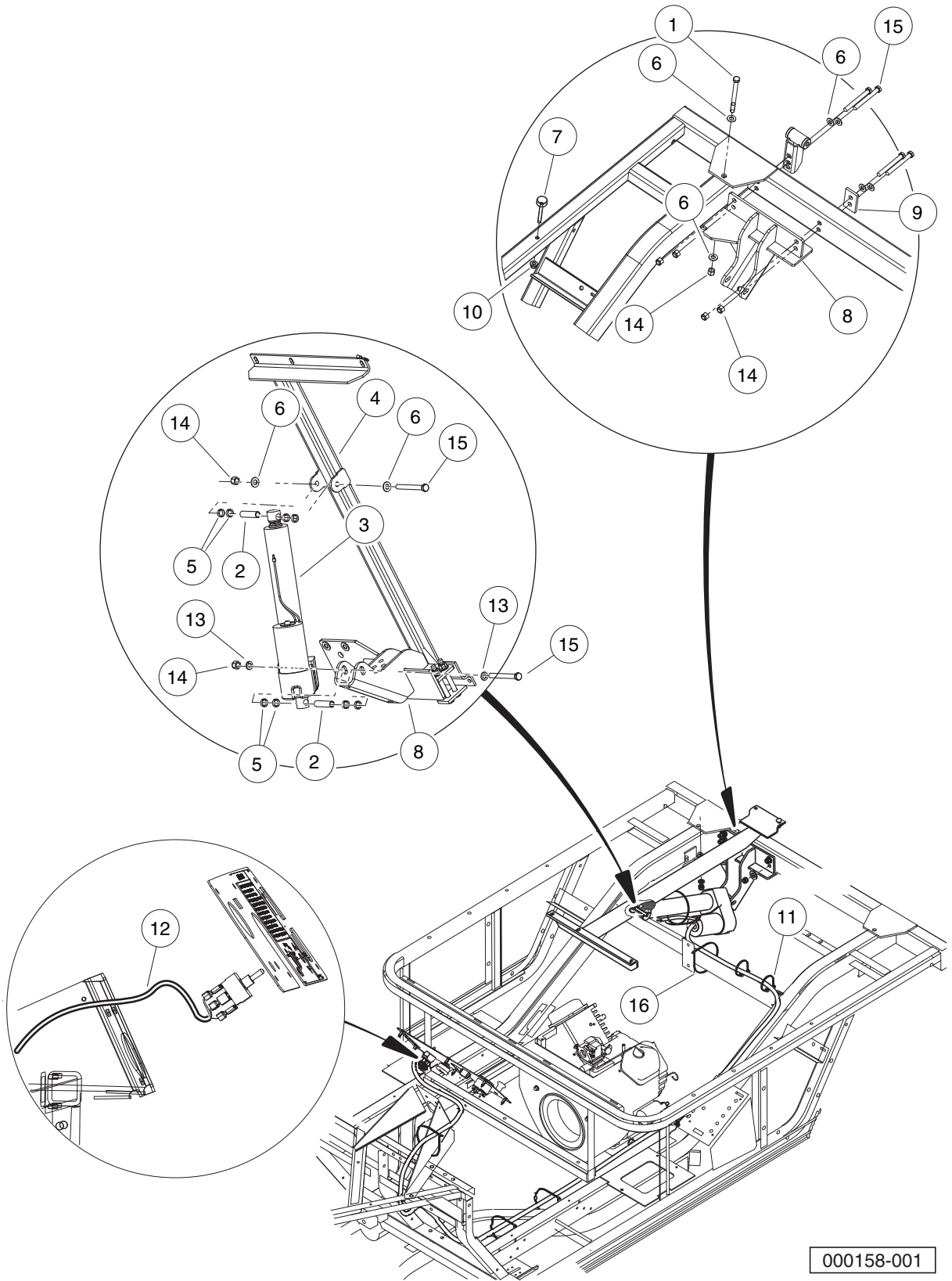
ITEM	PART NO.	DESCRIPTION	QTY
		1 2 3 4	
1	<u>1012303</u>	Bushing, Steel	2
2	<u>1015583</u>	Bushing, Urethane	2
3	<u>102065901</u>	Locknut, 3/8-16 Flanged Dimple	4
4	<u>102171503</u>	Tilt Bed Assembly (includes items 5 through 15)	1
5	<u>1010435</u>	Bolt, Carriage, 5/16-18 X 1.00	4
6	<u>1014471</u>	Tape, Vinyl Foam 1/8" x 3/4" *	1
7	<u>1015258</u>	Plate, Floor Bed	1
8	N/A	Frame Assembly	1
9	N/A	Extension, Spring Latch	2
10	1015399	Screw, 5/16-18 X 0.88 Torx Truss-Head	4
11	<u>1015400</u>	Grip, Tilt Latch Hand	1
12	<u>101835601</u>	Locknut, 1/4-20 Hex Whiz	4
13	<u>102426901</u>	Ltch Weld Asm Tlt Bd	1
14	<u>403</u>	Screw, 1/4-20 X 0.625 Hex-Head Cap	4
15	<u>7473</u>	Locknut, 5/16-18 Nylon Insert	8
16	<u>102614101</u>	Plate, Back	2
17	<u>103538701</u>	Extra, Bracket, Hinge, Bed	2
18	<u>103538901</u>	3/8-16 X 3.5 Carr Blt Gr5 Zn	4
19	<u>8754</u>	Locknut, 3/8-16 Hex	2
20	<u>8755</u>	Screw, 3/8-16 X 3.375 Hex Cap	2
		* Note: Item not shown.	

1

D

1

D



000158-001

ELECTRIC BED LIFT

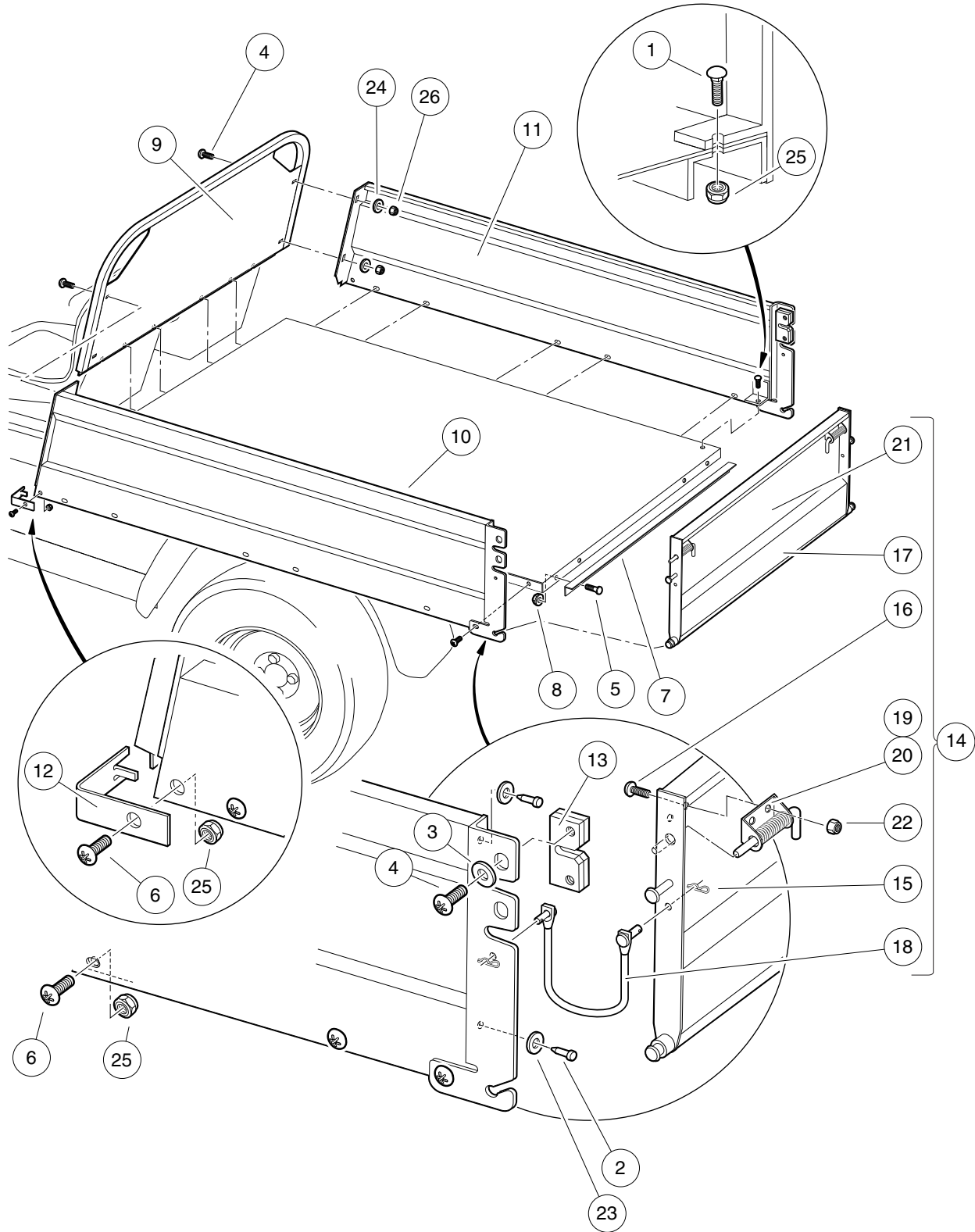
ITEM	PART NO.	DESCRIPTION	QTY
		1 2 3 4	
1	<u>1010200</u>	Bolt, 3/8-16 X 4.25 Hex Head	1
2	<u>1016603</u>	Bushing Long	2
3	<u>1017162</u>	Actuator Assembly, Electric	1
4	<u>1017167</u>	Actuator Adapter	1
5	<u>1017774</u>	Body Spacer	8
6	<u>102066001</u>	Washer, 3/8 Type B Hard Flat	8
7	<u>102426601</u>	Bumper, Bed, Mtg, Front	2
8	<u>102465701</u>	Weldment, Bracket, Actuator	1
9	<u>102614101</u>	Plate, Back	1
10	<u>102618601</u>	Lock Nut, Flg M8 X 1.25 Nylon	2
11	<u>102629001</u>	Tie Wrap, 8.00" With Mount	2
12	<u>102673901</u>	Wire Harness, Electric Lift	1
13	<u>357</u>	Lockwasher, 3/8 Split	2
14	<u>8754</u>	Locknut, 3/8-16 Hex	9
15	<u>8755</u>	Screw, 3/8-16 X 3.375 Hex Cap	6
16	<u>8990</u>	Tie Wrap, 8" Nylon	5

1

D

1

D



000038-003

CARGO BOX

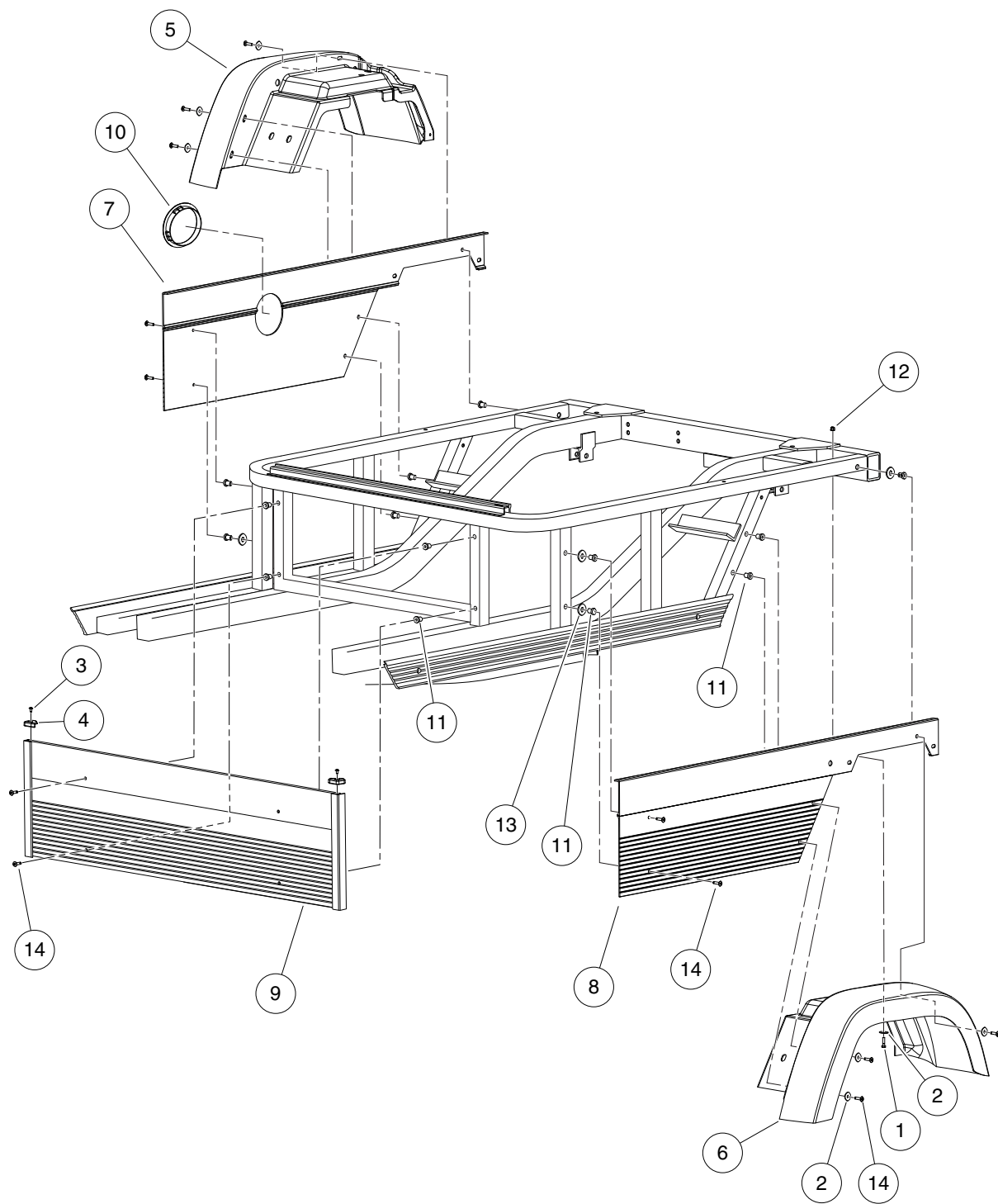
1

D

ITEM	PART NO.	DESCRIPTION	QTY
		1 2 3 4	
1	<u>1010435</u>	Bolt, Carriage, 5/16-18 X 1.00	13
2	<u>1010436</u>	Bumper, Rubber	4
3	<u>1014306</u>	Washer, 1/4" Type B Flat	4
4	<u>1014415</u>	Screw, 1/4-20 X 0.75 Torx Truss-Head	8
5	<u>1014537</u>	Stud, Self-Clinching Flush Head	4
6	<u>1015399</u>	Screw, 5/16-18 X 0.88 Torx Truss-Head	18
7	<u>101894304</u>	Box Bed Tailgate Angle	1
8	<u>101963401</u>	Locknut, 5/16-18 Hex Flange	4
9	<u>102221301</u>	Front Panel Weldment	1
10	<u>102221401</u>	Left Panel Weldment	1
11	<u>102221501</u>	Right Panel Weldment	1
12	<u>102221701</u>	Front Corner Cap	2
13	<u>102222001</u>	Slam Latch	2
14	<u>102229902</u>	Asm, Bobcat Tailgate (includes items 15 through 22)	1
15	<u>1013366</u>	Hair Pin Clip	4
16	<u>1014415</u>	Screw, 1/4-20 X 0.75 Torx Truss-Head	4
17	N/A	Tailgate, Weldment	1
18	<u>102221801</u>	Tether Assembly	2
19	<u>102222101</u>	Spring Latch Left	1
20	<u>102222201</u>	Spring Latch Right	1
21	<u>102339001</u>	Decal, Tailgate, Bobcat	1
22	<u>8233</u>	Locknut, 1/4-20 Nylon Insert	4
23	<u>102239901</u>	Washer, Rubber, 3/8	4
24	<u>332</u>	Washer, 1/4 Type A Narrow Flat	4
25	<u>7473</u>	Locknut, 5/16-18 Nylon Insert	31
26	<u>8233</u>	Locknut, 1/4-20 Nylon Insert	4

1

D



000027-001

REAR BODY TRIM

ITEM	PART NO.	DESCRIPTION	QTY
		1 2 3 4	
1	<u>1012769</u>	Screw, M6-1.00 X 25mm Hex Cap	2
2	<u>1014306</u>	Washer, 1/4" Type B Flat	8
3	<u>1014321</u>	Screw, #10 Truss-Head Torx	2
4	<u>101438702</u>	Corner Cap AWD	2
5	<u>102251602</u>	Fender, Right Rear	1
6	<u>102251702</u>	Fender, Left Rear	1
7	<u>102454001</u>	Assembly, Panel (Passenger Side)	1
8	<u>102454101</u>	Assembly, Panel (Driver Side)	1
9	<u>102454201</u>	Panel, Front	1
10	<u>102466201</u>	Bezel, Fuel Fill	1
11	<u>102491701</u>	Well Nut 1/4-20	14
12	<u>102621501</u>	Nut Flg, M6 X 1.0 Nylon	2
13	<u>102684501</u>	Washer, M12 Hard Regular	2
14	<u>8251</u>	Screw, 1/4-20 X 1.0 Truss-Head Machine	14

1

D

1

D

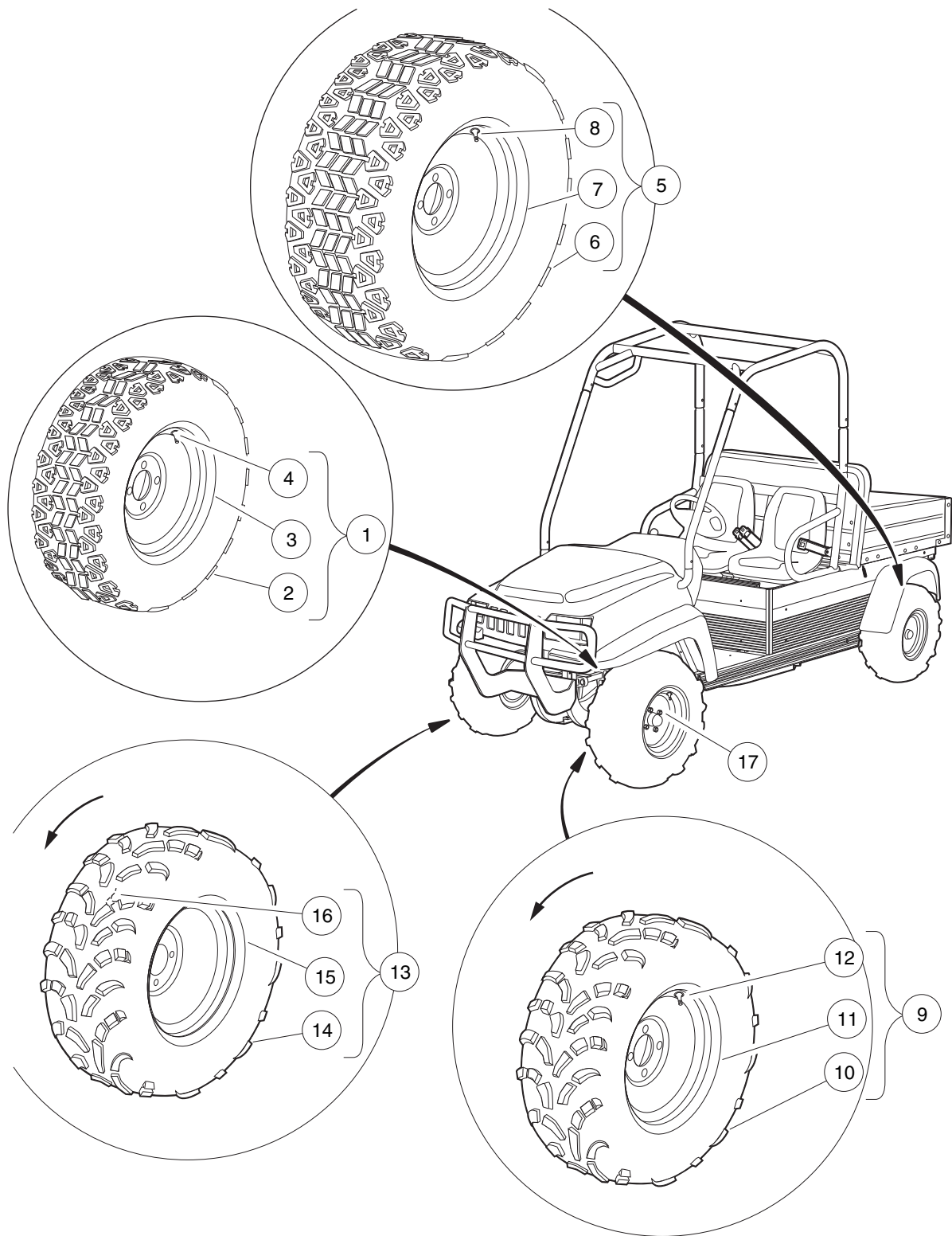
WHEELS AND TIRES

2

D

2

D



000009-001

WHEELS AND TIRES

ITEM	PART NO.	DESCRIPTION	QTY
		1 2 3 4	
1	<u>102021410</u>	Orange Tire Asm HDAT 8in (includes items 2 through 4)	2
2	<u>102021305</u>	HDAT Tire, 8"	1
3	<u>102374802</u>	Wheel, Indus Spider, Orange	1
4	<u>7310</u>	Valve Stem	1
5	<u>102021411</u>	Orange Tire Asm HDAT 10.5in (includes items 6 through 8)	2
6	<u>102021302</u>	Tire, HDAT	1
7	<u>102374802</u>	Wheel, Indus Spider, Orange	1
8	<u>7310</u>	Valve Stem	1
9	<u>102021412</u>	Orange Tire Asm AT489 Left-Hand (includes items 10 through 12)	2
10	<u>102021306</u>	Tire, AT489	1
11	<u>102374802</u>	Wheel, Indus Spider, Orange	1
12	<u>7310</u>	Valve Stem	1
13	<u>102021413</u>	Orange Tire Asm AT489 Right-Hand (includes items 14 through 16)	2
14	<u>102021306</u>	Tire, AT489	1
15	<u>102374802</u>	Wheel, Indus Spider, Orange	1
16	<u>7310</u>	Valve Stem	1
17	<u>102736901</u>	Nut, Lug, 1/2-20 SAE J2283	16

2

D

2

D

DECALS

3

D

UNDER 16

WARNING

YOUNG DRIVERS INCREASE CHANCE OF DEATH

- Young drivers may not be able to control vehicle.
- No drivers younger than 16 years old.
- Do not leave children unattended on vehicle.

CCI 10269991

WARNING

ROLLOVER OR FALLING OFF MAY CAUSE DEATH

- Read owner's manual and operating instructions.
- Fasten seat belts and remain seated while moving.
- Children requiring a child safety seat must not ride on vehicle. Comply with state and local laws pertaining to child safety.
- Drive slowly in turns and straight up and down slopes.
- Do not start vehicle until all occupants are seated.
- Front seats: One (1) person per seat maximum.
- Operate vehicle from driver side only.
- Keep entire body inside vehicle while moving.
- Do not operate while under the influence of alcohol or drugs.
- Never attempt jumps and avoid extremely hard braking in reverse.

PREHEAT OFF ON START

CC1 102740701

Club Car, Inc
Augusta, Georgia, USA

Roll-over Protective Structure (ROPS)
ROPS per ISO 3471, SAE J1040,
AS 2294.1, and CSA B552.2

Certified for vehicle models:
Carryall 294, XRT 1500, and Bobcat 2200
Max, unladen vehicle mass: 1543 lb (700 kg)

WARNING

- Do not modify or remove Roll-over Protective Structure (ROPS).
- Replace ROPS if damaged. Do not attempt repair.
- Use seat belts during operation. Do not jump from vehicle.
- Keep away from drop-offs, steep slopes, and unstable surfaces.

CCI 102621191

WARNING

Riding in cargo bed can cause severe injury or death. Do not ride in cargo bed.

CCI 1011553901

DIESEL FUEL ONLY

CCI 102458801

WARNING

Rotating Parts

CCI 10223901

CCI 102688901

WARNING

CRUSH AREA

STAY CLEAR

CCI 101609401

NOTICE

MAXIMUM TONGUE WEIGHT - 150 lbs.

CCI 10111553

WARNING

Crush area. Can cause severe injury. Stay clear when closing bed.

CCI 10245901

VEHICLE LOADING

Read owner's manual and warnings on dash.

- Maximum gross vehicle weight: 2750 lb. (1247 kg)
- Maximum cargo load: 800 lb. (363 kg)
- Includes cargo bed load and gross trailer weight.
- Maximum cargo load is reduced by the weight of optional equipment.
- Maximum trailer hitch tongue weight: 150 lb. force (667 N).

PREVENT VEHICLE ROLL-OVER.

- Place cargo forward in the cargo bed and distribute evenly side to side. Secure load.
- On uneven or steep terrain reduce speed and load. Avoid stopping on or backing down steep hills.
- Avoid top heavy loads. See owner's manual.

CCI 102682301

HIGH-CAPACITY VEHICLE LOADING

Read owner's manual and warnings on dash.

- Maximum gross vehicle weight: 3012 lb. (1366 kg)
- Maximum cargo load: 1050 lb. (476 kg)
- Includes cargo bed load and gross trailer weight.
- Maximum cargo load is reduced by the weight of optional equipment.
- Maximum trailer hitch tongue weight: 150 lb. force (667 N).

PREVENT VEHICLE ROLL-OVER.

- Place cargo forward in the cargo bed and distribute evenly side to side. Secure load.
- On uneven or steep terrain reduce speed and load. Avoid stopping on or backing down steep hills.
- Avoid top heavy loads. See owner's manual.

CCI 102459601

000005-003

SAFETY DECALS, DIESEL VEHICLES

ITEM	PART NO.	DESCRIPTION	QTY
		1 2 3 4	
1	<u>1011553</u>	Decal, Trailer Hitch	1
2	<u>101553901</u>	Decal, Bed Load Warning	1
3	<u>101609401</u>	Decal, Crush Area Warning	2
4	<u>102224001</u>	Decal, Rotating Parts Warning	1
5	<u>102458801</u>	Decal, Diesel Fuel Only	1
6	<u>102459301</u>	Decal, Bed Crush Area Warning	1
7	<u>102459401</u>	Decal, Young Driver Warning	1
8	<u>102459601</u>	Decal, Vehicle Loading, High-Capacity	1
9	<u>102621101</u>	Decal, ROPS Certification/Warning	1
10	<u>102682301</u>	Decal, Vehicle Loading, Standard Capacity	1
11	<u>102688901</u>	Decal, Turn Signal Indicator	1
12	<u>102740701</u>	Decal, Warning, European Diesel IP	1

3

D

⚠ WARNING

DIESEL FUEL EXPLOSION / FIRE.

- Can cause severe injury or death.
- No smoking, sparks, or open flame.
- Stop engine, allow to cool before refueling.

CCI 102459201

OPERATING INSTRUCTIONS

- Read owner's manual and vehicle safety warnings. Study and understand controls.

TO START ENGINE

- Place shift lever in Neutral (N) position and press brake pedal.
- To preheat glow plugs, turn key to "PREHEAT" position and hold for 10-15 seconds.
- Turn key to "START" position and hold until engine starts.

TO OPERATE VEHICLE

- Make sure wheels are turned in desired direction and nothing is in your path.
- Engine must be at idle before moving shift lever.
- While vehicle is stopped, and the engine is at idle, select shift lever position.
 - ↑ - Forward N - Neutral ↓ - Reverse (Buzzer will sound)
- Release park brake and slowly press accelerator pedal to increase speed.
- All-wheel drive will automatically drive appropriate wheel(s) as required.

TO STOP VEHICLE

- Release accelerator pedal and push brake pedal. After stopping, firmly set park brake.
- Turn key to "OFF" position, remove key and place shift lever in neutral position when not in use.

CCI 102455101

⚠ WARNING

CAN CAUSE SEVERE INJURY

Rotating parts. KEEP CLEAR.

CCI 102460201

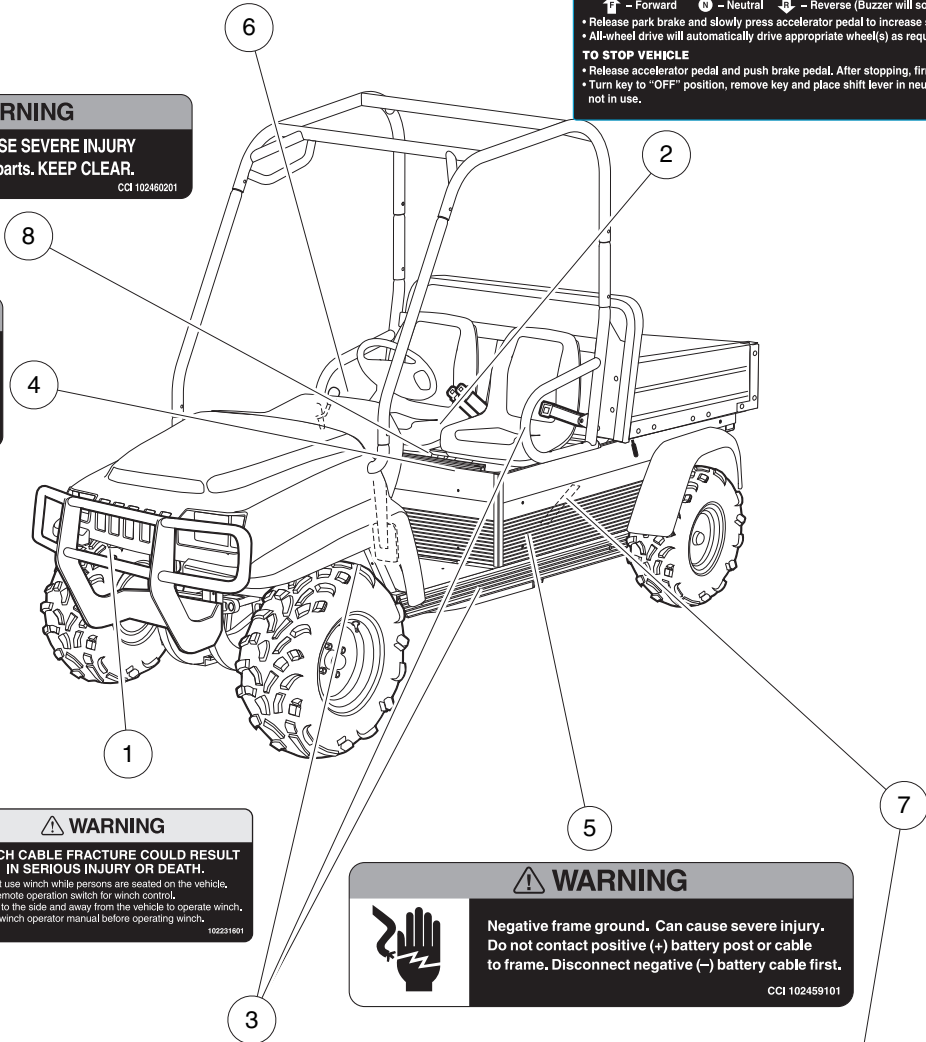
⚠ WARNING

CAN CAUSE SEVERE INJURY

HOT manifold

KEEP CLEAR

CCI 102459001



⚠ WARNING

WINCH CABLE FRACTURE COULD RESULT IN SERIOUS INJURY OR DEATH.

- Do not use winch while persons are seated on the vehicle.
- Use remote operation switch for winch control.
- Stand to the side and away from the vehicle to operate winch.
- Read winch operator manual before operating winch.

102231601

⚠ WARNING

Negative frame ground. Can cause severe injury. Do not contact positive (+) battery post or cable to frame. Disconnect negative (-) battery cable first.

CCI 102459101

⚠ WARNING

CAN CAUSE SEVERE BURNS

Hot Surface

CCI 102459901

⚠ WARNING

CAN CAUSE SEVERE INJURY

Rotating parts. KEEP CLEAR.

⚠ WARNING

CAN CAUSE SEVERE INJURY

Hot manifold and muffler. KEEP CLEAR.

CCI 102459501

000006-002

SAFETY DECALS, DIESEL VEHICLES, CONTINUED

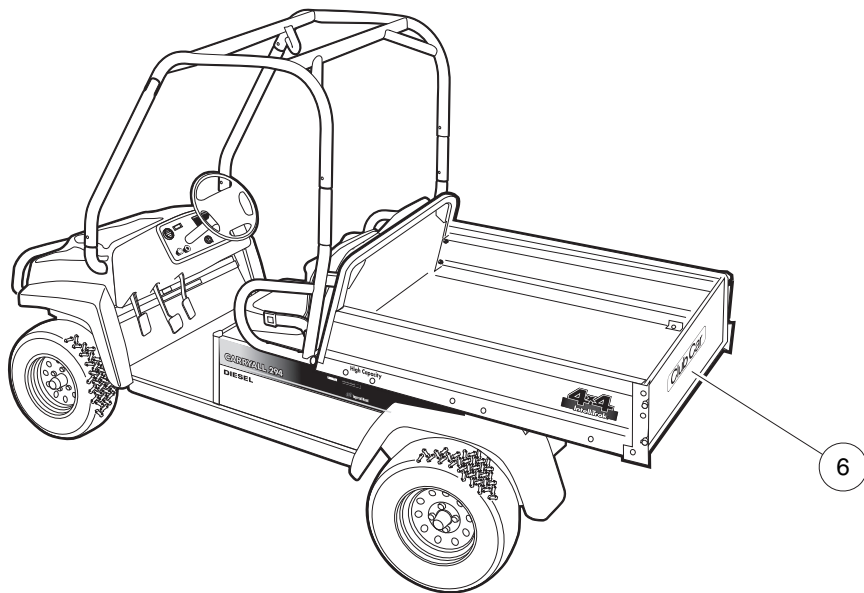
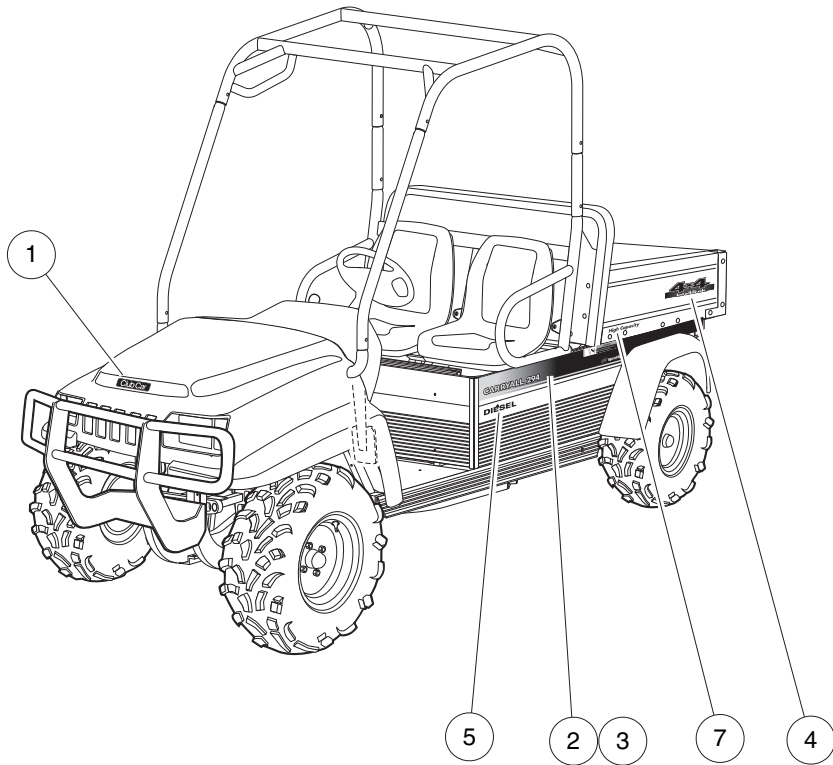
ITEM	PART NO.	DESCRIPTION	QTY
		1 2 3 4	
1	<u>102231601</u>	Decal, Winch Cable Fracture Warning	1
2	<u>102455101</u>	Decal, Operating Instructions, Diesel	1
3	<u>102458901</u>	Decal, Hot Surface Warning	5
4	<u>102459001</u>	Decal, Hot Manifold Warning	1
5	<u>102459101</u>	Decal, Frame Ground Warning	1
6	<u>102459201</u>	Decal, Diesel Explosion/Fire Warning	1
7	<u>102459501</u>	Decal, Rotating Parts and Hot Exhaust Warning	1
8	<u>102460201</u>	Decal, Rotating Parts Warning	1

3

D

3

D



000011-002

BADGING DECALS, CARRYALL 294 VEHICLES

ITEM	PART NO.	DESCRIPTION	QTY
		1 2 3 4	
1	<u>102046501</u>	Decal, CC Nameplate, Utility	1
2	<u>102622901</u>	Decal, Carryall 294 (driver-side)	1
3	<u>102623001</u>	Decal, Carryall 294 (passenger-side)	1
4	<u>102623301</u>	Decal, 4x4	2
5	<u>102623501</u>	Decal, Diesel	2
6	<u>102673201</u>	Decal, Club Car Tailgate	1
7	<u>102673301</u>	Decal, High-Capacity (optional accessory)	2

3

D

3

D

PEDAL GROUP

4

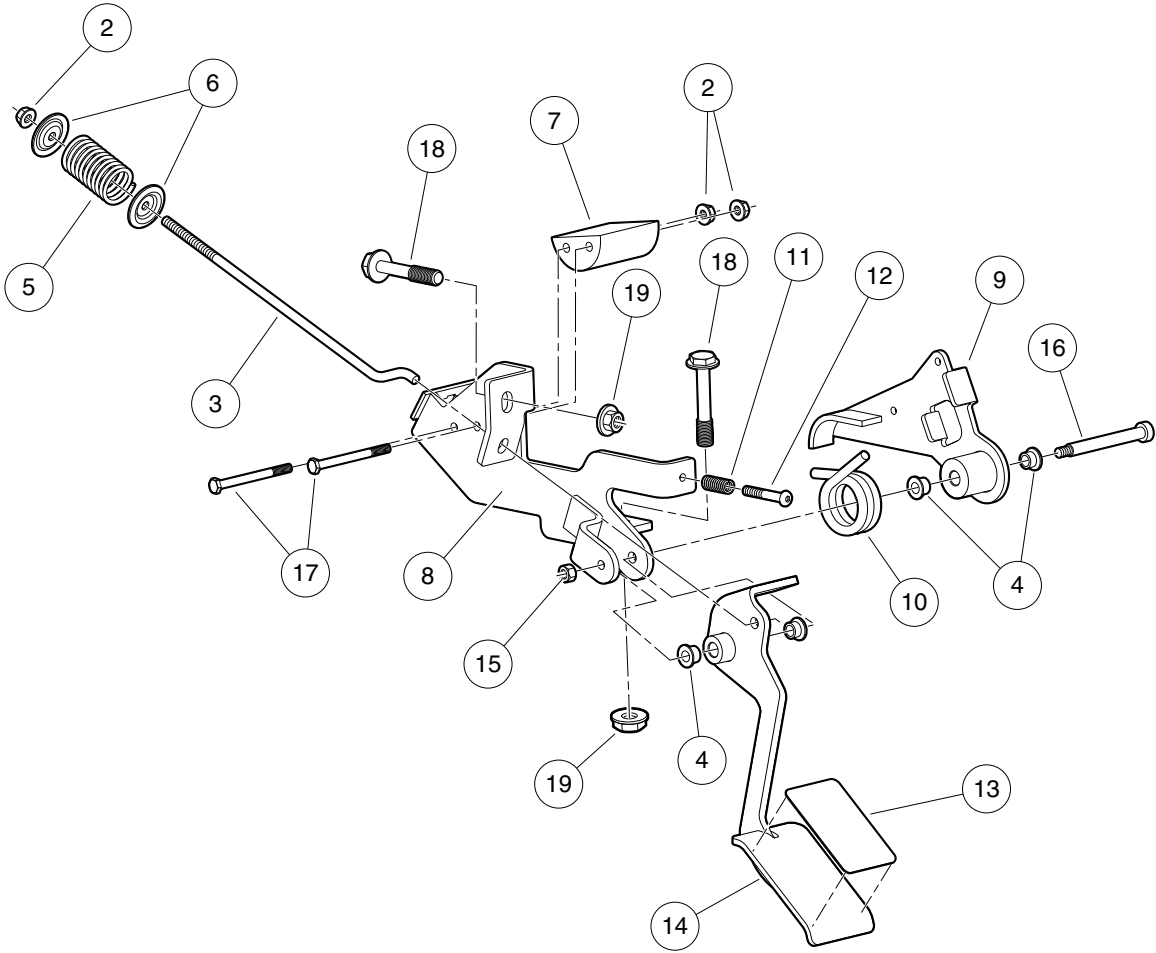
G

D

4

G

D



000026-001

ACCELERATOR PEDAL ASSEMBLY

ITEM	PART NO.	DESCRIPTION	QTY
		1 2 3 4	
1	<u>102489901</u>	Asm, Pedal, Accelerator (includes items 2 through 17)	1
2	<u>102296401</u>	Nut-m6x1.0 Flng All Mtl Lock	3
3	N/A	Pullrod, Spring, Compression	1
4	<u>102442901</u>	Bushing, Greaseless	4
5	<u>102445201</u>	Spring, Comp, Pedal, Pullrod	1
6	N/A	Washer, Retaining Spring, 7mm	2
7	N/A	Guide, Cable, Accelerator	1
8	N/A	Weldment, Bracket, Pedal	1
9	<u>102469401</u>	Weldment, Lever, Motion, Lost	1
10	N/A	Spring, Torsion	1
11	<u>102476301</u>	Spring, Stop, Pedal	1
12	<u>102476401</u>	Bolt, Stop, Pedal	1
13	<u>102479301</u>	Pad, Grip Tape, Accelerator	1
14	N/A	Weldment, Pedal, Accel	1
15	<u>102618101</u>	Nut M6x1 Mech Def Center	1
16	<u>103273101</u>	Bolt, Shoulder, M8 X 70, Hc	1
17	<u>96706825</u>	Bolt, M6 X 1 X 70	2
18	<u>102618301</u>	Bolt Flanged Head, M8 X 1.25 X 65	2
19	<u>102618601</u>	Lock Nut, Flg M8 X 1.25 Nylon	2

4

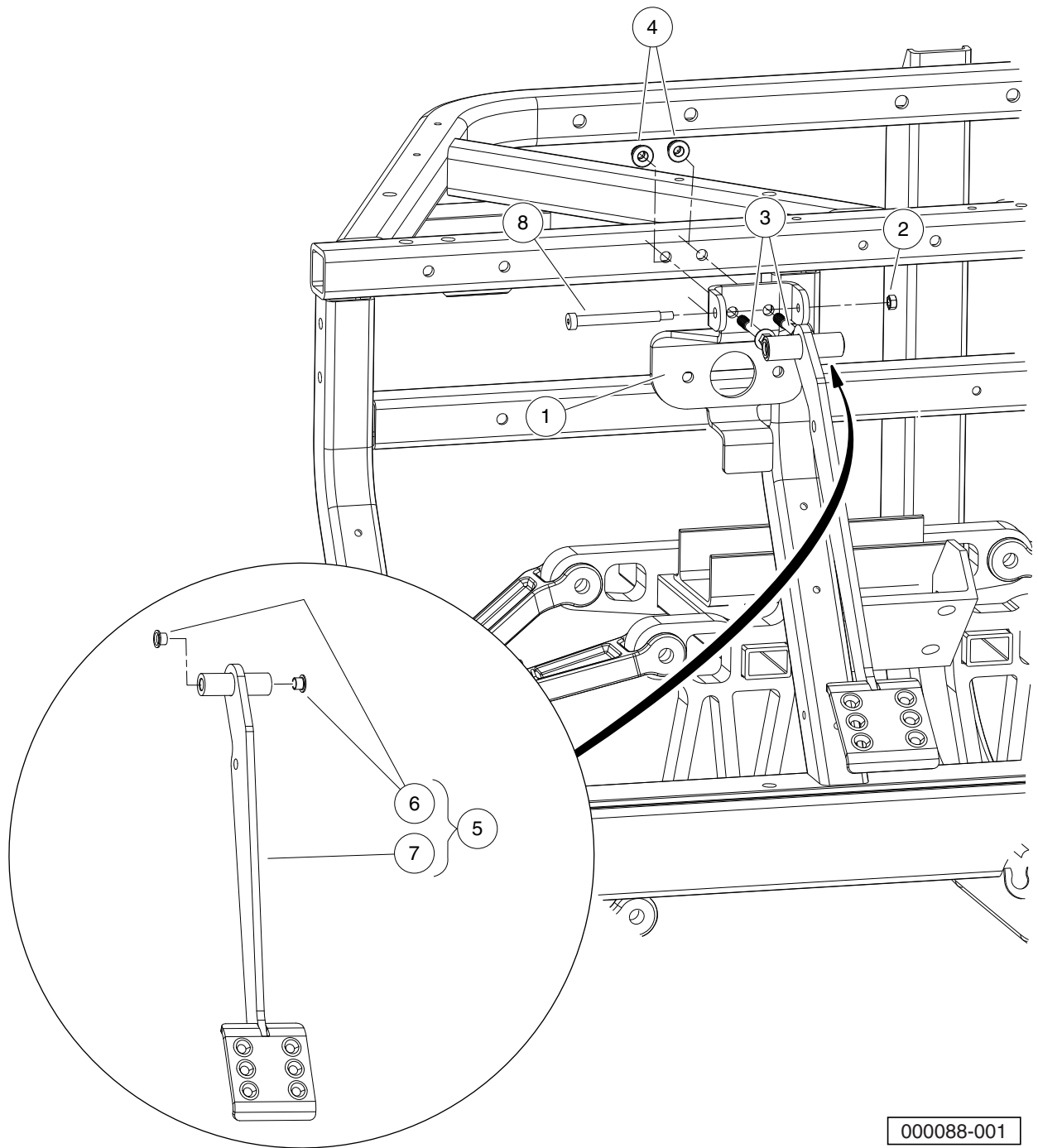
G

D

4

G

D



000088-001

BRAKE PEDAL ASSEMBLY

ITEM	PART NO.	DESCRIPTION	QTY
		1 2 3 4	
1	<u>102380601</u>	Bracket, Pedal, Brake	1
2	<u>102618101</u>	Nut M6x1 Mech Def Center	1
3	<u>102618301</u>	Bolt Flanged Head, M8 X 1.25 X 65	2
4	102618601	Lock Nut, Flg M8 X 1.25 Nylon	2
5	N/A	Asm, Pedal, Brake, Hung (includes items 6 and 7)	1
6	<u>102442901</u>	Bushing, Greaseless	2
7	<u>102626201</u>	Weldment, Pedal, Brake, Hung	1
8	<u>103273101</u>	Bolt, Shoulder, M8 X 70, Hc	1

4

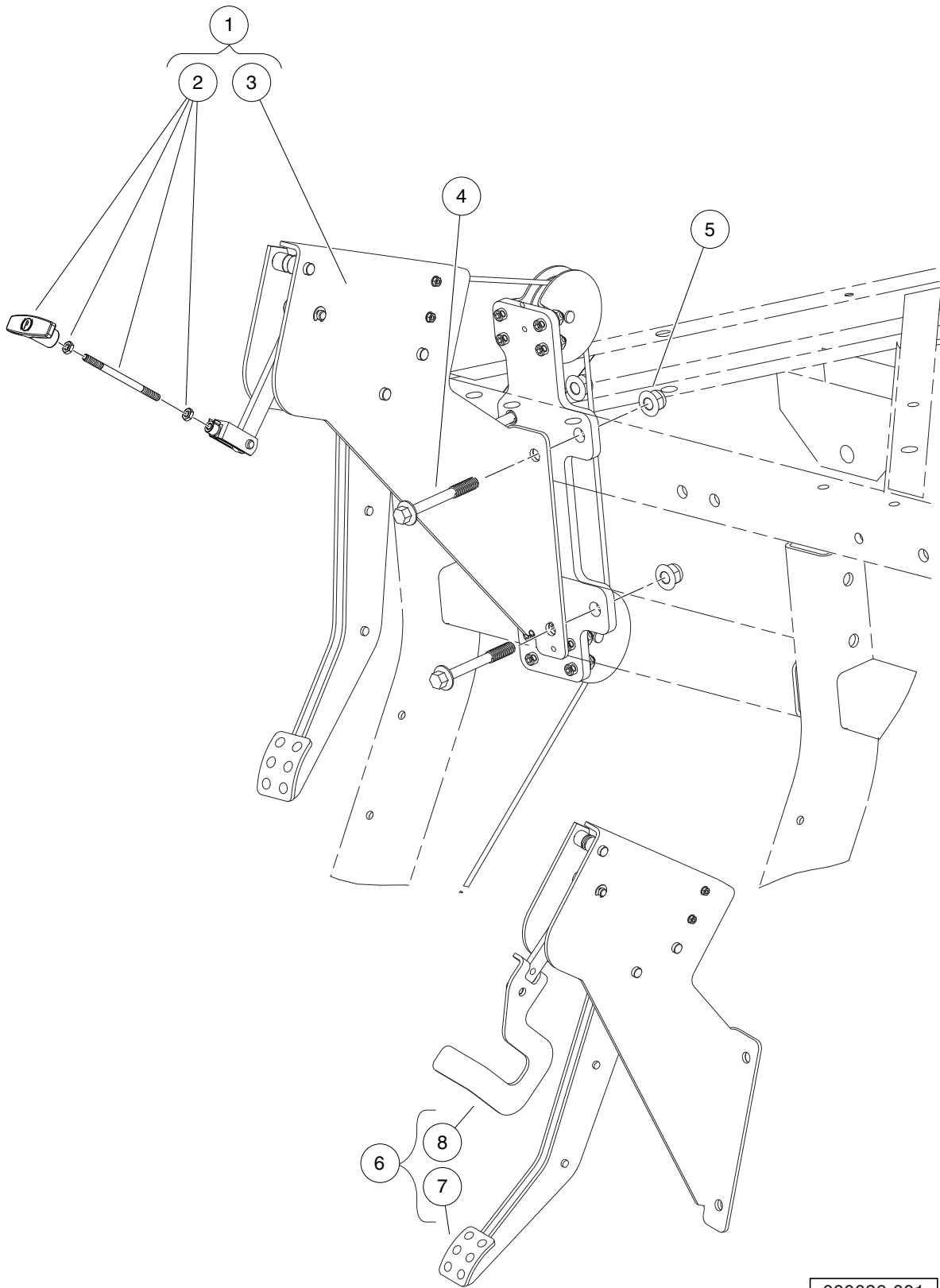
G

D

4

G

D



000086-001

PARK BRAKE PEDAL ASSEMBLY

ITEM	PART NO.	DESCRIPTION	QTY
		1 2 3 4	
1	102438101	Pedal Asm, Brake, Park (includes items 2 and 3)	1
2	<u>102758701</u>	Kit, Handle, Brake, Park	1
3	N/A	Pedal, Brake, Park	1
4	<u>102618301</u>	Bolt Flanged Head, M8 X 1.25 X 65	3
5	102618601	Lock Nut, Flg M8 X 1.25 Nylon	3
6	<u>102892401</u>	Asm, Pedal, Brake, Hard (includes items 7 and 8)	1
7	N/A	Pedal, Brake, Park	1
8	<u>102896601</u>	Handle, Release, Park Brake	1
<p style="margin-left: 40px;">Note: Item 1 has been discontinued. Use item 6 for replacement of the complete assembly.</p>			

4

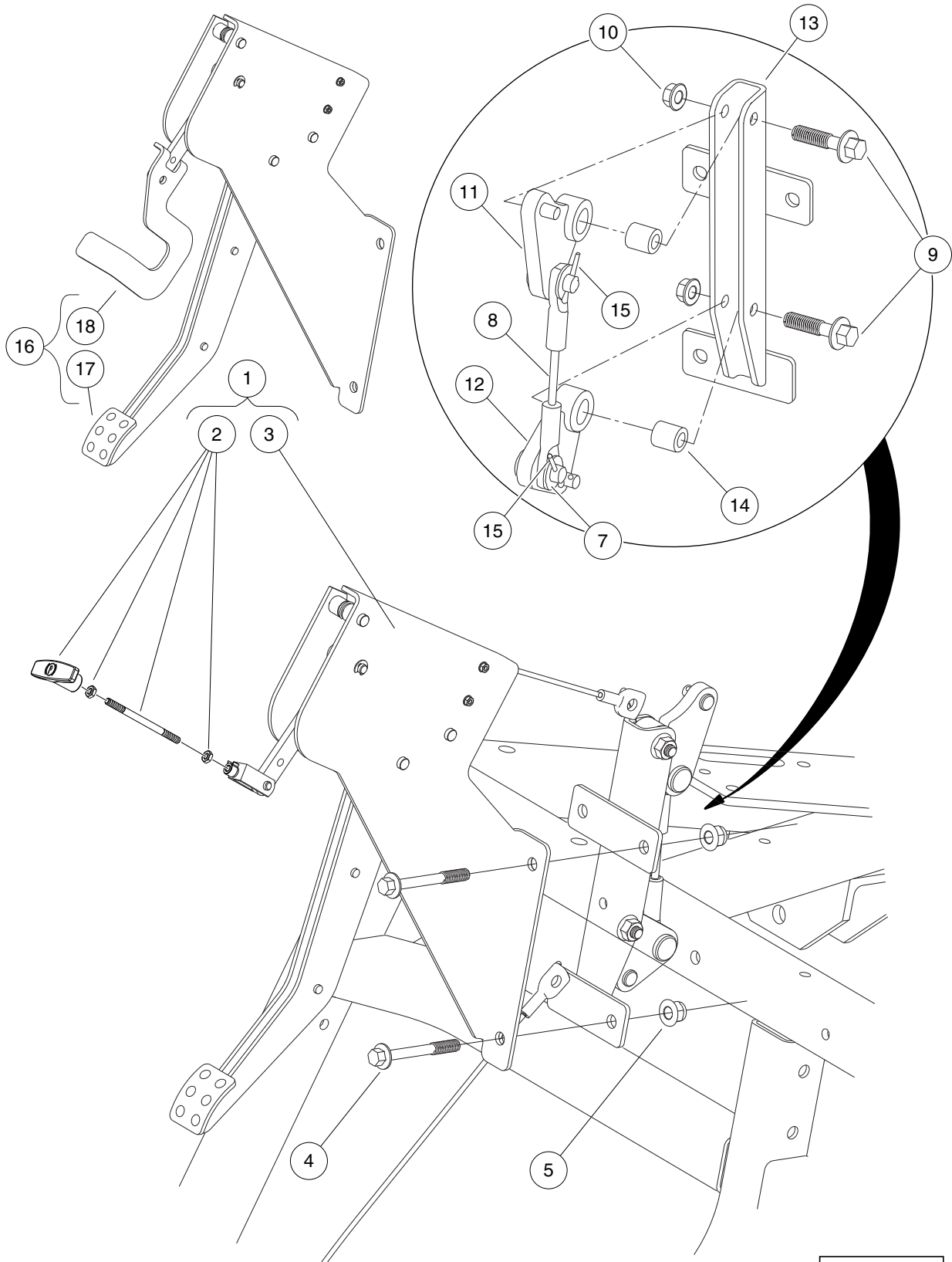
G

D

4

G

D



000086-003

PARK BRAKE PEDAL ASSEMBLY WITH BELLCRANK SYSTEM

ITEM	PART NO.	DESCRIPTION	QTY
		1 2 3 4	
1	102438101	Pedal Asm, Brake, Park (includes items 2 and 3)	1
2	<u>102758701</u>	Kit, Handle, Brake, Park	1
3	N/A	Pedal, Brake, Park	1
4	<u>102618301</u>	Bolt Flanged Head, M8 X 1.25 X 65	3
5	102618601	Lock Nut, Flg M8 X 1.25 Nylon	3
6	<u>102751501</u>	Asm, Sub, Bracket, Park Brake (includes items 7 through 15)	1
7	<u>102323501</u>	Washer, Flat, 3/8, Blk Fin	2
8	<u>102716001</u>	Cable, Crank, Bell	1
9	<u>102741501</u>	Bolt Flg, M8x1.25 X 35, Gr10.9	2
10	<u>102741601</u>	Nut Flg M8 X 1.25 Gr 10	2
11	<u>102751301</u>	Asm, Bellcrank, Upper	1
12	<u>102751401</u>	Asm, Bellcrank, Lower	1
13	<u>103305001</u>	Brkt, Bellcrank, Prk Brk, Awd	1
14	<u>103305101</u>	Spacer, Pivot, Park Brk, Awd	2
15	<u>1035</u>	Cotter Pin, 3/32 x 1	2
16	<u>102892401</u>	Asm, Pedal, Brake, Hard (includes items 17 and 18)	1
17	N/A	Pedal, Brake, Park	1
18	<u>102896601</u>	Handle, Release, Park Brake	1
		Note: Item 1 has been discontinued. Use item 16 for replacement of the complete assembly.	

4

G

D

4

G

D

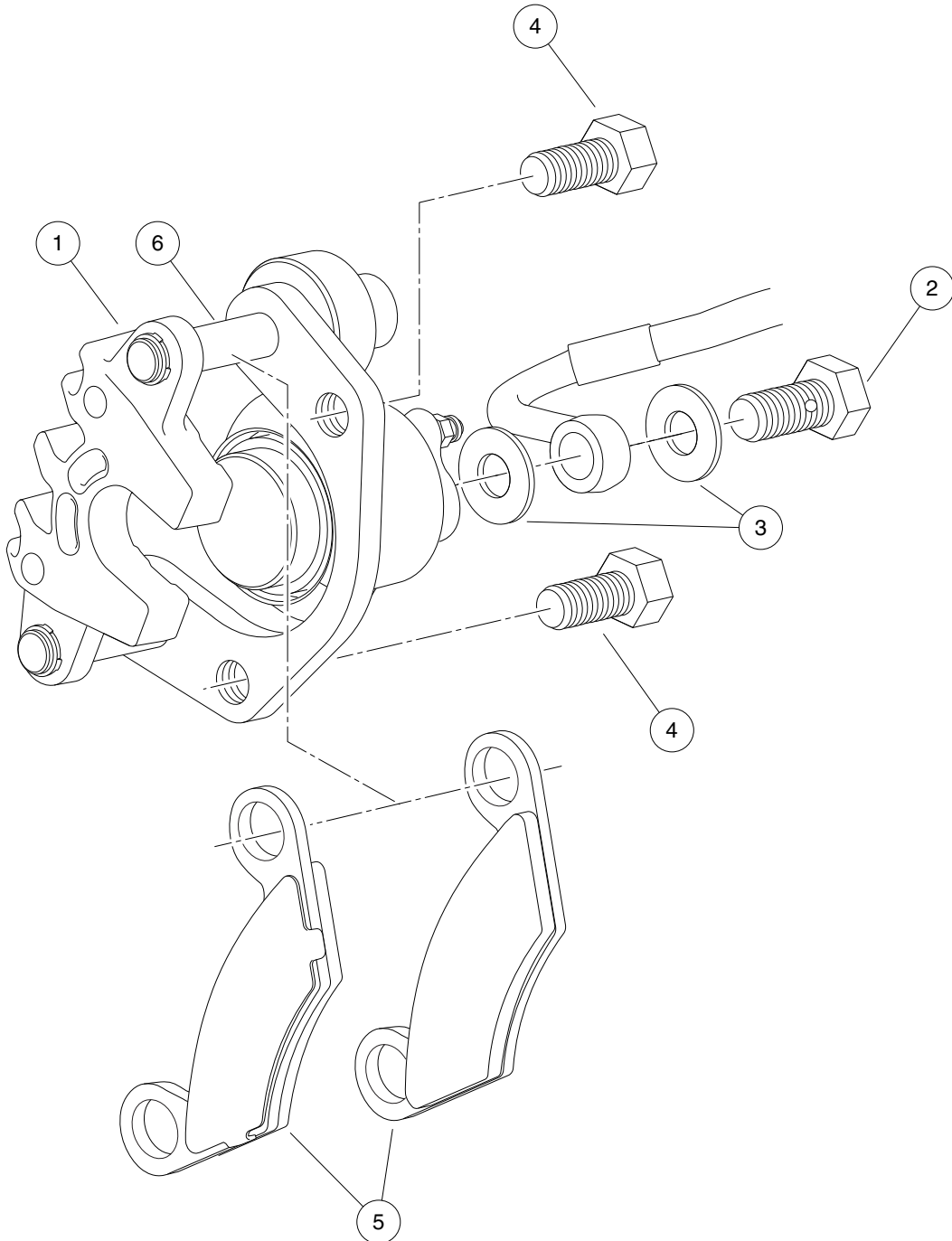
BRAKE SYSTEMS

5

D

5

D



000067-001

FRONT BRAKE ASSEMBLY

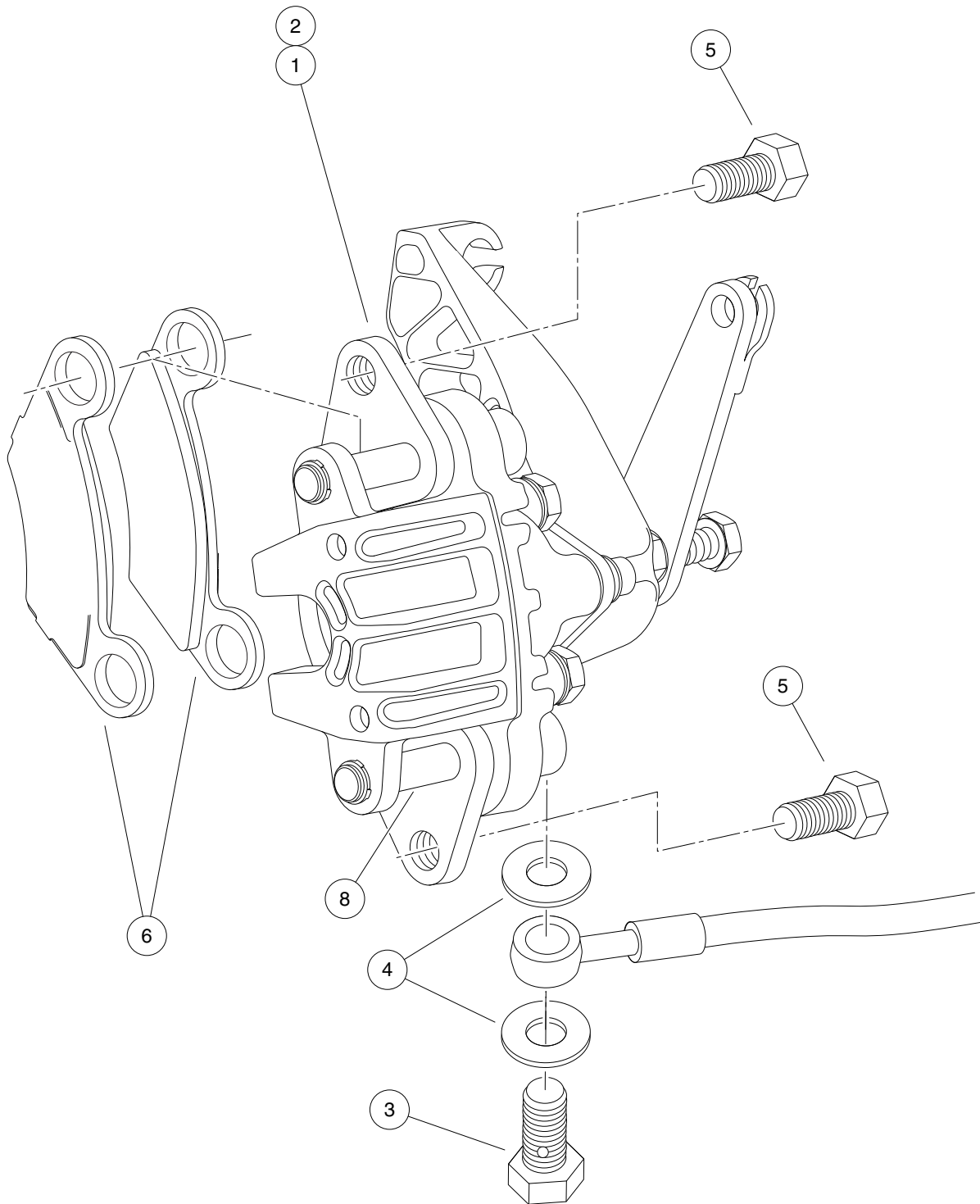
ITEM	PART NO.	DESCRIPTION	QTY
		1 2 3 4	
1	<u>102367601</u>	Brake Caliper, Front, with Brake Pads	2
2	<u>102488001</u>	Bolt, Banjo, M10x1x19	2
3	<u>102491601</u>	Washer, Copper, M10 Crush	4
4	<u>102493301</u>	Bolt Flange Head, 3/8-24x.750 with Loctite	4
5	<u>102714001</u>	Service Kit, Brake Pad (4 Pads)	1
6	<u>103418801</u>	Pin, Slide, 7/16	2

5

D

5

D



000068-001

REAR BRAKE ASSEMBLY

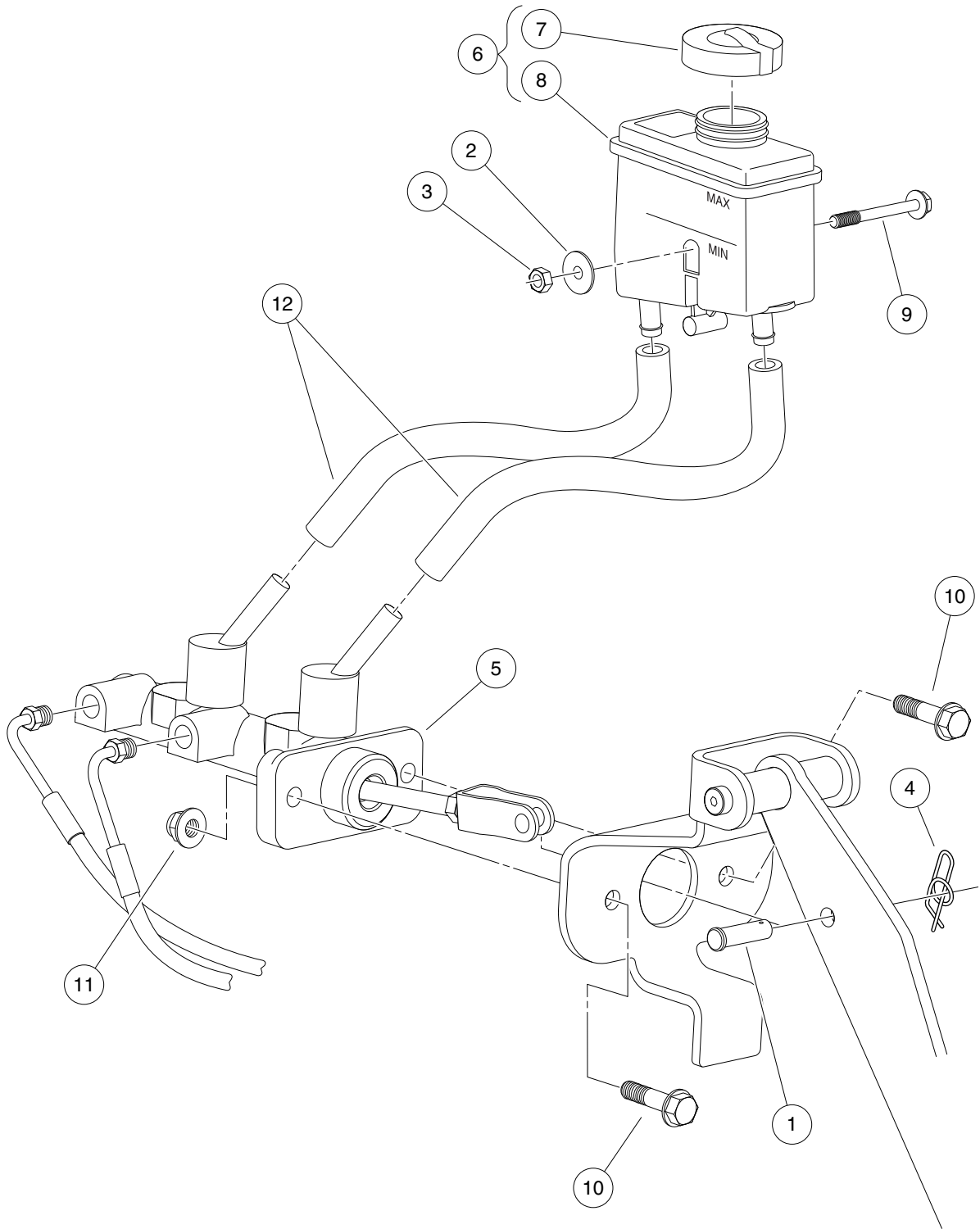
ITEM	PART NO.	DESCRIPTION	QTY
		1 2 3 4	
1	<u>102399201</u>	Caliper, Brake, Hydro-Mechanical, LH	1
2	<u>102399202</u>	Caliper, Brake, Hydro-Mechanical, RH	1
3	<u>102488001</u>	Bolt, Banjo, M10x1x19	2
4	<u>102491601</u>	Washer, Copper, M10 Crush	4
5	<u>102493301</u>	Bolt Flange Head, 3/8-24x.750 with Loctite	4
6	<u>102714001</u>	Service Kit, Brake Pad (4 Pads)	1
7	<u>103418701</u>	Spring, Brake Caliper, Return	1
8	<u>103418801</u>	Pin, Slide, 7/16	2

5

D

5

D



000069-001

MASTER CYLINDER

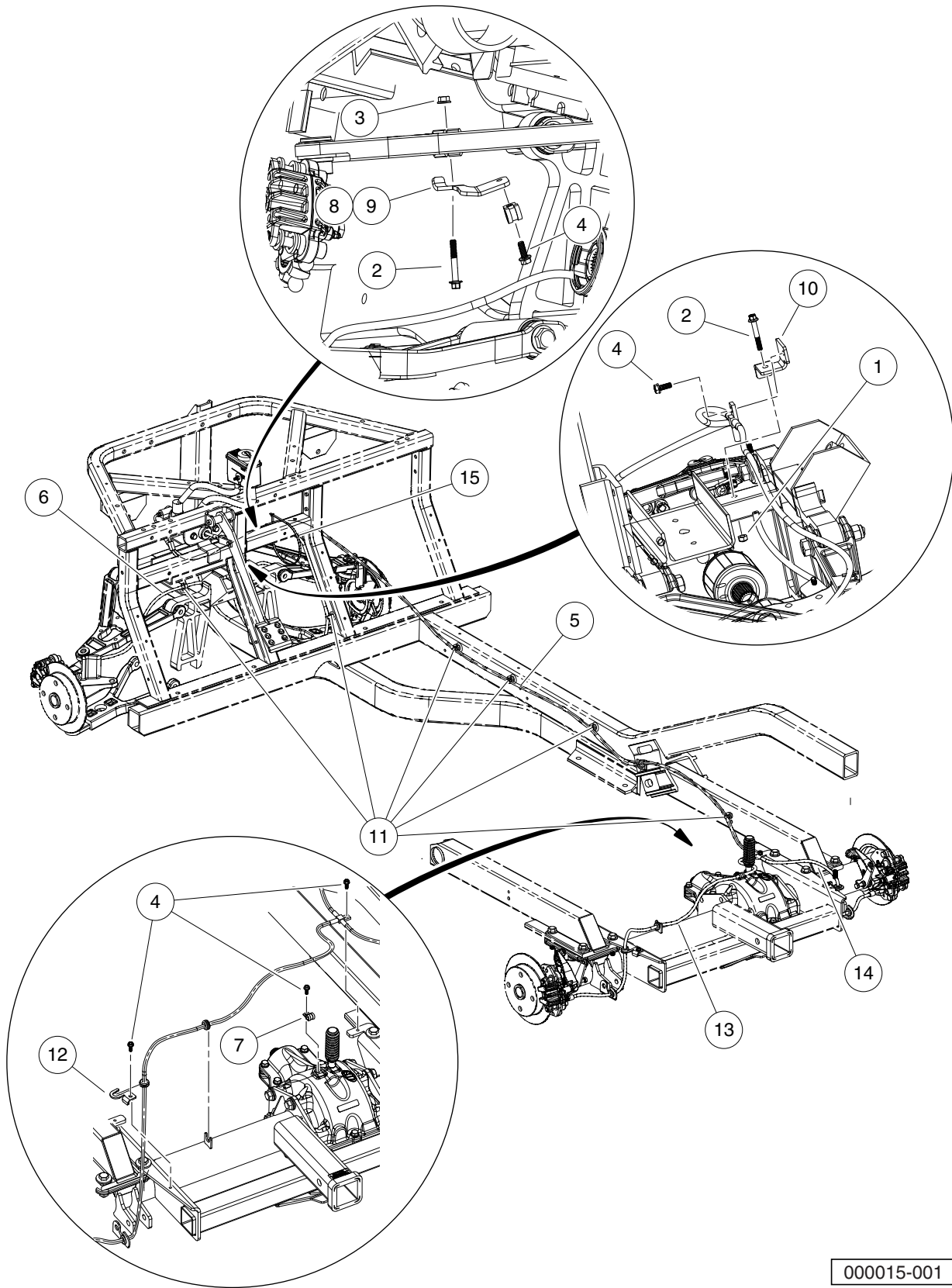
ITEM	PART NO.	DESCRIPTION	QTY
		1 2 3 4	
1	<u>101082903</u>	Clevis Pin, 5/16 X 1	1
2	<u>1014306</u>	Washer, 1/4" Type B Flat	1
3	<u>101887601</u>	Locknut, M6-1.00 Nylon Insert	1
4	<u>102176901</u>	Pin, Rue	1
5	<u>102402801</u>	Cylinder, Master, Tandem	1
6	<u>102402901</u>	Assembly, Reservoir, Remote (includes items 7 and 8)	1
7	<u>102051401</u>	Filler Cap Asm	1
8	N/A	Reservoir, Brake Fluid, Without Cap	1
9	<u>102541465</u>	Bolt, M 6 X 1.0 X 65 Hex, Flange, Head, Black	1
10	<u>102618401</u>	Bolt Flanged Head, M8 X 1.25 X 35	2
11	<u>102618601</u>	Lock Nut, Flg M8 X 1.25 Nylon	2
12	<u>102715701</u>	Line, Reservoir, Brake	2

5

D

5

D



000015-001

HYDRAULIC BRAKE LINES AND CLIPS

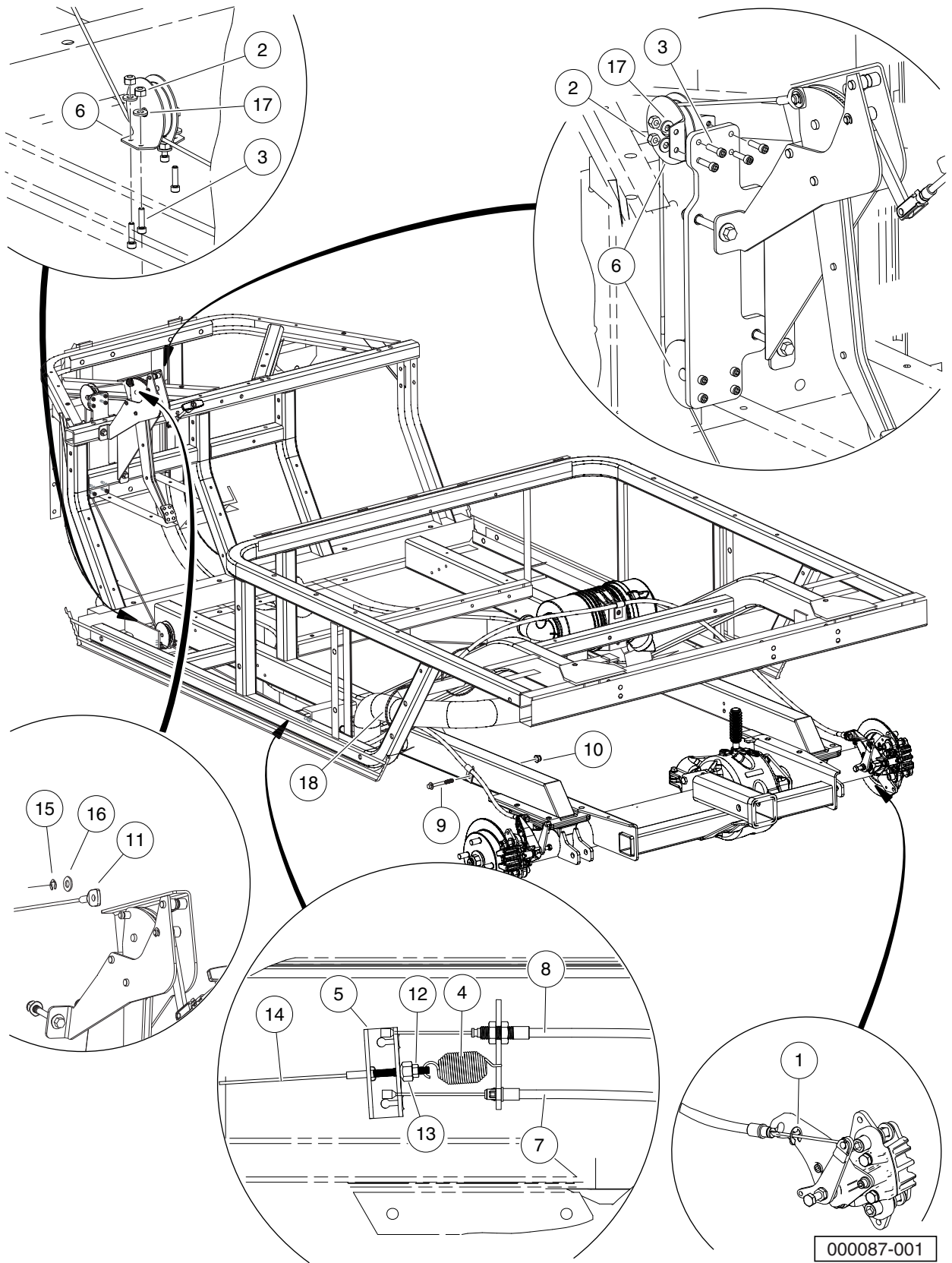
ITEM	PART NO.	DESCRIPTION	QTY
		1 2 3 4	
1	<u>101887601</u>	Locknut, M6-1.00 Nylon Insert	1
2	<u>102296140</u>	Bolt, Flanged Head, M6x1.0x40	3
3	<u>102296401</u>	Nut-m6x1.0 Flng All Mtl Lock	2
4	<u>102296716</u>	Screw, M6 X 16 Tt Hx Fl Hd	7
5	<u>102407801</u>	Assembly, Brake Line, Rear	1
6	<u>102407901</u>	Assembly, Brakeline, Front (includes item 7)	1
7	<u>102410603</u>	P-Clamp, Insulated .312 In	1
8	<u>102474101</u>	Bracket, Brake Line, Left	1
9	<u>102474102</u>	Bracket, Brake Line, Right	1
10	<u>102474301</u>	Bracket, Tee, Brakeline	1
11	<u>102475701</u>	Clip, Brake Line	6
12	<u>102689001</u>	Bracket, Line, Hydraulic	2
13	<u>102689101</u>	Brkt, Line, Hyd, Shk Mnt, Drv	1
14	<u>102689102</u>	Brkt, Line, Hyd, Shk Mnt, Pass	1
15	<u>8639</u>	Tie Wrap, 11" Nylon	1

5

D

5

D



PARK BRAKE ASSEMBLY WITH PULLEY SYSTEM

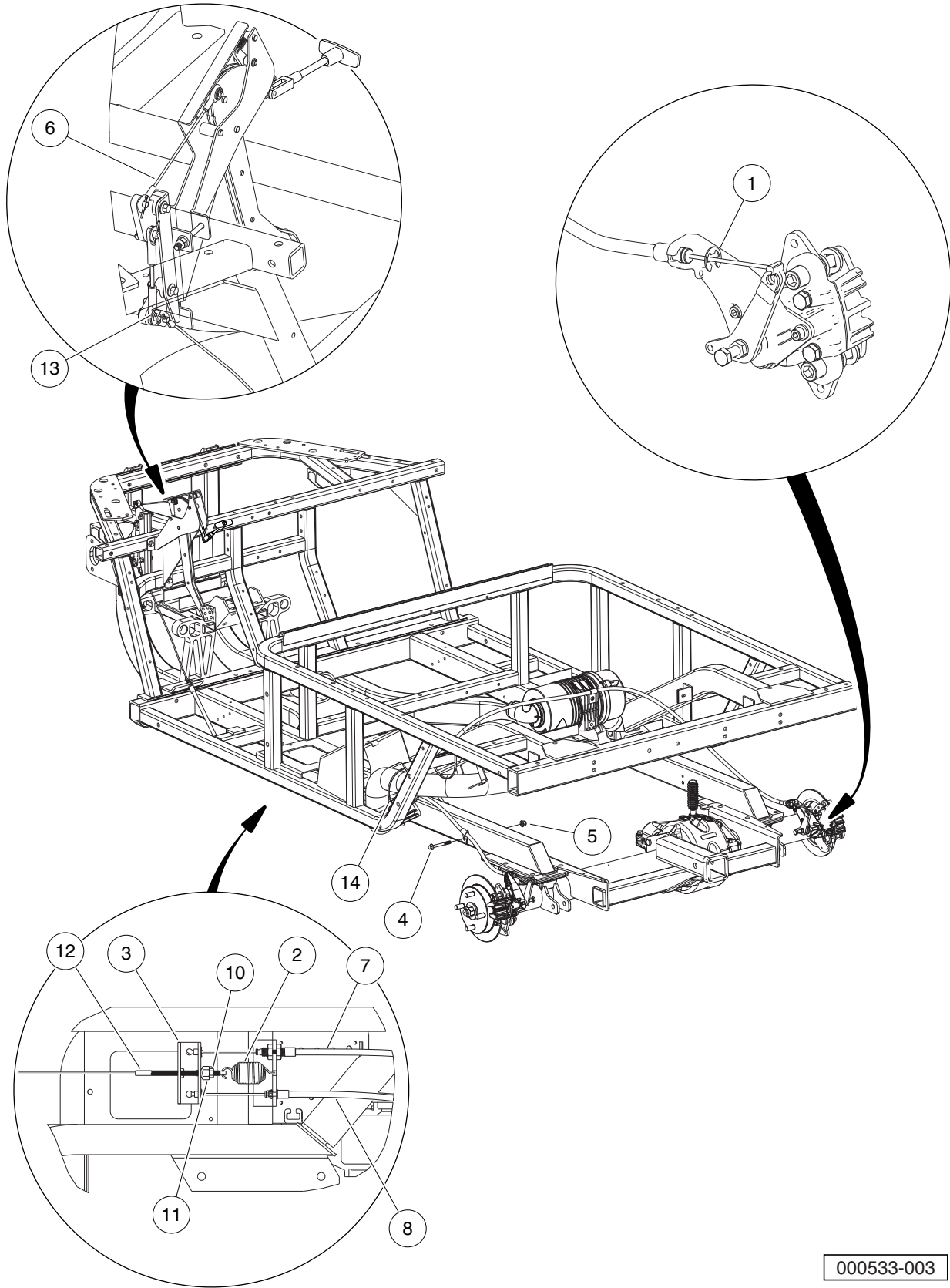
ITEM	PART NO.	DESCRIPTION	QTY
		1 2 3 4	
1	<u>1011779</u>	E-Clip, 1/2	2
2	<u>1012438</u>	Locknut, #10-24 Nylon Insert	12
3	<u>101260202</u>	Screw, #10-24 X 3/4 Socket-Head	12
4	<u>1013531</u>	Spring, Brake Return	1
5	<u>101990802</u>	Equalizer Bracket	1
6	<u>102028302</u>	Pulley, 2-Inch Flat Mount	3
7	<u>102442701</u>	Cable, Brake, Parking, Left	1
8	<u>102442801</u>	Cable, Brake, Parking, Right	1
9	<u>102618301</u>	Bolt Flanged Head, M8 X 1.25 X 65	1
10	<u>102618601</u>	Lock Nut, Flg M8 X 1.25 Nylon	1
11	<u>102770001</u>	Brake Cable, Park, Kit, Front (includes items 12 through 16)	1
12	<u>1010521</u>	Nut, 5/16-24 Hex	1
13	<u>102052801</u>	Nut, 5/16-24 Hex Cone	1
14	<u>102492401</u>	Cable, Brake, Parking, Front	1
15	<u>102692801</u>	Ring, Retaining, External, 9mm	1
16	<u>1241</u>	Washer, 5/16 Type A Flat	1
17	<u>183</u>	Washer, #10 Type A Flat	12
18	<u>8639</u>	Tie Wrap, 11" Nylon	2

5

D

5

D



000533-003

PARK BRAKE ASSEMBLY WITH BELLCRANK SYSTEM

ITEM	PART NO.	DESCRIPTION	QTY
		1 2 3 4	
1	<u>1011779</u>	E-Clip, 1/2	2
2	<u>1013531</u>	Spring, Brake Return	1
3	<u>101990802</u>	Equalizer Bracket	1
4	<u>102618301</u>	Bolt Flanged Head, M8 X 1.25 X 65	1
5	<u>102618601</u>	Lock Nut, Flg M8 X 1.25 Nylon	1
6	<u>102712601</u>	Cable, Crank, Bell, Front	1
7	<u>102763301</u>	Cable, Noncoated, Pbrake, Left	1
8	<u>102763401</u>	Cable, Noncoated, Pbrake, Right	1
9	<u>102770301</u>	Kit, Cable, Brake, Crank, Fr (includes items 10 through 13)	1
10	<u>1010521</u>	Nut, 5/16-24 Hex	1
11	<u>102052801</u>	Nut, 5/16-24 Hex Cone	1
12	<u>102712701</u>	Cable, Crank, Bell, Main	1
13	<u>1035</u>	Cotter Pin, 3/32 x 1	1
14	<u>8639</u>	Tie Wrap, 11" Nylon	2

5

D

5

D

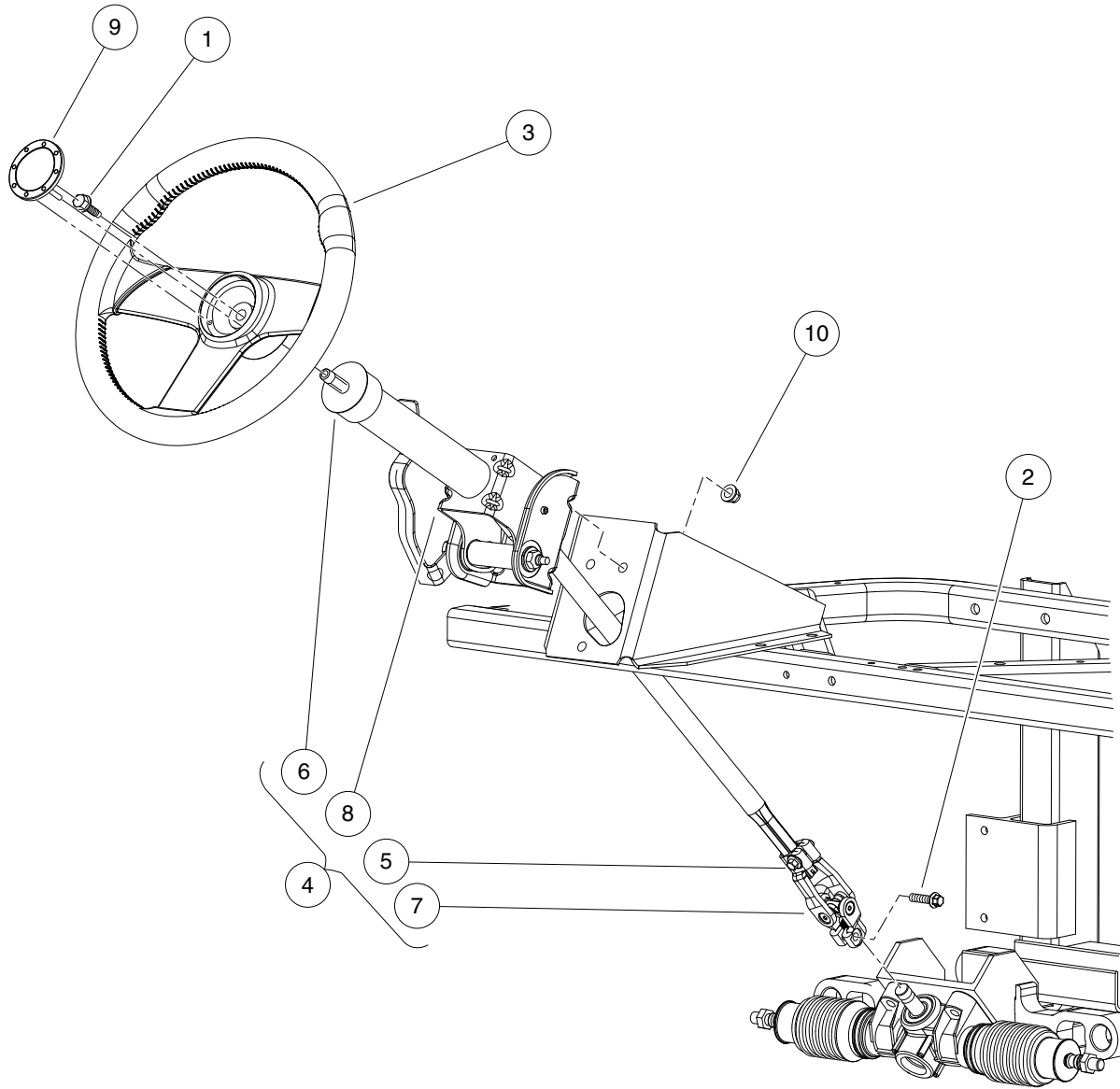
STEERING AND SUSPENSION

6

D

6

D



000070-001

STEERING COLUMN

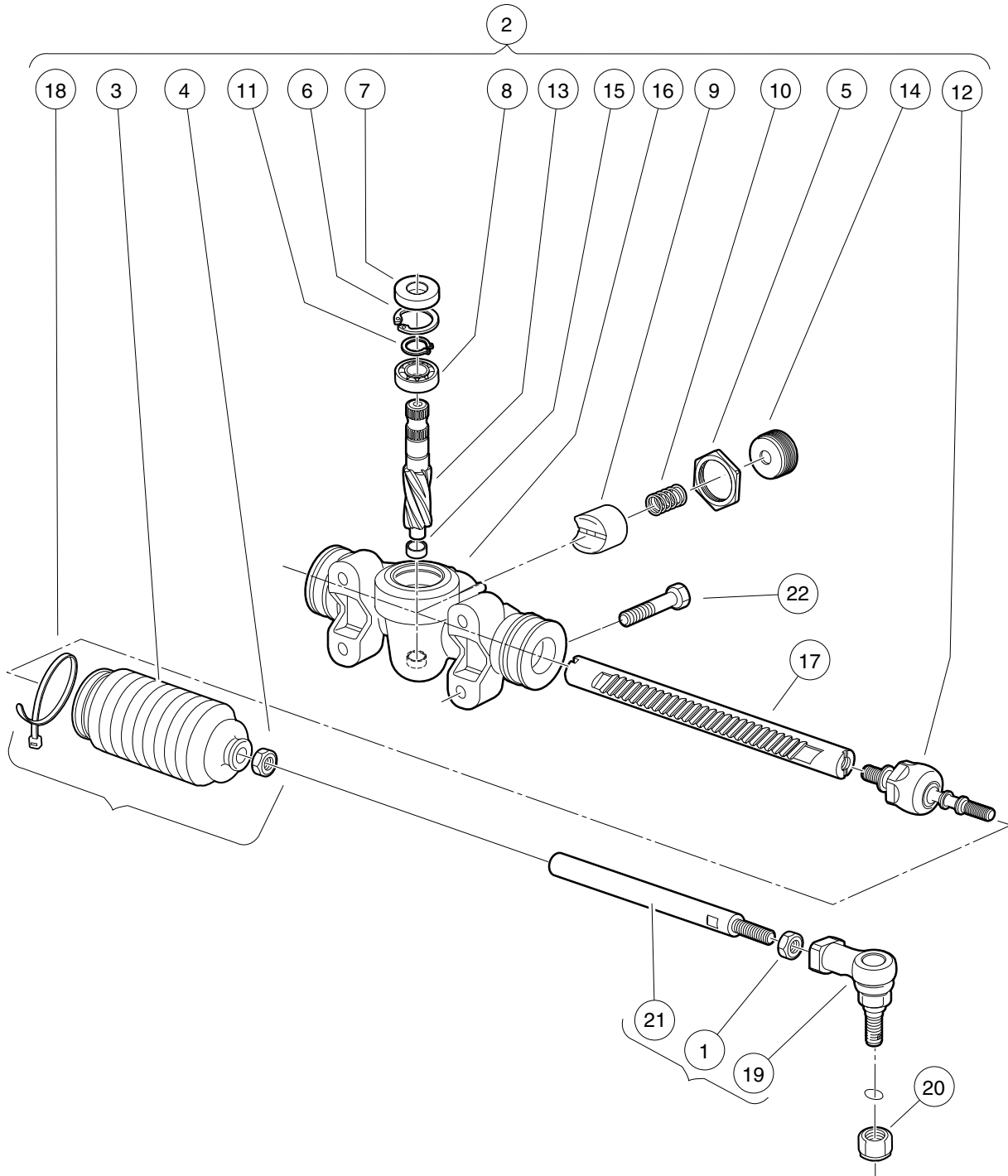
ITEM	PART NO.	DESCRIPTION	QTY
		1 2 3 4	
1	102290120	Bolt, M10 X 20 Hex Washer Hd	1
2	<u>102298130</u>	Bolt, Flange Head, M8 X 30.0	1
3	<u>102363802</u>	Steering Wheel, Viper, Hex Hub	1
4	<u>102364201</u>	Steering Column (includes items 5 through 8)	1
5	<u>102298130</u>	Bolt, Flange Head, M8 X 30.0	1
6	<u>102571301</u>	Shroud, Steering Column	1
7	<u>102676801</u>	Knuckle, Steering, Slider	1
8	N/A	Column, Steering without Knuckle and Shroud	1
9	<u>102367101</u>	Cap, Steering Wheel, Viper	1
10	102618601	Lock Nut, Flg M8 X 1.25 Nylon	3

6

D

6

D



000071-002

STEERING GEAR ASSEMBLY

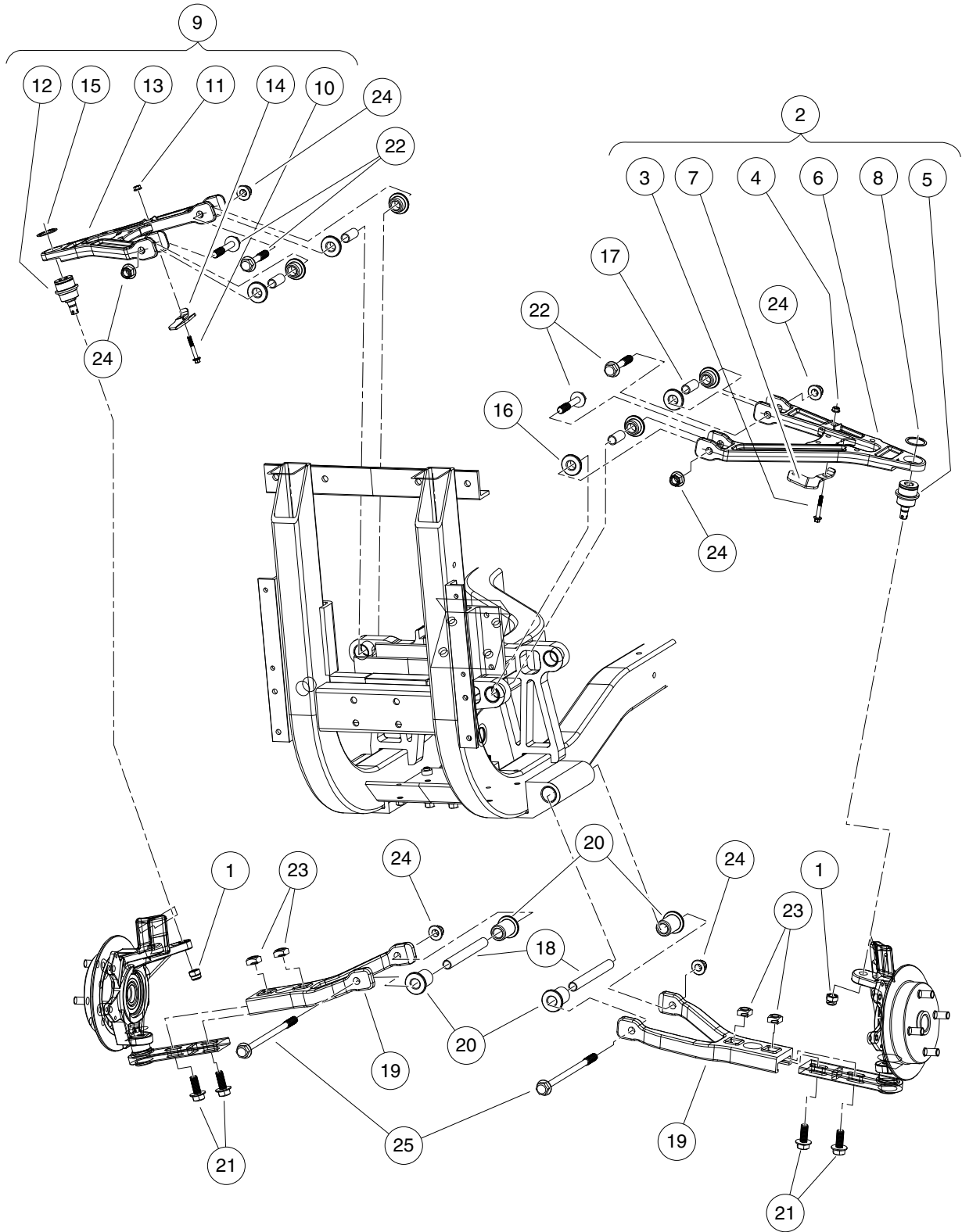
ITEM	PART NO.	DESCRIPTION	QTY
		1 2 3 4	
1	1013042	Nut, 12mm Hex	2
2	<u>102010102</u>	Steering Rack (includes items 3 through 18)	1
3	<u>1013035</u>	Bellows, Long	2
4	1013042	Nut, 12mm Hex	2
5	<u>1013044</u>	Rack Screw Locknut	1
6	1013051	Snap Ring	1
7	<u>1013052</u>	Seal, Steering Pinion Dust	1
8	<u>101879401</u>	Bearing, Ball	1
9	<u>101879701</u>	Support Yoke	1
10	<u>101879801</u>	Rack Guide Pressure Spring	1
11	<u>101879901</u>	Ring, Stop, C-Type	1
12	<u>101880201</u>	Inner Ball Joint Asm	2
13	N/A	Pinion, Steering	1
14	N/A	Bearing, Lower Pinion	1
15	N/A	Screw, Rack Guide	1
16	N/A	Housing, Steering Gear	1
17	N/A	Rack, Steering	1
18	<u>8990</u>	Tie Wrap, 8" Nylon	2
19	<u>102022601</u>	End, Tie Rod M12 X 1.25 Rh	2
20	<u>102022901</u>	Locknut, M12-1.25 Nylon	2
21	<u>102449901</u>	Link, Drag	2
22	<u>102687801</u>	Bolt, Flange Head, M10x 1.5 X 40 with Loctite	4

6

D

6

D



000074-001

FRONT SUSPENSION – A-ARMS

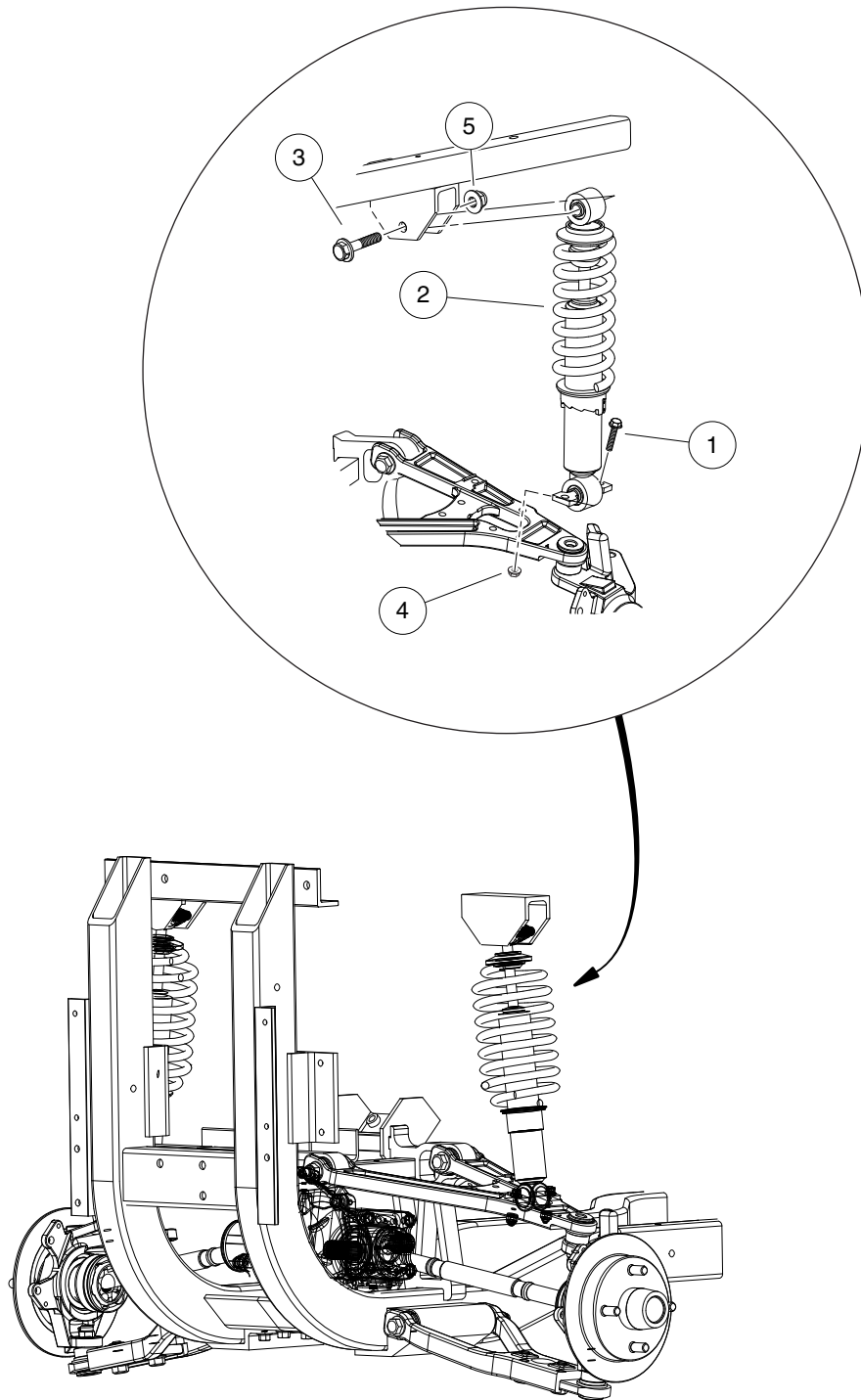
ITEM	PART NO.	DESCRIPTION	QTY
		1 2 3 4	
1	<u>102022901</u>	Locknut, M12-1.25 Nylon	2
2	<u>102368501</u>	Sub-assembly, A-Arm, Upper, LH (includes items 3 through 8)	1
3	<u>102296140</u>	Bolt, Flanged Head, M6x1.0x40	1
4	<u>102296401</u>	Nut-m6x1.0 Flng All Mtl Lock	1
5	<u>102361901</u>	Joint, Ball	1
6	<u>102368801</u>	A-Arm, Upper, Left	1
7	<u>102474101</u>	Bracket, Brake Line, Left	1
8	<u>102722301</u>	Ring, Retaining, Ext, 1-1/4"	1
9	<u>102368502</u>	Sub-assembly, A-Arm, Upper, RH (includes items 10 through 15)	1
10	<u>102296140</u>	Bolt, Flanged Head, M6x1.0x40	1
11	<u>102296401</u>	Nut-m6x1.0 Flng All Mtl Lock	1
12	<u>102361901</u>	Joint, Ball	1
13	<u>102368802</u>	A-Arm, Upper, Right	1
14	<u>102474102</u>	Bracket, Brake Line, Right	1
15	<u>102722301</u>	Ring, Retaining, Ext, 1-1/4"	1
16	<u>102408401</u>	Bushing, A-Arm	8
17	<u>102437001</u>	Sleeve, Upper	4
18	<u>102437101</u>	Sleeve, Lower	2
19	<u>102446901</u>	Arm, Lower	2
20	<u>102469901</u>	Bushing, Lower Arm	4
21	<u>102490801</u>	Bolt, Flange Head, M12x 1.75x 30 with Loctite	4
22	<u>102616301</u>	Bolt, Flange Head, M12 X 1.75 X 70	4
23	<u>102617701</u>	Nut, Square, M12x 1.75	4
24	<u>102620501</u>	Nut Flg, M12x1.75, Nylon Gr 10	6
25	<u>103256701</u>	Bolt Flg, M12 X 1.75 X 200 10.	2

6

D

6

D



000072-001

FRONT SUSPENSION (STANDARD)

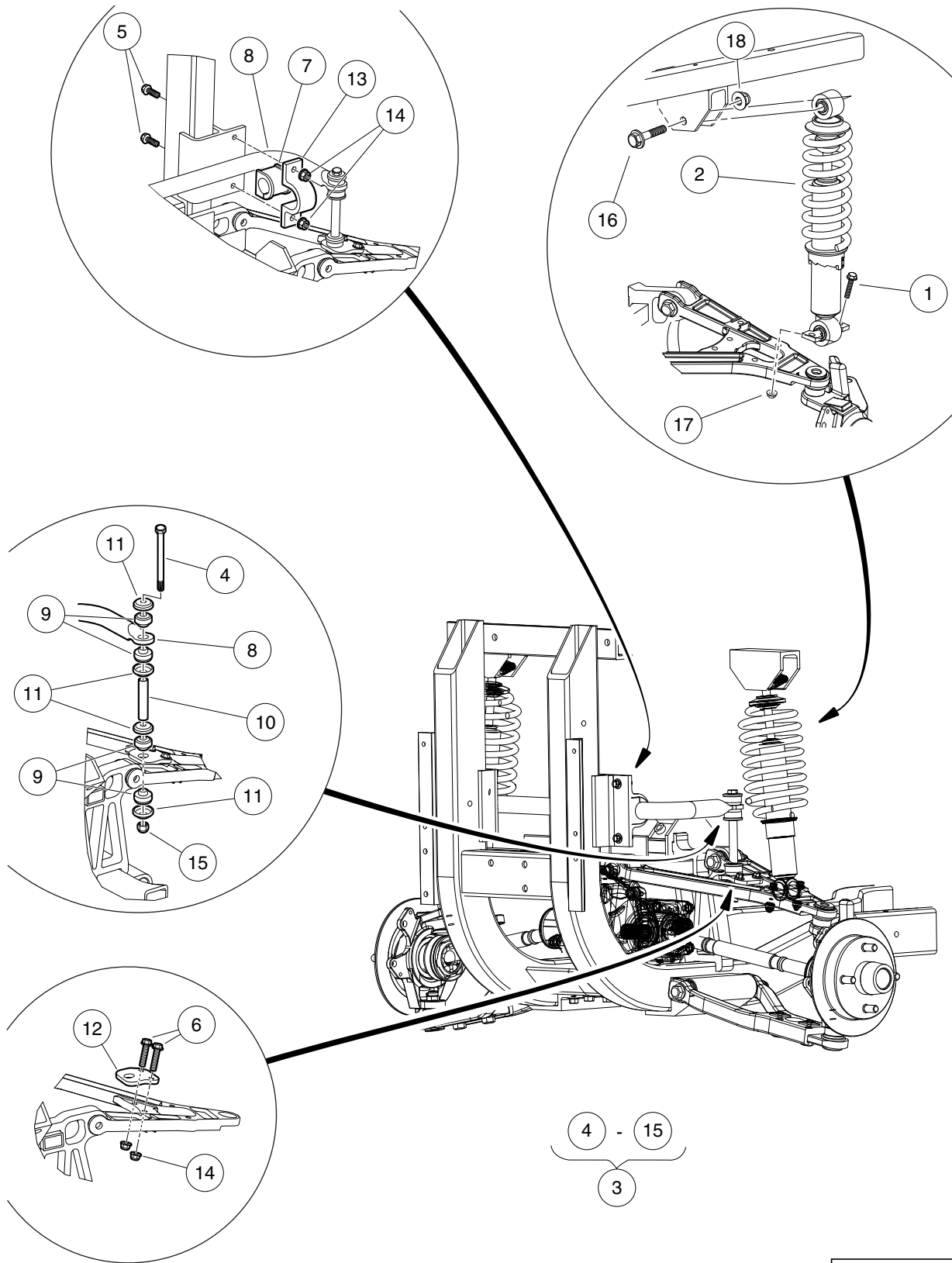
ITEM	PART NO.	DESCRIPTION	QTY
		1 2 3 4	
1	<u>102298240</u>	Bolt, Flange Head, M8-1.25 X 40	4
2	<u>102394002</u>	Shock, Coil Over, Front Hd	2
3	<u>102616301</u>	Bolt, Flange Head, M12 X 1.75 X 70	2
4	102618601	Lock Nut, Flg M8 X 1.25 Nylon	4
5	<u>102620501</u>	Nut Flg, M12x1.75, Nylon Gr 10	2

6

D

6

D



000072-002

FRONT SUSPENSION (HIGH-CAPACITY OPTION)

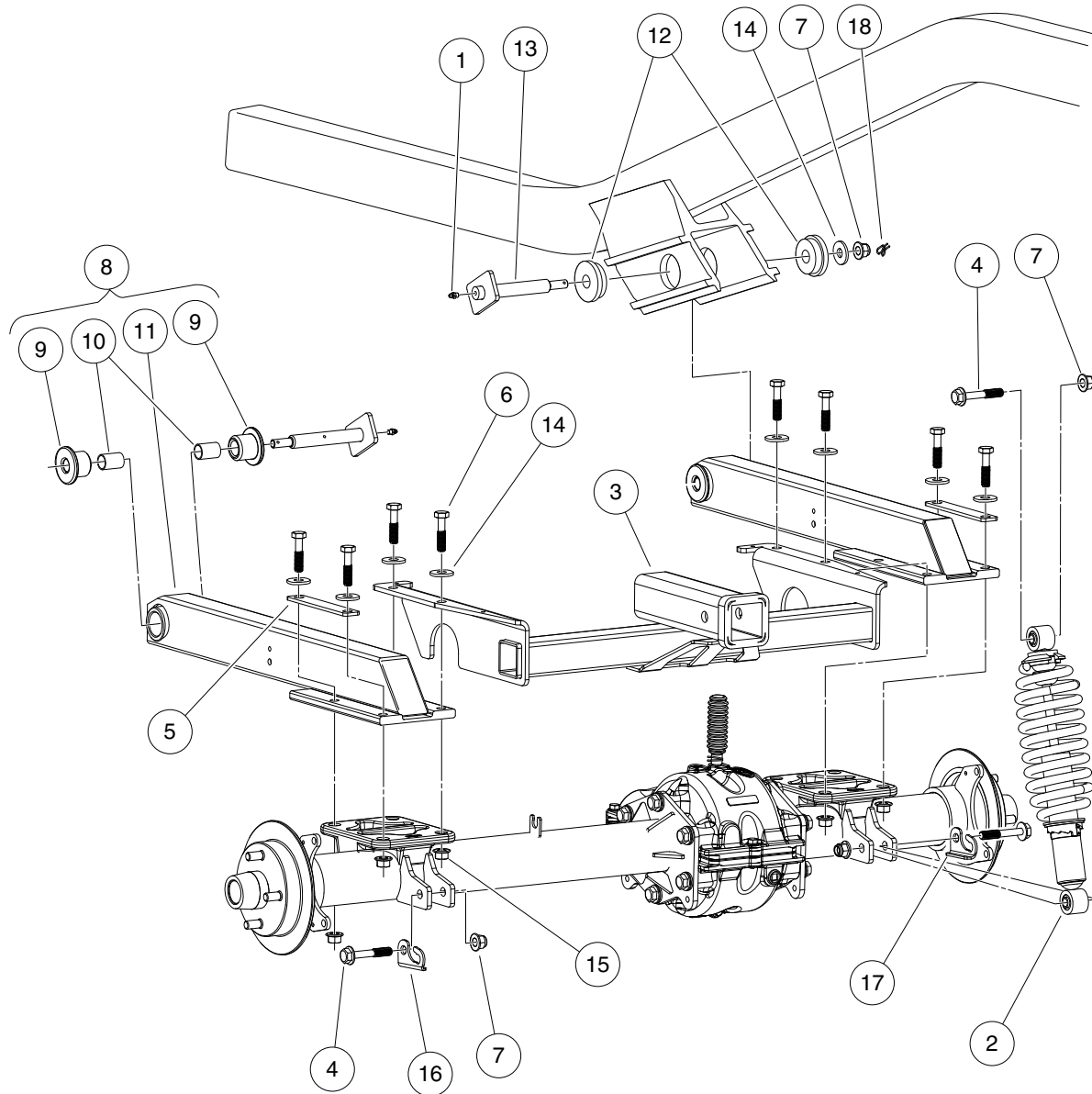
ITEM	PART NO.	DESCRIPTION	QTY
		1 2 3 4	
1	<u>102298240</u>	Bolt, Flange Head, M8-1.25 X 40	4
2	<u>102394002</u>	Shock, Coil Over, Front Hd	2
3	<u>102468802</u>	Kit, Anti-Sway Bar (includes items 4 through 15)	1
4	<u>1016183</u>	Screw, 3/8-16 X 7.00 Hex Cap	2
5	<u>102298130</u>	Bolt, Flange Head, M8 X 30.0	4
6	<u>102298240</u>	Bolt, Flange Head, M8-1.25 X 40	4
7	<u>102446601</u>	Bushing, Anti-Sway Bar, 1-1/8	2
8	<u>102464601</u>	Bar, Sway, Formed	1
9	<u>102470101</u>	Bushing, Link	8
10	<u>102470501</u>	Sleeve, Link	2
11	<u>102470601</u>	Washer, Cup, Bushing	8
12	<u>102477201</u>	Mount, Link	2
13	<u>102495001</u>	Bracket, Anti-Sway Bar	2
14	<u>102618601</u>	Lock Nut, Flg M8 X 1.25 Nylon	8
15	<u>8754</u>	Locknut, 3/8-16 Hex	2
16	<u>102616301</u>	Bolt, Flange Head, M12 X 1.75 X 70	2
17	<u>102618601</u>	Lock Nut, Flg M8 X 1.25 Nylon	4
18	<u>102620501</u>	Nut Flg, M12x1.75, Nylon Gr 10	2

6

D

6

D



000031-001

REAR SUSPENSION (STANDARD)

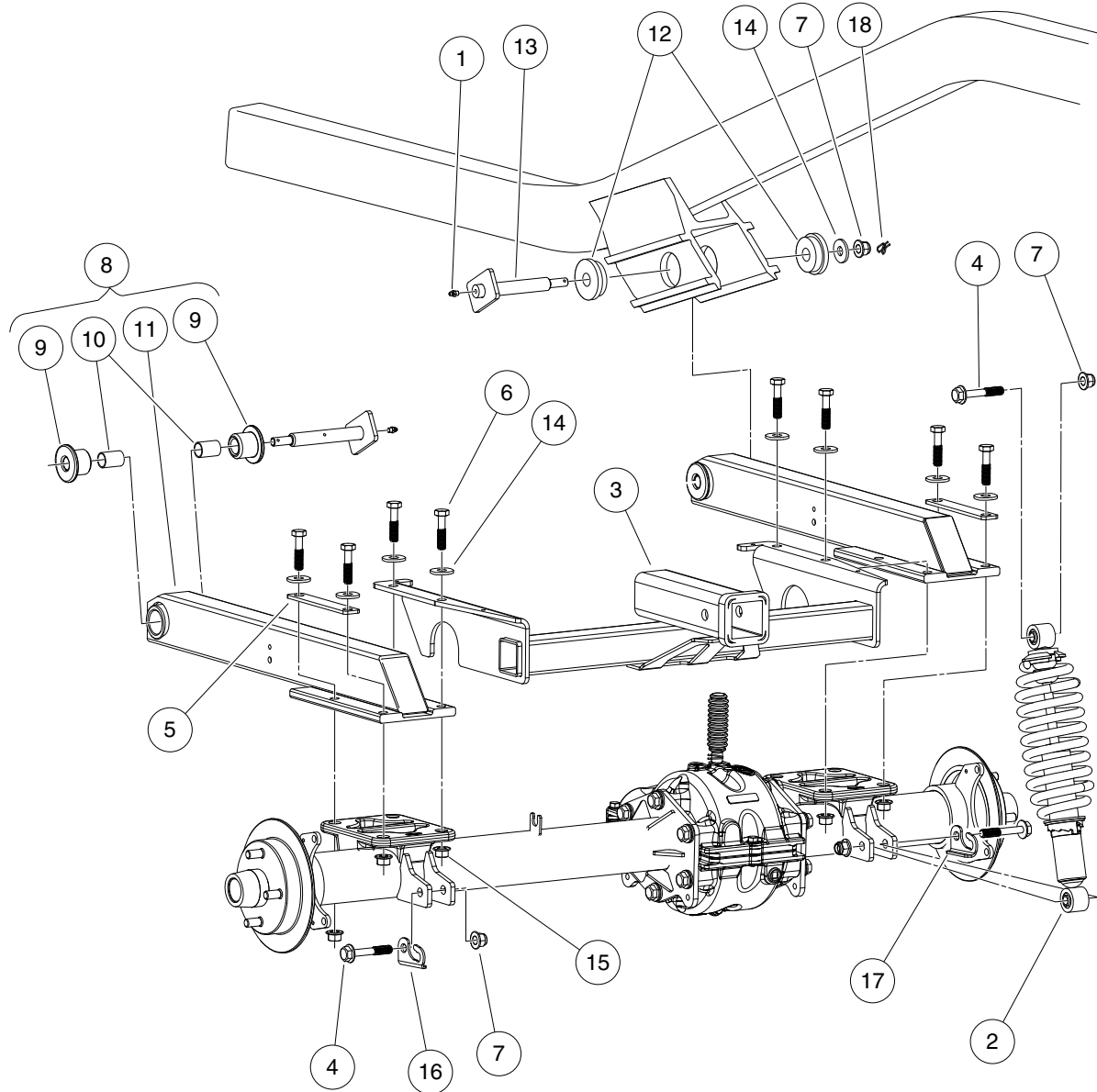
ITEM	PART NO.	DESCRIPTION	QTY
		1 2 3 4	
1	<u>1015597</u>	Fitting, 1/4-28 Thread-Forming Grease	2
2	102365601	Shock, Coil Over Rear	2
3	<u>102393501</u>	Weldment, Receiver, Rear	1
4	<u>102616301</u>	Bolt, Flange Head, M12 X 1.75 X 70	4
5	<u>102619801</u>	Washer, Strip, Swingarm	2
6	<u>102620401</u>	Bolt Flanged Head, M12 X 1.75 X 50	8
7	<u>102620501</u>	Nut Flg, M12x1.75, Nylon Gr 10	6
8	N/A	Sub Asm Swingarm (includes items 9 through 11)	2
9	<u>102398901</u>	Bushing, Pivot, Urethane	2
10	<u>102477001</u>	Bushing, Teflon	2
11	<u>103282301</u>	Swingarm, Rear, Awd	1
12	<u>102682701</u>	Insert, Flanged, H-Bracket	4
13	<u>102682901</u>	Pin, Swingarm, Weldment	2
14	<u>102684501</u>	Washer, M12 Hard Regular	10
15	<u>102685601</u>	Nut Flg M12 X 1.75 Cl10	8
16	<u>102689101</u>	Brkt, Line, Hyd, Shk Mnt, Drv	1
17	<u>102689102</u>	Brkt, Line, Hyd, Shk Mnt, Pass	1
18	<u>102737101</u>	Cotter, Rue Ring, 1/2"	2

6

D

6

D



000031-001

REAR SUSPENSION (HIGH-CAPACITY OPTION)

ITEM	PART NO.	DESCRIPTION	QTY
		1 2 3 4	
1	<u>1015597</u>	Fitting, 1/4-28 Thread-Forming Grease	2
2	<u>102365602</u>	Shock, Coil Over, Rear HD	2
3	<u>102393501</u>	Weldment, Receiver, Rear	1
4	<u>102616301</u>	Bolt, Flange Head, M12 X 1.75 X 70	4
5	<u>102619801</u>	Washer, Strip, Swingarm	2
6	<u>102620401</u>	Bolt Flanged Head, M12 X 1.75 X 50	8
7	<u>102620501</u>	Nut Flg, M12x1.75, Nylon Gr 10	6
8	N/A	Sub Asm Swingarm (includes items 9 through 11)	2
9	<u>102398901</u>	Bushing, Pivot, Urethane	2
10	<u>102477001</u>	Bushing, Teflon	2
11	<u>103282301</u>	Swingarm, Rear, Awd	1
12	<u>102682701</u>	Insert, Flanged, H-Bracket	4
13	<u>102682901</u>	Pin, Swingarm, Weldment	2
14	<u>102684501</u>	Washer, M12 Hard Regular	10
15	<u>102685601</u>	Nut Flg M12 X 1.75 Cl10	8
16	<u>102689101</u>	Brkt, Line, Hyd, Shk Mnt, Drv	1
17	<u>102689102</u>	Brkt, Line, Hyd, Shk Mnt, Pass	1
18	<u>102737101</u>	Cotter, Rue Ring, 1/2"	2

6

D

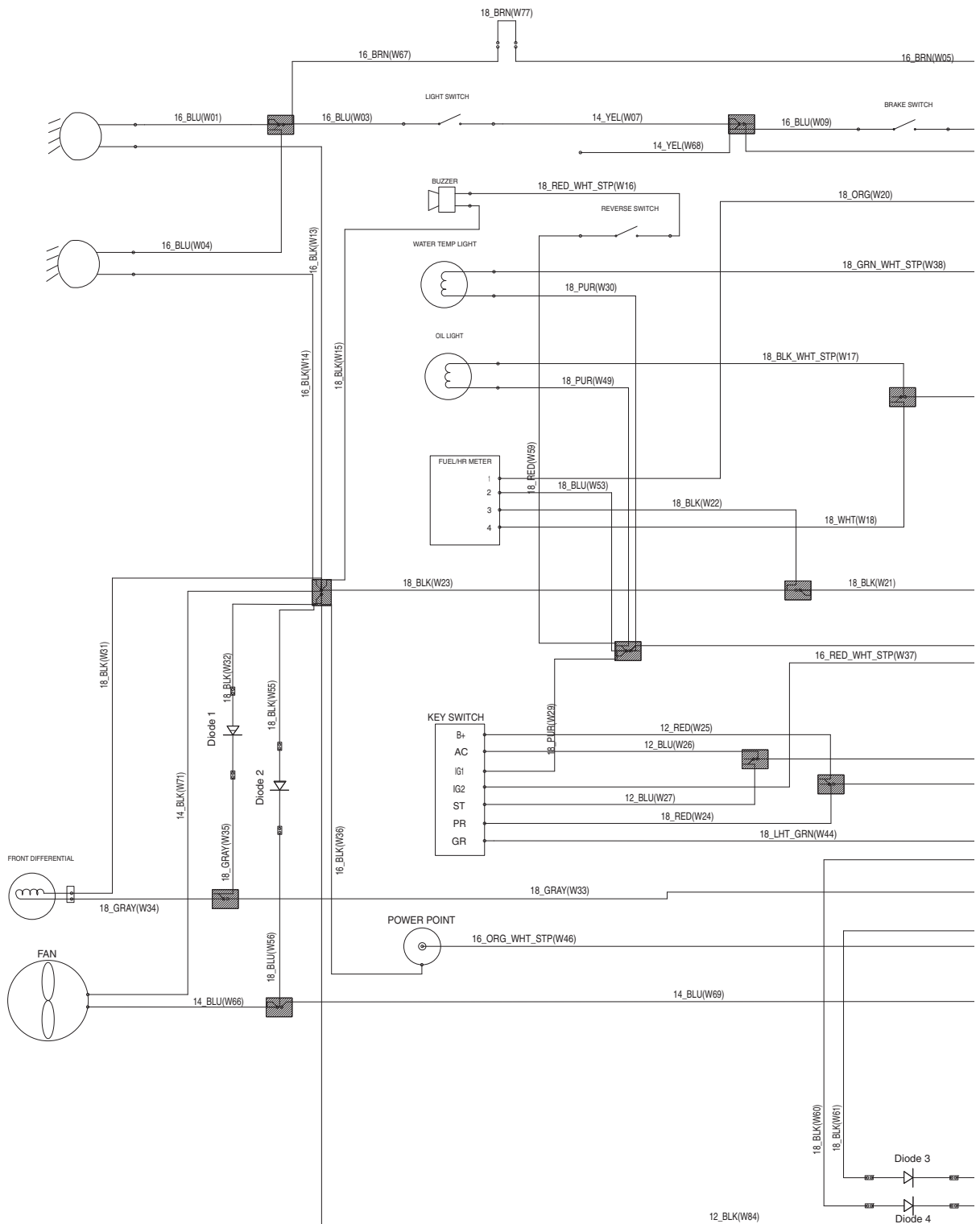
6

D

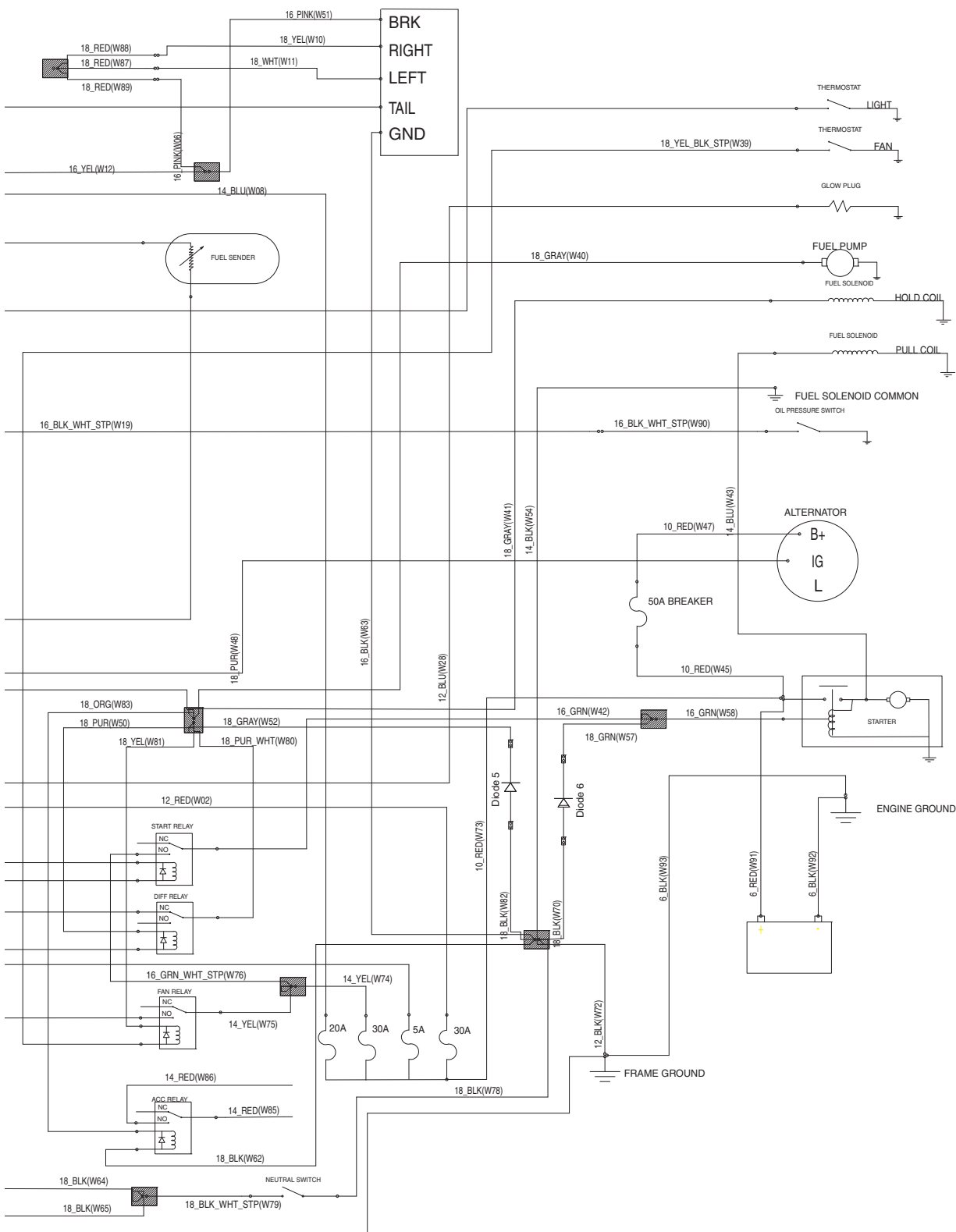
ELECTRICAL SYSTEM

7

D



000002-001



000002-001

7

D

See previous two pages for illustration.

WIRING – DIESEL VEHICLES

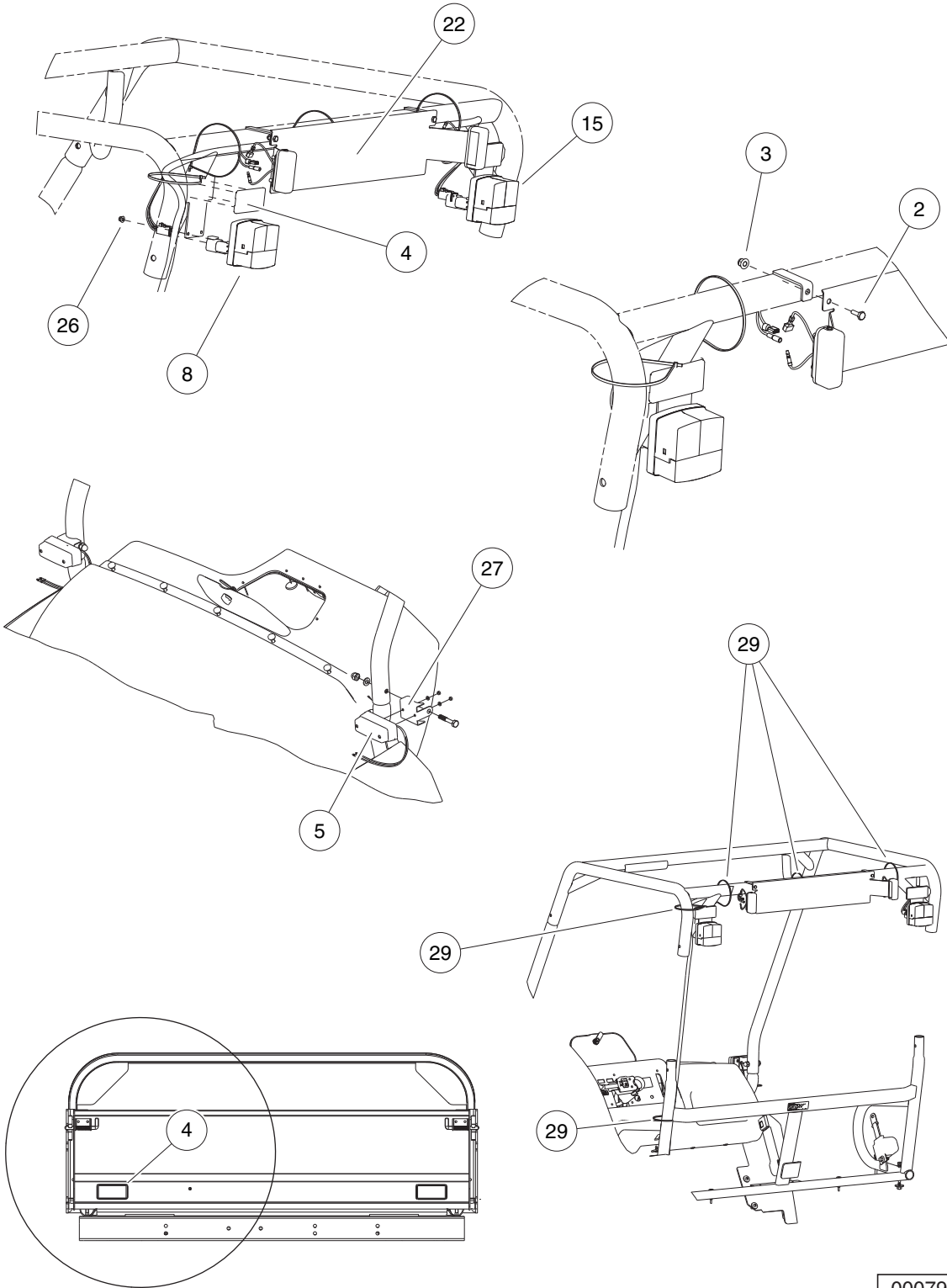
ITEM	PART NO.	DESCRIPTION	QTY
1	<u>102444201</u>	1 2 3 4 Wire Harness, Awd, Diesel	1

7

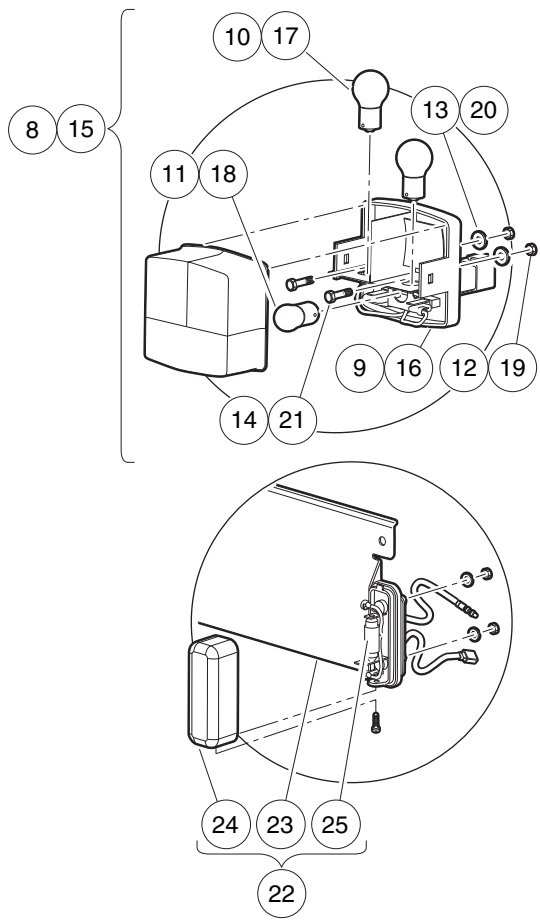
D

7

D



000795-001



000795-001

7

D

See previous two pages for illustration.

LIGHTING

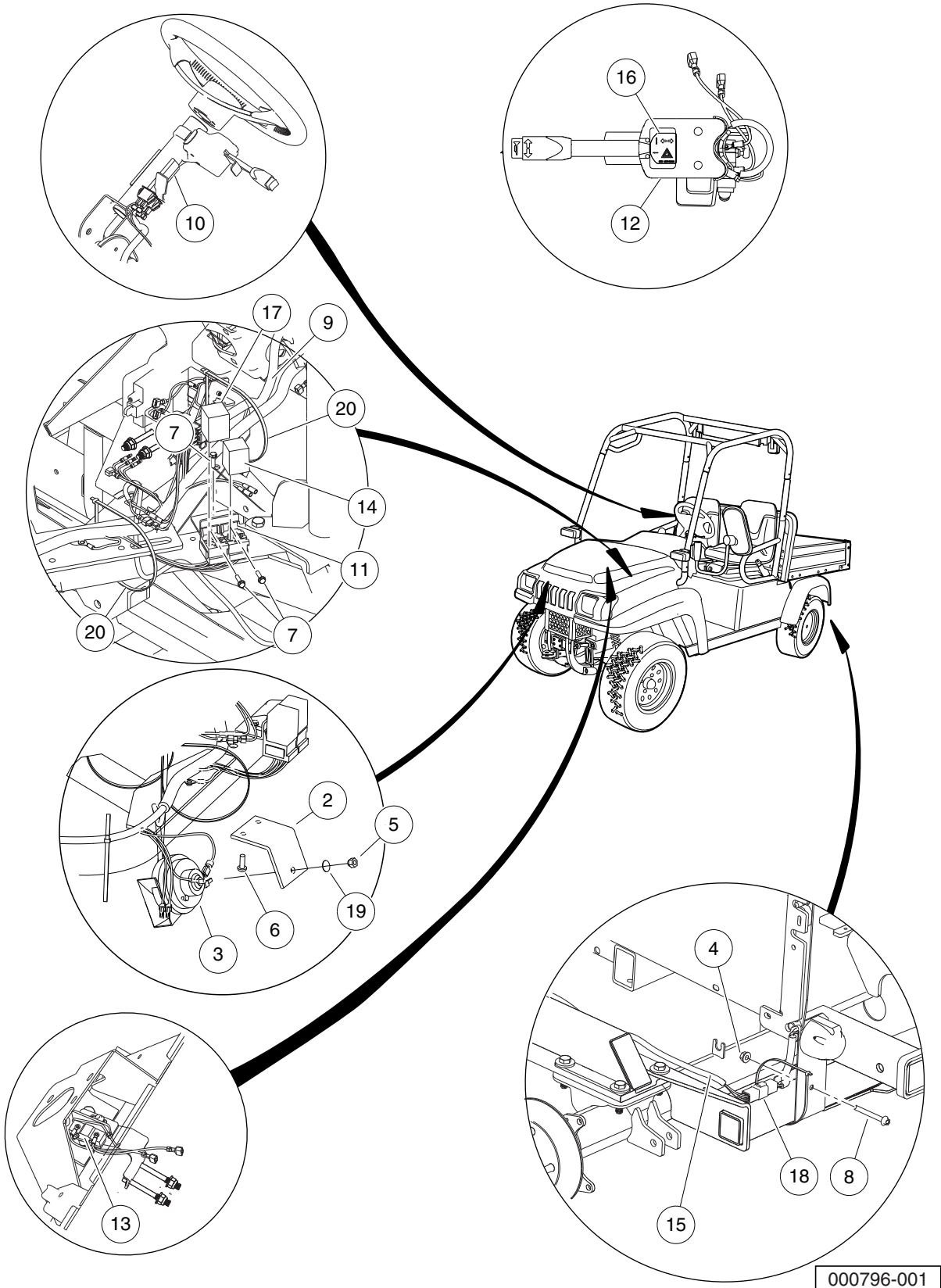
7

D

ITEM	PART NO.	DESCRIPTION	QTY
		1 2 3 4	
1	<u>102833901</u>	Kit, Lighting, Homologation (includes items 2 through 29)	1
2	<u>102490301</u>	Bolt, M6 X 1 X 16 Loctite	2
3	<u>102621501</u>	Nut Flg, M6 X 1.0 Nylon	2
4	<u>102679501</u>	Reflector, Reflex, Red	4
5	<u>102709001</u>	Asm, Front Flasher Lamp (includes items 6 and 7)	2
6	<u>102707901</u>	Lamp, Flasher	1
7	<u>102708001</u>	Bulb, Lamp, 12v21w	1
8	<u>102709101</u>	Asm, Rear Signal Lamp - D/s (includes items 9 through 14)	1
9	<u>102487201</u>	Lamp, Rear Signal, Left	1
10	<u>102708001</u>	Bulb, Lamp, 12v21w	2
11	<u>102708101</u>	Bulb, Lamp, 12v10w	1
12	N/A	Nut, Jam, M5 X 0.8	2
13	<u>183</u>	Washer, #10 Type A Flat	2
14	<u>96705736</u>	Bolt, M5 X .8 X 20	2
15	<u>102709102</u>	Asm, Rear Signal Lamp - P/s (includes items 16 through 21)	1
16	<u>102487301</u>	Lamp, Rear Signal, Right	1
17	<u>102708001</u>	Bulb, Lamp, 12v21w	2
18	<u>102708101</u>	Bulb, Lamp, 12v10w	1
19	N/A	Nut, Jam, M5 X 0.8	2
20	<u>183</u>	Washer, #10 Type A Flat	2
21	<u>96705736</u>	Bolt, M5 X .8 X 20	2
22	<u>102710701</u>	Asm, Lamp, Numberplate (includes items 23 through 25)	1
23	N/A	Plate, Mounting, 520 X 120	1
24	<u>102708701</u>	Lamp, Numberplate	2
25	<u>102710401</u>	Bulb, Lamp, 12v5w	2
26	N/A	Locknut, Flg, M5 X 0.8 Nylon	4
27	N/A	Bracket, Flasher Lamp	2
28	N/A	Instr, Kit, Homol, Rops&lights	1
29	<u>8990</u>	Tie Wrap, 8" Nylon	7

7

D



000796-001

LIGHTING, CONTINUED

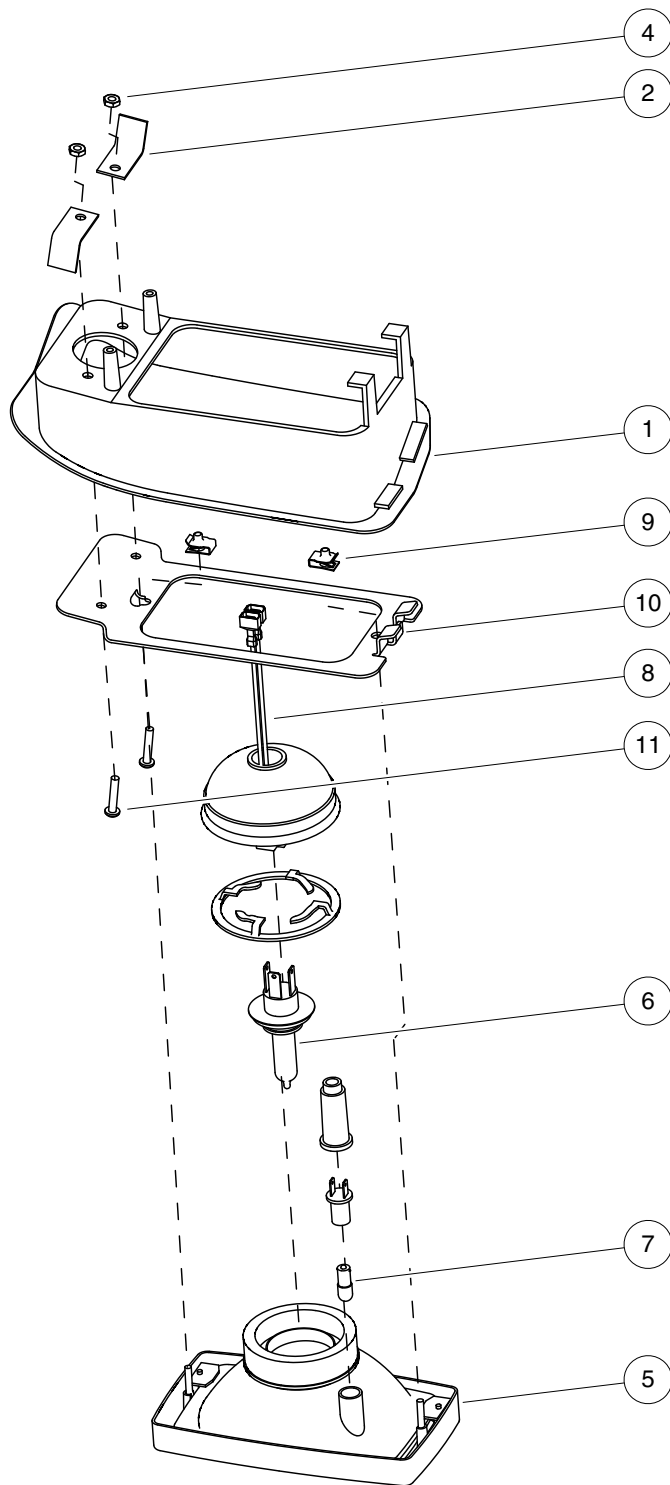
ITEM	PART NO.	DESCRIPTION	QTY
		1 2 3 4	
1	N/A	Instl, Lighting, Awd-eur (includes items 2 through 20)	1
2	<u>1011825</u>	Horn Bracket	1
3	<u>1014530</u>	Horn, 12-VDC	1
4	101833001	Nut, M8-1.25 Flanged Hex	1
5	<u>101955101</u>	Nut, M6 Hex	1
6	<u>102025801</u>	Screw, 1/4-20 X .75 Torx Pn Hd	1
7	<u>102238001</u>	#10-24 Taptite Screw	3
8	<u>102298170</u>	Bolt - Flange Hd, M8 X 70.0	1
9	<u>102466001</u>	Wire Harness, Lighting, AWD-European	1
10	<u>102529202</u>	Wire Cover-steer Column 85mm	1
11	<u>102706701</u>	Plate, Mount, Flasher	1
12	<u>102710101</u>	Asm, Switch, Turn Signal	1
13	<u>102711901</u>	Kit, Switch, Light, Brake	1
14	<u>102721601</u>	Flasher, 12v, Variable Load	1
15	<u>102737801</u>	Wire Harness, TI Lght, Awd-eur	1
16	<u>102740601</u>	Decal, Directional Switch	1
17	<u>102742501</u>	Flasher, 12v, Fixed Load	1
18	<u>102807201</u>	Asm, 7-pole Connector W/bracket	1
19	<u>7820</u>	Washer, 5/16 Internal-Tooth	1
20	<u>8639</u>	Tie Wrap, 11" Nylon	13

7

D

7

D



000793-001

HEADLIGHTS

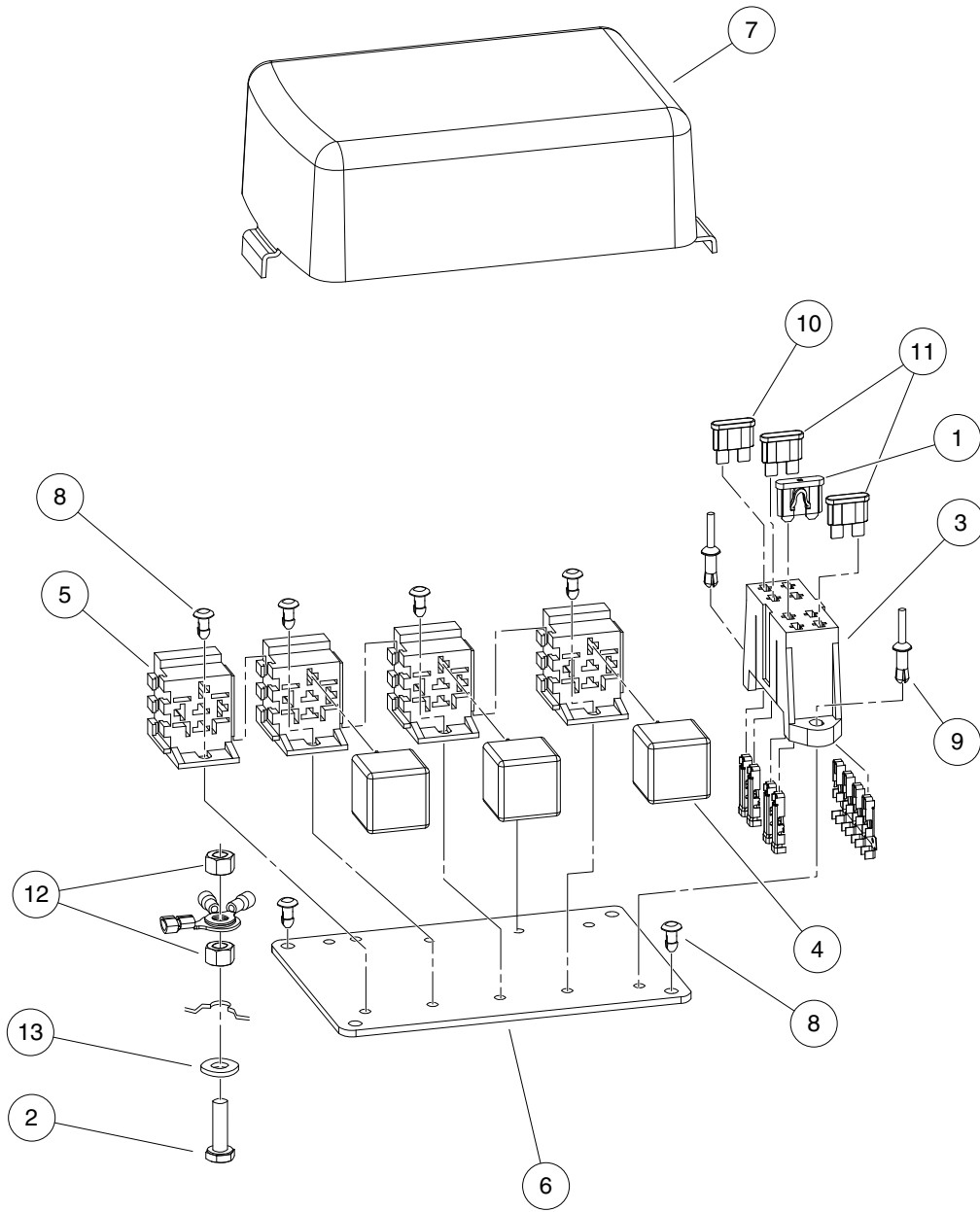
7

ITEM	PART NO.	DESCRIPTION	QTY
		1 2 3 4	
1	<u>102708901</u>	Asm, Headlamp, Euro - D/s (includes items 2 through 11)	1
2	<u>1016880</u>	Headlight Bezel, Left	1
3	<u>1017064</u>	Mounting Bracket	2
4	1022006	Nut, 10-32 Hex, Stainless	2
5	102707601	Headlamp, H4	1
6	<u>102707701</u>	Bulb, Headlamp, H4	1
7	<u>102707801</u>	Bulb, Side Lamp, 12v4w	1
8	<u>102742701</u>	Wire Asm, Hdlight, Euro	1
9	<u>102763001</u>	Palnut, U-type, M4.2	2
10	102779701	Plate, Headlight, Euro	1
11	<u>102810401</u>	Screw, #10-32 X 1.0 Phil Pn Hd	2
12	<u>102708902</u>	Asm, Headlamp, Euro - P/s (includes items 13 through 22)	1
13	<u>1016879</u>	Headlight Bezel, Right	1
14	<u>1017064</u>	Mounting Bracket	2
15	1022006	Nut, 10-32 Hex, Stainless	2
16	102707601	Headlamp, H4	1
17	<u>102707701</u>	Bulb, Headlamp, H4	1
18	<u>102707801</u>	Bulb, Side Lamp, 12v4w	1
19	<u>102742701</u>	Wire Asm, Hdlight, Euro	1
20	<u>102763001</u>	Palnut, U-type, M4.2	2
21	102779701	Plate, Headlight, Euro	1
22	<u>102810401</u>	Screw, #10-32 X 1.0 Phil Pn Hd	2

D

7

D



000076-002

ELECTRICAL COMPONENT BOX, DIESEL VEHICLES

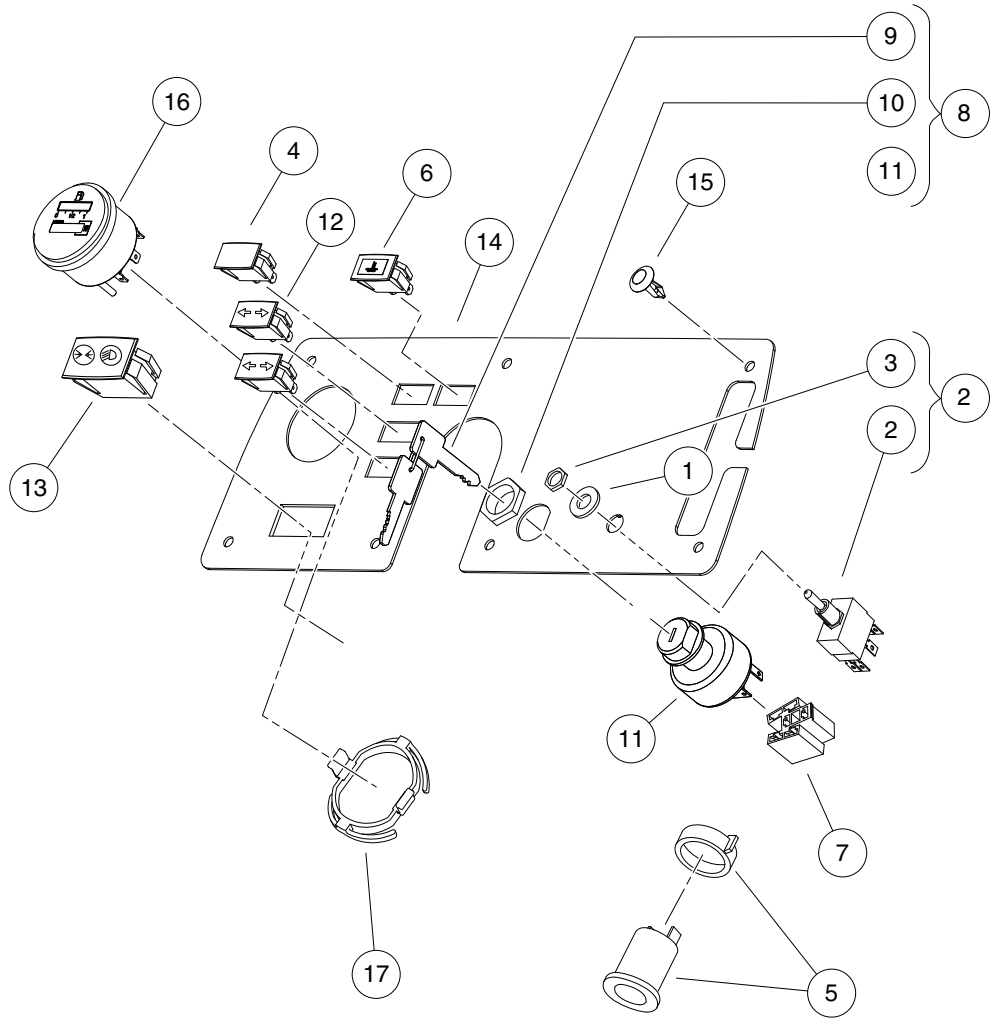
ITEM	PART NO.	DESCRIPTION	QTY
		1 2 3 4	
1	<u>1012295</u>	Fuse, 10-Amp	1
2	<u>1015521</u>	Screw, 1/4-20 X .88 Hex Hd Cap	1
3	<u>1015741</u>	Fuse Block	1
4	<u>102420201</u>	Relay, Mini ISO, SPDT	3
5	****	Connector, Relay	4
6	<u>102420401</u>	Plate, Electrical	1
7	<u>102420501</u>	Cover, Electrical	1
8	<u>102447901</u>	Fastener, Push-in	8
9	<u>102448001</u>	Rivet, Drive	2
10	<u>102492201</u>	Fuse, 25-Amp	1
11	<u>102492301</u>	Fuse, 30-Amp	2
12	<u>1108</u>	Locknut, 1/4-20 Dimpled	2
13	<u>332</u>	Washer, 1/4 Type A Narrow Flat	1
**** Special order item available upon request.			

7

D

7

D



000080-005

ELECTRICAL COMPONENTS, INSTRUMENT PANEL, DIESEL VEHICLES

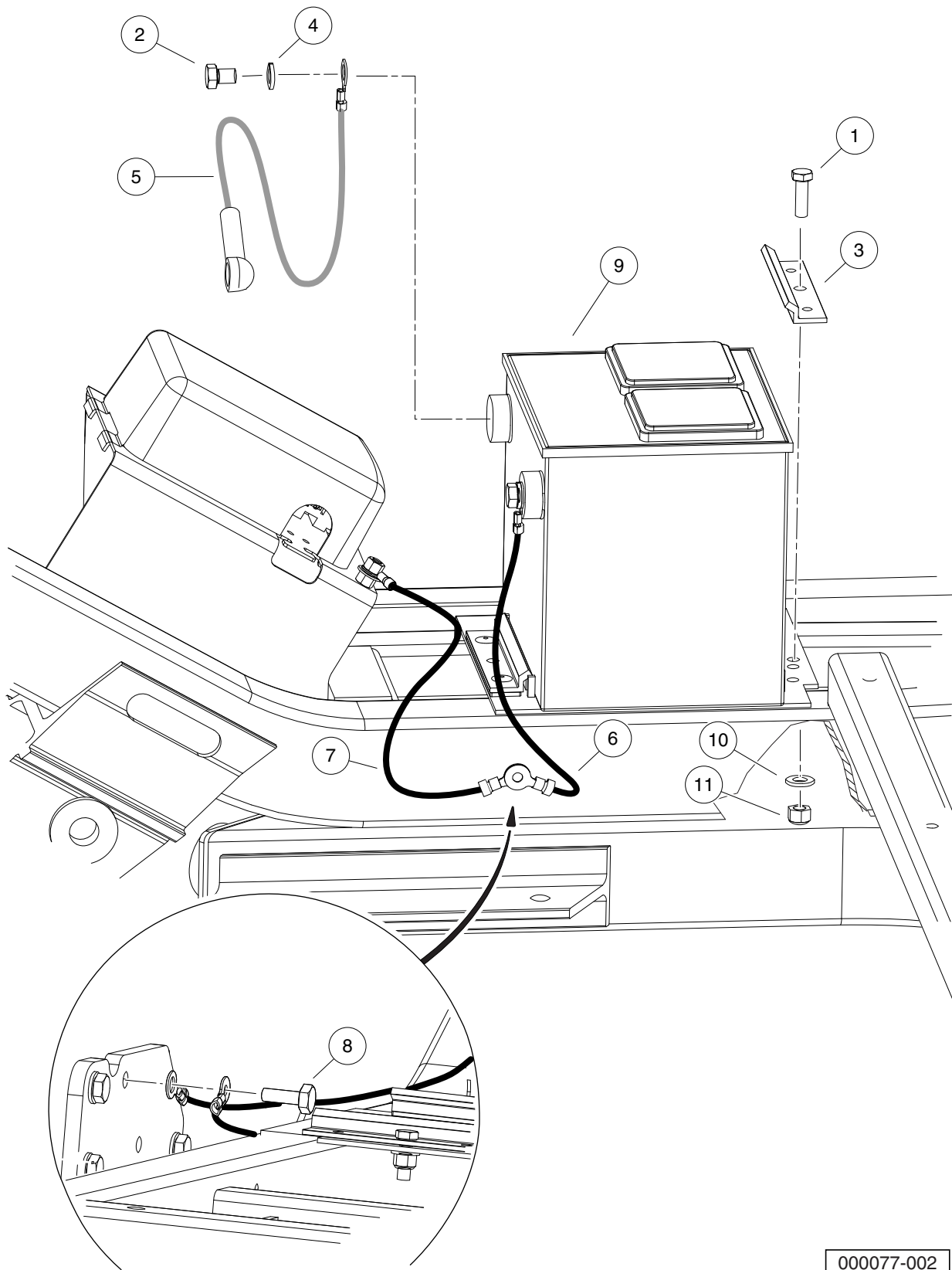
ITEM	PART NO.	DESCRIPTION	QTY
		1 2 3 4	
1	<u>1014557</u>	Washer, 7/16 Flat	1
2	<u>1015636</u>	Toggle Switch (includes item 3)	1
3	N/A	Nut, Toggle Switch	1
4	<u>1016630</u>	Light, Oil	1
5	<u>102198001</u>	Receptacle, Accessory	1
6	<u>102375401</u>	Light, Indicator, Coolant Temp	1
7	N/A	Connector, 6 Way, 56 Series	1
8	<u>102457301</u>	Switch, Key (includes items 9 through 11)	1
9	<u>102731701</u>	Key Set (1 pair)	1
10	N/A	Nut, Key Switch	1
11	N/A	Switch, Key without Nut	1
12	<u>102495701</u>	Light, Indicator, Turn Signals	2
13	<u>102708301</u>	Switch, Headlamp, 3 Posn	1
14	<u>102739903</u>	Panel, Instrument - Eur Diesel	1
15	<u>102967901</u>	Rivet, Removable, Tuflok 1/4"	7
16	<u>103348101</u>	Gauge Fuel-hour Sep Gnd	1
17	<u>103348201</u>	Clip, Meter, Round	1

7

D

7

D



000077-002

BATTERY – DIESEL VEHICLES

ITEM	PART NO.	DESCRIPTION	QTY
		1 2 3 4	
1	<u>1010934</u>	Screw, 5/16-18 X 1.00 Hex Cap	1
2	<u>1014375</u>	Screw, 3/8-16 X 0.50 Stainless Steel Hex-Head	2
3	<u>101898001</u>	Clamp, Battery	1
4	<u>102355301</u>	Lockwasher, #10 Split Ss	2
5	<u>102442201</u>	Asm, #6 Red Wire	1
6	<u>102448401</u>	Wire Asm, #6 Blk, Awd, 350	1
7	<u>102448501</u>	Wire Asm, #6 Blk, Awd, 325	1
8	<u>102498201</u>	Bolt, M10 X 1.25 X 25 Loctite	1
9	N/A	Battery, Start, 12v	1
10	<u>1241</u>	Washer, 5/16 Type A Flat	1
11	<u>7473</u>	Locknut, 5/16-18 Nylon Insert	1

7

D

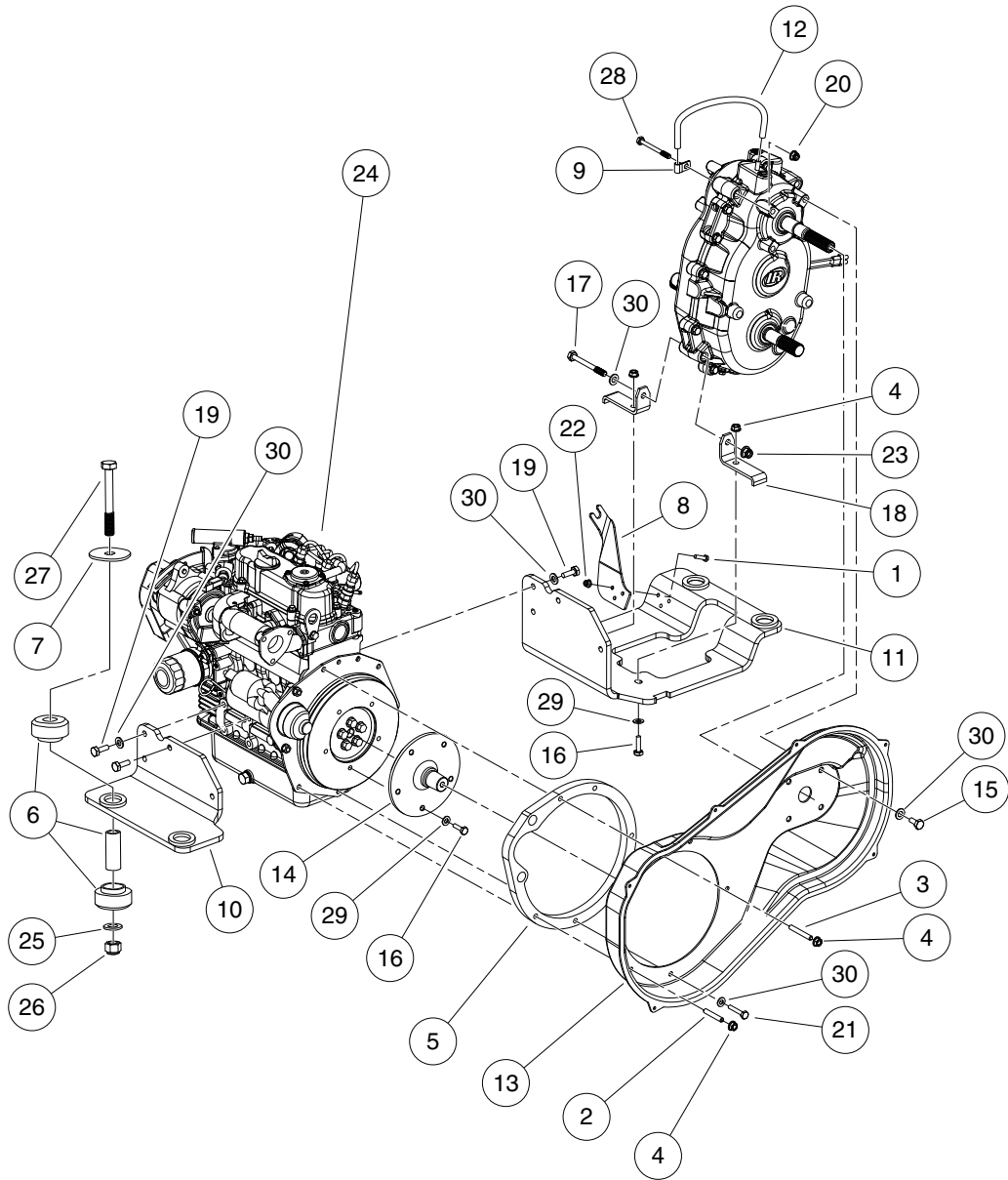
7

D

DIESEL ENGINE (OPEN BREATHER)

8

D



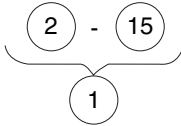
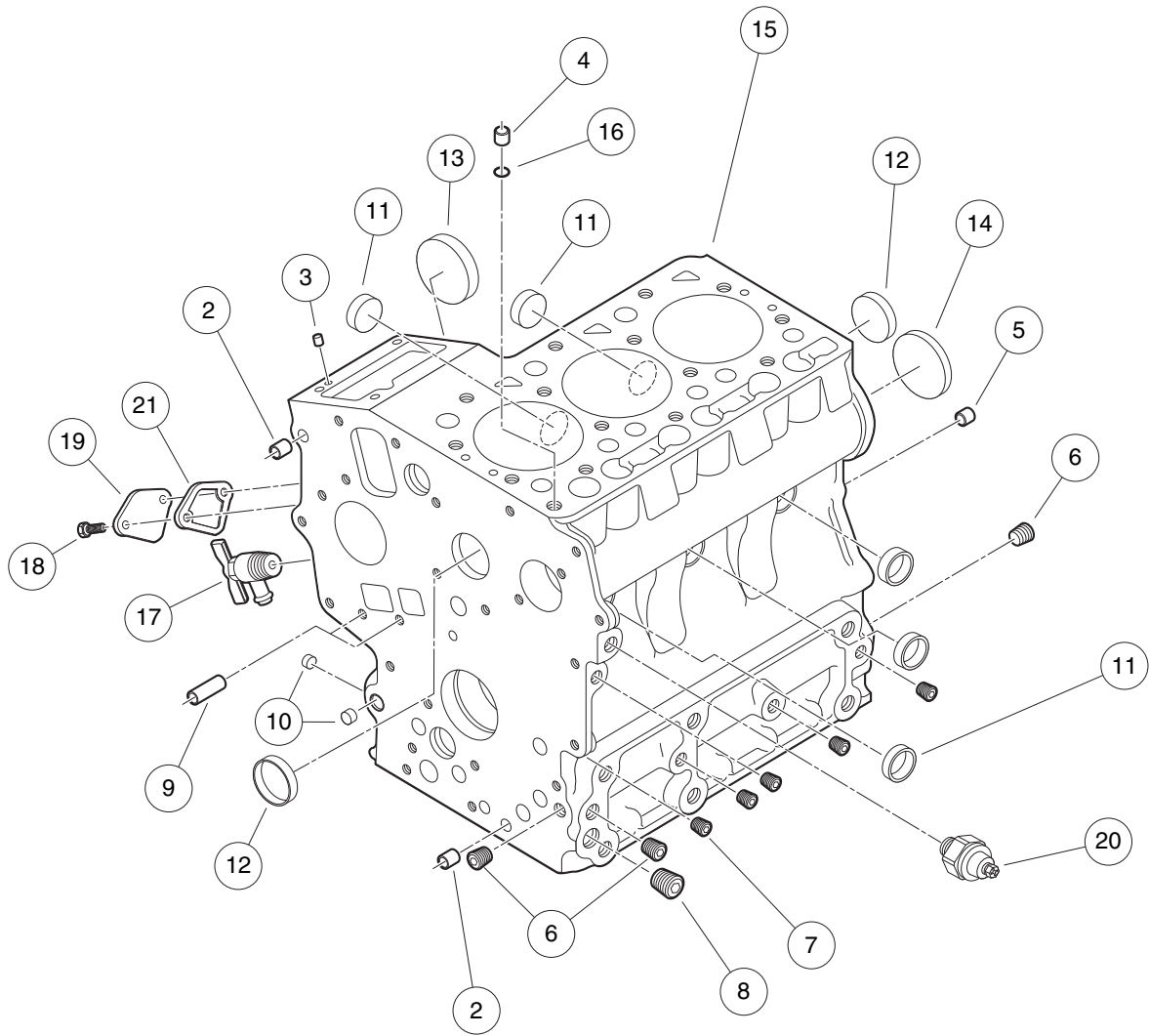
000025-002

KUBOTA D722 DIESEL ENGINE MOUNTING

ITEM	PART NO.	DESCRIPTION	QTY
		1 2 3 4	
1	<u>1012769</u>	Screw, M6-1.00 X 25mm Hex Cap	3
2	<u>101833101</u>	Stud, M8-1.25 X 50 mm Two-Ended	1
3	<u>101833201</u>	Stud, M8-1.25 X 60mm Two-Ended	1
4	<u>102298401</u>	Nut,m8,all Metal Lock	7
5	<u>102370101</u>	Spacer, Engine, Diesel	1
6	<u>102370501</u>	Isolator Ring and Bushing	4
7	<u>102370601</u>	Washer, Snubbing, Ring N Bush	4
8	<u>102382401</u>	Bracket, FNR Trans Cable	1
9	<u>102410603</u>	P-Clamp, Insulated .312 In	1
10	<u>102414701</u>	Plate, Engine Mounting, Weld, Left-Hand	1
11	<u>102414801</u>	Plate, Engine Mounting, Weld, Right-Hand	1
12	<u>102462301</u>	Hose, Vent, Transmission	1
13	<u>102462501</u>	Cover, CVT Inner, Diesel	1
14	<u>102465901</u>	Shaft, CVT Adapter	1
15	<u>102490101</u>	Bolt, M10 X 1.5 X 20 Loctite	4
16	<u>102490201</u>	Bolt, M8 X 1.25 X 25 Loctite	7
17	<u>102490501</u>	Bolt, M10 X 1.5 X 100 Loctite	1
18	<u>102494401</u>	Bracket, Transmission Mounting	2
19	<u>102498201</u>	Bolt, M10 X 1.25 X 25 Loctite	8
20	<u>102618601</u>	Lock Nut, Flg M8 X 1.25 Nylon	1
21	<u>102621301</u>	Bolt, M8 X 1.25 X 40 with Loctite	3
22	<u>102621501</u>	Nut Flg, M6 X 1.0 Nylon	3
23	<u>102670701</u>	Nut Flg M10 X 1.5 Nylon	1
24	<u>102934601</u>	Engine, Kubota, D722, with Closed Breather, 60a	1
25	<u>96701412</u>	Washer, M12 Hard	4
26	<u>96704622</u>	Locknut, M12x1.75 Nylon Insert	4
27	<u>96704721</u>	Bolt, M12 X 1.75 X 90	4
28	<u>96718978</u>	Bolt, M8 X 1.25 X 80	1
29	<u>96741038</u>	Washer, M8 Hard	10
30	<u>96741046</u>	Washer, M10 Hard	12

8

D



000039-001

CRANKCASE

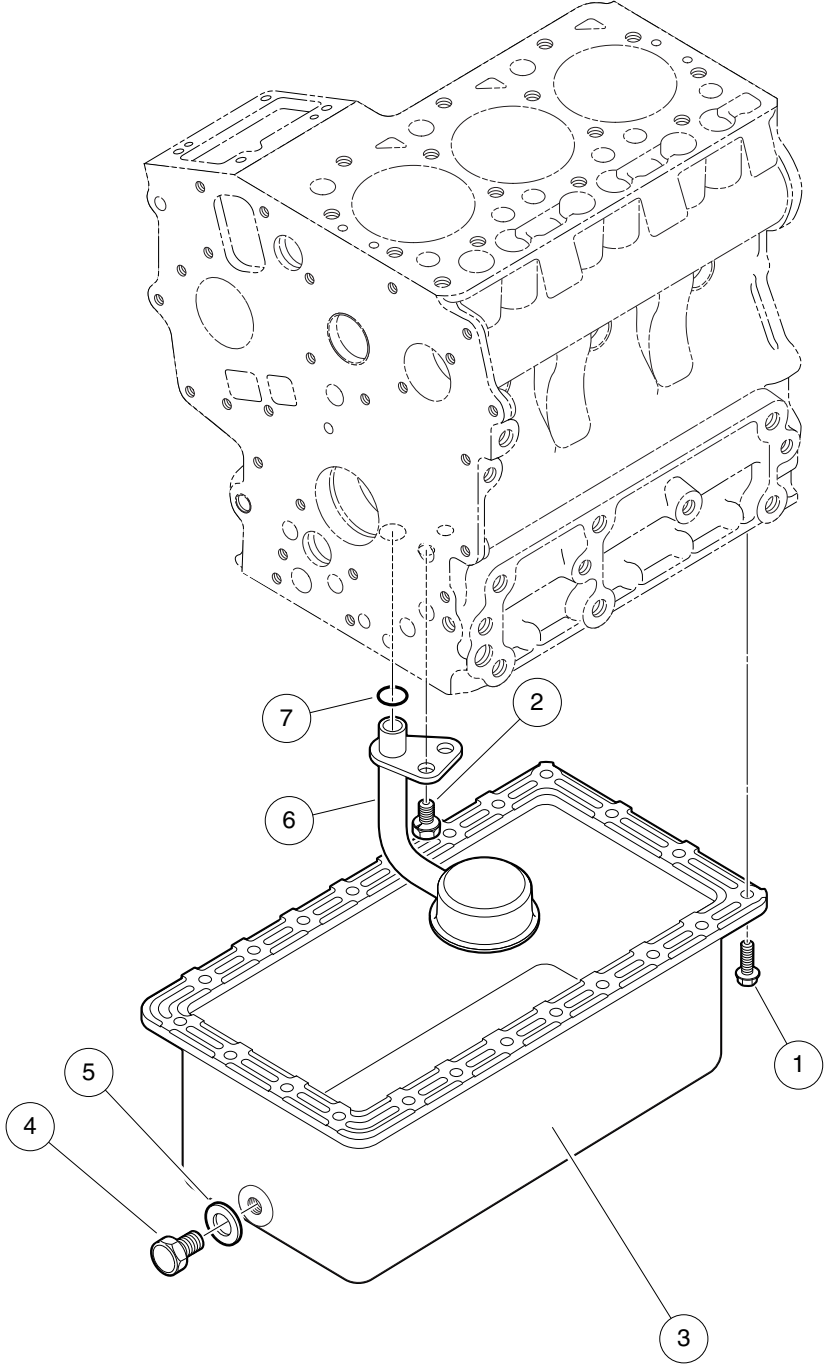
8

D

ITEM	PART NO.	DESCRIPTION	QTY
		1 2 3 4	
1	<u>102600001</u>	Engine Block (includes items 2 through 15)	1
2	<u>102600101</u>	Pin, Pipe, Dia 8 X 14	2
3	<u>102600201</u>	Pin, Straight, Dia 5 X 10	2
4	<u>102600401</u>	Pin, Pipe, Dia 7 X 14	1
5	<u>102600601</u>	Pin, Straight, Dia 8 X 16	2
6	<u>102600701</u>	Plug, 1/8"	3
7	<u>102600801</u>	Plug, 3/32"	5
8	<u>102601001</u>	Plug, 1/4"	1
9	<u>102601301</u>	Pin, Pipe, Dia 8 X 11	2
10	<u>102726201</u>	Cap, Sealing, Small	3
11	<u>102726301</u>	Cap, Sealing, Med	5
12	<u>102726401</u>	Cap, Sealing, Large	2
13	<u>102726501</u>	Cover, Fuel Camshaft	1
14	<u>102726601</u>	Plug, Expansion	1
15	N/A	Block, Engine	1
16	<u>102600301</u>	O Ring, 8 X 7	1
17	<u>102601401</u>	Cock, Drain	1
18	<u>102631601</u>	Bolt, M6 X 1 X 20	2
19	N/A	Plate, Engine Block	1
20	<u>102730801</u>	Switch, Oil Pressure	1
21	<u>102732601</u>	Gasket, Fuel Pump, D722	1
<p>Note: The part number for a complete engine is 102739301.</p>			

8

D



000040-001

OIL PAN

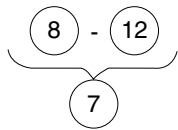
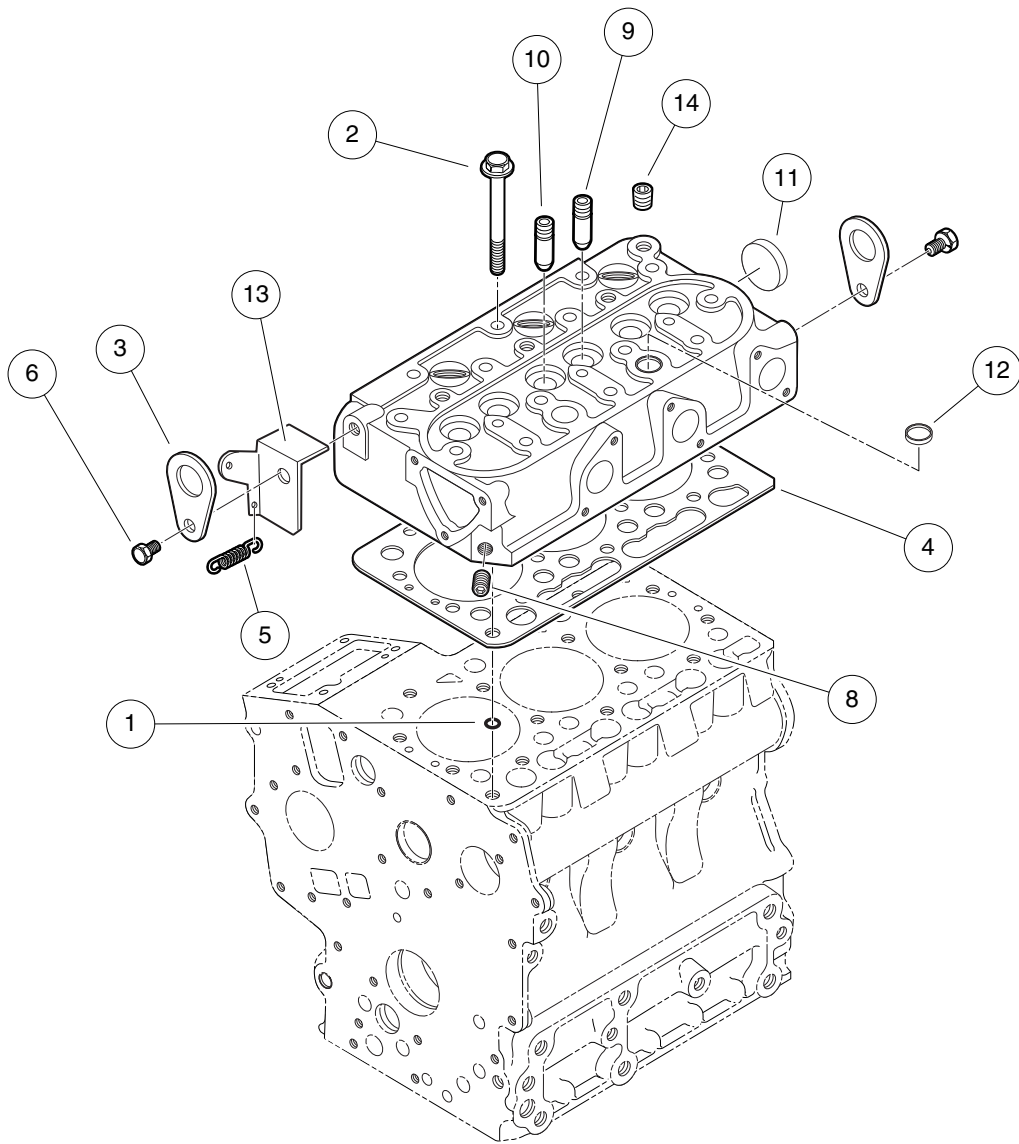
ITEM	PART NO.	DESCRIPTION	QTY
		1 2 3 4	
1	<u>102605101</u>	Bolt, M6 X 1 X 14	22
2	<u>102606901</u>	Bolt, M8 X 1.25 X 15	1
3	102607001	Oil Pan	1
4	<u>102607201</u>	Plug, Drain, M12 X 14	1
5	<u>102607301</u>	Gasket, 20 X 13	1
6	<u>102607401</u>	Filter, Oil, Pick Up	1
7	<u>102654601</u>	O Ring, 20 X 17	1

8

D

8

D



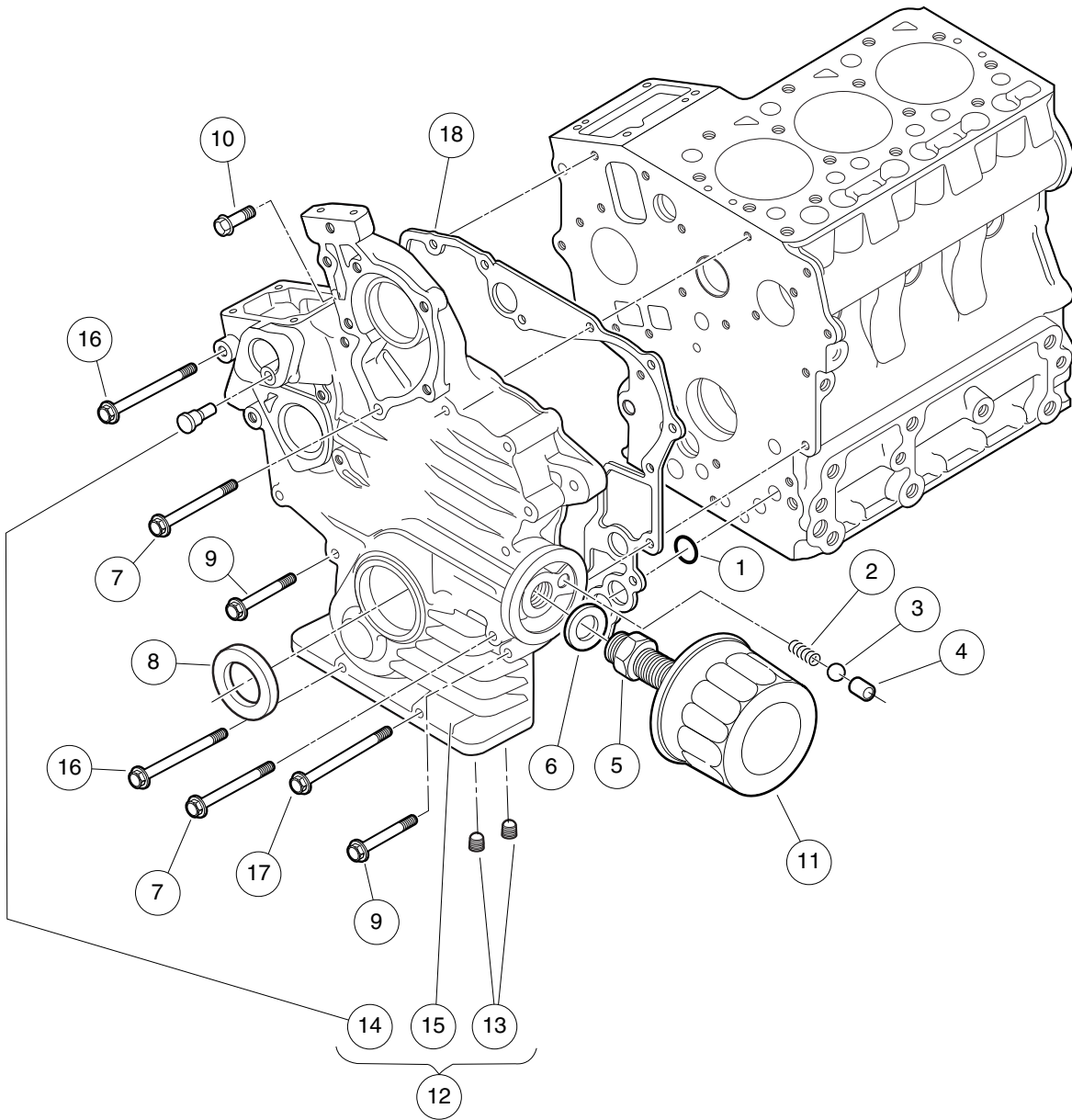
000041-001

CYLINDER HEAD

ITEM	PART NO.	DESCRIPTION	QTY
		1 2 3 4	
1	<u>102600301</u>	O Ring, 8 X 7	1
2	<u>102652801</u>	Bolt, Cylinder Head	14
3	<u>102653901</u>	Hook, Engine	2
4	<u>102654101</u>	Gasket, Cylinder Head	1
5	<u>102701001</u>	Spring, Start	1
6	<u>102726701</u>	Bolt, Engine Hook	2
7	<u>102726801</u>	Head, Cylinder, Complete (includes items 8 through 12)	1
8	<u>102600801</u>	Plug, 3/32"	1
9	<u>102653401</u>	Guide, Exhaust Valve	3
10	<u>102653501</u>	Guide, Inlet Valve	3
11	<u>102726901</u>	Cap, Sealing, Head	1
12	<u>102727001</u>	Cap, Sealing, Head, Top	2
13	<u>102727101</u>	Stay, Cylinder Head	1
14	<u>102727201</u>	Plug, Cylinder Head	1

8

D



000042-001

GEAR CASE

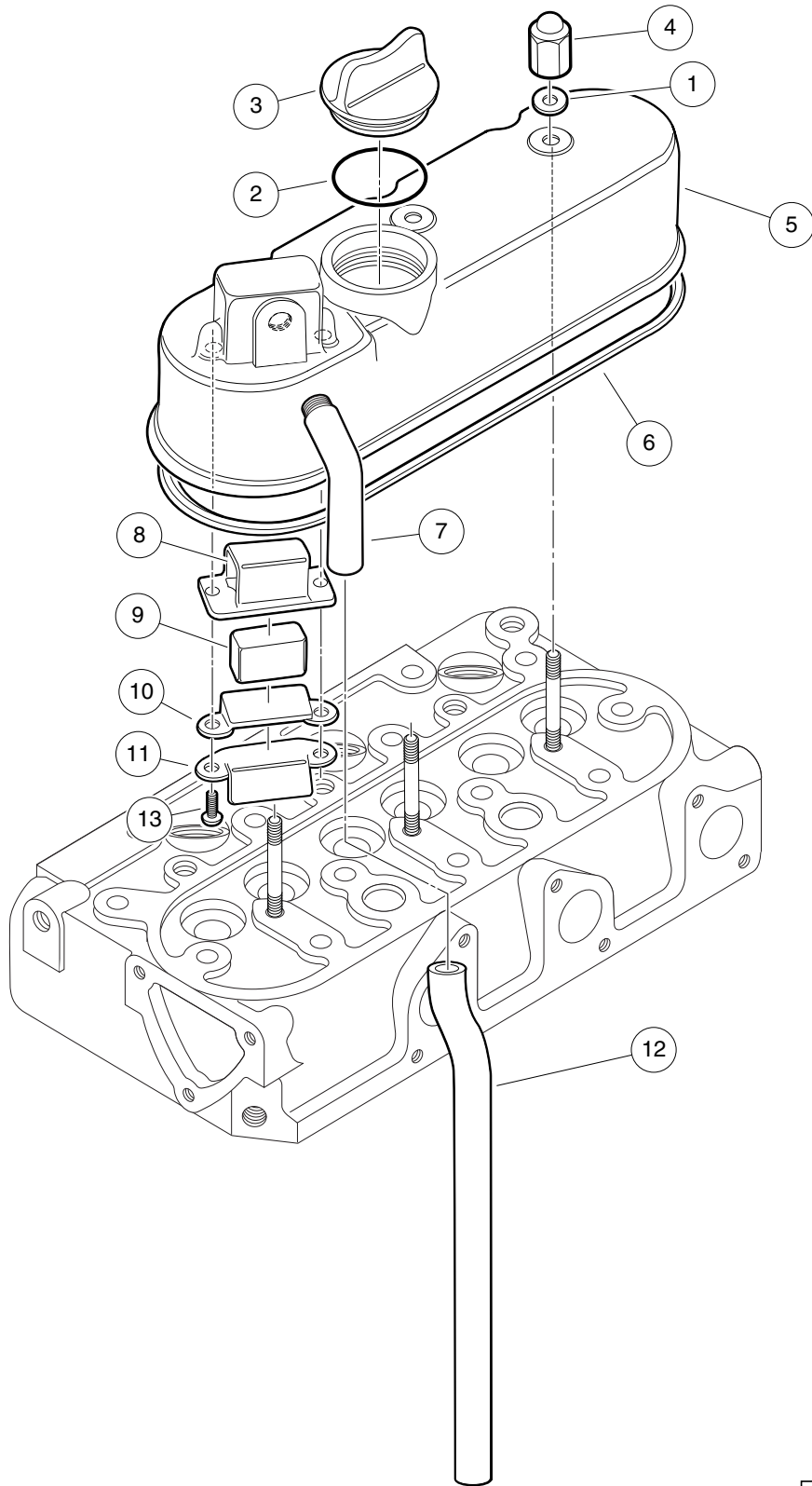
8

D

ITEM	PART NO.	DESCRIPTION	QTY
		1 2 3 4	
1	<u>102601801</u>	O Ring, 18 X 13	3
2	<u>102601901</u>	Spring, Valve	1
3	<u>102602001</u>	Ball, Valve	1
4	<u>102602101</u>	Seat, Valve	1
5	<u>102602301</u>	Joint, Pipe	1
6	<u>102602401</u>	Washer, Plain, Special	1
7	<u>102602601</u>	Bolt, M6 X 1 X 60	2
8	<u>102602701</u>	Seal, Oil	1
9	<u>102602801</u>	Bolt, D722, Front Case	9
10	<u>102654301</u>	Bolt, D722 Intake Manfld Lower	1
11	<u>102703301</u>	Filter, Engine Oil, D722	1
12	<u>102727301</u>	Case, Gear, Complete (includes items 13 through 15)	1
13	<u>102601001</u>	Plug, 1/4"	2
14	<u>102601601</u>	Pin, Start Spring	1
15	N/A	Case, Gear	1
16	<u>102727401</u>	Bolt, Gearcase, Top	2
17	<u>102727501</u>	Bolt, Gearcase, Lower	1
18	<u>102729301</u>	Gasket, Gearcase, D722	1

8

D



000043-001

HEAD COVER

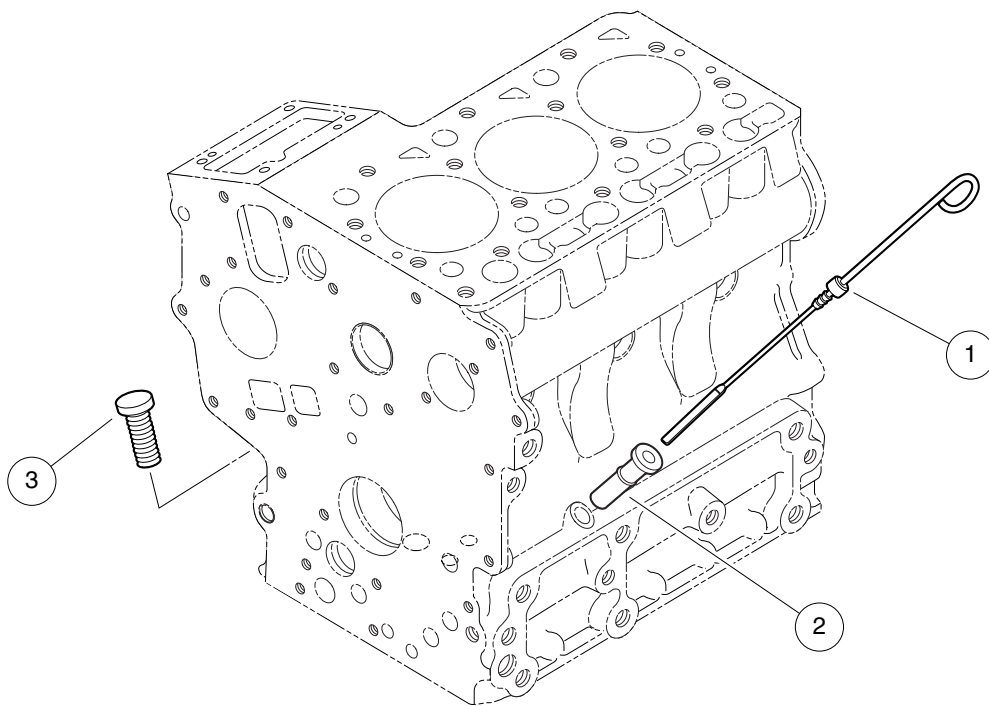
ITEM	PART NO.	DESCRIPTION	QTY
		1 2 3 4	
1	<u>102635301</u>	Gasket, 6 X 10	3
2	<u>102644001</u>	O Ring, 30 X 36	1
3	<u>102644101</u>	Plug, Oil Filler	1
4	<u>102644201</u>	Nut, Crown, M6	3
5	<u>102644401</u>	Cover, Cylinder Head	1
6	<u>102644501</u>	Gasket, Head Cover	1
7	<u>102644601</u>	Joint, Breather Pipe	1
8	<u>102644701</u>	Plate, Breather Element, Top	1
9	<u>102644801</u>	Element, Breather	1
10	<u>102644901</u>	Plate, Breather Element, Bottom	1
11	<u>102645001</u>	Oil Shield, Breather	1
12	<u>102645401</u>	Pipe, Breather	1
13	<u>102727601</u>	Screw, Breather	2

8

D

8

D



000044-001

DIPSTICK AND GUIDE

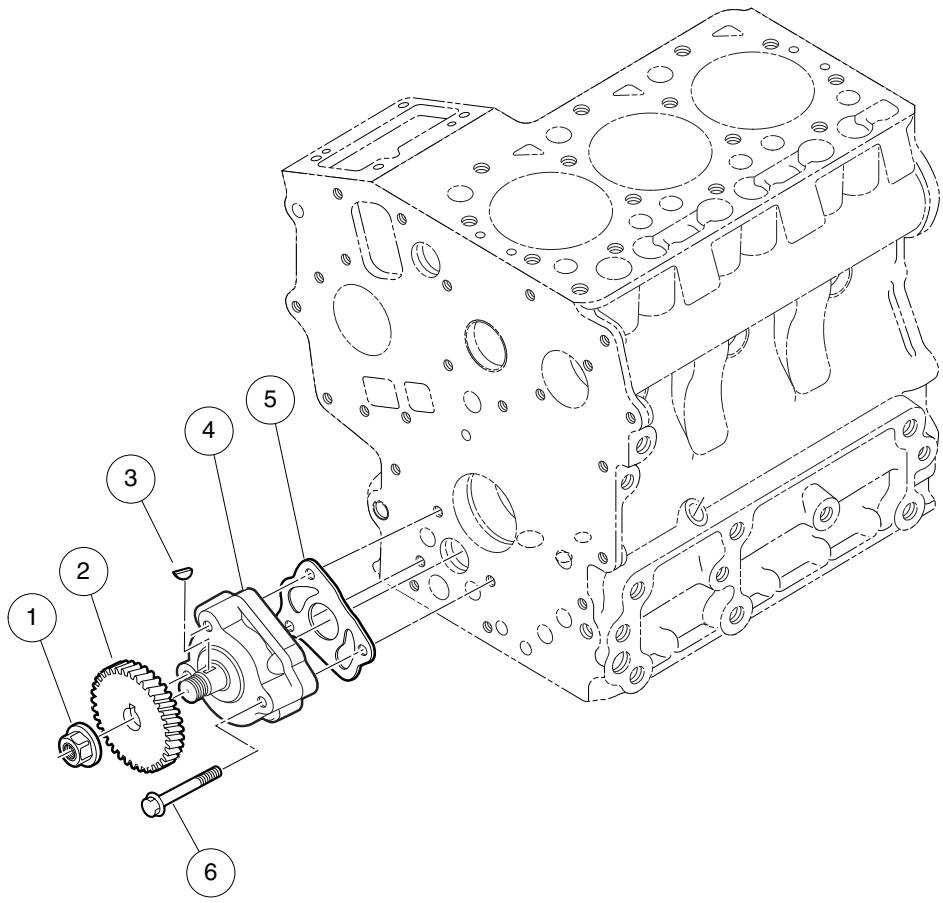
ITEM	PART NO.	DESCRIPTION	QTY
		1 2 3 4	
1	<u>102606701</u>	Gauge, Oil	1
2	<u>102727701</u>	Guide, Oil Gauge	1
3	<u>102727801</u>	Plug, Oil Gauge	1

8

D

8

D



000045-001

OIL PUMP

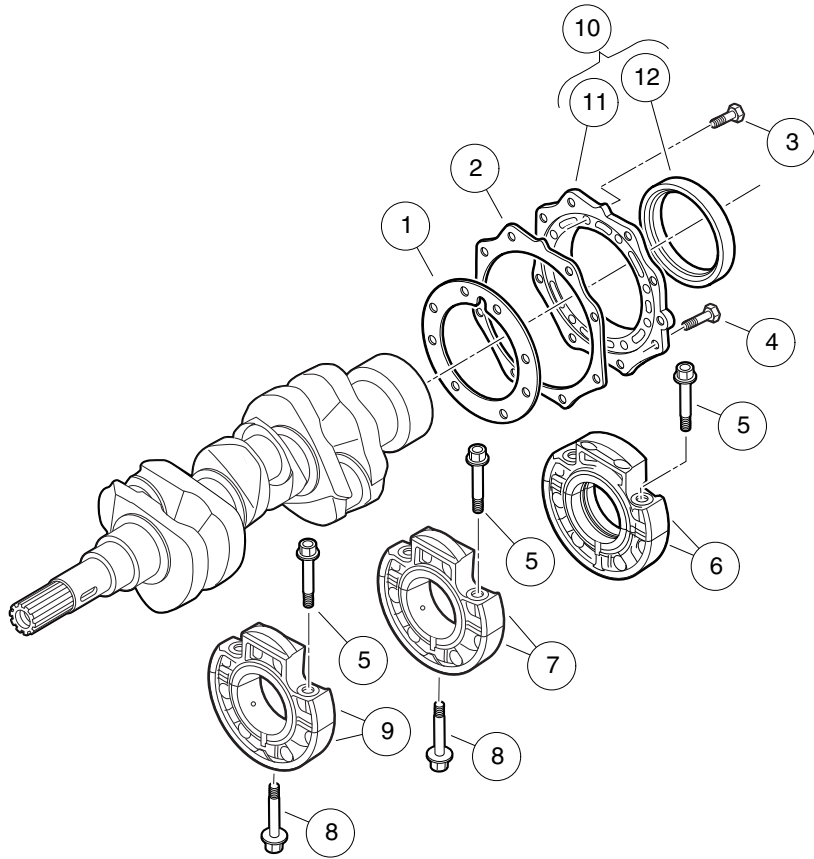
ITEM	PART NO.	DESCRIPTION	QTY
		1 2 3 4	
1	<u>102606201</u>	Nut, Flange, D722 Oil Pump	1
2	<u>102606301</u>	Gear, Oil Pump Drive	1
3	<u>102606401</u>	Key, Feather, 8x4	1
4	<u>102606501</u>	Assy, Pump, Oil	1
5	<u>102606601</u>	Gasket, Oil Pump	1
6	<u>102727901</u>	Bolt, Oil Pump	3

8

D

8

D



000046-001

MAIN BEARING CASE

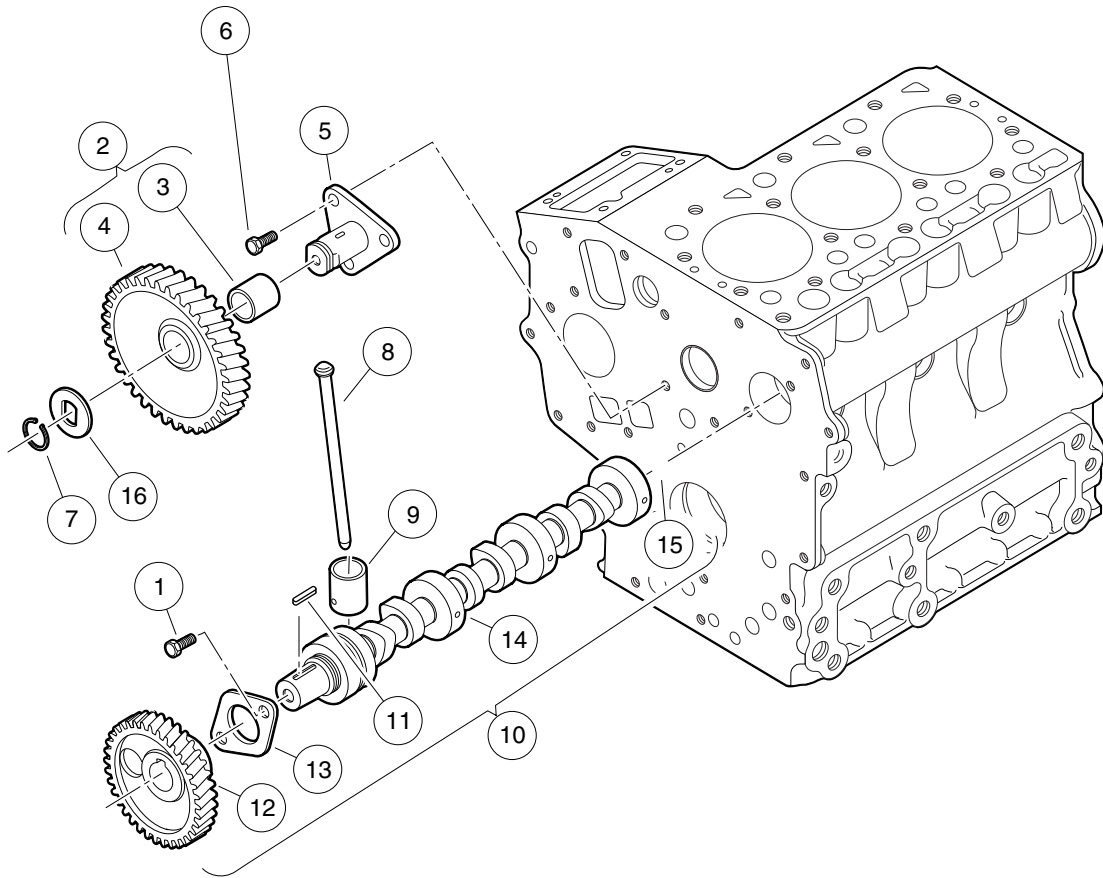
ITEM	PART NO.	DESCRIPTION	QTY
		1 2 3 4	
1	<u>102608201</u>	Gasket, Bearing Case	1
2	<u>102608301</u>	Gasket, Cover	1
3	<u>102608601</u>	Bolt, M6 X 1 X 20	8
4	<u>102608701</u>	Bolt, M6 X 1 X 22	8
5	<u>102608901</u>	Bolt, Bearing Case, Top	6
6	<u>102609101</u>	Assy Case, Main Brg, First	1
7	<u>102609301</u>	Assy Case, Main Brg, Sec	1
8	<u>102609401</u>	Bolt, Bearing Case, Bottom	2
9	<u>102609601</u>	Assy Case, Main Brg, Third	1
10	<u>102728001</u>	Assy, Cover, Bearing Case (includes items 11 and 12)	1
11	<u>102608401</u>	Cover, Bearing Case	1
12	<u>102608501</u>	Seal, Oil	1

8

D

8

D



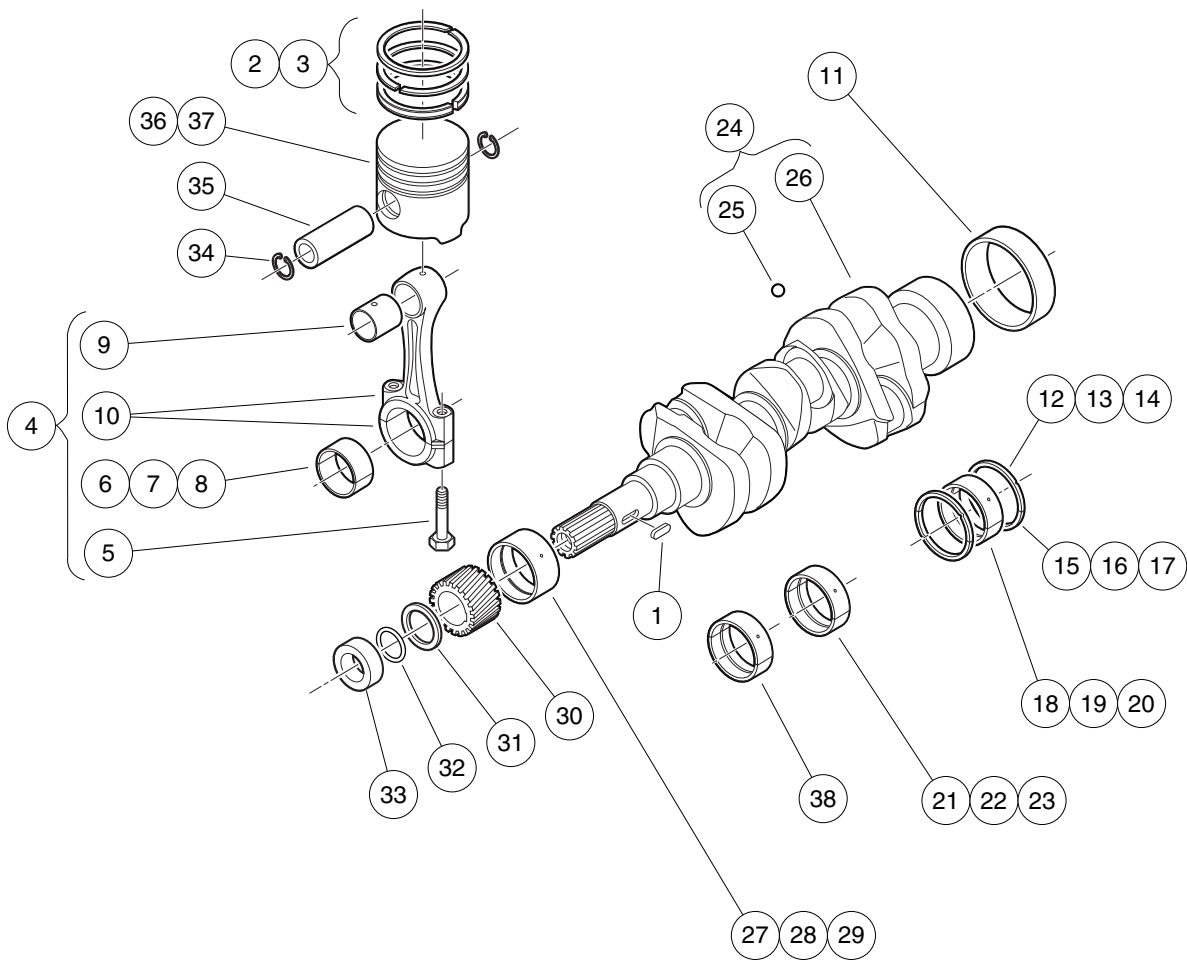
000047-002

CAMSHAFT AND IDLE GEAR

ITEM	PART NO.	DESCRIPTION	QTY
		1 2 3 4	
1	<u>102604201</u>	Bolt, D722, Cam End	2
2	<u>102604901</u>	Gear, Idle (includes items 3 and 4)	1
3	<u>102603201</u>	Bushing, D722 Idle Gear	1
4	N/A	Gear, Idle	1
5	<u>102605001</u>	Shaft, Idle Gear	1
6	<u>102605101</u>	Bolt, M6 X 1 X 14	3
7	<u>102605301</u>	Ring, Snap	1
8	<u>102605401</u>	Push Rod	6
9	<u>102605501</u>	Tappet	6
10	<u>102605801</u>	Assy Camshaft, Long (includes items 11 through 15)	1
11	<u>102605601</u>	Key, Feather, Long Camshaft	1
12	<u>102605901</u>	Gear, Cam	1
13	<u>102606001</u>	Stopper, Camshaft	1
14	N/A	Camshaft	1
15	<u>102799401</u>	Ball, Check	1
16	<u>102654401</u>	Collar, Idle Gear	1

8

D



000048-001

PISTON AND CRANKSHAFT

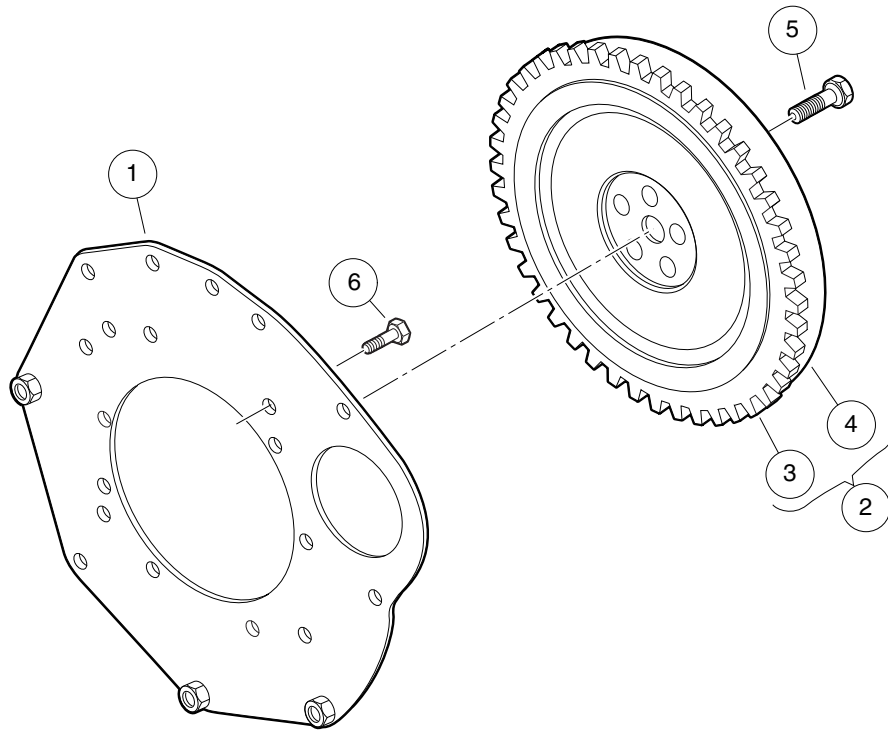
ITEM	PART NO.	DESCRIPTION	QTY
		1 2 3 4	
1	<u>102604401</u>	Key, Feather, Short Camshaft	1
2	<u>102607601</u>	Assy Piston Ring, D722 Std	3
3	<u>102607602</u>	Assy Piston Ring, D722 +.025	3
4	<u>102607801</u>	Assy, Connecting Rod (includes items 5 through 10)	3
5	<u>102607901</u>	Bolt, Connecting Rod	6
6	<u>102630701</u>	Metal, Crank, Rod, D722, Std	3
7	N/A	Metal, Crank, Rod, D722, .020	3
8	<u>102630703</u>	Metal, Crank, Rod, D722, .040	3
9	<u>102732201</u>	Bushing, Piston Pin, D722	3
10	N/A	Rod, Connecting	1
11	<u>102608101</u>	Sleeve, Crankshaft	1
12	<u>102608801</u>	Metal,crank, O Side, Std	2
13	N/A	Metal,crank, O Side, +.020	2
14	<u>102608803</u>	Metal,crank, O Side, +.040	2
15	<u>102608804</u>	Metal,crank, I Side, Std	2
16	N/A	Metal,crank, I Side, +.020	2
17	<u>102608806</u>	Metal,crank, I Side, +.040	2
18	<u>102609001</u>	Metal, Crank, Main, Rear Std	1
19	N/A	Metal, Crank, Main, Rear -.020	1
20	<u>102609003</u>	Metal, Crank, Main, Rear -.040	1
21	<u>102609801</u>	Metal, Crank, Main, Mid Std	4
22	N/A	Metal, Crank, Main, Mid +.020	2
23	<u>102609803</u>	Metal, Crank, Main, Mid +.040	2
24	<u>102610001</u>	Crankshaft (includes items 25 and 26)	1
25	<u>102608001</u>	Ball, Crankshaft	3
26	N/A	Crankshaft	1
27	<u>102630001</u>	Metal, Crank, D722, Frnt, Std	1
28	N/A	Metal, Crank, 722, Frnt, -.020	1
29	<u>102630003</u>	Metal, Crank, 722, Frnt, -.040	1
30	<u>102630101</u>	Gear, Crank	1
31	<u>102630201</u>	Slinger, Oil	1
32	<u>102630301</u>	O Ring, 23 X 26	1
33	<u>102630401</u>	Collar, Crankshaft	1
34	<u>102630901</u>	Circlip, Piston Pin	6
35	<u>102631001</u>	Pin, Piston	3
36	<u>102728101</u>	Piston, D722, Std	3
37	<u>102728102</u>	Piston, D722, +0.25	3
38	<u>102728201</u>	Metal, Crankshaft, Brg	1

8

D

8

D



000049-001

FLYWHEEL

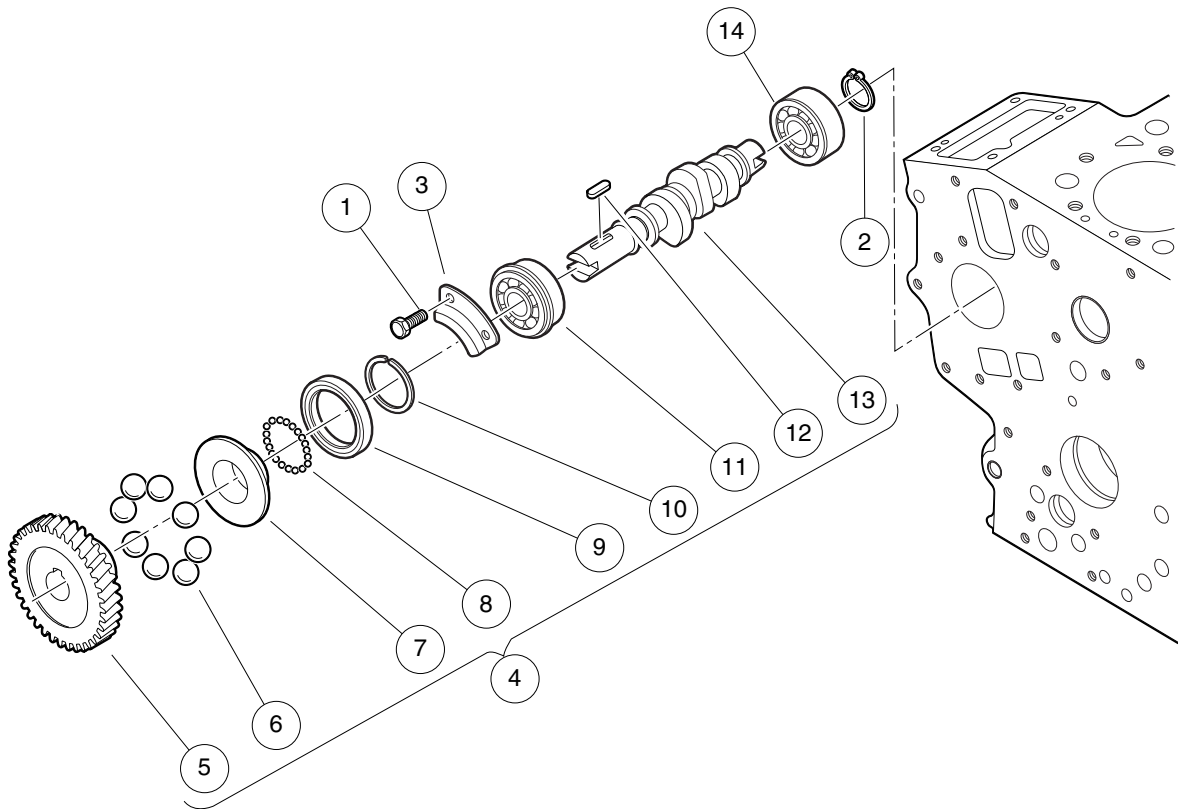
ITEM	PART NO.	DESCRIPTION	QTY
		1 2 3 4	
1	<u>102647501</u>	Plate, Rear End	1
2	<u>102647801</u>	Flywheel (includes items 3 and 4)	1
3	<u>102647901</u>	Gear, Ring, D722	1
4	N/A	Flywheel	1
5	<u>102648001</u>	Bolt, Flange Head, M10 X 1.5 X 25	5
6	<u>102728301</u>	Bolt, End Plate	10

8

D

8

D



000050-001

SHAFT

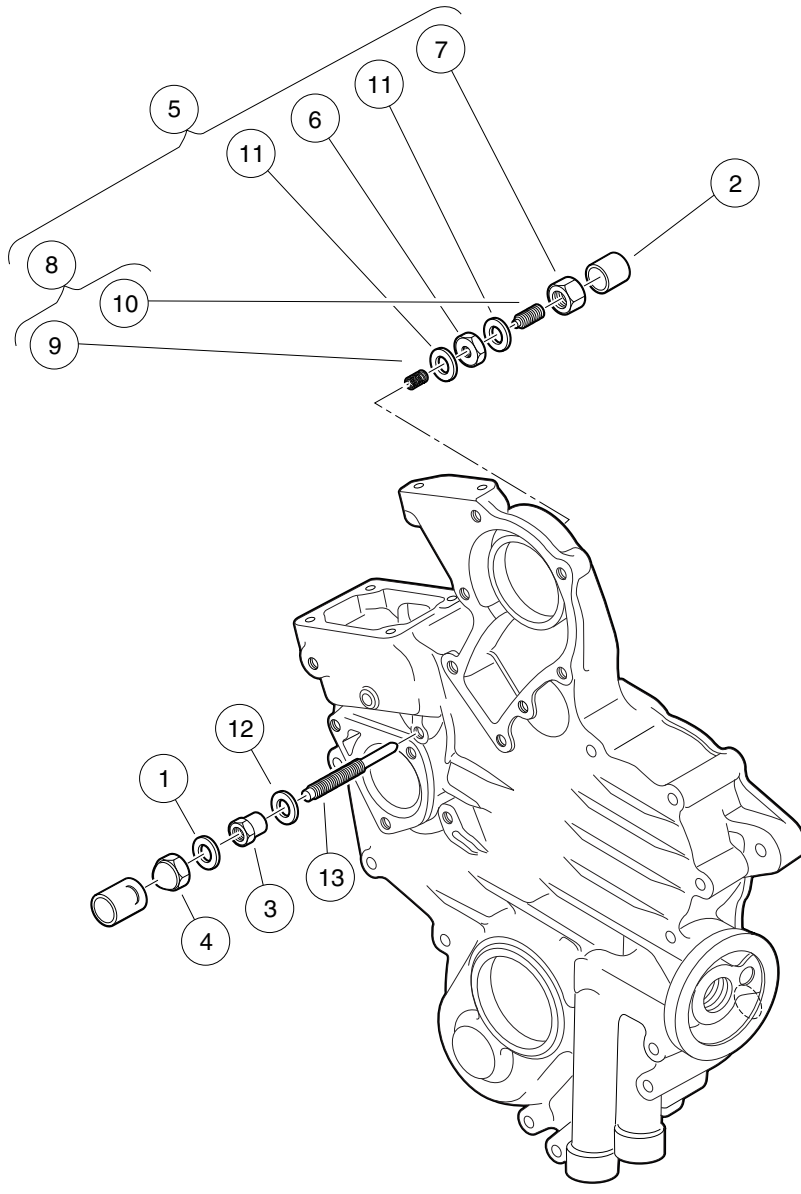
8

D

ITEM	PART NO.	DESCRIPTION	QTY
		1 2 3 4	
1	<u>102604201</u>	Bolt, D722, Cam End	2
2	<u>102604701</u>	Circlip, External	1
3	N/A	Stopper, Fuel, C/shaft	1
4	<u>102728401</u>	Assy, Fuel Camshaft (includes items 5 through 13)	1
5	<u>102603601</u>	Gear, Injection Pump	1
6	<u>102603701</u>	Ball, Injection Pump	8
7	<u>102603801</u>	Sleeve, Governor	1
8	<u>102603901</u>	Ball, Governor	32
9	<u>102604001</u>	Case, Governor Ball	1
10	<u>102604101</u>	Circlip	1
11	<u>102604301</u>	Bearing, Ball	1
12	<u>102604401</u>	Key, Feather, Short Camshaft	1
13	<u>102604501</u>	Camshaft, Fuel, Short	1
14	<u>102728501</u>	Bearing, Ball	1

8

D



000051-001

IDLE APPARATUS

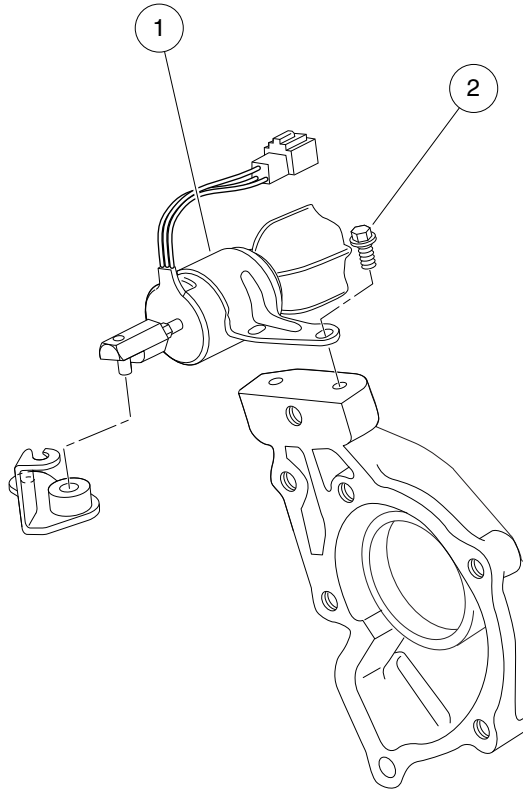
ITEM	PART NO.	DESCRIPTION	QTY
		1 2 3 4	
1	<u>102635301</u>	Gasket, 6 X 10	1
2	<u>102635701</u>	Cap, Bolt Assy	1
3	<u>102637001</u>	Nut, Lock, Special	1
4	<u>102637101</u>	Nut, Special	1
5	<u>102728601</u>	Assy, Idle Apparatus (includes items 6 through 11)	1
6	<u>102635501</u>	Nut, M8, D722 Idle App, Specl	1
7	<u>102635801</u>	Nut, M8, D722 Idle App	1
8	<u>102635901</u>	Assy, Bolt, Adjusting (includes items 9 and 10)	1
9	<u>102728701</u>	Spring, Idle Apparatus	1
10	N/A	Stud, Idle Adjustment	1
11	<u>102728801</u>	Gasket, Idle Apparatus, Rear	2
12	<u>102728901</u>	Gasket, Idle Apparatus, Front	1
13	<u>102799501</u>	Bolt, Idle Adjusting	1

8

D

8

D



000052-001

STOP SOLENOID

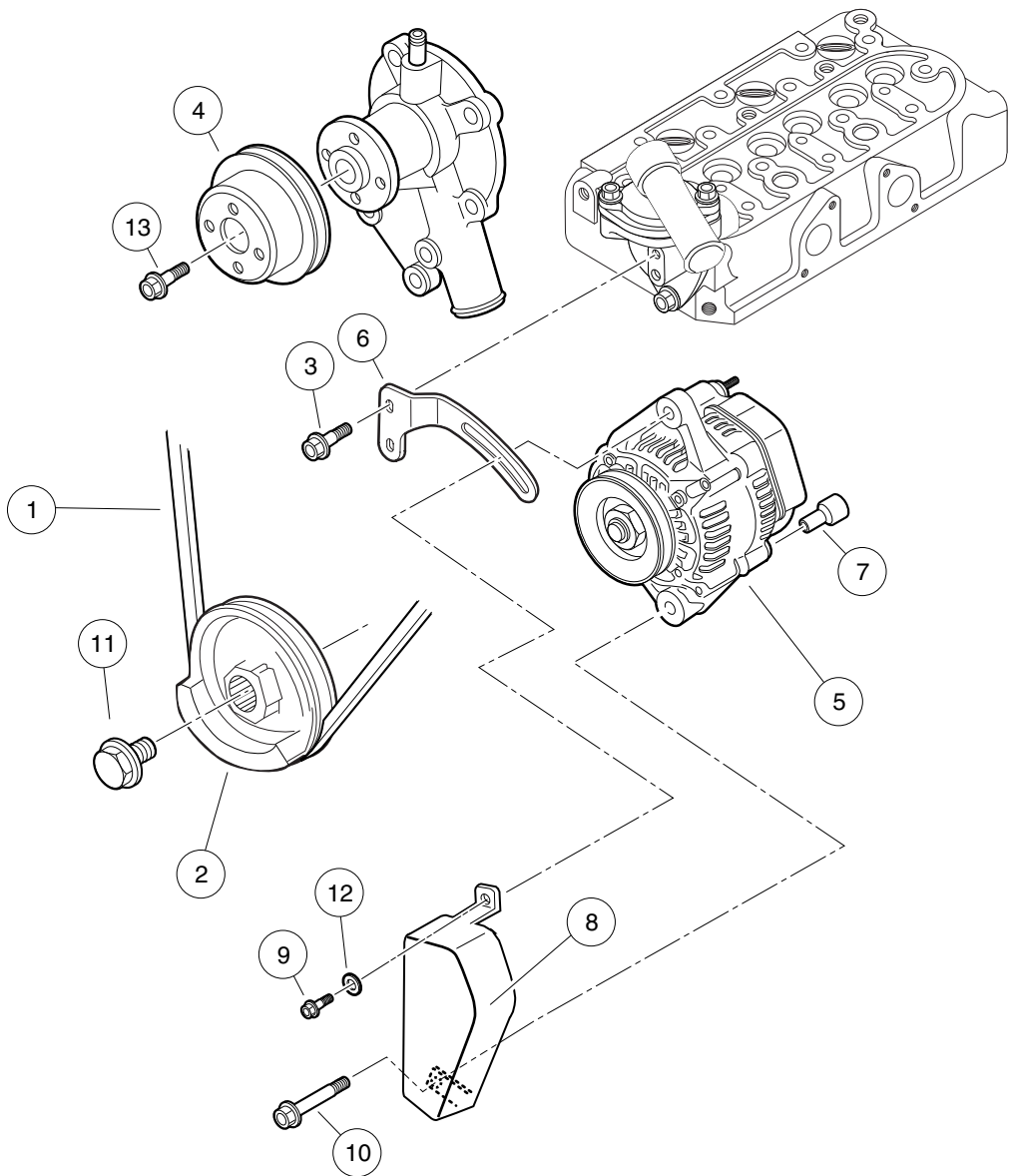
ITEM	PART NO.	DESCRIPTION	QTY
1	102729001	1 2 3 4 Solenoid, Stop, D722	1
2	<u>102729101</u>	Bolt, Solenoid, Stop, D722	2

8

D

8

D



000057-001

ALTERNATOR (DIESEL VEHICLES)

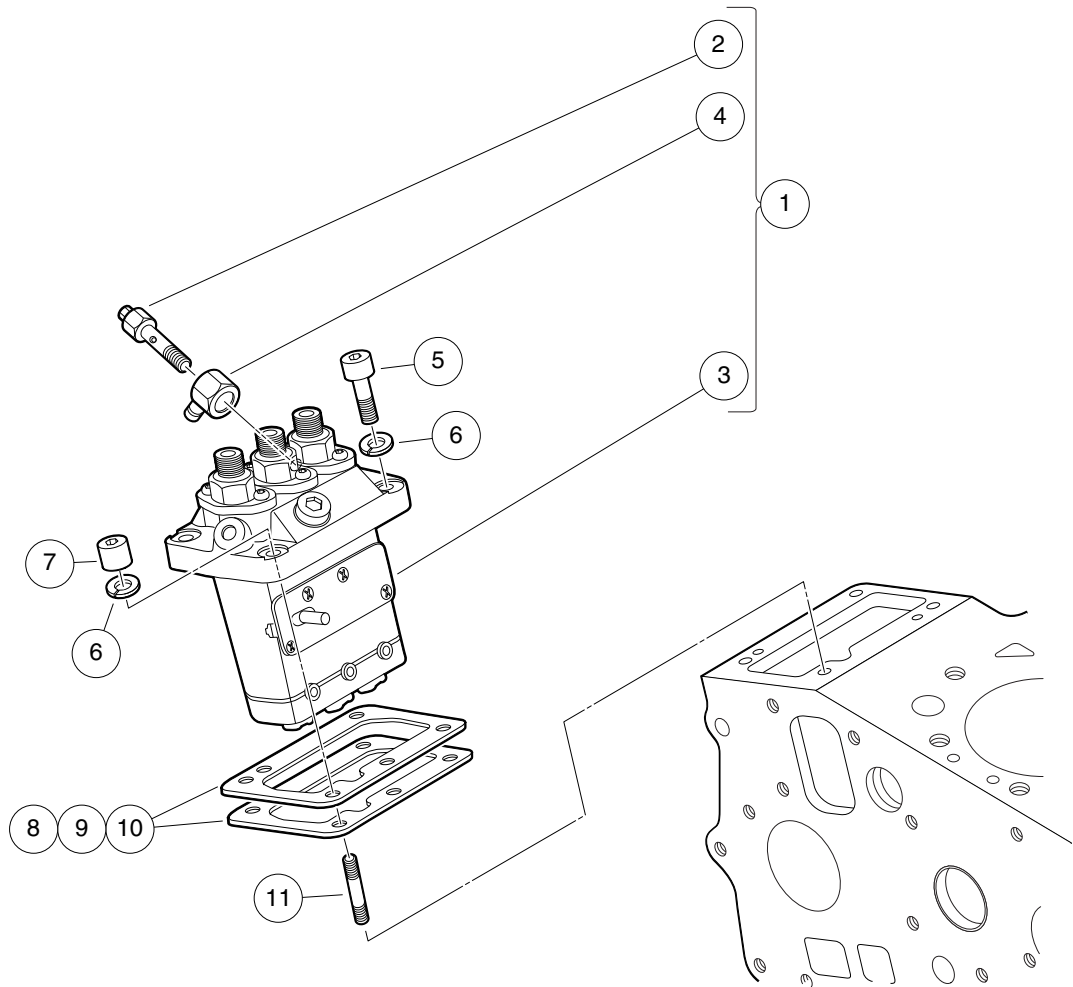
ITEM	PART NO.	DESCRIPTION	QTY
		1 2 3 4	
1	<u>102601101</u>	V-Belt	1
2	<u>102630601</u>	Pulley, Fan Drive	1
3	<u>102631601</u>	Bolt, M6 X 1 X 20	2
4	<u>102701201</u>	Pulley, Water Pump	1
5	<u>102730001</u>	Alternator, 40-Amp	1
6	<u>102730101</u>	Stay, Alternator Assy, D722	1
7	<u>102730201</u>	Collar, Alternator Assy, D722	1
8	<u>102730301</u>	Cover, Alternator Assy, D722	1
9	<u>102730401</u>	Bolt, Alt, D722, Adjuster	1
10	<u>102730501</u>	Bolt, Alt, D722, Pivot	1
11	<u>102730601</u>	Bolt, Alt, D722, Drive Pulley	1
12	<u>102730701</u>	Washer, Alt, D722	1
13	<u>102731301</u>	Bolt, D722, Drive Pulley	4

8

D

8

D



000053-001

INJECTION PUMP

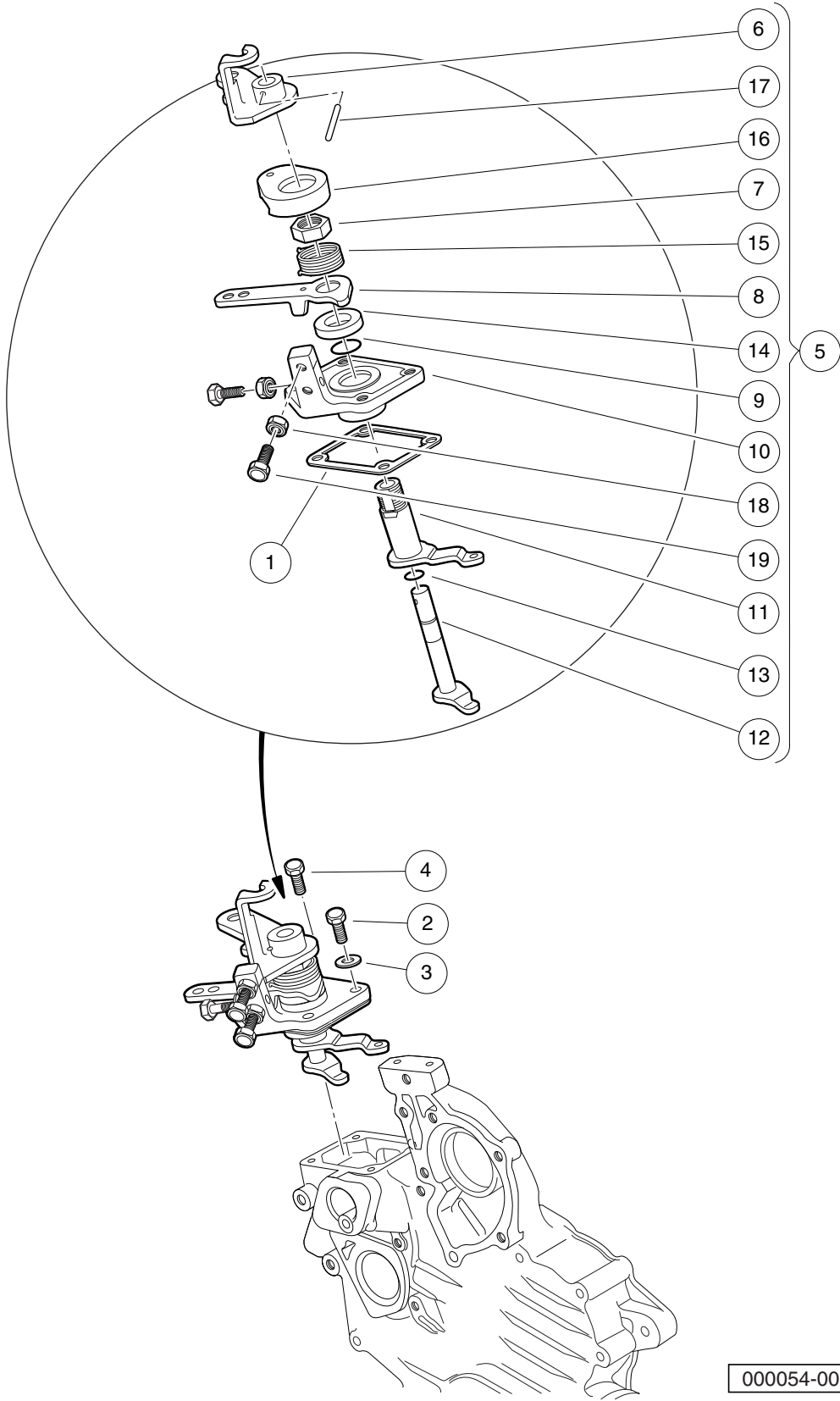
ITEM	PART NO.	DESCRIPTION	QTY
		1 2 3 4	
1	<u>102637301</u>	Assy Pump, Injection (includes items 2 through 4)	1
2	<u>102637701</u>	Screw, Hollow, D722, Inj Pump	1
3	<u>102640401</u>	Joint, Eye	1
4	N/A	Pump, Injection	1
5	<u>102640501</u>	Bolt, Hex-Head, M5 X 0.75 X	2
6	<u>102640601</u>	Washer, Spring, M6, D722	4
7	<u>102640701</u>	Nut, Special	2
8	<u>102640901</u>	Shim, Injection Pump, 0.20 mm	1
9	<u>102641001</u>	Shim, Injection Pump, 0.25 mm	1
10	<u>102641101</u>	Shim, Injection Pump, 0.30 mm	1
11	<u>102641201</u>	Stud, M5 X 25	2

8

D

8

D



000054-001

SPEED CONTROL PLATE

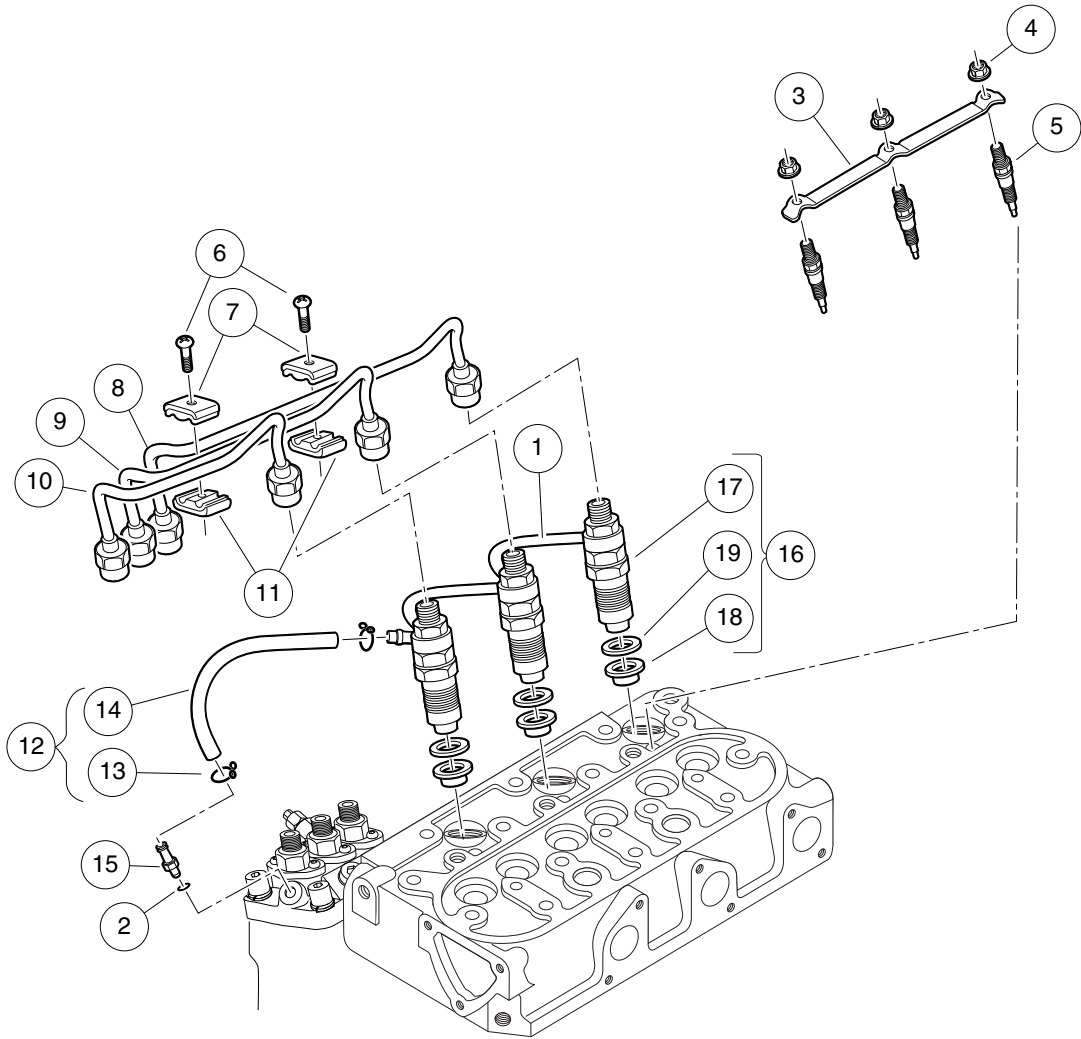
ITEM	PART NO.	DESCRIPTION	QTY
		1 2 3 4	
1	<u>102634501</u>	Gasket, Control Plate	1
2	<u>102635201</u>	Bolt, M6 X 1 X 30	2
3	<u>102635301</u>	Gasket, 6 X 10	2
4	<u>102654301</u>	Bolt, D722 Intake Manfld Lower	2
5	<u>102701401</u>	Assy, Governor (includes items 6 through 19)	1
6	<u>102633701</u>	Lever, Engine Stop	1
7	<u>102633801</u>	Nut, Speed Control	1
8	<u>102633901</u>	Lever, Speed Control	1
9	<u>102634001</u>	O Ring, 19 X 16	1
10	<u>102634101</u>	Plate, Speed Control	1
11	<u>102634201</u>	Lever, Governor	1
12	<u>102634301</u>	Shaft, Lever	1
13	<u>102634401</u>	O Ring, 9 X 7	1
14	<u>102634601</u>	Collar, Lever	1
15	<u>102634701</u>	Spring, Return	1
16	<u>102729401</u>	Cap, Speed Cntrl Plate Rtrn	1
17	<u>102729501</u>	Pin, Spring, Speed Plate	1
18	N/A	Nut, Speed Control	2
19	N/A	Bolt, Speed Control	2

8

D

8

D



000055-001

NOZZLE HOLDERS AND GLOW PLUGS

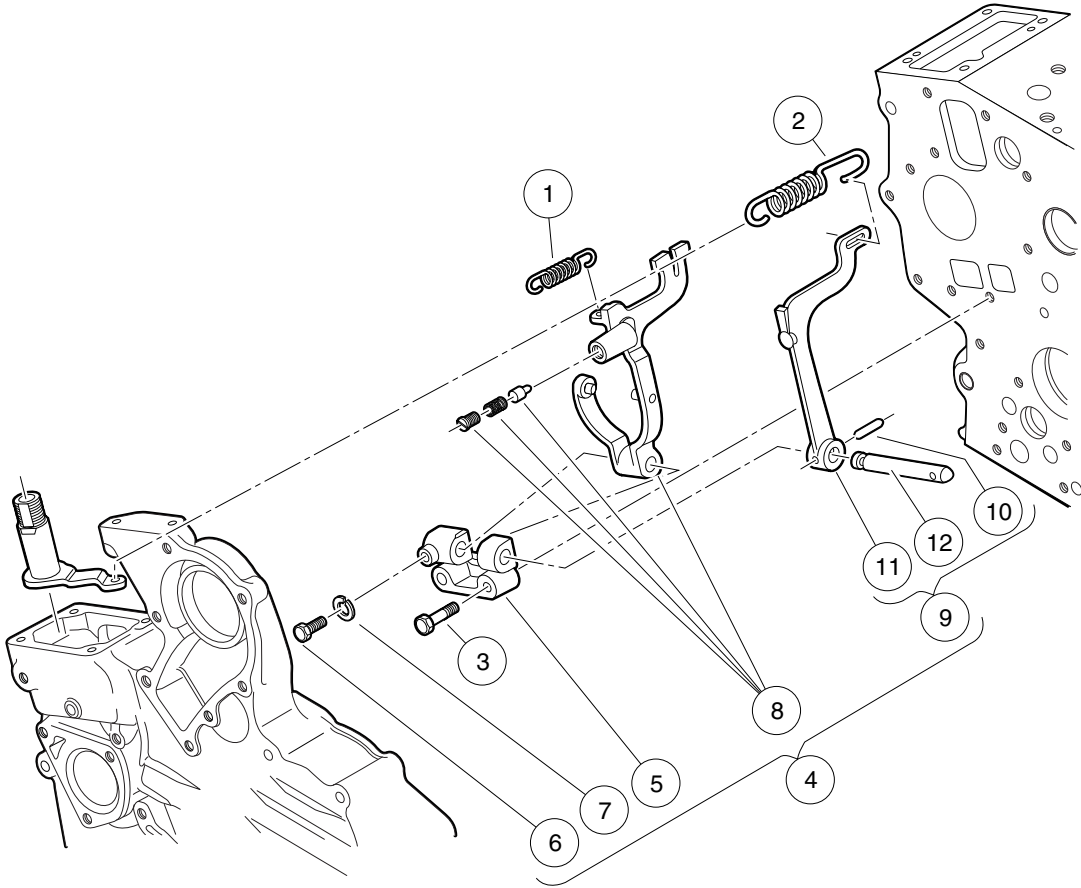
ITEM	PART NO.	DESCRIPTION	QTY
		1 2 3 4	
1	<u>102605701</u>	Assy Pipe, D722 Fuel Over Flow	1
2	<u>102635301</u>	Gasket, 6 X 10	1
3	<u>102642401</u>	Cord, Glow Plug	1
4	<u>102642501</u>	Nut, Flange,m4	3
5	<u>102642601</u>	Glow Plug	3
6	<u>102642801</u>	Screw, Washer	2
7	<u>102642901</u>	Clamp, Pipe, Top	2
8	<u>102643001</u>	Pipe, Injection, Left	1
9	<u>102643101</u>	Pipe, Injection, Right	1
10	<u>102643201</u>	Pipe, Injection, Middle	1
11	<u>102643301</u>	Clamp, Pipe, Bottom	2
12	<u>102643401</u>	Assy Pipe, Over Flow (includes items 13 and 14)	1
13	<u>102729601</u>	Clip, Pipe, Return	2
14	N/A	Hose, Overflow	1
15	<u>102643701</u>	Screw, Air Bleeder	1
16	<u>102729701</u>	Kit, Holder, Nozzle (includes items 17 through 19)	3
17	<u>102641501</u>	Assembly, Nozzle Holder	3
18	<u>102642701</u>	Seal, Heat	3
19	<u>102643601</u>	Gasket, Nozzle	3

8

D

8

D



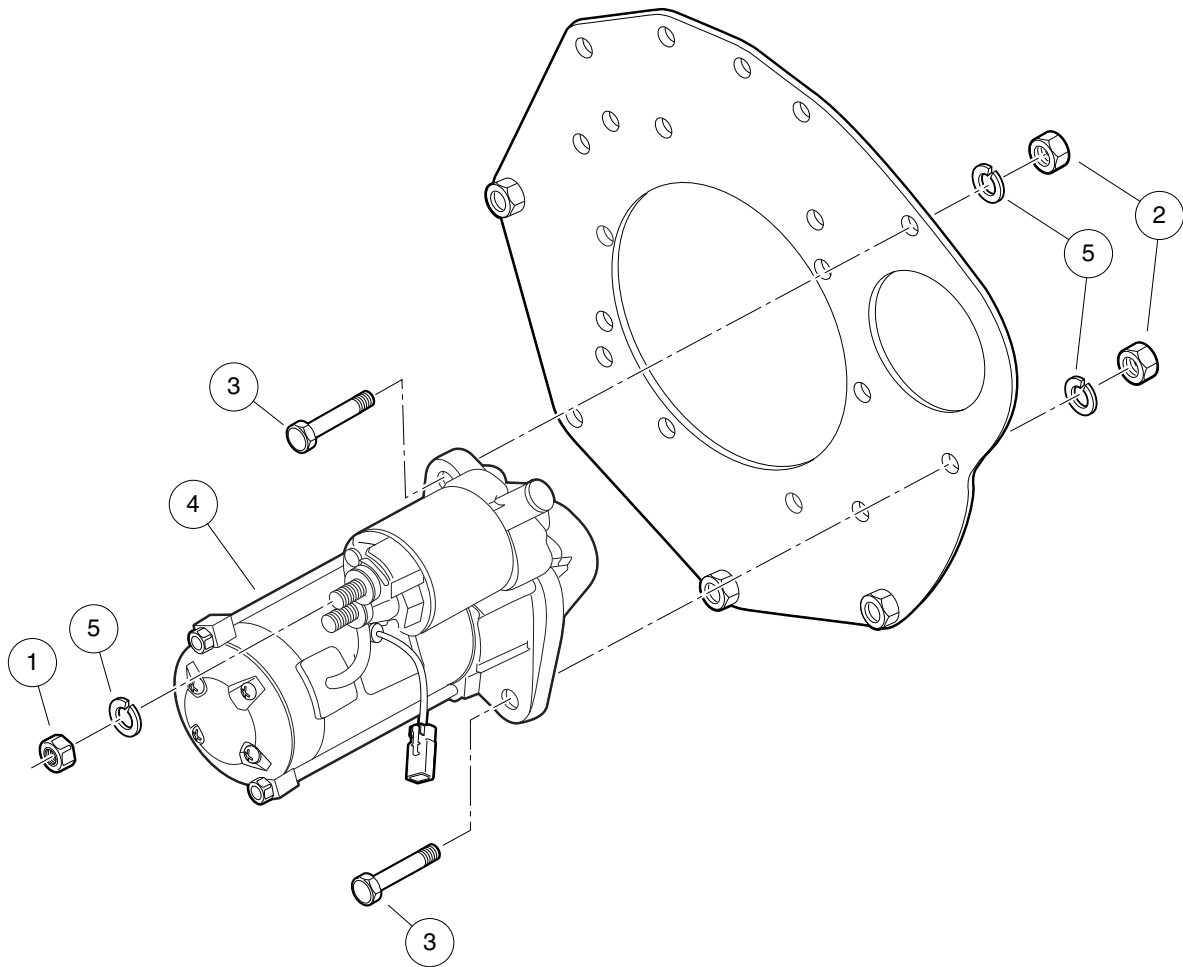
000056-001

GOVERNOR COMPONENTS

ITEM	PART NO.	DESCRIPTION	QTY
		1 2 3 4	
1	<u>102634901</u>	Spring, Start	1
2	<u>102635101</u>	Spring, Governor	1
3	<u>102636301</u>	Bolt, M5 X 0.75 X 25	2
4	<u>102729801</u>	Assembly, Governor Fork Level (includes items 5 through 9)	1
5	<u>102636201</u>	Holder, Fork Lever	1
6	<u>102636401</u>	Bolt, M5 X 0.75 X 11	1
7	<u>102636501</u>	Washer, Spring, M5	1
8	<u>102701801</u>	Lever, Fork, Middle	1
9	<u>102729901</u>	Assembly, Governor Fork Level, Lower (includes items 10 through 12)	1
10	<u>102633601</u>	Pin, Spring	1
11	<u>102636101</u>	Lever, Fork, End	1
12	<u>102636601</u>	Shaft, Fork Lever	1

8

D



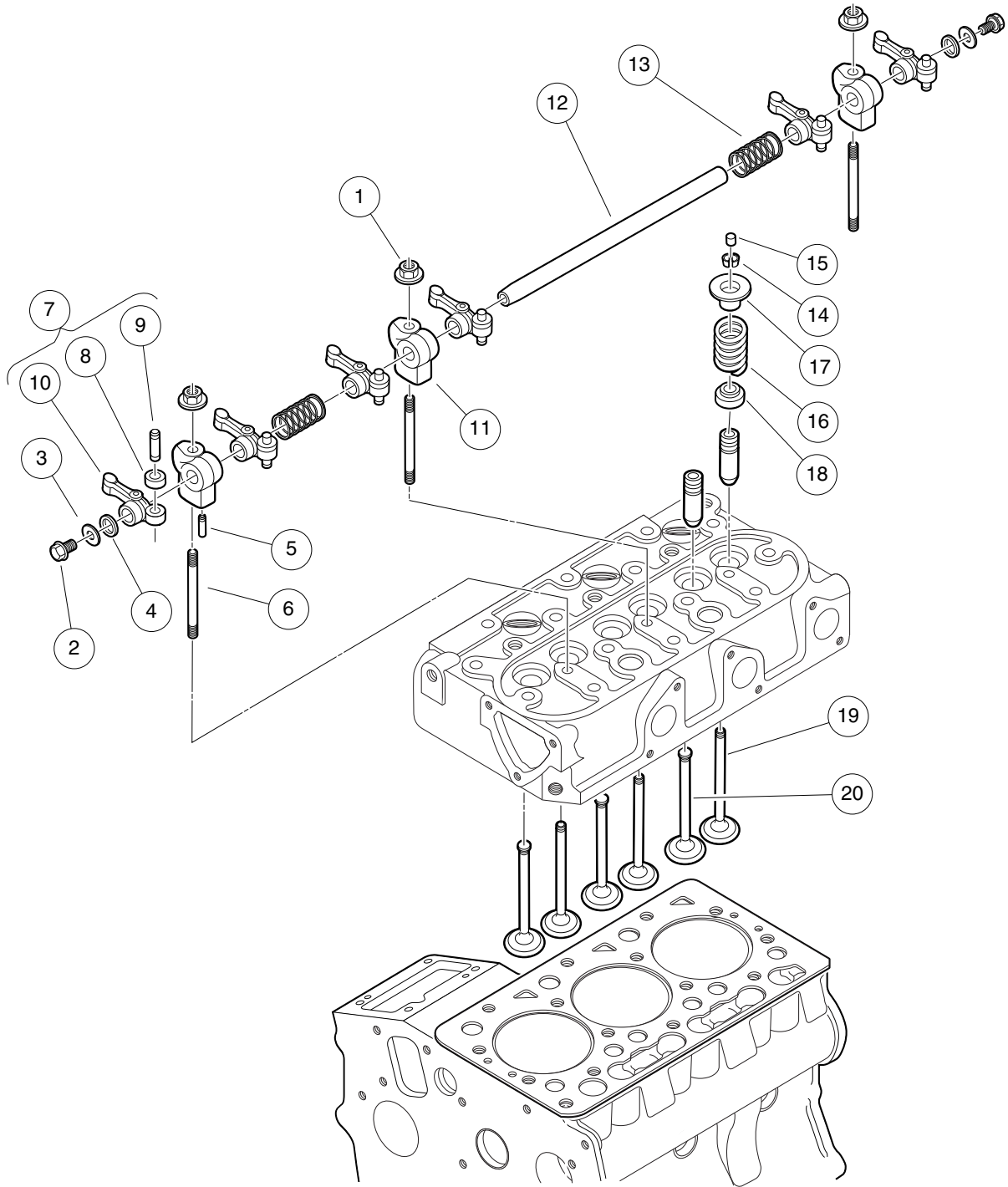
000058-001

STARTER

ITEM	PART NO.	DESCRIPTION	QTY
		1 2 3 4	
1	<u>102645501</u>	Nut, D722, Starter	2
2	<u>102647701</u>	Nut, M8, Plate	2
3	<u>102648401</u>	Bolt, M8 X 1.25 X 28	2
4	<u>102648501</u>	Motor, Starter	1
5	<u>102732501</u>	Washer, Spring, D722, Starter	4

8

D



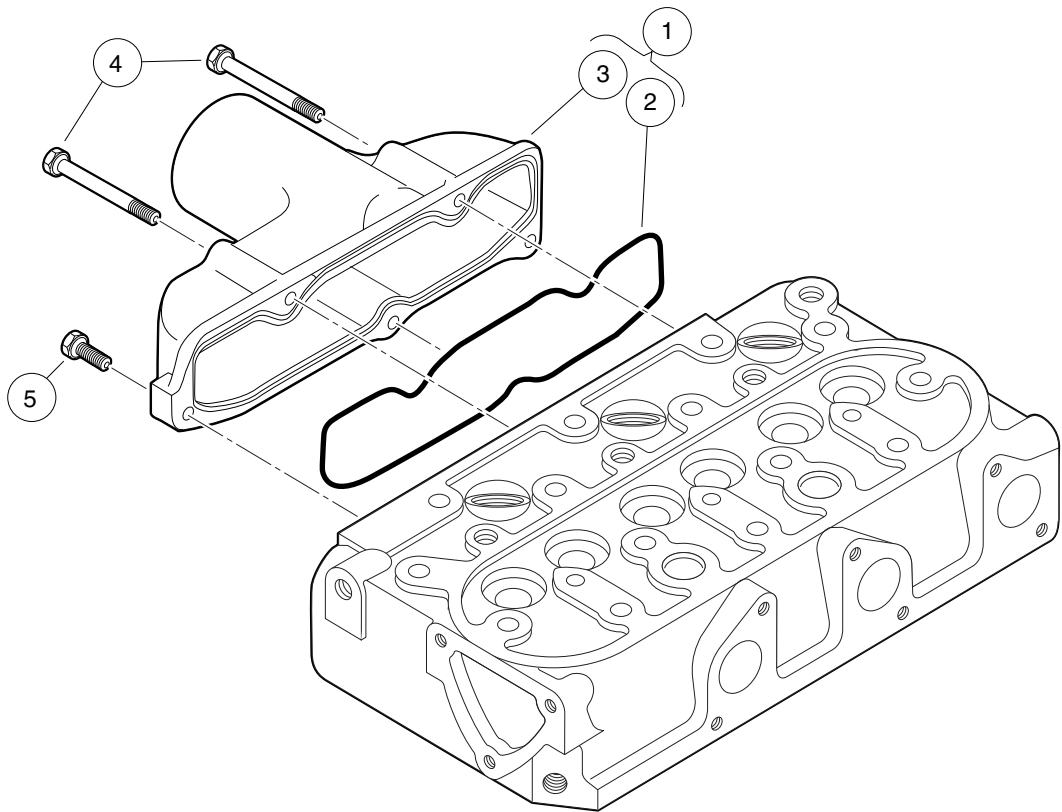
000062-001

VALVES AND ROCKER ARMS

ITEM	PART NO.	DESCRIPTION	QTY
		1 2 3 4	
1	<u>102632001</u>	Nut, Flange, M6	3
2	<u>102646401</u>	Bolt, M6 X 1 X 8	2
3	<u>102651301</u>	Washer, D722, Plain, Rocker	2
4	<u>102651601</u>	Washer, Rocker Arm	2
5	<u>102651801</u>	Pin, Spring, D722, Rocker	1
6	<u>102651901</u>	Stud, Rocker Arm	3
7	<u>102652001</u>	Assy Rocker Arm (includes items 8 through 10)	6
8	<u>102651501</u>	Nut, M6	6
9	<u>102651701</u>	Screw-Adjusting	6
10	N/A	Arm, Rocker	1
11	<u>102652201</u>	Bracket, Rocker Arm	3
12	<u>102652601</u>	Shaft, Rocker Arm	1
13	<u>102652701</u>	Spring, Rocker Arm	2
14	<u>102652901</u>	Collet, Valve Spring, Set	6
15	<u>102653001</u>	Cap, Valve, D722	6
16	<u>102653101</u>	Spring, Valve	6
17	<u>102653201</u>	Retainer, Spring	6
18	<u>102653301</u>	Seal, Valve Stem	6
19	<u>102653601</u>	Valve, Exhaust	3
20	<u>102653701</u>	Valve, Inlet	3

8

D



000063-001

DIESEL INLET MANIFOLD

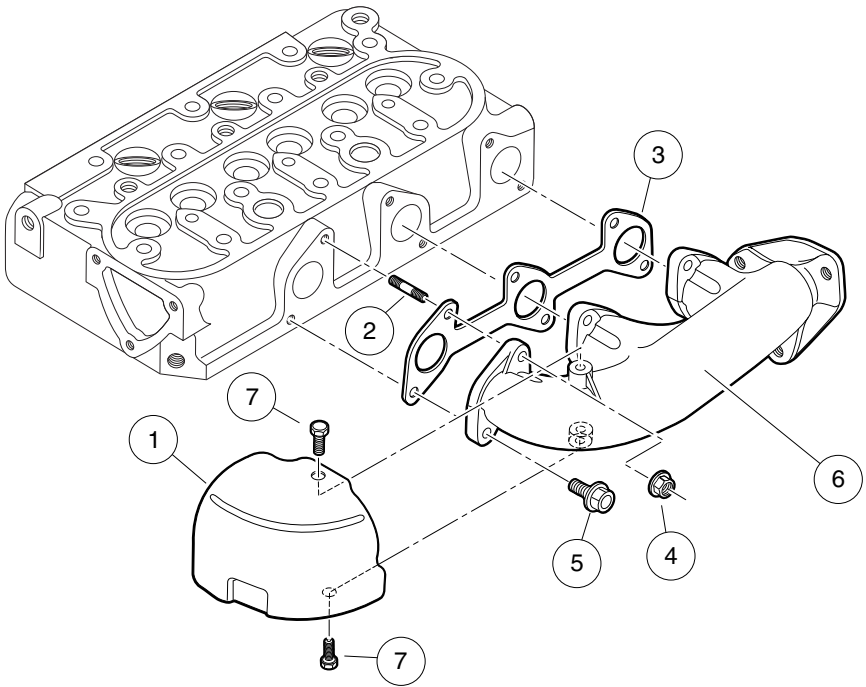
ITEM	PART NO.	DESCRIPTION	QTY
		1 2 3 4	
1	<u>102645801</u>	Assy Manifold, Inlet (includes items 2 and 3)	1
2	<u>102646001</u>	Gasket, Intake Manifold	1
3	N/A	Manifold, Inlet	1
4	<u>102646101</u>	Bolt, M6 X 1 X 45	3
5	<u>102654301</u>	Bolt, D722 Intake Manfld Lower	2

8

D

8

D



000064-001

EXHAUST MANIFOLD

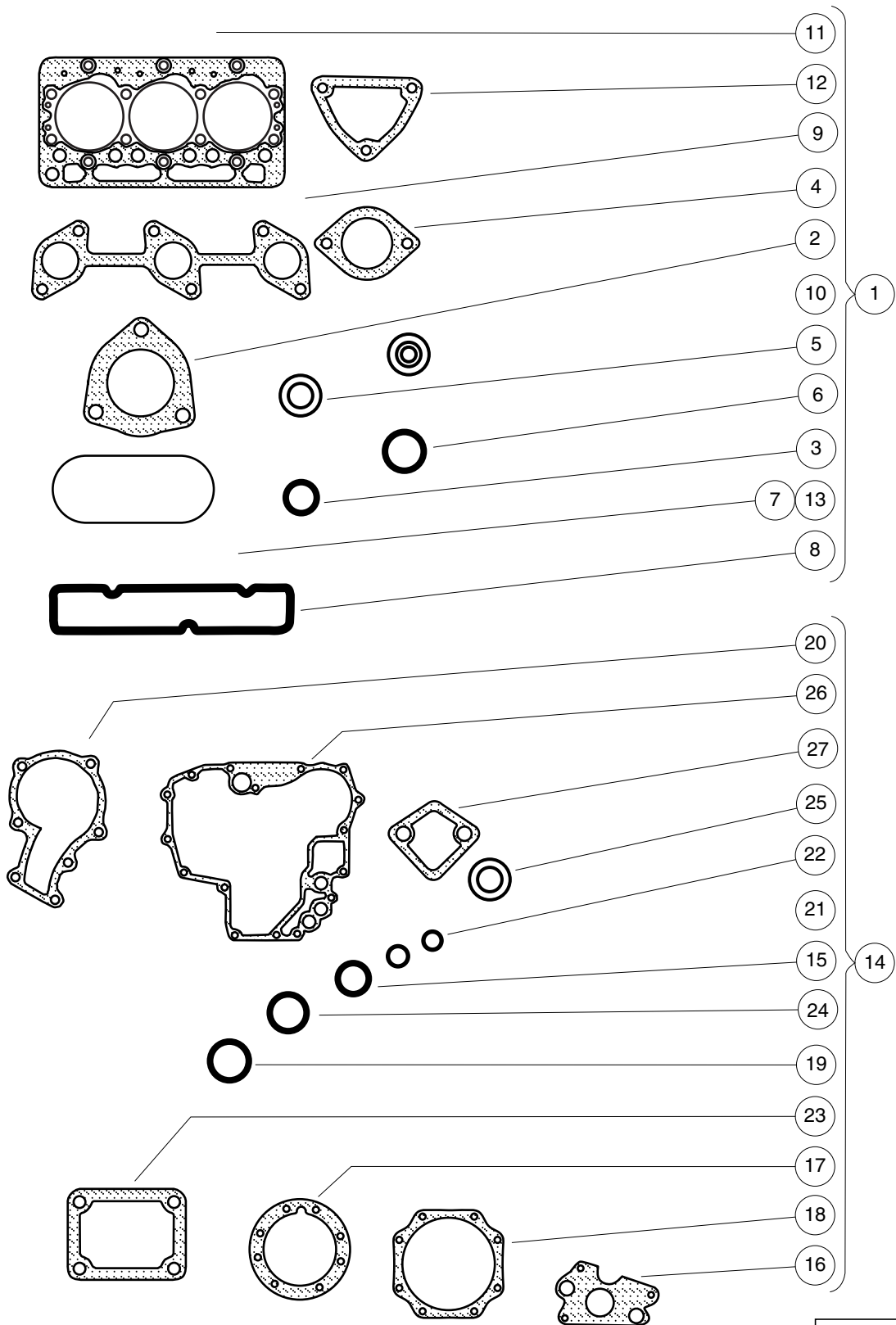
ITEM	PART NO.	DESCRIPTION	QTY
		1 2 3 4	
1	<u>102646301</u>	Cover, Heat Proof	1
2	<u>102646501</u>	Stud, M6 X 26	3
3	<u>102646601</u>	Gasket, Ex-manifold	1
4	<u>102647101</u>	Nut, Flange, M6, Ubs	3
5	<u>102647201</u>	Bolt, Flange Head, M6 X 1 X 16	3
6	<u>102731501</u>	Manifold, Exhaust, D722	1
7	<u>102731601</u>	Bolt, D722, Exhst Manfld Cover	2

8

D

8

D



000065-001

GASKET KITS

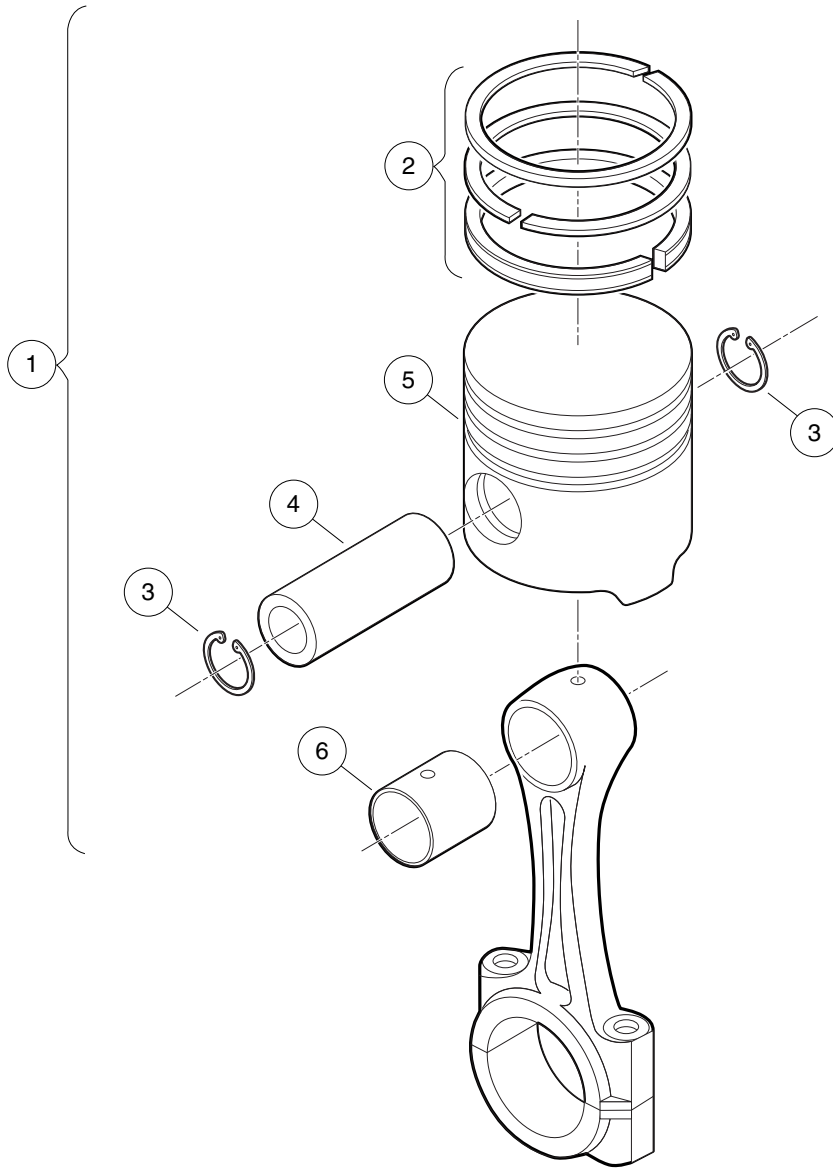
ITEM	PART NO.	DESCRIPTION	QTY
		1 2 3 4	
1	<u>102731801</u>	Kit, Gasket Upper, D722 (includes items 2 through 13)	1
2	<u>102422301</u>	Gasket, Exhaust Diesel	1
3	<u>102600301</u>	O Ring, 8 X 7	1
4	<u>102633401</u>	Gasket, Thermostat	1
5	<u>102635301</u>	Gasket, 6 X 10	3
6	<u>102644001</u>	O Ring, 30 X 36	1
7	<u>102644501</u>	Gasket, Head Cover	1
8	<u>102646001</u>	Gasket, Intake Manifold	1
9	<u>102646601</u>	Gasket, Ex-manifold	1
10	<u>102653301</u>	Seal, Valve Stem	6
11	<u>102654101</u>	Gasket, Cylinder Head	1
12	<u>102654701</u>	Gasket, Water Flange	1
13	<u>102798501</u>	Gasket, Cylinder Head Cover	1
14	<u>102731901</u>	Kit, Gasket Lower, D722 (includes items 15 through 27)	1
15	<u>102601801</u>	O Ring, 18 X 13	3
16	<u>102606601</u>	Gasket, Oil Pump	1
17	<u>102608201</u>	Gasket, Bearing Case	1
18	<u>102608301</u>	Gasket, Cover	1
19	<u>102630301</u>	O Ring, 23 X 26	1
20	<u>102632701</u>	Gasket, Water Pump, D722	1
21	<u>102634001</u>	O Ring, 19 X 16	1
22	<u>102634401</u>	O Ring, 9 X 7	1
23	<u>102634501</u>	Gasket, Control Plate	1
24	<u>102654601</u>	O Ring, 20 X 17	1
25	<u>102728801</u>	Gasket, Idle Apparatus, Rear	2
26	<u>102729301</u>	Gasket, Gearcase, D722	1
27	<u>102732601</u>	Gasket, Fuel Pump, D722	1

8

D

8

D



000066-001

PISTON KIT

ITEM	PART NO.	DESCRIPTION	QTY
		1 2 3 4	
1	<u>102732001</u>	Kit, Piston Rebuild, D722 (includes items 2 through 6)	1
2	<u>102607601</u>	Assy Piston Ring, D722 Std	1
3	<u>102630901</u>	Circlip, Piston Pin	2
4	<u>102631001</u>	Pin, Piston	1
5	<u>102728101</u>	Piston, D722, Std	1
6	<u>102732201</u>	Bushing, Piston Pin, D722	1

8

D

8

D

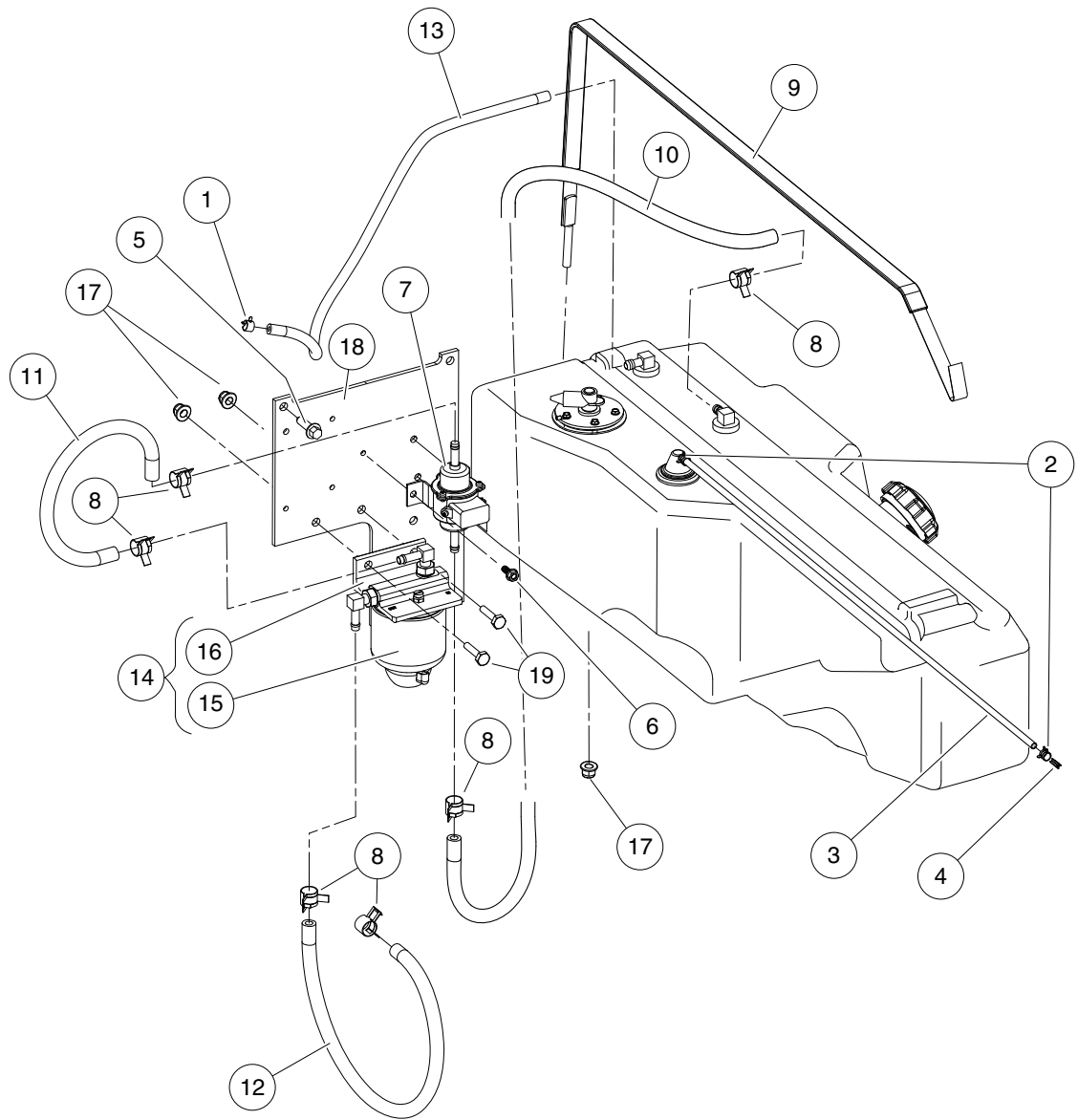
FUEL, INTAKE, AND GOVERNOR SYSTEM

9

D

9

D



000081-005

FUEL SYSTEM – DIESEL VEHICLES

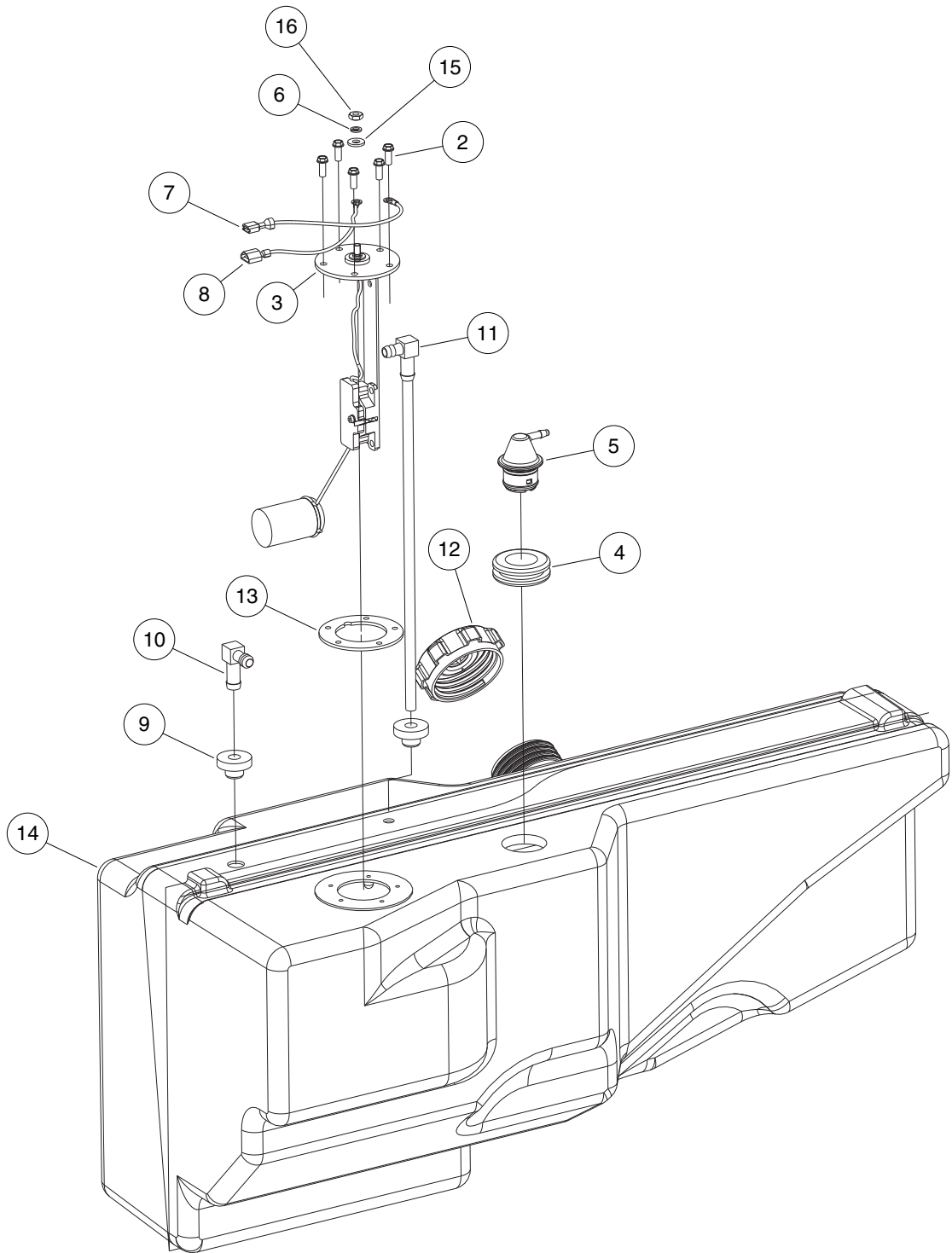
ITEM	PART NO.	DESCRIPTION	QTY
		1 2 3 4	
1	<u>101313402</u>	Clamp, Green Hose	1
2	<u>1013746</u>	Clamp, 0.301 ID Hose	2
3	<u>101587703</u>	Hose, Fuel, Vent, 22" Long	1
4	<u>101824401</u>	Vent Barb	1
5	<u>102289001</u>	Screw, M8X1.25X30, Hex	5
6	<u>102296716</u>	Screw, M6 X 16 Tt Hx Fl Hd	1
7	<u>102410801</u>	Pump, Diesel Fuel Electric	1
8	<u>102411203</u>	Clamp, Hose, Ctb 14mm	5
9	<u>102426301</u>	Strap, Tank, Fuel	1
10	<u>102430001</u>	Hose, Tank To Prefilter Diesel	1
11	<u>102430201</u>	Hose, Fuel Pump To Filter	1
12	<u>102430301</u>	Hose, Fuel Filter To Eng	1
13	<u>102430401</u>	Hose, Fuel Return	1
14	<u>102434601</u>	Filter Assy, Fuel	1
15	<u>102434701</u>	Filter, Fuel	1
16	<u>102434801</u>	Adapter, 90, 5/16 Tube	2
17	<u>102618601</u>	Lock Nut, Flg M8 X 1.25 Nylon	3
18	<u>102710301</u>	Plate, Fuel/Oil System	1
19	<u>96705587</u>	Bolt, M8 X 1.25 X 30	2

9

D

9

D



000082-005

FUEL TANK – DIESEL VEHICLES

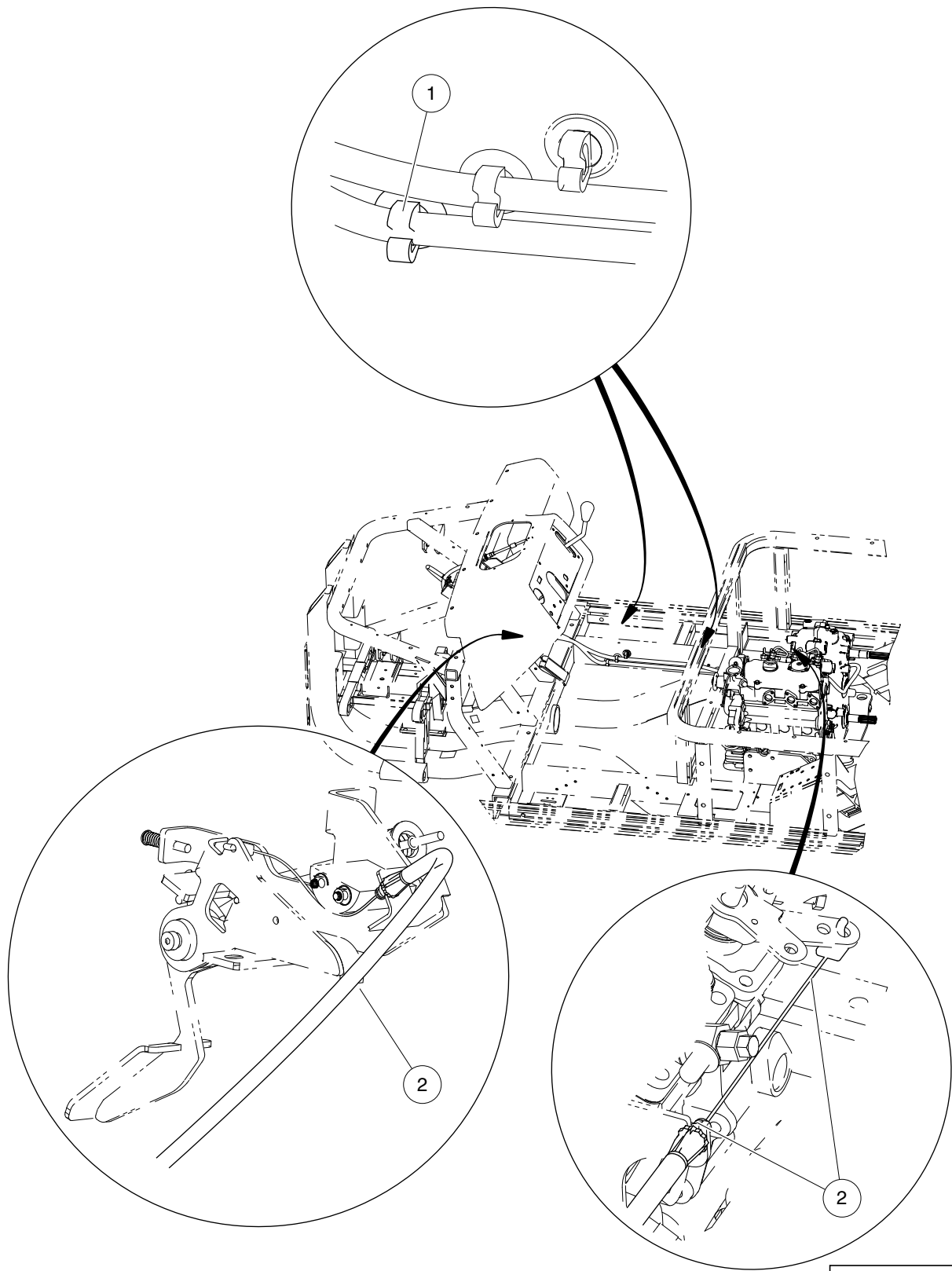
ITEM	PART NO.	DESCRIPTION	QTY
		1 2 3 4	
1	<u>102952101</u>	Asm, Tank, Fuel, Diesel, 4x4 (includes items 2 through 16)	1
2	<u>1013461</u>	Screw, #10-16 Hex-Head Hi-Lo	5
3	<u>1013462</u>	Sending Unit, Fuel Level *	1
4	<u>1015139</u>	Insulation Grommet	1
5	<u>1015143</u>	Vent, Fuel Tank	1
6	<u>1016</u>	Lockwasher, #10 Split	1
7	N/A	Wire Asm, Blk, 170mm	1
8	N/A	Wire Asm, Org, 170mm	1
9	<u>102406701</u>	Bushing, Line, Return	2
10	<u>102406801</u>	Elbow, 90 Barbed	1
11	<u>102478501</u>	Pickup Tube, Fuel	1
12	<u>102494701</u>	Cap, Fuel (Diesel)	1
13	<u>102522001</u>	Gasket, Rubber	1
14	N/A	Tank, Fuel, Diesel, 4x4	1
15	<u>183</u>	Washer, #10 Type A Flat	1
16	<u>8797</u>	Nut, #10-32 Brass Hex	1
<p style="margin-left: 40px;">* Note: Must replace fuel sending unit gasket when servicing this component.</p>			

9

D

9

D



000035-001

ACCELERATOR CABLE, DIESEL VEHICLES

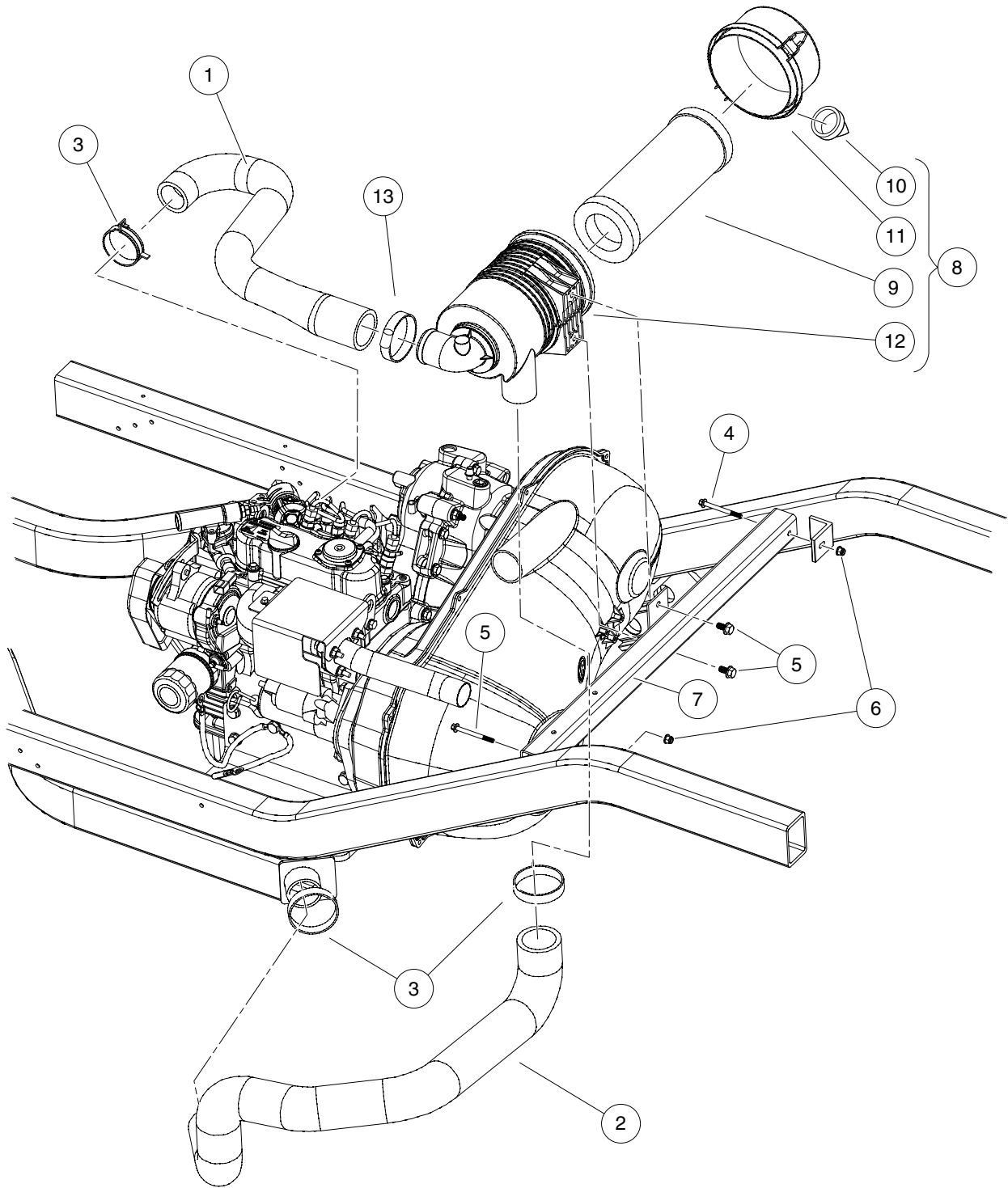
ITEM	PART NO.	DESCRIPTION	QTY
		1 2 3 4	
1	<u>102475701</u>	Clip, Brake Line	2
2	<u>102498801</u>	Cable, Accelerator, Diesel	1

9

D

9

D



000090-002

INTAKE DUCT AND AIR BOX ASSEMBLY – DIESEL VEHICLES

ITEM	PART NO.	DESCRIPTION	QTY
		1 2 3 4	
1	<u>102379001</u>	Hose, Intake, D722	1
2	<u>102395601</u>	Hose, Intake, Primary	1
3	<u>102411209</u>	Clamp, Hose, Ctb 55mm	3
4	<u>102541465</u>	Bolt, M 6 X 1.0 X 65 Hex, Flange, Head, Black	2
5	<u>102621201</u>	Bolt Flanged Head, M8 X1.25x 16 with Loctite	2
6	<u>102621501</u>	Nut Flg, M6 X 1.0 Nylon	2
7	N/A	Weldment, Support, Air Cleaner	1
8	<u>102810701</u>	Filter, Air, Canister, W/labe (includes items 9 through 12)	1
9	<u>102498601</u>	Element, Filter, Air, 5 In	1
10	<u>102725501</u>	Valve, Evacuator, Filter Air	1
11	<u>102725601</u>	Cap, Latch Lock, Filter, Air	1
12	N/A	Body, Canister, Filter, Air	1
13	<u>103441401</u>	Clamp, Worm Screw, Hose, 2"	1

9

D

9

D

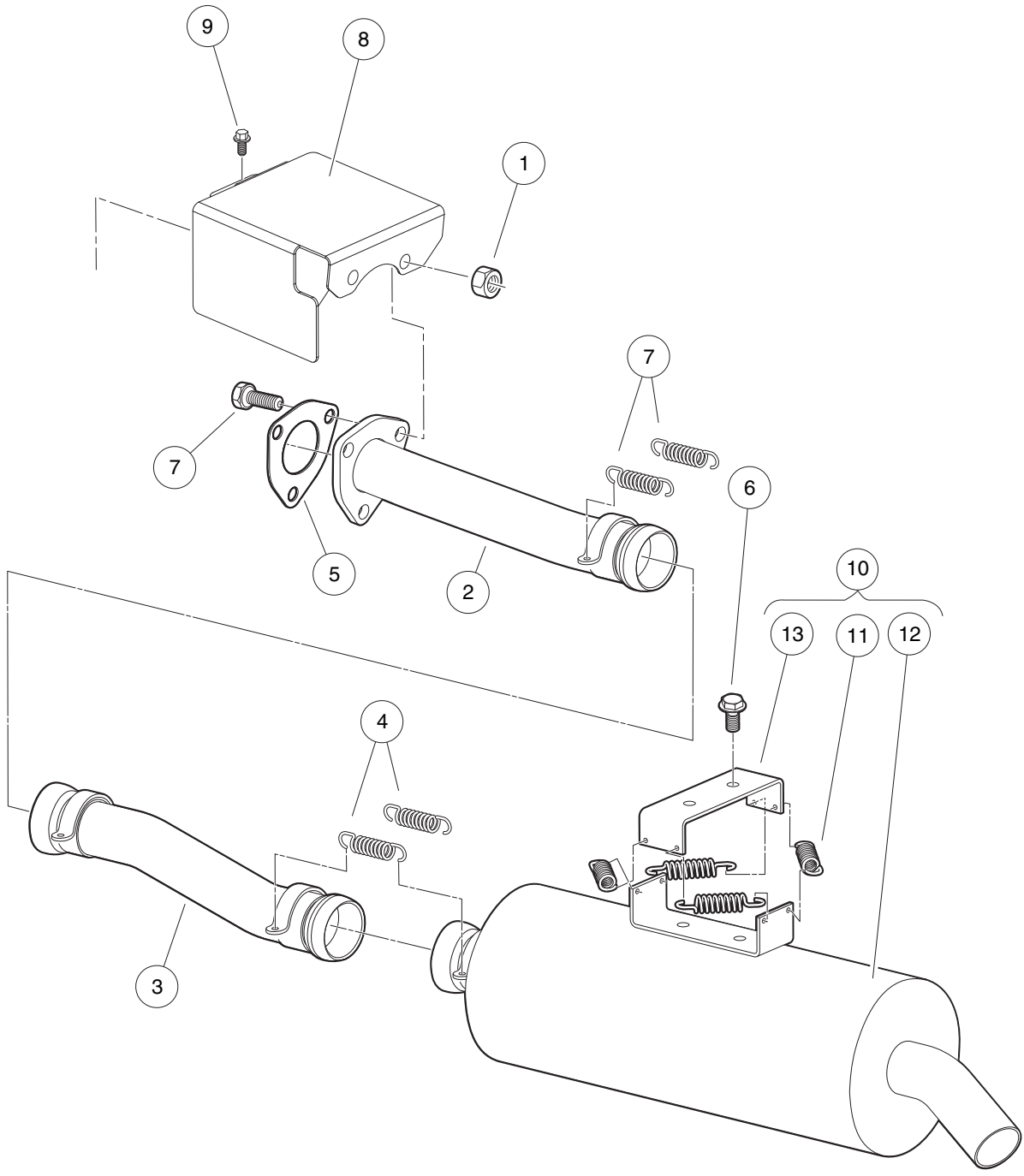
EXHAUST SYSTEM

10

D

10

D



000075-002

EXHAUST SYSTEM, DIESEL VEHICLES

ITEM	PART NO.	DESCRIPTION	QTY
		1 2 3 4	
1	<u>102298401</u>	Nut,m8,all Metal Lock	3
2	<u>102409301</u>	Pipe, Exhaust Diesel Main	1
3	<u>102409401</u>	Pipe, Exhaust Intermediate	1
4	<u>102409501</u>	Spring, Exhaust	4
5	<u>102422301</u>	Gasket, Exhaust Diesel	1
6	<u>102621201</u>	Bolt Flanged Head, M8 X1.25x 16 with Loctite	2
7	<u>102621301</u>	Bolt, M8 X 1.25 X 40 with Loctite	3
8	<u>102628101</u>	Shield, Diesel Exhaust	1
9	<u>102731601</u>	Bolt, D722, Exhst Manfld Cover	1
10	<u>102812801</u>	Asm, Muffler, AWD Homologation (includes items 11 through 13)	1
11	<u>102409501</u>	Spring, Exhaust	4
12	N/A	Muffler	1
13	N/A	Bracket, Muffler	1

10

D

10

D

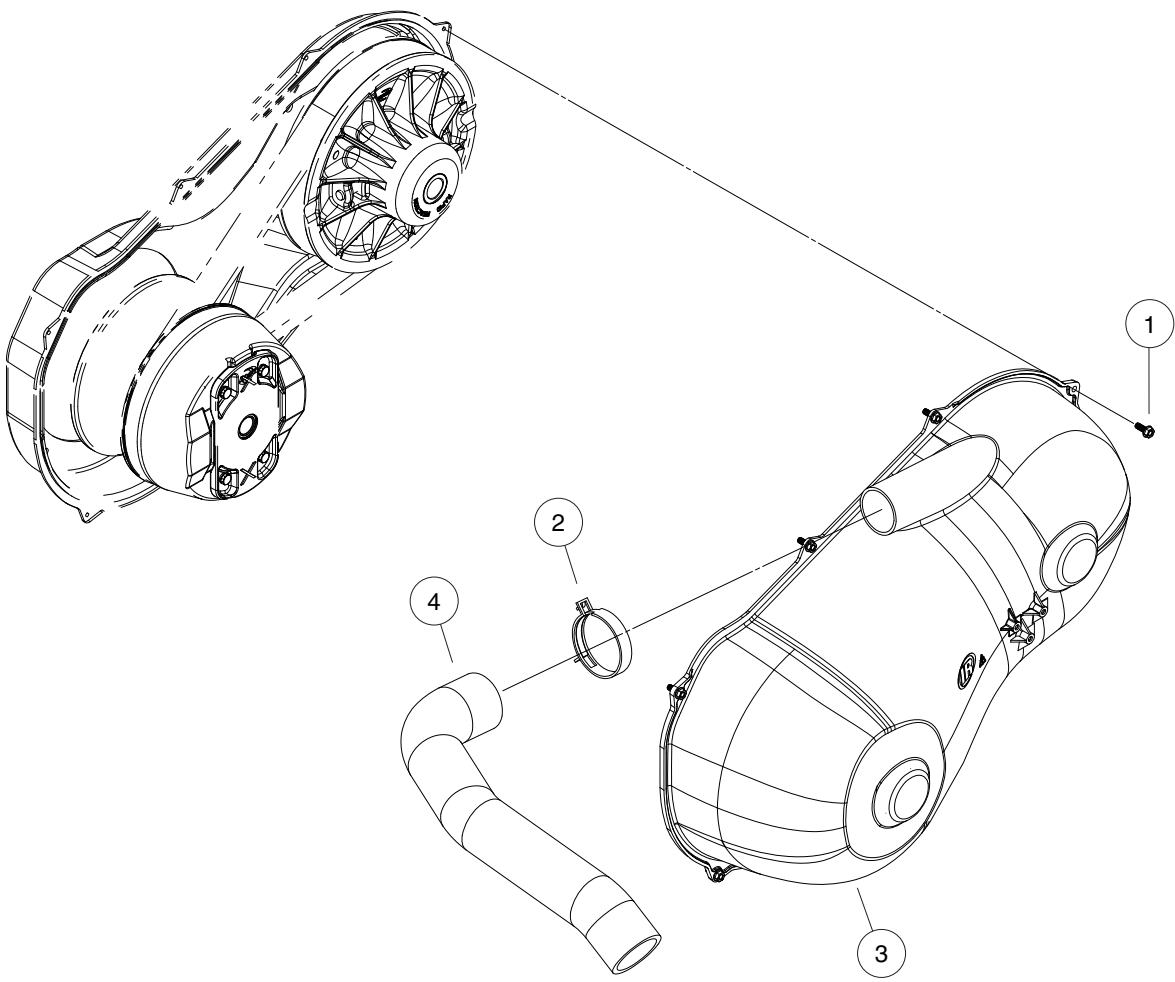
CLUTCHES

11

D

11

D



000008-002

CLUTCH COVER (STANDARD)

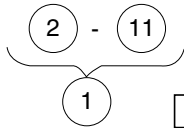
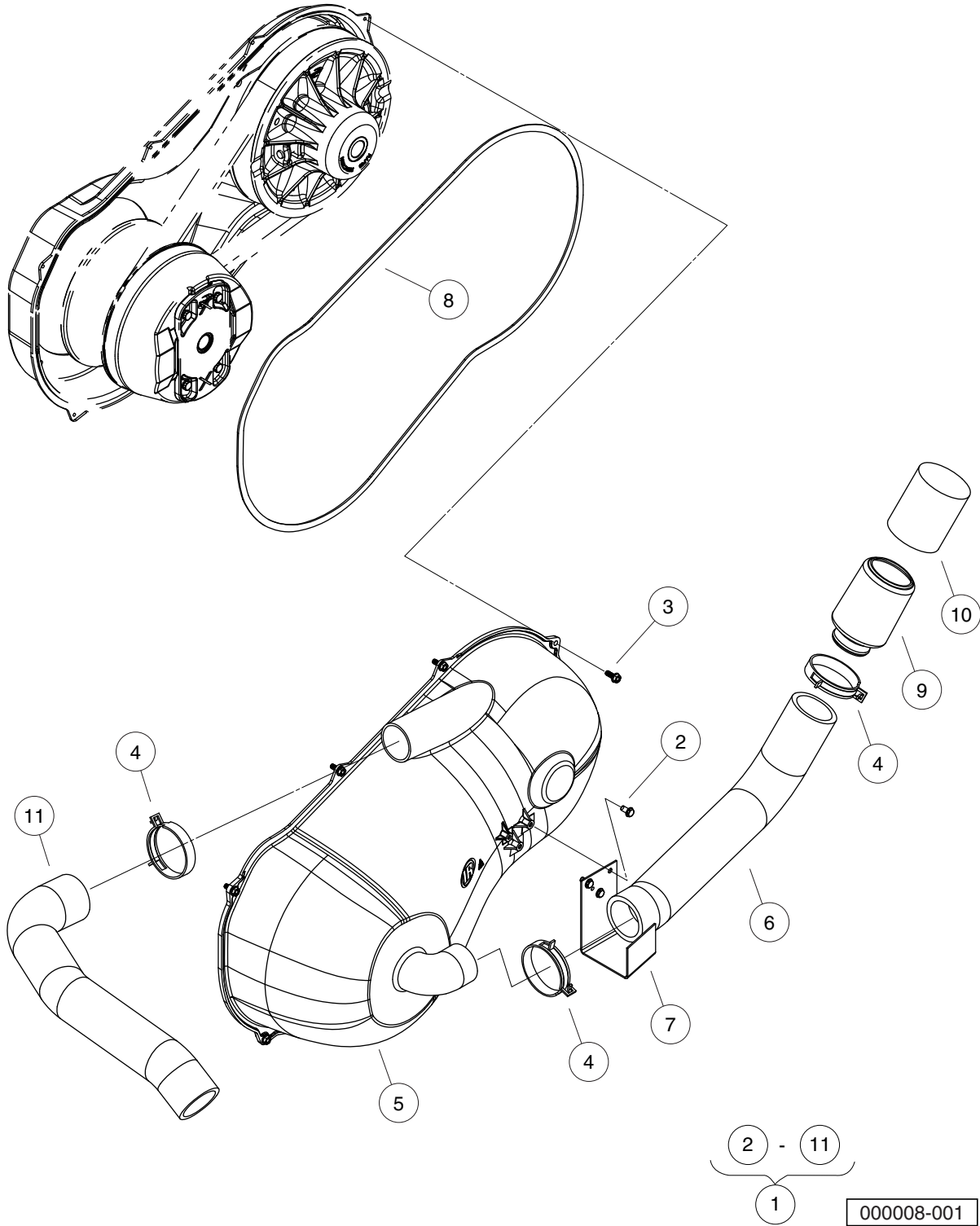
ITEM	PART NO.	DESCRIPTION	QTY
		1 2 3 4	
1	<u>102296716</u>	Screw, M6 X 16 Tt Hx Fl Hd	7
2	<u>102411210</u>	Clamp, Hose, Ctb 64mm	1
3	N/A	Cover, Cvt, Open	1
4	<u>103320601</u>	Hose, Outlet, Cvt	1

11

D

11

D



000008-001

CLUTCH COVER (SEALED)

ITEM	PART NO.	DESCRIPTION	QTY
		1 2 3 4	
1	<u>102616003</u>	Kit, Sealed CVT Cover (includes items 2 through 11)	1
2	<u>101856102</u>	Screw, 1/4-15 X 1.50 Hi-lo Hex	3
3	<u>102296716</u>	Screw, M6 X 16 Tt Hx Fl Hd	7
4	<u>102411210</u>	Clamp, Hose, Ctb 64mm	2
5	<u>102414501</u>	Cover, CVT Outer	1
6	<u>102481001</u>	Hose, Inlet, Cover, CVT	1
7	<u>102481201</u>	Bracket, Inlet, Cover, CVT	1
8	<u>102481301</u>	Gasket, Cover, CVT	1
9	<u>102616101</u>	Cap, Inlet, Cover, CVT	1
10	<u>102628001</u>	Filter, Inlet, Cover, CVT	1
11	<u>103320601</u>	Hose, Outlet, Cvt	1

11

D

11

D



000084-001

DRIVE BELT

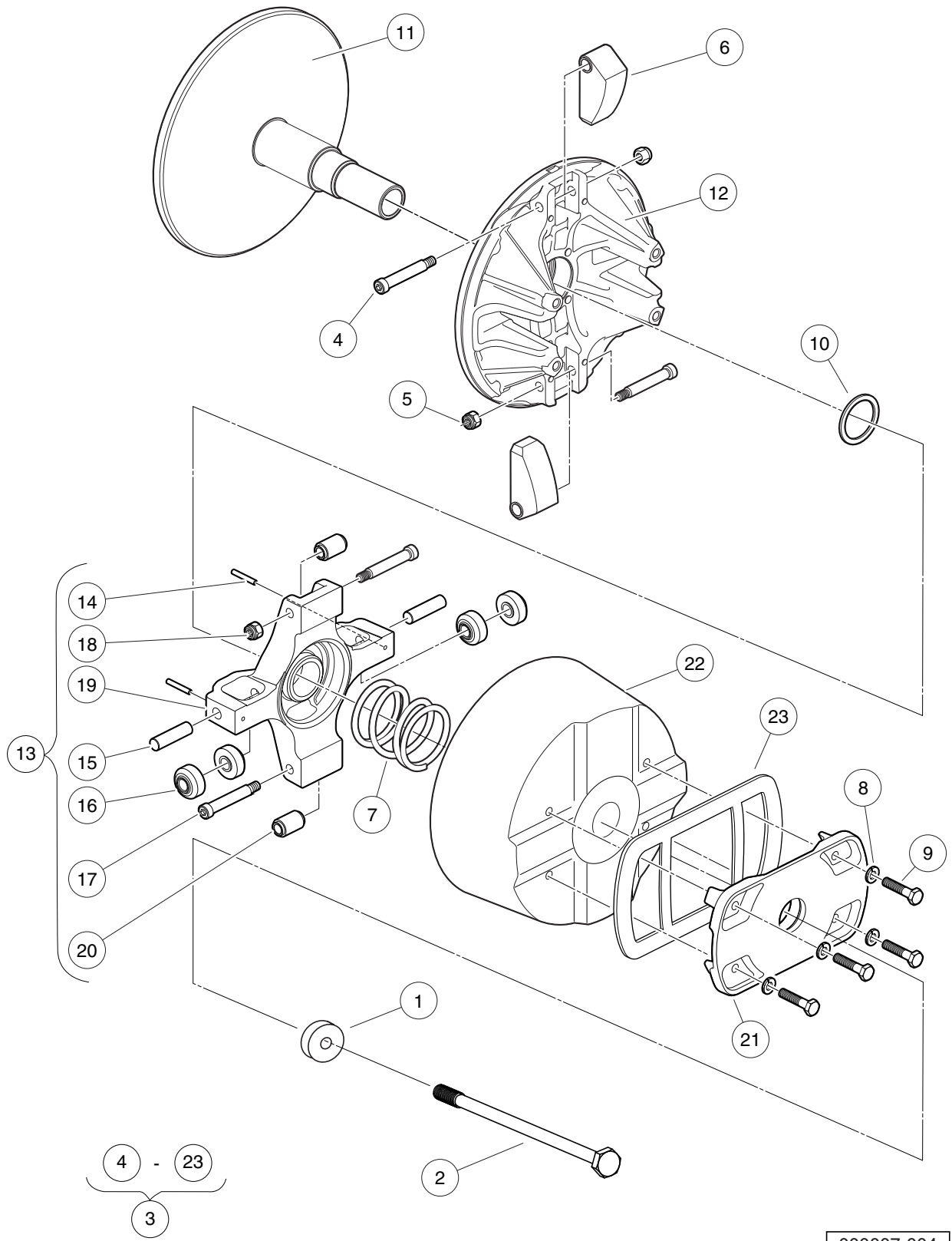
ITEM	PART NO.	DESCRIPTION	QTY
1	<u>102374901</u>	1 2 3 4 Belt, Drive	1

11

D

11

D



000007-004

DRIVE CLUTCH – DIESEL VEHICLES

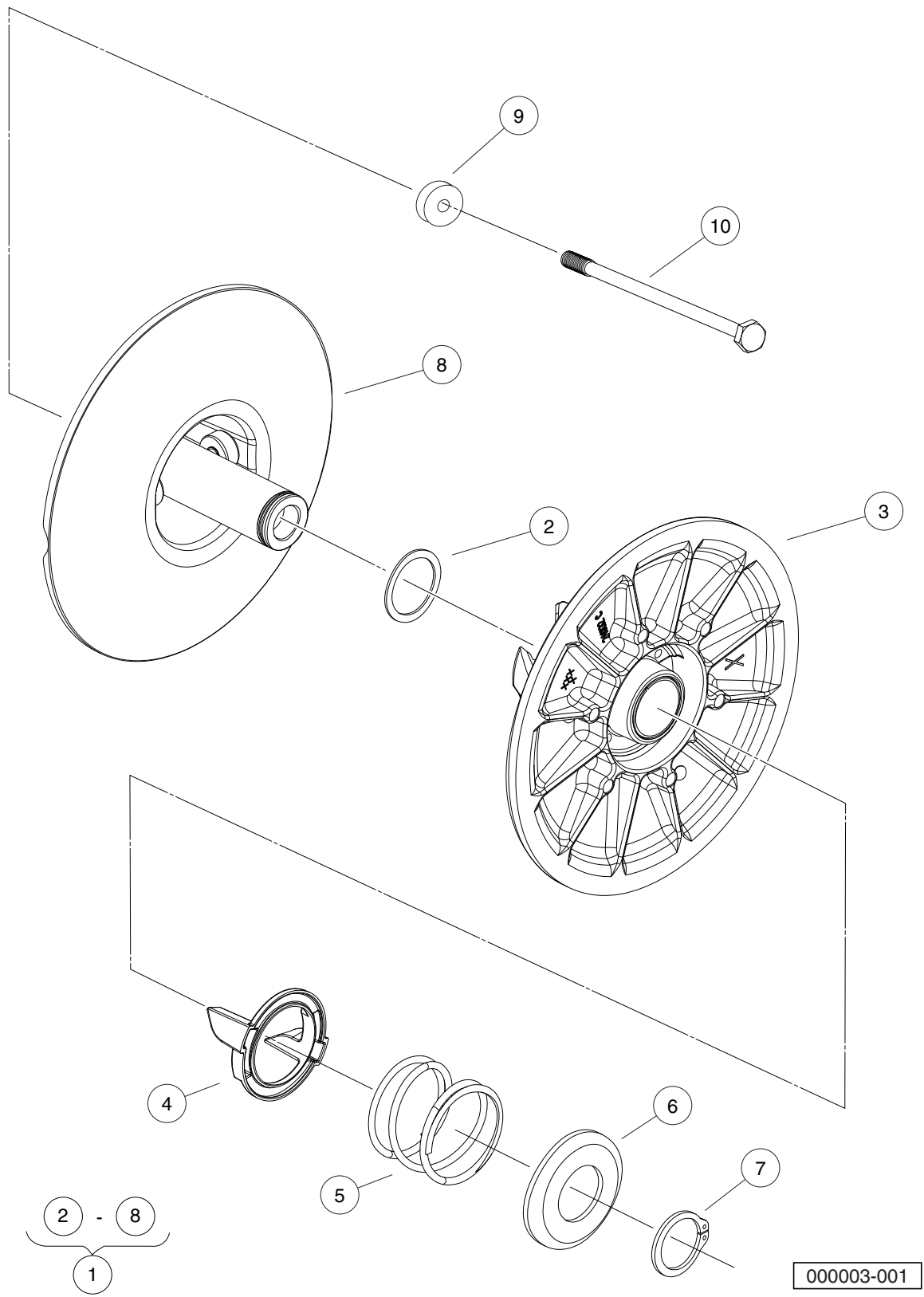
ITEM	PART NO.	DESCRIPTION	QTY
		1 2 3 4	
1	<u>102385601</u>	Washer, Stepped	1
2	<u>102616501</u>	Bolt, M10 X 1.5 X 160	1
3	<u>103185501</u>	Clutch, 4x4, Diesel, W/cover (includes items 4 through 23)	1
4	<u>102690501</u>	Screw, Shlder Hex, .312 X 1.75	2
5	<u>102690701</u>	Nut, Lock Hex, 1/14-20, Flexlc	2
6	<u>102690801</u>	Sub Assy, Wt Clutch, Diesel	2
7	<u>102691401</u>	Spring, Compression, Primary	1
8	<u>102691601</u>	Washer, Lock, H-Spring, 1/4	4
9	<u>102691701</u>	Screw, Cap, Hex Hd, 1/4 X 1.25	4
10	<u>102691801</u>	Shim, 1.63 X 1.33	1
11	N/A	Subassembly, Drive Clutch	1
12	N/A	Subassembly, Moveable, Drive Clutch	1
13	N/A	Subassembly, Spider Utility, Diesel (includes items 14 through 20)	1
14	<u>102690201</u>	Pin, Spring Slotted, 1.25 X 1.0	2
15	<u>102690301</u>	Pin, Dowel, .375 X 1.50	2
16	<u>102690401</u>	Roller, Torque, Diesel	4
17	<u>102690501</u>	Screw, Shlder Hex, .312 X 1.75	2
18	<u>102690701</u>	Nut, Lock Hex, 1/14-20, Flexlc	2
19	N/A	Spider, Drive Clutch	1
20	<u>102839401</u>	Sub Assy, Roller Weight	2
21	N/A	Cover, Drive Clutch	1
22	<u>103185801</u>	Cover, Clutch, 4x4	1
23	<u>103185901</u>	Gasket, Cover, Clutch, 4x4	1

11

D

11

D



000003-001

DRIVEN CLUTCH

ITEM	PART NO.	DESCRIPTION	QTY
		1 2 3 4	
1	<u>102369901</u>	CVT, Secondary (includes items 2 through 8)	1
2	<u>102695401</u>	Washer, Thrust, 1.53 X 1.92	1
3	N/A	Sheave, Driven Clutch	1
4	<u>102695601</u>	Retainer, Spring, Inner	1
5	<u>102695701</u>	Spring, Compression, Secondary	1
6	<u>102695801</u>	Retainer, Spring, Outer	1
7	<u>102695901</u>	Ring, Retaining, External	1
8	N/A	Driven Clutch Base Sheave	1
9	<u>102385701</u>	Washer, Stepped	1
10	<u>102719301</u>	Bolt, M10 X 1.50 X 90, Loctite	1

11

D

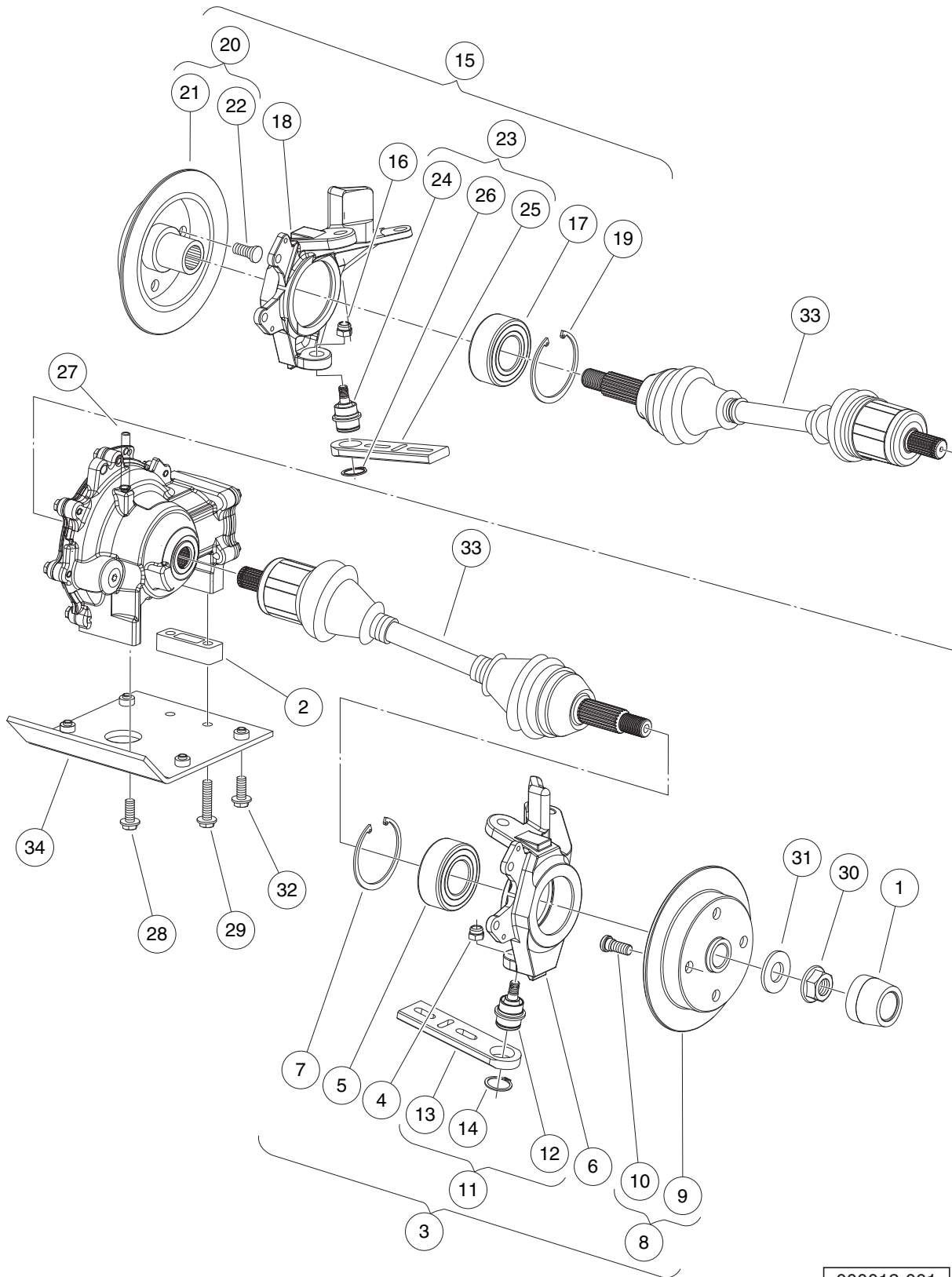
11

D

DRIVETRAIN COMPONENTS

12

D



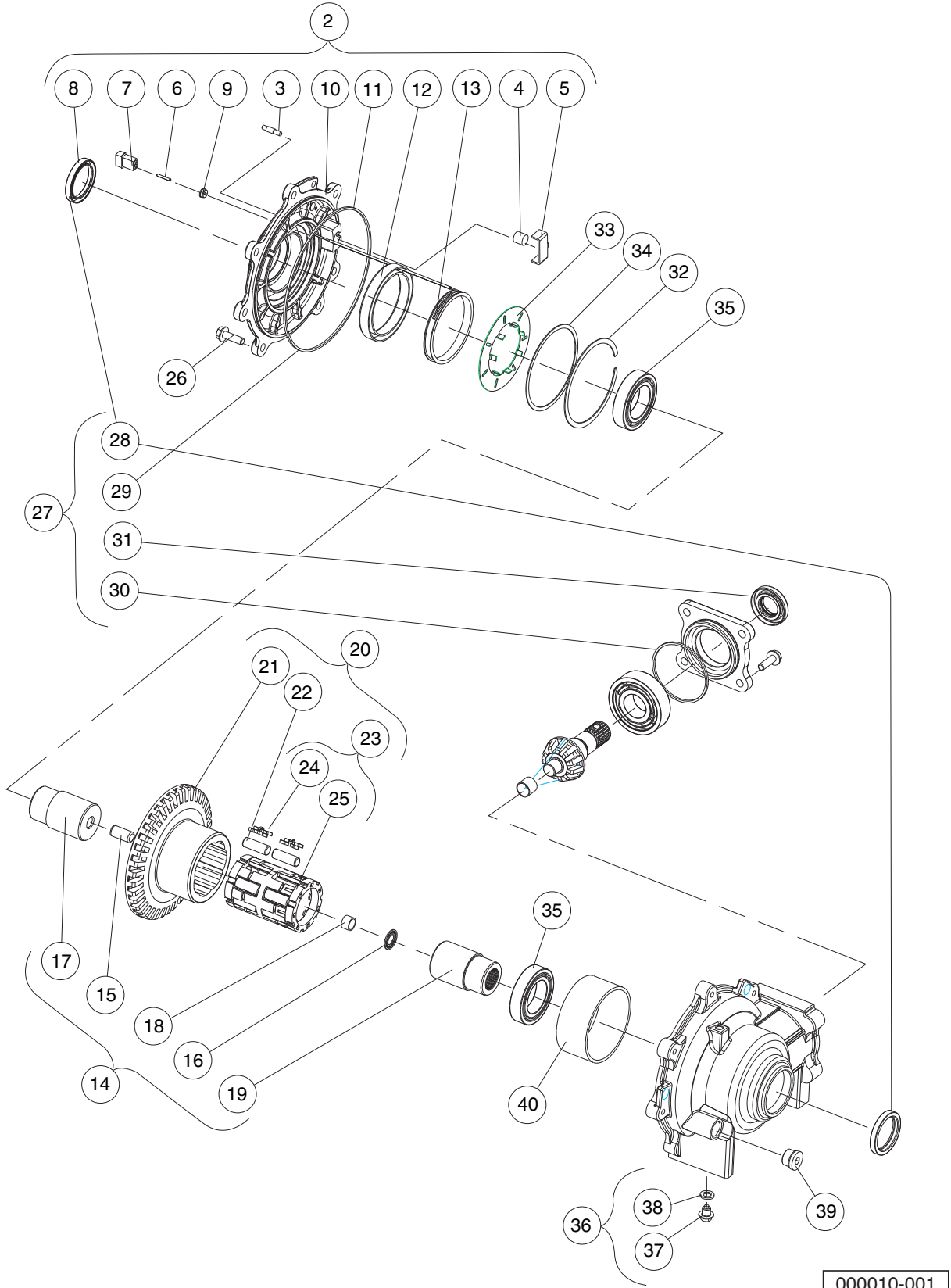
000012-001

FRONT DIFFERENTIAL MOUNTING AND HALF SHAFTS

ITEM	PART NO.	DESCRIPTION	QTY
		1 2 3 4	
1	102274101	Center Cap, Rubber	2
2	102381701	Spacer Block, Diff	1
3	102436001	Upright Sub-Assembly, LH (includes items 4 through 11)	1
4	102022901	Locknut, M12-1.25 Nylon	1
5	102368201	Bearing	1
6	102368301	Upright, Left	1
7	102374701	Internal Retaining Ring, 80mm Bore	1
8	102376601	Assy, Rotor, Brake, Front (includes items 9 and 10)	1
9	N/A	Rotor, Brake, Front	1
10	102475801	Stud, Wheel Lug	4
11	102479001	Asm, Adjuster, Slide (includes items 12 through 14)	1
12	102361901	Joint, Ball	1
13	102447001	Slide, Adjuster	1
14	102722301	Ring, Retaining, Ext, 1-1/4"	1
15	102436101	Upright Sub-Assembly, RH (includes items 16 through 23)	1
16	102022901	Locknut, M12-1.25 Nylon	1
17	102368201	Bearing	1
18	102368302	Upright, Right	1
19	102374701	Internal Retaining Ring, 80mm Bore	1
20	102376601	Assy, Rotor, Brake, Front (includes items 21 and 22)	1
21	N/A	Rotor, Brake, Front	1
22	102475801	Stud, Wheel Lug	4
23	102479001	Asm, Adjuster, Slide (includes items 24 through 26)	1
24	102361901	Joint, Ball	1
25	102447001	Slide, Adjuster	1
26	102722301	Ring, Retaining, Ext, 1-1/4"	1
27	102462401	Hose, Vent, Front Diff	1
28	102491001	Bolt Flanged Head, 3/8-16x1.0 with Loctite	2
29	102491101	Bolt Flanged Head, 3/8-16x1.500 with Loctite	2
30	102617501	Nut Flg, M22 X 1.5 Mech Def	2
31	102617801	Washer Hard, M22	2
32	102711601	Bolt, Flange Head, M10 X 1.5 X 25	4
33	102865201	Shaft, Half	2
34	103244701	Asm, Mount, Diff Plate	1

12

D



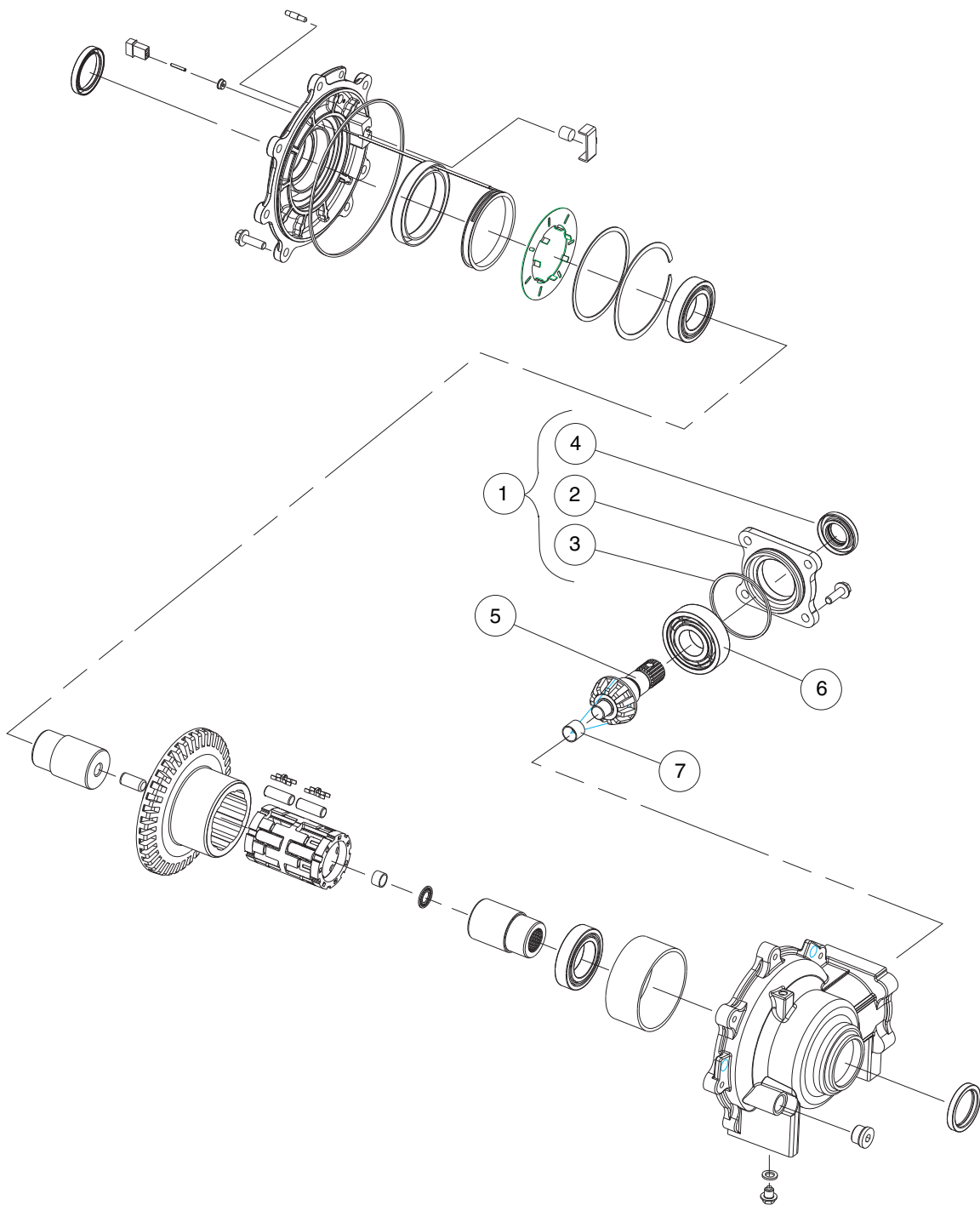
000010-001

FRONT DIFFERENTIAL (OUTPUT COMPONENTS)

ITEM	PART NO.	DESCRIPTION	QTY
		1 2 3 4	
1	<u>102371801</u>	Differential, Front * (includes items 2 through 40)	1
2	<u>102438201</u>	Kit, Assy, Output Cover Plate (includes items 3 through 13)	1
3	<u>102439001</u>	Set Screw, #10-24 UNC-3A with Patch	1
4	<u>102439101</u>	Thrust Button	1
5	<u>102439201</u>	Thrust Plate	1
6	N/A	Mate-N-Lock Pin	2
7	N/A	Mate-N-Lock Housing	1
8	N/A	Oil Seal	1
9	N/A	Grommet	1
10	N/A	Plate, Output Cover	1
11	N/A	O-Ring	1
12	N/A	Coil, Pocket Insert	1
13	N/A	Coil with Press-Fit Bobbin	1
14	<u>102438301</u>	Kit, Assy, Race Output Hub (includes items 15 through 19)	1
15	<u>102439401</u>	Pin, Dowel	1
16	<u>102439501</u>	Bearing, Needle	1
17	N/A	Race/Output Hub, Male	1
18	N/A	Bushing, PermiGlide	1
19	N/A	Race/Output Hub, Female	1
20	<u>102438401</u>	Kit, Assy, Clutch (includes items 21 through 23)	1
21	<u>102439601</u>	Clutch Hsg/Ring Gear, Machined	1
22	<u>102439801</u>	Kit, Roller (contains 14 rollers)	1
23	<u>102439901</u>	Kit, Assy, Roll Cage (includes items 24 and 25)	1
24	<u>102439701</u>	Kit, H-Clip Spring (contains 14 clips)	1
25	N/A	Roll Cage, Plastic	1
26	<u>102438501</u>	Kit, Bolt (contains 7 bolts)	1
27	<u>102438601</u>	Kit, Minor Repair (includes items 28 through 31)	1
28	N/A	Oil Seal	1
29	N/A	O-Ring	1
30	N/A	O-Ring	1
31	N/A	Oil Seal, Triple-Lipped	1
32	<u>102438701</u>	Retaining, Ring Internal	1
33	<u>102438801</u>	Plate, Armature	1
34	<u>102438901</u>	Shim, Armature, Plate	1
35	<u>102439301</u>	Bearing, Ball	12
36	<u>102440101</u>	Kit, Assy, Drain Plug (includes items 37 and 38)	1
37	N/A	Plug, Oil Drain	1
38	N/A	Washer, Nylon, 0.625 x 0.382 x 0.06	1
39	<u>102440301</u>	Plug, Oil Fill	1
40	N/A	Bushing, Self-Lubricating, 80 x 85 x 20	1
		* Note: This assembly also contains components listed on the following two pages.	

12

D



000010-002

FRONT DIFFERENTIAL (INPUT COMPONENTS)

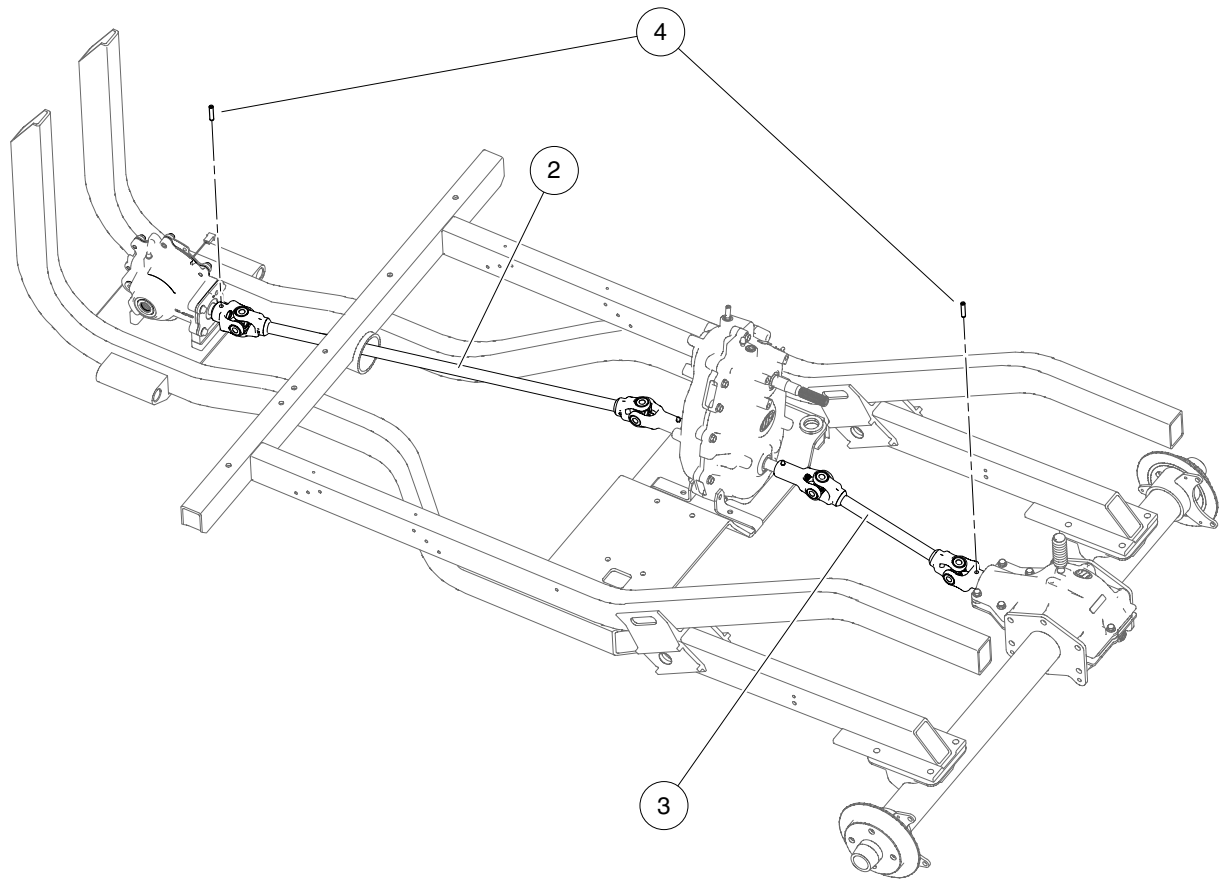
ITEM	PART NO.	DESCRIPTION	QTY
		1 2 3 4	
1	<u>102440201</u>	Kit, Assy, Input Cover Plate (includes items 2 through 4)	1
2	<u>102440601</u>	Cover, Input, Machined	1
3	N/A	O-Ring	1
4	N/A	Oil Seal, Triple-Lipped	1
5	<u>102440401</u>	Shaft, Pinion, Machined	1
6	<u>102440501</u>	Bearing, Ball	1
7	N/A	Bushing, Plain 16 Id X 15 Wide	1
<p>Note: This page contains a list of components internal to the front differential. See the previous pages for other front differential components.</p>			

12

D

12

D



000091-001

PROP SHAFTS

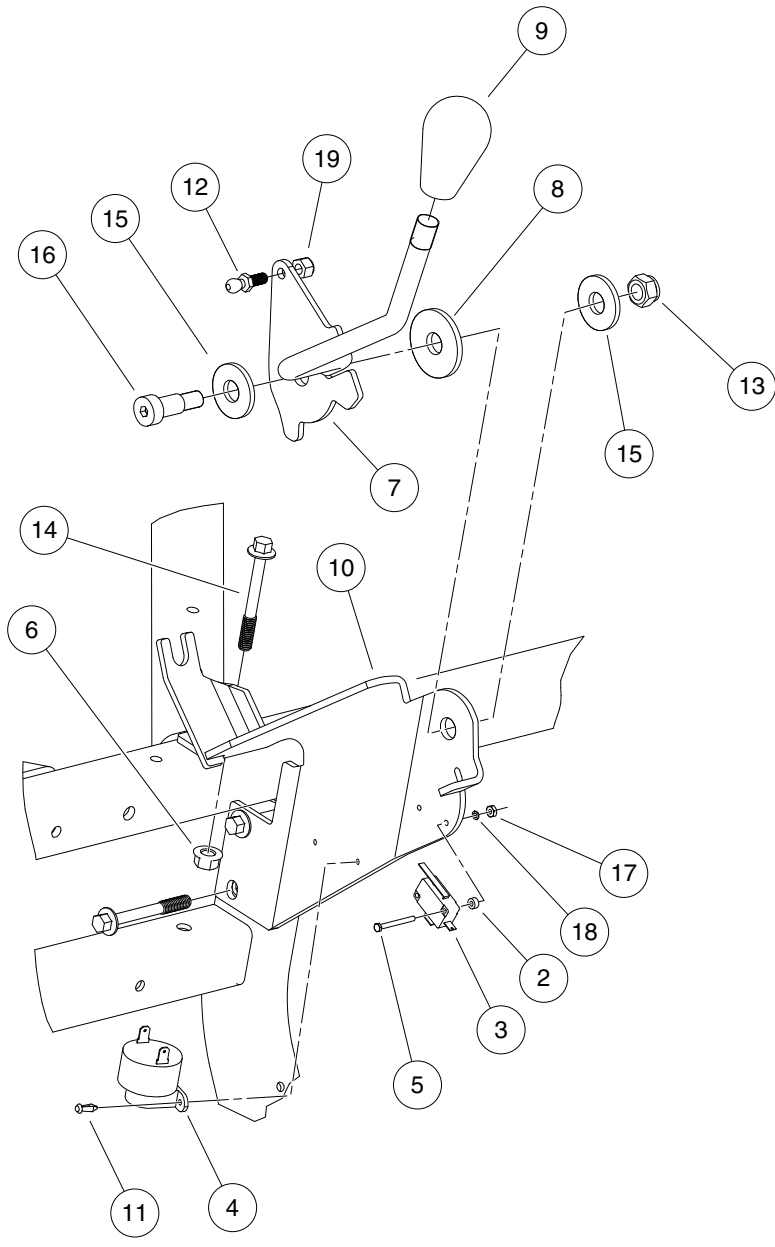
ITEM	PART NO.	DESCRIPTION	QTY
		1 2 3 4	
1	N/A	Inst, Prop Shafts, Awd (includes items 2 through 4)	1
2	<u>102371701</u>	Prop Shaft, Front	1
3	102372101	Prop Shaft, Rear	1
4	95293643	Pin, Spring, 5/16 X 1-1/2 Hd	2

12

D

12

D



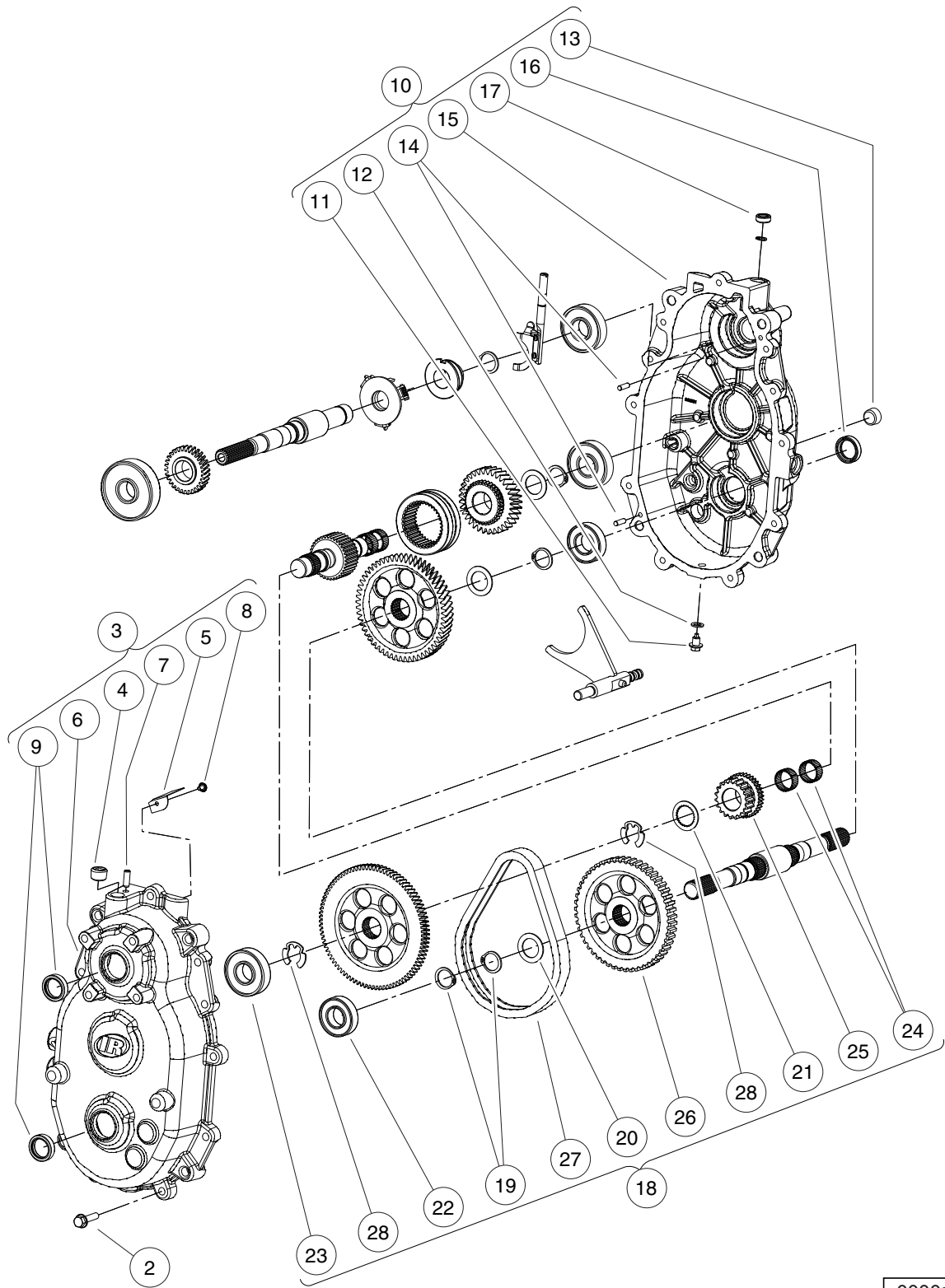
000030-001

FORWARD/REVERSE SHIFTER ASSEMBLY

ITEM	PART NO.	DESCRIPTION	QTY
		1 2 3 4	
1	<u>102470801</u>	Asm, FNR (includes items 2 through 19)	1
2	<u>1014727</u>	Washer, #4 Nylon Flat	2
3	<u>1014808</u>	Switch, Limit	1
4	<u>1016851</u>	Buzzer, Reverse (9-48 VDC)	1
5	<u>1016896</u>	Screw, #4-40 X 1.125 Hx Hd Mch	2
6	<u>102298401</u>	Nut,m8,all Metal Lock	3
7	<u>102375801</u>	Weldment, FNR Shifter	1
8	<u>102375901</u>	Bushing, Fnr	1
9	<u>102376001</u>	Knob, Fnr	1
10	N/A	Weldment, FNR Shifter Bracket	1
11	<u>102499001</u>	Rivet, Micro Tuflok	2
12	<u>102615701</u>	Stud, Ball, .346 Dia	1
13	<u>102616701</u>	Locknut, M10x1.5 Nylon Insert	1
14	<u>102618301</u>	Bolt Flanged Head, M8 X 1.25 X 65	3
15	<u>102684501</u>	Washer, M12 Hard Regular	2
16	<u>102684601</u>	Shoulder Bolt,m12 X 20 M10 Thd	1
17	<u>8057</u>	Nut, #4-40 Hex Machine	2
18	<u>8058</u>	Lockwasher, #4 Split	2
19	<u>8717</u>	Locknut, 1/4-28 Nylon Insert	1

12

D



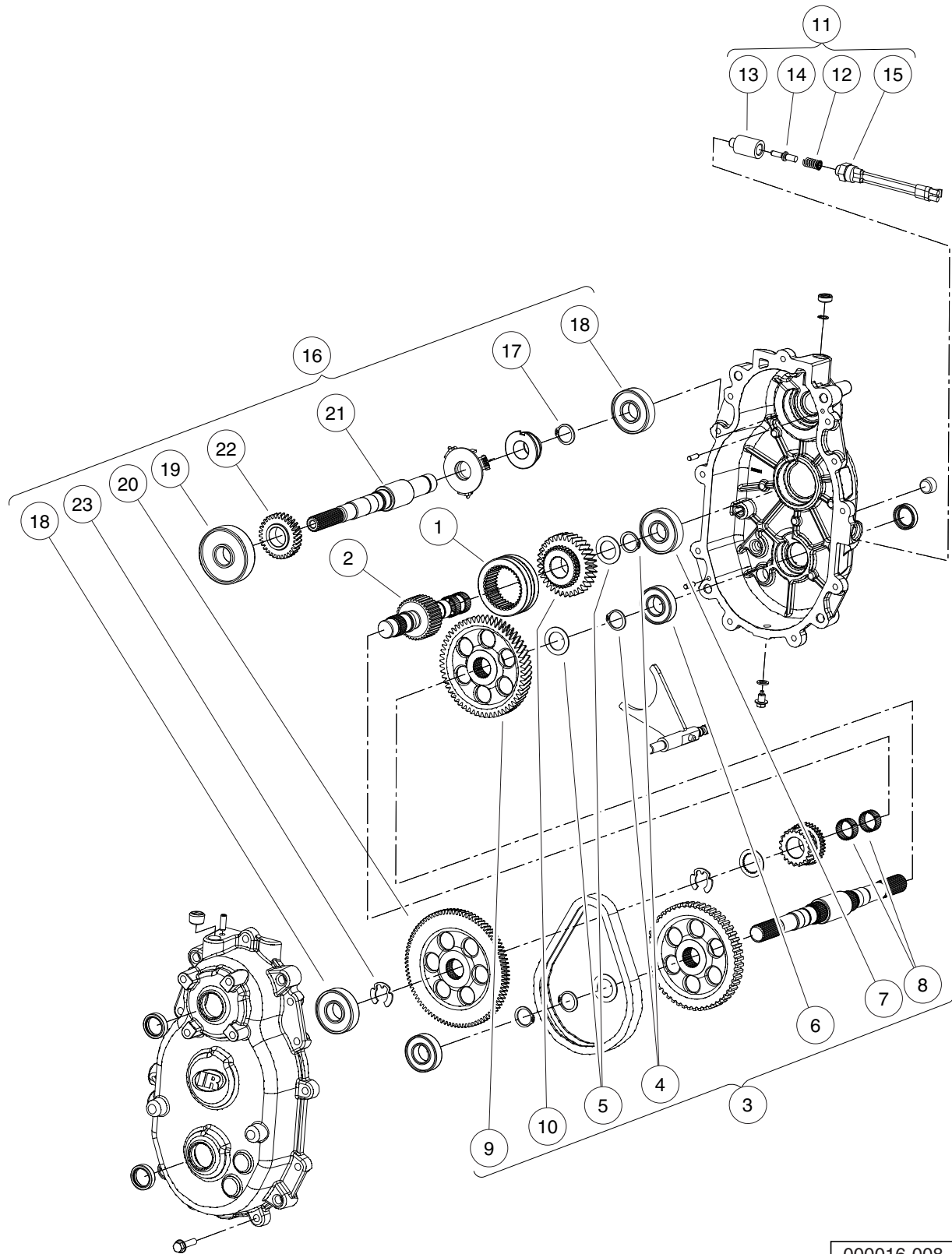
000016-001

TRANSMISSION

12

D

ITEM	PART NO.	DESCRIPTION	QTY
		1 2 3 4	
1	<u>102369401</u>	Transmission, Parallel Shaft * (includes items 2 through 18)	1
2	<u>102693301</u>	Screw,hex Flange, M8 X 35	11
3	<u>102764201</u>	Asm, Gear Case, Rear (includes items 4 through 9)	1
4	<u>102694201</u>	Plug, Square Skt, 1/12-14, Ptf	1
5	<u>102696301</u>	Oil, Deflector	1
6	<u>102697401</u>	Gearcase, Rear	1
7	<u>102698301</u>	Vent, Trans	1
8	<u>102698901</u>	Screw, Tapping # 10-24 X .375	1
9	<u>102699401</u>	Seal, Triple, 25 X 35 X 7.8	2
10	N/A	Asm, Gear Case, Front (includes items 11 through 17)	1
11	<u>102693401</u>	Plug,3/8-16, Hex Flange	1
12	<u>102693501</u>	Washer, .625 X .382 X .60	1
13	<u>102694201</u>	Plug, Square Skt, 1/12-14, Ptf	1
14	<u>102696101</u>	Pin, Dowel, 6 X 20	2
15	<u>102697301</u>	Gearcase, Front	1
16	<u>102699401</u>	Seal, Triple, 25 X 35 X 7.8	1
17	<u>102721501</u>	Seal, Dual-Lip	1
18	<u>102765201</u>	Kit, Reverse Gear Repair (includes items 19 through 28)	1
19	<u>102696201</u>	Ring, Retaining, Basic External	2
20	<u>102696501</u>	Washer, Thrust, 1.007 X .062	1
21	<u>102696701</u>	Washer, 26.231 X 39.167 X 1.57	1
22	<u>102696801</u>	Bearing, Ball	1
23	<u>102696901</u>	Bearing, Ball	1
24	<u>102697101</u>	Bearing, Needle	2
25	<u>102697601</u>	Sprocket, 19-Tooth	1
26	<u>102697701</u>	Sprocket, 51-Tooth	1
27	<u>102699201</u>	Chain, .375p, .75 Wide, 60ptch	1
28	<u>102699701</u>	Ring, Retaining, E-Ring	2
		 * Note: This assembly also contains components listed on the following four pages.	



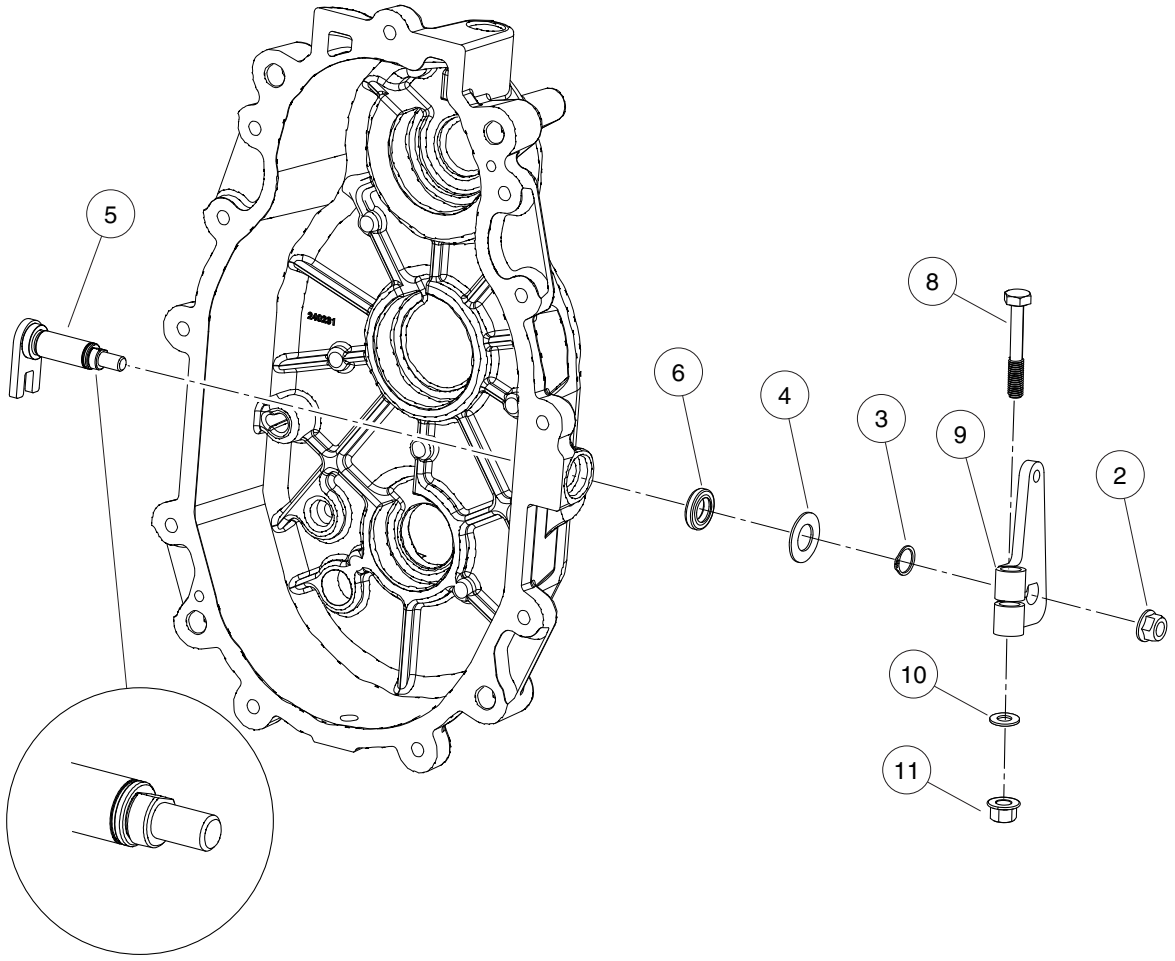
000016-008

TRANSMISSION, CONTINUED

ITEM	PART NO.	DESCRIPTION	QTY
		1 2 3 4	
1	<u>102697501</u>	Dog, Engagement	1
2	<u>102698701</u>	Shaft, Intermediate	1
3	<u>102764901</u>	Kit, Forward Gear Repair (includes items 4 through 10)	1
4	<u>102696201</u>	Ring, Retaining, Basic External	2
5	<u>102696501</u>	Washer, Thrust, 1.007 X .062	2
6	<u>102696801</u>	Bearing, Ball	1
7	<u>102696901</u>	Bearing, Ball	1
8	<u>102697101</u>	Bearing, Needle	2
9	<u>102697901</u>	Gear, Helical 58-Tooth	1
10	<u>102698001</u>	Gear, Helical 34-Tooth	1
11	<u>102765101</u>	Kit, Neutral Switch Repair (includes items 12 through 15)	1
12	<u>102697201</u>	Spring, .484 X .340 X 1.076	1
13	N/A	Guide, Detent Bullet	1
14	<u>102698601</u>	Bullet, Detent	1
15	<u>102699301</u>	Switch, Indicator, Pollak	1
<p style="margin: 0;">Note: This page contains a list of components internal to the transmission. See the previous pages for other transmission components.</p>			

12

D



000016-009

TRANSMISSION SHIFT SHAFT AND BELL CRANK TRANSMISSION SHIFT SHAFT AND BELL CRANK (STYLE

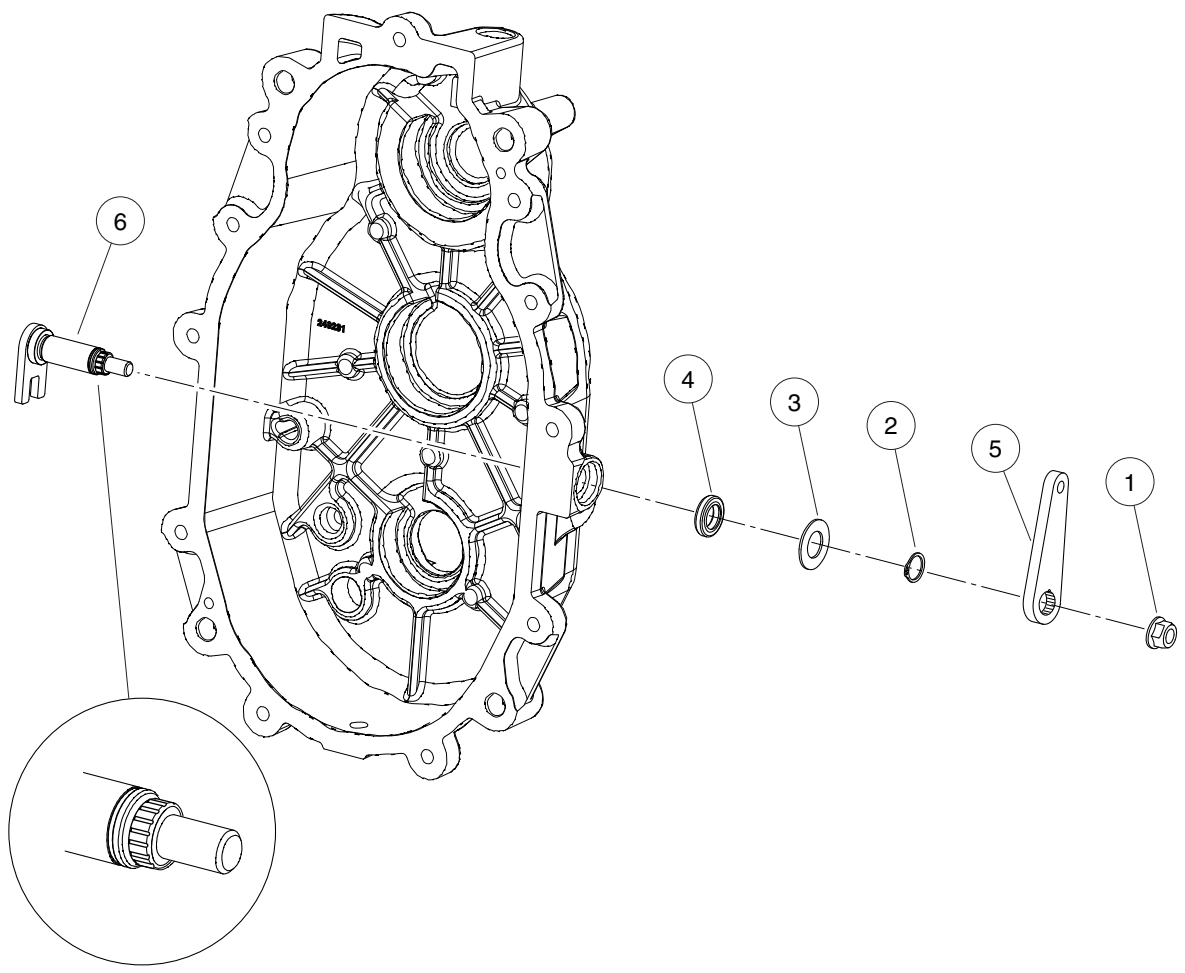
ITEM	PART NO.	DESCRIPTION	QTY
		1 2 3 4	
1	102765001	Kit, Trans Shift Shaft Repair (includes items 2 through 6)	1
2	<u>102696001</u>	Nut, Lock Hex, Nylon, 5/16-24	1
3	<u>102696401</u>	Ring, Retaining, External 9/16	1
4	<u>102696601</u>	Washer, Flat, .58 X 1.08 X .05	1
5	N/A	Weldment, Shift, Shaft	1
6	<u>102699601</u>	Seal, Dul Lip, .88 X .56 X .19	1
7	103294301	Kit, Bellcrank, D Shape, Clamp (includes items 8 through 11)	1
8	<u>1010177</u>	Bolt, 3/8-16 X 2.00 Hex Head	1
9	N/A	Asm, Bellcrank, D Shape, Clamp	1
10	<u>334</u>	Washer, 3/8 Type A Flat	1
11	<u>8754</u>	Locknut, 3/8-16 Hex	1

12

D

12

D



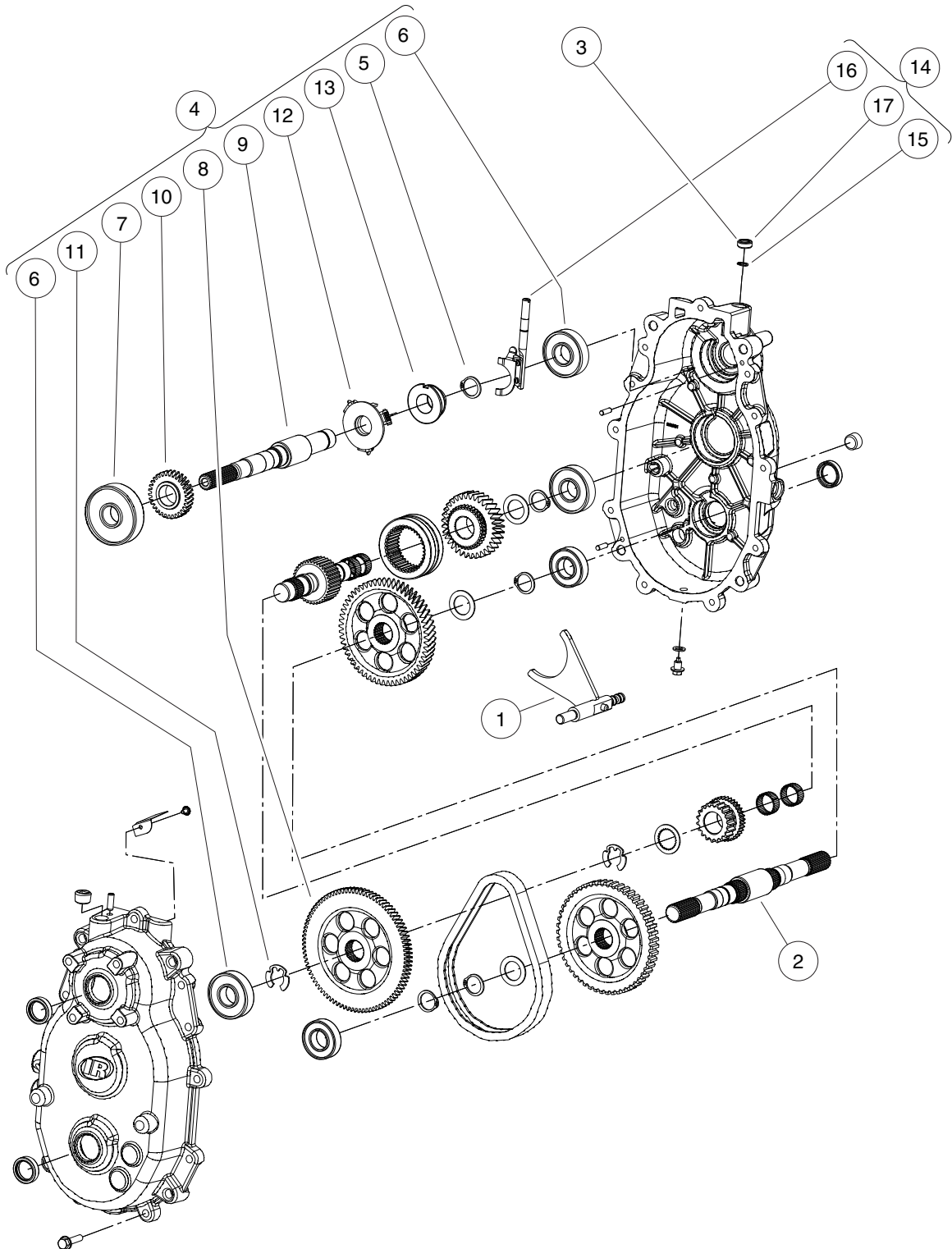
000016-010

TRANSMISSION SHIFT SHAFT AND BELL CRANK (STYLE B)

ITEM	PART NO.	DESCRIPTION	QTY
		1 2 3 4	
1	<u>102696001</u>	Nut, Lock Hex, Nylon, 5/16-24	1
2	<u>102696401</u>	Ring, Retaining, External 9/16	1
3	<u>102696601</u>	Washer, Flat, .58 X 1.08 X .05	1
4	<u>102699601</u>	Seal, Dul Lip, .88 X .56 X .19	1
5	<u>103239501</u>	Bellcrank, Alum	1
6	<u>103239801</u>	Shaft, Shift	1

12

D



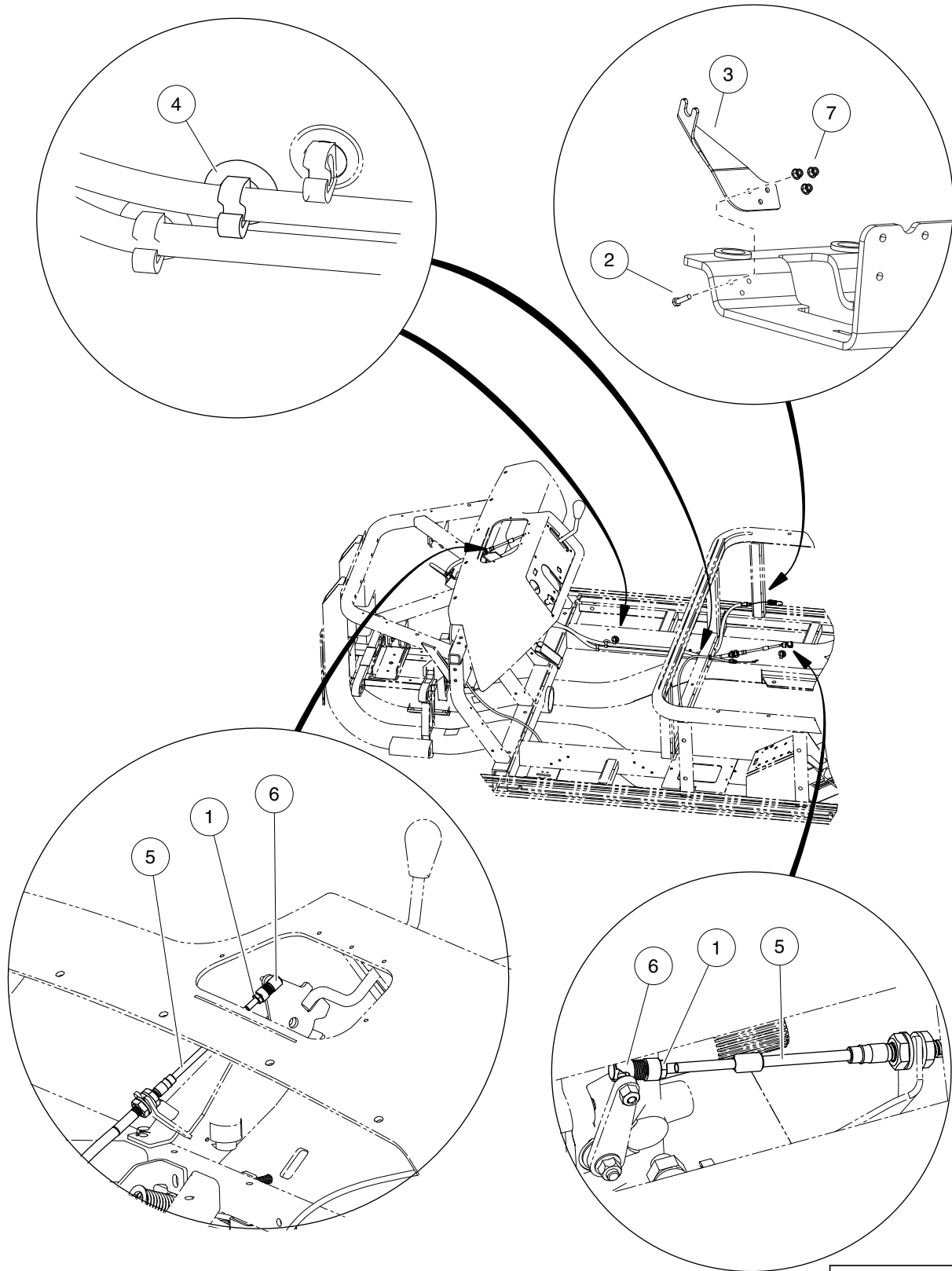
000016-003

TRANSMISSION, CONTINUED

ITEM	PART NO.	DESCRIPTION	QTY
		1 2 3 4	
1	<u>102697801</u>	Fork, Transmission	1
2	<u>102698801</u>	Shaft, Output	1
3	<u>102699501</u>	Plug, 19mm	1
4	102764701	Kit, Input Shaft Repair (includes items 5 through 13)	1
5	<u>102696201</u>	Ring, Retaining, Basic External	1
6	<u>102696901</u>	Bearing, Ball	2
7	<u>102697001</u>	Bearing, Ball	1
8	<u>102698101</u>	Gear, Helical 90-Tooth	1
9	102698401	Shaft, Input	1
10	<u>102699001</u>	Gear, Helical, 31-tooth	1
11	<u>102699701</u>	Ring, Retaining, E-Ring	1
12	<u>102700201</u>	Sub Assy, Fly Weight	1
13	<u>102700301</u>	Sub Assy, Governor Spool	1
14	<u>102764801</u>	Kit, Governor Shaft Repair (includes items 15 through 17)	2
15	<u>102700001</u>	Ring, Retaining	1
16	<u>102700101</u>	Assy, Governor Arm	1
17	<u>102721501</u>	Seal, Dual-Lip	1
<p>Note: This page contains a list of components internal to the transmission. See the previous pages for other transmission components.</p>			

12

D



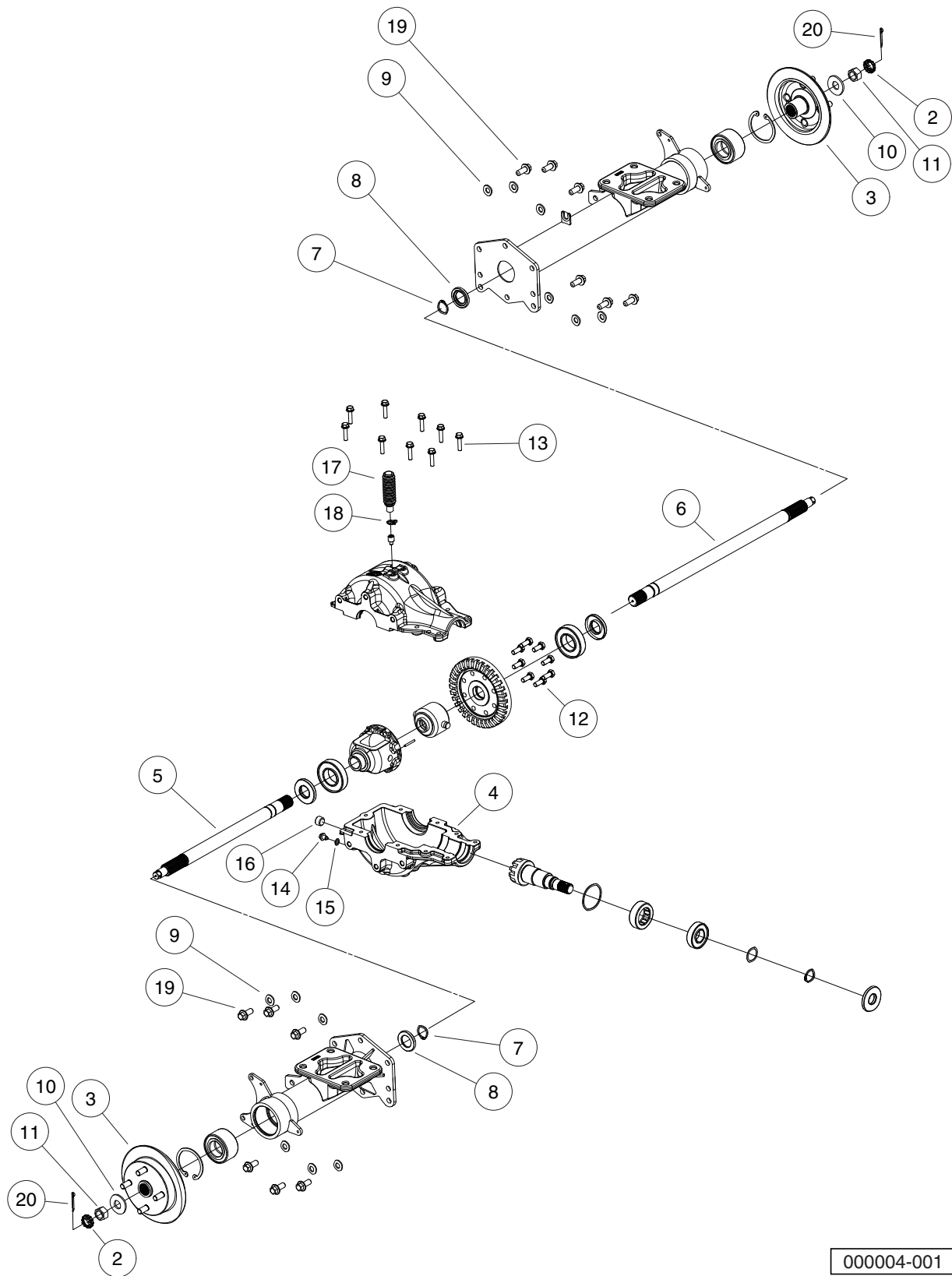
000032-001

TRANSMISSION CABLE

ITEM	PART NO.	DESCRIPTION	QTY
		1 2 3 4	
1	<u>1011084</u>	Nut, 1/4-28 Hex Jam	2
2	<u>1012769</u>	Screw, M6-1.00 X 25mm Hex Cap	3
3	<u>102382401</u>	Bracket, FNR Trans Cable	1
4	<u>102475701</u>	Clip, Brake Line	2
5	<u>102495801</u>	Cable, Transmission Shift	1
6	<u>102615801</u>	Joint, Ball, .346 Dia	2
7	<u>102621501</u>	Nut Flg, M6 X 1.0 Nylon	3

12

D



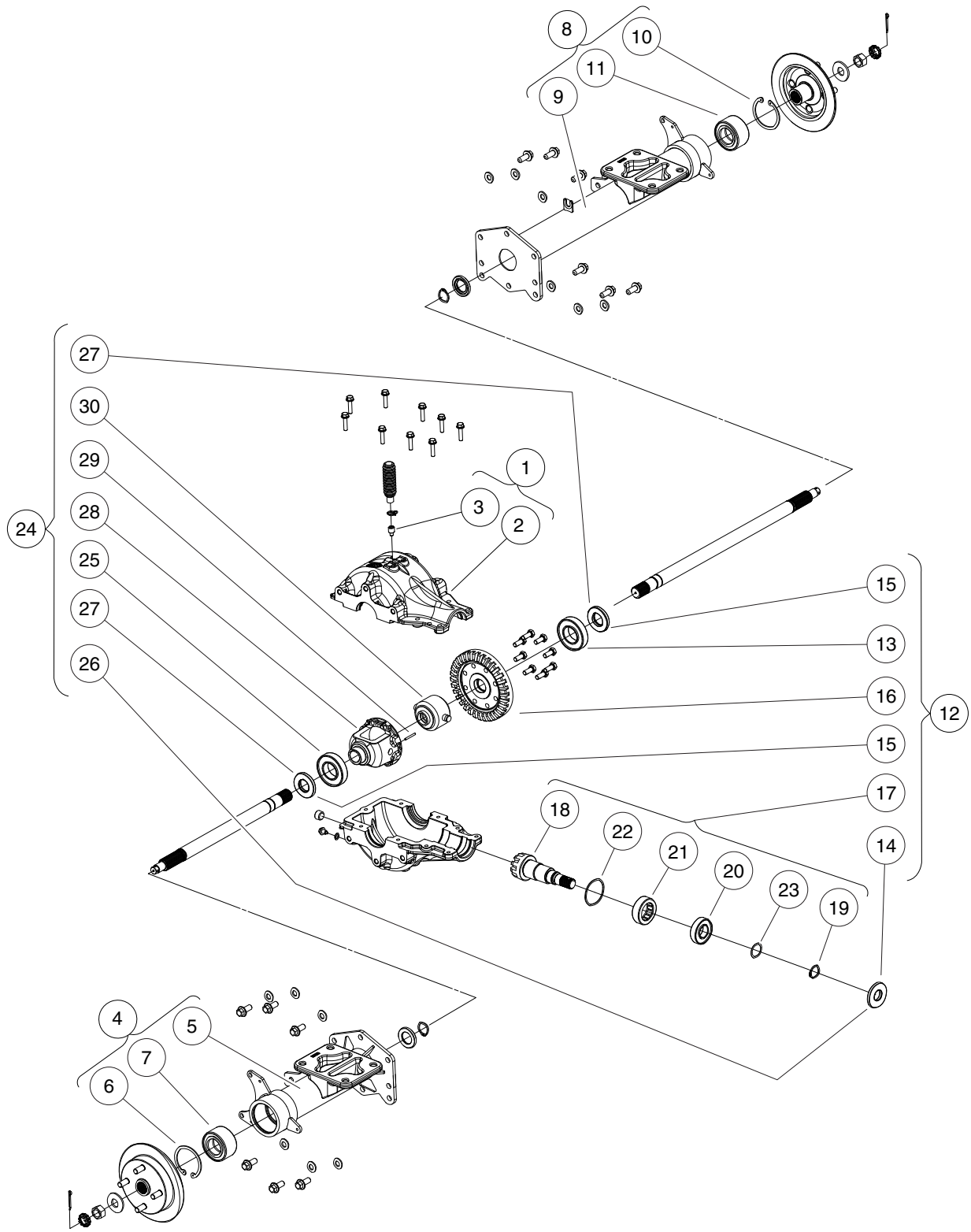
000004-001

REAR DIFFERENTIAL

ITEM	PART NO.	DESCRIPTION	QTY
		1 2 3 4	
1	<u>102831501</u>	Axle, Rear, Guard Mounts (Complete Assembly) (includes items 2 through 20)	1
2	<u>102276001</u>	Locking Cap, Nut	2
3	<u>102376602</u>	Assy, Rotor, Brake, Rear	2
4	<u>102449101</u>	Gearcase, Lower, Machined	1
5	<u>102463501</u>	Axle, Right-hand	1
6	<u>102463601</u>	Axle, Left-Hand	1
7	<u>102463801</u>	Ring, Retaining, Internal	2
8	<u>102672101</u>	Washer, counterbored 51 X 30	2
9	<u>102672201</u>	Washer, Belleville, 1.063 X .043	12
10	<u>102672301</u>	Washer, Belleville, 49 X 4	2
11	<u>102672401</u>	Nut, Hex, M20 X 1.5 , Modified	2
12	N/A	Screw, M10 X 25	8
13	<u>102693301</u>	Screw, hex Flange, M8 X 35	9
14	<u>102693401</u>	Plug, 3/8-16, Hex Flange	1
15	<u>102693501</u>	Washer, .625 X .382 X .60	1
16	<u>102694201</u>	Plug, Square Skt, 1/12-14, Ptf	1
17	<u>102694301</u>	Bellows, Vent, Upper Housing	1
18	<u>102694401</u>	Clamp, Hose, Dw-9.5	1
19	<u>102694701</u>	Screw, Hex Fl, M12 X 1.75 X 30	12
20	<u>102694801</u>	Pin, Cotter, 5/32 X 1.25	2

12

D



000004-002

REAR DIFFERENTIAL, CONTINUED

ITEM	PART NO.	DESCRIPTION	QTY
		1 2 3 4	
1	<u>102765301</u>	Asm, Gearcase, Upper (includes items 2 and 3)	1
2	<u>102449201</u>	Gearcase, Upper, Machined	1
3	<u>102694001</u>	Vent, Top, Upper Housing	1
4	<u>102765401</u>	Asm, Axle Tube, RH (includes items 5 through 7)	1
5	<u>102463401</u>	Weldment, Axle Tube Rh	1
6	<u>102463801</u>	Ring, Retaining, Internal	1
7	<u>102464301</u>	Bearing	1
8	<u>102765501</u>	Asm, Axle Tube, LH (includes items 9 through 11)	1
9	<u>102463301</u>	Weldment, Axle Tube Lh	1
10	<u>102463801</u>	Ring, Retaining, Internal	1
11	<u>102464301</u>	Bearing	1
12	<u>102765801</u>	Kit, Rear Axle Gear Repair (includes items 13 through 17)	1
13	<u>102464201</u>	Bearing, Ball	1
14	<u>102464401</u>	Seal, Dual-Lip 25x 62x 7tc	1
15	<u>102464501</u>	Seal, Dual-Lip 30x 62x 8tc	2
16	<u>102762601</u>	Gear, Ring, 33-Tooth	1
17	<u>102765701</u>	Asm, Pinion W/ Bearings (includes items 18 through 23)	1
18	<u>102463101</u>	Pinion, 10t Machined	1
19	<u>102463901</u>	Ring, Retaining, External	1
20	<u>102464001</u>	Bearing, Ball	1
21	<u>102464101</u>	Bearing, Needle, Drawn Shell	1
22	<u>102693601</u>	Washer, 2.625 X 2.367 X .06	1
23	<u>102694502</u>	Shim, 1.50 X 1.189 X .008	1
24	<u>102961501</u>	Asm, Differential & Carrier (includes items 25 through 30)	1
25	<u>102464201</u>	Bearing, Ball	1
26	<u>102464401</u>	Seal, Dual-Lip 25x 62x 7tc	1
27	<u>102464501</u>	Seal, Dual-Lip 30x 62x 8tc	2
28	<u>102961301</u>	Housing, Differential, Mach	1
29	<u>102961401</u>	Pin, Dowel, 4 X 35	1
30	<u>102961601</u>	Asm, Locker, Nongrease/Spacers	1

12

D

12

D

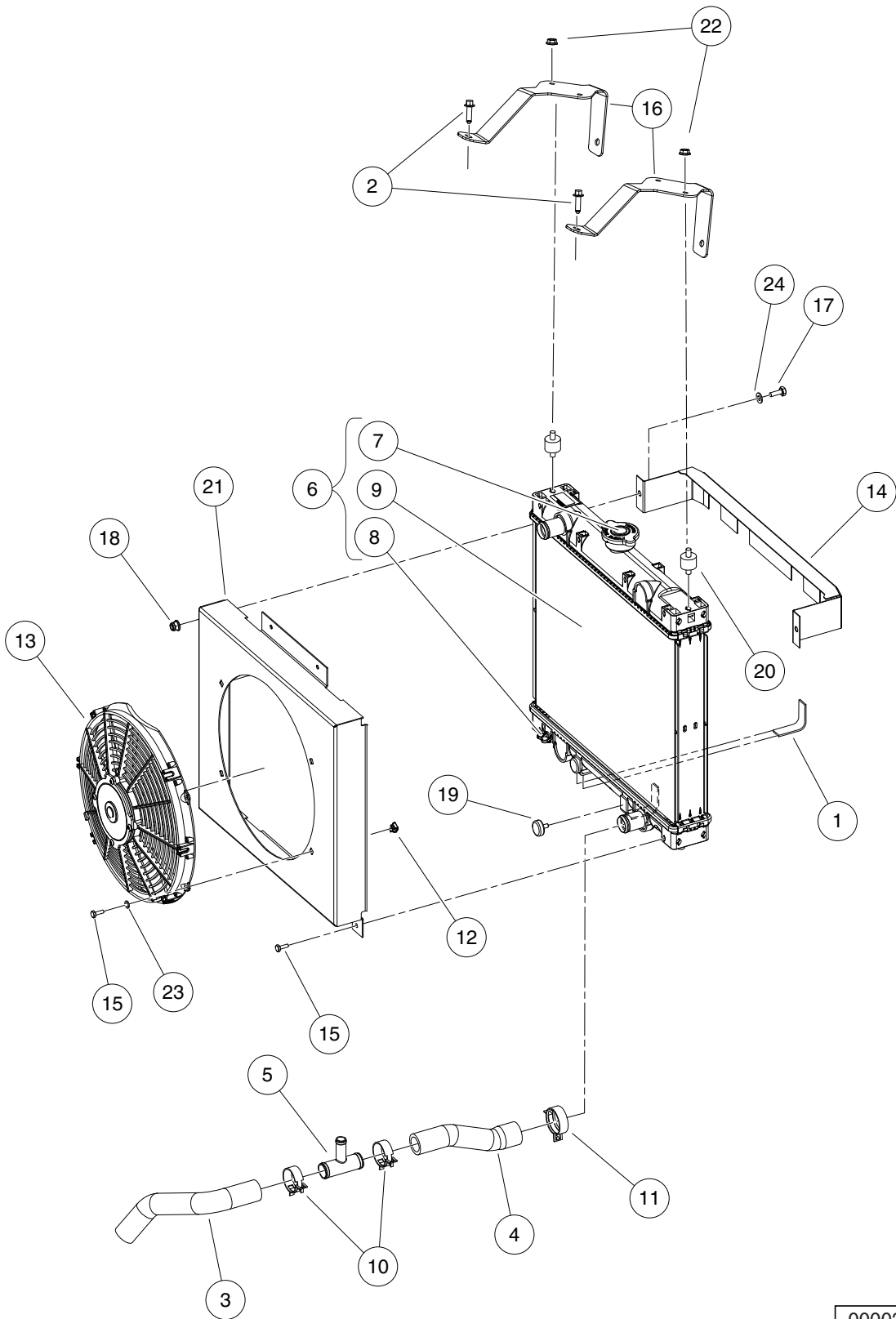
RADIATOR AND COOLANT SYSTEM (DIESEL VEHICLES)

13

D

13

D



000024-001

RADIATOR

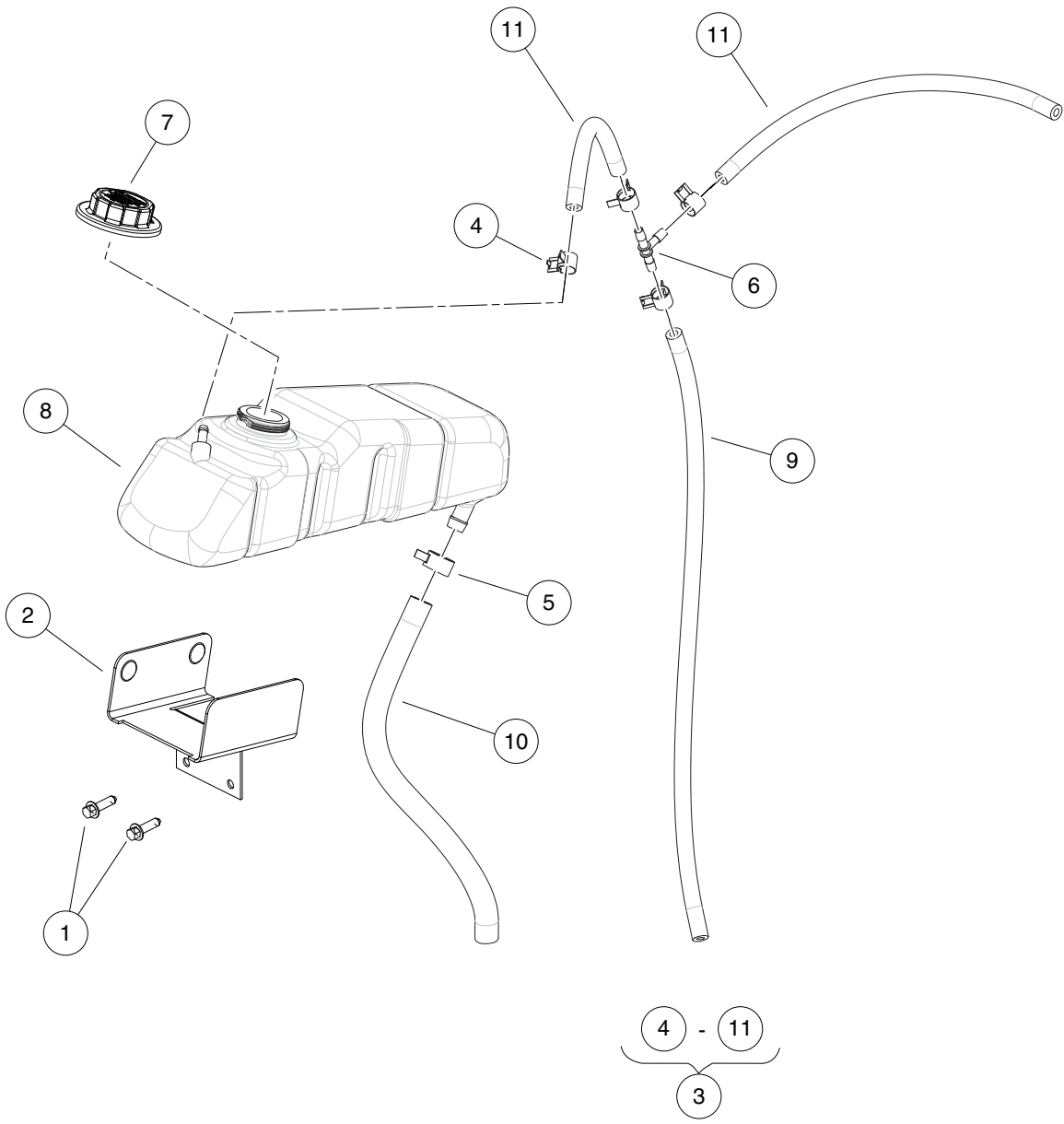
13

D

ITEM	PART NO.	DESCRIPTION	QTY
		1 2 3 4	
1	<u>1014471</u>	Tape, Vinyl Foam 1/8" x 3/4" *	1
2	<u>102289001</u>	Screw, M8X1.25X30, Hex	2
3	<u>102377801</u>	Hose, Coolant Lower Pipe	1
4	<u>102377901</u>	Hose, Coolant Lower Rad	1
5	<u>102380301</u>	Tee, Coolant Fill	1
6	<u>102410301</u>	Exchanger, Engine Coolant (includes items 7 and 8)	1
7	<u>102737301</u>	Cap, Radiator	1
8	<u>102737401</u>	Drain Cock, Radiator	1
9	<u>102411207</u>	Clamp, Hose, Ctb 35mm	2
10	<u>102411208</u>	Clamp, Hose, Ctb 38mm	1
11	<u>102411301</u>	Nut, Self Retaining	4
12	<u>102436701</u>	Fan, Cooling 12 In Elect	1
13	<u>102452101</u>	Guard, Radiator, Top	1
14	<u>102490301</u>	Bolt, M6 X 1 X 16 Loctite	8
15	<u>102493401</u>	Bracket, Upper Radiator Mount	2
16	<u>102498101</u>	Bolt, M8 X 1.25 X 20	2
17	<u>102618601</u>	Lock Nut, Flg M8 X 1.25 Nylon	2
18	<u>102684401</u>	Bumper, 13mm Stud	2
19	<u>102685001</u>	Isolator, Twin-Stud	2
20	<u>102855501</u>	Shroud, Radiator Fan	1
21	<u>96704416</u>	Nut Flg, M8 X 1.25 Serrated	2
22	<u>96705199</u>	Washer, M6	4
23	<u>96741038</u>	Washer, M8 Hard	2
		* Note: Item not shown.	

13

D



000078-001

COOLANT EXPANSION TANK

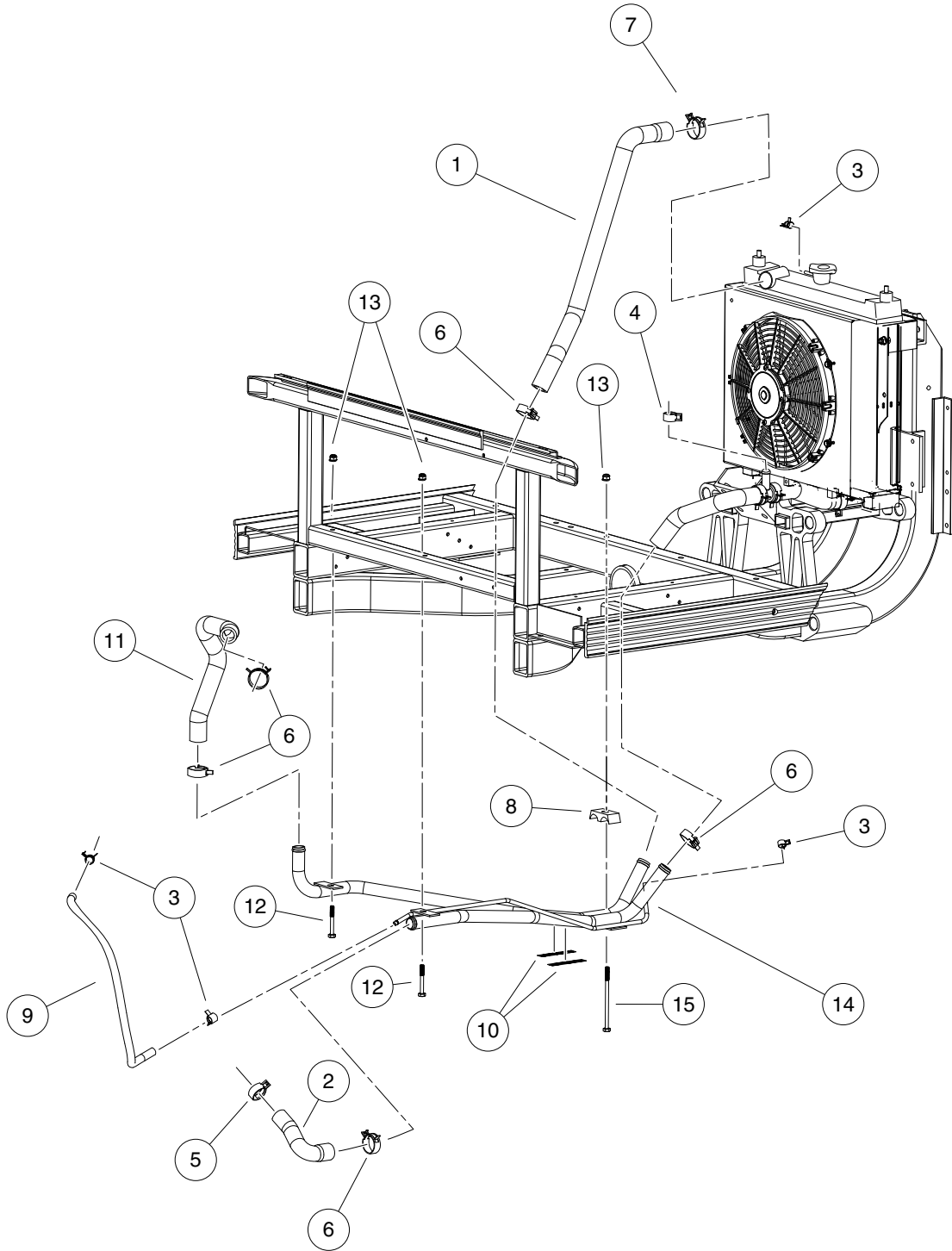
ITEM	PART NO.	DESCRIPTION	QTY
		1 2 3 4	
1	<u>102289001</u>	Screw, M8X1.25X30, Hex	2
2	<u>102460801</u>	Bracket, Coolant Bottle	1
3	N/A	Asm, Tank, Expansion (includes items 4 through 11)	1
4	<u>102411204</u>	Clamp, Hose, CTB 15mm	4
5	<u>102411205</u>	Clamp, Hose, CTB 22mm	1
6	<u>102411701</u>	Fitting, Tee	1
7	<u>102427501</u>	Cap, Radiator	1
8	<u>102434501</u>	Tank, Expansion	1
9	<u>102435201</u>	Hose, Tee To Vent Tube, Coolnt	1
10	<u>102807601</u>	Hose, Clnt, 5/8 Sae J20r3 Bulk	1
11	<u>102807801</u>	Hose, Clnt 5/16 Sae J20r3 Bulk	1

13

D

13

D



000079-001

COOLANT PIPES AND HOSES

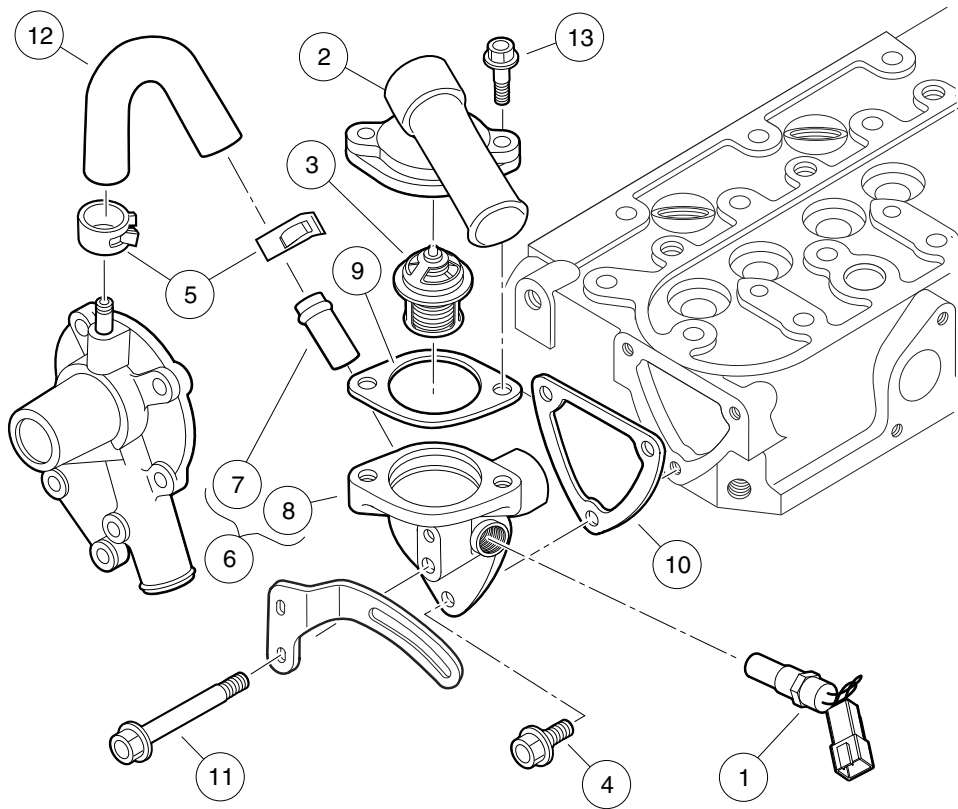
ITEM	PART NO.	DESCRIPTION	QTY
		1 2 3 4	
1	<u>102377501</u>	Hose, Coolant Upper Rad	1
2	<u>102377601</u>	Hose, Coolant Lower Eng	1
3	<u>102411204</u>	Clamp, Hose, CTB 15mm	4
4	<u>102411205</u>	Clamp, Hose, CTB 22mm	1
5	<u>102411206</u>	Clamp, Hose, Ctb 30mm	1
6	<u>102411207</u>	Clamp, Hose, Ctb 35mm	5
7	<u>102411208</u>	Clamp, Hose, Ctb 38mm	1
8	<u>102427601</u>	Clamp, Bar	1
9	<u>102435001</u>	Hose, Vent Tube To Eng, Coolnt	1
10	<u>102458901</u>	Decal, Hot Surface Warning	2
11	<u>102480501</u>	Hose, Coolant, Return, Engine	1
12	<u>102618301</u>	Bolt Flanged Head, M8 X 1.25 X 65	2
13	<u>102618601</u>	Lock Nut, Flg M8 X 1.25 Nylon	3
14	<u>102628701</u>	Weldment, Group, Coolant Pipe (includes items 15 through 19)	1
15	<u>102377401</u>	Pipe, Coolant Upper	1
16	<u>102377701</u>	Pipe, Coolant Lower	1
17	N/A	Tab, Rear Mntg, Coolant Pipe	2
18	N/A	Pipe, Vent, Coolant	1
19	N/A	Tab, Cooling Pipe Mount	1
20	<u>96747126</u>	Bolt, M8 X 1.25 X 130	1

13

D

13

D



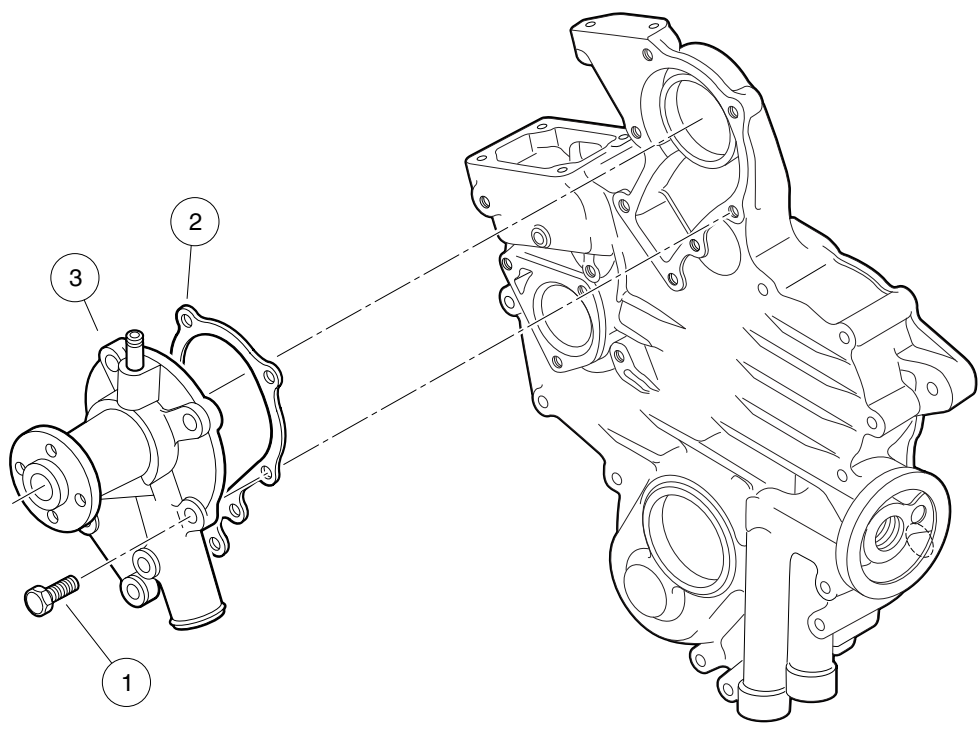
000059-001

WATER FLANGE AND THERMOSTAT

ITEM	PART NO.	DESCRIPTION	QTY
		1 2 3 4	
1	<u>102410001</u>	Sensor, Coolant Temp	1
2	<u>102631301</u>	Cover, Thermostat	1
3	<u>102631401</u>	Assy, Thermostat	1
4	<u>102631601</u>	Bolt, M6 X 1 X 20	2
5	<u>102633001</u>	Band, Pipe	2
6	<u>102633201</u>	Flange, Water (includes items 7 and 8)	1
7	<u>102633301</u>	Pipe, Water Return, D722	1
8	N/A	Flange, Water	1
9	<u>102633401</u>	Gasket, Thermostat	1
10	<u>102654701</u>	Gasket, Water Flange	1
11	<u>102730901</u>	Bolt, Alt, D722, Stay Lower	1
12	<u>102731001</u>	Pipe, Water Return, D722	1
13	<u>102731101</u>	Bolt, D722, Thermostat Cover	2

13

D



000060-001

WATER PUMP

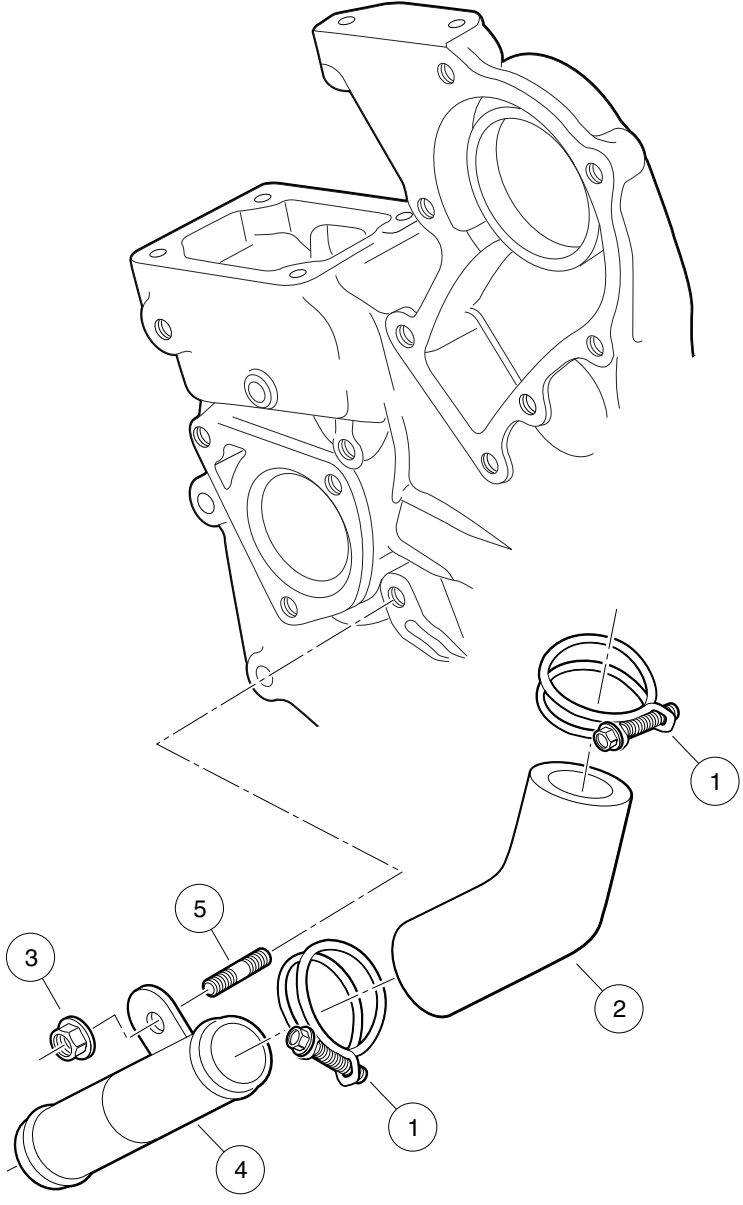
13

ITEM	PART NO.	DESCRIPTION	QTY
		1 2 3 4	
1	<u>102608701</u>	Bolt, M6 X 1 X 22	4
2	<u>102632701</u>	Gasket, Water Pump, D722	1
3	<u>102731201</u>	Water Pump Assembly	1

D

13

D



000061-001

BLOCK COOLANT PIPE

ITEM	PART NO.	DESCRIPTION	QTY
		1 2 3 4	
1	<u>102631701</u>	Band, Pipe, with Nut	2
2	<u>102631801</u>	Pipe, Water, Bent	1
3	<u>102632001</u>	Nut, Flange, M6	1
4	<u>102632101</u>	Pipe, Water, Bent	1
5	<u>102632201</u>	Stud, M6 X 15	1

13

D

13

D

MAINTENANCE AND SERVICE TOOLS

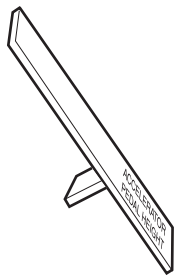
14

G

E

D

14
G
E
D



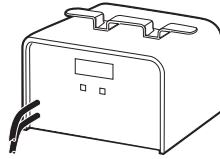
1



2



3



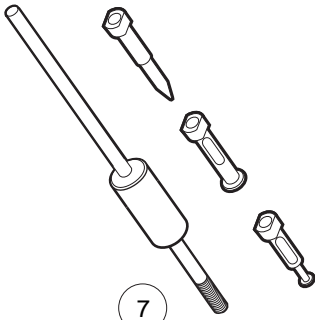
4



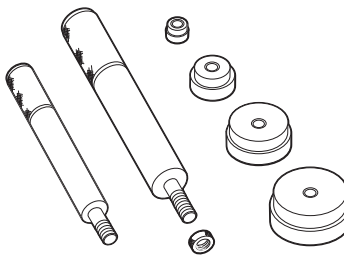
5



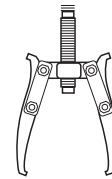
6



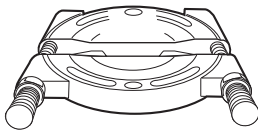
7



8



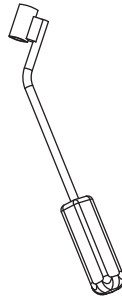
9



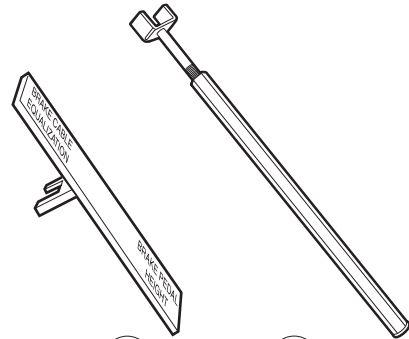
10



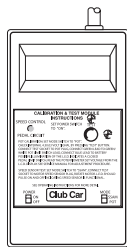
11



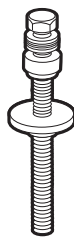
12



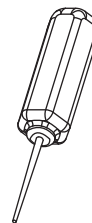
14 15
13



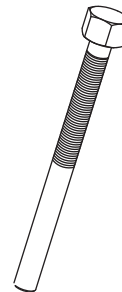
16



17



18



19

MAINTENANCE AND SERVICE TOOLS

ITEM	PART NO.	DESCRIPTION	QTY DIESEL	QTY GAS	QTY ELEC
		<p style="text-align: center;">1 2 3 4</p> <p>The following tool list includes all tools available from Club Car for maintenance and service procedures for gasoline, electric, and/or diesel vehicles, both past and present models. Be sure to carefully examine the tool list for applicability to your vehicle before ordering.</p>			
1	<u>101871001</u>	Accelerator Pedal Adjustment Tool		1	1
2	<u>101813202</u>	Adhesive, Guide Ring, 3-Gram Tube			1
3	<u>101641202</u>	Arbor		1	
4	<u>101831901</u>	Battery Discharge Machine, 36/48 Volt			1
5	<u>1014305</u>	Battery Terminal Protector Spray	1	1	1
6	1011767	Battery Thermometer	1	1	1
7	<u>1016417</u>	Bearing and Oil Seal Remover Assembly	1	1	1
8	<u>1016416</u>	Bearing Driver Set	1	1	1
9	<u>1012811</u>	Bearing Puller	1	1	1
10	<u>1012812</u>	Bearing Puller Wedge Attachment	1	1	1
11	1013582	Brake Adjustment Tool (used only on vehicles with manually adjusted mechanical brakes)			
12	<u>102555501</u>	Brake Cable Release Tool	1	1	1
13	102249901	Brake Pedal Adjustment Tool Kit (used for the Carryall Electric Industrial Truck only) (includes items 14 and 15).....			1
14	****	Brake Pedal Adjustment Tool			1
15	****	Brake Pedal Tension Tool			1
16	<u>101887101</u>	Calibration Test Module			1
17	<u>101808401</u>	Cam Installation Tool		1	
18	<u>102562401</u>	Charger Bezel Tool			1
19	<u>102686101</u>	Clutch Removal Tool (for 4x4 vehicles)	1	1	
		Please refer to the maintenance and service manual for proper tool application.			
	****	Special order item available upon request			

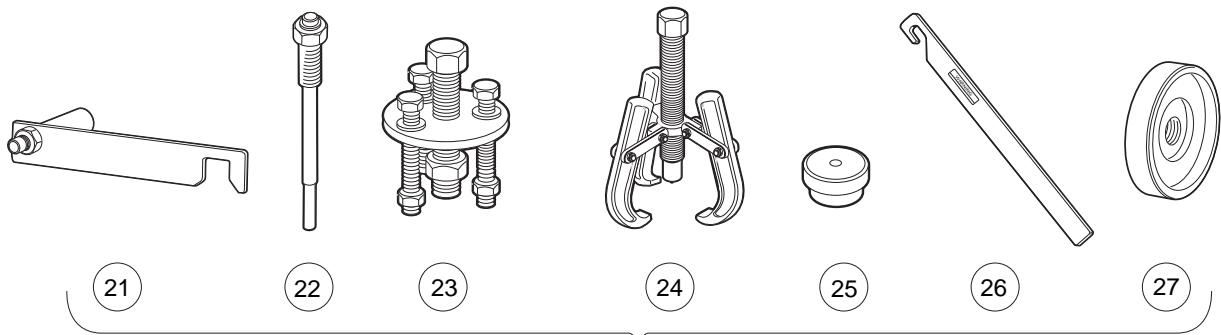
14

G

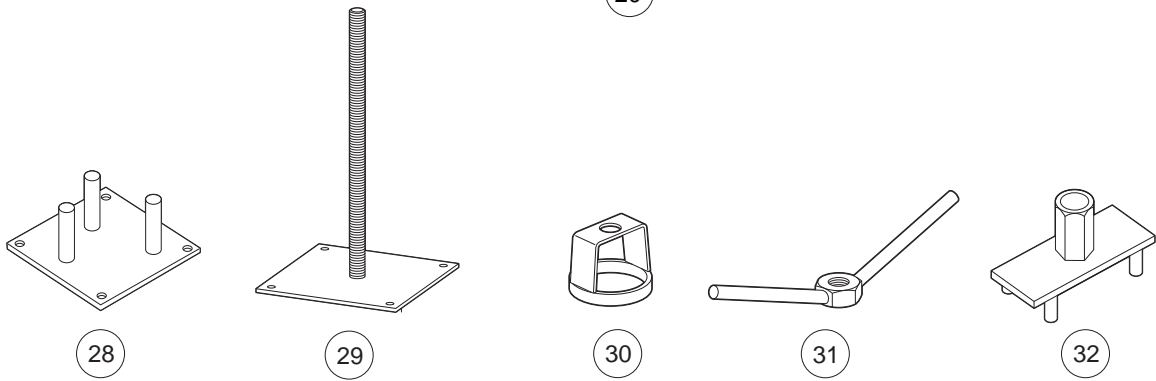
E

D

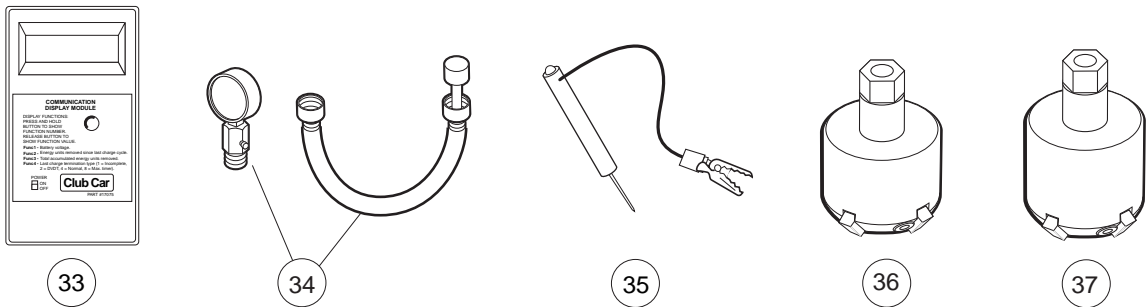
14
G
E
D



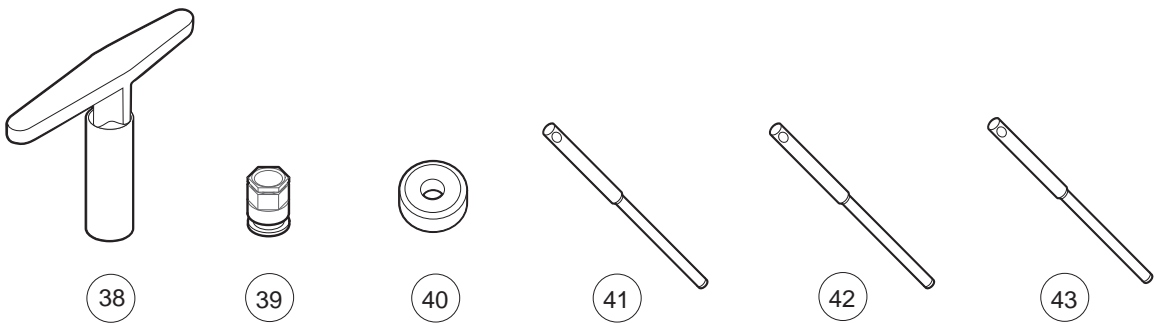
(21) (22) (23) (24) (25) (26) (27)
20



(28) (29) (30) (31) (32)



(33) (34) (35) (36) (37)

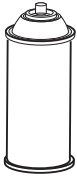


(38) (39) (40) (41) (42) (43)

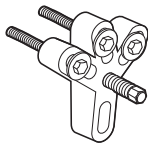
MAINTENANCE AND SERVICE TOOLS, CONTINUED

ITEM	PART NO.	DESCRIPTION	QTY DIESEL	QTY GAS	QTY ELEC	14
		1 2 3 4				G
20	<u>1014510</u>	Clutch Tool Kit (includes items 21 - 27)		1		E
21	<u>1014498</u>	Clutch Alignment Tool (for pre-unitized transaxle vehicles built prior to 1997 model year)		1		D
22	<u>1014496</u>	Drive Clutch Puller (for Kawasaki engines only)		1		
23	<u>1014497</u>	Drive Clutch Hub Puller (for Kawasaki engines only)		1		
24	<u>1014508</u>	Driven Clutch Cam Puller (for Kawasaki engines only)		1		
25	<u>1014507</u>	Driven Clutch Puller Plug (for Kawasaki engines only)		1		
26	<u>1015524</u>	Drive Clutch Holder Tool Assembly (for Kawasaki engines only)		1		
27	<u>101809101</u>	Press Weldment (for Kawasaki engines only)		1		
28	<u>102601501</u>	Drive ClutchFixed Sheave Tool (for 4x4 vehicles)	1	1		
29	<u>102603501</u>	Driven Clutch Spring Compression Base (for use with items 30 and 31) (for 4x4 vehicles)	1	1		
30	<u>102605201</u>	Driven Clutch Spring Compression Collar (for use with items 29 and 31) (for 4x4 vehicles)	1	1		
31	<u>102606101</u>	Driven Clutch Spring Compression Nut (for use with items 29 and 30) (for 4x4 vehicles)	1	1		
32	<u>102607501</u>	Drive Clutch Spider Removal Tool (for 4x4 vehicles)	1	1		
33	101831801	Communication Display Module			1	
34	101641002	Compression Gauge and Adapter		1		
35	1011273	Continuity Tester		1	1	
36	<u>102773801</u>	Cutter, Valve Seat, #122		1		
37	<u>102773901</u>	Cutter, Valve Seat #115		1		
38	<u>102774101</u>	Wrench, T, #505.....		1		
39	<u>102774101</u>	Adapter, T-Wrench		1		
40	102675401	Cutter, Valve Seat, 60 Degree (requires item 51) (for Honda GX620 Gasoline Engines)		1		
41	<u>102774201</u>	Pilot, 6.6 MM		1		
42	<u>102774301</u>	Pilot, 6.62 MM.....		1		
43	<u>102774401</u>	Pilot, 6.65 MM.....		1		
		Please refer to the maintenance and service manual for proper tool application.				

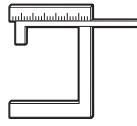
14
G
E
D



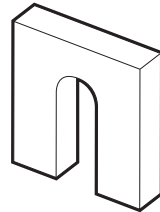
44



45



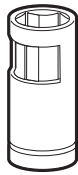
46



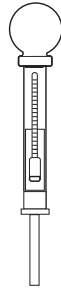
47



48



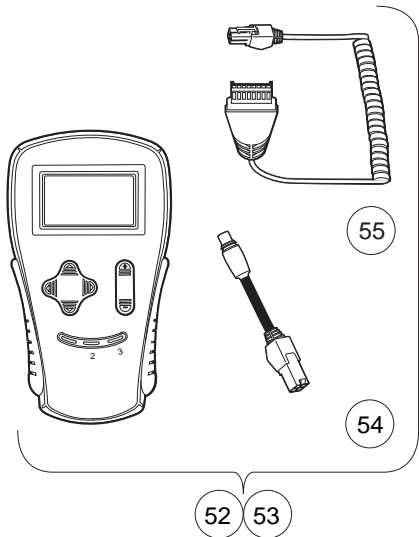
49



50



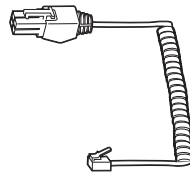
51



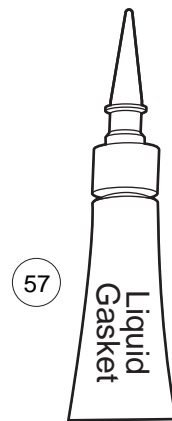
52 53

55

54



56



57



58



59 60



61

MAINTENANCE AND SERVICE TOOLS, CONTINUED

ITEM	PART NO.	DESCRIPTION	QTY DIESEL	QTY GAS	QTY ELEC
		1 2 3 4			
44	<u>1012151</u>	Dry Moly Lubricant	1	1	1
45	<u>1016627</u>	Flywheel Puller Kit (for Kawasaki Engines)		1	
46	<u>102669901</u>	Gauge, Carburetor Float Level (for Honda GX620 Gasoline Engines)		1	
47	<u>1016418</u>	Gear Yoke	1	1	1
48	<u>101933101</u>	Governor Shaft Installation Tool (for Kawasaki Engine Vehicles)		1	
49	<u>102169401</u>	Hydraulic Brake Adjuster (for Turf/CA 272/472, Pioneer/XRT 1200, Bobcat 2100, HUV 4213)			1
50	<u>1011478</u>	Hydrometer	1	1	1
51	<u>1013593</u>	Internal Retaining Ring Pliers	1	1	1
52	<u>102248803</u>	IQ Display Module (IQDM) Kit (IQ System and IQ Plus vehicles)			1
		(includes items 54 and 55)			
53	<u>102248804</u>	IQ Display Module (IQDM-P) Kit (IQ System and IQ Plus vehicles)			1
		(includes items 54 and 55)			
54	<u>102251501</u>	Adaptor, Cable			1
55	<u>102241502</u>	IQDM Series 2 Cable			1
56	<u>102241501</u>	IQDM Series 1 Cable (replacement)			1
57	<u>101928701</u>	Liquid Gasket (transaxle case)	1	1	1
58	<u>102243402</u>	Moly-Teflon Lubricant (4-oz. (113-gram) tube)			1
59	<u>101997201</u>	Paint, Touch-Up – Beige*		1	1
59	<u>101997207</u>	Paint, Touch-Up – Black*		1	1
59	<u>101997212</u>	Paint, Touch-Up – Burgundy*		1	1
59	<u>101997211</u>	Paint, Touch-Up – Classic Blue (Navy)*		1	1
59	<u>101997205</u>	Paint, Touch-Up – Dark Gray*	1	1	1
59	<u>101997209</u>	Paint, Touch-Up – Dark Green*	1	1	1
59	<u>101997204</u>	Paint, Touch-Up – Gray*	1	1	1
59	<u>101997203</u>	Paint, Touch-Up – Red*	1	1	1
59	<u>101997206</u>	Paint, Touch-Up – Royal Blue (Pacific Blue)*		1	1
59	<u>101997202</u>	Paint, Touch-Up – White*	1	1	1
60	<u>102562301</u>	Paint, Precedent Underbody – Gray		1	1
61	<u>102587201</u>	Paint Pen, Touch-Up, Precedent Underbody – Black		1	1
		Please refer to the maintenance and service manual for proper tool application.			
		* Item 59 is not for use on Surlyn [®] body material, which is used on Precedent vehicles.			

14

G

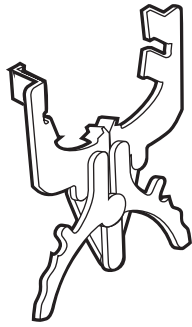
E

D

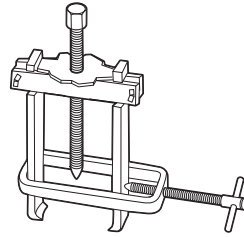
14
G
E
D



62



63



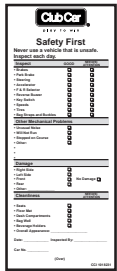
64



65



66



67



68



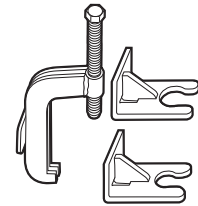
69



70



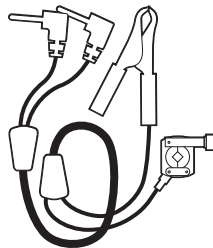
71



72



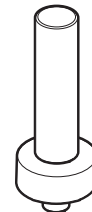
73



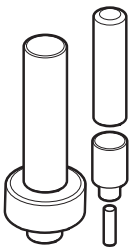
74



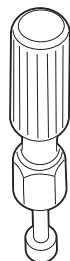
75



76



77



83



84



85



86

MAINTENANCE AND SERVICE TOOLS, CONTINUED

ITEM	PART NO.	DESCRIPTION	QTY	QTY	QTY	14
			DIESEL	GAS	ELEC	
		1 2 3 4				G
62	<u>1016414</u>	Piston Ring Compressor Kit (FE290, FE350 and FE400 engines)		1		E
63	<u>1016415</u>	Piston Ring Pliers (for Kawasaki Engines)		1		D
64	<u>102668801</u>	Puller, Special Use (for Kubota D722 Diesel Engines)	1			
65	<u>1012549</u>	Retaining Ring Pliers, 45° External	1	1	1	
66	<u>1012560</u>	Retaining Ring Pliers, 90° Internal	1	1	1	
67	<u>101823101</u>	Safety First Card (50 per pack)	1	1	1	
68	<u>1012809</u>	Seal Puller	1	1	1	
69	<u>102330901</u>	Spanner Wrench (for coil over shock front suspension vehicles only)	1	1		
70	<u>1014264</u>	Steering Column Bearing Press Tool		1	1	
71	<u>1014259</u>	Steering Column Retaining Ring Tool		1	1	
72	<u>102061201</u>	Steering Wheel Puller Tool	1	1	1	
73	<u>AM10753</u>	Tachometer (includes gasoline engine pick up lead only)	1	1		
74	<u>AM10771</u>	Tachometer Diesel Probe (for use with item 73)	1			
75	<u>1014162</u>	Transaxle Axle Seal Tool		1		
76	<u>1014161</u>	Transaxle Pinion Seal Tool		1		
77	<u>1014115</u>	Transmission Tool Kit		1		
78	<u>101611003</u>	Tune-Up Kit, All OHV (for FE290, FE350, FE400 only) (includes air filter, spark plug, oil filter, fuel filters) (not shown)		1		
79	<u>AM11804</u>	Tune-Up Kit, Gx620 (for Honda Engines) (includes air filter, spark plug, oil filter, fuel filters) (not shown)		1		
80	<u>AM11805</u>	Tune-Up Kit, D722 (for Kubota Engines) (includes air filter, oil filter, fuel filters, water separator filter) (not shown)	1			
81	<u>AM1220301</u>	Tune-Up Kit, Precedent (for FE290/350 Engines) (includes air filter, spark plug, oil filter, fuel filters) (not shown)		1		
82	<u>AM1232401</u>	Tune-Up Kit, FH680D (for Kawasaki V-Twin Engines) (includes oil filter, fuel filter, air filter, and spark plugs) (not shown)		1		
83	<u>1016413</u>	Valve Clearance Adjuster Screw Holder (for FE290 engines only)		1		
84	<u>102674601</u>	Valve Guide Driver (for Honda GX620 Gasoline Engines)		1		
85	<u>101641201</u>	Valve Guide Reamer (FE290, FE350, and FE400 only)		1		
86	<u>102674401</u>	Valve Guide Reamer, 6.6 mm (for Honda GX620 Gasoline Engines)		1		

14

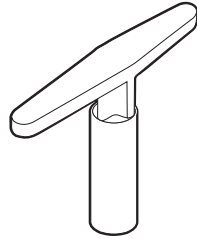
G

E

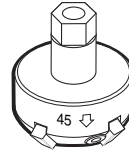
D



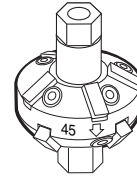
87



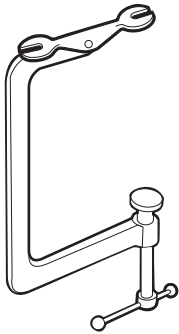
88



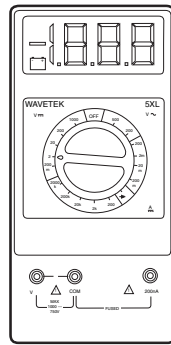
89



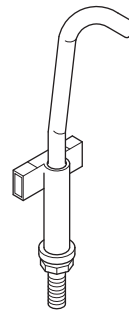
90



91



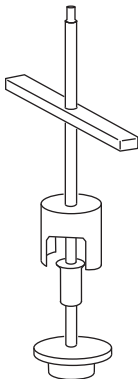
92



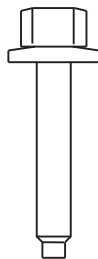
93



94



95



96

MAINTENANCE AND SERVICE TOOLS, CONTINUED

ITEM	PART NO.	DESCRIPTION	QTY DIESEL	QTY GAS	QTY ELEC	14
		1 2 3 4				G
87	<u>1016552</u>	Valve Seat Cutter Guide		1		E
88	<u>1016551</u>	Valve Seat Cutter T-Wrench		1		D
89	<u>1016553</u>	Valve Seat Cutter, 45° (32 mm diameter) (for FE290 engines only)		1		
90	<u>1016554</u>	Valve Seat Cutter, 45°/30° (35 mm diameter)		1		
91	<u>101641101</u>	Valve Spring Compressor		1		
92	1011480	Volt Ohm Meter	1	1	1	
93	<u>102570401</u>	Tool, Tensioning, Starter Generator (For Precedent vehicles)		1		
94	<u>103601401</u>	Puller, Drive Clutch, XRT 950*		1		
95	<u>103601701</u>	Tool, Disassembly, Driven Clutch, XRT 950		1		
96	<u>103600501</u>	Screw, Driven Clutch Disassembly, M6, XRT 950		1		
<p>*Note: The XRT 950 Drive Clutch Puller requires the use of Screw, Driven Clutch Disassembly, CCI Part Number <u>103600501</u>.</p>						

INDEX

Part Number and Page

AM10753	14-9	1013042	6-5	101641202	14-3
AM10771	14-9	1013044	6-5	1016413	14-9
183	5-11, 7-9, 9-5	1013051	6-5	1016414	14-9
332	1-11, 1-23, 7-15	1013052	6-5	1016415	14-9
334	1-17, 12-17	101313402	9-3	1016416	14-3
357	1-21	1013366	1-23	1016417	14-3
403	1-19	1013461	9-5	1016418	14-7
451	1-11, 1-13	1013462	9-5	1016551	14-11
1016	9-5	1013531	5-11, 5-13	1016552	14-11
1035	4-9, 5-13	1013582	14-3	1016553	14-11
1108	7-15	1013593	14-7	1016554	14-11
1241	5-11, 7-19	1013746	9-3	1016603	1-21
7310	2-3	1014115	14-9	1016627	14-7
7473	1-19, 1-23, 7-19	1014161	14-9	1016630	7-17
7820	7-11	1014162	14-9	1016851	12-11
8057	12-11	1014259	14-9	1016879	7-13
8058	12-11	1014264	14-9	1016880	7-13
8233	1-23	1014305	14-3	1016896	12-11
8248	1-7	1014306	1-7, 1-23, 1-25, 5-7	1016967	1-9
8251	1-25	1014321	1-25	1017064	7-13
8639	5-9, 5-11, 5-13, 7-11	1014375	7-19	1017162	1-21
8717	12-11	101438702	1-25	1017167	1-21
8754	1-19, 1-21, 6-11, 12-17	1014415	1-23	1017774	1-21
8755	1-19, 1-21	1014471	1-19, 13-3	101808401	14-3
8797	9-5	1014496	14-5	101809101	14-5
8990	1-21, 6-5, 7-9	1014497	14-5	101813202	14-3
1010177	12-17	1014498	14-5	101823101	14-9
1010200	1-21	1014507	14-5	101824401	9-3
1010435	1-19, 1-23	1014508	14-5	101831801	14-5
1010436	1-23	1014510	14-5	101831901	14-3
1010521	5-11, 5-13	1014530	7-11	101833001	7-11
101082903	5-7	1014537	1-23	101833101	8-3
1010934	7-19	1014557	7-17	101833201	8-3
1011084	12-23	1014727	12-11	101835601	1-17, 1-19
1011273	14-5	1014808	12-11	101856102	11-5
1011478	14-7	1015139	9-5	101871001	14-3
1011480	14-11	1015143	9-5	101879401	6-5
1011553	3-3	1015258	1-19	101879701	6-5
1011652	1-11, 1-13	1015277	1-17	101879801	6-5
1011767	14-3	1015399	1-19, 1-23	101879901	6-5
1011779	5-11, 5-13	1015400	1-19	101880201	6-5
1011825	7-11	1015521	7-15	101887101	14-3
1012151	14-7	1015524	14-5	101887601	5-7, 5-9
1012295	7-15	101553901	3-3	101894304	1-23
1012303	1-19	1015583	1-19	101898001	7-19
1012438	5-11	1015597	6-13, 6-15	101928701	14-7
1012549	14-9	1015636	7-17	101933101	14-7
1012560	14-9	1015741	7-15	101955101	7-11
101260202	5-11	101587703	9-3	101958602	1-17
1012769	1-25, 8-3, 12-23	1016078	1-17	101963401	1-23
1012809	14-9	101609401	3-3	101972001	14-7
1012811	14-3	101611003	14-9	101972002	14-7
1012812	14-3	1016183	6-11	101972003	14-7
1013035	6-5	101641002	14-5	101972004	14-7
		101641101	14-11	101972005	14-7
		101641201	14-9	101972006	14-7

INDEX

101972007	14-7	102251602	1-25	102377701	13-7
101972009	14-7	102251702	1-25	102377801	13-3
101972011	14-7	102274101	12-3	102377901	13-3
101972012	14-7	102276001	12-25	102379001	9-9
101990802	5-11, 5-13	102289001	1-9, 9-3, 13-3, 13-5	102380301	13-3
102010102	6-5	102289002	1-7	102380601	4-5
102021302	2-3	102290120	6-3	102381701	12-3
102021305	2-3	102296140	5-9, 6-7	102382401	8-3, 12-23
102021306	2-3	102296401	4-3, 5-9, 6-7	102385601	11-9
102021410	2-3	102296716	1-11, 5-9, 9-3, 11-3, 11-5	102385701	11-11
102021411	2-3	102298130	1-7, 6-3, 6-11	102393501	6-13, 6-15
102021412	2-3	102298170	7-11	102394002	6-9, 6-11
102021413	2-3	102298240	6-9, 6-11	102395601	9-9
102021502	1-7	102298401	8-3, 10-3, 12-11	102398901	6-13, 6-15
102021602	1-7	102301401	1-17	102399201	5-5
102021802	1-7	102323101	1-17	102399202	5-5
102022601	6-5	102323501	4-9	102402801	5-7
102022901	6-5, 6-7, 12-3	102330901	14-9	102402901	5-7
102023703	1-13	102339001	1-23	102406701	9-5
102025801	7-11	102353301	1-3	102406801	9-5
102028302	5-11	102355301	7-19	102407801	5-9
102045001	1-7	102361901	6-7, 12-3	102407901	5-9
102046501	3-7	102363802	6-3	102408401	6-7
102047001	1-11, 1-13	102364201	6-3	102409301	10-3
102048401	1-7	102365601	6-13	102409401	10-3
102051401	5-7	102365602	6-15	102409501	10-3
102052801	5-11, 5-13	102367101	6-3	102410001	13-9
102059401	1-11, 1-13	102367601	5-3	102410301	13-3
102061101	1-11, 1-13	102368201	12-3	102410603	1-7, 5-9, 8-3
102061201	14-9	102368301	12-3	102410801	9-3
102065901	1-19	102368302	12-3	102411203	9-3
102066001	1-21	102368501	6-7	102411204	13-5, 13-7
102169401	14-7	102368502	6-7	102411205	13-5, 13-7
102171503	1-19	102368801	6-7	102411206	13-7
102176901	5-7	102368802	6-7	102411207	13-3, 13-7
102198001	7-17	102369401	12-13	102411208	13-3, 13-7
1022006	7-13	102369901	11-11	102411209	9-9
102221301	1-23	102370101	8-3	102411210	11-3, 11-5
102221401	1-23	102370501	8-3	102411301	13-3
102221501	1-23	102370601	8-3	102411701	13-5
102221701	1-23	102371701	12-9	102414501	11-5
102221801	1-23	102371801	12-5	102414701	8-3
102222001	1-23	102372101	12-9	102414801	8-3
102222101	1-23	102373401	1-9	102418101	1-17
102222201	1-23	102374701	12-3	102418501	1-7
102224001	3-3	102374802	2-3	102420201	7-15
102229902	1-23	102374901	11-7	102420401	7-15
102231601	3-5	102375401	7-17	102420501	7-15
102238001	7-11	102375801	12-11	102422301	8-51, 10-3
102239901	1-23	102375901	12-11	102426301	9-3
102241501	14-7	102376001	12-11	102426601	1-17, 1-21
102241502	14-7	102376601	12-3	102426901	1-19
102243402	14-7	102376602	12-25	102427501	13-5
102248803	14-7	102377401	13-7	102427601	13-7
102249901	14-3	102377501	13-7	102430001	9-3
102251501	14-7	102377601	13-7	102430201	9-3

INDEX

102430301	9-3	102449101	12-25	102475701	5-9, 9-7, 12-23
102430401	9-3	102449201	12-27	102475801	12-3
102432001	1-7	102449901	6-5	102476301	4-3
102434501	13-5	102452101	13-3	102476401	4-3
102434601	9-3	102454001	1-25	102477001	6-13, 6-15
102434701	9-3	102454101	1-25	102477201	6-11
102434801	9-3	102454201	1-25	102477301	1-7
102435001	13-7	102455101	3-5	102478501	9-5
102435201	13-5	102457301	7-17	102479001	12-3
102436001	12-3	102458801	3-3	102479301	4-3
102436101	12-3	102458901	1-11, 1-13, 3-5, 13-7	102480501	13-7
102436701	13-3	102459001	3-5	102481001	11-5
102437001	6-7	102459101	3-5	102481201	11-5
102437101	6-7	102459201	3-5	102481301	11-5
102437201	1-9	102459301	3-3	102487201	7-9
102438101	4-7, 4-9	102459401	1-15, 3-3	102487301	7-9
102438201	12-5	102459501	3-5	102488001	5-3, 5-5
102438301	12-5	102459601	3-3	102489901	4-3
102438401	12-5	102459710	1-7	102490101	8-3
102438501	12-5	102459714	1-7	102490201	8-3
102438601	12-5	102459715	1-7	102490301	1-11, 7-9, 13-3
102438701	12-5	102459716	1-7	102490501	8-3
102438801	12-5	102459718	1-7	102490801	1-11, 6-7
102438901	12-5	102460201	3-5	102491001	12-3
102439001	12-5	102460801	13-5	102491101	12-3
102439101	12-5	102462301	8-3	102491301	1-9
102439201	12-5	102462401	12-3	102491501	1-7, 1-9
102439301	12-5	102462501	8-3	102491601	5-3, 5-5
102439401	12-5	102463101	12-27	102491701	1-25
102439501	12-5	102463301	12-27	102492201	7-15
102439601	12-5	102463401	12-27	102492301	7-15
102439701	12-5	102463501	12-25	102492401	5-11
102439801	12-5	102463601	12-25	102492801	1-7
102439901	12-5	102463801	12-25, 12-27	102493301	5-3, 5-5
102440101	12-5	102463901	12-27	102493401	13-3
102440201	12-7	102464001	12-27	102493801	1-17
102440301	12-5	102464101	12-27	102494401	8-3
102440401	12-7	102464201	12-27	102494701	9-5
102440501	12-7	102464301	12-27	102495001	6-11
102440601	12-7	102464401	12-27	102495701	7-17
102442201	7-19	102464501	12-27	102495801	12-23
102442701	5-11	102464601	6-11	102498101	1-11, 1-13, 13-3
102442801	5-11	102465701	1-21	102498201	7-19, 8-3
102442901	4-3, 4-5	102465901	8-3	102498601	9-9
102444201	7-5	102466001	7-11	102498801	9-7
102445201	4-3	102466201	1-25	102499001	12-11
102445901	1-3	102468802	6-11	102522001	9-5
102446601	6-11	102469401	4-3	102529202	7-11
102446901	6-7	102469901	6-7	102541465	5-7, 9-9
102447001	12-3	102470101	6-11	102555501	14-3
102447601	1-11	102470501	6-11	102562401	14-3
102447602	1-11	102470601	6-11	102570401	14-11
102447901	7-15	102470801	12-11	102571301	6-3
102448001	7-15	102474101	5-9, 6-7	102600001	8-5
102448401	7-19	102474102	5-9, 6-7	102600101	8-5
102448501	7-19	102474301	5-9	102600201	8-5

INDEX

102600301	8-5, 8-9, 8-51	102607401	8-7	102622901	3-7
102600401	8-5	102607501	14-5	102623001	3-7
102600601	8-5	102607601	8-23, 8-53	102623301	3-7
102600701	8-5	102607602	8-23	102623501	3-7
102600801	8-5, 8-9	102607801	8-23	102624701	1-3
102601001	8-5, 8-11	102607901	8-23	102626201	4-5
102601101	8-33	102608001	8-23	102628001	11-5
102601301	8-5	102608101	8-23	102628101	10-3
102601401	8-5	102608201	8-19, 8-51	102628601	1-7
102601501	14-5	102608301	8-19, 8-51	102628701	13-7
102601601	8-11	102608401	8-19	102629001	1-21
102601801	8-11, 8-51	102608501	8-19	102630001	8-23
102601901	8-11	102608601	8-19	102630003	8-23
102602001	8-11	102608701	8-19, 13-11	102630101	8-23
102602101	8-11	102608801	8-23	102630201	8-23
102602301	8-11	102608803	8-23	102630301	8-23, 8-51
102602401	8-11	102608804	8-23	102630401	8-23
102602601	8-11	102608806	8-23	102630601	8-33
102602701	8-11	102608901	8-19	102630701	8-23
102602801	8-11	102609001	8-23	102630703	8-23
102603201	8-21	102609003	8-23	102630901	8-23, 8-53
102603501	14-5	102609101	8-19	102631001	8-23, 8-53
102603601	8-27	102609301	8-19	102631301	13-9
102603701	8-27	102609401	8-19	102631401	13-9
102603801	8-27	102609601	8-19	102631601	8-5, 8-33, 13-9
102603901	8-27	102609801	8-23	102631701	13-13
102604001	8-27	102609803	8-23	102631801	13-13
102604101	8-27	102610001	8-23	102632001	8-45, 13-13
102604201	8-21, 8-27	102614101	1-19, 1-21	102632101	13-13
102604301	8-27	102615701	12-11	102632201	13-13
102604401	8-23, 8-27	102615801	12-23	102632701	8-51, 13-11
102604501	8-27	102616003	11-5	102633001	13-9
102604701	8-27	102616101	11-5	102633201	13-9
102604901	8-21	102616301	6-7, 6-9, 6-11, 6-13, 6-15	102633301	13-9
102605001	8-21	102616501	11-9	102633401	8-51, 13-9
102605101	8-7, 8-21	102616701	12-11	102633601	8-41
102605201	14-5	102617201	1-3, 1-7, 1-9	102633701	8-37
102605301	8-21	102617501	12-3	102633801	8-37
102605401	8-21	102617701	6-7	102633901	8-37
102605501	8-21	102617801	12-3	102634001	8-37, 8-51
102605601	8-21	102618101	4-3, 4-5	102634101	8-37
102605701	8-39	102618301	1-17, 4-3, 4-5, 4-7, 4-9, 5-11, 5-13, 12-11, 13-7	102634201	8-37
102605801	8-21	102618401	5-7	102634301	8-37
102605901	8-21	102618601	1-7, 1-13, 1-17, 1-21, 4-3, 4-5, 4-7, 4-9, 5-7, 5-11, 5-13, 6-3, 6-9, 6-11, 8-3, 9-3, 13-3, 13-7	102634401	8-37, 8-51
102606001	8-21	102619401	1-3	102634501	8-37, 8-51
102606101	14-5	102619801	6-13, 6-15	102634601	8-37
102606201	8-17	102620401	6-13, 6-15	102634701	8-37
102606301	8-17	102620501	1-11, 6-7, 6-9, 6-11, 6-13, 6-15	102634901	8-41
102606401	8-17	102620901	1-13	102635101	8-41
102606501	8-17	102621101	3-3	102635201	8-37
102606601	8-17, 8-51	102621201	9-9, 10-3	102635301	8-13, 8-29, 8-37, 8-39, 8-51
102606701	8-15	102621301	8-3, 10-3	102635501	8-29
102606901	8-7	102621501	1-25, 7-9, 8-3, 9-9, 12-23	102635701	8-29
102607001	8-7			102635801	8-29
102607201	8-7			102635901	8-29
102607301	8-7			102636101	8-41

INDEX

102636201	8-41	102648001	8-25	102684601	12-11
102636301	8-41	102648401	8-43	102685001	13-3
102636401	8-41	102648501	8-43	102685601	6-13, 6-15
102636501	8-41	102651301	8-45	102686101	14-3
102636601	8-41	102651501	8-45	102687801	6-5
102637001	8-29	102651601	8-45	102688901	3-3
102637101	8-29	102651701	8-45	102689001	5-9
102637301	8-35	102651801	8-45	102689101	5-9, 6-13, 6-15
102637701	8-35	102651901	8-45	102689102	5-9, 6-13, 6-15
102640401	8-35	102652001	8-45	102690201	11-9
102640501	8-35	102652201	8-45	102690301	11-9
102640601	8-35	102652601	8-45	102690401	11-9
102640701	8-35	102652701	8-45	102690501	11-9
102640901	8-35	102652801	8-9	102690701	11-9
102641001	8-35	102652901	8-45	102690801	11-9
102641101	8-35	102653001	8-45	102691401	11-9
102641201	8-35	102653101	8-45	102691601	11-9
102641501	8-39	102653201	8-45	102691701	11-9
102642401	8-39	102653301	8-45, 8-51	102691801	11-9
102642501	8-39	102653401	8-9	102692801	5-11
102642601	8-39	102653501	8-9	102693301	12-13, 12-25
102642701	8-39	102653601	8-45	102693401	12-13, 12-25
102642801	8-39	102653701	8-45	102693501	12-13, 12-25
102642901	8-39	102653901	8-9	102693601	12-27
102643001	8-39	102654101	8-9, 8-51	102694001	12-27
102643101	8-39	102654301	8-11, 8-37, 8-47	102694201	12-13, 12-25
102643201	8-39	102654401	8-21	102694301	12-25
102643301	8-39	102654601	8-7, 8-51	102694401	12-25
102643401	8-39	102654701	8-51, 13-9	102694502	12-27
102643601	8-39	102668801	14-9	102694701	12-25
102643701	8-39	102669901	14-7	102694801	12-25
102644001	8-13, 8-51	102670701	8-3	102695401	11-11
102644101	8-13	102672101	12-25	102695601	11-11
102644201	8-13	102672201	12-25	102695701	11-11
102644401	8-13	102672301	12-25	102695801	11-11
102644501	8-13, 8-51	102672401	12-25	102695901	11-11
102644601	8-13	102673201	3-7	102696001	12-17, 12-19
102644701	8-13	102673301	3-7	102696101	12-13
102644801	8-13	102673901	1-21	102696201	12-13, 12-15, 12-21
102644901	8-13	102674001	14-5	102696301	12-13
102645001	8-13	102674101	14-5	102696401	12-17, 12-19
102645401	8-13	102674201	14-5	102696501	12-13, 12-15
102645501	8-43	102674401	14-9	102696601	12-17, 12-19
102645801	8-47	102674601	14-9	102696701	12-13
102646001	8-47, 8-51	102675001	14-5	102696801	12-13, 12-15
102646101	8-47	102675101	14-5	102696901	12-13, 12-15, 12-21
102646301	8-49	102675201	14-5	102697001	12-21
102646401	8-45	102675301	14-5	102697101	12-13, 12-15
102646501	8-49	102675401	14-5	102697201	12-15
102646601	8-49, 8-51	102676801	6-3	102697301	12-13
102647101	8-49	102679501	7-9	102697401	12-13
102647201	8-49	102682301	3-3	102697501	12-15
102647501	8-25	102682701	6-13, 6-15	102697601	12-13
102647701	8-43	102682901	6-13, 6-15	102697701	12-13
102647801	8-25	102684401	13-3	102697801	12-21
102647901	8-25	102684501	1-25, 6-13, 6-15, 12-11	102697901	12-15

INDEX

102698001	12-15	102718101	1-3	102730901	13-9
102698101	12-21	102718301	1-3	102731001	13-9
102698301	12-13	102719301	11-11	102731101	13-9
102698401	12-21	102720401	1-3	102731201	13-11
102698601	12-15	102721501	12-13, 12-21	102731301	8-33
102698701	12-15	102721601	7-11	102731501	8-49
102698801	12-21	102722301	6-7, 12-3	102731601	8-49, 10-3
102698901	12-13	102725501	9-9	102731701	7-17
102699001	12-21	102725601	9-9	102731801	8-51
102699201	12-13	102726201	8-5	102731901	8-51
102699301	12-15	102726301	8-5	102732001	8-53
102699401	12-13	102726401	8-5	102732201	8-23, 8-53
102699501	12-21	102726501	8-5	102732501	8-43
102699601	12-17, 12-19	102726601	8-5	102732601	8-5, 8-51
102699701	12-13, 12-21	102726701	8-9	102736901	2-3
102700001	12-21	102726801	8-9	102737101	6-13, 6-15
102700101	12-21	102726901	8-9	102737301	13-3
102700201	12-21	102727001	8-9	102737401	13-3
102700301	12-21	102727101	8-9	102737801	7-11
102701001	8-9	102727201	8-9	102738301	1-11
102701201	8-33	102727301	8-11	102738401	1-11
102701401	8-37	102727401	8-11	102738501	1-11
102701801	8-41	102727501	8-11	102739903	7-17
102703301	8-11	102727601	8-13	102740601	7-11
102706701	7-11	102727701	8-15	102740701	3-3
102707301	1-11	102727801	8-15	102741501	4-9
102707401	1-11, 1-13	102727901	8-17	102741601	4-9
102707601	7-13	102728001	8-19	102742501	7-11
102707701	7-13	102728101	8-23, 8-53	102742701	7-13
102707801	7-13	102728102	8-23	102751301	4-9
102707901	7-9	102728201	8-23	102751401	4-9
102708001	7-9	102728301	8-25	102751501	4-9
102708101	7-9	102728401	8-27	102758701	4-7, 4-9
102708201	1-3	102728501	8-27	102760501	1-7
102708301	7-17	102728601	8-29	102760701	1-7
102708501	1-3	102728701	8-29	102760801	1-7
102708601	1-3	102728801	8-29, 8-51	102762601	12-27
102708701	7-9	102728901	8-29	102763001	7-13
102708901	7-13	102729001	8-31	102763301	5-13
102708902	7-13	102729101	8-31	102763401	5-13
102709001	7-9	102729301	8-11, 8-51	102764201	12-13
102709101	7-9	102729401	8-37	102764701	12-21
102709102	7-9	102729501	8-37	102764801	12-21
102710101	7-11	102729601	8-39	102764901	12-15
102710301	9-3	102729701	8-39	102765001	12-17
102710401	7-9	102729801	8-41	102765101	12-15
102710701	7-9	102729901	8-41	102765201	12-13
102711601	12-3	102730001	8-33	102765301	12-27
102711901	7-11	102730101	8-33	102765401	12-27
102712001	1-11	102730201	8-33	102765501	12-27
102712601	5-13	102730301	8-33	102765701	12-27
102712701	5-13	102730401	8-33	102765801	12-27
102714001	5-3, 5-5	102730501	8-33	102770001	5-11
102715201	1-15	102730601	8-33	102770301	5-13
102715701	5-7	102730701	8-33	102776801	1-11
102716001	4-9	102730801	8-5	102778001	1-7

INDEX

102779701 7-13
102798501 8-51
102799401 8-21
102799501 8-29
102807201 7-11
102807601 13-5
102807801 13-5
102810401 7-13
102810701 9-9
102812801 10-3
102831501 12-25
102831601 1-7
102833901 7-9
102839401 11-9
102853801 1-3
102855501 13-3
102865201 12-3
102865301 1-11
102865401 1-11
102865501 1-11
102865601 1-11
102892401 4-7, 4-9
102896601 4-7, 4-9
102934601 8-3
102952101 9-5
102961301 12-27
102961401 12-27
102961501 12-27
102961601 12-27
102967901 1-7, 7-17
103177101 1-5
103184001 1-5
103185501 11-9
103185801 11-9
103185901 11-9
103239501 12-19
103239801 12-19
103244701 12-3
103256701 6-7
103273101 4-3, 4-5
103282301 6-13, 6-15
103294301 12-17
103305001 4-9
103305101 4-9
103320601 11-3, 11-5
103348101 7-17
103348201 7-17
103418701 5-5
103418801 5-3, 5-5
103441401 9-9
103538701 1-19
103538901 1-19
95293643 12-9
96701412 1-11, 8-3
96704416 13-3
96704622 8-3

96704721 8-3
96705199 1-11, 13-3
96705587 9-3
96705736 7-9
96706825 4-3
96715552 1-9
96718978 8-3
96741038 1-11, 8-3, 13-3
96741046 8-3
96747126 13-7

A

A-arm 6-7
absorber, shock 6-9, 6-11
accelerator cable 9-7
accelerator pedal 4-3
accelerator pedal adjustment tool 14-3
accessory receptacle 7-17
actuator 1-21
adapter
 actuator 1-21
 cable (IQDM) 14-7
 tube 9-3
adapter, tow hitch 1-3
adhesive, guide ring 14-3
adjuster
 hydraulic brake 14-7
adjuster, slide 12-3
air clean support 9-9
air filter 9-9
air filter canister 9-9
air filter evacuator 9-9
alternator 8-33
arbor 14-3
arm
 A- 6-7
 governor 12-21
 lower 6-7
 rocker 8-45
arm, swing 6-13, 6-15
assembly
 accelerator pedal 4-3
 adjusting bolt 8-29
 alternator 8-33
 bearing case cover 8-19
 brake line 5-9
 brake pedal 4-5, 4-7, 4-9
 brake rotor 12-3, 12-25
 camshaft 8-21
 case, main bearing 8-19
 connecting rod 8-23
 drain cock 8-5
 filler cap 5-7
 forward/reverse 12-11
 fuel camshaft 8-27
 fuel cap 9-5

fuel filter 9-3
fuel pump 9-3
fuel tank vent 9-5
gear case 12-13, 12-27
governor 8-37
governor arm 12-21
governor fork lever 8-41
idle apparatus 8-29
inner ball joint 6-5
latch, tilt bed 1-19
manifold 8-47
muffler 12-3
nozzle holder 8-39
oil pump 8-17
overflow pipe 8-39
park brake pedal 4-7, 4-9
pinion 12-27
piston ring 8-23, 8-53
pump 8-35
reservoir, remote 5-7
rocker arm 8-45
slide adjuster 12-3
tank, coolant expansion 13-5
tether 1-23
thermostat 13-9
tilt bed 1-19
tire 2-3
water pump 13-11
wire 7-19, 9-5
assembly, sub-
 A-arm, upper 6-7
 fly weight 12-21
 front differential upright 12-3
 gear case 12-13
 governor spool 12-21
 moveable drive clutch 11-9
 spider 11-9
 stationary 11-9
 swingarm 6-13, 6-15
 weight clutch 11-9
axle 12-25
axle tube 12-27
axle, rear, guard mounts 12-25

B

ball
 check 8-21
 crankshaft 8-23
 governor 8-27
 injection pump 8-27
 valve 8-11
ball joint 6-7, 12-3, 12-23
ball stud 12-11
band, pipe 13-9, 13-13
banjo bolt 5-3, 5-5
bar clamp 13-7

INDEX

- bar, sway 6-11
- barb, vent 9-3
- battery 7-19
- battery clamp 7-19
- battery discharge machine 14-3
- battery terminal protector spray 14-3
- battery thermometer 14-3
- bearing 12-27
 - ball (steering pinion) 6-5
 - lower pinion 6-5
 - needle 12-5, 12-13, 12-15, 12-27
- bearing and oil seal remover 14-3
- bearing case cover 8-19
- bearing case, main 8-19
- bearing driver set 14-3
- bearing puller 14-3
- bearing puller wedge 14-3
- bed floor plate 1-19
- bed, tilt 1-19
- bell crank kit 5-13
- bellcrank 4-9, 12-17, 12-19
- bellows 6-5, 12-25
- belt, drive 11-7
- belt, V- 8-33
- bezel, fuel fill 1-25
- bezel, headlight 7-13
- block, differential spacer 12-3
- block, engine 8-5
- block, fuse 7-15
- bobbin, coil with press fit 12-5
- body, front 1-7
- bolt
 - adjusting 8-29
 - banjo 5-3, 5-5
- Bracket
 - Mirror Mounting 1-5
- bracket
 - actuator 1-21
 - anti-sway bar 6-11
 - bed latch 1-17
 - brake line 5-9, 6-7
 - brake pedal 4-5
 - coolant bottle 13-5
 - cover inlet 11-5
 - equalizer 5-11, 5-13
 - headlight mounting 7-13
 - horn 7-11
 - hydraulic line 5-9, 6-13, 6-15
 - muffler 10-3
 - park brake 4-9
 - radiator mount, upper 13-3
 - rocker arm 8-45
 - steering support 1-9
 - transmission cable 8-3, 12-23
 - transmission mounting 8-3
- brake adjustment tool 14-3
- brake cable 5-13
- brake cable release tool 14-3
- brake caliper 5-3, 5-5
- brake caliper return spring 5-5
- brake fluid reservoir 5-7
- brake light switch 7-11
- brake line 5-9
- brake pad service kit 5-3, 5-5
- brake pedal 4-5, 4-7, 4-9
- brake pedal adjustment tool 14-3
- brake pedal tension tool 14-3
- brake return spring 5-11, 5-13
- brake rotor 12-3, 12-25
- brake, park, cable pulley kit 5-11
- breather 8-13
- brush guard 1-7
- buckle, seatbelt 1-11
- bulb 7-9, 7-13
- bulb, headlamp 7-13
- bullet, detent 12-15
- bumper
 - bed 1-17, 1-21
 - front 1-7
 - rubber 1-23
 - stud 13-3
- bushing 1-11, 1-21
 - A-arm 6-7
 - anti-sway bar 6-11
 - arm, lower 6-7
 - flanged bronze 8-21
 - forward/reverse 12-11
 - greaseless 4-3, 4-5
 - link 6-11
 - Permgilide 12-5
 - piston pin 8-23, 8-53
 - pivot, urethane 6-13, 6-15
 - plain 12-7
 - return line 9-5
 - self-lubricating 12-5
 - steel 1-19
 - teflon 6-13, 6-15
 - urethane 1-19
- button, thrust 12-5
- buzzer, reverse 12-11
- C**
- cable
 - accelerator 9-7
 - bell crank 4-9, 5-13
 - brake 5-13
 - IQDM 14-7
 - park brake 5-11
 - transmission 12-23
- cage, roll 12-5
- calibration test module 14-3
- caliper, brake 5-3, 5-5
- cam installation tool 14-3
- camshaft 8-21
- camshaft, fuel 8-27
- canister, air filter 9-9
- cap
 - air filter 9-9
 - bolt assembly 8-29
 - filler 5-7
 - fuel 9-5
 - inlet 11-5
 - pressure 13-5
 - radiator 13-3
 - rubber 12-3
 - sealing 8-5, 8-9
 - speed control plate 8-37
 - steering wheel 6-3
 - valve 8-45
- cap, front corner 1-23
- carburetor air vent tube 9-3
- carburetor float level tool 14-7
- card, safety first 14-9
- case
 - gear 8-11, 12-13, 12-25, 12-27
 - governor ball 8-27
 - main bearing 8-19
- case cover, bearing 8-19
- chain, transmission 12-13
- charger bezel tool 14-3
- clamp
 - bar 13-7
 - battery 7-19
 - hose 9-3
 - p- (fuel filter) 1-7, 5-9, 8-3
 - pipe 8-39
- clevis pin 5-7
- clip
 - hair pin 1-23
- clip, brake line 5-9, 9-7, 12-23
- clip, meter 7-17
- clip, return pipe 8-39
- clutch 11-11
- clutch alignment tool 14-5
- clutch cover 11-9
- clutch housing 12-5
- clutch removal tool 14-3
- clutch tool kit 14-5
- clutch, diesel 11-9
- coil
 - pocket insert 12-5
- coil with press-fit bobbin 12-5
- collar, alternator assembly 8-33
- collar, crankshaft 8-23
- collar, idle gear 8-21
- collar, lever 8-37
- collet 8-45
- column, steering 6-3

INDEX

communication display module 14-5
compression gauge 14-5
compressor, piston ring 14-9
compressor, valve spring 14-11
connecting rod 8-23
connector, relay 7-15
continuity tester 14-5
coolant exchanger 13-3
coolant expansion tank 13-5
coolant fill tee 13-3
coolant lamp sensor 13-9
coolant pipe 13-7
coolant pipe mounting tab 13-7
coolant temperature indicator light 7-17
cooling fan 13-3
cord, glow plug 8-39
corner cap 1-23
cotter, rue ring 6-13, 6-15
coupling 1-3
cover
 alternator assembly 8-33
 bearing case 8-19
 clutch 11-9
 CVT 8-3, 11-3, 11-5, 11-9
 cylinder head 8-13
 electrical 7-15
 fuel camshaft 8-5
 heat proof 8-49
 input 12-7
 thermostat 13-9
cover plate, output 12-5
cover, steering column 6-3
cowl 1-7
cowl support, ROPS 1-7
crank 8-23
crankshaft 8-23
C-type stop ring 6-5
cup holder, seat 1-11, 1-13
cutter, valve seat 14-5, 14-11
CVT 11-11
CVT cover 11-3
CVT cover kit, sealed 11-5
CVT cover kit, unsealed 11-5
cylinder head 8-9
cylinder, master 5-7

D

dash, front 1-9
dashboard 1-7
decal
 4x4 3-7
 bed load warning 3-3
 Bobcat tailgate 1-23
 Carryall 294 3-7
 Club Car 3-7
 Club Car tailgate 3-7

crush area warning 3-3
diesel 3-7
diesel fuel only 3-3
directional switch 7-11
driver/passenger 3-5
ground warning 3-5
high capacity 3-7
hot manifold warning 3-5
hot surface warning 1-11, 1-13, 3-5, 13-7
instrument panel, European 3-3
operating instructions 3-5
ROPS certification 3-3
rotating parts 3-3
rotating parts and hot manifold 3-5
rotating parts warning 3-5
trailer hitch 3-3
turn signal indicator 3-3
under 16 warning 1-15, 3-3
vehicle loading 3-3
winch cable warning 3-5
deflector oil 12-13
diesel tachometer probe 14-9
differential housing 12-27
differential, front 12-5
disc 5-11
dowel pin 12-5
drag link 6-5
drain cock 8-5
drive belt 11-7
drive clutch fixed sheave tool 14-5
drive clutch holder tool 14-5
drive clutch hub puller 14-5
drive clutch puller 14-5
drive clutch spider removal tool 14-5
drive clutch, moveable 11-9
drive shaft 12-9
driven clutch base sheave 11-11
driven clutch cam puller 14-5
driven clutch puller plug 14-5
driven clutch spring compression base tool 14-5
driven clutch spring compression collar tool 14-5
driven clutch spring compression nut tool 14-5
dry moly lubricant 14-7

E

E-clip 5-11, 5-13
elbow 9-5
end, tie rod 6-5
engine block 8-5
engine, diesel, Kubota D722 with closed breather 8-3
equalizer 5-11, 5-13
exchanger, engine coolant 13-3

exhaust valve 8-45
expansion tank, coolant 13-5
extension, spring latch 1-19

F

fan shroud 13-3
fan, cooling 13-3
fastener, push-in 7-15
fender, front 1-7
fender, rear 1-25
filler cap 5-7
filter
 air 9-9
 fuel 9-3
 inlet cover 11-5
 oil 8-7, 8-11
filter, air, canister 9-9
fitting, thread-forming grease 6-13, 6-15
flange, water 13-9
flasher, lamp 7-9
flasher, lamp, bracket 7-9
flasher, turn signal, 12-volt 7-11
floor mat 1-7
floor plate, bed 1-19
fly weight 12-21
flywheel 8-25
flywheel puller 14-7
FNR shifter bracket 8-3, 12-23
fork, transmission 12-21
forward/reverse assembly 12-11
Forward/Reverse shifter 12-11
frame, tilt bed 1-19
front body 1-7
front differential 12-5
fuel camshaft 8-27
fuel cap 9-5
fuel filter 9-3
fuel gauge sending unit 9-5
fuel injection pump 8-35
fuel pickup tube 9-5
fuel pump 9-3
fuel tank (diesel) 9-5
fuel tank strap 9-3
fuel tank vent 9-5
fuel tank, diesel 9-5
fuel-hour gauge 7-17
fuse
 10-amp 7-15
 25-amp 7-15
 30-amp 7-15
fuse block 7-15

G

gasket
 bearing case 8-19, 8-51

INDEX

clutch cover 11-9
control plate 8-37, 8-51
cover 8-19, 8-51, 11-5
cylinder head 8-9, 8-51
cylinder head cover 8-51
drain plug 8-7
exhaust 8-51, 10-3
ex-manifold 8-49, 8-51
fuel pump 8-5, 8-51
gearcase 8-11, 8-51
head cover 8-13, 8-51
head cover nut 8-13, 8-29, 8-37, 8-39, 8-51
idle apparatus 8-29, 8-51
intake manifold 8-47, 8-51
liquid 14-7
nozzle 8-39
oil pump 8-17, 8-51
sending unit 9-5
thermostat 8-51, 13-9
water flange 8-51, 13-9
water pump 8-51, 13-11
gauge, compression 14-5
gauge, fuel-hour 7-17
gauge, oil 8-15
gear
 cam 8-21
 case 8-11, 12-13, 12-25, 12-27
 crank 8-23
 helical 12-15, 12-21
 idle 8-21
 injection pump 8-27
 oil pump drive 8-17
 ring 8-25, 12-5, 12-27
gear ring engagement 12-15
gear yoke 14-7
glow plug 8-39
glow plug cord 8-39
governor 8-37
governor arm 12-21
governor fork lever 8-41
governor shaft installation tool 14-7
governor spool 12-21
grip tape, accelerator pad 4-3
grip, tilt latch hand 1-19
grommet 9-5, 12-5
guard
 radiator 13-3
 splash 1-9
guard, brush 1-7
guide
 accelerator cable 4-3
 detent bullet 12-15
 exhaust valve 8-9
 inlet valve 8-9
 oil gauge 8-15
 valve seat cutter 14-11

guide ring adhesive 14-3

H

hair pin clip 1-23
half shaft 12-3
handle, park brake 4-7, 4-9
harness, wire 7-5, 7-11
head lamp 7-13
head, cylinder 8-9
headlamp 7-13
headlight switch 7-17
heat seal 8-39
helical gear 12-15, 12-21
hinge plate 1-11, 1-13
hitch, towing 1-3
holder
 fork lever 8-41
hook, engine 8-9
horn 7-11
horn bracket 7-11
hose 13-5
 coolant 13-3, 13-7
 fuel filter 9-3
 fuel pump 9-3
 fuel return 9-3
 inlet cover 11-5
 intake 9-9
 overflow 8-39
 vent 8-3, 12-3, 13-5, 13-7
hose, outlet 11-3, 11-5
housing
 clutch 12-5
 differential 12-27
 Mate-N-Lock 12-5
 steering gear 6-5
hub 5-11
hub, race/output 12-5
hydraulic brake adjuster 14-7
hydrometer 14-7

I

idle apparatus 8-29
idle gear 8-21
indicator lamp 7-9
indicator, turn signal 7-17
injection pump gear 8-27
inlet valve 8-45
internal retaining ring pliers 14-7
IQ display module (IQDM) 14-7
isolator ring and bushing 8-3
isolator, twin stud 13-3

J

joint
 ball 6-7, 12-3, 12-23

breather pipe 8-13
eye 8-35
pipe 8-11

K

key
 feather 8-17, 8-21, 8-23, 8-27
 pair 7-17
key switch 7-17
kit
 anti-sway 6-11
 bolt 12-5
 brake pad service 5-3, 5-5
 brake pedal adjustment tool 14-3
 clutch 12-5
 cover plate, input 12-7
 cover plate, output 12-5
 drain plug 12-5
 forward gear repair 12-15
 gasket 8-51
 governor shaft repair 12-21
 H-clip spring 12-5
 input shaft repair 12-21
 IQ display module (IQDM) 14-7
 mirror 1-5
 neutral switch repair 12-15
 nozzle holder 8-39
 park brake handle 4-7, 4-9
 piston rebuild 8-53
 race output hub 12-5
 rear axle gear repair 12-27
 repair, minor 12-5
 reverse gear repair 12-13
 roll cage 12-5
 roller 12-5
 transmission shift shaft repair 12-17
 tune-up 14-9
knob, forward/reverse 12-11
knuckle, slider steering 6-3

L

lamp 7-9, 7-13
lamp, front 7-9
lamp, headlamp 7-13
lamp, number plate 7-9
lamp, numberplate 7-9
lamp, rear signal 7-9
lamp, signal 7-9
lamp, turn signal 7-9
latch plate, tilt bed 1-17
latch, access panel 1-7
latch, slam 1-23
latch, spring 1-23
latch, tilt bed 1-19
lever

INDEX

engine stop 8-37
fork 8-41
governor 8-37
lost motion 4-3
speed control 8-37
light
oil 7-17
light, coolant temperature indicator 7-17
lighting kit, homologated 7-9
limit switch 12-11
line, brake reservoir 5-7
link, drag 6-5
liquid gasket 14-7
low oil warning light 7-17
lubricant, dry moly 14-7
lubricant, moly-teflon 14-7

M

manifold 8-47
exhaust 8-49
inlet 8-47
mat, floor 1-7
Mate-N-Lock housing 12-5
Mate-N-Lock pin 12-5
meter clip 7-17
meter, volt ohm 14-11
mirror kit 1-5
mirror lens 1-5
Mirror Mounting Bracket 1-5
module
calibration test 14-3
communication display 14-5
moly-teflon lubricant 14-7
motor
starter 8-43
mount, link 6-11
moveable drive clutch 11-9
muffler 10-3, 12-3

N

nongrease/spacers locker 12-27
nozzle holder 8-39
numberplate lamp 7-9
nut, toggle switch 7-17

O

oil deflector 12-13
oil filter 8-7, 8-11
oil pan 8-7
oil pressure switch 8-5
oil pump 8-17
oil pump drive gear 8-17
oil seal 8-11, 8-19, 12-5, 12-7
oil shield, breather 8-13
oil slinger 8-23

oil warning light, low 7-17
O-ring 8-5, 8-7, 8-9, 8-11, 8-13, 8-23, 8-37, 8-51,
12-5, 12-7
overflow pipe 8-39

P

paint, touch-up 14-7
pan
oil 8-7
seat 1-13
panel
access 1-7
left 1-23
right 1-23
side 1-25
panel, front 1-23, 1-25
park brake cable 5-11
park brake pedal 4-7, 4-9
p-clamp (fuel filter) 1-7, 5-9, 8-3
pedal, accelerator 4-3
pedal, brake 4-5, 4-7, 4-9
pin, clevis 5-7
pin, dowel 12-5
pin, Mate-N-Lock 12-5
pin, piston 8-23, 8-53
pin, receiver 1-3
pin, slide, caliper slide pin 5-3, 5-5
pin, towing hitch 1-3
pinion 12-27
pinion, steering 6-5
pipe
breather 8-13
coolant 13-7
exhaust 10-3
injection 8-39
overflow 8-39
water 13-13
water return 13-9
pipe band 13-9, 13-13
pipe clamp 8-39
pipe, coolant 13-7
piston 8-23, 8-53
piston pin 8-23, 8-53
piston ring 8-23, 8-53
piston ring compressor 14-9
piston ring pliers 14-9
plate
armature 12-5
back 1-19, 1-21
breather 8-13
brush mount 1-7
cover, output 12-5
electrical 7-15
engine block 8-5
engine mounting 8-3
fuel/oil 9-3

hinge 1-11, 1-13
latch 1-17
shroud 8-25
speed control 8-37
thrust 12-5

pliers

internal retaining ring 14-7
piston ring 14-9
retaining ring 14-9

plug

cylinder head 8-9
drain 8-7
driven clutch puller 14-5
engine block 8-5, 8-9, 8-11, 12-13, 12-25
expansion 8-5
gearcase 12-13, 12-25
glow 8-39
oil drain 12-5
oil fill 12-5
oil filler 8-13
oil gauge 8-15
trailer 7-11

press weldment 14-5

prop rod 1-17
prop shaft 12-9
protector spray, battery terminal 14-3

puller

bearing 14-3
clutch 14-3
drive clutch 14-5
drive clutch hub 14-5
driven clutch cam 14-5
flywheel 14-7
seal 14-9
special use tool 14-9

pulley

fan drive 8-33
mount 5-11
water pump 8-33

pulley, brake, park, cable, kit 5-11

pullrod, compression spring 4-3

pump

fuel 9-3
fuel injection 8-35
oil 8-17
water 13-11

push rod 8-21

R

rack guide pressure spring 6-5
rack, steering 6-5
radiator cap 13-3
radiator guard 1-7, 13-3
radiator pipe 13-7
reamer, valve guide 14-9
receiver 1-3

INDEX

- receiver pin 1-3
 - receiver, rear 6-13, 6-15
 - receptacle, accessory 7-17
 - reflector 7-9
 - relay 7-15
 - relay connector 7-15
 - remover, bearing and oil seal 14-3
 - reservoir, brake fluid 5-7
 - reservoir, remote 5-7
 - retainer
 - spring (driven clutch) 11-11
 - valve spring 8-45
 - retaining ring 12-3
 - retaining ring pliers 14-9
 - retractor, seat belt 1-11
 - reverse buzzer 12-11
 - ring
 - piston 8-23, 8-53
 - snap 6-5
 - ring gear 8-25, 12-5, 12-27
 - ring, C-type stop 6-5
 - ring, retaining 12-3
 - ring, retaining, ext 6-7, 12-3
 - rivet, blind push 1-9
 - rocker arm 8-45
 - rod
 - connecting 8-23
 - crank crank rod 8-23
 - prop 1-17
 - push 8-21
 - roll cage 12-5
 - roller weight 11-9
 - roller, torque 11-9
 - ROPS certification decal 3-3
 - ROPS cowl support 1-7
 - ROPS, homologated 1-15
 - rotor, brake 12-3, 12-25
 - rubber bumper 1-23
- S**
- safety first card 14-9
 - screw, valve clearance adjuster 14-9
 - seal
 - dual lip 12-13, 12-17, 12-19, 12-21, 12-27
 - heat 8-39
 - oil 8-11, 8-19, 12-5, 12-7
 - steering pinion dust 6-5
 - triple lip 12-13
 - valve stem 8-45, 8-51
 - seal puller 14-9
 - seat 1-11, 1-13
 - valve 8-11
 - seat belt retractor 1-11
 - seat weldment 1-11
 - seat, pan 1-11, 1-13
 - seat, suspension 1-11
 - seatbelt buckle 1-11
 - sending unit, fuel gauge 9-5
 - sensor, coolant lamp 13-9
 - service kit, brake pad 5-3, 5-5
 - shaft
 - CVT adapter 8-3
 - drive 12-9
 - fork lever 8-41
 - idle gear 8-21
 - input 12-21
 - intermediate 12-15
 - lever 8-37
 - output 12-21
 - pinion 12-7
 - prop 12-9
 - rock arm 8-45
 - shift 12-19
 - shaft shift 12-17
 - shaft, half 12-3
 - sheave, drive clutch base 11-11
 - sheave, driven clutch 11-11
 - shield, exhaust 10-3
 - shift, shaft 12-17
 - shim 11-9, 12-27
 - shim, armature plate 12-5
 - shim, injection pump 8-35
 - shim, latch plate 1-17
 - shock absorber 6-9, 6-11, 6-13, 6-15
 - shroud, fan 13-3
 - signal lamp, rear 7-9
 - slam latch 1-23
 - sleeve
 - crankshaft 8-23
 - governor 8-27
 - link 6-11
 - lower suspension 6-7
 - upper suspension 6-7
 - slide pin 5-3, 5-5
 - slide, adjuster 12-3
 - slinger, oil 8-23
 - snap ring 6-5
 - solenoid, stop 8-31
 - spacer
 - engine 8-3
 - spacer block, differential 12-3
 - spanner wrench 14-9
 - spider 11-9
 - splash guard 1-9
 - spray, battery terminal protector 14-3
 - spring
 - access panel 1-7
 - brake caliper return 5-5
 - brake return 5-11, 5-13
 - compression 11-9, 11-11
 - detent bullet 12-15
 - exhaust 10-3
 - governor 8-41
 - idle apparatus 8-29
 - pedal 4-3
 - pedal stop 4-3
 - rack guide pressure 6-5
 - return 8-37
 - rocker arm 8-45
 - start 8-9, 8-41
 - torsion 4-3
 - valve 8-11, 8-45
 - spring latch 1-23
 - sprocket 12-13
 - starter motor 8-43
 - stay
 - alternator assembly 8-33
 - cylinder head 8-9
 - steel bushing 1-19
 - steering column 6-3
 - steering column bearing press tool 14-9
 - steering column cover 6-3
 - steering column retaining ring tool 14-9
 - steering gear housing 6-5
 - steering pinion dust seal 6-5
 - steering rack 6-5
 - steering wheel 6-3
 - steering wheel puller tool 14-9
 - stem, valve 2-3
 - stopper, camshaft 8-21
 - stopper, fuel camshaft 8-27
 - strap, fuel tank 9-3
 - stud 8-3, 8-35, 8-49, 13-13
 - idle adjustment 8-29
 - self-clinching 1-23
 - stud, ball 12-11
 - support yoke (steering) 6-5
 - support, access panel 1-7
 - sway bar 6-11
 - swingarm 6-13, 6-15
 - switch
 - brake light 7-11
 - headlight 7-17
 - indicator (transmission) 12-15
 - key 7-17
 - limit 12-11
 - oil pressure 8-5
 - toggle 7-17
 - turn signal 7-11
- T**
- tab, coolant pipe mounting 13-7
 - tachometer 14-9
 - tachometer probe, diesel 14-9
 - tailgate 1-23
 - tailgate angle 1-23
 - tank
 - coolant expansion 13-5

INDEX

- tank, fuel 9-5
 - tank, fuel (diesel) 9-5
 - tape, grip, accelerator pad 4-3
 - tape, vinyl foam 1-19, 13-3
 - tappet 8-21
 - tee, coolant fill 13-3
 - temperature indicator light, coolant 7-17
 - tester, continuity 14-5
 - tether 1-23
 - thermometer, battery 14-3
 - thermostat 13-9
 - thread-forming grease fitting 6-13, 6-15
 - thrust button 12-5
 - thrust plate 12-5
 - tie rod end 6-5
 - tie wrap 1-21, 5-9, 5-11, 5-13, 6-5, 7-9, 7-11
 - tilt bed 1-19
 - tilt bed frame 1-19
 - tilt latch hand grip 1-19
 - tire 2-3
 - tire assembly, AT489, orange 2-3
 - tire assembly, HDAT, orange 2-3
 - toggle switch 7-17
 - tool
 - accelerator pedal adjustment 14-3
 - belt tensioning, starter/generator 14-11
 - brake adjustment 14-3
 - brake cable release 14-3
 - brake pedal adjustment 14-3
 - brake pedal tension 14-3
 - cam installation 14-3
 - carburetor float level 14-7
 - charger bezel 14-3
 - clutch alignment 14-5
 - cT-wrench 14-5
 - drive clutch fixed sheave 14-5
 - drive clutch holder 14-5
 - drive clutch spider removal 14-5
 - driven clutch spring compression base 14-5
 - driven clutch spring compression collar 14-5
 - driven clutch spring compression nut 14-5
 - governor shaft installation 14-7
 - puller, special use 14-9
 - steering column bearing press 14-9
 - steering column retaining ring 14-9
 - steering wheel puller 14-9
 - transaxle axle seal 14-9
 - transaxle pinion seal 14-9
 - transmission 14-9
 - valve guide driver 14-9
 - valve seat cutter 14-5
 - tool kit, clutch 14-5
 - top, ROPS, homologated 1-15
 - torque converter 11-11
 - torque roller 11-9
 - touch-up paint 14-7
 - tow hitch adapter 1-3
 - towing hitch 1-3
 - towing hitch pin 1-3
 - track, prop rod 1-17
 - trailer plug 7-11
 - transaxle axle seal tool 14-9
 - transaxle housing 12-27
 - transaxle pinion seal tool 14-9
 - transmission cable 12-23
 - transmission cable bracket 8-3, 12-23
 - transmission chain 12-13
 - transmission fork 12-21
 - transmission tool 14-9
 - transmission, parallel shaft 12-13
 - tube
 - axle 12-27
 - carburetor air vent 9-3
 - fuel pickup 9-5
 - tune-up kit 14-9
 - turn signal indicator 7-17
 - turn signal lamp 7-9
 - turn signal switch 7-11
 - T-wrench tool 14-5
- U**
- upright, front differential 12-3
 - urethane bushing 1-19
- V**
- valve 9-9
 - exhaust 8-45
 - inlet 8-45
 - seat 8-11
 - valve clearance adjuster screw 14-9
 - valve guide driver tool 14-9
 - valve guide reamer 14-9
 - valve seat cutter 14-5, 14-11
 - valve seat cutter guide 14-11
 - valve seat cutter tool 14-5
 - valve seat t-wrench 14-11
 - valve spring compressor 14-11
 - valve stem 2-3
 - V-belt 8-33
 - vent barb 9-3
 - vent, housing, upper 12-27
 - vent, transmission 12-13
 - volt ohm meter 14-11
- W**
- warning light, low oil 7-17
 - water flange 13-9
 - water pump 13-11
 - wedge, bearing puller 14-3
 - weight clutch 11-9
 - weldment
 - press 14-5
 - weldment, accelerator pedal 4-3
 - weldment, accelerator pedal bracket 4-3
 - weldment, actuator bracket 1-21
 - weldment, air cleaner support 9-9
 - weldment, brake pedal 4-5
 - weldment, coolant pipe 13-7
 - weldment, cowl support, ROPS 1-7
 - weldment, dash, front 1-9
 - weldment, Forward/Reverse shifter 12-11
 - weldment, Forward/Reverse shifter bracket 12-11
 - weldment, lever, lost motion 4-3
 - weldment, receiver 6-13, 6-15
 - weldment, shaft shift 12-17
 - weldment, tilt bed frame 1-19
 - wheel 2-3
 - wheel, steering 6-3
 - wire assembly 7-19, 9-5
 - wire harness 7-5, 7-11
 - wire harness, electric lift 1-21
 - wrap, tie 1-21, 5-9, 5-11, 5-13, 6-5, 7-9, 7-11
 - wrench, spanner 14-9
- Y**
- yoke, gear 14-7
 - yoke, support (steering) 6-5



Club Car, Inc.
P.O. Box 204658
Augusta, GA 30917-4658
USA

Web www.clubcar.com
Phone 1.706.863.3000
1.800.ClubCar
Int'l +1 706.863.3000
Fax 1.706.863.5808