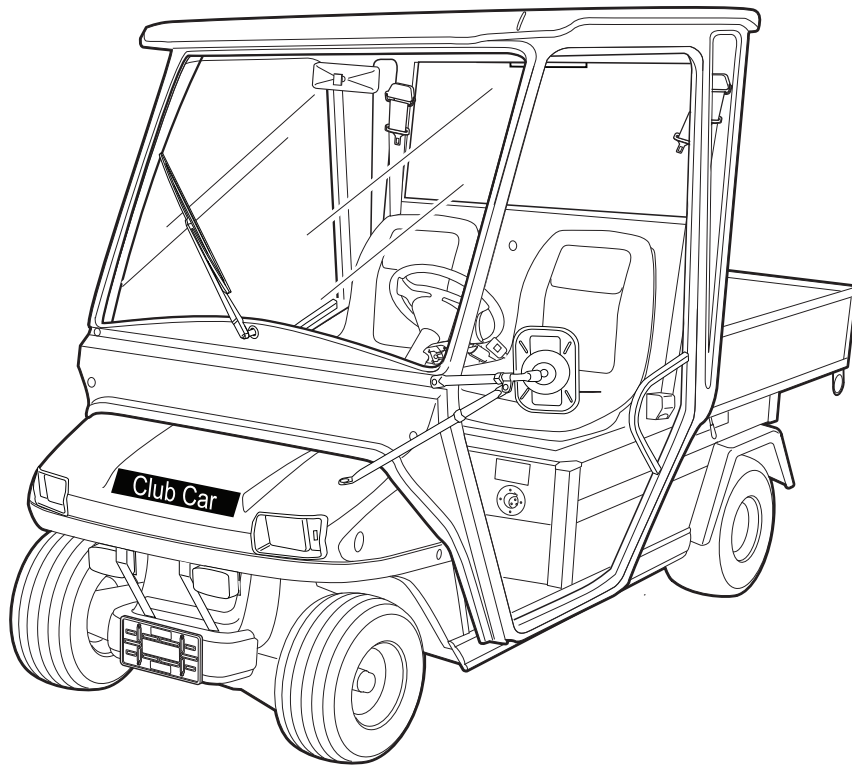




**2009-2011
Carryall 2 LSV and
Carryall 6 LSV
Illustrated Parts List**



Electric Vehicles

Manual Number 103472612
Edition Code 0708K0112J

USING THE ILLUSTRATED PARTS LIST

⚠ WARNING

- **This manual is to be used only for identification and ordering of service parts. Be sure to read and use the maintenance and service manual before attempting any vehicle repairs.**

This manual covers all 2011 Carryall 2 LSV and Carryall 6 Homologated Low Speed Vehicles (LSV).

The manual is divided into sections. Note that there are two or three flags on the outside edge of each page. The first flag contains the section number of which that page is a part. The other flag (or flags) contains the letter D, E, or G, signifying that the page pertains to diesel, electric, or gasoline vehicles only.

Use the Table of Contents to find the sections and pages that contain the parts and assemblies you seek. The Table of Contents lists section numbers, and under them, the individual page titles and numbers to be found in that section. The index can be used to find specific parts and assemblies.

There is a two-page spread for each individual page title in the Table of Contents. On the left-hand page is an illustration showing the parts in their relative positions; the parts are each tagged with an item number in a balloon. The right-hand page is the parts list page, and gives the page title at the top, then the item numbers (corresponding to the numbers on the illustration), part descriptions, and quantity of parts used.

Note that a part description may be indented. This indentation corresponds to a parts assembly level indicated by the numbers 1, 2, 3, and 4 at the top left corner of the parts description area of the parts list page. A part that is indented to *level 2* is a component of the *level 1* part (assembly) that it is listed under. A *level 3* part is a component of the *level 2* part that it is listed under, and a *level 4* part is a component of the *level 3* part preceding it. In each case, the part quantity given for a level 2, 3, or 4 part is the quantity used per next higher level assembly of which it is a component. A part that is not indented is a *level 1* part. This means that the quantity given is the quantity used per the portion of the vehicle illustrated on that particular spread.

HOW TO ORDER PARTS

Replacement parts and accessories can be obtained from our network of authorized dealers and distributors. You can obtain the name and phone number of your closest authorized Club Car dealer or distributor by visiting our web site at www.clubcar.com and clicking on the "Distributor Search" link or by calling our toll-free Service Parts and Technical Assistance hotline at (800) 872-2246 or (706) 863-3000, extension 3887.



**P. O. Box 204658
Augusta, Georgia 30917-4658 USA
Telephone 706-863-3000
Service Parts Fax 706-855-7413
www.clubcar.com**

NOTE: *This illustrated parts list represents the most current information at the time of publication. Club Car, LLC. is continually working to further improve its vehicles and other products. These improvements may affect the parts used to service the vehicle. Any modification and/or significant change in specifications will be forwarded to all Club Car and Carryall distributors/dealers and will, when applicable, appear in future editions of this illustrated parts list.*

Club Car, LLC. reserves the right to change specifications and designs at any time without notice and without the obligation of making changes to units previously sold.

Copyright © 2011 Club Car, LLC.
Club Car and *ArmorFlex*
are registered trademarks of Club Car, LLC.
This manual effective April 12, 2011.

2009-2011 Carryall 2 LSV and Carryall 6 LSV Illustrated Parts List

CONTENTS

SECTION 1 – BODY AND TRIM

Dash Pockets and Floormat	1-3
Beverage Holder	1-5
Tilt Bed, Hinge, and Latch – CA 2	1-7
Latch Plate – CA 2	1-9
Prop Rod – CA 2	1-11
Front Body and Trim	1-13
License Plate – Front	1-15
License Plate and Lamp – Rear	1-17
Cab	1-19
Seats	1-21
Flat Bed – CA 6	1-23
Cargo Box (Aluminum)	1-25
Cargo Box Mounting – CA 2	1-27
Cargo Box (Steel) – CA 2	1-29
Flat Bed Mounting – CA 6	1-31
Trailer Hitch	1-33
Rear Body Trim	1-35

SECTION 2 – WHEELS AND TIRES

Wheels and Tires	2-3
------------------------	-----

SECTION 3 – DECALS

Slow Moving vehicle Sign	3-3
Safety Decals – CA 2	3-5
Safety Decals – CA 2, Continued	3-7
Safety Decals – CA 6	3-9
Safety Decals – CA 6, Continued	3-11
Badging Decals – CA 2	3-13
Badging Decals – CA 6	3-15

SECTION 4 – BRAKES, PEDALS AND CABLE ASSEMBLIES

Brake Assembly	4-3
Accelerator Pedal Assembly – Electric Vehicles with MCOR	4-5
Front Disc Brakes, Master Cylinder, and Bell Crank – CA 2	4-7
Front Disc Brakes, Master Cylinder, and Bell Crank – CA 6	4-9
Hand Brake Assembly – CA 2	4-11
Hand Brake Assembly – CA 6	4-13

CONTENTS

Brake Pedal Assembly	4-15
----------------------------	------

SECTION 5 – STEERING, FRONT AND REAR SUSPENSION

Steering Wheel with Score Card Holder	5-3
Steering Wheel without Score Card Holder	5-5
Steering Column	5-7
Steering Gear	5-9
Front Suspension, Lower	5-11
Front Suspension, Upper – LSV Carryall 1 and Carryall 2	5-13
Rear Suspension	5-15
Spindles and Hubs	5-17

SECTION 6 – ELECTRICAL SYSTEM

Headlight and Horn Electrical Components	6-3
Motor Controller Output Regulator (MCOR)	6-5
Battery Charger Receptacle	6-7
Turn Signals	6-9
Brake Pedal Switch	6-11
Tail Lights	6-13
Instrument Panel and Electrical Components – CA 2	6-15
Instrument Panel and Electrical Components – CA 6	6-17
Speedometer	6-19
Tow/Run Switch	6-21
Wiring – CA 2	6-25
Wiring – CA 6	6-29
Headlights	6-31
Elec Components – CA 2	6-33
Elec Components – CA 6	6-35
DC Converter and Fuse Block – CA 2	6-37
T145 Batteries – CA 2	6-39
T105 Batteries – CA 2	6-41
T145 Batteries – CA 6	6-43
T105 Batteries – CA 6	6-45
Hour Meter	6-47

SECTION 7 – ELECTRIC MOTOR – AC

AC Motor	7-3
----------------	-----

CONTENTS

SECTION 8 – ELECTRIC TRANSAXLE

Transaxle – Electric Vehicles	8-3
-------------------------------------	-----

SECTION 9 – BATTERY CHARGER

IQ Plus Domestic Battery Charger (Model 25730)	9-3
IQ Plus Onboard Battery Charger (Model 25260)	9-5
IQ Plus Battery Charger (Model 25880), Export and European	9-7
IQ Plus Onboard Battery Charger (Model 25660), Export	9-9
Battery Charger and Reel Mounting – CA 2	9-11
Battery Charger and Reel Mounting – CA 6	9-13

SECTION 10 – MAINTENANCE AND SERVICE TOOLS

Maintenance and Service Tools	10-3
Maintenance and Service Tools, Continued	10-5
Maintenance and Service Tools, Continued	10-7
Maintenance and Service Tools, Continued	10-9
Maintenance and Service Tools, Continued	10-11

SECTION i – INDEX

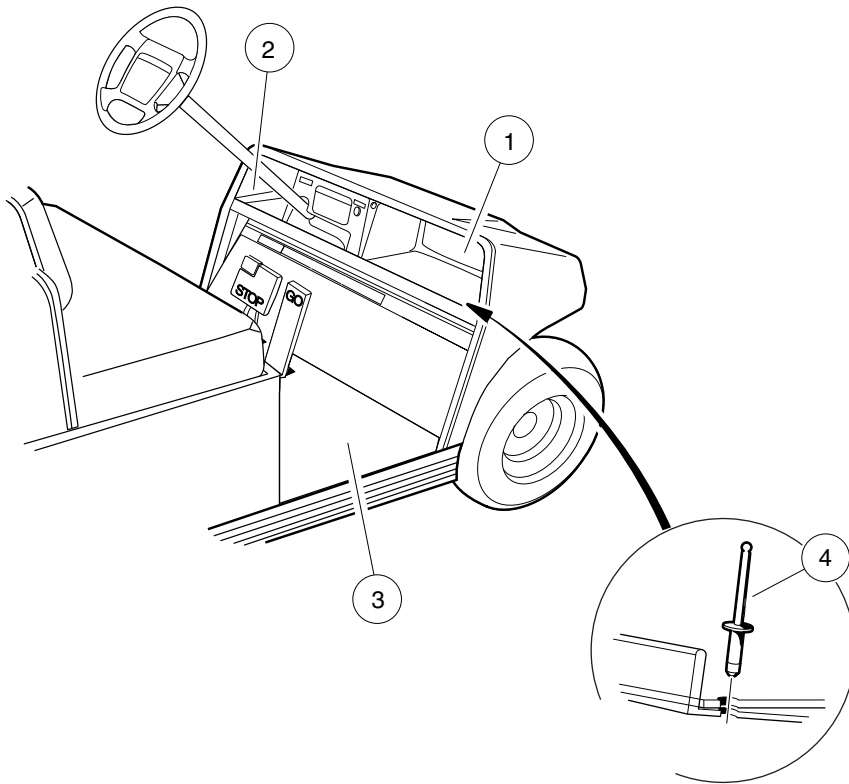
BODY AND TRIM

1

E

1

E



000252-002

DASH POCKETS AND FLOORMAT

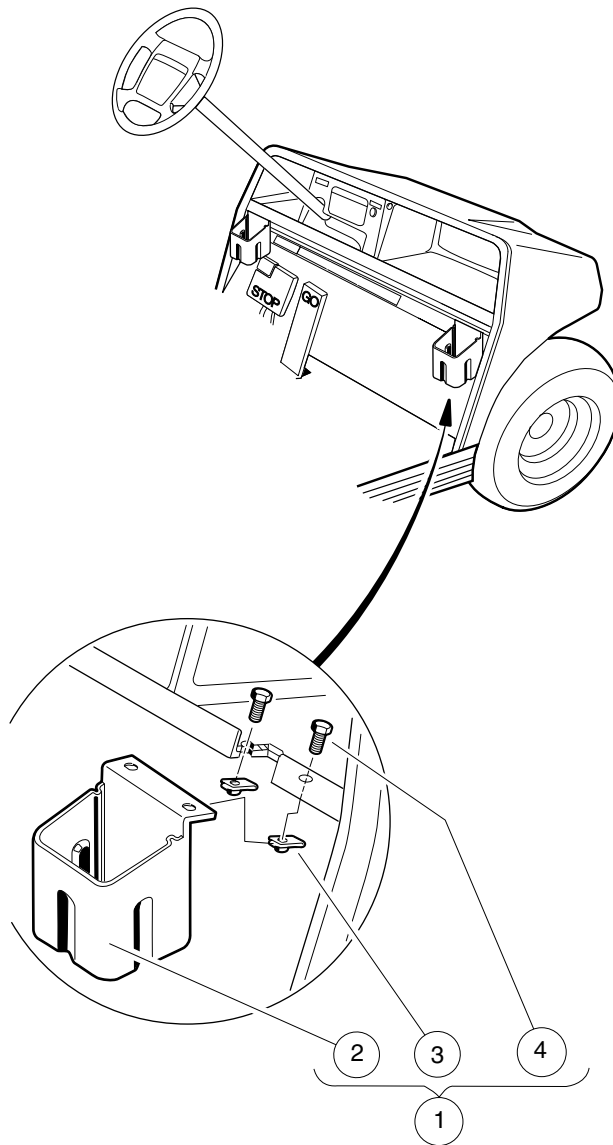
ITEM	PART NO.	DESCRIPTION	QTY
		1 2 3 4	
1	<u>1013343</u>	Dash Component, Passenger-Side, Black	1
2	1013344	Dash Component, Driver-Side	1
3	<u>101503202</u>	Floormat	1
4	<u>7973</u>	Rivet, 3/16 X .400 Blind	5

1

E

1

E



000253-001

BEVERAGE HOLDER

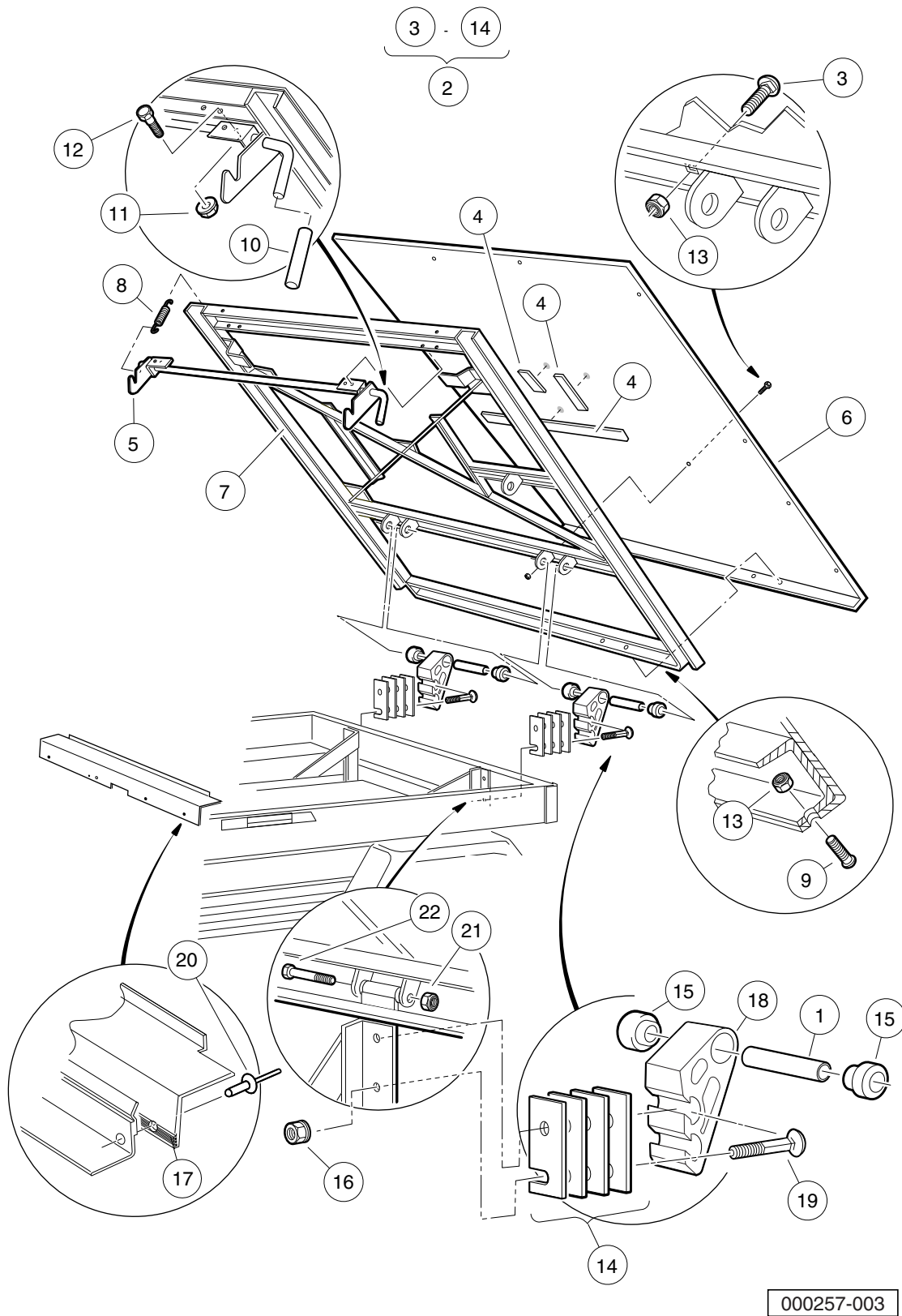
ITEM	PART NO.	DESCRIPTION	QTY
		1 2 3 4	
1	1013422	Cup Holder Kit (includes items 2 through 4)	2
2	1013420	Holder, Single Cup	1
3	1016952	U-Nut, 1/4-20	2
4	<u>7847</u>	Screw, 1/4-20 X 0.75 Hex-Head Cap	2

1

E

1

E



TILT BED, HINGE, AND LATCH – CA 2

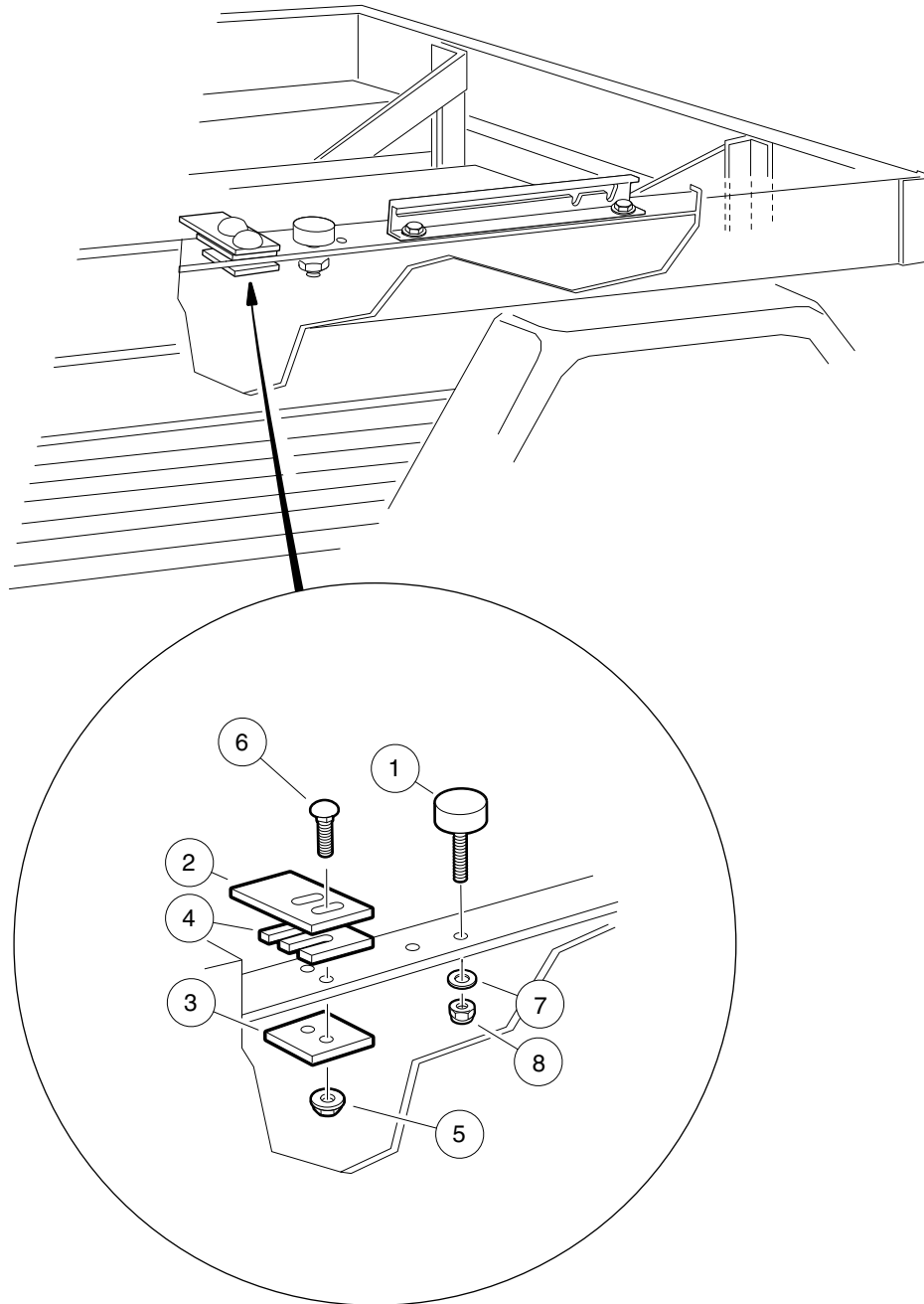
ITEM	PART NO.	DESCRIPTION	QTY
		1 2 3 4	
1	<u>1012303</u>	Bushing, Steel	2
2	<u>101542901</u>	Assembly, Tilt Bed (includes items 3 through 13)	1
3	<u>1010435</u>	Bolt, Carriage, 5/16-18 X 1.00	4
4	<u>1014471</u>	Tape, Vinyl Foam 1/8" x 3/4" *	1
5	<u>1015252</u>	Latch Weld Assembly	1
6	<u>1015258</u>	Plate, Floor Bed	1
7	N/A	Frame Assembly	1
8	N/A	Extension, Spring Latch	2
9	<u>1015399</u>	Screw, 5/16-18 X 0.88 Torx Truss-Head	4
10	<u>1015400</u>	Grip, Tilt Latch Hand	1
11	<u>101835601</u>	Locknut, 1/4-20 Hex Whiz	4
12	<u>403</u>	Screw, 1/4-20 X 0.625 Hex-Head Cap	4
13	<u>7473</u>	Locknut, 5/16-18 Nylon Insert	8
14	<u>1015507</u>	Shim, Tilt Bed Pivot	1
15	<u>1015583</u>	Bushing, Urethane	4
16	<u>102065901</u>	Locknut, 3/8-16 Flanged Dimple	4
17	<u>102989501</u>	Seal, Bed, 41-Inch	1
18	<u>103538701</u>	Extra, Bracket, Hinge, Bed	2
19	<u>103538901</u>	3/8-16 X 3.5 Carr Blt Gr5 Zn	4
20	7532	Rivet, 3/16 X 0.3125, Pop	1
21	<u>8754</u>	Locknut, 3/8-16 Hex	2
22	<u>8755</u>	Screw, 3/8-16 X 3.375 Hex Cap	2
		* Note: Item not shown.	

1

E

1

E



000258-002

LATCH PLATE – CA 2

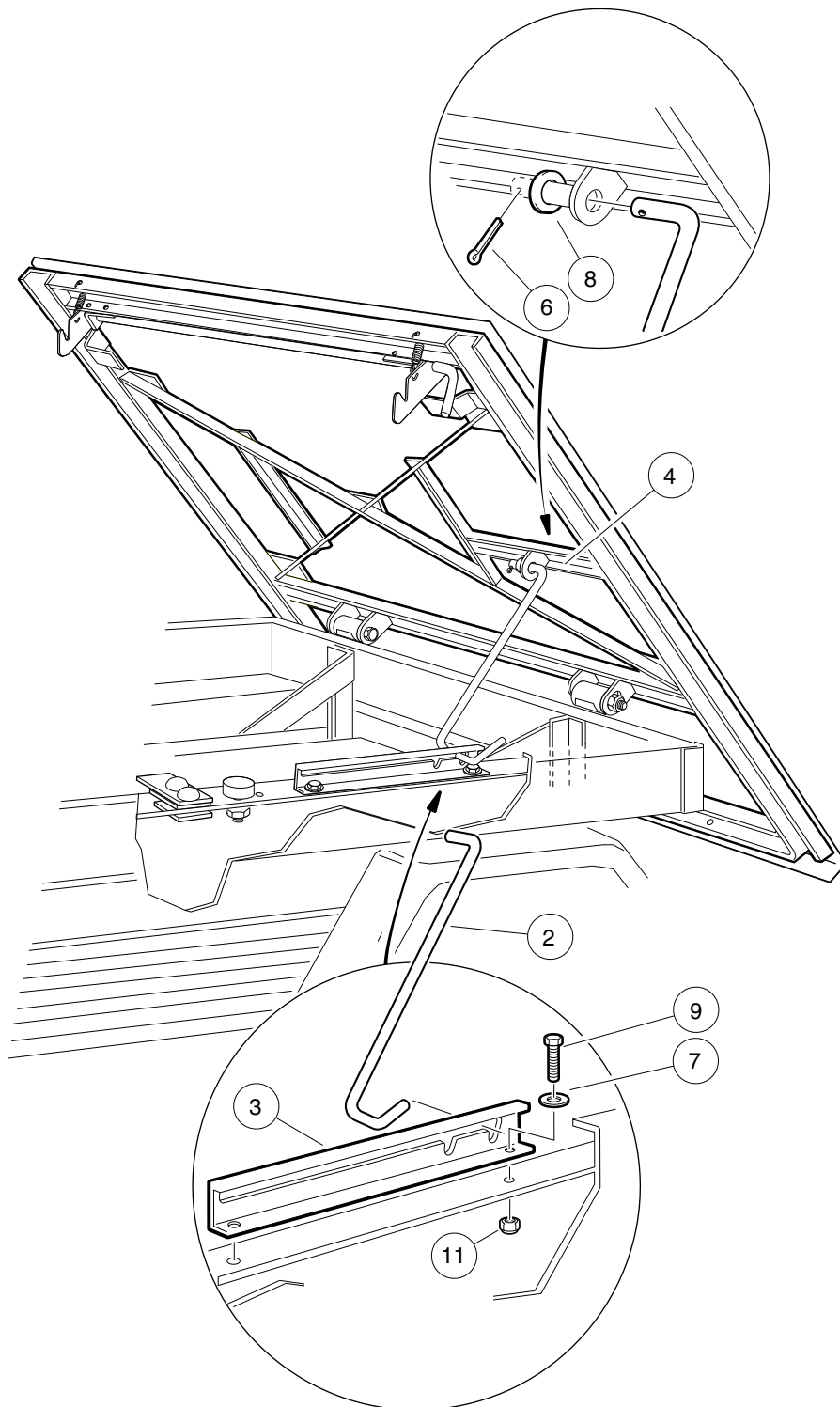
ITEM	PART NO.	DESCRIPTION	QTY
		1 2 3 4	
1	<u>1010878</u>	Bumper, Rubber	2
2	<u>1015277</u>	Latch Plate, Tilt Bed	2
3	<u>1016060</u>	Plate, Latch Support	2
4	<u>1016078</u>	Latch Plate Shim	1
5	<u>101835601</u>	Locknut, 1/4-20 Hex Whiz	4
6	<u>101958601</u>	Carriage Bolt, 1/4-20 X 0.75	4
7	<u>332</u>	Washer, 1/4 Type A Narrow Flat	4
8	<u>8233</u>	Locknut, 1/4-20 Nylon Insert	4

1

E

1

E



000259-002

PROP ROD – CA 2

ITEM	PART NO.	DESCRIPTION	QTY
		1 2 3 4	
1	<u>101922801</u>	Prop Rod Support Instl Kit (includes items 2 through 11)	1
2	1015348	Prop Rod Ca li	1
3	1015700	Track Prop Rod Ca li	1
4	N/A	Support Assy, Prop Rod	1
5	10192281	Instruction	1
6	<u>1035</u>	Cotter Pin, 3/32 x 1	2
7	<u>332</u>	Washer, 1/4 Type A Narrow Flat	5
8	<u>334</u>	Washer, 3/8 Type A Flat	1
9	<u>7847</u>	Screw, 1/4-20 X 0.75 Hex-Head Cap	6
10	<u>808</u>	Washer, 3/8 Type B Flat	1
11	<u>8233</u>	Locknut, 1/4-20 Nylon Insert	6

1

E

FRONT BODY AND TRIM

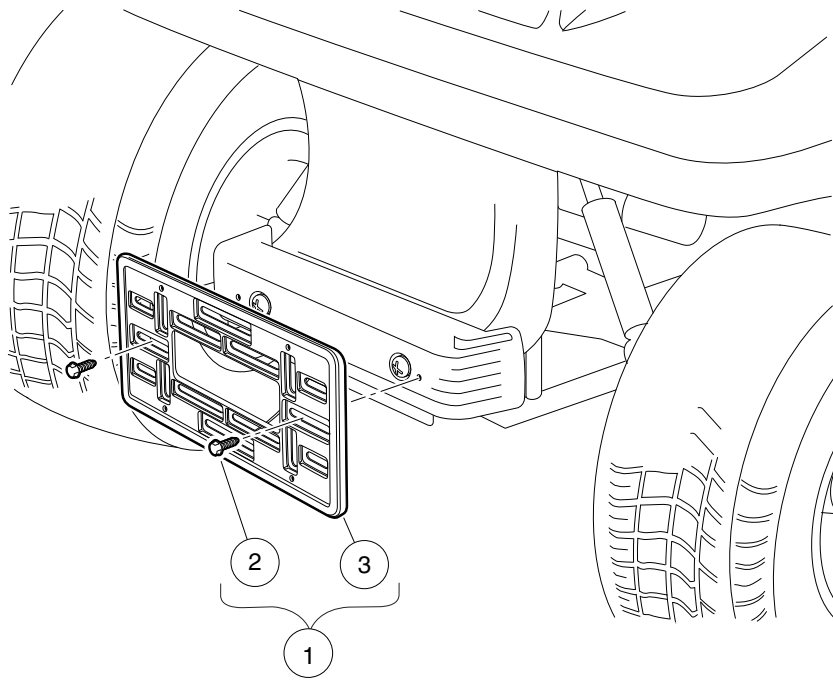
ITEM	PART NO.	DESCRIPTION	QTY
		1 2 3 4	
1	<u>1010434</u>	Barrel - Plastic	12
2	<u>1010435</u>	Bolt, Carriage, 5/16-18 X 1.00	2
3	<u>1011014</u>	Trim, Cowl	1
4	<u>1011017</u>	Screw, #8-32 X 0.375	6
5	1011394	T-Nut Package (Set of 4)	1
6	1015075	Washer, 5/16 Flat Type A	2
7	<u>101693901</u>	Cowl with Headlight Opening, TPO, Beige	1
8	<u>101693902</u>	Cowl with Headlight Opening, TPO, White	1
9	<u>101693906</u>	Cowl with Headlight Opening, TPO, Red	1
10	<u>101693909</u>	Cowl with Headlight Opening, TPO, Dark Green	1
11	<u>101693910</u>	Cowl with Headlight Opening, TPO, Black	1
12	<u>101693911</u>	Cowl with Headlight Opening, TPO, Classic Blue (Navy)	1
13	<u>101693912</u>	Cowl with Headlight Opening, TPO, Burgundy	1
14	<u>101693913</u>	Cowl with Headlight Opening, TPO, Dark Gray	1
15	<u>101693914</u>	Cowl with Headlight Opening, TPO, Safety Yellow	1
16	<u>1017080</u>	Kit, Front Bumper (includes items 17 through 20)	1
17	<u>1016868</u>	Front Bumper	1
18	<u>1016967</u>	Blind Rivet, Push Type	2
19	<u>7251</u>	Screw, 5/16-18 x 1.0 Truss-Head	2
20	<u>7473</u>	Locknut, 5/16-18 Nylon Insert	2
21	<u>101734802</u>	Kit, Heavy-Duty Bumper (includes items 22 through 26)	1
22	<u>1010435</u>	Bolt, Carriage, 5/16-18 X 1.00	2
23	<u>1010546</u>	Spacer	2
24	<u>1015405</u>	Bolt, Carriage, 5/16-18 X 2.0	2
25	N/A	Weldment, Heavy Duty Bumper	1
26	<u>7473</u>	Locknut, 5/16-18 Nylon Insert	4
27	<u>101870401</u>	Fender Extrusion	2
28	<u>1241</u>	Washer, 5/16 Type A Flat	2
29	<u>7251</u>	Screw, 5/16-18 x 1.0 Truss-Head	2
30	<u>7473</u>	Locknut, 5/16-18 Nylon Insert	2

1

E

1

E



000842-001

LICENSE PLATE – FRONT

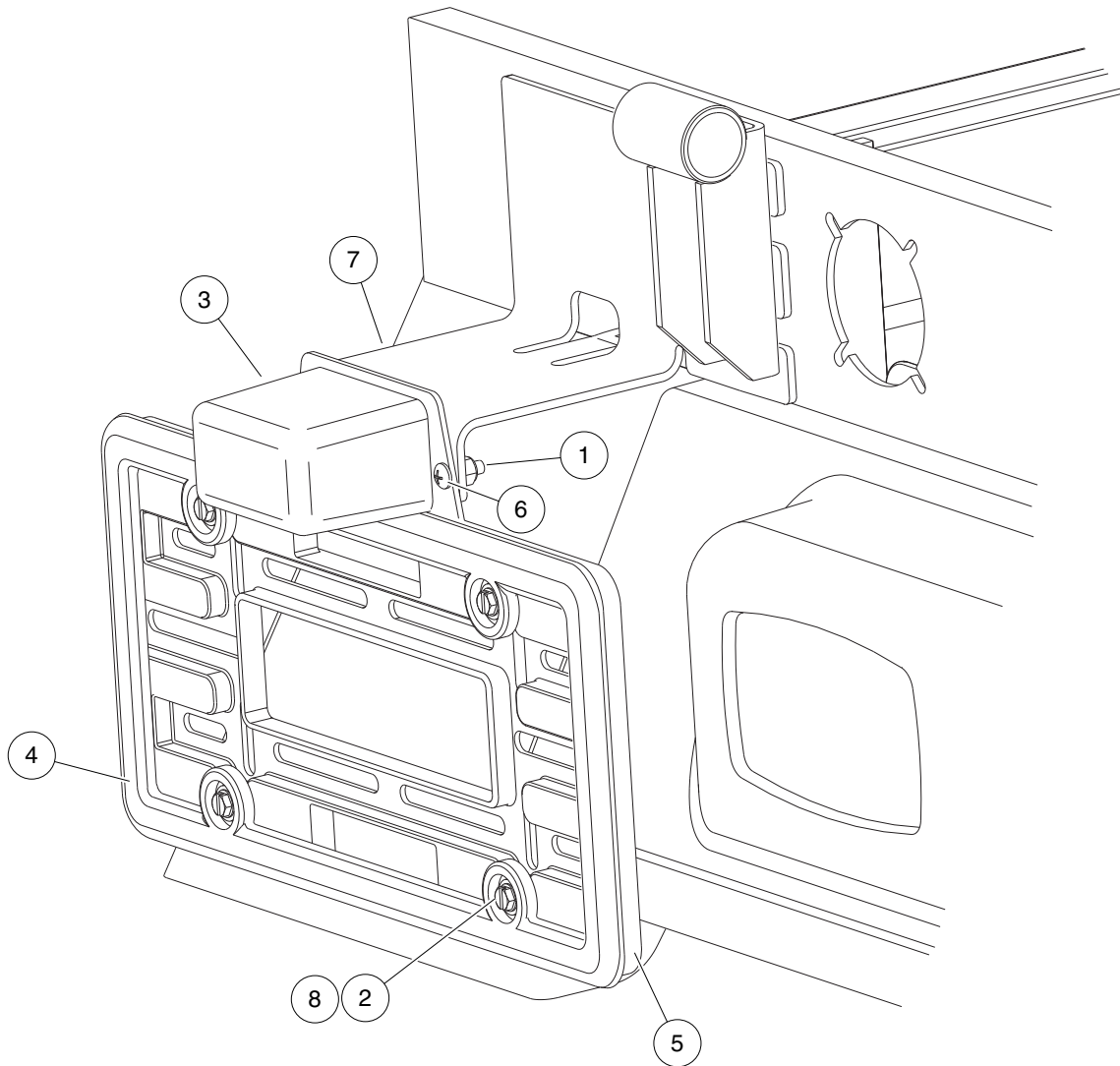
ITEM	PART NO.	DESCRIPTION	QTY
		1 2 3 4	
1	<u>103508401</u>	Kit, Front License Plate (includes items 2 and 3)	1
2	<u>101856101</u>	Screw, 1/4-15 X .50 Hi-lo Hex	2
3	<u>102311501</u>	Front License Plate Assembly (includes items 4 and 5)	1
4	N/A	Frame, License Plate	1
5	N/A	Mount, License Plate	1

1

E

1

E



000842-002

LICENSE PLATE AND LAMP – REAR

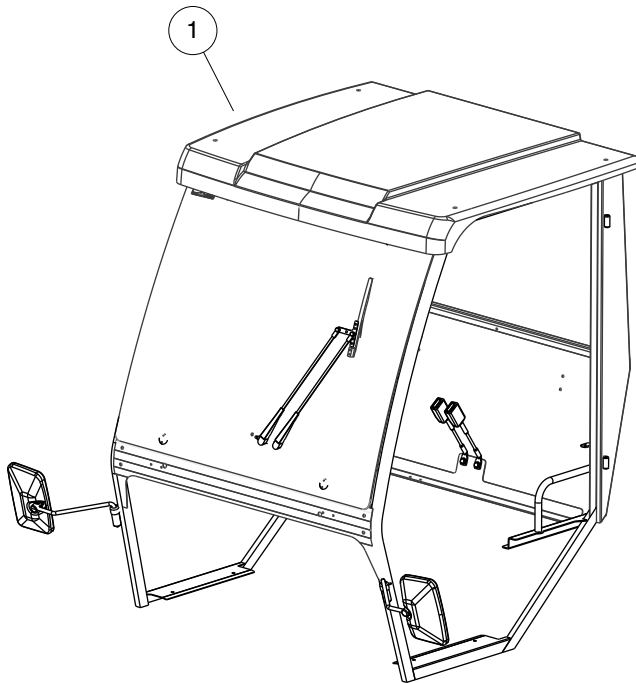
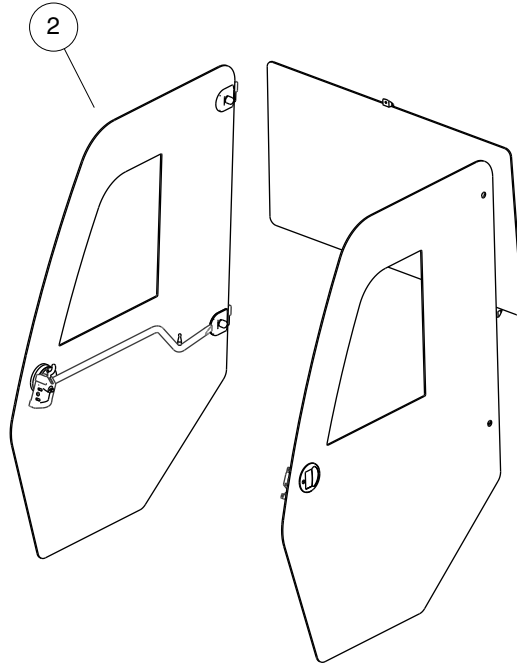
ITEM	PART NO.	DESCRIPTION	QTY
		1 2 3 4	
1	<u>1012438</u>	Locknut, #10-24 Nylon Insert	2
2	<u>1017082</u>	Screw, #10-32 X 0.75, Hex-Head Machine	4
3	<u>102313301</u>	Lamp, License Plate	1
4	N/A	Frame, License Plate	1
5	N/A	Mount, License Plate	1
6	<u>102850502</u>	Screw, 10-24 X .500 Pn Hd	2
7	N/A	Brkt, License Plate Holder	1
8	<u>7893</u>	Nut, #10-32 Hex	4

1

E

1

E



000847-002

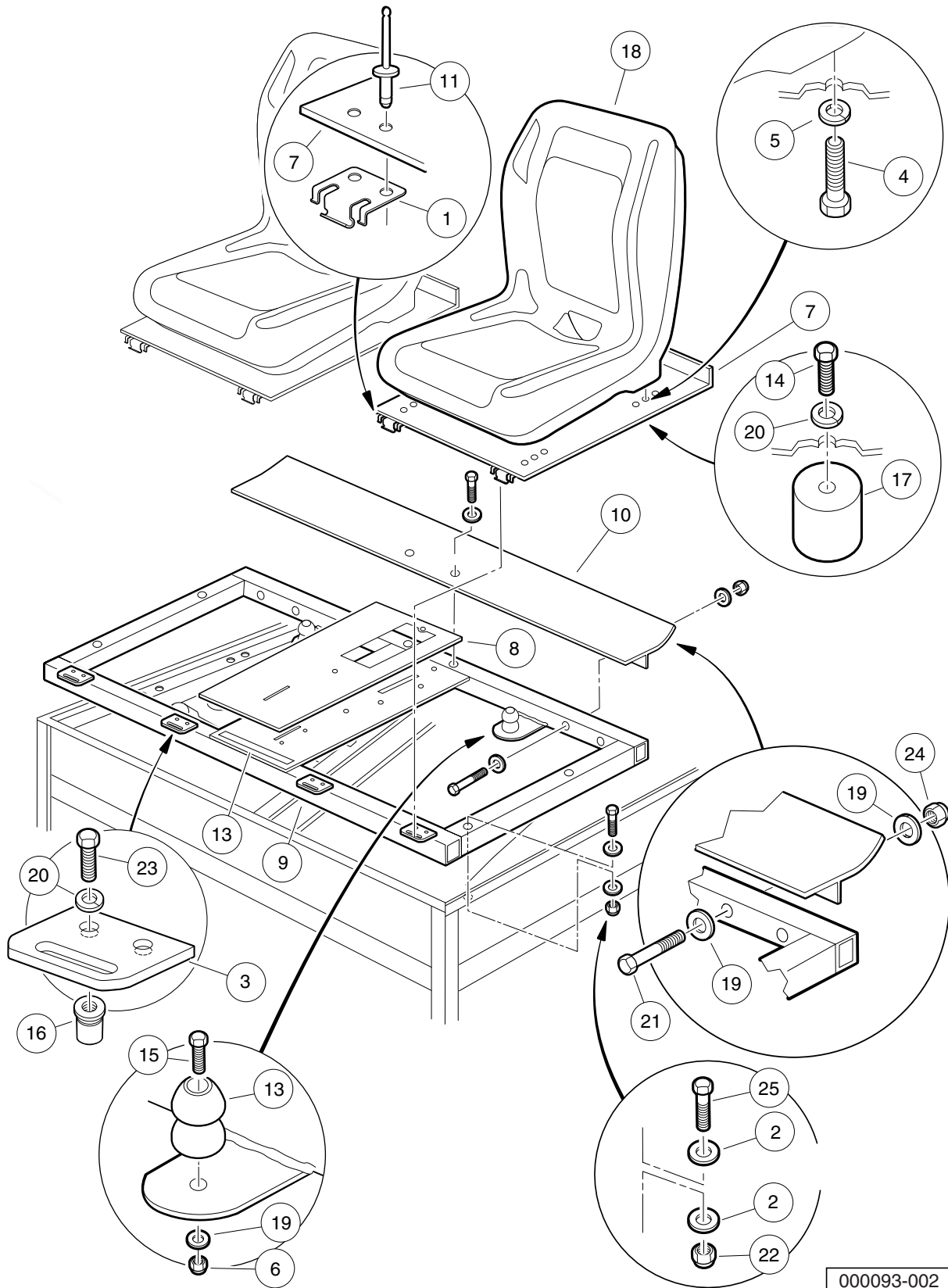
ITEM	PART NO.	DESCRIPTION	QTY
		1 2 3 4	
1	<u>103463701</u>	Kit, Cab, No Door, No Rr Wshld	1
2	<u>103463801</u>	Kit, Doors, Curtis Cab	1
3	<u>103463901</u>	Kit, Rear Windshld, Curtis Cab	1
4	<u>103515201</u>	Kit, Fuse Block, Cab	1
5	N/A	Kit, Wiper	1
6	N/A	Kit, Seat Belt	1
7	N/A	Kit, Interior Mirror	1
8	N/A	Kit, Exterior Mirror	1
<p>Note: Kits marked N/A are available from Curtis Tractor Cab, Inc. 111 Higgins Street, Worcester, MA 01606. Phone: 1 (800) 343-7676.</p>			

1

E

1

E



000093-002

SEATS

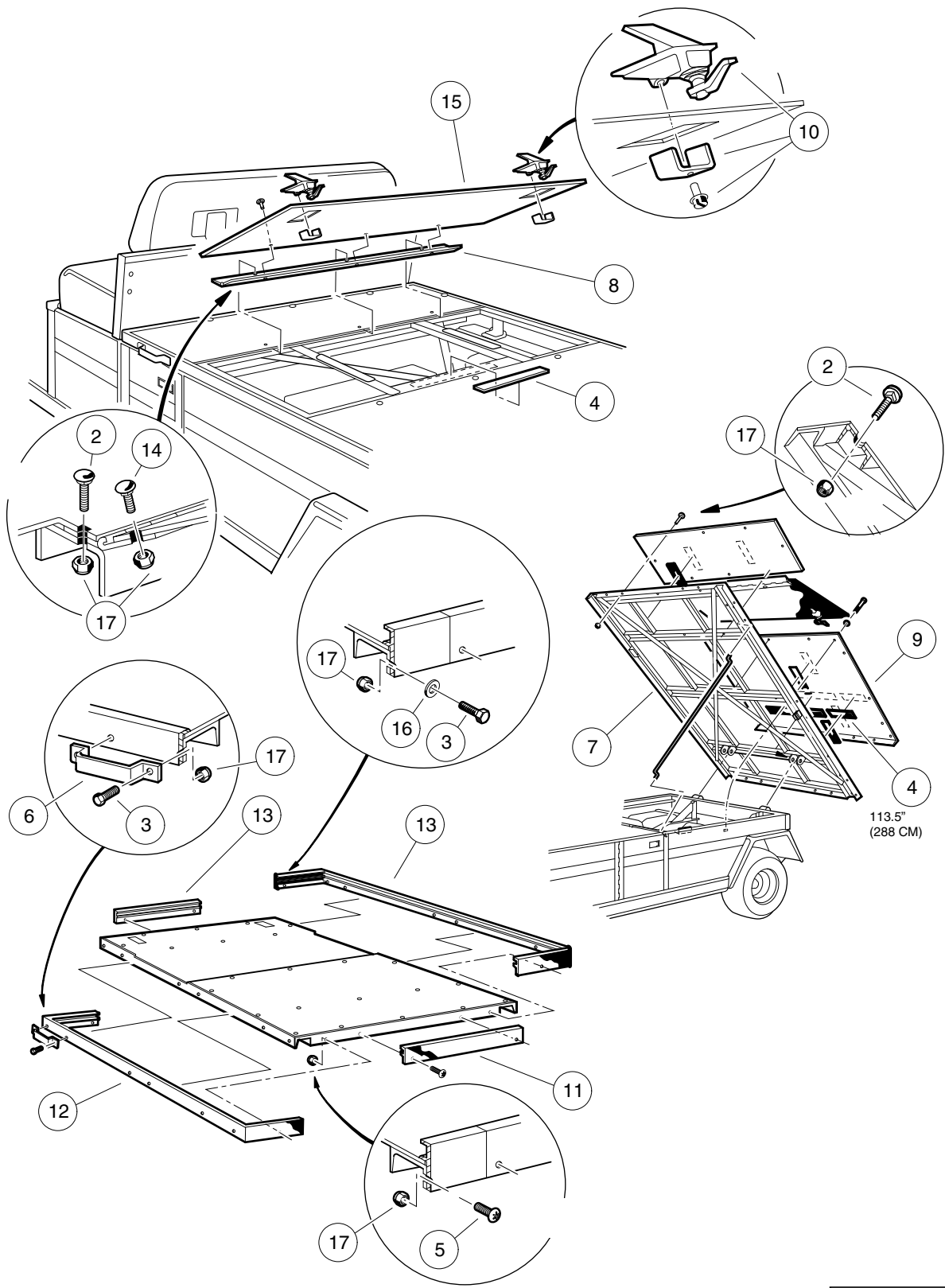
ITEM	PART NO.	DESCRIPTION	QTY
		1 2 3 4	
1	<u>1011652</u>	Hinge Plate	4
2	<u>1011697</u>	Washer, 5/16 Flat	8
3	<u>1012412</u>	Body, Hinge Plate	4
4	<u>1012830</u>	Screw, M8-1.25 X 22 Hex-Head	8
5	<u>1013734</u>	Lockwasher, 8mm Split	8
6	<u>101887601</u>	Locknut, M6-1.00 Nylon Insert	2
7	<u>102023701</u>	Pan, Seat	2
8	<u>102026401</u>	Console Cover	1
9	<u>102026901</u>	Seat Support Assembly	1
10	<u>102029501</u>	Seal	1
11	<u>102047001</u>	Rivet, 1/4 X .438 Blind	8
12	<u>102056201</u>	3M VHB Tape 4936	1
13	<u>102059001</u>	Seat Holder Base	2
14	<u>102059401</u>	Screw, 6m-1.00 X 10mm Hex Head	2
15	<u>102059501</u>	Screw, 6m-1.00 X 35mm Hex Head	2
16	<u>102060201</u>	1/4 - 20 Threaded Insert	10
17	<u>102061101</u>	Seat Holder Cup	2
18	<u>103267001</u>	Seat, Bucket, Gray	2
19	<u>332</u>	Washer, 1/4 Type A Narrow Flat	10
20	<u>451</u>	Lockwasher, 1/4 Split	10
21	<u>7311</u>	Screw, 1/4-20 X 2.00 Hex-Head Cap	4
22	<u>7473</u>	Locknut, 5/16-18 Nylon Insert	4
23	<u>7847</u>	Screw, 1/4-20 X 0.75 Hex-Head Cap	8
24	<u>8233</u>	Locknut, 1/4-20 Nylon Insert	4
25	<u>8935</u>	Screw, 5/16-18 X 2.25 Hex-Head Cap	4

1

E

1

E



000264-002

FLAT BED – CA 6

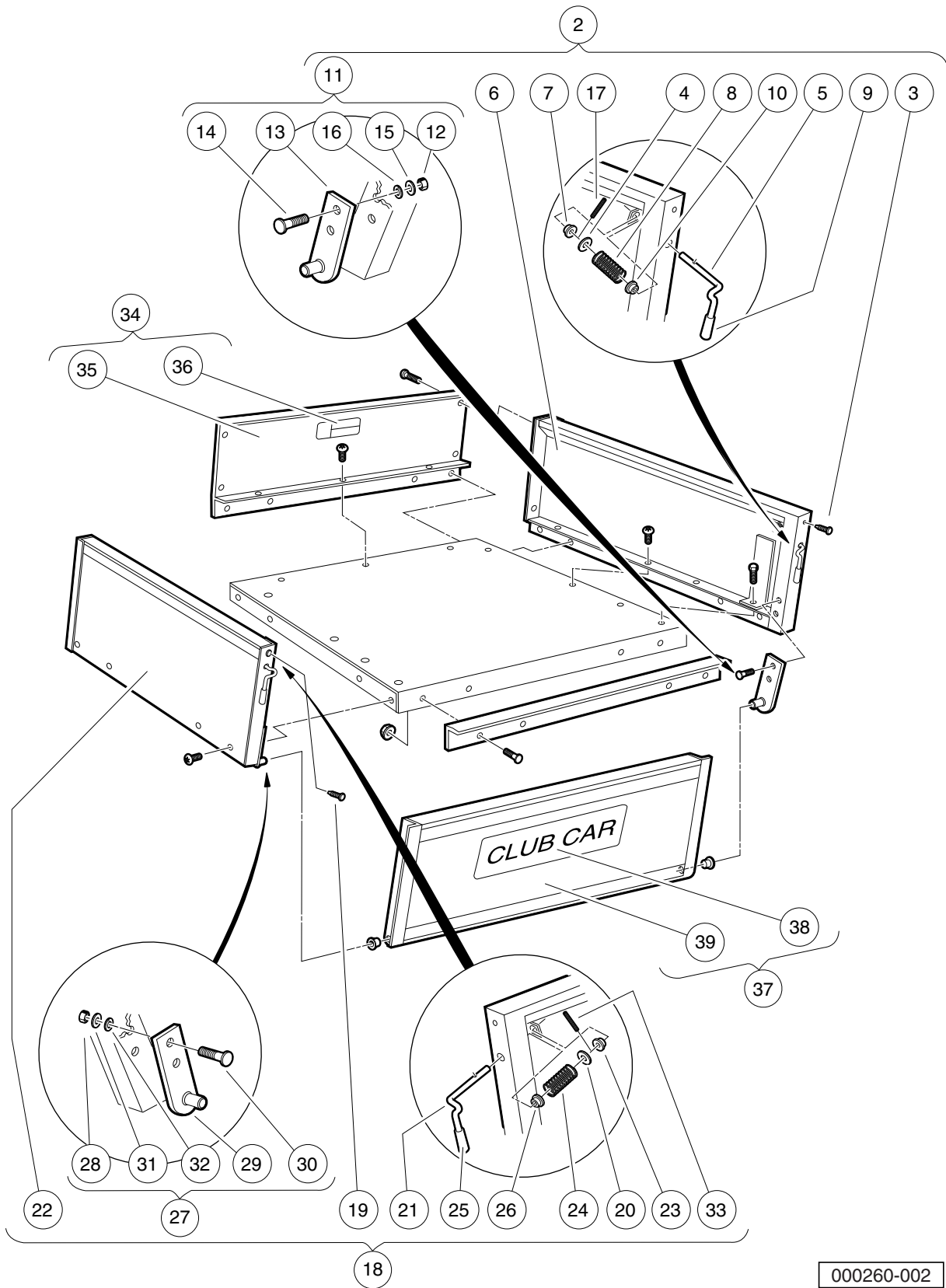
ITEM	PART NO.	DESCRIPTION	QTY
		1 2 3 4	
1	<u>103509602</u>	Asm, Long Bed Str Ic, W-trim (includes items 2 through 17)	1
2	<u>1010435</u>	Bolt, Carriage, 5/16-18 X 1.00	13
3	<u>1010934</u>	Screw, 5/16-18 X 1.00 Hex Cap	6
4	<u>1014471</u>	Tape, Vinyl Foam 1/8" x 3/4" *	13
5	<u>1015399</u>	Screw, 5/16-18 X 0.88 Torx Truss-Head	14
6	<u>1016077</u>	Bracket, Stake Side	1
7	<u>1016878</u>	Long Bed Frame Assembly	1
8	<u>1016881</u>	Hinge, Access Door	1
9	****	Plate Floor Rear Long Bed	1
10	<u>101691401</u>	Latch, Door	2
11	<u>1016943</u>	Trim, Long Bed, Front and Rear	2
12	<u>1016944</u>	Trim, Long Bed, Driver-Side	1
13	<u>1016948</u>	Trim, Long Bed, Passenger-Side	1
14	<u>1017077</u>	Bolt, Carriage, 5/16-18 X 0.625	2
15	<u>103509401</u>	Plate Access Door, Ca6, Ic	1
16	<u>1241</u>	Washer, 5/16 Type A Flat	4
17	<u>7473</u>	Locknut, 5/16-18 Nylon Insert	35
		**** Special order item available upon request.	
		* Note: Item not shown.	

1

E

1

E



000260-002

CARGO BOX (ALUMINUM)

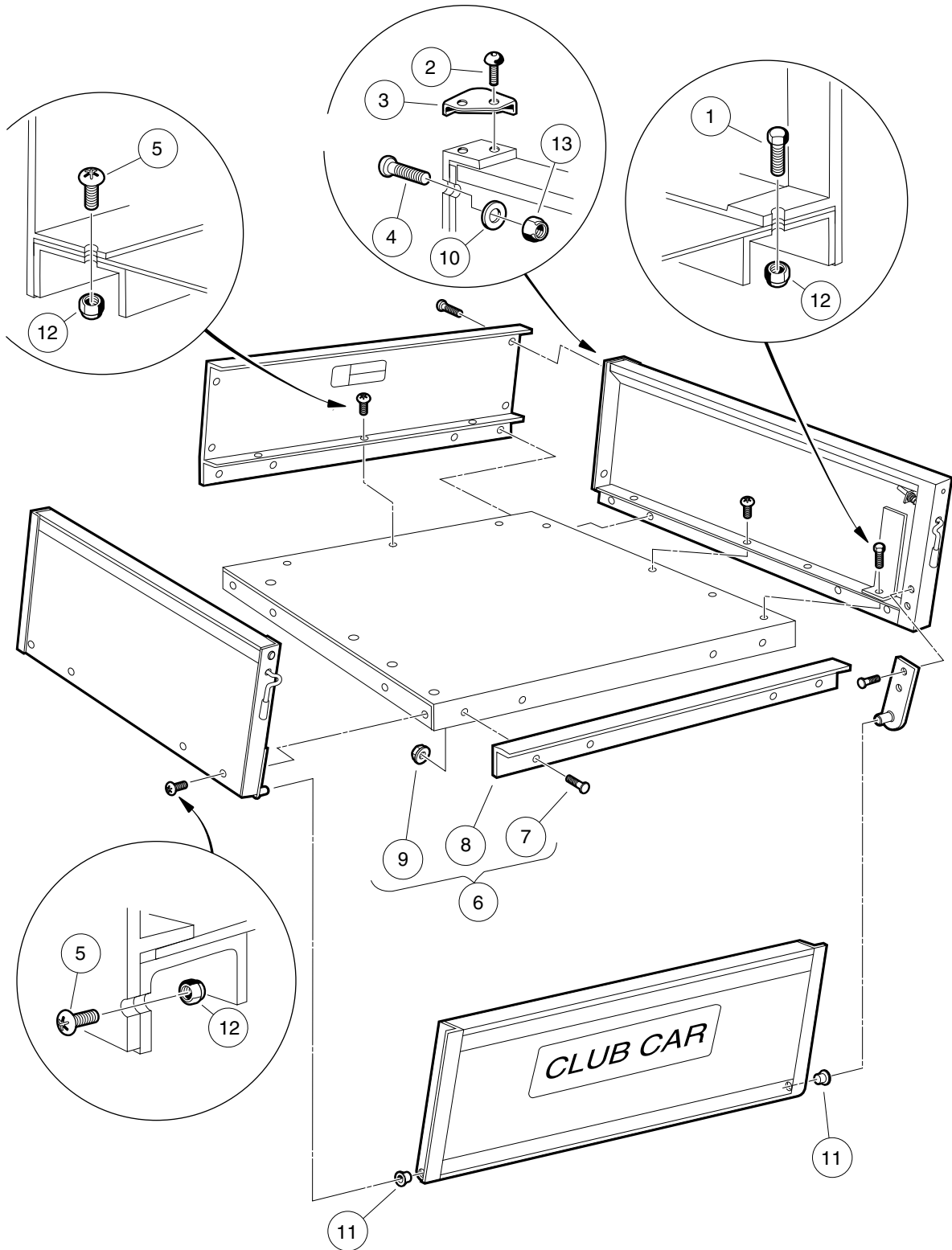
ITEM	PART NO.	DESCRIPTION	QTY
		1 2 3 4	
1	<u>1015607</u>	Cargo Box Set (includes items 2 through 37)	1
2	<u>1015366</u>	Side-Panel Assembly, Right-Hand (includes items 3 through 17)	1
3	<u>1010434</u>	Barrel - Plastic	1
4	<u>1011990</u>	Washer, 3/8 Flat	1
5	<u>1015245</u>	Latch, Tailgate, Right-Hand	1
6	N/A	Side-Panel Weldment, Right-Hand	1
7	<u>1015363</u>	Bushing, Snap-In	1
8	<u>1015390</u>	Compression Spring Latch Tilt	1
9	<u>1015400</u>	Grip, Tilt Latch Hand	1
10	<u>1032</u>	Bushing, Nylon	1
11	<u>103406502</u>	Kit, Tlgt Mtg Brkt, Ca Rh (includes items 12 through 16)	1
12	<u>1028</u>	Nut, 1/4-20 Hex	2
13	N/A	Asm, Tlgt, Mtg Brkt, Ca Rh	1
14	<u>103406601</u>	Stud, 1/4 Self-clnchg Flush	2
15	<u>332</u>	Washer, 1/4 Type A Narrow Flat	2
16	<u>451</u>	Lockwasher, 1/4 Split	2
17	1231	Pin, 1/8 X 1.00 Split Roll	1
18	<u>1015368</u>	Side Panel Assembly, Left-Hand (includes items 19 through 33)	1
19	<u>1010434</u>	Barrel - Plastic	1
20	<u>1011990</u>	Washer, 3/8 Flat	1
21	<u>1015313</u>	Latch, Tailgate, Left-Hand	1
22	N/A	Side-Panel Weldment, Left-Hand	1
23	<u>1015363</u>	Bushing, Snap-In	1
24	<u>1015390</u>	Compression Spring Latch Tilt	1
25	<u>1015400</u>	Grip, Tilt Latch Hand	1
26	<u>1032</u>	Bushing, Nylon	1
27	<u>103406501</u>	Kit, Tlgt Mtg Brkt, Ca Lh (includes items 28 through 32)	1
28	<u>1028</u>	Nut, 1/4-20 Hex	2
29	N/A	Asm, Tlgt, Mtg Brkt, Ca Lh	1
30	<u>103406601</u>	Stud, 1/4 Self-clnchg Flush	2
31	<u>332</u>	Washer, 1/4 Type A Narrow Flat	2
32	<u>451</u>	Lockwasher, 1/4 Split	2
33	1231	Pin, 1/8 X 1.00 Split Roll	1
34	<u>1015412</u>	Front Panel Assembly (includes items 35 and 36)	1
35	N/A	Front Panel Box	1
36	<u>101553901</u>	Decal, Bed Load Warning	1
37	<u>1015424</u>	Tailgate Assembly (includes items 38 and 39)	1
38	<u>1013317</u>	Decal, Logo, Tailgate	1
39	N/A	Tailgate Weldment	1
<p>Note: Additional components in kit <u>1015607</u> are shown on the following two pages.</p>			

1

E

1

E



000261-001

CARGO BOX MOUNTING – CA 2

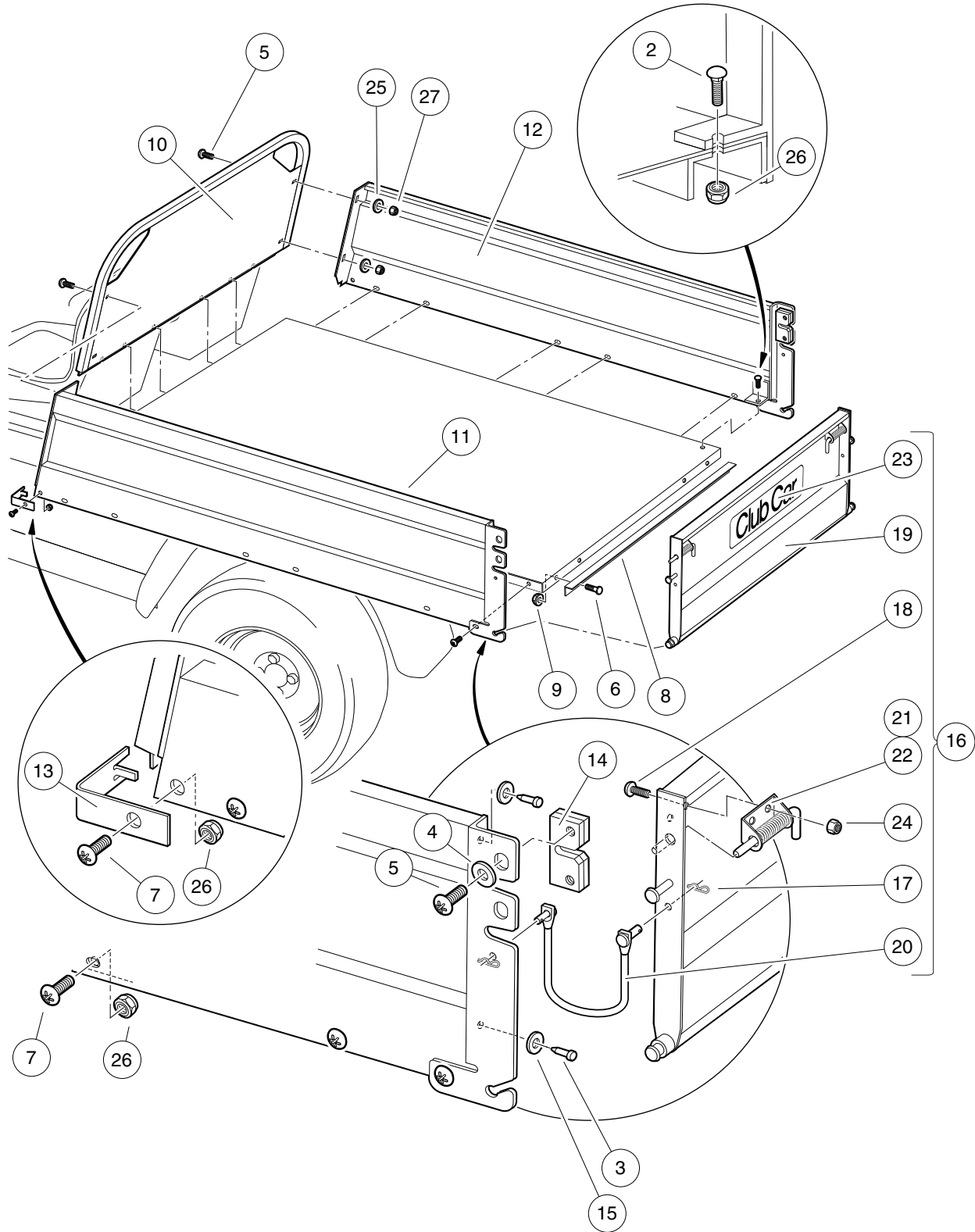
ITEM	PART NO.	DESCRIPTION	QTY
		1 2 3 4	
1	<u>1010934</u>	Screw, 5/16-18 X 1.00 Hex Cap	2
2	<u>1014321</u>	Screw, #10 Truss-Head Torx	4
3	<u>1014387</u>	Cap, Corner	2
4	<u>1014415</u>	Screw, 1/4-20 X 0.75 Torx Truss-Head	4
5	<u>1015399</u>	Screw, 5/16-18 X 0.88 Torx Truss-Head	23
6	<u>101894702</u>	Kit, Tailgate Angle (includes items 7 through 9)	1
7	<u>1014537</u>	Stud, Self-Clinching Flush Head	4
8	<u>101894302</u>	Box Bed Tailgate Angle	1
9	<u>101963401</u>	Locknut, 5/16-18 Hex Flange	4
10	<u>332</u>	Washer, 1/4 Type A Narrow Flat	4
11	<u>7049</u>	Bushing, Nylon	2
12	<u>7473</u>	Locknut, 5/16-18 Nylon Insert	25
13	<u>8233</u>	Locknut, 1/4-20 Nylon Insert	4
<p>Note: All parts listed on this page are included in kit 1015607.</p>			

1

E

1

E



000038-001

CARGO BOX (STEEL) – CA 2

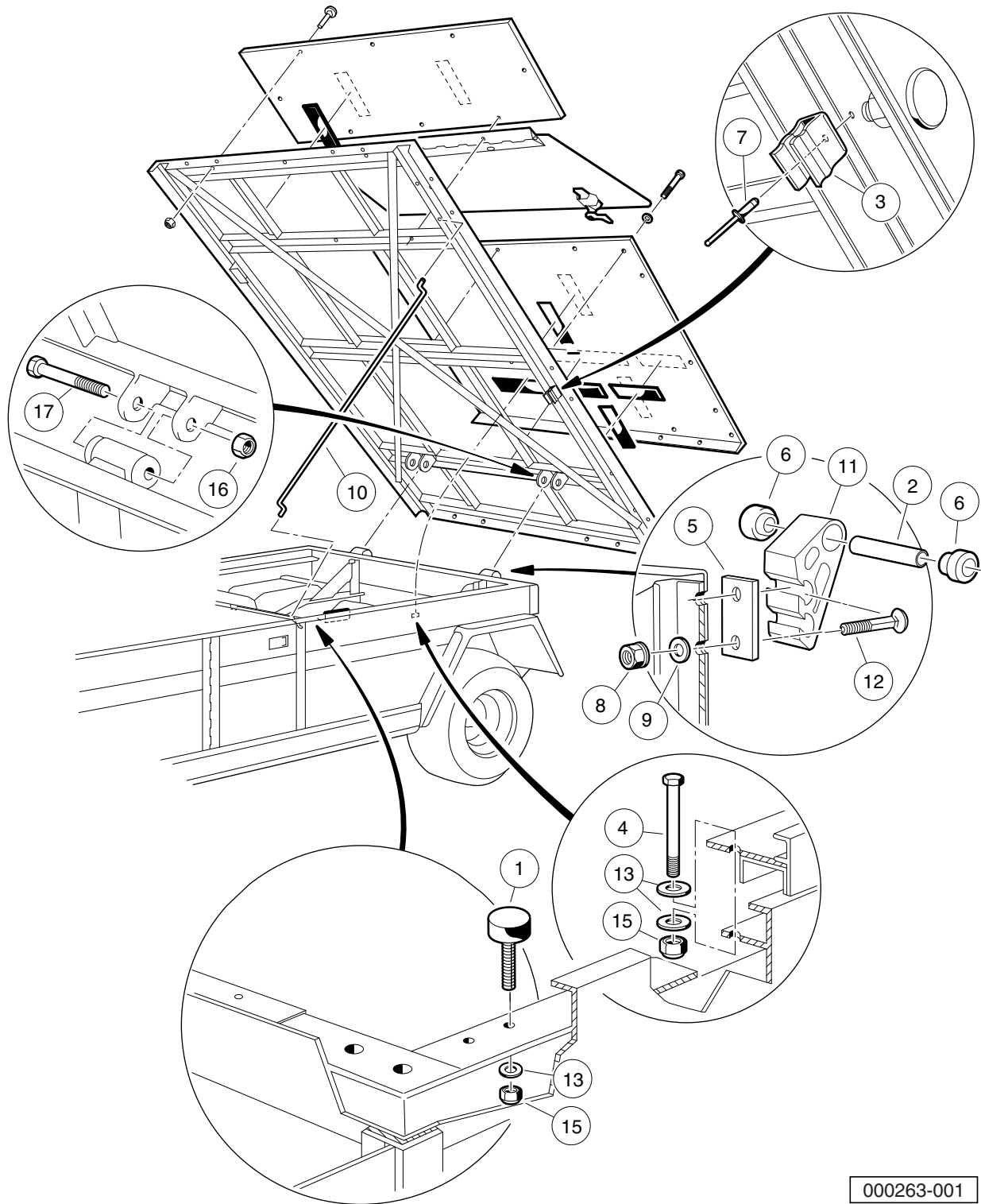
ITEM	PART NO.	DESCRIPTION	QTY
		1 2 3 4	
1	N/A	Instl, Steel Box, XRT (includes items 2 through 27)	1
2	<u>1010435</u>	Bolt, Carriage, 5/16-18 X 1.00	13
3	<u>1010436</u>	Bumper, Rubber	4
4	<u>1014306</u>	Washer, 1/4" Type B Flat	4
5	<u>1014415</u>	Screw, 1/4-20 X 0.75 Torx Truss-Head	8
6	<u>1014537</u>	Stud, Self-Clinching Flush Head	4
7	1015399	Screw, 5/16-18 X 0.88 Torx Truss-Head	18
8	<u>101894304</u>	Box Bed Tailgate Angle	1
9	<u>101963401</u>	Locknut, 5/16-18 Hex Flange	4
10	<u>102221301</u>	Front Panel Weldment	1
11	<u>102221401</u>	Left Panel Weldment	1
12	<u>102221501</u>	Right Panel Weldment	1
13	<u>102221701</u>	Front Corner Cap	2
14	<u>102222001</u>	Slam Latch	2
15	<u>102239901</u>	Washer, Rubber, 3/8	4
16	<u>102614401</u>	Assembly, Tailgate (includes items 17 through 24)	1
17	<u>1013366</u>	Hair Pin Clip	4
18	<u>1014415</u>	Screw, 1/4-20 X 0.75 Torx Truss-Head	4
19	N/A	Tailgate, Weldment	1
20	<u>102221801</u>	Tether Assembly	2
21	<u>102222101</u>	Spring Latch Left	1
22	<u>102222201</u>	Spring Latch Right	1
23	<u>102673201</u>	Decal, Club Car Tailgate	1
24	<u>8233</u>	Locknut, 1/4-20 Nylon Insert	4
25	<u>332</u>	Washer, 1/4 Type A Narrow Flat	4
26	<u>7473</u>	Locknut, 5/16-18 Nylon Insert	31
27	<u>8233</u>	Locknut, 1/4-20 Nylon Insert	4

1

E

1

E



000263-001

FLAT BED MOUNTING – CA 6

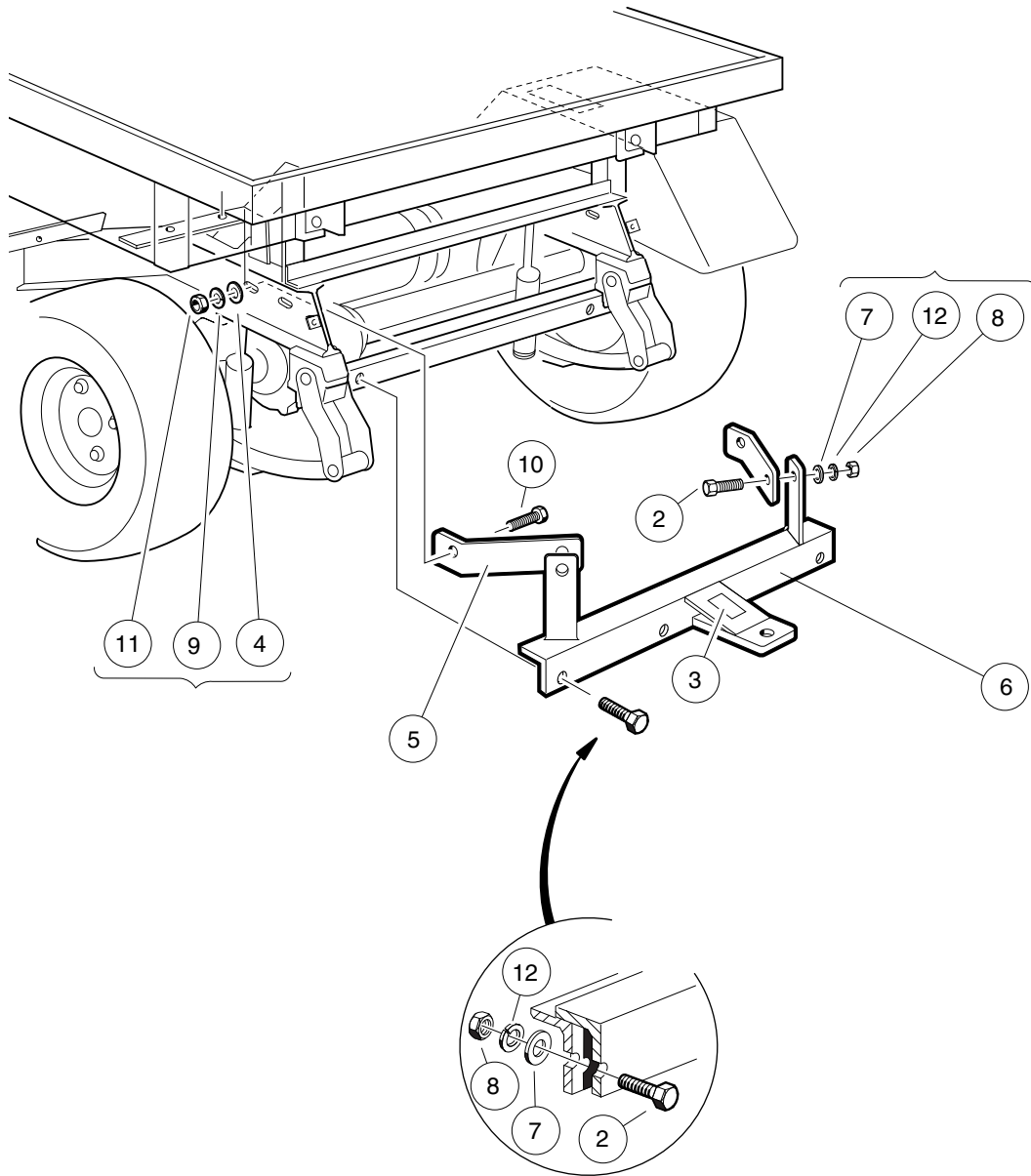
ITEM	PART NO.	DESCRIPTION	QTY
		1 2 3 4	
1	<u>1010878</u>	Bumper, Rubber	2
2	<u>1012303</u>	Bushing, Steel	2
3	<u>1013413</u>	Clip, Rod	1
4	<u>1013872</u>	Bolt, 1/4-20 X 4.00 Hex Head	2
5	<u>1015507</u>	Shim, Tilt Bed Pivot	1
6	<u>1015583</u>	Bushing, Urethane	4
7	<u>1015727</u>	Rivet, 1/8	1
8	<u>102065901</u>	Locknut, 3/8-16 Flanged Dimple	4
9	<u>102066001</u>	Washer, 3/8 Type B Hard Flat	4
10	<u>102259401</u>	Prop Rod, Long Bed	1
11	<u>103538701</u>	Extra, Bracket, Hinge, Bed	2
12	<u>103538901</u>	3/8-16 X 3.5 Carr Blt Gr5 Zn	4
13	<u>332</u>	Washer, 1/4 Type A Narrow Flat	6
14	705	Screw, Cap-hex Hd 3/8-16x1.25	4
15	<u>8233</u>	Locknut, 1/4-20 Nylon Insert	4
16	<u>8754</u>	Locknut, 3/8-16 Hex	2
17	<u>8755</u>	Screw, 3/8-16 X 3.375 Hex Cap	2

1

E

1

E



000265-001

TRAILER HITCH

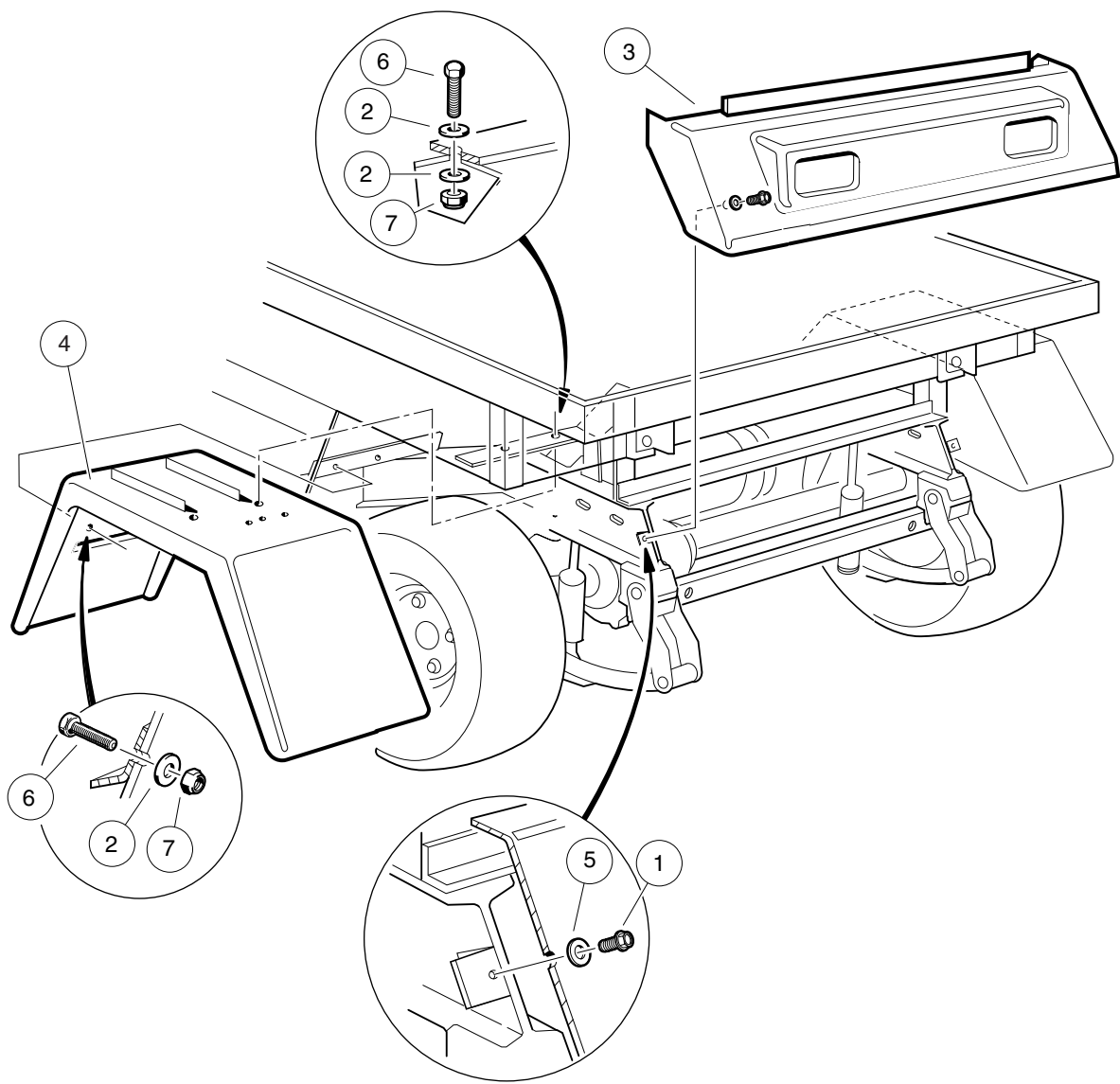
ITEM	PART NO.	DESCRIPTION	QTY
		1 2 3 4	
1	<u>1015445</u>	Kit, Trailer Hitch (includes items 2 through 12)	1
2	<u>1010934</u>	Screw, 5/16-18 X 1.00 Hex Cap	4
3	<u>1011553</u>	Decal, Trailer Hitch	1
4	<u>1011990</u>	Washer, 3/8 Flat	2
5	<u>1013483</u>	Brace, Trailer Hitch	2
6	N/A	Asm, Trailer Hitch	1
7	<u>1241</u>	Washer, 5/16 Type A Flat	4
8	<u>1242</u>	Nut, 5/16-18 Hex	4
9	<u>357</u>	Lockwasher, 3/8 Split	2
10	705	Screw, Cap-hex Hd 3/8-16x1.25	2
11	<u>706</u>	Nut, Hex 3/8-16	2
12	<u>7174</u>	Lockwasher, 5/16 Split	4

1

E

1

E



000266-001

REAR BODY TRIM

ITEM	PART NO.	DESCRIPTION	QTY
		1 2 3 4	
1	<u>1012285</u>	Screw, 1/4 X 0.625 Hex-Head	2
2	<u>1014306</u>	Washer, 1/4" Type B Flat	12
3	<u>1015530</u>	Tailskirt	1
4	<u>1016679</u>	Rear Fender	2
5	<u>332</u>	Washer, 1/4 Type A Narrow Flat	2
6	<u>7847</u>	Screw, 1/4-20 X 0.75 Hex-Head Cap	8
7	<u>8233</u>	Locknut, 1/4-20 Nylon Insert	8

1

E

1

E

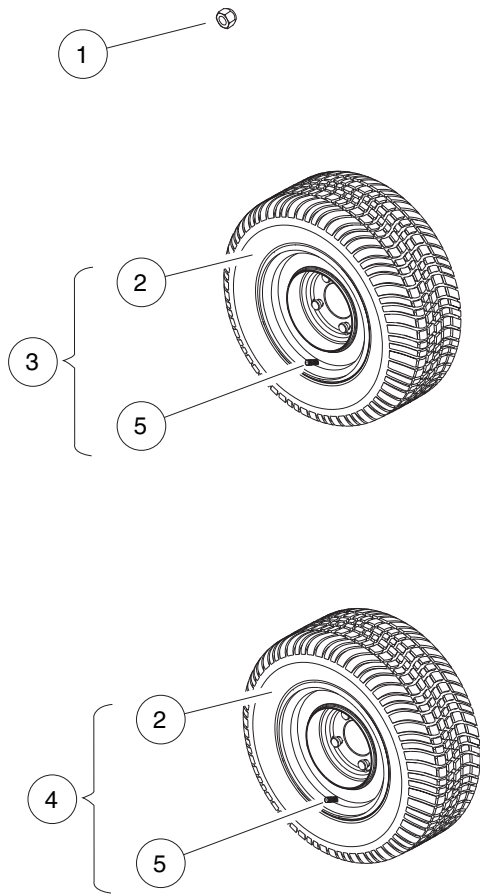
WHEELS AND TIRES

2

E

2

E



00269-012

WHEELS AND TIRES

ITEM	PART NO.	DESCRIPTION	QTY
		1 2 3 4	
1	<u>1010984</u>	.500-20 Unf Lug Nut	16
2	<u>102556702</u>	Tire, Pro Tour 205-50 R10 Dot	1
3	<u>102979203</u>	Asm, Whl/tire, 10" Rim, Wh Dot	4
4	<u>102979204</u>	Asm, Whl/tire, 10" Rim, Be Dot	4
5	<u>7310</u>	Valve Stem	1

2

E

2

E

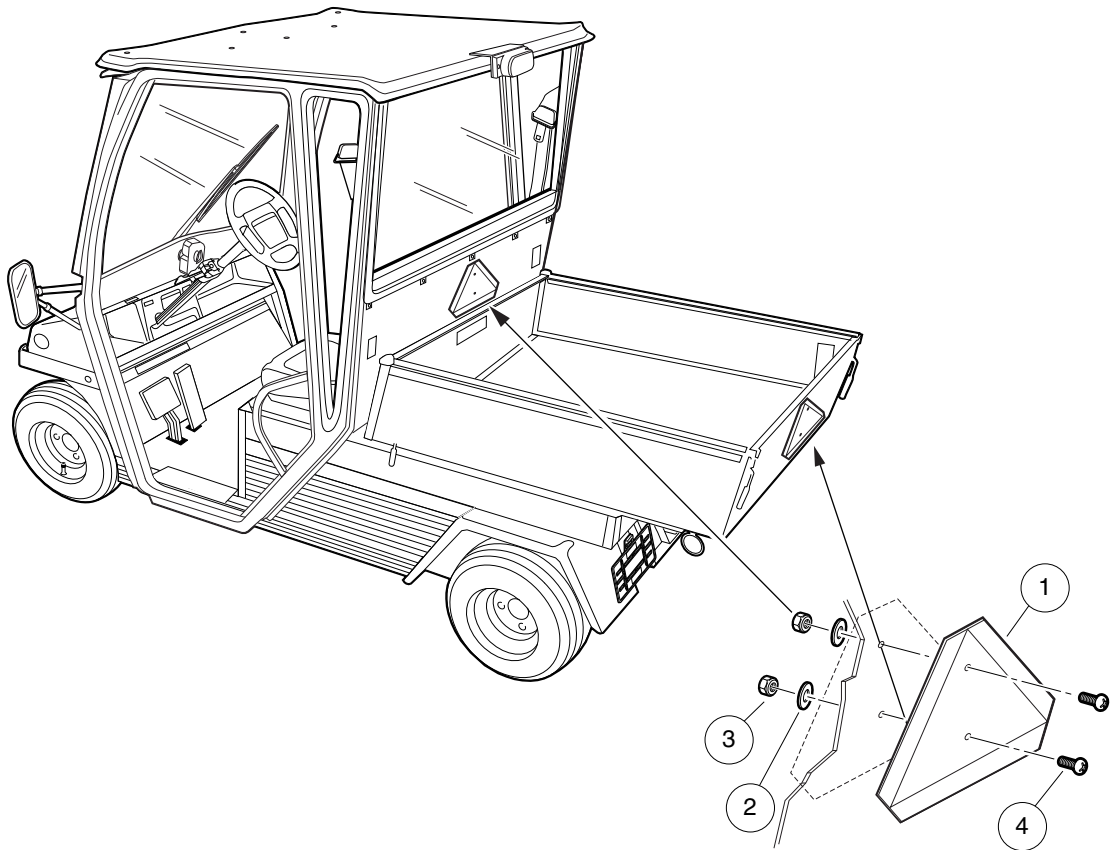
DECALS

3

E

3

E



000861-001

SLOW MOVING VEHICLE SIGN

ITEM	PART NO.	DESCRIPTION	QTY
		1 2 3 4	
1	N/A	Triangle, Slow Moving Vehicle	1
2	<u>332</u>	Washer, 1/4 Type A Narrow Flat	2
3	<u>8233</u>	Locknut, 1/4-20 Nylon Insert	2
4	<u>8248</u>	Screw, 1/4-20 X 0.75 Truss-Head Machine	2

3

E

OPERATING INSTRUCTIONS

- Read Owner's Manual and safety warnings prior to driving.
- Study and understand controls.
- Make sure wheels are turned in desired direction.
- FASTEN SEAT BELT and remain seated while moving.
- Turn key to "ON" position. Be sure nothing is in your path.
- While vehicle is stopped, select direction by placing Forward/Reverse switch in desired position:
F – Forward Neutral R – Reverse (Buzzer will sound)
- Release park brake fully.
- Vehicle will start moving when accelerator pedal is pressed.
- Slowly press accelerator pedal to increase speed.
- To stop, release accelerator pedal and press brake pedal.
- After stopping, firmly set park brake.
- Place Forward/Reverse switch in NEUTRAL position.
- Turn key "OFF" and remove key when not in use.

103499301

VEHICLE DISCLOSURE

This vehicle:

- Has a maximum speed of greater than 20 miles per hour (mph), but not greater than 25 mph;
- Shall only be operated in the manner and locations permitted by law;
- Shall not be operated on a public highway with a speed limit in excess of 35 mph; provided the maximum posted speed limit for lawful operation in Maryland is 30 mph, and the limit for Idaho is 25 mph;
- May be a hazard on the roadways if it impedes traffic;
- May subject the driver to citations for impeding traffic;
- May not be equipped with such safety features as bumpers, a padded dashboard, vision, or a tamper-resistant odometer.

103500501

WARNING

This vehicle's maximum speed is 25 miles per hour and it may be a hazard on the roadways if it impedes traffic for which the driver may be cited.

103500301

WARNING

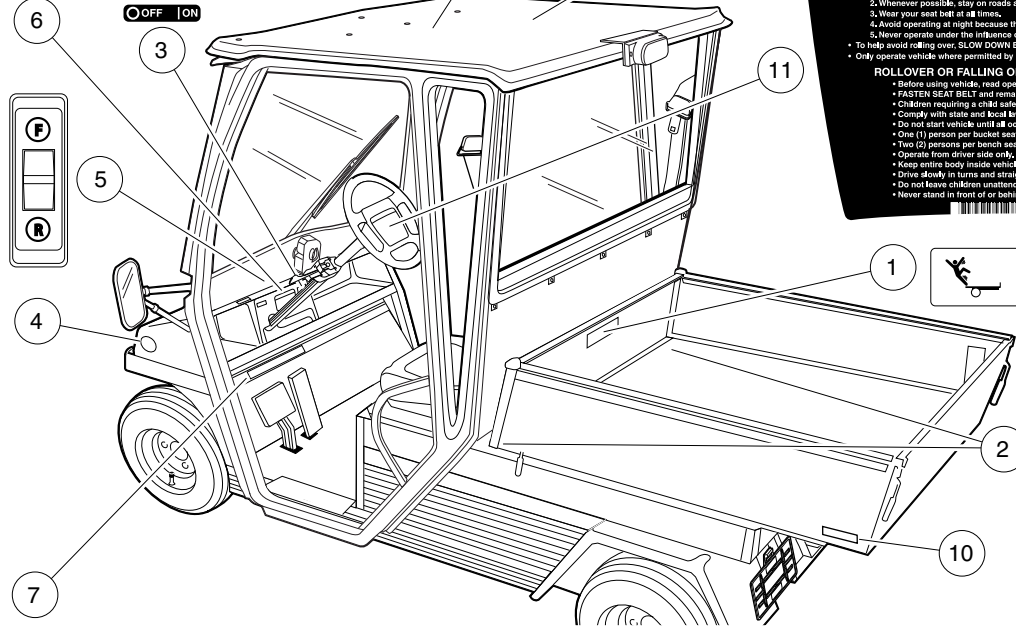
WHEN OPERATING VEHICLE ON PUBLIC ROADS

- This vehicle offers much less crash protection than a regular car, van, or truck. This results in a higher risk of injury or death in collisions, even at low speeds. The higher the speed of traffic around you, the higher the risk of injury.
- To reduce risks:
 1. Avoid roads with regular traffic and speed limits above 25 mph (40 km/h).
 2. Whenever possible, stay on roads and lanes limited to low-speed vehicles.
 3. Wear your seat belt at all times.
 4. Avoid operating at night because this vehicle may be hard for others to see.
 5. Never operate under the influence of alcohol or drugs.
- To help avoid rolling over, SLOW DOWN BEFORE MAKING SHARP TURNS.
- Only operate vehicle where permitted by law.

ROLLOVER OR FALLING OFF MAY CAUSE DEATH

- Before using vehicle, read operating instructions.
- FASTEN SEAT BELT and remain seated while moving.
- Children requiring a child safety seat must not ride on the vehicle.
- Comply with state and local laws pertaining to child safety.
- Do not start vehicle until all occupants are seated.
- One (1) person per bucket seat maximum.
- Two (2) persons per bench seat maximum.
- Operate from driver side only.
- Keep entire body inside vehicle while moving.
- Drive slowly in turns and straight up and down slopes.
- Do not leave children unattended on vehicle.
- Never stand in front of or behind vehicle.

103532101



WARNING

Riding in cargo bed can cause severe injury or death. Do not ride in cargo bed.

WARNING

CRUSH AREA

STAY CLEAR

CCI 101606401

VEHICLE LOADING

Read Owner's Manual and vehicle warnings.

- Vehicle rated capacity: 950 lb. (430 kg) on level surface only. Weight to include passengers, cargo bed load, and gross trailer weight. See Owner's Manual.
- Maximum cargo load: 550 lb. (249 kg). Weight to include cargo bed load and gross trailer weight.
- Maximum trailer hitch tongue weight: 150 lb. (68 kg)

- Cargo should be evenly spread over the floor of the cargo bed as far forward as possible and secured.
 - For vehicle stability, when fully loaded, drive slowly and avoid stopping on or backing down steep hills.
 - Avoid top heavy loads. See Owner's Manual.
 - When driving on uneven terrain or down steep hills, reduce speed and load.
- 103500501

25 MPH Vehicle

9

SAFETY DECALS – CA 2

ITEM	PART NO.	DESCRIPTION	QTY
		1 2 3 4	
1	<u>101553901</u>	Decal, Bed Load Warning	1
2	<u>101609401</u>	Decal, Crush Area Warning	2
3	<u>101825101</u>	Decal, Off/On	1
4	<u>102332501</u>	Decal, 2.875 Reflector -amber	2
5	<u>103210301</u>	Decal, Forward/Reverse, Electric	1
6	<u>103499301</u>	Decal, Operating Inst, On-road	1
7	<u>103500501</u>	Decal, Veh Load, Ca2 On-road	1
8	<u>103501301</u>	Decal, Max Speed	1
9	<u>103501401</u>	Decal, 25 Mph	1
10	<u>103531501</u>	Reflector, Red, 4 3/8 X 1 1/8	2
11	<u>103532101</u>	Decal, Warning, On-road Use	1
12	<u>103537001</u>	Decal, LSV Vehicle Disclosure	1

3

E

3

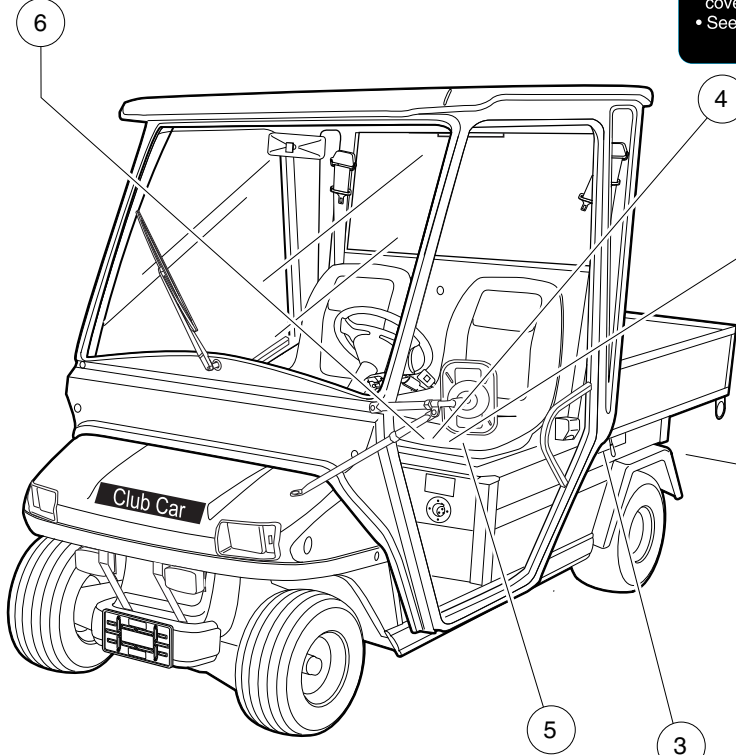
E

⚠ WARNING
AVOID FIRE HAZARD
 • Replacement battery wires must be 2-gauge (AWG) with low-resistance terminals equivalent to factory-installed wires.
 • Ensure that battery connections are clean and properly tightened. See owner's manual.

103515301

CAUTION
EXPOSURE TO WATER MAY DAMAGE ELECTRONIC COMPONENTS
 • Do not operate vehicle without this cover properly installed.
 • Do not direct water stream in the area of the cover without cover securely in place.
 • See vehicle maintenance and service manual before servicing.

CCI 102518301



⚠ DANGER / POISON


SHIELD EYES EXPOSURE GASES CAN CAUSE BLINDNESS OR INJURY	NO • SPARKS • FLAMES • SMOKING	SULFURIC ACID CAN CAUSE BURNS OR SEVERE BURNS	FLUSH EYES IMMEDIATELY WITH WATER GET MEDICAL HELP FAST
---	---	--	--

KEEP OUT OF THE REACH OF CHILDREN - DO NOT TIP - KEEP VENT CAPS TIGHT AND LEVEL

NOTICE
MAXIMUM TONGUE WEIGHT - 150 lbs.

CCI 1011553


⚠ WARNING
BATTERY EXPLOSION COULD RESULT IN SEVERE PERSONAL INJURY.
 • Do not store items in battery compartment.
 • Place Run/Tow switch in TOW position before
 - Disconnecting or connecting battery cables
 - Towing this vehicle
 - Extended storage
 - Servicing the vehicle

TOW  RUN

103499601

⚠ WARNING
Crush area. Can cause severe injury. Stay clear when closing bed.

CCI 102459301

LATCH OPEN 

000844-001

SAFETY DECALS – CA 2, CONTINUED

ITEM	PART NO.	DESCRIPTION	QTY
		1 2 3 4	
1	<u>1011553</u>	Decal, Trailer Hitch	1
2	<u>1013677</u>	Decal, Battery Danger	1
3	<u>102459301</u>	Decal, Bed Crush Area Warning	1
4	<u>102518301</u>	Decal, Caution, Electrical Component Cover	1
5	<u>102845101</u>	Decal, Tow Switch	1
6	<u>103515301</u>	Decal, Warning, 2 Ga	1

3

E

OPERATING INSTRUCTIONS

- Read Owner's Manual and safety warnings prior to driving.
- Study and understand controls.
- Make sure wheels are turned in desired direction.
- **FASTEN SEAT BELT** and remain seated while moving.
- Turn key to "ON" position. Be sure nothing is in your path.
- While vehicle is stopped, select direction by placing Forward/Reverse switch in desired position:
F – Forward Neutral R – Reverse (Buzzer will sound)
- Release park brake fully.
- Vehicle will start moving when accelerator pedal is pressed.
- Slowly press accelerator pedal to increase speed.
- To stop, release accelerator pedal and press brake pedal.
- After stopping, firmly set park brake.
- Place Forward/Reverse switch in NEUTRAL position.
- Turn key "OFF" and remove key when not in use.

103499301

VEHICLE DISCLOSURE

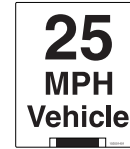
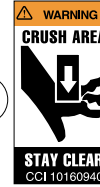
- This vehicle:
- Has a maximum speed of greater than 20 miles per hour (mph), but not greater than 25 mph;
 - Shall only be operated in the manner and locations permitted by law;
 - Shall not be operated on a public highway with a speed limit in excess of 25 mph; provided the maximum posted speed limit for lawful operation in Maryland is 30 mph, and the limit for Idaho is 25 mph;
 - May be a hazard on the roadways if it impedes traffic;
 - May subject the driver to citations for impeding traffic;
 - May not be equipped with such safety features as bumpers, a padded dashboard, visors, or a tamper-resistant odometer.

1032920

WARNING

This vehicle's maximum speed is 25 miles per hour and it may be a hazard on the roadways if it impedes traffic for which the driver may be cited.

103501361



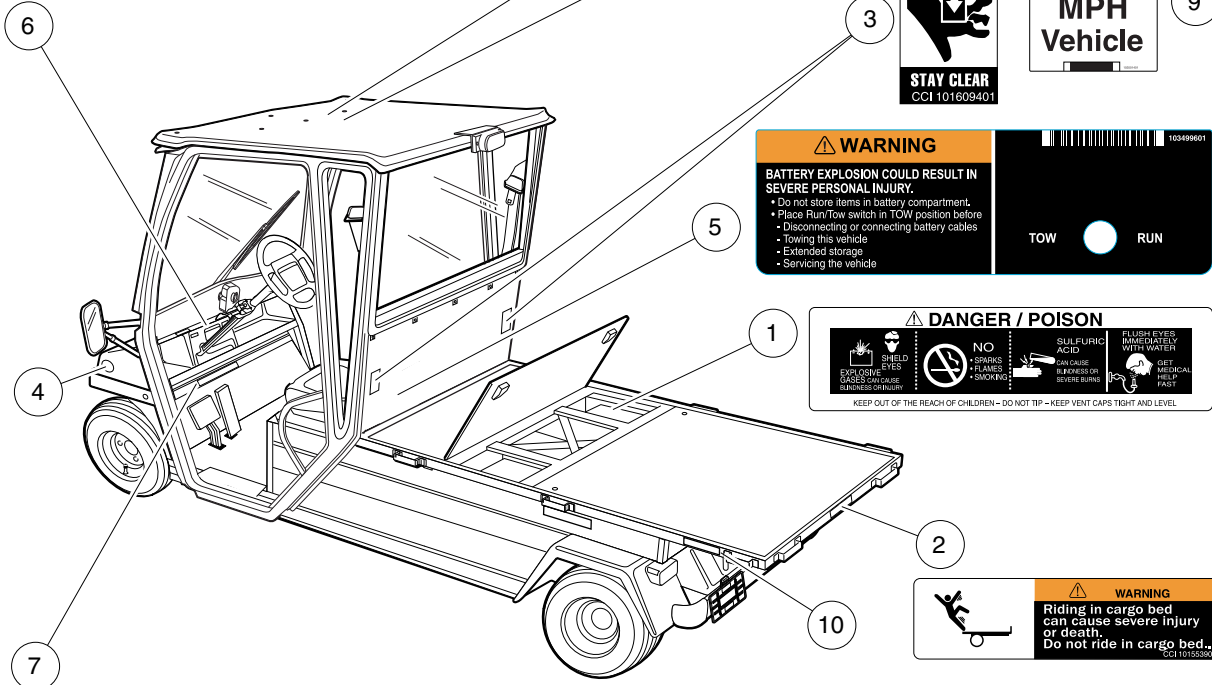
WARNING

- BATTERY EXPLOSION COULD RESULT IN SEVERE PERSONAL INJURY.**
- Do not store items in battery compartment.
 - Place Run/Tow switch in TOW position before
 - Disconnecting or connecting battery cables
 - Towing this vehicle
 - Extended storage
 - Servicing the vehicle

TOW RUN



WARNING
Riding in cargo bed can cause severe injury or death. Do not ride in cargo bed.



VEHICLE LOADING

Read Owner's Manual and vehicle warnings.

- Vehicle rated capacity: 1250 lb. (567 kg) on level surface only. Weight to include passengers, cargo bed load, and gross trailer weight. See Owner's Manual.
- Maximum cargo load: 850 lb. (385 kg). Weight to include cargo bed load and gross trailer weight.
- Maximum trailer hitch tongue weight: 150 lb. (68 kg)

- Cargo should be evenly spread over the floor of the cargo bed as far forward as possible and secured.
- For vehicle stability, when fully loaded, drive slowly and avoid stopping on or backing down steep hills.
- Avoid top heavy loads. See Owner's Manual.
- When driving on uneven terrain or down steep hills, reduce speed and load.

103500601

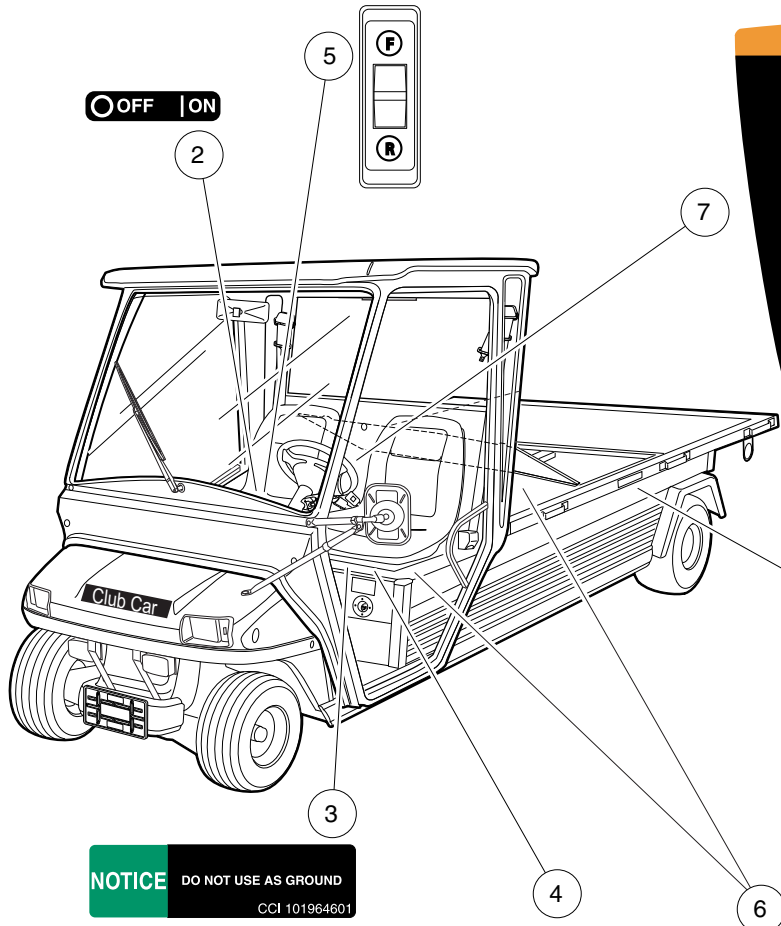
000845-001

SAFETY DECALS – CA 6

ITEM	PART NO.	DESCRIPTION	QTY
		1 2 3 4	
1	<u>1013677</u>	Decal, Battery Danger	1
2	<u>101553901</u>	Decal, Bed Load Warning	1
3	<u>101609401</u>	Decal, Crush Area Warning	1
4	<u>102332501</u>	Decal, 2.875 Reflector -amber	2
5	<u>102845101</u>	Decal, Tow Switch	1
6	<u>103499301</u>	Decal, Operating Inst, On-road	1
7	<u>103500601</u>	Decal, Veh Load, Ca6 On-road	1
8	<u>103501301</u>	Decal, Max Speed	1
9	<u>103501401</u>	Decal, 25 Mph	1
10	<u>103531501</u>	Reflector, Red, 4 3/8 X 1 1/8	2
11	<u>103537001</u>	Decal, LSV Vehicle Disclosure	1

3

E



NOTICE DO NOT USE AS GROUND
CCI 101964601

CAUTION
EXPOSURE TO WATER MAY DAMAGE ELECTRONIC COMPONENTS

- Do not operate vehicle without this cover properly installed.
- Do not direct water stream in the area of the cover without cover securely in place.
- See vehicle maintenance and service manual before servicing.

CCI 102518301

WARNING

WHEN OPERATING VEHICLE ON PUBLIC ROADS

- This vehicle offers much less crash protection than a regular car, van, or truck. This results in a higher risk of injury or death in collisions, even at low speeds. The higher the speed of traffic around you, the higher the risk of injury.
- To reduce risks:
 1. Avoid roads with regular traffic and speed limits above 25 mph (40 km/h).
 2. Whenever possible, stay on roads and lanes limited to low-speed vehicles.
 3. Wear your seat belt at all times.
 4. Avoid operating at night because this vehicle may be hard for others to see.
 5. Never operate under the influence of alcohol or drugs.
- To help avoid rolling over, SLOW DOWN BEFORE MAKING SHARP TURNS.
- Only operate vehicle where permitted by law.

ROLLOVER OR FALLING OFF MAY CAUSE DEATH

- Before using vehicle, read operating instructions.
- FASTEN SEAT BELT and remain seated while moving.
- Children requiring a child safety seat must not ride on the vehicle.
- Comply with state and local laws pertaining to child safety.
- Do not start vehicle until all occupants are seated.
- One (1) person per bucket seat maximum.
- Two (2) persons per bench seat maximum.
- Operate from driver side only.
- Keep entire body inside vehicle while moving.
- Drive slowly in turns and straight up and down slopes.
- Do not leave children unattended on vehicle.
- Never stand in front of or behind vehicle.

103532101

WARNING

FAILURE TO FOLLOW THESE INSTRUCTIONS CAN CAUSE SEVERE INJURY OR DEATH.

Bed can tip up unexpectedly. Bed hold down bolts must be fastened.

CCI 101707801

WARNING

AVOID FIRE HAZARD

- Replacement battery wires must be 2-gauge (AWG) with low-resistance terminals equivalent to factory-installed wires.
- Ensure that battery connections are clean and properly tightened.

See owner's manual.

103515301

SAFETY DECALS – CA 6, CONTINUED

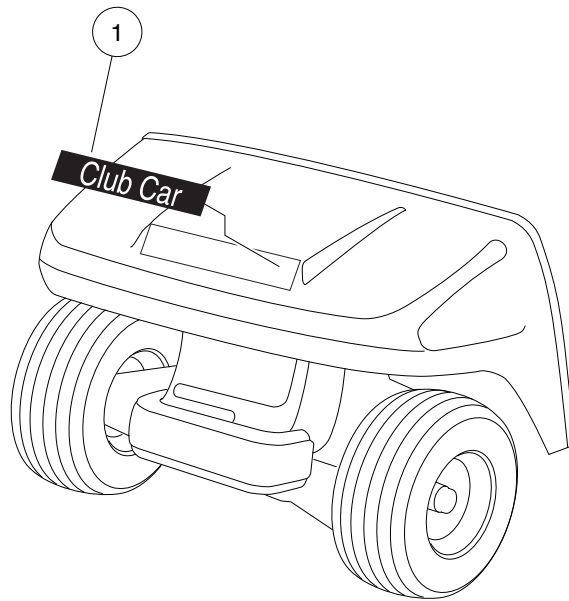
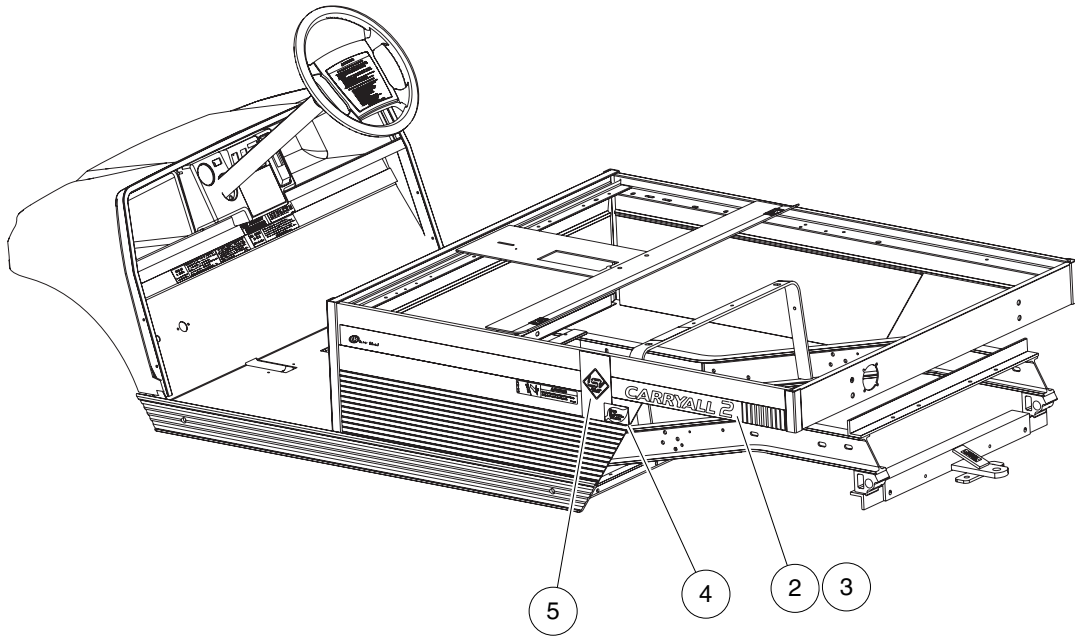
ITEM	PART NO.	DESCRIPTION	QTY
		1 2 3 4	
1	101707801	Decal, Bed Hold-Down Bolts	1
2	<u>101825101</u>	Decal, Off/On	1
3	<u>101964601</u>	Decal, No Ground Warning	1
4	<u>102518301</u>	Decal, Caution, Electrical Component Cover	1
5	<u>103210301</u>	Decal, Forward/Reverse, Electric	1
6	<u>103515301</u>	Decal, Warning, 2 Ga	1
7	<u>103532101</u>	Decal, Warning, On-road Use	1

3

E

3

E



000853-001

BADGING DECALS – CA 2

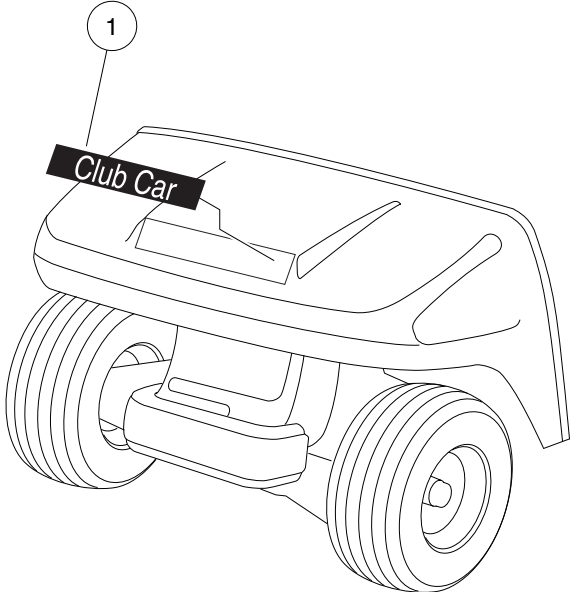
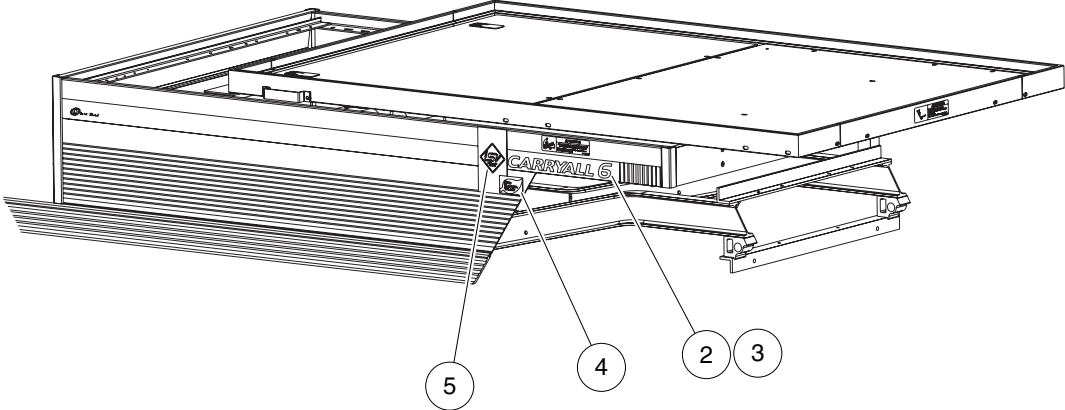
ITEM	PART NO.	DESCRIPTION	QTY
		1 2 3 4	
1	<u>101670201</u>	Nameplate Kit (silver)	1
2	<u>103515401</u>	Decal, Ca2, Sidepanel, Drv	1
3	<u>103515501</u>	Decal, Ca2, Sidepanel, Pass	1
4	<u>103516901</u>	Decal, Leaf, Zev	2
5	<u>103517801</u>	Decal, Low Speed Vehicle	2

3

E

3

E



000853-002

BADGING DECALS – CA 6

ITEM	PART NO.	DESCRIPTION	QTY
		1 2 3 4	
1	<u>101670201</u>	Nameplate Kit (silver)	1
2	<u>103515601</u>	Decal, Ca6, Sidepanel, Drv	1
3	<u>103515701</u>	Decal, Ca6, Sidepanel, Pass	1
4	<u>103516901</u>	Decal, Leaf, Zev	2
5	<u>103517801</u>	Decal, Low Speed Vehicle	2

3

E

3

E

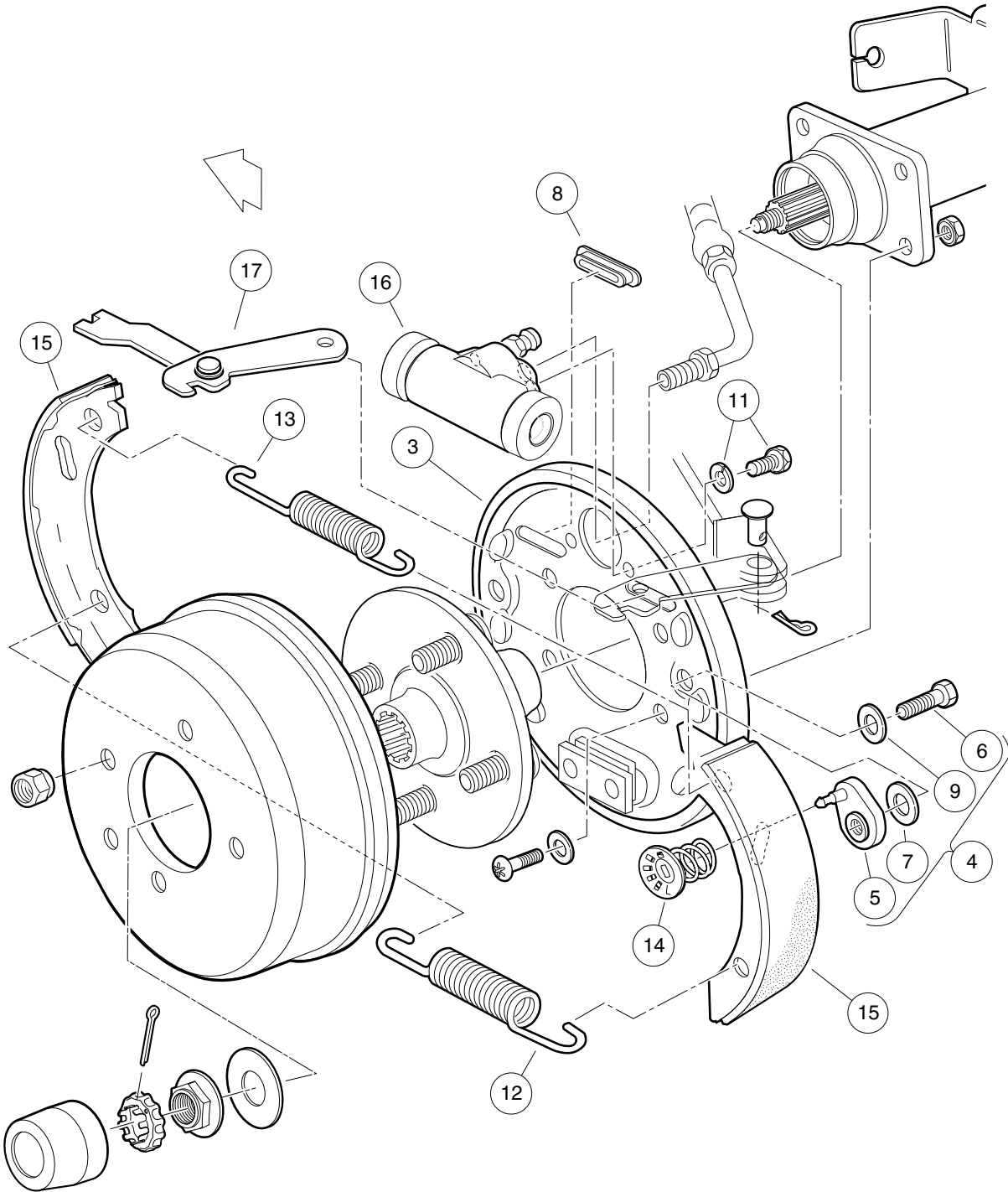
BRAKES, PEDALS AND CABLE ASSEMBLIES

4

G

E

4
G
E



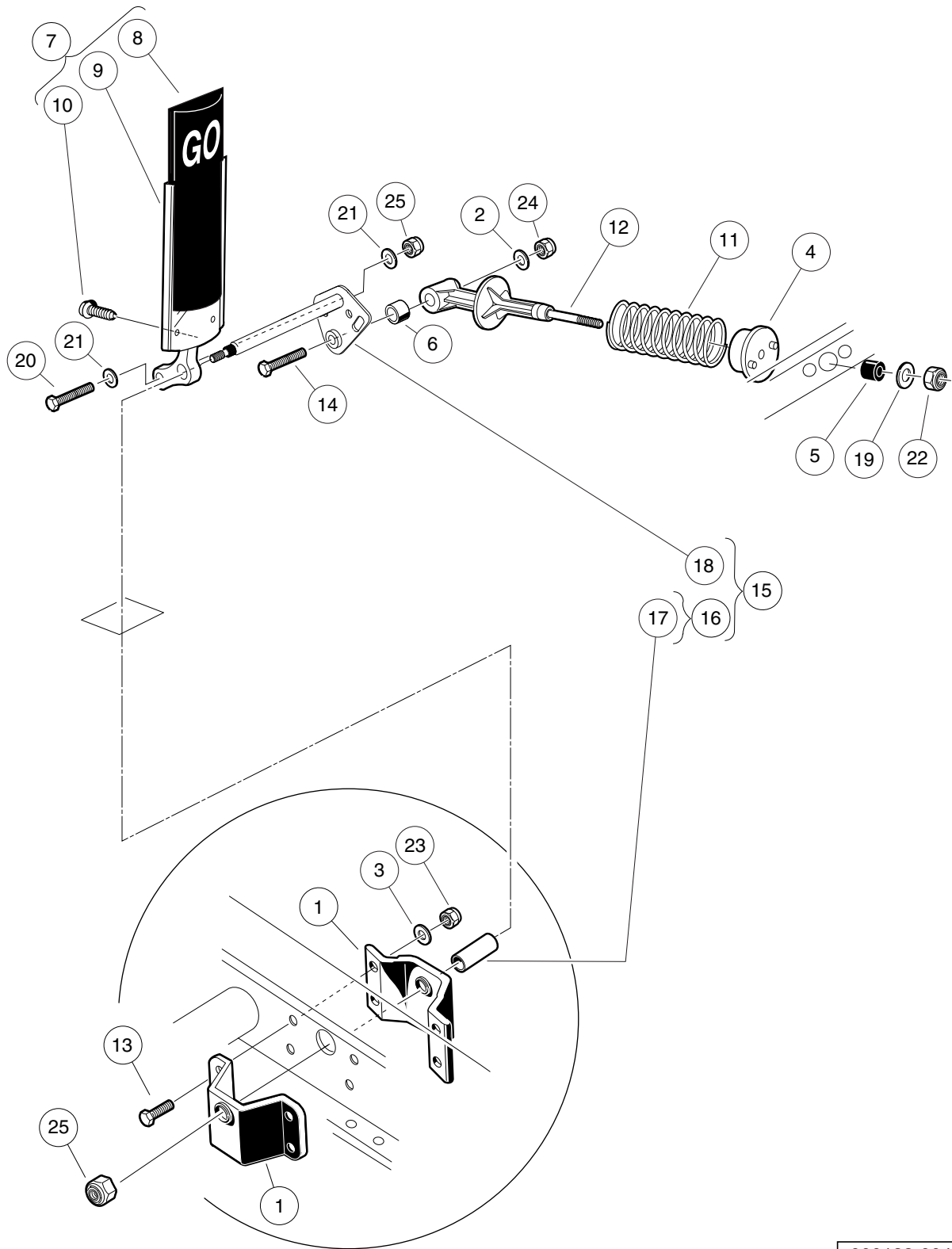
000107-001

BRAKE ASSEMBLY

ITEM	PART NO.	DESCRIPTION	QTY
		1 2 3 4	
1	<u>101791101</u>	Drum without Center Hole, Brake	1
2	<u>102033401</u>	Assembly, Brake Cluster LH (includes items 3 through 17)	1
3	<u>102049401</u>	Backing Plate Asm	1
4	<u>102049601</u>	Kit, Axle Adjuster (includes items 5 through 9)	1
5	<u>102049501</u>	Adjuster	4
6	<u>102049901</u>	Bolt, 1/4-28 UNF X .31	4
7	<u>102050001</u>	Washer	4
8	<u>102050101</u>	Dust Cover	4
9	N/A	Washer, 1/4 Flat	4
10	<u>102049701</u>	Kit, Axle Hardware (includes items 11 through 14)	1
11	<u>102050401</u>	Bolt, Wheel Cylinder	2
12	<u>102050501</u>	Spring, Shoe To Shoe, Lower	1
13	<u>102050601</u>	Spring, Shoe To Shoe, Upper	1
14	<u>102050701</u>	Shoe Hold Down	2
15	<u>102050201</u>	Shoe Kit, Axle Set	1
16	<u>102050801</u>	Wheel Cylinder Assembly 0.875 Dia	1
17	<u>102050902</u>	Park Brake Assembly, Left-Hand	1
<p style="margin-left: 40px;">Note: Right-hand brake cluster components not shown.</p>			

4
G
E

4
G
E



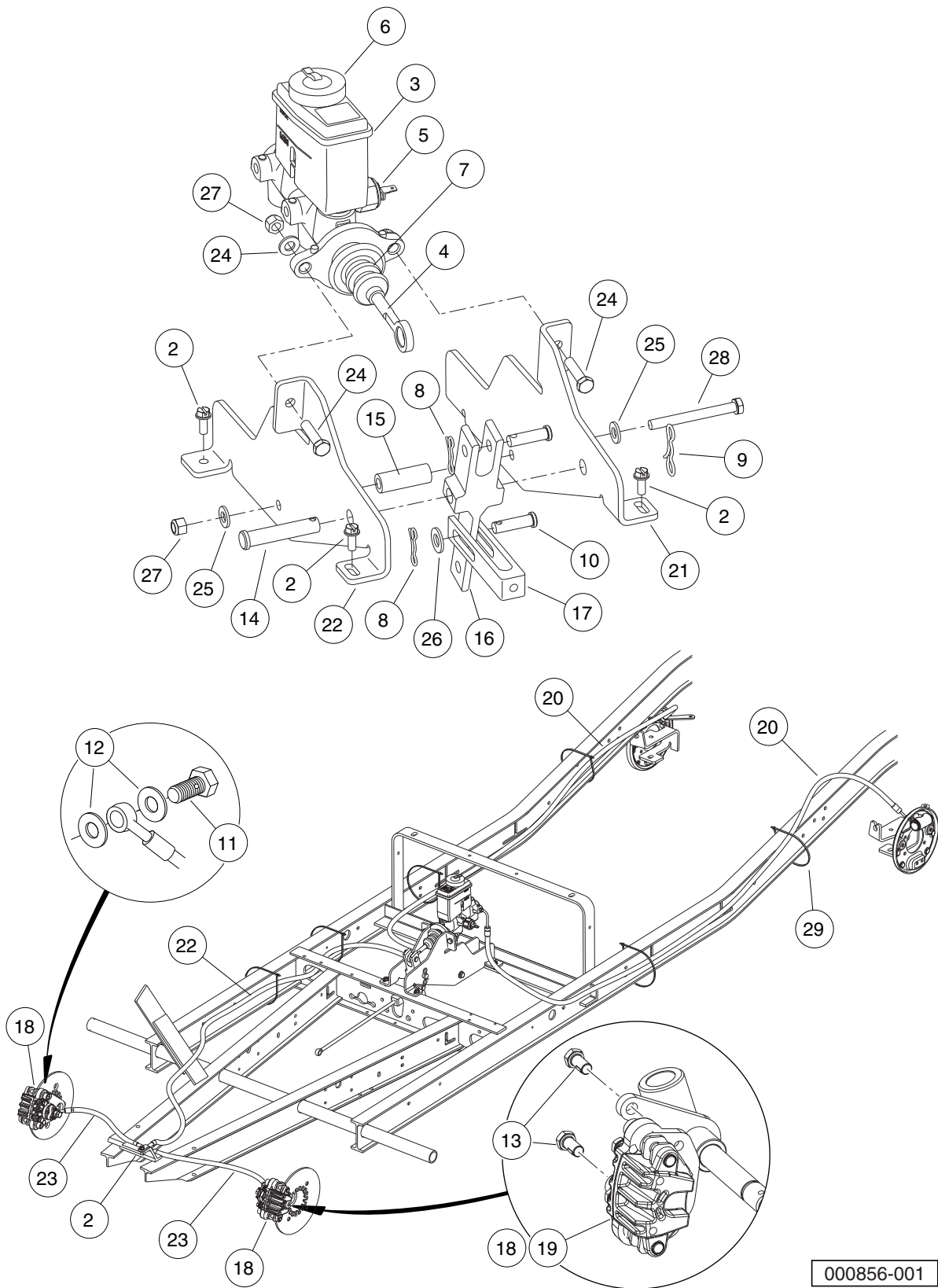
000188-004

ACCELERATOR PEDAL ASSEMBLY – ELECTRIC VEHICLES WITH MCOR

ITEM	PART NO.	DESCRIPTION	QTY
		1 2 3 4	
1	<u>1011694</u>	Accelerator Bracket and Bearing Assembly	2
2	<u>1011931</u>	Washer, 1/4 Flat	1
3	<u>1014007</u>	Washer, 1/4 Flat	4
4	<u>1017378</u>	Cup, Spring	1
5	<u>1017380</u>	Bumper, Spring Return	1
6	<u>1017424</u>	Bearing, Pivot Support	1
7	<u>1017696</u>	Sub Asm, Accelerator Pedal (includes items 8 through 10)	1
8	1013871	Pad, Accelerator Pedal	1
9	N/A	Accelerator Pedal Weldment	1
10	7716	Screw, #10-16 Type AB, Sheet Metal	4
11	101796201	Spring, Accelerator Return	1
12	<u>101817401</u>	Retainer, Spring	1
13	<u>101861901</u>	Screw, 1/4-20 X 1.125 Hex Cap	4
14	<u>101862001</u>	Screw, 1/4-20 X 1.500 Flange	1
15	<u>102026001</u>	Kit, Accelerator Pivot Rod Assembly (includes items 16 through 18)	1
16	<u>1011700</u>	Spacer Assembly (includes item 17)	1
17	101919801	Spacer, Accelerator	1
18	N/A	Pivot Rod Weldment	1
19	<u>1241</u>	Washer, 5/16 Type A Flat	1
20	<u>1624</u>	Screw, 3/8-16 X 1.50 Hex-Head Cap	1
21	<u>334</u>	Washer, 3/8 Type A Flat	2
22	<u>7473</u>	Locknut, 5/16-18 Nylon Insert	1
23	<u>8233</u>	Locknut, 1/4-20 Nylon Insert	4
24	<u>8717</u>	Locknut, 1/4-28 Nylon Insert	1
25	<u>8754</u>	Locknut, 3/8-16 Hex	2

4
G
E

4
G
E



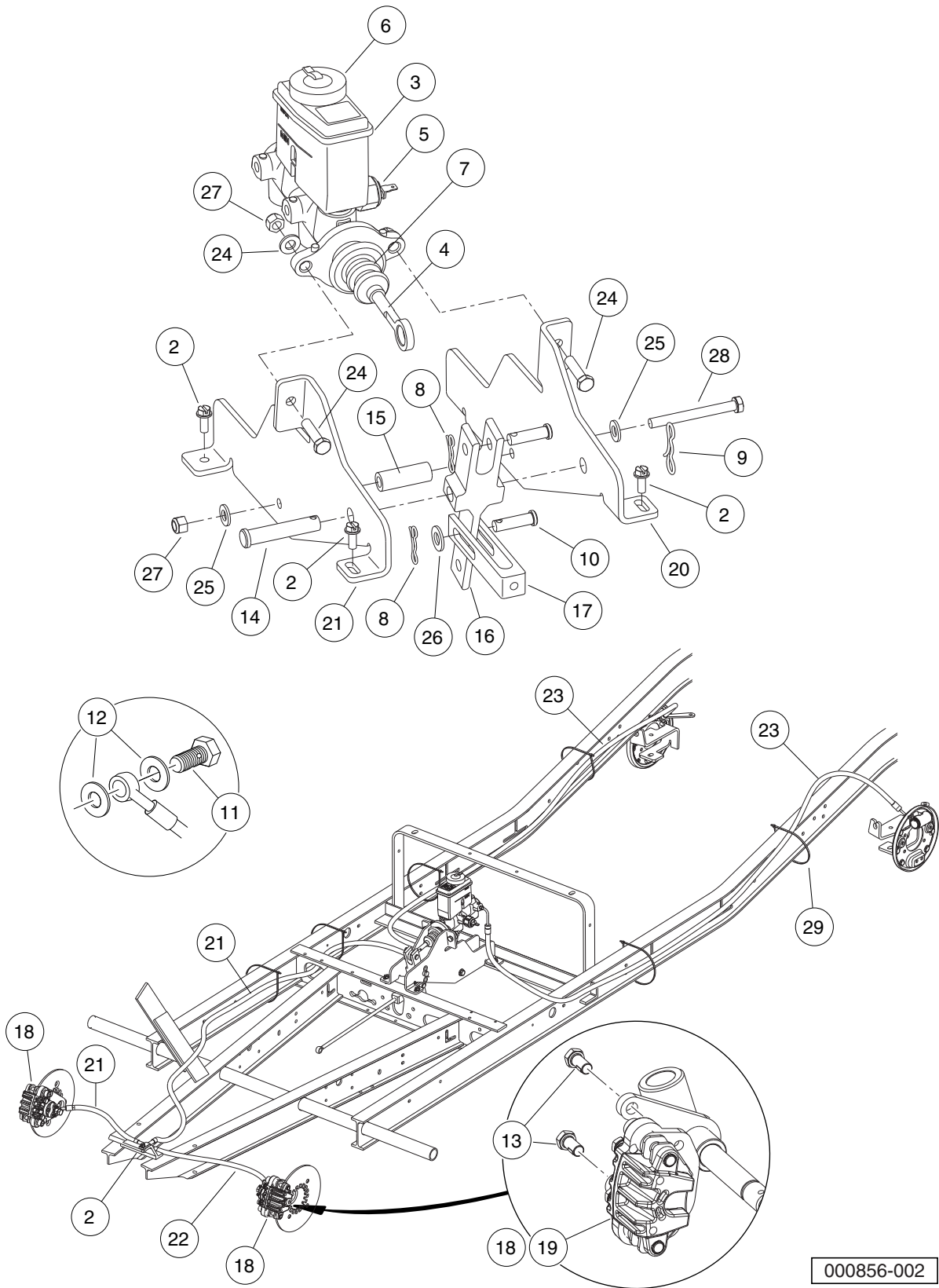
000856-001

FRONT DISC BRAKES, MASTER CYLINDER, AND BELL CRANK – CA 2

ITEM	PART NO.	DESCRIPTION	QTY
		1 2 3 4	
1	N/A	Instl, Service Brake, Hyd, Ca2 (includes items 2 through 29)	1
2	<u>1012285</u>	Screw, 1/4 X 0.625 Hex-Head	5
3	<u>102033201</u>	Master Cylinder (includes items 4 through 7)	1
4	<u>102051201</u>	Push Rod	1
5	<u>102051301</u>	Pressure Switch	1
6	<u>102051401</u>	Filler Cap Asm	1
7	<u>8574</u>	Master Cylinder Boot	1
8	<u>102292801</u>	Pin, Bow Tie Locking - .072	2
9	<u>102323101</u>	Pin, Bow Tie Locking	1
10	<u>102323201</u>	Pin, 3/8 X 1-5/16 Clevis	2
11	<u>102488001</u>	Bolt, Banjo, M10x1x19	2
12	<u>102491601</u>	Washer, Copper, M10 Crush	4
13	<u>102493301</u>	Bolt Flange Head, 3/8-24x.750 with Loctite	4
14	<u>102519001</u>	Pin, 1/2 X 2-1/2 Clevis	1
15	<u>102976401</u>	Support, Autobrake, Spacer	1
16	<u>102976502</u>	Bellcrank, Autobrake, Steel	1
17	<u>102976701</u>	Clevis, Bellcrank, Autobrake	1
18	<u>103263101</u>	Caliper, Front, Autobrake	2
19	<u>103333701</u>	Service Kit, Brake Pad, Sc2c	1
20	<u>103471001</u>	Asm, Brakeline, Rear, Ca2	2
21	<u>103480801</u>	Brkt,ServiceBrake,L,Ca2'	1
22	<u>103480901</u>	Brkt,ServiceBrake,R,Ca2'	1
23	<u>103481001</u>	Asm, Brakeline, Front, Common	1
24	<u>1218</u>	Screw, 5/16-18 X 1.25 Hex-Head Cap	2
25	<u>1241</u>	Washer, 5/16 Type A Flat	4
26	<u>334</u>	Washer, 3/8 Type A Flat	1
27	<u>7473</u>	Locknut, 5/16-18 Nylon Insert	3
28	<u>8915</u>	Screw, 5/16-18 X 3.0 Hx Hd Cap	1
29	<u>8990</u>	Tie Wrap, 8" Nylon	8

4
G
E

4
G
E



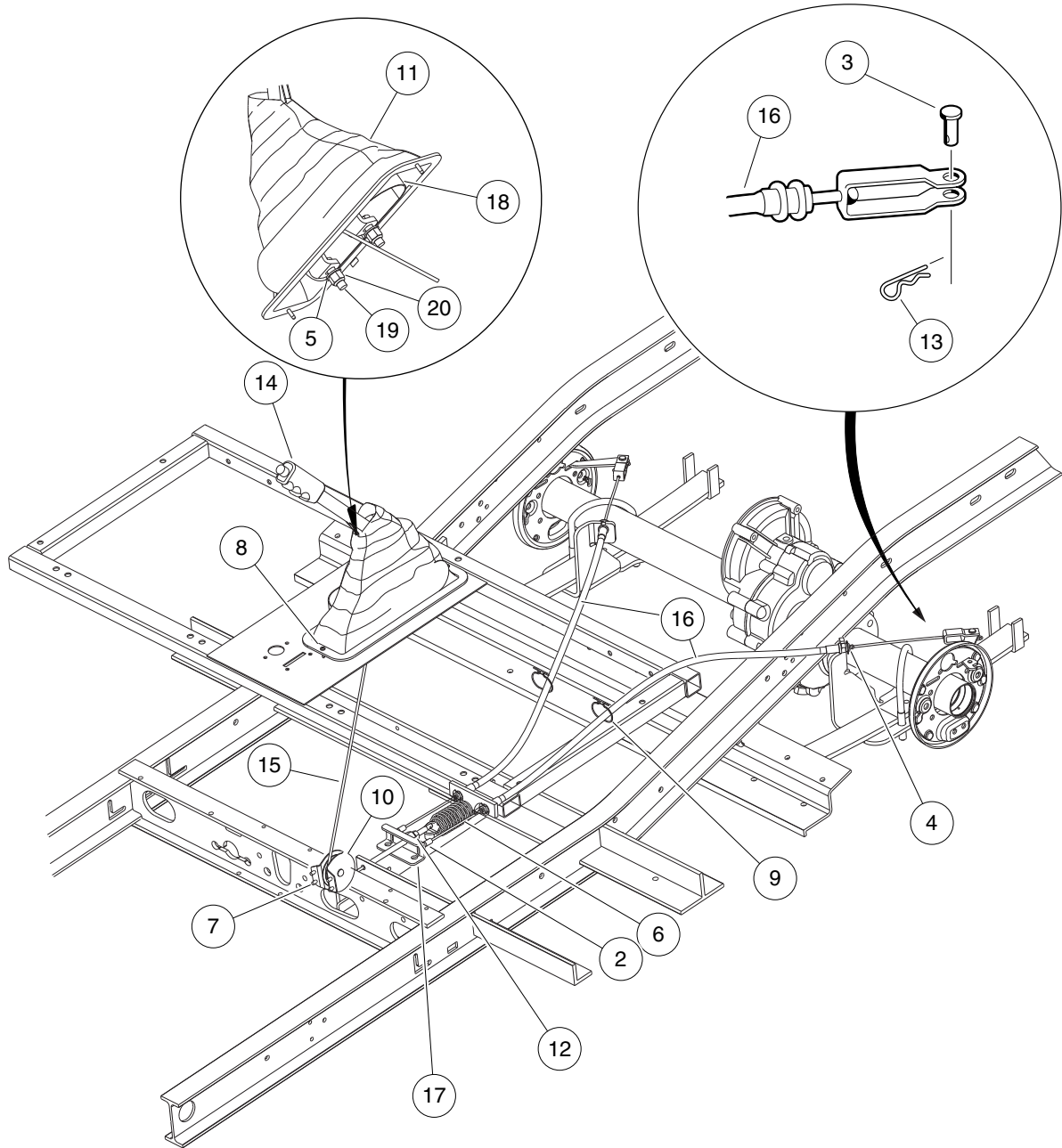
000856-002

FRONT DISC BRAKES, MASTER CYLINDER, AND BELL CRANK – CA 6

ITEM	PART NO.	DESCRIPTION	QTY
		1 2 3 4	
1	N/A	Instl, Service Brake, Hyd, Ca6 (includes items 2 through 29)	1
2	<u>1012285</u>	Screw, 1/4 X 0.625 Hex-Head	5
3	<u>102033201</u>	Master Cylinder (includes items 4 through 7)	1
4	<u>102051201</u>	Push Rod	1
5	<u>102051301</u>	Pressure Switch	1
6	<u>102051401</u>	Filler Cap Asm	1
7	<u>8574</u>	Master Cylinder Boot	1
8	<u>102292801</u>	Pin, Bow Tie Locking - .072	2
9	<u>102323101</u>	Pin, Bow Tie Locking	1
10	<u>102323201</u>	Pin, 3/8 X 1-5/16 Clevis	2
11	<u>102488001</u>	Bolt, Banjo, M10x1x19	2
12	<u>102491601</u>	Washer, Copper, M10 Crush	4
13	<u>102493301</u>	Bolt Flange Head, 3/8-24x.750 with Loctite	4
14	<u>102519001</u>	Pin, 1/2 X 2-1/2 Clevis	1
15	<u>102976401</u>	Support, Autobrake, Spacer	1
16	<u>102976502</u>	Bellcrank, Autobrake, Steel	1
17	<u>102976701</u>	Clevis, Bellcrank, Autobrake	1
18	<u>103263101</u>	Caliper, Front, Autobrake	2
19	<u>103333701</u>	Service Kit, Brake Pad, Sc2c	1
20	<u>103480801</u>	Brkt,ServiceBrake,L,Ca2'	1
21	<u>103480901</u>	Brkt,ServiceBrake,R,Ca2'	1
22	<u>103481001</u>	Asm, Brakeline, Front, Common	1
23	<u>103491301</u>	Asm, Brakeline, Rear, Ca6	2
24	<u>1218</u>	Screw, 5/16-18 X 1.25 Hex-Head Cap	2
25	<u>1241</u>	Washer, 5/16 Type A Flat	4
26	<u>334</u>	Washer, 3/8 Type A Flat	1
27	<u>7473</u>	Locknut, 5/16-18 Nylon Insert	3
28	<u>8915</u>	Screw, 5/16-18 X 3.0 Hx Hd Cap	1
29	<u>8990</u>	Tie Wrap, 8" Nylon	6

4
G
E

4
G
E



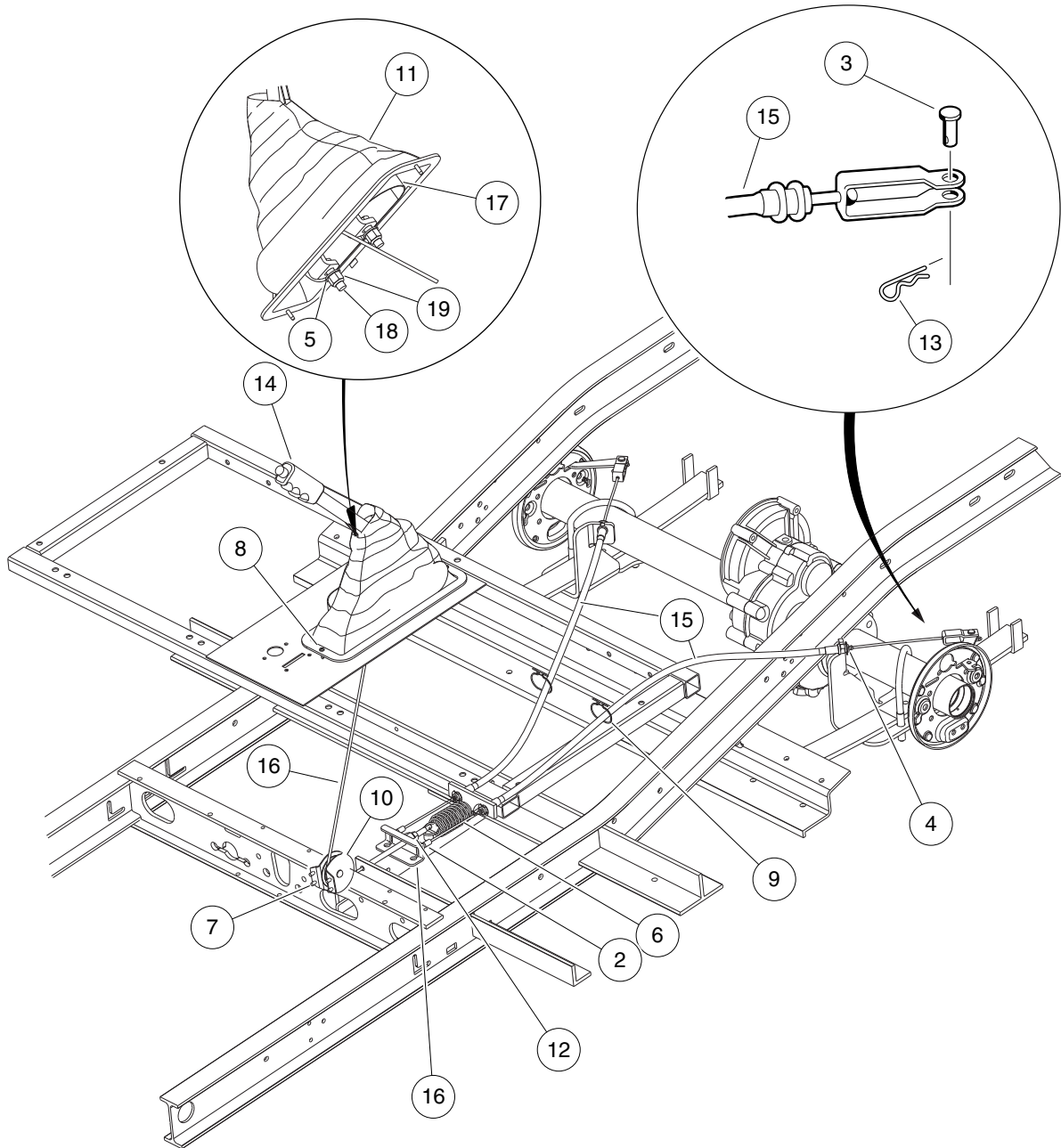
000848-001

HAND BRAKE ASSEMBLY – CA 2

ITEM	PART NO.	DESCRIPTION	QTY
		1 2 3 4	
1	N/A	Instl, Hand Park Brake, Ca2 (includes items 2 through 20)	1
2	<u>1010521</u>	Nut, 5/16-24 Hex	1
3	<u>1010829</u>	Pin, Clevis, 5/16 X 3/4	2
4	<u>1011779</u>	E-Clip, 1/2	4
5	<u>1011990</u>	Washer, 3/8 Flat	2
6	<u>1013531</u>	Spring, Brake Return	1
7	<u>1014321</u>	Screw, #10 Truss-Head Torx	4
8	<u>101832001</u>	Screw, #7-19 X 0.625 Phillips Pan-Head Tap	2
9	101900801	Hanger, Brake Cable	2
10	102028302	Pulley, 2-Inch Flat Mount	1
11	<u>102033701</u>	Park Brake Boot	1
12	<u>102052801</u>	Nut, 5/16-24 Hex Cone	1
13	<u>102292801</u>	Pin, Bow Tie Locking - .072	2
14	<u>102444601</u>	Lever, Box	1
15	<u>103480301</u>	Cbl, Park Brake, Asm, Ctr, Ca2	1
16	<u>103525201</u>	Cable, Park Brake, Ca2	2
17	<u>103525801</u>	Equalizer, Park Brake, Ic	1
18	<u>54562079</u>	Shield, Boot	1
19	705	Screw, Cap-hex Hd 3/8-16x1.25	2
20	<u>8754</u>	Locknut, 3/8-16 Hex	2

4
G
E

4
G
E



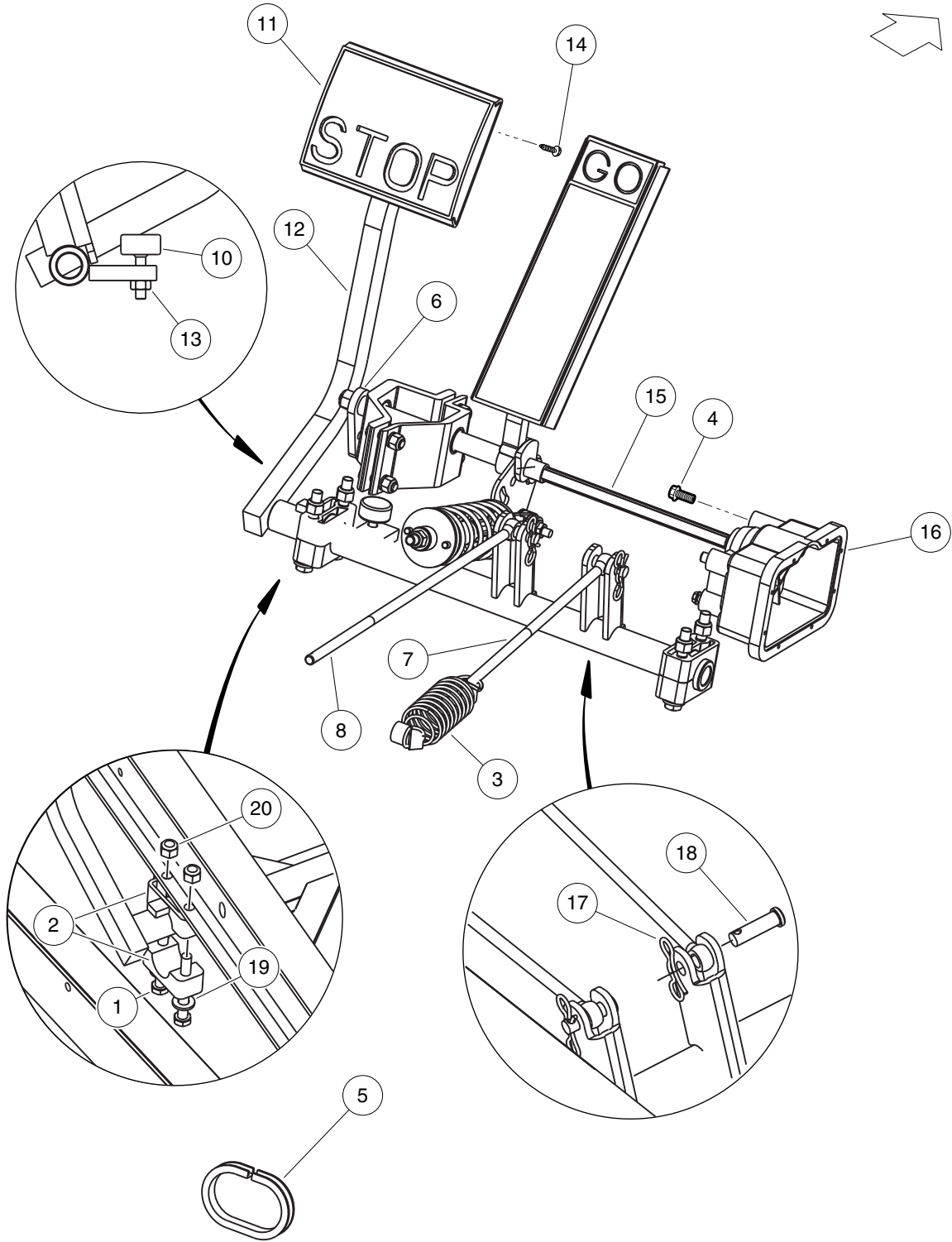
000848-002

HAND BRAKE ASSEMBLY – CA 6

ITEM	PART NO.	DESCRIPTION	QTY
		1 2 3 4	
1	N/A	Instl, Hand Park Brake, Ca6 (includes items 2 through 19)	1
2	<u>1010521</u>	Nut, 5/16-24 Hex	1
3	<u>1010829</u>	Pin, Clevis, 5/16 X 3/4	2
4	<u>1011779</u>	E-Clip, 1/2	4
5	<u>1011990</u>	Washer, 3/8 Flat	2
6	<u>1013531</u>	Spring, Brake Return	1
7	<u>1014321</u>	Screw, #10 Truss-Head Torx	4
8	<u>101832001</u>	Screw, #7-19 X 0.625 Phillips Pan-Head Tap	2
9	101900801	Hanger, Brake Cable	2
10	102028302	Pulley, 2-Inch Flat Mount	1
11	<u>102033701</u>	Park Brake Boot	1
12	<u>102052801</u>	Nut, 5/16-24 Hex Cone	1
13	<u>102292801</u>	Pin, Bow Tie Locking - .072	2
14	<u>102444601</u>	Lever, Box	1
15	<u>103525301</u>	Cable, Park Brake, Ca6	2
16	<u>103525801</u>	Equalizer, Park Brake, Ic	1
17	<u>54562079</u>	Shield, Boot	1
18	705	Screw, Cap-hex Hd 3/8-16x1.25	2
19	<u>8754</u>	Locknut, 3/8-16 Hex	2

4
G
E

4
G
E



000798-002

BRAKE PEDAL ASSEMBLY

ITEM	PART NO.	DESCRIPTION	QTY
		1 2 3 4	
1	<u>1010921</u>	Screw, 5/16-18 X 2.50 Hex Cap	4
2	<u>1011402</u>	Package, Brake Mounting Block	1
3	<u>1013531</u>	Spring, Brake Return	1
4	<u>1015752</u>	Screw, #12-16 X 0.625 Hi-Lo	2
5	<u>101806005</u>	I-beam Grommet - 6.75	3
6	<u>101916901</u>	Ratchet, Support	1
7	<u>101953101</u>	Rod, Equalizer, 8.91"	1
8	<u>101953105</u>	Rod, Equalizer, 13.30"	1
9	<u>102028903</u>	Brake Pedal Asm (includes items 10 through 14)	1
10	<u>1010878</u>	Bumper, Rubber	1
11	<u>102028601</u>	Pad, Hydraulic Brake Pedal	1
12	N/A	Brake Pedal Weld Asm	1
13	<u>1028</u>	Nut, 1/4-20 Hex	1
14	7716	Screw, #10-16 Type AB, Sheet Metal	4
15	102101001	Bar, Drive, Cast	1
16	<u>102101101</u>	MCOR	1
17	<u>102323101</u>	Pin, Bow Tie Locking	2
18	<u>102323201</u>	Pin, 3/8 X 1-5/16 Clevis	2
19	<u>1241</u>	Washer, 5/16 Type A Flat	4
20	<u>7473</u>	Locknut, 5/16-18 Nylon Insert	4

4
G
E

4

G

E

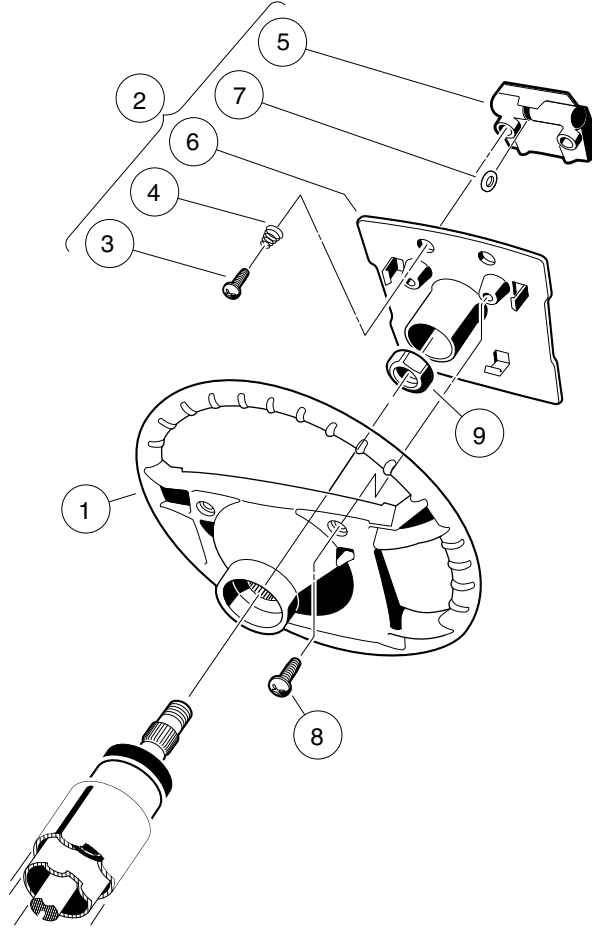
STEERING, FRONT AND REAR SUSPENSION

5

G

E

5
G
E

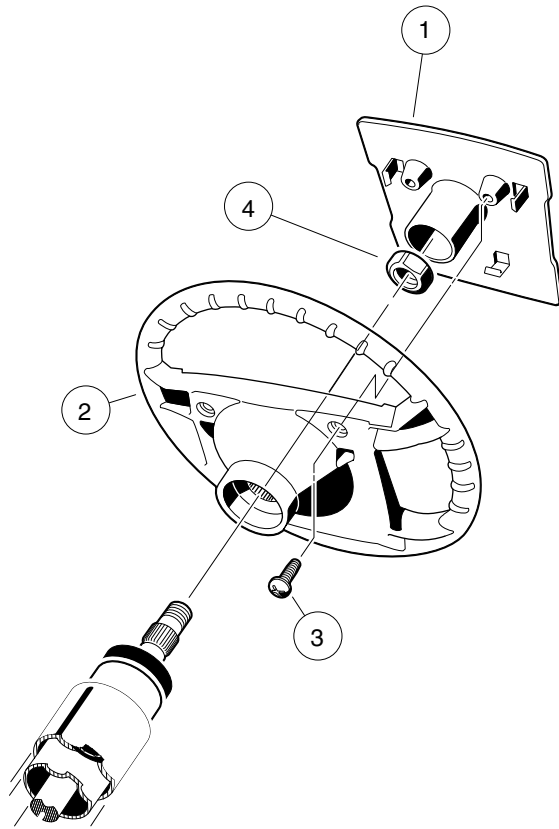


000246-002

STEERING WHEEL WITH SCORE CARD HOLDER

ITEM	PART NO.	DESCRIPTION	QTY
		1 2 3 4	
1	<u>1016156</u>	Wheel, Steering	1
2	1016219	Plate, Scorecard (includes items 3 through 7)	1
3	<u>1012565</u>	Screw, #12 Phillips Round Head	2
4	<u>1012566</u>	Tapered Compression Spring	2
5	1016154	Clip, Scorecard	1
6	N/A	Plate, Score Card	1
7	N/A	Pencil Grip	1
8	<u>1016663</u>	Screw, #12-14 X 0.625	2
9	<u>1017273</u>	Nut, 5/8-18 Nylon Insert Jam	1

5
G
E



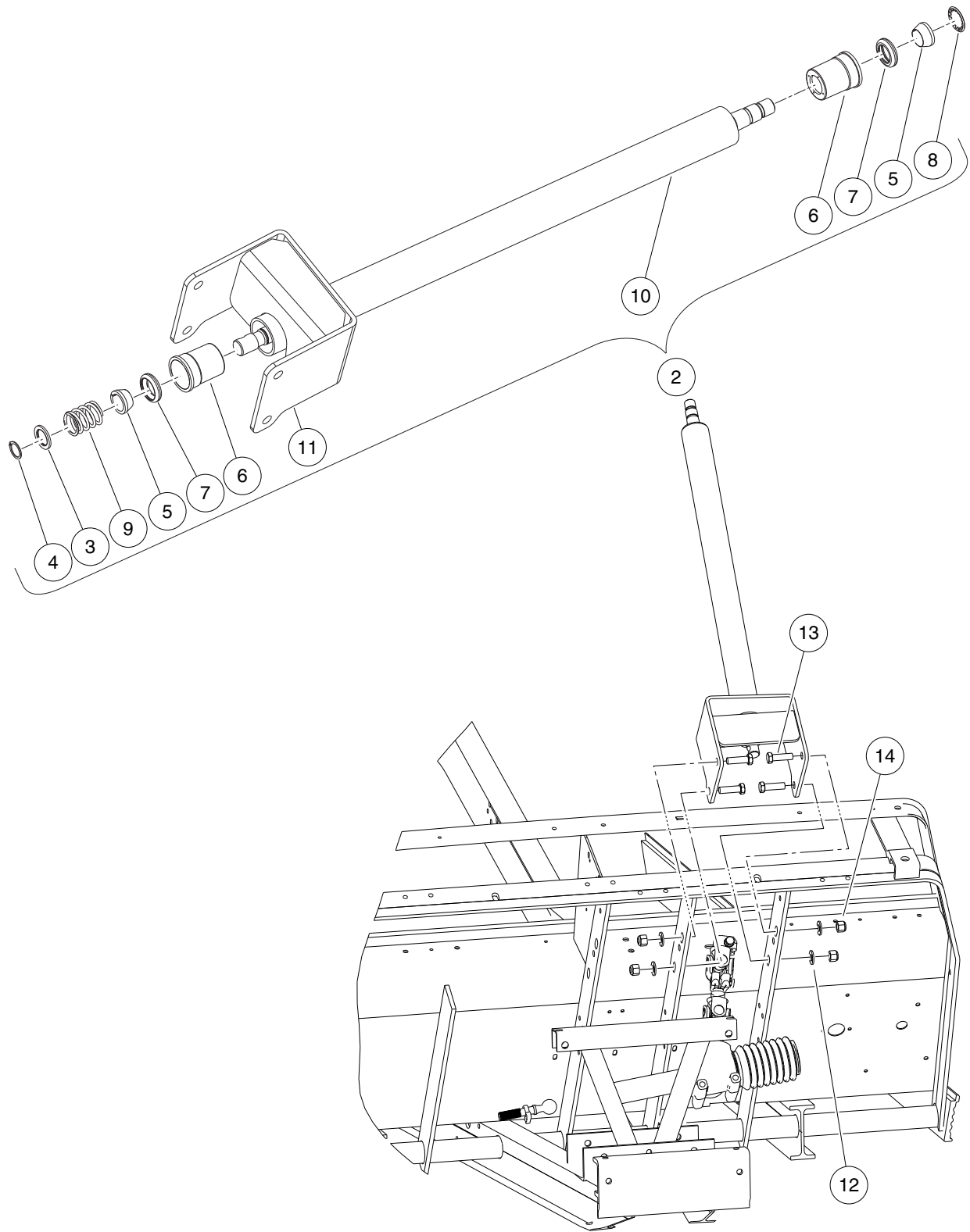
000246-003

STEERING WHEEL WITHOUT SCORE CARD HOLDER

ITEM	PART NO.	DESCRIPTION	QTY
		1 2 3 4	
1	<u>101615504</u>	Plate, Scorecard	1
2	<u>1016156</u>	Wheel, Steering	1
3	<u>1016663</u>	Screw, #12-14 X 0.625	2
4	<u>1017273</u>	Nut, 5/8-18 Nylon Insert Jam	1

5
G
E

5
G
E



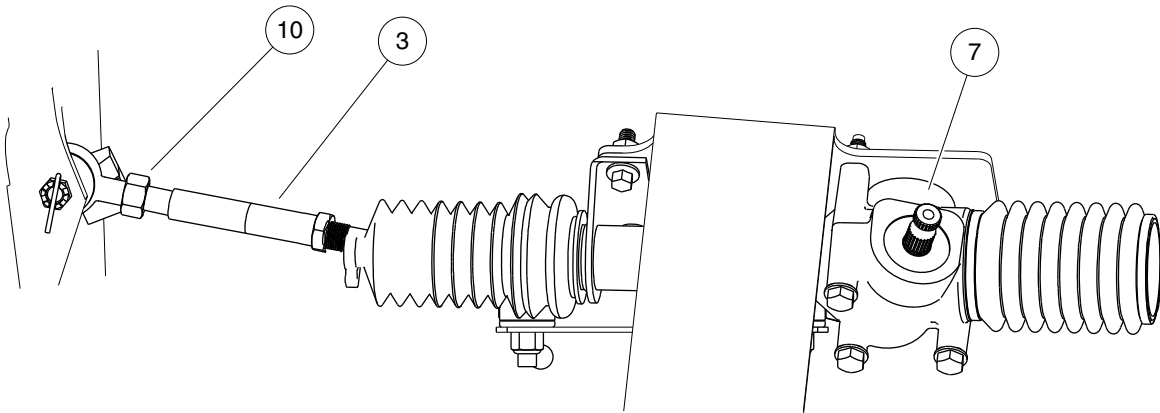
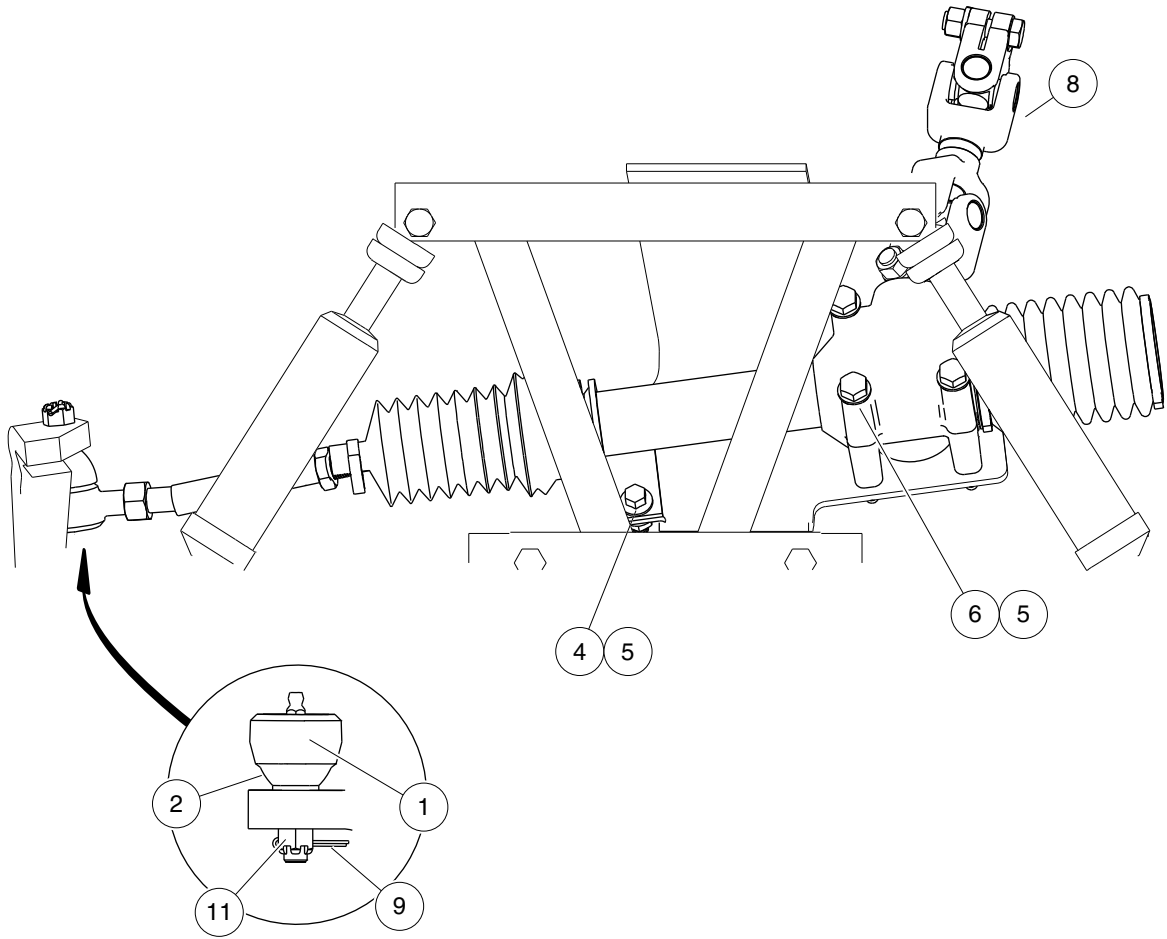
000753-001

STEERING COLUMN

ITEM	PART NO.	DESCRIPTION	QTY
		1 2 3 4	
1	N/A	Instl, Steering Column (includes items 2 through 14)	1
2	<u>103232101</u>	Assy, Steering Column, Short (includes items 3 through 11)	1
3	<u>1012604</u>	Washer, 0.675 ID X 1.19 OD	1
4	<u>1012605</u>	Ring, 0.579 Internal Retaining	1
5	1014125	Wedge, Molded	2
6	<u>1014126</u>	Seat, Plastic Bearing	2
7	<u>1014213</u>	Bearing, Ball	2
8	1014214	Ring, Retaining	1
9	<u>1014217</u>	Spring, Steering Shaft	1
10	N/A	Shaft, Steering, 667.8 Oal	1
11	N/A	Weldment, Column, Short	1
12	<u>334</u>	Washer, 3/8 Type A Flat	4
13	705	Screw, Cap-hex Hd 3/8-16x1.25	4
14	<u>8754</u>	Locknut, 3/8-16 Hex	4

5
G
E

5
G
E



000189-002

STEERING GEAR

ITEM	PART NO.	DESCRIPTION	QTY
		1 2 3 4	
1	1011895	Socket, LH Vertical	1
2	<u>1011930</u>	Seal, Vertical Socket Dust	1
3	<u>1012467</u>	Link, Rack and Pinion Drag	1
4	<u>1012830</u>	Screw, M8-125 X 22 Hex-Head	2
5	<u>102298401</u>	Nut,m8,all Metal Lock	3
6	102534201	Bolt - Fl Hd, M8 X 95	3
7	<u>103233101</u>	Rack, Steering, Modular	1
8	<u>103234101</u>	Steering, I-shaft, Mod Rack	1
9	<u>1035</u>	Cotter Pin, 3/32 x 1	1
10	<u>7555</u>	Nut, 1/2-20 Hex, Left-Hand Thread	1
11	7602	Nut, 3/8-24 UNF Hex	1

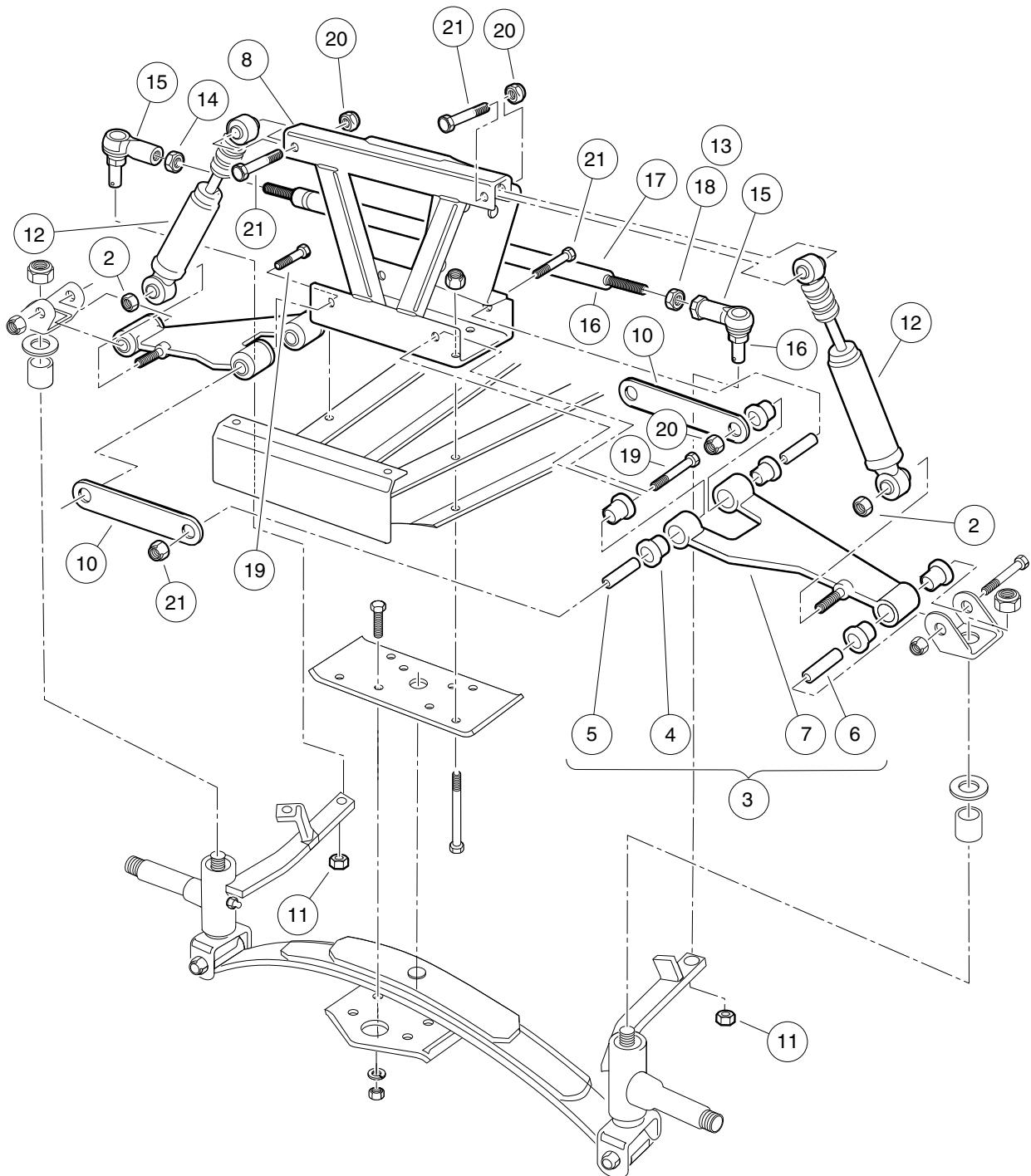
5
G
E

FRONT SUSPENSION, LOWER

ITEM	PART NO.	DESCRIPTION	QTY
		1 2 3 4	
1	<u>1010124</u>	Plate, Spring Mount	1
2	<u>1010150</u>	Bearing, Thrust	2
3	<u>1010200</u>	Bolt, 3/8-16 X 4.25 Hex Head	4
4	<u>1014276</u>	Plate, Front Spring Retainer	1
5	<u>1016384</u>	Clevis, Delta Upper	2
6	<u>1016386</u>	King Pin Assembly	2
7	<u>1016387</u>	Screw, 3/8-16 X 2.75 Hx Hd Cap	2
8	<u>1016389</u>	Washer, 1.125 Od Wave	2
9	<u>101870501</u>	Screw, 3/8-16 X 4.75 Hx Hd Cap	4
10	<u>102564002</u>	Washer-1/2 Conical, Yellow	2
11	<u>102684501</u>	Washer, M12 Hard Regular	2
12	<u>102766301</u>	Nut, 1/2-20, Center Lock	2
13	<u>103507001</u>	Eccentric Bolt Common	1
14	<u>103628901</u>	Spring Asm, Front, 3 Leaf (includes items 15 through 17)	1
15	<u>1012303</u>	Bushing, Steel	2
16	<u>1015583</u>	Bushing, Urethane	4
17	103502801	Spring, Front, 3 Leaf	1
18	<u>357</u>	Lockwasher, 3/8 Split	4
19	<u>706</u>	Nut, Hex 3/8-16	4
20	<u>8754</u>	Locknut, 3/8-16 Hex	8
21	<u>8755</u>	Screw, 3/8-16 X 3.375 Hex Cap	2

5
G
E

5
G
E



000312-002

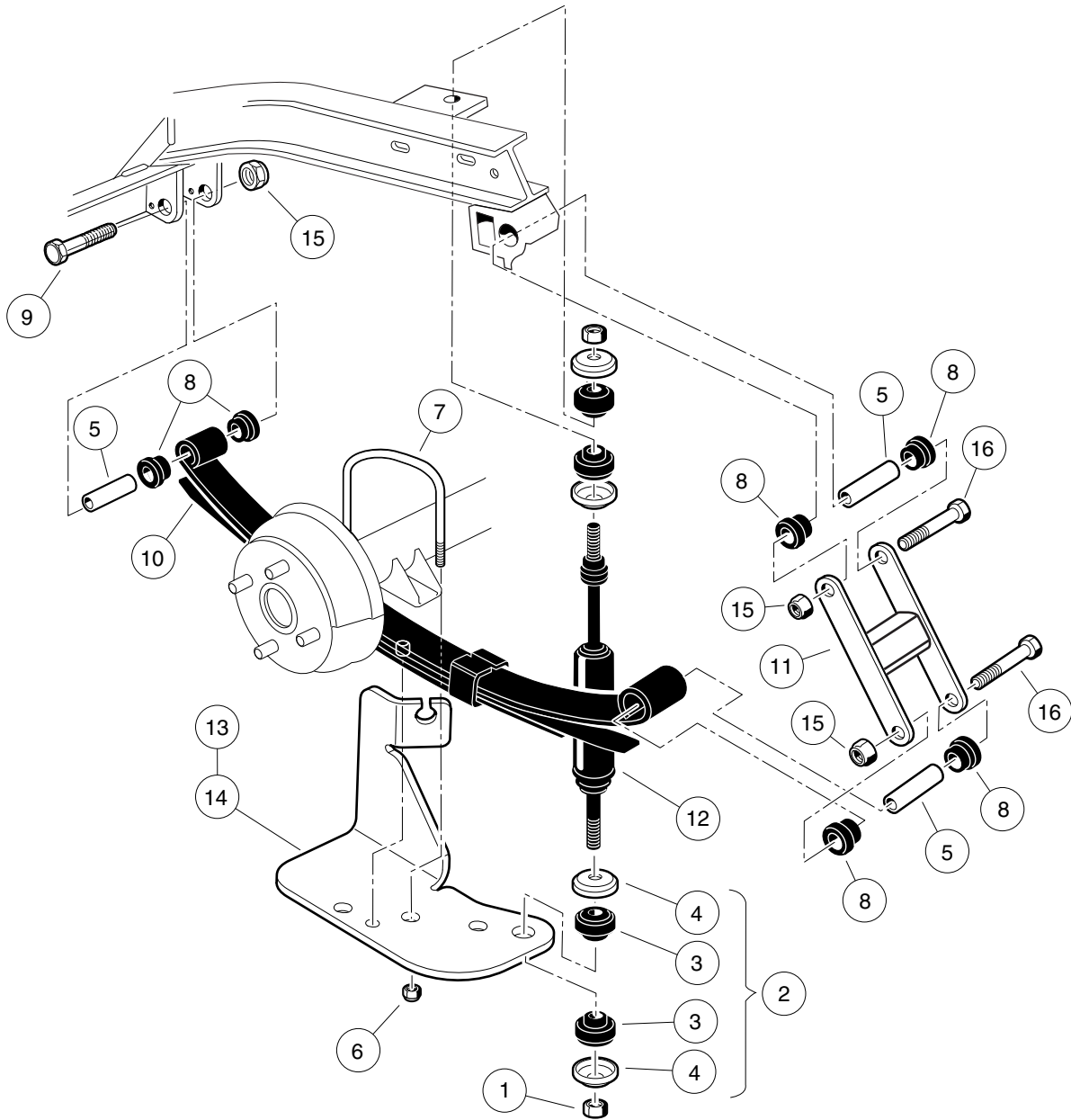
FRONT SUSPENSION, UPPER – LSV CARRYALL 1 AND CARRYALL

2

ITEM	PART NO.	DESCRIPTION	QTY
		1 2 3 4	
1	N/A	Suspension, Front, Hd, Hyd (includes items 2 through 26)	1
2	<u>1010138</u>	Locknut, 3/8-16 Dimpled	2
3	N/A	Tie Rod Asm, 24.265 Lg (includes items 4 through 6)	1
4	<u>101021902</u>	Tie Rod 20.643" Lg	1
5	<u>1011893</u>	Socket, RH Vertical	1
6	<u>1011895</u>	Socket, LH Vertical	1
7	<u>1011895</u>	Socket, LH Vertical	1
8	<u>1011930</u>	Seal, Vertical Socket Dust	3
9	<u>1012830</u>	Screw, M8-125 X 22 Hex-Head	2
10	<u>1016353</u>	Sub-Assembly, Delta A-Plate (includes items 11 through 14)	2
11	<u>1016346</u>	Bushing, Urethane	6
12	<u>1016349</u>	Sleeve, Delta Inner	2
13	<u>1016350</u>	Sleeve, Delta Outer	1
14	<u>1016351</u>	Delta A-Plate	1
15	<u>1016387</u>	Screw, 3/8-16 X 2.75 Hx Hd Cap	2
16	<u>1017266</u>	A-Plate Strap	2
17	<u>102298401</u>	Nut,m8,all Metal Lock	5
18	<u>102534201</u>	Bolt - Fl Hd, M8 X 95	3
19	<u>102766301</u>	Nut, 1/2-20, Center Lock	2
20	<u>103264801</u>	Weldment, Shock & Rack Mount	1
21	<u>103351001</u>	Shock Absorber, Front, Common	2
22	<u>1035</u>	Cotter Pin, 3/32 x 1	3
23	<u>2402</u>	Screw, 3/8-16 X 2.25 Hx Hd Cap	4
24	<u>7555</u>	Nut, 1/2-20 Hex, Left-Hand Thread	1
25	<u>7602</u>	Nut, 3/8-24 UNF Hex	3
26	<u>8861</u>	Bolt, 3/8-16 X 1.75 Hex	2

5
G
E

5
G
E

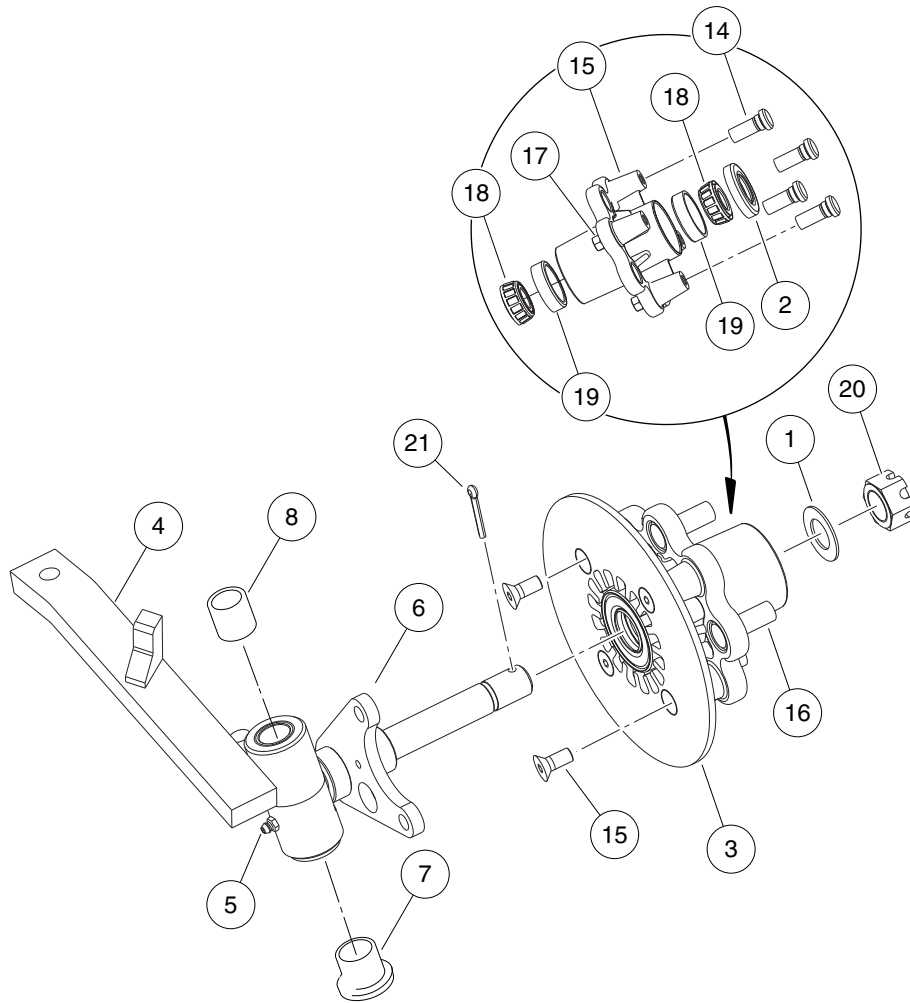


000309-006

REAR SUSPENSION

ITEM	PART NO.	DESCRIPTION	QTY
		1 2 3 4	
1	<u>1010145</u>	Nut, 3/8-24 Hex	4
2	<u>1011415</u>	Kit, Shock Absorber Cushion (includes items 3 and 4)	1
3	<u>1010142</u>	Cushion, Shock Absorber	2
4	<u>1010144</u>	Retainer, Shock Absorber Cushion	2
5	<u>1012303</u>	Bushing, Steel	2
6	<u>1014555</u>	Locknut, 7/16-14 Nylon Hex	4
7	<u>1014902</u>	U-Bolt	2
8	<u>1015583</u>	Bushing, Urethane	4
9	<u>102066201</u>	Screw, 3/8-16 X 3.50 Hex Cap	2
10	<u>102871801</u>	Spring, Multi Leaf	2
11	<u>102917101</u>	Weldment, Shackle	2
12	<u>103351101</u>	Shock, Absorber, Utility	2
13	<u>103524601</u>	Brkt, Shock Mount Rh, lc	1
14	<u>103524701</u>	Brkt, Shock Mount Lh, lc	1
15	<u>8754</u>	Locknut, 3/8-16 Hex	6
16	<u>8755</u>	Screw, 3/8-16 X 3.375 Hex Cap	4
<p>Note: Only the driver-side rear suspension is shown. Parts for the passenger-side rear suspension are identical except for the leaf spring/shock mounting plate.</p>			

5
G
E



000804-002

SPINDLES AND HUBS

ITEM	PART NO.	DESCRIPTION	QTY
		1 2 3 4	
1	<u>1010005</u>	Washer, 3/4 Flat	1
2	<u>1013135</u>	Seal, Double Lip	1
3	<u>102949701</u>	Rotor, Disc	1
4	<u>103194101</u>	Spindle, Disc Asm Left (includes items 5 through 8)	1
5	<u>1015597</u>	Fitting, 1/4-28 Thread-Forming Grease	1
6	<u>103193901</u>	Asm, Spindle -lh Disc	1
7	<u>7048</u>	Bushing, Flanged Bronze	1
8	<u>8067</u>	Bushing, Bronze Spindle	1
9	<u>103194201</u>	Spindle, Disc Asm Right (includes items 10 through 13)	1
10	<u>1015597</u>	Fitting, 1/4-28 Thread-Forming Grease	1
11	N/A	Asm, Spindle -rh Disc	1
12	<u>7048</u>	Bushing, Flanged Bronze	1
13	<u>8067</u>	Bushing, Bronze Spindle	1
14	<u>103196202</u>	5/16-18x1.75, Bolt, Loctite	4
15	<u>103462701</u>	Asm, Hub, Disc Brake, Hyd	2
16	<u>103477901</u>	Lug Stud, 1/2-20 Unf, 4037	4
17	<u>1242</u>	Nut, 5/16-18 Hex	4
18	<u>7274</u>	Bearing, Front Hub Wheel	2
19	<u>7308</u>	Race, Front Hub Bearing	2
20	<u>7840</u>	Nut, 3/4-16 Hex Slotted	1
21	<u>7910</u>	Pin, 5/32 X 1.00 Cotter	1

5
G
E

5

G

E

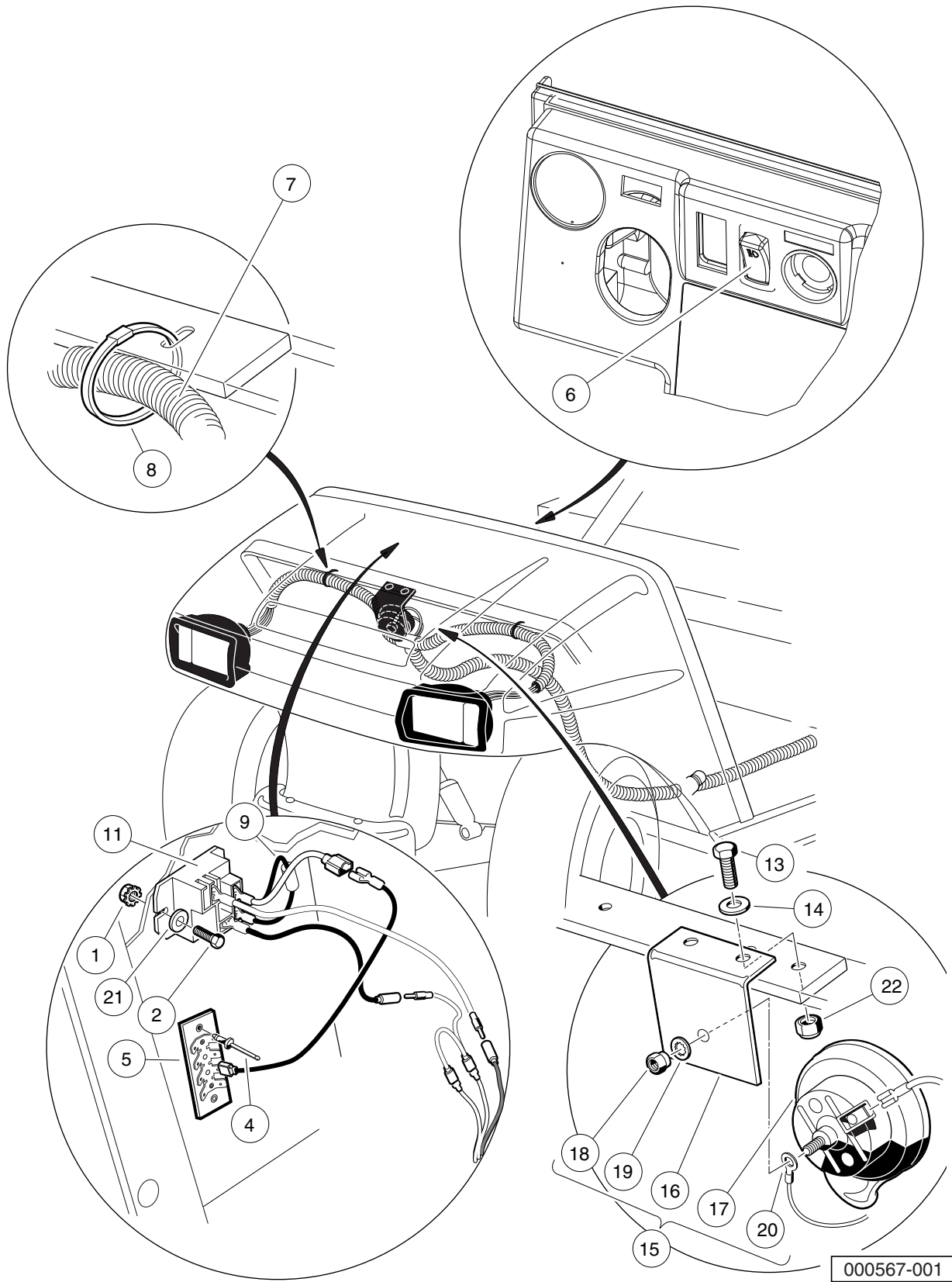
ELECTRICAL SYSTEM

6

E

6

E



HEADLIGHT AND HORN ELECTRICAL COMPONENTS

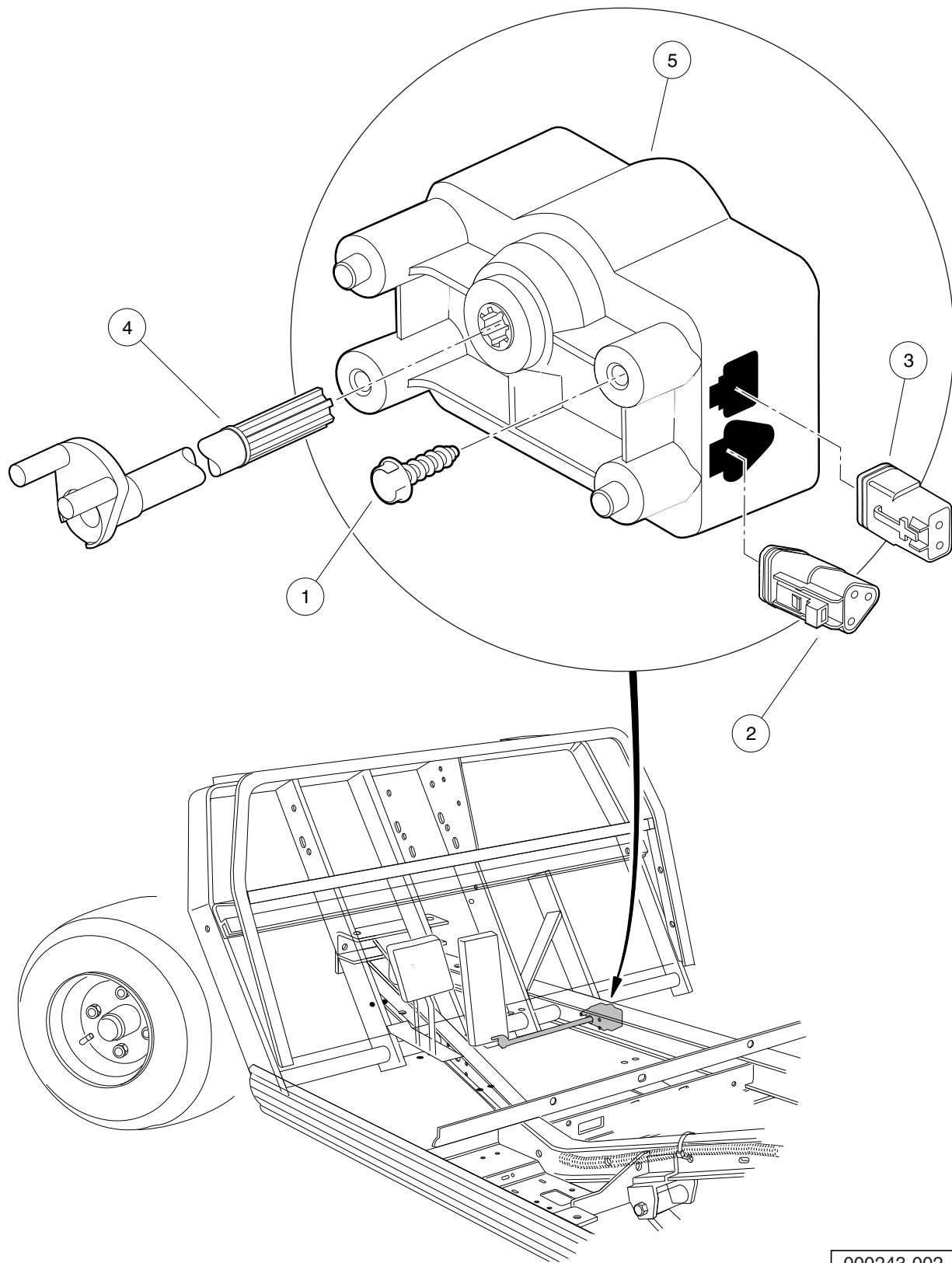
ITEM	PART NO.	DESCRIPTION	QTY
		1 2 3 4	
1	<u>1011229</u>	Locknut, #6-32 Whiz	2
2	<u>1017853</u>	Screw, #6-32 X 0.75 Hex-Head Machine	2
3	N/A	Headlight Only, IQ Plus (includes items 4 through 8)	1
4	<u>1013357</u>	Rivet, 5/32 Aluminum Pop	2
5	<u>1016356</u>	Terminal Block with Insulator	1
6	<u>102869401</u>	Switch, Rocker, Light	1
7	<u>103255701</u>	Wire Harness, Hd Lght, Ca, Ele	1
8	<u>8990</u>	Tie Wrap, 8" Nylon	8
9	<u>101914401</u>	Assembly, Voltage Suppressor	1
10	<u>103414901</u>	Kit, Relay, 48v 30a W/instr (includes items 11 and 12)	1
11	<u>103397901</u>	Relay, Spst No, 48v 30a, Pmt	1
12	N/A	Kit, Relay, 48v 30a Instrns	1
13	<u>304</u>	Screw, 1/4-20 X 1.0 Hex-Head Cap	2
14	<u>332</u>	Washer, 1/4 Type A Narrow Flat	2
15	<u>4029</u>	Horn (includes items 16 through 20)	1
16	<u>1011825</u>	Horn Bracket	1
17	<u>1014530</u>	Horn, 12-VDC	1
18	<u>101955101</u>	Nut, M6 Hex	1
19	<u>7820</u>	Washer, 5/16 Internal-Tooth	1
20	N/A	5/16 Ring Term.	1
21	<u>7591</u>	Washer, #6 Flat	2
22	<u>8233</u>	Locknut, 1/4-20 Nylon Insert	2

6

E

6

E



000243-002

MOTOR CONTROLLER OUTPUT REGULATOR (MCOR)

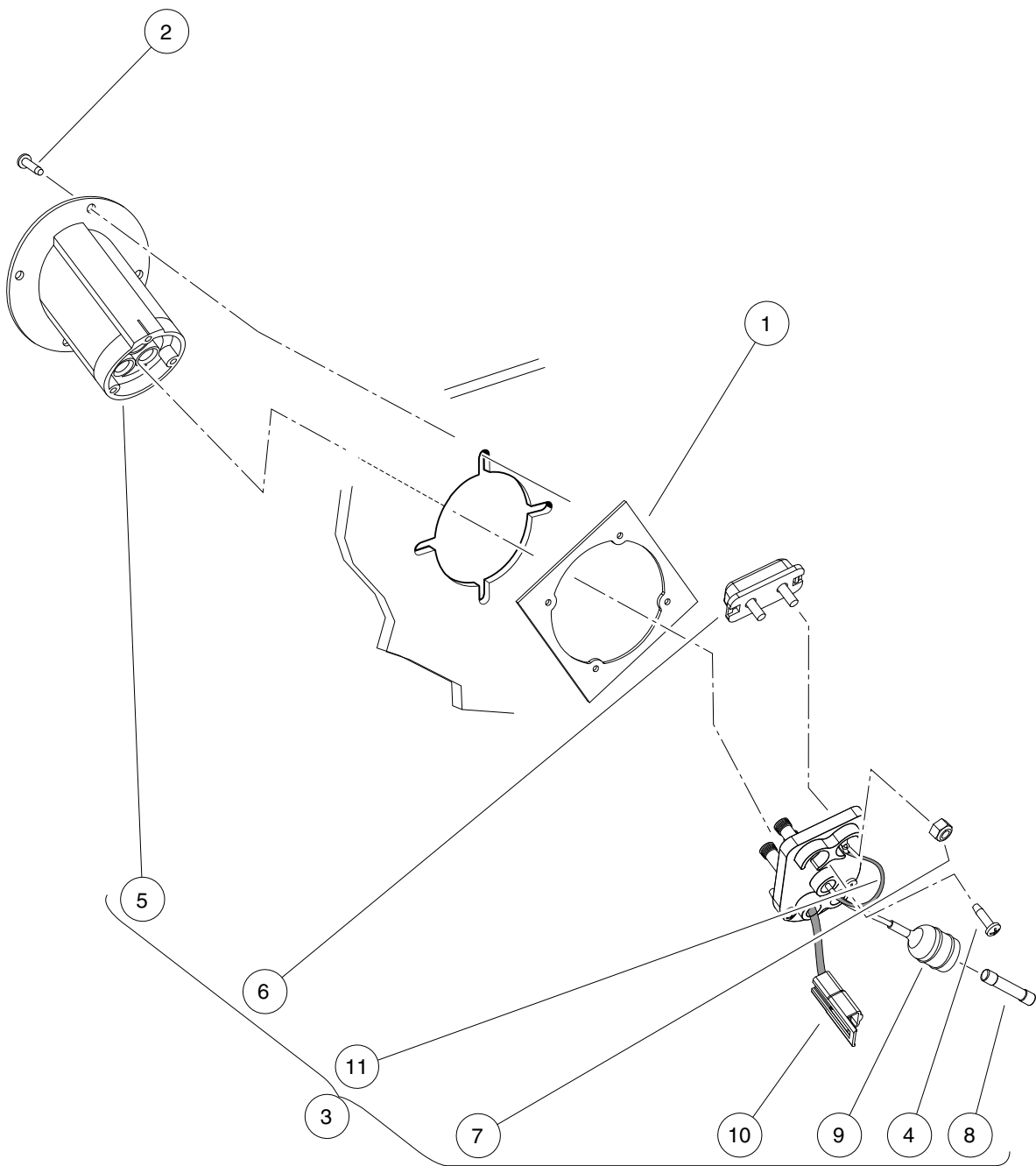
ITEM	PART NO.	DESCRIPTION	QTY
		1 2 3 4	
1	<u>1015752</u>	Screw, #12-16 X 0.625 Hi-Lo	2
2	<u>101920101</u>	Kit, 3-Pin Wedge Lock	1
3	<u>101936801</u>	Kit, 2-Pin Wedge Lock	1
4	102101001	Bar, Drive, Cast	1
5	<u>102101101</u>	MCOR	1

6

E

6

E



000369-002

BATTERY CHARGER RECEPTACLE

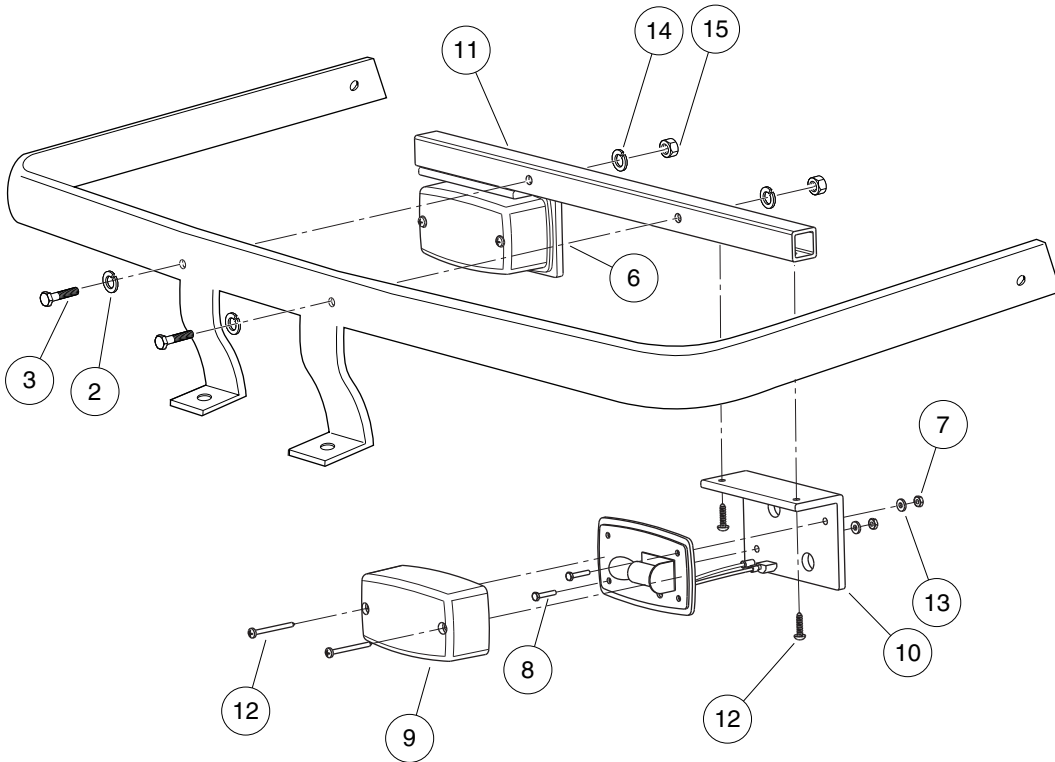
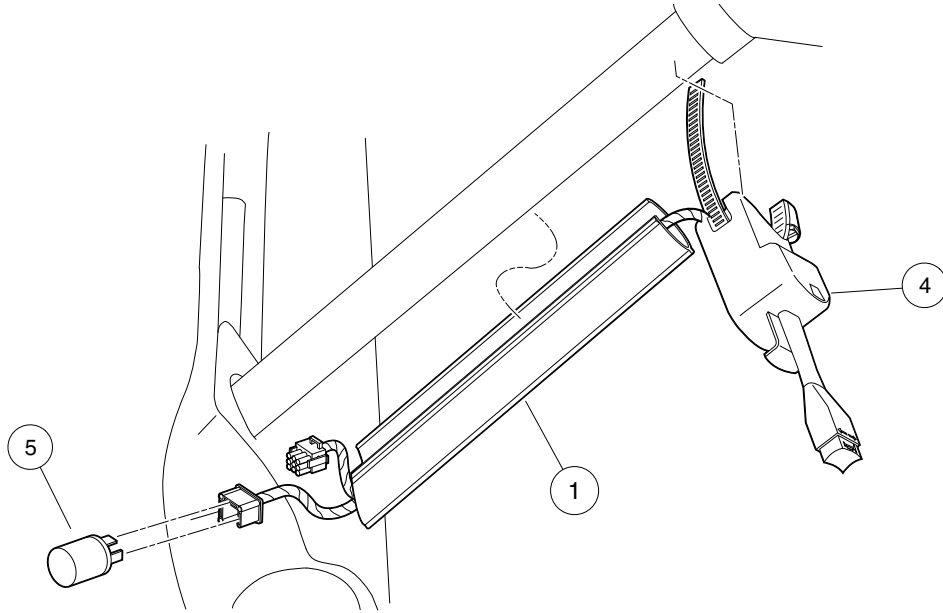
ITEM	PART NO.	DESCRIPTION	QTY
		1 2 3 4	
1	<u>101801001</u>	Plate, Receptacle Backing	1
2	<u>101832001</u>	Screw, #7-19 X 0.625 Phillips Pan-Head Tap	4
3	<u>102848701</u>	Fuse and Receptacle Assembly (includes items 4 through 11)	1
4	<u>1017705</u>	Screw, #8 X 5/8 Phillips Pan-Head Type AB	3
5	<u>101796501</u>	Receptacle	1
6	<u>101796801</u>	Fuse Assembly (includes item 7)	1
7	<u>1013061</u>	Locknut, #10-32 Nylon Insert	2
8	N/A	Fuse, 3/8-Amp	1
9	N/A	Wire Assembly, Sense Lead, Gray	1
10	N/A	Wire Assembly, #10 Red	1
11	N/A	Wire Assembly, #10 Black	1

6

E

6

E



000849-001

TURN SIGNALS

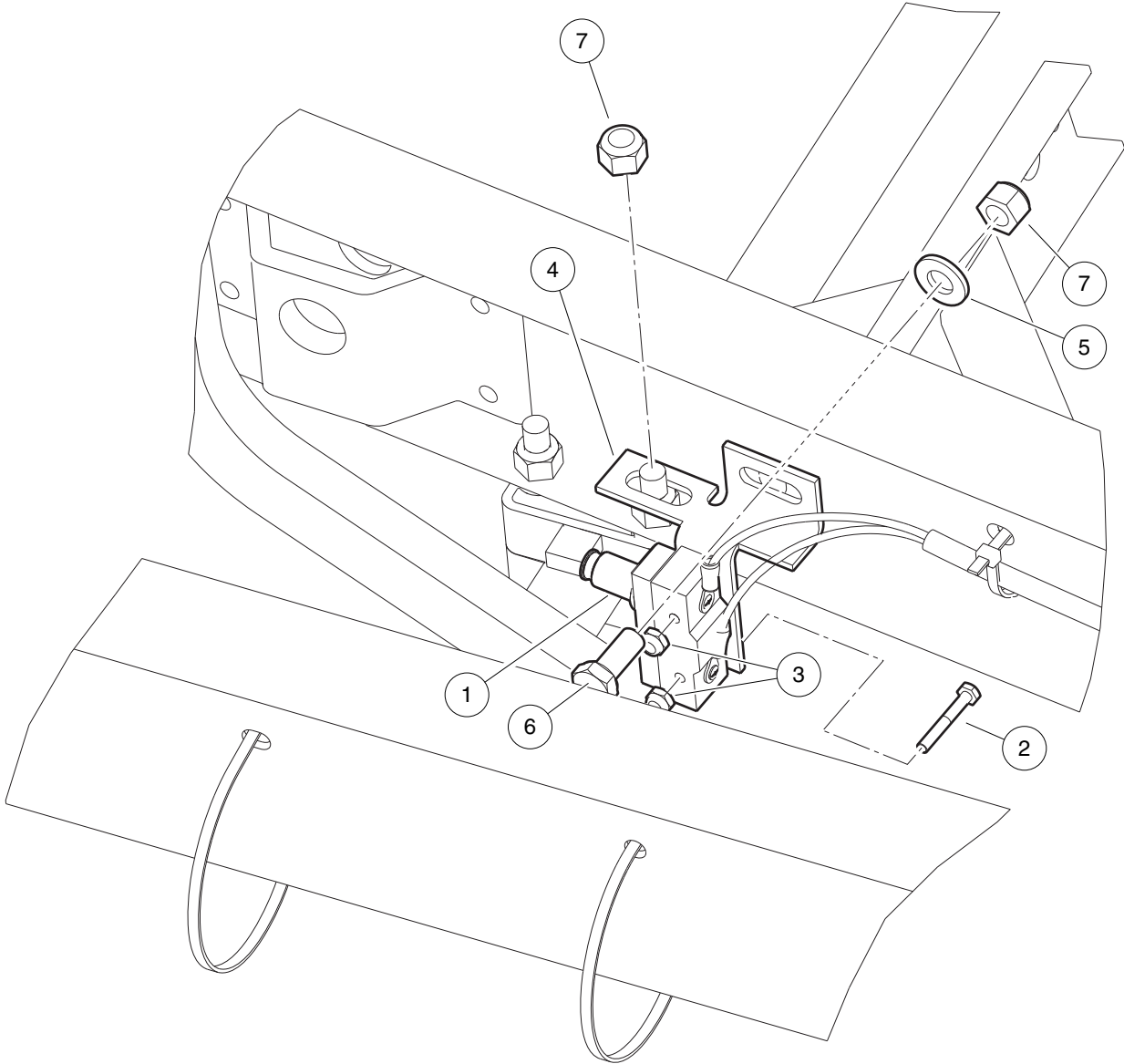
ITEM	PART NO.	DESCRIPTION	QTY
		1 2 3 4	
1	<u>101149202</u>	Cover, Steering Clmn Wire, 12"	1
2	<u>1011931</u>	Washer, 1/4 Flat	2
3	1014201	Screw, 1/4-20 X 2.25 Hex Cap	2
4	<u>102517501</u>	Turn Signal Asm	1
5	<u>102546401</u>	Flasher Unit, Prec	1
6	N/A	Asm, Turn Signal, Mounted (includes items 7 through 13)	1
7	<u>1011558</u>	Nut, #6-32 Hex	4
8	<u>1017853</u>	Screw, #6-32 X 0.75 Hex-Head Machine	4
9	N/A	Asm, Turn Signal, Amber	2
10	N/A	Brkt, Mtg, Turn Signal	2
11	N/A	Tube, Mtg, Turn Signal	1
12	<u>1606</u>	Rivet, 3/16 X .500 Alum Pop	4
13	<u>7591</u>	Washer, #6 Flat	4
14	<u>332</u>	Washer, 1/4 Type A Narrow Flat	2
15	<u>8233</u>	Locknut, 1/4-20 Nylon Insert	2

6

E

6

E



000809-001

BRAKE PEDAL SWITCH

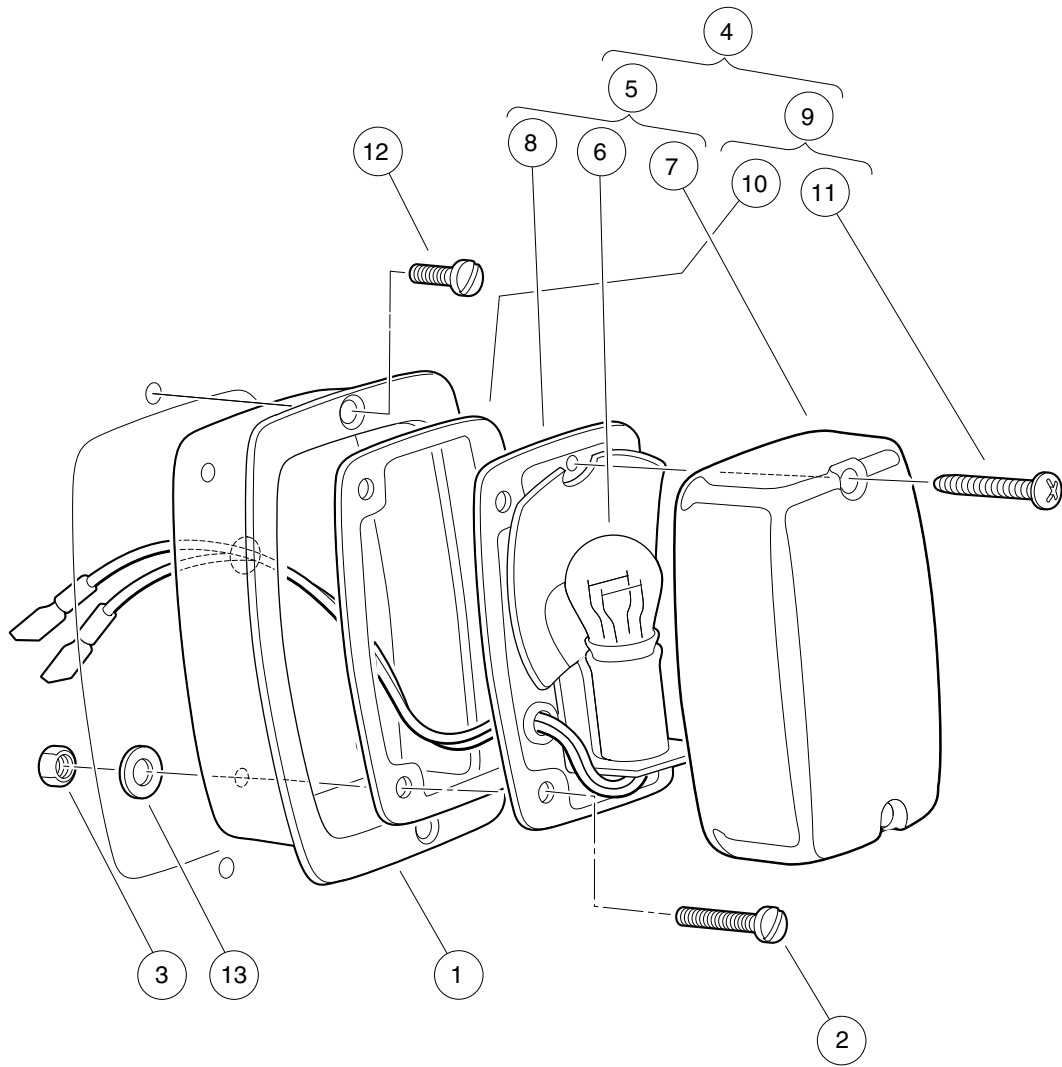
ITEM	PART NO.	DESCRIPTION	QTY
		1 2 3 4	
1	<u>1011439</u>	Switch, Limit	1
2	<u>1011557</u>	Screw, #6-32 X 1.00 Hex-Head Machine	2
3	<u>101932201</u>	Locknut, #6-32 Nylon	2
4	<u>101957101</u>	Bracket, Brake Light Switch	1
5	<u>1241</u>	Washer, 5/16 Type A Flat	1
6	<u>7173</u>	Screw, 5/16-18 X 0.75 Hex-Head Cap	1
7	<u>7473</u>	Locknut, 5/16-18 Nylon Insert	2

6

E

6

E



000348-006

TAIL LIGHTS

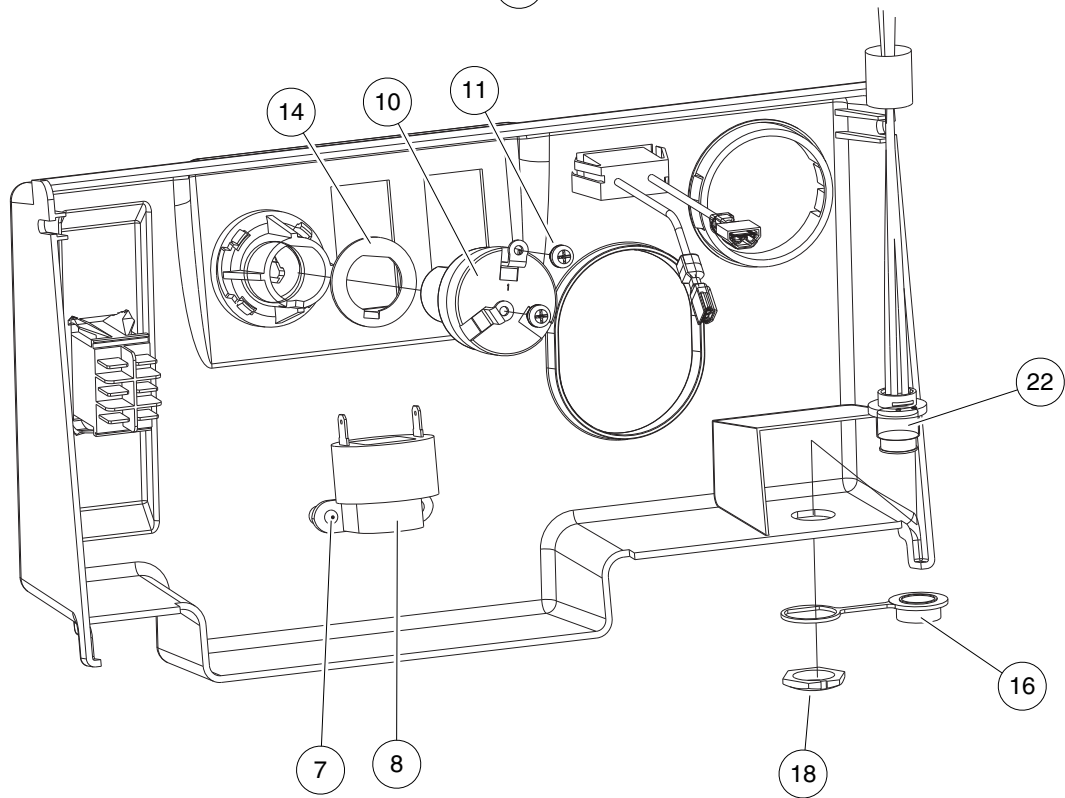
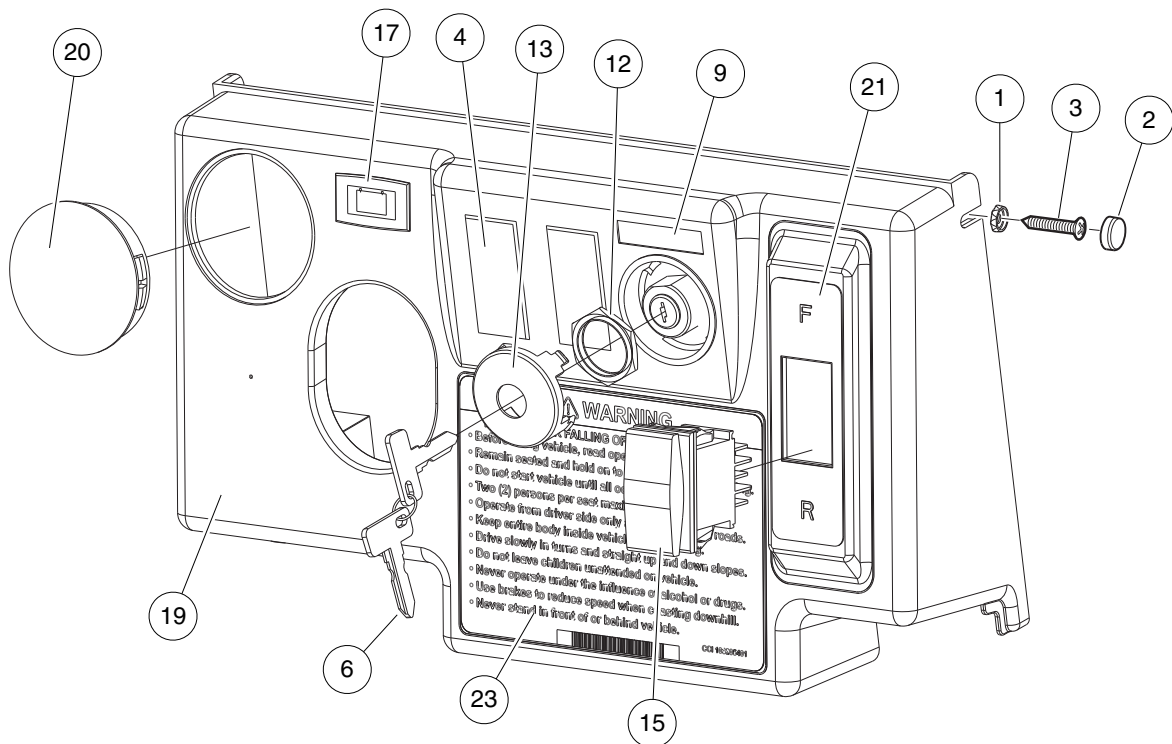
ITEM	PART NO.	DESCRIPTION	QTY
		1 2 3 4	
1	<u>1011497</u>	Bezel, Taillight	1
2	<u>1011557</u>	Screw, #6-32 X 1.00 Hex-Head Machine	1
3	<u>1011558</u>	Nut, #6-32 Hex	1
4	1017035	Taillight Assembly (includes items 5 through 9)	1
5	N/A	Light, Tail (includes items 6 through 8)	1
6	<u>1011582</u>	Taillight Bulb	1
7	<u>1011843</u>	Taillight Lens	1
8	N/A	Base, Taillight	1
9	<u>1017699</u>	Hardware Kit, Tail Light (includes items 10 and 11)	1
10	N/A	Gasket	1
11	N/A	Screw, Tapered	2
12	<u>102915601</u>	Plastic Rivet - Tuflock	1
13	<u>7591</u>	Washer, #6 Flat	1

6

E

6

E



000577-007

INSTRUMENT PANEL AND ELECTRICAL COMPONENTS – CA 2

ITEM	PART NO.	DESCRIPTION	QTY
		1 2 3 4	
1	1011382	Washer, #10 Pan-Head Screw	2
2	<u>1013494</u>	Cover, Screw Head	2
3	<u>1015528</u>	Screw, #10 x 1-1/4 Phillips Head	2
4	<u>103180101</u>	Cover, Hole, Switch, Rocker	2
5	N/A	Asm, Dash, Elec, Ca2 Lsv (includes items 6 through 23)	1
6	<u>1012505</u>	Keys (set of 2)	1
7	<u>1016849</u>	Screw, #4-24 X 0.33 Pan-Head Machine	2
8	<u>1016851</u>	Buzzer, Reverse (9-48 VDC)	1
9	<u>101825101</u>	Decal, Off/On	1
10	<u>101826201</u>	Key Switch, On/Off	1
11	101830601	Screw and Washer Assembly	2
12	<u>101830701</u>	Nut, Key Switch	1
13	<u>101834502</u>	Cap, Black Key Switch	1
14	<u>101851101</u>	Washer, Key Switch	1
15	<u>101856001</u>	Switch, Rocker, Double-Pole	1
16	<u>102196901</u>	Dust Cap	1
17	<u>102508701</u>	Light, Battery	1
18	<u>102572401</u>	Nut, Diagnostic Port, Prec	1
19	<u>102977002</u>	Panel, Dash, Center, Gas (Instrument Panel)	1
20	<u>103198301</u>	Plug, Hole, Round, 2.0 In	1
21	<u>103210301</u>	Decal, Forward/Reverse, Electric	1
22	<u>103218601</u>	Harness, Diagnostic Port	1
23	<u>103499301</u>	Decal, Operating Inst, On-road	1

6

E

INSTRUMENT PANEL AND ELECTRICAL COMPONENTS – CA 6

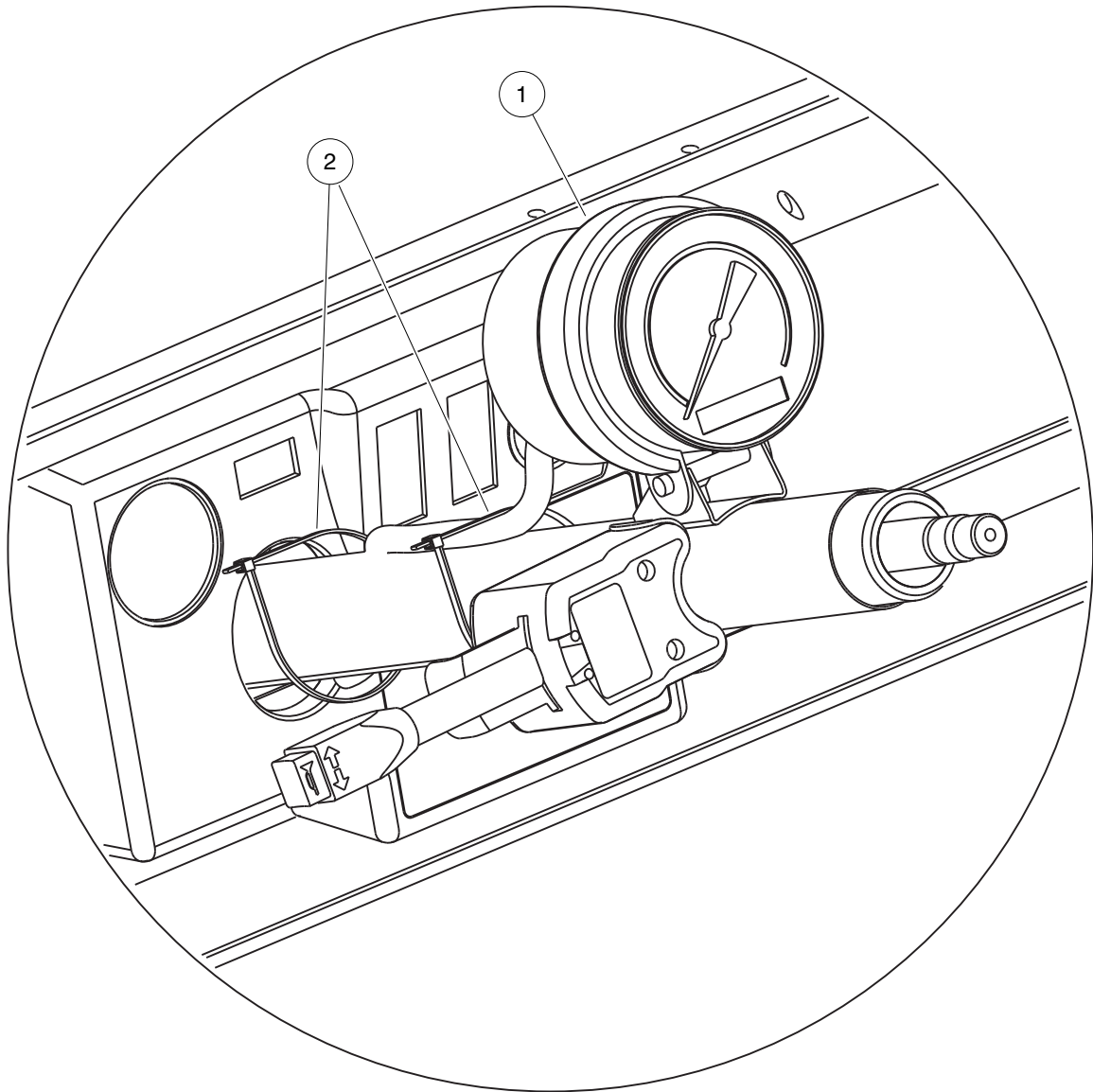
ITEM	PART NO.	DESCRIPTION	QTY
		1 2 3 4	
1	1011382	Washer, #10 Pan-Head Screw	2
2	<u>1013494</u>	Cover, Screw Head	2
3	<u>1015528</u>	Screw, #10 x 1-1/4 Phillips Head	2
4	<u>103180101</u>	Cover, Hole, Switch, Rocker	2
5	N/A	Asm, Dash, Elec, Bci, Lsv (includes items 6 through 25)	1
6	<u>1012505</u>	Keys (set of 2)	1
7	<u>1016849</u>	Screw, #4-24 X 0.33 Pan-Head Machine	2
8	<u>1016851</u>	Buzzer, Reverse (9-48 VDC)	1
9	<u>101825101</u>	Decal, Off/On	1
10	<u>101826201</u>	Key Switch, On/Off	1
11	101830601	Screw and Washer Assembly	2
12	<u>101830701</u>	Nut, Key Switch	1
13	<u>101834502</u>	Cap, Black Key Switch	1
14	<u>101851101</u>	Washer, Key Switch	1
15	<u>101856001</u>	Switch, Rocker, Double-Pole	1
16	<u>102196901</u>	Dust Cap	1
17	<u>102508701</u>	Light, Battery	1
18	<u>102572401</u>	Nut, Diagnostic Port, Prec	1
19	<u>102977002</u>	Panel, Dash, Center, Gas (Instrument Panel)	1
20	<u>103210301</u>	Decal, Forward/Reverse, Electric	1
21	<u>103218601</u>	Harness, Diagnostic Port	1
22	<u>103354401</u>	Gauge, Battery Cond Ind, Rnd (includes items 23 and 24)	1
23	<u>103348202</u>	Clip, Bci, Round	1
24	N/A	Battery Condition Indicator Gauge	1
25	<u>103499301</u>	Decal, Operating Inst, On-road	1

6

E

6

E



000854-001

SPEEDOMETER

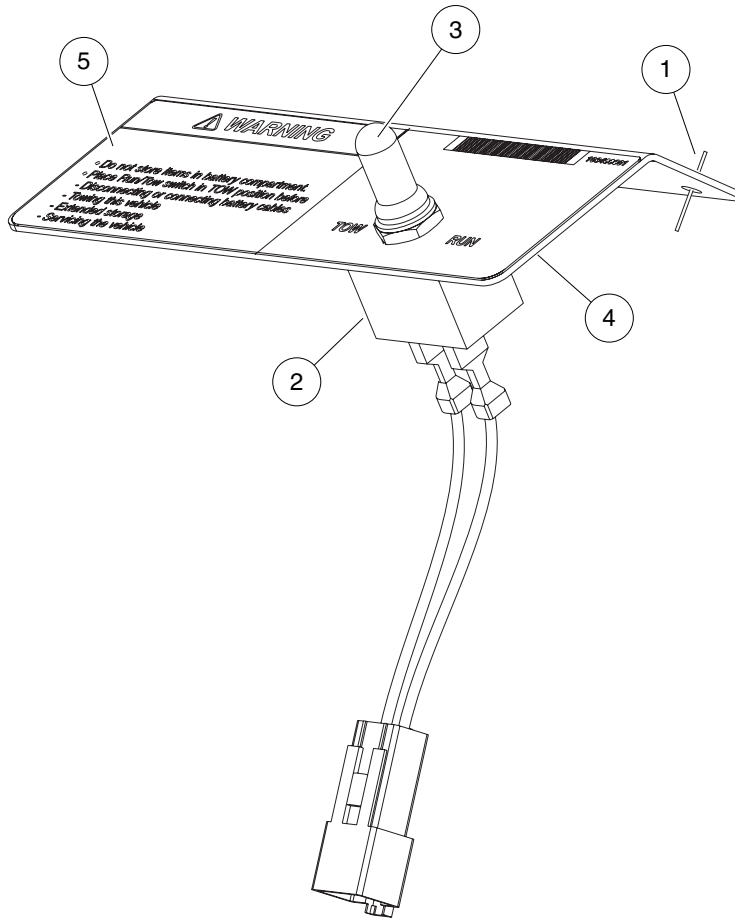
ITEM	PART NO.	DESCRIPTION	QTY
		1 2 3 4	
1	<u>103498801</u>	Asm, Speedometer, Strg Colmn	1
2	<u>8990</u>	Tie Wrap, 8" Nylon	2

6

E

6

E



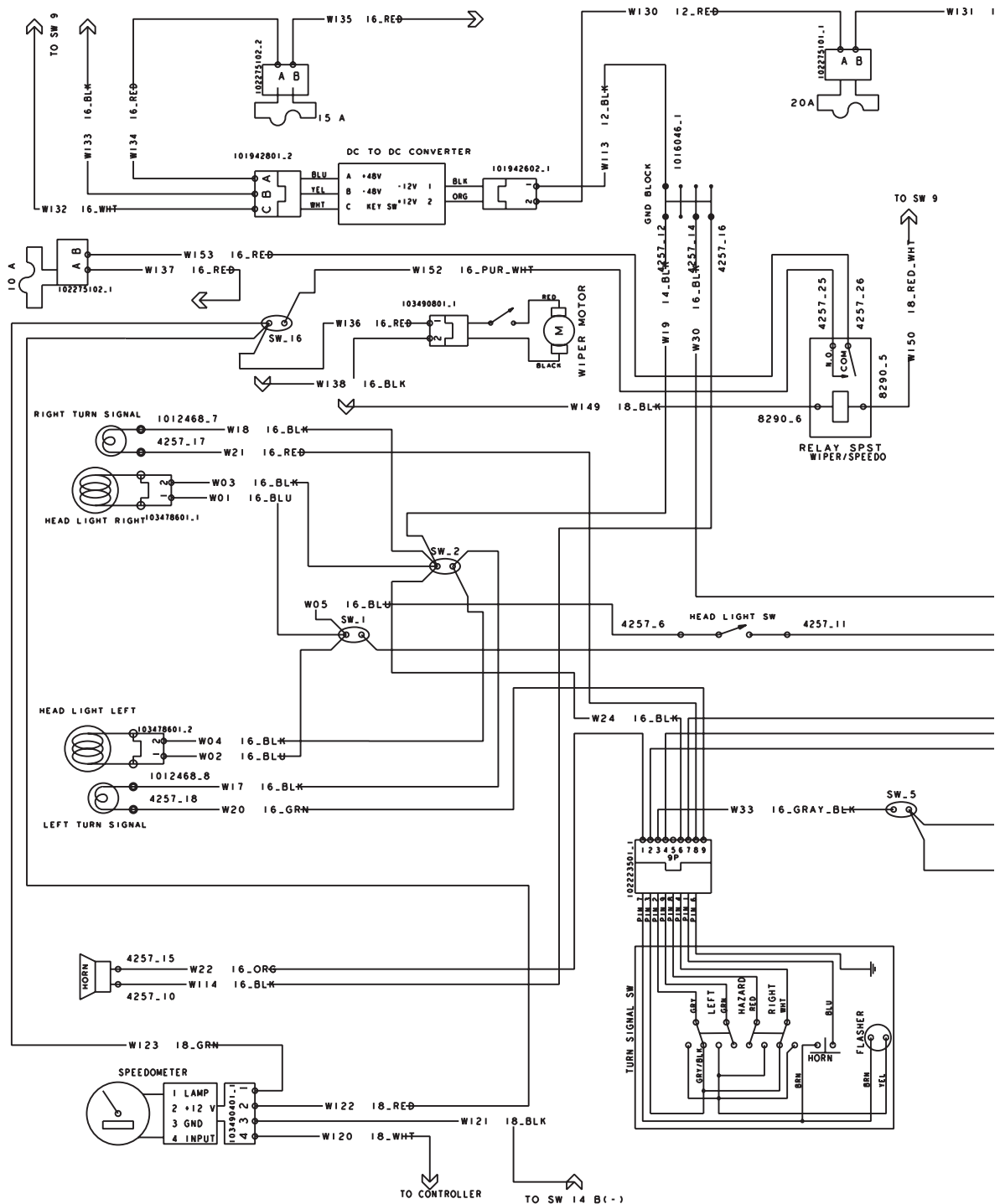
000859-0001

TOW/RUN SWITCH

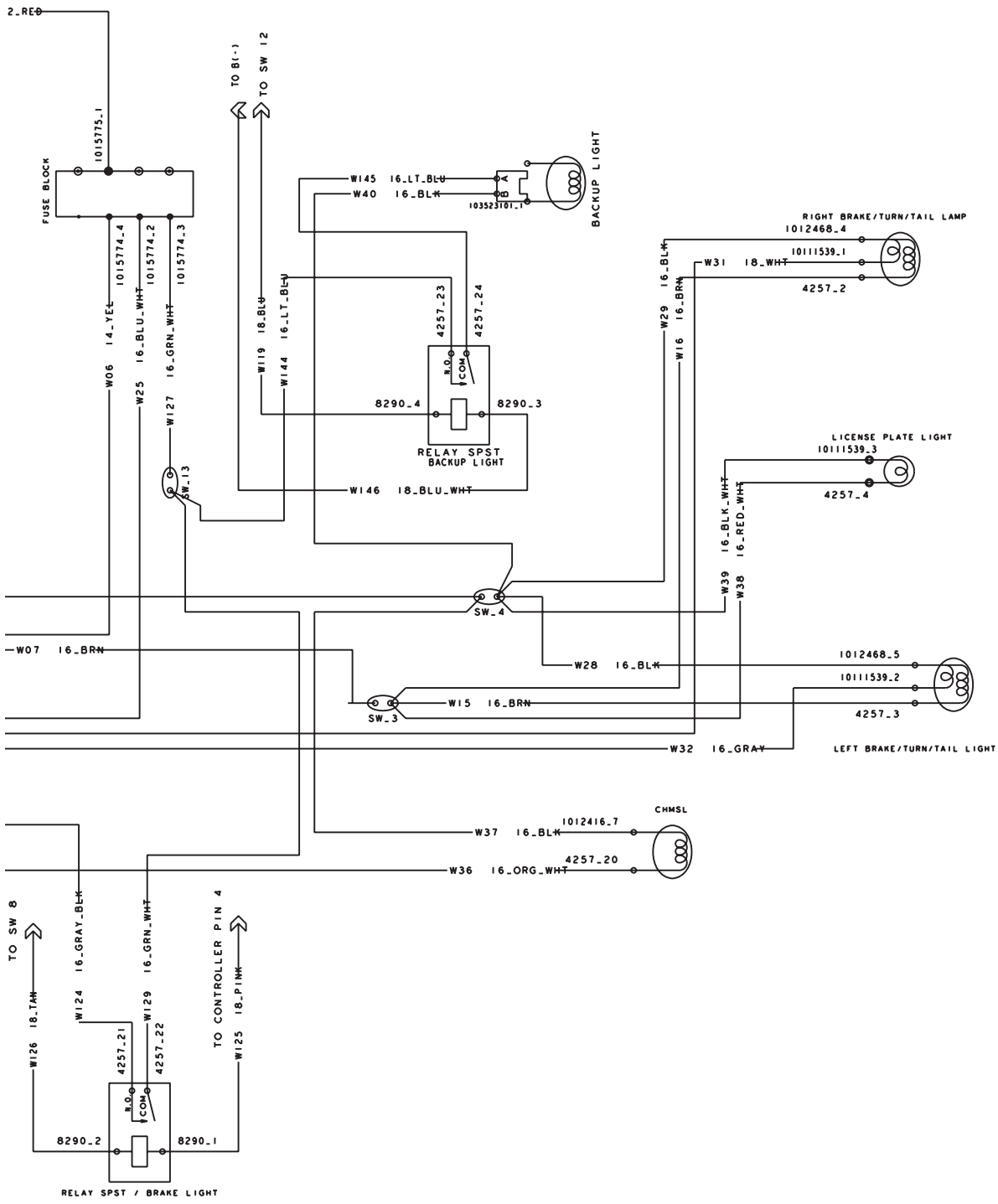
ITEM	PART NO.	DESCRIPTION	QTY
		1 2 3 4	
1	<u>1015392</u>	Rivet, 3/16 Pop	2
2	<u>101908101</u>	Switch Assembly, Tow/Run	1
3	<u>101908401</u>	Boot, Switch	1
4	<u>102915701</u>	Plate, Switch, Run Tow, Mode	1
5	<u>103499601</u>	Decal, Tow Switch, No Cir Brkr	1

6

E



000566-003



000566-003

6

E

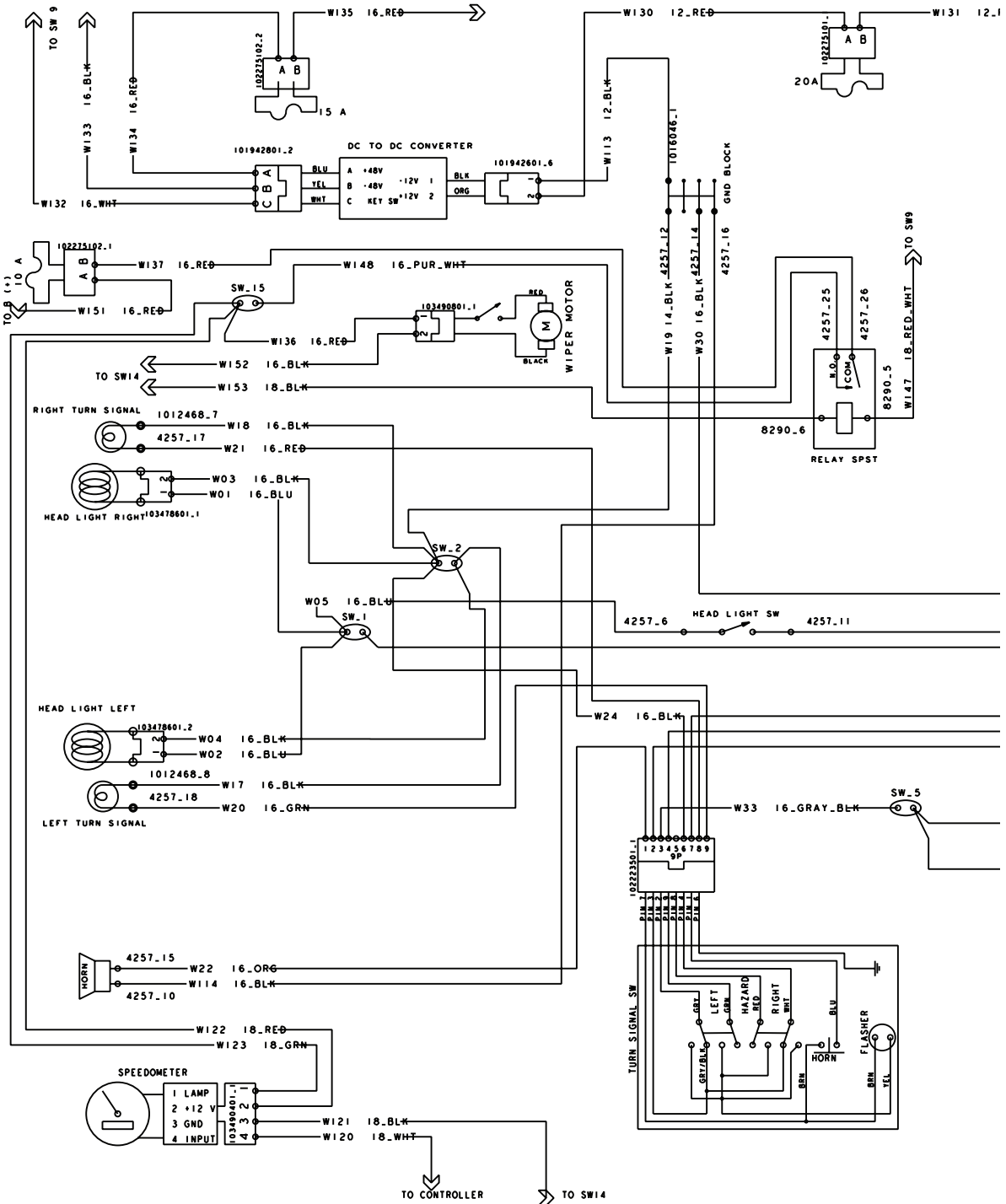
See previous two pages for illustration.

WIRING – CA 2

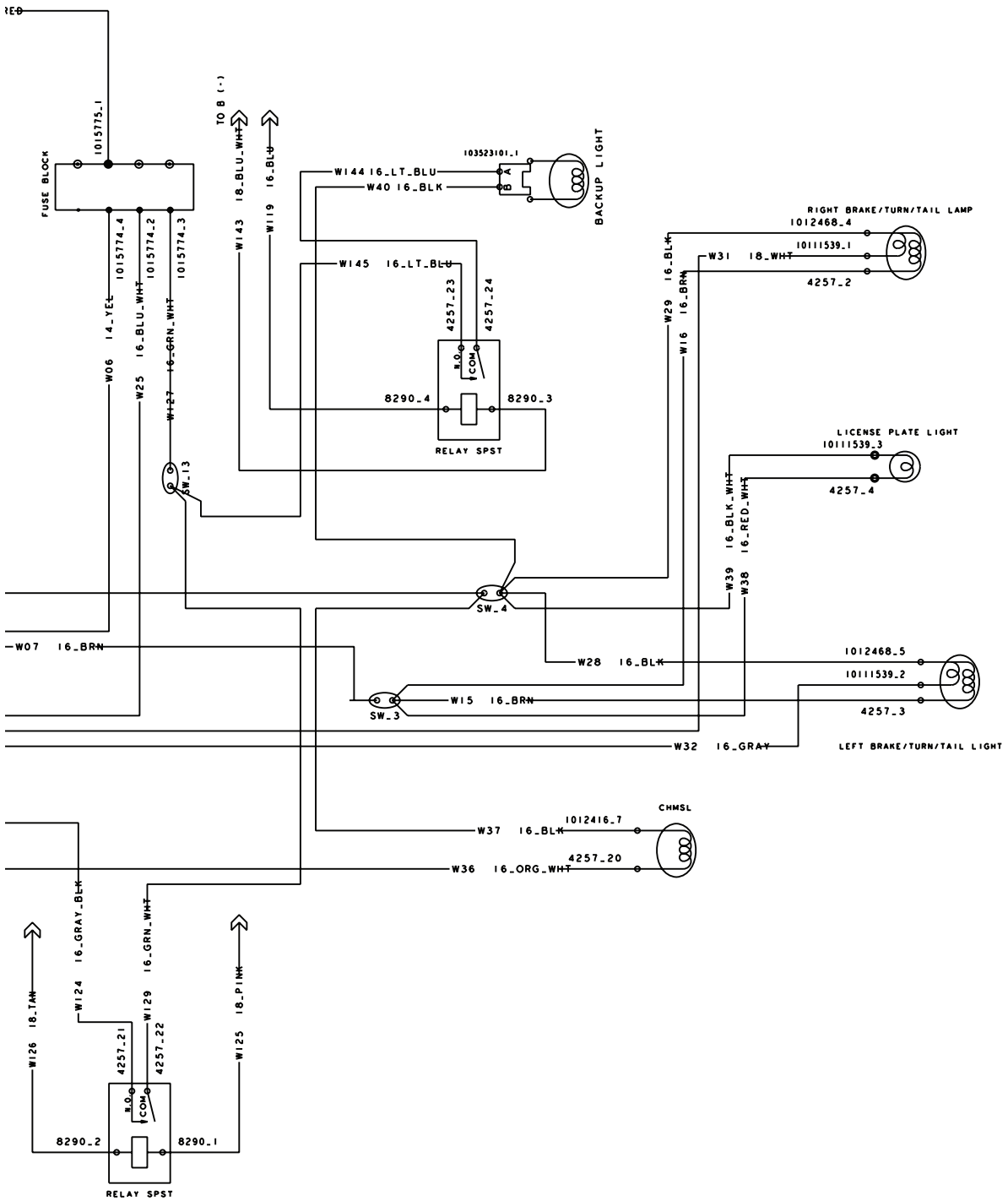
ITEM	PART NO.	DESCRIPTION	QTY
1	103458201	1 2 3 4 Harness,main,ca2,ac System	1
2	<u>103458301</u>	Harness, Power, Ca2, Ac Sys	1

6

E



000566-002



000566-002

6

E

See previous two pages for illustration.

WIRING – CA 6

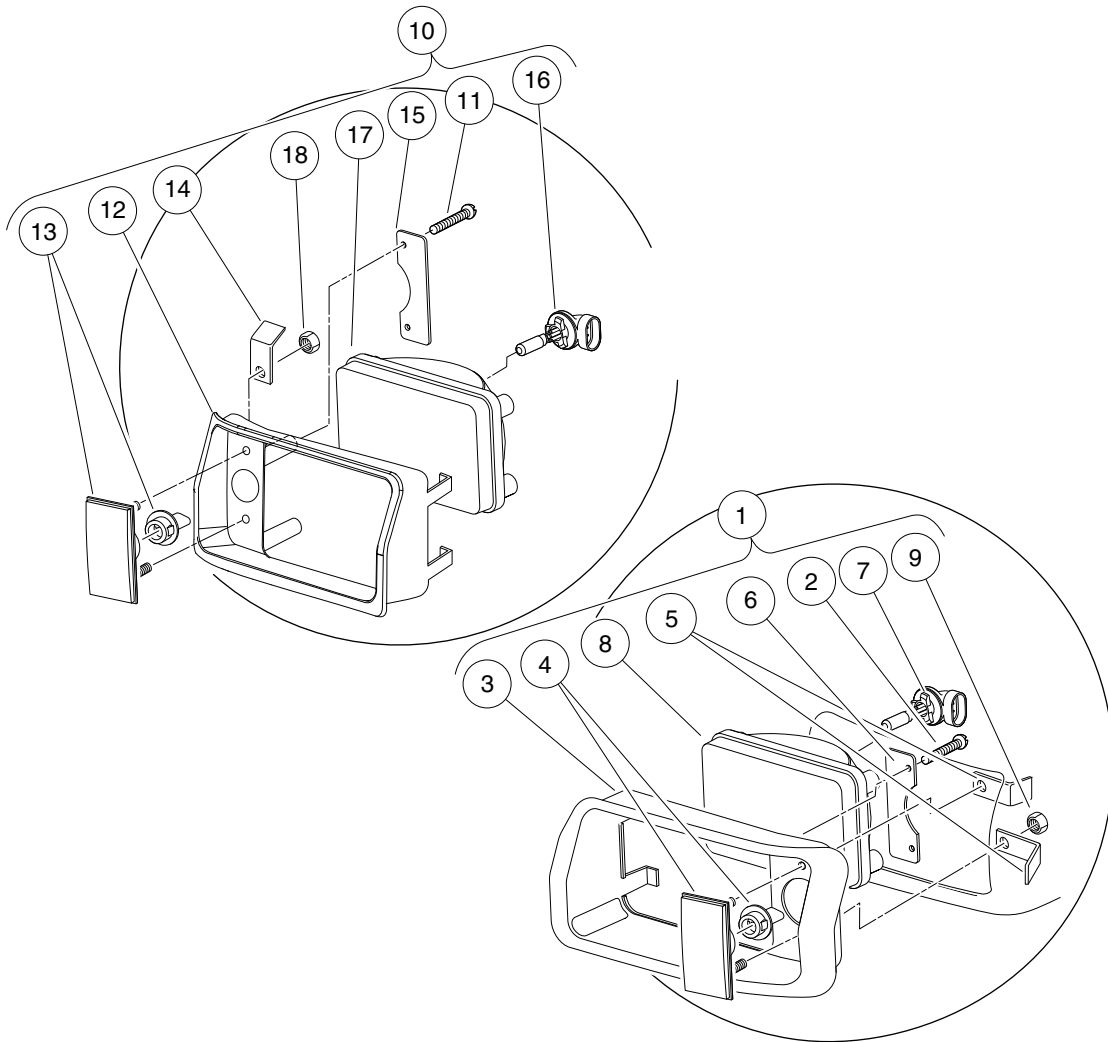
ITEM	PART NO.	DESCRIPTION	QTY
		1 2 3 4	
1	<u>103497301</u>	Harness, Main, Ca6, Ac System	1
2	<u>103497401</u>	Harness, Power, Ca6, Ac Sys	1

6

E

6

E



000073-002

HEADLIGHTS

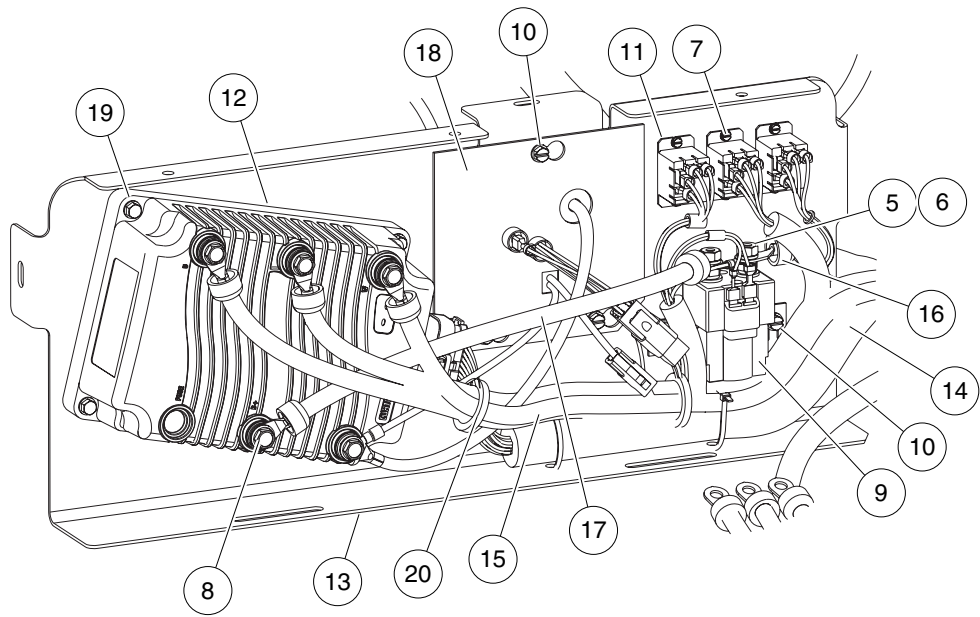
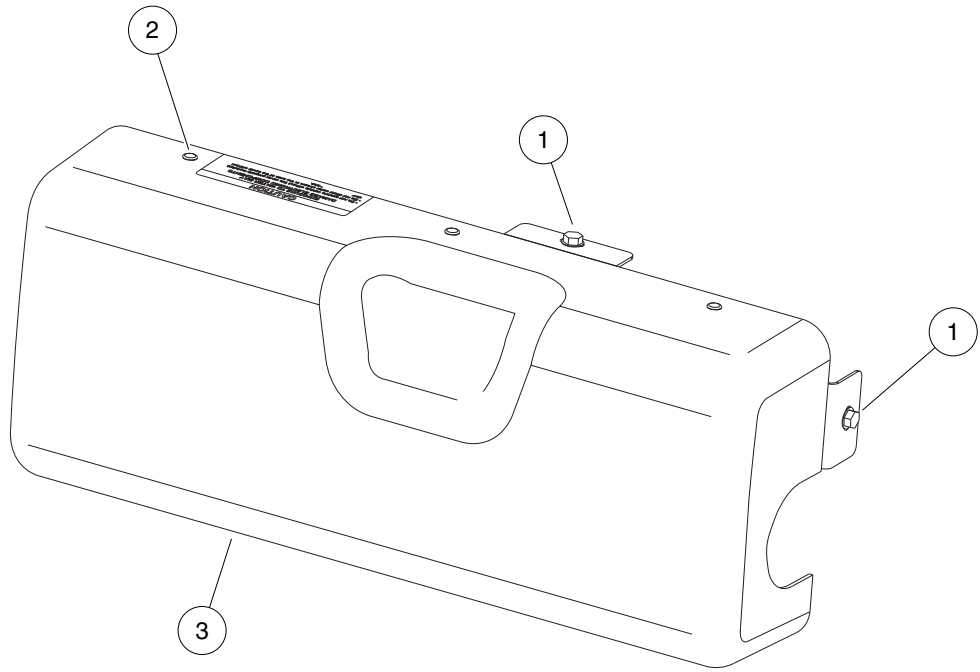
ITEM	PART NO.	DESCRIPTION	QTY
		1 2 3 4	
1	<u>101988005</u>	Asm, Headlight -lh Sae/dot (includes items 2 through 9)	1
2	<u>1016880</u>	Headlight Bezel, Left	1
3	<u>1017</u>	Nut, #10-24 Stainless-Steel Hex Machine	2
4	<u>1017062</u>	Turn Signal Lens Assy	1
5	<u>1017064</u>	Mounting Bracket	2
6	<u>1017065</u>	Retainer, Headlight	1
7	<u>101988101</u>	Bulb, Headlight	1
8	<u>101988202</u>	Lens, Headlight -sae	1
9	1620	Screw, #10-16 X 0.75 Pan-Head Tap	2
10	<u>101988006</u>	Asm, Headlight -rh Sae/dot (includes items 11 through 18)	1
11	<u>1016879</u>	Headlight Bezel, Right	1
12	<u>1017</u>	Nut, #10-24 Stainless-Steel Hex Machine	2
13	<u>1017062</u>	Turn Signal Lens Assy	1
14	<u>1017064</u>	Mounting Bracket	2
15	<u>1017065</u>	Retainer, Headlight	1
16	<u>101988101</u>	Bulb, Headlight	1
17	<u>101988202</u>	Lens, Headlight -sae	1
18	1620	Screw, #10-16 X 0.75 Pan-Head Tap	2

6

E

6

E



000852-0002

ELEC COMPONENTS – CA 2

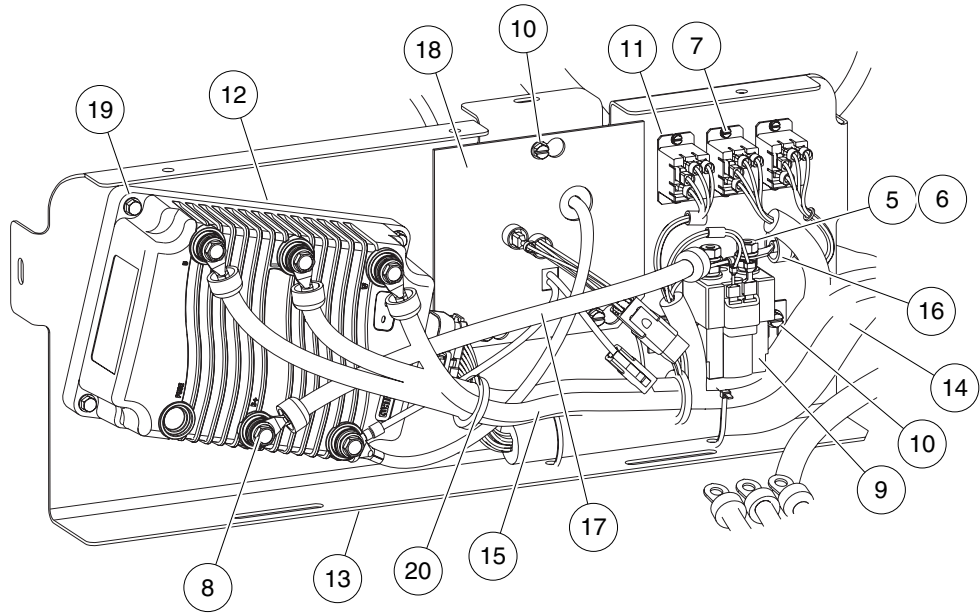
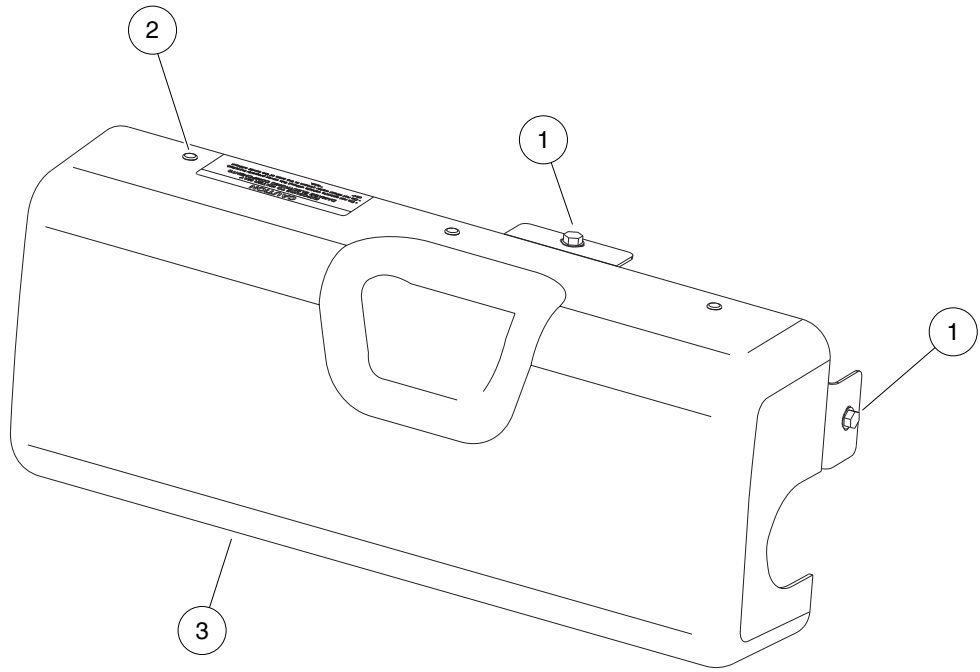
ITEM	PART NO.	DESCRIPTION	QTY
		1 2 3 4	
1	<u>1014288</u>	Screw, 5/16-18 X 0.75 Thread-Forming	3
2	<u>1016967</u>	Blind Rivet, Push Type	3
3	<u>102772401</u>	Cover, Component, Elec, Rear	1
4	N/A	Plate, Comp, Asm, Ca2, Ac (includes items 5 through 20)	1
5	<u>1012528</u>	Nut, M8-1.25 Hex	2
6	<u>1013734</u>	Lockwasher, 8mm Split	2
7	<u>1015720</u>	Screw, #6-32 X 1/2 Hex Washer-Head	6
8	<u>102240501</u>	Bolt, Controller, Terminal	5
9	<u>102774701</u>	Solenoid, 48v	1
10	<u>102817101</u>	Screw, 1/4-20 X .50 Hex Wsh Hd	5
11	<u>103397901</u>	Relay, Spst No, 48v 30a, Pmt	3
12	<u>103451101</u>	Controller, Ac Motor	1
13	<u>103452401</u>	Plate, Component, Mtg, Ac	1
14	<u>103458201</u>	Harness,main,ca2,ac System	1
15	<u>103458301</u>	Harness, Power, Ca2, Ac Sys	1
16	<u>103510101</u>	Asm, Wire #2 Red, 1167	1
17	<u>103510201</u>	Asm, Wire #2 Yellow, 420	1
18	<u>103514701</u>	Computer, Ob, 2ga, 38"	1
19	<u>103517901</u>	Scr, 1/4-20 X 1.25 Hwhcs, Tt	4
20	<u>8990</u>	Tie Wrap, 8" Nylon	2

6

E

6

E



000852-0002

ELEC COMPONENTS – CA 6

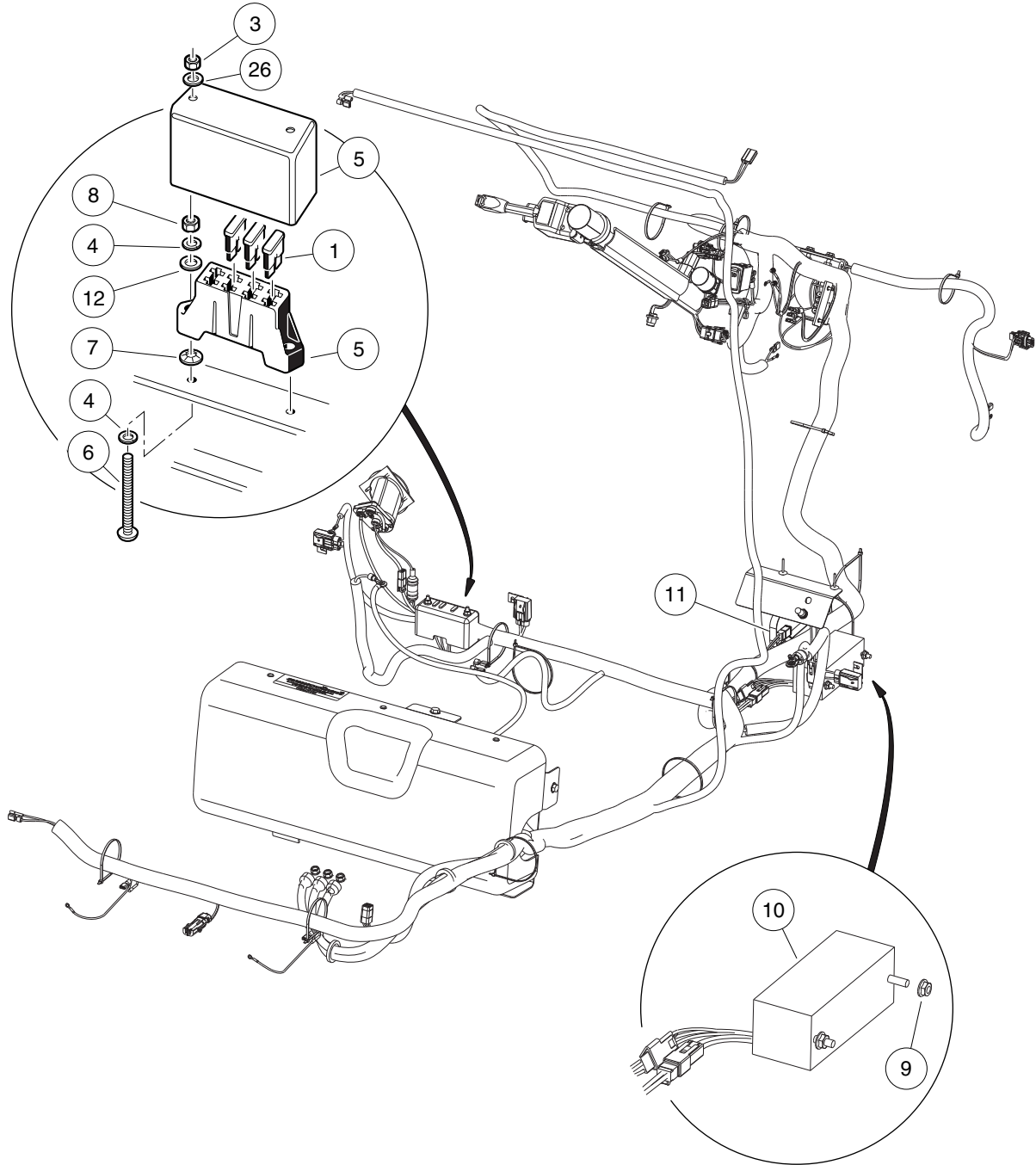
ITEM	PART NO.	DESCRIPTION	QTY
		1 2 3 4	
1	<u>1014288</u>	Screw, 5/16-18 X 0.75 Thread-Forming	3
2	<u>1016967</u>	Blind Rivet, Push Type	3
3	<u>102772401</u>	Cover, Component, Elec, Rear	1
4	N/A	Plate, Comp, Asm, Ca6, Ac (includes items 5 through 20)	1
5	<u>1012528</u>	Nut, M8-1.25 Hex	2
6	<u>1013734</u>	Lockwasher, 8mm Split	2
7	<u>1015720</u>	Screw, #6-32 X 1/2 Hex Washer-Head	6
8	<u>102240501</u>	Bolt, Controller, Terminal	5
9	<u>102774701</u>	Solenoid, 48v	1
10	<u>102817101</u>	Screw, 1/4-20 X .50 Hex Wsh Hd	5
11	<u>103397901</u>	Relay, Spst No, 48v 30a, Pmt	3
12	<u>103451101</u>	Controller, Ac Motor	1
13	<u>103452401</u>	Plate, Component, Mtg, Ac	1
14	<u>103497301</u>	Harness, Main, Ca6, Ac System	1
15	<u>103497401</u>	Harness, Power, Ca6, Ac Sys	1
16	<u>103510201</u>	Asm, Wire #2 Yellow, 420	1
17	<u>103511001</u>	Asm, Wire #2 Red, 1000	1
18	<u>103514702</u>	Computer, Ob, 2ga, 83"	1
19	<u>103517901</u>	Scr, 1/4-20 X 1.25 Hwhcs, Tt	4
20	<u>8990</u>	Tie Wrap, 8" Nylon	2

6

E

6

E



000860-0001

DC CONVERTER AND FUSE BLOCK – CA 2

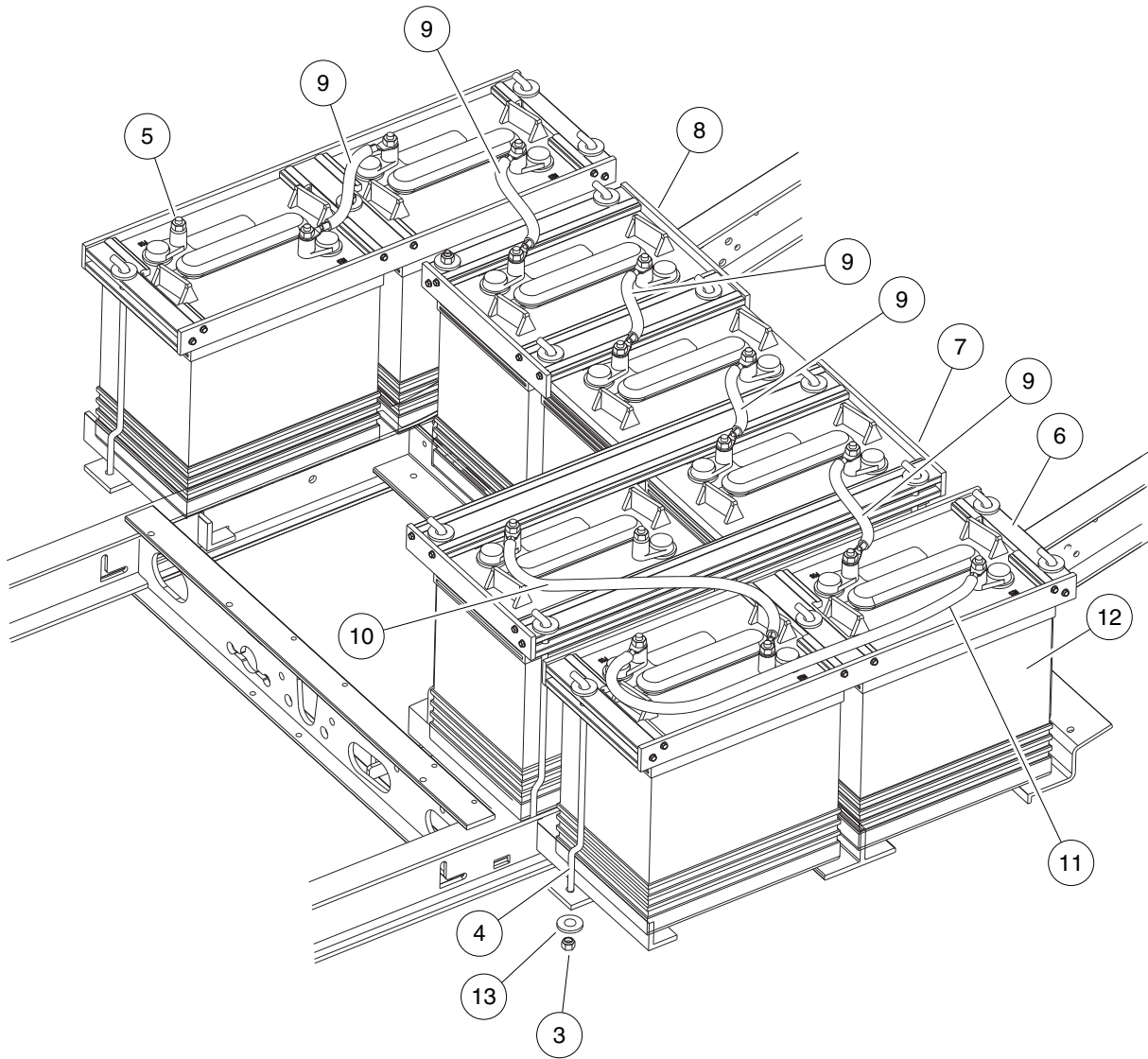
ITEM	PART NO.	DESCRIPTION	QTY
		1 2 3 4	
1	<u>1012295</u>	Fuse, 10-Amp	3
2	<u>1012438</u>	Locknut, #10-24 Nylon Insert	2
3	<u>1015741</u>	Fuse Block	1
4	<u>1016</u>	Lockwasher, #10 Split	2
5	<u>1016363</u>	Fuse Block Cover	1
6	<u>1016366</u>	Screw, #10-24 X 3.0 Pan-Head Machine	2
7	<u>1016631</u>	Push Nut	2
8	<u>1017</u>	Nut, #10-24 Stainless-Steel Hex Machine	2
9	<u>101835601</u>	Locknut, 1/4-20 Hex Whiz	2
10	102352201	Converter , Dc -non Isolated	1
11	<u>102787701</u>	Tie, Wide Strap	1
12	<u>183</u>	Washer, #10 Type A Flat	2

6

E

6

E



000850-001

T145 BATTERIES – CA 2

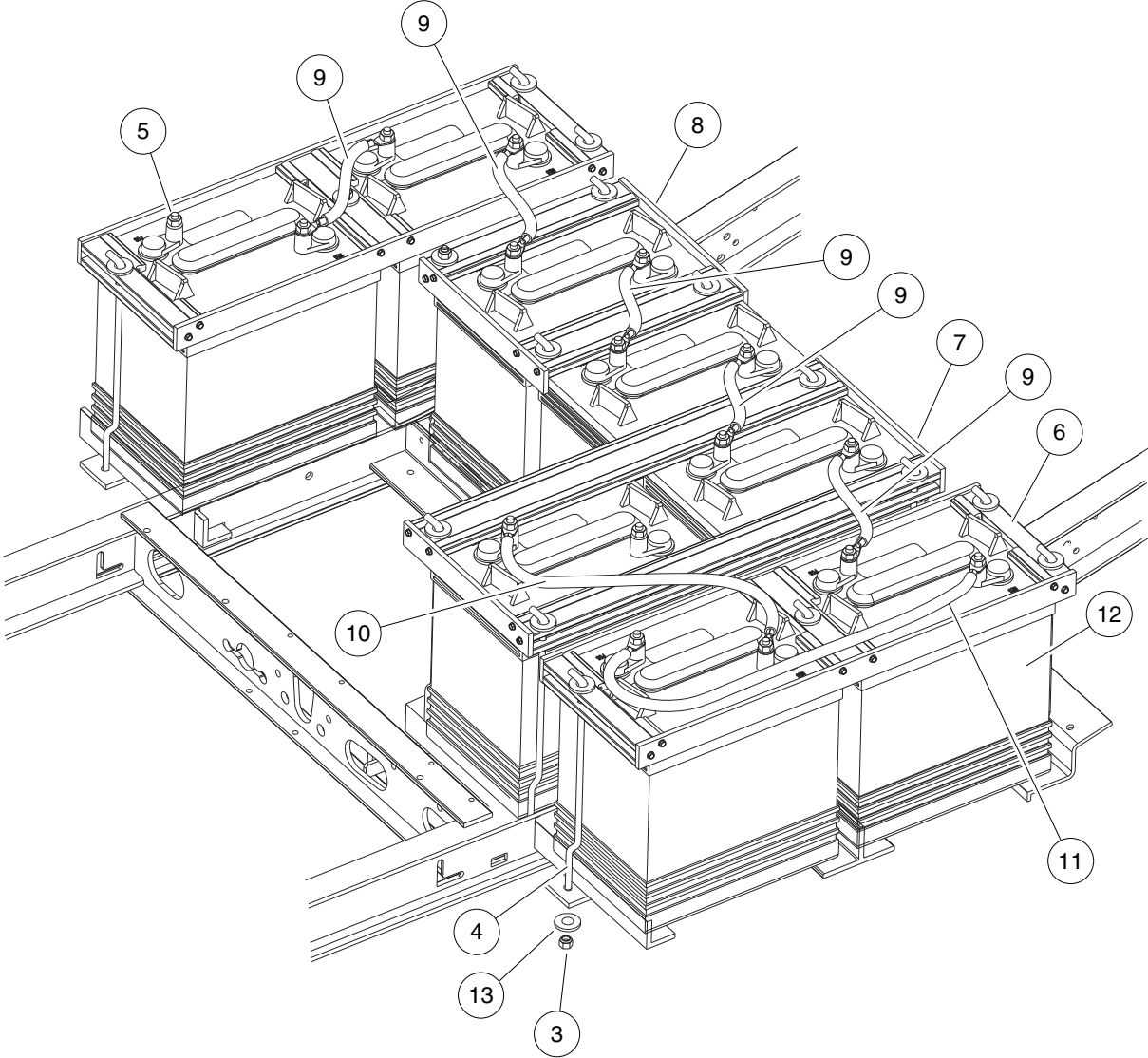
ITEM	PART NO.	DESCRIPTION	QTY
		1 2 3 4	
1	N/A	Instl, Batt, 6v Hd, Ca2 Lsv (includes items 2 through 13)	1
2	1012571	Washer, 5/16 Extra Thick Flat	16
3	1015072	Locknut, 5/16-18 Nylon Insert	16
4	<u>102845204</u>	Rod, Battery Hold Down 12"	16
5	<u>102873401</u>	5/16-18 Heavy Hex Nut	16
6	103481301	Asm, Batt Ret Ob, Ca2	2
7	103481401	Asm, Batt Ret Ctr Long, Ca2	1
8	103481501	Asm, Batt Ret Ctr Short, Ca2	1
9	<u>103528901</u>	Wire, Asm #2 Blk, 9 Inch	5
10	<u>103529001</u>	Wire, Asm #2 Blk, 18.5 Inch	1
11	<u>103529101</u>	Wire, Asm #2 Blk, 25 Inch	2
12	<u>103720401</u>	Battery, 6v, Cr245, Wet	8
13	<u>1241</u>	Washer, 5/16 Type A Flat	15

6

E

6

E



000850-001

T105 BATTERIES – CA 2

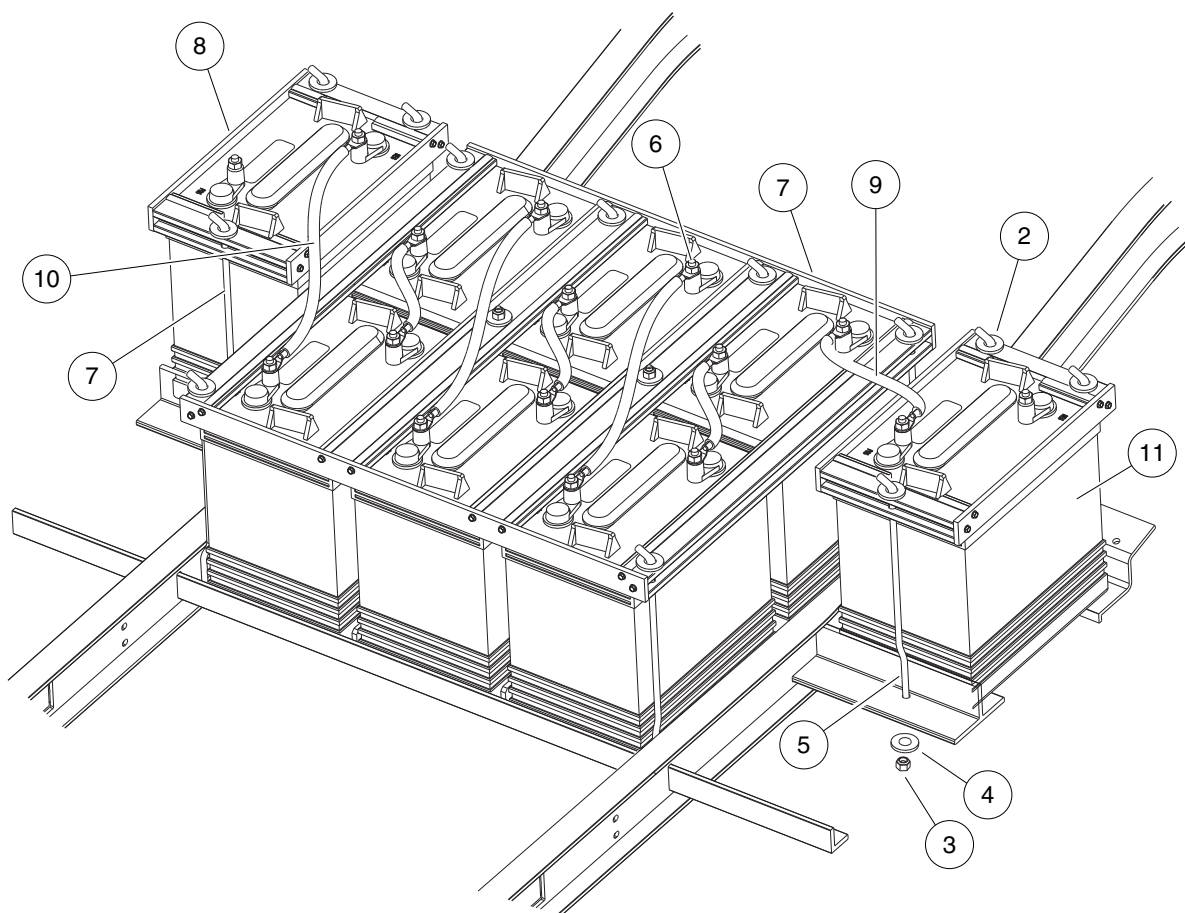
ITEM	PART NO.	DESCRIPTION	QTY
		1 2 3 4	
1	N/A	Instl, Batt, 6v Std, Ca2 Lsv (includes items 2 through 13)	1
2	1012571	Washer, 5/16 Extra Thick Flat	16
3	1015072	Locknut, 5/16-18 Nylon Insert	16
4	<u>102845203</u>	Rod, Battery Hold Down 10.7"	16
5	<u>102873401</u>	5/16-18 Heavy Hex Nut	16
6	103481301	Asm, Batt Ret Ob, Ca2	2
7	103481401	Asm, Batt Ret Ctr Long, Ca2	1
8	103481501	Asm, Batt Ret Ctr Short, Ca2	1
9	<u>103528901</u>	Wire, Asm #2 Blk, 9 Inch	5
10	<u>103529001</u>	Wire, Asm #2 Blk, 18.5 Inch	1
11	<u>103529101</u>	Wire, Asm #2 Blk, 25 Inch	2
12	<u>103793101</u>	Battery, 6v, Gc2, Wet	8
13	<u>1241</u>	Washer, 5/16 Type A Flat	15

6

E

6

E



000851-001

T145 BATTERIES – CA 6

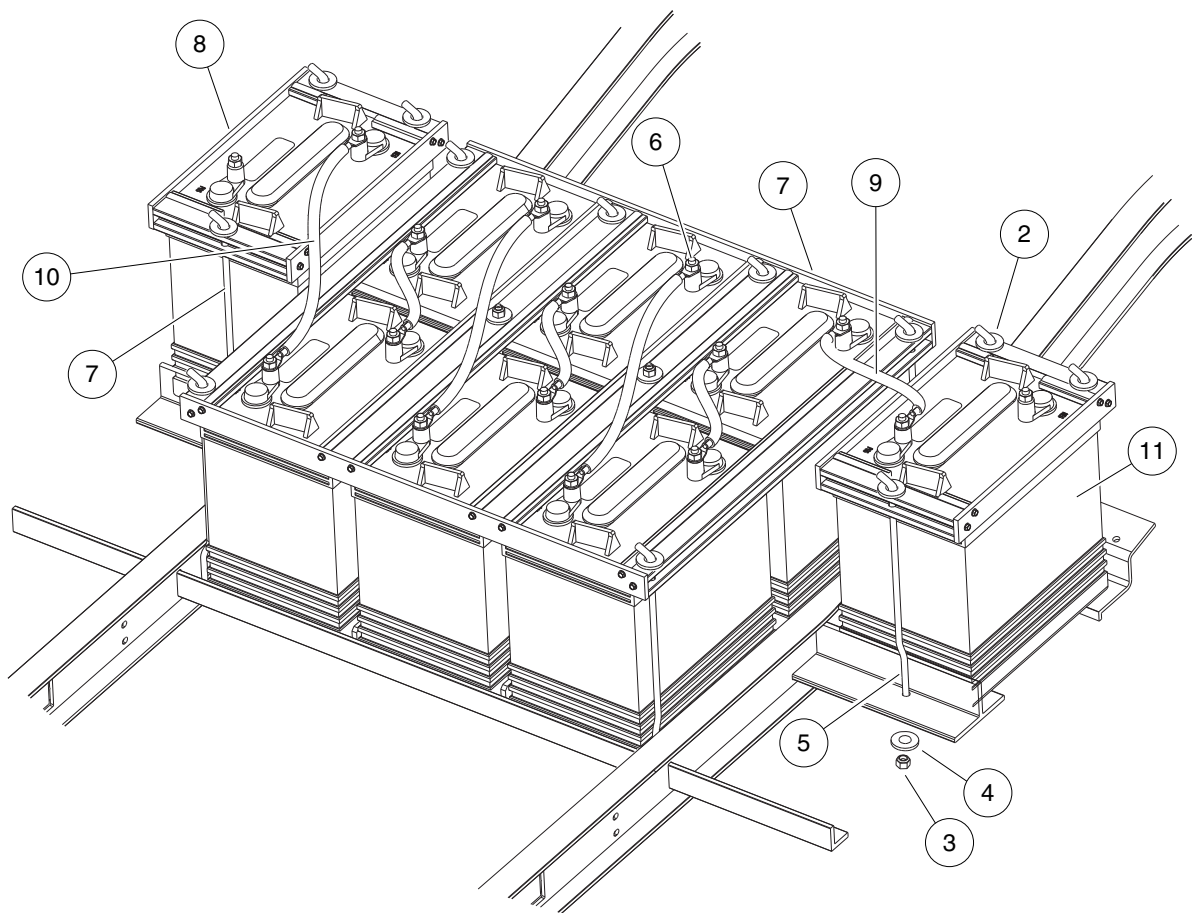
ITEM	PART NO.	DESCRIPTION	QTY
		1 2 3 4	
1	N/A	Instl, Batt, 6v Hd, Ca6 Lsv (includes items 2 through 12)	1
2	1012571	Washer, 5/16 Extra Thick Flat	14
3	1015072	Locknut, 5/16-18 Nylon Insert	14
4	1019997	Washer, Flat Type A - Gen	14
5	<u>102845204</u>	Rod, Battery Hold Down 12"	14
6	<u>102873401</u>	5/16-18 Heavy Hex Nut	16
7	N/A	Asm, Batt Ret Ctr, Ca6	1
8	N/A	Asm, Batt Ret Side, Ca6	2
9	<u>103528901</u>	Wire, Asm #2 Blk, 9 Inch	4
10	<u>103529001</u>	Wire, Asm #2 Blk, 18.5 Inch	3
11	<u>103695701</u>	Battery, 6v, 145xc, Wet	8
12	<u>103720401</u>	Battery, 6v, Cr245, Wet	8

6

E

6

E



000851-001

T105 BATTERIES – CA 6

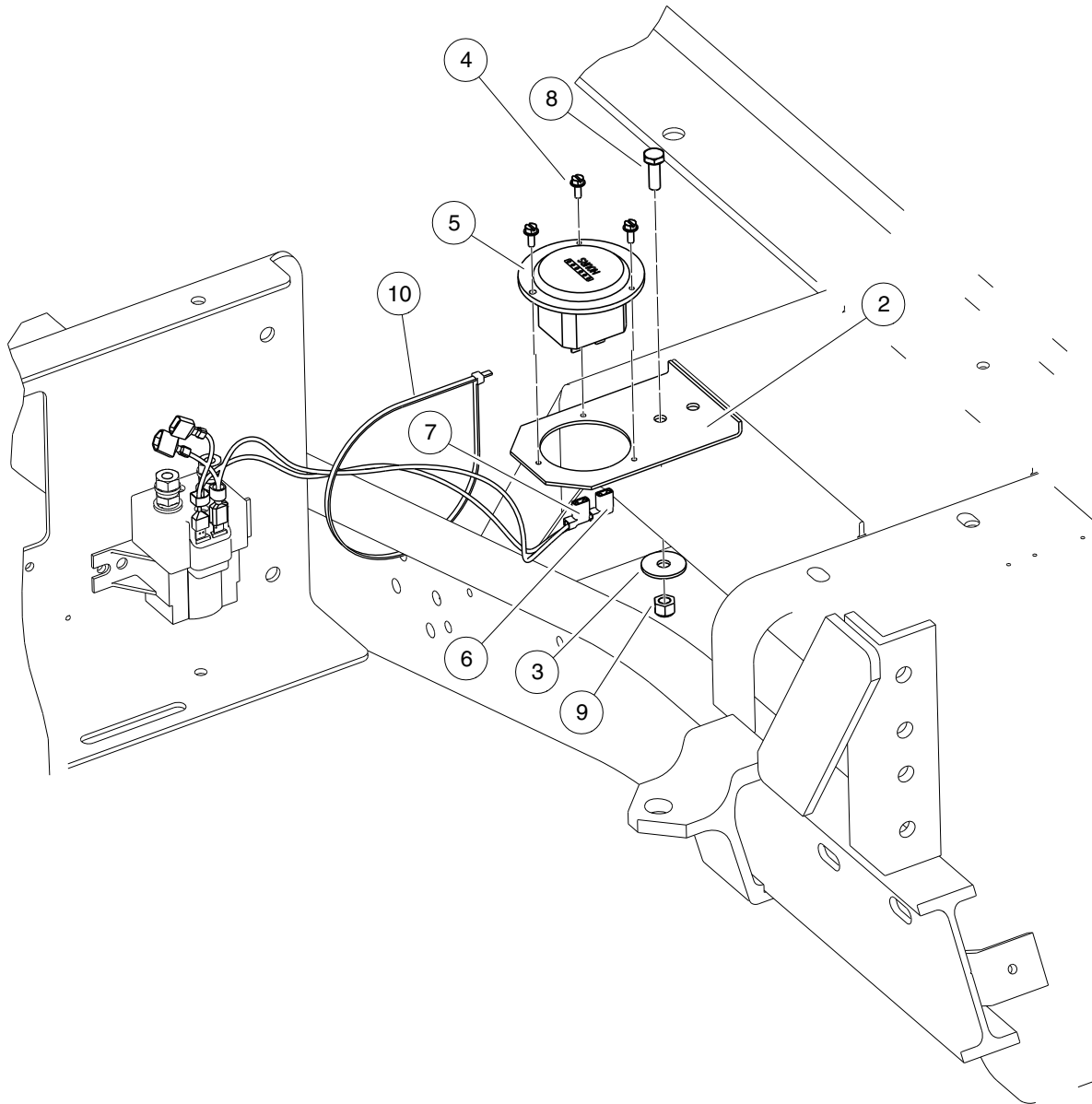
ITEM	PART NO.	DESCRIPTION	QTY
		1 2 3 4	
1	N/A	Instl, Batt, 6v Std, Ca6 Lsv (includes items 2 through 11)	1
2	1012571	Washer, 5/16 Extra Thick Flat	14
3	1015072	Locknut, 5/16-18 Nylon Insert	14
4	1019997	Washer, Flat Type A - Gen	14
5	<u>102845203</u>	Rod, Battery Hold Down 10.7"	14
6	<u>102873401</u>	5/16-18 Heavy Hex Nut	16
7	N/A	Asm, Batt Ret Ctr, Ca6	1
8	N/A	Asm, Batt Ret Side, Ca6	2
9	<u>103528901</u>	Wire, Asm #2 Blk, 9 Inch	4
10	<u>103529001</u>	Wire, Asm #2 Blk, 18.5 Inch	3
11	<u>103793101</u>	Battery, 6v, Gc2, Wet	8

6

E

6

E



000346-002

HOUR METER

ITEM	PART NO.	DESCRIPTION	QTY
		1 2 3 4	
1	N/A	Hour Meter Installation, IQ Plus (includes items 2 through 10)	1
2	<u>1013547</u>	Hour Meter Bracket	1
3	<u>1014306</u>	Washer, 1/4" Type B Flat	1
4	<u>1014540</u>	Screw, #6-32 X 3/8 Taptite	3
5	N/A	Hour Meter	1
6	<u>101997802</u>	Wire Assembly #18 Yellow	1
7	<u>101997902</u>	Wire Assembly #18 Red	1
8	<u>7847</u>	Screw, 1/4-20 X 0.75 Hex-Head Cap	1
9	<u>8233</u>	Locknut, 1/4-20 Nylon Insert	1
10	<u>8990</u>	Tie Wrap, 8" Nylon	1

6

E

6

E

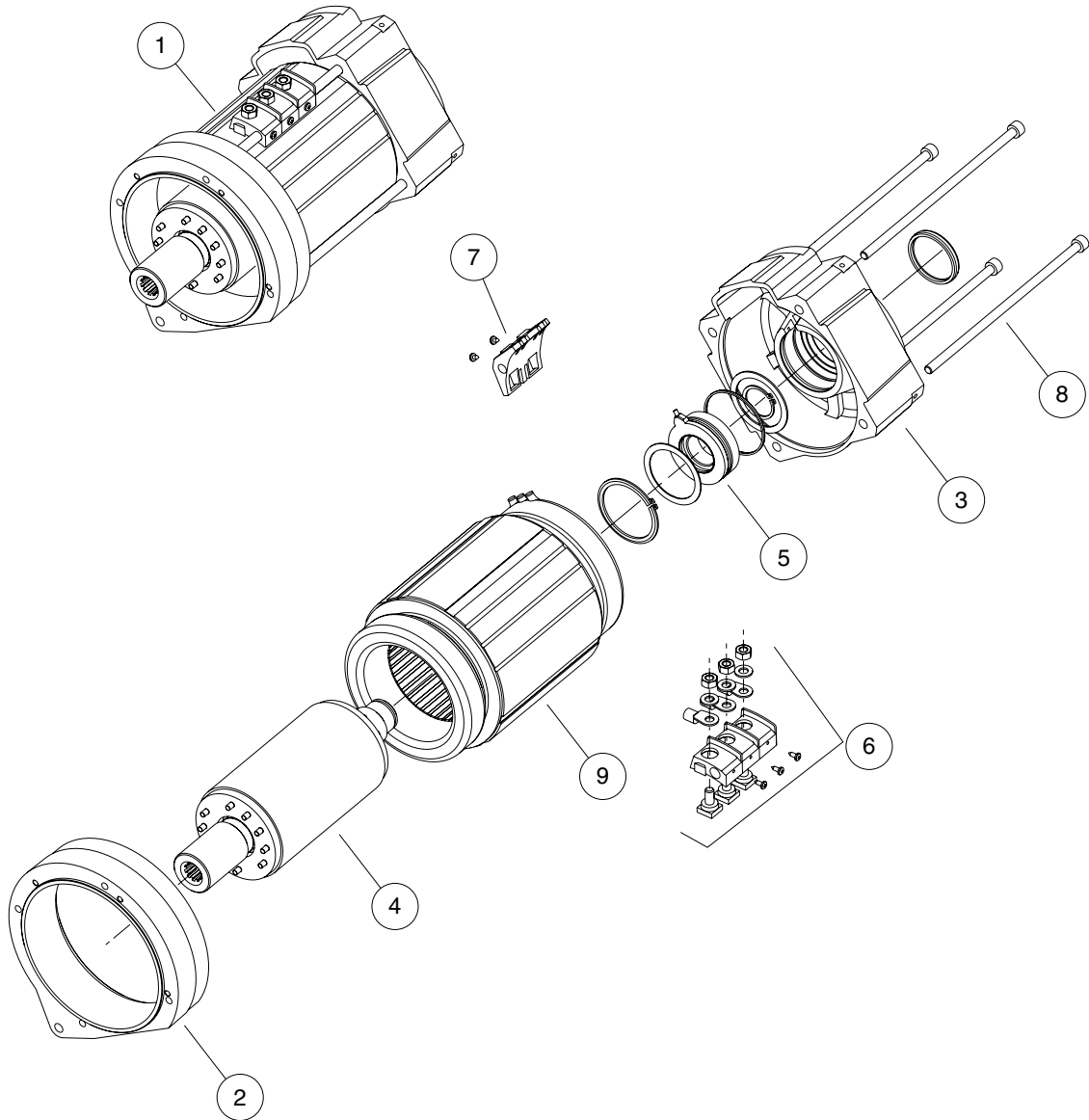
ELECTRIC MOTOR – AC

7

E

7

E



000855-001

AC MOTOR

ITEM	PART NO.	DESCRIPTION	QTY
		1 2 3 4	
1	<u>103452901</u>	Motor, Electric, Ac (includes items 2 through 9)	1
2	<u>103583001</u>	Flange, Ac Motor, Drive End	1
3	<u>103583101</u>	Endshield, Ac Motor, Nde	1
4	<u>103583301</u>	Rotor Asm, Ac Motor	1
5	103583501	Kit, Bearing, Ac Motor	1
6	<u>103583601</u>	Kit, Terminal, Ac Motor	1
7	<u>103583701</u>	Kit, Connector Plate, Ac Motor	1
8	N/A	Screw, M8 X 220, 8.8 A1f	4
9	N/A	Asm, Stator, Ac Motor	1

7

E

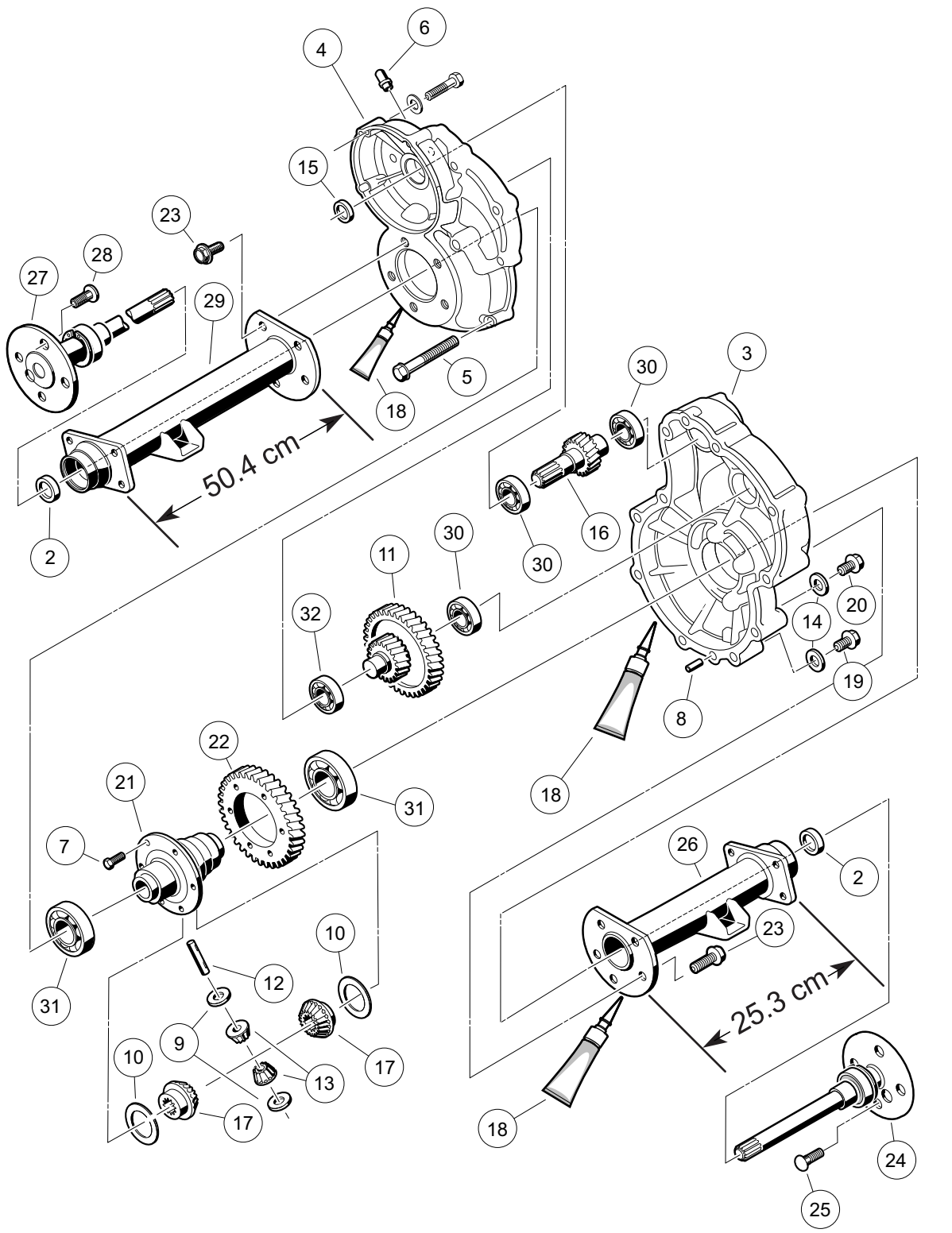
7

E

ELECTRIC TRANSAXLE

8

E



000223-004

TRANSAXLE – ELECTRIC VEHICLES

ITEM	PART NO.	DESCRIPTION	QTY
		1 2 3 4	
1	<u>103484801</u>	Transaxle, Electric, Hs (includes items 2 through 32)	1
2	<u>1013794</u>	Axle Shaft Oil Seal	2
3	<u>101895401</u>	Gear Case, Left-Hand	1
4	<u>101895501</u>	Gear Case, Passenger-Side	1
5	<u>101897001</u>	Screw, M8-1.25 X 60mm Hex-Head	11
6	<u>101897201</u>	Breather	1
7	<u>101897401</u>	Screw, M10-1.25 X 25mm	6
8	<u>101897601</u>	Pin, 11mm OD X 8.5mm ID X 10mm	2
9	<u>101903601</u>	Washer, Thrust	2
10	<u>101903701</u>	Washer, Thrust	2
11	<u>101906901</u>	Intermediate Shaft Assembly	1
12	<u>101922101</u>	Pin, 15.99mm X 88.7mm Dowel	1
13	<u>101923001</u>	Gear, Differential Idler	2
14	<u>101923201</u>	Gasket	2
15	<u>101923501</u>	Seal, Lip	1
16	<u>101923701</u>	Shaft, Input	1
17	<u>101923901</u>	Gear, Differential	2
18	<u>101928701</u>	Liquid Gasket (Transaxle case)	1
19	<u>101972101</u>	Plug, M14-1.5 X 12mm Magnetic	1
20	<u>101972201</u>	Plug, M14-1.5 X 12mm Hex	1
21	<u>102356601</u>	Housing, Differential, 6 Bolt	1
22	<u>102356801</u>	Gear, Differential Output, 6-Bolt	1
23	<u>102357001</u>	Screw, Flg Hd M10 X 1.5 X 30	10
24	<u>102886301</u>	Axle Assembly, Driver-Side (includes item 25)	1
25	<u>101922201</u>	Lug Stud	4
26	<u>102886401</u>	Tube, Axle, Driver-Side	1
27	<u>102886501</u>	Axle Assembly, Passenger-Side (includes item 28)	1
28	<u>101922201</u>	Lug Stud	4
29	<u>102886601</u>	Tube, Axle, Passenger-Side	1
30	<u>103574501</u>	Bearing, 6204-c3	3
31	<u>7330</u>	Inner Axle Tube Bearing	2
32	<u>7336</u>	Bearing	1

8

E

8

E

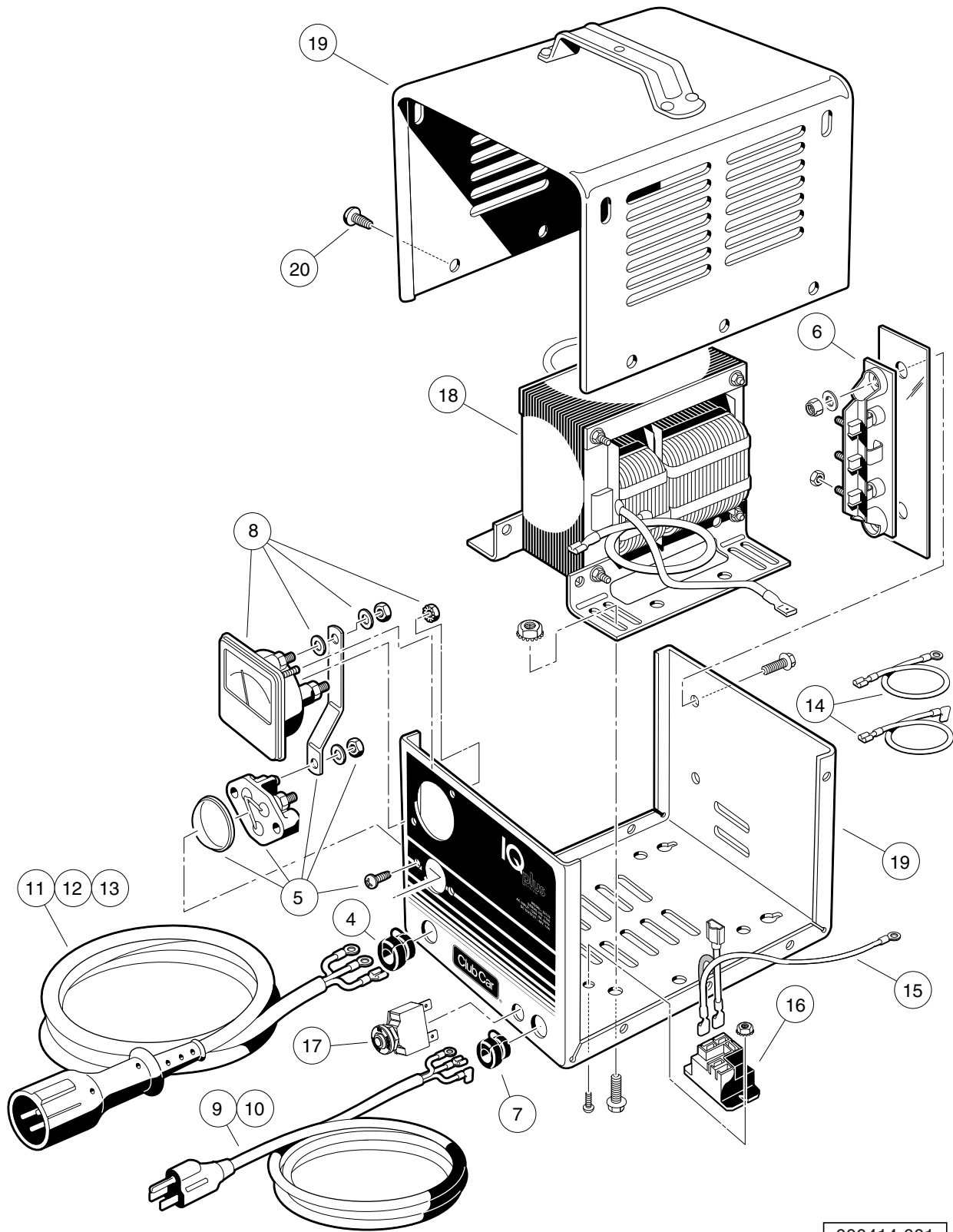
BATTERY CHARGER

9

E

9

E



000414-001

IQ PLUS DOMESTIC BATTERY CHARGER (MODEL 25730)

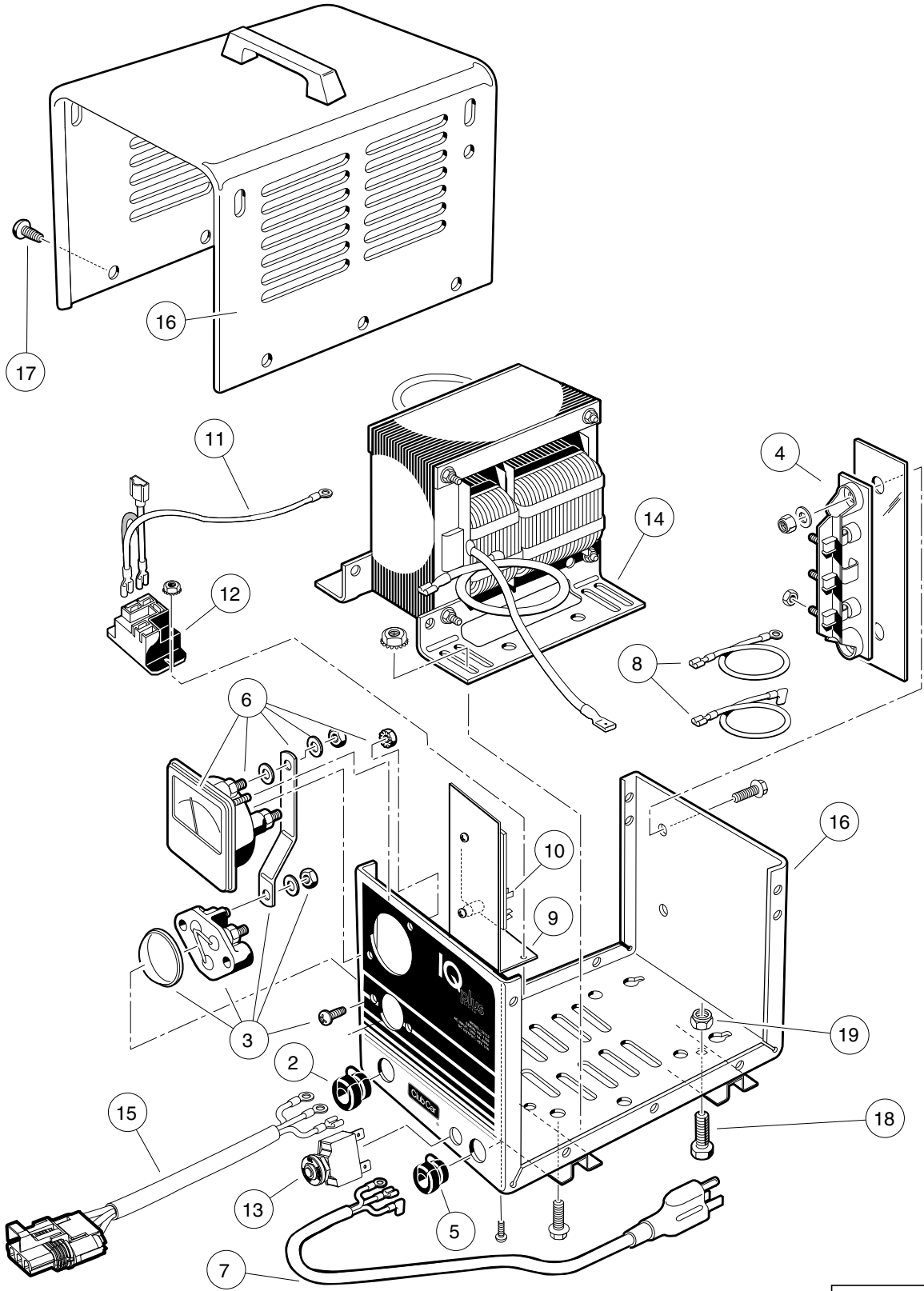
ITEM	PART NO.	DESCRIPTION	QTY
		1 2 3 4	
1	<u>102847801</u>	48-V/17-A IQ Plus (9-ft. DC Cord, 6-ft. AC Cord)	1
2	<u>102847802</u>	48-V/17-A IQ Plus (12-ft. DC Cord, 9-ft. AC Cord)	1
3	<u>102847803</u>	48-V/17-A IQ Plus (20-ft. DC Cord, 9-ft. AC Cord) (includes items 4 through 20)	1
4	<u>1012098</u>	Bushing, DC Cord	1
5	<u>1012101</u>	Fuse Assembly	1
6	<u>1015914</u>	Rectifier with Heatsink Assembly	1
7	<u>1015917</u>	Bushing, AC Cord	1
8	<u>101828501</u>	Ammeter	1
9	<u>101828801</u>	Cord, AC, 80-Inch (203 cm)	1
10	<u>101828802</u>	Cord, AC, 108-Inch (274 cm)	1
11	<u>101828901</u>	Cord, DC, 113-Inch (287 cm)	1
12	<u>101828902</u>	Cord, DC, 154-Inch (391 cm)	1
13	<u>101828903</u>	Cord, DC, 250-Inch (635 cm)	1
14	<u>101831101</u>	Wire Assembly Kit	1
15	101914401	Assembly, Voltage Suppressor	1
16	<u>102275401</u>	Relay, 48-VDC	1
17	<u>102838101</u>	Circuit Breaker 250vac-50vdc	1
18	N/A	Transformer, Battery Charger	1
19	N/A	Case, Battery Charger	1
20	7577	Screw, #10 X 0.50 Phillips Pan-Head	10

9

E

9

E



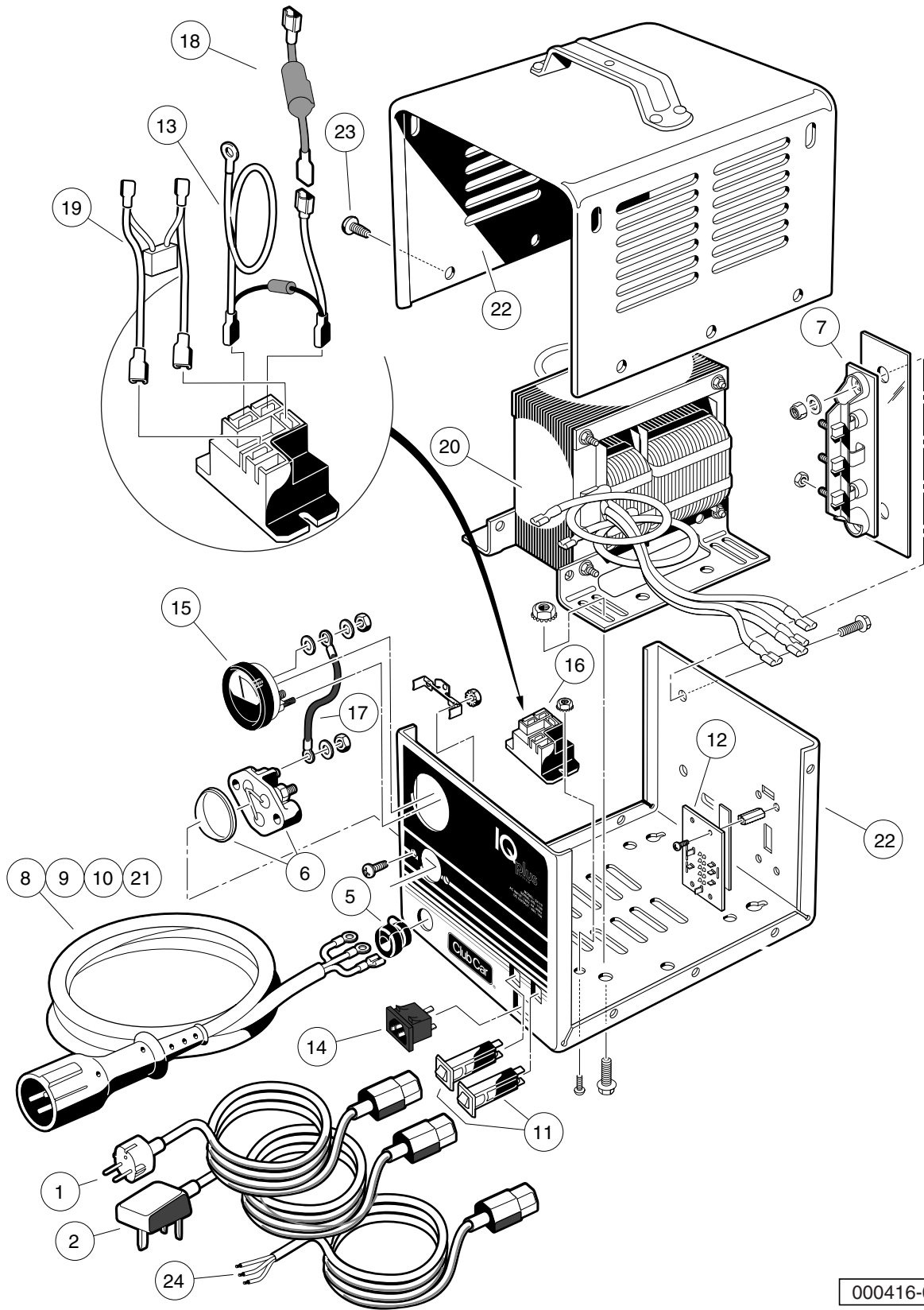
000415-001

IQ PLUS ONBOARD BATTERY CHARGER (MODEL 25260)

ITEM	PART NO.	DESCRIPTION	QTY
		1 2 3 4	
1	<u>102837001</u>	Battery Charger, Onboard, 120-VAC, 48-VDC (includes items 2 through 19)	1
2	<u>1012098</u>	Bushing, DC Cord	1
3	<u>1012101</u>	Fuse Assembly	1
4	<u>1015914</u>	Rectifier with Heatsink Assembly	1
5	<u>1015917</u>	Bushing, AC Cord	1
6	<u>101828501</u>	Ammeter	1
7	<u>101829001</u>	Cord, AC, 22-Inch (56 cm)	1
8	<u>101831101</u>	Wire Assembly Kit	1
9	****	Mounting Bracket, Relay	1
10	<u>101841901</u>	Control Board	1
11	<u>101914401</u>	Assembly, Voltage Suppressor	1
12	<u>102275401</u>	Relay, 48-VDC	1
13	<u>102838101</u>	Circuit Breaker 250vac-50vdc	1
14	N/A	Transformer, Battery Charger	1
15	<u>102940801</u>	Cord, Dc	1
16	N/A	Case, Battery Charger	1
17	<u>7577</u>	Screw, #10 X 0.50 Phillips Pan-Head	12
18	<u>7847</u>	Screw, 1/4-20 X 0.75 Hex-Head Cap	4
19	<u>8233</u>	Locknut, 1/4-20 Nylon Insert	4
		**** Special order item available upon request.	

9

E



000416-001

IQ PLUS BATTERY CHARGER (MODEL 25880), EXPORT AND EUROPEAN

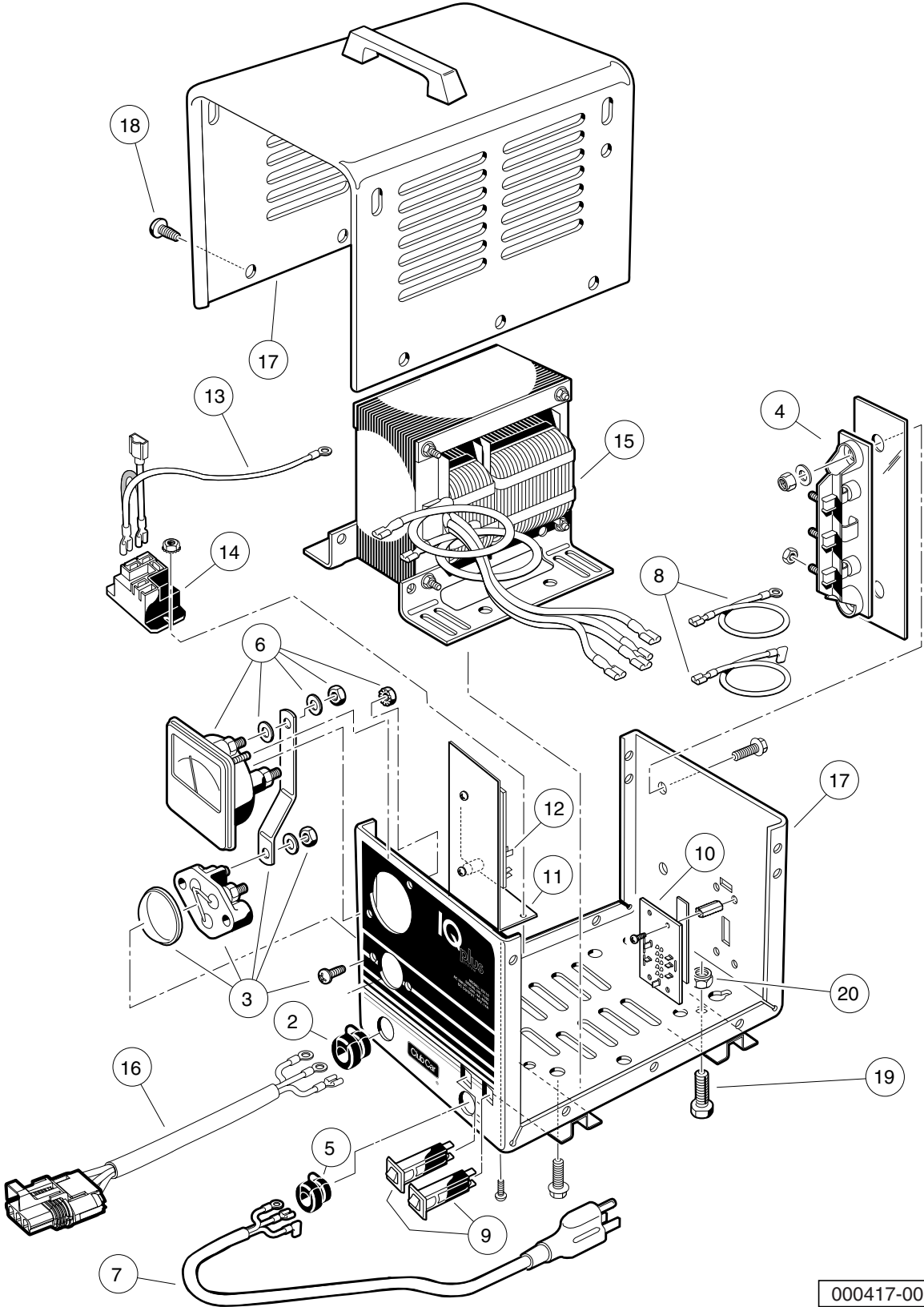
ITEM	PART NO.	DESCRIPTION	QTY
		1 2 3 4	
1	<u>101958201</u>	Cord, UK, AC, Battery Charger	1
2	101958301	Cord, European AC, Battery Charger	1
3	<u>102892901</u>	Charger, Export and European	1
4	<u>102892902</u>	Charger, Export and European (includes items 5 through 23)	1
5	<u>1012098</u>	Bushing, DC Cord	1
6	<u>1012101</u>	Fuse Assembly	1
7	<u>1015914</u>	Rectifier with Heatsink Assembly	1
8	<u>101828901</u>	Cord, DC, 113-Inch (287 cm)	1
9	<u>101828902</u>	Cord, DC, 154-Inch (391 cm)	1
10	<u>101828903</u>	Cord, DC, 250-Inch (635 cm)	1
11	101838401	Circuit Breaker	2
12	101838601	Four-Position Switch	1
13	101914401	Assembly, Voltage Suppressor	1
14	101973501	Receptacle, AC Cord	1
15	101976601	Ammeter with Mounting Bracket	1
16	<u>102275401</u>	Relay, 48-VDC	1
17	N/A	Wire, Jumper	1
18	****	Limiters, Current	1
19	****	Wire Assembly, Battery Charger	1
20	****	Transformer, Battery Charger	1
21	<u>102940801</u>	Cord, Dc	1
22	N/A	Case, Battery Charger	1
23	7577	Screw, #10 X 0.50 Phillips Pan-Head	10
24	<u>102939501</u>	Cord, European AC, Battery Charger	1
		**** Special order item available upon request.	

9

E

9

E



000417-001

IQ PLUS ONBOARD BATTERY CHARGER (MODEL 25660), EXPORT

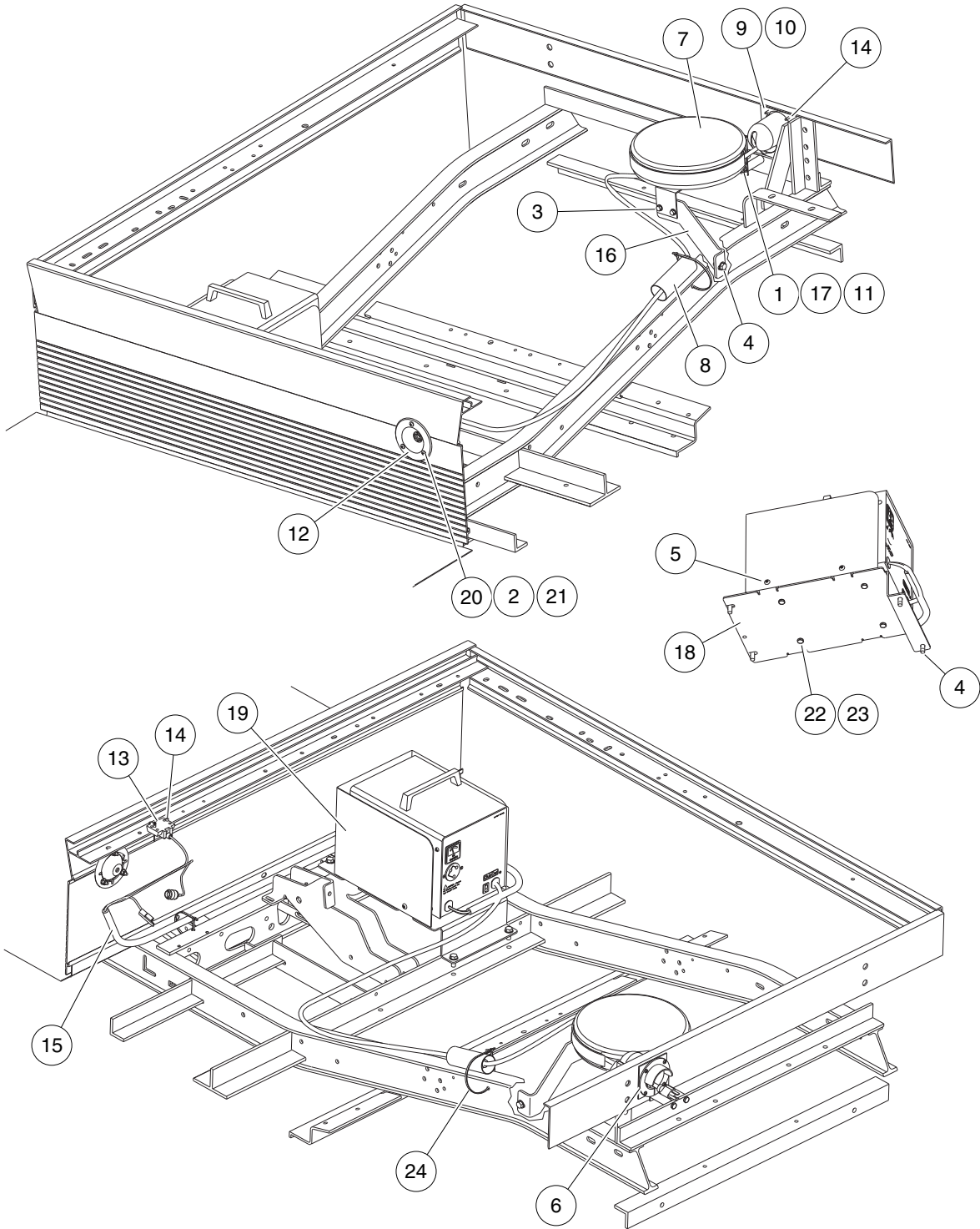
ITEM	PART NO.	DESCRIPTION	QTY
		1 2 3 4	
1	102893001	Battery Charger, Onboard, International, IQ Plus (includes items 2 through 20)	1
2	<u>1012098</u>	Bushing, DC Cord	1
3	<u>1012101</u>	Fuse Assembly	1
4	<u>1015914</u>	Rectifier with Heatsink Assembly	1
5	<u>1015917</u>	Bushing, AC Cord	1
6	<u>101828501</u>	Ammeter	1
7	<u>101829001</u>	Cord, AC, 22-Inch (56 cm)	1
8	<u>101831101</u>	Wire Assembly Kit	1
9	101838401	Circuit Breaker	2
10	101838601	Four-Position Switch	1
11	****	Mounting Bracket, Relay	1
12	<u>101841901</u>	Control Board	1
13	101914401	Assembly, Voltage Suppressor	1
14	<u>102275401</u>	Relay, 48-VDC	1
15	****	Transformer, Battery Charger	1
16	<u>102940801</u>	Cord, Dc	1
17	N/A	Case, Battery Charger	1
18	7577	Screw, #10 X 0.50 Phillips Pan-Head	12
19	<u>7847</u>	Screw, 1/4-20 X 0.75 Hex-Head Cap	4
20	<u>8233</u>	Locknut, 1/4-20 Nylon Insert	4
**** Special order item available upon request.			

9

E

9

E



000420-004

BATTERY CHARGER AND REEL MOUNTING – CA 2

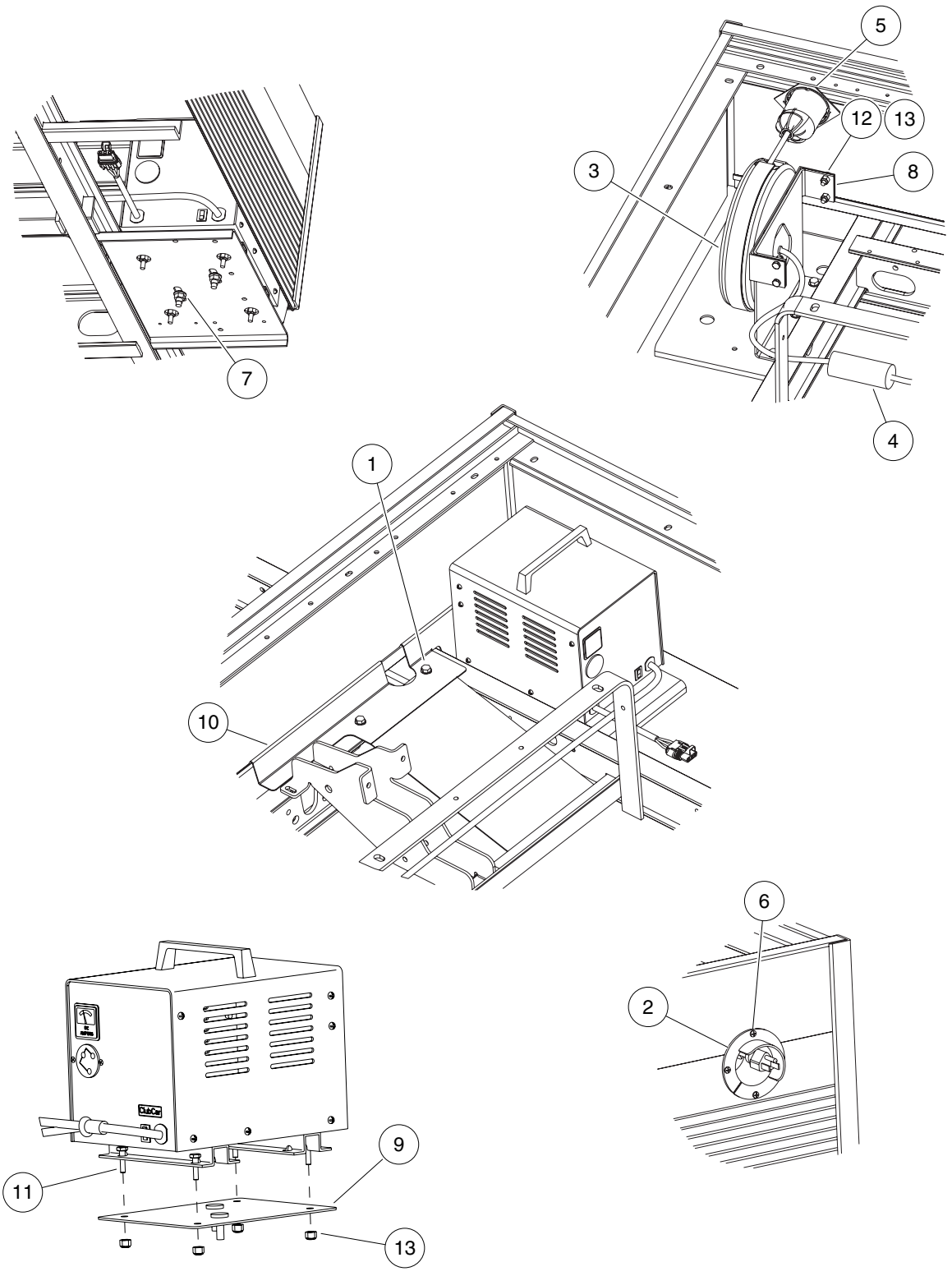
ITEM	PART NO.	DESCRIPTION	QTY
		1 2 3 4	
1	<u>1012159</u>	Bolt, 1/4-20 X 2.75 Hex-Head	2
2	<u>1012438</u>	Locknut, #10-24 Nylon Insert	3
3	<u>1014063</u>	Screw, 1/4-20 X 1.00 Hex Head	2
4	<u>1014288</u>	Screw, 5/16-18 X 0.75 Thread-Forming	5
5	<u>1014321</u>	Screw, #10 Truss-Head Torx	4
6	<u>1016673</u>	Housing, Cord Reel	1
7	<u>1017187</u>	Retractable Cord Reel	1
8	<u>1017189</u>	Heat Shrink Tube 1.5" X 3"	1
9	<u>101801001</u>	Plate, Receptacle Backing	1
10	<u>101832001</u>	Screw, #7-19 X 0.625 Phillips Pan-Head Tap	4
11	<u>101835601</u>	Locknut, 1/4-20 Hex Whiz	2
12	<u>101933701</u>	Bezel, Choke Cable	1
13	<u>101966801</u>	Block, Terminal	1
14	<u>101968801</u>	Rivet, 3/16", Pop	2
15	<u>102881401</u>	Charger Harness, IQ Plus, 55"	1
16	<u>103483801</u>	Brkt, Mtg Cord Reel, Ca2	1
17	<u>103483901</u>	Spacer, Cord Reel, Ca2	2
18	<u>103484001</u>	Plate, Mtg Ob Charger, Ca2	1
19	<u>103485201</u>	Shield, Ob Charger, Ca2	1
20	<u>1631</u>	Screw, #10-24 X 0.75 Phillips Pan-Head	3
21	<u>183</u>	Washer, #10 Type A Flat	3
22	<u>7847</u>	Screw, 1/4-20 X 0.75 Hex-Head Cap	4
23	<u>8233</u>	Locknut, 1/4-20 Nylon Insert	4
24	<u>8990</u>	Tie Wrap, 8" Nylon	2

9

E

9

E



000420-003

BATTERY CHARGER AND REEL MOUNTING – CA 6

ITEM	PART NO.	DESCRIPTION	QTY
		1 2 3 4	
1	<u>1014288</u>	Screw, 5/16-18 X 0.75 Thread-Forming	5
2	<u>1016673</u>	Housing, Cord Reel	1
3	<u>1017187</u>	Retractable Cord Reel	1
4	<u>1017189</u>	Heat Shrink Tube 1.5" X 3"	1
5	<u>101801001</u>	Plate, Receptacle Backing	1
6	<u>101832001</u>	Screw, #7-19 X 0.625 Phillips Pan-Head Tap	4
7	<u>101832901</u>	Nut, M10-1.25 Hex Flange	2
8	<u>102770701</u>	Bracket, Reel, Tabbed	1
9	<u>102942601</u>	Asm, Plate, Charger Mounting	1
10	<u>103517001</u>	Shield, Ob Chrgr, Ac Mtr, Ca6	1
11	304	Screw, 1/4-20 X 1.0 Hex-Head Cap	4
12	<u>7847</u>	Screw, 1/4-20 X 0.75 Hex-Head Cap	4
13	<u>8233</u>	Locknut, 1/4-20 Nylon Insert	8

9

E

9

E

MAINTENANCE AND SERVICE TOOLS

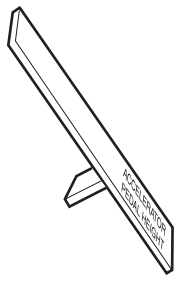
10

G

E

D

10
G
E
D



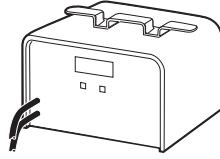
1



2



3



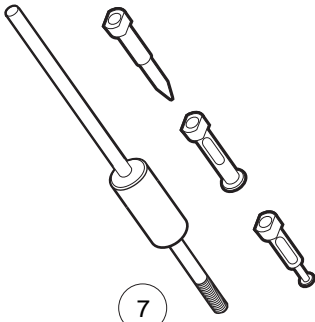
4



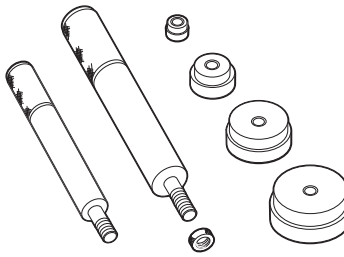
5



6



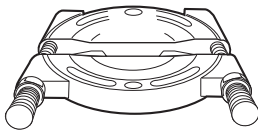
7



8



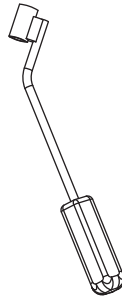
9



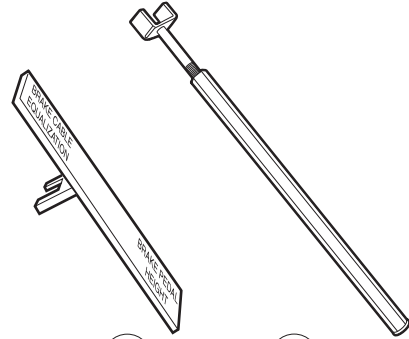
10



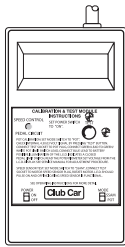
11



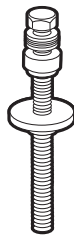
12



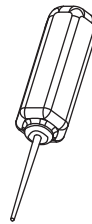
14 15
13



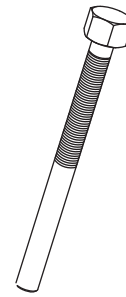
16



17



18



19

MAINTENANCE AND SERVICE TOOLS

ITEM	PART NO.	DESCRIPTION	QTY DIESEL	QTY GAS	QTY ELEC
		<p style="text-align: center;">1 2 3 4</p> <p>The following tool list includes all tools available from Club Car for maintenance and service procedures for gasoline, electric, and/or diesel vehicles, both past and present models. Be sure to carefully examine the tool list for applicability to your vehicle before ordering.</p>			
1	<u>101871001</u>	Accelerator Pedal Adjustment Tool		1	1
2	<u>101813202</u>	Adhesive, Guide Ring, 3-Gram Tube			1
3	<u>101641202</u>	Arbor		1	
4	<u>101831901</u>	Battery Discharge Machine, 36/48 Volt			1
5	<u>1014305</u>	Battery Terminal Protector Spray	1	1	1
6	1011767	Battery Thermometer	1	1	1
7	<u>1016417</u>	Bearing and Oil Seal Remover Assembly	1	1	1
8	<u>1016416</u>	Bearing Driver Set	1	1	1
9	<u>1012811</u>	Bearing Puller	1	1	1
10	<u>1012812</u>	Bearing Puller Wedge Attachment	1	1	1
11	1013582	Brake Adjustment Tool (used only on vehicles with manually adjusted mechanical brakes)			
12	<u>102555501</u>	Brake Cable Release Tool	1	1	1
13	102249901	Brake Pedal Adjustment Tool Kit (used for the Carryall Electric Industrial Truck only) (includes items 14 and 15).....			1
14	****	Brake Pedal Adjustment Tool			1
15	****	Brake Pedal Tension Tool			1
16	<u>101887101</u>	Calibration Test Module			1
17	<u>101808401</u>	Cam Installation Tool		1	
18	<u>102562401</u>	Charger Bezel Tool			1
19	<u>102686101</u>	Clutch Removal Tool (for 4x4 vehicles)	1	1	
		Please refer to the maintenance and service manual for proper tool application.			
	****	Special order item available upon request			

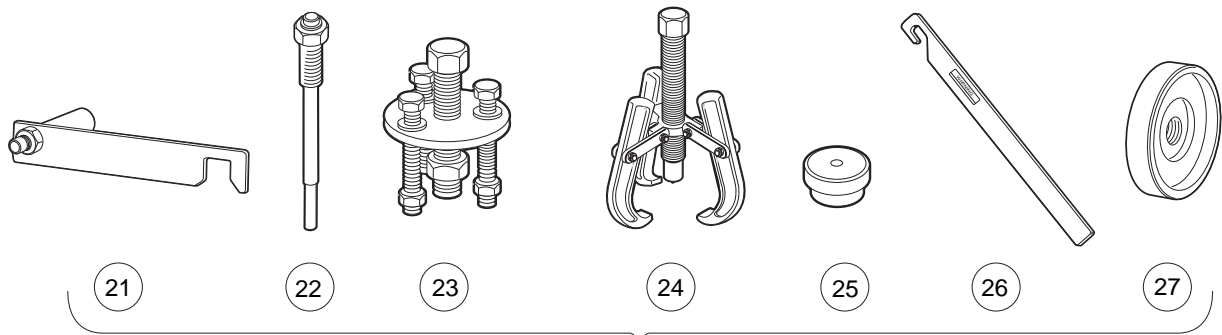
10

G

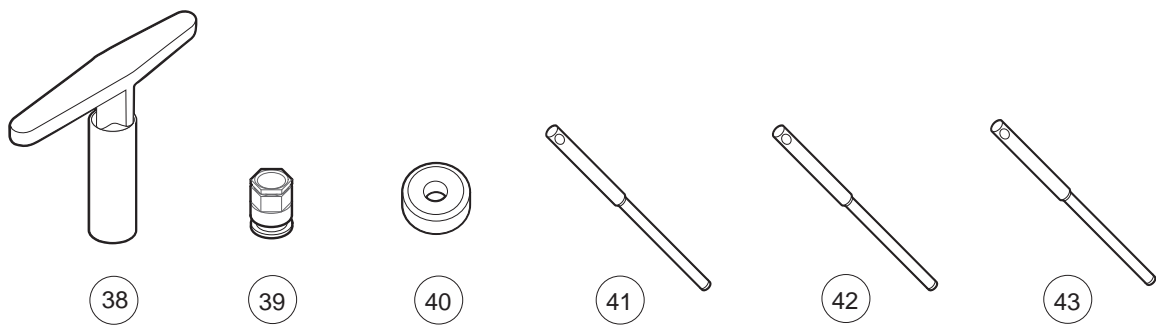
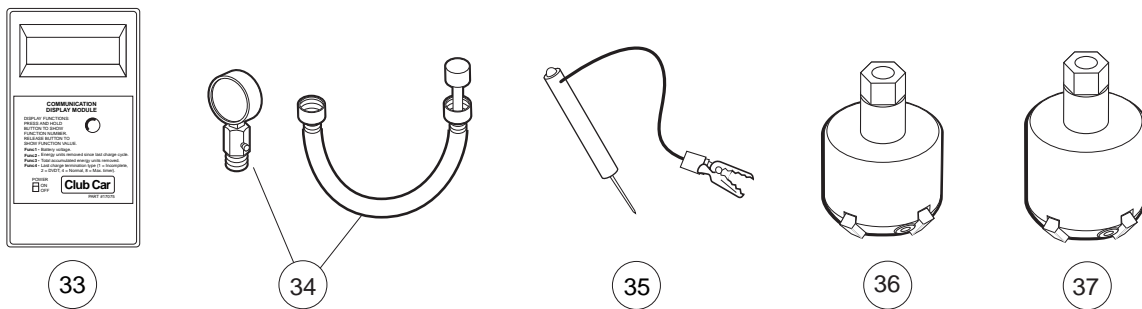
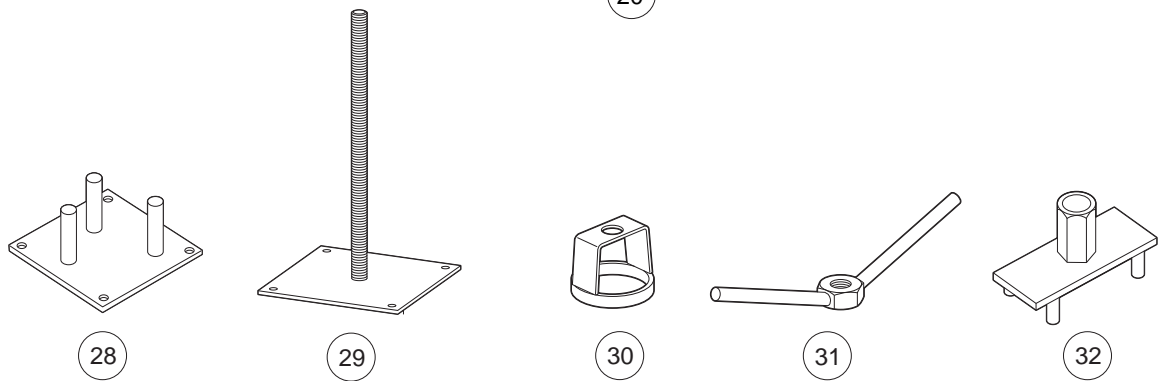
E

D

10
G
E
D



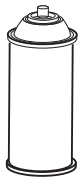
20



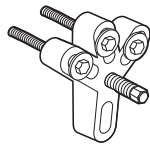
MAINTENANCE AND SERVICE TOOLS, CONTINUED

ITEM	PART NO.	DESCRIPTION	QTY DIESEL	QTY GAS	QTY ELEC	10
		1 2 3 4				G
20	<u>1014510</u>	Clutch Tool Kit (includes items 21 - 27)		1		E
21	<u>1014498</u>	Clutch Alignment Tool (for pre-unitized transaxle vehicles built prior to 1997 model year)		1		D
22	<u>1014496</u>	Drive Clutch Puller (for Kawasaki engines only)		1		
23	<u>1014497</u>	Drive Clutch Hub Puller (for Kawasaki engines only)		1		
24	<u>1014508</u>	Driven Clutch Cam Puller (for Kawasaki engines only)		1		
25	<u>1014507</u>	Driven Clutch Puller Plug (for Kawasaki engines only)		1		
26	<u>1015524</u>	Drive Clutch Holder Tool Assembly (for Kawasaki engines only)		1		
27	<u>101809101</u>	Press Weldment (for Kawasaki engines only)		1		
28	<u>102601501</u>	Drive ClutchFixed Sheave Tool (for 4x4 vehicles)	1	1		
29	<u>102603501</u>	Driven Clutch Spring Compression Base (for use with items 30 and 31) (for 4x4 vehicles)	1	1		
30	<u>102605201</u>	Driven Clutch Spring Compression Collar (for use with items 29 and 31) (for 4x4 vehicles)	1	1		
31	<u>102606101</u>	Driven Clutch Spring Compression Nut (for use with items 29 and 30) (for 4x4 vehicles)	1	1		
32	<u>102607501</u>	Drive Clutch Spider Removal Tool (for 4x4 vehicles)	1	1		
33	101831801	Communication Display Module			1	
34	101641002	Compression Gauge and Adapter		1		
35	1011273	Continuity Tester		1	1	
36	<u>102773801</u>	Cutter, Valve Seat, #122		1		
37	<u>102773901</u>	Cutter, Valve Seat #115		1		
38	<u>102774101</u>	Wrench, T, #505.....		1		
39	<u>102774101</u>	Adapter, T-Wrench		1		
40	102675401	Cutter, Valve Seat, 60 Degree (requires item 51) (for Honda GX620 Gasoline Engines)		1		
41	<u>102774201</u>	Pilot, 6.6 MM		1		
42	<u>102774301</u>	Pilot, 6.62 MM.....		1		
43	<u>102774401</u>	Pilot, 6.65 MM.....		1		
		Please refer to the maintenance and service manual for proper tool application.				

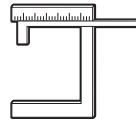
10
G
E
D



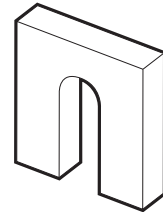
44



45



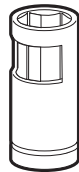
46



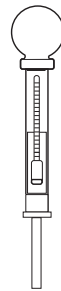
47



48



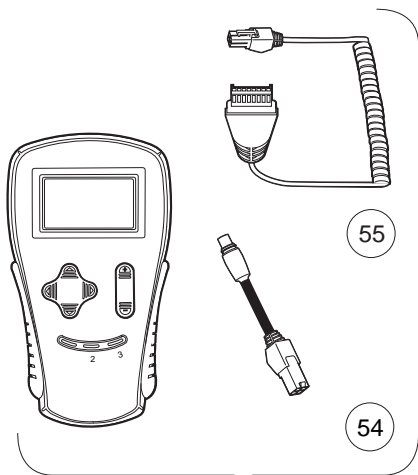
49



50



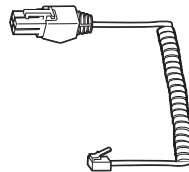
51



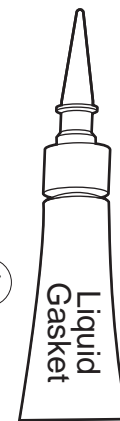
52 53

55

54



56



57



58



59 60



61

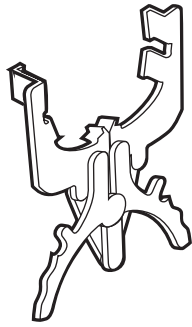
MAINTENANCE AND SERVICE TOOLS, CONTINUED

ITEM	PART NO.	DESCRIPTION	QTY DIESEL	QTY GAS	QTY ELEC	10	
		1 2 3 4					
44	<u>1012151</u>	Dry Moly Lubricant	1	1	1	G	
45	<u>1016627</u>	Flywheel Puller Kit (for Kawasaki Engines)		1			
46	<u>102669901</u>	Gauge, Carburetor Float Level (for Honda GX620 Gasoline Engines)		1			E
47	<u>1016418</u>	Gear Yoke	1	1	1		
48	<u>101933101</u>	Governor Shaft Installation Tool (for Kawasaki Engine Vehicles)		1		D	
49	<u>102169401</u>	Hydraulic Brake Adjuster (for Turf/CA 272/472, Pioneer/XRT 1200, Bobcat 2100, HUV 4213)			1		
50	<u>1011478</u>	Hydrometer	1	1	1		
51	<u>1013593</u>	Internal Retaining Ring Pliers	1	1	1		
52	<u>102248803</u>	IQ Display Module (IQDM) Kit (IQ System and IQ Plus vehicles)			1		
		(includes items 54 and 55)					
53	<u>102248804</u>	IQ Display Module (IQDM-P) Kit (IQ System and IQ Plus vehicles)			1		
		(includes items 54 and 55)					
54	<u>102251501</u>	Adaptor, Cable			1		
55	<u>102241502</u>	IQDM Series 2 Cable			1		
56	<u>102241501</u>	IQDM Series 1 Cable (replacement)			1		
57	<u>101928701</u>	Liquid Gasket (transaxle case)	1	1	1		
58	<u>102243402</u>	Moly-Teflon Lubricant (4-oz. (113-gram) tube)			1		
59	<u>101997201</u>	Paint, Touch-Up – Beige*		1	1		
59	<u>101997207</u>	Paint, Touch-Up – Black*		1	1		
59	<u>101997212</u>	Paint, Touch-Up – Burgundy*		1	1		
59	<u>101997211</u>	Paint, Touch-Up – Classic Blue (Navy)*		1	1		
59	<u>101997205</u>	Paint, Touch-Up – Dark Gray*	1	1	1		
59	<u>101997209</u>	Paint, Touch-Up – Dark Green*	1	1	1		
59	<u>101997204</u>	Paint, Touch-Up – Gray*	1	1	1		
59	<u>101997203</u>	Paint, Touch-Up – Red*	1	1	1		
59	<u>101997206</u>	Paint, Touch-Up – Royal Blue (Pacific Blue)*		1	1		
59	<u>101997202</u>	Paint, Touch-Up – White*	1	1	1		
60	<u>102562301</u>	Paint, Precedent Underbody – Gray		1	1		
61	<u>102587201</u>	Paint Pen, Touch-Up, Precedent Underbody – Black		1	1		
		Please refer to the maintenance and service manual for proper tool application.					
		* Item 59 is not for use on Surlyn [®] body material, which is used on Precedent vehicles.					

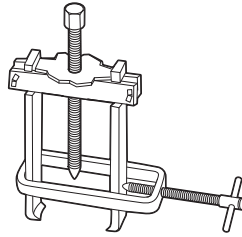
10
G
E
D



62



63



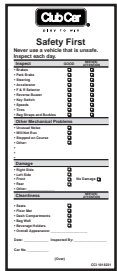
64



65



66



67



68



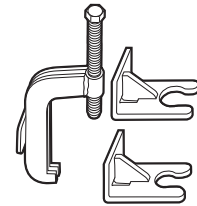
69



70



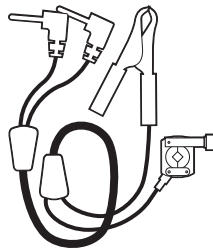
71



72



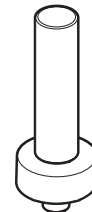
73



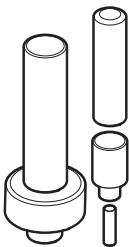
74



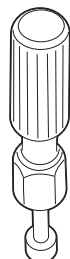
75



76



77



83



84



85



86

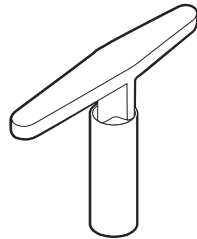
MAINTENANCE AND SERVICE TOOLS, CONTINUED

ITEM	PART NO.	DESCRIPTION	QTY	QTY	QTY	10
			DIESEL	GAS	ELEC	
		1 2 3 4				G
62	<u>1016414</u>	Piston Ring Compressor Kit (FE290, FE350 and FE400 engines)		1		E
63	<u>1016415</u>	Piston Ring Pliers (for Kawasaki Engines)		1		D
64	<u>102668801</u>	Puller, Special Use (for Kubota D722 Diesel Engines)	1			
65	<u>1012549</u>	Retaining Ring Pliers, 45° External	1	1	1	
66	<u>1012560</u>	Retaining Ring Pliers, 90° Internal	1	1	1	
67	<u>101823101</u>	Safety First Card (50 per pack)	1	1	1	
68	<u>1012809</u>	Seal Puller	1	1	1	
69	<u>102330901</u>	Spanner Wrench (for coil over shock front suspension vehicles only)	1	1		
70	<u>1014264</u>	Steering Column Bearing Press Tool		1	1	
71	<u>1014259</u>	Steering Column Retaining Ring Tool		1	1	
72	<u>102061201</u>	Steering Wheel Puller Tool	1	1	1	
73	<u>AM10753</u>	Tachometer (includes gasoline engine pick up lead only)	1	1		
74	<u>AM10771</u>	Tachometer Diesel Probe (for use with item 73)	1			
75	<u>1014162</u>	Transaxle Axle Seal Tool		1		
76	<u>1014161</u>	Transaxle Pinion Seal Tool		1		
77	<u>1014115</u>	Transmission Tool Kit		1		
78	<u>101611003</u>	Tune-Up Kit, All OHV (for FE290, FE350, FE400 only) (includes air filter, spark plug, oil filter, fuel filters) (not shown)		1		
79	<u>AM11804</u>	Tune-Up Kit, Gx620 (for Honda Engines) (includes air filter, spark plug, oil filter, fuel filters) (not shown)		1		
80	<u>AM11805</u>	Tune-Up Kit, D722 (for Kubota Engines) (includes air filter, oil filter, fuel filters, water separator filter) (not shown)	1			
81	<u>AM1220301</u>	Tune-Up Kit, Precedent (for FE290/350 Engines) (includes air filter, spark plug, oil filter, fuel filters) (not shown)		1		
82	<u>AM1232401</u>	Tune-Up Kit, FH680D (for Kawasaki V-Twin Engines) (includes oil filter, fuel filter, air filter, and spark plugs) (not shown)		1		
83	<u>1016413</u>	Valve Clearance Adjuster Screw Holder (for FE290 engines only)		1		
84	<u>102674601</u>	Valve Guide Driver (for Honda GX620 Gasoline Engines)		1		
85	<u>101641201</u>	Valve Guide Reamer (FE290, FE350, and FE400 only)		1		
86	<u>102674401</u>	Valve Guide Reamer, 6.6 mm (for Honda GX620 Gasoline Engines)		1		

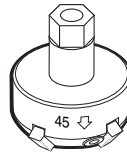
10
G
E
D



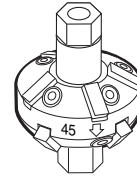
87



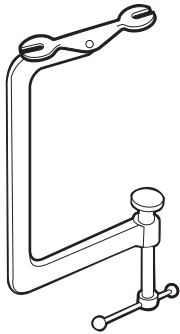
88



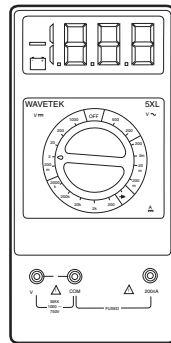
89



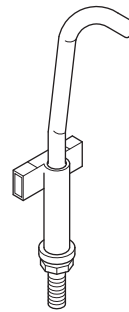
90



91



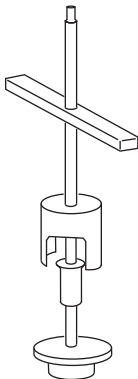
92



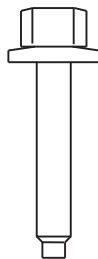
93



94



95



96

MAINTENANCE AND SERVICE TOOLS, CONTINUED

ITEM	PART NO.	DESCRIPTION	QTY DIESEL	QTY GAS	QTY ELEC	10
		1 2 3 4				G
87	<u>1016552</u>	Valve Seat Cutter Guide		1		E
88	<u>1016551</u>	Valve Seat Cutter T-Wrench		1		D
89	<u>1016553</u>	Valve Seat Cutter, 45° (32 mm diameter) (for FE290 engines only)		1		
90	<u>1016554</u>	Valve Seat Cutter, 45°/30° (35 mm diameter)		1		
91	<u>101641101</u>	Valve Spring Compressor		1		
92	1011480	Volt Ohm Meter	1	1	1	
93	<u>102570401</u>	Tool, Tensioning, Starter Generator (For Precedent vehicles)		1		
94	<u>103601401</u>	Puller, Drive Clutch, XRT 950*		1		
95	<u>103601701</u>	Tool, Disassembly, Driven Clutch, XRT 950		1		
96	<u>103600501</u>	Screw, Driven Clutch Disassembly, M6, XRT 950		1		
<p>*Note: The XRT 950 Drive Clutch Puller requires the use of Screw, Driven Clutch Disassembly, CCI Part Number <u>103600501</u>.</p>						

INDEX

Part Number and Page

AM10753	10-9	8067	5-17	1011893	5-13
AM10771	10-9	8233	1-9, 1-11, 1-21, 1-27, 1-29, 1-31, 1-35, 3-3, 4-5, 6-3, 6-9, 6-47, 9-5, 9-9, 9-11, 9-13	1011895	5-9, 5-13
183	6-37, 9-11	8248	3-3	1011930	5-9, 5-13
304	6-3, 9-13	8574	4-7, 4-9	1011931	4-5, 6-9
332	1-9, 1-11, 1-21, 1-25, 1-27, 1-29, 1-31, 1-35, 3-3, 6-3, 6-9	8717	4-5	1011990	1-25, 1-33, 4-11, 4-13
334	1-11, 4-5, 4-7, 4-9, 5-7	8754	1-7, 1-31, 4-5, 4-11, 4-13, 5-7, 5-11, 5-15	1012098	9-3, 9-5, 9-7, 9-9
357	1-33, 5-11	8755	1-7, 1-31, 5-11, 5-15	1012101	9-3, 9-5, 9-7, 9-9
403	1-7	8861	5-13	1012151	10-7
451	1-21, 1-25	8915	4-7, 4-9	1012159	9-11
705	1-31, 1-33, 4-11, 4-13, 5-7	8935	1-21	1012285	1-35, 4-7, 4-9
706	1-33, 5-11	8990	4-7, 4-9, 6-3, 6-19, 6-33, 6-35, 6-47, 9-11	1012295	6-37
808	1-11	1010005	5-17	1012303	1-7, 1-31, 5-11, 5-15
1016	6-37	1010124	5-11	1012412	1-21
1017	6-31, 6-37	1010138	5-13	1012438	1-17, 6-37, 9-11
1028	1-25, 4-15	1010142	5-15	1012467	5-9
1032	1-25	1010144	5-15	1012505	6-15, 6-17
1035	1-11, 5-9, 5-13	1010145	5-15	1012528	6-33, 6-35
1218	4-7, 4-9	1010150	5-11	1012549	10-9
1231	1-25	1010200	5-11	1012560	10-9
1241	1-13, 1-23, 1-33, 4-5, 4-7, 4-9, 4-15, 6-11, 6-39, 6-41	101021902	5-13	1012565	5-3
1242	1-33, 5-17	1010434	1-13, 1-25	1012566	5-3
1606	6-9	1010435	1-7, 1-13, 1-23, 1-29	1012571	6-39, 6-41, 6-43, 6-45
1620	6-31	1010436	1-29	1012604	5-7
1624	4-5	1010521	4-11, 4-13	1012605	5-7
1631	9-11	1010546	1-13	1012809	10-9
2402	5-13	1010829	4-11, 4-13	1012811	10-3
4029	6-3	1010878	1-9, 1-31, 4-15	1012812	10-3
7048	5-17	1010921	4-15	1012830	1-21, 5-9, 5-13
7049	1-27	1010934	1-23, 1-27, 1-33	1013061	6-7
7173	6-11	1010984	2-3	1013135	5-17
7174	1-33	1011014	1-13	1013317	1-25
7251	1-13	1011017	1-13	1013343	1-3
7274	5-17	1011229	6-3	1013344	1-3
7308	5-17	1011273	10-5	1013357	6-3
7310	2-3	1011382	6-15, 6-17	1013366	1-29
7311	1-21	1011394	1-13	1013413	1-31
7330	8-3	1011402	4-15	1013420	1-5
7336	8-3	1011415	5-15	1013422	1-5
7473	1-7, 1-13, 1-21, 1-23, 1-27, 1-29, 4-5, 4-7, 4-9, 4-15, 6-11	1011439	6-11	1013483	1-33
7532	1-7	1011478	10-7	1013494	6-15, 6-17
7555	5-9, 5-13	1011480	10-11	1013531	4-11, 4-13, 4-15
7577	9-3, 9-5, 9-7, 9-9	101149202	6-9	1013547	6-47
7591	6-3, 6-9, 6-13	1011497	6-13	1013582	10-3
7602	5-9, 5-13	1011553	1-33, 3-7	1013593	10-7
7716	4-5, 4-15	1011557	6-11, 6-13	1013677	3-7, 3-9
7820	6-3	1011558	6-9, 6-13	1013734	1-21, 6-33, 6-35
7840	5-17	1011582	6-13	1013794	8-3
7847	1-5, 1-11, 1-21, 1-35, 6-47, 9-5, 9-9, 9-11, 9-13	1011652	1-21	1013871	4-5
7893	1-17	1011652	1-21	1013872	1-31
7910	5-17	1011694	4-5	1014007	4-5
7973	1-3	1011697	1-21	1014063	9-11
		1011700	4-5	1014115	10-9
		1011767	10-3	1014125	5-7
		1011779	4-11, 4-13	1014126	5-7
		1011825	6-3	1014161	10-9
		1011843	6-13	1014162	10-9

INDEX

1014201	6-9	1015727	1-31	101693906	1-13
1014213	5-7	1015741	6-37	101693909	1-13
1014214	5-7	1015752	4-15, 6-5	101693910	1-13
1014217	5-7	1015914	9-3, 9-5, 9-7, 9-9	101693911	1-13
1014259	10-9	1015917	9-3, 9-5, 9-9	101693912	1-13
1014264	10-9	1016060	1-9	101693913	1-13
1014276	5-11	1016077	1-23	101693914	1-13
1014288	6-33, 6-35, 9-11, 9-13	1016078	1-9	1016943	1-23
1014305	10-3	101609401	3-5, 3-9	1016944	1-23
1014306	1-29, 1-35, 6-47	101611003	10-9	1016948	1-23
1014321	1-27, 4-11, 4-13, 9-11	1016154	5-3	1016952	1-5
1014387	1-27	101615504	5-5	1016967	1-13, 6-33, 6-35
1014415	1-27, 1-29	1016156	5-3, 5-5	1017035	6-13
1014471	1-7, 1-23	1016219	5-3	1017062	6-31
1014496	10-5	1016346	5-13	1017064	6-31
1014497	10-5	1016349	5-13	1017065	6-31
1014498	10-5	1016350	5-13	1017077	1-23
1014507	10-5	1016351	5-13	101707801	3-11
1014508	10-5	1016353	5-13	1017080	1-13
1014510	10-5	1016356	6-3	1017082	1-17
1014530	6-3	1016363	6-37	1017187	9-11, 9-13
1014537	1-27, 1-29	1016366	6-37	1017189	9-11, 9-13
1014540	6-47	1016384	5-11	1017266	5-13
1014555	5-15	1016386	5-11	1017273	5-3, 5-5
1014902	5-15	1016387	5-11, 5-13	101734802	1-13
101503202	1-3	1016389	5-11	1017378	4-5
1015072	6-39, 6-41, 6-43, 6-45	101641002	10-5	1017380	4-5
1015075	1-13	101641101	10-11	1017424	4-5
1015245	1-25	101641201	10-9	1017696	4-5
1015252	1-7	101641202	10-3	1017699	6-13
1015258	1-7	1016413	10-9	1017705	6-7
1015277	1-9	1016414	10-9	1017853	6-3, 6-9
1015313	1-25	1016415	10-9	101791101	4-3
1015348	1-11	1016416	10-3	101796201	4-5
1015363	1-25	1016417	10-3	101796501	6-7
1015366	1-25	1016418	10-7	101796801	6-7
1015368	1-25	1016551	10-11	101801001	6-7, 9-11, 9-13
1015390	1-25	1016552	10-11	101806005	4-15
1015392	6-21	1016553	10-11	101808401	10-3
1015399	1-7, 1-23, 1-27, 1-29	1016554	10-11	101809101	10-5
1015400	1-7, 1-25	1016627	10-7	101813202	10-3
1015405	1-13	1016631	6-37	101817401	4-5
1015412	1-25	1016663	5-3, 5-5	101823101	10-9
1015424	1-25	1016673	9-11, 9-13	101825101	3-5, 3-11, 6-15, 6-17
101542901	1-7	1016679	1-35	101826201	6-15, 6-17
1015445	1-33	101670201	3-13, 3-15	101828501	9-3, 9-5, 9-9
1015507	1-7, 1-31	1016849	6-15, 6-17	101828801	9-3
1015524	10-5	1016851	6-15, 6-17	101828802	9-3
1015528	6-15, 6-17	1016868	1-13	101828901	9-3, 9-7
1015530	1-35	1016878	1-23	101828902	9-3, 9-7
101553901	1-25, 3-5, 3-9	1016879	6-31	101828903	9-3, 9-7
1015583	1-7, 1-31, 5-11, 5-15	1016880	6-31	101829001	9-5, 9-9
1015597	5-17	1016881	1-23	101830601	6-15, 6-17
1015607	1-25	101691401	1-23	101830701	6-15, 6-17
1015700	1-11	101693901	1-13	101831101	9-3, 9-5, 9-9
1015720	6-33, 6-35	101693902	1-13	101831801	10-5

INDEX

101831901	10-3	101958301	9-7	102052801	4-11, 4-13
101832001	4-11, 4-13, 6-7, 9-11, 9-13	101958601	1-9	102056201	1-21
101832901	9-13	101963401	1-27, 1-29	102059001	1-21
101834502	6-15, 6-17	101964601	3-11	102059401	1-21
101835601	1-7, 1-9, 6-37, 9-11	101966801	9-11	102059501	1-21
101838401	9-7, 9-9	101968801	9-11	102060201	1-21
101838601	9-7, 9-9	101972001	10-7	102061101	1-21
101841901	9-5, 9-9	101972002	10-7	102061201	10-9
101851101	6-15, 6-17	101972003	10-7	102065901	1-7, 1-31
101856001	6-15, 6-17	101972004	10-7	102066001	1-31
101856101	1-15	101972005	10-7	102066201	5-15
101861901	4-5	101972006	10-7	102101001	4-15, 6-5
101862001	4-5	101972007	10-7	102101101	4-15, 6-5
101870401	1-13	101972009	10-7	102169401	10-7
101870501	5-11	101972011	10-7	102196901	6-15, 6-17
101871001	10-3	101972012	10-7	102221301	1-29
101887101	10-3	101972101	8-3	102221401	1-29
101887601	1-21	101972201	8-3	102221501	1-29
101894302	1-27	101973501	9-7	102221701	1-29
101894304	1-29	101976601	9-7	102221801	1-29
101894702	1-27	101988005	6-31	102222001	1-29
101895401	8-3	101988006	6-31	102222101	1-29
101895501	8-3	101988101	6-31	102222201	1-29
101897001	8-3	101988202	6-31	102239901	1-29
101897201	8-3	101997802	6-47	102240501	6-33, 6-35
101897401	8-3	101997902	6-47	102241501	10-7
101897601	8-3	1019997	6-43, 6-45	102241502	10-7
101900801	4-11, 4-13	102023701	1-21	102243402	10-7
101903601	8-3	102026001	4-5	102248803	10-7
101903701	8-3	102026401	1-21	102249901	10-3
101906901	8-3	102026901	1-21	102251501	10-7
101908101	6-21	102028302	4-11, 4-13	102259401	1-31
101908401	6-21	102028601	4-15	102275401	9-3, 9-5, 9-7, 9-9
101914401	6-3, 9-3, 9-5, 9-7, 9-9	102028903	4-15	102292801	4-7, 4-9, 4-11, 4-13
101916901	4-15	102029501	1-21	102298401	5-9, 5-13
101919801	4-5	102033201	4-7, 4-9	102311501	1-15
101920101	6-5	102033401	4-3	102313301	1-17
101922101	8-3	102033701	4-11, 4-13	102323101	4-7, 4-9, 4-15
101922201	8-3	102047001	1-21	102323201	4-7, 4-9, 4-15
101922801	1-11	102049401	4-3	102330901	10-9
10192281	1-11	102049501	4-3	102332501	3-5, 3-9
101923001	8-3	102049601	4-3	102352201	6-37
101923201	8-3	102049701	4-3	102356601	8-3
101923501	8-3	102049901	4-3	102356801	8-3
101923701	8-3	102050001	4-3	102357001	8-3
101923901	8-3	102050101	4-3	102444601	4-11, 4-13
101928701	8-3, 10-7	102050201	4-3	102459301	3-7
101932201	6-11	102050401	4-3	102488001	4-7, 4-9
101933101	10-7	102050501	4-3	102491601	4-7, 4-9
101933701	9-11	102050601	4-3	102493301	4-7, 4-9
101936801	6-5	102050701	4-3	102508701	6-15, 6-17
101953101	4-15	102050801	4-3	102517501	6-9
101953105	4-15	102050902	4-3	102518301	3-7, 3-11
101955101	6-3	102051201	4-7, 4-9	102519001	4-7, 4-9
101957101	6-11	102051301	4-7, 4-9	102534201	5-9, 5-13
101958201	9-7	102051401	4-7, 4-9	102546401	6-9

INDEX

102555501	10-3	102917101	5-15	103483901	9-11
102556702	2-3	102939501	9-7	103484001	9-11
102562401	10-3	102940801	9-5, 9-7, 9-9	103484801	8-3
102564002	5-11	102942601	9-13	103485201	9-11
102570401	10-11	102949701	5-17	103491301	4-9
102572401	6-15, 6-17	102976401	4-7, 4-9	103497301	6-29, 6-35
102601501	10-5	102976502	4-7, 4-9	103497401	6-29, 6-35
102603501	10-5	102976701	4-7, 4-9	103498801	6-19
102605201	10-5	102977002	6-15, 6-17	103499301	3-5, 3-9, 6-15, 6-17
102606101	10-5	102979203	2-3	103499601	6-21
102607501	10-5	102979204	2-3	103500501	3-5
102614401	1-29	102989501	1-7	103500601	3-9
102668801	10-9	103180101	6-15, 6-17	103501301	3-5, 3-9
102669901	10-7	103193901	5-17	103501401	3-5, 3-9
102673201	1-29	103194101	5-17	103502801	5-11
102674001	10-5	103194201	5-17	103507001	5-11
102674101	10-5	103196202	5-17	103508401	1-15
102674201	10-5	103198301	6-15	103509401	1-23
102674401	10-9	103210301	3-5, 3-11, 6-15, 6-17	103509602	1-23
102674601	10-9	103218601	6-15, 6-17	103510101	6-33
102675001	10-5	103232101	5-7	103510201	6-33, 6-35
102675101	10-5	103233101	5-9	103511001	6-35
102675201	10-5	103234101	5-9	103514701	6-33
102675301	10-5	103255701	6-3	103514702	6-35
102675401	10-5	103263101	4-7, 4-9	103515201	1-19
102684501	5-11	103264801	5-13	103515301	3-7, 3-11
102686101	10-3	103267001	1-21	103515401	3-13
102766301	5-11, 5-13	103333701	4-7, 4-9	103515501	3-13
102770701	9-13	103348202	6-17	103515601	3-15
102772401	6-33, 6-35	103351001	5-13	103515701	3-15
102774701	6-33, 6-35	103351101	5-15	103516901	3-13, 3-15
102787701	6-37	103354401	6-17	103517001	9-13
102817101	6-33, 6-35	103397901	6-3, 6-33, 6-35	103517801	3-13, 3-15
102837001	9-5	103406501	1-25	103517901	6-33, 6-35
102838101	9-3, 9-5	103406502	1-25	103524601	5-15
102845101	3-7, 3-9	103406601	1-25	103524701	5-15
102845203	6-41, 6-45	103414901	6-3	103525201	4-11
102845204	6-39, 6-43	103451101	6-33, 6-35	103525301	4-13
102847801	9-3	103452401	6-33, 6-35	103525801	4-11, 4-13
102847802	9-3	103452901	7-3	103528901	6-39, 6-41, 6-43, 6-45
102847803	9-3	103458201	6-25, 6-33	103529001	6-39, 6-41, 6-43, 6-45
102848701	6-7	103458301	6-25, 6-33	103529101	6-39, 6-41
102850502	1-17	103462701	5-17	103531501	3-5, 3-9
102869401	6-3	103463701	1-19	103532101	3-5, 3-11
102871801	5-15	103463801	1-19	103537001	3-5, 3-9
102873401	6-39, 6-41, 6-43, 6-45	103463901	1-19	103538701	1-7, 1-31
102881401	9-11	103471001	4-7	103538901	1-7, 1-31
102886301	8-3	103477901	5-17	103574501	8-3
102886401	8-3	103480301	4-11	103583001	7-3
102886501	8-3	103480801	4-7, 4-9	103583101	7-3
102886601	8-3	103480901	4-7, 4-9	103583301	7-3
102892901	9-7	103481001	4-7, 4-9	103583501	7-3
102892902	9-7	103481301	6-39, 6-41	103583601	7-3
102893001	9-9	103481401	6-39, 6-41	103583701	7-3
102915601	6-13	103481501	6-39, 6-41	103628901	5-11
102915701	6-21	103483801	9-11	103695701	6-43

INDEX

103720401 6-39, 6-43
103793101 6-41, 6-45
54562079 4-11, 4-13

A

AC cord 9-3, 9-5, 9-7, 9-9
AC cord receptacle 9-7
accelerator bracket and bearing assembly 4-5
accelerator pedal 4-5
accelerator pedal adjustment tool 10-3
accelerator pivot rod 4-5
accelerator return spring 4-5
access door hinge 1-23
adapter
 cable (IQDM) 10-7
adhesive, guide ring 10-3
adjuster
 hydraulic brake 10-7
ammeter 9-3, 9-5, 9-7, 9-9
A-plate strap 5-13
A-plate, delta 5-13
arbor 10-3
assembly
 accelerator bracket and bearing 4-5
 accelerator pivot rod 4-5
 backing plate 4-3
 bearing, steering shaft 5-7
 brake cluster 4-3
 delta A-plate 5-13
 filler cap 4-7, 4-9
 kingpin 5-11
 latch weld 1-7
 park brake 4-3
 park brake lever 4-11, 4-13
 prop rod support 1-11
 score card plate 5-3
 seat support 1-21
 steering wheel 5-3, 5-5
 tailgate 1-29
 tether 1-29
 tilt bed 1-7
 turn signal lens 6-31
axle 8-3
axle shaft oil seal 8-3
axle tube 8-3

B

backing plate 4-3
ball joint 5-9, 5-13
banjo bolt 4-7, 4-9
bar, drive 4-15, 6-5
barrel, plastic 1-13, 1-25
base, seat holder 1-21
battery charger 9-3, 9-7
battery charger case 9-3, 9-5, 9-7, 9-9

battery charger harness 9-11
battery charger receptacle 6-7
battery charger transformer 9-3, 9-5, 9-7, 9-9
battery charger wire assembly 9-7
battery charger, onboard 9-5, 9-9
battery condition indicator 6-17
battery discharge machine 10-3
battery hold-down rod 6-39, 6-41, 6-43, 6-45
battery light 6-15, 6-17
battery terminal protector spray 10-3
battery thermometer 10-3
bearing 8-3
 front wheel hub 5-17
 inner axle tube 8-3
 pivot support 4-5
 steering shaft 5-7
 thrust 5-11
bearing and oil seal remover 10-3
bearing driver set 10-3
bearing puller 10-3
bearing puller wedge 10-3
bearing seat 5-7
bed floor plate 1-7
bed floor plate, rear 1-23
bed frame, long 1-23
bed latch 1-25
bed latch spring 1-25
bed seal 1-7, 1-21
bed, tilt 1-7
bezel, choke cable 9-11
bezel, headlight 6-31
bezel, taillight 6-13
block, brake-mounting 4-15
block, fuse 6-37
block, terminal 6-3
body kick plate 1-21
bolt
 banjo 4-7, 4-9
bolt, U- 5-15
boot
 master cylinder 4-7, 4-9
 park brake 4-11, 4-13
boot shield 4-11, 4-13
boot, switch 6-21
box
 cargo 1-25, 1-29
brace, trailer hitch 1-33
bracket
 brake light switch 6-11
 headlight mounting 6-31
 horn 6-3
 hour meter 6-47
 relay mounting 9-5, 9-9
 stake side 1-23
brake adjustment tool 10-3
brake cable hanger 4-11, 4-13

brake cable release tool 10-3
brake cluster 4-3
brake drum 4-3
brake light switch bracket 6-11
brake mounting block 4-15
brake pedal 4-15
brake pedal adjustment tool 10-3
brake pedal tension tool 10-3
brake return spring 4-11, 4-13, 4-15
brake, park 4-3
breaker, circuit 9-7, 9-9
breather 8-3
bucket seat 1-21
bulb, headlight 6-31
bulb, tail light 6-13
bumper
 front 1-13
 front, heavy duty 1-13
 front, kit 1-13
 rubber 1-9, 1-29, 1-31, 4-15
 spring return 4-5
bumper, heavy duty 1-13
bushing
 bronze 5-17
 nylon 1-25, 1-27
 snap-in 1-25
 spindle 5-17
 steel 1-7, 1-31, 5-11, 5-15
 urethane 1-7, 1-31, 5-11, 5-13, 5-15
buzzer, reverse 6-15, 6-17

C

cab kit 1-19
cable
 IQDM 10-7
 park brake asm, center 4-11
calibration test module 10-3
cam installation tool 10-3
cap
 corner 1-27
 dust 6-15, 6-17
 filler 4-7, 4-9
 key switch 6-15, 6-17
cap, front corner 1-29
carburetor float level tool 10-7
card, safety first 10-9
cargo bed, side panel 1-25
cargo box 1-25, 1-29
case
 battery charger 9-3, 9-5, 9-7, 9-9
 gear 8-3
charger bezel tool 10-3
charger receptacle 6-7
charger, battery 9-3, 9-7
charger, battery, onboard 9-5, 9-9
choke cable bezel 9-11

INDEX

- circuit breaker 9-3, 9-5, 9-7, 9-9
 - clevis, upper delta 5-11
 - clip
 - hair pin 1-29
 - clip, rod 1-31
 - clip, score card 5-3
 - clutch alignment tool 10-5
 - clutch removal tool 10-3
 - clutch tool kit 10-5
 - communication display module 10-5
 - compression gauge 10-5
 - compressor, piston ring 10-9
 - compressor, valve spring 10-11
 - computer, onboard 6-33
 - console cover 1-21
 - continuity tester 10-5
 - control board 9-5, 9-9
 - controller 6-33, 6-35
 - converter, DC/DC 6-37
 - cord reel 9-11, 9-13
 - cord, AC 9-3, 9-5, 9-7, 9-9
 - cord, DC 9-3, 9-5, 9-7, 9-9
 - corner cap 1-29
 - cover
 - console 1-21
 - dust 4-3
 - electrical component 6-33, 6-35
 - fuse block 6-37
 - rocker switch hole 6-15, 6-17
 - screw head 6-15, 6-17
 - cowl 1-13
 - cup holder 1-5
 - cup holder, seat 1-21
 - cup, spring 4-5
 - current limiter 9-7
 - cushion, shock absorber 5-15
 - cutter, valve seat 10-5, 10-11
 - cylinder, master 4-7, 4-9
 - cylinder, wheel 4-3
- D**
- dash component 1-3
 - dash panel 6-15, 6-17
 - DC cord 9-3, 9-5, 9-7, 9-9
 - DC/DC converter 6-37
 - decal
 - battery danger 3-7, 3-9
 - bed hold-down bolts 3-11
 - bed load warning 1-25, 3-5, 3-9
 - Club Car tailgate 1-29
 - crush area warning 3-5, 3-7, 3-9
 - electrical cover safety 3-7, 3-11
 - FNR 3-5, 3-11, 6-15, 6-17
 - no ground warning 3-11
 - on/off 3-5, 3-11, 6-15, 6-17
 - tailgate 1-25
 - Tow/Run switch 3-7, 3-9
 - trailer hitch 1-33, 3-7
 - delta A-plate 5-13
 - delta A-plate sub-assembly 5-13
 - diagnostic port 6-15, 6-17
 - diesel tachometer probe 10-9
 - differential gear 8-3
 - differential housing 8-3
 - disc rotor 5-17
 - door latch 1-23
 - doors, cab 1-19
 - drive bar 4-15, 6-5
 - drive clutch fixed sheave tool 10-5
 - drive clutch holder tool 10-5
 - drive clutch hub puller 10-5
 - drive clutch puller 10-5
 - drive clutch spider removal tool 10-5
 - driven clutch cam puller 10-5
 - driven clutch puller plug 10-5
 - driven clutch spring compression base tool 10-5
 - driven clutch spring compression collar tool 10-5
 - driven clutch spring compression nut tool 10-5
 - drum, brake 4-3
 - dry moly lubricant 10-7
 - dust cap 6-15, 6-17
 - dust cover 4-3
- E**
- E-clip 4-11, 4-13
 - electrical component cover 6-33, 6-35
 - equalizer rod 4-15
 - extension, spring latch 1-7
 - extrusion, fender 1-13
- F**
- fender extrusion 1-13
 - fender, rear 1-35
 - filler cap 4-7, 4-9
 - fitting, thread-forming grease 5-17
 - flasher, turn signal, 12-volt 6-9
 - floor mat 1-3
 - floor plate, bed 1-7
 - flywheel puller 10-7
 - frame, tilt bed 1-7
 - front bumper 1-13
 - front bumper kit 1-13
 - front spring retainer plate 5-11
 - fuse 6-7, 9-3, 9-5, 9-7, 9-9
 - 10-amp 6-37
 - 3/8-amp 6-7
 - fuse and receptacle 6-7
 - fuse block 6-37
 - fuse block cover 6-37
 - fuse block, cab 1-19
- G**
- gasket 8-3
 - liquid 8-3, 10-7
 - taillight 6-13
 - gauge, battery condition 6-17
 - gauge, compression 10-5
 - gear
 - case 8-3
 - differential 8-3
 - differential idler 8-3
 - differential output 8-3
 - gear yoke 10-7
 - governor shaft installation tool 10-7
 - grip, pencil 5-3
 - grip, tilt latch hand 1-7, 1-25
 - guide
 - valve seat cutter 10-11
 - guide ring adhesive 10-3
- H**
- hair pin clip 1-29
 - hanger, brake cable 4-11, 4-13
 - hardware
 - axle 4-3
 - harness, battery charger 9-11
 - harness, headlight 6-3
 - headlight bulb 6-31
 - headlight lens 6-31
 - headlight retainer 6-31
 - headlight wire harness 6-3
 - heat shrink tube 9-11, 9-13
 - heatsink and rectifier 9-3, 9-5, 9-7, 9-9
 - heavy duty bumper 1-13
 - hinge plate 1-21
 - hinge, access door 1-23
 - hitch, trailer 1-33
 - hold-down rod, battery 6-39, 6-41, 6-43, 6-45
 - hold-down, brake shoe 4-3
 - holder, cup 1-5
 - holder, license plate 1-15, 1-17
 - hole plug 6-15
 - horn 6-3
 - horn bracket 6-3
 - hour meter 6-47
 - housing
 - 2-pin 6-5
 - 3-pin 6-5
 - differential 8-3
 - hydraulic brake adjuster 10-7
 - hydraulic shoe 4-3
 - hydrometer 10-7

INDEX

- I**
- idler gear, differential 8-3
 - indicator, battery condition 6-17
 - input shaft 8-3
 - instrument panel 6-15, 6-17
 - intermediate shaft 8-3
 - internal retaining ring pliers 10-7
 - IQ display module (IQDM) 10-7
- K**
- key
 - On/Off 6-15, 6-17
 - key switch cap 6-15, 6-17
 - key switch, On/Off 6-15, 6-17
 - kick plate, body 1-21
 - kingpin 5-11
 - Kit
 - Exterior Mirror 1-19
 - Interior Mirror 1-19
 - Seat Belt 1-19
 - wiper 1-19
 - kit
 - 2-pin housing 6-5
 - 3-pin housing 6-5
 - accelerator pivot rod 4-5
 - axle adjuster 4-3
 - axle hardware 4-3
 - brake pedal adjustment tool 10-3
 - cab 1-19
 - cab doors 1-19
 - cab fuse block 1-19
 - cab rear windshield 1-19
 - hydraulic shoe 4-3
 - IQ display module (IQDM) 10-7
 - license plate 1-15
 - shock absorber cushion 5-15
 - taillight hardware 6-13
 - tune-up 10-9
 - kit, taillight mounting 1-25
- L**
- lamp, license plate 1-17
 - latch plate, tilt bed 1-9
 - latch weld 1-7
 - latch, bed 1-25
 - latch, door 1-23
 - latch, slam 1-29
 - latch, spring 1-29
 - leaf spring 5-15
 - lens, taillight 6-13
 - lever
 - park brake 4-11, 4-13
 - license plate 1-15
 - license plate holder 1-15, 1-17
 - license plate kit, front 1-15
- license plate lamp 1-17
 - light
 - battery 6-15, 6-17
 - limit switch 6-11
 - limiter
 - current 9-7
 - link, rack and pinion drag 5-9
 - liquid gasket 8-3, 10-7
 - lubricant, dry moly 10-7
 - lubricant, moly-teflon 10-7
 - lug nut 2-3
 - lug stud 8-3
- M**
- master cylinder 4-7, 4-9
 - master cylinder boot 4-7, 4-9
 - mat, floor 1-3
 - MCOR 4-15, 6-5
 - meter, hour 6-47
 - meter, volt ohm 10-11
 - Mirror, Exterior 1-19
 - Mirror, Interior 1-19
 - module
 - calibration test 10-3
 - communication display 10-5
 - moly-teflon lubricant 10-7
 - motor, AC electric 7-3
 - mounting block, brake 4-15
- N**
- name plate 3-13, 3-15
 - nut, lug 2-3
- O**
- onboard battery charger 9-5, 9-9
 - onboard computer 6-33
- P**
- pad
 - accelerator pedal 4-5
 - brake pedal 4-15
 - paint, touch-up 10-7
 - pan, seat 1-21
 - panel
 - left 1-29
 - right 1-29
 - panel box 1-25
 - panel, front 1-25, 1-29
 - panel, instrument 6-15, 6-17
 - park brake 4-3
 - park brake cable, center 4-11
 - park brake lever 4-11, 4-13
 - pedal, accelerator 4-5
 - pedal, brake 4-15
 - pencil grip 5-3
 - piston ring compressor 10-9
 - piston ring pliers 10-9
 - pivot support bearing 4-5
 - plate
 - backing 4-3
 - bed floor 1-23
 - front spring retainer 5-11
 - hinge 1-21
 - latch 1-9
 - license 1-15
 - name 3-13, 3-15
 - receptacle backing 6-7, 9-11, 9-13
 - score card 5-3, 5-5
 - spring mounting 5-11
 - steering wheel 5-5
 - plate, Tow/Run switch 6-21
 - pliers
 - internal retaining ring 10-7
 - piston ring 10-9
 - retaining ring 10-9
 - plug
 - driven clutch puller 10-5
 - hole 6-15
 - port, diagnostic 6-15, 6-17
 - press weldment 10-5
 - pressure switch 4-7, 4-9
 - prop rod 1-11, 1-31
 - prop rod track 1-11
 - protector spray, battery terminal 10-3
 - puller
 - bearing 10-3
 - clutch 10-3
 - drive clutch 10-5
 - drive clutch hub 10-5
 - driven clutch cam 10-5
 - flywheel 10-7
 - seal 10-9
 - special use tool 10-9
 - pulley
 - mount 4-11, 4-13
- R**
- race, front hub bearing 5-17
 - rack and pinion drag link 5-9
 - reamer, valve guide 10-9
 - rear fender 1-35
 - receptacle and fuse 6-7
 - receptacle backing plate 6-7, 9-11, 9-13
 - receptacle, AC cord 9-7
 - receptacle, battery charger 6-7
 - rectifier with heatsink 9-3, 9-5, 9-7, 9-9
 - reel bracket 9-13
 - reel cord 9-11, 9-13
 - reflector 3-5, 3-9
 - relay mounting bracket 9-5, 9-9
 - relay, 48-volt 9-3, 9-5, 9-7, 9-9

INDEX

- remover, bearing and oil seal 10-3
 - retainer
 - accelerator pedal spring 4-5
 - headlight 6-31
 - shock absorber cushion 5-15
 - retaining ring 5-7
 - retaining ring pliers 10-9
 - return spring bumper 4-5
 - reverse buzzer 6-15, 6-17
 - ring
 - retaining 5-7
 - rivet, blind push 1-13, 6-33, 6-35
 - rocker switch 6-15, 6-17
 - rocker switch (lights) 6-3
 - rod
 - accelerator pivot 4-5
 - battery hold-down 6-39, 6-41, 6-43, 6-45
 - clip 1-31
 - equalizer 4-15
 - prop 1-11, 1-31
 - push 4-7, 4-9
 - rod, tie 5-13
 - rotor, disc 5-17
 - rubber bumper 1-29
- ## S
- safety first card 10-9
 - score card clip 5-3
 - score card plate 5-3
 - screw, valve clearance adjuster 10-9
 - seal
 - bed 1-21
 - lip 8-3
 - oil 8-3
 - vertical socket dust 5-9, 5-13
 - seal puller 10-9
 - seal, bed 1-7
 - sealant 8-3
 - Seat Belt Kit 1-19
 - seat holder base 1-21
 - seat pan 1-21
 - seat support 1-21
 - seat, bearing 5-7
 - seat, bucket 1-21
 - shackle weldment 5-15
 - shaft
 - input 8-3
 - intermediate 8-3
 - shaft, steering 5-7
 - shield, boot 4-11, 4-13
 - shim, latch plate 1-9
 - shim, tilt bed pivot 1-7, 1-31
 - shock absorber 5-13, 5-15
 - shock absorber cushion 5-15
 - shock absorber cushion retainer 5-15
 - slam latch 1-29
 - sleeve
 - delta A-plate 5-13
 - socket 5-9, 5-13
 - solenoid 6-33, 6-35
 - spacer
 - accelerator pivot rod 4-5
 - spanner wrench 10-9
 - speedometer 6-19
 - spindle 5-17
 - spray, battery terminal protector 10-3
 - spring
 - accelerator return 4-5
 - brake return 4-11, 4-13, 4-15
 - compression 5-3
 - latch tilt 1-25
 - leaf 5-15
 - shoe to shoe 4-3
 - steering shaft compression 5-7
 - spring cup 4-5
 - spring latch 1-29
 - spring mounting plate 5-11
 - stake side bracket 1-23
 - steel bushing 1-7, 1-31, 5-11, 5-15
 - steering column 5-7
 - steering column bearing press tool 10-9
 - steering column installation 5-7
 - steering column retaining ring tool 10-9
 - steering rack 5-9
 - steering shaft 5-7
 - steering shaft compression spring 5-7
 - steering wheel 5-3, 5-5
 - steering wheel plate 5-5
 - steering wheel puller tool 10-9
 - stem, valve 2-3
 - strap, A-plate 5-13
 - stud
 - lug 8-3
 - self-clinching 1-27, 1-29
 - support, seat 1-21
 - suppressor, voltage 6-3, 9-3, 9-5, 9-7, 9-9
 - switch
 - four-position 9-7, 9-9
 - key 6-15, 6-17
 - light rocker 6-3
 - limit 6-11
 - pressure 4-7, 4-9
 - rocker 6-15, 6-17
 - Tow/Run 6-21
 - turn signal 6-9
 - switch rubber boot 6-21
- ## T
- tachometer 10-9
 - tachometer probe, diesel 10-9
 - tail light bulb 6-13
 - tailgate 1-25, 1-29
 - tailgate angle 1-27, 1-29
 - taillight 6-13
 - taillight assembly 6-13
 - taillight base 6-13
 - taillight bezel 6-13
 - taillight gasket 6-13
 - taillight hardware kit 6-13
 - taillight lens 6-13
 - taillight mounting kit 1-25
 - tailskirt 1-35
 - tape, vinyl foam 1-7, 1-23
 - terminal block 6-3, 9-11
 - tester, continuity 10-5
 - tether 1-29
 - thermometer, battery 10-3
 - thread-forming grease fitting 5-17
 - thrust bearing 5-11
 - tie rod 5-13
 - tie wrap 4-7, 4-9, 6-3, 6-19, 6-33, 6-35, 6-47, 9-11
 - tilt bed 1-7
 - tilt bed frame 1-7
 - tilt latch hand grip 1-7, 1-25
 - tool
 - accelerator pedal adjustment 10-3
 - belt tensioning, starter/generator 10-11
 - brake adjustment 10-3
 - brake cable release 10-3
 - brake pedal adjustment 10-3
 - brake pedal tension 10-3
 - cam installation 10-3
 - carburetor float level 10-7
 - charger bezel 10-3
 - clutch alignment 10-5
 - cT-wrench 10-5
 - drive clutch fixed sheave 10-5
 - drive clutch holder 10-5
 - drive clutch spider removal 10-5
 - driven clutch spring compression base 10-5
 - driven clutch spring compression collar 10-5
 - driven clutch spring compression nut 10-5
 - governor shaft installation 10-7
 - puller, special use 10-9
 - steering column bearing press 10-9
 - steering column retaining ring 10-9
 - steering wheel puller 10-9
 - transaxle axle seal 10-9
 - transaxle pinion seal 10-9
 - transmission 10-9
 - valve guide driver 10-9
 - valve seat cutter 10-5
 - tool kit, clutch 10-5
 - touch-up paint 10-7
 - Tow/Run switch 6-21

INDEX

Tow/Run switch plate 6-21
track, prop rod 1-11
trailer hitch 1-33
trailer hitch brace 1-33
transaxle axle seal tool 10-9
transaxle housing 8-3
transaxle pinion seal tool 10-9
transformer, battery charger 9-3, 9-5, 9-7, 9-9
transmission tool 10-9
trim
 cowl 1-13
 long bed 1-23
tune-up kit 10-9
turn signal lens 6-31
turn signal switch 6-9
T-wrench tool 10-5

U

U-bolt 5-15
upper delta clevis 5-11
urethane bushing 1-7, 1-31, 5-11, 5-13, 5-15

V

valve clearance adjuster screw 10-9
valve guide driver tool 10-9
valve guide reamer 10-9
valve seat cutter 10-5, 10-11
valve seat cutter guide 10-11
valve seat cutter tool 10-5
valve seat t-wrench 10-11
valve spring compressor 10-11
valve stem 2-3
vertical socket dust seal 5-9, 5-13
volt ohm meter 10-11
voltage suppressor 6-3, 9-3, 9-5, 9-7, 9-9

W

wedge, bearing puller 10-3
weldment
 press 10-5
 shock and rack mount 5-13
weldment, tilt bed frame 1-7
wheel 2-3
wheel cylinder 4-3
wheel, steering 5-3, 5-5
windshield kit, rear cab 1-19
Wiper Kit 1-19
wire assembly, battery charger 9-7
wire harness, headlight 6-3
wrap, tie 4-7, 4-9, 6-3, 6-19, 6-33, 6-35, 6-47,
 9-11
wrench, spanner 10-9

Y

yoke, gear 10-7



Club Car, Inc.
P.O. Box 204658
Augusta, GA 30917-4658
USA

Web www.clubcar.com
Phone 1.706.863.3000
1.800.ClubCar
Int'l +1 706.863.3000
Fax 1.706.863.5808