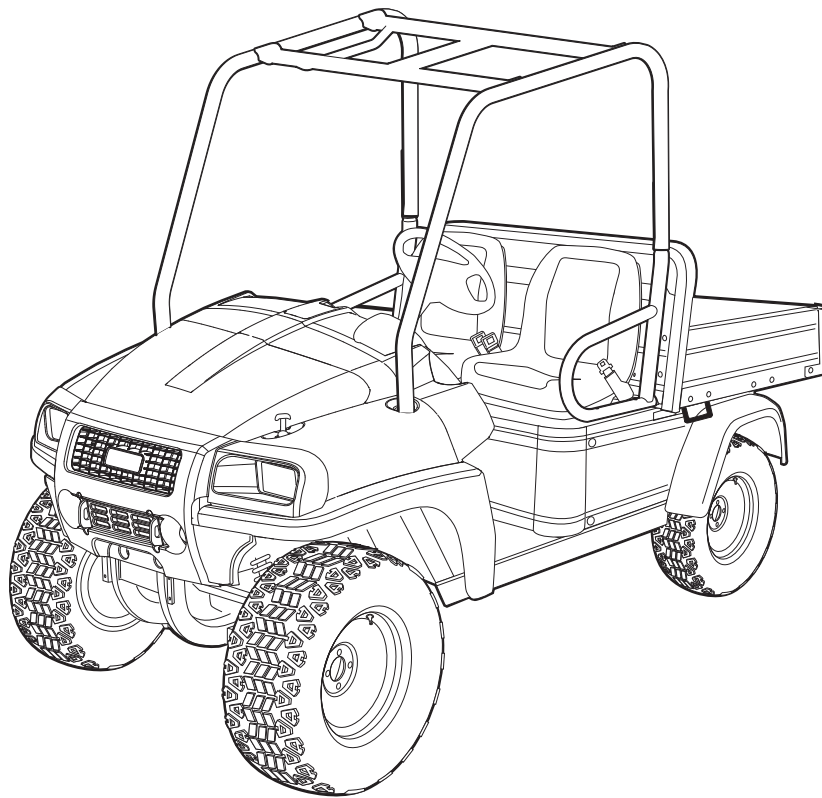




2009
All Wheel Drive
Illustrated Parts List



XRT 1550/1550SE and Carryall 295/295SE
Gasoline, Diesel and IntelliTach Vehicles

Manual Number 103472631
Edition Code 0516A00000

USING THE ILLUSTRATED PARTS LIST

⚠ WARNING

- **This manual is to be used only for identification and ordering of service parts. Be sure to read and use the maintenance and service manual before attempting any vehicle repairs.**

This manual covers 2009 XRT 1550, 1550 SE, 1550 IntelliTach, and Carryall 295, 295 SE, Carryall 295 IntelliTach vehicles.

The manual is divided into sections. Note that there are two or three flags on the outside edge of each page. The first flag contains the section number of which that page is a part. The other flag (or flags) contains the letter G or E, signifying that the page pertains to the electric or gasoline vehicles only.

Use the Table of Contents to find the sections and pages that contain the parts and assemblies you seek. The Table of Contents lists section numbers, and under them, the individual page titles and numbers to be found in that section. The index can be used to find specific parts and assemblies. The index is divided into numerical and alphabetical listings with the page numbers in italic text.

There is a two-page spread for each individual page title in the Table of Contents. On the left-hand page is an illustration showing the parts in their relative positions; the parts are each tagged with an item number in a balloon. The right-hand page is the parts list page, and gives the page title at the top, then the item numbers (corresponding to the numbers on the illustration), part descriptions, and quantity of parts used.

Note that a part description may be indented. This indentation corresponds to a parts assembly level indicated by the numbers 1, 2, 3, and 4 at the top left corner of the parts description area of the parts list page. A part that is indented to *level 2* is a component of the *level 1* part (assembly) that it is listed under. A *level 3* part is a component of the *level 2* part that it is listed under, and a *level 4* part is a component of the *level 3* part preceding it. In each case, the part quantity given for a level 2, 3, or 4 part is the quantity used per next higher level assembly of which it is a component. A part that is not indented is a *level 1* part. This means that the quantity given is the quantity used per the portion of the vehicle illustrated on that particular spread.



P. O. Box 204658
Augusta, Georgia 30917-4658 USA
Telephone 706-863-3000
Service Parts Fax 706-855-7413
www.clubcar.com

HOW TO ORDER PARTS

Replacement parts and accessories can be obtained from our network of authorized dealers and distributors. You can obtain the name and phone number of your closest authorized Club Car dealer or distributor by visiting our web site at www.clubcardealer.com, by calling our toll-free Service Parts and Technical Assistance hotline at (800) 872-2246 or (706) 863-3000, extension 3887, or by scanning this Quick Response (QR) code to be taken to the Club Car dealer locator. **Refer to Figure 1.** Download a QR code reader such as RedLaser or Barcode Scanner to your cell phone or tablet.



Figure 1 Dealer Locator QR Code

CUSTOMER SATISFACTION SURVEY

Let your voice be heard!

Please take time to participate in the Technical Publications satisfaction survey. Obtaining feedback from our customers is important to the department's continuous improvement process. The online survey takes less than five minutes and responses will help the department to examine current performance as well as identify areas for future improvement.

Our top priority is to provide timely, accurate, and user friendly manuals.

The online satisfaction survey can be found at: <http://bit.ly/1w9uFMh>



Figure 2 Survey QR Code

NOTE: *This illustrated parts list represents the most current information at the time of publication. Club Car, Inc. is continually working to further improve its vehicles and other products. These improvements may affect the parts used to service the vehicle. Any modification and/or significant change in specifications will be forwarded to all Club Car and Carryall distributors/dealers and will, when applicable, appear in future editions of this illustrated parts list.*

Club Car, Inc. reserves the right to change specifications and designs at any time without notice and without the obligation of making changes to units previously sold.

Copyright © 2008, 2016 Club Car, Inc.
Club Car and ArmorFlex
are registered trademarks of Club Car, Inc.
This manual effective August 6, 2008.

CONTENTS

SECTION 1 – BODY AND TRIM

Brush Guard	1-3
Plastic Skid Plate	1-5
Steel Skid Plate	1-7
Fascia, Fenders, and Cowls – Carryall Vehicles	1-9
Fascia, Fenders, and Cowls – XRT Vehicles	1-11
Fascia, Fenders, and Cowl – IntelliTach	1-13
Dash and Splashguard	1-15
Glove Box and Cup Holders	1-17
Side Stringers – 2 Passenger Vehicle	1-19
Side Stringers – 4 Passenger Vehicle	1-21
Floorboard – Front	1-23
Floorboard – Rear	1-25
Bench Seat – To Late 2009 Model Year	1-27
Bench Seat – From Late 2009 Model Year	1-29
Bucket Seats – Black	1-31
Bucket Seats – Gray	1-33
ROPS – 2 Passenger Vehicle	1-35
2-Point Seat Belts	1-37
ROPS – 4 Passenger Vehicle	1-39
Head Rests	1-41
3 - Point Seat Belts	1-43
Side Panels and Rear Fenders – 2 Passenger Vehicle	1-45
Side Panels and Rear Fenders – 4 Passenger Vehicle	1-47
Latch Plate and Prop Rod	1-49
Tilt Bed, Hinge, and Latch – To Late 2009 Model Year	1-51
Tilt Bed, Hinge, and Latch – From Late 2009 Model Year	1-53
Electric Bed Lift	1-55
Box Bed	1-57
Cargo Box (Steel)	1-59

SECTION 2 – WHEELS AND TIRES

Wheels and Tires	2-3
------------------------	-----

SECTION 3 – DECALS

Safety Decals – CA 295 and XRT 1550, Gasoline Vehicles	3-3
Safety Decals – CA 295 and XRT 1550, Gasoline Vehicles, Continued	3-5
Safety Decals – CA 295 and XRT 1550, Diesel Vehicles	3-7

CONTENTS

Safety Decals – CA 295 and XRT 1550, Diesel Vehicles, Continued	3-9
Badging Decals – CA 295 Vehicles	3-11
Badging Decals – XRT 1550 Vehicles	3-13
Safety Decals – CA 295 SE and XRT 1550 SE Vehicles	3-15
Safety Decals – CA 295 SE and XRT 1550 SE Vehicles, Continued	3-17
Badging Decals – CA 295 SE Vehicles	3-19
Badging Decals – XRT 1550 SE Vehicles	3-21
Safety Decals – Intellitach	3-23
Safety Decals – Intellitach, Continued	3-25
Badging Decals – XRT 1550 Intellitach	3-27
Badging Decals – CA 295 Intellitach	3-29
Badging Decals – Intellitach	3-31

SECTION 4 – BRAKE SYSTEMS AND PEDALS

Front Brakes	4-3
Hydraulic Brake Lines and Clips	4-5
Master Cylinder with Integral Reservoir	4-7
Brake Pedal	4-9
Park Brake Pedal – Bell Crank Style	4-11
Park Brake Cables – Bell Crank Style	4-13
Park Brake System – Cable Style	4-15
Rear Brakes	4-17

SECTION 5 – STEERING AND SUSPENSION

Steering Column	5-3
Steering Gear Assembly	5-5
Front Suspension – A-Arms	5-7
Shock Absorbers – Standard	5-9
Shock Absorbers – High Capacity	5-11
Rear Suspension – Standard	5-13

SECTION 6 – ELECTRICAL SYSTEM – GASOLINE VEHICLE

Headlights – Carryall 295	6-3
Headlights – XRT 1550	6-5
Wiring – Gasoline Vehicle	6-7
Electrical Components, Front Body – Gasoline Vehicle	6-9
Electrical Component Box – Gasoline Vehicle	6-11
Battery – Gasoline Vehicle	6-13

CONTENTS

SECTION 7 – ELECTRICAL SYSTEM – DIESEL VEHICLES

Headlights – Carryall 295	7-3
Headlights – XRT 1550	7-5
Headlights – IntelliTach	7-7
Wiring – Kubota Diesel Engine, One-Piece Harness	7-9
Wiring – Hydraulic Attachment (IntelliTach)	7-11
Wiring – Seat Belt Reminder (IntelliTach)	7-13
Electrical Components, Front Body – Diesel Vehicle	7-15
Electrical Components, Front Body – IntelliTach	7-17
Electrical Component Box – Diesel Vehicle	7-19
Battery – Diesel Vehicle	7-21

SECTION 8 – ENGINE – KAWASAKI FH680D GASOLINE

Tune-Up Kit – Kawasaki FH680	8-3
Kawasaki FH680D Gasoline Engine and Engine Mounting	8-5
Shrouds and Brackets	8-7
Ignition Components and Flywheel	8-9
Governor Arm and Springs	8-11
Oil and Lubrication Components	8-13
Oil Filter Adapter	8-15
Cylinder Head and Crankcase	8-17
Valves and Camshaft	8-19
Pistons and Crankshaft	8-21

SECTION 9 – ENGINE – KUBOTA DIESEL

Tune-Up Kit – Kubota D722	9-3
Diesel Engine and Mounts	9-5
Diesel Engine and Mounts – Mechanical Fuel Pump	9-7
Crankcase	9-9
Oil Pan	9-11
Cylinder Head	9-13
Gear Case	9-15
Head Cover	9-17
Dipstick and Guide	9-19
Oil Pump	9-21
Main Bearing Case	9-23
Camshaft and Idle Gear	9-25
Piston and Crankshaft	9-27

CONTENTS

Flywheel	9-29
Fuel Camshaft	9-31
Idle Apparatus	9-33
Stop Solenoid	9-35
40-Amp Alternator, Belt and Pulleys	9-37
60-Amp Alternator, Belt and Pulleys	9-39
Fuel Injection Pump	9-41
Speed Control	9-43
Nozzle Holders and Glow Plugs	9-45
Governor Components	9-47
Starter	9-49
Valves and Rocker Arms	9-51
Intake Manifold	9-53
Exhaust Manifold	9-55
Gasket Kits	9-57
Piston Rebuild Kit	9-59

SECTION 10 – FUEL, INTAKE, ACCELERATOR & GOVERNOR SYSTEMS – KAWASAKI GAS ENGINES

Fuel Tank – Gasoline Vehicle	10-3
Fuel Pump, Filter and Hose – Gasoline Engine	10-5
Carburetor Assembly – Gasoline Engine	10-7
Carburetor Mounting – Gasoline Engine	10-9
Intake Hoses and Air Filter – Gasoline Engine	10-11
Accelerator Pedal – Gasoline Vehicle	10-13
Accelerator and Choke Cables – Gasoline Vehicle	10-15

SECTION 11 – FUEL, INTAKE & ACCELERATOR SYSTEMS – KUBOTA DIESEL ENGINE

Fuel Tank – Diesel Vehicle	11-3
Fuel Pump, Filter and Hose, Diesel – To Late 2009 Model Year	11-5
Fuel Pump, Filter and Hose, Diesel – From Late 2009 Model Year	11-7
Intake Hoses and Air Filter – Diesel Vehicle	11-9
Accelerator Pedal – Diesel Vehicle	11-11
Accelerator Cable – Diesel Vehicle	11-13

SECTION 12 – EXHAUST SYSTEM – GAS & DIESEL

Exhaust System	12-3
Exhaust Header – Gasoline Vehicle	12-5
Exhaust Pipes – Diesel Vehicle	12-7

CONTENTS

SECTION 13 – CLUTCHES – KAWASAKI GAS ENGINE

Drive Belt	13-3
Drive Clutch – Kawasaki Gas Engine	13-5
Driven Clutch	13-7
Clutch Cover (Non-Sealed)	13-9
Clutch Cover (Sealed)	13-11

SECTION 14 – CLUTCHES – KUBOTA DIESEL ENGINE

Drive Belt	14-3
Drive Clutch – Diesel Engine	14-5
Driven Clutch	14-7
Clutch Cover (Non-Sealed)	14-9
Clutch Cover (Sealed)	14-11

SECTION 15 – DRIVETRAIN COMPONENTS – GAS & DIESEL

Forward/Reverse Shifter	15-3
Shifter Cables	15-5
Front Differential (Output Components)	15-7
Front Differential (Input Components)	15-9
Front Differential Mounting and Half Shafts	15-11
CV Boot Repair Kits	15-13
Transmission, Kawasaki & Kubota Engines – Page 1 of 3	15-15
Transmission, Kawasaki & Kubota Engines – Page 2 of 3	15-17
Transmission, Kawasaki & Kubota Engines – Page 3 of 3	15-19
Prop Shafts	15-21
Rear Differential and Axles – Page 1 of 2	15-23
Rear Differential and Axles – Page 2 of 2	15-25

SECTION 16 – RADIATOR AND COOLANT SYSTEM – DIESEL VEHICLES

Radiator	16-3
Coolant Expansion Tank	16-5
Coolant Pipes, Clamps, Hoses and Hardware	16-7
Water Flange and Thermostat	16-9
Water Pump	16-11
Block Coolant Pipe	16-13

SECTION 17 – HYDRAULIC ATTACHMENT SYSTEM AND ACCESSORIES

Handbook	17-3
----------------	------

CONTENTS

Attachment – Pallet Fork	17-5
Attachment – Bucket	17-7
Attachment – Snow Blade	17-9
Attachment – Broom	17-11
Attachment – Mower	17-13
Accessory Mounting Weldment	17-15
Attachment Arm Kit	17-17
Attachment Interface	17-19
Hydraulic Controls	17-21
Hydraulic Cylinders	17-23
Hydraulic Hoses	17-25
Hydraulic Attachment Angle Kit	17-27
Hydraulic Power Unit – Standard	17-29
Hydraulic Power Unit – with Auxiliary	17-31
Standard to Auxiliary Hydraulic Conversion Kit	17-33

SECTION 18 – MAINTENANCE AND SERVICE TOOLS

Maintenance and Service Tools – 295/1550	18-3
Maintenance and Service Tools – 295/1550, Continued	18-5

SECTION i – INDEX

BODY AND TRIM

1

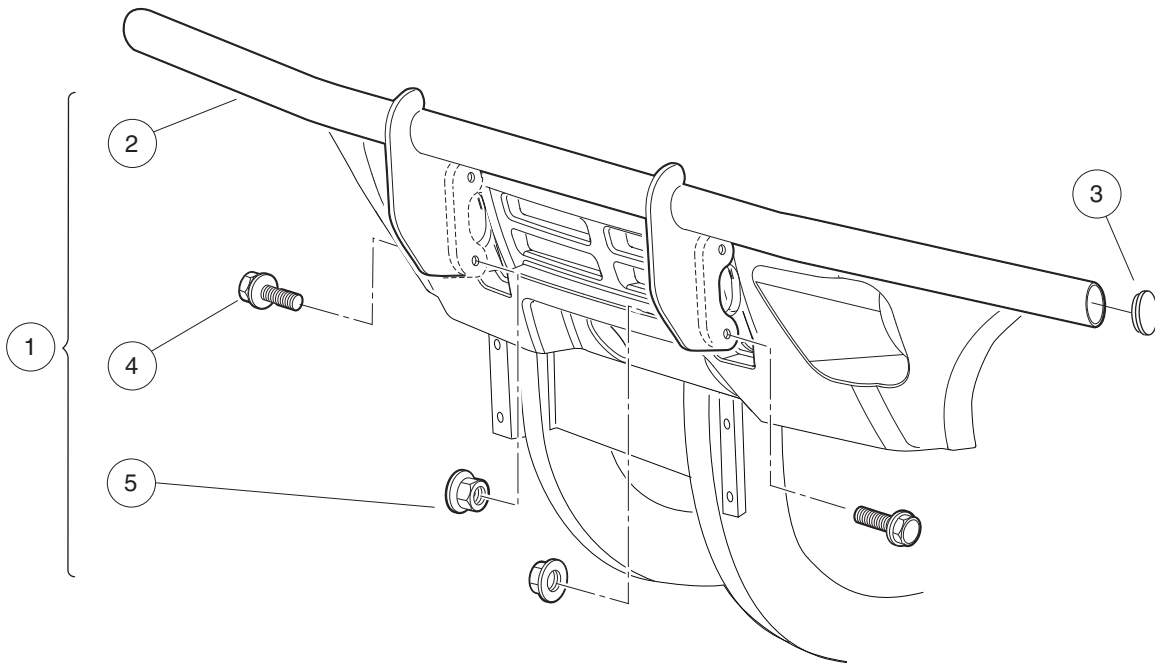
G

D

1

G

D



000526-004

BRUSH GUARD

ITEM	PART NO.	DESCRIPTION	QTY
		1 2 3 4	
1	<u>103236001</u>	Kit, Tube Bumper CCI (includes items 2 through 5)	1
2	N/A	Weldment, Frt Bumper, Restyle	1
3	<u>103215401</u>	Plug, Tube, Round, 1-3/4"	2
4	<u>103231701</u>	Screw, M10 X 1.25 X 30 Hex Blk	4
5	<u>103231801</u>	Nut, Flg, M10 X 1.25 Hex Blk	4
		Note: Brushguard is standard on XRT vehicles and is optional on Carryall vehicles.	

1

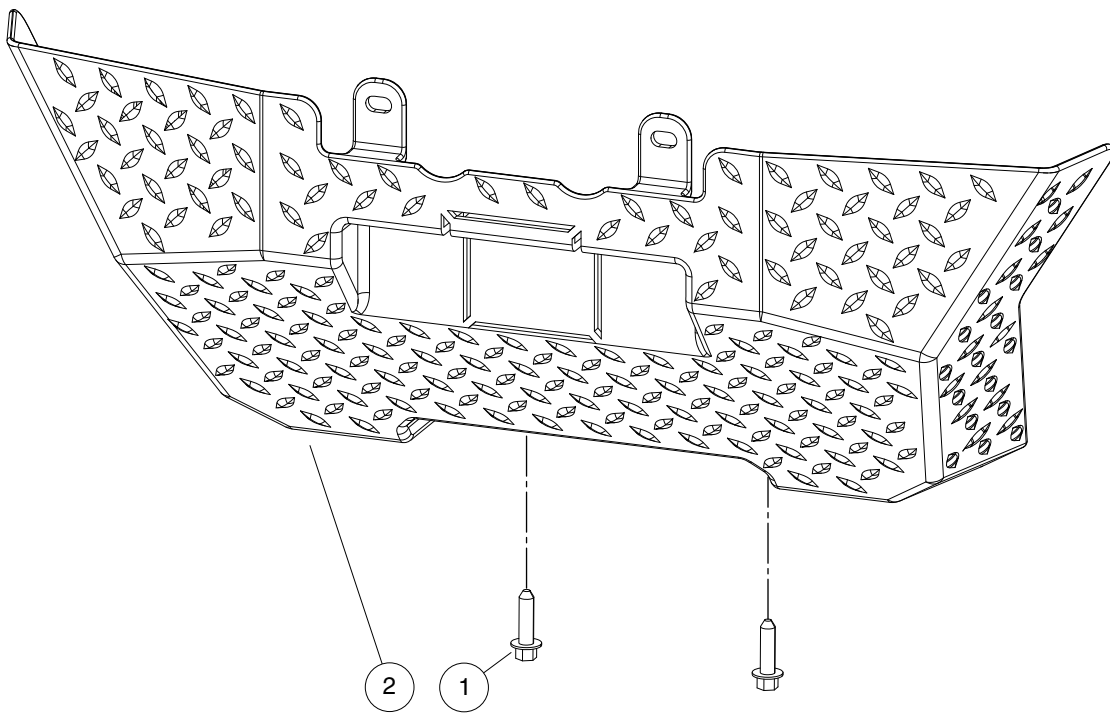
G

D

1

G

D



000537-003

PLASTIC SKID PLATE

ITEM	PART NO.	DESCRIPTION	QTY
1	<u>102289001</u>	1 2 3 4 Screw, M8X1.25X30, Hex	2
2	<u>102882301</u>	Plate, Skid, Std	1

1

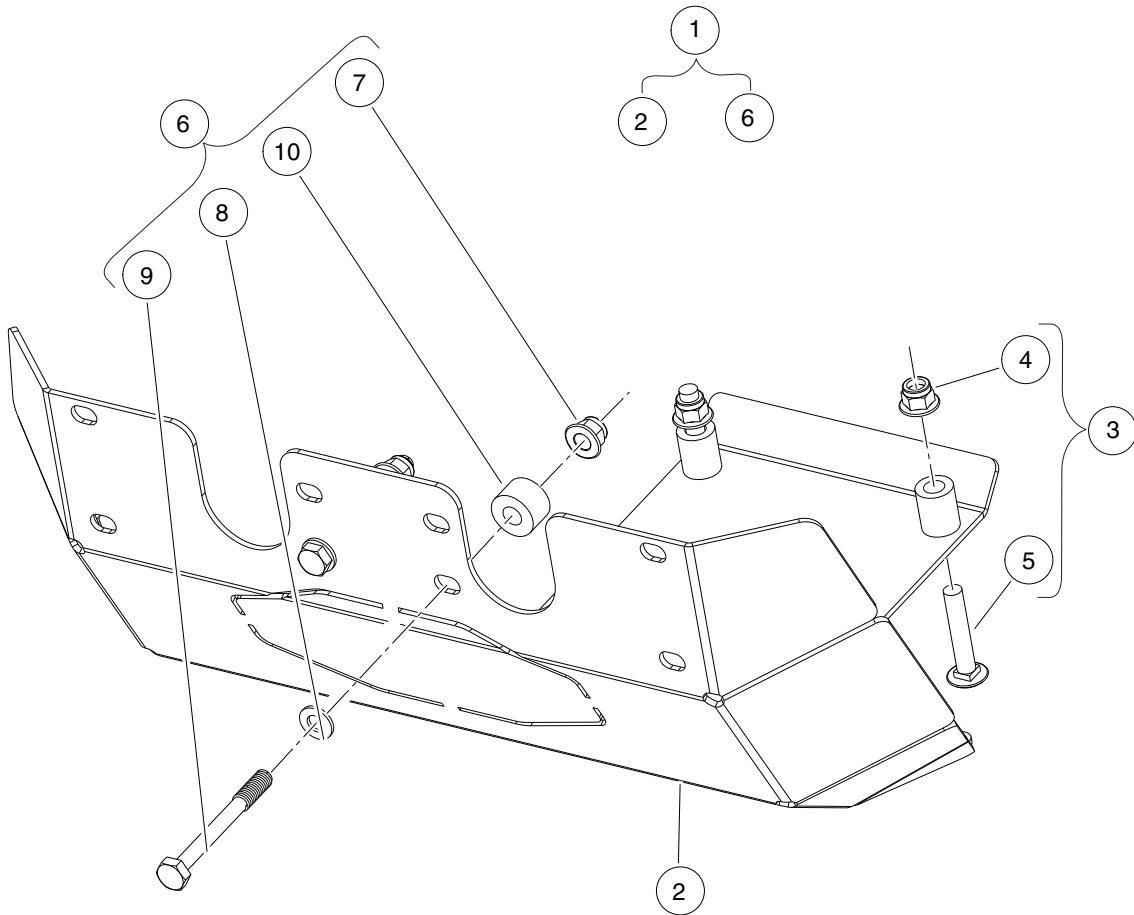
G

D

1

G

D



000537-004

STEEL SKID PLATE

ITEM	PART NO.	DESCRIPTION	QTY
		1 2 3 4	
1	AM1211003	Kit, Skidplate, Front, Steel (includes items 2 through 6)	1
2	<u>AM1210002</u>	Skid Plate, Front, Steel	1
3	<u>AM1215701</u>	Kit, Hardware, Skidplate, Front, A (includes items 4 and 5)	1
4	<u>102670701</u>	Nut, Flange, M10 X 1.5 Nylon	2
5	AM1210801	Bolt, Carriage, M10x1.5x55	2
6	<u>AM1215801</u>	Kit, Hardware, Skidplate, Front, B (includes items 7 through 10)	1
7	<u>102670701</u>	Nut, Flange, M10 X 1.5 Nylon	2
8	<u>102718101</u>	Washer, Hard, M10, Zn-Ni/Blk	2
9	<u>102719301</u>	Bolt, M10 X 1.50 X 90, Loctite	2
10	AM1211401	Spacer, 17mm Long, Skidplate	2

1

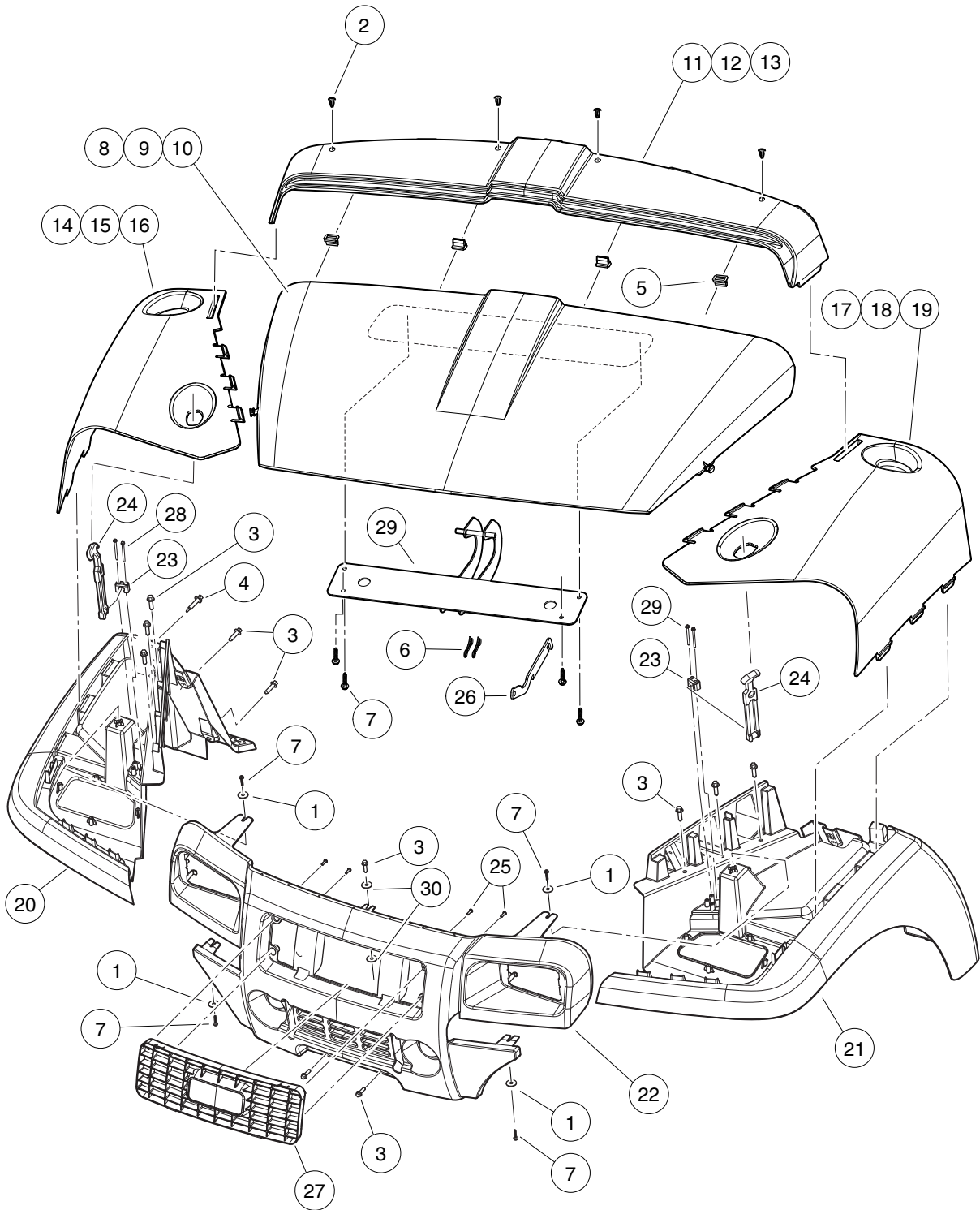
G

D

1

G

D



000507-007

FASCIA, FENDERS, AND COWLS – CARRYALL VEHICLES

ITEM	PART NO.	DESCRIPTION	QTY
		1 2 3 4	
1	<u>1011578</u>	Washer, 5/16 Type B Flat	4
2	<u>102025701</u>	Screw, Tuflok Panel, 1/4	4
3	<u>102289001</u>	Screw, M8X1.25X30, Hex	13
4	<u>102292356</u>	Screw-1/4-20x56 Hwh Self Drill	2
5	<u>102292701</u>	Clip-body-trim	4
6	<u>102292801</u>	Pin, Bow Tie Locking - .072	2
7	<u>102297230</u>	Screw, M6, Torx, Interlock Thread	8
8	<u>102866510</u>	Hood, Dark Green	1
9	<u>102866514</u>	Hood, Dark Gray	1
10	<u>102866518</u>	Hood, Real Tree Camo	1
11	<u>102866610</u>	Panel, Cowl, Center, Dark Green	1
12	<u>102866614</u>	Panel, Cowl, Center, Dark Gray	1
13	<u>102866618</u>	Panel, Cowl, Center, Real Tree Camo	1
14	<u>102866710</u>	Panel, Cowl, Passenger-Side, Dark Green	1
15	<u>102866714</u>	Panel, Cowl, Passenger-Side, Dark Gray	1
16	<u>102866718</u>	Panel, Cowl, Passenger-Side, Real Tree Camo	1
17	<u>102866810</u>	Panel, Cowl, Driver-Side, Dark Green	1
18	<u>102866814</u>	Panel, Cowl, Driver-Side, Gray	1
19	<u>102866818</u>	Panel, Cowl, Driver-Side, Real Tree Camo	1
20	<u>102866901</u>	Fender, Front, Pass, AWD	1
21	<u>102867001</u>	Fender, Front, Drv, AWD	1
22	<u>102867501</u>	Fascia, Front, CA, AWD	1
23	<u>102882401</u>	Bracket, Latch, Draw	2
24	<u>102895101</u>	Latch, Draw, Hood	2
25	<u>102895401</u>	Screw, D50x16, Torx PN Hd PT	4
26	<u>102896501</u>	Prop, Hood	1
27	<u>102979401</u>	Grill, CA295	1
28	<u>103218107</u>	Screw, #8x2.00 AB Thd, Hex Hd	4
29	<u>103588001</u>	Asm, Hood Hinge	1
30	<u>808</u>	Washer, 3/8 Type B Flat	2

1

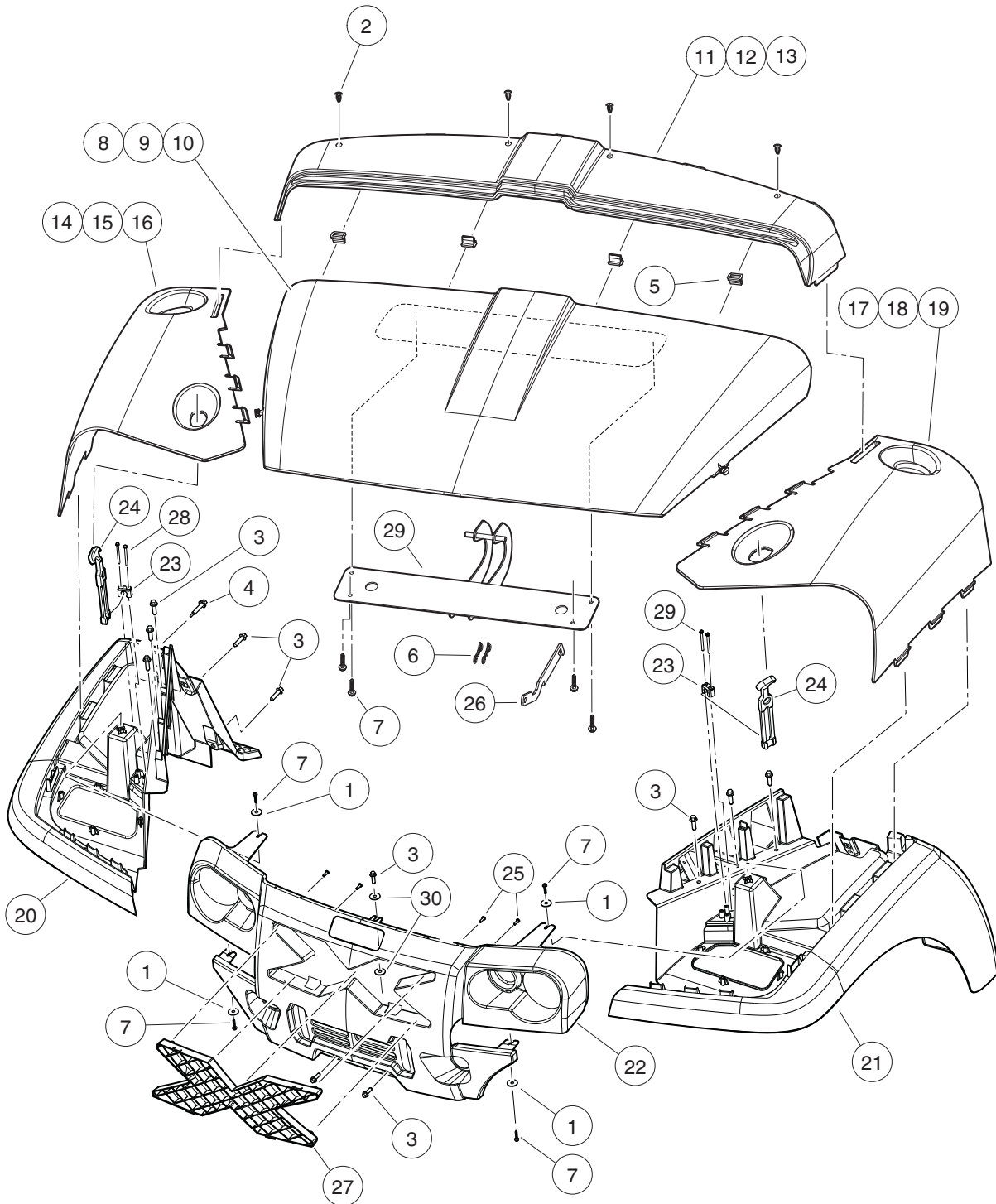
G

D

1

G

D



000522-005

FASCIA, FENDERS, AND COWLS – XRT VEHICLES

ITEM	PART NO.	DESCRIPTION	QTY
		1 2 3 4	
1	<u>1011578</u>	Washer, 5/16 Type B Flat	4
2	<u>102025701</u>	Screw, Tuflok Panel, 1/4	4
3	<u>102289001</u>	Screw, M8X1.25X30, Hex	13
4	<u>102292356</u>	Screw-1/4-20x56 Hwh Self Drill	2
5	<u>102292701</u>	Clip-body-trim	4
6	<u>102292801</u>	Pin, Bow Tie Locking - .072	2
7	<u>102297230</u>	Screw, M6, Torx, Interlock Thread	8
8	<u>102866510</u>	Hood, Dark Green	1
9	<u>102866515</u>	Hood, Red	1
10	<u>102866518</u>	Hood, Real Tree Camo	1
11	<u>102866610</u>	Panel, Cowl, Center, Dark Green	1
12	<u>102866615</u>	Panel, Cowl, Center, Red	1
13	<u>102866618</u>	Panel, Cowl, Center, Real Tree Camo	1
14	<u>102866710</u>	Panel, Cowl, Passenger-Side, Dark Green	1
15	<u>102866715</u>	Panel, Cowl, Passenger-Side, Red	1
16	<u>102866718</u>	Panel, Cowl, Passenger-Side, Real Tree Camo	1
17	<u>102866810</u>	Panel, Cowl, Driver-Side, Dark Green	1
18	<u>102866815</u>	Panel, Cowl, Driver-Side, Red	1
19	<u>102866818</u>	Panel, Cowl, Driver-Side, Real Tree Camo	1
20	<u>102866901</u>	Fender, Front, Pass, AWD	1
21	<u>102867001</u>	Fender, Front, Drv, AWD	1
22	<u>102867401</u>	Fascia, Front, XRT, AWD	1
23	<u>102882401</u>	Bracket, Latch, Draw	2
24	<u>102895101</u>	Latch, Draw, Hood	2
25	<u>102895401</u>	Screw, D50x16, Torx PN Hd PT	4
26	<u>102896501</u>	Prop, Hood	1
27	<u>102979301</u>	Grill, XRT	1
28	<u>103218107</u>	Screw, #8x2.00 AB Thd, Hex Hd	4
29	<u>103588001</u>	Asm, Hood Hinge	1
30	<u>808</u>	Washer, 3/8 Type B Flat	2

1

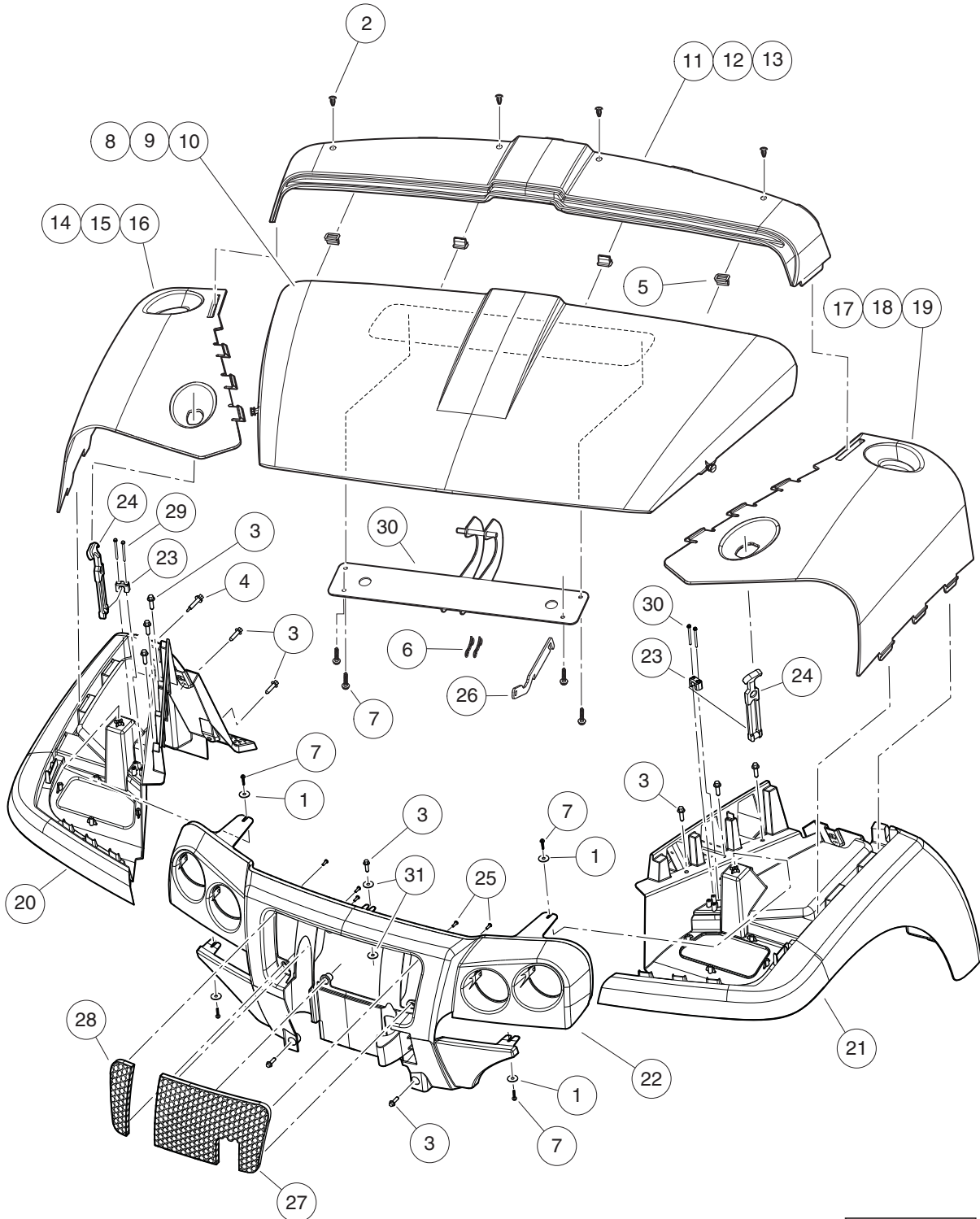
G

D

1

G

D



000559-007

FASCIA, FENDERS, AND COWL – INTELLITACH

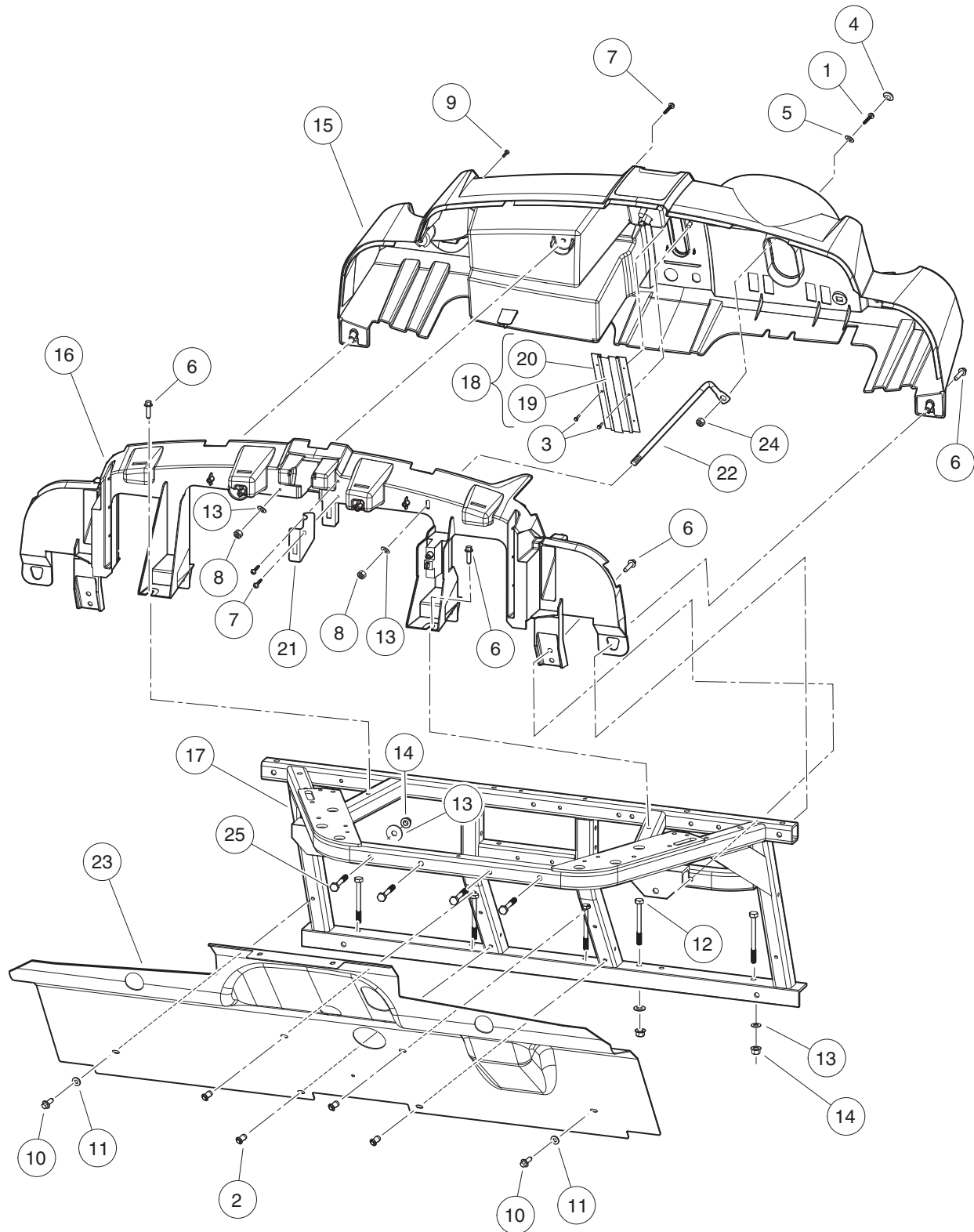
ITEM	PART NO.	DESCRIPTION	QTY
		1 2 3 4	
1	<u>1011578</u>	Washer, 5/16 Type B Flat	4
2	<u>102025701</u>	Screw, Tuflok Panel, 1/4	4
3	<u>102289001</u>	Screw, M8X1.25X30, Hex	13
4	<u>102292356</u>	Screw-1/4-20x56 Hwh Self Drill	2
5	<u>102292701</u>	Clip-body-trim	4
6	<u>102292801</u>	Pin, Bow Tie Locking - .072	2
7	<u>102297230</u>	Screw, M6, Torx, Interlock Thread	8
8	<u>102866510</u>	Hood, Dark Green	1
9	<u>102866514</u>	Hood, Dark Gray	1
10	<u>102866518</u>	Hood, Real Tree Camo	1
11	<u>102866610</u>	Panel, Cowl, Center, Dark Green	1
12	<u>102866614</u>	Panel, Cowl, Center, Dark Gray	1
13	<u>102866618</u>	Panel, Cowl, Center, Real Tree Camo	1
14	<u>102866710</u>	Panel, Cowl, Passenger-Side, Dark Green	1
15	<u>102866714</u>	Panel, Cowl, Passenger-Side, Dark Gray	1
16	<u>102866718</u>	Panel, Cowl, Passenger-Side, Real Tree Camo	1
17	<u>102866810</u>	Panel, Cowl, Driver-Side, Dark Green	1
18	<u>102866814</u>	Panel, Cowl, Driver-Side, Gray	1
19	<u>102866818</u>	Panel, Cowl, Driver-Side, Real Tree Camo	1
20	<u>102866901</u>	Fender, Front, Pass, AWD	1
21	<u>102867001</u>	Fender, Front, Drv, AWD	1
22	<u>102867602</u>	Fascia, Dual Round w/ Cut	1
23	<u>102882401</u>	Bracket, Latch, Draw	2
24	<u>102895101</u>	Latch, Draw, Hood	2
25	<u>102895401</u>	Screw, D50x16, Torx PN Hd PT	6
26	<u>102896501</u>	Prop, Hood	1
27	<u>102978801</u>	Grill, Hex Cut, DS	1
28	<u>102978901</u>	Grill, Hex, Cut, PS	1
29	<u>103218107</u>	Screw, #8x2.00 AB Thd, Hex Hd	4
30	<u>103588001</u>	Asm, Hood Hinge	1
31	<u>808</u>	Washer, 3/8 Type B Flat	2

1
G
D

1

G

D



000521-004

DASH AND SPLASHGUARD

ITEM	PART NO.	DESCRIPTION	QTY
		1 2 3 4	
1	1016916	Screw, 1/4-20 X 1.50 Hex-Head Cap	1
2	1016967	Blind Rivet, Push Type	4
3	101804301	Screw, #8 X 0.500, Hex-Head Hi-Lo	2
4	102045001	Cap, 1/4" Plastic Screw Head	1
5	102048401	Washer, 1/4 Id Scalloped Plast	1
6	102289001	Screw, M8X1.25X30, Hex	6
7	102297230	Screw, M6, Torx, Interlock Thread	3
8	102298401	Nut, M8, All Metal Lock	2
9	102298580	M8-1.25 X 80 Sems	1
10	102298720	Screw, M8-1.25x20, Taptite	2
11	102323501	Washer, Flat, 3/8, Blk Fin	2
12	102491301	Bolt, M10x1.50x100 (Black)	3
13	102491501	Washer, Hard, M10	8
14	102617201	Nut, Flanged, M10 X 1.5, Mechanically Deformed	8
15	102867101	Dash, Design A	1
16	102867301	Support, Structural	1
17	102935501	Weldment, Dash, Front	1
18	103233001	Asm, Brush, Fnr (includes items 19 and 20)	2
19	N/A	Brush, Strip, FNR	2
20	N/A	Holder, Brush, Strip, FNR	2
21	103253801	Bracket, Hood Support	1
22	103268001	Rod, Connection, Dash	1
23	103296001	Guard, Splash, Gas Injection	1
24	8233	Locknut, 1/4-20, Nylon Insert	1
25	96715552	Bolt, M10 X 1.50 X 65	4

1

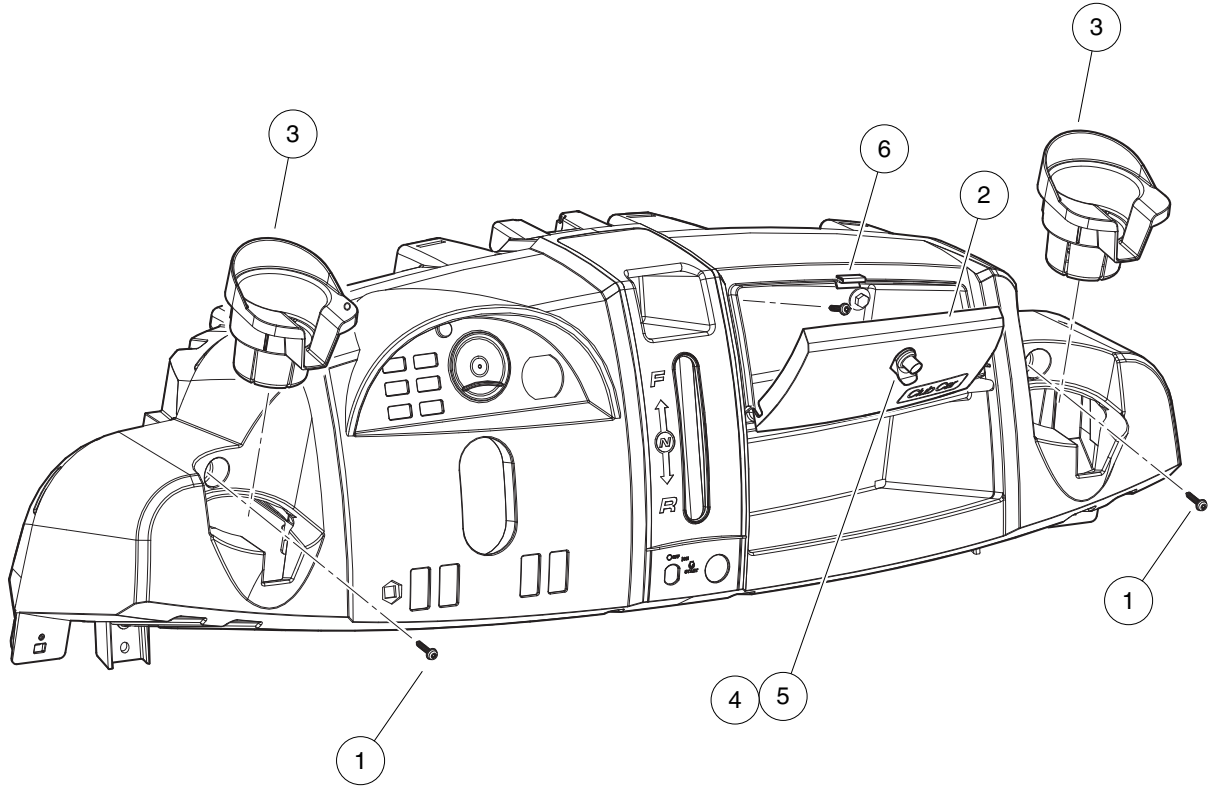
G

D

1

G

D



000789-004

GLOVE BOX AND CUP HOLDERS

ITEM	PART NO.	DESCRIPTION	QTY
		1 2 3 4	
1	<u>102297230</u>	Screw, M6, Torx, Interlock Thread	2
2	<u>102867202</u>	Cover, Storage, Dash, Blk, Cci	1
3	<u>102883401</u>	Cup Holder, Utility	2
4	<u>103182701</u>	Latch, Push Close	1
5	<u>103182702</u>	Latch, Push Close W/ Key	1
6	<u>103182801</u>	Keeper, Latch, Push Close	1

1

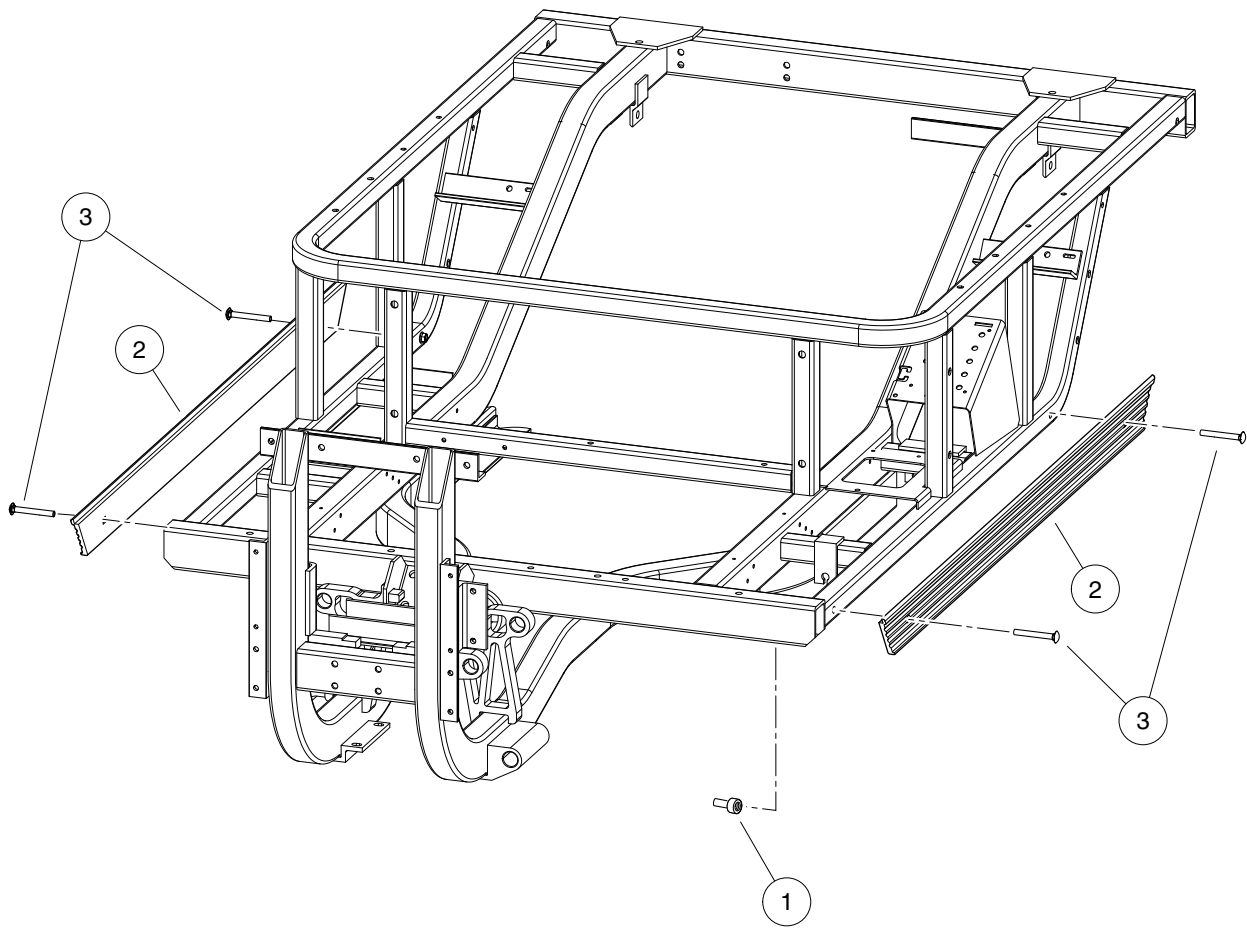
G

D

1

G

D



000527-001

SIDE STRINGERS – 2 PASSENGER VEHICLE

ITEM	PART NO.	DESCRIPTION	QTY
		1 2 3 4	
1	<u>102491701</u>	Well Nut 1/4-20	8
2	<u>103485501</u>	Stringer, Side, 1200mm	2
3	<u>103487501</u>	Screw, 1/4-20 X 1.0, Black	8

1

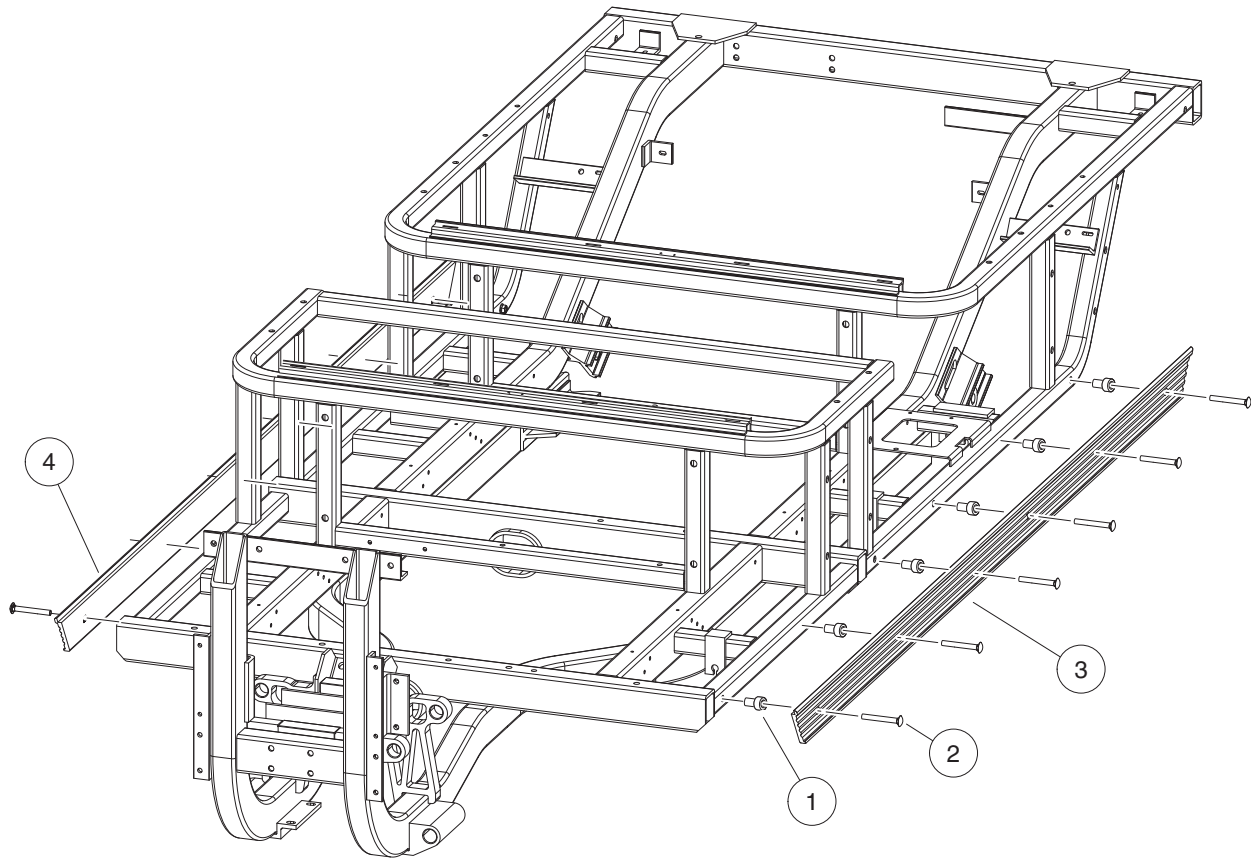
G

D

1

G

D



000527-006

SIDE STRINGERS – 4 PASSENGER VEHICLE

ITEM	PART NO.	DESCRIPTION	QTY
		1 2 3 4	
1	<u>102491701</u>	Well Nut 1/4-20	12
2	<u>103487501</u>	Screw, 1/4-20 X 1.0, Black	12
3	<u>103488801</u>	Stringer, Side, Awd, Se, Ds	1
4	<u>103488802</u>	Stringer, Side, Awd, Se, Ps	1

1

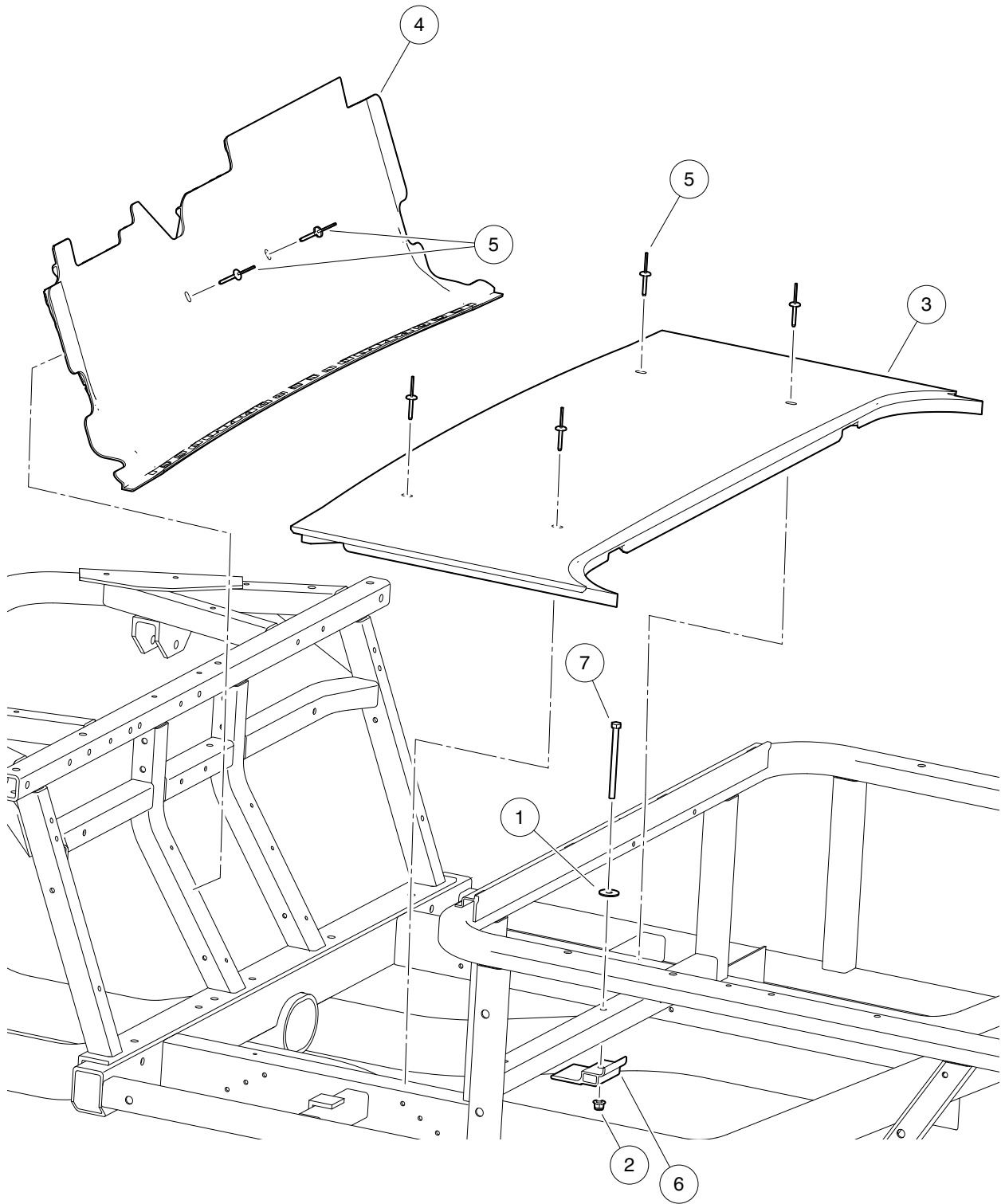
G

D

1

G

D



000790-003

FLOORBOARD – FRONT

ITEM	PART NO.	DESCRIPTION	QTY
		1 2 3 4	
1	<u>1011578</u>	Washer, 5/16 Type B Flat	1
2	102618601	Lock Nut, Flange, M8 X 1.25 Nylon	1
3	<u>103319601</u>	Floorboard, Lower	1
4	<u>103319701</u>	Floorboard, Upper	1
5	<u>103400001</u>	3/16 X 1.19 Alum Rivet, Blk	6
6	<u>103417401</u>	Bracket, Support, Floorboard	1
7	<u>103423701</u>	Bolt, M8 X 1.25 X 110	1

1

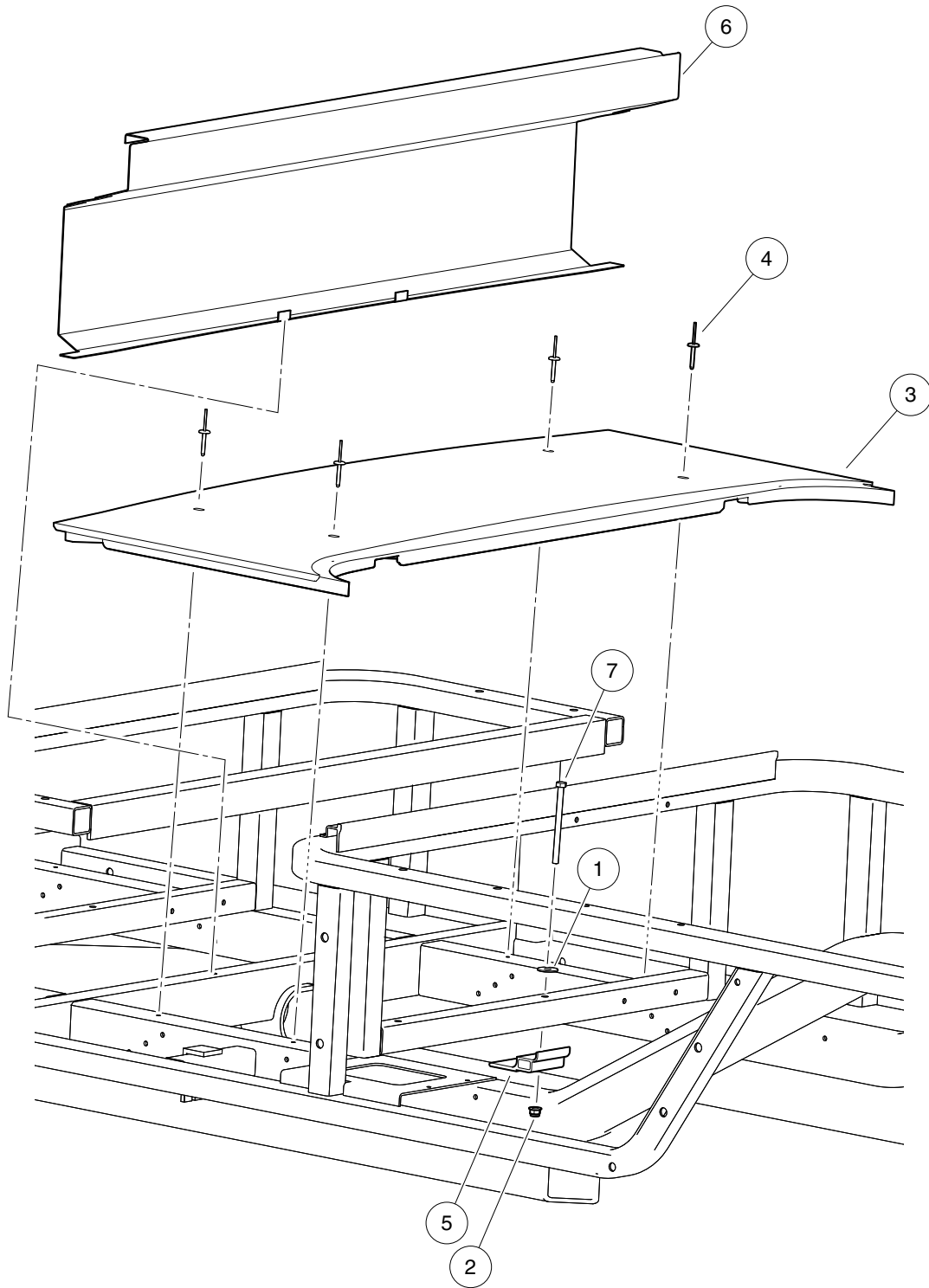
G

D

1

G

D



000790-004

FLOORBOARD – REAR

ITEM	PART NO.	DESCRIPTION	QTY
		1 2 3 4	
1	<u>1011578</u>	Washer, 5/16 Type B Flat	1
2	102618601	Lock Nut, Flange, M8 X 1.25 Nylon	1
3	<u>103319601</u>	Floorboard, Lower	1
4	<u>103400001</u>	3/16 X 1.19 Alum Rivet, Blk	4
5	<u>103417401</u>	Bracket, Support, Floorboard	1
6	103418001	Plate, Footwell, Rear	1
7	<u>103423701</u>	Bolt, M8 X 1.25 X 110	1

1

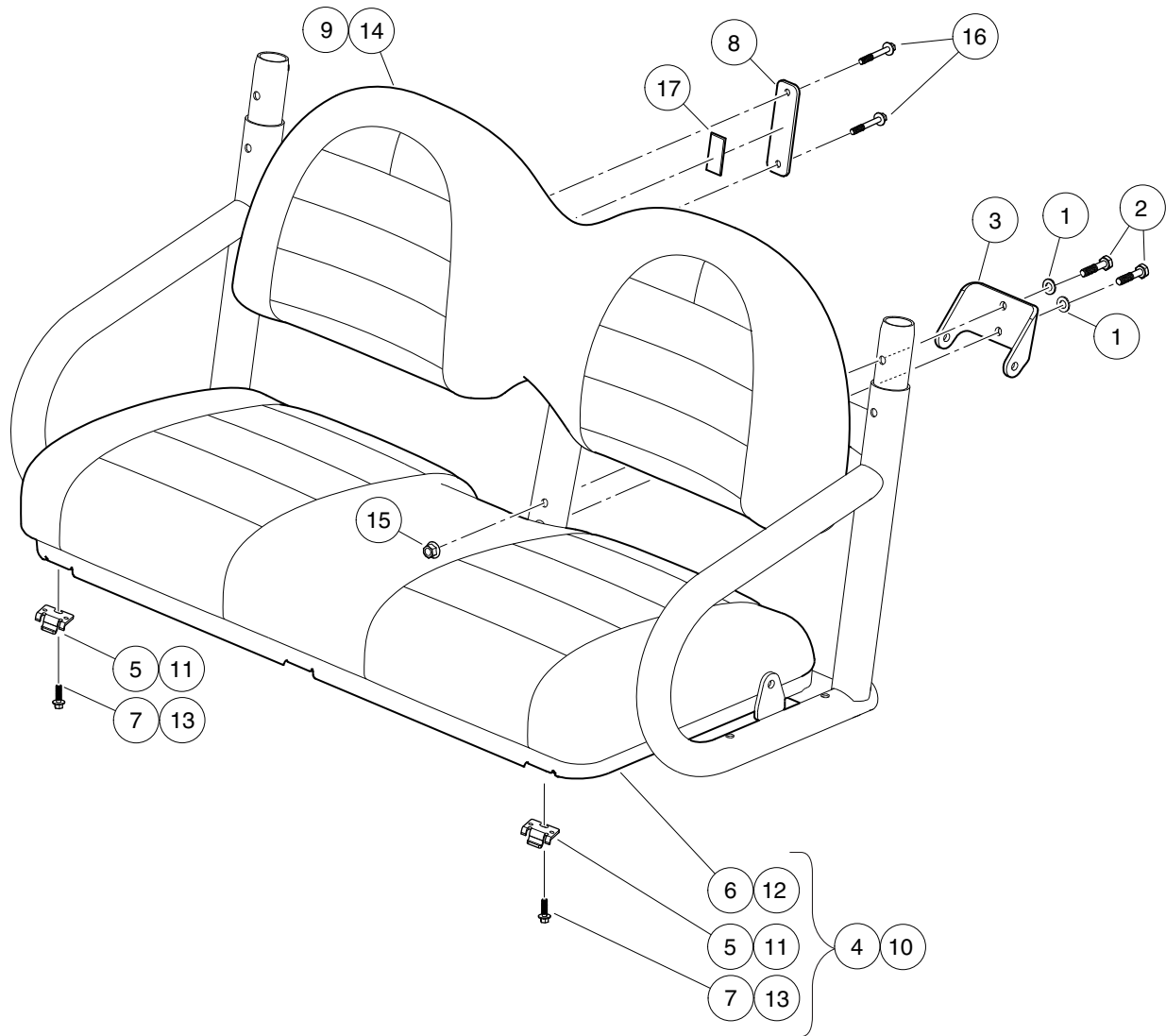
G

D

1

G

D



000523-001

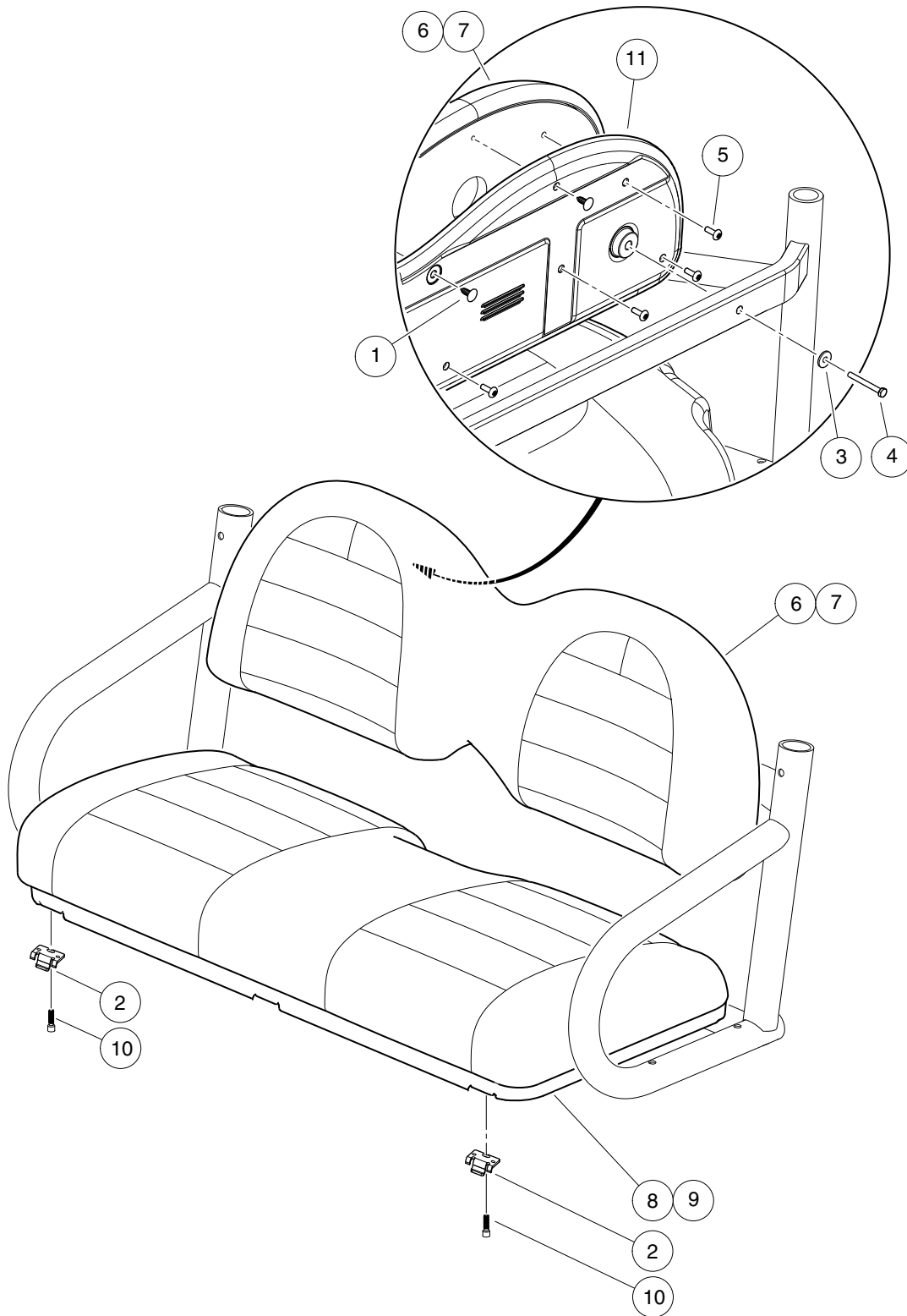
BENCH SEAT – TO LATE 2009 MODEL YEAR

ITEM	PART NO.	DESCRIPTION	QTY	
		1 2 3 4		1
1	<u>102718101</u>	Washer, Hard, M10, Zn-Ni/Blk	2	G
2	<u>102732401</u>	Bolt, M10 X 45, Zn-Ni (Black)	2	
3	<u>102759901</u>	Bracket, Seat Belt, Bench	1	
4	<u>102879201</u>	Asm, Seat Bottom, Bench, Gray (includes items 5 through 7)	1	D
5	<u>1011652</u>	Hinge Plate	2	
6	<u>102759601</u>	Asm, Seat Bottom, Bench	1	
7	<u>103262201</u>	Bolt Flg Blk, M8 X 25, Loctite	2	
8	<u>102879401</u>	Bracket, Seat Back, AWD	2	
9	<u>102912301</u>	Seat Back, Bench, Gray	1	
10	<u>103181001</u>	Asm, Seat Bottom, Bench, Black (includes items 11 through 13)	1	
11	<u>1011652</u>	Hinge Plate	2	
12	N/A	Seat Bottom, Bench, Black	1	
13	<u>103262201</u>	Bolt Flg Blk, M8 X 25, Loctite	2	
14	<u>103181101</u>	Seat Back, Bench, Black	1	
15	<u>103216401</u>	Nut, Flanged, M10 x 1.5, Black	2	
16	<u>103262601</u>	Bolt Flg Blk, M8 X 55, Loctite	4	
17	N/A	Tape, Double-Sided, VHB, 1"x 2"	1	

1

G

D



000523-005

BENCH SEAT – FROM LATE 2009 MODEL YEAR

ITEM	PART NO.	DESCRIPTION	QTY
		1 2 3 4	
1	<u>1010434</u>	Barrel - Plastic	8
2	<u>1011652</u>	Hinge Plate	2
3	<u>1011697</u>	Washer, 5/16 Flat	3
4	1014201	Screw, 1/4-20 X 2.25 Hex Cap	3
5	<u>1014415</u>	Screw, 1/4-20 X 0.75 Torx Truss-Head	4
6	<u>103456001</u>	Seat Back, Bench, Gray	1
7	<u>103456002</u>	Seat Back, Bench, Black	1
8	<u>103629101</u>	Seat, Bench, Bottom, Blk	1
9	<u>103629102</u>	Seat, Bench, Bottom, Gray	1
10	<u>103629501</u>	Screw, 1/4-20 X .75 Shcs	4
11	<u>103831101</u>	Cap, Seatback, Vented	1

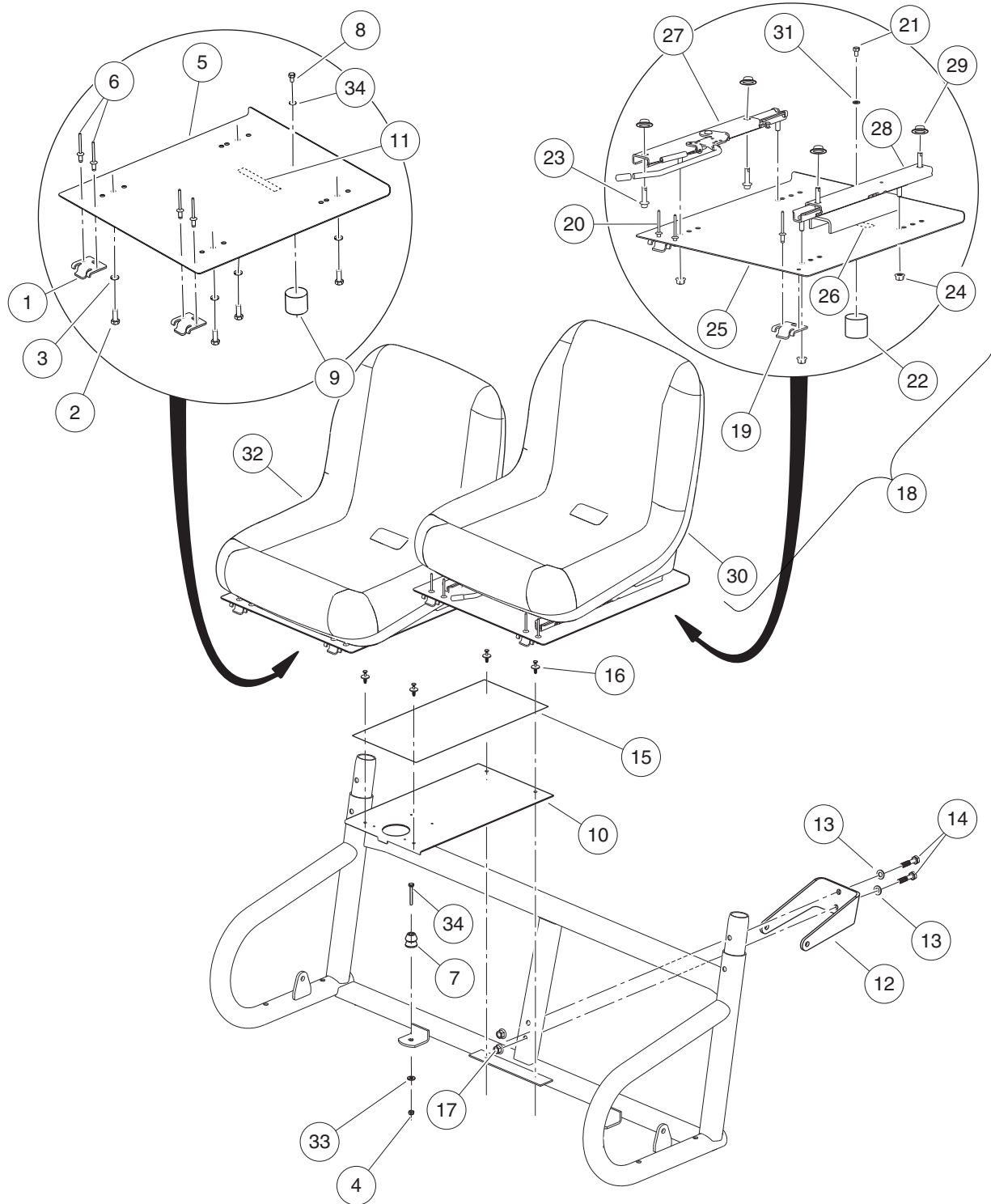
1

G

D

1
G

D



000524-012

BUCKET SEATS – BLACK

ITEM	PART NO.	DESCRIPTION	QTY
		1 2 3 4	
1	<u>1011652</u>	Hinge Plate	2
2	<u>1012830</u>	Screw, M8-125 X 22 Hex-Head	4
3	<u>1013734</u>	Lockwasher, 8mm Split	4
4	<u>101887601</u>	Locknut, M6-1.00 Nylon Insert	2
5	<u>102023703</u>	Pan, Seat, Passenger	1
6	<u>102047001</u>	Rivet, 1/4 X .438 Blind	4
7	<u>102059001</u>	Seat Holder Base	2
8	<u>102059401</u>	Screw, 6m-1.00 X 10mm Hex Head	1
9	<u>102061101</u>	Seat Holder Cup	1
10	<u>102442001</u>	Pan, Center, Closeout	1
11	<u>102458901</u>	Decal, Hot Surface Warning	1
12	<u>102670601</u>	Bracket, Seatbelt, Bolt-On (for Bucket Seats)	1
13	<u>102718101</u>	Washer, Hard, M10, Zn-Ni/Blk	2
14	<u>102732401</u>	Bolt, M10 X 45, Zn-Ni (Black)	2
15	<u>102763701</u>	Cover, Center Console	1
16	<u>102967901</u>	Rivet, Removable, Tuflok 1/4"	4
17	<u>103216401</u>	Nut, Flanged, M10 x 1.5, Black	2
18	<u>103218901</u>	Asm, Bucket Seat, Adj, Blk (includes items 19 through 31)	1
19	<u>1011652</u>	Hinge Plate	2
20	<u>102047001</u>	Rivet, 1/4 X .438 Blind	4
21	<u>102059401</u>	Screw, 6m-1.00 X 10mm Hex Head	1
22	<u>102061101</u>	Seat Holder Cup	1
23	<u>102298130</u>	Bolt, Flange Head, M8 X 30.0	4
24	<u>102298401</u>	Nut,m8,all Metal Lock	4
25	<u>102456001</u>	Pan, Seat, Driver Asm	1
26	<u>102458901</u>	Decal, Hot Surface Warning	1
27	<u>102473501</u>	Adjuster, Forward/Aft	1
28	<u>102473601</u>	Adjuster, Slider	1
29	<u>102475901</u>	Washer, Bell	4
30	<u>103267002</u>	Seat, Bucket, Black	1
31	<u>451</u>	Lockwasher, 1/4 Split	1
32	<u>103267002</u>	Seat, Bucket, Black	1
33	<u>332</u>	Washer, 1/4 Type A Narrow Flat	2
34	<u>451</u>	Lockwasher, 1/4 Split	1
35	<u>96742515</u>	Bolt, M6 X 1 X 45	2

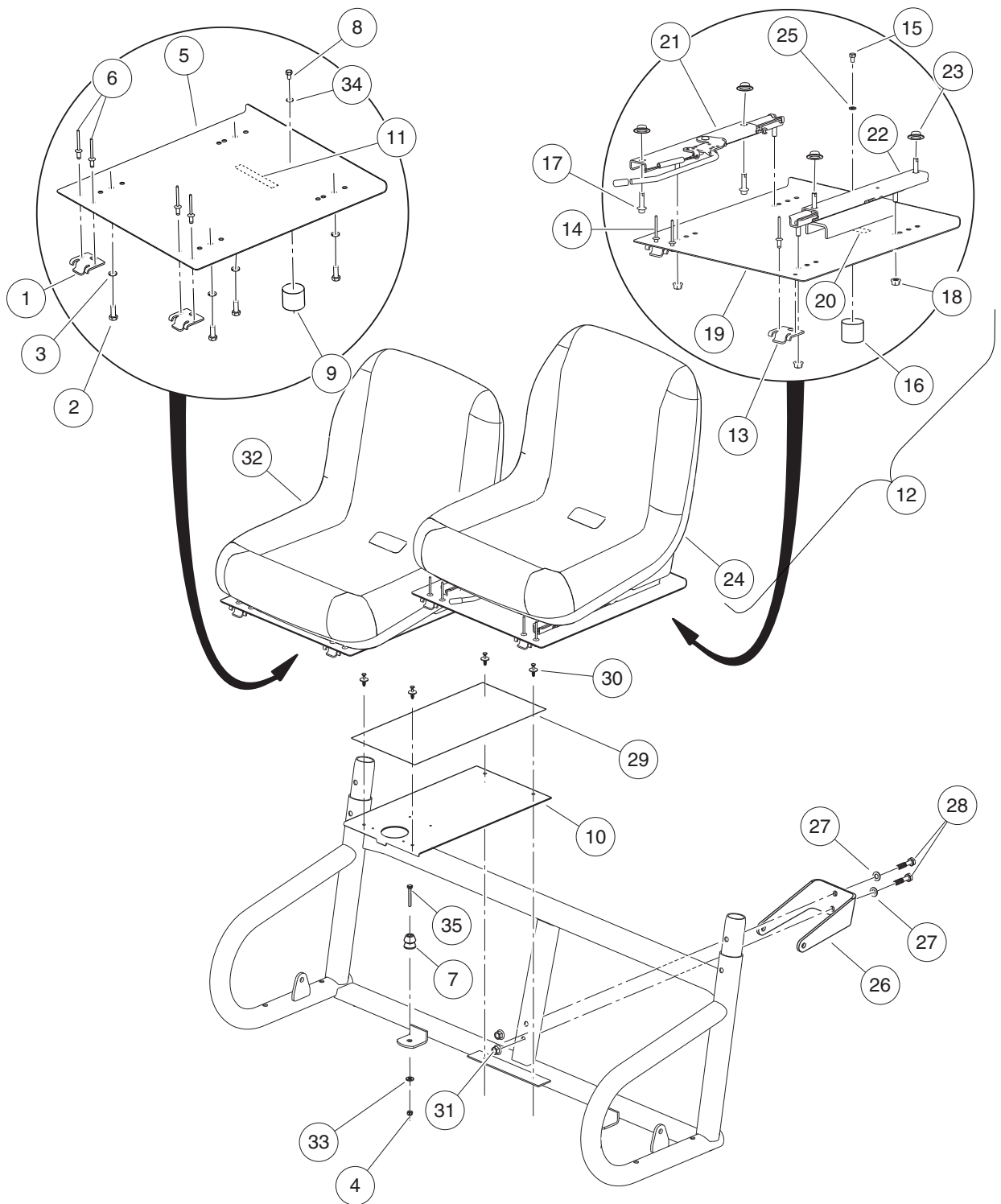
1

G

D

1
G

D



000524-013

BUCKET SEATS – GRAY

ITEM	PART NO.	DESCRIPTION	QTY
		1 2 3 4	
1	<u>1011652</u>	Hinge Plate	2
2	<u>1012830</u>	Screw, M8-125 X 22 Hex-Head	4
3	<u>1013734</u>	Lockwasher, 8mm Split	4
4	<u>101887601</u>	Locknut, M6-1.00 Nylon Insert	2
5	<u>102023703</u>	Pan, Seat, Passenger	1
6	<u>102047001</u>	Rivet, 1/4 X .438 Blind	4
7	<u>102059001</u>	Seat Holder Base	2
8	<u>102059401</u>	Screw, 6m-1.00 X 10mm Hex Head	1
9	<u>102061101</u>	Seat Holder Cup	1
10	<u>102442001</u>	Pan, Center, Closeout	1
11	<u>102458901</u>	Decal, Hot Surface Warning	1
12	<u>102473701</u>	Asm, Bucket Seat Adjustable (includes items 13 through 25)	1
13	<u>1011652</u>	Hinge Plate	2
14	<u>102047001</u>	Rivet, 1/4 X .438 Blind	4
15	<u>102059401</u>	Screw, 6m-1.00 X 10mm Hex Head	1
16	<u>102061101</u>	Seat Holder Cup	1
17	<u>102298130</u>	Bolt, Flange Head, M8 X 30.0	4
18	<u>102298401</u>	Nut,m8,all Metal Lock	4
19	<u>102456001</u>	Pan, Seat, Driver Asm	1
20	<u>102458901</u>	Decal, Hot Surface Warning	1
21	<u>102473501</u>	Adjuster, Forward/Aft	1
22	<u>102473601</u>	Adjuster, Slider	1
23	<u>102475901</u>	Washer, Bell	4
24	<u>103267001</u>	Seat, Bucket, Gray	1
25	<u>451</u>	Lockwasher, 1/4 Split	1
26	<u>102670601</u>	Bracket, Seatbelt, Bolt-On (for Bucket Seats)	1
27	<u>102718101</u>	Washer, Hard, M10, Zn-Ni/Blk	2
28	<u>102732401</u>	Bolt, M10 X 45, Zn-Ni (Black)	2
29	<u>102763701</u>	Cover, Center Console	1
30	<u>102967901</u>	Rivet, Removable, Tuflok 1/4"	4
31	<u>103216401</u>	Nut, Flanged, M10 x 1.5, Black	2
32	<u>103267001</u>	Seat, Bucket, Gray	1
33	<u>332</u>	Washer, 1/4 Type A Narrow Flat	2
34	<u>451</u>	Lockwasher, 1/4 Split	1
35	<u>96742515</u>	Bolt, M6 X 1 X 45	2

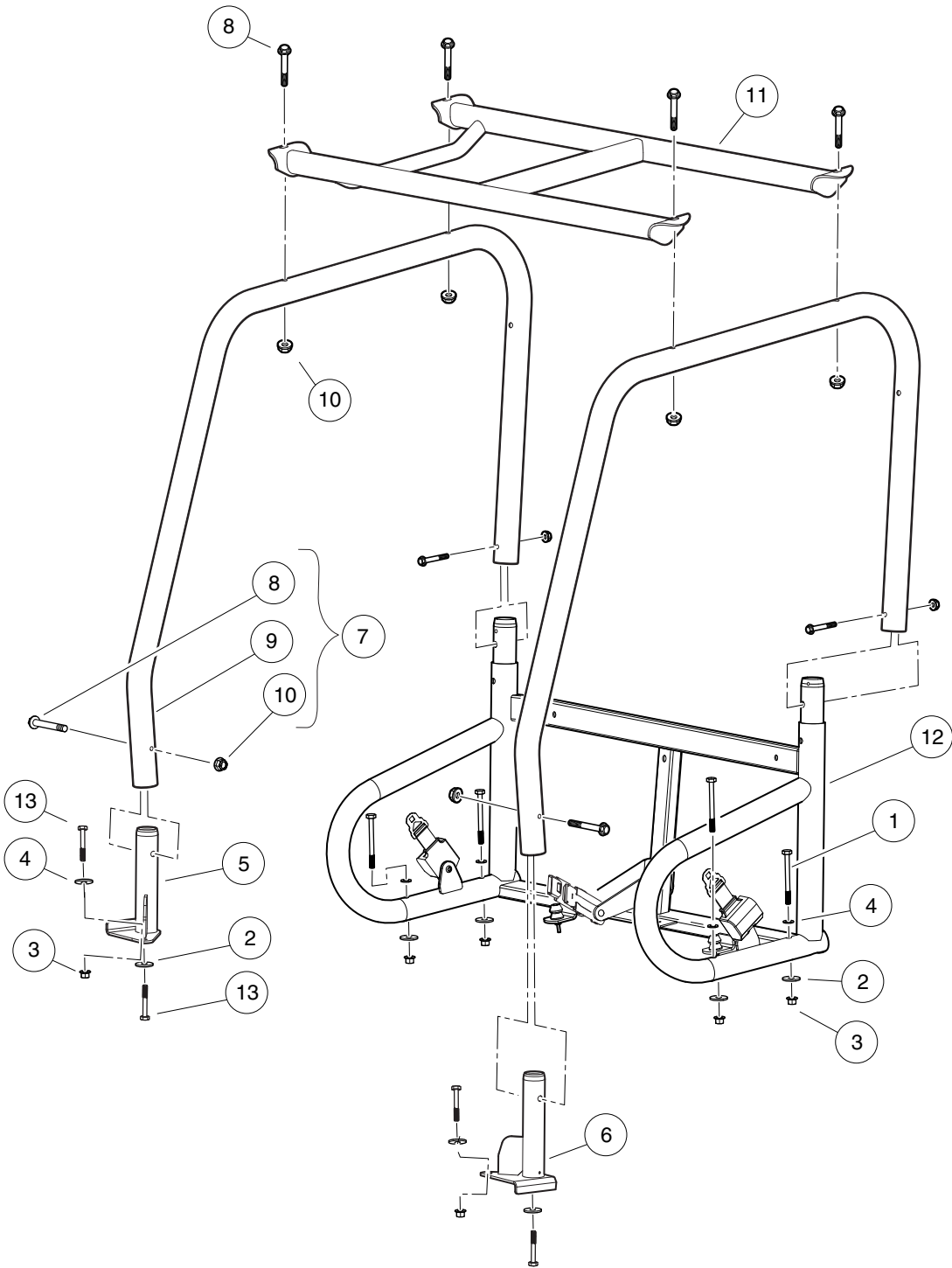
1

G

D

1
G

D



000029-009

ROPS – 2 PASSENGER VEHICLE

ITEM	PART NO.	DESCRIPTION	QTY
		1 2 3 4	
1	<u>102491301</u>	Bolt, M10x1.50x100 (Black)	4
2	<u>102491501</u>	Washer, Hard, M10	6
3	<u>102617201</u>	Nut, Flanged, M10 X 1.5, Mechanically Deformed	6
4	<u>102718101</u>	Washer, Hard, M10, Zn-Ni/Blk	6
5	<u>102983201</u>	Weldment, Front, Base, ROPS, Right-Hand	1
6	<u>102983601</u>	Weldment, Front, Base, ROPS, Left-Hand	1
7	<u>103215901</u>	Kit, ROPS Sides, Domestic (includes items 8 through 10)	1
8	<u>102988701</u>	Bolt, Flanged, M10 X 1.5 X 65	8
9	<u>103192101</u>	Tube, Side Support Short, ROPS	2
10	<u>103216401</u>	Nut, Flanged, M10 x 1.5, Black	8
11	<u>103225801</u>	Asm, Top, ROPS	1
12	<u>103361701</u>	Weldment, Seat Support, ROPS	1
13	<u>96715552</u>	Bolt, M10 X 1.50 X 65	4

1

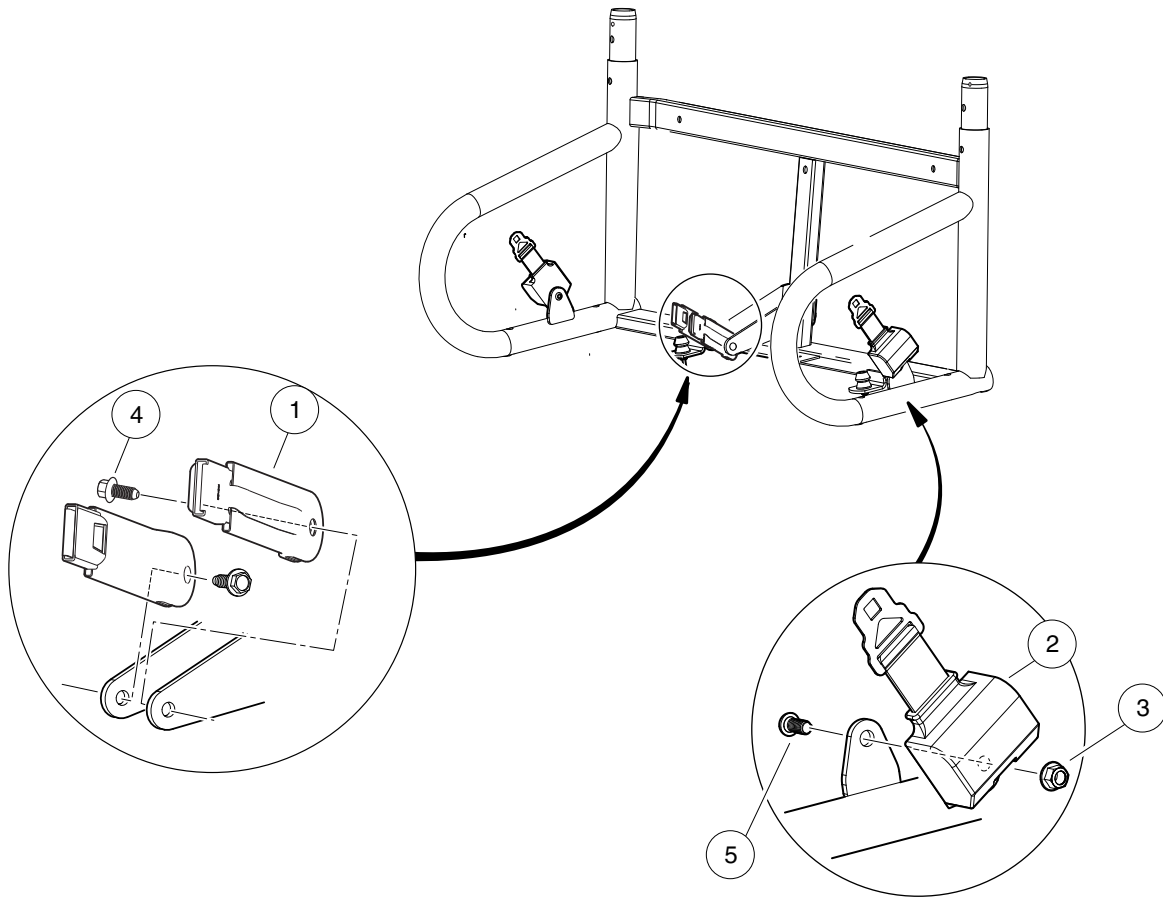
G

D

1

G

D



000029-011

2-POINT SEAT BELTS

ITEM	PART NO.	DESCRIPTION	QTY
		1 2 3 4	
1	<u>102447601</u>	Buckle, Seat Belt with Sleeve	2
2	<u>102447602</u>	Retractor, Seat Belt	2
3	<u>102620301</u>	Ln Flg, M12 X 1.75, Md, Black	2
4	<u>102671201</u>	Screw,m12x1.75x30 Thd Form Blk	2
5	<u>103245101</u>	Bolt Flg, M12x1.75 X 25 Black	2

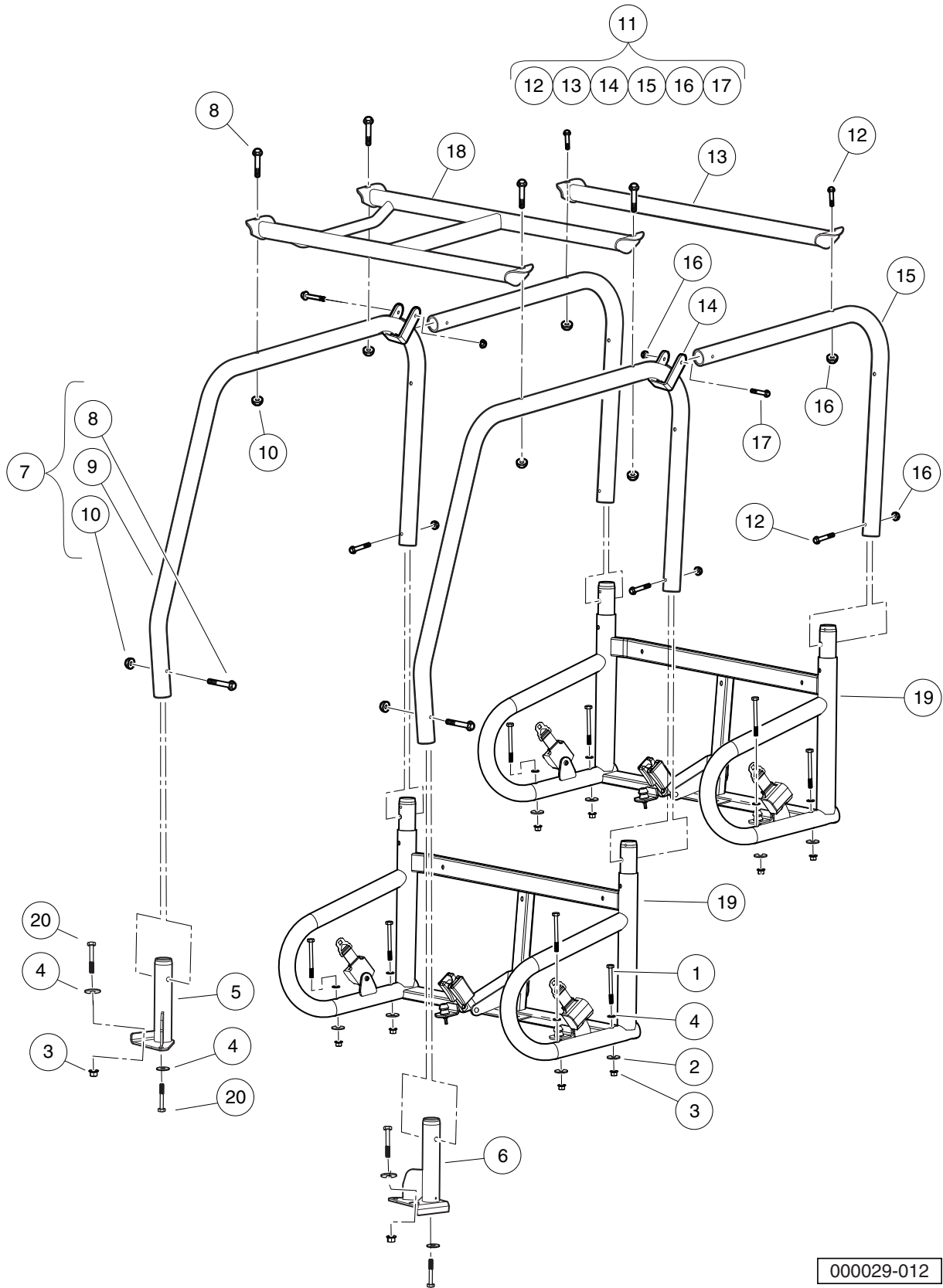
1

G

D

1
G

D



000029-012

ROPS – 4 PASSENGER VEHICLE

ITEM	PART NO.	DESCRIPTION	QTY
		1 2 3 4	
1	<u>102491301</u>	Bolt, M10x1.50x100 (Black)	8
2	<u>102491501</u>	Washer, Hard, M10	10
3	<u>102617201</u>	Nut, Flanged, M10 X 1.5, Mechanically Deformed	10
4	<u>102718101</u>	Washer, Hard, M10, Zn-Ni/Blk	10
5	<u>102983201</u>	Weldment, Front, Base, ROPS, Right-Hand	1
6	<u>102983601</u>	Weldment, Front, Base, ROPS, Left-Hand	1
7	<u>103215901</u>	Kit, ROPS Sides, Domestic (includes items 8 through 10)	1
8	<u>102988701</u>	Bolt, Flanged, M10 X 1.5 X 65	8
9	<u>103192101</u>	Tube, Side Support Short, ROPS	2
10	<u>103216401</u>	Nut, Flanged, M10 x 1.5, Black	8
11	<u>103216201</u>	Kit, ROPS, Four Passenger (includes items 12 through 17)	1
12	<u>102988701</u>	Bolt, Flanged, M10 X 1.5 X 65	4
13	<u>103214901</u>	Weldment, ROPS, Top, 4 Pass	1
14	<u>103215001</u>	Bracket, ROPS, Rear, 4 Pass	2
15	<u>103215101</u>	Tube, Rear, 4 Pass	2
16	<u>103216401</u>	Nut, Flanged, M10 x 1.5, Black	6
17	<u>103216801</u>	Bolt, Flanged, M10 X 1.5 X 70	2
18	<u>103225801</u>	Asm, Top, ROPS	1
19	<u>103361701</u>	Weldment, Seat Support, ROPS	2
20	<u>96715552</u>	Bolt, M10 X 1.50 X 65	4

1

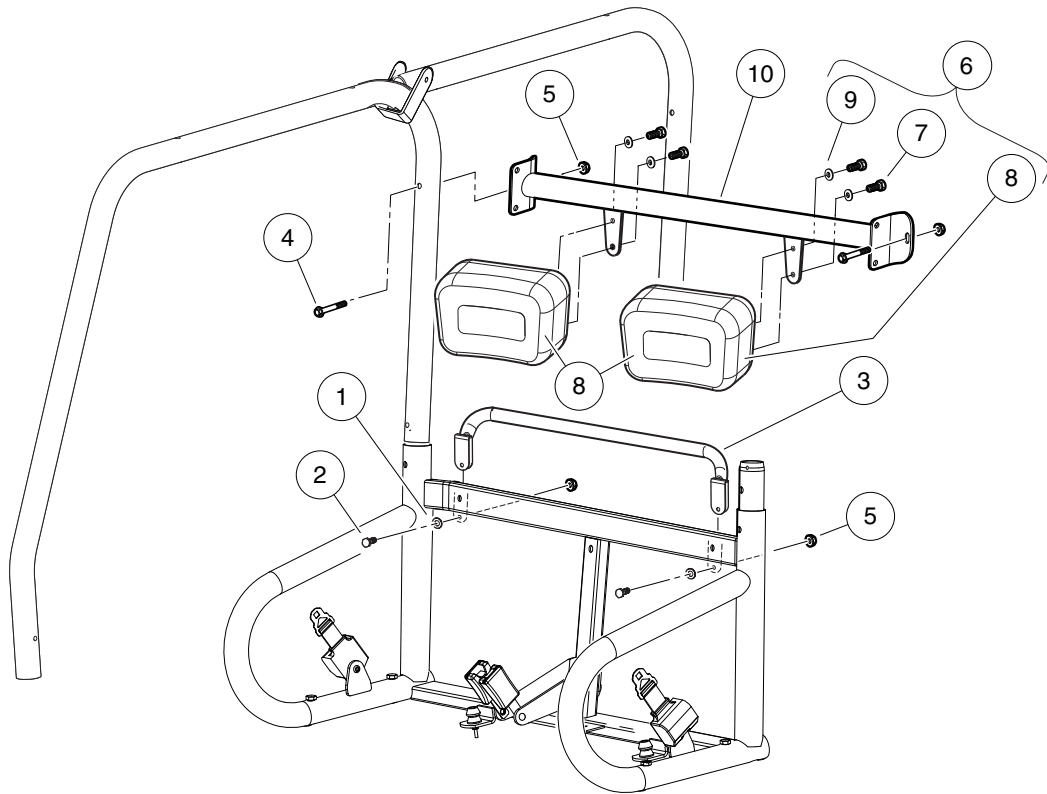
G

D

1

G

D



000029-013

HEAD RESTS

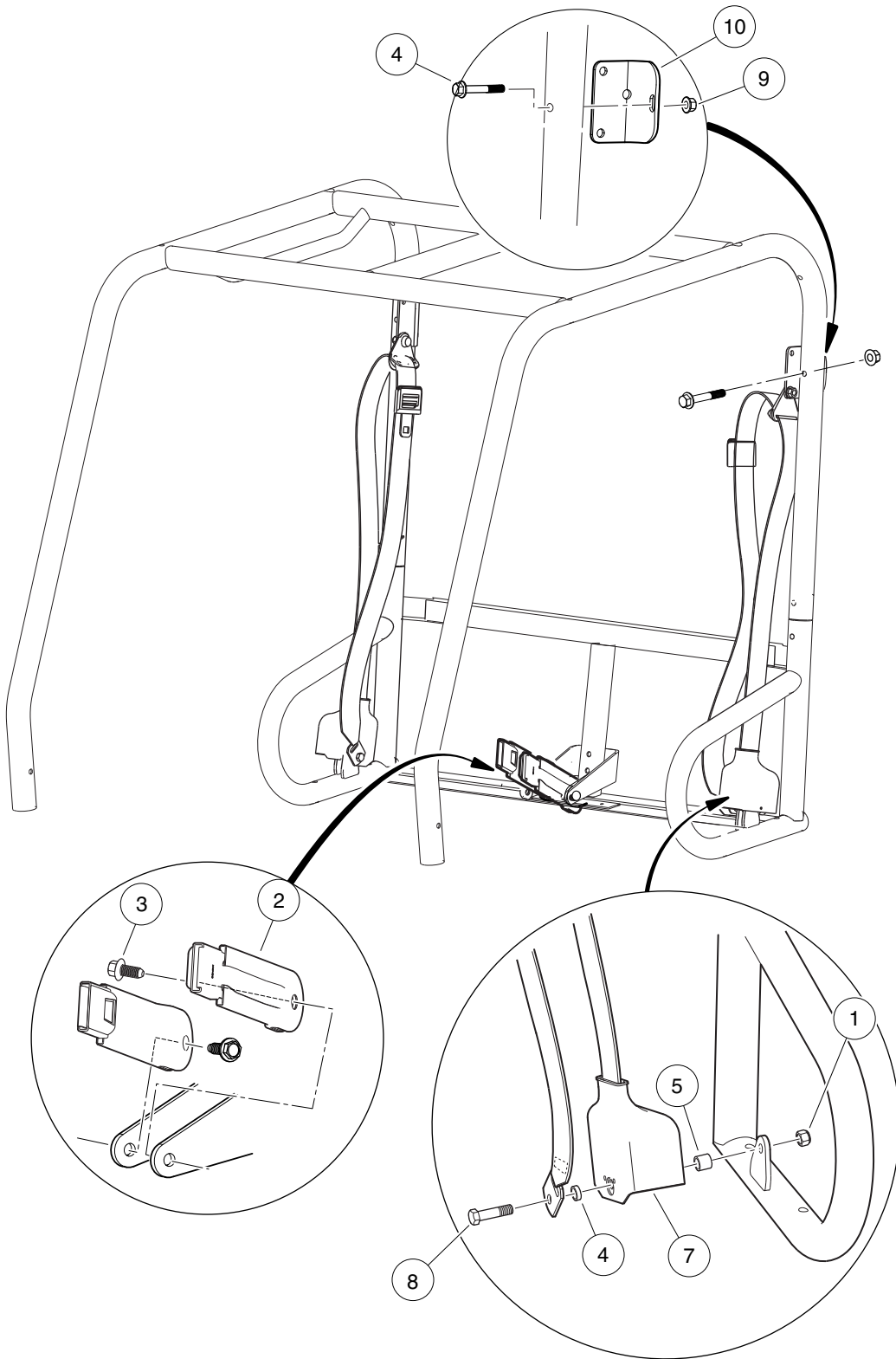
ITEM	PART NO.	DESCRIPTION	QTY
		1 2 3 4	
1	<u>102718101</u>	Washer, Hard, M10, Zn-Ni/Blk	2
2	<u>102732401</u>	Bolt, M10 X 45, Zn-Ni (Black)	2
3	<u>102834401</u>	Weldment, Handle, ROPS, Rear	1
4	<u>102988701</u>	Bolt, Flanged, M10 X 1.5 X 65	2
5	<u>103216401</u>	Nut, Flanged, M10 x 1.5, Black	4
6	<u>103274602</u>	Kit, Head Restraint, Black (includes items 7 through 9)	1
7	<u>102490101</u>	Bolt, M10 X 1.5 X 20 Loctite	4
8	<u>103274502</u>	Asm, Head Restraint, Black	2
9	<u>96741046</u>	Washer, M10, Hard	4
10	<u>103283801</u>	Asm, Rear Brace	1

1
G
D

1

G

D



000560-002

3 - POINT SEAT BELTS

ITEM	PART NO.	DESCRIPTION	QTY
		1 2 3 4	
1	<u>102324401</u>	Lock Nut, 7/16-20 Nylon Black	2
2	<u>102447601</u>	Buckle, Seat Belt with Sleeve	2
3	<u>102671201</u>	Screw,m12x1.75x30 Thd Form Blk	2
4	<u>102988701</u>	Bolt, Flanged, M10 X 1.5 X 65	2
5	<u>103210801</u>	Spacer, .69 Od X .5 Id X .60	2
6	<u>103210802</u>	Spacer, .69 Od X .5 Id X .20	2
7	<u>103210901</u>	Seat Belt, 3 Pt, Lock Tongue	2
8	<u>103211101</u>	Screw, 7/16-20 X 1.75	2
9	<u>103216401</u>	Nut, Flanged, M10 x 1.5, Black	2
10	<u>103377501</u>	Bracket, Support, Rear, ROPS	2

1

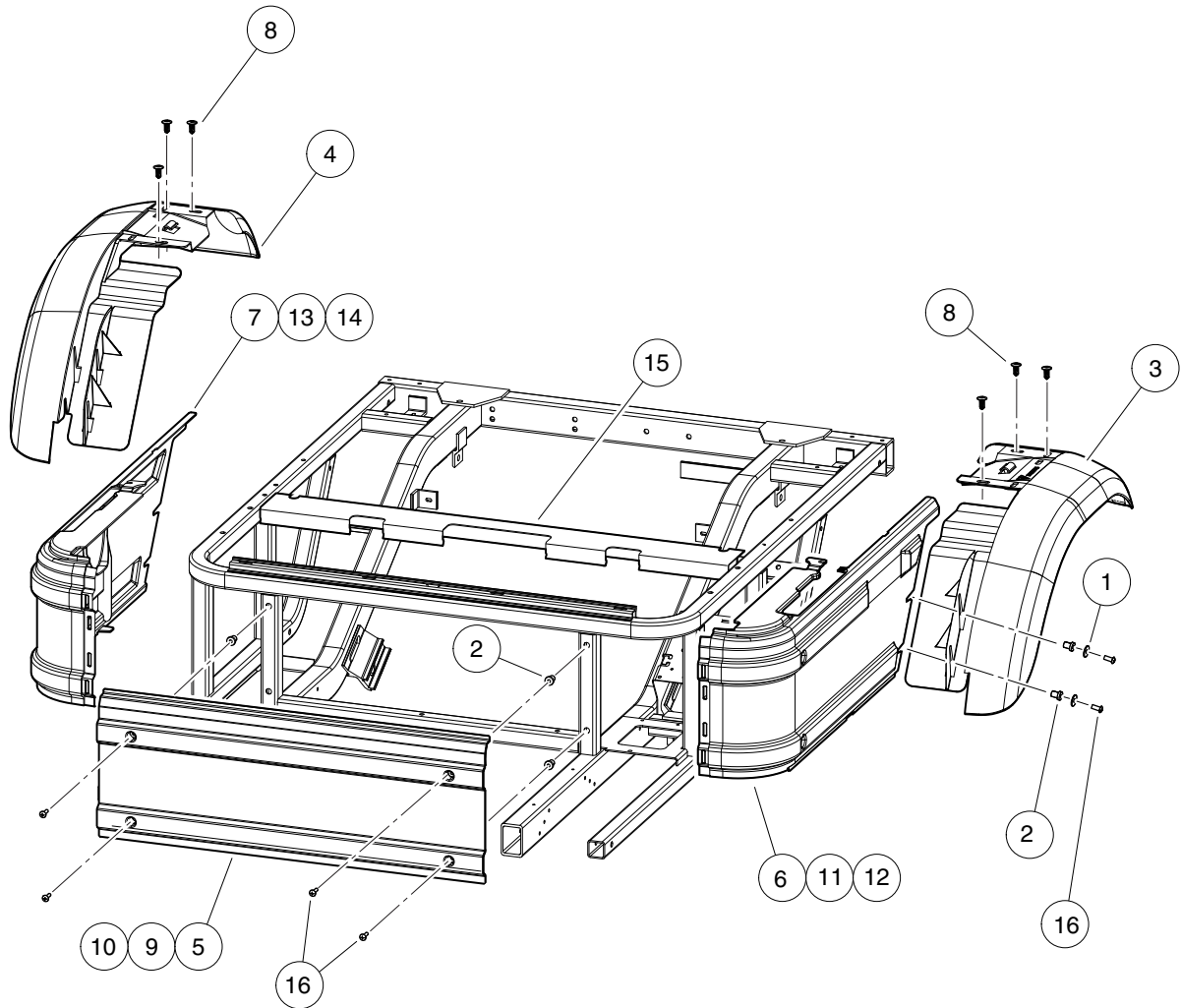
G

D

1

G

D



000518-006

SIDE PANELS AND REAR FENDERS – 2 PASSENGER VEHICLE

ITEM	PART NO.	DESCRIPTION	QTY
		1 2 3 4	
1	<u>1014306</u>	Washer, 1/4" Type B Flat	4
2	<u>102491701</u>	Well Nut 1/4-20	8
3	<u>102913801</u>	Left Rear Fender (Black)	1
4	<u>102913901</u>	Right Rear Fender (Black)	1
5	<u>102914001</u>	Panel, Front, Kick (Black)	1
6	<u>102914101</u>	Panel, Side, Molded, Driver (Black)	1
7	<u>102914102</u>	Panel, Side, Molded, Passenger (Black)	1
8	<u>103200501</u>	Screw, Tuflok, 10mm	6
9	<u>103289001</u>	Panel, Front, Kick (Realtree Camo)	1
10	103289002	Panel, Front, Kick, Moff	1
11	<u>103289101</u>	Panel, Side, Molded, Driver (Realtree Camo)	1
12	103289102	Panel, Side, Molded, Drv, Moff	1
13	<u>103289103</u>	Panel, Side, Molded, Passenger (Realtree Camo)	1
14	103289104	Panel, Side, Molded, Pass, Moff	1
15	<u>103331201</u>	Closeout, Extrusion	1
16	<u>8251</u>	Screw, 1/4-20 X 1.0 Truss-Head Machine	8

1

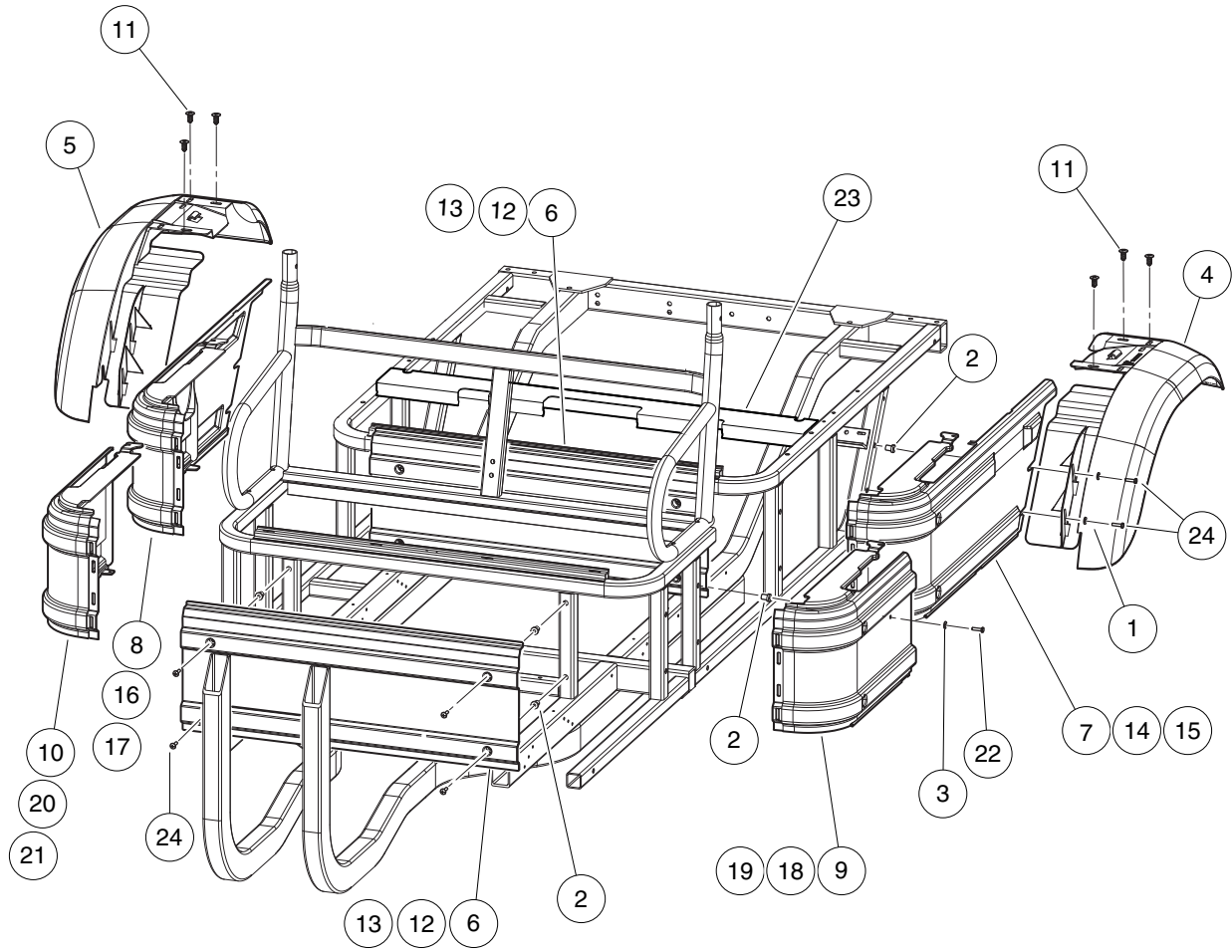
G

D

1

G

D



000518-007

SIDE PANELS AND REAR FENDERS – 4 PASSENGER VEHICLE

ITEM	PART NO.	DESCRIPTION	QTY
		1 2 3 4	
1	<u>1014306</u>	Washer, 1/4" Type B Flat	4
2	<u>102491701</u>	Well Nut 1/4-20	14
3	<u>102772201</u>	Washer, Flat, 5/16, Black	2
4	<u>102913801</u>	Left Rear Fender (Black)	1
5	<u>102913901</u>	Right Rear Fender (Black)	1
6	<u>102914001</u>	Panel, Front, Kick (Black)	2
7	<u>102914101</u>	Panel, Side, Molded, Driver (Black)	1
8	<u>102914102</u>	Panel, Side, Molded, Passenger (Black)	1
9	<u>102914104</u>	Panel, Side, Cut, Driver (Black)	1
10	<u>102914105</u>	Panel, Side, Cut, Passenger (Black)	1
11	<u>103200501</u>	Screw, Tuflok, 10mm	6
12	<u>103289001</u>	Panel, Front, Kick (Realtree Camo)	2
13	103289002	Panel, Front, Kick, Moff	2
14	<u>103289101</u>	Panel, Side, Molded, Driver (Realtree Camo)	1
15	103289102	Panel, Side, Molded, Drv, Moff	1
16	<u>103289103</u>	Panel, Side, Molded, Passenger (Realtree Camo)	1
17	103289104	Panel, Side, Molded, Pass, Moff	1
18	<u>103289107</u>	Panel, Cut, Driver (Realtree Camo)	1
19	103289108	Panel, Side, Cut, Drv, Moff	1
20	<u>103289109</u>	Panel, Cut, Passenger (Realtree Camo)	1
21	103289110	Panel, Side, Cut, Pass, Moff	1
22	<u>103319501</u>	Screw, Pn Hd Blk, 1/4 - 20 X 1	2
23	<u>103331201</u>	Closeout, Extrusion	1
24	<u>8251</u>	Screw, 1/4-20 X 1.0 Truss-Head Machine	12

1

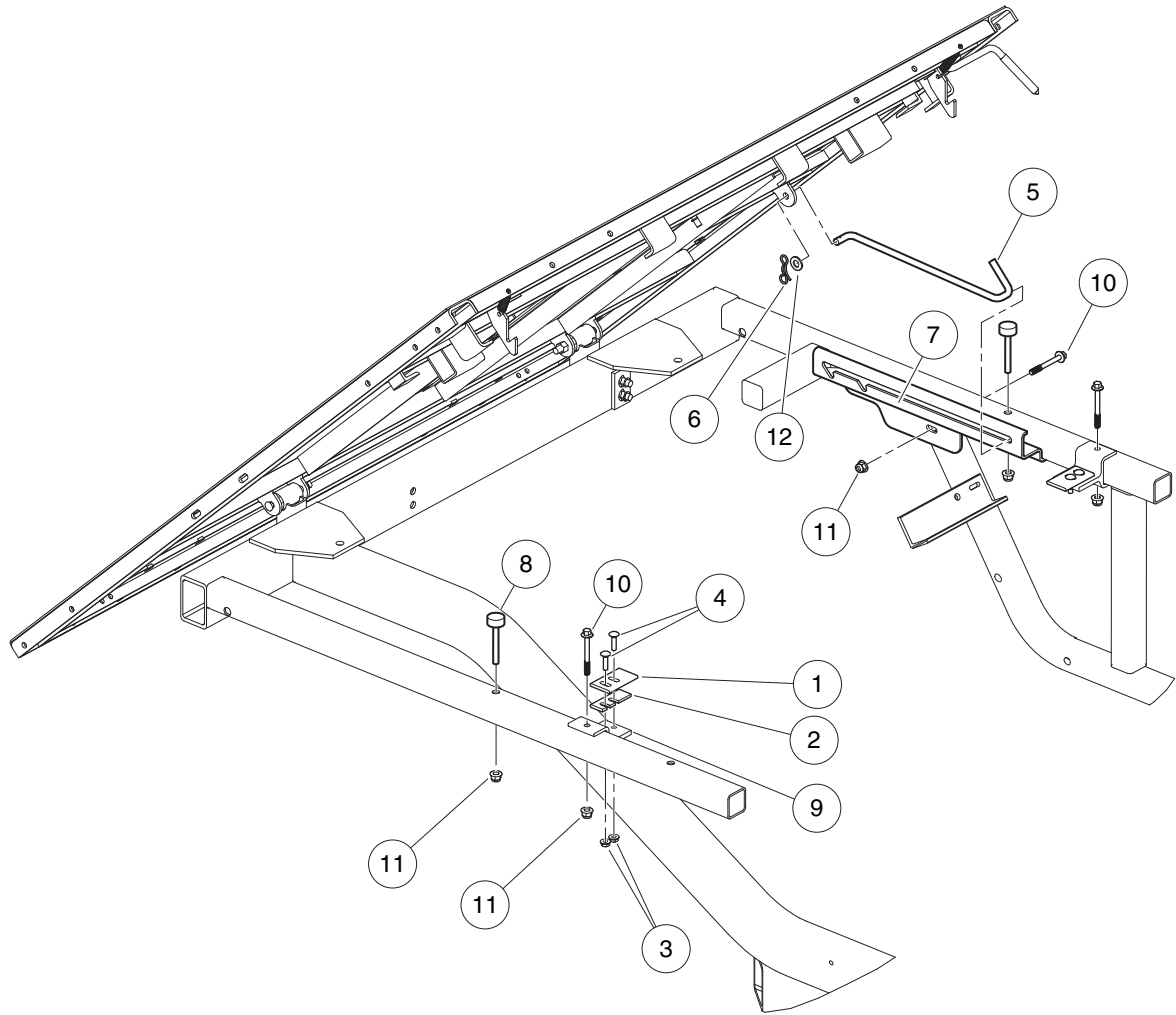
G

D

1

G

D



000036-001

LATCH PLATE AND PROP ROD

ITEM	PART NO.	DESCRIPTION	QTY
		1 2 3 4	
1	<u>1015277</u>	Latch Plate, Tilt Bed	2
2	<u>1016078</u>	Latch Plate Shim	1
3	<u>101835601</u>	Locknut, 1/4-20 Hex Whiz	4
4	<u>101958602</u>	Bolt, Carriage, 1/4-20 X 1.0	4
5	<u>102301401</u>	Rod, Prop	1
6	<u>102323101</u>	Pin, Bow Tie Locking	1
7	<u>102418101</u>	Track, Prop Rod	1
8	<u>102426601</u>	Bumper, Bed, Mtg, Front	2
9	<u>102493801</u>	Bracket, Latch, Bed	2
10	<u>102618301</u>	Bolt, Flanged Head, M8 X 1.25 X 65	3
11	102618601	Lock Nut, Flange, M8 X 1.25 Nylon	5
12	<u>334</u>	Washer, 3/8, Type A, Flat	1

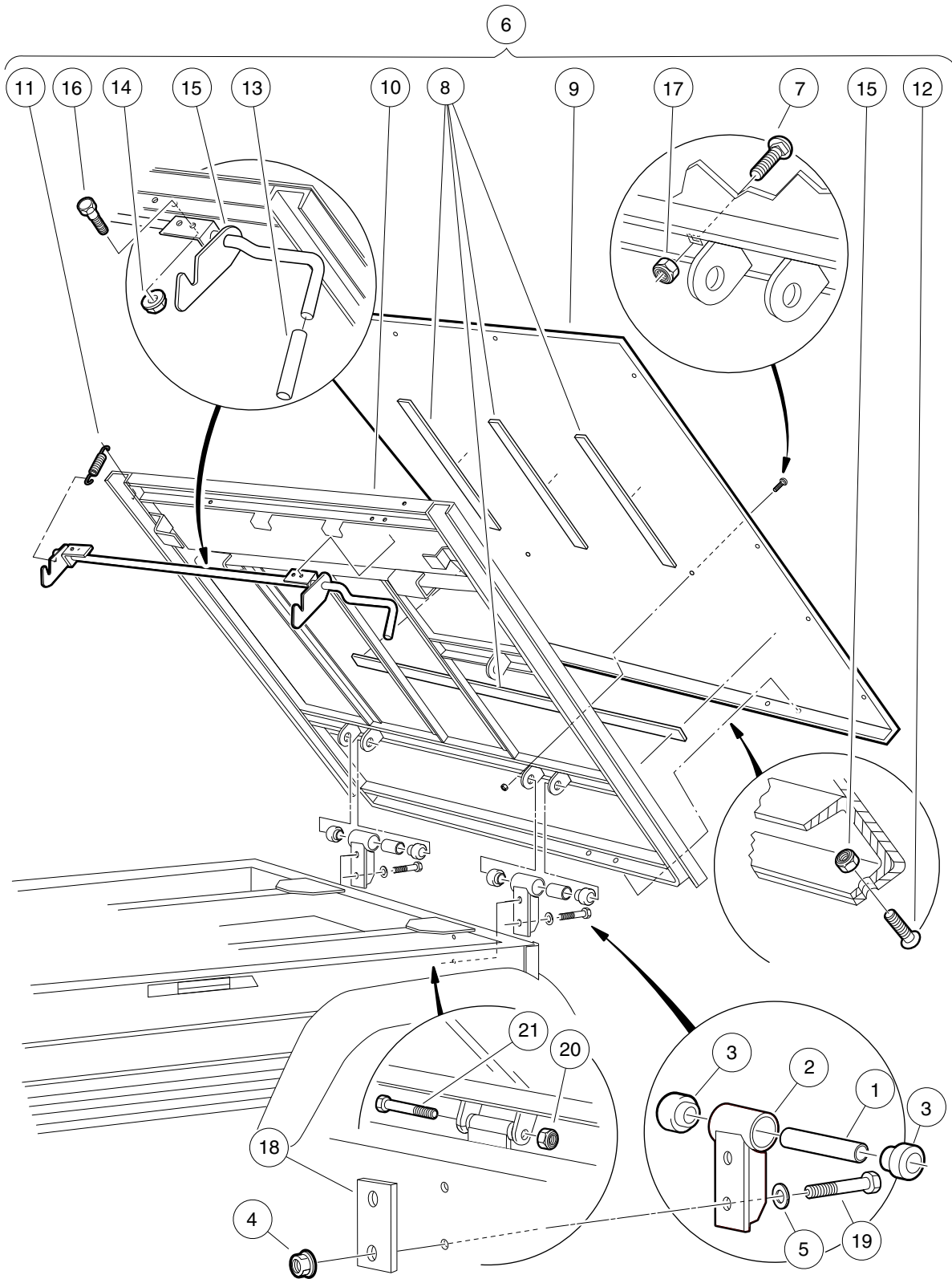
1

G

D

1
G

D



000137-003

TILT BED, HINGE, AND LATCH – TO LATE 2009 MODEL YEAR

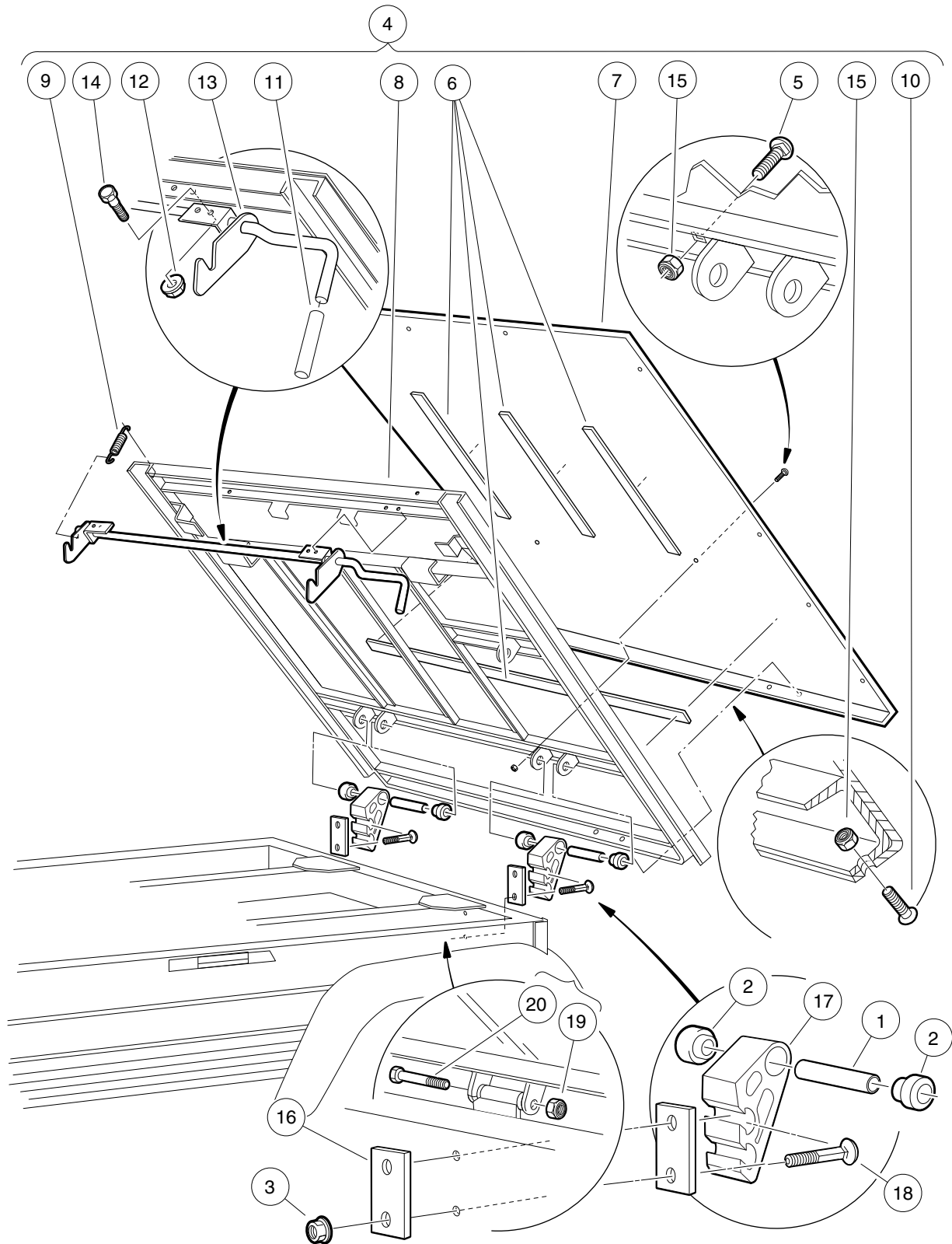
ITEM	PART NO.	DESCRIPTION	QTY
		1 2 3 4	
1	<u>1012303</u>	Bushing, Steel	2
2	<u>1015356</u>	Hinge	2
3	<u>1015583</u>	Bushing, Urethane	2
4	<u>102065901</u>	Locknut, 3/8-16 Flanged Dimple	4
5	<u>102066001</u>	Washer, 3/8 Type B Hard Flat	4
6	<u>102171503</u>	Tilt Bed Assembly (includes items 7 through 17)	1
7	<u>1010435</u>	Bolt, Carriage, 5/16-18 X 1.00	4
8	<u>1014471</u>	Tape, Vinyl Foam 1/8" x 3/4"	1
9	<u>1015258</u>	Plate, Floor Bed	1
10	N/A	Frame Assembly	1
11	<u>1015391</u>	Extension, Spring Latch	2
12	<u>1015399</u>	Screw, 5/16-18 X 0.88 Torx Truss-Head	4
13	<u>1015400</u>	Grip, Tilt Latch Hand	1
14	<u>101835601</u>	Locknut, 1/4-20 Hex Whiz	4
15	<u>102426901</u>	Ltch Weld Asm Tlt Bd	1
16	<u>403</u>	Screw, 1/4-20 X 0.625 Hex-Head Cap	4
17	<u>7473</u>	Locknut, 5/16-18 Nylon Insert	8
18	<u>102614101</u>	Plate, Back	2
19	<u>7561</u>	Bolt, 3/8-16 X 3.00 Hex Head	4
20	<u>8754</u>	Locknut, 3/8-16 Hex	2
21	<u>8755</u>	Screw, 3/8-16 X 3.375 Hex Cap	2

1
G
D

1

G

D



000037-001

TILT BED, HINGE, AND LATCH – FROM LATE 2009 MODEL YEAR

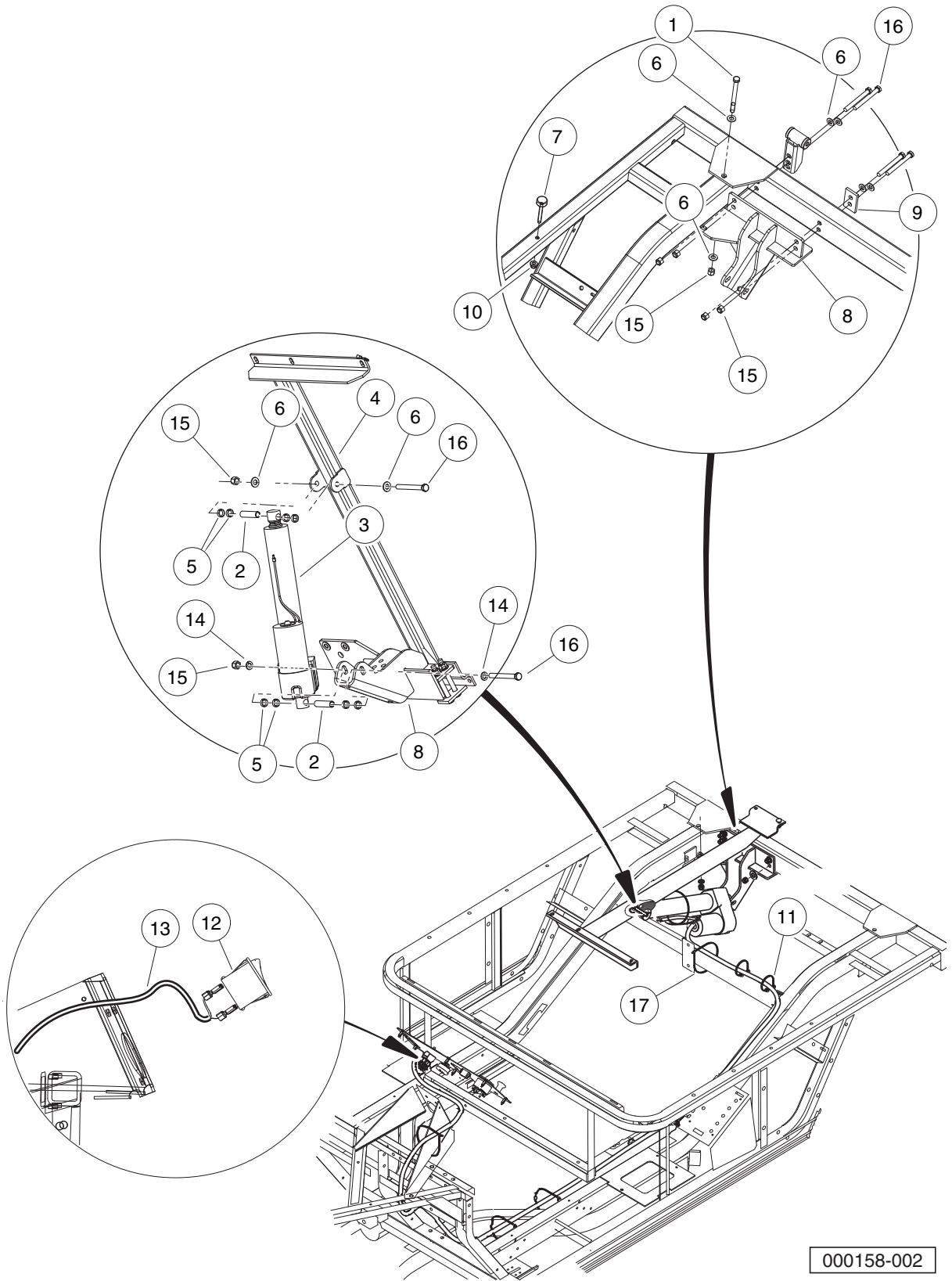
ITEM	PART NO.	DESCRIPTION	QTY
		1 2 3 4	
1	<u>1012303</u>	Bushing, Steel	2
2	<u>1015583</u>	Bushing, Urethane	2
3	<u>102065901</u>	Locknut, 3/8-16 Flanged Dimple	4
4	<u>102171503</u>	Tilt Bed Assembly (includes items 5 through 15)	1
5	<u>1010435</u>	Bolt, Carriage, 5/16-18 X 1.00	4
6	<u>1014471</u>	Tape, Vinyl Foam 1/8" x 3/4"	1
7	<u>1015258</u>	Plate, Floor Bed	1
8	N/A	Frame Assembly	1
9	<u>1015391</u>	Extension, Spring Latch	2
10	<u>1015399</u>	Screw, 5/16-18 X 0.88 Torx Truss-Head	4
11	<u>1015400</u>	Grip, Tilt Latch Hand	1
12	<u>101835601</u>	Locknut, 1/4-20 Hex Whiz	4
13	<u>102426901</u>	Ltch Weld Asm Tlt Bd	1
14	<u>403</u>	Screw, 1/4-20 X 0.625 Hex-Head Cap	4
15	<u>7473</u>	Locknut, 5/16-18 Nylon Insert	8
16	<u>102614101</u>	Plate, Back	2
17	<u>103538701</u>	Bracket, Bed Hinge, Extruded	2
18	<u>103538901</u>	Bolt, Carriage, 3/8-16 x 3.5" Grade 5	4
19	<u>8754</u>	Locknut, 3/8-16 Hex	2
20	<u>8755</u>	Screw, 3/8-16 X 3.375 Hex Cap	2

1
G
D

1

G

D



000158-002

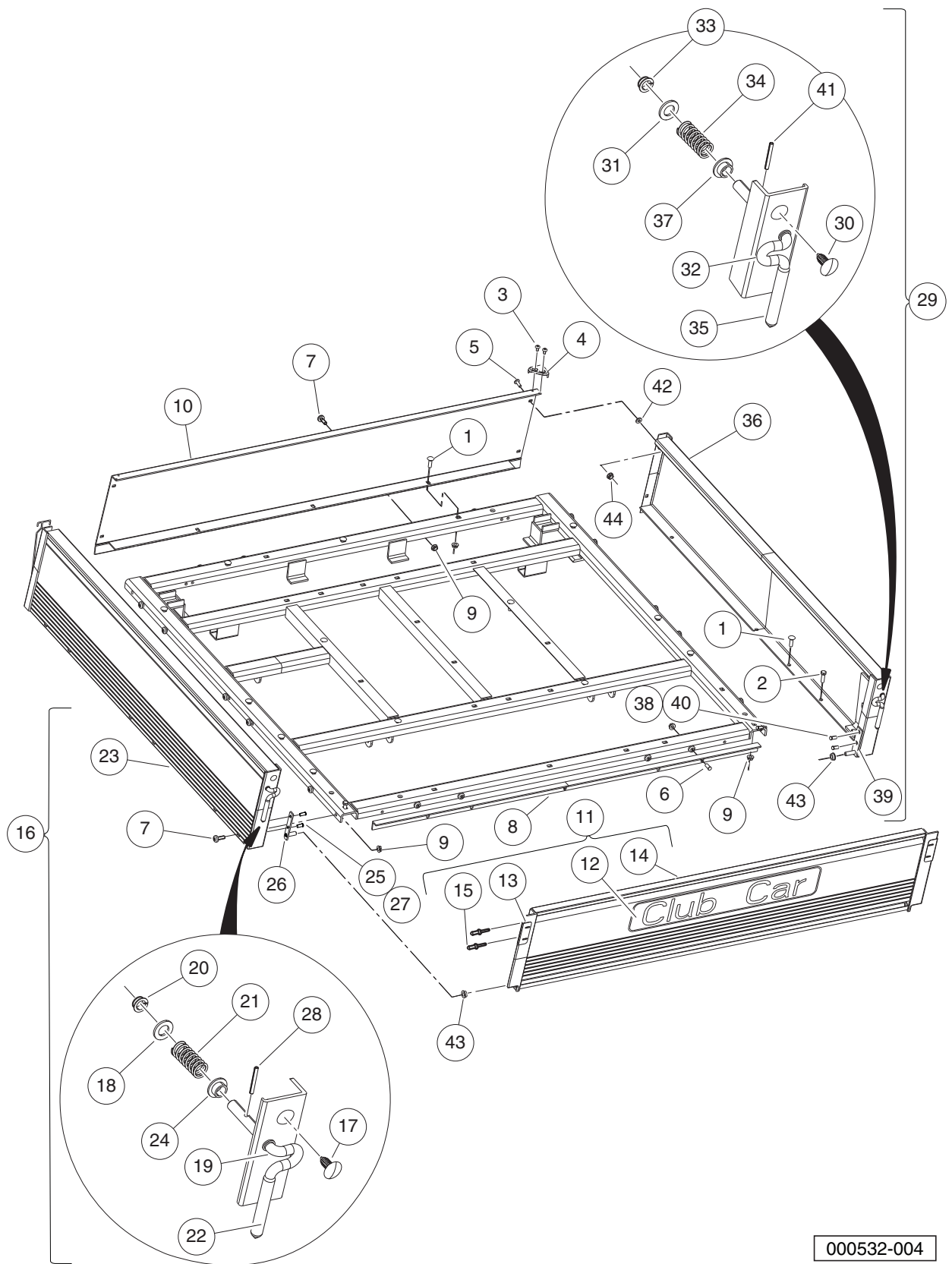
ELECTRIC BED LIFT

ITEM	PART NO.	DESCRIPTION	QTY	
		1 2 3 4		1
1	<u>1010200</u>	Bolt, 3/8-16 X 4.25 Hex Head	1	G
2	<u>1016603</u>	Bushing Long	2	
3	<u>1017162</u>	Actuator Assembly, Electric	1	
4	<u>1017167</u>	Actuator Adapter	1	D
5	<u>1017774</u>	Body Spacer	8	
6	<u>102066001</u>	Washer, 3/8 Type B Hard Flat	8	
7	<u>102426601</u>	Bumper, Bed, Mtg, Front	2	
8	<u>102465701</u>	Weldment, Bracket, Actuator	1	
9	<u>102614101</u>	Plate, Back	1	
10	<u>102618601</u>	Lock Nut, Flange, M8 X 1.25 Nylon	2	
11	<u>102629001</u>	Tie Wrap, 8.00" With Mount	2	
12	<u>102882501</u>	Switch, Rocker, Bed Lift	1	
13	<u>103227001</u>	Harness, AWD Bedlift	1	
14	<u>357</u>	Lockwasher, 3/8 Split	2	
15	<u>8754</u>	Locknut, 3/8-16 Hex	9	
16	<u>8755</u>	Screw, 3/8-16 X 3.375 Hex Cap	6	
17	<u>8990</u>	Tie Wrap, 8" Nylon	5	

1

G

D



000532-004

BOX BED

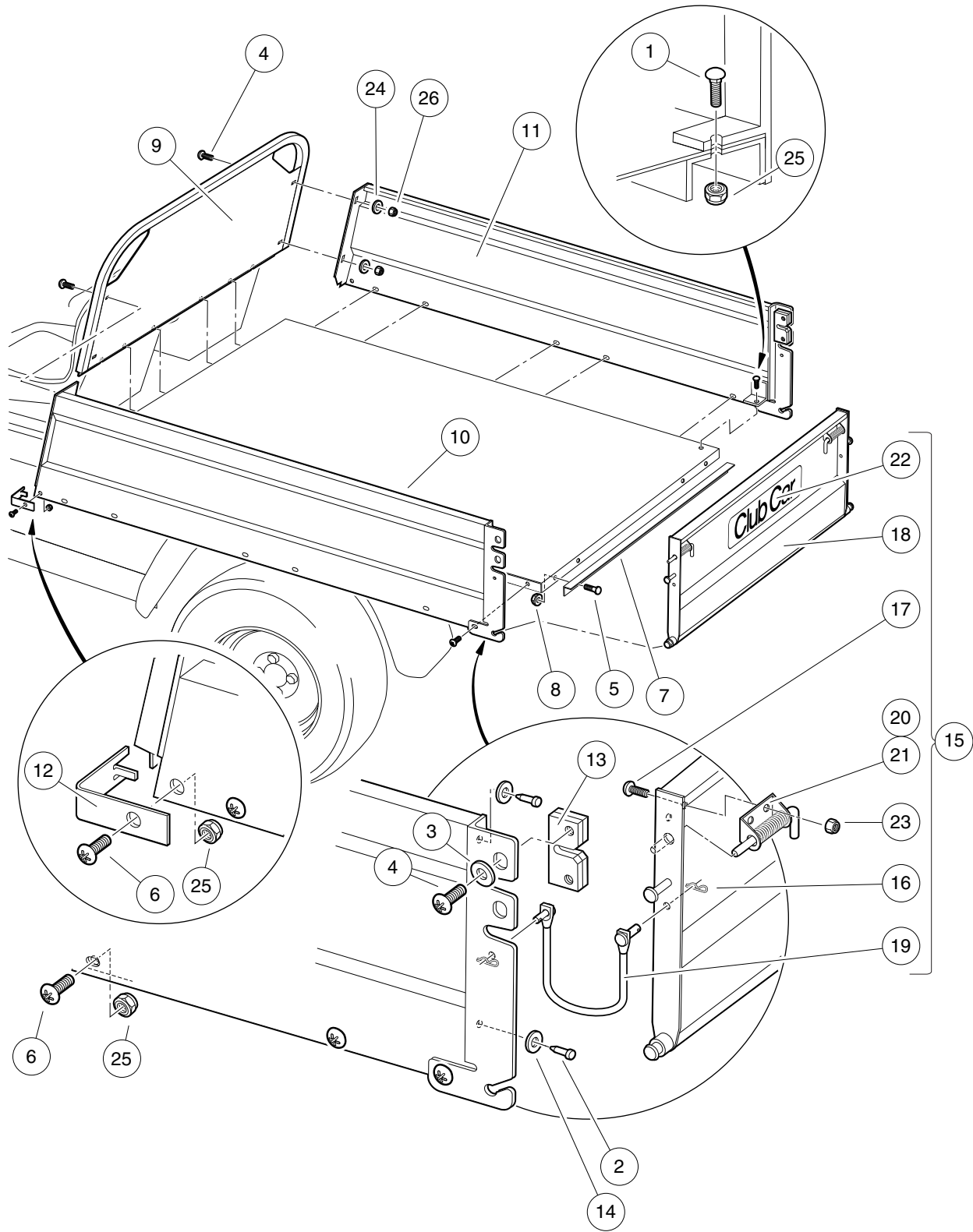
ITEM	PART NO.	DESCRIPTION	QTY
		1 2 3 4	
1	<u>1010435</u>	Bolt, Carriage, 5/16-18 X 1.00	11
2	<u>1010934</u>	Screw, 5/16-18 X 1.00 Hex Cap	2
3	<u>1014321</u>	Screw, #10 Truss-Head Torx	4
4	<u>1014387</u>	Cap, Corner	2
5	<u>1014415</u>	Screw, 1/4-20 X 0.75 Torx Truss-Head	4
6	<u>1014537</u>	Stud, Self-Clinching Flush Head	2
7	<u>1015399</u>	Screw, 5/16-18 X 0.88 Torx Truss-Head	16
8	N/A	Box Bed Tailgate Angle	1
9	<u>101963401</u>	Locknut, 5/16-18 Hex Flange	33
10	<u>102030101</u>	Panel, Front	1
11	<u>102030201</u>	Asm, Tailgate, 295 (includes items 12 through 15)	1
12	<u>1013317</u>	Decal, Logo, Tailgate	1
13	<u>1015246</u>	Plate, Tailgate Latch Wear	2
14	N/A	Tailgate Weldment	1
15	<u>7973</u>	Rivet, 3/16 X .400 Blind	4
16	<u>103191401</u>	Asm, Panel, Side, Left (includes items 17 through 28)	1
17	<u>1010434</u>	Barrel - Plastic	1
18	<u>1011990</u>	Washer, 3/8 Flat	1
19	<u>1015313</u>	Latch, Tailgate, Left-Hand	1
20	<u>1015363</u>	Bushing, Snap-In	1
21	<u>1015390</u>	Compression Spring Latch Tilt	1
22	<u>1015400</u>	Grip, Tilt Latch Hand	1
23	<u>103191201</u>	Weldment, Panel, Side, Left	1
24	<u>1032</u>	Bushing, Nylon	1
25	<u>103379401</u>	Rivet, 1/4 X 0.30, Blind	2
26	<u>103406501</u>	Kit, Tailgate Mounting Bracket, CA, LH (includes item 27)	1
27	<u>103406601</u>	Stud, 1/4 Self-clnchg Flush	2
28	<u>1231</u>	Pin, 1/8 X 1.00 Split Roll	1
29	<u>103191501</u>	Asm, Panel, Side, Right (includes items 30 through 41)	1
30	<u>1010434</u>	Barrel - Plastic	1
31	<u>1011990</u>	Washer, 3/8 Flat	1
32	<u>1015245</u>	Latch, Tailgate, Right-Hand	1
33	<u>1015363</u>	Bushing, Snap-In	1
34	<u>1015390</u>	Compression Spring Latch Tilt	1
35	<u>1015400</u>	Grip, Tilt Latch Hand	1
36	<u>103191301</u>	Weldment, Panel, Side, Right	1
37	<u>1032</u>	Bushing, Nylon	1
38	<u>103379401</u>	Rivet, 1/4 X 0.30, Blind	2
39	<u>103406502</u>	Kit, Tailgate Mounting Bracket, CA, RH (includes item 40)	1
40	<u>103406601</u>	Stud, 1/4 Self-clnchg Flush	2
41	<u>1231</u>	Pin, 1/8 X 1.00 Split Roll	1
42	<u>332</u>	Washer, 1/4 Type A Narrow Flat	4
43	<u>7049</u>	Bushing, Nylon	2
44	<u>8233</u>	Locknut, 1/4-20, Nylon Insert	4

1
G
D

1

G

D



000038-006

CARGO BOX (STEEL)

ITEM	PART NO.	DESCRIPTION	QTY
		1 2 3 4	
1	<u>1010435</u>	Bolt, Carriage, 5/16-18 X 1.00	13
2	<u>1010436</u>	Bumper, Rubber	4
3	<u>1014306</u>	Washer, 1/4" Type B Flat	4
4	<u>1014415</u>	Screw, 1/4-20 X 0.75 Torx Truss-Head	8
5	<u>1014537</u>	Stud, Self-Clinching Flush Head	4
6	<u>1015399</u>	Screw, 5/16-18 X 0.88 Torx Truss-Head	18
7	<u>101894304</u>	Box Bed Tailgate Angle	1
8	<u>101963401</u>	Locknut, 5/16-18 Hex Flange	4
9	<u>102221301</u>	Front Panel Weldment	1
10	<u>102221401</u>	Left Panel Weldment	1
11	<u>102221501</u>	Right Panel Weldment	1
12	<u>102221701</u>	Front Corner Cap	2
13	<u>102222001</u>	Slam Latch	2
14	<u>102239901</u>	Washer, Rubber, 3/8	4
15	<u>102614401</u>	Assembly, Tailgate (includes items 16 through 23)	1
16	<u>1013366</u>	Hair Pin Clip	4
17	<u>1014415</u>	Screw, 1/4-20 X 0.75 Torx Truss-Head	4
18	N/A	Tailgate, Weldment	1
19	<u>102221801</u>	Tether Assembly	2
20	<u>102222101</u>	Spring Latch Right	1
21	<u>102222201</u>	Spring Latch Left	1
22	<u>102673201</u>	Decal, Club Car Tailgate	1
23	<u>8233</u>	Locknut, 1/4-20, Nylon Insert	4
24	<u>332</u>	Washer, 1/4 Type A Narrow Flat	4
25	<u>7473</u>	Locknut, 5/16-18 Nylon Insert	31
26	<u>8233</u>	Locknut, 1/4-20, Nylon Insert	4

1

G

D

1

G

D

WHEELS AND TIRES

2

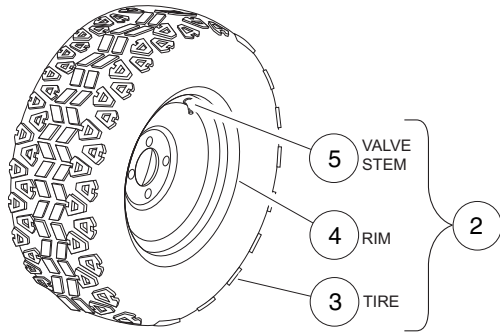
G

D

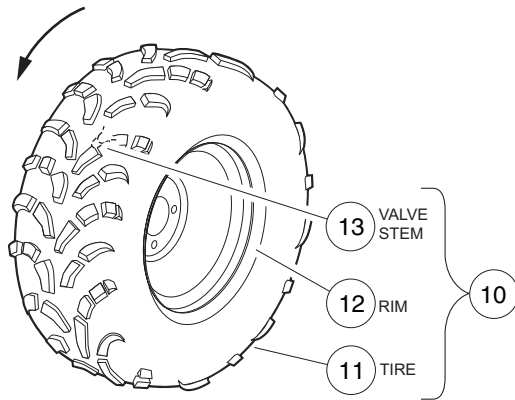
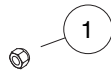
2

G

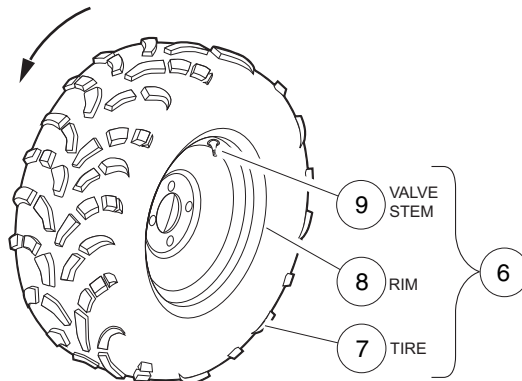
D



FOR DRIVERS OR PASSENGERS SIDE



FOR PASSENGERS SIDE ONLY



FOR DRIVERS SIDE ONLY

000506-001

WHEELS AND TIRES

ITEM	PART NO.	DESCRIPTION	QTY
		1 2 3 4	
1	<u>102736901</u>	Nut, Lug, 1/2-20 SAE J2283	16
2	<u>102943807</u>	Wheel/Tire Assy, All Terrain, 25x10.5-12, Black Wheel (includes items 3 through 5)	4
3	<u>102943101</u>	Tire, Heavy Duty All Terrain, 25x10.5-12	1
4	<u>103234503</u>	Wheel, 10 Window, Black	1
5	<u>7310</u>	Valve Stem, Black Plastic	1
6	<u>102943808</u>	Wheel/Tire Assy, Driver Side, Mud, 25x11-12, Black (includes items 7 through 9)	2
7	<u>102945701</u>	Tire, Mud, 4ply, 25x11-12	1
8	<u>103234503</u>	Wheel, 10 Window, Black	1
9	<u>7310</u>	Valve Stem, Black Plastic	1
10	<u>102943809</u>	Wheel/Tire Assy, Pass. Side, Mud, 25x11-12, Black (includes items 11 through 13)	2
11	<u>102945701</u>	Tire, Mud, 4ply, 25x11-12	1
12	<u>103234503</u>	Wheel, 10 Window, Black	1
13	<u>7310</u>	Valve Stem, Black Plastic	1

2

G

D

2

G

D

DECALS

3

G

D

3
G

D

WARNING
ROLLOVER OR FALLING OFF MAY CAUSE DEATH

- Read owner's manual and operating instructions.
- Fasten seat belts and remain seated while moving.
- Children requiring a child safety seat must not ride on vehicle. Comply with state and local laws pertaining to child safety.
- Drive slowly in turns and straight up and down slopes.
- Do not start vehicle until all occupants are seated.
- Two (2) persons per bench seat maximum.
- One (1) person per bucket seat maximum.
- Operate from driver side only and not on public roads.
- Keep entire body inside vehicle while moving.
- Do not operate while under the influence of alcohol or drugs.
- Never attempt jumps and avoid extreme braking in reverse.

CCI 102894401

UNDER 16

WARNING
YOUNG DRIVERS INCREASE CHANCE OF DEATH

- Young drivers may not be able to control vehicle.
- No drivers younger than 16 years old.
- Do not leave children unattended on vehicle.

CCI 10245401

WARNING

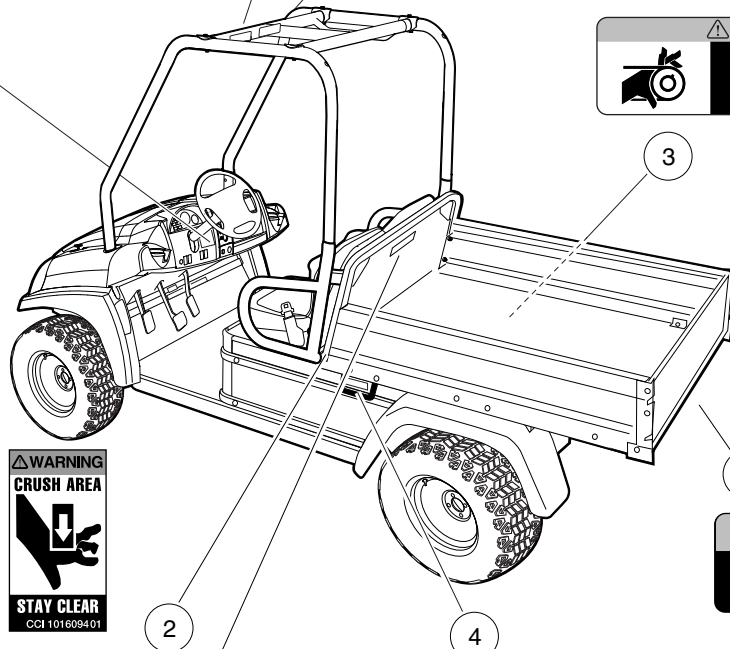
- Do not modify or remove Roll-over Protective Structure (ROPS).
- Replace ROPS if damaged. Do not attempt repair.
- Use seat belts during operation. Do not jump from vehicle.
- Keep away from drop-offs, steep slopes, and unstable surfaces.

CCI 102961201

WARNING

Rotating Parts

CCI 10224001



WARNING
CRUSH AREA

STAY CLEAR

CCI 101609401

NOTICE
MAXIMUM TONGUE WEIGHT - 150 lbs.

CCI 1011553

WARNING

LATCH OPEN

Crush area. Can cause severe injury. Stay clear when closing bed.

CCI 102163001

WARNING

VEHICLE LOADING

RIDING IN CARGO BED CAN CAUSE SEVERE INJURY OR DEATH.

- Do not ride in cargo bed.

- Read owner's manual and warnings on dash.
- Maximum gross vehicle weight: 2750 lb. (1247 kg)
- Maximum cargo load: 800 lb. (363 kg)
- Includes cargo bed load and gross trailer weight.
- Maximum cargo load is reduced by the weight of optional equipment.
- Maximum trailer hitch tongue weight: 150 lb. force (667 N).

PREVENT VEHICLE ROLL-OVER.

- Place cargo forward in the cargo bed and distribute evenly side to side. Secure load.
- On uneven or steep terrain reduce speed and load. Avoid stopping on or backing down steep hills.
- Avoid top-heavy loads. See owner's manual.

CCI 103202601

WARNING

HIGH CAPACITY VEHICLE LOADING

RIDING IN CARGO BED CAN CAUSE SEVERE INJURY OR DEATH.

- Do not ride in cargo bed.

- Read owner's manual and warnings on dash.
- Maximum gross vehicle weight: 3012 lb. (1366 kg)
- Maximum cargo load: 1050 lb. (476 kg)
- Includes cargo bed load and gross trailer weight.
- Maximum cargo load is reduced by the weight of optional equipment.
- Maximum trailer hitch tongue weight: 150 lb. force (667 N).

PREVENT VEHICLE ROLL-OVER.

- Place cargo forward in the cargo bed and distribute evenly side to side. Secure load.
- On uneven or steep terrain reduce speed and load. Avoid stopping on or backing down steep hills.
- Avoid top heavy loads. See owner's manual.

CCI 103210401

8

9

000509-001

SAFETY DECALS – CA 295 AND XRT 1550, GASOLINE VEHICLES

ITEM	PART NO.	DESCRIPTION	QTY
		1 2 3 4	
1	<u>1011553</u>	Decal, Trailer Hitch	1
2	<u>101609401</u>	Decal, Crush Area Warning	1
3	<u>102224001</u>	Decal, Rotating Parts Warning	1
4	<u>102459301</u>	Decal, Bed Crush Area Warning	1
5	<u>102459401</u>	Decal, Young Driver Warning	1
6	<u>102884401</u>	Decal, Warning, Rollover	1
7	<u>102961201</u>	Decal, Warning, AWD ROPS	1
8	<u>103202601</u>	Decal, Vehicle Loading, 800 lbs	1
9	<u>103210401</u>	Decal, Vehicle Loading, 1050 lbs	1

3

G

D

3
G

D

WARNING

GASOLINE EXPLOSION / FIRE.

- Can cause severe injury or death.
- No smoking, sparks, or open flame.
- Stop engine, allow to cool before refueling.
- Turn fuel valve (←) on during operation, (→) off during storage or transport.

CCI 101547601

OPERATING INSTRUCTIONS

- Read owner's manual and vehicle safety warnings. Study and understand controls.

TO START ENGINE

- Place shift lever in NEUTRAL (N) and press brake pedal.
- Turn key to START and hold until engine starts.

Diesel Vehicles Only:

- If required, turn key to PREHEAT and hold for 10-15 seconds.

TO OPERATE VEHICLE

- Ensure wheels are turned in desired direction and path is clear.
- With vehicle stopped and engine at idle, select vehicle direction.

↑ - Forward N - Neutral ↓ - Reverse (Buzzer will sound)

- Release park brake and slowly press accelerator pedal to increase speed.
- All-wheel drive will automatically drive appropriate wheel(s).

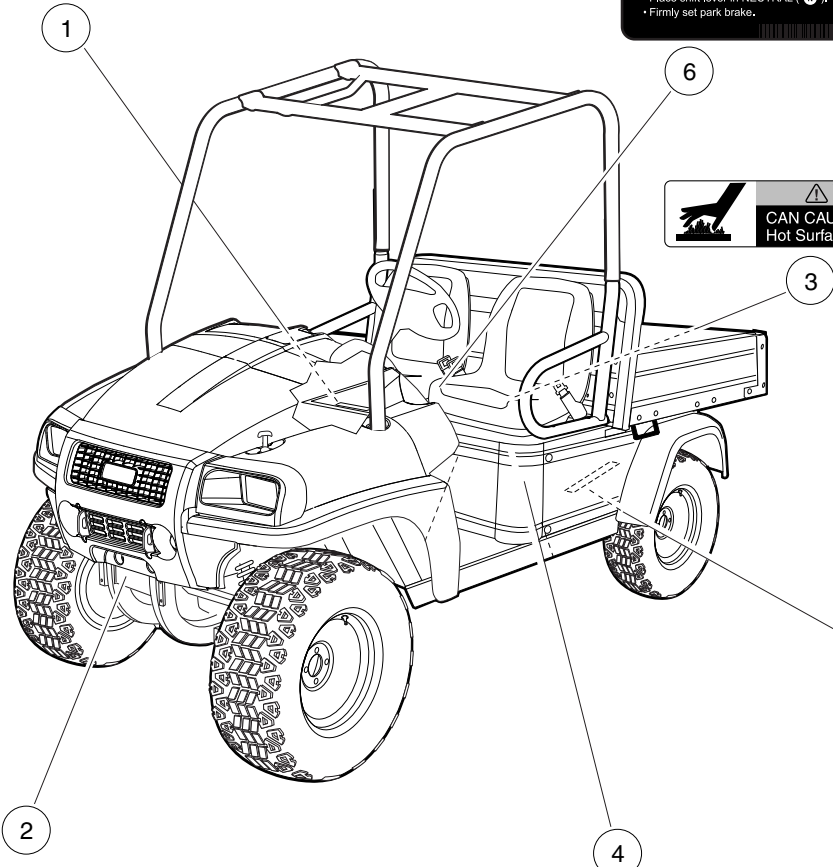
TO STOP VEHICLE

- Release accelerator pedal and push brake pedal.

BEFORE LEAVING VEHICLE

- Turn key to OFF and remove key.
- Place shift lever in NEUTRAL (N).
- Firmly set park brake.

CCI 102884301



WARNING

CAN CAUSE SEVERE BURNS

Hot Surface

CCI 102458901

WARNING

WINCH CABLE FRACTURE COULD RESULT IN SERIOUS INJURY OR DEATH.

- Do not use winch while persons are seated on the vehicle.
- Use remote operation switch for winch control.
- Stand to the side and away from the vehicle to operate winch.
- Read winch operator manual before operating winch.

102231601

WARNING

Negative frame ground. Can cause severe injury. Do not contact positive (+) battery post or cable to frame. Disconnect negative (-) battery cable first.

CCI 102459101

WARNING

CAN CAUSE SEVERE INJURY

Rotating parts. KEEP CLEAR.

WARNING

CAN CAUSE SEVERE INJURY

Hot manifold and muffler. KEEP CLEAR.

CCI 102459501

000510-001

SAFETY DECALS – CA 295 AND XRT 1550, GASOLINE VEHICLES, CONTINUED

ITEM	PART NO.	DESCRIPTION	QTY
		1 2 3 4	
1	<u>101547601</u>	Decal, Gasoline Explosion/Fire Warning	1
2	<u>102231601</u>	Decal, Winch Cable Fracture Warning	1
3	<u>102458901</u>	Decal, Hot Surface Warning	2
4	<u>102459101</u>	Decal, Frame Ground Warning	1
5	<u>102459501</u>	Decal, Rotating Parts and Hot Exhaust Warning	1
6	<u>102884301</u>	Decal, Operating Instr, AWD	1

3

G

D

3
G

D

UNDER 16

WARNING
YOUNG DRIVERS INCREASE CHANCE OF DEATH

- Young drivers may not be able to control vehicle.
- No drivers younger than 16 years old.
- Do not leave children unattended on vehicle.

CCI 10249401

WARNING
ROLLOVER OR FALLING OFF MAY CAUSE DEATH

- Read owner's manual and operating instructions.
- Fasten seat belts and remain seated while moving.
- Children requiring a child safety seat must not ride on vehicle. Comply with state and local laws pertaining to child safety.
- Drive slowly in turns and straight up and down slopes.
- Do not start vehicle until all occupants are seated.
- Two (2) persons per bench seat maximum.
- One (1) person per bucket seat maximum.
- Operate from driver side only and not on public roads.
- Keep entire body inside vehicle while moving.
- Do not operate while under the influence of alcohol or drugs.
- Never attempt jumps and avoid extreme braking in reverse.

CCI 102384401

WARNING

- Do not modify or remove Roll-over Protective Structure (ROPS).
- Replace ROPS if damaged. Do not attempt repair.
- Use seat belts during operation. Do not jump from vehicle.
- Keep away from drop-offs, steep slopes, and unstable surfaces.

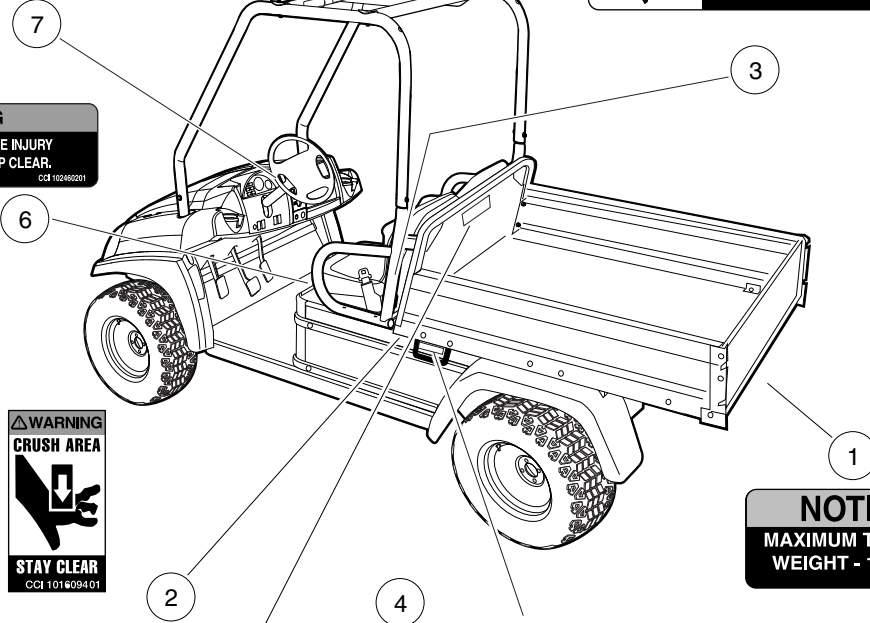
CCI 102961201

WARNING
Rotating Parts

CCI 102234001

WARNING
CAN CAUSE SEVERE INJURY
Rotating parts. KEEP CLEAR.

CCI 102460201



WARNING
CRUSH AREA
STAY CLEAR

CCI 1014609401

NOTICE
MAXIMUM TONGUE
WEIGHT - 150 lbs.

CCI 10115553

LATCH

WARNING
Crush area. Can cause severe injury.
Stay clear when closing bed.

CCI 102455901

WARNING
RIDING IN CARGO BED CAN CAUSE SEVERE INJURY OR DEATH.

- Do not ride in cargo bed.

VEHICLE LOADING

- Read owner's manual and warnings on dash.
- Maximum gross vehicle weight: 2750 lb. (1247 kg)
- Maximum cargo load: 800 lb. (363 kg)
- Includes cargo bed load and gross trailer weight.
- Maximum cargo load is reduced by the weight of optional equipment.
- Maximum trailer hitch tongue weight: 150 lb. force (667 N).

PREVENT VEHICLE ROLL-OVER.

- Place cargo forward in the cargo bed and distribute evenly side to side. Secure load.
- On uneven or steep terrain reduce speed and load. Avoid stopping on or backing down steep hills.
- Avoid top-heavy loads. See owner's manual.

CCI 102320201

WARNING
RIDING IN CARGO BED CAN CAUSE SEVERE INJURY OR DEATH.

- Do not ride in cargo bed.

HIGH CAPACITY VEHICLE LOADING

- Read owner's manual and warnings on dash.
- Maximum gross vehicle weight: 3012 lb. (1366 kg)
- Maximum cargo load: 1050 lb. (476 kg)
- Includes cargo bed load and gross trailer weight.
- Maximum cargo load is reduced by the weight of optional equipment.
- Maximum trailer hitch tongue weight: 150 lb. force (667 N).

PREVENT VEHICLE ROLL-OVER.

- Place cargo forward in the cargo bed and distribute evenly side to side. Secure load.
- On uneven or steep terrain reduce speed and load. Avoid stopping on or backing down steep hills.
- Avoid top heavy loads. See owner's manual.

CCI 103210401

9

10

000513-001

SAFETY DECALS – CA 295 AND XRT 1550, DIESEL VEHICLES

ITEM	PART NO.	DESCRIPTION	QTY
		1 2 3 4	
1	<u>1011553</u>	Decal, Trailer Hitch	1
2	<u>101609401</u>	Decal, Crush Area Warning	1
3	<u>102224001</u>	Decal, Rotating Parts Warning	1
4	<u>102459301</u>	Decal, Bed Crush Area Warning	1
5	<u>102459401</u>	Decal, Young Driver Warning	1
6	<u>102460201</u>	Decal, Rotating Parts Warning	1
7	<u>102884401</u>	Decal, Warning, Rollover	1
8	<u>102961201</u>	Decal, Warning, AWD ROPS	1
9	<u>103202601</u>	Decal, Vehicle Loading, 800 lbs	1
10	<u>103210401</u>	Decal, Vehicle Loading, 1050 lbs	1

3

G

D

3

G

D

WARNING

DIESEL FUEL EXPLOSION / FIRE.

- Can cause severe injury or death.
- No smoking, sparks, or open flame.
- Stop engine, allow to cool before refueling.

CCI 102459201

OPERATING INSTRUCTIONS

- Read owner's manual and vehicle safety warnings. Study and understand controls.

TO START ENGINE

- Place shift lever in NEUTRAL (N) and press brake pedal.
- Turn key to START and hold until engine starts.

Diesel Vehicles Only:

- If required, turn key to PREHEAT and hold for 10-15 seconds.

TO OPERATE VEHICLE

- Ensure wheels are turned in desired direction and path is clear.
- With vehicle stopped and engine at idle, select vehicle direction.

- Forward
 - Neutral
 - Reverse (Buzzer will sound)

- Release park brake and slowly press accelerator pedal to increase speed.
- All-wheel drive will automatically drive appropriate wheel(s).

TO STOP VEHICLE

- Release accelerator pedal and push brake pedal.

BEFORE LEAVING VEHICLE

- Turn key to OFF and remove key.
- Place shift lever in NEUTRAL (N).
- Firmly set park brake.

CCI 102884301

WARNING

CAN CAUSE SEVERE INJURY

Rotating parts. KEEP CLEAR.

CCI 102466201

WARNING

CAN CAUSE SEVERE INJURY

HOT manifold

KEEP CLEAR

CCI 102459001

WARNING

WINCH CABLE FRACTURE COULD RESULT IN SERIOUS INJURY OR DEATH.

- Do not use winch while persons are seated on the vehicle.
- Use remote operation switch for winch control.
- Stand to the side and away from the vehicle to operate winch.
- Read winch operator manual before operating winch.

102231601

WARNING

Negative frame ground. Can cause severe injury.

Do not contact positive (+) battery post or cable to frame. Disconnect negative (-) battery cable first.

CCI 102459101

WARNING

CAN CAUSE SEVERE BURNS

Hot Surface

CCI 102458901

WARNING

CAN CAUSE SEVERE INJURY

Rotating parts. KEEP CLEAR.

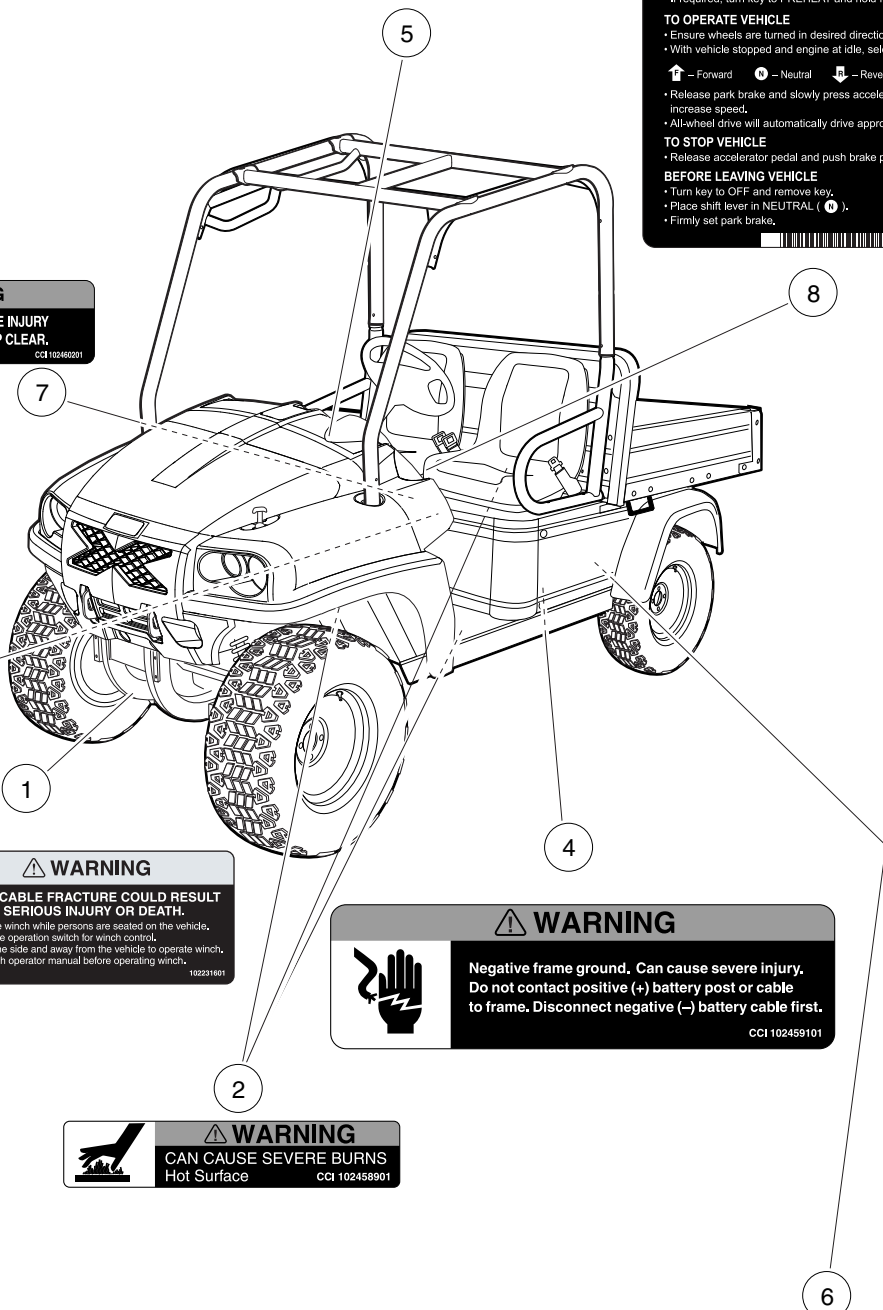
WARNING

CAN CAUSE SEVERE INJURY

Hot manifold and muffler. KEEP CLEAR.

CCI 102459501

000514-001



SAFETY DECALS – CA 295 AND XRT 1550, DIESEL VEHICLES, CONTINUED

ITEM	PART NO.	DESCRIPTION	QTY
		1 2 3 4	
1	<u>102231601</u>	Decal, Winch Cable Fracture Warning	1
2	<u>102458901</u>	Decal, Hot Surface Warning	1
3	<u>102459001</u>	Decal, Hot Manifold Warning	1
4	<u>102459101</u>	Decal, Frame Ground Warning	1
5	<u>102459201</u>	Decal, Diesel Explosion/Fire Warning	1
6	<u>102459501</u>	Decal, Rotating Parts and Hot Exhaust Warning	1
7	<u>102460201</u>	Decal, Rotating Parts Warning	1
8	<u>102884301</u>	Decal, Operating Instr, AWD	1

3

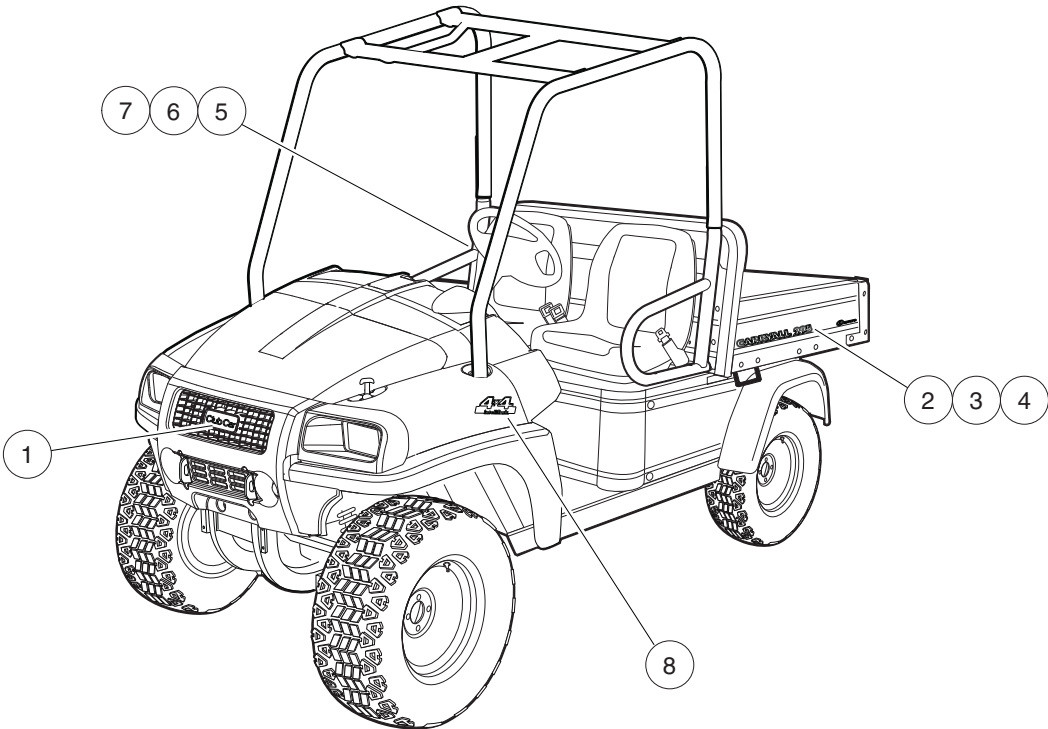
G

D

3

G

D



000531-011

BADGING DECALS – CA 295 VEHICLES

ITEM	PART NO.	DESCRIPTION	QTY
		1 2 3 4	
1	<u>102883601</u>	Decal, Nameplate, CCI, Front	1
2	<u>103233614</u>	Decal, Badge, CA 295, Driver-Side, Dk Gray	1
3	<u>103233617</u>	Decal, Badge, CA 295, Driver-Side, Ntrl	1
4	103233618	Decal, Badge, CA 295, Driver-Side, Camo	1
5	<u>103233714</u>	Decal, Badge, CA 295, Passenger-Side, Dk Gray	1
6	<u>103233717</u>	Decal, Badge, CA 295, Passenger-Side, Ntrl	1
7	103233718	Decal, Badge, CA 295, Passenger-Side, Camo	1
8	<u>103234201</u>	Decal, Badge, 4x4	2

3

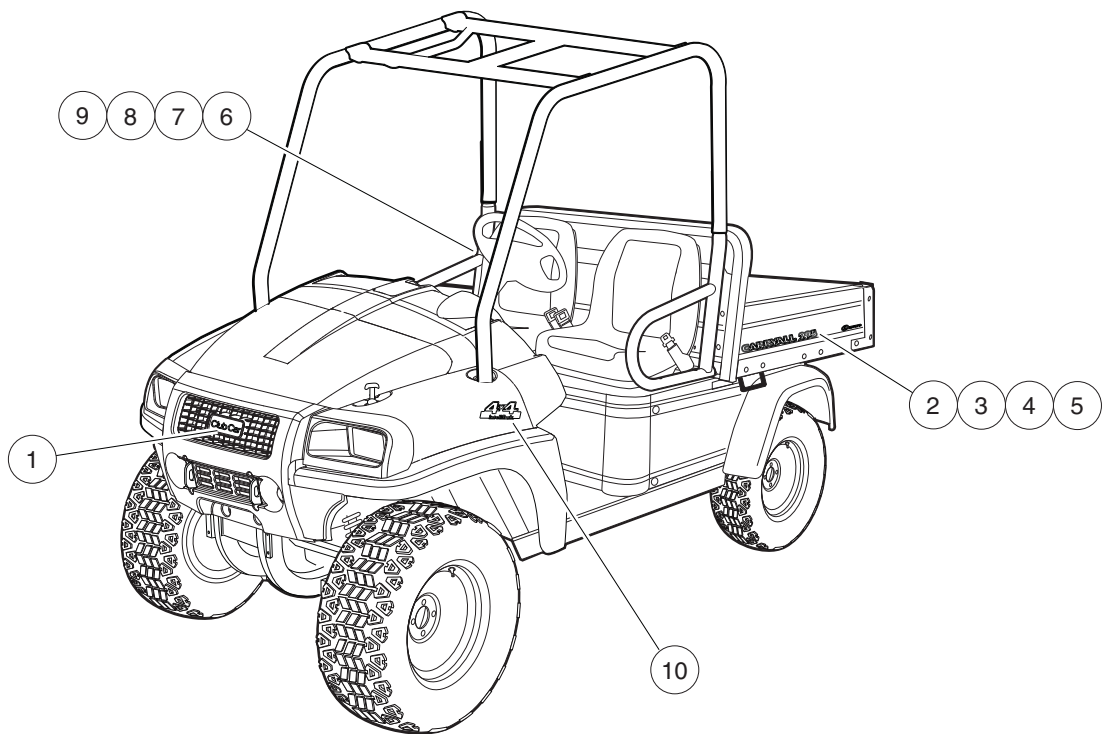
G

D

3

G

D



000531-012

BADGING DECALS – XRT 1550 VEHICLES

ITEM	PART NO.	DESCRIPTION	QTY
		1 2 3 4	
1	<u>102883601</u>	Decal, Nameplate, CCI, Front	1
2	<u>103233410</u>	Decal, Bed, XRT 1550, Dk Grn, Ds	1
3	<u>103233415</u>	Decal, Bed, XRT 1550, Red, Ds	1
4	<u>103233417</u>	Decal, Bed, Xrt1550, Ntrl, Ds	1
5	103233418	Decal, Bed, XRT 1550, Camo, Ds	1
6	<u>103233510</u>	Decal, Bed, XRT 1550, Dk Grn, Ps	1
7	<u>103233515</u>	Decal, Bed, XRT 1550, Red, Ps	1
8	<u>103233517</u>	Decal, Bed, XRT 1550, Ntrl, Ps	1
9	103233518	Decal, Bed, XRT 1550, Camo, Ps	1
10	<u>103234201</u>	Decal, Badge, 4x4	2

3

G

D

3

G

D

OPERATING INSTRUCTIONS

- Read owner's manual and vehicle safety warnings. Study and understand controls.

TO START ENGINE

- Place shift lever in NEUTRAL (N) and press brake pedal.
- Turn key to START and hold until engine starts.

Diesel Vehicles Only:

- If required, turn key to PREHEAT and hold for 10-15 seconds.

TO OPERATE VEHICLE

- Ensure wheels are turned in desired direction and path is clear.
- With vehicle stopped and engine at idle, select vehicle direction.

↑ Forward N Neutral ↓ Reverse (Buzzer will sound)

- Release park brake and slowly press accelerator pedal to increase speed.
- All-wheel drive will automatically drive appropriate wheel(s).

TO STOP VEHICLE

- Release accelerator pedal and push brake pedal.

BEFORE LEAVING VEHICLE

- Turn key to OFF and remove key.
- Place shift lever in NEUTRAL (N).
- Firmly set park brake.

CCI 102284301

WARNING

ROLLOVER OR FALLING OFF MAY CAUSE DEATH

- Read owner's manual and operating instructions.
- Fasten seat belts and remain seated while moving.
- Children requiring a child safety seat must not ride on vehicle. Comply with state and local laws pertaining to child safety.
- Drive slowly in turns and straight up and down slopes.
- Do not start vehicle until all occupants are seated.
- Two (2) persons per bench seat maximum.
- One (1) person per bucket seat maximum.
- Operate from driver side only and not on public roads.
- Keep entire body inside vehicle while moving.
- Do not operate while under the influence of alcohol or drugs.
- Never attempt jumps and avoid extreme braking in reverse.

CCI 102284401

WARNING

YOUNG DRIVERS INCREASE CHANCE OF DEATH

- Young drivers may not be able to control vehicle.
- No drivers younger than 16 years old.
- Do not leave children unattended on vehicle.

CCI 10249401

WARNING

- Do not modify or remove Roll-over Protective Structure (ROPS).
- Replace ROPS if damaged. Do not attempt repair.
- Use seat belts during operation. Do not jump from vehicle.
- Keep away from drop-offs, steep slopes, and unstable surfaces.

CCI 102961201

NOTICE

MAXIMUM TONGUE WEIGHT - 150 lbs.

CCI 1011553

WARNING

FALLING OFF COULD RESULT IN SEVERE INJURY OR DEATH

- Fasten seat belt and remain seated while moving.
- Keep entire body inside vehicle at all times.
- Two (2) persons per bench seat maximum.
- One (1) person per bucket seat maximum.
- Do not leave children unattended on vehicle at any time.
- Never stand in front of or behind vehicle.

CCI 10288201-01

WARNING

CRUSH AREA

STAY CLEAR

CCI 101609401

WARNING

Crush area. Can cause severe injury. Stay clear when closing bed.

CCI 103495901

	<p>WARNING</p> <p>RIDING IN CARGO BED CAN CAUSE SEVERE INJURY OR DEATH.</p> <ul style="list-style-type: none"> • Do not ride in cargo bed. 	<p>VEHICLE LOADING</p> <ul style="list-style-type: none"> • Read owner's manual and warnings on dash. • Maximum gross vehicle weight: 3350 lb. (1520 kg) • Maximum cargo load: 800 lb. (363 kg) - Includes cargo bed load and gross trailer weight. - Maximum cargo load is reduced by the weight of optional equipment. • Maximum trailer hitch tongue weight: 150 lb. force (667 N). 	<ul style="list-style-type: none"> • PREVENT VEHICLE ROLL-OVER. - Place cargo forward in the cargo bed and distribute evenly side to side. Secure load. - On uneven or steep terrain reduce speed and load. Avoid stopping on or backing down steep hills. - Avoid top-heavy loads. See owner's manual.
	<p>CCI 103210501</p>		

000515-002

SAFETY DECALS – CA 295 SE AND XRT 1550 SE VEHICLES

ITEM	PART NO.	DESCRIPTION	QTY
		1 2 3 4	
1	<u>1011553</u>	Decal, Trailer Hitch	1
2	<u>101609401</u>	Decal, Crush Area Warning	1
3	<u>102459301</u>	Decal, Bed Crush Area Warning	1
4	<u>102459401</u>	Decal, Young Driver Warning	1
5	<u>102884301</u>	Decal, Operating Instr, AWD	1
6	<u>102884401</u>	Decal, Warning, Rollover	1
7	<u>102889201</u>	Decal, Warning, Passenger	1
8	<u>102961201</u>	Decal, Warning, AWD ROPS	1
9	<u>103210501</u>	Decal, Load, Vehicle, 3350 Lbs	1

3

G

D

3
G

D

WARNING

DIESEL FUEL EXPLOSION / FIRE.

- Can cause severe injury or death.
- No smoking, sparks, or open flame.
- Stop engine, allow to cool before refueling.

CCI 102459201

WARNING

GASOLINE EXPLOSION / FIRE.

- Can cause severe injury or death.
- No smoking, sparks, or open flame.
- Stop engine, allow to cool before refueling.
- Turn fuel valve (—) on during operation. (→) off during storage or transport.

CCI 10157701

WARNING

Rotating Parts

CCI 102234001

WARNING

CAN CAUSE SEVERE INJURY
Rotating parts. KEEP CLEAR.

CCI 102460201

WARNING

CAN CAUSE SEVERE INJURY
HOT manifold
KEEP CLEAR

CCI 102459001

WARNING

CAN CAUSE SEVERE BURNS
Hot Surface

CCI 102458901

WARNING

WINCH CABLE FRACTURE COULD RESULT IN SERIOUS INJURY OR DEATH.

- Do not use winch while persons are seated on the vehicle.
- Use remote operation switch for winch control.
- Stand to the side and away from the vehicle to operate winch.
- Read winch operator manual before operating winch.

102231801

WARNING

Negative frame ground. Can cause severe injury. Do not contact positive (+) battery post or cable to frame. Disconnect negative (-) battery cable first.

CCI 102459101

WARNING

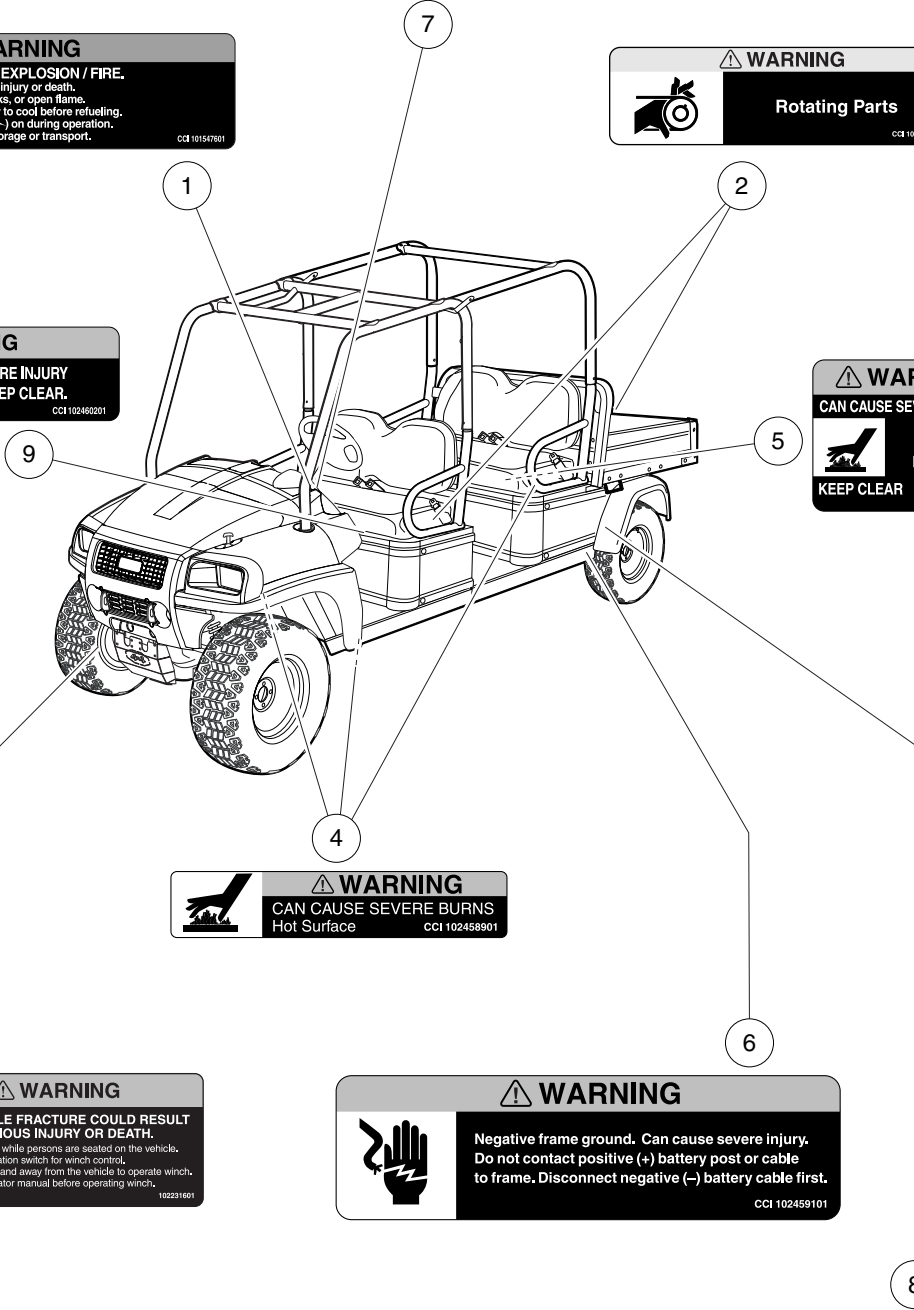
CAN CAUSE SEVERE INJURY
Rotating parts, KEEP CLEAR.

WARNING

CAN CAUSE SEVERE INJURY
Hot manifold and muffler, KEEP CLEAR.

CCI 102459501

000516-001



SAFETY DECALS – CA 295 SE AND XRT 1550 SE VEHICLES, CONTINUED

ITEM	PART NO.	DESCRIPTION	QTY
		1 2 3 4	
1	<u>101547601</u>	Decal, Gasoline Explosion/Fire Warning	1
2	<u>102224001</u>	Decal, Rotating Parts Warning	2
3	<u>102231601</u>	Decal, Winch Cable Fracture Warning	1
4	<u>102458901</u>	Decal, Hot Surface Warning	1
5	<u>102459001</u>	Decal, Hot Manifold Warning	1
6	<u>102459101</u>	Decal, Frame Ground Warning	1
7	<u>102459201</u>	Decal, Diesel Explosion/Fire Warning	1
8	<u>102459501</u>	Decal, Rotating Parts and Hot Exhaust Warning	1
9	<u>102460201</u>	Decal, Rotating Parts Warning	1

3

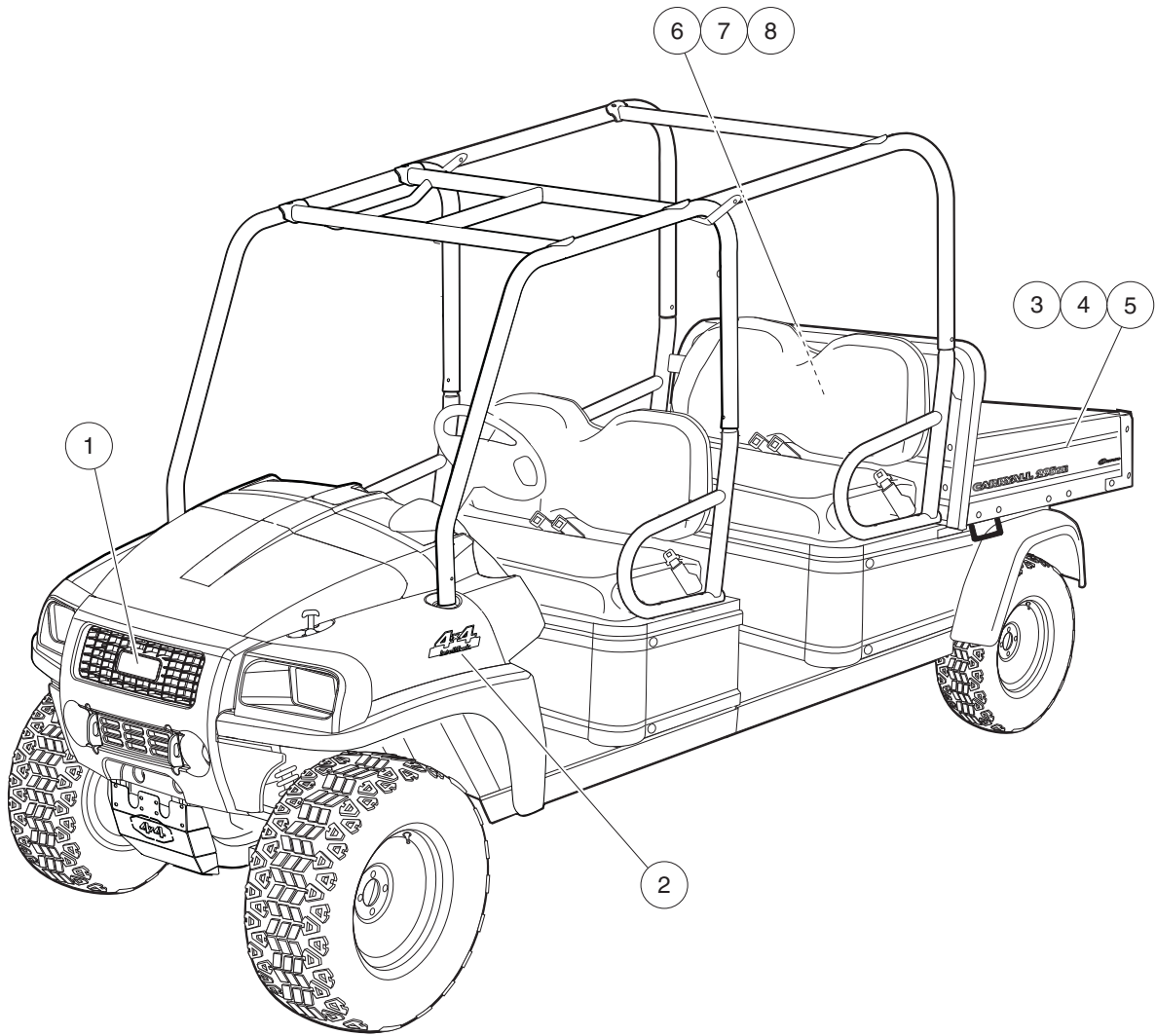
G

D

3

G

D



000547-008

BADGING DECALS – CA 295 SE VEHICLES

ITEM	PART NO.	DESCRIPTION	QTY
		1 2 3 4	
1	<u>102883601</u>	Decal, Nameplate, CCI, Front	1
2	<u>103234201</u>	Decal, Badge, 4x4	2
3	<u>103240814</u>	Decal, Ds, CA 295 SE, Dk Gray	1
4	<u>103240817</u>	Decal, Ds, CA 295 SE, Ntrl	1
5	103240818	Decal, Ds, CA 295 SE, Camo	1
6	<u>103240914</u>	Decal, Ps, CA 295 SE, Dk Gray	1
7	<u>103240917</u>	Decal, Ps, CA 295 SE, Ntrl	1
8	103240918	Decal, Ps, CA 295 SE, Camo	1

3

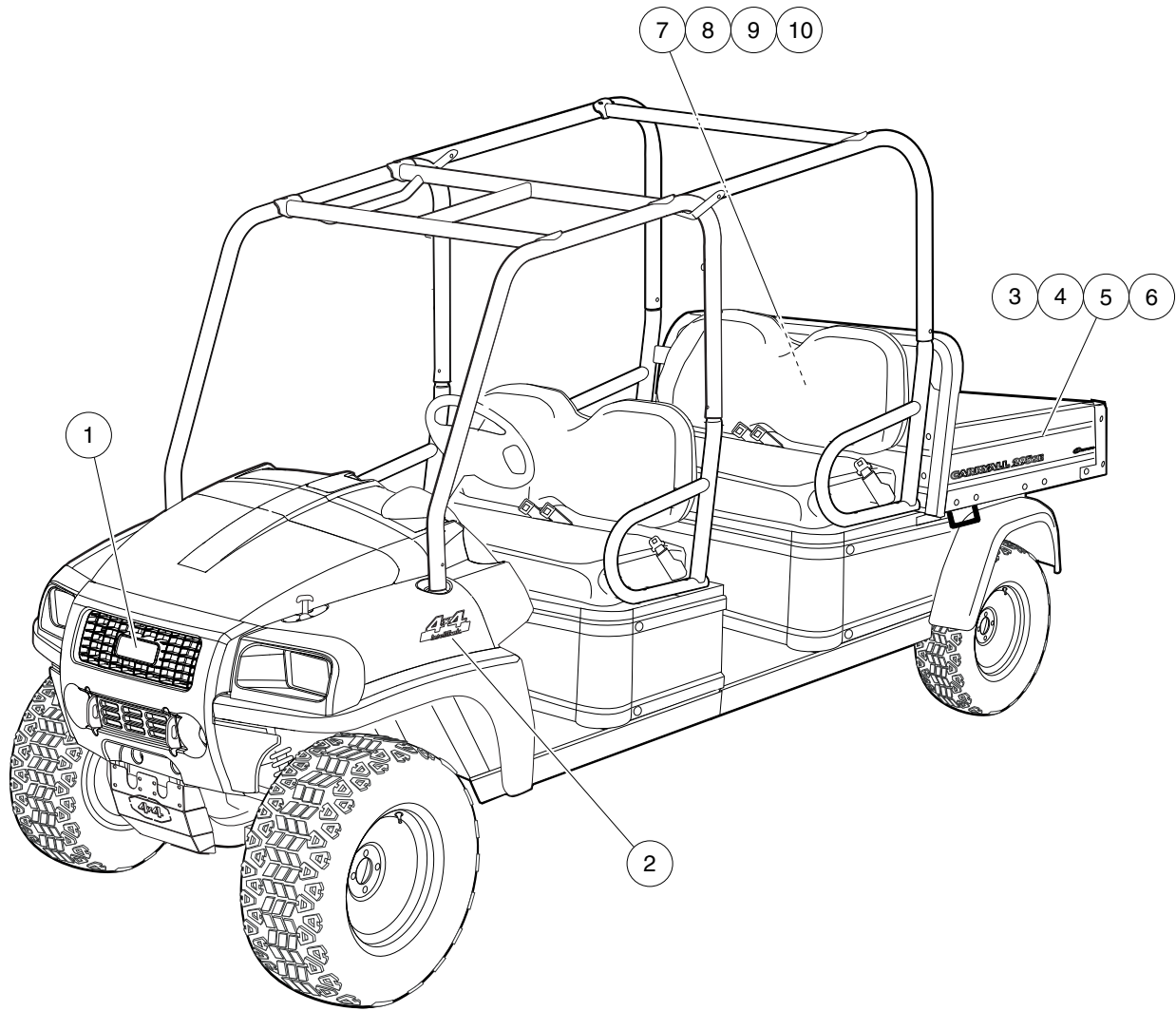
G

D

3

G

D



000547-009

BADGING DECALS – XRT 1550 SE VEHICLES

ITEM	PART NO.	DESCRIPTION	QTY
		1 2 3 4	
1	<u>102883601</u>	Decal, Nameplate, CCI, Front	1
2	<u>103234201</u>	Decal, Badge, 4x4	2
3	<u>103241010</u>	Decal, Ds, XRT 1550 SE, Dk Green	1
4	<u>103241015</u>	Decal, Ds, XRT 1550 SE, Red	1
5	<u>103241017</u>	Decal, Ds, XRT 1550 SE, Ntrl	1
6	<u>103241018</u>	Decal, Ds, XRT 1550 SE, Camo	1
7	<u>103241110</u>	Decal, Ps, XRT 1550 SE, Dk Green	1
8	<u>103241115</u>	Decal, Ps, XRT 1550 SE, Red	1
9	<u>103241117</u>	Decal, Ps, XRT 1550 SE, Ntrl	1
10	<u>103241118</u>	Decal, Ps, XRT 1550 SE, Camo	1

3

G

D

3
G

D

UNDER 16

WARNING

YOUNG DRIVERS INCREASE CHANCE OF DEATH

- Young drivers may not be able to control vehicle.
- No drivers younger than 16 years old.
- Do not leave children unattended on vehicle.

WARNING

- Do not modify or remove Roll-over Protective Structure (ROPS).
- Replace ROPS if damaged. Do not attempt repair.
- Use seat belts during operation. Do not jump from vehicle.
- Keep away from drop-offs, steep slopes, and unstable surfaces.

CCI 102961201

WARNING

ROLLOVER OR FALLING OFF MAY CAUSE DEATH

- Read owner's manual and HANDBOOK.
- Fasten seat belts and remain seated while moving.
- Children requiring a child safety seat must not ride on vehicle.

Comply with state and local laws pertaining to child safety.

- Drive slowly in turns and straight up and down slopes.
- Do not start vehicle until all occupants are seated.
- One (1) person per bucket seat maximum.
- Operate from driver side only and not on public roads.
- Keep entire body inside vehicle while moving.
- Do not operate while under the influence of alcohol or drugs.
- Never attempt jumps and avoid extreme braking in reverse.

ATTACHMENT ARM CAN CAUSE SEVERE INJURY OR DEATH

- Keep bystanders away.
- Keep hands and body from under attachment.
- Always carry attachment as low as possible.
- Do not exceed attachment arm rated capacity.
- Do not modify the attachment arm or attachments.
- Before leaving vehicle, lower attachment arm until attachment is flat on the ground.

CCI 103188601

WARNING

Rotating Parts

CCI 102228001

WARNING

Crush area. Can cause severe injury. Stay clear when closing bed.

CCI 103466901

FULLY ENGAGE LOCKING LEVER

LEVER

PINS MUST EXTEND THROUGH MOUNTING FRAME HOLES

CCI 103089101

WARNING

CRUSH AREA

STAY CLEAR

CCI 101609401

NOTICE

MAXIMUM TONGUE WEIGHT - 150 lbs.

CCI 1011553

WARNING

HIGH PRESSURE FLUIDS COULD CAUSE SERIOUS INJURY OR DEATH

- Read maintenance and service manual before performing repairs on hydraulic system.
- Do not attempt to repair hydraulic pump or lines while engine or pump is in operation.
- Relieve pressure before disconnecting hydraulic lines or fittings.

102950601

	<p>WARNING</p> <p>RIDING IN CARGO BED CAN CAUSE SEVERE INJURY OR DEATH.</p> <ul style="list-style-type: none"> • Do not ride in cargo bed. 	<p>VEHICLE LOADING</p> <ul style="list-style-type: none"> • Read owner's manual, HANDBOOK, and warnings on dash. • Maximum gross vehicle weight: 3200 lb. (1451 kg) • Maximum attachment arm load: 500 lb. (227 kg) • Includes attachment weight plus attachment load. • Maximum trailer hitch tongue weight: 150 lb. force (667 N). 	<ul style="list-style-type: none"> • Maximum payload: 800 lb. (363 kg) • Includes cargo bed load plus attachment arm load plus gross trailer weight. • Maximum payload is reduced by the weight of optional equipment. 	<p>PREVENT VEHICLE ROLL-OVER.</p> <ul style="list-style-type: none"> • Place cargo forward in the cargo bed and distribute evenly side to side. Secure load. • On uneven or steep terrain reduce speed and load. • Avoid stopping on or backing down steep hills. • Avoid top heavy loads. See owner's manual. <p>CCI 102330801</p>

000561-002

SAFETY DECALS – INTELLITACH

ITEM	PART NO.	DESCRIPTION	QTY
		1 2 3 4	
1	<u>1011553</u>	Decal, Trailer Hitch	1
2	<u>101609401</u>	Decal, Crush Area Warning	2
3	<u>102224001</u>	Decal, Rotating Parts Warning	1
4	<u>102459301</u>	Decal, Bed Crush Area Warning	1
5	<u>102459401</u>	Decal, Young Driver Warning	1
6	N/A	Decal, Attachment Locking	1
7	<u>102930801</u>	Decal, Loading, Intellitach	1
8	<u>102950601</u>	Decal, Hydra Pump	1
9	<u>102961201</u>	Decal, Warning, AWD ROPS	1
10	<u>103188601</u>	Decal, Warn, Rollover & Attach	1

3

G

D

3

G

D

WARNING

DIESEL FUEL EXPLOSION / FIRE.

- Can cause severe injury or death.
- No smoking, sparks, or open flame.
- Stop engine, allow to cool before refueling.

CCI 102459201

WARNING

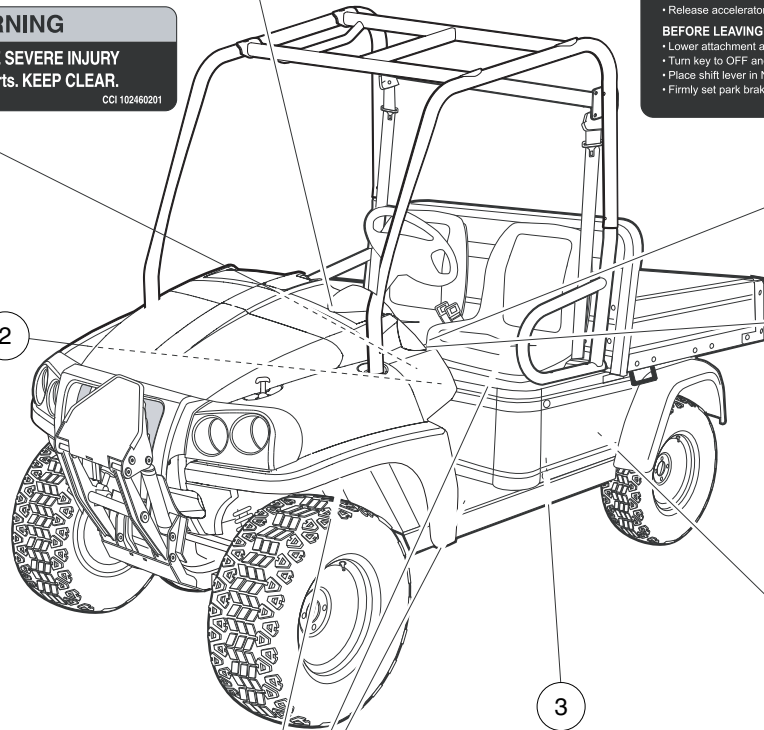
CAN CAUSE SEVERE INJURY
Rotating parts. KEEP CLEAR.

CCI 102460201

WARNING

CAN CAUSE SEVERE INJURY
HOT manifold
KEEP CLEAR

CCI 102459001



WARNING

Negative frame ground. Can cause severe injury. Do not contact positive (+) battery post or cable to frame. Disconnect negative (-) battery cable first.

CCI 102459101

WARNING

CAN CAUSE SEVERE BURNS
Hot Surface

CCI 102458901

WARNING

CAN CAUSE SEVERE INJURY
Rotating parts. KEEP CLEAR.

WARNING

CAN CAUSE SEVERE INJURY
Hot manifold and muffler. KEEP CLEAR.

CCI 102459501

OPERATING INSTRUCTIONS

- Read owner's manual, HANDBOOK, and vehicle safety warnings. Study and understand controls.

TO START ENGINE

- Place shift lever in NEUTRAL (N) and press brake pedal.
- If required, turn key to PREHEAT and hold for 10-15 seconds.
- Turn key to START and hold until engine starts.

TO OPERATE VEHICLE

- Ensure wheels are turned in desired direction and path is clear.
- Raise attachment to provide adequate ground clearance.
- With vehicle stopped and engine at idle, select vehicle direction.
- ↑ - Forward N - Neutral ↓ - Reverse (Buzzer will sound)
- Release park brake and slowly press accelerator pedal to increase speed.
- All-wheel drive will automatically drive appropriate wheel(s).

TO STOP VEHICLE

- Release accelerator pedal and push brake pedal.

BEFORE LEAVING VEHICLE

- Lower attachment arm until attachment is flat on the ground.
- Turn key to OFF and remove key.
- Place shift lever in NEUTRAL (N).
- Firmly set park brake.

CCI 103188701

JOYSTICK ON OFF

000561-001

SAFETY DECALS – INTELLITACH, CONTINUED

ITEM	PART NO.	DESCRIPTION	QTY
		1 2 3 4	
1	<u>102458901</u>	Decal, Hot Surface Warning	3
2	<u>102459001</u>	Decal, Hot Manifold Warning	1
3	<u>102459101</u>	Decal, Frame Ground Warning	1
4	<u>102459201</u>	Decal, Diesel Explosion/Fire Warning	1
5	<u>102459501</u>	Decal, Rotating Parts and Hot Exhaust Warning	1
6	<u>102460201</u>	Decal, Rotating Parts Warning	1
7	<u>103188701</u>	Decal, Operator Instructions, Intellitach	1
8	<u>103319901</u>	Decal, Joystick, On Off	1

3

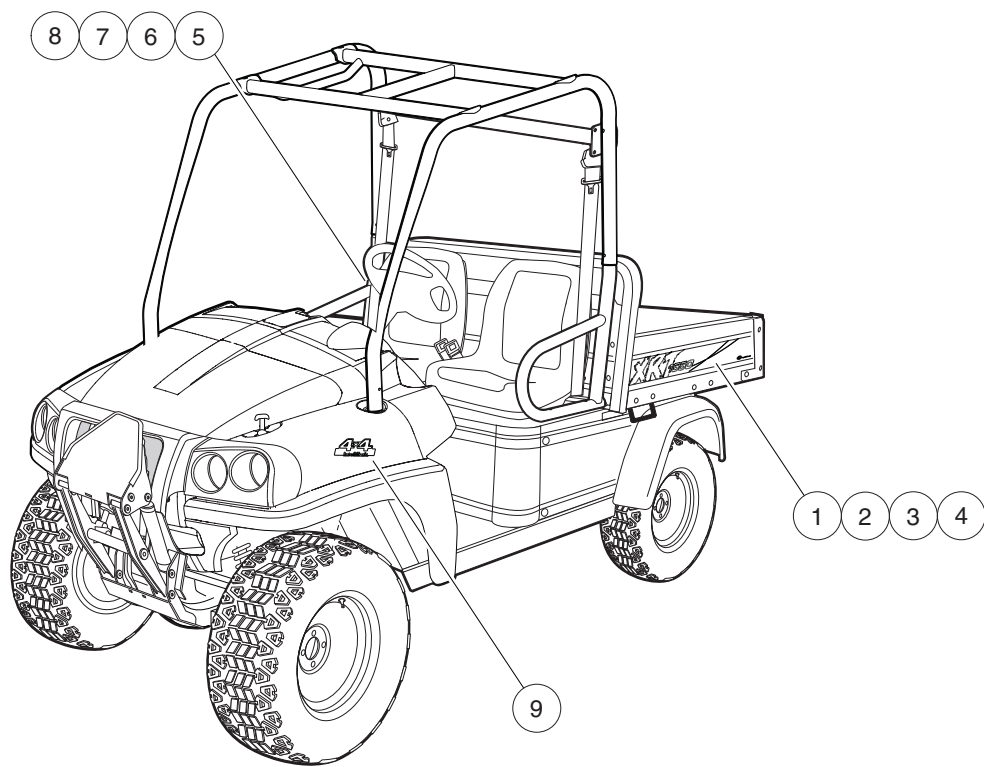
G

D

3

G

D



000562-009

BADGING DECALS – XRT 1550 INTELLITACH

ITEM	PART NO.	DESCRIPTION	QTY
		1 2 3 4	
1	<u>103233410</u>	Decal, Bed, XRT 1550, Dk Grn, Ds	1
2	<u>103233415</u>	Decal, Bed, XRT 1550, Red, Ds	1
3	<u>103233417</u>	Decal, Bed, Xrt1550, Ntrl, Ds	1
4	<u>103233418</u>	Decal, Bed, XRT 1550, Camo, Ds	1
5	<u>103233510</u>	Decal, Bed, XRT 1550, Dk Grn, Ps	1
6	<u>103233515</u>	Decal, Bed, XRT 1550, Red, Ps	1
7	<u>103233517</u>	Decal, Bed, XRT 1550, Ntrl, Ps	1
8	<u>103233518</u>	Decal, Bed, XRT 1550, Camo, Ps	1
9	<u>103234201</u>	Decal, Badge, 4x4	2

3

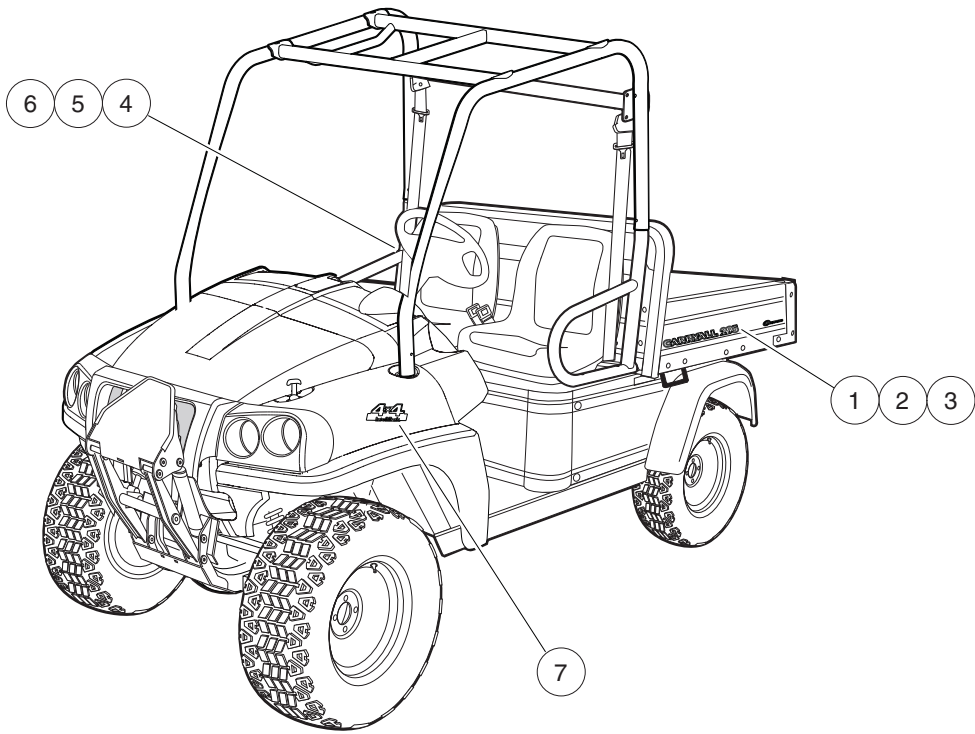
G

D

3

G

D



000562-010

BADGING DECALS – CA 295 INTELLITACH

ITEM	PART NO.	DESCRIPTION	QTY
		1 2 3 4	
1	<u>103233614</u>	Decal, Badge, CA 295, Driver-Side, Dk Gray	1
2	<u>103233617</u>	Decal, Badge, CA 295, Driver-Side, Ntrl	1
3	103233618	Decal, Badge, CA 295, Driver-Side, Camo	1
4	<u>103233714</u>	Decal, Badge, CA 295, Passenger-Side, Dk Gray	1
5	<u>103233717</u>	Decal, Badge, CA 295, Passenger-Side, Ntrl	1
6	103233718	Decal, Badge, CA 295, Passenger-Side, Camo	1
7	<u>103234201</u>	Decal, Badge, 4x4	2

3

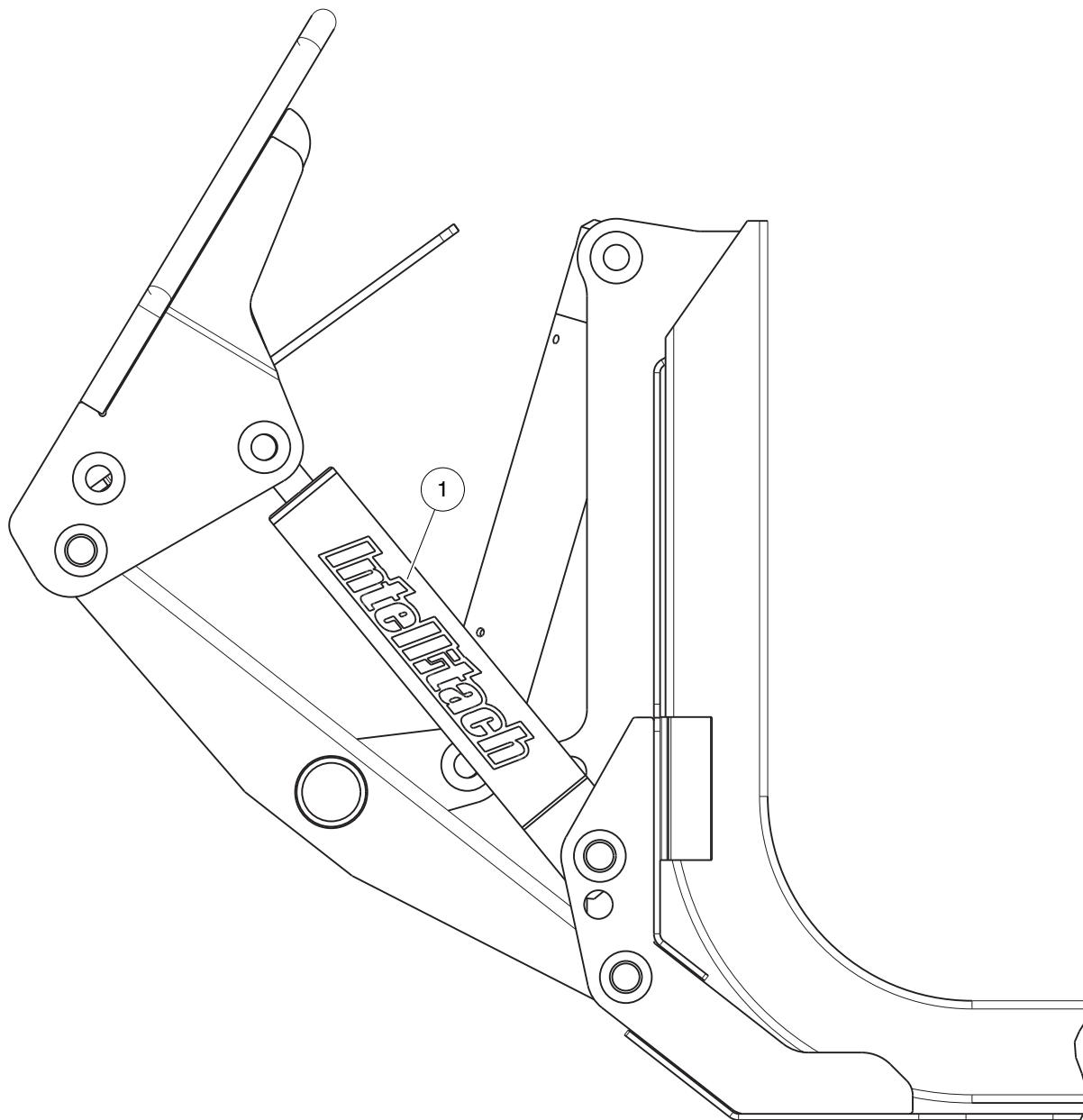
G

D

3

G

D



000562-006

BADGING DECALS – INTELLITACH

ITEM	PART NO.	DESCRIPTION	QTY
1	<u>102925601</u>	<div style="display: flex; justify-content: space-between; margin-bottom: 5px;"> 1 2 3 4 </div> Decal, Brand, IntelliTach	1

3

G

D

3

G

D

BRAKE SYSTEMS AND PEDALS

4

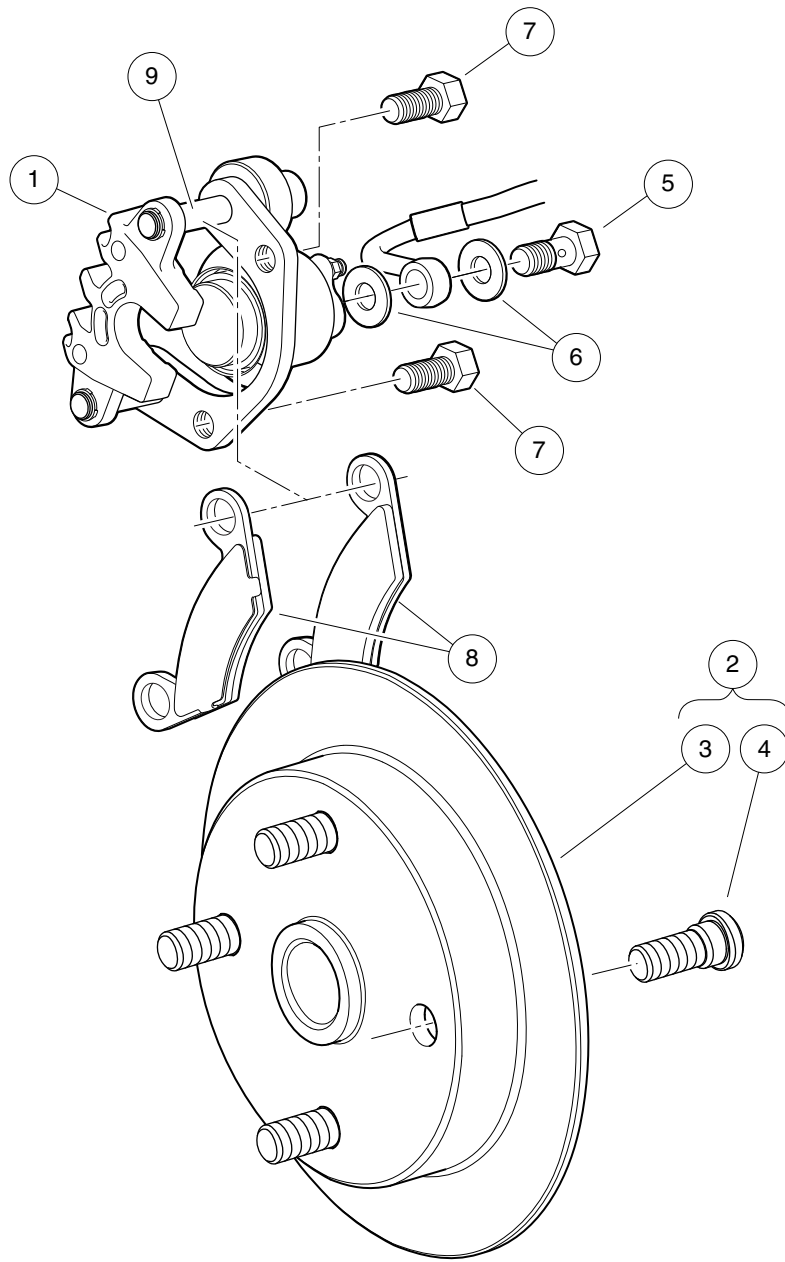
G

D

4

G

D



000067-004

FRONT BRAKES

ITEM	PART NO.	DESCRIPTION	QTY
		1 2 3 4	
1	<u>102367601</u>	Brake Caliper, Front, with Brake Pads	2
2	<u>102376603</u>	Assy, Rotor, Brake, Front, Wt (includes items 3 and 4)	2
3	N/A	Rotor, Brake, Front, Wt	1
4	<u>102475801</u>	Stud, Wheel Lug	4
5	<u>102488001</u>	Bolt, Banjo, M10x1x19	2
6	<u>102491601</u>	Washer, Copper, M10 Crush	2
7	<u>102493301</u>	Bolt, Flange Head, 3/8-24x.750 with Loctite	4
8	<u>102714001</u>	Brake Pad Set, Rear (Four Pads)	1
9	<u>103418801</u>	Pin, Slide, 7/16	2

4

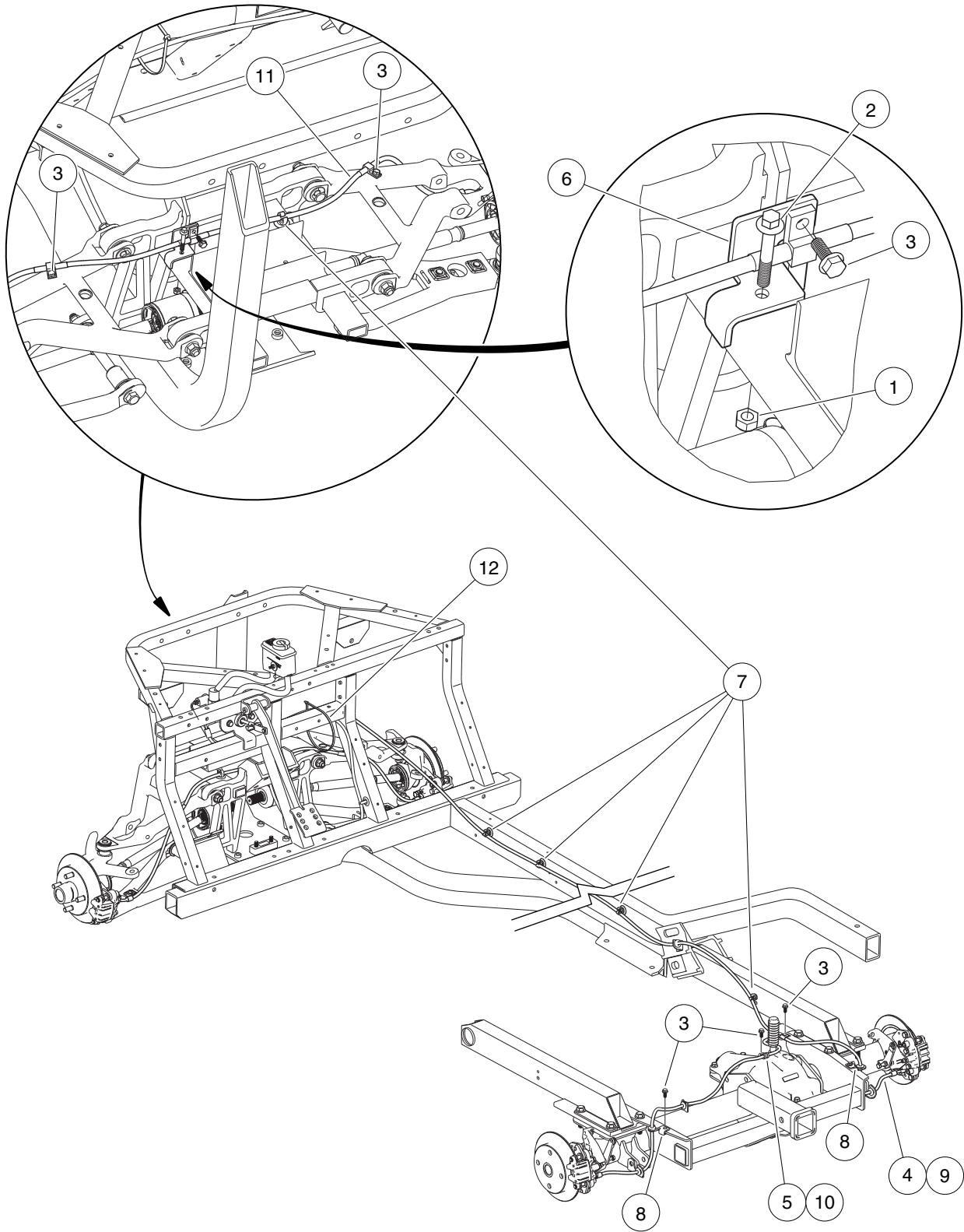
G

D

4

G

D



000015-006

HYDRAULIC BRAKE LINES AND CLIPS

ITEM	PART NO.	DESCRIPTION	QTY
		1 2 3 4	
1	<u>101887601</u>	Locknut, M6-1.00 Nylon Insert	1
2	<u>102296140</u>	Bolt, Flanged Head, M6x1.0x40	1
3	<u>102296716</u>	Screw, M6 X 16 Tt Hx Fl Hd	8
4	<u>102407801</u>	Brake Line, Rear, 295/1550 (includes item 5)	1
5	<u>102410603</u>	P-Clamp, Insulated .312 In	1
6	<u>102474301</u>	Bracket, Tee, Brakeline	1
7	<u>102475701</u>	Clip, Brake Line	8
8	<u>102689001</u>	Bracket, Line, Hydraulic	2
9	<u>102767001</u>	Brake Line, Rear, Long, 295 SE/1550 SE (includes item 10)	1
10	<u>102410603</u>	P-Clamp, Insulated .312 In	1
11	<u>103174301</u>	Brake Line, Front, 295/295 SE/1550/1550 SE	1
12	<u>8639</u>	Tie Wrap, 11" Nylon	1

4

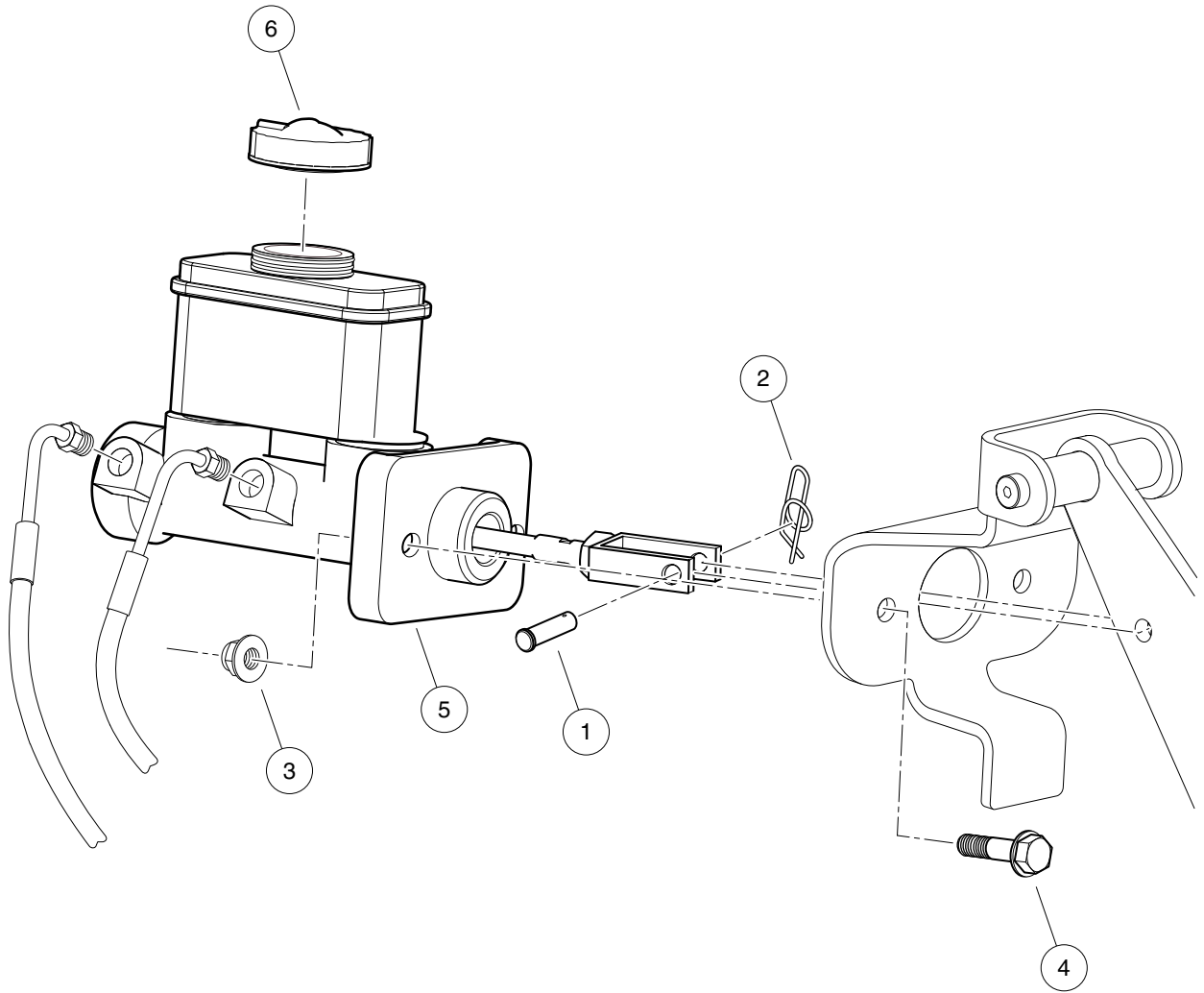
G

D

4

G

D



000792-001

MASTER CYLINDER WITH INTEGRAL RESERVOIR

ITEM	PART NO.	DESCRIPTION	QTY
		1 2 3 4	
1	<u>101082903</u>	Pin, Clevis, 5/16 X 1	1
2	<u>102176901</u>	Pin, Rue	1
3	<u>102298401</u>	Nut,m8,all Metal Lock	2
4	<u>102618401</u>	Bolt Flanged Head, M8 X 1.25 X 35	2
5	<u>103376101</u>	Cylinder, Master, Integral Res	1
6	<u>103380701</u>	Cap, Filler, Master Cylinder	1

4

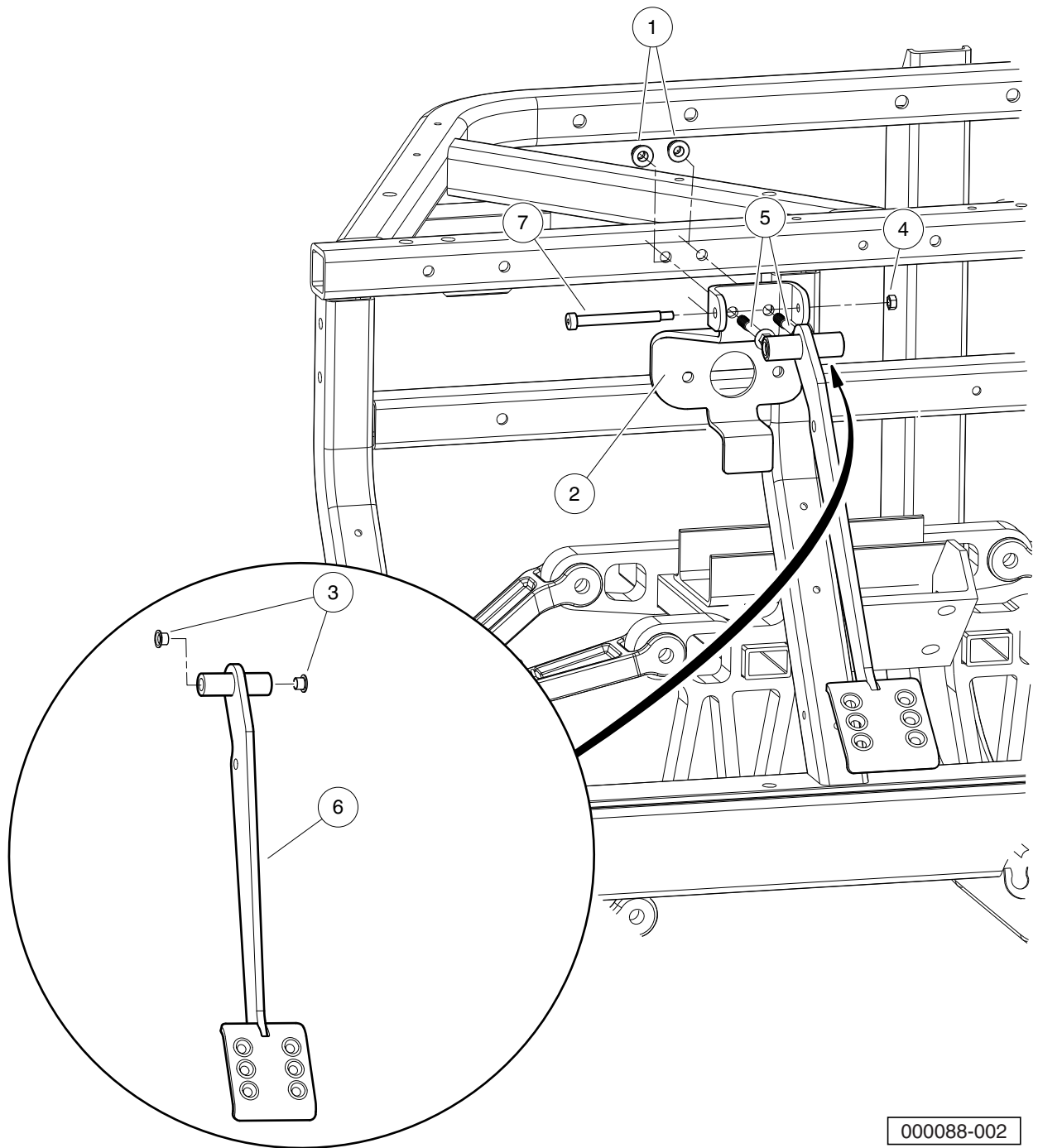
G

D

4

G

D



BRAKE PEDAL

ITEM	PART NO.	DESCRIPTION	QTY
		1 2 3 4	
1	<u>102298401</u>	Nut,m8,all Metal Lock	2
2	<u>102380601</u>	Bracket, Pedal, Brake	1
3	<u>102442901</u>	Bushing, Greaseless	2
4	<u>102618101</u>	Nut, M6x1, Mechanically Deformed	1
5	<u>102618301</u>	Bolt, Flanged Head, M8 X 1.25 X 65	2
6	<u>102626201</u>	Weldment, Pedal, Brake, Hung	1
7	<u>103273101</u>	Bolt, Shoulder, M8 X 70, Hc	1

4

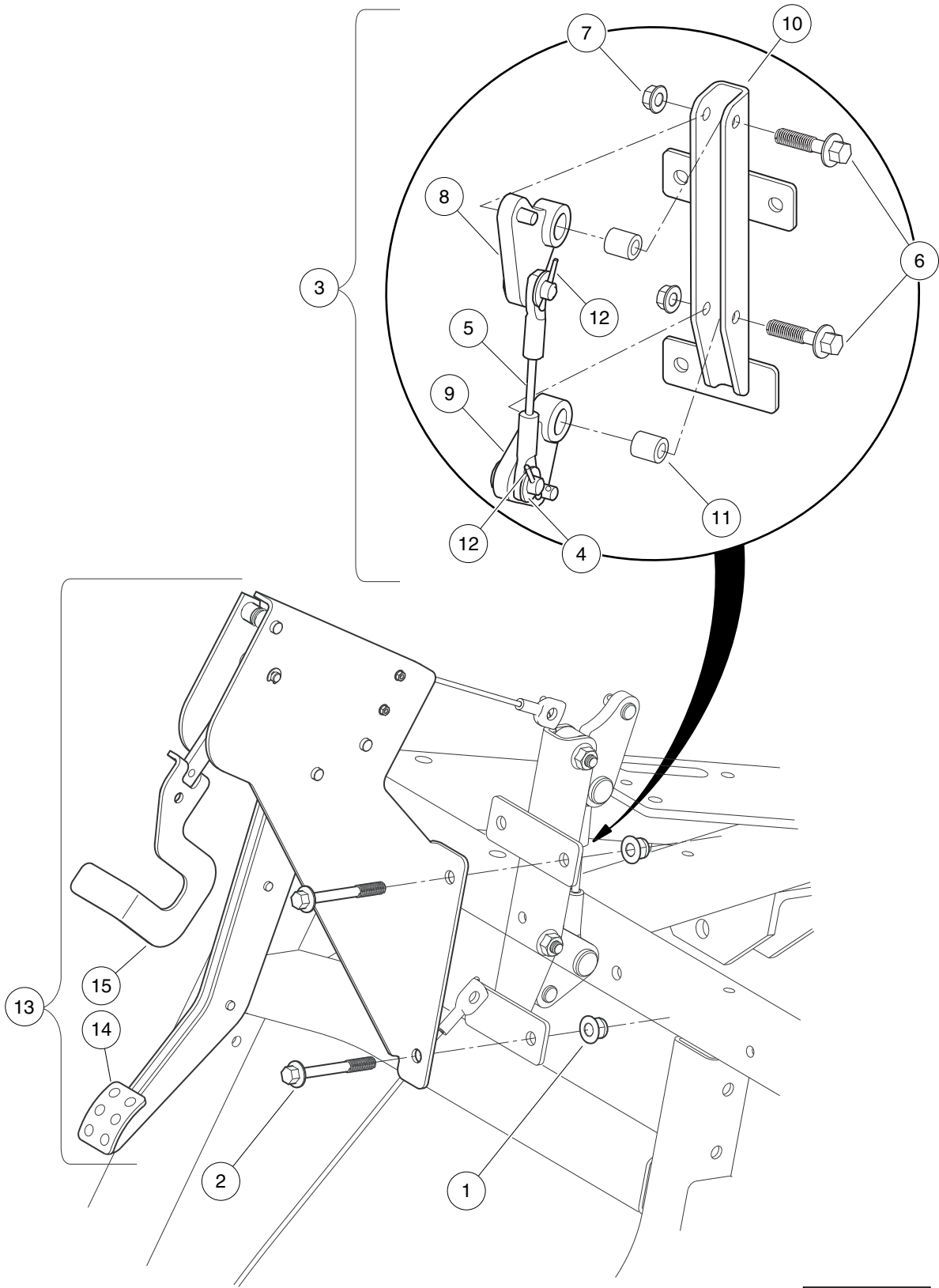
G

D

4

G

D



000086-005

PARK BRAKE PEDAL – BELL CRANK STYLE

ITEM	PART NO.	DESCRIPTION	QTY
		1 2 3 4	
1	<u>102298401</u>	Nut, M8, All Metal Lock	3
2	<u>102618301</u>	Bolt, Flanged Head, M8 X 1.25 X 65	3
3	<u>102751501</u>	Asm, Sub, Bracket, Park Brake (includes items 4 through 12)	1
4	<u>102323501</u>	Washer, Flat, 3/8, Blk Fin	2
5	<u>102716001</u>	Cable, Crank, Bell	1
6	<u>102741501</u>	Bolt Flg, M8x1.25 X 35, Gr10.9	2
7	<u>102741601</u>	Nut Flg M8 X 1.25 Gr 10	2
8	<u>102751301</u>	Asm, Bellcrank, Upper	1
9	N/A	Asm, Bellcrank, Lower	1
10	<u>103305001</u>	Bracket, Bellcrank, Park Brake, Awd	1
11	<u>103305101</u>	Spacer, Pivot, Park Brake, Awd	2
12	<u>1035</u>	Cotter Pin, 3/32 x 1	2
13	<u>102892401</u>	Asm, Pedal, Brake, Hard (includes items 14 and 15)	1
14	N/A	Pedal, Brake, Park	1
15	<u>102896601</u>	Handle, Release, Park Brake	1

4

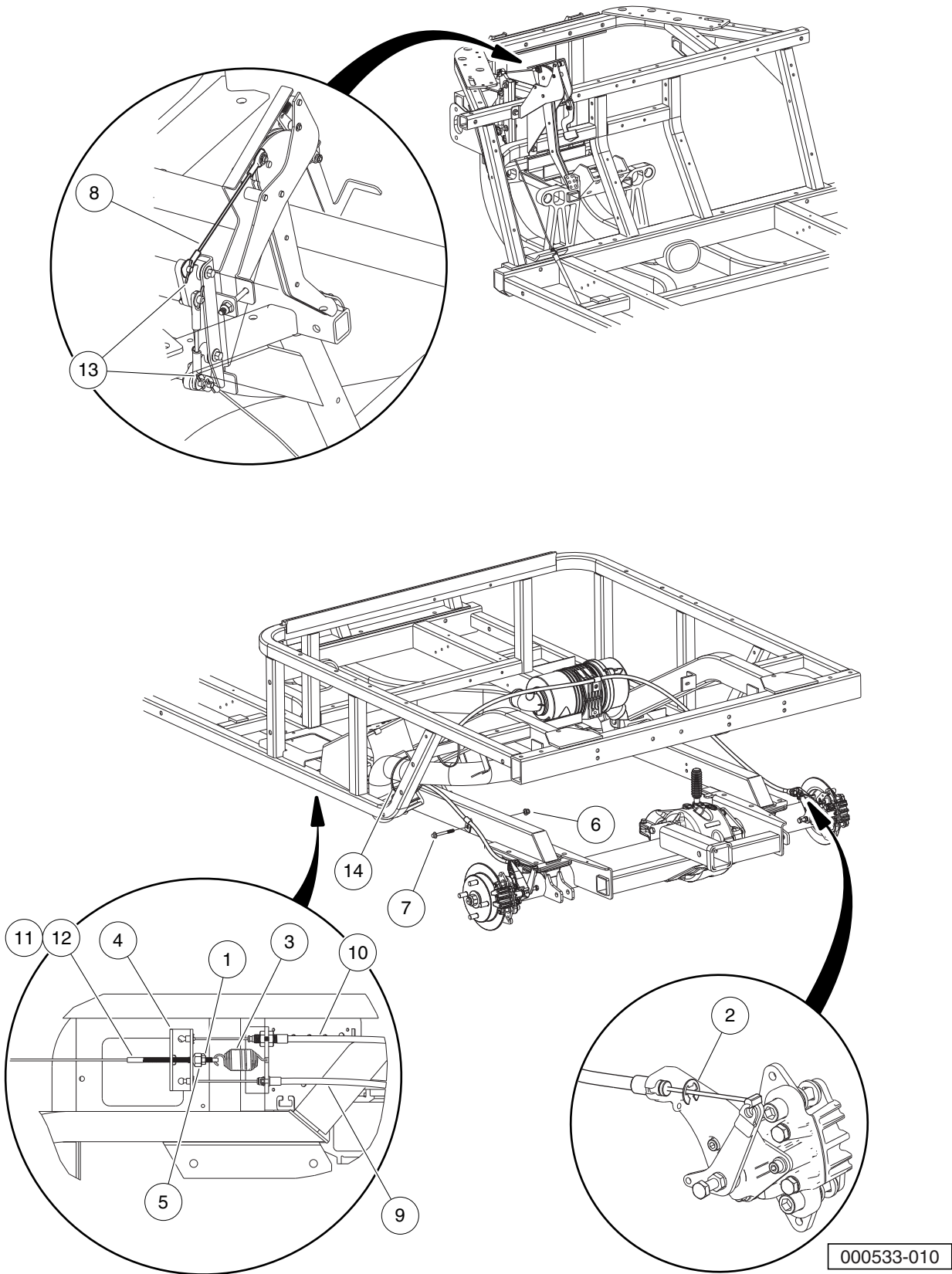
G

D

4

G

D



000533-010

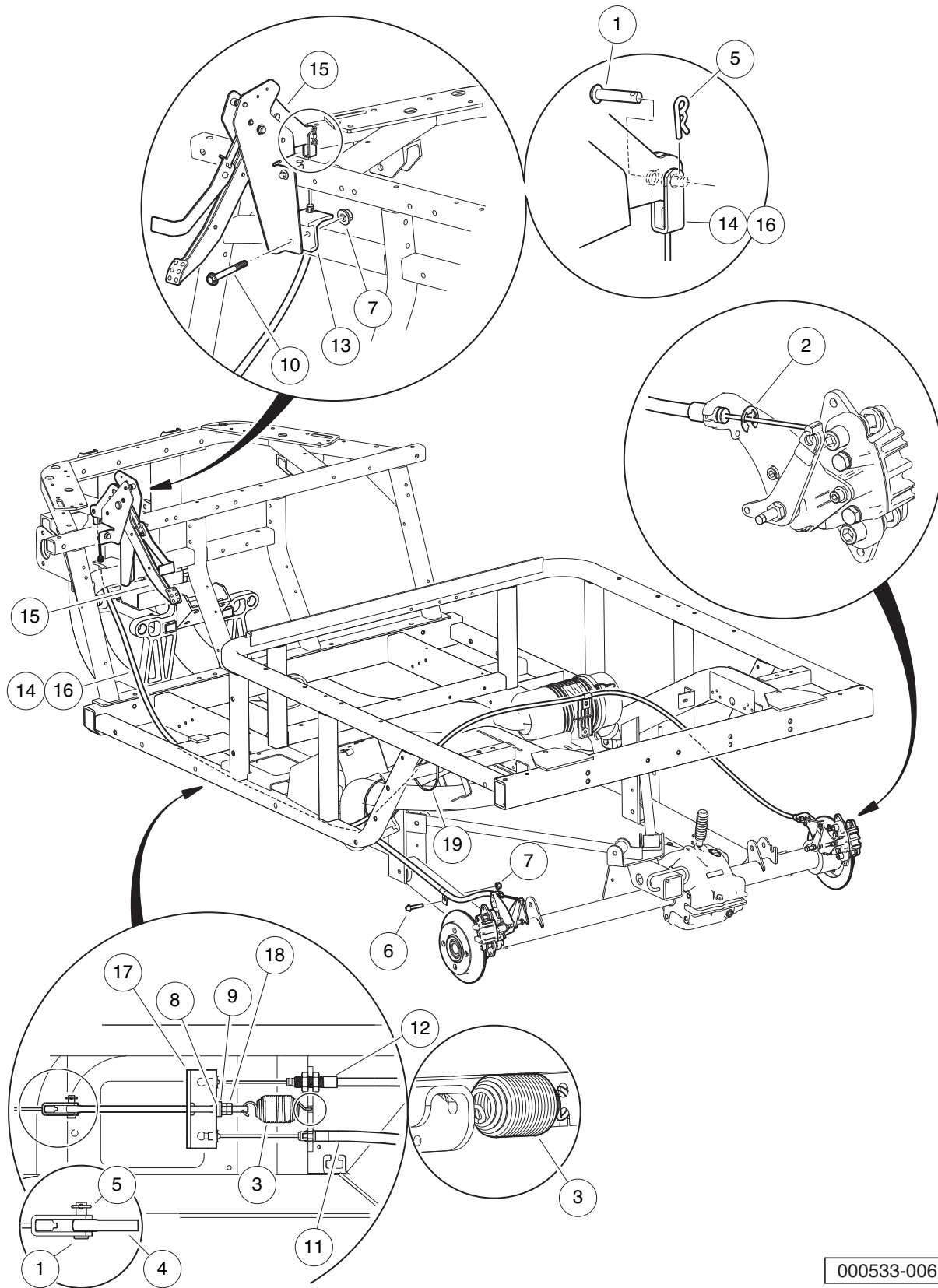
PARK BRAKE CABLES – BELL CRANK STYLE

ITEM	PART NO.	DESCRIPTION	QTY	
		1 2 3 4		4
1	<u>1010521</u>	Nut, 5/16-24 Hex	1	G
2	<u>1011779</u>	E-Clip, 1/2	2	
3	<u>1013531</u>	Spring, Brake Return	1	
4	<u>101990802</u>	Equalizer Bracket	1	D
5	<u>102052801</u>	Nut, 5/16-24 Hex Cone	1	
6	<u>102298401</u>	Nut, M8, All Metal Lock	1	
7	<u>102618301</u>	Bolt, Flanged Head, M8 X 1.25 X 65	1	
8	<u>102712601</u>	Cable, Crank, Bell, Front	1	
9	<u>102763301</u>	Cable, Noncoated, Pbrake, Left	1	
10	<u>102763401</u>	Cable, Noncoated, Pbrake, Right	1	
11	<u>103189001</u>	Cable, Crank, Bell, Main, 295/1550	1	
12	<u>103218501</u>	Cable, Crank, Bell, Main, Long, 295 SE/1550 SE	1	
13	<u>1035</u>	Cotter Pin, 3/32 x 1	2	
14	<u>8639</u>	Tie Wrap, 11" Nylon	2	

4

G

D



000533-006

PARK BRAKE SYSTEM – CABLE STYLE

ITEM	PART NO.	DESCRIPTION	QTY
		1 2 3 4	
1	<u>101082903</u>	Pin, Clevis, 5/16 X 1	2
2	<u>1011779</u>	E-Clip, 1/2	2
3	<u>1013531</u>	Spring, Brake Return	1
4	<u>101953101</u>	Rod, Equalizer, 8.91"	1
5	<u>102292801</u>	Pin, Bow Tie Locking - .072	2
6	<u>102298240</u>	Bolt, Flange Head, M8-1.25 X 40	1
7	<u>102298401</u>	Nut,m8,all Metal Lock	4
8	<u>102551901</u>	Washer, 5/16, Self Comp, Cup	1
9	<u>102552001</u>	Washer, 5/16, Self Comp, Cone	1
10	<u>102618301</u>	Bolt, Flanged Head, M8 X 1.25 X 65	3
11	<u>102763301</u>	Cable, Noncoated, Pbrake, Left	1
12	<u>102763401</u>	Cable, Noncoated, Pbrake, Right	1
13	<u>103500901</u>	Bracket, Cable, Park Brake	1
14	<u>103505301</u>	Cable, Main Park Brake, 295/1550	1
15	<u>103505401</u>	Asm, Pedal, Park Brake	1
16	<u>103529501</u>	Cable, Main Park Brake, Long, 295 SE/1550 SE	1
17	<u>103535001</u>	Bracket, Equalizer, Prec Awd	1
18	<u>1242</u>	Nut, 5/16-18 Hex	2
19	<u>8639</u>	Tie Wrap, 11" Nylon	2

4

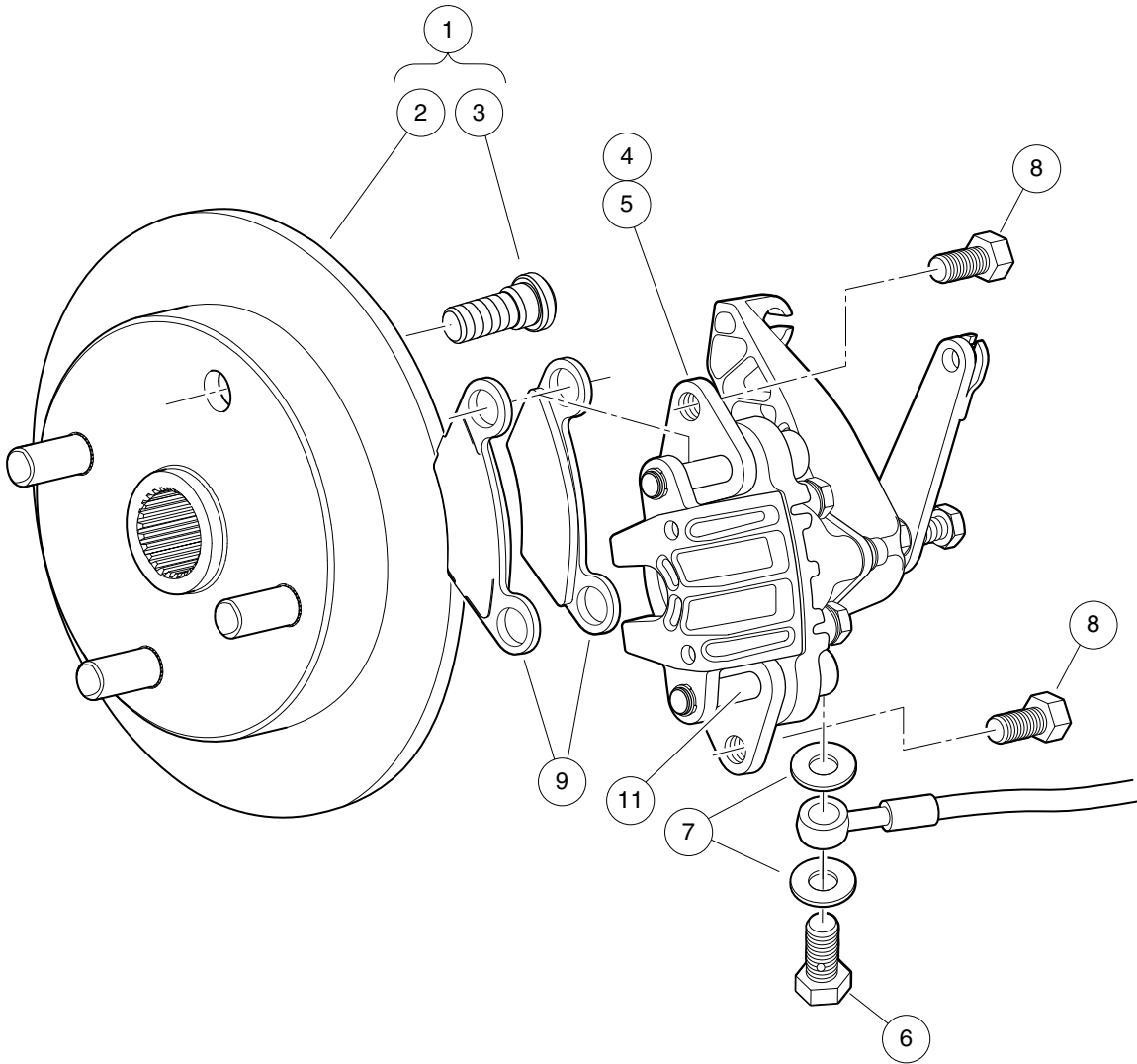
G

D

4

G

D



000068-004

REAR BRAKES

ITEM	PART NO.	DESCRIPTION	QTY
		1 2 3 4	
1	<u>102376602</u>	Assy, Rotor, Brake, Rear (includes items 2 and 3)	2
2	N/A	Rotor, Brake, Rear	1
3	<u>102475801</u>	Stud, Wheel Lug	4
4	<u>102399201</u>	Caliper, Brake, Hydro-Mechanical, LH	1
5	<u>102399202</u>	Caliper, Brake, Hydro-Mechanical, RH	1
6	<u>102488001</u>	Bolt, Banjo, M10x1x19	2
7	<u>102491601</u>	Washer, Copper, M10 Crush	4
8	<u>102493301</u>	Bolt, Flange Head, 3/8-24x.750 with Loctite	4
9	<u>102714001</u>	Brake Pad Set, Rear (Four Pads)	1
10	<u>103418701</u>	Spring, Brake Caliper, Return*	2
11	<u>103418801</u>	Pin, Slide, 7/16	4
		Note: Item 10, brake caliper return spring, not shown.	

4

G

D

4

G

D

STEERING AND SUSPENSION

5

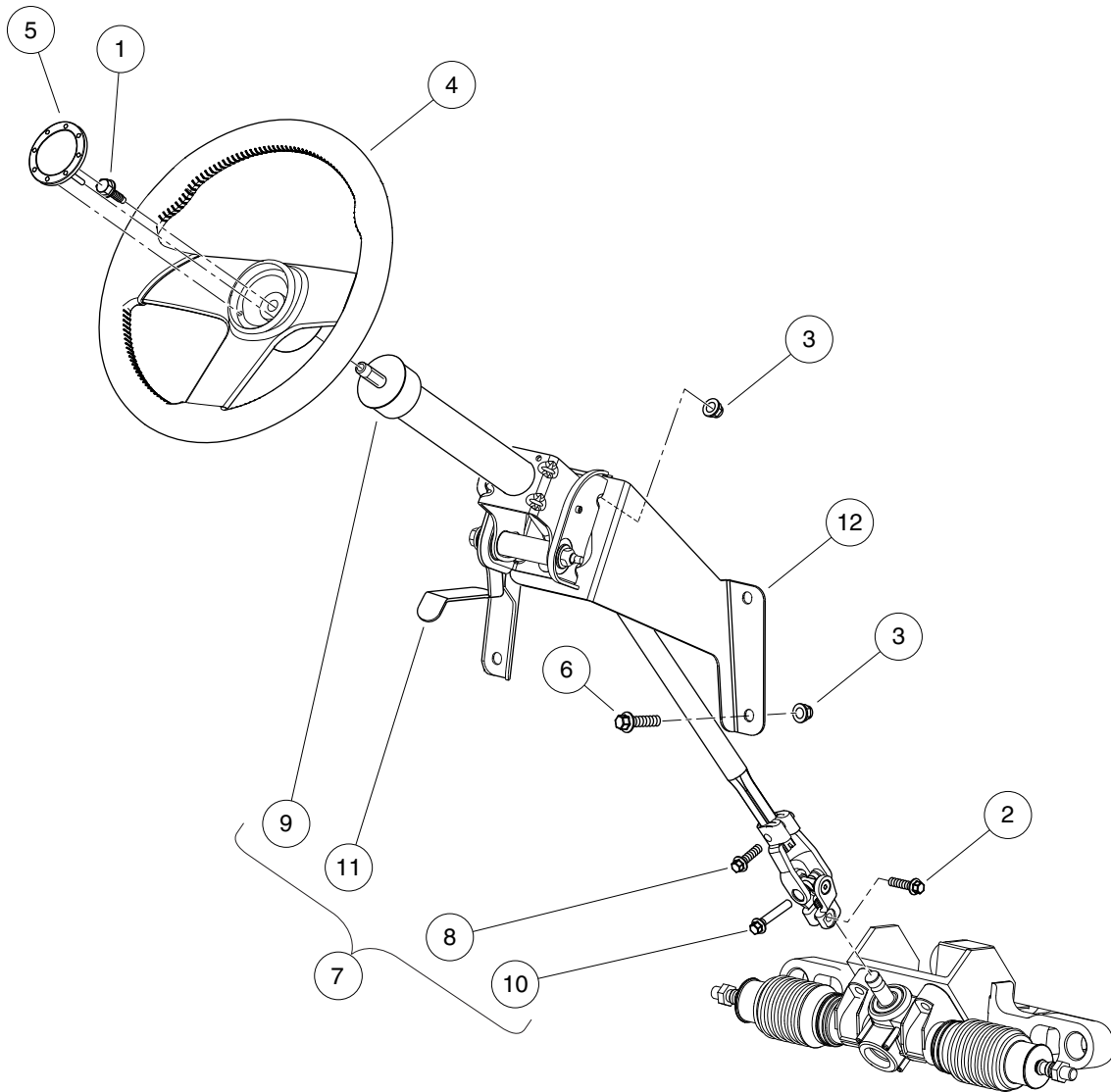
G

D

5

G

D



000070-007

STEERING COLUMN

ITEM	PART NO.	DESCRIPTION	QTY
		1 2 3 4	
1	102290120	Bolt, M10 X 20 Hex Washer Hd	1
2	<u>102298130</u>	Bolt, Flange Head, M8 X 30.0	1
3	<u>102298401</u>	Nut,m8,all Metal Lock	7
4	<u>102363802</u>	Steering Wheel, Viper, Hex Hub	1
5	<u>102367101</u>	Cap, Steering Wheel, Viper	1
6	<u>102618301</u>	Bolt, Flanged Head, M8 X 1.25 X 65	4
7	<u>102989801</u>	Steering Column (includes items 8 through 11)	1
8	<u>102298130</u>	Bolt, Flange Head, M8 X 30.0	1
9	<u>102571301</u>	Shroud, Steering Column	1
10	<u>102616801</u>	Bolt, M4 X .7 X 60	1
11	<u>102977101</u>	Handle, Steering, Tilt	1
12	<u>103478801</u>	Bracket, Pedal And Column Mount	1

5

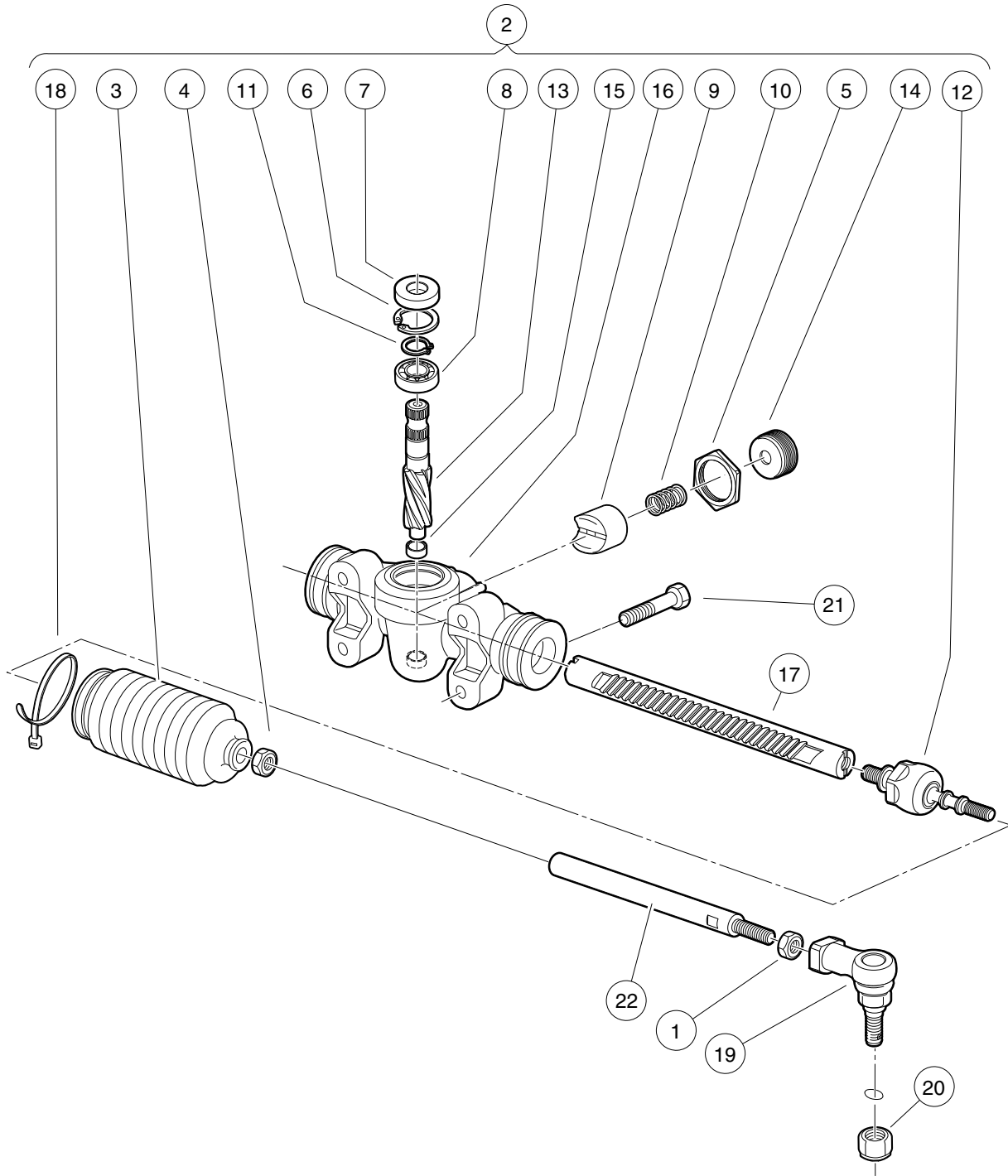
G

D

5

G

D



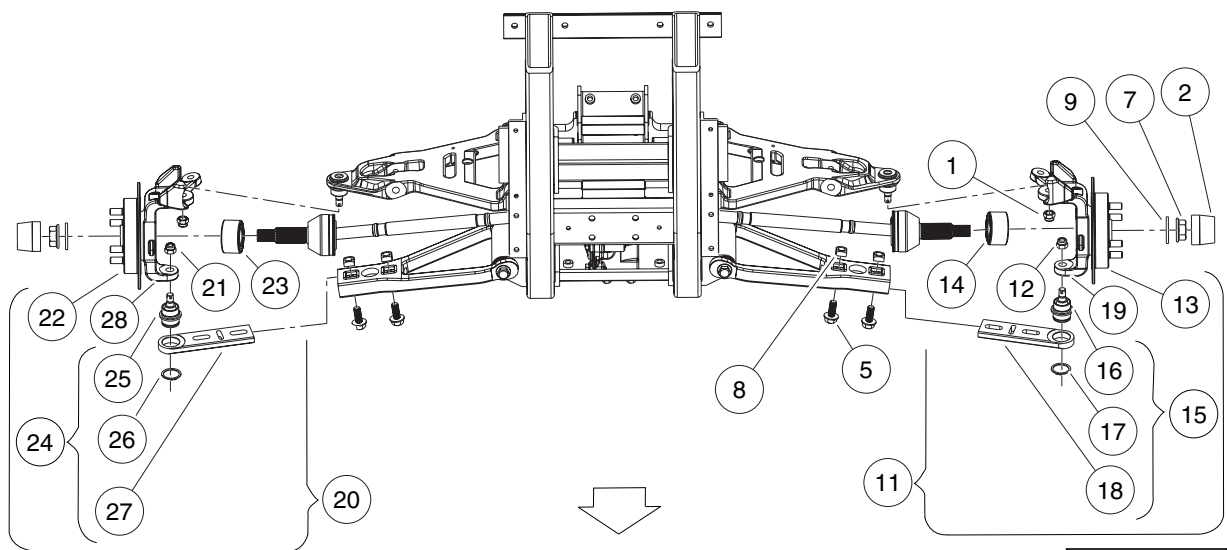
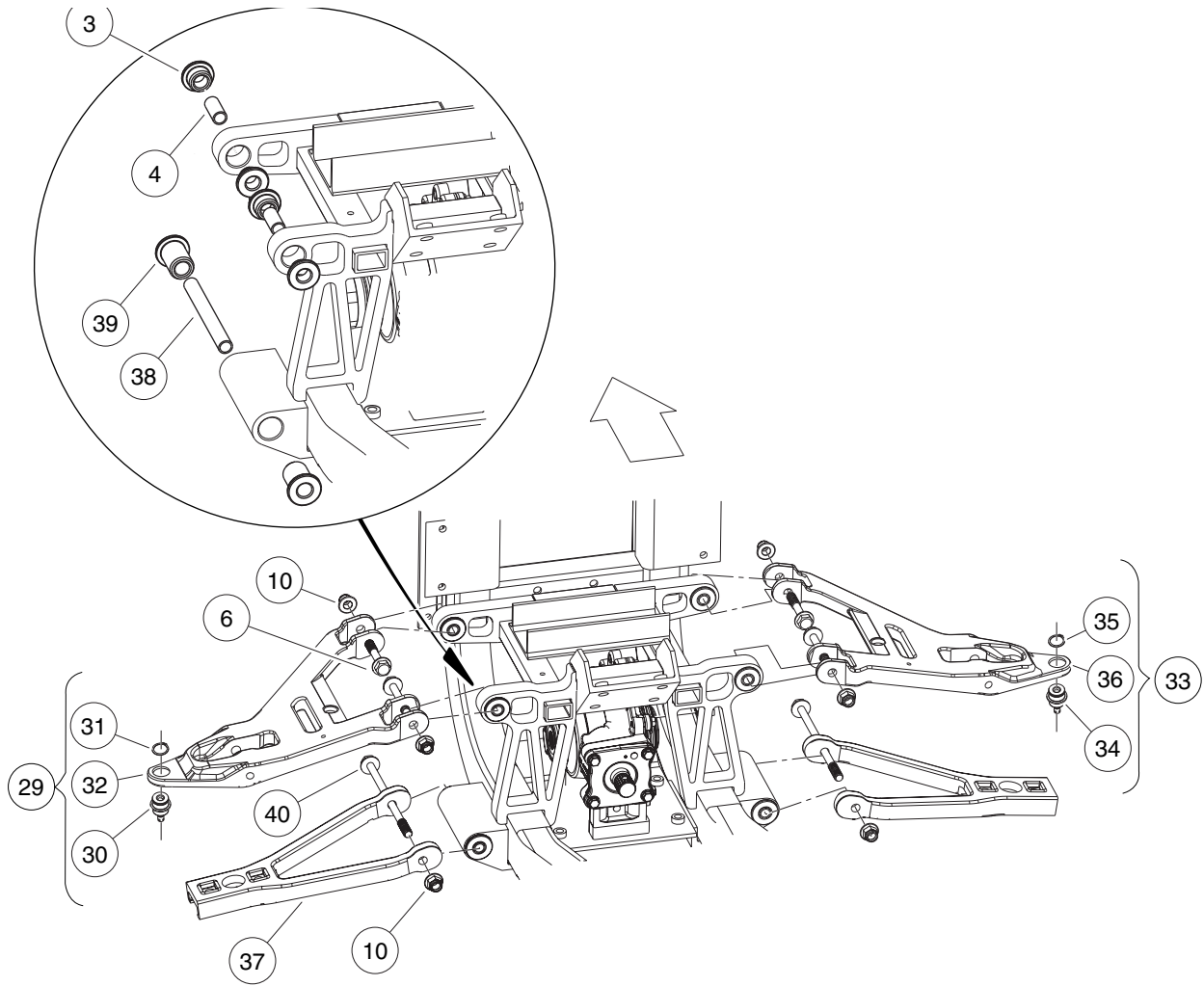
000071-001

STEERING GEAR ASSEMBLY

ITEM	PART NO.	DESCRIPTION	QTY	
		1 2 3 4		5
1	1013042	Nut, 12mm Hex	2	G
2	<u>102010102</u>	Steering Rack (includes items 3 through 18)	1	
3	<u>1013035</u>	Bellows, Long	2	
4	1013042	Nut, 12mm Hex	2	D
5	<u>1013044</u>	Rack Screw Locknut	1	
6	N/A	Snap Ring	1	
7	<u>1013052</u>	Seal, Steering Pinion Dust	1	
8	<u>101879401</u>	Bearing, Ball	1	
9	<u>101879701</u>	Support Yoke	1	
10	<u>101879801</u>	Rack Guide Pressure Spring	1	
11	<u>101879901</u>	Ring, Stop, C-Type	1	
12	<u>101880201</u>	Inner Ball Joint Asm	2	
13	N/A	Pinion, Steering	1	
14	N/A	Bearing, Lower Pinion	1	
15	N/A	Screw, Rack Guide	1	
16	N/A	Housing, Steering Gear	1	
17	N/A	Rack, Steering	1	
18	<u>8990</u>	Tie Wrap, 8" Nylon	2	
19	<u>102022601</u>	End, Tie Rod M12 X 1.25 Rh	2	
20	<u>102022901</u>	Locknut, M12-1.25 Nylon	2	
21	<u>102687801</u>	Bolt, Flange Head, M10x 1.5 X 40 with Loctite	4	
22	<u>102816801</u>	Link, Drag, Wt	2	

5
G

D



000534-014

FRONT SUSPENSION – A-ARMS

ITEM	PART NO.	DESCRIPTION	QTY
		1 2 3 4	
1	<u>102022901</u>	Locknut, M12-1.25 Nylon	2
2	<u>102274101</u>	Center Cap, Rubber	2
3	<u>102408401</u>	Bushing, A-Arm	8
4	<u>102437001</u>	Sleeve, Upper	4
5	<u>102490801</u>	Bolt, Flange Head, M12x 1.75x 30 with Loctite	4
6	<u>102616301</u>	Bolt, Flange Head, M12 X 1.75 X 70	4
7	<u>102617501</u>	Nut, Flange, M22 X 1.5 Mech Def	2
8	<u>102617701</u>	Nut, Square, M12x 1.75	4
9	<u>102617801</u>	Washer, Hard, M22	2
10	<u>102620501</u>	Nut, Flange, M12x1.75, Nylon Grade 10	6
11	<u>102791701</u>	Upright, Left-Hand (includes items 12 through 19)	1
12	<u>102022901</u>	Locknut, M12-1.25 Nylon	1
13	<u>102376605</u>	Assy, Rotor, Brake, Front, Gr	2
14	<u>102464301</u>	Bearing	1
15	<u>102874301</u>	Asm, Adjuster, Slide (includes items 16 through 18)	1
16	<u>102361901</u>	Joint, Ball	1
17	<u>102722301</u>	Ring, Retaining, Ext, 1-1/4"	1
18	N/A	Slide, Adjuster	1
19	N/A	Upright, Finished, LH	1
20	<u>102791702</u>	Upright, Right-Hand (includes items 21 through 28)	1
21	<u>102022901</u>	Locknut, M12-1.25 Nylon	1
22	<u>102376605</u>	Assy, Rotor, Brake, Front, Gr	1
23	<u>102464301</u>	Bearing	1
24	<u>102874301</u>	Asm, Adjuster, Slide (includes items 25 through 27)	1
25	<u>102361901</u>	Joint, Ball	1
26	<u>102722301</u>	Ring, Retaining, Ext, 1-1/4"	1
27	N/A	Slide, Adjuster	1
28	N/A	Upright, Finished, RH	1
29	<u>102792001</u>	Asm, A-Arm, Upper, Left (includes items 30 through 32)	1
30	<u>102361901</u>	Joint, Ball	1
31	<u>102722301</u>	Ring, Retaining, Ext, 1-1/4"	1
32	<u>102927101</u>	Arm, Upper, Wide, Machined, LH	1
33	<u>102792002</u>	Asm, A-arm, Upper, Right (includes items 34 through 36)	1
34	<u>102361901</u>	Joint, Ball	1
35	<u>102722301</u>	Ring, Retaining, Ext, 1-1/4"	1
36	<u>102927102</u>	Arm, Upper, Wide, Machined, RH	1
37	<u>102874501</u>	A-Arm, Lower	2
38	<u>103256401</u>	Sleeve, Lower Arm	2
39	<u>103256501</u>	Bushing, Lower Arm	4
40	<u>103256701</u>	Bolt, Flange, M12 X 1.75 X 200 10	2

5

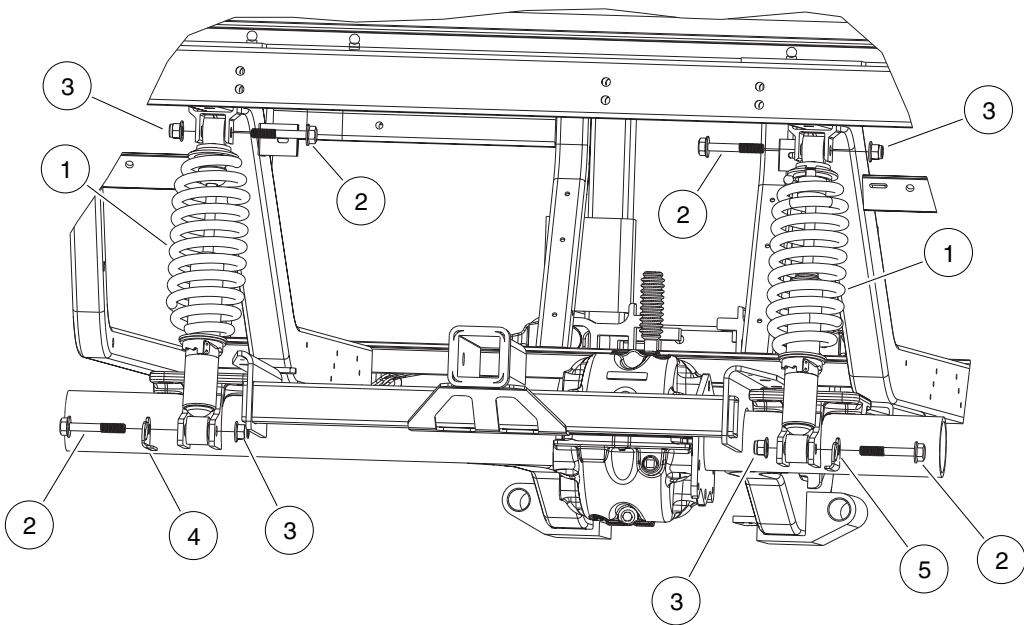
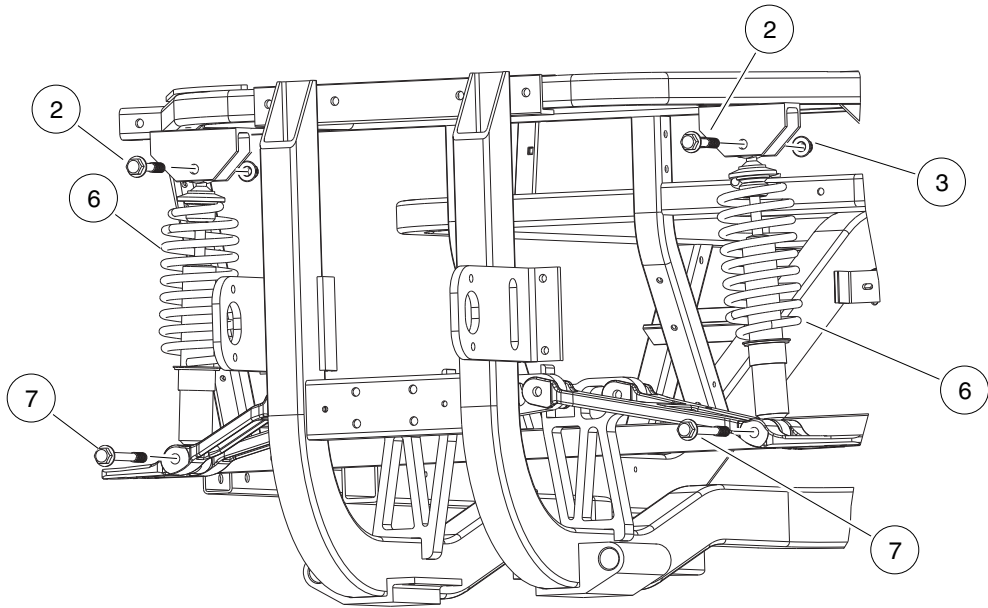
G

D

5

G

D



000530-001

SHOCK ABSORBERS – STANDARD

ITEM	PART NO.	DESCRIPTION	QTY
		1 2 3 4	
1	102365601	Shock, Coil Over Rear	2
2	<u>102616301</u>	Bolt, Flange Head, M12 X 1.75 X 70	6
3	<u>102620501</u>	Nut, Flange, M12x1.75, Nylon Grade 10	8
4	<u>102689101</u>	Bracket, Hydraulic Line, Shock Mount, Drv	1
5	<u>102689102</u>	Bracket, Hydraulic Line, Shock Mount, Pas	1
6	<u>102786301</u>	Shock, Coil Over, 330 Lb/in	2
7	<u>102788701</u>	Bolt, Flange, M12x1.75x100, Patch	2
		<p>Note: Shock, coil over 102792101 has been superseded by <u>102786301</u> and must be installed in matched pairs.</p>	

5

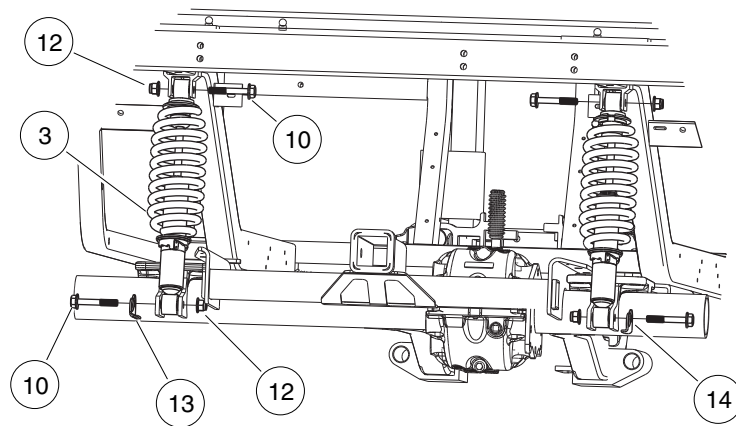
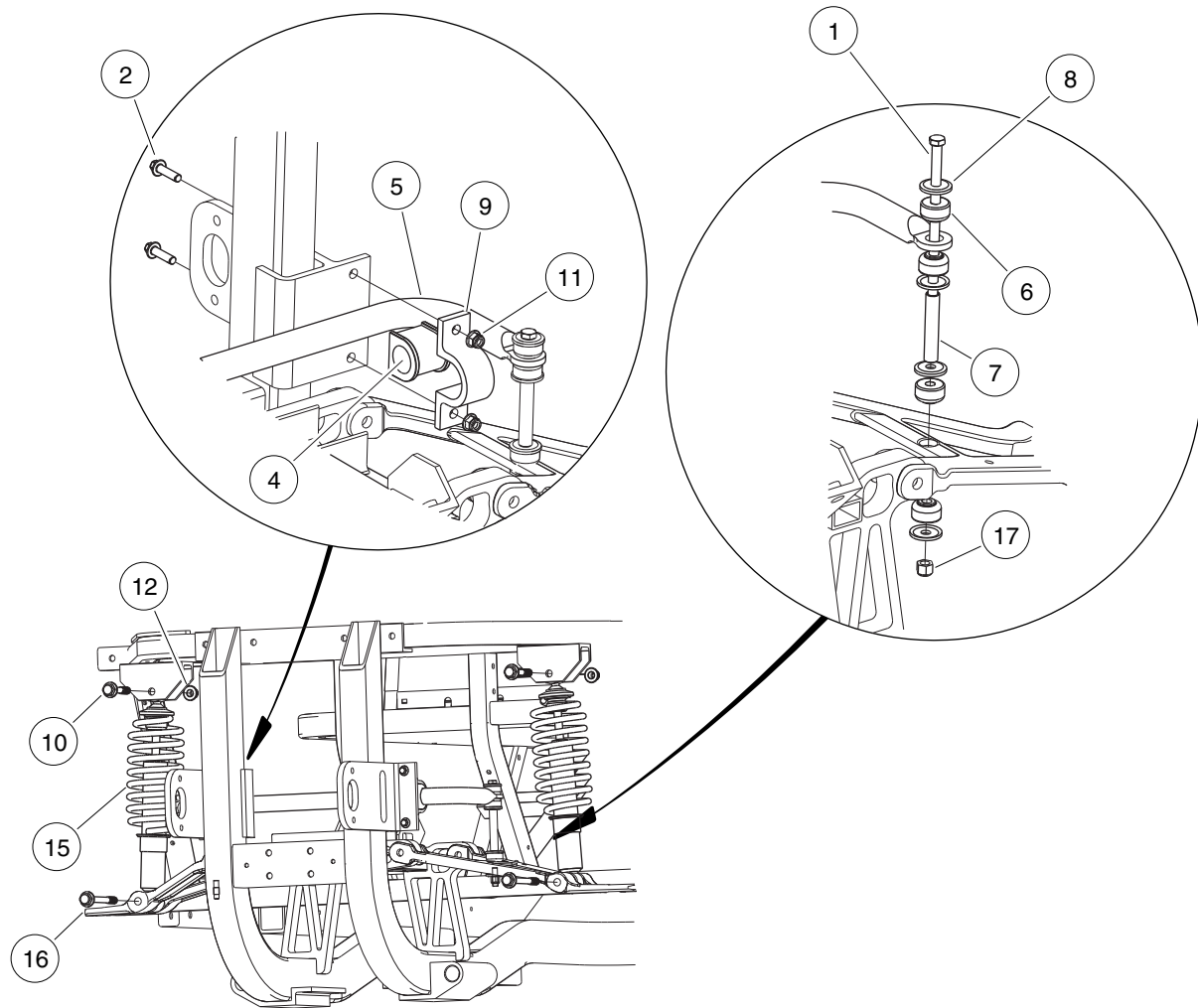
G

D

5

G

D



000530-007

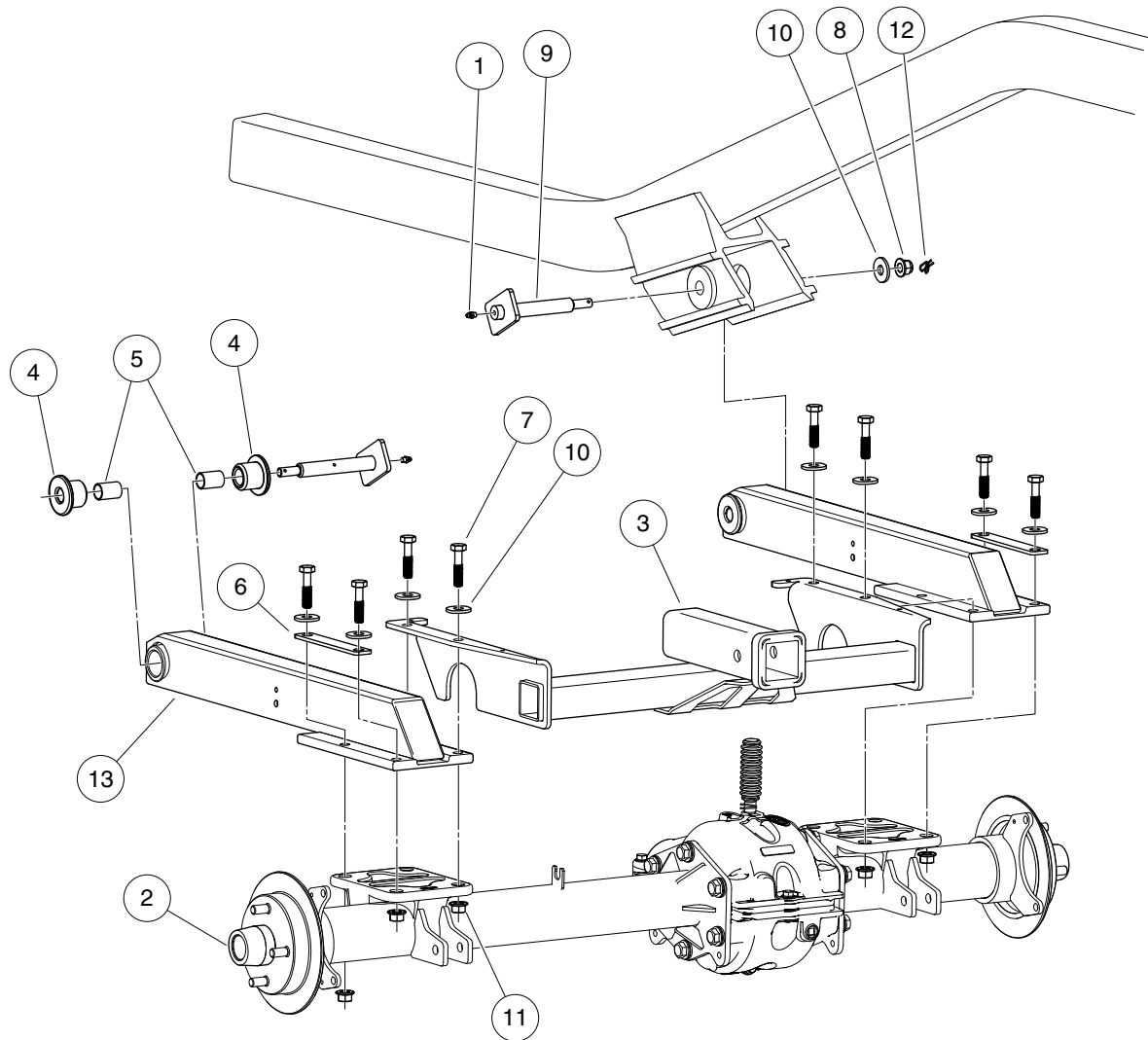
SHOCK ABSORBERS – HIGH CAPACITY

ITEM	PART NO.	DESCRIPTION	QTY	
		1 2 3 4		5
1	<u>1016183</u>	Screw, 3/8-16 X 7.00 Hex Cap	2	G
2	<u>102298130</u>	Bolt, Flange Head, M8 X 30.0	4	
3	<u>102365602</u>	Shock, Coil Over, Rear HD	2	
4	<u>102446601</u>	Bushing, Anti-Sway Bar, 1-1/8	2	D
5	<u>102464601</u>	Bar, Sway, Formed	1	
6	<u>102470101</u>	Bushing, Link	8	
7	<u>102470501</u>	Sleeve, Link	2	
8	<u>102470601</u>	Washer, Cup, Bushing	8	
9	<u>102495001</u>	Bracket, Anti-Sway Bar	2	
10	<u>102616301</u>	Bolt, Flange Head, M12 X 1.75 X 70	6	
11	<u>102618601</u>	Lock Nut, Flange, M8 X 1.25 Nylon	4	
12	<u>102620501</u>	Nut, Flange, M12x1.75, Nylon Grade 10	6	
13	<u>102689101</u>	Bracket, Hydraulic Line, Shock Mount, Drv	1	
14	<u>102689102</u>	Bracket, Hydraulic Line, Shock Mount, Pas	1	
15	<u>102786301</u>	Shock, Coil Over, 330 Lb/in	2	
16	<u>102788701</u>	Bolt, Flange, M12x1.75x100, Patch	2	
17	<u>8754</u>	Locknut, 3/8-16 Hex	2	
		<p>Note: Shock, coil over 102792101 has been superceded by <u>102786301</u> and must be installed in matched pairs.</p>		

5

G

D



000031-006

REAR SUSPENSION – STANDARD

ITEM	PART NO.	DESCRIPTION	QTY
		1 2 3 4	
1	<u>1015597</u>	Fitting, 1/4-28 Thread-Forming Grease	2
2	102274101	Center Cap, Rubber	2
3	<u>102393501</u>	Weldment, Receiver, Rear	1
4	<u>102398901</u>	Bushing, Pivot, Urethane	4
5	<u>102477001</u>	Bushing, Teflon	4
6	<u>102619801</u>	Washer, Strip, Swingarm	2
7	<u>102620401</u>	Bolt Flanged Head, M12 X 1.75 X 50	8
8	<u>102620501</u>	Nut, Flange, M12x1.75, Nylon Grade 10	2
9	<u>102682901</u>	Pin, Swingarm, Weldment	2
10	<u>102684501</u>	Washer, M12 Hard Regular	10
11	<u>102685601</u>	Nut Flg M12 X 1.75 Cl10	8
12	<u>102737101</u>	Cotter, Rue Ring, 1/2"	2
13	<u>103282301</u>	Swingarm, Rear, Awd	2

5

G

D

5

G

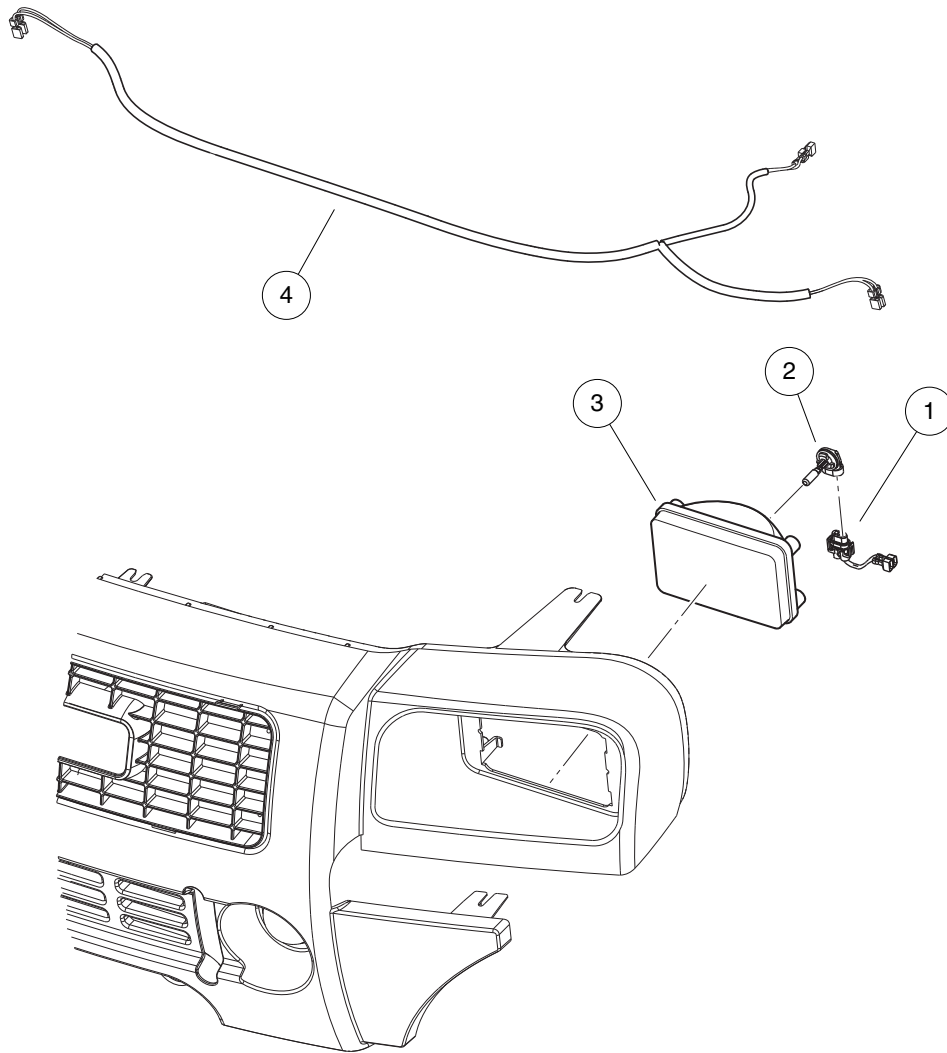
D

ELECTRICAL SYSTEM – GASOLINE VEHICLE

6

G

6
G



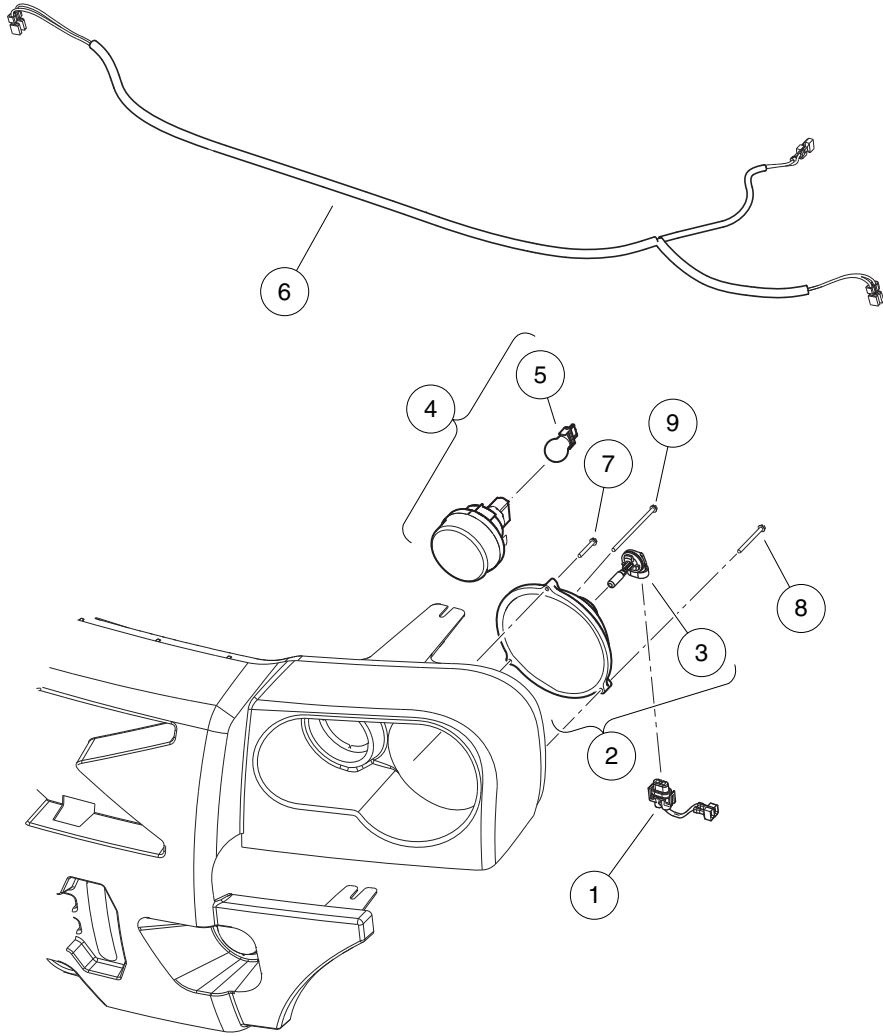
000880-003

HEADLIGHTS – CARRYALL 295

ITEM	PART NO.	DESCRIPTION	QTY
		1 2 3 4	
1	<u>101987901</u>	Connector, Harness Assembly, Headlight	2
2	<u>101988101</u>	Bulb, Headlight	2
3	<u>101988201</u>	Lens, Headlight	2
4	<u>103213301</u>	Harness, Wire, XRT/CA Restyle Headlights	1

6
G

6
G



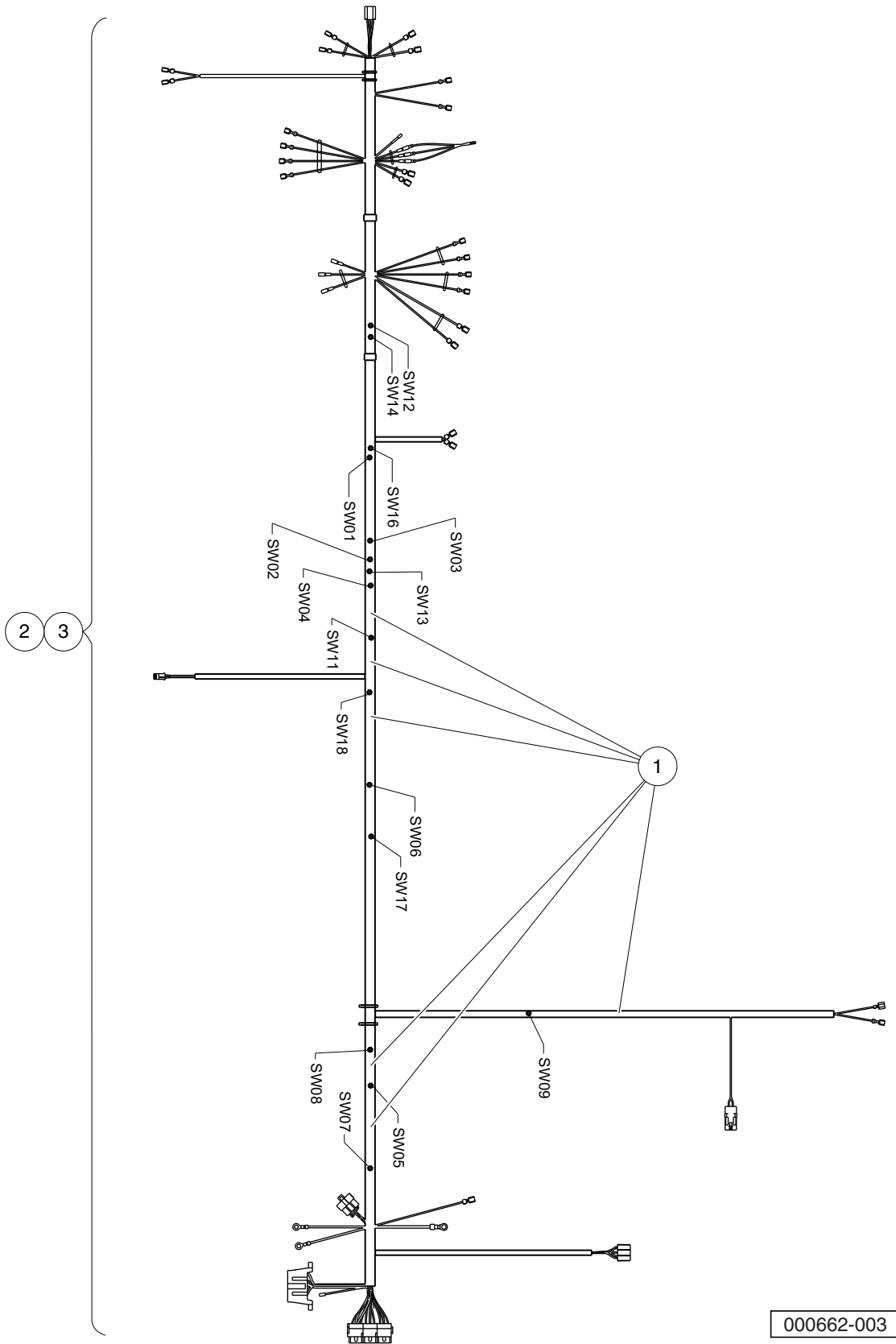
000880-007

HEADLIGHTS – XRT 1550

ITEM	PART NO.	DESCRIPTION	QTY
		1 2 3 4	
1	<u>101987901</u>	Connector, Harness Assembly, Headlight	2
2	<u>102894401</u>	Headlight, 6 In Round (includes item 3)	2
3	<u>102535101</u>	Bulb, Headlight, 37.5 W	1
4	<u>102894501</u>	Light, Turn Signal, Round, 3" (includes item 5)	2
5	<u>103521001</u>	Bulb, Signal, Marker	1
6	<u>103213301</u>	Harness, Wire, XRT/CA Restyle Headlights	1
7	<u>103218104</u>	Screw, #8x1.25 Ab Thd, Hex Hd	2
8	<u>103218107</u>	Screw, #8x2.00 AB Thd, Hex Hd	2
9	<u>103218113</u>	Screw, #8x3.50 Ab Thd, Hex Hd	2

6

G

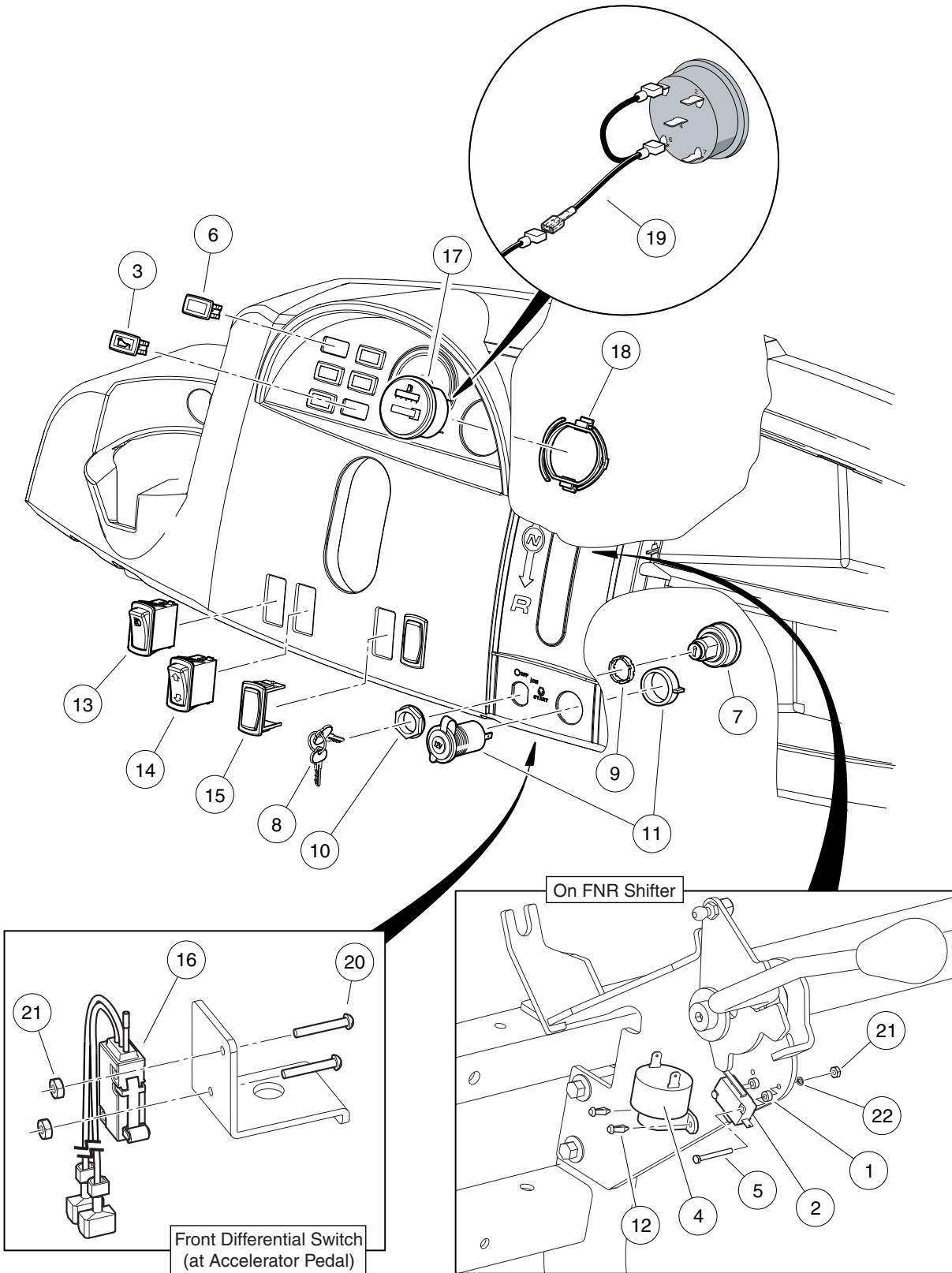


WIRING – GASOLINE VEHICLE

ITEM	PART NO.	DESCRIPTION	QTY
		1 2 3 4	
1	<u>1014789</u>	Diode, General Purpose, 3.0-Amp	6
2	<u>103305701</u>	Harness, Wire, AWD, Kawasaki FH680, 295/1550	1
3	<u>103305801</u>	Harness, Wire, AWD, Kawasaki FH680, 295 SE/1550 SE	1
<p style="text-align: center;">Note: Item 2 is for use with 81.5 in. (207 cm) wheelbase vehicle. Item 3 is for use with 114 in. (289.5 cm) wheelbase vehicle.</p>			

6

G



Front Differential Switch
(at Accelerator Pedal)

On FNR Shifter

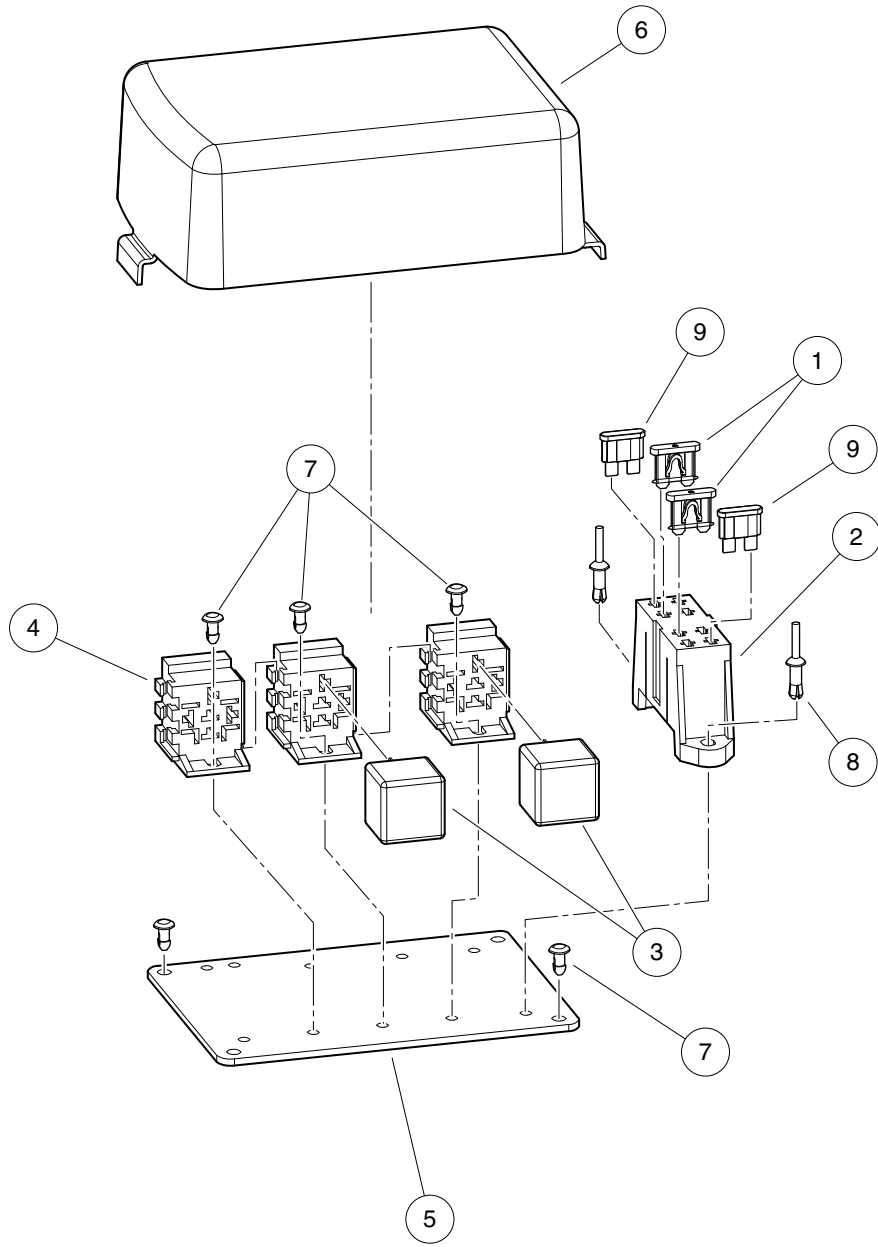
000543-013

ELECTRICAL COMPONENTS, FRONT BODY – GASOLINE VEHICLE

ITEM	PART NO.	DESCRIPTION	QTY
		1 2 3 4	
1	<u>1014727</u>	Washer, Flat, #4, Nylon	2
2	<u>1014808</u>	Switch, Limit	1
3	<u>1016630</u>	Light, Oil	1
4	<u>1016851</u>	Buzzer, Reverse (9-48 VDC)	1
5	<u>1016896</u>	Screw, #4-40 X 1.125 Hx Hd Mch	2
6	<u>101802601</u>	Plug, Hole	5
7	<u>102044702</u>	Key Switch 12v Key Start	1
8	<u>102044801</u>	Key Set	1
9	<u>102051601</u>	Spacer, Keyswitch	1
10	<u>102051701</u>	Nut, Key Switch	1
11	<u>102198001</u>	Receptacle, Accessory	1
12	<u>102499001</u>	Rivet, Micro Tuflok	2
13	<u>102869401</u>	Switch, Rocker, Light	1
14	<u>102882501</u>	Switch, Rocker, Bed Lift	1
15	<u>103180101</u>	Cover, Hole, Switch, Rocker	3
16	<u>103327201</u>	Asm, Switch, Limit, Awd	1
17	<u>103348101</u>	Gauge, Fuel-hour, Sep Gnd	1
18	<u>103348201</u>	Clip, Meter, Round	1
19	<u>103348501</u>	Asm, Wire Meter, F-h Jumper	1
20	<u>8056</u>	Screw, #4-40 X 0.75 Round-Head Machine	2
21	<u>8057</u>	Nut, #4-40 Hex Machine	4
22	<u>8058</u>	Lockwasher, #4 Split	2
<p>Note: Item 4, reverse buzzer, is only if equipped. NOTE 2: Item 14, bed lift switch, is only if equipped. NOTE 3: Items 18, clip, and 19, jumper wire, are required with item 17, fuel/hour gauge.</p>			

6
G

6
G



000076-003

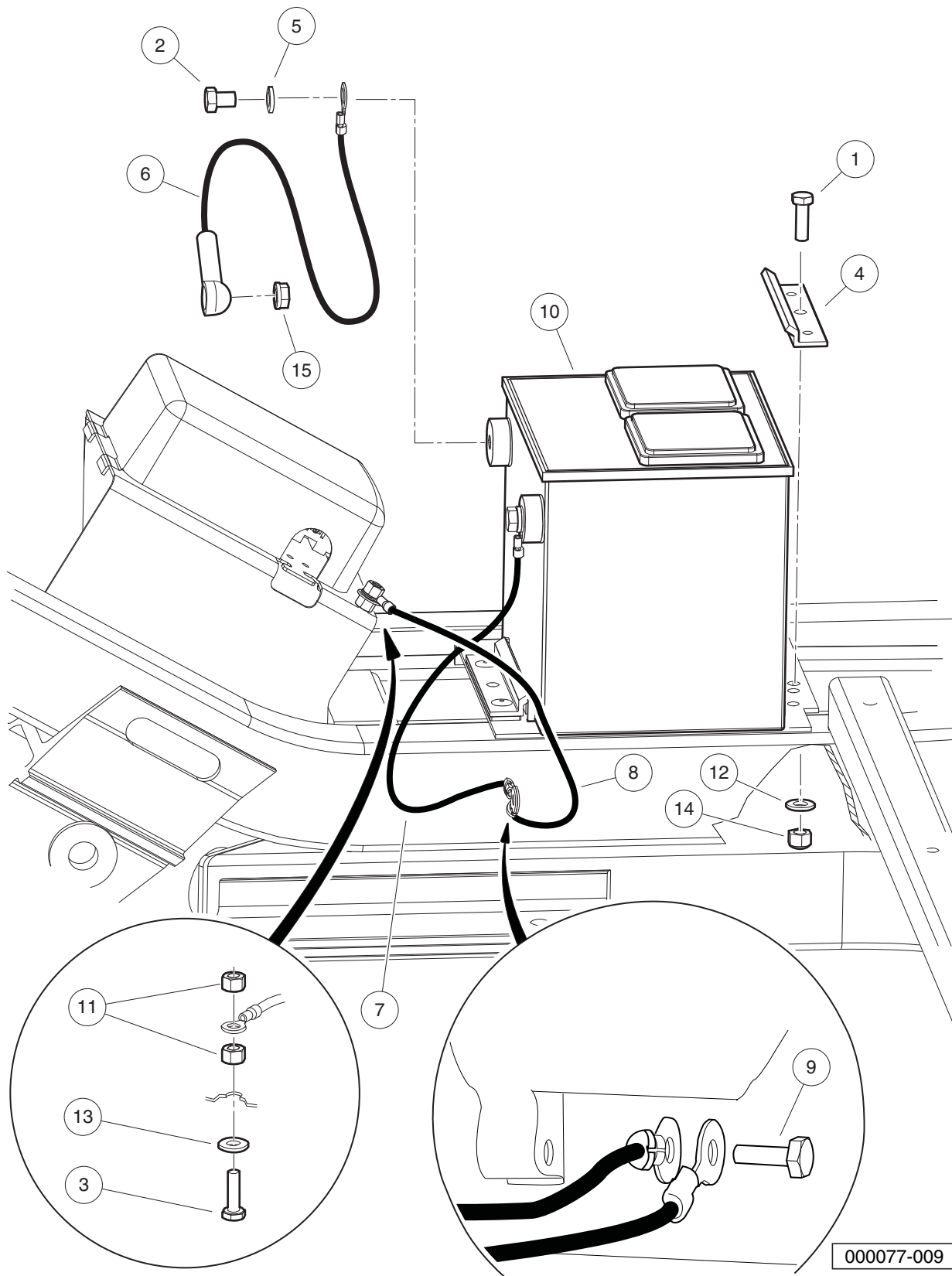
ELECTRICAL COMPONENT BOX – GASOLINE VEHICLE

ITEM	PART NO.	DESCRIPTION	QTY
		1 2 3 4	
1	<u>1012295</u>	Fuse, 10-Amp	2
2	<u>1015741</u>	Fuse Block	1
3	<u>102420201</u>	Relay, Mini ISO, SPDT	2
4	<u>102420301</u>	Connector, Relay	3
5	<u>102420401</u>	Plate, Electrical	1
6	<u>102420501</u>	Cover, Electrical	1
7	<u>102447901</u>	Fastener, Push-in	7
8	<u>102448001</u>	Rivet, Drive	2
9	<u>102492201</u>	Fuse, 25-Amp	2

6

G

6
G



BATTERY – GASOLINE VEHICLE

ITEM	PART NO.	DESCRIPTION	QTY
		1 2 3 4	
1	<u>1010934</u>	Screw, 5/16-18 X 1.00 Hex Cap	1
2	<u>1014375</u>	Screw, 3/8-16 X 0.50, Stainless Steel, Hex-Head	2
3	<u>1015521</u>	Screw, 1/4-20 X .88 Hex Hd Cap	1
4	<u>101898001</u>	Clamp, Battery	1
5	<u>102355301</u>	Lockwasher, 3/8 Split Ss	2
6	<u>102442201</u>	Asm, #6 Red Wire	1
7	<u>102442301</u>	Asm, #6 Blk Wire	1
8	<u>102442401</u>	Asm, #6 Blk Wire	1
9	<u>102490301</u>	Bolt, M6 X 1 X 16, Loctite	1
10	<u>103496801</u>	Battery, Start, 12v	1
11	<u>1108</u>	Locknut, 1/4-20 Dimpled	2
12	<u>1241</u>	Washer, 5/16 Type A Flat	1
13	<u>332</u>	Washer, 1/4 Type A Narrow Flat	1
14	<u>7473</u>	Locknut, 5/16-18 Nylon Insert	1
15	<u>96704416</u>	Nut, Flange, M8 X 1.25 Serrated	1

6
G

6

G

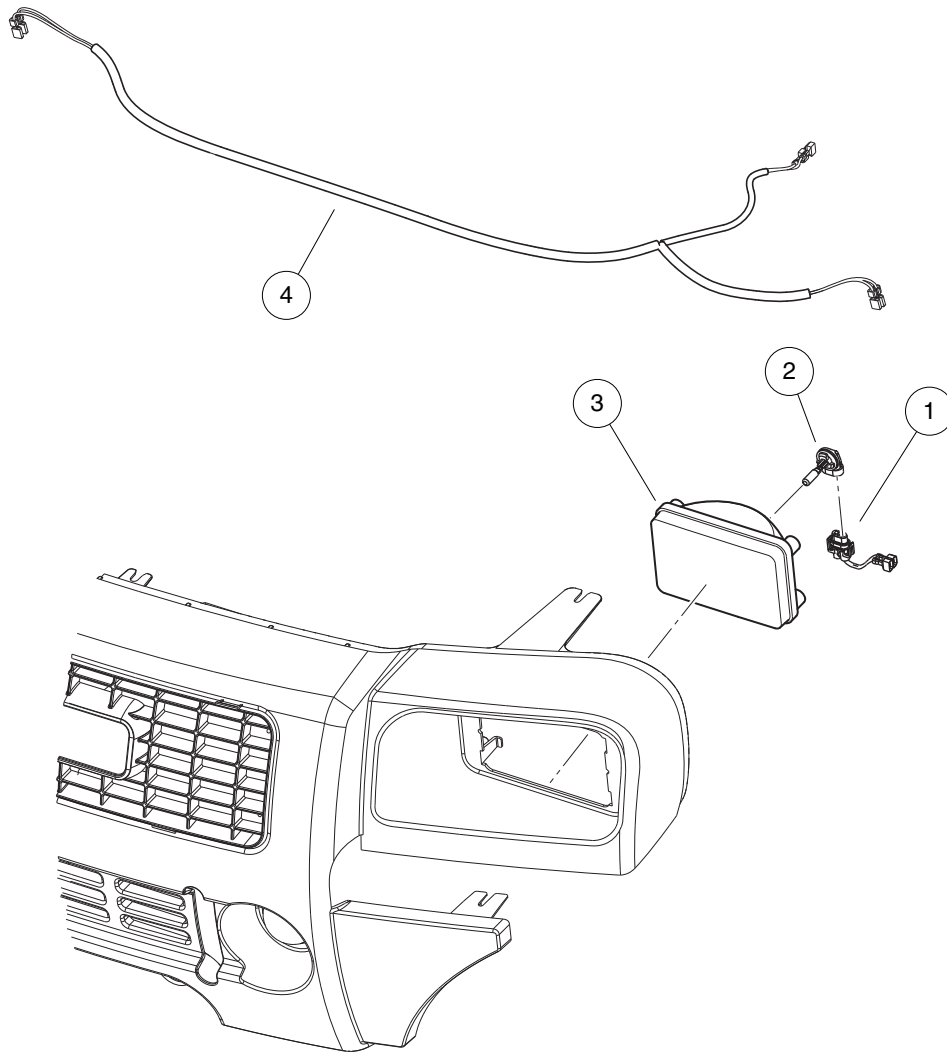
ELECTRICAL SYSTEM – DIESEL VEHICLES

7

D

7

D



000880-003

HEADLIGHTS – CARRYALL 295

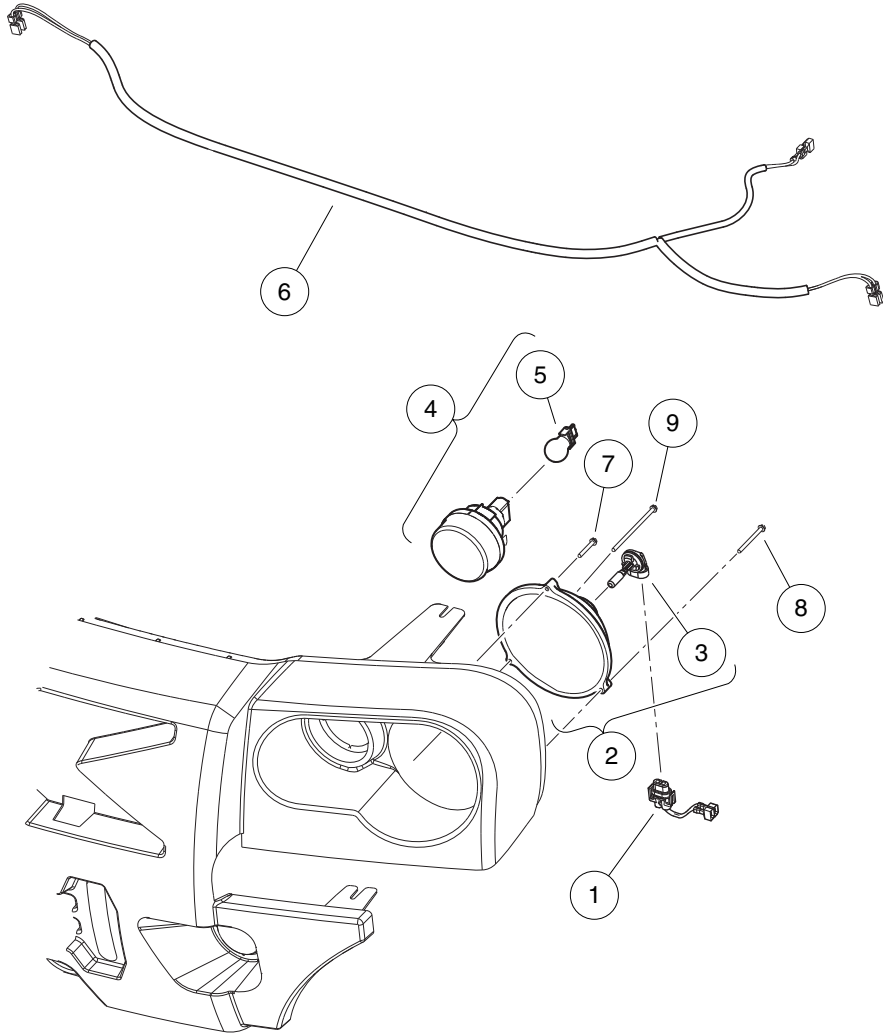
ITEM	PART NO.	DESCRIPTION	QTY
		1 2 3 4	
1	<u>101987901</u>	Connector, Harness Assembly, Headlight	2
2	<u>101988101</u>	Bulb, Headlight	2
3	<u>101988201</u>	Lens, Headlight	2
4	<u>103213301</u>	Harness, Wire, XRT/CA Restyle Headlights	1

7

D

7

D



000880-007

HEADLIGHTS – XRT 1550

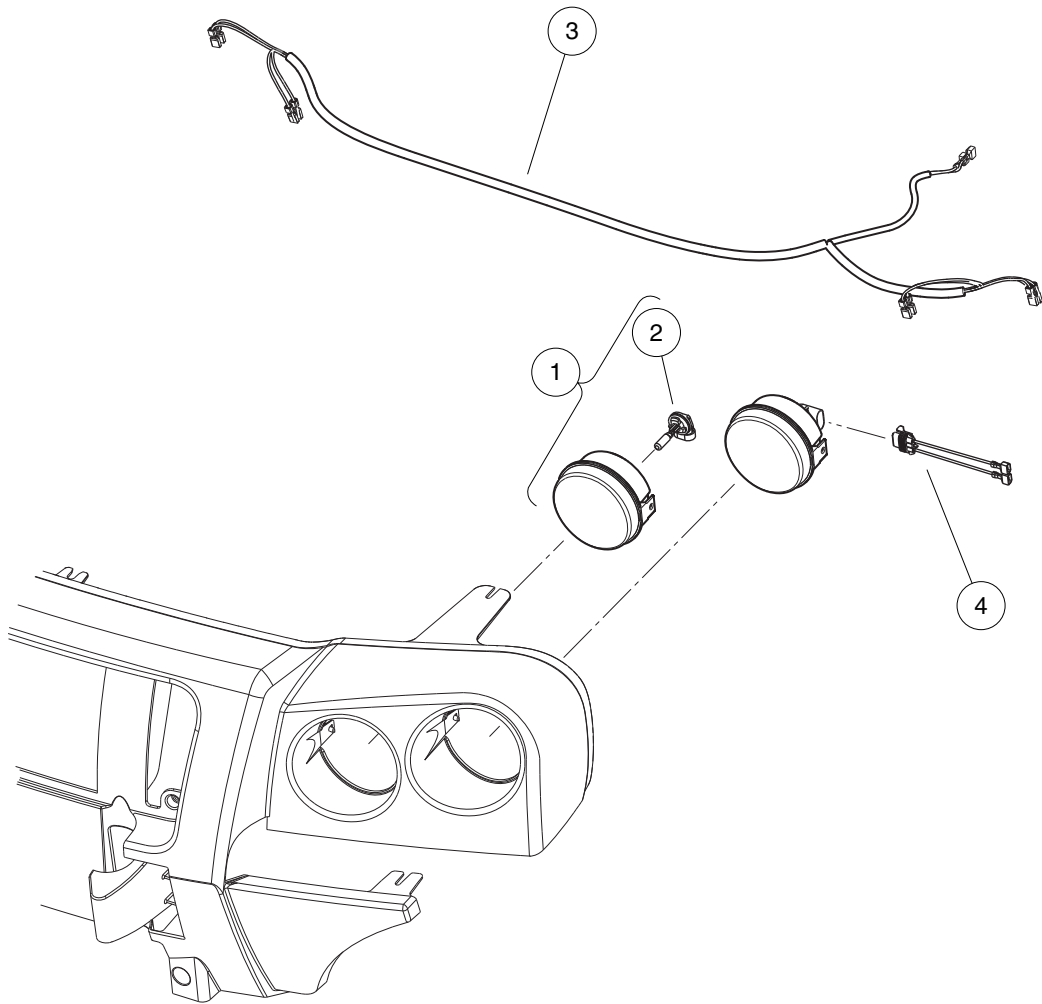
ITEM	PART NO.	DESCRIPTION	QTY
		1 2 3 4	
1	<u>101987901</u>	Connector, Harness Assembly, Headlight	2
2	<u>102894401</u>	Headlight, 6 In Round (includes item 3)	2
3	<u>102535101</u>	Bulb, Headlight, 37.5 W	1
4	<u>102894501</u>	Light, Turn Signal, Round, 3" (includes item 5)	2
5	<u>103521001</u>	Bulb, Signal, Marker	1
6	<u>103213301</u>	Harness, Wire, XRT/CA Restyle Headlights	1
7	<u>103218104</u>	Screw, #8x1.25 Ab Thd, Hex Hd	2
8	<u>103218107</u>	Screw, #8x2.00 AB Thd, Hex Hd	2
9	<u>103218113</u>	Screw, #8x3.50 Ab Thd, Hex Hd	2

7

D

7

D



000880-009

HEADLIGHTS – INTELLITACH

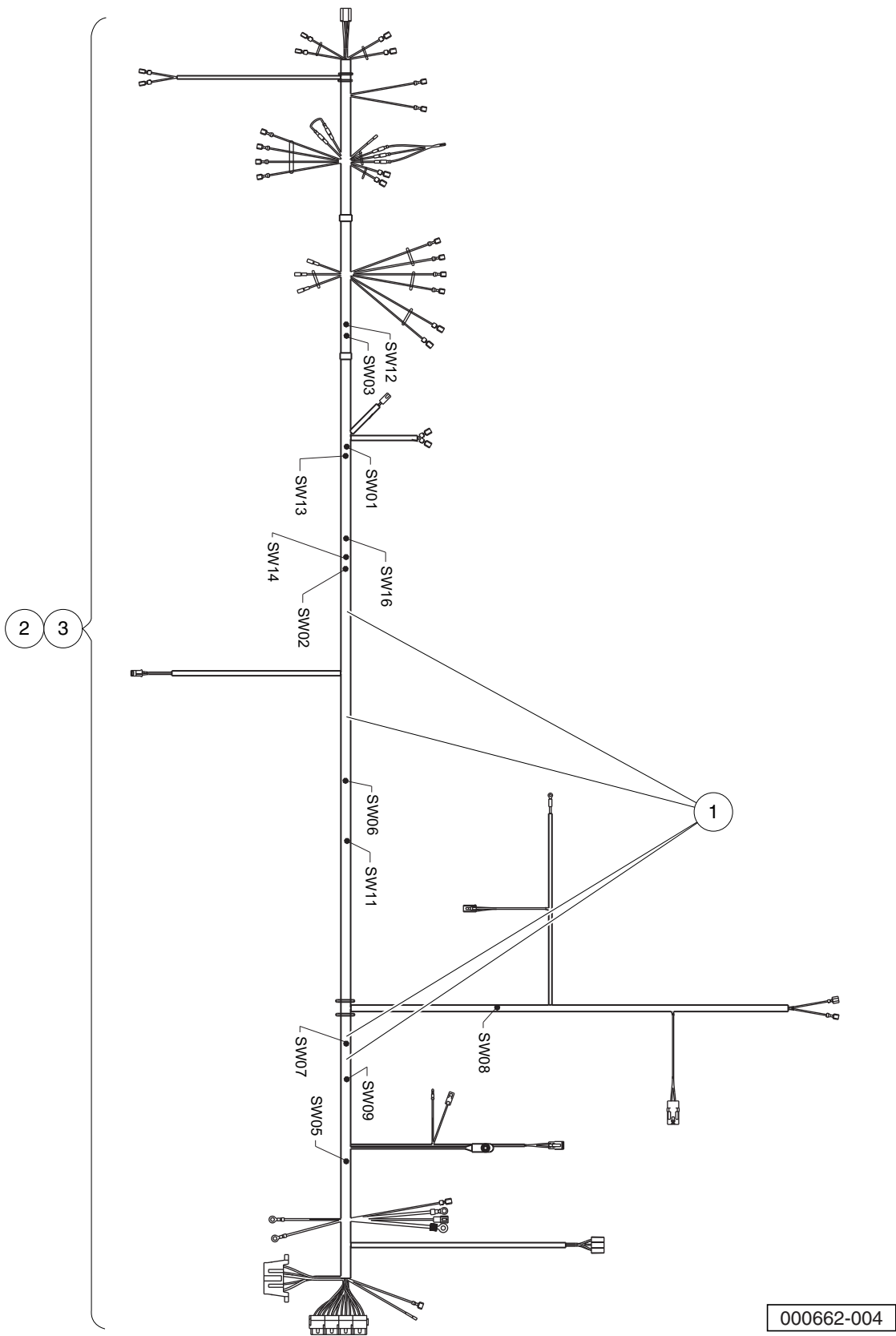
ITEM	PART NO.	DESCRIPTION	QTY
		1 2 3 4	
1	<u>102885001</u>	Headlight, Round, 4" (includes item 2)	4
2	<u>103762501</u>	Bulb, Halogen, 35/35 Hi/lo	1
3	<u>103213201</u>	Harness, Wire, IntelliTach Headlights	1
4	<u>103213501</u>	Harness, Wire, Headlight Connector	4

7

D

7

D



WIRING – KUBOTA DIESEL ENGINE, ONE-PIECE HARNESS

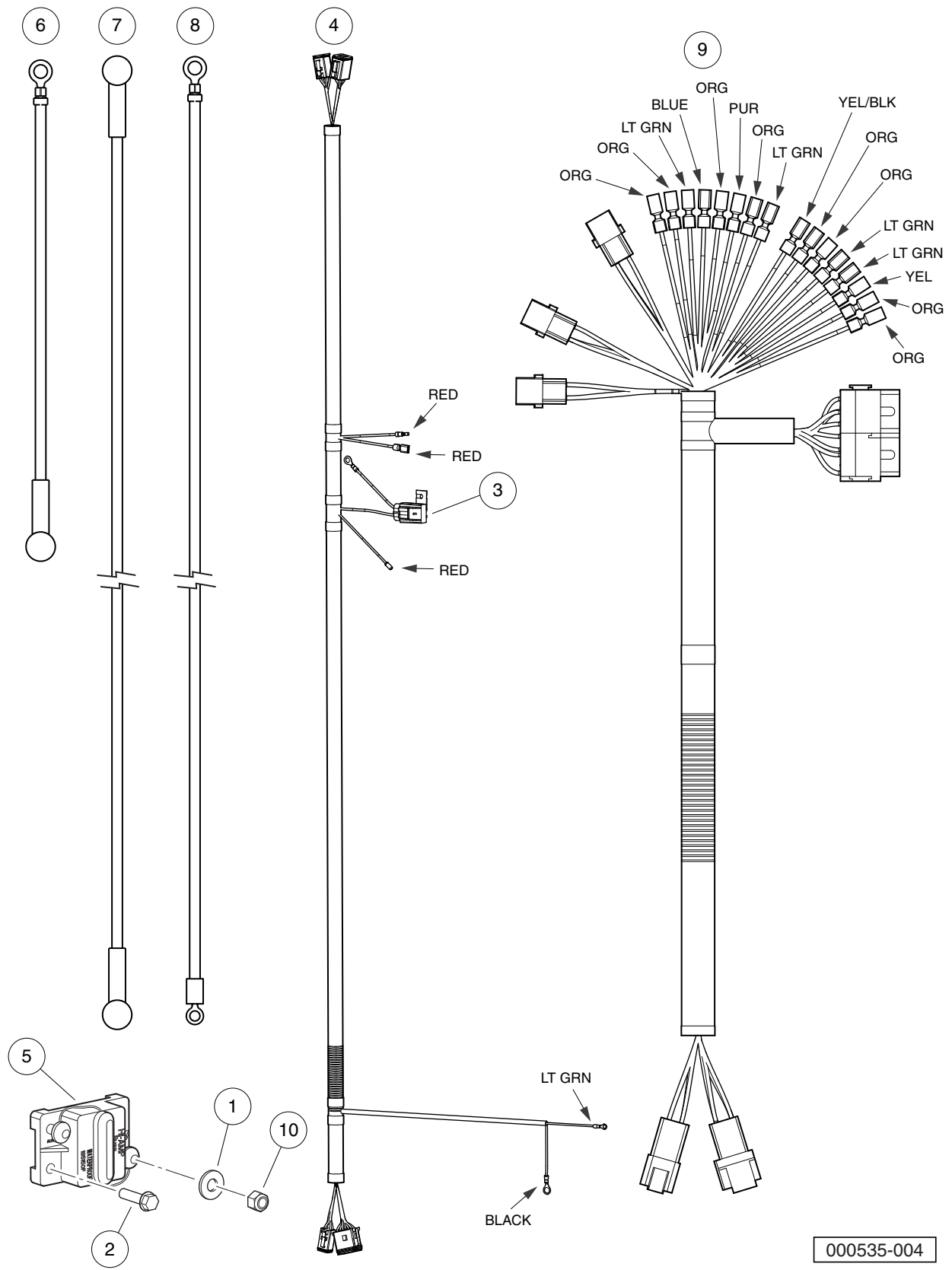
ITEM	PART NO.	DESCRIPTION	QTY
		1 2 3 4	
1	<u>1014789</u>	Diode, General Purpose, 3.0-Amp	4
2	<u>103277501</u>	Harness, Wire, AWD, Diesel, 295/1550	1
3	<u>103277701</u>	Harness, Wire, AWD, Diesel, 295 SE/1550 SE	1
<p>Note: Item 2 is for use with 81.5 in. (207 cm) wheelbase vehicle. Item 3 is for use with 114 in. (289.5 cm) wheelbase vehicle.</p>			

7

D

7

D



000535-004

WIRING – HYDRAULIC ATTACHMENT (INTELLITACH)

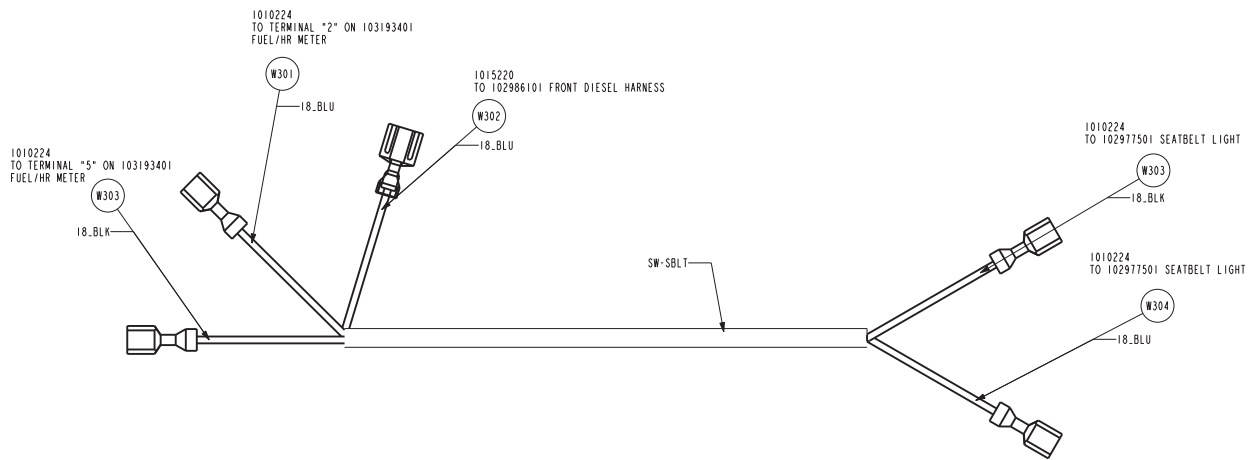
ITEM	PART NO.	DESCRIPTION	QTY
		1 2 3 4	
1	<u>1011931</u>	Washer, 1/4 Flat	2
2	<u>1014063</u>	Screw, 1/4-20 X 1.00, Hex Head	2
3	<u>1016423</u>	Fuse, 20-Amp	1
4	<u>102786401</u>	Wire Harness, Powerunit	1
5	<u>102936801</u>	Breaker, Circuit, 150-Amp	1
6	<u>102937401</u>	Wire Asm, #6, Red, Bt	1
7	<u>102937501</u>	Wire Asm, #6, Red, Bt	1
8	<u>102937601</u>	Wire Asm, #6, Black, Bt	1
9	<u>103245801</u>	Wire Harness, Control Panel	1
10	<u>8717</u>	Locknut, Nylon Insert, 1/4-28	2

7

D

7

D



000535-005

WIRING – SEAT BELT REMINDER (INTELLITACH)

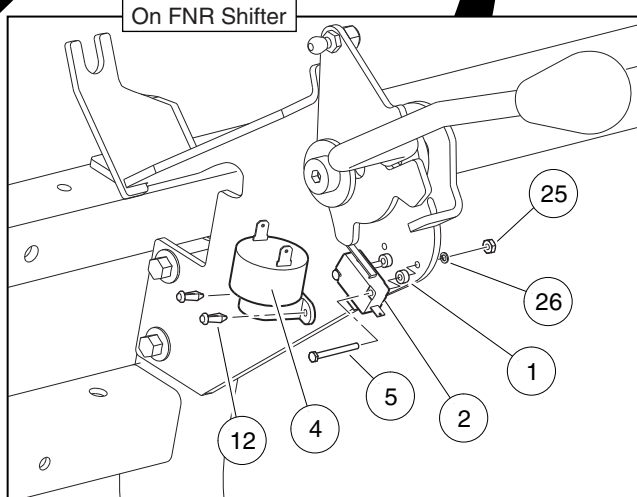
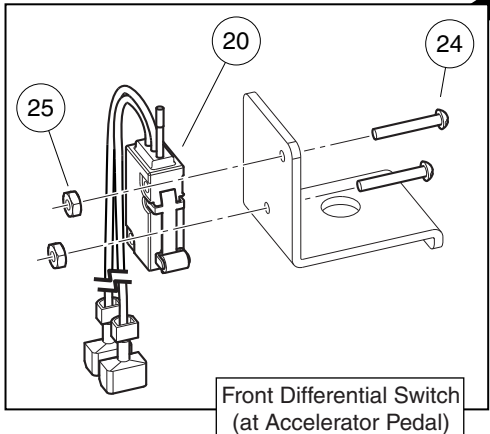
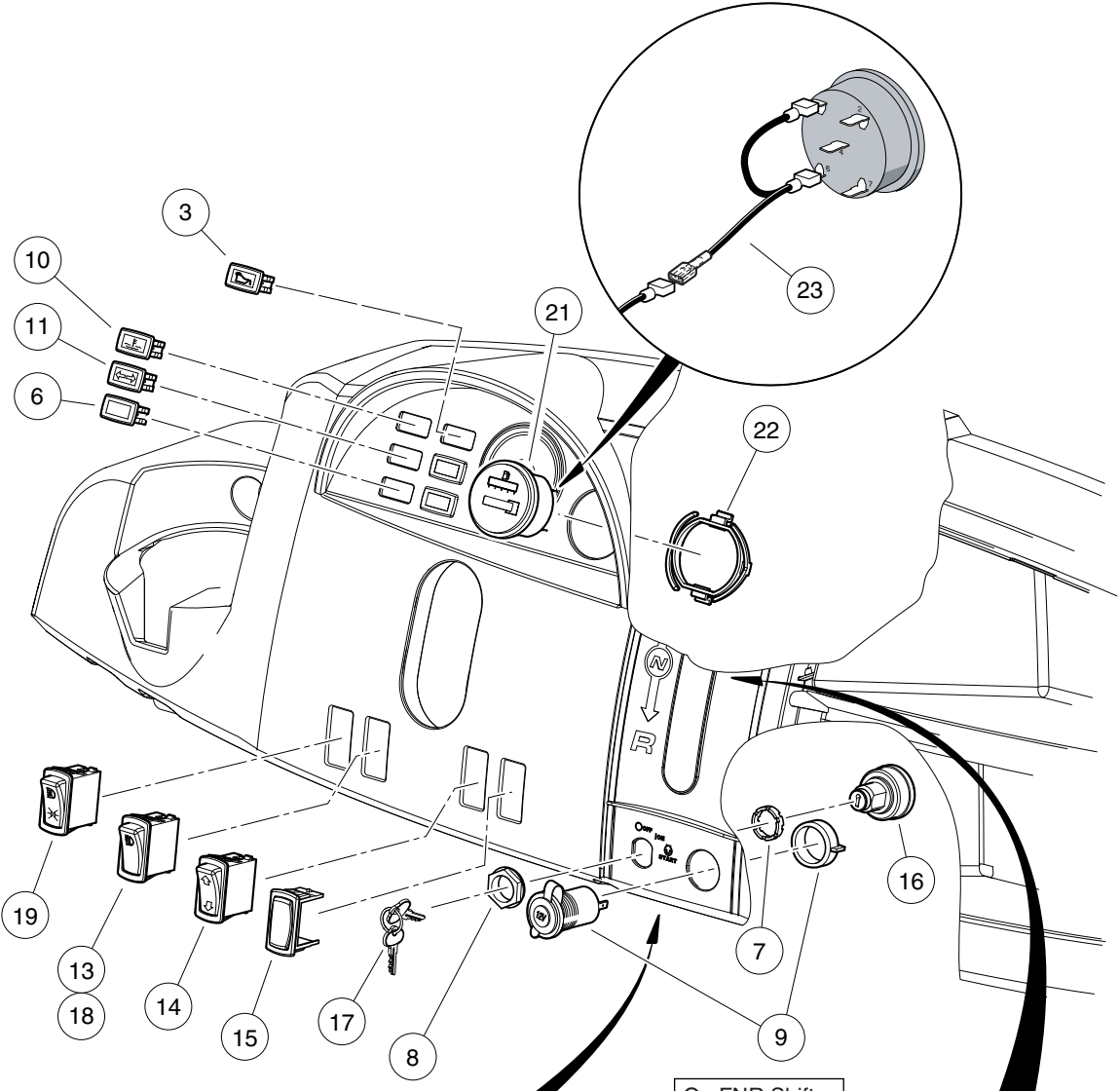
ITEM	PART NO.	DESCRIPTION	QTY
1	<u>103213401</u>	1 2 3 4 Harness, Wire, Seatbelt Light	1

7

D

7

D



000543-014

ELECTRICAL COMPONENTS, FRONT BODY – DIESEL VEHICLE

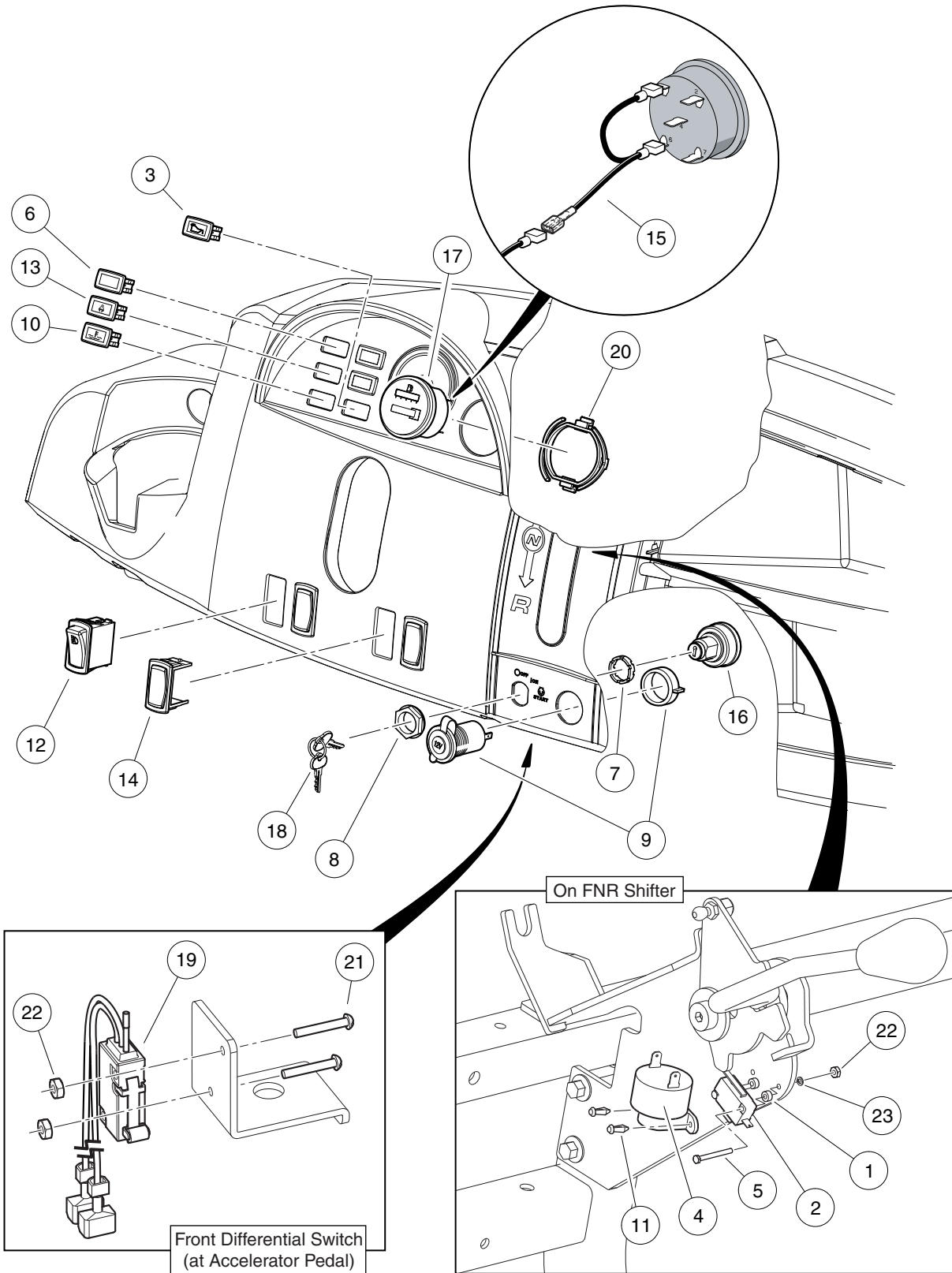
ITEM	PART NO.	DESCRIPTION	QTY
		1 2 3 4	
1	<u>1014727</u>	Washer, Flat, #4, Nylon	2
2	<u>1014808</u>	Switch, Limit	1
3	<u>1016630</u>	Light, Oil	1
4	<u>1016851</u>	Buzzer, Reverse (9-48 VDC)	1
5	<u>1016896</u>	Screw, #4-40 X 1.125 Hx Hd Mch	2
6	<u>101802601</u>	Plug, Hole	5
7	<u>102051601</u>	Spacer, Keyswitch	1
8	<u>102051701</u>	Nut, Key Switch	1
9	<u>102198001</u>	Receptacle, Accessory	1
10	<u>102375401</u>	Light, Indicator, Coolant Temp	1
11	<u>102495701</u>	Light, Indicator, Turn Signals	1
12	<u>102499001</u>	Rivet, Micro Tuflok	2
13	<u>102869401</u>	Switch, Rocker, Light	1
14	<u>102882501</u>	Switch, Rocker, Bed Lift	1
15	<u>103180101</u>	Cover, Hole, Switch, Rocker	3
16	<u>103208801</u>	Keyswitch, 12v, Diesel	1
17	<u>103234401</u>	Keys (set of 2)	1
18	<u>103310701</u>	Switch, High Beam, Homologatn	1
19	<u>103324901</u>	Switch, 3-pos, Euro, Restyle	1
20	<u>103327201</u>	Asm, Switch, Limit, Awd	1
21	<u>103348101</u>	Gauge, Fuel-hour, Sep Gnd	1
22	<u>103348201</u>	Clip, Meter, Round	1
23	<u>103348501</u>	Asm, Wire Meter, F-h Jumper	1
24	<u>8056</u>	Screw, #4-40 X 0.75 Round-Head Machine	2
25	<u>8057</u>	Nut, #4-40 Hex Machine	4
26	<u>8058</u>	Lockwasher, #4 Split	2
<p>Note: Item 4, reverse buzzer, is only if equipped. NOTE 2: Items 22, clip, and 23, jumper wire, are required with item 21, fuel/hour gauge. NOTE 3: Item 14, bed lift switch, is only if equipped.</p>			

7

D

7

D



000543-015

ELECTRICAL COMPONENTS, FRONT BODY – INTELLITACH

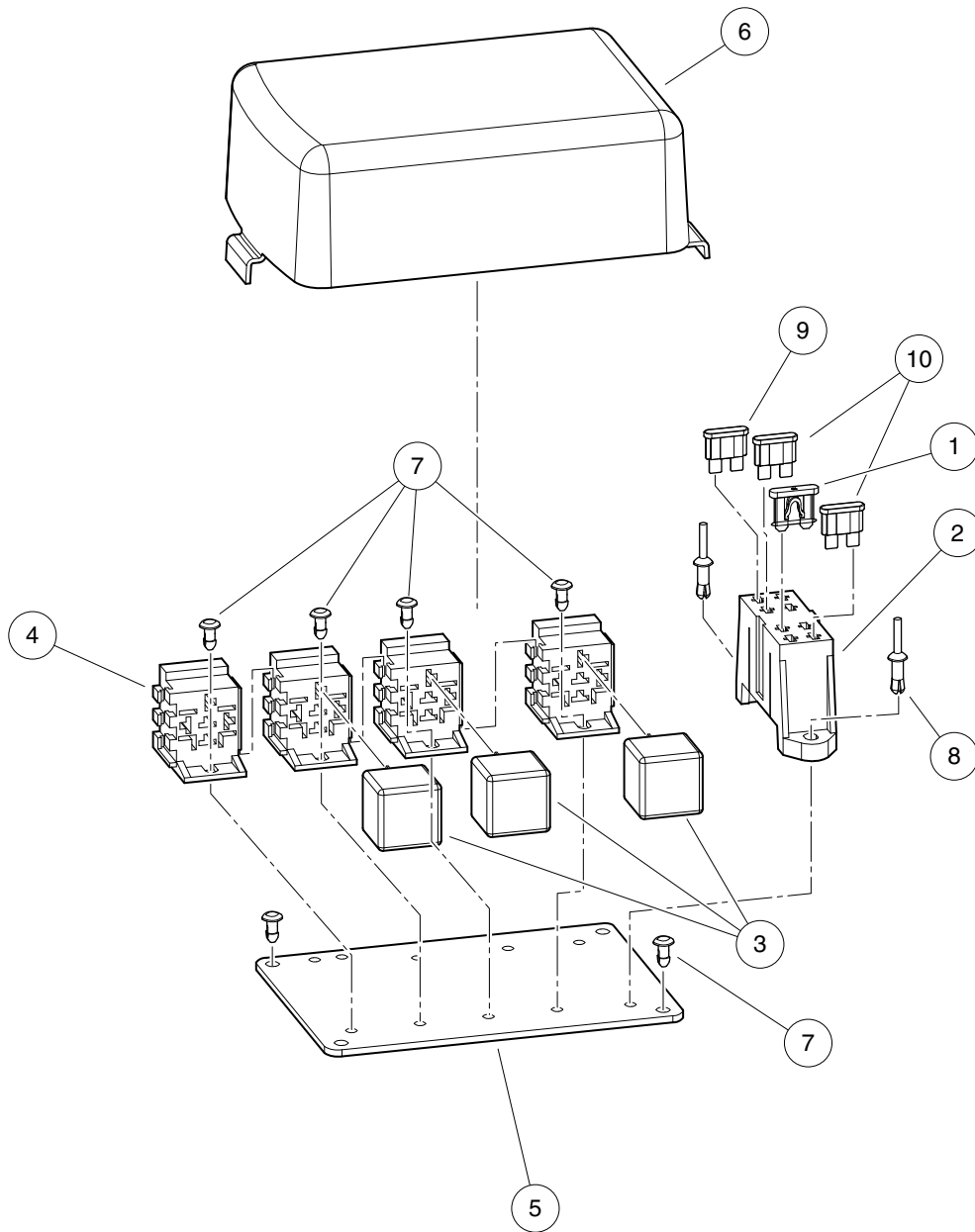
ITEM	PART NO.	DESCRIPTION	QTY
		1 2 3 4	
1	<u>1014727</u>	Washer, Flat, #4, Nylon	2
2	<u>1014808</u>	Switch, Limit	1
3	<u>1016630</u>	Light, Oil	1
4	<u>1016851</u>	Buzzer, Reverse (9-48 VDC)	1
5	<u>1016896</u>	Screw, #4-40 X 1.125 Hx Hd Mch	2
6	<u>101802601</u>	Plug, Hole	5
7	<u>102051601</u>	Spacer, Keyswitch	1
8	<u>102051701</u>	Nut, Key Switch	1
9	<u>102198001</u>	Receptacle, Accessory	1
10	<u>102375401</u>	Light, Indicator, Coolant Temp	1
11	<u>102499001</u>	Rivet, Micro Tuflok	2
12	<u>102869401</u>	Switch, Rocker, Light	1
13	<u>102977501</u>	Light, Indicator, Seat Belt	1
14	<u>103180101</u>	Cover, Hole, Switch, Rocker	3
15	<u>103205801</u>	Asm, Wire, Meter F/h/sb Jumpr	1
16	<u>103208801</u>	Keyswitch, 12v, Diesel	1
17	<u>103234001</u>	Gauge, F/h, Sep Gnd Timer	1
18	<u>103234401</u>	Keys (set of 2)	1
19	<u>103327201</u>	Asm, Switch, Limit, Awd	1
20	<u>103348201</u>	Clip, Meter, Round	1
21	<u>8056</u>	Screw, #4-40 X 0.75 Round-Head Machine	2
22	<u>8057</u>	Nut, #4-40 Hex Machine	4
23	<u>8058</u>	Lockwasher, #4 Split	2
Note: Item 4, reverse buzzer, is only if equipped. NOTE 2: Items 15, jumper wire, and 20, clip, are required with item 17, fuel/hour gauge.			

7

D

7

D



000076-004

ELECTRICAL COMPONENT BOX – DIESEL VEHICLE

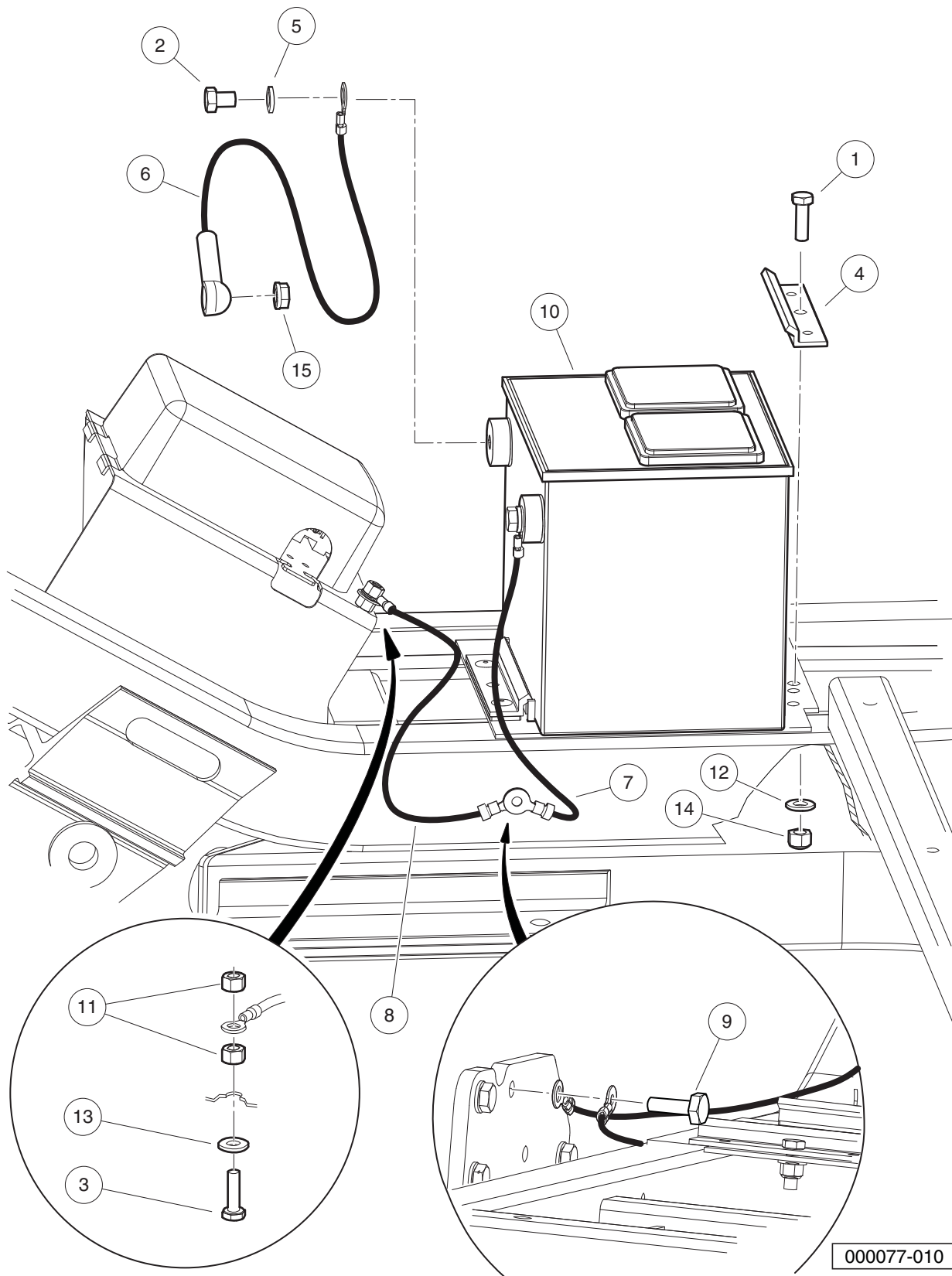
ITEM	PART NO.	DESCRIPTION	QTY
		1 2 3 4	
1	<u>1012295</u>	Fuse, 10-Amp	1
2	<u>1015741</u>	Fuse Block	1
3	<u>102420201</u>	Relay, Mini ISO, SPDT	3
4	<u>102420301</u>	Connector, Relay	4
5	<u>102420401</u>	Plate, Electrical	1
6	<u>102420501</u>	Cover, Electrical	1
7	<u>102447901</u>	Fastener, Push-in	8
8	<u>102448001</u>	Rivet, Drive	2
9	<u>102492201</u>	Fuse, 25-Amp	1
10	<u>102492301</u>	Fuse, 30-Amp	2

7

D

7

D



000077-010

BATTERY – DIESEL VEHICLE

ITEM	PART NO.	DESCRIPTION	QTY
		1 2 3 4	
1	<u>1010934</u>	Screw, 5/16-18 X 1.00 Hex Cap	1
2	<u>1014375</u>	Screw, 3/8-16 X 0.50, Stainless Steel, Hex-Head	2
3	<u>1015521</u>	Screw, 1/4-20 X .88 Hex Hd Cap	1
4	<u>101898001</u>	Clamp, Battery	1
5	<u>102355301</u>	Lockwasher, 3/8 Split Ss	2
6	<u>102442201</u>	Asm, #6 Red Wire	1
7	<u>102448401</u>	Wire Asm, #6 Blk, Awd, 350	1
8	<u>102448501</u>	Wire Asm, #6 Blk, Awd, 325	1
9	<u>102498201</u>	Bolt, M10 X 1.25 X 25, Loctite	1
10	<u>103496801</u>	Battery, Start, 12v	1
11	<u>1108</u>	Locknut, 1/4-20 Dimpled	2
12	<u>1241</u>	Washer, 5/16 Type A Flat	1
13	<u>332</u>	Washer, 1/4 Type A Narrow Flat	1
14	<u>7473</u>	Locknut, 5/16-18 Nylon Insert	1
15	<u>96704416</u>	Nut, Flange, M8 X 1.25 Serrated	1

7

D

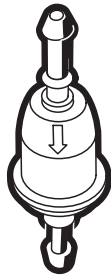
7

D

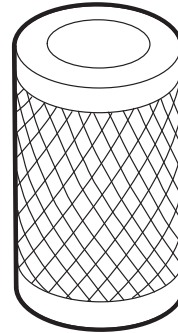
ENGINE – KAWASAKI FH680D GASOLINE

8

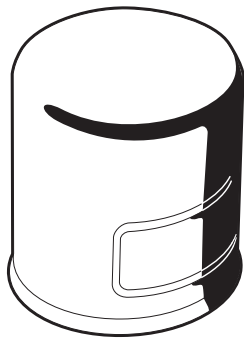
G



2



3



4



5

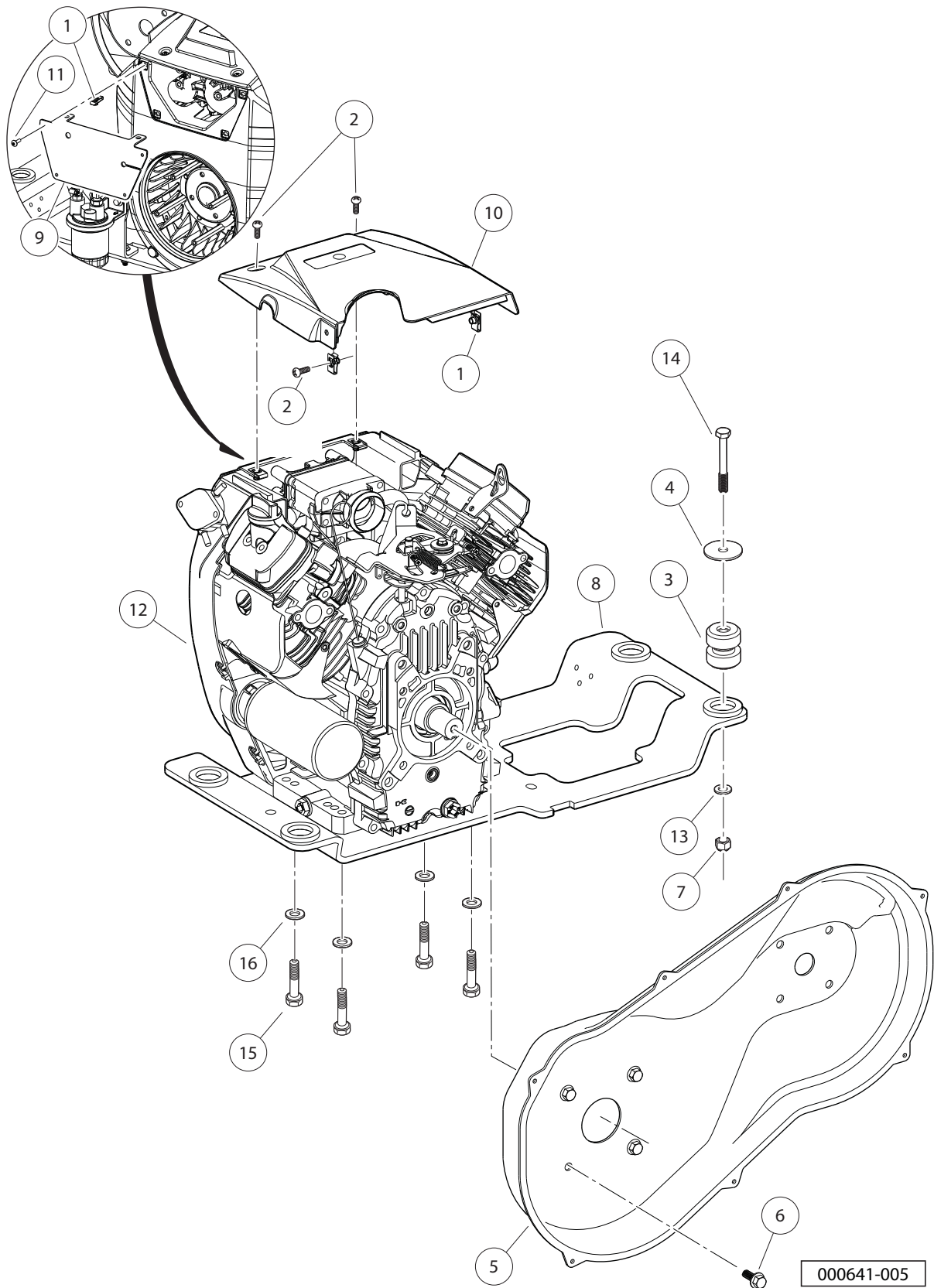
000992-001

TUNE-UP KIT – KAWASAKI FH680

ITEM	PART NO.	DESCRIPTION	QTY
		1 2 3 4	
1	<u>AM1232401</u>	Kit, Tune-Up (For Kawasaki V-twin engines) (includes items 2 through 5)	1
2	<u>102003201</u>	Filter, Fuel, 30 Micron	1
3	<u>102498601</u>	Element, Filter, Air, 5 Inch	1
4	<u>103887901</u>	Filter, Oil, Kawasaki	1
5	<u>AM1232301</u>	Spark Plug, BPR2ES	2

8

G



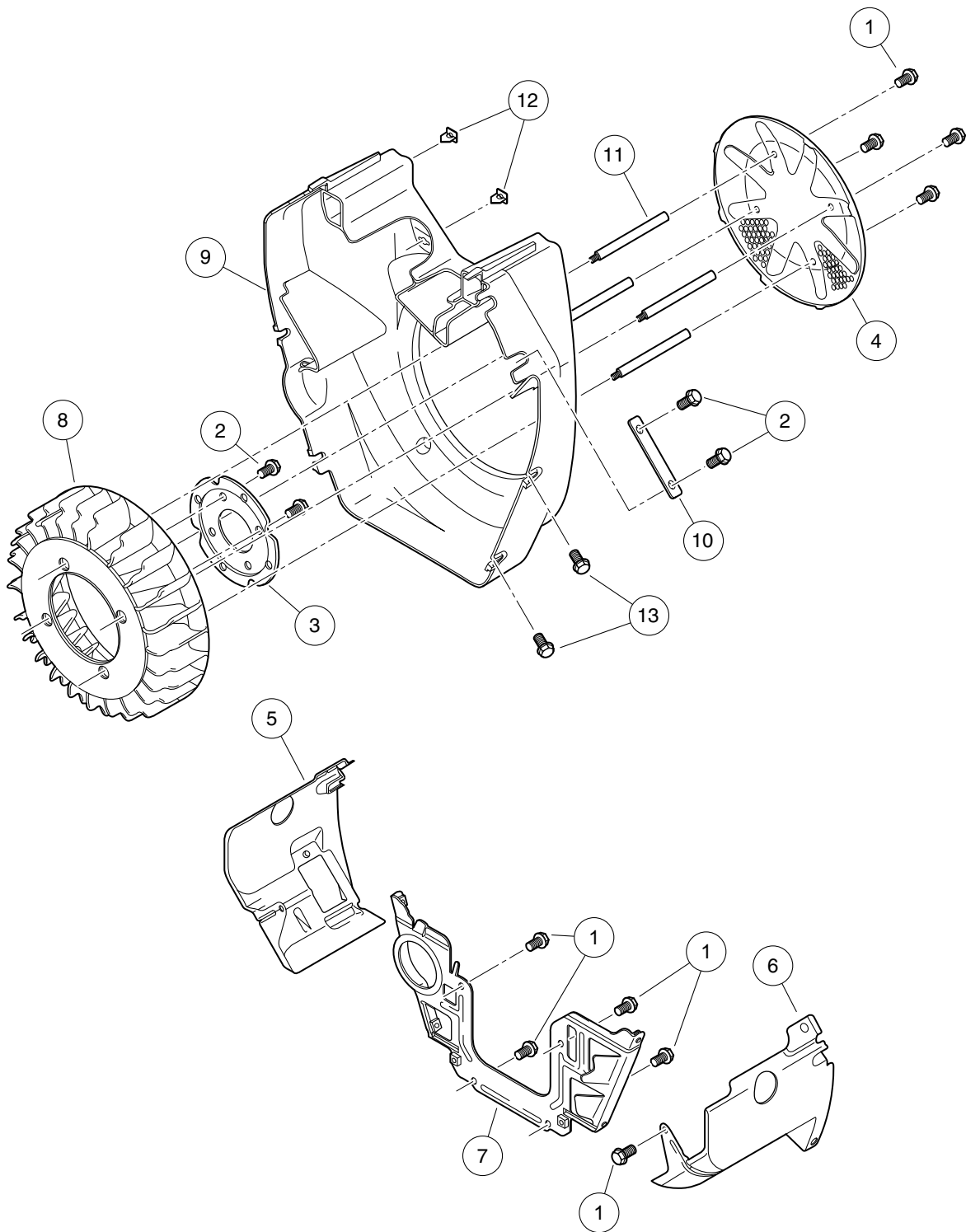
000641-005

KAWASAKI FH680D GASOLINE ENGINE AND ENGINE MOUNTING

ITEM	PART NO.	DESCRIPTION	QTY
		1 2 3 4	
1	<u>102296601</u>	U-Nut, M6-1.0, Prevailing Torque	4
2	<u>102296920</u>	Screw, M6, Torx Button Head, Sems	4
3	<u>102370501</u>	Isolator Ring and Bushing	4
4	<u>102370601</u>	Washer, Snubbing, Ring N Bush	4
5	N/A	Cover, CVT Inner, FH680D	1
6	<u>102491001</u>	Bolt, Flanged Head, 3/8-16x1.0 with Loctite	4
7	<u>102740401</u>	Locknut, M12x1.75 Nylon Insert	4
8	<u>102951901</u>	Weldment, Eng Mnt, Kaw, Fh680d	1
9	<u>103208701</u>	Engine, Front Cover, Fh680d	1
10	<u>103262901</u>	Cover, Engine, Top	1
11	<u>103279201</u>	Screw, Pn Hd Blk, 10-16 X .625	4
12	<u>103528201</u>	Engine, Kawasaki, FH680D	1
13	<u>96701412</u>	Washer, M12 Hard	4
14	<u>96704721</u>	Bolt, M12 X 1.75 X 90	4
15	<u>96704960</u>	Bolt, M10 X 1.5 X 60	4
16	<u>96741046</u>	Washer, M10, Hard	4

8

G



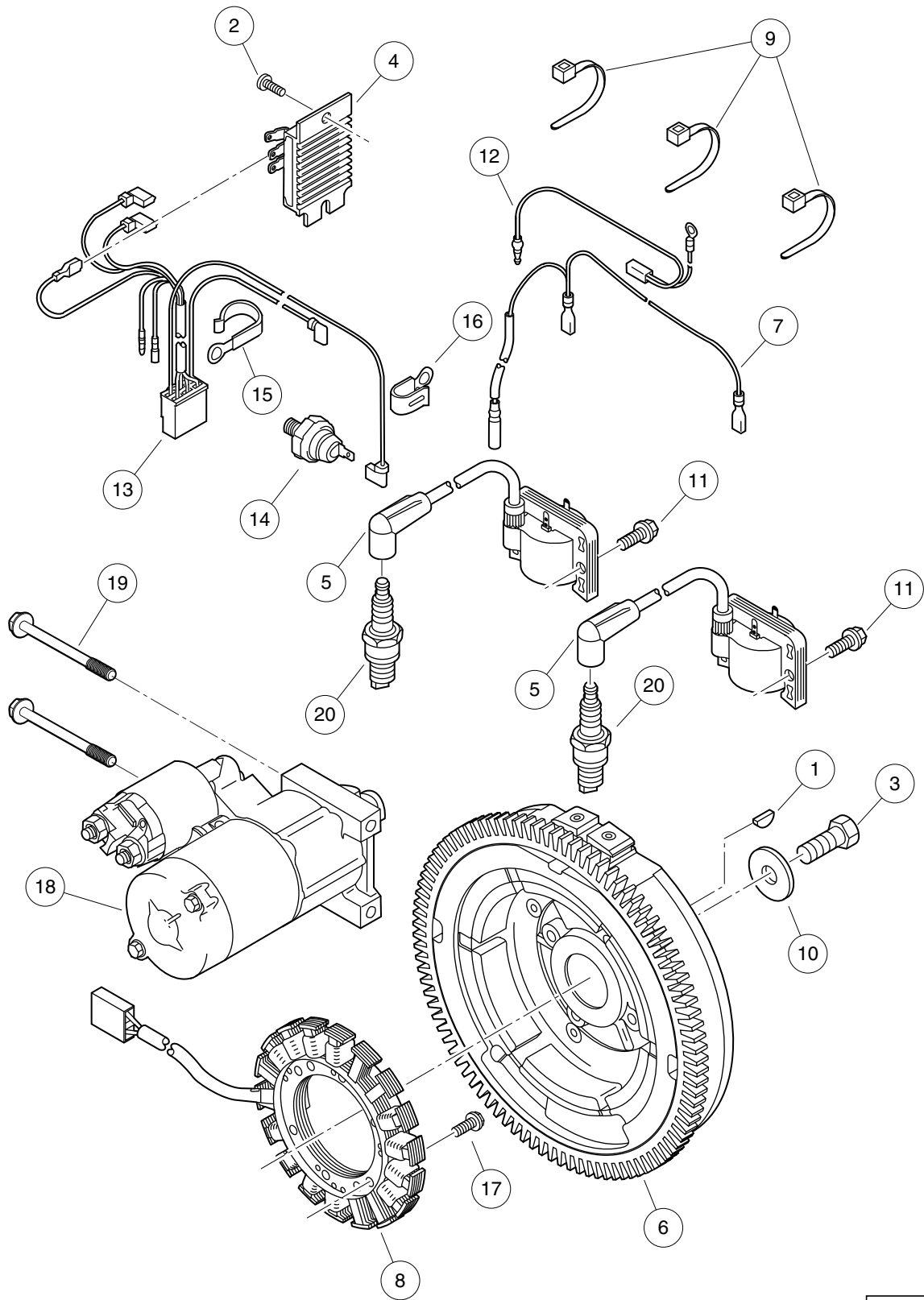
000625-001

SHROUDS AND BRACKETS

ITEM	PART NO.	DESCRIPTION	QTY
		1 2 3 4	
1	<u>102992401</u>	Bolt, Flg, M6 X 1.0 X 12	9
2	<u>102992501</u>	Bolt, Flg, M6 X 1.0 X 16	4
3	<u>102998601</u>	Plate, Housing, Fan, Fh	1
4	<u>102998701</u>	Screen, Fan, Fh	1
5	<u>102999101</u>	Shroud, Engine, Rh, Fh	1
6	<u>102999201</u>	Shroud, Engine, Lh, Fh	1
7	<u>102999301</u>	Shroud, Engine, Front, Fh	1
8	<u>102999501</u>	Fan, Cooling, Fh	1
9	<u>102999601</u>	Housing, Engine, Fh	1
10	<u>103000001</u>	Washer, Housing, Fan, Fh	1
11	<u>103299301</u>	Stud, Fan Screen, Fh	4
12	<u>103299401</u>	Nut, Press In, Front Cover, Fh	4
13	<u>103300301</u>	Bolt, Oil Pickup, Fh	4

8

G

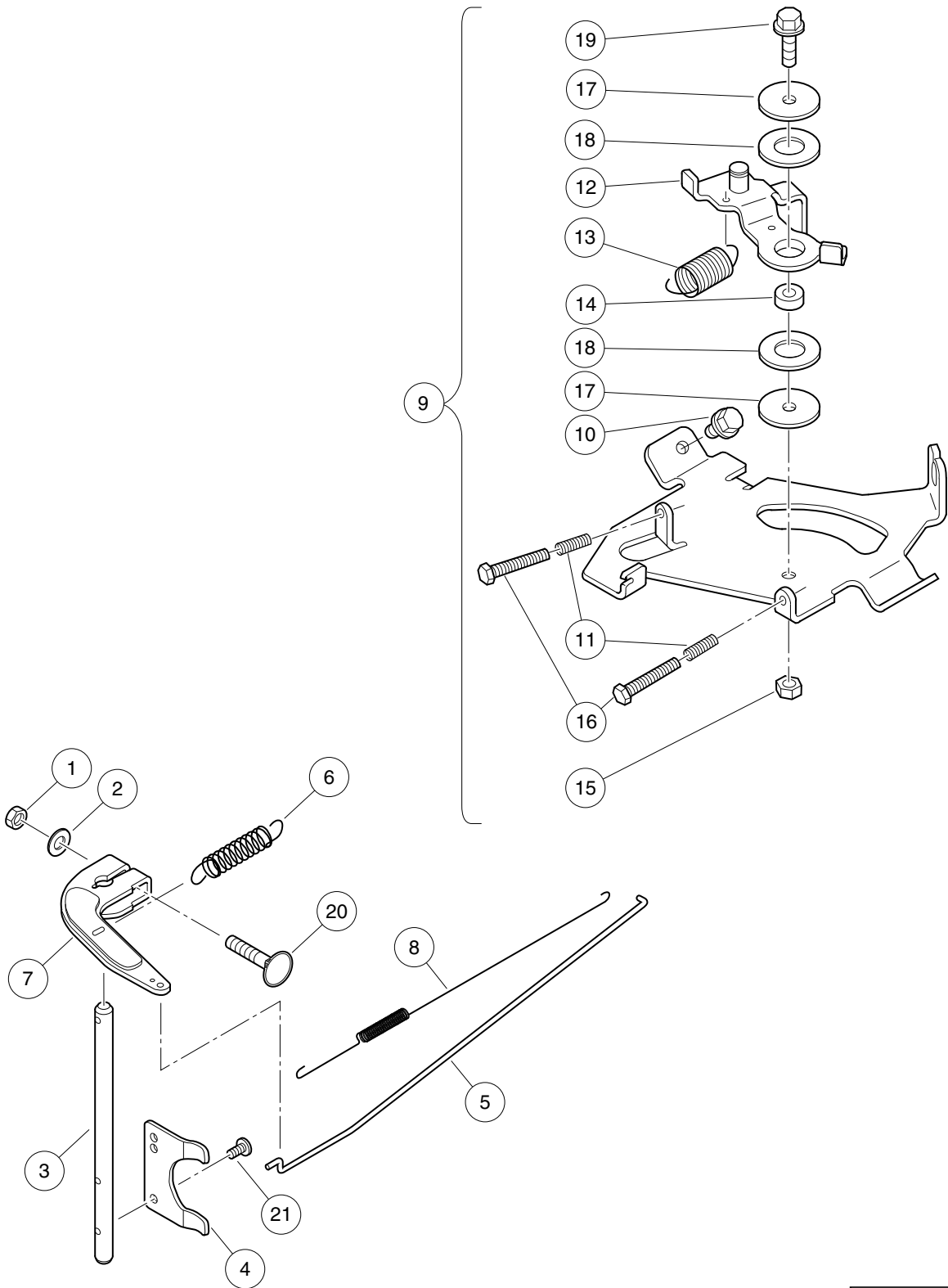


000626-002

IGNITION COMPONENTS AND FLYWHEEL

ITEM	PART NO.	DESCRIPTION	QTY
		1 2 3 4	
1	N/A	Key	1
2	<u>1016544</u>	Screw	1
3	<u>102994301</u>	Bolt, Flg, M12 X 1.25 X 30	1
4	<u>103000401</u>	Regulator, Voltage, Fh	1
5	<u>103000501</u>	Asm, Coil, Ignition, Fh	2
6	<u>103000601</u>	Flywheel, Assy, Fh	1
7	<u>103000801</u>	Harness, Regulator, Fh	1
8	<u>103000901</u>	Coil, Charging, Fh	1
9	<u>103001301</u>	Band, Harness, Fh	3
10	<u>103001501</u>	Washer, Flywheel, Fh	1
11	<u>103298501</u>	Bolt, Flanged, M6 X 20, Kaw	4
12	<u>103299501</u>	Harness, Ignition, Fh	1
13	<u>103299601</u>	Harness, Engine, Main, Fh	1
14	<u>103299701</u>	Switch, Oil Pressure, Fh	1
15	<u>103299801</u>	Clamp, Harness, Large, Fh	1
16	<u>103299901</u>	Clamp, Harness, Small, Fh	1
17	<u>103300101</u>	Screw, Pan, Coil Mount, Fh	4
18	<u>103345501</u>	Starter, Electric, Fh680d	1
19	<u>103687401</u>	Bolt, Flg, M8 X 1.25 X 83	2
20	<u>AM1232301</u>	Spark Plug, BPR2ES	2

8
G



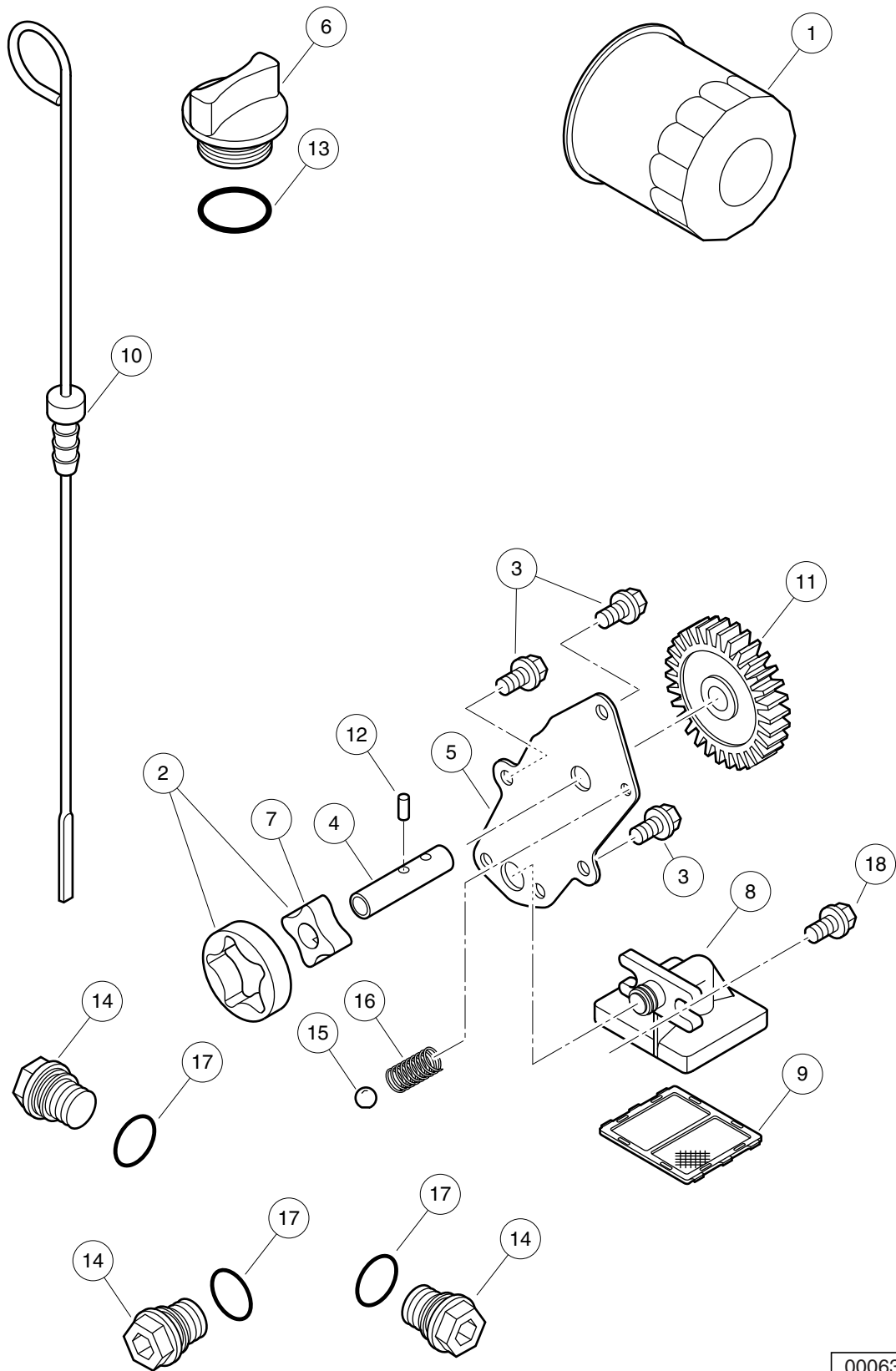
000636-001

GOVERNOR ARM AND SPRINGS

ITEM	PART NO.	DESCRIPTION	QTY
		1 2 3 4	
1	N/A	Nut, M6	1
2	<u>1016513</u>	Washer, M6 Flat	1
3	<u>103002001</u>	Shaft, Governor, Fh	1
4	<u>103002101</u>	Plate, Governor, Fh	1
5	<u>103002301</u>	Link, Arm, Governor, Fh	1
6	<u>103002401</u>	Spring, Governor, Fh	1
7	<u>103002501</u>	Arm, Governor, Shaft	1
8	<u>103002901</u>	Spring, Arm, Governor, Fh	1
9	<u>103297701</u>	Panel, Control, Complete, Fh (includes items 10 through 19)	1
10	<u>102992401</u>	Bolt, Flg, M6 X 1.0 X 12	2
11	<u>103002801</u>	Spring, Fh	2
12	<u>103297401</u>	Lever, Governor, Control, Fh	1
13	<u>103297501</u>	Spring, Governor Return, Fh	1
14	<u>103297601</u>	Collar, Governor, Fh	1
15	<u>103297801</u>	Nut, Governor, Fh	1
16	<u>103298001</u>	Bolt, Speed Control, Fh	2
17	<u>103298201</u>	Washer, Governor, Lower, Fh	2
18	<u>103298301</u>	Washer, Governor, Middle, Fh	2
19	<u>103298501</u>	Bolt, Flanged, M6 X 20, Kaw	1
20	<u>103298101</u>	Bolt, M6 X 35, Kawasaki	1
21	<u>103298601</u>	Screw, Pan, Governor, Fh	2

8

G

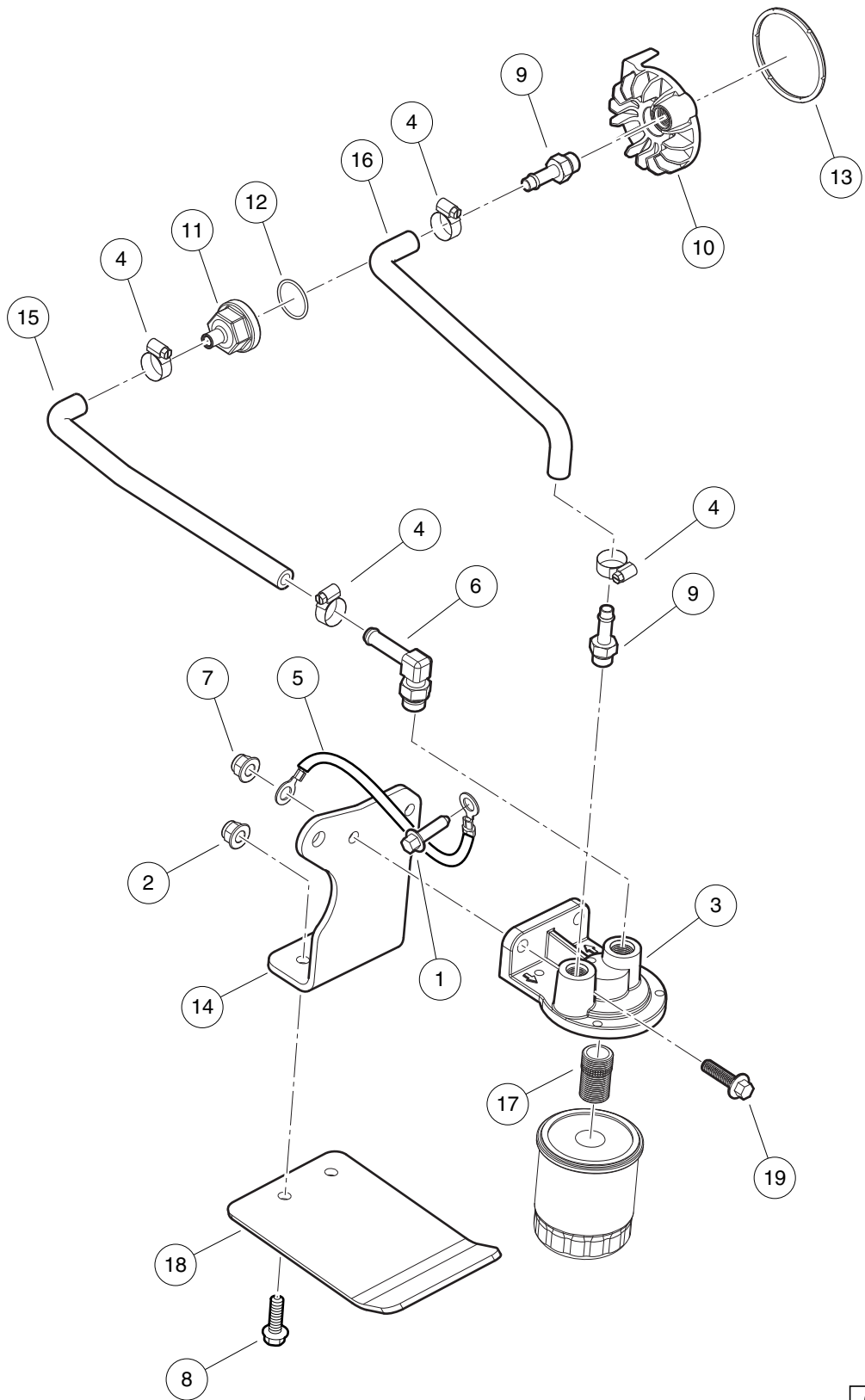


000637-001

OIL AND LUBRICATION COMPONENTS

ITEM	PART NO.	DESCRIPTION	QTY
		1 2 3 4	
1	<u>1016467</u>	Filter, Oil	1
2	<u>101648203</u>	Oil Pump And Rotor	1
3	<u>102992401</u>	Bolt, Flg, M6 X 1.0 X 12	3
4	<u>102996901</u>	Shaft, Oil Pump, Fh	1
5	<u>102997001</u>	Plate, Oil Pump, Fh	1
6	<u>102997101</u>	Cap, Oil, Fill, Fh	1
7	<u>102997201</u>	Rotor, Pump, Oil, Inner, Fh	1
8	<u>102997401</u>	Pickup, Oil, Fh	1
9	<u>102997601</u>	Screen, Pickup, Oil, Fh	1
10	<u>102997701</u>	Gauge, Oil, Fh	1
11	<u>102997801</u>	Gear, Spur, Oil Pump, Fh	1
12	<u>102997901</u>	Pin, Oil Pump, Fh	2
13	<u>102998001</u>	O-ring, Cap, Oil, Fill, Fh	1
14	<u>102998101</u>	Plug, Oil Drain, Fh	3
15	<u>102998201</u>	Ball, Oil Pump, Fh	1
16	<u>102998301</u>	Spring, Oil Pump, Fh	1
17	<u>102998401</u>	O-ring, Drain Plug, Oil, Fh	3
18	<u>103300301</u>	Bolt, Oil Pickup, Fh	2
		Note: Item 2 contains item 7.	

8
G



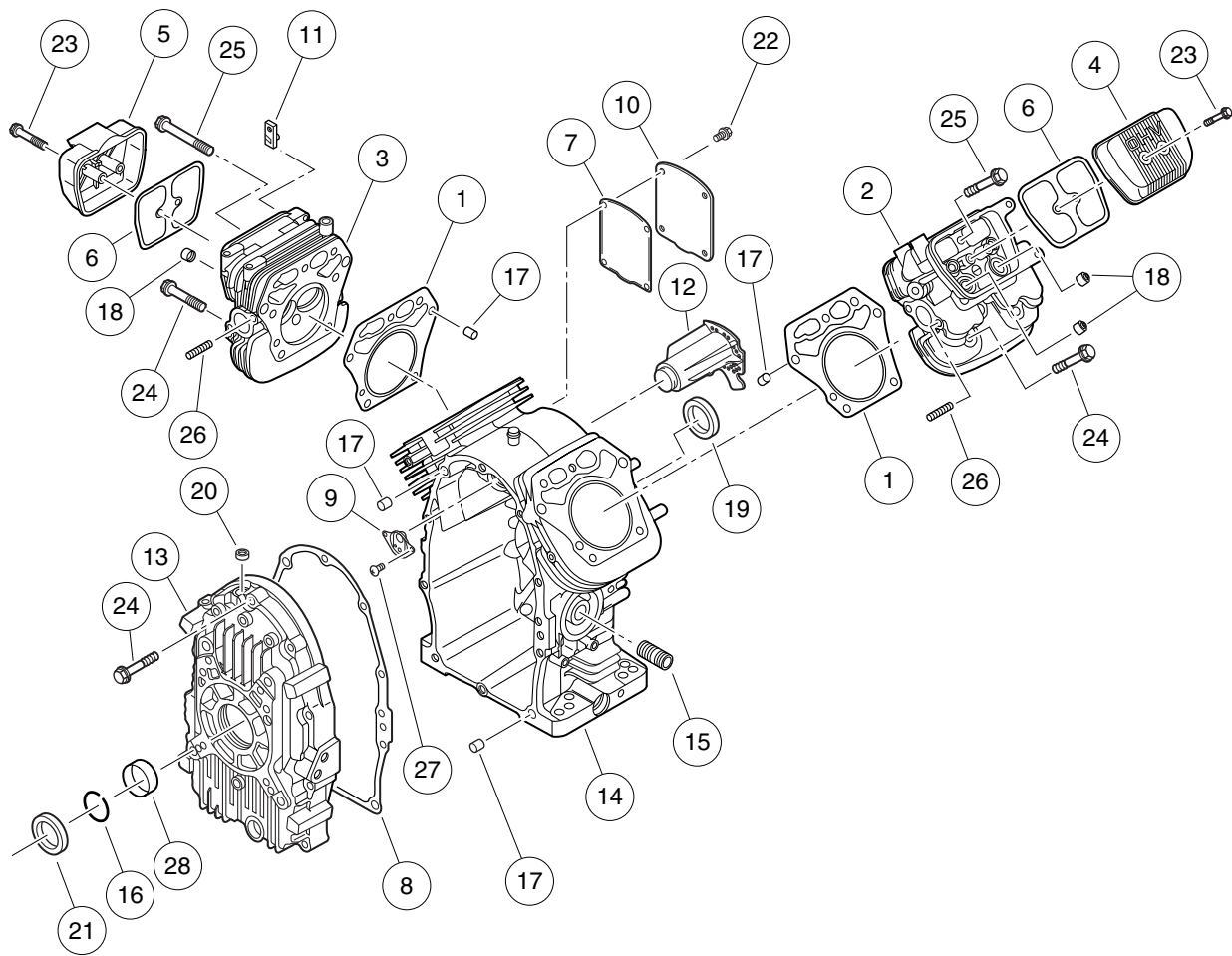
000671-003

OIL FILTER ADAPTER

ITEM	PART NO.	DESCRIPTION	QTY
		1 2 3 4	
1	<u>102289001</u>	Screw, M8X1.25X30, Hex	1
2	<u>102298401</u>	Nut,m8,all Metal Lock	2
3	<u>102371401</u>	Bracket, Oil Filter Mount	1
4	<u>102443601</u>	Clamp, Hose	4
5	<u>102448501</u>	Wire Asm, #6 Blk, Awd, 325	1
6	<u>102457501</u>	Adapter, 90, 3/8 Tube	1
7	<u>102618601</u>	Lock Nut, Flange, M8 X 1.25 Nylon	2
8	<u>102621301</u>	Bolt, M8 X 1.25 X 40 with Loctite	2
9	<u>102722001</u>	Adapter, 5/16 Hose	2
10	<u>102958301</u>	Adapter, Special, Oil Filter	1
11	<u>102958401</u>	Nut, Special, Hose Adapter	1
12	<u>102958501</u>	O-ring, 23.52 X 1.78mm	1
13	<u>102958601</u>	O-ring, Oil Filter Adapter	1
14	<u>103197201</u>	Bracket, Oil Filter, Fh680d	1
15	<u>103240601</u>	Hose, Formed, Oil, 5/16"	1
16	<u>103246901</u>	Hose, Formed, Oil, 5/16", Ret	1
17	<u>103276201</u>	Nipple, 3/4-16 X M20 X 1.5-6g	1
18	<u>103326401</u>	Guard, Oil Filter, Fh680d	1
19	<u>96705587</u>	Bolt, M8 X 1.25 X 30	2

8

G

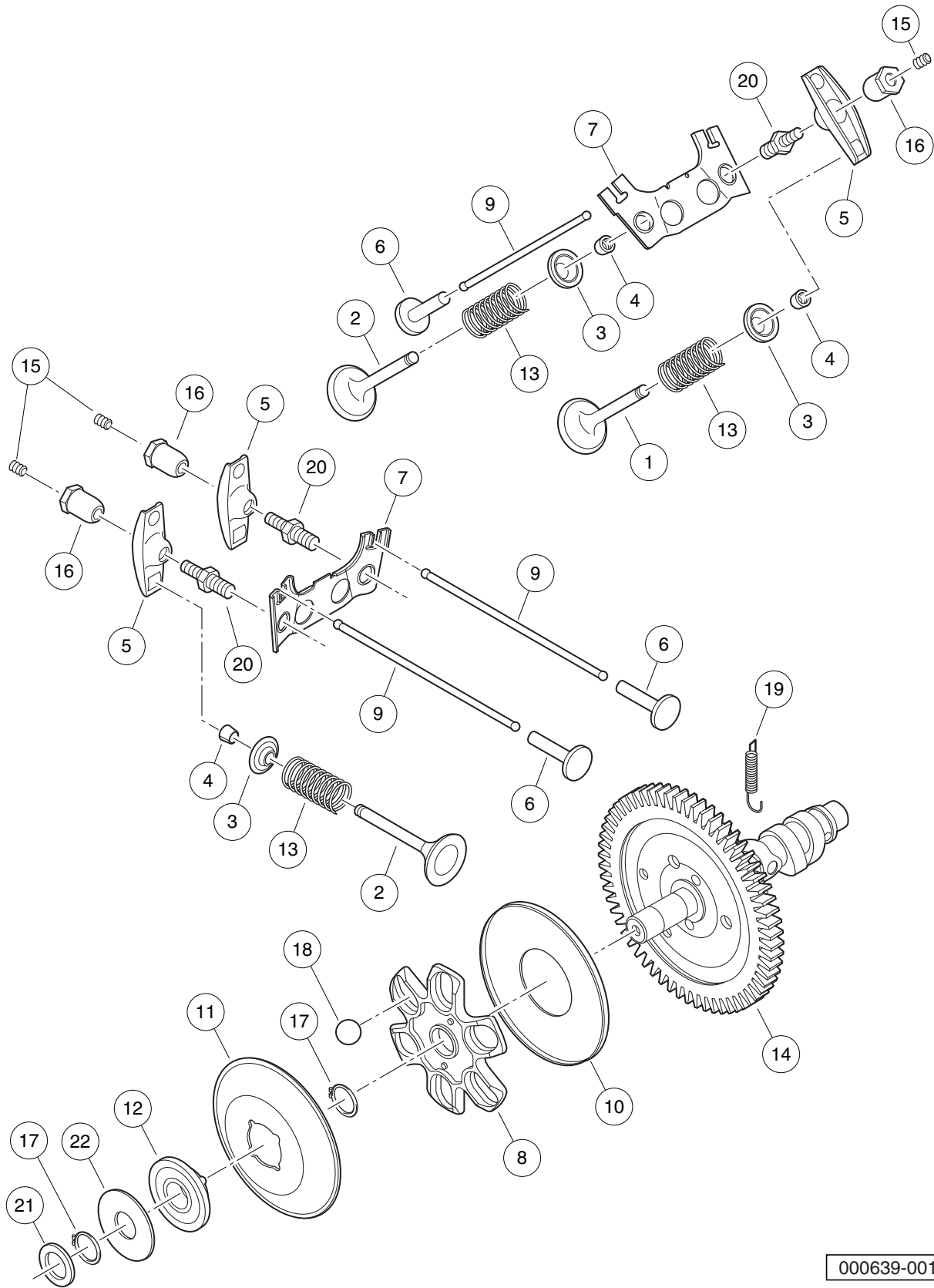


000638-001

CYLINDER HEAD AND CRANKCASE

ITEM	PART NO.	DESCRIPTION	QTY
		1 2 3 4	
1	<u>102990101</u>	Gasket, Head, Cyl, Fh	2
2	<u>102990201</u>	Head, Cyld 1, Fh	1
3	<u>102990301</u>	Head, Cyld 2, Fh	1
4	<u>102990401</u>	Cover, Rocker, Cyld 1, Fh	1
5	<u>102990501</u>	Cover, Rocker, Cyld 2, Fh	1
6	<u>102990601</u>	Gasket, Rocker, Cover, FH	2
7	<u>102990701</u>	Gasket, Breather, Fh	1
8	<u>102990801</u>	Gasket, Cover, Crank, Fh	1
9	<u>102990901</u>	Valve, Assy, Reed, Fh	1
10	<u>102991101</u>	Cover, Crkcase, Comp, Fh	1
11	<u>102991201</u>	Pipe, Head, Comp, Clyd, Fh	1
12	<u>102991301</u>	Pipe, Crkcase, Comp, Fh	1
13	<u>102991401</u>	Cover, Crankcase, Fh	1
14	<u>102991501</u>	Crankcase, Comp, Fh	1
15	<u>102991601</u>	Nipple, Oil Filter, Fh	1
16	<u>102991801</u>	Ring, Snap, Fh	1
17	<u>102991901</u>	Pin, Head, Fh	6
18	<u>102992001</u>	Seal, Oil, Valve, Fh	4
19	<u>102992101</u>	Seal, Oil, Crank, Rear, Fh	1
20	<u>102992201</u>	Seal, Oil, Governor, Fh	1
21	<u>102992301</u>	Seal, Oil, Crank, Front, Fh	1
22	<u>102992401</u>	Bolt, Flg, M6 X 1.0 X 12	4
23	<u>102992601</u>	Bolt, Flg, M6 X 1.0 X 40	4
24	<u>102992701</u>	Bolt, Flg, M8 X 1.25 X 50	18
25	<u>102992801</u>	Bolt, Flg, M8 X 1.25 X 75	2
26	<u>102992901</u>	Stud, M8 X 1.25, Exhaust, Fh	4
27	<u>103298601</u>	Screw, Pan, Governor, Fh	2
28	<u>103298901</u>	Bushing, Main, Fh	1

8
G



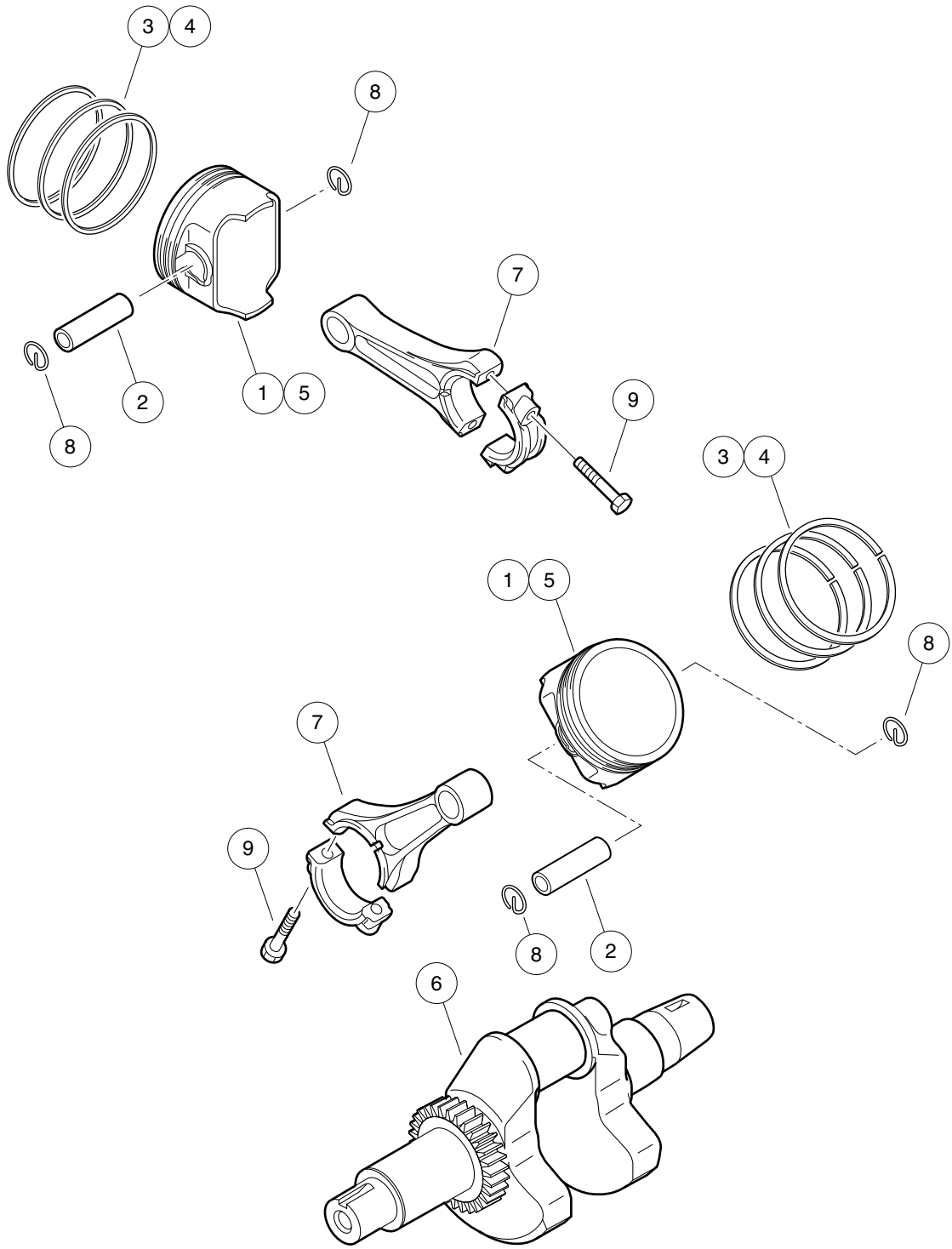
000639-001

VALVES AND CAMSHAFT

ITEM	PART NO.	DESCRIPTION	QTY
		1 2 3 4	
1	<u>102994601</u>	Valve, Intake, Fh	2
2	<u>102994701</u>	Valve, Exhaust, Fh	2
3	<u>102994801</u>	Retainer, Valve Spring, Fh	4
4	<u>102994901</u>	Collet, Spring, Valve, Fh	8
5	<u>102995001</u>	Arm, Rocker	4
6	<u>102995101</u>	Tappet, Rod, Push, Fh	4
7	<u>102995201</u>	Guide, Arm, Rocker, Fh	2
8	<u>102995301</u>	Guide, Camshaft, Gov, Fh	1
9	<u>102995401</u>	Rod, Push, Fh	4
10	<u>102995501</u>	Plate, Camshaft, Gov, Fh	1
11	<u>102995601</u>	Plate, Ring, Gov, Fh	1
12	<u>102995701</u>	Sleeve, Plate, Gov, Fh	1
13	<u>102995801</u>	Spring, Valve, Fh	4
14	<u>102995901</u>	Kit, Camshaft, Comp, Fh	1
15	<u>102996001</u>	Screw, Rocker Arm, Fh	4
16	<u>102996101</u>	Nut, Arm, Rocker, Fh	4
17	<u>102996201</u>	Ring, Snap, Gov, Fh	2
18	<u>102996301</u>	Ball, Guide, Gov, Fh	6
19	<u>102996401</u>	Spring, Camshaft, Fh	1
20	<u>102996501</u>	Stud, Rocker Arm, Fh	4
21	<u>102996601</u>	Washer, Sleeve, Gov, Fh	1
22	<u>102996701</u>	Washer, Gov, Fh	1

8

G



000640-001

PISTONS AND CRANKSHAFT

ITEM	PART NO.	DESCRIPTION	QTY
		1 2 3 4	
1	<u>102993201</u>	Piston, Engine, Fh	2
2	<u>102993301</u>	Pin, Piston, Engine, Fh	2
3	<u>102993401</u>	Ring, Set, Piston, Fh	2
4	<u>102993501</u>	Ring, Set, Piston, 0.50, Fh	1
5	<u>102993601</u>	Piston, Engine, 0.50, Fh	1
6	<u>102993701</u>	Crankshaft, Comp, Fh	1
7	<u>102993901</u>	Kit, Rod, Connecting, Fh	2
8	<u>102994101</u>	Ring, Snap, Pin, Piston, Fh	4
9	<u>102994401</u>	Bolt, Flg, M6 X 1.00 X 35	4

8

G

8

G

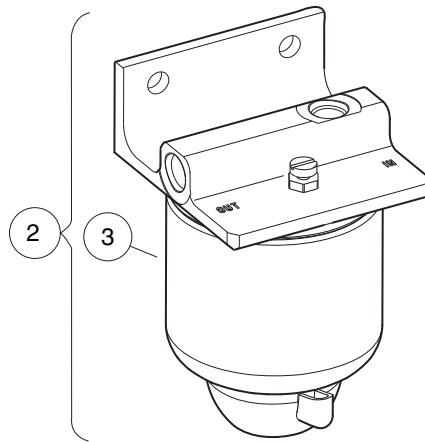
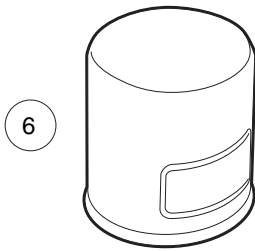
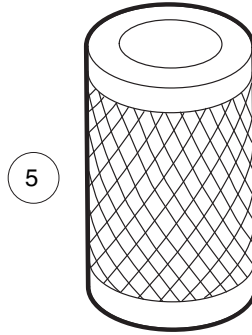
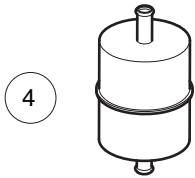
ENGINE – KUBOTA DIESEL

9

D

9

D



000992-004

TUNE-UP KIT – KUBOTA D722

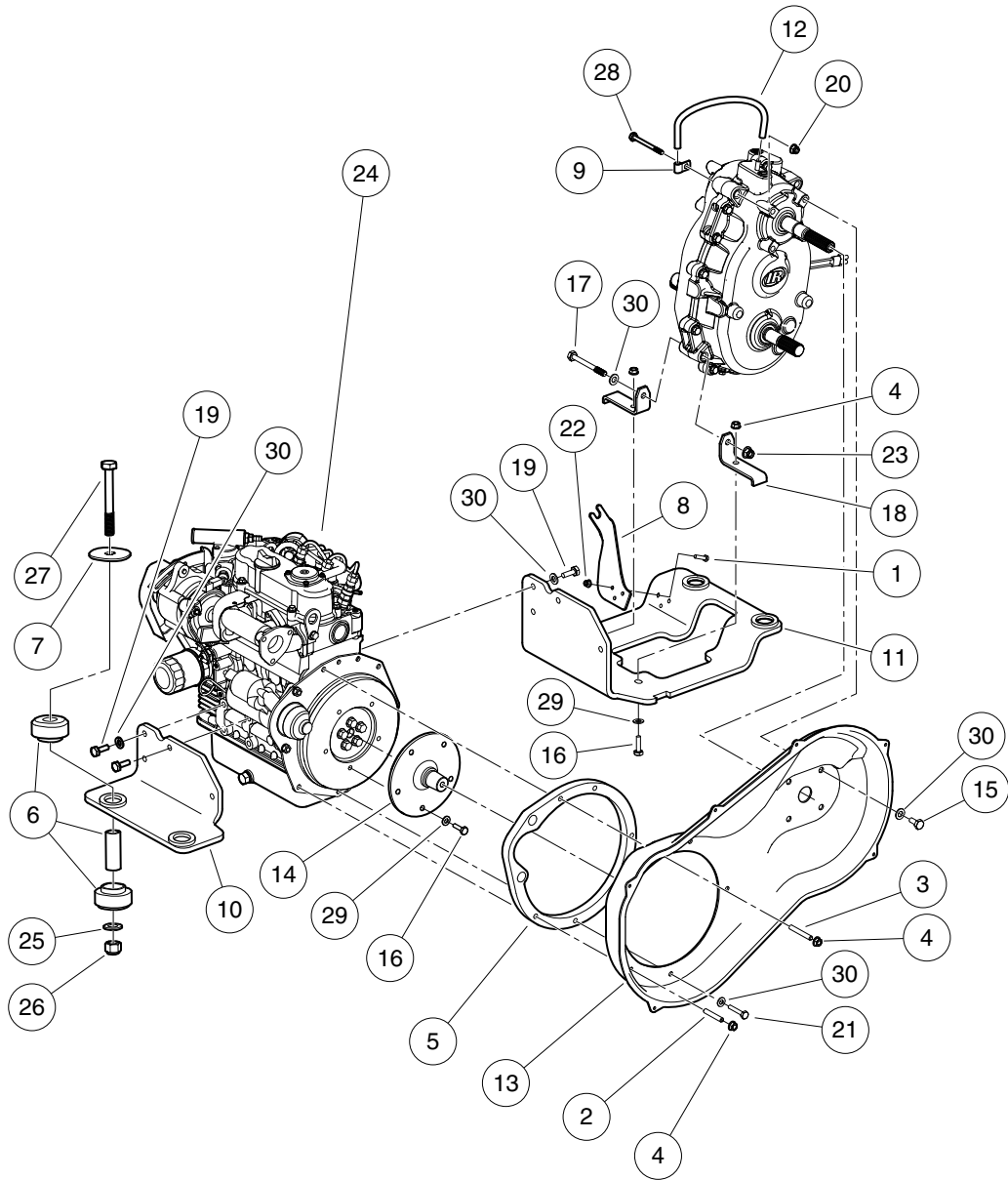
ITEM	PART NO.	DESCRIPTION	QTY
		1 2 3 4	
1	<u>AM11805</u>	Kit, Tune-Up (For Kubota engines) (includes items 2 through 6)	1
2	<u>102434601</u>	Filter Assy, Fuel and Water (includes item 3)	1
3	<u>102703401</u>	Filter, Water Separator	1
4	<u>102434701</u>	Filter, Fuel	1
5	<u>102498601</u>	Element, Filter, Air, 5 Inch	1
6	<u>102703301</u>	Filter, Engine Oil, D722	1

9

D

9

D



000025-002

DIESEL ENGINE AND MOUNTS

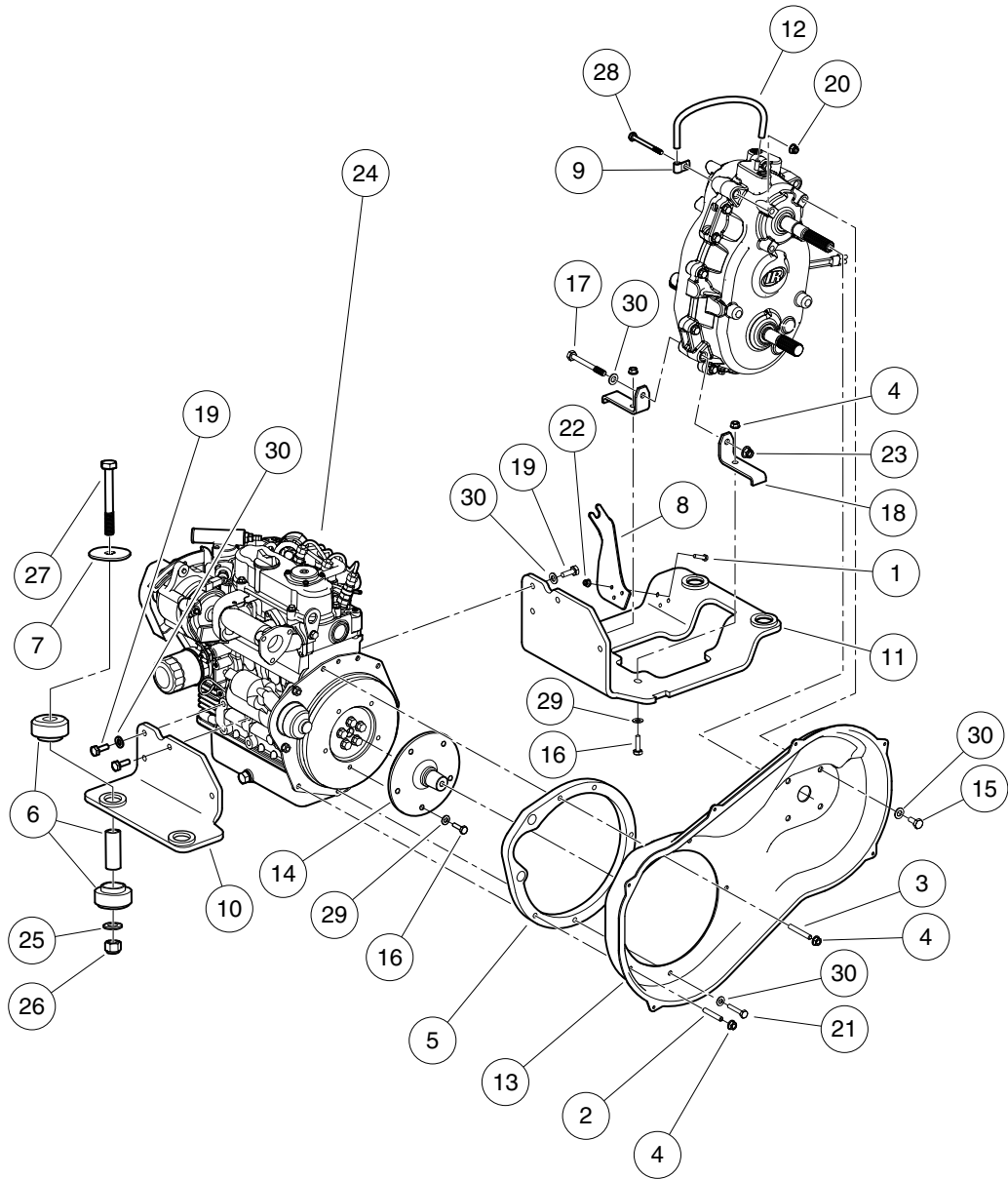
ITEM	PART NO.	DESCRIPTION	QTY
		1 2 3 4	
1	<u>1012769</u>	Screw, M6-1.00 X 25mm Hex Cap	3
2	<u>101833101</u>	Stud, M8-1.25 X 50 mm Two-Ended	1
3	<u>101833201</u>	Stud, M8-1.25 X 60mm Two-Ended	1
4	<u>102298401</u>	Nut,m8,all Metal Lock	7
5	<u>102370101</u>	Spacer, Engine, Diesel	1
6	<u>102370501</u>	Isolator Ring and Bushing	4
7	<u>102370601</u>	Washer, Snubbing, Ring N Bush	4
8	<u>102382401</u>	Bracket, FNR Trans Cable	1
9	<u>102410603</u>	P-Clamp, Insulated .312 In	1
10	<u>102414701</u>	Plate, Engine Mounting, Weld, Left-Hand	1
11	<u>102414801</u>	Plate, Engine Mounting, Weld, Right-Hand	1
12	<u>102462301</u>	Hose, Vent, Transmission	1
13	<u>102462501</u>	Cover, CVT Inner, Diesel	1
14	<u>102465901</u>	Shaft, CVT Adapter	1
15	<u>102490101</u>	Bolt, M10 X 1.5 X 20 Loctite	4
16	<u>102490201</u>	Bolt, M8 X 1.25 X 25 Loctite	7
17	<u>102490501</u>	Bolt, M10 X 1.5 X 100 Loctite	1
18	<u>102494401</u>	Bracket, Transmission Mounting	2
19	<u>102498201</u>	Bolt, M10 X 1.25 X 25, Loctite	8
20	<u>102618601</u>	Lock Nut, Flange, M8 X 1.25 Nylon	1
21	<u>102621301</u>	Bolt, M8 X 1.25 X 40 with Loctite	3
22	<u>102621501</u>	Nut, Flange, M6 X 1.0, Nylon	3
23	<u>102670701</u>	Nut, Flange, M10 X 1.5 Nylon	1
24	<u>102934601</u>	Engine, Kubota, D722, with Closed Breather	1
25	<u>96701412</u>	Washer, M12 Hard	4
26	<u>96704622</u>	Locknut, M12x1.75 Nylon Insert	4
27	<u>96704721</u>	Bolt, M12 X 1.75 X 90	4
28	<u>96718978</u>	Bolt, M8 X 1.25 X 80	1
29	<u>96741038</u>	Washer, M8 Hard	10
30	<u>96741046</u>	Washer, M10, Hard	12
		Note: This engine (24) is for vehicles with an electric fuel pump.	

9

D

9

D



000025-002

DIESEL ENGINE AND MOUNTS – MECHANICAL FUEL PUMP

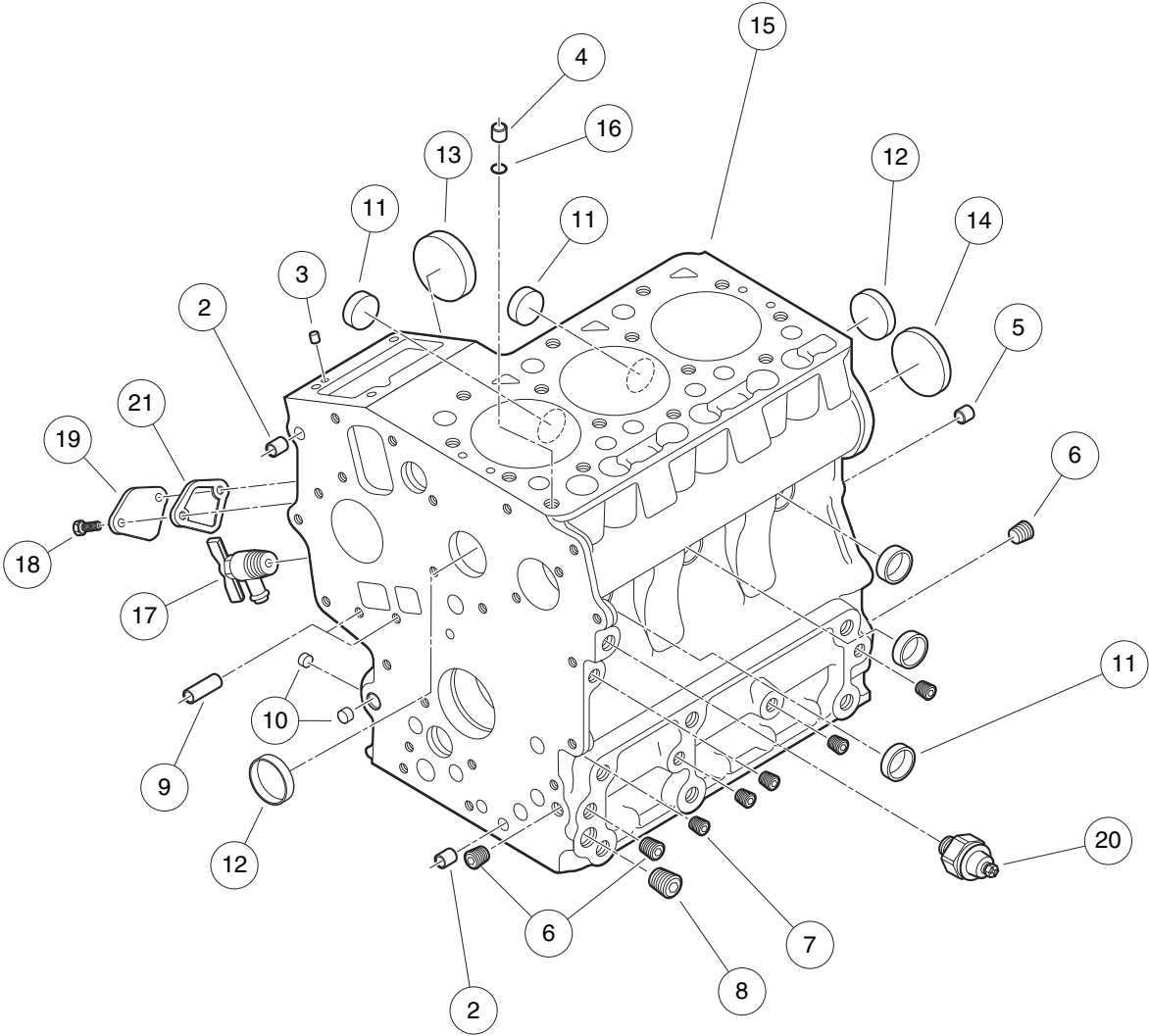
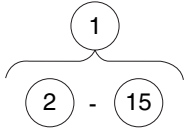
ITEM	PART NO.	DESCRIPTION	QTY
		1 2 3 4	
1	<u>1012769</u>	Screw, M6-1.00 X 25mm Hex Cap	3
2	<u>101833101</u>	Stud, M8-1.25 X 50 mm Two-Ended	1
3	<u>101833201</u>	Stud, M8-1.25 X 60mm Two-Ended	1
4	<u>102298401</u>	Nut,m8,all Metal Lock	7
5	<u>102370101</u>	Spacer, Engine, Diesel	1
6	<u>102370501</u>	Isolator Ring and Bushing	4
7	<u>102370601</u>	Washer, Snubbing, Ring N Bush	4
8	<u>102382401</u>	Bracket, FNR Trans Cable	1
9	<u>102410603</u>	P-Clamp, Insulated .312 In	1
10	<u>102414701</u>	Plate, Engine Mounting, Weld, Left-Hand	1
11	<u>102414801</u>	Plate, Engine Mounting, Weld, Right-Hand	1
12	<u>102462301</u>	Hose, Vent, Transmission	1
13	<u>102462501</u>	Cover, CVT Inner, Diesel	1
14	<u>102465901</u>	Shaft, CVT Adapter	1
15	<u>102490101</u>	Bolt, M10 X 1.5 X 20 Loctite	4
16	<u>102490201</u>	Bolt, M8 X 1.25 X 25 Loctite	7
17	<u>102490501</u>	Bolt, M10 X 1.5 X 100 Loctite	1
18	<u>102494401</u>	Bracket, Transmission Mounting	2
19	<u>102498201</u>	Bolt, M10 X 1.25 X 25, Loctite	8
20	<u>102618601</u>	Lock Nut, Flange, M8 X 1.25 Nylon	1
21	<u>102621301</u>	Bolt, M8 X 1.25 X 40 with Loctite	3
22	<u>102621501</u>	Nut, Flange, M6 X 1.0, Nylon	3
23	<u>102670701</u>	Nut, Flange, M10 X 1.5 Nylon	1
24	<u>103589201</u>	Engine, Kubota, D722, with Mechanical Fuel Pump	1
25	<u>96701412</u>	Washer, M12 Hard	4
26	<u>96704622</u>	Locknut, M12x1.75 Nylon Insert	4
27	<u>96704721</u>	Bolt, M12 X 1.75 X 90	4
28	<u>96718978</u>	Bolt, M8 X 1.25 X 80	1
29	<u>96741038</u>	Washer, M8 Hard	10
30	<u>96741046</u>	Washer, M10, Hard	12
Note: This engine (24) is for vehicles with a mechanical fuel pump.			

9

D

9

D



000039-001

CRANKCASE

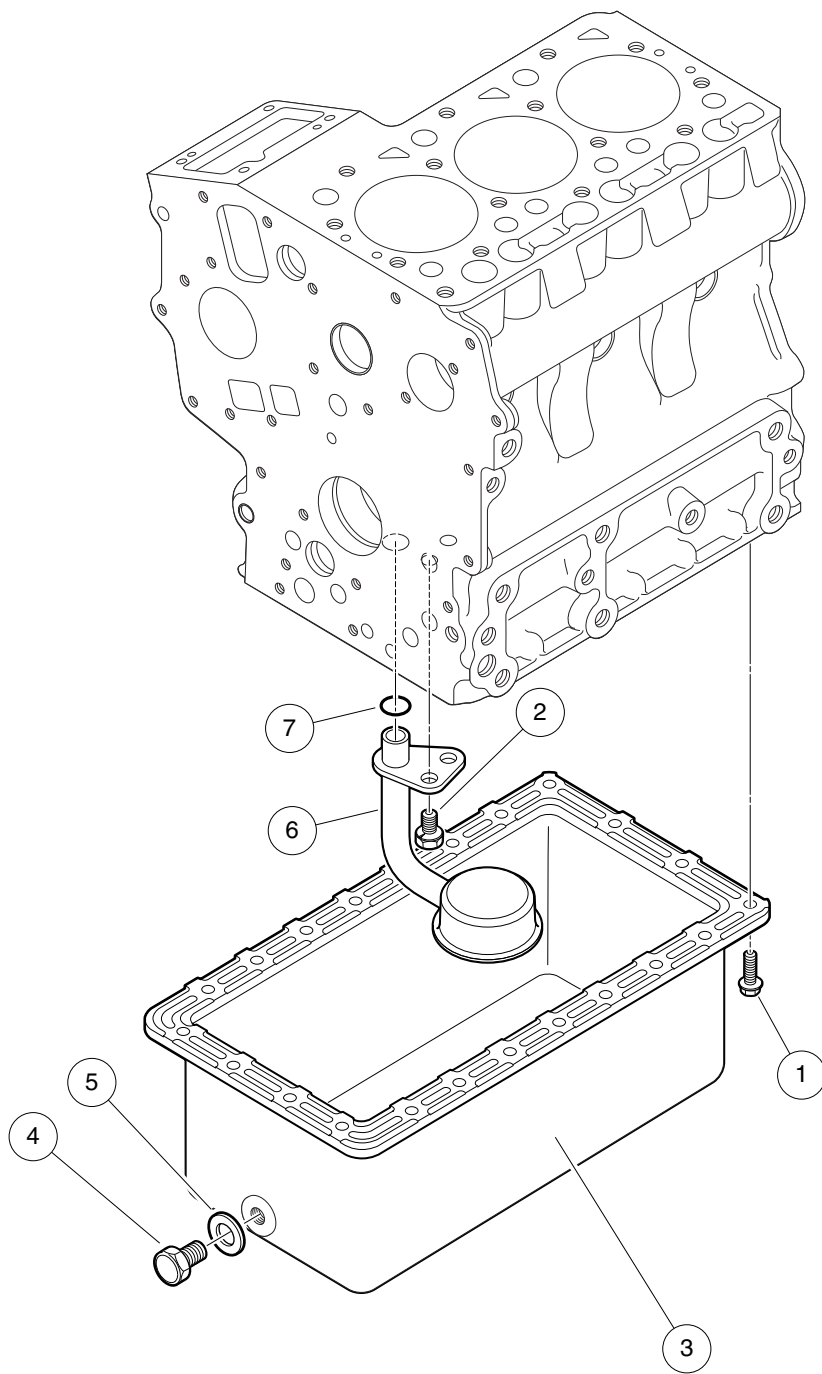
ITEM	PART NO.	DESCRIPTION	QTY
		1 2 3 4	
1	<u>102600001</u>	Engine Block (includes items 2 through 15)	1
2	<u>102600101</u>	Pin, Pipe, Dia 8 X 14	2
3	<u>102600201</u>	Pin, Straight, Dia 5 X 10	2
4	<u>102600401</u>	Pin, Pipe, Dia 7 X 14	1
5	<u>102600601</u>	Pin, Straight, Dia 8 X 16	2
6	<u>102600701</u>	Plug, 1/8"	3
7	<u>102600801</u>	Plug, 3/32"	5
8	<u>102601001</u>	Plug, 1/4"	1
9	<u>102601301</u>	Pin, Pipe, Dia 8 X 11	2
10	<u>102726201</u>	Cap, Sealing, Small	3
11	<u>102726301</u>	Cap, Sealing, Med	5
12	<u>102726401</u>	Cap, Sealing, Large	2
13	<u>102726501</u>	Cover, Fuel Camshaft	1
14	<u>102726601</u>	Plug, Expansion	1
15	N/A	Block, Engine	1
16	<u>102600301</u>	O Ring, 8 X 7	1
17	<u>102601401</u>	Cock, Drain	1
18	<u>102631601</u>	Bolt, M6 X 1 X 20	2
19	<u>102700801</u>	Plate, Engine Block	1
20	<u>102730801</u>	Switch, Oil Pressure	1
21	<u>102732601</u>	Gasket, Fuel Pump, D722	1

9

D

9

D



000040-001

OIL PAN

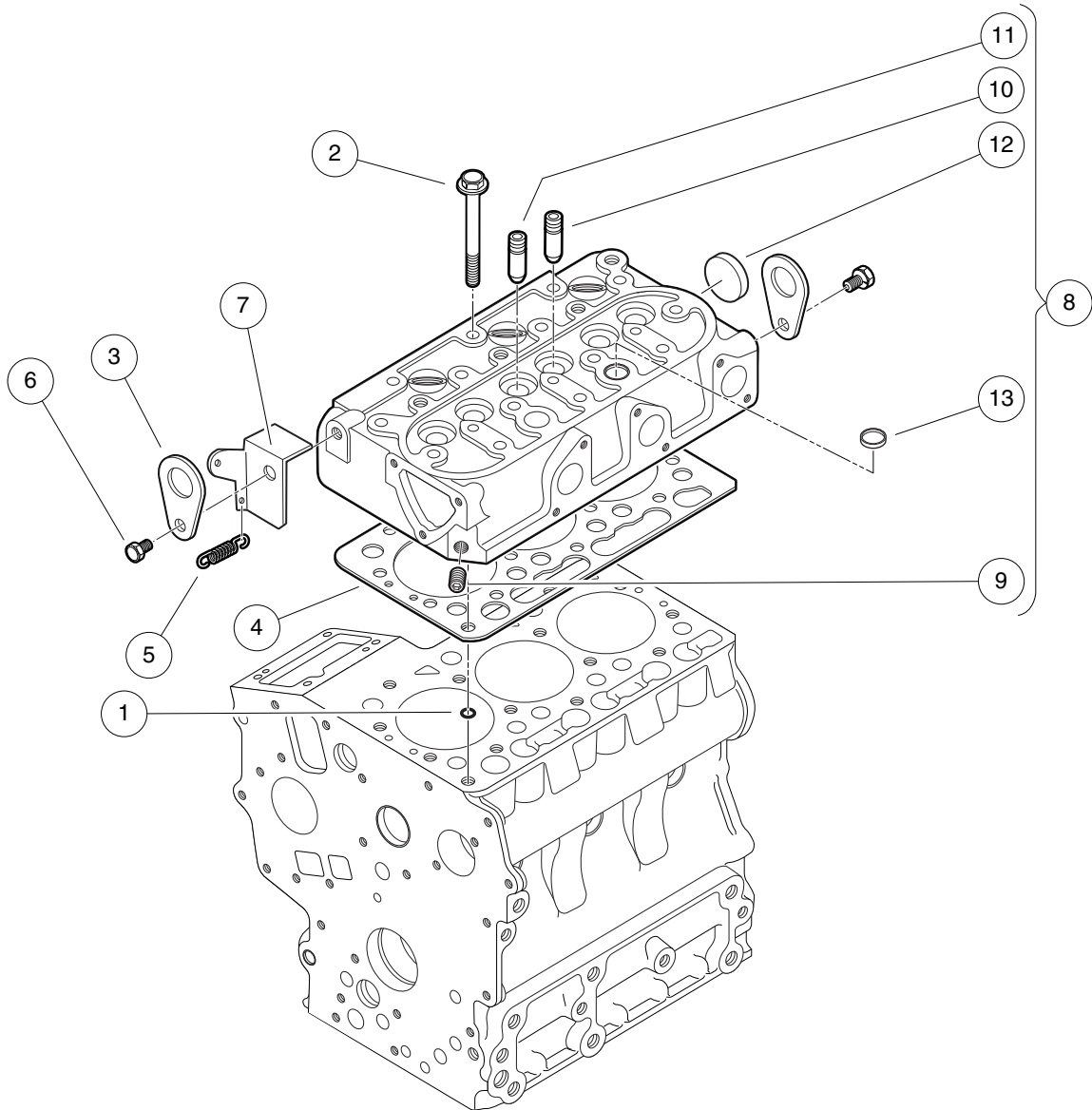
ITEM	PART NO.	DESCRIPTION	QTY
		1 2 3 4	
1	<u>102605101</u>	Bolt, M6 X 1 X 14	22
2	<u>102606901</u>	Bolt, M8 X 1.25 X 15	1
3	102607001	Oil Pan	1
4	<u>102607201</u>	Plug, Drain, M12 X 14	1
5	<u>102607301</u>	Gasket, 20 X 13	1
6	<u>102607401</u>	Filter, Oil, Pick Up	1
7	<u>102654601</u>	O Ring, 20 X 17	1

9

D

9

D



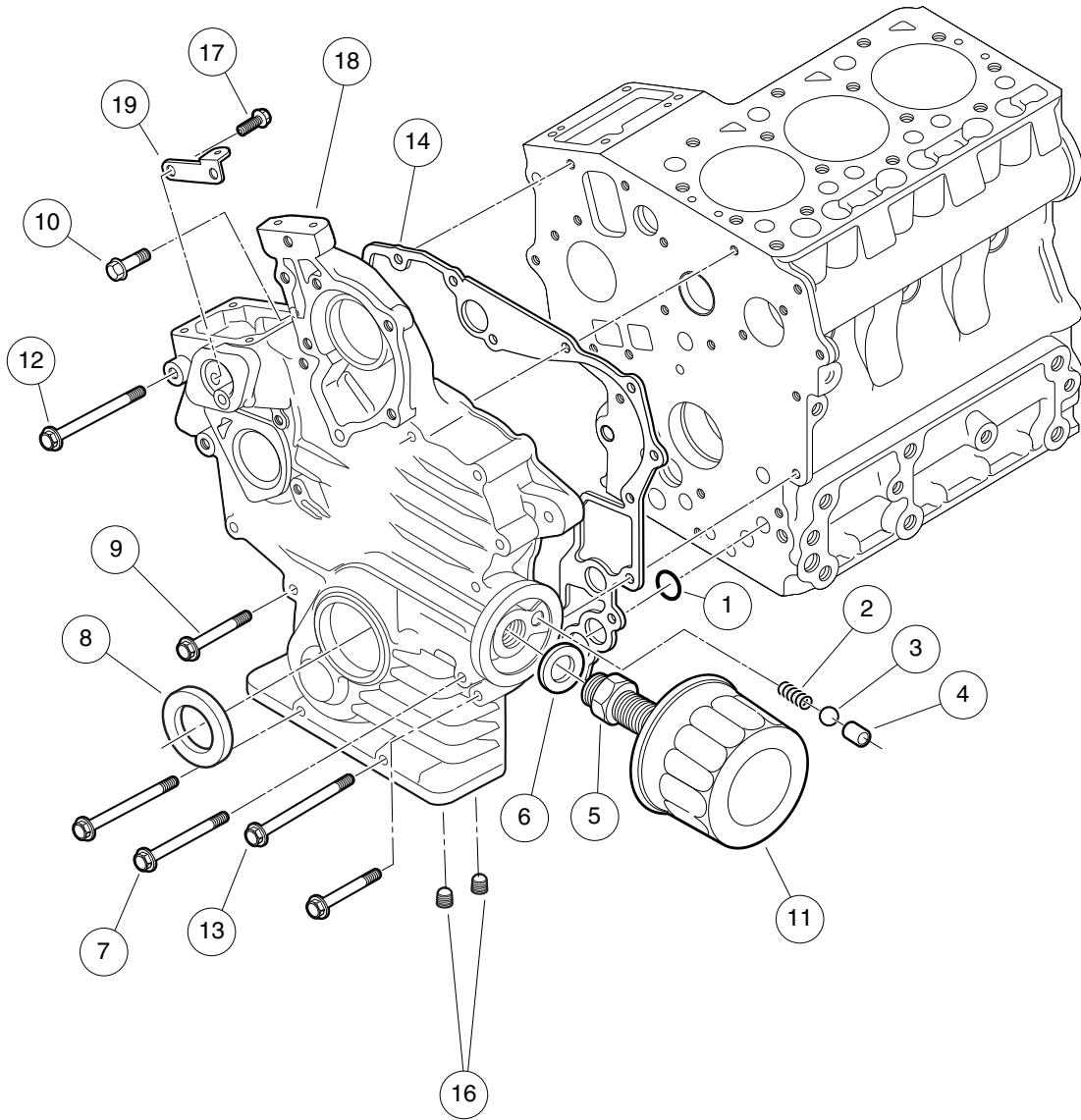
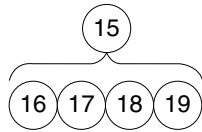
000041-002

CYLINDER HEAD

ITEM	PART NO.	DESCRIPTION	QTY
		1 2 3 4	
1	<u>102600301</u>	O Ring, 8 X 7	1
2	<u>102652801</u>	Bolt, Cylinder Head	14
3	<u>102653901</u>	Hook, Engine	2
4	<u>102654101</u>	Gasket, Cylinder Head	1
5	<u>102701001</u>	Spring, Start	1
6	<u>102726701</u>	Bolt, Engine Hook	2
7	<u>102727101</u>	Stay, Cylinder Head	1
8	<u>102798001</u>	Head, Cylinder, Complete (includes items 9 through 13)	1
9	<u>102600801</u>	Plug, 3/32"	1
10	<u>102653401</u>	Guide, Exhaust Valve	3
11	<u>102653501</u>	Guide, Inlet Valve	3
12	<u>102726901</u>	Cap, Sealing, Head	1
13	<u>102727001</u>	Cap, Sealing, Head, Top	2

9

D



000042-003

GEAR CASE

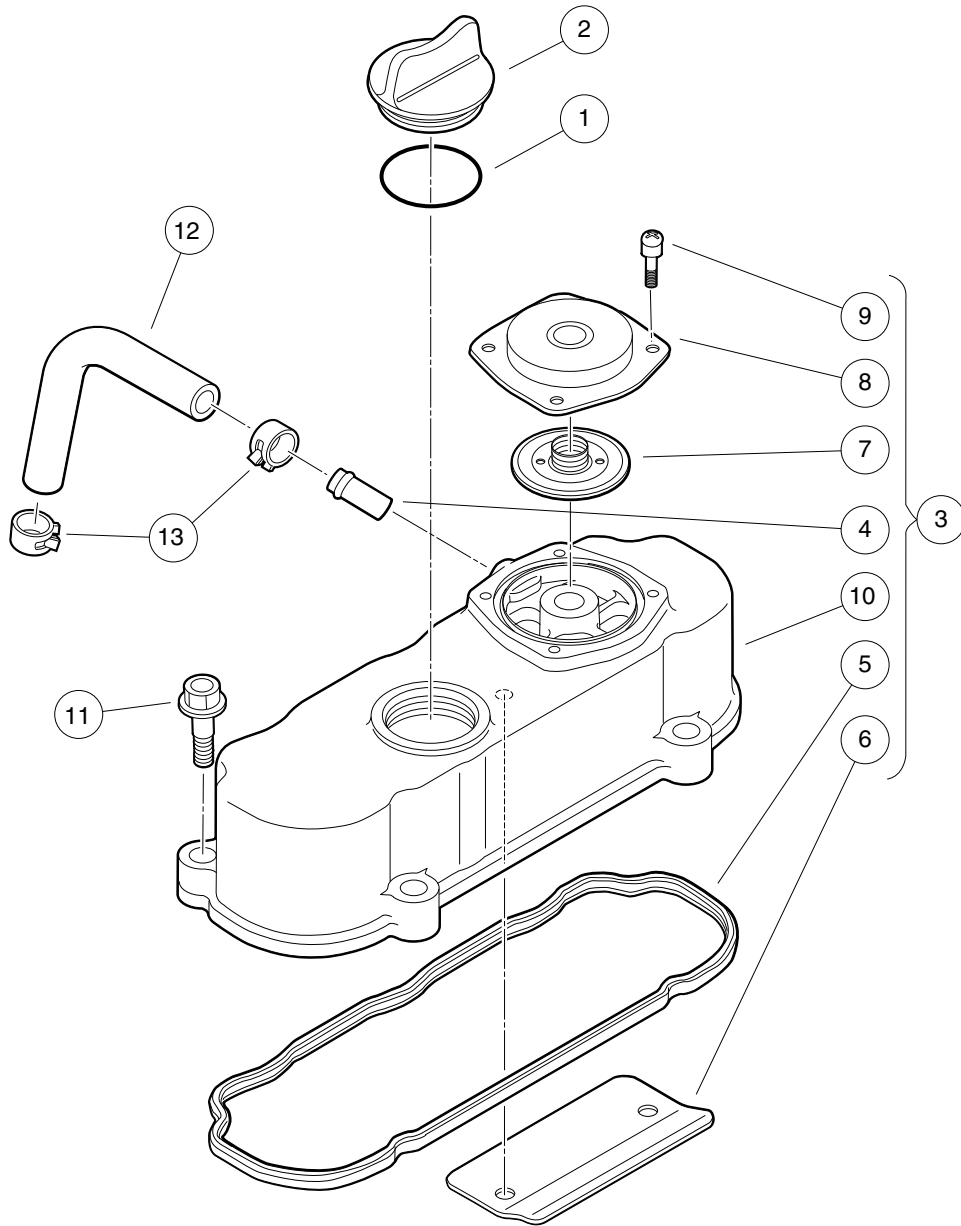
9

D

ITEM	PART NO.	DESCRIPTION	QTY
		1 2 3 4	
1	<u>102601801</u>	O Ring, 18 X 13	3
2	<u>102601901</u>	Spring, Valve	1
3	<u>102602001</u>	Ball, Valve	1
4	<u>102602101</u>	Seat, Valve	1
5	<u>102602301</u>	Joint, Pipe	1
6	<u>102602401</u>	Washer, Plain, Special	1
7	<u>102602601</u>	Bolt, M6 X 1 X 60	2
8	<u>102602701</u>	Seal, Oil	1
9	<u>102602801</u>	Bolt, D722, Front Case	9
10	<u>102654301</u>	Bolt, D722 Intake Manifold Lower	1
11	<u>102703301</u>	Filter, Engine Oil, D722	1
12	<u>102727401</u>	Bolt, Gearcase, Top	2
13	<u>102727501</u>	Bolt, Gearcase, Lower	1
14	<u>102729301</u>	Gasket, Gearcase, D722	1
15	<u>102798101</u>	Case, Gear (includes items 16 through 19)	1
16	<u>102601001</u>	Plug, 1/4"	2
17	<u>102727601</u>	Screw, Breather	2
18	N/A	Case, Gear	1
19	<u>102798201</u>	Stay, Spring	1

9

D



000181-001

HEAD COVER

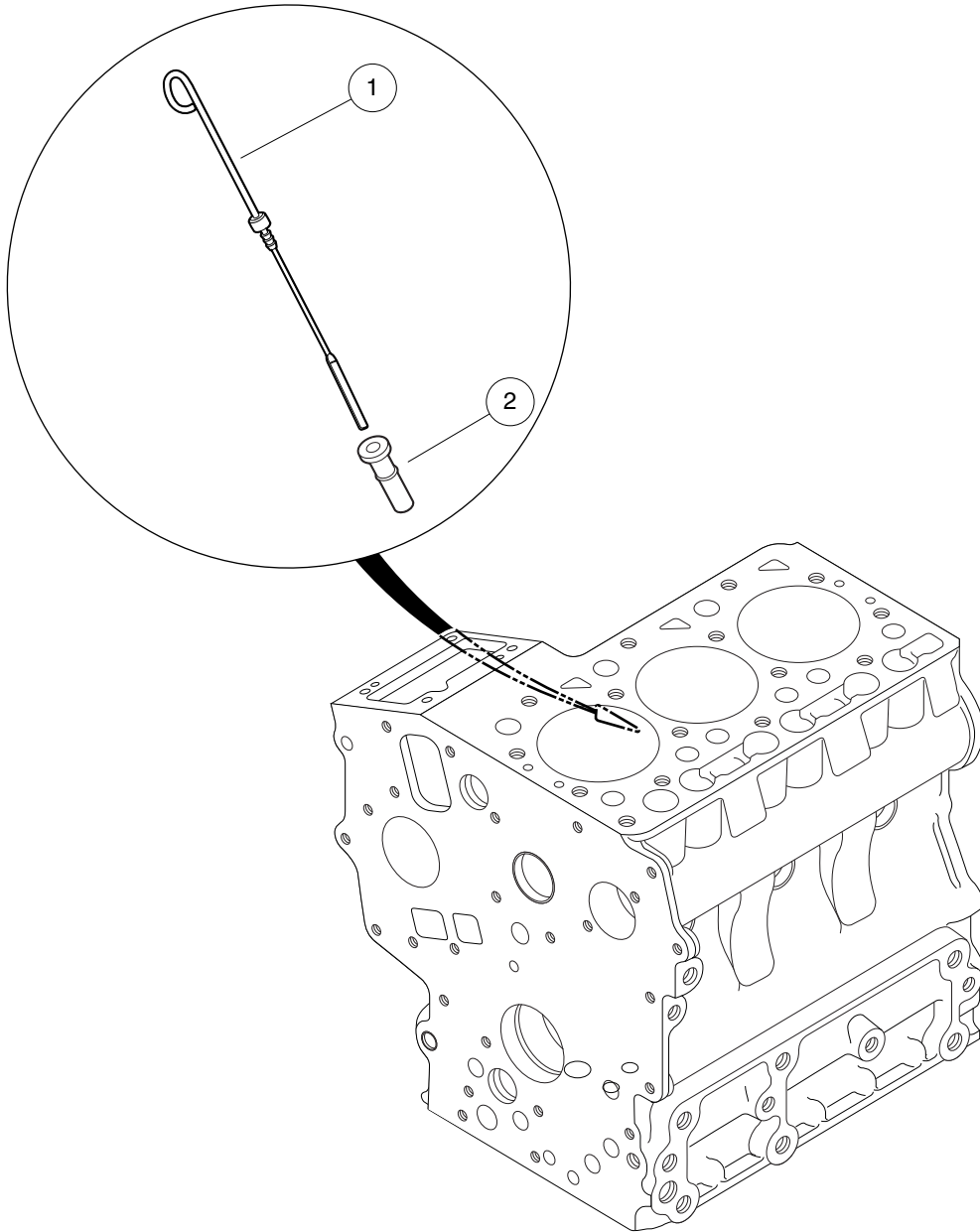
ITEM	PART NO.	DESCRIPTION	QTY
		1 2 3 4	
1	<u>102644001</u>	O Ring, 30 X 36	1
2	<u>102644101</u>	Plug, Oil Filler	1
3	<u>102798401</u>	Assembly, Cylinder Head Cover (includes items 4 through 10)	1
4	<u>102633301</u>	Pipe, Water Return, D722	1
5	<u>102798501</u>	Gasket, Cylinder Head Cover	1
6	<u>102798601</u>	Shield, Breather	1
7	<u>102799001</u>	Valve, Breather	1
8	<u>102799101</u>	Cover, Breather	1
9	<u>102799201</u>	Screw, Breather	4
10	N/A	Cover, Cylinder Head	1
11	<u>102798701</u>	Bolt, Cylinder Head Cover	4
12	<u>102798801</u>	Tube, Breather	1
13	<u>102798901</u>	Clamp, Breather Tube	2

9

D

9

D



000044-002

DIPSTICK AND GUIDE

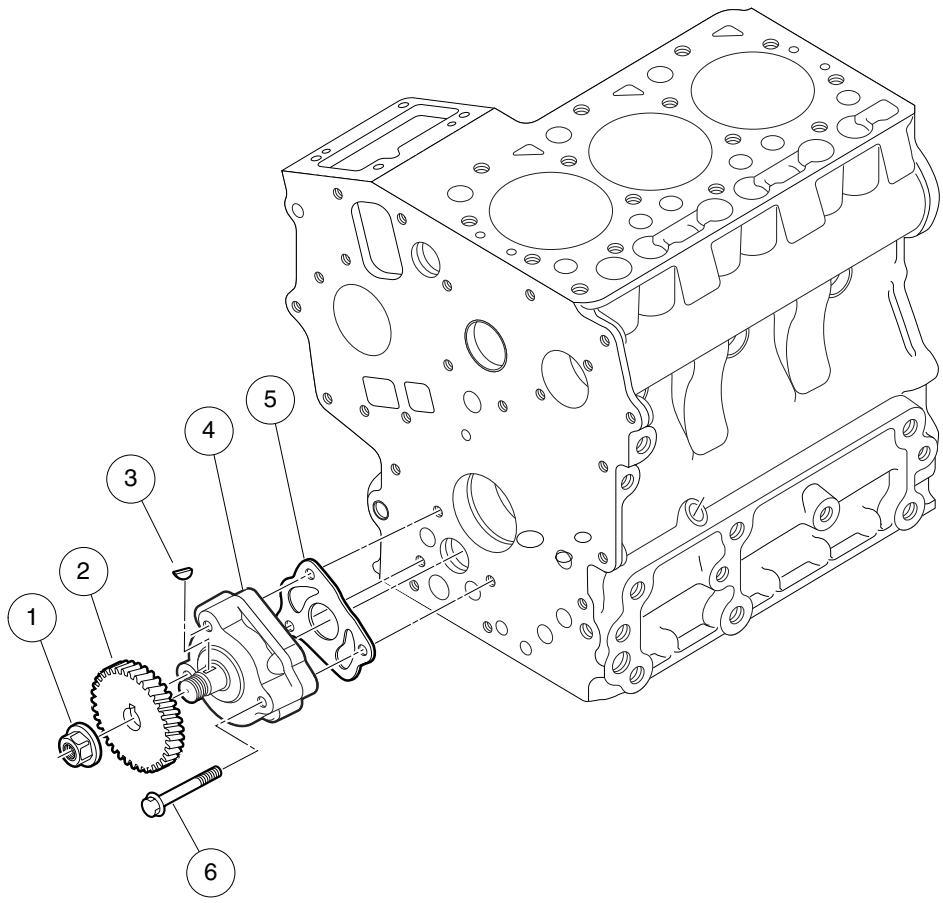
ITEM	PART NO.	DESCRIPTION	QTY
		1 2 3 4	
1	<u>102606701</u>	Dipstick, Oil	1
2	<u>102727701</u>	Guide, Oil Dipstick	1

9

D

9

D



000045-001

OIL PUMP

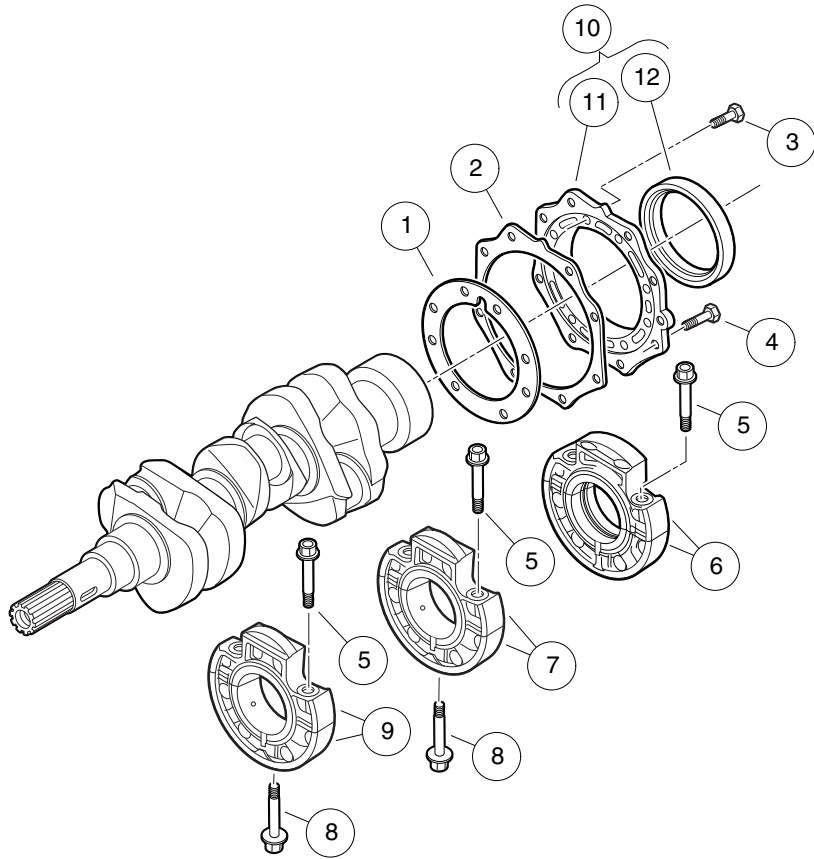
ITEM	PART NO.	DESCRIPTION	QTY
		1 2 3 4	
1	<u>102606201</u>	Nut, Flange, D722 Oil Pump	1
2	<u>102606301</u>	Gear, Oil Pump Drive	1
3	<u>102606401</u>	Key, Feather, 8x4	1
4	<u>102606501</u>	Assy, Pump, Oil	1
5	<u>102606601</u>	Gasket, Oil Pump	1
6	<u>102727901</u>	Bolt, Oil Pump	3

9

D

9

D



000046-001

MAIN BEARING CASE

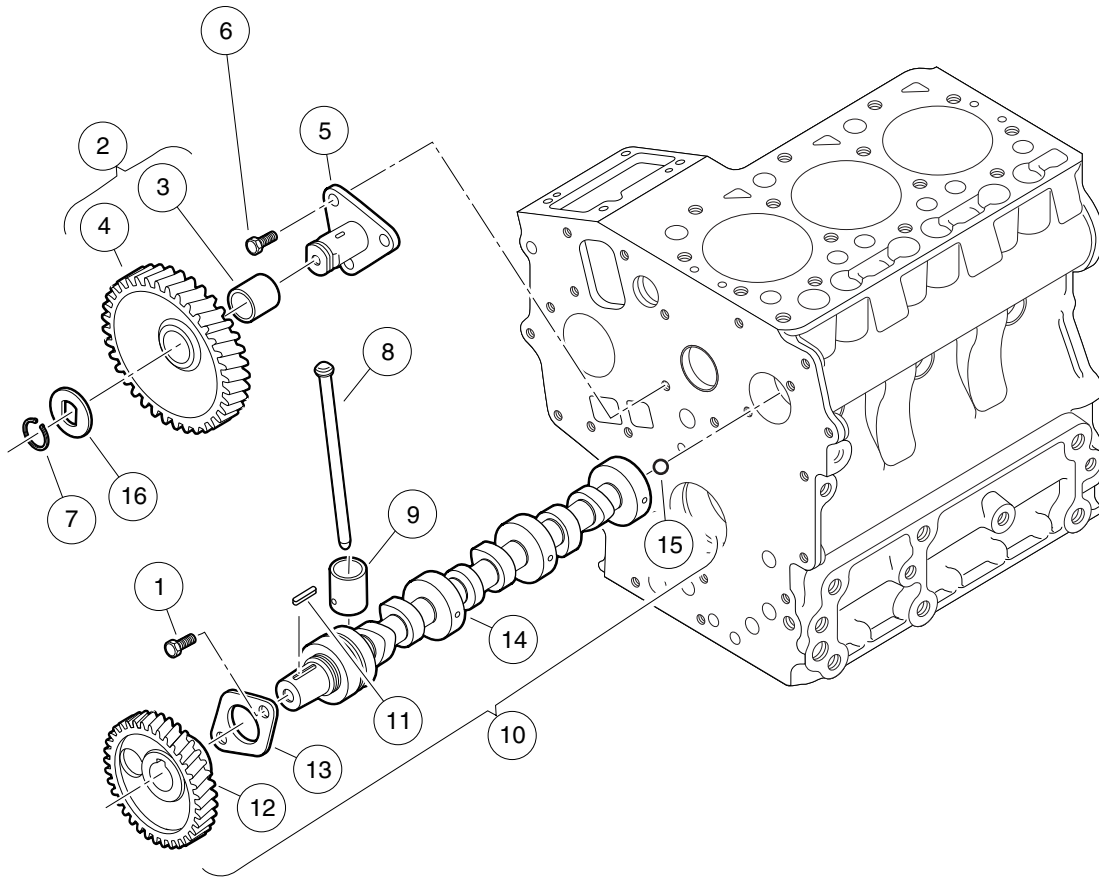
ITEM	PART NO.	DESCRIPTION	QTY
		1 2 3 4	
1	<u>102608201</u>	Gasket, Bearing Case	1
2	<u>102608301</u>	Gasket, Cover	1
3	<u>102608601</u>	Bolt, M6 X 1 X 20	8
4	<u>102608701</u>	Bolt, M6 X 1 X 22	8
5	<u>102608901</u>	Bolt, Bearing Case, Top	6
6	<u>102609101</u>	Assy Case, Main Brg, First	1
7	<u>102609301</u>	Assy, Case, Main Bearing, Second	1
8	<u>102609401</u>	Bolt, Bearing Case, Bottom	2
9	<u>102609601</u>	Assy Case, Main Brg, Third	1
10	<u>102728001</u>	Assy, Cover, Bearing Case (includes items 11 and 12)	1
11	<u>102608401</u>	Cover, Bearing Case	1
12	<u>102608501</u>	Seal, Oil	1

9

D

9

D



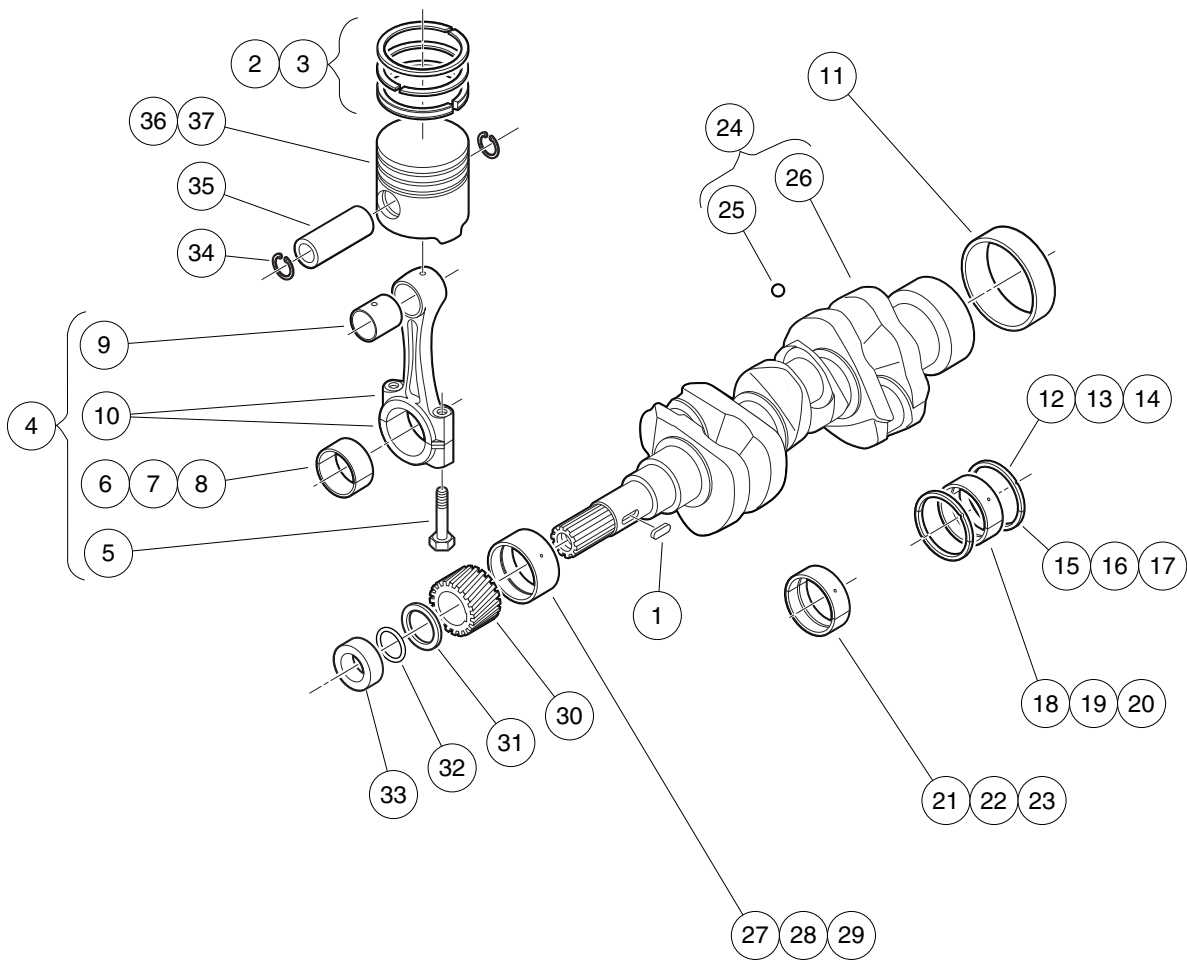
000047-002

CAMSHAFT AND IDLE GEAR

ITEM	PART NO.	DESCRIPTION	QTY
		1 2 3 4	
1	<u>102604201</u>	Bolt, D722, Cam End	2
2	<u>102604901</u>	Gear, Idle (includes items 3 and 4)	1
3	<u>102603201</u>	Bushing, D722 Idle Gear	1
4	N/A	Gear, Idle	1
5	<u>102605001</u>	Shaft, Idle Gear	1
6	<u>102605101</u>	Bolt, M6 X 1 X 14	3
7	<u>102605301</u>	Ring, Snap	1
8	102605401	Push Rod	6
9	<u>102605501</u>	Tappet	6
10	<u>102605801</u>	Assy Camshaft, Long (includes items 11 through 15)	1
11	<u>102605601</u>	Key, Feather, Long Camshaft	1
12	<u>102605901</u>	Gear, Cam	1
13	102606001	Stopper, Camshaft	1
14	N/A	Camshaft	1
15	<u>102799401</u>	Ball, Check	1
16	<u>102654401</u>	Collar, Idle Gear	1

9

D



000048-002

PISTON AND CRANKSHAFT

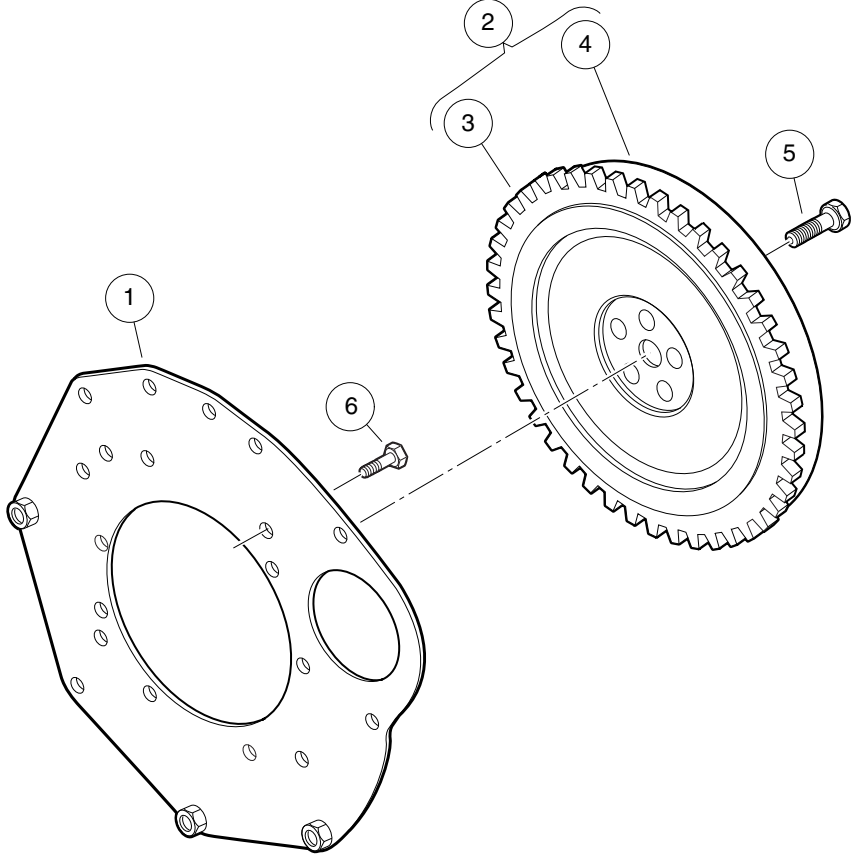
ITEM	PART NO.	DESCRIPTION	QTY
		1 2 3 4	
1	<u>102604401</u>	Key, Feather, Short Camshaft	1
2	<u>102607601</u>	Assy Piston Ring, D722 Std	3
3	<u>102607602</u>	Assy Piston Ring, D722 +.025	3
4	<u>102607801</u>	Assy, Connecting Rod (includes items 5 through 10)	3
5	<u>102607901</u>	Bolt, Connecting Rod	6
6	<u>102630701</u>	Metal, Crank, Rod, D722, Std	3
7	<u>102630702</u>	Metal, Crank, Rod, D722, .020	3
8	<u>102630703</u>	Metal, Crank, Rod, D722, .040	3
9	<u>102732201</u>	Bushing, Piston Pin, D722	3
10	N/A	Rod, Connecting	1
11	<u>102608101</u>	Sleeve, Crankshaft	1
12	<u>102608801</u>	Metal,crank, O Side, Std	2
13	<u>102608802</u>	Metal,crank, O Side, +.020	2
14	<u>102608803</u>	Metal,crank, O Side, +.040	2
15	<u>102608804</u>	Metal,crank, I Side, Std	2
16	<u>102608805</u>	Metal,crank, I Side, +.020	2
17	<u>102608806</u>	Metal,crank, I Side, +.040	2
18	<u>102609001</u>	Metal, Crank, Main, Rear Std	1
19	<u>102609002</u>	Metal, Crank, Main, Rear -.020	1
20	<u>102609003</u>	Metal, Crank, Main, Rear -.040	1
21	<u>102609801</u>	Metal, Crank, Main, Mid Std	4
22	<u>102609802</u>	Metal, Crank, Main, Mid +.020	2
23	<u>102609803</u>	Metal, Crank, Main, Mid +.040	2
24	<u>102610001</u>	Crankshaft (includes items 25 and 26)	1
25	<u>102608001</u>	Ball, Crankshaft	3
26	N/A	Crankshaft	1
27	<u>102630001</u>	Metal, Crank, D722, Frnt, Std	1
28	<u>102630002</u>	Metal, Crank, 722, Frnt, -.020	1
29	<u>102630003</u>	Metal, Crank, 722, Frnt, -.040	1
30	<u>102630101</u>	Gear, Crank	1
31	<u>102630201</u>	Slinger, Oil	1
32	<u>102630301</u>	O Ring, 23 X 26	1
33	<u>102630401</u>	Collar, Crankshaft	1
34	<u>102630901</u>	Circlip, Piston Pin	6
35	<u>102631001</u>	Pin, Piston	3
36	<u>102728101</u>	Piston, D722, Std	3
37	<u>102728102</u>	Piston, D722, +0.25	3

9

D

9

D



000049-001

FLYWHEEL

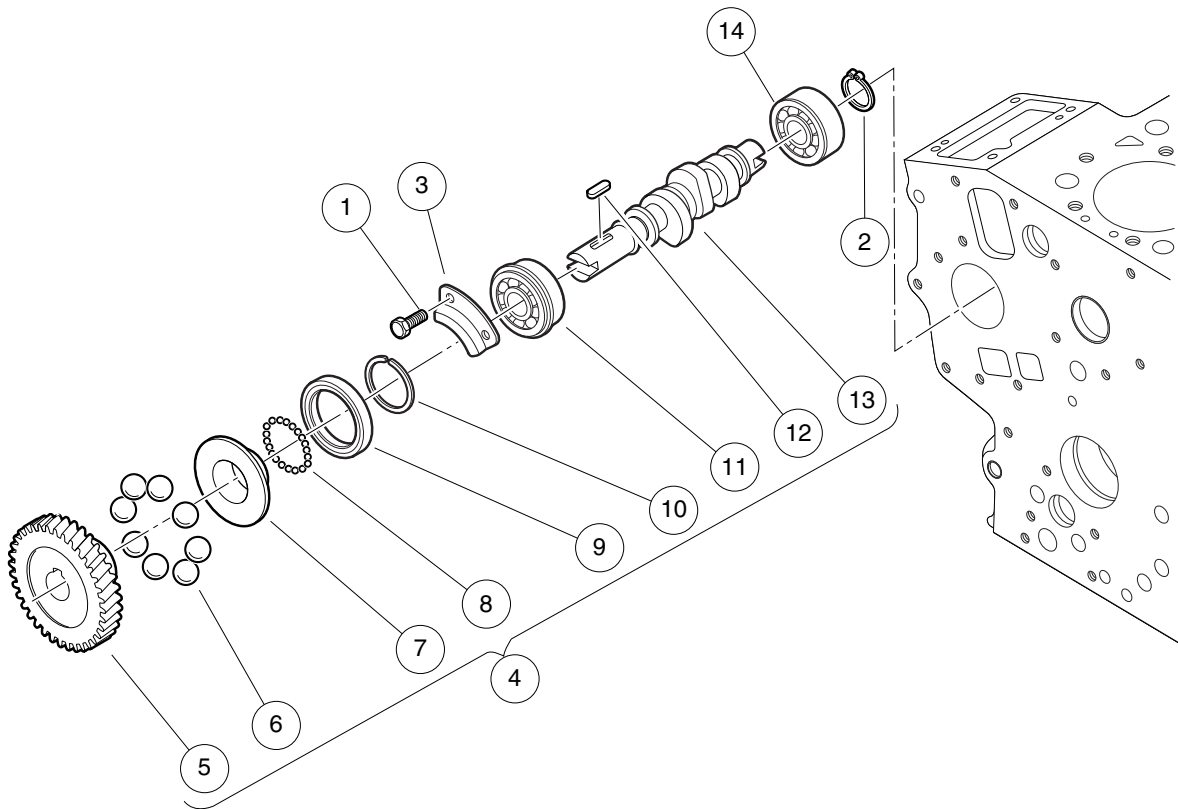
ITEM	PART NO.	DESCRIPTION	QTY
		1 2 3 4	
1	<u>102647501</u>	Plate, Rear End	1
2	<u>102647801</u>	Flywheel (includes items 3 and 4)	1
3	<u>102647901</u>	Gear, Ring, D722	1
4	N/A	Flywheel	1
5	<u>102648001</u>	Bolt, Flange Head, M10 X 1.5 X 25	5
6	<u>102728301</u>	Bolt, End Plate	10

9

D

9

D



000050-001

FUEL CAMSHAFT

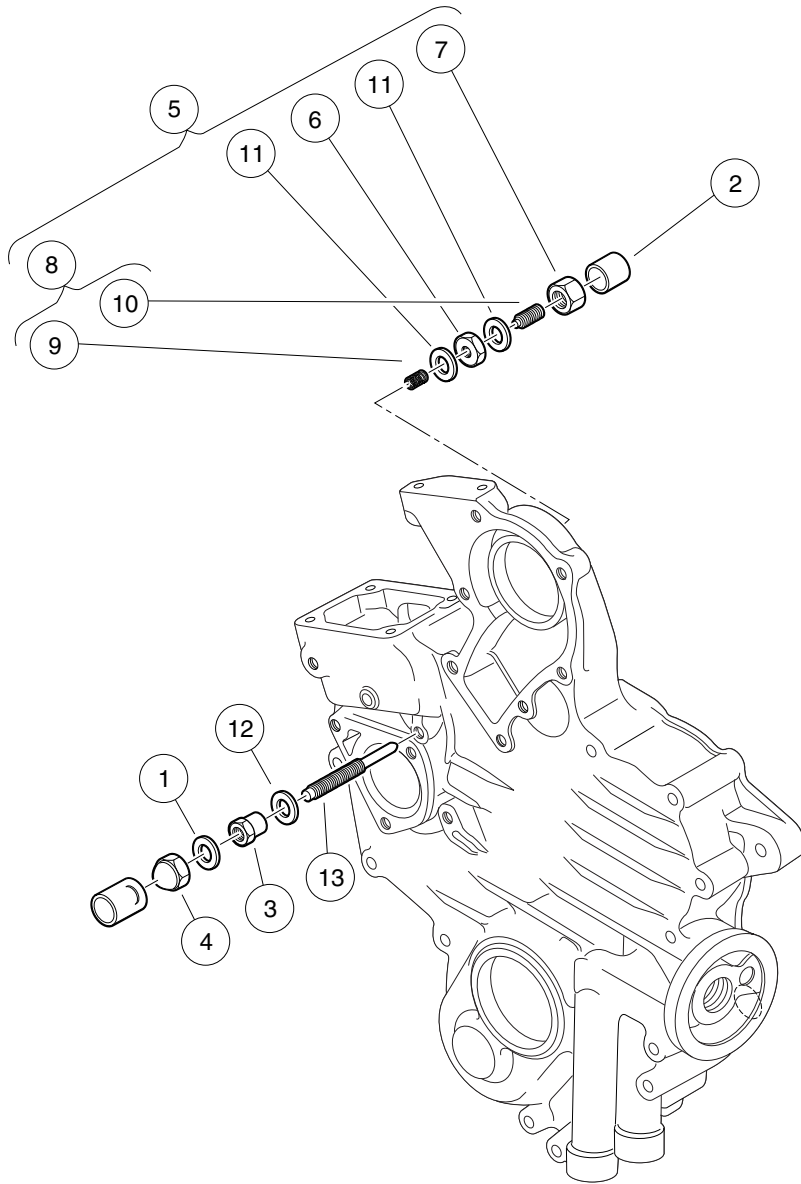
ITEM	PART NO.	DESCRIPTION	QTY
		1 2 3 4	
1	<u>102604201</u>	Bolt, D722, Cam End	2
2	<u>102604701</u>	Circlip, External	1
3	<u>102604801</u>	Stopper, Fuel, Camshaft	1
4	<u>102728401</u>	Assy, Fuel Camshaft (includes items 5 through 13)	1
5	<u>102603601</u>	Gear, Injection Pump	1
6	<u>102603701</u>	Ball, Injection Pump	8
7	<u>102603801</u>	Sleeve, Governor	1
8	<u>102603901</u>	Ball, Governor	32
9	<u>102604001</u>	Case, Governor Ball	1
10	<u>102604101</u>	Circlip	1
11	<u>102604301</u>	Bearing, Ball	1
12	<u>102604401</u>	Key, Feather, Short Camshaft	1
13	<u>102604501</u>	Camshaft, Fuel, Short	1
14	<u>102728501</u>	Bearing, Ball	1

9

D

9

D



000051-002

IDLE APPARATUS

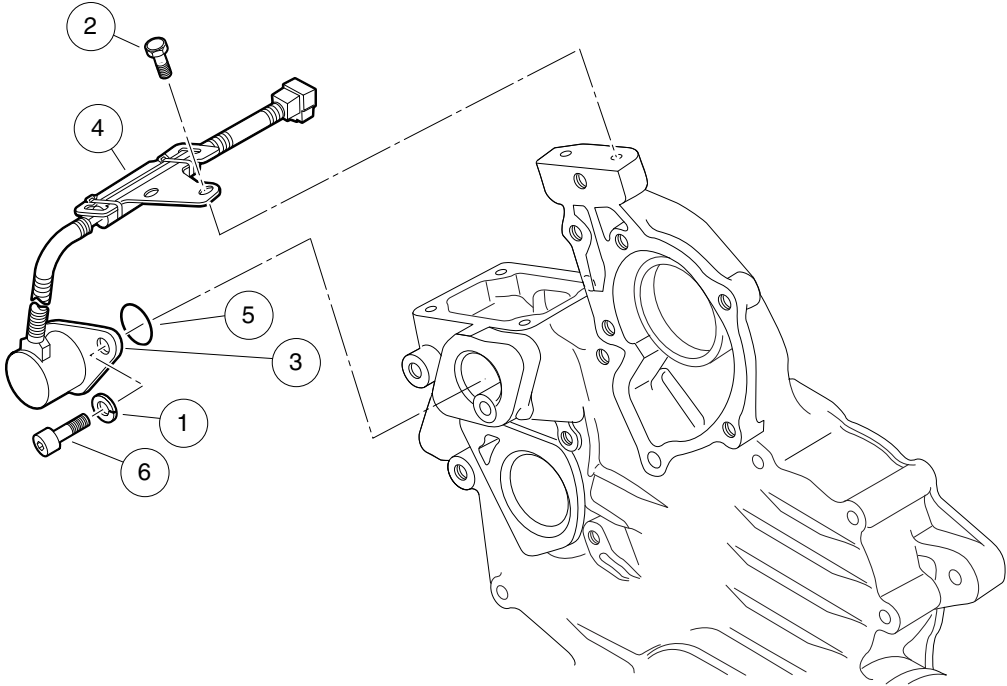
ITEM	PART NO.	DESCRIPTION	QTY
		1 2 3 4	
1	<u>102635301</u>	Gasket, 6 X 10	1
2	<u>102635701</u>	Cap, Bolt Assy	1
3	<u>102637001</u>	Nut, Lock, Special	1
4	<u>102637101</u>	Nut, Special	1
5	<u>102728601</u>	Assy, Idle Apparatus (includes items 6 through 11)	1
6	<u>102635501</u>	Nut, M8, D722 Idle App, Specl	1
7	<u>102635801</u>	Nut, M8, D722 Idle App	1
8	<u>102635901</u>	Assy, Bolt, Adjusting (includes items 9 and 10)	1
9	<u>102728701</u>	Spring, Idle Apparatus	1
10	N/A	Stud, Idle Adjustment	1
11	<u>102728801</u>	Gasket, Idle Apparatus, Rear	2
12	<u>102728901</u>	Gasket, Idle Apparatus, Front	1
13	<u>102799501</u>	Bolt, Idle Adjusting	1

9

D

9

D



000182-001

STOP SOLENOID

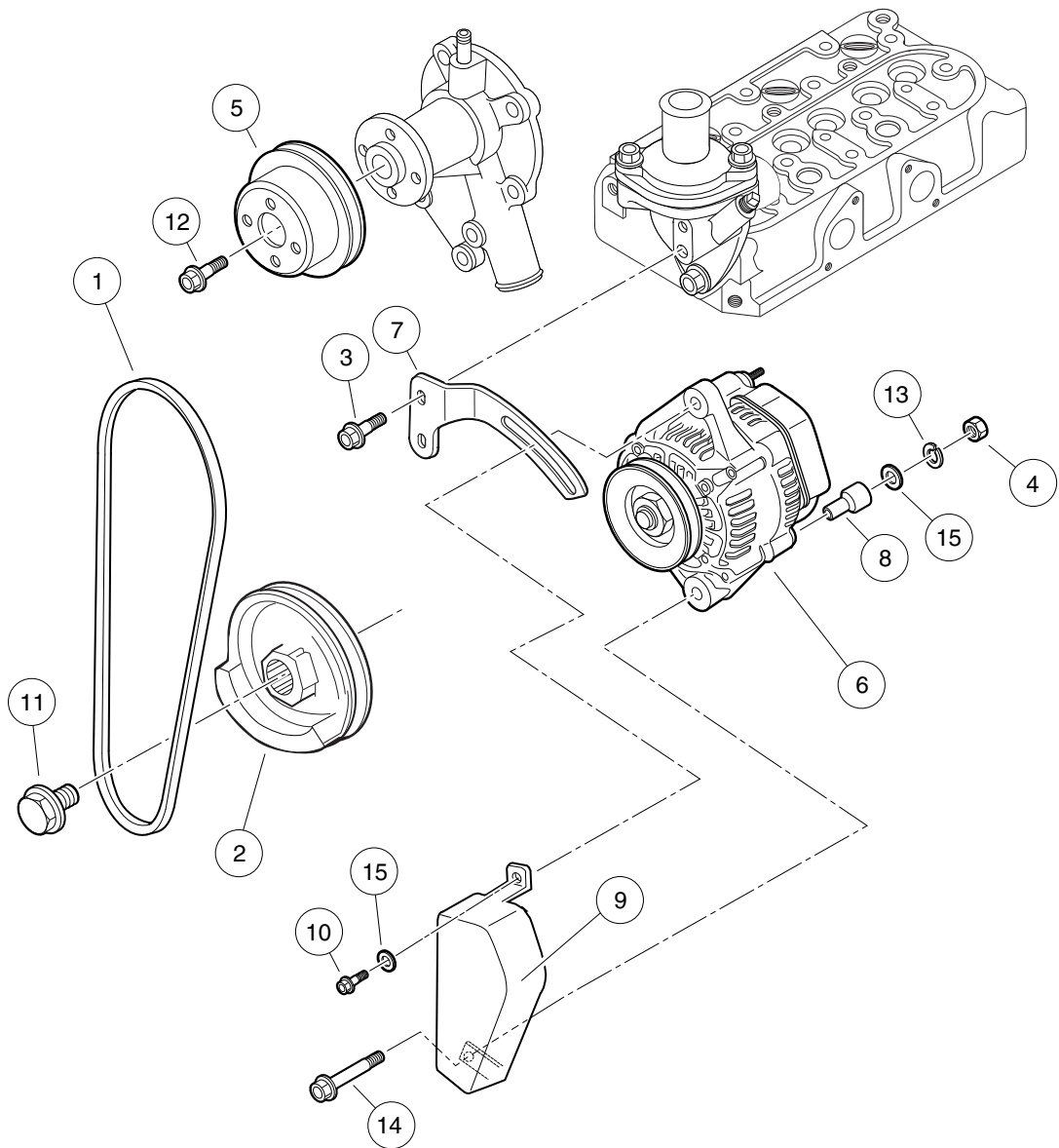
ITEM	PART NO.	DESCRIPTION	QTY
		1 2 3 4	
1	<u>102640601</u>	Washer, Spring, M6, D722	2
2	<u>102729101</u>	Bolt, Solenoid, Stop, D722	2
3	<u>102799601</u>	Solenoid, Stop	1
4	<u>102799701</u>	Stay, Stop Solenoid	1
5	<u>102799801</u>	O-Ring, Stop Solenoid	1
6	<u>102799901</u>	Bolt, Stop Solenoid	2

9

D

9

D



000057-002

40-AMP ALTERNATOR, BELT AND PULLEYS

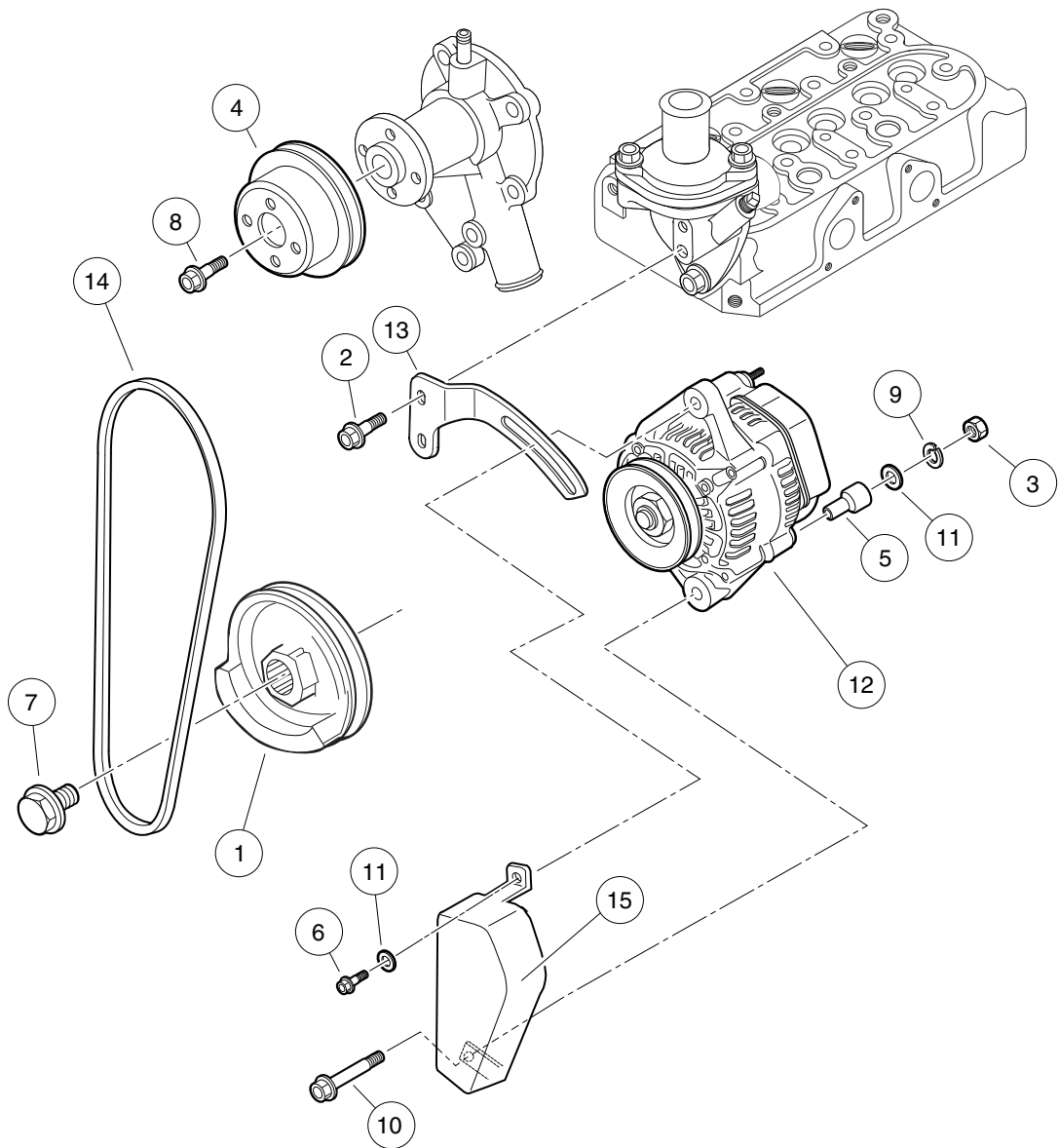
ITEM	PART NO.	DESCRIPTION	QTY
		1 2 3 4	
1	<u>102601101</u>	V-Belt	1
2	<u>102630601</u>	Pulley, Fan Drive	1
3	<u>102631601</u>	Bolt, M6 X 1 X 20	2
4	<u>102647701</u>	Nut, M8, Plate	1
5	<u>102701201</u>	Pulley, Water Pump	1
6	<u>102730001</u>	Alternator, 40-Amp	1
7	<u>102730101</u>	Stay, Alternator Assy, D722	1
8	<u>102730201</u>	Collar, Alternator Assy, D722	1
9	<u>102730301</u>	Cover, Alternator Assy, D722	1
10	<u>102730401</u>	Bolt, Alt, D722, Adjuster	1
11	<u>102730601</u>	Bolt, Alt, D722, Drive Pulley	1
12	<u>102731301</u>	Bolt, D722, Drive Pulley	4
13	<u>102732501</u>	Washer, Spring, D722, Starter	1
14	<u>102800701</u>	Bolt, Alternator, Lower	1
15	<u>102801001</u>	Washer, Alternator, Upper	2

9

D

9

D



000057-003

60-AMP ALTERNATOR, BELT AND PULLEYS

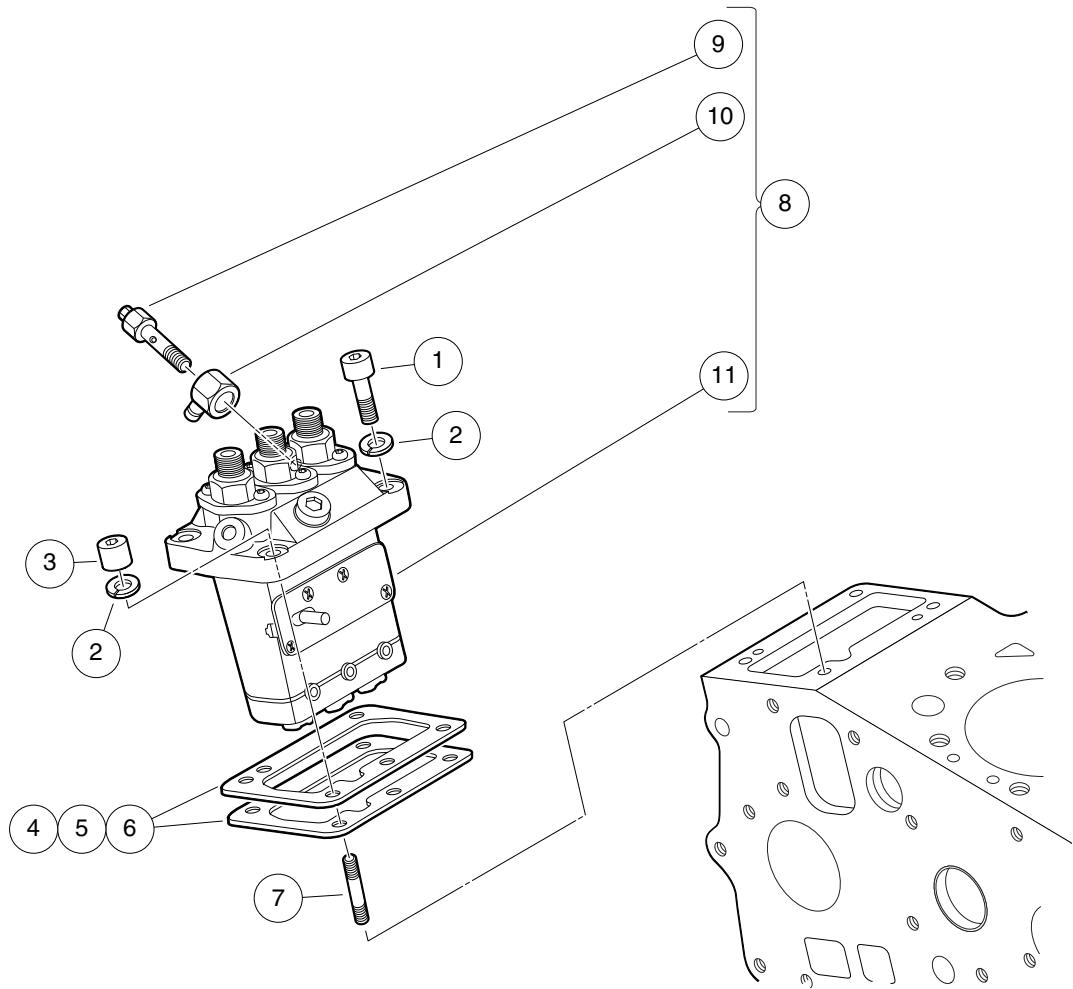
ITEM	PART NO.	DESCRIPTION	QTY
		1 2 3 4	
1	<u>102630601</u>	Pulley, Fan Drive	1
2	<u>102631601</u>	Bolt, M6 X 1 X 20	2
3	<u>102647701</u>	Nut, M8, Plate	1
4	<u>102701201</u>	Pulley, Water Pump	1
5	<u>102730201</u>	Collar, Alternator Assy, D722	1
6	<u>102730401</u>	Bolt, Alt, D722, Adjuster	1
7	<u>102730601</u>	Bolt, Alt, D722, Drive Pulley	1
8	<u>102731301</u>	Bolt, D722, Drive Pulley	4
9	<u>102732501</u>	Washer, Spring, D722, Starter	1
10	<u>102800701</u>	Bolt, Alternator, Lower	1
11	<u>102801001</u>	Washer, Alternator, Upper	2
12	<u>102934701</u>	Alternator, 60 Amp	1
13	<u>102934801</u>	Bracket, Alternator, D722, 60 Amp	1
14	<u>102934901</u>	Belt, Accessory Drive, D722, 60 Amp	1
15	<u>103239901</u>	Guard, Accessory Belt	1

9

D

9

D



000053-002

FUEL INJECTION PUMP

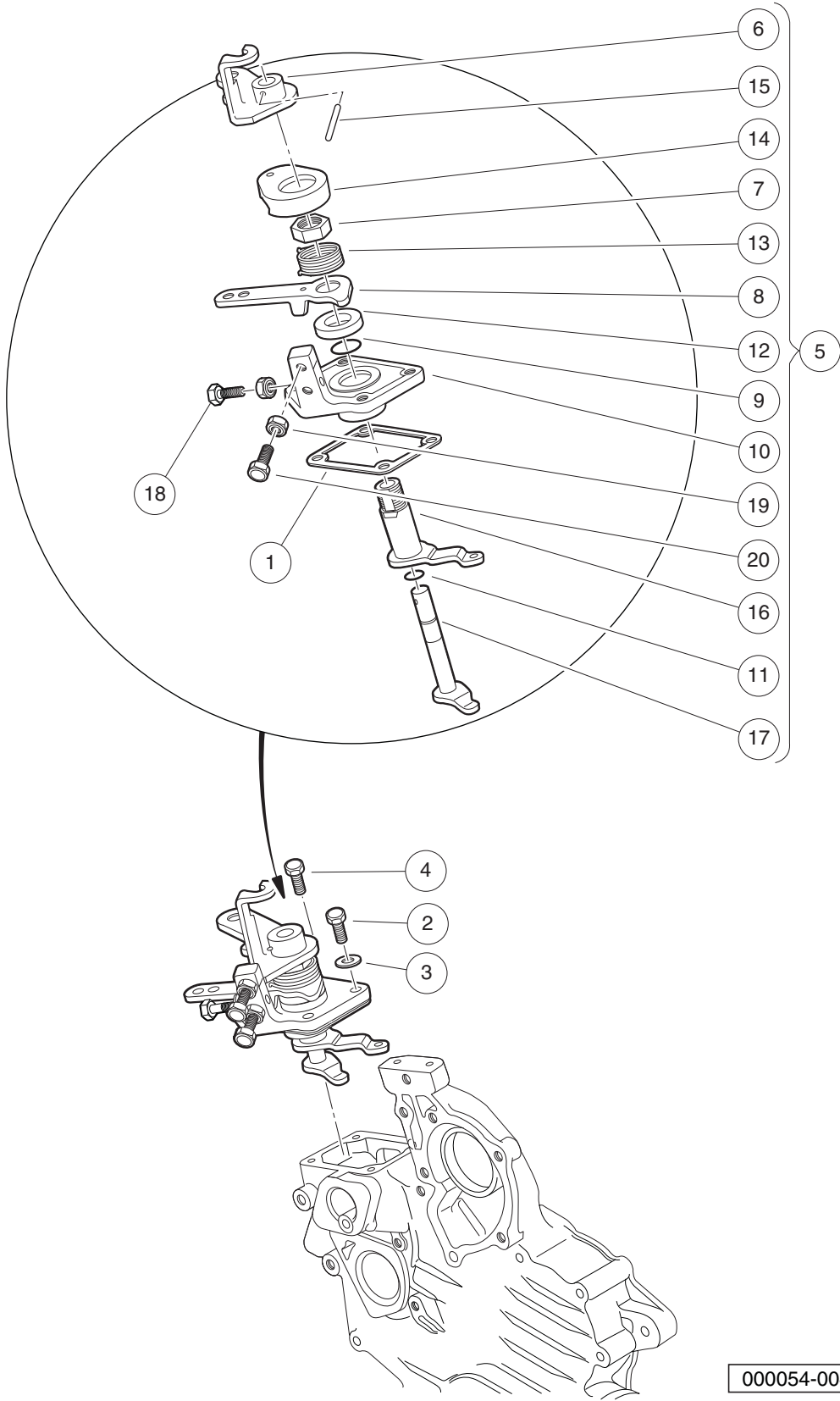
ITEM	PART NO.	DESCRIPTION	QTY
		1 2 3 4	
1	<u>102640501</u>	Bolt, Hex-Head, M5 X 0.75 X	2
2	<u>102640601</u>	Washer, Spring, M6, D722	4
3	<u>102640701</u>	Nut, Special	2
4	<u>102640901</u>	Shim, Injection Pump, 0.20 mm	1
5	<u>102641001</u>	Shim, Injection Pump, 0.25 mm	1
6	<u>102641101</u>	Shim, Injection Pump, 0.30 mm	1
7	<u>102641201</u>	Stud, M5 X 25	2
8	<u>102800101</u>	Assembly, Fuel Injection Pump (includes items 9 through 11)	1
9	<u>102637701</u>	Screw, Hollow, D722, Inj Pump	1
10	<u>102640401</u>	Joint, Eye	1
11	N/A	Pump, Injection	1

9

D

9

D



SPEED CONTROL

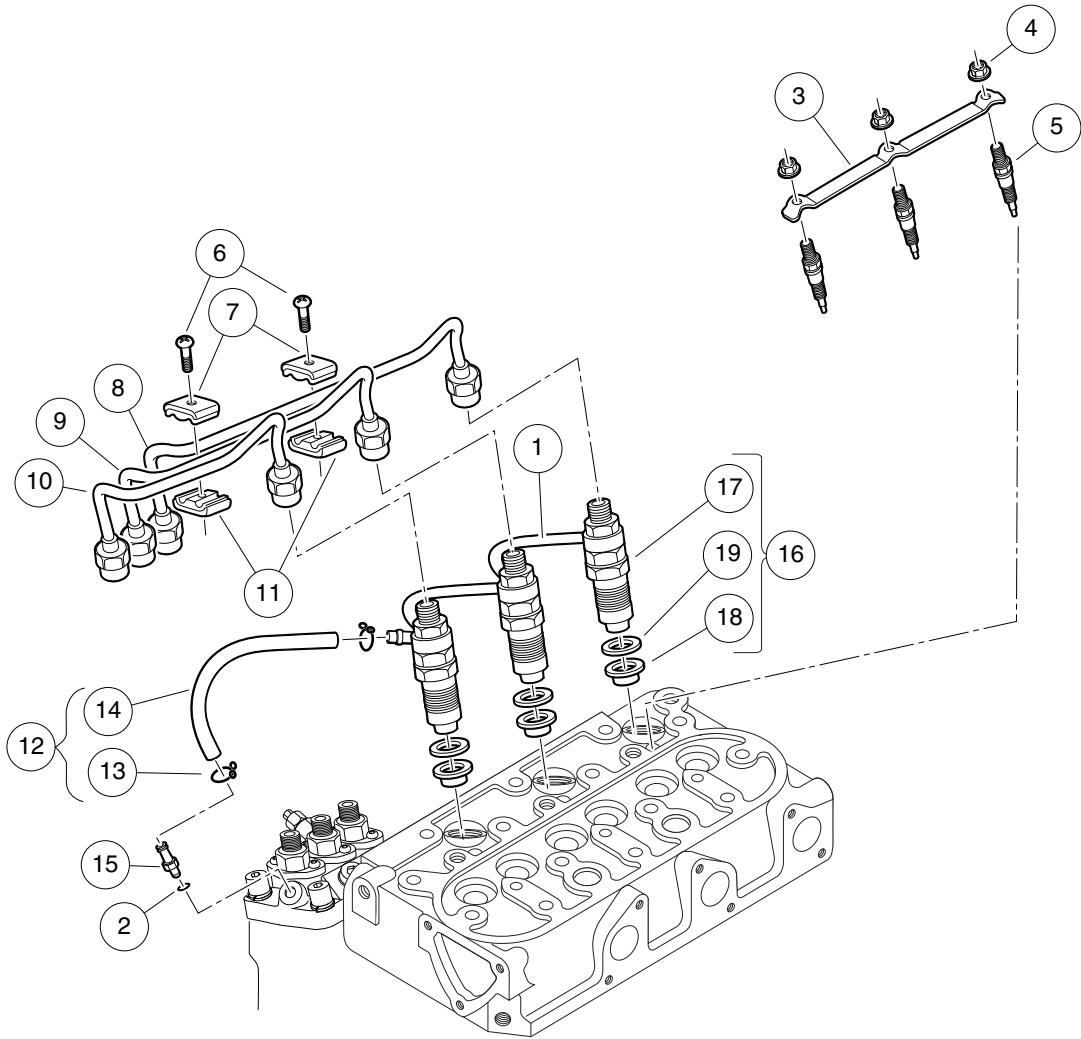
ITEM	PART NO.	DESCRIPTION	QTY
		1 2 3 4	
1	<u>102634501</u>	Gasket, Control Plate	1
2	<u>102635201</u>	Bolt, M6 X 1 X 30	2
3	<u>102635301</u>	Gasket, 6 X 10	2
4	<u>102654301</u>	Bolt, D722 Intake Manifold Lower	2
5	<u>102800401</u>	Assembly, Speed Plate (includes items 6 through 20)	1
6	<u>102633701</u>	Lever, Engine Stop	1
7	<u>102633801</u>	Nut, Speed Control	1
8	<u>102633901</u>	Lever, Speed Control	1
9	<u>102634001</u>	O Ring, 19 X 16	1
10	<u>102634101</u>	Plate, Speed Control	1
11	<u>102634401</u>	O Ring, 9 X 7	1
12	<u>102634601</u>	Collar, Lever	1
13	<u>102634701</u>	Spring, Return	1
14	<u>102729401</u>	Cap, Speed Cntrl Plate Rtrn	1
15	<u>102729501</u>	Pin, Spring, Speed Plate	1
16	<u>102800501</u>	Lever, Governor	1
17	<u>102800601</u>	Shaft, Governor Lever	1
18	<u>105222301</u>	Bolt, Speed Control, D722	1
19	<u>105222401</u>	Nut, Speed Control, D722	3
20	<u>105222501</u>	Bolt, Speed Control, D722	2

9

D

9

D



000055-001

NOZZLE HOLDERS AND GLOW PLUGS

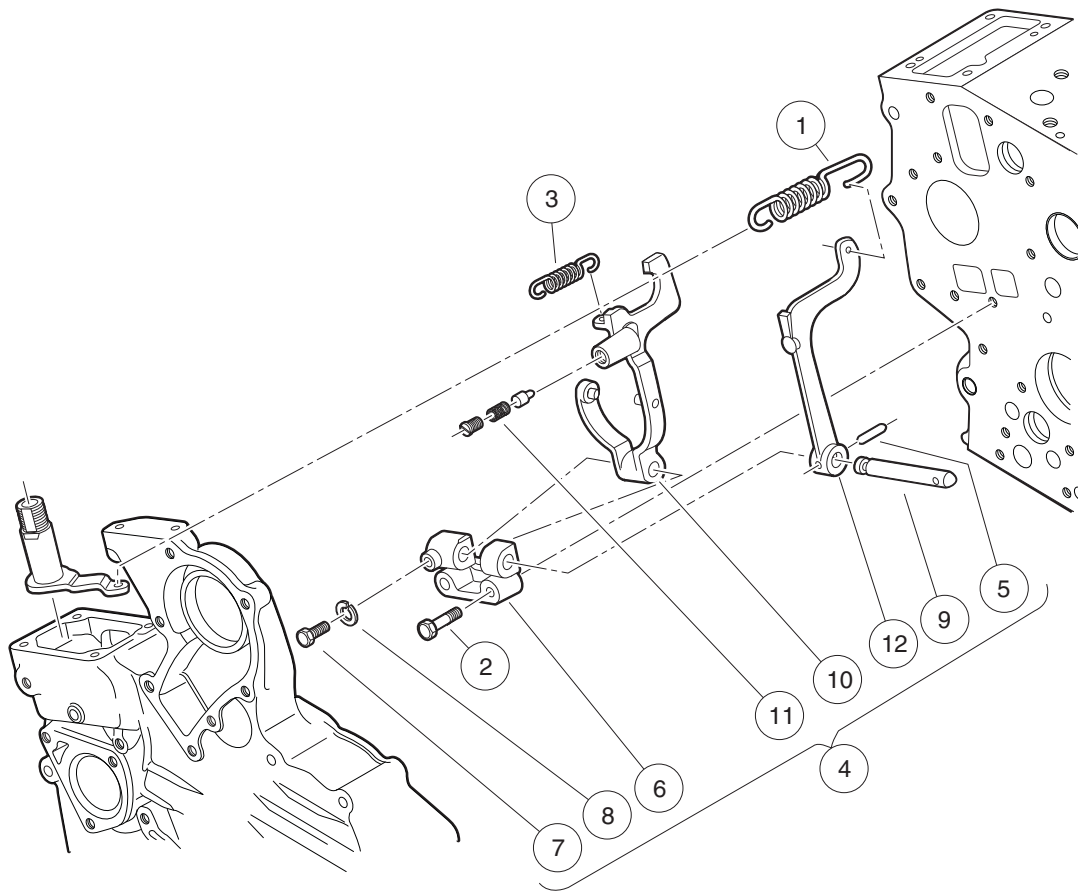
ITEM	PART NO.	DESCRIPTION	QTY
		1 2 3 4	
1	<u>102605701</u>	Assy Pipe, D722 Fuel Over Flow	1
2	<u>102635301</u>	Gasket, 6 X 10	1
3	<u>102642401</u>	Cord, Glow Plug	1
4	<u>102642501</u>	Nut, Flange,m4	3
5	<u>102642601</u>	Glow Plug	3
6	<u>102642801</u>	Screw, Washer	2
7	<u>102642901</u>	Clamp, Pipe, Top	2
8	<u>102643001</u>	Pipe, Injection, Left	1
9	<u>102643101</u>	Pipe, Injection, Right	1
10	<u>102643201</u>	Pipe, Injection, Middle	1
11	<u>102643301</u>	Clamp, Pipe, Bottom	2
12	<u>102643401</u>	Assy Pipe, Over Flow (includes items 13 and 14)	1
13	<u>102729601</u>	Clip, Pipe, Return	2
14	<u>105222901</u>	Pipe, Fuel Overflow, D722	1
15	<u>102643701</u>	Screw, Air Bleeder	1
16	<u>102729701</u>	Kit, Holder, Nozzle (includes items 17 through 19)	3
17	<u>102641501</u>	Assembly, Nozzle Holder	3
18	<u>102642701</u>	Seal, Heat	3
19	<u>102643601</u>	Gasket, Nozzle	3

9

D

9

D



000056-005

GOVERNOR COMPONENTS

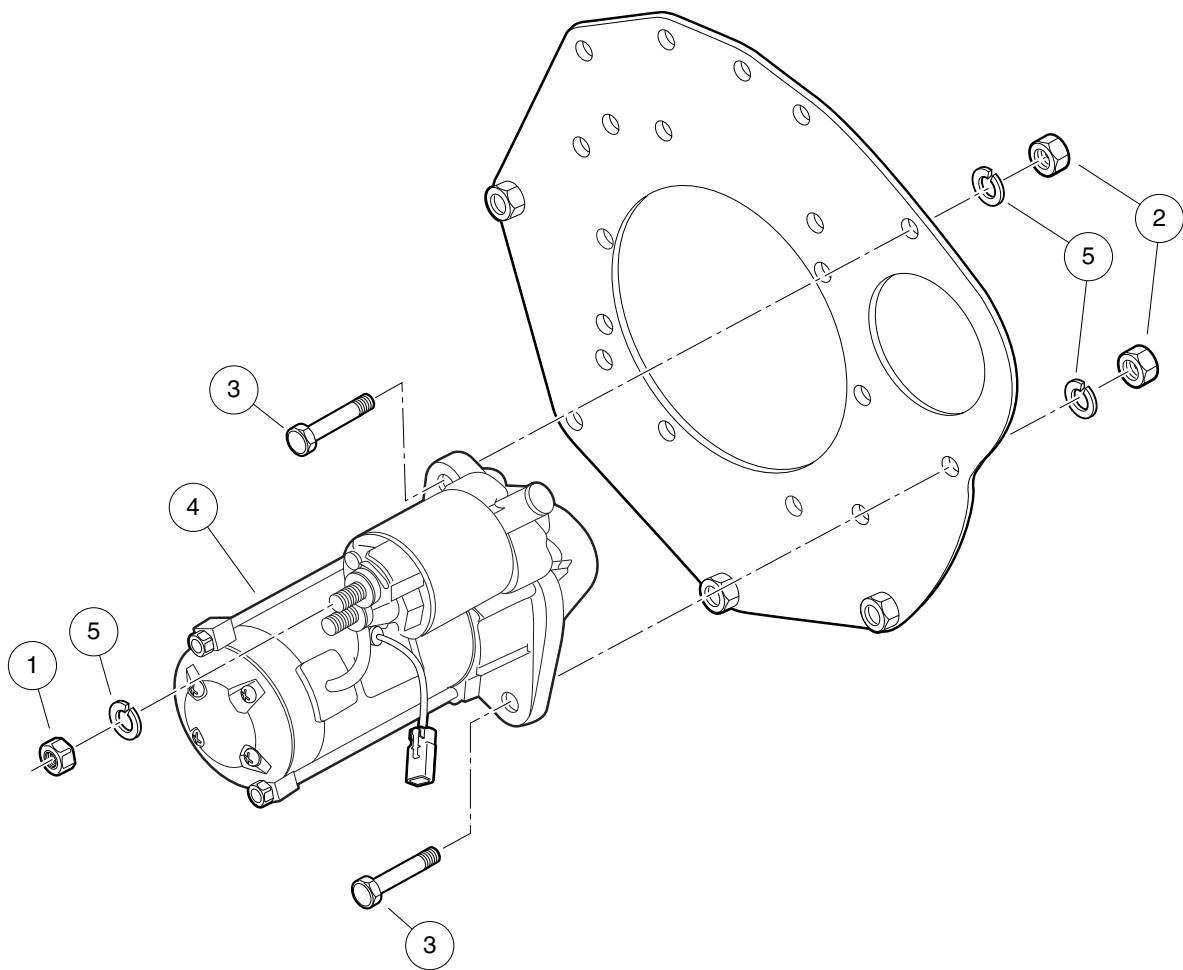
ITEM	PART NO.	DESCRIPTION	QTY
		1 2 3 4	
1	<u>102635101</u>	Spring, Governor	1
2	<u>102636301</u>	Bolt, M5 X 0.75 X 25	2
3	<u>102800201</u>	Spring, Start	1
4	<u>102800301</u>	Assembly, Governor Fork (includes items 5 through 12)	1
5	<u>102633601</u>	Pin, Spring	1
6	<u>102636201</u>	Holder, Fork Lever	1
7	<u>102636401</u>	Bolt, M5 X 0.75 X 11	1
8	<u>102636501</u>	Washer, Spring, M5	1
9	<u>102636601</u>	Shaft, Fork Lever	1
10	N/A	Lever, Fork, Middle, D722 CB (includes item 11)	1
11	<u>102701601</u>	Spring, Lever	1
12	N/A	Lever, Fork, End, D722 CB	1

9

D

9

D



000058-001

STARTER

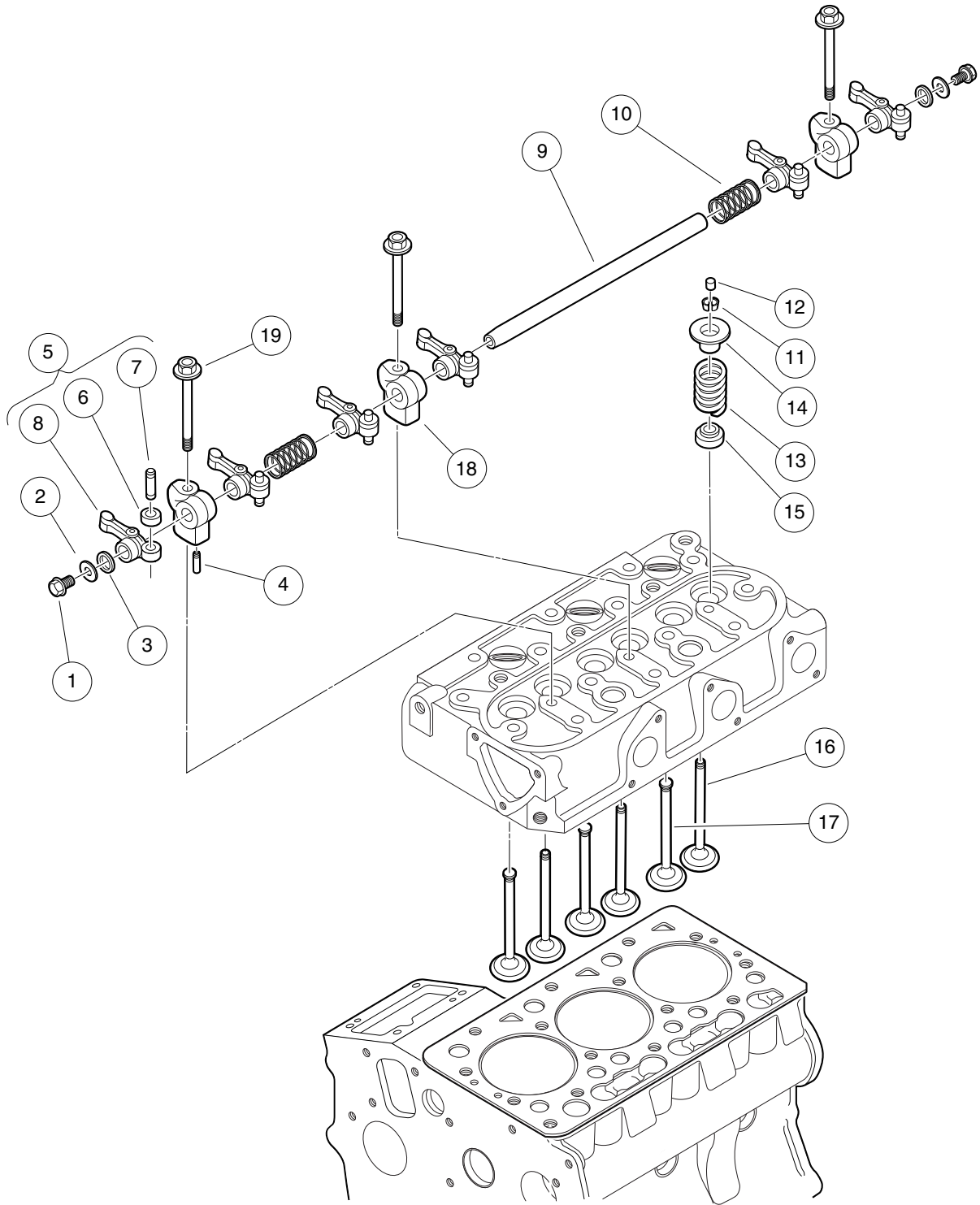
ITEM	PART NO.	DESCRIPTION	QTY
		1 2 3 4	
1	<u>102645501</u>	Nut, D722, Starter	2
2	<u>102647701</u>	Nut, M8, Plate	2
3	<u>102648401</u>	Bolt, M8 X 1.25 X 28	2
4	<u>102648501</u>	Motor, Starter	1
5	<u>102732501</u>	Washer, Spring, D722, Starter	4

9

D

9

D



000062-002

VALVES AND ROCKER ARMS

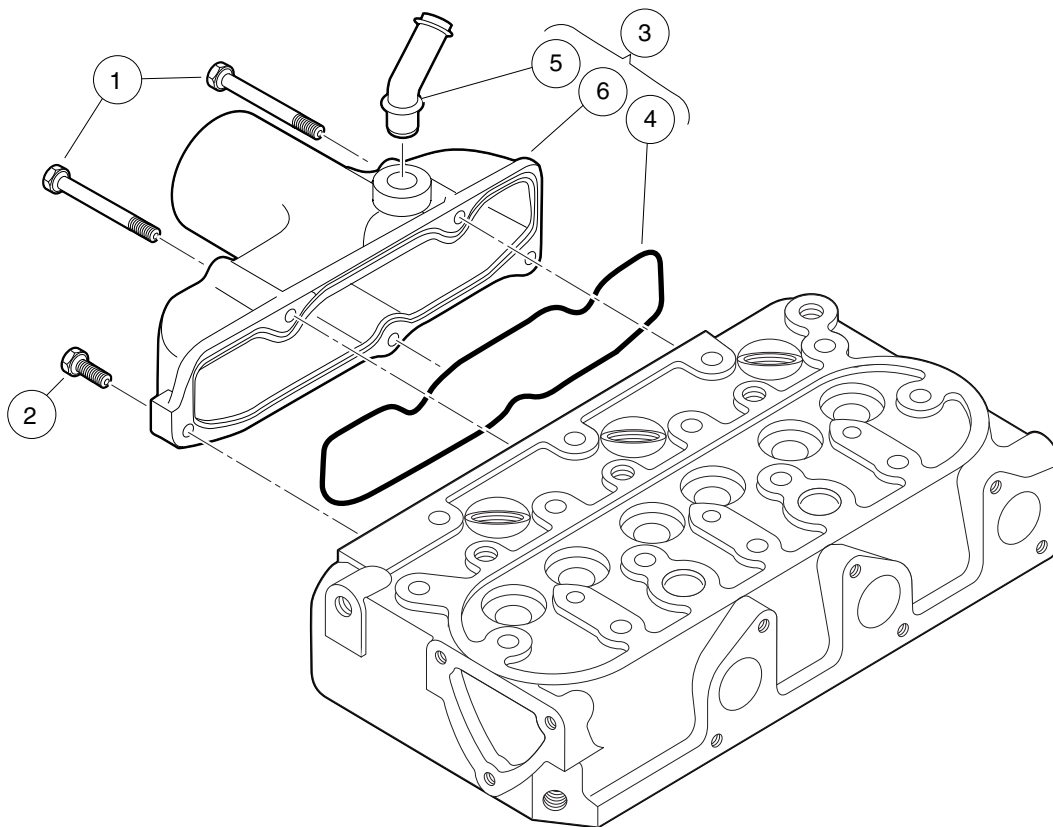
ITEM	PART NO.	DESCRIPTION	QTY
		1 2 3 4	
1	<u>102646401</u>	Bolt, M6 X 1 X 8	2
2	<u>102651301</u>	Washer, D722, Plain, Rocker	2
3	<u>102651601</u>	Washer, Rocker Arm	2
4	<u>102651801</u>	Pin, Spring, D722, Rocker	1
5	<u>102652001</u>	Assy, Rocker Arm (includes items 6 through 8)	6
6	<u>102651501</u>	Nut, M6	6
7	<u>102651701</u>	Screw-Adjusting	6
8	N/A	Arm, Rocker	1
9	<u>102652601</u>	Shaft, Rocker Arm	1
10	<u>102652701</u>	Spring, Rocker Arm	2
11	<u>102652901</u>	Collet, Valve Spring, Set	6
12	<u>102653001</u>	Cap, Valve, D722	6
13	<u>102653101</u>	Spring, Valve	6
14	<u>102653201</u>	Retainer, Spring	6
15	<u>102653301</u>	Seal, Valve Stem	6
16	<u>102653601</u>	Valve, Exhaust	3
17	<u>102653701</u>	Valve, Intake	3
18	<u>102801101</u>	Bracket, Rocker Arm, D722 Closed-Breather	3
19	<u>102801201</u>	Bolt, Rocker Arm	3

9

D

9

D



000063-002

INTAKE MANIFOLD

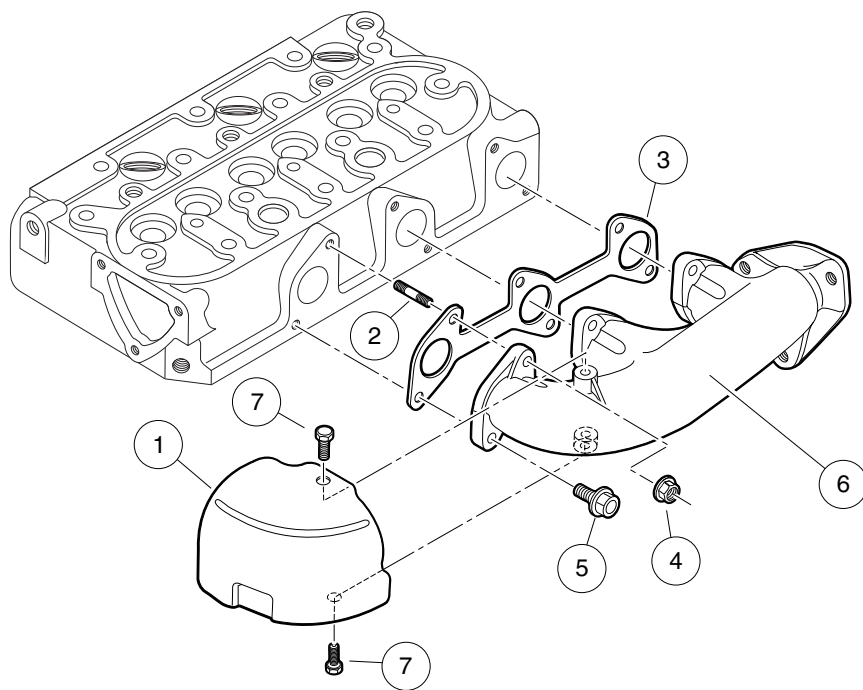
ITEM	PART NO.	DESCRIPTION	QTY
		1 2 3 4	
1	<u>102646101</u>	Bolt, M6 X 1 X 45	3
2	<u>102654301</u>	Bolt, D722 Intake Manifold Lower	2
3	<u>102801301</u>	Assembly, Intake Manifold (includes items 4 through 6)	1
4	<u>102646001</u>	Gasket, Intake Manifold	1
5	<u>102801401</u>	Pipe, Breather	1
6	<u>102801501</u>	Manifold, Intake	1

9

D

9

D



000064-001

EXHAUST MANIFOLD

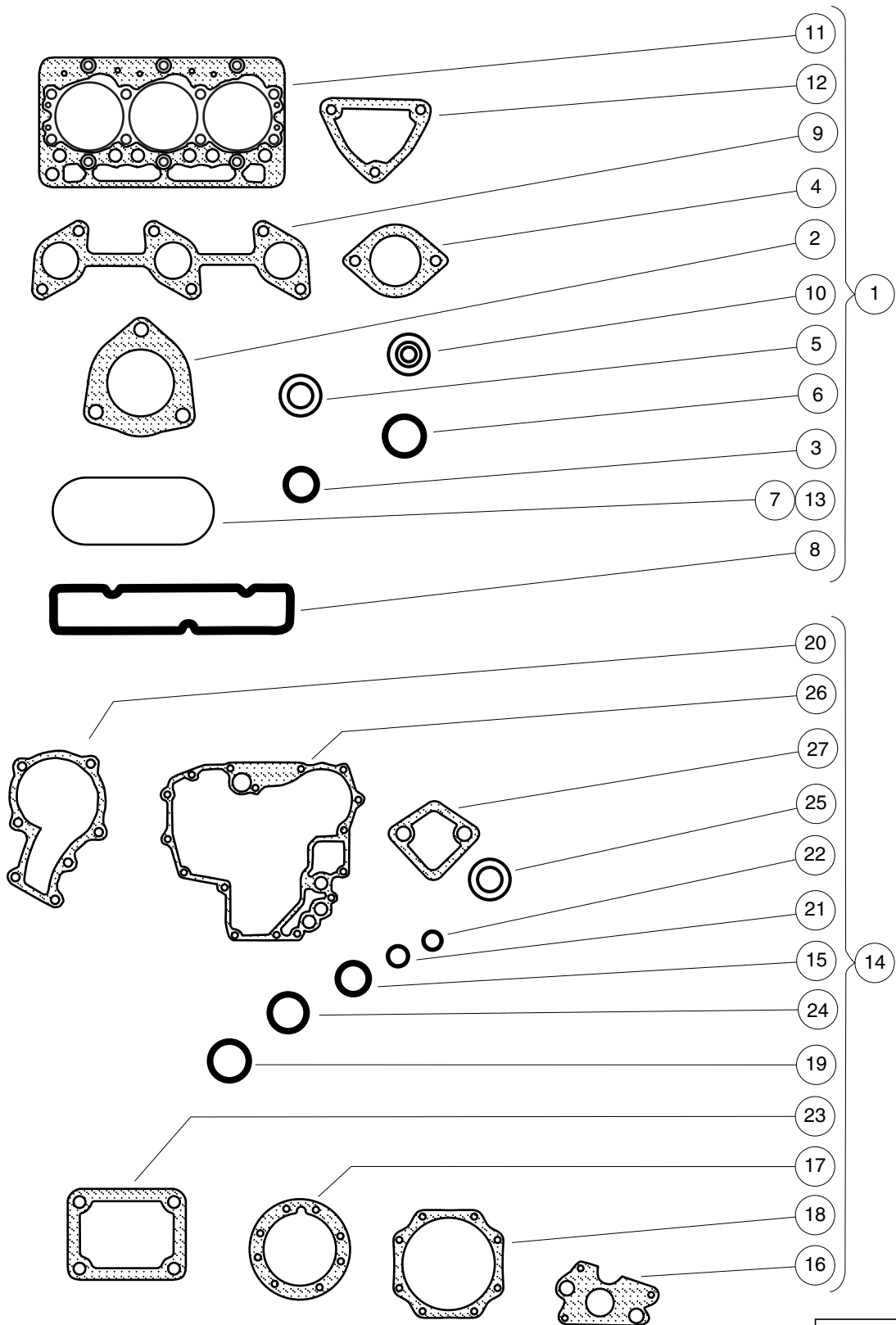
ITEM	PART NO.	DESCRIPTION	QTY
		1 2 3 4	
1	<u>102646301</u>	Cover, Heat Proof	1
2	<u>102646501</u>	Stud, M6 X 26	3
3	<u>102646601</u>	Gasket, Exhaust Manifold	1
4	<u>102647101</u>	Nut, Flange, M6, Ubs	3
5	<u>102647201</u>	Bolt, Flange Head, M6 X 1 X 16	3
6	<u>102731501</u>	Manifold, Exhaust, D722	1
7	<u>102731601</u>	Bolt, D722, Exhaust Manifold Cover	2

9

D

9

D



000065-001

GASKET KITS

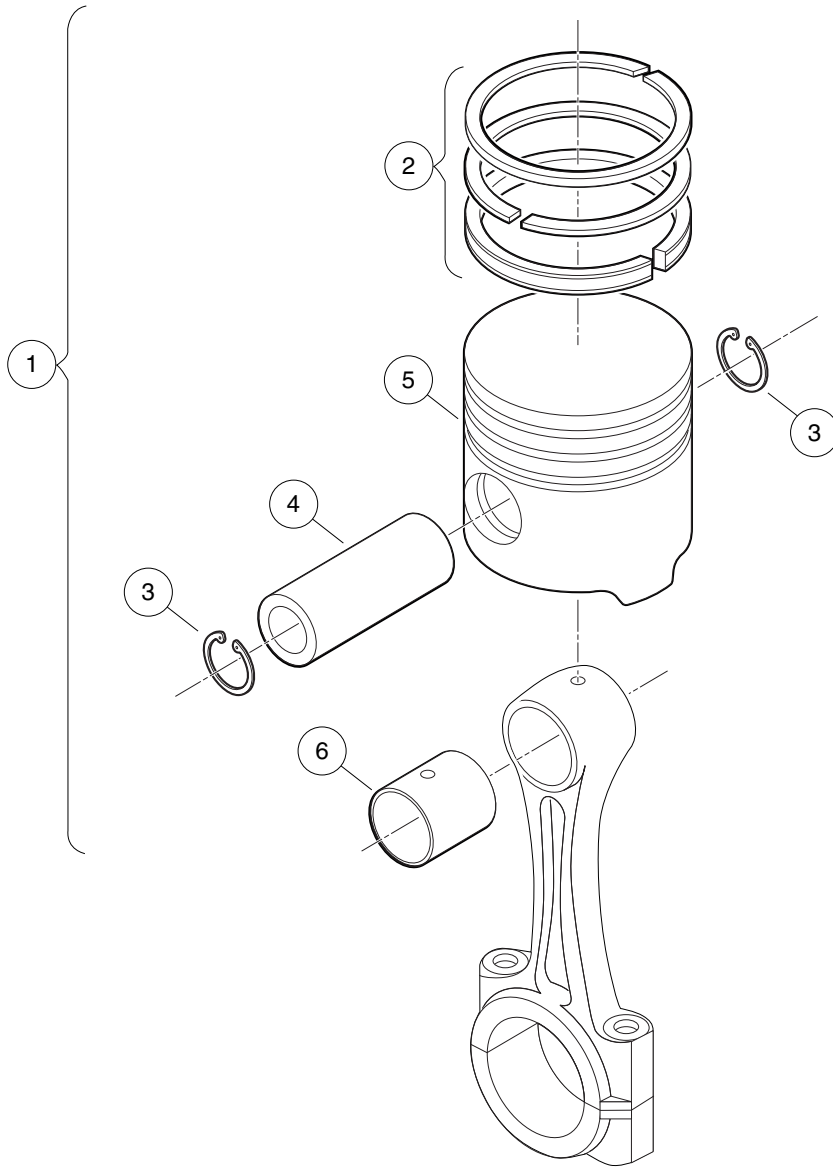
ITEM	PART NO.	DESCRIPTION	QTY
		1 2 3 4	
1	<u>102731801</u>	Kit, Gasket Upper, D722 (includes items 2 through 13)	1
2	<u>102422301</u>	Gasket, Exhaust Diesel	1
3	<u>102600301</u>	O Ring, 8 X 7	1
4	<u>102633401</u>	Gasket, Thermostat	1
5	<u>102635301</u>	Gasket, 6 X 10	3
6	<u>102644001</u>	O Ring, 30 X 36	1
7	<u>102644501</u>	Gasket, Head Cover	1
8	<u>102646001</u>	Gasket, Intake Manifold	1
9	<u>102646601</u>	Gasket, Exhaust Manifold	1
10	<u>102653301</u>	Seal, Valve Stem	6
11	<u>102654101</u>	Gasket, Cylinder Head	1
12	<u>102654701</u>	Gasket, Water Flange	1
13	<u>102798501</u>	Gasket, Cylinder Head Cover	1
14	<u>102731901</u>	Kit, Gasket Lower, D722 (includes items 15 through 27)	1
15	<u>102601801</u>	O Ring, 18 X 13	3
16	<u>102606601</u>	Gasket, Oil Pump	1
17	<u>102608201</u>	Gasket, Bearing Case	1
18	<u>102608301</u>	Gasket, Cover	1
19	<u>102630301</u>	O Ring, 23 X 26	1
20	<u>102632701</u>	Gasket, Water Pump, D722	1
21	<u>102634001</u>	O Ring, 19 X 16	1
22	<u>102634401</u>	O Ring, 9 X 7	1
23	<u>102634501</u>	Gasket, Control Plate	1
24	<u>102654601</u>	O Ring, 20 X 17	1
25	<u>102728801</u>	Gasket, Idle Apparatus, Rear	2
26	<u>102729301</u>	Gasket, Gearcase, D722	1
27	<u>102732601</u>	Gasket, Fuel Pump, D722	1

9

D

9

D



000066-001

PISTON REBUILD KIT

ITEM	PART NO.	DESCRIPTION	QTY
		1 2 3 4	
1	<u>102732001</u>	Kit, Piston Rebuild, D722 (includes items 2 through 6)	1
2	<u>102607601</u>	Assy Piston Ring, D722 Std	1
3	<u>102630901</u>	Circlip, Piston Pin	2
4	<u>102631001</u>	Pin, Piston	1
5	<u>102728101</u>	Piston, D722, Std	1
6	<u>102732201</u>	Bushing, Piston Pin, D722	1

9

D

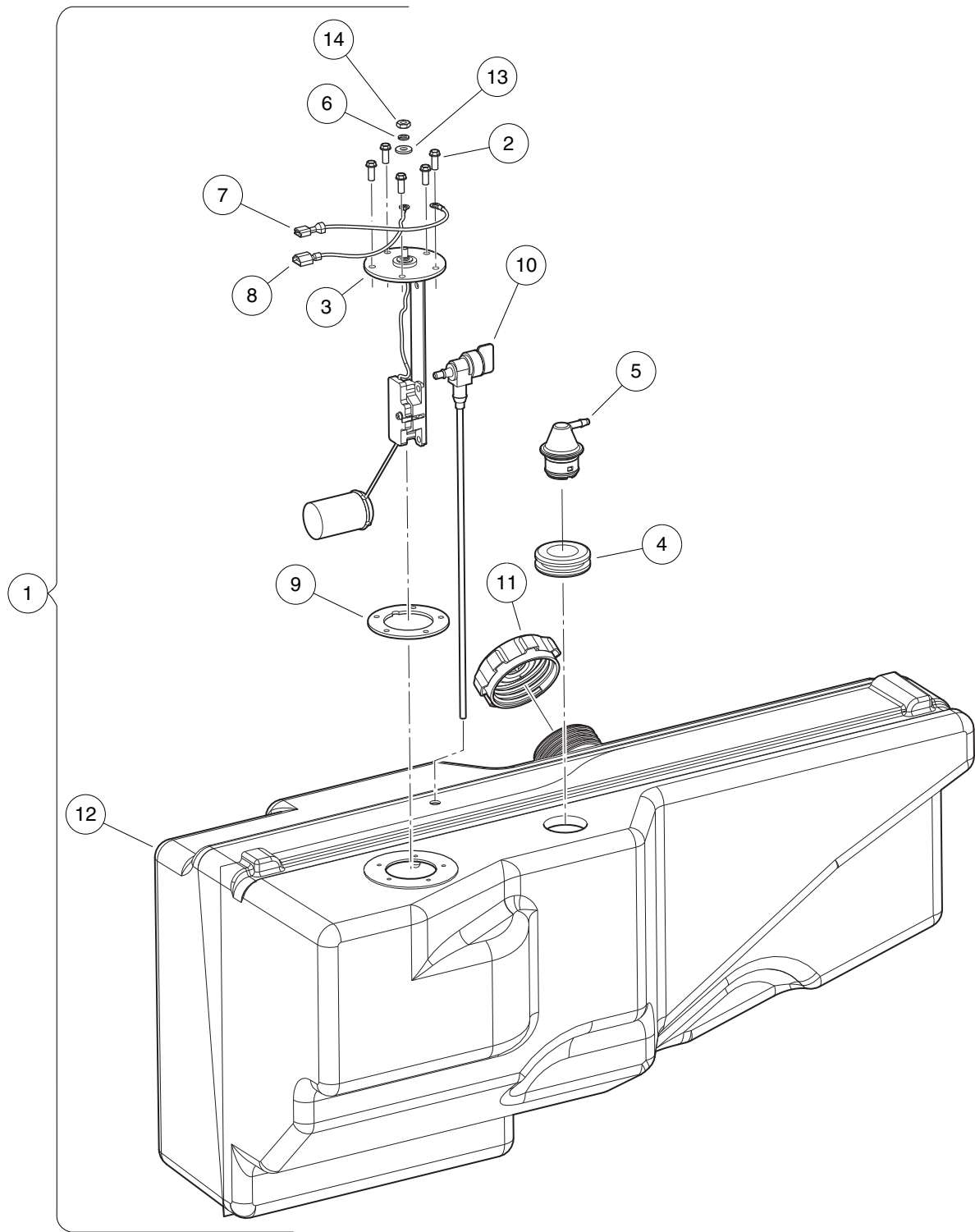
9

D

FUEL, INTAKE, ACCELERATOR & GOVERNOR SYSTEMS – KAWASAKI

10

G



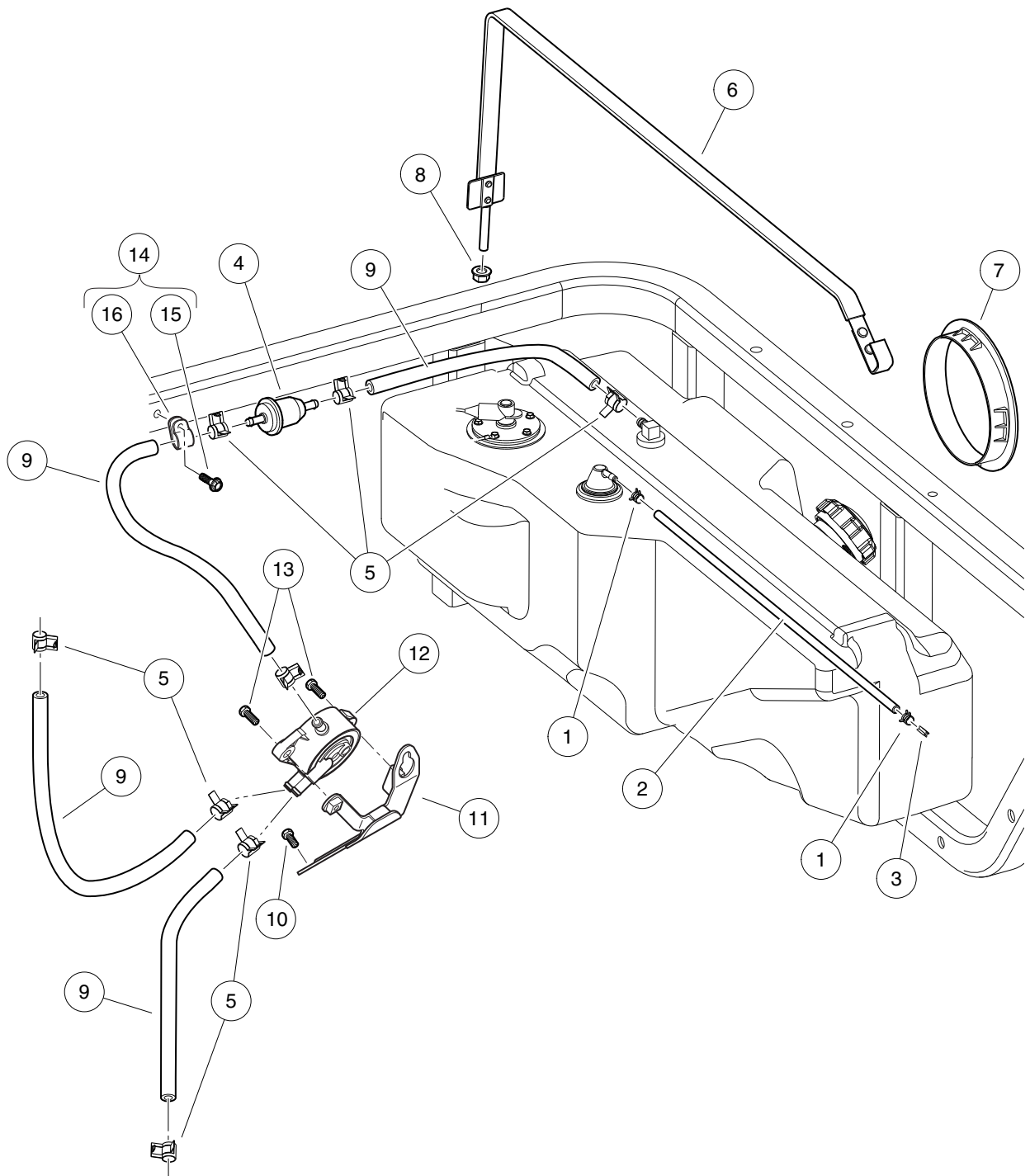
000082-004

FUEL TANK – GASOLINE VEHICLE

ITEM	PART NO.	DESCRIPTION	QTY
		1 2 3 4	
1	<u>102952102</u>	Asm, Tank, Fuel, Gas, 4x4 (includes items 2 through 14)	1
2	<u>1013461</u>	Screw, #10-16 Hex-Head Hi-Lo	5
3	<u>1013462</u>	Sending Unit, Fuel Level *	1
4	<u>1015139</u>	Insulation Grommet	1
5	<u>1015143</u>	Vent, Fuel Tank	1
6	<u>1016</u>	Lockwasher, #10 Split	1
7	N/A	Wire Asm, Blk, 170mm	1
8	N/A	Wire Asm, Org, 170mm	1
9	<u>102522001</u>	Gasket, Rubber	1
10	<u>102670901</u>	Valve, Pickup Tube, Fuel	1
11	<u>102751601</u>	Cap, Fuel Tank, Gasoline	1
12	N/A	Tank, Fuel, Gas, 4x4	1
13	<u>183</u>	Washer, #10, Type A, Flat	1
14	<u>8797</u>	Nut, #10-32 Brass Hex	1
		* Note: Must replace fuel sending unit gasket when servicing this component.	

10

G



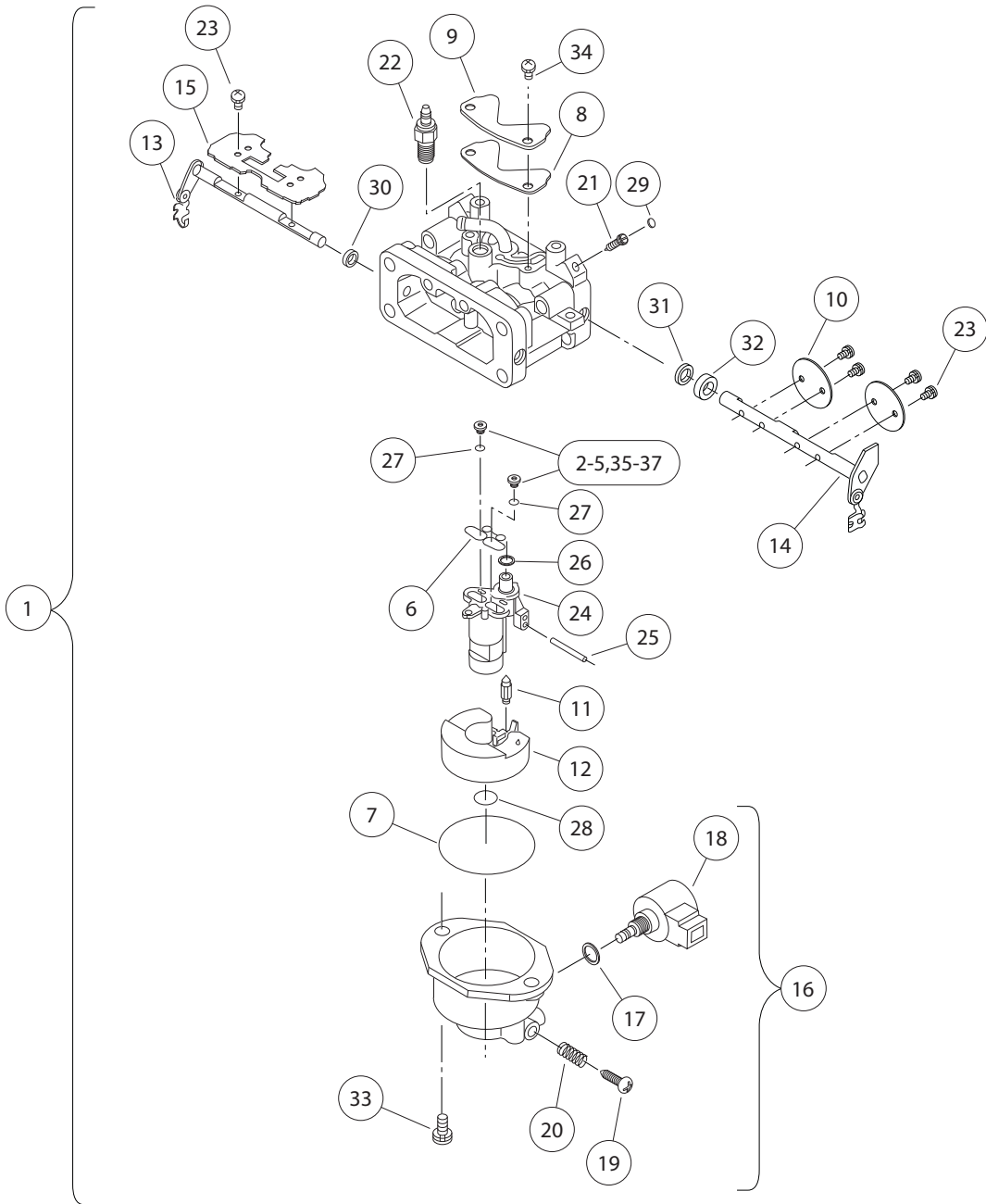
000672-004

FUEL PUMP, FILTER AND HOSE – GASOLINE ENGINE

ITEM	PART NO.	DESCRIPTION	QTY
		1 2 3 4	
1	<u>1013746</u>	Clamp, 0.301 ID Hose	2
2	<u>101587703</u>	Hose, Fuel, Vent, 22" Long	1
3	<u>101824401</u>	Vent Barb	1
4	<u>102003201</u>	Filter, Fuel, 30 Micron	1
5	<u>102411202</u>	Clamp, Hose, Ctb 13mm	8
6	<u>102426301</u>	Strap, Tank, Fuel	1
7	<u>102466201</u>	Bezel, Fuel Fill	1
8	<u>102618601</u>	Lock Nut, Flange, M8 X 1.25 Nylon	1
9	<u>102865101</u>	Fuel Line, 1/4 (available by the foot)	A/R
10	<u>102992501</u>	Bolt, Flg, M6 X 1.0 X 16	1
11	<u>103009901</u>	Bracket, Fuel Pump, Fh	1
12	<u>103010101</u>	Pump, Fuel, Impulse, Fh	1
13	<u>103298501</u>	Bolt, Flanged, M6 X 20, Kaw	2
14	<u>103387501</u>	Kit, Fuel Line Clamp, 4x4 Khi (includes items 15 and 16)	1
15	<u>102289001</u>	Screw, M8X1.25X30, Hex	1
16	<u>102410604</u>	P-clamp, Insulated, 0.625 Inch	1

10

G

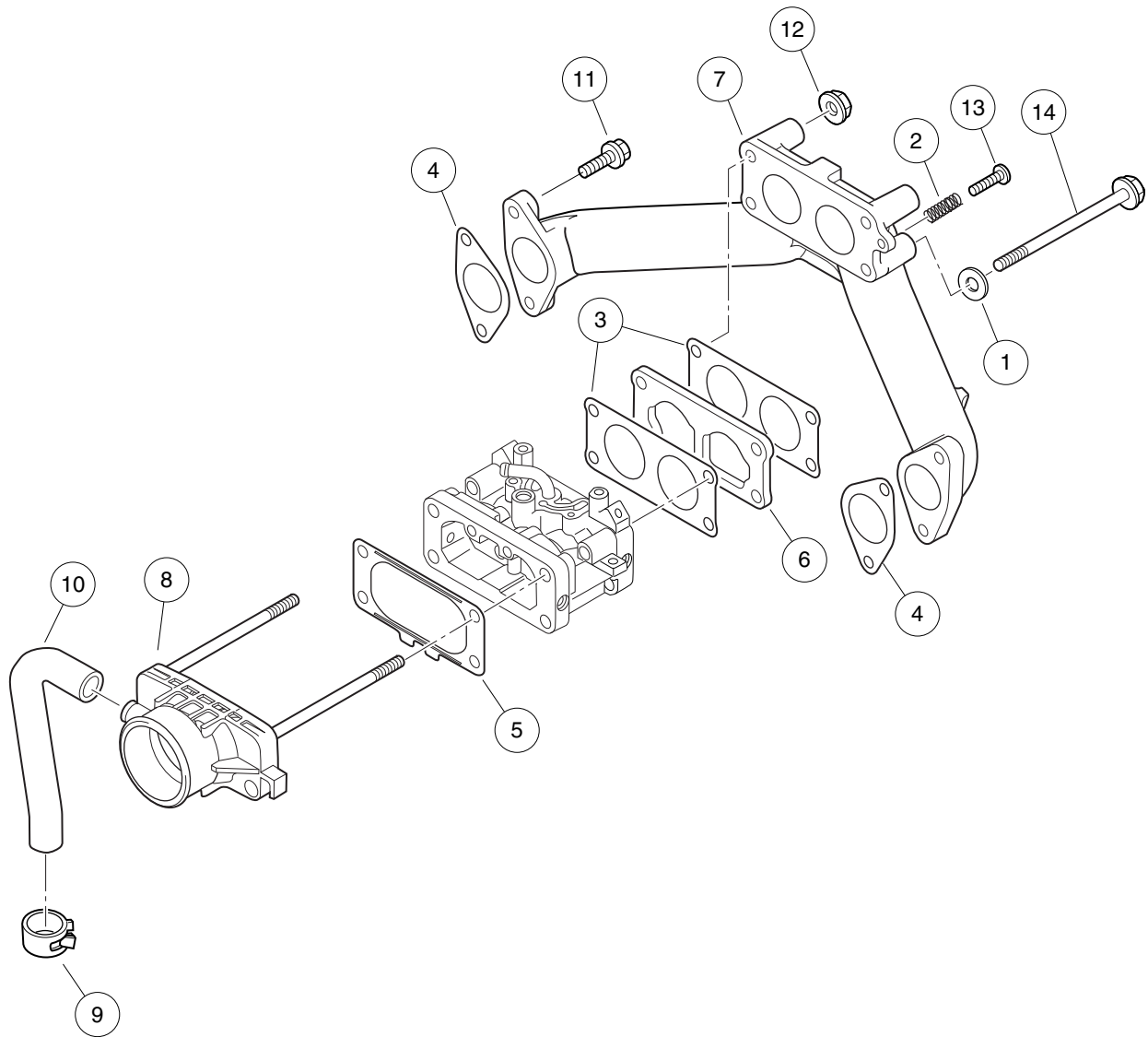


000673-006

CARBURETOR ASSEMBLY – GASOLINE ENGINE

ITEM	PART NO.	DESCRIPTION	QTY
		1 2 3 4	
1	<u>103596801</u>	Asm, Carburetor, FH680D (includes items 2 through 35)	1
2	<u>103307201</u>	Kit, Jet, 6600 Ft +, Fh680d (includes item 3)	1
3	<u>103306801</u>	Jet, Push In #96, FH680D (6600 ft and higher (2000 m and higher))	2
4	<u>103307301</u>	Kit, Jet, 3300-6600 Ft, Fh680d (includes item 5)	1
5	<u>103306901</u>	Jet, Push In #99, FH680D (3300-6600 ft (1000-2000 m))	2
6	<u>103340601</u>	Gasket, Fh680d	1
7	<u>103340701</u>	Gasket, Carburetor, Dia. 52	1
8	<u>103340801</u>	Gasket, Cover, Fh680d	1
9	<u>103340901</u>	Cover, Slow Passage, Fh680d	1
10	<u>103341101</u>	Valve, Throttle, Fh680d	2
11	<u>103341201</u>	Valve, Float, Fh680d	1
12	<u>103341301</u>	Float, Carburetor, Fh680d	1
13	<u>103341401</u>	Shaft, Carburetor, Fh680d	1
14	<u>103341501</u>	Shaft, Carburetor, Throttle	1
15	<u>103341601</u>	Valve, Carburetor, Fh680d	1
16	<u>103341701</u>	Asm, Chamber, Float, Fh680d (includes items 17 through 20)	1
17	<u>103340501</u>	Gasket, Carburetor, Fh680d	1
18	<u>103341901</u>	Solenoid, Carburetor, Fh680d	1
19	<u>103342201</u>	Screw, Drain, Carburetor	1
20	<u>103343601</u>	Spring, Carburetor, Fh680d	1
21	<u>103341801</u>	Needle, Jet, Fh680d	2
22	<u>103342001</u>	Heater, Carburetor, Fh680d	1
23	<u>103342101</u>	Screw, Carburetor, M3 X 6	6
24	<u>103342301</u>	Spacer, Carburetor, Fh680d	1
25	N/A	Pin, Carburetor, Fh680d	1
26	<u>103342501</u>	O-ring, Carburetor, Dia. 6.5	1
27	<u>103342601</u>	O-ring, Carburetor, Fh680d	2
28	<u>103342701</u>	O-ring, Carburetor, Dia. 9	1
29	<u>103343301</u>	Plug, Expansion, Carburetor	2
30	<u>103343401</u>	Seal, Carburetor, Dia. 5.9	1
31	<u>103343501</u>	Seal, Carburetor, Fh680d	1
32	<u>103343701</u>	Collar, Carburetor, Fh680d	1
33	<u>103343801</u>	Screw, Carburetor, M5	2
34	<u>103343901</u>	Screw, Carburetor, M4	2
35	<u>103596701</u>	Kit, Jet, 0-3300 ft. FH680D (includes items 36 and 37)	1
36	<u>103307001</u>	Jet, Push In #102, FH680D (0-3300 ft (0-1000 m))	1
37	<u>103596601</u>	Jet, Push In, #104 FH680D (0-3000 ft (0-1000m))	1

10
G



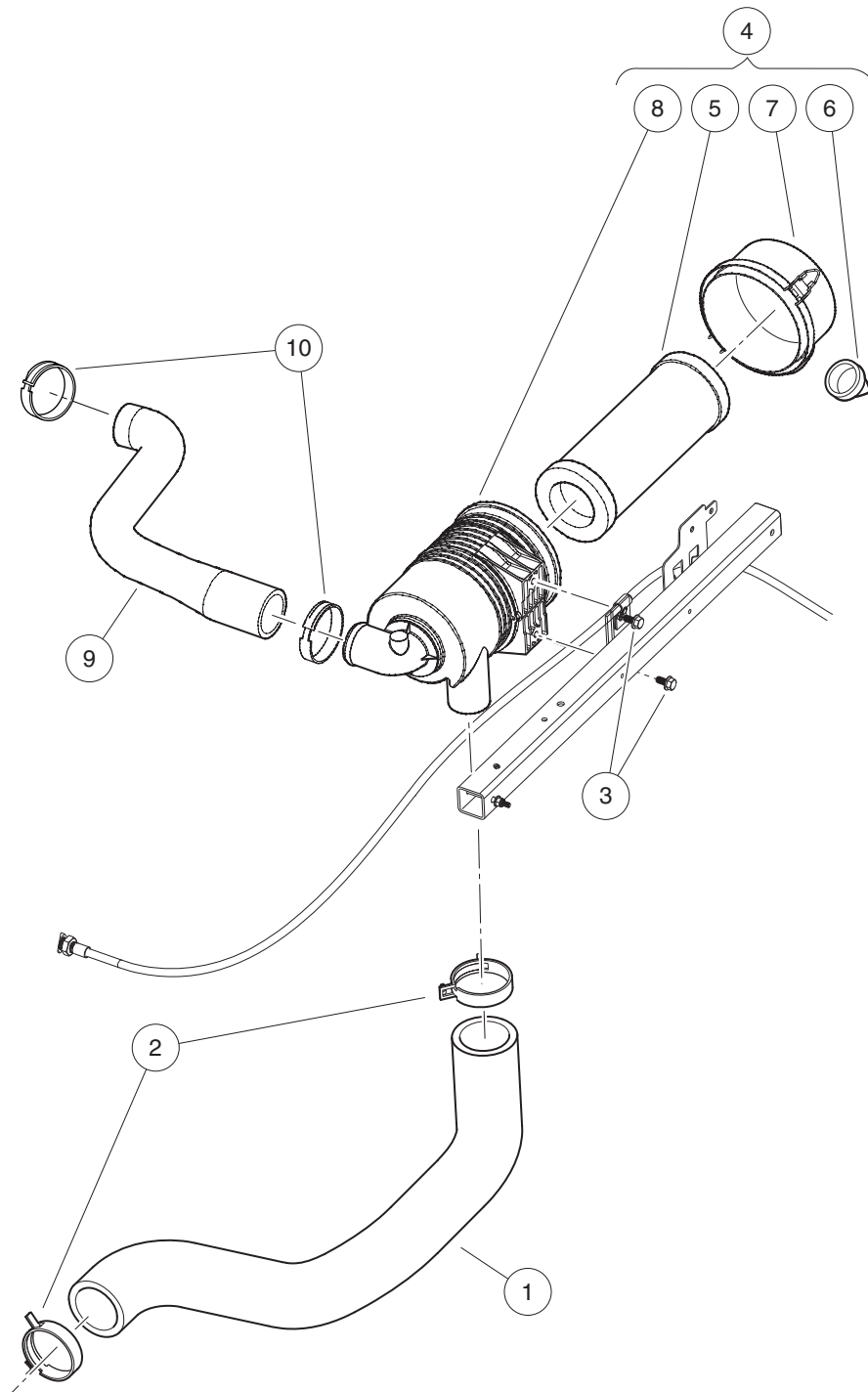
000673-002

CARBURETOR MOUNTING – GASOLINE ENGINE

ITEM	PART NO.	DESCRIPTION	QTY
		1 2 3 4	
1	<u>1016513</u>	Washer, M6 Flat	2
2	<u>103002801</u>	Spring, Fh	1
3	<u>103003801</u>	Gasket, Carburetor, Fh	2
4	<u>103003901</u>	Gasket, Manifold, Fh	2
5	<u>103004201</u>	Gasket, Air Filter, Fh	1
6	<u>103005001</u>	Insulator, Manifold, Fh	1
7	<u>103005601</u>	Manifold, Intake, Fh	1
8	<u>103297101</u>	Pipe, Intake Adapter, Fh	1
9	<u>103297201</u>	Clamp, Crankcase Vent, Fh	1
10	<u>103297301</u>	Tube, Crankcase Vent, Fh	1
11	<u>103298501</u>	Bolt, Flanged, M6 X 20, Kaw	4
12	<u>103320201</u>	Nut, Carburetor, M6	2
13	<u>103320301</u>	Screw, Carburetor, M4 X 20	1
14	<u>103320401</u>	Bolt, Flg, Carburetor, M6x105	2

10

G

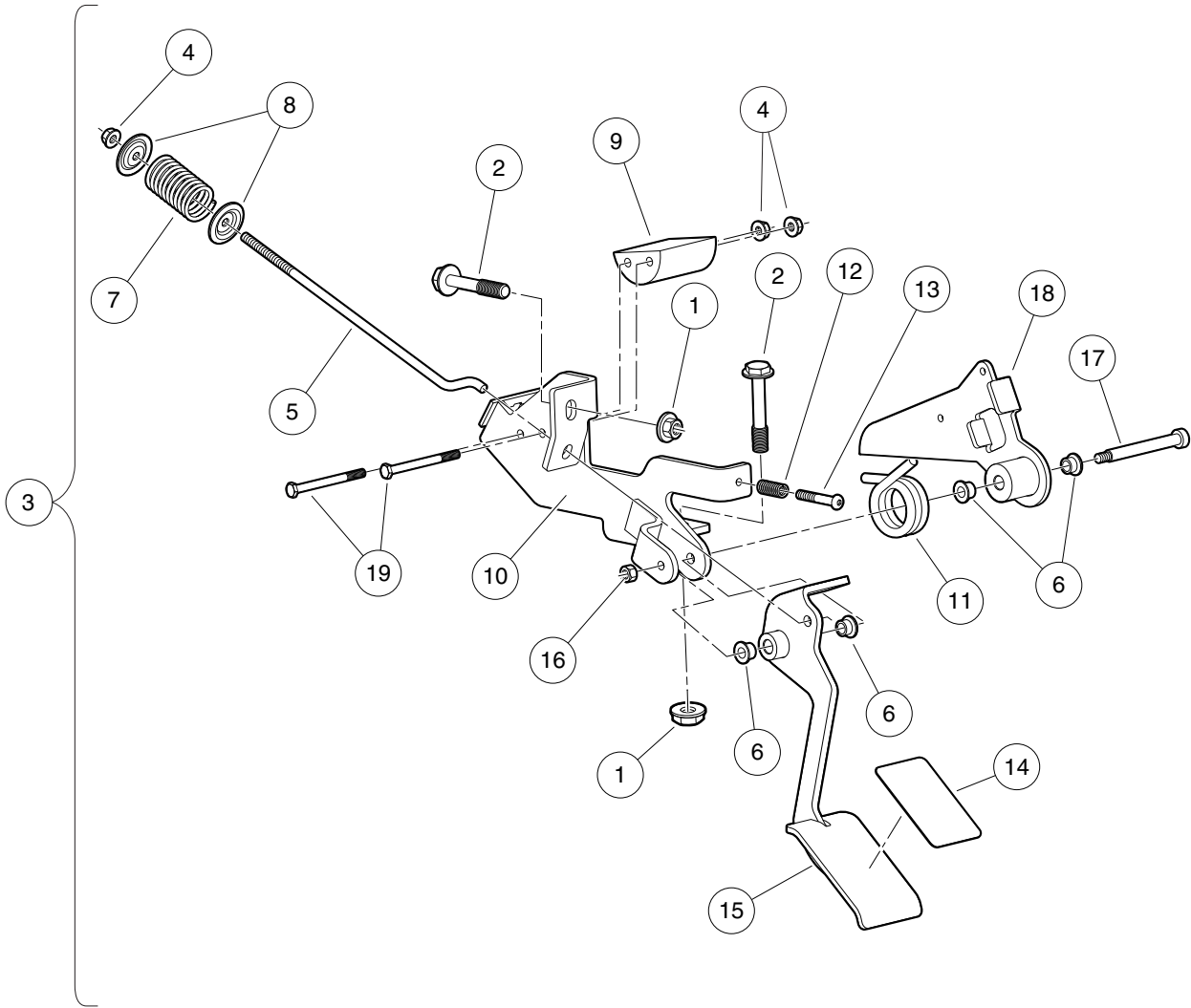


000090-011

INTAKE HOSES AND AIR FILTER – GASOLINE ENGINE

ITEM	PART NO.	DESCRIPTION	QTY
		1 2 3 4	
1	<u>102395601</u>	Hose, Intake, Primary	1
2	<u>102411210</u>	Clamp, Hose, Ctb 64mm	2
3	<u>102621201</u>	Bolt, Flanged Head, M8 X1.25x 16, with Loctite	2
4	<u>102810701</u>	Filter, Air, Canister, with Label (includes items 5 through 8)	1
5	<u>102498601</u>	Element, Filter, Air, 5 Inch	1
6	<u>102725501</u>	Valve, Evacuator, Filter Air	1
7	<u>102725601</u>	Cap, Latch Lock, Filter, Air	1
8	N/A	Body, Canister, Filter, Air	1
9	<u>103438201</u>	Intake Awd Hose Gas	1
10	<u>103441401</u>	Clamp, Worm Screw, Hose, 2"	2

10
G



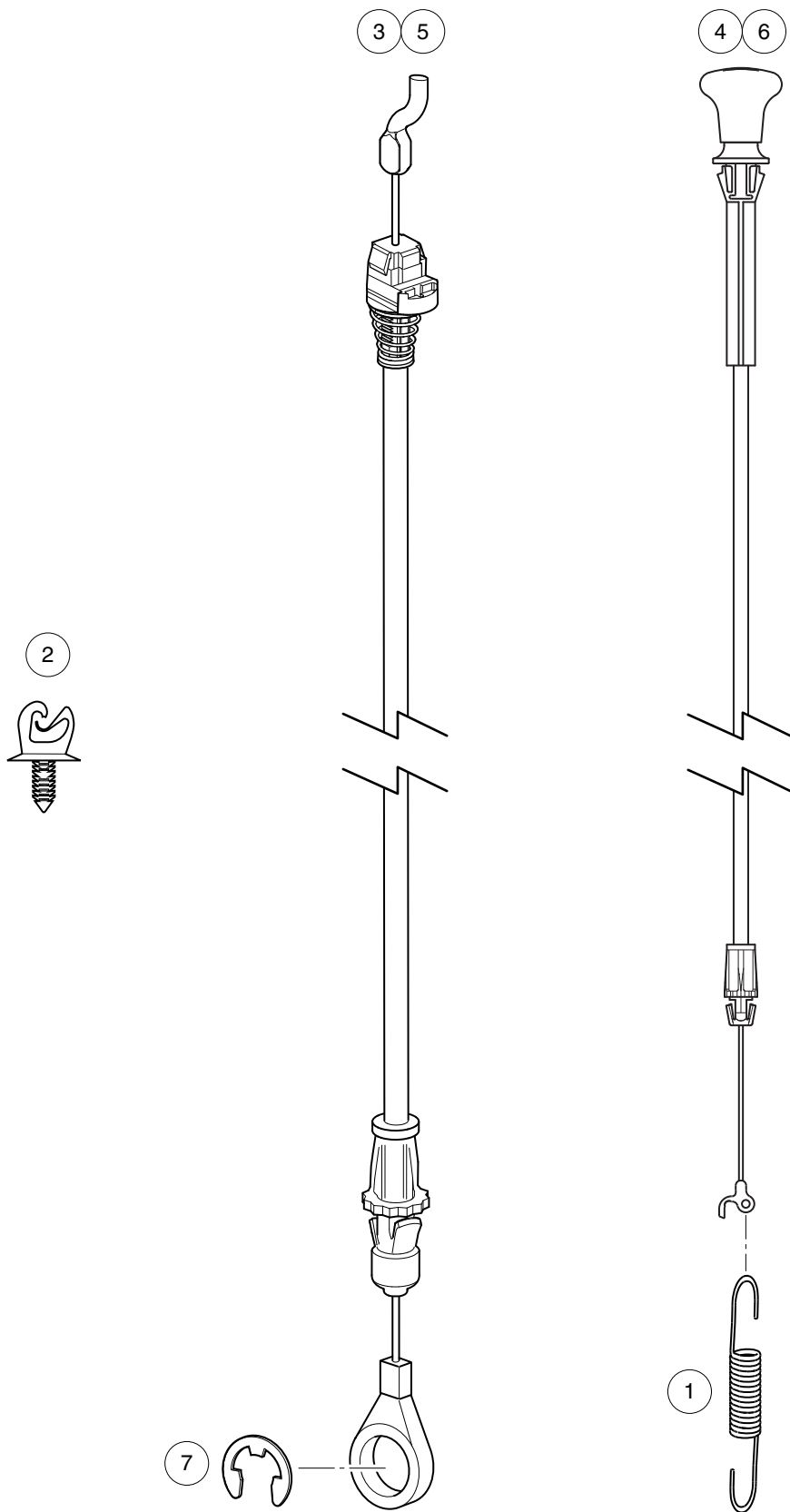
000026-006

ACCELERATOR PEDAL – GASOLINE VEHICLE

ITEM	PART NO.	DESCRIPTION	QTY
		1 2 3 4	
1	<u>102298401</u>	Nut, M8, All Metal Lock	2
2	<u>102618301</u>	Bolt, Flanged Head, M8 X 1.25 X 65	2
3	<u>103278101</u>	Asm, Accelerator Pedal (includes items 4 through 19)	1
4	<u>102296401</u>	Nut, M6x1.0, Flange, Metal Lock	3
5	<u>102416501</u>	Pullrod, Spring, Compression	1
6	<u>102442901</u>	Bushing, Greaseless	4
7	<u>102445201</u>	Spring, Comp, Pedal, Pullrod	1
8	<u>102461401</u>	Washer, Retaining Spring, 7mm	2
9	N/A	Guide, Cable, Accelerator	1
10	N/A	Weldment, Bracket, Pedal	1
11	N/A	Spring, Torsion	1
12	<u>102476301</u>	Spring, Stop, Pedal	1
13	<u>102476401</u>	Bolt, Stop, Pedal	1
14	<u>102479301</u>	Pad, Grip Tape, Accelerator	1
15	N/A	Weldment, Pedal, Accel	1
16	<u>102618101</u>	Nut, M6x1, Mechanically Deformed	1
17	<u>103273101</u>	Bolt, Shoulder, M8 X 70, Hc	1
18	N/A	Weldment, Lever, Lost Motion	1
19	<u>96706825</u>	Bolt, M6 X 1 X 70	2

10
G

10
G



000536-010

ACCELERATOR AND CHOKE CABLES – GASOLINE VEHICLE

ITEM	PART NO.	DESCRIPTION	QTY
		1 2 3 4	
1	<u>102457001</u>	Spring	1
2	<u>102475701</u>	Clip, Brake Line	4
3	<u>103277301</u>	Cable, Accelerator, AWD, Gas, FH680D, 295/1550	1
4	<u>103277401</u>	Cable, Choke, AWD, FH680D, 295/1550	1
5	<u>103293301</u>	Cable, Accelerator, AWD, Gas, FH680D, 295 SE/1550 SE	1
6	<u>103293401</u>	Cable, Choke, AWD, FH680D, 295 SE/1550 SE	1
7	<u>96950126</u>	Ring, Retaining	1

10

G

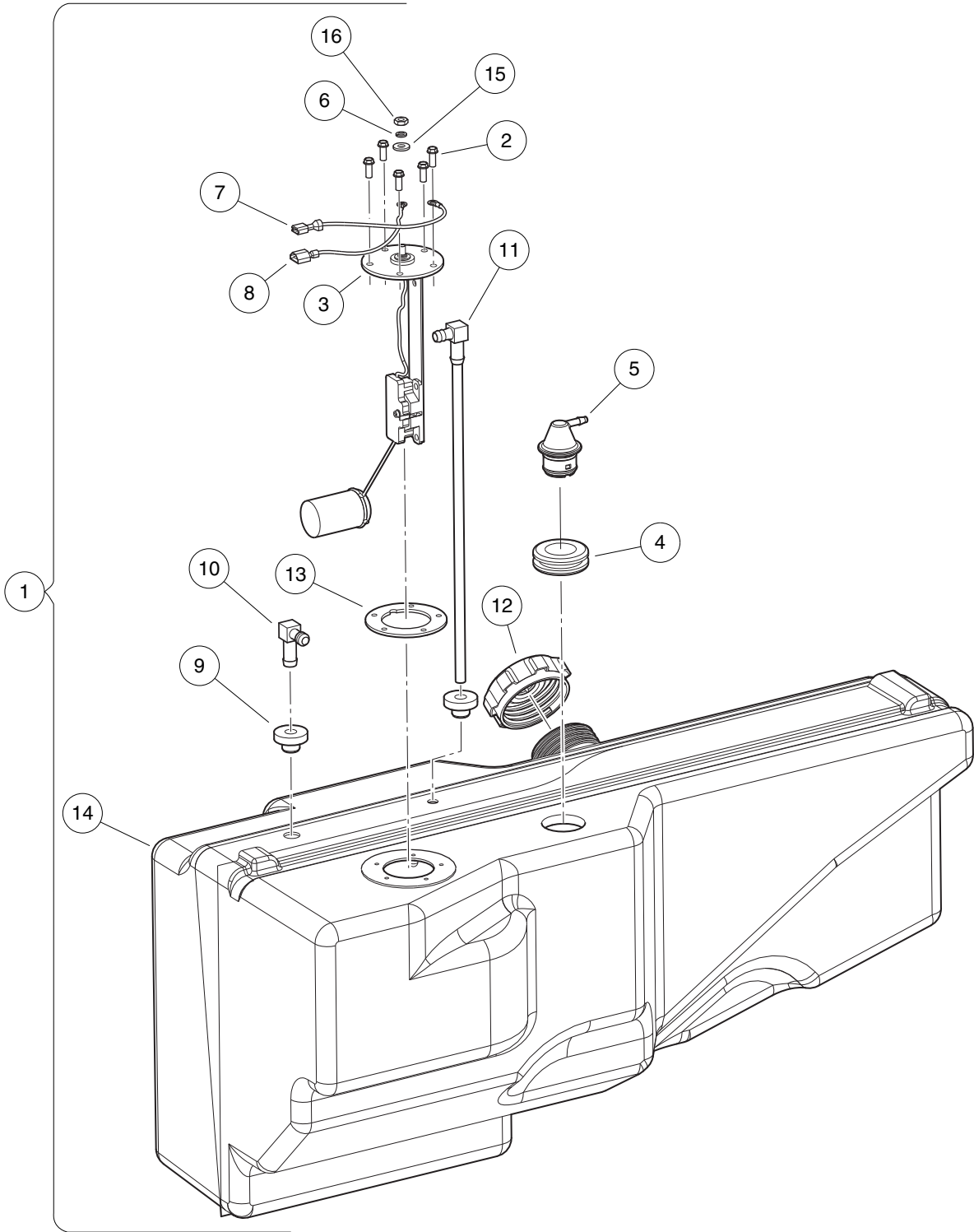
10

G

FUEL, INTAKE & ACCELERATOR SYSTEMS – KUBOTA DIESEL ENGINE

11

D



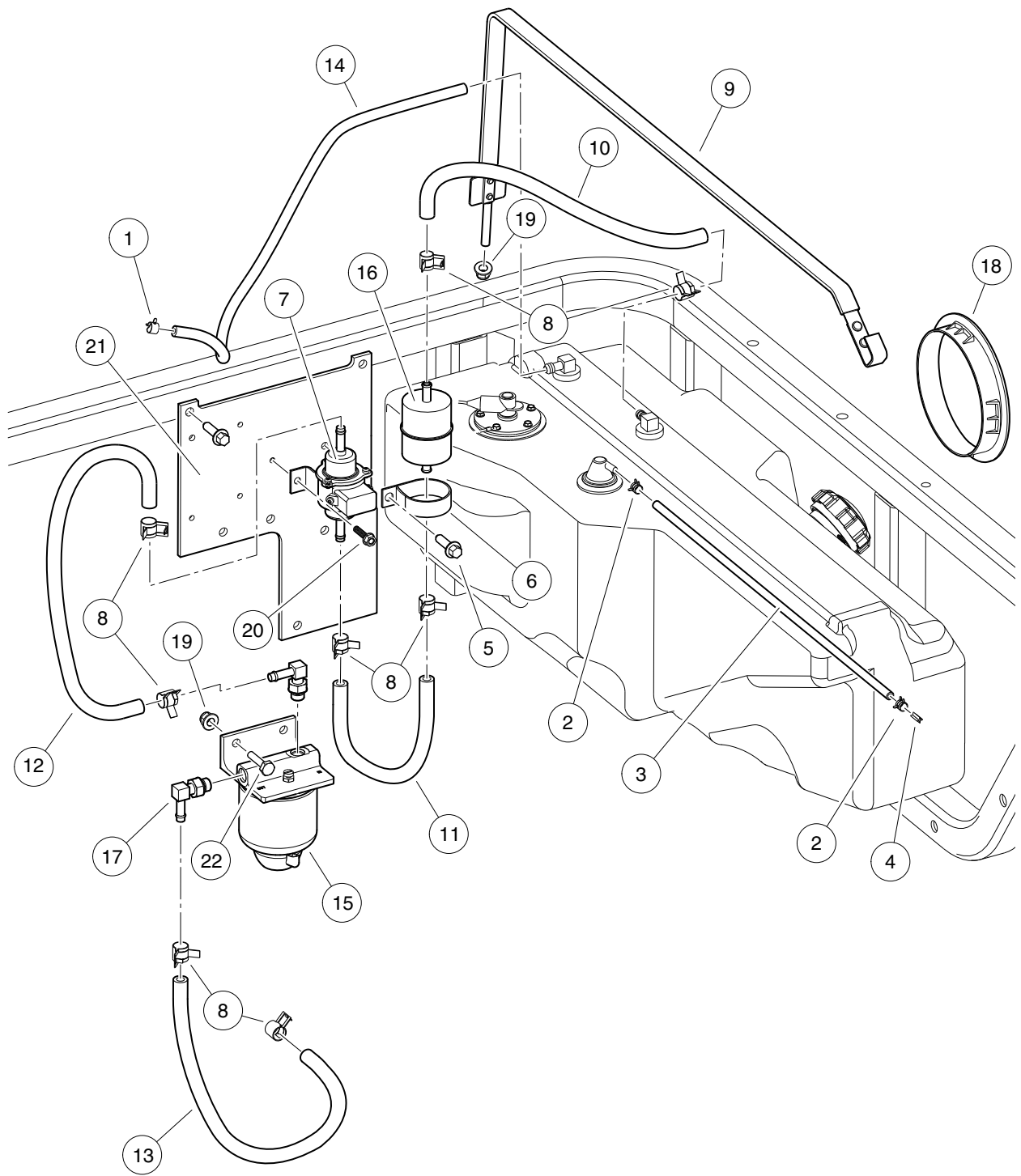
000082-009

FUEL TANK – DIESEL VEHICLE

ITEM	PART NO.	DESCRIPTION	QTY
		1 2 3 4	
1	<u>102952101</u>	Assembly, Tank, Fuel, Diesel, AWD (includes items 2 through 16)	1
2	<u>1013461</u>	Screw, #10-16 Hex-Head Hi-Lo	5
3	<u>1013462</u>	Sending Unit, Fuel Level *	1
4	<u>1015139</u>	Insulation Grommet	1
5	<u>1015143</u>	Vent, Fuel Tank	1
6	<u>1016</u>	Lockwasher, #10 Split	1
7	N/A	Wire Asm, Blk, 170mm	1
8	N/A	Wire Asm, Org, 170mm	1
9	<u>102406701</u>	Bushing, Line, Return	2
10	<u>102406801</u>	Elbow, 90 Degree, Barbed	1
11	<u>102478501</u>	Pickup Tube, Fuel	1
12	<u>102494701</u>	Cap, Fuel (Diesel)	1
13	<u>102522001</u>	Gasket, Rubber	1
14	N/A	Tank, Fuel, Diesel, AWD	1
15	<u>183</u>	Washer, #10, Type A, Flat	1
16	<u>8797</u>	Nut, #10-32 Brass Hex	1
		* Note: Must replace fuel sending unit gasket when servicing this component.	

11

D



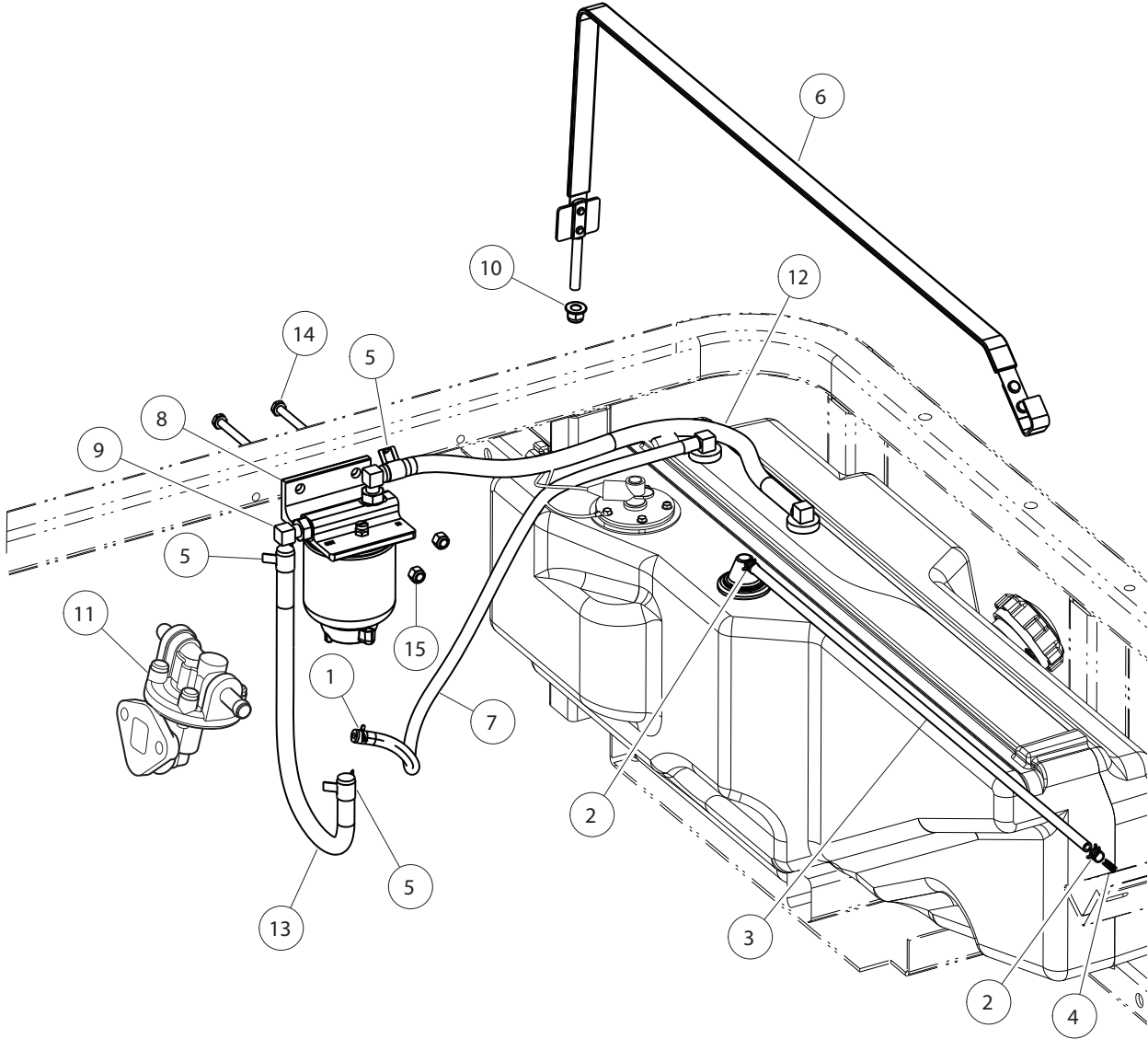
000081-006

FUEL PUMP, FILTER AND HOSE, DIESEL – TO LATE 2009 MODEL YEAR

11

D

ITEM	PART NO.	DESCRIPTION	QTY
		1 2 3 4	
1	<u>101313402</u>	Clamp, Green Hose	1
2	<u>1013746</u>	Clamp, 0.301 ID Hose	2
3	<u>101587703</u>	Hose, Fuel, Vent, 22" Long	1
4	<u>101824401</u>	Vent Barb	1
5	<u>102289001</u>	Screw, M8X1.25X30, Hex	5
6	<u>102410602</u>	P-Clamp, Insulated 1.75 In	1
7	<u>102410801</u>	Pump, Diesel Fuel, Electric	1
8	<u>102411203</u>	Clamp, Hose, Ctb 14mm Dia.	8
9	<u>102426301</u>	Strap, Tank, Fuel	1
10	<u>102430001</u>	Hose, Tank To Prefilter Diesel	1
11	<u>102430101</u>	Hose, Fuel Prefilter To Pump	1
12	<u>102430201</u>	Hose, Fuel Pump To Filter	1
13	<u>102430301</u>	Hose, Fuel Filter To Eng	1
14	<u>102430401</u>	Hose, Fuel Return	1
15	<u>102434601</u>	Filter Assy, Fuel and Water (includes item 16)	1
16	102703401	Filter, Water Separator	1
17	<u>102434701</u>	Filter, Fuel	1
18	<u>102434801</u>	Adapter, 90 Degree, 5/16 Tube	2
19	<u>102466201</u>	Bezel, Fuel Fill	1
20	102618601	Lock Nut, Flange, M8 X 1.25 Nylon	3
21	<u>102670801</u>	Screw, M6 X 1 X 25 Thd Form	1
22	<u>102710301</u>	Plate, Filter Mounting	1
23	<u>96705587</u>	Bolt, M8 X 1.25 X 30	2



000081-009

FUEL PUMP, FILTER AND HOSE, DIESEL – FROM LATE 2009 MODEL YEAR

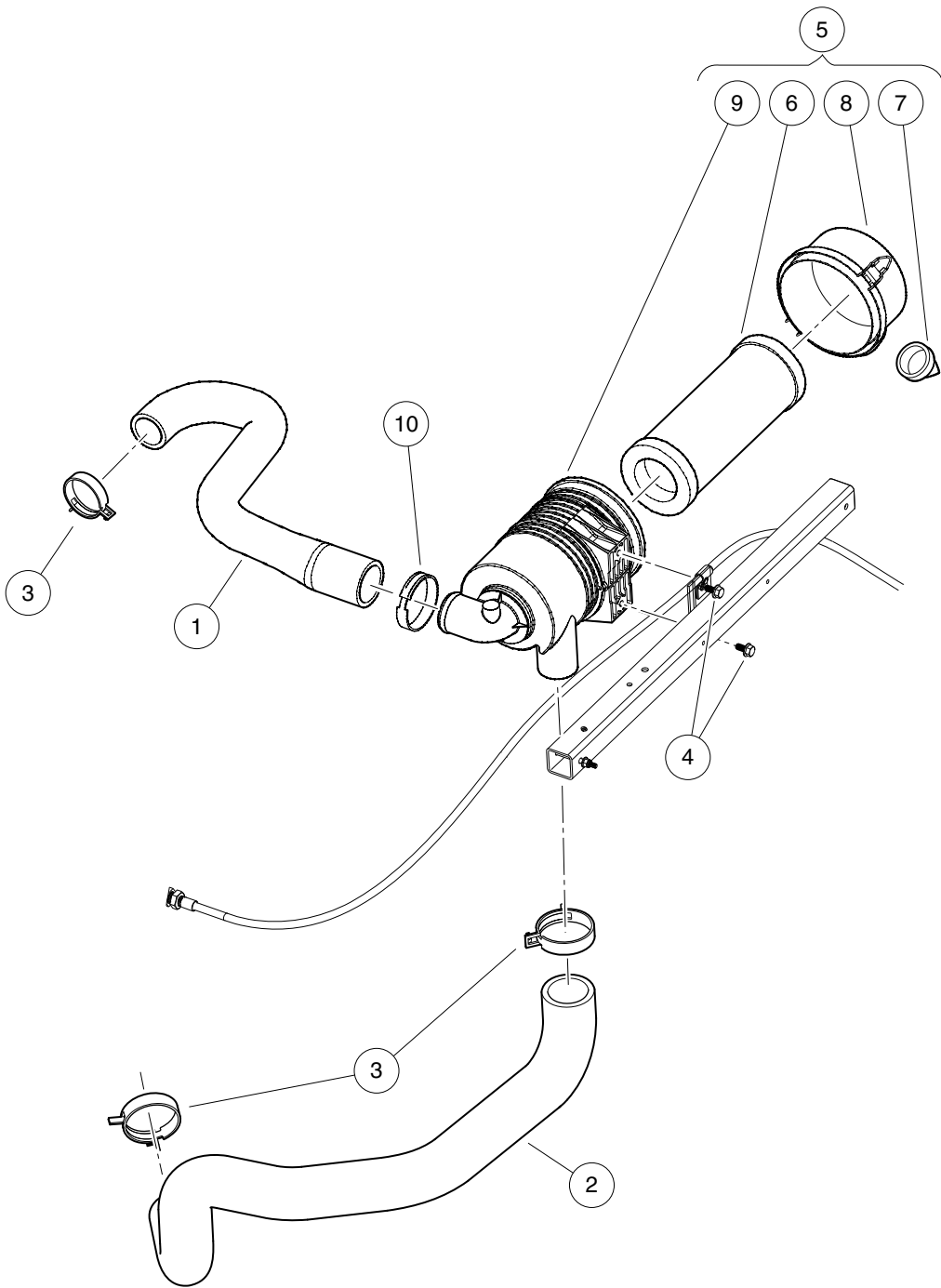
ITEM	PART NO.	DESCRIPTION	QTY
		1 2 3 4	
1	<u>101313402</u>	Clamp, Green Hose	1
2	<u>1013746</u>	Clamp, 0.301 ID Hose	2
3	<u>101587703</u>	Hose, Fuel, Vent, 22" Long	1
4	<u>101824401</u>	Vent Barb	1
5	<u>102411203</u>	Clamp, Hose, Ctb 14mm Dia.	3
6	<u>102426301</u>	Strap, Tank, Fuel	1
7	<u>102430401</u>	Hose, Fuel Return	1
8	<u>102434601</u>	Filter Assy, Fuel and Water (includes item 9)	1
9	<u>102703401</u>	Filter, Water Separator	1
10	<u>102434801</u>	Adapter, 90 Degree, 5/16 Tube	2
11	<u>102618601</u>	Lock Nut, Flange, M8 X 1.25 Nylon	1
12	<u>103591301</u>	Pump, Diesel Fuel, Mechanical	1
13	<u>103593201</u>	Hose, Awd Water Sep To Mech Fp	1
14	<u>103593301</u>	Hose, Awd Water Sep To Tank	1
15	<u>324</u>	Screw, 1/4-20 X 2.50 Hx Hd Cap	2
16	<u>8233</u>	Locknut, 1/4-20, Nylon Insert	2

11

D

11

D



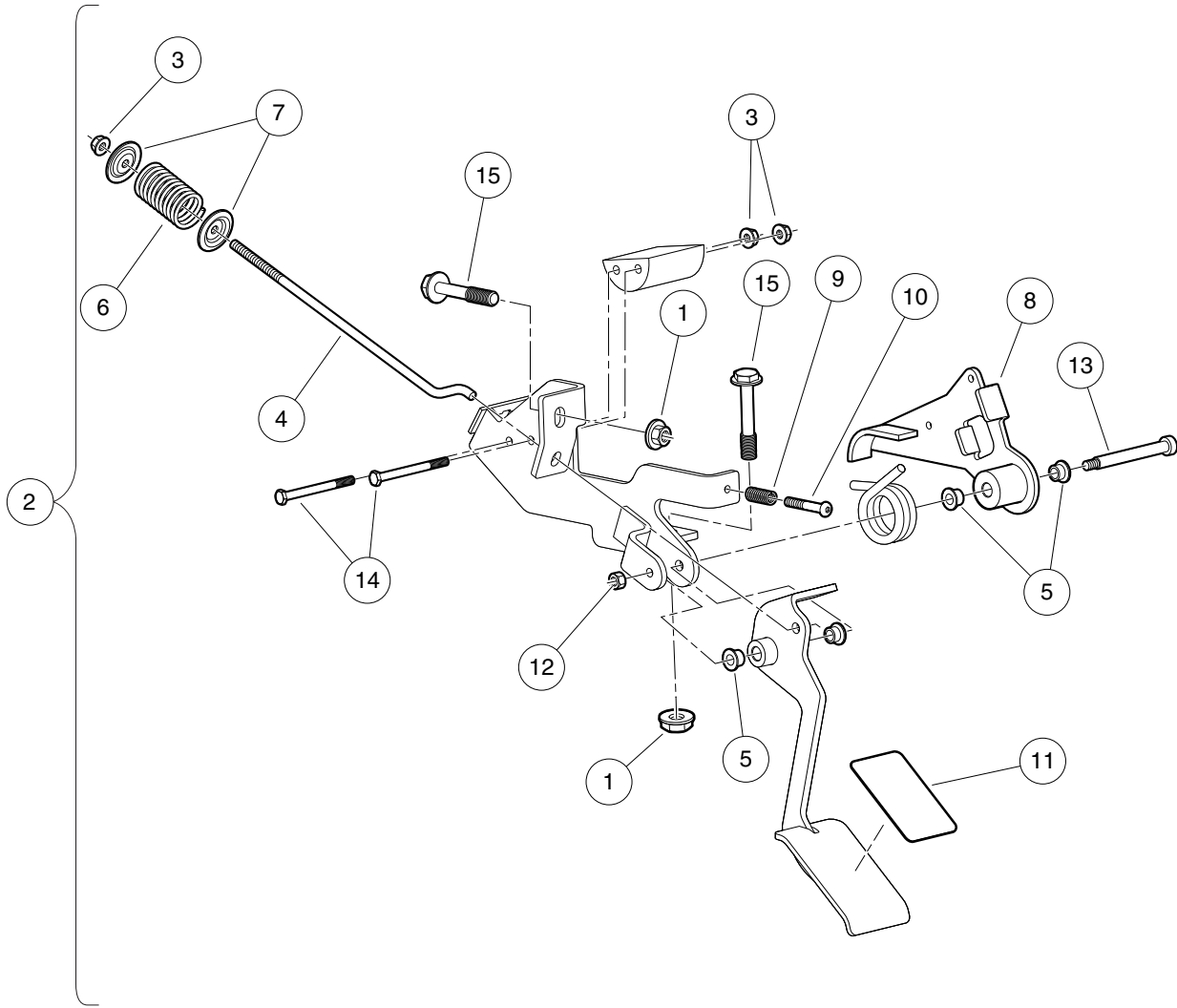
000090-007

INTAKE HOSES AND AIR FILTER – DIESEL VEHICLE

ITEM	PART NO.	DESCRIPTION	QTY
		1 2 3 4	
1	<u>102379001</u>	Hose, Intake, Kubota, Diesel, Engine	1
2	<u>102395601</u>	Hose, Intake, Primary	1
3	<u>102411209</u>	Clamp, Hose, Ctb 55mm Dia.	3
4	<u>102621201</u>	Bolt, Flanged Head, M8 X1.25x 16, with Loctite	2
5	<u>102810701</u>	Filter, Air, Canister, with Label (includes items 6 through 9)	1
6	<u>102498601</u>	Element, Filter, Air, 5 Inch	1
7	<u>102725501</u>	Valve, Evacuator, Filter Air	1
8	<u>102725601</u>	Cap, Latch Lock, Filter, Air	1
9	N/A	Body, Canister, Filter, Air	1
10	<u>103441401</u>	Clamp, Worm Screw, Hose, 2"	1

11

D



000026-007

ACCELERATOR PEDAL – DIESEL VEHICLE

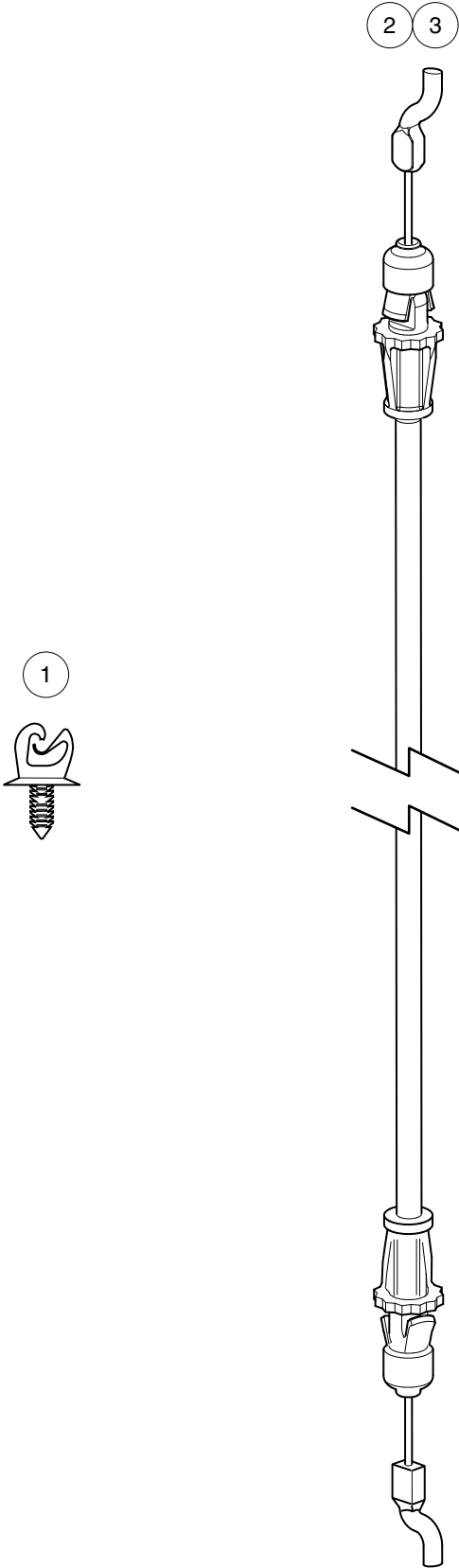
ITEM	PART NO.	DESCRIPTION	QTY
		1 2 3 4	
1	<u>102298401</u>	Nut, M8, All Metal Lock	2
2	<u>102489901</u>	Asm, Pedal, Accelerator (includes items 3 through 14)	1
3	<u>102296401</u>	Nut, M6x1.0, Flange, Metal Lock	3
4	<u>102416501</u>	Pullrod, Spring, Compression	1
5	<u>102442901</u>	Bushing, Greaseless	4
6	<u>102445201</u>	Spring, Comp, Pedal, Pullrod	1
7	<u>102461401</u>	Washer, Retaining Spring, 7mm	2
8	<u>102469401</u>	Weldment, Lever, Motion, Lost	1
9	<u>102476301</u>	Spring, Stop, Pedal	1
10	<u>102476401</u>	Bolt, Stop, Pedal	1
11	<u>102479301</u>	Pad, Grip Tape, Accelerator	1
12	<u>102618101</u>	Nut, M6x1, Mechanically Deformed	1
13	<u>103273101</u>	Bolt, Shoulder, M8 X 70, Hc	2
14	<u>96706825</u>	Bolt, M6 X 1 X 70	2
15	<u>102618301</u>	Bolt, Flanged Head, M8 X 1.25 X 65	2

11

D

11

D



000536-008

ACCELERATOR CABLE – DIESEL VEHICLE

ITEM	PART NO.	DESCRIPTION	QTY
		1 2 3 4	
1	<u>102475701</u>	Clip, Brake Line	3
2	<u>102498801</u>	Cable, Accelerator, AWD, Diesel, 295/1550	1
3	<u>102767401</u>	Cable, Accelerator, AWD, Diesel, 295 SE/1550 SE	1

11

D

11

D

EXHAUST SYSTEM – GAS & DIESEL

12

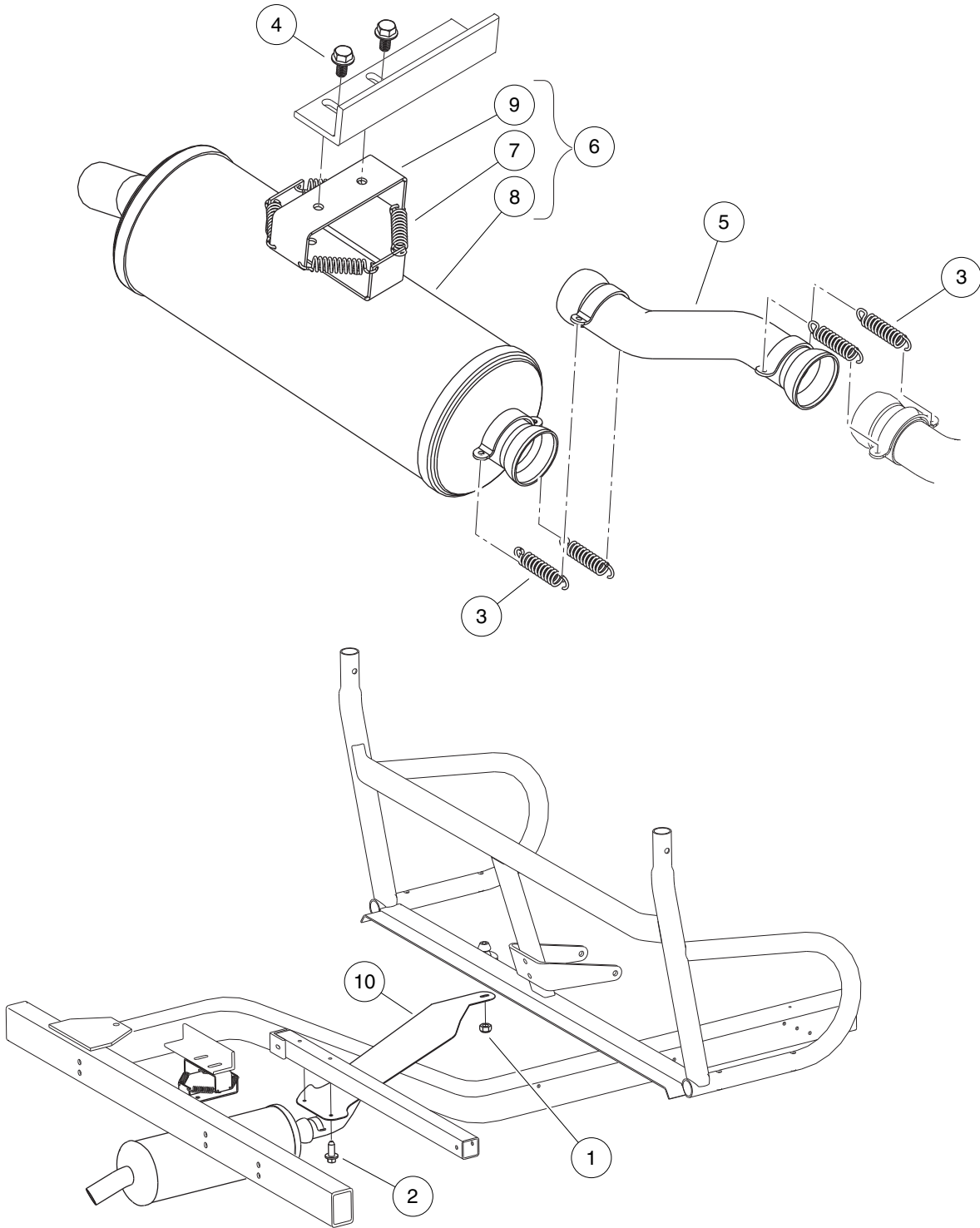
G

D

12

G

D



000538-006

EXHAUST SYSTEM

ITEM	PART NO.	DESCRIPTION	QTY
		1 2 3 4	
1	<u>101887601</u>	Locknut, M6-1.00 Nylon Insert	1
2	<u>102298720</u>	Screw, M8-1.25x20, Taptite	1
3	<u>102409501</u>	Spring, Exhaust	4
4	<u>102621201</u>	Bolt, Flanged Head, M8 X1.25x 16, with Loctite	2
5	<u>102786201</u>	Pipe, Exhaust, Int, Offset	1
6	<u>102812801</u>	Asm, Muffler, AWD Homologation (includes items 7 through 9)	1
7	<u>102409501</u>	Spring, Exhaust	4
8	N/A	Muffler	1
9	N/A	Bracket, Muffler	1
10	<u>102930901</u>	Shield, Exhaust, Clearance	1

12

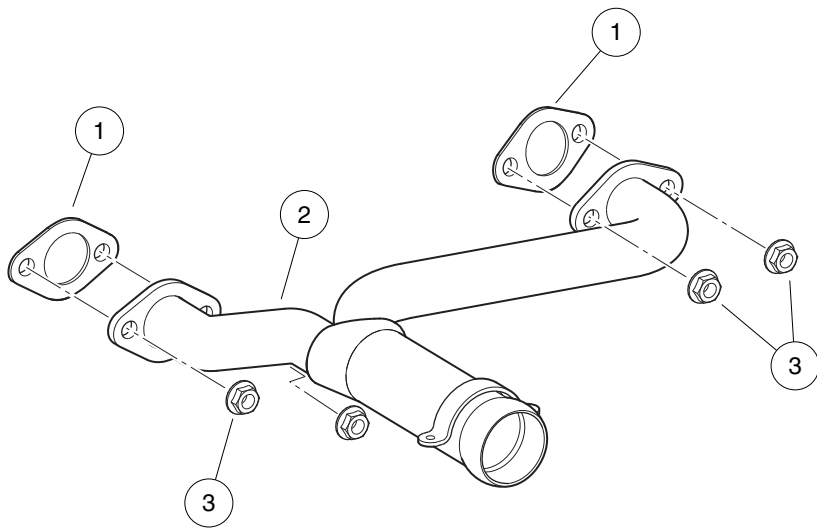
G

D

12

G

D



000538-004

EXHAUST HEADER – GASOLINE VEHICLE

ITEM	PART NO.	DESCRIPTION	QTY
		1 2 3 4	
1	<u>102949301</u>	Gasket, Exhaust Header, Fh680d	2
2	<u>103268101</u>	Header, Exhaust, Gas, Fh680d	1
3	<u>96704416</u>	Nut, Flange, M8 X 1.25 Serrated	4

12

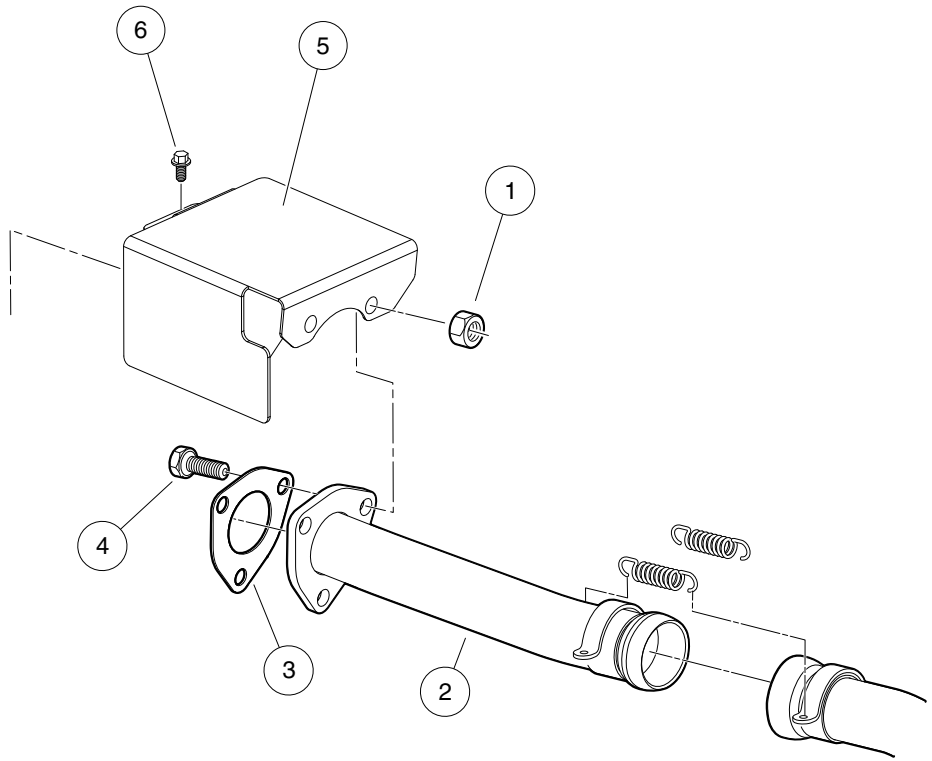
G

D

12

G

D



000538-003

EXHAUST PIPES – DIESEL VEHICLE

ITEM	PART NO.	DESCRIPTION	QTY
		1 2 3 4	
1	<u>102298401</u>	Nut,m8,all Metal Lock	3
2	<u>102409301</u>	Pipe, Exhaust Diesel Main	1
3	<u>102422301</u>	Gasket, Exhaust Diesel	1
4	<u>102621301</u>	Bolt, M8 X 1.25 X 40 with Loctite	3
5	<u>102628101</u>	Shield, Diesel Exhaust	1
6	<u>102731601</u>	Bolt, D722, Exhaust Manifold Cover	1

12

G

D

12

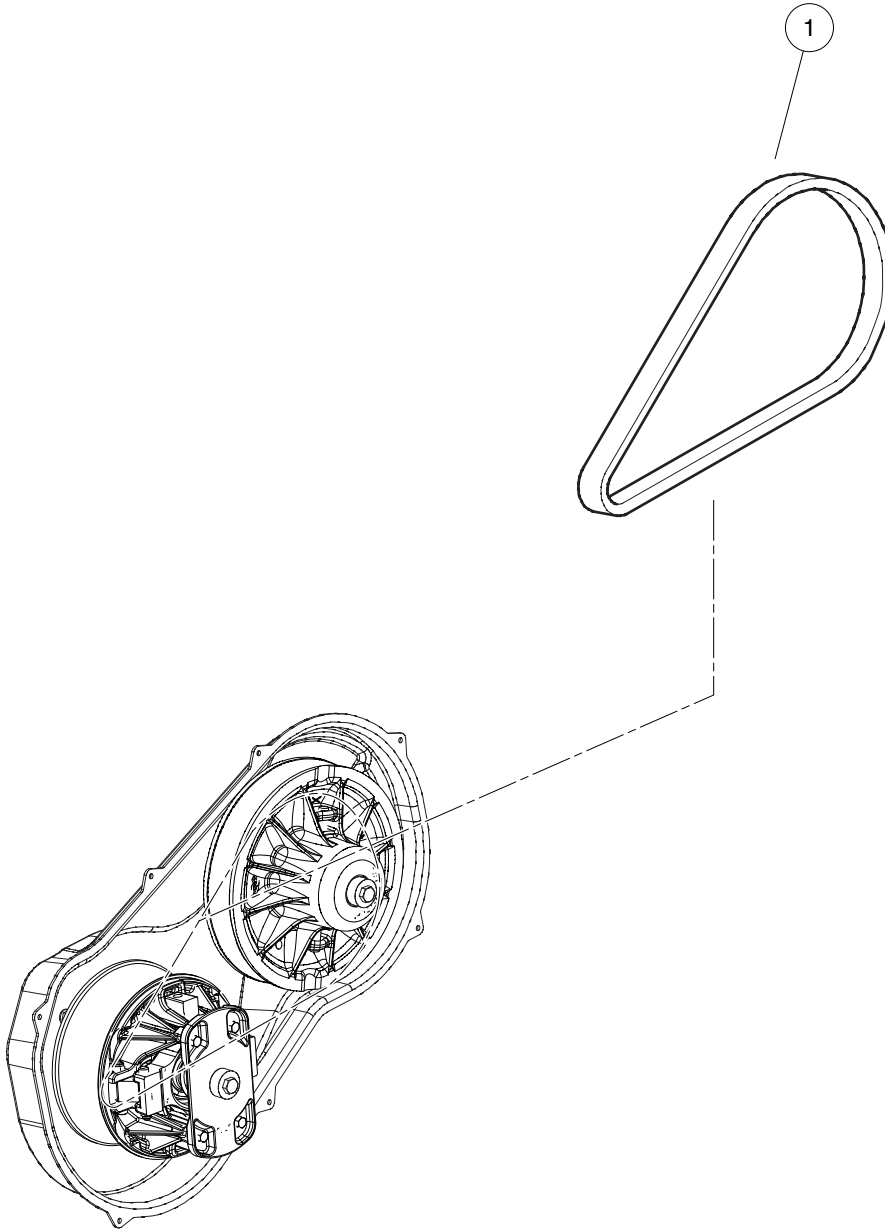
G

D

CLUTCHES – KAWASAKI GAS ENGINE

13

G



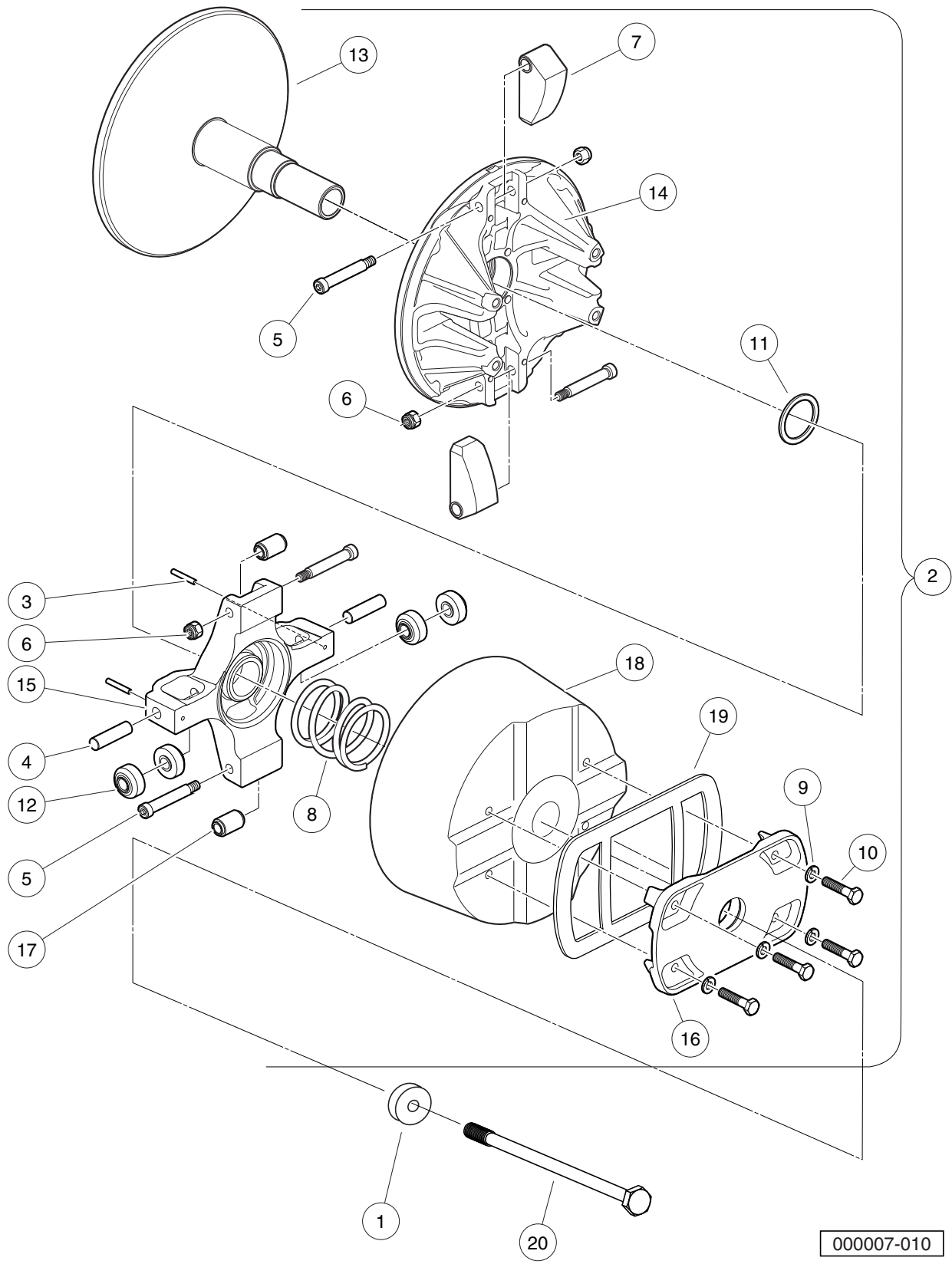
000084-001

DRIVE BELT

ITEM	PART NO.	DESCRIPTION	QTY
1	<u>102374901</u>	1 2 3 4 Belt, Drive	1

13
G

13
G



000007-010

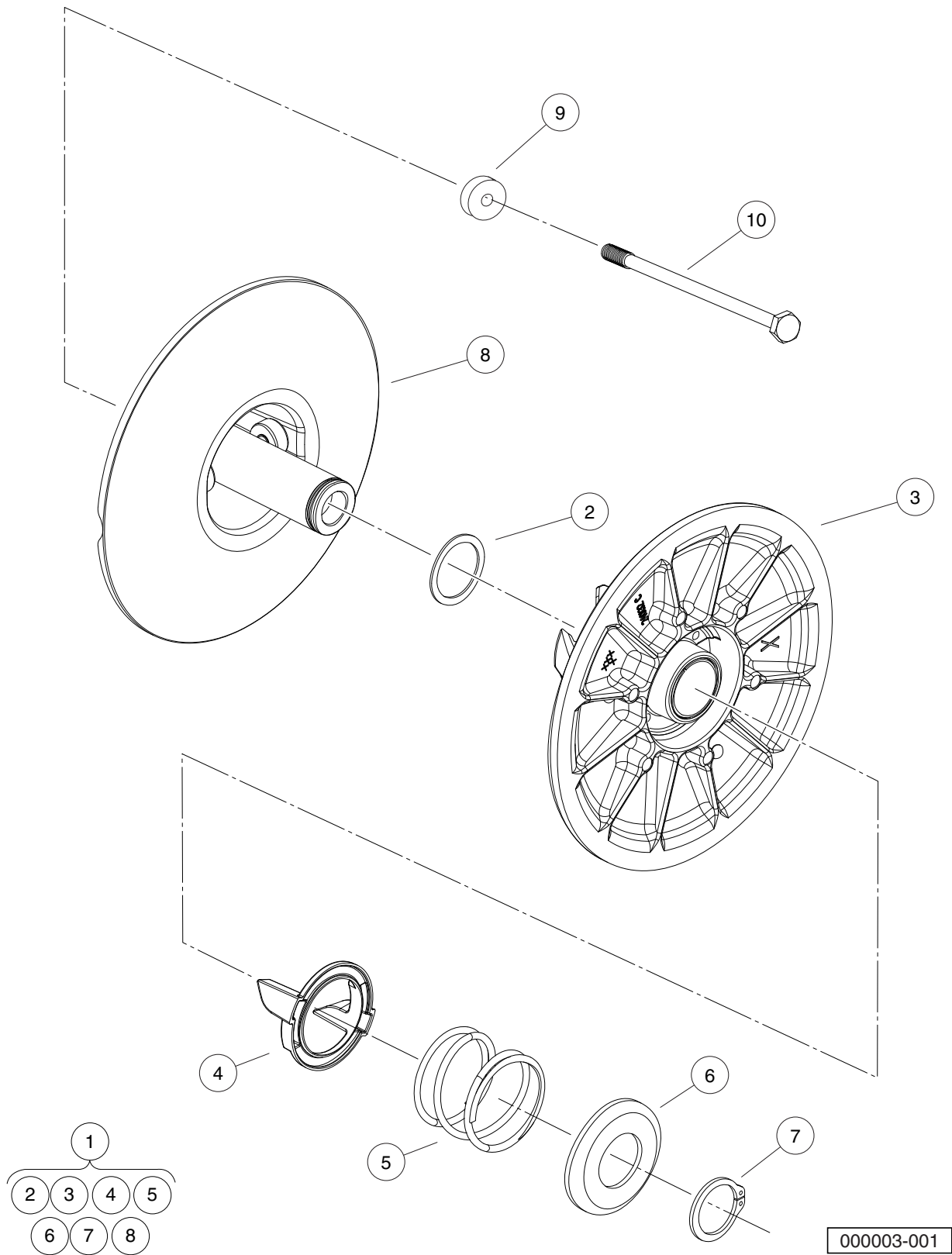
DRIVE CLUTCH – KAWASAKI GAS ENGINE

ITEM	PART NO.	DESCRIPTION	QTY
		1 2 3 4	
1	<u>102385601</u>	Washer, Stepped	1
2	<u>103185401</u>	Clutch, 4x4, Gas, W/cover (includes items 3 through 19)	1
3	<u>102690201</u>	Pin, Spring Slotted, 1.25 X 1.0	2
4	<u>102690301</u>	Pin, Dowel, .375 X 1.50	2
5	<u>102690501</u>	Screw, Shlder Hex, .312 X 1.75	4
6	<u>102690701</u>	Nut, Lock Hex, 1/14-20, Flexlc	4
7	<u>102691001</u>	Sub Assy, Wt Clutch, Gas	2
8	<u>102691401</u>	Spring, Compression, Primary	1
9	<u>102691601</u>	Washer, Lock, H-Spring, 1/4	4
10	<u>102691701</u>	Screw, Cap, Hex Hd, 1/4 X 1.25	4
11	<u>102691801</u>	Shim, 1.63 X 1.33	1
12	<u>102691901</u>	Roller, Torque, Gas	4
13	N/A	Subassembly, Drive Clutch	1
14	N/A	Subassembly, Moveable, Drive Clutch	1
15	N/A	Spider, Drive Clutch	1
16	N/A	Cover, Drive Clutch	1
17	<u>102839401</u>	Sub Assy, Roller Weight	2
18	<u>103185801</u>	Cover, Clutch, 4x4	1
19	<u>103185901</u>	Gasket, Cover, Clutch, 4x4	1
20	<u>103201501</u>	Bolt, M8 X 1.25 X 200, Loctite	1

13

G

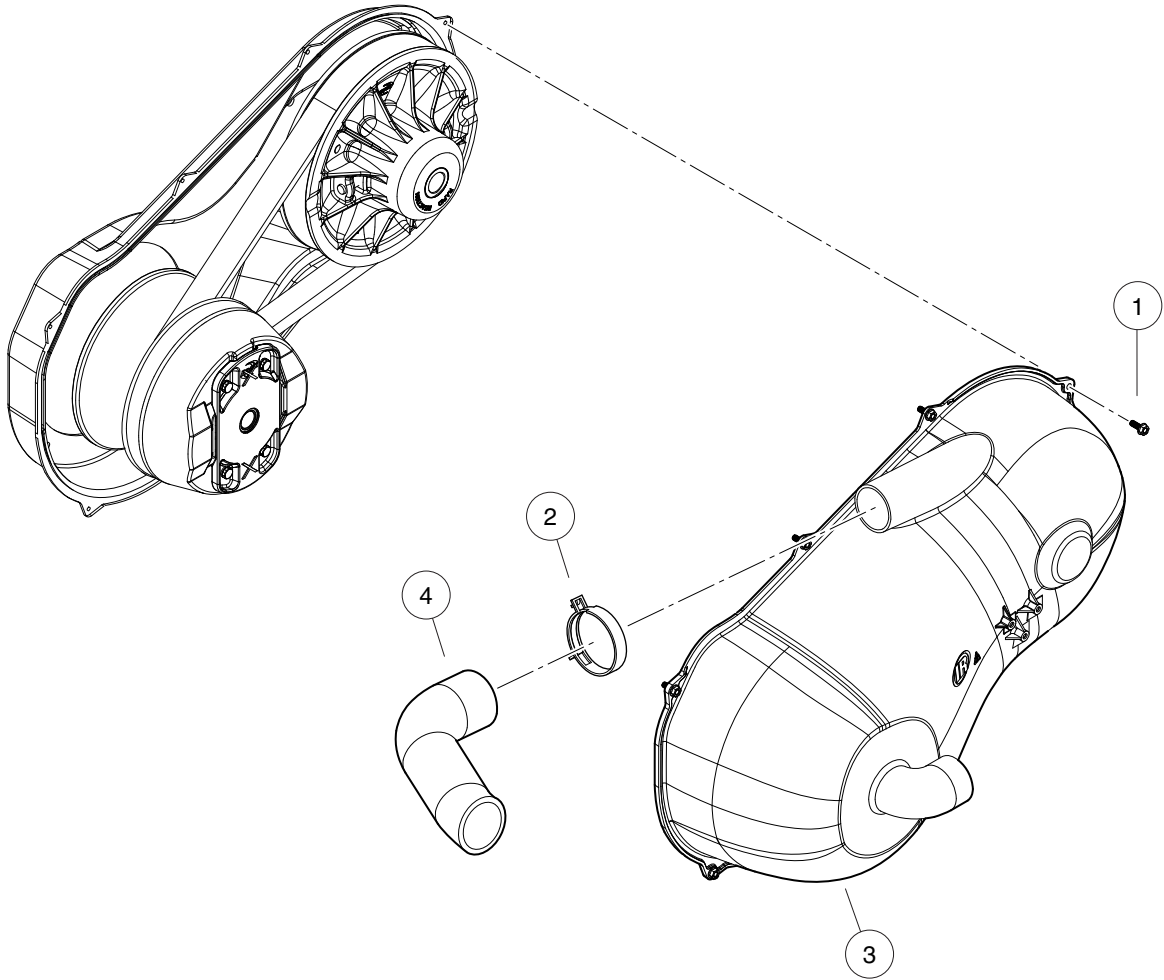
13
G



DRIVEN CLUTCH

ITEM	PART NO.	DESCRIPTION	QTY
		1 2 3 4	
1	<u>102369901</u>	CVT, Secondary (includes items 2 through 8)	1
2	<u>102695401</u>	Washer, Thrust, 1.53 X 1.92	1
3	N/A	Sheave, Driven Clutch	1
4	<u>102695601</u>	Retainer, Spring, Inner	1
5	<u>102695701</u>	Spring, Compression, Secondary	1
6	<u>102695801</u>	Retainer, Spring, Outer	1
7	<u>102695901</u>	Ring, Retaining, External	1
8	N/A	Driven Clutch Base Sheave	1
9	<u>102385701</u>	Washer, Stepped	1
10	<u>102719301</u>	Bolt, M10 X 1.50 X 90, Loctite	1

13
G

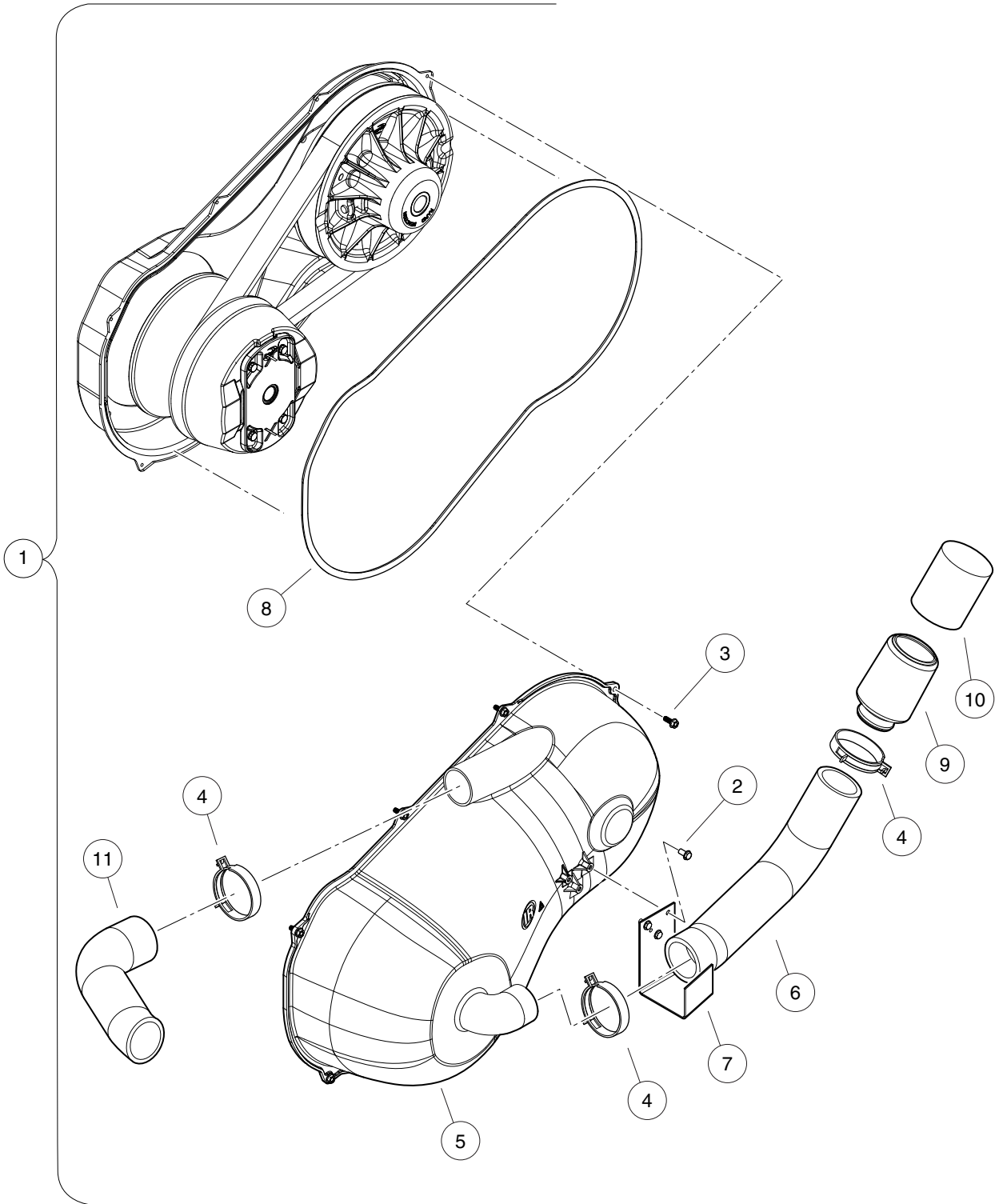


000008-003

CLUTCH COVER (NON-SEALED)

ITEM	PART NO.	DESCRIPTION	QTY
		1 2 3 4	
1	<u>102296716</u>	Screw, M6 X 16 Tt Hx Fl Hd	7
2	<u>102411210</u>	Clamp, Hose, Ctb 64mm	1
3	<u>102628301</u>	Cover, Cvt, Open	1
4	<u>103320601</u>	Hose, Outlet, Cvt	1

13
G



000008-004

CLUTCH COVER (SEALED)

ITEM	PART NO.	DESCRIPTION	QTY
		1 2 3 4	
1	<u>102616003</u>	Kit, Sealed CVT Cover (includes items 2 through 11)	1
2	<u>101856101</u>	Screw, 1/4-15 X .50 Hi-lo Hex	3
3	<u>102296716</u>	Screw, M6 X 16 Tt Hx Fl Hd	7
4	<u>102411210</u>	Clamp, Hose, Ctb 64mm	2
5	<u>102414501</u>	Cover, CVT Outer	1
6	<u>102481001</u>	Hose, Inlet, Cover, CVT	1
7	<u>102481201</u>	Bracket, Inlet, Cover, CVT	1
8	<u>102481301</u>	Gasket, Cover, CVT	1
9	<u>102616101</u>	Cap, Inlet, Cover, CVT	1
10	<u>102628001</u>	Filter, Inlet, Cover, CVT	1
11	<u>103320601</u>	Hose, Outlet, Cvt	1

13

G

13

G

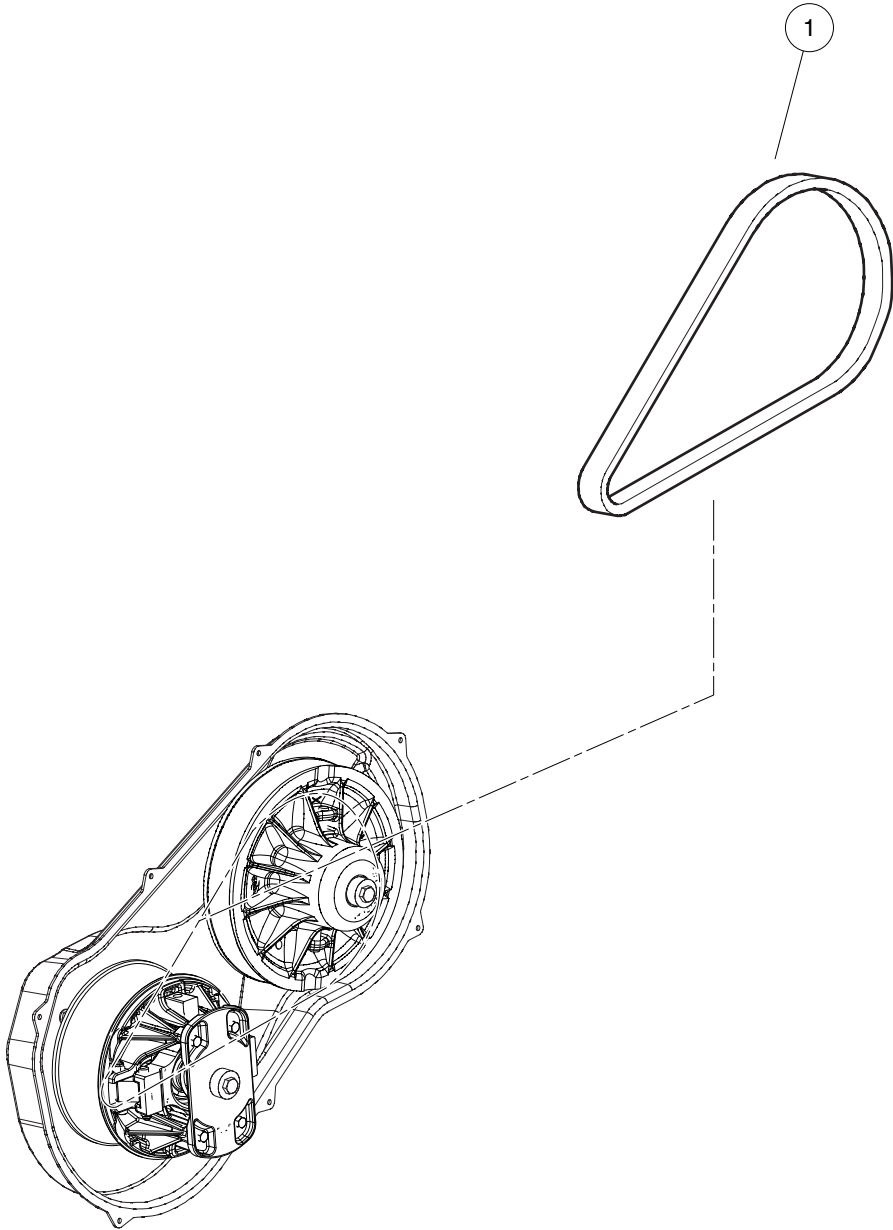
CLUTCHES – KUBOTA DIESEL ENGINE

14

D

14

D



000084-001

DRIVE BELT

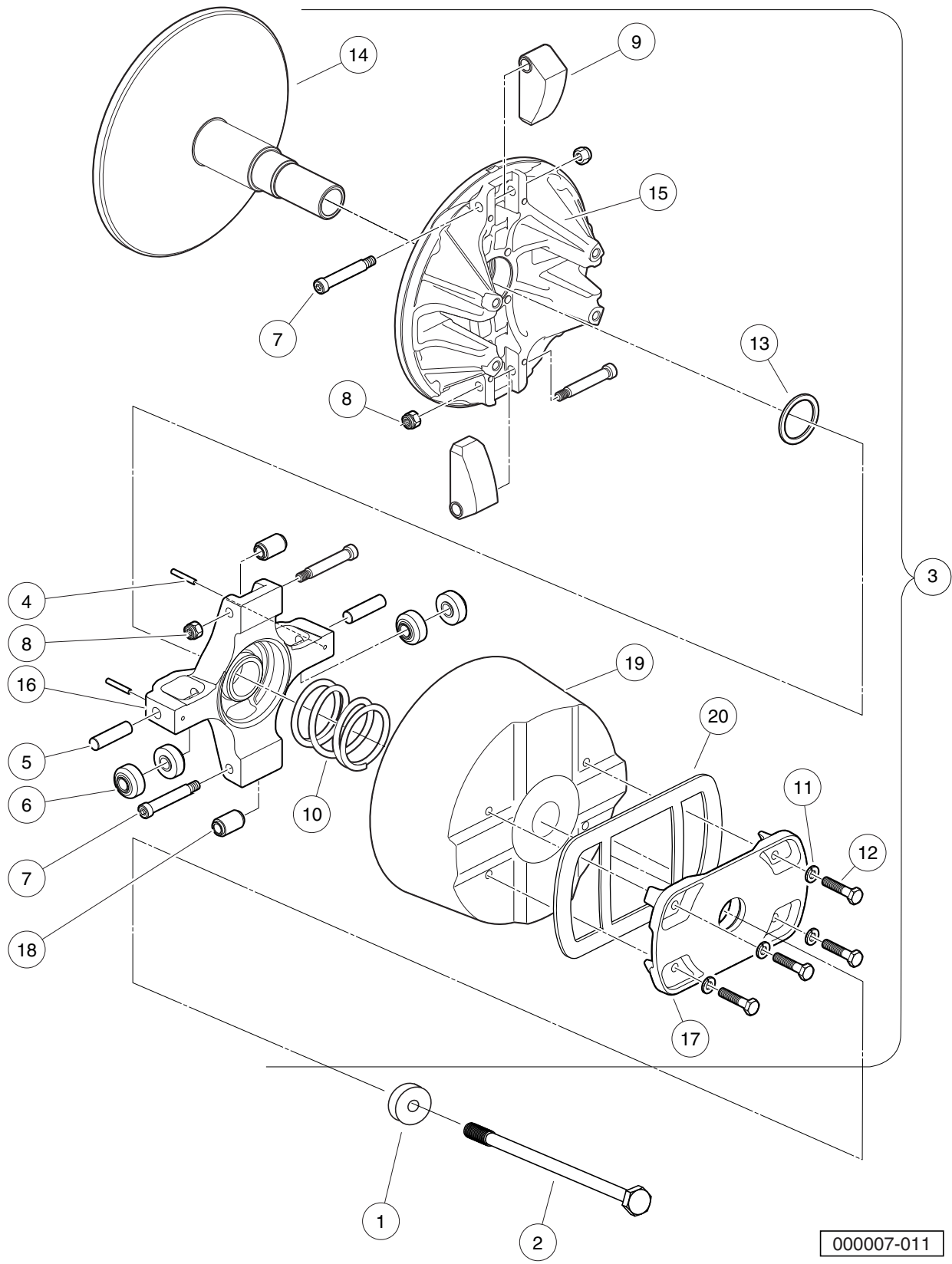
ITEM	PART NO.	DESCRIPTION	QTY
1	<u>102374901</u>	1 2 3 4 Belt, Drive	1

14

D

14

D



000007-011

DRIVE CLUTCH – DIESEL ENGINE

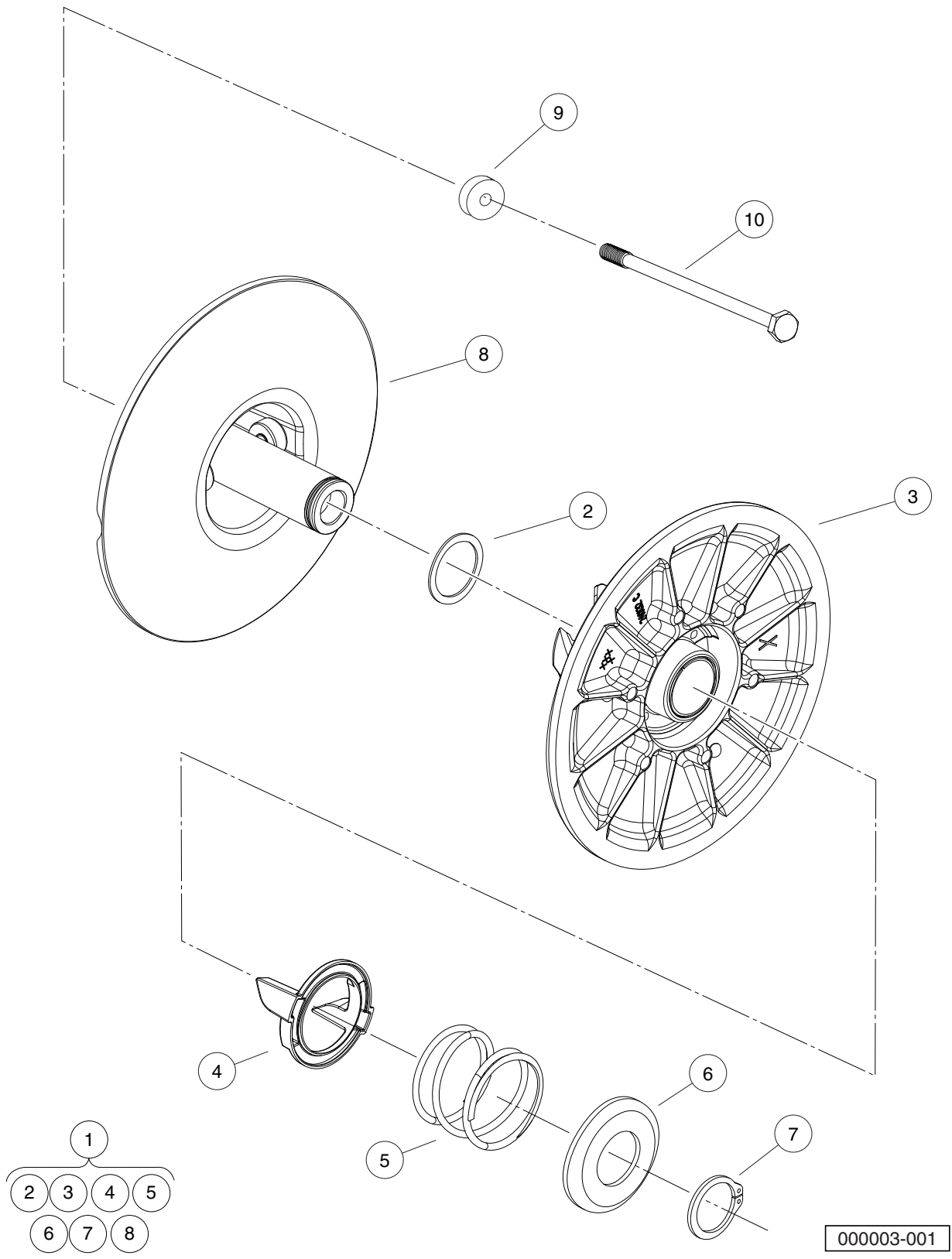
ITEM	PART NO.	DESCRIPTION	QTY
		1 2 3 4	
1	<u>102385601</u>	Washer, Stepped	1
2	<u>102616501</u>	Bolt, M10 X 1.5 X 160	1
3	<u>103185501</u>	Clutch, 4x4, Diesel, W/cover (includes items 4 through 20)	1
4	<u>102690201</u>	Pin, Spring Slotted, 1.25 X 1.0	2
5	<u>102690301</u>	Pin, Dowel, .375 X 1.50	2
6	<u>102690401</u>	Roller, Torque, Diesel	4
7	<u>102690501</u>	Screw, Shlder Hex, .312 X 1.75	4
8	<u>102690701</u>	Nut, Lock Hex, 1/14-20, Flexlc	4
9	<u>102690801</u>	Sub Assy, Wt Clutch, Diesel	2
10	<u>102691401</u>	Spring, Compression, Primary	1
11	<u>102691601</u>	Washer, Lock, H-Spring, 1/4	4
12	<u>102691701</u>	Screw, Cap, Hex Hd, 1/4 X 1.25	4
13	<u>102691801</u>	Shim, 1.63 X 1.33	1
14	N/A	Subassembly, Drive Clutch	1
15	N/A	Subassembly, Moveable, Drive Clutch	1
16	N/A	Spider, Drive Clutch	1
17	N/A	Cover, Drive Clutch	1
18	<u>102839401</u>	Sub Assy, Roller Weight	2
19	<u>103185801</u>	Cover, Clutch, 4x4	1
20	<u>103185901</u>	Gasket, Cover, Clutch, 4x4	1

14

D

14

D



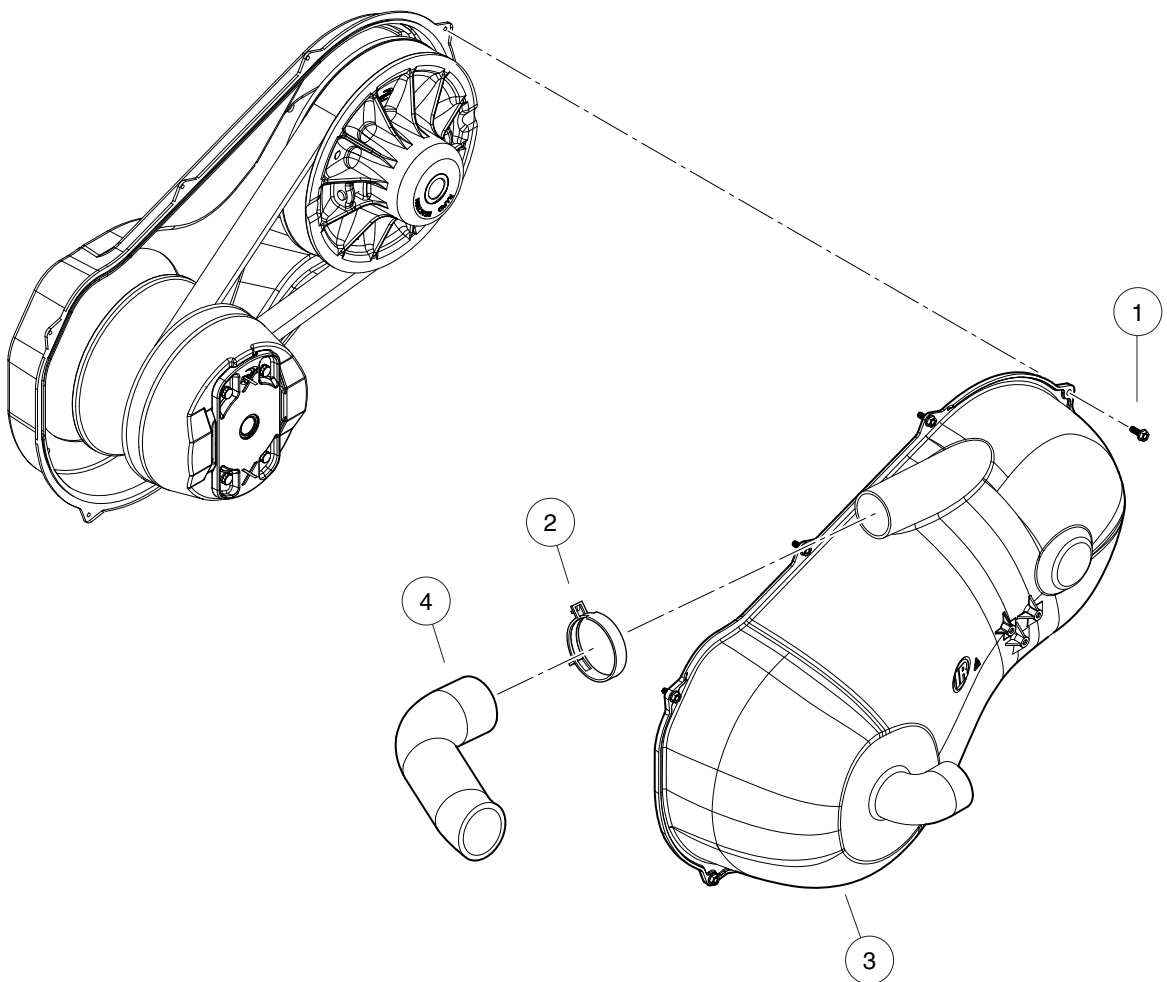
000003-001

DRIVEN CLUTCH

ITEM	PART NO.	DESCRIPTION	QTY
		1 2 3 4	
1	<u>102369901</u>	CVT, Secondary (includes items 2 through 8)	1
2	<u>102695401</u>	Washer, Thrust, 1.53 X 1.92	1
3	N/A	Sheave, Driven Clutch	1
4	<u>102695601</u>	Retainer, Spring, Inner	1
5	<u>102695701</u>	Spring, Compression, Secondary	1
6	<u>102695801</u>	Retainer, Spring, Outer	1
7	<u>102695901</u>	Ring, Retaining, External	1
8	N/A	Driven Clutch Base Sheave	1
9	<u>102385701</u>	Washer, Stepped	1
10	<u>102719301</u>	Bolt, M10 X 1.50 X 90, Loctite	1

14

D



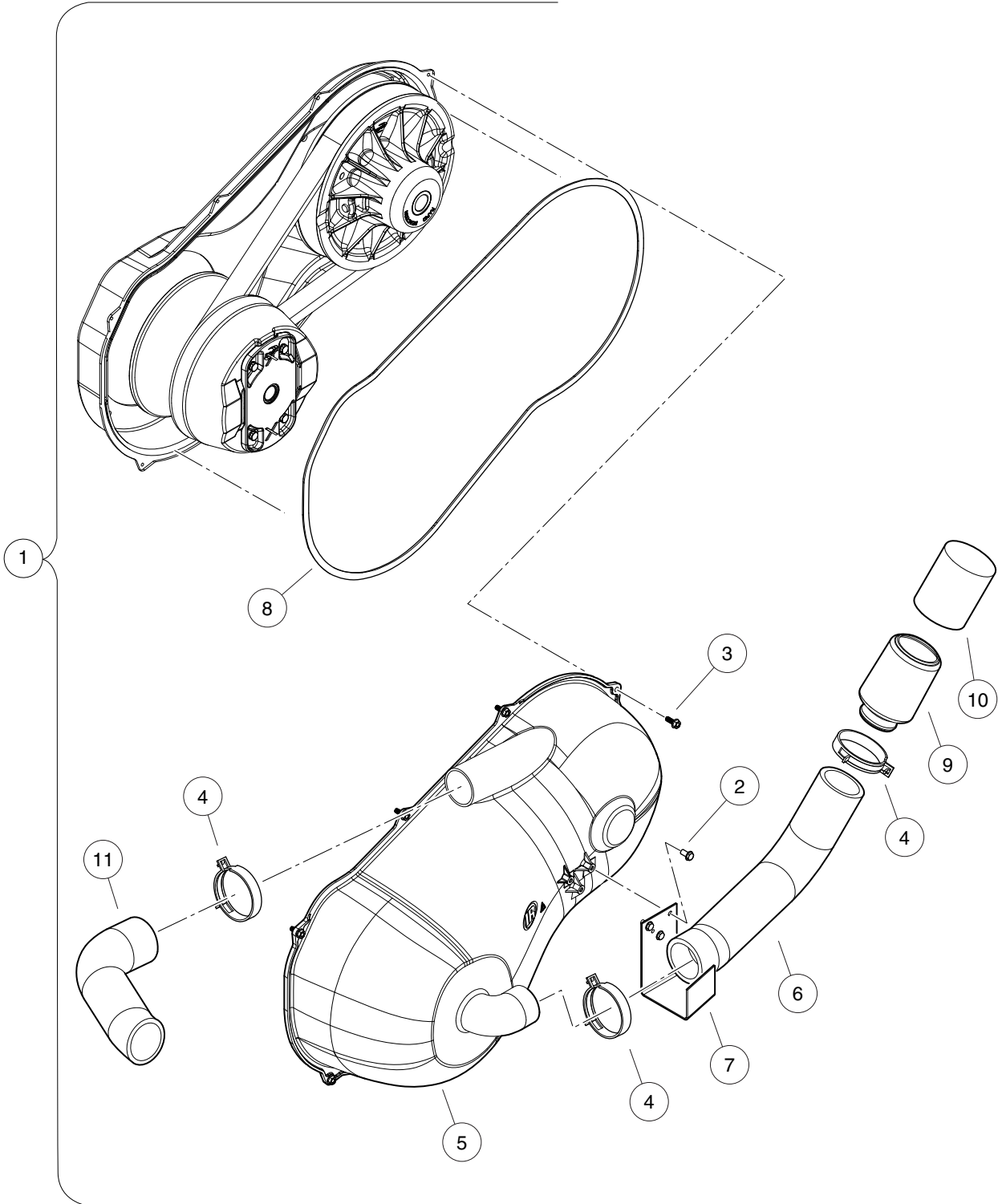
000008-003

CLUTCH COVER (NON-SEALED)

ITEM	PART NO.	DESCRIPTION	QTY
		1 2 3 4	
1	<u>102296716</u>	Screw, M6 X 16 Tt Hx Fl Hd	7
2	<u>102411210</u>	Clamp, Hose, Ctb 64mm	1
3	<u>102628301</u>	Cover, Cvt, Open	1
4	<u>103320601</u>	Hose, Outlet, Cvt	1

14

D



000008-004

CLUTCH COVER (SEALED)

ITEM	PART NO.	DESCRIPTION	QTY
		1 2 3 4	
1	<u>102616003</u>	Kit, Sealed CVT Cover (includes items 2 through 11)	1
2	<u>101856101</u>	Screw, 1/4-15 X .50 Hi-lo Hex	3
3	<u>102296716</u>	Screw, M6 X 16 Tt Hx Fl Hd	7
4	<u>102411210</u>	Clamp, Hose, Ctb 64mm	2
5	<u>102414501</u>	Cover, CVT Outer	1
6	<u>102481001</u>	Hose, Inlet, Cover, CVT	1
7	<u>102481201</u>	Bracket, Inlet, Cover, CVT	1
8	<u>102481301</u>	Gasket, Cover, CVT	1
9	<u>102616101</u>	Cap, Inlet, Cover, CVT	1
10	<u>102628001</u>	Filter, Inlet, Cover, CVT	1
11	<u>103320601</u>	Hose, Outlet, Cvt	1

14

D

14

D

DRIVETRAIN COMPONENTS – GAS & DIESEL

15

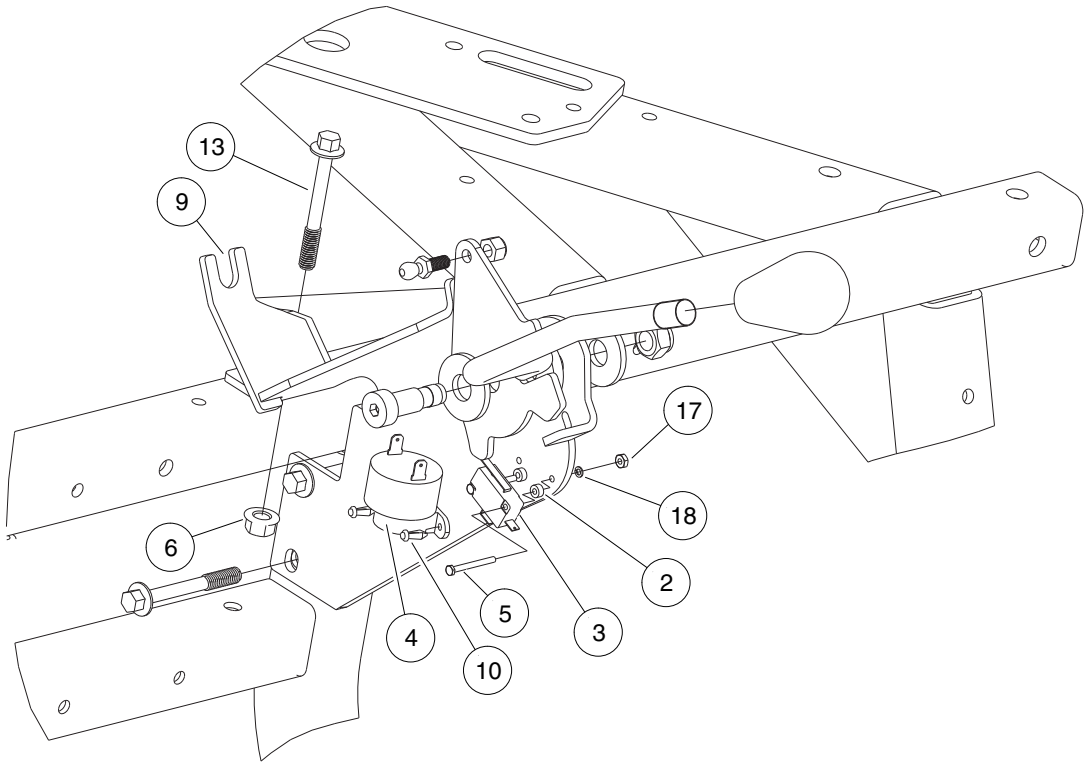
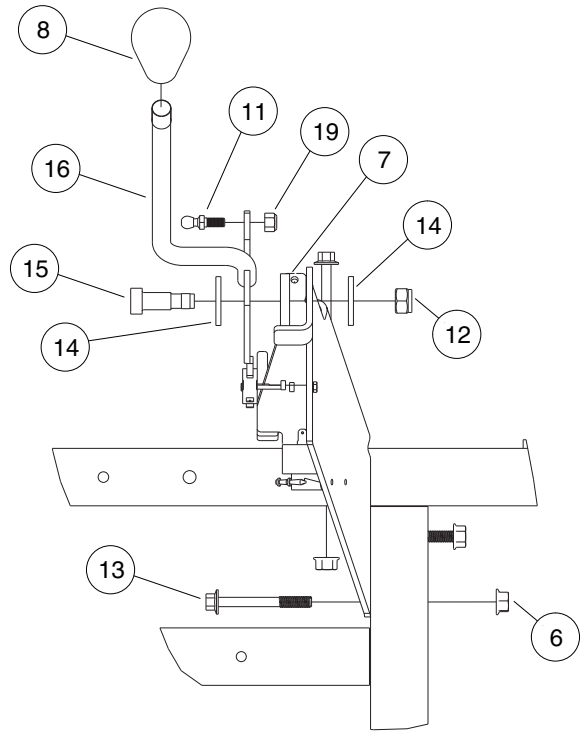
G

D

15

G

D



000030-002

FORWARD/REVERSE SHIFTER

ITEM	PART NO.	DESCRIPTION	QTY
		1 2 3 4	
1	<u>102868201</u>	Asm, FNR (includes items 2 through 19)	1
2	<u>1014727</u>	Washer, Flat, #4, Nylon	2
3	<u>1014808</u>	Switch, Limit	1
4	<u>1016851</u>	Buzzer, Reverse (9-48 VDC)	1
5	<u>1016896</u>	Screw, #4-40 X 1.125 Hx Hd Mch	2
6	<u>102298401</u>	Nut,m8,all Metal Lock	3
7	<u>102375901</u>	Bushing, Fnr	1
8	<u>102376001</u>	Knob, FNR, Shifter	1
9	N/A	Weldment, FNR Shifter Bracket	1
10	<u>102499001</u>	Rivet, Micro Tuflok	2
11	<u>102615701</u>	Stud, Ball, .346 Dia	1
12	<u>102616701</u>	Locknut, M10x1.5 Nylon Insert	1
13	<u>102618301</u>	Bolt, Flanged Head, M8 X 1.25 X 65	3
14	<u>102684501</u>	Washer, M12 Hard Regular	2
15	<u>102684601</u>	Shoulder Bolt,m12 X 20 M10 Thd	1
16	<u>103187501</u>	Weldment, FNR Shifter	1
17	<u>8057</u>	Nut, #4-40 Hex Machine	2
18	<u>8058</u>	Lockwasher, #4 Split	2
19	<u>8717</u>	Locknut, Nylon Insert, 1/4-28	1

15

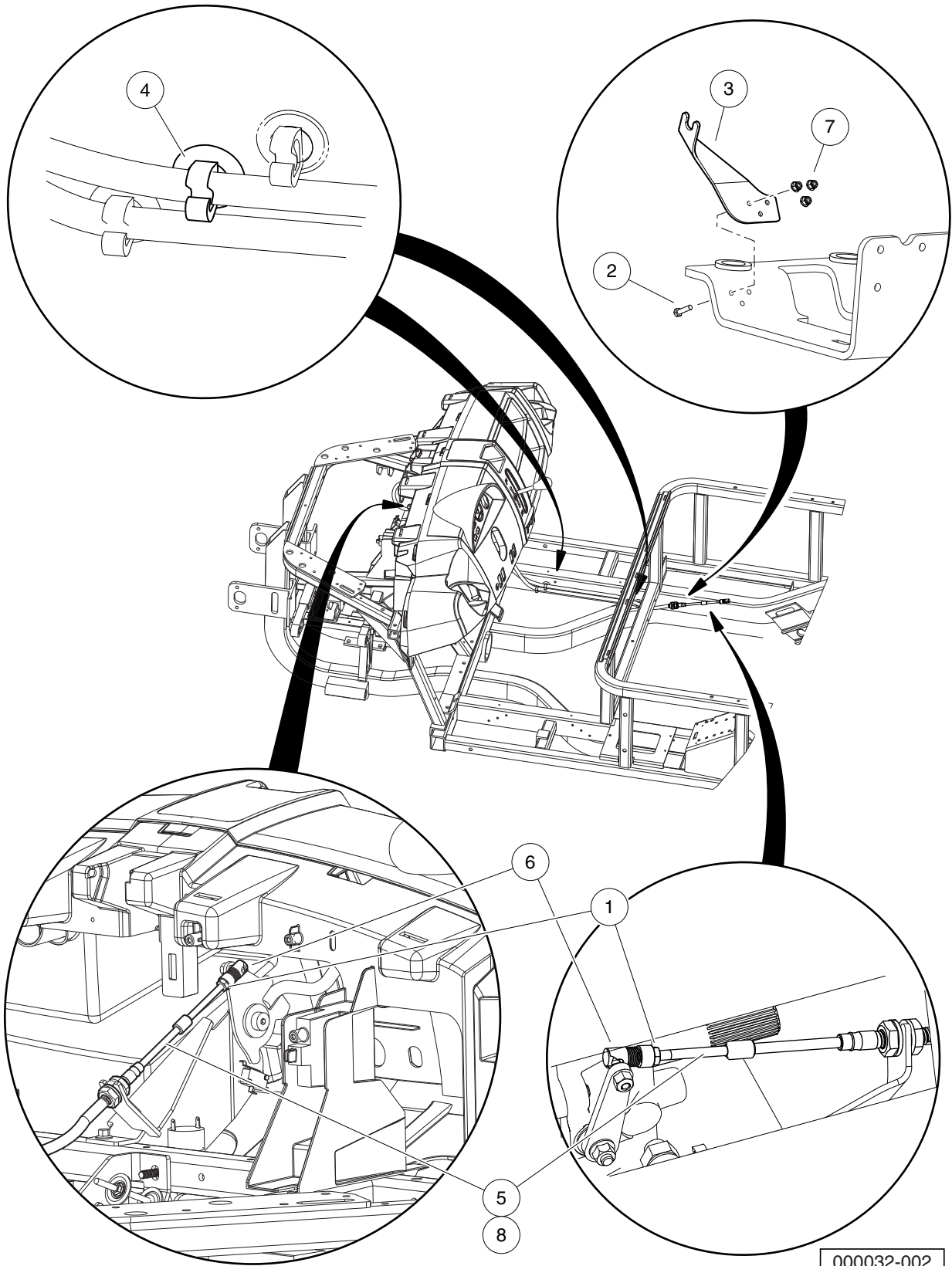
G

D

15

G

D



SHIFTER CABLES

ITEM	PART NO.	DESCRIPTION	QTY
		1 2 3 4	
1	<u>1011084</u>	Nut, 1/4-28 Hex Jam	2
2	<u>1012769</u>	Screw, M6-1.00 X 25mm Hex Cap	3
3	<u>102382401</u>	Bracket, FNR Trans Cable	1
4	<u>102475701</u>	Clip, Brake Line	2
5	<u>102495801</u>	Cable, Transmission Shift, 295/1550	1
6	<u>102615801</u>	Joint, Ball, .346 Dia	2
7	<u>102621501</u>	Nut, Flange, M6 X 1.0, Nylon	3
8	<u>102767101</u>	Cable, Transmission Shift, 295 SE/1550 SE	1

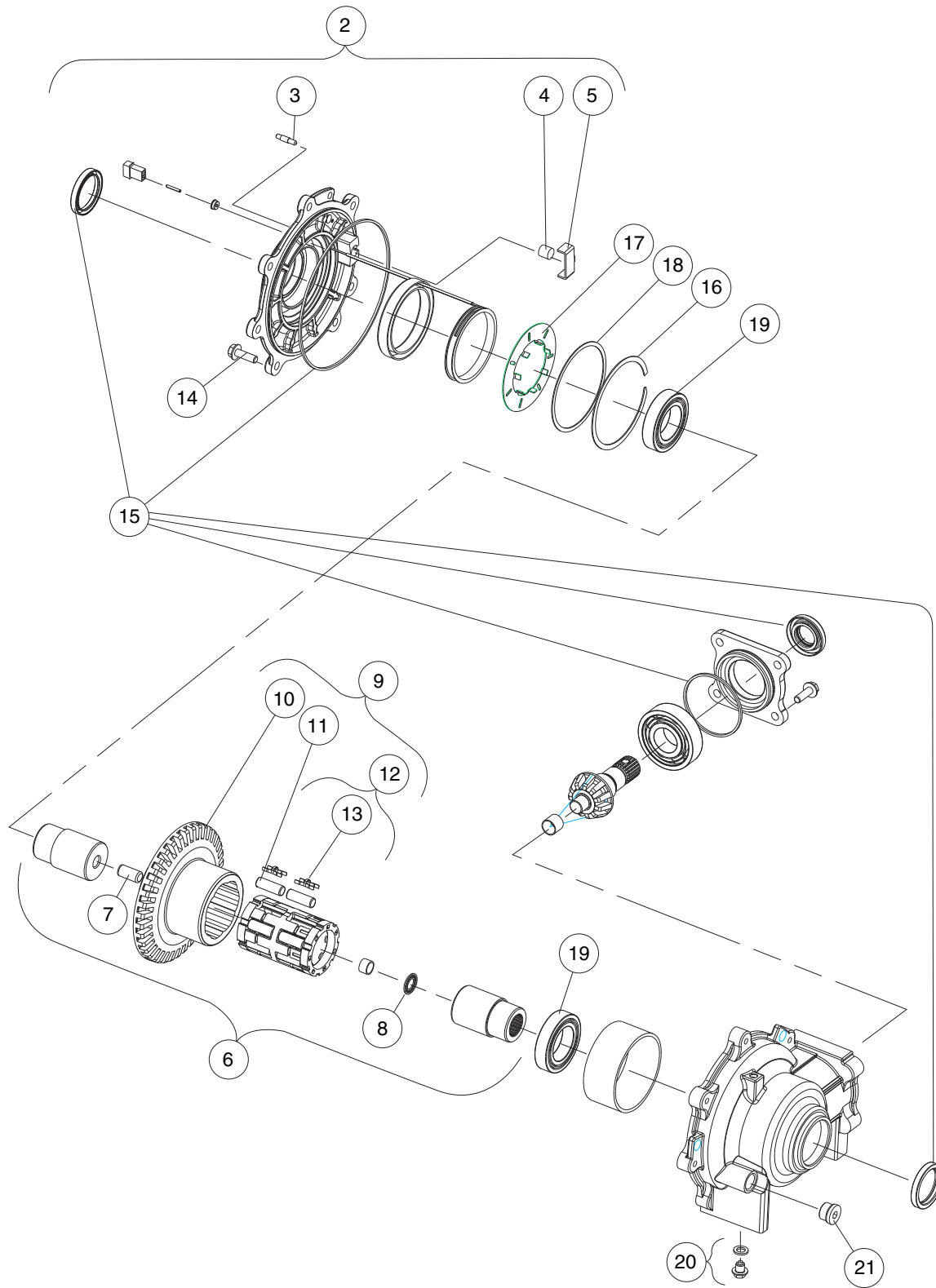
15

G

D

15
G

D



000010-003

FRONT DIFFERENTIAL (OUTPUT COMPONENTS)

ITEM	PART NO.	DESCRIPTION	QTY
		1 2 3 4	
1	<u>102371801</u>	Differential, Front * (includes items 2 through 21)	1
2	<u>102438201</u>	Kit, Assy, Output Cover Plate (includes items 3 through 5)	1
3	<u>102439001</u>	Set Screw, #10-24 UNC-3A with Patch	1
4	<u>102439101</u>	Thrust Button	1
5	<u>102439201</u>	Thrust Plate	1
6	<u>102438301</u>	Kit, Assy, Race Output Hub (includes items 7 and 8)	1
7	<u>102439401</u>	Pin, Dowel	1
8	<u>102439501</u>	Bearing, Needle	1
9	<u>102438401</u>	Kit, Assy, Clutch (includes items 10 through 12)	1
10	<u>102439601</u>	Clutch Hsg/Ring Gear, Machined	1
11	<u>102439801</u>	Kit, Roller (contains 14 rollers)	1
12	<u>102439901</u>	Kit, Assy, Roll Cage (includes item 13)	1
13	<u>102439701</u>	Kit, H-Clip Spring (contains 14 clips)	1
14	<u>102438501</u>	Kit, Bolt (contains 7 bolts)	1
15	<u>102438601</u>	Kit, Minor Repair (contains oil seals and O-rings)	1
16	<u>102438701</u>	Retaining, Ring Internal	1
17	<u>102438801</u>	Plate, Armature	1
18	<u>102438901</u>	Shim, Armature, Plate	1
19	<u>102439301</u>	Bearing, Ball	12
20	<u>102440101</u>	Kit, Assy, Drain Plug	1
21	<u>102440301</u>	Plug, Oil Fill	1
		* Note: This assembly also contains components listed on the following two pages.	

15

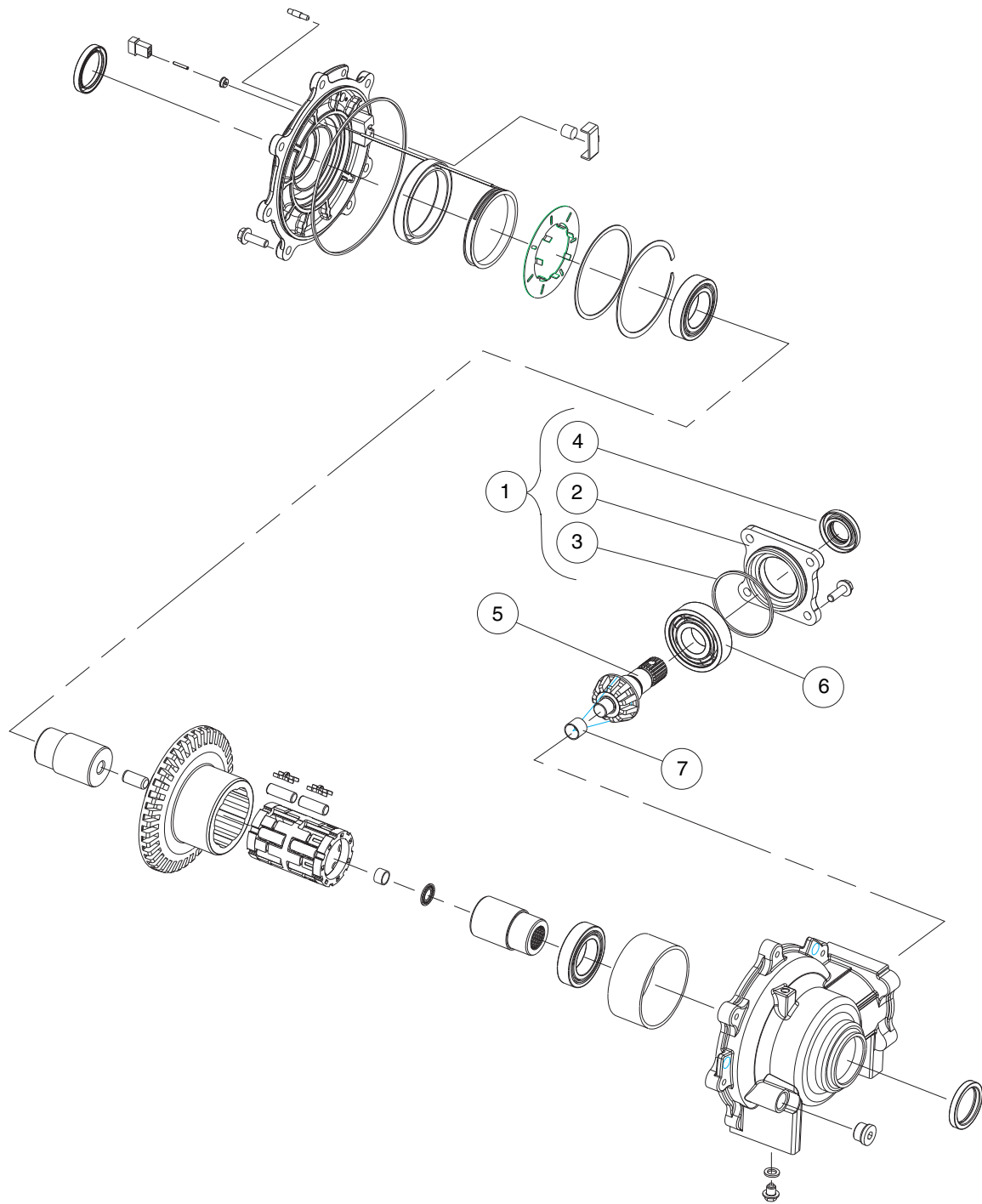
G

D

15

G

D



000010-002

FRONT DIFFERENTIAL (INPUT COMPONENTS)

ITEM	PART NO.	DESCRIPTION	QTY
		1 2 3 4	
1	<u>102440201</u>	Kit, Assy, Input Cover Plate (includes items 2 through 4)	1
2	<u>102440601</u>	Cover, Input, Machined	1
3	N/A	O-Ring	1
4	N/A	Oil Seal, Triple-Lipped	1
5	<u>102440401</u>	Shaft, Pinion, Machined	1
6	<u>102440501</u>	Bearing, Ball	1
7	N/A	Bushing, Plain 16 Id X 15 Wide	1
<p>Note: This page contains a list of components internal to the front differential. See the previous pages for other front differential components.</p>			

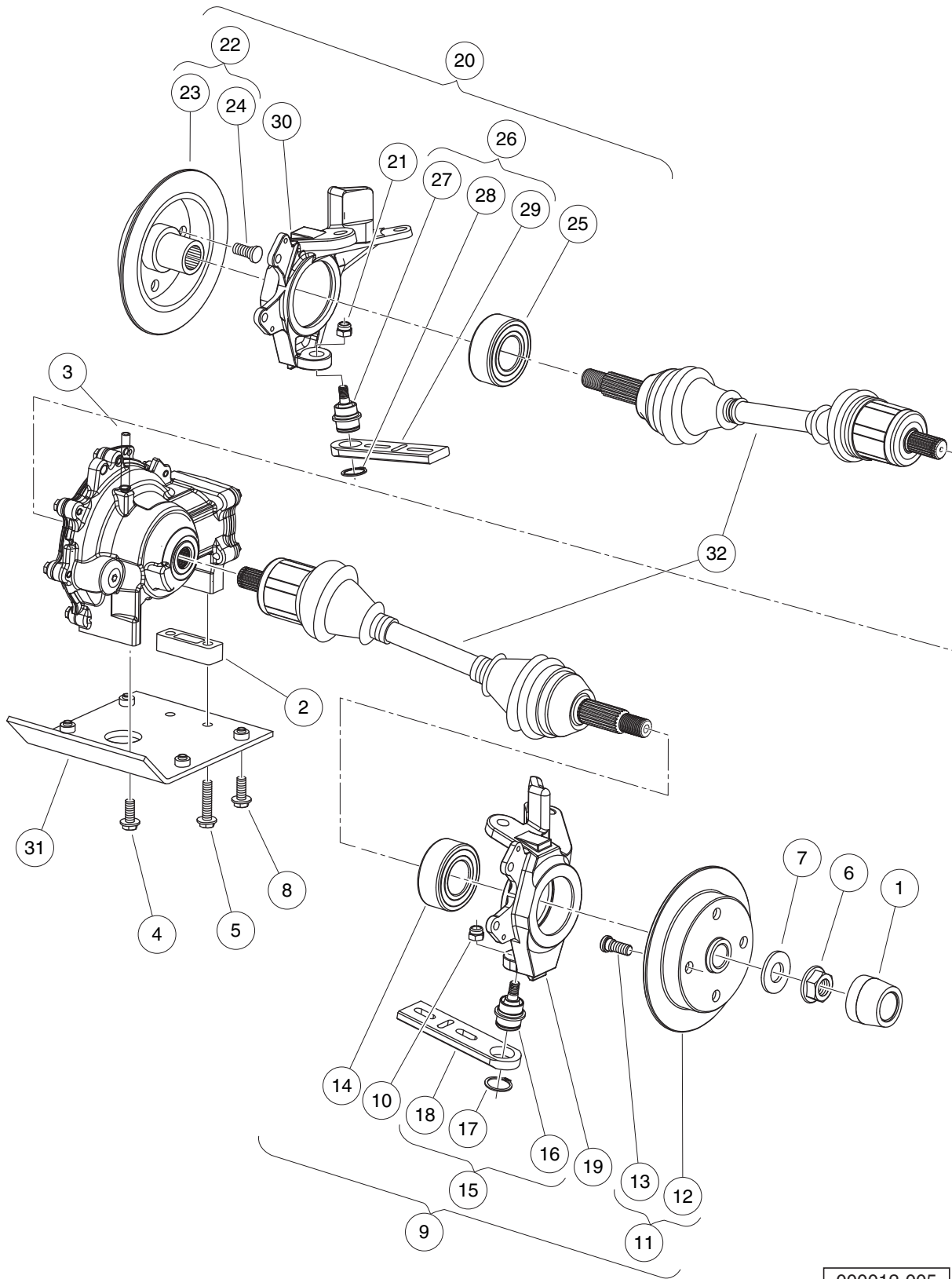
15

G

D

15
G

D



000012-005

FRONT DIFFERENTIAL MOUNTING AND HALF SHAFTS

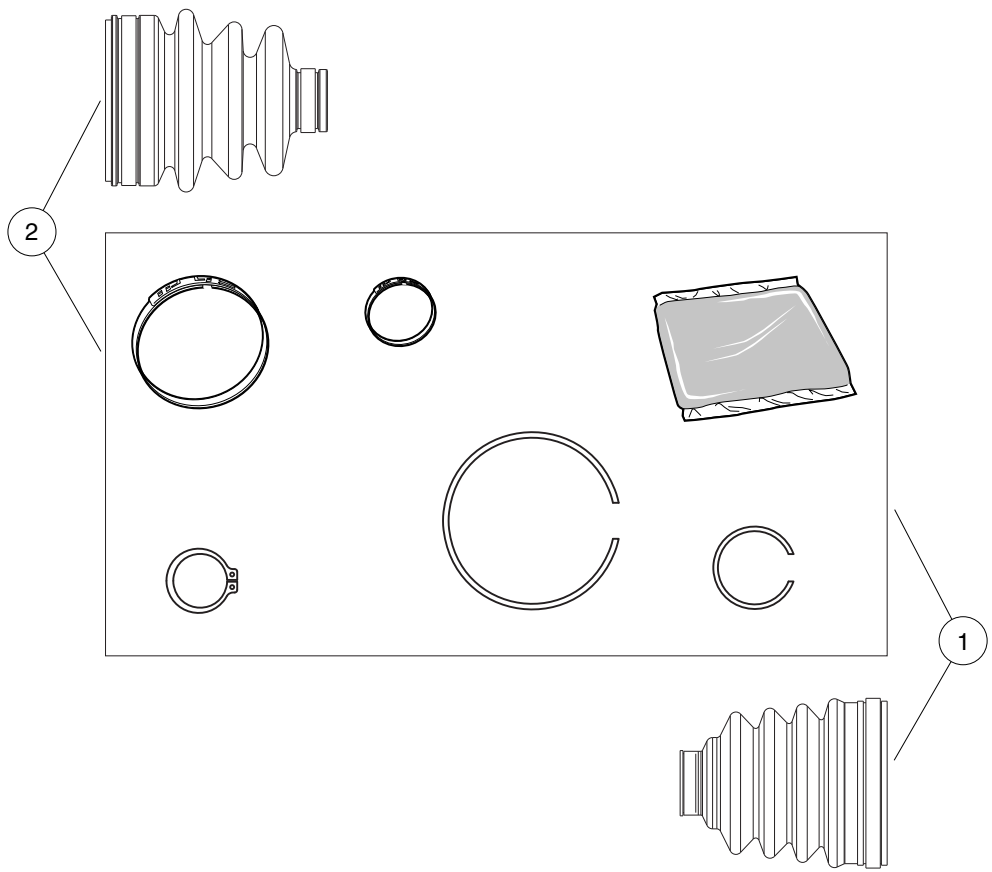
ITEM	PART NO.	DESCRIPTION	QTY
		1 2 3 4	
1	102274101	Center Cap, Rubber	2
2	102381701	Spacer Block, Diff	1
3	102462401	Hose, Vent, Front Diff	1
4	102491001	Bolt, Flanged Head, 3/8-16x1.0 with Loctite	2
5	102491101	Bolt, Flanged Head, 3/8-16x1.500 with Loctite	2
6	102617501	Nut, Flange, M22 X 1.5 Mech Def	2
7	102617801	Washer, Hard, M22	2
8	102711601	Bolt, Flange Head, M10 X 1.5 X 25	4
9	102791701	Upright, Left-Hand (includes items 10 through 19)	1
10	102022901	Locknut, M12-1.25 Nylon	1
11	102376603	Assy, Rotor, Brake, Front, Wt (includes items 12 and 13)	1
12	N/A	Rotor, Brake, Front, Wt	1
13	102475801	Stud, Wheel Lug	4
14	102464301	Bearing	1
15	102874301	Asm, Adjuster, Slide (includes items 16 through 18)	1
16	102361901	Joint, Ball	1
17	102722301	Ring, Retaining, Ext, 1-1/4"	1
18	N/A	Slide, Adjuster	1
19	N/A	Upright, Left, 40 X 74 X 40	1
20	102791702	Upright, Right-Hand (includes items 21 through 30)	1
21	102022901	Locknut, M12-1.25 Nylon	1
22	102376603	Assy, Rotor, Brake, Front, Wt (includes items 23 and 24)	1
23	N/A	Rotor, Brake, Front, Wt	1
24	102475801	Stud, Wheel Lug	4
25	102464301	Bearing	1
26	102874301	Asm, Adjuster, Slide (includes items 27 through 29)	1
27	102361901	Joint, Ball	1
28	102722301	Ring, Retaining, Ext, 1-1/4"	1
29	N/A	Slide, Adjuster	1
30	N/A	Upright, Right, 40 X 74 X 40	1
31	103244701	Asm, Mount, Diff Plate	1
32	103296201	Half Shaft, Wide, Awd	2

15
G
D

15

G

D



000791-003

CV BOOT REPAIR KITS

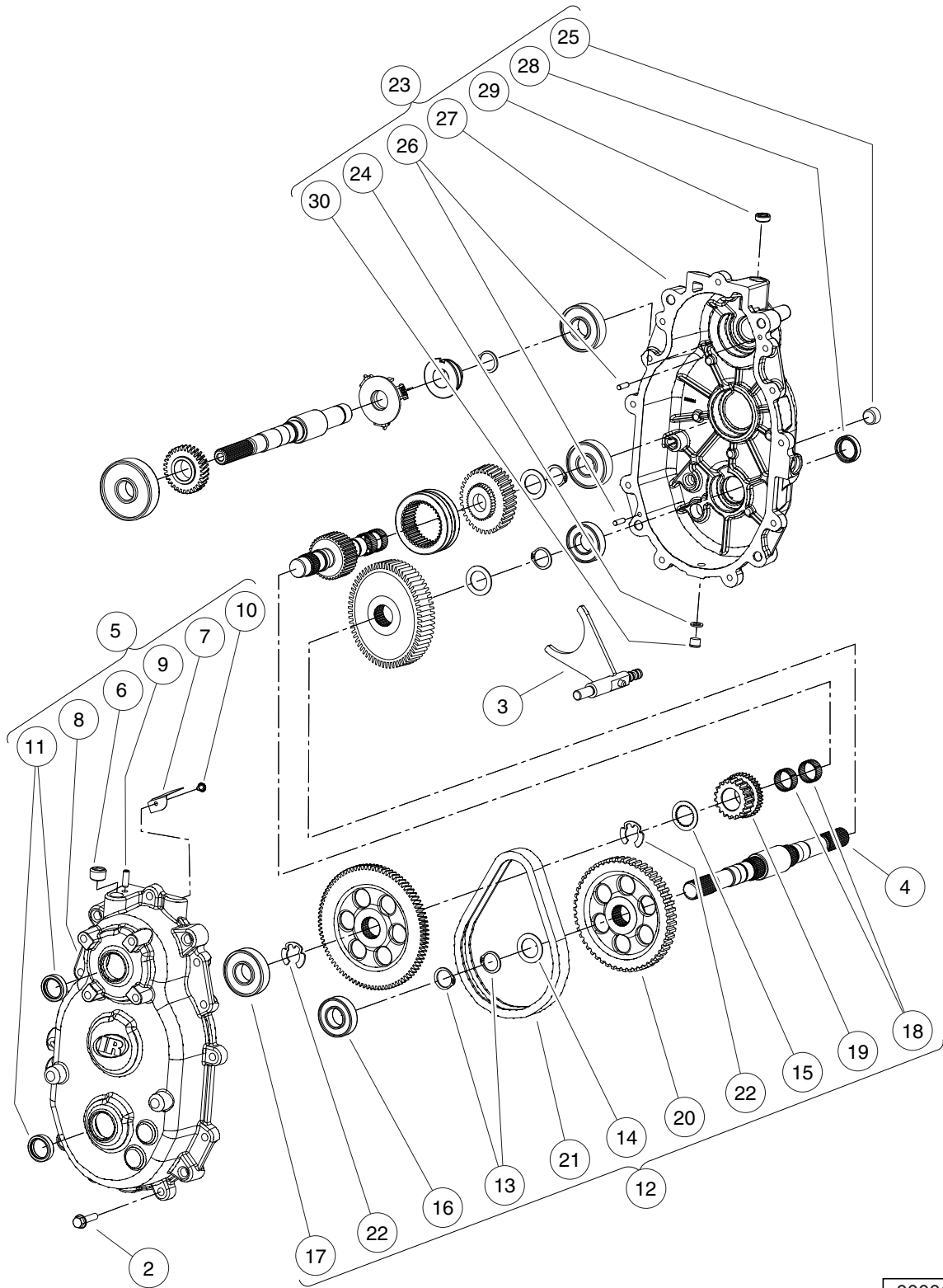
ITEM	PART NO.	DESCRIPTION	QTY
1	<u>AM1241201</u>	1 2 3 4 Kit, Outer Boot	1
2	<u>AM1241301</u>	Kit, Inner Boot	1

15
G
D

15

G

D



000016-012

TRANSMISSION, KAWASAKI & KUBOTA ENGINES – PAGE 1 OF 3

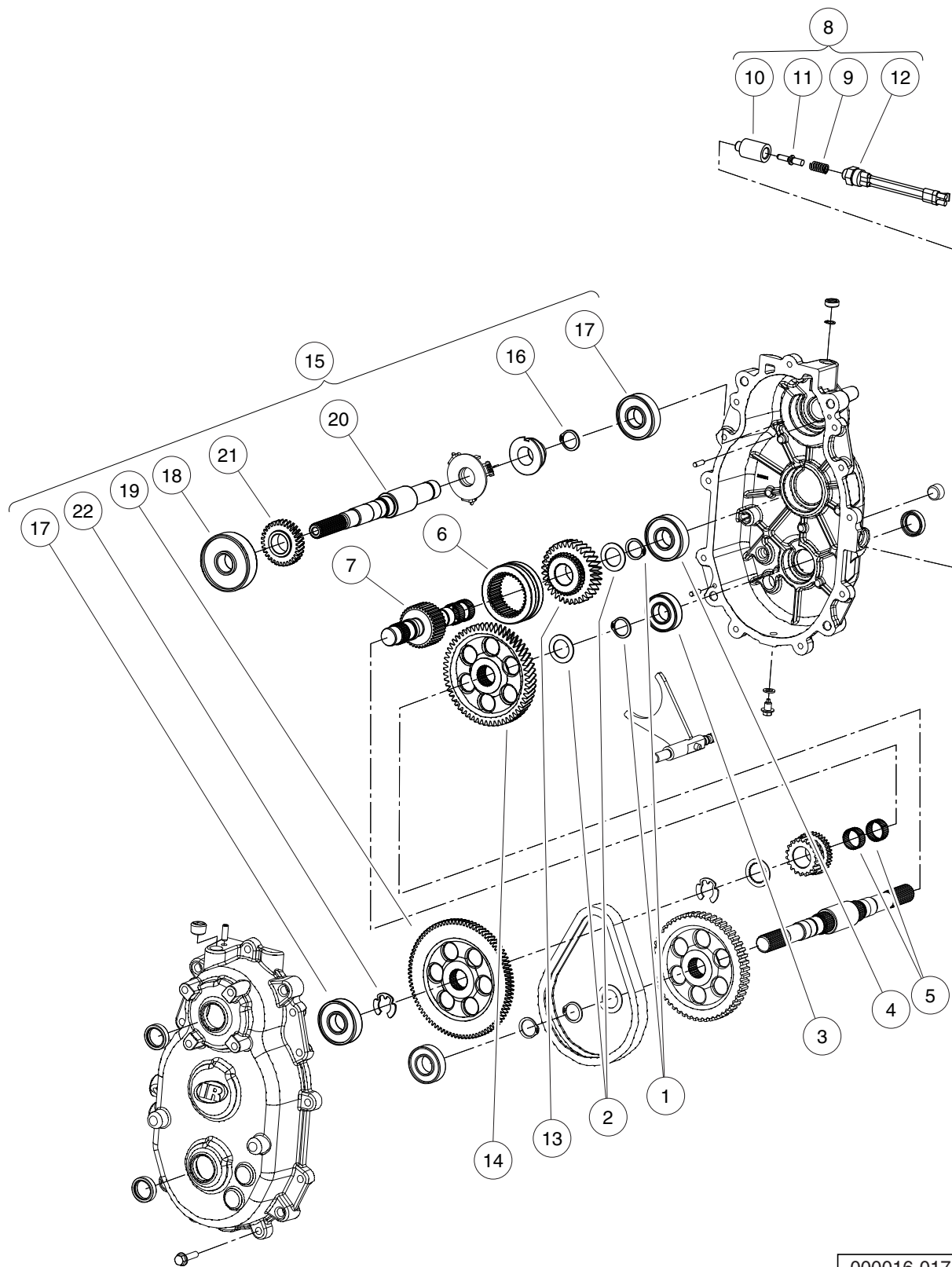
ITEM	PART NO.	DESCRIPTION	QTY
		1 2 3 4	
1	<u>102943201</u>	Transmission, w/o Governor (includes items 2 through 23)	1
2	<u>102693301</u>	Screw, hex Flange, M8 X 35	11
3	<u>102697801</u>	Fork, Transmission	1
4	<u>102698801</u>	Shaft, Output	1
5	<u>102764201</u>	Asm, Gear Case, Rear (includes items 6 through 11)	1
6	<u>102694201</u>	Plug, Square Skt, 1/12-14, Ptf	1
7	N/A	Oil, Deflector	1
8	N/A	Gearcase, Rear	1
9	N/A	Vent, Trans	1
10	N/A	Screw, Tapping # 10-24 X .375	1
11	<u>102699401</u>	Seal, Triple, 25 X 35 X 7.8	2
12	<u>102765201</u>	Kit, Reverse Gear Repair (includes items 13 through 22)	1
13	<u>102696201</u>	Ring, Retaining, Basic External	2
14	<u>102696501</u>	Washer, Thrust, 1.007 X .062	1
15	<u>102696701</u>	Washer, 26.231 X 39.167 X 1.57	1
16	<u>102696801</u>	Bearing, Ball	1
17	<u>102696901</u>	Bearing, Ball	1
18	<u>102697101</u>	Bearing, Needle	2
19	N/A	Sprocket, 19-Tooth	1
20	N/A	Sprocket, 51-Tooth	1
21	N/A	Chain, .375p, .75 Wide, 60ptch	1
22	<u>102699701</u>	Ring, Retaining, E-Ring	2
23	<u>103250301</u>	Asm, Case, Gear, Front (includes items 24 through 30)	1
24	<u>102693501</u>	Washer, .625 X .382 X .60	1
25	<u>102694201</u>	Plug, Square Skt, 1/12-14, Ptf	1
26	<u>102696101</u>	Pin, Dowel, 6 X 20	2
27	N/A	Gearcase, Front	1
28	<u>102699401</u>	Seal, Triple, 25 X 35 X 7.8	1
29	<u>102721501</u>	Seal, Dual-Lip	1
30	<u>103250401</u>	Plug, 3/4-16	1

15
G
D

15

G

D



000016-017

TRANSMISSION, KAWASAKI & KUBOTA ENGINES – PAGE 2 OF 3

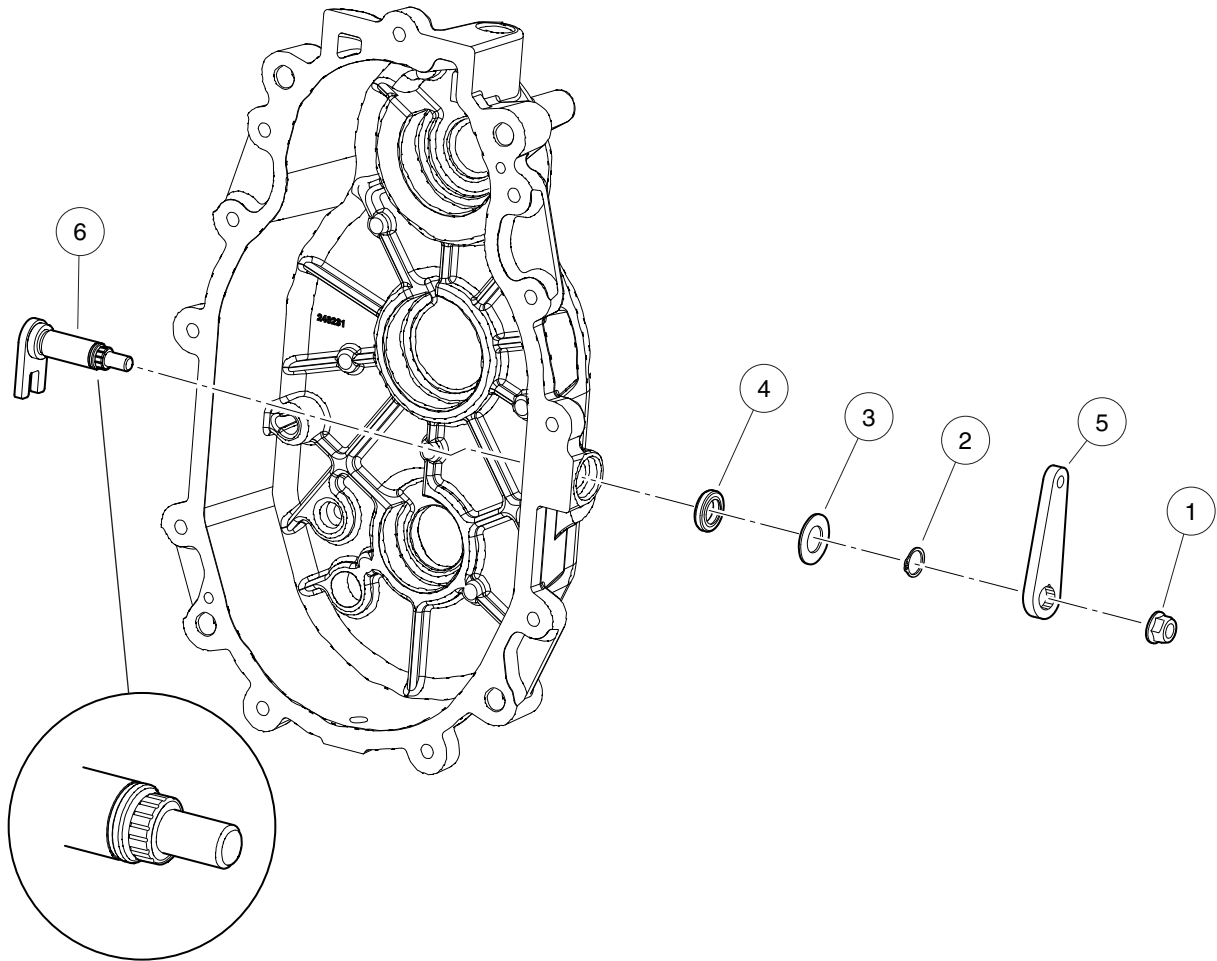
ITEM	PART NO.	DESCRIPTION	QTY
		1 2 3 4	
1	<u>102696201</u>	Ring, Retaining, Basic External	2
2	<u>102696501</u>	Washer, Thrust, 1.007 X .062	2
3	<u>102696801</u>	Bearing, Ball	1
4	<u>102696901</u>	Bearing, Ball	1
5	<u>102697101</u>	Bearing, Needle	2
6	<u>102697501</u>	Dog, Engagement	1
7	<u>102698701</u>	Shaft, Intermediate	1
8	<u>102765101</u>	Kit, Neutral Switch Repair (includes items 9 through 12)	1
9	N/A	Spring, .484 X .340 X 1.076	1
10	N/A	Guide, Detent Bullet	1
11	<u>102698601</u>	Bullet, Detent	1
12	N/A	Switch, Indicator, Pollak	1
13	<u>103239601</u>	Gear, 35t, Spur	1
14	N/A	Gear, 65t Spur	1
15	<u>103721801</u>	Kit, Input Shaft Repair (includes items 16 through 22)	1
16	<u>102696201</u>	Ring, Retaining, Basic External	1
17	<u>102696901</u>	Bearing, Ball	2
18	<u>102697001</u>	Bearing, Ball	1
19	N/A	Gear, Helical 90-Tooth	1
20	N/A	Shaft, Input	1
21	N/A	Gear, Helical, 31-tooth	1
22	<u>102699701</u>	Ring, Retaining, E-Ring	1

15
G
D

15

G

D



000016-010

TRANSMISSION, KAWASAKI & KUBOTA ENGINES – PAGE 3 OF 3

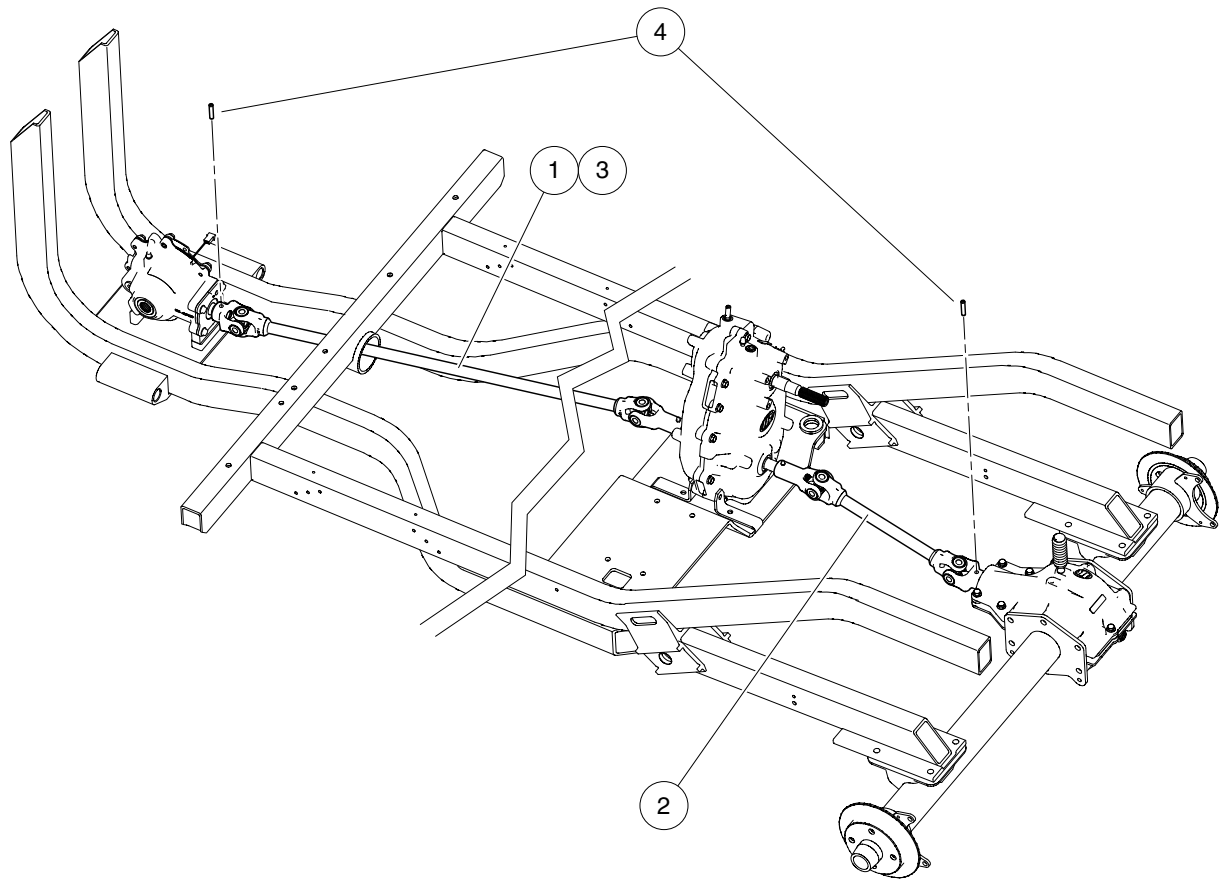
ITEM	PART NO.	DESCRIPTION	QTY
		1 2 3 4	
1	<u>102696001</u>	Nut, Lock Hex, Nylon, 5/16-24	1
2	<u>102696401</u>	Ring, Retaining, External 9/16	1
3	<u>102696601</u>	Washer, Flat, .58 X 1.08 X .05	1
4	<u>102699601</u>	Seal, Dual Lip, .88 X .56 X .19	1
5	<u>103239501</u>	Bellcrank, Alum	1
6	<u>103239801</u>	Shaft, Shift	1

15
G
D

15

G

D



000091-004

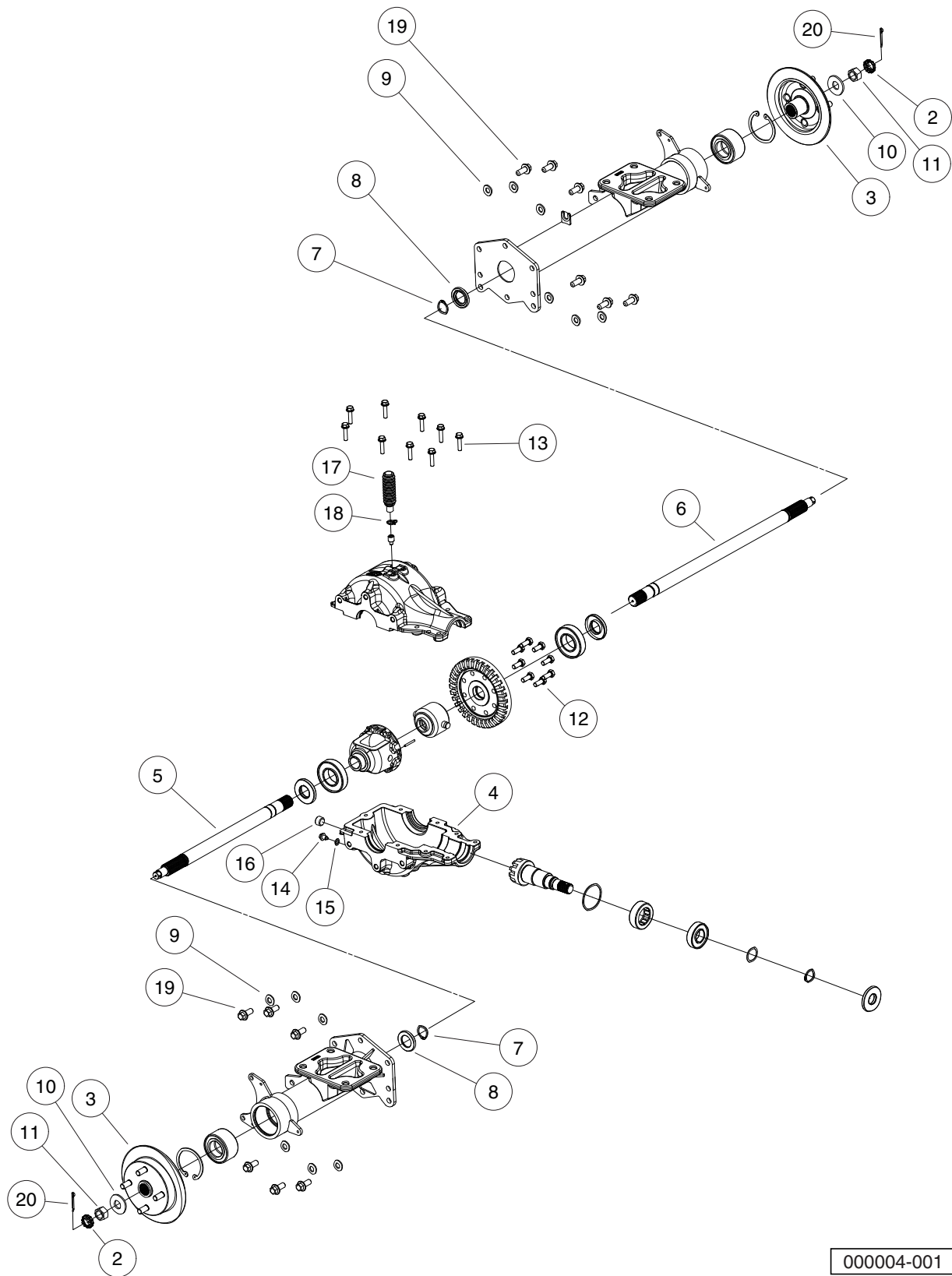
PROP SHAFTS

ITEM	PART NO.	DESCRIPTION	QTY
		1 2 3 4	
1	<u>102371701</u>	Prop Shaft, Front, 295/1550	1
2	102372101	Prop Shaft, Rear, 295/295 SE/1550/1550 SE	1
3	<u>102767701</u>	Prop Shaft, Front, 295 SE/1550 SE	1
4	95293643	Pin, Spring, 5/16 X 1-1/2 Hd	2
<p>Note: Item 1 is for 81.5 in. (207 cm) wheelbase vehicle only. Item 3 is for 114 in. (289.5 cm) wheelbase vehicle only.</p>			

15
G
D

15
G

D



000004-001

REAR DIFFERENTIAL AND AXLES – PAGE 1 OF 2

ITEM	PART NO.	DESCRIPTION	QTY
		1 2 3 4	
1	<u>102831501</u>	Axle, Rear (Complete Assembly) (includes items 2 through 20)	1
2	<u>102276001</u>	Locking Cap, Nut	2
3	<u>102376602</u>	Assy, Rotor, Brake, Rear	2
4	<u>102449101</u>	Gearcase, Lower, Machined	1
5	<u>102463501</u>	Axle, Right-hand	1
6	<u>102463601</u>	Axle, Left-Hand	1
7	<u>102463801</u>	Ring, Retaining, Internal	2
8	<u>102672101</u>	Washer, counterbored 51 X 30	2
9	<u>102672201</u>	Washer, Belleville, 1.063 X .043	12
10	<u>102672301</u>	Washer, Belleville, 49 X 4	2
11	<u>102672401</u>	Nut, Hex, M20 X 1.5 , Modified	2
12	<u>102693201</u>	Screw, M10 X 25	8
13	<u>102693301</u>	Screw, hex Flange, M8 X 35	9
14	<u>102693401</u>	Plug, 3/8-16, Hex Flange	1
15	<u>102693501</u>	Washer, .625 X .382 X .60	1
16	<u>102694201</u>	Plug, Square Skt, 1/12-14, Ptf	1
17	<u>102694301</u>	Bellows, Vent, Upper Housing	1
18	<u>102694401</u>	Clamp, Hose, Dw-9.5	1
19	<u>102694701</u>	Screw, Hex Fl, M12 X 1.75 X 30	12
20	<u>102694801</u>	Pin, Cotter, 5/32 X 1.25	2

15

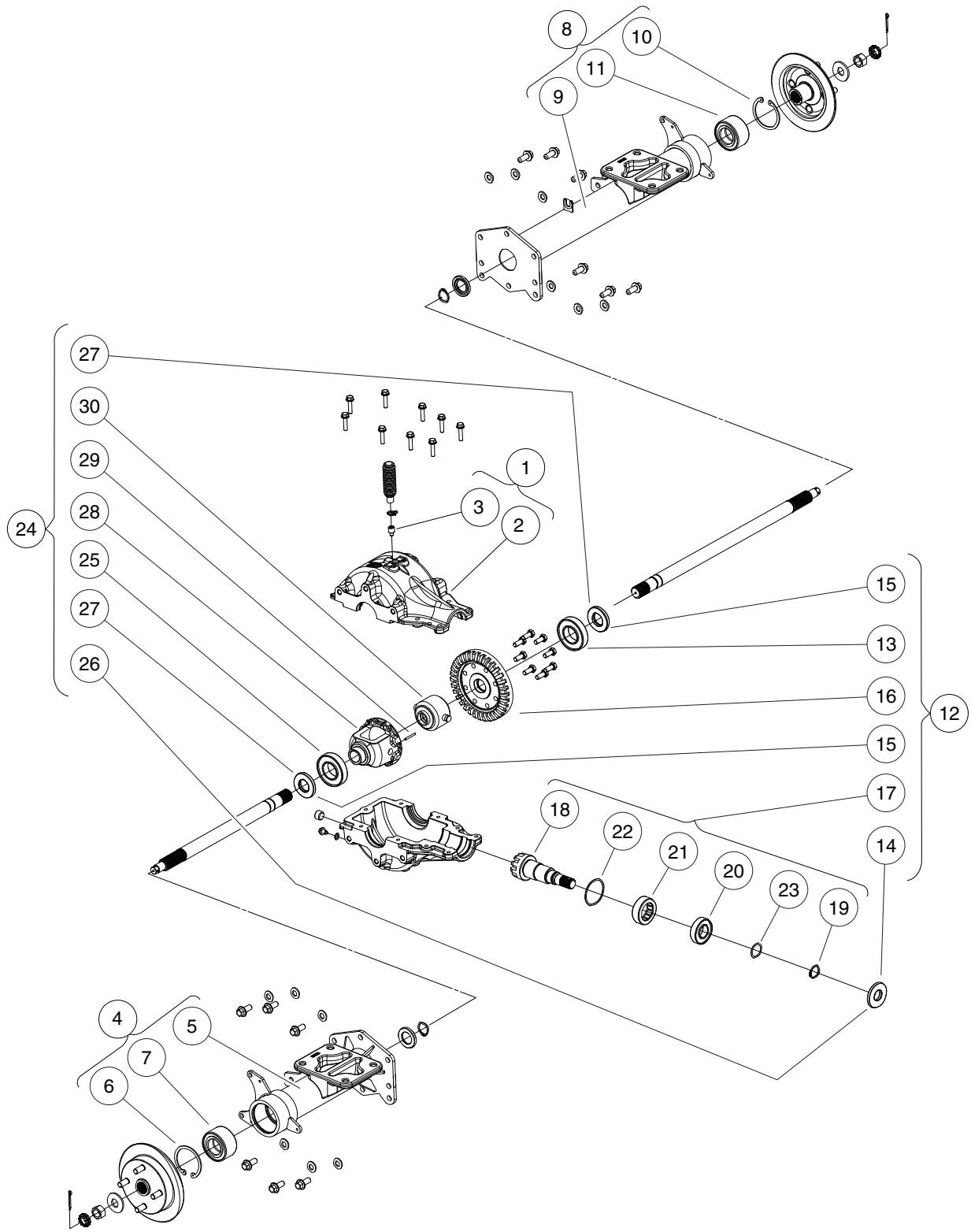
G

D

15

G

D



000004-002

REAR DIFFERENTIAL AND AXLES – PAGE 2 OF 2

ITEM	PART NO.	DESCRIPTION	QTY
		1 2 3 4	
1	<u>102765301</u>	Asm, Gearcase, Upper (includes items 2 and 3)	1
2	N/A	Gearcase, Upper, Machined	1
3	<u>102694001</u>	Vent, Top, Upper Housing	1
4	<u>102765401</u>	Asm, Axle Tube, RH (includes items 5 through 7)	1
5	<u>102463401</u>	Weldment, Axle Tube Rh	1
6	<u>102463801</u>	Ring, Retaining, Internal	1
7	<u>102464301</u>	Bearing	1
8	<u>102765501</u>	Asm, Axle Tube, LH (includes items 9 through 11)	1
9	<u>102463301</u>	Weldment, Axle Tube Lh	1
10	<u>102463801</u>	Ring, Retaining, Internal	1
11	<u>102464301</u>	Bearing	1
12	<u>102765801</u>	Kit, Rear Axle Gear Repair (includes items 13 through 17)	1
13	<u>102464201</u>	Bearing, Ball	1
14	<u>102464401</u>	Seal, Dual-Lip 25x 62x 7tc	1
15	<u>102464501</u>	Seal, Dual-Lip 30x 62x 8tc	2
16	<u>102762601</u>	Gear, Ring, 33-Tooth	1
17	<u>102765701</u>	Asm, Pinion W/ Bearings (includes items 18 through 23)	1
18	<u>102463101</u>	Pinion, 10t Machined	1
19	<u>102463901</u>	Ring, Retaining, External	1
20	<u>102464001</u>	Bearing, Ball	1
21	<u>102464101</u>	Bearing, Needle, Drawn Shell	1
22	<u>102693601</u>	Washer, 2.625 X 2.367 X .06	1
23	<u>102694502</u>	Shim, 1.50 X 1.189 X .008	1
24	<u>102961501</u>	Asm, Differential & Carrier (includes items 25 through 30)	1
25	<u>102464201</u>	Bearing, Ball	1
26	<u>102464401</u>	Seal, Dual-Lip 25x 62x 7tc	1
27	<u>102464501</u>	Seal, Dual-Lip 30x 62x 8tc	2
28	<u>102961301</u>	Housing, Differential, Mach	1
29	<u>102961401</u>	Pin, Dowel, 4 X 35	1
30	N/A	Asm, Locker, Nongrease/Spacers	1

15

G

D

15

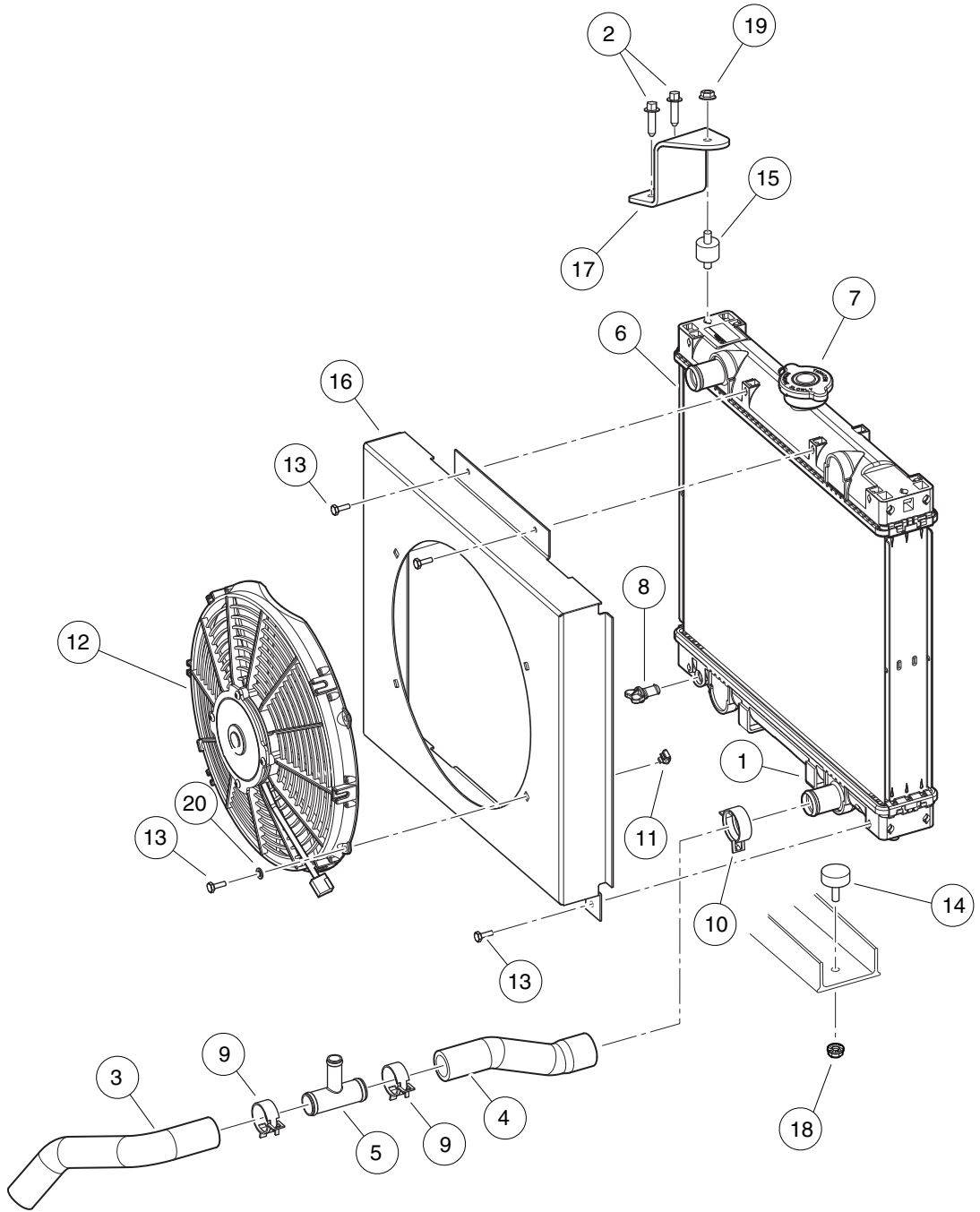
G

D

RADIATOR AND COOLANT SYSTEM – DIESEL VEHICLES

16

D



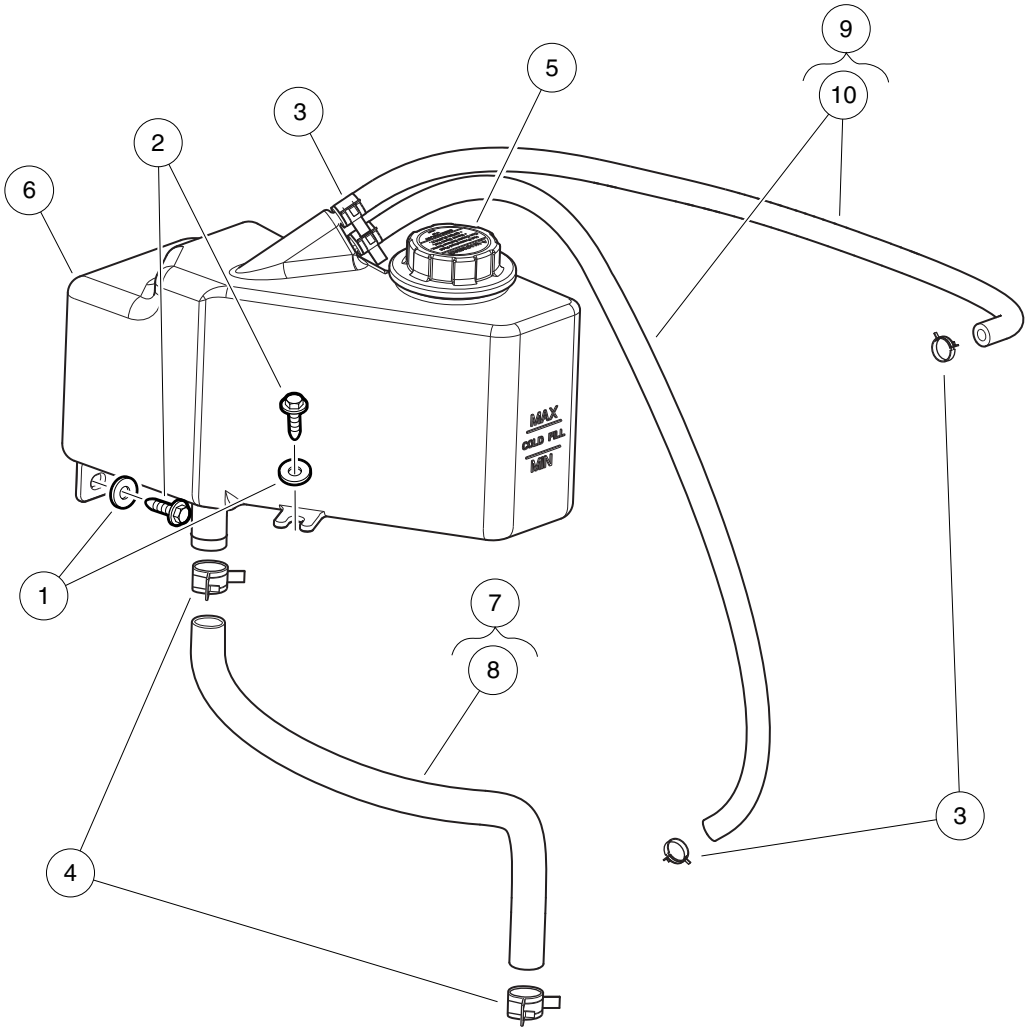
000541-002

RADIATOR

16

D

ITEM	PART NO.	DESCRIPTION	QTY
		1 2 3 4	
1	<u>1014471</u>	Tape, Vinyl Foam 1/8" x 3/4"	1
2	<u>102289001</u>	Screw, M8X1.25X30, Hex	4
3	<u>102377801</u>	Hose, Coolant Lower Pipe	1
4	<u>102377901</u>	Hose, Coolant Lower Rad	1
5	<u>102380301</u>	Tee, Coolant Fill	1
6	<u>102410301</u>	Radiator (includes items 7 and 8)	1
7	<u>102737301</u>	Cap, Radiator	1
8	N/A	Drain Cock, Radiator	1
9	<u>102411207</u>	Clamp, Hose, Ctb 35mm	2
10	<u>102411208</u>	Clamp, Hose, Ctb 38mm	1
11	<u>102411301</u>	Nut, Self Retaining	4
12	<u>102436701</u>	Fan, Cooling 12 In Elect	1
13	<u>102490301</u>	Bolt, M6 X 1 X 16, Loctite	8
14	<u>102684901</u>	Bumper, 19mm Stud	2
15	<u>102685001</u>	Isolator, Twin-Stud	2
16	<u>102855501</u>	Shroud, Radiator Fan	1
17	<u>102946701</u>	Bracket, Radiator Support	2
18	<u>96704176</u>	Nut, Flanged, M6 X 1, Serrated	2
19	<u>96704416</u>	Nut, Flange, M8 X 1.25 Serrated	2
20	<u>96705199</u>	Washer, M6	4



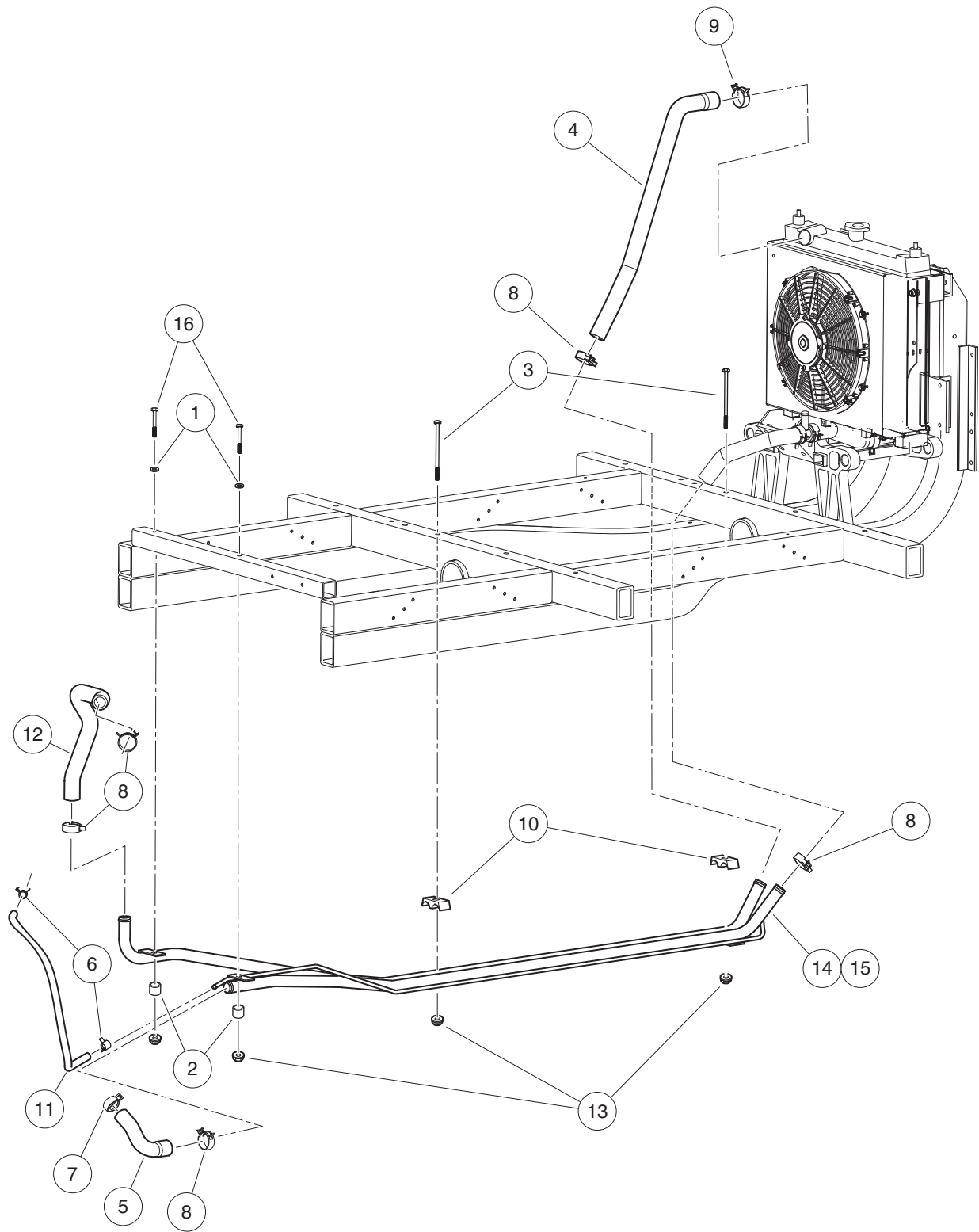
000540-002

COOLANT EXPANSION TANK

ITEM	PART NO.	DESCRIPTION	QTY
		1 2 3 4	
1	<u>1011578</u>	Washer, 5/16 Type B Flat	2
2	<u>102298720</u>	Screw, M8-1.25x20, Taptite	2
3	<u>102411204</u>	Clamp, Hose, CTB 15mm	4
4	<u>102411205</u>	Clamp, Hose, CTB 22mm	2
5	<u>102427501</u>	Cap, Radiator	1
6	<u>102973201</u>	Bottle, Coolant	1
7	N/A	Hose, Coolant, 5/8, Cut, 450MM (includes item 8)	1
8	<u>102807601</u>	Hose, Coolant, 5/8 SAE J20r3 Bulk	2
9	N/A	Hose, Coolant, 5/16, Cut, 1100MM (includes item 10)	2
10	<u>102807801</u>	Hose, Coolant, 5/16 SAE J20r3 Bulk	4

16

D



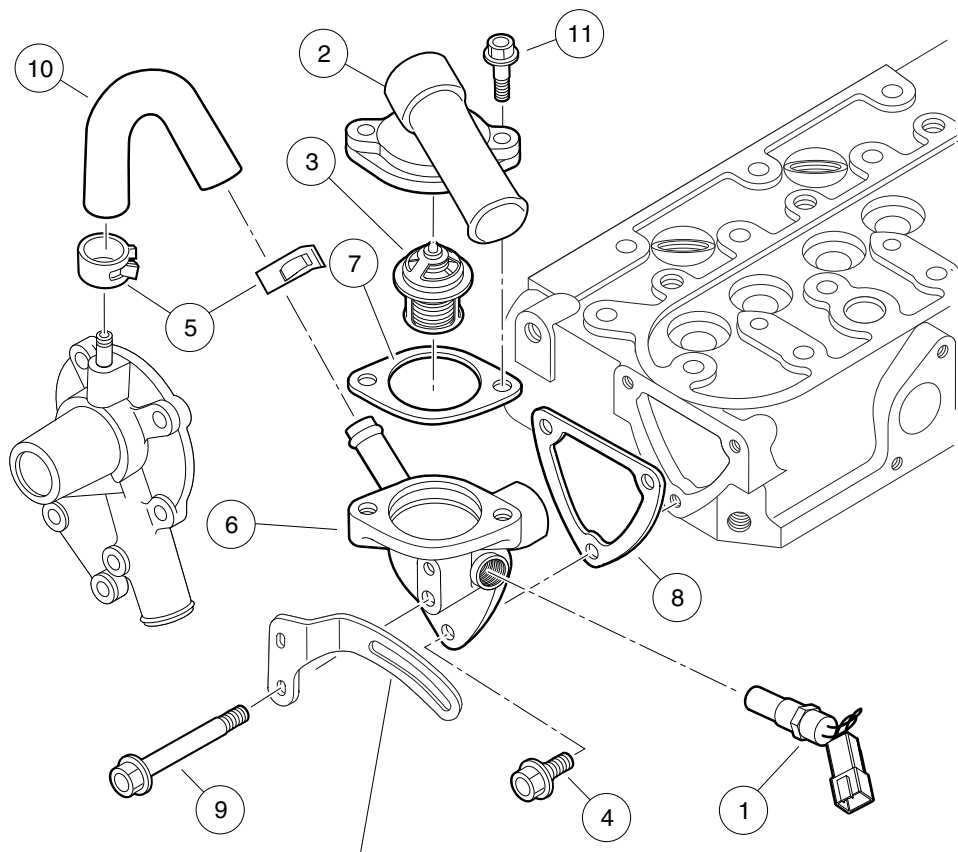
000079-006

COOLANT PIPES, CLAMPS, HOSES AND HARDWARE

ITEM	PART NO.	DESCRIPTION	QTY
		1 2 3 4	
1	<u>1011578</u>	Washer, 5/16 Type B Flat	2
2	<u>1015457</u>	Spacer, 0.720"	2
3	<u>102288901</u>	Bolt, Hex, M8x1.25 X 135	1
4	<u>102377501</u>	Hose, Coolant Upper Rad	1
5	<u>102377601</u>	Hose, Coolant Lower Eng	1
6	<u>102411204</u>	Clamp, Hose, CTB 15mm	2
7	<u>102411206</u>	Clamp, Hose, Ctb 30mm	1
8	<u>102411207</u>	Clamp, Hose, Ctb 35mm	5
9	<u>102411208</u>	Clamp, Hose, Ctb 38mm	1
10	<u>102427601</u>	Clamp, Bar	1
11	<u>102435001</u>	Hose, Vent Tube To Eng, Coolnt	1
12	<u>102480501</u>	Hose, Coolant, Return, Engine	1
13	<u>102618601</u>	Lock Nut, Flange, M8 X 1.25 Nylon	3
14	<u>102628701</u>	Coolant Pipe Assembly, 2-passenger	1
15	<u>102767601</u>	Coolant Pipe Assembly, 4-passenger	1
16	<u>103423701</u>	Bolt, M8 X 1.25 X 110	2
		<p>Note: For 295 SE and 1550 SE vehicles, double the quantity of clamp (item 10) and bolt (item 3) and the quantity of lock nuts (item 13) changes from 3 to 4.</p>	

16

D



For bracket, see
Alternator pages
in the Diesel Engine
section

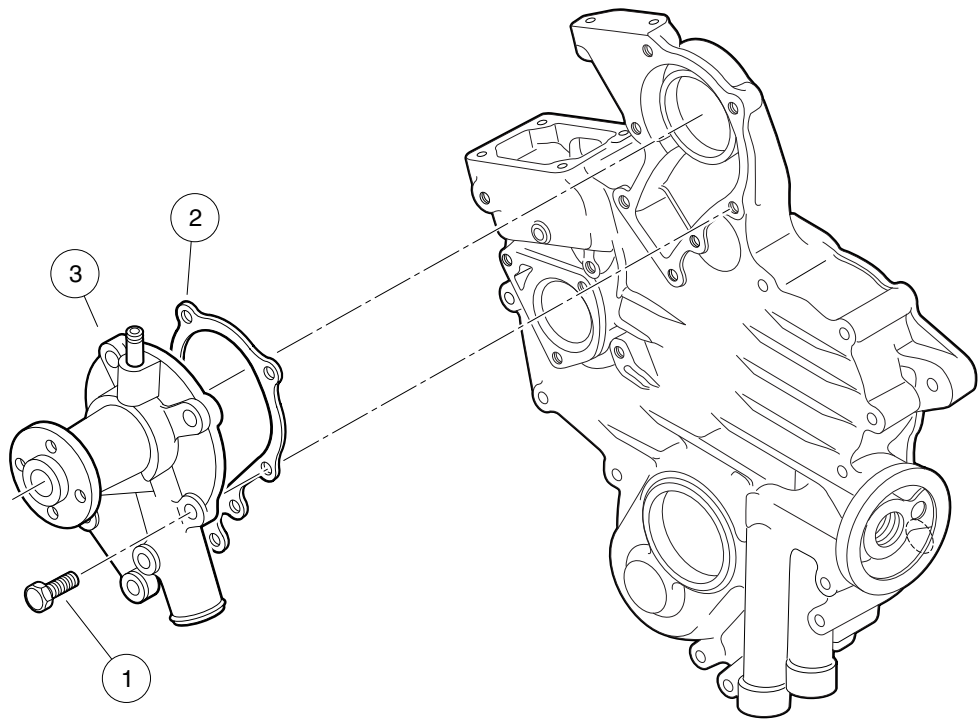
000059-002

WATER FLANGE AND THERMOSTAT

ITEM	PART NO.	DESCRIPTION	QTY
		1 2 3 4	
1	<u>102410001</u>	Sensor, Coolant Temp	1
2	<u>102631301</u>	Cover, Thermostat	1
3	<u>102631401</u>	Thermostat	1
4	<u>102631601</u>	Bolt, M6 X 1 X 20	2
5	<u>102633001</u>	Band, Pipe	2
6	<u>102633201</u>	Flange, Water	1
7	<u>102633401</u>	Gasket, Thermostat	1
8	<u>102654701</u>	Gasket, Water Flange	1
9	<u>102730901</u>	Bolt, Alt, D722, Stay Lower	1
10	<u>102731001</u>	Pipe, Water Return, D722	1
11	<u>102731101</u>	Bolt, D722, Thermostat Cover	2

16

D



000060-001

WATER PUMP

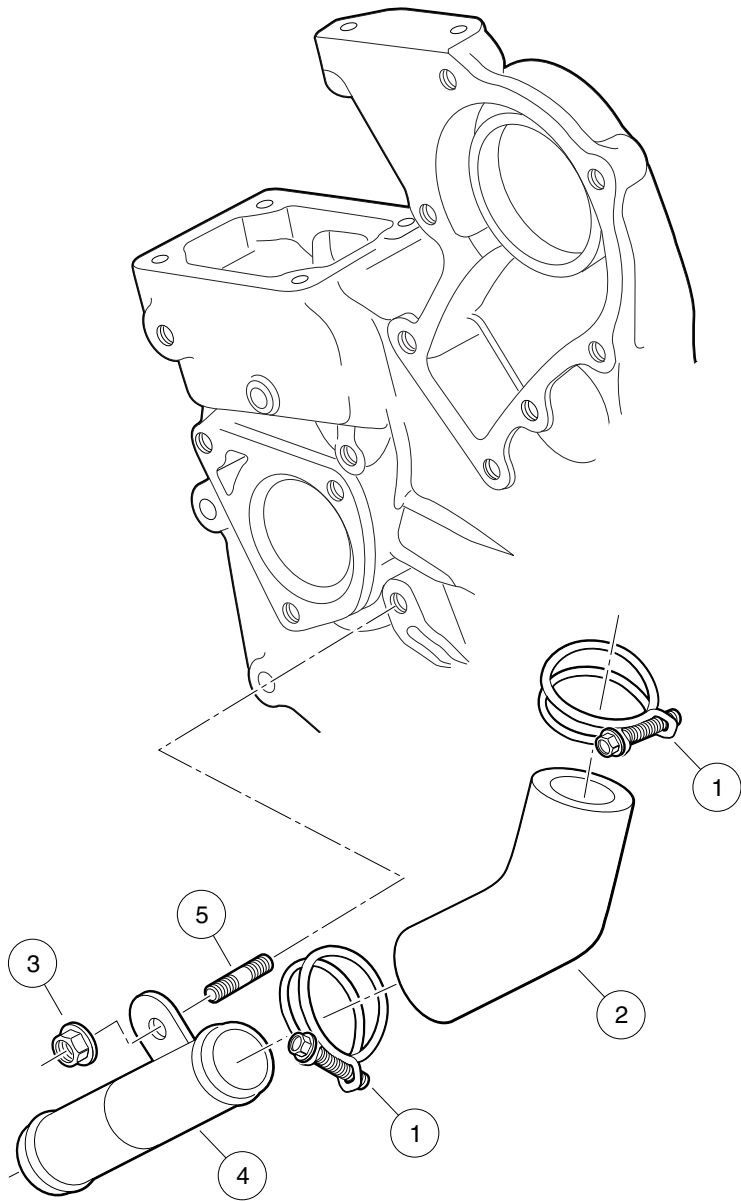
ITEM	PART NO.	DESCRIPTION	QTY
		1 2 3 4	
1	<u>102608701</u>	Bolt, M6 X 1 X 22	4
2	<u>102632701</u>	Gasket, Water Pump, D722	1
3	<u>102731201</u>	Water Pump Assembly	1

16

D

16

D



000061-001

BLOCK COOLANT PIPE

ITEM	PART NO.	DESCRIPTION	QTY
		1 2 3 4	
1	<u>102631701</u>	Band, Pipe, with Nut	2
2	<u>102631801</u>	Hose, Coolant	1
3	<u>102632001</u>	Nut, Flange, M6	1
4	<u>102632101</u>	Pipe, Coolant	1
5	<u>102632201</u>	Stud, M6 X 15	1

16

D

16

D

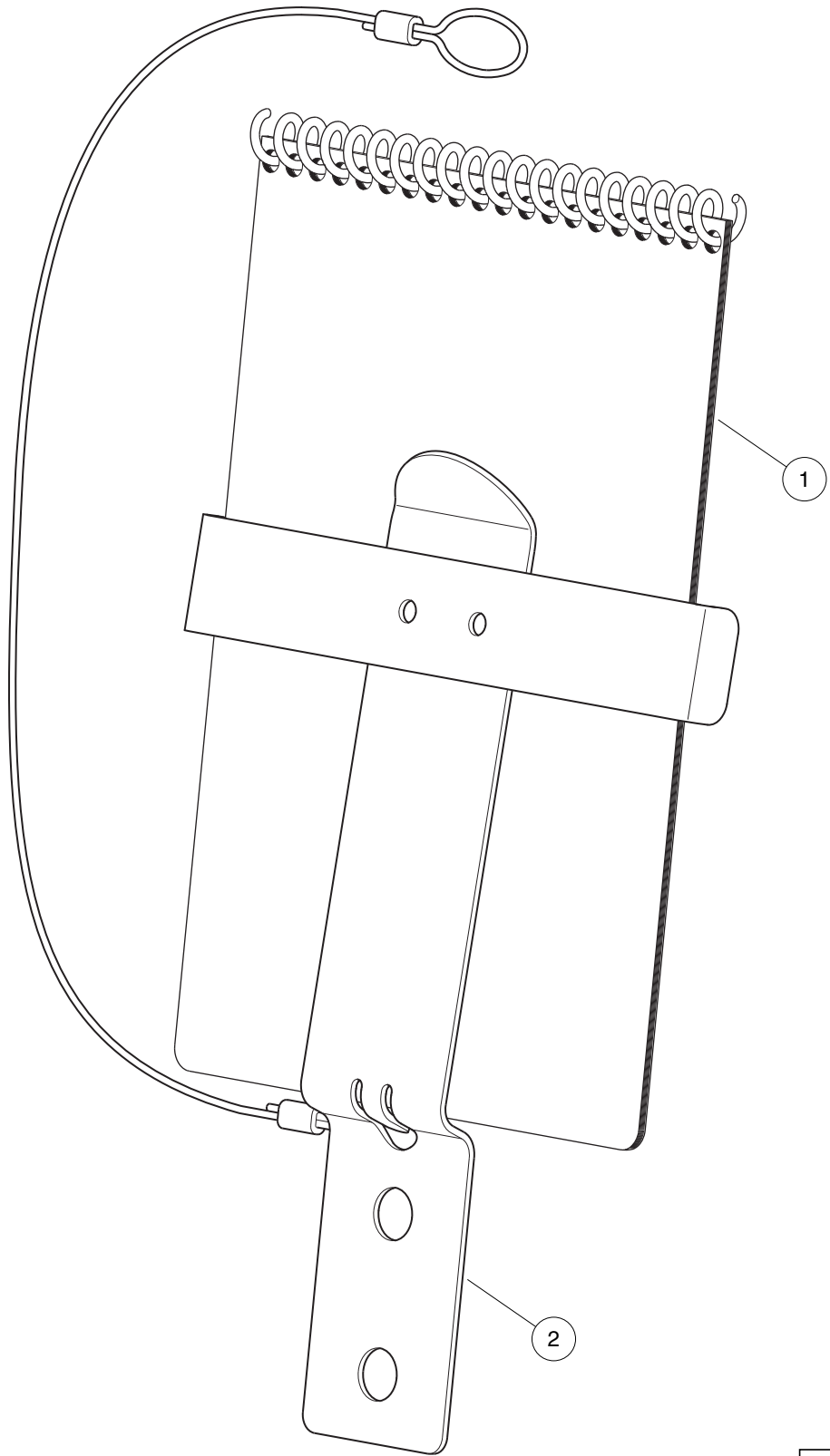
HYDRAULIC ATTACHMENT SYSTEM AND ACCESSORIES

17

D

17

D



000558-002

HANDBOOK

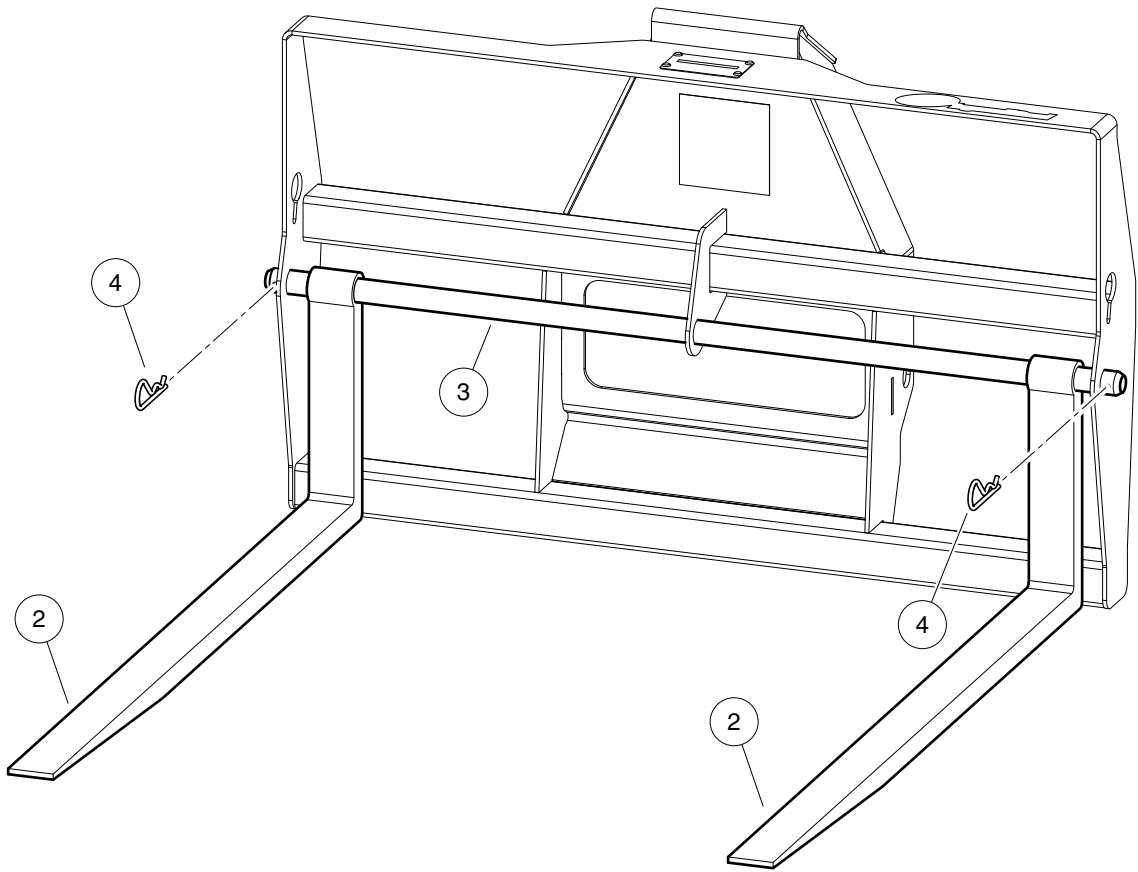
17

ITEM	PART NO.	DESCRIPTION	QTY
1	<u>103237501</u>	1 2 3 4 Handbook, Operator, Club Car	1
2	<u>103237701</u>	Weldment, Clip, Handbook	1

D

17

D



000555-001

ATTACHMENT – PALLET FORK

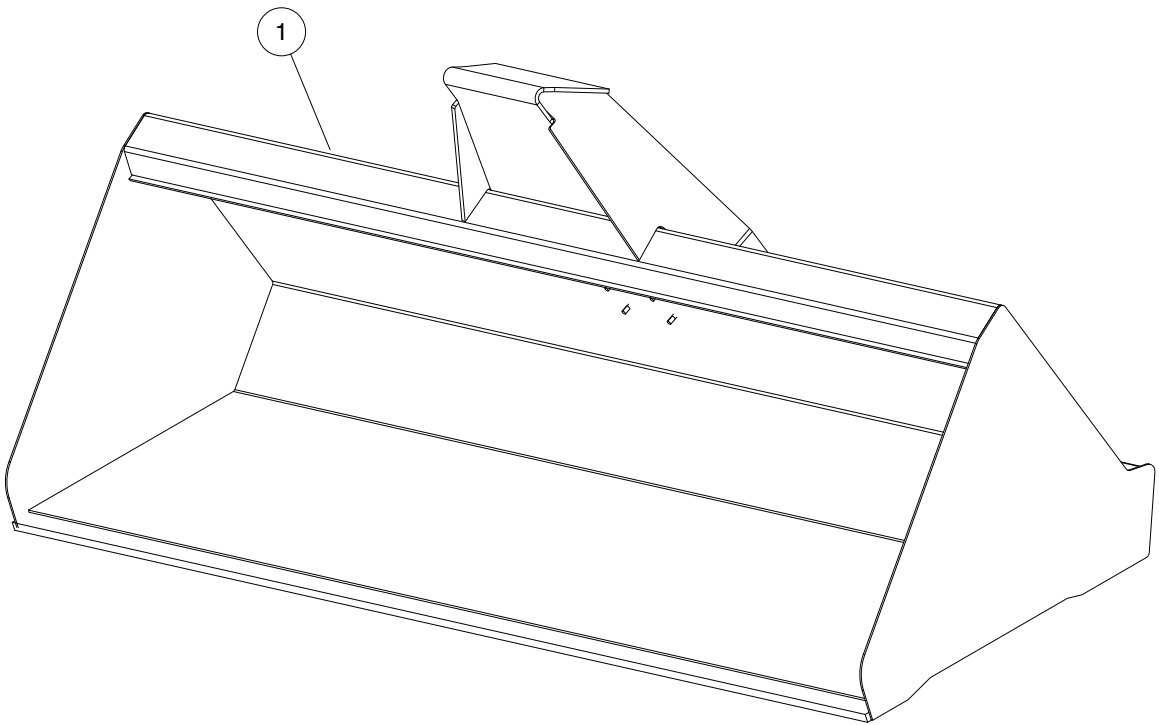
ITEM	PART NO.	DESCRIPTION	QTY
		1 2 3 4	
1	<u>102930001</u>	Attachment, Fork, Pallet (includes items 2 through 4)	1
2	<u>102927201</u>	Pallet Fork	2
3	<u>102927301</u>	Bar, Fork Mount	1
4	<u>102927401</u>	Pin, Hair	2

17

D

17

D



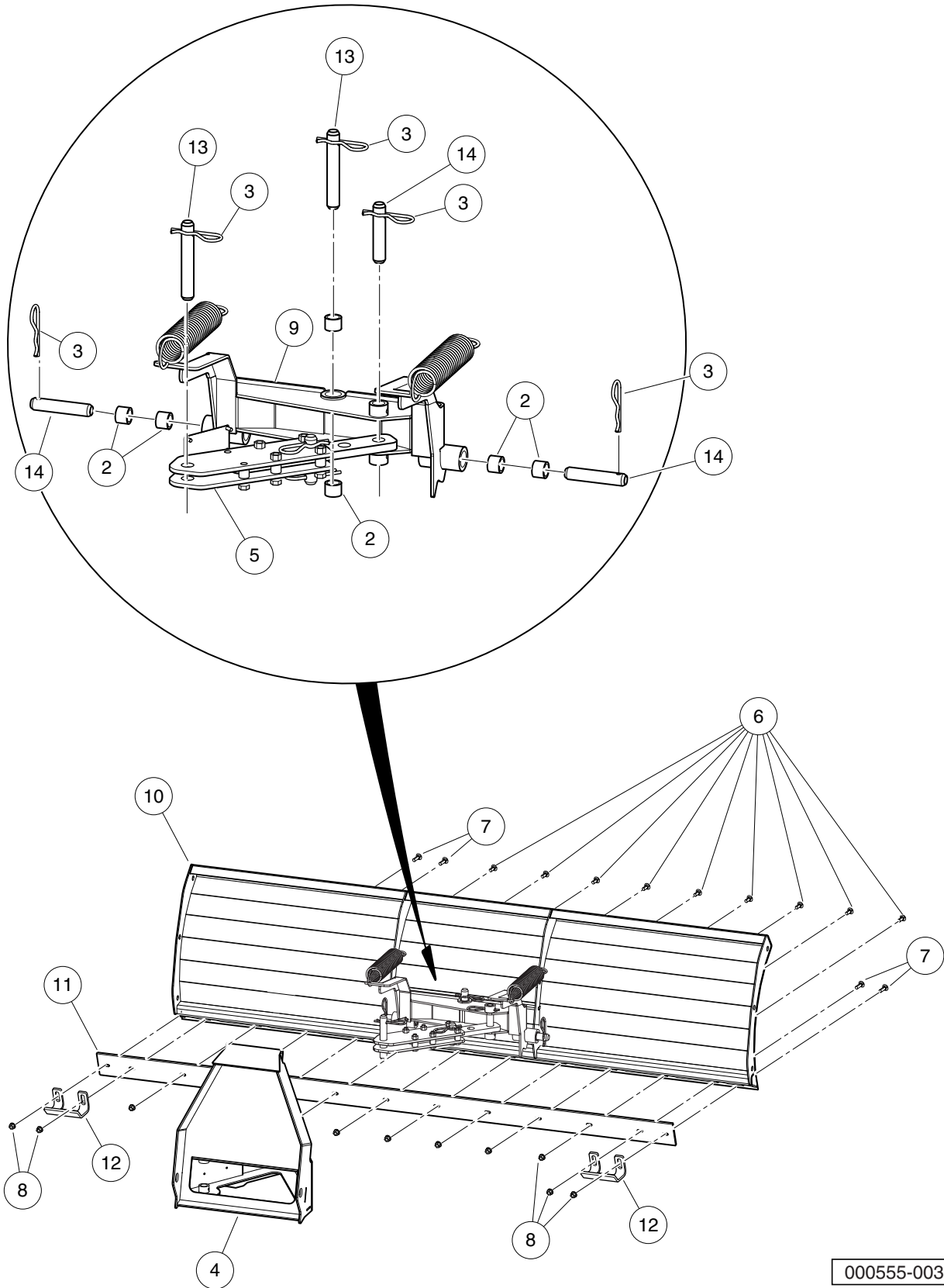
000555-002

ATTACHMENT – BUCKET

ITEM	PART NO.	DESCRIPTION	QTY
1	<u>102930101</u>	<div style="display: flex; justify-content: space-between; margin-bottom: 5px;"> 1 2 3 4 </div> Attachment, Bucket	1

17

D



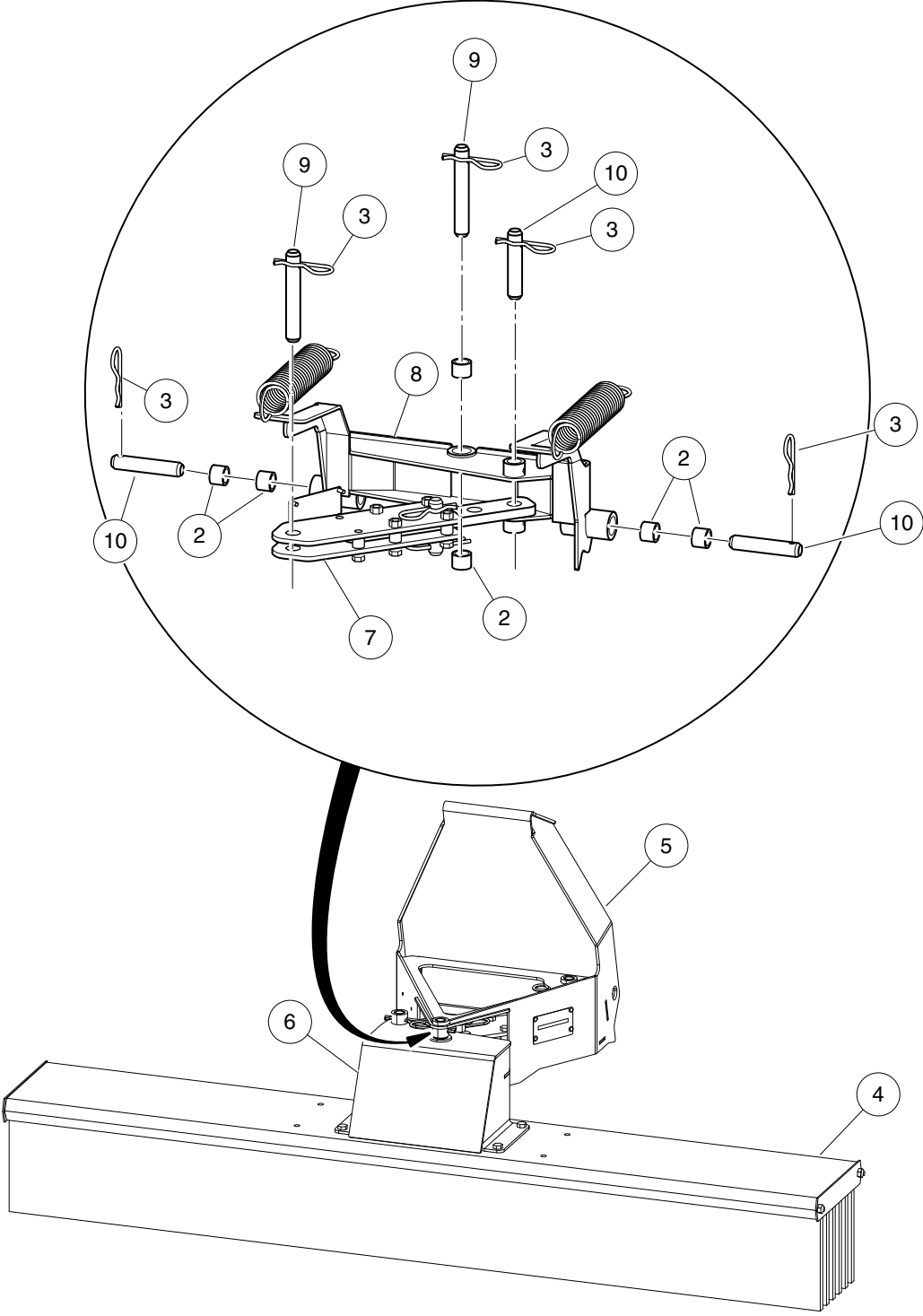
000555-003

ATTACHMENT – SNOW BLADE

ITEM	PART NO.	DESCRIPTION	QTY
		1 2 3 4	
1	<u>102930201</u>	Attachment, Blade, Snow (includes items 2 through 14)	1
2	<u>102926601</u>	Bearing, Fiber, -12	6
3	<u>102927401</u>	Pin, Hair	5
4	<u>102929601</u>	Weldment, Mount, Angle	1
5	N/A	Asm, Adjust, Manual	1
6	<u>103243001</u>	Bolt, Carriage	9
7	<u>103243101</u>	Bolt, Carriage	4
8	<u>103243201</u>	Nut, Pretrq, Hex Lock	13
9	<u>103243501</u>	Weldment, Head, Angle	1
10	<u>103243601</u>	Weldment, Blade, Snow	1
11	<u>103243701</u>	Edge, Cutting	1
12	<u>103243801</u>	Shoe, Skid	2
13	<u>103243901</u>	Pin, 5 In	2
14	<u>103244001</u>	Pin, 3.9 In	3

17

D



000555-004

ATTACHMENT – BROOM

ITEM	PART NO.	DESCRIPTION	QTY
		1 2 3 4	
1	<u>102930301</u>	Attachment, Broom, Push (includes items 2 through 10)	1
2	<u>102926601</u>	Bearing, Fiber, -12	6
3	<u>102927401</u>	Pin, Hair	5
4	<u>102929501</u>	Broom, Whisker, 60 In	1
5	<u>102929601</u>	Weldment, Mount, Angle	1
6	<u>102929701</u>	Wldmnt, Mount, Whisker	1
7	N/A	Asm, Adjust, Manual	1
8	<u>103243501</u>	Weldment, Head, Angle	1
9	<u>103243901</u>	Pin, 5 In	2
10	<u>103244001</u>	Pin, 3.9 In	3

17

D

17

D



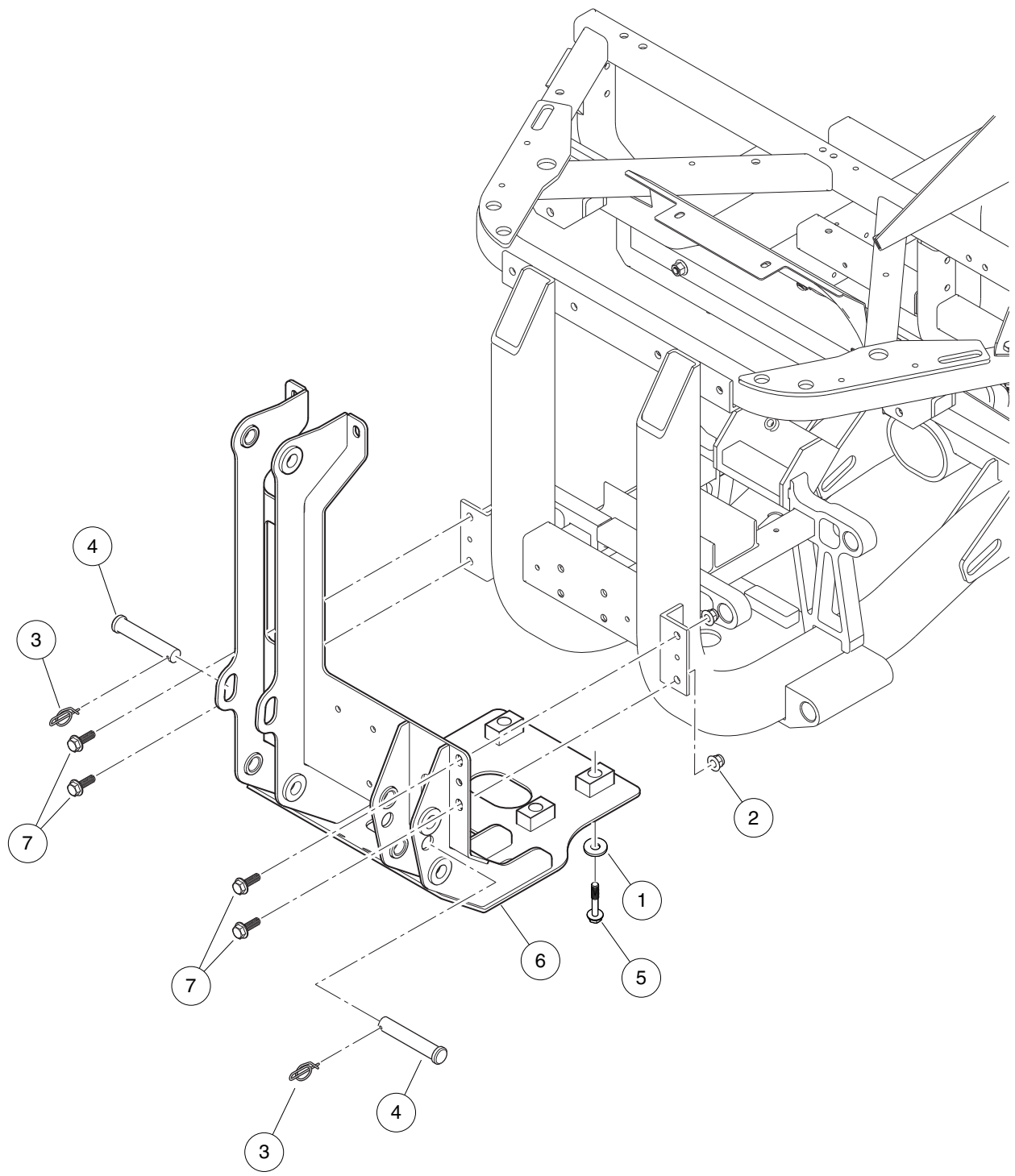
000555-005

ATTACHMENT – MOWER

ITEM	PART NO.	DESCRIPTION	QTY
1	<u>102930401</u>	1 2 3 4 Attachment, Mower	1

17

D



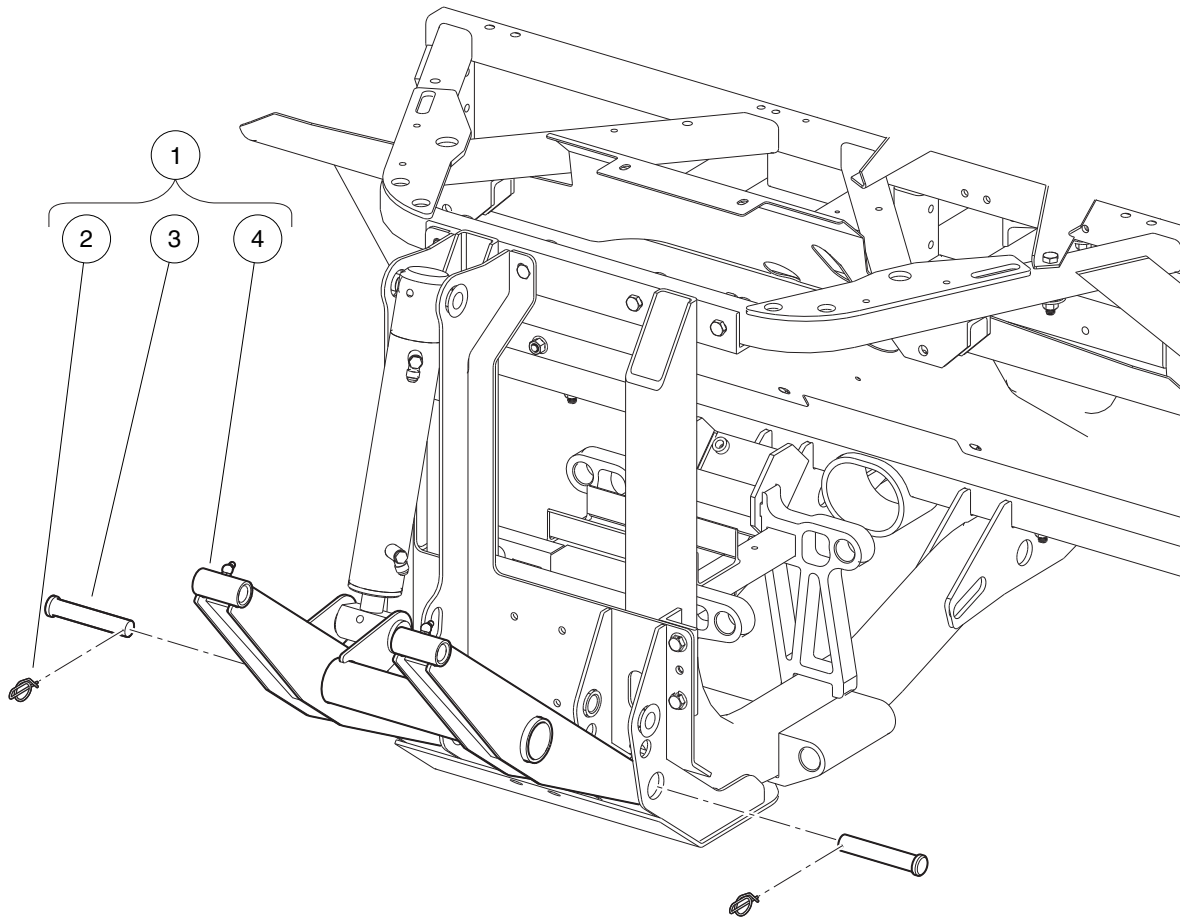
000552-002

ACCESSORY MOUNTING WELDMENT

ITEM	PART NO.	DESCRIPTION	QTY
		1 2 3 4	
1	<u>102491501</u>	Washer, Hard, M10	4
2	<u>102670701</u>	Nut, Flange, M10 X 1.5 Nylon	4
3	<u>102786101</u>	Ring, Rue, 3/4, Heavy	2
4	<u>102921601</u>	Pin, Clevis, 3/4 X 4	2
5	<u>102925201</u>	Bolt, Flg, M10x1.5x55, Patch	4
6	<u>103355401</u>	Weldment, Front Mount	1
7	<u>96727003</u>	Bolt Flg, M10 X 1.5 X 30	4

17

D



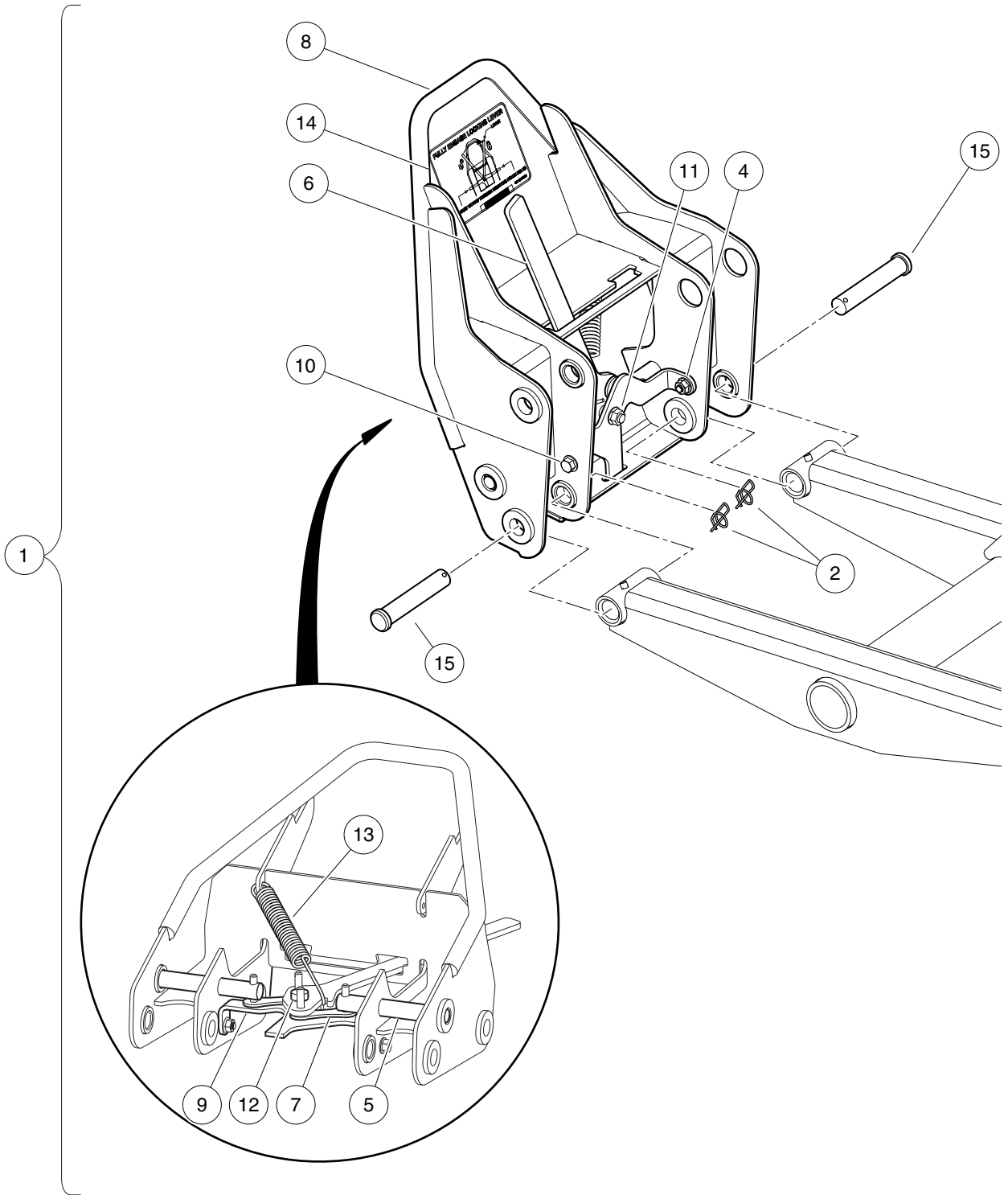
000786-001

ATTACHMENT ARM KIT

ITEM	PART NO.	DESCRIPTION	QTY
		1 2 3 4	
1	<u>102923201</u>	Kit, Arm, Attachment (includes items 2 through 4)	1
2	<u>102786101</u>	Ring, Rue, 3/4, Heavy	2
3	<u>102921601</u>	Pin, Clevis, 3/4 X 4	2
4	<u>102923401</u>	Asm, Arm, Attachment	1

17

D



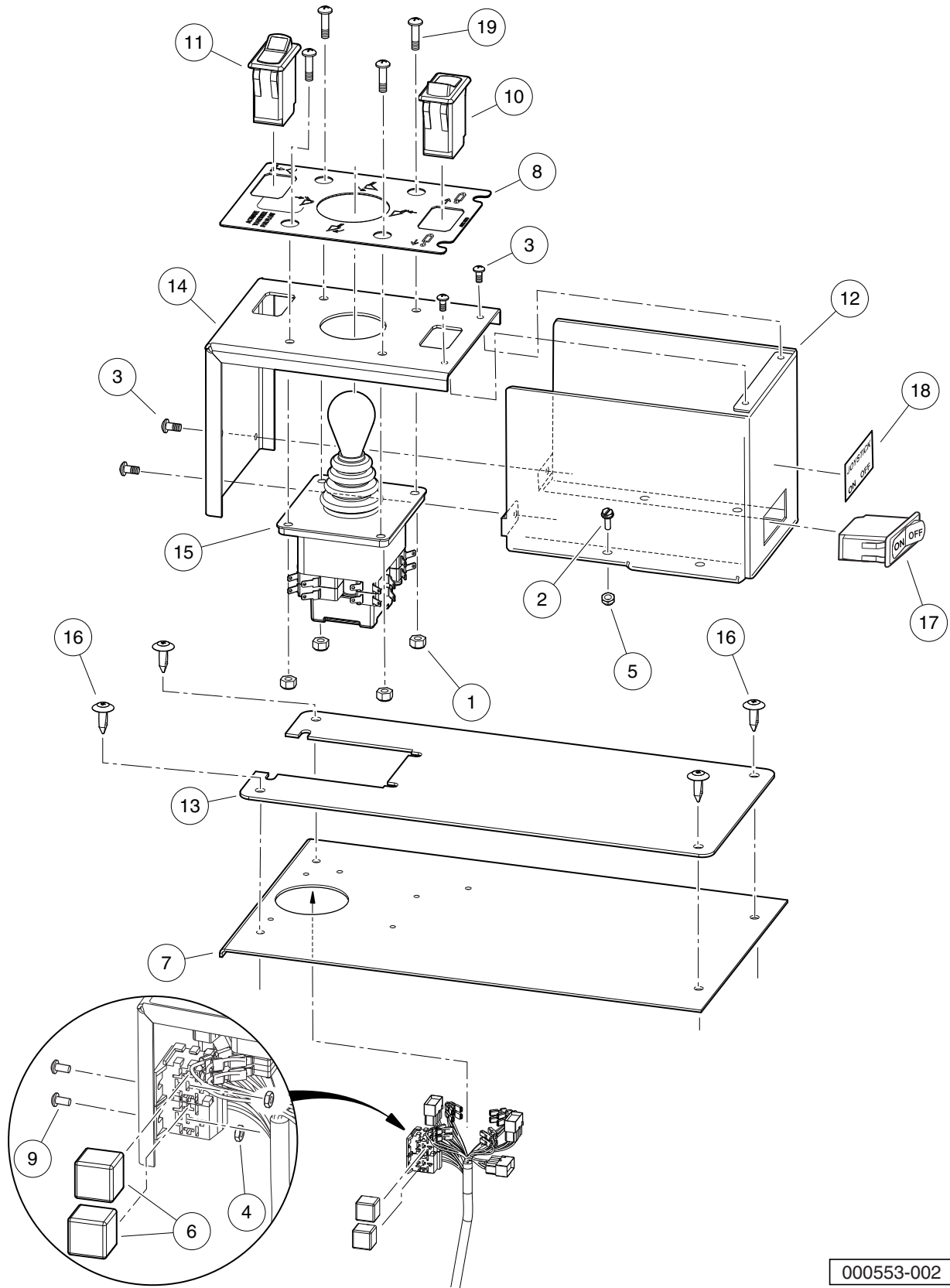
000787-002

ATTACHMENT INTERFACE

ITEM	PART NO.	DESCRIPTION	QTY
		1 2 3 4	
1	<u>102923301</u>	Kit, Interface, Attachment (includes items 2 through 15)	1
2	<u>102786101</u>	Ring, Rue, 3/4, Heavy	2
3	102789001	Asm, Interface, Attachment (includes items 4 through 14)	1
4	<u>102617001</u>	Nut Flg, M8 X 1.25 Mech Def	2
5	<u>102789101</u>	Pin, Latch	2
6	<u>102789201</u>	Lever, Release	1
7	<u>102789301</u>	Link, Chain 2080	2
8	N/A	Interface, Attachment	1
9	<u>102790001</u>	Brace, Cross	1
10	<u>102790801</u>	Bolt Flg, M8 X 1.25 X 20	2
11	<u>102790901</u>	Nut, Flg, 3/8-16 Gr8	1
12	<u>102791001</u>	Screw, Shoulder Hex Skt	1
13	<u>102791301</u>	Spring, Ext, Interface	1
14	N/A	Decal, Attachment Locking	1
15	<u>102921601</u>	Pin, Clevis, 3/4 X 4	2

17

D



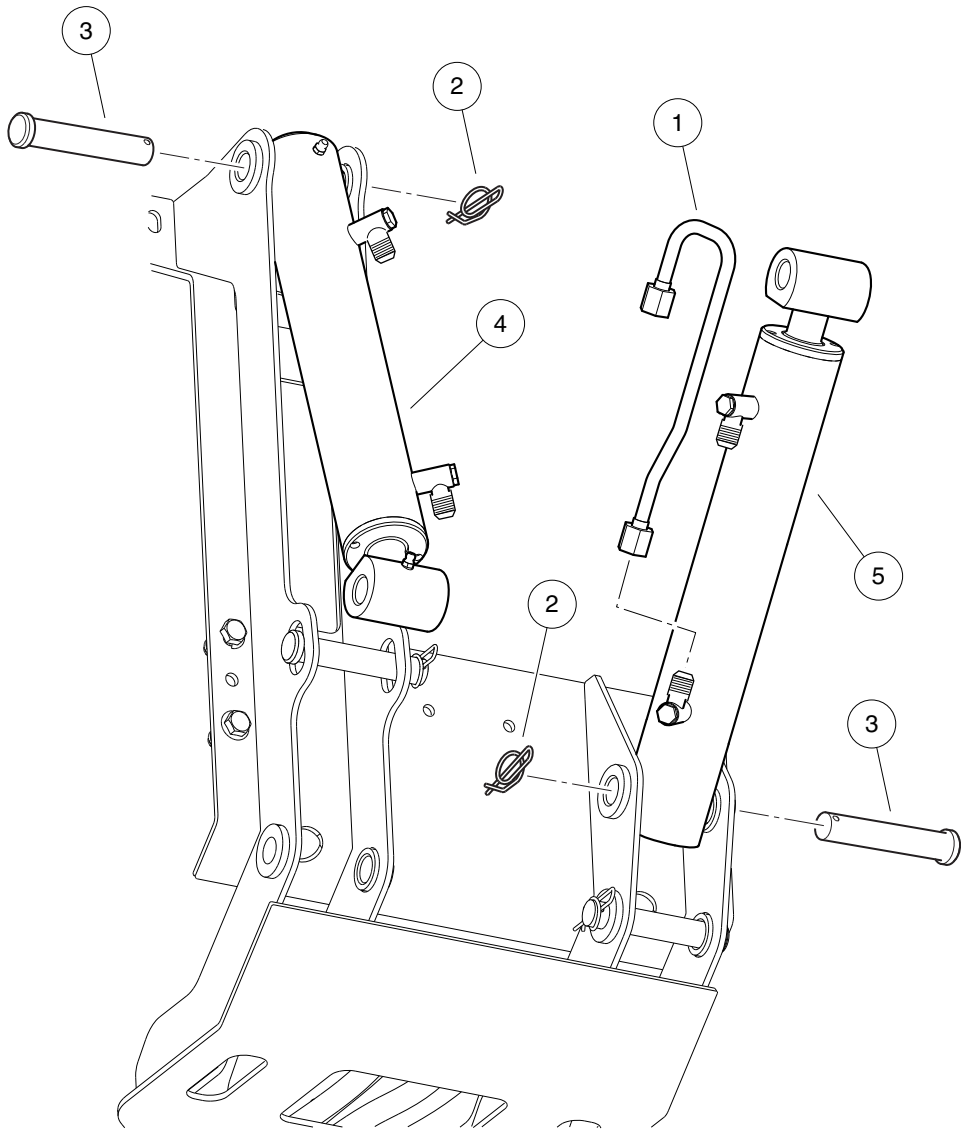
000553-002

HYDRAULIC CONTROLS

17

D

ITEM	PART NO.	DESCRIPTION	QTY
		1 2 3 4	
1	<u>1012438</u>	Locknut, #10-24 Nylon Insert	4
2	<u>1015720</u>	Screw, #6-32 X 1/2 Hex Washer-Head	4
3	<u>1016103</u>	Screw, Pan Hd Tx, Taptite 6-32	4
4	<u>1017</u>	Nut, #10-24 Stainless-Steel Hex Machine	2
5	<u>101932201</u>	Locknut, #6-32 Nylon	4
6	<u>102420201</u>	Relay, Mini ISO, SPDT	2
7	<u>102442001</u>	Pan, Center, Closeout	1
8	<u>102849801</u>	Decal, Controls, Bt	1
9	<u>102850501</u>	Screw, Phillips Pn Hd	2
10	<u>102854401</u>	Switch, Rocker, Sealed, DPDT Momentary	1
11	<u>102854501</u>	Switch, Rocker, Sealed, SPDT, Lighted	1
12	<u>102854601</u>	Base, Control Box, Joystick	1
13	<u>102854801</u>	Console, Center, Insulator	1
14	<u>102854901</u>	Cover, Control Box, Joystick	1
15	<u>102918501</u>	Joystick, 4 Way, W/ Boot	1
16	<u>102967901</u>	Rivet, Removable, Tuflok 1/4"	4
17	<u>103215201</u>	Switch, Rocker, Svr, On-off	1
18	<u>103319901</u>	Decal, Joystick, On Off	1
19	<u>1631</u>	Screw, #10-24 X 0.75 Phillips Pan-Head	4
20	<u>8990</u>	Tie Wrap, 8" Nylon	8
Note: Item 20, Tie Wrap, not shown.			



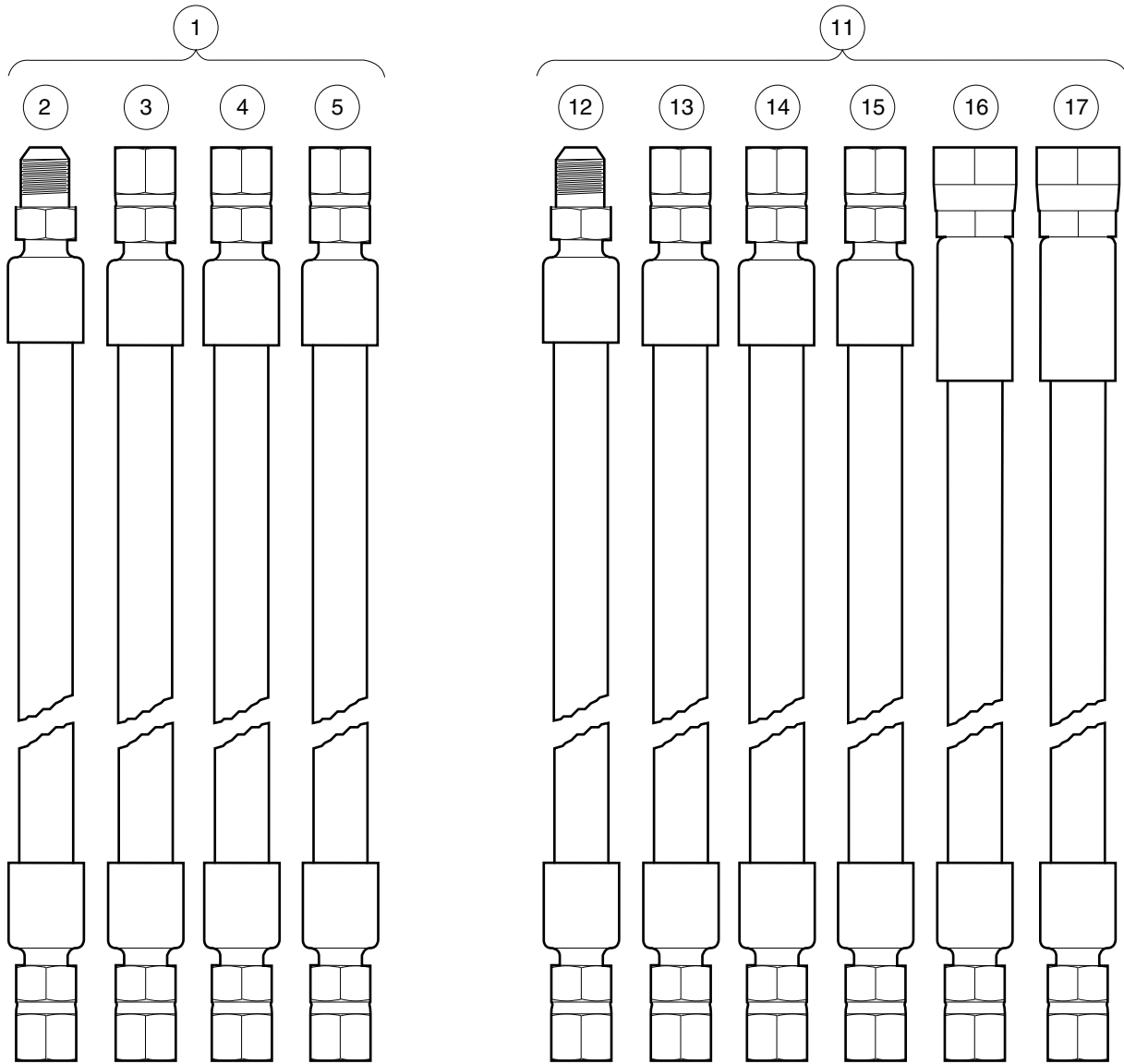
000990-001

HYDRAULIC CYLINDERS

ITEM	PART NO.	DESCRIPTION	QTY
		1 2 3 4	
1	<u>102784201</u>	Tube, Hydraulic -6 JIC 180 End	1
2	<u>102786101</u>	Ring, Rue, 3/4, Heavy	2
3	<u>102921601</u>	Pin, Clevis, 3/4 X 4	2
4	<u>102923001</u>	Cylinder, Hydraulic, Lift	1
5	<u>102923101</u>	Cylinder, Hydraulic, Tilt	1

17

D



000991-001

HYDRAULIC HOSES

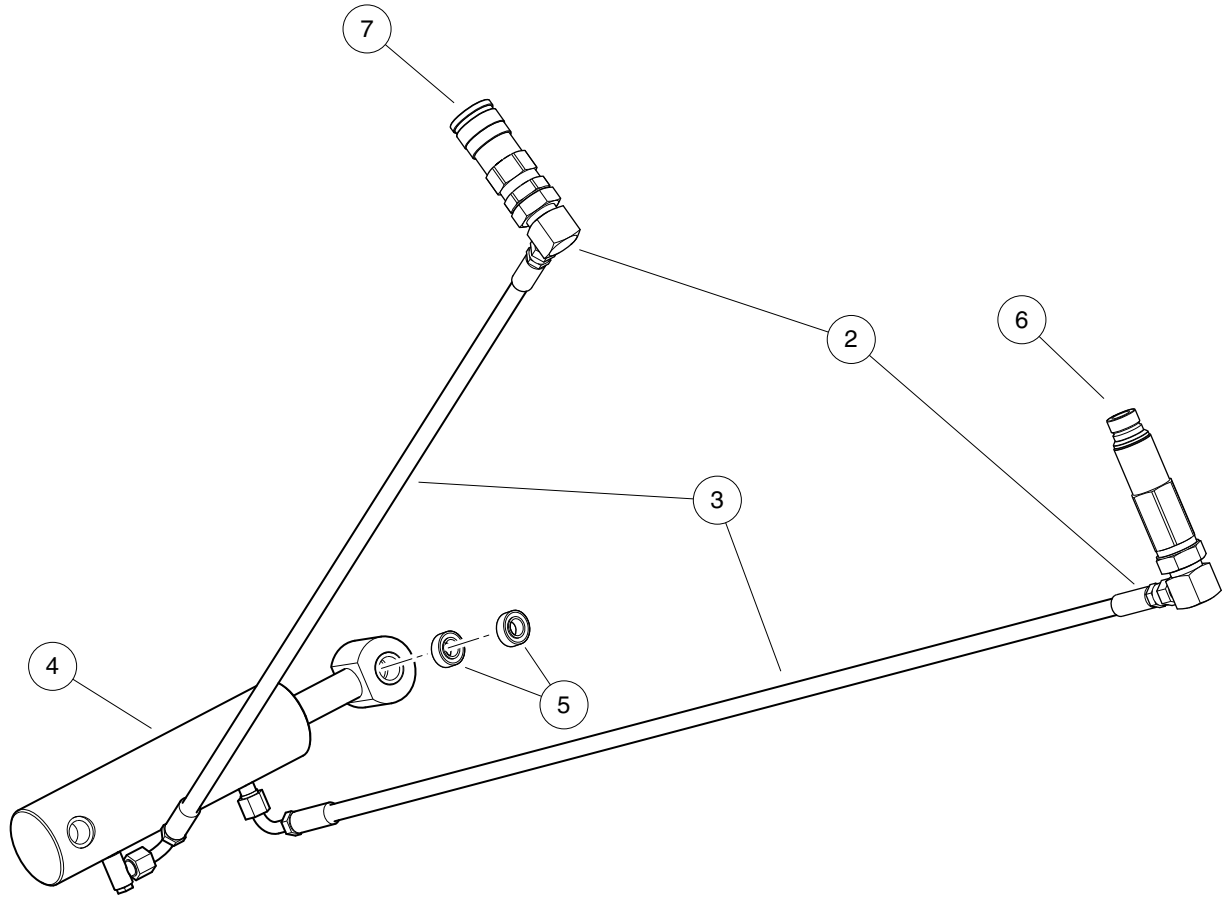
17

D

ITEM	PART NO.	DESCRIPTION	QTY
		1 2 3 4	
1	<u>102787601</u>	Asm, Hoses, Hydraulic (includes items 2 through 10)	1
2	<u>102784601</u>	Hose, Hydraulic, Pink Marking	1
3	<u>102784701</u>	Hose, Hydraulic, w/o Marking	1
4	<u>102784801</u>	Hose, Hydraulic, Green Marking	1
5	<u>102784901</u>	Hose, Hydraulic, Blue Marking	1
6	N/A	Mount, Cable Tie, 8mm Std Trq	1
7	N/A	Mount, Hd, Cable Tie, 8mm Bolt	1
8	<u>102787101</u>	Mount, Fir Tree, Cable Tie	1
9	N/A	Mount, Standoff, Dual Tie	1
10	<u>102787701</u>	Tie, Wide Strap	2
11	<u>102787602</u>	Asm, Hoses, Hydraulic W/aux (includes items 12 through 22)	1
12	<u>102784601</u>	Hose, Hydraulic, Pink Marking	1
13	<u>102784701</u>	Hose, Hydraulic, w/o Marking	1
14	<u>102784801</u>	Hose, Hydraulic, Green Marking	1
15	<u>102784901</u>	Hose, Hydraulic, Blue Marking	1
16	<u>102785001</u>	Hose, Hydraulic, Auxiliary, White Marking	1
17	<u>102785101</u>	Hose, Hydraulic, Auxiliary, Red Marking	1
18	N/A	Mount, Cable Tie, 8mm Std Trq	1
19	N/A	Mount, Hd, Cable Tie, 8mm Bolt	1
20	<u>102787101</u>	Mount, Fir Tree, Cable Tie	1
21	N/A	Mount, Standoff, Dual Tie	1
22	<u>102787701</u>	Tie, Wide Strap	2
<p>Note: Items 6 - 10 and items 18 - 22 not shown.</p>			

17

D



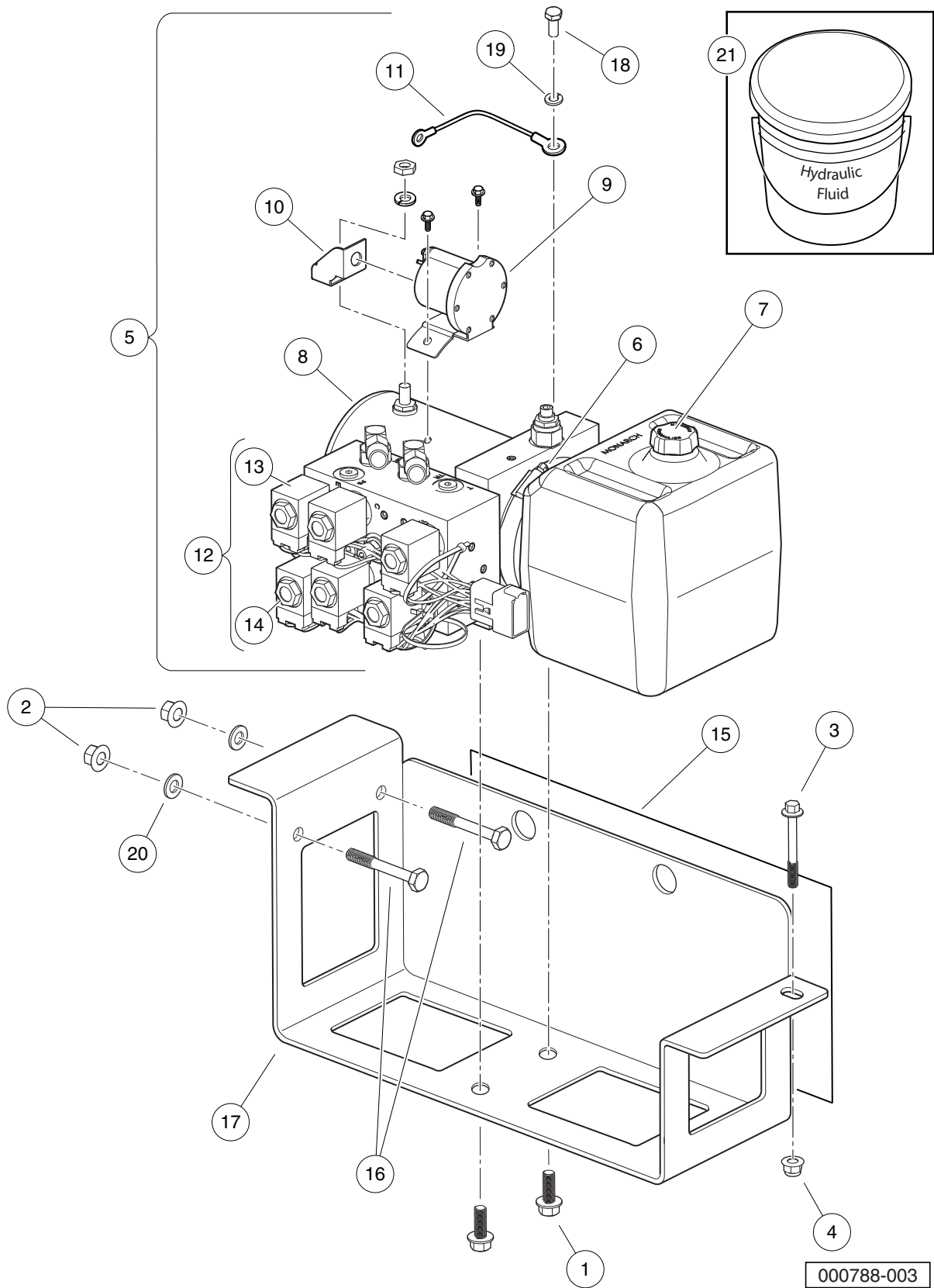
000556-001

HYDRAULIC ATTACHMENT ANGLE KIT

ITEM	PART NO.	DESCRIPTION	QTY
		1 2 3 4	
1	<u>102930501</u>	Kit, Angle, Hydraulic, Attachment (includes items 2 through 7)	1
2	<u>102926301</u>	Fitting, Elbow, 90, Hyd	2
3	<u>102926401</u>	Hose, Hydraulic, Angle kit	2
4	<u>102926501</u>	Cylinder, Hydraulic, Angle kit	1
5	<u>102926601</u>	Bearing, Fiber, -12	4
6	<u>102926701</u>	Coupler, Ff, Male, 1/2	1
7	<u>102926801</u>	Coupler, Ff, Fem, 1/2	1

17

D



HYDRAULIC POWER UNIT – STANDARD

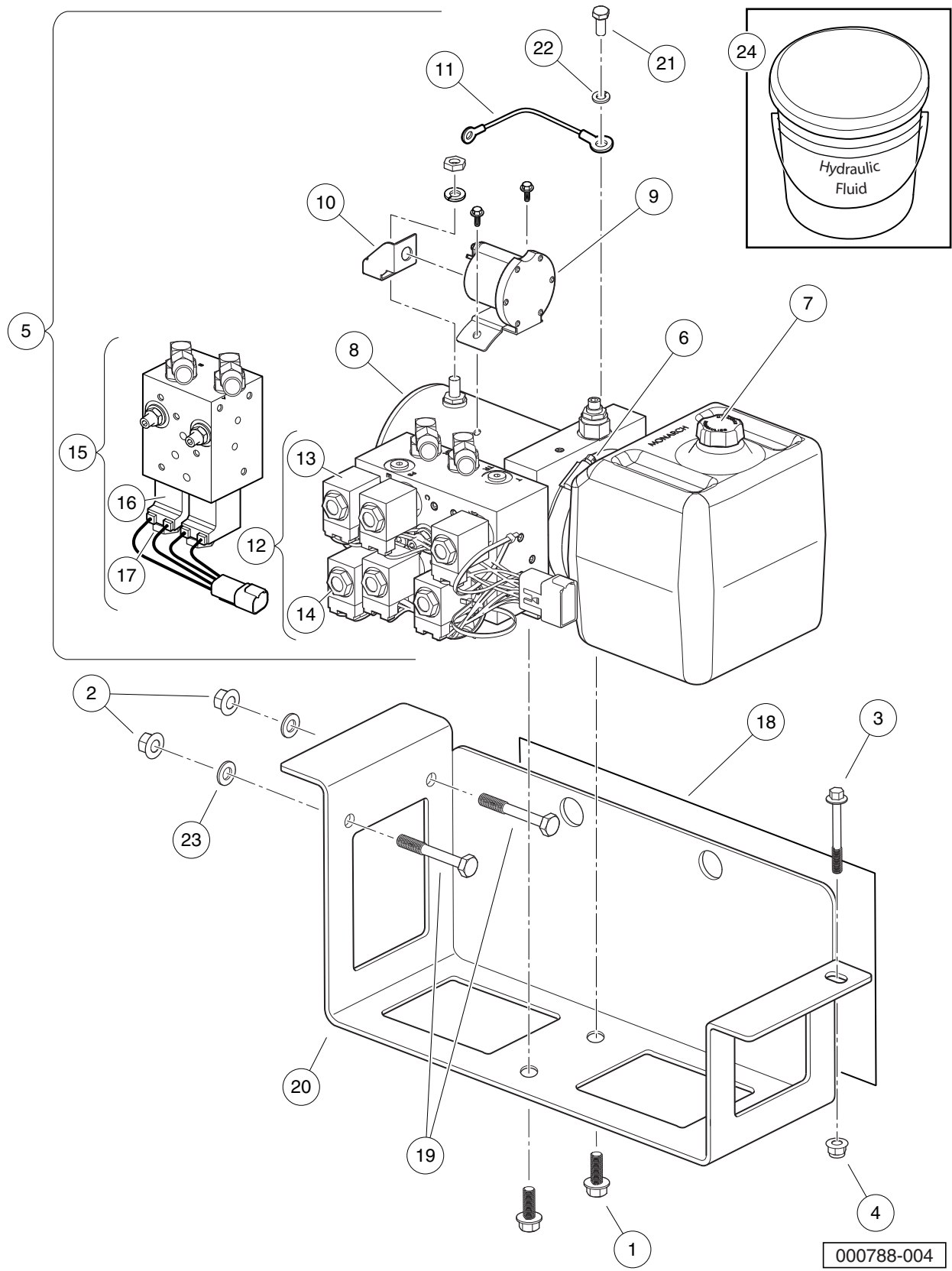
ITEM	PART NO.	DESCRIPTION	QTY
		1 2 3 4	
1	<u>102491001</u>	Bolt, Flanged Head, 3/8-16x1.0 with Loctite	2
2	<u>102617201</u>	Nut, Flanged, M10 X 1.5, Mechanically Deformed	2
3	<u>102618301</u>	Bolt, Flanged Head, M8 X 1.25 X 65	1
4	<u>102618601</u>	Lock Nut, Flange, M8 X 1.25 Nylon	1
5	<u>102784001</u>	Power Unit, Hydraulic, Std (includes items 6 through 12)	1
6	<u>102928001</u>	Clamp	1
7	<u>102928101</u>	Plug, Reservoir, Breather-Filler	1
8	<u>102928201</u>	Motor, Electric, DC, 12v, 4.5 In	1
9	<u>102928301</u>	Switch, Solenoid, 12vdc	1
10	<u>102928401</u>	Strap, Motor-Solenoid Connector	1
11	<u>102928501</u>	Assembly, Control Wire, 16 GA, Hs, Ring	1
12	<u>102928601</u>	Assembly, Control Valve, Std (includes items 13 and 14)	1
13	<u>102928901</u>	Coil, 10vdc, #8, 2lead, Diode	6
14	<u>1308</u>	Nut, 1/2-20 Hex	6
15	<u>102785501</u>	Barrier, Heat, Powerunit	1
16	<u>102859101</u>	Bolt, M10 X 1.50 X 70	2
17	<u>102921701</u>	Bracket, Mounting, Hydraulic Powerunit	1
18	<u>7173</u>	Screw, 5/16-18 X 0.75, Hex-Head Cap	1
19	<u>7174</u>	Lockwasher, 5/16 Split	1
20	<u>96741046</u>	Washer, M10, Hard	2
21	<u>AM1245401</u>	Fluid, Hydraulic, 5 Gallon	1

17

D

17

D

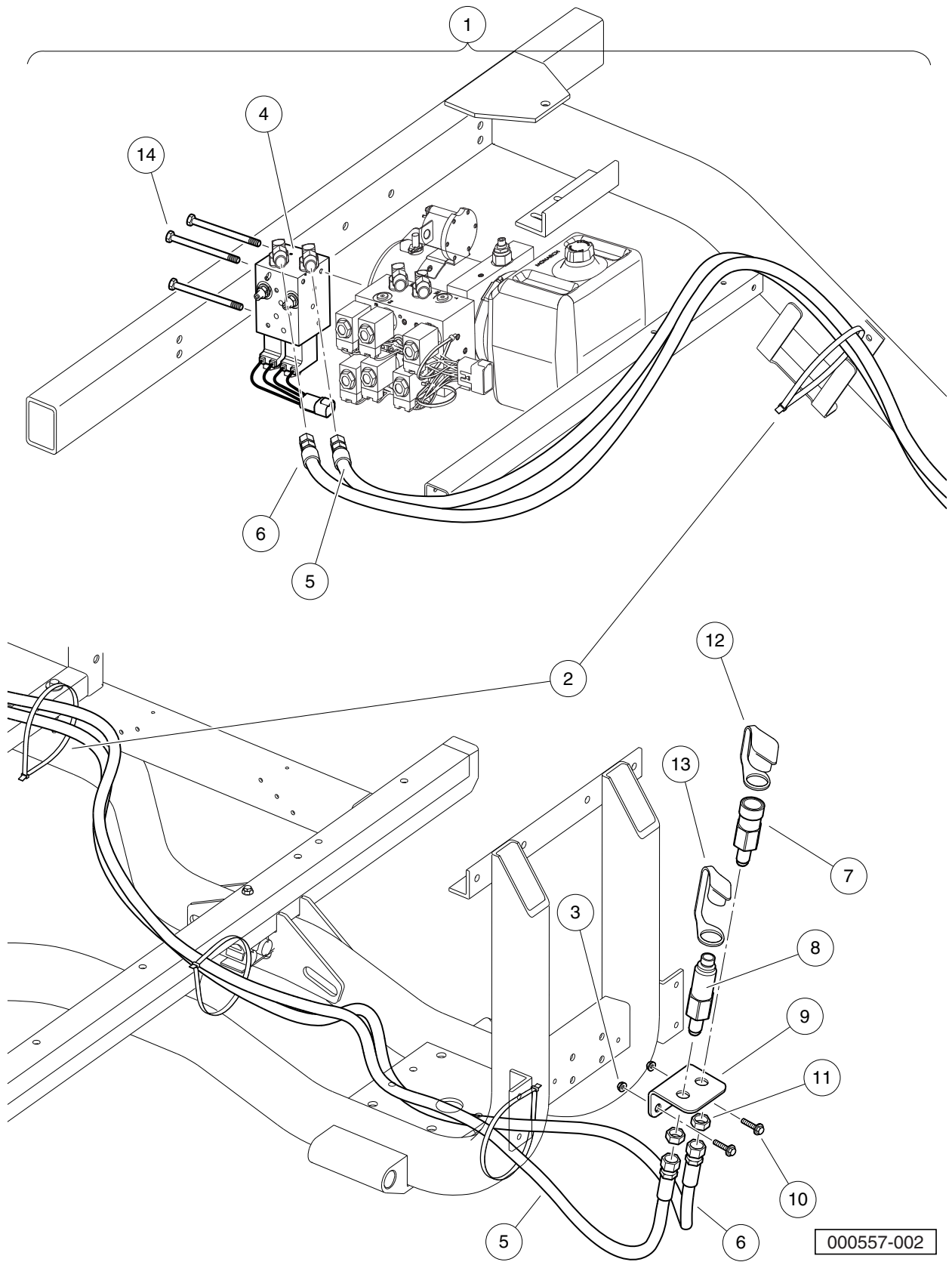


HYDRAULIC POWER UNIT – WITH AUXILIARY

ITEM	PART NO.	DESCRIPTION	QTY
		1 2 3 4	
1	<u>102491001</u>	Bolt, Flanged Head, 3/8-16x1.0 with Loctite	2
2	<u>102617201</u>	Nut, Flanged, M10 X 1.5, Mechanically Deformed	2
3	<u>102618301</u>	Bolt, Flanged Head, M8 X 1.25 X 65	1
4	<u>102618601</u>	Lock Nut, Flange, M8 X 1.25 Nylon	1
5	<u>102784002</u>	Power Unit, Hydraulic with Auxiliary (includes items 6 through 15)	1
6	<u>102928001</u>	Clamp	1
7	<u>102928101</u>	Plug, Reservoir, Breather-Filler	1
8	<u>102928201</u>	Motor, Electric, DC, 12v, 4.5 In	1
9	<u>102928301</u>	Switch, Solenoid, 12vdc	1
10	<u>102928401</u>	Strap, Motor-Solenoid Connector	1
11	<u>102928501</u>	Assembly, Control Wire, 16 GA, Hs, Ring	1
12	<u>102928601</u>	Assembly, Control Valve, Std (includes items 13 and 14)	1
13	<u>102928901</u>	Coil, 10vdc, #8, 2lead, Diode	6
14	<u>1308</u>	Nut, 1/2-20 Hex	6
15	<u>102928701</u>	Assembly, Control Valve, Auxiliary (includes items 16 and 17)	1
16	<u>102928901</u>	Coil, 10vdc, #8, 2lead, Diode	2
17	<u>1308</u>	Nut, 1/2-20 Hex	2
18	<u>102785501</u>	Barrier, Heat, Powerunit	1
19	<u>102859101</u>	Bolt, M10 X 1.50 X 70	2
20	<u>102921701</u>	Bracket, Mounting, Hydraulic Powerunit	1
21	<u>7173</u>	Screw, 5/16-18 X 0.75, Hex-Head Cap	1
22	<u>7174</u>	Lockwasher, 5/16 Split	1
23	<u>96741046</u>	Washer, M10, Hard	2
24	<u>AM1245401</u>	Fluid, Hydraulic, 5 Gallon	1

17

D



000557-002

STANDARD TO AUXILIARY HYDRAULIC CONVERSION KIT

ITEM	PART NO.	DESCRIPTION	QTY
		1 2 3 4	
1	<u>102785401</u>	Kit, Hydraulic, Aux (includes items 2 through 14)	1
2	<u>102025401</u>	Tie Wrap, Heavy Duty	8
3	<u>102741601</u>	Nut Flg M8 X 1.25 Gr 10	2
4	<u>102784003</u>	Power Unit, DC Hydraulic, Auxillary	1
5	<u>102785001</u>	Hose, Hydraulic, Auxiliary, White Marking	1
6	<u>102785101</u>	Hose, Hydraulic, Auxiliary, Red Marking	1
7	<u>102794801</u>	Coupling, Female Quick -6jic	1
8	<u>102794901</u>	Coupling, Male Quick -6jic	1
9	<u>102922601</u>	Bracket, Hydraulic, Auxiliary	1
10	<u>102922701</u>	Bolt, Flanged Head, M8x1.25x20 Lock Patch	2
11	<u>102923801</u>	Nut, Lock, Hyd Tube, 3/4-16	2
12	<u>102973501</u>	Cap, Quick Connect, Female	1
13	<u>102973601</u>	Cap, Quick Connect, Male	1
14	<u>103409001</u>	Screw, 1/4-20 X 3.5 Hex, Cap	3

17

D

17

D

MAINTENANCE AND SERVICE TOOLS

18

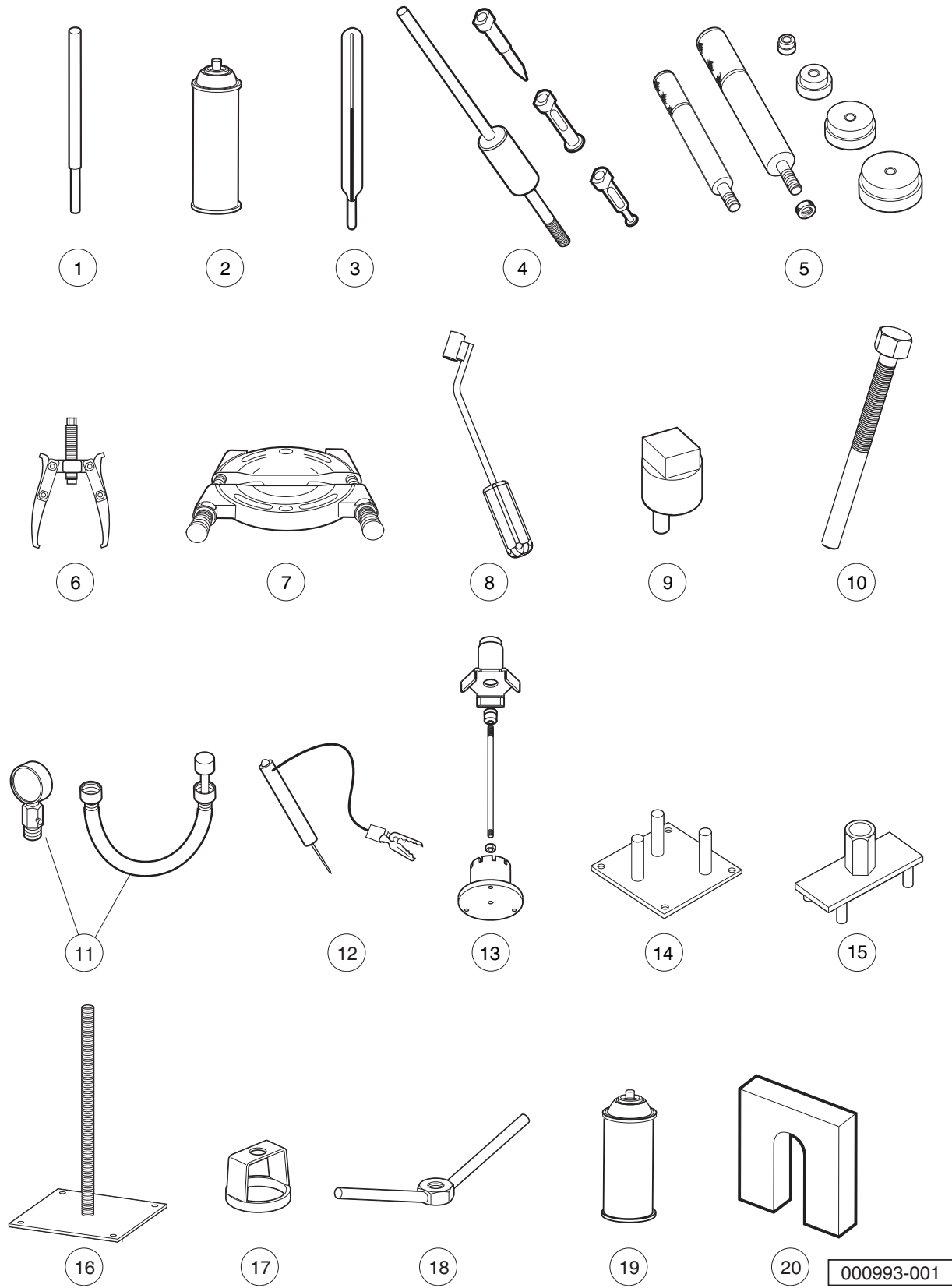
G

D

18

G

D



000993-001

MAINTENANCE AND SERVICE TOOLS – 295/1550

ITEM	PART NO.	DESCRIPTION	QTY GAS	QTY DIESEL
		<p>1 2 3 4</p> <p>The following list includes all tools available from Club Car for maintenance and service procedures on all variants of the Carryall 295 and XRT 1550 utility vehicles equipped with either the Kawasaki FH680 or Kubota D722 engines, both past and present models. Be sure to carefully examine the tool list for applicability to your vehicle before ordering.</p>		
1	<u>101641202</u>	Arbor	1	1
2	<u>1014305</u>	Battery Terminal Protector Spray	1	1
3	1011767	Battery Thermometer	1	1
4	<u>1016417</u>	Bearing and Oil Seal Remover Assembly	1	1
5	<u>1016416</u>	Bearing Driver Set	1	1
6	<u>1012811</u>	Bearing Puller	1	1
7	<u>1012812</u>	Bearing Puller Wedge Attachment	1	1
8	<u>102555501</u>	Brake Cable Release Tool	1	1
9	<u>102447101</u>	Camber Adjustment Tool (for AWD vehicles)	1	1
10	<u>102686101</u>	Clutch Removal Tool (for AWD vehicles)	1	1
11	101641002	Compression Gauge and Adapter	1	
12	1011273	Continuity Tester	1	1
13	<u>103865301</u>	Drive Clutch Service Tool (for AWD vehicles with 3-weight drive clutch)	1	1
14	<u>102601501</u>	Drive ClutchFixed Sheave Tool (for AWD vehicles with 2-weight drive clutch)	1	1
15	<u>102607501</u>	Drive Clutch Spider Removal Tool (for AWD vehicles with 2-weight drive clutch)	1	1
16	<u>102603501</u>	Driven Clutch Spring Compression Base (for use with items 17 and 18) (for AWD vehicles)	1	1
17	<u>102605201</u>	Driven Clutch Spring Compression Collar (for use with items 16 and 18) (for AWD vehicles)	1	1
18	<u>102606101</u>	Driven Clutch Spring Compression Nut (for use with items 16 and 17) (for AWD vehicles)	1	1
19	<u>1012151</u>	Dry Moly Lubricant	1	1
20	<u>1016418</u>	Gear Yoke	1	1
		<p>Please refer to the maintenance and service manual for proper tool application.</p>		

18

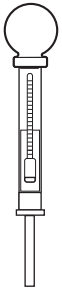
G

D

18

G

D



21



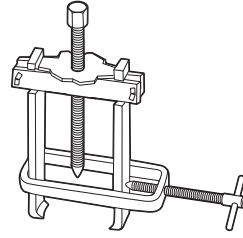
22



23



24



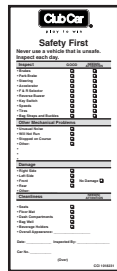
25



26



27



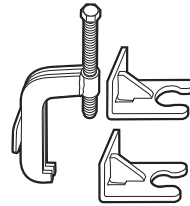
28



29



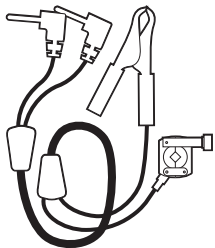
30



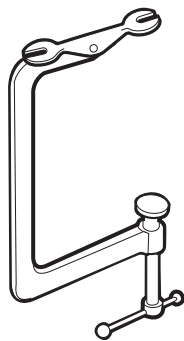
31



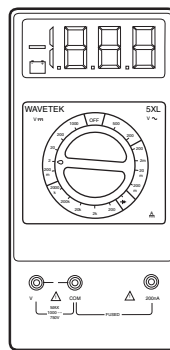
32



33



34



35

000993-002

MAINTENANCE AND SERVICE TOOLS – 295/1550, CONTINUED

ITEM	PART NO.	DESCRIPTION	QTY GAS	QTY DIESEL
		1 2 3 4		
21	<u>1011478</u>	Hydrometer	1	1
22	<u>1013593</u>	Internal Retaining Ring Pliers	1	1
23	<u>101928701</u>	Liquid Gasket (transaxle case)	1	1
24	<u>101997207</u>	Paint, Touch-Up – Black	1	1
24	<u>101997205</u>	Paint, Touch-Up – Dark Gray	1	1
24	<u>101997209</u>	Paint, Touch-Up – Dark Green	1	1
24	<u>101997204</u>	Paint, Touch-Up – Gray.....	1	1
24	<u>101997203</u>	Paint, Touch-Up – Red	1	1
25	<u>102668801</u>	Puller, Special Use (for AWD vehicles with Kubota D722 Diesel Engines)		1
26	<u>1012549</u>	Retaining Ring Pliers, 45° External	1	1
27	<u>1012560</u>	Retaining Ring Pliers, 90° Internal	1	1
28	<u>101823101</u>	Safety First Card (50 per pack)	1	1
29	<u>1012809</u>	Seal Puller	1	1
30	<u>102330901</u>	Spanner Wrench (for coil over shock front suspension vehicles only)	1	1
31	<u>102061201</u>	Steering Wheel Puller Tool	1	1
32	<u>AM10753</u>	Tachometer (includes gasoline engine pick up lead only)	1	1
33	<u>AM10771</u>	Tachometer Diesel Probe (for use with item 32)		1
34	<u>101641101</u>	Valve Spring Compressor	1	
35	<u>1011480</u>	Volt Ohm Meter	1	1
		Please refer to the maintenance and service manual for proper tool application.		

18

G

D

INDEX

Part Number and Page

AM10753	18-5	1010521	4-13	1015258	1-51, 1-53
AM10771	18-5	101082903	4-7, 4-15	1015277	1-49
AM11805	9-3	1010934	1-57, 6-13, 7-21	1015313	1-57
AM1210002	1-7	1011084	15-5	1015356	1-51
AM1210801	1-7	1011273	18-3	1015363	1-57
AM1211003	1-7	1011478	18-5	1015390	1-57
AM1211401	1-7	1011480	18-5	1015391	1-51, 1-53
AM1215701	1-7	1011553	3-3, 3-7, 3-15, 3-23	1015399	1-51, 1-53, 1-57, 1-59
AM1215801	1-7	1011578	1-9, 1-11, 1-13, 1-23, 1-25, 16-5, 16-7	1015400	1-51, 1-53, 1-57
AM1232301	8-3, 8-9	1011652	1-27, 1-29, 1-31, 1-33	1015457	16-7
AM1232401	8-3	1011697	1-29	101547601	3-5, 3-17
AM1241201	15-13	1011767	18-3	1015521	6-13, 7-21
AM1241301	15-13	1011779	4-13, 4-15	1015583	1-51, 1-53
AM1245401	17-29, 17-31	1011931	7-11	1015597	5-13
183	10-3, 11-3	1011990	1-57	1015720	17-21
324	11-7	1012151	18-3	1015741	6-11, 7-19
332	1-31, 1-33, 1-57, 1-59, 6-13, 7-21	1012295	6-11, 7-19	101587703	10-5, 11-5, 11-7
334	1-49	1012303	1-51, 1-53	1016078	1-49
357	1-55	1012438	17-21	101609401	3-3, 3-7, 3-15, 3-23
403	1-51, 1-53	1012549	18-5	1016103	17-21
451	1-31, 1-33	1012560	18-5	1016183	5-11
808	1-9, 1-11, 1-13	1012769	9-5, 9-7, 15-5	101641002	18-3
1016	10-3, 11-3	1012809	18-5	101641101	18-5
1017	17-21	1012811	18-3	101641202	18-3
1032	1-57	1012812	18-3	1016416	18-3
1035	4-11, 4-13	1012830	1-31, 1-33	1016417	18-3
1108	6-13, 7-21	1013035	5-5	1016418	18-3
1231	1-57	1013042	5-5	1016423	7-11
1241	6-13, 7-21	1013044	5-5	1016467	8-13
1242	4-15	1013052	5-5	101648203	8-13
1308	17-29, 17-31	101313402	11-5, 11-7	1016513	8-11, 10-9
1631	17-21	1013317	1-57	1016544	8-9
7049	1-57	1013366	1-59	1016603	1-55
7173	17-29, 17-31	1013461	10-3, 11-3	1016630	6-9, 7-15, 7-17
7174	17-29, 17-31	1013462	10-3, 11-3	1016851	6-9, 7-15, 7-17, 15-3
7310	2-3	1013531	4-13, 4-15	1016896	6-9, 7-15, 7-17, 15-3
7473	1-51, 1-53, 1-59, 6-13, 7-21	1013593	18-5	1016916	1-15
7561	1-51	1013734	1-31, 1-33	1016967	1-15
7973	1-57	1013746	10-5, 11-5, 11-7	1017162	1-55
8056	6-9, 7-15, 7-17	1014063	7-11	1017167	1-55
8057	6-9, 7-15, 7-17, 15-3	1014201	1-29	1017774	1-55
8058	6-9, 7-15, 7-17, 15-3	1014305	18-3	101802601	6-9, 7-15, 7-17
8233	1-15, 1-57, 1-59, 11-7	1014306	1-45, 1-47, 1-59	101804301	1-15
8251	1-45, 1-47	1014321	1-57	101823101	18-5
8639	4-5, 4-13, 4-15	1014375	6-13, 7-21	101824401	10-5, 11-5, 11-7
8717	7-11, 15-3	1014387	1-57	101833101	9-5, 9-7
8754	1-51, 1-53, 1-55, 5-11	1014415	1-29, 1-57, 1-59	101833201	9-5, 9-7
8755	1-51, 1-53, 1-55	1014471	1-51, 1-53, 16-3	101835601	1-49, 1-51, 1-53
8797	10-3, 11-3	1014537	1-57, 1-59	101856101	13-11, 14-11
8990	1-55, 5-5, 17-21	1014727	6-9, 7-15, 7-17, 15-3	101879401	5-5
1010200	1-55	1014789	6-7, 7-9	101879701	5-5
1010434	1-29, 1-57	1014808	6-9, 7-15, 7-17, 15-3	101879801	5-5
1010435	1-51, 1-53, 1-57, 1-59	1015139	10-3, 11-3	101879901	5-5
1010436	1-59	1015143	10-3, 11-3	101880201	5-5
		1015245	1-57	101887601	1-31, 1-33, 4-5, 12-3
		1015246	1-57	101894304	1-59

INDEX

101898001	6-13, 7-21	11-5, 16-3	102393501	5-13	
101928701	18-5	102290120	5-3	102395601	10-11, 11-9
101932201	17-21	102292356	1-9, 1-11, 1-13	102398901	5-13
101953101	4-15	102292701	1-9, 1-11, 1-13	102399201	4-17
101958602	1-49	102292801	1-9, 1-11, 1-13, 4-15	102399202	4-17
101963401	1-57, 1-59	102296140	4-5	102406701	11-3
101972003	18-5	102296401	10-13, 11-11	102406801	11-3
101972004	18-5	102296601	8-5	102407801	4-5
101972005	18-5	102296716	4-5, 13-9, 13-11, 14-9, 14-11	102408401	5-7
101972007	18-5	102296920	8-5	102409301	12-7
101972009	18-5	102297230	1-9, 1-11, 1-13, 1-15, 1-17	102409501	12-3
101987901	6-3, 6-5, 7-3, 7-5	102298130	1-31, 1-33, 5-3, 5-11	102410001	16-9
101988101	6-3, 7-3	102298240	4-15	102410301	16-3
101988201	6-3, 7-3	102298401	1-15, 1-31, 1-33, 4-7, 4-9, 4-11, 4-13, 4-15, 5-3, 8-15, 9-5, 9-7, 10-13, 11-11, 12-7, 15-3	102410602	11-5
101990802	4-13	102298580	1-15	102410603	4-5, 9-5, 9-7
102003201	8-3, 10-5	102298720	1-15, 12-3, 16-5	102410604	10-5
102010102	5-5	102301401	1-49	102410801	11-5
102022601	5-5	102323101	1-49	102411202	10-5
102022901	5-5, 5-7, 15-11	102323501	1-15, 4-11	102411203	11-5, 11-7
102023703	1-31, 1-33	102324401	1-43	102411204	16-5, 16-7
102025401	17-33	102330901	18-5	102411205	16-5
102025701	1-9, 1-11, 1-13	102355301	6-13, 7-21	102411206	16-7
102030101	1-57	102361901	5-7, 15-11	102411207	16-3, 16-7
102030201	1-57	102363802	5-3	102411208	16-3, 16-7
102044702	6-9	102365601	5-9	102411209	11-9
102044801	6-9	102365602	5-11	102411210	10-11, 13-9, 13-11, 14-9, 14-11
102045001	1-15	102367101	5-3	102411301	16-3
102047001	1-31, 1-33	102367601	4-3	102414501	13-11, 14-11
102048401	1-15	102369901	13-7, 14-7	102414701	9-5, 9-7
102051601	6-9, 7-15, 7-17	102370101	9-5, 9-7	102414801	9-5, 9-7
102051701	6-9, 7-15, 7-17	102370501	8-5, 9-5, 9-7	102416501	10-13, 11-11
102052801	4-13	102370601	8-5, 9-5, 9-7	102418101	1-49
102059001	1-31, 1-33	102371401	8-15	102420201	6-11, 7-19, 17-21
102059401	1-31, 1-33	102371701	15-21	102420301	6-11, 7-19
102061101	1-31, 1-33	102371801	15-7	102420401	6-11, 7-19
102061201	18-5	102372101	15-21	102420501	6-11, 7-19
102065901	1-51, 1-53	102374901	13-3, 14-3	102422301	9-57, 12-7
102066001	1-51, 1-55	102375401	7-15, 7-17	102426301	10-5, 11-5, 11-7
102171503	1-51, 1-53	102375901	15-3	102426601	1-49, 1-55
102176901	4-7	102376001	15-3	102426901	1-51, 1-53
102198001	6-9, 7-15, 7-17	102376602	4-17, 15-23	102427501	16-5
102221301	1-59	102376603	4-3, 15-11	102427601	16-7
102221401	1-59	102376605	5-7	102430001	11-5
102221501	1-59	102377501	16-7	102430101	11-5
102221701	1-59	102377601	16-7	102430201	11-5
102221801	1-59	102377801	16-3	102430301	11-5
102222001	1-59	102377901	16-3	102430401	11-5, 11-7
102222101	1-59	102379001	11-9	102434601	9-3, 11-5, 11-7
102222201	1-59	102380301	16-3	102434701	9-3, 11-5
102224001	3-3, 3-7, 3-17, 3-23	102380601	4-9	102434801	11-5, 11-7
102231601	3-5, 3-9, 3-17	102381701	15-11	102435001	16-7
102239901	1-59	102382401	9-5, 9-7, 15-5	102436701	16-3
102274101	5-7, 5-13, 15-11	102385601	13-5, 14-5	102437001	5-7
102276001	15-23	102385701	13-7, 14-7	102438201	15-7
102288901	16-7			102438301	15-7
102289001	1-5, 1-9, 1-11, 1-13, 1-15, 8-15, 10-5,			102438401	15-7

INDEX

102438501	15-7	102463601	15-23	102498601	8-3, 9-3, 10-11, 11-9
102438601	15-7	102463801	15-23, 15-25	102498801	11-13
102438701	15-7	102463901	15-25	102499001	6-9, 7-15, 7-17, 15-3
102438801	15-7	102464001	15-25	102522001	10-3, 11-3
102438901	15-7	102464101	15-25	102535101	6-5, 7-5
102439001	15-7	102464201	15-25	102551901	4-15
102439101	15-7	102464301	5-7, 15-11, 15-25	102552001	4-15
102439201	15-7	102464401	15-25	102555501	18-3
102439301	15-7	102464501	15-25	102571301	5-3
102439401	15-7	102464601	5-11	102600001	9-9
102439501	15-7	102465701	1-55	102600101	9-9
102439601	15-7	102465901	9-5, 9-7	102600201	9-9
102439701	15-7	102466201	10-5, 11-5	102600301	9-9, 9-13, 9-57
102439801	15-7	102469401	11-11	102600401	9-9
102439901	15-7	102470101	5-11	102600601	9-9
102440101	15-7	102470501	5-11	102600701	9-9
102440201	15-9	102470601	5-11	102600801	9-9, 9-13
102440301	15-7	102473501	1-31, 1-33	102601001	9-9, 9-15
102440401	15-9	102473601	1-31, 1-33	102601101	9-37
102440501	15-9	102473701	1-33	102601301	9-9
102440601	15-9	102474301	4-5	102601401	9-9
102442001	1-31, 1-33, 17-21	102475701	4-5, 10-15, 11-13, 15-5	102601501	18-3
102442201	6-13, 7-21	102475801	4-3, 4-17, 15-11	102601801	9-15, 9-57
102442301	6-13	102475901	1-31, 1-33	102601901	9-15
102442401	6-13	102476301	10-13, 11-11	102602001	9-15
102442901	4-9, 10-13, 11-11	102476401	10-13, 11-11	102602101	9-15
102443601	8-15	102477001	5-13	102602301	9-15
102445201	10-13, 11-11	102478501	11-3	102602401	9-15
102446601	5-11	102479301	10-13, 11-11	102602601	9-15
102447101	18-3	102480501	16-7	102602701	9-15
102447601	1-37, 1-43	102481001	13-11, 14-11	102602801	9-15
102447602	1-37	102481201	13-11, 14-11	102603201	9-25
102447901	6-11, 7-19	102481301	13-11, 14-11	102603501	18-3
102448001	6-11, 7-19	102488001	4-3, 4-17	102603601	9-31
102448401	7-21	102489901	11-11	102603701	9-31
102448501	7-21, 8-15	102490101	1-41, 9-5, 9-7	102603801	9-31
102449101	15-23	102490201	9-5, 9-7	102603901	9-31
102456001	1-31, 1-33	102490301	6-13, 16-3	102604001	9-31
102457001	10-15	102490501	9-5, 9-7	102604101	9-31
102457501	8-15	102490801	5-7	102604201	9-25, 9-31
102458901	1-31, 1-33, 3-5, 3-9, 3-17, 3-25	102491001	8-5, 15-11, 17-29, 17-31	102604301	9-31
102459001	3-9, 3-17, 3-25	102491101	15-11	102604401	9-27, 9-31
102459101	3-5, 3-9, 3-17, 3-25	102491301	1-15, 1-35, 1-39	102604501	9-31
102459201	3-9, 3-17, 3-25	102491501	1-15, 1-35, 1-39, 17-15	102604701	9-31
102459301	3-3, 3-7, 3-15, 3-23	102491601	4-3, 4-17	102604801	9-31
102459401	3-3, 3-7, 3-15, 3-23	102491701	1-19, 1-21, 1-45, 1-47	102604901	9-25
102459501	3-5, 3-9, 3-17, 3-25	102492201	6-11, 7-19	102605001	9-25
102460201	3-7, 3-9, 3-17, 3-25	102492301	7-19	102605101	9-11, 9-25
102461401	10-13, 11-11	102493301	4-3, 4-17	102605201	18-3
102462301	9-5, 9-7	102493801	1-49	102605301	9-25
102462401	15-11	102494401	9-5, 9-7	102605401	9-25
102462501	9-5, 9-7	102494701	11-3	102605501	9-25
102463101	15-25	102495001	5-11	102605601	9-25
102463301	15-25	102495701	7-15	102605701	9-45
102463401	15-25	102495801	15-5	102605801	9-25
102463501	15-23	102498201	7-21, 9-5, 9-7	102605901	9-25

INDEX

102606001	9-25	102617501	5-7, 15-11	102634601	9-43
102606101	18-3	102617701	5-7	102634701	9-43
102606201	9-21	102617801	5-7, 15-11	102635101	9-47
102606301	9-21	102618101	4-9, 10-13, 11-11	102635201	9-43
102606401	9-21	102618301	1-49, 4-9, 4-11, 4-13, 4-15, 5-3, 10-13, 11-11, 15-3, 17-29, 17-31	102635301	9-33, 9-43, 9-45, 9-57
102606501	9-21	102618401	4-7	102635501	9-33
102606601	9-21, 9-57	102618601	1-23, 1-25, 1-49, 1-55, 5-11, 8-15, 9-5, 9-7, 10-5, 11-5, 11-7, 16-7, 17-29, 17-31	102635701	9-33
102606701	9-19	102619801	5-13	102635801	9-33
102606901	9-11	102620301	1-37	102635901	9-33
102607001	9-11	102620401	5-13	102636201	9-47
102607201	9-11	102620501	5-7, 5-9, 5-11, 5-13	102636301	9-47
102607301	9-11	102621201	10-11, 11-9, 12-3	102636401	9-47
102607401	9-11	102621301	8-15, 9-5, 9-7, 12-7	102636501	9-47
102607501	18-3	102621501	9-5, 9-7, 15-5	102636601	9-47
102607601	9-27, 9-59	102626201	4-9	102637001	9-33
102607602	9-27	102628001	13-11, 14-11	102637101	9-33
102607801	9-27	102628101	12-7	102637701	9-41
102607901	9-27	102628301	13-9, 14-9	102640401	9-41
102608001	9-27	102628701	16-7	102640501	9-41
102608101	9-27	102629001	1-55	102640601	9-35, 9-41
102608201	9-23, 9-57	102630001	9-27	102640701	9-41
102608301	9-23, 9-57	102630002	9-27	102640901	9-41
102608401	9-23	102630003	9-27	102641001	9-41
102608501	9-23	102630101	9-27	102641101	9-41
102608601	9-23	102630201	9-27	102641201	9-41
102608701	9-23, 16-11	102630301	9-27, 9-57	102641501	9-45
102608801	9-27	102630401	9-27	102642401	9-45
102608802	9-27	102630601	9-37, 9-39	102642501	9-45
102608803	9-27	102630701	9-27	102642601	9-45
102608804	9-27	102630702	9-27	102642701	9-45
102608805	9-27	102630703	9-27	102642801	9-45
102608806	9-27	102630901	9-27, 9-59	102642901	9-45
102608901	9-23	102631001	9-27, 9-59	102643001	9-45
102609001	9-27	102631002	9-27, 9-59	102643101	9-45
102609002	9-27	102631301	16-9	102643201	9-45
102609003	9-27	102631401	16-9	102643301	9-45
102609101	9-23	102631601	9-9, 9-37, 9-39, 16-9	102643401	9-45
102609301	9-23	102631701	16-13	102643601	9-45
102609401	9-23	102631801	16-13	102643701	9-45
102609601	9-23	102632001	16-13	102644001	9-17, 9-57
102609801	9-27	102632101	16-13	102644101	9-17
102609802	9-27	102632201	16-13	102644501	9-57
102609803	9-27	102632701	9-57, 16-11	102645501	9-49
102610001	9-27	102633001	16-9	102646001	9-53, 9-57
102614101	1-51, 1-53, 1-55	102633201	16-9	102646101	9-53
102614401	1-59	102633301	9-17	102646301	9-55
102615701	15-3	102633401	9-57, 16-9	102646401	9-51
102615801	15-5	102633601	9-47	102646501	9-55
102616003	13-11, 14-11	102633701	9-43	102646601	9-55, 9-57
102616101	13-11, 14-11	102633801	9-43	102647101	9-55
102616301	5-7, 5-9, 5-11	102633901	9-43	102647201	9-55
102616501	14-5	102634001	9-43, 9-57	102647501	9-29
102616701	15-3	102634101	9-43	102647701	9-37, 9-39, 9-49
102616801	5-3	102634401	9-43, 9-57	102647801	9-29
102617001	17-19	102634501	9-43, 9-57	102647901	9-29
102617201	1-15, 1-35, 1-39, 17-29, 17-31			102648001	9-29

INDEX

102648401	9-49	102691601	13-5, 14-5	102722301	5-7, 15-11
102648501	9-49	102691701	13-5, 14-5	102725501	10-11, 11-9
102651301	9-51	102691801	13-5, 14-5	102725601	10-11, 11-9
102651501	9-51	102691901	13-5	102726201	9-9
102651601	9-51	102693201	15-23	102726301	9-9
102651701	9-51	102693301	15-15, 15-23	102726401	9-9
102651801	9-51	102693401	15-23	102726501	9-9
102652001	9-51	102693501	15-15, 15-23	102726601	9-9
102652601	9-51	102693601	15-25	102726701	9-13
102652701	9-51	102694001	15-25	102726901	9-13
102652801	9-13	102694201	15-15, 15-23	102727001	9-13
102652901	9-51	102694301	15-23	102727101	9-13
102653001	9-51	102694401	15-23	102727401	9-15
102653101	9-51	102694502	15-25	102727501	9-15
102653201	9-51	102694701	15-23	102727601	9-15
102653301	9-51, 9-57	102694801	15-23	102727701	9-19
102653401	9-13	102695401	13-7, 14-7	102727901	9-21
102653501	9-13	102695601	13-7, 14-7	102728001	9-23
102653601	9-51	102695701	13-7, 14-7	102728101	9-27, 9-59
102653701	9-51	102695801	13-7, 14-7	102728102	9-27
102653901	9-13	102695901	13-7, 14-7	102728301	9-29
102654101	9-13, 9-57	102696001	15-19	102728401	9-31
102654301	9-15, 9-43, 9-53	102696101	15-15	102728501	9-31
102654401	9-25	102696201	15-15, 15-17	102728601	9-33
102654601	9-11, 9-57	102696401	15-19	102728701	9-33
102654701	9-57, 16-9	102696501	15-15, 15-17	102728801	9-33, 9-57
102668801	18-5	102696601	15-19	102728901	9-33
102670601	1-31, 1-33	102696701	15-15	102729101	9-35
102670701	1-7, 9-5, 9-7, 17-15	102696801	15-15, 15-17	102729301	9-15, 9-57
102670801	11-5	102696901	15-15, 15-17	102729401	9-43
102670901	10-3	102697001	15-17	102729501	9-43
102671201	1-37, 1-43	102697101	15-15, 15-17	102729601	9-45
102672101	15-23	102697501	15-17	102729701	9-45
102672201	15-23	102697801	15-15	102730001	9-37
102672301	15-23	102698601	15-17	102730101	9-37
102672401	15-23	102698701	15-17	102730201	9-37, 9-39
102673201	1-59	102698801	15-15	102730301	9-37
102682901	5-13	102699401	15-15	102730401	9-37, 9-39
102684501	5-13, 15-3	102699601	15-19	102730601	9-37, 9-39
102684601	15-3	102699701	15-15, 15-17	102730801	9-9
102684901	16-3	102700801	9-9	102730901	16-9
102685001	16-3	102701001	9-13	102731001	16-9
102685601	5-13	102701201	9-37, 9-39	102731101	16-9
102686101	18-3	102701601	9-47	102731201	16-11
102687801	5-5	102703301	9-3, 9-15	102731301	9-37, 9-39
102689001	4-5	102703401	9-3, 11-5, 11-7	102731501	9-55
102689101	5-9, 5-11	102710301	11-5	102731601	9-55, 12-7
102689102	5-9, 5-11	102711601	15-11	102731801	9-57
102690201	13-5, 14-5	102712601	4-13	102731901	9-57
102690301	13-5, 14-5	102714001	4-3, 4-17	102732001	9-59
102690401	14-5	102716001	4-11	102732201	9-27, 9-59
102690501	13-5, 14-5	102718101	1-7, 1-27, 1-31, 1-33, 1-35, 1-39, 1-41	102732401	1-27, 1-31, 1-33, 1-41
102690701	13-5, 14-5	102719301	1-7, 13-7, 14-7	102732501	9-37, 9-39, 9-49
102690801	14-5	102721501	15-15	102732601	9-9, 9-57
102691001	13-5	102722001	8-15	102736901	2-3
102691401	13-5, 14-5			102737101	5-13

INDEX

102737301	16-3	102791301	17-19	102866510	1-9, 1-11, 1-13
102740401	8-5	102791701	5-7, 15-11	102866514	1-9, 1-13
102741501	4-11	102791702	5-7, 15-11	102866515	1-11
102741601	4-11, 17-33	102792001	5-7	102866518	1-9, 1-11, 1-13
102751301	4-11	102792002	5-7	102866610	1-9, 1-11, 1-13
102751501	4-11	102794801	17-33	102866614	1-9, 1-13
102751601	10-3	102794901	17-33	102866615	1-11
102759601	1-27	102798001	9-13	102866618	1-9, 1-11, 1-13
102759901	1-27	102798101	9-15	102866710	1-9, 1-11, 1-13
102762601	15-25	102798201	9-15	102866714	1-9, 1-13
102763301	4-13, 4-15	102798401	9-17	102866715	1-11
102763401	4-13, 4-15	102798501	9-17, 9-57	102866718	1-9, 1-11, 1-13
102763701	1-31, 1-33	102798601	9-17	102866810	1-9, 1-11, 1-13
102764201	15-15	102798701	9-17	102866814	1-9, 1-13
102765101	15-17	102798801	9-17	102866815	1-11
102765201	15-15	102798901	9-17	102866818	1-9, 1-11, 1-13
102765301	15-25	102799001	9-17	102866901	1-9, 1-11, 1-13
102765401	15-25	102799101	9-17	102867001	1-9, 1-11, 1-13
102765501	15-25	102799201	9-17	102867101	1-15
102765701	15-25	102799401	9-25	102867202	1-17
102765801	15-25	102799501	9-33	102867301	1-15
102767001	4-5	102799601	9-35	102867401	1-11
102767101	15-5	102799701	9-35	102867501	1-9
102767401	11-13	102799801	9-35	102867602	1-13
102767601	16-7	102799901	9-35	102868201	15-3
102767701	15-21	102800101	9-41	102869401	6-9, 7-15, 7-17
102772201	1-47	102800201	9-47	102874301	5-7, 15-11
102784001	17-29	102800301	9-47	102874501	5-7
102784002	17-31	102800401	9-43	102879201	1-27
102784003	17-33	102800501	9-43	102879401	1-27
102784201	17-23	102800601	9-43	102882301	1-5
102784601	17-25	102800701	9-37, 9-39	102882401	1-9, 1-11, 1-13
102784701	17-25	102801001	9-37, 9-39	102882501	1-55, 6-9, 7-15
102784801	17-25	102801101	9-51	102883401	1-17
102784901	17-25	102801201	9-51	102883601	3-11, 3-13, 3-19, 3-21
102785001	17-25, 17-33	102801301	9-53	102884301	3-5, 3-9, 3-15
102785101	17-25, 17-33	102801401	9-53	102884401	3-3, 3-7, 3-15
102785401	17-33	102801501	9-53	102885001	7-7
102785501	17-29, 17-31	102807601	16-5	102889201	3-15
102786101	17-15, 17-17, 17-19, 17-23	102807801	16-5	102892401	4-11
102786201	12-3	102810701	10-11, 11-9	102894401	6-5, 7-5
102786301	5-9, 5-11	102812801	12-3	102894501	6-5, 7-5
102786401	7-11	102816801	5-5	102895101	1-9, 1-11, 1-13
102787101	17-25	102831501	15-23	102895401	1-9, 1-11, 1-13
102787601	17-25	102834401	1-41	102896501	1-9, 1-11, 1-13
102787602	17-25	102839401	13-5, 14-5	102896601	4-11
102787701	17-25	102849801	17-21	102912301	1-27
102788701	5-9, 5-11	102850501	17-21	102913801	1-45, 1-47
102789001	17-19	102854401	17-21	102913901	1-45, 1-47
102789101	17-19	102854501	17-21	102914001	1-45, 1-47
102789201	17-19	102854601	17-21	102914101	1-45, 1-47
102789301	17-19	102854801	17-21	102914102	1-45, 1-47
102790001	17-19	102854901	17-21	102914104	1-47
102790801	17-19	102855501	16-3	102914105	1-47
102790901	17-19	102859101	17-29, 17-31	102918501	17-21
102791001	17-19	102865101	10-5	102921601	17-15, 17-17, 17-19, 17-23

INDEX

102921701	17-29, 17-31	102945701	2-3	102993201	8-21
102922601	17-33	102946701	16-3	102993301	8-21
102922701	17-33	102949301	12-5	102993401	8-21
102923001	17-23	102950601	3-23	102993501	8-21
102923101	17-23	102951901	8-5	102993601	8-21
102923201	17-17	102952101	11-3	102993701	8-21
102923301	17-19	102952102	10-3	102993901	8-21
102923401	17-17	102958301	8-15	102994101	8-21
102923801	17-33	102958401	8-15	102994301	8-9
102925201	17-15	102958501	8-15	102994401	8-21
102925601	3-31	102958601	8-15	102994601	8-19
102926301	17-27	102961201	3-3, 3-7, 3-15, 3-23	102994701	8-19
102926401	17-27	102961301	15-25	102994801	8-19
102926501	17-27	102961401	15-25	102994901	8-19
102926601	17-9, 17-11, 17-27	102961501	15-25	102995001	8-19
102926701	17-27	102967901	1-31, 1-33, 17-21	102995101	8-19
102926801	17-27	102973201	16-5	102995201	8-19
102927101	5-7	102973501	17-33	102995301	8-19
102927102	5-7	102973601	17-33	102995401	8-19
102927201	17-5	102977101	5-3	102995501	8-19
102927301	17-5	102977501	7-17	102995601	8-19
102927401	17-5, 17-9, 17-11	102978801	1-13	102995701	8-19
102928001	17-29, 17-31	102978901	1-13	102995801	8-19
102928101	17-29, 17-31	102979301	1-11	102995901	8-19
102928201	17-29, 17-31	102979401	1-9	102996001	8-19
102928301	17-29, 17-31	102983201	1-35, 1-39	102996101	8-19
102928401	17-29, 17-31	102983601	1-35, 1-39	102996201	8-19
102928501	17-29, 17-31	102988701	1-35, 1-39, 1-41, 1-43	102996301	8-19
102928601	17-29, 17-31	102989801	5-3	102996401	8-19
102928701	17-31	102990101	8-17	102996501	8-19
102928901	17-29, 17-31	102990201	8-17	102996601	8-19
102929501	17-11	102990301	8-17	102996701	8-19
102929601	17-9, 17-11	102990401	8-17	102996901	8-13
102929701	17-11	102990501	8-17	102997001	8-13
102930001	17-5	102990601	8-17	102997101	8-13
102930101	17-7	102990701	8-17	102997201	8-13
102930201	17-9	102990801	8-17	102997401	8-13
102930301	17-11	102990901	8-17	102997601	8-13
102930401	17-13	102991101	8-17	102997701	8-13
102930501	17-27	102991201	8-17	102997801	8-13
102930801	3-23	102991301	8-17	102997901	8-13
102930901	12-3	102991401	8-17	102998001	8-13
102934601	9-5	102991501	8-17	102998101	8-13
102934701	9-39	102991601	8-17	102998201	8-13
102934801	9-39	102991801	8-17	102998301	8-13
102934901	9-39	102991901	8-17	102998401	8-13
102935501	1-15	102992001	8-17	102998601	8-7
102936801	7-11	102992101	8-17	102998701	8-7
102937401	7-11	102992201	8-17	102999101	8-7
102937501	7-11	102992301	8-17	102999201	8-7
102937601	7-11	102992401	8-7, 8-11, 8-13, 8-17	102999301	8-7
102943101	2-3	102992501	8-7, 10-5	102999501	8-7
102943201	15-15	102992601	8-17	102999601	8-7
102943807	2-3	102992701	8-17	103000001	8-7
102943808	2-3	102992801	8-17	103000401	8-9
102943809	2-3	102992901	8-17	103000501	8-9

INDEX

103000601	8-9	103214901	1-39	103241110	3-21
103000801	8-9	103215001	1-39	103241115	3-21
103000901	8-9	103215101	1-39	103241117	3-21
103001301	8-9	103215201	17-21	103241118	3-21
103001501	8-9	103215401	1-3	103243001	17-9
103002001	8-11	103215901	1-35, 1-39	103243101	17-9
103002101	8-11	103216201	1-39	103243201	17-9
103002301	8-11	103216401	1-27, 1-31, 1-33, 1-35, 1-39, 1-41, 1-43	103243501	17-9, 17-11
103002401	8-11	103216801	1-39	103243601	17-9
103002501	8-11	103218104	6-5, 7-5	103243701	17-9
103002801	8-11, 10-9	103218107	1-9, 1-11, 1-13, 6-5, 7-5	103243801	17-9
103002901	8-11	103218113	6-5, 7-5	103243901	17-9, 17-11
103003801	10-9	103218501	4-13	103244001	17-9, 17-11
103003901	10-9	103218901	1-31	103244701	15-11
103004201	10-9	103225801	1-35, 1-39	103245101	1-37
103005001	10-9	103227001	1-55	103245801	7-11
103005601	10-9	103231701	1-3	103246901	8-15
103009901	10-5	103231801	1-3	103250301	15-15
103010101	10-5	103233001	1-15	103250401	15-15
103174301	4-5	103233410	3-13, 3-27	103253801	1-15
103180101	6-9, 7-15, 7-17	103233415	3-13, 3-27	103256401	5-7
103181001	1-27	103233417	3-13, 3-27	103256501	5-7
103181101	1-27	103233418	3-13, 3-27	103256701	5-7
103182701	1-17	103233510	3-13, 3-27	103262201	1-27
103182702	1-17	103233515	3-13, 3-27	103262601	1-27
103182801	1-17	103233517	3-13, 3-27	103262901	8-5
103185401	13-5	103233518	3-13, 3-27	103267001	1-33
103185501	14-5	103233614	3-11, 3-29	103267002	1-31
103185801	13-5, 14-5	103233617	3-11, 3-29	103268001	1-15
103185901	13-5, 14-5	103233618	3-11, 3-29	103268101	12-5
103187501	15-3	103233714	3-11, 3-29	103273101	4-9, 10-13, 11-11
103188601	3-23	103233717	3-11, 3-29	103274502	1-41
103188701	3-25	103233718	3-11, 3-29	103274602	1-41
103189001	4-13	103234001	7-17	103276201	8-15
103191201	1-57	103234201	3-11, 3-13, 3-19, 3-21, 3-27, 3-29	103277301	10-15
103191301	1-57	103234401	7-15, 7-17	103277401	10-15
103191401	1-57	103234503	2-3	103277501	7-9
103191501	1-57	103236001	1-3	103277701	7-9
103192101	1-35, 1-39	103237501	17-3	103278101	10-13
103197201	8-15	103237701	17-3	103279201	8-5
103200501	1-45, 1-47	103239501	15-19	103282301	5-13
103201501	13-5	103239601	15-17	103283801	1-41
103202601	3-3, 3-7	103239801	15-19	103289001	1-45, 1-47
103205801	7-17	103239901	9-39	103289002	1-45, 1-47
103208701	8-5	103240601	8-15	103289101	1-45, 1-47
103208801	7-15, 7-17	103240814	3-19	103289102	1-45, 1-47
103210401	3-3, 3-7	103240817	3-19	103289103	1-45, 1-47
103210501	3-15	103240818	3-19	103289104	1-45, 1-47
103210801	1-43	103240914	3-19	103289107	1-47
103210802	1-43	103240917	3-19	103289108	1-47
103210901	1-43	103240918	3-19	103289109	1-47
103211101	1-43	103241010	3-21	103289110	1-47
103213201	7-7	103241015	3-21	103293301	10-15
103213301	6-3, 6-5, 7-3, 7-5	103241017	3-21	103293401	10-15
103213401	7-13	103241018	3-21	103296001	1-15
103213501	7-7			103296201	15-11

INDEX

103297101	10-9	103341601	10-7	103538701	1-53
103297201	10-9	103341701	10-7	103538901	1-53
103297301	10-9	103341801	10-7	103588001	1-9, 1-11, 1-13
103297401	8-11	103341901	10-7	103589201	9-7
103297501	8-11	103342001	10-7	103591301	11-7
103297601	8-11	103342101	10-7	103593201	11-7
103297701	8-11	103342201	10-7	103593301	11-7
103297801	8-11	103342301	10-7	103596601	10-7
103298001	8-11	103342501	10-7	103596701	10-7
103298101	8-11	103342601	10-7	103596801	10-7
103298201	8-11	103342701	10-7	103629101	1-29
103298301	8-11	103343301	10-7	103629102	1-29
103298501	8-9, 8-11, 10-5, 10-9	103343401	10-7	103629501	1-29
103298601	8-11, 8-17	103343501	10-7	103687401	8-9
103298901	8-17	103343601	10-7	103721801	15-17
103299301	8-7	103343701	10-7	103762501	7-7
103299401	8-7	103343801	10-7	103831101	1-29
103299501	8-9	103343901	10-7	103865301	18-3
103299601	8-9	103345501	8-9	103887901	8-3
103299701	8-9	103348101	6-9, 7-15	105222301	9-43
103299801	8-9	103348201	6-9, 7-15, 7-17	105222401	9-43
103299901	8-9	103348501	6-9, 7-15	105222501	9-43
103300101	8-9	103355401	17-15	105222901	9-45
103300301	8-7, 8-13	103361701	1-35, 1-39	95293643	15-21
103305001	4-11	103376101	4-7	96701412	8-5, 9-5, 9-7
103305101	4-11	103377501	1-43	96704176	16-3
103305701	6-7	103379401	1-57	96704416	6-13, 7-21, 12-5, 16-3
103305801	6-7	103380701	4-7	96704622	9-5, 9-7
103306801	10-7	103387501	10-5	96704721	8-5, 9-5, 9-7
103306901	10-7	103400001	1-23, 1-25	96704960	8-5
103307001	10-7	103406501	1-57	96705199	16-3
103307201	10-7	103406502	1-57	96705587	8-15, 11-5
103307301	10-7	103406601	1-57	96706825	10-13, 11-11
103310701	7-15	103409001	17-33	96715552	1-15, 1-35, 1-39
103319501	1-47	103417401	1-23, 1-25	96718978	9-5, 9-7
103319601	1-23, 1-25	103418001	1-25	96727003	17-15
103319701	1-23	103418701	4-17	96741038	9-5, 9-7
103319901	3-25, 17-21	103418801	4-3, 4-17	96741046	1-41, 8-5, 9-5, 9-7, 17-29, 17-31
103320201	10-9	103423701	1-23, 1-25, 16-7	96742515	1-31, 1-33
103320301	10-9	103438201	10-11	96950126	10-15
103320401	10-9	103441401	10-11, 11-9		
103320601	13-9, 13-11, 14-9, 14-11	103456001	1-29		
103324901	7-15	103456002	1-29		
103326401	8-15	103478801	5-3		
103327201	6-9, 7-15, 7-17	103485501	1-19		
103331201	1-45, 1-47	103487501	1-19, 1-21		
103340501	10-7	103488801	1-21		
103340601	10-7	103488802	1-21		
103340701	10-7	103496801	6-13, 7-21		
103340801	10-7	103500901	4-15		
103340901	10-7	103505301	4-15		
103341101	10-7	103505401	4-15		
103341201	10-7	103521001	6-5, 7-5		
103341301	10-7	103528201	8-5		
103341401	10-7	103529501	4-15		
103341501	10-7	103535001	4-15		

A

A-arm	5-7
accelerator cable	10-15, 11-13
accelerator pedal	10-13, 11-11
accessory receptacle	6-9, 7-15, 7-17
actuator	1-55
adapter	
actuator	1-55
hose	8-15
oil filter	8-15
tube	8-15, 11-5, 11-7
adjuster, forward/aft	1-31, 1-33
adjuster, slide	5-7, 15-11
adjuster, slider	1-31, 1-33
air filter	8-3, 9-3, 10-11, 11-9

INDEX

- air filter canister 10-11, 11-9
 - air filter evacuator 10-11, 11-9
 - air filter gasket 10-9
 - alternator 9-37, 9-39
 - alternator belt 9-37, 9-39
 - arbor 18-3
 - arm
 - A 5-7
 - A- 5-7
 - governor link 8-11
 - governor shaft 8-11
 - rocker 8-19, 9-51
 - swing 5-13
 - arm attachment 17-17
 - assembly
 - accelerator pedal 11-11
 - adjusting bolt 9-33
 - alternator 9-37, 9-39
 - bearing case cover 9-23
 - brake line 4-5
 - brake pedal 4-9, 4-11
 - brake rotor 4-3, 4-17, 15-11, 15-23
 - bucket seat 1-33
 - camshaft 9-25
 - case, main bearing 9-23
 - connecting rod 9-27
 - cylinder head cover 9-17
 - drain cock 9-9
 - filler cap 4-7
 - forward/reverse 15-3
 - fuel camshaft 9-31
 - fuel cap 11-3
 - fuel filter 9-3, 11-5, 11-7
 - fuel injection pump 9-41
 - fuel pump 10-5, 11-5, 11-7
 - fuel tank vent 10-3, 11-3
 - gear case 15-15, 15-25
 - governor fork lever 9-47
 - headlight harness 6-3, 6-5, 7-3, 7-5
 - hinge, tilt bed 1-51
 - idle apparatus 9-33
 - inner ball joint 5-5
 - intake manifold 9-53
 - latch, tilt bed 1-51, 1-53
 - muffler 15-11
 - nozzle holder 9-45
 - oil pump 9-21
 - overflow pipe 9-45
 - pinion 15-25
 - piston ring 9-27, 9-59
 - rocker arm 9-51
 - speed plate 9-43
 - tailgate 1-59
 - tether 1-59
 - thermostat 16-9
 - tilt bed 1-51, 1-53
 - water pump 16-11
 - wire 6-13, 7-21, 8-15, 10-3, 11-3
 - assembly, sub-
 - front differential upright 15-11
 - moveable drive clutch 13-5, 14-5
 - stationary 13-5, 14-5
 - weight clutch 13-5, 14-5
 - attachment
 - bucket 17-7
 - mower 17-13
 - pallet fork 17-5
 - push broom 17-11
 - snow blade 17-9
 - attachment arm 17-17
 - attachment interface 17-19
 - axle 15-23
 - axle tube 15-25
 - axle, rear 15-23
- ## B
- ball
 - check 9-25
 - crankshaft 9-27
 - governor 9-31
 - injection pump 9-31
 - valve 9-15
 - ball joint 5-7, 15-5, 15-11
 - ball stud 15-3
 - band, pipe 16-9, 16-13
 - banjo bolt 4-3, 4-17
 - bar clamp 16-7
 - bar, sway 5-11
 - barb, vent 10-5, 11-5, 11-7
 - barrel, plastic 1-29, 1-57
 - barrier, heat 17-29, 17-31
 - base, seat holder 1-31, 1-33
 - battery
 - 12-volt, side-post 6-13, 7-21
 - battery clamp 6-13, 7-21
 - battery terminal protector spray 18-3
 - battery thermometer 18-3
 - bearing
 - ball (steering pinion) 5-5
 - hub 5-7, 15-11, 15-25
 - lower pinion 5-5
 - needle 15-7, 15-15, 15-17, 15-25
 - bearing and oil seal remover 18-3
 - bearing case cover 9-23
 - bearing case, main 9-23
 - bearing driver set 18-3
 - bearing puller 18-3
 - bearing puller wedge 18-3
 - bed floor plate 1-51, 1-53
 - bed latch 1-57
 - bed latch spring 1-57
 - bed, tilt 1-51, 1-53
 - bell crank cable 4-13
 - bellcrank 4-11, 15-19
 - bellows 5-5, 15-23
 - belt guard 9-39
 - belt, alternator 9-37, 9-39
 - belt, drive 13-3, 14-3
 - belt, V- 9-37, 9-39
 - bench seat back 1-27, 1-29
 - bench seat back cap 1-29
 - bench seat bottom 1-27, 1-29
 - bezel, fuel fill 10-5, 11-5
 - blade, snow 17-9
 - block, differential spacer 15-11
 - block, engine 9-9
 - block, fuse 6-11, 7-19
 - bolt
 - adjusting 9-33
 - banjo 4-3, 4-17
 - boot replacement kit, inner 15-13
 - boot replacement kit, outer 15-13
 - bottle, coolant 16-5
 - box, hydraulic control 17-21
 - bracket
 - actuator 1-55
 - anti-sway bar 5-11
 - bed latch 1-49
 - brake line 4-5
 - brake pedal 4-9
 - cover inlet 13-11, 14-11
 - draw latch 1-9, 1-11, 1-13
 - equalizer 4-13, 4-15
 - hood support 1-15
 - hydraulic line 4-5, 5-9, 5-11
 - muffler 12-3
 - oil filter 8-15
 - oil filter mount 8-15
 - park brake 4-11
 - radiator support 16-3
 - rocker arm 9-51
 - seat back 1-27
 - seat belt 1-27
 - seatbelt 1-31, 1-33
 - transmission cable 9-5, 9-7, 15-5
 - transmission mounting 9-5, 9-7
 - bracket, hinge, bed 1-53
 - brake cable 4-13, 4-15
 - brake cable release tool 18-3
 - brake caliper 4-3, 4-17
 - brake caliper return spring 4-17
 - brake line 4-5
 - brake line, front 4-5
 - brake line, rear 4-5
 - brake pads
 - rear 4-3, 4-17
 - brake pedal 4-9, 4-11
 - brake return spring 4-13, 4-15

INDEX

- brake rotor 4-3, 4-17, 15-11, 15-23
- breaker, circuit 7-11
- breather cover 9-17
- breather gasket 8-17
- breather shield 9-17
- breather tube 9-17
- breather valve 9-17
- broom weldment 17-11
- broom, push 17-11
- brush, FNR 1-15
- bucket attachment 17-7
- bucket seat 1-31, 1-33
- buckle, seatbelt 1-37, 1-43
- bulb, headlight 6-3, 6-5, 7-3, 7-5
- bulb, signal 6-5, 7-5
- bullet, detent 15-17
- bumper 16-3
 - bed 1-49, 1-55
 - front 1-3
 - rubber 1-59
- bushing 1-55
 - A-arm 5-7
 - anti-sway bar 5-11
 - flanged bronze 9-25
 - forward/reverse 15-3
 - greaseless 4-9, 10-13, 11-11
 - link 5-11
 - lower arm 5-7
 - nylon 1-57
 - piston pin 9-27, 9-59
 - pivot, urethane 5-13
 - plain 15-9
 - return line 11-3
 - snap-in 1-57
 - steel 1-51, 1-53
 - teflon 5-13
 - urethane 1-51, 1-53
- button, thrust 15-7
- buzzer, reverse 6-9, 7-15, 7-17, 15-3
- C**
- cable
 - accelerator 10-15, 11-13
 - bell crank 4-11, 4-13
 - brake 4-13, 4-15
 - choke 10-15
 - FNR shifter 15-5
 - main bell crank 4-13
 - main park brake 4-15
 - transmission 15-5
- caliper slide pin 4-3, 4-17
- caliper, brake 4-3, 4-17
- camber adjustment tool 18-3
- camshaft 8-19, 9-25
- camshaft guide 8-19
- camshaft kit 8-19
- camshaft plate 8-19
- camshaft spring 8-19
- camshaft, fuel 9-31
- canister, air filter 10-11, 11-9
- cap
 - air filter 10-11, 11-9
 - bolt assembly 9-33
 - corner 1-57
 - filler 4-7
 - front corner 1-59
 - fuel 11-3
 - fuel tank 10-3
 - inlet 13-11, 14-11
 - oil fill 8-13
 - pressure 16-5
 - radiator 16-3
 - rubber 5-7, 5-13, 15-11
 - sealing 9-9, 9-13
 - speed control plate 9-43
 - steering wheel 5-3
 - valve 9-51
- carburetor 10-7
- carburetor air vent tube 10-5, 11-5, 11-7
- carburetor gasket 10-7, 10-9
- carburetor heater 10-7
- carburetor jet 10-7
- carburetor seal 10-7
- carburetor shaft 10-7
- carburetor solenoid 10-7
- carburetor spring 10-7
- carburetor throttle shaft 10-7
- carburetor valve 10-7
- card, safety first 18-5
- case
 - gear 9-15, 15-15, 15-23, 15-25
 - governor ball 9-31
 - main bearing 9-23
- case cover, bearing 9-23
- center console 17-21
- center console cover 1-31, 1-33
- chain, transmission 15-15
- charge coil 8-9
- choke cable 10-15
- circuit breaker 7-11
- clamp
 - bar 16-7
 - battery 6-13, 7-21
 - breather tube 9-17
 - hose 10-5, 11-5, 11-7, 11-9
 - hose, green 11-5, 11-7
 - p- (fuel filter) 4-5, 9-5, 9-7, 10-5, 11-5
 - pipe 9-45
- clevis pin 4-7, 4-15
- clip
 - body trim 1-9, 1-11, 1-13
 - brake line 4-5, 10-15, 11-13, 15-5
- coil over shock 5-9, 5-11
- coil
 - charge 8-9
 - ignition 8-9
- coil, alternator assembly 9-37, 9-39
- collar, crankshaft 9-27
- collar, idle gear 9-25
- collar, lever 9-43
- collet 9-51
- column, steering 5-3
- compression gauge 18-3
- compressor, valve spring 18-5
- connecting rod 8-21, 9-27
- connector, relay 6-11, 7-19
- console, center 17-21
- continuity tester 18-3
- control box, hydraulic 17-21
- control panel 8-11
- coolant bottle 16-5
- coolant exchanger 16-3
- coolant fill tee 16-3
- coolant lamp sensor 16-9
- coolant pipe 16-7
- coolant pipe assembly 16-7
- coolant temperature indicator light 7-15, 7-17
- cooling fan 8-7, 16-3
- cord, glow plug 9-45
- corner cap 1-59
- cotter, rue ring 5-13
- coupling 17-27, 17-33
- cover
 - alternator assembly 9-37
 - bearing case 9-23
 - breather 9-17
 - CCI dash storage 1-17
 - clutch 13-5, 14-5
 - crankcase 8-17
 - CVT 8-5, 9-5, 9-7, 13-5, 13-11, 14-5, 14-11
 - cylinder head 9-17
 - electrical 6-11, 7-19
 - engine 8-5
 - fuel camshaft 9-9
 - heat proof 9-55
- closeout 1-45, 1-47
- clutch cover (drive) 13-5, 14-5
- clutch cover (non-sealed)
 - CVT 13-9, 14-9
- clutch cover (sealed) 13-11, 14-11
- clutch housing 15-7
- clutch removal tool 18-3
- clutch, drive, diesel 14-5
- clutch, drive, gas 13-5
- clutch, driven 13-7, 14-7
- coil
- hair pin 1-59
- meter 6-9, 7-15, 7-17
- return pipe 9-45

INDEX

input 15-9
rocker 8-17
rocker switch hole 6-9, 7-15, 7-17
steering column 5-3
thermostat 16-9
cover gasket 10-7
cowl panel 1-9, 1-11, 1-13
cowl panel, driver-side 1-9, 1-11, 1-13
cowl panel, passenger-side 1-9, 1-11, 1-13
crank 9-27
crank oil seal 8-17
crankcase 8-17
crankcase cover 8-17
crankcase cover gasket 8-17
crankcase vent tube 10-9
crankshaft 8-21, 9-27
C-type stop ring 5-5
cup holder 1-17
cup holder, seat 1-31, 1-33
CVT 13-7, 14-7
CVT cover 13-9, 14-9
CVT cover kit, sealed 13-11, 14-11
CVT cover kit, unsealed 13-11, 14-11
cylinder head 8-17, 9-13
cylinder head cover 9-17
cylinder, hydraulic, lift 17-23
cylinder, hydraulic, tilt 17-23
cylinder, master 4-7

D

dash 1-15
dash weldment 1-15
decal
4x4 3-11, 3-13, 3-19, 3-21, 3-27, 3-29
bed 3-13, 3-27
bed warning 3-23
CA 295 3-11, 3-29
CA 295 SE 3-19
CA 295SE 3-19
Club Car tailgate 1-59
crush area warning 3-3, 3-7, 3-15, 3-23
driver/passenger 3-5, 3-9, 3-17, 3-25
ground warning 3-5, 3-9, 3-17, 3-25
hot manifold warning 3-9, 3-17, 3-25
hot surface warning 1-31, 1-33, 3-5, 3-9,
3-17, 3-25
hydraulic controls 17-21
hydraulic pump 3-23
IntelliTach 3-31
joystick on/off 3-25, 17-21
lock lever 3-23, 17-19
nameplate 3-11, 3-13, 3-19, 3-21
on/off 3-25, 17-21
operating instructions 3-5, 3-9, 3-15, 3-25
operator warning 3-3, 3-7, 3-15
rollover warning 3-23

ROPS warning 3-3, 3-7, 3-15, 3-23
rotating parts 3-3, 3-7, 3-17, 3-23
rotating parts and hot manifold 3-5, 3-9,
3-17, 3-25
rotating parts warning 3-7, 3-9, 3-17, 3-25
tailgate 1-57
trailer hitch 3-3, 3-7, 3-15, 3-23
under 16 warning 3-3, 3-7, 3-15, 3-23
vehicle loading 3-3, 3-7, 3-15
warning 3-15
winch cable warning 3-5, 3-9, 3-17
XRT 1550SE 3-21
deflector oil 15-15
diesel tachometer probe 18-5
differential housing 15-25
differential, front 15-7
differential, rear 15-25
diode 6-7, 7-9
dipstick, oil 9-19
dowel pin 15-7
drag link 5-5
drain cock 9-9
drive belt 13-3, 14-3
drive clutch fixed sheave tool 18-3
drive clutch service tool 18-3
drive clutch spider removal tool 18-3
drive clutch, moveable 13-5, 14-5
drive shaft 15-21
driven clutch base sheave 13-7, 14-7
driven clutch spring compression base tool
18-3
driven clutch spring compression collar tool
18-3
driven clutch spring compression nut tool
18-3
dry moly lubricant 18-3

E

E-clip 4-13, 4-15
elbow 11-3
electric motor 17-29, 17-31
end, tie rod 5-5
engine block 9-9
engine cover 8-5
engine shroud 8-7
engine starter motor 8-9
engine, diesel, Kubota D722 with closed
breather 9-5
engine, gasoline, Kawasaki FH680 8-5
equalizer 4-13, 4-15
equalizer rod 4-15
exchanger, engine coolant 16-3
exhaust gasket 9-57, 12-5, 12-7
exhaust header 12-5
exhaust header gasket 12-5
exhaust pipe 12-3, 12-7
exhaust shield 12-3, 12-7
exhaust valve 8-19, 9-51
extension, spring latch 1-51, 1-53

F

fan housing plate 8-7
fan shroud 16-3
fan, cooling 8-7, 16-3
fascia 1-9, 1-11, 1-13
fastener, push-in 6-11, 7-19
fender, front 1-9, 1-11, 1-13
fender, left rear 1-45, 1-47
fender, rear 1-45, 1-47
filler cap 4-7
filter
air 8-3, 9-3, 10-11, 11-9
fuel 8-3, 9-3, 10-5, 11-5, 11-7
inlet cover 13-11, 14-11
oil 8-3, 8-13, 9-3, 9-15
oil pick up 9-11
water separator 9-3, 11-5, 11-7
fitting, thread-forming grease 5-13
flange, water 16-9
float valve 10-7
floor plate, bed 1-51, 1-53
floorboard 1-23, 1-25
fluid, hydraulic 17-29, 17-31
flywheel 8-9, 9-29
FNR brush 1-15
FNR brush strip 1-15
FNR shifter bracket 9-5, 9-7, 15-5
FNR shifter cable 15-5
foot well plate 1-25
fork, pallet 17-5
fork, transmission 15-15
forward/reverse assembly 15-3
Forward/Reverse shifter 15-3
frame, tilt bed 1-51, 1-53
front brake line 4-5
front bumper 1-3
front differential 15-7
front gear case 15-15
front panel 1-57
fuel camshaft 9-31
fuel cap 11-3
fuel filter 8-3, 9-3, 10-5, 11-5, 11-7
fuel gauge sending unit 10-3, 11-3
fuel gauge/hour meter 6-9, 7-15
fuel gauge/hour meter/seatbelt timer 7-17
fuel injection pump 9-41
fuel line 10-5
fuel pickup tube 11-3
fuel pump 10-5, 11-5, 11-7
fuel tank (diesel) 11-3
fuel tank cap 10-3
fuel tank strap 10-5, 11-5, 11-7

INDEX

fuel tank vent 10-3, 11-3
fuel tank, diesel 11-3
fuel tank, gas 10-3
fuse
 10-amp 6-11, 7-19
 20-amp 7-11
 25-amp 6-11, 7-19
 30-amp 7-19
fuse block 6-11, 7-19

G

gasket 10-7
 air filter 10-9
 bearing case 9-23, 9-57
 breather 8-17
 carburetor 10-7, 10-9
 clutch cover 13-5, 14-5
 control plate 9-43, 9-57
 cover 9-23, 9-57, 10-7, 13-11, 14-11
 crankcase cover 8-17
 cylinder head 9-13, 9-57
 cylinder head cover 9-17, 9-57
 drain plug 9-11
 exhaust 9-57, 12-7
 exhaust header 12-5
 exhaust-manifold 9-55, 9-57
 fuel pump 9-9, 9-57
 gearcase 9-15, 9-57
 head 8-17
 head cover 9-57
 head cover nut 9-33, 9-43, 9-45, 9-57
 idle apparatus 9-33, 9-57
 intake manifold 9-53, 9-57
 liquid 18-5
 manifold 10-9
 nozzle 9-45
 oil pump 9-21, 9-57
 rocker cover 8-17
 sending unit 10-3, 11-3
 thermostat 9-57, 16-9
 water flange 9-57, 16-9
 water pump 9-57, 16-11

gauge
 compression 18-3
 fuel-hour 6-9, 7-15
 fuel-hour-timer 7-17
 oil dipstick 8-13

gear
 35t spur 15-17
 64t spur 15-17
 cam 9-25
 case 9-15, 15-15, 15-23, 15-25
 crank 9-27
 helical 15-17
 idle 9-25
 injection pump 9-31

oil pump 8-13
 oil pump drive 9-21
 ring 9-29, 15-7, 15-25
gear case, front 15-15
gear ring engagement 15-17
gear yoke 18-3
glow plug 9-45
glow plug cord 9-45
governor control lever 8-11
governor fork lever 9-47
governor lever 9-43
governor link arm 8-11
governor oil seal 8-17
governor plate 8-11
governor return spring 8-11
governor shaft 8-11
governor shaft arm 8-11
governor spring 8-11
grill 1-9, 1-11, 1-13
grip tape, accelerator pad 10-13, 11-11
grip, tilt latch hand 1-51, 1-53, 1-57
grommet 10-3, 11-3
guard, belt 9-39
guard, oil filter 8-15
guard, splash 1-15
guide
 accelerator cable 10-13
 camshaft 8-19
 detent bullet 15-17
 exhaust valve 9-13
 inlet valve 9-13
 oil dipstick 9-19
 rocker arm 8-19

H

hair pin clip 1-59
half shaft 15-11
handbook, operator 17-3
handle, park brake 4-11
handle, tilt steering 5-3
harness 1-55, 6-7, 7-7, 7-9, 8-9
harness, control panel wire 7-11
harness, headlight 7-7
harness, hydraulic power unit 7-11
harness, seatbelt light 7-13
harness, wire 6-3, 6-5, 7-3, 7-5
harness, wire - Kawasaki FH680 6-7
head gasket 8-17
head restraint 1-41
head restraint kit 1-41
head, cylinder 8-17, 9-13
header, exhaust 12-5
headlight 6-3, 6-5, 7-3, 7-5, 7-7
headlight bulb 6-3, 6-5, 7-3, 7-5
headlight harness 6-3, 6-5, 7-3, 7-5, 7-7
heat barrier 17-29, 17-31

heat seal 9-45
heater, carburetor 10-7
helical gear 15-17
high beam switch 7-15
hinge plate 1-27, 1-29, 1-31, 1-33
hinge, hood 1-9, 1-11, 1-13
hinge, tilt bed 1-51
holder
 cup 1-17
 FNR strip brush 1-15
 fork lever 9-47
hood 1-9, 1-11, 1-13
hood latch 1-9, 1-11, 1-13
hood prop 1-9, 1-11, 1-13
hook, engine 9-13
hose 16-5, 17-25, 17-33
 coolant 16-3, 16-5, 16-7, 16-13
 fuel 10-5
 fuel filter 11-5
 fuel pump 11-5
 fuel return 11-5, 11-7
 hydraulic 17-25, 17-27
 inlet 13-11, 14-11
 intake 10-11, 11-9
 outlet 13-9, 13-11, 14-9, 14-11
 vent 9-5, 9-7, 15-11, 16-7
hose clamp, green 11-5, 11-7
hour meter 6-9, 7-15, 7-17
housing
 clutch 15-7
 differential 15-25
 steering gear 5-5
hydraulic control box 17-21
hydraulic fluid 17-29, 17-31
hydraulic hose 17-25, 17-27
hydraulic power unit 17-29, 17-31, 17-33
hydraulic power unit harness 7-11
hydraulic tube 17-23
hydrometer 18-5

I

idle apparatus 9-33
idle gear 9-25
ignition coil 8-9
indicator, turn signal 7-15
injection pump gear 9-31
insulation, heat barrier 17-29, 17-31
insulator, manifold 10-9
intake adapter pipe 10-9
intake manifold 9-53, 10-9
intake valve 8-19, 9-51
internal retaining ring pliers 18-5
isolator ring and bushing 8-5, 9-5, 9-7
isolator, twin stud 16-3

INDEX

- J**
- jet kit
 - 0-3300 ft 10-7
 - 3300-6600 ft 10-7
 - 6600+ ft 10-7
 - jet needle 10-7
 - jet, carburetor 10-7
 - joint
 - ball 5-7, 15-5, 15-11
 - eye 9-41
 - pipe 9-15
 - joystick control 17-21
 - joystick control box 17-21
- K**
- keeper, push-close latch 1-17
 - key 8-9
 - feather 9-21, 9-25, 9-27, 9-31
 - key (pair) 6-9, 7-15, 7-17
 - key switch 6-9, 7-15, 7-17
 - key switch spacer 6-9, 7-15, 7-17
 - keyswitch nut 6-9, 7-15, 7-17
 - kick panel 1-45, 1-47
 - kit
 - auxiliary hydraulic 17-33
 - bolt 15-7
 - carburetor jet 10-7
 - clutch 15-7
 - connecting rod 8-21
 - cover plate, input 15-9
 - cover plate, output 15-7
 - drain plug 15-7
 - front skidplate hardware 1-7
 - front steel skidplate 1-7
 - gasket 9-57
 - H-clip spring 15-7
 - head restraint 1-41
 - hydraulic angle attachment 17-27
 - inner boot replacement 15-13
 - neutral switch repair 15-17
 - nozzle holder 9-45
 - outer boot replacement 15-13
 - piston rebuild 9-59
 - race output hub 15-7
 - rear axle gear repair 15-25
 - repair, minor 15-7
 - reverse gear repair 15-15
 - roll cage 15-7
 - roller 15-7
 - ROPS 1-35, 1-39
 - tailgate mounting 1-57
 - tube bumper 1-3
 - tune-up 8-3, 9-3
 - knob, forward/reverse 15-3
- L**
- latch 1-17
 - latch bracket 1-9, 1-11, 1-13
 - latch keeper 1-17
 - latch plate, tilt bed 1-49
 - latch, bed 1-57
 - latch, hood draw 1-9, 1-11, 1-13
 - latch, slam 1-59
 - latch, spring 1-59
 - latch, tilt bed 1-51, 1-53
 - lens, headlight 6-3, 7-3
 - lever
 - engine stop 9-43
 - fork 9-47
 - governor 9-43
 - governor control 8-11
 - lost motion 11-11
 - speed control 9-43
 - light
 - coolant temperature indicator 7-15, 7-17
 - oil 6-9, 7-15, 7-17
 - seat belt 7-17
 - turn signal 6-5, 7-5
 - light switch, high beam 7-15
 - limit switch 6-9, 7-15, 7-17, 15-3
 - link, drag 5-5
 - liquid gasket 18-5
 - low oil warning light 6-9, 7-15, 7-17
 - lubricant, dry moly 18-3
- M**
- manifold
 - exhaust 9-55
 - intake 9-53, 10-9
 - manifold gasket 10-9
 - manifold insulator 10-9
 - master cylinder 4-7
 - meter clip 6-9, 7-15, 7-17
 - meter, volt ohm 18-5
 - motor 17-29, 17-31
 - starter 9-49
 - moveable drive clutch 13-5, 14-5
 - mower attachment 17-13
 - muffler 12-3, 15-11
- N**
- nameplate decal 3-11, 3-13, 3-19, 3-21
 - needle, jet 10-7
 - nongrease/spacers locker 15-25
 - nozzle holder 9-45
 - nut, keyswitch 6-9, 7-15, 7-17
- O**
- oil cap 8-13
 - oil deflector 15-15
 - oil dipstick gauge 8-13
 - oil drain plug 8-13
 - oil filter 8-3, 8-13, 9-3, 9-15
 - oil filter adapter 8-15
 - oil filter bracket 8-15
 - oil filter guard 8-15
 - oil filter nipple 8-17
 - oil filter pick up 9-11
 - oil pan 9-11
 - oil pickup 8-13
 - oil pickup screen 8-13
 - oil pressure switch 8-9, 9-9
 - oil pump 8-13, 9-21
 - oil pump and rotor 8-13
 - oil pump drive gear 9-21
 - oil pump plate 8-13
 - oil pump rotor 8-13
 - oil pump shaft 8-13
 - oil pump spring 8-13
 - oil pump spur gear 8-13
 - oil seal 9-15, 9-23, 15-9
 - oil seal, crank 8-17
 - oil seal, governor 8-17
 - oil slinger 9-27
 - oil valve seal 8-17
 - oil warning light, low 6-9, 7-15, 7-17
 - operator handbook 17-3
 - O-ring 8-13, 8-15, 9-9, 9-11, 9-13, 9-15, 9-17, 9-27, 9-35, 9-43, 9-57, 10-7, 15-9
 - overflow pipe 9-45
- P**
- pad
 - brake rear 4-3, 4-17
 - pallet fork 17-5
 - pan
 - center 1-31, 1-33, 17-21
 - oil 9-11
 - seat 1-31, 1-33
 - panel
 - center cowl 1-9, 1-11, 1-13
 - control 8-11
 - driver-side 1-45, 1-47
 - driver-side cowl 1-9, 1-11, 1-13
 - front 1-57, 1-59
 - front kick 1-45, 1-47
 - left 1-59
 - passenger-side 1-45, 1-47
 - passenger-side cowl 1-9, 1-11, 1-13
 - right 1-59
 - side 1-45, 1-47, 1-57
 - park brake cable 4-15
 - park brake pedal 4-11
 - p-clamp (fuel filter) 4-5, 9-5, 9-7, 10-5, 11-5
 - pedal, accelerator 10-13, 11-11
 - pedal, brake 4-9, 4-11

INDEX

- pedal, park brake 4-15
 - pickup, oil 8-13
 - pin
 - bow tie locking 1-9, 1-11, 1-13, 4-15
 - pin, clevis 4-7, 4-15
 - pin, dowel 15-7
 - pin, piston 9-27, 9-59
 - pinion 15-25
 - pinion, steering 5-5
 - pipe
 - breather 9-53
 - coolant 16-7, 16-13
 - exhaust 12-3, 12-7
 - injection 9-45
 - intake adapter 10-9
 - overflow 9-45
 - water return 9-17, 16-9
 - pipe band 16-9, 16-13
 - pipe clamp 9-45
 - piston 8-21, 9-27, 9-59
 - piston pin 9-27, 9-59
 - piston ring 9-27, 9-59
 - piston ring set 0.50 8-21
 - plate
 - armature 15-7
 - back 1-51, 1-53, 1-55
 - camshaft 8-19
 - closeout 1-45, 1-47
 - electrical 6-11, 7-19
 - engine block 9-9
 - engine mounting 9-5, 9-7
 - fan housing 8-7
 - foot well 1-25
 - fuel/oil 11-5
 - governor 8-11
 - hinge 1-27, 1-29, 1-31, 1-33
 - latch 1-49
 - oil pump 8-13
 - shroud 9-29
 - skid 1-5, 1-7
 - speed 9-43
 - speed control 9-43
 - tailgate latch wear 1-57
 - thrust 15-7
 - pliers
 - internal retaining ring 18-5
 - retaining ring 18-5
 - plug 15-15, 17-29, 17-31
 - drain 9-11
 - engine block 9-9, 9-13, 9-15, 15-23
 - expansion 9-9
 - gearcase 15-15, 15-23
 - glow 9-45
 - hole 6-9, 7-15, 7-17
 - oil drain 8-13
 - oil fill 15-7
 - oil filler 9-17
 - spark 8-3, 8-9
 - tube 1-3
 - power unit, hydraulic 17-31, 17-33
 - prop rod 1-49
 - prop shaft 15-21
 - prop, hood 1-9, 1-11, 1-13
 - protector spray, battery terminal 18-3
 - puller
 - bearing 18-3
 - clutch 18-3
 - seal 18-5
 - special use tool 18-5
 - pulley
 - fan drive 9-37, 9-39
 - water pump 9-37, 9-39
 - pullrod, compression spring 10-13, 11-11
 - pump
 - fuel 10-5, 11-5, 11-7
 - fuel injection 9-41
 - oil 9-21
 - water 16-11
 - push broom 17-11
 - push rod 8-19, 9-25
 - push rod tappet 8-19
- ## R
- rack guide pressure spring 5-5
 - rack, steering 5-5
 - radiator 16-3
 - radiator cap 16-3
 - radiator pipe assembly 16-7
 - rear differential 15-25
 - receiver, rear 5-13
 - receptacle, accessory 6-9, 7-15, 7-17
 - reed valve assembly 8-17
 - regulator, voltage 8-9
 - relay 6-11, 7-19, 17-21
 - relay connector 6-11, 7-19
 - remover, bearing and oil seal 18-3
 - restraint, head 1-41
 - retainer
 - spring (driven clutch) 13-7, 14-7
 - valve spring 8-19, 9-51
 - retaining ring pliers 18-5
 - retractor, seat belt 1-37
 - reverse buzzer 6-9, 7-15, 7-17, 15-3
 - ring
 - C-type stop 5-5
 - piston 9-27, 9-59
 - retaining, ext 5-7, 15-11
 - snap 5-5
 - ring gear 9-29, 15-7, 15-25
 - rivet, blind push 1-15
 - Rivet, Removable 1-31, 1-33, 17-21
 - rocker arm 8-19, 9-51
- rocker arm guide 8-19
 - rocker arm stud 8-19
 - rocker cover 8-17
 - rocker cover gasket 8-17
 - rocker switch 1-55, 6-9, 7-15, 17-21
 - rocker switch (lights) 6-9, 7-15, 7-17
 - rod
 - connecting 9-27
 - crank crank rod 9-27
 - equalizer 4-15
 - prop 1-49
 - push 8-19, 9-25
 - roller weight 13-5, 14-5
 - roller, torque 13-5, 14-5
 - ROPS front base weldment 1-35, 1-39
 - ROPS kit 1-35, 1-39
 - ROPS seat support 1-35, 1-39
 - ROPS support tube 1-35, 1-39
 - ROPS top 1-35, 1-39
 - ROPS warning decal 3-3, 3-7, 3-15, 3-23
 - ROPS weldment 1-39
 - ROPS, 4 Pass 1-39
 - ROPS, Rear Handle 1-41
 - rotor, brake 4-3, 4-17, 15-11, 15-23
 - rotor, oil pump 8-13
 - rubber bumper 1-59
- ## S
- safety first card 18-5
 - screen, oil pickup 8-13
 - seal
 - carburetor 10-7
 - dual lip 15-15, 15-19, 15-25
 - heat 9-45
 - oil 9-15, 9-23, 15-9
 - oil valve 8-17
 - steering pinion dust 5-5
 - triple lip 15-15
 - valve stem 9-51, 9-57
 - seal puller 18-5
 - seat
 - bucket 1-31, 1-33
 - valve 9-15
 - seat back cap, bench 1-29
 - seat back, bench 1-27, 1-29
 - seat belt light 7-17
 - seat belt retractor 1-37
 - seat bottom, bench 1-27, 1-29
 - seat holder base 1-31, 1-33
 - seat, bucket 1-31
 - seatbelt buckle 1-37, 1-43
 - seatbelt light harness 7-13
 - sending unit, fuel gauge 10-3, 11-3
 - sensor, coolant lamp 16-9
 - shaft
 - carburetor 10-7

INDEX

- CVT adapter 9-5, 9-7
 - drive 15-21
 - fork lever 9-47
 - governor 8-11
 - governor lever 9-43
 - half 15-11
 - idle gear 9-25
 - input 15-17
 - intermediate 15-17
 - oil pump 8-13
 - output 15-15
 - pinion 15-9
 - prop 15-21
 - rock arm 9-51
 - shift 15-19
 - sheave, drive clutch base 13-7, 14-7
 - sheave, driven clutch 13-7, 14-7
 - shield, breather 9-17
 - shield, exhaust 12-3, 12-7
 - shim 13-5, 14-5, 15-25
 - shim, armature plate 15-7
 - shim, injection pump 9-41
 - shim, latch plate 1-49
 - shock absorber 5-9, 5-11
 - shock absorber, coil over 5-9, 5-11
 - shoe, skid 17-9
 - shroud
 - steering column 5-3
 - shroud, engine 8-7
 - shroud, fan 16-3
 - side panel 1-45, 1-47
 - side panel weldment 1-57
 - side stringer 1-19
 - signal bulb 6-5, 7-5
 - skid plate 1-5, 1-7
 - skid shoe 17-9
 - skidplate hardware kit 1-7
 - skidplate kit 1-7
 - slam latch 1-59
 - sleeve
 - crankshaft 9-27
 - governor 9-31
 - link 5-11
 - lower arm 5-7
 - upper suspension 5-7
 - slide adjuster 5-7, 15-11
 - slinger, oil 9-27
 - snap ring 5-5
 - snow blade 17-9
 - snow blade weldment 17-9
 - solenoid, carburetor 10-7
 - solenoid, stop 9-35
 - spacer 1-7
 - engine 9-5, 9-7
 - key switch 6-9, 7-15, 7-17
 - spacer block, differential 15-11
 - spanner wrench 18-5
 - spark plug 8-3, 8-9
 - speed plate 9-43
 - spider 13-5, 14-5
 - splash guard 1-15
 - spray, battery terminal protector 18-3
 - spring 8-13, 8-19
 - brake caliper return 4-17
 - brake return 4-13, 4-15
 - carburetor 10-7
 - choke spring 10-15
 - compression 13-5, 13-7, 14-5, 14-7
 - detent bullet 15-17
 - exhaust 12-3
 - extension 1-51, 1-53
 - governor 8-11, 9-47
 - governor idle 10-15
 - governor return 8-11
 - idle apparatus 9-33
 - latch tilt 1-57
 - pedal 10-13, 11-11
 - pedal stop 10-13, 11-11
 - rack guide pressure 5-5
 - return 9-43
 - rocker arm 9-51
 - start 9-13, 9-47
 - torsion 10-13
 - valve 8-19, 9-15, 9-51
 - spring latch 1-59
 - sprocket 15-15
 - start spring 9-47
 - starter motor 9-49
 - starter motor, engine 8-9
 - stay
 - alternator assembly 9-37
 - cylinder head 9-13
 - spring 9-15
 - stop solenoid 9-35
 - steel bushing 1-51, 1-53
 - steering
 - upper A-arm 5-7
 - steering column 5-3
 - steering column cover 5-3
 - steering column shroud 5-3
 - steering gear housing 5-5
 - steering pinion dust seal 5-5
 - steering rack 5-5
 - steering wheel 5-3
 - steering wheel puller tool 18-5
 - stem, valve 2-3
 - stop solenoid stay 9-35
 - stopper, camshaft 9-25
 - stopper, fuel camshaft 9-31
 - strap, fuel tank 10-5, 11-5, 11-7
 - stringer, side 1-19, 1-21
 - strip, FNR brush 1-15
 - stud 9-5, 9-7, 9-41, 9-55, 16-13
 - idle adjustment 9-33
 - self-clinching 1-57, 1-59
 - stud, ball 15-3
 - support yoke (steering) 5-5
 - support, structural 1-15
 - sway bar 5-11
 - swingarm 5-13
 - switch 17-29, 17-31
 - high beam 7-15
 - indicator (transmission) 15-17
 - key 6-9, 7-15, 7-17
 - light rocker 6-9, 7-15, 7-17
 - limit 6-9, 7-15, 7-17, 15-3
 - oil pressure 8-9, 9-9
 - rocker 1-55, 6-9, 7-15
 - three-position 7-15
 - switch, rocker 17-21
- ## T
- tachometer 18-5
 - tachometer probe, diesel 18-5
 - tailgate 1-57, 1-59
 - tailgate angle 1-57, 1-59
 - tailgate latch wear plate 1-57
 - tailgate mounting kit 1-57
 - tank, fuel 10-3, 11-3
 - tank, fuel (diesel) 11-3
 - tank, fuel (gasoline) 10-3
 - tape, double-sided 1-27
 - tape, grip, accelerator pad 10-13, 11-11
 - tape, vinyl foam 1-51, 1-53, 16-3
 - tappet 9-25
 - tappet, push rod 8-19
 - tee, coolant fill 16-3
 - temperature indicator light, coolant 7-15, 7-17
 - tester, continuity 18-3
 - tether 1-59
 - thermometer, battery 18-3
 - thermostat 16-9
 - thread-forming grease fitting 5-13
 - throttle shaft, carburetor 10-7
 - throttle valve 10-7
 - thrust button 15-7
 - thrust plate 15-7
 - tie rod end 5-5
 - tie wrap 1-55, 4-5, 4-13, 4-15, 5-5, 17-21
 - tilt bed 1-51, 1-53
 - tilt bed frame 1-51, 1-53
 - tilt latch hand grip 1-51, 1-53, 1-57
 - tire
 - all-terrain 2-3
 - mud 2-3
 - tire assembly, black 2-3
 - tool
 - brake cable release 18-3

INDEX

camber adjustment 18-3
drive clutch fixed sheave 18-3
drive clutch service 18-3
drive clutch spider removal 18-3
driven clutch spring compression base 18-3
driven clutch spring compression collar 18-3
driven clutch spring compression nut 18-3
puller, special use 18-5
steering wheel puller 18-5
torque converter 13-7, 14-7
torque roller 13-5, 14-5
track, prop rod 1-49
transaxle housing 15-25
transmission cable 15-5
transmission cable bracket 9-5, 9-7, 15-5
transmission chain 15-15
transmission fork 15-15
transmission, for Kubota & Kawasaki engines 15-15
tube
axle 15-25
breather 9-17
carburetor air vent 10-5, 11-5, 11-7
crankcase vent 10-9
fuel pickup 11-3
hydraulic 17-23
ROPS support 1-35, 1-39
tube bumper kit 1-3
Tuflok 1-31, 1-33, 17-21
tune-up kit 8-3, 9-3
turn signal indicator 7-15
turn signal light 6-5, 7-5

U

upright 5-7, 15-11
upright, front differential 15-11
urethane bushing 1-51, 1-53

V

valve 10-11, 11-9, 17-29, 17-31
breather 9-17
carburetor 10-7
exhaust 8-19, 9-51
float 10-7
fuel pickup tube 10-3
intake 8-19, 9-51
seat 9-15
throttle 10-7
valve assembly, reed 8-17
valve spring 8-19
valve spring compressor 18-5
valve spring retainer 8-19
valve stem 2-3
V-belt 9-37, 9-39

vent barb 10-5, 11-5, 11-7
vent, housing, upper 15-25
vent, transmission 15-15
volt ohm meter 18-5
voltage regulator 8-9

W

warning light, low oil 6-9, 7-15, 7-17
water flange 16-9
water pump 16-11
wedge, bearing puller 18-3
weight clutch 13-5, 14-5
weldment
accelerator pedal 10-13
accelerator pedal bracket 10-13
actuator bracket 1-55
brake pedal 4-9
coolant pipe 16-7
Forward/Reverse shifter 15-3
Forward/Reverse shifter bracket 15-3
front dash 1-15
lever, lost motion 11-11
receiver 5-13
ROPS base front 1-35, 1-39
seat support ROPS 1-35, 1-39
tilt bed frame 1-51, 1-53
wheel
steel 2-3
steering 5-3
wire assembly 6-13, 7-21, 8-15, 10-3, 11-3
wire harness 1-55, 6-3, 6-5, 6-7, 7-3, 7-5, 7-7, 7-9, 8-9
wire harness - Kawasaki FH680 6-7
wire harness, control panel 7-11
wire harness, headlight 7-7
wire harness, hydraulic power unit 7-11
wrap, tie 1-55, 4-5, 4-13, 4-15, 5-5, 17-21
wrench, spanner 18-5

Y

yoke, gear 18-3
yoke, support (steering) 5-5

NOTES

NOTES



Club Car, Inc.
P.O. Box 204658
Augusta, GA 30917-4658
USA

Web www.clubcar.com
Phone 1.706.863.3000
1.800.ClubCar
Int'l +1 706.863.3000
Fax 1.706.863.5808