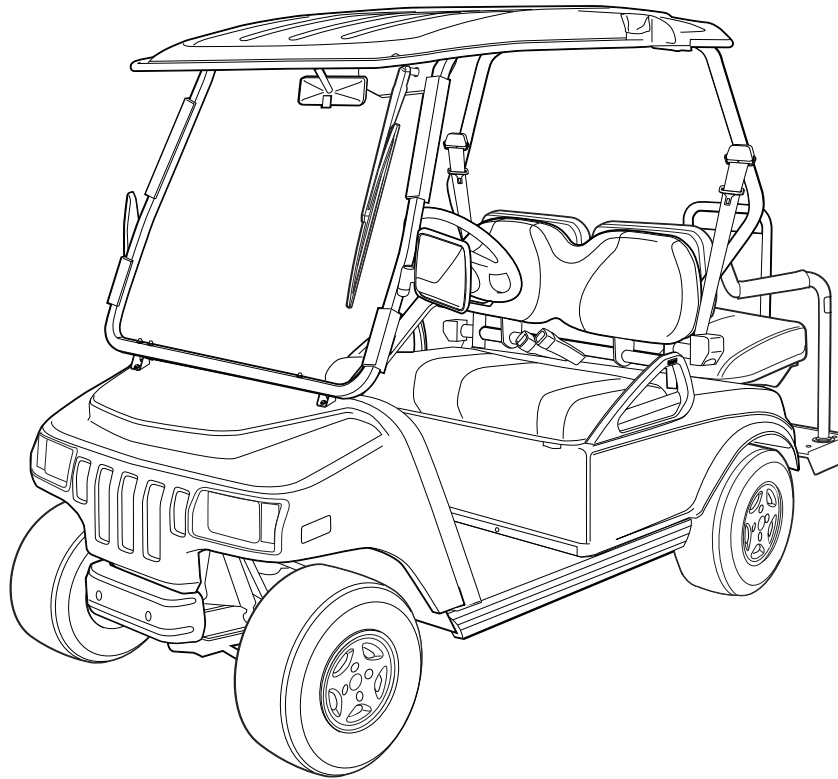




**2010-2011 Villager 2 + 2
LSV
Illustrated Parts List**



Zero Emission, Electric Low Speed Vehicle

Manual Number 103700523
Edition Code 0610D0112C

USING THE ILLUSTRATED PARTS LIST

⚠ WARNING

- **This manual is to be used only for identification and ordering of service parts. Be sure to read and use the maintenance and service manual before attempting any vehicle repairs.**

This manual covers all Villager LSV Homologated vehicles built during the 2011 model year.

The manual is divided into sections. Note that there are two or three flags on the outside edge of each page. The first flag contains the section number of which that page is a part. The other flag (or flags) contains the letter G or E, signifying that the page pertains to the electric or gasoline vehicles only.

Use the Table of Contents to find the sections and pages that contain the parts and assemblies you seek. The Table of Contents lists section numbers, and under them, the individual page titles and numbers to be found in that section. The index can be used to find specific parts and assemblies. The index is divided into numerical and alphabetical listings with the page numbers in italic text.

There is a two-page spread for each individual page title in the Table of Contents. On the left-hand page is an illustration showing the parts in their relative positions; the parts are each tagged with an item number in a balloon. The right-hand page is the parts list page, and gives the page title at the top, then the item numbers (corresponding to the numbers on the illustration), part descriptions, and quantity of parts used.

Note that a part description may be indented. This indention corresponds to a parts assembly level indicated by the numbers 1, 2, 3, and 4 at the top left corner of the parts description area of the parts list page. A part that is indented to *level 2* is a component of the *level 1* part (assembly) that it is listed under. A *level 3* part is a component of the *level 2* part that it is listed under, and a *level 4* part is a component of the *level 3* part preceding it. In each case, the part quantity given for a level 2, 3, or 4 part is the *quantity used per next higher level assembly of which it is a component*. A part that is not indented is a *level 1* part. This means that the quantity given is the quantity used per the portion of the vehicle illustrated on that particular spread.

HOW TO ORDER PARTS

Replacement parts and accessories can be obtained from our network of authorized dealers and distributors. You can obtain the name and phone number of your closest authorized Club Car dealer or distributor by visiting our web site at www.clubcar.com and clicking on the "Distributor Search" link or by calling our toll-free Service Parts and Technical Assistance hotline at (800) 872-2246 or (706) 863-3000, extension 3887.



P. O. Box 204658
Augusta, Georgia 30917-4658 USA
Telephone 706-863-3000
Service Parts Fax 706-855-7413
www.clubcar.com

NOTE: *This illustrated parts list represents the most current information at the time of publication. Club Car, LLC. is continually working to further improve its vehicles and other products. These improvements may affect the parts used to service the vehicle. Any modification and/or significant change in specifications will be forwarded to all Club Car and Carryall distributors/dealers and will, when applicable, appear in future editions of this illustrated parts list.*

Club Car, LLC. reserves the right to change specifications and designs at any time without notice and without the obligation of making changes to units previously sold.

Copyright © 2011 Club Car, LLC.
Club Car and *ArmorFlex*
are registered trademarks of Club Car, LLC.
This manual effective April 27, 2011.

2010-2011 Villager 2 + 2 LSV Illustrated Parts List

CONTENTS

SECTION 1 – BODY AND TRIM

Beverage Holder	1-3
Front Body and Trim	1-5
Rear Body and Fenders	1-7
Mirrors	1-9
Dash Canopy Brace and Cowl Trim	1-11
Rear Footrest and Handrails	1-13
Windshield	1-15
Windshield Wiper	1-17
TOPS – Villager 2 + 2	1-19
Canopy	1-21
Front Seat Bottom and Armrests	1-23
Rear-Facing Seat Bottom	1-25
Seat Backs	1-27
Seat Belts	1-29

SECTION 2 – WHEELS AND TIRES

Wheels and Tires	2-3
------------------------	-----

SECTION 3 – DECALS

Safety Decals	3-3
Safety Decals – Continued	3-5
Logo Decals	3-7

SECTION 4 – BRAKES, PEDAL, AND CABLES

Rear Brake Assembly, Manually-Adjusted – Vehicles with 4-Wheel Brakes	4-3
Front Brake Assembly – Vehicles with Four-Wheel Brakes	4-5
Accelerator Pedal Assembly – Electric Vehicles with MCOR	4-7
Pedal	4-9
Brake Cables and Equalizer	4-11

SECTION 5 – STEERING, FRONT AND REAR SUSPENSION

Steering Column	5-3
Steering Gear Assembly	5-5
Rear Suspension Components	5-7
Front Suspension, Lower	5-9
Front Suspension, Upper	5-11
Front Spindles and Hubs	5-13

CONTENTS

Steering Wheel	5-15
----------------------	------

SECTION 6 – ELECTRICAL SYSTEM

Speedometer	6-3
Instrument Panel Components	6-5
Electical System	6-7
Wiring	6-11
Lights Wiring	6-15
Headlights	6-17
Lighting	6-19
DC Converter	6-21
Electical Components	6-23
Batteries, Electric Vehicle	6-25

SECTION 7 – ELECTRIC MOTOR

Electric Motor (Model EJ9-4002)	7-3
---------------------------------------	-----

SECTION 8 – TRANSAXLE

Transaxle	8-3
-----------------	-----

SECTION 9 – BATTERY CHARGER

Onboard PowerDrive Battery Charger (Model 17935), Domestic	9-3
Onboard Battery Charger and Reel Mounting	9-5

SECTION 10 – MAINTENANCE AND SERVICE TOOLS

Maintenance and Service Tools	10-3
Maintenance and Service Tools, Continued	10-5
Maintenance and Service Tools, Continued	10-7
Maintenance and Service Tools, Continued	10-9
Maintenance and Service Tools, Continued	10-11

SECTION i – INDEX

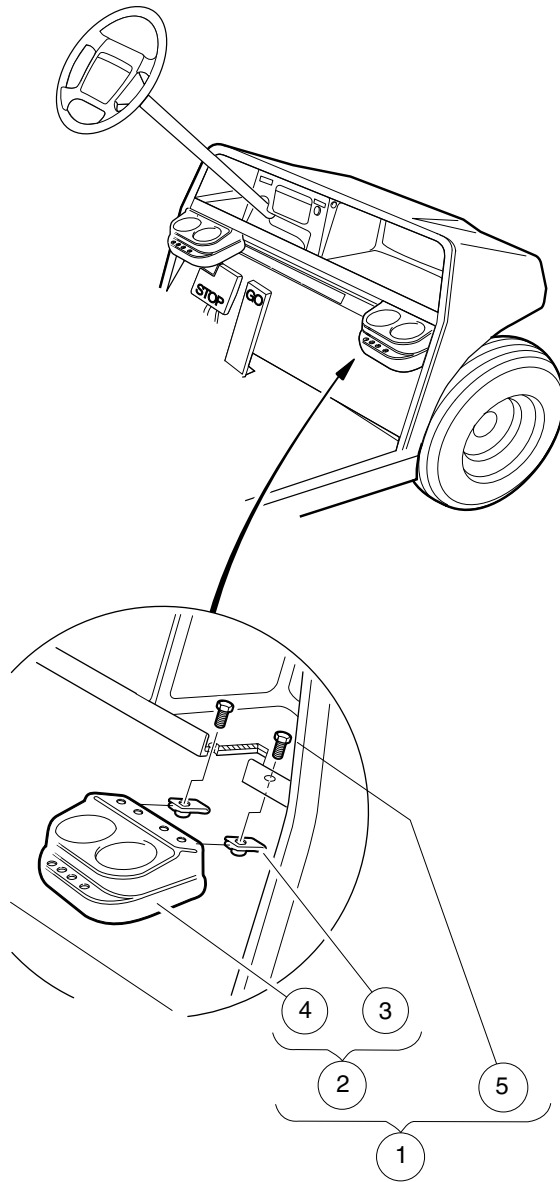
BODY AND TRIM

1

E

1

E



000253-002

BEVERAGE HOLDER

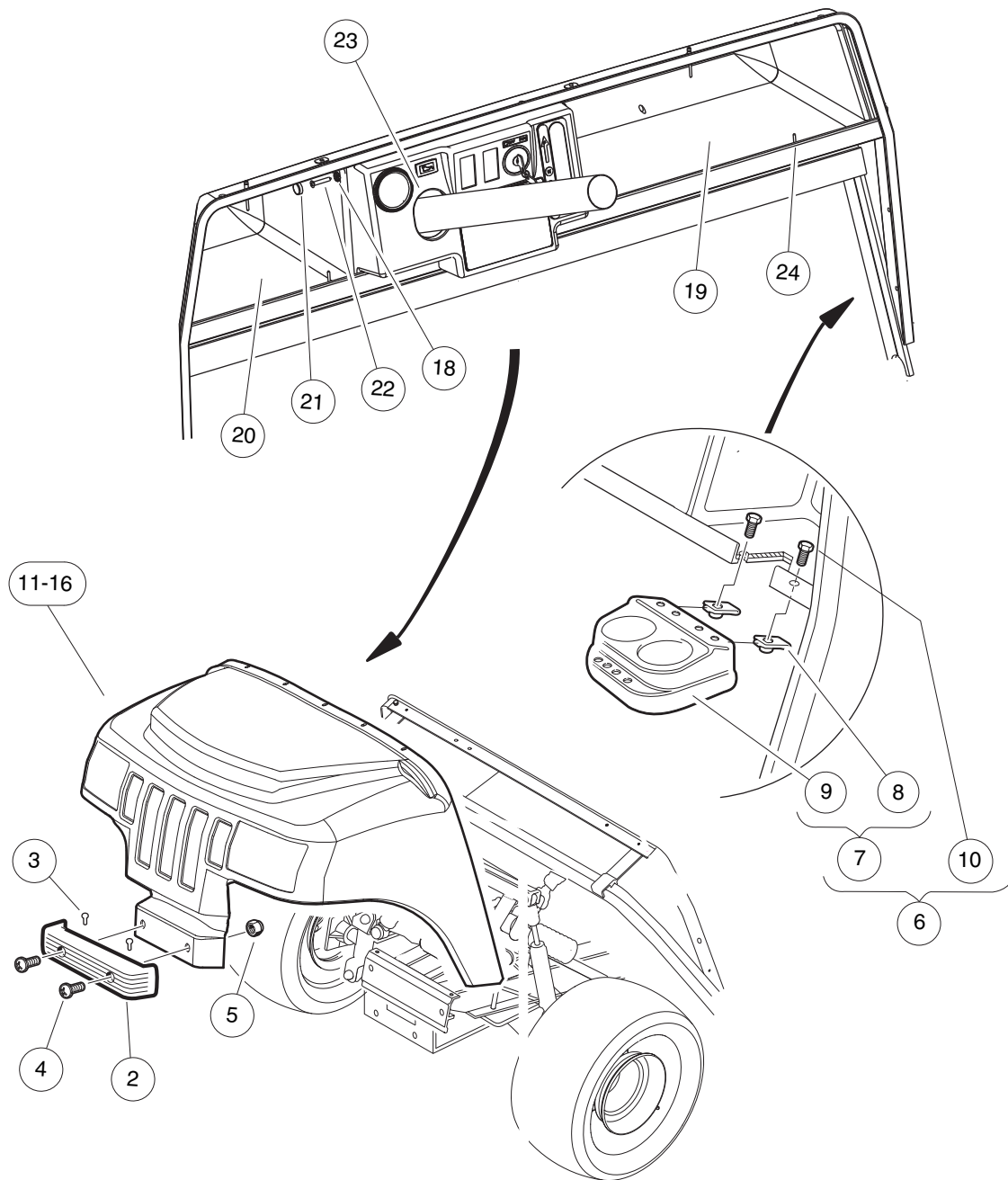
ITEM	PART NO.	DESCRIPTION	QTY
		1 2 3 4	
1	101708301	Drink Holder Kit (includes items 2 through 5)	2
2	1016811	Holder, Dual Cup (includes items 3 and 4)	1
3	1016952	U-Nut, 1/4-20	2
4	N/A	Cup Holder, Dual	1
5	7847	Screw, 1/4-20 X 0.75 Hex-Head Cap	2

1

E

1

E



000920-002

FRONT BODY AND TRIM

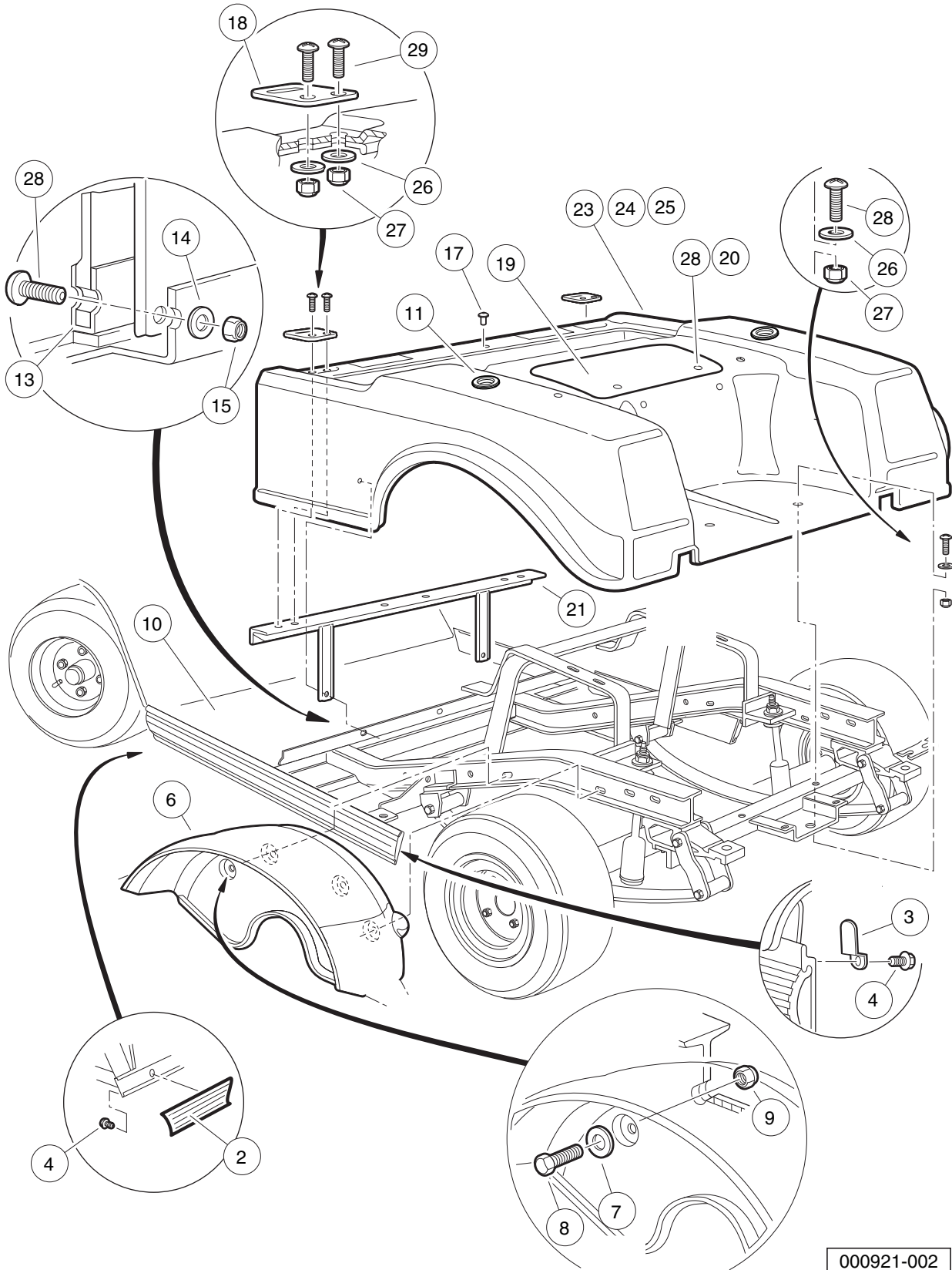
ITEM	PART NO.	DESCRIPTION	QTY
		1 2 3 4	
1	1017080	Kit, Front Bumper (includes items 2 through 5)	1
2	1016868	Front Bumper	1
3	1016967	Blind Rivet, Push Type	2
4	7251	Screw, 5/16-18 x 1.0 Truss-Head	2
5	7473	Locknut, 5/16-18 Nylon Insert	2
6	N/A	Instl, Dash, Ele, Vill 2+2 Lsv (includes items 7 through 14)	1
7	1011382	Washer, #10 Pan-Head Screw	2
8	1013343	Dash Component, Passenger-Side, Black	1
9	1013344	Dash Component, Driver-Side	1
10	1013494	Cover, Screw Head	2
11	1015528	Screw, #10 x 1-1/4 Phillips Head	2
12	102278001	Boot, Steering Column Round	1
13	7973	Rivet, 3/16 X .400 Blind	5
14	8639	Tie Wrap, 11" Nylon	1
15	N/A	Instl, Cowl Cover (includes items 16 and 17)	1
16	103405401	Cowl Cover, Driver, Short	1
17	103405402	Cowl Cover, Pass, Short	1
18	103746801	Cowl	1
19	103746802	Cowl, White, Vill Lsv	1
20	103746806	Cowl, Red, Vill Lsv	1
21	103746809	Cowl, Dk Green, Vill Lsv	1
22	103746810	Cowl, Black, Vill Lsv	1
23	103746811	Cowl, Cl Blue, Vill Lsv	1

1

E

1

E



000921-002

REAR BODY AND FENDERS

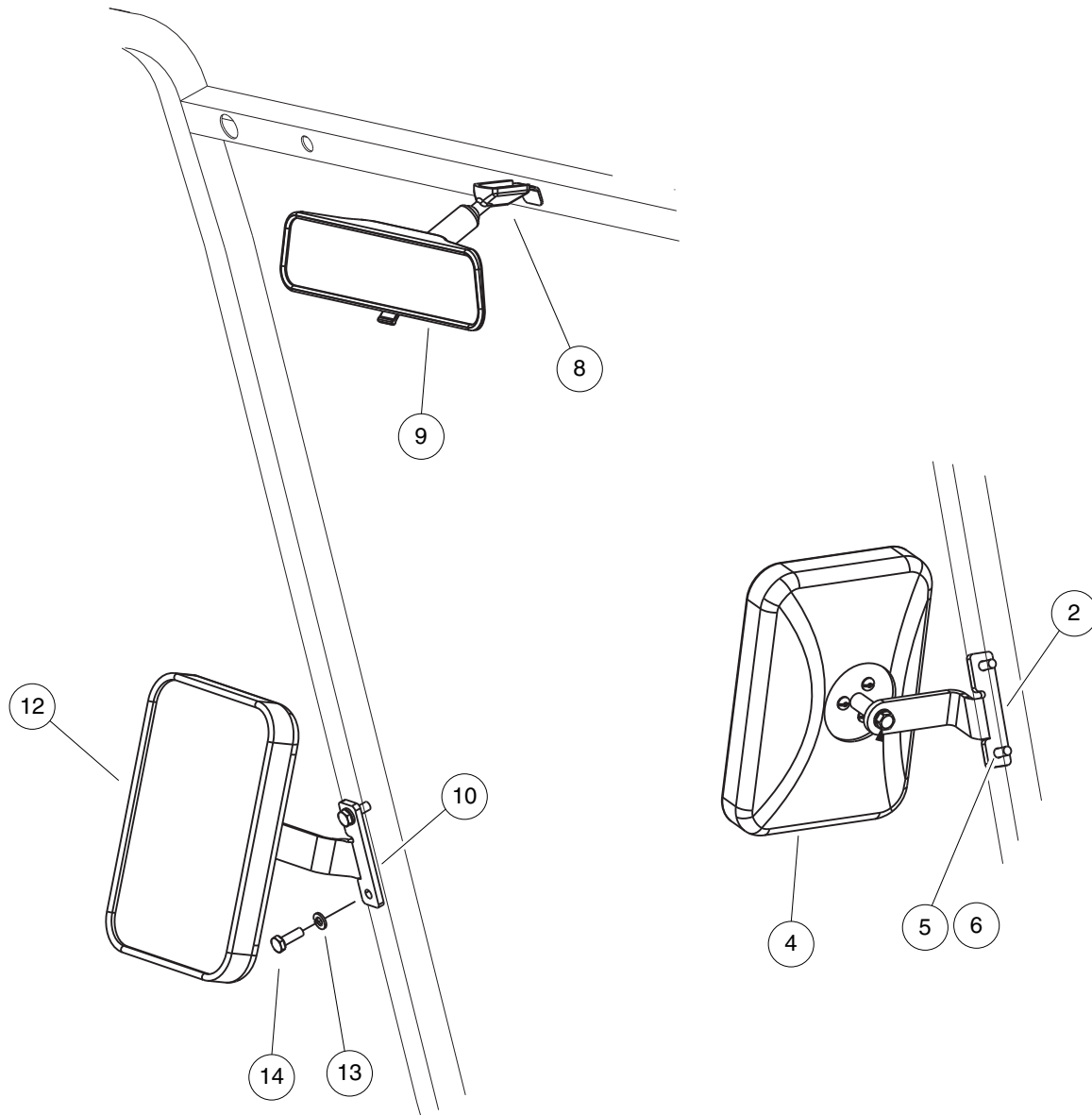
ITEM	PART NO.	DESCRIPTION	QTY
		1 2 3 4	
1	N/A	Instl, Side Trim - Std (includes items 2 through 4)	1
2	1013983	Bumper, Side Trim	2
3	1017748	Body Keeper Clip	2
4	102310701	Screw, #8-18 x 0.375, Hex-Head Washer	8
5	N/A	Inner Fender Instl Gas (includes items 6 through 9)	1
6	1017936	Fender, Inner	2
7	332	Washer, 1/4 Type A Narrow Flat	4
8	7847	Screw, 1/4-20 X 0.75 Hex-Head Cap	4
9	8233	Locknut, 1/4-20 Nylon Insert	4
10	N/A	Floormat Installation	1
11	102323001	Grommets, Rear Body	2
12	N/A	Instl, Body, 2+2 Lsv, Beige (includes items 13 through 16)	1
13	1010993	Body Kick Plate	1
14	1014306	Washer, 1/4" Type B Flat	2
15	1016952	U-Nut, 1/4-20	2
16	N/A	Asm, Rear Body Beige 2+2 Lsv (includes items 17 through 29)	1
17	1010434	Barrel - Plastic	1
18	1012412	Body, Hinge Plate	2
19	1013032	Molded Access Door Black	1
20	1015525	Nut, 1/4-20 Blind	2
21	1017141	Body Support Weldment	1
22	102221201	Wear Pad	2
23	103737801	Body, Rear, Beige, 2+2 Lsv	1
24	103737802	Body, Rear, White, 2+2 Lsv	1
25	103737810	Body, Rear, Black, 2+2 Lsv	1
26	332	Washer, 1/4 Type A Narrow Flat	4
27	8233	Locknut, 1/4-20 Nylon Insert	4
28	8248	Screw, 1/4-20 X 0.75 Truss-Head Machine	2
29	8251	Screw, 1/4-20 X 1.0 Truss-Head Machine	4

1

E

1

E



000957-001

MIRRORS

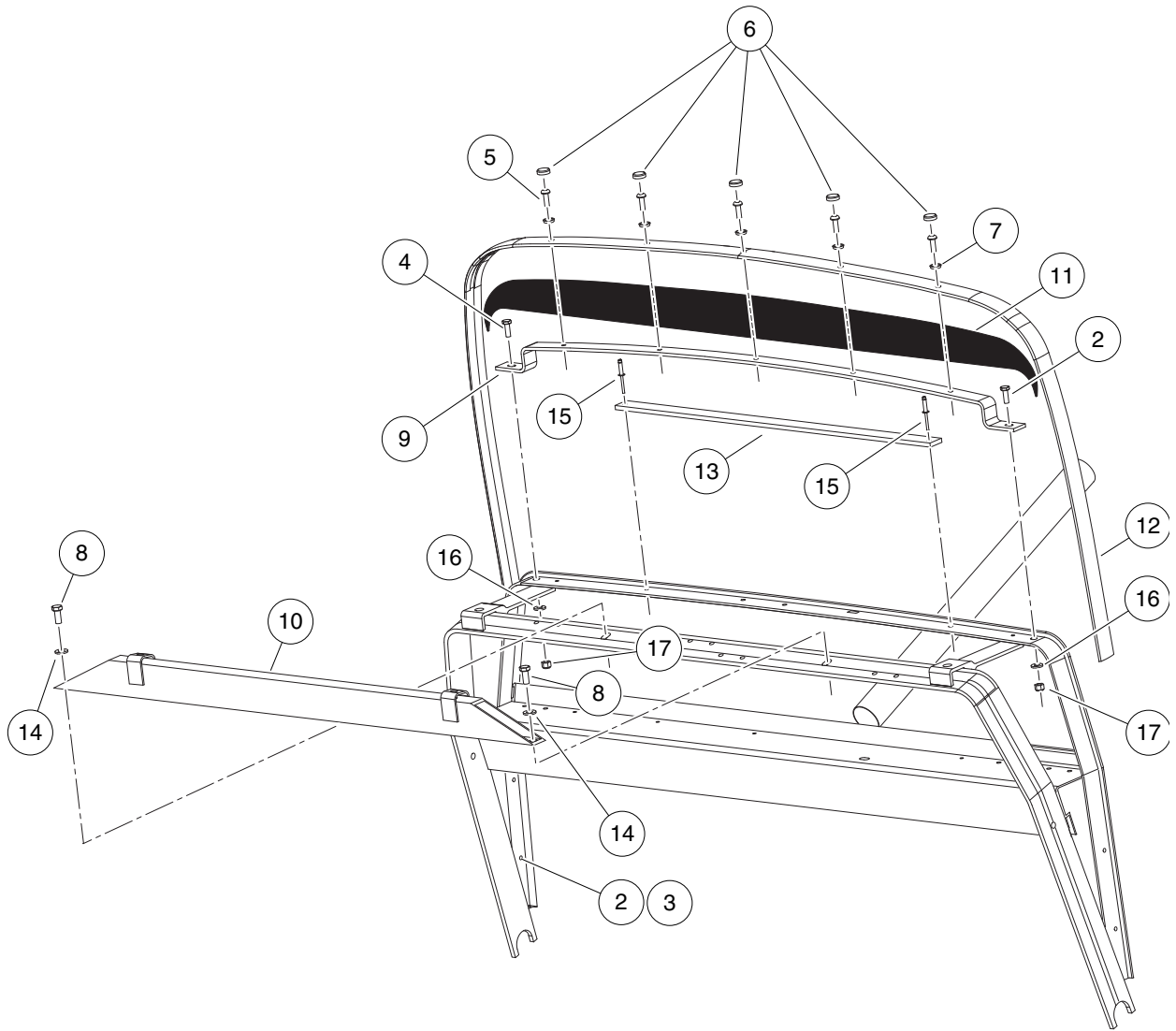
ITEM	PART NO.	DESCRIPTION	QTY
		1 2 3 4	
1	103761101	Kit, Mirror, Pass Side (includes items 2 through 6)	1
2	103761001	Bracket, Mirror, Side, Pass	1
3	103761301	Instr, Kit, Mirror, Pass Side	1
4	103761701	Mirror, Side Commom, Ds Lsv	1
5	451	Lockwasher, 1/4 Split	2
6	7847	Screw, 1/4-20 X 0.75 Hex-Head Cap	2
7	103761201	Kit, Mirror, Drv Side & Int (includes items 8 through 14)	1
8	102060201	1/4 - 20 Threaded Insert	1
9	102318301	Mirror, Interior, Rear View	1
10	103760901	Bracket, Mirror, Side, Driver	1
11	103761401	Instr, Kit, Mir, Drvr Sd & Int	1
12	103761701	Mirror, Side Commom, Ds Lsv	1
13	451	Lockwasher, 1/4 Split	2
14	7847	Screw, 1/4-20 X 0.75 Hex-Head Cap	2

1

E

1

E



000823-002

DASH CANOPY BRACE AND COWL TRIM

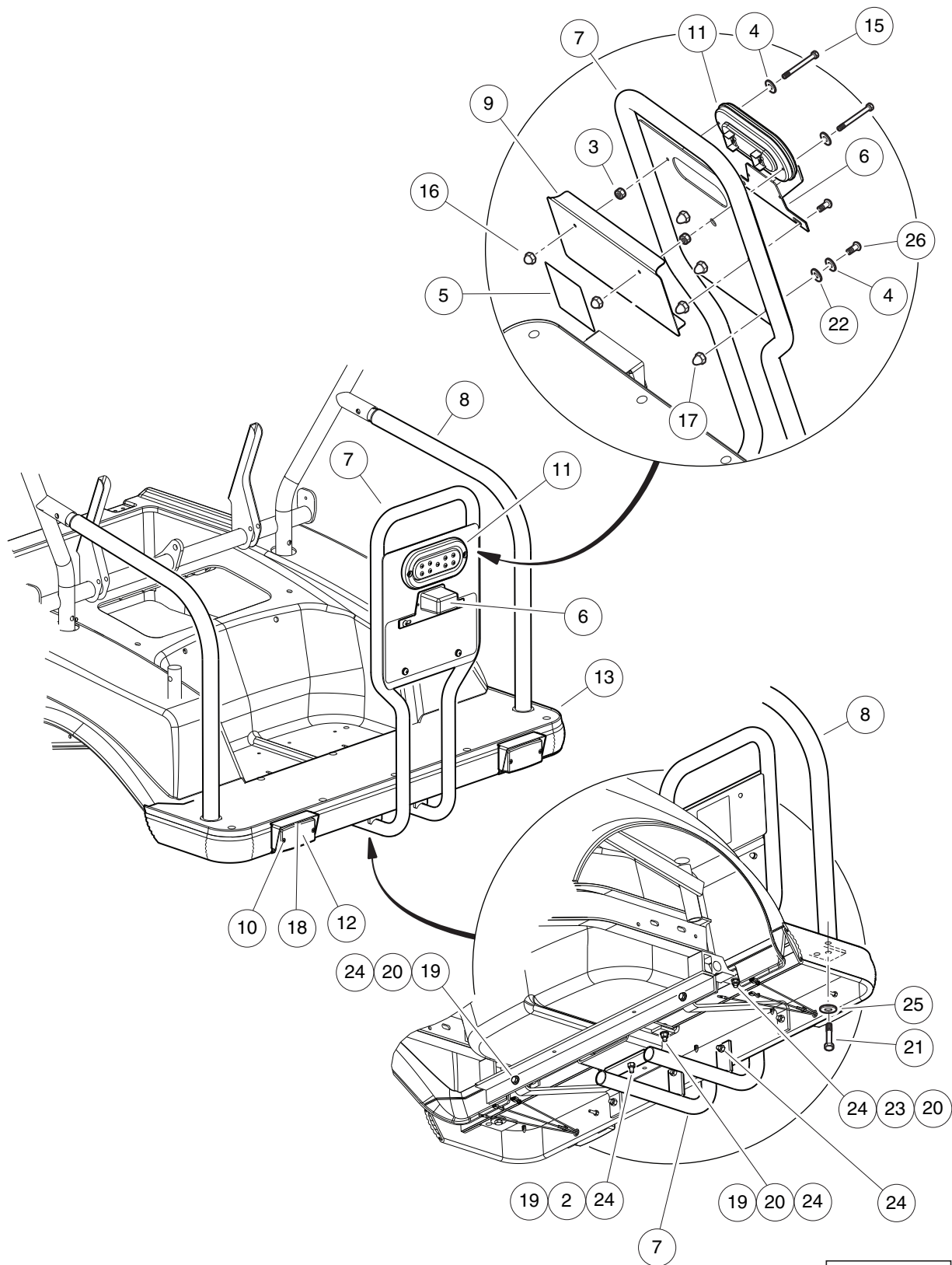
ITEM	PART NO.	DESCRIPTION	QTY
		1 2 3 4	
1	N/A	Instl, Closeout, Dash (includes items 2 through 17)	1
2	1011017	Screw, #8-32 X 0.375	4
3	1011659	#8-32 Unc-2b Slub Base Teenut	4
4	101954301	Screw, 1/4-20 X 0.75 Hex-Head Cap	2
5	102025801	Screw, 1/4-20 X .75 Torx Pn Hd	5
6	102045001	Cap, 1/4" Plastic Screw Head	5
7	102048401	Washer, 1/4 Id Scalloped Plast	5
8	102242101	Screw, 5/16-18 X 3/4 Hex-Head with Patch	2
9	102778601	Support, Upper Cowl	1
10	103313301	Asm, Brace, Canopy, Tube, Xrt	1
11	103364101	Panel, Closeout, Dash	1
12	103364201	Strip, Trim, Dash, Black	1
13	103395101	Plate, Retention, Closeout	1
14	1241	Washer, 5/16 Type A Flat	2
15	1606	Rivet, 3/16 X .500 Alum Pop	2
16	332	Washer, 1/4 Type A Narrow Flat	2
17	8233	Locknut, 1/4-20 Nylon Insert	2

1

E

1

E



000924-001

REAR FOOTREST AND HANDRAILS

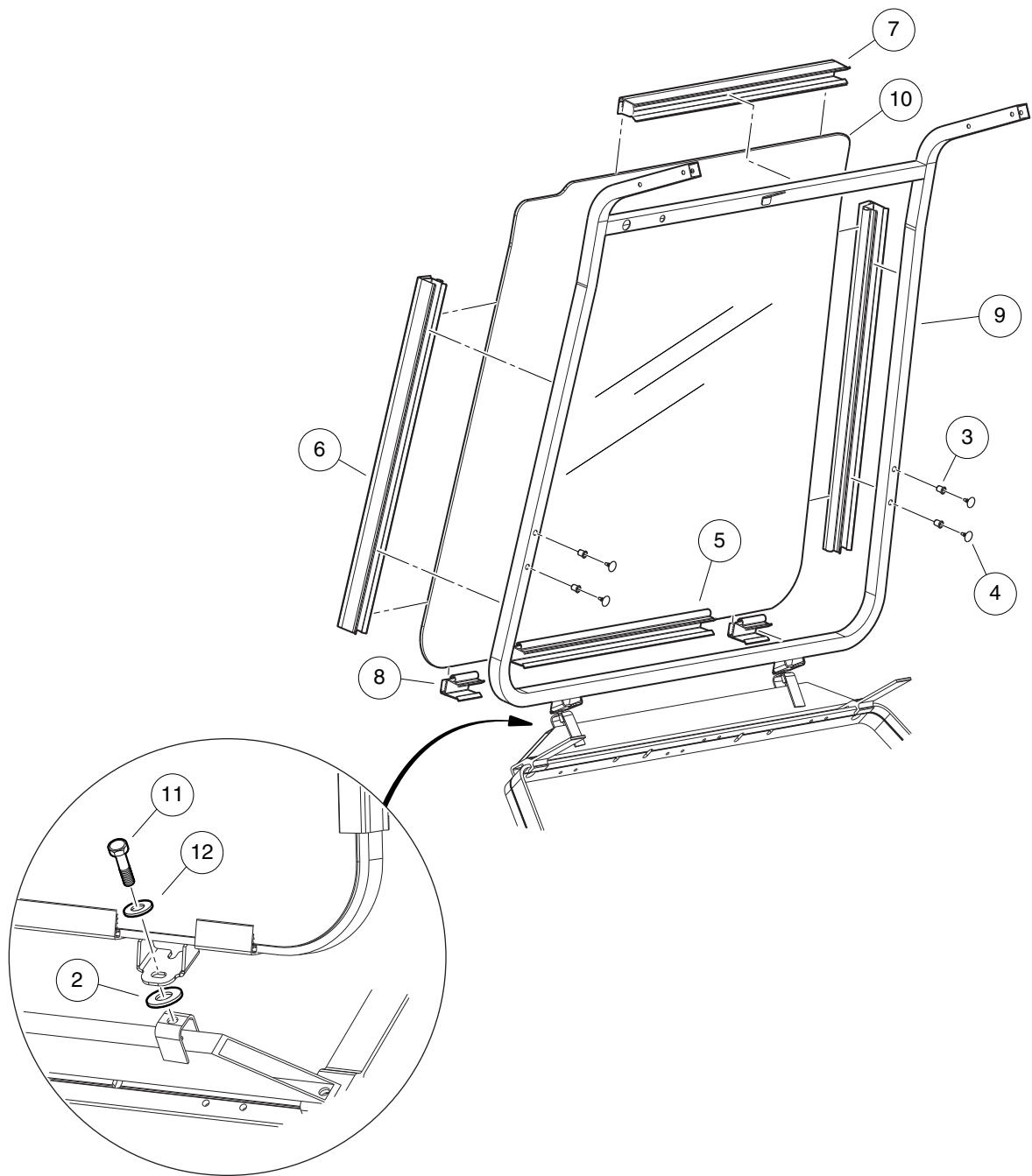
ITEM	PART NO.	DESCRIPTION	QTY
		1 2 3 4	
1	N/A	Instl, Footdeck, Vill 2+2 Lsv (includes items 2 through 26)	1
2	1011578	Washer, 5/16 Type B Flat	1
3	1013061	Locknut, #10-32 Nylon Insert	2
4	1016	Lockwasher, #10 Split	2
5	101705702	Decal, Warning, Lsv	1
6	102313301	Lamp, License Plate	1
7	103732801	Weldment, Hand Hold, Rear	1
8	103732901	Weldment, Hip Restraint, Rear	2
9	103733301	Plate, Cover, Hand Hold	1
10	103740501	Screw, Panhead 10-32 X 2-1/2	4
11	103745501	Lamp, Hybrid Stop & Backup	1
12	103745601	Lamp, Stop & Turn, Footdeck	2
13	103750401	Foot Rest, Rear, Assy	1
14	103751201	Harness, Chmsl, Ds Lsv	1
15	103759201	Screw, hhcs, #10-32 X 2.25	2
16	103759301	Nut, Acorn, #10-32, Blk	2
17	103759801	Nut, Cap, High Cr, 1/4-20, Blk	4
18	103762401	Guard, Tail Light, Footdeck	2
19	1218	Screw, 5/16-18 X 1.25 Hex-Head Cap	5
20	1241	Washer, 5/16 Type A Flat	8
21	1624	Screw, 3/8-16 X 1.50 Hex-Head Cap	2
22	332	Washer, 1/4 Type A Narrow Flat	4
23	7410	Screw, 5/16-18 X 1.25 Truss Hd	2
24	7473	Locknut, 5/16-18 Nylon Insert	9
25	808	Washer, 3/8 Type B Flat	2
26	8419	Screw, 1/4-20 X .625 Truss Hd	4

1

E

1

E



000922-001

WINDSHIELD

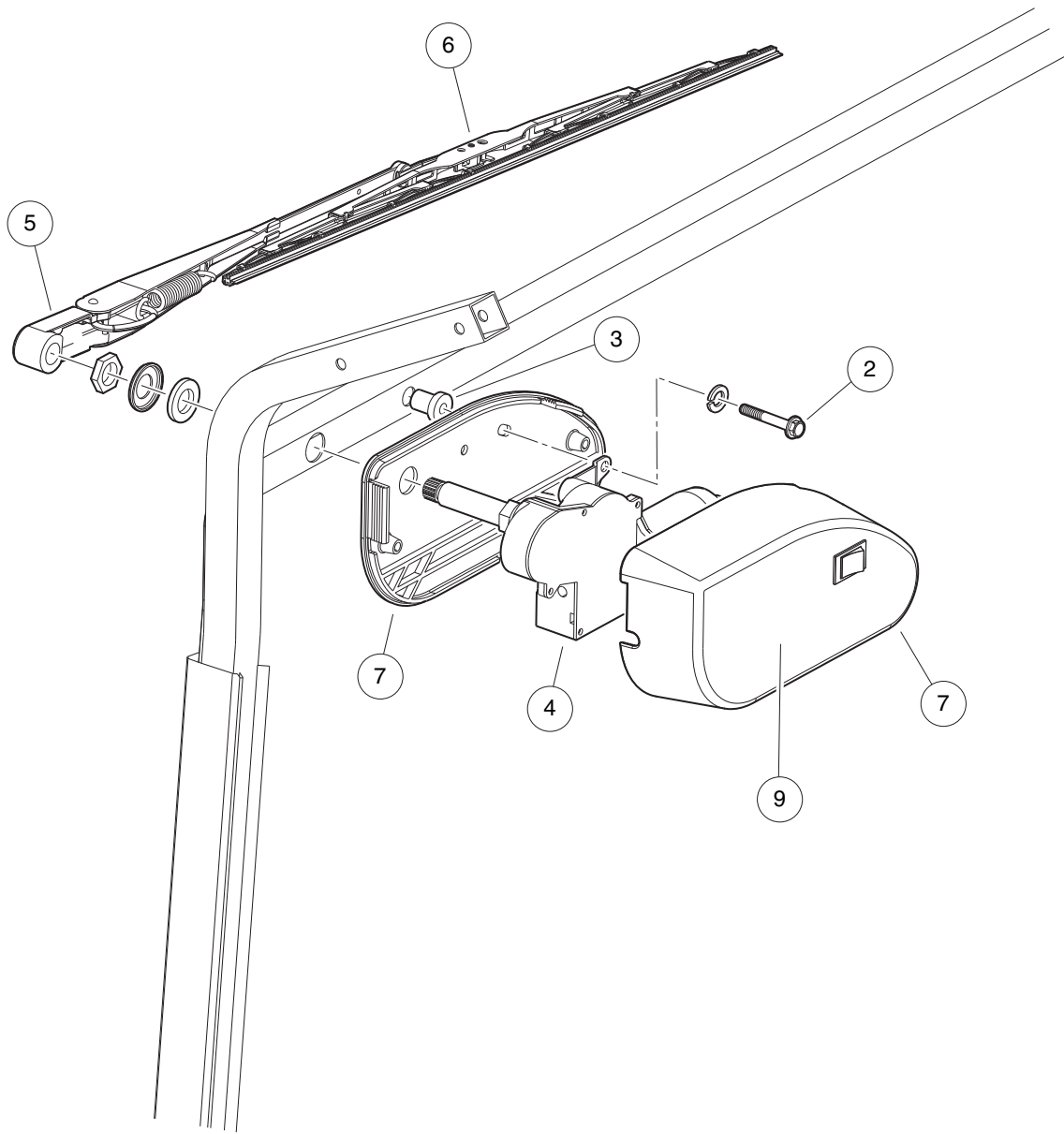
ITEM	PART NO.	DESCRIPTION	QTY
		1 2 3 4	
1	N/A	Instl, Windshield, As1, Ds Lsv (includes items 2 through 12)	1
2	1010517	Washer, .88 Od X .343 Id Nylon	2
3	102060201	1/4 - 20 Threaded Insert	4
4	102568701	Barrel - Plastic 6mm	2
5	103743601	Clip, Wndshld, Ds Lsv, 500mm	1
6	103743602	Clip, Wndshld, Ds Lsv, 650mm	2
7	103743603	Clip, Wndshld, Ds Lsv, 560mm	1
8	103743604	Clip, Wndshld, Ds Lsv, 60mm	2
9	103757601	Wldmnt, Frame, Strght Wshld	1
10	103757701	Wshld, Straight, Ds Lsv	1
11	304	Screw, 1/4-20 X 1.0 Hex-Head Cap	2
12	332	Washer, 1/4 Type A Narrow Flat	2

1

E

1

E



000923-001

WINDSHIELD WIPER

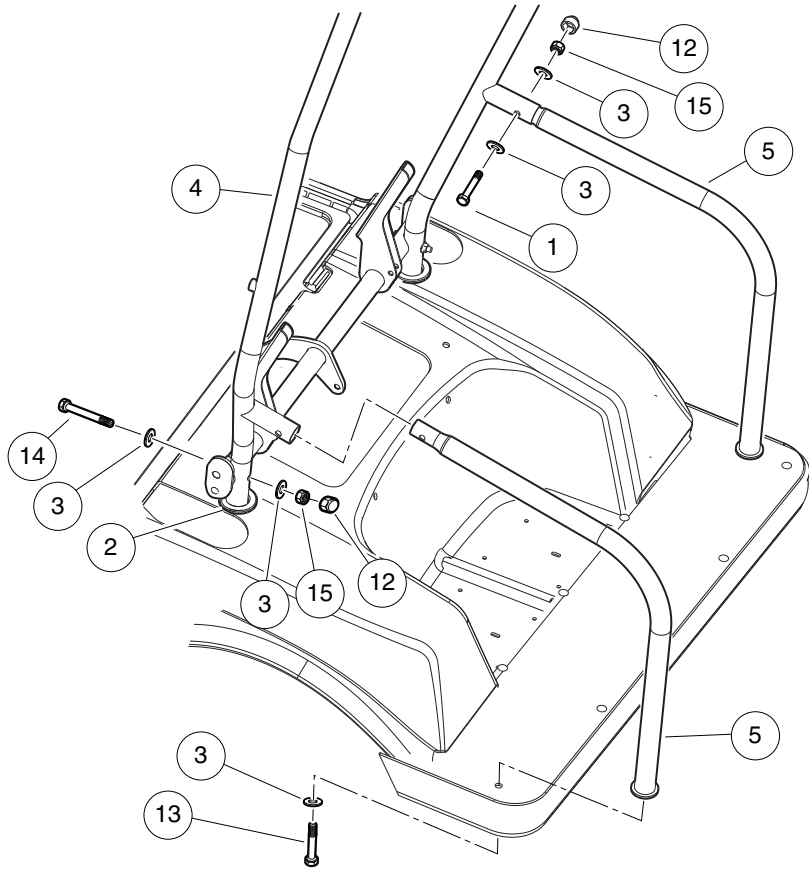
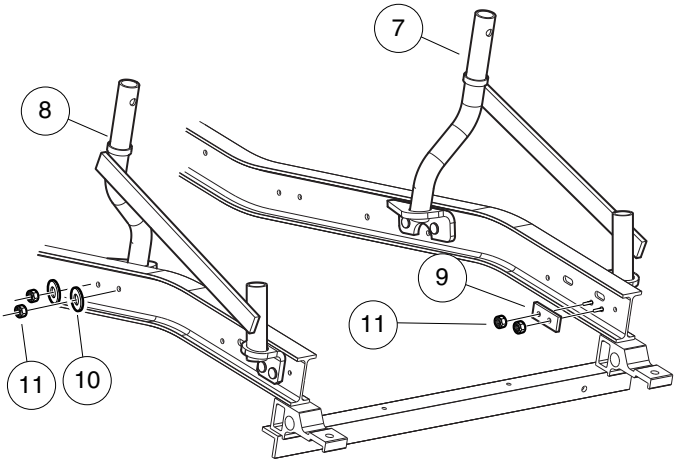
ITEM	PART NO.	DESCRIPTION	QTY
		1 2 3 4	
1	N/A	Instl, Windshield Wiper, Lsv (includes items 2 through 9)	1
2	1014063	Screw, 1/4-20 X 1.00 Hex Head	1
3	102491701	Well Nut 1/4-20	1
4	103741301	Motor, Windshield Wiper, 85deg	1
5	103741401	Arm, Wiper, 18"	1
6	103741501	Blade, 22", Flex, 91 Series	1
7	103741601	Cover, Black, Wiper Mtr Switch	1
8	103754301	Harness, Wiper, Ds Lsv	1
9	103757901	Decal, Op, On Wiper, Cci Lsv	1

1

E

1

E



000930-002

TOPS – VILLAGER 2 + 2

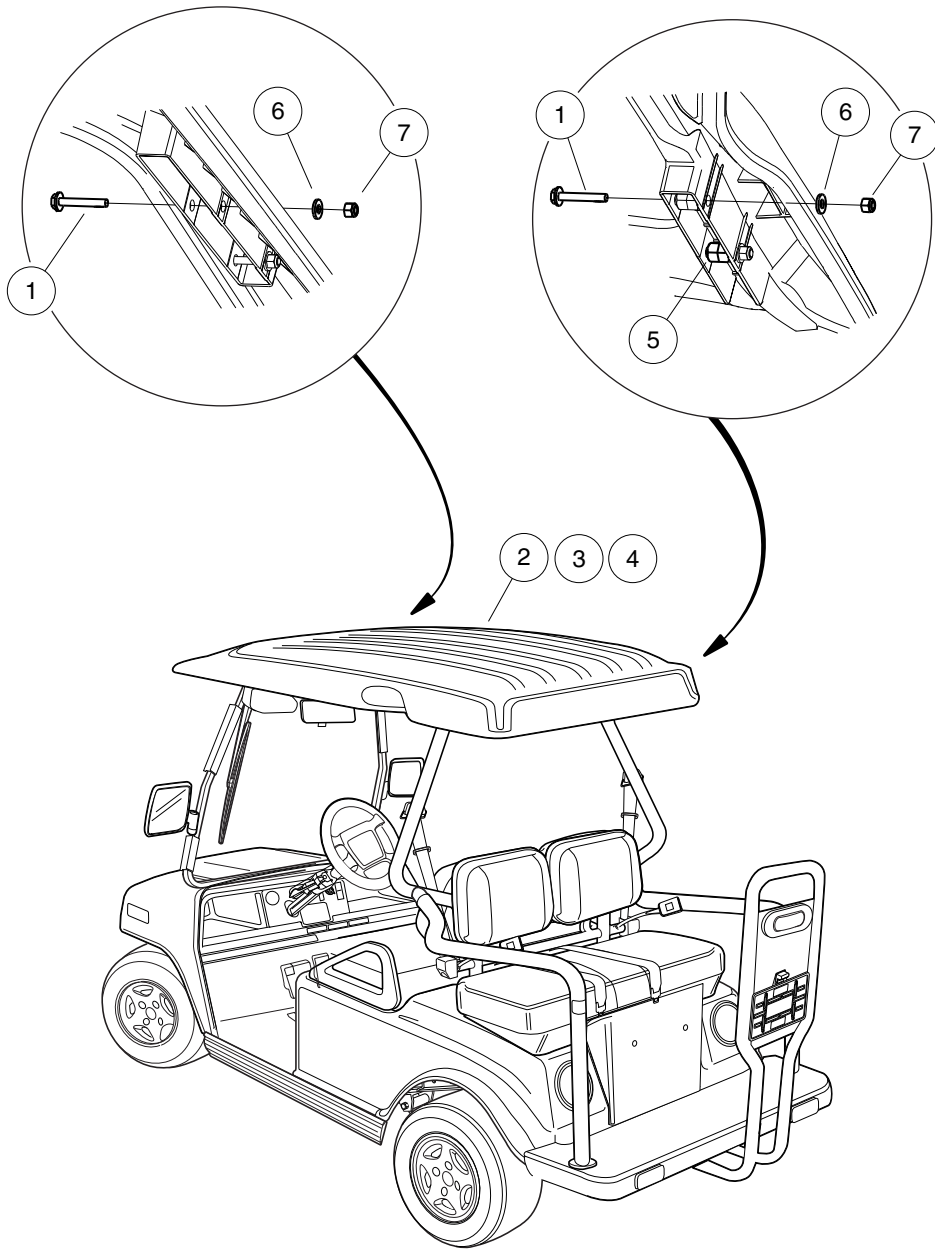
ITEM	PART NO.	DESCRIPTION	QTY
		1 2 3 4	
1	1010177	Bolt, 3/8-16 X 2.00 Hex Head	2
2	102323001	Grommets, Rear Body	2
3	102323501	Washer, Flat, 3/8, Blk Fin	10
4	103641002	Weldment, Upper Tops, Homo	1
5	103732901	Weldment, Hip Restraint, Rear	2
6	N/A	Instl, Lower Tops H Bracket (includes items 7 through 11)	1
7	103640101	Mount, Lower, Tops, Ps, 4pass	1
8	103640201	Mount, Lower, Tops, Ds, 4pass	1
9	103641101	Plate, Washer, Tops	2
10	808	Washer, 3/8 Type B Flat	4
11	8754	Locknut, 3/8-16 Hex	8
12	103762001	Cap, Dome, Black, 3/8 Hex	4
13	1624	Screw, 3/8-16 X 1.50 Hex-Head Cap	2
14	7561	Bolt, 3/8-16 X 3.00 Hex Head	2
15	8754	Locknut, 3/8-16 Hex	4

1

E

1

E



000931-002

CANOPY

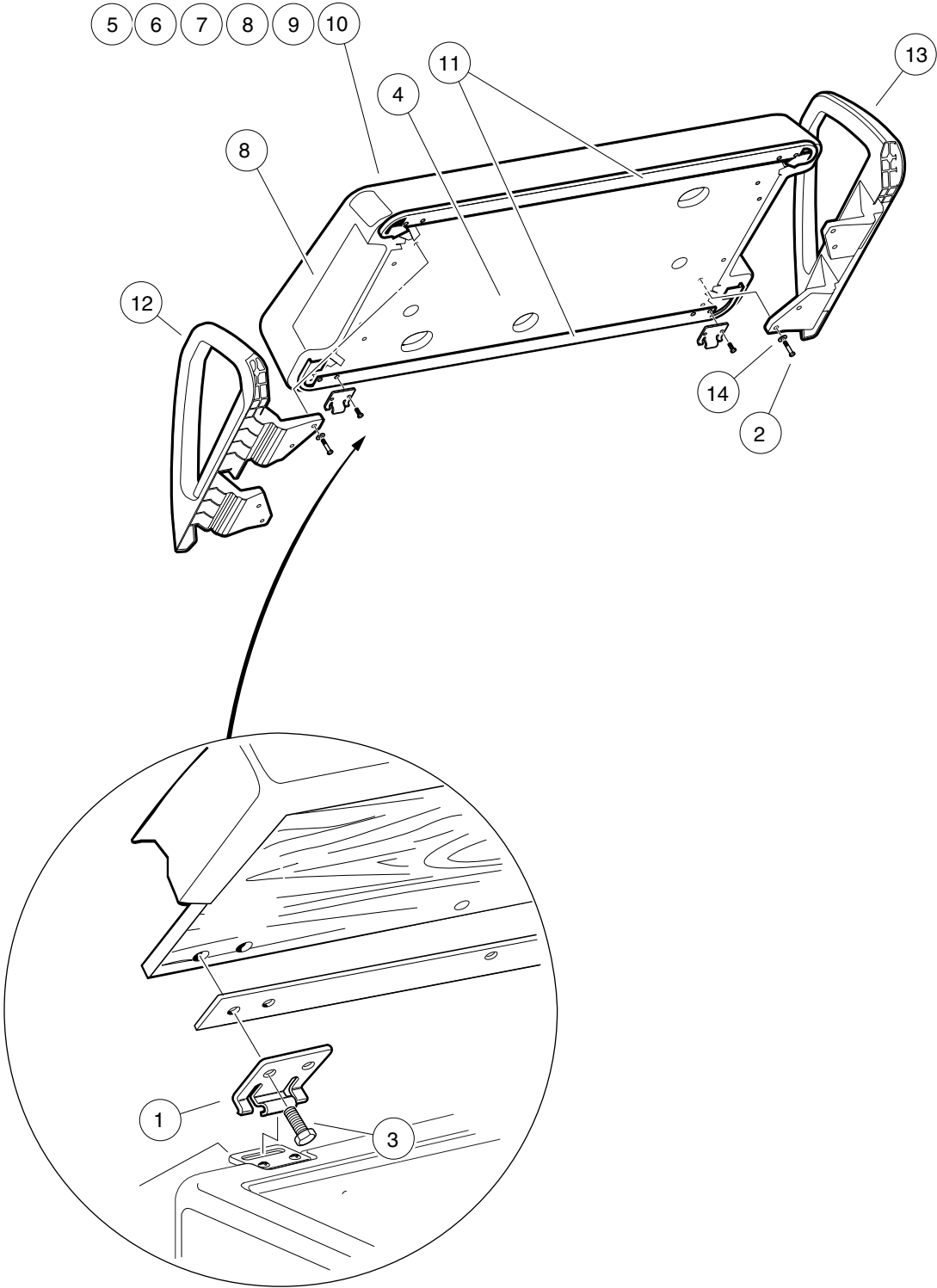
ITEM	PART NO.	DESCRIPTION	QTY
		1 2 3 4	
1	102076701	Screw, 1/4-20 X 1.75 Hex Sems	8
2	103708301	Canopy, 2pass, Ds, White	1
3	103708302	Canopy, 2pass, Ds, Beige	1
4	N/A	Canopy, 2pass, Ds, Black	1
5	103774601	Spacer, Al, .63 Hex-.28id-.81l	4
6	332	Washer, 1/4 Type A Narrow Flat	8
7	8233	Locknut, 1/4-20 Nylon Insert	8

1

E

1

E



000364-006

FRONT SEAT BOTTOM AND ARMRESTS

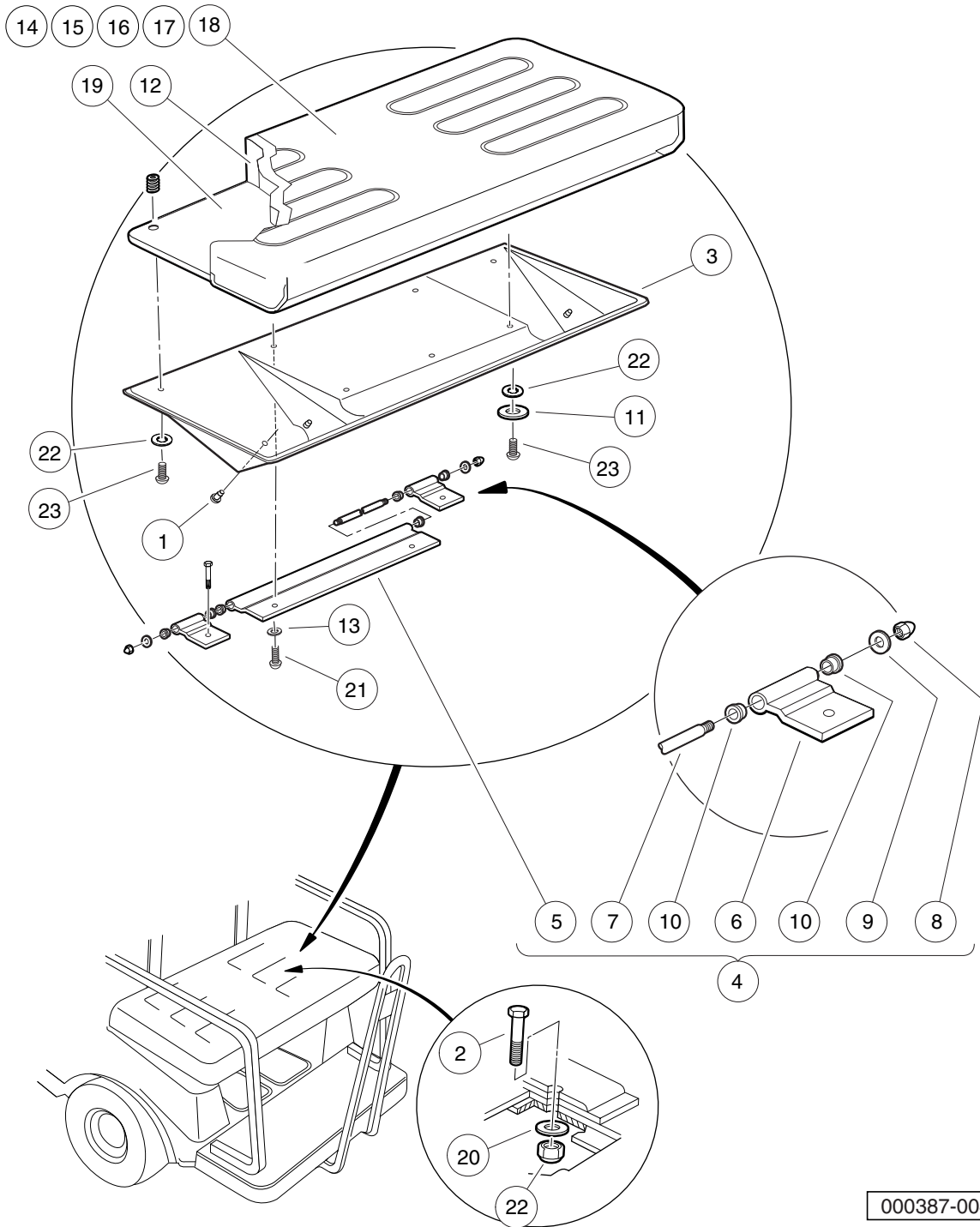
ITEM	PART NO.	DESCRIPTION	QTY
		1 2 3 4	
1	1011652	Hinge Plate	2
2	1016916	Screw, 1/4-20 X 1.50 Hex-Head Cap	8
3	101954301	Screw, 1/4-20 X 0.75 Hex-Head Cap	4
4	N/A	Plywood Assy	1
5	101998201	Vinyl Cover, Seat Bottom, Buff	1
6	101998202	Vinyl Cover, Seat Bottom, White	1
7	101998203	Vinyl Cover, Seat Bottom, Nonstandard	1
8	101998204	Vinyl Cover, Seat Bottom, Black	1
9	101998205	Vinyl Cover, Seat Bottom, Gray	1
10	N/A	Vinyl Cover Seat Btm -prec Wht	1
11	101998501	Gasket, Seat	2
12	103246701	Hip Restraint, Drvr Side	1
13	103246801	Hip Restraint, Pass Side	1
14	332	Washer, 1/4 Type A Narrow Flat	8

1

E

1

E



000387-004

REAR-FACING SEAT BOTTOM

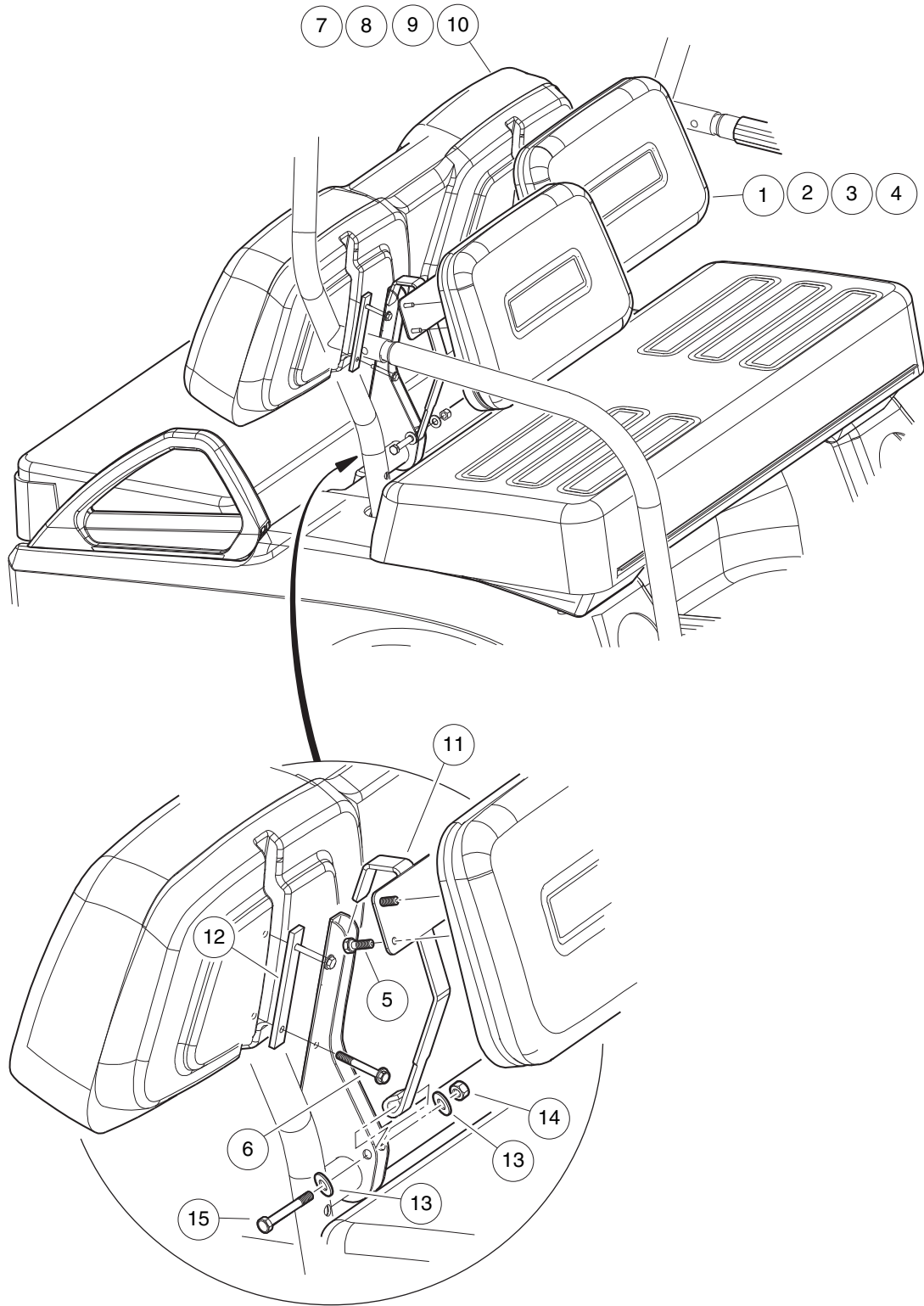
ITEM	PART NO.	DESCRIPTION	QTY
		1 2 3 4	
1	1010436	Bumper, Rubber	4
2	1010577	Bolt, Hex-Head, 5/16-18 X 1.50	2
3	1011210	Seat Support 4-Passenger	1
4	1011219	Hinge Assembly 4 Passenger (includes items 5 through 10)	1
5	1011220	Hinge Long 4 Passenger	1
6	1011221	Hinge Short 4 Passenger	2
7	1011222	Pin, Hinge, Long, 4-Pass	1
8	1015091	Nut, 1/4-20 Stainless-Steel Center-Lock Cap	2
9	332	Washer, 1/4 Type A Narrow Flat	2
10	8028	Rotor Stop, FNR	6
11	1011578	Washer, 5/16 Type B Flat	3
12	N/A	Foam, Seat	1
13	1014007	Washer, 1/4 Flat	2
14	101562701	Vinyl Cover, Seat Bottom, Beige	1
15	101562702	Vinyl Cover, Seat Bottom, White	1
16	101562703	Vinyl Cover, Seat Bottom, Non-Standard	1
17	101562704	Vinyl Cover, Seat Bottom, Black	1
18	101562710	Vinyl Cover, Seat Bottom, Gray	1
19	N/A	Plywood Assy	1
20	1017774	Body Spacer	4
21	101910401	Screw, 5/16-18 X 1.25 Thrd Frm	4
22	7473	Locknut, 5/16-18 Nylon Insert	2
23	8251	Screw, 1/4-20 X 1.0 Truss-Head Machine	5
24	8304	Lockwasher, 1/4 Type A Int.tth	5

1

E

1

E



000929-002

SEAT BACKS

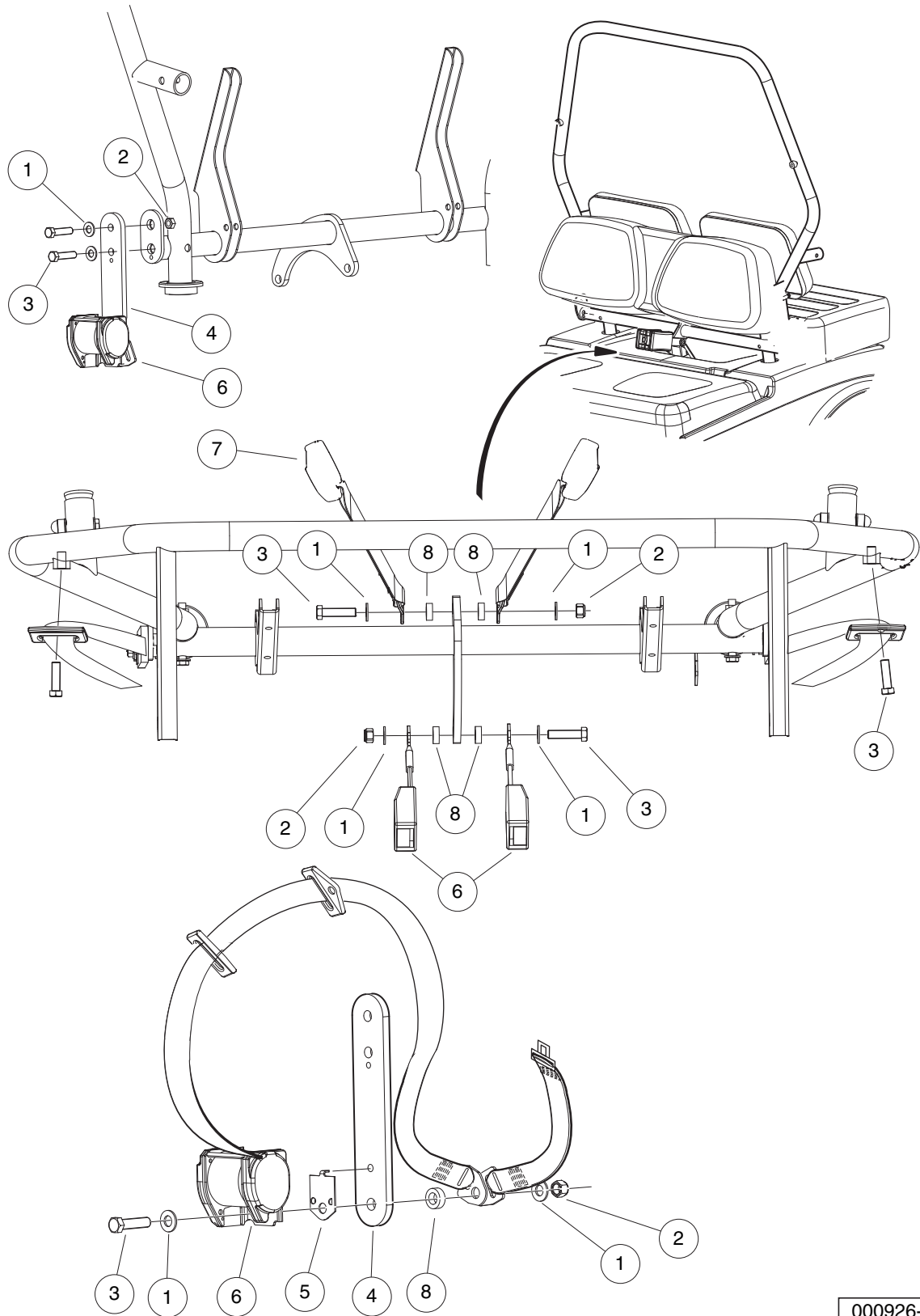
ITEM	PART NO.	DESCRIPTION	QTY
		1 2 3 4	
1	101565202	Seat Back Assembly, White w/Black Cap	1
2	101565204	Seat Back Assembly, Beige w/Black Cap	1
3	101565205	Seat Back Assembly, Black w/Black Cap	1
4	101565206	Seat Back Assembly, Gray w/Black Cap	1
5	101954301	Screw, 1/4-20 X 0.75 Hex-Head Cap	8
6	102076701	Screw, 1/4-20 X 1.75 Hex Sems	4
7	103739002	Seatback Asm, Front, White	1
8	103739004	Seatback Asm, Front, Buff	1
9	103739005	Seatback Asm, Front, Black	1
10	103739006	Seatback Asm, Front, Gray	1
11	103754601	Weldment, Support, Seatback	2
12	103755001	Plate, Spacer	2
13	334	Washer, 3/8 Type A Flat	4
14	8754	Locknut, 3/8-16 Hex	2
15	8861	Bolt, 3/8-16 X 1.75 Hex	2

1

E

1

E



000926-002

SEAT BELTS

ITEM	PART NO.	DESCRIPTION	QTY
		1 2 3 4	
1	1014557	Washer, 7/16 Flat	12
2	102324401	Lock Nut, 7/16-20 Nylon Black	4
3	103211101	Screw, 7/16-20 X 1.75	8
4	103803601	Bracket, Retractor, Lsv, Homol	2
5	103815901	Plate, Orient, Retractor	2
6	103816001	Retractor, 3pt, Homol	2
7	103816101	Seat Belt, 2pt, Homol	2
8	103819001	Spacer, 12.7 Id X 5.0 L	6

1

E

1

E

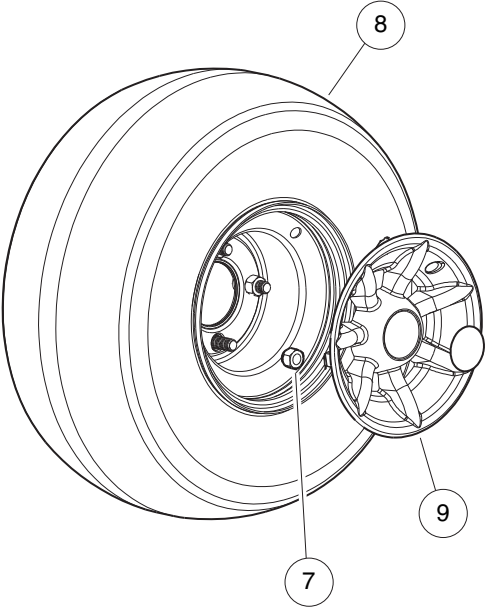
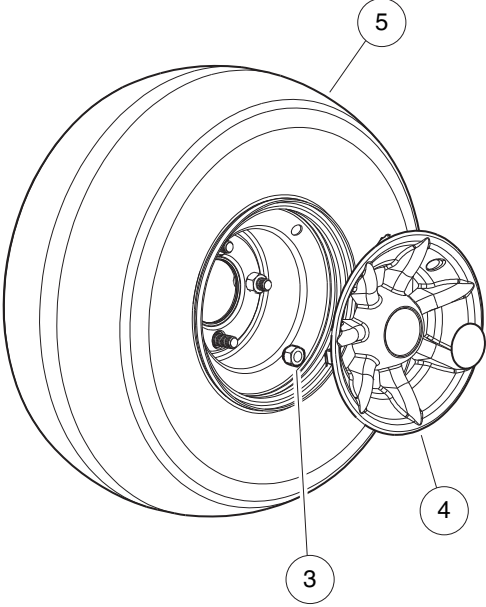
WHEELS AND TIRES

2

E

2

E



000928-001

WHEELS AND TIRES

ITEM	PART NO.	DESCRIPTION	QTY
		1 2 3 4	
1	N/A	Opt, Front Tire, Ds Lsv (includes items 2 through 6)	1
2	N/A	Kenda 8 Inch Silver Dot Front (includes items 3 through 5)	1
3	1010984	.500-20 Unf Lug Nut	8
4	102382301	Hubcap, 7 Prong	2
5	102522607	Asm-kenda Dot	2
6	N/A	Kenda 10 In Rad 4 Spoke Al Fr (includes items 7 through 9)	1
7	102540701	Lug Nut, 1/2" Closed End	8
8	103755601	Asm, Whl/tire, 10" 4 Sp Al Rad	2
9	103755701	Cap, Wheel, Chrome Center	2

2

E

2

E

DECALS

3

E

OPERATING INSTRUCTIONS

- Read Owner's Manual and safety warnings prior to driving.
- Study and understand controls.
- Make sure wheels are turned in desired direction.
- FASTEN SEAT BELT and remain seated while moving.
- Turn key to "ON" position. Be sure nothing is in your path.
- While vehicle is stopped, select direction by placing Forward/Reverse switch in desired position:
 - F = Forward Neutral R = Reverse (Buzzer will sound)
- Release park brake fully. • Vehicle will start moving when accelerator pedal is pressed.
- Slowly press accelerator pedal to increase speed. • To stop, release accelerator pedal and press brake pedal.

WARNING

UNINTENDED VEHICLE MOVEMENT MAY CAUSE SEVERE INJURY OR DEATH.

- After stopping, firmly set park brake, and place Forward/Reverse switch in NEUTRAL position.
- Turn key "OFF" and remove key when not in use.

VEHICLE DISCLOSURE

This vehicle:

- Has a maximum speed of greater than 20 miles per hour (mph), but not greater than 25 mph;
- Shall only be operated in the manner and locations permitted by law;
- Shall not be operated on a public highway with a speed limit in excess of 35 mph; provided the maximum posted speed limit for lawful operation in Maryland is 30 mph, and the limit for Idaho is 25 mph;
- May be a hazard on the roadways if it impedes traffic;
- May subject the driver to citations for impeding traffic;
- May not be equipped with such safety features as bumpers, a padded dashboard, visors, or a tamper-resistant odometer.

10327001

Environmental Performance

Protect the environment, choose vehicles with higher scores:

Global Warming Score	Smog Score
90	10
1 2 3 4 5 6 7 8 9 10	1 2 3 4 5 6 7 8 9 10
Average new vehicle	Average new vehicle

Using alternative fuels may improve scores. See www.DriveClean.ca.gov

Vehicle emissions are a primary contributor to global warming and smog. Scores are determined by the California Air Resources Board based on this vehicle's measured emissions. Please visit www.DriveClean.ca.gov for more information. All 10327001010001

5J5LD22Bx2Axxxxxx

WARNING

COLLISION, ROLLOVER OR FALLING OFF MAY CAUSE SERIOUS INJURY OR DEATH.

BEFORE USING VEHICLE, READ OPERATING INSTRUCTIONS.

- Occupants must fasten seat belts and remain seated while moving.
- Use CAUTION when operating vehicle in the presence of higher speed vehicles, in congested areas, or on unimproved surfaces.
- Do not operate this vehicle in a manner that impedes traffic.
- Only operate vehicle in compliance with local and state laws.
- Never operate under the influence of alcohol or drugs.
- Drive slowly in turns and straight up and down slopes.
- Operate from driver side only.
- Keep entire body inside vehicle and hold on to seat handle while moving.
- Two (2) persons per bench seat maximum.
- Children requiring a child safety seat must not ride on the vehicle.
- Do not leave children unattended on vehicle.

103756591

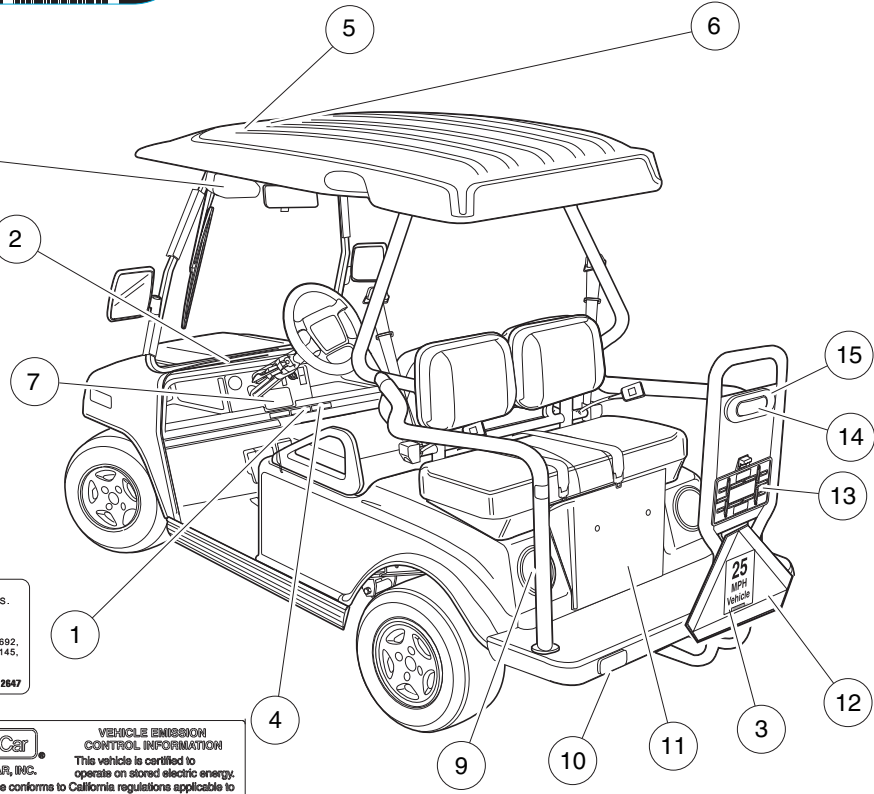
This vehicle is covered by one or more of the following U.S. patents as applicable: D431018, D436557, D442402, D444328, D44906, DES 271008, DES 292890, DES 354264, DES 384917, DES 409296, 4343503, 4539162, 4637270, 4821827, 4826467, 5042519, 5083736, 5432403, 5543243, 5655760, 5782253, 5857692, 5915495, 6087605, 6114833, 6170787, 6186584, 6209796, 6213145, 6314632 and other patents pending.

1012647

Club Car

VEHICLE EMISSION CONTROL INFORMATION

CLUB CAR, INC. This vehicle is certified to operate on stored electric energy. This vehicle conforms to California regulations applicable to YYYY Model Year new ZEV passenger cars. Test Group: YIRC00000002

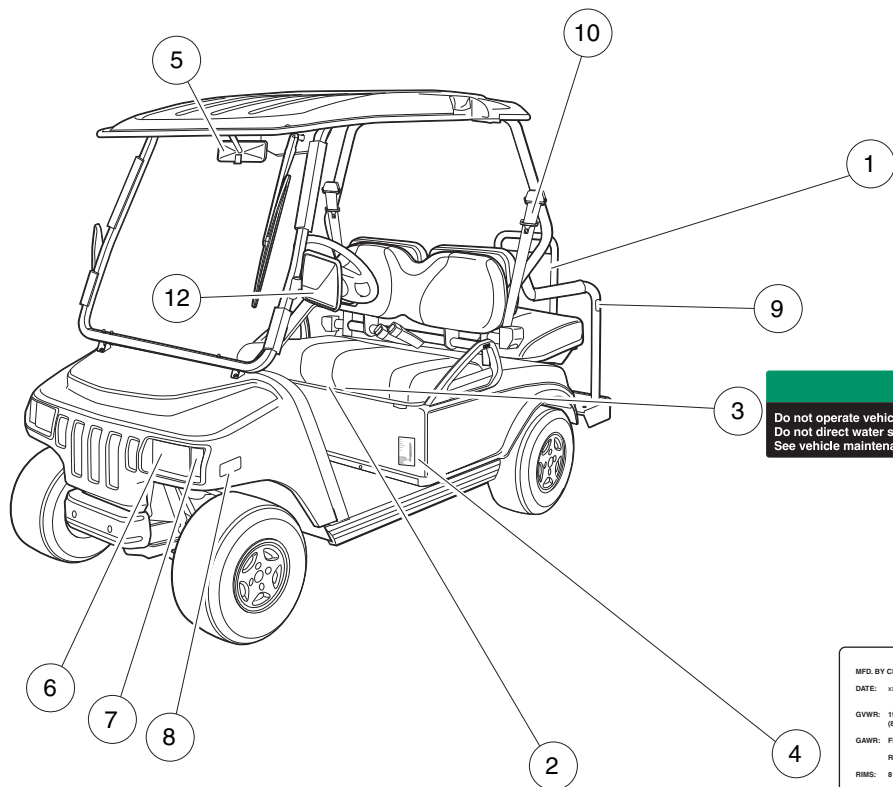


SAFETY DECALS

ITEM	PART NO.	DESCRIPTION	QTY
		1 2 3 4	
1	1012647	Decal, Patent	1
2	N/A	Decal, Vin -vill 2+2 Lsv	1
3	103501401	Decal, 25 Mph	1
4	N/A	Decal, Carb Vec, Vill Lsv	1
5	103537001	Decal, LSV Vehicle Disclosure	1
6	103593401	Decal, Environment Performance	1
7	103756501	Decal, Warn, Dash, Cci V4 Lsv	1
8	103757901	Decal, Op, On Wiper, Cci Lsv	1
Note: Items without part numbers in the list above are for reference only.			

3

E



WARNING

FALLING OUT COULD RESULT IN SEVERE INJURY OR DEATH

- Two (2) persons per bench seat maximum.
- Fasten seat belt and remain seated while moving.
- Hold on and keep entire body inside vehicle at all times.
- Never stand in front of or behind vehicle.
- Do not leave children unattended in vehicle at any time.
- Children requiring a child safety seat must not ride in vehicle.

101705762

NOTICE

Do not operate vehicle without this cover properly installed. Do not direct water stream in this area; will cause damage to components. See vehicle maintenance and service manual before servicing.

WARNING TOW RUN

Place Tow/Run switch in TOW position before:

- Disconnecting or connecting batteries
- Towing
- Extended storage
- Servicing

FAILURE TO HEED THIS WARNING COULD RESULT IN A BATTERY EXPLOSION OR SEVERE PERSONAL INJURY.

CCI 101908601

MFD. BY CLUB CAR, INC.
 DATE: xxxxxx, 2009

GVWR: 1500 LBS. (675 KG)
 GAWR: FRONT 445 LBS. (201 KG)
 REAR 1460 LBS. (674 KG)
 RIMS: 8 X 7
 TIRES: 215/60 R8 35 PSI

THIS VEHICLE CONFORMS TO ALL APPLICABLE U.S. FEDERAL MOTOR VEHICLE SAFETY STANDARDS IN EFFECT ON THE DATE OF MANUFACTURE SHOWN ABOVE.
 LOW SPEED VEHICLE

VIN: 5J5LD2B26Axxxxxx

CCI 102313102

SAFETY DECALS – CONTINUED

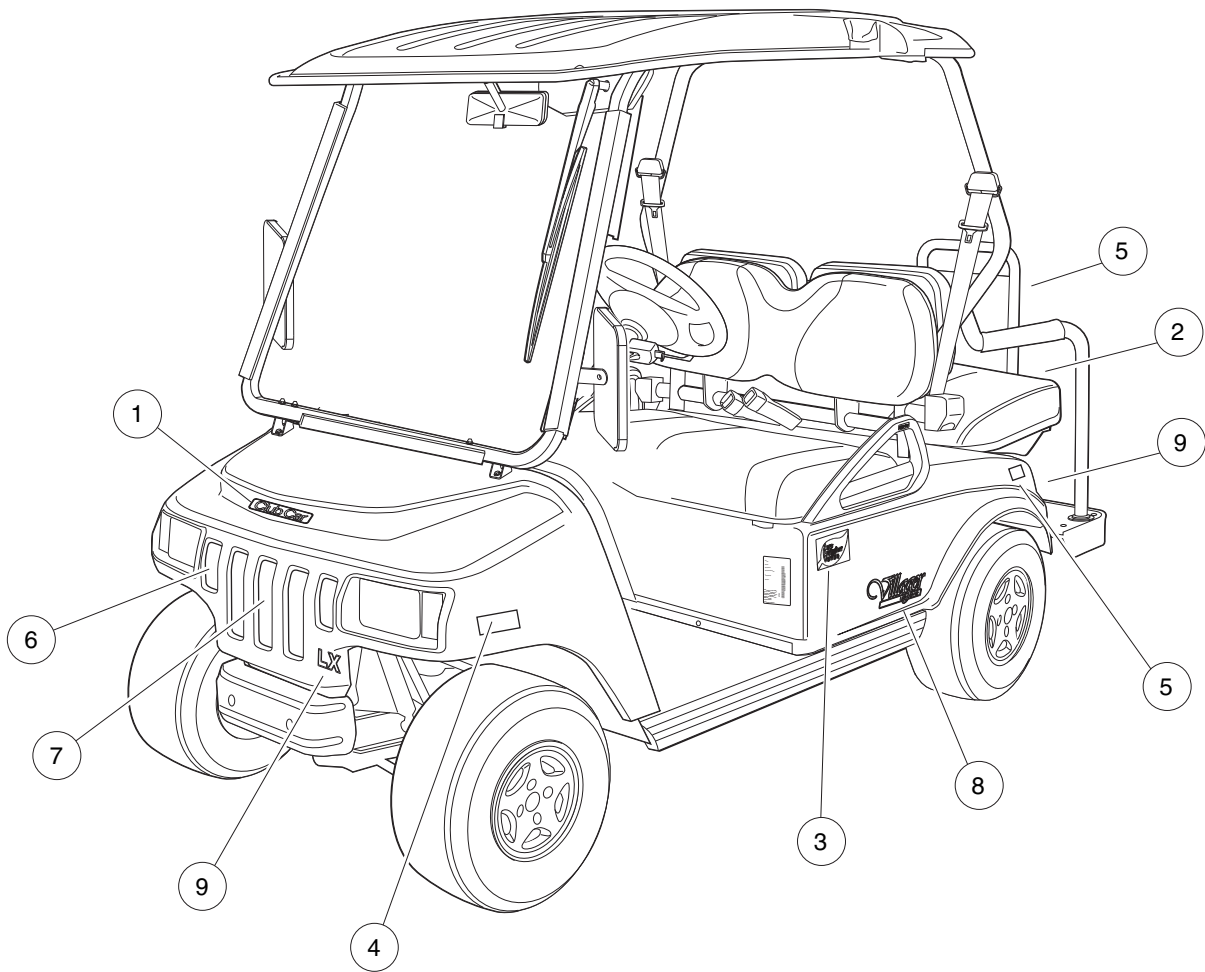
ITEM	PART NO.	DESCRIPTION	QTY
		1 2 3 4	
1	101705702	Decal, Warning, Lsv	1
2	101908601	Decal, Tow/Run Switch Warning	1
3	101931501	Decal, Component Cover	1
4	N/A	Decal, Mfd/vin -vill 2+2 Lsv	1
5	N/A	Instl, Reflectors, Vill2+2 Lsv (includes items 6 and 7)	1
6	103740601	Reflector, Reflex, Amber	2
7	103740701	Reflector, Reflex, Red	4
Note: Items without part numbers in the list above are for reference only.			

3

E

3

E



000944-002

LOGO DECALS

ITEM	PART NO.	DESCRIPTION	QTY
		1 2 3 4	
1	102046501	Decal, CC Nameplate, Utility	1
2	103234302	Decal, Badge, IR - Gold	1
3	103516901	Decal, Leaf, Zev	2
4	103740601	Reflector, Reflex, Amber	2
5	103740701	Reflector, Reflex, Red	2
6	103749001	Decal, Front Grill, 91 Mm Lx	2
7	103749002	Decal, Front Grill, 169 Mm Lx	3
8	103749101	Decal, Villager 2+2 Lsv	2
9	103749201	Decal, Villager Lsv, Lx Pkg	2

3

E

3

E

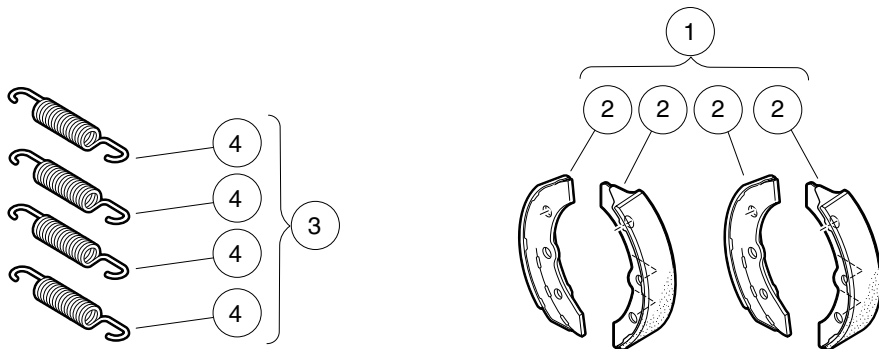
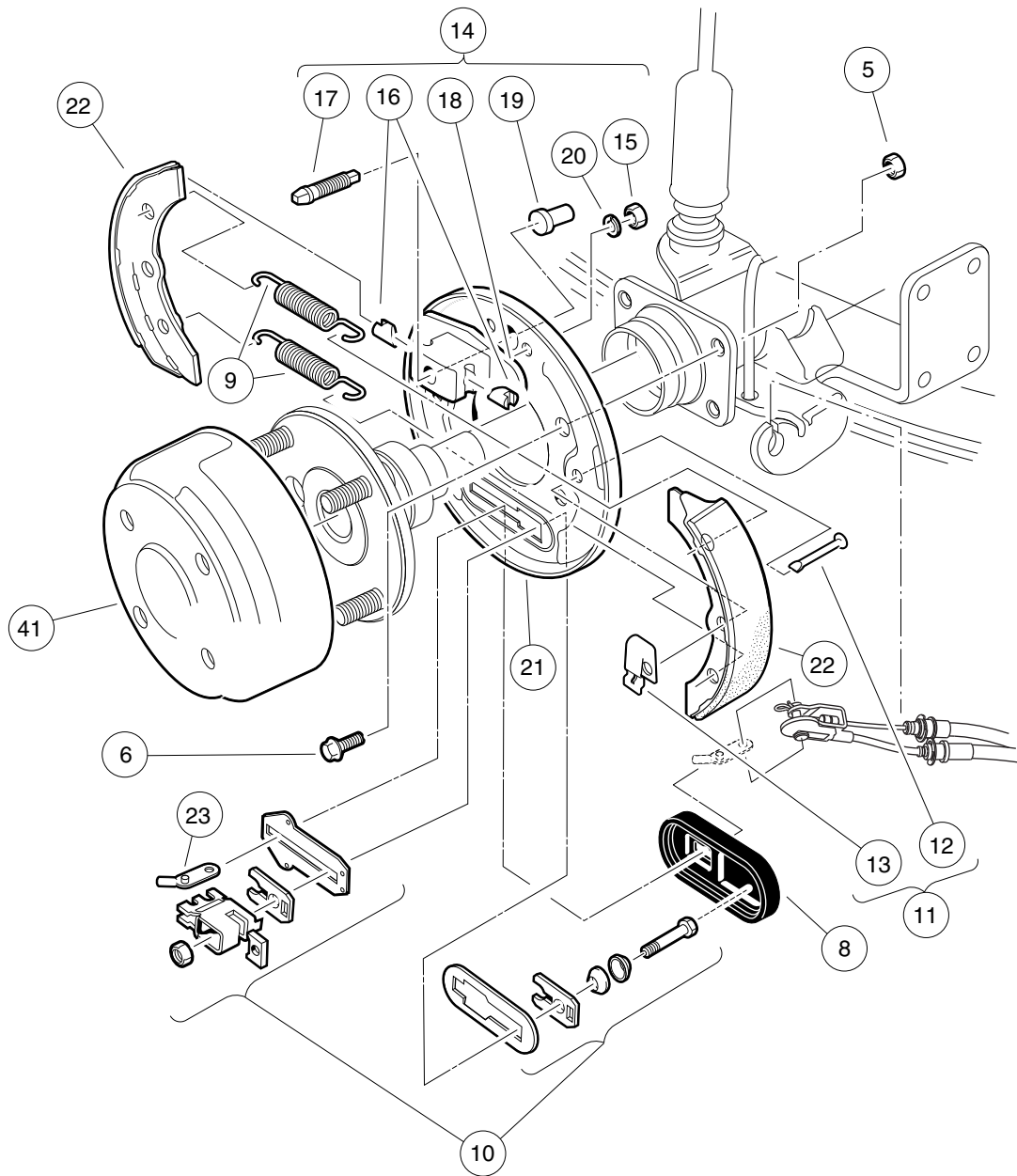
BRAKES, PEDAL, AND CABLES

4

E

4

E



000293-002

REAR BRAKE ASSEMBLY, MANUALLY-ADJUSTED – VEHICLES WITH 4-WHEEL BRAKES

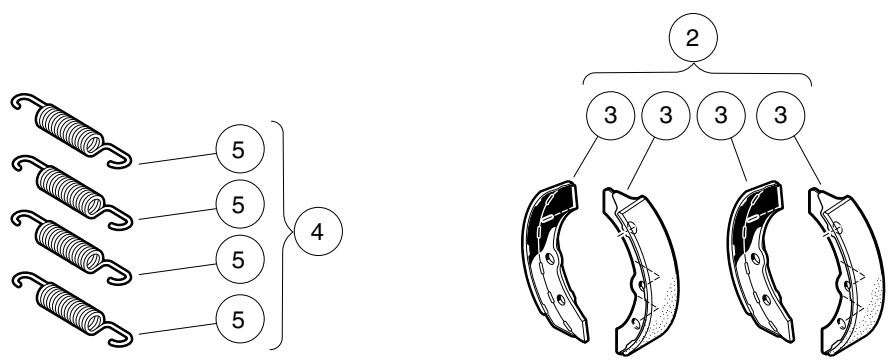
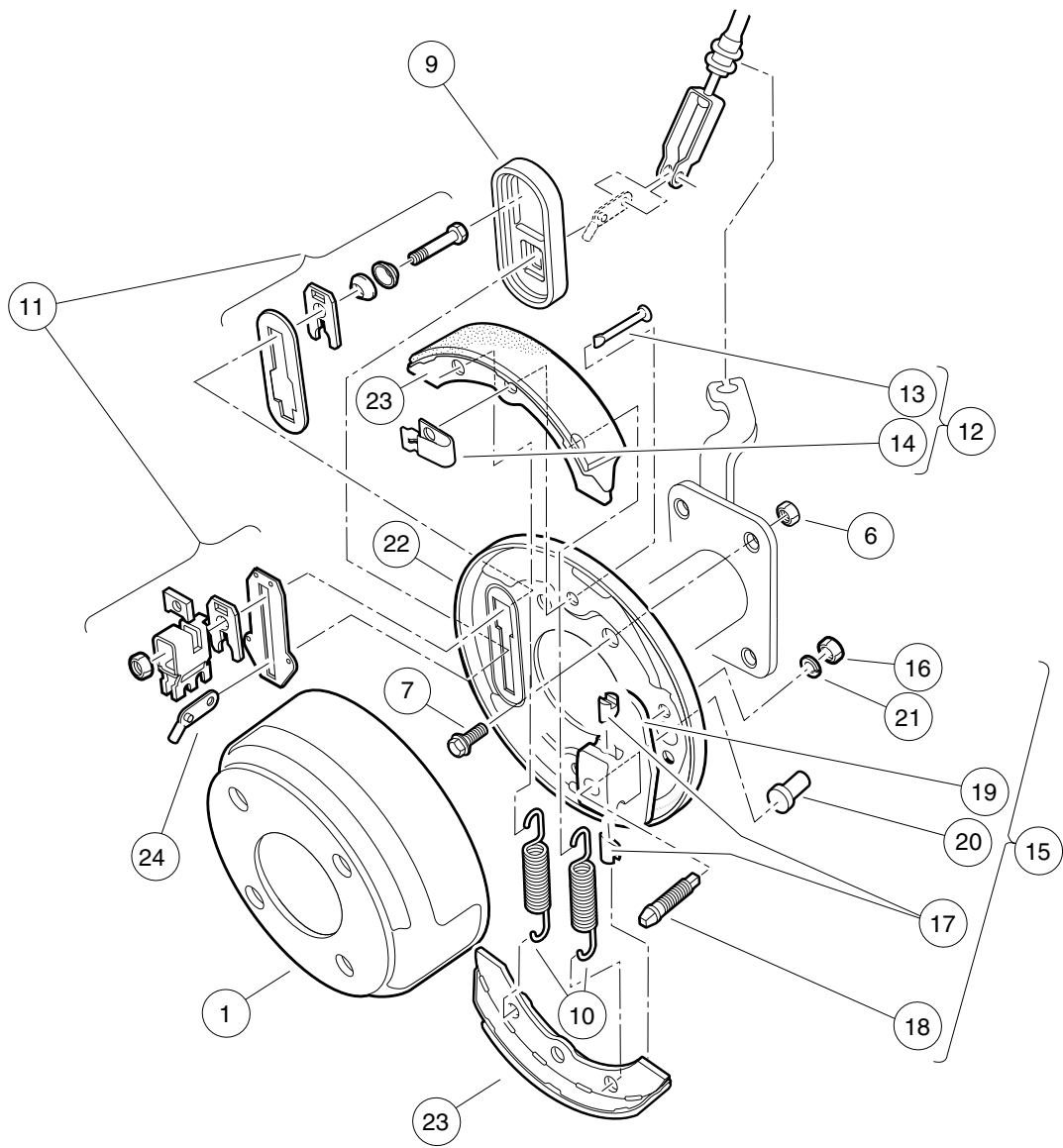
ITEM	PART NO.	DESCRIPTION	QTY
		1 2 3 4	
1	101146302	Kit, Non-Asbestos Brake Shoe (includes item 2)	1
2	101880701	Shoe Brake Manual Adj (Available in Kit, Non-Asbestos Brake Shoe)	4
3	1011464	Package, Brake Spring (includes item 4)	1
4	1011314	Brake Spring	4
5	1013924	Nut, 5/16-24 Hex Head Cone	8
6	1014153	Bolt, Brake Cluster Mounting	8
7	1016557	Cluster, Brake, Driver-Side (includes items 8 through 23)	1
8	1010850	Dust Cover	1
9	1011314	Brake Spring	2
10	1011465	Kit, Brake Actuator	1
11	1011466	Kit, Shoe Retainer (includes items 12 and 13)	1
12	1010953	Pin	2
13	1011301	Shoe Clamp Spring	2
14	1011467	Kit, Anchor Body (includes items 15 through 20)	1
15	1011114	Nut, M6-1.00 Hex	2
16	1011298	Anchor Piston	2
17	N/A	Adjustment Bolt	1
18	N/A	Anchor Body Component	1
19	1011303	Adjustment Bolt Cap	1
20	451	Lockwasher, 1/4 Split	2
21	1011494	Backing Plate, Left-Hand	1
22	101880701	Shoe Brake Manual Adj (Available in Kit, Non-Asbestos Brake Shoe)	2
23	N/A	Arm, Brake Lever	1
24	1016573	Cluster, Brake, Passenger-Side (includes items 25 through 40)	1
25	1010850	Dust Cover	1
26	1011154	Backing Plate, Right-Hand	1
27	1011314	Brake Spring	2
28	1011465	Kit, Brake Actuator	1
29	1011466	Kit, Shoe Retainer (includes items 30 and 31)	1
30	1010953	Pin	2
31	1011301	Shoe Clamp Spring	2
32	1011467	Kit, Anchor Body (includes items 33 through 38)	1
33	1011114	Nut, M6-1.00 Hex	2
34	1011298	Anchor Piston	2
35	N/A	Adjustment Bolt	1
36	N/A	Anchor Body Component	1
37	1011303	Adjustment Bolt Cap	1
38	451	Lockwasher, 1/4 Split	2
39	101880701	Shoe Brake Manual Adj (Available in Kit, Non-Asbestos Brake Shoe)	2
40	N/A	Arm, Brake Lever	1
41	101791101	Drum without Center Hole, Brake	2
		Note: Passenger-side brake cluster not shown. Components have a similar appearance to driver-side brake cluster components.	

4

E

4

E



000298-001

FRONT BRAKE ASSEMBLY – VEHICLES WITH FOUR-WHEEL BRAKES

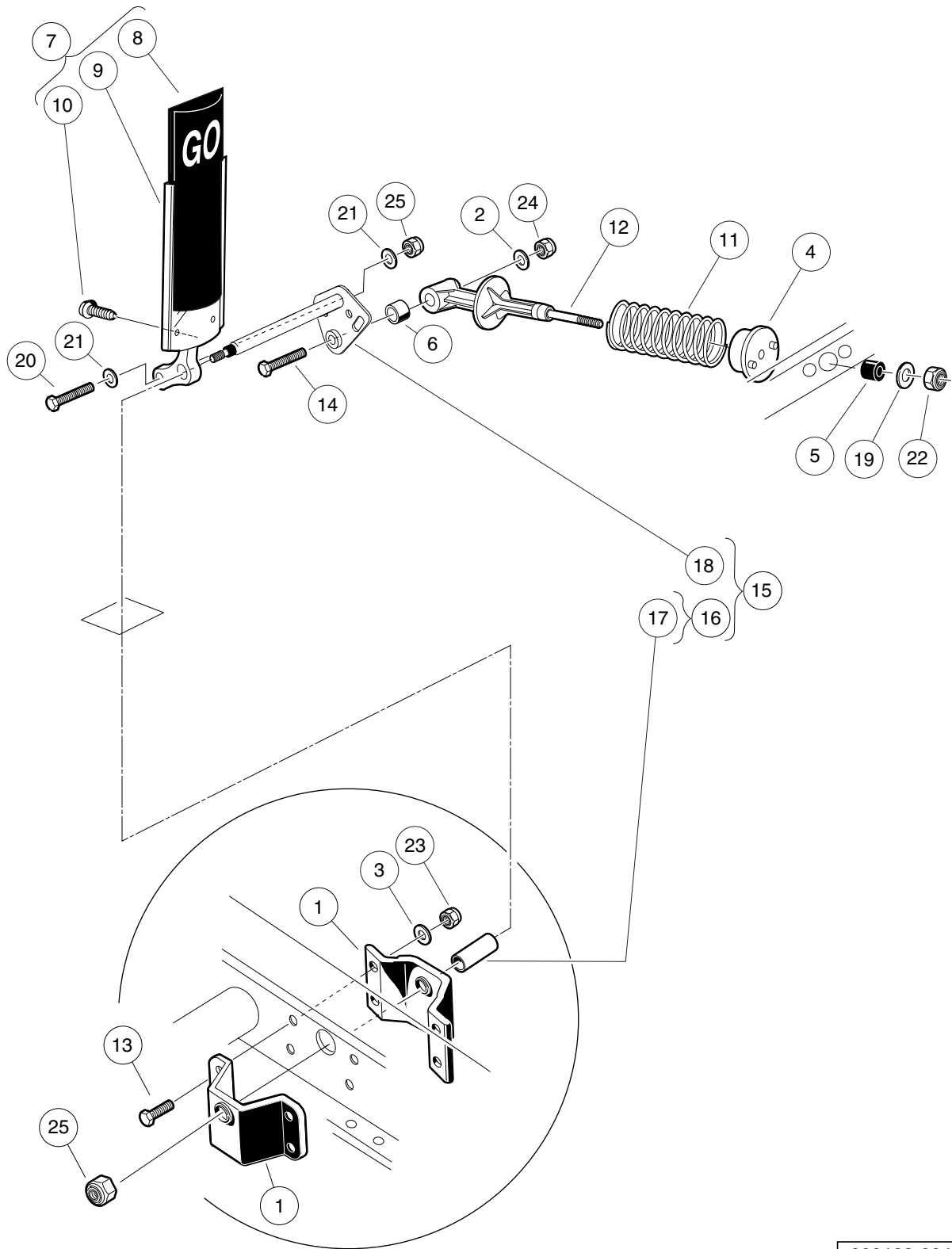
ITEM	PART NO.	DESCRIPTION	QTY
		1 2 3 4	
1	1011137	Drum, Brake	2
2	101146302	Kit, Non-Asbestos Brake Shoe (includes item 3)	1
3	101880701	Shoe Brake Manual Adj (Available in Kit, Non-Asbestos Brake Shoe)	4
4	1011464	Package, Brake Spring (includes item 5)	1
5	1011314	Brake Spring	4
6	1013924	Nut, 5/16-24 Hex Head Cone	8
7	1014153	Bolt, Brake Cluster Mounting	8
8	1016557	Cluster, Brake, Driver-Side (includes items 9 through 24)	1
9	1010850	Dust Cover	1
10	1011314	Brake Spring	2
11	1011465	Kit, Brake Actuator	1
12	1011466	Kit, Shoe Retainer (includes items 13 and 14)	1
13	1010953	Pin	2
14	1011301	Shoe Clamp Spring	2
15	1011467	Kit, Anchor Body (includes items 16 through 21)	1
16	1011114	Nut, M6-1.00 Hex	2
17	1011298	Anchor Piston	2
18	N/A	Adjustment Bolt	1
19	N/A	Anchor Body Component	1
20	1011303	Adjustment Bolt Cap	1
21	451	Lockwasher, 1/4 Split	2
22	1011494	Backing Plate, Left-Hand	1
23	101880701	Shoe Brake Manual Adj (Available in Kit, Non-Asbestos Brake Shoe)	2
24	N/A	Arm, Brake Lever	1
25	1016573	Cluster, Brake, Passenger-Side (includes items 26 through 41)	1
26	1010850	Dust Cover	1
27	1011154	Backing Plate, Right-Hand	1
28	1011314	Brake Spring	2
29	1011465	Kit, Brake Actuator	1
30	1011466	Kit, Shoe Retainer (includes items 31 and 32)	1
31	1010953	Pin	2
32	1011301	Shoe Clamp Spring	2
33	1011467	Kit, Anchor Body (includes items 34 through 39)	1
34	1011114	Nut, M6-1.00 Hex	2
35	1011298	Anchor Piston	2
36	N/A	Adjustment Bolt	1
37	N/A	Anchor Body Component	1
38	1011303	Adjustment Bolt Cap	1
39	451	Lockwasher, 1/4 Split	2
40	101880701	Shoe Brake Manual Adj (Available in Kit, Non-Asbestos Brake Shoe)	2
41	N/A	Arm, Brake Lever	1
		Note: Passenger-side brake cluster not shown. Components have a similar appearance to driver-side brake cluster components.	

4

E

4

E



000188-004

ACCELERATOR PEDAL ASSEMBLY – ELECTRIC VEHICLES WITH MCOR

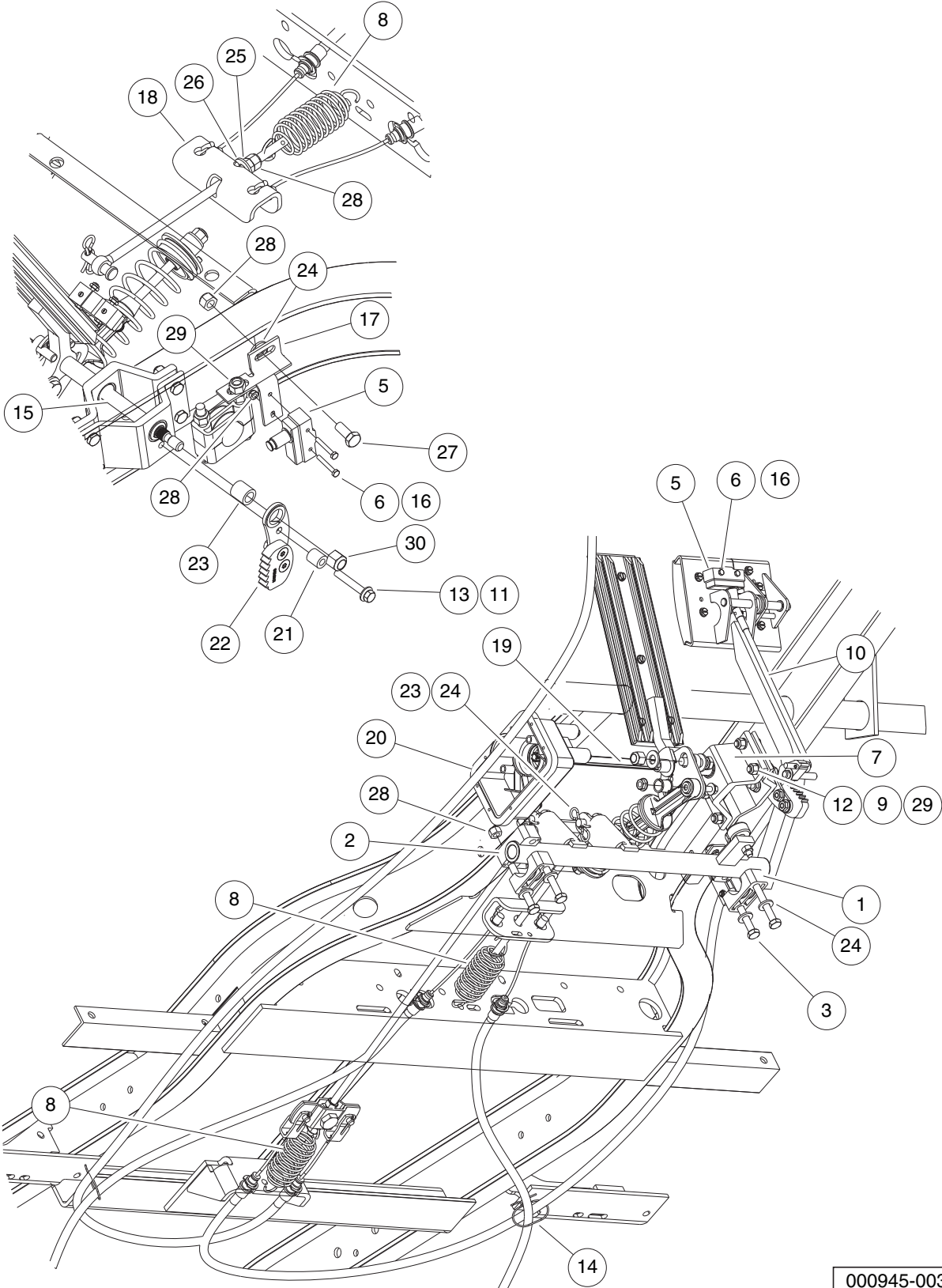
ITEM	PART NO.	DESCRIPTION	QTY
		1 2 3 4	
1	1011694	Accelerator Bracket and Bearing Assembly	2
2	1011931	Washer, 1/4 Flat	1
3	1014007	Washer, 1/4 Flat	4
4	1017378	Cup, Spring	1
5	1017380	Bumper, Spring Return	1
6	1017424	Bearing, Pivot Support	1
7	1017696	Sub Asm, Accelerator Pedal (includes items 8 through 10)	1
8	1013871	Pad, Accelerator Pedal	1
9	N/A	Accelerator Pedal Weldment	1
10	7716	Screw, #10-16 Type AB, Sheet Metal	4
11	101796201	Spring, Accelerator Return	1
12	101817401	Retainer, Spring	1
13	101861901	Screw, 1/4-20 X 1.125 Hex Cap	4
14	101862001	Screw, 1/4-20 X 1.500 Flange	1
15	102026001	Kit, Accelerator Pivot Rod Assembly (includes items 16 through 18)	1
16	1011700	Spacer Assembly (includes item 17)	1
17	101919801	Spacer, Accelerator	1
18	N/A	Pivot Rod Weldment	1
19	1241	Washer, 5/16 Type A Flat	1
20	1624	Screw, 3/8-16 X 1.50 Hex-Head Cap	1
21	334	Washer, 3/8 Type A Flat	2
22	7473	Locknut, 5/16-18 Nylon Insert	1
23	8233	Locknut, 1/4-20 Nylon Insert	4
24	8717	Locknut, 1/4-28 Nylon Insert	1
25	8754	Locknut, 3/8-16 Hex	2

4

E

4

E



000945-003

PEDAL

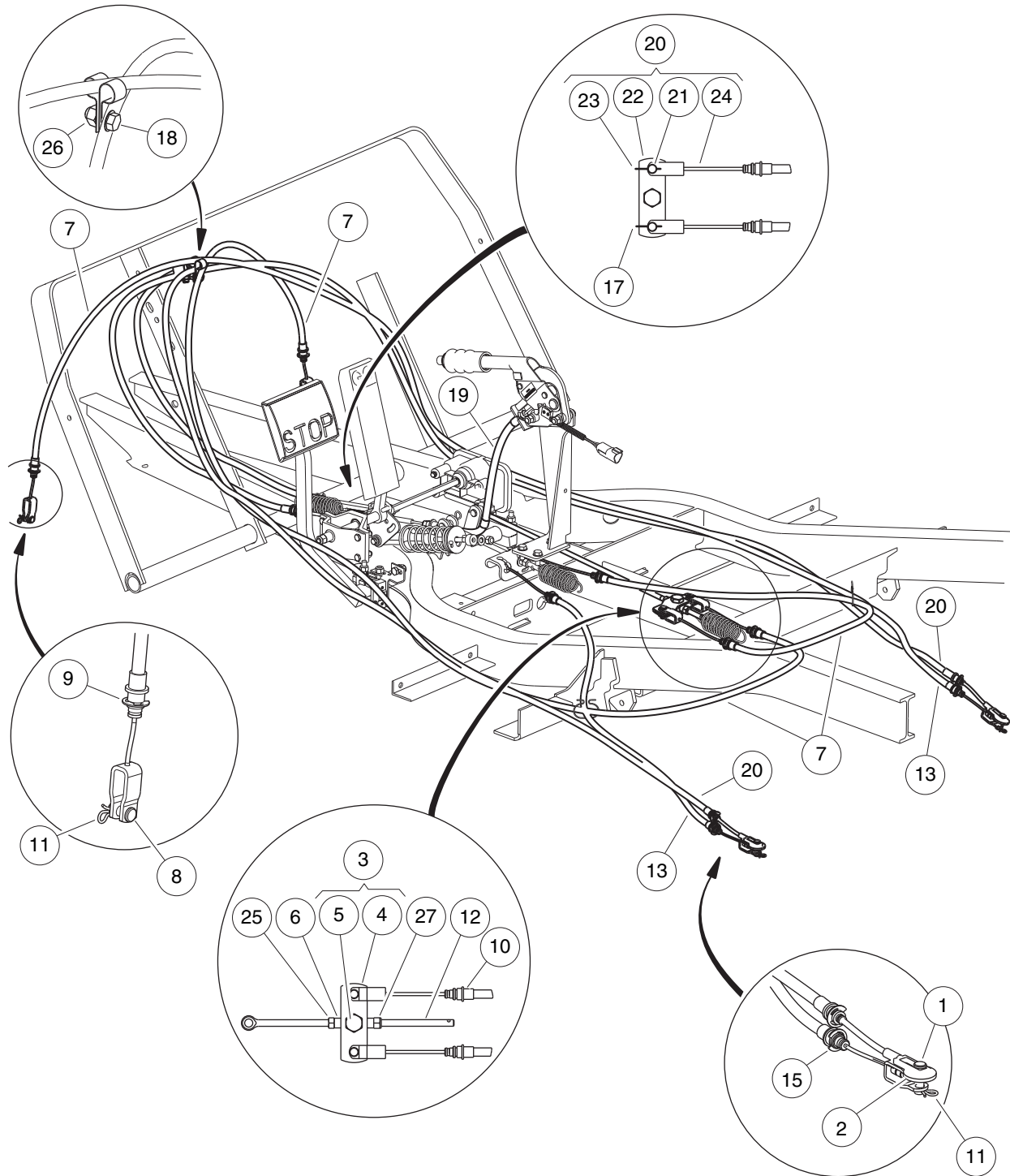
4

E

ITEM	PART NO.	DESCRIPTION	QTY
		1 2 3 4	
1	1010811	Mount-brake (b)	2
2	1010812	Mount, A-side Brake	2
3	1010921	Screw, 5/16-18 X 2.50 Hex Cap	4
4	1011402	Package, Brake Mounting Block	1
5	1011439	Switch, Limit	2
6	1011557	Screw, #6-32 X 1.00 Hex-Head Machine	4
7	1011694	Accelerator Bracket and Bearing Assembly	1
8	1013531	Spring, Brake Return	2
9	1014007	Washer, 1/4 Flat	4
10	101511402	Subasm, Pedal Group 4wb Std	1
11	1015661	Nut, Lock Hx Flanged 1/4-20	2
12	101861901	Screw, 1/4-20 X 1.125 Hex Cap	4
13	101862001	Screw, 1/4-20 X 1.500 Flange	2
14	101900801	Hanger, Brake Cable	2
15	101919801	Spacer, Accelerator	1
16	101932201	Locknut, #6-32 Nylon	4
17	101957101	Bracket, Brake Light Switch	1
18	101990801	Equalizer Bracket	1
19	102101001	Bar, Drive, Cast	1
20	102101101	MCOR	1
21	N/A	Spacer, 12.7 Mm Od	1
22	N/A	Asm, Pawl Mount, Dslsv	1
23	N/A	Spacer, Park Brake, 15.8 Mm Od	1
24	1241	Washer, 5/16 Type A Flat	6
25	1242	Nut, 5/16-18 Hex	1
26	334	Washer, 3/8 Type A Flat	3
27	7173	Screw, 5/16-18 X 0.75 Hex-Head Cap	1
28	7473	Locknut, 5/16-18 Nylon Insert	8
29	8233	Locknut, 1/4-20 Nylon Insert	8
30	8754	Locknut, 3/8-16 Hex	2

4

E



000943-002

BRAKE CABLES AND EQUALIZER

ITEM	PART NO.	DESCRIPTION	QTY
		1 2 3 4	
1	101082903	Clevis Pin, 5/16 X 1	2
2	1012571	Washer, 5/16 Extra Thick Flat	2
3	1017211	Kit, Equalizer and Pivot Limiter (includes items 4 and 5)	1
4	1016319	Equalizer Weld Assembly	1
5	1016320	Equalizer, Pivot Limiter	1
6	101865301	Spacer	2
7	101874601	Kit, Brake Cable (includes items 8 through 11)	1
8	1010829	Pin, Clevis, 5/16 X 3/4	4
9	1011779	E-Clip, 1/2	4
10	N/A	Brake Cable	2
11	102292801	Pin, Bow Tie Locking - .072	4
12	101953102	Rod, Equalizer, 20.91"	1
13	102022101	Brake Cable Kit (includes items 14 through 17)	1
14	1010829	Pin, Clevis, 5/16 X 3/4	1
15	1011779	E-Clip, 1/2	2
16	N/A	Cable, Brake, 41"	1
17	1035	Cotter Pin, 3/32 x 1	1
18	103508101	Bolt, 3/8-16 X .75 Lock Patch	1
19	103808001	Cable, Brake, Ind Park, Main	1
20	N/A	Asm, Cable, Ind Park Brake (includes items 21 through 24)	2
21	1010829	Pin, Clevis, 5/16 X 3/4	2
22	1016319	Equalizer Weld Assembly	1
23	1035	Cotter Pin, 3/32 x 1	2
24	103808101	Cable, Brake, Ind Park, Rear	2
25	1242	Nut, 5/16-18 Hex	1
26	706	Nut, Hex 3/8-16	1
27	7473	Locknut, 5/16-18 Nylon Insert	1

4

E

4

E

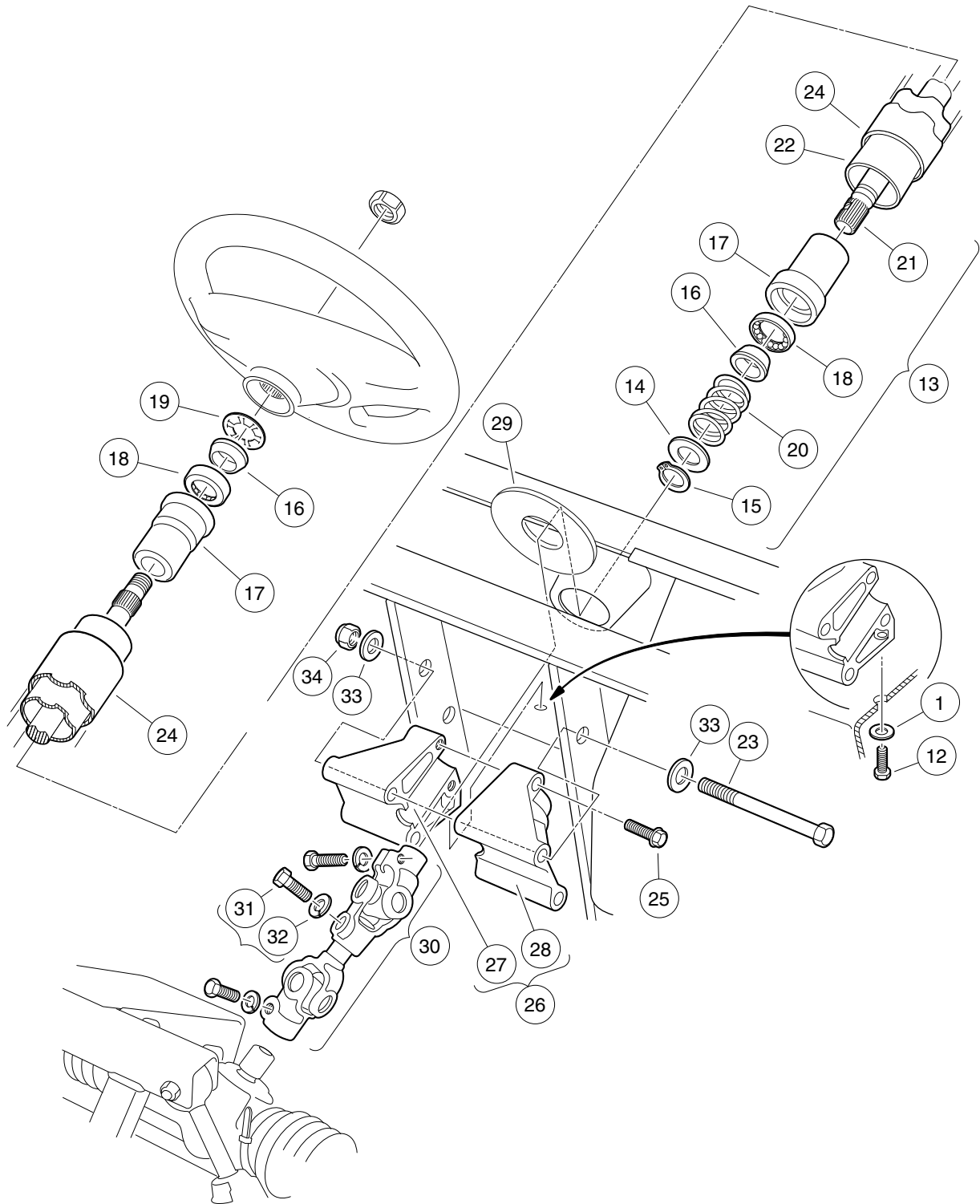
STEERING, FRONT AND REAR SUSPENSION

5

E

5

E



000935-001

STEERING COLUMN

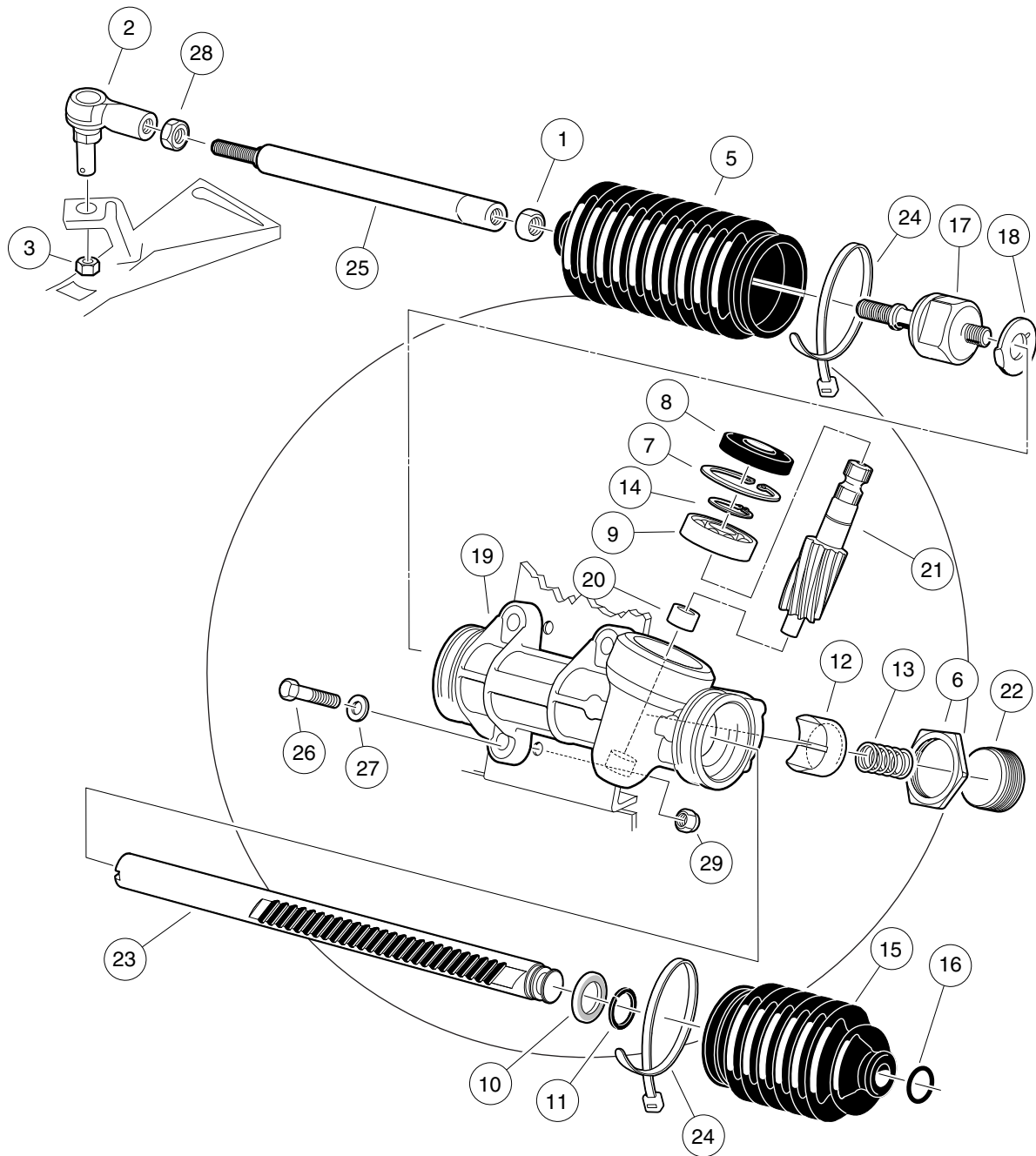
ITEM	PART NO.	DESCRIPTION	QTY
		1 2 3 4	
1	1011697	Washer, 5/16 Flat	1
2	1014216	Steering Column Rebuild Kit (includes items 3 through 11)	1
3	1012466	Dust Cover	1
4	1012605	Ring, 0.579 Internal Retaining	1
5	1014125	Wedge, Molded	2
6	1014126	Seat, Plastic Bearing	2
7	1014211	Seal, Bearing	1
8	1014212	Spacer, Shaft	1
9	1014213	Bearing, Ball	2
10	1014214	Ring, Retaining	1
11	1014217	Spring, Steering Shaft	1
12	1014288	Screw, 5/16-18 X 0.75 Thread-Forming	1
13	1016181	Steering Shaft Assembly (includes items 14 through 22)	1
14	1012604	Washer, 0.675 ID X 1.19 OD	1
15	1012605	Ring, 0.579 Internal Retaining	1
16	1014125	Wedge, Molded	2
17	1014126	Seat, Plastic Bearing	2
18	1014213	Bearing, Ball	2
19	1014214	Ring, Retaining	1
20	1014217	Spring, Steering Shaft	1
21	1015545	Shaft, Steering Column	1
22	1016622	Column, Aluminum Steering	1
23	1016183	Screw, 3/8-16 X 7.00 Hex Cap	2
24	1016263	Cover, Steering Column Tube	1
25	1016269	Screw, 5/16-18 Thrd Forming	2
26	101984801	Kit, Steering Column Mounting Bracket (includes items 27 and 28)	1
27	N/A	Bracket, RH Steering Column Mount	1
28	N/A	Bracket, LH Steering column mount	1
29	102278001	Boot, Steering Column Round	1
30	103601601	Shaft, Intermediate Steering (includes items 31 and 32)	1
31	1017226	Bolt, Hex-Head, 8mm X 1.25 - 30	3
32	7174	Lockwasher, 5/16 Split	3
33	334	Washer, 3/8 Type A Flat	4
34	8754	Locknut, 3/8-16 Hex	2

5

E

5

E



000960-001

STEERING GEAR ASSEMBLY

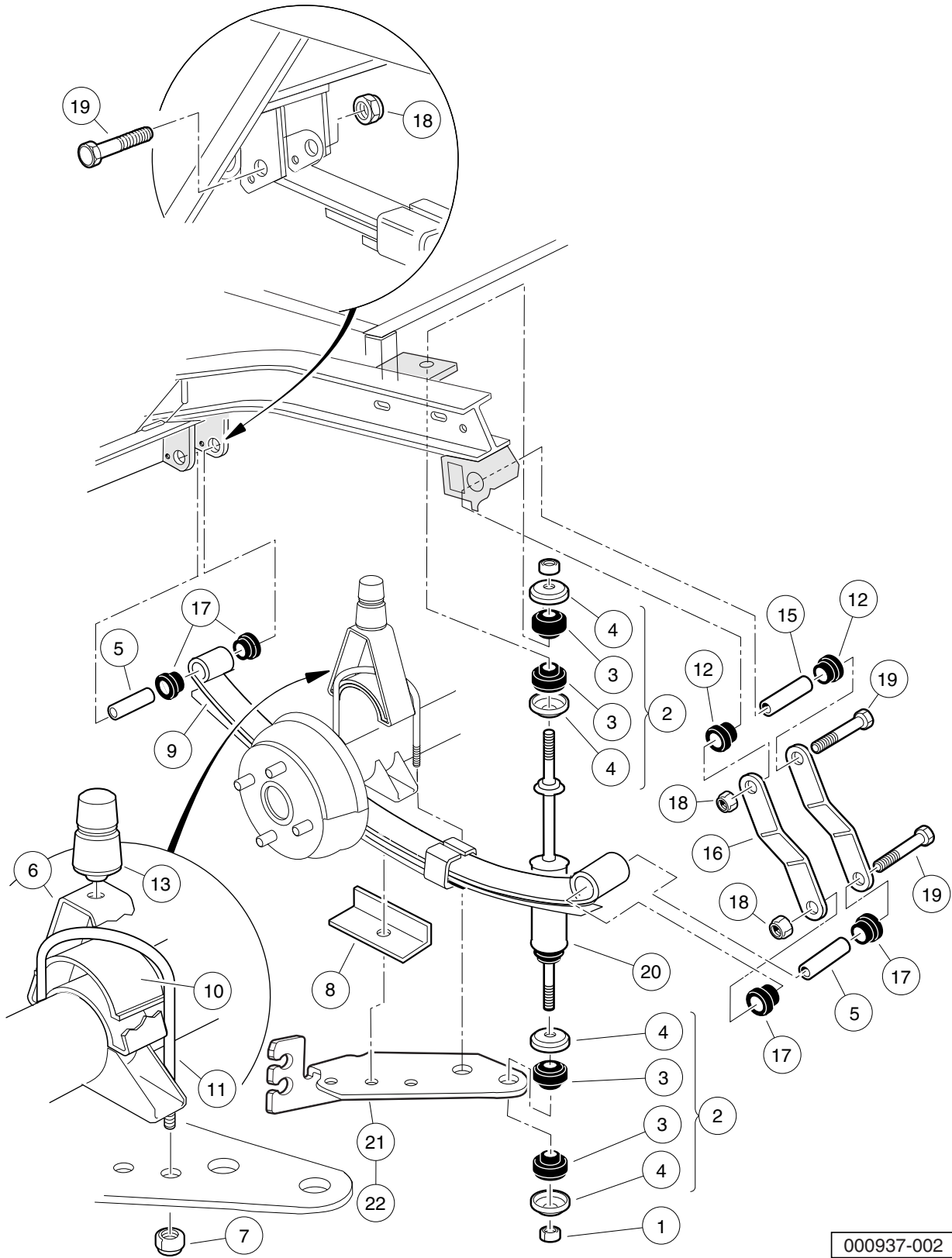
ITEM	PART NO.	DESCRIPTION	QTY
		1 2 3 4	
1	1013042	Nut, 12mm Hex	1
2	102022602	End, Tie Rod, M12 X 1.25, Lh	1
3	102289201	Nut - Hex Locking, M12 X 1.25	3
4	103601501	Asm, Steering Rack And Pinion (includes items 5 through 24)	1
5	1013035	Bellows, Long	1
6	1013044	Rack Screw Locknut	1
7	1013051	Snap Ring	1
8	1013052	Seal, Steering Pinion Dust	1
9	101879401	Bearing, Ball	1
10	101879501	Stop Washer	1
11	101879601	Stop Ring, C-Type	1
12	101879701	Support Yoke	1
13	101879801	Rack Guide Pressure Spring	1
14	101879901	Ring, Stop, C-Type	1
15	101880001	Bellows, Short	1
16	101880101	Dust Seal Retaining Ring	1
17	101880201	Inner Ball Joint Asm	1
18	101880301	Washer, Tab	1
19	N/A	Box, Steering Gear	1
20	N/A	Bearing, Lower Pinion	1
21	N/A	Pinion, Steering	1
22	N/A	Screw, Rack Guide	1
23	N/A	Rack, Steering	1
24	8990	Tie Wrap, 8" Nylon	2
25	103653401	Link, Drag, Male Thd	1
26	1624	Screw, 3/8-16 X 1.50 Hex-Head Cap	3
27	334	Washer, 3/8 Type A Flat	3
28	7555	Nut, 1/2-20 Hex, Left-Hand Thread	1
29	8754	Locknut, 3/8-16 Hex	3

5

E

5

E



000937-002

REAR SUSPENSION COMPONENTS

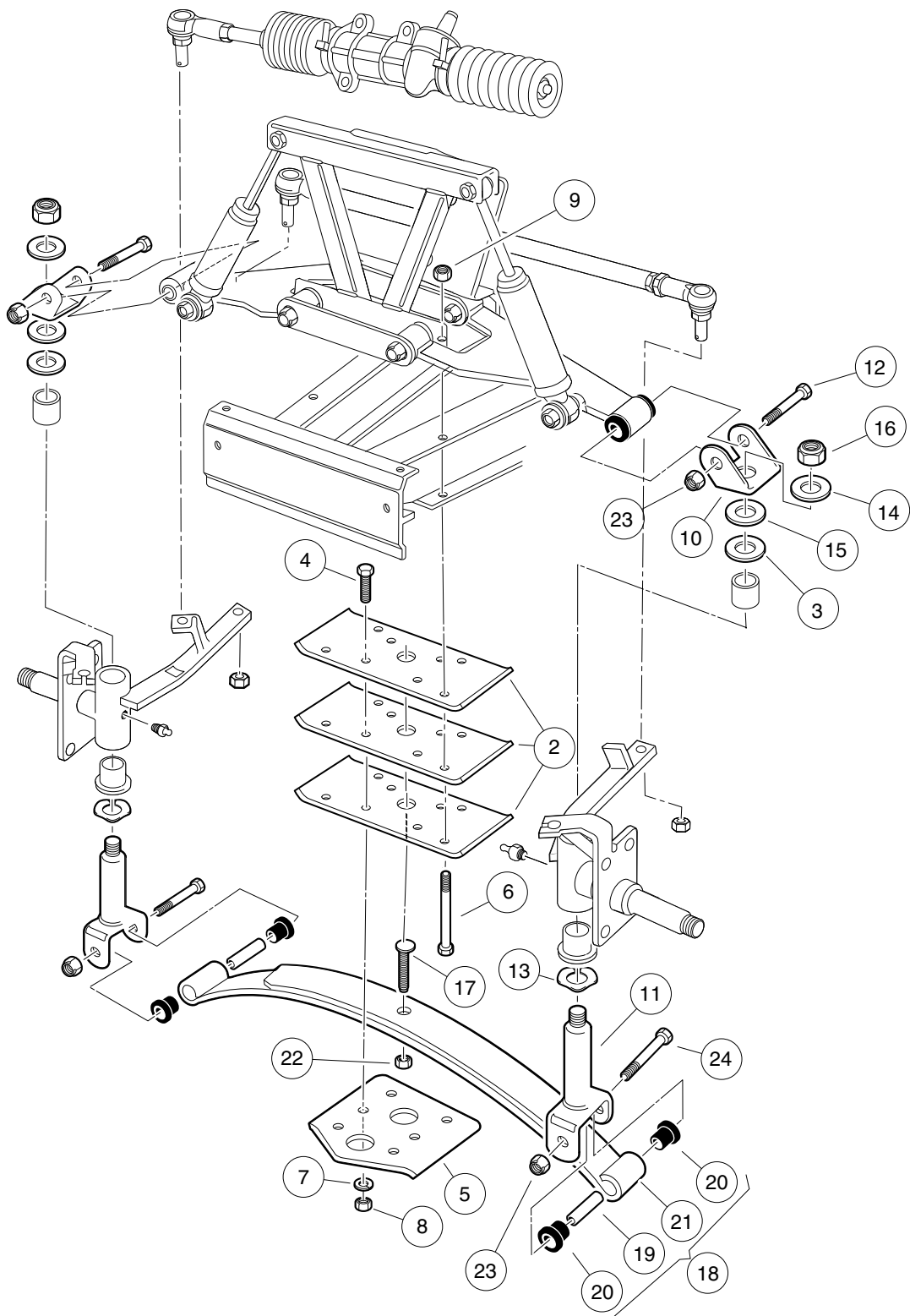
ITEM	PART NO.	DESCRIPTION	QTY
		1 2 3 4	
1	1010145	Nut, 3/8-24 Hex	4
2	1011415	Kit, Shock Absorber Cushion (includes items 3 and 4)	4
3	1010142	Cushion, Shock Absorber	2
4	1010144	Retainer, Shock Absorber Cushion	2
5	1012303	Bushing, Steel	4
6	101454602	Bumper Mount	2
7	1014555	Locknut, 7/16-14 Nylon Hex	4
8	1014573	Spring Retainer	2
9	1014675	Rear Leaf Spring	2
10	1014901	Spacer, Overload Bumper	2
11	1014902	U-Bolt	2
12	1015583	Bushing, Urethane	8
13	1017235	Bumper, Jounce	2
14	N/A	Instl, Rear Susp Hdw - Gas (includes items 15 through 19)	1
15	1012303	Bushing, Steel	2
16	1012304	Shackle, Rear Spring	4
17	1015583	Bushing, Urethane	4
18	8754	Locknut, 3/8-16 Hex	6
19	8755	Screw, 3/8-16 X 3.375 Hex Cap	6
20	102706401	Shock Absorber Rear	2
21	103807301	Bracket, Shock Mount, Ind Park, Rh	1
22	103807302	Bracket, Shock Mount, Ind Park, Lh	1
		<p>Note: Only the driver-side rear suspension is shown. Parts for the passenger-side rear suspension are identical except for the leaf spring/shock mounting plate.</p>	

5

E

5

E



000940-001

FRONT SUSPENSION, LOWER

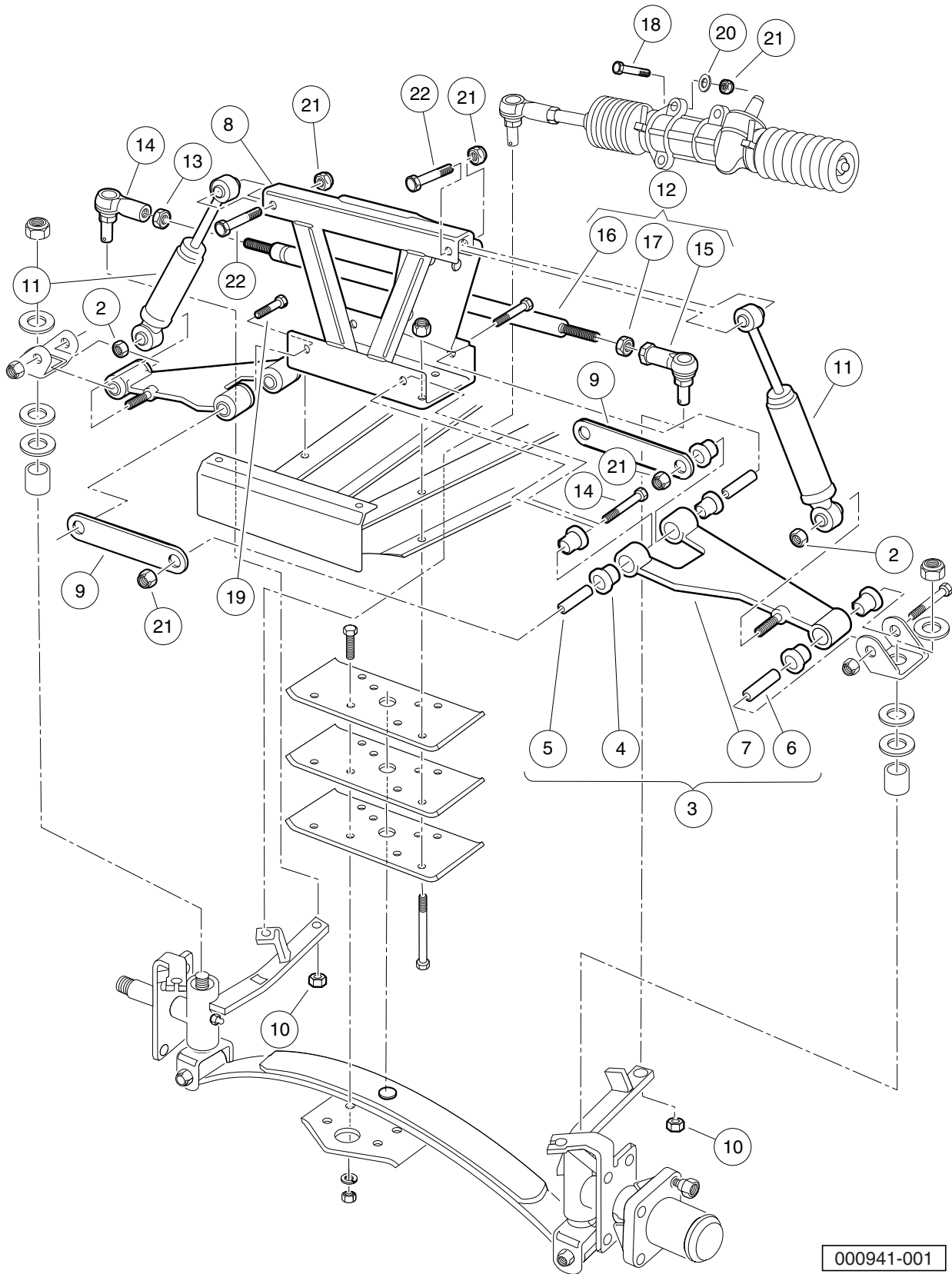
ITEM	PART NO.	DESCRIPTION	QTY
		1 2 3 4	
1	N/A	Asm, Front Suspension, 4wb Lsv (includes items 2 through 9)	1
2	1010124	Plate, Spring Mount	3
3	1010150	Bearing, Thrust	2
4	1010177	Bolt, 3/8-16 X 2.00 Hex Head	4
5	1014276	Plate, Front Spring Retainer	1
6	101870501	Screw, 3/8-16 X 4.75 Hx Hd Cap	4
7	357	Lockwasher, 3/8 Split	4
8	706	Nut, Hex 3/8-16	4
9	8754	Locknut, 3/8-16 Hex	4
10	1016384	Clevis, Delta Upper	2
11	1016386	King Pin Assembly	2
12	1016387	Screw, 3/8-16 X 2.75 Hx Hd Cap	2
13	1016389	Washer, 1.125 Od Wave	2
14	102564002	Washer-1/2 Conical, Yellow	2
15	102684501	Washer, M12 Hard Regular	2
16	102766301	Nut, 1/2-20, Center Lock	2
17	103507001	Eccentric Bolt Common	1
18	103628801	Spring Asm, Front, 2 Leaf (includes items 19 through 21)	1
19	1012303	Bushing, Steel	2
20	1015583	Bushing, Urethane	4
21	103502701	Spring, Front, 2 Leaf	1
22	706	Nut, Hex 3/8-16	1
23	8754	Locknut, 3/8-16 Hex	13
24	8755	Screw, 3/8-16 X 3.375 Hex Cap	2

5

E

5

E



000941-001

FRONT SUSPENSION, UPPER

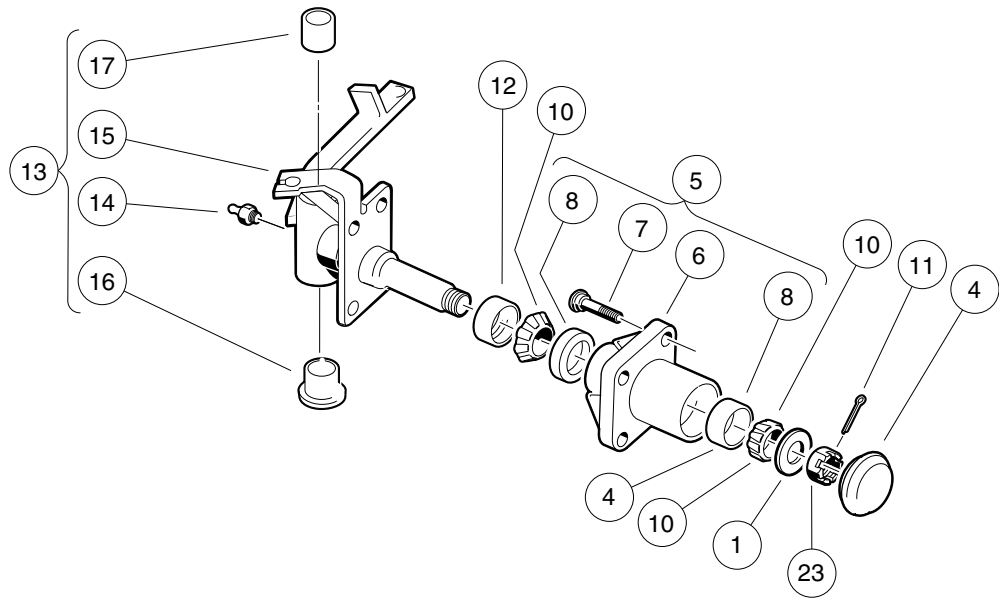
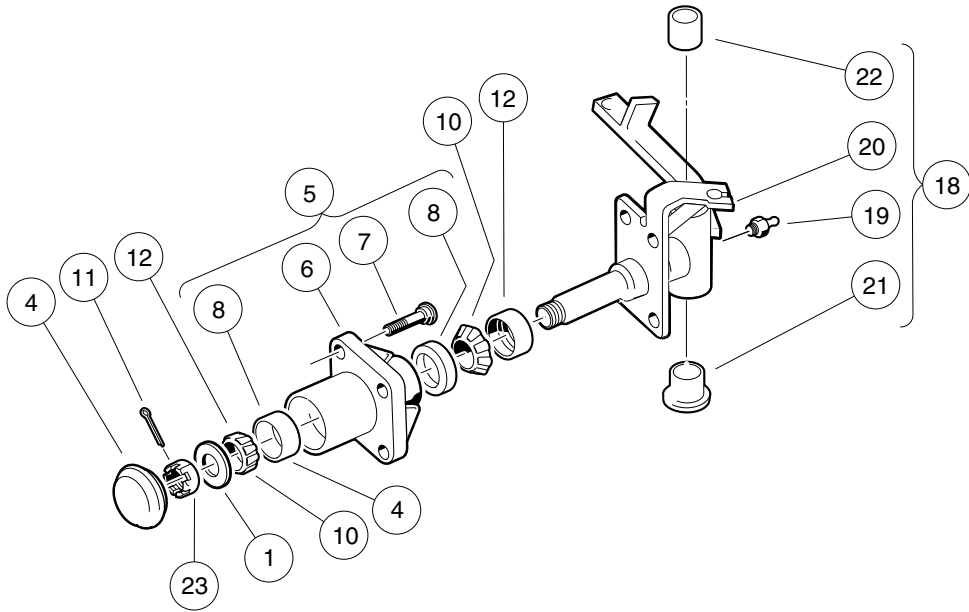
ITEM	PART NO.	DESCRIPTION	QTY
		1 2 3 4	
1	N/A	Sub, Fr Susp, 1 Lf, 4wb Lsv (includes items 2 through 22)	1
2	1010138	Locknut, 3/8-16 Dimpled	2
3	1016353	Sub-Assembly, Delta A-Plate (includes items 4 through 7)	2
4	1016346	Bushing, Urethane	6
5	1016349	Sleeve, Delta Inner	2
6	1016350	Sleeve, Delta Outer	1
7	1016351	Delta A-Plate	1
8	1016385	Delta Shock and Gear Support Assembly	1
9	1017266	A-Plate Strap	2
10	102289201	Nut - Hex Locking, M12 X 1.25	3
11	103351001	Shock Absorber, Front, Common	2
12	N/A	Asm, Tie Rod (includes items 13 through 17)	1
13	1013042	Nut, 12mm Hex	1
14	102022601	End, Tie Rod M12 X 1.25 Rh	1
15	102022602	End, Tie Rod, M12 X 1.25, Lh	1
16	103354701	Rod, Tie, Male Thd	1
17	103653501	Nut, Jam, M12-1.25, Lh	1
18	1624	Screw, 3/8-16 X 1.50 Hex-Head Cap	3
19	2402	Screw, 3/8-16 X 2.25 Hx Hd Cap	4
20	334	Washer, 3/8 Type A Flat	3
21	8754	Locknut, 3/8-16 Hex	13
22	8861	Bolt, 3/8-16 X 1.75 Hex	2

5

E

5

E



000938-001

FRONT SPINDLES AND HUBS

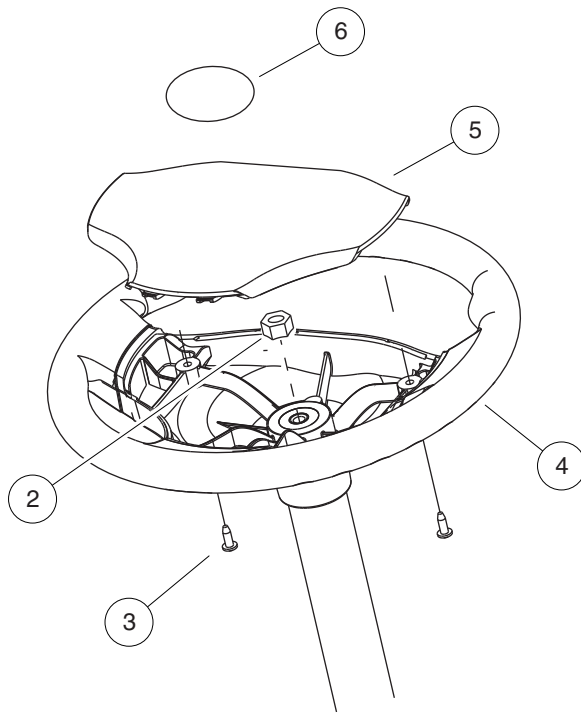
ITEM	PART NO.	DESCRIPTION	QTY
		1 2 3 4	
1	1010005	Washer, 3/4 Flat	2
2	1011887	Dust Cover	2
3	1011892	Hub Assembly (includes items 4 through 11)	2
4	1011887	Dust Cover	1
5	1011889	Hub (includes items 6 through 8)	1
6	1011153	Front Hub	1
7	103477901	Lug Stud, 1/2-20 Unf, 4037	4
8	7308	Race, Front Hub Bearing	2
9	1013135	Seal, Double Lip	1
10	7274	Bearing, Front Hub Wheel	2
11	7910	Pin, 5/32 X 1.00 Cotter	1
12	1013135	Seal, Double Lip	2
13	103717302	Asm, Spindle, Lh, 4wb, Sp (includes items 14 through 17)	1
14	1015597	Fitting, 1/4-28 Thread-Forming Grease	1
15	N/A	Subasm, Spindle, Lh, 4wb	1
16	7048	Bushing, Flanged Bronze	1
17	8067	Bushing, Bronze Spindle	1
18	103717402	Asm, Spindle, Rh, 4wb, Sp (includes items 19 through 22)	1
19	1015597	Fitting, 1/4-28 Thread-Forming Grease	1
20	N/A	Subasm, Spindle, Rh, 4wb	1
21	7048	Bushing, Flanged Bronze	1
22	8067	Bushing, Bronze Spindle	1
23	7840	Nut, 3/4-16 Hex Slotted	2

5

E

5

E



000470-003

STEERING WHEEL

ITEM	PART NO.	DESCRIPTION	QTY
		1 2 3 4	
1	N/A	Instl, Steer Wheel, Champ Lsv (includes items 2 through 6)	1
2	1017273	Nut, 5/8-18 Nylon Insert Jam	1
3	101850301	Screw, #12-16 X 0.50 Washer-Head Hi-Lo	2
4	103724504	Steering Wheel, Soft Spl	1
5	103724602	Cover, Steering Wheel, Gener	1
6	103829401	Logo, Cci, Steer Wheel	1

5

E

5

E

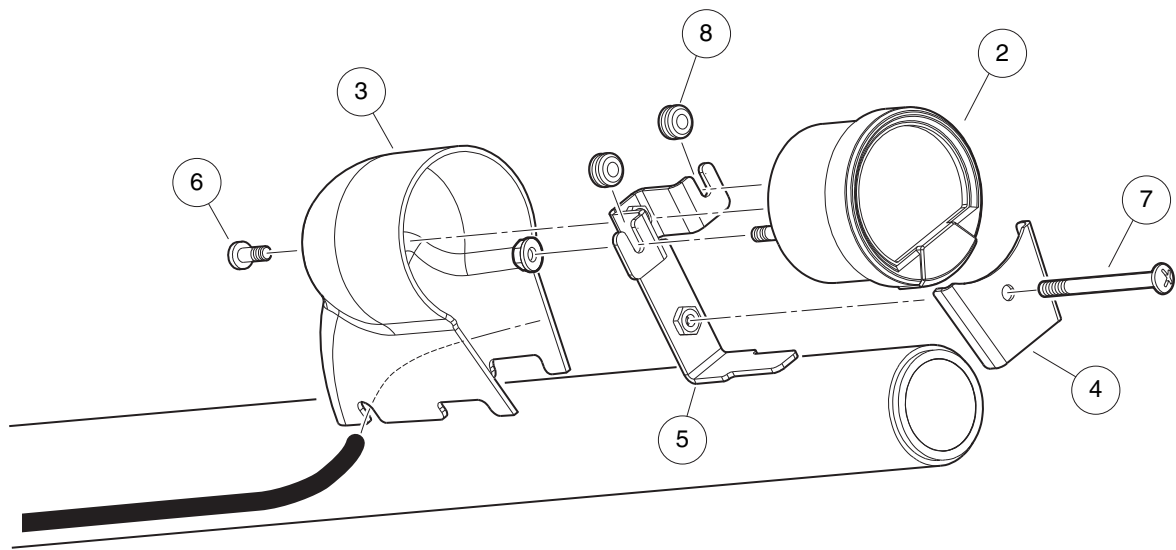
ELECTRICAL SYSTEM

6

E

6

E



000932-001

SPEEDOMETER

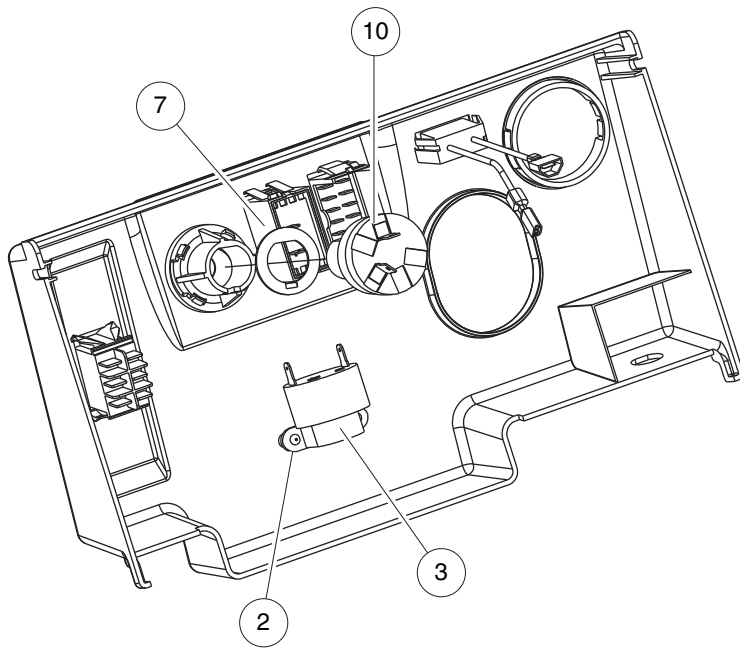
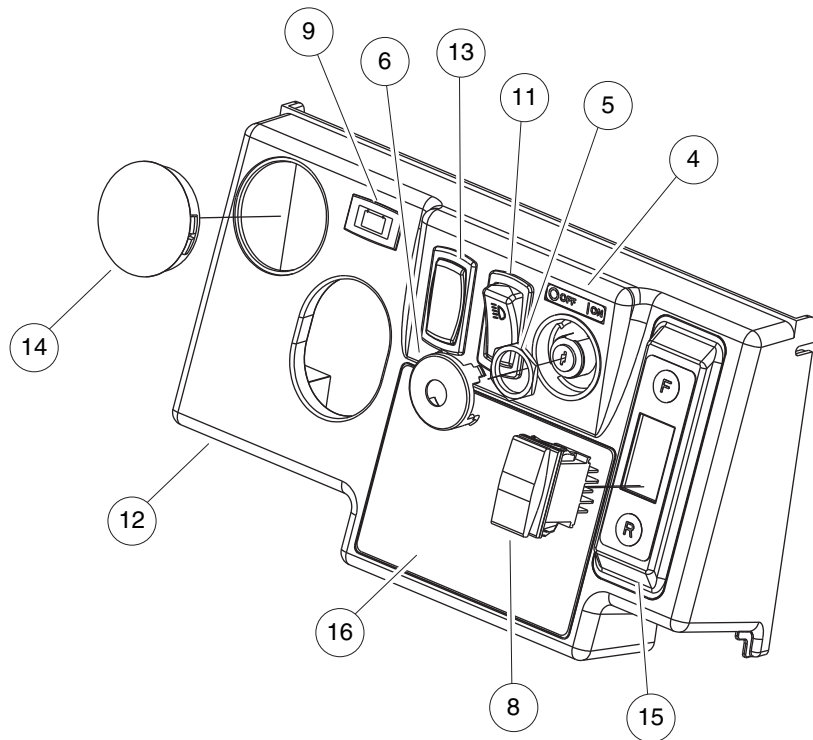
ITEM	PART NO.	DESCRIPTION	QTY
		1 2 3 4	
1	N/A	Instl, Speedometer, Ds Lsv Std (includes items 2 through 8)	1
2	103740001	Speedometer, Koso	1
3	103740101	Cover, Koso Speedometer	1
4	103740201	Cap, Koso Speedometer Cover	1
5	103740301	Bracket, Koso Speedometer	1
6	103740401	Screw, Panhead 10-32 X 5/8	1
7	103740501	Screw, Panhead 10-32 X 2-1/2	1
8	103740801	Grommet, Speedometer	2

6

E

6

E



000925-002

INSTRUMENT PANEL COMPONENTS

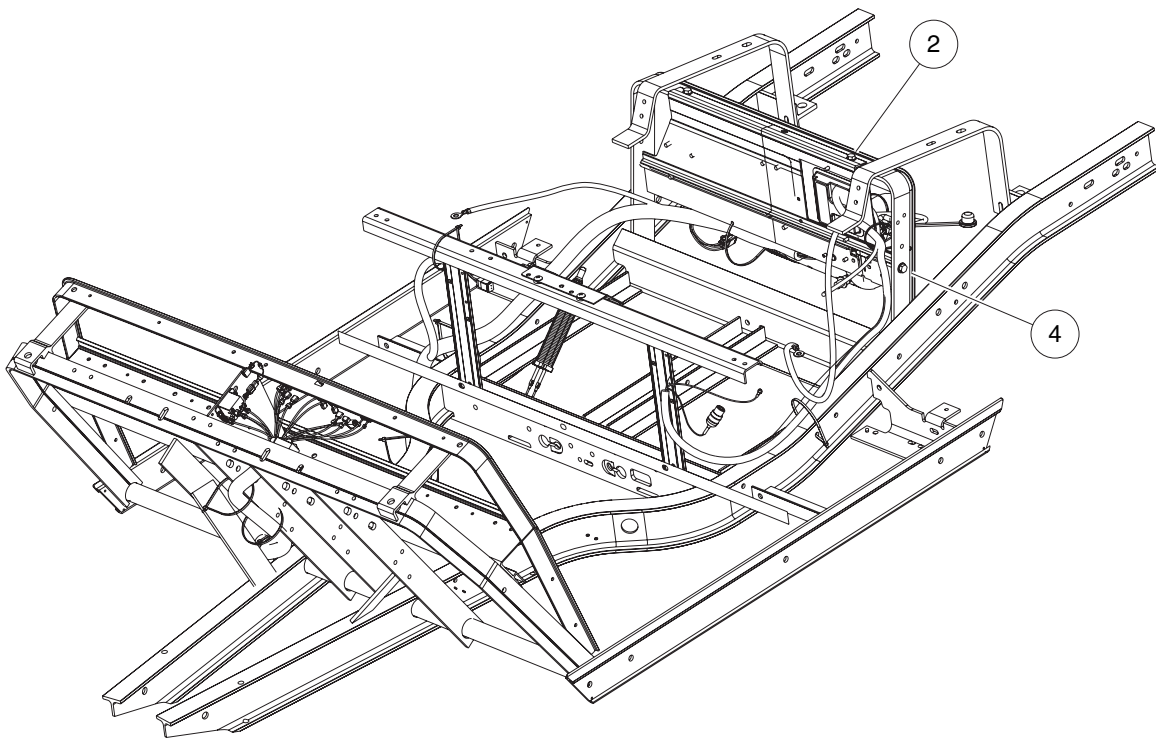
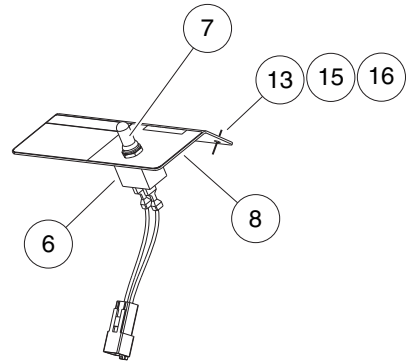
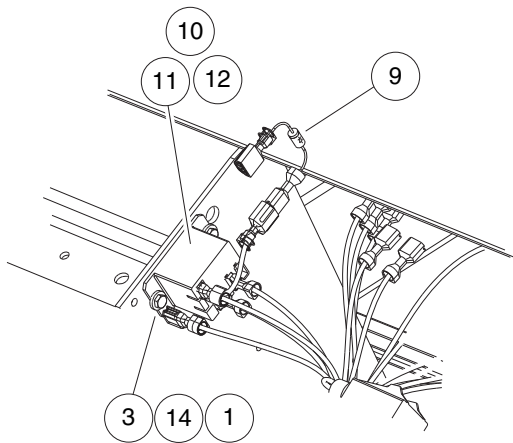
ITEM	PART NO.	DESCRIPTION	QTY
		1 2 3 4	
1	N/A	Asm, Dash, Elec, Villager Lsv (includes items 2 through 16)	1
2	1016849	Screw, #4-24 X 0.33 Pan-Head Machine	2
3	1016851	Buzzer, Reverse (9-48 VDC)	1
4	101825101	Decal, Off/On	1
5	101830701	Nut, Key Switch	1
6	101834502	Cap, Black Key Switch	1
7	101851101	Washer, Key Switch	1
8	101856001	Switch, Rocker, Double-Pole	1
9	102508701	Light, Battery	1
10	102571501	Keyswitch, Uncom, 5a402 On/off	1
11	102869401	Switch, Rocker, Light	1
12	102977002	Panel, Dash, Center, Gas (Instrument Panel)	1
13	103180101	Cover, Hole, Switch, Rocker	1
14	103198301	Plug, Hole, Round, 2.0 In	1
15	103210301	Decal, Forward/Reverse, Electric	1
16	103756501	Decal, Warn, Dash, Cci V4 Lsv	1

6

E

6

E



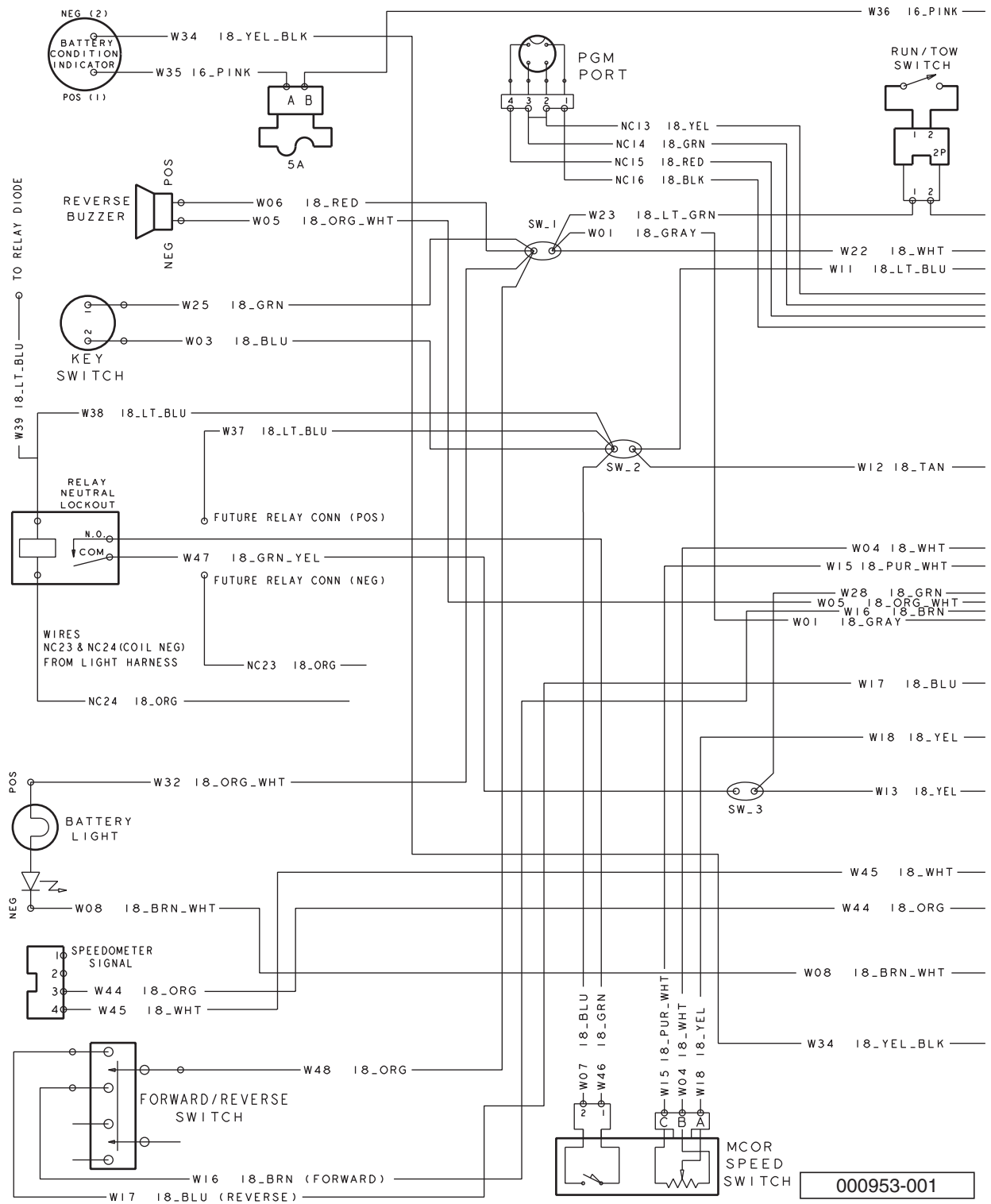
000947-001

ELECTICAL SYSTEM

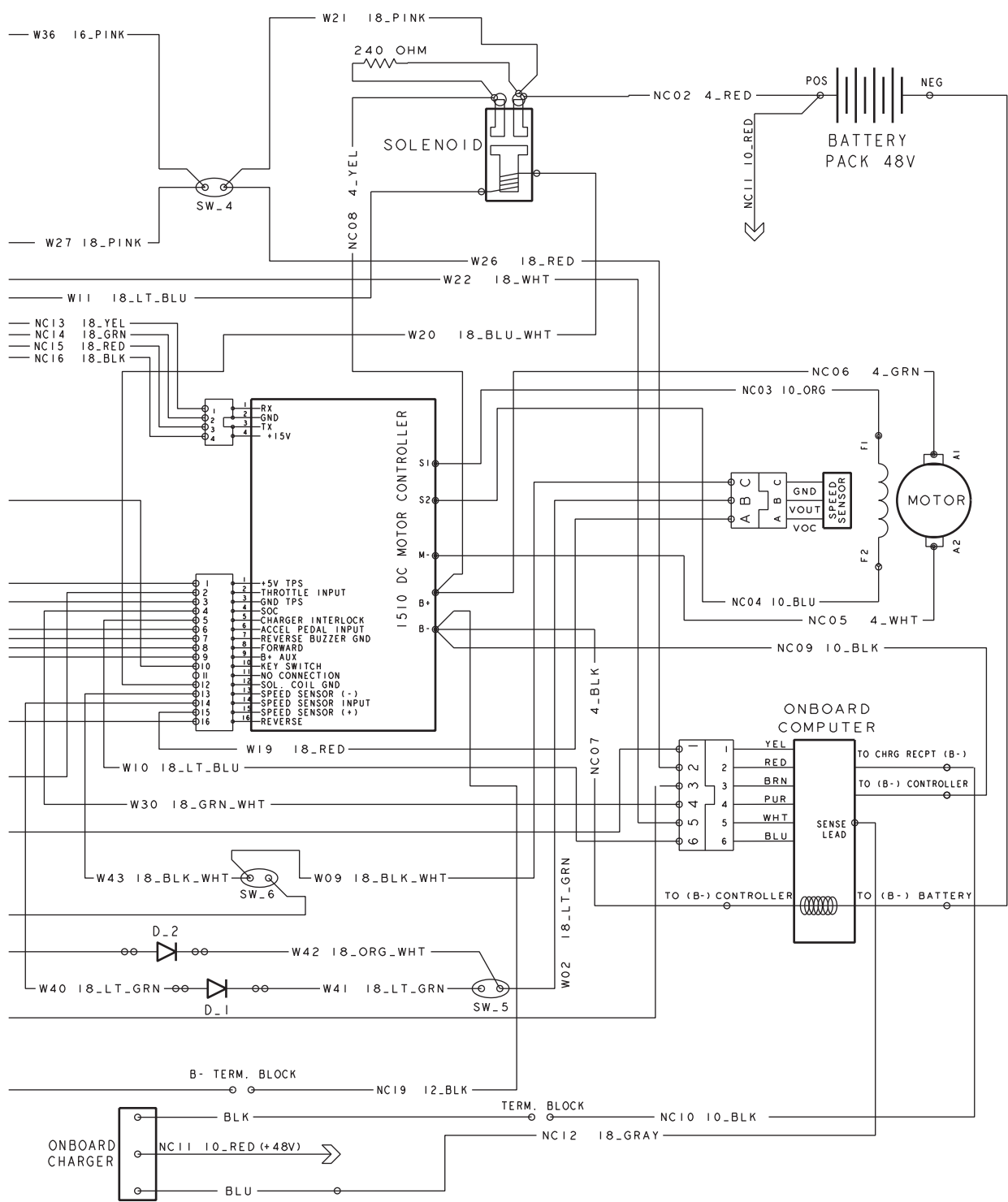
ITEM	PART NO.	DESCRIPTION	QTY
		1 2 3 4	
1	1011229	Locknut, #6-32 Whiz	2
2	1014288	Screw, 5/16-18 X 0.75 Thread-Forming	2
3	1017853	Screw, #6-32 X 0.75 Hex-Head Machine	2
4	101910401	Screw, 5/16-18 X 1.25 Thrd Frm	2
5	N/A	Tow Switch Assembly (includes items 6 through 8)	1
6	101908101	Switch Assembly, Tow/Run	1
7	101908401	Boot, Switch	1
8	101922501	Bracket, Tow/Run Switch Mounting	1
9	102273101	Diode Assembly	1
10	103414901	Kit, Relay, 48v 30a W/instr (includes items 11 and 12)	1
11	103397901	Relay, Spst No, 48v 30a, Pmt	1
12	N/A	Kit, Relay, 48v 30a Instrns	1
13	332	Washer, 1/4 Type A Narrow Flat	2
14	7591	Washer, #6 Flat	2
15	8233	Locknut, 1/4-20 Nylon Insert	2
16	8248	Screw, 1/4-20 X 0.75 Truss-Head Machine	2

6

E



000953-001



000953-001

6

E

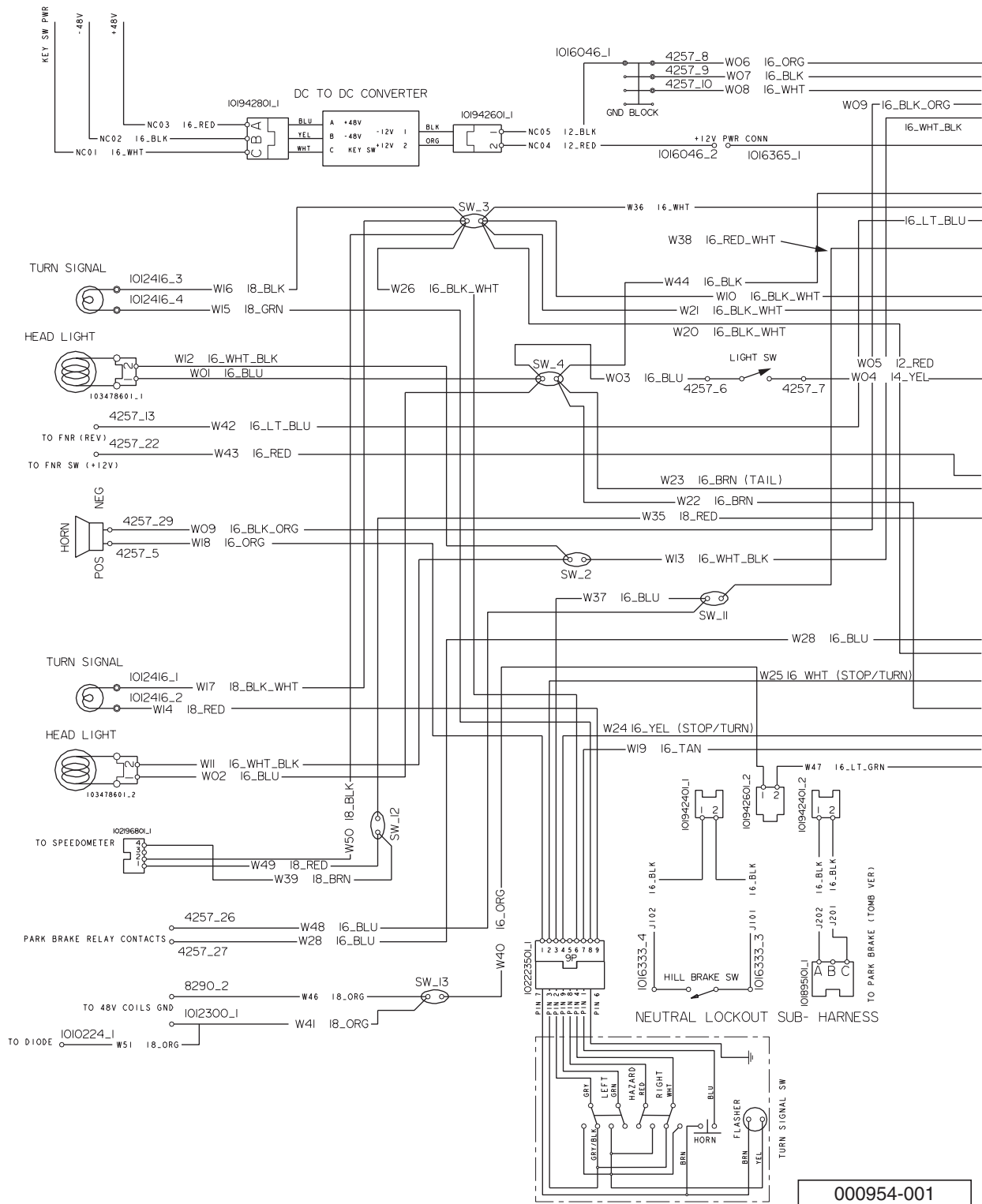
See previous two pages for illustration.

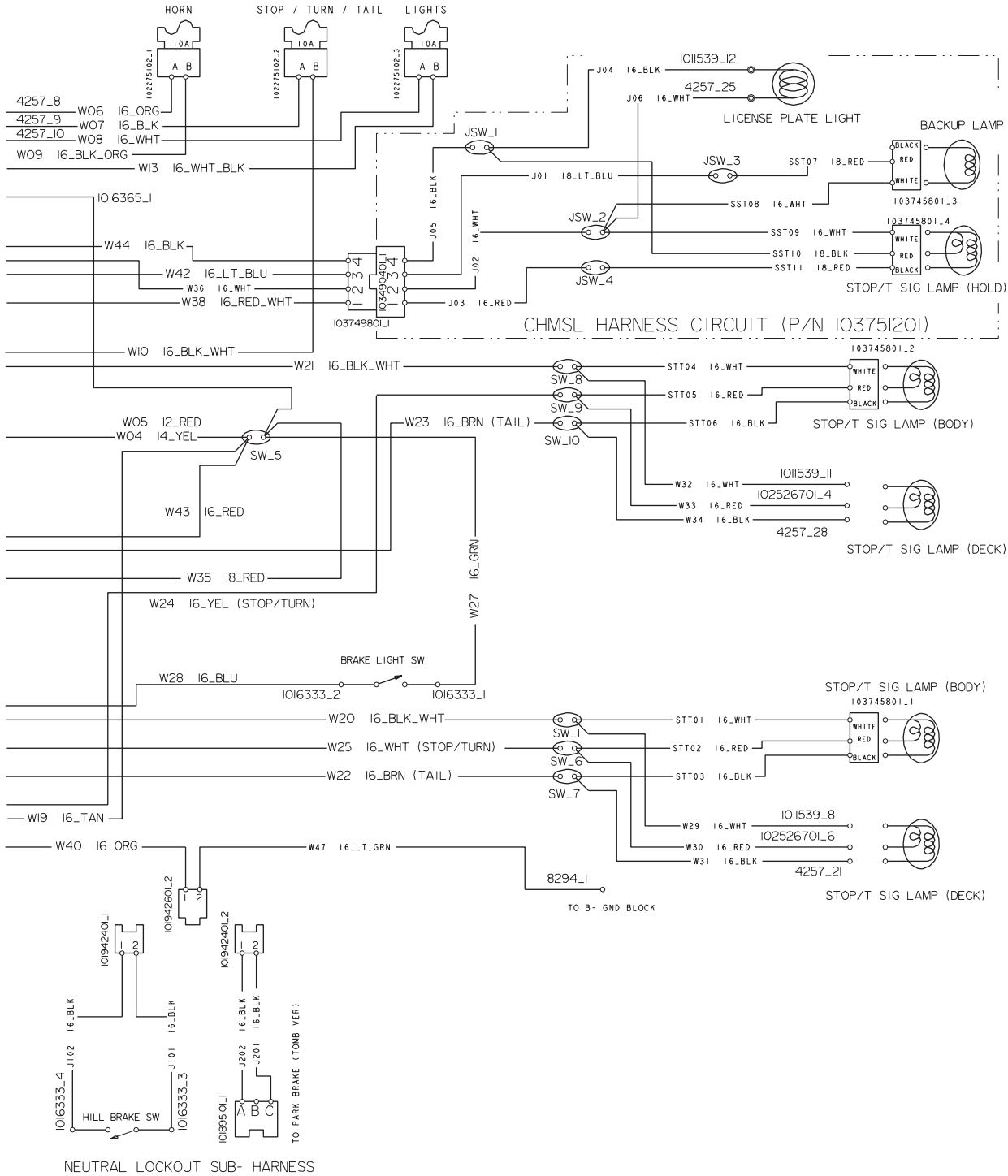
WIRING

ITEM	PART NO.	DESCRIPTION	QTY
1	103738701	1 2 3 4 Wire Harness Elec Ds Lsv	1

6

E





000954-001

6

E

See previous two pages for illustration.

LIGHTS WIRING

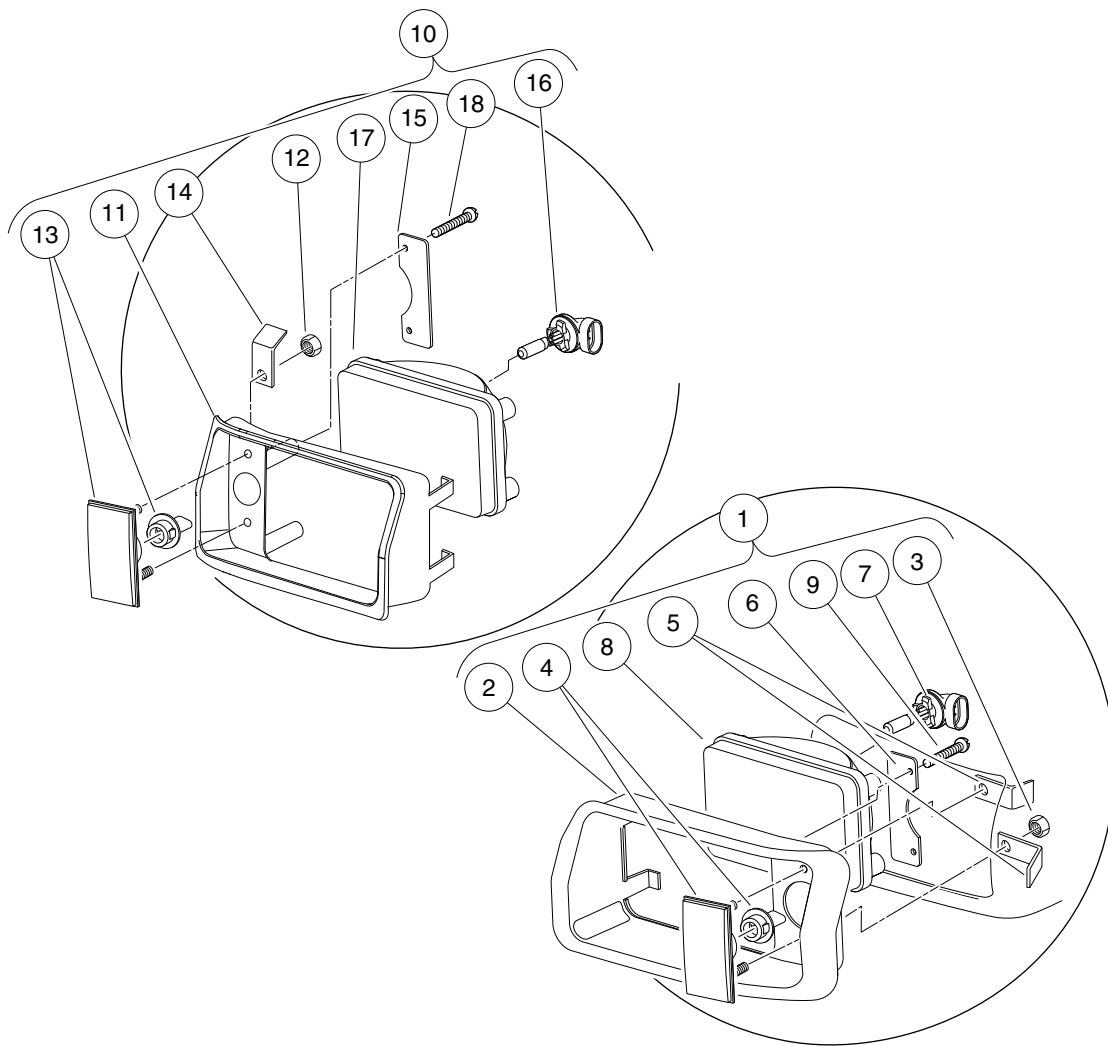
ITEM	PART NO.	DESCRIPTION	QTY
1	103746701	1 2 3 4 Harness, Light, Ds Lsv	1

6

E

6

E



000950-001

HEADLIGHTS

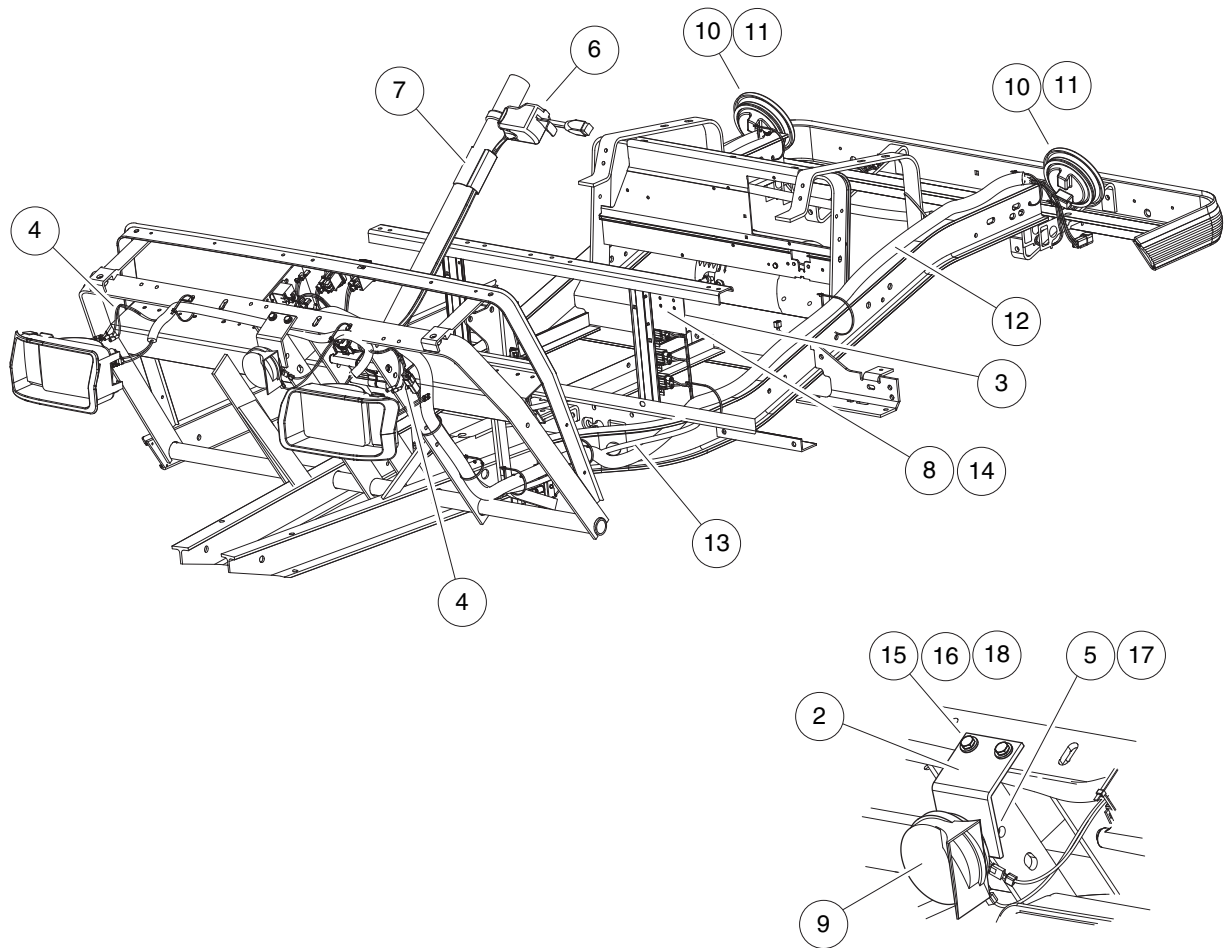
ITEM	PART NO.	DESCRIPTION	QTY
		1 2 3 4	
1	101988005	Asm, Headlight -lh Sae/dot (includes items 2 through 9)	1
2	1016880	Headlight Bezel, Left	1
3	1017	Nut, #10-24 Stainless-Steel Hex Machine	2
4	1017062	Turn Signal Lens Assy	1
5	1017064	Mounting Bracket	2
6	1017065	Retainer, Headlight	1
7	101988101	Bulb, Headlight	1
8	101988202	Lens, Headlight -sae	1
9	1620	Screw, #10-16 X 0.75 Pan-Head Tap	2
10	101988006	Asm, Headlight -rh Sae/dot (includes items 11 through 18)	1
11	1016879	Headlight Bezel, Right	1
12	1017	Nut, #10-24 Stainless-Steel Hex Machine	2
13	1017062	Turn Signal Lens Assy	1
14	1017064	Mounting Bracket	2
15	1017065	Retainer, Headlight	1
16	101988101	Bulb, Headlight	1
17	101988202	Lens, Headlight -sae	1
18	1620	Screw, #10-16 X 0.75 Pan-Head Tap	2

6

E

6

E



000952-003

LIGHTING

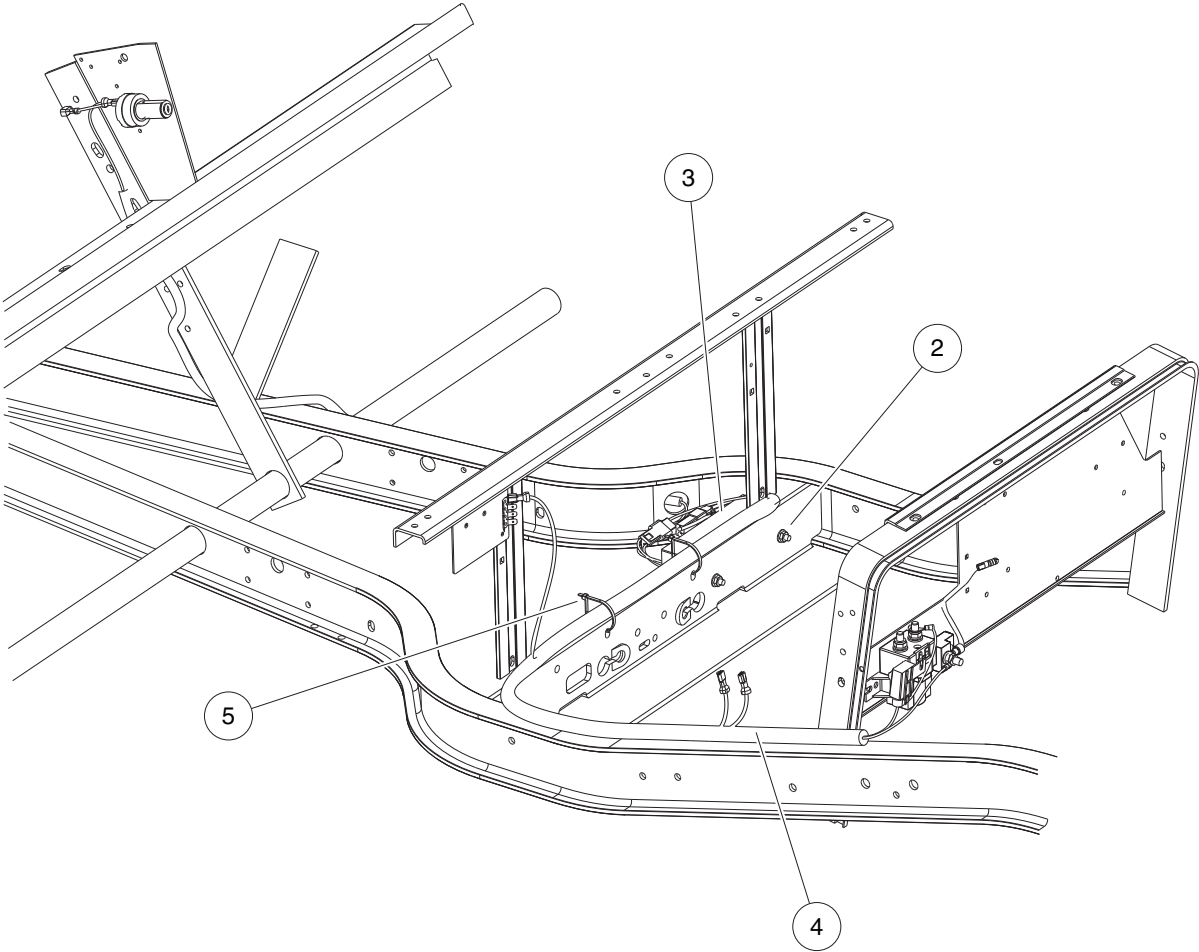
ITEM	PART NO.	DESCRIPTION	QTY
		1 2 3 4	
1	N/A	Instl, Lighting Sys, Ds Lsv (includes items 2 through 19)	1
2	1011825	Horn Bracket	1
3	1016356	Terminal Block with Insulator	1
4	1017075	Socket & Lamp Assembly	2
5	101955101	Nut, M6 Hex	1
6	102517501	Turn Signal Asm	1
7	102529203	Wire Cover-steer Column 304 Mm	1
8	103344501	Rivet, 5/32" Dia., Black	2
9	103484301	Horn, 12v, Gnd Isolated	1
10	103738801	Taillight Asm, Led 4" Round	2
11	103745701	Grommet, 4" Round Taillight	2
12	103746701	Harness, Light, Ds Lsv	1
13	N/A	Harness, Hill Brake	1
14	103761501	Plate, Terminal Block, Mtg	1
15	304	Screw, 1/4-20 X 1.0 Hex-Head Cap	2
16	332	Washer, 1/4 Type A Narrow Flat	2
17	7820	Washer, 5/16 Internal-Tooth	1
18	8233	Locknut, 1/4-20 Nylon Insert	2
19	8990	Tie Wrap, 8" Nylon	16

6

E

6

E



000949-001

DC CONVERTER

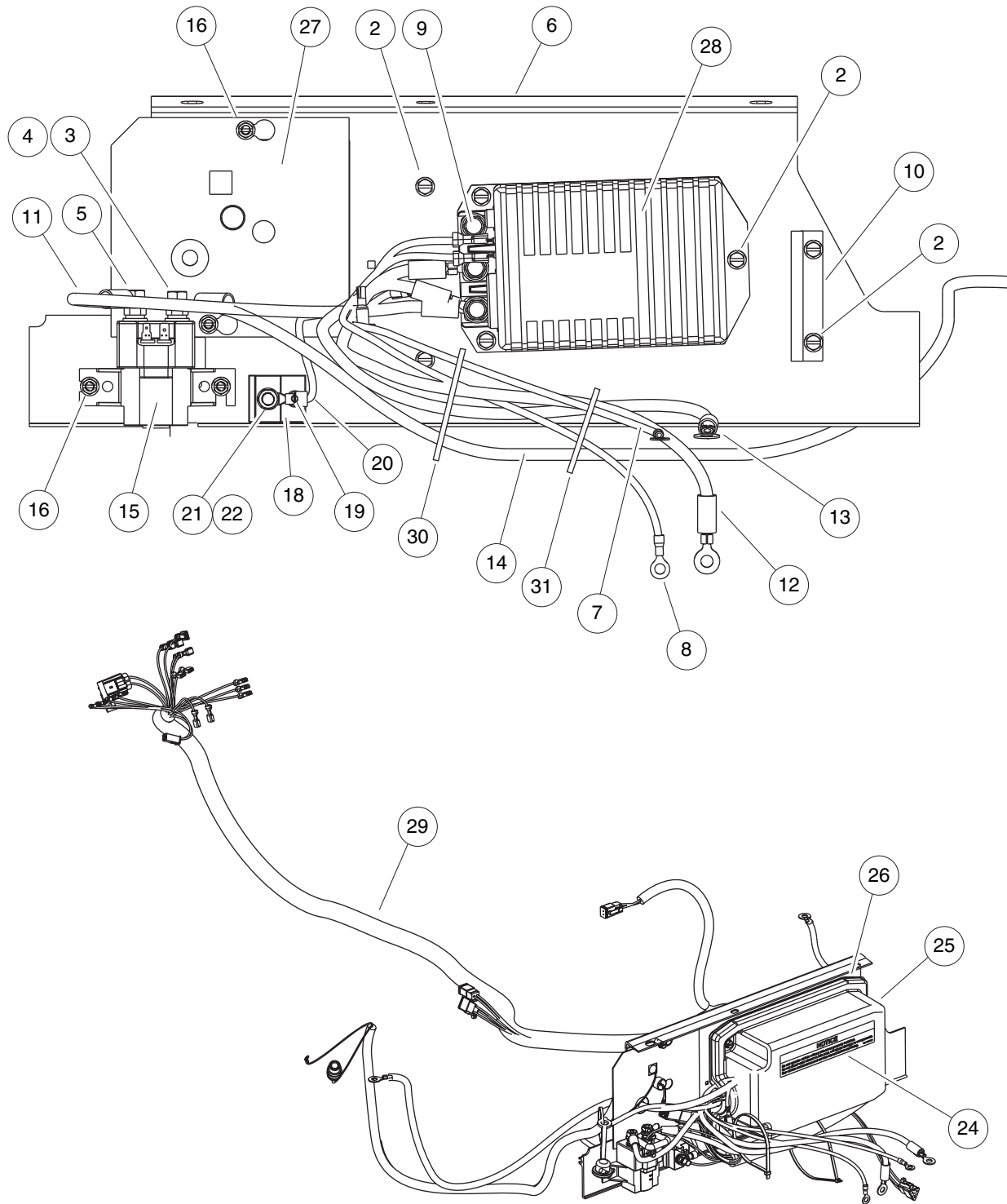
ITEM	PART NO.	DESCRIPTION	QTY
		1 2 3 4	
1	1015661	Nut, Lock Hx Flanged 1/4-20	2
2	103804901	Converter, 25a, Isolated, Ce	1
3	103816901	Harn, Converter, Ds Lsv Homol	1
4	1242	Nut, 5/16-18 Hex	1
5	7174	Lockwasher, 5/16 Split	1
6	8990	Tie Wrap, 8" Nylon	2

6

E

6

E



000946-002

ELECTICAL COMPONENTS

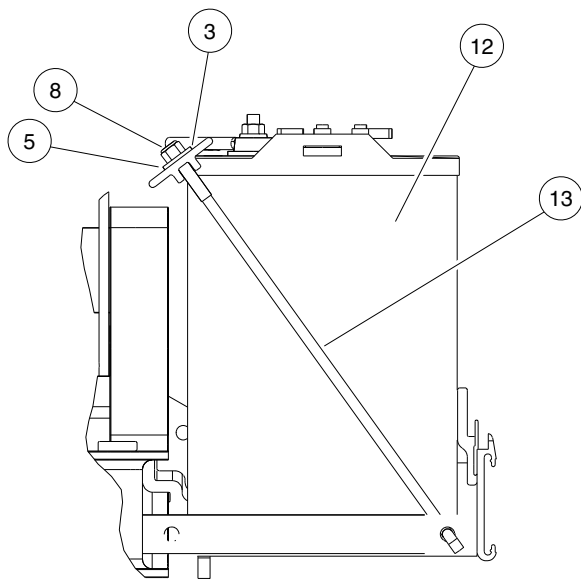
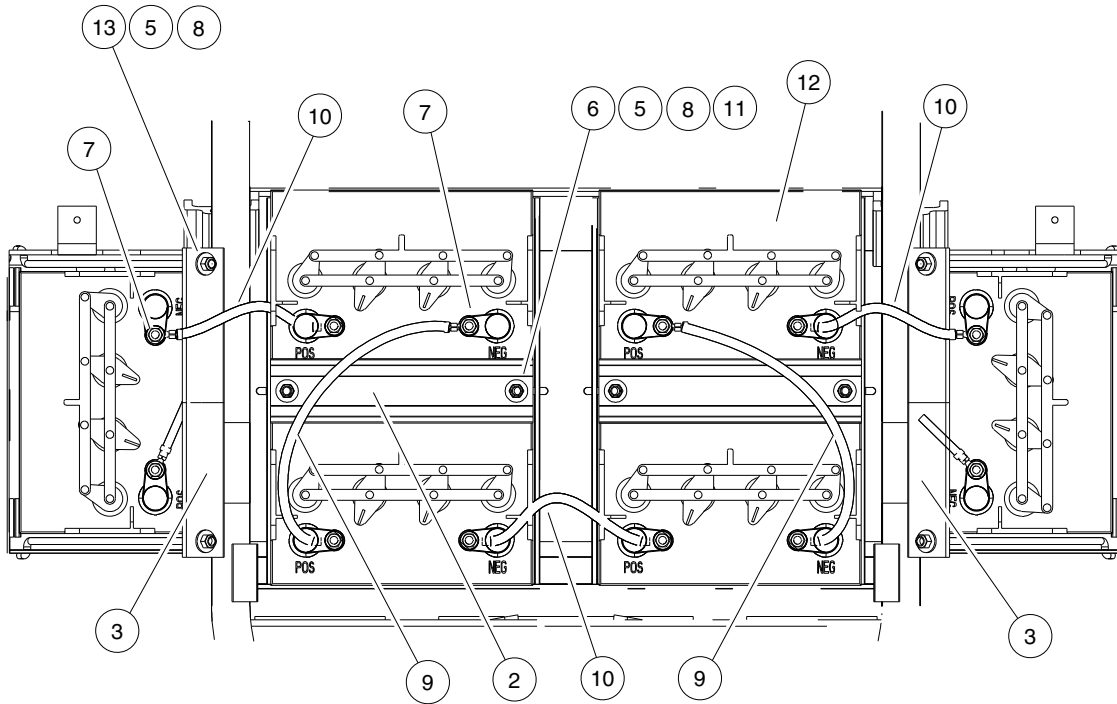
ITEM	PART NO.	DESCRIPTION	QTY
		1 2 3 4	
1	N/A	Asm, Comp Mtg Plate, Ds Lsv (includes items 2 through 26)	1
2	1012285	Screw, 1/4 X 0.625 Hex-Head	7
3	1012528	Nut, M8-1.25 Hex	2
4	1013734	Lockwasher, 8mm Split	2
5	1014947	Resistor Assembly	1
6	101965205	Plate, Component Mounting	1
7	N/A	Asm, Wire, #10 Orange 1/4	1
8	N/A	Asm, Wire, #10 Blue 1/4	1
9	102240501	Bolt, Controller, Terminal	3
10	****	Extrusion, Cover Support	1
11	102440901	Wire Asm, #4 Yellow, 13"	1
12	102468101	Wire Asm, #4 White, 25"	1
13	102468201	Wire Asm, #4 Green, 25"	1
14	102468301	Wire Asm, #4 Red, 36"	1
15	102774701	Solenoid, 48v	1
16	102817101	Screw, 1/4-20 X .50 Hex Wsh Hd	4
17	103282701	Kit, Terminal Block Ground	1
18	103316901	Cover Asm - Controller (includes items 19 through 21)	1
19	101931501	Decal, Component Cover	1
20	103316701	Cover - Controller, Deep	1
21	103316801	Gasket - Controller Cover	1
22	103697204	Obc, Ds Golf, A2, #4	1
23	103738601	Controller, 1510as, 350a	1
24	103738701	Wire Harness Elec Ds Lsv	1
25	8639	Tie Wrap, 11" Nylon	1
26	8990	Tie Wrap, 8" Nylon	1
		**** Special order item available upon request.	

6

E

6

E



000951-003

BATTERIES, ELECTRIC VEHICLE

ITEM	PART NO.	DESCRIPTION	QTY
		1 2 3 4	
1	N/A	Instl, 8v Batt Us 48v Elec 4ga (includes items 2 through 13)	1
2	101090801	Hold-Down, Battery	2
3	101090802	Hold-Down, Battery	2
4	1011578	Washer, 5/16 Type B Flat	4
5	1011697	Washer, 5/16 Flat	4
6	1013683	J-Bolt	4
7	1014304	Nut, 5/16-18 Stainless-Steel Hex	12
8	1015072	Locknut, 5/16-18 Nylon Insert	8
9	102002801	Wire Assy, #4 Black	2
10	102002901	Wire Assy, #4 Black	3
11	103504301	Tee, Batt Ret Ctr Short	2
12	N/A	Battery, 8v, 8vgcxc, Wet	6
13	103696801	J Bolt, Batt Hold Down 12"	4

6

E

6

E

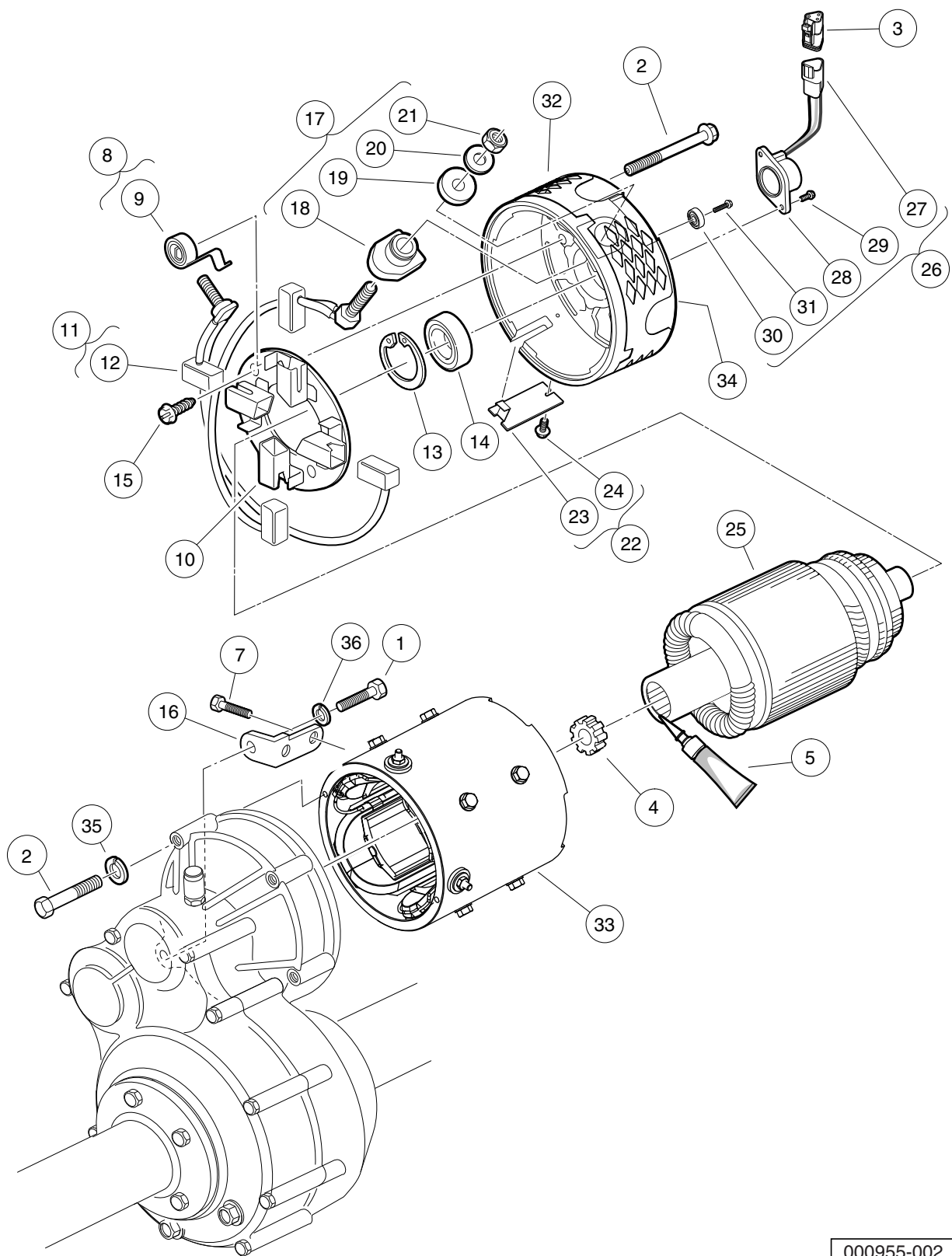
ELECTRIC MOTOR

7

E

7

E



000955-002

ELECTRIC MOTOR (MODEL EJ9-4002)

ITEM	PART NO.	DESCRIPTION	QTY
		1 2 3 4	
1	1010934	Screw, 5/16-18 X 1.00 Hex Cap	1
2	1014201	Screw, 1/4-20 X 2.25 Hex Cap	3
3	101920101	Kit, 3-Pin Wedge Lock	1
4	102235201	Bumper, Drive Unit	1
5	102243403	Lubricant, Moly-Teflon (Single-Use Tube)	1
6	103738901	Motor, 48v, 5.0 Hp, Iq, Vented (includes items 7 through 34)	1
7	1012285	Screw, 1/4 X 0.625 Hex-Head	2
8	102186001	Spring Kit, Motor Brush (includes item 9)	1
9	N/A	Spring, Brush, S-g	4
10	102186101	Brush Box Assembly	1
11	102186201	Brush Kit, Motor (includes item 12)	1
12	N/A	Assembly, Brush and Terminal	2
13	102186301	Ring, 2.24" Internal Retaining	1
14	102186401	Bearing, Ball	1
15	102186901	Screw, #8-32 X .5 Hex-Head	2
16	102187001	L-Bracket, Motor	1
17	102187101	Hardware Kit, Motor Terminal (includes items 18 through 21)	2
18	N/A	Bushing, Nylon	2
19	N/A	Washer, Nylon Flat	2
20	N/A	Washer, Flat, 5/16 Steel	2
21	N/A	Nut, Brass Hex, 5/16 - 18	2
22	102187201	Plate Kit, Motor Cover (includes items 23 and 24)	1
23	N/A	Assembly, Cover Plate	1
24	N/A	Screw, #8-32 x 0.375, Taptite Thread	1
25	102704801	Armature Assembly	1
26	102704901	Kit, Speed Sensor (includes items 27 through 31)	1
27	101942301	Kit, 3-Pin Wedge Lock	1
28	N/A	Sensor, Motor Speed, ADC	1
29	N/A	Screw, #8-32, Taptite Thread	2
30	N/A	Magnet, ADC Motor	1
31	N/A	Screw, 1/4-20 x 0.5	1
32	103792701	Headband, Motor, 5hp, Vented	1
33	103792801	Frame/field, Motor, 5hp, Vent	1
34	103792901	End Cap, Motor, 5hp, Vented	1
35	451	Lockwasher, 1/4 Split	3
36	7174	Lockwasher, 5/16 Split	1

7

E

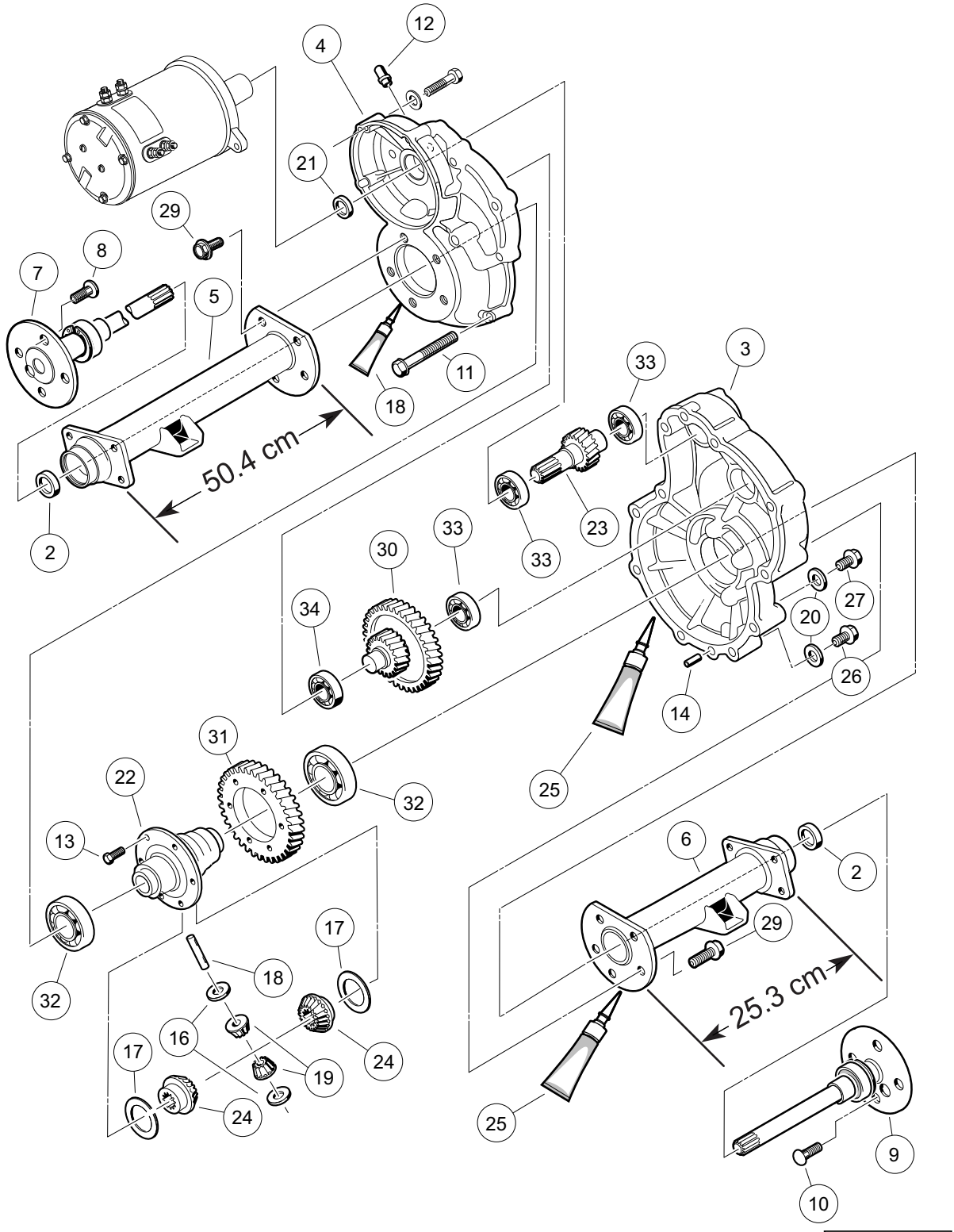
7

E

TRANSAXLE

8

E



000961-001

TRANSAXLE

8

E

ITEM	PART NO.	DESCRIPTION	QTY
		1 2 3 4	
1	103783901	Transaxle, Elec, 10.3 (includes items 2 through 34)	1
2	1013794	Axle Shaft Oil Seal	2
3	101895401	Gear Case, Left-Hand	1
4	101895501	Gear Case, Passenger-Side	1
5	101895601	Tube, Axle, Passenger-Side	1
6	101895701	Tube, Axle, Driver-Side	1
7	101895801	Axle Assembly, Passenger-Side (includes item 8)	1
8	101922201	Lug Stud	4
9	101895901	Axle Assembly, Driver-Side (includes item 10)	1
10	101922201	Lug Stud	4
11	101897001	Screw, M8-1.25 X 60mm Hex-Head	11
12	101897201	Breather	1
13	101897401	Screw, M10-1.25 X 25mm	4
14	101897601	Pin, 11mm OD X 8.5mm ID X 10mm	2
15	101897901	Washer	10
16	101903601	Washer, Thrust	2
17	101903701	Washer, Thrust	2
18	101922101	Pin, 15.99mm X 88.7mm Dowel	1
19	101923001	Gear, Differential Idler	2
20	101923201	Gasket	2
21	101923501	Seal, Lip	1
22	101923601	Differential Housing	1
23	101923701	Shaft, Input	1
24	101923901	Gear, Differential	2
25	101928701	Liquid Gasket (Transaxle case)	1
26	101972101	Plug, M14-1.5 X 12mm Magnetic	1
27	101972201	Plug, M14-1.5 X 12mm Hex	1
28	101972401	Pin, 8mm X 14mm Dowel	1
29	101976001	Screw, M10-1.50 X 35mm Hex Cap	10
30	N/A	Gear, Intermediate - 10.3:1	1
31	N/A	Gear, Output - 10.3:1	1
32	7330	Inner Axle Tube Bearing	2
33	7335	Bearing	3
34	7336	Bearing	1

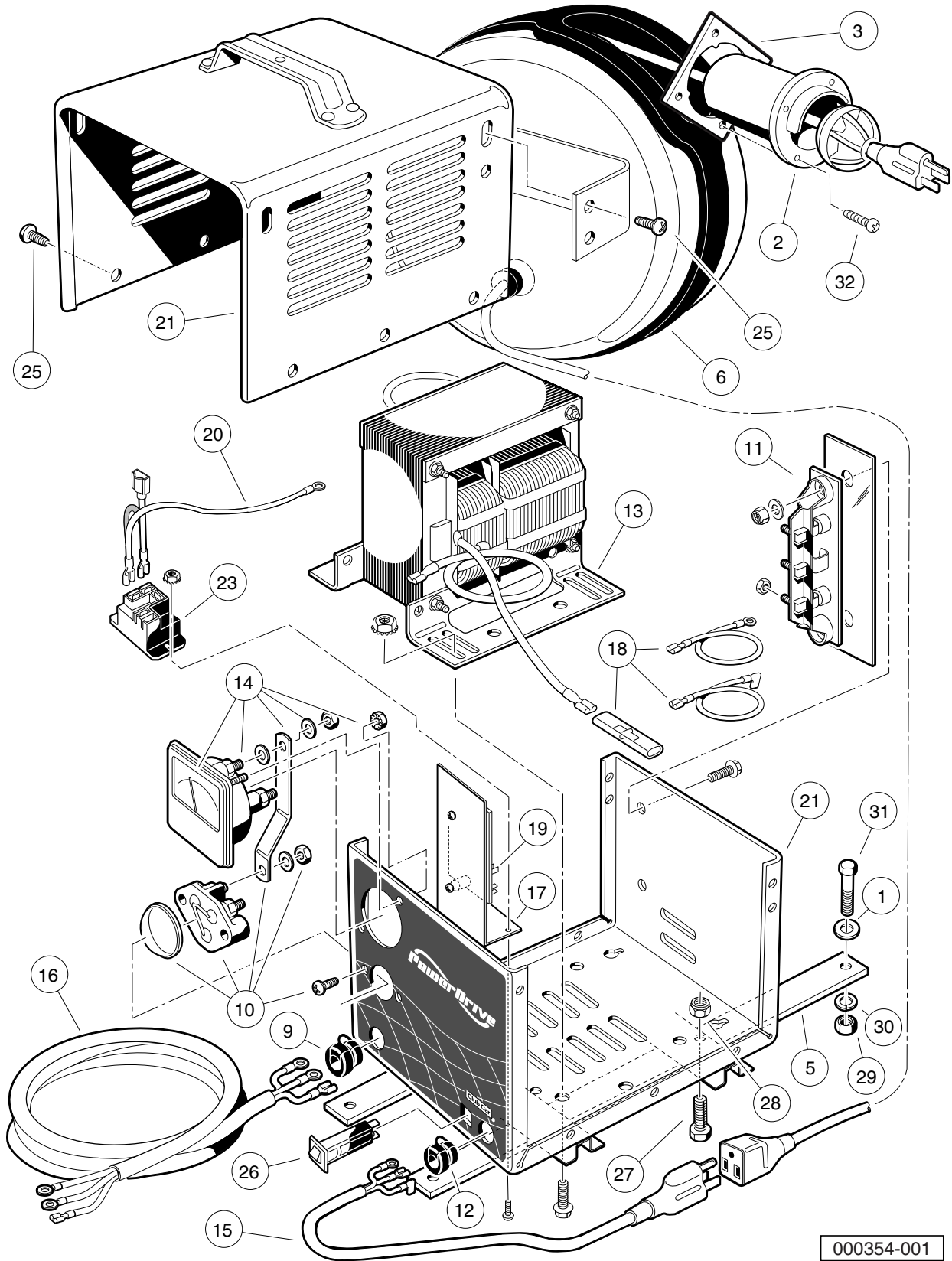
8

E

BATTERY CHARGER

9

E



000354-001

ONBOARD POWERDRIVE BATTERY CHARGER (MODEL 17935), DOMESTIC

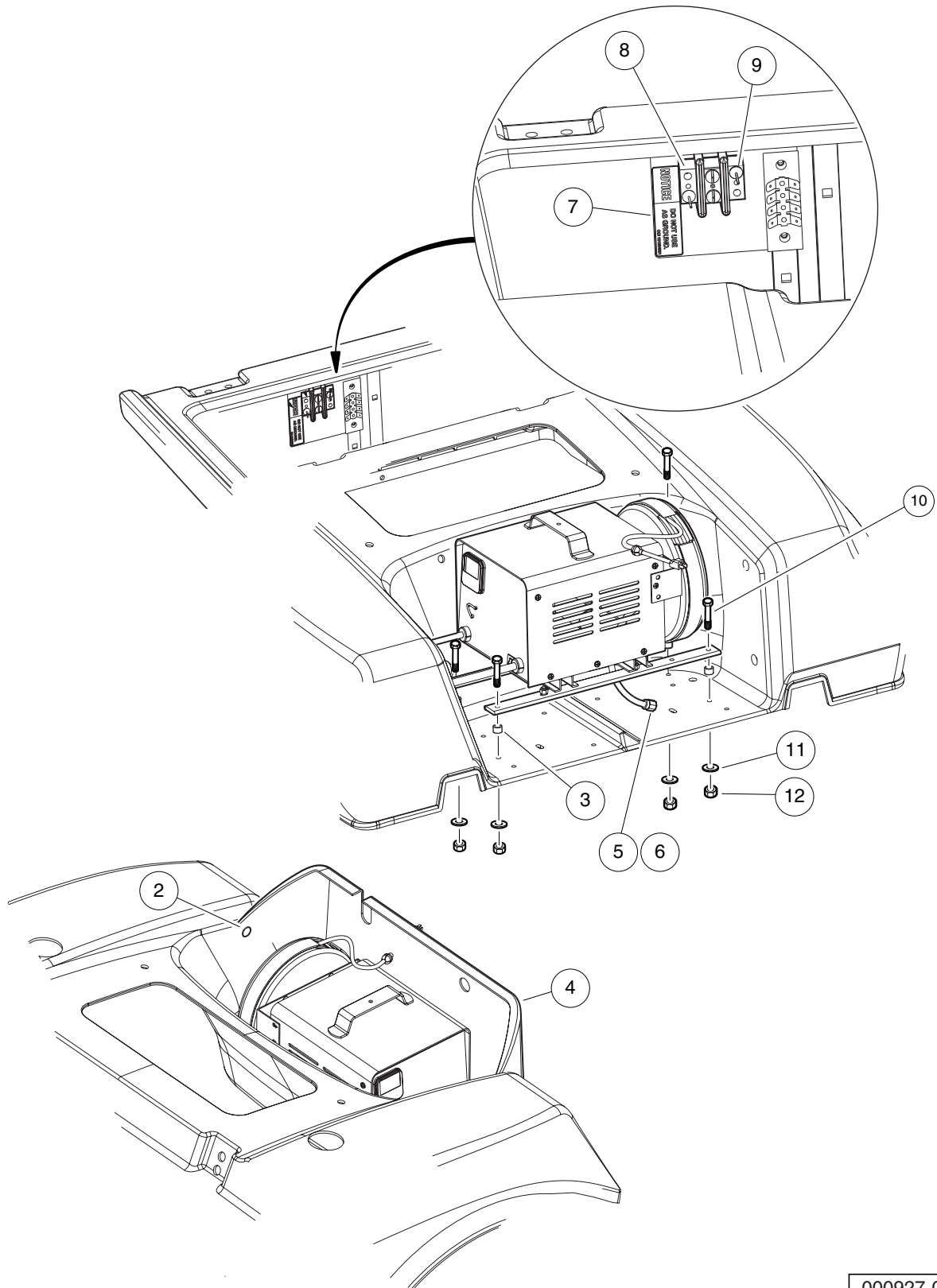
ITEM	PART NO.	DESCRIPTION	QTY
		1 2 3 4	
1	1014306	Washer, 1/4" Type B Flat	4
2	1016673	Housing, Cord Reel	1
3	101801001	Plate, Receptacle Backing	1
4	101814301	Battery Charger and Reel Assembly (includes items 5 through 28)	1
5	1011707	Bracket, Mounting, Battery Charger	2
6	1017187	Retractable Cord Reel	1
7	1017189	Heat Shrink Tube 1.5" X 3"	1
8	101802301	Battery Charger, Onboard, 120-VAC, 48-VDC (includes items 9 through 26)	1
9	1012098	Bushing, DC Cord	1
10	1012101	Fuse Assembly	1
11	1015914	Rectifier with Heatsink Assembly	1
12	1015917	Bushing, AC Cord	1
13	****	Transformer, Battery Charger	1
14	101828501	Ammeter	1
15	101829001	Cord, AC, 22-Inch (56 cm)	1
16	101829101	Cord, DC, 90.5-Inch (230 cm)	1
17	****	Mounting Bracket, Relay	1
18	N/A	Kit, Wire Assembly	1
19	101841901	Control Board	1
20	101914401	Assembly, Voltage Suppressor	1
21	N/A	Case, Charger	1
22	103414901	Kit, Relay, 48v 30a W/instr (includes items 23 and 24)	1
23	103397901	Relay, Spst No, 48v 30a, Pmt	1
24	N/A	Kit, Relay, 48v 30a Instrns	1
25	7577	Screw, #10 X 0.50 Phillips Pan-Head	12
26	CCX8506	Circuit Breaker, 15-Amp/120-Volt	1
27	7847	Screw, 1/4-20 X 0.75 Hex-Head Cap	4
28	8233	Locknut, 1/4-20 Nylon Insert	4
29	1028	Nut, 1/4-20 Hex	4
30	451	Lockwasher, 1/4 Split	4
31	7479	Screw, 1/4-20 X 1.25 Hex-Head Cap	4
32	8796	Screw, #7-19 X 0.75 Pan-Head Type AB	4
		**** Special order item available upon request.	
		Note: Item 7 not shown.	

9

E

9

E



000927-001

ONBOARD BATTERY CHARGER AND REEL MOUNTING

ITEM	PART NO.	DESCRIPTION	QTY
		1 2 3 4	
1	N/A	Instl, Chrgr Onbrd, Vill Homol (includes items 2 through 12)	1
2	1010434	Barrel - Plastic	4
3	1010927	Hill Brake Spacer	4
4	101134802	Rear Panel, 4 Passenger, Lsv	1
5	101957501	Plug, 2-Way (includes item 6)	1
6	N/A	Fuse, 3/8-Amp	1
7	101964601	Decal, No Ground Warning	1
8	101966801	Block, Terminal	1
9	101968801	Rivet, 3/16", Pop	2
10	1703	Screw, 1/4-20 X 1.50 Hx Hd Cap	4
11	332	Washer, 1/4 Type A Narrow Flat	4
12	8233	Locknut, 1/4-20 Nylon Insert	4

9

E

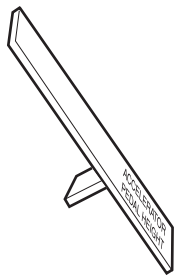
9

E

MAINTENANCE AND SERVICE TOOLS

10
G
E
D

10
G
E
D



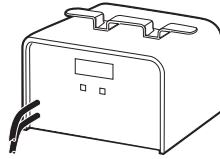
1



2



3



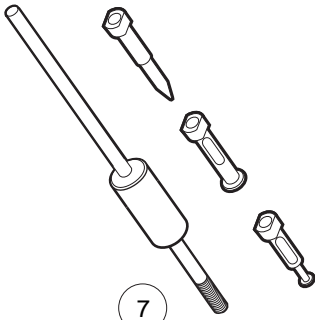
4



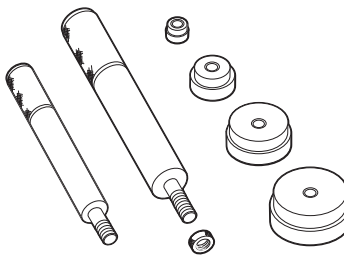
5



6



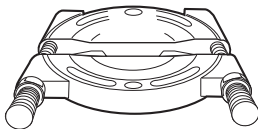
7



8



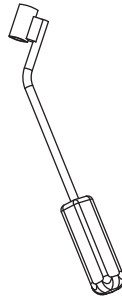
9



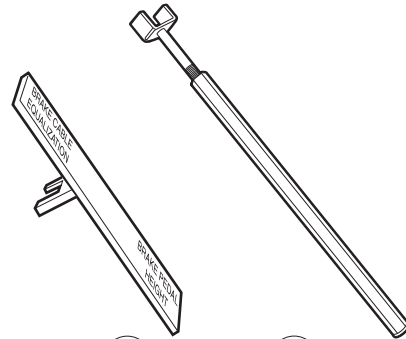
10



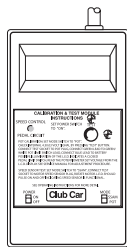
11



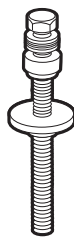
12



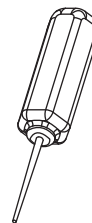
14 15
13



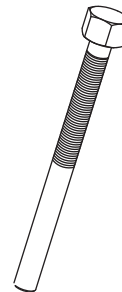
16



17



18



19

MAINTENANCE AND SERVICE TOOLS

ITEM	PART NO.	DESCRIPTION	QTY DIESEL	QTY GAS	QTY ELEC
		<p style="text-align: center;">1 2 3 4</p> <p>The following tool list includes all tools available from Club Car for maintenance and service procedures for gasoline, electric, and/or diesel vehicles, both past and present models. Be sure to carefully examine the tool list for applicability to your vehicle before ordering.</p>			
1	101871001	Accelerator Pedal Adjustment Tool		1	1
2	101813202	Adhesive, Guide Ring, 3-Gram Tube			1
3	101641202	Arbor		1	
4	101831901	Battery Discharge Machine, 36/48 Volt			1
5	1014305	Battery Terminal Protector Spray	1	1	1
6	1011767	Battery Thermometer	1	1	1
7	1016417	Bearing and Oil Seal Remover Assembly	1	1	1
8	1016416	Bearing Driver Set	1	1	1
9	1012811	Bearing Puller	1	1	1
10	1012812	Bearing Puller Wedge Attachment	1	1	1
11	1013582	Brake Adjustment Tool (used only on vehicles with manually adjusted mechanical brakes)		1	1
12	102555501	Brake Cable Release Tool	1	1	1
13	102249901	Brake Pedal Adjustment Tool Kit (used for the Carryall Electric Industrial Truck only) (includes items 14 and 15).....			1
14	****	Brake Pedal Adjustment Tool			1
15	****	Brake Pedal Tension Tool			1
16	101887101	Calibration Test Module			1
17	101808401	Cam Installation Tool		1	
18	102562401	Charger Bezel Tool			1
19	102686101	Clutch Removal Tool (for 4x4 vehicles)	1	1	
		Please refer to the maintenance and service manual for proper tool application.			
	****	Special order item available upon request			

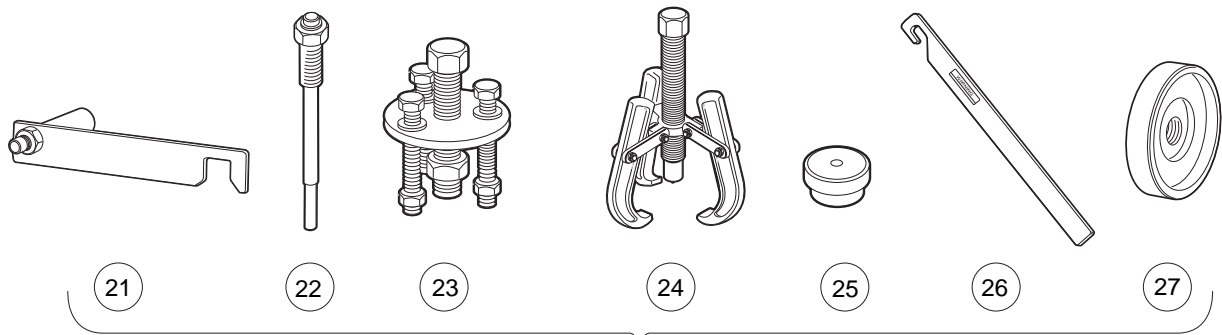
10

G

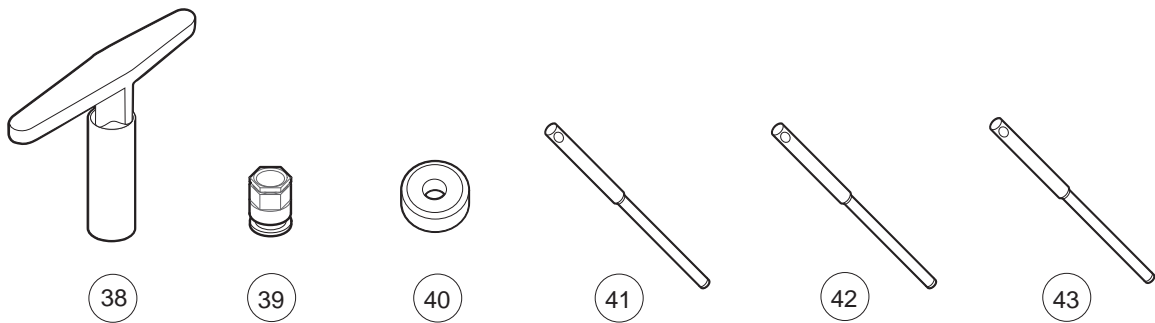
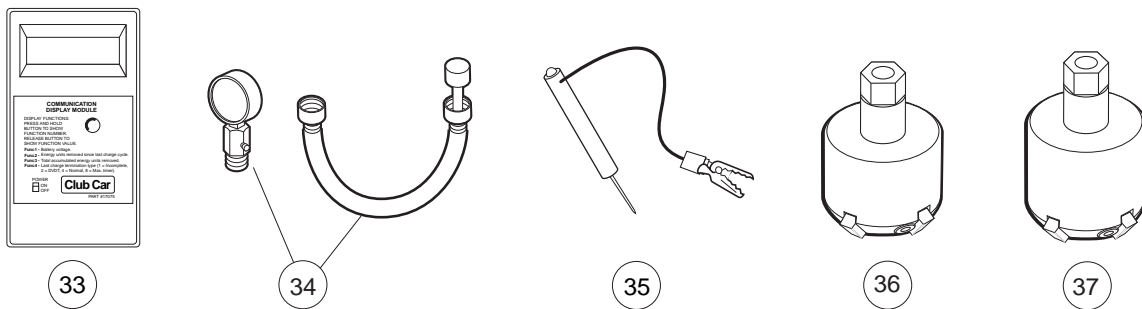
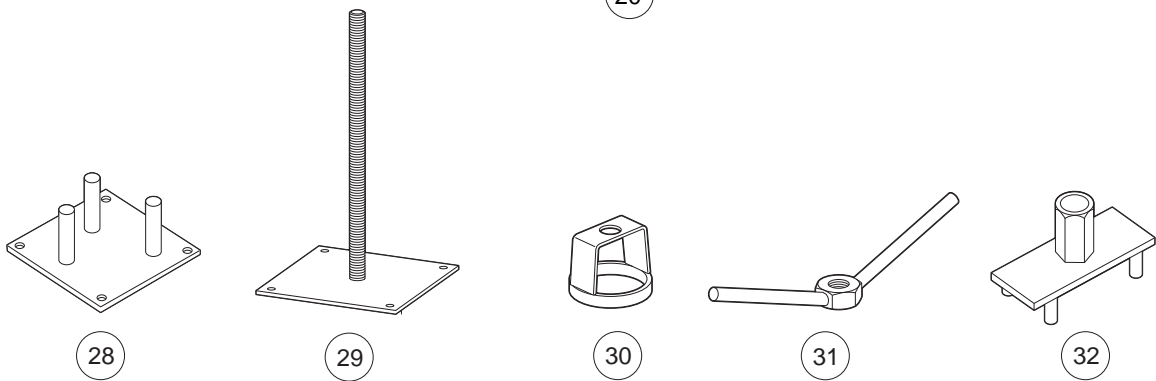
E

D

10
G
E
D



20



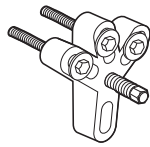
MAINTENANCE AND SERVICE TOOLS, CONTINUED

ITEM	PART NO.	DESCRIPTION	QTY	QTY	QTY	10	
			DIESEL	GAS	ELEC		
		1 2 3 4				G	
20	1014510	Clutch Tool Kit (includes items 21 - 27)		1		E	
21	1014498	Clutch Alignment Tool (for pre-unitized transaxle vehicles built prior to 1997 model year)		1		D	
22	1014496	Drive Clutch Puller (for Kawasaki engines only)		1			
23	1014497	Drive Clutch Hub Puller (for Kawasaki engines only)		1			
24	1014508	Driven Clutch Cam Puller (for Kawasaki engines only)		1			
25	1014507	Driven Clutch Puller Plug (for Kawasaki engines only)		1			
26	1015524	Drive Clutch Holder Tool Assembly (for Kawasaki engines only)		1			
27	101809101	Press Weldment (for Kawasaki engines only)		1			
28	102601501	Drive ClutchFixed Sheave Tool (for 4x4 vehicles)	1	1			
29	102603501	Driven Clutch Spring Compression Base (for use with items 30 and 31) (for 4x4 vehicles)	1	1			
30	102605201	Driven Clutch Spring Compression Collar (for use with items 29 and 31) (for 4x4 vehicles)	1	1			
31	102606101	Driven Clutch Spring Compression Nut (for use with items 29 and 30) (for 4x4 vehicles)	1	1			
32	102607501	Drive Clutch Spider Removal Tool (for 4x4 vehicles)	1	1			
33	101831801	Communication Display Module			1		
34	101641002	Compression Gauge and Adapter		1			
35	1011273	Continuity Tester		1	1		
36	102773801	Cutter, Valve Seat, #122		1			
37	102773901	Cutter, Valve Seat #115		1			
38	102774101	Wrench, T, #505.....		1			
39	102774101	Adapter, T-Wrench.....		1			
40	102675401	Cutter, Valve Seat, 60 Degree (requires item 51) (for Honda GX620 Gasoline Engines)		1			
41	102774201	Pilot, 6.6 MM		1			
42	102774301	Pilot, 6.62 MM.....		1			
43	102774401	Pilot, 6.65 MM.....		1			
		Please refer to the maintenance and service manual for proper tool application.					

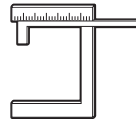
10
G
E
D



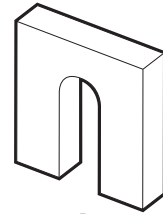
44



45



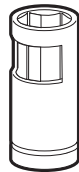
46



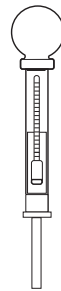
47



48



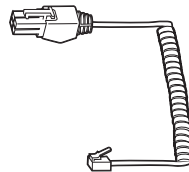
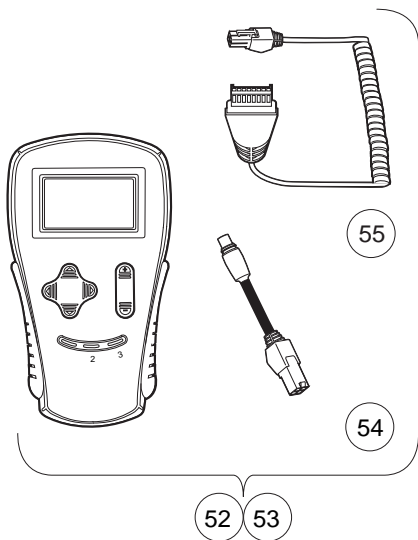
49



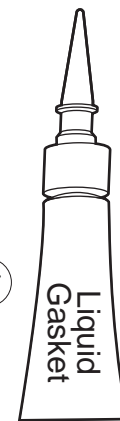
50



51



56



57



58



59 60



61

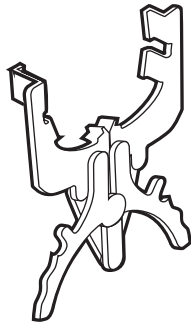
MAINTENANCE AND SERVICE TOOLS, CONTINUED

ITEM	PART NO.	DESCRIPTION	QTY DIESEL	QTY GAS	QTY ELEC	10
		1 2 3 4				G
44	1012151	Dry Moly Lubricant	1	1	1	E
45	1016627	Flywheel Puller Kit (for Kawasaki Engines)		1		D
46	102669901	Gauge, Carburetor Float Level (for Honda GX620 Gasoline Engines)		1		
47	1016418	Gear Yoke	1	1	1	
48	101933101	Governor Shaft Installation Tool (for Kawasaki Engine Vehicles)		1		
49	102169401	Hydraulic Brake Adjuster (for Turf/CA 272/472, Pioneer/XRT 1200, Bobcat 2100, HUV 4213)			1	
50	1011478	Hydrometer	1	1	1	
51	1013593	Internal Retaining Ring Pliers	1	1	1	
52	102248803	IQ Display Module (IQDM) Kit (IQ System and IQ Plus vehicles)			1	
		(includes items 54 and 55)				
53	102248804	IQ Display Module (IQDM-P) Kit (IQ System and IQ Plus vehicles)			1	
		(includes items 54 and 55)				
54	102251501	Adaptor, Cable			1	
55	102241502	IQDM Series 2 Cable			1	
56	102241501	IQDM Series 1 Cable (replacement)			1	
57	101928701	Liquid Gasket (transaxle case)	1	1	1	
58	102243402	Moly-Teflon Lubricant (4-oz. (113-gram) tube)			1	
59	101997201	Paint, Touch-Up – Beige*		1	1	
59	101997207	Paint, Touch-Up – Black*		1	1	
59	101997212	Paint, Touch-Up – Burgundy*		1	1	
59	101997211	Paint, Touch-Up – Classic Blue (Navy)*		1	1	
59	101997205	Paint, Touch-Up – Dark Gray*	1	1	1	
59	101997209	Paint, Touch-Up – Dark Green*	1	1	1	
59	101997204	Paint, Touch-Up – Gray*	1	1	1	
59	101997203	Paint, Touch-Up – Red*	1	1	1	
59	101997206	Paint, Touch-Up – Royal Blue (Pacific Blue)*		1	1	
59	101997202	Paint, Touch-Up – White*	1	1	1	
60	102562301	Paint, Precedent Underbody – Gray		1	1	
61	102587201	Paint Pen, Touch-Up, Precedent Underbody – Black		1	1	
		Please refer to the maintenance and service manual for proper tool application.				
		* Item 59 is not for use on Surlyn [®] body material, which is used on Precedent vehicles.				

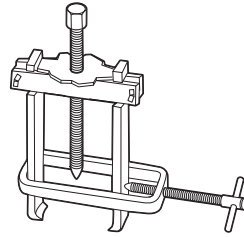
10
G
E
D



62



63



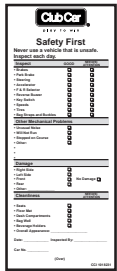
64



65



66



67



68



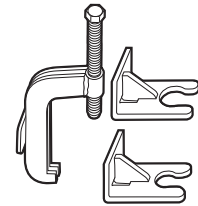
69



70



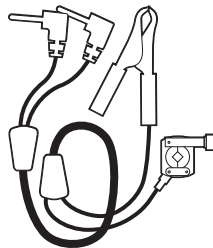
71



72



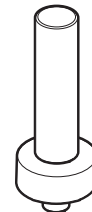
73



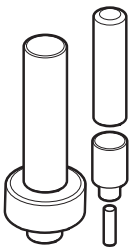
74



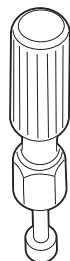
75



76



77



83



84



85



86

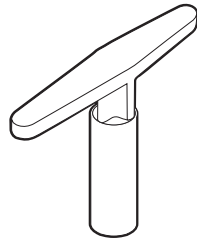
MAINTENANCE AND SERVICE TOOLS, CONTINUED

ITEM	PART NO.	DESCRIPTION	QTY DIESEL	QTY GAS	QTY ELEC	10
		1 2 3 4				G
62	1016414	Piston Ring Compressor Kit (FE290, FE350 and FE400 engines)		1		E
63	1016415	Piston Ring Pliers (for Kawasaki Engines)		1		D
64	102668801	Puller, Special Use (for Kubota D722 Diesel Engines)	1			
65	1012549	Retaining Ring Pliers, 45° External	1	1	1	
66	1012560	Retaining Ring Pliers, 90° Internal	1	1	1	
67	101823101	Safety First Card (50 per pack)	1	1	1	
68	1012809	Seal Puller	1	1	1	
69	102330901	Spanner Wrench (for coil over shock front suspension vehicles only)	1	1		
70	1014264	Steering Column Bearing Press Tool		1	1	
71	1014259	Steering Column Retaining Ring Tool		1	1	
72	102061201	Steering Wheel Puller Tool	1	1	1	
73	AM10753	Tachometer (includes gasoline engine pick up lead only)	1	1		
74	AM10771	Tachometer Diesel Probe (for use with item 73)	1			
75	1014162	Transaxle Axle Seal Tool		1		
76	1014161	Transaxle Pinion Seal Tool		1		
77	1014115	Transmission Tool Kit		1		
78	101611003	Tune-Up Kit, All OHV (for FE290, FE350, FE400 only) (includes air filter, spark plug, oil filter, fuel filters) (not shown)		1		
79	AM11804	Tune-Up Kit, Gx620 (for Honda Engines) (includes air filter, spark plug, oil filter, fuel filters) (not shown)		1		
80	AM11805	Tune-Up Kit, D722 (for Kubota Engines) (includes air filter, oil filter, fuel filters, water separator filter) (not shown)	1			
81	AM1220301	Tune-Up Kit, Precedent (for FE290/350 Engines) (includes air filter, spark plug, oil filter, fuel filters) (not shown)		1		
82	AM1232401	Tune-Up Kit, FH680D (for Kawasaki V-Twin Engines) (includes oil filter, fuel filter, air filter, and spark plugs) (not shown)		1		
83	1016413	Valve Clearance Adjuster Screw Holder (for FE290 engines only)		1		
84	102674601	Valve Guide Driver (for Honda GX620 Gasoline Engines)		1		
85	101641201	Valve Guide Reamer (FE290, FE350, and FE400 only)		1		
86	102674401	Valve Guide Reamer, 6.6 mm (for Honda GX620 Gasoline Engines)		1		

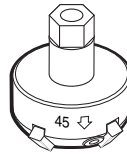
10
G
E
D



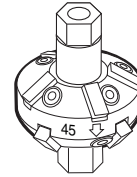
87



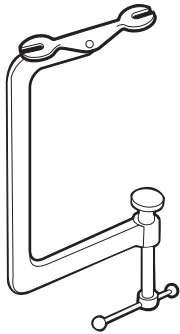
88



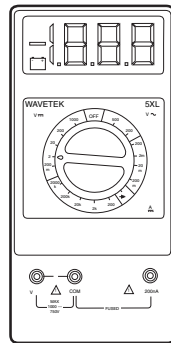
89



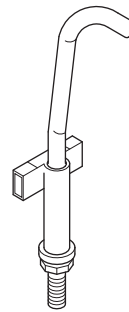
90



91



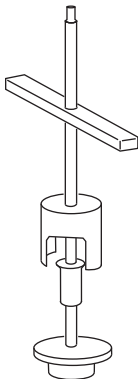
92



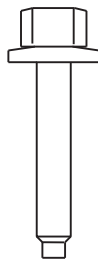
93



94



95



96

MAINTENANCE AND SERVICE TOOLS, CONTINUED

ITEM	PART NO.	DESCRIPTION	QTY DIESEL	QTY GAS	QTY ELEC	10	
		1 2 3 4					
87	1016552	Valve Seat Cutter Guide		1		G	
88	1016551	Valve Seat Cutter T-Wrench		1		E	
89	1016553	Valve Seat Cutter, 45° (32 mm diameter) (for FE290 engines only)		1		D	
90	1016554	Valve Seat Cutter, 45°/30° (35 mm diameter)		1			
91	101641101	Valve Spring Compressor		1			
92	1011480	Volt Ohm Meter	1	1	1		
93	102570401	Tool, Tensioning, Starter Generator (For Precedent vehicles)		1			
94	103601401	Puller, Drive Clutch, XRT 950*		1			
95	103601701	Tool, Disassembly, Driven Clutch, XRT 950		1			
96	103600501	Screw, Driven Clutch Disassembly, M6, XRT 950		1			
		*Note: The XRT 950 Drive Clutch Puller requires the use of Screw, Driven Clutch Disassembly, CCI Part Number 103600501.					

INDEX

Part Number and Page

AM10753	10-9	8755	5-7, 5-9	1011480	10-11
AM10771	10-9	8796	9-3	1011494	4-3, 4-5
CCX8506	9-3	8861	1-27, 5-11	1011557	4-9
304	1-15, 6-19	8990	5-5, 6-19, 6-21, 6-23	1011578	1-13, 1-25, 6-25
332	1-7, 1-11, 1-13, 1-15, 1-21, 1-23, 1-25, 6-7, 6-19, 9-5	1010005	5-13	1011652	1-23
334	1-27, 4-7, 4-9, 5-3, 5-5, 5-11	1010124	5-9	1011659	1-11
357	5-9	1010138	5-11	1011694	4-7, 4-9
451	1-9, 4-3, 4-5, 7-3, 9-3	1010142	5-7	1011697	5-3, 6-25
706	4-11, 5-9	1010144	5-7	1011700	4-7
808	1-13, 1-19	1010145	5-7	1011707	9-3
1016	1-13	1010150	5-9	1011767	10-3
1017	6-17	1010177	1-19, 5-9	1011779	4-11
1028	9-3	1010434	1-7, 9-5	1011825	6-19
1035	4-11	1010436	1-25	1011887	5-13
1218	1-13	1010517	1-15	1011889	5-13
1241	1-11, 1-13, 4-7, 4-9	1010577	1-25	1011892	5-13
1242	4-9, 4-11, 6-21	1010811	4-9	1011931	4-7
1606	1-11	1010812	4-9	1012098	9-3
1620	6-17	1010829	4-11	1012101	9-3
1624	1-13, 1-19, 4-7, 5-5, 5-11	101082903	4-11	1012151	10-7
1703	9-5	1010850	4-3, 4-5	1012285	6-23, 7-3
2402	5-11	101090801	6-25	1012303	5-7, 5-9
7048	5-13	101090802	6-25	1012304	5-7
7173	4-9	1010921	4-9	1012412	1-7
7174	5-3, 6-21, 7-3	1010927	9-5	1012466	5-3
7251	1-5	1010934	7-3	1012528	6-23
7274	5-13	1010953	4-3, 4-5	1012549	10-9
7308	5-13	1010984	2-3	1012560	10-9
7330	8-3	1010993	1-7	1012571	4-11
7335	8-3	1011017	1-11	1012604	5-3
7336	8-3	1011114	4-3, 4-5	1012605	5-3
7410	1-13	1011137	4-5	1012647	3-3
7473	1-5, 1-13, 1-25, 4-7, 4-9, 4-11	1011153	5-13	1012809	10-9
7479	9-3	1011154	4-3, 4-5	1012811	10-3
7555	5-5	1011210	1-25	1012812	10-3
7561	1-19	1011219	1-25	1013032	1-7
7577	9-3	1011220	1-25	1013035	5-5
7591	6-7	1011221	1-25	1013042	5-5, 5-11
7716	4-7	1011222	1-25	1013044	5-5
7820	6-19	1011229	6-7	1013051	5-5
7840	5-13	1011273	10-5	1013052	5-5
7847	1-3, 1-7, 1-9, 9-3	1011298	4-3, 4-5	1013061	1-13
7910	5-13	1011301	4-3, 4-5	1013135	5-13
7973	1-5	1011303	4-3, 4-5	1013343	1-5
8028	1-25	1011314	4-3, 4-5	1013344	1-5
8067	5-13	101134802	9-5	1013494	1-5
8233	1-7, 1-11, 1-21, 4-7, 4-9, 6-7, 6-19, 9-3, 9-5	1011382	1-5	1013531	4-9
8248	1-7, 6-7	1011402	4-9	1013582	10-3
8251	1-7, 1-25	1011415	5-7	1013593	10-7
8304	1-25	1011439	4-9	1013683	6-25
8419	1-13	101146302	4-3, 4-5	1013734	6-23
8639	1-5, 6-23	1011464	4-3, 4-5	1013794	8-3
8717	4-7	1011465	4-3, 4-5	1013871	4-7
8754	1-19, 1-27, 4-7, 4-9, 5-3, 5-5, 5-7, 5-9, 5-11	1011466	4-3, 4-5	1013924	4-3, 4-5
		1011467	4-3, 4-5	1013983	1-7
		1011478	10-7	1014007	1-25, 4-7, 4-9

INDEX

1014063	1-17	101611003	10-9	1017211	4-11
1014115	10-9	1016181	5-3	1017226	5-3
1014125	5-3	1016183	5-3	1017235	5-7
1014126	5-3	1016263	5-3	1017266	5-11
1014153	4-3, 4-5	1016269	5-3	1017273	5-15
1014161	10-9	1016319	4-11	1017378	4-7
1014162	10-9	1016320	4-11	1017380	4-7
1014201	7-3	1016346	5-11	1017424	4-7
1014211	5-3	1016349	5-11	1017696	4-7
1014212	5-3	1016350	5-11	1017748	1-7
1014213	5-3	1016351	5-11	1017774	1-25
1014214	5-3	1016353	5-11	1017853	6-7
1014216	5-3	1016356	6-19	101791101	4-3
1014217	5-3	1016384	5-9	1017936	1-7
1014259	10-9	1016385	5-11	101796201	4-7
1014264	10-9	1016386	5-9	101801001	9-3
1014276	5-9	1016387	5-9	101802301	9-3
1014288	5-3, 6-7	1016389	5-9	101808401	10-3
1014304	6-25	101641002	10-5	101809101	10-5
1014305	10-3	101641101	10-11	101813202	10-3
1014306	1-7, 9-3	101641201	10-9	101814301	9-3
1014496	10-5	101641202	10-3	101817401	4-7
1014497	10-5	1016413	10-9	101823101	10-9
1014498	10-5	1016414	10-9	101825101	6-5
1014507	10-5	1016415	10-9	101828501	9-3
1014508	10-5	1016416	10-3	101829001	9-3
1014510	10-5	1016417	10-3	101829101	9-3
101454602	5-7	1016418	10-7	101830701	6-5
1014555	5-7	1016551	10-11	101831801	10-5
1014557	1-29	1016552	10-11	101831901	10-3
1014573	5-7	1016553	10-11	101834502	6-5
1014675	5-7	1016554	10-11	101841901	9-3
1014901	5-7	1016557	4-3, 4-5	101850301	5-15
1014902	5-7	1016573	4-3, 4-5	101851101	6-5
1014947	6-23	1016622	5-3	101856001	6-5
1015072	6-25	1016627	10-7	101861901	4-7, 4-9
1015091	1-25	1016673	9-3	101862001	4-7, 4-9
101511402	4-9	1016811	1-3	101865301	4-11
1015524	10-5	1016849	6-5	101870501	5-9
1015525	1-7	1016851	6-5	101871001	10-3
1015528	1-5	1016868	1-5	101874601	4-11
1015545	5-3	1016879	6-17	101879401	5-5
1015583	5-7, 5-9	1016880	6-17	101879501	5-5
1015597	5-13	1016916	1-23	101879601	5-5
101562701	1-25	1016952	1-3, 1-7	101879701	5-5
101562702	1-25	1016967	1-5	101879801	5-5
101562703	1-25	101705702	1-13, 3-5	101879901	5-5
101562704	1-25	1017062	6-17	101880001	5-5
101562710	1-25	1017064	6-17	101880101	5-5
101565202	1-27	1017065	6-17	101880201	5-5
101565204	1-27	1017075	6-19	101880301	5-5
101565205	1-27	1017080	1-5	101880701	4-3, 4-5
101565206	1-27	101708301	1-3	101887101	10-3
1015661	4-9, 6-21	1017141	1-7	101895401	8-3
1015914	9-3	1017187	9-3	101895501	8-3
1015917	9-3	1017189	9-3	101895601	8-3

INDEX

101895701	8-3	101988005	6-17	102324401	1-29
101895801	8-3	101988006	6-17	102330901	10-9
101895901	8-3	101988101	6-17	102382301	2-3
101897001	8-3	101988202	6-17	102440901	6-23
101897201	8-3	101990801	4-9	102468101	6-23
101897401	8-3	101998201	1-23	102468201	6-23
101897601	8-3	101998202	1-23	102468301	6-23
101897901	8-3	101998203	1-23	102491701	1-17
101900801	4-9	101998204	1-23	102508701	6-5
101903601	8-3	101998205	1-23	102517501	6-19
101903701	8-3	101998501	1-23	102522607	2-3
101908101	6-7	102002801	6-25	102529203	6-19
101908401	6-7	102002901	6-25	102540701	2-3
101908601	3-5	102022101	4-11	102555501	10-3
101910401	1-25, 6-7	102022601	5-11	102562401	10-3
101914401	9-3	102022602	5-5, 5-11	102564002	5-9
101919801	4-7, 4-9	102025801	1-11	102568701	1-15
101920101	7-3	102026001	4-7	102570401	10-11
101922101	8-3	102045001	1-11	102571501	6-5
101922201	8-3	102046501	3-7	102601501	10-5
101922501	6-7	102048401	1-11	102603501	10-5
101923001	8-3	102060201	1-9, 1-15	102605201	10-5
101923201	8-3	102061201	10-9	102606101	10-5
101923301	8-3	102076701	1-21, 1-27	102607501	10-5
101923501	8-3	102101001	4-9	102668801	10-9
101923601	8-3	102101101	4-9	102669901	10-7
101923701	8-3	102169401	10-7	102674001	10-5
101923901	8-3	102186001	7-3	102674101	10-5
101928701	8-3, 10-7	102186101	7-3	102674201	10-5
101931501	3-5, 6-23	102186201	7-3	102674401	10-9
101932201	4-9	102186201	7-3	102674601	10-9
101933101	10-7	102186301	7-3	102675001	10-5
101942301	7-3	102186401	7-3	102675101	10-5
101953102	4-11	102186901	7-3	102675201	10-5
101954301	1-11, 1-23, 1-27	102187001	7-3	102675301	10-5
101955101	6-19	102187101	7-3	102675401	10-5
101957101	4-9	102187201	7-3	102684501	5-9
101957501	9-5	102221201	1-7	102686101	10-3
101964601	9-5	102235201	7-3	102704801	7-3
101965205	6-23	102240501	6-23	102704901	7-3
101966801	9-5	102241501	10-7	102706401	5-7
101968801	9-5	102241502	10-7	102766301	5-9
101972001	10-7	102242101	1-11	102774701	6-23
101972002	10-7	102243402	10-7	102778601	1-11
101972003	10-7	102243403	7-3	102817101	6-23
101972004	10-7	102248803	10-7	102869401	6-5
101972005	10-7	102249901	10-3	102977002	6-5
101972006	10-7	102251501	10-7	103180101	6-5
101972007	10-7	102273101	6-7	103198301	6-5
101972009	10-7	102278001	1-5, 5-3	103210301	6-5
101972011	10-7	102289201	5-5, 5-11	103211101	1-29
101972012	10-7	102292801	4-11	103234302	3-7
101972101	8-3	102310701	1-7	103246701	1-23
101972201	8-3	102313301	1-13	103246801	1-23
101972401	8-3	102318301	1-9	103282701	6-23
101976001	8-3	102323001	1-7, 1-19	103313301	1-11
101984801	5-3	102323501	1-19		

INDEX

103316701 6-23
103316801 6-23
103316901 6-23
103344501 6-19
103351001 5-11
103354701 5-11
103364101 1-11
103364201 1-11
103395101 1-11
103397901 6-7, 9-3
103405401 1-5
103405402 1-5
103414901 6-7, 9-3
103477901 5-13
103484301 6-19
103501401 3-3
103502701 5-9
103504301 6-25
103507001 5-9
103508101 4-11
103516901 3-7
103537001 3-3
103593401 3-3
103601501 5-5
103601601 5-3
103628801 5-9
103640101 1-19
103640201 1-19
103641002 1-19
103641101 1-19
103653401 5-5
103653501 5-11
103696801 6-25
103697204 6-23
103708301 1-21
103708302 1-21
103717302 5-13
103717402 5-13
103724504 5-15
103724602 5-15
103732801 1-13
103732901 1-13, 1-19
103733301 1-13
103737801 1-7
103737802 1-7
103737810 1-7
103738601 6-23
103738701 6-11, 6-23
103738801 6-19
103738901 7-3
103739002 1-27
103739004 1-27
103739005 1-27
103739006 1-27
103740001 6-3
103740101 6-3

103740201 6-3
103740301 6-3
103740401 6-3
103740501 1-13, 6-3
103740601 3-5, 3-7
103740701 3-5, 3-7
103740801 6-3
103741301 1-17
103741401 1-17
103741501 1-17
103741601 1-17
103743601 1-15
103743602 1-15
103743603 1-15
103743604 1-15
103745501 1-13
103745601 1-13
103745701 6-19
103746701 6-15, 6-19
103746801 1-5
103746802 1-5
103746806 1-5
103746809 1-5
103746810 1-5
103746811 1-5
103749001 3-7
103749002 3-7
103749101 3-7
103749201 3-7
103750401 1-13
103751201 1-13
103754301 1-17
103754601 1-27
103755001 1-27
103755601 2-3
103755701 2-3
103756501 3-3, 6-5
103757601 1-15
103757701 1-15
103757901 1-17, 3-3
103759201 1-13
103759301 1-13
103759801 1-13
103760901 1-9
103761001 1-9
103761101 1-9
103761201 1-9
103761301 1-9
103761401 1-9
103761501 6-19
103761701 1-9
103762001 1-19
103762401 1-13
103774601 1-21
103783901 8-3
103792701 7-3

103792801 7-3
103792901 7-3
103803601 1-29
103804901 6-21
103807301 5-7
103807302 5-7
103808001 4-11
103808101 4-11
103815901 1-29
103816001 1-29
103816101 1-29
103816901 6-21
103819001 1-29
103829401 5-15

A

AC cord 9-3
accelerator bracket and bearing assembly 4-7, 4-9
accelerator pedal 4-7
accelerator pedal adjustment tool 10-3
accelerator pivot rod 4-7
accelerator return spring 4-7
adapter
 cable (IQDM) 10-7
adhesive, guide ring 10-3
adjuster
 hydraulic brake 10-7
ammeter 9-3
anchor body 4-3, 4-5
anchor body kit 4-3, 4-5
anchor, piston 4-3, 4-5
A-plate strap 5-11
A-plate, delta 5-11
arbor 10-3
armature 7-3
assembly
 accelerator bracket and bearing 4-7, 4-9
 accelerator pivot rod 4-7
 bearing, steering shaft 5-3
 delta A-plate 5-11
 delta shock and gear support 5-11
 diode 6-7
 inner ball joint 5-5
 kingpin 5-9
 steering shaft 5-3
 turn signal lens 6-17
axle 8-3
axle shaft oil seal 8-3
axle tube 8-3

B

backing plate, brake 4-3, 4-5
bar, drive 4-9
barrel, plastic 1-7, 1-15, 9-5
battery charger and reel 9-3

INDEX

- battery charger case 9-3
 - battery charger transformer 9-3
 - battery charger, onboard 9-3
 - battery discharge machine 10-3
 - battery hold-down 6-25
 - battery light 6-5
 - battery terminal protector spray 10-3
 - battery thermometer 10-3
 - bearing 8-3
 - ball (motor) 7-3
 - ball (steering pinion) 5-5
 - front wheel hub 5-13
 - inner axle tube 8-3
 - lower pinion (steering) 5-5
 - pivot support 4-7
 - steering shaft 5-3
 - thrust 5-9
 - bearing and oil seal remover 10-3
 - bearing driver set 10-3
 - bearing puller 10-3
 - bearing puller wedge 10-3
 - bearing seal 5-3
 - bearing seat 5-3
 - bellows 5-5
 - beverage holder 1-3
 - bezel, headlight 6-17
 - block, brake-mounting 4-9
 - block, terminal 6-19
 - body kick plate 1-7
 - body, anchor 4-3, 4-5
 - bolt, J- 6-25
 - bolt, U- 5-7
 - boot, steering column 1-5, 5-3
 - boot, switch 6-7
 - box
 - steering gear 5-5
 - brace, canopy 1-11
 - bracket
 - battery charger 9-3
 - brake light switch 4-9
 - headlight mounting 6-17
 - horn 6-19
 - relay mounting 9-3
 - steering column 5-3
 - steering column mounting 5-3
 - Tow/Run switch 6-7
 - brake actuator kit 4-3, 4-5
 - brake adjustment tool 10-3
 - brake backing plate 4-3, 4-5
 - brake cable 4-11
 - brake cable equalizer 4-9, 4-11
 - brake cable hanger 4-9
 - brake cable release tool 10-3
 - brake cluster 4-3, 4-5
 - brake drum 4-3, 4-5
 - brake lever arm 4-3, 4-5
 - brake light switch bracket 4-9
 - brake mount 4-9
 - brake mounting block 4-9
 - brake pedal 4-9
 - brake pedal adjustment tool 10-3
 - brake pedal tension tool 10-3
 - brake return spring 4-9
 - brake shoe 4-3, 4-5
 - brake spring 4-3, 4-5
 - breaker, circuit 9-3
 - breather 8-3
 - brush 7-3
 - brush box assembly 7-3
 - brush rigging 7-3
 - brush spring 7-3
 - bulb, headlight 6-17
 - bumper
 - drive unit (motor) 7-3
 - front 1-5
 - front, kit 1-5
 - jounce 5-7
 - rubber 1-25
 - side trim 1-7
 - spring return 4-7
 - bumper mount 5-7
 - bushing
 - bronze 5-13
 - spindle 5-13
 - steel 5-7, 5-9
 - urethane 5-7, 5-9, 5-11
 - buzzer, reverse 6-5
- ## D
- dash component 1-5
 - dash panel 6-5
 - DC cord 9-3
 - decal
 - Club Car 3-7
 - component cover 3-5, 6-23
 - FNR 6-5
 - no ground warning 9-5
 - on/off 6-5
 - patent 3-3
 - Tow/Run switch warning 3-5
 - delta A-plate 5-11
 - delta A-plate sub-assembly 5-11
 - delta shock and gear support 5-11
 - diesel tachometer probe 10-9
 - differential gear 8-3
 - differential housing 8-3
 - diode 6-7
 - door, access 1-7
 - drink holder 1-3
 - drive bar 4-9
 - drive clutch fixed sheave tool 10-5
 - drive clutch holder tool 10-5
 - drive clutch hub puller 10-5
 - drive clutch puller 10-5
 - drive clutch spider removal tool 10-5
 - drive unit bumper 7-3
 - communication display module 10-5
 - component mounting plate 6-23
 - compression gauge 10-5
 - compressor, piston ring 10-9
 - compressor, valve spring 10-11
 - continuity tester 10-5
 - control board 9-3
 - controller cover 6-23
 - controller cover gasket 6-23
 - cord reel 9-3
 - cord, AC 9-3
 - cord, DC 9-3
 - cover
 - dust 4-3, 4-5, 5-3, 5-13
 - rocker switch hole 6-5
 - screw head 1-5
 - steering column tube 5-3
 - cover gasket, controller 6-23
 - cover plate 7-3
 - cover, controller 6-23
 - cover, speed controller 6-23
 - cowl support 1-11
 - C-type stop ring 5-5
 - cup holder 1-3
 - cup, spring 4-7
 - cushion, shock absorber 5-7
 - cutter, valve seat 10-5, 10-11

INDEX

driven clutch cam puller 10-5
driven clutch puller plug 10-5
driven clutch spring compression base tool 10-5
driven clutch spring compression collar tool 10-5
driven clutch spring compression nut tool 10-5
drum, brake 4-3, 4-5
dry moly lubricant 10-7
dust cover 4-3, 4-5, 5-3, 5-13

E

E-clip 4-11
end, tie rod 5-11
equalizer pivot 4-11
equalizer rod 4-11
equalizer, brake cable 4-9, 4-11
extrusion 6-23

F

fender, inner 1-7
fitting, thread-forming grease 5-13
flywheel puller 10-7
foam, seat 1-25
front body support 1-7
front bumper 1-5
front bumper kit 1-5
front spring retainer plate 5-9
fuse 9-3
 3/8-amp 9-5

G

gasket 8-3
 liquid 8-3, 10-7
 seat 1-23
gasket, controller cover 6-23
gauge, compression 10-5
gear 8-3
 case 8-3
 differential 8-3
 differential idler 8-3
gear yoke 10-7
governor shaft installation tool 10-7
grommet, rear body 1-7, 1-19
guide
 valve seat cutter 10-11
guide ring adhesive 10-3

H

hanger, brake cable 4-9
headlight bulb 6-17
headlight lens 6-17
headlight retainer 6-17
heat shrink tube 9-3

heatsink and rectifier 9-3
hinge assembly 1-25
hinge pin 1-25
hinge plate 1-7, 1-23
hinge, long 1-25
hold-down, battery 6-25
holder, cup 1-3
hole plug 6-5
horn bracket 6-19
housing
 3-pin 7-3
 differential 8-3
hub 5-13
hubcap 2-3
hydraulic brake adjuster 10-7
hydrometer 10-7

I

idler gear, differential 8-3
input shaft 8-3
instrument panel 6-5
internal retaining ring pliers 10-7
IQ display module (IQDM) 10-7

J

J-bolt 6-25
jounce bumper 5-7

K

key switch cap 6-5
key switch, uncommon 6-5
kick plate, body 1-7
kingpin 5-9
kit
 3-pin housing 7-3
 accelerator pivot rod 4-7
 anchor body 4-3, 4-5
 brake cable 4-11
 brake pedal adjustment tool 10-3
 brake shoe retainer 4-3, 4-5
 IQ display module (IQDM) 10-7
 motor brush 7-3
 motor brush spring 7-3
 motor cover plate 7-3
 motor speed sensor 7-3
 motor terminal hardware 7-3
 shock absorber cushion 5-7
 steering column rebuild 5-3
 tune-up 10-9

L

lamp, license plate 1-13
lamp, turn signal and socket 6-19
L-bracket, motor 7-3
leaf spring 5-7

license plate lamp 1-13
light
 battery 6-5
limit switch 4-9
liquid gasket 8-3, 10-7
lubricant, dry moly 10-7
lubricant, moly-teflon 7-3, 10-7
lug nut 2-3
lug stud 8-3

M

magnet, speed sensor 7-3
MCOR 4-9
meter, volt ohm 10-11
mirror 1-9
module
 calibration test 10-3
 communication display 10-5
moly-teflon lubricant 10-7
motor brush kit 7-3
motor brush spring kit 7-3
motor bumper 7-3
motor L-bracket 7-3
motor magnet, speed sensor 7-3
motor speed sensor 7-3
motor speed sensor kit 7-3
motor terminal hardware kit 7-3
mount, bumper 5-7
mounting block, brake 4-9

N

nut, lug 2-3

O

onboard battery charger 9-3
overload bumper spacer 5-7

P

pad
 accelerator pedal 4-7
 wear 1-7
paint, touch-up 10-7
panel, instrument 6-5
park brake spacer 9-5
pedal, accelerator 4-7
pedal, brake 4-9
pin, clevis 4-11
pinion, steering 5-5
piston anchor 4-3, 4-5
piston ring compressor 10-9
piston ring pliers 10-9
pivot support bearing 4-7
plate
 body kick 1-7
 component mounting 6-23

INDEX

cover 7-3
front spring retainer 5-9
hinge 1-7, 1-23
receptacle backing 9-3
spring mounting 5-9
pliers
 internal retaining ring 10-7
 piston ring 10-9
 retaining ring 10-9
plug
 2-way 9-5
 driven clutch puller 10-5
 hole 6-5
press weldment 10-5
protector spray, battery terminal 10-3
puller
 bearing 10-3
 clutch 10-3
 drive clutch 10-5
 drive clutch hub 10-5
 driven clutch cam 10-5
 flywheel 10-7
 seal 10-9
 special use tool 10-9

R

race, front hub bearing 5-13
rack guide pressure spring 5-5
rack, steering 5-5
reamer, valve guide 10-9
rear shock absorber 5-7
rear spring shackle 5-7
receptacle backing plate 9-3
rectifier with heatsink 9-3
reel cord 9-3
relay mounting bracket 9-3
remover, bearing and oil seal 10-3
resistor assembly 6-23
retainer
 accelerator pedal spring 4-7
 brake shoe 4-3, 4-5
 headlight 6-17
 shock absorber cushion 5-7
 spring 5-7
retaining ring 5-3
retaining ring pliers 10-9
return spring bumper 4-7
reverse buzzer 6-5
ring
 retaining 5-3
 snap 5-5
ring, C-type stop 5-5
rivet, blind push 1-5
rocker switch 6-5
rocker switch (lights) 6-5
rod

accelerator pivot 4-7
equalizer 4-11
rubber bumper 1-25

S

safety first card 10-9
screw, valve clearance adjuster 10-9
seal
 bearing 5-3
 lip 8-3
 oil 8-3
 steering pinion dust 5-5
seal puller 10-9
sealant 8-3
seat back assembly 1-27
seat cover, vinyl 1-23, 1-25
seat foam 1-25
seat gasket 1-23
seat support, four-passenger 1-25
seat, bearing 5-3
sensor, motor speed 7-3
shackle, rear spring 5-7
shaft
 input 8-3
shock absorber 5-11
shock absorber cushion 5-7
shock absorber cushion retainer 5-7
shock absorber, rear 5-7
shoe, brake 4-3, 4-5
sleeve
 delta A-plate 5-11
snap ring 5-5
solenoid 6-23
spacer
 accelerator pivot rod 4-7, 4-9
 overload bumper 5-7
 park brake 9-5
spanner wrench 10-9
speed controller cover 6-23
speed sensor 7-3
speed sensor magnet 7-3
speed sensor, motor 7-3
spray, battery terminal protector 10-3
spring
 accelerator return 4-7
 brake 4-3, 4-5
 brake return 4-9
 brush 7-3
 leaf 5-7
 rack guide pressure 5-5
 steering shaft compression 5-3
spring cup 4-7
spring mounting plate 5-9
spring retainer 5-7
steel bushing 5-7, 5-9
steering column 5-3

steering column bearing press tool 10-9
steering column retaining ring tool 10-9
steering gear box 5-5
steering pinion 5-5
steering pinion dust seal 5-5
steering rack 5-5
steering shaft assembly 5-3
steering shaft column 5-3
steering shaft compression spring 5-3
steering wheel puller tool 10-9
strap, A-plate 5-11

stud

 lug 8-3

support

 cowl 1-11

support yoke (steering) 5-5

support, front body 1-7

suppressor, voltage 9-3

switch

 key, uncommon 6-5

 light rocker 6-5

 limit 4-9

 rocker 6-5

 Tow/Run 6-7

 turn signal 6-19

switch rubber boot 6-7

T

tachometer 10-9

tachometer probe, diesel 10-9

terminal block 6-19, 9-5

tester, continuity 10-5

thermometer, battery 10-3

thread-forming grease fitting 5-13

thrust bearing 5-9

tie rod end 5-11

tie wrap 1-5, 5-5, 6-19, 6-21, 6-23

tool

 accelerator pedal adjustment 10-3

 belt tensioning, starter/generator 10-11

 brake adjustment 10-3

 brake cable release 10-3

 brake pedal adjustment 10-3

 brake pedal tension 10-3

 cam installation 10-3

 carburetor float level 10-7

 charger bezel 10-3

 clutch alignment 10-5

 cT-wrench 10-5

 drive clutch fixed sheave 10-5

 drive clutch holder 10-5

 drive clutch spider removal 10-5

 driven clutch spring compression base 10-5

 driven clutch spring compression collar 10-5

INDEX

driven clutch spring compression nut 10-5
governor shaft installation 10-7
puller, special use 10-9
steering column bearing press 10-9
steering column retaining ring 10-9
steering wheel puller 10-9
transaxle axle seal 10-9
transaxle pinion seal 10-9
transmission 10-9
valve guide driver 10-9
valve seat cutter 10-5
tool kit, clutch 10-5
touch-up paint 10-7
Tow/Run switch 6-7
Tow/Run switch bracket 6-7
transaxle axle seal tool 10-9
transaxle pinion seal tool 10-9
transformer, battery charger 9-3
transmission tool 10-9
tune-up kit 10-9
turn signal lens 6-17
turn signal socket and lamp 6-19
turn signal switch 6-19
T-wrench tool 10-5

U

U-bolt 5-7
upper delta clevis 5-9
urethane bushing 5-7, 5-9, 5-11

V

valve clearance adjuster screw 10-9
valve guide driver tool 10-9
valve guide reamer 10-9
valve seat cutter 10-5, 10-11
valve seat cutter guide 10-11
valve seat cutter tool 10-5
valve seat t-wrench 10-11
valve spring compressor 10-11
volt ohm meter 10-11
voltage suppressor 9-3

W

wear pad 1-7
wedge, bearing puller 10-3
weldment
 press 10-5
wheel 2-3
wrap, tie 1-5, 5-5, 6-19, 6-21, 6-23
wrench, spanner 10-9

Y

yoke, gear 10-7
yoke, support (steering) 5-5



Club Car, Inc.
P.O. Box 204658
Augusta, GA 30917-4658
USA

Web www.clubcar.com
Phone 1.706.863.3000
1.800.ClubCar
Int'l +1 706.863.3000
Fax 1.706.863.5808