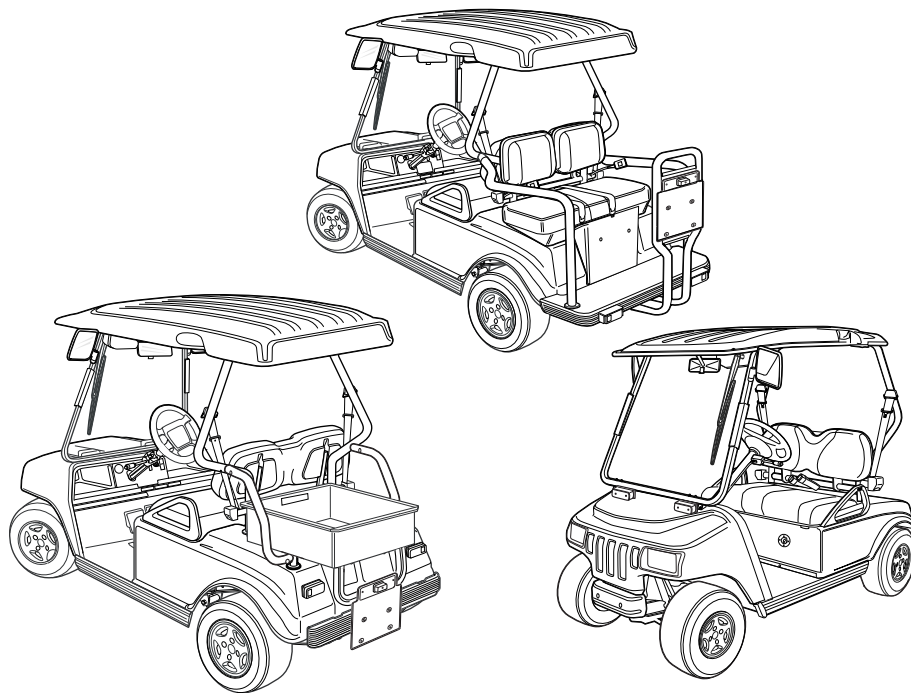




2011
Villager Homologated LSV



Electric Low-Speed Vehicles

Manual Number 103814624
Edition Code 0711D0112C

USING THE ILLUSTRATED PARTS LIST

⚠ WARNING

- **This manual is to be used only for identification and ordering of service parts. Be sure to read and use the maintenance and service manual before attempting any vehicle repairs.**

This manual covers all Villager Homologated LSV vehicles built during the 2011 model year.

The manual is divided into sections. Note that there are two or three flags on the outside edge of each page. The first flag contains the section number of which that page is a part. The other flag (or flags) contains the letter G or E, signifying that the page pertains to the electric or gasoline vehicles only.

Use the Table of Contents to find the sections and pages that contain the parts and assemblies you seek. The Table of Contents lists section numbers, and under them, the individual page titles and numbers to be found in that section. The index can be used to find specific parts and assemblies. The index is divided into numerical and alphabetical listings with the page numbers in italic text.

There is a two-page spread for each individual page title in the Table of Contents. On the left-hand page is an illustration showing the parts in their relative positions; the parts are each tagged with an item number in a balloon. The right-hand page is the parts list page, and gives the page title at the top, then the item numbers (corresponding to the numbers on the illustration), part descriptions, and quantity of parts used.

Note that a part description may be indented. This indentation corresponds to a parts assembly level indicated by the numbers 1, 2, 3, and 4 at the top left corner of the parts description area of the parts list page. A part that is indented to *level 2* is a component of the *level 1* part (assembly) that it is listed under. A *level 3* part is a component of the *level 2* part that it is listed under, and a *level 4* part is a component of the *level 3* part preceding it. In each case, the part quantity given for a level 2, 3, or 4 part is the quantity used per next higher level assembly of which it is a component. A part that is not indented is a *level 1* part. This means that the quantity given is the quantity used per the portion of the vehicle illustrated on that particular spread.

HOW TO ORDER PARTS

Replacement parts and accessories can be obtained from our network of authorized dealers and distributors. You can obtain the name and phone number of your closest authorized Club Car dealer or distributor by visiting our web site at www.clubcar.com and clicking on the "Distributor Search" link or by calling our toll-free Service Parts and Technical Assistance hotline at (800) 872-2246 or (706) 863-3000, extension 3887.



P. O. Box 204658
Augusta, Georgia 30917-4658 USA
Telephone 706-863-3000
Service Parts Fax 706-855-7413
www.clubcar.com

NOTE: *This illustrated parts list represents the most current information at the time of publication. Club Car, LLC. is continually working to further improve its vehicles and other products. These improvements may affect the parts used to service the vehicle. Any modification and/or significant change in specifications will be forwarded to all Club Car and Carryall distributors/dealers and will, when applicable, appear in future editions of this illustrated parts list.*

Club Car, LLC. reserves the right to change specifications and designs at any time without notice and without the obligation of making changes to units previously sold.

Copyright © 2011 Club Car, LLC.
Club Car and *ArmorFlex*
are registered trademarks of Club Car, LLC.
This manual effective December 1, 2010.

2011 Villager Homologated LSV

CONTENTS

SECTION 1 – BODY AND TRIM

Front Seat Bottom and Armrests	1-3
Rear-Facing Seat Bottom – Villager 2+2	1-5
Mirrors, Windshield, Wiper – To Be Determined	1-7
Front Body	1-9
Rear Body and Fenders	1-11
Dash Canopy Brace and Cowl Trim	1-13
TOPS – Villager 2 with Bed Box	1-15
TOPS – Villager 2	1-17
Rear Footrest and Handrails – Villager 2+2	1-19
TOPS – Villager 2 + 2	1-21
Seat Backs	1-23
Seat Belts	1-25
Bed Box	1-27
Canopy	1-29

SECTION 2 – WHEELS AND TIRES

Wheels and Tires	2-3
------------------------	-----

SECTION 3 – DECALS

Safety Decals	3-3
Safety Decals – Continued	3-5
Logo Decals	3-7

SECTION 4 – BRAKES, PEDAL, AND CABLES

Rear Brake Assembly, Manually-Adjusted – Vehicles with 4-Wheel Brakes	4-3
Front Brake Assembly – Vehicles with Four-Wheel Brakes	4-5
Accelerator Pedal Assembly – Electric Vehicles with MCOR	4-7
Hand Brake	4-9
Brake Pedal	4-11
Brake Cables and Equalizer	4-13
Accelerator Pedal Assembly (Style B)	4-15

SECTION 5 – STEERING, FRONT AND REAR SUSPENSION

Steering Column	5-3
Steering Gear Assembly	5-5
Rear Suspension Components	5-7
Front Suspension, Lower	5-9

CONTENTS

Front Suspension, Upper	5-11
Front Spindles and Hubs	5-13
Steering Wheel	5-15

SECTION 6 – ELECTRICAL SYSTEM

Motor Controller Output Regulator (MCOR)	6-3
Lighting Harness	6-7
Speedometer	6-9
Electrical Components, Front Body	6-11
Wiring	6-15
Headlights	6-17
Turn Signals	6-19
Taillights and License Plate Light	6-21
Electrical Components, Center Body	6-23
Electrical Component Mounting Plate	6-25
Instrument Panel with Electrical Components	6-27
Batteries	6-29

SECTION 7 – ELECTRIC MOTOR

Electric Motor (Model EJ9-4002)	7-3
---------------------------------------	-----

SECTION 8 – TRANSAXLE

Transaxle	8-3
-----------------	-----

SECTION 9 – BATTERY CHARGER

PowerDrive Battery Charger (Model 20310), European	9-3
Onboard PowerDrive Battery Charger (Model 17790), Export	9-5
Onboard Battery Charger and Reel Mounting	9-7

SECTION 10 – MAINTENANCE AND SERVICE TOOLS

Maintenance and Service Tools	10-3
Maintenance and Service Tools, Continued	10-5
Maintenance and Service Tools, Continued	10-7
Maintenance and Service Tools, Continued	10-9
Maintenance and Service Tools, Continued	10-11

SECTION i – INDEX

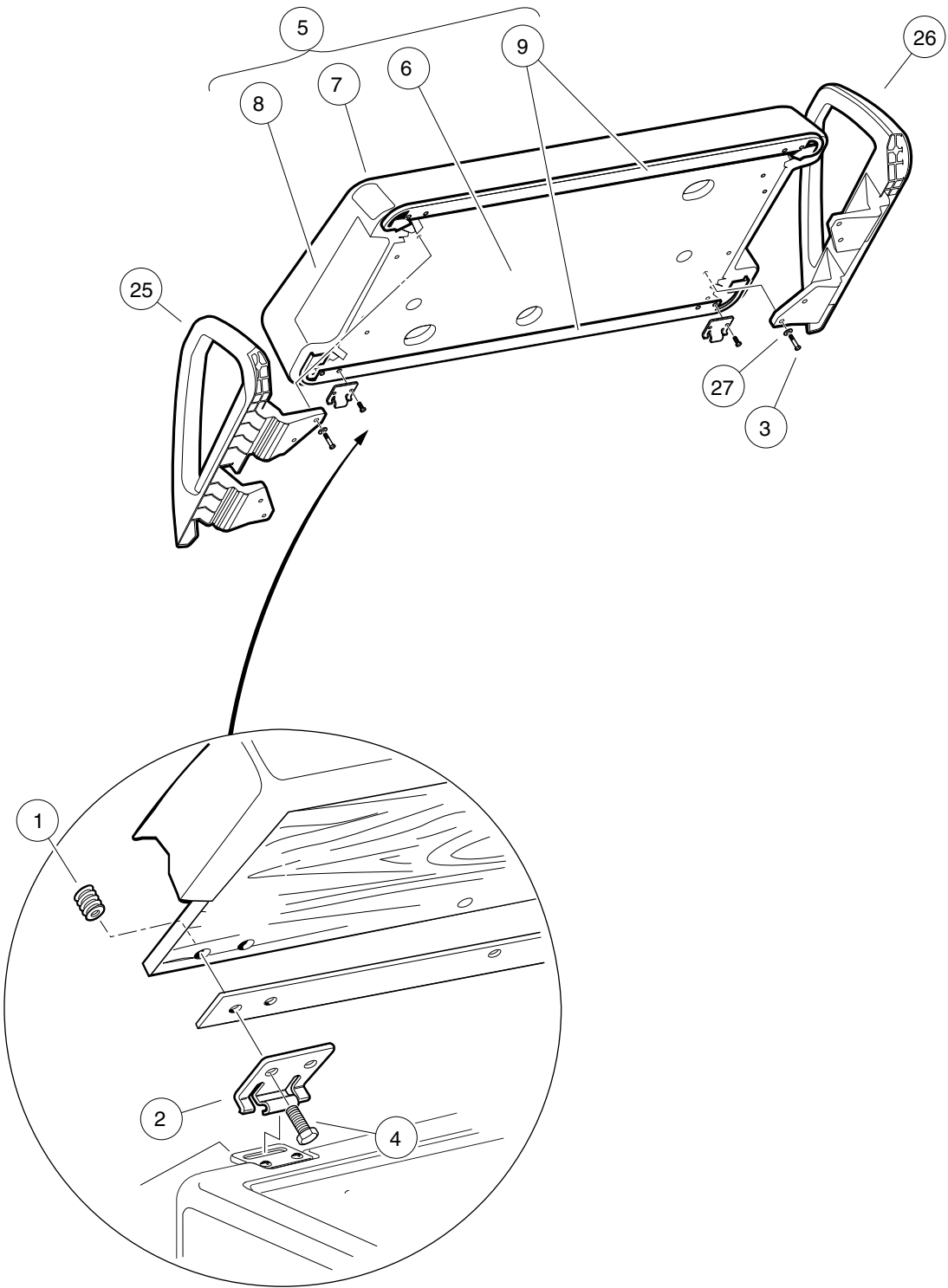
BODY AND TRIM

1

E

1

E



000364-003

FRONT SEAT BOTTOM AND ARMRESTS

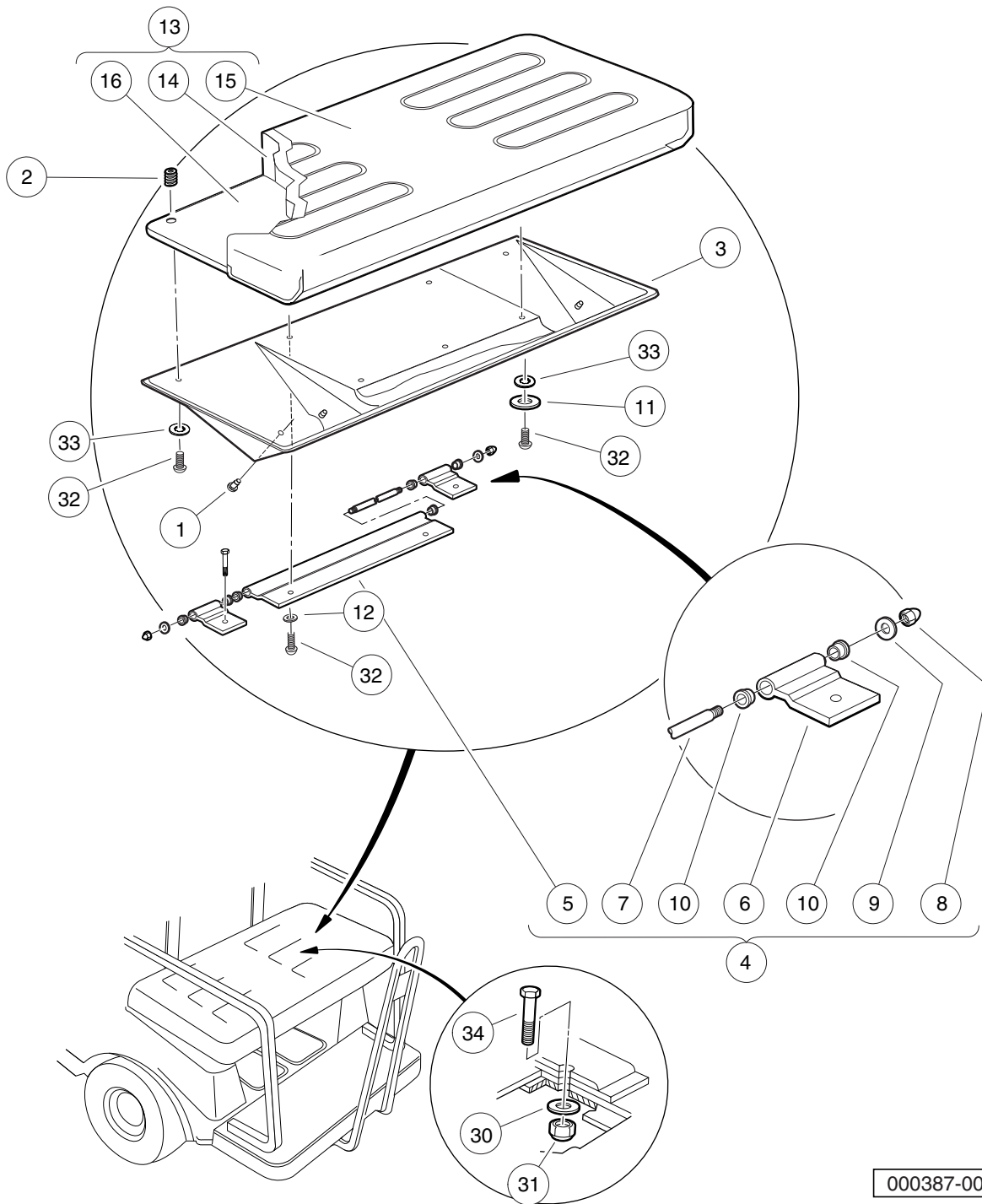
ITEM	PART NO.	DESCRIPTION	QTY
		1 2 3 4	
1	1010543	Insert - Wood	4
2	<u>1011652</u>	Hinge Plate	2
3	1016916	Screw, 1/4-20 X 1.50 Hex-Head Cap	8
4	<u>101954301</u>	Screw, 1/4-20 X 0.75 Hex-Head Cap	4
5	<u>102174201</u>	Seat Bottom Assembly, Buff (includes items 6 through 9)	1
6	N/A	Plywood Assy	1
7	<u>101998211</u>	Vinyl Cover Seat Btm - Buffsvc	1
8	N/A	Foam, Seat	1
9	<u>101998501</u>	Gasket, Seat	2
10	<u>102174202</u>	Seat Bottom Assembly, White (includes items 11 through 14)	1
11	N/A	Plywood Assy	1
12	<u>101998212</u>	Vinyl Cover, Seat Bottom, White	1
13	N/A	Foam, Seat	1
14	<u>101998501</u>	Gasket, Seat	2
15	<u>102174204</u>	Seat Bottom Assembly, Black (includes items 16 through 19)	1
16	N/A	Plywood Assy	1
17	<u>101998214</u>	Vinyl Cover, Seat Bottom, Black	1
18	N/A	Foam, Seat	1
19	<u>101998501</u>	Gasket, Seat	2
20	<u>102174205</u>	Seat Bottom Assembly, Gray (includes items 21 through 24)	1
21	N/A	Plywood Assy	1
22	<u>101998215</u>	Vinyl Cover, Seat Bottom, Gray	1
23	N/A	Foam, Seat	1
24	<u>101998501</u>	Gasket, Seat	2
25	<u>103246701</u>	Hip Restraint, Drvr Side	1
26	<u>103246801</u>	Hip Restraint, Pass Side	1
27	<u>332</u>	Washer, 1/4 Type A Narrow Flat	8
Note: Sub-components contained in items 10, 15, and 20 are the same as those shown for item 5, except for the vinyl seat covers.			

1

E

1

E



000387-002

REAR-FACING SEAT BOTTOM – VILLAGER 2+2

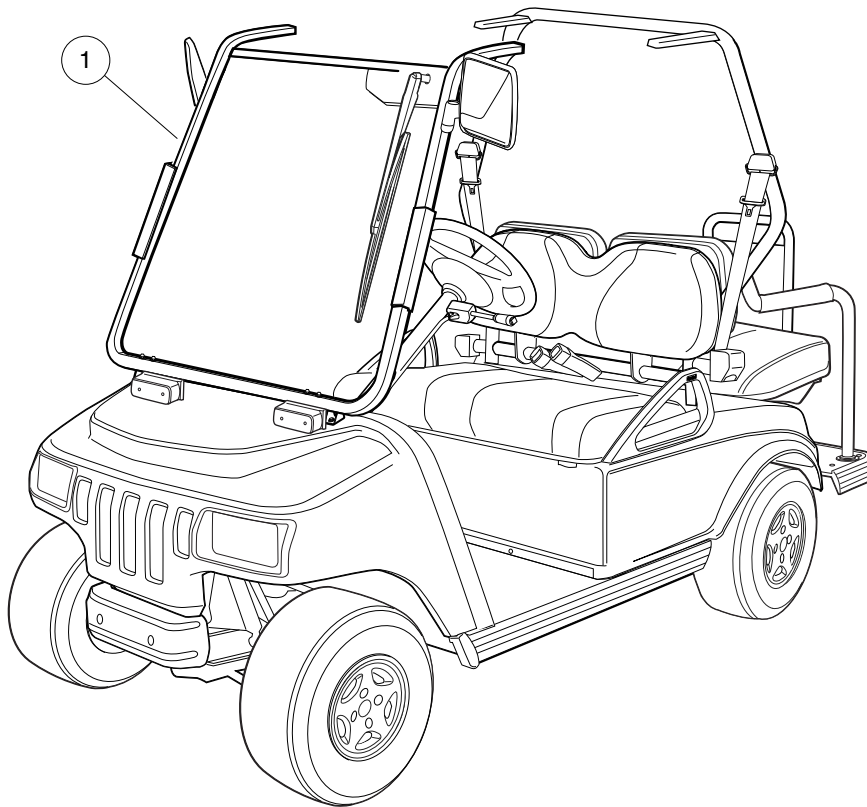
ITEM	PART NO.	DESCRIPTION	QTY
		1 2 3 4	
1	<u>1010436</u>	Bumper, Rubber	1
2	<u>1010543</u>	Insert - Wood	7
3	<u>1011210</u>	Seat Support 4-Passenger	1
4	<u>1011219</u>	Hinge Assembly 4 Passenger (includes items 5 through 10)	1
5	<u>1011220</u>	Hinge Long 4 Passenger	1
6	<u>1011221</u>	Hinge Short 4 Passenger	2
7	<u>1011222</u>	Pin, Hinge, Long, 4-Pass	1
8	<u>1015091</u>	Nut, 1/4-20 Stainless-Steel Center-Lock Cap	2
9	<u>332</u>	Washer, 1/4 Type A Narrow Flat	2
10	<u>8028</u>	Rotor Stop, FNR	6
11	<u>1011578</u>	Washer, 5/16 Type B Flat	3
12	<u>1014007</u>	Washer, 1/4 Flat	2
13	<u>101564804</u>	Seat Bottom Assembly, Buff (includes items 14 through 16)	1
14	N/A	Foam, Seat	1
15	<u>101562711</u>	Vinyl Cover, Seat Bottom, Buff	1
16	N/A	Plywood Assy	1
17	<u>101564805</u>	Seat Bottom Assembly, White (includes items 18 through 20)	1
18	N/A	Foam, Seat	1
19	<u>101562712</u>	Vinyl Cover, Seat Bottom, White	1
20	N/A	Plywood Assy	1
21	<u>101564807</u>	Seat Bottom Assembly, Gray (includes items 22 through 24)	1
22	N/A	Foam, Seat	1
23	<u>101562715</u>	Vinyl Cover, Seat Bottom, Gray	1
24	N/A	Plywood Assy	1
25	<u>101564808</u>	Seat Bottom Assembly, Black (includes items 26 through 28)	1
26	N/A	Foam, Seat	1
27	<u>101562714</u>	Vinyl Cover, Seat Bottom, Black	1
28	N/A	Plywood Assy	1
29	<u>1016916</u>	Screw, 1/4-20 X 1.50 Hex-Head Cap	2
30	<u>1241</u>	Washer, 5/16 Type A Flat	2
31	<u>7473</u>	Locknut, 5/16-18 Nylon Insert	2
32	<u>8251</u>	Screw, 1/4-20 X 1.0 Truss-Head Machine	5
33	<u>8304</u>	Lockwasher, 1/4 Type A Int.tth	5
34	<u>8963</u>	Screw, 5/16-18 X 1.75 Hex-Head Cap	2
<p>Note: Sub-components contained in items 17, 21, and 25 are the same as those shown for item 13, except for the vinyl seat covers.</p>			

1

E

1

E



000922-002

MIRRORS, WINDSHIELD, WIPER – TO BE DETERMINED

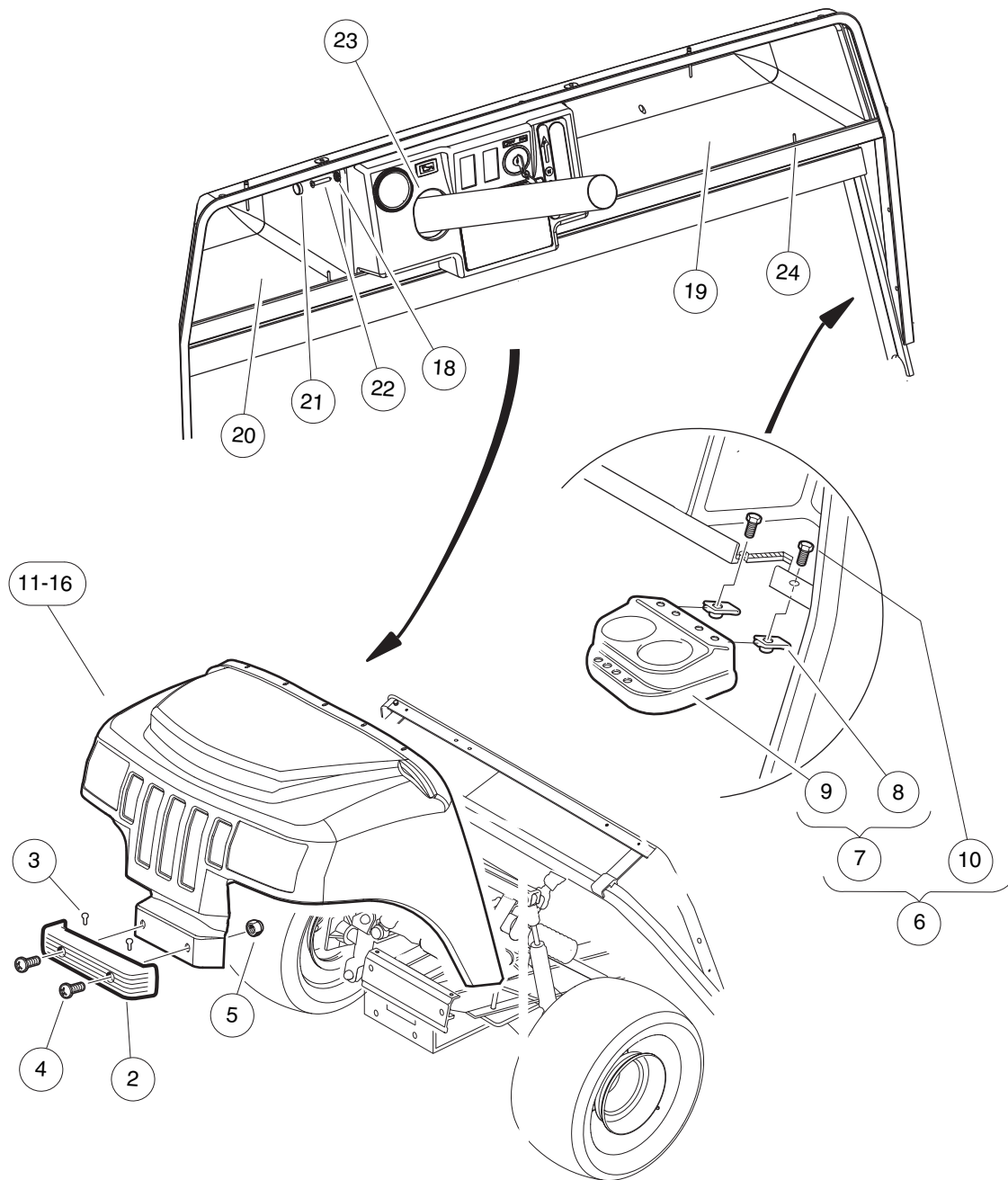
ITEM	PART NO.	DESCRIPTION	QTY
1	N/A	1 2 3 4 Kit, Wndshld/wiper/mirror, Hom	1

1

E

1

E



000920-003

FRONT BODY

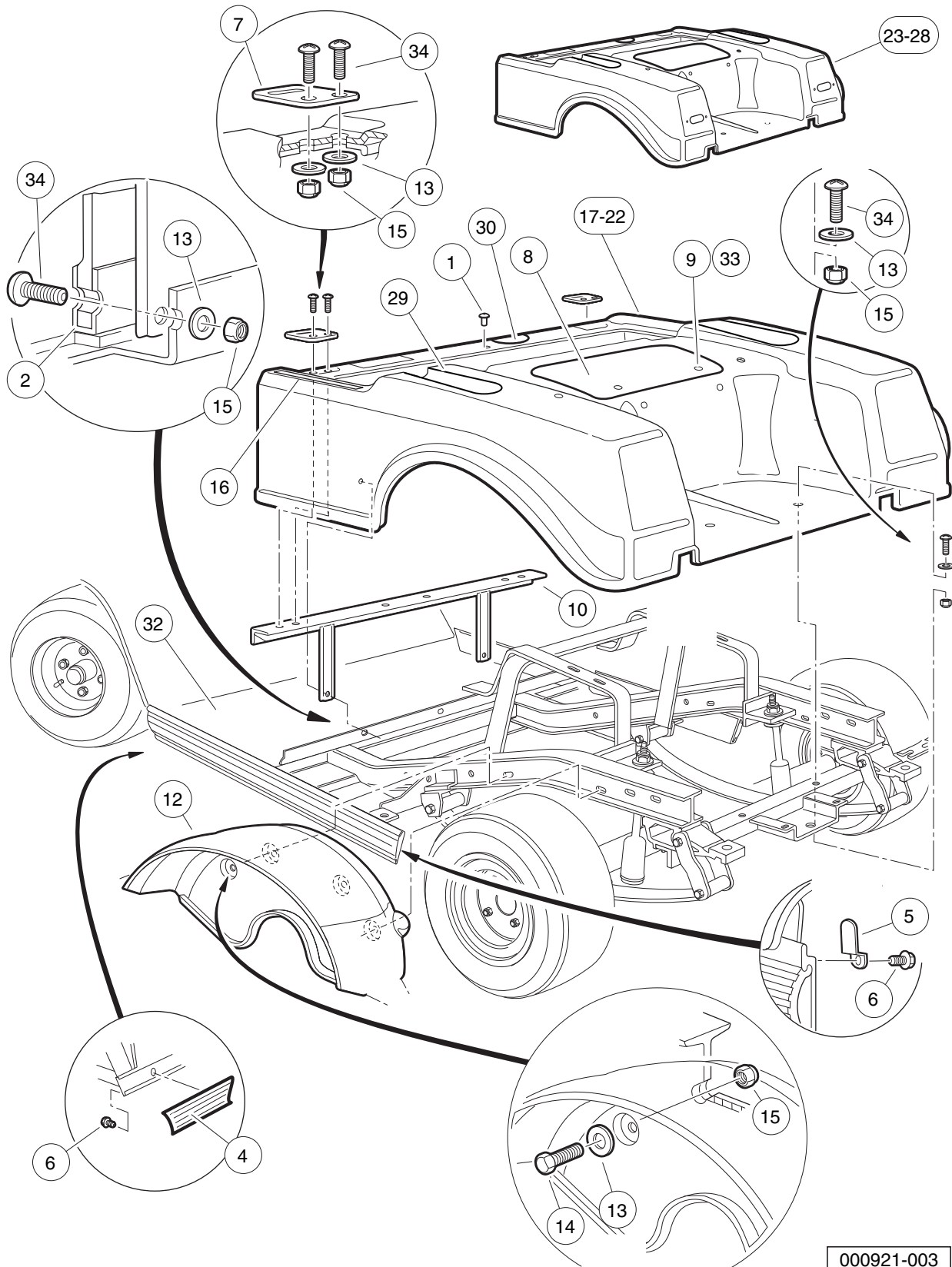
ITEM	PART NO.	DESCRIPTION	QTY
		1 2 3 4	
1	<u>1017080</u>	Kit, Front Bumper (includes items 2 through 5)	1
2	<u>1016868</u>	Front Bumper	1
3	<u>1016967</u>	Blind Rivet, Push Type	2
4	<u>7251</u>	Screw, 5/16-18 x 1.0 Truss-Head	2
5	<u>7473</u>	Locknut, 5/16-18 Nylon Insert	2
6	<u>101708301</u>	Drink Holder Kit (includes items 7 through 10)	2
7	<u>1016811</u>	Holder, Dual Cup (includes items 8 and 9)	1
8	<u>1016952</u>	U-Nut, 1/4-20	2
9	N/A	Cup Holder, Dual	1
10	<u>7847</u>	Screw, 1/4-20 X 0.75 Hex-Head Cap	2
11	<u>103746801</u>	Cowl	1
12	<u>103746802</u>	Cowl, White, Vill Lsv	1
13	<u>103746806</u>	Cowl, Red, Vill Lsv	1
14	<u>103746809</u>	Cowl, Dk Green, Vill Lsv	1
15	<u>103746810</u>	Cowl, Black, Vill Lsv	1
16	<u>103746811</u>	Cowl, Cl Blue, Vill Lsv	1
17	N/A	Instl, Dash, Vill Lsv, Homol (includes items 18 through 24)	1
18	<u>1011382</u>	Washer, #10 Pan-Head Screw	2
19	<u>1013343</u>	Dash Component, Passenger-Side, Black	1
20	<u>1013344</u>	Dash Component, Driver-Side	1
21	<u>1013494</u>	Cover, Screw Head	2
22	<u>1015528</u>	Screw, #10 x 1-1/4 Phillips Head	2
23	<u>102278001</u>	Boot, Steering Column Round	1
24	<u>7973</u>	Rivet, 3/16 X .400 Blind	5

1

E

1

E



000921-003

REAR BODY AND FENDERS

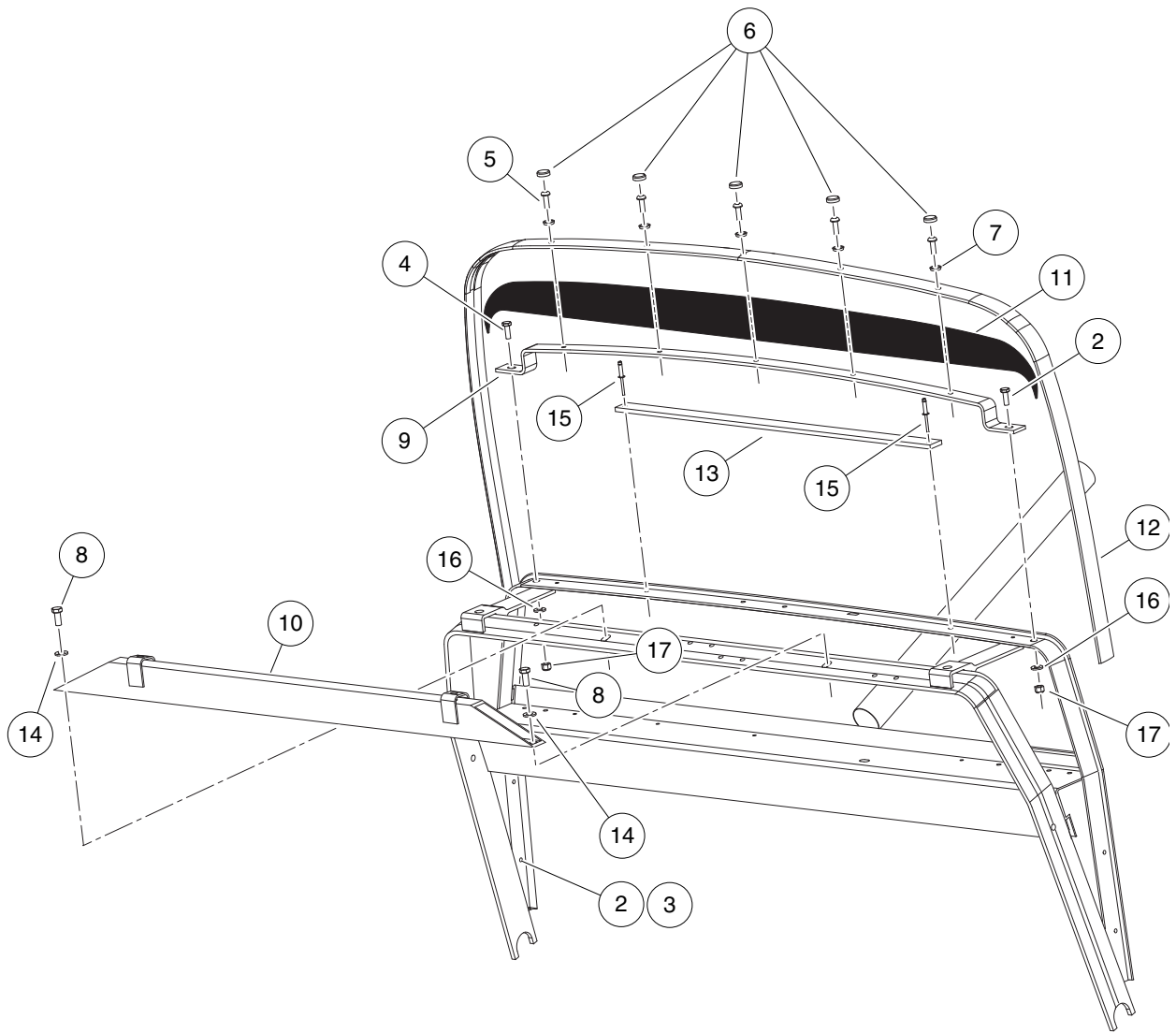
ITEM	PART NO.	DESCRIPTION	QTY
		1 2 3 4	
1	<u>1010434</u>	Barrel - Plastic	1
2	<u>1010993</u>	Body Kick Plate	1
3	N/A	Instl, Side Trim - Std (includes items 4 through 6)	1
4	<u>1013983</u>	Bumper, Side Trim	2
5	<u>1017748</u>	Body Keeper Clip	2
6	<u>102310701</u>	Screw, #8-18 x 0.375, Hex-Head Washer	8
7	<u>1012412</u>	Body, Hinge Plate	2
8	<u>1013032</u>	Molded Access Door Black	1
9	<u>1015525</u>	Nut, 1/4-20 Blind	2
10	<u>1017141</u>	Body Support Weldment	1
11	N/A	Inner Fender Instl Gas (includes items 12 through 15)	1
12	<u>1017936</u>	Fender, Inner	2
13	<u>332</u>	Washer, 1/4 Type A Narrow Flat	4
14	<u>7847</u>	Screw, 1/4-20 X 0.75 Hex-Head Cap	4
15	<u>8233</u>	Locknut, 1/4-20 Nylon Insert	4
16	<u>102221201</u>	Wear Pad	2
17	<u>103810001</u>	B	1
18	<u>103810002</u>	Body, Rr, White, 2+2, Homol	1
19	<u>103810004</u>	Body, Rr, Red, 2+2, Homol	1
20	<u>103810005</u>	Body, Rr, Dk Grn, 2+2, Homol	1
21	<u>103810006</u>	Body, Rr, Black, 2+2, Homol	1
22	<u>103810007</u>	Body, Rr, Cl Blue, 2+2, Homol	1
23	<u>103810501</u>	Body, Rr, Beige, Vil2, Homol	1
24	<u>103810502</u>	Body, Rr, White, Vil2, Homol	1
25	<u>103810504</u>	Body, Rr, Red, Vil2, Homol	1
26	<u>103810505</u>	Body, Rr, Dk Grn, Vil2, Homol	1
27	<u>103810506</u>	Body, Rr, Black, Vil2, Homol	1
28	<u>103810507</u>	Body, Rr, Cl Blue, Vil2, Homol	1
29	<u>103825001</u>	Trim, Body, Outer, Homol Vill	2
30	<u>103825002</u>	Trim, Body, Center, Homol Vill	1
31	N/A	Instl, Floormat, Hndbrk, Badgd (includes item 32)	1
32	<u>101503204</u>	Floormat - Badged Parkbrake	1
33	<u>8248</u>	Screw, 1/4-20 X 0.75 Truss-Head Machine	2
34	<u>8251</u>	Screw, 1/4-20 X 1.0 Truss-Head Machine	4

1

E

1

E



000823-002

DASH CANOPY BRACE AND COWL TRIM

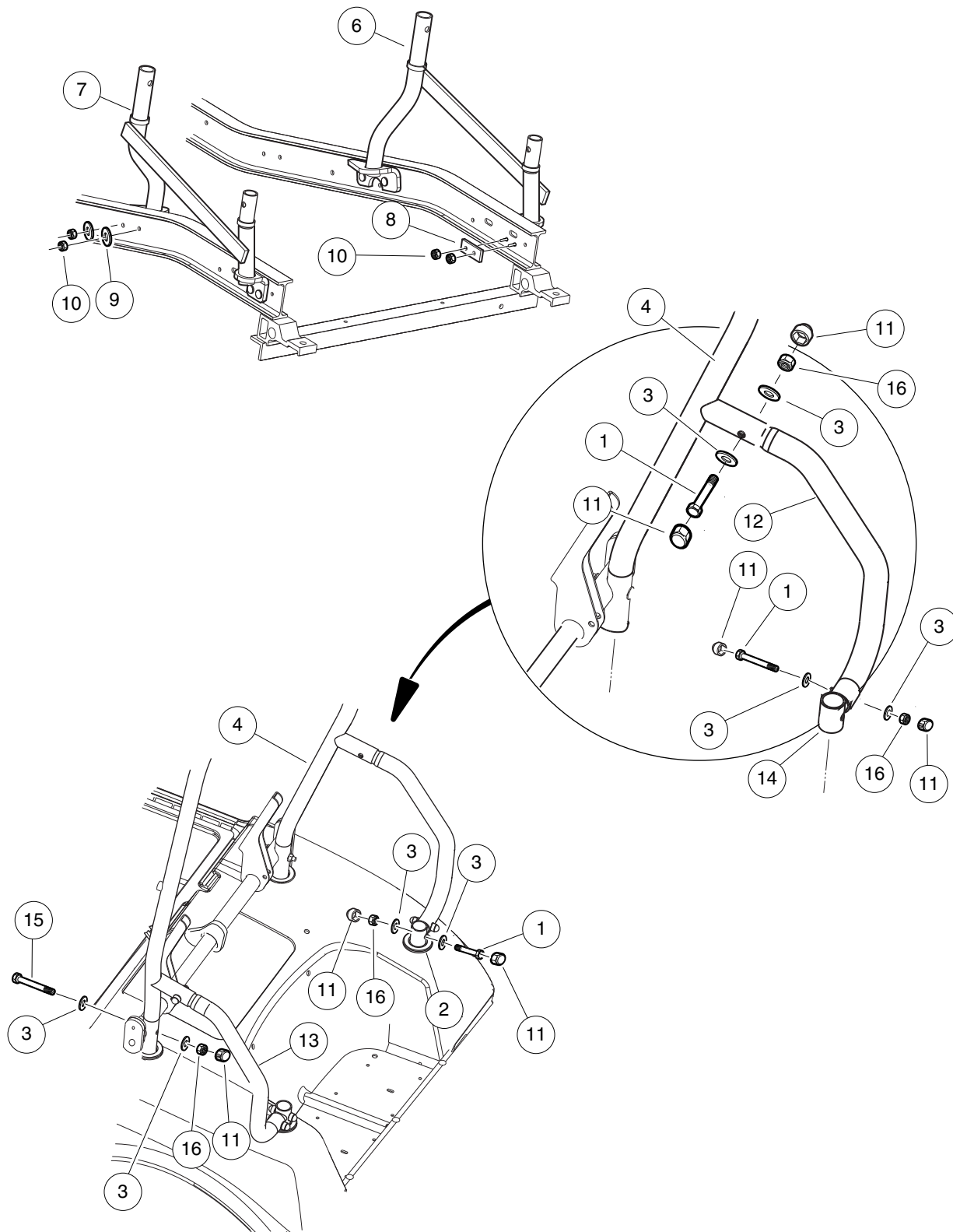
ITEM	PART NO.	DESCRIPTION	QTY
		1 2 3 4	
1	N/A	Instl, Closeout, Dash (includes items 2 through 17)	1
2	<u>1011017</u>	Screw, #8-32 X 0.375	4
3	<u>1011659</u>	#8-32 Unc-2b Slub Base Teenut	4
4	<u>101954301</u>	Screw, 1/4-20 X 0.75 Hex-Head Cap	2
5	<u>102025801</u>	Screw, 1/4-20 X .75 Torx Pn Hd	5
6	<u>102045001</u>	Cap, 1/4" Plastic Screw Head	5
7	<u>102048401</u>	Washer, 1/4 Id Scalloped Plast	5
8	<u>102242101</u>	Screw, 5/16-18 X 3/4 Hex-Head with Patch	2
9	<u>102778601</u>	Support, Upper Cowl	1
10	<u>103313301</u>	Asm, Brace, Canopy, Tube, Xrt	1
11	<u>103364101</u>	Panel, Closeout, Dash	1
12	<u>103364201</u>	Strip, Trim, Dash, Black	1
13	<u>103395101</u>	Plate, Retention, Closeout	1
14	<u>1241</u>	Washer, 5/16 Type A Flat	2
15	<u>1606</u>	Rivet, 3/16 X .500 Alum Pop	2
16	<u>332</u>	Washer, 1/4 Type A Narrow Flat	2
17	<u>8233</u>	Locknut, 1/4-20 Nylon Insert	2

1

E

1

E



000930-003

TOPS – VILLAGER 2 WITH BED BOX

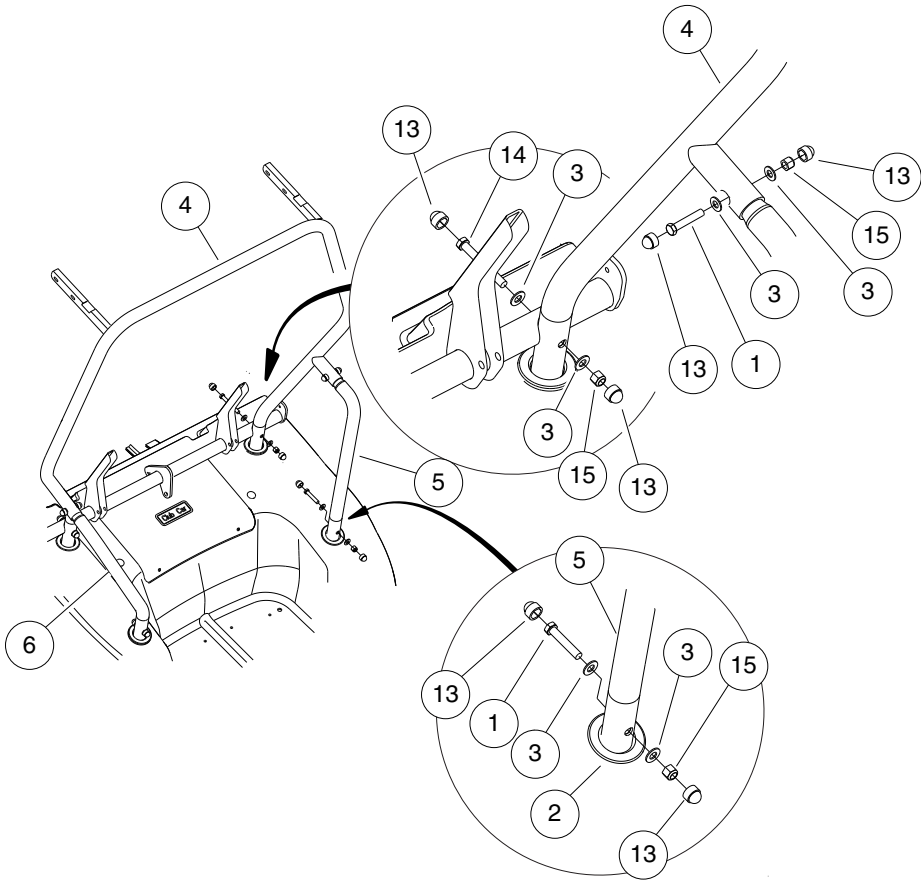
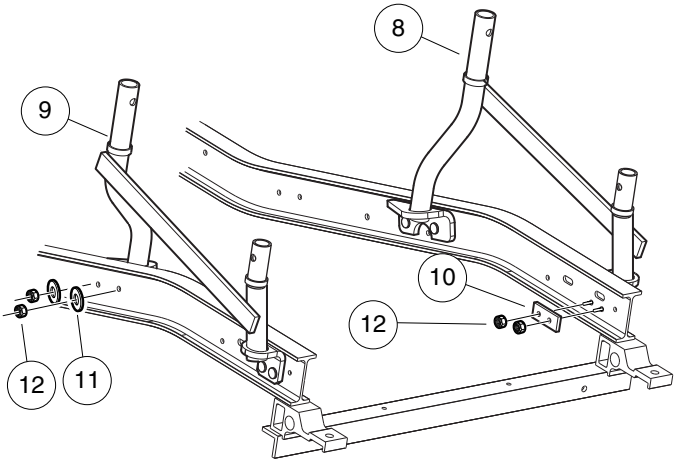
ITEM	PART NO.	DESCRIPTION	QTY
		1 2 3 4	
1	<u>1010177</u>	Bolt, 3/8-16 X 2.00 Hex Head	6
2	<u>102323001</u>	Grommets, Rear Body	4
3	<u>102323501</u>	Washer, Flat, 3/8, Blk Fin	16
4	<u>103641002</u>	Weldment, Upper Tops, Homo	1
5	N/A	Instl, H-brkt, 2-pass (includes items 6 through 10)	1
6	<u>103640102</u>	Mount, Lower, Tops, Ps, 2pass	1
7	<u>103640202</u>	Mount, Lower, Tops, Ds, 2pass	1
8	<u>103641101</u>	Plate, Washer, Tops	2
9	<u>808</u>	Washer, 3/8 Type B Flat	4
10	<u>8754</u>	Locknut, 3/8-16 Hex	8
11	<u>103762001</u>	Cap, Dome, Black, 3/8 Hex	16
12	<u>103801201</u>	Tube, Gusset, V2, Rh (with Bed Box)	1
13	<u>103801202</u>	Tube, Gusset, V2, Lh (with Bed Box)	1
14	<u>103801401</u>	Weldment, Tube, Gusset, V2	2
15	<u>7561</u>	Bolt, 3/8-16 X 3.00 Hex Head	2
16	<u>8754</u>	Locknut, 3/8-16 Hex	8

1

E

1

E



000930-004

TOPS – VILLAGER 2

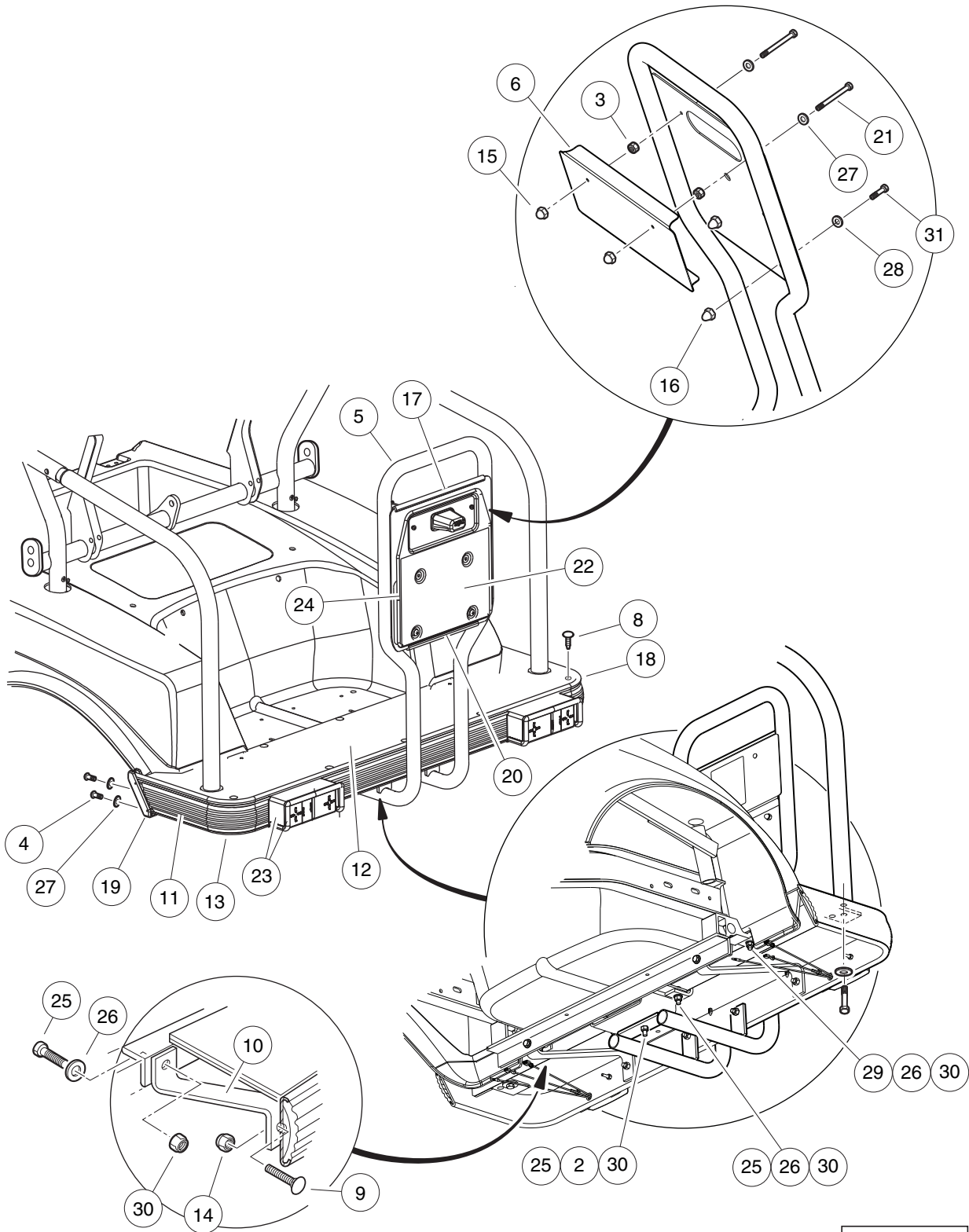
ITEM	PART NO.	DESCRIPTION	QTY
		1 2 3 4	
1	<u>1010177</u>	Bolt, 3/8-16 X 2.00 Hex Head	4
2	<u>102323001</u>	Grommets, Rear Body	4
3	<u>102323501</u>	Washer, Flat, 3/8, Blk Fin	12
4	<u>103641002</u>	Weldment, Upper Tops, Homo	1
5	<u>103733501</u>	Tube, Gusset, 2-pass, Ps	1
6	<u>103733502</u>	Tube, Gusset, 2-pass, Ds	1
7	N/A	Instl, H-brkt, 2-pass (includes items 8 through 12)	1
8	<u>103640102</u>	Mount, Lower, Tops, Ps, 2pass	1
9	<u>103640202</u>	Mount, Lower, Tops, Ds, 2pass	1
10	<u>103641101</u>	Plate, Washer, Tops	2
11	<u>808</u>	Washer, 3/8 Type B Flat	4
12	<u>8754</u>	Locknut, 3/8-16 Hex	8
13	<u>103762001</u>	Cap, Dome, Black, 3/8 Hex	8
14	<u>7561</u>	Bolt, 3/8-16 X 3.00 Hex Head	2
15	<u>8754</u>	Locknut, 3/8-16 Hex	6

1

E

1

E



000924-002

REAR FOOTREST AND HANDRAILS – VILLAGER 2+2

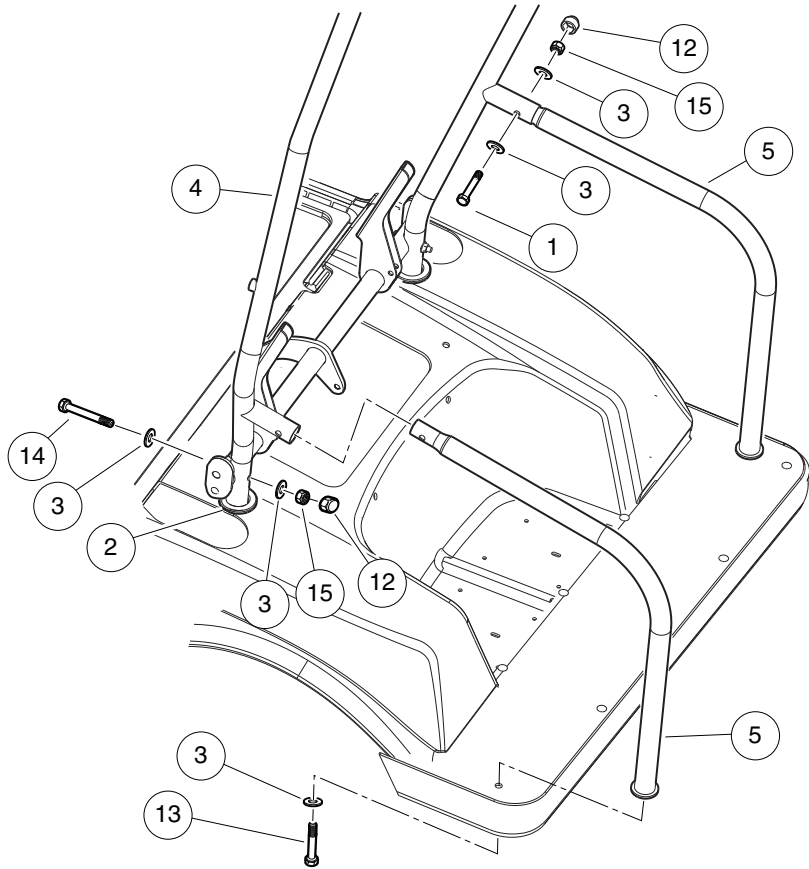
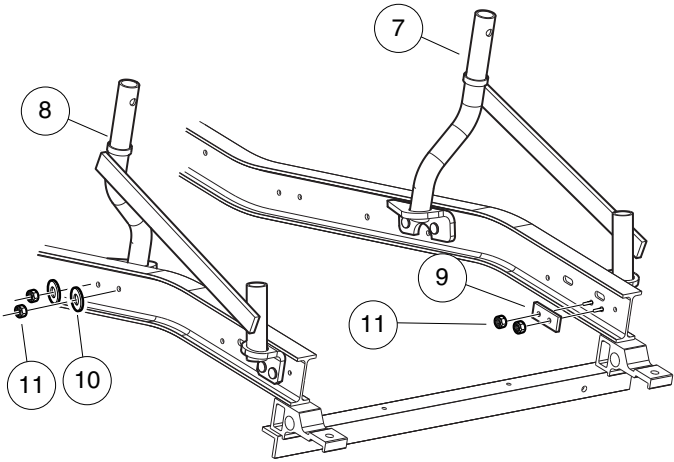
ITEM	PART NO.	DESCRIPTION	QTY
		1 2 3 4	
1	103736802	Instl, Fotdeck, Vil 2+2 Homol (includes items 2 through 31)	1
2	<u>1011578</u>	Washer, 5/16 Type B Flat	1
3	<u>1013061</u>	Locknut, #10-32 Nylon Insert	6
4	<u>102310701</u>	Screw, #8-18 x 0.375, Hex-Head Washer	4
5	<u>103732801</u>	Weldment, Hand Hold, Rear	1
6	<u>103733301</u>	Plate, Cover, Hand Hold	1
7	103750402	Foot Rest, Rr, Assy, Homol (includes items 8 through 14)	1
8	<u>1010434</u>	Barrel - Plastic	8
9	<u>1010435</u>	Bolt, Carriage, 5/16-18 X 1.00	4
10	<u>1016668</u>	Connecting Bar	2
11	<u>1016835</u>	Bumper, Side Trim	1
12	<u>101840901</u>	Foot Rest Mat	1
13	N/A	Foot Rest, Rr, Weldment, Homol	1
14	<u>7473</u>	Locknut, 5/16-18 Nylon Insert	2
15	<u>103759301</u>	Nut, Acorn, #10-32, Blk	2
16	<u>103759801</u>	Nut, Cap, High Cr, 1/4-20, Blk	2
17	<u>103809901</u>	Trim, Edge, License Plate, Top	1
18	<u>103811601</u>	Trim, Fotdeck, Lsv 2+2, Homol	1
19	<u>103813501</u>	Cap, Stringer, Homologation	2
20	<u>103813601</u>	Trim, Edge, License Plate, Btm	1
21	<u>103821301</u>	Screw, Panhead #10-32 X 1.75	2
22	103828901	Brkt, Rear License, Homol Vill	1
23	103848501	Asm, Tail Lamp Brkt, Foot Deck	2
24	103853301	Trim, Edge, Homol Lic Plt Brkt	1
25	1218	Screw, 5/16-18 X 1.25 Hex-Head Cap	5
26	<u>1241</u>	Washer, 5/16 Type A Flat	8
27	<u>183</u>	Washer, #10 Type A Flat	4
28	<u>332</u>	Washer, 1/4 Type A Narrow Flat	2
29	<u>7410</u>	Screw, 5/16-18 X 1.25 Truss Hd	2
30	<u>7473</u>	Locknut, 5/16-18 Nylon Insert	9
31	8419	Screw, 1/4-20 X .625 Truss Hd	2

1

E

1

E



000930-002

TOPS – VILLAGER 2 + 2

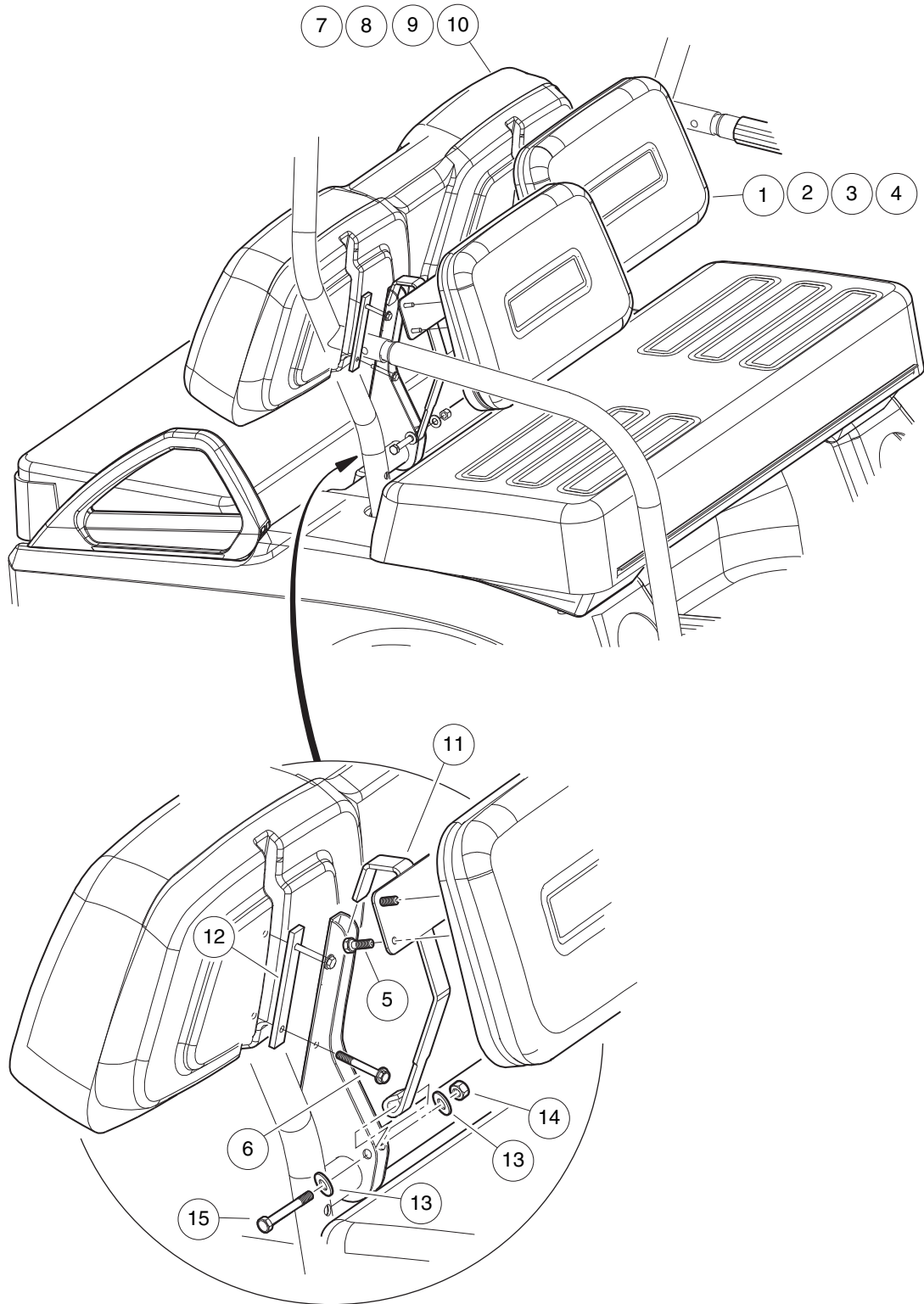
ITEM	PART NO.	DESCRIPTION	QTY
		1 2 3 4	
1	<u>1010177</u>	Bolt, 3/8-16 X 2.00 Hex Head	2
2	<u>102323001</u>	Grommets, Rear Body	2
3	<u>102323501</u>	Washer, Flat, 3/8, Blk Fin	10
4	<u>103641002</u>	Weldment, Upper Tops, Homo	1
5	103732901	Weldment, Hip Restraint, Rear	2
6	N/A	Instl, Lower Tops H Bracket (includes items 7 through 11)	1
7	<u>103640101</u>	Mount, Lower, Tops, Ps, 4pass	1
8	<u>103640201</u>	Mount, Lower, Tops, Ds, 4pass	1
9	<u>103641101</u>	Plate, Washer, Tops	2
10	<u>808</u>	Washer, 3/8 Type B Flat	4
11	<u>8754</u>	Locknut, 3/8-16 Hex	8
12	<u>103762001</u>	Cap, Dome, Black, 3/8 Hex	4
13	<u>1624</u>	Screw, 3/8-16 X 1.50 Hex-Head Cap	2
14	<u>7561</u>	Bolt, 3/8-16 X 3.00 Hex Head	2
15	<u>8754</u>	Locknut, 3/8-16 Hex	4

1

E

1

E



000929-002

SEAT BACKS

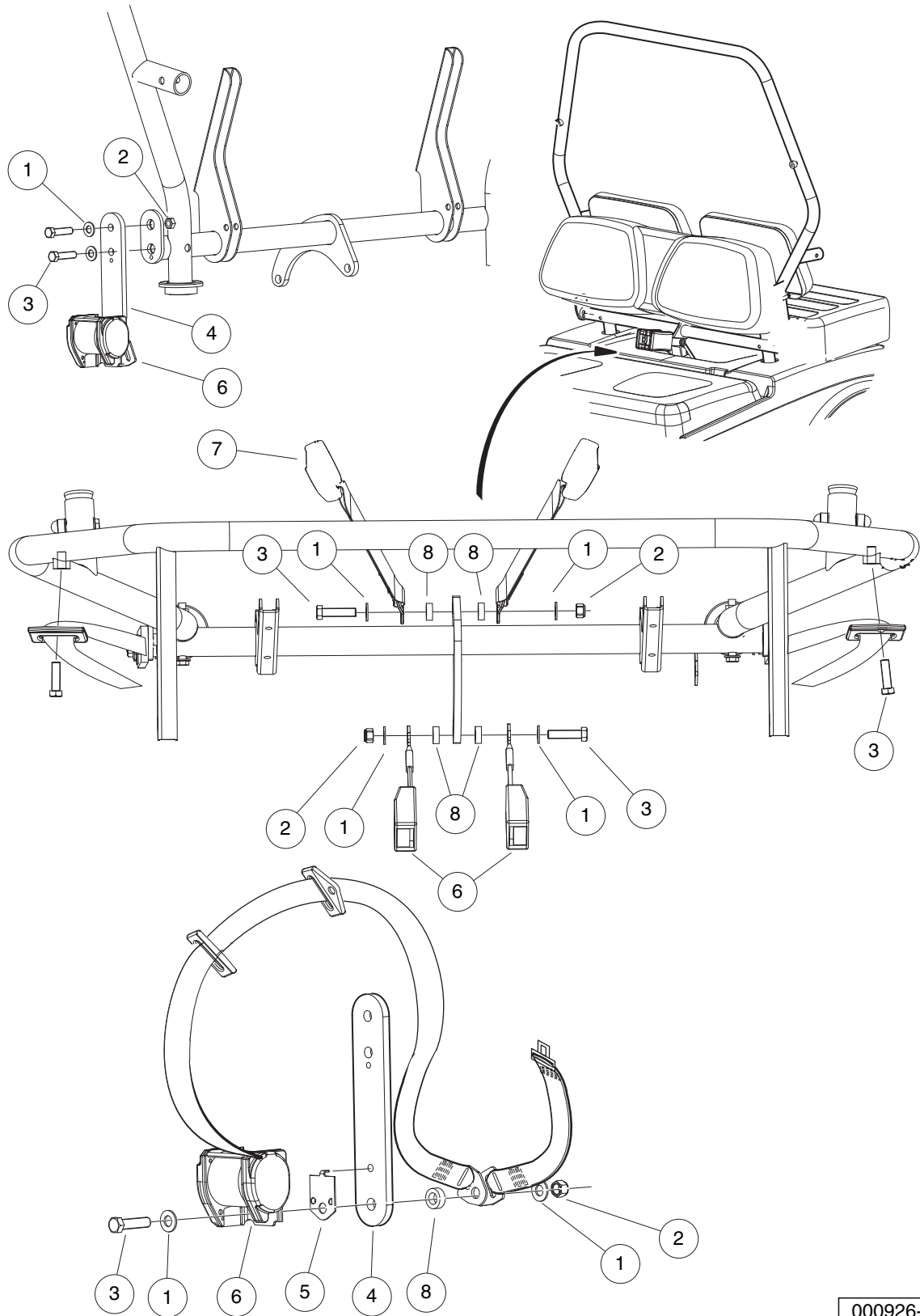
ITEM	PART NO.	DESCRIPTION	QTY
		1 2 3 4	
1	<u>101565202</u>	Seat Back Assembly, White w/Black Cap	1
2	<u>101565204</u>	Seat Back Assembly, Beige w/Black Cap	1
3	<u>101565205</u>	Seat Back Assembly, Black w/Black Cap	1
4	<u>101565206</u>	Seat Back Assembly, Gray w/Black Cap	1
5	<u>101954301</u>	Screw, 1/4-20 X 0.75 Hex-Head Cap	8
6	<u>102076701</u>	Screw, 1/4-20 X 1.75 Hex Sems	4
7	<u>103739002</u>	Seatback Asm, Front, White	1
8	<u>103739004</u>	Seatback Asm, Front, Buff	1
9	<u>103739005</u>	Seatback Asm, Front, Black	1
10	<u>103739006</u>	Seatback Asm, Front, Gray	1
11	<u>103754601</u>	Weldment, Support, Seatback	2
12	<u>103755001</u>	Plate, Spacer	2
13	<u>334</u>	Washer, 3/8 Type A Flat	4
14	<u>8754</u>	Locknut, 3/8-16 Hex	2
15	<u>8861</u>	Bolt, 3/8-16 X 1.75 Hex	2

1

E

1

E



000926-002

SEAT BELTS

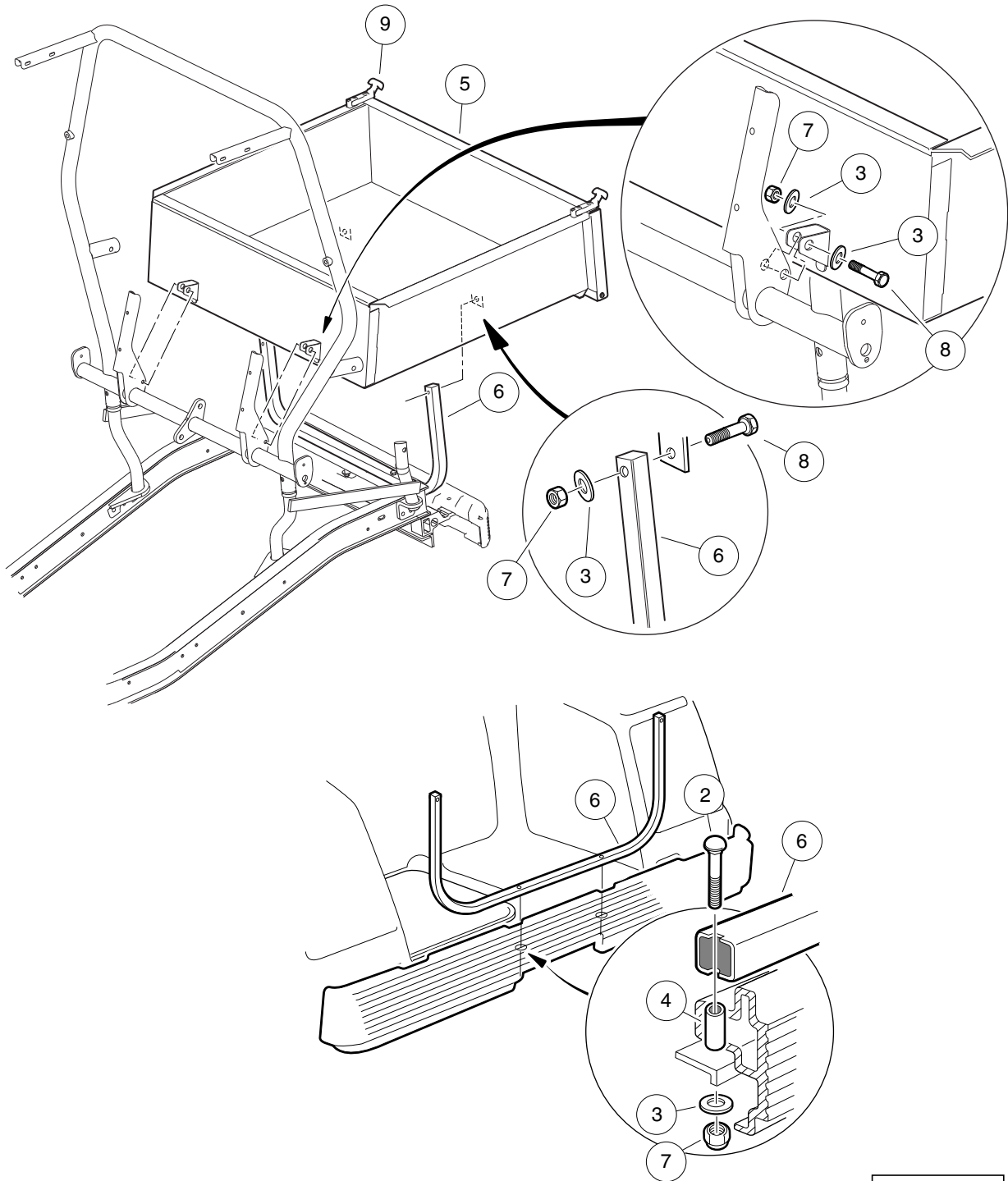
ITEM	PART NO.	DESCRIPTION	QTY
		1 2 3 4	
1	<u>1014557</u>	Washer, 7/16 Flat	12
2	<u>102324401</u>	Lock Nut, 7/16-20 Nylon Black	4
3	<u>103211101</u>	Screw, 7/16-20 X 1.75	8
4	<u>103803601</u>	Bracket, Retractor, Lsv, Homol	2
5	<u>103815901</u>	Plate, Orient, Retractor	2
6	<u>103816001</u>	Retractor, 3pt, Homol	2
7	<u>103816101</u>	Seat Belt, 2pt, Homol	2
8	<u>103819001</u>	Spacer, 12.7 Id X 5.0 L	6

1

E

1

E



000939-001

BED BOX

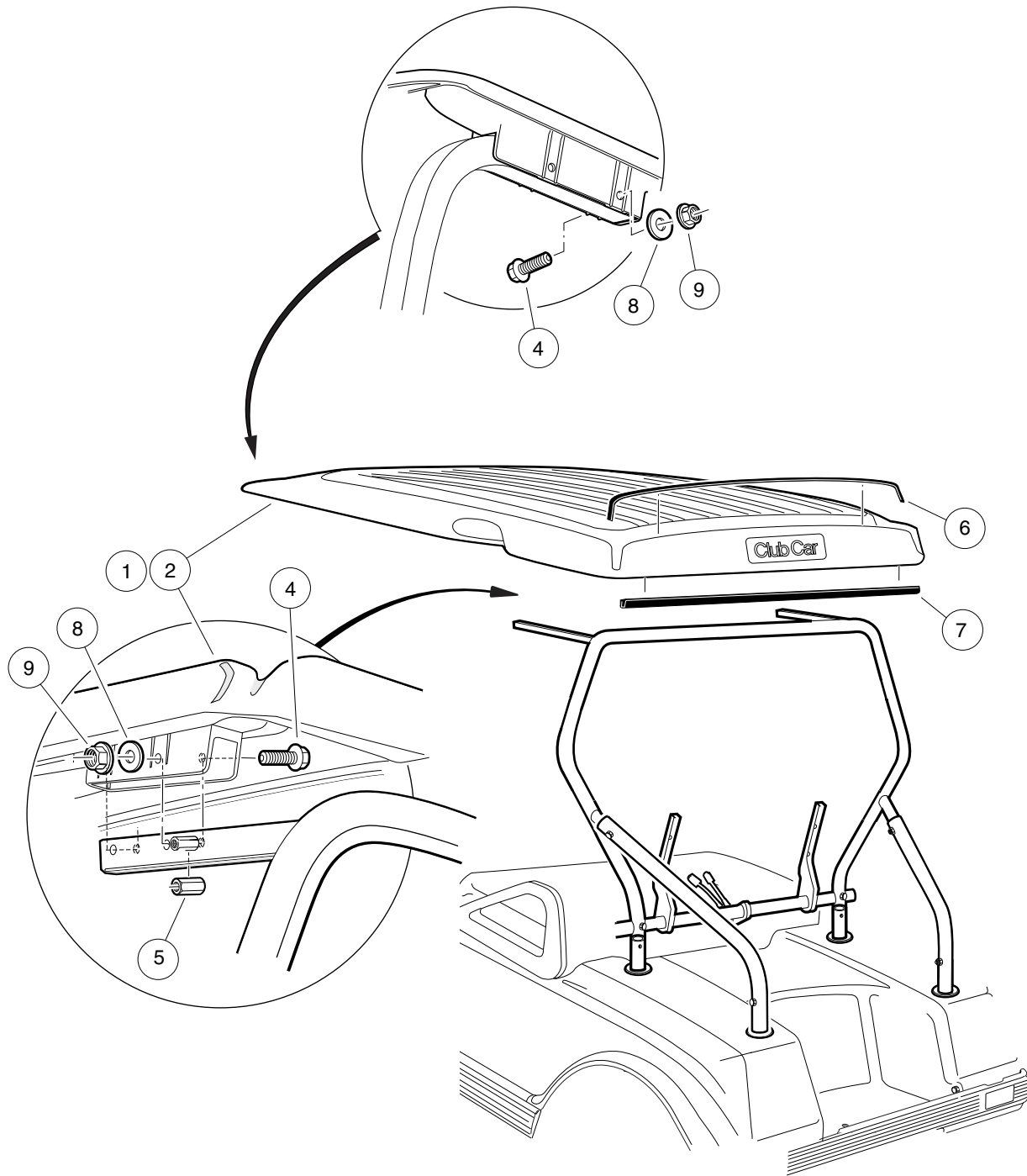
ITEM	PART NO.	DESCRIPTION	QTY
		1 2 3 4	
1	<u>103800801</u>	Kit, Bedbox, V2 (includes items 2 through 9)	1
2	<u>1011098</u>	.38-18 Unc-2a-3.0 Carriage Blt	2
3	<u>1011697</u>	Washer, 5/16 Flat	10
4	<u>1017760</u>	Spacer .31 X .38 X .98	2
5	103801001	Asm, Bedbox, V2	1
6	<u>103817401</u>	Tube-support, Bedbox, V2	1
7	<u>7473</u>	Locknut, 5/16-18 Nylon Insert	6
8	<u>8963</u>	Screw, 5/16-18 X 1.75 Hex-Head Cap	4
9	<u>AM11262</u>	Rubber Latch W/knob	2

1

E

1

E



000931-003

CANOPY

ITEM	PART NO.	DESCRIPTION	QTY
		1 2 3 4	
1	<u>103708301</u>	Canopy, 2pass, Ds, White	1
2	<u>103708302</u>	Canopy, 2pass, Ds, Beige	1
3	N/A	Kit, Canopy, Homl V2+2 Lsv (includes items 4 through 9)	1
4	<u>102076701</u>	Screw, 1/4-20 X 1.75 Hex Sems	8
5	<u>103774601</u>	Spacer, Al, .63 Hex-.28id-.81l	4
6	<u>103814301</u>	Trim, Canopy, Homol, Top	1
7	<u>103818001</u>	Trim, Edge, Canopy, Btm	1
8	<u>332</u>	Washer, 1/4 Type A Narrow Flat	8
9	<u>8233</u>	Locknut, 1/4-20 Nylon Insert	8

1

E

1

E

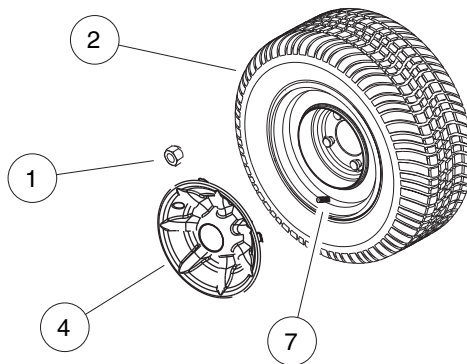
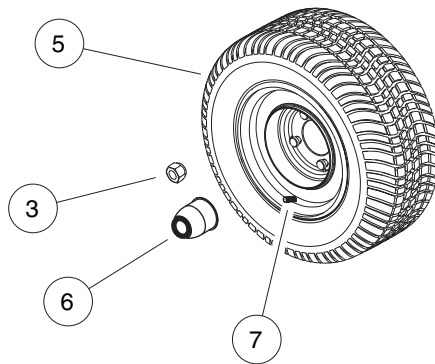
WHEELS AND TIRES

2

E

2

E



00269-014

WHEELS AND TIRES

ITEM	PART NO.	DESCRIPTION	QTY
		1 2 3 4	
1	<u>1010984</u>	.500-20 Unf Lug Nut	16
2	<u>102522610</u>	Asm-kenda Dot, E-marked	4
3	<u>102540701</u>	Lug Nut, 1/2" Closed End	16
4	<u>103694501</u>	Hub Cap, 7 Prong	4
5	<u>103755602</u>	Asm, Whl/tire, 10" Al, Emark	4
6	<u>103755701</u>	Cap, Wheel, Chrome Center	4
7	<u>7310</u>	Valve Stem	4

2

E

2

E

DECALS

3

E

3

E

OPERATING INSTRUCTIONS

Before using vehicle, read owner's manual and vehicle safety warnings. Study and understand controls.

TO OPERATE

- Ensure wheels are turned in desired direction and path is clear.
- Turn key to ON position.
- Select FORWARD (F) or REVERSE (R) only when stopped.
- Release park brake fully.
- Vehicle will start moving when accelerator pedal is pressed.
- Slowly press accelerator pedal to increase speed.
- During operation, beeping alarm indicates reduction in motor braking.
- To stop, release accelerator pedal and press brake pedal.

WARNING

UNINTENDED VEHICLE MOVEMENT MAY CAUSE SEVERE INJURY OR DEATH. Before leaving vehicle:

- Engage park brake to lock wheels.
- Place vehicle in NEUTRAL.
- Turn key to OFF and remove key.

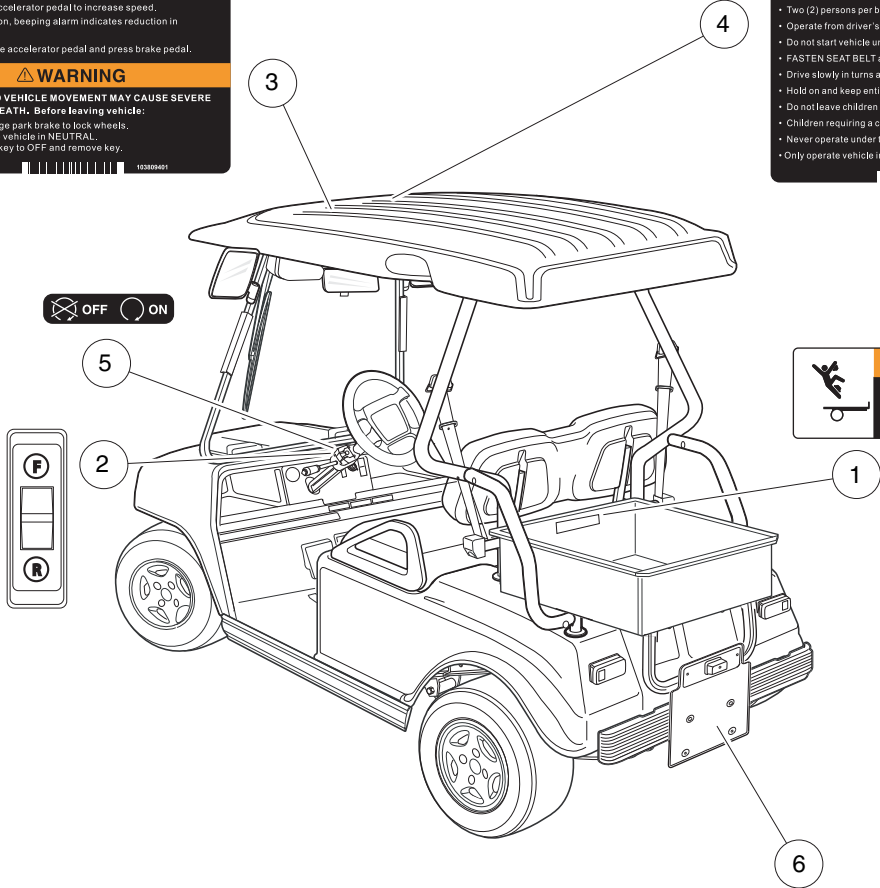
103009001

WARNING

COLLISION, UNINTENDED MOVEMENT, ROLLOVER OR FALLING OUT MAY CAUSE SEVERE INJURY OR DEATH.

- Vehicle to be operated by authorized persons only.
- Use CAUTION when operating vehicle in the presence of higher speed vehicles, in congested areas, or on unimproved surfaces.
- Do not operate this vehicle in a manner that impedes traffic.
- One (1) person per bucket seat maximum.
- Two (2) persons per bench seat maximum.
- Operate from driver's seat only.
- Do not start vehicle until all occupants are fully seated.
- FASTEN SEAT BELT and remain fully seated while moving.
- Drive slowly in turns and straight up and down slopes.
- Hold on and keep entire body inside vehicle while moving.
- Do not leave children unattended in vehicle at any time.
- Children requiring a child safety seat must not ride in vehicle.
- Never operate under the influence of alcohol or drugs.
- Only operate vehicle in compliance with local and state laws.

103009001



WARNING

Riding in cargo bed can cause severe injury or death. Do not ride in cargo bed. LOAD LIMIT 150 lbs (68 kg).

103009001

2371

SAFETY DECALS

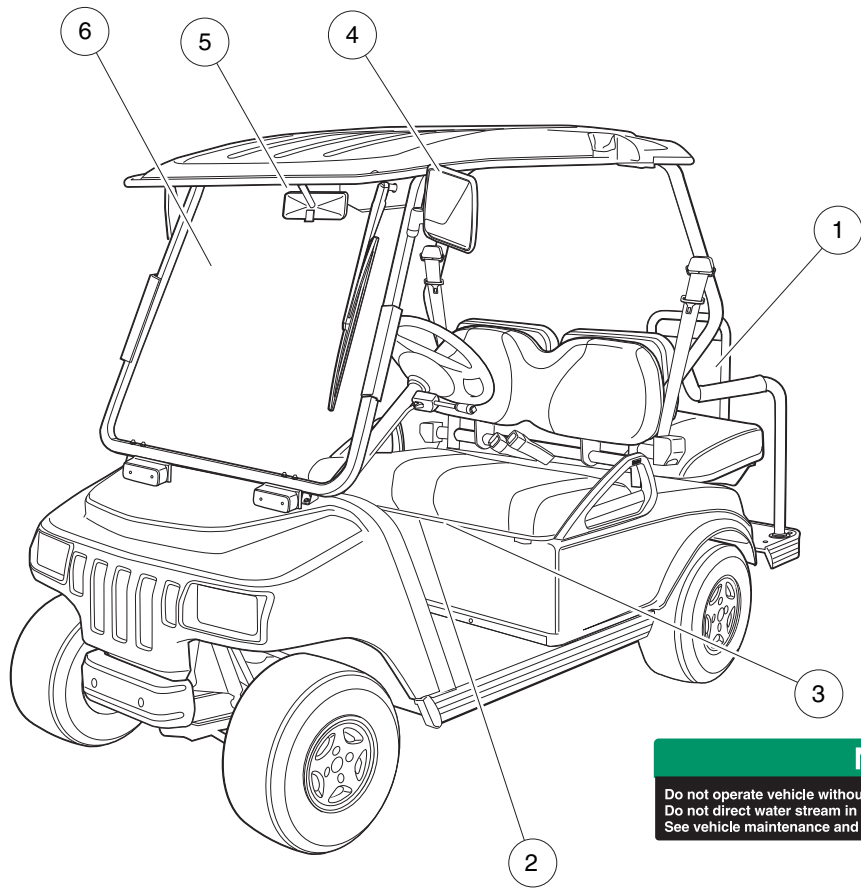
ITEM	PART NO.	DESCRIPTION	QTY
		1 2 3 4	
1	<u>101972001</u>	Decal, D.s. Box Bed Warning (for vehicles with bed box option)	1
2	<u>103210301</u>	Decal, Forward/Reverse, Electric	1
3	<u>103809401</u>	Decal, Op Instr, Roof Mount	1
4	<u>103809501</u>	Decal, Occ Warn, Roof Mount	1
5	103827201	Decal, Ignition, Homologated	1
<p>Note: Items without part numbers in the list above are for reference only.</p>			

3

E

3

E



WARNING

FALLING OUT COULD RESULT IN SEVERE INJURY OR DEATH

- Two (2) persons per bench seat maximum.
- Fasten seat belt and remain seated while moving.
- Hold on and keep entire body inside vehicle at all times.
- Never stand in front of or behind vehicle.
- Do not leave children unattended in vehicle at any time.
- Children requiring a child safety seat must not ride in vehicle.

101705702

NOTICE

Do not operate vehicle without this cover properly installed. Do not direct water stream in this area; will cause damage to components. See vehicle maintenance and service manual before servicing.

101831501

WARNING TOW RUN

Place Tow/Run switch in TOW position before:

- Disconnecting or connecting batteries
- Towing
- Extended storage
- Servicing

FAILURE TO HEED THIS WARNING COULD RESULT IN A BATTERY EXPLOSION OR SEVERE PERSONAL INJURY.

CCI 101908601

2372

SAFETY DECALS – CONTINUED

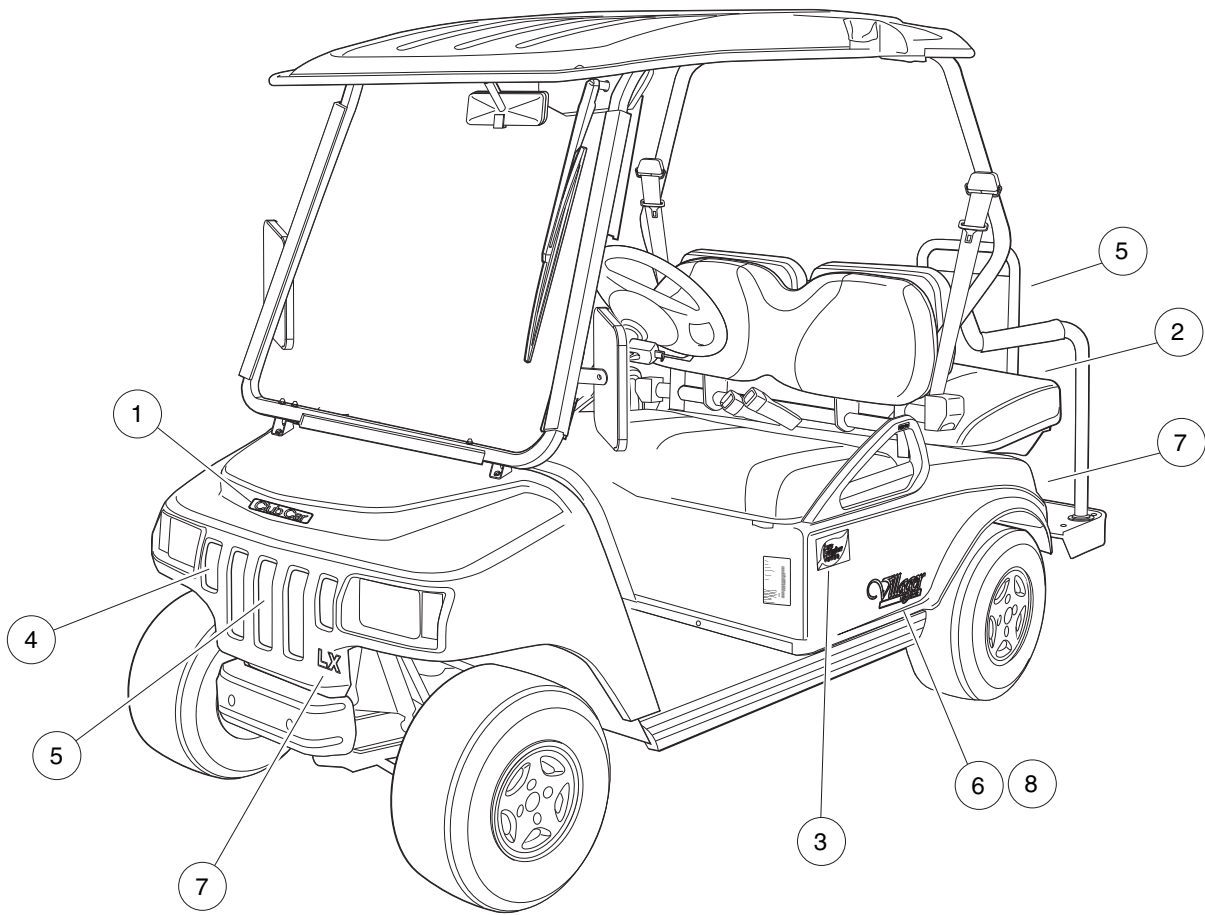
ITEM	PART NO.	DESCRIPTION	QTY
		1 2 3 4	
1	<u>101705702</u>	Decal, Warning, Lsv	1
2	<u>101908601</u>	Decal, Tow/Run Switch Warning	1
3	<u>101931501</u>	Decal, Component Cover	1
Note: Items without part numbers in the list above are for reference only.			

3

E

3

E



000944-003

LOGO DECALS

ITEM	PART NO.	DESCRIPTION	QTY
		1 2 3 4	
1	<u>102046501</u>	Decal, CC Nameplate, Utility	1
2	<u>103234302</u>	Decal, Badge, IR - Gold	1
3	<u>103516901</u>	Decal, Leaf, Zev	2
4	<u>103749001</u>	Decal, Front Grill, 91 Mm Lx	2
5	<u>103749002</u>	Decal, Front Grill, 169 Mm Lx	3
6	<u>103749101</u>	Decal, Villager 2+2 Lsv	2
7	<u>103749201</u>	Decal, Villager Lsv, Lx Pkg	2
8	<u>103819901</u>	Decal, Villager 2 Lsv	2

3

E

3

E

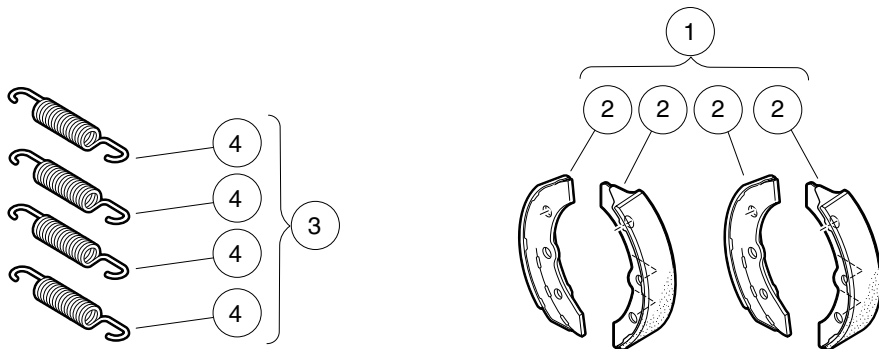
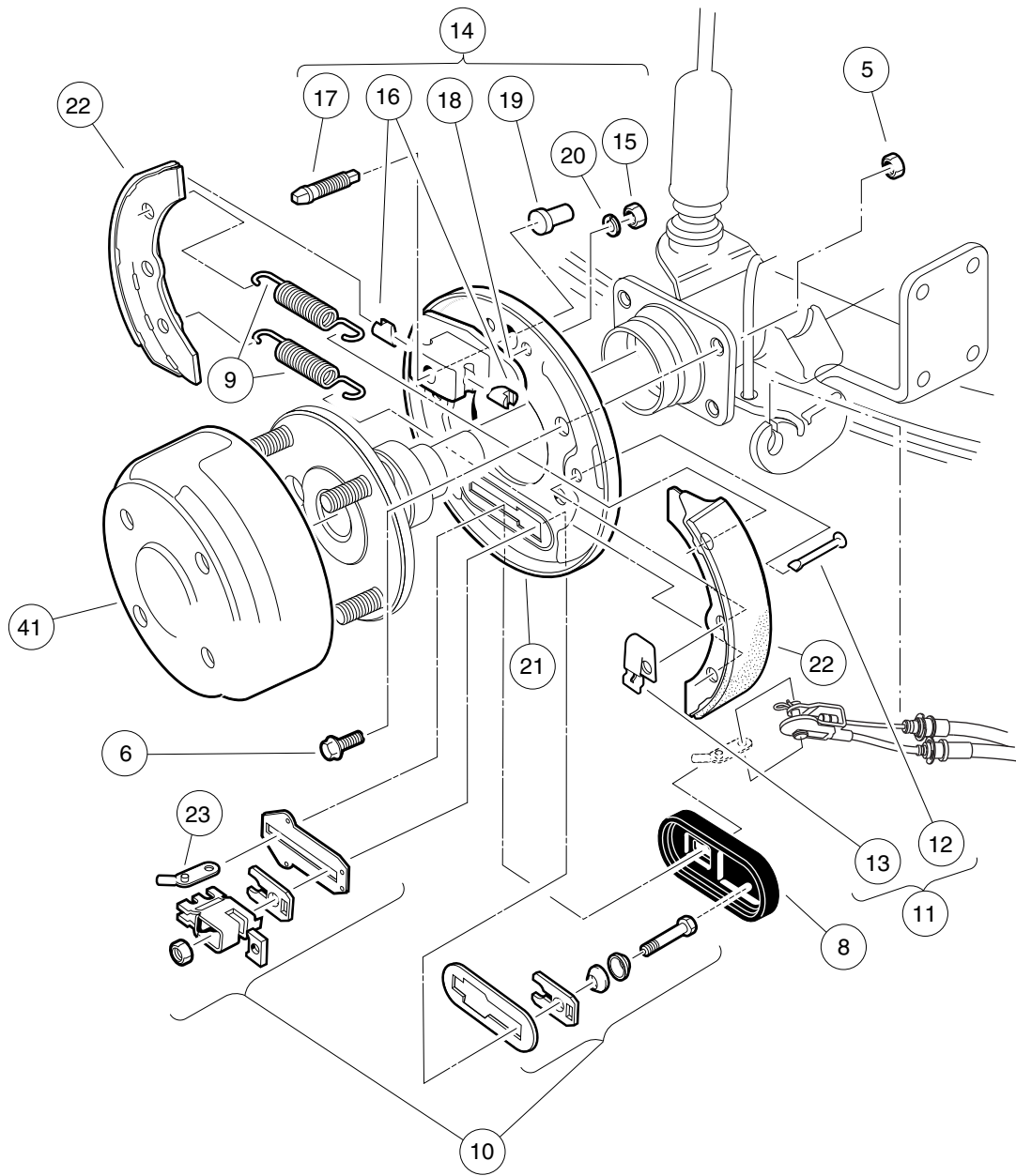
BRAKES, PEDAL, AND CABLES

4

E

4

E



000293-002

REAR BRAKE ASSEMBLY, MANUALLY-ADJUSTED – VEHICLES WITH 4-WHEEL BRAKES

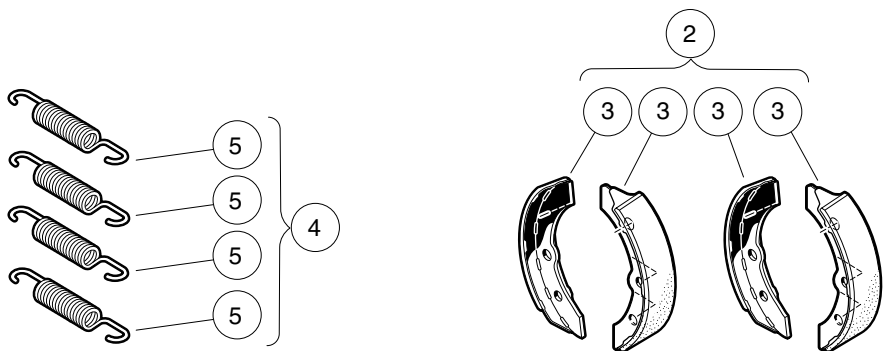
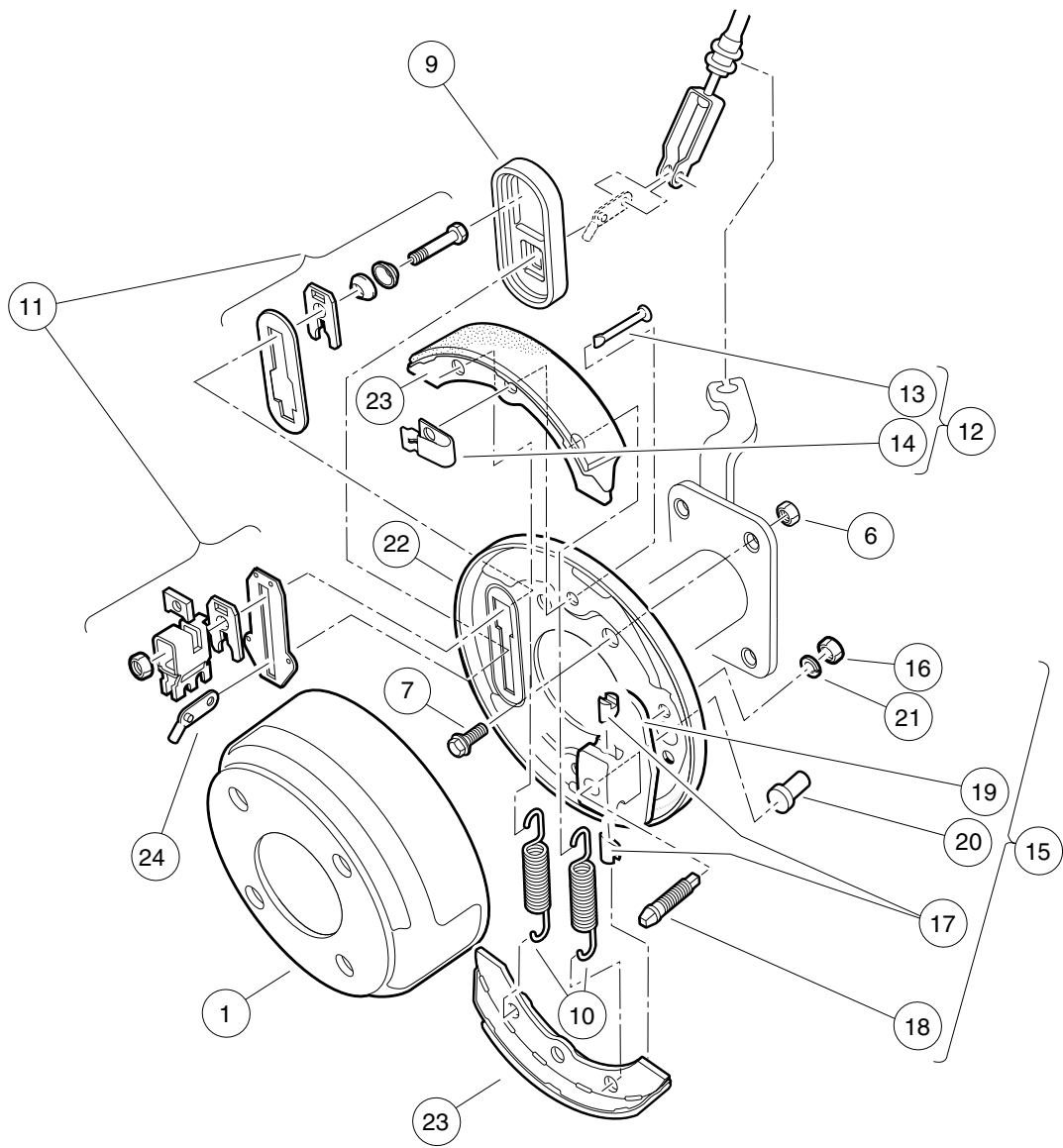
ITEM	PART NO.	DESCRIPTION	QTY
		1 2 3 4	
1	<u>101146302</u>	Kit, Non-Asbestos Brake Shoe (includes item 2)	1
2	101880701	Shoe Brake Manual Adj (Available in Kit, Non-Asbestos Brake Shoe)	4
3	<u>1011464</u>	Package, Brake Spring (includes item 4)	1
4	1011314	Brake Spring	4
5	<u>1013924</u>	Nut, 5/16-24 Hex Head Cone	8
6	<u>1014153</u>	Bolt, Brake Cluster Mounting	8
7	<u>1016557</u>	Cluster, Brake, Driver-Side (includes items 8 through 23)	1
8	<u>1010850</u>	Dust Cover	1
9	1011314	Brake Spring	2
10	<u>1011465</u>	Kit, Brake Actuator	1
11	<u>1011466</u>	Kit, Shoe Retainer (includes items 12 and 13)	1
12	1010953	Pin	2
13	1011301	Shoe Clamp Spring	2
14	<u>1011467</u>	Kit, Anchor Body (includes items 15 through 20)	1
15	<u>1011114</u>	Nut, M6-1.00 Hex	2
16	1011298	Anchor Piston	2
17	N/A	Adjustment Bolt	1
18	N/A	Anchor Body Component	1
19	<u>1011303</u>	Adjustment Bolt Cap	1
20	<u>451</u>	Lockwasher, 1/4 Split	2
21	1011494	Backing Plate, Left-Hand	1
22	101880701	Shoe Brake Manual Adj (Available in Kit, Non-Asbestos Brake Shoe)	2
23	N/A	Arm, Brake Lever	1
24	<u>1016573</u>	Cluster, Brake, Passenger-Side (includes items 25 through 40)	1
25	<u>1010850</u>	Dust Cover	1
26	<u>1011154</u>	Backing Plate, Right-Hand	1
27	1011314	Brake Spring	2
28	<u>1011465</u>	Kit, Brake Actuator	1
29	<u>1011466</u>	Kit, Shoe Retainer (includes items 30 and 31)	1
30	1010953	Pin	2
31	1011301	Shoe Clamp Spring	2
32	<u>1011467</u>	Kit, Anchor Body (includes items 33 through 38)	1
33	<u>1011114</u>	Nut, M6-1.00 Hex	2
34	1011298	Anchor Piston	2
35	N/A	Adjustment Bolt	1
36	N/A	Anchor Body Component	1
37	<u>1011303</u>	Adjustment Bolt Cap	1
38	<u>451</u>	Lockwasher, 1/4 Split	2
39	101880701	Shoe Brake Manual Adj (Available in Kit, Non-Asbestos Brake Shoe)	2
40	N/A	Arm, Brake Lever	1
41	<u>101791101</u>	Drum without Center Hole, Brake	2
		Note: Passenger-side brake cluster not shown. Components have a similar appearance to driver-side brake cluster components.	

4

E

4

E



000298-001

FRONT BRAKE ASSEMBLY – VEHICLES WITH FOUR-WHEEL BRAKES

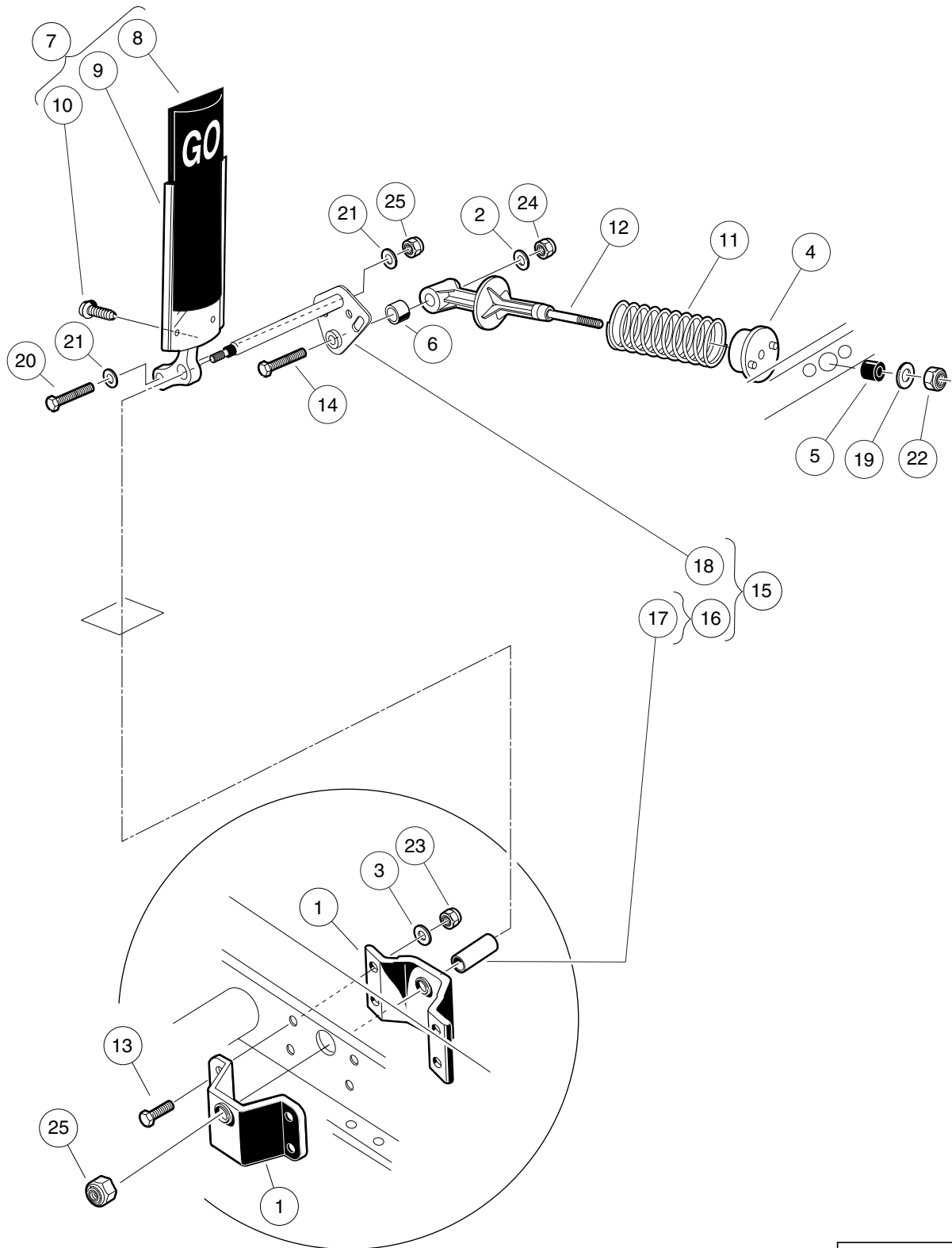
ITEM	PART NO.	DESCRIPTION	QTY
		1 2 3 4	
1	<u>1011137</u>	Drum, Brake	2
2	<u>101146302</u>	Kit, Non-Asbestos Brake Shoe (includes item 3)	1
3	101880701	Shoe Brake Manual Adj (Available in Kit, Non-Asbestos Brake Shoe)	4
4	<u>1011464</u>	Package, Brake Spring (includes item 5)	1
5	1011314	Brake Spring	4
6	<u>1013924</u>	Nut, 5/16-24 Hex Head Cone	8
7	<u>1014153</u>	Bolt, Brake Cluster Mounting	8
8	<u>1016557</u>	Cluster, Brake, Driver-Side (includes items 9 through 24)	1
9	<u>1010850</u>	Dust Cover	1
10	1011314	Brake Spring	2
11	<u>1011465</u>	Kit, Brake Actuator	1
12	<u>1011466</u>	Kit, Shoe Retainer (includes items 13 and 14)	1
13	1010953	Pin	2
14	1011301	Shoe Clamp Spring	2
15	<u>1011467</u>	Kit, Anchor Body (includes items 16 through 21)	1
16	<u>1011114</u>	Nut, M6-1.00 Hex	2
17	1011298	Anchor Piston	2
18	N/A	Adjustment Bolt	1
19	N/A	Anchor Body Component	1
20	<u>1011303</u>	Adjustment Bolt Cap	1
21	<u>451</u>	Lockwasher, 1/4 Split	2
22	1011494	Backing Plate, Left-Hand	1
23	101880701	Shoe Brake Manual Adj (Available in Kit, Non-Asbestos Brake Shoe)	2
24	N/A	Arm, Brake Lever	1
25	<u>1016573</u>	Cluster, Brake, Passenger-Side (includes items 26 through 41)	1
26	<u>1010850</u>	Dust Cover	1
27	<u>1011154</u>	Backing Plate, Right-Hand	1
28	1011314	Brake Spring	2
29	<u>1011465</u>	Kit, Brake Actuator	1
30	<u>1011466</u>	Kit, Shoe Retainer (includes items 31 and 32)	1
31	1010953	Pin	2
32	1011301	Shoe Clamp Spring	2
33	<u>1011467</u>	Kit, Anchor Body (includes items 34 through 39)	1
34	<u>1011114</u>	Nut, M6-1.00 Hex	2
35	1011298	Anchor Piston	2
36	N/A	Adjustment Bolt	1
37	N/A	Anchor Body Component	1
38	<u>1011303</u>	Adjustment Bolt Cap	1
39	<u>451</u>	Lockwasher, 1/4 Split	2
40	101880701	Shoe Brake Manual Adj (Available in Kit, Non-Asbestos Brake Shoe)	2
41	N/A	Arm, Brake Lever	1
		Note: Passenger-side brake cluster not shown. Components have a similar appearance to driver-side brake cluster components.	

4

E

4

E



000188-004

ACCELERATOR PEDAL ASSEMBLY – ELECTRIC VEHICLES WITH MCOR

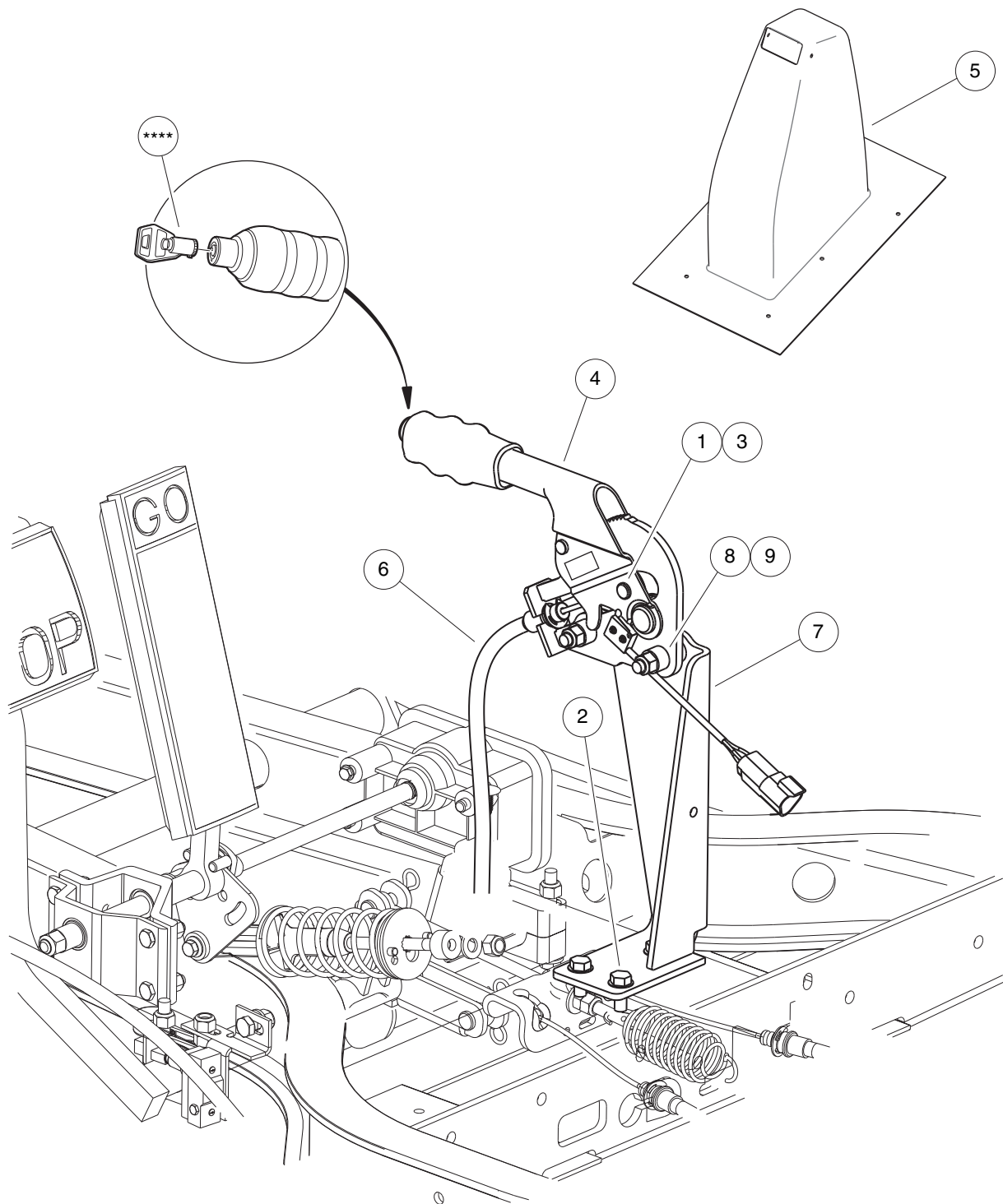
ITEM	PART NO.	DESCRIPTION	QTY
		1 2 3 4	
1	<u>1011694</u>	Accelerator Bracket and Bearing Assembly	2
2	<u>1011931</u>	Washer, 1/4 Flat	1
3	<u>1014007</u>	Washer, 1/4 Flat	4
4	<u>1017378</u>	Cup, Spring	1
5	<u>1017380</u>	Bumper, Spring Return	1
6	<u>1017424</u>	Bearing, Pivot Support	1
7	<u>1017696</u>	Sub Asm, Accelerator Pedal (includes items 8 through 10)	1
8	1013871	Pad, Accelerator Pedal	1
9	N/A	Accelerator Pedal Weldment	1
10	7716	Screw, #10-16 Type AB, Sheet Metal	4
11	101796201	Spring, Accelerator Return	1
12	<u>101817401</u>	Retainer, Spring	1
13	<u>101861901</u>	Screw, 1/4-20 X 1.125 Hex Cap	4
14	<u>101862001</u>	Screw, 1/4-20 X 1.500 Flange	1
15	<u>102026001</u>	Kit, Accelerator Pivot Rod Assembly (includes items 16 through 18)	1
16	<u>1011700</u>	Spacer Assembly (includes item 17)	1
17	101919801	Spacer, Accelerator	1
18	N/A	Pivot Rod Weldment	1
19	<u>1241</u>	Washer, 5/16 Type A Flat	1
20	<u>1624</u>	Screw, 3/8-16 X 1.50 Hex-Head Cap	1
21	<u>334</u>	Washer, 3/8 Type A Flat	2
22	<u>7473</u>	Locknut, 5/16-18 Nylon Insert	1
23	<u>8233</u>	Locknut, 1/4-20 Nylon Insert	4
24	<u>8717</u>	Locknut, 1/4-28 Nylon Insert	1
25	<u>8754</u>	Locknut, 3/8-16 Hex	2

4

E

4

E



000956-002

HAND BRAKE

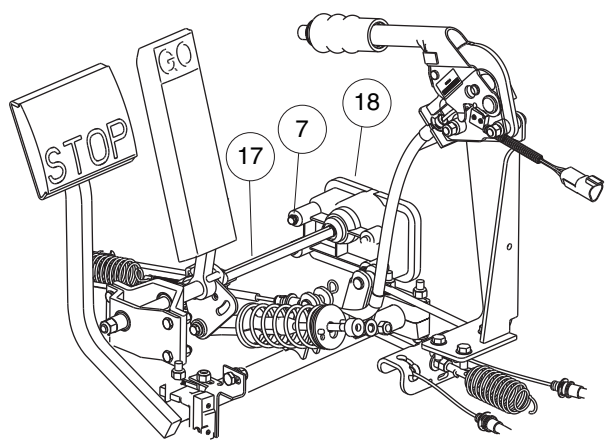
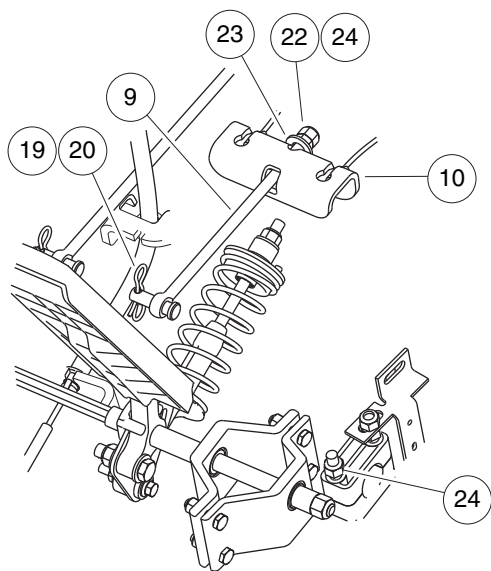
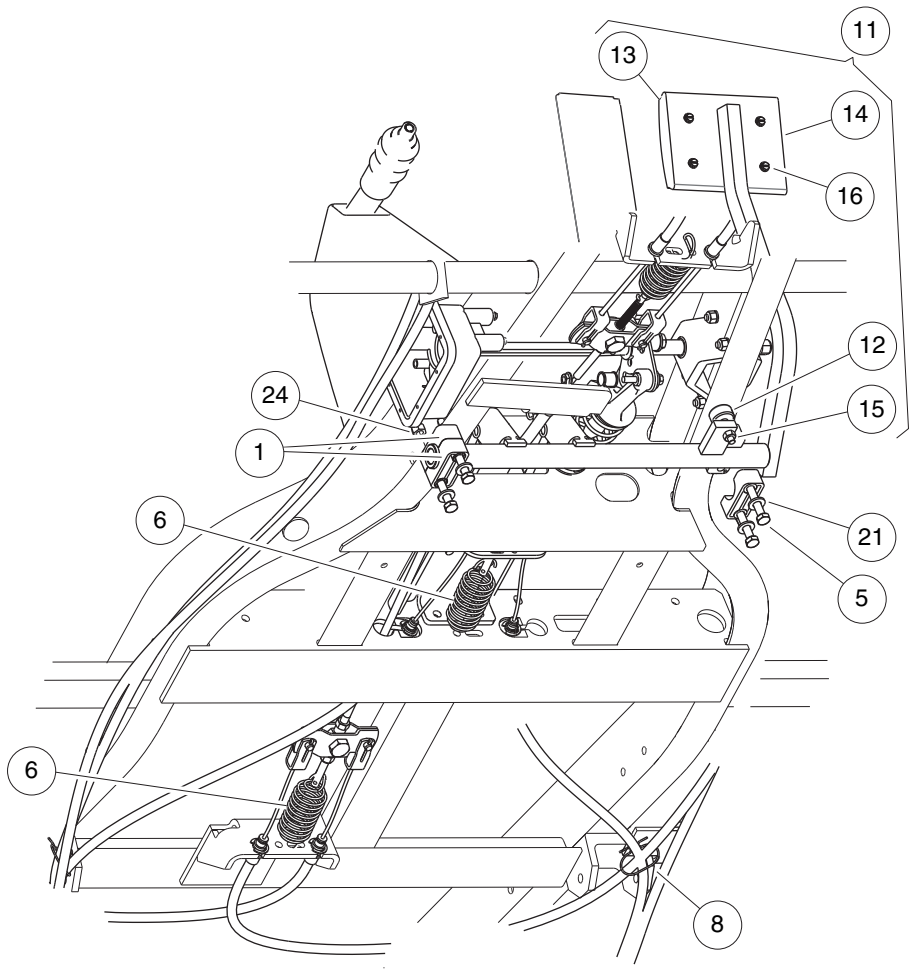
ITEM	PART NO.	DESCRIPTION	QTY
		1 2 3 4	
1	<u>1010829</u>	Pin, Clevis, 5/16 X 3/4	1
2	<u>1014288</u>	Screw, 5/16-18 X 0.75 Thread-Forming	3
3	<u>102292801</u>	Pin, Bow Tie Locking - .072	1
4	<u>103751702</u>	Handbrake, Ft Cable Exit, Lock	1
5	<u>103755101</u>	Boot, Handbrake, Front Exit	1
6	<u>103808001</u>	Cable, Brake, Ind Park, Main	1
7	<u>103842201</u>	Tower, Mount, Hndbrake, Ft Cbl	1
8	<u>7473</u>	Locknut, 5/16-18 Nylon Insert	1
9	<u>8963</u>	Screw, 5/16-18 X 1.75 Hex-Head Cap	2
<p>Note: ****Key is special order item available upon request. Have the vehicle serial number available when ordering a replacement key.</p>			

4

E

4

E



000945-001

BRAKE PEDAL

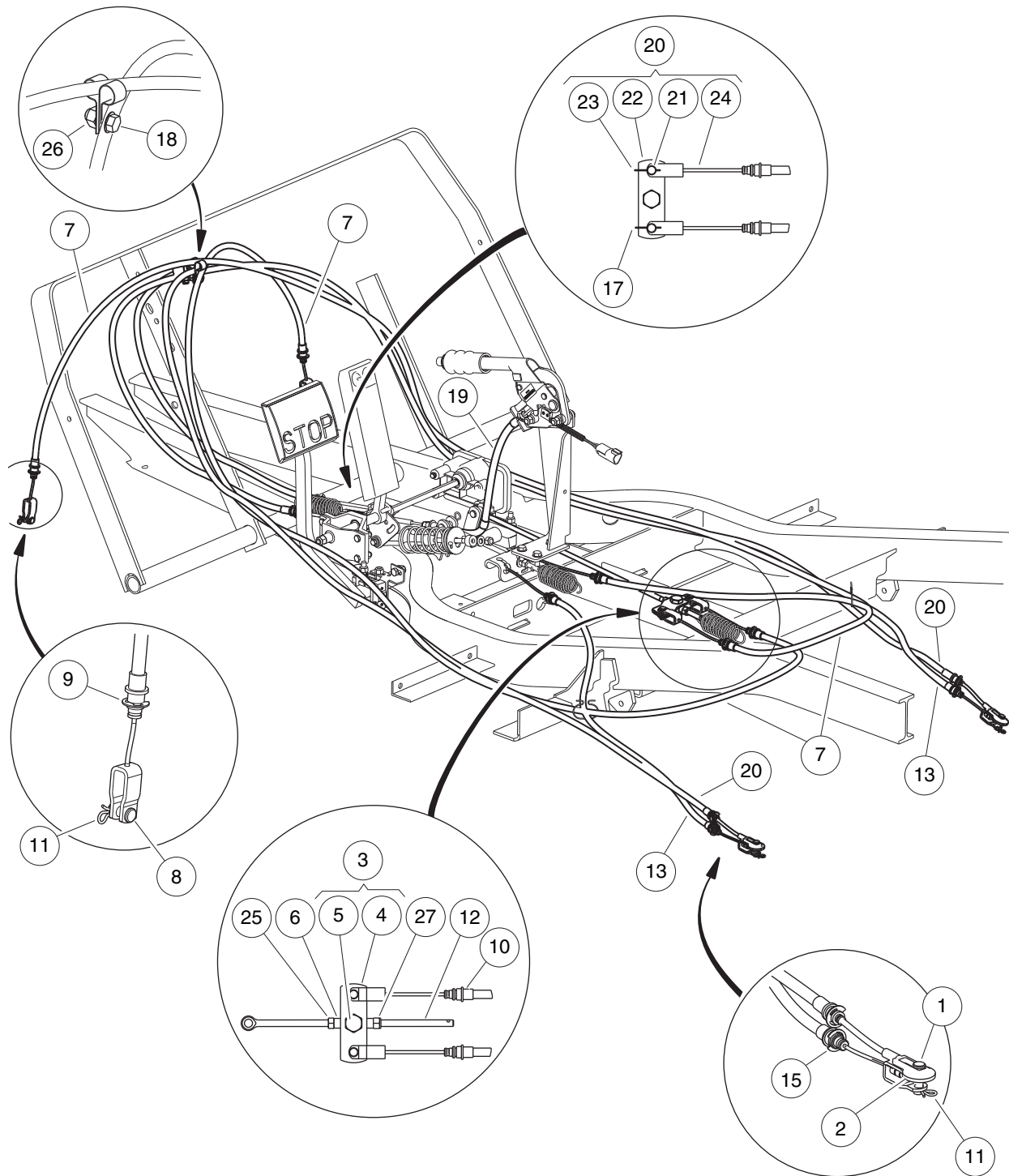
ITEM	PART NO.	DESCRIPTION	QTY
		1 2 3 4	
1	<u>1011402</u>	Package, Brake Mounting Block	1
2	N/A	Instl, Pedal & Ind Park Brake (includes items 3 through 24)	1
3	1010811	Mount-brake (b)	2
4	1010812	Mount, A-side Brake	2
5	<u>1010921</u>	Screw, 5/16-18 X 2.50 Hex Cap	4
6	<u>1013531</u>	Spring, Brake Return	3
7	<u>1015752</u>	Screw, #12-16 X 0.625 Hi-Lo	2
8	101900801	Hanger, Brake Cable	2
9	<u>101953101</u>	Rod, Equalizer, 8.91"	1
10	<u>101990801</u>	Equalizer Bracket	1
11	<u>102028903</u>	Brake Pedal Asm (includes items 12 through 16)	1
12	<u>1010878</u>	Bumper, Rubber	1
13	<u>102028601</u>	Pad, Hydraulic Brake Pedal	1
14	N/A	Brake Pedal Weld Asm	1
15	<u>1028</u>	Nut, 1/4-20 Hex	1
16	7716	Screw, #10-16 Type AB, Sheet Metal	4
17	102101001	Bar, Drive, Cast	1
18	<u>102101101</u>	MCOR	1
19	<u>102323101</u>	Pin, Bow Tie Locking	2
20	<u>102323201</u>	Pin, 3/8 X 1-5/16 Clevis	2
21	<u>1241</u>	Washer, 5/16 Type A Flat	6
22	<u>1242</u>	Nut, 5/16-18 Hex	1
23	<u>334</u>	Washer, 3/8 Type A Flat	3
24	<u>7473</u>	Locknut, 5/16-18 Nylon Insert	11

4

E

4

E



000943-002

BRAKE CABLES AND EQUALIZER

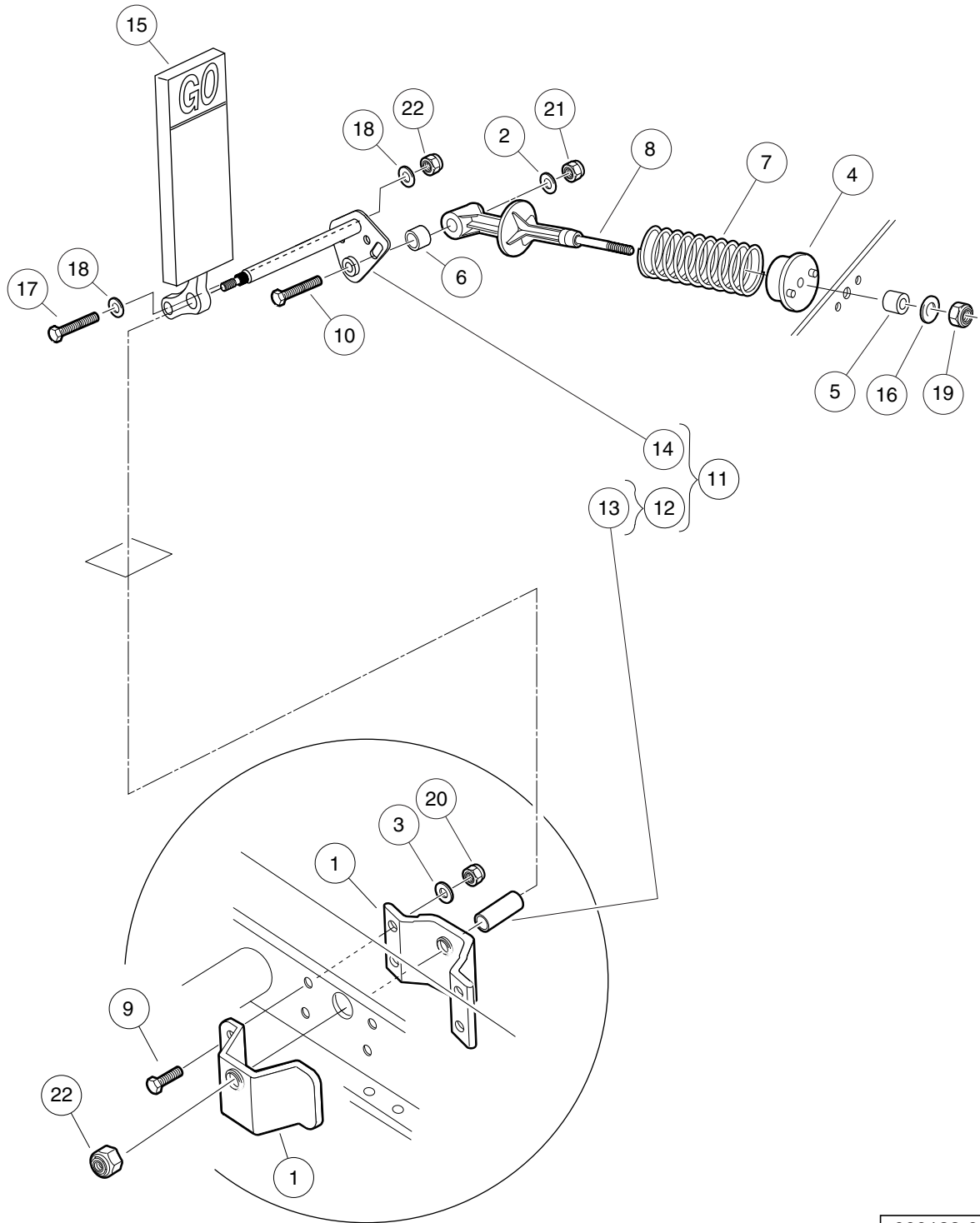
ITEM	PART NO.	DESCRIPTION	QTY
		1 2 3 4	
1	<u>101082903</u>	Clevis Pin, 5/16 X 1	2
2	1012571	Washer, 5/16 Extra Thick Flat	2
3	<u>1017211</u>	Kit, Equalizer and Pivot Limiter (includes items 4 and 5)	1
4	1016319	Equalizer Weld Assembly	1
5	1016320	Equalizer, Pivot Limiter	1
6	<u>101865301</u>	Spacer	2
7	<u>101874601</u>	Kit, Brake Cable (includes items 8 through 11)	1
8	<u>1010829</u>	Pin, Clevis, 5/16 X 3/4	4
9	<u>1011779</u>	E-Clip, 1/2	4
10	N/A	Brake Cable	2
11	<u>102292801</u>	Pin, Bow Tie Locking - .072	4
12	101953102	Rod, Equalizer, 20.91"	1
13	<u>102022101</u>	Brake Cable Kit (includes items 14 through 17)	1
14	<u>1010829</u>	Pin, Clevis, 5/16 X 3/4	1
15	<u>1011779</u>	E-Clip, 1/2	2
16	N/A	Cable, Brake, 41"	1
17	<u>1035</u>	Cotter Pin, 3/32 x 1	1
18	<u>103508101</u>	Bolt, 3/8-16 X .75 Lock Patch	1
19	<u>103808001</u>	Cable, Brake, Ind Park, Main	1
20	N/A	Asm, Cable, Ind Park Brake (includes items 21 through 24)	2
21	<u>1010829</u>	Pin, Clevis, 5/16 X 3/4	2
22	1016319	Equalizer Weld Assembly	1
23	<u>1035</u>	Cotter Pin, 3/32 x 1	2
24	<u>103808101</u>	Cable, Brake, Ind Park, Rear	2
25	<u>1242</u>	Nut, 5/16-18 Hex	1
26	<u>706</u>	Nut, Hex 3/8-16	1
27	<u>7473</u>	Locknut, 5/16-18 Nylon Insert	1

4

E

4

E



000188-005

ACCELERATOR PEDAL ASSEMBLY (STYLE B)

ITEM	PART NO.	DESCRIPTION	QTY
		1 2 3 4	
1	<u>1011694</u>	Accelerator Bracket and Bearing Assembly	2
2	<u>1011931</u>	Washer, 1/4 Flat	1
3	<u>1014007</u>	Washer, 1/4 Flat	4
4	<u>1017378</u>	Cup, Spring	1
5	<u>1017380</u>	Bumper, Spring Return	1
6	<u>1017424</u>	Bearing, Pivot Support	1
7	101796201	Spring, Accelerator Return	1
8	<u>101817401</u>	Retainer, Spring	1
9	<u>101861901</u>	Screw, 1/4-20 X 1.125 Hex Cap	4
10	<u>101862001</u>	Screw, 1/4-20 X 1.500 Flange	1
11	<u>102026001</u>	Kit, Accelerator Pivot Rod Assembly (includes items 12 through 14)	1
12	<u>1011700</u>	Spacer Assembly (includes item 13)	1
13	101919801	Spacer, Accelerator	1
14	N/A	Pivot Rod Weldment	1
15	<u>103865101</u>	Pedal, Accel, Insert	1
16	<u>1241</u>	Washer, 5/16 Type A Flat	1
17	<u>1624</u>	Screw, 3/8-16 X 1.50 Hex-Head Cap	1
18	<u>334</u>	Washer, 3/8 Type A Flat	2
19	<u>7473</u>	Locknut, 5/16-18 Nylon Insert	1
20	<u>8233</u>	Locknut, 1/4-20 Nylon Insert	4
21	<u>8717</u>	Locknut, 1/4-28 Nylon Insert	1
22	<u>8754</u>	Locknut, 3/8-16 Hex	2

4

E

4

E

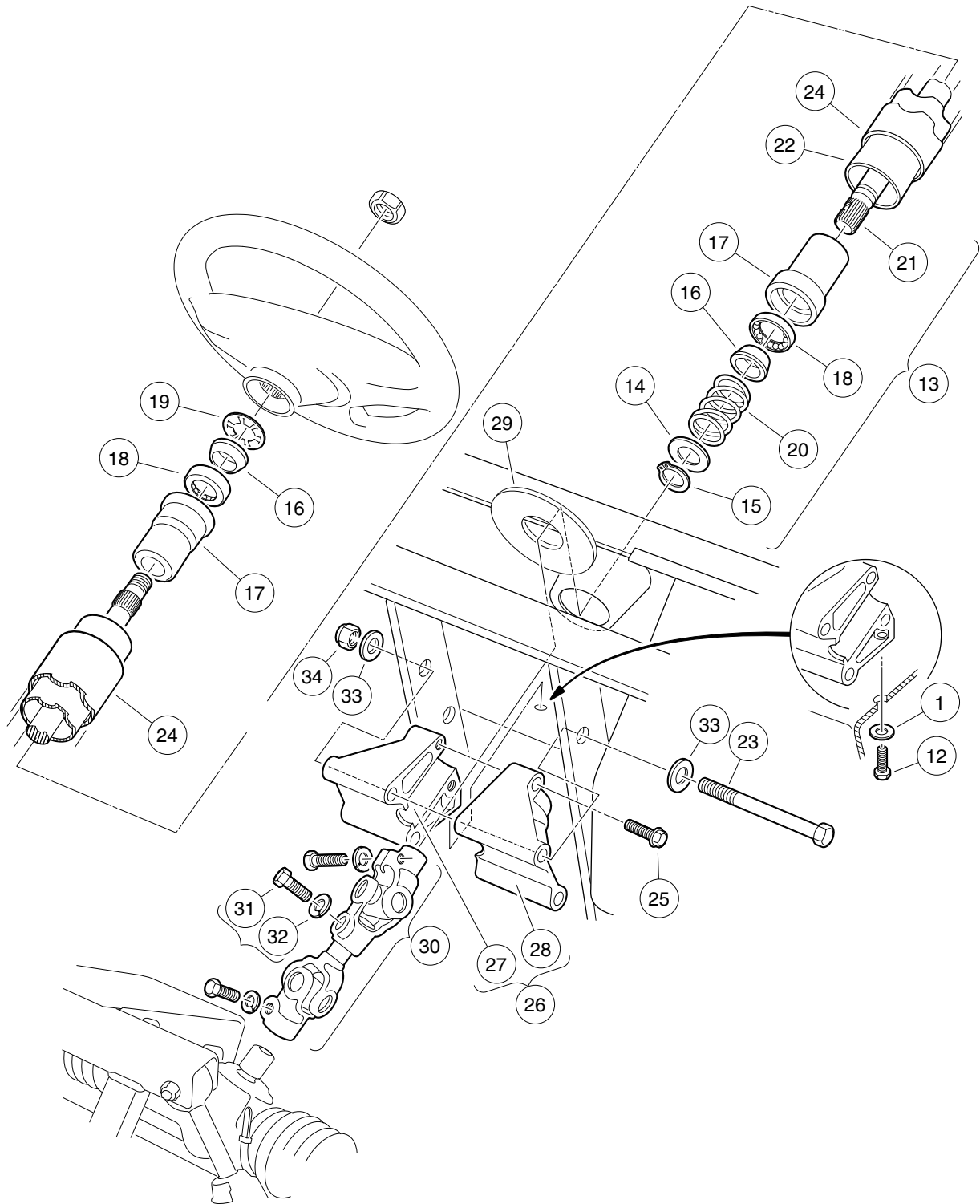
STEERING, FRONT AND REAR SUSPENSION

5

E

5

E



000935-001

STEERING COLUMN

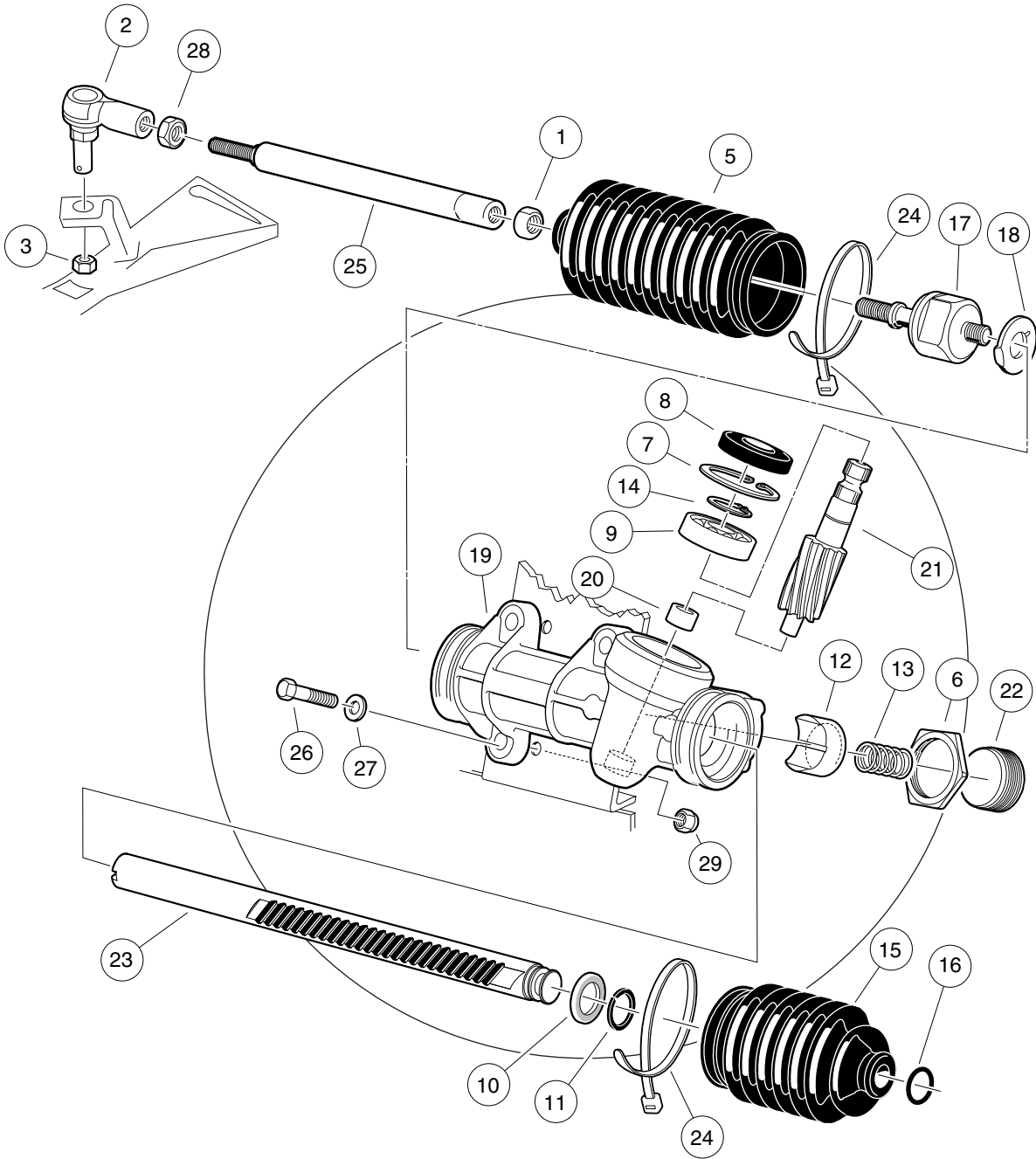
ITEM	PART NO.	DESCRIPTION	QTY
		1 2 3 4	
1	<u>1011697</u>	Washer, 5/16 Flat	1
2	<u>1014216</u>	Steering Column Rebuild Kit (includes items 3 through 11)	1
3	<u>1012466</u>	Dust Cover	1
4	<u>1012605</u>	Ring, 0.579 Internal Retaining	1
5	1014125	Wedge, Molded	2
6	<u>1014126</u>	Seat, Plastic Bearing	2
7	<u>1014211</u>	Seal, Bearing	1
8	<u>1014212</u>	Spacer, Shaft	1
9	<u>1014213</u>	Bearing, Ball	2
10	1014214	Ring, Retaining	1
11	<u>1014217</u>	Spring, Steering Shaft	1
12	<u>1014288</u>	Screw, 5/16-18 X 0.75 Thread-Forming	1
13	1016181	Steering Shaft Assembly (includes items 14 through 22)	1
14	<u>1012604</u>	Washer, 0.675 ID X 1.19 OD	1
15	<u>1012605</u>	Ring, 0.579 Internal Retaining	1
16	1014125	Wedge, Molded	2
17	<u>1014126</u>	Seat, Plastic Bearing	2
18	<u>1014213</u>	Bearing, Ball	2
19	1014214	Ring, Retaining	1
20	<u>1014217</u>	Spring, Steering Shaft	1
21	<u>1015545</u>	Shaft, Steering Column	1
22	1016622	Column, Aluminum Steering	1
23	<u>1016183</u>	Screw, 3/8-16 X 7.00 Hex Cap	2
24	1016263	Cover, Steering Column Tube	1
25	<u>1016269</u>	Screw, 5/16-18 Thrd Forming	2
26	101984801	Kit, Steering Column Mounting Bracket (includes items 27 and 28)	1
27	N/A	Bracket, RH Steering Column Mount	1
28	N/A	Bracket, LH Steering column mount	1
29	<u>102278001</u>	Boot, Steering Column Round	1
30	<u>103601601</u>	Shaft, Intermediate Steering (includes items 31 and 32)	1
31	<u>1017226</u>	Bolt, Hex-Head, 8mm X 1.25 - 30	3
32	<u>7174</u>	Lockwasher, 5/16 Split	3
33	<u>334</u>	Washer, 3/8 Type A Flat	4
34	<u>8754</u>	Locknut, 3/8-16 Hex	2

5

E

5

E



000960-001

STEERING GEAR ASSEMBLY

ITEM	PART NO.	DESCRIPTION	QTY
		1 2 3 4	
1	1013042	Nut, 12mm Hex	1
2	<u>102022602</u>	End, Tie Rod, M12 X 1.25, Lh	1
3	<u>102289201</u>	Nut - Hex Locking, M12 X 1.25	3
4	<u>103601501</u>	Asm, Steering Rack And Pinion (includes items 5 through 24)	1
5	<u>1013035</u>	Bellows, Long	1
6	<u>1013044</u>	Rack Screw Locknut	1
7	1013051	Snap Ring	1
8	<u>1013052</u>	Seal, Steering Pinion Dust	1
9	<u>101879401</u>	Bearing, Ball	1
10	<u>101879501</u>	Stop Washer	1
11	101879601	Stop Ring, C-Type	1
12	<u>101879701</u>	Support Yoke	1
13	<u>101879801</u>	Rack Guide Pressure Spring	1
14	<u>101879901</u>	Ring, Stop, C-Type	1
15	<u>101880001</u>	Bellows, Short	1
16	101880101	Dust Seal Retaining Ring	1
17	<u>101880201</u>	Inner Ball Joint Asm	1
18	101880301	Washer, Tab	1
19	N/A	Box, Steering Gear	1
20	N/A	Bearing, Lower Pinion	1
21	N/A	Pinion, Steering	1
22	N/A	Screw, Rack Guide	1
23	N/A	Rack, Steering	1
24	<u>8990</u>	Tie Wrap, 8" Nylon	2
25	<u>103653401</u>	Link, Drag, Male Thd	1
26	<u>1624</u>	Screw, 3/8-16 X 1.50 Hex-Head Cap	3
27	<u>334</u>	Washer, 3/8 Type A Flat	3
28	<u>7555</u>	Nut, 1/2-20 Hex, Left-Hand Thread	1
29	<u>8754</u>	Locknut, 3/8-16 Hex	3

5

E

REAR SUSPENSION COMPONENTS

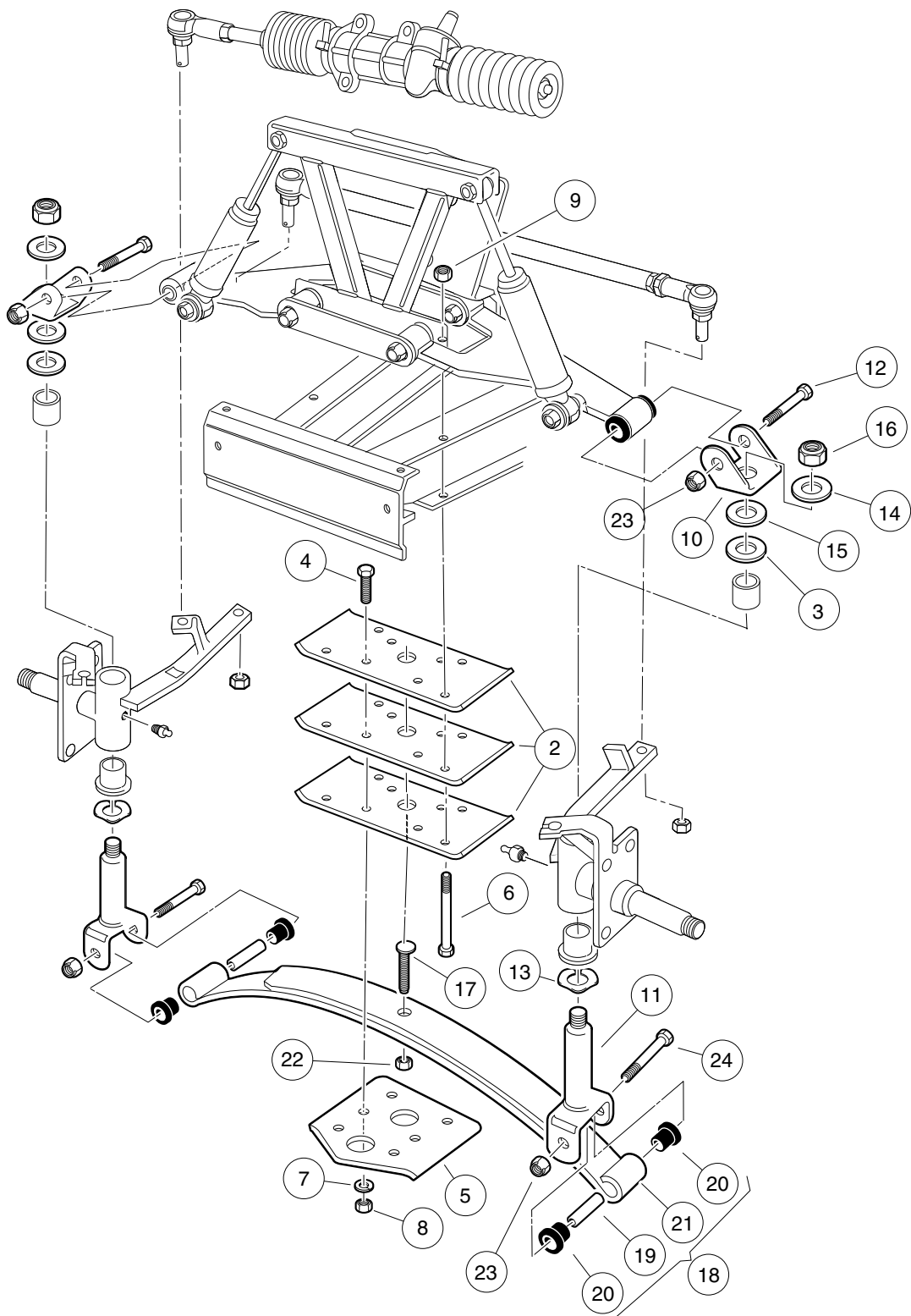
ITEM	PART NO.	DESCRIPTION	QTY
		1 2 3 4	
1	<u>1010145</u>	Nut, 3/8-24 Hex	4
2	<u>1011415</u>	Kit, Shock Absorber Cushion (includes items 3 and 4)	4
3	<u>1010142</u>	Cushion, Shock Absorber	2
4	<u>1010144</u>	Retainer, Shock Absorber Cushion	2
5	<u>1012303</u>	Bushing, Steel	4
6	101454602	Bumper Mount	2
7	<u>1014555</u>	Locknut, 7/16-14 Nylon Hex	4
8	<u>1014573</u>	Spring Retainer	2
9	<u>1014675</u>	Rear Leaf Spring	2
10	<u>1014901</u>	Spacer, Overload Bumper	2
11	<u>1014902</u>	U-Bolt	2
12	<u>1015583</u>	Bushing, Urethane	8
13	<u>1017235</u>	Bumper, Jounce	2
14	N/A	Instl, Rear Susp Hdw - Gas (includes items 15 through 19)	1
15	<u>1012303</u>	Bushing, Steel	2
16	<u>1012304</u>	Shackle, Rear Spring	4
17	<u>1015583</u>	Bushing, Urethane	4
18	<u>8754</u>	Locknut, 3/8-16 Hex	6
19	<u>8755</u>	Screw, 3/8-16 X 3.375 Hex Cap	6
20	<u>102706401</u>	Shock Absorber Rear	2
21	<u>103807301</u>	Bracket, Shock Mount, Ind Park, Rh	1
22	<u>103807302</u>	Bracket, Shock Mount, Ind Park, Lh	1
<p>Note: Only the driver-side rear suspension is shown. Parts for the passenger-side rear suspension are identical except for the leaf spring/shock mounting plate.</p>			

5

E

5

E



000940-001

FRONT SUSPENSION, LOWER

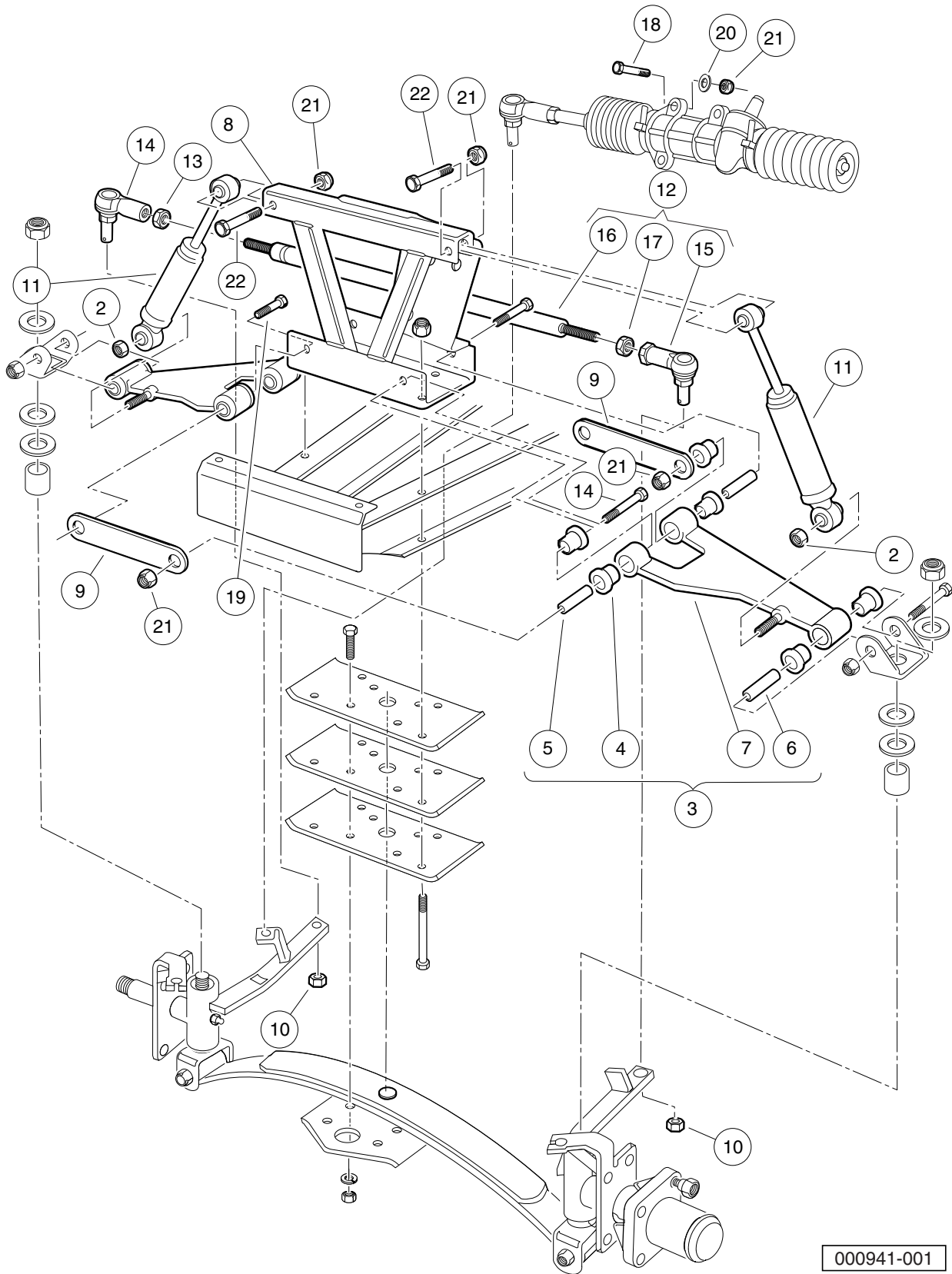
ITEM	PART NO.	DESCRIPTION	QTY
		1 2 3 4	
1	N/A	Asm, Front Suspension, 4wb Lsv (includes items 2 through 9)	1
2	<u>1010124</u>	Plate, Spring Mount	3
3	<u>1010150</u>	Bearing, Thrust	2
4	<u>1010177</u>	Bolt, 3/8-16 X 2.00 Hex Head	4
5	<u>1014276</u>	Plate, Front Spring Retainer	1
6	<u>101870501</u>	Screw, 3/8-16 X 4.75 Hx Hd Cap	4
7	<u>357</u>	Lockwasher, 3/8 Split	4
8	<u>706</u>	Nut, Hex 3/8-16	4
9	<u>8754</u>	Locknut, 3/8-16 Hex	4
10	<u>1016384</u>	Clevis, Delta Upper	2
11	<u>1016386</u>	King Pin Assembly	2
12	<u>1016387</u>	Screw, 3/8-16 X 2.75 Hx Hd Cap	2
13	<u>1016389</u>	Washer, 1.125 Od Wave	2
14	<u>102564002</u>	Washer-1/2 Conical, Yellow	2
15	<u>102684501</u>	Washer, M12 Hard Regular	2
16	<u>102766301</u>	Nut, 1/2-20, Center Lock	2
17	<u>103507001</u>	Eccentric Bolt Common	1
18	<u>103628801</u>	Spring Asm, Front, 2 Leaf (includes items 19 through 21)	1
19	<u>1012303</u>	Bushing, Steel	2
20	<u>1015583</u>	Bushing, Urethane	4
21	<u>103502701</u>	Spring, Front, 2 Leaf	1
22	<u>706</u>	Nut, Hex 3/8-16	1
23	<u>8754</u>	Locknut, 3/8-16 Hex	13
24	<u>8755</u>	Screw, 3/8-16 X 3.375 Hex Cap	2

5

E

5

E



000941-001

FRONT SUSPENSION, UPPER

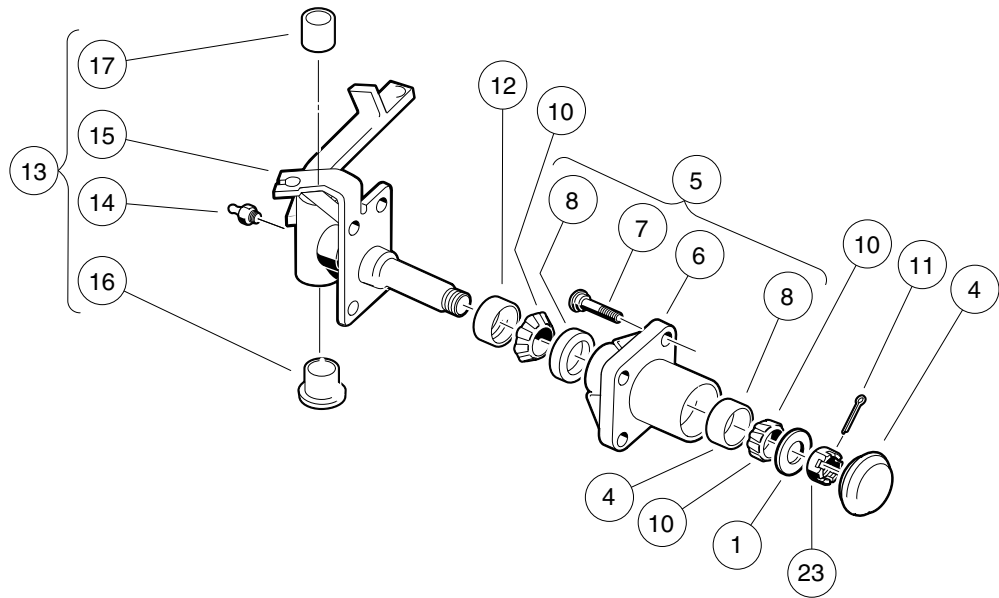
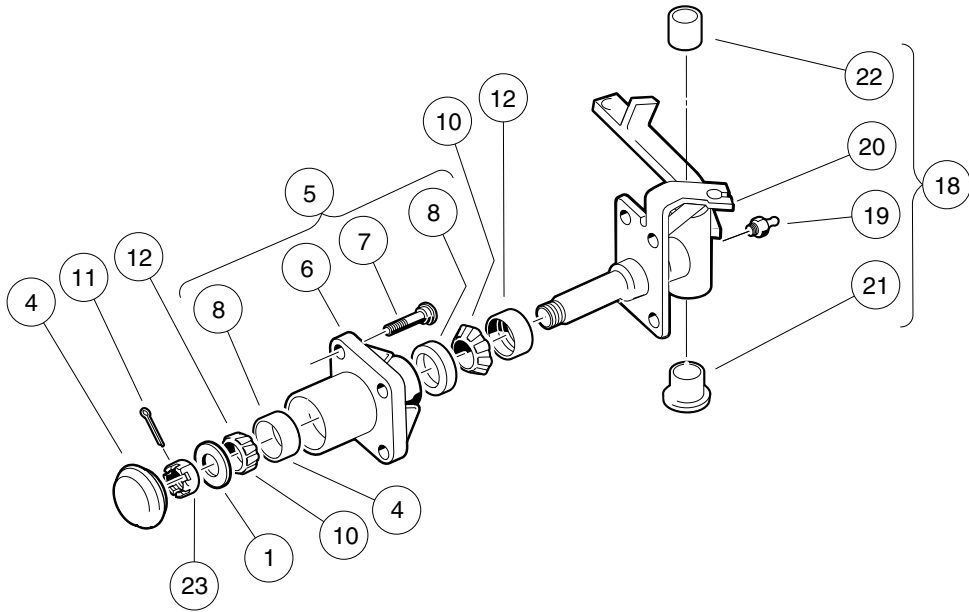
ITEM	PART NO.	DESCRIPTION	QTY
		1 2 3 4	
1	N/A	Sub, Fr Susp, 1 Lf, 4wb Lsv (includes items 2 through 22)	1
2	<u>1010138</u>	Locknut, 3/8-16 Dimpled	2
3	<u>1016353</u>	Sub-Assembly, Delta A-Plate (includes items 4 through 7)	2
4	<u>1016346</u>	Bushing, Urethane	6
5	<u>1016349</u>	Sleeve, Delta Inner	2
6	<u>1016350</u>	Sleeve, Delta Outer	1
7	<u>1016351</u>	Delta A-Plate	1
8	<u>1016385</u>	Delta Shock and Gear Support Assembly	1
9	<u>1017266</u>	A-Plate Strap	2
10	<u>102289201</u>	Nut - Hex Locking, M12 X 1.25	3
11	<u>103351001</u>	Shock Absorber, Front, Common	2
12	N/A	Asm, Tie Rod (includes items 13 through 17)	1
13	1013042	Nut, 12mm Hex	1
14	<u>102022601</u>	End, Tie Rod M12 X 1.25 Rh	1
15	<u>102022602</u>	End, Tie Rod, M12 X 1.25, Lh	1
16	<u>103354701</u>	Rod, Tie, Male Thd	1
17	<u>103653501</u>	Nut, Jam, M12-1.25, Lh	1
18	<u>1624</u>	Screw, 3/8-16 X 1.50 Hex-Head Cap	3
19	<u>2402</u>	Screw, 3/8-16 X 2.25 Hx Hd Cap	4
20	<u>334</u>	Washer, 3/8 Type A Flat	3
21	<u>8754</u>	Locknut, 3/8-16 Hex	13
22	<u>8861</u>	Bolt, 3/8-16 X 1.75 Hex	2

5

E

5

E



000938-001

FRONT SPINDLES AND HUBS

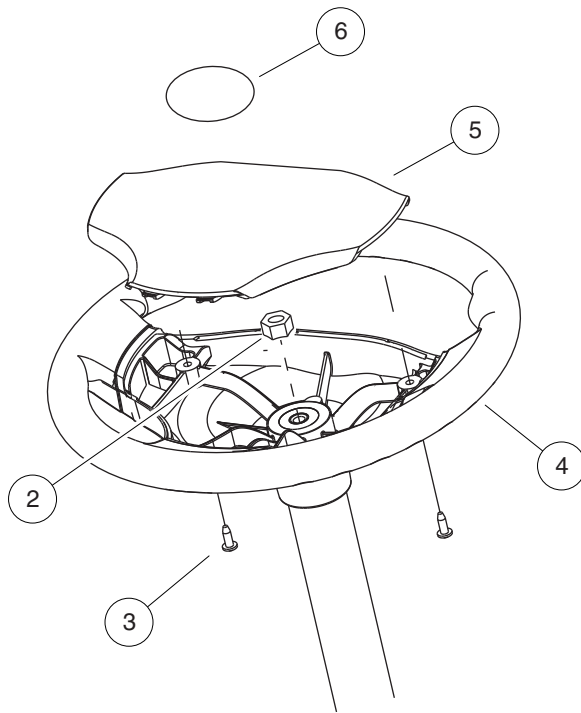
ITEM	PART NO.	DESCRIPTION	QTY
		1 2 3 4	
1	<u>1010005</u>	Washer, 3/4 Flat	2
2	<u>1011887</u>	Dust Cover	2
3	<u>1011892</u>	Hub Assembly (includes items 4 through 11)	2
4	<u>1011887</u>	Dust Cover	1
5	1011889	Hub (includes items 6 through 8)	1
6	1011153	Front Hub	1
7	<u>103477901</u>	Lug Stud, 1/2-20 Unf, 4037	4
8	7308	Race, Front Hub Bearing	2
9	<u>1013135</u>	Seal, Double Lip	1
10	7274	Bearing, Front Hub Wheel	2
11	<u>7910</u>	Pin, 5/32 X 1.00 Cotter	1
12	<u>1013135</u>	Seal, Double Lip	2
13	<u>103717302</u>	Asm, Spindle, Lh, 4wb, Sp (includes items 14 through 17)	1
14	<u>1015597</u>	Fitting, 1/4-28 Thread-Forming Grease	1
15	N/A	Subasm, Spindle, Lh, 4wb	1
16	<u>7048</u>	Bushing, Flanged Bronze	1
17	<u>8067</u>	Bushing, Bronze Spindle	1
18	<u>103717402</u>	Asm, Spindle, Rh, 4wb, Sp (includes items 19 through 22)	1
19	<u>1015597</u>	Fitting, 1/4-28 Thread-Forming Grease	1
20	N/A	Subasm, Spindle, Rh, 4wb	1
21	<u>7048</u>	Bushing, Flanged Bronze	1
22	<u>8067</u>	Bushing, Bronze Spindle	1
23	<u>7840</u>	Nut, 3/4-16 Hex Slotted	2

5

E

5

E



000470-003

STEERING WHEEL

ITEM	PART NO.	DESCRIPTION	QTY
		1 2 3 4	
1	N/A	Instl, Steer Wheel, Champ Lsv (includes items 2 through 6)	1
2	<u>1017273</u>	Nut, 5/8-18 Nylon Insert Jam	1
3	<u>101850301</u>	Screw, #12-16 X 0.50 Washer-Head Hi-Lo	2
4	<u>103724504</u>	Steering Wheel, Soft Spl	1
5	<u>103724602</u>	Cover, Steering Wheel, Gener	1
6	<u>103829401</u>	Logo, Cci, Steer Wheel	1

5

E

5

E

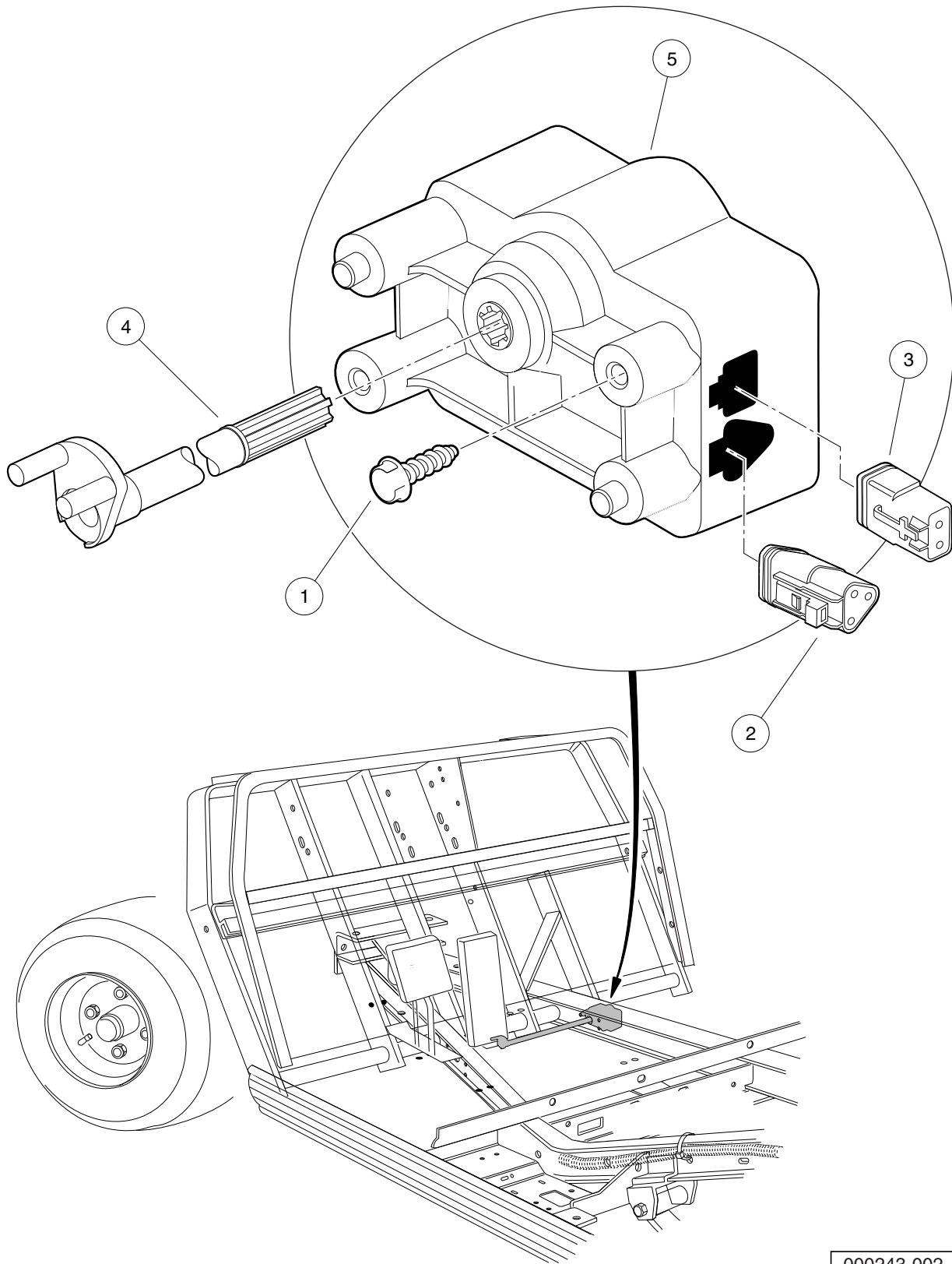
ELECTRICAL SYSTEM

6

E

6

E



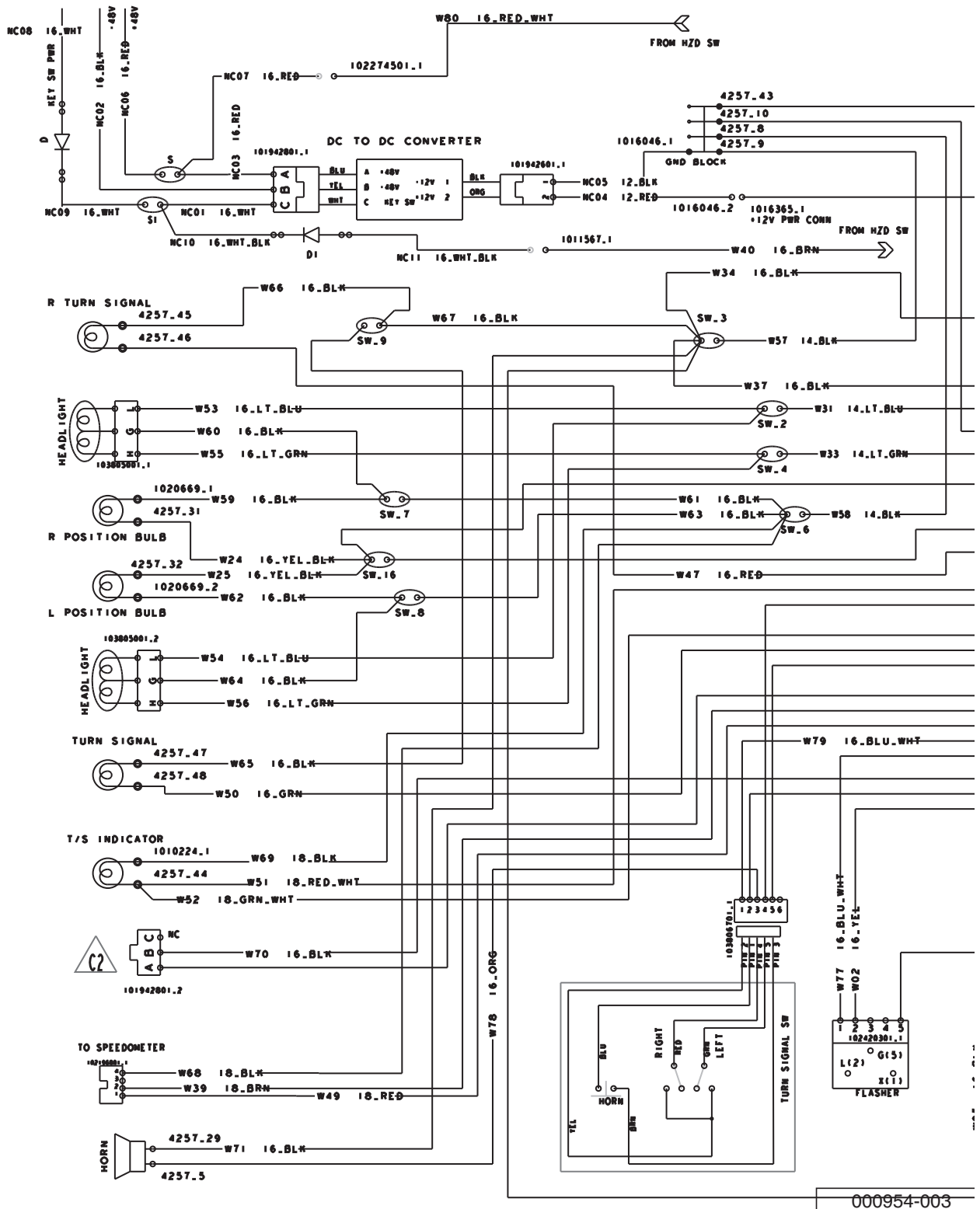
000243-002

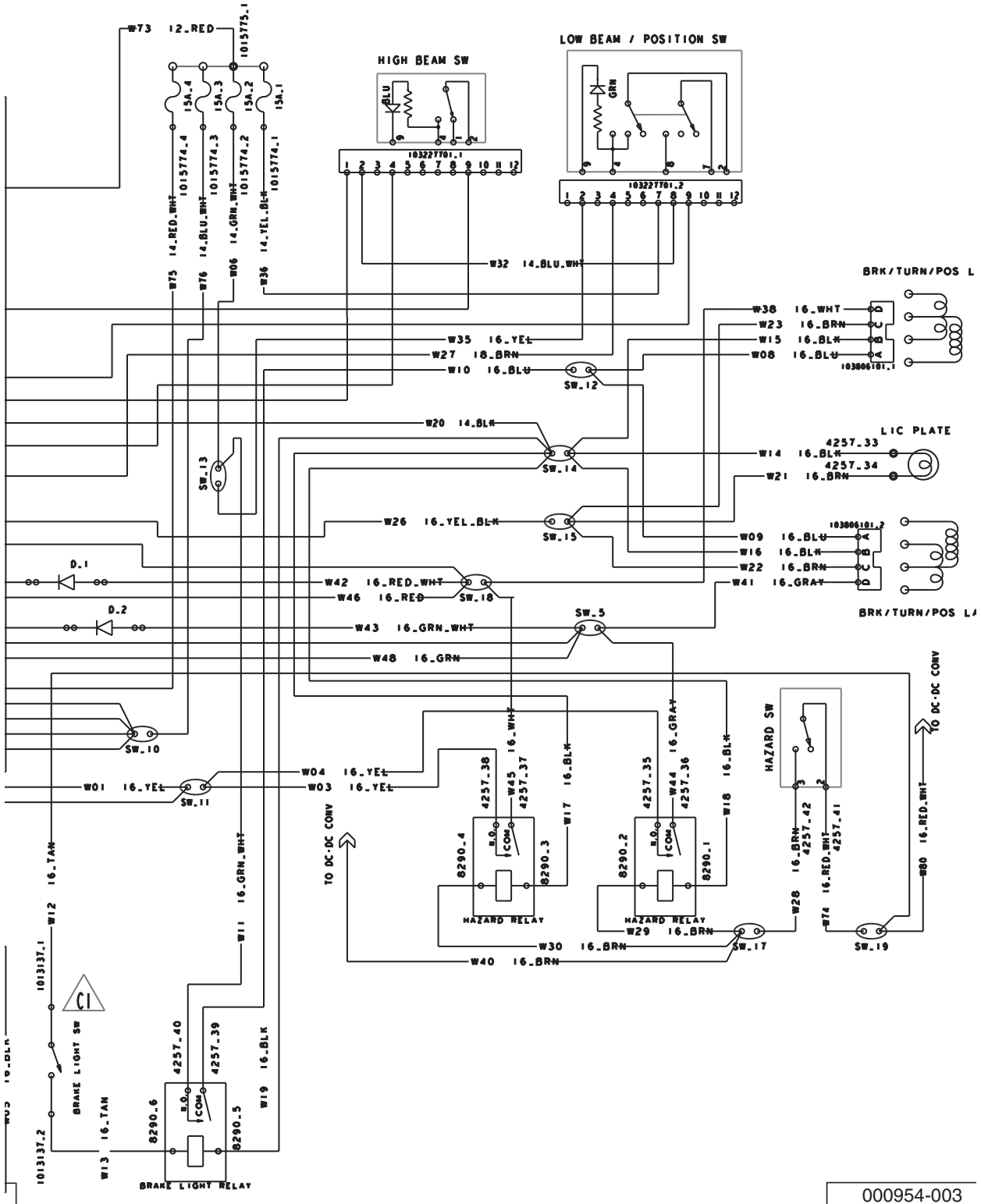
MOTOR CONTROLLER OUTPUT REGULATOR (MCOR)

ITEM	PART NO.	DESCRIPTION	QTY
		1 2 3 4	
1	<u>1015752</u>	Screw, #12-16 X 0.625 Hi-Lo	2
2	<u>101920101</u>	Kit, 3-Pin Wedge Lock	1
3	<u>101936801</u>	Kit, 2-Pin Wedge Lock	1
4	102101001	Bar, Drive, Cast	1
5	<u>102101101</u>	MCOR	1

6

E





000954-003

6

E

See previous two pages for illustration.

LIGHTING HARNESS

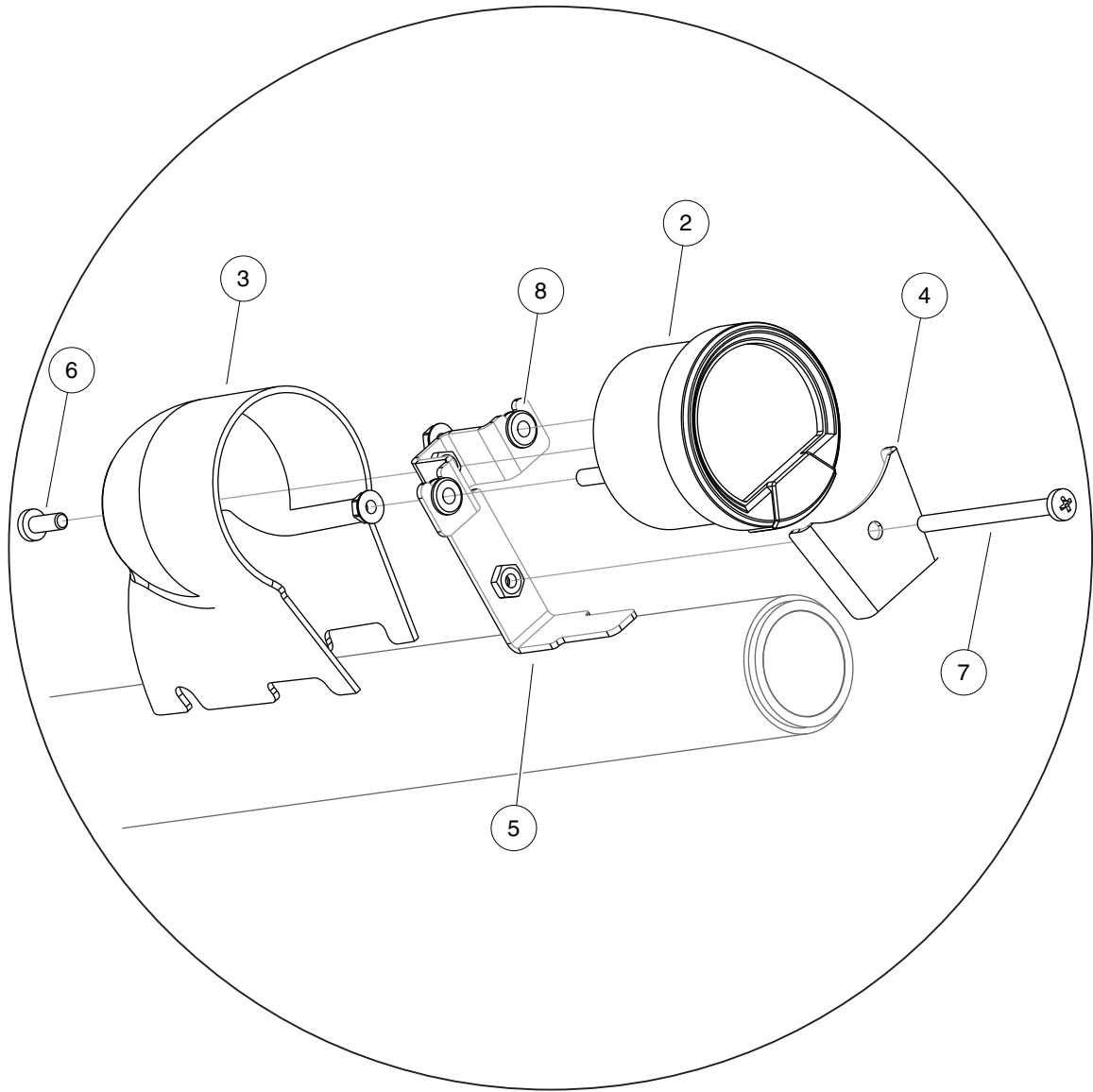
ITEM	PART NO.	DESCRIPTION	QTY
		1 2 3 4	
1	<u>103802901</u>	Harness, Lighting, Vill, Homol	1
2	<u>103816901</u>	Harn, Converter, Ds Lsv Homol	1
3	<u>103848601</u>	Harness, Jumper, Brake Switch	1

6

E

6

E



000854-002

SPEEDOMETER

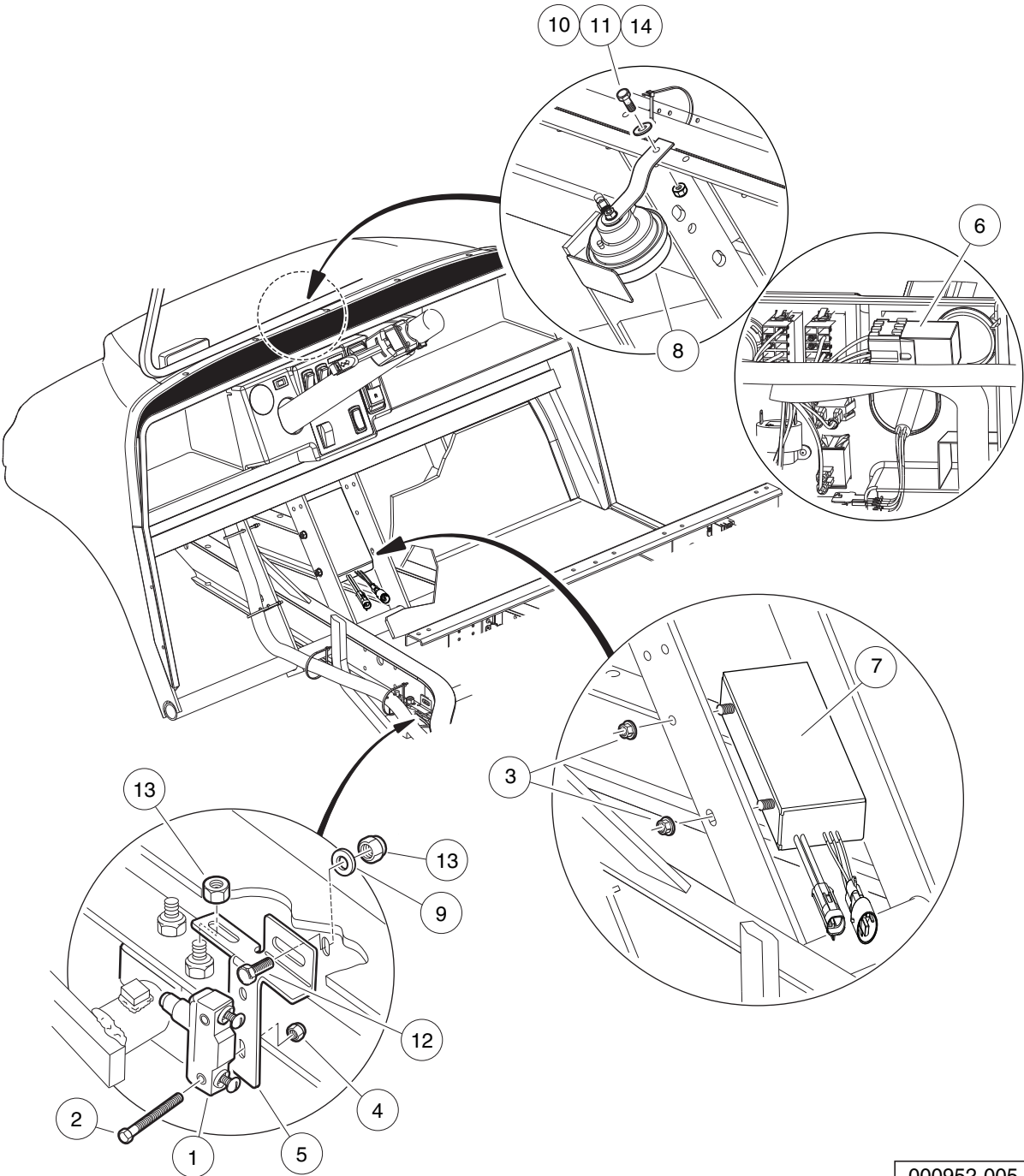
ITEM	PART NO.	DESCRIPTION	QTY
		1 2 3 4	
1	N/A	Instl, Speedometer, Ds Lsv Std (includes items 2 through 8)	1
2	<u>103740001</u>	Speedometer, Koso	1
3	<u>103740101</u>	Cover, Koso Speedometer	1
4	<u>103740201</u>	Cap, Koso Speedometer Cover	1
5	<u>103740301</u>	Bracket, Koso Speedometer	1
6	<u>103740401</u>	Screw, Panhead 10-32 X 5/8	1
7	<u>103740501</u>	Screw, Panhead 10-32 X 2-1/2	1
8	<u>103740801</u>	Grommet, Speedometer	2

6

E

6

E



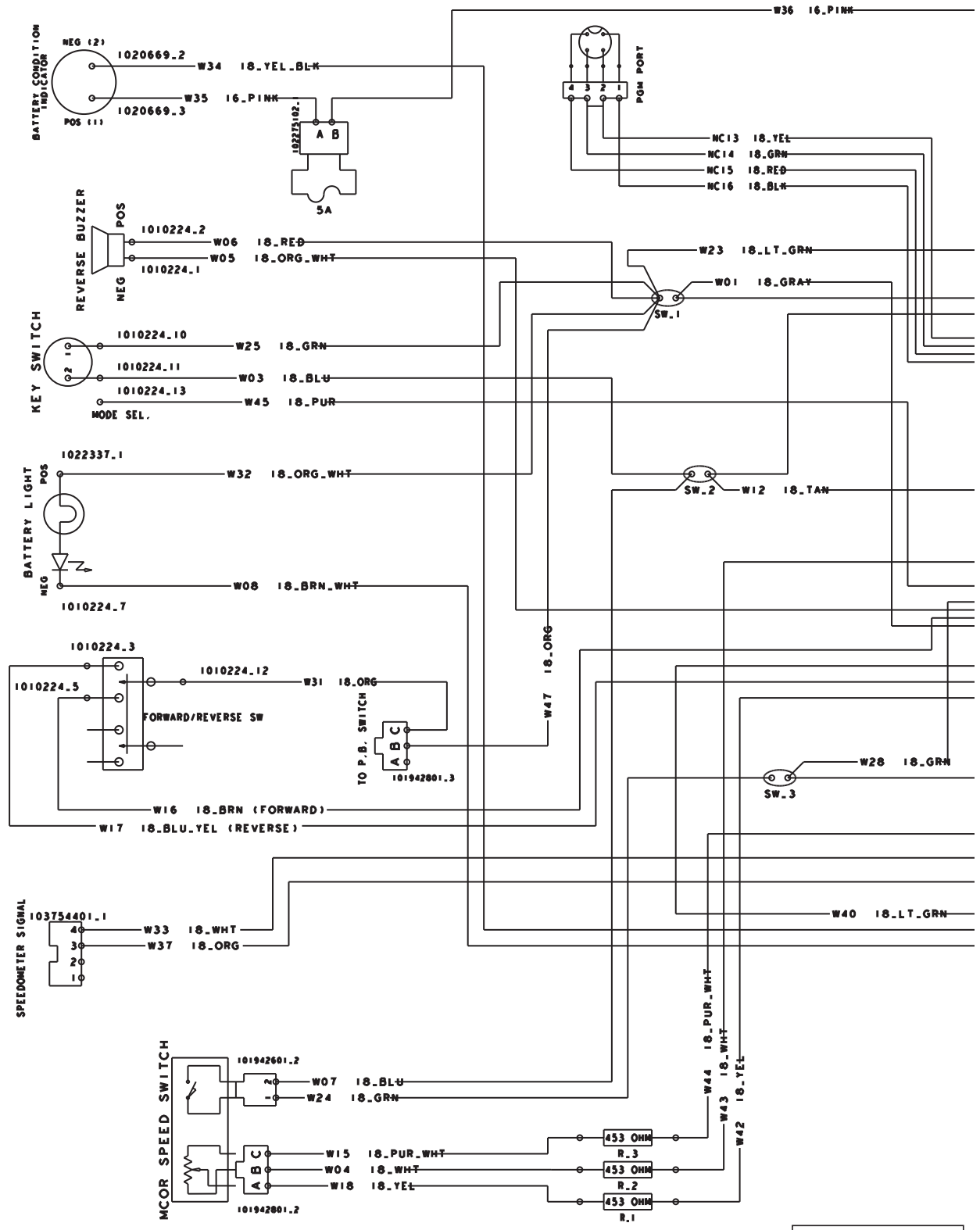
000952-005

ELECTRICAL COMPONENTS, FRONT BODY

ITEM	PART NO.	DESCRIPTION	QTY
		1 2 3 4	
1	<u>1011439</u>	Switch, Limit	1
2	<u>1011557</u>	Screw, #6-32 X 1.00 Hex-Head Machine	2
3	<u>1015661</u>	Nut, Lock Hx Flanged 1/4-20	2
4	<u>101932201</u>	Locknut, #6-32 Nylon	2
5	<u>101957101</u>	Bracket, Brake Light Switch	1
6	<u>102742501</u>	Flasher, 12v, Fixed Load	1
7	<u>103804901</u>	Converter, 25a, Isolated, Ce	1
8	<u>103834601</u>	Horn, 12v, Gnd Isolated, Emark	1
9	<u>1241</u>	Washer, 5/16 Type A Flat	1
10	304	Screw, 1/4-20 X 1.0 Hex-Head Cap	1
11	<u>332</u>	Washer, 1/4 Type A Narrow Flat	1
12	<u>7173</u>	Screw, 5/16-18 X 0.75 Hex-Head Cap	1
13	<u>7473</u>	Locknut, 5/16-18 Nylon Insert	2
14	<u>8233</u>	Locknut, 1/4-20 Nylon Insert	1

6

E



000954-002

6

E

See previous two pages for illustration.

WIRING

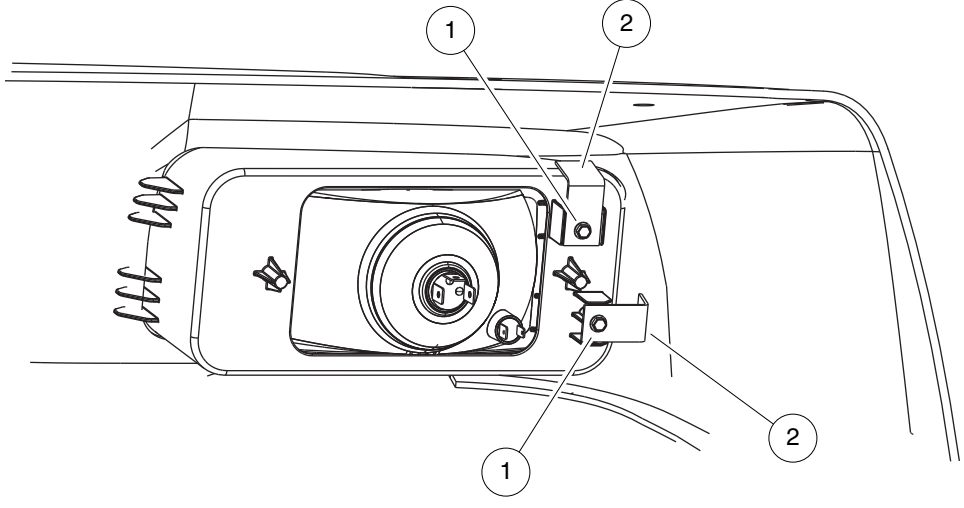
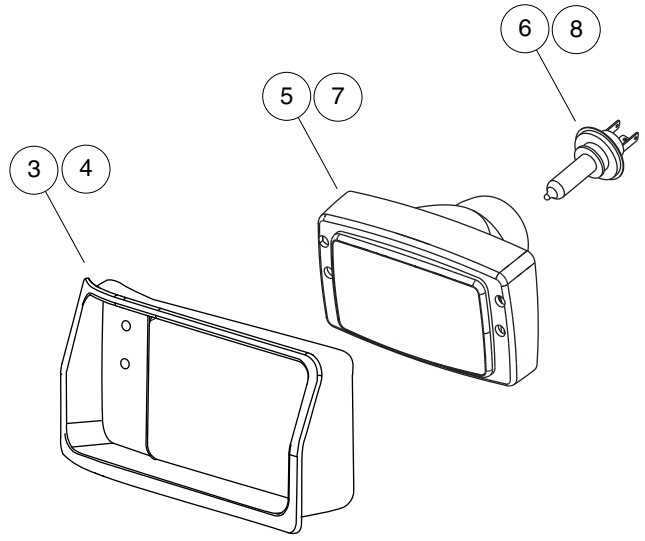
ITEM	PART NO.	DESCRIPTION	QTY
1	<u>103802801</u>	1 2 3 4 Harness, Main, Vill, Homol	1

6

E

6

E



000073-004

HEADLIGHTS

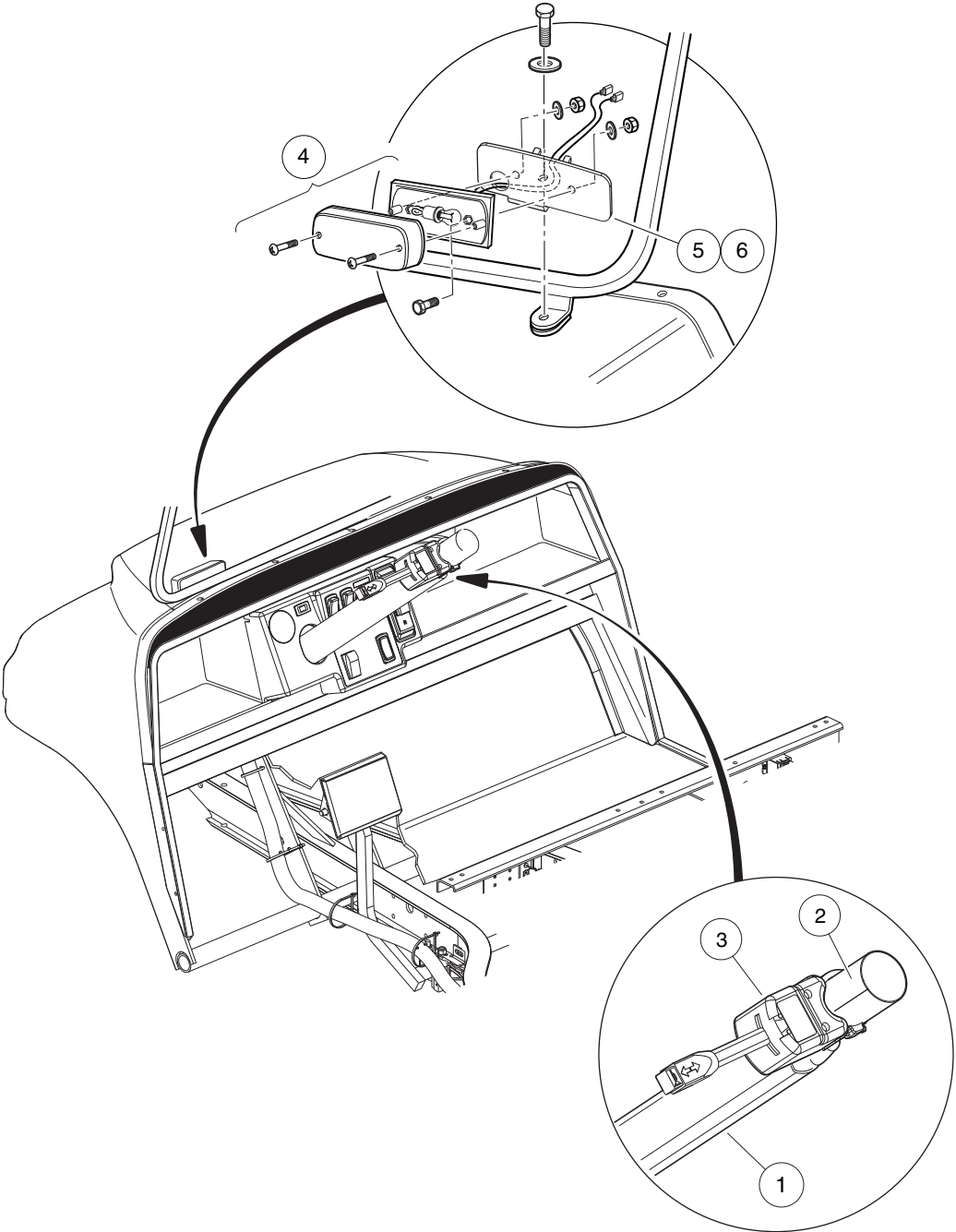
ITEM	PART NO.	DESCRIPTION	QTY
		1 2 3 4	
1	<u>1013461</u>	Screw, #10-16 Hex-Head Hi-Lo	4
2	<u>1017064</u>	Mounting Bracket	4
3	<u>103801501</u>	Bezel, Headlight, Homol, Right	1
4	<u>103801502</u>	Bezel, Headlight, Homol, Left	1
5	<u>103810601</u>	Headlight, E-mark, Rght Dipped (includes item 6)	1
6	<u>102707701</u>	Bulb, Headlamp, H4	1
7	<u>103810602</u>	Headlight, E-mark, Left Dipped (includes item 8)	1
8	<u>102707701</u>	Bulb, Headlamp, H4	1

6

E

6

E



000849-003

TURN SIGNALS

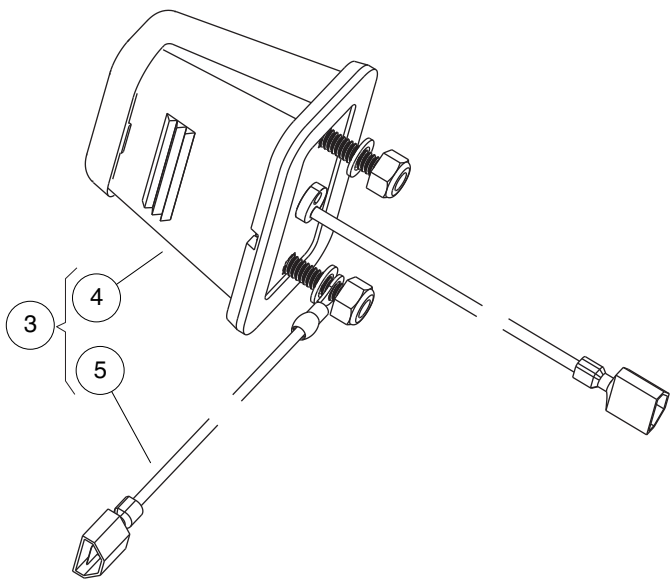
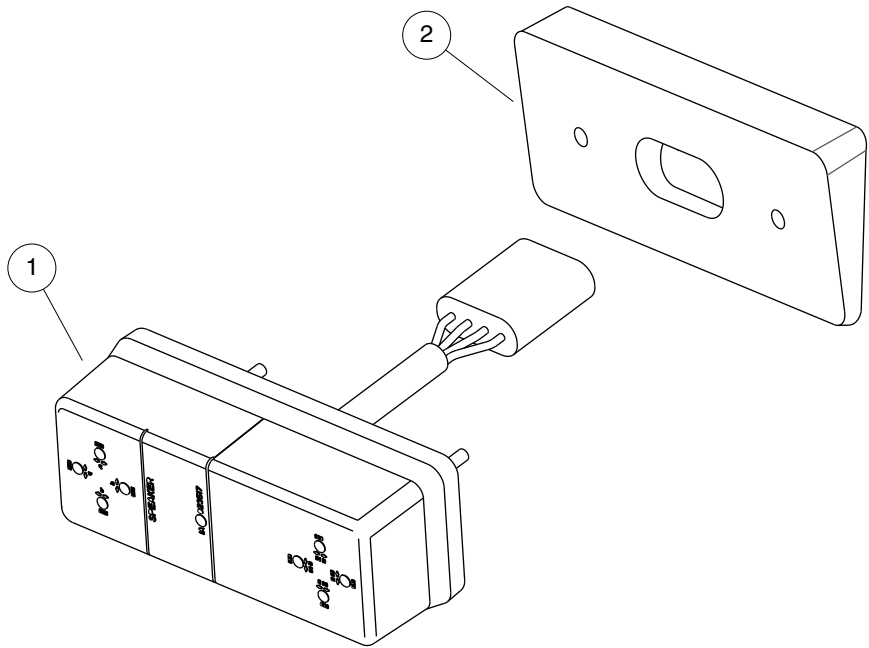
ITEM	PART NO.	DESCRIPTION	QTY
		1 2 3 4	
1	<u>102529203</u>	Wire Cover-steer Column 304 Mm	1
2	<u>103531101</u>	Isolator, Turn Signal	1
3	<u>103803101</u>	Asm, Turn Signal Switch, Homol	1
4	<u>103810701</u>	Turn Signal, Front, E-mark	2
5	<u>103813701</u>	Bracket, Signal, Turn, Homol, Ps	2
6	<u>103813702</u>	Bracket, Signal, Turn, Homol, Ds	2

6

E

6

E



000073-005

TAILLIGHTS AND LICENSE PLATE LIGHT

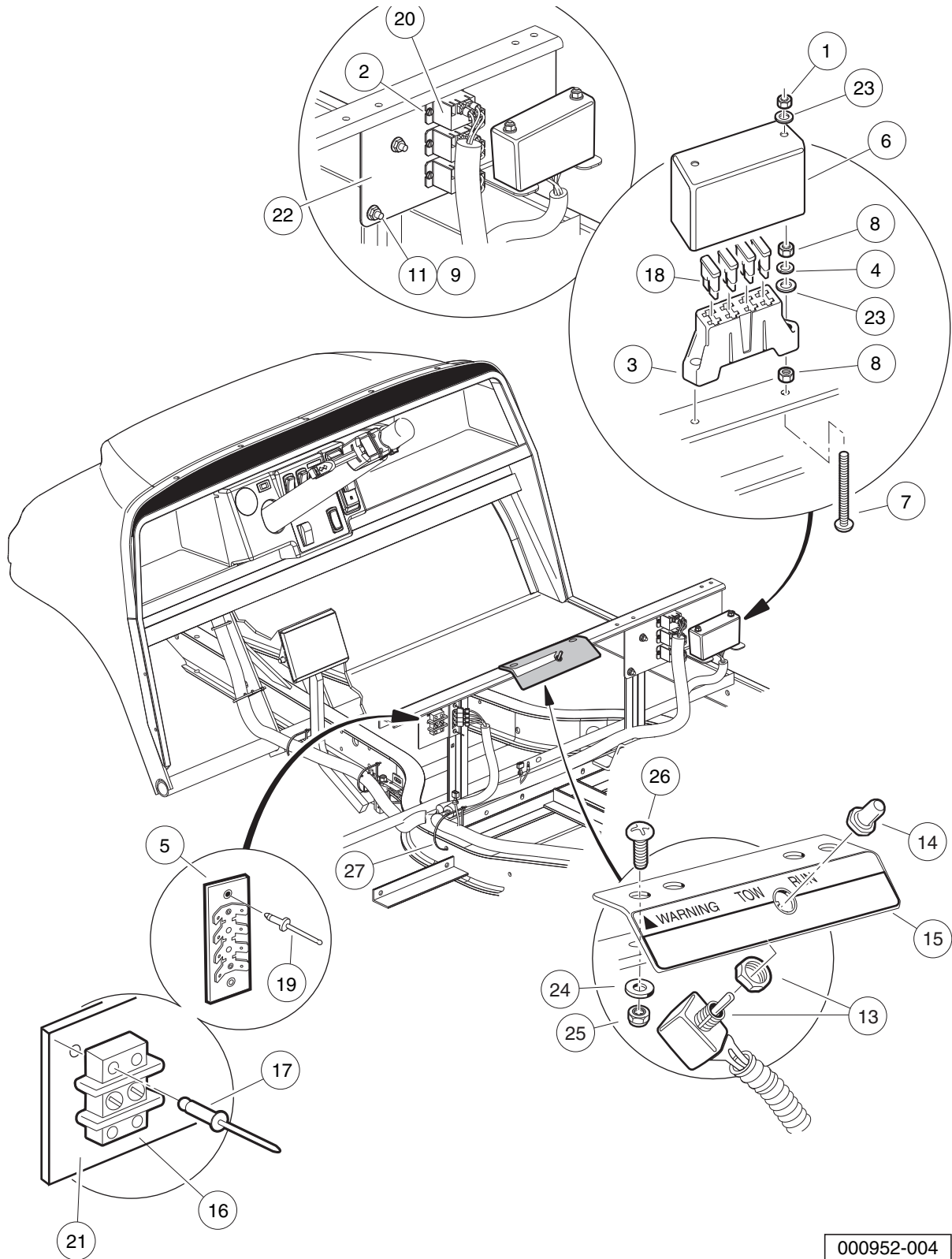
ITEM	PART NO.	DESCRIPTION	QTY
		1 2 3 4	
1	<u>103810801</u>	Taillight, Stop/tl/trn, E-mark (Includes Mounting Hardware)	2
2	<u>103830601</u>	Wedge, Taillight, Vill 2 Homol	2
3	<u>103849401</u>	Asm, Lic Lamp, E-mark Reg 50 (Includes Mounting Hardware) (includes items 4 and 5)	1
4	N/A	License Lamp, E-mark Reg 50	1
5	N/A	Jumper, #10 Ring - 1/4 Male Qd	1

6

E

6

E



ELECTRICAL COMPONENTS, CENTER BODY

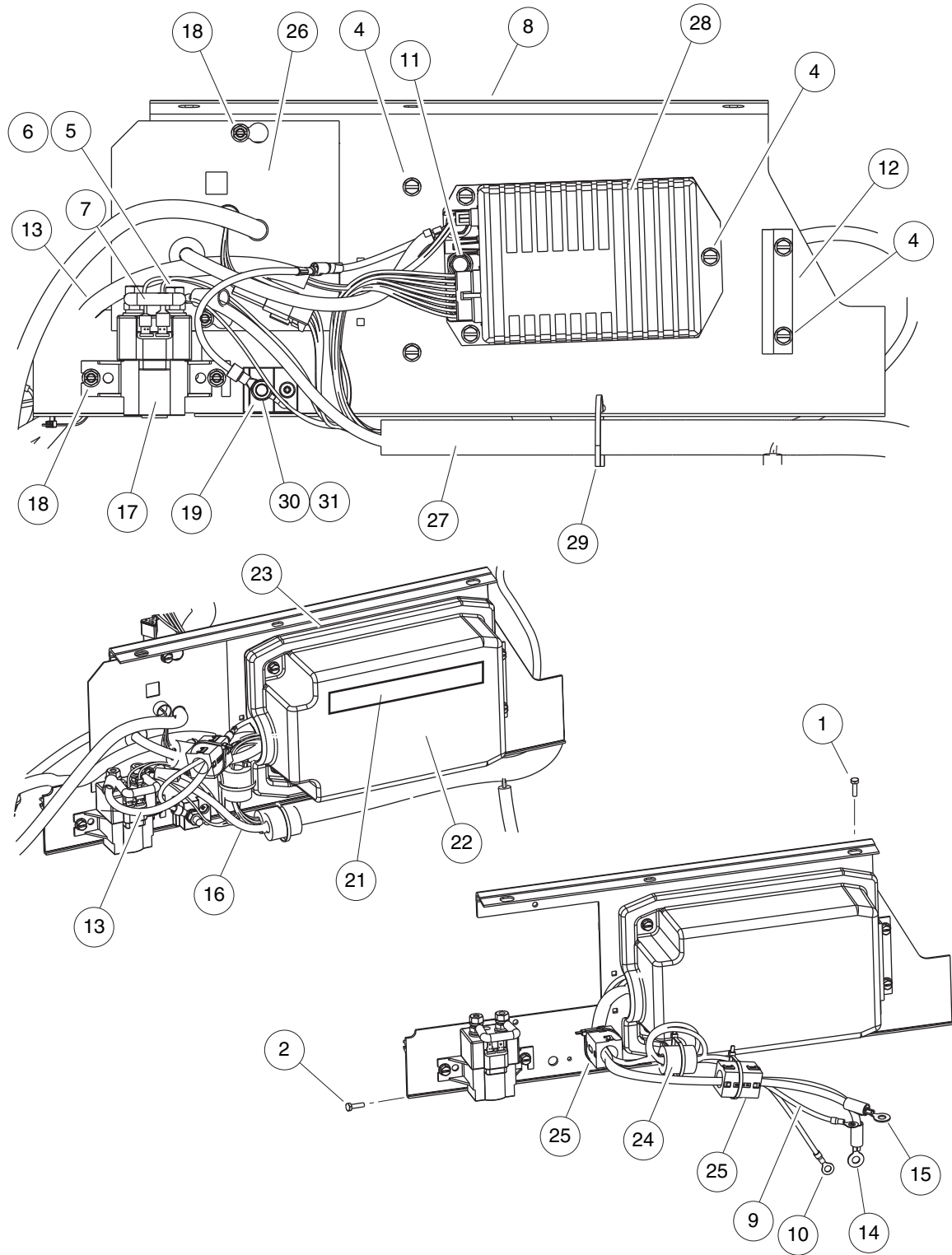
ITEM	PART NO.	DESCRIPTION	QTY
		1 2 3 4	
1	<u>1012438</u>	Locknut, #10-24 Nylon Insert	2
2	<u>1015720</u>	Screw, #6-32 X 1/2 Hex Washer-Head	6
3	<u>1015741</u>	Fuse Block	1
4	<u>1016</u>	Lockwasher, #10 Split	2
5	<u>1016356</u>	Terminal Block with Insulator	1
6	<u>1016363</u>	Fuse Block Cover	1
7	<u>1016366</u>	Screw, #10-24 X 3.0 Pan-Head Machine	2
8	<u>1017</u>	Nut, #10-24 Stainless-Steel Hex Machine	4
9	<u>101835601</u>	Locknut, 1/4-20 Hex Whiz	2
10	<u>101910401</u>	Screw, 5/16-18 X 1.25 Thrd Frm	2
11	<u>101958601</u>	Carriage Bolt, 1/4-20 X 0.75	2
12	N/A	Tow Switch Assembly (includes items 13 through 15)	1
13	<u>101908101</u>	Switch Assembly, Tow/Run	1
14	<u>101908401</u>	Boot, Switch	1
15	<u>101922501</u>	Bracket, Tow/Run Switch Mounting	1
16	<u>101966801</u>	Block, Terminal	1
17	<u>101968801</u>	Rivet, 3/16", Pop	2
18	<u>102538601</u>	15 Amp Fuse	4
19	<u>103344501</u>	Rivet, 5/32" Dia., Black	2
20	<u>103397901</u>	Relay, Spst No, 48v 30a, Pmt	3
21	<u>103761501</u>	Plate, Terminal Block, Mtg	1
22	<u>103818801</u>	Plate, Fuse / Relay	1
23	<u>183</u>	Washer, #10 Type A Flat	4
24	<u>332</u>	Washer, 1/4 Type A Narrow Flat	2
25	<u>8233</u>	Locknut, 1/4-20 Nylon Insert	2
26	<u>8248</u>	Screw, 1/4-20 X 0.75 Truss-Head Machine	2
27	<u>8990</u>	Tie Wrap, 8" Nylon	2

6

E

6

E



000946-003

ELECTRICAL COMPONENT MOUNTING PLATE

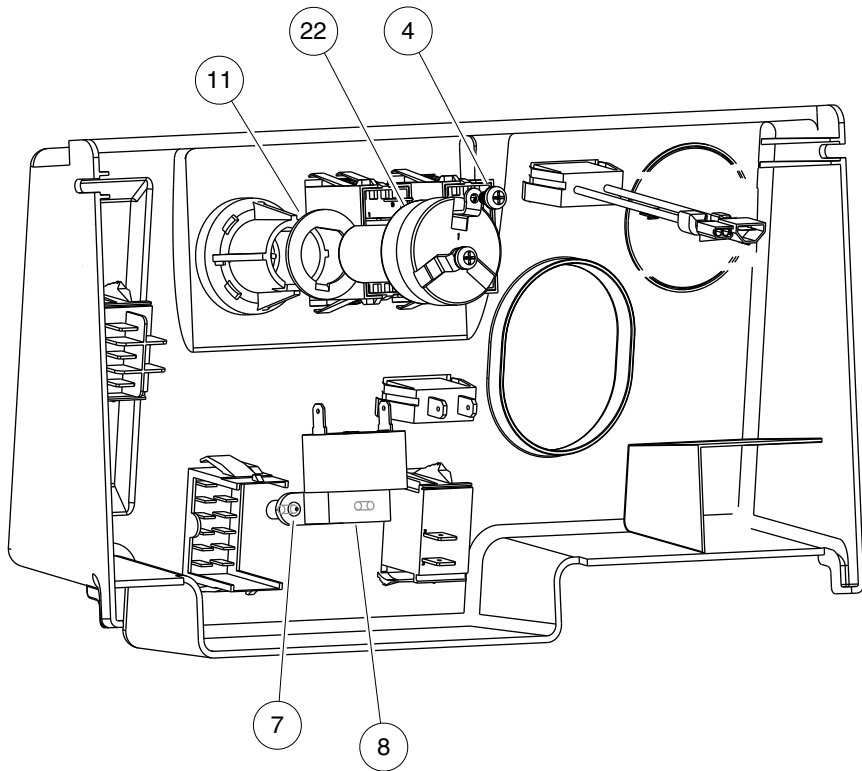
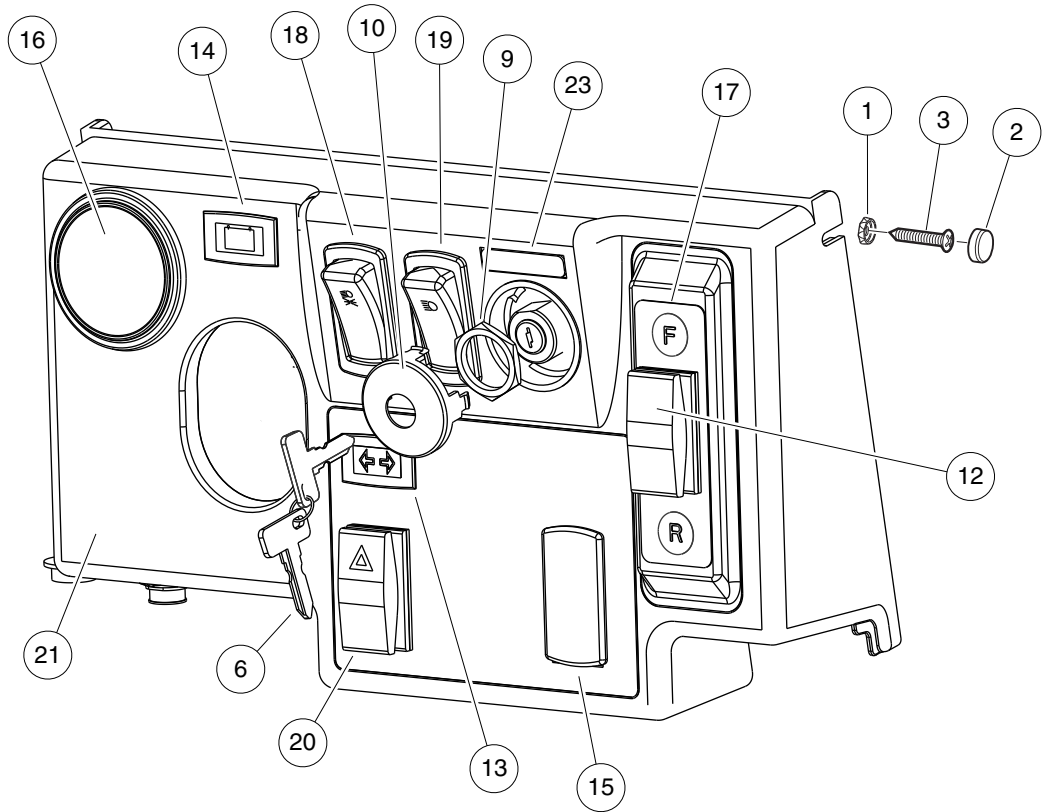
ITEM	PART NO.	DESCRIPTION	QTY
		1 2 3 4	
1	<u>1014288</u>	Screw, 5/16-18 X 0.75 Thread-Forming	2
2	<u>101910401</u>	Screw, 5/16-18 X 1.25 Thrd Frm	1
3	N/A	Asm, Comp Mtg Plate, Hom Dslsv (includes items 4 through 29)	1
4	<u>1012285</u>	Screw, 1/4 X 0.625 Hex-Head	7
5	<u>1012528</u>	Nut, M8-1.25 Hex	2
6	<u>1013734</u>	Lockwasher, 8mm Split	2
7	<u>1014947</u>	Resistor Assembly	1
8	<u>101965205</u>	Plate, Component Mounting	1
9	N/A	Asm, Wire, #10 Orange 1/4	1
10	N/A	Asm, Wire, #10 Blue 1/4	1
11	<u>102240501</u>	Bolt, Controller, Terminal	3
12	****	Extrusion, Cover Support	1
13	<u>102440901</u>	Wire Asm, #4 Yellow, 13"	1
14	<u>102468101</u>	Wire Asm, #4 White, 25"	1
15	<u>102468201</u>	Wire Asm, #4 Green, 25"	1
16	<u>102468301</u>	Wire Asm, #4 Red, 36"	1
17	<u>102774701</u>	Solenoid, 48v	1
18	<u>102817101</u>	Screw, 1/4-20 X .50 Hex Wsh Hd	4
19	<u>103282701</u>	Kit, Terminal Block Ground	1
20	<u>103316901</u>	Cover Asm - Controller (includes items 21 through 23)	1
21	<u>101931501</u>	Decal, Component Cover	1
22	<u>103316701</u>	Cover - Controller, Deep	1
23	<u>103316801</u>	Gasket - Controller Cover	1
24	<u>103449501</u>	Bead, Ferrite, Tdk	4
25	<u>103449601</u>	Bead, Ferrite, Fair-rite	3
26	<u>103697202</u>	Obc, Ds Golf, A1, #4	1
27	<u>103802801</u>	Harness, Main, Vill, Homol	1
28	<u>103831802</u>	Controller, 1515s, 350a, Sp	1
29	<u>8990</u>	Tie Wrap, 8" Nylon	8
30	<u>1242</u>	Nut, 5/16-18 Hex	1
31	<u>7174</u>	Lockwasher, 5/16 Split	1
		**** Special order item available upon request.	

6

E

6

E



000577-010

INSTRUMENT PANEL WITH ELECTRICAL COMPONENTS

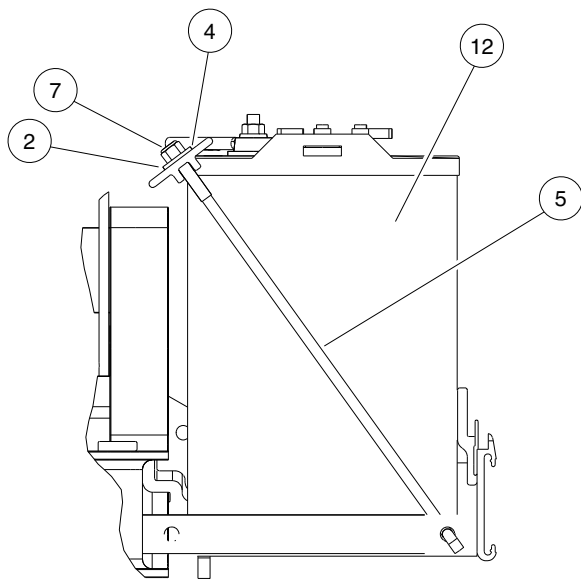
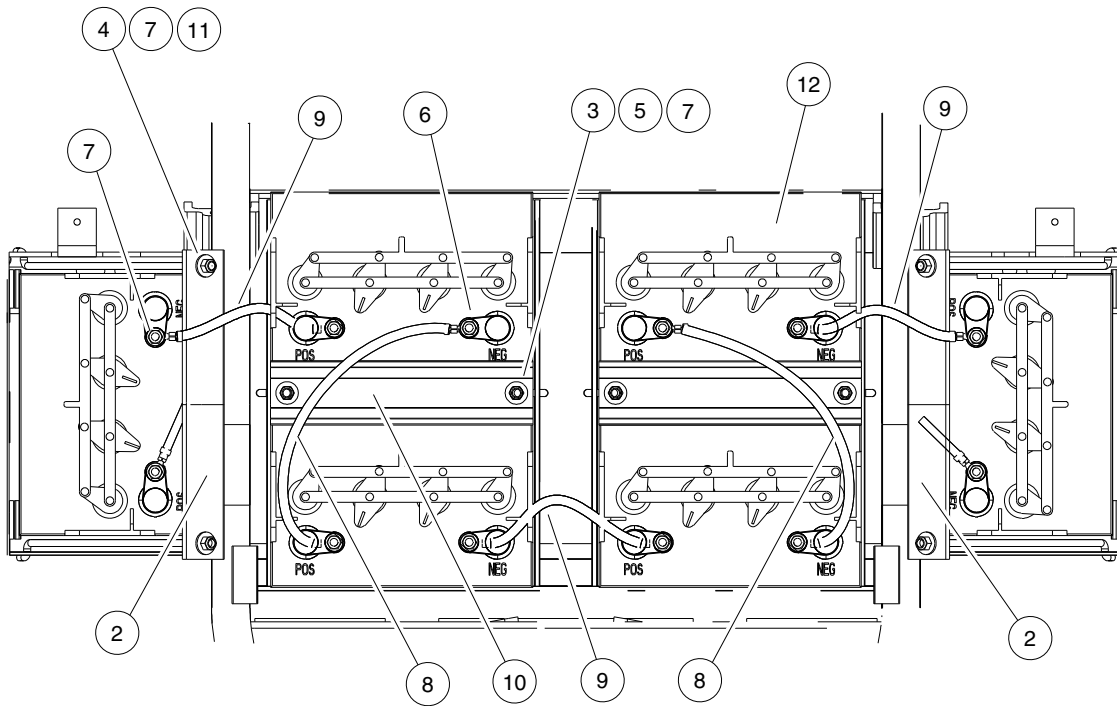
ITEM	PART NO.	DESCRIPTION	QTY
		1 2 3 4	
1	1011382	Washer, #10 Pan-Head Screw	2
2	<u>1013494</u>	Cover, Screw Head	2
3	<u>1015528</u>	Screw, #10 x 1-1/4 Phillips Head	2
4	101830601	Screw and Washer Assembly	2
5	N/A	Asm, Dash, Villager Lsv, Homol (includes items 6 through 23)	1
6	<u>1012505</u>	Keys (set of 2)	1
7	<u>1016849</u>	Screw, #4-24 X 0.33 Pan-Head Machine	2
8	<u>1016851</u>	Buzzer, Reverse (9-48 VDC)	1
9	<u>101830701</u>	Nut, Key Switch	1
10	<u>101834502</u>	Cap, Black Key Switch	1
11	<u>101851101</u>	Washer, Key Switch	1
12	<u>101856001</u>	Switch, Rocker, Double-Pole	1
13	<u>102495701</u>	Light, Indicator, Turn Signals	1
14	<u>102508702</u>	Battery Light, Homol	1
15	<u>103180101</u>	Cover, Hole, Switch, Rocker	1
16	<u>103198301</u>	Plug, Hole, Round, 2.0 In	1
17	<u>103210301</u>	Decal, Forward/Reverse, Electric	1
18	<u>103805501</u>	Switch, Master Lighting, Homol	1
19	<u>103805601</u>	Switch, High Beam, Homologated	1
20	<u>103805701</u>	Switch, Hazard, Homologated	1
21	<u>103810301</u>	Dash, Lsv, Punched	1
22	103818901	Keyswitch, Random, Elec	1
23	103827201	Decal, Ignition, Homologated	1

6

E

6

E



000951-004

BATTERIES

ITEM	PART NO.	DESCRIPTION	QTY
		1 2 3 4	
1	N/A	Opt, Batt, Lsv, 8v Std (includes items 2 through 12)	1
2	<u>101090802</u>	Hold-Down, Battery	2
3	<u>1011578</u>	Washer, 5/16 Type B Flat	4
4	<u>1011697</u>	Washer, 5/16 Flat	4
5	1013683	J-Bolt	4
6	<u>1014304</u>	Nut, 5/16-18 Stainless-Steel Hex	12
7	1015072	Locknut, 5/16-18 Nylon Insert	8
8	<u>102002801</u>	Wire Assy, #4 Black	2
9	<u>102002901</u>	Wire Assy, #4 Black	3
10	<u>103504301</u>	Tee, Batt Ret Ctr Short	2
11	<u>103696801</u>	J Bolt, Batt Hold Down 12"	4
12	<u>103719701</u>	Battery, 8v, Cr165, Wet	6

6

E

6

E

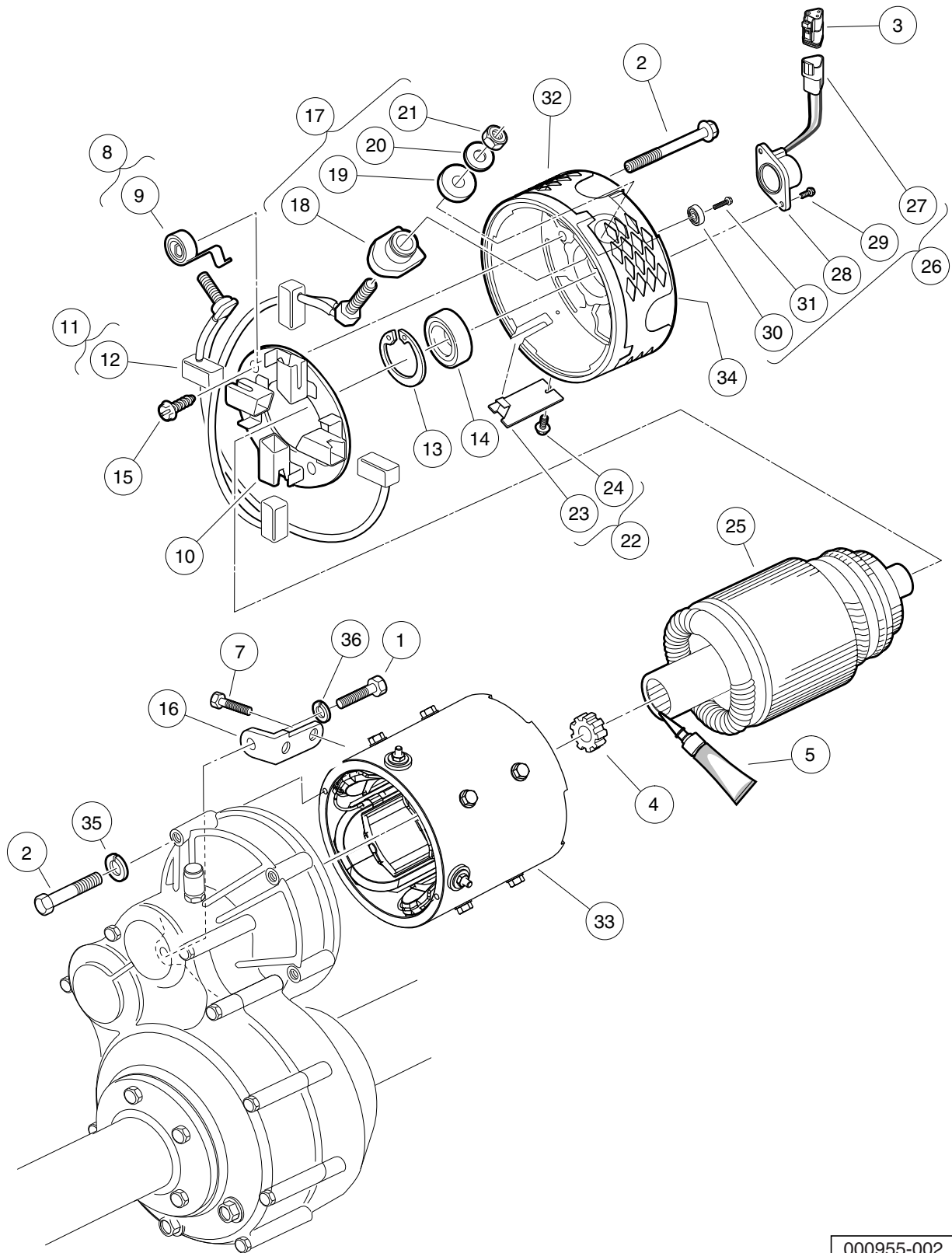
ELECTRIC MOTOR

7

E

7

E



000955-002

ELECTRIC MOTOR (MODEL EJ9-4002)

ITEM	PART NO.	DESCRIPTION	QTY
		1 2 3 4	
1	<u>1010934</u>	Screw, 5/16-18 X 1.00 Hex Cap	1
2	<u>1014201</u>	Screw, 1/4-20 X 2.25 Hex Cap	3
3	<u>101920101</u>	Kit, 3-Pin Wedge Lock	1
4	<u>102235201</u>	Bumper, Drive Unit	1
5	<u>102243403</u>	Lubricant, Moly-Teflon (Single-Use Tube)	1
6	<u>103738901</u>	Motor, 48v, 5.0 Hp, Iq, Vented (includes items 7 through 34)	1
7	<u>1012285</u>	Screw, 1/4 X 0.625 Hex-Head	2
8	<u>102186001</u>	Spring Kit, Motor Brush (includes item 9)	1
9	N/A	Spring, Brush, S-g	4
10	<u>102186101</u>	Brush Box Assembly	1
11	<u>102186201</u>	Brush Kit, Motor (includes item 12)	1
12	N/A	Assembly, Brush and Terminal	2
13	<u>102186301</u>	Ring, 2.24" Internal Retaining	1
14	<u>102186401</u>	Bearing, Ball	1
15	<u>102186901</u>	Screw, #8-32 X .5 Hex-Head	2
16	<u>102187001</u>	L-Bracket, Motor	1
17	<u>102187101</u>	Hardware Kit, Motor Terminal (includes items 18 through 21)	2
18	N/A	Bushing, Nylon	2
19	N/A	Washer, Nylon Flat	2
20	N/A	Washer, Flat, 5/16 Steel	2
21	N/A	Nut, Brass Hex, 5/16 - 18	2
22	<u>102187201</u>	Plate Kit, Motor Cover (includes items 23 and 24)	1
23	N/A	Assembly, Cover Plate	1
24	N/A	Screw, #8-32 x 0.375, Taptite Thread	1
25	<u>102704801</u>	Armature Assembly	1
26	<u>102704901</u>	Kit, Speed Sensor (includes items 27 through 31)	1
27	<u>101942301</u>	Kit, 3-Pin Wedge Lock	1
28	N/A	Sensor, Motor Speed, ADC	1
29	N/A	Screw, #8-32, Taptite Thread	2
30	N/A	Magnet, ADC Motor	1
31	N/A	Screw, 1/4-20 x 0.5	1
32	<u>103792701</u>	Headband, Motor, 5hp, Vented	1
33	<u>103792801</u>	Frame/field, Motor, 5hp, Vent	1
34	<u>103792901</u>	End Cap, Motor, 5hp, Vented	1
35	<u>451</u>	Lockwasher, 1/4 Split	3
36	<u>7174</u>	Lockwasher, 5/16 Split	1

7

E

7

E

TRANSAXLE

8

E

TRANSAXLE

8

E

ITEM	PART NO.	DESCRIPTION	QTY
		1 2 3 4	
1	<u>103783901</u>	Transaxle, Elec, 10.3 (includes items 2 through 34)	1
2	<u>1013794</u>	Axle Shaft Oil Seal	2
3	<u>101895401</u>	Gear Case, Left-Hand	1
4	<u>101895501</u>	Gear Case, Passenger-Side	1
5	<u>101895601</u>	Tube, Axle, Passenger-Side	1
6	<u>101895701</u>	Tube, Axle, Driver-Side	1
7	<u>101895801</u>	Axle Assembly, Passenger-Side (includes item 8)	1
8	<u>101922201</u>	Lug Stud	4
9	<u>101895901</u>	Axle Assembly, Driver-Side (includes item 10)	1
10	<u>101922201</u>	Lug Stud	4
11	<u>101897001</u>	Screw, M8-1.25 X 60mm Hex-Head	11
12	<u>101897201</u>	Breather	1
13	<u>101897401</u>	Screw, M10-1.25 X 25mm	4
14	<u>101897601</u>	Pin, 11mm OD X 8.5mm ID X 10mm	2
15	<u>101897901</u>	Washer	10
16	<u>101903601</u>	Washer, Thrust	2
17	<u>101903701</u>	Washer, Thrust	2
18	<u>101922101</u>	Pin, 15.99mm X 88.7mm Dowel	1
19	<u>101923001</u>	Gear, Differential Idler	2
20	<u>101923201</u>	Gasket	2
21	<u>101923501</u>	Seal, Lip	1
22	<u>101923601</u>	Differential Housing	1
23	<u>101923701</u>	Shaft, Input	1
24	<u>101923901</u>	Gear, Differential	2
25	<u>101928701</u>	Liquid Gasket (Transaxle case)	1
26	<u>101972101</u>	Plug, M14-1.5 X 12mm Magnetic	1
27	<u>101972201</u>	Plug, M14-1.5 X 12mm Hex	1
28	<u>101972401</u>	Pin, 8mm X 14mm Dowel	1
29	<u>101976001</u>	Screw, M10-1.50 X 35mm Hex Cap	10
30	N/A	Gear, Intermediate - 10.3:1	1
31	N/A	Gear, Output - 10.3:1	1
32	<u>7330</u>	Inner Axle Tube Bearing	2
33	<u>7335</u>	Bearing	3
34	<u>7336</u>	Bearing	1

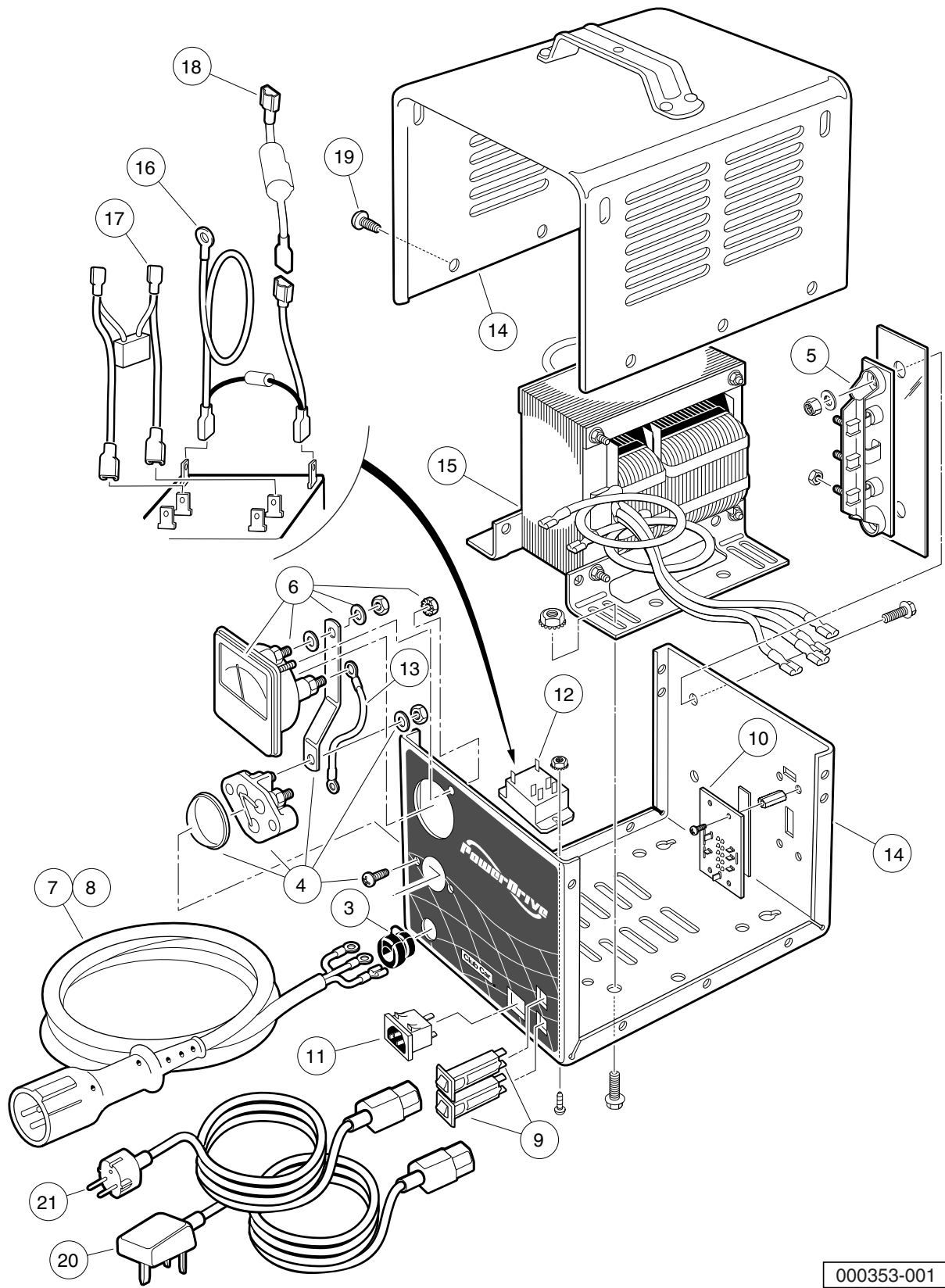
8

E

BATTERY CHARGER

9

E



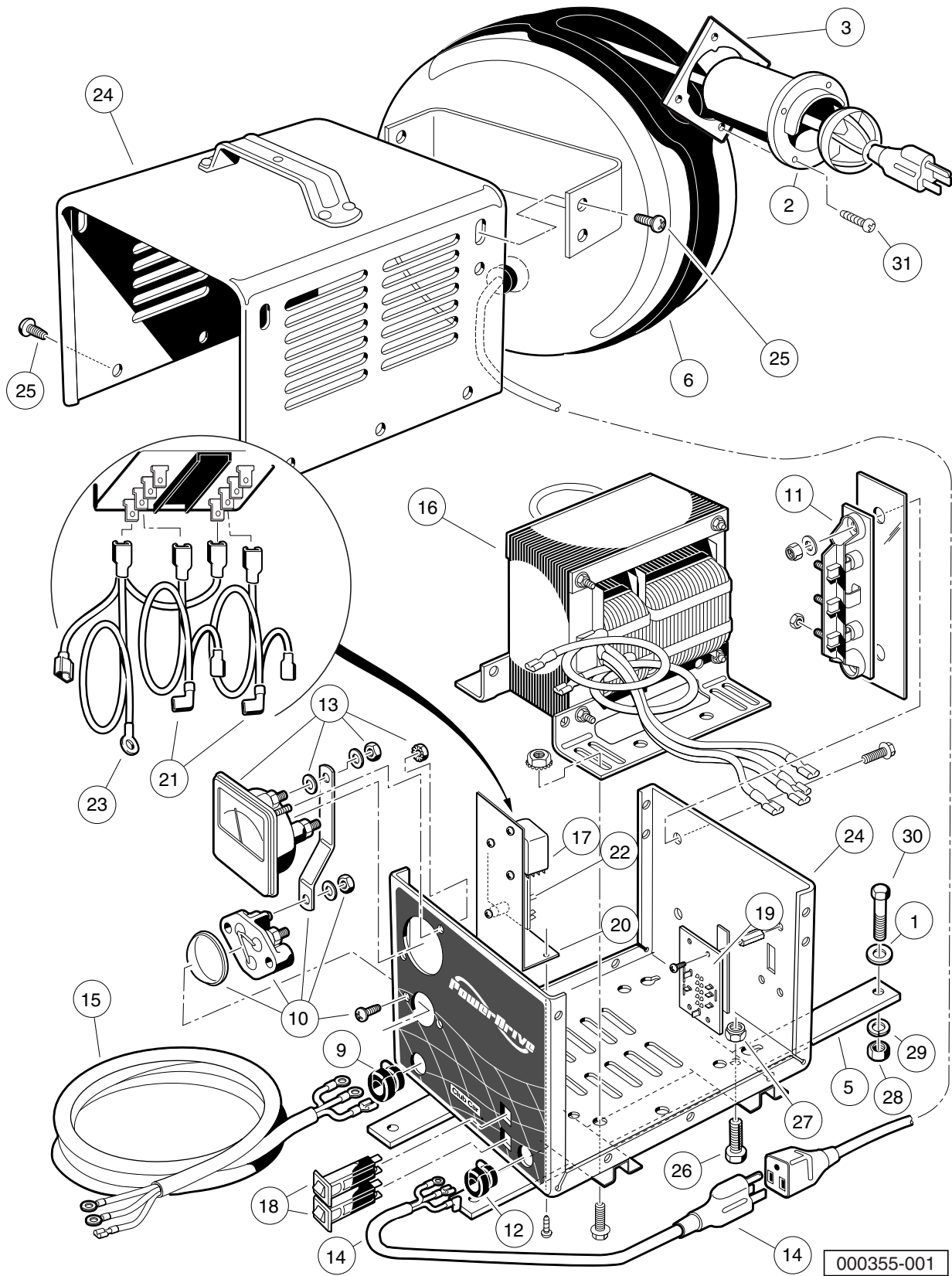
000353-001

POWERDRIVE BATTERY CHARGER (MODEL 20310), EUROPEAN

ITEM	PART NO.	DESCRIPTION	QTY
		1 2 3 4	
1	<u>101956201</u>	Battery Charger, 48-Volt w/ 4-Position Switch (8.5-ft DC)	1
2	<u>101956202</u>	Battery Charger, 48-Volt w/ 4-Pos. Switch (12-ft DC) (includes items 3 through 19)	1
3	<u>1012098</u>	Bushing, DC Cord	1
4	<u>1012101</u>	Fuse Assembly	1
5	<u>1015914</u>	Rectifier with Heatsink Assembly	1
6	<u>101828501</u>	Ammeter	1
7	<u>101828901</u>	Cord, DC, 113-Inch (287 cm)	1
8	<u>101828902</u>	Cord, DC, 154-Inch (391 cm)	1
9	101838401	Circuit Breaker	2
10	101838601	Four-Position Switch	1
11	101973501	Receptacle, AC Cord	1
12	<u>101987501</u>	Relay	1
13	N/A	Wire, Jumper	1
14	N/A	Case, Charger	1
15	****	Transformer, European Battery Charger	1
16	****	Suppressor, AC Voltage	1
17	****	Assembly, Wire	1
18	****	Limitter, Current	1
19	7577	Screw, #10 X 0.50 Phillips Pan-Head	10
20	<u>101958201</u>	Cord, UK, AC, Battery Charger	1
21	101958301	Cord, European AC, Battery Charger	1
		**** Special order item available upon request.	
		Note: Level 1 Battery Charger part numbers include one AC and one DC cord. They do not include all of the level 2 cords listed.	

9

E



ONBOARD POWERDRIVE BATTERY CHARGER (MODEL 17790), EXPORT

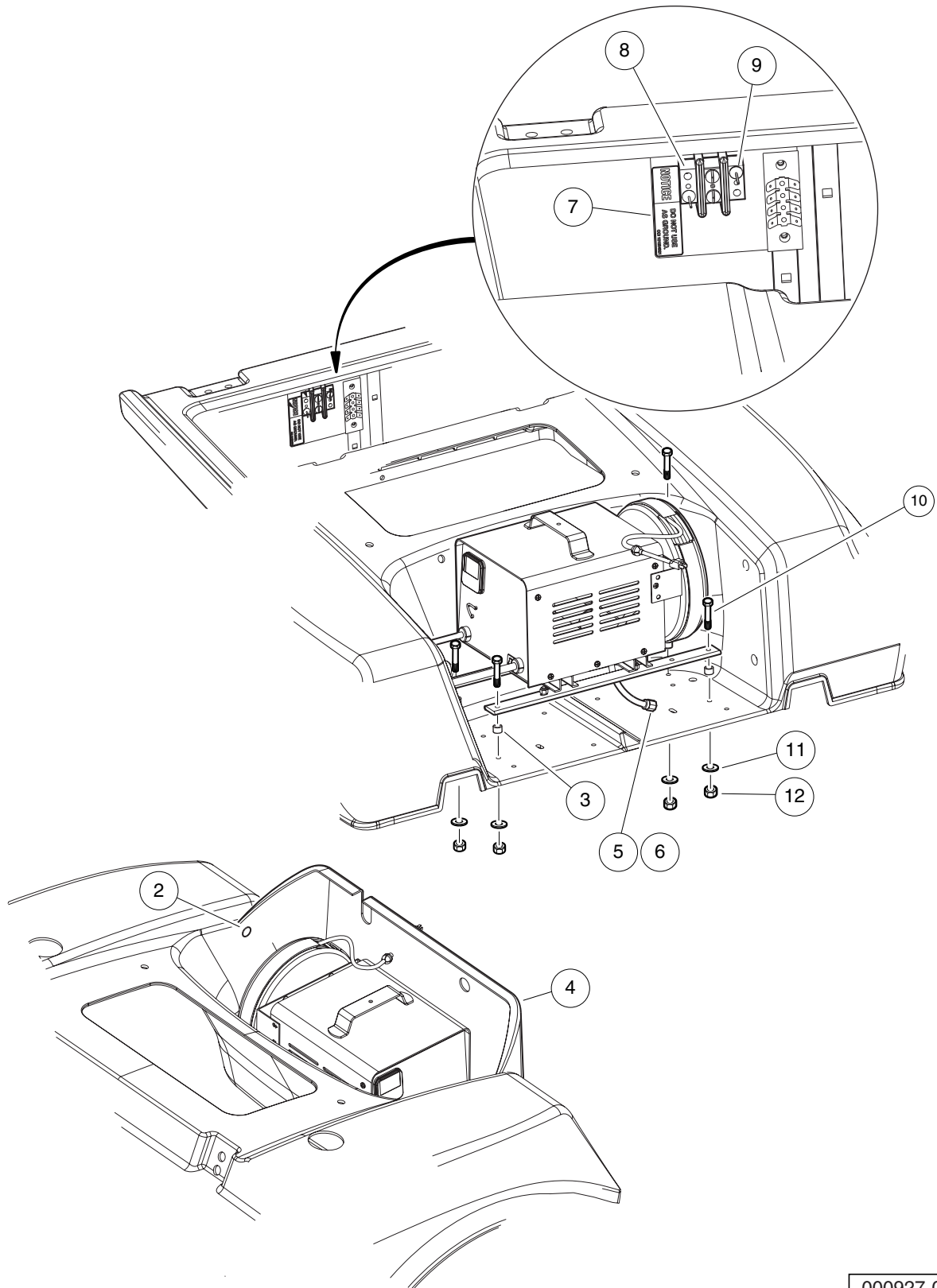
ITEM	PART NO.	DESCRIPTION	QTY
		1 2 3 4	
1	<u>1014306</u>	Washer, 1/4" Type B Flat	4
2	<u>1016673</u>	Housing, Cord Reel	1
3	<u>101801001</u>	Plate, Receptacle Backing	1
4	<u>101814302</u>	Battery Charger and Reel Assembly (includes items 5 through 27)	1
5	<u>1011707</u>	Bracket, Mounting, Battery Charger	2
6	<u>1017187</u>	Retractable Cord Reel	1
7	<u>1017189</u>	Heat Shrink Tube 1.5" X 3"	1
8	<u>101831601</u>	Battery Charger, Onboard, 48-Volt DC (includes items 9 through 25)	1
9	<u>1012098</u>	Bushing, DC Cord	1
10	<u>1012101</u>	Fuse Assembly	1
11	<u>1015914</u>	Rectifier with Heatsink Assembly	1
12	<u>1015917</u>	Bushing, AC Cord	1
13	<u>101828501</u>	Ammeter	1
14	<u>101829001</u>	Cord, AC, 22-Inch (56 cm)	1
15	<u>101829101</u>	Cord, DC, 90.5-Inch (230 cm)	1
16	101838201	Transformer, Export Battery Charger	1
17	<u>101838301</u>	Relay, Export Charger	1
18	101838401	Circuit Breaker	2
19	101838601	Four-Position Switch	1
20	****	Mounting Bracket, Relay	1
21	****	Kit, Wire Assembly	1
22	<u>101841901</u>	Control Board	1
23	101914401	Assembly, Voltage Suppressor	1
24	N/A	Case, Charger	1
25	7577	Screw, #10 X 0.50 Phillips Pan-Head	12
26	<u>7847</u>	Screw, 1/4-20 X 0.75 Hex-Head Cap	4
27	<u>8233</u>	Locknut, 1/4-20 Nylon Insert	4
28	<u>1028</u>	Nut, 1/4-20 Hex	4
29	<u>451</u>	Lockwasher, 1/4 Split	4
30	<u>7479</u>	Screw, 1/4-20 X 1.25 Hex-Head Cap	4
31	<u>8796</u>	Screw, #7-19 X 0.75 Pan-Head Type AB	4
		**** Special order item available upon request.	
		Note: Item 7 not shown.	

9

E

9

E



000927-001

ONBOARD BATTERY CHARGER AND REEL MOUNTING

ITEM	PART NO.	DESCRIPTION	QTY
		1 2 3 4	
1	N/A	Instl, Chrgr Onbrd, Vill Homol (includes items 2 through 12)	1
2	<u>1010434</u>	Barrel - Plastic	4
3	<u>1010927</u>	Hill Brake Spacer	4
4	<u>101134802</u>	Rear Panel, 4 Passenger, Lsv	1
5	<u>101957501</u>	Plug, 2-Way (includes item 6)	1
6	N/A	Fuse, 3/8-Amp	1
7	<u>101964601</u>	Decal, No Ground Warning	1
8	<u>101966801</u>	Block, Terminal	1
9	<u>101968801</u>	Rivet, 3/16", Pop	2
10	<u>1703</u>	Screw, 1/4-20 X 1.50 Hx Hd Cap	4
11	<u>332</u>	Washer, 1/4 Type A Narrow Flat	4
12	<u>8233</u>	Locknut, 1/4-20 Nylon Insert	4

9

E

9

E

MAINTENANCE AND SERVICE TOOLS

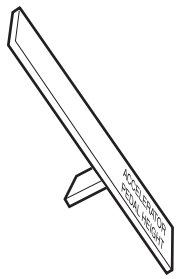
10

G

E

D

10
G
E
D



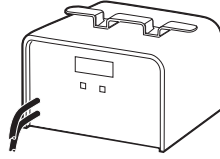
1



2



3



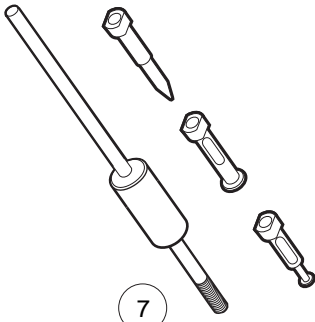
4



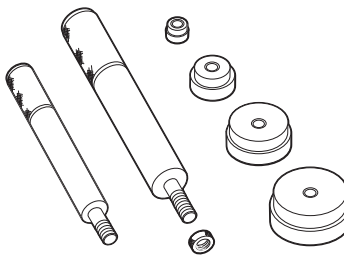
5



6



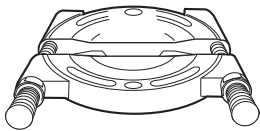
7



8



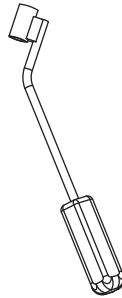
9



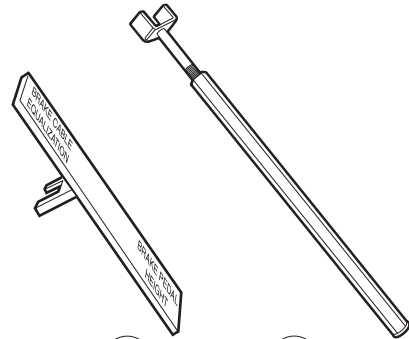
10



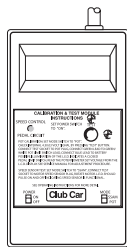
11



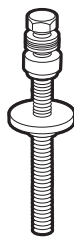
12



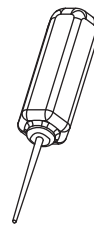
14
15
13



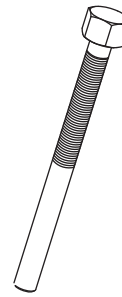
16



17



18



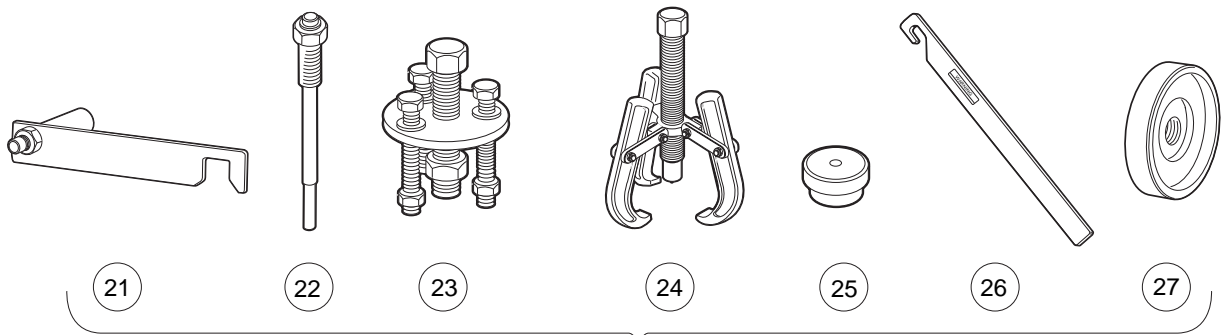
19

MAINTENANCE AND SERVICE TOOLS

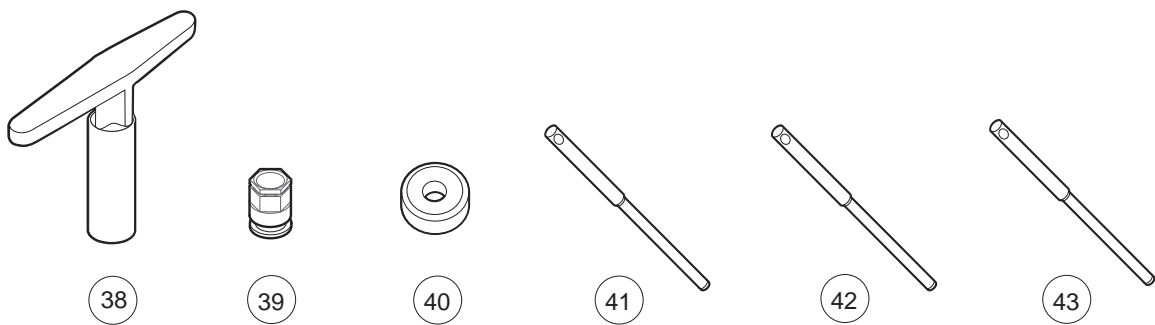
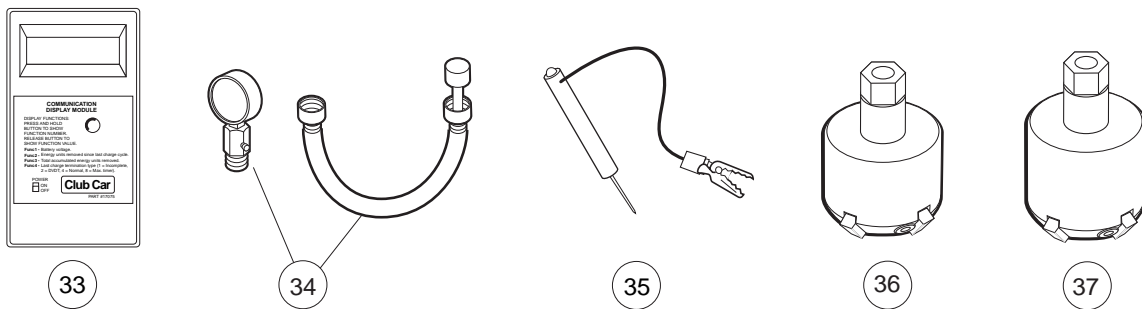
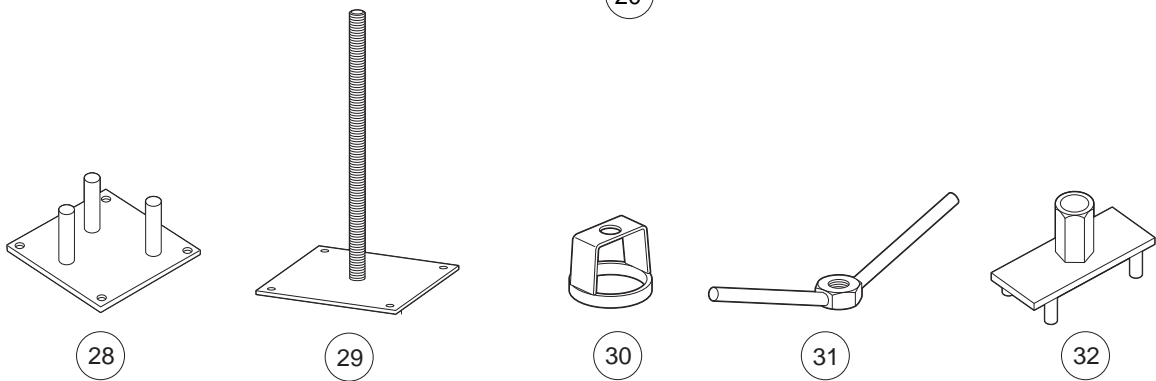
ITEM	PART NO.	DESCRIPTION	QTY DIESEL	QTY GAS	QTY ELEC
		<p style="text-align: center;">1 2 3 4</p> <p>The following tool list includes all tools available from Club Car for maintenance and service procedures for gasoline, electric, and/or diesel vehicles, both past and present models. Be sure to carefully examine the tool list for applicability to your vehicle before ordering.</p>			
1	<u>101871001</u>	Accelerator Pedal Adjustment Tool		1	1
2	<u>101813202</u>	Adhesive, Guide Ring, 3-Gram Tube			1
3	<u>101641202</u>	Arbor		1	
4	<u>101831901</u>	Battery Discharge Machine, 36/48 Volt			1
5	<u>1014305</u>	Battery Terminal Protector Spray	1	1	1
6	1011767	Battery Thermometer	1	1	1
7	<u>1016417</u>	Bearing and Oil Seal Remover Assembly	1	1	1
8	<u>1016416</u>	Bearing Driver Set	1	1	1
9	<u>1012811</u>	Bearing Puller	1	1	1
10	<u>1012812</u>	Bearing Puller Wedge Attachment	1	1	1
11	1013582	Brake Adjustment Tool (used only on vehicles with manually adjusted mechanical brakes)			
12	<u>102555501</u>	Brake Cable Release Tool	1	1	1
13	102249901	Brake Pedal Adjustment Tool Kit (used for the Carryall Electric Industrial Truck only) (includes items 14 and 15).....			1
14	****	Brake Pedal Adjustment Tool			1
15	****	Brake Pedal Tension Tool			1
16	<u>101887101</u>	Calibration Test Module			1
17	<u>101808401</u>	Cam Installation Tool		1	
18	<u>102562401</u>	Charger Bezel Tool			1
19	<u>102686101</u>	Clutch Removal Tool (for 4x4 vehicles)	1	1	
		Please refer to the maintenance and service manual for proper tool application.			
	****	Special order item available upon request			

10
G
E
D

10
G
E
D



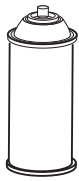
20



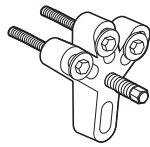
MAINTENANCE AND SERVICE TOOLS, CONTINUED

ITEM	PART NO.	DESCRIPTION	QTY DIESEL	QTY GAS	QTY ELEC	10
		1 2 3 4				G
20	<u>1014510</u>	Clutch Tool Kit (includes items 21 - 27)		1		E
21	<u>1014498</u>	Clutch Alignment Tool (for pre-unitized transaxle vehicles built prior to 1997 model year)		1		D
22	<u>1014496</u>	Drive Clutch Puller (for Kawasaki engines only)		1		
23	<u>1014497</u>	Drive Clutch Hub Puller (for Kawasaki engines only)		1		
24	<u>1014508</u>	Driven Clutch Cam Puller (for Kawasaki engines only)		1		
25	<u>1014507</u>	Driven Clutch Puller Plug (for Kawasaki engines only)		1		
26	<u>1015524</u>	Drive Clutch Holder Tool Assembly (for Kawasaki engines only)		1		
27	<u>101809101</u>	Press Weldment (for Kawasaki engines only)		1		
28	<u>102601501</u>	Drive ClutchFixed Sheave Tool (for 4x4 vehicles)	1	1		
29	<u>102603501</u>	Driven Clutch Spring Compression Base (for use with items 30 and 31) (for 4x4 vehicles)	1	1		
30	<u>102605201</u>	Driven Clutch Spring Compression Collar (for use with items 29 and 31) (for 4x4 vehicles)	1	1		
31	<u>102606101</u>	Driven Clutch Spring Compression Nut (for use with items 29 and 30) (for 4x4 vehicles)	1	1		
32	<u>102607501</u>	Drive Clutch Spider Removal Tool (for 4x4 vehicles)	1	1		
33	101831801	Communication Display Module			1	
34	101641002	Compression Gauge and Adapter		1		
35	1011273	Continuity Tester		1	1	
36	<u>102773801</u>	Cutter, Valve Seat, #122		1		
37	<u>102773901</u>	Cutter, Valve Seat #115		1		
38	<u>102774101</u>	Wrench, T, #505.....		1		
39	<u>102774101</u>	Adapter, T-Wrench		1		
40	102675401	Cutter, Valve Seat, 60 Degree (requires item 51) (for Honda GX620 Gasoline Engines)		1		
41	<u>102774201</u>	Pilot, 6.6 MM		1		
42	<u>102774301</u>	Pilot, 6.62 MM.....		1		
43	<u>102774401</u>	Pilot, 6.65 MM.....		1		
		Please refer to the maintenance and service manual for proper tool application.				

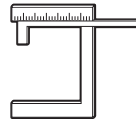
10
G
E
D



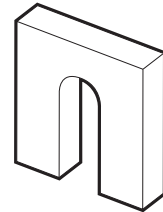
44



45



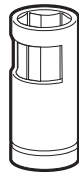
46



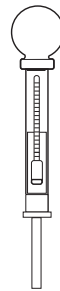
47



48



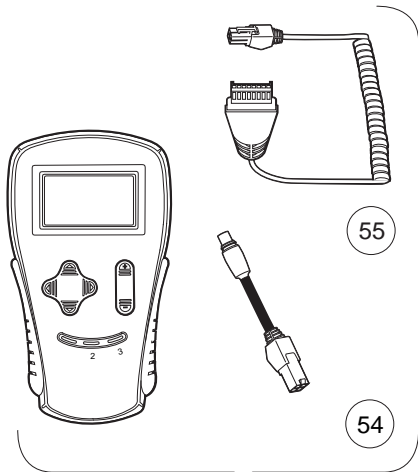
49



50



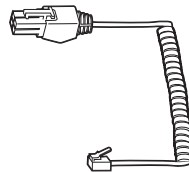
51



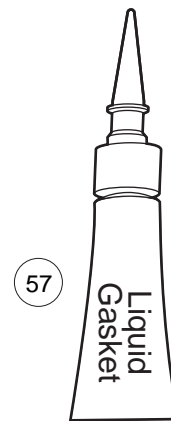
52 53

55

54



56



57



58



59 60



61

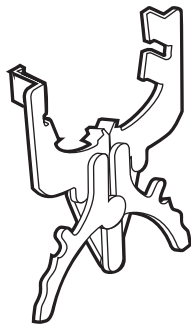
MAINTENANCE AND SERVICE TOOLS, CONTINUED

ITEM	PART NO.	DESCRIPTION	QTY DIESEL	QTY GAS	QTY ELEC	10
		1 2 3 4				
44	<u>1012151</u>	Dry Moly Lubricant	1	1	1	G
45	<u>1016627</u>	Flywheel Puller Kit (for Kawasaki Engines)		1		E
46	<u>102669901</u>	Gauge, Carburetor Float Level (for Honda GX620 Gasoline Engines)		1		D
47	<u>1016418</u>	Gear Yoke	1	1	1	
48	<u>101933101</u>	Governor Shaft Installation Tool (for Kawasaki Engine Vehicles)		1		
49	<u>102169401</u>	Hydraulic Brake Adjuster (for Turf/CA 272/472, Pioneer/XRT 1200, Bobcat 2100, HUV 4213)			1	
50	<u>1011478</u>	Hydrometer	1	1	1	
51	<u>1013593</u>	Internal Retaining Ring Pliers	1	1	1	
52	<u>102248803</u>	IQ Display Module (IQDM) Kit (IQ System and IQ Plus vehicles)			1	
		(includes items 54 and 55)				
53	<u>102248804</u>	IQ Display Module (IQDM-P) Kit (IQ System and IQ Plus vehicles)			1	
		(includes items 54 and 55)				
54	<u>102251501</u>	Adaptor, Cable			1	
55	<u>102241502</u>	IQDM Series 2 Cable			1	
56	<u>102241501</u>	IQDM Series 1 Cable (replacement)			1	
57	<u>101928701</u>	Liquid Gasket (transaxle case)	1	1	1	
58	<u>102243402</u>	Moly-Teflon Lubricant (4-oz. (113-gram) tube)			1	
59	<u>101997201</u>	Paint, Touch-Up – Beige*		1	1	
59	<u>101997207</u>	Paint, Touch-Up – Black*		1	1	
59	<u>101997212</u>	Paint, Touch-Up – Burgundy*		1	1	
59	<u>101997211</u>	Paint, Touch-Up – Classic Blue (Navy)*		1	1	
59	<u>101997205</u>	Paint, Touch-Up – Dark Gray*	1	1	1	
59	<u>101997209</u>	Paint, Touch-Up – Dark Green*	1	1	1	
59	<u>101997204</u>	Paint, Touch-Up – Gray*	1	1	1	
59	<u>101997203</u>	Paint, Touch-Up – Red*	1	1	1	
59	<u>101997206</u>	Paint, Touch-Up – Royal Blue (Pacific Blue)*		1	1	
59	<u>101997202</u>	Paint, Touch-Up – White*	1	1	1	
60	<u>102562301</u>	Paint, Precedent Underbody – Gray		1	1	
61	<u>102587201</u>	Paint Pen, Touch-Up, Precedent Underbody – Black		1	1	
		Please refer to the maintenance and service manual for proper tool application.				
		* Item 59 is not for use on Surlyn [®] body material, which is used on Precedent vehicles.				

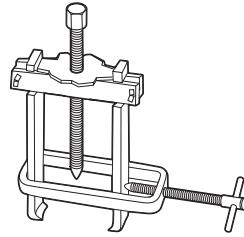
10
G
E
D



62



63



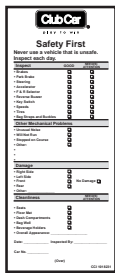
64



65



66



67



68



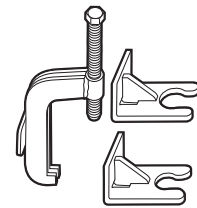
69



70



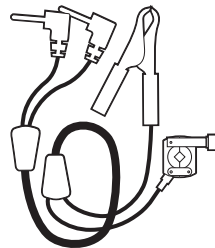
71



72



73



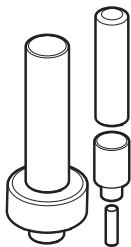
74



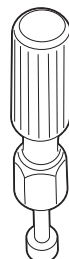
75



76



77



83



84



85



86

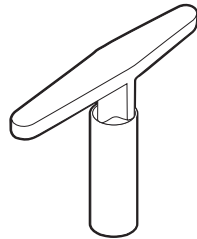
MAINTENANCE AND SERVICE TOOLS, CONTINUED

ITEM	PART NO.	DESCRIPTION	QTY DIESEL	QTY GAS	QTY ELEC	10
		1 2 3 4				G
62	<u>1016414</u>	Piston Ring Compressor Kit (FE290, FE350 and FE400 engines)		1		E
63	<u>1016415</u>	Piston Ring Pliers (for Kawasaki Engines)		1		D
64	<u>102668801</u>	Puller, Special Use (for Kubota D722 Diesel Engines)	1			
65	<u>1012549</u>	Retaining Ring Pliers, 45° External	1	1	1	
66	<u>1012560</u>	Retaining Ring Pliers, 90° Internal	1	1	1	
67	<u>101823101</u>	Safety First Card (50 per pack)	1	1	1	
68	<u>1012809</u>	Seal Puller	1	1	1	
69	<u>102330901</u>	Spanner Wrench (for coil over shock front suspension vehicles only)	1	1		
70	<u>1014264</u>	Steering Column Bearing Press Tool		1	1	
71	<u>1014259</u>	Steering Column Retaining Ring Tool		1	1	
72	<u>102061201</u>	Steering Wheel Puller Tool	1	1	1	
73	<u>AM10753</u>	Tachometer (includes gasoline engine pick up lead only)	1	1		
74	<u>AM10771</u>	Tachometer Diesel Probe (for use with item 73)	1			
75	<u>1014162</u>	Transaxle Axle Seal Tool		1		
76	<u>1014161</u>	Transaxle Pinion Seal Tool		1		
77	<u>1014115</u>	Transmission Tool Kit		1		
78	<u>101611003</u>	Tune-Up Kit, All OHV (for FE290, FE350, FE400 only) (includes air filter, spark plug, oil filter, fuel filters) (not shown)		1		
79	<u>AM11804</u>	Tune-Up Kit, Gx620 (for Honda Engines) (includes air filter, spark plug, oil filter, fuel filters) (not shown)		1		
80	<u>AM11805</u>	Tune-Up Kit, D722 (for Kubota Engines) (includes air filter, oil filter, fuel filters, water separator filter) (not shown)	1			
81	<u>AM1220301</u>	Tune-Up Kit, Precedent (for FE290/350 Engines) (includes air filter, spark plug, oil filter, fuel filters) (not shown)		1		
82	<u>AM1232401</u>	Tune-Up Kit, FH680D (for Kawasaki V-Twin Engines) (includes oil filter, fuel filter, air filter, and spark plugs) (not shown)		1		
83	<u>1016413</u>	Valve Clearance Adjuster Screw Holder (for FE290 engines only)		1		
84	<u>102674601</u>	Valve Guide Driver (for Honda GX620 Gasoline Engines)		1		
85	<u>101641201</u>	Valve Guide Reamer (FE290, FE350, and FE400 only)		1		
86	<u>102674401</u>	Valve Guide Reamer, 6.6 mm (for Honda GX620 Gasoline Engines)		1		

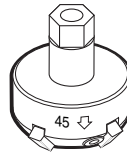
10
G
E
D



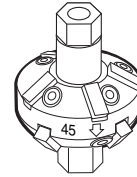
87



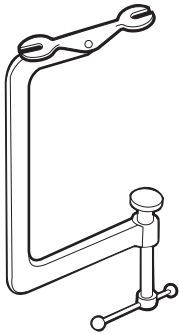
88



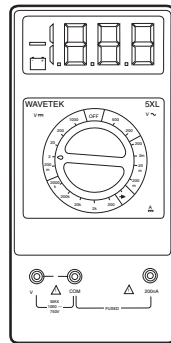
89



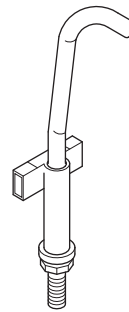
90



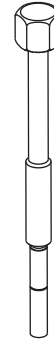
91



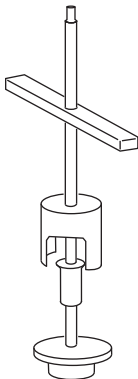
92



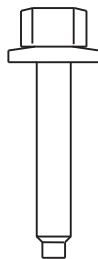
93



94



95



96

MAINTENANCE AND SERVICE TOOLS, CONTINUED

ITEM	PART NO.	DESCRIPTION	QTY DIESEL	QTY GAS	QTY ELEC
		1 2 3 4			
87	<u>1016552</u>	Valve Seat Cutter Guide		1	
88	<u>1016551</u>	Valve Seat Cutter T-Wrench		1	
89	<u>1016553</u>	Valve Seat Cutter, 45° (32 mm diameter) (for FE290 engines only)		1	
90	<u>1016554</u>	Valve Seat Cutter, 45°/30° (35 mm diameter)		1	
91	<u>101641101</u>	Valve Spring Compressor		1	
92	1011480	Volt Ohm Meter	1	1	1
93	<u>102570401</u>	Tool, Tensioning, Starter Generator (For Precedent vehicles)		1	
94	<u>103601401</u>	Puller, Drive Clutch, XRT 950*		1	
95	<u>103601701</u>	Tool, Disassembly, Driven Clutch, XRT 950		1	
96	<u>103600501</u>	Screw, Driven Clutch Disassembly, M6, XRT 950		1	
		<p>*Note: The XRT 950 Drive Clutch Puller requires the use of Screw, Driven Clutch Disassembly, CCI Part Number <u>103600501</u>.</p>			

10

G

E

D

INDEX

Part Number and Page

AM10753	10-9	5-7, 5-9, 5-11	1011467	4-3, 4-5	
AM10771	10-9	8755	5-7, 5-9	1011478	10-7
AM11262	1-27	8796	9-5	1011480	10-11
183	1-19, 6-23	8861	1-23, 5-11	1011494	4-3, 4-5
304	6-11	8963	1-5, 1-27, 4-9	1011557	6-11
332	1-3, 1-5, 1-11, 1-13, 1-19, 1-29, 6-11, 6-23, 9-7	8990	5-5, 6-23, 6-25	1011578	1-5, 1-19, 6-29
334	1-23, 4-7, 4-11, 4-15, 5-3, 5-5, 5-11	1010005	5-13	1011652	1-3
357	5-9	1010124	5-9	1011659	1-13
451	4-3, 4-5, 7-3, 9-5	1010138	5-11	1011694	4-7, 4-15
706	4-13, 5-9	1010142	5-7	1011697	1-27, 5-3, 6-29
808	1-15, 1-17, 1-21	1010144	5-7	1011700	4-7, 4-15
1016	6-23	1010145	5-7	1011707	9-5
1017	6-23	1010150	5-9	1011767	10-3
1028	4-11, 9-5	1010177	1-15, 1-17, 1-21, 5-9	1011779	4-13
1035	4-13	1010434	1-11, 1-19, 9-7	1011887	5-13
1218	1-19	1010435	1-19	1011889	5-13
1241	1-5, 1-13, 1-19, 4-7, 4-11, 4-15, 6-11	1010436	1-5	1011892	5-13
1242	4-11, 4-13, 6-25	1010543	1-3, 1-5	1011931	4-7, 4-15
1606	1-13	1010811	4-11	1012098	9-3, 9-5
1624	1-21, 4-7, 4-15, 5-5, 5-11	1010812	4-11	1012101	9-3, 9-5
1703	9-7	1010829	4-9, 4-13	1012151	10-7
2402	5-11	101082903	4-13	1012285	6-25, 7-3
7048	5-13	1010850	4-3, 4-5	1012303	5-7, 5-9
7173	6-11	1010878	4-11	1012304	5-7
7174	5-3, 6-25, 7-3	101090802	6-29	1012412	1-11
7251	1-9	1010921	4-11	1012438	6-23
7274	5-13	1010927	9-7	1012466	5-3
7308	5-13	1010934	7-3	1012505	6-27
7310	2-3	1010953	4-3, 4-5	1012528	6-25
7330	8-3	1010984	2-3	1012549	10-9
7335	8-3	1010993	1-11	1012560	10-9
7336	8-3	1011017	1-13	1012571	4-13
7410	1-19	1011098	1-27	1012604	5-3
7473	1-5, 1-9, 1-19, 1-27, 4-7, 4-9, 4-11, 4-13, 4-15, 6-11	1011114	4-3, 4-5	1012605	5-3
7479	9-5	1011137	4-5	1012809	10-9
7555	5-5	1011153	5-13	1012811	10-3
7561	1-15, 1-17, 1-21	1011154	4-3, 4-5	1012812	10-3
7577	9-3, 9-5	1011210	1-5	1013032	1-11
7716	4-7, 4-11	1011219	1-5	1013035	5-5
7840	5-13	1011220	1-5	1013042	5-5, 5-11
7847	1-9, 1-11, 9-5	1011221	1-5	1013044	5-5
7910	5-13	1011222	1-5	1013051	5-5
7973	1-9	1011273	10-5	1013052	5-5
8028	1-5	1011298	4-3, 4-5	1013061	1-19
8067	5-13	1011301	4-3, 4-5	1013135	5-13
8233	1-11, 1-13, 1-29, 4-7, 4-15, 6-11, 6-23, 9-5, 9-7	1011303	4-3, 4-5	1013343	1-9
8248	1-11, 6-23	1011314	4-3, 4-5	1013344	1-9
8251	1-5, 1-11	101134802	9-7	1013461	6-17
8304	1-5	1011382	1-9, 6-27	1013494	1-9, 6-27
8419	1-19	1011402	4-11	1013531	4-11
8717	4-7, 4-15	1011415	5-7	1013582	10-3
8754	1-15, 1-17, 1-21, 1-23, 4-7, 4-15, 5-3, 5-5,	1011439	6-11	1013593	10-7
		101146302	4-3, 4-5	1013683	6-29
		1011464	4-3, 4-5	1013734	6-25
		1011465	4-3, 4-5	1013794	8-3
		1011466	4-3, 4-5	1013871	4-7

INDEX

1013924	4-3, 4-5	101565205	1-23	101705702	3-5
1013983	1-11	101565206	1-23	1017064	6-17
1014007	1-5, 4-7, 4-15	1015661	6-11	1017080	1-9
1014115	10-9	1015720	6-23	101708301	1-9
1014125	5-3	1015741	6-23	1017141	1-11
1014126	5-3	1015752	4-11, 6-3	1017187	9-5
1014153	4-3, 4-5	1015914	9-3, 9-5	1017189	9-5
1014161	10-9	1015917	9-5	1017211	4-13
1014162	10-9	101611003	10-9	1017226	5-3
1014201	7-3	1016181	5-3	1017235	5-7
1014211	5-3	1016183	5-3	1017266	5-11
1014212	5-3	1016263	5-3	1017273	5-15
1014213	5-3	1016269	5-3	1017378	4-7, 4-15
1014214	5-3	1016319	4-13	1017380	4-7, 4-15
1014216	5-3	1016320	4-13	1017424	4-7, 4-15
1014217	5-3	1016346	5-11	1017696	4-7
1014259	10-9	1016349	5-11	1017748	1-11
1014264	10-9	1016350	5-11	1017760	1-27
1014276	5-9	1016351	5-11	101791101	4-3
1014288	4-9, 5-3, 6-25	1016353	5-11	1017936	1-11
1014304	6-29	1016356	6-23	101796201	4-7, 4-15
1014305	10-3	1016363	6-23	101801001	9-5
1014306	9-5	1016366	6-23	101808401	10-3
1014496	10-5	1016384	5-9	101809101	10-5
1014497	10-5	1016385	5-11	101813202	10-3
1014498	10-5	1016386	5-9	101814302	9-5
1014507	10-5	1016387	5-9	101817401	4-7, 4-15
1014508	10-5	1016389	5-9	101823101	10-9
1014510	10-5	101641002	10-5	101828501	9-3, 9-5
101454602	5-7	101641101	10-11	101828901	9-3
1014555	5-7	101641201	10-9	101828902	9-3
1014557	1-25	101641202	10-3	101829001	9-5
1014573	5-7	1016413	10-9	101829101	9-5
1014675	5-7	1016414	10-9	101830601	6-27
1014901	5-7	1016415	10-9	101830701	6-27
1014902	5-7	1016416	10-3	101831601	9-5
1014947	6-25	1016417	10-3	101831801	10-5
101503204	1-11	1016418	10-7	101831901	10-3
1015072	6-29	1016551	10-11	101834502	6-27
1015091	1-5	1016552	10-11	101835601	6-23
1015524	10-5	1016553	10-11	101838201	9-5
1015525	1-11	1016554	10-11	101838301	9-5
1015528	1-9, 6-27	1016557	4-3, 4-5	101838401	9-3, 9-5
1015545	5-3	1016573	4-3, 4-5	101838601	9-3, 9-5
1015583	5-7, 5-9	1016622	5-3	101840901	1-19
1015597	5-13	1016627	10-7	101841901	9-5
101562711	1-5	1016668	1-19	101850301	5-15
101562712	1-5	1016673	9-5	101851101	6-27
101562714	1-5	1016811	1-9	101856001	6-27
101562715	1-5	1016835	1-19	101861901	4-7, 4-15
101564804	1-5	1016849	6-27	101862001	4-7, 4-15
101564805	1-5	1016851	6-27	101865301	4-13
101564807	1-5	1016868	1-9	101870501	5-9
101564808	1-5	1016916	1-3, 1-5	101871001	10-3
101565202	1-23	1016952	1-9	101874601	4-13
101565204	1-23	1016967	1-9	101879401	5-5

INDEX

101879501	5-5	101958601	6-23	102187101	7-3
101879601	5-5	101964601	9-7	102187201	7-3
101879701	5-5	101965205	6-25	102221201	1-11
101879801	5-5	101966801	6-23, 9-7	102235201	7-3
101879901	5-5	101968801	6-23, 9-7	102240501	6-25
101880001	5-5	101972001	3-3, 10-7	102241501	10-7
101880101	5-5	101972002	10-7	102241502	10-7
101880201	5-5	101972003	10-7	102242101	1-13
101880301	5-5	101972004	10-7	102243402	10-7
101880701	4-3, 4-5	101972005	10-7	102243403	7-3
101887101	10-3	101972006	10-7	102248803	10-7
101895401	8-3	101972007	10-7	102249901	10-3
101895501	8-3	101972009	10-7	102251501	10-7
101895601	8-3	101972011	10-7	102278001	1-9, 5-3
101895701	8-3	101972012	10-7	102289201	5-5, 5-11
101895801	8-3	101972101	8-3	102292801	4-9, 4-13
101895901	8-3	101972201	8-3	102310701	1-11, 1-19
101897001	8-3	101972401	8-3	102323001	1-15, 1-17, 1-21
101897201	8-3	101973501	9-3	102323101	4-11
101897401	8-3	101976001	8-3	102323201	4-11
101897601	8-3	101984801	5-3	102323501	1-15, 1-17, 1-21
101897901	8-3	101987501	9-3	102324401	1-25
101900801	4-11	101990801	4-11	102330901	10-9
101903601	8-3	101998211	1-3	102440901	6-25
101903701	8-3	101998212	1-3	102468101	6-25
101908101	6-23	101998214	1-3	102468201	6-25
101908401	6-23	101998215	1-3	102468301	6-25
101908601	3-5	101998501	1-3	102495701	6-27
101910401	6-23, 6-25	102002801	6-29	102508702	6-27
101914401	9-5	102002901	6-29	102522610	2-3
101919801	4-7, 4-15	102022101	4-13	102529203	6-19
101920101	6-3, 7-3	102022601	5-11	102538601	6-23
101922101	8-3	102022602	5-5, 5-11	102540701	2-3
101922201	8-3	102025801	1-13	102555501	10-3
101922501	6-23	102026001	4-7, 4-15	102562401	10-3
101923001	8-3	102028601	4-11	102564002	5-9
101923201	8-3	102028903	4-11	102570401	10-11
101923501	8-3	102045001	1-13	102601501	10-5
101923601	8-3	102046501	3-7	102603501	10-5
101923701	8-3	102048401	1-13	102605201	10-5
101923901	8-3	102061201	10-9	102606101	10-5
101928701	8-3, 10-7	102076701	1-23, 1-29	102607501	10-5
101931501	3-5, 6-25	102101001	4-11, 6-3	102668801	10-9
101932201	6-11	102101101	4-11, 6-3	102669901	10-7
101933101	10-7	102169401	10-7	102674001	10-5
101936801	6-3	102174201	1-3	102674101	10-5
101942301	7-3	102174202	1-3	102674201	10-5
101953101	4-11	102174204	1-3	102674401	10-9
101953102	4-13	102174205	1-3	102674601	10-9
101954301	1-3, 1-13, 1-23	102186001	7-3	102675001	10-5
101956201	9-3	102186101	7-3	102675101	10-5
101956202	9-3	102186201	7-3	102675201	10-5
101957101	6-11	102186301	7-3	102675301	10-5
101957501	9-7	102186401	7-3	102675401	10-5
101958201	9-3	102186901	7-3	102684501	5-9
101958301	9-3	102187001	7-3	102686101	10-3

INDEX

102704801	7-3	103724504	5-15	103803601	1-25
102704901	7-3	103724602	5-15	103804901	6-11
102706401	5-7	103732801	1-19	103805501	6-27
102707701	6-17	103732901	1-21	103805601	6-27
102742501	6-11	103733301	1-19	103805701	6-27
102766301	5-9	103733501	1-17	103807301	5-7
102774701	6-25	103733502	1-17	103807302	5-7
102778601	1-13	103736802	1-19	103808001	4-9, 4-13
102817101	6-25	103738901	7-3	103808101	4-13
103180101	6-27	103739002	1-23	103809401	3-3
103198301	6-27	103739004	1-23	103809501	3-3
103210301	3-3, 6-27	103739005	1-23	103809901	1-19
103211101	1-25	103739006	1-23	103810001	1-11
103234302	3-7	103740001	6-9	103810002	1-11
103246701	1-3	103740101	6-9	103810004	1-11
103246801	1-3	103740201	6-9	103810005	1-11
103282701	6-25	103740301	6-9	103810006	1-11
103313301	1-13	103740401	6-9	103810007	1-11
103316701	6-25	103740501	6-9	103810301	6-27
103316801	6-25	103740801	6-9	103810501	1-11
103316901	6-25	103746801	1-9	103810502	1-11
103344501	6-23	103746802	1-9	103810504	1-11
103351001	5-11	103746806	1-9	103810505	1-11
103354701	5-11	103746809	1-9	103810506	1-11
103364101	1-13	103746810	1-9	103810507	1-11
103364201	1-13	103746811	1-9	103810601	6-17
103395101	1-13	103749001	3-7	103810602	6-17
103397901	6-23	103749002	3-7	103810701	6-19
103449501	6-25	103749101	3-7	103810801	6-21
103449601	6-25	103749201	3-7	103811601	1-19
103477901	5-13	103750402	1-19	103813501	1-19
103502701	5-9	103751702	4-9	103813601	1-19
103504301	6-29	103754601	1-23	103813701	6-19
103507001	5-9	103755001	1-23	103813702	6-19
103508101	4-13	103755101	4-9	103814301	1-29
103516901	3-7	103755602	2-3	103815901	1-25
103531101	6-19	103755701	2-3	103816001	1-25
103601501	5-5	103759301	1-19	103816101	1-25
103601601	5-3	103759801	1-19	103816901	6-7
103628801	5-9	103761501	6-23	103817401	1-27
103640101	1-21	103762001	1-15, 1-17, 1-21	103818001	1-29
103640102	1-15, 1-17	103774601	1-29	103818801	6-23
103640201	1-21	103783901	8-3	103818901	6-27
103640202	1-15, 1-17	103792701	7-3	103819001	1-25
103641002	1-15, 1-17, 1-21	103792801	7-3	103819901	3-7
103641101	1-15, 1-17, 1-21	103792901	7-3	103821301	1-19
103653401	5-5	103800801	1-27	103825001	1-11
103653501	5-11	103801001	1-27	103825002	1-11
103694501	2-3	103801201	1-15	103827201	3-3, 6-27
103696801	6-29	103801202	1-15	103828901	1-19
103697202	6-25	103801401	1-15	103829401	5-15
103708301	1-29	103801501	6-17	103830601	6-21
103708302	1-29	103801502	6-17	103831802	6-25
103717302	5-13	103802801	6-15, 6-25	103834601	6-11
103717402	5-13	103802901	6-7	103842201	4-9
103719701	6-29	103803101	6-19	103848501	1-19

INDEX

103848601 6-7
103849401 6-21
103853301 1-19
103865101 4-15

A

AC cord 9-3, 9-5
AC cord receptacle 9-3
accelerator bracket and bearing assembly 4-7, 4-15
accelerator pedal 4-7
accelerator pedal adjustment tool 10-3
accelerator pivot rod 4-7, 4-15
accelerator return spring 4-7, 4-15
adapter
 cable (IQDM) 10-7
adhesive, guide ring 10-3
adjuster
 hydraulic brake 10-7
ammeter 9-3, 9-5
anchor body 4-3, 4-5
anchor body kit 4-3, 4-5
anchor, piston 4-3, 4-5
A-plate strap 5-11
A-plate, delta 5-11
arbor 10-3
armature 7-3
assembly
 accelerator bracket and bearing 4-7, 4-15
 accelerator pivot rod 4-7, 4-15
 bearing, steering shaft 5-3
 delta A-plate 5-11
 delta shock and gear support 5-11
 inner ball joint 5-5
 kingpin 5-9
 steering shaft 5-3
axle 8-3
axle shaft oil seal 8-3
axle tube 8-3

B

backing plate, brake 4-3, 4-5
bar, drive 4-11, 6-3
barrel, plastic 1-11, 1-19, 9-7
battery charger 9-3
battery charger and reel 9-5
battery charger case 9-3, 9-5
battery charger transformer 9-3, 9-5
battery discharge machine 10-3
battery hold-down 6-29
battery terminal protector spray 10-3
battery thermometer 10-3
bearing 8-3
 ball (motor) 7-3
 ball (steering pinion) 5-5
 front wheel hub 5-13

 inner axle tube 8-3
 lower pinion (steering) 5-5
 pivot support 4-7, 4-15
 steering shaft 5-3
 thrust 5-9
bearing and oil seal remover 10-3
bearing driver set 10-3
bearing puller 10-3
bearing puller wedge 10-3
bearing seal 5-3
bearing seat 5-3
bellows 5-5
beverage holder 1-9
block, brake-mounting 4-11
block, fuse 6-23
block, terminal 6-23
body kick plate 1-11
body, anchor 4-3, 4-5
bolt, J- 6-29
bolt, U- 5-7
boot, steering column 1-9, 5-3
boot, switch 6-23
box
 steering gear 5-5
brace, canopy 1-13
bracket
 battery charger 9-5
 brake light switch 6-11
 headlight mounting 6-17
 relay mounting 9-5
 steering column 5-3
 steering column mounting 5-3
 Tow/Run switch 6-23
brake actuator kit 4-3, 4-5
brake adjustment tool 10-3
brake backing plate 4-3, 4-5
brake cable 4-13
brake cable equalizer 4-11, 4-13
brake cable hanger 4-11
brake cable release tool 10-3
brake cluster 4-3, 4-5
brake drum 4-3, 4-5
brake lever arm 4-3, 4-5
brake light switch bracket 6-11
brake mount 4-11
brake mounting block 4-11
brake pedal 4-11
brake pedal adjustment tool 10-3
brake pedal tension tool 10-3
brake return spring 4-11
brake shoe 4-3, 4-5
brake spring 4-3, 4-5
breaker, circuit 9-3, 9-5
breather 8-3
brush 7-3
brush box assembly 7-3

brush rigging 7-3
brush spring 7-3
bulb, headlamp 6-17
bumper
 drive unit (motor) 7-3
 front 1-9
 front, kit 1-9
 jounce 5-7
 rubber 1-5, 4-11
 side trim 1-11, 1-19
 spring return 4-7, 4-15
bumper mount 5-7
bushing
 bronze 5-13
 spindle 5-13
 steel 5-7, 5-9
 urethane 5-7, 5-9, 5-11
buzzer, reverse 6-27

C

cable
 brake 4-13
 IQDM 10-7
calibration test module 10-3
cam installation tool 10-3
canopy brace 1-13
cap
 key switch 6-27
carburetor float level tool 10-7
card, safety first 10-9
case
 battery charger 9-3, 9-5
 gear 8-3
charger bezel tool 10-3
circuit breaker 9-3, 9-5
clevis pin 4-13
clevis, upper delta 5-9
cluster, brake 4-3, 4-5
clutch alignment tool 10-5
clutch removal tool 10-3
clutch tool kit 10-5
column, steering 5-3
communication display module 10-5
component mounting plate 6-25
compression gauge 10-5
compressor, piston ring 10-9
compressor, valve spring 10-11
connecting bar 1-19
continuity tester 10-5
control board 9-5
controller cover 6-25
controller cover gasket 6-25
cord reel 9-5
cord, AC 9-3, 9-5
cord, DC 9-3, 9-5
cover

INDEX

dust 4-3, 4-5, 5-3, 5-13
fuse block 6-23
rocker switch hole 6-27
screw head 1-9, 6-27
steering column tube 5-3

cover gasket, controller 6-25

cover plate 7-3

cover, controller 6-25

cover, speed controller 6-25

cowl support 1-13

C-type stop ring 5-5

cup holder 1-9

cup, spring 4-7, 4-15

current limiter 9-3

cushion, shock absorber 5-7

cutter, valve seat 10-5, 10-11

D

dash component 1-9

DC cord 9-3, 9-5

decal

box bed warning 3-3

Club Car 3-7

component cover 3-5, 6-25

FNR 3-3, 6-27

no ground warning 9-7

Tow/Run switch warning 3-5

delta A-plate 5-11

delta A-plate sub-assembly 5-11

delta shock and gear support 5-11

diesel tachometer probe 10-9

differential gear 8-3

differential housing 8-3

door, access 1-11

drink holder 1-9

drive bar 4-11, 6-3

drive clutch fixed sheave tool 10-5

drive clutch holder tool 10-5

drive clutch hub puller 10-5

drive clutch puller 10-5

drive clutch spider removal tool 10-5

drive unit bumper 7-3

driven clutch cam puller 10-5

driven clutch puller plug 10-5

driven clutch spring compression base tool 10-5

driven clutch spring compression collar tool 10-5

driven clutch spring compression nut tool 10-5

drum, brake 4-3, 4-5

dry moly lubricant 10-7

dust cover 4-3, 4-5, 5-3, 5-13

E

E-clip 4-13

end, tie rod 5-11

equalizer pivot 4-13

equalizer rod 4-11, 4-13

equalizer, brake cable 4-11, 4-13

extrusion 6-25

F

fender, inner 1-11

fitting, thread-forming grease 5-13

flasher, turn signal, 12-volt 6-11

flywheel puller 10-7

foam, seat 1-3, 1-5

foot rest mat 1-19

front body support 1-11

front bumper 1-9

front bumper kit 1-9

front spring retainer plate 5-9

fuse 9-3, 9-5

15-amp 6-23

3/8-amp 9-7

fuse block 6-23

fuse block cover 6-23

G

gasket 8-3

liquid 8-3, 10-7

seat 1-3

gasket, controller cover 6-25

gauge, compression 10-5

gear 8-3

case 8-3

differential 8-3

differential idler 8-3

gear yoke 10-7

governor shaft installation tool 10-7

grommet, rear body 1-15, 1-17, 1-21

guide

valve seat cutter 10-11

guide ring adhesive 10-3

H

hanger, brake cable 4-11

heat shrink tube 9-5

heatsink and rectifier 9-3, 9-5

hinge assembly 1-5

hinge pin 1-5

hinge plate 1-3, 1-11

hinge, long 1-5

hold-down, battery 6-29

holder, cup 1-9

hole plug 6-27

housing

2-pin 6-3

3-pin 6-3, 7-3

differential 8-3

hub 5-13

hydraulic brake adjuster 10-7

hydrometer 10-7

I

idler gear, differential 8-3

indicator, turn signal 6-27

input shaft 8-3

internal retaining ring pliers 10-7

IQ display module (IQDM) 10-7

J

J-bolt 6-29

jounce bumper 5-7

K

key

On/Off 6-27

key switch cap 6-27

kick plate, body 1-11

kingpin 5-9

kit

2-pin housing 6-3

3-pin housing 6-3, 7-3

accelerator pivot rod 4-7, 4-15

anchor body 4-3, 4-5

brake cable 4-13

brake pedal adjustment tool 10-3

brake shoe retainer 4-3, 4-5

IQ display module (IQDM) 10-7

motor brush 7-3

motor brush spring 7-3

motor cover plate 7-3

motor speed sensor 7-3

motor terminal hardware 7-3

shock absorber cushion 5-7

steering column rebuild 5-3

tune-up 10-9

L

lamp, headlamp 6-17

latch 1-27

L-bracket, motor 7-3

leaf spring 5-7

limit switch 6-11

limiter

current 9-3

liquid gasket 8-3, 10-7

lubricant, dry moly 10-7

lubricant, moly-teflon 7-3, 10-7

lug nut 2-3

lug stud 8-3

M

magnet, speed sensor 7-3

INDEX

mat, foot rest 1-19
MCOR 4-11, 6-3
meter, volt ohm 10-11
module
 calibration test 10-3
 communication display 10-5
moly-teflon lubricant 10-7
motor brush kit 7-3
motor brush spring kit 7-3
motor bumper 7-3
motor L-bracket 7-3
motor magnet, speed sensor 7-3
motor speed sensor 7-3
motor speed sensor kit 7-3
motor terminal hardware kit 7-3
mount, bumper 5-7
mounting block, brake 4-11

N

nut, lug 2-3

O

overload bumper spacer 5-7

P

pad

 accelerator pedal 4-7
 brake pedal 4-11
 wear 1-11
paint, touch-up 10-7
park brake spacer 9-7
pedal, accelerator 4-7
pedal, brake 4-11
pin, clevis 4-13
pinion, steering 5-5
piston anchor 4-3, 4-5
piston ring compressor 10-9
piston ring pliers 10-9
pivot support bearing 4-7, 4-15
plate
 body kick 1-11
 component mounting 6-25
 cover 7-3
 front spring retainer 5-9
 hinge 1-3, 1-11
 receptacle backing 9-5
 spring mounting 5-9
pliers
 internal retaining ring 10-7
 piston ring 10-9
 retaining ring 10-9
plug
 2-way 9-7
 driven clutch puller 10-5
 hole 6-27

press weldment 10-5
protector spray, battery terminal 10-3
puller
 bearing 10-3
 clutch 10-3
 drive clutch 10-5
 drive clutch hub 10-5
 driven clutch cam 10-5
 flywheel 10-7
 seal 10-9
 special use tool 10-9

R

race, front hub bearing 5-13
rack guide pressure spring 5-5
rack, steering 5-5
reamer, valve guide 10-9
rear shock absorber 5-7
rear spring shackle 5-7
receptacle backing plate 9-5
receptacle, AC cord 9-3
rectifier with heatsink 9-3, 9-5
reel cord 9-5
relay 9-3, 9-5
relay mounting bracket 9-5
remover, bearing and oil seal 10-3
resistor assembly 6-25
retainer
 accelerator pedal spring 4-7, 4-15
 brake shoe 4-3, 4-5
 shock absorber cushion 5-7
 spring 5-7
retaining ring 5-3
retaining ring pliers 10-9
return spring bumper 4-7, 4-15
reverse buzzer 6-27
ring
 retaining 5-3
 snap 5-5
ring, C-type stop 5-5
rivet, blind push 1-9
rocker switch 6-27
rod
 accelerator pivot 4-7, 4-15
 equalizer 4-11, 4-13
rubber bumper 1-5

S

safety first card 10-9
screw, valve clearance adjuster 10-9
seal
 bearing 5-3
 lip 8-3
 oil 8-3
 steering pinion dust 5-5

seal puller 10-9
sealant 8-3
seat back assembly 1-23
seat bottom assembly 1-3, 1-5
seat bottom cover 1-3
seat cover, vinyl 1-3, 1-5
seat cover, white 1-3
seat foam 1-3, 1-5
seat gasket 1-3
seat support, four-passenger 1-5
seat, bearing 5-3
sensor, motor speed 7-3
shackle, rear spring 5-7
shaft
 input 8-3
shock absorber 5-11
shock absorber cushion 5-7
shock absorber cushion retainer 5-7
shock absorber, rear 5-7
shoe, brake 4-3, 4-5
sleeve
 delta A-plate 5-11
snap ring 5-5
solenoid 6-25
spacer
 accelerator pivot rod 4-7, 4-15
 overload bumper 5-7
 park brake 9-7
spanner wrench 10-9
speed controller cover 6-25
speed sensor 7-3
speed sensor magnet 7-3
speed sensor, motor 7-3
spray, battery terminal protector 10-3
spring
 accelerator return 4-7, 4-15
 brake 4-3, 4-5
 brake return 4-11
 brush 7-3
 leaf 5-7
 rack guide pressure 5-5
 steering shaft compression 5-3
spring cup 4-7, 4-15
spring mounting plate 5-9
spring retainer 5-7
steel bushing 5-7, 5-9
steering column 5-3
steering column bearing press tool 10-9
steering column retaining ring tool 10-9
steering gear box 5-5
steering pinion 5-5
steering pinion dust seal 5-5
steering rack 5-5
steering shaft assembly 5-3
steering shaft column 5-3
steering shaft compression spring 5-3

INDEX

steering wheel puller tool 10-9
stem, valve 2-3
strap, A-plate 5-11
stud
 lug 8-3
support
 cowl 1-13
support yoke (steering) 5-5
support, front body 1-11
suppressor, voltage 9-3, 9-5
switch
 four-position 9-3, 9-5
 limit 6-11
 rocker 6-27
 Tow/Run 6-23
switch rubber boot 6-23

T

tachometer 10-9
tachometer probe, diesel 10-9
terminal block 6-23, 9-7
tester, continuity 10-5
thermometer, battery 10-3
thread-forming grease fitting 5-13
thrust bearing 5-9
tie rod end 5-11
tie wrap 5-5, 6-23, 6-25
tool
 accelerator pedal adjustment 10-3
 belt tensioning, starter/generator 10-11
 brake adjustment 10-3
 brake cable release 10-3
 brake pedal adjustment 10-3
 brake pedal tension 10-3
 cam installation 10-3
 carburetor float level 10-7
 charger bezel 10-3
 clutch alignment 10-5
 cT-wrench 10-5
 drive clutch fixed sheave 10-5
 drive clutch holder 10-5
 drive clutch spider removal 10-5
 driven clutch spring compression base 10-5
 driven clutch spring compression collar 10-5
 driven clutch spring compression nut 10-5
 governor shaft installation 10-7
 puller, special use 10-9
 steering column bearing press 10-9
 steering column retaining ring 10-9
 steering wheel puller 10-9
 transaxle axle seal 10-9
 transaxle pinion seal 10-9
 transmission 10-9
 valve guide driver 10-9

 valve seat cutter 10-5
tool kit, clutch 10-5
touch-up paint 10-7
Tow/Run switch 6-23
Tow/Run switch bracket 6-23
transaxle axle seal tool 10-9
transaxle pinion seal tool 10-9
transformer, battery charger 9-3, 9-5
transmission tool 10-9
tune-up kit 10-9
turn signal indicator 6-27
T-wrench tool 10-5

U

U-bolt 5-7
upper delta clevis 5-9
urethane bushing 5-7, 5-9, 5-11

V

valve clearance adjuster screw 10-9
valve guide driver tool 10-9
valve guide reamer 10-9
valve seat cutter 10-5, 10-11
valve seat cutter guide 10-11
valve seat cutter tool 10-5
valve seat t-wrench 10-11
valve spring compressor 10-11
valve stem 2-3
volt ohm meter 10-11
voltage suppressor 9-3, 9-5

W

wear pad 1-11
wedge, bearing puller 10-3
weldment
 press 10-5
wrap, tie 5-5, 6-23, 6-25
wrench, spanner 10-9

Y

yoke, gear 10-7
yoke, support (steering) 5-5



Club Car, Inc.
P.O. Box 204658
Augusta, GA 30917-4658
USA

Web www.clubcar.com
Phone 1.706.863.3000
1.800.ClubCar
Int'l +1 706.863.3000
Fax 1.706.863.5808