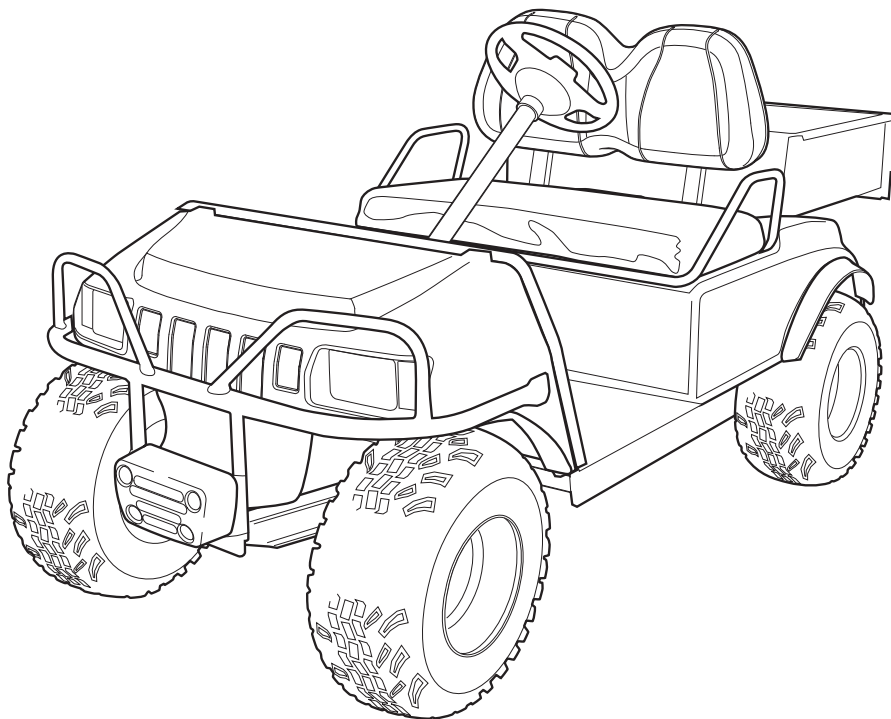




**2014
XRT 850
Illustrated Parts List**



Gasoline and Electric Vehicles

Manual Number 105062814
Edition Code A

USING THE ILLUSTRATED PARTS LIST

⚠ WARNING

- **This manual is to be used only for identification and ordering of service parts. Be sure to read and use the maintenance and service manual before attempting any vehicle repairs.**

This manual covers all XRT850 vehicles built during the 2014 model year.

The manual is divided into sections. Note that there are two or three flags on the outside edge of each page. The first flag contains the section number of which that page is a part. The other flag (or flags) contains the letter G or E, signifying that the page pertains to the electric or gasoline vehicles only.

Use the Table of Contents to find the sections and pages that contain the parts and assemblies you seek. The Table of Contents lists section numbers, and under them, the individual page titles and numbers to be found in that section. The index can be used to find specific parts and assemblies. The index is divided into numerical and alphabetical listings with the page numbers in italic text.

There is a two-page spread for each individual page title in the Table of Contents. On the left-hand page is an illustration showing the parts in their relative positions; the parts are each tagged with an item number in a balloon. The right-hand page is the parts list page, and gives the page title at the top, then the item numbers (corresponding to the numbers on the illustration), part descriptions, and quantity of parts used.

Note that a part description may be indented. This indentation corresponds to a parts assembly level indicated by the numbers 1, 2, 3, and 4 at the top left corner of the parts description area of the parts list page. A part that is indented to *level 2* is a component of the *level 1* part (assembly) that it is listed under. A *level 3* part is a component of the *level 2* part that it is listed under, and a *level 4* part is a component of the *level 3* part preceding it. In each case, the part quantity given for a level 2, 3, or 4 part is the quantity used per next higher level assembly of which it is a component. A part that is not indented is a *level 1* part. This means that the quantity given is the quantity used per the portion of the vehicle illustrated on that particular spread.



P. O. Box 204658
Augusta, Georgia 30917-4658 USA
Telephone 706-863-3000
Service Parts Fax 706-855-7413
www.clubcar.com

HOW TO ORDER PARTS

Replacement parts and accessories can be obtained from our network of authorized dealers and distributors. You can obtain the name and phone number of your closest authorized Club Car dealer or distributor by visiting our web site at www.clubcardealer.com, by calling our toll-free Service Parts and Technical Assistance hotline at (800) 872-2246 or (706) 863-3000, extension 3887, or by scanning this Quick Response (QR) code to be taken to the Club Car dealer locator. **Refer to Figure 1.** Download a QR code reader such as RedLaser or Barcode Scanner to your cell phone or tablet.



Figure 1 Dealer Locator QR Code

CUSTOMER SATISFACTION SURVEY

Let your voice be heard!

Please take time to participate in the Technical Publications satisfaction survey. Obtaining feedback from our customers is important to the department's continuous improvement process. The online survey takes less than five minutes and responses will help the department to examine current performance as well as identify areas for future improvement.

Our top priority is to provide timely, accurate, and user friendly manuals.

The online satisfaction survey can be found at: <http://bit.ly/1w9uFMh>



Figure 2 Survey QR Code

NOTE: *This illustrated parts list represents the most current information at the time of publication. Club Car, Inc. is continually working to further improve its vehicles and other products. These improvements may affect the parts used to service the vehicle. Any modification and/or significant change in specifications will be forwarded to all Club Car and Carryall distributors/dealers and will, when applicable, appear in future editions of this illustrated parts list.*

Club Car, Inc. reserves the right to change specifications and designs at any time without notice and without the obligation of making changes to units previously sold.

Copyright © 2017 Club Car, LLC
Club Car and ArmorFlex
are registered trademarks of Club Car, LLC
This manual effective July 15, 2013.

CONTENTS

SECTION 1 – BODY AND TRIM

Brushguard and Bumper	1-3
Heavy-Duty Front Bumper with Receiver	1-5
Front Body	1-7
Cargo Rack and Bungee Net Kit	1-9
Dash Trim	1-11
Dash Pockets	1-13
Floormat	1-15
Gun Rack, Floor-Mount	1-17
Beverage Holder	1-19
Windshield, Non-Hinged	1-21
Windshield, Hinged	1-23
Seats	1-25
Nerf Bar	1-27
Rear, Fold Down Seat	1-29
Canopy (White) for Vehicles Equipped with Bed	1-31
Canopy (White), Vehicle with Fold Down Rear Seat	1-33
Canopy (Black) for Vehicles Equipped with Bed	1-35
Canopy (Black), Vehicle with Fold Down Rear Seat	1-37
Enclosure, 3-Sided – for Vehicle with Cargo Bed	1-39
Enclosure, 3-Sided – for Vehicle with Folddown Rear Seat	1-41
Trailer Hitch	1-43
Inner Fender	1-45
Rear Body – Electric Vehicles	1-47
Rear Body – Gasoline Vehicles	1-49
Bed Box	1-51

SECTION 2 – WHEELS AND TIRES

Wheels and Tires, Off-Road – Carryall 550 and XRT850	2-3
--	-----

SECTION 3 – DECALS

Safety Decals – Electric Vehicles	3-3
Safety Decals – Gasoline Vehicles	3-5
Badging Decals	3-7

SECTION 4 – LIGHTS, CONTROLS, AND INDICATORS

Headlights	4-3
Lighting System Components – XRT800/810/850 Gasoline Vehicles	4-5

CONTENTS

Lighting System Components – XRT800/810/850 Elec. With PowerDrive Charger	4-7
Turn Signal Kit – DS and Utility Gasoline and Electric Vehicles	4-9
Turn Signal (with Horn Button) Kit – DS and Utility Gas and Electric Vehicles	4-11
Instrument Panel – XRT850 Gas	4-13
Battery Condition Indicator – Electric Vehicles	4-15
Instrument Panel – CA6/Vill 6 & 8/Tporter/XRT850 Elec. With Lester Charger	4-17
DC Converter (Isolated) – IQ System Electric Vehicle	4-19
Voltage Limiter – Gasoline Vehicle	4-21
Horn	4-23
Horn with Column-Mounted Button	4-25
Hour Meter – IQ System and IQ Plus Electric Vehicles	4-27
Tail Lights	4-29

SECTION 5 – BRAKES, PEDALS, AND CABLE ASSEMBLIES

Brake Pedal Assembly – Vehicles with 2-Wheel Brakes and 4-Wheel Brakes	5-3
Accelerator Pedal Assembly – Electric Vehicles	5-5
Accelerator Pedal and Rod Assembly – Gasoline Vehicle	5-7
Pedal Close-Out Kit	5-9
Brake Cables and Equalizer	5-11
Rear Brakes, Self-Adjusting – Electric Vehicle	5-13
Rear Brakes, Self-Adjusting – Gasoline Vehicle	5-15

SECTION 6 – STEERING AND SUSPENSION WITH MAINTENANCE-FREE BALL JOINTS

Front Frame Plate Hardware – Turf/CA 252 and XRT 850/900	6-3
Steering Gear Assembly (Wanda) – Maint.-Free Ball Joint	6-5
Steering Column – Utility	6-7
Intermediate Steering Shaft – Turf/CA 252 and XRT 850/900	6-9
Tie Rod with Maintenance-Free Ball Joints	6-11
Steering Wheel – XRT850	6-13
Front Spindles and Hubs – CA232 and XRT800/810/850 with Maintenance-Free Ball Joints	6-15
Front Suspension – Shock Absorbers	6-17
Front Suspension, Upper Control Arms & Kingpins	6-19
Front Suspension, Spring and Mounting Plates – XRT850	6-21
Rear Suspension – Shock Absorbers	6-23
Rear Suspension, Springs and Hardware	6-25
Stabilizer Bar – XRT 850	6-27

SECTION 7 – ELECTRICAL SYSTEM – CARBURETED GAS VEHICLES

Wiring – Turf/Carryall 1/XRT850Gas with AMD Starter/Gen	7-3
---	-----

CONTENTS

Starter/Generator Assembly (Pedal-Start), Model 114-01-4009A	7-5
Starter/Generator Mounting – 114-0x-400xx Models	7-7
Operation and Maintenance Switch	7-9
Electrical Component Box – Turf/CA 1, 2, 252, and XRT850	7-11
Forward/Reverse Shifter Switches – Dash Mounted Shifter	7-13
Battery – Gasoline Utility Vehicles	7-15

SECTION 8 – ELECTRICAL SYSTEM – EFI GASOLINE VEHICLES

Wiring, Fuses, and Diodes, Pedal-Start – EFI – XRT850	8-3
Starter/Generator (Model 114-04-4006), Key-Start – EFI	8-5
Starter/Generator (Model 114-05-4001) , Pedal-Start – EFI	8-7
Starter/Generator Mounting – EX40	8-9
Electrical Component Box, Key-Start – EX40	8-11
Electrical Component Box, Pedal-Start – EX40	8-13
Forward/Reverse Shifter Switches, Key-Start – EFI, CA100, 800, 242	8-15
Forward/Reverse Shifter Switches, Pedal-Start – EFI, CA100, 800, 242	8-17
Charging Diode, Key-Start – EFI	8-19
Forward/Reverse Shifter Switches, Key-Start – EFI, Villager 6, 8, 850, 850SE	8-21
Forward/Reverse Shifter Switches, Pedal-Start – EFI, Villager 6, 8, 850, 850SE	8-23
Battery – Gasoline Utility Vehicles	8-25

SECTION 9 – ENGINE (FE350S27) W/O ACR, 50-STATE

FE350 Engine (S27) w/o ACR, Shrouds, and Brackets; 50-State	9-3
FE350 Engine (S27) – Ignition Components and Flywheel	9-5
FE350 Engine (S27) – Oil Circulation	9-7
FE350 Engine (S27) – Cylinder Head	9-9
FE350 Engine (S27) – Crankcase, Camshaft, and Oil Sensor	9-11
FE350 Engine (S27) – Crankcase and Crankshaft	9-13
FE350 Engine (S27) – Mounting	9-15

SECTION 10 – ENGINE (SUBARU EX40)

Tune-Up Parts – Subaru EX40	10-3
Engine and Engine Mounting, Utility – EX40	10-5
Fan and Shroud – EX40	10-7
Air Deflector – EX40	10-9
Ignition Components and Flywheel – EX40	10-11
Sensors – EX40	10-13
Cylinder Head – EX40	10-15
Valvetrain and Timing Chain – EX40	10-17

CONTENTS

Crankcase – EX40	10-19
Crankshaft and Piston – EX40	10-21

SECTION 11 – FUEL, INTAKE, AND GOVERNOR SYSTEMS- CARBURETED GAS VEHICLES

Fuel System and Tank without Sending Unit	11-3
Fuel System and Tank with Sending Unit	11-5
Carbon Canister – California Only	11-7
Carburetor Assembly – FE350 S27	11-9
Carburetor Mounting, Utility, FE350 S23 S24 S27	11-11
Governor and Accelerator Cables	11-13
Air Intake Duct and Choke Button – Turf/CA 1 and XRT800/810/850	11-15
Air Filter and Intake Hose	11-17

SECTION 12 – FUEL, INTAKE, AND GOVERNOR SYSTEMS- EFI GASOLINE VEHICLES

Fuel System with Sending Unit, Top Fill – EFI	12-3
Fuel Tank Kits – EFI	12-5
Carbon Canister – EFI	12-7
Throttle Body and ECU – EFI	12-9
Throttle Body Mounting – EFI	12-11
Governor and Accelerator Cables – EFI	12-13
Air Filter System and Intake Hose – EFI	12-15

SECTION 13 – EXHAUST SYSTEM – FE350 ENGINE

Exhaust System – FE350 Engine	13-3
Spark Arrestor Kit	13-5

SECTION 14 – EXHAUST SYSTEM, UTILITY – EX40 ENGINE

Exhaust System – Utility	14-3
--------------------------------	------

SECTION 15 – DRIVE BELT AND CLUTCHES – CARBURETED GASOLINE VEHICLES

Drive Belt	15-3
Driven Clutch	15-5
Drive Clutch – CA 2 Plus/Vill. 6 & 8/Tporter/XRT850	15-7

SECTION 16 – DRIVE BELT AND CLUTCHES – - EFI GASOLINE VEHICLES

Drive Belt – Key-Start Vehicles with EFI	16-3
Drive Belt – Pedal-Start Vehicles with EFI	16-5

CONTENTS

Drive Clutch – Key-Start Vehicles	16-7
Drive Clutch – Pedal-Start Vehicles	16-9
Driven Clutch (Standard Speed) – Key Start and Pedal Start	16-11

SECTION 17 – UNITIZED TRANSAXLE – CARBURETED GAS VEHICLES

Forward/Reverse Shifter	17-3
Shifter Cable – Turf/Carryall 1 and XRT850	17-5
Kawasaki Transaxle – Gear Cases and Brackets	17-7
Kawasaki Transaxle – F&R Transmission and Gear Reduction	17-9
Kawasaki Transaxle – Differential and Axles	17-11
Graziano Transaxle – Gear Cases and Levers	17-13
Graziano Transaxle – F&R Transmission and Gear Reduction	17-15
Graziano Transaxle -Differential and Axles	17-17
Differential Guard – Gasoline Vehicle	17-19

SECTION 18 – TRANSAXLE (FUJI ED65)- EFI GAS VEHICLES

Forward/Reverse Shifter – EFI, CA100-CE, XRT800	18-3
Forward/Reverse Shifter – EFI Villager 6, 8, 850, 850SE	18-5
Shifter Cable – XRT 850	18-7
Shifter Cable – CA100, XRT800	18-9
Shifter Cable – Villager 6, XRT850SE	18-11
Shifter Cable – Villager 8	18-13
Shift Lever and Bracket – Pedal-Start Engines	18-15
Shift Lever and Bracket – Key-Start Engines	18-17
Governor Arm and Brackets – Utility Vehicles	18-19
Transaxle (ED65), Limited Slip – Page 1 of 3	18-21
Transaxle (ED65), Open – Page 1 of 3	18-23
Transaxle (ED65), Limited Slip and Open – Page 2 of 3	18-25
Transaxle (ED65), Limited Slip – Page 3 of 3	18-27
Transaxle (ED65), Open – Page 3 of 3	18-29
Hub, Rear	18-31

SECTION 19 – ELECTRICAL SYSTEM – ELECTRIC VEHICLES WITH POWERDRIVE CHARGER

Motor Controller Output Regulator (MCOR)	19-3
Wiring – Turf/CA 1 Electric	19-5
Tow/Run Switch – IQ System	19-7
Battery Charger Receptacle	19-9
Batteries, 8-Volt, Crown	19-11
Batteries, 8-Volt, U.S. Battery	19-13

CONTENTS

Batteries, 8-Volt, JCI	19-15
Single Point Watering System, 8V Crown & JCI	19-17
Computer, Controller, and Solenoid – For Trojan & Crown Batteries	19-19
Computer, Controller, and Solenoid – For U.S. Batteries	19-21
Computer, Controller, and Solenoid – For Crown and JCI Batteries	19-23
Hand Pump and Deionizer (Battery-Powered Quality Light)	19-25

SECTION 20 – ELECTRIC MOTOR

Motor (Model EJ8-4001A) – Electric Vehicle	20-3
--	------

SECTION 21 – TRANSAXLE – ELECTRIC VEHICLES

Transaxle – Electric Vehicles	21-3
Differential Guard – Electric Vehicles	21-5

SECTION 22 – BATTERY CHARGERS – POWER DRIVE

PowerDrive 3 Battery Charger (Model 26580-11,-12,-18,-19), Domestic	22-3
PowerDrive 3 Battery Charger (Model 26580-31,-38,-39), Domestic	22-5
PowerDrive Battery Charger (Model 17930), Domestic	22-7
PowerDrive Battery Charger (Model 18780), Export	22-9
PowerDrive Battery Charger (Model 20310), European	22-11

SECTION 23 – BATTERY CHARGER – DELTAQ HIGH-FREQUENCY

High-Frequency Battery Charger – Onboard	23-3
Cord Reels, Onboard – High-Frequency Charger	23-5
Charger Mounting – Onboard High-Freq.	23-7

SECTION 24 – MAINTENANCE AND SERVICE TOOLS

Maintenance and Service Tools	24-3
Maintenance and Service Tools, Continued	24-5
Maintenance and Service Tools, Continued	24-7

SECTION i – INDEX

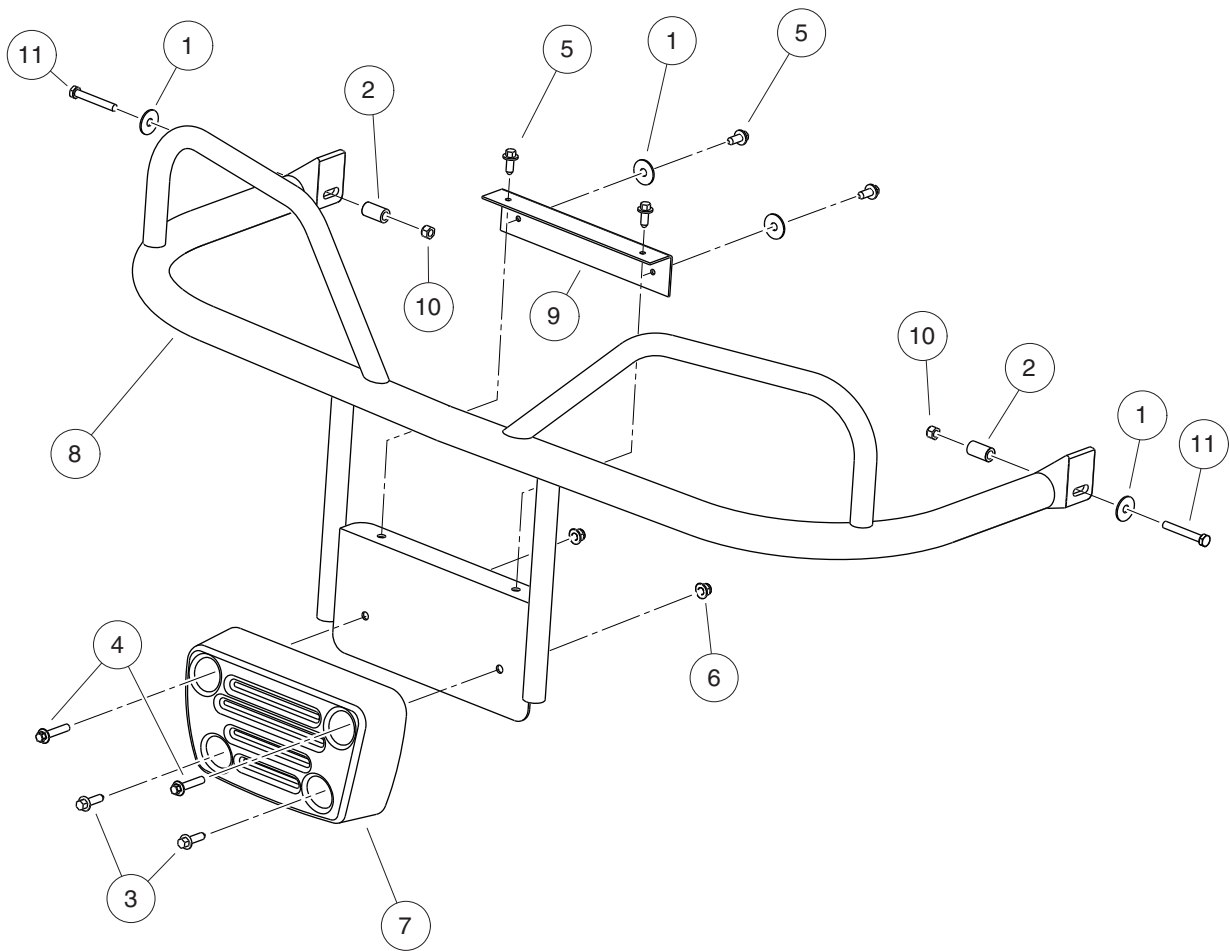
BODY AND TRIM

1

G

E

1
G
E



000838-002

BRUSHGUARD AND BUMPER

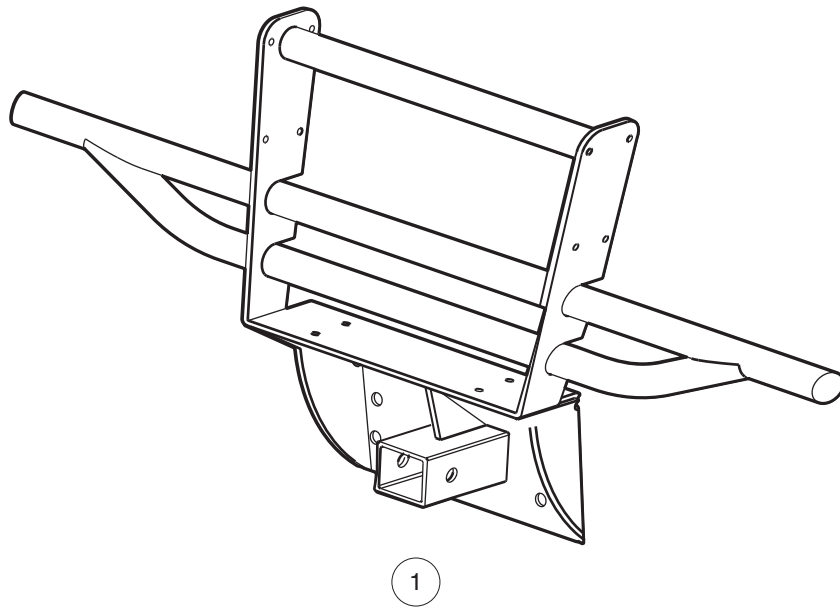
ITEM	PART NO.	DESCRIPTION	QTY
		1 2 3 4	
1	<u>1011578</u>	Washer, 5/16 Type B Flat	4
2	<u>1015608</u>	Tube Spacer, Hydraulic Cylinder	2
3	<u>102289002</u>	Screw, M8 X 1.25 X 30 Tri, Blk	2
4	<u>102298240</u>	Bolt, Flange Head, M8-1.25 X 40	2
5	<u>102298720</u>	Screw, M8-1.25x20, Taptite	4
6	<u>102618601</u>	Lock Nut, Flange, M8 X 1.25 Nylon	2
7	<u>102830501</u>	Bumper, Cast	1
8	<u>103411501</u>	Guard, Brush, Front, W Weight	1
9	<u>103413101</u>	Angle, Cowl Retention	1
10	<u>7473</u>	Locknut, 5/16-18 Nylon Insert	2
11	<u>8935</u>	Screw, 5/16-18 X 2.25 Hex-Head Cap	2

1
G
E

1

G

E



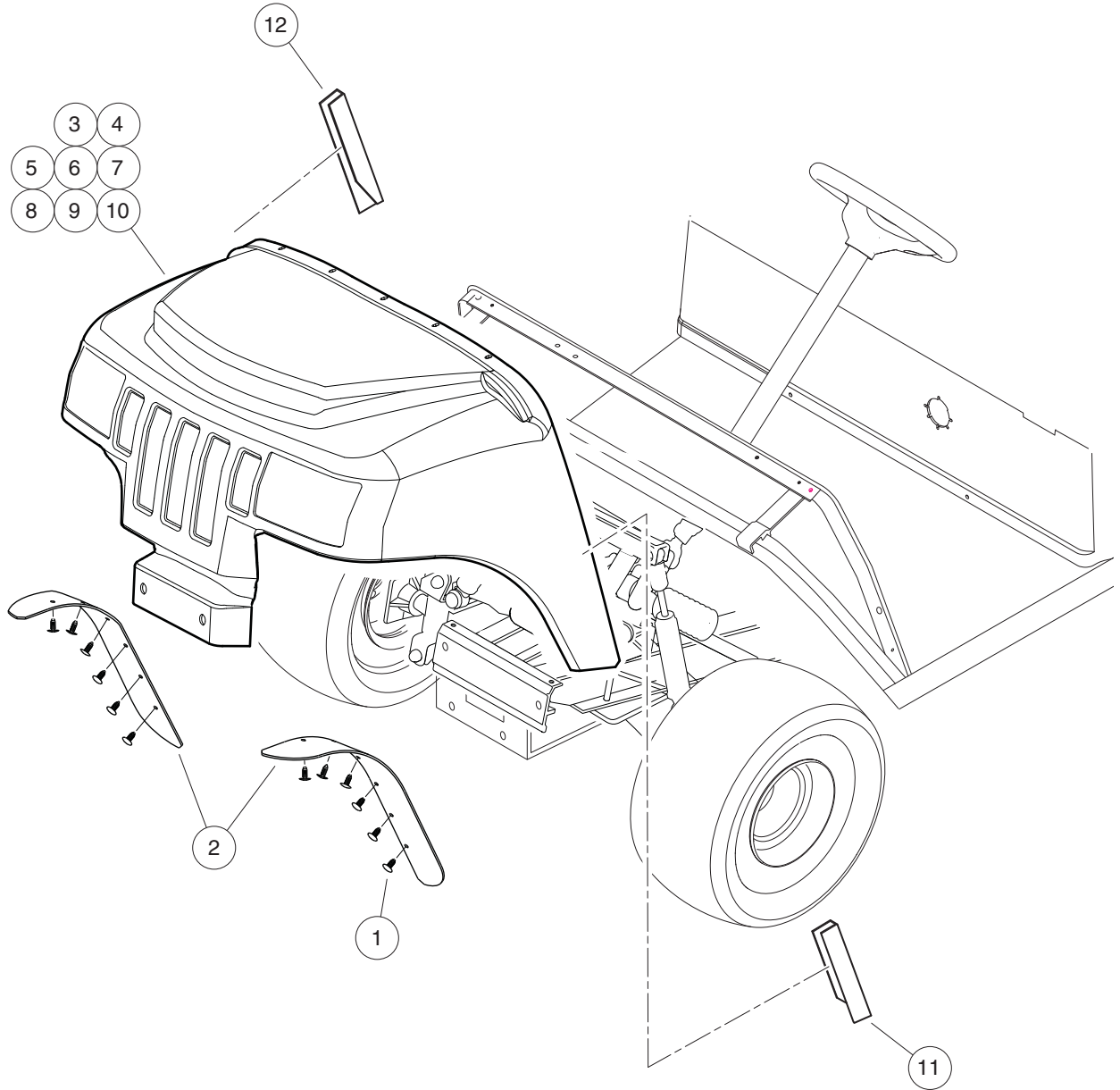
001311-001

HEAVY-DUTY FRONT BUMPER WITH RECEIVER

ITEM	PART NO.	DESCRIPTION	QTY
1	<u>AM1225001</u>	1 2 3 4 Kit, Hd Frt Bmpr W/2" Rec, 800	1

1
G
E

1
G
E



001302-001

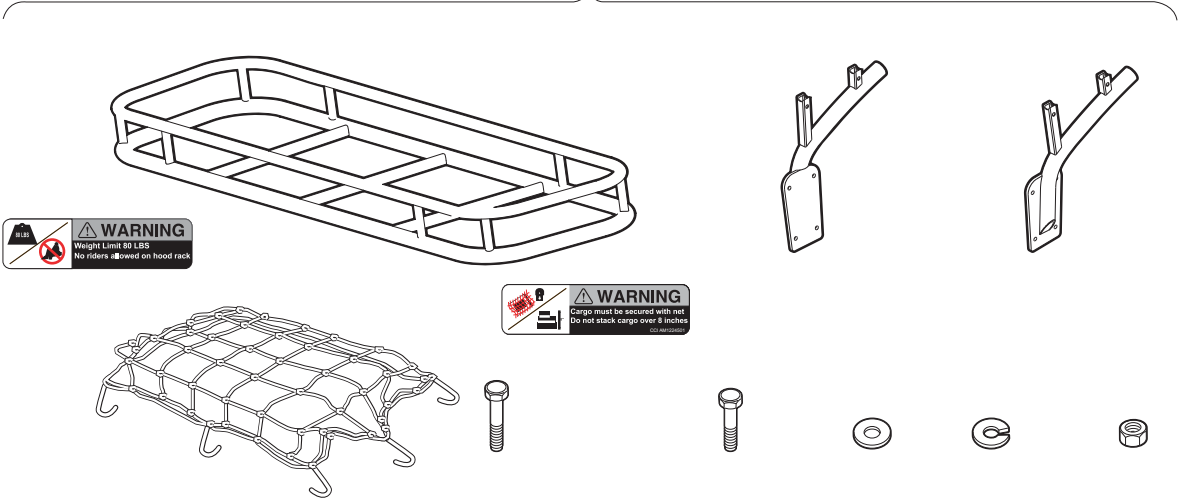
FRONT BODY

ITEM	PART NO.	DESCRIPTION	QTY
		1 2 3 4	
1	<u>1010434</u>	Barrel - Plastic	12
2	<u>102004401</u>	Fender Extrusion	2
3	<u>102778501</u>	Cowl, Red	1
4	<u>102778502</u>	Cowl, Green	1
5	<u>102778503</u>	Cowl, Camouflage (Husqvarna)	1
6	<u>102778504</u>	Cowl, Classic Blue	1
7	<u>102778505</u>	Cowl, XRT- Black	1
8	<u>102778507</u>	Cowl, XRT- Camo Hard Wood HD (Standard camo for XRT850)	1
9	N/A	Cowl, XRT- Camo Max4 HD	1
10	<u>102778509</u>	Cowl, XRT- Silver	1
11	<u>103405401</u>	Cowl Cover, Driver, Short	1
12	<u>103405402</u>	Cowl Cover, Pass, Short	1

1
G
E

1
G
E

1



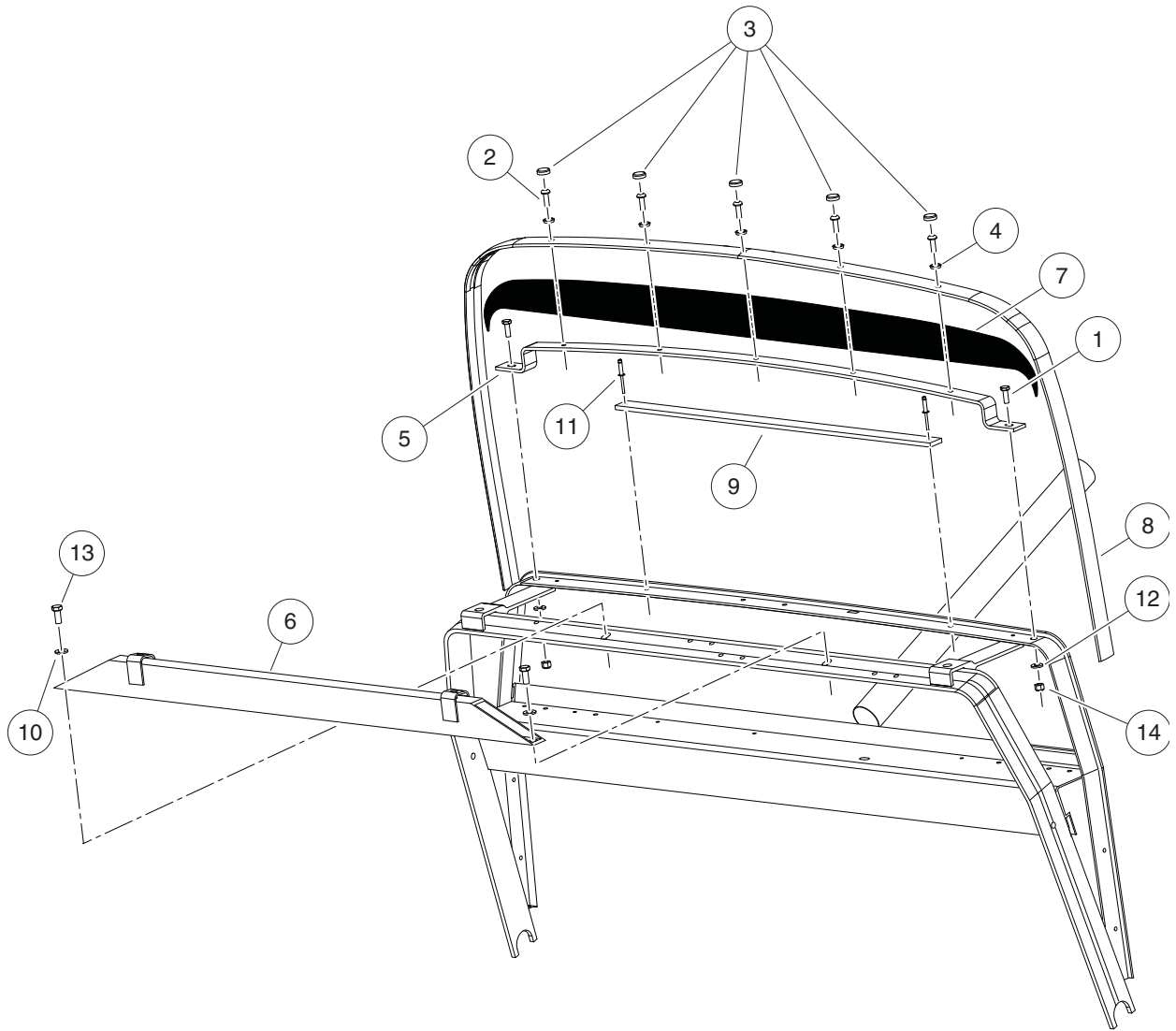
001312-001

CARGO RACK AND BUNGEE NET KIT

ITEM	PART NO.	DESCRIPTION	QTY
1	<u>AM1213901</u>	1 2 3 4 Kit, Cargo Rack, 800	1

1
G
E

1
G
E

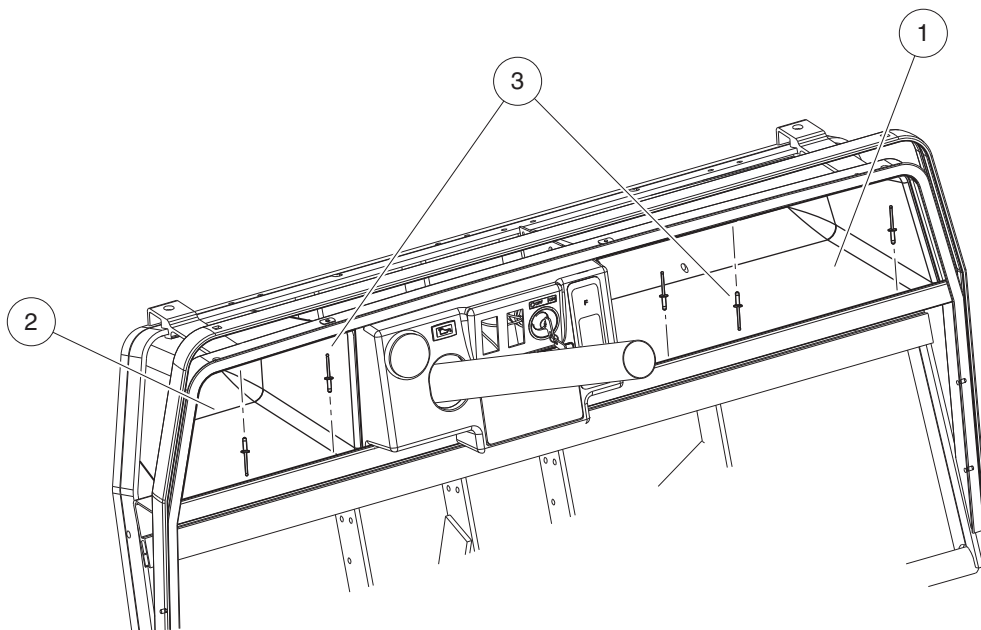


000823-004

DASH TRIM

ITEM	PART NO.	DESCRIPTION	QTY
		1 2 3 4	
1	<u>101954301</u>	Screw, 1/4-20 X 0.75 Hex-Head Cap	2
2	<u>102025801</u>	Screw, 1/4-20 X .75 Torx Pn Hd	5
3	<u>102045001</u>	Cap, 1/4" Plastic Screw Head	5
4	<u>102048401</u>	Washer, 1/4 Id Scalloped Plast	5
5	<u>102778601</u>	Support, Upper Cowl	1
6	<u>103313301</u>	Asm, Brace, Canopy, Tube, Xrt	1
7	<u>103364101</u>	Panel, Closeout, Dash	1
8	<u>103364201</u>	Strip, Trim, Dash, Black	1
9	<u>103395101</u>	Plate, Retention, Closeout	1
10	<u>1241</u>	Washer, 5/16 Type A Flat	2
11	<u>1606</u>	Rivet, 3/16 X .500 Alum Pop	2
12	<u>332</u>	Washer, 1/4 Type A Narrow Flat	2
13	<u>7173</u>	Screw, 5/16-18 X 0.75, Hex-Head Cap	2
14	<u>8233</u>	Locknut, 1/4-20, Nylon Insert	2

1
G
E



001434-001

DASH POCKETS

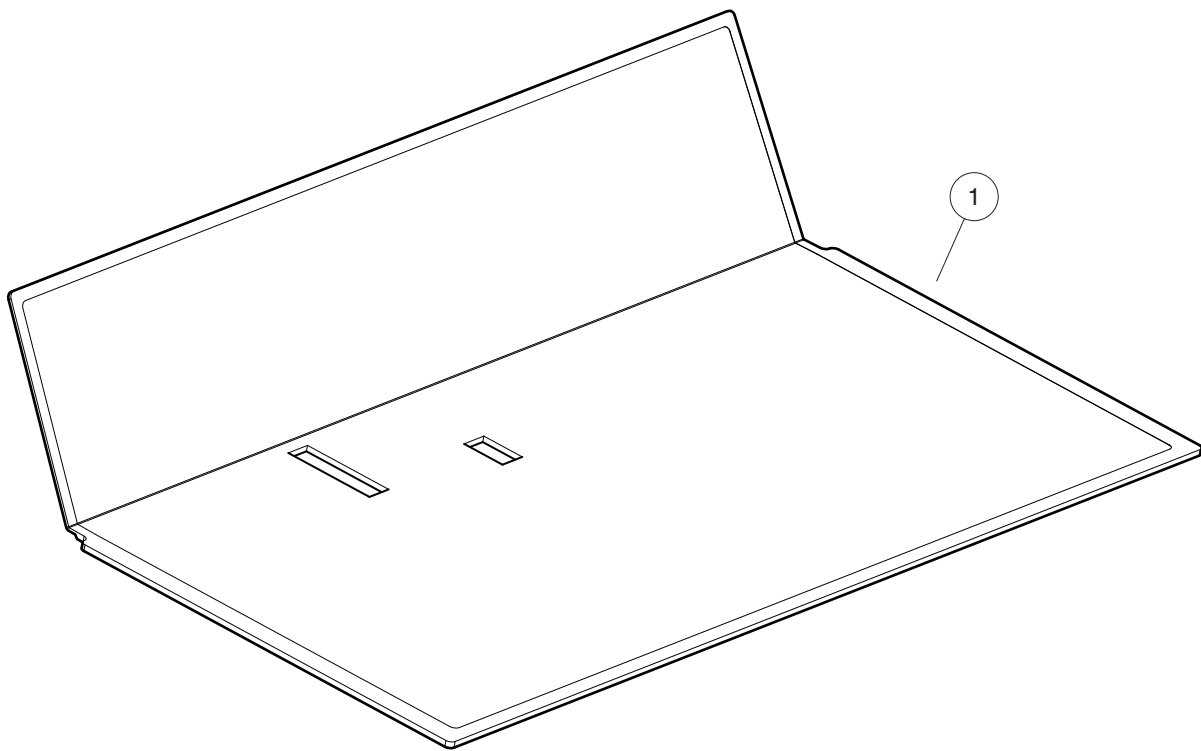
ITEM	PART NO.	DESCRIPTION	QTY
1	<u>1013343</u>	1 2 3 4 Dash Component, Passenger-Side, Black	1
2	1013344	Dash Component, Driver-Side	1
3	<u>7973</u>	Rivet, 3/16 X .400 Blind	5

1
G
E

1

G

E



000825-002

FLOORMAT

ITEM	PART NO.	DESCRIPTION	QTY
1	103939201	1 2 3 4 Floor Mat, Ds/utl, Std	1

1
G
E

1

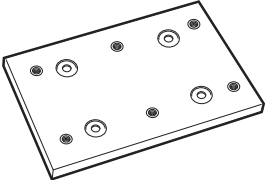
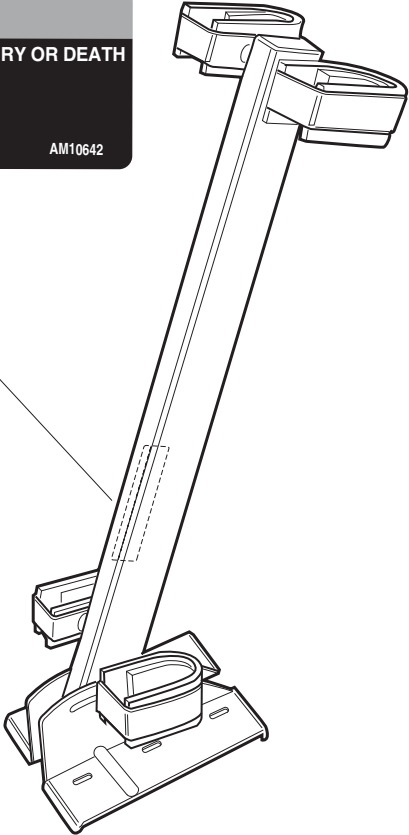
⚠ WARNING

FAILURE TO HEED THE FOLLOWING INSTRUCTIONS CAN CAUSE SEVERE INJURY OR DEATH

- Obey all Hunting Laws and Regulations.
- Never carry a closed action or loaded firearm in a vehicle.
- Always control the muzzle direction of the firearm.
- Treat each firearm as if it were loaded.
- Always point a firearm in a safe direction when loading.
- Put the safety on, double check it.

AM10642

WARNING DECAL



MOUNTING PLATE



001313-001

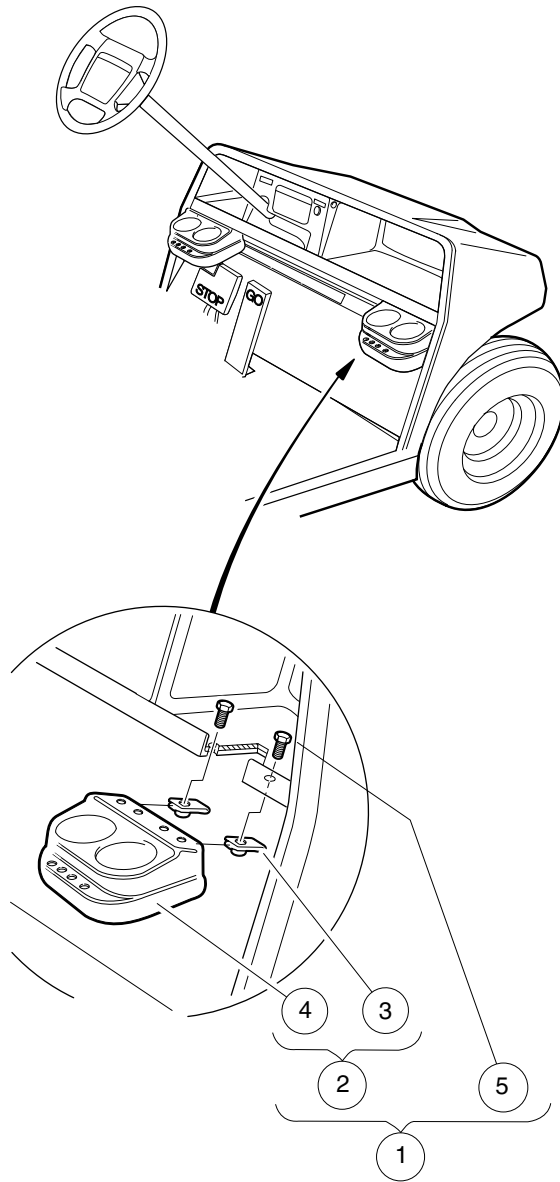
GUN RACK, FLOOR-MOUNT

ITEM	PART NO.	DESCRIPTION	QTY
1	<u>AM10639</u>	<div style="display: flex; justify-content: space-between; margin-bottom: 5px;"> 1 2 3 4 </div> Floor Mount Gun Rack Kit	1

1

G

E



000253-002

BEVERAGE HOLDER

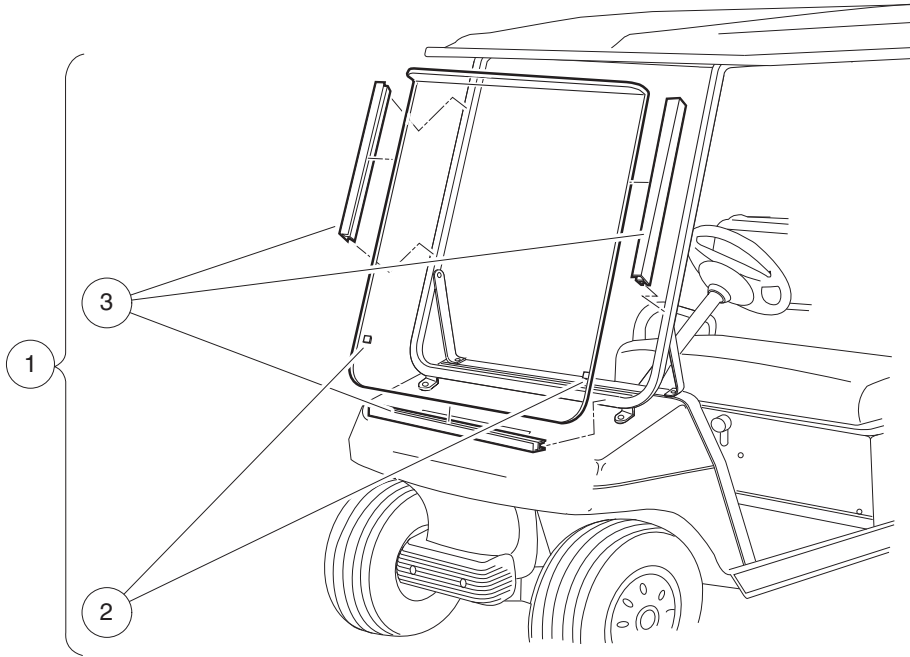
ITEM	PART NO.	DESCRIPTION	QTY
		1 2 3 4	
1	<u>101708301</u>	Drink Holder Kit (includes items 2 through 5)	1
2	<u>1016811</u>	Holder, Dual Cup (includes items 3 and 4)	1
3	1016952	U-Nut, 1/4-20	2
4	N/A	Cup Holder, Dual	1
5	<u>7847</u>	Screw, 1/4-20 X 0.75 Hex-Head Cap	2

1
G
E

1

G

E



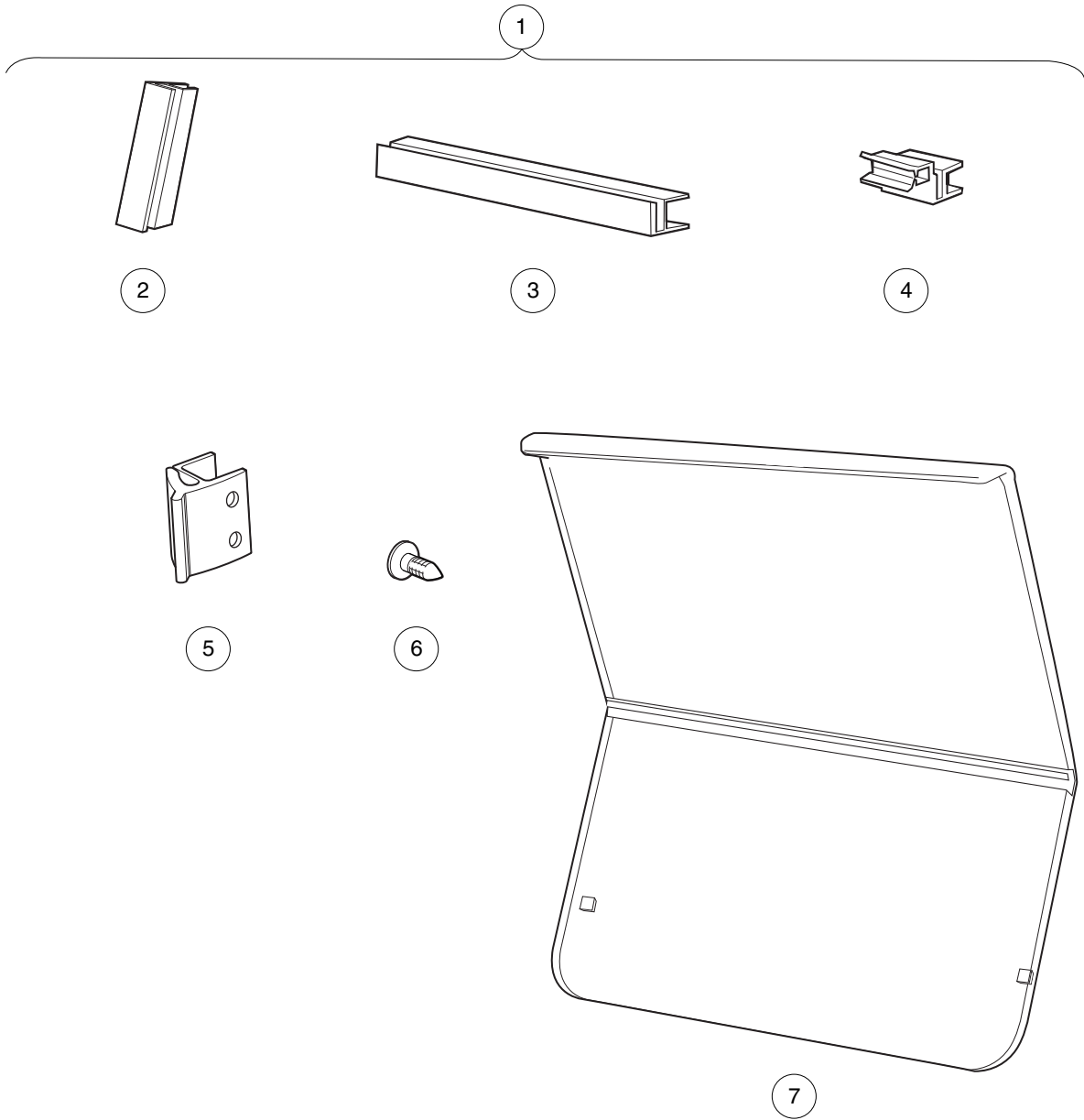
001204-001

WINDSHIELD, NON-HINGED

ITEM	PART NO.	DESCRIPTION	QTY
		1 2 3 4	
1	1014435	Windshield Tinted One-Piece (includes items 2 and 3)	1
2	<u>1011897</u>	Bumper, Protective	2
3	<u>101444101</u>	21" Plastic Extrusion	3
<p style="margin-left: 40px;">Note: Requires Windshield Frame Kit.</p>			



1
G
E



001257-001

WINDSHIELD, HINGED

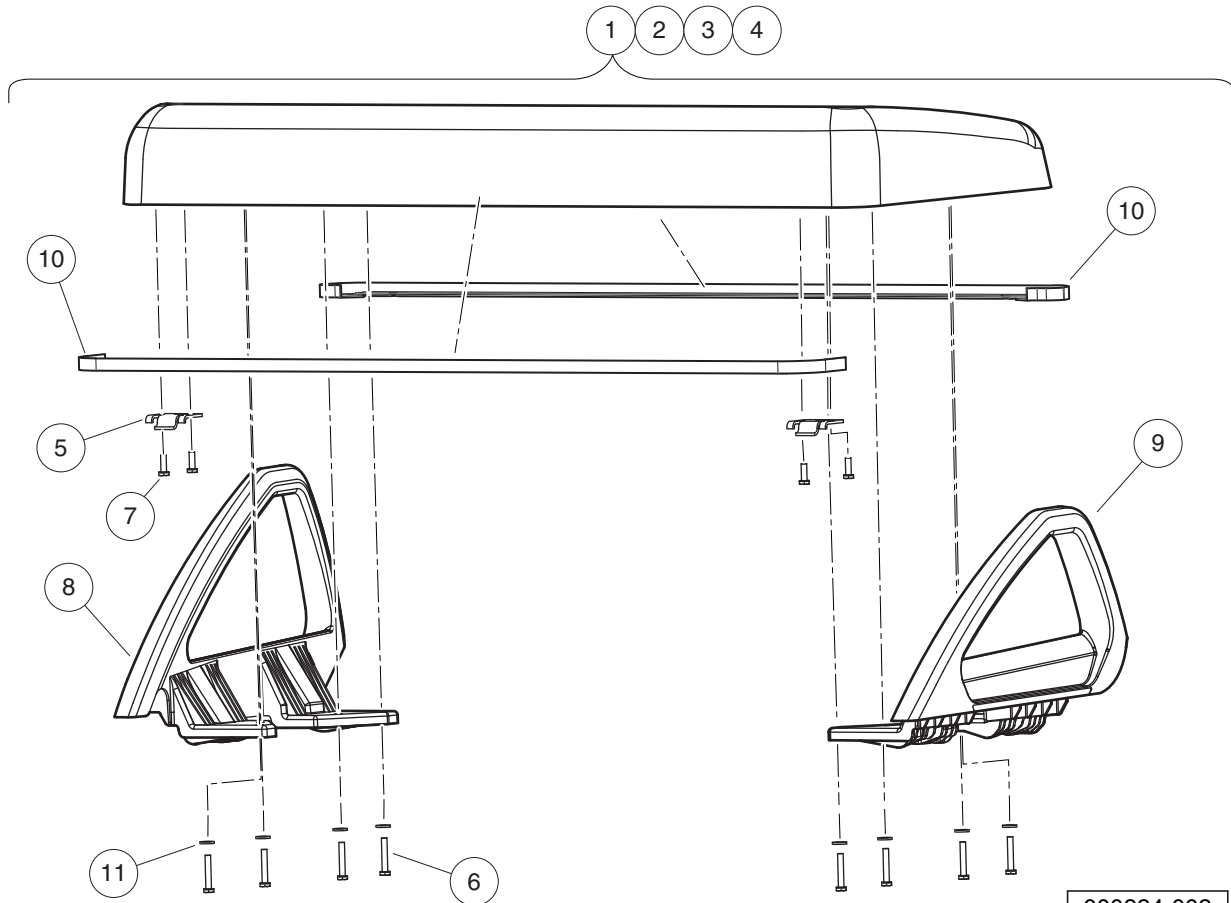
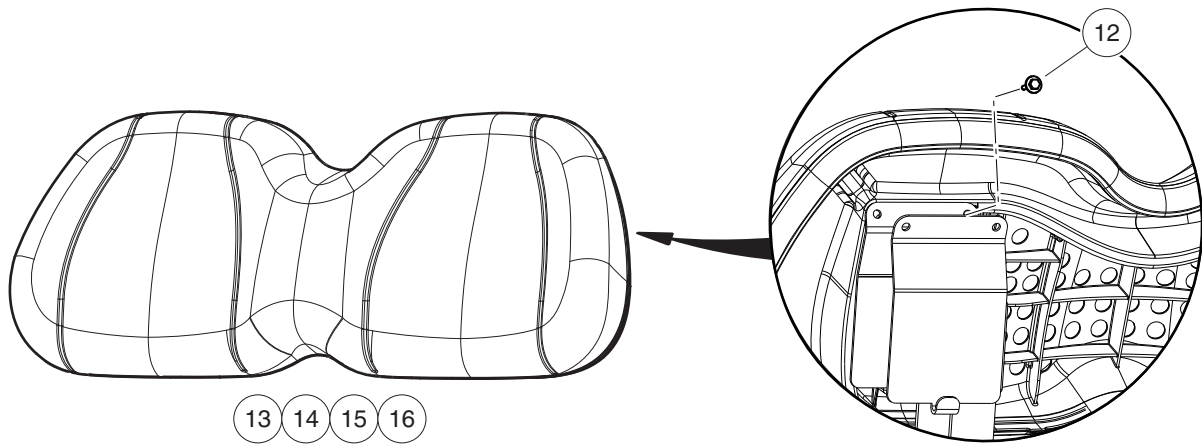
ITEM	PART NO.	DESCRIPTION	QTY
		1 2 3 4	
1	103888301	Kit, Hinged Windshield, Utility (includes items 2 through 7)	1
2	<u>102005701</u>	5" Plastic Extrusion	4
3	<u>102163001</u>	Windshield Channel	1
4	<u>102163101</u>	Channel with Receiver Clip	2
5	<u>103677101</u>	W/s, Rubber, Clip Retainer	2
6	<u>103754901</u>	Fastener, Barrel - .610 X .25	8
7	103888101	Hinged Windshield, Utility	1
<p style="margin-left: 40px;">Note: Requires Windshield Frame Kit.</p>			

1

G

E

1
G
E

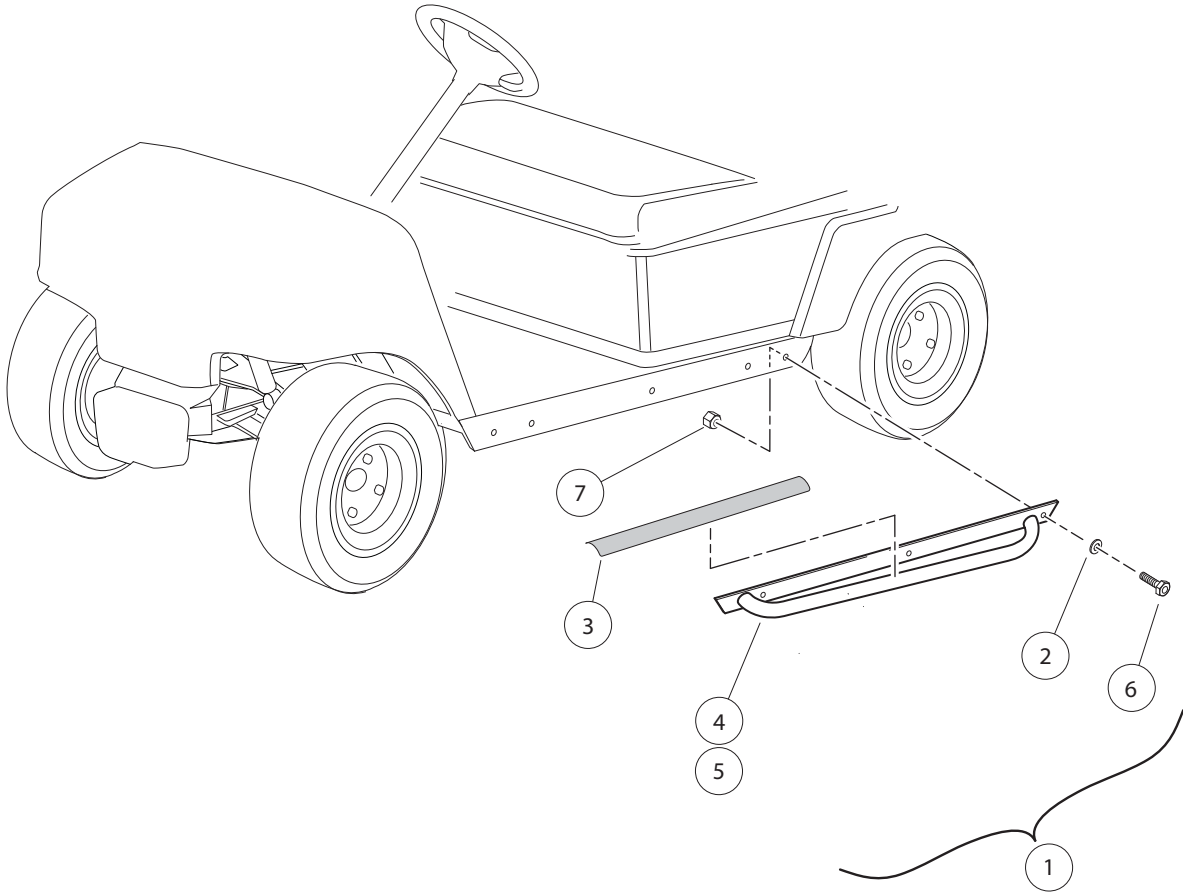


SEATS

ITEM	PART NO.	DESCRIPTION	QTY
		1 2 3 4	
1	101998004	Seat Bottom Assembly, Black	1
2	101998006	Seat Bottom Assembly, Gray	1
3	101998007	Seat Assy Precedent White	1
4	101998008	Seat Assy Precedent Beige (includes items 5 through 11)	1
5	<u>1011652</u>	Hinge Plate	2
6	1016916	Screw, 1/4-20 X 1.50 Hex-Head Cap	8
7	<u>101954301</u>	Screw, 1/4-20 X 0.75 Hex-Head Cap	4
8	101985502	Armrest, Passenger (right)	1
9	<u>101987602</u>	Armrest, Driver (left)	1
10	<u>101998501</u>	Gasket, Seat	2
11	<u>332</u>	Washer, 1/4 Type A Narrow Flat	8
12	<u>102296530</u>	Screw - M6 X 1.0 X 30 Sems	2
13	<u>102503221</u>	Service Backrest Asm, Beige	1
14	<u>102503222</u>	Service Backrest Asm, White	1
15	<u>102503224</u>	Service Backrest Asm, Gray	1
16	<u>102503225</u>	Service Backrest Asm-black	1

1
G
E

1
G
E



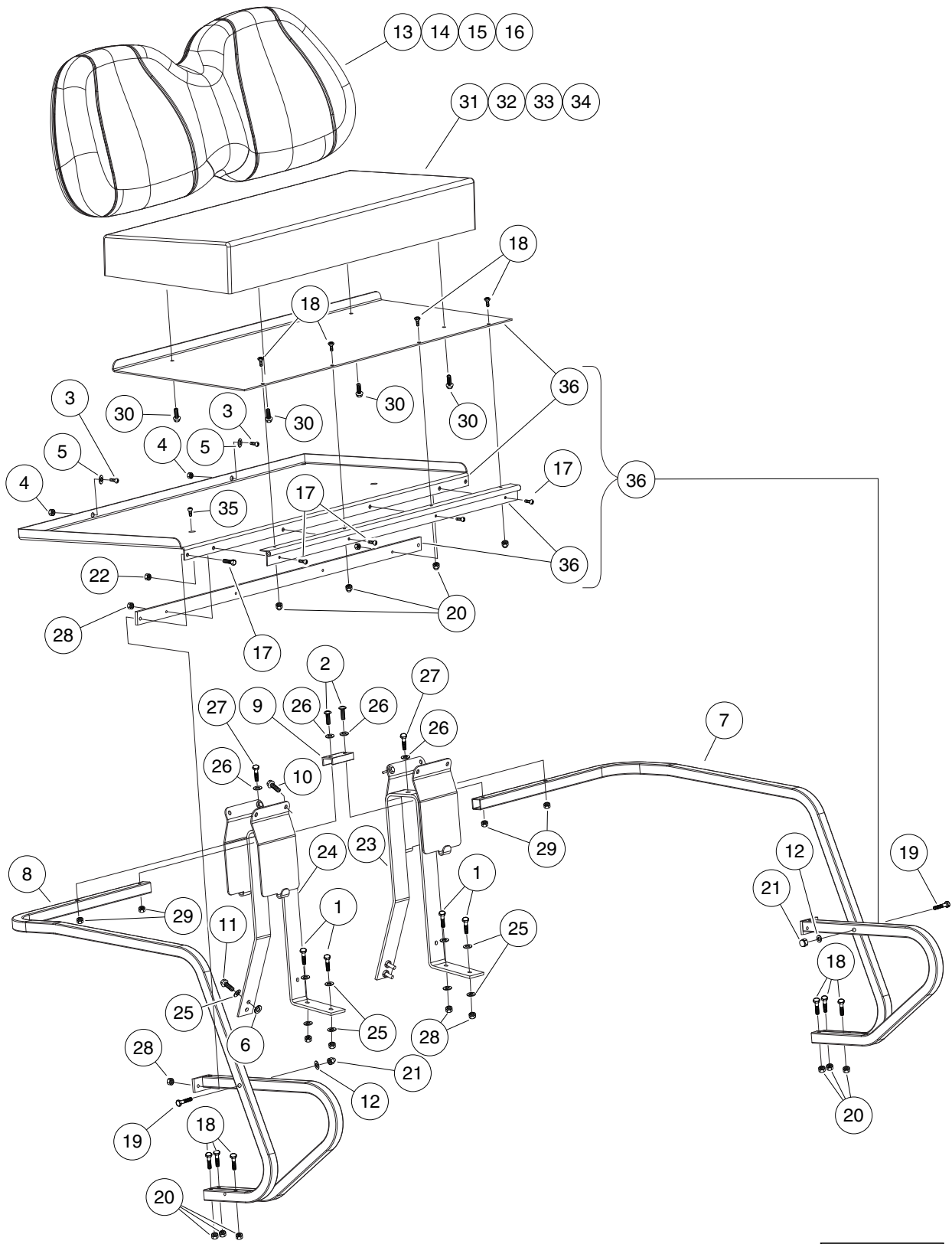
000360-004

NERF BAR

ITEM	PART NO.	DESCRIPTION	QTY
		1 2 3 4	
1	<u>102829801</u>	Kit, Nerf Bar, Ds/lynx (includes items 2 through 7)	1
2	<u>1011990</u>	Washer, 3/8 Flat	6
3	<u>102355102</u>	Tape, Non-skid	2
4	<u>102829701</u>	Asm, Nerf Bar, Dmnd Plt, Drv	1
5	<u>102829702</u>	Asm, Nerf Bar, Dmnd Plt,pass	1
6	320	Screw, 3/8-16 X 1.00 Hex-Head Cap	6
7	<u>8754</u>	Locknut, 3/8-16 Hex	6

1
G
E

1
G
E



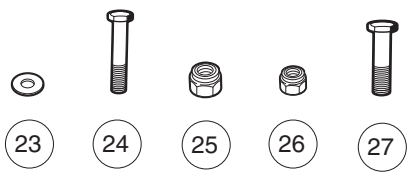
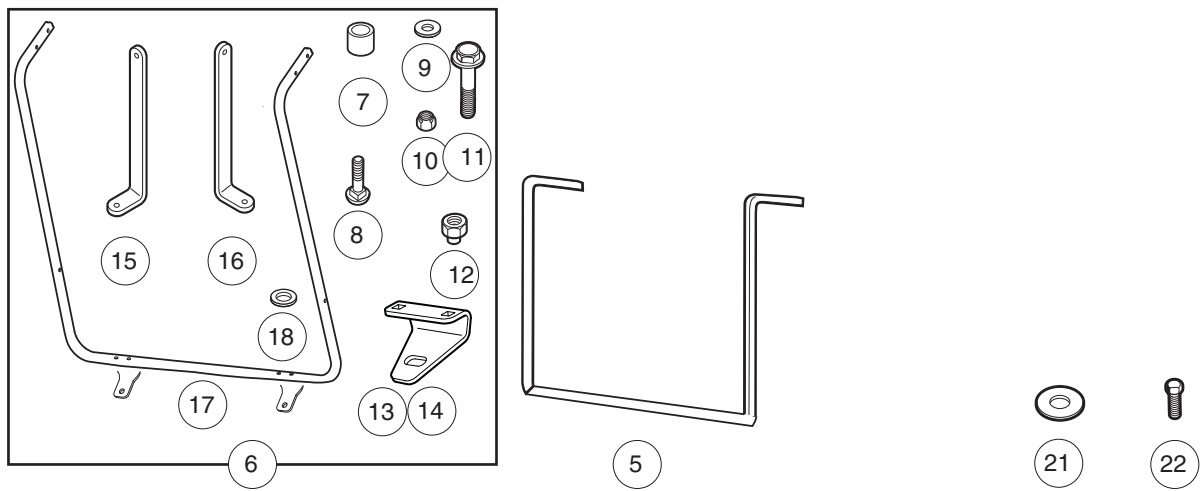
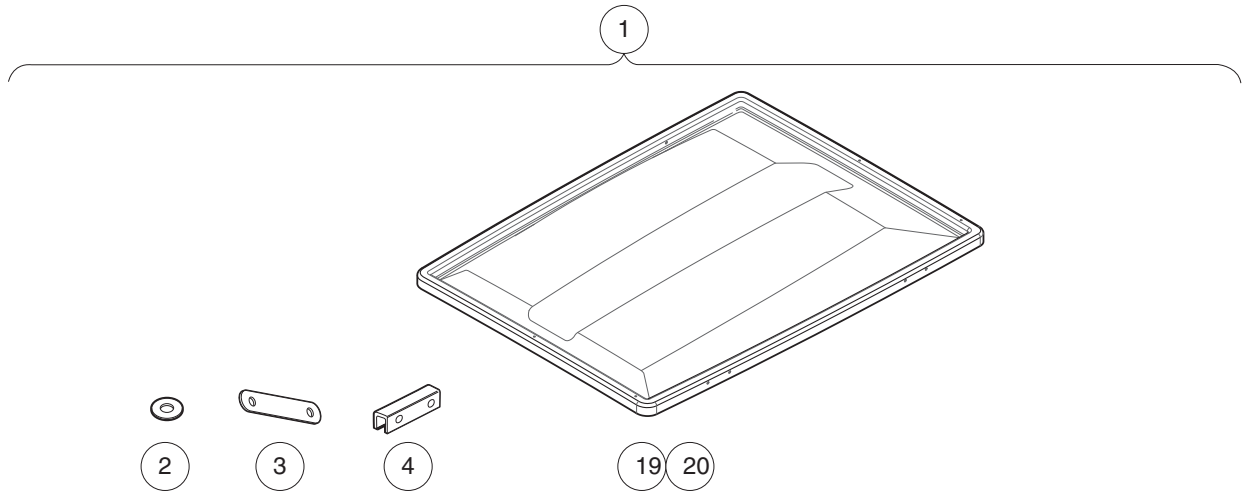
000841-001

REAR, FOLD DOWN SEAT

ITEM	PART NO.	DESCRIPTION	QTY
		1 2 3 4	
1	<u>1010577</u>	Bolt, Hex-Head, 5/16-18 X 1.50	4
2	<u>1011988</u>	Screw, 1/4-20 X 2.00 Phillips Truss-Head	2
3	<u>1015059</u>	Screw, 5/16-18 X 1.0 Phl Truss	2
4	<u>1015072</u>	Locknut, 5/16-18 Nylon Insert	2
5	<u>1015077</u>	Washer, 5/16 Flat	2
6	<u>1017774</u>	Body Spacer	4
7	<u>101841201</u>	Armrest, Seat, Rear, Right-Hand	1
8	<u>101841202</u>	Armrest, Seat, Rear, Left-Hand	1
9	<u>101841301</u>	Armrest Bracket	1
10	<u>101910401</u>	Screw, 5/16-18 X 1.25 Thrd Frm	4
11	<u>102296530</u>	Screw - M6 X 1.0 X 30 Sems	2
12	<u>102324901</u>	Washer, Flat, 1/4", Blk	2
13	<u>102503211</u>	4 Pass Backrest Asm-beige	1
14	<u>102503212</u>	4 Pass Backrest Asm-white	1
15	<u>102503214</u>	Backrest Assembly, Gray	1
16	<u>102503215</u>	4 Pass Backrest Asm-black	1
17	<u>102541425</u>	Bolt, M6x1.0x25, Hex Flhd, Blk-l	6
18	<u>102541445</u>	Bolt-m6x1.0x45 Hex Flhd,blk	10
19	<u>102541465</u>	Bolt, M 6 X 1.0 X 65 Hex, Flange, Head, Black	2
20	<u>102541501</u>	Nut-m6x1.0 Fl Mtl Lock,blk	10
21	<u>102582401</u>	Cap Nut M6, Sp	6
22	<u>102618601</u>	Lock Nut, Flange, M8 X 1.25 Nylon	2
23	<u>103378301</u>	Weldment, Bracket, Seat, Fd Rh	1
24	<u>103378302</u>	Weldment, Bracket, Seat, Fd Lh	1
25	<u>1241</u>	Washer, 5/16 Type A Flat	12
26	<u>332</u>	Washer, 1/4 Type A Narrow Flat	6
27	<u>7311</u>	Screw, 1/4-20 X 2.00 Hex-Head Cap	2
28	<u>7473</u>	Locknut, 5/16-18 Nylon Insert	12
29	<u>8233</u>	Locknut, 1/4-20, Nylon Insert	4
30	<u>SVPP230201</u>	1/4-20x.75 Fl Hd Mach Scr Ss	4
31	<u>SVPP230901</u>	Seat Sub Asm, Beige	1
32	<u>SVPP230902</u>	Seat Sub Asm, White	1
33	<u>SVPP230903</u>	Seat Asm - Gray	1
34	<u>SVPP230904</u>	Seat Sub Asm, Blk	1
35	<u>SVPP234001</u>	M8x1.25x25 Fl Hd Mach Scr	2
36	<u>SVPP285901</u>	Kit, Fold Downxrt 800/810/850	1

1
G
E

1
G
E



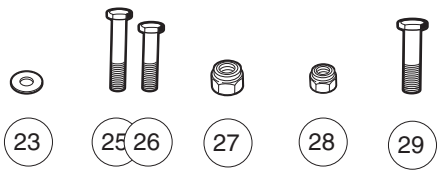
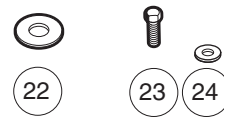
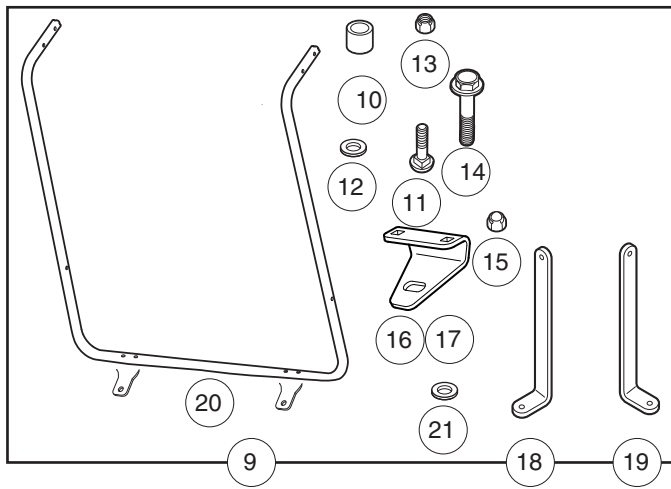
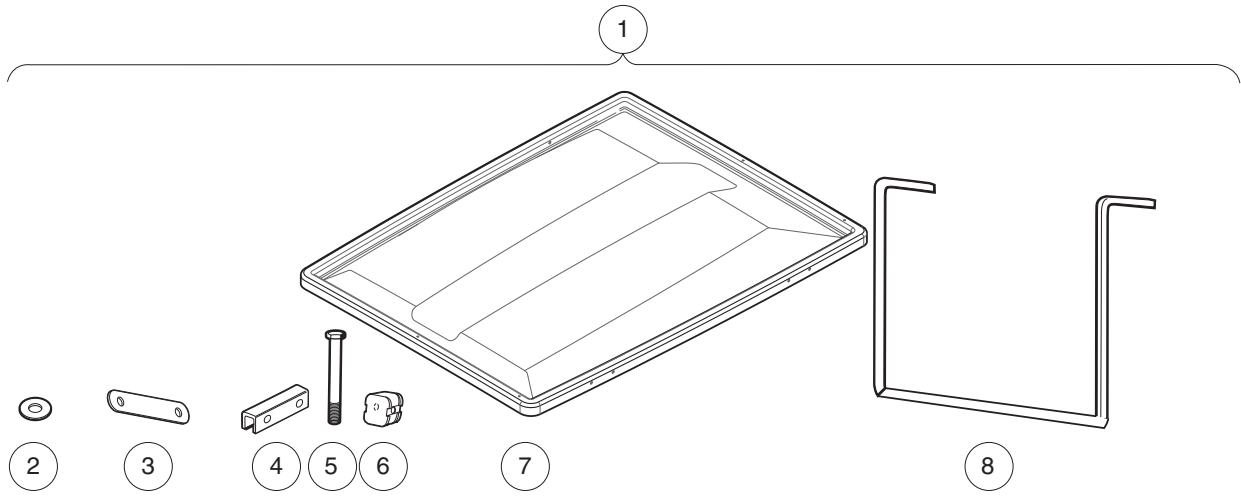
001532-001

CANOPY (WHITE) FOR VEHICLES EQUIPPED WITH BED

ITEM	PART NO.	DESCRIPTION	QTY
		1 2 3 4	
1	<u>103410501</u>	Kit, Canopy, White, 56" (includes items 2 through 27)	1
2	<u>1010517</u>	Washer, .88 Od X .343 Id Nylon	2
3	1011852	Plate, Canopy Trim	8
4	1012008	Support, Side Canopy	2
5	<u>103411001</u>	Brace, Canopy, Short, Bed	1
6	103795503	Asm, W/s Frame, Canopy, Black (includes items 7 through 18)	1
7	<u>1010237</u>	Bushing	2
8	N/A	Bolt, 1/4-20 X 1.50 Rd Hd Sq N	4
9	1011964	Washer, 1/4 Flat	2
10	<u>1015091</u>	Nut, 1/4-20 Stainless-Steel Center-Lock Cap	4
11	<u>102076702</u>	Screw, 1/4-20 X 1.75 Hexhead,SEMS, Black	2
12	<u>102242401</u>	Nut - Nylon Insert W/cap	2
13	<u>102854301</u>	Bracket, Support, Windshield Frame, Driver-Side	1
14	<u>102854302</u>	Bracket, Support, Windshield Frame, Passenger-Side	1
15	<u>103411101</u>	Brace, Knee, Passenger	1
16	<u>103411201</u>	Brace, Knee, Driver	1
17	103787302	Frame, Windshield, Vac Cowl	1
18	<u>332</u>	Washer, 1/4 Type A Narrow Flat	4
19	<u>103804003</u>	Asm, Canopy, Utility White (includes item 20)	1
20	1011942	Modified Grommet	2
21	<u>1241</u>	Washer, 5/16 Type A Flat	6
22	304	Screw, 1/4-20 X 1.0 Hex-Head Cap	2
23	<u>332</u>	Washer, 1/4 Type A Narrow Flat	18
24	<u>7311</u>	Screw, 1/4-20 X 2.00 Hex-Head Cap	8
25	<u>7473</u>	Locknut, 5/16-18 Nylon Insert	3
26	<u>8233</u>	Locknut, 1/4-20, Nylon Insert	8
27	<u>8963</u>	Screw, 5/16-18 X 1.75 Hex-Head Cap	3

1
G
E

1
G
E



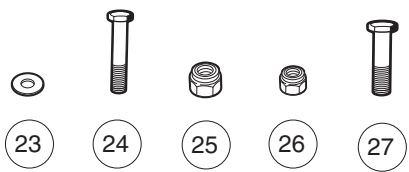
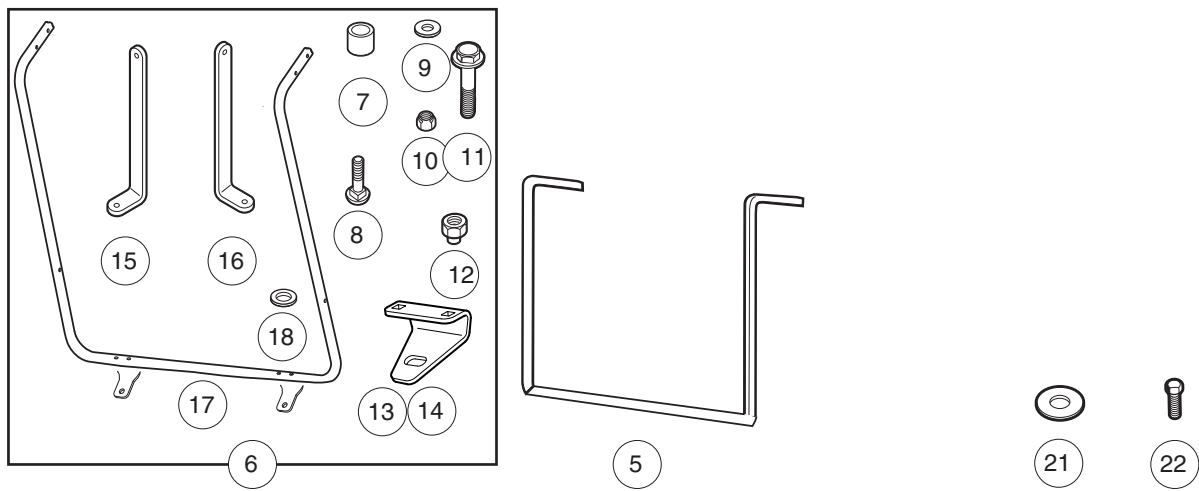
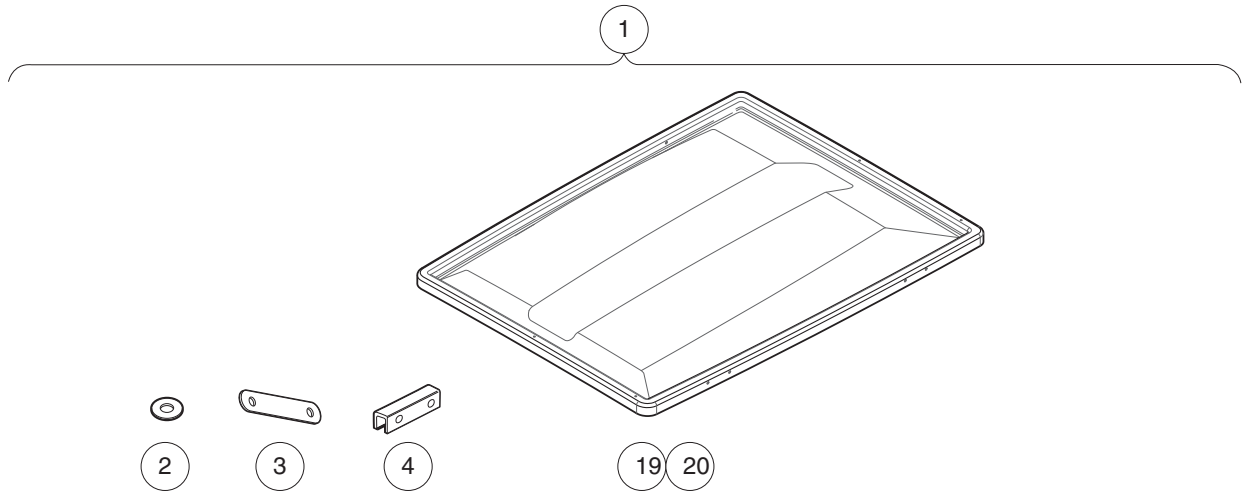
001532-002

CANOPY (WHITE), VEHICLE WITH FOLD DOWN REAR SEAT

ITEM	PART NO.	DESCRIPTION	QTY
		1 2 3 4	
1	<u>103410701</u>	Kit, Canopy, White 80" Fld Dwn (includes items 2 through 29)	1
2	<u>1010517</u>	Washer, .88 Od X .343 Id Nylon	2
3	1011852	Plate, Canopy Trim	8
4	1012008	Support, Side Canopy	2
5	<u>1013872</u>	Bolt, 1/4-20 X 4.00 Hex Head	2
6	1013884	Spacer, Bag Hoop	10
7	N/A	Canopy, 80" White, Plain Band	1
8	<u>103410901</u>	Brace, Canopy, Rear, Long	1
9	103795503	Asm, W/s Frame, Canopy, Black (includes items 10 through 21)	1
10	<u>1010237</u>	Bushing	2
11	N/A	Bolt, 1/4-20 X 1.50 Rd Hd Sq N	4
12	1011964	Washer, 1/4 Flat	2
13	<u>1015091</u>	Nut, 1/4-20 Stainless-Steel Center-Lock Cap	4
14	<u>102076702</u>	Screw, 1/4-20 X 1.75 Hexhead,SEMS, Black	2
15	<u>102242401</u>	Nut - Nylon Insert W/cap	2
16	<u>102854301</u>	Bracket, Support, Windshield Frame, Driver-Side	1
17	<u>102854302</u>	Bracket, Support, Windshield Frame, Passenger-Side	1
18	<u>103411101</u>	Brace, Knee, Passenger	1
19	<u>103411201</u>	Brace, Knee, Driver	1
20	103787302	Frame, Windshield, Vac Cowl	1
21	<u>332</u>	Washer, 1/4 Type A Narrow Flat	4
22	<u>1241</u>	Washer, 5/16 Type A Flat	6
23	304	Screw, 1/4-20 X 1.0 Hex-Head Cap	2
24	<u>332</u>	Washer, 1/4 Type A Narrow Flat	22
25	343	Screw, 1/4-20 X 3.00 Hx Hd Cap	8
26	<u>7311</u>	Screw, 1/4-20 X 2.00 Hex-Head Cap	8
27	<u>7473</u>	Locknut, 5/16-18 Nylon Insert	3
28	<u>8233</u>	Locknut, 1/4-20, Nylon Insert	10
29	<u>8963</u>	Screw, 5/16-18 X 1.75 Hex-Head Cap	3

1
G
E

1
G
E



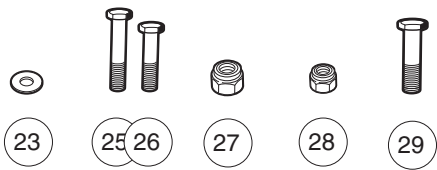
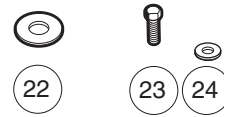
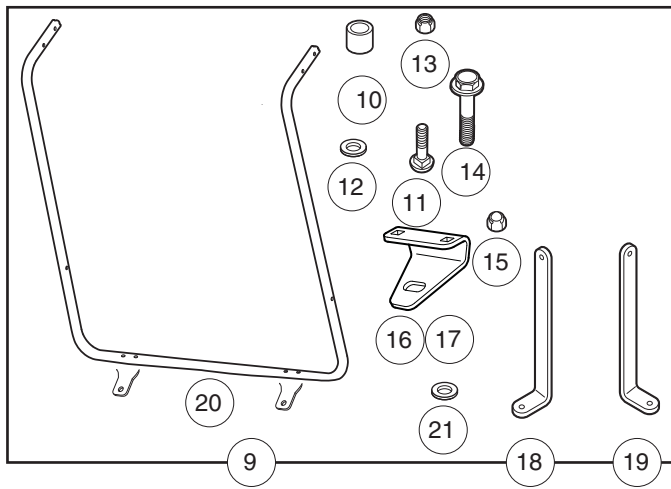
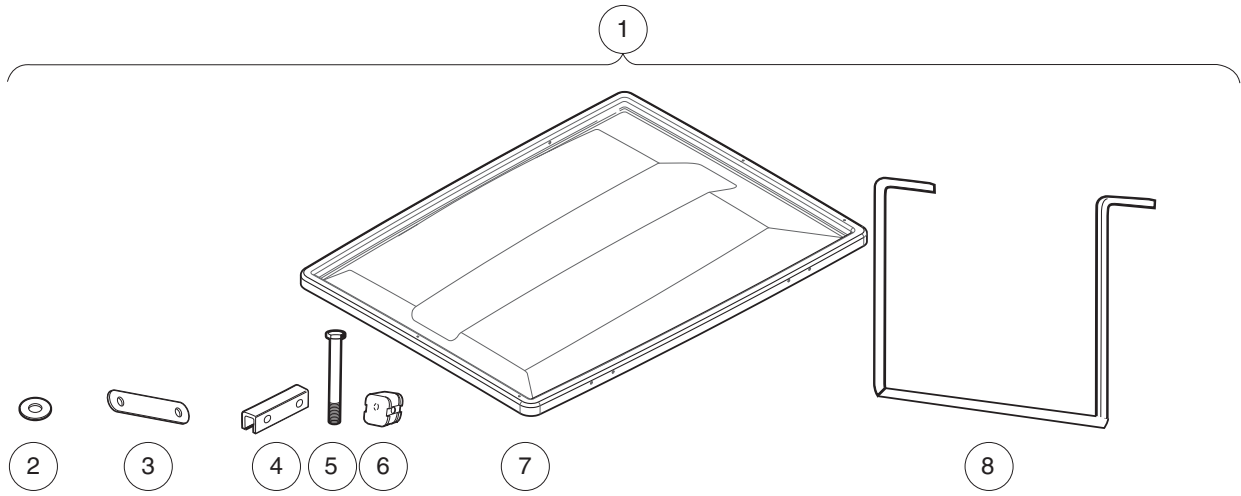
001532-001

CANOPY (BLACK) FOR VEHICLES EQUIPPED WITH BED

ITEM	PART NO.	DESCRIPTION	QTY
		1 2 3 4	
1	<u>103410401</u>	Kit, Canopy, Black, 56" (includes items 2 through 27)	1
2	<u>1010517</u>	Washer, .88 Od X .343 Id Nylon	2
3	1011852	Plate, Canopy Trim	8
4	1012008	Support, Side Canopy	2
5	<u>103411001</u>	Brace, Canopy, Short, Bed	1
6	103795503	Asm, W/s Frame, Canopy, Black (includes items 7 through 18)	1
7	<u>1010237</u>	Bushing	2
8	N/A	Bolt, 1/4-20 X 1.50 Rd Hd Sq N	4
9	1011964	Washer, 1/4 Flat	2
10	<u>1015091</u>	Nut, 1/4-20 Stainless-Steel Center-Lock Cap	4
11	<u>102076702</u>	Screw, 1/4-20 X 1.75 Hexhead,SEMS, Black	2
12	<u>102242401</u>	Nut - Nylon Insert W/cap	2
13	<u>102854301</u>	Bracket, Support, Windshield Frame, Driver-Side	1
14	<u>102854302</u>	Bracket, Support, Windshield Frame, Passenger-Side	1
15	<u>103411101</u>	Brace, Knee, Passenger	1
16	<u>103411201</u>	Brace, Knee, Driver	1
17	103787302	Frame, Windshield, Vac Cowl	1
18	<u>332</u>	Washer, 1/4 Type A Narrow Flat	4
19	<u>103804004</u>	Asm, Canopy, Utility Black (includes item 20)	1
20	1011942	Modified Grommet	2
21	<u>1241</u>	Washer, 5/16 Type A Flat	6
22	304	Screw, 1/4-20 X 1.0 Hex-Head Cap	2
23	<u>332</u>	Washer, 1/4 Type A Narrow Flat	18
24	<u>7311</u>	Screw, 1/4-20 X 2.00 Hex-Head Cap	8
25	<u>7473</u>	Locknut, 5/16-18 Nylon Insert	3
26	<u>8233</u>	Locknut, 1/4-20, Nylon Insert	8
27	<u>8963</u>	Screw, 5/16-18 X 1.75 Hex-Head Cap	3

1
G
E

1
G
E



001532-002

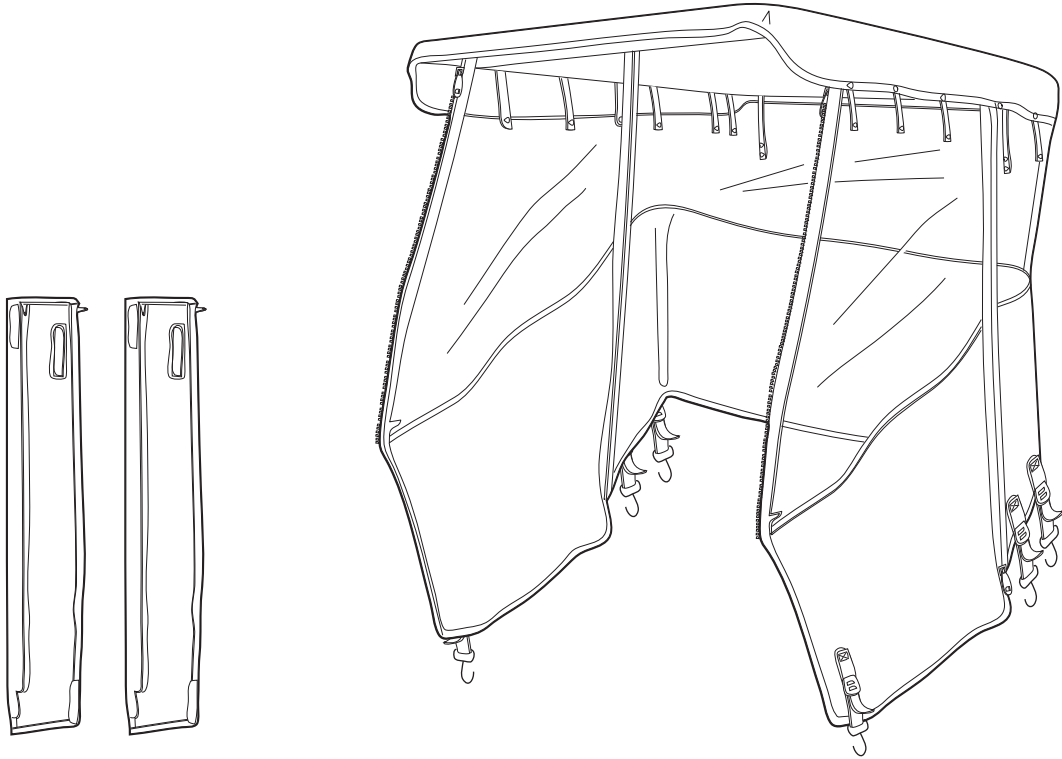
CANOPY (BLACK), VEHICLE WITH FOLD DOWN REAR SEAT

ITEM	PART NO.	DESCRIPTION	QTY
		1 2 3 4	
1	103410601	Kit, Canopy, Black 80" Fld Dwn (includes items 2 through 29)	1
2	<u>1010517</u>	Washer, .88 Od X .343 Id Nylon	2
3	1011852	Plate, Canopy Trim	8
4	1012008	Support, Side Canopy	2
5	<u>1013872</u>	Bolt, 1/4-20 X 4.00 Hex Head	2
6	1013884	Spacer, Bag Hoop	10
7	<u>103410803</u>	Canopy, 80" Black, Black Band	1
8	<u>103410901</u>	Brace, Canopy, Rear, Long	1
9	103795503	Asm, W/s Frame, Canopy, Black (includes items 10 through 21)	1
10	<u>1010237</u>	Bushing	2
11	N/A	Bolt, 1/4-20 X 1.50 Rd Hd Sq N	4
12	1011964	Washer, 1/4 Flat	2
13	<u>1015091</u>	Nut, 1/4-20 Stainless-Steel Center-Lock Cap	4
14	<u>102076702</u>	Screw, 1/4-20 X 1.75 Hexhead,SEMS, Black	2
15	<u>102242401</u>	Nut - Nylon Insert W/cap	2
16	<u>102854301</u>	Bracket, Support, Windshield Frame, Driver-Side	1
17	<u>102854302</u>	Bracket, Support, Windshield Frame, Passenger-Side	1
18	<u>103411101</u>	Brace, Knee, Passenger	1
19	<u>103411201</u>	Brace, Knee, Driver	1
20	103787302	Frame, Windshield, Vac Cowl	1
21	<u>332</u>	Washer, 1/4 Type A Narrow Flat	4
22	<u>1241</u>	Washer, 5/16 Type A Flat	6
23	304	Screw, 1/4-20 X 1.0 Hex-Head Cap	2
24	<u>332</u>	Washer, 1/4 Type A Narrow Flat	22
25	343	Screw, 1/4-20 X 3.00 Hx Hd Cap	8
26	<u>7311</u>	Screw, 1/4-20 X 2.00 Hex-Head Cap	8
27	<u>7473</u>	Locknut, 5/16-18 Nylon Insert	3
28	<u>8233</u>	Locknut, 1/4-20, Nylon Insert	10
29	<u>8963</u>	Screw, 5/16-18 X 1.75 Hex-Head Cap	3

1
G
E

1
G
E

1
2



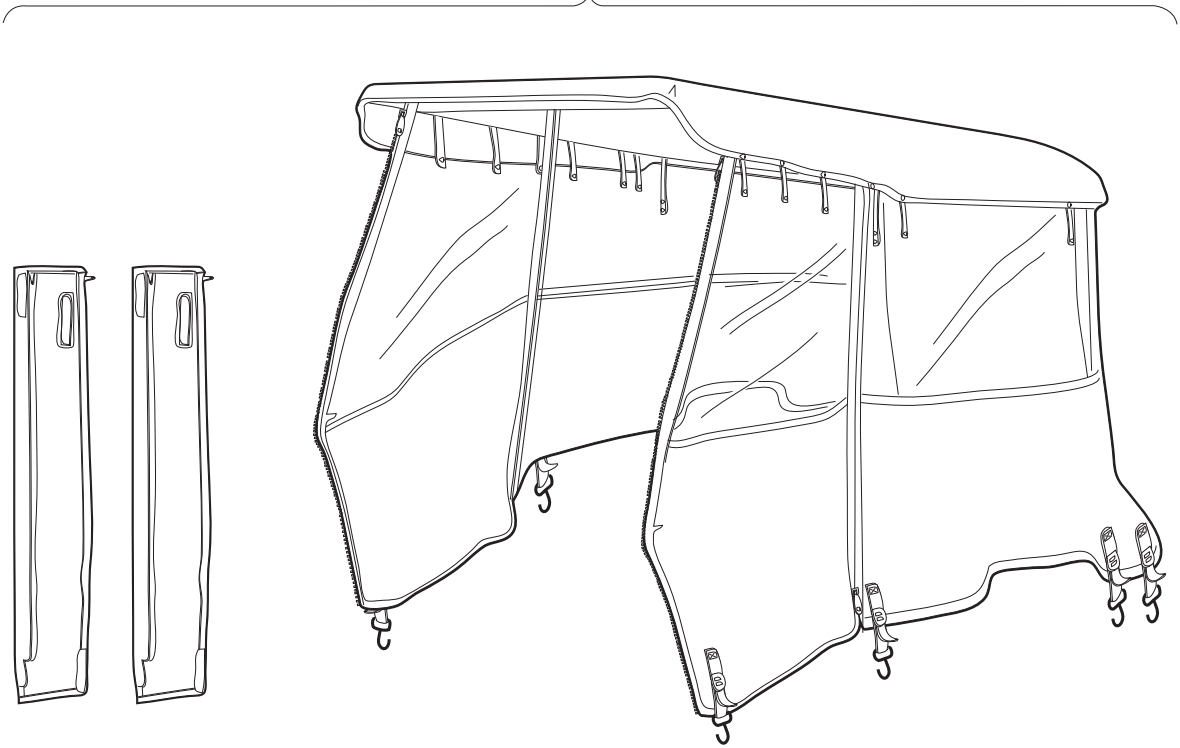
001309-001

ENCLOSURE, 3-SIDED – FOR VEHICLE WITH CARGO BED

ITEM	PART NO.	DESCRIPTION	QTY
		1 2 3 4	
1	<u>102852801</u>	Kit, Enclosure, Gray, W/ Bed	1
2	<u>103407601</u>	Kit, Enclosure, Black, W/ Bed	1

1
G
E

1
2



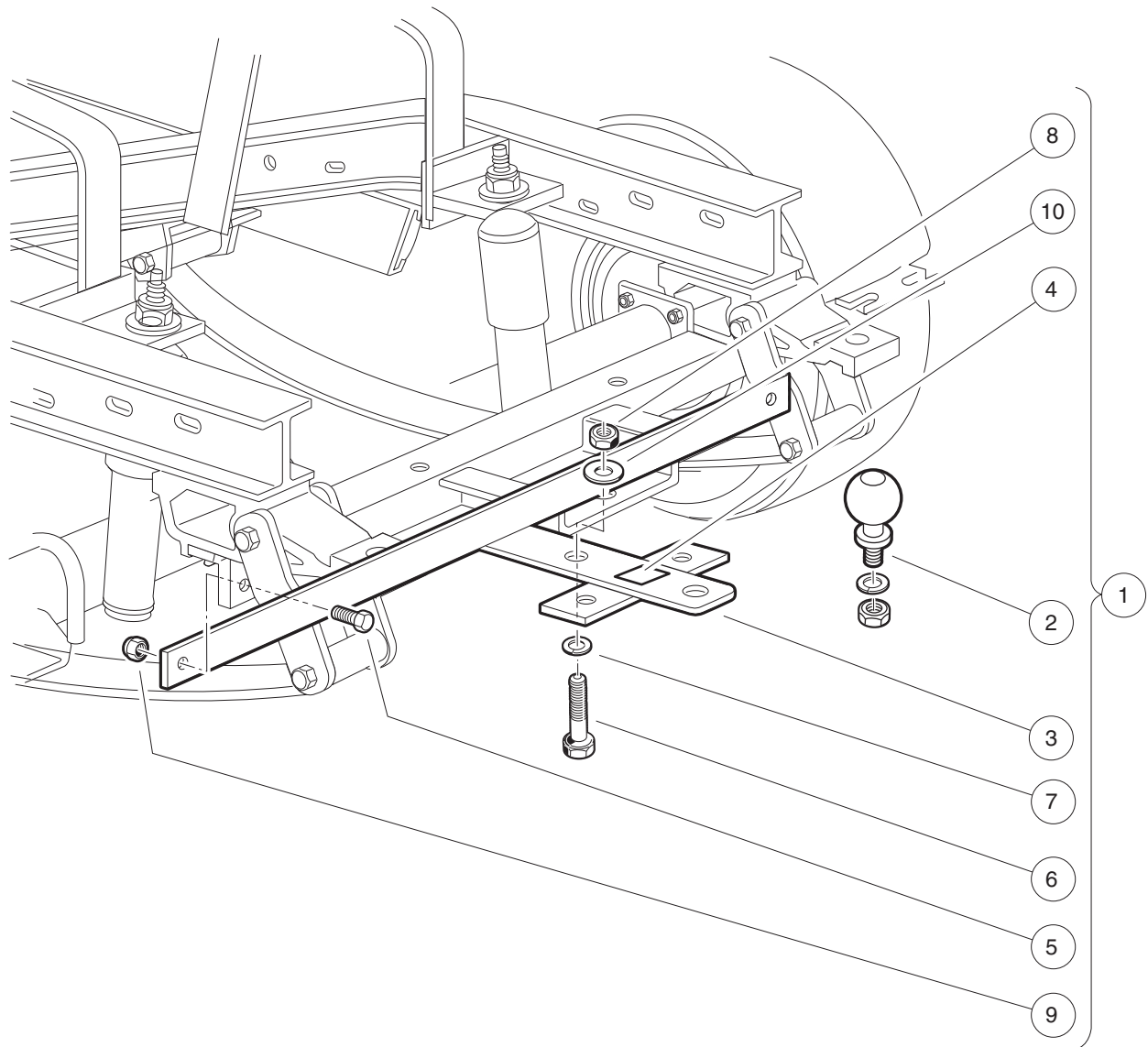
001310-001

ENCLOSURE, 3-SIDED – FOR VEHICLE WITH FOLDDOWN REAR SEAT

ITEM	PART NO.	DESCRIPTION	QTY
1	<u>103407701</u>	1 2 3 4 Kit, Enclosure, Gray, W/ Folddown Seat	1
2	103407801	Kit, Enclosure, Black, W/ Folddown Seat	1

1
G
E

1
G
E

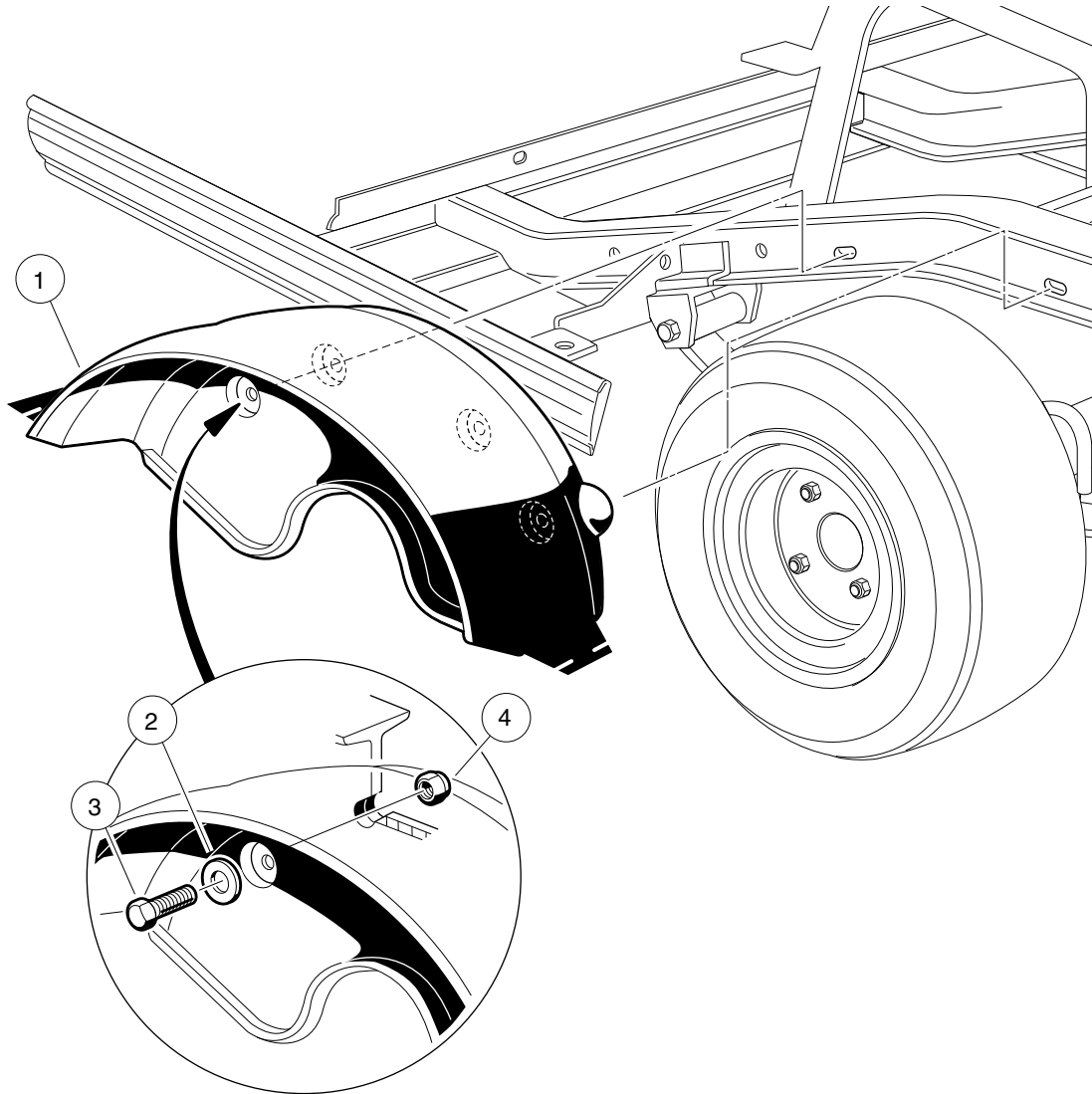


001432-001

TRAILER HITCH

ITEM	PART NO.	DESCRIPTION	QTY
		1 2 3 4	
1	<u>1011522</u>	Kit, Trailer Hitch (1-7/8 Ball (includes items 2 through 10)	1
2	<u>1011546</u>	Trailer Hitch Ball - 1 7/8"	1
3	N/A	Trailer Hitch Weld Assy'	1
4	<u>1011553</u>	Decal, Trailer Hitch	1
5	1218	Screw, 5/16-18 X 1.25 Hex-Head Cap	2
6	<u>1624</u>	Screw, 3/8-16 X 1.50, Hex-Head Cap	1
7	<u>357</u>	Lockwasher, 3/8 Split	1
8	<u>706</u>	Nut, Hex 3/8-16	1
9	<u>7473</u>	Locknut, 5/16-18 Nylon Insert	2
10	<u>808</u>	Washer, 3/8 Type B Flat	1

1
G
E



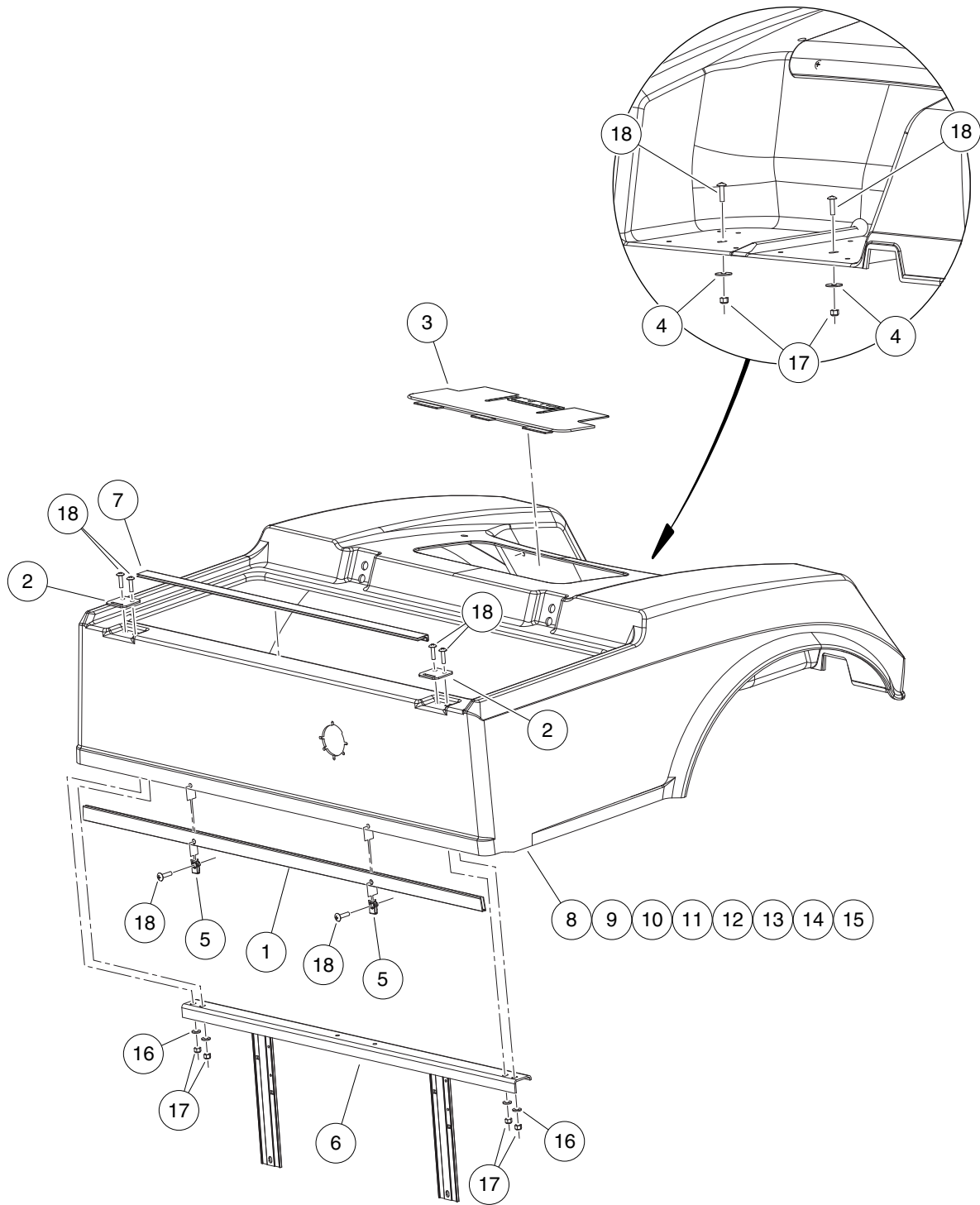
000747-001

INNER FENDER

ITEM	PART NO.	DESCRIPTION	QTY
		1 2 3 4	
1	<u>1017936</u>	Fender, Inner	2
2	<u>332</u>	Washer, 1/4 Type A Narrow Flat	4
3	<u>7847</u>	Screw, 1/4-20 X 0.75 Hex-Head Cap	4
4	<u>8233</u>	Locknut, 1/4-20, Nylon Insert	4

1
G
E

1
G
E



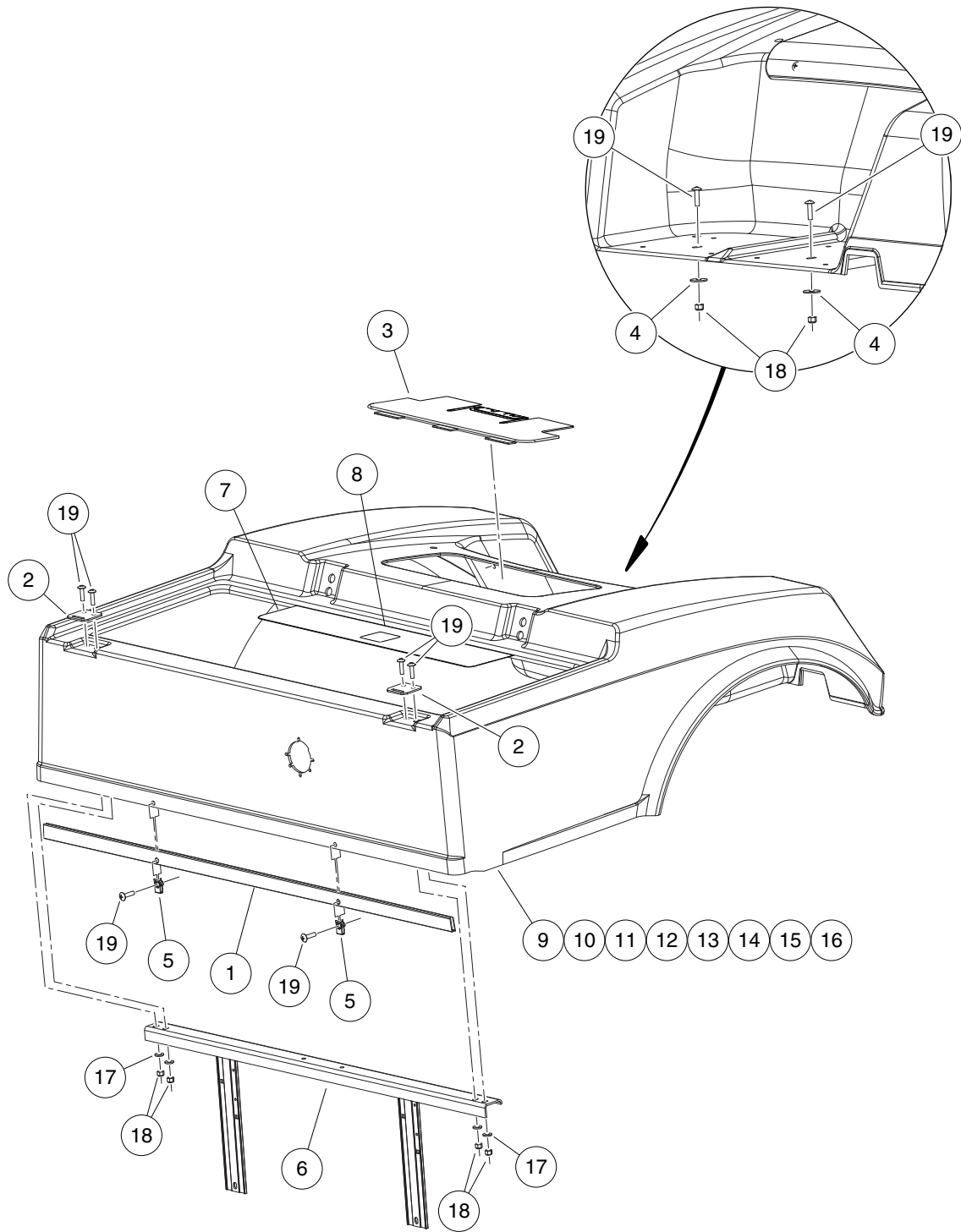
000820-001

REAR BODY – ELECTRIC VEHICLES

ITEM	PART NO.	DESCRIPTION	QTY
		1 2 3 4	
1	<u>1010993</u>	Body Kick Plate	1
2	<u>1012412</u>	Body, Hinge Plate	2
3	<u>101303202</u>	Access Panel - Black, Cut	1
4	<u>1014306</u>	Washer, 1/4" Type B Flat	2
5	<u>1016952</u>	U-Nut, 1/4-20	2
6	<u>1017141</u>	Body Support Weldment	1
7	<u>101837001</u>	Battery Insulator	1
8	<u>103365401</u>	Body, Rear XRT Elec Red	1
9	<u>103365402</u>	Body, Rear XRT Elec Green	1
10	<u>103365403</u>	Body, Rear XRT Elec Camo (Husqvarna)	1
11	<u>103365404</u>	Body, Rear XRT Elec Blue	1
12	<u>103365405</u>	Body, Rear XRT Elec Black	1
13	<u>103365407</u>	Body, Rear XRT Elec Camo Hardwood (Standard camo for XRT850)	1
14	N/A	Body, Rear XRT Elec Max4	1
15	<u>103365409</u>	Body, Rear XRT Elec Silver	1
16	<u>332</u>	Washer, 1/4 Type A Narrow Flat	4
17	<u>8233</u>	Locknut, 1/4-20, Nylon Insert	6
18	<u>8251</u>	Screw, 1/4-20 X 1.0 Truss-Head Machine	8

1
G
E

1
G
E



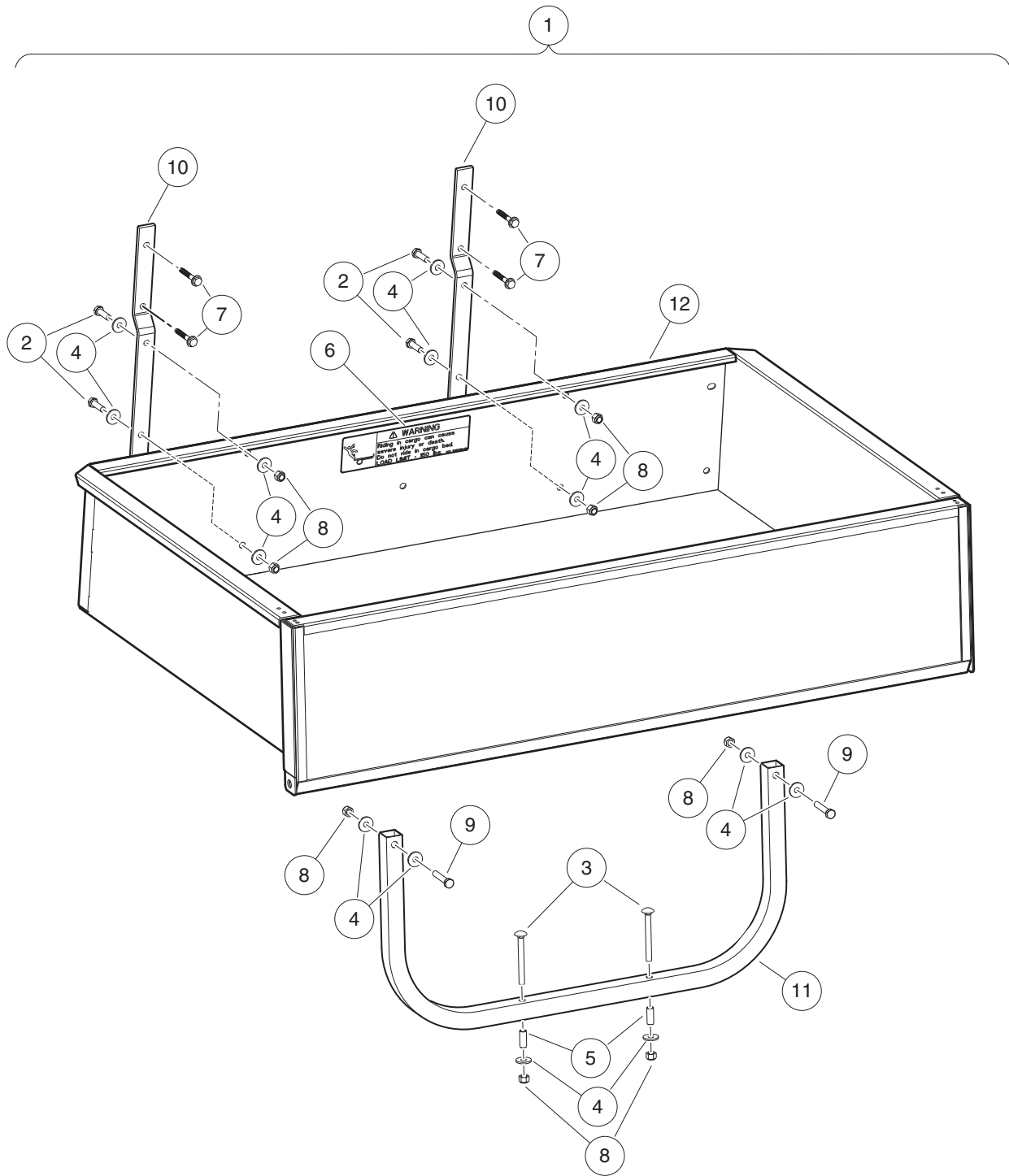
000819-001

REAR BODY – GASOLINE VEHICLES

ITEM	PART NO.	DESCRIPTION	QTY
		1 2 3 4	
1	<u>1010993</u>	Body Kick Plate	1
2	<u>1012412</u>	Body, Hinge Plate	2
3	<u>101303202</u>	Access Panel - Black, Cut	1
4	<u>1014306</u>	Washer, 1/4" Type B Flat	2
5	<u>1016952</u>	U-Nut, 1/4-20	2
6	<u>1017141</u>	Body Support Weldment	1
7	<u>101806901</u>	Shield, Heat	1
8	<u>101960501</u>	Decal, Rotating Parts/Hot Manifold	1
9	<u>103365501</u>	Body, Rear XRT Gas Red	1
10	<u>103365502</u>	Body, Rear XRT Gas Green	1
11	<u>103365503</u>	Body, Rear XRT Gas Camo (Husqvarna)	1
12	<u>103365504</u>	Body, Rear XRT Gas Blue	1
13	<u>103365505</u>	Body, Rear XRT Gas Black	1
14	<u>103365507</u>	Body, Rear XRT Gas Hardwood	1
15	N/A	Body, Rear XRT Gas Max4	1
16	<u>103365509</u>	Body, Rear XRT Gas Silver	1
17	<u>332</u>	Washer, 1/4 Type A Narrow Flat	4
18	<u>8233</u>	Locknut, 1/4-20, Nylon Insert	6
19	<u>8251</u>	Screw, 1/4-20 X 1.0 Truss-Head Machine	8

1
G
E

1
G
E



000839-001

BED BOX

ITEM	PART NO.	DESCRIPTION	QTY
		1 2 3 4	
1	<u>AM10622</u>	Kit, Bedbox, Painted (includes items 2 through 12)	1
2	<u>1010934</u>	Screw, 5/16-18 X 1.00 Hex Cap	4
3	<u>1011098</u>	.38-18 Unc-2a-3.0 Carriage Blt	2
4	<u>1011697</u>	Washer, 5/16 Flat	14
5	<u>1017760</u>	Spacer .31 X .38 X .98	2
6	<u>101972001</u>	Decal, D.s. Box Bed Warning (for vehicles with bed box option)	1
7	<u>102076701</u>	Screw, 1/4-20 X 1.75 Hex Sems	4
8	<u>7473</u>	Locknut, 5/16-18 Nylon Insert	8
9	<u>8963</u>	Screw, 5/16-18 X 1.75 Hex-Head Cap	2
10	<u>AM1205602</u>	Support, Seat, lcs, Bed, Ctd	2
11	N/A	Tube, Support, Bedbox, Ptd	1
12	N/A	Asm, Bed Box, Painted	1

1
G
E

1

G

E

WHEELS AND TIRES

2

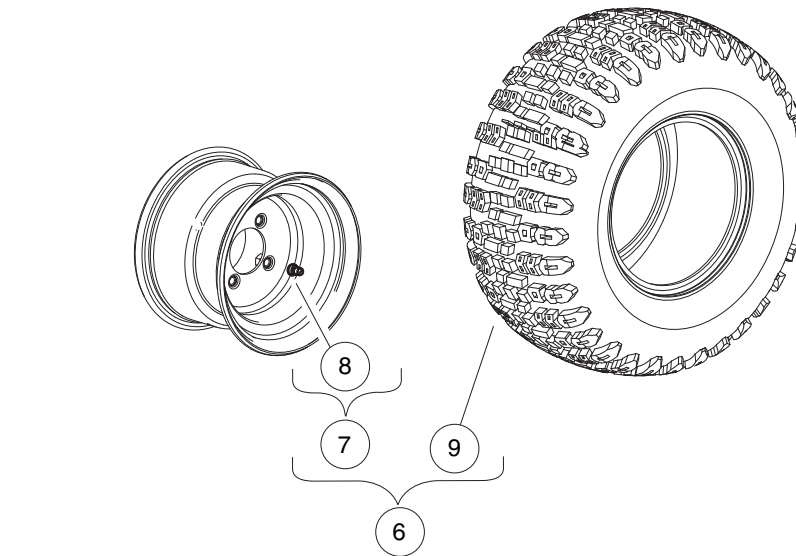
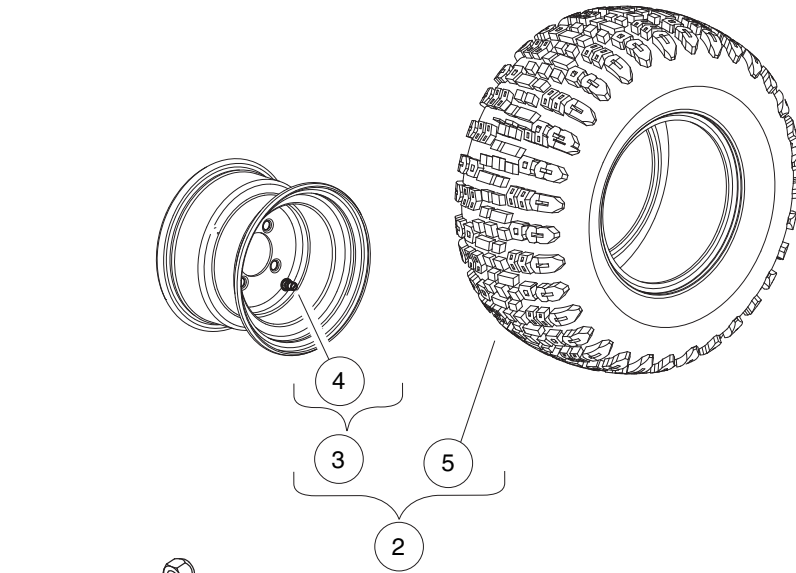
G

E

2

G

E



001323-001

WHEELS AND TIRES, OFF-ROAD – CARRYALL 550 AND XRT850

ITEM	PART NO.	DESCRIPTION	QTY
		1 2 3 4	
1	<u>1010984</u>	.500-20 Unf Lug Nut	16
2	<u>105078807</u>	Asm,whl,or,22x10-10,6pl,front (includes items 3 through 5)	2
3	<u>105079202</u>	Whl,10x7", Gray, 0 Os W/ Vs (includes item 4)	1
4	<u>105078901</u>	Valve Stem, Kenda, Tr 412	1
5	<u>105079801</u>	Tire, Offroad, 22x10-10, 6pl	1
6	<u>105078814</u>	Asm,Tire/Wheel, Off-Road, 22x10-10, 6ply, Gray (includes items 7 through 10)	2
7	<u>105079205</u>	Whl, 10X7, Gray, 1 NOS, W/VS (includes item 8)	2
8	<u>105078901</u>	Valve Stem, Kenda, Tr 412	1
9	<u>105079801</u>	Tire, Offroad, 22x10-10, 6pl	2
10	<u>105216604</u>	Decal, Wheel, K502, Rear	2

2
G
E

2

G

E

DECALS

3

G

E

UNDER 16 **WARNING**
YOUNG DRIVERS INCREASE CHANCE OF DEATH

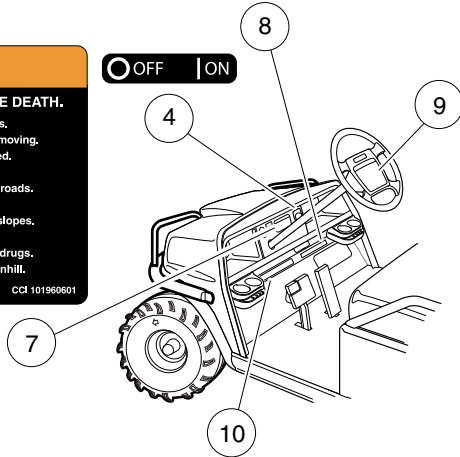
- Young drivers may not be able to control vehicle.
- No drivers younger than 16 years old.

CCI 102075801

WARNING
ROLLOVER OR FALLING OFF MAY CAUSE DEATH.

- Before using vehicle, read operating instructions.
- Remain seated and hold on to seat handle while moving.
- Do not start vehicle until all occupants are seated.
- Two (2) persons per seat maximum.
- Operate from driver side only and not on public roads.
- Keep entire body inside vehicle while moving.
- Drive slowly in turns and straight up and down slopes.
- Do not leave children unattended on vehicle.
- Never operate under the influence of alcohol or drugs.
- Use brakes to reduce speed when coasting downhill.
- Never stand in front of or behind vehicle.

CCI 101960601



OPERATING INSTRUCTIONS

- Read owner's manual and dismount safety warnings prior to driving.
- Study and understand controls.

TO OPERATE

- Turn wheels to desired direction and ensure path is clear.
- Turn key to ON position.
- While stopped, place Forward/Reverse switch in desired position: F—Forward N—Neutral R—Reverse (Buzzer will sound)
- Park brake will release and vehicle will start moving when accelerator pedal is pressed.
- Slowly press accelerator pedal to increase speed.
- To stop, release accelerator pedal and press brake pedal.

BEFORE LEAVING

- Press park brake pedal until it locks and holds vehicle.
- Place Forward/Reverse switch in NEUTRAL position.
- Turn key OFF and remove key when not in use.

MOTOR BRAKING

- Electric motor braking provides speed regulation functions.
- For parked vehicle, beeping alarm indicates vehicle roll away.
- In operation, beeping alarm indicates reduction in motor braking.
- Apply brakes to further reduce vehicle speed as required.
- System is activated only when tow switch is in the RUN position.

CCI 100338201

VEHICLE LOADING

Read Owner's Manual and warnings on dash.

- Vehicle rated capacity - 550 lbs. on level surface only. Weight to include passengers, cargo bed load, and gross trailer weight. See Owner's Manual.
- Maximum cargo load - 150 lbs. Weight to include cargo bed load and gross trailer weight.
- Maximum trailer hitch tongue weight - 150 lbs.

• Cargo should be evenly spread over the floor of the cargo bed as far forward as possible and secured.

• For vehicle stability, when fully loaded, drive slowly and avoid stopping on or backing down steep hills.

• Avoid top heavy loads. See Owner's Manual.

• When driving on uneven terrain or down steep hills, reduce speed and load.

SVP147801

⚠ DANGER / POISON

EXPLOSIVE GASES CAN CAUSE BURNING OR INJURY	SHIELD EYES	NO SPARKS, FLAMES, SMOKING	SULFURIC ACID CAN CAUSE BLINDNESS OR SEVERE BURNS	FLUSH EYES IMMEDIATELY WITH WATER GET MEDICAL HELP FAST
---	-------------	----------------------------	---	--

KEEP OUT OF THE REACH OF CHILDREN - DO NOT TIP - KEEP VENT CAPS TIGHT AND LEVEL

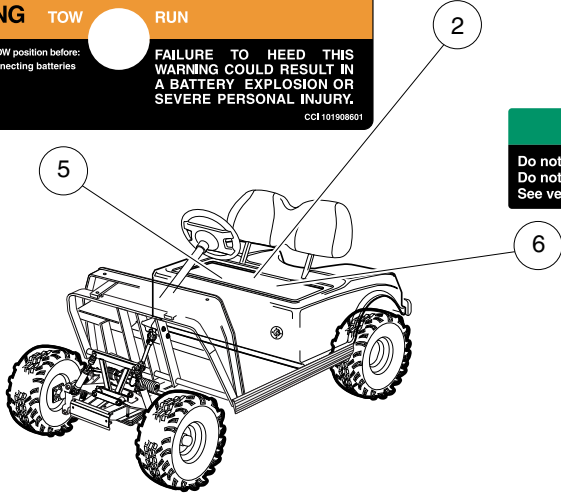
WARNING TOW RUN

Place Tow/Run switch in TOW position before:

- Disconnecting or connecting batteries
- Towing
- Extended storage
- Servicing

FAILURE TO HEED THIS WARNING COULD RESULT IN A BATTERY EXPLOSION OR SEVERE PERSONAL INJURY.

CCI 101908601



NOTICE

Do not operate vehicle without this cover properly installed. Do not direct water stream in this area; will cause damage to components. See vehicle maintenance and service manual before servicing.

CCI 101031501

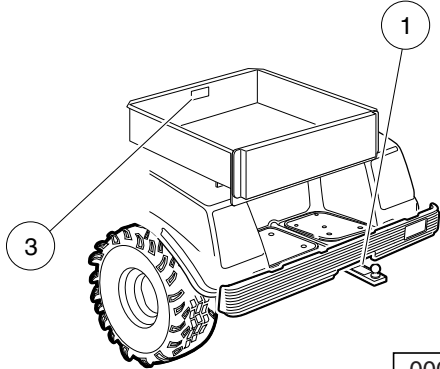
NOTICE
MAXIMUM TONGUE WEIGHT - 150 lbs.

CCI 1011553

WARNING

Riding in cargo bed can cause severe injury or death. Do not ride in cargo bed.

CCI 101553901



000829-001

SAFETY DECALS – ELECTRIC VEHICLES

ITEM	PART NO.	DESCRIPTION	QTY
		1 2 3 4	
1	<u>1011553</u>	Decal, Trailer Hitch	1
2	<u>1013677</u>	Decal, Battery Danger	1
3	<u>101553901</u>	Decal, Bed Load Warning	1
4	<u>101825101</u>	Decal, Off/On	1
5	<u>101908601</u>	Decal, Tow/Run Switch Warning	1
6	<u>101931501</u>	Decal, Component Cover	1
7	<u>101960601</u>	Decal, Dash Warning	1
8	<u>102075801</u>	Decal, Young Driver Warning	1
9	<u>102538201</u>	Decal, Operating Instr, Ele, Comfort Grip	1
10	<u>SVP147801</u>	decal, vehicle loading	1

3
G
E

⚠ WARNING

UNDER 16

YOUNG DRIVERS INCREASE CHANCE OF DEATH

- Young drivers may not be able to control vehicle.
- No drivers younger than 16 years old.

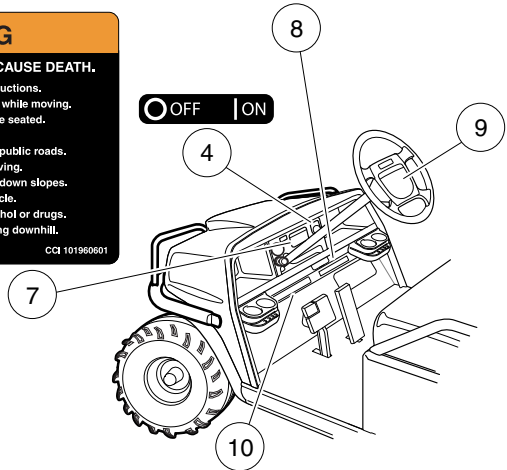
CCI 102075801

⚠ WARNING

ROLLOVER OR FALLING OFF MAY CAUSE DEATH.

- Before using vehicle, read operating instructions.
- Remain seated and hold on to seat handle while moving.
- Do not start vehicle until all occupants are seated.
- Two (2) persons per seat maximum.
- Operate from driver side only and not on public roads.
- Keep entire body inside vehicle while moving.
- Drive slowly in turns and straight up and down slopes.
- Do not leave children unattended on vehicle.
- Never operate under the influence of alcohol or drugs.
- Use brakes to reduce speed when coasting downhill.
- Never stand in front of or behind vehicle.

CCI 101960601



OPERATING INSTRUCTIONS

- Read owner's manual and safety warnings located on dash panel prior to driving.
- Study and understand controls.

TO OPERATE

- Turn wheels to desired direction and ensure path is clear.
- Turn key to ON position.
- While stopped, place shift lever in desired position:
 - F - Forward N - Neutral R - Reverse (Buzzer will sound)
- Park brake will release and vehicle will start moving when accelerator pedal is pressed.
- Slowly press accelerator pedal to increase speed.
- To stop, release accelerator pedal and press brake pedal.

BEFORE LEAVING

- Press park brake pedal until it locks and holds vehicle.
- Place Forward/Reverse switch in NEUTRAL position.
- Turn key OFF and remove key when not in use.

CCI 10238101

VEHICLE LOADING

Read Owner's Manual and warnings on dash.

- Vehicle rated capacity - 550 lbs. on level surface only. Weight to include passengers, cargo bed load, and gross trailer weight. See Owner's Manual.
- Maximum cargo load - 150 lbs. Weight to include cargo bed load and gross trailer weight.
- Maximum trailer hitch tongue weight - 150 lbs.
- Cargo should be evenly spread over the floor of the cargo bed as far forward as possible and secured.
- For vehicle stability, when fully loaded, drive slowly and avoid stopping on or backing down steep hills.
- Avoid top heavy loads. See Owner's Manual.
- When driving on uneven terrain or down steep hills, reduce speed and load.

SVP147801

⚠ WARNING

⚡ Negative frame ground. Can cause severe injury. Do not contact positive (+) battery post or cable to frame. Disconnect negative battery lead first.

⚠ WARNING

⚠ Excessive speed. Can cause severe injury or death. Do not tamper with engine governor adjustment.

CCI 1019162-01

⚠ WARNING

🔥 **GASOLINE EXPLOSION / FIRE.**

- Can cause severe injury or death.
- No smoking, sparks, or open flame.
- Stop engine, allow to cool before refueling.
- Turn fuel valve (—) on during operation. (—) off during storage or transport.

CCI 101547901

⚠ WARNING

🎯 **CAN CAUSE SEVERE INJURY**

Rotating parts

🔥 **HOT manifold & muffler**

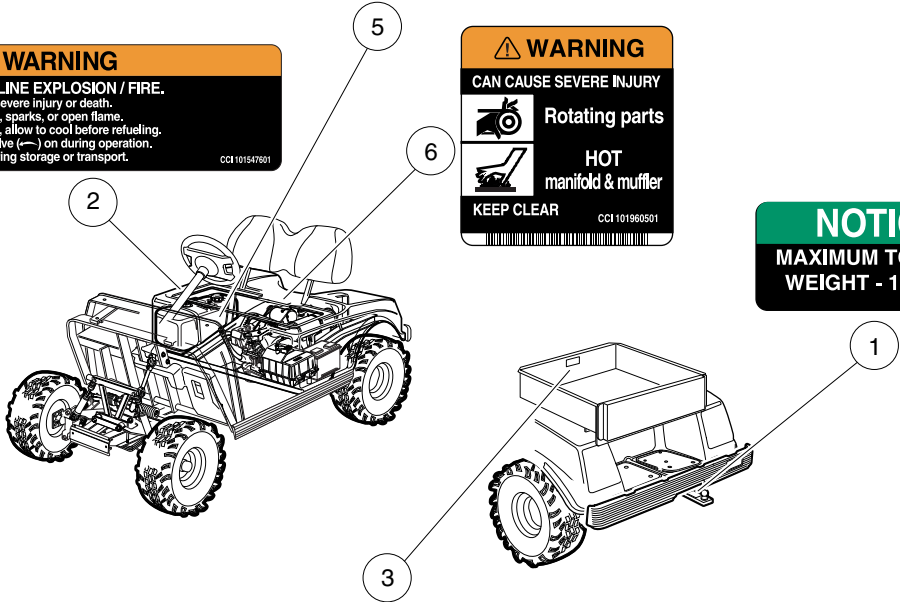
KEEP CLEAR

CCI 101960501

NOTICE

MAXIMUM TONGUE WEIGHT - 150 lbs.

CCI 1011553



⚠ WARNING

🚶 **Riding in cargo bed can cause severe injury or death. Do not ride in cargo bed.**

CCI 101553901

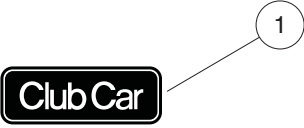
000830-001

SAFETY DECALS – GASOLINE VEHICLES

ITEM	PART NO.	DESCRIPTION	QTY
		1 2 3 4	
1	<u>1011553</u>	Decal, Trailer Hitch	1
2	<u>101547601</u>	Decal, Gasoline Explosion/Fire Warning	1
3	<u>101553901</u>	Decal, Bed Load Warning	1
4	<u>101825101</u>	Decal, Off/On	1
5	<u>101915201</u>	Decal, Frame Ground and Governor Warning	1
6	<u>101960501</u>	Decal, Rotating Parts/Hot Manifold	2
7	101960601	Decal, Dash Warning	1
8	<u>102075801</u>	Decal, Young Driver Warning	1
9	<u>102538101</u>	Decal, Operating Instructions, Gas, Comfort Grip	1
10	<u>SVP147801</u>	decal, vehicle loading	1

3
G
E

3
G
E



000828-002

BADGING DECALS

ITEM	PART NO.	DESCRIPTION	QTY
		1 2 3 4	
1	<u>102046501</u>	Decal, CC Nameplate, Utility	1
2	<u>103389101</u>	Decal, 850, Drv	1
3	<u>103389201</u>	Decal, 850, Pass	1
4	<u>103389301</u>	Decal, 850 E, Drv	1
5	<u>103389401</u>	Decal, 850 E, Pass	1

3

G

E

3

G

E

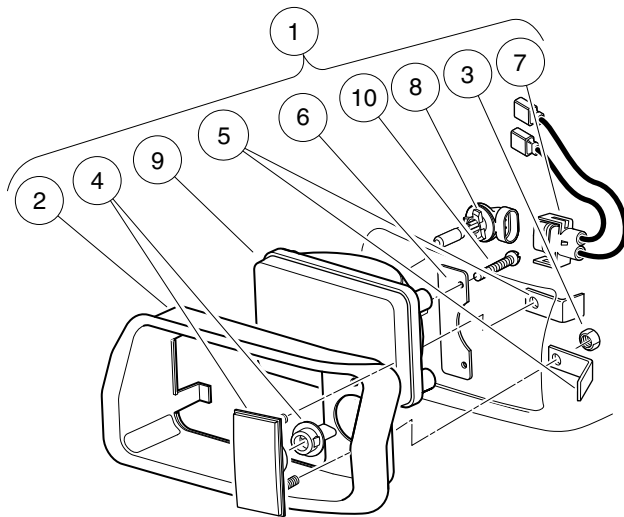
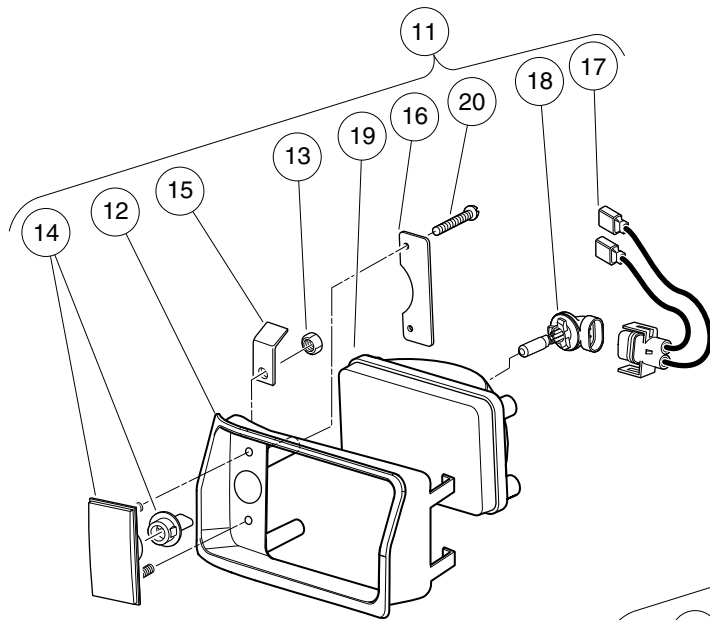
LIGHTS, CONTROLS, AND INDICATORS

4

G

E

4
G
E



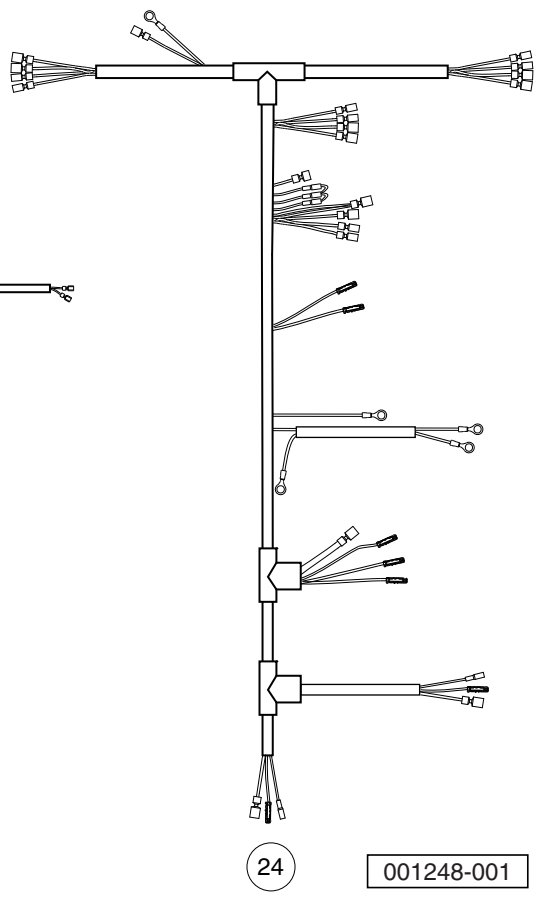
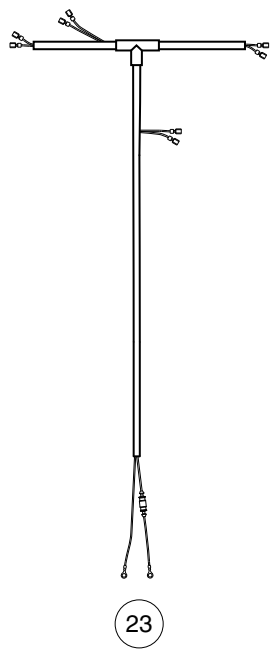
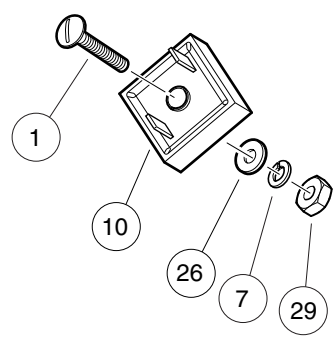
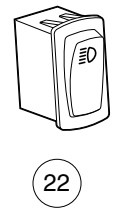
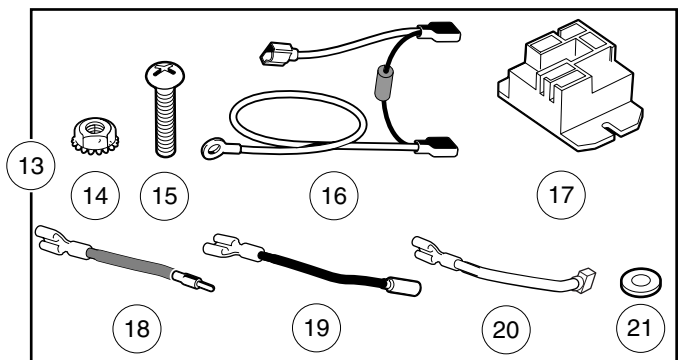
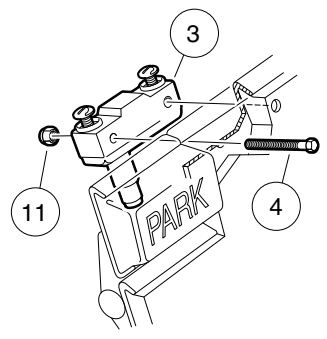
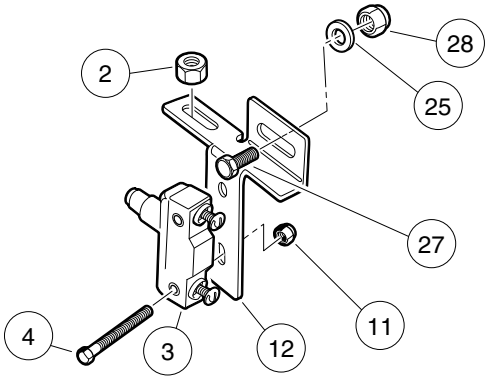
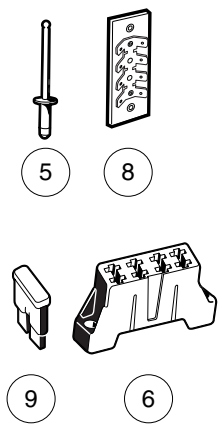
001097-001

HEADLIGHTS

ITEM	PART NO.	DESCRIPTION	QTY
		1 2 3 4	
1	<u>101988001</u>	Headlight Assembly, Driver-Side Single Beam (includes items 2 through 10)	1
2	<u>1016880</u>	Headlight Bezel, Left	1
3	<u>1017</u>	Nut, #10-24 Stainless-Steel Hex Machine	2
4	<u>1017062</u>	Turn Signal Lens Assy	1
5	<u>1017064</u>	Mounting Bracket	2
6	<u>1017065</u>	Retainer, Headlight	1
7	<u>101987901</u>	Connector, Harness Assembly, Headlight	1
8	<u>101988101</u>	Bulb, Headlight	1
9	<u>101988201</u>	Lens, Headlight	1
10	1620	Screw, #10-16 X 0.75 Pan-Head Tap	2
11	<u>101988002</u>	Headlight Assy, Passenger-Side Single Beam (includes items 12 through 20)	1
12	<u>1016879</u>	Headlight Bezel, Right	1
13	<u>1017</u>	Nut, #10-24 Stainless-Steel Hex Machine	2
14	<u>1017062</u>	Turn Signal Lens Assy	1
15	<u>1017064</u>	Mounting Bracket	2
16	<u>1017065</u>	Retainer, Headlight	1
17	<u>101987901</u>	Connector, Harness Assembly, Headlight	1
18	<u>101988101</u>	Bulb, Headlight	1
19	<u>101988201</u>	Lens, Headlight	1
20	1620	Screw, #10-16 X 0.75 Pan-Head Tap	2

4
G
E

4
G
E



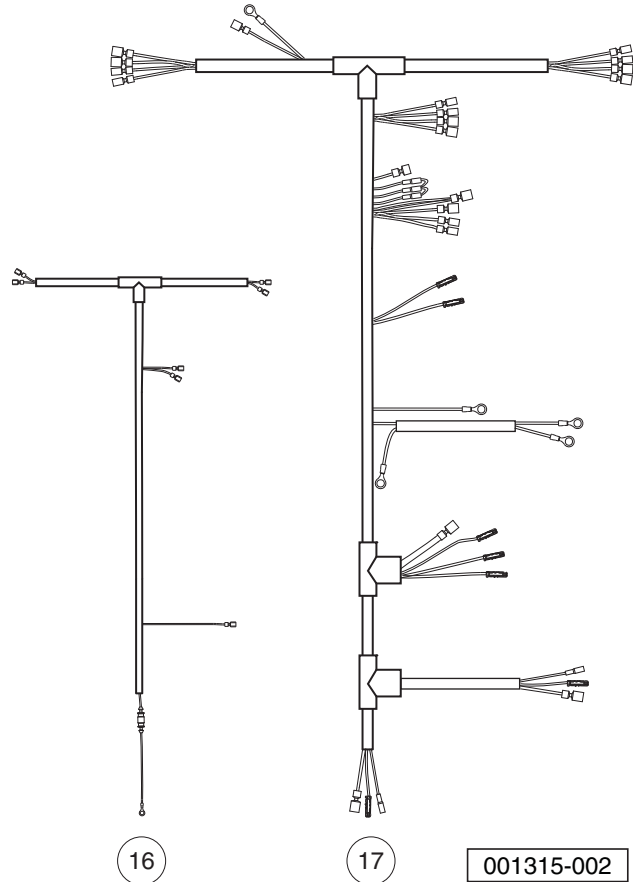
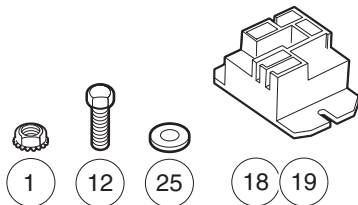
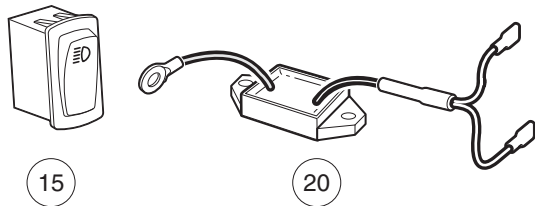
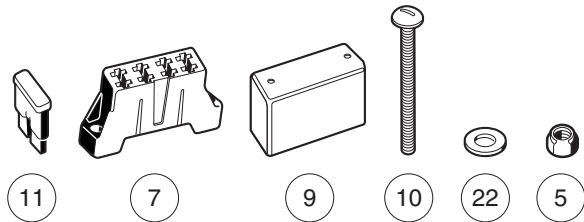
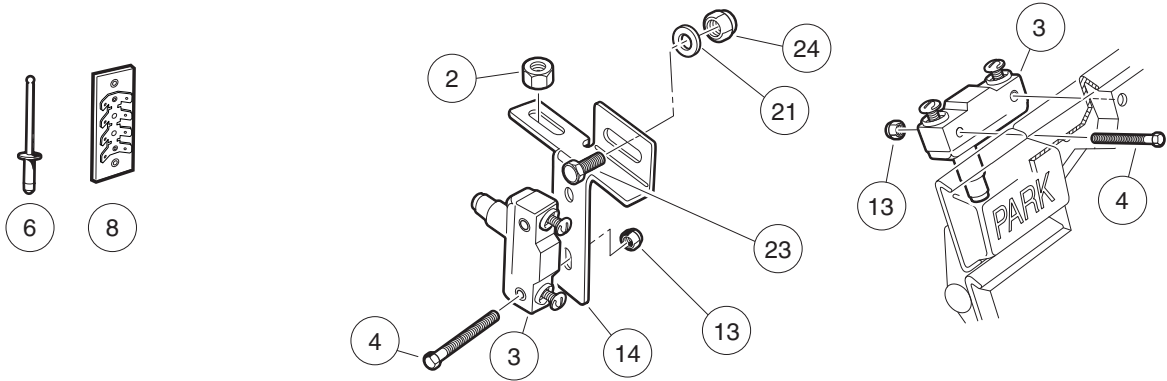
001248-001

LIGHTING SYSTEM COMPONENTS – XRT800/810/850 GASOLINE VEHICLES

ITEM	PART NO.	DESCRIPTION	QTY
		1 2 3 4	
1	<u>1010909</u>	Screw, #10-32 X 1.25 Rd Hd Mch	1
2	<u>1011280</u>	Locknut, 5/16-18	1
3	<u>1011439</u>	Switch, Limit	2
4	<u>1011557</u>	Screw, #6-32 X 1.00 Hex-Head Machine	4
5	<u>1013357</u>	Rivet, 5/32 Aluminum Pop	2
6	<u>1015741</u>	Fuse Block	1
7	<u>1016</u>	Lockwasher, #10 Split	1
8	<u>1016356</u>	Terminal Block with Insulator	1
9	<u>1016423</u>	Fuse, 20-Amp	3
10	<u>1017721</u>	Limiter, Voltage	1
11	<u>101932201</u>	Locknut, #6-32 Nylon	4
12	<u>101957101</u>	Bracket, Brake Light Switch	1
13	<u>102198701</u>	Brake Relay Kit - 12v (includes items 14 through 21)	1
14	<u>1011229</u>	Locknut, #6-32 Whiz	2
15	<u>1017853</u>	Screw, #6-32 X 0.75 Hex-Head Machine	2
16	<u>101914401</u>	Assembly, Voltage Suppressor	1
17	<u>102199001</u>	Relay, 12-Volt	1
18	<u>102199201</u>	Wire Asm #18 Brown	1
19	<u>102199301</u>	Wire Asm #18 Black	1
20	<u>102199401</u>	Wire Asm #18 Black	1
21	<u>7591</u>	Washer, #6, Flat	2
22	<u>102869401</u>	Switch, Rocker, Light	1
23	<u>103255601</u>	Wire Harness, Headlights-Only, CA, Gas	1
24	<u>103256901</u>	Wire Harness, Lighting, CA2	1
25	<u>1241</u>	Washer, 5/16 Type A Flat	1
26	<u>183</u>	Washer, #10, Type A, Flat	1
27	<u>7173</u>	Screw, 5/16-18 X 0.75, Hex-Head Cap	1
28	<u>7473</u>	Locknut, 5/16-18 Nylon Insert	1
29	<u>7893</u>	Nut, #10-32 Hex	1
Note: Use item 23 for headlights only. NOTE 2: Use item 24 for headlights and taillights. NOTE 3: Items 23 and 24 are used in many different models.			

4
G
E

4
G
E



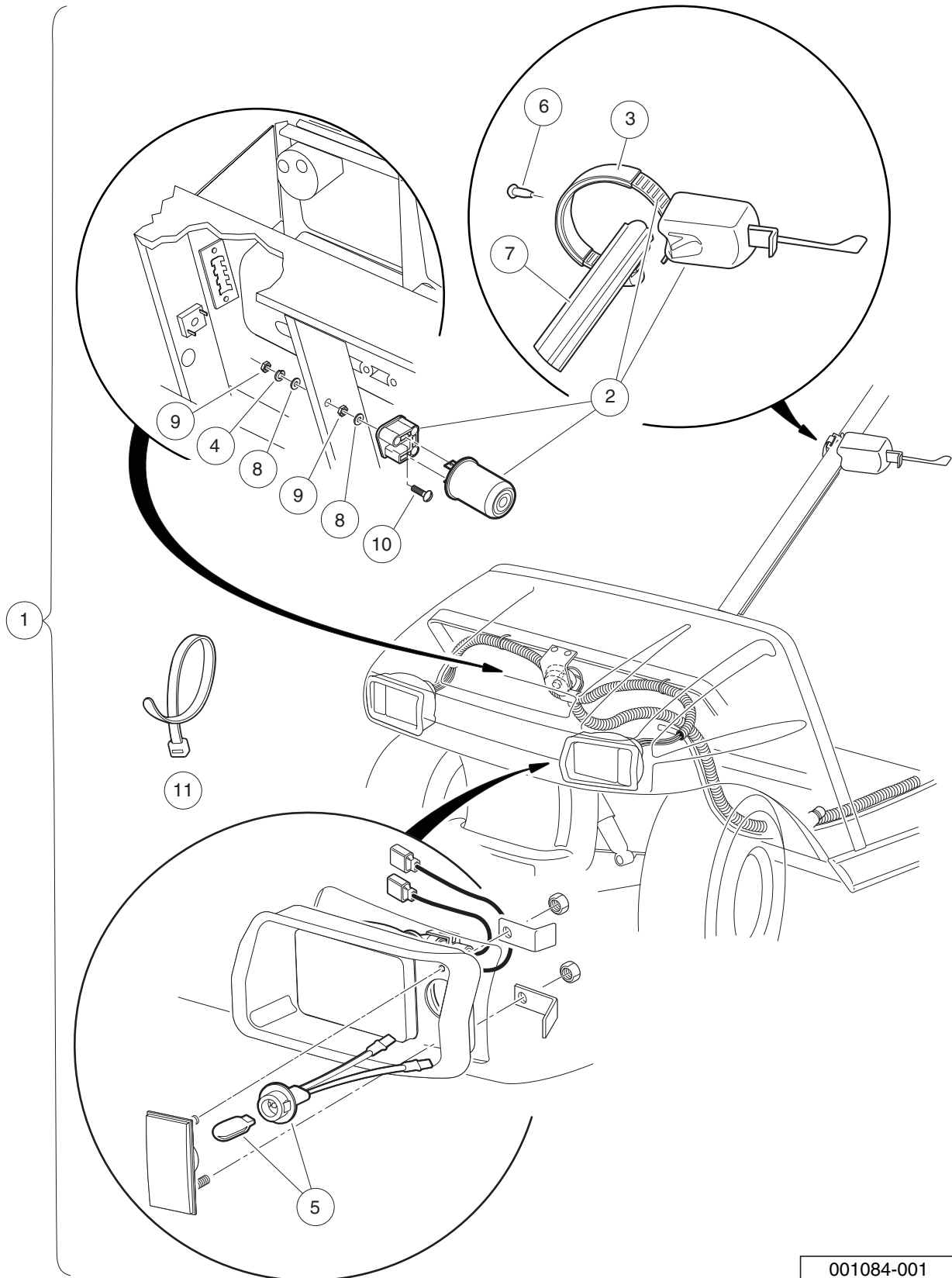
001315-002

LIGHTING SYSTEM COMPONENTS – XRT800/810/850 ELEC. WITH POWERDRIVE CHARGER

ITEM	PART NO.	DESCRIPTION	QTY
		1 2 3 4	
1	<u>1011229</u>	Locknut, #6-32 Whiz	2
2	<u>1011280</u>	Locknut, 5/16-18	1
3	<u>1011439</u>	Switch, Limit	2
4	<u>1011557</u>	Screw, #6-32 X 1.00 Hex-Head Machine	4
5	<u>1012438</u>	Locknut, #10-24 Nylon Insert	2
6	<u>1013357</u>	Rivet, 5/32 Aluminum Pop	2
7	<u>1015741</u>	Fuse Block	1
8	<u>1016356</u>	Terminal Block with Insulator	1
9	<u>1016363</u>	Fuse Block Cover	1
10	<u>1016366</u>	Screw, #10-24 X 3.0 Pan-Head Machine	2
11	<u>1016423</u>	Fuse, 20-Amp	3
12	<u>1017853</u>	Screw, #6-32 X 0.75 Hex-Head Machine	2
13	<u>101932201</u>	Locknut, #6-32 Nylon	4
14	<u>101957101</u>	Bracket, Brake Light Switch	1
15	<u>102869401</u>	Switch, Rocker, Light	1
16	<u>103255701</u>	Wire Harness, Headlights-Only, CA, Electric	1
17	<u>103257001</u>	Wire Harness, Lighting	1
18	<u>103414901</u>	Kit, Relay, 48v 30a W/instr (includes item 19)	1
19	<u>103397901</u>	Relay, Spst No, 48v 30a, Pmt	1
20	<u>103698701</u>	Limiter, Voltage, Plate Mnt	1
21	<u>1241</u>	Washer, 5/16 Type A Flat	1
22	<u>183</u>	Washer, #10, Type A, Flat	4
23	<u>7173</u>	Screw, 5/16-18 X 0.75, Hex-Head Cap	1
24	<u>7473</u>	Locknut, 5/16-18 Nylon Insert	1
25	<u>7591</u>	Washer, #6, Flat	2
		Note: Use item 16 for headlights only. NOTE 2: Use item 17 for headlights and taillights. NOTE 3: Items 16 and 17 are used in many different models.	

4
G
E

4
G
E



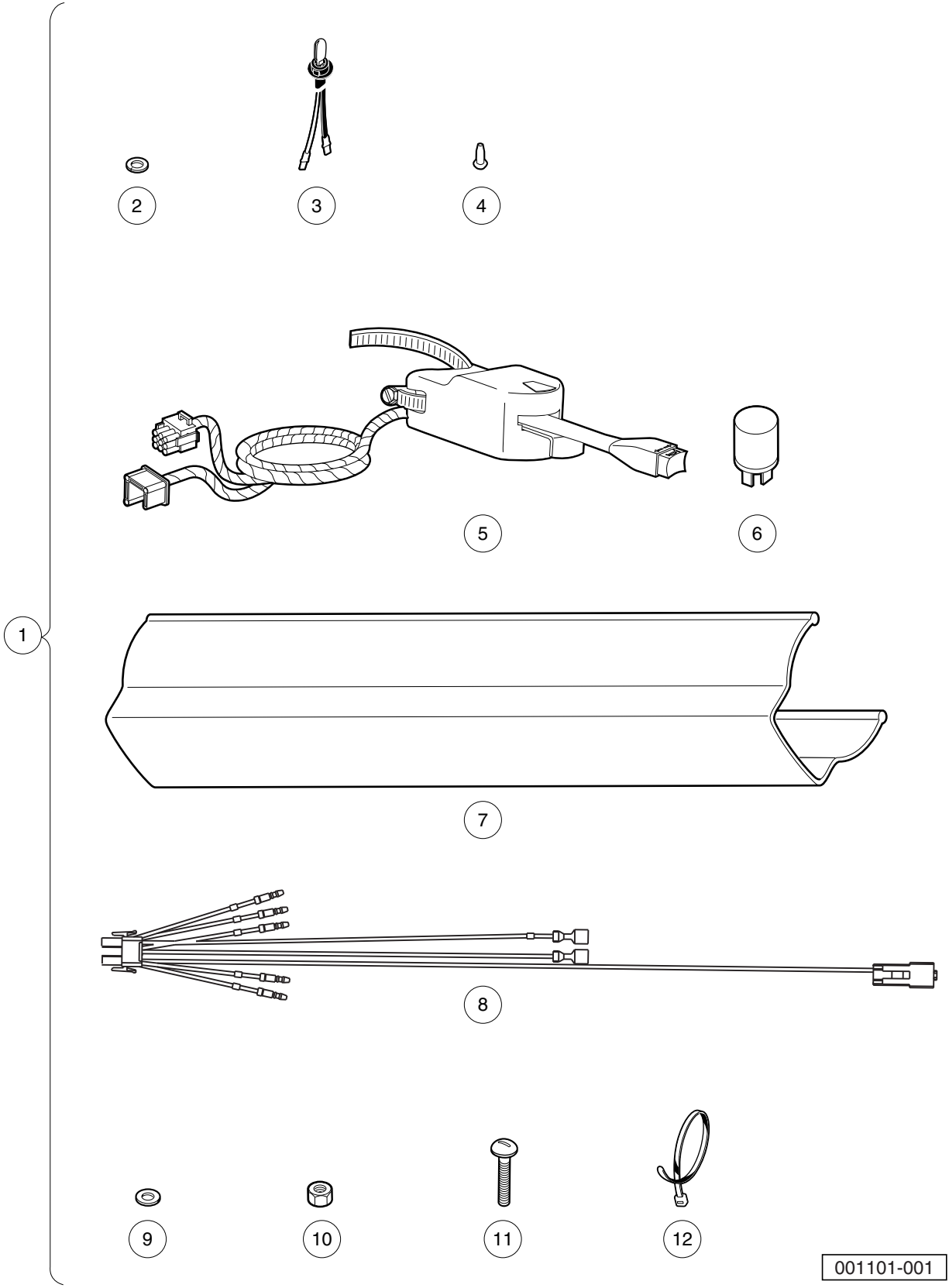
001084-001

TURN SIGNAL KIT – DS AND UTILITY GASOLINE AND ELECTRIC VEHICLES

ITEM	PART NO.	DESCRIPTION	QTY
		1 2 3 4	
1	101707402	Turn Signal Conversion Kit (includes items 2 through 11)	1
2	<u>1011590</u>	Switch Sub-assy, Turn Signal	1
3	N/A	Strap, Extrusion	1
4	<u>1016</u>	Lockwasher, #10 Split	1
5	<u>1017075</u>	Socket & Lamp Assembly	2
6	<u>1017724</u>	Rivet, Plastic	1
7	<u>102529201</u>	Wire Cover, Steering Column	1
8	<u>183</u>	Washer, #10, Type A, Flat	2
9	<u>7893</u>	Nut, #10-32 Hex	2
10	8104	Screw, #10-32 X .75 Rd Hd Mach	1
11	<u>8990</u>	Tie Wrap, 8" Nylon	1

4
G
E

4
G
E



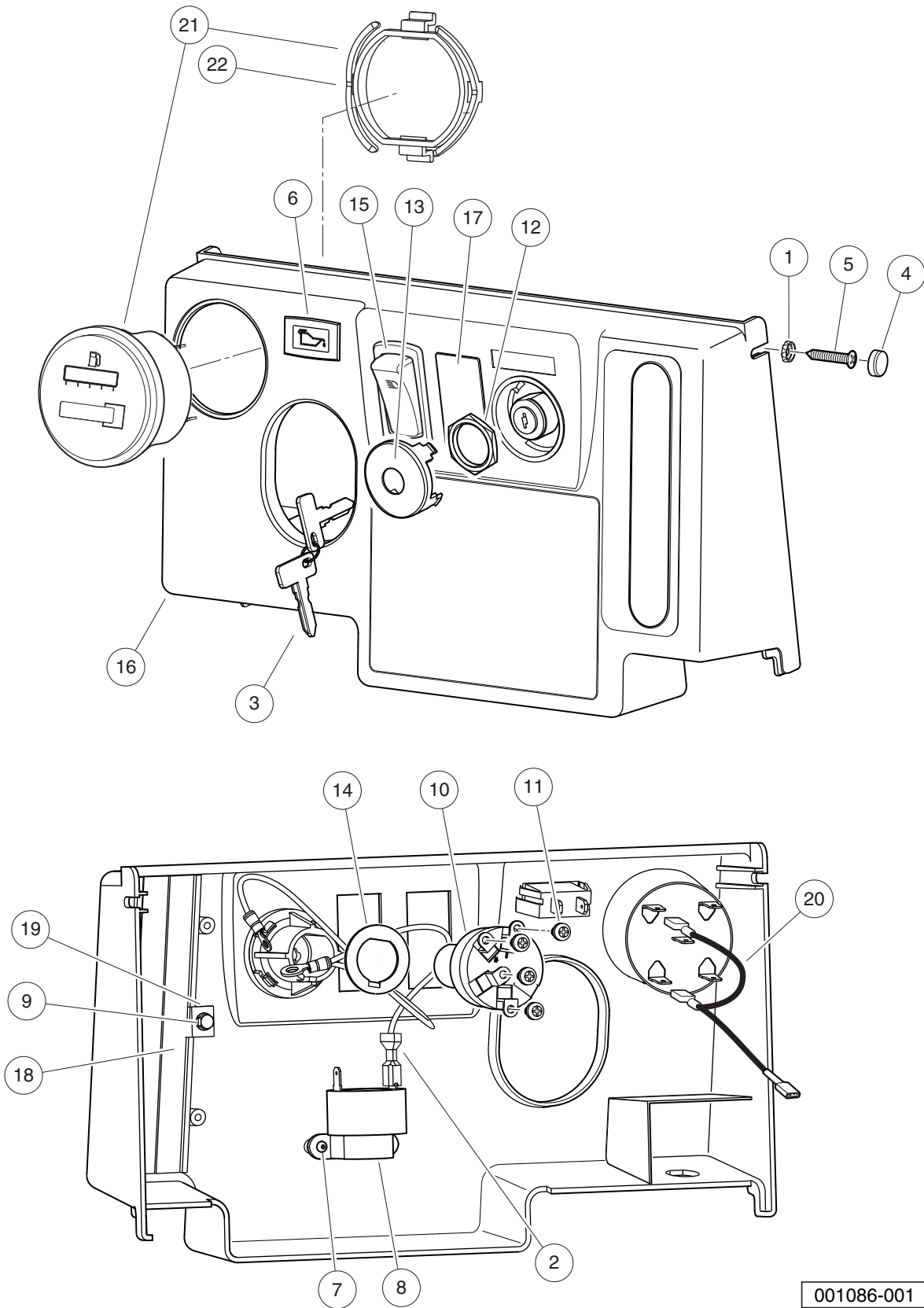
001101-001

TURN SIGNAL (WITH HORN BUTTON) KIT – DS AND UTILITY GAS AND ELECTRIC VEHICLES

ITEM	PART NO.	DESCRIPTION	QTY
		1 2 3 4	
1	101707405	Kit, Turn Signal-horn (includes items 2 through 12)	1
2	<u>1016</u>	Lockwasher, #10 Split	1
3	<u>1017075</u>	Socket & Lamp Assembly	2
4	<u>1017724</u>	Rivet, Plastic	1
5	<u>102517501</u>	Turn Signal Asm (includes item 6)	1
6	<u>102546401</u>	Flasher Unit, Prec	1
7	<u>102529201</u>	Wire Cover, Steering Column	1
8	<u>103618001</u>	Harness, Jumper, Turn Signal	1
9	<u>183</u>	Washer, #10, Type A, Flat	2
10	<u>7893</u>	Nut, #10-32 Hex	2
11	8104	Screw, #10-32 X .75 Rd Hd Mach	1
12	<u>8990</u>	Tie Wrap, 8" Nylon	1

4
G
E

4
G
E



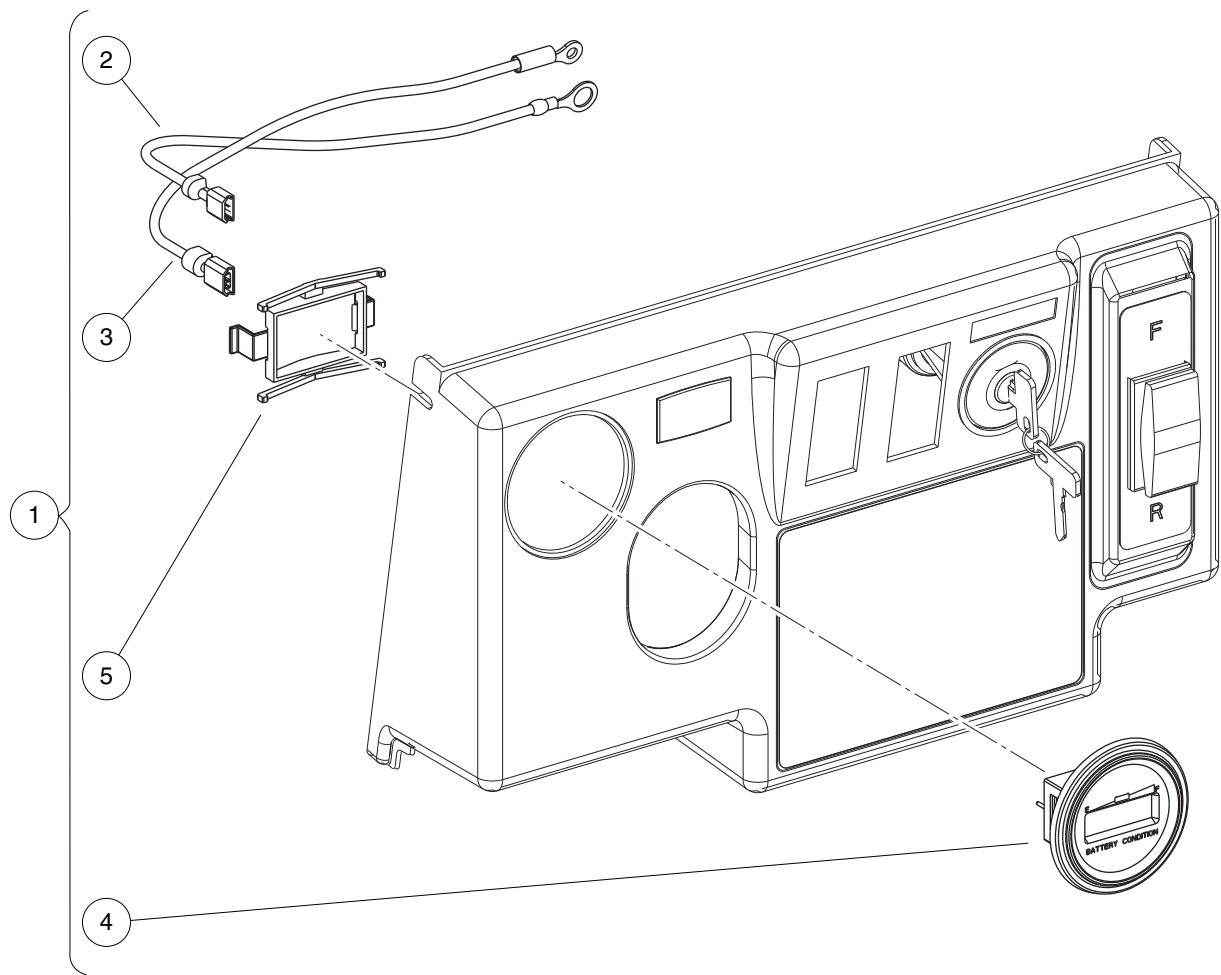
001086-001

INSTRUMENT PANEL – XRT850 GAS

ITEM	PART NO.	DESCRIPTION	QTY
		1 2 3 4	
1	1011382	Washer, #10 Pan-Head Screw	2
2	1012396	Wire Assy #18 Black	1
3	<u>1012505</u>	Keys (set of 2)	1
4	<u>1013494</u>	Cover, Screw Head	2
5	<u>1015528</u>	Screw, #10 x 1-1/4 Phillips Head	2
6	<u>1016630</u>	Light, Oil	1
7	<u>1016849</u>	Screw, #4-24 X 0.33, Pan-Head, Machine	2
8	<u>1016851</u>	Buzzer, Reverse (9-48 VDC)	1
9	<u>101804301</u>	Screw, #8 X 0.500, Hex-Head Hi-Lo	2
10	<u>101826301</u>	Key Switch, 12-Volt, Off/On	1
11	101830601	Screw and Washer Assembly	5
12	<u>101830701</u>	Nut, Key Switch	1
13	<u>101834502</u>	Cap, Black Key Switch	1
14	<u>101851101</u>	Washer, Key Switch	1
15	<u>102869401</u>	Switch, Rocker, Light	1
16	<u>102977001</u>	Panel, Dash, Center, Gas (Instrument Panel)	1
17	<u>103180101</u>	Cover, Hole, Switch, Rocker	1
18	<u>103199001</u>	Brush, Closeout, FNR	2
19	<u>103199101</u>	Washer, Retaining, Brush, FNR	2
20	<u>103348501</u>	Asm, Wire Meter, F-h Jumper	1
21	<u>103348601</u>	Gauge, Fuel-hour, sep Gnd, utl (includes item 22)	1
22	<u>103348201</u>	Clip, Meter, Round	1

4
G
E

4
G
E



000817-002

BATTERY CONDITION INDICATOR – ELECTRIC VEHICLES

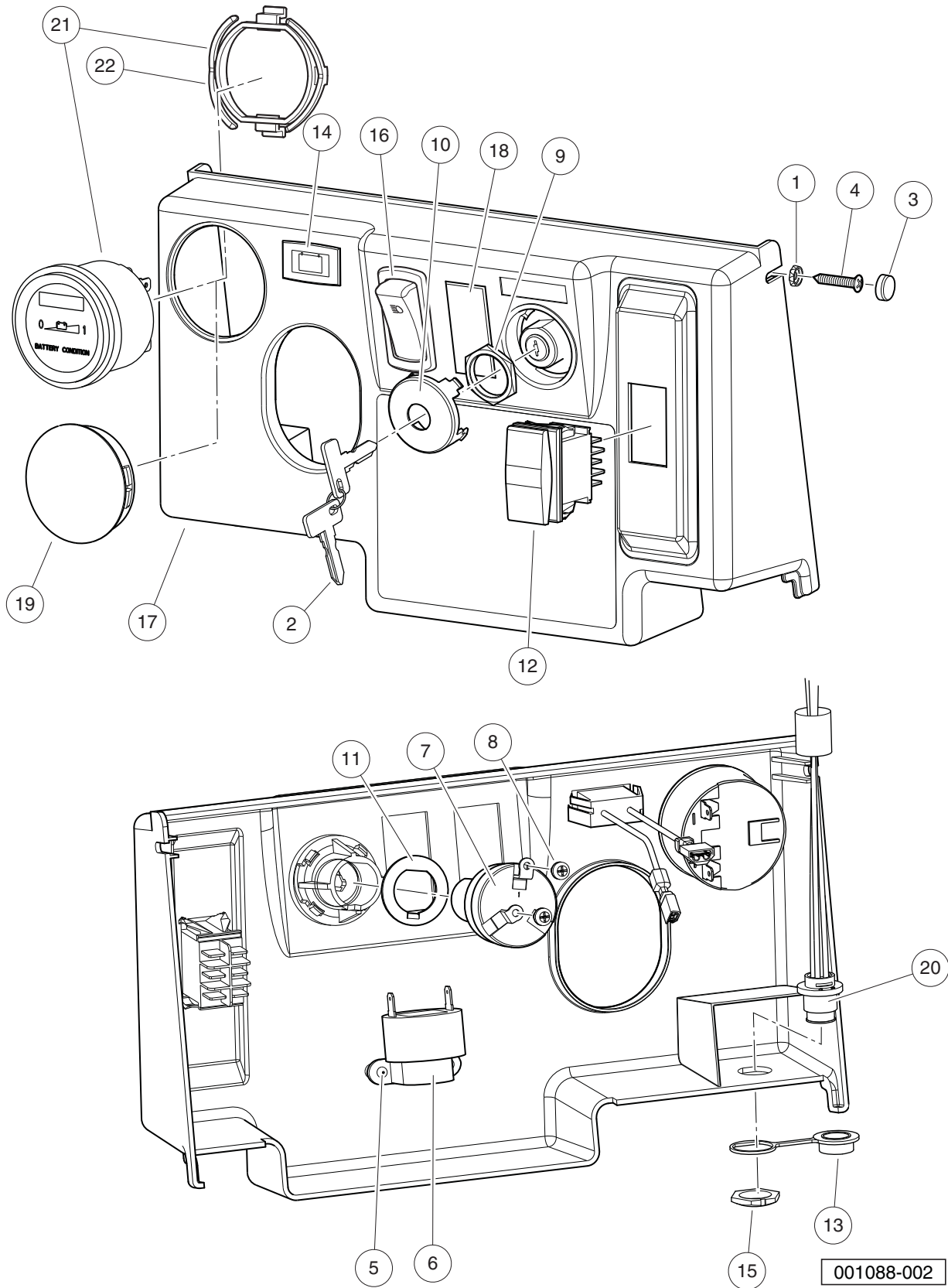
ITEM	PART NO.	DESCRIPTION	QTY
		1 2 3 4	
1	<u>103257603</u>	Kit, Gauge, Battery Condition Indicator (includes items 2 through 4)	1
2	<u>103257701</u>	Wire Asm, #18 Black, 2565mm	1
3	<u>103257801</u>	Wire Asm, #16 Red, 330mm	1
4	<u>103354401</u>	Gauge, Battery Cond Ind, Rnd (includes item 5)	1
5	<u>103348202</u>	Clip, Bci, Round	1

4

G

E

4
G
E



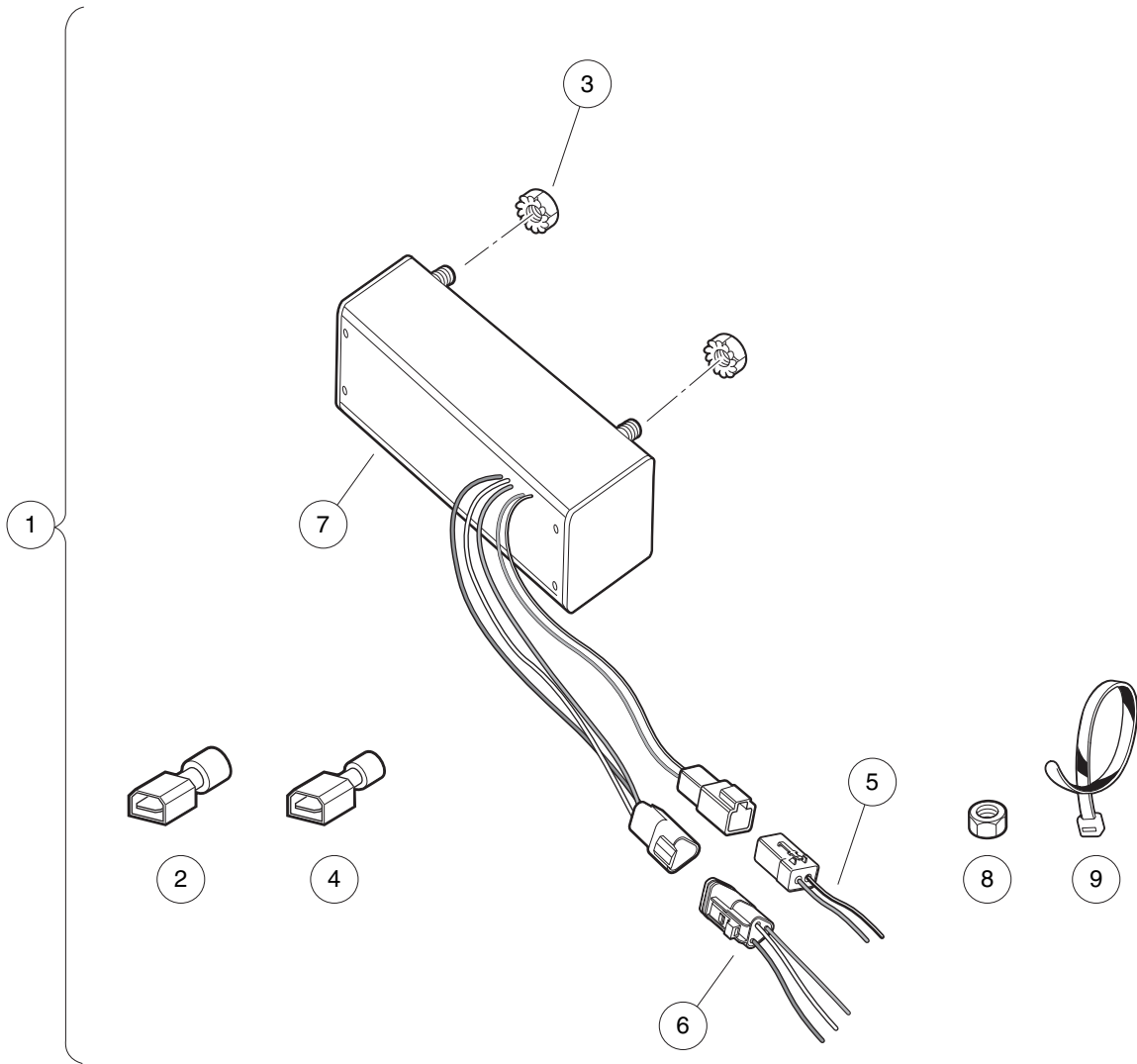
001088-002

INSTRUMENT PANEL – CA6/VILL 6 & 8/TPORTER/XRT850 ELEC. WITH LESTER CHARGER

ITEM	PART NO.	DESCRIPTION	QTY
		1 2 3 4	
1	1011382	Washer, #10 Pan-Head Screw	2
2	<u>1012505</u>	Keys (set of 2)	1
3	<u>1013494</u>	Cover, Screw Head	2
4	<u>1015528</u>	Screw, #10 x 1-1/4 Phillips Head	2
5	<u>1016849</u>	Screw, #4-24 X 0.33, Pan-Head, Machine	2
6	<u>1016851</u>	Buzzer, Reverse (9-48 VDC)	1
7	<u>101826201</u>	Key Switch, On/Off	1
8	101830601	Screw and Washer Assembly	2
9	<u>101830701</u>	Nut, Key Switch	1
10	<u>101834502</u>	Cap, Black Key Switch	1
11	<u>101851101</u>	Washer, Key Switch	1
12	<u>101856002</u>	Switch, Rocker, Single-Pole	1
13	<u>102196901</u>	Dust Cap	1
14	<u>102508701</u>	Light, Battery	1
15	<u>102572401</u>	Nut, Diagnostic Port	1
16	<u>102869401</u>	Switch, Rocker, Light	1
17	<u>102977002</u>	Panel, Dash, Center, Elec (Instrument Panel)	1
18	<u>103180101</u>	Cover, Hole, Switch, Rocker	1
19	<u>103198301</u>	Plug, Hole, Round, 2.0 In	1
20	<u>103218601</u>	Harness, Diagnostic Port	1
21	<u>103354401</u>	Gauge, Battery Cond Ind, Rnd (includes item 22)	1
22	<u>103348202</u>	Clip, Bci, Round	1

4
G
E

4
G
E



001271-002

DC CONVERTER (ISOLATED) – IQ SYSTEM ELECTRIC VEHICLE

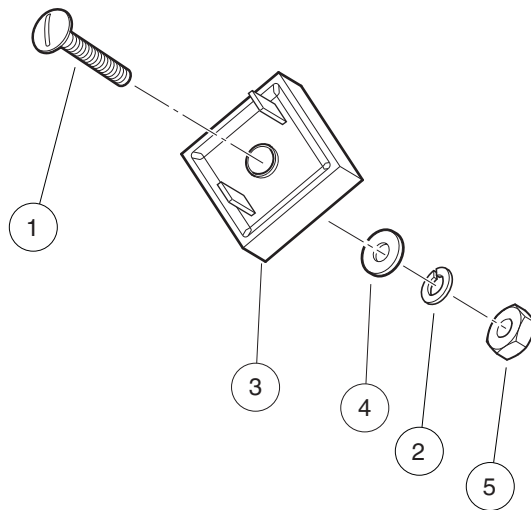
ITEM	PART NO.	DESCRIPTION	QTY
		1 2 3 4	
1	<u>102357501</u>	Kit, DC/DC Converter (includes items 2 through 9)	1
2	<u>1016365</u>	Terminal, 1/4" Male Quick Disconnect	1
3	<u>101835601</u>	Locknut, 1/4-20 Hex Whiz	2
4	N/A	Terminal, 1/4" Male Quick Disconnect	1
5	<u>102354901</u>	Harness, Dc Converter - 12v	1
6	<u>102355001</u>	Harness, Dc Converter - 48v	1
7	<u>103700301</u>	Converter, Dc/dc, Isoltd	1
8	<u>1242</u>	Nut, 5/16-18 Hex	1
9	<u>8990</u>	Tie Wrap, 8" Nylon	4

4
G
E

4

G

E



001091-001

VOLTAGE LIMITER – GASOLINE VEHICLE

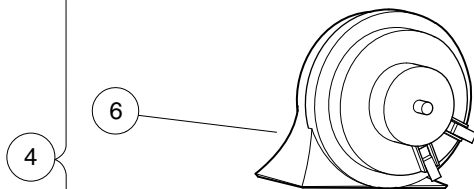
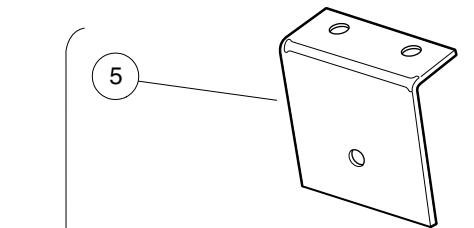
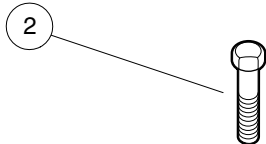
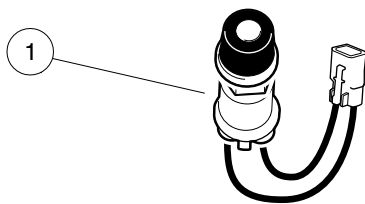
ITEM	PART NO.	DESCRIPTION	QTY
		1 2 3 4	
1	<u>1010909</u>	Screw, #10-32 X 1.25 Rd Hd Mch	1
2	<u>1016</u>	Lockwasher, #10 Split	1
3	<u>1017721</u>	Limiter, Voltage	1
4	<u>183</u>	Washer, #10, Type A, Flat	1
5	<u>7893</u>	Nut, #10-32 Hex	1

4
G
E

4

G

E



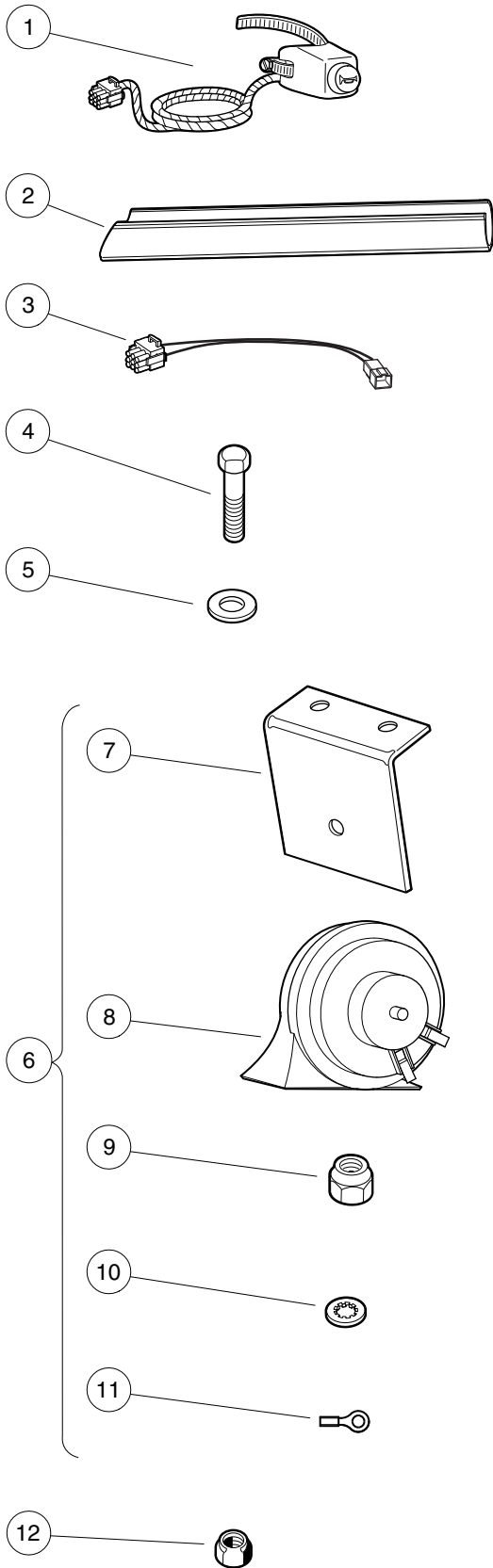
001095-001

HORN

ITEM	PART NO.	DESCRIPTION	QTY
		1 2 3 4	
1	<u>101969701</u>	Horn Button and Wire Assembly	1
2	304	Screw, 1/4-20 X 1.0 Hex-Head Cap	2
3	<u>332</u>	Washer, 1/4 Type A Narrow Flat	2
4	<u>4029</u>	Horn (includes items 5 through 9)	1
5	<u>1011825</u>	Horn Bracket	1
6	<u>1014530</u>	Horn, 12-VDC	1
7	<u>101955101</u>	Nut, M6 Hex	1
8	<u>7820</u>	Washer, 5/16 Internal-Tooth	1
9	8294	5/16 Ring Term.	1
10	<u>8233</u>	Locknut, 1/4-20, Nylon Insert	2

4
G
E

4
G
E

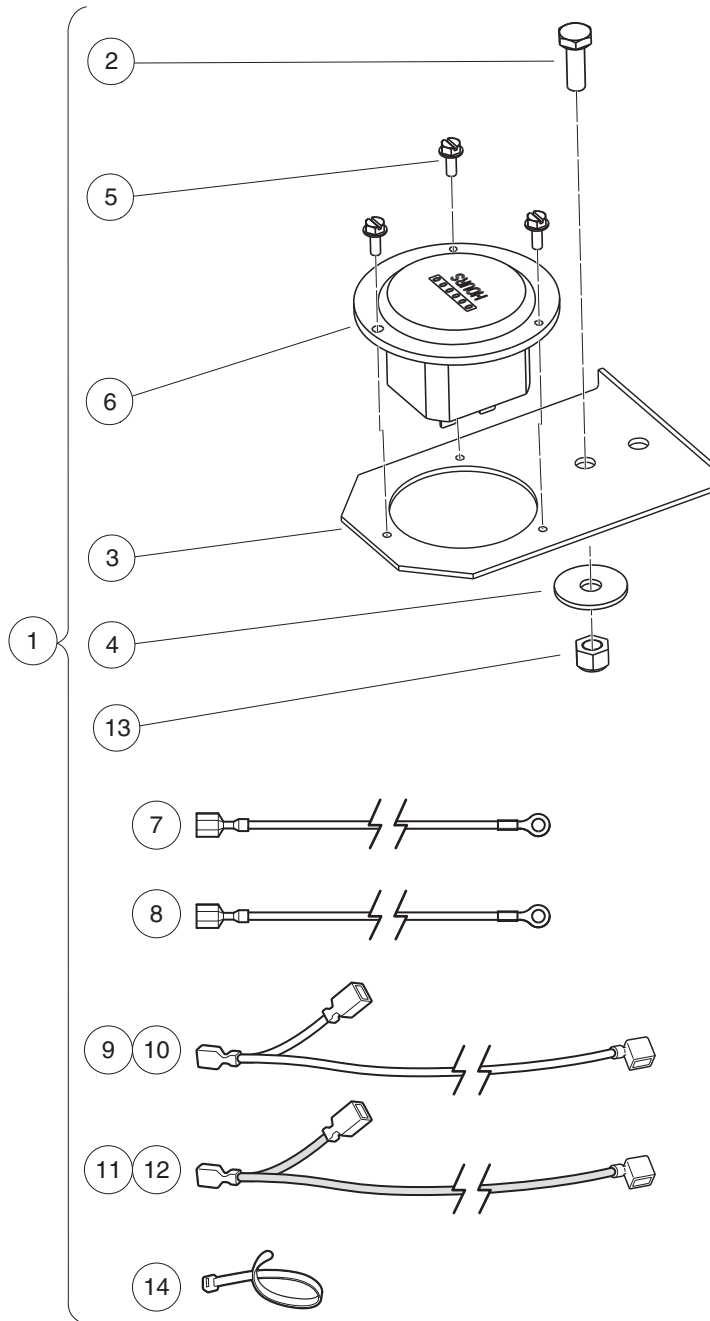


001095-002

HORN WITH COLUMN-MOUNTED BUTTON

ITEM	PART NO.	DESCRIPTION	QTY	4
		1 2 3 4		G
1	102517601	Subasm, Horn Button Harness	1	E
2	<u>102529203</u>	Wire Cover-steer Column 304 Mm	1	
3	<u>103618101</u>	Harness, Jumper, Horn	1	
4	304	Screw, 1/4-20 X 1.0 Hex-Head Cap	2	
5	<u>332</u>	Washer, 1/4 Type A Narrow Flat	2	
6	<u>4029</u>	Horn (includes items 7 through 11)	1	
7	<u>1011825</u>	Horn Bracket	1	
8	<u>1014530</u>	Horn, 12-VDC	1	
9	<u>101955101</u>	Nut, M6 Hex	1	
10	<u>7820</u>	Washer, 5/16 Internal-Tooth	1	
11	8294	5/16 Ring Term.	1	
12	<u>8233</u>	Locknut, 1/4-20, Nylon Insert	2	

4
G
E



001096-001

HOUR METER – IQ SYSTEM AND IQ PLUS ELECTRIC VEHICLES

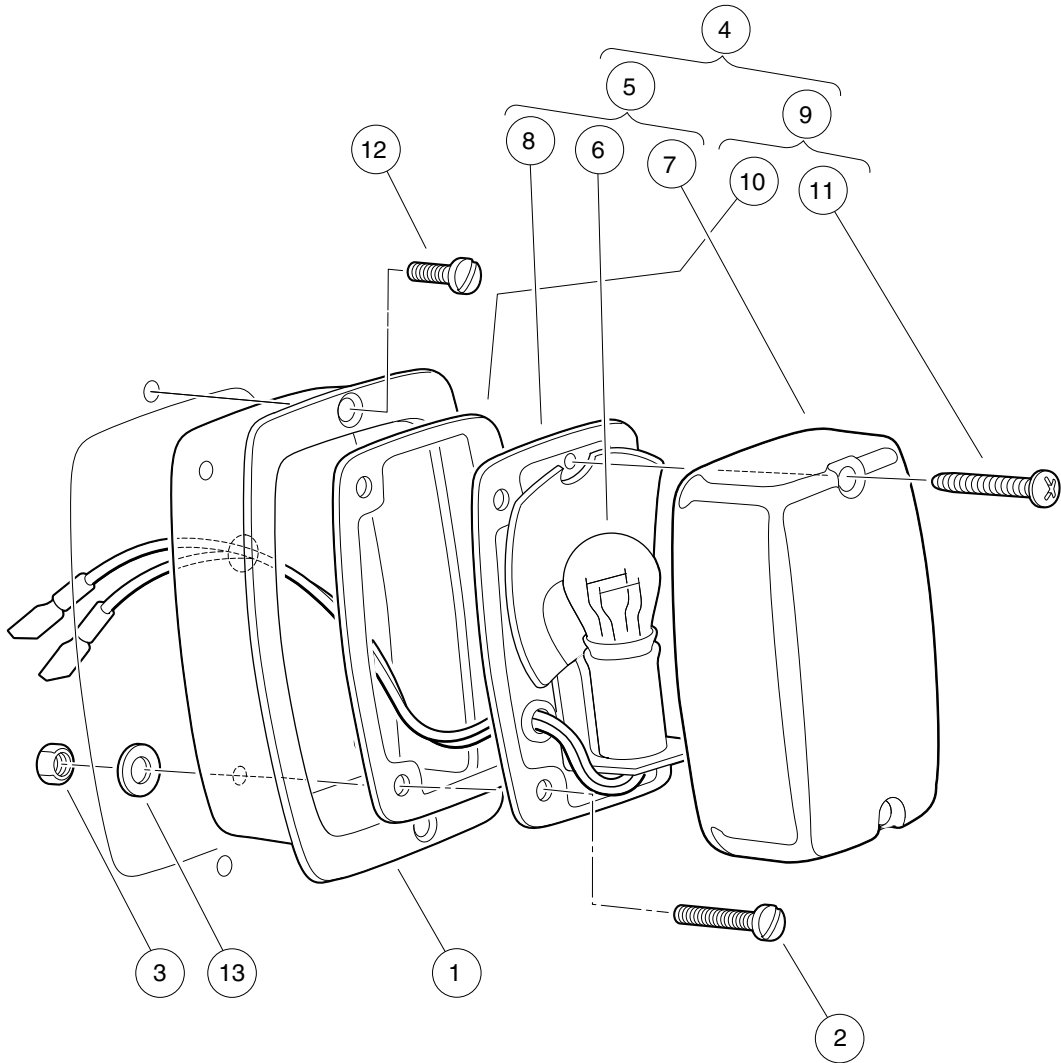
ITEM	PART NO.	DESCRIPTION	QTY
		1 2 3 4	
1	<u>1013579</u>	Kit, Hour Meter (includes items 2 through 14)	1
2	<u>1012285</u>	Screw, 1/4 X 0.625 Hex-Head	1
3	<u>1013547</u>	Hour Meter Bracket	1
4	<u>1014306</u>	Washer, 1/4" Type B Flat	1
5	<u>1014540</u>	Screw, #6-32 X 3/8 Taptite	3
6	N/A	Hour Meter	1
7	101881501	Wire Assembly Black #18	1
8	101881601	Wire Assembly Red #18	1
9	<u>101997802</u>	Wire Assembly #18 Yellow	1
10	<u>101997803</u>	Wire Asm #18 Yellow 31"	1
11	<u>101997902</u>	Wire Assembly #18 Red	1
12	<u>101997903</u>	Wire Asm # 18 Red 31"	1
13	<u>8233</u>	Locknut, 1/4-20, Nylon Insert	1
14	<u>8990</u>	Tie Wrap, 8" Nylon	1
<p>Note: The kit includes components that apply to multiple vehicles. The installation instructions will specify which components are required for a specific model. After installation, discard components not used.</p>			

4
G
E

4

G

E



000348-006

TAIL LIGHTS

ITEM	PART NO.	DESCRIPTION	QTY
		1 2 3 4	
1	<u>1011497</u>	Bezel, Taillight	1
2	<u>1011557</u>	Screw, #6-32 X 1.00 Hex-Head Machine	1
3	<u>1011558</u>	Nut, #6-32 Hex	1
4	1017035	Taillight Assembly (includes items 5 through 9)	1
5	N/A	Light, Tail (includes items 6 through 8)	1
6	<u>1011582</u>	Taillight Bulb	1
7	<u>1011843</u>	Taillight Lens	1
8	N/A	Base, Taillight	1
9	<u>1017699</u>	Hardware Kit, Tail Light (includes items 10 and 11)	1
10	N/A	Gasket	1
11	N/A	Screw, Tapered	2
12	<u>102915601</u>	Plastic Rivet - Tuflock	1
13	<u>7591</u>	Washer, #6, Flat	1

4
G
E

4

G

E

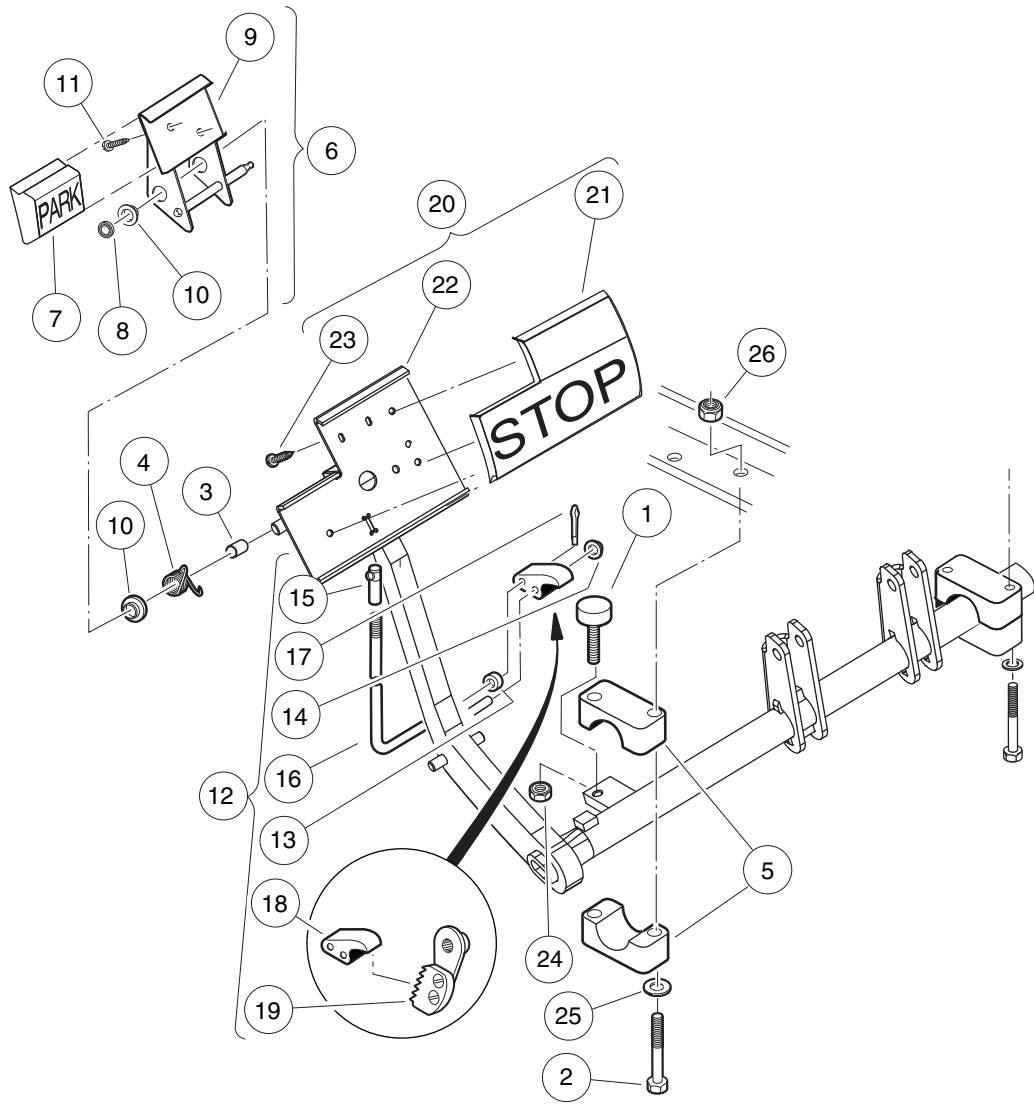
BRAKES, PEDALS, AND CABLE ASSEMBLIES

5

G

E

5
G
E

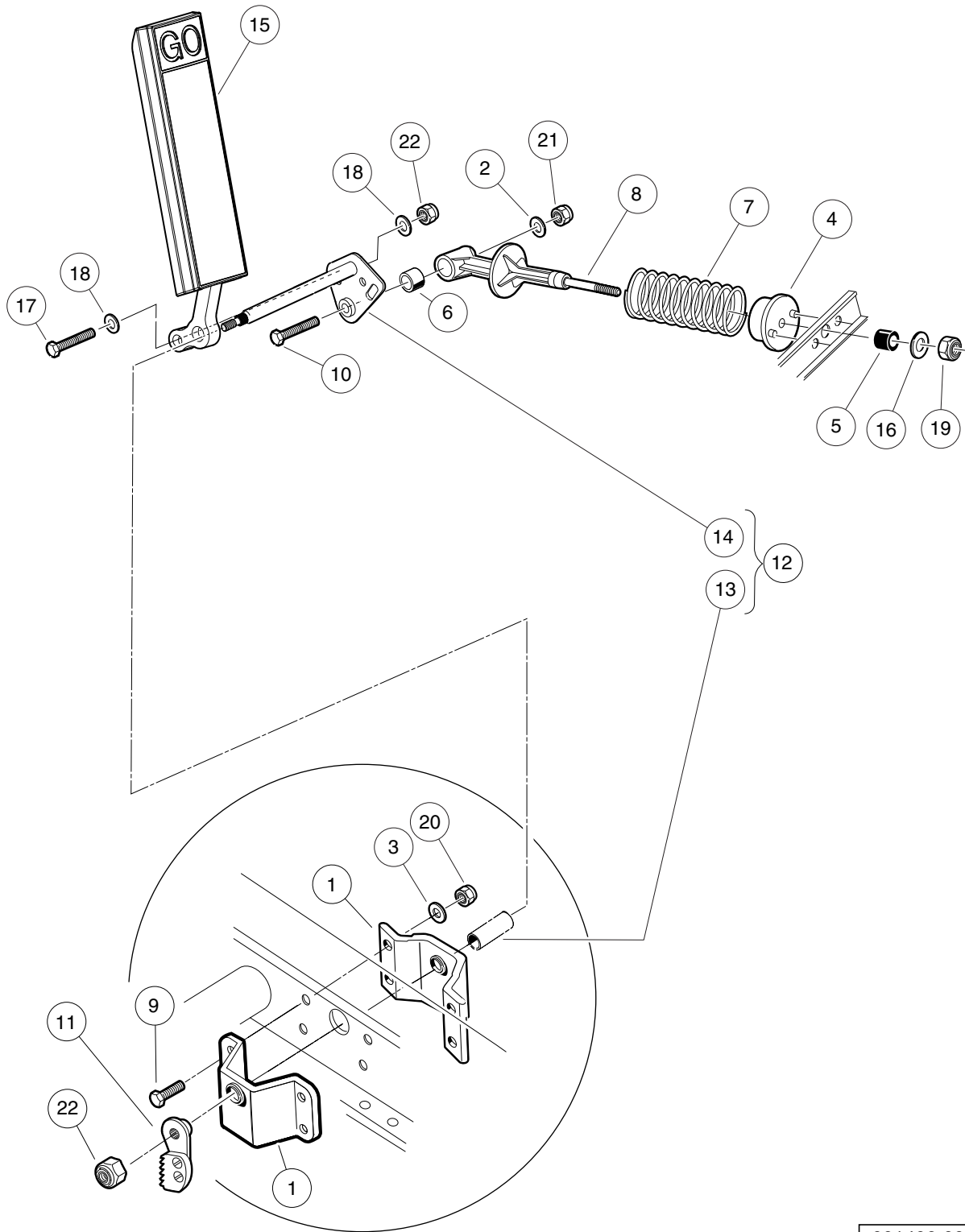


001405-002

BRAKE PEDAL ASSEMBLY – VEHICLES WITH 2-WHEEL BRAKES AND 4-WHEEL BRAKES

ITEM	PART NO.	DESCRIPTION	QTY	5
		1 2 3 4		G
1	<u>1010878</u>	Bumper, Rubber	1	E
2	<u>1010921</u>	Screw, 5/16-18 X 2.50 Hex Cap	4	
3	<u>1010927</u>	Hill Brake Spacer	1	
4	<u>1010933</u>	Spring, Hill Brake Torsion	1	
5	<u>1011402</u>	Package, Brake Mounting Block	1	
6	<u>1011418</u>	Kit, Hill Brake Pedal (includes items 7 through 11)	1	
7	<u>1013870</u>	Pad, Hill Brake	1	
8	<u>1013876</u>	Pushnut, 3/8	1	
9	N/A	Hill Brake Weld Assembly	1	
10	<u>1032</u>	Bushing, Nylon	2	
11	7716	Screw, #10-16 Type AB, Sheet Metal	2	
12	<u>101187702</u>	Kit, Hill Brake Latch (includes items 13 through 19)	1	
13	<u>1010805</u>	Sleeve, Hill Brake Rod	1	
14	<u>1010877</u>	Pushnut, 3/8	1	
15	1010932	Ball Joint, 1/4-28	1	
16	N/A	Rod, Hill Brake	1	
17	<u>1017029</u>	Pin, Cotter, 7/64 x 1/2 Stainless-Steel	1	
18	N/A	Pawl, Hill Brake	1	
19	101918501	Ratchet Assembly	1	
20	<u>101878201</u>	Brake Pedal Kit (includes items 21 through 23)	1	
21	<u>1013869</u>	Pad, Brake Pedal	1	
22	N/A	Weldment, Brake Pedal, 2wr Std	1	
23	7716	Screw, #10-16 Type AB, Sheet Metal	3	
24	<u>1028</u>	Nut, 1/4-20 Hex	1	
25	<u>1241</u>	Washer, 5/16 Type A Flat	4	
26	<u>7473</u>	Locknut, 5/16-18 Nylon Insert	4	

5
G
E



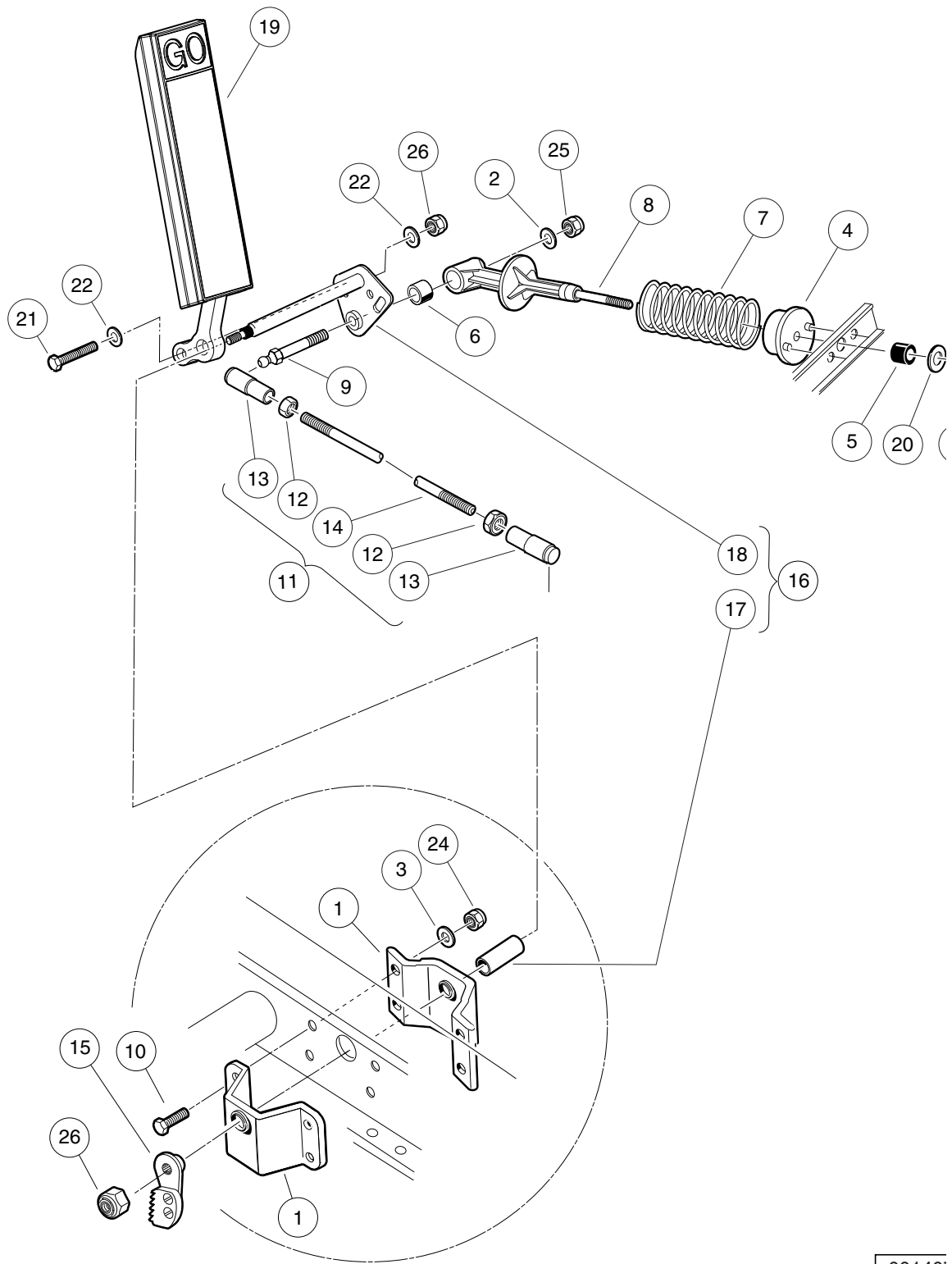
001406-001

ACCELERATOR PEDAL ASSEMBLY – ELECTRIC VEHICLES

ITEM	PART NO.	DESCRIPTION	QTY
		1 2 3 4	
1	<u>1011694</u>	Accelerator Bracket and Bearing Assembly	2
2	<u>1011931</u>	Washer, 1/4 Flat	1
3	<u>1014007</u>	Washer, 1/4, Flat	4
4	<u>1017378</u>	Cup, Spring	1
5	<u>1017380</u>	Bumper, Spring Return	1
6	<u>1017424</u>	Bearing, Pivot Support	1
7	101796201	Spring, Accelerator Return	1
8	<u>101817401</u>	Retainer, Spring	1
9	<u>101861901</u>	Screw, 1/4-20 X 1.125 Hex Cap	4
10	<u>101862001</u>	Screw, 1/4-20 X 1.500 Flange	1
11	101918501	Ratchet Assembly	1
12	<u>102026001</u>	Kit, Accelerator Pivot Rod Assembly (includes items 13 and 14)	1
13	101919801	Spacer, Accelerator	1
14	<u>102158901</u>	Pivot Rod Weldment	1
15	<u>103865101</u>	Pedal, Accel, Insert	A/R
16	<u>1241</u>	Washer, 5/16 Type A Flat	1
17	<u>1624</u>	Screw, 3/8-16 X 1.50, Hex-Head Cap	1
18	<u>334</u>	Washer, 3/8, Type A, Flat	2
19	<u>7473</u>	Locknut, 5/16-18 Nylon Insert	1
20	<u>8233</u>	Locknut, 1/4-20, Nylon Insert	4
21	<u>8717</u>	Locknut, Nylon Insert, 1/4-28	1
22	<u>8754</u>	Locknut, 3/8-16 Hex	2

5
G
E

5
G
E



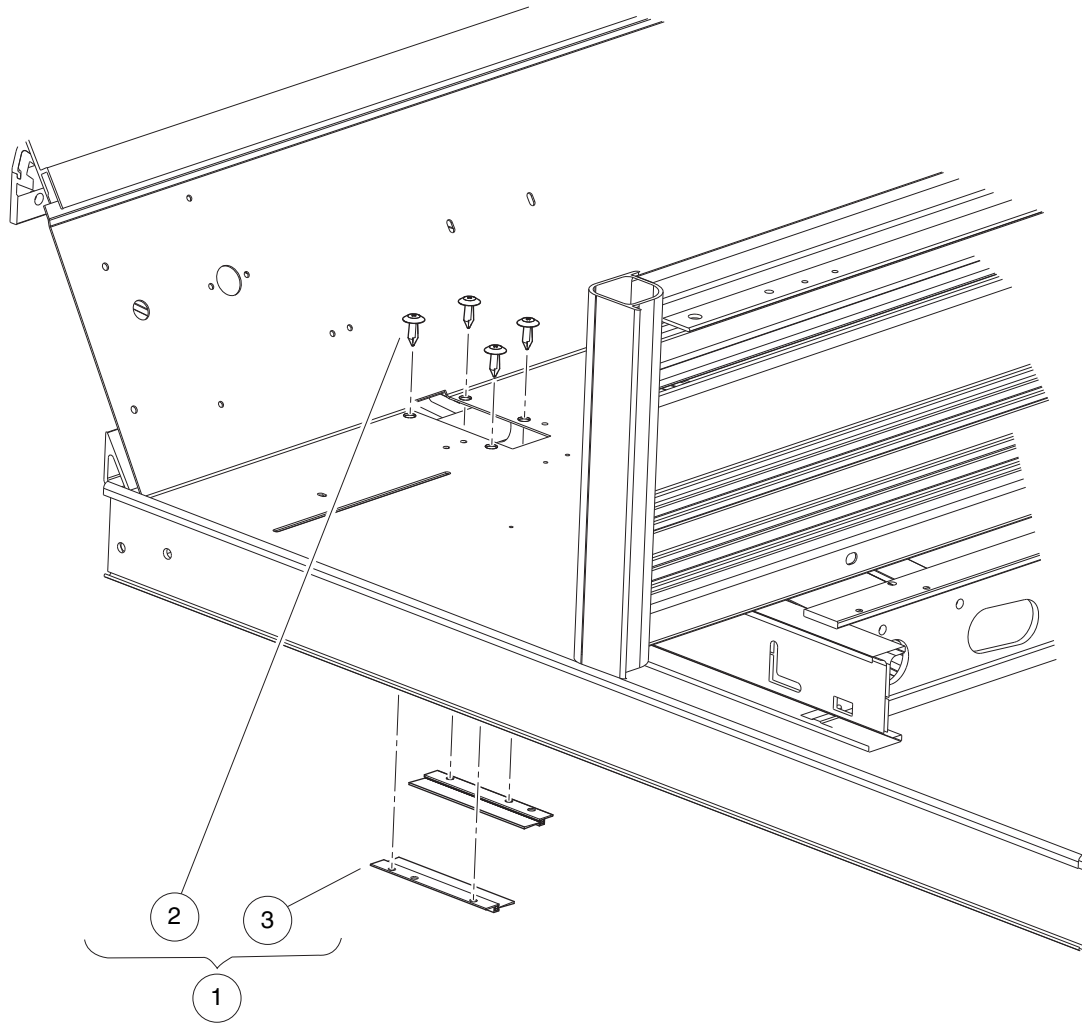
00140

ACCELERATOR PEDAL AND ROD ASSEMBLY – GASOLINE VEHICLE

ITEM	PART NO.	DESCRIPTION	QTY
		1 2 3 4	
1	<u>1011694</u>	Accelerator Bracket and Bearing Assembly	2
2	<u>1011931</u>	Washer, 1/4 Flat	1
3	<u>1014007</u>	Washer, 1/4, Flat	4
4	<u>1017378</u>	Cup, Spring	1
5	<u>1017380</u>	Bumper, Spring Return	1
6	<u>1017424</u>	Bearing, Pivot Support	1
7	101796201	Spring, Accelerator Return	1
8	<u>101817401</u>	Retainer, Spring	1
9	101818801	Stud, 1/4-28 X 1.35 Ball	1
10	<u>101861901</u>	Screw, 1/4-20 X 1.125 Hex Cap	4
11	101912401	Rod, Accelerator (includes items 12 through 14)	1
12	<u>1011084</u>	Nut, 1/4-28 Hex Jam	2
13	<u>1011734</u>	Joint, Ball	2
14	N/A	Accelerator Rod	1
15	101918501	Ratchet Assembly	1
16	<u>102026001</u>	Kit, Accelerator Pivot Rod Assembly (includes items 17 and 18)	1
17	101919801	Spacer, Accelerator	1
18	<u>102158901</u>	Pivot Rod Weldment	1
19	<u>103865101</u>	Pedal, Accel, Insert	1
20	<u>1241</u>	Washer, 5/16 Type A Flat	1
21	<u>1624</u>	Screw, 3/8-16 X 1.50, Hex-Head Cap	1
22	<u>334</u>	Washer, 3/8, Type A, Flat	2
23	<u>7473</u>	Locknut, 5/16-18 Nylon Insert	1
24	<u>8233</u>	Locknut, 1/4-20, Nylon Insert	4
25	<u>8717</u>	Locknut, Nylon Insert, 1/4-28	1
26	<u>8754</u>	Locknut, 3/8-16 Hex	2

5
G
E

5
G
E



001418-001

PEDAL CLOSE-OUT KIT

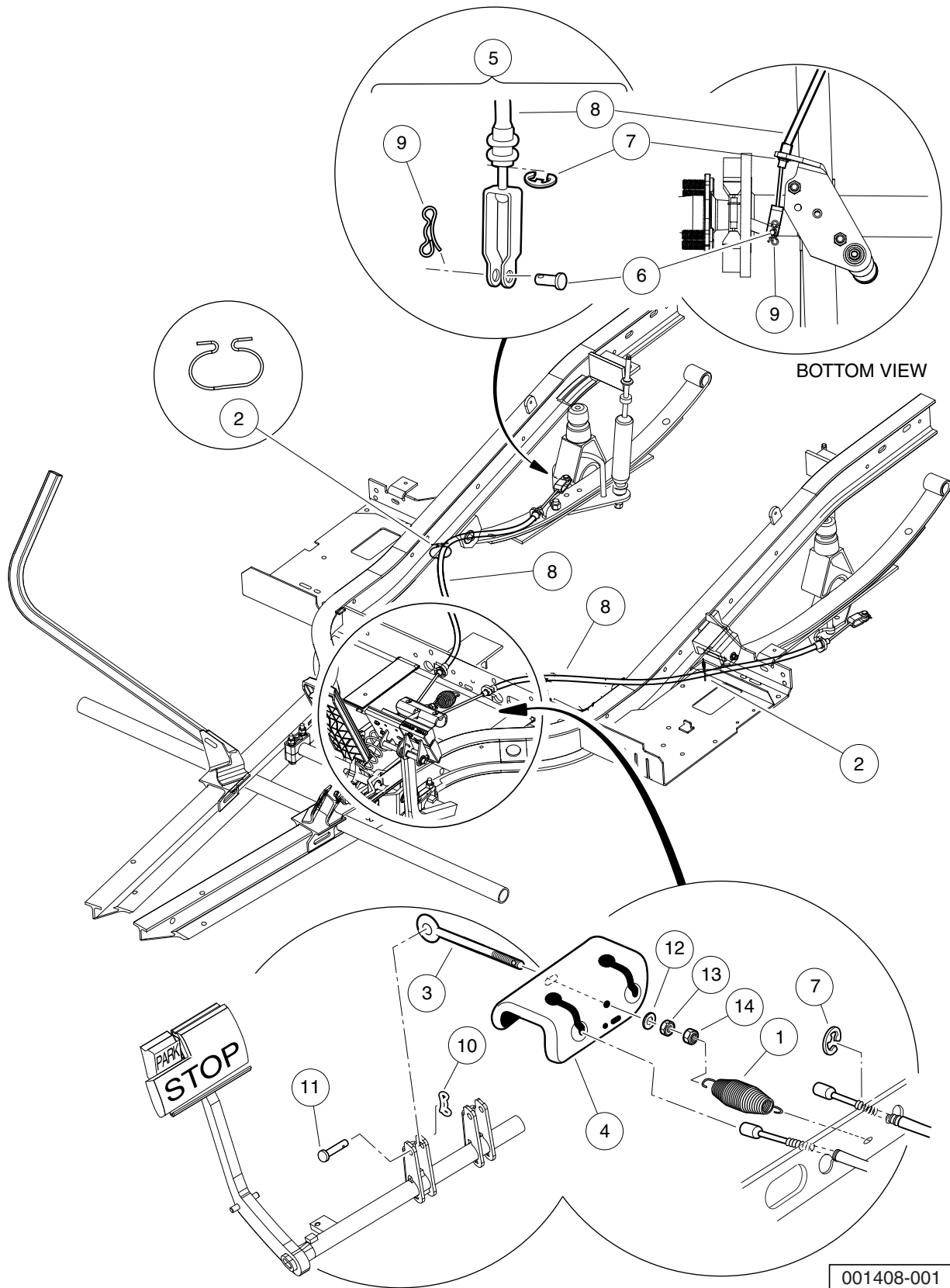
ITEM	PART NO.	DESCRIPTION	QTY
		1 2 3 4	
1	<u>105149101</u>	Kit, Close Out, Pedal, Utl (includes items 2 and 3)	1
2	<u>102025701</u>	Screw, Tuflok Panel, 1/4	4
3	<u>105149201</u>	Asm, Brush, Pedal Close Out	2

5

G

E

5
G
E

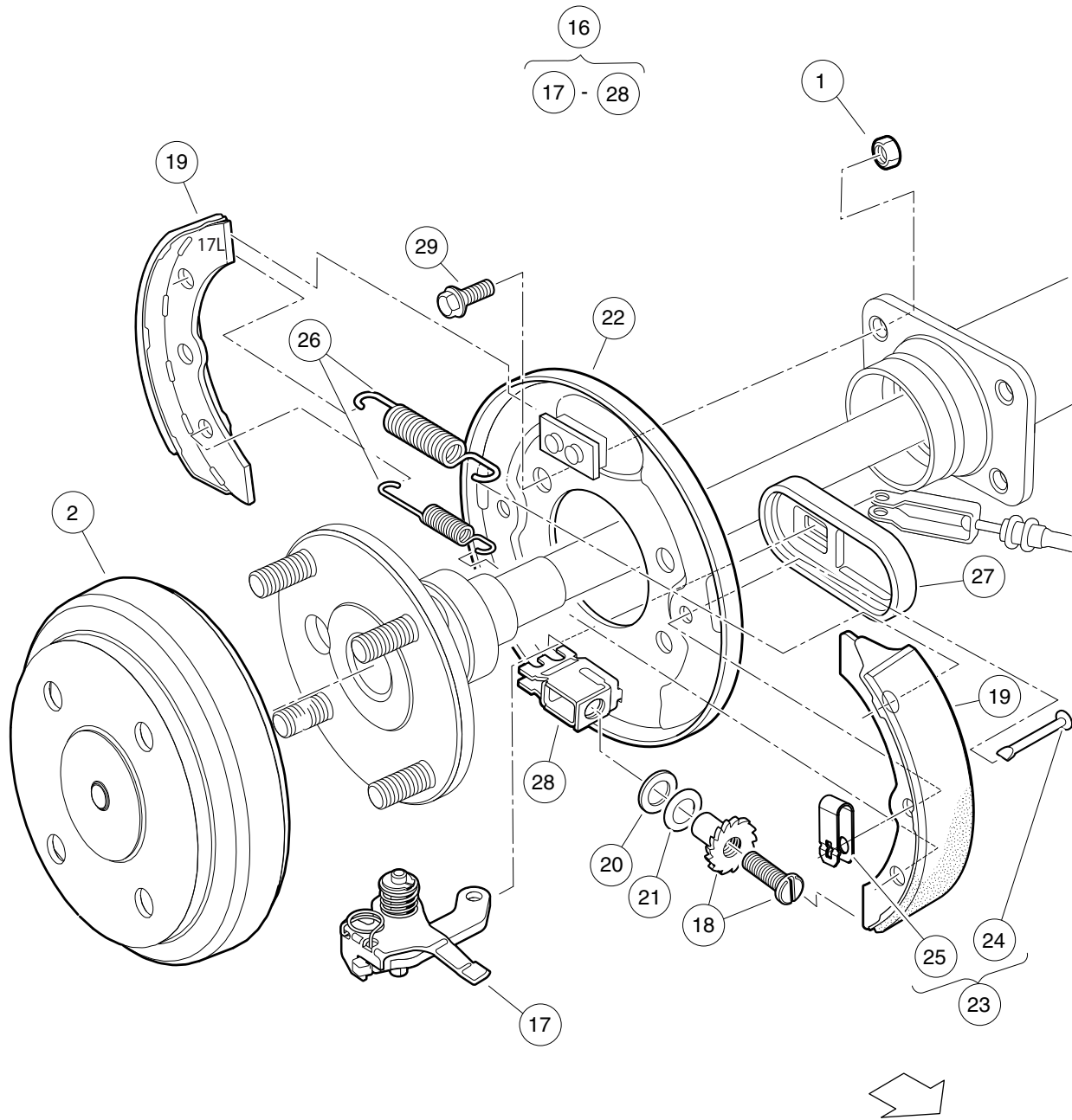


BRAKE CABLES AND EQUALIZER

ITEM	PART NO.	DESCRIPTION	QTY
		1 2 3 4	
1	<u>1013531</u>	Spring, Brake Return	1
2	101900801	Hanger, Brake Cable	2
3	<u>101953101</u>	Rod, Equalizer, 8.91"	1
4	<u>101990801</u>	Equalizer Bracket	1
5	<u>102166901</u>	Kit, Brake Cable Rear (includes items 6 through 9)	1
6	<u>1010829</u>	Pin, Clevis, 5/16 X 3/4	2
7	<u>1011779</u>	E-Clip, 1/2	4
8	102162601	Cable, Brake	2
9	<u>102292801</u>	Pin, Bow Tie Locking - .072	2
10	<u>102323101</u>	Pin, Bow Tie Locking	1
11	<u>102323201</u>	Pin, 3/8 X 1-5/16 Clevis	1
12	<u>1241</u>	Washer, 5/16 Type A Flat	5
13	<u>1242</u>	Nut, 5/16-18 Hex	1
14	<u>7473</u>	Locknut, 5/16-18 Nylon Insert	5

5
G
E

5
G
E

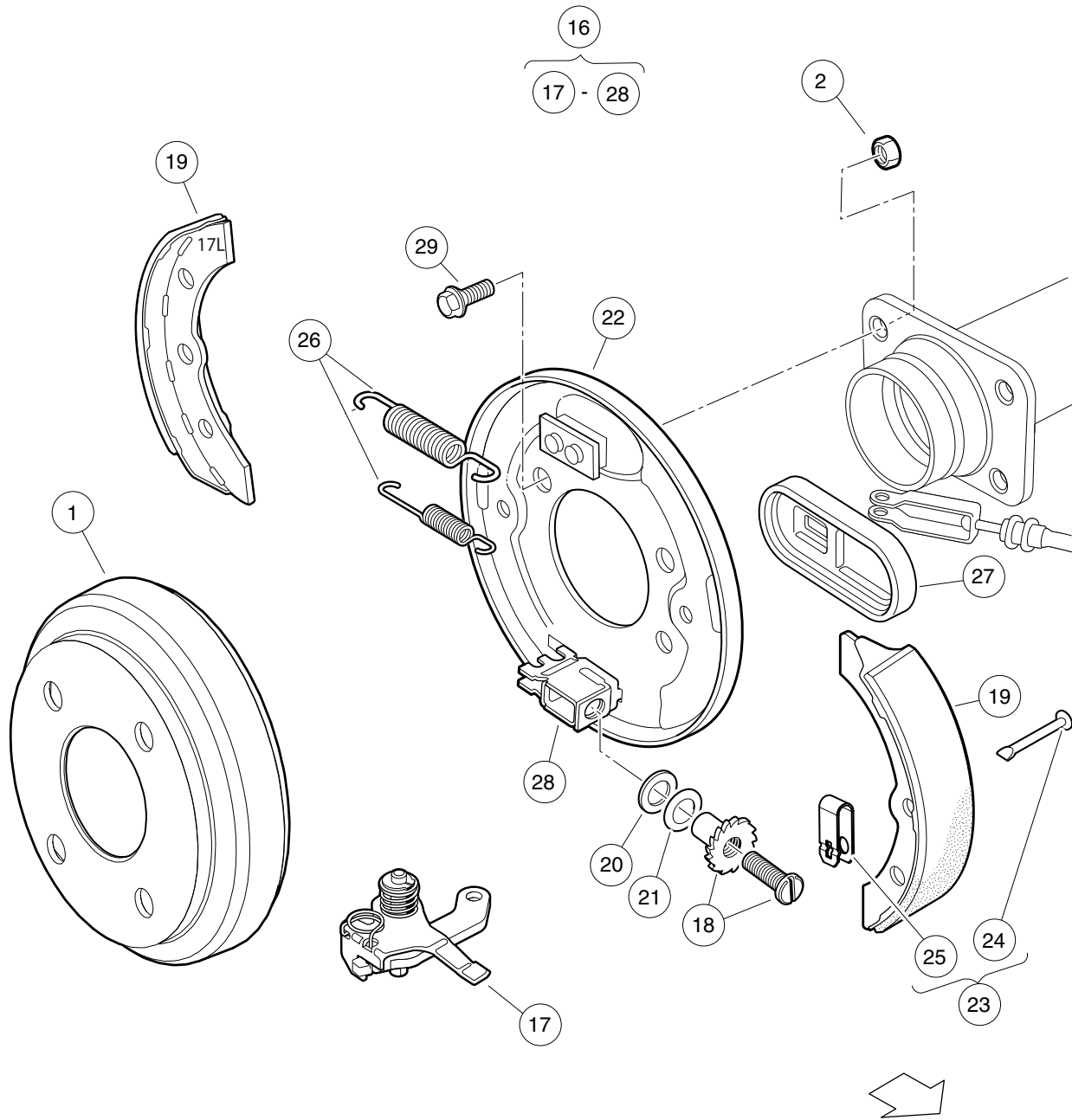


000186-006

REAR BRAKES, SELF-ADJUSTING – ELECTRIC VEHICLE

ITEM	PART NO.	DESCRIPTION	QTY	
		1 2 3 4		5
1	<u>1013924</u>	Nut, 5/16-24, Hex Head Cone	8	G
2	<u>101791101</u>	Drum without Center Hole, Brake	2	E
3	<u>103380201</u>	Asm, Brake Cluster, Mech, Drvr (includes items 4 through 15)	1	
4	<u>101815502</u>	Lever Assembly, Self-Adjusting Brake, Left	1	
5	<u>101816502</u>	Adjusting Mechanism, Self-Adjusting Brake, Left	1	
6	<u>101823201</u>	Package, Brake Shoe, Self-Adjusting	1	
7	<u>101823801</u>	Plate, Washer, Brake, Self-Adjusting	1	
8	<u>101823901</u>	Washer, Brake, Self-Adjusting	1	
9	<u>103483102</u>	Backing Plate, Driver-side	1	
10	<u>103483201</u>	Kit, Shoe Retainer (includes items 11 and 12)	1	
11	N/A	Pin	2	
12	N/A	Spring, Shoe, Clamp	2	
13	<u>103483401</u>	Package Brake Spring Self Adj	1	
14	<u>103483601</u>	Cover, Dust	1	
15	<u>103483701</u>	Brake Block	1	
16	<u>103380202</u>	Asm, Brake Cluster, Mech, Pass (includes items 17 through 28)	1	
17	<u>101815501</u>	Lever Assembly, Self-Adjusting Brake, Right (Passenger)	1	
18	<u>101816501</u>	Adj Mechanism, S.A. Brakes, Right (Passenger)	1	
19	<u>101823201</u>	Package, Brake Shoe, Self-Adjusting	1	
20	<u>101823801</u>	Plate, Washer, Brake, Self-Adjusting	1	
21	<u>101823901</u>	Washer, Brake, Self-Adjusting	1	
22	<u>103483101</u>	Backing Plate, Passenger-side	1	
23	<u>103483201</u>	Kit, Shoe Retainer (includes items 24 and 25)	1	
24	N/A	Pin	2	
25	N/A	Spring, Shoe, Clamp	2	
26	<u>103483401</u>	Package Brake Spring Self Adj	1	
27	<u>103483601</u>	Cover, Dust	1	
28	<u>103483701</u>	Brake Block	1	
29	<u>47542195001</u>	Bolt, Brake Cluster Mnt	8	
		Note: Driver-side brake cluster (items 4 -16) not shown. Components have a similar appearance to passenger-side brake cluster components.		

5
G
E



000186-007

REAR BRAKES, SELF-ADJUSTING – GASOLINE VEHICLE

ITEM	PART NO.	DESCRIPTION	QTY
		1 2 3 4	
1	<u>1011137</u>	Drum, Brake	2
2	<u>1013924</u>	Nut, 5/16-24, Hex Head Cone	8
3	<u>103380201</u>	Asm, Brake Cluster, Mech, Drvr (includes items 4 through 15)	1
4	<u>101815502</u>	Lever Assembly, Self-Adjusting Brake, Left	1
5	<u>101816502</u>	Adjusting Mechanism, Self-Adjusting Brake, Left	1
6	<u>101823201</u>	Package, Brake Shoe, Self-Adjusting	1
7	<u>101823801</u>	Plate, Washer, Brake, Self-Adjusting	1
8	<u>101823901</u>	Washer, Brake, Self-Adjusting	1
9	<u>103483102</u>	Backing Plate, Driver-side	1
10	<u>103483201</u>	Kit, Shoe Retainer (includes items 11 and 12)	1
11	N/A	Pin	2
12	N/A	Spring, Shoe, Clamp	2
13	<u>103483401</u>	Package Brake Spring Self Adj	1
14	<u>103483601</u>	Cover, Dust	1
15	<u>103483701</u>	Brake Block	1
16	<u>103380202</u>	Asm, Brake Cluster, Mech, Pass (includes items 17 through 28)	1
17	<u>101815501</u>	Lever Assembly, Self-Adjusting Brake, Right (Passenger)	1
18	<u>101816501</u>	Adj Mechanism, S.A. Brakes, Right (Passenger)	1
19	<u>101823201</u>	Package, Brake Shoe, Self-Adjusting	1
20	<u>101823801</u>	Plate, Washer, Brake, Self-Adjusting	1
21	<u>101823901</u>	Washer, Brake, Self-Adjusting	1
22	<u>103483101</u>	Backing Plate, Passenger-side	1
23	<u>103483201</u>	Kit, Shoe Retainer (includes items 24 and 25)	1
24	N/A	Pin	2
25	N/A	Spring, Shoe, Clamp	2
26	<u>103483401</u>	Package Brake Spring Self Adj	1
27	<u>103483601</u>	Cover, Dust	1
28	<u>103483701</u>	Brake Block	1
29	<u>47542195001</u>	Bolt, Brake Cluster Mnt	8
		Note: Driver-side brake cluster (items 4 -16) not shown. Components have a similar appearance to passenger-side brake cluster components.	

5
G
E

5

G

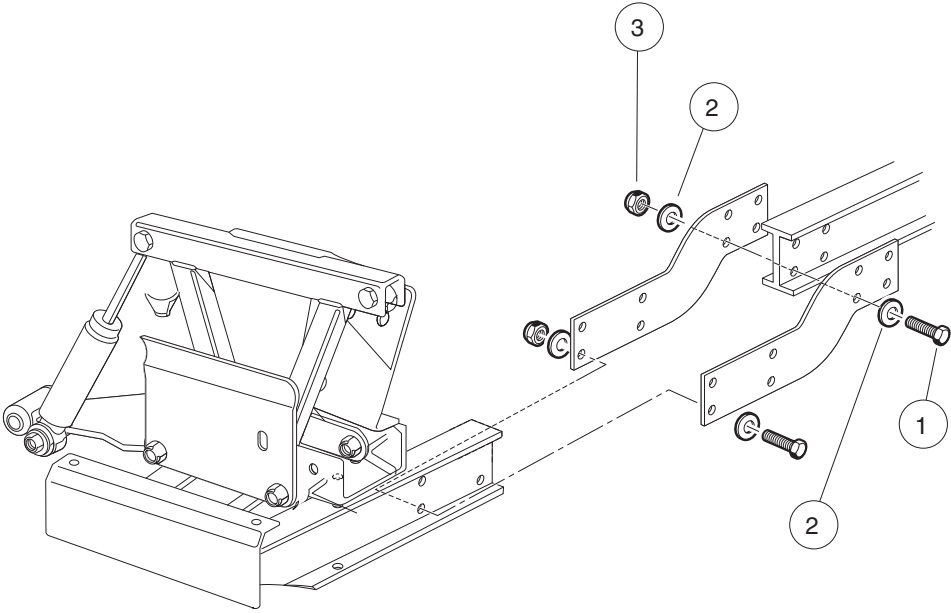
E

STEERING AND SUSPENSION WITH MAINTENANCE-FREE BALL JOINTS

6

G

E



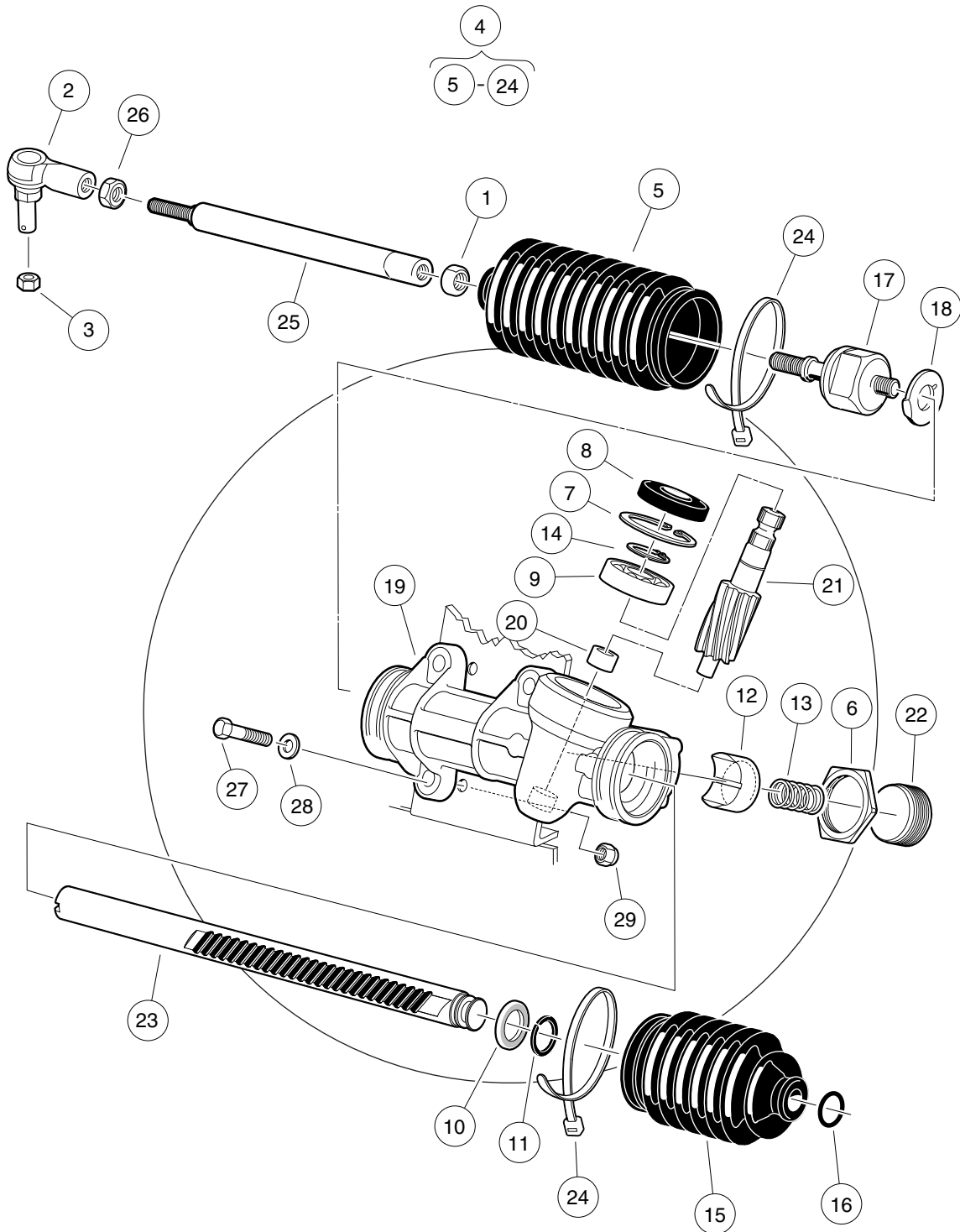
000304-002

FRONT FRAME PLATE HARDWARE – TURF/CA 252 AND XRT 850/ 900

ITEM	PART NO.	DESCRIPTION	QTY
		1 2 3 4	
1	1218	Screw, 5/16-18 X 1.25 Hex-Head Cap	16
2	<u>1241</u>	Washer, 5/16 Type A Flat	32
3	<u>7473</u>	Locknut, 5/16-18 Nylon Insert	16

6
G
E

6
G
E



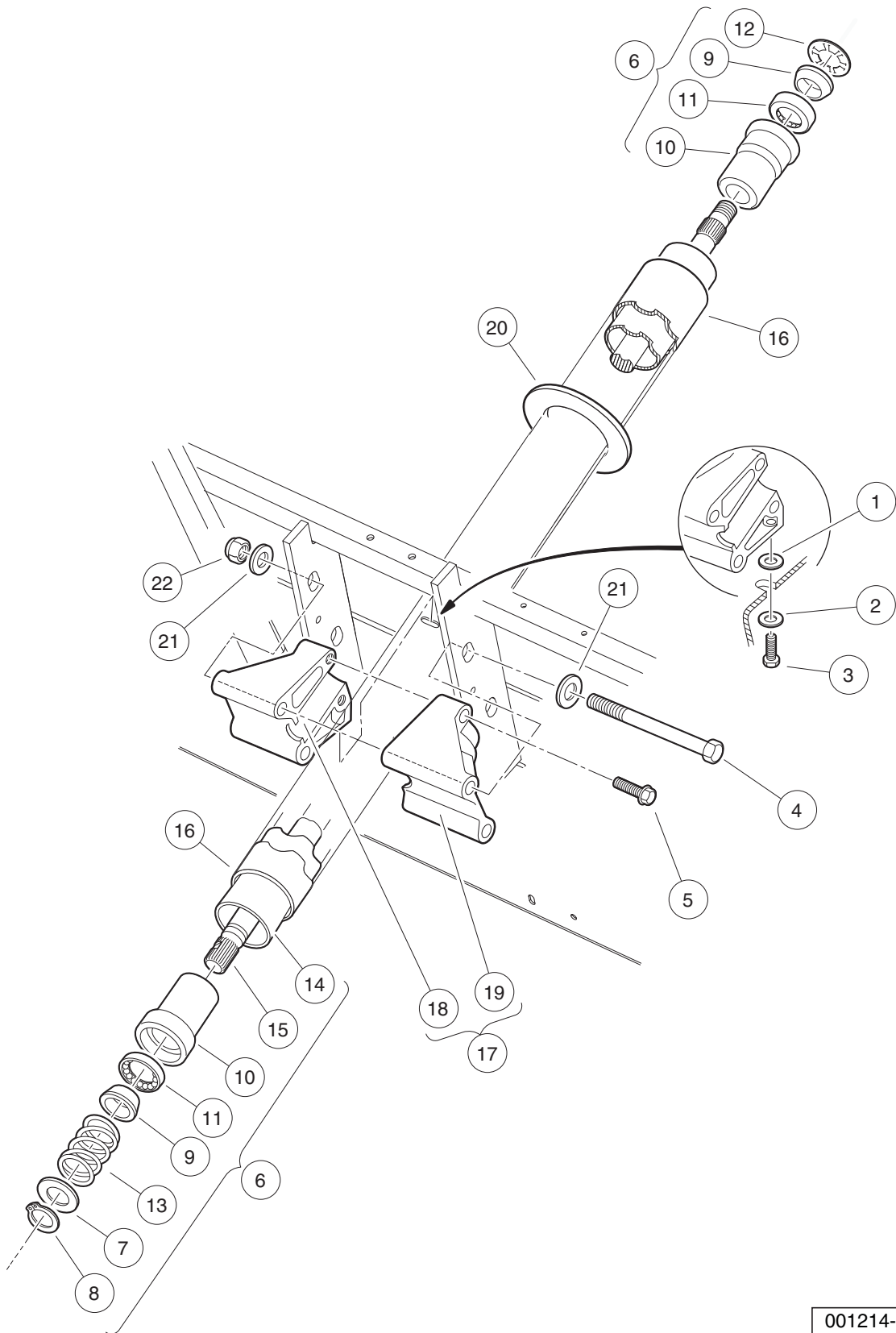
001500-002

STEERING GEAR ASSEMBLY (WANDA) – MAINT.-FREE BALL JOINT

ITEM	PART NO.	DESCRIPTION	QTY
		1 2 3 4	
1	1013042	Nut, 12mm Hex	1
2	<u>102022602</u>	End, Tie Rod, M12 X 1.25, Lh	1
3	<u>102289201</u>	Nut - Hex Locking, M12 X 1.25	1
4	<u>103601501</u>	Asm, Steering Rack And Pinion (includes items 5 through 24)	1
5	<u>1013035</u>	Bellows, Long	1
6	<u>1013044</u>	Rack Screw Locknut	1
7	N/A	Snap Ring	1
8	<u>1013052</u>	Seal, Steering Pinion Dust	1
9	<u>101879401</u>	Bearing, Ball	1
10	<u>101879501</u>	Stop Washer	1
11	101879601	Stop Ring, C-Type	1
12	<u>101879701</u>	Support Yoke	1
13	<u>101879801</u>	Rack Guide Pressure Spring	1
14	<u>101879901</u>	Ring, Stop, C-Type	1
15	<u>101880001</u>	Bellows, Short	1
16	101880101	Dust Seal Retaining Ring	1
17	<u>101880201</u>	Inner Ball Joint Asm	1
18	101880301	Washer, Tab	1
19	N/A	Box, Steering Gear	1
20	N/A	Bearing, Lower Pinion	1
21	N/A	Pinion, Steering	1
22	N/A	Screw, Rack Guide	1
23	N/A	Rack, Steering	1
24	<u>8990</u>	Tie Wrap, 8" Nylon	2
25	<u>103653401</u>	Link, Drag, Male Thd	1
26	<u>103653501</u>	Nut, Jam, M12-1.25, Lh	1
27	<u>1624</u>	Screw, 3/8-16 X 1.50, Hex-Head Cap	3
28	<u>334</u>	Washer, 3/8, Type A, Flat	3
29	<u>8754</u>	Locknut, 3/8-16 Hex	3

6
G
E

6
G
E



001214-001

STEERING COLUMN – UTILITY

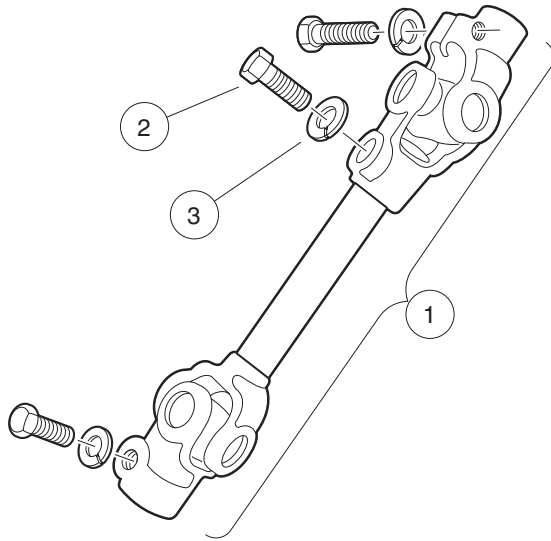
ITEM	PART NO.	DESCRIPTION	QTY
		1 2 3 4	
1	<u>1011578</u>	Washer, 5/16 Type B Flat	1
2	<u>1011697</u>	Washer, 5/16 Flat	1
3	<u>1014288</u>	Screw, 5/16-18 X 0.75, Thread-Forming	1
4	<u>1016183</u>	Screw, 3/8-16 X 7.00 Hex Cap	2
5	<u>1016269</u>	Screw, 5/16-18 Thrd Forming	2
6	<u>1017313</u>	Steering Shaft Assembly (includes items 7 through 15)	1
7	<u>1012604</u>	Washer, 0.675 ID X 1.19 OD	1
8	<u>1012605</u>	Ring, 0.579 Internal Retaining	1
9	1014125	Wedge, Molded	2
10	<u>1014126</u>	Seat, Plastic Bearing	2
11	<u>1014213</u>	Bearing, Ball	2
12	1014214	Ring, Retaining	1
13	<u>1014217</u>	Spring, Steering Shaft	1
14	<u>1017314</u>	Column, Aluminum Steering	1
15	<u>1017315</u>	Shaft Steering Column	1
16	<u>1017317</u>	Tube Cover, Steering Column	1
17	101984801	Kit, Steering Column Mounting Bracket (includes items 18 and 19)	1
18	N/A	Bracket, RH Steering Column Mount	1
19	N/A	Bracket, LH Steering column mount	1
20	<u>102278001</u>	Boot, Steering Column Round	1
21	<u>334</u>	Washer, 3/8, Type A, Flat	4
22	<u>8754</u>	Locknut, 3/8-16 Hex	2

6
G
E

6

G

E



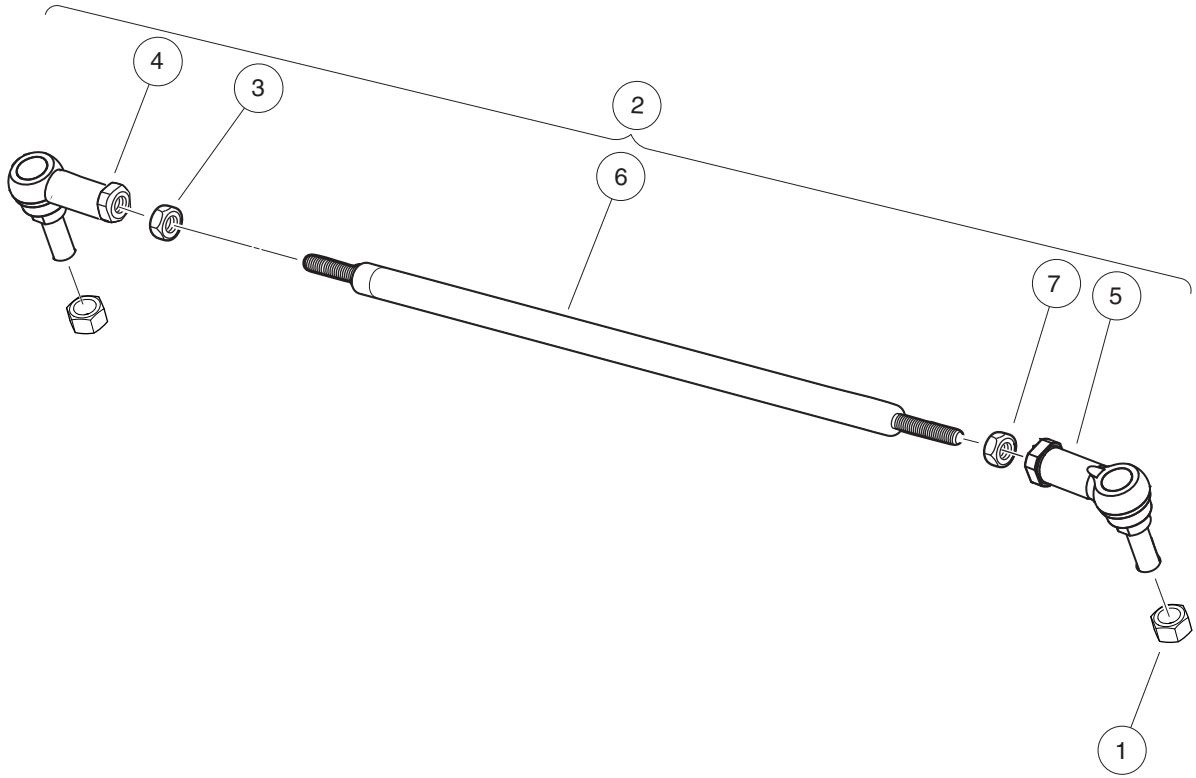
001218-001

INTERMEDIATE STEERING SHAFT – TURF/CA 252 AND XRT 850/ 900

ITEM	PART NO.	DESCRIPTION	QTY
		1 2 3 4	
1	<u>102004101</u>	Joint, Steering (includes items 2 and 3)	1
2	<u>1017226</u>	Bolt, Hex-Head, 8mm X 1.25 - 30	3
3	<u>7174</u>	Lockwasher, 5/16 Split	3

6
G
E

6
G
E



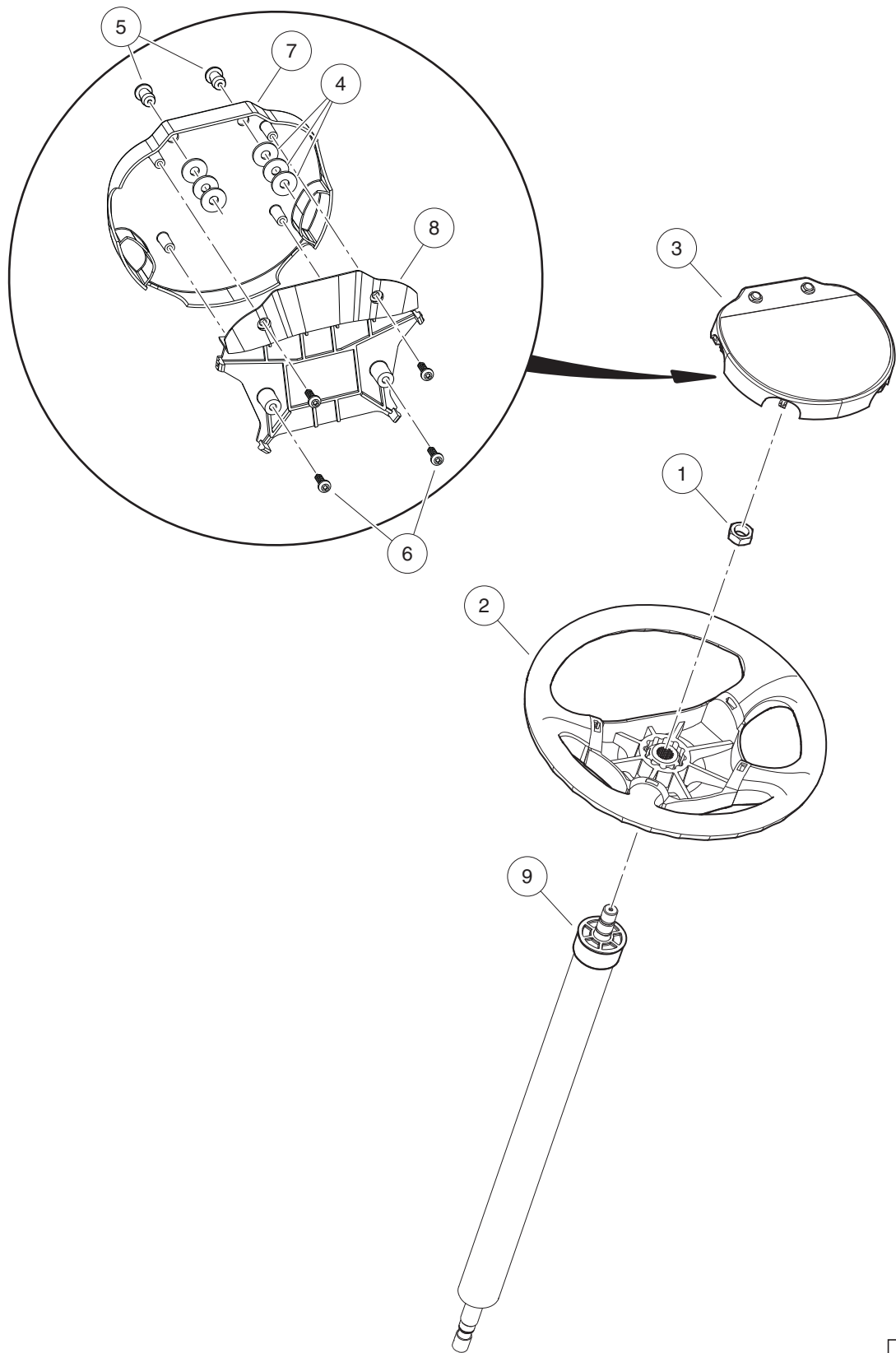
001318-001

TIE ROD WITH MAINTENANCE-FREE BALL JOINTS

ITEM	PART NO.	DESCRIPTION	QTY
		1 2 3 4	
1	<u>102289201</u>	Nut - Hex Locking, M12 X 1.25	2
2	<u>103653601</u>	Asm, Tie Rod (includes items 3 through 7)	1
3	1013042	Nut, 12mm Hex	1
4	<u>102022601</u>	End, Tie Rod M12 X 1.25 Rh	1
5	<u>102022602</u>	End, Tie Rod, M12 X 1.25, Lh	1
6	<u>103354701</u>	Rod, Tie, Male Thd	1
7	<u>103653501</u>	Nut, Jam, M12-1.25, Lh	1

6
G
E

6
G
E



000832-002

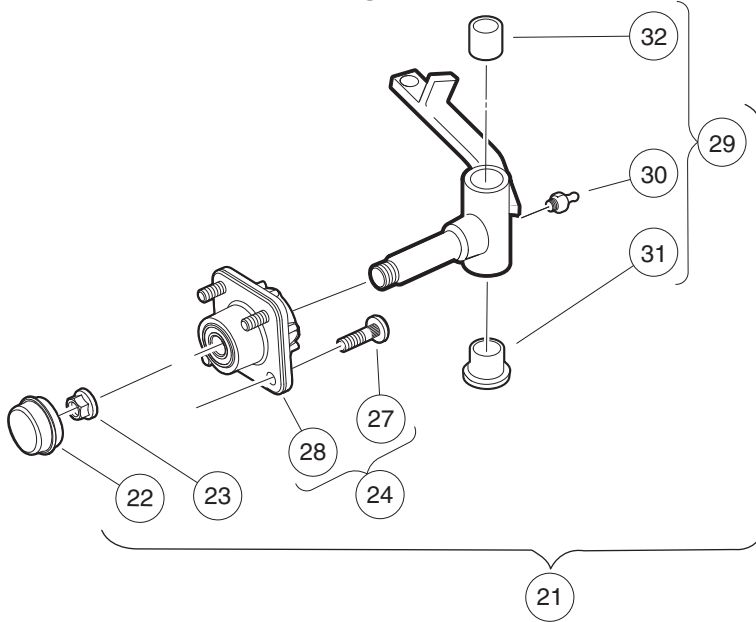
STEERING WHEEL – XRT850

ITEM	PART NO.	DESCRIPTION	QTY
		1 2 3 4	
1	<u>1017273</u>	Nut, 5/8-18 Nylon Insert Jam	1
2	102537802	Steer Wheel, Comf/grip, Spline	1
3	<u>102540802</u>	Center, Plate, Steering Wheel (includes items 4 through 8)	1
4	<u>1011697</u>	Washer, 5/16 Flat	6
5	<u>1016967</u>	Blind Rivet, Push Type	2
6	<u>102296020</u>	Screw, Torx Pan Hd Pt, M6 X 20	4
7	N/A	Scorecard Plate, Comfort Grip	1
8	N/A	Scorecard Back Plate	1
9	<u>103405501</u>	Shroud, Steering Column Spline	1

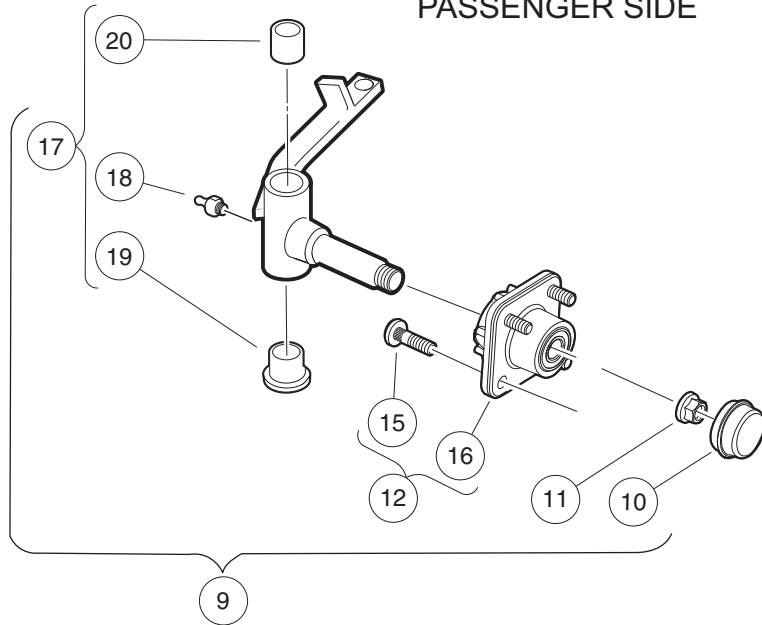
6
G
E

6
G
E

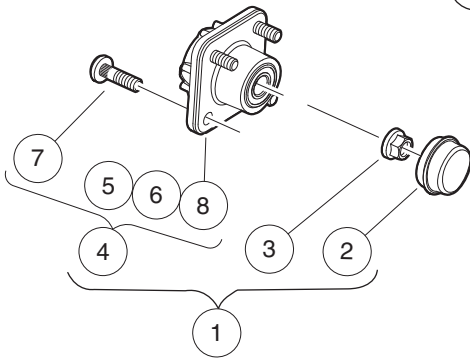
DRIVER SIDE



PASSENGER SIDE



REPLACEMENT HUB
FOR DRIVER OR
PASSENGER SIDE



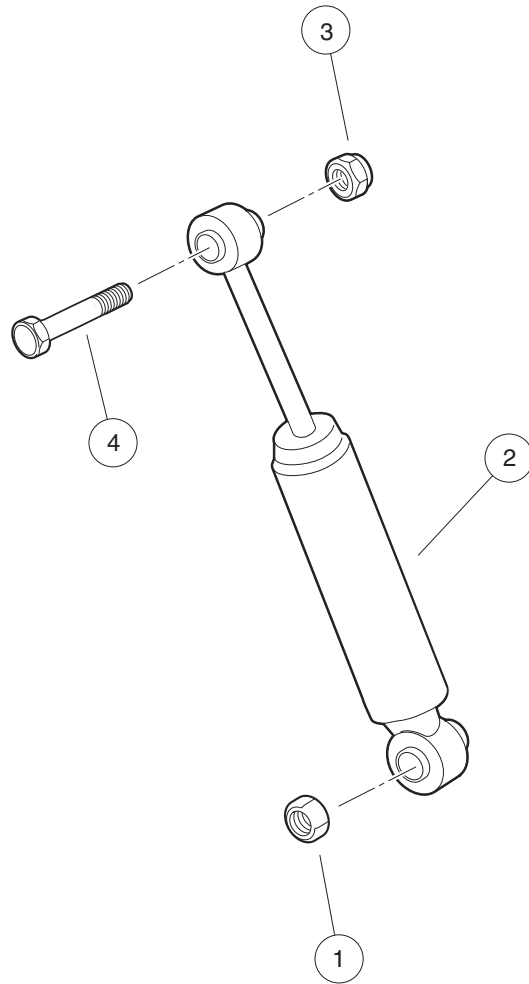
000301-007

FRONT SPINDLES AND HUBS – CA232 AND XRT800/810/850 WITH MAINTENANCE-FREE BALL JOINTS

ITEM	PART NO.	DESCRIPTION	QTY
		1 2 3 4	
1	<u>102357701</u>	Replacement Kit, Front Hub (includes items 2 through 4)	1
2	<u>102353201</u>	Cap, Front Hub	1
3	<u>102353301</u>	Hex Nut, Locking Flange, M14x2	1
4	N/A	Asm, Front Hub, Bb, Long Stud (includes items 5 through 8)	1
5	N/A	Bearing, Ball, 6204	2
6	N/A	Spacer, Bearing, Front Hub, Pm	1
7	<u>103477901</u>	Lug Stud, 1/2-20 Unf, 4037	4
8	N/A	Front Hub, Ball Brg, Long Stud	1
9	103667302	Asm, Frt Hub & Spndle, Rh, Ext (includes items 10 through 17)	1
10	<u>102353201</u>	Cap, Front Hub	1
11	<u>102353301</u>	Hex Nut, Locking Flange, M14x2	1
12	N/A	Asm, Front Hub, Bb, Long Stud (includes items 13 through 16)	1
13	N/A	Bearing, Ball, 6204	2
14	N/A	Spacer, Bearing, Front Hub, Pm	1
15	<u>103477901</u>	Lug Stud, 1/2-20 Unf, 4037	4
16	N/A	Front Hub, Ball Brg, Long Stud	1
17	<u>103667104</u>	Asm, Spindle, Rh, Ext, Sp (includes items 18 through 20)	1
18	<u>1015597</u>	Fitting, 1/4-28 Thread-Forming Grease	1
19	<u>7048</u>	Bushing, Flanged Bronze	1
20	<u>8067</u>	Bushing, Bronze Spindle	1
21	103667402	Asm, Frt Hub & Spndle, Lh, Ext (includes items 22 through 29)	1
22	<u>102353201</u>	Cap, Front Hub	1
23	<u>102353301</u>	Hex Nut, Locking Flange, M14x2	1
24	N/A	Asm, Front Hub, Bb, Long Stud (includes items 25 through 28)	1
25	N/A	Bearing, Ball, 6204	2
26	N/A	Spacer, Bearing, Front Hub, Pm	1
27	<u>103477901</u>	Lug Stud, 1/2-20 Unf, 4037	4
28	N/A	Front Hub, Ball Brg, Long Stud	1
29	<u>103667204</u>	Asm, Spindle, Lh, Ext, Sp (includes items 30 through 32)	1
30	<u>1015597</u>	Fitting, 1/4-28 Thread-Forming Grease	1
31	<u>7048</u>	Bushing, Flanged Bronze	1
32	<u>8067</u>	Bushing, Bronze Spindle	1

6
G
E

6
G
E



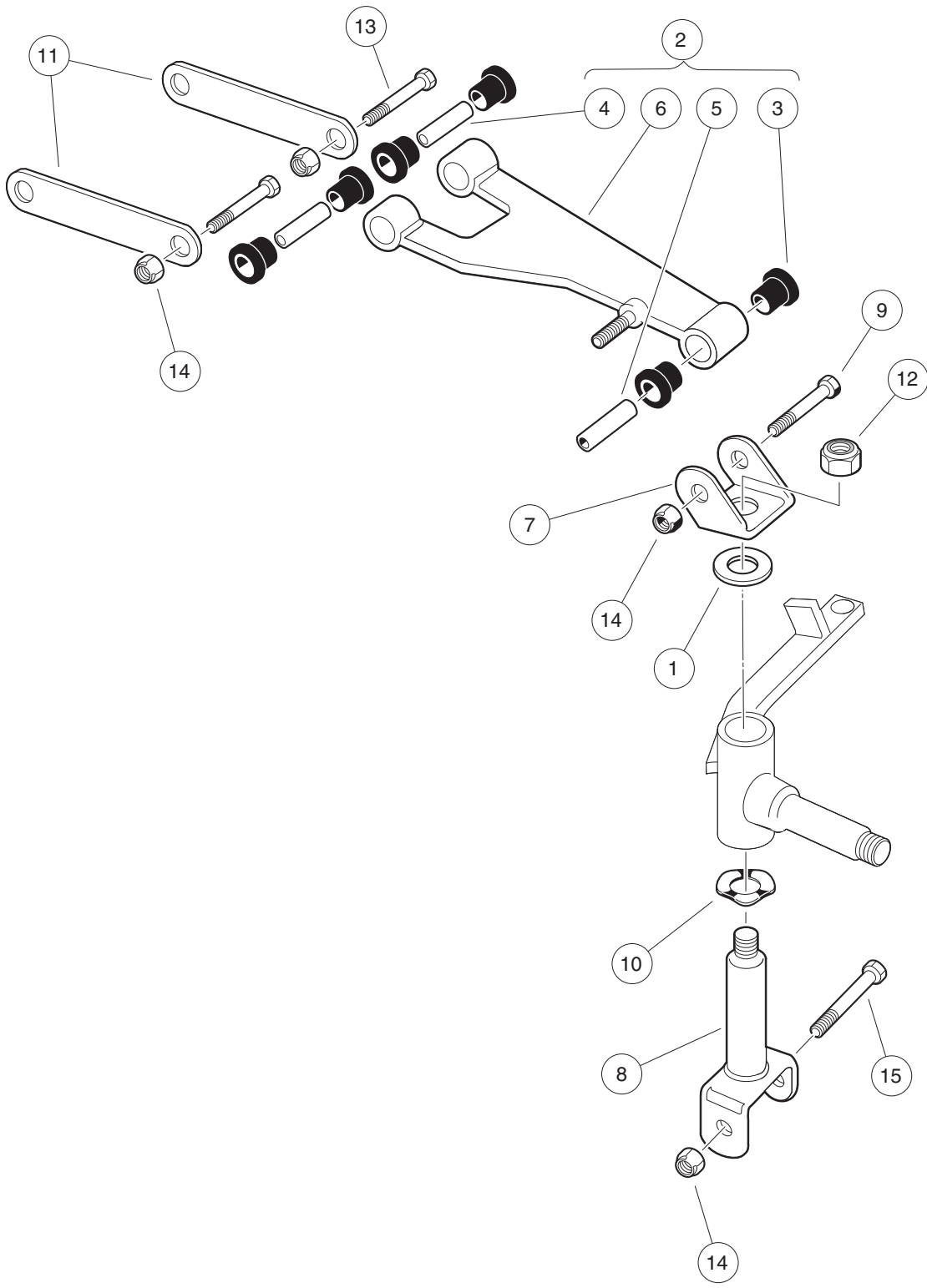
001304-001

FRONT SUSPENSION – SHOCK ABSORBERS

ITEM	PART NO.	DESCRIPTION	QTY
		1 2 3 4	
1	<u>1010138</u>	Locknut, 3/8-16 Dimpled	2
2	<u>103351001</u>	Shock Absorber, Front, Common	2
3	<u>8754</u>	Locknut, 3/8-16 Hex	2
4	<u>8861</u>	Bolt, 3/8-16 X 1.75 Hex	2

6
G
E

6
G
E



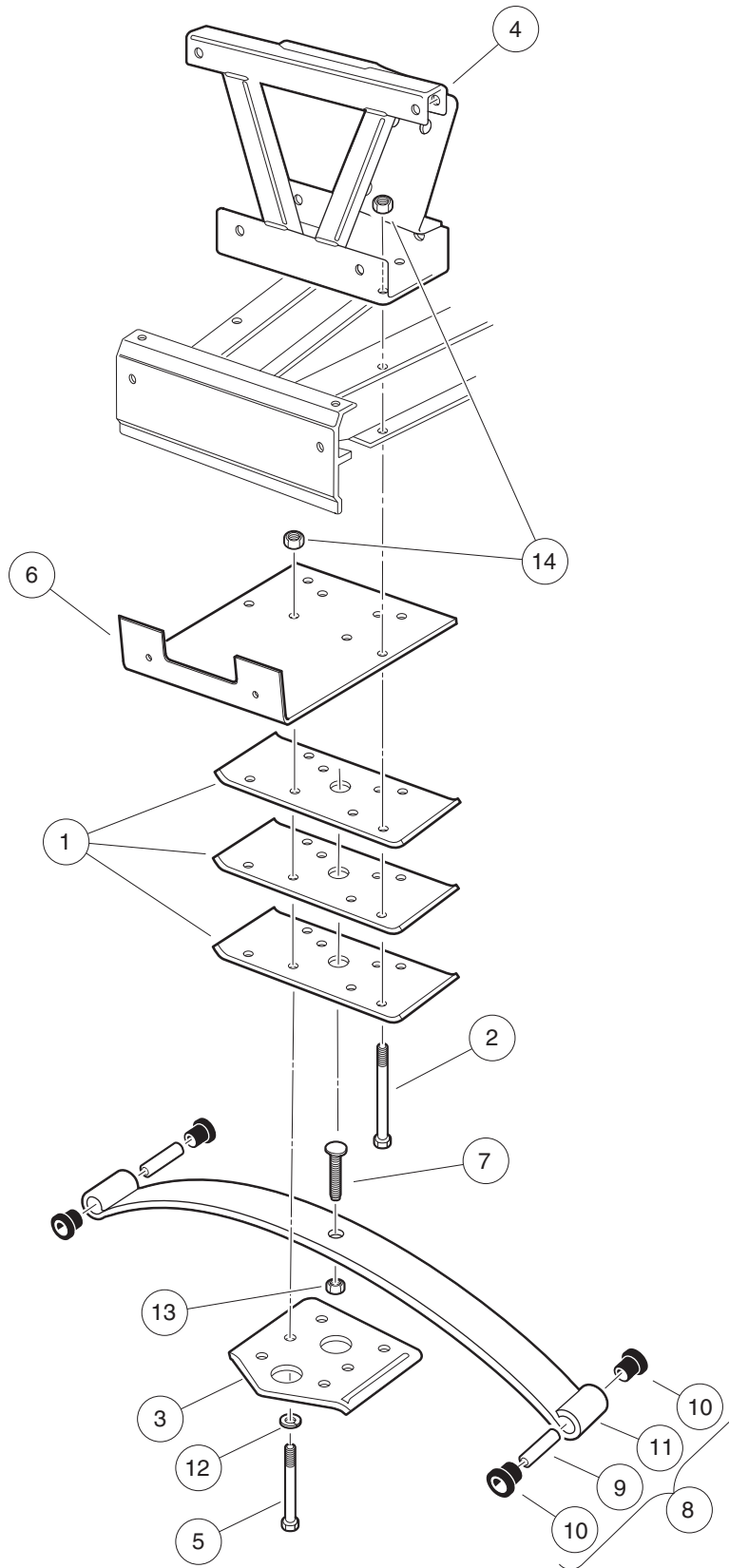
001305-001

FRONT SUSPENSION, UPPER CONTROL ARMS & KINGPINS

ITEM	PART NO.	DESCRIPTION	QTY
		1 2 3 4	
1	<u>1010150</u>	Bearing, Thrust	2
2	<u>1016353</u>	Sub-Assembly, Delta A-Plate (includes items 3 through 6)	2
3	<u>1016346</u>	Bushing, Urethane	6
4	<u>1016349</u>	Sleeve, Delta Inner	2
5	<u>1016350</u>	Sleeve, Delta Outer	1
6	<u>1016351</u>	Delta A-Plate	1
7	<u>1016384</u>	Clevis, Delta Upper	2
8	<u>1016386</u>	King Pin Assembly	2
9	<u>1016387</u>	Screw, 3/8-16 X 2.75 Hx Hd Cap	2
10	<u>1016389</u>	Washer, 1.125 Od Wave	2
11	<u>1017266</u>	A-Plate Strap	2
12	<u>101903101</u>	Locknut, 1/2-20 Nylon Insert	2
13	<u>2402</u>	Screw, 3/8-16 X 2.25 Hx Hd Cap	4
14	<u>8754</u>	Locknut, 3/8-16 Hex	8
15	<u>8755</u>	Screw, 3/8-16 X 3.375 Hex Cap	2

6
G
E

6
G
E



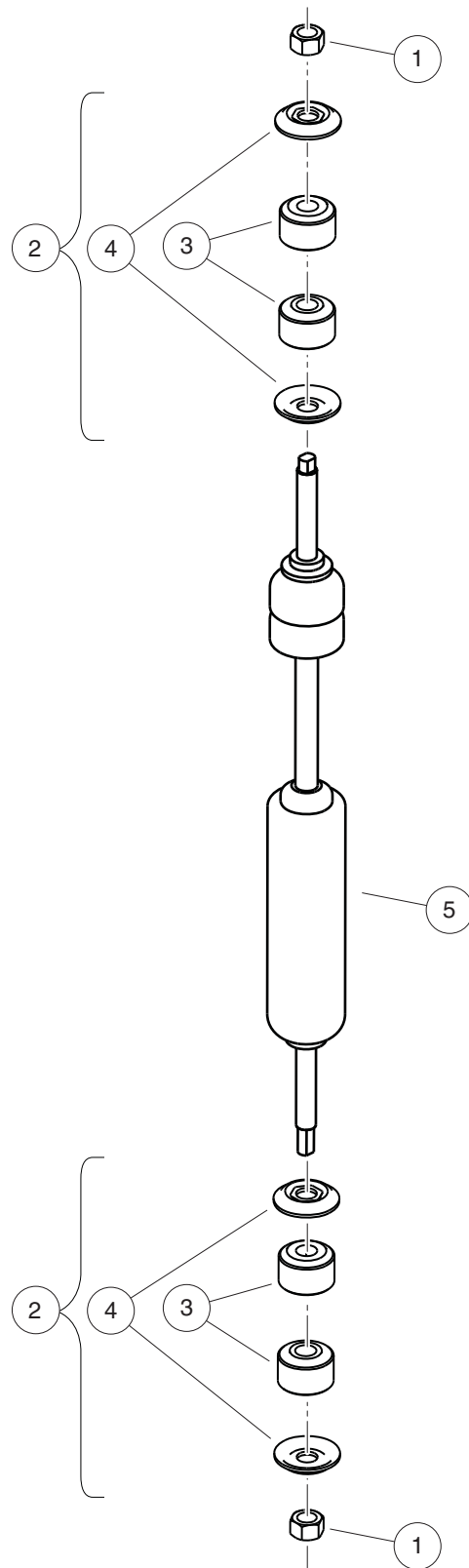
001306-002

FRONT SUSPENSION, SPRING AND MOUNTING PLATES – XRT850

ITEM	PART NO.	DESCRIPTION	QTY
		1 2 3 4	
1	<u>1010124</u>	Plate, Spring Mount	3
2	<u>1013832</u>	Screw, 3/8-16 X 5.00 Hex-Head Cap	4
3	<u>1014276</u>	Plate, Front Spring Retainer	1
4	<u>1016385</u>	Delta Shock and Gear Support Assembly	1
5	<u>1016387</u>	Screw, 3/8-16 X 2.75 Hx Hd Cap	4
6	<u>102830401</u>	Support, Brush Guard	1
7	<u>103507001</u>	Eccentric Bolt Common	1
8	<u>103628701</u>	Spring Asm, Front, 1 Leaf (includes items 9 through 11)	1
9	<u>1012303</u>	Bushing, Steel	2
10	<u>101558302</u>	Bushing, Urethane, Soft	4
11	<u>103502601</u>	Spring, Front, 1 Leaf	1
12	<u>357</u>	Lockwasher, 3/8 Split	4
13	<u>706</u>	Nut, Hex 3/8-16	1
14	<u>8754</u>	Locknut, 3/8-16 Hex	8

6
G
E

6
G
E



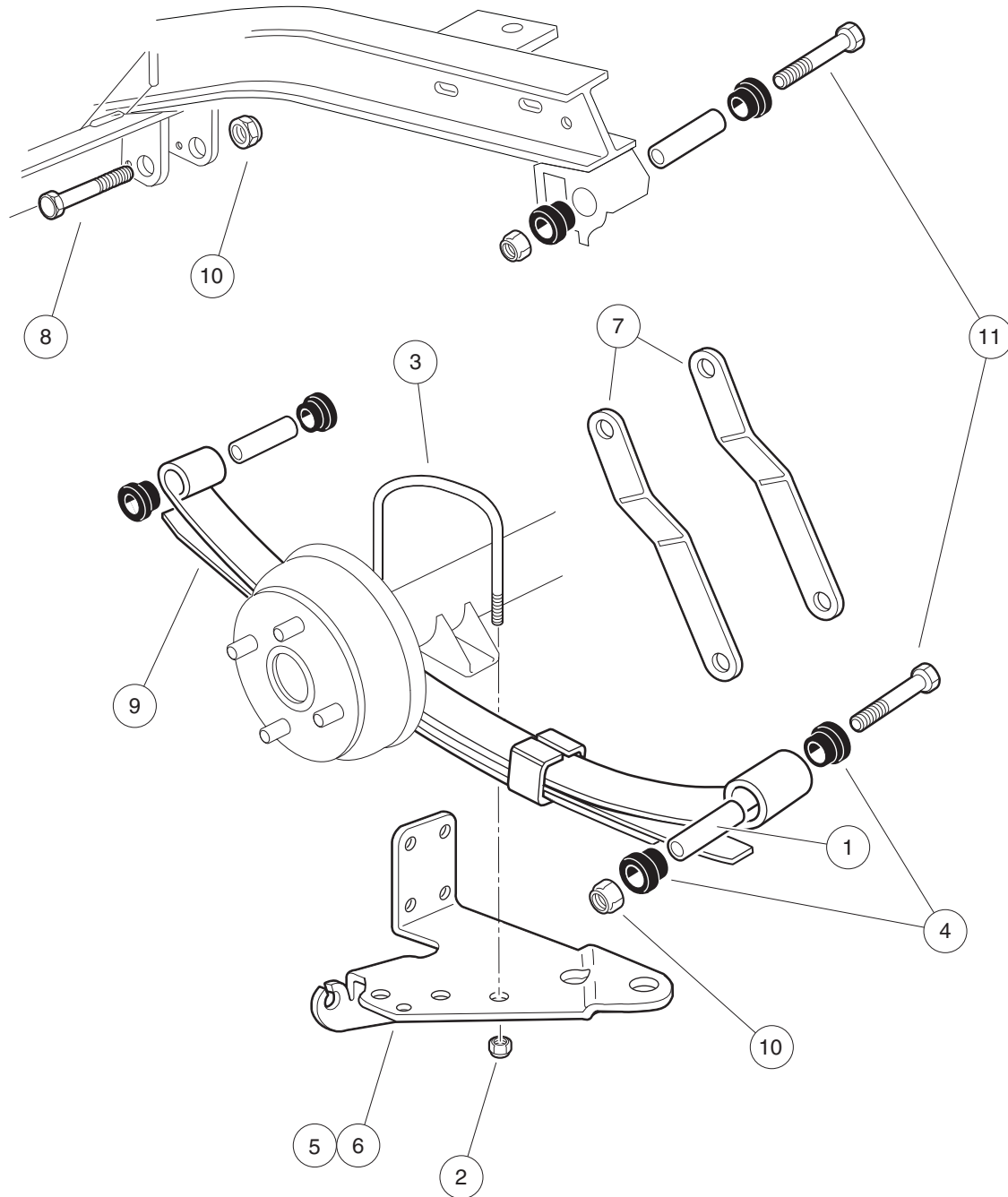
000837-002

REAR SUSPENSION – SHOCK ABSORBERS

ITEM	PART NO.	DESCRIPTION	QTY
		1 2 3 4	
1	<u>1010145</u>	Nut, 3/8-24 Hex	4
2	<u>1011415</u>	Kit, Shock Absorber Cushion (includes items 3 and 4)	4
3	N/A	Cushion, Shock Absorber	2
4	N/A	Retainer, Shock Absorber Cushion	2
5	<u>103351101</u>	Shock, Absorber, Utility	2

6
G
E

6
G
E

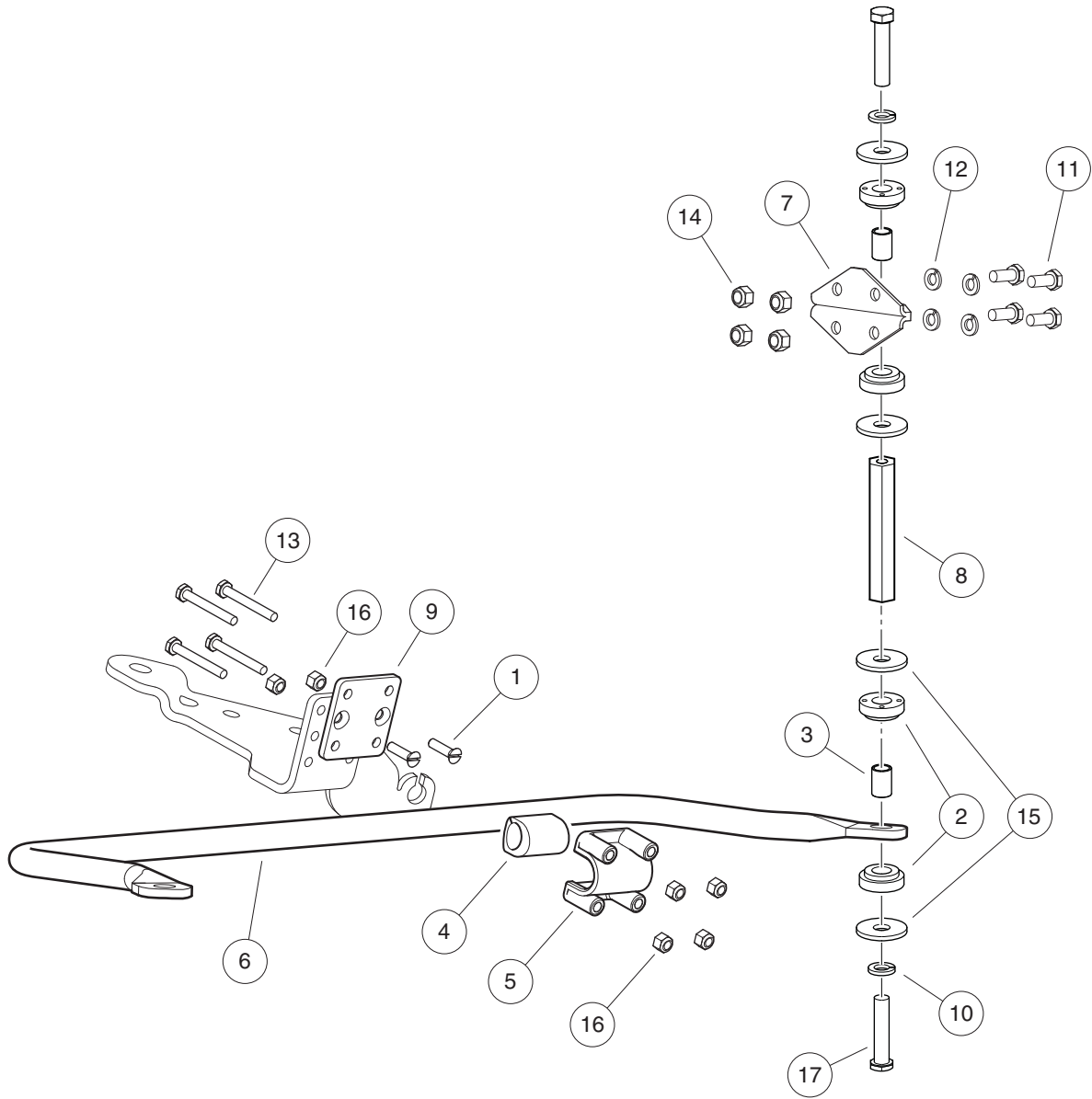


001308-001

REAR SUSPENSION, SPRINGS AND HARDWARE

ITEM	PART NO.	DESCRIPTION	QTY	6
		1 2 3 4		
1	<u>1012303</u>	Bushing, Steel	6	G
2	<u>1014555</u>	Locknut, 7/16-14 Nylon Hex	4	E
3	<u>1014902</u>	U-Bolt	2	
4	<u>1015583</u>	Bushing, Urethane	12	
5	<u>101926501</u>	Bracket, Left-Hand	1	
6	<u>101929401</u>	Bracket, Right	1	
7	<u>102004201</u>	Rear Spring Shackle	4	
8	<u>102066201</u>	Screw, 3/8-16 X 3.50 Hex Cap	2	
9	<u>102871801</u>	Spring, Multi Leaf	2	
10	<u>8754</u>	Locknut, 3/8-16 Hex	6	
11	<u>8755</u>	Screw, 3/8-16 X 3.375 Hex Cap	4	

6
G
E



001307-001

STABILIZER BAR – XRT 850

ITEM	PART NO.	DESCRIPTION	QTY
		1 2 3 4	
1	<u>1011857</u>	Screw, 1/4-20 X 1.0 SI Flt Cs	4
2	<u>1015453</u>	Compression Mount	8
3	<u>1015457</u>	Spacer, 0.720"	4
4	<u>1015613</u>	Bushing, Stabilizer Bar	2
5	<u>1015614</u>	Support, Bushing	2
6	<u>1015760</u>	Stabilizer Bar	1
7	<u>1016813</u>	Mounting Bracket, Stabilizer Bar	2
8	<u>1016814</u>	Link, Stabilizer Bar	2
9	<u>103364801</u>	Bracket, Sway Bar , Lift	2
10	<u>357</u>	Lockwasher, 3/8 Split	4
11	<u>7173</u>	Screw, 5/16-18 X 0.75, Hex-Head Cap	8
12	<u>7174</u>	Lockwasher, 5/16 Split	8
13	<u>7311</u>	Screw, 1/4-20 X 2.00 Hex-Head Cap	8
14	<u>7473</u>	Locknut, 5/16-18 Nylon Insert	8
15	<u>808</u>	Washer, 3/8 Type B Flat	8
16	<u>8233</u>	Locknut, 1/4-20, Nylon Insert	12
17	<u>8861</u>	Bolt, 3/8-16 X 1.75 Hex	4

6
G
E

6

G

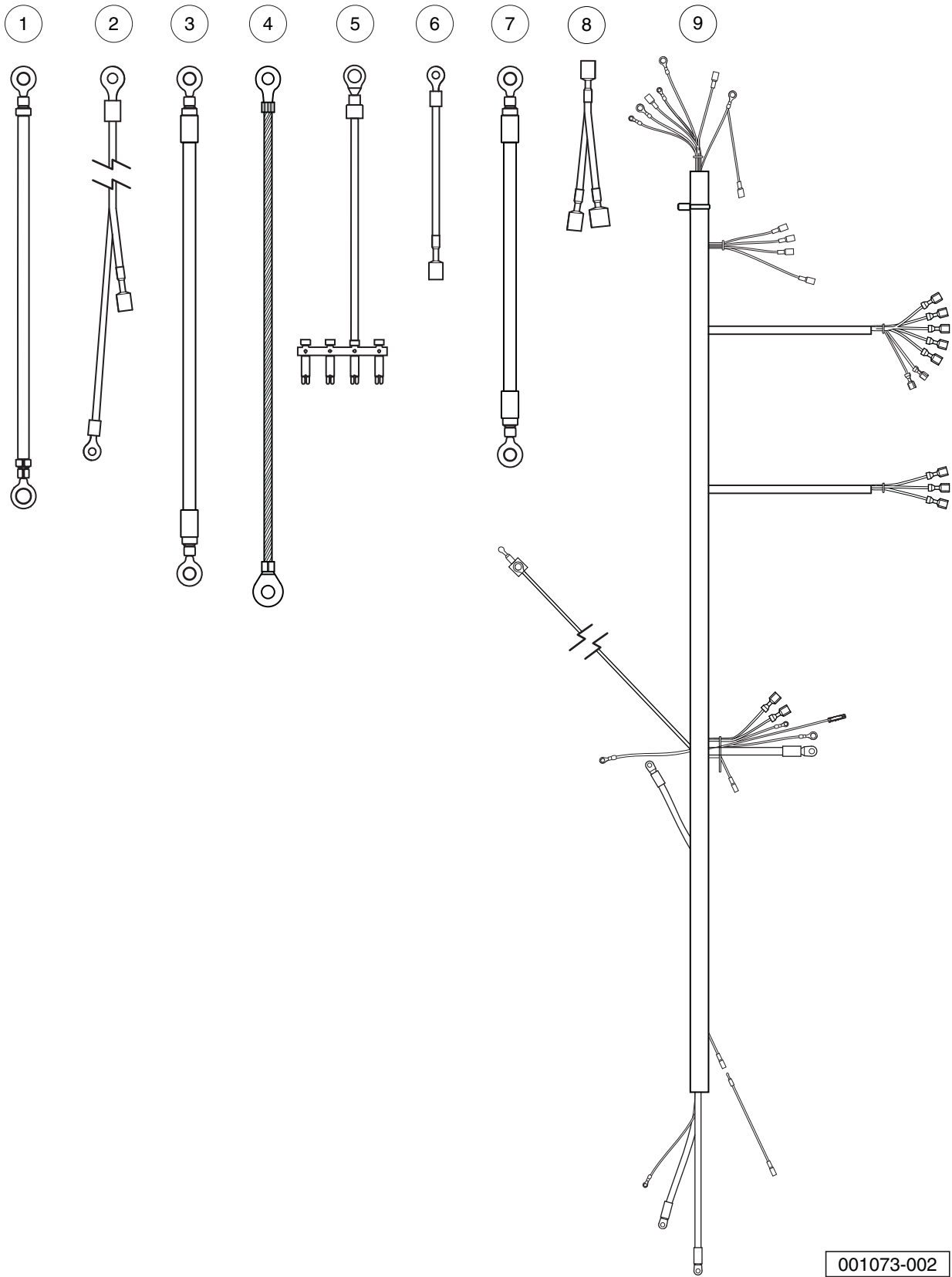
E

ELECTRICAL SYSTEM – CARBURETED GAS VEHICLES

7

G

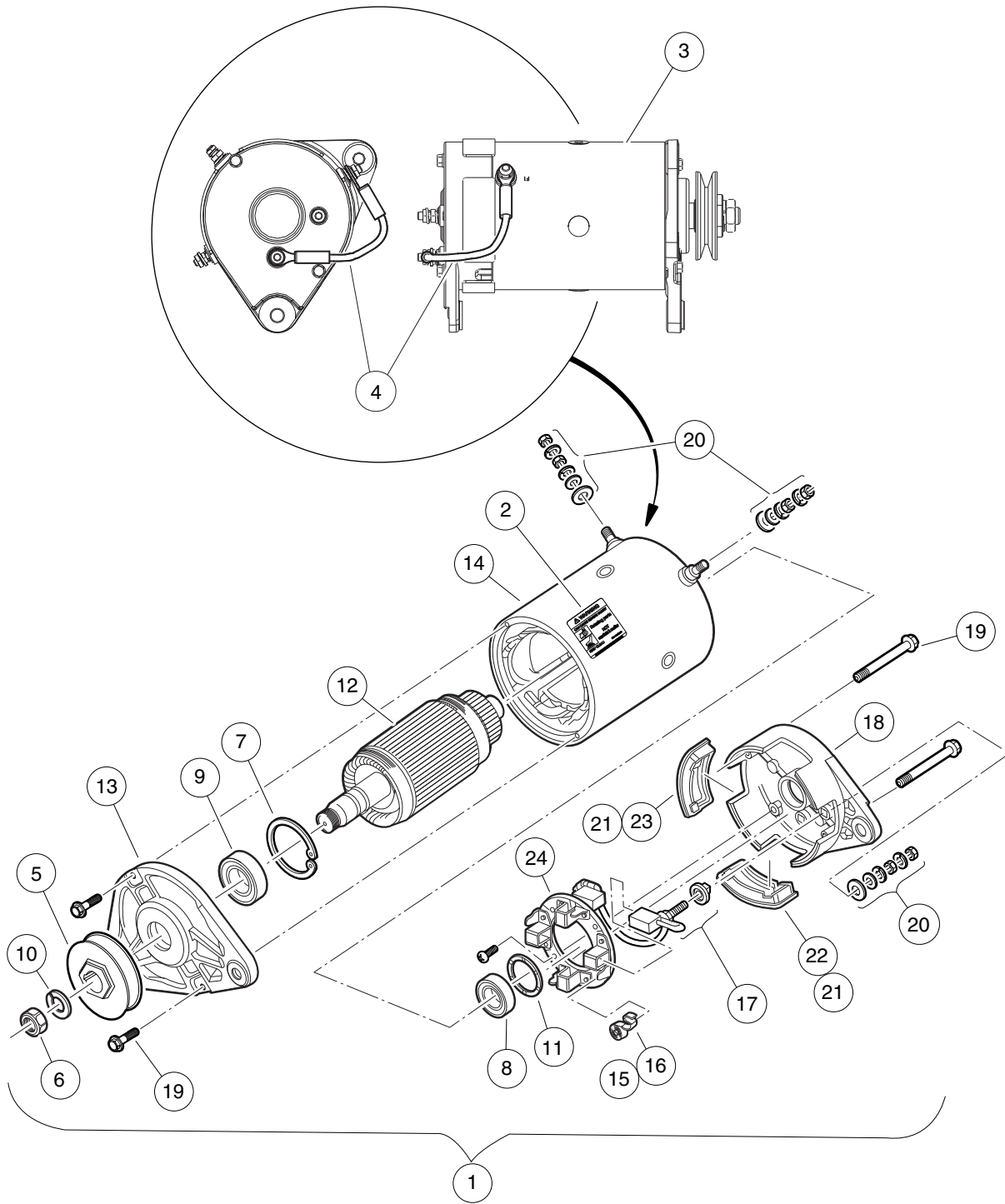
7
G



WIRING – TURF/CARRYALL 1/XRT850GAS WITH AMD STARTER/ GEN

ITEM	PART NO.	DESCRIPTION	QTY
		1 2 3 4	
1	<u>1012382</u>	Wire Assy, #6 Black	1
2	1012396	Wire Assy #18 Black	1
3	<u>1014119</u>	Wire Assembly #6 Red	1
4	<u>1015332</u>	Wire, Ground, #10, Uninsulated	1
5	<u>1015737</u>	Wire Assy, #10 Red	1
6	1016401	Wire Assy, #16 Orange	1
7	<u>101837301</u>	Wire Assy, #6 Green	1
8	<u>103348501</u>	Asm, Wire Meter, F-h Jumper	1
9	103687001	Asm, Harn, Ca1, Gas, Amd S/g	1

7
G

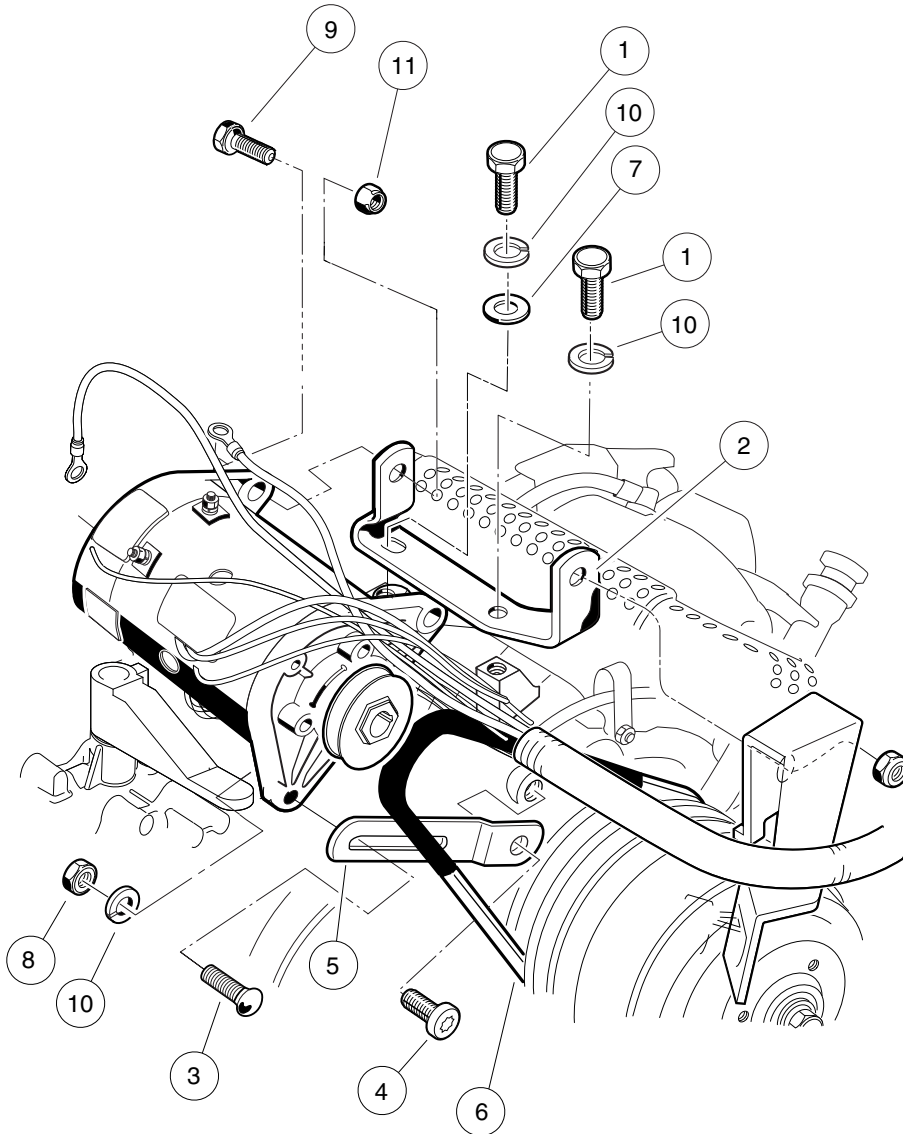


000124-005

STARTER/GENERATOR ASSEMBLY (PEDAL-START), MODEL 114-01-4009A

ITEM	PART NO.	DESCRIPTION	QTY
		1 2 3 4	
1	103678402	Asm, St/gen, Bi-rot, Ps, Svc (includes items 2 and 3)	1
2	<u>101960501</u>	Decal, Rotating Parts/Hot Manifold	1
3	103718702	St/gen, Bi-rot, Util,ps W/wire (includes items 4 through 24)	1
4	<u>101837301</u>	Wire Assy, #6 Green	1
5	<u>102711001</u>	Pulley, V-Belt	1
6	<u>102838701</u>	Nut, Hex, M14x2, S/G	1
7	<u>102838801</u>	Retainer, Front, S/G	1
8	<u>102838901</u>	Bearing, Ball, Rear, S-g	1
9	<u>102839001</u>	Bearing, Ball, Front, S-g	1
10	<u>102839301</u>	Washer, Lock M14x2, S-g	1
11	<u>102841101</u>	Washer, Wave, S-g	1
12	N/A	Asm, Armature, Starter/Generator	1
13	102844601	Head, Drive End, S-g	1
14	<u>102844701</u>	Asm, Frame and Field, Starter/Generator	1
15	<u>103347101</u>	Kit, Spring Brush, Starter/Generator (includes item 16)	1
16	N/A	Spring, Brush, S-g	4
17	<u>103347301</u>	Set, Brush Term, S-g	1
18	<u>103347601</u>	Head, Comm End, S-g	1
19	<u>103347701</u>	Set, Fast, Ceh Deh, S-g	1
20	<u>103347801</u>	Set, Term Hardware, S/G	1
21	<u>103347901</u>	Kit, Cover, Brush Insp, Starter/Generator (includes items 22 and 23)	1
22	N/A	Plug, Rubber Drain, Start/Generator	3
23	N/A	Cover, Inspection, S-g	1
24	<u>103953301</u>	Kit, Brush And Brush Holder	1

7
G



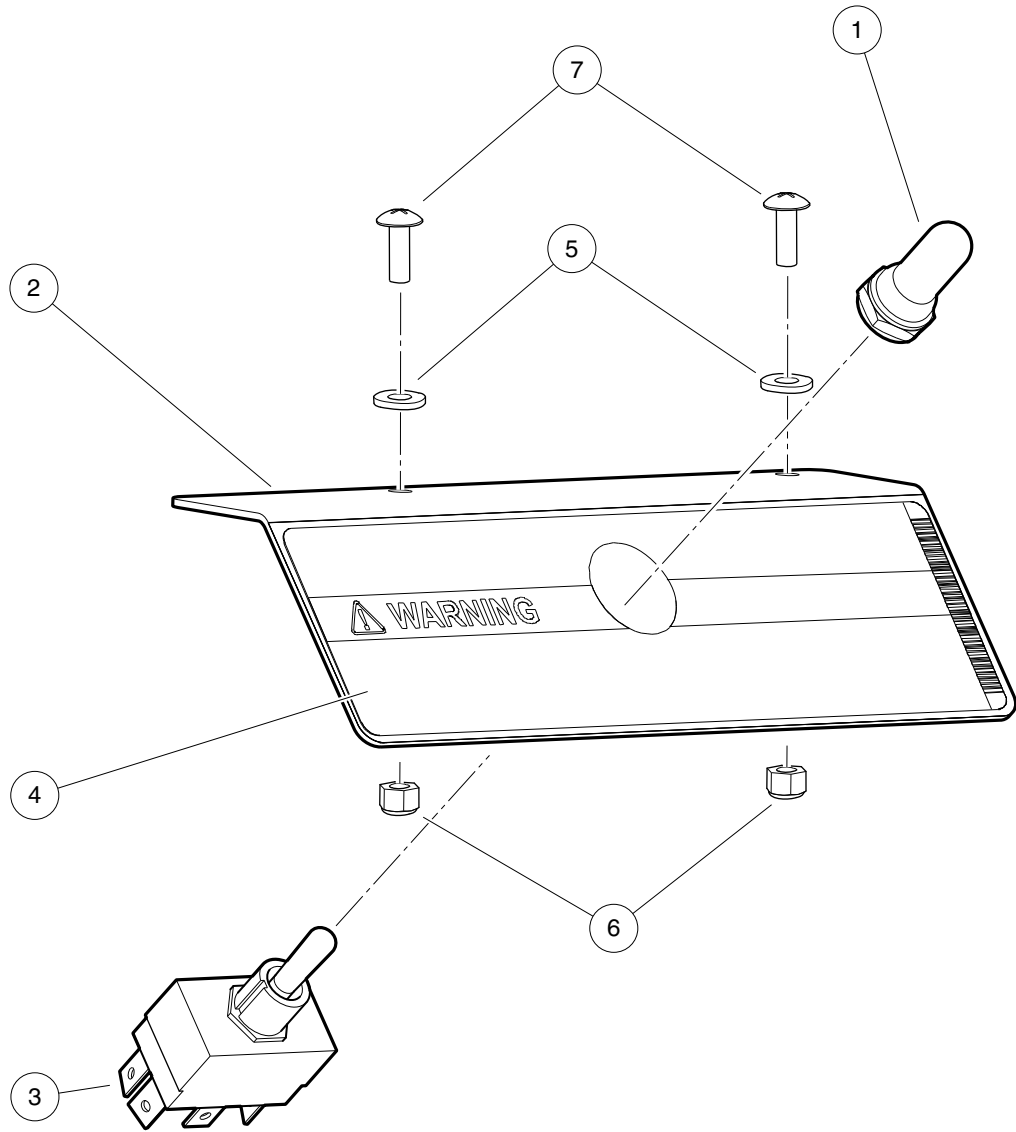
000238-005

STARTER/GENERATOR MOUNTING – 114-0X-400XX MODELS

ITEM	PART NO.	DESCRIPTION	QTY
		1 2 3 4	
1	<u>1012830</u>	Screw, M8-125 X 22 Hex-Head	2
2	<u>101524002</u>	Bracket, Starter/Generator Mounting	1
3	<u>1015932</u>	Bolt, Carriage, 5/16-18	1
4	<u>1016074</u>	Screw, M8-1.25 X 18mm Torx	1
5	<u>1016883</u>	Bracket, Starter/Generator Adjustment	1
6	<u>101916701</u>	V-Belt	1
7	<u>1241</u>	Washer, 5/16 Type A Flat	1
8	<u>1242</u>	Nut, 5/16-18 Hex	1
9	<u>1624</u>	Screw, 3/8-16 X 1.50, Hex-Head Cap	2
10	<u>7174</u>	Lockwasher, 5/16 Split	3
11	<u>8754</u>	Locknut, 3/8-16 Hex	2

7
G

7
G



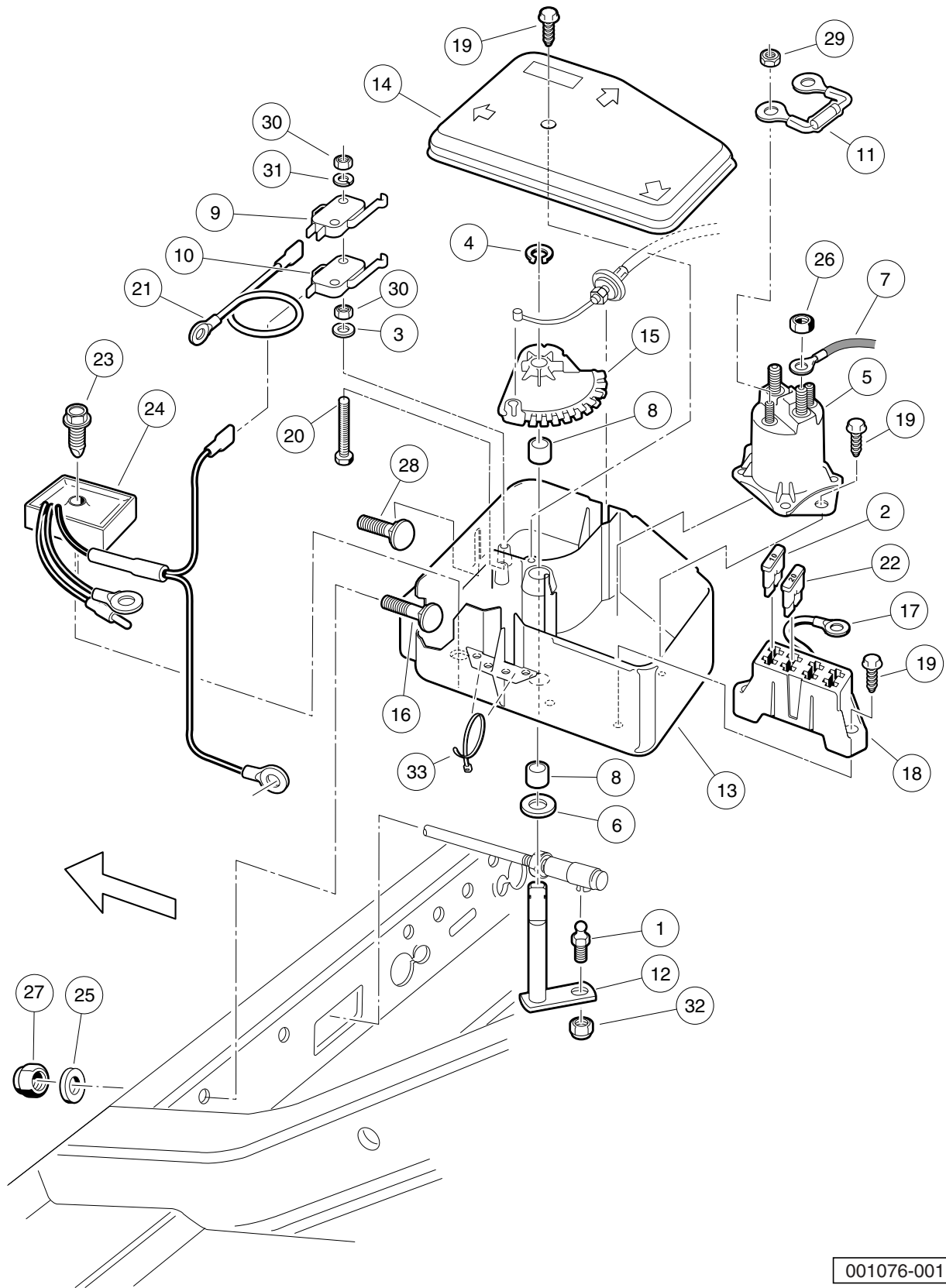
000755-003

OPERATION AND MAINTENANCE SWITCH

ITEM	PART NO.	DESCRIPTION	QTY
		1 2 3 4	
1	<u>101908401</u>	Boot, Switch	1
2	<u>101922501</u>	Bracket, Tow/Run Switch Mounting	1
3	<u>103198401</u>	Switch, Toggle, SPDT	1
4	<u>103205501</u>	Decal, Maintenance/Operate Switch	1
5	<u>332</u>	Washer, 1/4 Type A Narrow Flat	2
6	<u>8233</u>	Locknut, 1/4-20, Nylon Insert	2
7	<u>8248</u>	Screw, 1/4-20 X 0.75, Truss-Head Machine	2

7
G

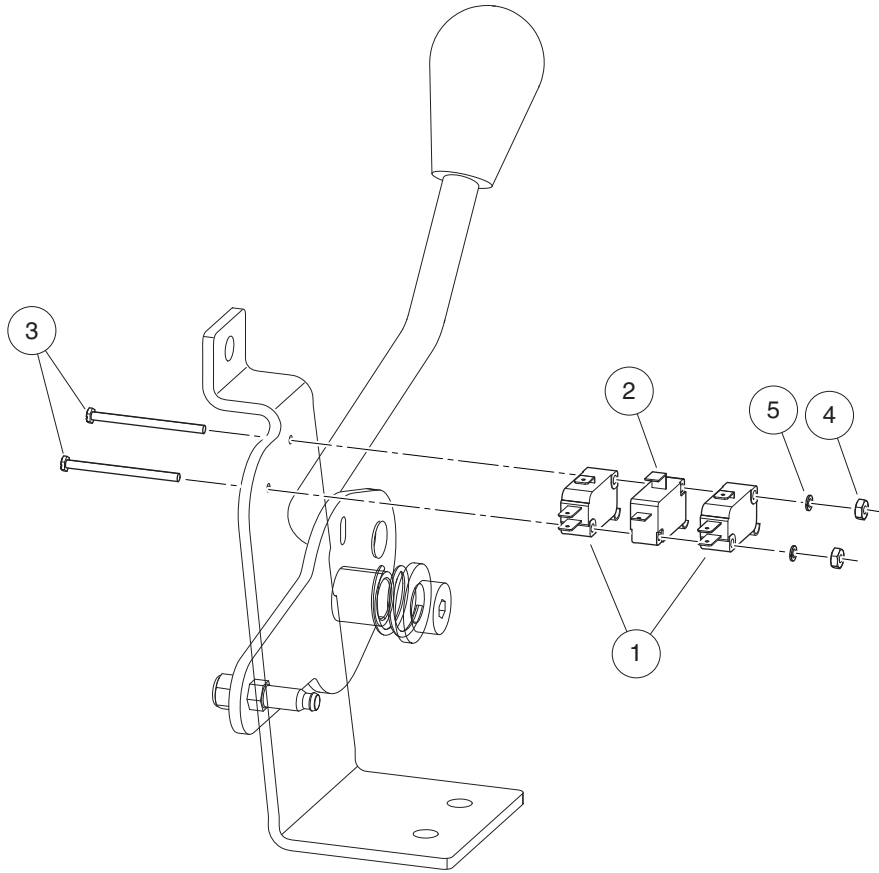
7
G



ELECTRICAL COMPONENT BOX – TURF/CA 1, 2, 252, AND XRT850

ITEM	PART NO.	DESCRIPTION	QTY
		1 2 3 4	
1	<u>1010954</u>	Stud, Ball, 1/4-28 X 0.560	1
2	<u>1012295</u>	Fuse, 10-Amp	1
3	1012431	Washer, #4 Flat	2
4	<u>1013589</u>	Ring, Retaining, 0.338" Internal	1
5	<u>1013609</u>	Solenoid, 12-Volt	1
6	<u>1014065</u>	Washer, Flat, 0.38" ID, Delrin	1
7	<u>1014119</u>	Wire Assembly #6 Red	1
8	<u>1014145</u>	Bushing, Secondary Weight, Split	2
9	<u>1014807</u>	Switch, Limit	1
10	<u>1014808</u>	Switch, Limit	1
11	1014948	Diode	1
12	1015345	Bell Crank and Shaft Assembly	1
13	<u>1015371</u>	Box, Electrical Component	1
14	<u>1015372</u>	Cover, Electric Box	1
15	<u>1015373</u>	Cam, Electric Box	1
16	<u>1015405</u>	Bolt, Carriage, 5/16-18 X 2.0	1
17	<u>1015737</u>	Wire Assy, #10 Red	1
18	<u>1015741</u>	Fuse Block	1
19	<u>1015752</u>	Screw, #12-16 X 0.625, Hi-Lo	5
20	<u>1015878</u>	Screw, #4-40 Hex Head Machine	2
21	1016401	Wire Assy, #16 Orange	1
22	<u>1016423</u>	Fuse, 20-Amp	1
23	<u>101856102</u>	Screw, 1/4-15 X 1.50, Hi-lo, Hex	1
24	<u>102711201</u>	Voltage Regulator	1
25	<u>1241</u>	Washer, 5/16 Type A Flat	2
26	<u>1242</u>	Nut, 5/16-18 Hex	2
27	<u>7473</u>	Locknut, 5/16-18 Nylon Insert	2
28	<u>7818</u>	Bolt, Carriage, 5/16-18 X 1.5	1
29	<u>7893</u>	Nut, #10-32 Hex	2
30	<u>8057</u>	Nut, #4-40 Hex Machine	4
31	<u>8058</u>	Lockwasher, #4 Split	2
32	<u>8717</u>	Locknut, Nylon Insert, 1/4-28	1
33	<u>8990</u>	Tie Wrap, 8" Nylon	2

7
G



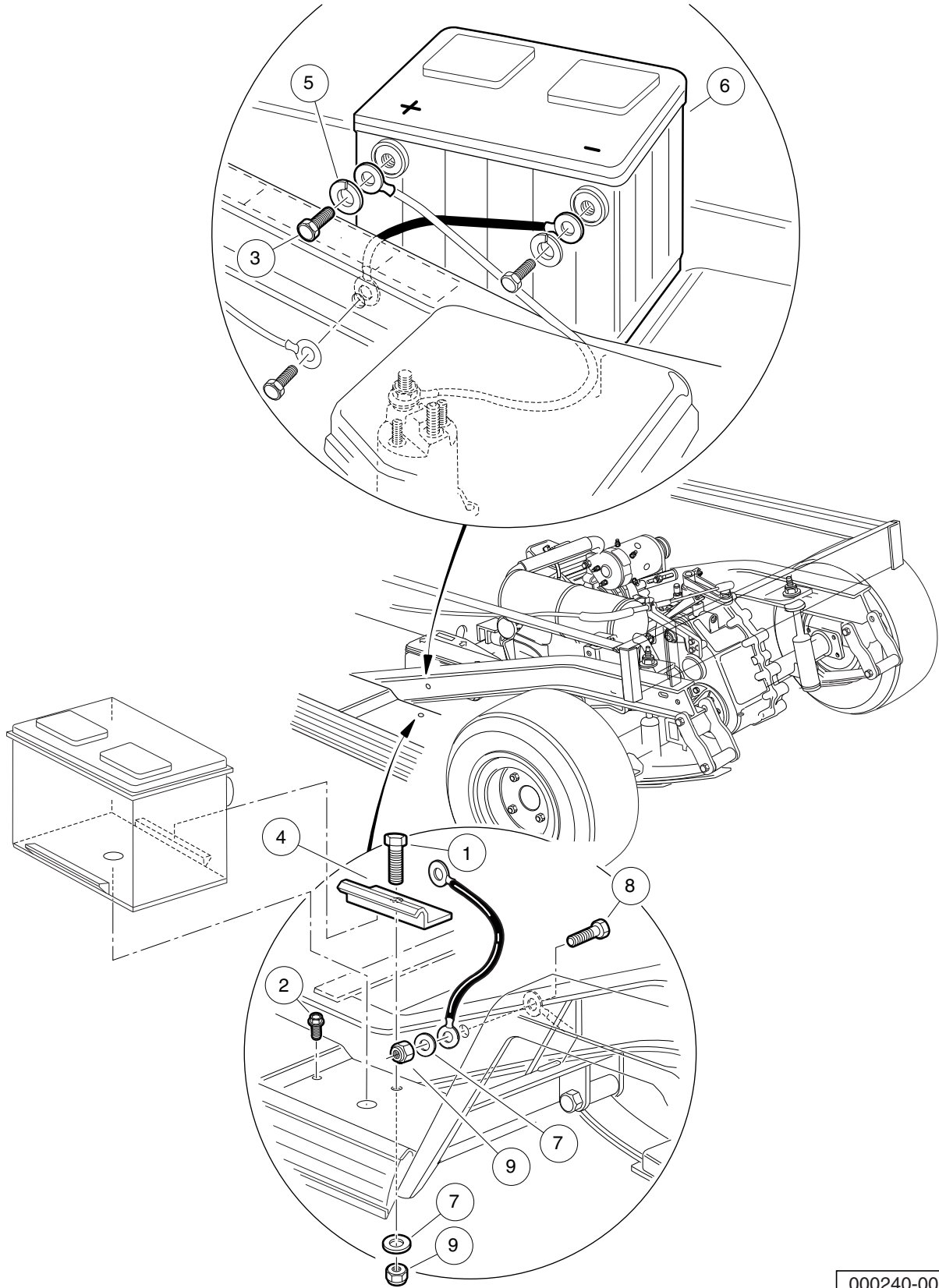
001080-001

FORWARD/REVERSE SHIFTER SWITCHES – DASH MOUNTED SHIFTER

ITEM	PART NO.	DESCRIPTION	QTY
		1 2 3 4	
1	<u>1014807</u>	Switch, Limit	2
2	<u>1014808</u>	Switch, Limit	1
3	<u>1015878</u>	Screw, #4-40 Hex Head Machine	2
4	<u>8057</u>	Nut, #4-40 Hex Machine	2
5	<u>8058</u>	Lockwasher, #4 Split	2

7
G

7
G



000240-001

BATTERY – GASOLINE UTILITY VEHICLES

ITEM	PART NO.	DESCRIPTION	QTY
		1 2 3 4	
1	<u>1010934</u>	Screw, 5/16-18 X 1.00 Hex Cap	1
2	<u>1014288</u>	Screw, 5/16-18 X 0.75, Thread-Forming	1
3	<u>1014375</u>	Screw, 3/8-16 X 0.50, Stainless Steel, Hex-Head	2
4	<u>101898001</u>	Clamp, Battery	1
5	<u>102355301</u>	Lockwasher, 3/8 Split Ss	2
6	<u>103496801</u>	Battery, Start, 12v	1
7	<u>1241</u>	Washer, 5/16 Type A Flat	2
8	<u>7173</u>	Screw, 5/16-18 X 0.75, Hex-Head Cap	1
9	<u>7473</u>	Locknut, 5/16-18 Nylon Insert	2

7

G

7

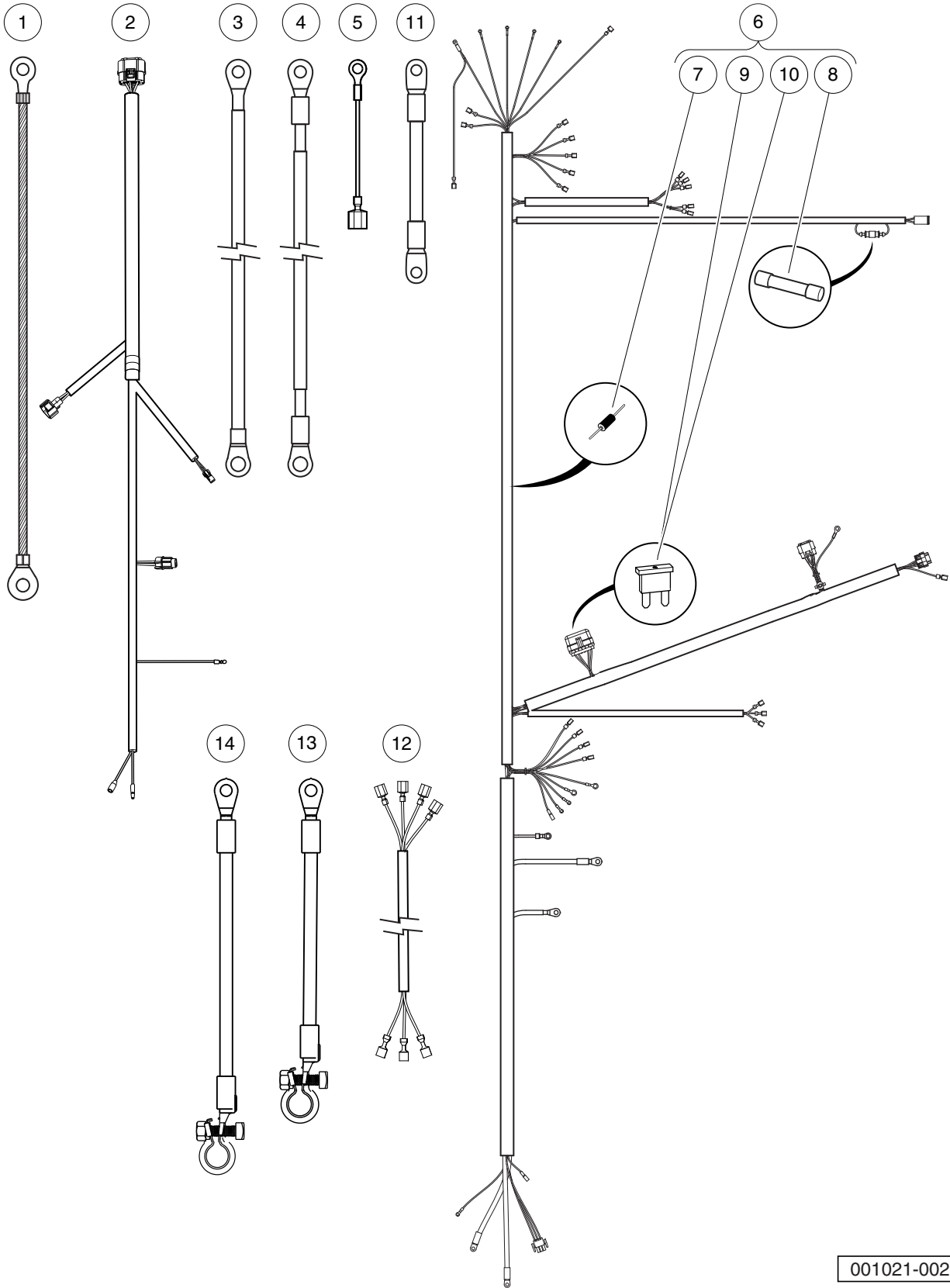
G

ELECTRICAL SYSTEM – EFI GASOLINE VEHICLES

8

G

8
G



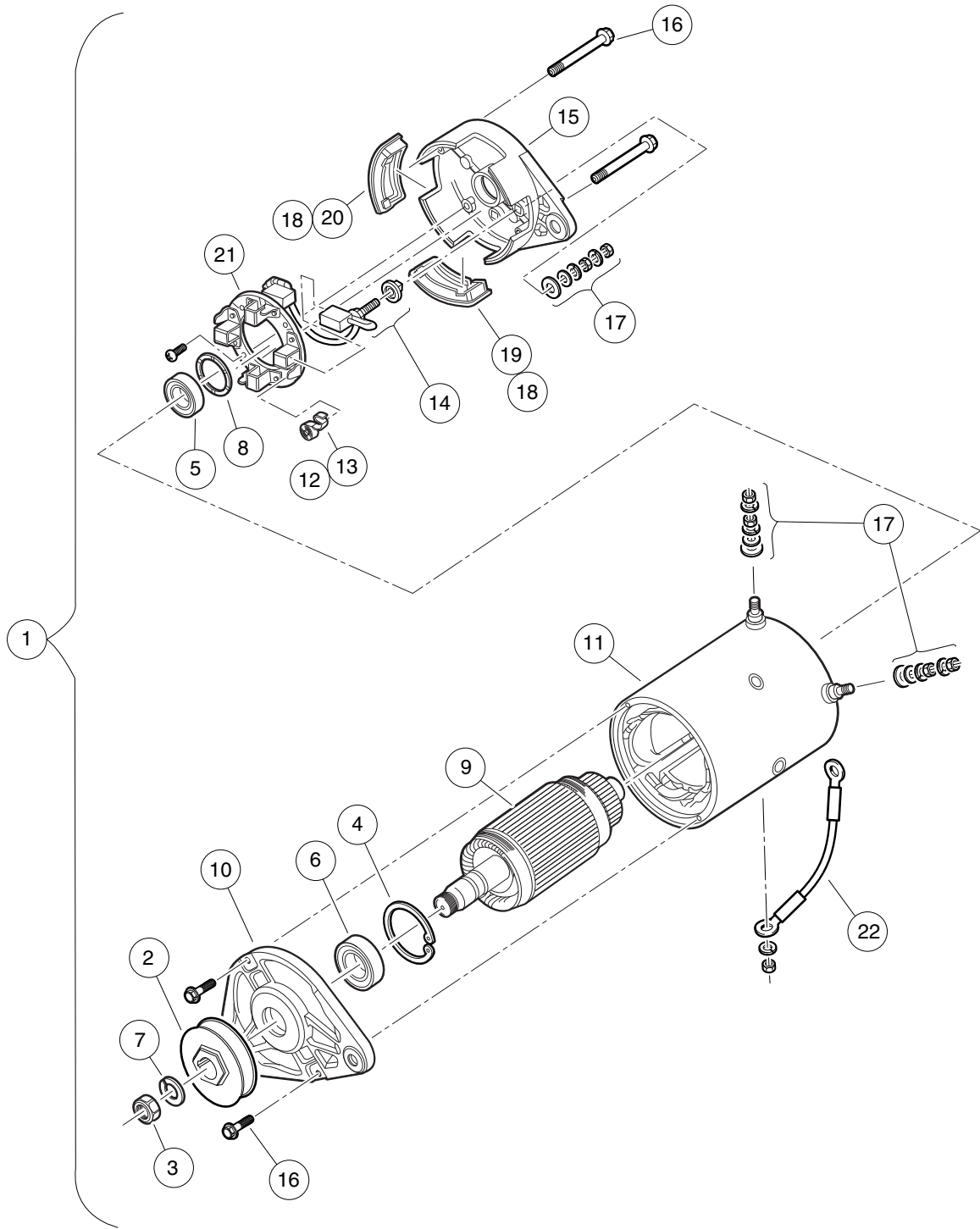
001021-002

WIRING, FUSES, AND DIODES, PEDAL-START – EFI – XRT850

ITEM	PART NO.	DESCRIPTION	QTY
		1 2 3 4	
1	<u>1015332</u>	Wire, Ground, #10, Uninsulated	1
2	<u>105008101</u>	Harness, Wire, ECU/Engine	1
3	<u>105135901</u>	Wire, Battery (side-post), B-, Gas	1
4	<u>105136001</u>	Wire, Battery (side-post), B+, Gas	1
5	<u>105143301</u>	Wire, Ground, Fuel Tank	1
6	<u>105151401</u>	Harness, Main, Xrt850, Ps (includes items 7 through 10)	1
7	<u>1014789</u>	Diode, General Purpose, 3.0-Amp	1
8	<u>103924801</u>	Fuse, Glass, 2-Amp	1
9	<u>105081501</u>	Fuse, ATM, 5-Amp	1
10	<u>105081601</u>	Fuse, ATM, 10-Amp	1
11	<u>105161701</u>	Wire, 4-Ga, Green, Starter/Generator	1
12	<u>105245701</u>	Jumper, Run/maint, Sw	1
13	<u>105256701</u>	Wire Assy, 4ga, Battery, (top-post) B-, Gas	1
14	<u>105256801</u>	Wire Assy, 4ga, Battery, (top-post) B+, Gas	1
		Note: For ECU, see Throttle Body in Fuel System section.	

8

G

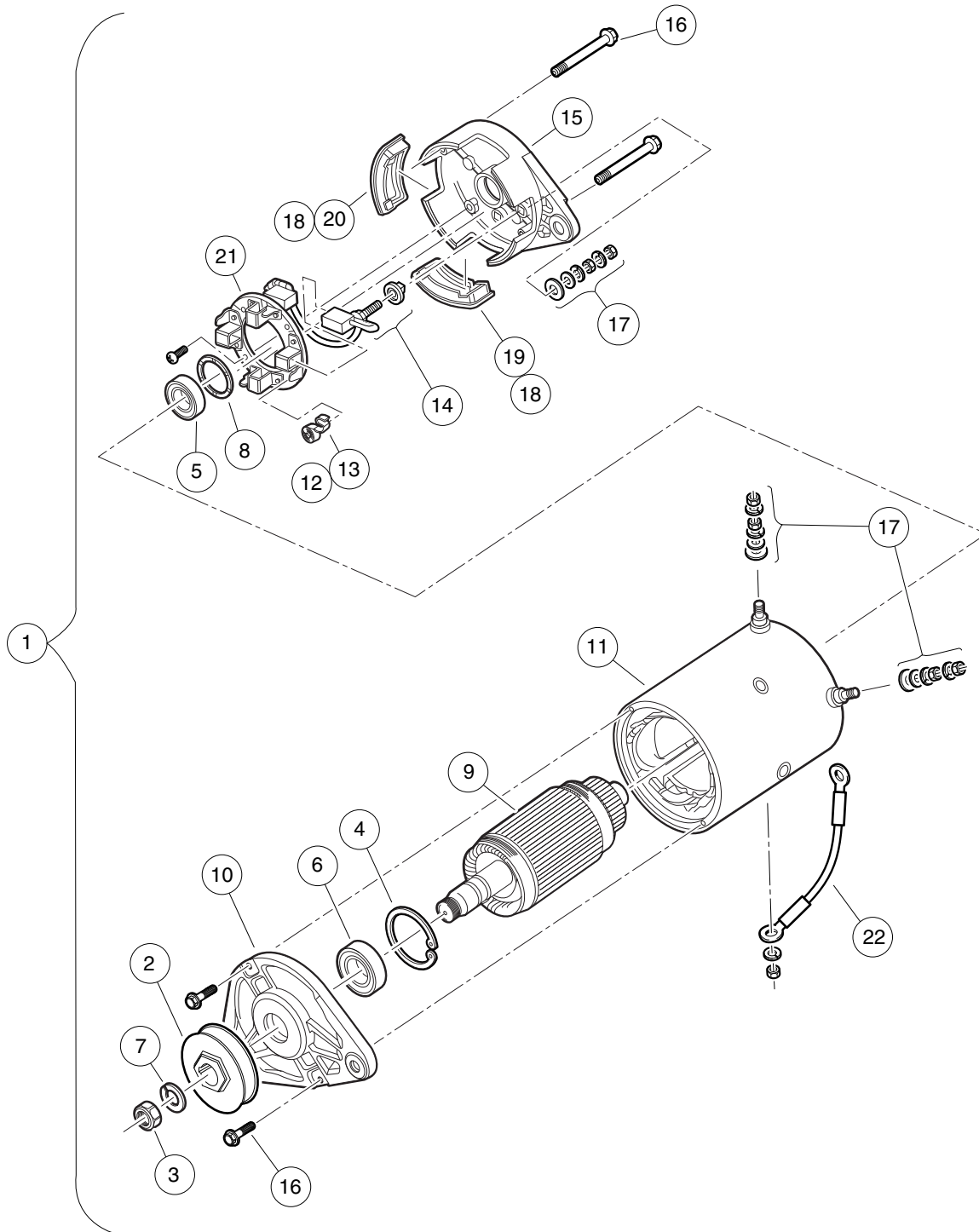


001016-001

STARTER/GENERATOR (MODEL 114-04-4006), KEY-START – EFI

ITEM	PART NO.	DESCRIPTION	QTY
		1 2 3 4	
1	<u>105190102</u>	Starter/Generator, Bi-Rotational, Utility, Key-Start (includes items 2 through 22)	1
2	<u>1014289</u>	Pulley, Starter/Generator	1
3	<u>102838701</u>	Nut, Hex, M14x2, S/G	1
4	<u>102838801</u>	Retainer, Front, S/G	1
5	<u>102838901</u>	Bearing, Ball, Front, S-g	1
6	<u>102839001</u>	Bearing, Ball, Front, S-g	1
7	<u>102839301</u>	Washer, Lock M14x2, S-g	1
8	<u>102841101</u>	Washer, Wave, S-g	1
9	N/A	Asm, Armature, Starter/Generator	1
10	<u>102844601</u>	Head, Drive End, S-g	1
11	<u>102844701</u>	Asm, Frame and Field, Starter/Generator	1
12	<u>103347101</u>	Kit, Spring Brush, Starter/Generator (includes item 13)	1
13	N/A	Spring, Brush, S-g	4
14	<u>103347301</u>	Set, Brush Term, S-g	1
15	<u>103347601</u>	Head, Comm End, S-g	1
16	<u>103347701</u>	Set, Fastener, Ceh Deh, S-g	1
17	<u>103347801</u>	Set, Term Hardware, S/G	1
18	<u>103347901</u>	Kit, Cover, Brush Insp, Starter/Generator (includes items 19 and 20)	1
19	N/A	Plug, Rubber Drain, Start/Generator	3
20	N/A	Cover, Inspection, S-g	1
21	<u>103953301</u>	Kit, Brush And Brush Holder	1
22	<u>105161701</u>	Wire, 4-Ga, Green, Starter/Generator	1

8
G

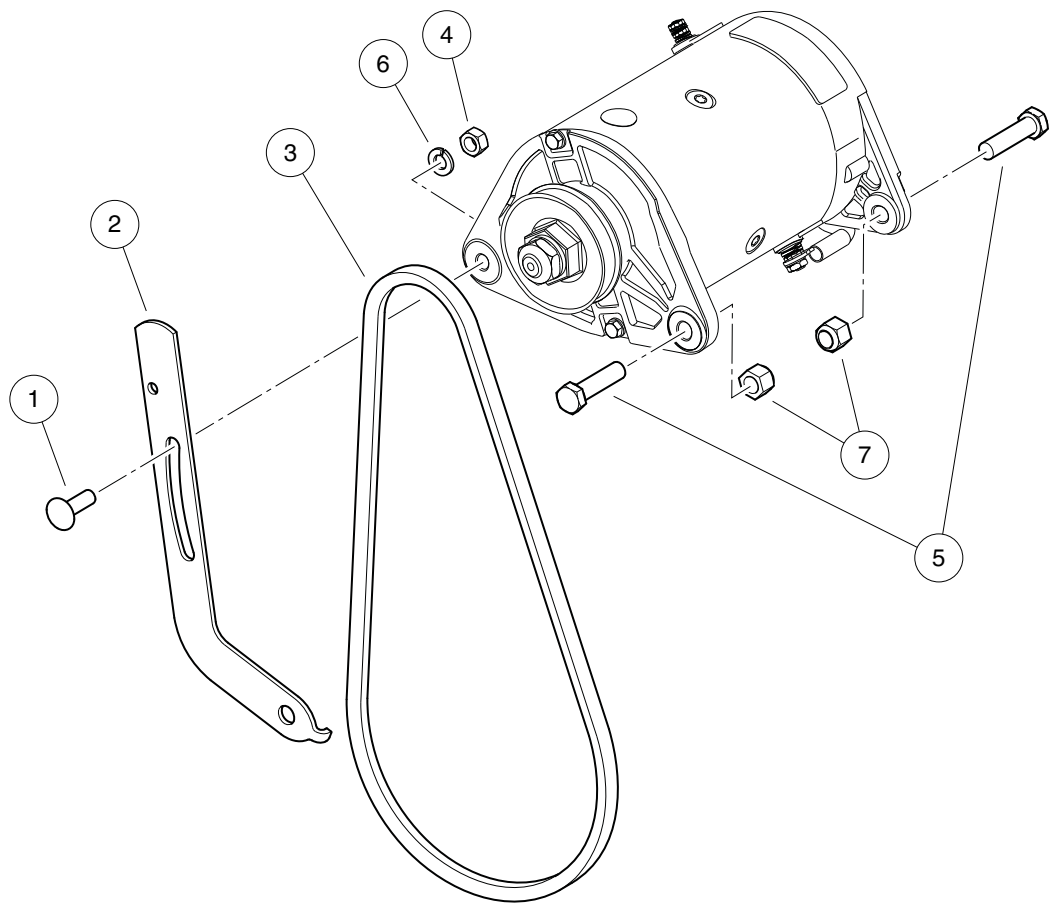


001016-001

STARTER/GENERATOR (MODEL 114-05-4001), PEDAL-START – EFI

ITEM	PART NO.	DESCRIPTION	QTY
		1 2 3 4	
1	<u>105190101</u>	Starter/Generator, High-Torque, Utility, Pedal-Start (includes items 2 through 22)	1
2	<u>1014289</u>	Pulley, Starter/Generator	1
3	<u>102838701</u>	Nut, Hex, M14x2, S/G	1
4	<u>102838801</u>	Retainer, Front, S/G	1
5	<u>102838901</u>	Bearing, Ball, Front, S-g	1
6	<u>102839001</u>	Bearing, Ball, Front, S-g	1
7	<u>102839301</u>	Washer, Lock M14x2, S-g	1
8	<u>102841101</u>	Washer, Wave, S-g	1
9	N/A	Asm, Armature, Starter/Generator	1
10	<u>102844601</u>	Head, Drive End, S-g	1
11	<u>102844701</u>	Asm, Frame and Field, Starter/Generator	1
12	<u>103347101</u>	Kit, Spring Brush, Starter/Generator (includes item 13)	1
13	N/A	Spring, Brush, S-g	4
14	<u>103347301</u>	Set, Brush Term, S-g	1
15	<u>103347601</u>	Head, Comm End, S-g	1
16	<u>103347701</u>	Set, Fastener, Ceh Deh, S-g	1
17	<u>103347801</u>	Set, Term Hardware, S/G	1
18	<u>103347901</u>	Kit, Cover, Brush Insp, Starter/Generator (includes items 19 and 20)	1
19	N/A	Plug, Rubber Drain, Start/Generator	3
20	N/A	Cover, Inspection, S-g	1
21	<u>103953301</u>	Kit, Brush And Brush Holder	1
22	<u>105161701</u>	Wire, 4-Ga, Green, Starter/Generator	1

8
G



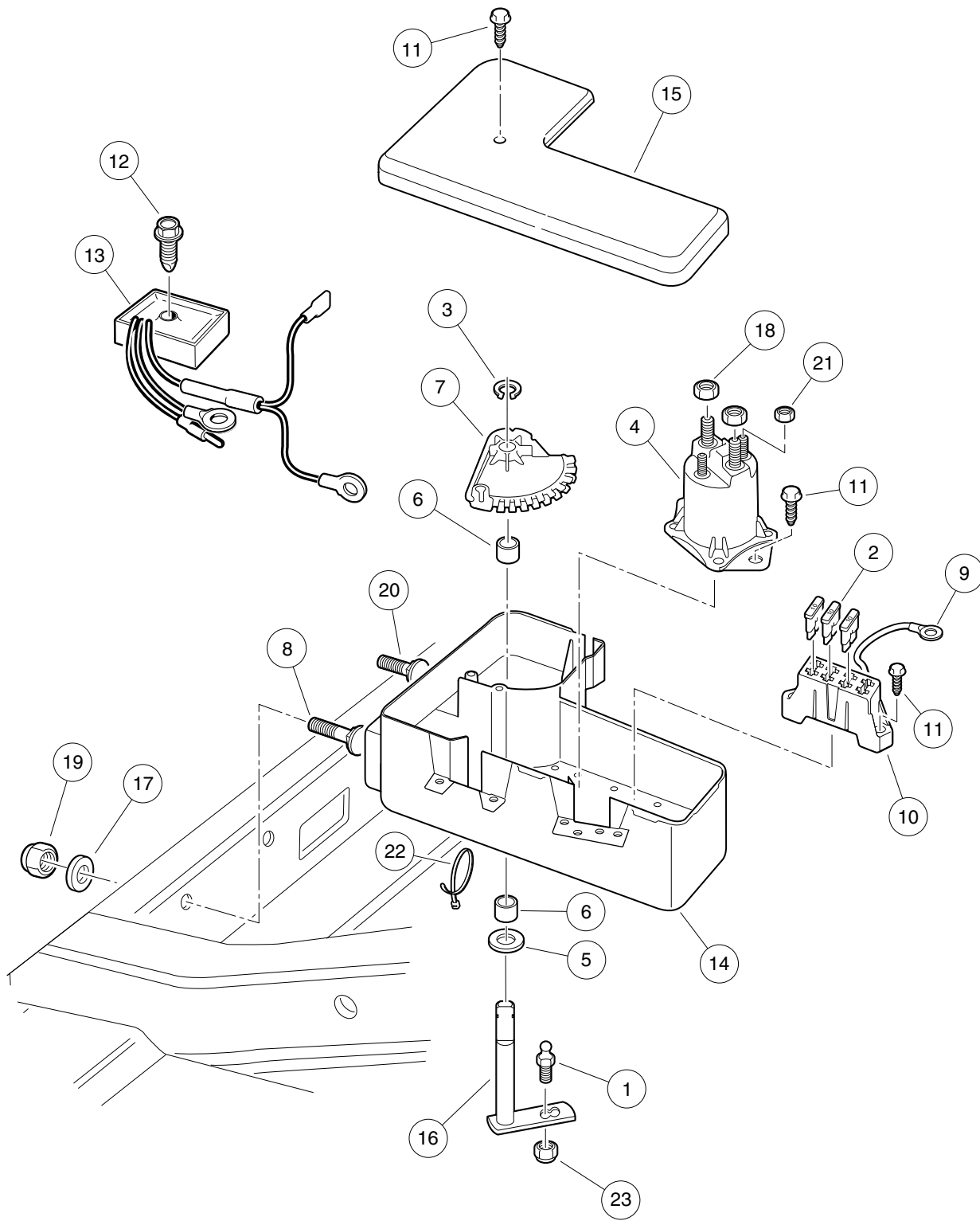
001009-001

STARTER/GENERATOR MOUNTING – EX40

ITEM	PART NO.	DESCRIPTION	QTY
		1 2 3 4	
1	<u>1015932</u>	Bolt, Carriage, 5/16-18	1
2	<u>104005301</u>	Bracket, Adjustable, Starter/Generator, EX40	1
3	<u>105205401</u>	Belt, Sg, 871, Ex40	1
4	<u>1242</u>	Nut, 5/16-18 Hex	1
5	<u>1624</u>	Screw, 3/8-16 X 1.50, Hex-Head Cap	2
6	<u>7174</u>	Lockwasher, 5/16 Split	1
7	<u>8754</u>	Locknut, 3/8-16 Hex	2

8

G



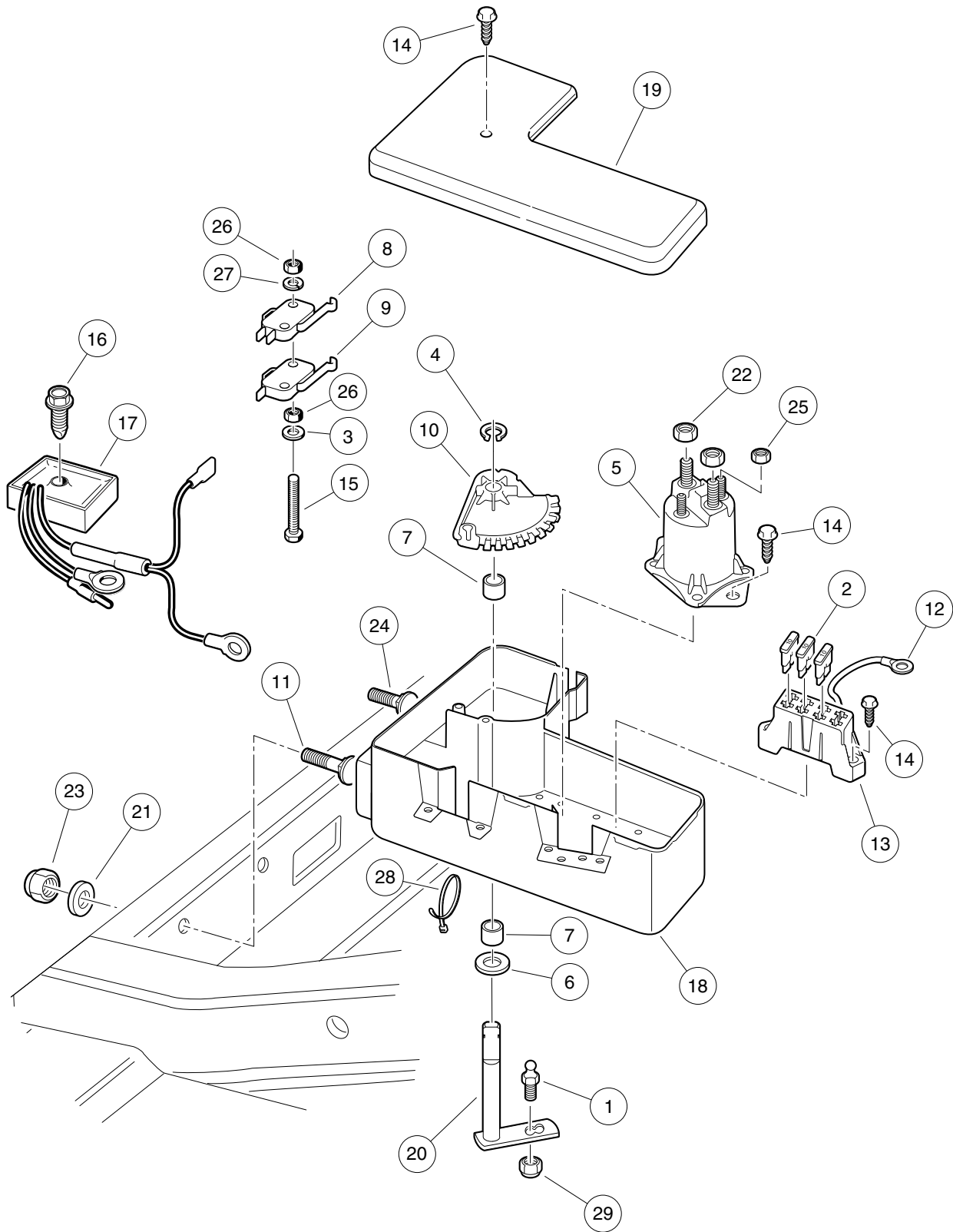
001014-002

ELECTRICAL COMPONENT BOX, KEY-START – EX40

ITEM	PART NO.	DESCRIPTION	QTY
		1 2 3 4	
1	<u>1010954</u>	Stud, Ball, 1/4-28 X 0.560	1
2	<u>1012295</u>	Fuse, 10-Amp	3
3	<u>1013589</u>	Ring, Retaining, 0.338" Internal	1
4	<u>1013609</u>	Solenoid, 12-Volt	1
5	<u>1014065</u>	Washer, Flat, 0.38" ID, Delrin	1
6	<u>1014145</u>	Bushing, Secondary Weight, Split	2
7	<u>1015373</u>	Cam, Electric Box	1
8	<u>1015405</u>	Bolt, Carriage, 5/16-18 X 2.0	1
9	<u>1015737</u>	Wire Assy, #10 Red	1
10	<u>1015741</u>	Fuse Block	1
11	<u>1015752</u>	Screw, #12-16 X 0.625, Hi-Lo	5
12	<u>101856102</u>	Screw, 1/4-15 X 1.50, Hi-lo, Hex	1
13	<u>102711201</u>	Voltage Regulator	1
14	105000301	Box, Component, Electrical	1
15	<u>105000401</u>	Cover, Box, Component, Elec	1
16	<u>105037401</u>	Weldment, Bellcrank, Comp Box	1
17	<u>1241</u>	Washer, 5/16 Type A Flat	2
18	<u>1242</u>	Nut, 5/16-18 Hex	2
19	<u>7473</u>	Locknut, 5/16-18 Nylon Insert	2
20	<u>7818</u>	Bolt, Carriage, 5/16-18 X 1.5	1
21	<u>7893</u>	Nut, #10-32 Hex	2
22	<u>8639</u>	Tie Wrap, 11" Nylon	6
23	<u>8717</u>	Locknut, Nylon Insert, 1/4-28	1

8

G



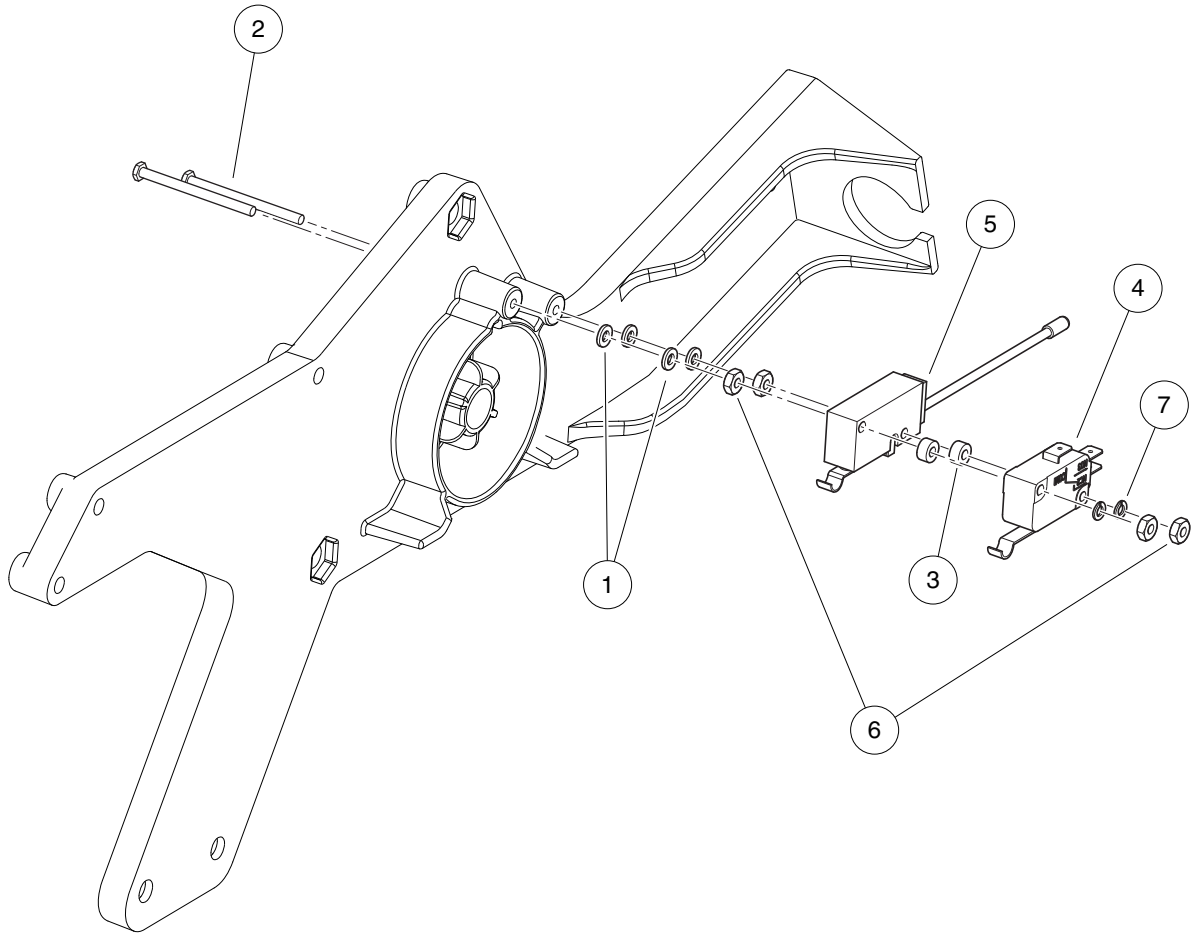
001014-001

ELECTRICAL COMPONENT BOX, PEDAL-START – EX40

ITEM	PART NO.	DESCRIPTION	QTY
		1 2 3 4	
1	<u>1010954</u>	Stud, Ball, 1/4-28 X 0.560	1
2	<u>1012295</u>	Fuse, 10-Amp	3
3	<u>1012431</u>	Washer, #4 Flat	2
4	<u>1013589</u>	Ring, Retaining, 0.338" Internal	1
5	<u>1013609</u>	Solenoid, 12-Volt	1
6	<u>1014065</u>	Washer, Flat, 0.38" ID, Delrin	1
7	<u>1014145</u>	Bushing, Secondary Weight, Split	2
8	<u>1014807</u>	Switch, Limit	1
9	<u>1014808</u>	Switch, Limit	1
10	<u>1015373</u>	Cam, Electric Box	1
11	<u>1015405</u>	Bolt, Carriage, 5/16-18 X 2.0	1
12	<u>1015737</u>	Wire Assy, #10 Red	1
13	<u>1015741</u>	Fuse Block	1
14	<u>1015752</u>	Screw, #12-16 X 0.625, Hi-Lo	5
15	<u>1015878</u>	Screw, #4-40 Hex Head Machine	2
16	<u>101856102</u>	Screw, 1/4-15 X 1.50, Hi-lo, Hex	1
17	<u>102711201</u>	Voltage Regulator	1
18	<u>105000301</u>	Box, Component, Electrical	1
19	<u>105000401</u>	Cover, Box, Component, Elec	1
20	<u>105037401</u>	Weldment, Bellcrank, Comp Box	1
21	<u>1241</u>	Washer, 5/16 Type A Flat	2
22	<u>1242</u>	Nut, 5/16-18 Hex	2
23	<u>7473</u>	Locknut, 5/16-18 Nylon Insert	2
24	<u>7818</u>	Bolt, Carriage, 5/16-18 X 1.5	1
25	<u>7893</u>	Nut, #10-32 Hex	2
26	<u>8057</u>	Nut, #4-40 Hex Machine	4
27	<u>8058</u>	Lockwasher, #4 Split	2
28	<u>8639</u>	Tie Wrap, 11" Nylon	6
29	<u>8717</u>	Locknut, Nylon Insert, 1/4-28	1

8

G



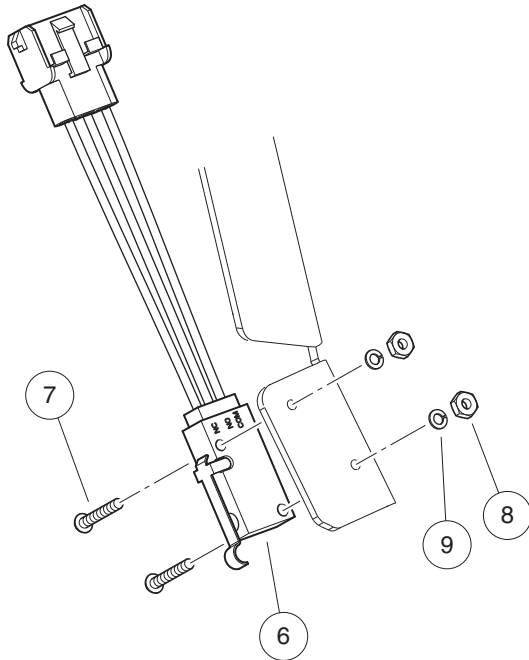
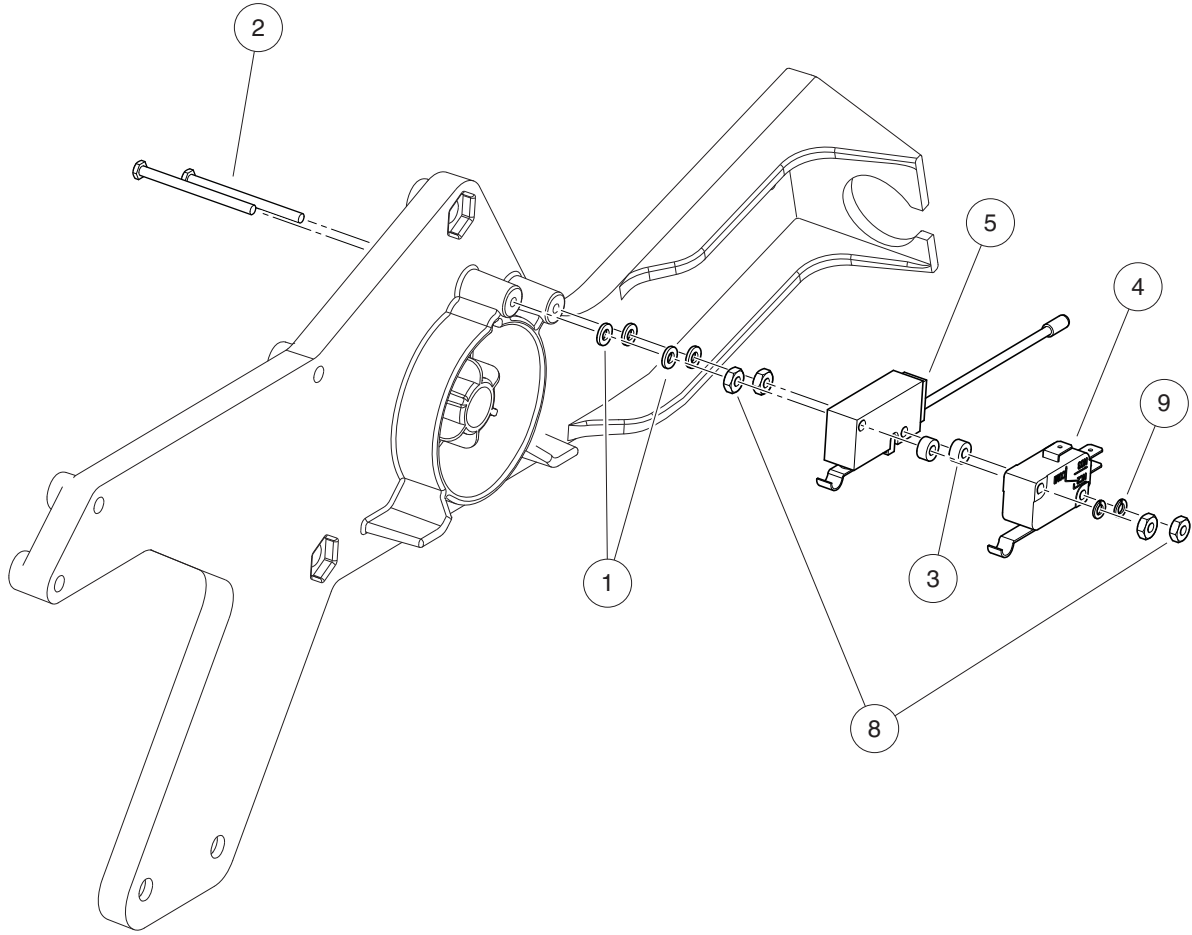
001013-002

FORWARD/REVERSE SHIFTER SWITCHES, KEY-START – EFI, CA100, 800, 242

ITEM	PART NO.	DESCRIPTION	QTY
		1 2 3 4	
1	1012431	Washer, #4 Flat	4
2	<u>1012594</u>	Screw, #4-40 Machine	2
3	<u>1014727</u>	Washer, Flat, #4, Nylon	2
4	<u>1014807</u>	Switch, Limit	1
5	<u>101979101</u>	Switch, Limit, Assembly, Sealed	1
6	<u>8057</u>	Nut, #4-40 Hex Machine	4
7	<u>8058</u>	Lockwasher, #4 Split	2

8
G

8
G

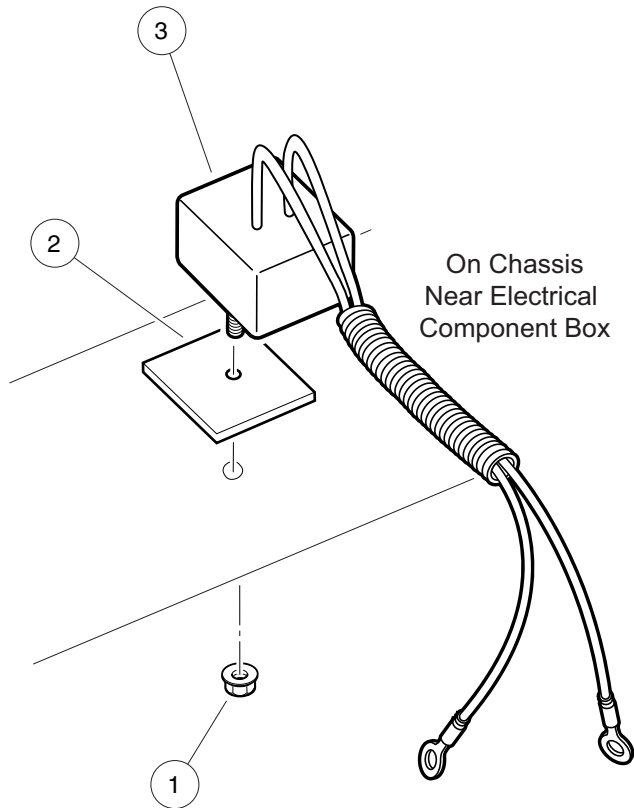


001013-001

FORWARD/REVERSE SHIFTER SWITCHES, PEDAL-START – EFI, CA100, 800, 242

ITEM	PART NO.	DESCRIPTION	QTY
		1 2 3 4	
1	1012431	Washer, #4 Flat	4
2	<u>1012594</u>	Screw, #4-40 Machine	2
3	<u>1014727</u>	Washer, Flat, #4, Nylon	2
4	<u>1014807</u>	Switch, Limit	1
5	<u>101979101</u>	Switch, Limit, Assembly, Sealed	1
6	<u>105102601</u>	Switch, Limit, Sealed, with 3-Wire Lead	1
7	<u>8056</u>	Screw, #4-40 X 0.75 Round-Head Machine	2
8	<u>8057</u>	Nut, #4-40 Hex Machine	6
9	<u>8058</u>	Lockwasher, #4 Split	4

8
G



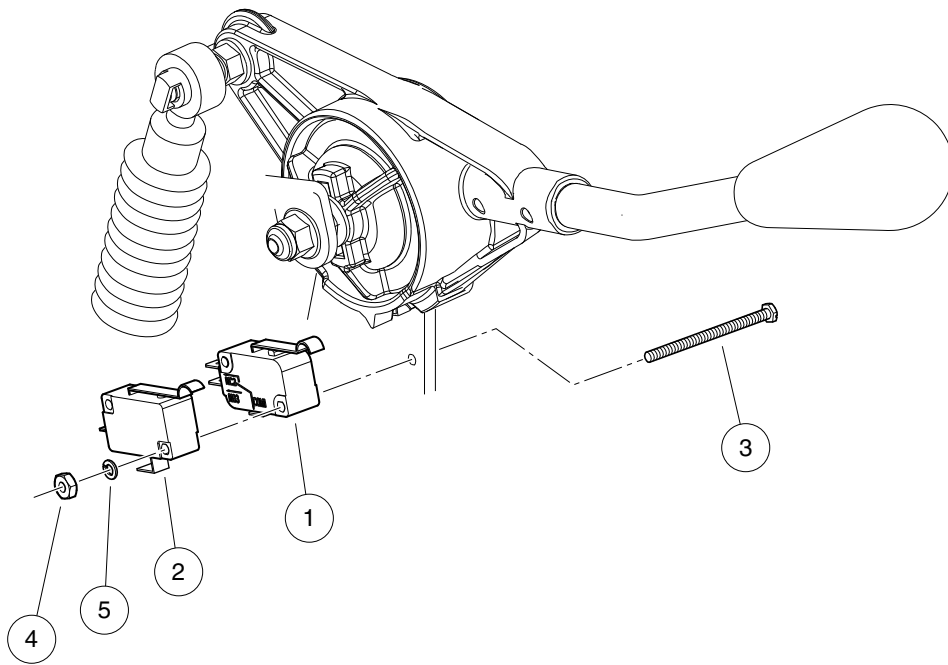
001015-001

CHARGING DIODE, KEY-START – EFI

ITEM	PART NO.	DESCRIPTION	QTY
		1 2 3 4	
1	<u>101963401</u>	Locknut, 5/16-18 Hex Flange	1
2	<u>102269701</u>	Thermal Pad	1
3	<u>105037201</u>	Diode, Charging	1

8

G

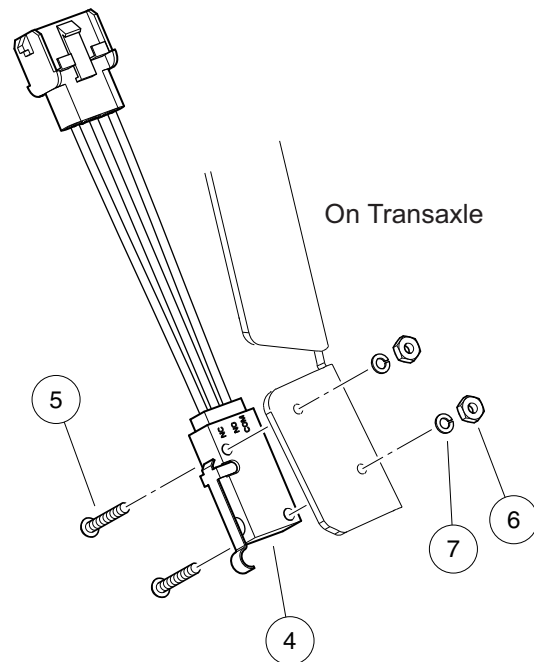
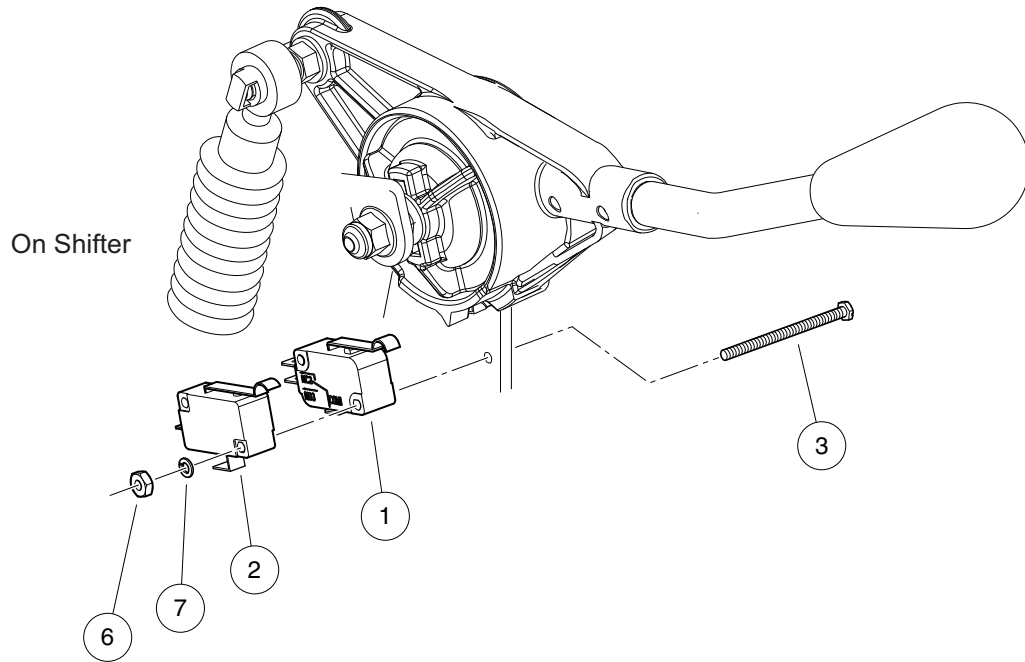


001010-002

FORWARD/REVERSE SHIFTER SWITCHES, KEY-START – EFI, VILLAGER 6, 8, 850, 850SE

ITEM	PART NO.	DESCRIPTION	QTY
		1 2 3 4	
1	<u>1014807</u>	Switch, Limit	1
2	<u>1014808</u>	Switch, Limit	1
3	<u>1015878</u>	Screw, #4-40 Hex Head Machine	2
4	<u>8057</u>	Nut, #4-40 Hex Machine	2
5	<u>8058</u>	Lockwasher, #4 Split	2

8
G

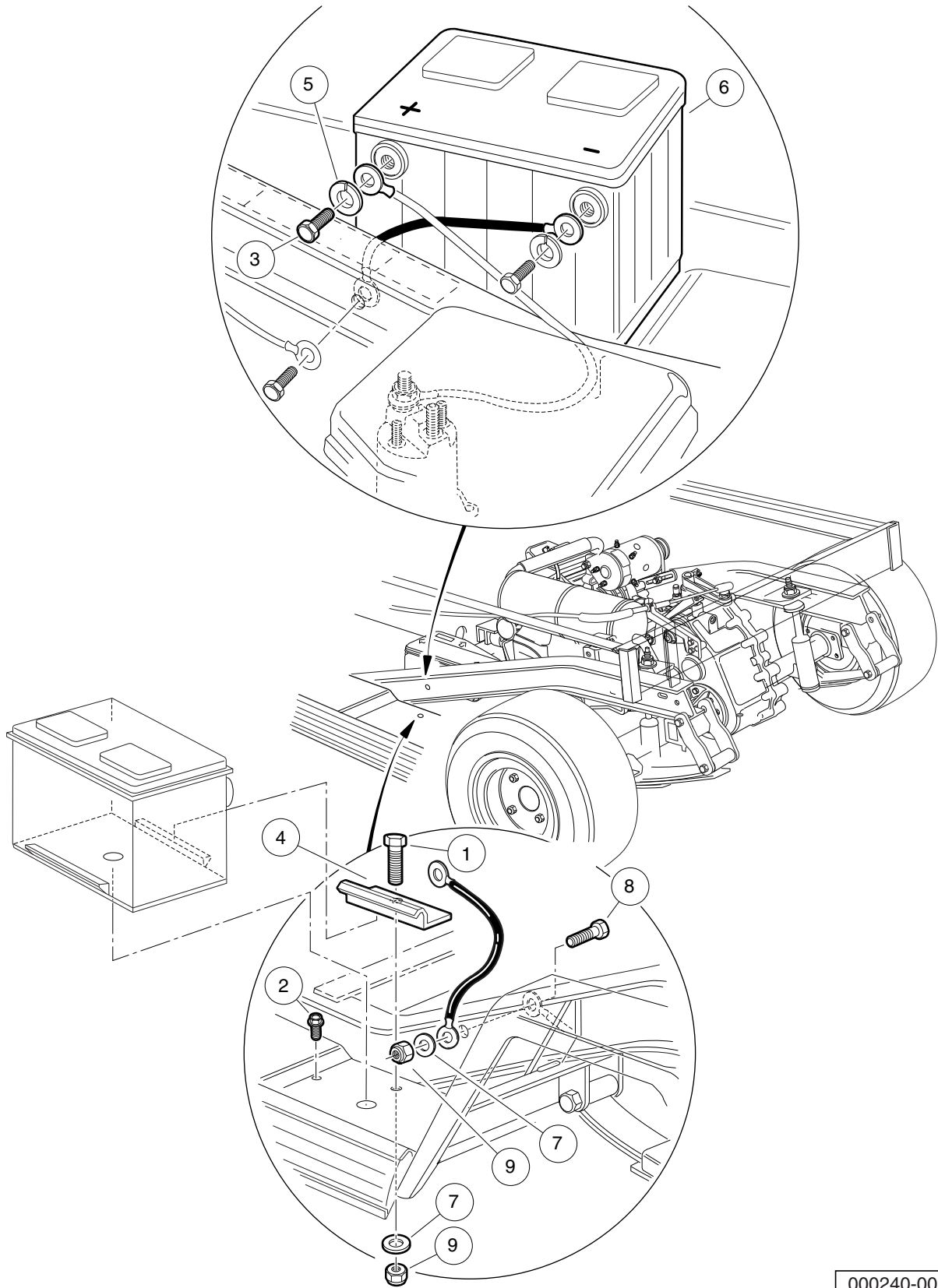


001010-001

FORWARD/REVERSE SHIFTER SWITCHES, PEDAL-START – EFI, VILLAGER 6, 8, 850, 850SE

ITEM	PART NO.	DESCRIPTION	QTY
		1 2 3 4	
1	<u>1014807</u>	Switch, Limit	1
2	<u>1014808</u>	Switch, Limit	1
3	<u>1015878</u>	Screw, #4-40 Hex Head Machine	2
4	<u>105102601</u>	Switch, Limit, Sealed, with 3-Wire Lead	1
5	<u>8056</u>	Screw, #4-40 X 0.75 Round-Head Machine	2
6	<u>8057</u>	Nut, #4-40 Hex Machine	4
7	<u>8058</u>	Lockwasher, #4 Split	4

8
G



000240-001

BATTERY – GASOLINE UTILITY VEHICLES

ITEM	PART NO.	DESCRIPTION	QTY
		1 2 3 4	
1	<u>1010934</u>	Screw, 5/16-18 X 1.00 Hex Cap	1
2	<u>1014288</u>	Screw, 5/16-18 X 0.75, Thread-Forming	1
3	<u>1014375</u>	Screw, 3/8-16 X 0.50, Stainless Steel, Hex-Head	2
4	<u>101898001</u>	Clamp, Battery	1
5	<u>101898101</u>	Retainer - Battery	1
6	<u>102355301</u>	Lockwasher, 3/8 Split Ss	2
7	<u>103496801</u>	Battery, Start, 12v	1
8	<u>1241</u>	Washer, 5/16 Type A Flat	2
9	<u>1606</u>	Rivet, 3/16 X .500 Alum Pop	2
10	<u>7173</u>	Screw, 5/16-18 X 0.75, Hex-Head Cap	1
11	<u>7473</u>	Locknut, 5/16-18 Nylon Insert	2

8

G

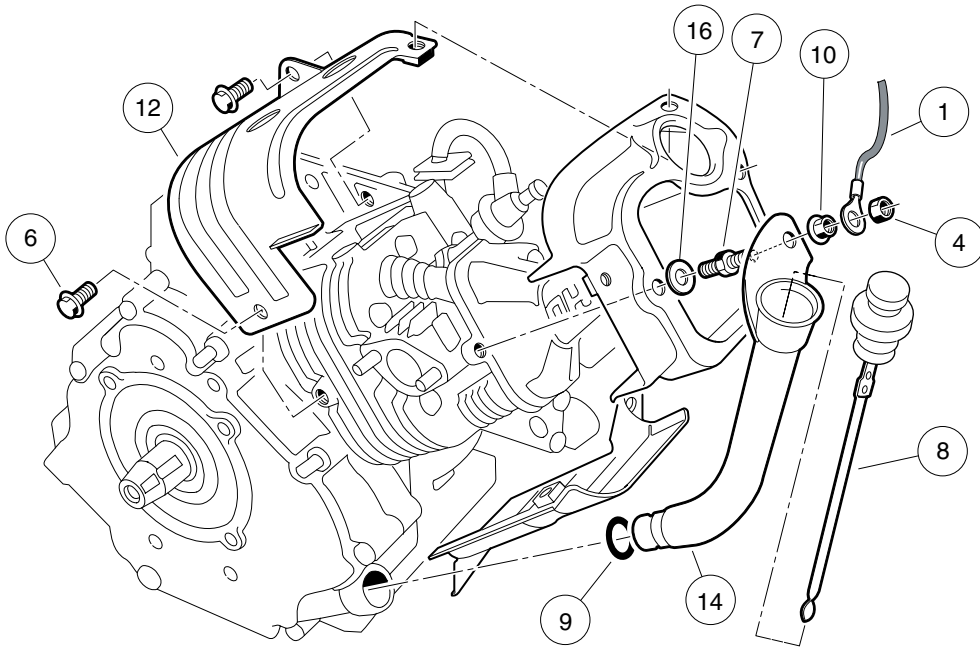
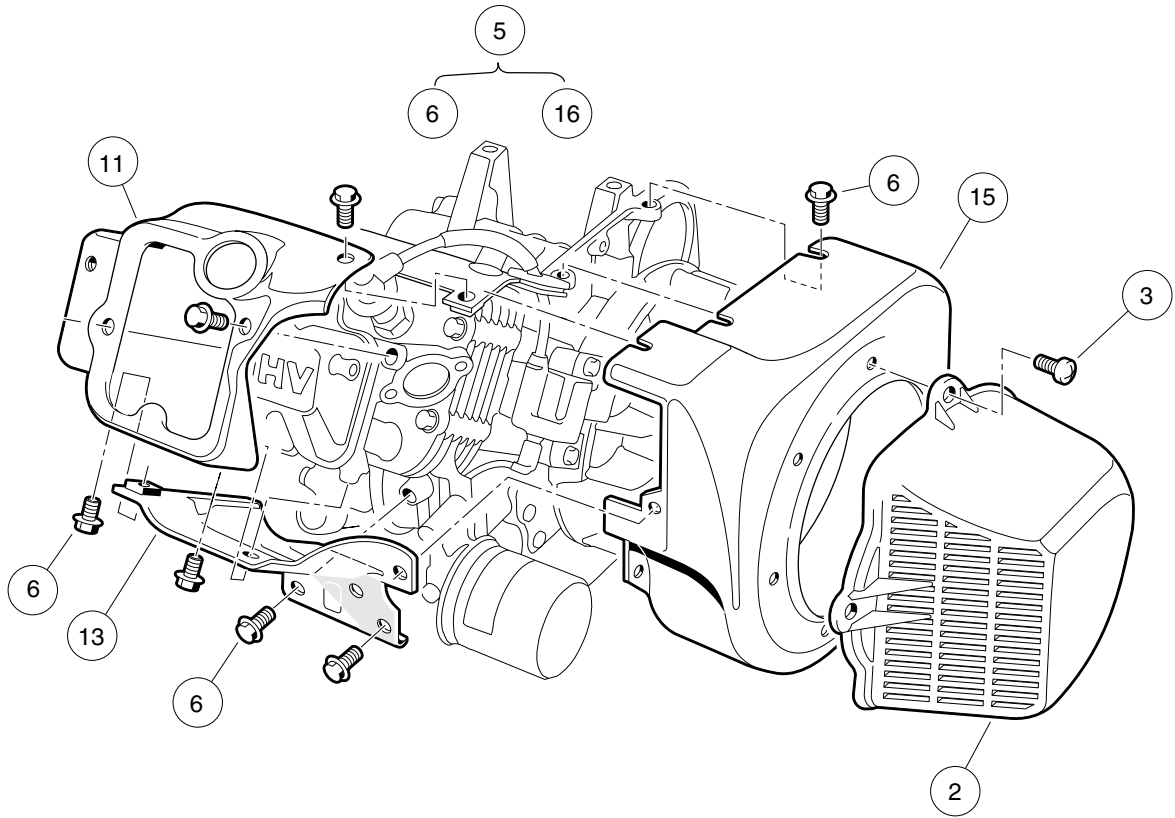
8

G

ENGINE (FE350S27) W/O ACR, 50- STATE

9

G



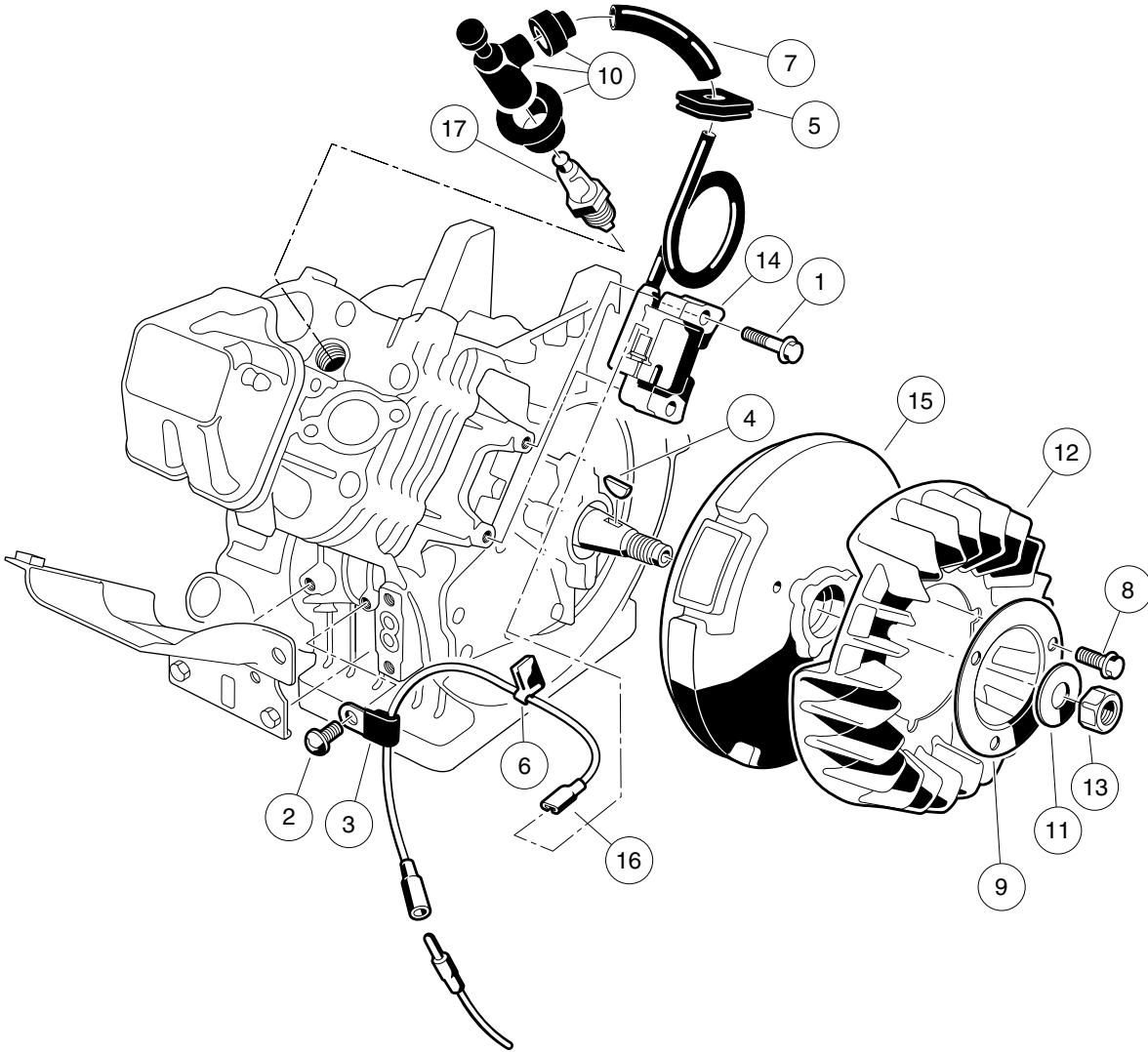
000201-002

FE350 ENGINE (S27) W/O ACR, SHROUDS, AND BRACKETS; 50-STATE

ITEM	PART NO.	DESCRIPTION	QTY
		1 2 3 4	
1	<u>1015332</u>	Wire, Ground, #10, Uninsulated	1
2	<u>1015649</u>	Shroud, Fan	1
3	<u>1015969</u>	Screw, M6-1.00 X 10mm, Pan Hd	4
4	<u>101887601</u>	Locknut, M6-1.00 Nylon Insert	1
5	<u>103386202</u>	Engine, FE350 S27 (includes items 6 through 16)	1
6	<u>1016456</u>	Bolt, Flange Head, M6 x 1 x 12 mm	16
7	<u>1016507</u>	Bolt, Two-Ended	1
8	<u>1016531</u>	Dipstick	1
9	<u>1016539</u>	O-Ring	1
10	<u>1016547</u>	Nut, M6 Flange	1
11	<u>1017474</u>	Shroud, Engine	1
12	<u>1017475</u>	Shroud, Engine	1
13	<u>1017476</u>	Shroud, Engine	1
14	<u>1017486</u>	Tube, Oil Filler	1
15	<u>101916101</u>	Housing, FE350 Fan	1
16	N/A	Washer, 6mm Flat	1
<p>Note: The S27 engine meets the 2009 Federal CARB requirement for all 50 states; can be used in place of S10, S11, S23, and S24 engines; and was a running change during the 2009 model year.</p>			

9

G

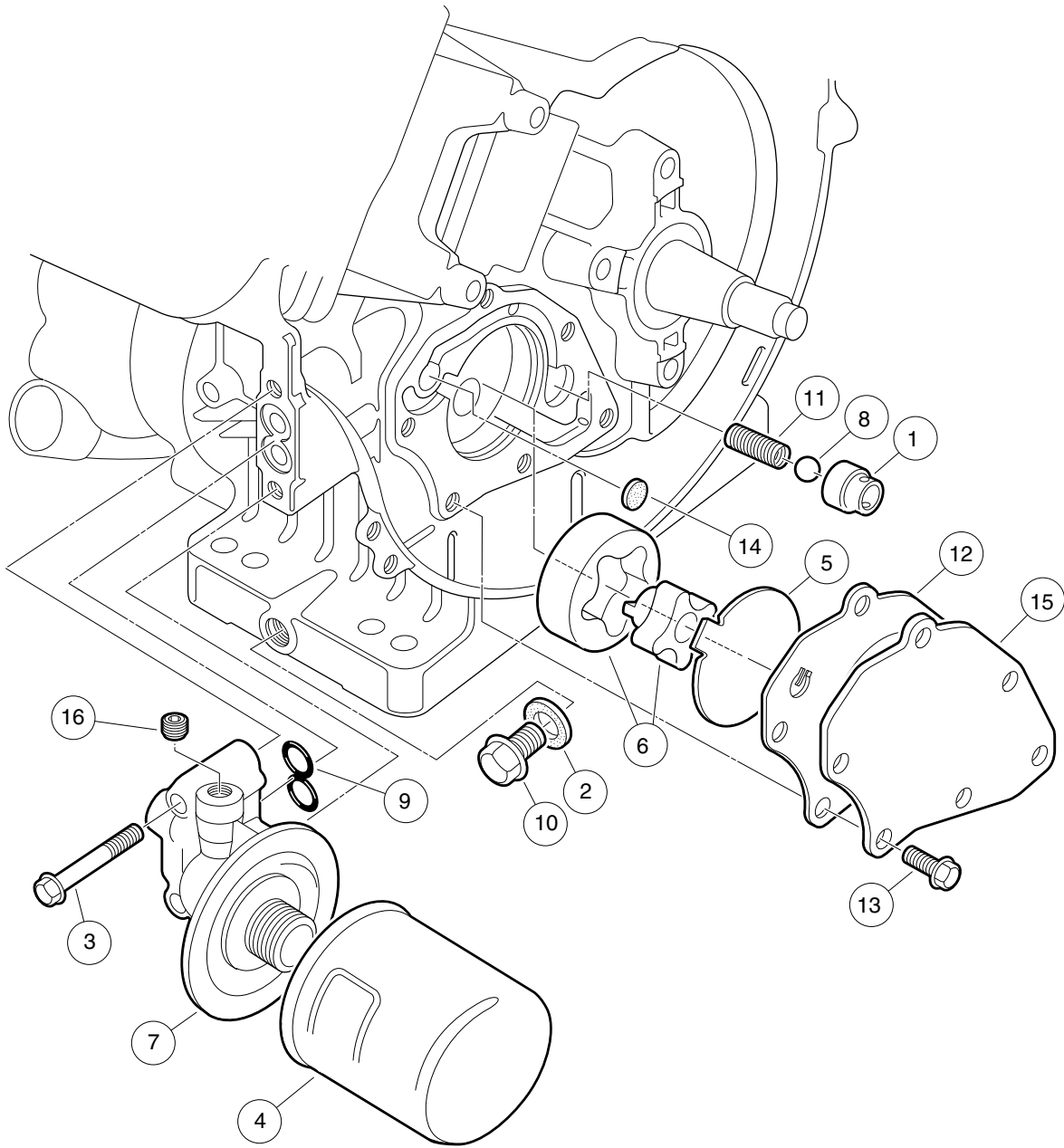


000202-004

FE350 ENGINE (S27) – IGNITION COMPONENTS AND FLYWHEEL

ITEM	PART NO.	DESCRIPTION	QTY
		1 2 3 4	
1	<u>1016455</u>	Bolt, Flange Head	2
2	<u>1016544</u>	Screw	1
3	<u>1016561</u>	Clamp	1
4	<u>1016562</u>	Key	1
5	<u>1016578</u>	Grommet, Ignition	1
6	<u>1016587</u>	Clamp	1
7	<u>1016588</u>	Tube, 7mm X 10mm X 70mm	1
8	<u>1017448</u>	Bolt, Flanged	3
9	<u>1017455</u>	Plate, Flywheel Fan	1
10	<u>1017463</u>	Cap Asm, Plug	1
11	<u>1017490</u>	Washer, Flat	1
12	<u>101916301</u>	Fan (cw)	1
13	<u>102838401</u>	Nut, Hex, 18 mm Fine	1
14	<u>103616501</u>	Coil Asm, Ignition	1
15	<u>103616601</u>	Flywheel, Complete	1
16	<u>103616701</u>	Wire Lead, Ignition	1
17	<u>AM1232301</u>	Spark Plug, BPR2ES	1

9
G



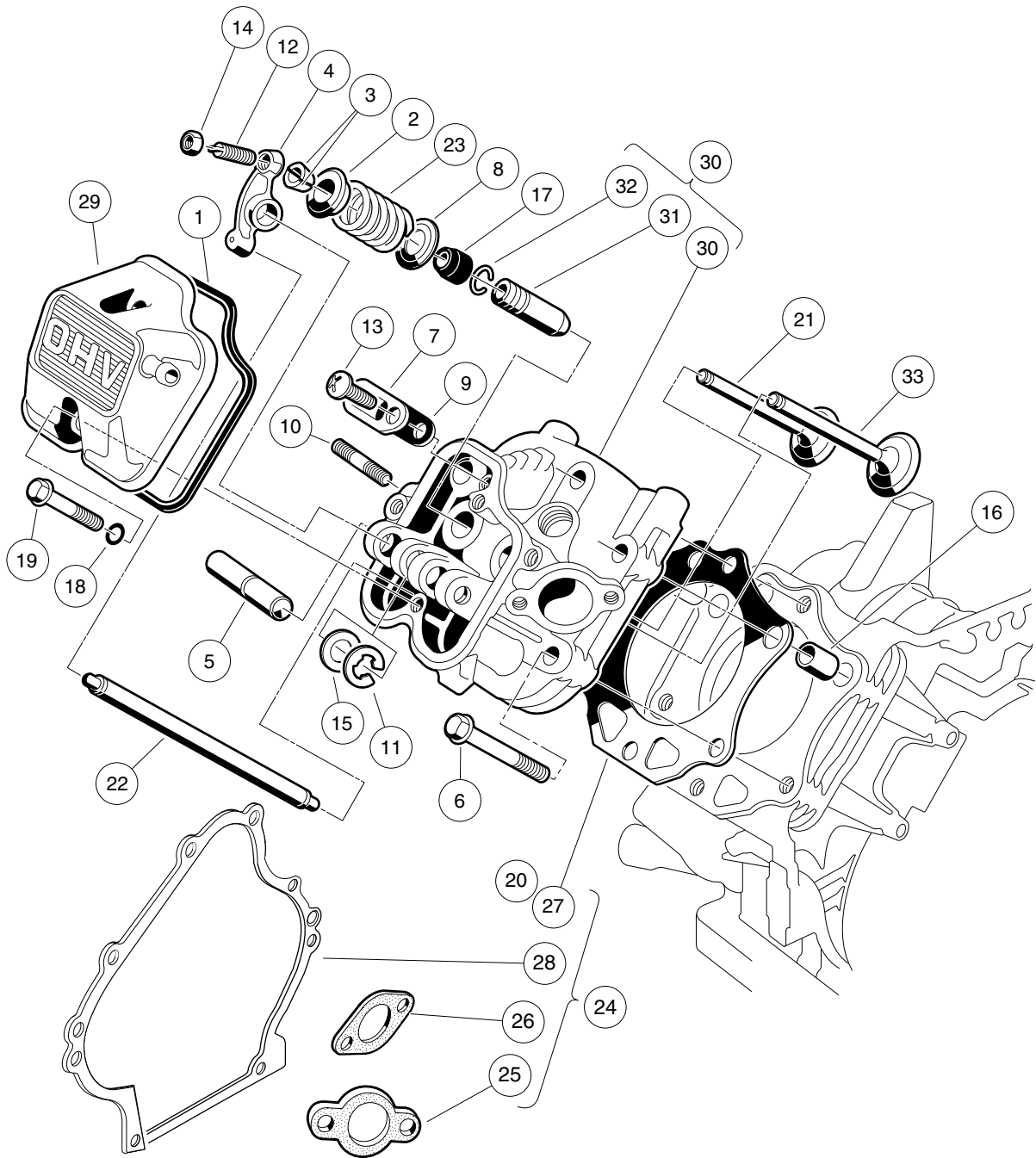
000203-001

FE350 ENGINE (S27) – OIL CIRCULATION

ITEM	PART NO.	DESCRIPTION	QTY
		1 2 3 4	
1	1016429	Seat, Valve Oil Pressure Relief	1
2	<u>1016432</u>	Gasket, Drain Plug	1
3	<u>1016457</u>	Bolt, Flange Head	2
4	<u>1016467</u>	Filter, Oil	1
5	<u>1016473</u>	Plate, Oil Pump	1
6	<u>101648203</u>	Oil Pump And Rotor	1
7	<u>1016502</u>	Bracket, Oil Filter Mount	1
8	<u>1016537</u>	Ball, Steel, Press, Relief	1
9	<u>1016570</u>	O-Ring	1
10	1016576	Plug, Drain	1
11	<u>1016581</u>	Spring	1
12	<u>1017442</u>	Gasket	1
13	<u>1017456</u>	Bolt, Flanged	6
14	<u>1017458</u>	Filter	1
15	<u>1017460</u>	Cover, Pump	1
16	<u>1017507</u>	Plug	2

9

G



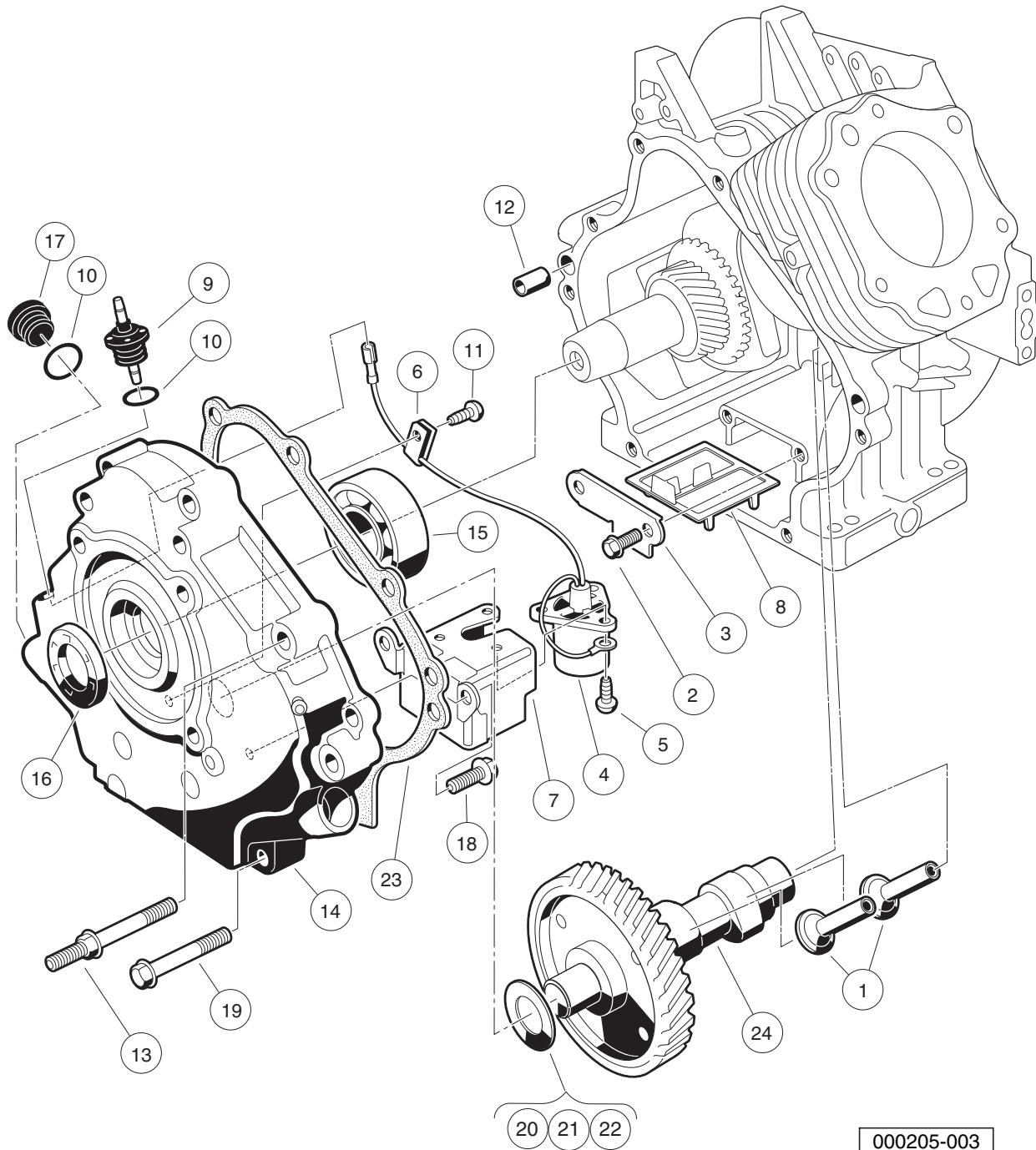
000204-007

FE350 ENGINE (S27) – CYLINDER HEAD

ITEM	PART NO.	DESCRIPTION	QTY
		1 2 3 4	
1	<u>1016436</u>	Gasket, Rocker Case	1
2	<u>1016449</u>	Retainer, Valve Spring	2
3	<u>1016450</u>	Collet	4
4	<u>1016451</u>	Arm, Rocker	2
5	<u>1016452</u>	Shaft, Rocker	1
6	<u>1016458</u>	Bolt, Flange Head, M8 x 1.25 x 45 mm	6
7	<u>1016474</u>	Plate	1
8	<u>1016479</u>	Seat, Spring	2
9	<u>1016483</u>	Valve	1
10	<u>1016489</u>	Stud, Two-Ended, M8-1.25	2
11	<u>1016517</u>	Circlip, Type-E	1
12	<u>1016542</u>	Screw	2
13	<u>1016544</u>	Screw	1
14	<u>1016545</u>	Nut	2
15	<u>1016549</u>	Washer, 12.1x19x1.8	1
16	<u>1016563</u>	Pin	2
17	<u>1016566</u>	Seal, Oil	2
18	<u>1016569</u>	O-Ring	2
19	<u>1016583</u>	Bolt, 6x35	2
20	<u>1017434</u>	Gasket, Head	1
21	<u>1017445</u>	Valve, Exhaust	1
22	<u>1017454</u>	Rod, Push	2
23	<u>1017473</u>	Spring, Engine Valve	2
24	<u>102304801</u>	Kit, Gasket, FE350 (includes items 25 through 28)	1
25	<u>1016440</u>	Gasket, Engine to Insulator	1
26	<u>1016904</u>	Gasket, Exhaust	1
27	<u>1017434</u>	Gasket, Head	1
28	<u>1017443</u>	Gasket, Crankcase Cover	1
29	<u>102753401</u>	Case, Rocker, Fe	1
30	<u>103615601</u>	Cylinder Head (includes items 31 and 32)	1
31	<u>1016519</u>	Guide, Valve, Intake, Exhaust	2
32	<u>1016560</u>	Snap Ring	2
33	<u>103616301</u>	Valve, Intake, Hard Tip	1
		Note: Item 25 is not a component of the FE350 engine.	

9

G

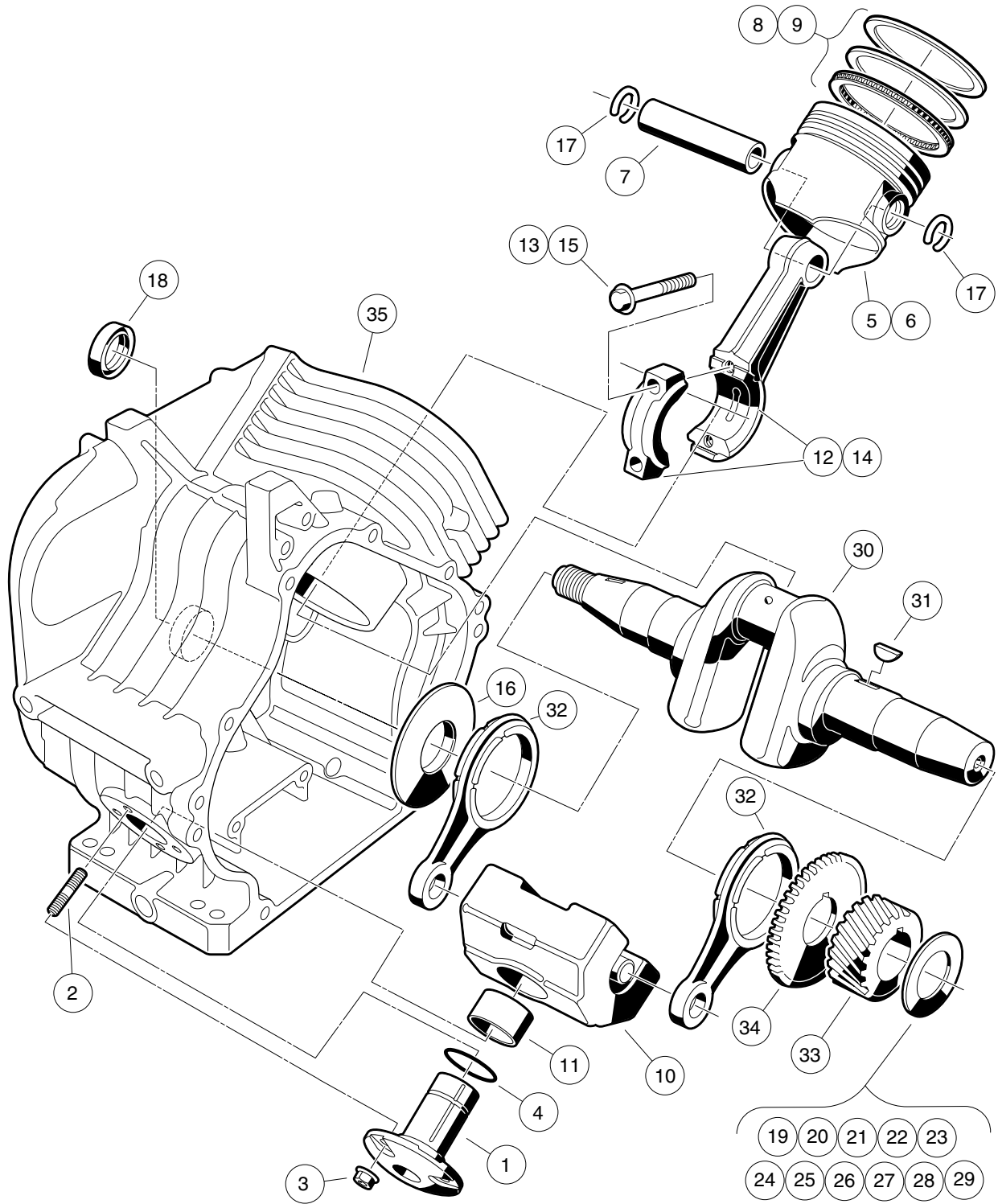


000205-003

FE350 ENGINE (S27) – CRANKCASE, CAMSHAFT, AND OIL SENSOR

ITEM	PART NO.	DESCRIPTION	QTY
		1 2 3 4	
1	1016453	Tappet	2
2	<u>1016454</u>	Bolt, Flange Head, M5 x 0.8 x 8 mm	2
3	<u>1016472</u>	Plate, Oil Filter Screen	1
4	1016494	Sensor, Oil Level	1
5	<u>1016496</u>	Screw, Cross Pan-Head, M4 x 0.7 x 8 mm	3
6	<u>1016506</u>	Clamp	1
7	<u>1016510</u>	Bracket, Switch, Oil Level	1
8	<u>1016521</u>	Screen, Oil Filter	1
9	<u>1016535</u>	Connector, Cord	1
10	<u>1016538</u>	O-Ring	2
11	<u>1016544</u>	Screw	1
12	<u>1016564</u>	Pin	2
13	<u>1016584</u>	Bolt, Two-Ended, M8 x 1.25 x 69 mm	2
14	<u>1017472</u>	Cover Crankcase	1
15	<u>1017487</u>	Bearing, Ball	1
16	<u>1017504</u>	Seal, Oil	1
17	1017508	Plug	1
18	<u>1017513</u>	Bolt Switch Bracket	2
19	<u>1017514</u>	Screw, M8-1.25 X 45mm Hex	6
20	<u>101751801</u>	Shim, 0.3	1
21	<u>101751802</u>	Shim, 0.4	1
22	<u>101751803</u>	Shim, 0.5	1
23	<u>103615901</u>	Gasket, Crankcase Cover	1
24	<u>103616401</u>	Camshaft, Complete	1

9
G



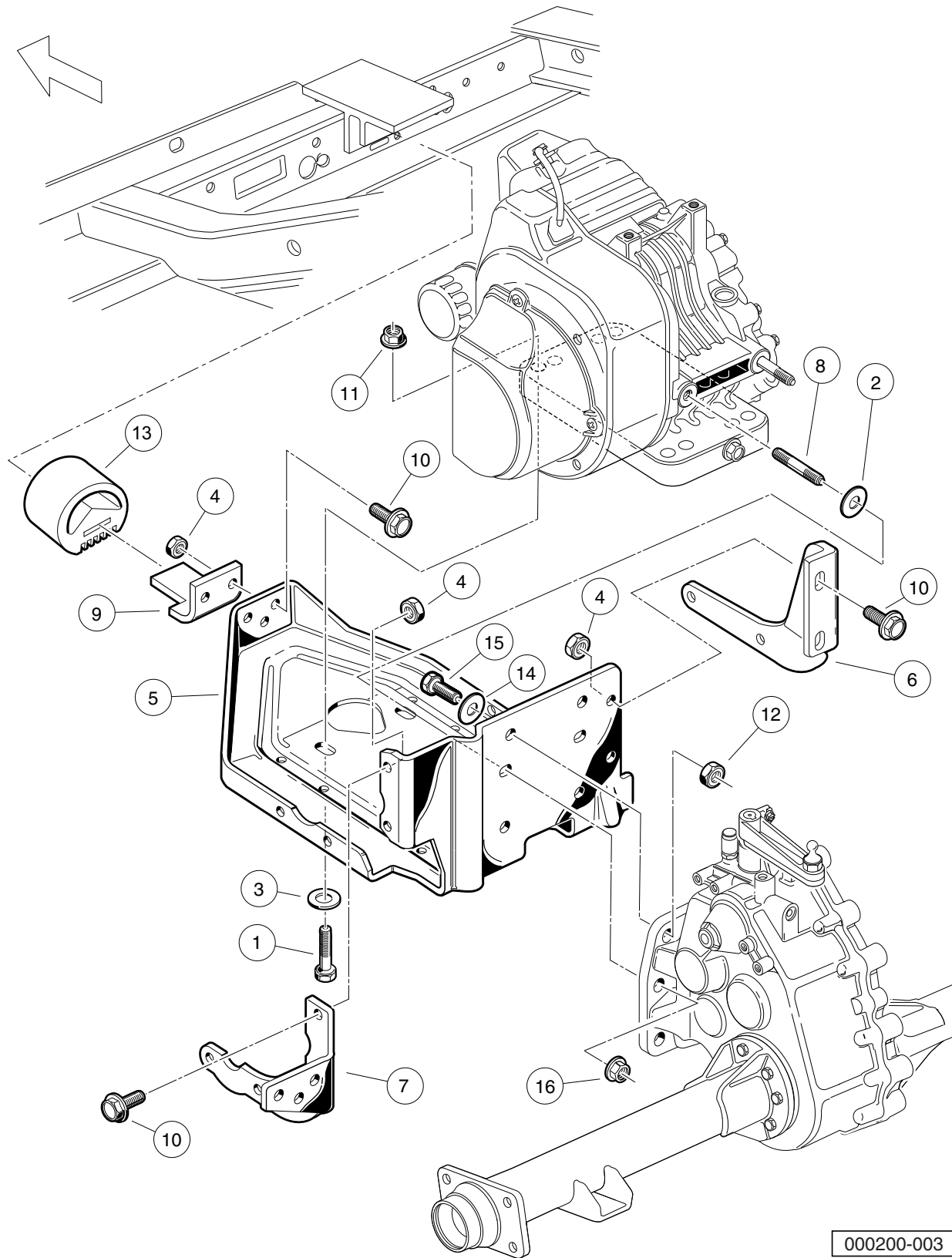
000206-003

FE350 ENGINE (S27) – CRANKCASE AND CRANKSHAFT

ITEM	PART NO.	DESCRIPTION	QTY
		1 2 3 4	
1	1016470	Shaft, Guide, Counterbalance	1
2	<u>1016541</u>	Stud, 6x14	4
3	1016547	Nut, Flanged, M6 X 1.00	4
4	<u>1016571</u>	O-Ring	1
5	<u>101744901</u>	Piston, Standard	1
6	<u>101744902</u>	Piston, 0.50 mm Oversize	1
7	1017450	Pin, Piston	1
8	<u>101745101</u>	Ring Set, Standard Piston	1
9	<u>101745102</u>	Ring Set, Piston, 0.50 mm Oversize	1
10	<u>1017453</u>	Counterbalance Weight (includes item 11)	1
11	1017510	Bearing, Plain	1
12	101745701	Asm, Con. Rod Std (includes item 13)	1
13	<u>1017512</u>	Bolt	2
14	<u>101745702</u>	Asm,Con.Rod 0.5mm U/s (includes item 15)	1
15	<u>1017512</u>	Bolt	2
16	1017501	Spacer	1
17	<u>1017502</u>	Snap Ring	2
18	<u>1017503</u>	Seal, Oil	1
19	<u>101773301</u>	Shim, Crankshaft, 1.18mm	1
20	<u>101773302</u>	Shim, Crankshaft, 1.25mm	1
21	<u>101773303</u>	Shim, Crankshaft, 1.32mm	1
22	<u>101773304</u>	Shim, Crankshaft, 1.39mm	1
23	<u>101773305</u>	Shim, Crankshaft, 1.46mm	1
24	<u>101773306</u>	Shim, Crankshaft, 1.53mm	1
25	<u>101773307</u>	Shim, Crankshaft, 1.60mm	1
26	<u>101773308</u>	Shim, Crankshaft, 1.67mm	1
27	<u>101773309</u>	Shim, Crankshaft, 1.74mm	1
28	<u>101773310</u>	Shim, Crankshaft, 1.11 mm	1
29	<u>101773311</u>	Shim, Crankshaft, 1.81mm	1
30	<u>102430901</u>	Crankshaft, FE350 Left-Hand, 22-Tooth (includes items 31 through 34)	1
31	<u>1016562</u>	Key	1
32	<u>1017471</u>	Rod	2
33	N/A	Gear, Helical	1
34	N/A	Gear, Spur	1
35	<u>103615801</u>	Crankcase, FE350	1

9

G



000200-003

FE350 ENGINE (S27) – MOUNTING

ITEM	PART NO.	DESCRIPTION	QTY
		1 2 3 4	
1	<u>1010577</u>	Bolt, Hex-Head, 5/16-18 X 1.50	4
2	<u>1011697</u>	Washer, 5/16 Flat	2
3	1012571	Washer, 5/16 Extra Thick Flat	4
4	<u>1013924</u>	Nut, 5/16-24, Hex Head Cone	10
5	<u>101827101</u>	Plate, Engine Mounting	1
6	<u>101832601</u>	Stiffener (PTO Side)	1
7	<u>101832701</u>	Stiffener (Flywheel Side)	1
8	<u>101833101</u>	Stud, M8-1.25 X 50 mm Two-Ended	2
9	<u>101834601</u>	Bracket, Snubber	1
10	<u>101884801</u>	Screw, 5/16-24 X 0.875, Grade-8	10
11	<u>101963401</u>	Locknut, 5/16-18 Hex Flange	4
12	<u>102065901</u>	Locknut, 3/8-16 Flanged Dimple	4
13	<u>102540301</u>	Snubber, Inner Frame	1
14	<u>334</u>	Washer, 3/8, Type A, Flat	4
15	705	Screw, Cap-hex Hd 3/8-16x1.25	4
16	<u>96704416</u>	Nut, Flange, M8 X 1.25 Serrated	2

9

G

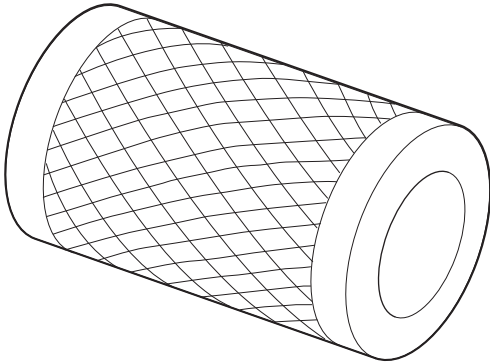
9

G

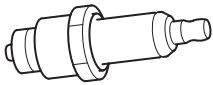
ENGINE (SUBARU EX40)

10

G



1



2

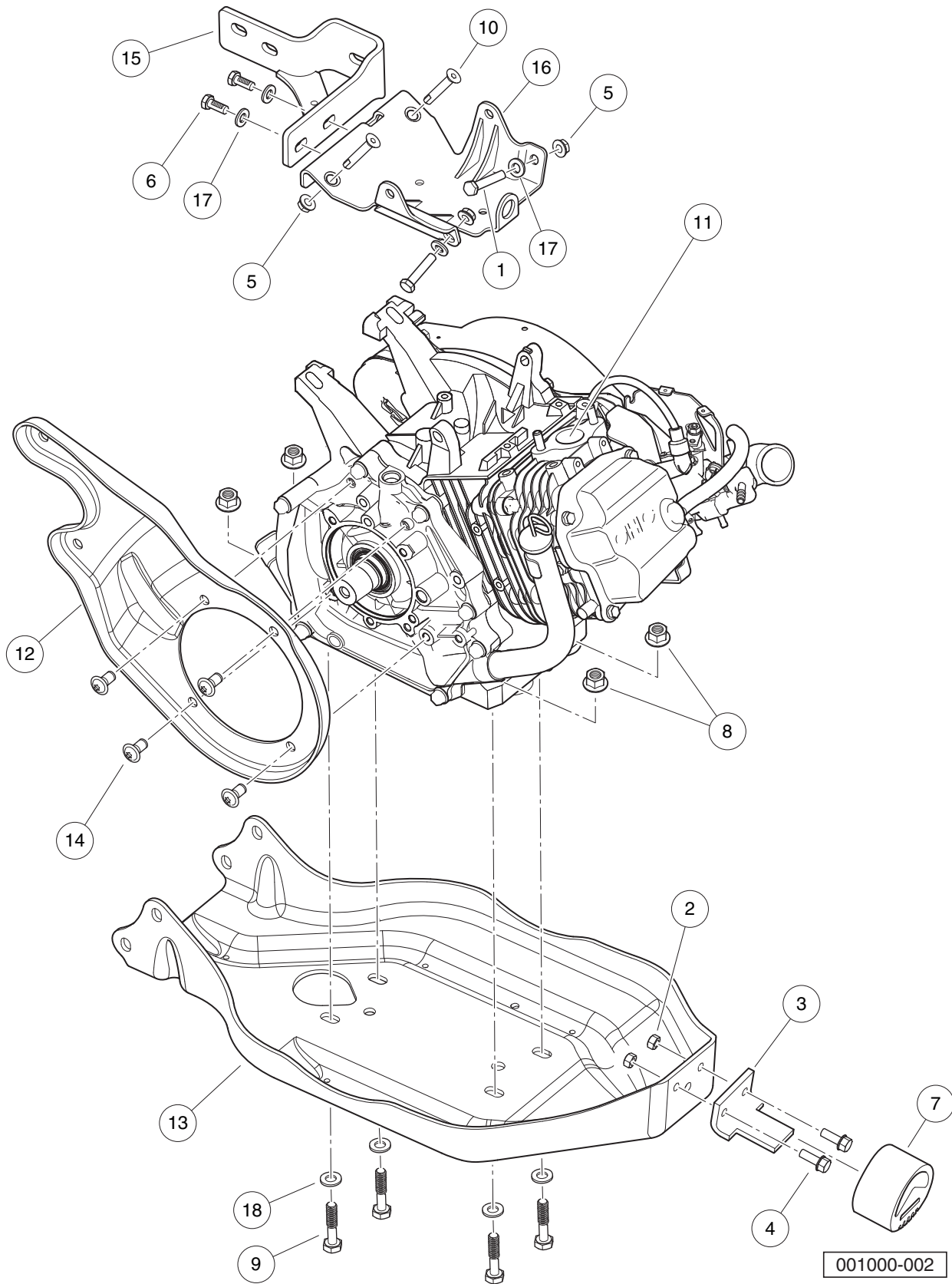
000992-003

TUNE-UP PARTS – SUBARU EX40

ITEM	PART NO.	DESCRIPTION	QTY
1	<u>102558201</u>	1 2 3 4 Air Filter, 4 Inch	1
2	105017801	Spark Plug, Subaru EX40	1

10

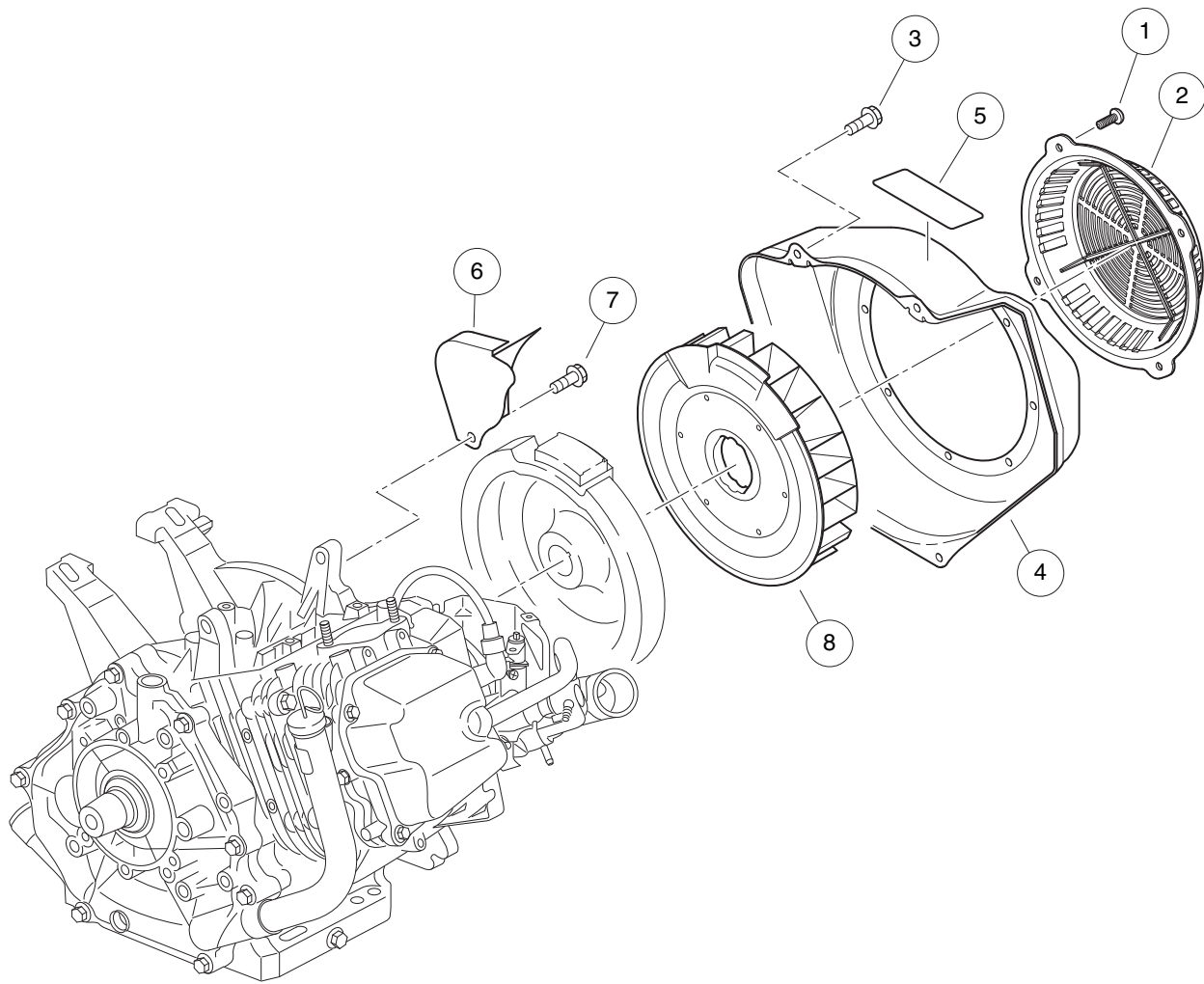
G



ENGINE AND ENGINE MOUNTING, UTILITY – EX40

ITEM	PART NO.	DESCRIPTION	QTY
		1 2 3 4	
1	<u>1010577</u>	Bolt, Hex-Head, 5/16-18 X 1.50	2
2	<u>1013924</u>	Nut, 5/16-24, Hex Head Cone	2
3	<u>101834602</u>	Bracket, Snubber, Tall	1
4	<u>101884801</u>	Screw, 5/16-24 X 0.875, Grade-8	2
5	<u>101963401</u>	Locknut, 5/16-18 Hex Flange	4
6	<u>102242101</u>	Screw, 5/16-18 X 3/4 Hex-Head with Patch	2
7	<u>102540301</u>	Snubber, Inner Frame	1
8	<u>102617201</u>	Nut, Flanged, M10 X 1.5, Mechanically Deformed	4
9	<u>102732401</u>	Bolt, M10 X 45, Zn-Ni (Black)	4
10	<u>103196202</u>	5/16-18x1.75, Bolt, Loctite	2
11	<u>103882801</u>	Engine, Gas, Subaru EX40, EFI	1
12	<u>103979401</u>	Plate, Mounting, CVT, Center	1
13	<u>103982201</u>	Plate, Engine/Axle Mounting	1
14	<u>103996201</u>	Screw, 3/8-16 X .75, Btn Hd Cap	4
15	<u>105134601</u>	Bracket, Mounting, Transaxle/Exhaust, EX40	1
16	<u>105149301</u>	Bracket, Mounting, Starter/Generator, EX40	1
17	<u>1241</u>	Washer, 5/16 Type A Flat	4
18	<u>96741046</u>	Washer, M10, Hard	4

10
G



001001-001

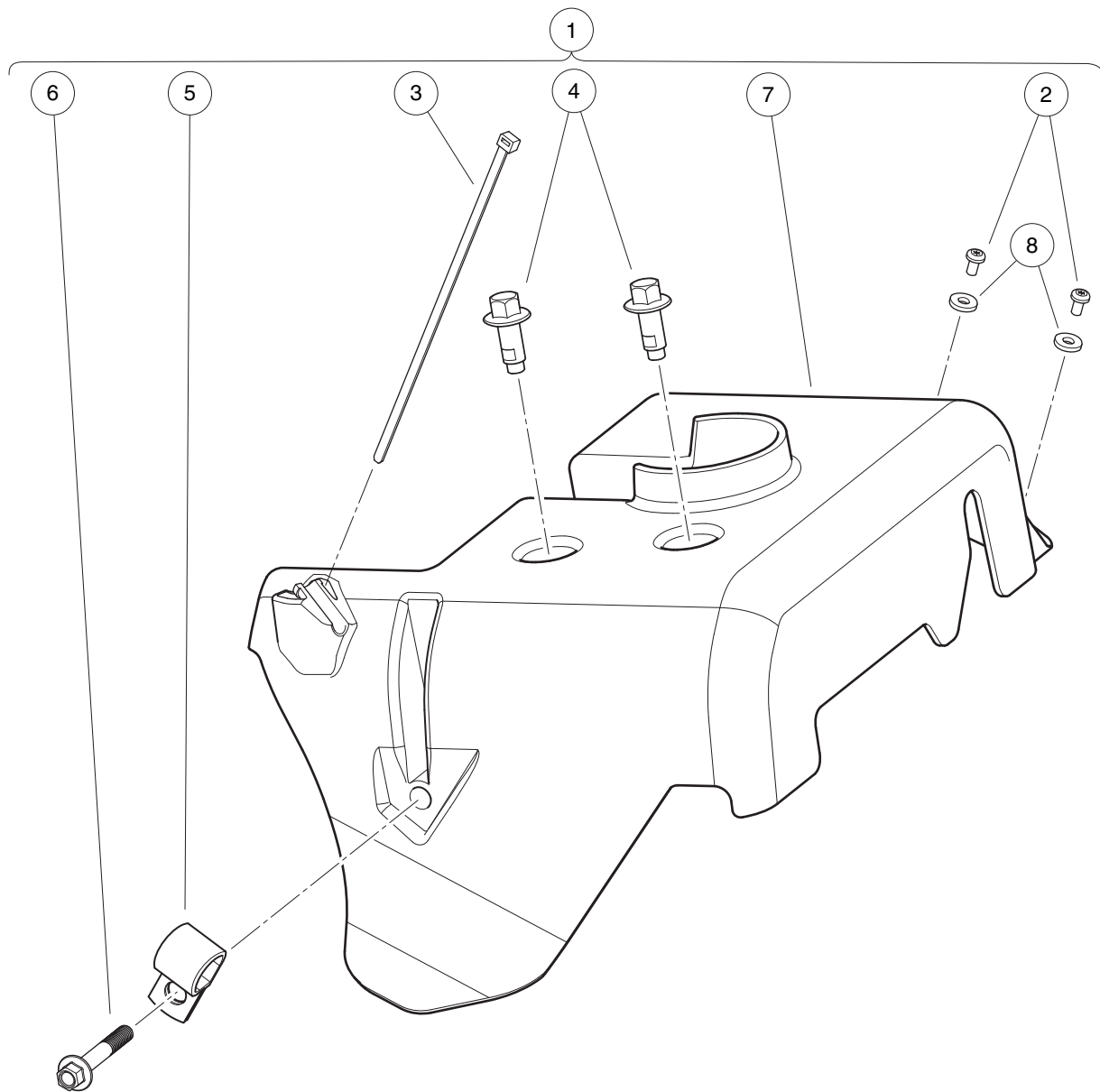
FAN AND SHROUD – EX40

ITEM	PART NO.	DESCRIPTION	QTY
		1 2 3 4	
1	<u>1015969</u>	Screw, M6-1.00 X 10mm, Pan Hd	4
2	<u>103995901</u>	Cover, Fan, EX40	1
3	<u>105012601</u>	Bolt, Flange, M6x1.0x12, EX40	4
4	<u>105016701</u>	Housing, Fan, EX40	1
5	<u>105016801</u>	Label, Engine Warning, EX40	1
6	<u>105016901</u>	Baffle, Crankcase, EX40	1
7	<u>105017001</u>	Bolt, Baffle, M8x1.25x12 Ex40	1
8	<u>105017101</u>	Fan, Cooling, EX40	1

10

G

10
G



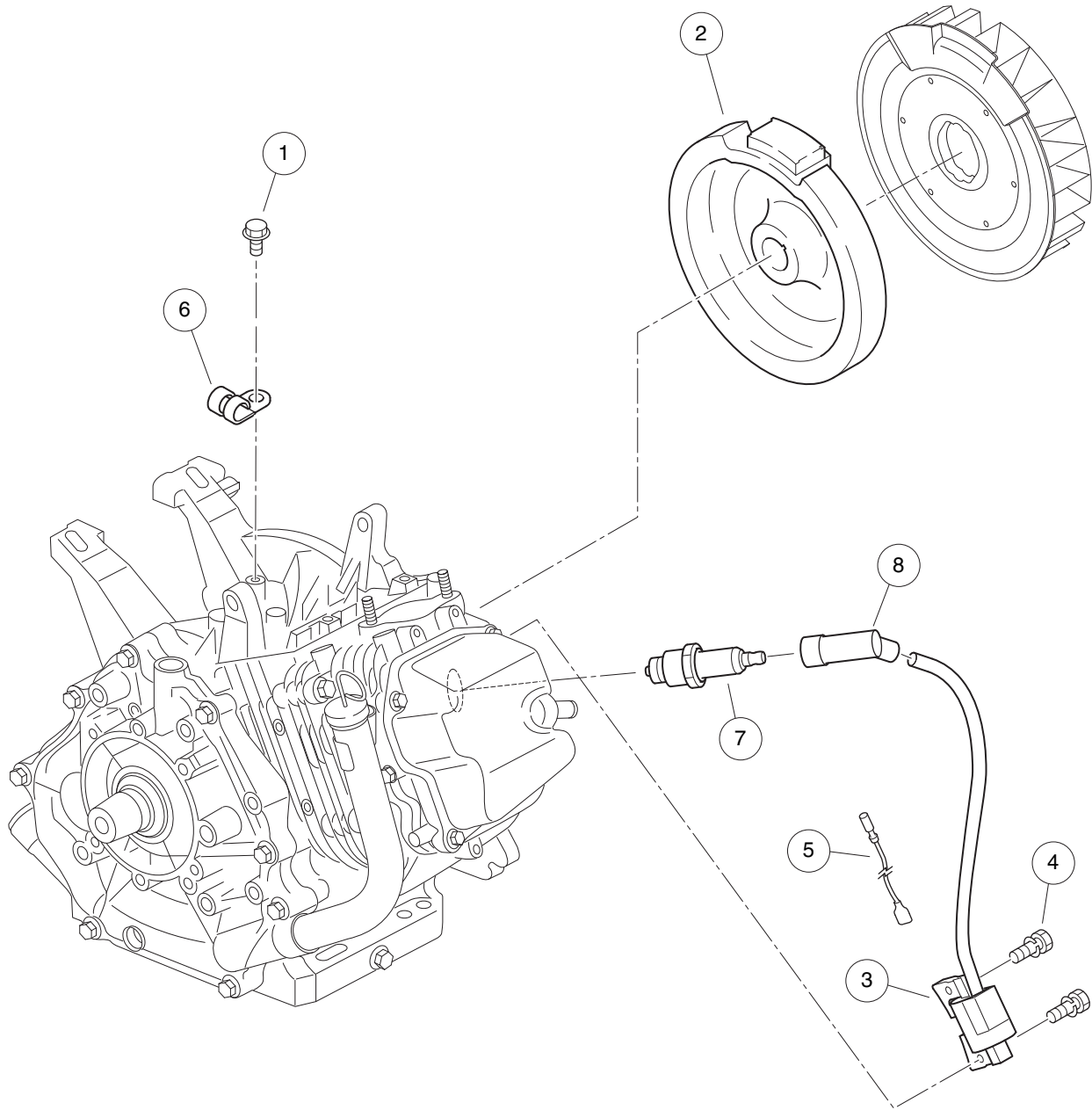
001002-001

AIR DEFLECTOR – EX40

ITEM	PART NO.	DESCRIPTION	QTY
		1 2 3 4	
1	<u>105084801</u>	Kit, Air Deflector, Subaru EX40 (includes items 2 through 8)	1
2	<u>1016103</u>	Screw, Pan Hd Tx, Taptite 6-32	2
3	101824101	Tie Wrap, Black	1
4	<u>102298116</u>	Bolt, Flanged Head, M8 X 16.0	2
5	<u>102410604</u>	P-clamp, Insulated, 0.625 Inch	1
6	<u>102541402</u>	Bolt, M6x1.0x40, Hex Flange Head, Blk-l	1
7	105075301	Deflector, Air, Subaru EX40	1
8	<u>7591</u>	Washer, #6, Flat	2

10

G

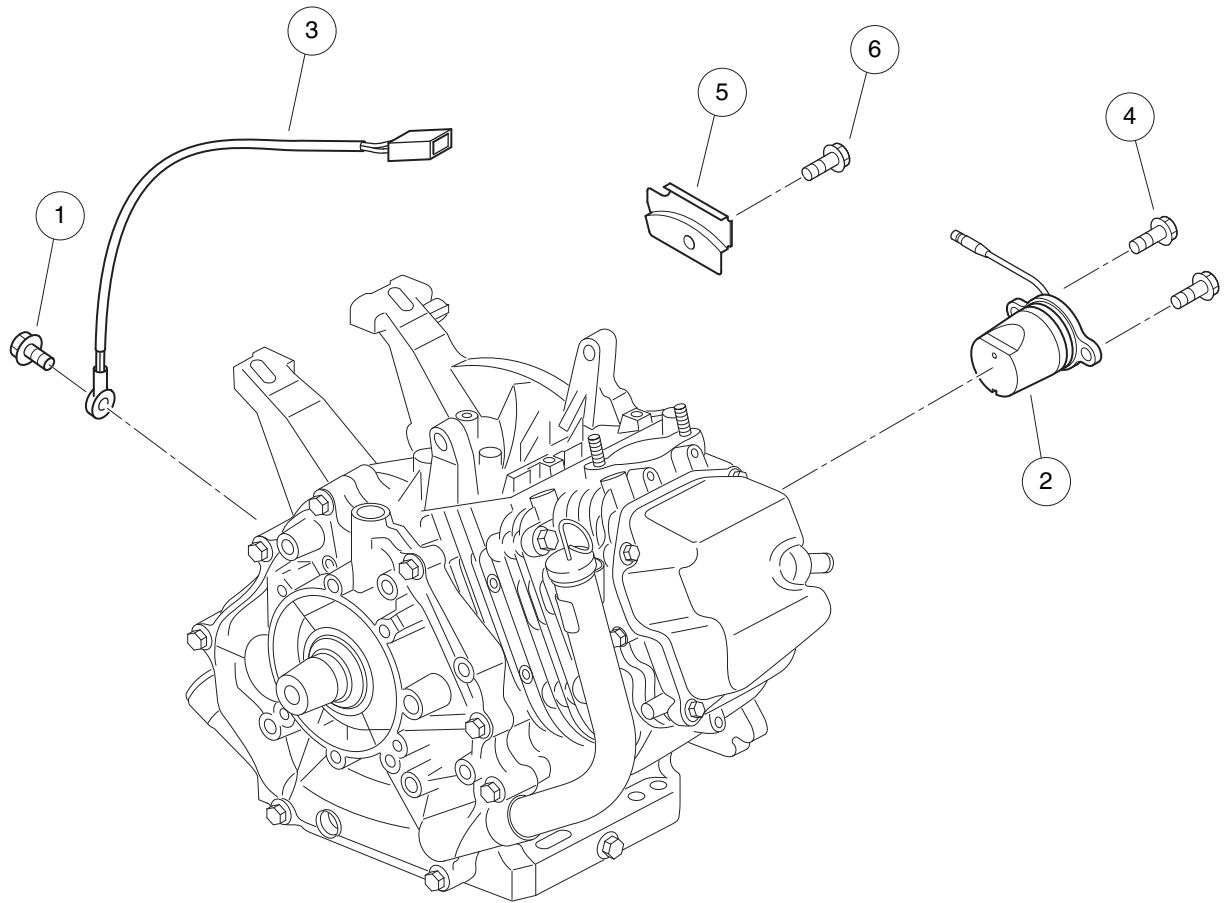


001003-001

IGNITION COMPONENTS AND FLYWHEEL – EX40

ITEM	PART NO.	DESCRIPTION	QTY
		1 2 3 4	
1	<u>105016001</u>	Bolt, Flange, M6x1.0x8, EX40	1
2	<u>105017301</u>	Flywheel, EX40	1
3	<u>105017401</u>	Coil, Ignition, CDI, EX40	1
4	<u>105017501</u>	Asm, Bolt-Washer, Coil, EX40	2
5	<u>105017601</u>	Asm, Wire, Coil Control, EX40	1
6	<u>105017701</u>	Clamp, Coil Control Wire, EX40	1
7	<u>105017801</u>	Spark Plug, Subaru EX40	1
8	<u>105017901</u>	Cap, Spark Plug, EX40	1

10
G



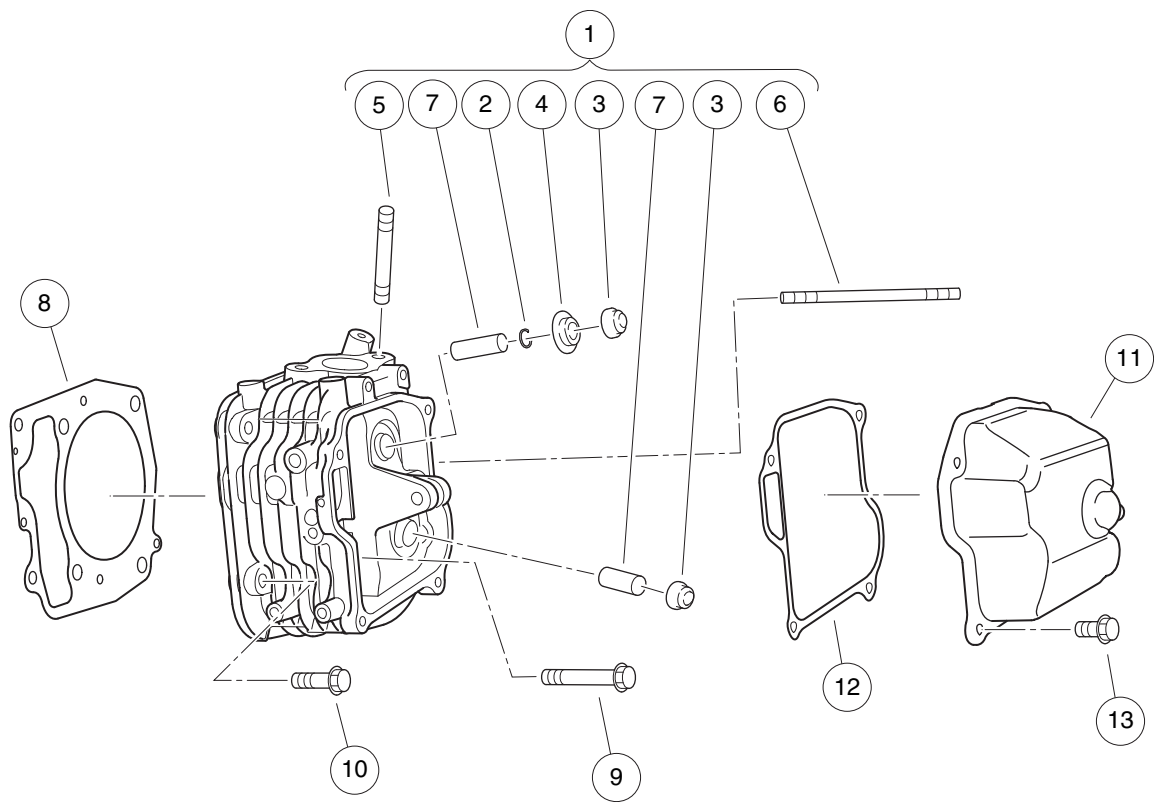
001004-001

SENSORS – EX40

ITEM	PART NO.	DESCRIPTION	QTY
		1 2 3 4	
1	<u>105012601</u>	Bolt, Flange, M6x1.0x12, EX40	1
2	<u>105018001</u>	Sensor, Oil Level, EX40	1
3	<u>105018101</u>	Sensor, Temperature, EX40	1
4	<u>105018201</u>	Bolt, Oil Sensor, M6x1.0x14, EX40	2
5	<u>105018301</u>	Clamp, Oil Sensor Wire, EX40	1
6	<u>105018401</u>	Bolt, Tap, Oil Wire Clamp, EX40	1

10

G



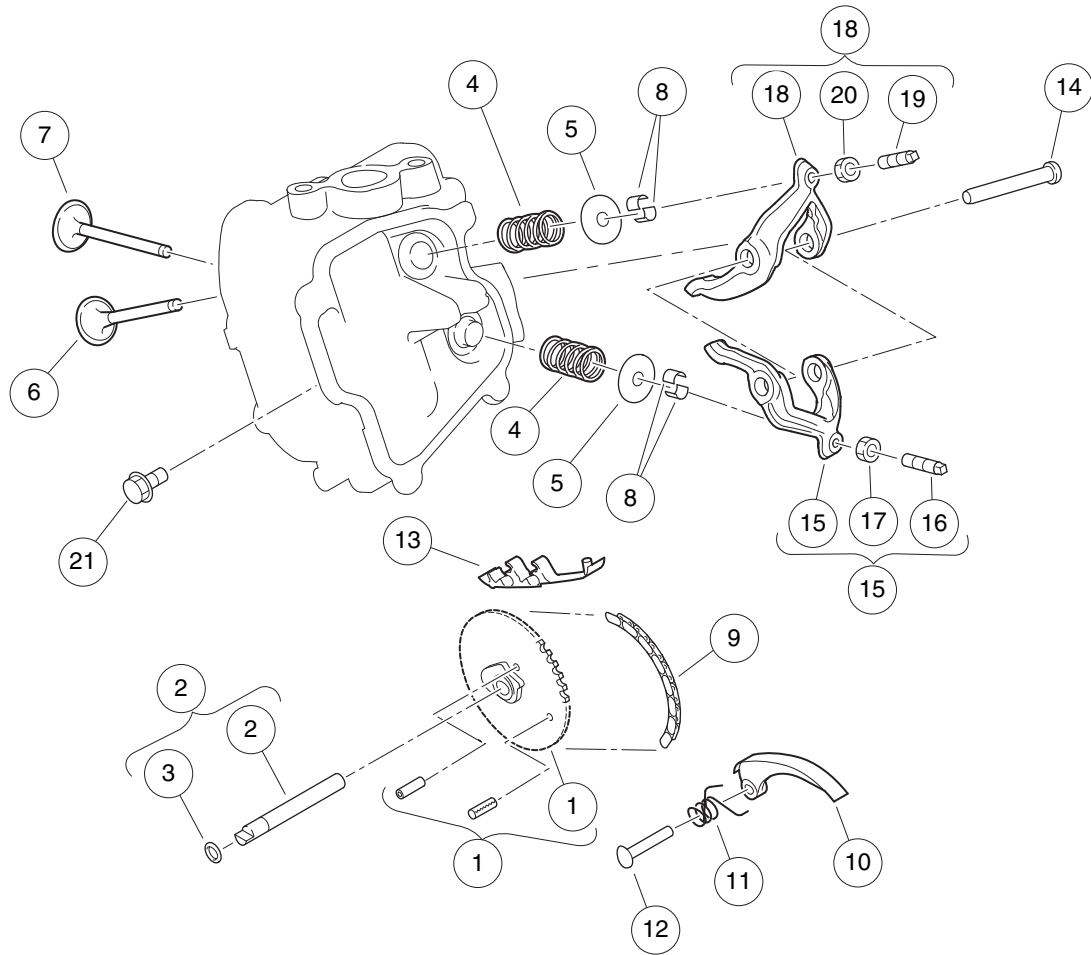
001005-001

CYLINDER HEAD – EX40

ITEM	PART NO.	DESCRIPTION	QTY
		1 2 3 4	
1	<u>105011901</u>	Asm, Cylinder Head, EX40 (includes items 2 through 7)	1
2	<u>105010101</u>	Clip, Retainer Plate, EX40	1
3	<u>105010201</u>	Seal, Valve, EX40	2
4	<u>105010301</u>	Plate, Retainer, EX40	1
5	<u>105010801</u>	Stud, Mounting, Exhaust, EX40	2
6	<u>105010901</u>	Stud, Mounting, Intake, EX40	2
7	<u>105018501</u>	Guide, Valve, EX40	2
8	<u>105012001</u>	Gasket, Head, EX40	1
9	<u>105012101</u>	Bolt, Head, M10x1.25x75, EX40	4
10	<u>105012201</u>	Bolt, Head, M8x1.25x35, EX40	2
11	<u>105012301</u>	Cover, Rocker, EX40	1
12	<u>105012401</u>	Gasket, Rocker Cover, EX40	1
13	<u>105012601</u>	Bolt, Flange, M6x1.0x12, EX40	4

10

G

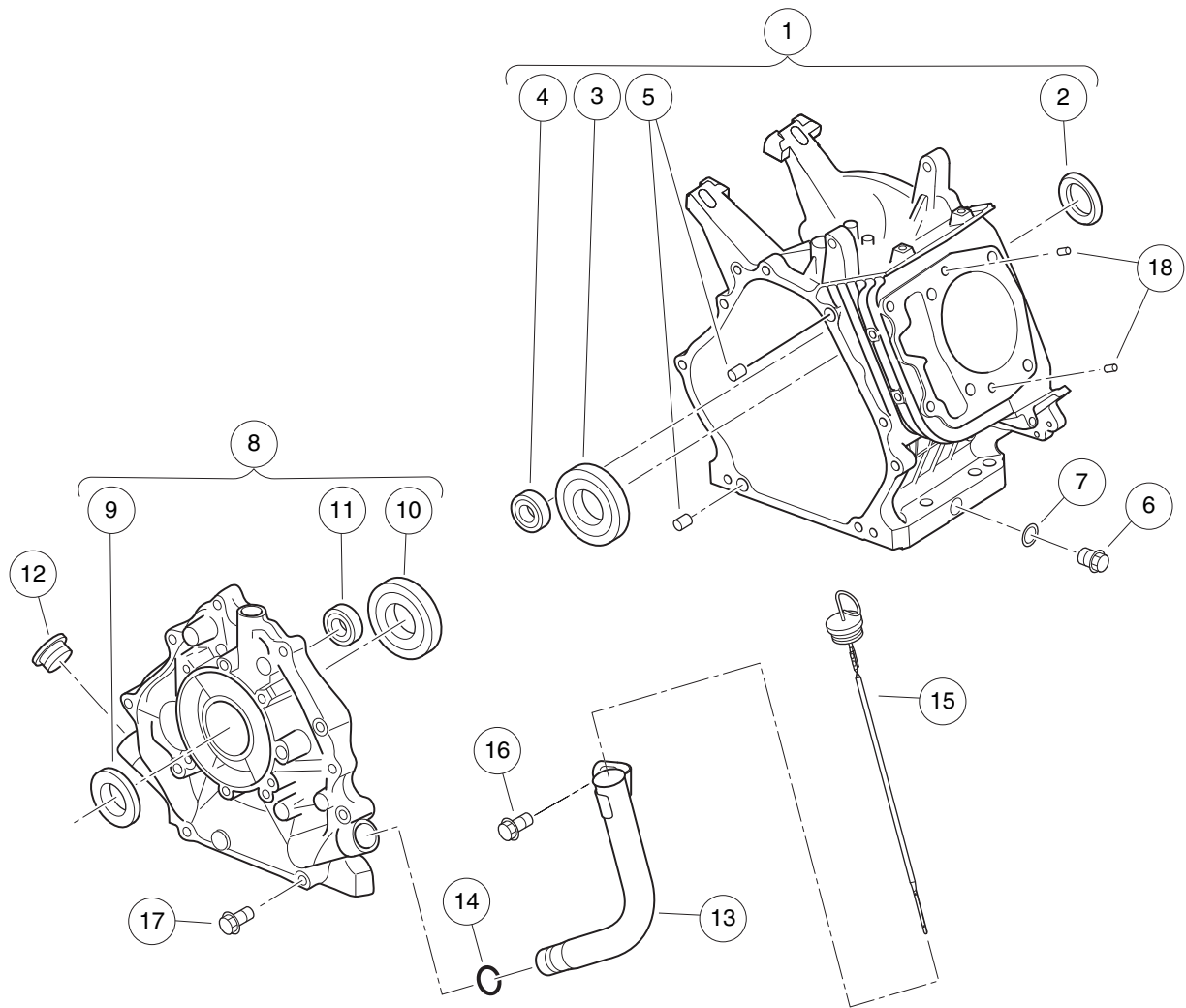


001006-001

VALVETRAIN AND TIMING CHAIN – EX40

ITEM	PART NO.	DESCRIPTION	QTY
		1 2 3 4	
1	<u>105014201</u>	Asm, Cam/Chain Sprocket, EX40	1
2	<u>105014301</u>	Asm, Camshaft and O-ring, EX40 (includes item 3)	1
3	<u>105014401</u>	O-ring, Camshaft, EX40	1
4	<u>105014501</u>	Spring, Valve, EX40	2
5	<u>105014601</u>	Retainer, Spring, EX40	2
6	<u>105014701</u>	Valve, Intake, EX40	1
7	<u>105014801</u>	Valve, Exhaust, EX40	1
8	<u>105014901</u>	Collet, Valve, EX40	4
9	<u>105015001</u>	Chain, Timing, EX40	1
10	<u>105015101</u>	Tensioner, Chain, EX40	1
11	<u>105015201</u>	Spring, Tension, EX40	1
12	<u>105015301</u>	Pin, Tensioner, EX40	1
13	<u>105015401</u>	Guide, Chain, EX40	1
14	<u>105015501</u>	Shaft, Rocker, EX40	1
15	<u>105015601</u>	Asm, Rocker Arm, Intake, EX40 (includes items 16 and 17)	1
16	<u>105015801</u>	Screw, Adjust, Valve, EX40	1
17	<u>105015901</u>	Nut, Adjust, Valve, EX40	1
18	<u>105015701</u>	Asm, Rocker Arm, Exhaust, EX40 (includes items 19 and 20)	1
19	<u>105015801</u>	Screw, Adjust, Valve, EX40	1
20	<u>105015901</u>	Nut, Adjust, Valve, EX40	1
21	<u>105016001</u>	Bolt, Flange, M6x1.0x8, EX40	1

10
G



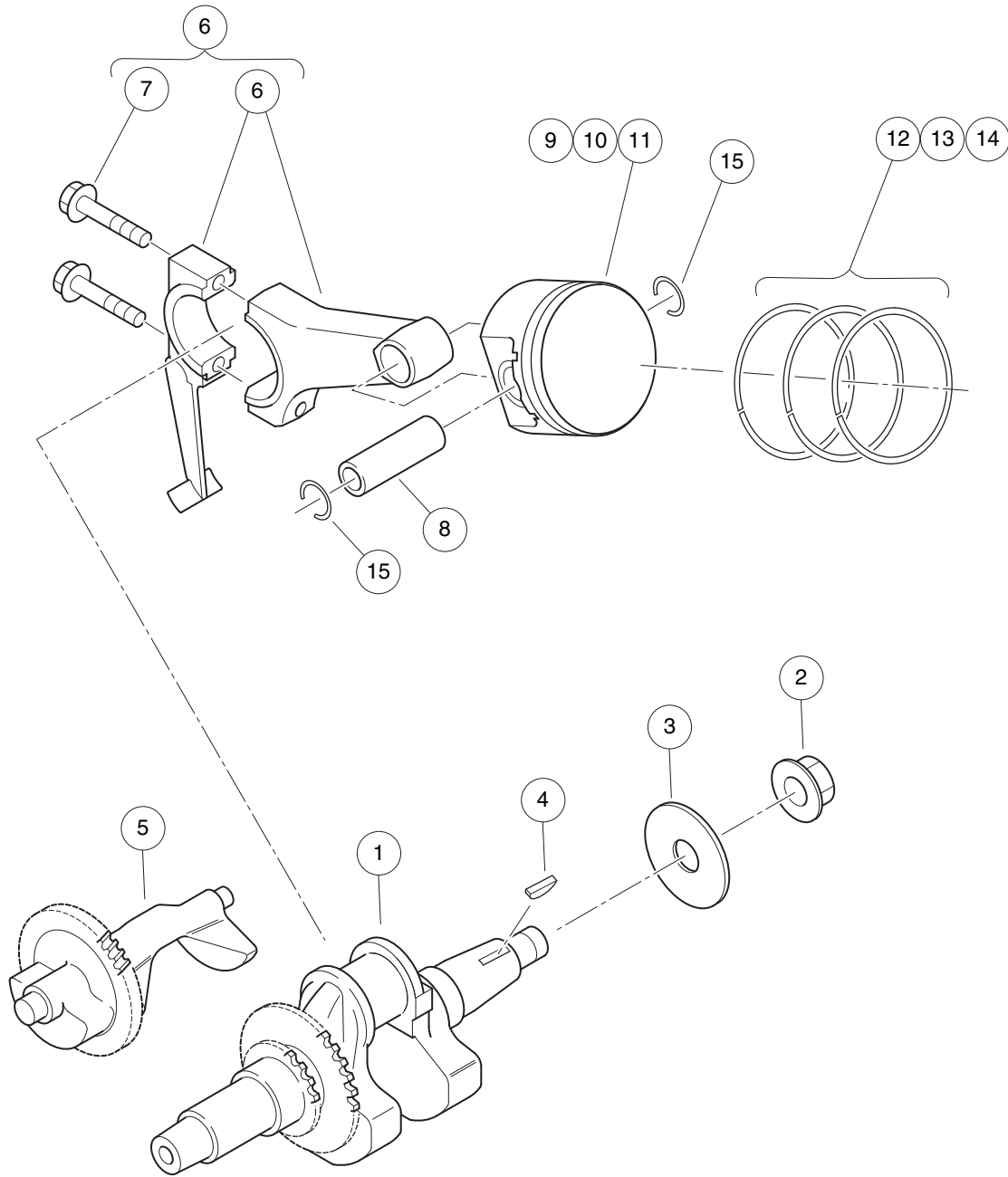
001007-001

CRANKCASE – EX40

ITEM	PART NO.	DESCRIPTION	QTY
		1 2 3 4	
1	105010001	Crankcase, EX40 (includes items 2 through 5)	1
2	<u>105010401</u>	Seal, Oil, Crankshaft, EX40	1
3	<u>105010501</u>	Bearing, Crankshaft, EX40	1
4	105010601	Bearing, Balance Shaft, EX40	1
5	<u>105010701</u>	Pin, Guide, Crankcase, EX40	2
6	105011001	Plug, Oil Drain, EX40	2
7	<u>105011101</u>	Gasket, Oil Drain Plug, EX40	2
8	105011201	Asm, Cover, Crankcase, EX40 (includes items 9 through 11)	1
9	<u>105010401</u>	Seal, Oil, Crankshaft, EX40	1
10	<u>105010501</u>	Bearing, Crankshaft, EX40	1
11	105010601	Bearing, Balance Shaft, EX40	1
12	<u>105011301</u>	Plug, Rubber, Crankcase, EX40	1
13	<u>105011401</u>	Tube, Oil Filler, EX40	1
14	<u>105011501</u>	O-ring, Oil Filler Tube, EX40	1
15	<u>105011601</u>	Dipstick, EX40	1
16	<u>105011701</u>	Bolt, Filler Tube, M8x1.25x12, EX40	1
17	<u>105011801</u>	Bolt, Case Cover, M8x1.25x38, EX40	8
18	<u>105012501</u>	Pin, Guide, Head, EX40	2

10

G



001008-001

CRANKSHAFT AND PISTON – EX40

ITEM	PART NO.	DESCRIPTION	QTY
		1 2 3 4	
1	105012701	Crankshaft, EX40	1
2	<u>105012801</u>	Nut, Crankshaft M18x1.5 Ex40	1
3	<u>105012901</u>	Washer, Crankshaft Ex40	1
4	<u>105013001</u>	Key, Woodruff, Crankshaft, EX40	1
5	<u>105013101</u>	Shaft, Balance, EX40	1
6	<u>105013201</u>	Asm, Rod, Connecting, EX40 (includes item 7)	1
7	<u>105013301</u>	Bolt, Rod M8x1.25x40 Ex40	2
8	<u>105013401</u>	Pin, Piston, EX40	1
9	<u>105013501</u>	Piston, Standard, EX40	1
10	<u>105013601</u>	Piston, 0.25 mm Oversize, EX40	1
11	<u>105013701</u>	Piston, 0.50 mm Oversize, EX40	1
12	<u>105013801</u>	Set, Piston Ring, Standard, EX40	1
13	<u>105013901</u>	Set, Piston Ring, 0.25 mm Oversize, EX40	1
14	<u>105014001</u>	Set, Piston Ring, 0.50 mm Oversize, EX40	1
15	<u>105014101</u>	Clip, Piston Pin, EX40	2

10

G

10

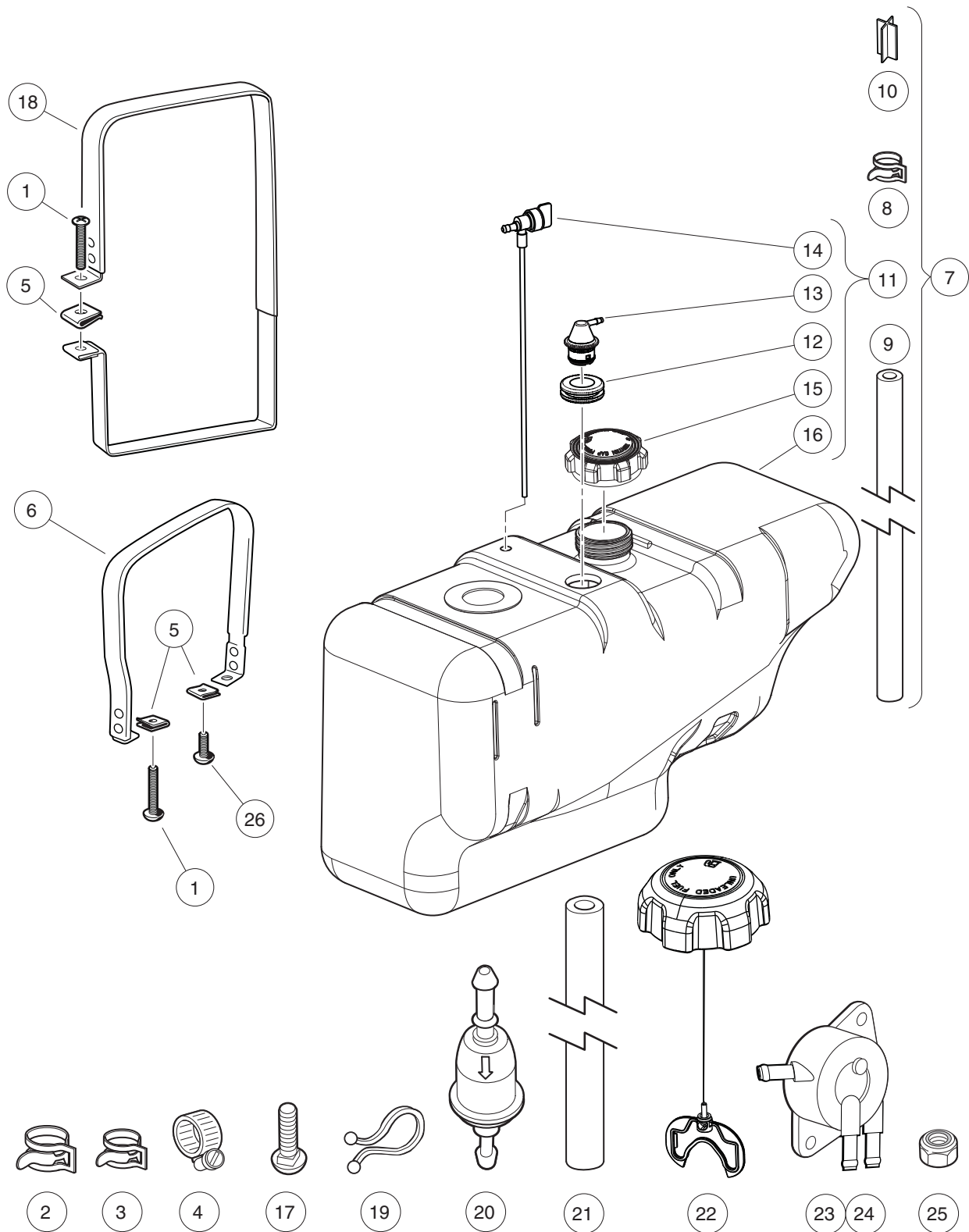
G

FUEL, INTAKE, AND GOVERNOR SYSTEMS- CARBURETED GAS

11

G

11
G



001288-002

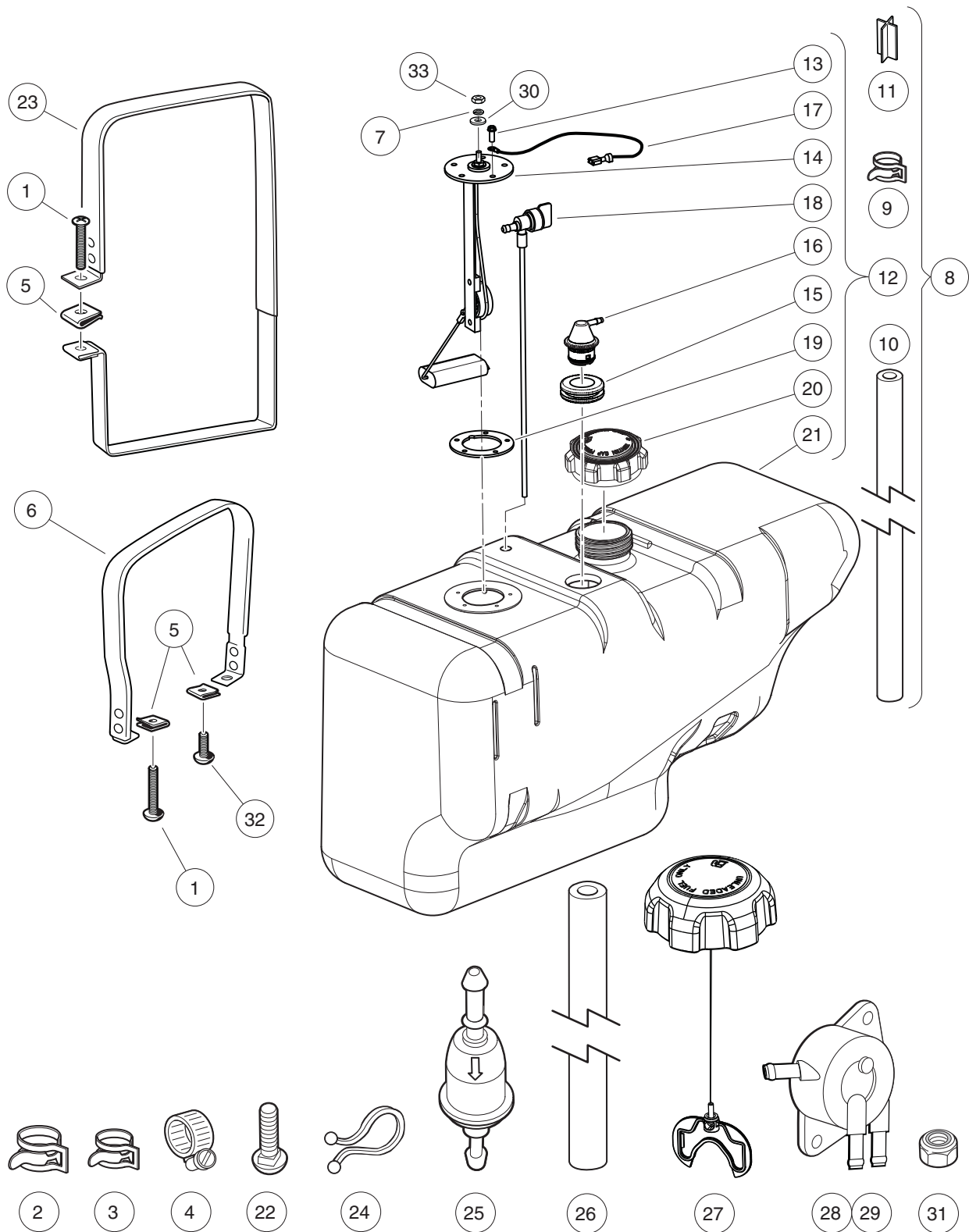
FUEL SYSTEM AND TANK WITHOUT SENDING UNIT

ITEM	PART NO.	DESCRIPTION	QTY
		1 2 3 4	
1	<u>1011988</u>	Screw, 1/4-20 X 2.00 Phillips Truss-Head	2
2	<u>1012649</u>	Clamp, 0.460 Red Hose	6
3	<u>101313402</u>	Clamp, Green Hose	2
4	<u>1013687</u>	Clamp, 3/8" Hose (screw type)	1
5	<u>1014116</u>	Nut, 1/4-20 Speed	3
6	<u>1014928</u>	Fuel Strap Assembly Rear	1
7	<u>1016003</u>	Kit, Fuel Tank - Vented (includes items 8 through 11)	1
8	<u>1013746</u>	Clamp, 0.301 ID Hose	2
9	<u>1015137</u>	Fuel Line, 3/16 (available by the foot)	1
10	<u>101824401</u>	Vent Barb	1
11	<u>102952302</u>	Asm, Tank, Fuel, Wo/su Ds Utl (includes items 12 through 16)	1
12	<u>1015139</u>	Insulation Grommet	1
13	<u>1015143</u>	Vent, Fuel Tank	1
14	<u>101896901</u>	Fuel Pickup w/Shut-Off Valve	1
15	<u>102751601</u>	Cap, Fuel Tank, Gasoline	1
16	<u>102947502</u>	Tank, Fuel, Wo/su Ds Utl	A/R
17	<u>1017203</u>	Carriage Bolt	2
18	<u>101955301</u>	Fuel Strap Assy, Front	1
19	<u>101987701</u>	Clamp, Plastic Tie	2
20	<u>102003201</u>	Filter, Fuel, 30 Micron	1
21	<u>102865101</u>	Fuel Line, 1/4 (available by the foot)	A/R
22	<u>103372101</u>	Cap, Fuel Tank, Gas, Ratchet	1
23	<u>103781101</u>	Kit, Fuel Pump Retrofit (includes item 24)	1
24	<u>103010101</u>	Pump, Fuel, Impulse, Fh	1
25	<u>8233</u>	Locknut, 1/4-20, Nylon Insert	2
26	<u>8248</u>	Screw, 1/4-20 X 0.75, Truss-Head Machine	1
		Note: Ratcheting Fuel Tank Cap <u>103372101</u> for use with California emissions requirements.	

11

G

11
G



- 2
- 3
- 4
- 22
- 24
- 25
- 26
- 27
- 28
- 29
- 31

001287-002

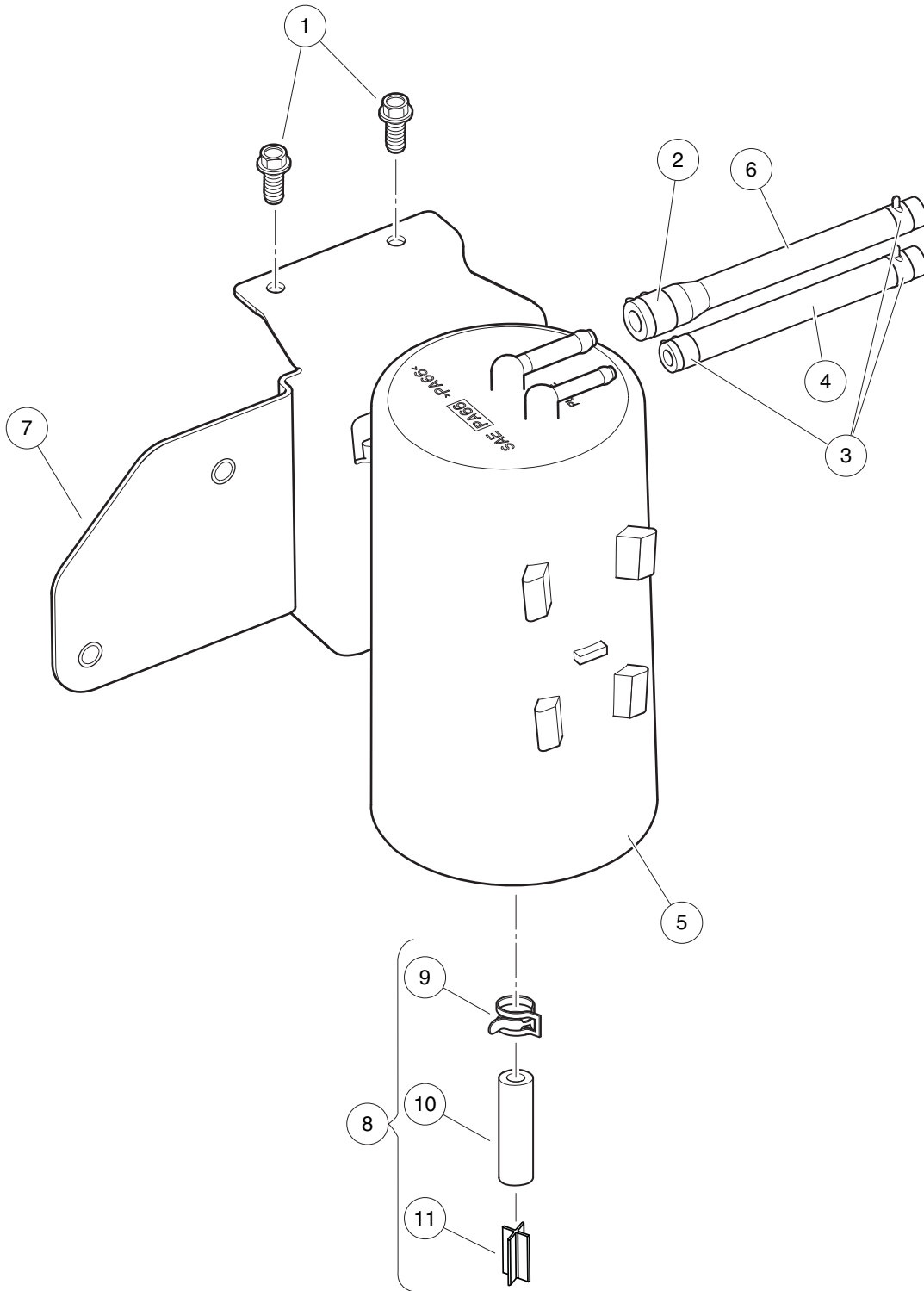
FUEL SYSTEM AND TANK WITH SENDING UNIT

ITEM	PART NO.	DESCRIPTION	QTY
		1 2 3 4	
1	<u>1011988</u>	Screw, 1/4-20 X 2.00 Phillips Truss-Head	2
2	<u>1012649</u>	Clamp, 0.460 Red Hose	6
3	<u>101313402</u>	Clamp, Green Hose	2
4	<u>1013687</u>	Clamp, 3/8" Hose (screw type)	1
5	<u>1014116</u>	Nut, 1/4-20 Speed	3
6	<u>1014928</u>	Fuel Strap Assembly Rear	1
7	<u>1016</u>	Lockwasher, #10 Split	1
8	<u>1016004</u>	Tank Kit w/Sending Unit (includes items 9 through 12)	1
9	<u>1013746</u>	Clamp, 0.301 ID Hose	2
10	<u>1015137</u>	Fuel Line, 3/16 (available by the foot)	1
11	<u>101824401</u>	Vent Barb	2
12	<u>102952301</u>	Fuel Tank with Sending Unit (includes items 13 through 21)	1
13	<u>1013461</u>	Screw, #10-16 Hex-Head Hi-Lo	5
14	<u>1013462</u>	Sending Unit, Fuel Level *	1
15	<u>1015139</u>	Insulation Grommet	1
16	<u>1015143</u>	Vent, Fuel Tank	1
17	<u>1015921</u>	Wire Assembly #16 Black	1
18	<u>101896901</u>	Fuel Pickup w/Shut-Off Valve	1
19	<u>102522001</u>	Gasket, Rubber	1
20	<u>102751601</u>	Cap, Fuel Tank, Gasoline	1
21	N/A	Tank, Fuel, W/su Ds Utl	1
22	<u>1017203</u>	Carriage Bolt	2
23	<u>101955301</u>	Fuel Strap Assy, Front	1
24	<u>101987701</u>	Clamp, Plastic Tie	1
25	<u>102003201</u>	Filter, Fuel, 30 Micron	1
26	<u>102865101</u>	Fuel Line, 1/4 (available by the foot)	A/R
27	<u>103372101</u>	Cap, Fuel Tank, Gas, Ratchet	1
28	<u>103781101</u>	Kit, Fuel Pump Retrofit (includes item 29)	1
29	<u>103010101</u>	Pump, Fuel, Impulse, Fh	1
30	<u>183</u>	Washer, #10, Type A, Flat	1
31	<u>8233</u>	Locknut, 1/4-20, Nylon Insert	2
32	<u>8248</u>	Screw, 1/4-20 X 0.75, Truss-Head Machine	1
33	<u>8797</u>	Nut, #10-32 Brass Hex	1
		Note: Ratcheting Fuel Tank Cap <u>103372101</u> for use with California emissions requirements. Must replace fuel sending unit gasket when servicing this component.	

11

G

11
G

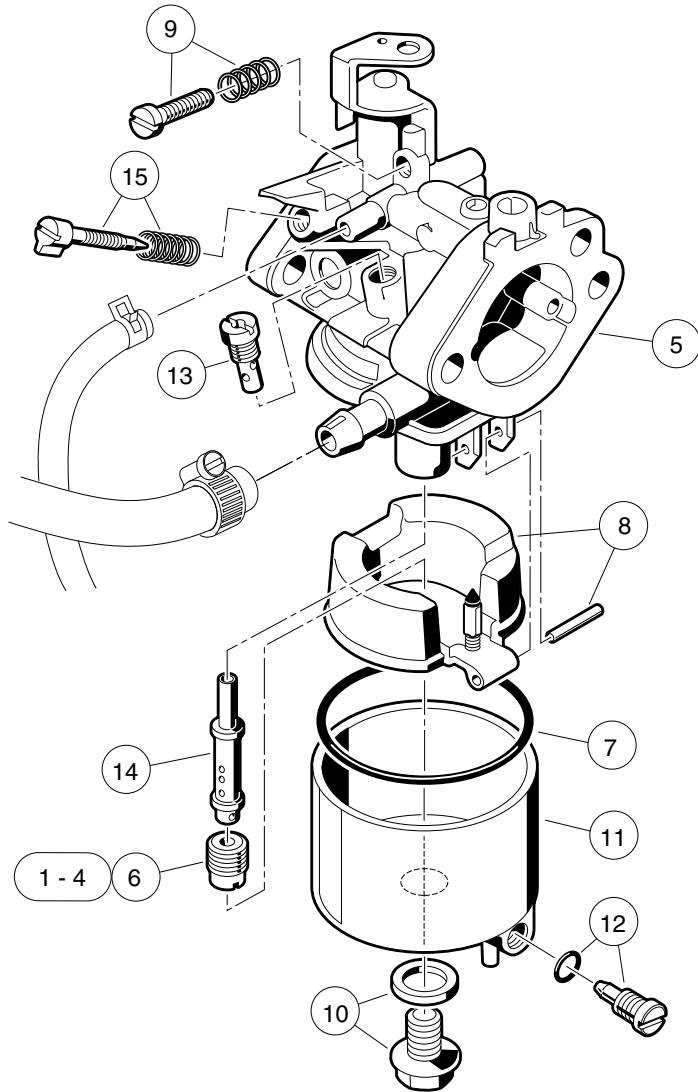


000980-007

CARBON CANISTER – CALIFORNIA ONLY

ITEM	PART NO.	DESCRIPTION	QTY
		1 2 3 4	
1	<u>1012285</u>	Screw, 1/4 X 0.625 Hex-Head	2
2	<u>101313402</u>	Clamp, Green Hose	1
3	<u>1013746</u>	Clamp, 0.301 ID Hose	3
4	<u>1015137</u>	Fuel Line, 3/16 (available by the foot)	A/R
5	<u>103372401</u>	Canister, Carbon	1
6	<u>103372504</u>	Hose, Vent, Flare, 9"	1
7	<u>103372801</u>	Bracket, Carbon Canister, Sw	1
8	<u>103418601</u>	Asm, Vent Line, Utility (includes items 9 through 11)	1
9	<u>1012649</u>	Clamp, 0.460 Red Hose	1
10	N/A	Hose, Vent, 5/16 I.D., Bulk	A/R
11	N/A	Vent, Barb, 5/16 I.D. Hose	1

11
G



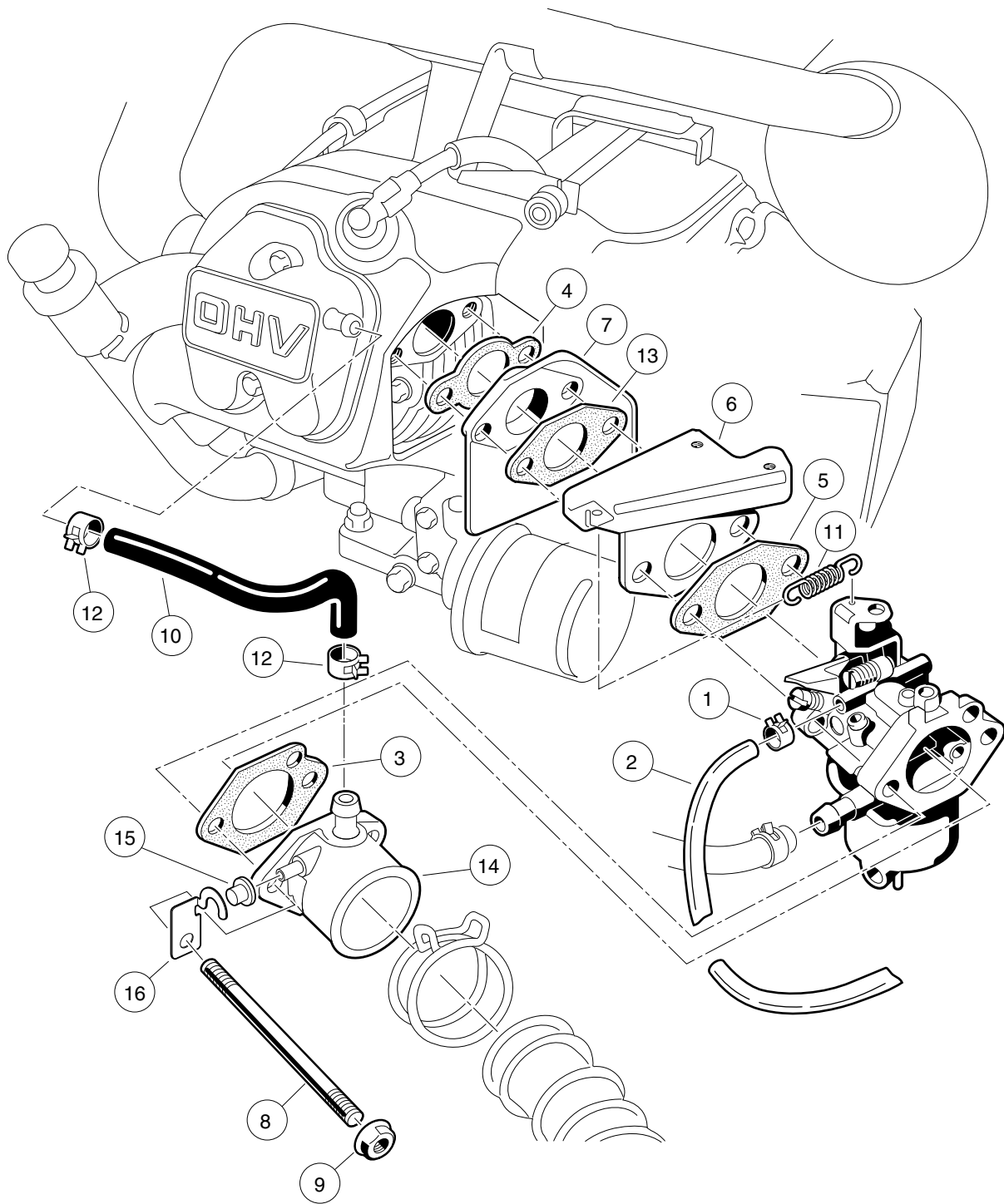
000212-002

CARBURETOR ASSEMBLY – FE350 S27

ITEM	PART NO.	DESCRIPTION	QTY
		1 2 3 4	
1	<u>101642575</u>	Jet, Altitude, # 75	1
2	<u>101642578</u>	Jet, Altitude, # 78	1
3	<u>101642580</u>	Jet, Altitude, # 80	1
4	<u>101642582</u>	Jet, Altitude, # 82	1
5	<u>103617101</u>	Carburetor, FE350 S27 (includes items 6 through 15)	1
6	<u>101642585</u>	Jet, Altitude, # 85	1
7	<u>1016437</u>	Gasket, Carburetor Bowl OHV	1
8	<u>1016486</u>	Float Assembly	1
9	<u>1016501</u>	Screw Assembly	1
10	<u>1016585</u>	Bolt	1
11	<u>1017461</u>	Chamber Assembly, Float (includes item 12)	1
12	<u>1016499</u>	Screw Assembly	1
13	<u>101973101</u>	Jet, #40 Pilot	1
14	<u>101973301</u>	Nozzle, Main	1
15	N/A	Assembly, Pilot Air Screw	1
Note: <u>101642585</u> for 0 - 3,200 feet; <u>101642582</u> for 3,200 - 6,500 feet; <u>101642580</u> for 6,500 - 9,800 feet; <u>101642578</u> for 9,800 feet and above.			

11

G



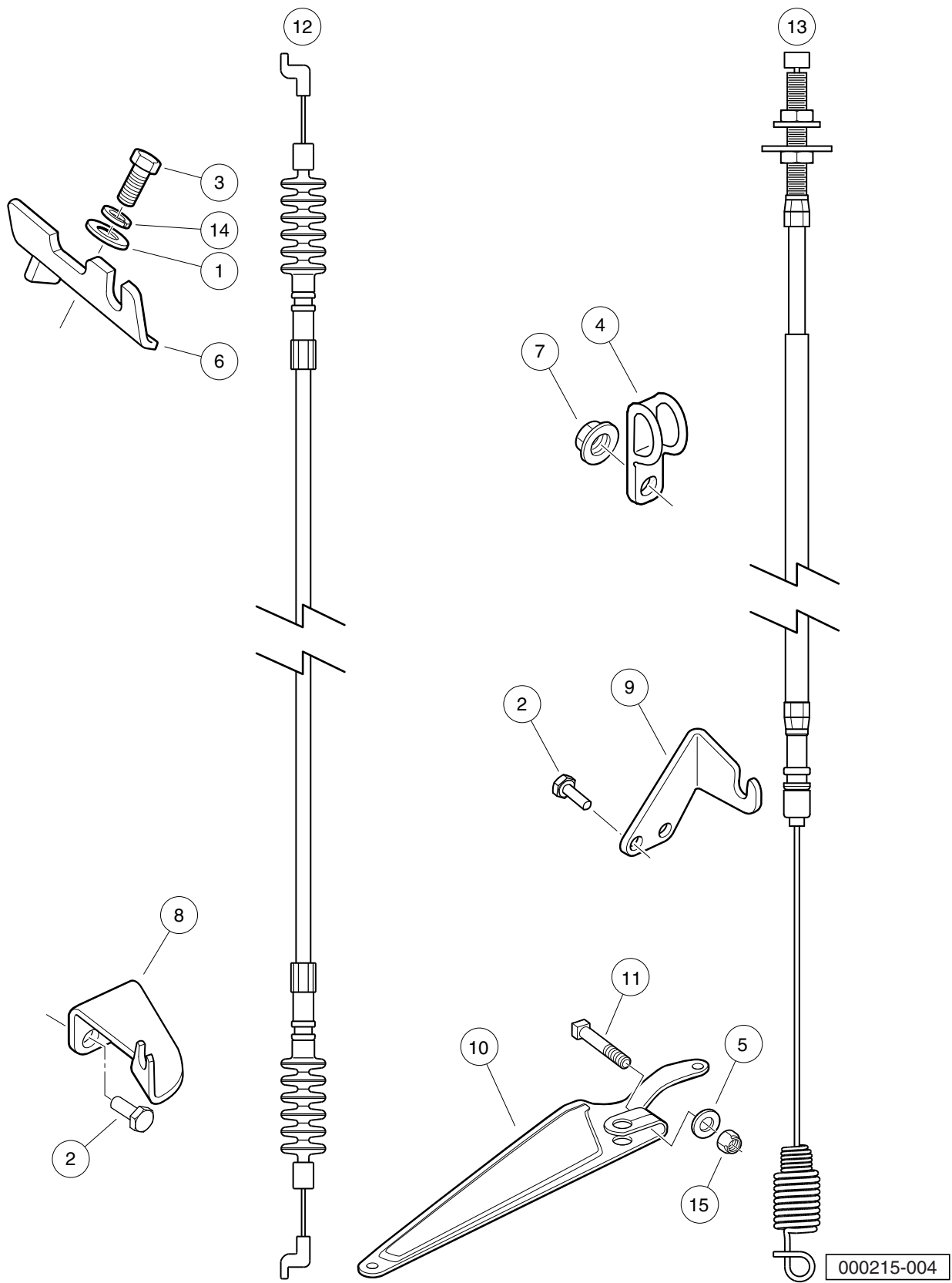
000214-002

CARBURETOR MOUNTING, UTILITY, FE350 S23 S24 S27

ITEM	PART NO.	DESCRIPTION	QTY
		1 2 3 4	
1	<u>1013746</u>	Clamp, 0.301 ID Hose	1
2	<u>1015137</u>	Fuel Line, 3/16 (available by the foot)	1
3	<u>1016438</u>	Gasket, Carb To Intake Manifold	1
4	<u>1016440</u>	Gasket, Engine to Insulator	1
5	<u>1016441</u>	Gasket, Sprg Brkt To Carb OHV	1
6	<u>1016444</u>	Bracket, Throttle Spring Return	1
7	101648102	Insulator, Carburetor	1
8	<u>101649002</u>	Stud, M6-1.00 Two-Ended	2
9	1016547	Nut, M6 Flange	2
10	<u>1016572</u>	Tube, Crankcase Vent	1
11	<u>1016582</u>	Spring, Throttle Return	1
12	<u>1017466</u>	Clamp	2
13	<u>101973401</u>	Gasket, Insulator To Bracket	1
14	103507101	Carburetor Adapter w/ Tap	1
15	103507201	Plug, Intake Manifold, Carb	1
16	103507301	Bracket, Intake Manifold, Carb	1

11
G

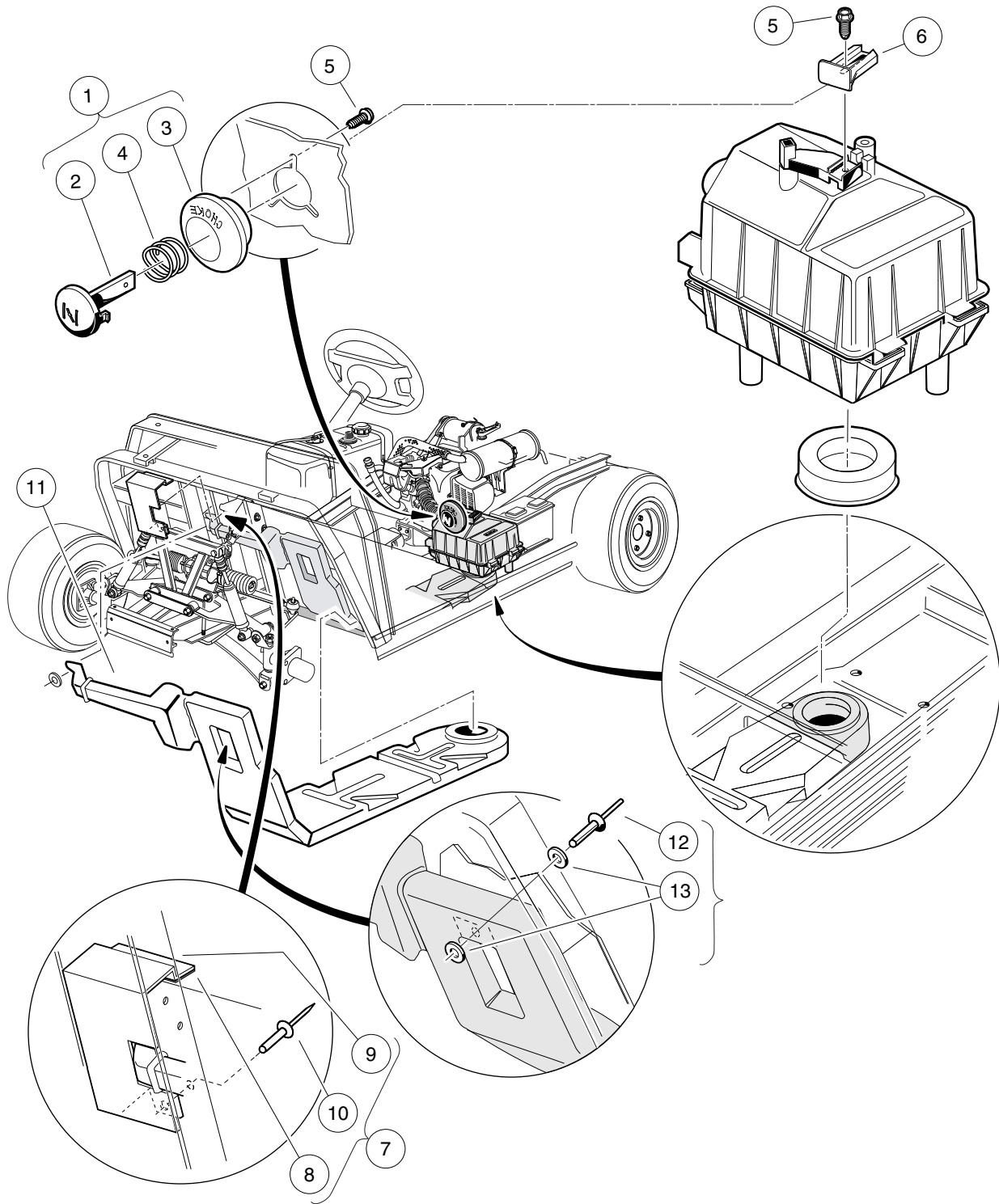
11
G



GOVERNOR AND ACCELERATOR CABLES

ITEM	PART NO.	DESCRIPTION	QTY
		1 2 3 4	
1	<u>1011697</u>	Washer, 5/16 Flat	1
2	<u>1012285</u>	Screw, 1/4 X 0.625 Hex-Head	4
3	<u>1012830</u>	Screw, M8-125 X 22 Hex-Head	1
4	<u>1013700</u>	Clamp	2
5	<u>1014007</u>	Washer, 1/4, Flat	1
6	<u>101584502</u>	Bracket, Governor Cable Snap-In	1
7	<u>1016546</u>	Nut	2
8	<u>101832202</u>	Bracket, Rear Governor Cable Snap-In	1
9	<u>101832302</u>	Bracket, Rear Accelerator Cable Snap-In	1
10	<u>101834801</u>	Arm, Governor	1
11	<u>101886101</u>	Screw, 1/4-20 X 1.00, Square-Head	1
12	<u>102336001</u>	Cable, Governor, Snap-In	1
13	<u>102336101</u>	Cable, Accelerator, Snap-In	1
14	<u>7174</u>	Lockwasher, 5/16 Split	1
15	<u>8233</u>	Locknut, 1/4-20, Nylon Insert	1

11
G

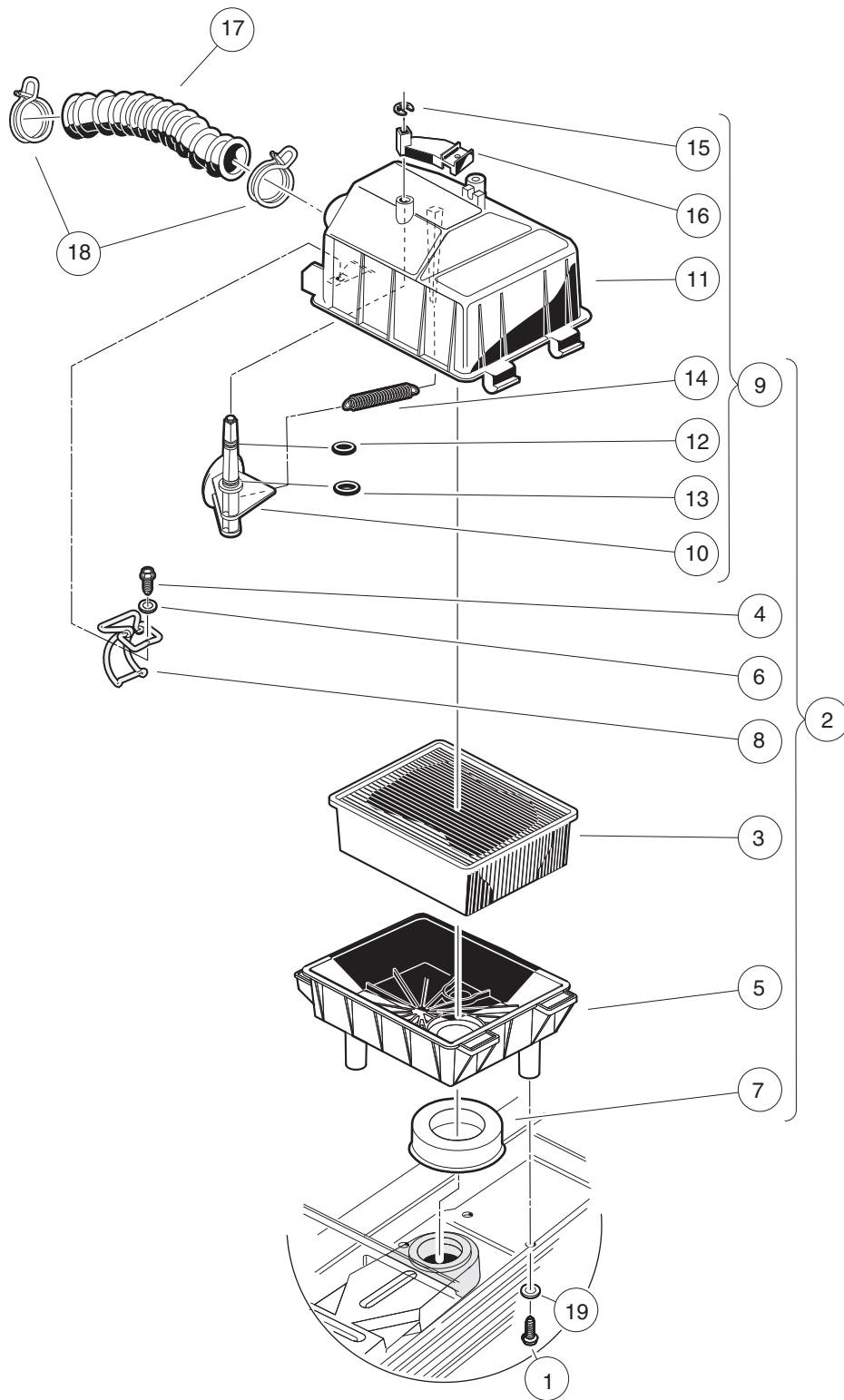


000338-006

AIR INTAKE DUCT AND CHOKE BUTTON – TURF/CA 1 AND XRT800/810/850

ITEM	PART NO.	DESCRIPTION	QTY
		1 2 3 4	
1	<u>101805701</u>	Button Assembly, Choke (includes items 2 through 4)	1
2	<u>101811401</u>	Lever, Choke	1
3	<u>101811501</u>	Guide, Choke Lever	1
4	<u>101856201</u>	Compression Spring	1
5	<u>101850301</u>	Screw, #12-16 X 0.50 Washer-Head Hi-Lo	4
6	<u>101917701</u>	Choke Positioner	1
7	<u>102190702</u>	Kit, Air Duct Shield (includes items 8 through 10)	1
8	<u>102185401</u>	Tape, 3M VHB 4950	1
9	N/A	Shield, Air Duct	1
10	<u>7973</u>	Rivet, 3/16 X .400 Blind	1
11	<u>103520301</u>	Duct, Air Intake, Ds	1
12	<u>1606</u>	Rivet, 3/16 X .500 Alum Pop	2
13	<u>183</u>	Washer, #10, Type A, Flat	4

11
G



000332-001

AIR FILTER AND INTAKE HOSE

ITEM	PART NO.	DESCRIPTION	QTY
		1 2 3 4	
1	<u>1015752</u>	Screw, #12-16 X 0.625, Hi-Lo	3
2	<u>101821501</u>	Assembly, Air Box (includes items 3 through 9)	1
3	<u>1015426</u>	Filter, Air	1
4	<u>101804301</u>	Screw, #8 X 0.500, Hex-Head Hi-Lo	2
5	<u>101811901</u>	Bottom, Air Box	1
6	<u>101881701</u>	Washer, #8 Stainless-Steel Flat	2
7	<u>101921501</u>	Seal, Intake	1
8	<u>101925701</u>	Latch, Wireform	2
9	<u>101972801</u>	Top Assy, Air Box (includes items 10 through 16)	1
10	N/A	Valve, Choke	1
11	N/A	Top, Air Box	1
12	N/A	O-Ring, 5/16	1
13	N/A	O-Ring, 3/8	1
14	<u>101812301</u>	Spring, Extension Return	1
15	<u>101813001</u>	Retaining Ring 0.25, Shaft	1
16	<u>101917601</u>	Lever, Choke	1
17	<u>101837101</u>	Hose, Air Intake	1
18	<u>101971301</u>	Clamp, 1.58" ID Hose	2
19	<u>332</u>	Washer, 1/4 Type A Narrow Flat	3

11
G

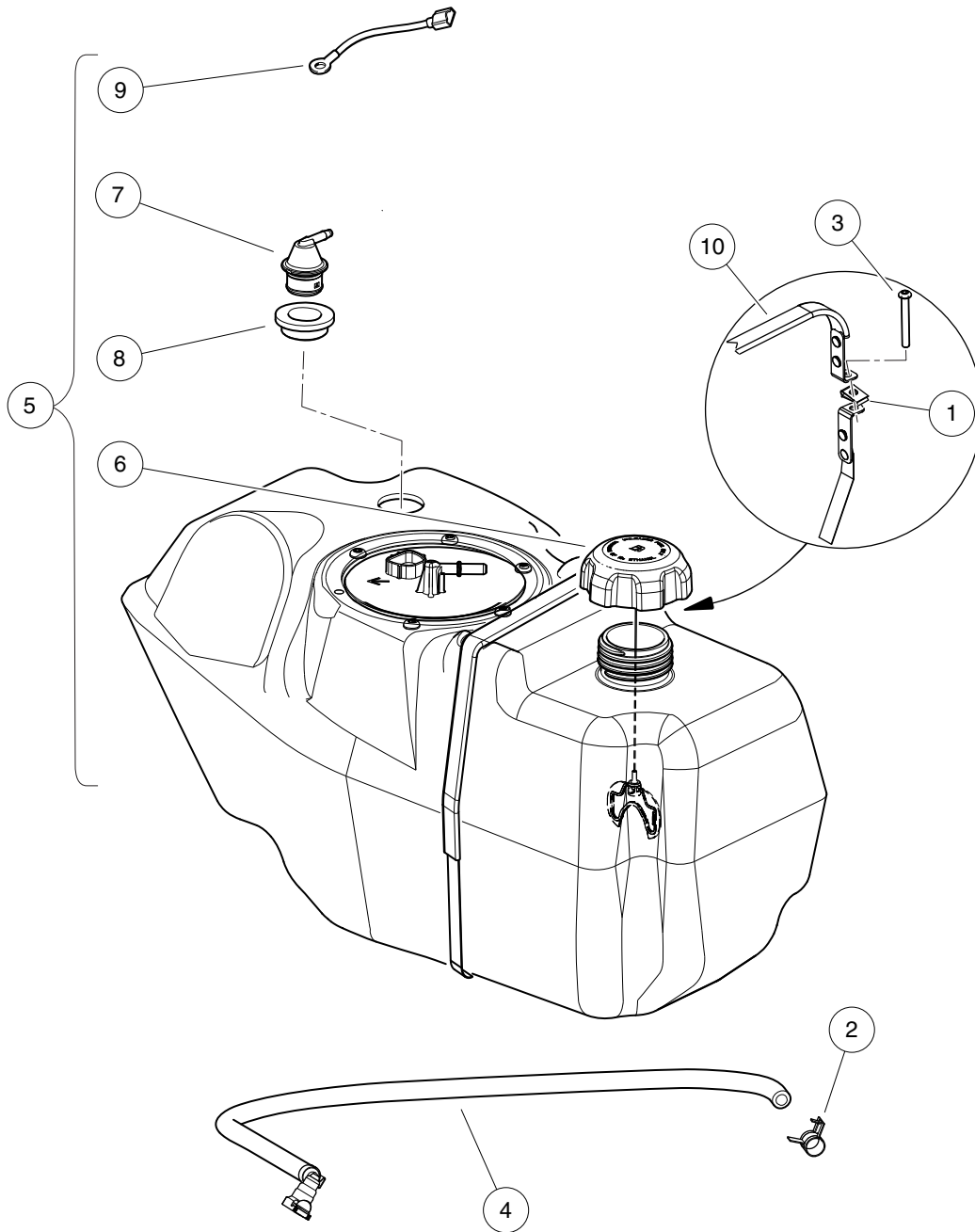
11

G

FUEL, INTAKE, AND GOVERNOR SYSTEMS- EFI GASOLINE VEHICLES

12

G

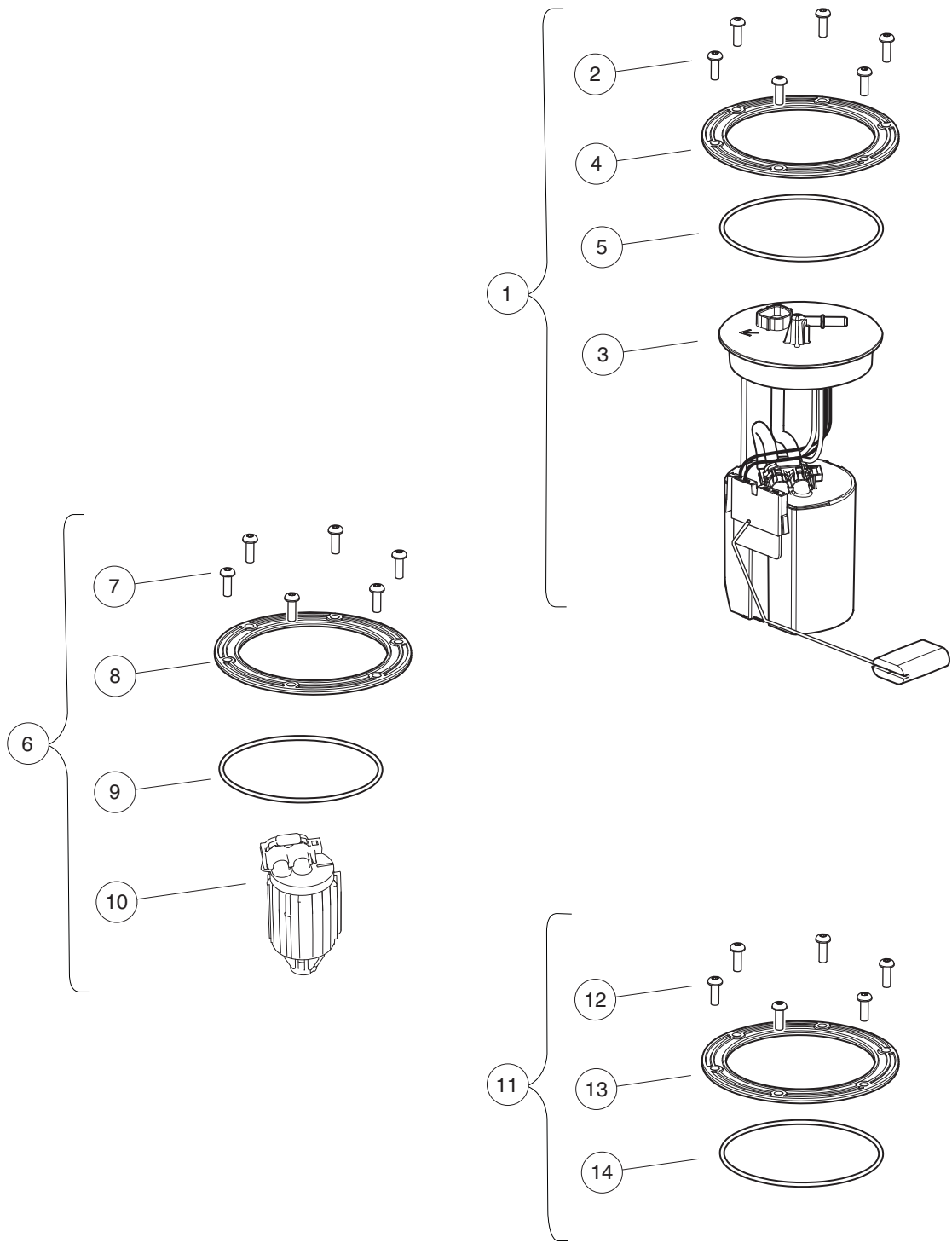


000975-004

FUEL SYSTEM WITH SENDING UNIT, TOP FILL – EFI

ITEM	PART NO.	DESCRIPTION	QTY
		1 2 3 4	
1	<u>1014116</u>	Nut, 1/4-20 Speed	1
2	<u>102411203</u>	Clamp, Hose, Ctb 14mm Dia.	1
3	<u>103306301</u>	Screw, Bhsc, 1/4-20 X 2.0	1
4	<u>105043501</u>	Asm, Fuel Line, Utility	1
5	<u>105215401</u>	Asm, Tank, Fuel, Top, Complete, w/Sending Unit (includes items 6 through 9)	1
6	<u>103372101</u>	Cap, Fuel Tank, Gas, Ratchet	1
7	<u>103905201</u>	Assembly, Vent, Fuel, 1/4 Inch O.D.	1
8	<u>103944301</u>	Grommet, Fuel Tank, Vent	1
9	<u>105143301</u>	Wire, Ground, Fuel Tank	1
10	<u>105245401</u>	Strap, Tank, Utility	1

12
G



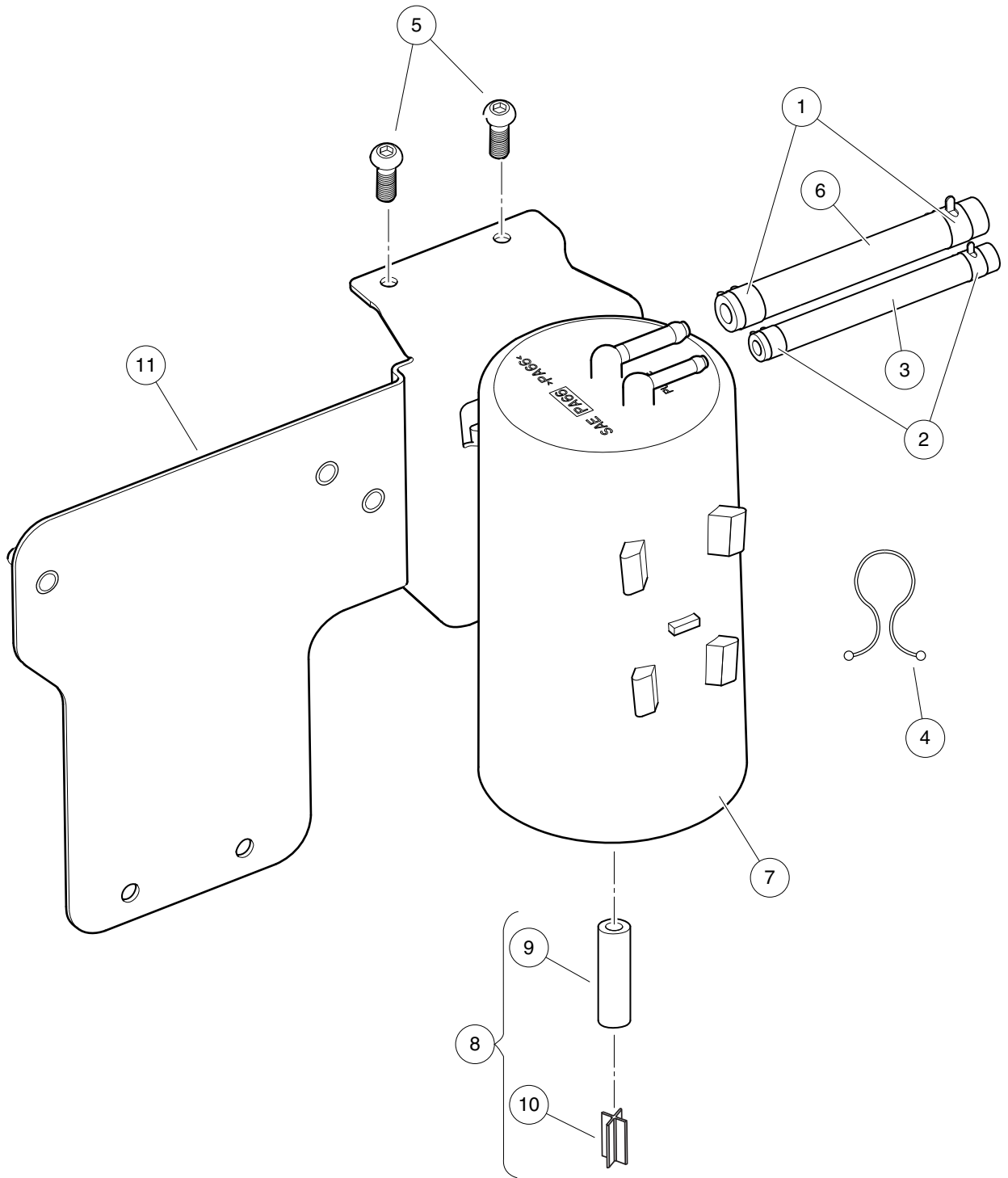
000977-005

FUEL TANK KITS – EFI

ITEM	PART NO.	DESCRIPTION	QTY
		1 2 3 4	
1	<u>105282901</u>	Kit, Fuel Pump Module (includes items 2 through 5)	1
2	<u>102025801</u>	Screw, 1/4-20 X .75 Torx Pn Hd	6
3	<u>105043401</u>	Fuel Pump Module, with Sending Unit	1
4	<u>105043801</u>	Fuel Module, Hold Down Ring	1
5	<u>105043901</u>	O-Ring, Fuel Module	1
6	<u>105282902</u>	Kit, Fuel Filter (includes items 7 through 10)	1
7	<u>102025801</u>	Screw, 1/4-20 X .75 Torx Pn Hd	6
8	<u>105043801</u>	Fuel Module, Hold Down Ring	1
9	<u>105043901</u>	O-Ring, Fuel Module	1
10	<u>105073001</u>	Fuel Filter, EX40, EFI	1
11	<u>105282903</u>	Kit, O-ring (includes items 12 through 14)	1
12	<u>102025801</u>	Screw, 1/4-20 X .75 Torx Pn Hd	6
13	<u>105043801</u>	Fuel Module, Hold Down Ring	1
14	<u>105043901</u>	O-Ring, Fuel Module	1

12

G



000980-006

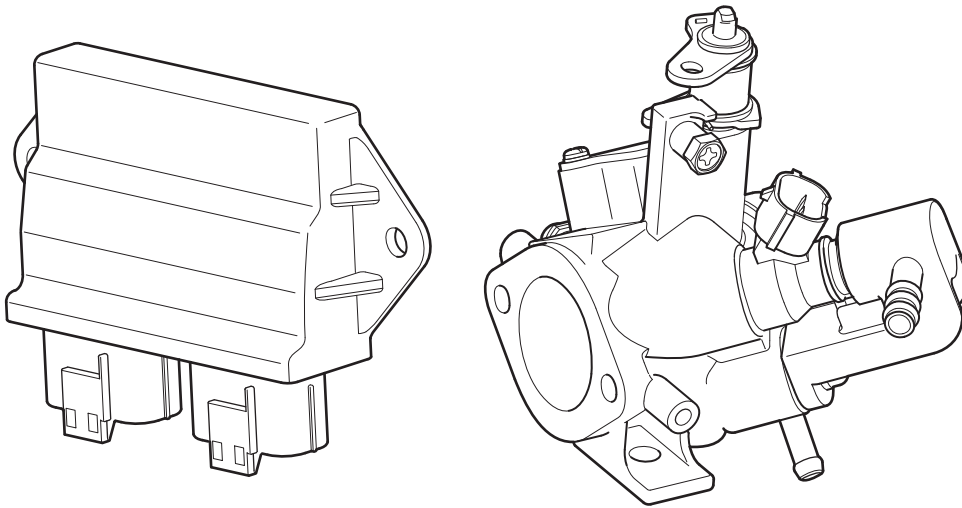
CARBON CANISTER – EFI

ITEM	PART NO.	DESCRIPTION	QTY
		1 2 3 4	
1	<u>1012649</u>	Clamp, 0.460 Red Hose	2
2	<u>1013746</u>	Clamp, 0.301 ID Hose	2
3	<u>1015137</u>	Fuel Line, 3/16 (available by the foot)	A/R
4	<u>101987701</u>	Clamp, Plastic Tie	2
5	<u>102025801</u>	Screw, 1/4-20 X .75 Torx Pn Hd	2
6	<u>102865101</u>	Fuel Line, 1/4 (available by the foot)	A/R
7	<u>103372401</u>	Canister, Carbon	1
8	<u>103756401</u>	Asm, Vent Line, Carbon Canister (includes items 9 and 10)	1
9	N/A	Hose, Vent, 5/16 I.D., Bulk	1
10	N/A	Vent, Barb, 5/16 I.D. Hose	1
11	<u>105044901</u>	Bracket, Carbon Canister/ECU	1

12

G

1



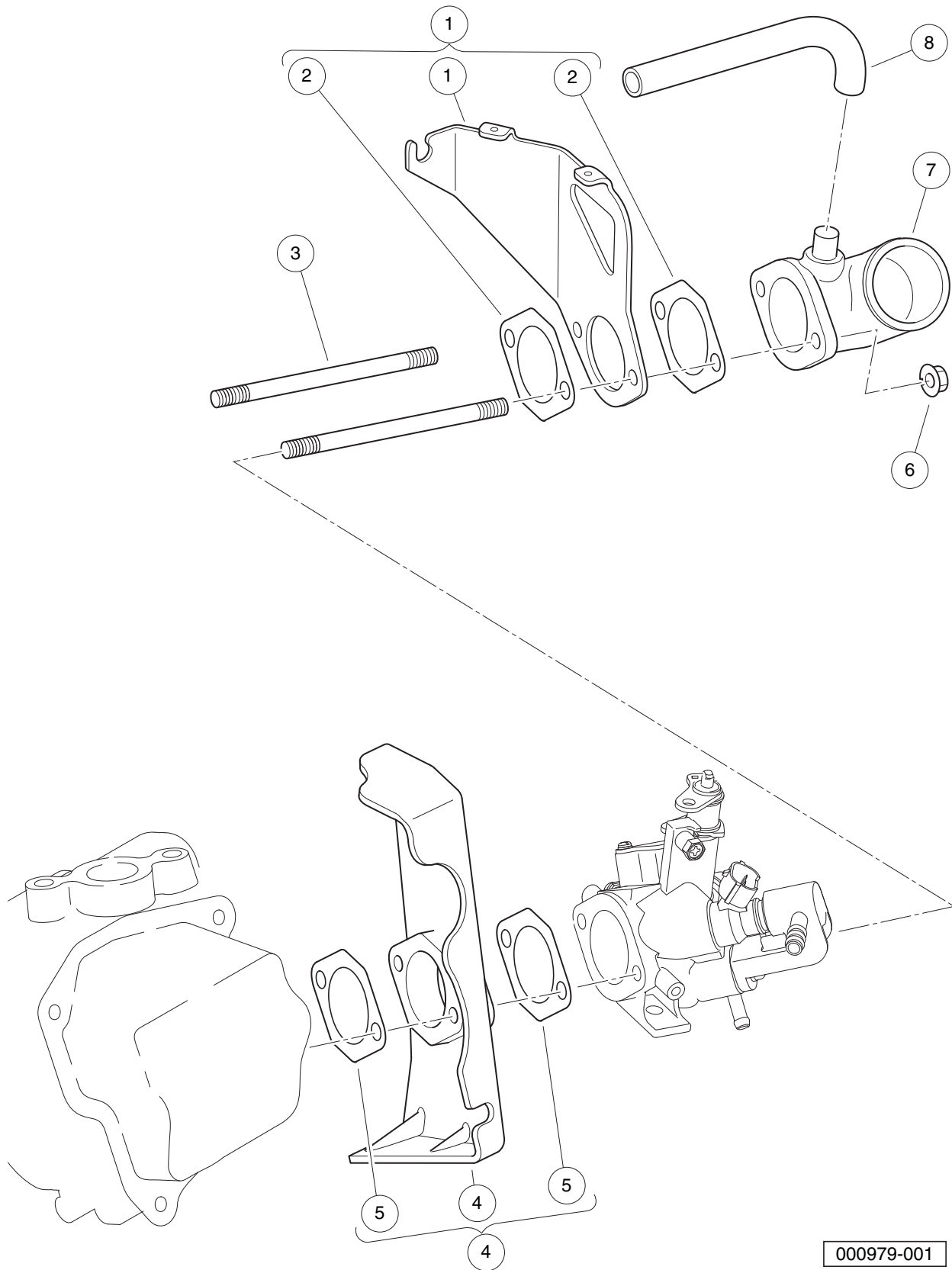
000964-001

THROTTLE BODY AND ECU – EFI

ITEM	PART NO.	DESCRIPTION	QTY
1	<u>105017201</u>	<p>1 2 3 4 Asm, Throttle Body/Fuel Injector with ECU, EX40</p>	1

12

G



000979-001

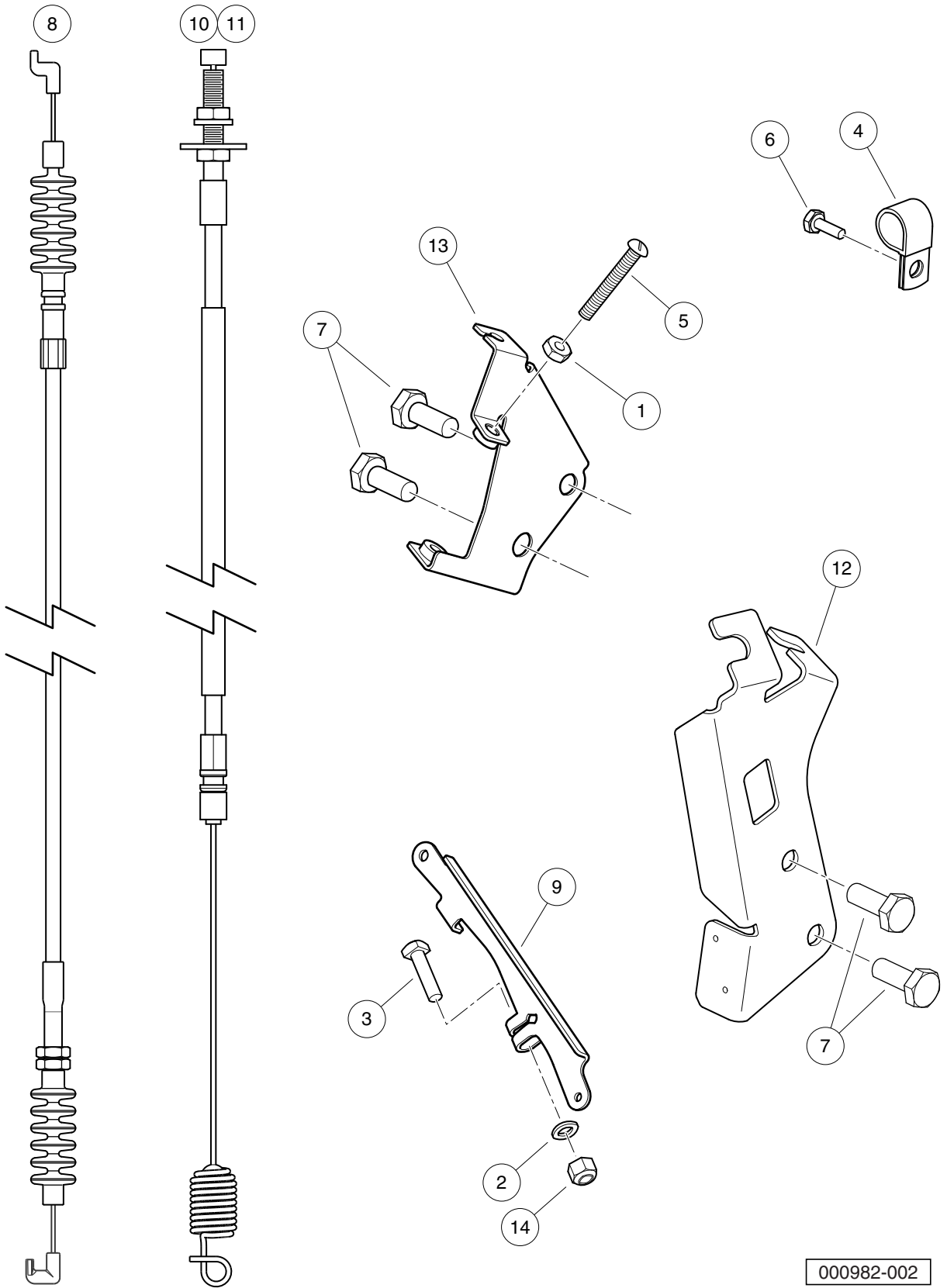
THROTTLE BODY MOUNTING – EFI

ITEM	PART NO.	DESCRIPTION	QTY
		1 2 3 4	
1	<u>103983501</u>	Bracket, Operation, EX40 (includes item 2)	1
2	<u>105016201</u>	Gasket, Insulator, EX40	2
3	<u>105010901</u>	Stud, Mounting, Intake, EX40	2
4	<u>105016101</u>	Insulator, EX40 (includes item 5)	1
5	<u>105016201</u>	Gasket, Insulator, EX40	2
6	<u>105016301</u>	Nut, Intake Adapter, M6x1.0, EX40	2
7	<u>105016401</u>	Adapter, Air Intake, EX40	1
8	<u>105016501</u>	Hose, Breather, EX40	1

12

G

12
G

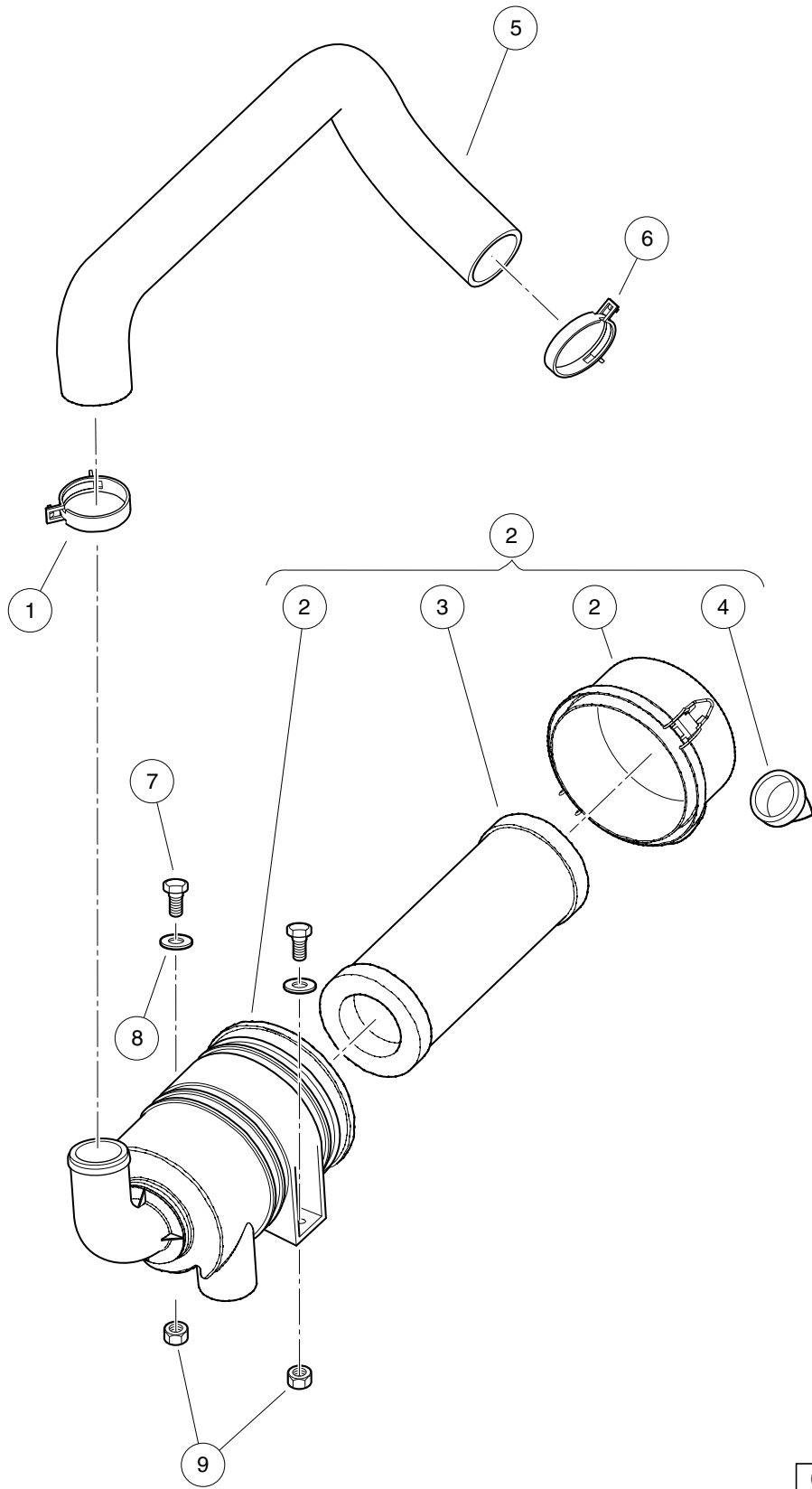


000982-002

GOVERNOR AND ACCELERATOR CABLES – EFI

ITEM	PART NO.	DESCRIPTION	QTY
		1 2 3 4	
1	<u>1011114</u>	Nut, M6-1.00 Hex	1
2	<u>1014007</u>	Washer, 1/4, Flat	1
3	<u>101886101</u>	Screw, 1/4-20 X 1.00, Square-Head	1
4	<u>102410604</u>	P-clamp, Insulated, 0.625 Inch	1
5	<u>102476401</u>	Bolt, Stop, Pedal	1
6	<u>102490301</u>	Bolt, M6 X 1 X 16, Loctite	1
7	<u>102498201</u>	Bolt, M10 X 1.25 X 25, Loctite	4
8	<u>103978001</u>	Cable, Governor, EX40	1
9	<u>104023501</u>	Arm, Governor, ED65	1
10	<u>105007402</u>	Cable, Accelerator, Utility, Low-Speed	1
11	<u>105007403</u>	Cable, Accelerator, Utility, Std-Speed	1
12	<u>105135101</u>	Bracket, Cable, FNR/Accelerator, ED65	1
13	<u>105144401</u>	Weldment, Governor Bracket	1
14	<u>8233</u>	Locknut, 1/4-20, Nylon Insert	1

12
G



000983-001

AIR FILTER SYSTEM AND INTAKE HOSE – EFI

ITEM	PART NO.	DESCRIPTION	QTY
		1 2 3 4	
1	<u>102411209</u>	Clamp, Hose, Ctb 55mm Dia.	1
2	<u>105009101</u>	Air Cleaner, Utility with EFI (includes items 3 and 4)	1
3	<u>102558201</u>	Air Filter, 4 Inch	1
4	<u>102725501</u>	Valve, Evacuator, Filter Air	1
5	<u>105043001</u>	Hose, Air Intake, Utility with EFI	1
6	<u>105088501</u>	Clamp, Ctb, 49mm Dia, W/clip	1
7	1218	Screw, 5/16-18 X 1.25 Hex-Head Cap	2
8	<u>1241</u>	Washer, 5/16 Type A Flat	2
9	<u>7473</u>	Locknut, 5/16-18 Nylon Insert	2

12

G

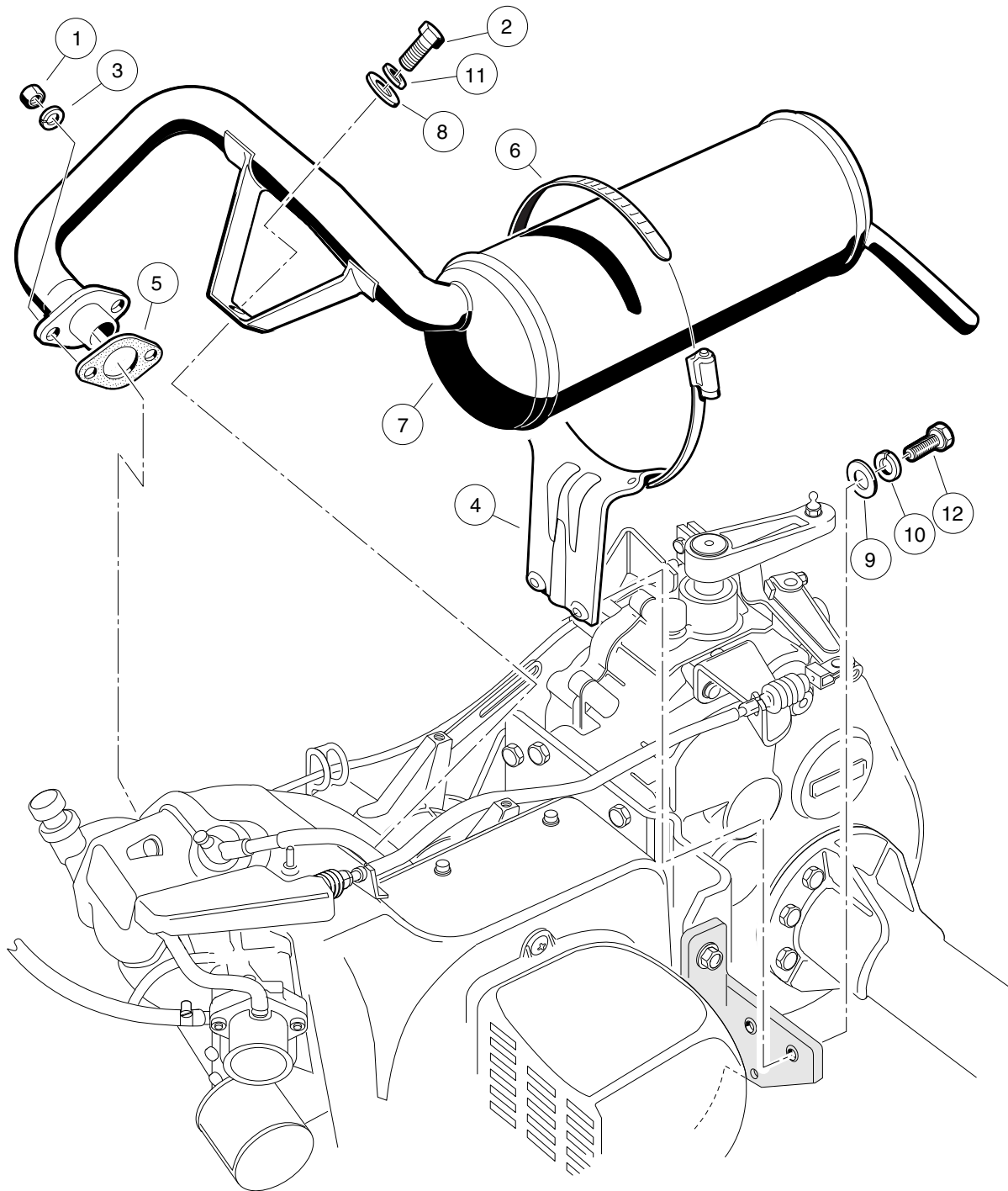
12

G

EXHAUST SYSTEM – FE350 ENGINE

13

G

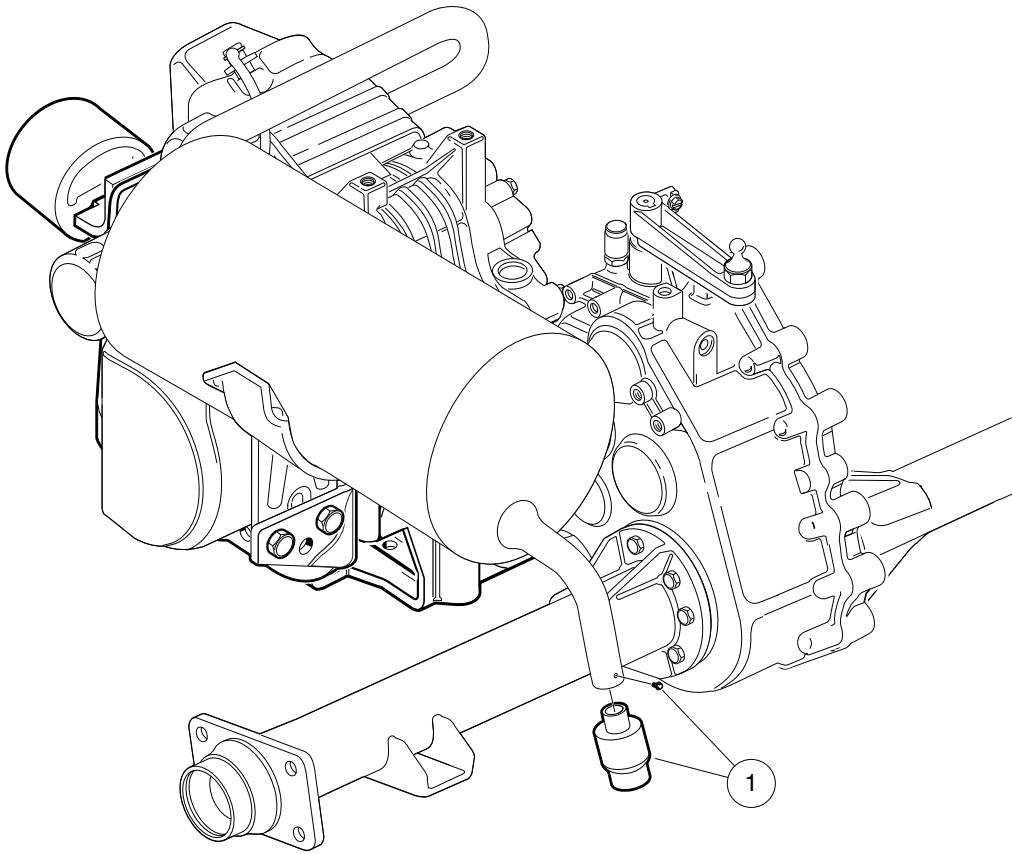


000209-001

EXHAUST SYSTEM – FE350 ENGINE

ITEM	PART NO.	DESCRIPTION	QTY
		1 2 3 4	
1	<u>1012528</u>	Nut, M8-1.25 Hex	2
2	<u>1012830</u>	Screw, M8-125 X 22 Hex-Head	1
3	<u>1013734</u>	Lockwasher, 8mm Split	2
4	<u>1015814</u>	Bracket, Muffler Mounting	1
5	<u>1016904</u>	Gasket, Exhaust	1
6	1017689	Clamp, 5" Muffler Hose	1
7	<u>101859401</u>	Exhaust System, FE350	1
8	<u>1241</u>	Washer, 5/16 Type A Flat	1
9	<u>332</u>	Washer, 1/4 Type A Narrow Flat	2
10	<u>451</u>	Lockwasher, 1/4 Split	2
11	<u>7174</u>	Lockwasher, 5/16 Split	1
12	<u>7847</u>	Screw, 1/4-20 X 0.75 Hex-Head Cap	2

13
G



APM-000119-001

SPARK ARRESTOR KIT

ITEM	PART NO.	DESCRIPTION	QTY
1	<u>101629008</u>	1 2 3 4 Spark Arrestor, 290/350	1

13
G

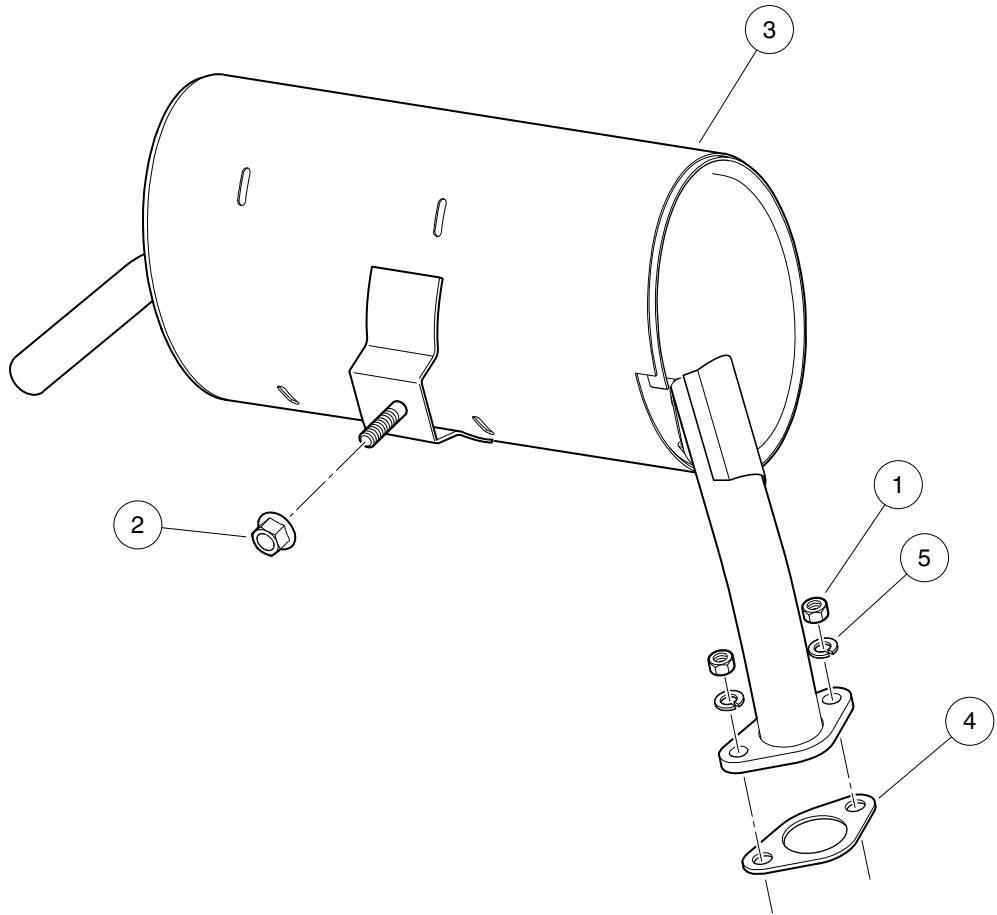
13

G

EXHAUST SYSTEM, UTILITY – EX40 ENGINE

14

G



000948-001

EXHAUST SYSTEM – UTILITY

ITEM	PART NO.	DESCRIPTION	QTY
		1 2 3 4	
1	<u>1012528</u>	Nut, M8-1.25 Hex	2
2	<u>102617201</u>	Nut, Flanged, M10 X 1.5, Mechanically Deformed	1
3	<u>105214101</u>	Exhaust, Low, Ex40, Utl	1
4	<u>47539957001</u>	Gasket, Exhaust, Ex40, Graphite	1
5	<u>7174</u>	Lockwasher, 5/16 Split	2

14

G

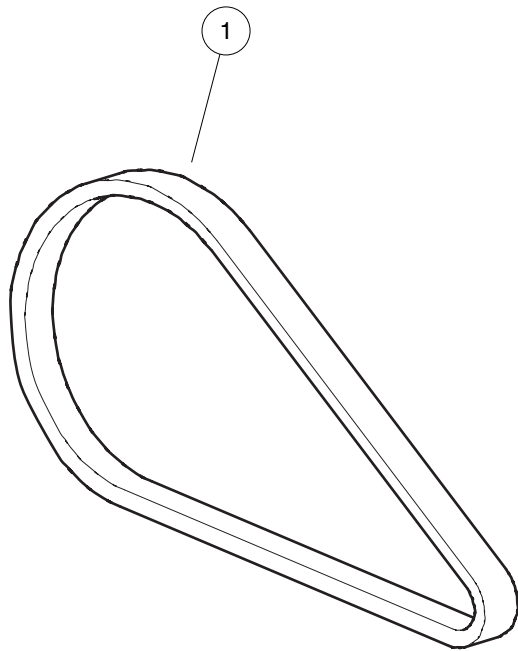
14

G

DRIVE BELT AND CLUTCHES – CARBURETED GASOLINE VEHICLES

15

G

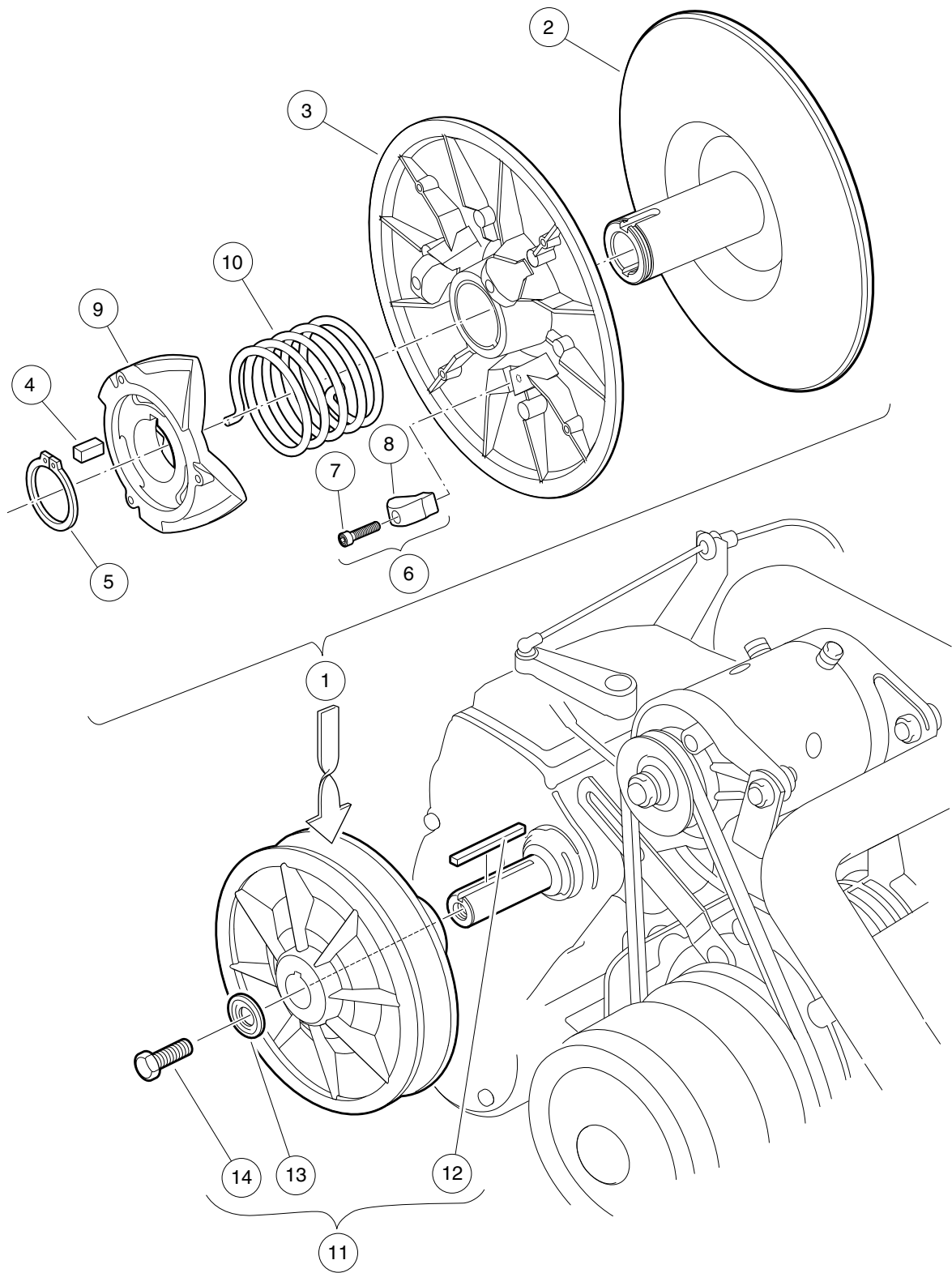


000918-001

DRIVE BELT

ITEM	PART NO.	DESCRIPTION	QTY
1	<u>1017188</u>	1 2 3 4 Belt, Drive (FE350)	1

15
G

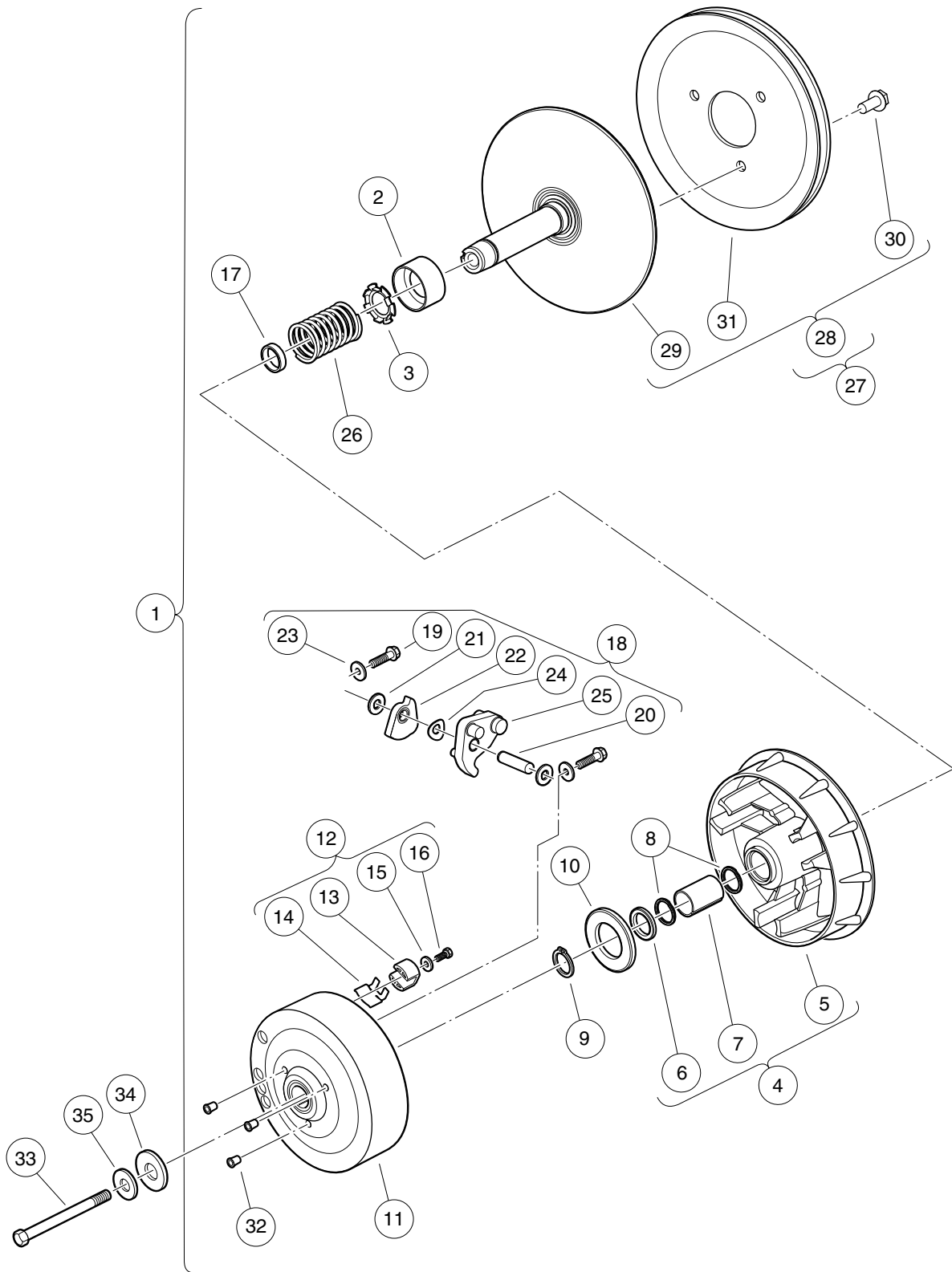


000219-001

DRIVEN CLUTCH

ITEM	PART NO.	DESCRIPTION	QTY
		1 2 3 4	
1	<u>101834001</u>	Assembly, Driven Clutch (includes items 2 through 10)	1
2	<u>1014070</u>	Fixed Face Assy, Driven Clutch	1
3	<u>1014072</u>	Movable-Face Assembly with Bushing	1
4	<u>1014078</u>	Key, Driven Clutch	1
5	<u>1014080</u>	Ring, Retaining	1
6	<u>1014454</u>	Kit, Driven Clutch Button (includes items 7 and 8)	1
7	<u>1012836</u>	Screw, #8-32 X 3/4, Socket-Head Cap	3
8	N/A	Button, Drive	3
9	<u>1017686</u>	Cam, Driven Clutch	1
10	<u>101836201</u>	Spring, Driven Clutch, Reversed	1
11	<u>AM10419</u>	Kit, Clutch Repair (includes items 12 through 14)	1
12	<u>101833401</u>	Key, 3/16 Sq X 1.50"	1
13	<u>102155801</u>	Washer, Driven Clutch	1
14	<u>102242101</u>	Screw, 5/16-18 X 3/4 Hex-Head with Patch	1

15
G



000217-007

DRIVE CLUTCH – CA 2 PLUS/VILL. 6 & 8/TPORTER/XRT850

ITEM	PART NO.	DESCRIPTION	QTY
		1 2 3 4	
1	<u>101833904</u>	Assembly, Drive Clutch (includes items 2 through 32)	1
2	1014049	Bearing, Idler	1
3	<u>1014050</u>	Retainer, Spring	1
4	1014052	Movable-Face Assembly (includes items 5 through 7)	1
5	N/A	Drive Clutch Movable Face	1
6	<u>1014055</u>	Retainer	1
7	N/A	Bushing, Split, Drive Clutch	1
8	<u>1014056</u>	Ring, Spiral Backup	2
9	<u>1014057</u>	Ring, 0.810" Internal Retaining	1
10	1014058	Thrust Washer	1
11	1014059	Drive Hub Assy, Drive Clutch	1
12	<u>1014453</u>	Kit, Drive Clutch Button (includes items 13 through 16)	1
13	<u>1014062</u>	Driver, Drive Clutch	3
14	<u>1014287</u>	Spring, Drive Button	3
15	<u>183</u>	Washer, #10, Type A, Flat	3
16	<u>8450</u>	Screw, #10-24 X 0.50, Hex-Head	3
17	<u>1016289</u>	Spacer, Fixed Face Shaft	1
18	<u>1016801</u>	Kit, Drive Clutch Weight (includes items 19 through 25)	1
19	<u>1014063</u>	Screw, 1/4-20 X 1.00, Hex Head	6
20	N/A	Pin, Dowel, 0.3752 x 1.50	3
21	<u>1014065</u>	Washer, Flat, 0.38" ID, Delrin	6
22	N/A	Clutch Weight, Secondary	3
23	N/A	Washer	6
24	<u>1016201</u>	Washer, Wave	3
25	N/A	Weight, Primary	3
26	<u>1016901</u>	Spring, Drive Clutch	1
27	101738302	Kit, Fixed Face - Drive (includes item 28)	1
28	<u>101738301</u>	Fixed Face Drive (includes items 29 through 31)	1
29	N/A	Fixed Face Assembly, Drive Clutch	1
30	<u>1014288</u>	Screw, 5/16-18 X 0.75, Thread-Forming	3
31	1016011	Pulley, Drive Clutch	1
32	N/A	Cap Plug	3
33	<u>103345701</u>	Screw 3/8-24x5.5 Hex Loc Ptch	1
34	<u>334</u>	Washer, 3/8, Type A, Flat	1
35	<u>808</u>	Washer, 3/8 Type B Flat	1

15

G

15

G

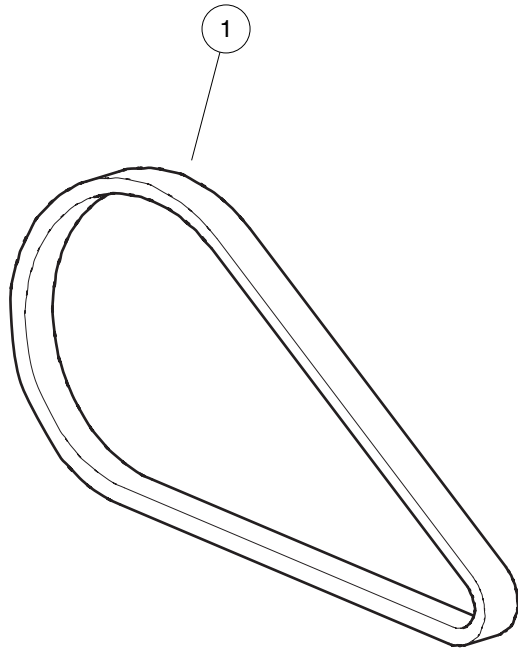
DRIVE BELT AND CLUTCHES -- EFI GASOLINE VEHICLES

16

G

16

G



000918-001

DRIVE BELT – KEY-START VEHICLES WITH EFI

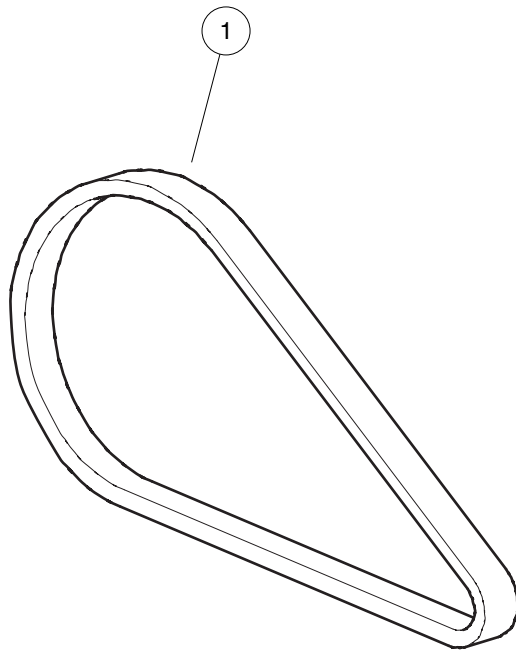
ITEM	PART NO.	DESCRIPTION	QTY
1	<u>103974102</u>	1 2 3 4 Belt, Drive, Key-Start	1

16

G

16

G



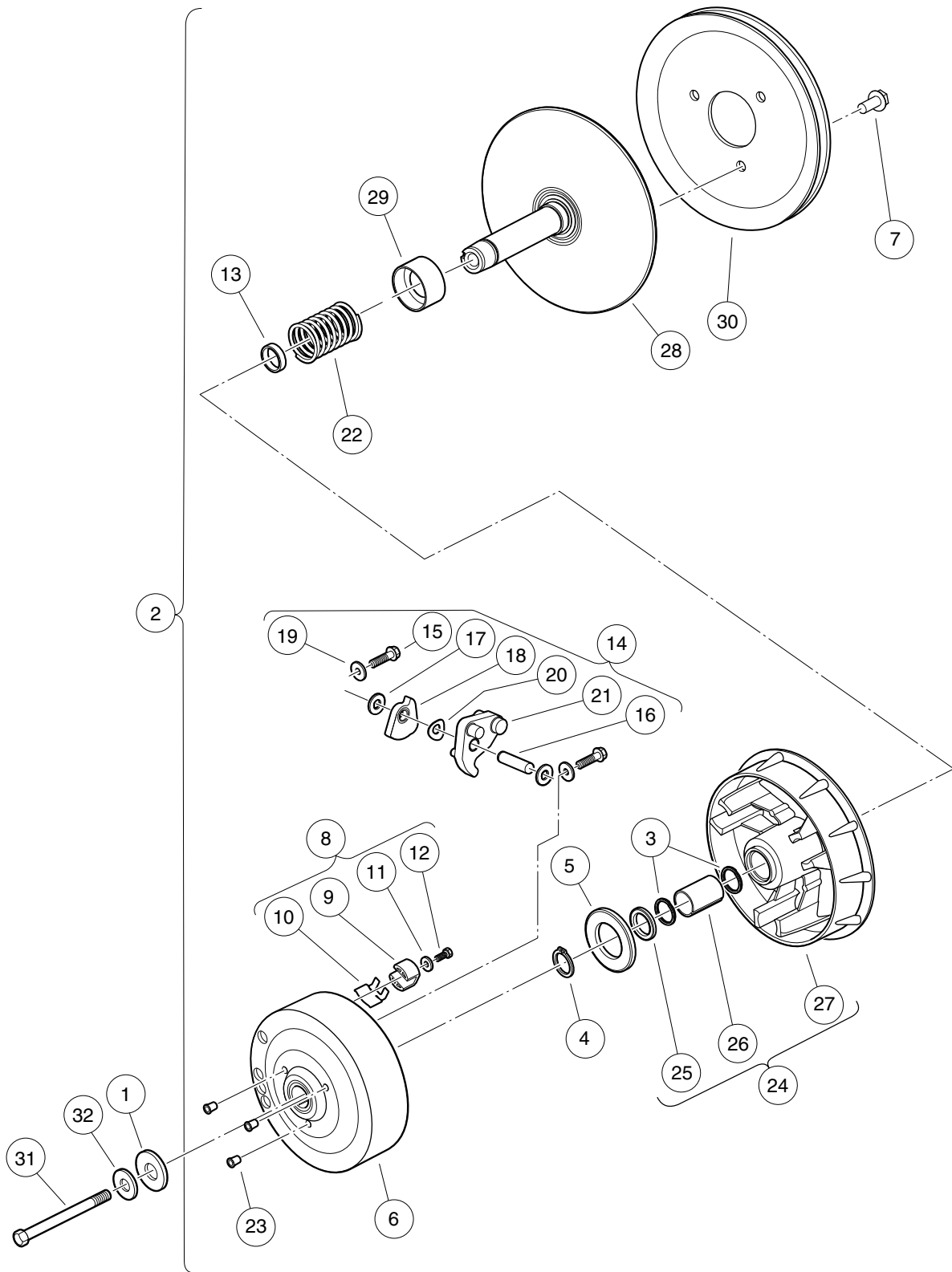
000918-001

DRIVE BELT – PEDAL-START VEHICLES WITH EFI

ITEM	PART NO.	DESCRIPTION	QTY
1	<u>105245801</u>	1 2 3 4 Belt, Drive, Pedal-Start	1

16

G

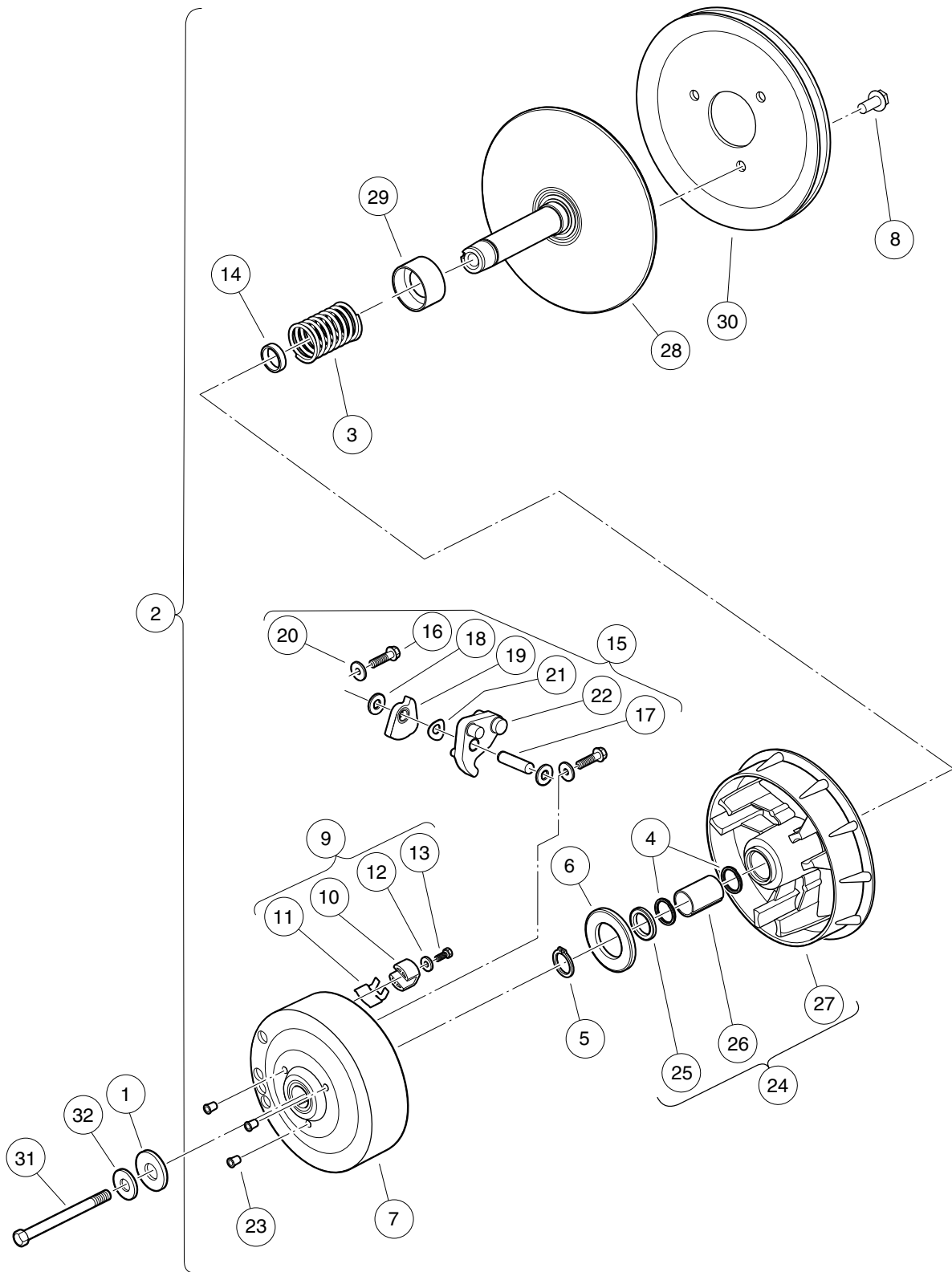


000958-002

DRIVE CLUTCH – KEY-START VEHICLES

ITEM	PART NO.	DESCRIPTION	QTY
		1 2 3 4	
1	<u>102491501</u>	Washer, Hard, M10	1
2	<u>103973902</u>	Clutch, Drive, Key-Start (includes items 3 through 30)	1
3	<u>1014056</u>	Ring, Spiral Backup	2
4	<u>1014057</u>	Ring, 0.810" Internal Retaining	1
5	<u>1014058</u>	Thrust Washer	1
6	<u>1014059</u>	Drive Hub Assy, Drive Clutch	1
7	<u>1014288</u>	Screw, 5/16-18 X 0.75, Thread-Forming	3
8	<u>1014453</u>	Kit, Drive Clutch Button (includes items 9 through 12)	1
9	<u>1014062</u>	Driver, Drive Clutch	3
10	<u>1014287</u>	Spring, Drive Button	3
11	<u>183</u>	Washer, #10, Type A, Flat	3
12	<u>8450</u>	Screw, #10-24 X 0.50, Hex-Head	3
13	<u>1016289</u>	Spacer, Fixed Face Shaft	1
14	<u>1016801</u>	Kit, Drive Clutch Weight (includes items 15 through 21)	1
15	<u>1014063</u>	Screw, 1/4-20 X 1.00, Hex Head	6
16	N/A	Pin, Dowel, 0.3752 x 1.50	3
17	<u>1014065</u>	Washer, Flat, 0.38" ID, Delrin	6
18	N/A	Clutch Weight, Secondary	3
19	N/A	Washer	6
20	<u>1016201</u>	Washer, Wave	3
21	N/A	Weight, Primary	3
22	<u>1016901</u>	Spring, Drive Clutch	1
23	N/A	Cap Plug	3
24	<u>103974201</u>	Asm, Sheave, Moveable, Drive, Wr (includes items 25 through 27)	1
25	<u>1014055</u>	Retainer	1
26	N/A	Bushing, Split, Drive Clutch	1
27	N/A	Sheave, Moveable, Drive, Wr	1
28	<u>103974401</u>	Sheave, Fixed, Drive, Wr	1
29	<u>103984601</u>	Spacer, Idler, Drive	1
30	<u>105096101</u>	Pulley, 7.3 Inch Effective Dia	1
31	<u>103976101</u>	Screw, 3/8-24x5.75, Patch	1
32	<u>334</u>	Washer, 3/8, Type A, Flat	1

16
G

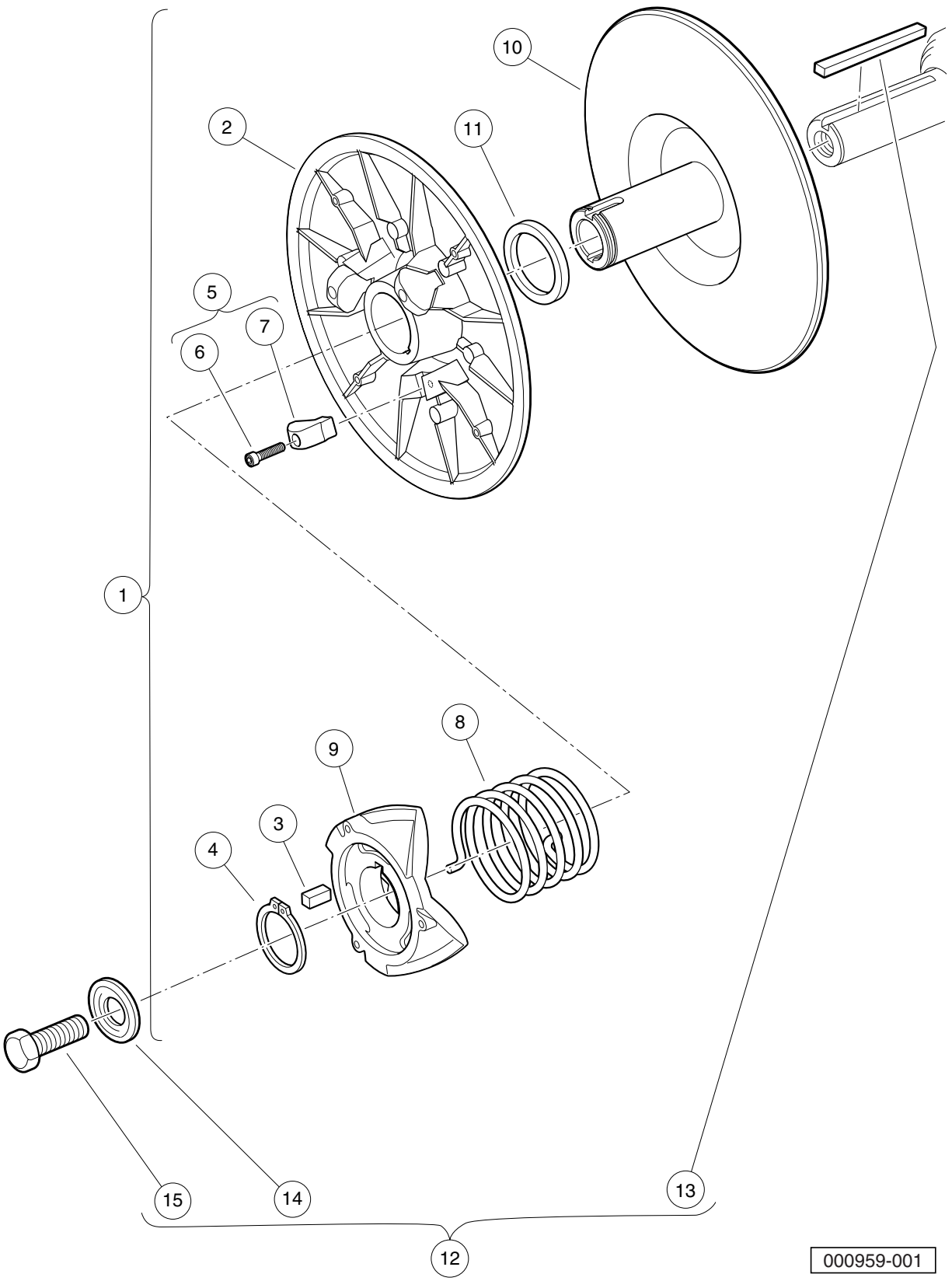


000958-001

DRIVE CLUTCH – PEDAL-START VEHICLES

ITEM	PART NO.	DESCRIPTION	QTY
		1 2 3 4	
1	<u>102491501</u>	Washer, Hard, M10	1
2	<u>103973901</u>	Clutch, Drive, Pedal-Start (includes items 3 through 30)	1
3	<u>1014051</u>	Spring, Drive Clutch	1
4	<u>1014056</u>	Ring, Spiral Backup	2
5	<u>1014057</u>	Ring, 0.810" Internal Retaining	1
6	<u>1014058</u>	Thrust Washer	1
7	<u>1014059</u>	Drive Hub Assy, Drive Clutch	1
8	<u>1014288</u>	Screw, 5/16-18 X 0.75, Thread-Forming	3
9	<u>1014453</u>	Kit, Drive Clutch Button (includes items 10 through 13)	1
10	<u>1014062</u>	Driver, Drive Clutch	3
11	<u>1014287</u>	Spring, Drive Button	3
12	<u>183</u>	Washer, #10, Type A, Flat	3
13	<u>8450</u>	Screw, #10-24 X 0.50, Hex-Head	3
14	<u>1016289</u>	Spacer, Fixed Face Shaft	1
15	<u>1016801</u>	Kit, Drive Clutch Weight (includes items 16 through 22)	1
16	<u>1014063</u>	Screw, 1/4-20 X 1.00, Hex Head	6
17	N/A	Pin, Dowel, 0.3752 x 1.50	3
18	<u>1014065</u>	Washer, Flat, 0.38" ID, Delrin	6
19	N/A	Clutch Weight, Secondary	3
20	N/A	Washer	6
21	<u>1016201</u>	Washer, Wave	3
22	N/A	Weight, Primary	3
23	N/A	Cap Plug	3
24	<u>103974201</u>	Asm, Sheave, Moveable, Drive, Wr (includes items 25 through 27)	1
25	<u>1014055</u>	Retainer	1
26	N/A	Bushing, Split, Drive Clutch	1
27	N/A	Sheave, Moveable, Drive, Wr	1
28	<u>103974401</u>	Sheave, Fixed, Drive, Wr	1
29	<u>103984601</u>	Spacer, Idler, Drive	1
30	<u>105096101</u>	Pulley, 7.3 Inch Effective Dia	1
31	<u>103976101</u>	Screw, 3/8-24x5.75, Patch	1
32	<u>334</u>	Washer, 3/8, Type A, Flat	1

16
G



000959-001

DRIVEN CLUTCH (STANDARD SPEED) – KEY START AND PEDAL START

ITEM	PART NO.	DESCRIPTION	QTY
		1 2 3 4	
1	<u>103974002</u>	Clutch, Driven, Std-Speed, Key and Pedal Start (includes items 2 through 11)	1
2	<u>1014072</u>	Movable-Face Assembly with Bushing	1
3	<u>1014078</u>	Key, Driven Clutch	1
4	<u>1014080</u>	Ring, Retaining	1
5	<u>1014454</u>	Kit, Driven Clutch Button (includes items 6 and 7)	1
6	<u>1012836</u>	Screw, #8-32 X 3/4, Socket-Head Cap	3
7	N/A	Button, Drive	3
8	<u>1017145</u>	Spring, Driven Clutch, 55 Degree	1
9	<u>1017686</u>	Cam, Driven Clutch	1
10	<u>103975301</u>	Sheave, Fixed, Driven, Wr	1
11	<u>104025101</u>	Washer, Acetal, Driven Clutch	1
12	<u>AM10419</u>	Kit, Clutch Repair (includes items 13 through 15)	1
13	<u>101833401</u>	Key, 3/16 Sq X 1.50"	1
14	<u>102155801</u>	Washer, Driven Clutch	1
15	<u>102242101</u>	Screw, 5/16-18 X 3/4 Hex-Head with Patch	1

16
G

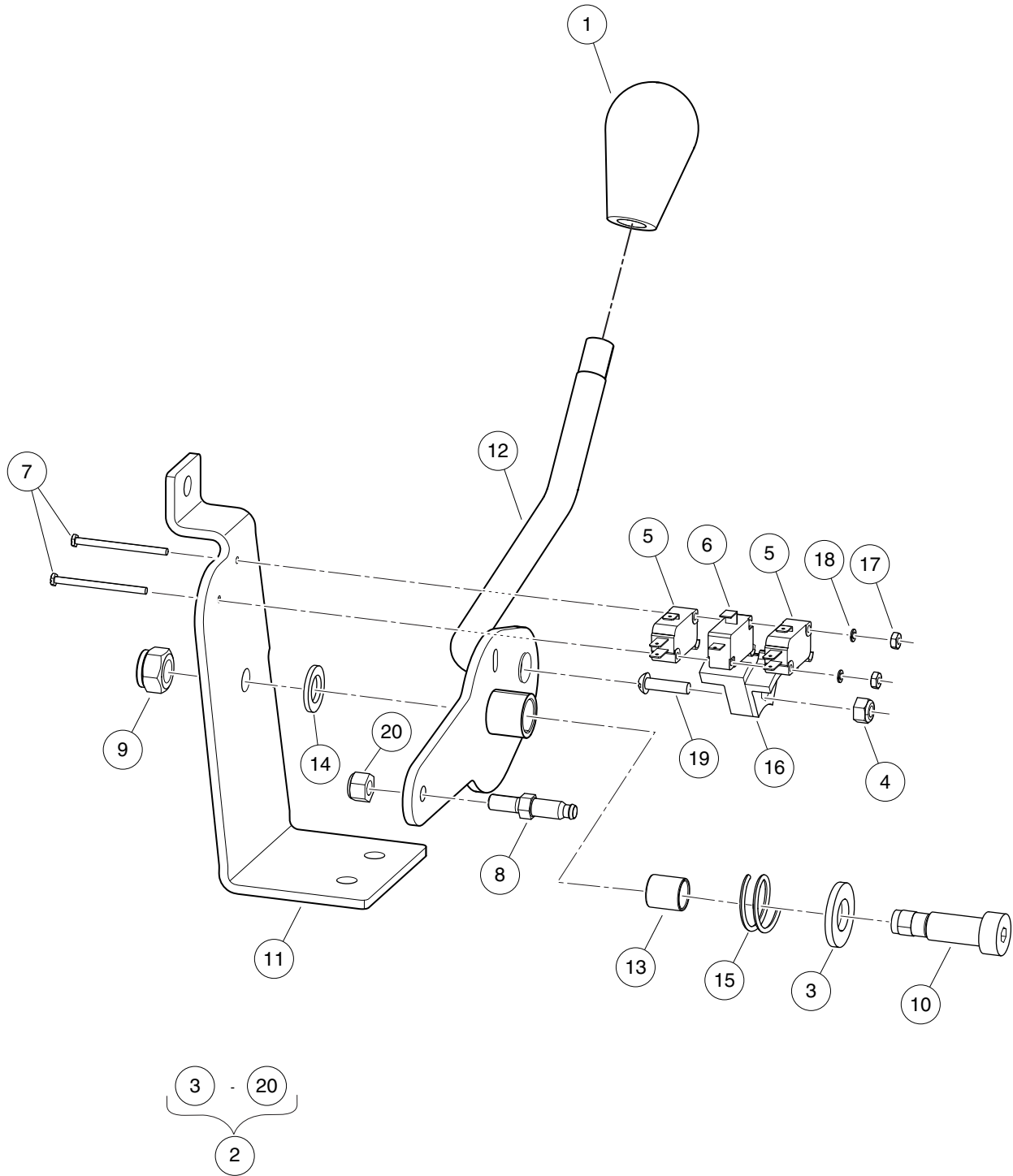
16

G

UNITIZED TRANSAXLE – CARBURETED GAS VEHICLES

17

G



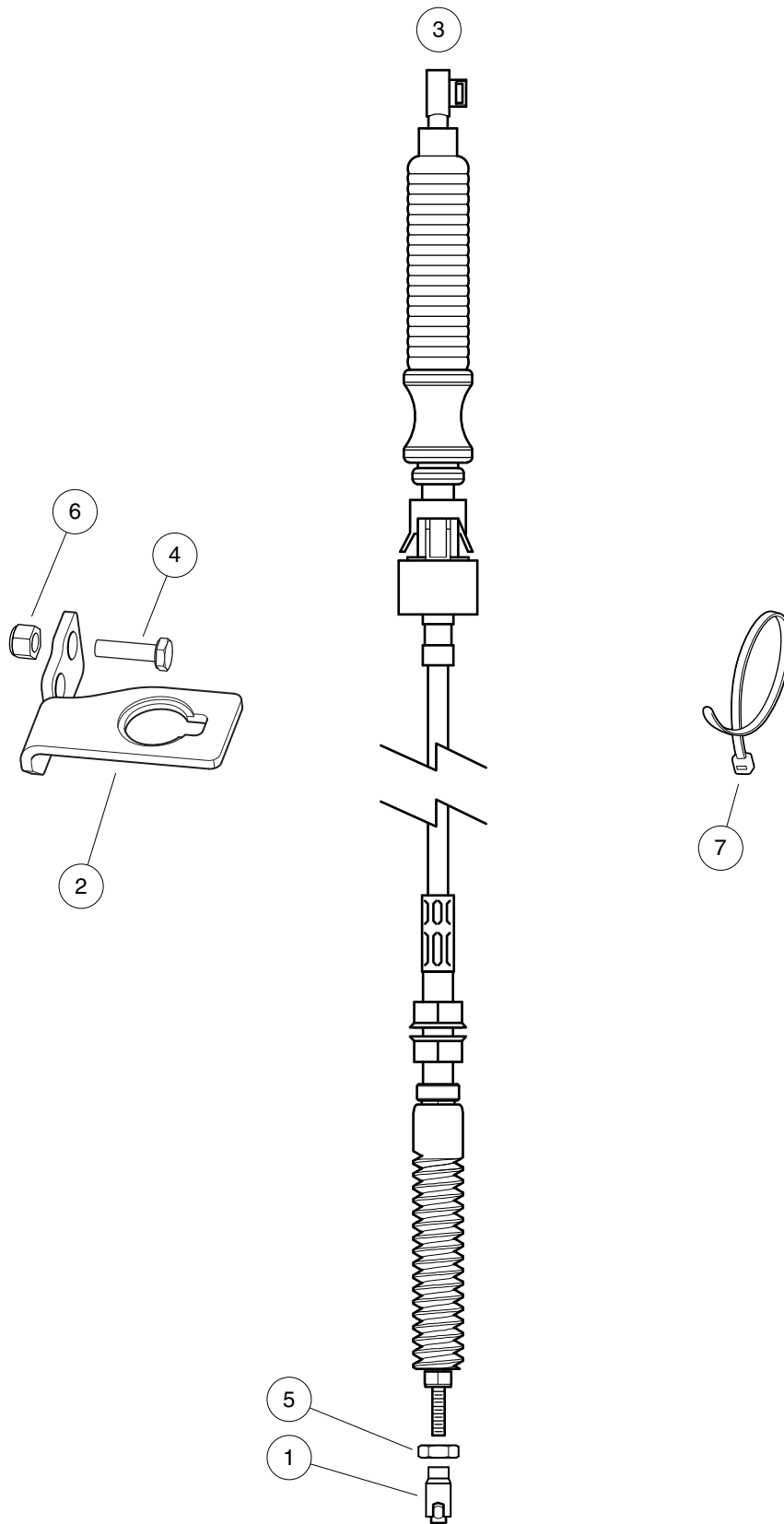
000563-001

FORWARD/REVERSE SHIFTER

ITEM	PART NO.	DESCRIPTION	QTY
		1 2 3 4	
1	<u>102376001</u>	Knob, FNR, Shifter	1
2	<u>102969901</u>	Asm, Shifter, FNR (includes items 3 through 20)	1
3	<u>1010028</u>	Washer, 1/2 Type A Flat	1
4	<u>1013061</u>	Locknut, #10-32 Nylon Insert	1
5	<u>1014807</u>	Switch, Limit	2
6	<u>1014808</u>	Switch, Limit	1
7	<u>1015878</u>	Screw, #4-40 Hex Head Machine	2
8	<u>102526201</u>	Stud, Thread, 1/4-28	1
9	<u>102616701</u>	Locknut, M10x1.5 Nylon Insert	1
10	<u>102684602</u>	Shoulder Bolt, M12 X 25.0	1
11	<u>102969401</u>	Bracket, Shifter, FNR	1
12	<u>102969801</u>	Weldment, Shift Lever, FNR	1
13	<u>103173301</u>	Bushing, Greaseless, 12mm Id	1
14	<u>103177401</u>	Washer, Thrust, Shifter, FNR	1
15	<u>103192701</u>	Spring, Comp, .97 Od X.75 L	1
16	<u>103369501</u>	Cam, Limit Switch, Fnr Shifter	1
17	<u>8057</u>	Nut, #4-40 Hex Machine	2
18	<u>8058</u>	Lockwasher, #4 Split	2
19	8104	Screw, #10-32 X .75 Rd Hd Mach	1
20	<u>8717</u>	Locknut, Nylon Insert, 1/4-28	1

17

G



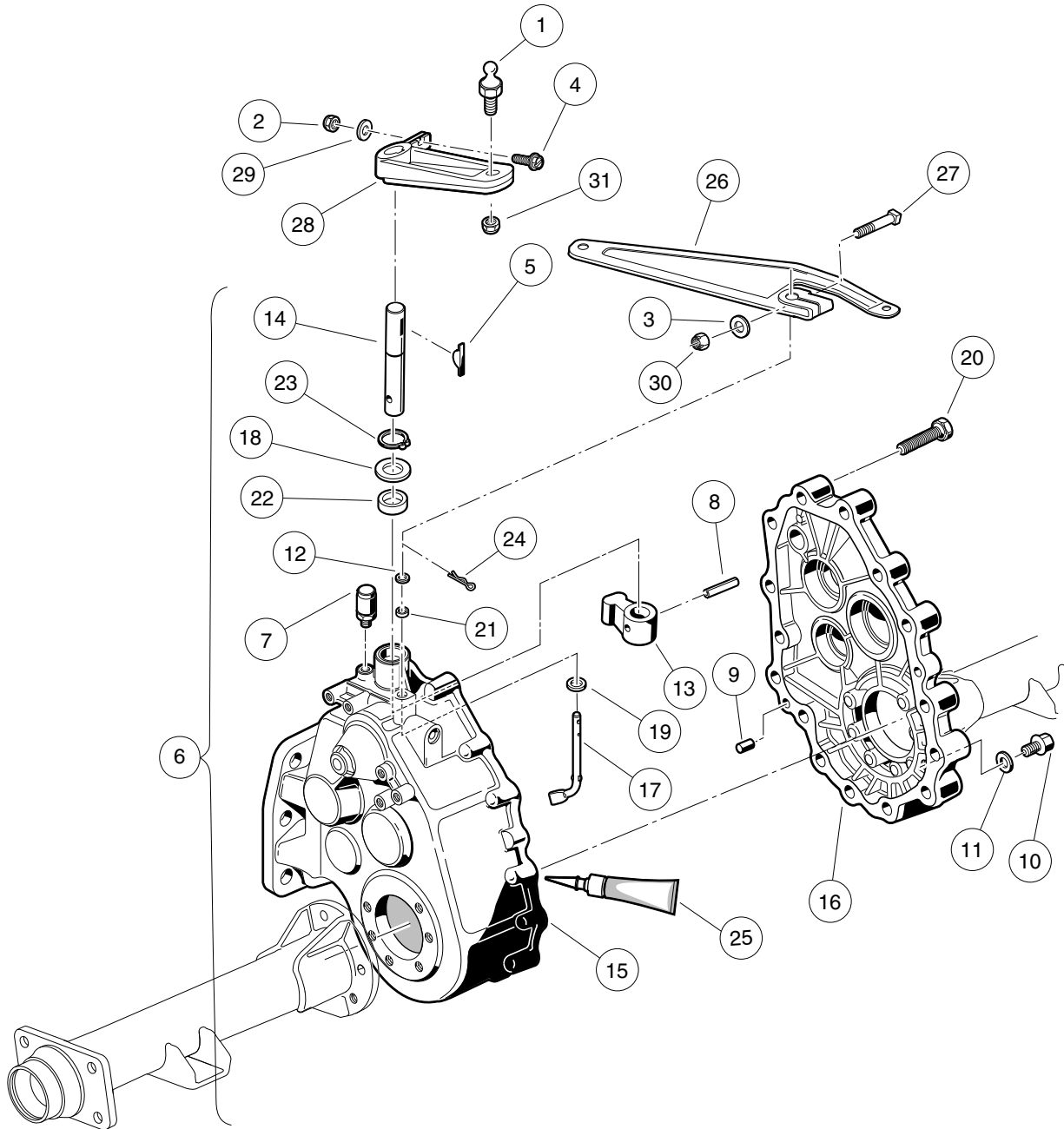
001071-001

SHIFTER CABLE – TURF/CARRYALL 1 AND XRT850

ITEM	PART NO.	DESCRIPTION	QTY
		1 2 3 4	
1	<u>1012333</u>	Joint, #10-32 Ball	1
2	<u>103295101</u>	Brkt, Spt, Cable End, Fnr	1
3	<u>103295201</u>	Cable, Trans, Ball End, 1550mm	1
4	304	Screw, 1/4-20 X 1.0 Hex-Head Cap	2
5	<u>7893</u>	Nut, #10-32 Hex	1
6	<u>8233</u>	Locknut, 1/4-20, Nylon Insert	2
7	<u>8639</u>	Tie Wrap, 11" Nylon	A/R

17

G



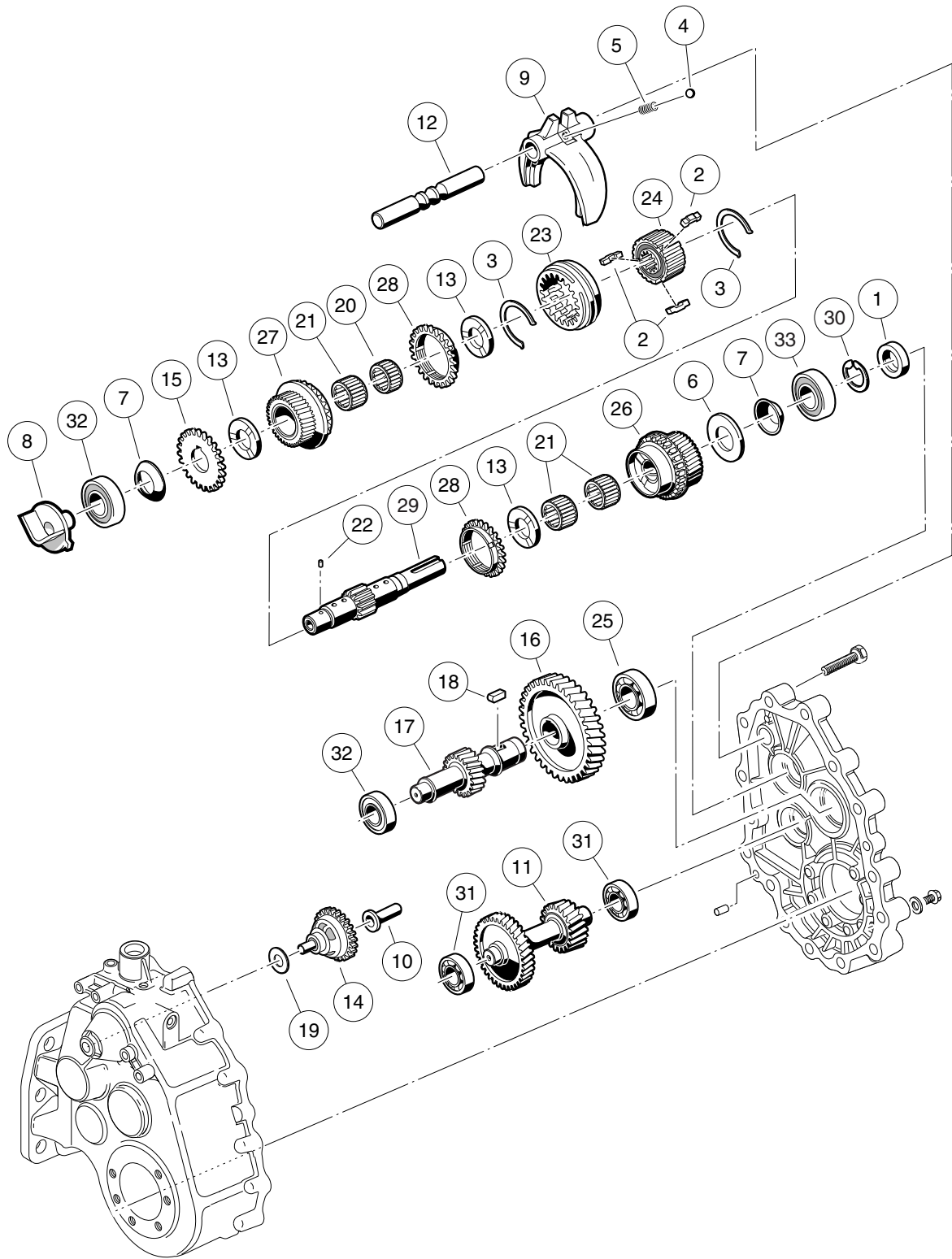
000220-005

KAWASAKI TRANSAXLE – GEAR CASES AND BRACKETS

ITEM	PART NO.	DESCRIPTION	QTY
		1 2 3 4	
1	<u>1010954</u>	Stud, Ball, 1/4-28 X 0.560	1
2	<u>1013061</u>	Locknut, #10-32 Nylon Insert	1
3	<u>1014007</u>	Washer, 1/4, Flat	1
4	<u>1017082</u>	Screw, #10-32 X 0.75, Hex-Head Machine	1
5	<u>1017231</u>	Key, Woodruff	1
6	<u>101833601</u>	Transaxle, 11.77 Ratio (includes items 7 through 25)	1
7	<u>1012711</u>	Breather	1
8	<u>1012752</u>	Roll Pin	1
9	<u>1012896</u>	Pin, Dowel	2
10	<u>1013760</u>	Fill Plug	2
11	<u>1016432</u>	Gasket, Drain Plug	1
12	<u>1016513</u>	Washer, M6 Flat	1
13	<u>101890101</u>	Lever, Drive Selector	1
14	<u>101890201</u>	Shaft, Drive Selector	1
15	<u>101890501</u>	Gear Case (driver side)	1
16	<u>101890601</u>	Gear Case (passenger side)	1
17	<u>101891301</u>	Arm Pivot	1
18	<u>101892901</u>	Washer	1
19	<u>101893801</u>	Washer	1
20	<u>101926901</u>	Screw, M8-1.25 X 40mm Hex-Head	15
21	<u>101927101</u>	Seal, Oil	1
22	<u>101927201</u>	Seal, Oil	1
23	<u>101927301</u>	Snap Ring	1
24	<u>101928601</u>	Pin, Cotter	1
25	<u>101928701</u>	Liquid Gasket (Transaxle case)	1
26	<u>101834801</u>	Arm, Governor	1
27	<u>101886101</u>	Screw, 1/4-20 X 1.00, Square-Head	1
28	<u>102515401</u>	Lever, Transmission Shift	1
29	<u>183</u>	Washer, #10, Type A, Flat	1
30	<u>8233</u>	Locknut, 1/4-20, Nylon Insert	1
31	<u>8717</u>	Locknut, Nylon Insert, 1/4-28	1
		<p>Note: Kawasaki transaxle component listings span three pages. To identify your transaxle, locate the serial number decal on the axle tube.</p>	

17

G



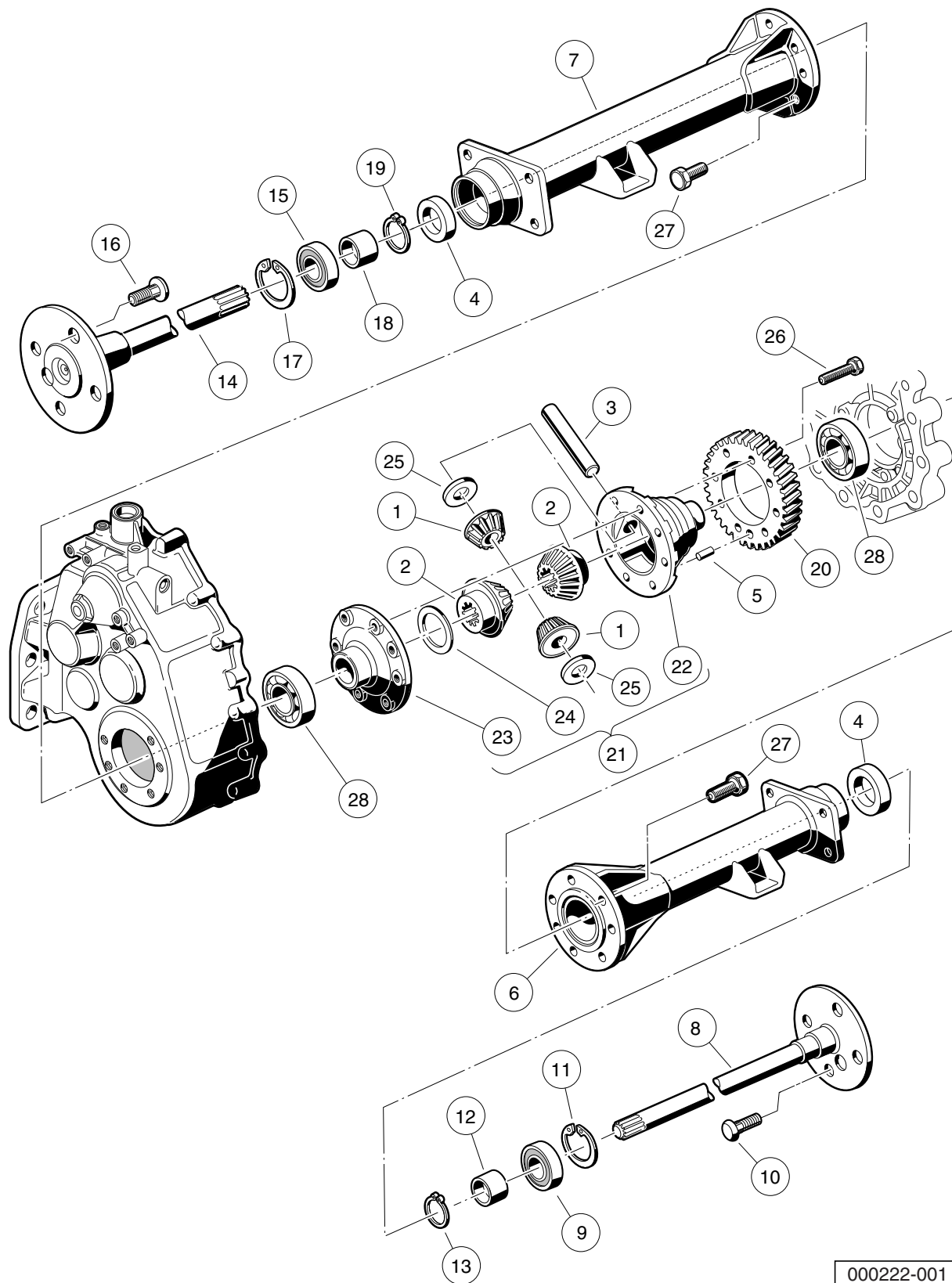
000221-001

KAWASAKI TRANSAXLE – F&R TRANSMISSION AND GEAR REDUCTION

17

G

ITEM	PART NO.	DESCRIPTION	QTY
		1 2 3 4	
1	<u>1012714</u>	Oil Seal	1
2	<u>1012740</u>	Synchro Insert	3
3	<u>1012741</u>	Synchro Spring	2
4	<u>1012747</u>	Shifter Ball	1
5	<u>1012748</u>	Shifter Spring	1
6	<u>1016337</u>	Washer, Thrust	1
7	<u>1016338</u>	Washer, Spring	2
8	<u>101889401</u>	Guide	1
9	<u>101890001</u>	Fork - Shift	1
10	<u>101891601</u>	Sleeve, Governor	1
11	<u>101891901</u>	Gear, Cluster	1
12	<u>101892001</u>	Rod, Shift	1
13	<u>101892201</u>	Plate, Thrust	3
14	<u>101892301</u>	Governor Assembly	1
15	<u>101892401</u>	Gear, Spur	1
16	<u>101892501</u>	Gear, Helical (61 Tooth)	1
17	<u>101892601</u>	Gear, Helical (17 Tooth)	1
18	<u>101893201</u>	Key Sunk	1
19	<u>101893901</u>	Washer	1
20	<u>101927501</u>	Needle Bearing	1
21	<u>101927601</u>	Needle Bearing	3
22	<u>101927701</u>	Pin, .116" Dia X 0.264 Dowel	1
23	<u>101927901</u>	Sleeve, Synchro	1
24	<u>101928001</u>	Hub, Synchro Clutch	1
25	<u>101928101</u>	Bearing, Ball	1
26	<u>101980801</u>	Gear Assembly, 16-Degree Synchro (25 Tooth)	1
27	<u>101980901</u>	Gear Assembly, 16-Degree Rear Synchro (28 Tooth)	1
28	<u>101981001</u>	Ring, 16-Degree Synchronizer	2
29	<u>102453001</u>	Shaft, Trans, with Circlip	1
30	<u>102453101</u>	Circlip	1
31	<u>7335</u>	Bearing	2
32	<u>AM10080</u>	Bearing, Ball, Sealed	2
33	<u>AM10081</u>	Bearing, Ball, Sealed	1
Note: To identify your transaxle, locate the serial number decal on the axle			



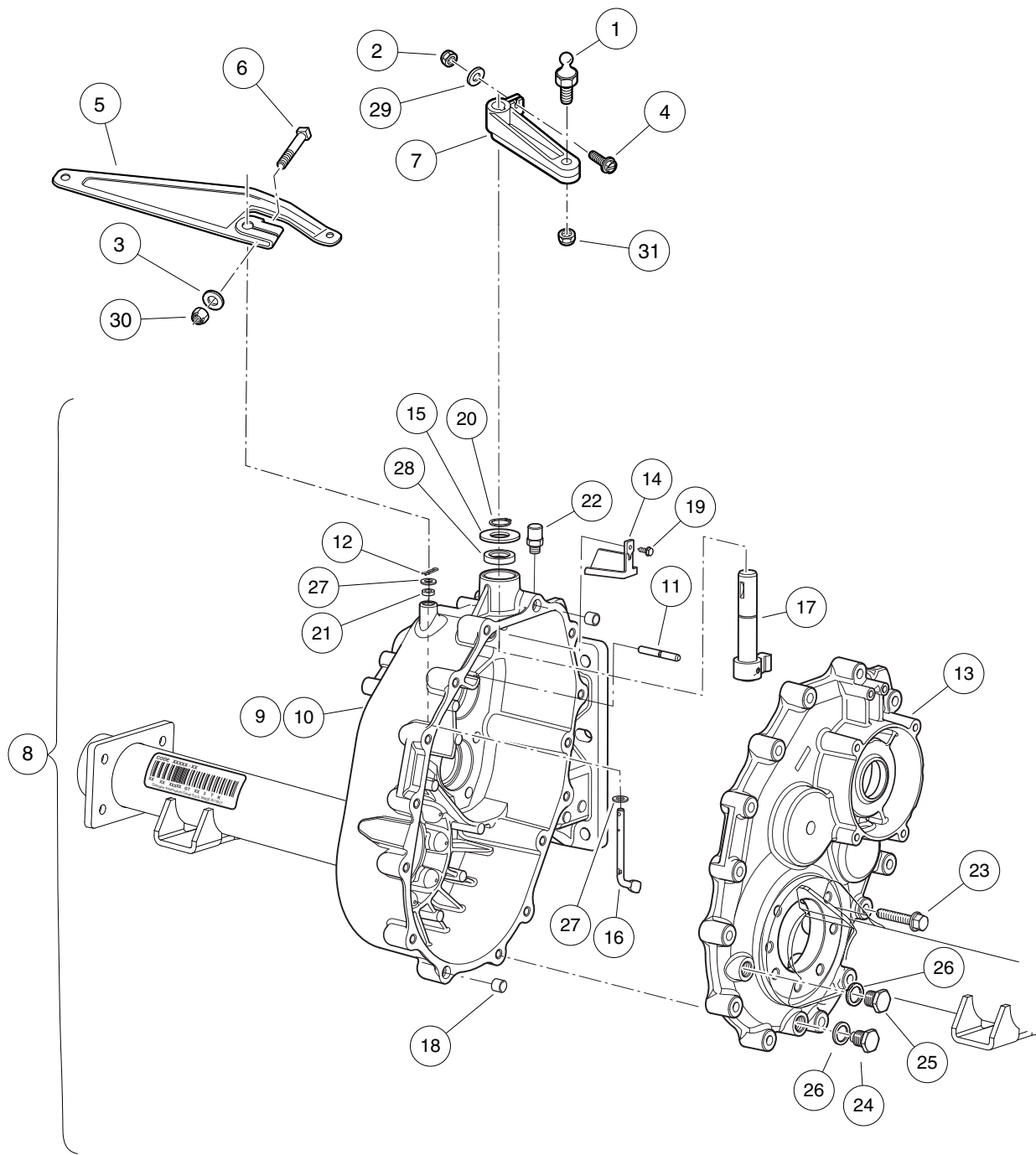
000222-001

KAWASAKI TRANSAXLE – DIFFERENTIAL AND AXLES

ITEM	PART NO.	DESCRIPTION	QTY
		1 2 3 4	
1	<u>1013770</u>	Differential Idler Gear	2
2	<u>1013771</u>	Gear, Differential	2
3	<u>1013772</u>	Pin, Differential	1
4	<u>1013794</u>	Axle Shaft Oil Seal	2
5	N/A	Dowel Pin	1
6	<u>101890901</u>	Axle Tube (Passenger Side)	1
7	<u>101891001</u>	Axle Tube (Driver Side)	1
8	<u>101891401</u>	Axle Assembly, Passenger Side (includes items 9 through 13)	1
9	<u>1011291</u>	Outer Axle, Tube Bearing	1
10	<u>1013787</u>	Lug Stud	4
11	<u>1013792</u>	Circlip Type C	1
12	<u>1014207</u>	Bushing	1
13	<u>1016672</u>	Retaining Ring	1
14	<u>101891501</u>	Axle Assembly, Driver-Side (includes items 15 through 19)	1
15	<u>1011291</u>	Outer Axle, Tube Bearing	1
16	<u>1013787</u>	Lug Stud	4
17	<u>1013792</u>	Circlip Type C	1
18	<u>1014207</u>	Bushing	1
19	<u>1016672</u>	Retaining Ring	1
20	<u>101892701</u>	Gear, Helical	1
21	<u>101910501</u>	Kit, Differential Gear Case (includes items 22 through 25)	1
22	<u>1013768</u>	Differential Gear Case, Left-Hand	1
23	<u>1013769</u>	Differential Gear Case, Right-Hand	1
24	<u>1013773</u>	Plate, Thrust (Differential Gear)	1
25	<u>1013774</u>	Plate, Thrust (Idler Gear)	2
26	<u>101928301</u>	Screw, M8-1.25 X 35mm Hex Head	8
27	<u>102031901</u>	Bolt, M10 X 1.5 X 30mm	14
28	<u>7330</u>	Inner Axle Tube Bearing	2
Note: To identify your transaxle, locate the serial number decal on the axle			

17

G



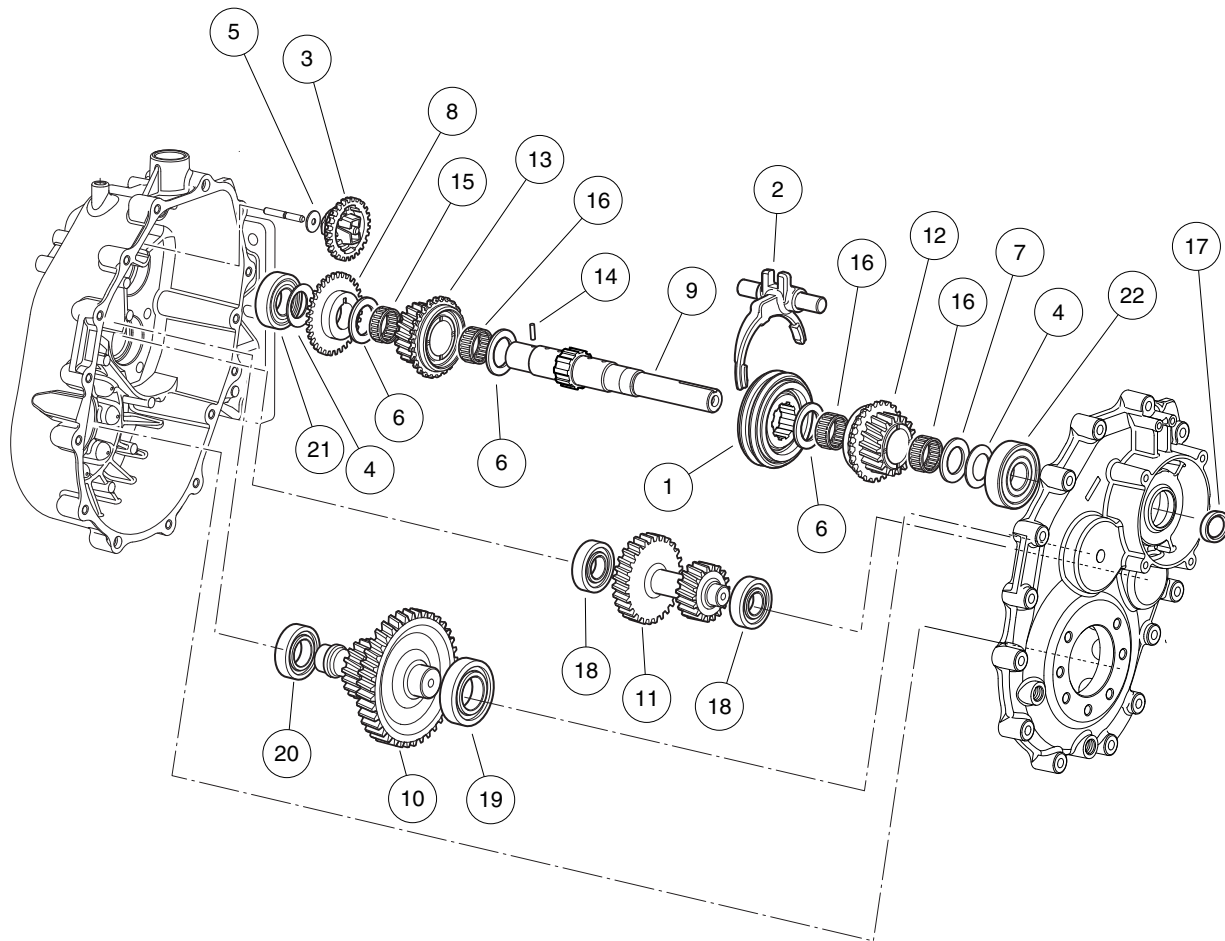
000680-009

GRAZIANO TRANSAXLE – GEAR CASES AND LEVERS

ITEM	PART NO.	DESCRIPTION	QTY
		1 2 3 4	
1	<u>1010954</u>	Stud, Ball, 1/4-28 X 0.560	1
2	<u>1013061</u>	Locknut, #10-32 Nylon Insert	1
3	<u>1014007</u>	Washer, 1/4, Flat	1
4	<u>1017082</u>	Screw, #10-32 X 0.75, Hex-Head Machine	1
5	<u>101834801</u>	Arm, Governor	1
6	<u>101886101</u>	Screw, 1/4-20 X 1.00, Square-Head	1
7	<u>102515401</u>	Lever, Transmission Shift	1
8	<u>102896801</u>	Transaxle, Unitized, Graziano (includes items 9 through 28)	1
9	<u>102896901</u>	Gear Box (Driver-Side) (includes items 10 and 11)	1
10	N/A	Gear Box	1
11	N/A	Pin, Speed Governor	1
12	<u>102897401</u>	Pin, Split	1
13	<u>102897501</u>	Cover, Gear Box (Passenger-Side)	1
14	<u>102897601</u>	Conveyor, Oil	1
15	<u>102897801</u>	Washer, Thrust	1
16	<u>102897901</u>	Lever, Speed Governor	1
17	<u>102898201</u>	Unit, Drive Selector	1
18	<u>102899101</u>	Dowel	2
19	<u>102899201</u>	Screw	1
20	<u>102899401</u>	Ring, Snap	1
21	<u>102899701</u>	Grommet	1
22	<u>102899801</u>	Breather	1
23	<u>102900001</u>	Screw	15
24	<u>102900101</u>	Drain Plug, Magnetic	1
25	<u>102900201</u>	Fill Plug	1
26	<u>102900301</u>	Seal	2
27	<u>102900601</u>	Washer	2
28	<u>102900901</u>	Grommet	1
29	<u>183</u>	Washer, #10, Type A, Flat	1
30	<u>8233</u>	Locknut, 1/4-20, Nylon Insert	1
31	<u>8717</u>	Locknut, Nylon Insert, 1/4-28	1
		<p>Note: Graziano transaxle component listings span three pages. To identify your transaxle, locate the serial number decal on the axle tube.</p>	

17

G



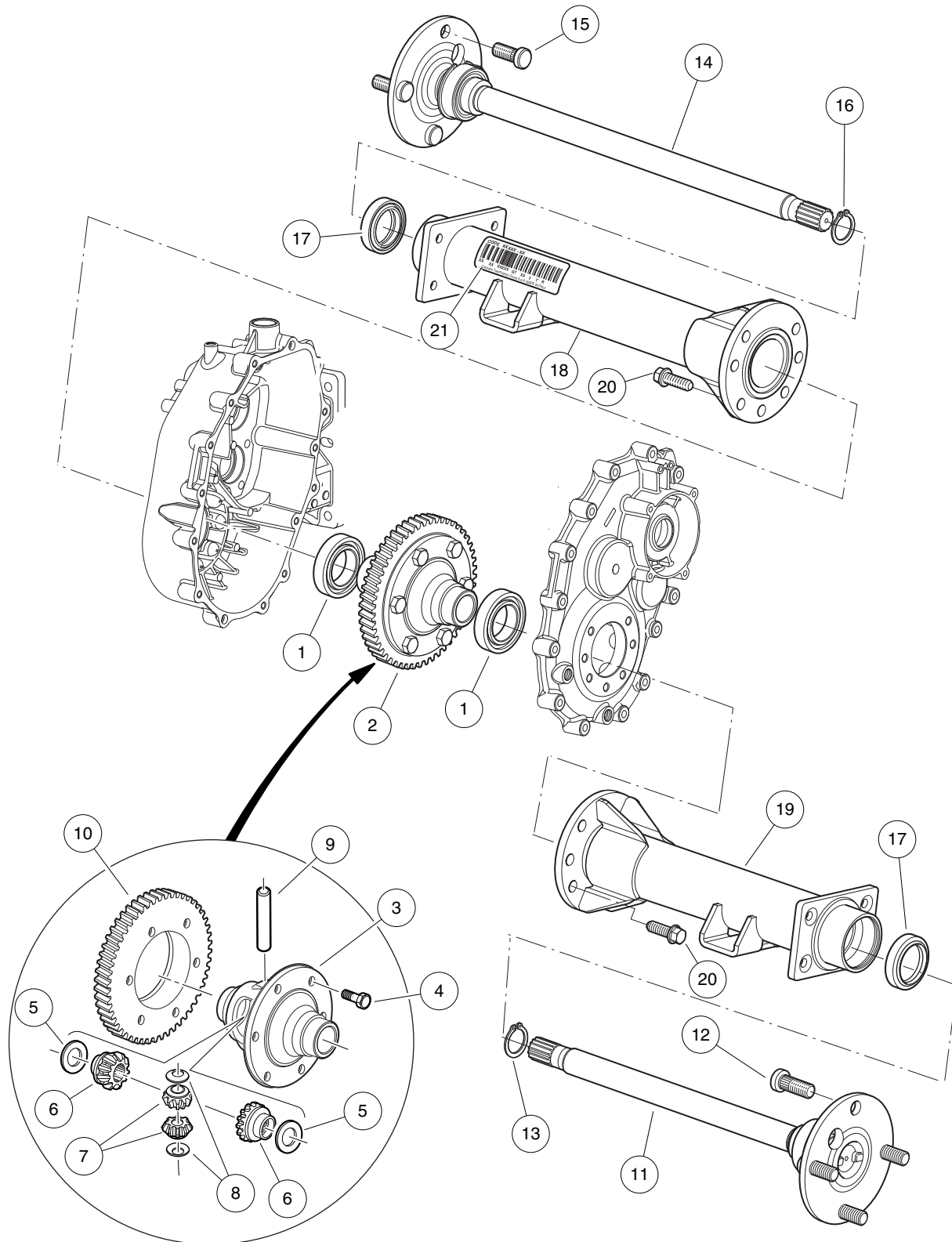
000680-006

GRAZIANO TRANSAXLE – F&R TRANSMISSION AND GEAR REDUCTION

17

G

ITEM	PART NO.	DESCRIPTION	QTY
		1 2 3 4	
1	<u>102897201</u>	Synchronizer, Complete	1
2	<u>102897301</u>	Fork, Complete	1
3	<u>102897701</u>	Assembly, Speed Governor	1
4	<u>102898001</u>	Washer, Belleville	2
5	<u>102898101</u>	Bearing, Thrust	1
6	<u>102898301</u>	Bearing, Thrust	3
7	<u>102898401</u>	Washer, Thrust	1
8	<u>102898501</u>	Gear, Speed Governor	1
9	<u>102898601</u>	Shaft, Main	1
10	<u>102898701</u>	Shaft, Secondary	1
11	<u>102898801</u>	Shaft, Reverse Gear	1
12	<u>102898901</u>	Gear, Complete, 25t	1
13	<u>102899001</u>	Gear, Complete, 28t	1
14	<u>102899301</u>	Pin	1
15	<u>102899501</u>	Cage, Roller	1
16	<u>102899601</u>	Cage, Roller	3
17	<u>102899901</u>	Grommet	1
18	<u>102900401</u>	Bearing	2
19	<u>102900501</u>	Bearing, 62 Od X 30 Id X 16	1
20	<u>102900701</u>	Bearing	1
21	<u>102901001</u>	Bearing	1
22	<u>102901101</u>	Bearing	1
<p>Note: To identify your transaxle, locate the serial number decal on the axle tube.</p>			



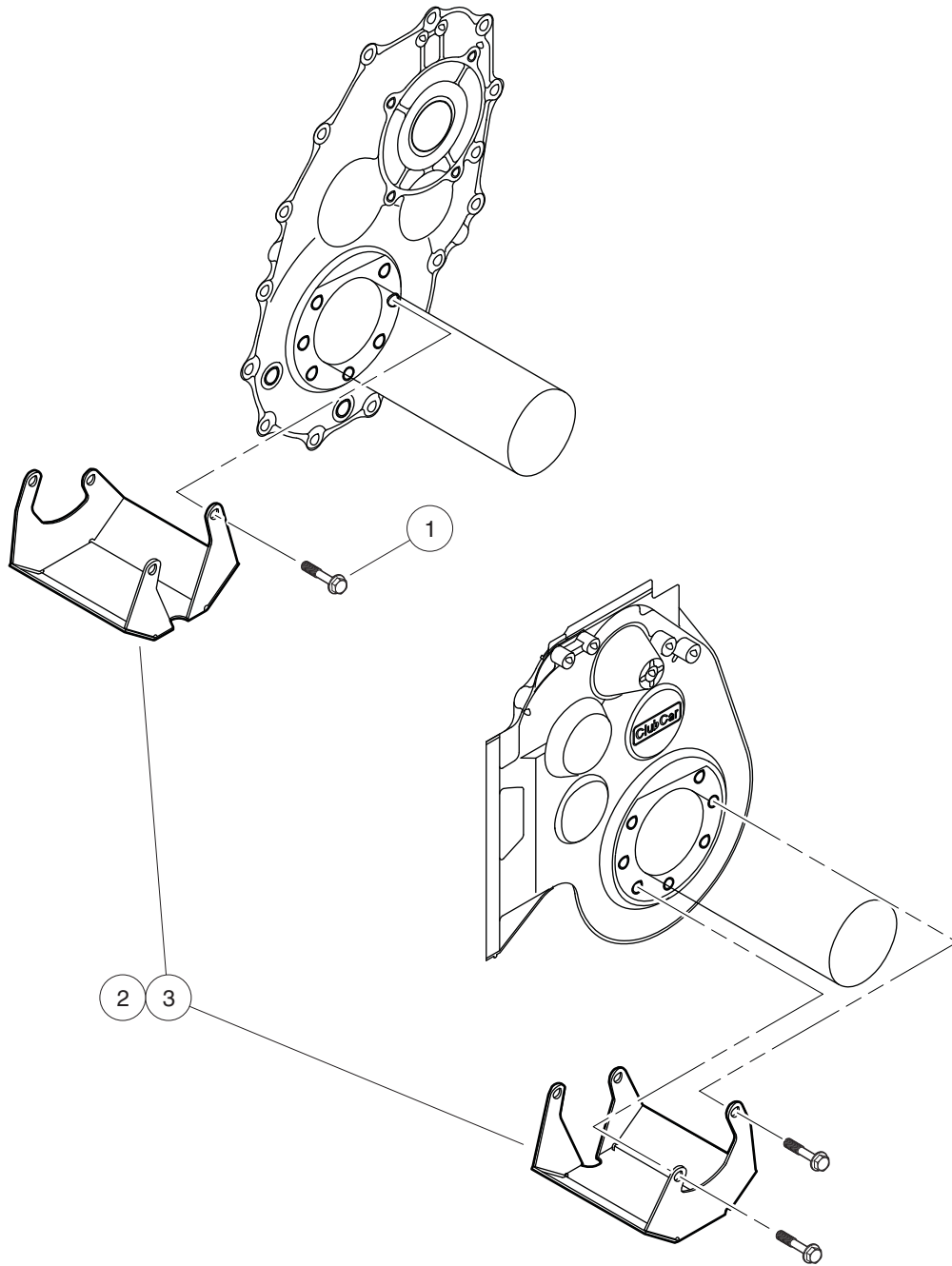
000681-002

GRAZIANO TRANSAXLE -DIFFERENTIAL AND AXLES

ITEM	PART NO.	DESCRIPTION	QTY
		1 2 3 4	
1	<u>102900801</u>	Bearing, 68 Od X 40 Id X 15	2
2	<u>102902001</u>	Assembly, Differential (includes items 3 through 10)	1
3	<u>102901201</u>	Box, Differential	1
4	<u>102901301</u>	Screw, M10 X 25	6
5	<u>102901401</u>	Ring, Sleeve	2
6	<u>102901501</u>	Gear, Sun	2
7	<u>102901601</u>	Gear, Planetary	2
8	<u>102901701</u>	Ring, Sleeve	2
9	<u>102901801</u>	Pin	1
10	<u>102901901</u>	Gear	1
11	<u>102902101</u>	Shaft, Axle, Short, Complete (Passenger-Side) (includes items 12 and 13)	1
12	<u>102902301</u>	Bolt, Stud	4
13	<u>102902401</u>	Snap Ring	1
14	<u>102902201</u>	Shaft, Axle, Long, Complete (Driver-Side) (includes items 15 and 16)	1
15	<u>102902301</u>	Bolt, Stud	4
16	<u>102902401</u>	Snap Ring	1
17	<u>102902501</u>	Seal, Lip	2
18	<u>102902601</u>	Axle Tube, (Driver-Side)	1
19	<u>102902701</u>	Axle Tube, (Passenger-Side)	1
20	<u>102902801</u>	Screw, M10 X 30	14
21	N/A	Tag, Serial	1
Note: To identify your transaxle, locate the serial number decal on the axle tube.			

17

G



000366-001

DIFFERENTIAL GUARD – GASOLINE VEHICLE

ITEM	PART NO.	DESCRIPTION	QTY
		1 2 3 4	
1	<u>101926901</u>	Screw, M8-1.25 X 40mm Hex-Head	4
2	<u>101932902</u>	Diff Guard Unitized Kit (Includes Instructions) (includes item 3)	1
3	N/A	Guard, Unitized Differential	1

17

G

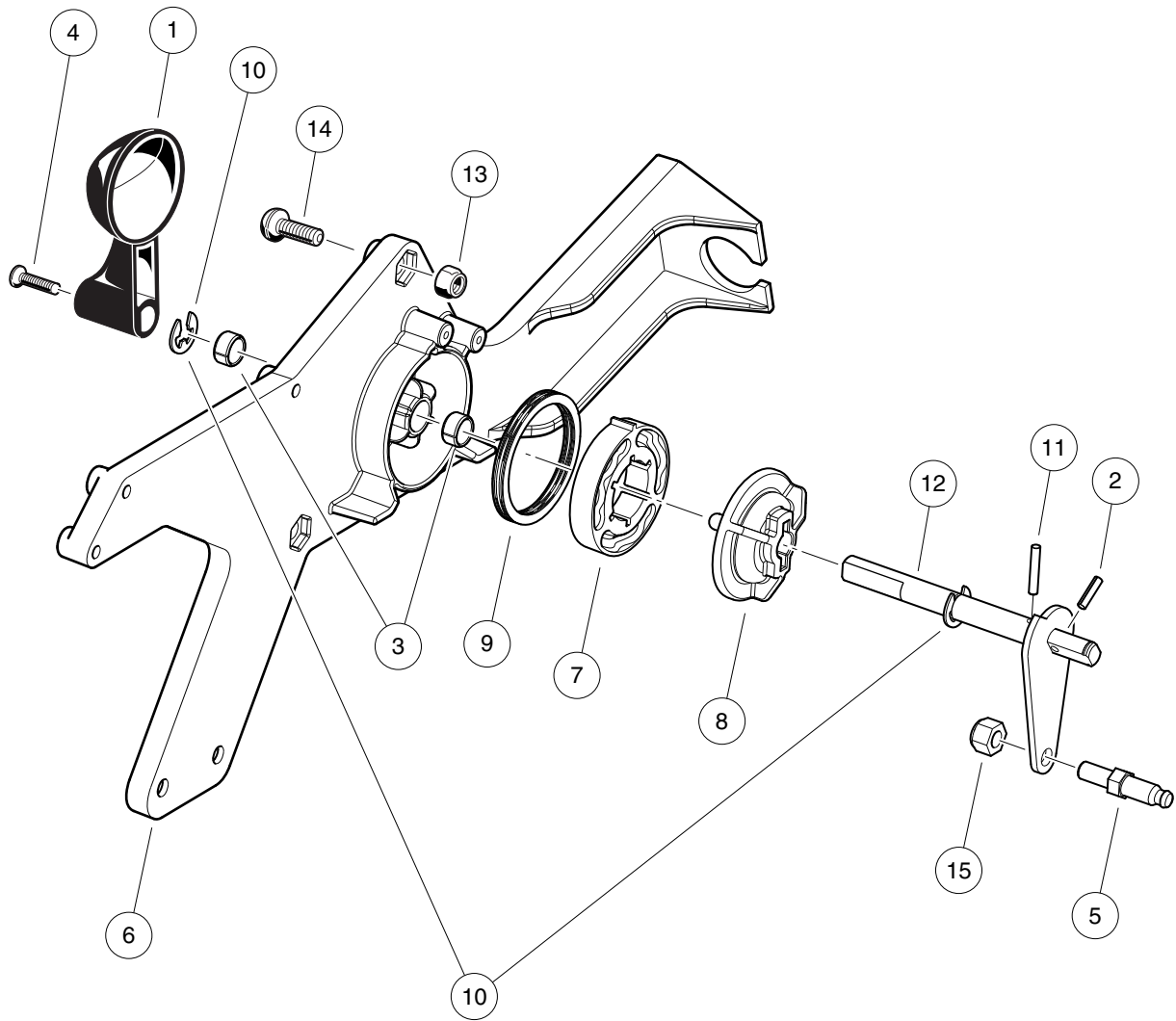
17

G

TRANSAXLE (FUJI ED65)- EFI GAS VEHICLES

18

G

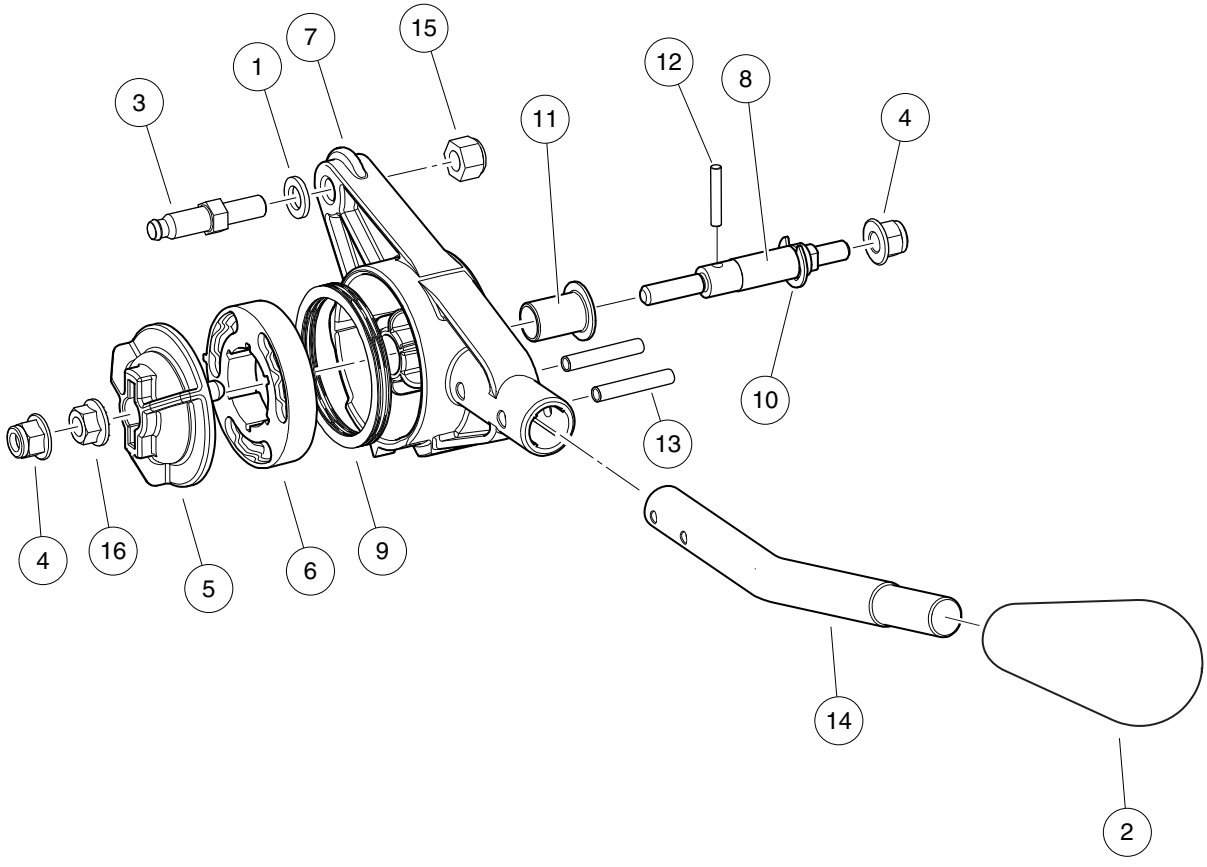


001012-001

FORWARD/REVERSE SHIFTER – EFI, CA100-CE, XRT800

ITEM	PART NO.	DESCRIPTION	QTY
		1 2 3 4	
1	<u>1012987</u>	Handle, FNR	1
2	<u>1013591</u>	Pin, Roll, 1/8 X 1/2	1
3	<u>1014145</u>	Bushing, Secondary Weight, Split	2
4	<u>1015064</u>	Screw, #8-32 X 0.63 Machine	1
5	<u>102526201</u>	Stud, Thread, 1/4-28	1
6	<u>105037501</u>	Housing, Gas FNR Body Shift	1
7	<u>105037601</u>	Cam, FNR Detent, 45 Degree	1
8	<u>105037701</u>	Follower, FNR Detent	1
9	<u>105038501</u>	Spring, Wave, Gas FNR Shifter	1
10	<u>105039801</u>	E-Clip, External, 8mm Groove	2
11	<u>105040401</u>	Pin, Round, 0.125 Dia x 0.625	1
12	<u>105041201</u>	Weldment, Shaft, FNR, Dash	1
13	<u>8233</u>	Locknut, 1/4-20, Nylon Insert	3
14	<u>8248</u>	Screw, 1/4-20 X 0.75, Truss-Head Machine	3
15	<u>8717</u>	Locknut, Nylon Insert, 1/4-28	1

18
G

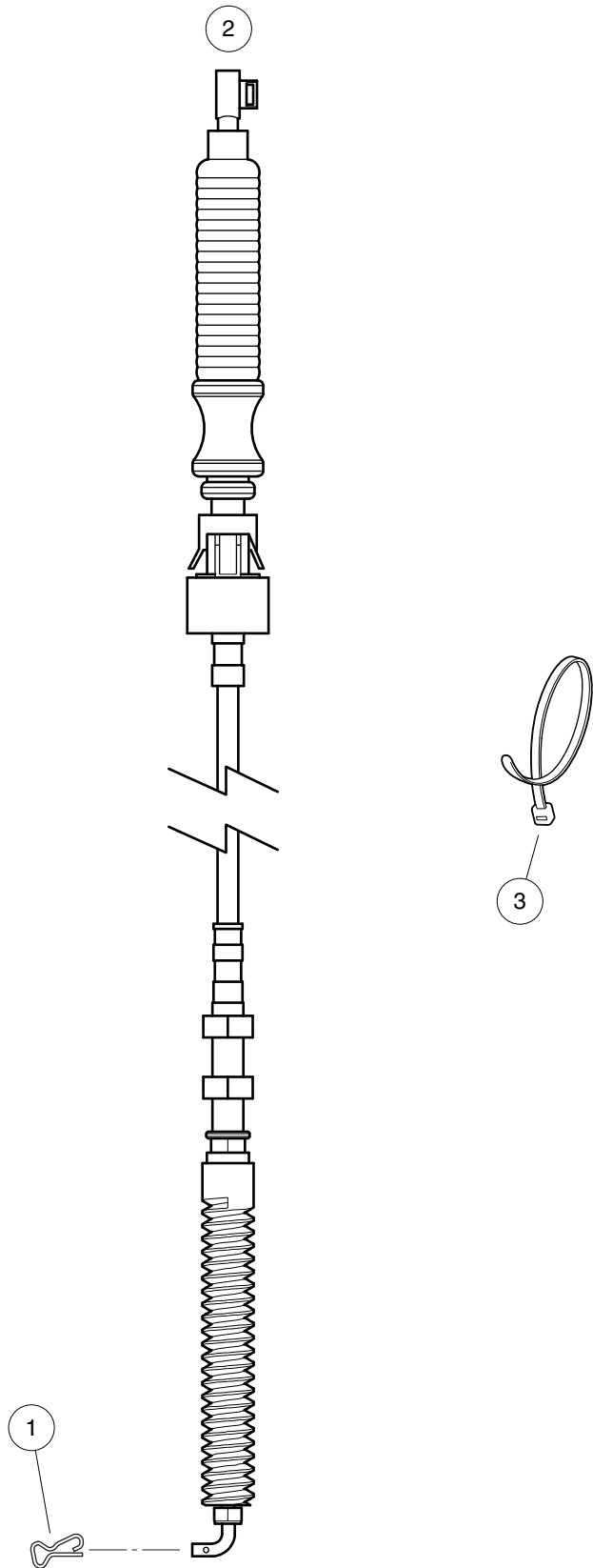


001011-001

FORWARD/REVERSE SHIFTER – EFI VILLAGER 6, 8, 850, 850SE

ITEM	PART NO.	DESCRIPTION	QTY
		1 2 3 4	
1	<u>1014007</u>	Washer, 1/4, Flat	1
2	<u>102376001</u>	Knob, FNR, Shifter	1
3	<u>102526201</u>	Stud, Thread, 1/4-28	1
4	<u>102621501</u>	Nut, Flange, M6 X 1.0, Nylon	2
5	<u>105037701</u>	Follower, FNR Detent	1
6	<u>105038001</u>	Cam, FNR Detent, Alternate	1
7	<u>105038101</u>	Housing, FNR, Gas, CA300-700	1
8	<u>105038201</u>	Shaft, FNR, Dash	1
9	<u>105038501</u>	Spring, Wave, Gas FNR Shifter	1
10	<u>105039801</u>	E-Clip, External, 8mm Groove	1
11	<u>105039901</u>	Bushing, Dash Shifter, Gas	1
12	<u>105040401</u>	Pin, Round, 0.125 Dia x 0.625	1
13	<u>105040402</u>	Pin, Grooved, 0.187 x 0.75	2
14	<u>105060601</u>	Handle, Shift, EX40, Villager	1
15	<u>8717</u>	Locknut, Nylon Insert, 1/4-28	1
16	<u>96704176</u>	Nut, Flanged, M6 X 1, Serrated	1

18
G

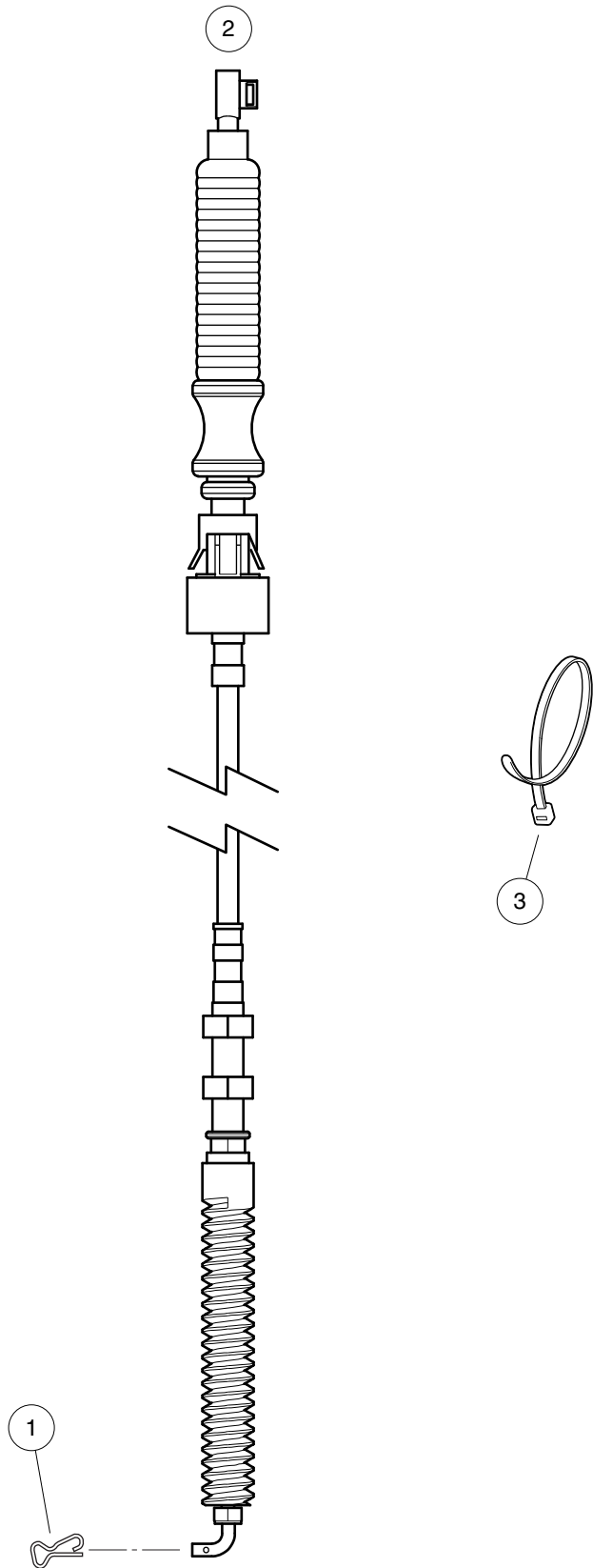


000988-001

SHIFTER CABLE – XRT 850

ITEM	PART NO.	DESCRIPTION	QTY
1	<u>103886601</u>	1 2 3 4 Clip, Bowtie	1
2	<u>105038808</u>	Cable, Shifter, 850	1
3	<u>8990</u>	Tie Wrap, 8" Nylon	A/R

18
G



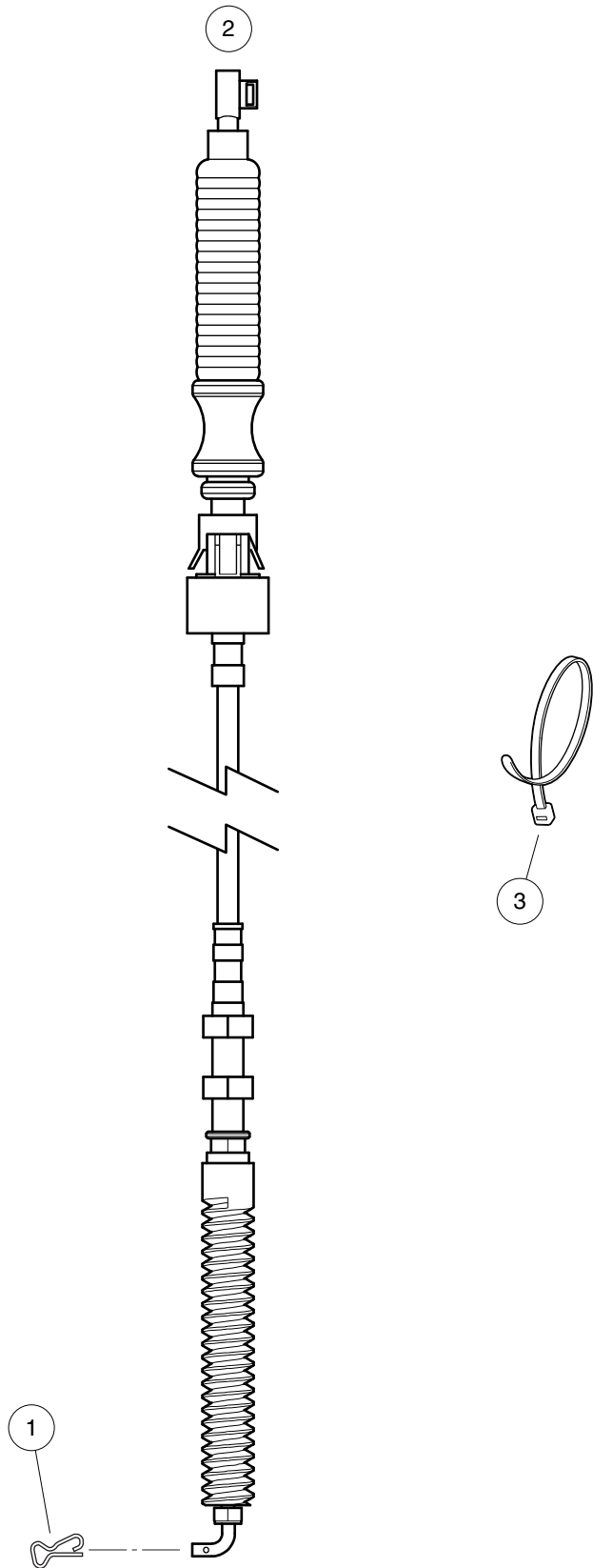
000988-001

SHIFTER CABLE – CA100, XRT800

ITEM	PART NO.	DESCRIPTION	QTY
		1 2 3 4	
1	<u>103886601</u>	Clip, Bowtie	1
2	<u>105038801</u>	Cable, Shifter	1
3	<u>8990</u>	Tie Wrap, 8" Nylon	A/R

18

G



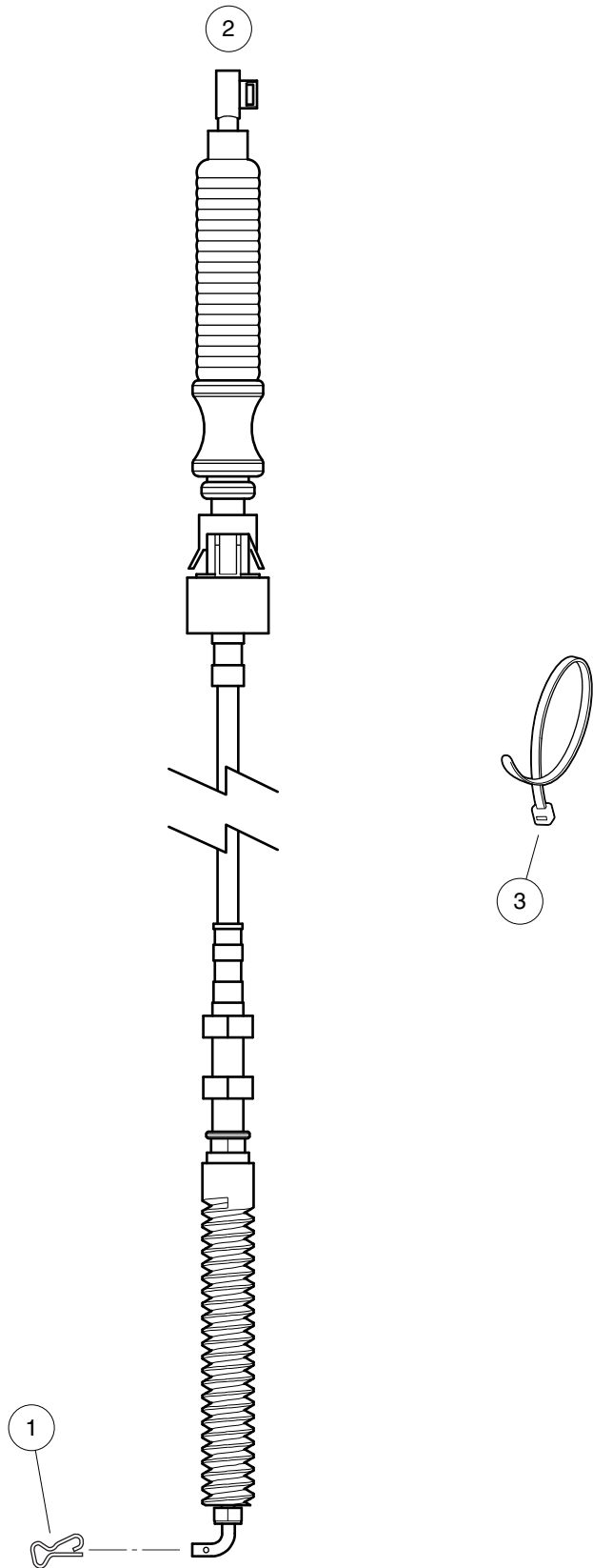
000988-001

SHIFTER CABLE – VILLAGER 6, XRT850SE

ITEM	PART NO.	DESCRIPTION	QTY
		1 2 3 4	
1	<u>103886601</u>	Clip, Bowtie	1
2	<u>105038805</u>	Cable, Shifter, Villager 6/850 SE	1
3	<u>8990</u>	Tie Wrap, 8" Nylon	A/R

18

G



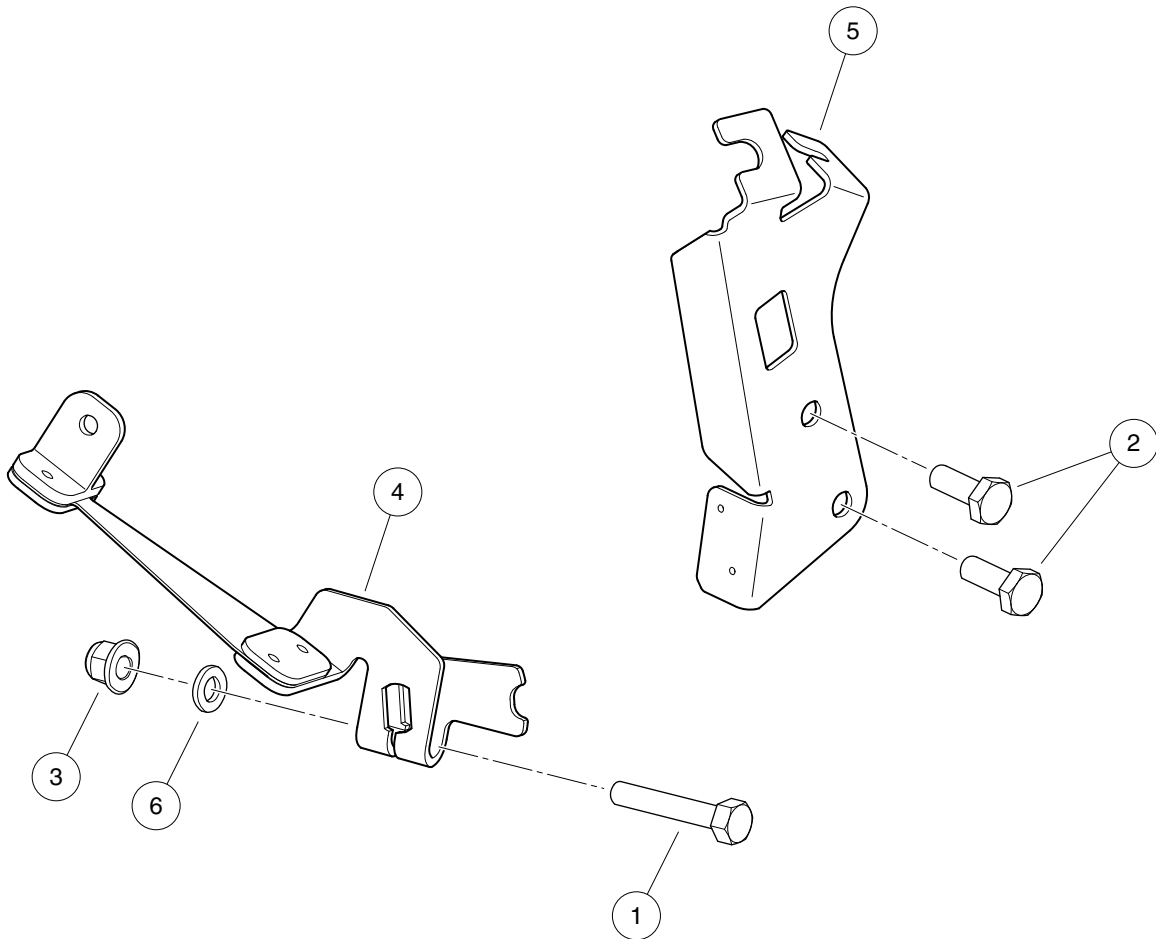
000988-001

SHIFTER CABLE – VILLAGER 8

ITEM	PART NO.	DESCRIPTION	QTY
		1 2 3 4	
1	<u>103886601</u>	Clip, Bowtie	1
2	<u>105038806</u>	Cable, Shifter, Villager 8	1
3	<u>8990</u>	Tie Wrap, 8" Nylon	A/R

18

G



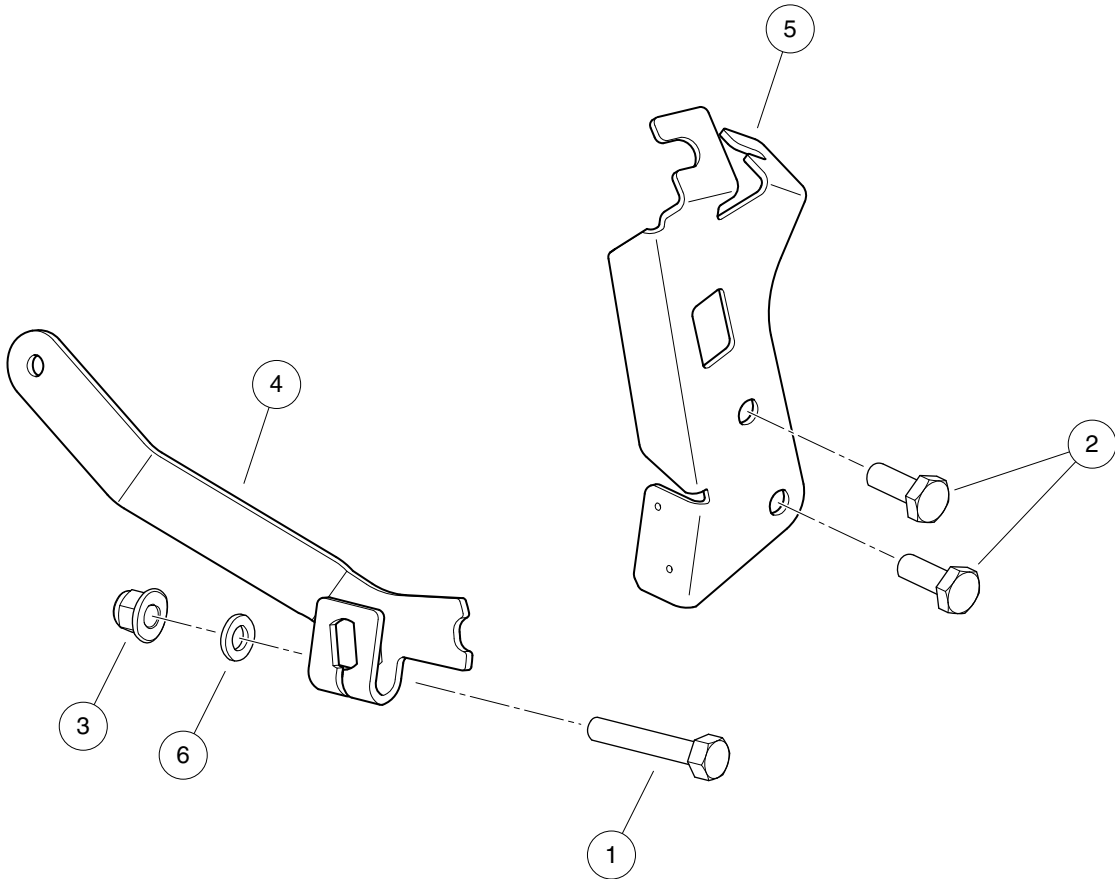
000965-001

SHIFT LEVER AND BRACKET – PEDAL-START ENGINES

ITEM	PART NO.	DESCRIPTION	QTY
		1 2 3 4	
1	<u>102059501</u>	Screw, 6M-1.00 X 35mm, Hex Head	1
2	<u>102498201</u>	Bolt, M10 X 1.25 X 25, Loctite	2
3	<u>102621501</u>	Nut, Flange, M6 X 1.0, Nylon	1
4	<u>105040901</u>	Lever, Shift, Flex, Transaxle, Pedal-Start	1
5	<u>105135101</u>	Bracket, Cable, FNR/Accelerator, ED65	1
6	<u>96705199</u>	Washer, M6	1

18

G



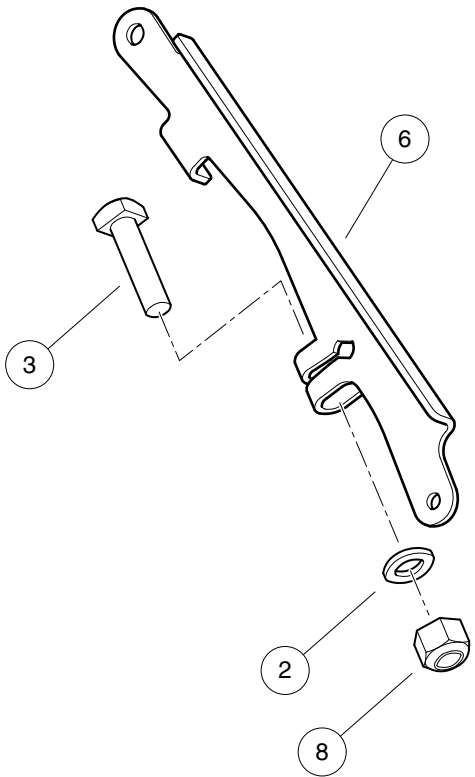
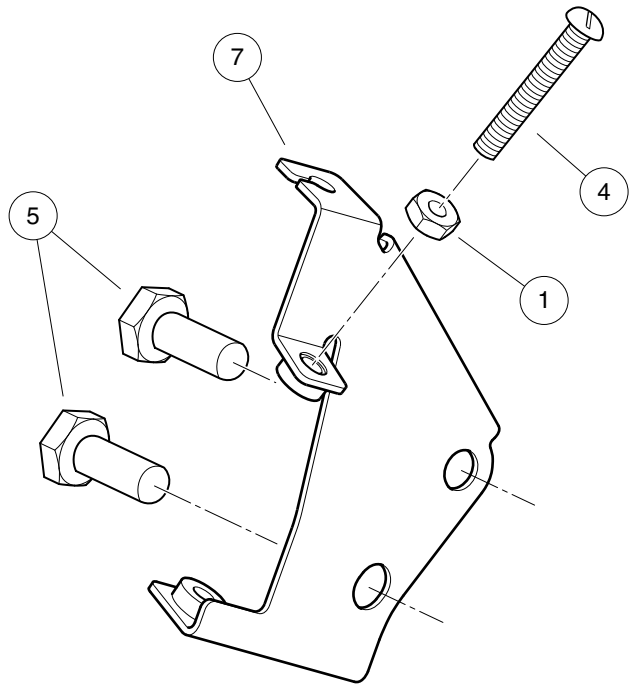
000965-002

SHIFT LEVER AND BRACKET – KEY-START ENGINES

ITEM	PART NO.	DESCRIPTION	QTY
		1 2 3 4	
1	<u>102059501</u>	Screw, 6M-1.00 X 35mm, Hex Head	1
2	<u>102498201</u>	Bolt, M10 X 1.25 X 25, Loctite	2
3	<u>102621501</u>	Nut, Flange, M6 X 1.0, Nylon	1
4	<u>105134901</u>	Lever, Shift, Transaxle, Key-Start	1
5	<u>105135101</u>	Bracket, Cable, FNR/Accelerator, ED65	1
6	<u>96705199</u>	Washer, M6	1

18

G



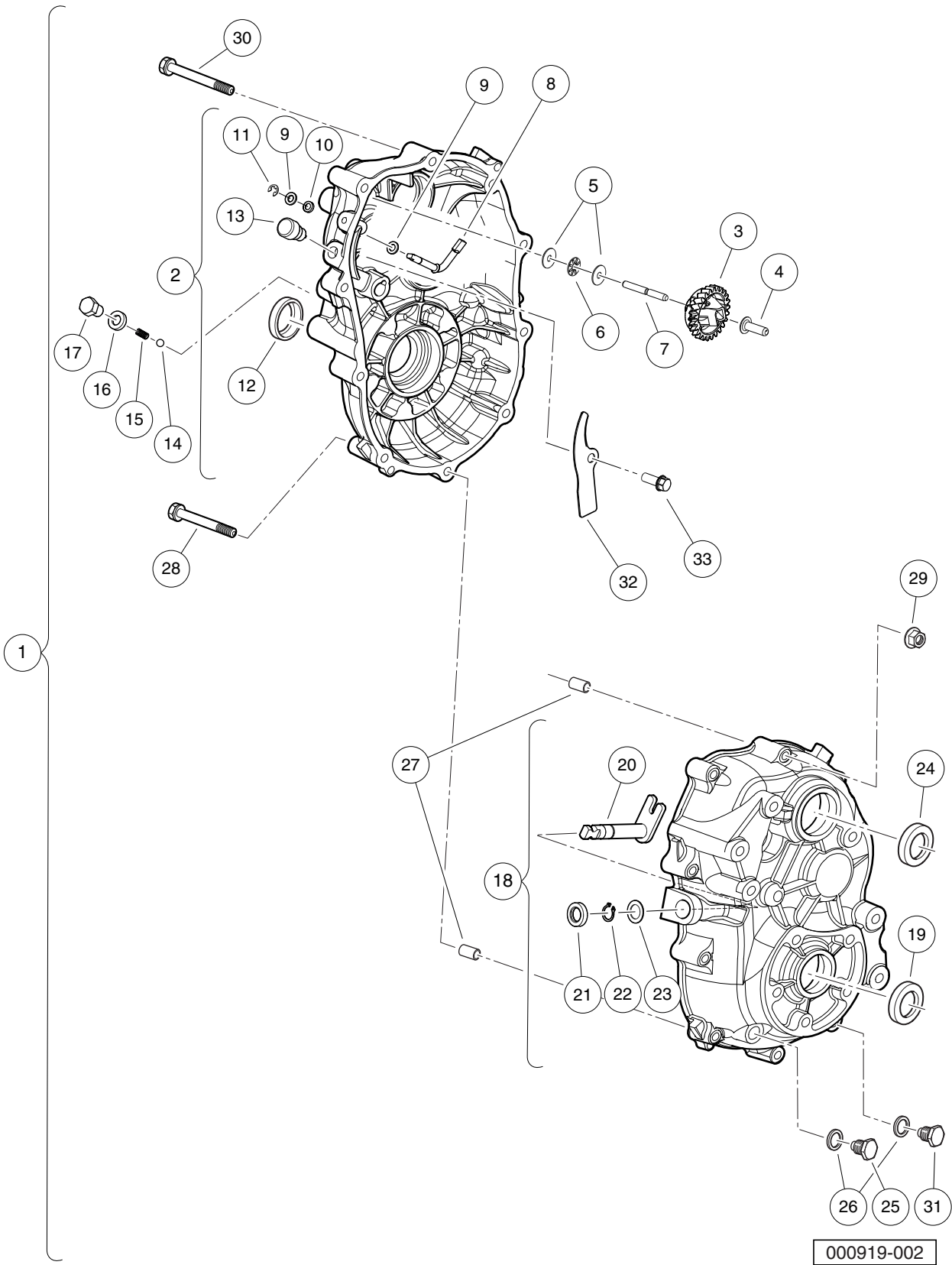
000966-002

GOVERNOR ARM AND BRACKETS – UTILITY VEHICLES

ITEM	PART NO.	DESCRIPTION	QTY
		1 2 3 4	
1	<u>1011114</u>	Nut, M6-1.00 Hex	1
2	<u>1014007</u>	Washer, 1/4, Flat	1
3	<u>101886101</u>	Screw, 1/4-20 X 1.00, Square-Head	1
4	<u>102476401</u>	Bolt, Stop, Pedal	1
5	<u>102498201</u>	Bolt, M10 X 1.25 X 25, Loctite	2
6	<u>104023501</u>	Arm, Governor, ED65	1
7	<u>105144401</u>	Weldment, Governor Bracket	1
8	<u>8233</u>	Locknut, 1/4-20, Nylon Insert	1

18

G



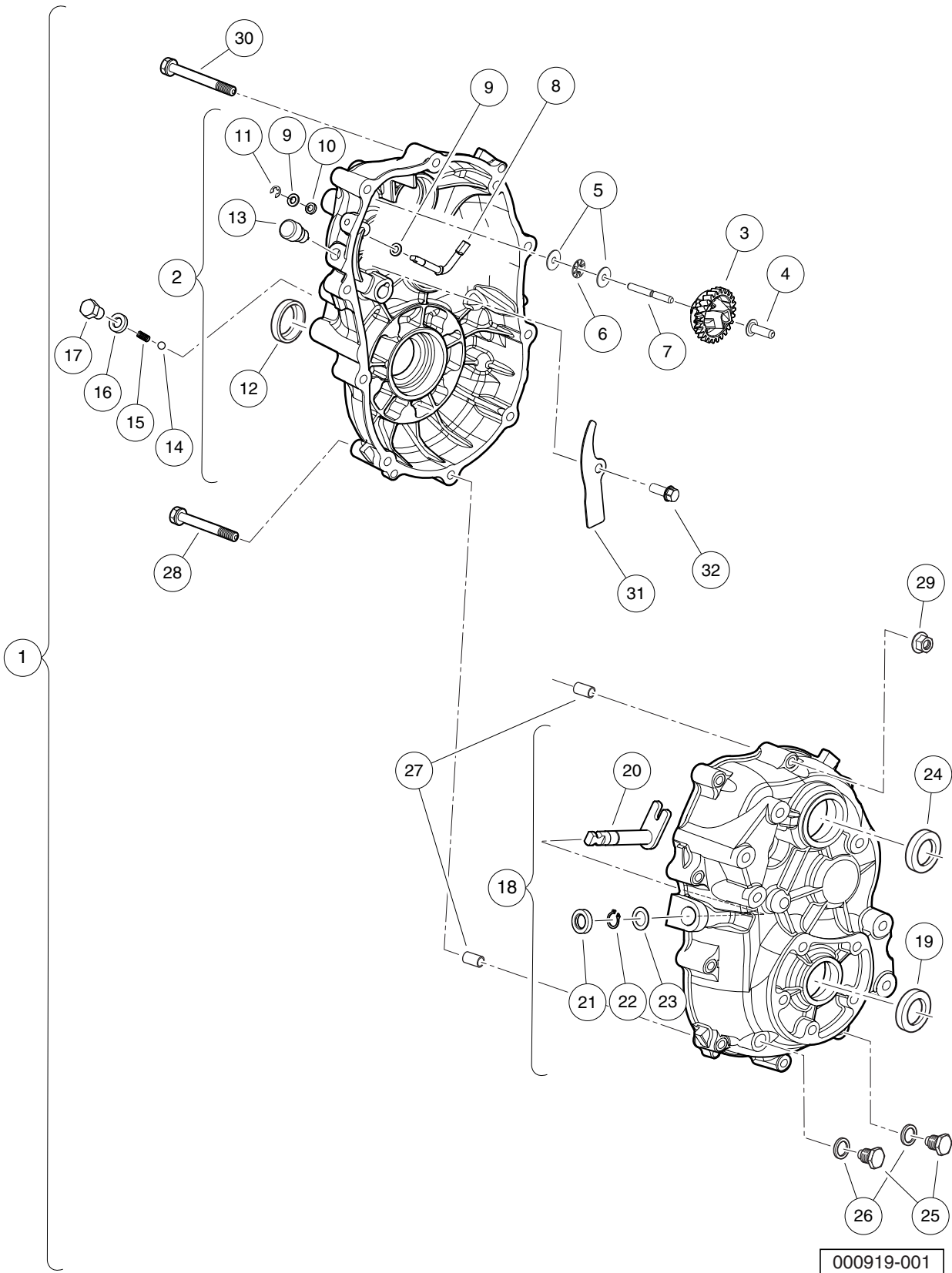
000919-002

TRANSAXLE (ED65), LIMITED SLIP – PAGE 1 OF 3

ITEM	PART NO.	DESCRIPTION	QTY
		1 2 3 4	
1	<u>103879702</u>	Transaxle, ED65, Limited-Slip Differential (includes items 2 through 33)	1
2	<u>105025001</u>	Case, Transaxle, Left, Complete, ED65 (includes items 3 through 13)	1
3	<u>105025101</u>	Gear, Governor, Complete, ED65	1
4	<u>105025201</u>	Sleeve, Governor, ED65	1
5	<u>105025301</u>	Washer, ED65	2
6	<u>105025401</u>	Bearing, Thrust, ED65	1
7	<u>105025501</u>	Shaft, Governor Gear, ED65	1
8	<u>105025601</u>	Shaft, Governor, ED65	1
9	<u>105025701</u>	Washer, 6mm, ED65	2
10	<u>105025801</u>	Seal, Oil, 6x10x2.5, ED65	1
11	<u>105025901</u>	Retaining Ring, E5, ED65	1
12	<u>105026001</u>	Seal, Oil, 24x40x9, ED65	1
13	<u>105027101</u>	Vent, Breather, ED65	1
14	<u>105026101</u>	Ball, Steel, ED65	1
15	<u>105026201</u>	Spring, ED65	1
16	<u>105026301</u>	Gasket, 10, ED65	1
17	<u>105026401</u>	Bolt, M10-1.25x12mm Lg, ED65	1
18	<u>105026501</u>	Case, Transaxle, Right, Complete, ED65 (includes items 19 through 24)	1
19	<u>105026001</u>	Seal, Oil, 24x40x9, ED65	1
20	<u>105026601</u>	Shaft, Select, ED65	1
21	<u>105026701</u>	Seal, Oil, 13x22x5, ED65	1
22	<u>105026801</u>	Snap Ring, 13mm, ED65	1
23	<u>105026901</u>	Spacer, 13x1, ED65	1
24	<u>105027001</u>	Seal, Oil, 25x45x7, ED65	1
25	<u>105027201</u>	Plug, Oil Drain, ED65	1
26	<u>105027301</u>	Gasket, 14, ED65	2
27	<u>105028301</u>	Pin, Guide, ED65	2
28	<u>105028501</u>	Bolt, Flange, M8-1.25x65mm, ED65	1
29	<u>105030001</u>	Nut, Flange, M8-1.25, ED65	10
30	<u>105030701</u>	Bolt, Flanged, M8-1.25x80mm, ED65	9
31	<u>105063501</u>	Plug, Oil Drain, Magnetic, ED65	1
32	<u>105234801</u>	Plate, Ed65 Splash	1
33	<u>105234901</u>	Bolt, M6-1 X 12mm Lg, Ed65	1
Note: Fuji transaxle component listings span three pages. To identify your transaxle, locate the serial number decal on the axle tube.			

18

G



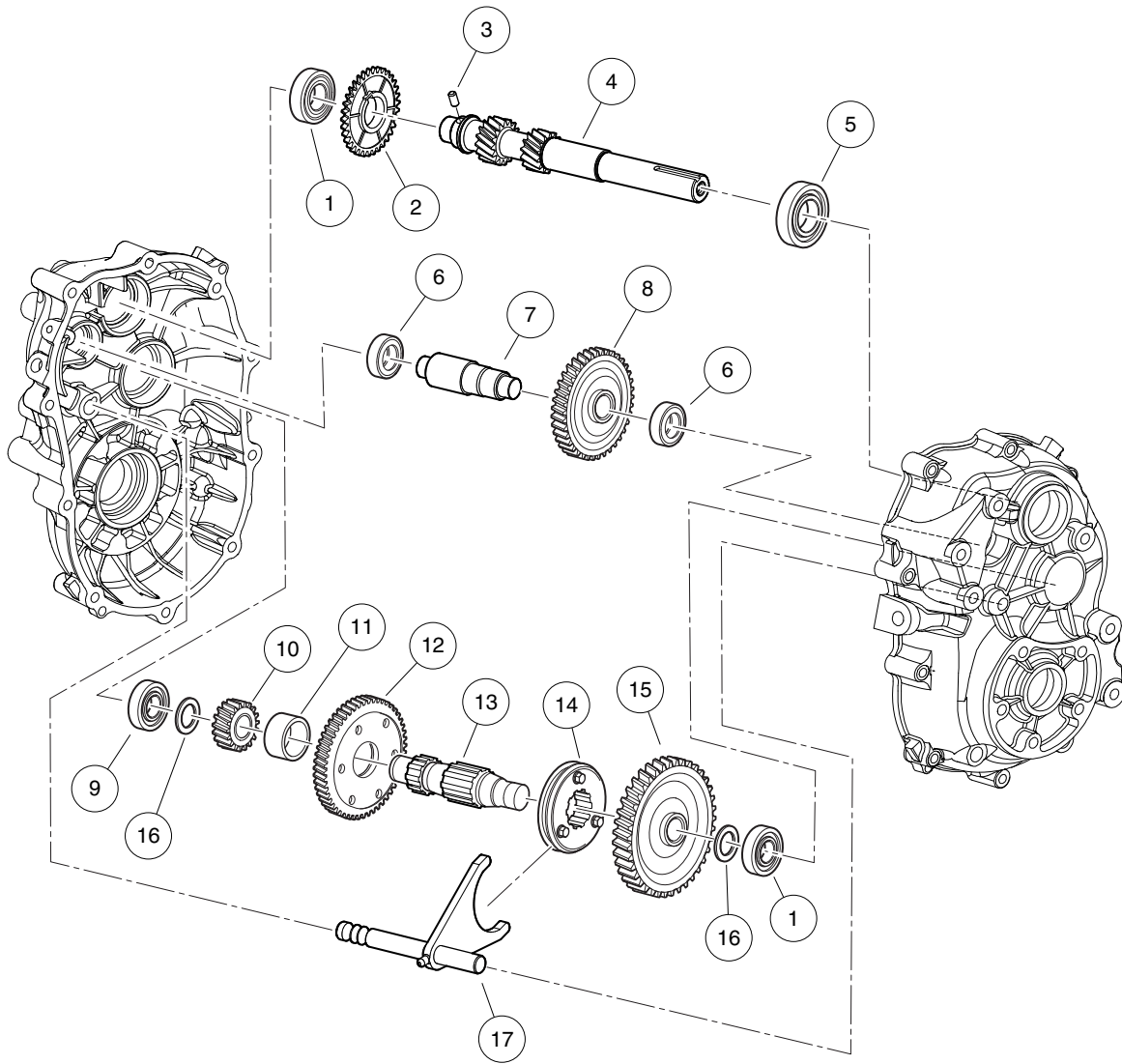
000919-001

TRANSAXLE (ED65), OPEN – PAGE 1 OF 3

ITEM	PART NO.	DESCRIPTION	QTY
		1 2 3 4	
1	<u>103879701</u>	Transaxle, ED65, Open Differential (includes items 2 through 32)	1
2	<u>105025001</u>	Case, Transaxle, Left, Complete, ED65 (includes items 3 through 13)	1
3	<u>105025101</u>	Gear, Governor, Complete, ED65	1
4	<u>105025201</u>	Sleeve, Governor, ED65	1
5	<u>105025301</u>	Washer, ED65	2
6	<u>105025401</u>	Bearing, Thrust, ED65	1
7	<u>105025501</u>	Shaft, Governor Gear, ED65	1
8	<u>105025601</u>	Shaft, Governor, ED65	1
9	<u>105025701</u>	Washer, 6mm, ED65	2
10	<u>105025801</u>	Seal, Oil, 6x10x2.5, ED65	1
11	<u>105025901</u>	Retaining Ring, E5, ED65	1
12	<u>105026001</u>	Seal, Oil, 24x40x9, ED65	1
13	<u>105027101</u>	Vent, Breather, ED65	1
14	<u>105026101</u>	Ball, Steel, ED65	1
15	<u>105026201</u>	Spring, ED65	1
16	<u>105026301</u>	Gasket, 10, ED65	1
17	<u>105026401</u>	Bolt, M10-1.25x12mm Lg, ED65	1
18	<u>105026501</u>	Case, Transaxle, Right, Complete, ED65 (includes items 19 through 24)	1
19	<u>105026001</u>	Seal, Oil, 24x40x9, ED65	1
20	<u>105026601</u>	Shaft, Select, ED65	1
21	<u>105026701</u>	Seal, Oil, 13x22x5, ED65	1
22	<u>105026801</u>	Snap Ring, 13mm, ED65	1
23	<u>105026901</u>	Spacer, 13x1, ED65	1
24	<u>105027001</u>	Seal, Oil, 25x45x7, ED65	1
25	<u>105027201</u>	Plug, Oil Drain, ED65	2
26	<u>105027301</u>	Gasket, 14, ED65	2
27	<u>105028301</u>	Pin, Guide, ED65	2
28	<u>105028501</u>	Bolt, Flange, M8-1.25x65mm, ED65	1
29	<u>105030001</u>	Nut, Flange, M8-1.25, ED65	10
30	<u>105030701</u>	Bolt, Flanged, M8-1.25x80mm, ED65	9
31	<u>105234801</u>	Plate, Ed65 Splash	1
32	<u>105234901</u>	Bolt, M6-1 X 12mm Lg, Ed65	1
Note: Fuji transaxle component listings span three pages. To identify your transaxle, locate the serial number decal on the axle tube.			

18

G



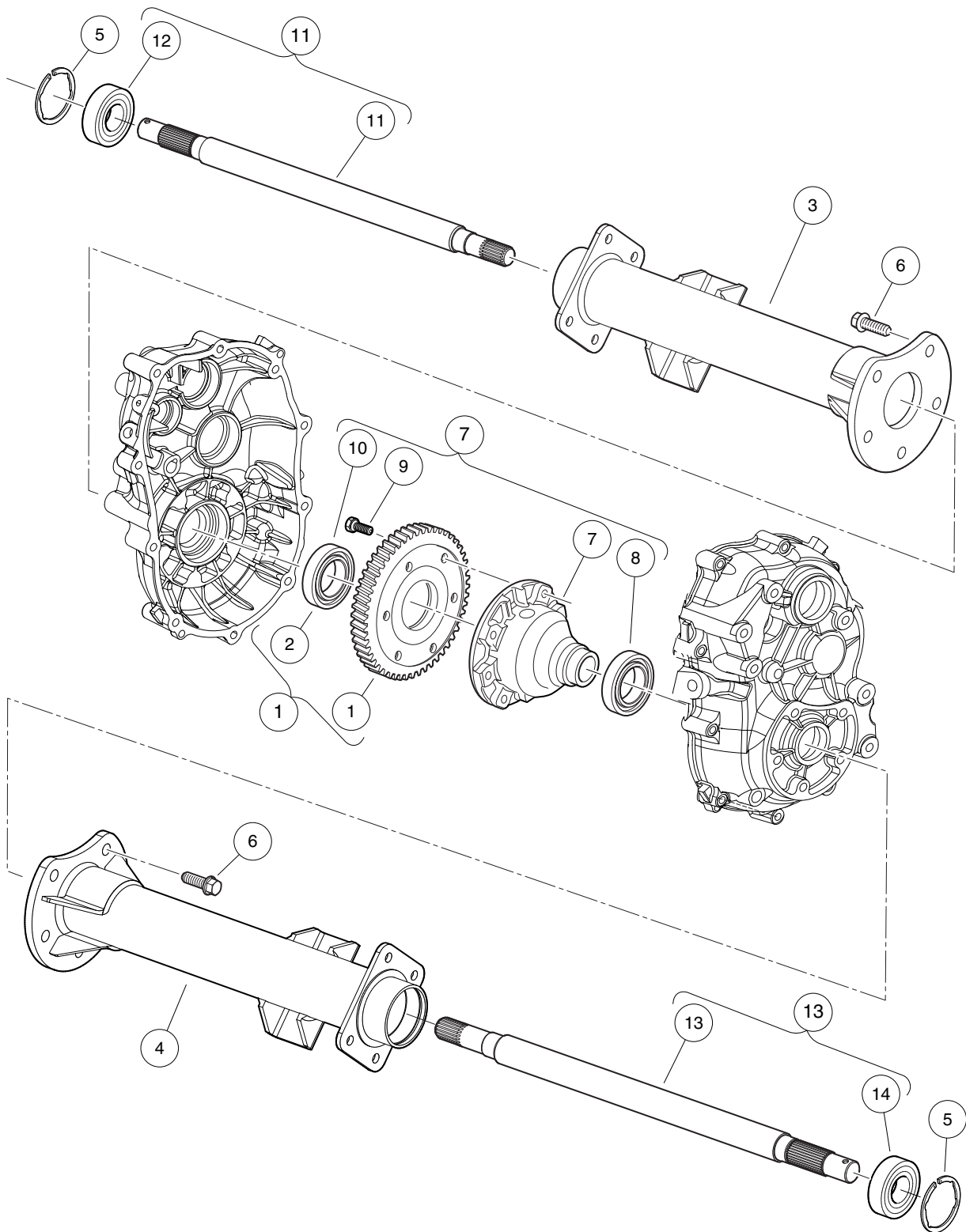
000919-003

TRANSAXLE (ED65), LIMITED SLIP AND OPEN – PAGE 2 OF 3

ITEM	PART NO.	DESCRIPTION	QTY
		1 2 3 4	
1	<u>105027401</u>	Bearing, Ball (6204)	2
2	<u>105027501</u>	Gear, Governor, 34 Tooth, ED65	1
3	<u>105027601</u>	Pin, 6x12 Long, ED65	1
4	105027701	Shaft, Input, ED65	1
5	105027801	Bearing, Ball (6205 seal)	1
6	<u>105027901</u>	Bearing, Ball (6202)	2
7	105028001	Shaft, Counter, ED65	1
8	105028201	Gear, 34 Tooth, ED65	1
9	<u>105028401</u>	Bearing, Ball (6304)	1
10	105028601	Gear, 17 Tooth, ED65	1
11	<u>105028701</u>	Collar, 24 x 12, ED65	1
12	<u>105028801</u>	Gear, 52 Tooth, ED65	1
13	105028901	Shaft, Center, ED65	1
14	<u>105029001</u>	Clutch, Pin, ED65	1
15	105029101	Gear, 62 Tooth, ED65	1
16	<u>105029201</u>	Spacer, 20x2, ED65	2
17	<u>105030901</u>	Shaft, Shift, ED65	1
		<p>Note: To identify your transaxle, locate the serial number decal on the axle tube.</p>	

18

G



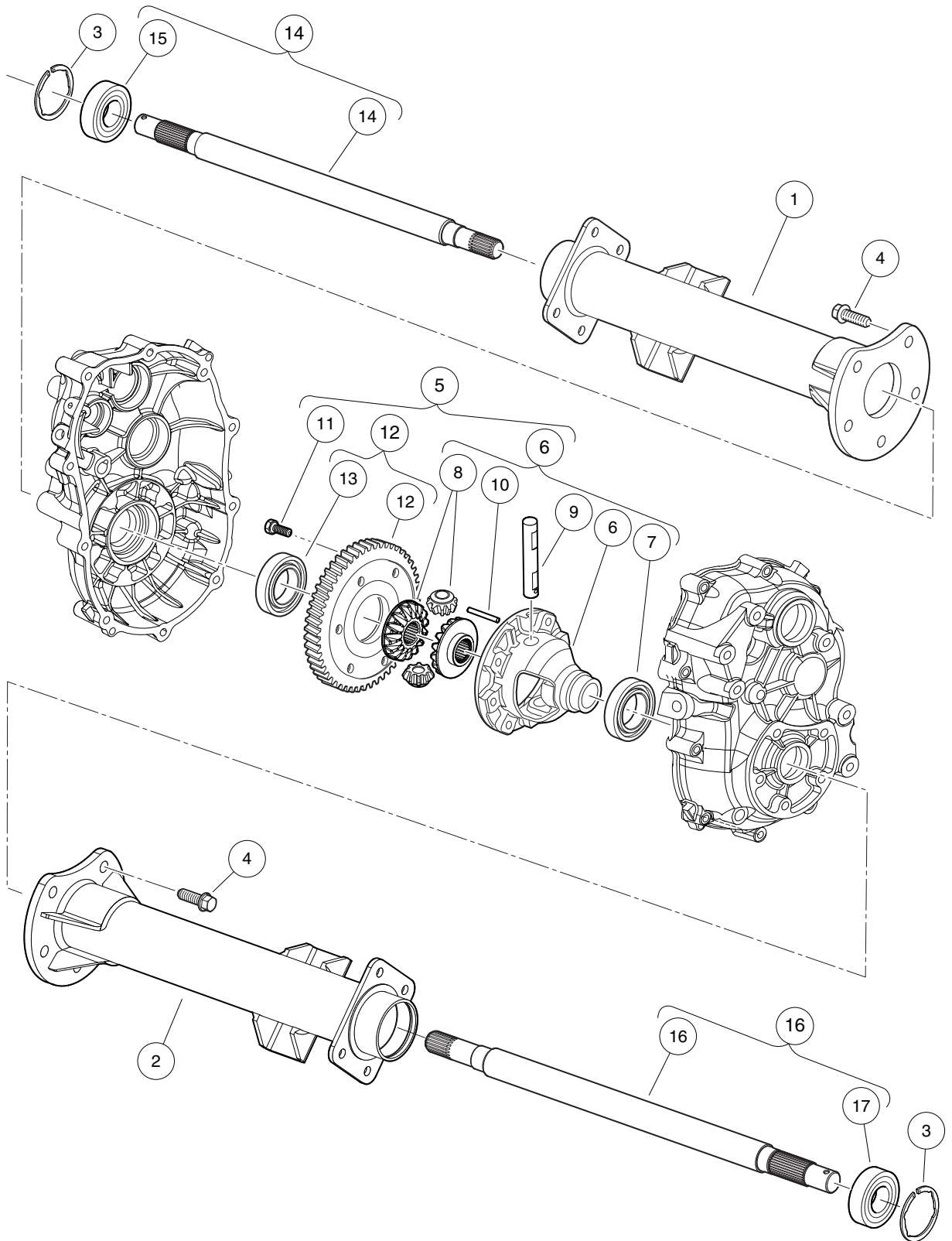
000919-005

TRANSAXLE (ED65), LIMITED SLIP – PAGE 3 OF 3

ITEM	PART NO.	DESCRIPTION	QTY
		1 2 3 4	
1	105029901	Gear, 60 Tooth, Complete, ED65 (includes item 2)	1
2	<u>105029801</u>	Bearing, Ball (6007)	1
3	105030401	Axle Tube, Driver-Side, ED65	1
4	105030501	Axle Tube, Passenger-Side, ED65	1
5	<u>105030601</u>	Snap Ring, 52mm, ED65	2
6	<u>105030801</u>	Bolt, Flange, M10-1.25x25, ED65	10
7	<u>105063601</u>	Differential, Limited-Slip, ED65 (includes items 8 through 10)	1
8	<u>105028101</u>	Bearing, Ball (6006)	1
9	<u>105029501</u>	Bolt, M10-1.25x26mm Lg, ED65	6
10	<u>105029801</u>	Bearing, Ball (6007)	1
11	<u>105066001</u>	Axle Shaft, Driver-Side, Complete, ED65 (includes item 12)	1
12	<u>105030301</u>	Bearing, Ball (6205DD)	1
13	<u>105066101</u>	Axle Shaft, Passenger-Side, Complete, ED65 (includes item 14)	1
14	<u>105030301</u>	Bearing, Ball (6205DD)	1
<p style="margin-left: 40px;">Note: To identify your transaxle, locate the serial number decal on the axle tube.</p>			

18

G



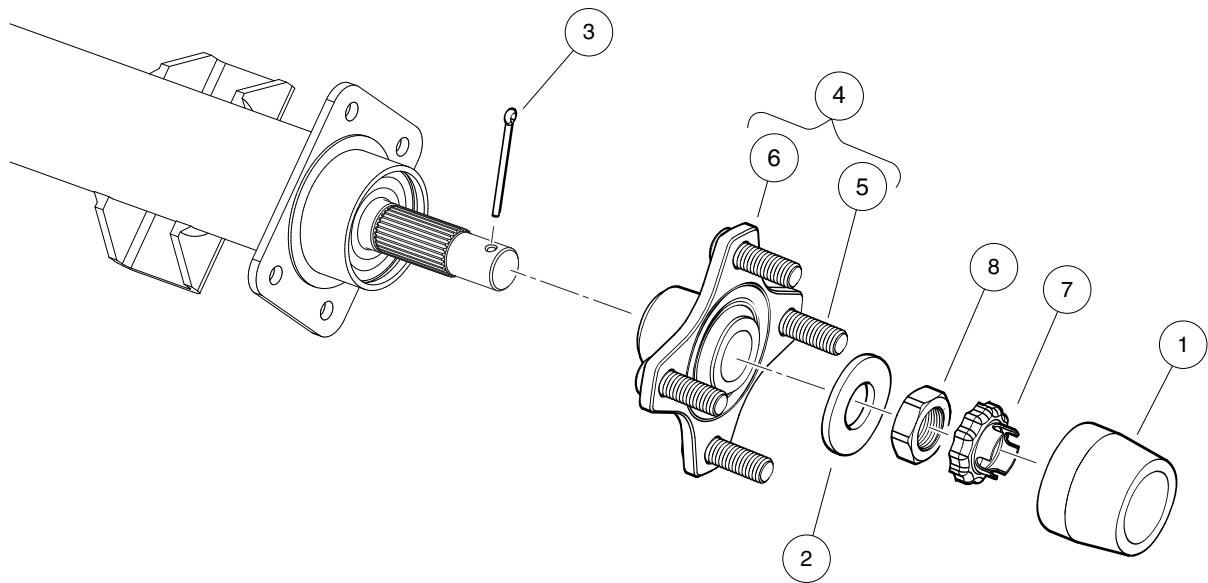
000919-004

TRANSAXLE (ED65), OPEN – PAGE 3 OF 3

ITEM	PART NO.	DESCRIPTION	QTY
		1 2 3 4	
1	105030401	Axle Tube, Driver-Side, ED65	1
2	105030501	Axle Tube, Passenger-Side, ED65	1
3	<u>105030601</u>	Snap Ring, 52mm, ED65	2
4	<u>105030801</u>	Bolt, Flange, M10-1.25x25, ED65	10
5	<u>105031001</u>	Differential, Open, ED65 (includes items 6 through 12)	1
6	<u>105029301</u>	Case, Differential, Complete, ED65 (includes items 7 through 10)	1
7	<u>105028101</u>	Bearing, Ball (6006)	1
8	105029401	Gear Set, Differential, ED65	1
9	<u>105029601</u>	Shaft, Differential, ED65	1
10	<u>105029701</u>	Pin, 4x40 Long, ED65	1
11	<u>105029501</u>	Bolt, M10-1.25x26mm Lg, ED65	6
12	105029901	Gear, 60 Tooth, Complete, ED65 (includes item 13)	1
13	<u>105029801</u>	Bearing, Ball (6007)	1
14	<u>105066001</u>	Axle Shaft, Driver-Side, Complete, ED65 (includes item 15)	1
15	<u>105030301</u>	Bearing, Ball (6205DD)	1
16	<u>105066101</u>	Axle Shaft, Passenger-Side, Complete, ED65 (includes item 17)	1
17	<u>105030301</u>	Bearing, Ball (6205DD)	1
<p style="margin-left: 40px;">Note: To identify your transaxle, locate the serial number decal on the axle tube.</p>			

18

G



000919-006

HUB, REAR

ITEM	PART NO.	DESCRIPTION	QTY
		1 2 3 4	
1	102274101	Center Cap, Rubber	2
2	<u>102617801</u>	Washer, Hard, M22	2
3	<u>103989501</u>	Pin, Cotter, 9/64 X 1.75"	2
4	<u>103995001</u>	Asm, Hub, Machined (includes items 5 and 6)	2
5	<u>103951501</u>	Lug Stud, 1/2-20 UNF, SAE J1102	4
6	<u>103979301</u>	Hub, Machined	1
7	<u>104021701</u>	Retaining Ring, Hex Nut, M22	2
8	<u>104027101</u>	Nut, Hex, M22x1.5, Thin	2

18
G

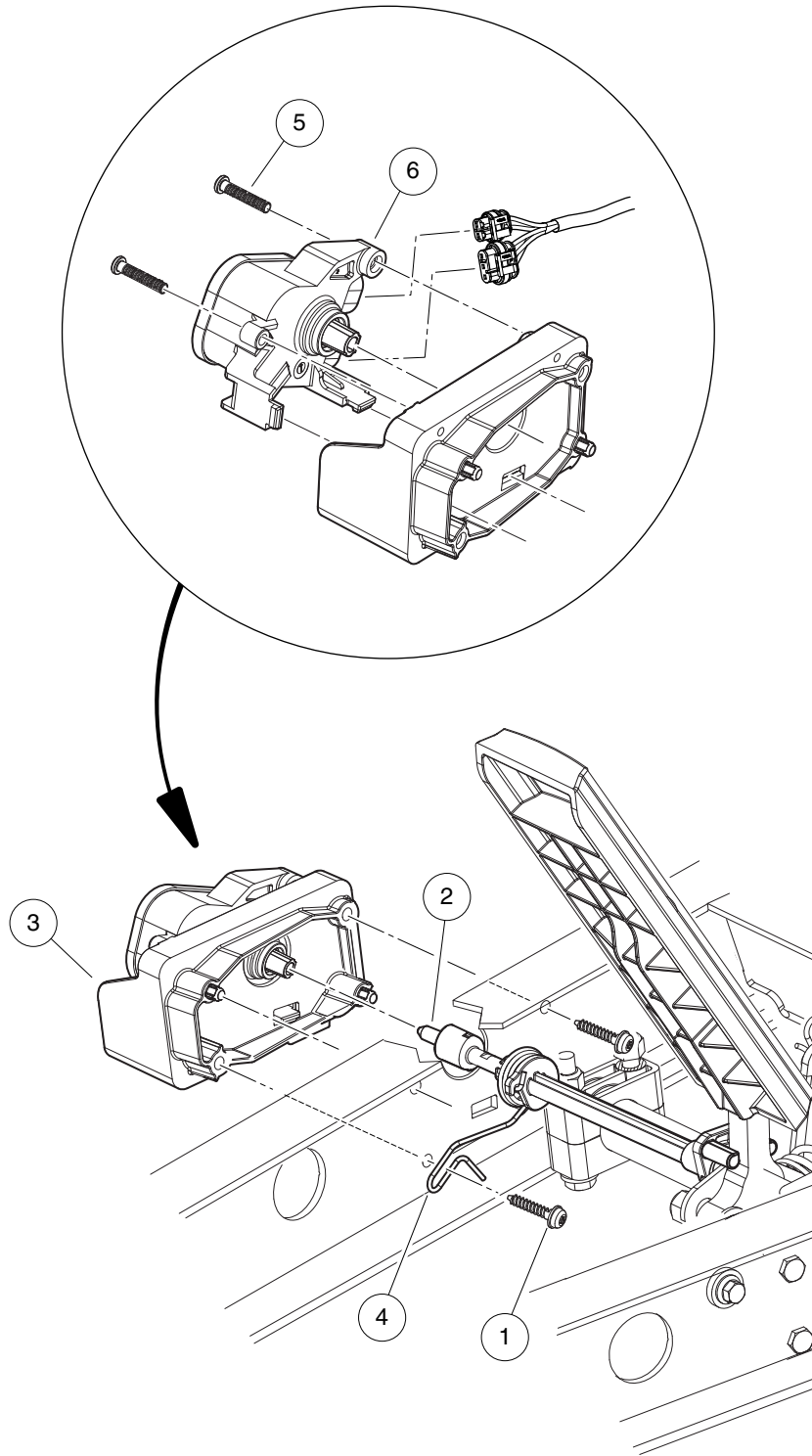
ELECTRICAL SYSTEM – ELECTRIC VEHICLES WITH POWERDRIVE

19

E

19

E



002522-001

MOTOR CONTROLLER OUTPUT REGULATOR (MCOR)

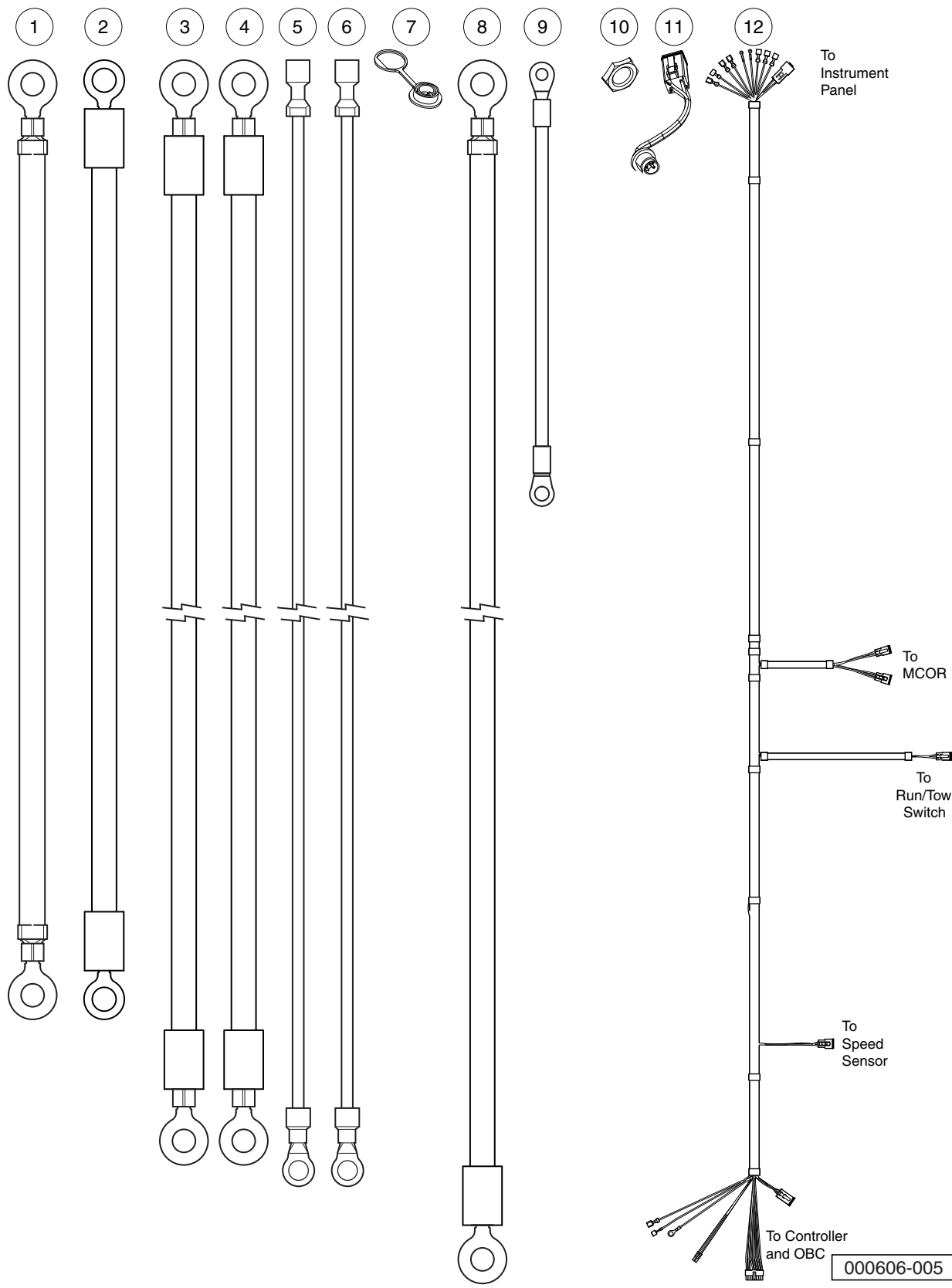
ITEM	PART NO.	DESCRIPTION	QTY
		1 2 3 4	
1	<u>102297230</u>	Screw, M6, Torx, Interlock Thread	2
2	<u>103902101</u>	Bar, Drive, Cast	1
3	<u>103902301</u>	Housing, Mcor	1
4	<u>103902401</u>	Spring, Torsion	1
5	<u>103943401</u>	Screw, Pan, #10 X 1.00 Hi-lo	2
6	<u>105116301</u>	MCOR4, Type 16 Switch	1

19

E

19

E



WIRING – TURF/CA 1 ELECTRIC

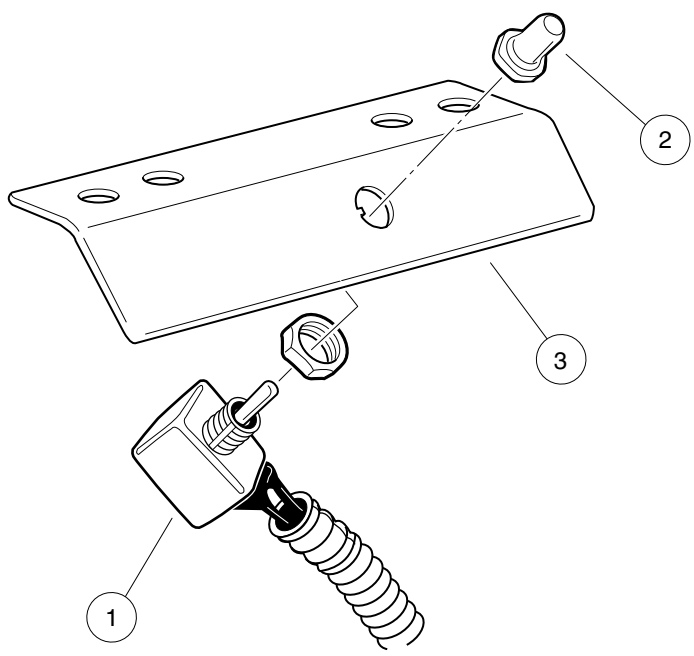
ITEM	PART NO.	DESCRIPTION	QTY
		1 2 3 4	
1	<u>101795701</u>	Asm, Wire, #6blk, 15 In	5
2	<u>101903001</u>	Wire Assembly #6 Yellow	1
3	<u>101968701</u>	Wire Assy, #6 White	1
4	<u>101978001</u>	Wire Assy, #6 Green	1
5	<u>101978102</u>	Asm, Wire, #10 Orange 1/4	1
6	<u>101978202</u>	Asm, Wire, #10 Blue 1/4	1
7	<u>102196901</u>	Dust Cap	1
8	<u>102199601</u>	Wire Asm, #6 Red, 37.7	1
9	<u>102263601</u>	Wire Assy, #10 Black	1
10	<u>102572401</u>	Nut, Diagnostic Port	1
11	<u>103218601</u>	Harness, Diagnostic Port	1
12	<u>103940501</u>	Harness, Ca1, lq, Mc3	1

19

E

19

E



000605-002

TOW/RUN SWITCH – IQ SYSTEM

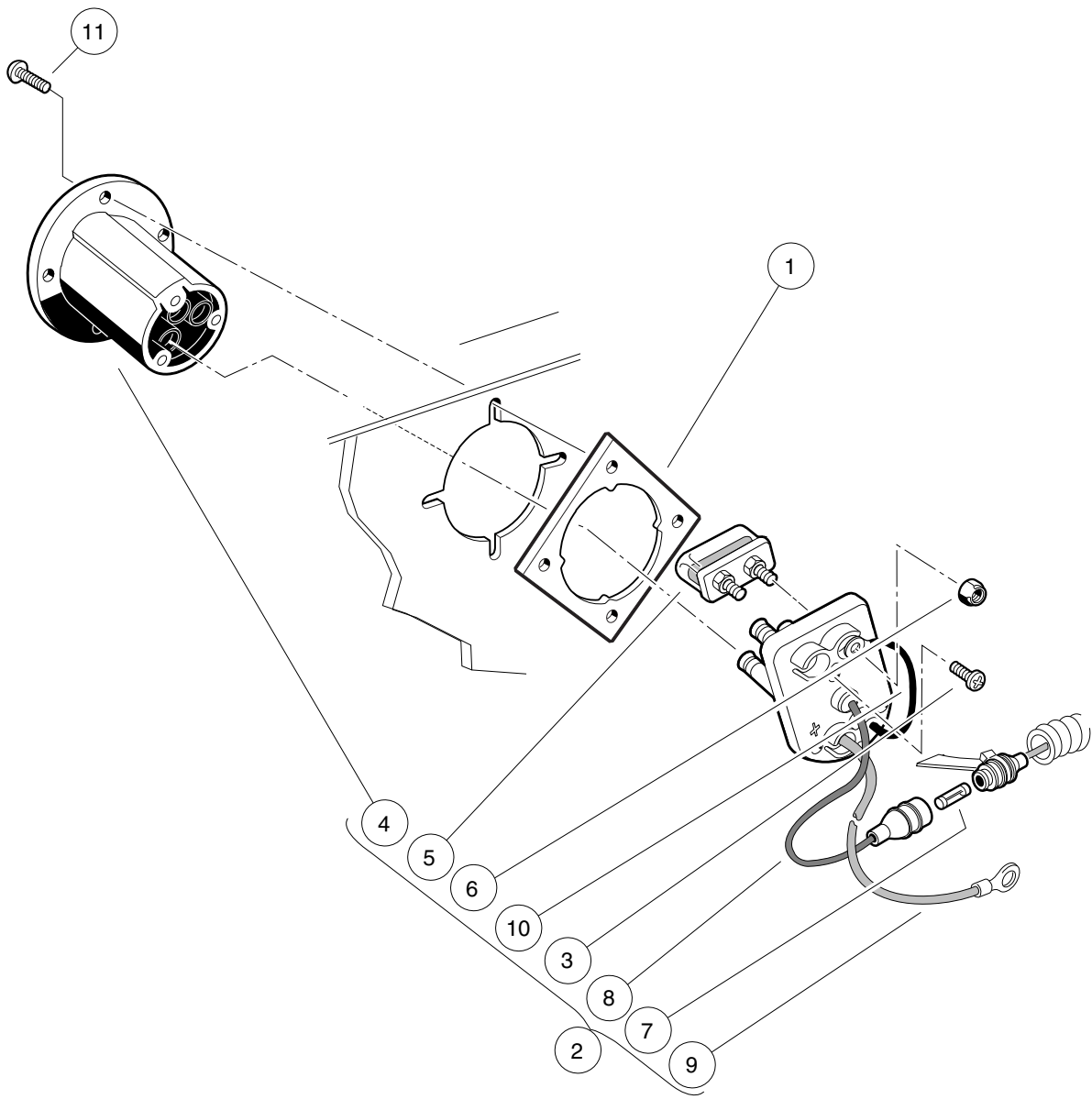
ITEM	PART NO.	DESCRIPTION	QTY
		1 2 3 4	
1	<u>101908101</u>	Switch Assembly, Tow/Run	1
2	<u>101908401</u>	Boot, Switch	1
3	<u>101922501</u>	Bracket, Tow/Run Switch Mounting	1

19

E

19

E



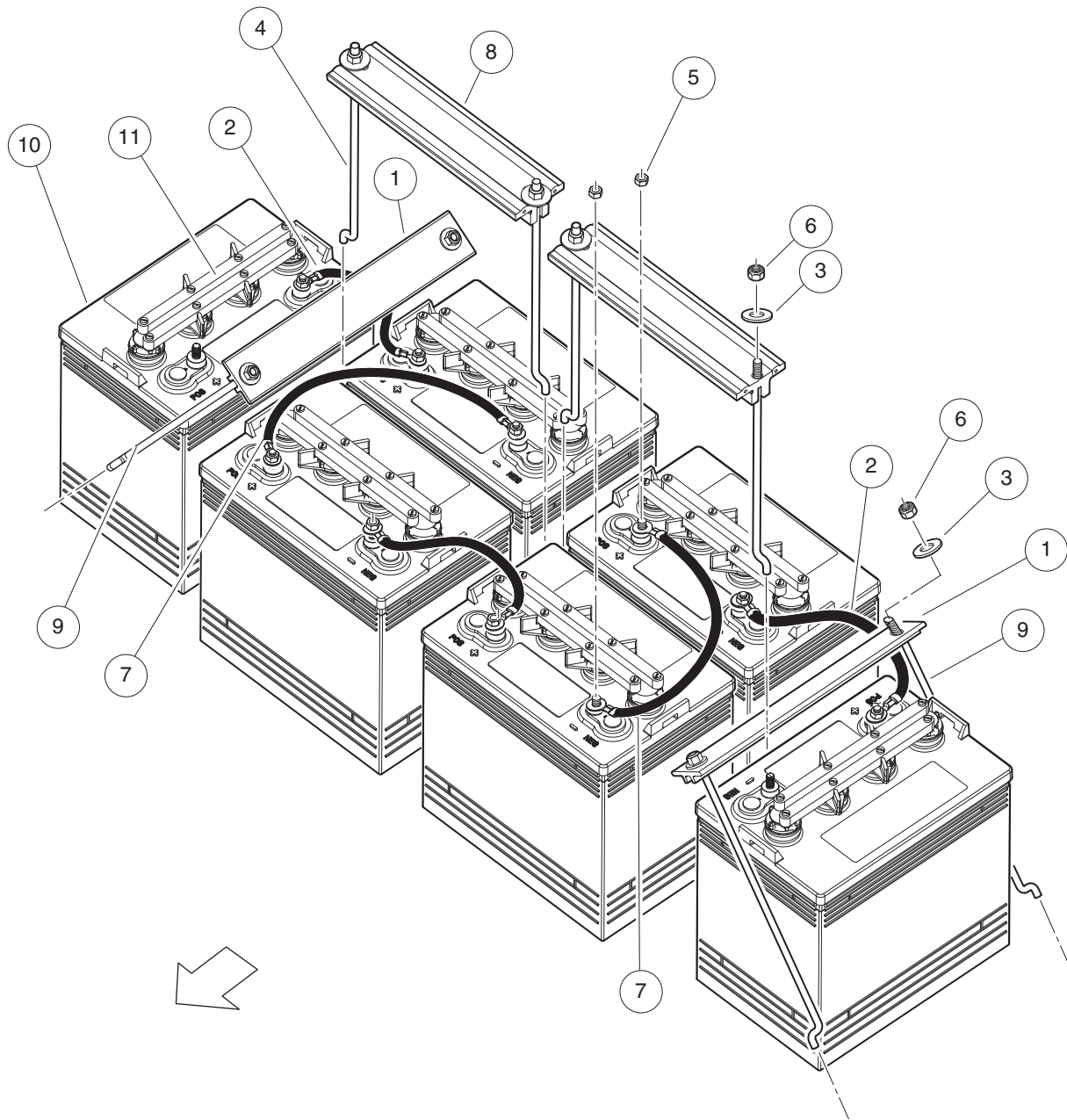
000369-001

BATTERY CHARGER RECEPTACLE

ITEM	PART NO.	DESCRIPTION	QTY
		1 2 3 4	
1	<u>101801001</u>	Plate, Receptacle Backing	1
2	<u>101802101</u>	Fuse and Receptacle Assembly (includes items 3 through 10)	1
3	<u>1017705</u>	Screw, #8 X 5/8 Phillips Pan-Head Type AB	3
4	<u>101796501</u>	Receptacle	1
5	<u>101796801</u>	Fuse Assembly (includes item 6)	1
6	<u>1013061</u>	Locknut, #10-32 Nylon Insert	2
7	<u>101894901</u>	Fuse, 3/8-Amp	1
8	N/A	Wire Assembly, Sense Lead, Gray	1
9	N/A	Wire Assembly, #10 Red	1
10	N/A	Wire Assembly, #10 Black	1
11	<u>101832001</u>	Screw, #7-19 X 0.625 Phillips Pan-Head Tap	4

19

E



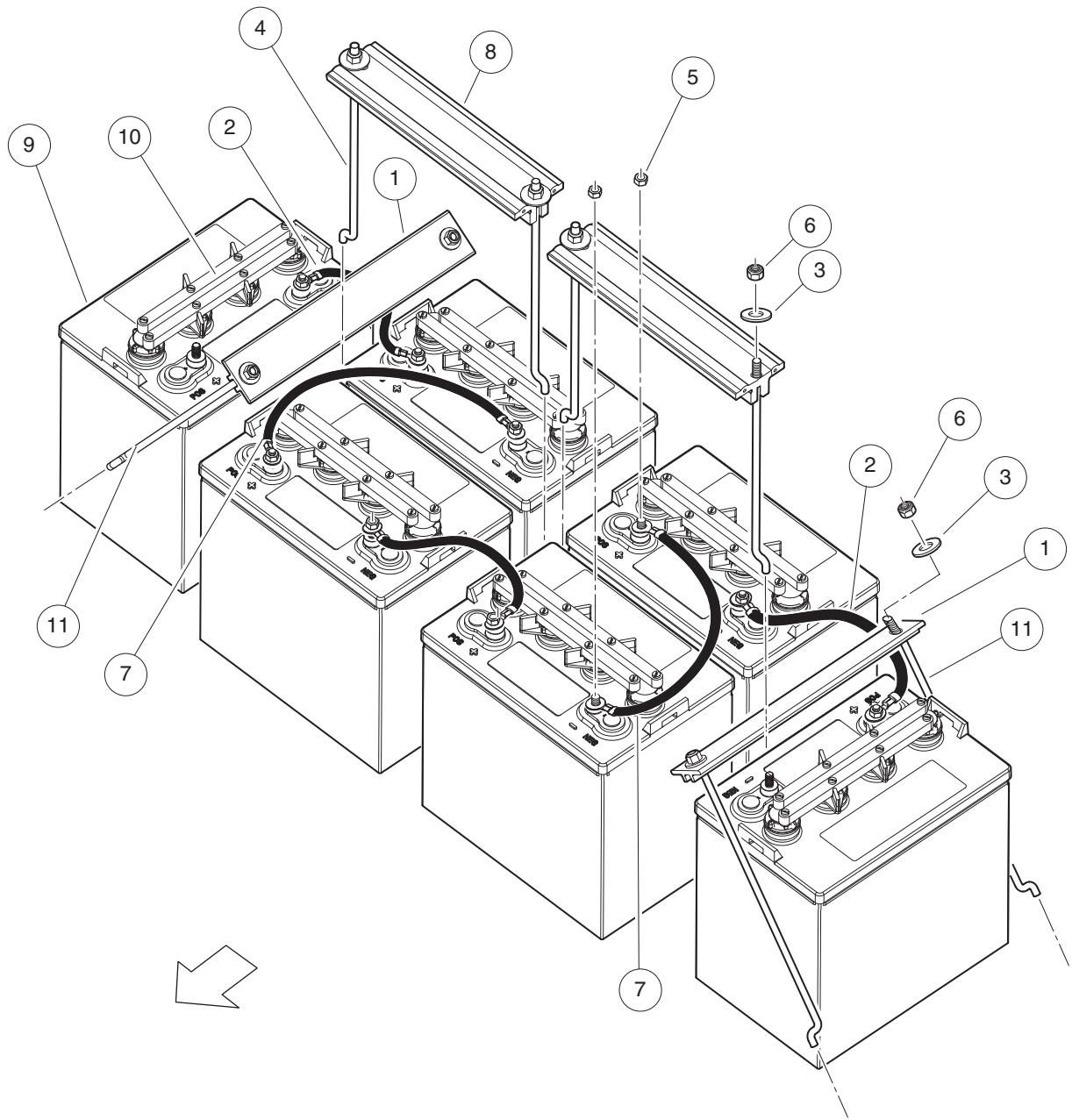
001317-001

BATTERIES, 8-VOLT, CROWN

ITEM	PART NO.	DESCRIPTION	QTY
		1 2 3 4	
1	<u>101090802</u>	Hold-Down, Battery	2
2	<u>1010958</u>	Asm, Wire, #6blk 8in	3
3	<u>1011697</u>	Washer, 5/16 Flat	8
4	<u>1013683</u>	J-Bolt	4
5	<u>1014304</u>	Nut, 5/16-18 Stainless-Steel Hex	12
6	<u>1015072</u>	Locknut, 5/16-18 Nylon Insert	8
7	<u>101795701</u>	Asm, Wire, #6blk, 15 In	2
8	<u>103504301</u>	Tee, Batt Ret Ctr Short	2
9	<u>103696801</u>	J Bolt, Batt Hold Down 12"	4
10	<u>103719701</u>	Battery, 8-Volt, Crown CR165 (includes item 11)	6
11	<u>103878401</u>	Cap, Batt, 8v, Crown, Svc	1

19

E



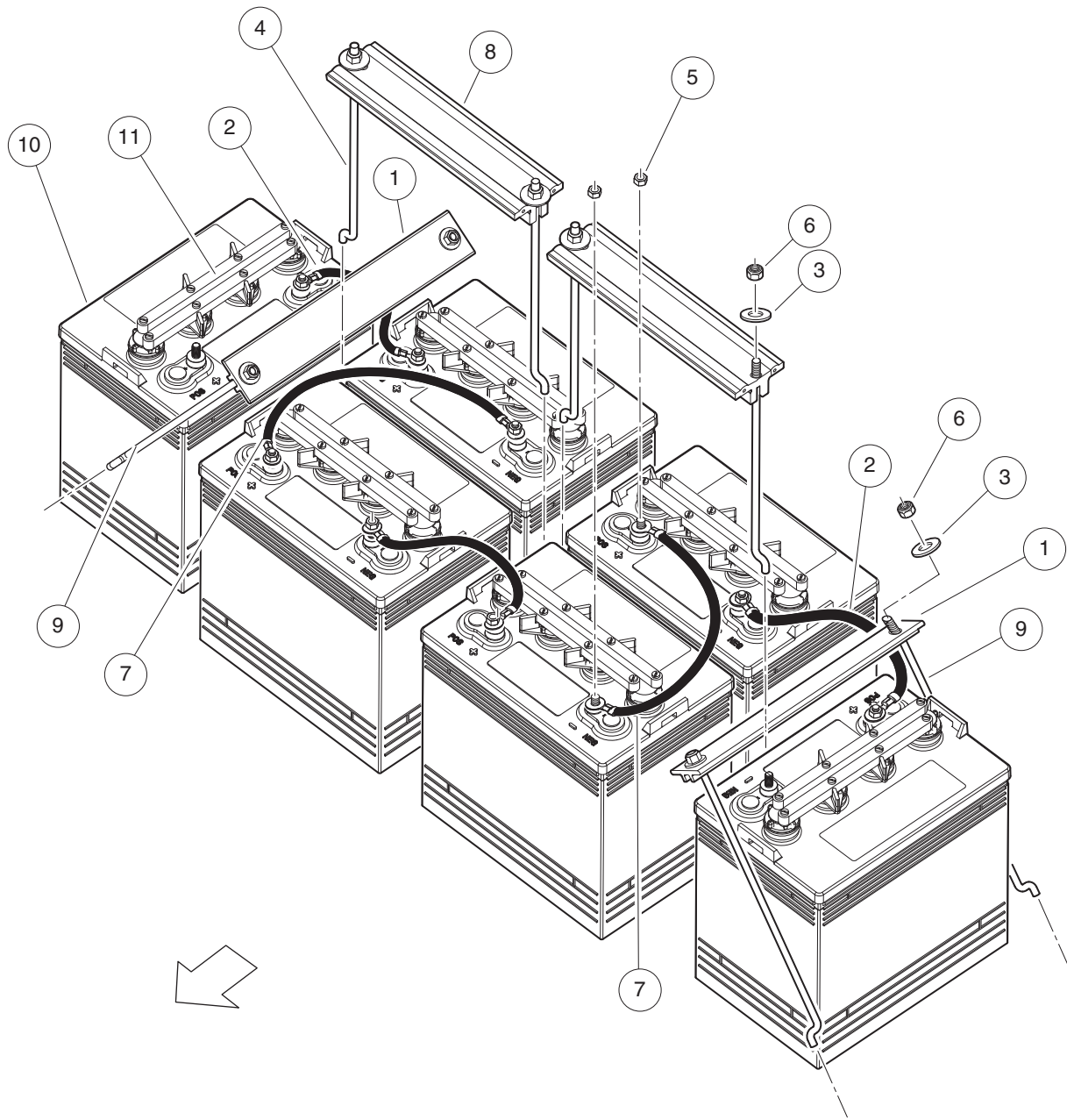
001316-001

BATTERIES, 8-VOLT, U.S. BATTERY

ITEM	PART NO.	DESCRIPTION	QTY
		1 2 3 4	
1	<u>101090802</u>	Hold-Down, Battery	2
2	<u>1010958</u>	Asm, Wire, #6blk 8in	3
3	<u>1011697</u>	Washer, 5/16 Flat	8
4	<u>1013683</u>	J-Bolt	4
5	<u>1014304</u>	Nut, 5/16-18 Stainless-Steel Hex	12
6	<u>1015072</u>	Locknut, 5/16-18 Nylon Insert	8
7	<u>101795701</u>	Asm, Wire, #6blk, 15 In	2
8	<u>103504301</u>	Tee, Batt Ret Ctr Short	2
9	<u>103695801</u>	Battery, 8-Volt, US Battery 8VGCXC (includes item 10)	6
10	<u>103930201</u>	Cap, Battery, Us 8v, Svc	1
11	<u>103696801</u>	J Bolt, Batt Hold Down 12"	4

19

E



001317-001

BATTERIES, 8-VOLT, JCI

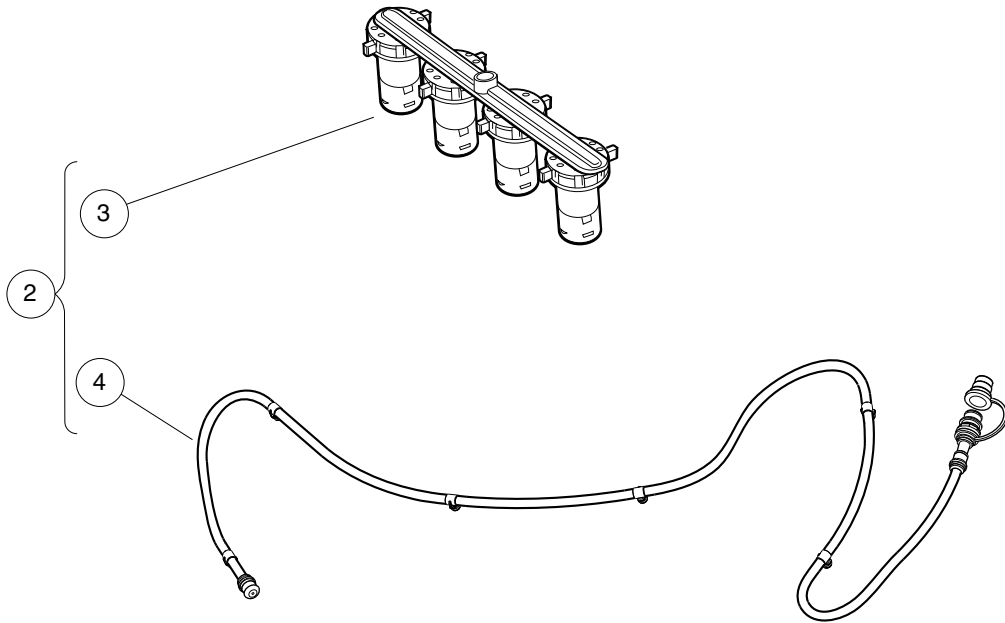
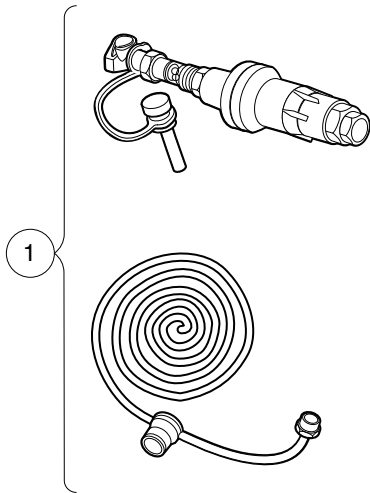
ITEM	PART NO.	DESCRIPTION	QTY
		1 2 3 4	
1	<u>101090802</u>	Hold-Down, Battery	2
2	<u>1010958</u>	Asm, Wire, #6blk 8in	3
3	<u>1011697</u>	Washer, 5/16 Flat	8
4	<u>1013683</u>	J-Bolt	4
5	<u>1014304</u>	Nut, 5/16-18 Stainless-Steel Hex	12
6	<u>1015072</u>	Locknut, 5/16-18 Nylon Insert	8
7	<u>101795701</u>	Asm, Wire, #6blk, 15 In	2
8	<u>103504301</u>	Tee, Batt Ret Ctr Short	2
9	<u>103696801</u>	J Bolt, Batt Hold Down 12"	4
10	<u>103793001</u>	Battery, 8-Volt, JCI GC8 (includes item 11)	6
11	<u>103765601</u>	Cap, Spin, 8-Volt Battery	1

19

E

19

E



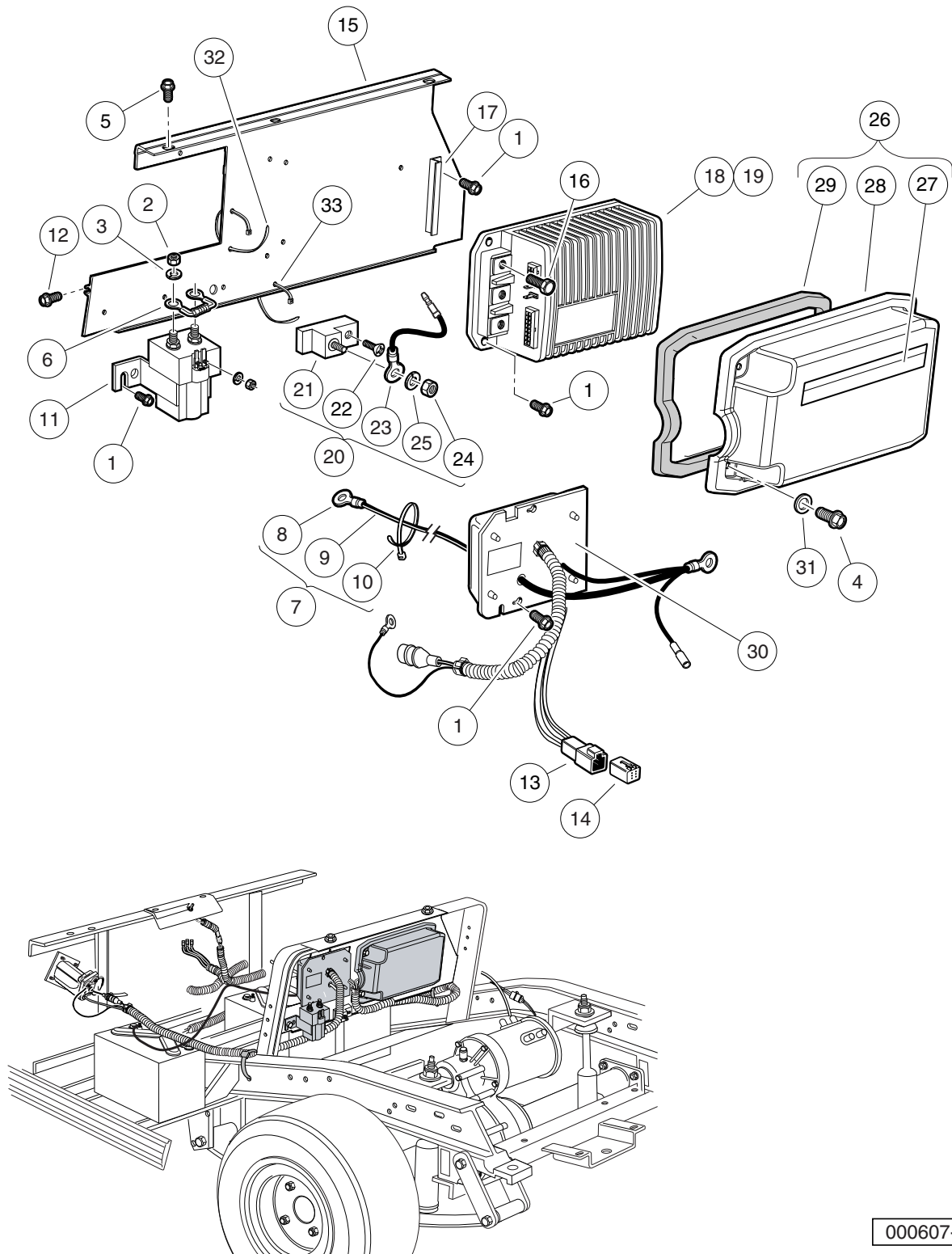
000731-007

SINGLE POINT WATERING SYSTEM, 8V CROWN & JCI

ITEM	PART NO.	DESCRIPTION	QTY
		1 2 3 4	
1	<u>102958001</u>	Kit Regulated Hose Sply Spws	1
2	<u>103395505</u>	Kit, Spws, 8 Volt Non-Trojan (includes items 3 and 4)	1
3	<u>103510602</u>	Spws, Manifold Asm, 8v Non-Trojan	6
4	<u>103774701</u>	Spws, Hose 8v Non-trojan	1
<p style="text-align: center;">Note: For Crown and JCI 8-Volt batteries only.</p>			

19

E



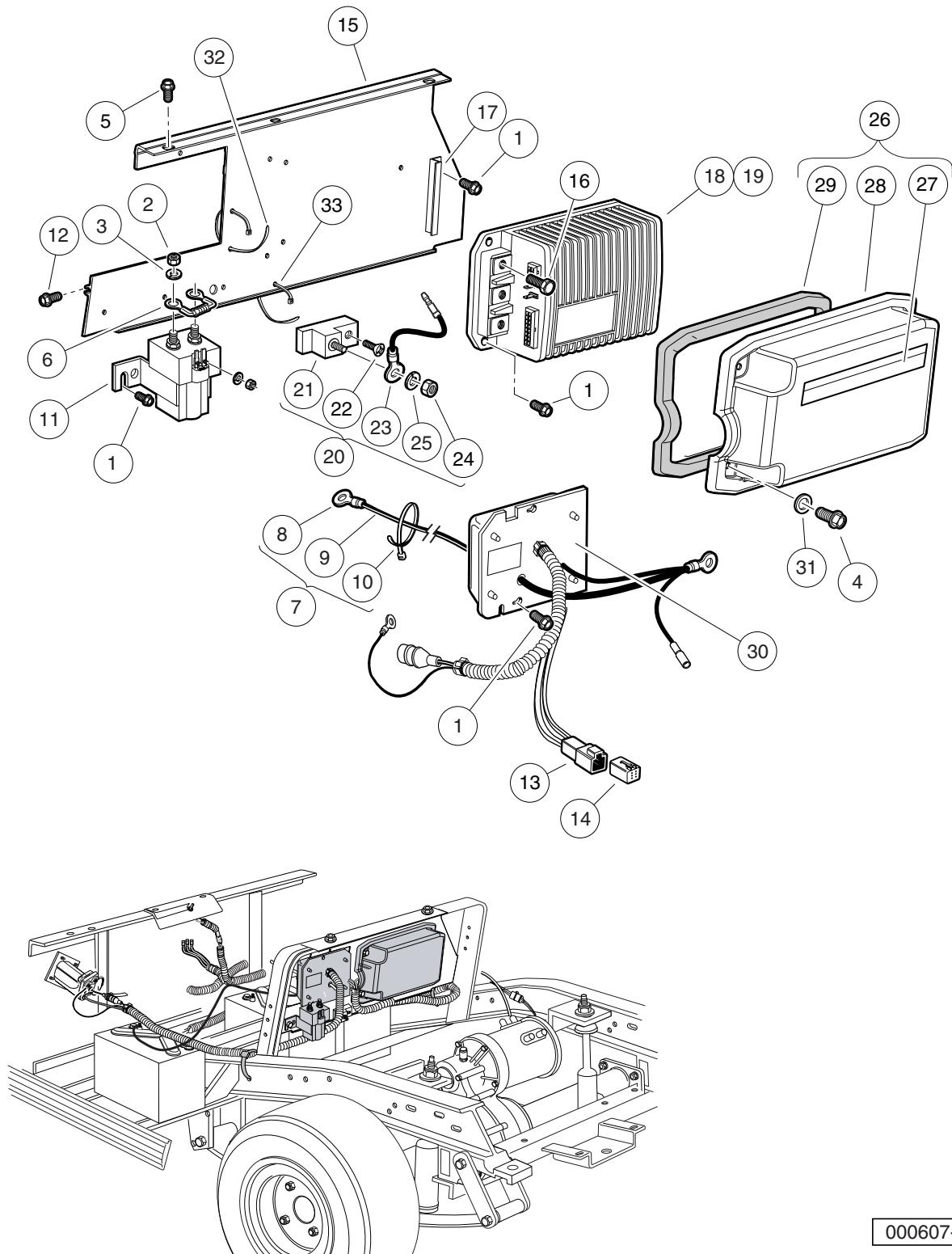
000607-004

COMPUTER, CONTROLLER, AND SOLENOID – FOR TROJAN & CROWN BATTERIES

ITEM	PART NO.	DESCRIPTION	QTY
		1 2 3 4	
1	<u>1012285</u>	Screw, 1/4 X 0.625 Hex-Head	9
2	<u>1012528</u>	Nut, M8-1.25 Hex	2
3	<u>1013734</u>	Lockwasher, 8mm Split	2
4	<u>1014063</u>	Screw, 1/4-20 X 1.00, Hex Head	2
5	<u>1014288</u>	Screw, 5/16-18 X 0.75, Thread-Forming	2
6	<u>1014947</u>	Resistor Assembly	1
7	101827801	Ground Wire Kit, 48-Volt (includes items 8 through 10)	1
8	101826801	Compression Lug	1
9	N/A	Wire Assembly, Black	1
10	<u>8990</u>	Tie Wrap, 8" Nylon	3
11	<u>101908703</u>	Solenoid, 48v W/ Diode	1
12	<u>101910401</u>	Screw, 5/16-18 X 1.25 Thrd Frm	2
13	<u>101932601</u>	Kit, 6-Pin Wedge Lock	1
14	101932701	Kit, 6-Pin Receptacle and Wedge Lock	1
15	<u>101965205</u>	Plate, Component Mounting	1
16	<u>102240501</u>	Bolt, Controller, Terminal	3
17	<u>102243101</u>	Extrusion, Cover Support	1
18	<u>102806201</u>	Controller, IQ, 48-volt	1
19	<u>102806203</u>	Controller, IQ, 48-volt, CE	1
20	<u>103282701</u>	Kit, Terminal Block Ground (includes items 21 through 25)	1
21	<u>102259801</u>	Terminal Block	1
22	<u>102263701</u>	Screw, #10-24 X 0.75 Phillips, Thread-Forming	1
23	<u>103282601</u>	Wire Assembly Black #10	1
24	<u>1242</u>	Nut, 5/16-18 Hex	1
25	<u>7174</u>	Lockwasher, 5/16 Split	1
26	<u>103316901</u>	Cover Asm - Controller (includes items 27 through 29)	1
27	<u>101931501</u>	Decal, Component Cover	1
28	<u>103316701</u>	Cover - Controller, Deep	1
29	<u>103316801</u>	Gasket - Controller Cover	1
30	<u>103697301</u>	Obc, Iq, A1, #6	1
31	<u>332</u>	Washer, 1/4 Type A Narrow Flat	2
32	<u>8639</u>	Tie Wrap, 11" Nylon	1
33	<u>8990</u>	Tie Wrap, 8" Nylon	1

19

E



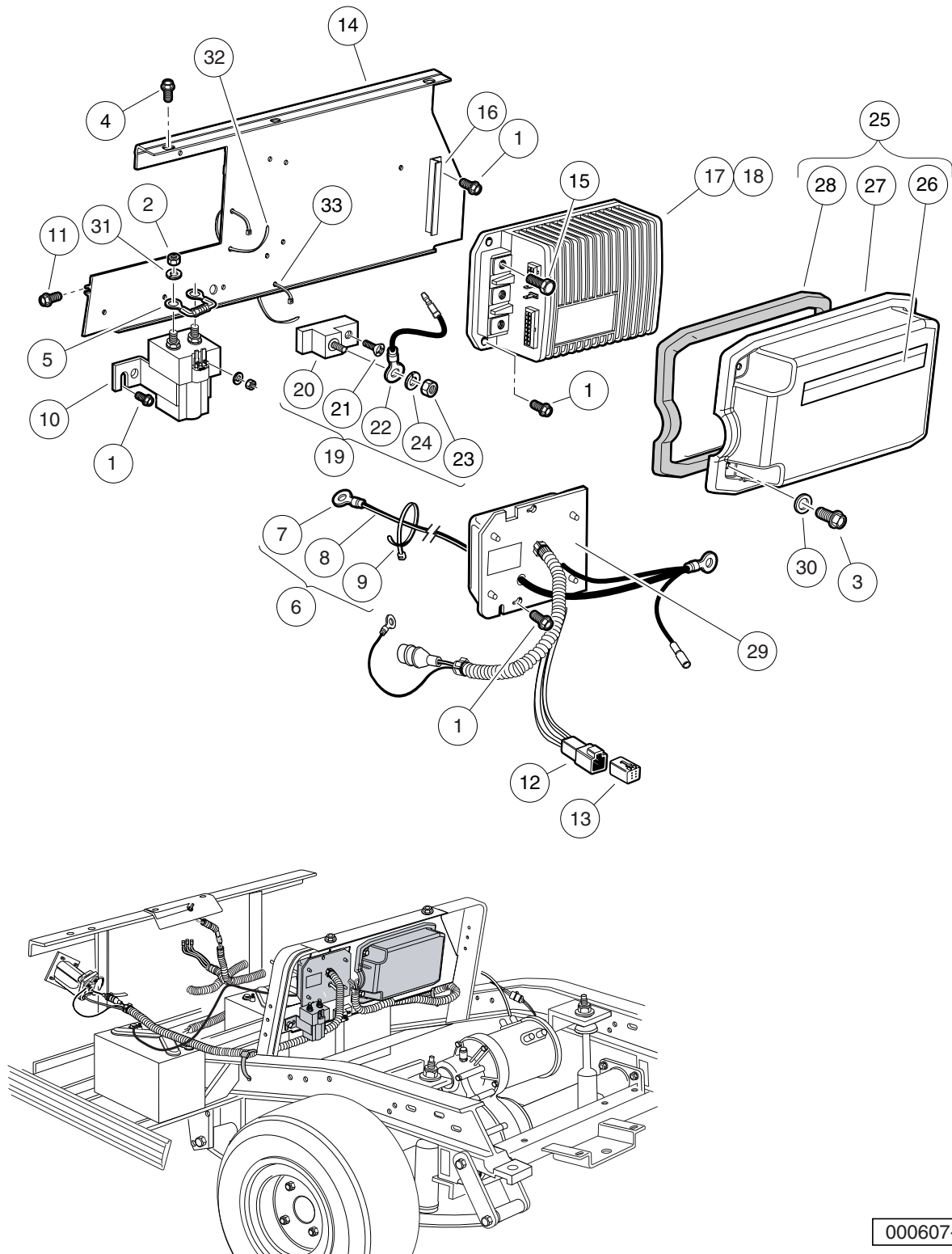
000607-004

COMPUTER, CONTROLLER, AND SOLENOID – FOR U.S. BATTERIES

19

E

ITEM	PART NO.	DESCRIPTION	QTY
		1 2 3 4	
1	<u>1012285</u>	Screw, 1/4 X 0.625 Hex-Head	9
2	<u>1012528</u>	Nut, M8-1.25 Hex	2
3	<u>1013734</u>	Lockwasher, 8mm Split	2
4	<u>1014063</u>	Screw, 1/4-20 X 1.00, Hex Head	2
5	<u>1014288</u>	Screw, 5/16-18 X 0.75, Thread-Forming	2
6	<u>1014947</u>	Resistor Assembly	1
7	101827801	Ground Wire Kit, 48-Volt (includes items 8 through 10)	1
8	101826801	Compression Lug	1
9	N/A	Wire Assembly, Black	1
10	<u>8990</u>	Tie Wrap, 8" Nylon	3
11	<u>101908703</u>	Solenoid, 48v W/ Diode	1
12	<u>101910401</u>	Screw, 5/16-18 X 1.25 Thrd Frm	2
13	<u>101932601</u>	Kit, 6-Pin Wedge Lock	1
14	<u>101932701</u>	Kit, 6-Pin Receptacle and Wedge Lock	1
15	<u>101965205</u>	Plate, Component Mounting	1
16	<u>102240501</u>	Bolt, Controller, Terminal	3
17	<u>102243101</u>	Extrusion, Cover Support	1
18	<u>102806201</u>	Controller, IQ, 48-volt	1
19	<u>102806203</u>	Controller, IQ, 48-volt, CE	1
20	<u>103282701</u>	Kit, Terminal Block Ground (includes items 21 through 25)	1
21	<u>102259801</u>	Terminal Block	1
22	<u>102263701</u>	Screw, #10-24 X 0.75 Phillips, Thread-Forming	1
23	<u>103282601</u>	Wire Assembly Black #10	1
24	<u>1242</u>	Nut, 5/16-18 Hex	1
25	<u>7174</u>	Lockwasher, 5/16 Split	1
26	<u>103316901</u>	Cover Asm - Controller (includes items 27 through 29)	1
27	<u>101931501</u>	Decal, Component Cover	1
28	<u>103316701</u>	Cover - Controller, Deep	1
29	<u>103316801</u>	Gasket - Controller Cover	1
30	<u>103697303</u>	Obc, Iq, A2, #6	1
31	<u>332</u>	Washer, 1/4 Type A Narrow Flat	2
32	<u>8639</u>	Tie Wrap, 11" Nylon	1
33	<u>8990</u>	Tie Wrap, 8" Nylon	1



000607-006

COMPUTER, CONTROLLER, AND SOLENOID – FOR CROWN AND JCI BATTERIES

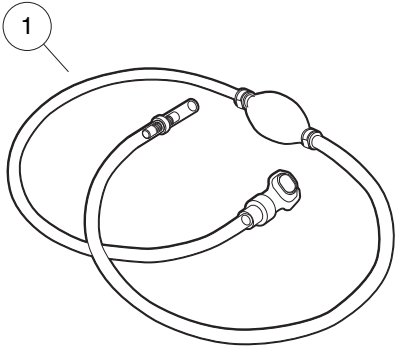
ITEM	PART NO.	DESCRIPTION	QTY
		1 2 3 4	
1	<u>1012285</u>	Screw, 1/4 X 0.625 Hex-Head	9
2	<u>1012528</u>	Nut, M8-1.25 Hex	2
3	<u>1014063</u>	Screw, 1/4-20 X 1.00, Hex Head	2
4	<u>1014288</u>	Screw, 5/16-18 X 0.75, Thread-Forming	2
5	<u>1014947</u>	Resistor Assembly	1
6	101827801	Ground Wire Kit, 48-Volt (includes items 7 through 9)	1
7	101826801	Compression Lug	1
8	N/A	Wire Assembly, Black	1
9	<u>8990</u>	Tie Wrap, 8" Nylon	3
10	<u>101908703</u>	Solenoid, 48v W/ Diode	1
11	<u>101910401</u>	Screw, 5/16-18 X 1.25 Thrd Frm	2
12	<u>101932601</u>	Kit, 6-Pin Wedge Lock	1
13	101932701	Kit, 6-Pin Receptacle and Wedge Lock	1
14	<u>101965202</u>	Plate, Component Mounting	1
15	<u>102240501</u>	Bolt, Controller, Terminal	3
16	<u>102243101</u>	Extrusion, Cover Support	1
17	<u>102806201</u>	Controller, IQ, 48-volt	1
18	<u>102806203</u>	Controller, IQ, 48-volt, CE	1
19	<u>103282701</u>	Kit, Terminal Block Ground (includes items 20 through 24)	1
20	<u>102259801</u>	Terminal Block	1
21	<u>102263701</u>	Screw, #10-24 X 0.75 Phillips, Thread-Forming	1
22	<u>103282601</u>	Wire Assembly Black #10	1
23	<u>1242</u>	Nut, 5/16-18 Hex	1
24	<u>7174</u>	Lockwasher, 5/16 Split	1
25	<u>103316901</u>	Cover Asm - Controller (includes items 26 through 28)	1
26	<u>101931501</u>	Decal, Component Cover	1
27	<u>103316701</u>	Cover - Controller, Deep	1
28	<u>103316801</u>	Gasket - Controller Cover	1
29	<u>103697301</u>	Obc, Iq, A1, #6	1
30	<u>332</u>	Washer, 1/4 Type A Narrow Flat	2
31	<u>7174</u>	Lockwasher, 5/16 Split	2
32	<u>8639</u>	Tie Wrap, 11" Nylon	1
33	<u>8990</u>	Tie Wrap, 8" Nylon	1

19

E

19

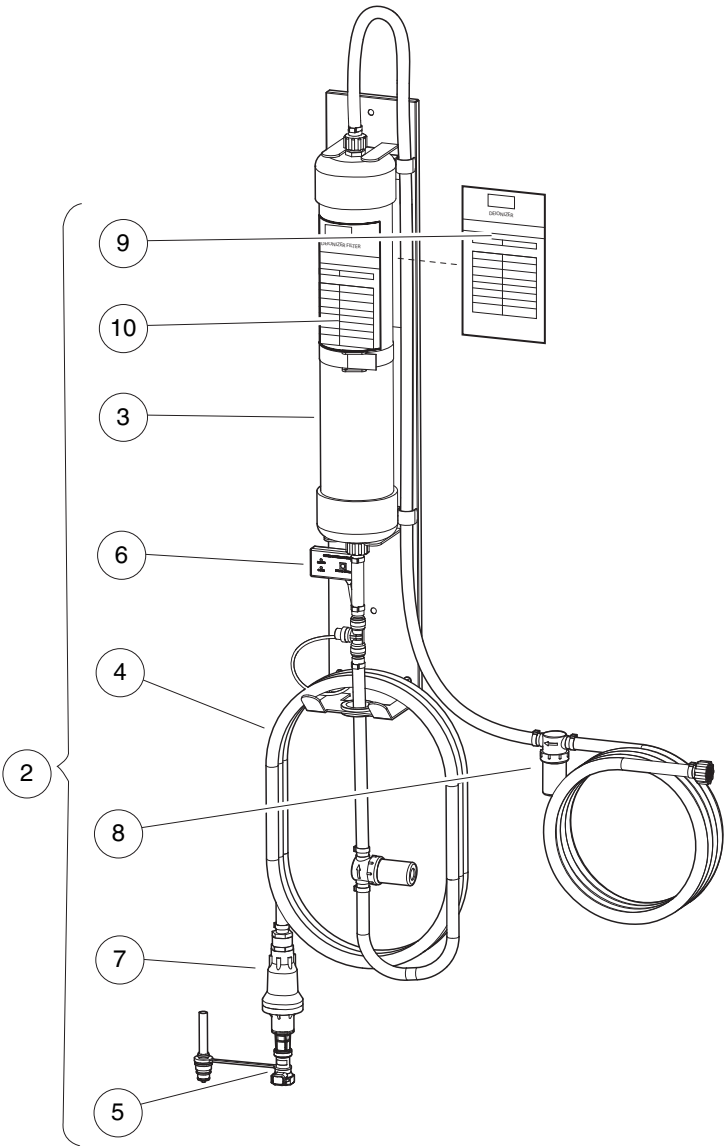
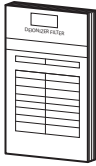
E



11



12



002523-003

HAND PUMP AND DEIONIZER (BATTERY-POWERED QUALITY LIGHT)

ITEM	PART NO.	DESCRIPTION	QTY
		1 2 3 4	
1	<u>104006101</u>	Kit, Hand Pump, Spws	1
2	<u>105166801</u>	Deionizer, w/Battery-Powered Water Quality Light (includes items 3 through 10)	1
3	<u>104005901</u>	Cartridge, Deionizer	1
4	<u>105166901</u>	Hose,outlet,deionizer	1
5	<u>105167001</u>	Flow Ind, W/coupler, Deionizer	1
6	<u>105167101</u>	Light, Quality, Battery-Powered, w/T-Fitting	1
7	<u>105168501</u>	Regulator, Pressure, Deionizer	1
8	<u>105168601</u>	Strainer, In-line, Deionizer	1
9	<u>AM1300001</u>	Decal, Filter Log, Blue	1
10	<u>AM1300201</u>	Decal, Inspect Log, Yellow	1
11	AM1300101	Decal, Filter Log, Blue, Pack of 100	A/R
12	AM1300301	Decal, Inspect Log, Yellow, Pack of 100	A/R

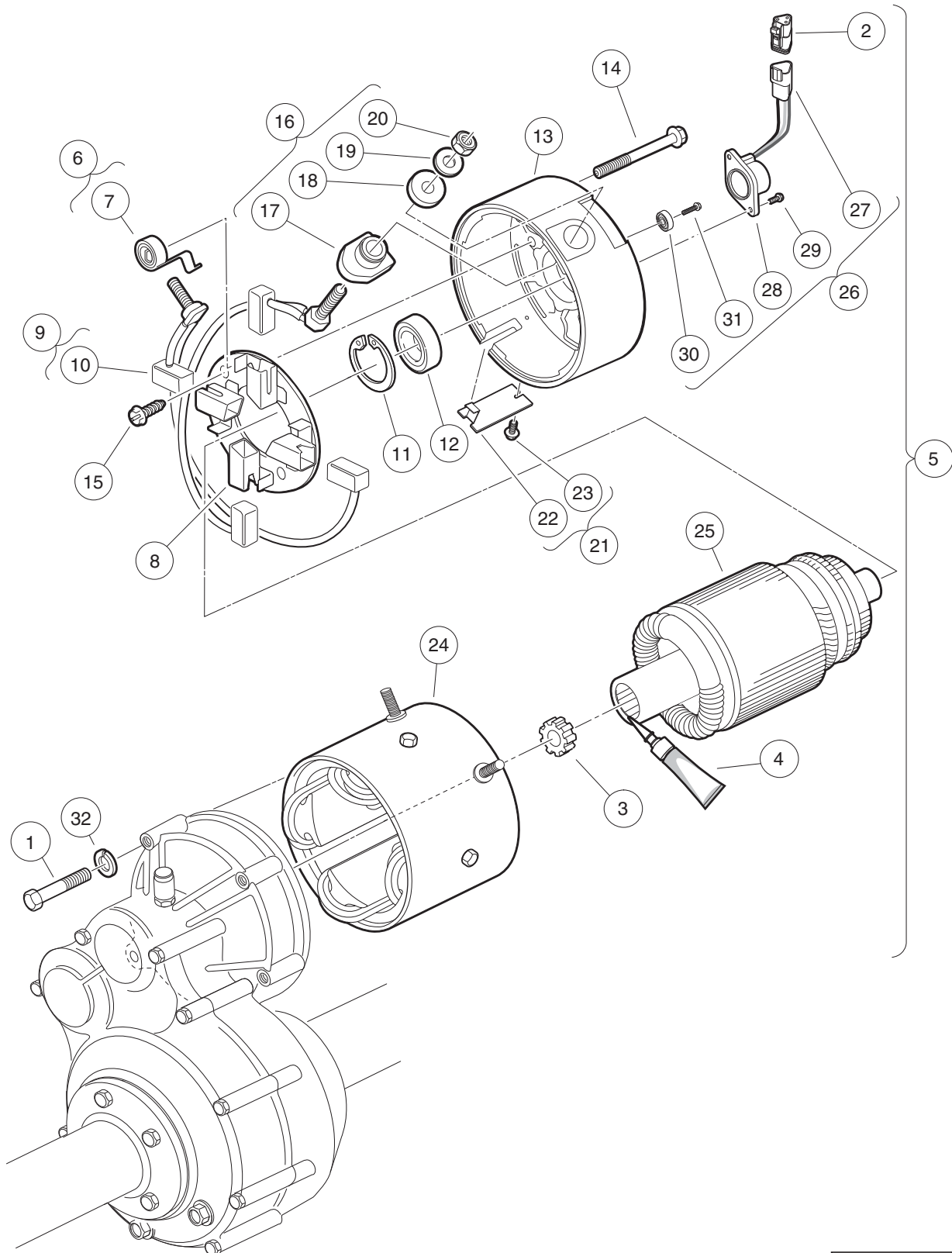
19

E

ELECTRIC MOTOR

20

E



000185-002

MOTOR (MODEL EJ8-4001A) – ELECTRIC VEHICLE

ITEM	PART NO.	DESCRIPTION	QTY
		1 2 3 4	
1	1014201	Screw, 1/4-20 X 2.25 Hex Cap	3
2	<u>101920101</u>	Kit, 3-Pin Wedge Lock	1
3	<u>102235201</u>	Bumper, Drive Unit	1
4	<u>102243403</u>	Lubricant, Moly-Teflon (Single-Use Tube)	1
5	<u>103572501</u>	IQ Electric Motor, 48-VDC 3.3 hp (includes items 6 through 26)	1
6	<u>102186001</u>	Spring Kit, Motor Brush (includes item 7)	1
7	N/A	Spring, Brush, S-g	4
8	<u>102186101</u>	Brush Box Assembly	1
9	<u>102186201</u>	Brush Kit, Motor (includes item 10)	1
10	N/A	Assembly, Brush and Terminal	2
11	N/A	Ring, 2.24" Internal Retaining	1
12	<u>102186401</u>	Bearing, Ball	1
13	<u>102186701</u>	End Cap, Motor	1
14	N/A	Screw, 1/4-20 X 2.25 Hex-Head Washer	2
15	<u>102186901</u>	Screw, #8-32 X .5 Hex-Head	2
16	<u>102187101</u>	Hardware Kit, Motor Terminal (includes items 17 through 20)	2
17	N/A	Bushing, Nylon	2
18	N/A	Washer, Nylon Flat	2
19	N/A	Washer, Flat, 5/16 Steel	2
20	N/A	Nut, Brass Hex, 5/16 - 18	2
21	<u>102187201</u>	Plate Kit, Motor Cover (includes items 22 and 23)	1
22	N/A	Assembly, Cover Plate	1
23	N/A	Screw, #8-32 x 0.375, Taptite Thread	1
24	<u>102704701</u>	Frame and Field Assembly	1
25	<u>102704801</u>	Armature Assembly	1
26	<u>102704901</u>	Kit, Speed Sensor (includes items 27 through 31)	1
27	<u>101942301</u>	Kit, 3-Pin Wedge Lock	1
28	N/A	Sensor, Motor Speed, ADC	1
29	N/A	Screw, #8-32, Taptite Thread	2
30	N/A	Magnet, ADC Motor	1
31	N/A	Screw, 1/4-20 x 0.5	1
32	<u>451</u>	Lockwasher, 1/4 Split	3
Note: The F1 and F2 terminal posts on the EJ8-4001A motor have 1/4 - 20			

20

E

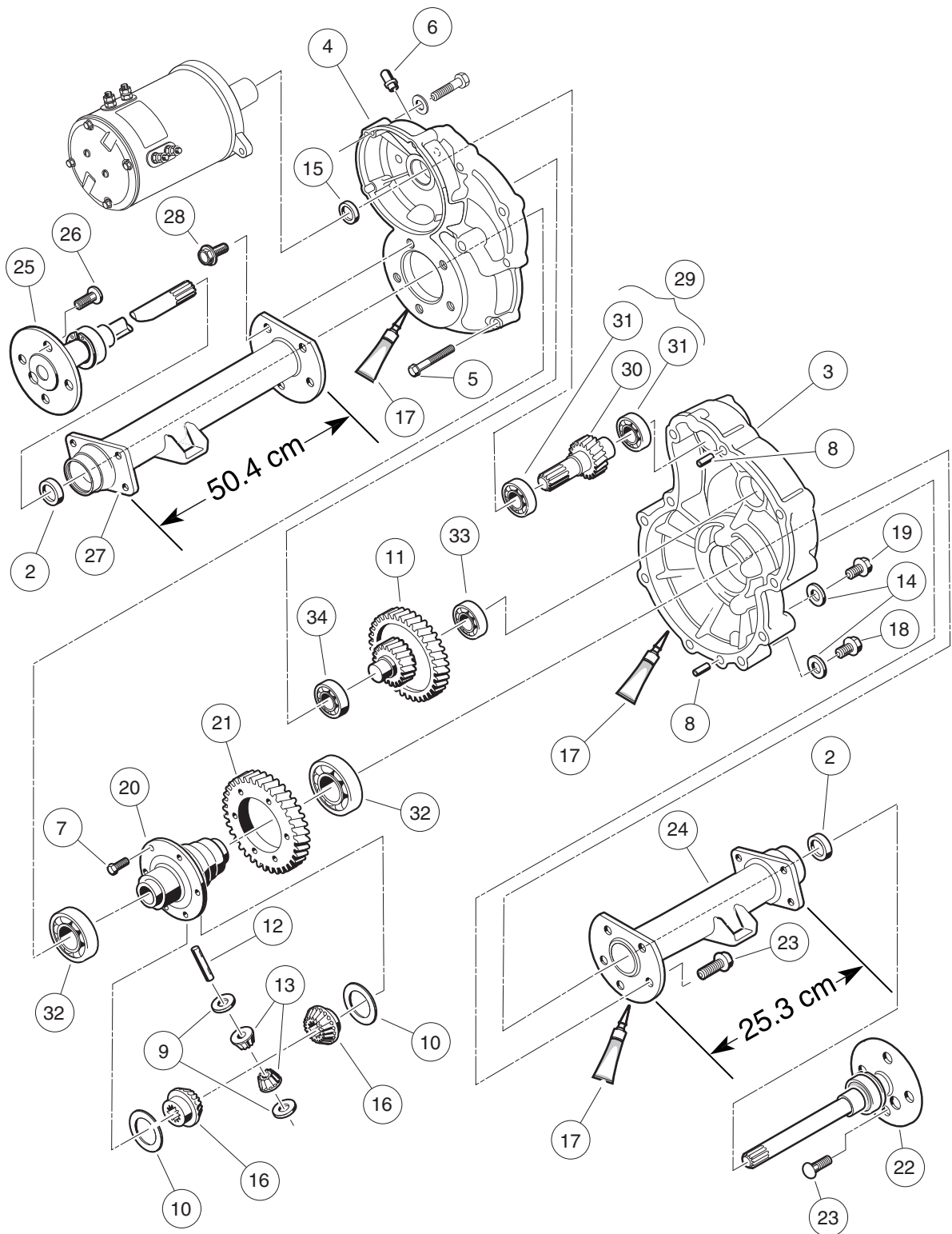
20

E

TRANSAXLE – ELECTRIC VEHICLES

21

E



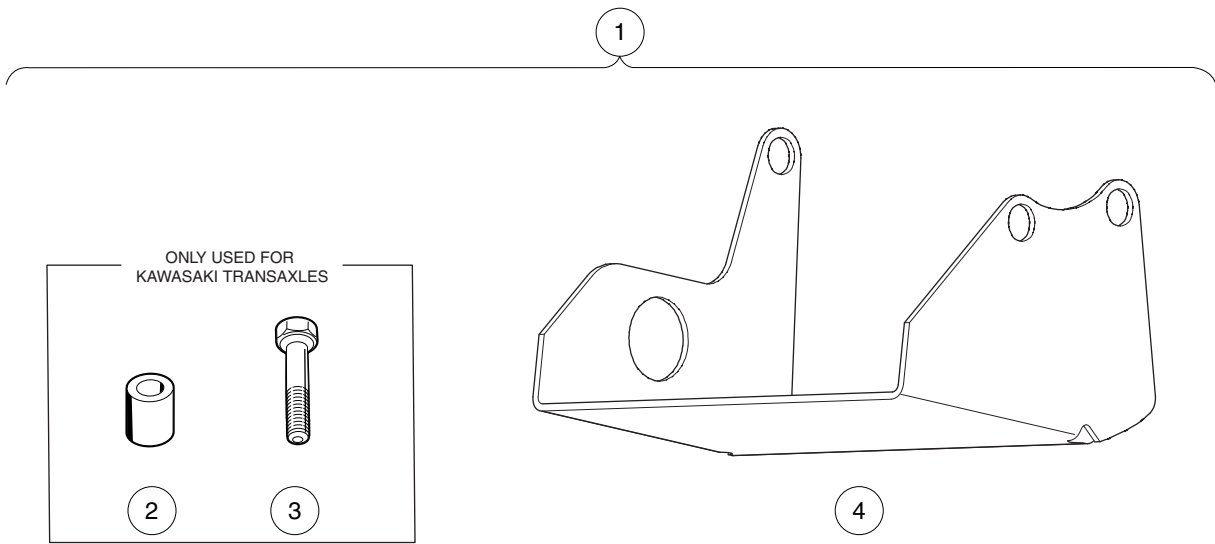
000223-005

TRANSAXLE – ELECTRIC VEHICLES

ITEM	PART NO.	DESCRIPTION	QTY
		1 2 3 4	
1	<u>102771701</u>	Transaxle, Electric (includes items 2 through 34)	1
2	<u>1013794</u>	Axle Shaft Oil Seal	2
3	<u>101895401</u>	Gear Case, Driver-Side	1
4	<u>101895501</u>	Gear Case, Passenger-Side	1
5	<u>101897001</u>	Screw, M8-1.25 X 60mm Hex-Head	11
6	<u>101897201</u>	Breather	1
7	<u>101897401</u>	Screw, M10-1.25 X 25mm	6
8	<u>101897601</u>	Pin, 11mm OD X 8.5mm ID X 10mm	2
9	<u>101903601</u>	Washer, Thrust	2
10	<u>101903701</u>	Washer, Thrust	2
11	<u>101906901</u>	Intermediate Shaft Assembly	1
12	<u>101922101</u>	Pin, 15.99mm X 88.7mm Dowel	1
13	<u>101923001</u>	Gear, Differential Idler	2
14	<u>101923201</u>	Gasket	2
15	<u>101923501</u>	Seal, Lip	1
16	<u>101923901</u>	Gear, Differential	2
17	<u>101928701</u>	Liquid Gasket (Transaxle case)	1
18	<u>101972101</u>	Plug, M14-1.5 X 12mm Magnetic	1
19	<u>101972201</u>	Plug, M14-1.5 X 12mm Hex	1
20	<u>102356601</u>	Housing, Differential, 6 Bolt	6
21	<u>102356801</u>	Gear, Differential Output, 6-Bolt	6
22	<u>102886301</u>	Axle Assembly, Driver-Side (includes item 23)	1
23	<u>101922201</u>	Lug Stud	4
24	<u>102886401</u>	Tube, Axle, Driver-Side	1
25	<u>102886501</u>	Axle Assembly, Passenger-Side (includes item 26)	1
26	<u>101922201</u>	Lug Stud	4
27	<u>102886601</u>	Tube, Axle, Passenger-Side	1
28	<u>102902801</u>	Screw, M10 X 30	10
29	<u>103582801</u>	Asm, E Trans Shaft/bearing (includes items 30 and 31)	1
30	N/A	Shaft, Input	1
31	<u>7335</u>	Bearing	2
32	<u>7330</u>	Inner Axle Tube Bearing	2
33	<u>7335</u>	Bearing	1
34	<u>7336</u>	Bearing	1

21

E



000365-002

DIFFERENTIAL GUARD – ELECTRIC VEHICLES

ITEM	PART NO.	DESCRIPTION	QTY
		1 2 3 4	
1	<u>101611402</u>	Kit, Differential Guard, Elec Vehicles (includes items 2 through 4)	1
2	<u>101914001</u>	Spacer, Steel	2
3	<u>101936101</u>	Screw, M10-1.50 X 60mm Hex Cap	2
4	<u>101978601</u>	Guard, Differential, Electric Vehicle Transaxle	1

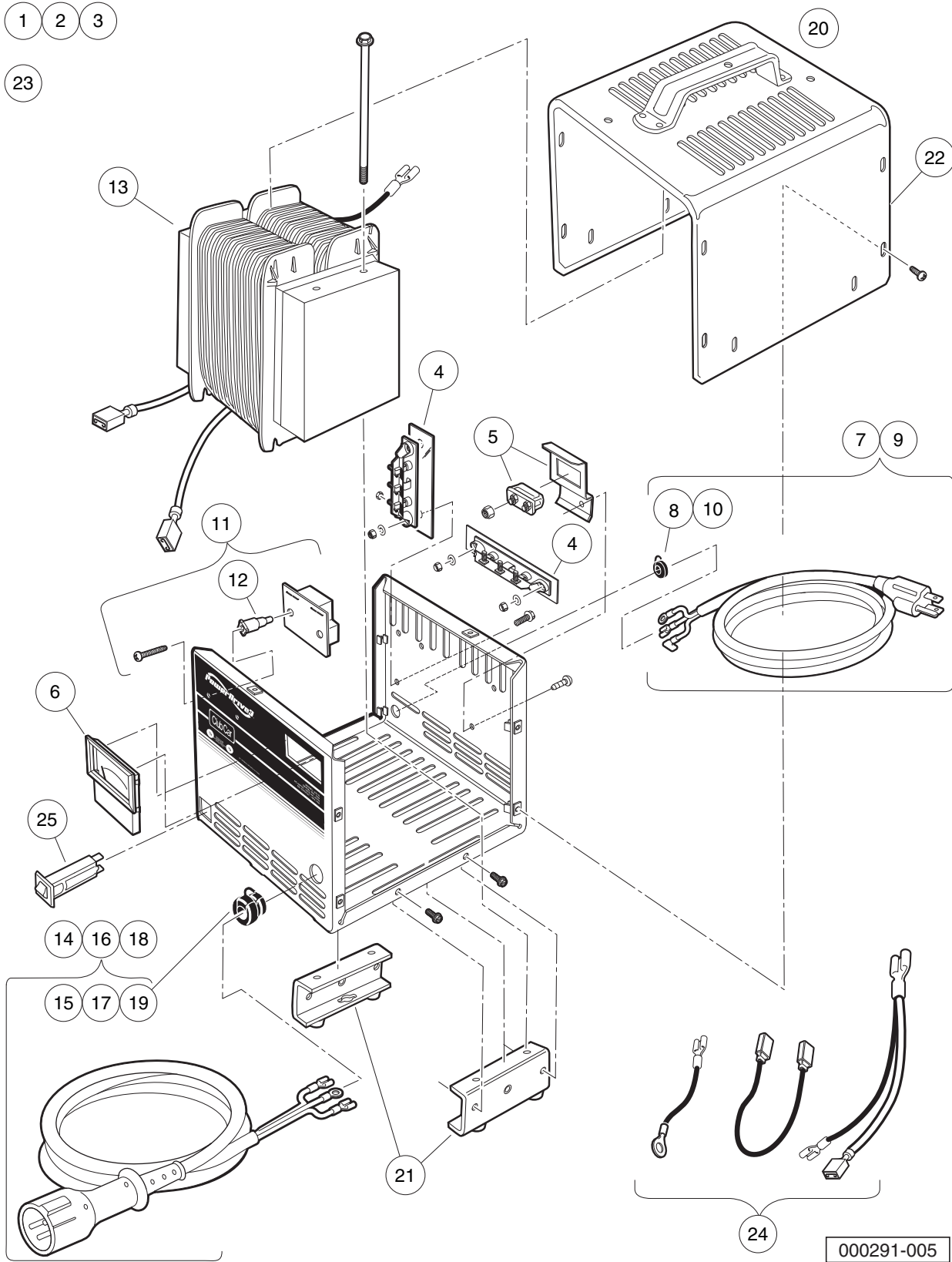
21

E

BATTERY CHARGERS – POWER DRIVE

- 1
- 2
- 3

- 23



000291-005

POWERDRIVE 3 BATTERY CHARGER (MODEL 26580-11,-12,-18,-19), DOMESTIC

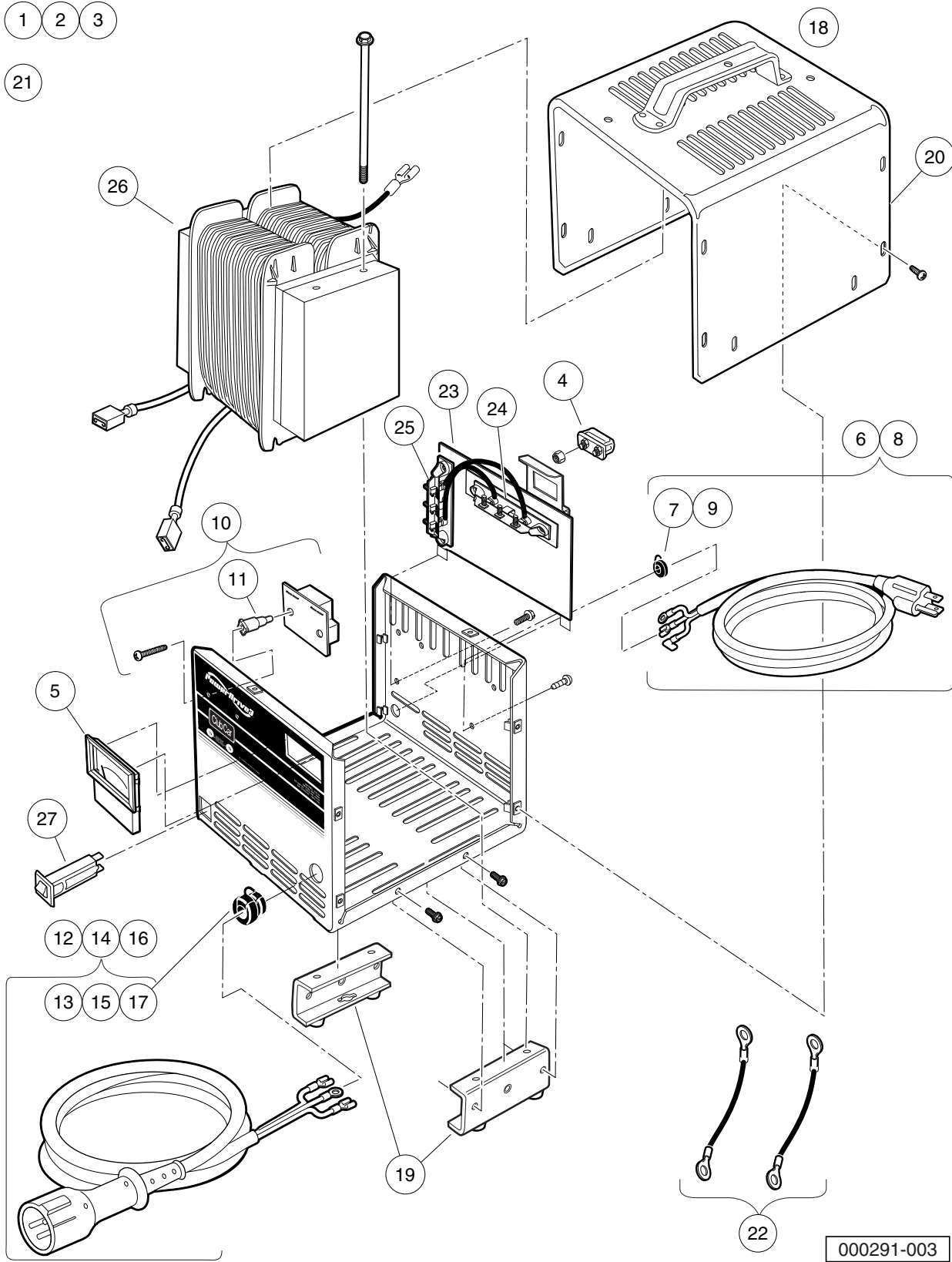
ITEM	PART NO.	DESCRIPTION	QTY
		1 2 3 4	
1	103499101	Charger, PowerDrive 3, 9ft DC, 6ft AC	1
2	<u>103499102</u>	Charger, PowerDrive 3, 12ft DC, 9ft AC	1
3	<u>103499103</u>	Charger, PowerDrive 3, 20ft DC, 9ft AC (includes items 4 through 25)	1
4	<u>1015914</u>	Rectifier with Heatsink Assembly	2
5	<u>102273701</u>	PD2 Fuse Asm	1
6	<u>102273801</u>	PD2 Ammeter	1
7	<u>103428501</u>	Kit, PD3 Cordset - AC 80" (includes item 8)	1
8	<u>102273901</u>	PD2 AC Cord Bushing	1
9	<u>103428601</u>	Kit, PD3 Cordset, - AC 114" (includes item 10)	1
10	<u>102273901</u>	PD2 AC Cord Bushing	1
11	<u>103428701</u>	Asm, PD3 Board Relay (includes item 12)	1
12	<u>103429701</u>	PD3 Plastic Stand-Offs	2
13	<u>103428801</u>	PD3 Transformer	1
14	<u>103429001</u>	PD3 Cordset - DC 113" (includes item 15)	1
15	<u>1012098</u>	Bushing, DC Cord	1
16	<u>103429101</u>	PD3 Cordset - DC 154" (includes item 17)	1
17	<u>1012098</u>	Bushing, DC Cord	1
18	<u>103429201</u>	PD3 Cordset - DC 205" (includes item 19)	1
19	<u>1012098</u>	Bushing, DC Cord	1
20	<u>103429301</u>	Asm, PD3 Case (includes items 21 and 22)	1
21	<u>103434001</u>	Asm, PD3 Legs	1
22	<u>103439901</u>	PD3Case Top (Includes Handle)	1
23	<u>103429501</u>	Kit, PD3 Hardware	1
24	<u>103429601</u>	Kit, PD3 Wires	1
25	<u>CCX8506</u>	Circuit Breaker, 15-Amp/120-Volt	1
Note: Level 1 Battery Charger part numbers include one AC and one DC cord. They do not include all of the level 2 cords listed.			

22

E

1 2 3

21



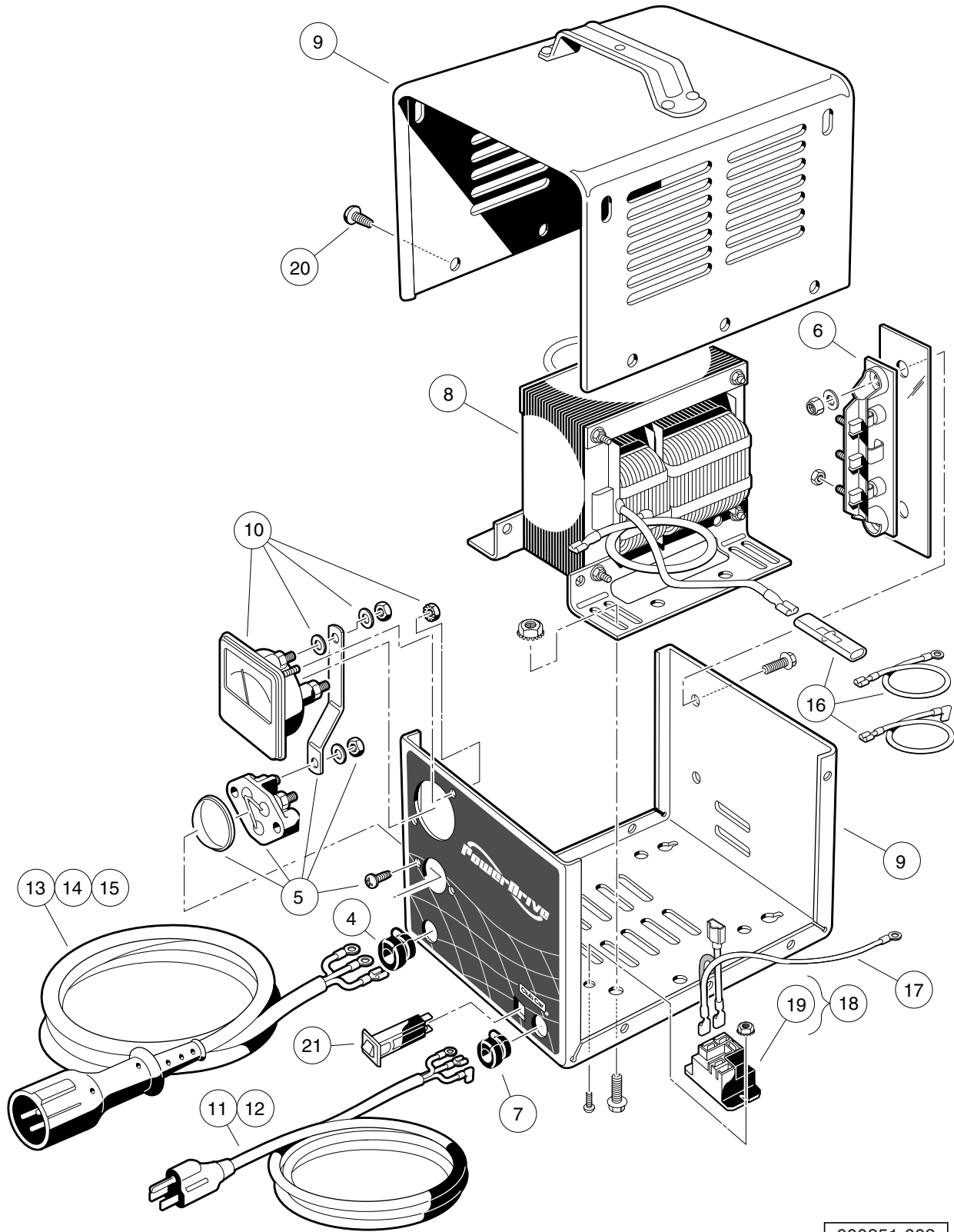
000291-003

POWERDRIVE 3 BATTERY CHARGER (MODEL 26580-31,-38,-39), DOMESTIC

22

E

ITEM	PART NO.	DESCRIPTION	QTY
		1 2 3 4	
1	<u>103717001</u>	Charger, PowerDrive 3, 9ft DC, 6ft AC	1
2	<u>103717002</u>	Charger, PowerDrive 3, 12ft DC, 9ft AC	1
3	<u>103717003</u>	Charger, PowerDrive 3, 20ft DC, 9ft AC (includes items 4 through 27)	1
4	<u>102273701</u>	PD2 Fuse Asm	1
5	<u>102273801</u>	PD2 Ammeter	1
6	<u>103428501</u>	Kit, PD3 Cordset - AC 80" (includes item 7)	1
7	<u>102273901</u>	PD2 AC Cord Bushing	1
8	<u>103428601</u>	Kit, PD3 Cordset, - AC 114" (includes item 9)	1
9	<u>102273901</u>	PD2 AC Cord Bushing	1
10	<u>103428701</u>	Asm, PD3 Board Relay (includes item 11)	1
11	<u>103429701</u>	PD3 Plastic Stand-Offs	2
12	<u>103429001</u>	PD3 Cordset - DC 113" (includes item 13)	1
13	<u>1012098</u>	Bushing, DC Cord	1
14	<u>103429101</u>	PD3 Cordset - DC 154" (includes item 15)	1
15	<u>1012098</u>	Bushing, DC Cord	1
16	<u>103429201</u>	PD3 Cordset - DC 205" (includes item 17)	1
17	<u>1012098</u>	Bushing, DC Cord	1
18	<u>103429301</u>	Asm, PD3 Case (includes items 19 and 20)	1
19	<u>103434001</u>	Asm, PD3 Legs	1
20	<u>103439901</u>	PD3Case Top (Includes Handle)	1
21	<u>103429501</u>	Kit, PD3 Hardware	1
22	<u>103513001</u>	Wire Asm Kit Blk Pd3	1
23	<u>103517401</u>	Kit Pd3 Button Diode (includes items 24 and 25)	1
24	N/A	Asm Diode Top	1
25	N/A	Asm Diode Side	1
26	<u>103779601</u>	Transformer, Pd3, Al	1
27	<u>CCX8506</u>	Circuit Breaker, 15-Amp/120-Volt	1
<p>Note: Level 1 Battery Charger part numbers include one AC and one DC cord. They do not include all of the level 2 cords listed.</p>			



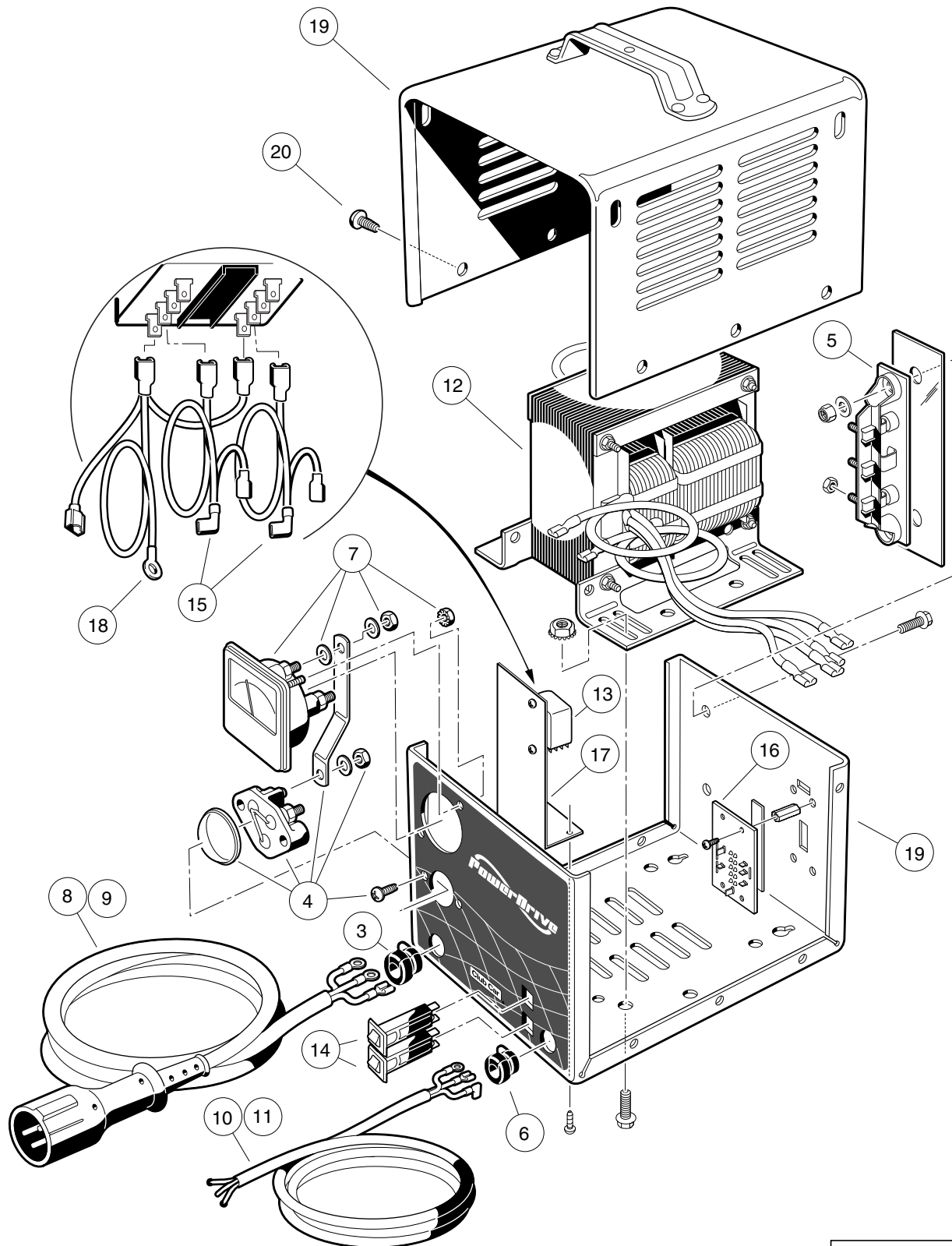
000351-002

POWERDRIVE BATTERY CHARGER (MODEL 17930), DOMESTIC

22

E

ITEM	PART NO.	DESCRIPTION	QTY
		1 2 3 4	
1	<u>101802201</u>	Charger, PowerDrive, 48V/17A, 9ft DC, 6ft AC Cord	1
2	<u>101802202</u>	Charger, PowerDrive, 48V/17A, 12ft DC, 9ft AC Cord	1
3	<u>101802203</u>	Charger, PowerDrive, 48V/17A, 20ft DC, 9ft AC Cord (includes items 4 through 21)	1
4	<u>1012098</u>	Bushing, DC Cord	1
5	<u>1012101</u>	Fuse Assembly	1
6	<u>1015914</u>	Rectifier with Heatsink Assembly	1
7	<u>1015917</u>	Bushing, AC Cord	1
8	<u>101819701</u>	Transformer, Battery Charger	1
9	<u>101828301</u>	Case Assembly	1
10	<u>101828501</u>	Ammeter	1
11	<u>101828801</u>	Cord, AC, 80-Inch (203 cm)	1
12	<u>101828802</u>	Cord, AC, 108-Inch (274 cm)	1
13	<u>101828901</u>	Cord, DC, 113-Inch (287 cm)	1
14	<u>101828902</u>	Cord, DC, 154-Inch (391 cm)	1
15	<u>101828903</u>	Cord, DC, 250-Inch (635 cm)	1
16	<u>101831101</u>	Wire Assembly Kit	1
17	101914401	Assembly, Voltage Suppressor	1
18	<u>103414901</u>	Kit, Relay, 48v 30a W/instr (includes item 19)	1
19	<u>103397901</u>	Relay, Spst No, 48v 30a, Pmt	1
20	7577	Screw, #10 X 0.50 Phillips Pan-Head	10
21	<u>CCX8506</u>	Circuit Breaker, 15-Amp/120-Volt	1
<p>Note: Level 1 Battery Charger part numbers include one AC and one DC cord. They do not include all of the level 2 cords listed.</p>			



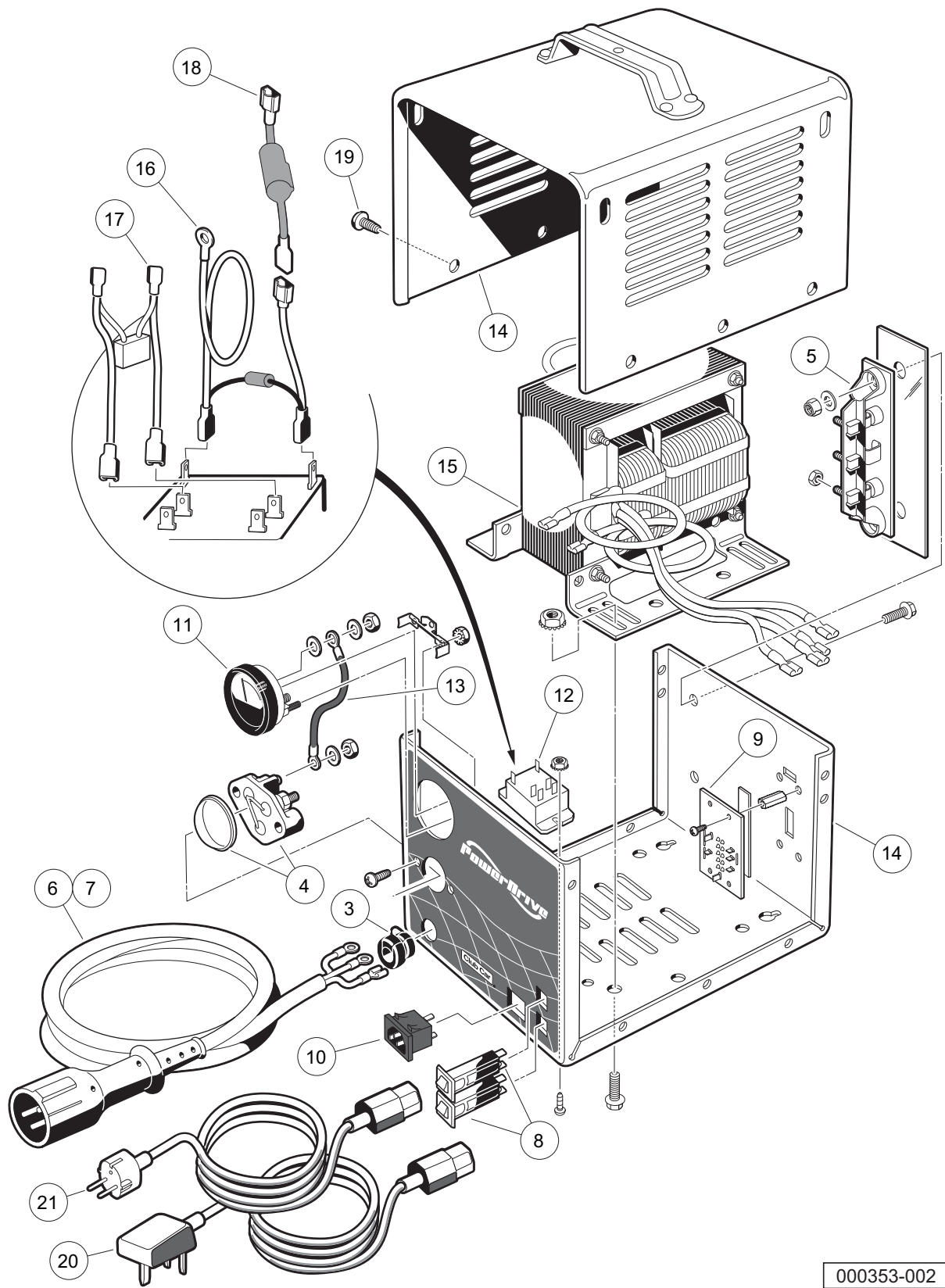
000352-001

POWERDRIVE BATTERY CHARGER (MODEL 18780), EXPORT

ITEM	PART NO.	DESCRIPTION	QTY
		1 2 3 4	
1	101831503	Battery Charger, 48-Volt DC (8.5-ft DC, 6-ft AC)	1
2	101831504	Battery Charger, 48-Volt DC (12-ft DC, 9-ft AC) (includes items 3 through 20)	1
3	<u>1012098</u>	Bushing, DC Cord	1
4	<u>1012101</u>	Fuse Assembly	1
5	<u>1015914</u>	Rectifier with Heatsink Assembly	1
6	<u>1015917</u>	Bushing, AC Cord	1
7	<u>101828501</u>	Ammeter	1
8	<u>101828901</u>	Cord, DC, 113-Inch (287 cm)	1
9	<u>101828902</u>	Cord, DC, 154-Inch (391 cm)	1
10	<u>101831701</u>	Cord, AC, 80-Inch (203 cm), without Plug	1
11	<u>101831702</u>	Cord, AC, 118-Inch (300 cm), without Plug	1
12	101838201	Transformer, Export Battery Charger	1
13	<u>101838301</u>	Relay, Export Charger	1
14	101838401	Circuit Breaker	2
15	101838501	Kit, Wire Assembly	1
16	101838601	Four-Position Switch	1
17	<u>101838701</u>	Mounting Bracket, Relay	1
18	101914401	Assembly, Voltage Suppressor	1
19	N/A	Case, Charger	1
20	7577	Screw, #10 X 0.50 Phillips Pan-Head	10
<p>Note: Level 1 Battery Charger part numbers include one AC and one DC cord. They do not include all of the level 2 cords listed.</p>			

22

E



000353-002

POWERDRIVE BATTERY CHARGER (MODEL 20310), EUROPEAN

22

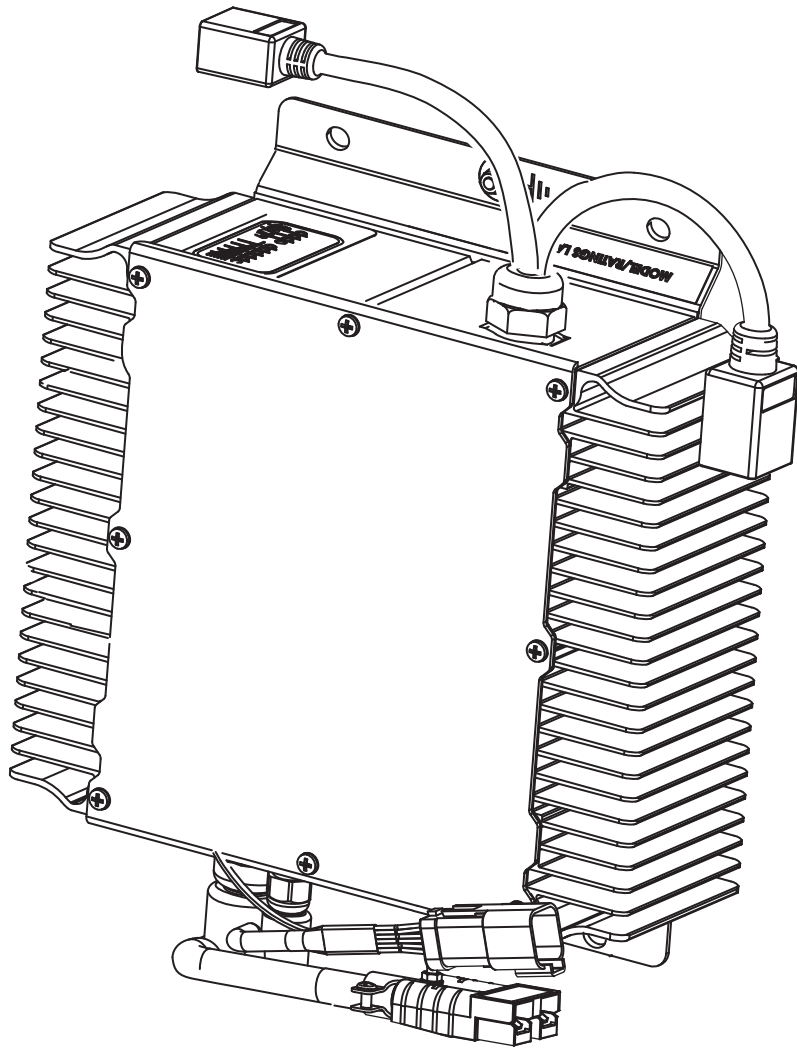
E

ITEM	PART NO.	DESCRIPTION	QTY
		1 2 3 4	
1	<u>101956201</u>	Battery Charger, 48-Volt w/ 4-Position Switch (8.5-ft DC)	1
2	<u>101956202</u>	Battery Charger, 48-Volt w/ 4-Pos. Switch (12-ft DC) (includes items 3 through 19)	1
3	<u>1012098</u>	Bushing, DC Cord	1
4	<u>1012101</u>	Fuse Assembly	1
5	<u>1015914</u>	Rectifier with Heatsink Assembly	1
6	<u>101828901</u>	Cord, DC, 113-Inch (287 cm)	1
7	<u>101828902</u>	Cord, DC, 154-Inch (391 cm)	1
8	101838401	Circuit Breaker	2
9	101838601	Four-Position Switch	1
10	101973501	Receptacle, AC Cord	1
11	101976601	Ammeter with Mounting Bracket	1
12	<u>101987501</u>	Relay	1
13	N/A	Wire, Jumper	1
14	N/A	Case, Charger	1
15	****	Transformer, European Battery Charger	1
16	****	Suppressor, AC Voltage	1
17	****	Assembly, Wire	1
18	N/A	Limiter, Current	1
19	7577	Screw, #10 X 0.50 Phillips Pan-Head	10
20	<u>101958201</u>	Cord, UK, AC, Battery Charger	1
21	101958301	Cord, European AC, Battery Charger	1
		**** Special order item available upon request.	
		Note: Level 1 Battery Charger part numbers include one AC and one DC cord. They do not include all of the level 2 cords listed.	

BATTERY CHARGER – DELTAQ HIGH-FREQUENCY

23

E



1

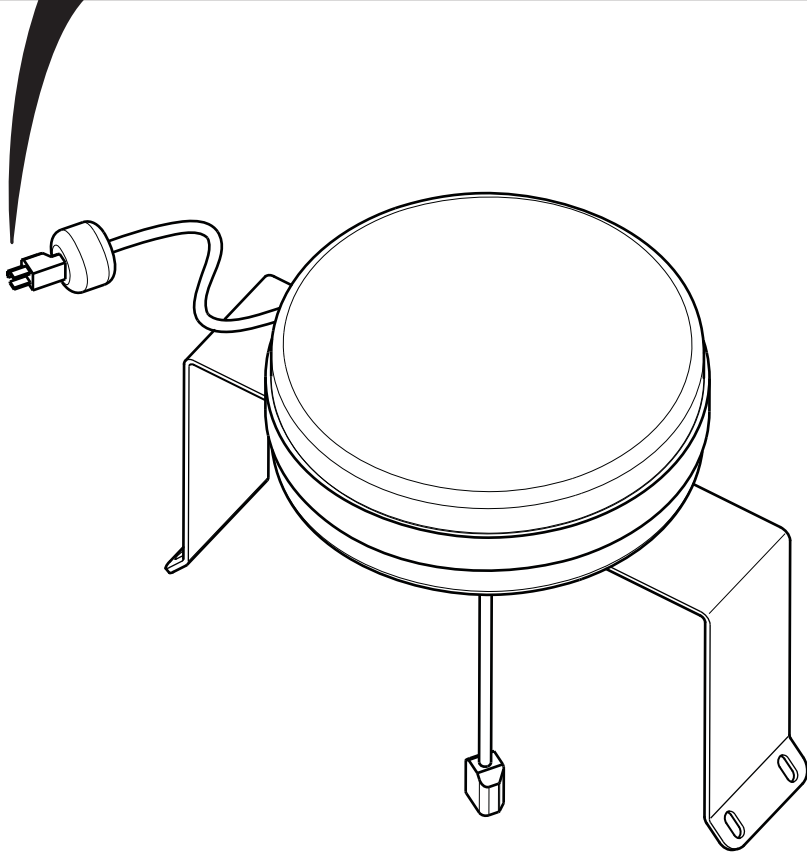
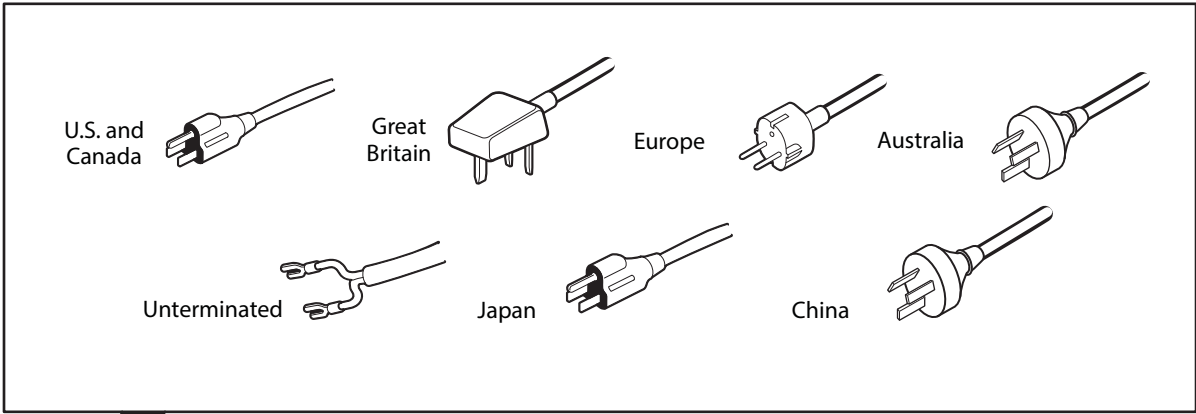
001428-001

HIGH-FREQUENCY BATTERY CHARGER – ONBOARD

ITEM	PART NO.	DESCRIPTION	QTY
1	<u>SVPP325510</u>	1 2 3 4 Charger, Delta Q, Sb50, Alg 11	1

23

E



- 1
- 2
- 3
- 4
- 5
- 6
- 7

001429-001

CORD REELS, ONBOARD – HIGH-FREQUENCY CHARGER

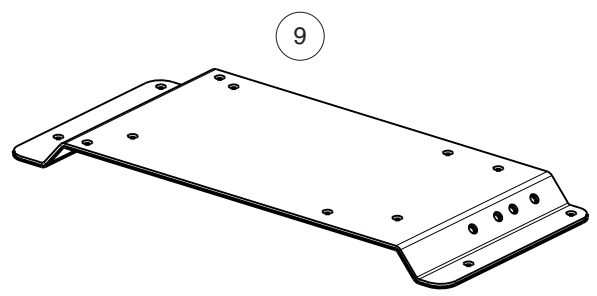
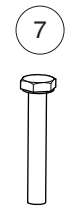
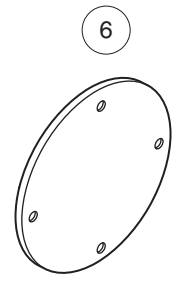
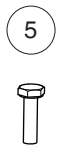
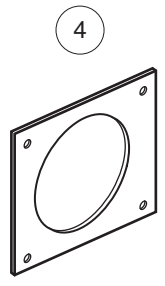
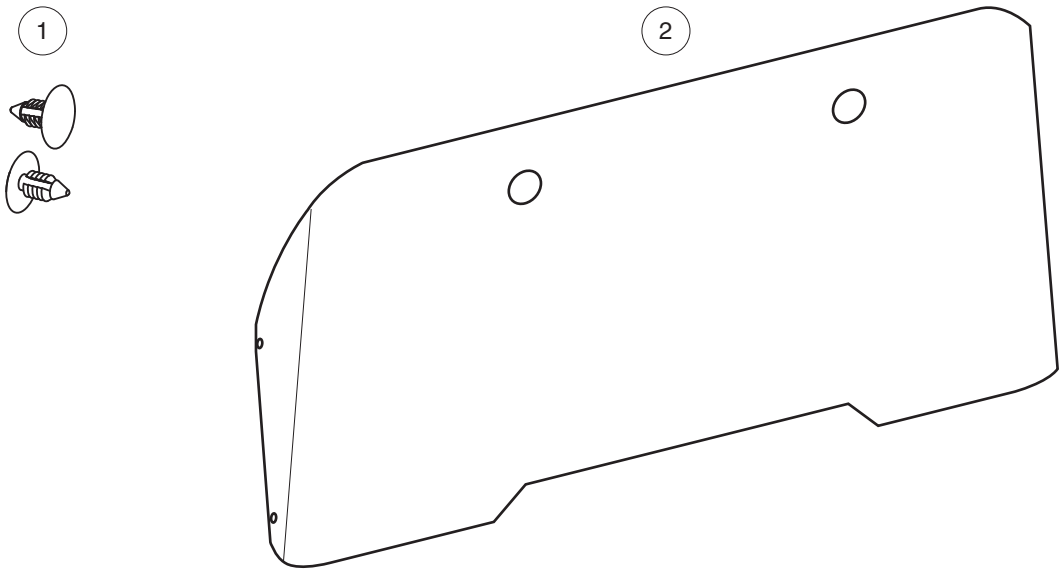
ITEM	PART NO.	DESCRIPTION	QTY
		1 2 3 4	
1	47579307001	Cord Reel, Retrct, V6/v8	1
2	<u>47579307002</u>	Cord Reel,retrct,v6/v8, Uk	1
3	<u>47579307003</u>	Cord Reel,retrct,v6/v8, Eu	1
4	47579307004	Cord Reel,retrct,v6/v8, Au	1
5	47579307005	Cord Reel,retrct,v6/v8, Unterm	1
6	47579307006	Cord Reel,retrct,v6/v8, Japan	1
7	47579307007	Cord Reel,retrct,v6/v8, China	1

23

E

23

E



001430-001

CHARGER MOUNTING – ONBOARD HIGH-FREQ.

ITEM	PART NO.	DESCRIPTION	QTY
		1 2 3 4	
1	<u>1010434</u>	Barrel - Plastic	4
2	1011348	Rear Panel 4 Passenger	1
3	<u>1014306</u>	Washer, 1/4" Type B Flat	4
4	<u>101801001</u>	Plate, Receptacle Backing	1
5	<u>101832001</u>	Screw, #7-19 X 0.625 Phillips Pan-Head Tap	4
6	<u>103218001</u>	Cover Plate, Receptacle	1
7	304	Screw, 1/4-20 X 1.0 Hex-Head Cap	4
8	<u>332</u>	Washer, 1/4 Type A Narrow Flat	12
9	47579306001	Brkt, Ob Charger, V6/v8	1
10	<u>7847</u>	Screw, 1/4-20 X 0.75 Hex-Head Cap	8
11	<u>8233</u>	Locknut, 1/4-20, Nylon Insert	12

23

E

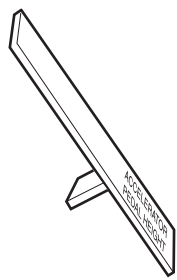
23

E

MAINTENANCE AND SERVICE TOOLS

24
G
E

24
G
E



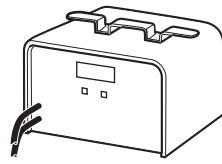
1



2



3



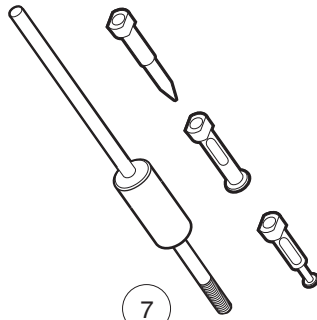
4



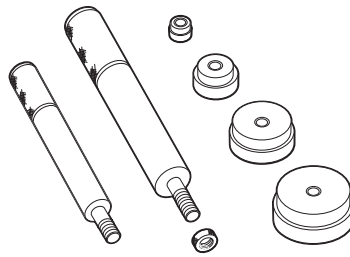
5



6



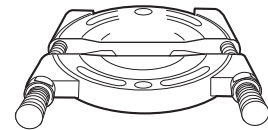
7



8



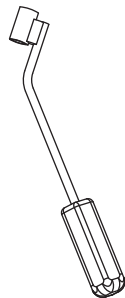
9



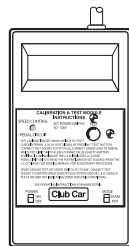
10



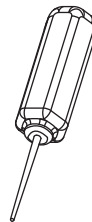
11



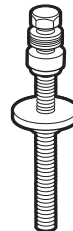
12



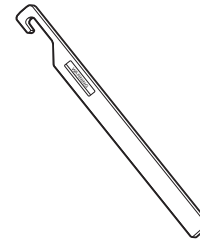
13



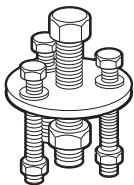
14



15



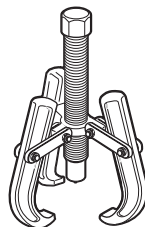
16



17



18



19



20



21

001600-001

MAINTENANCE AND SERVICE TOOLS

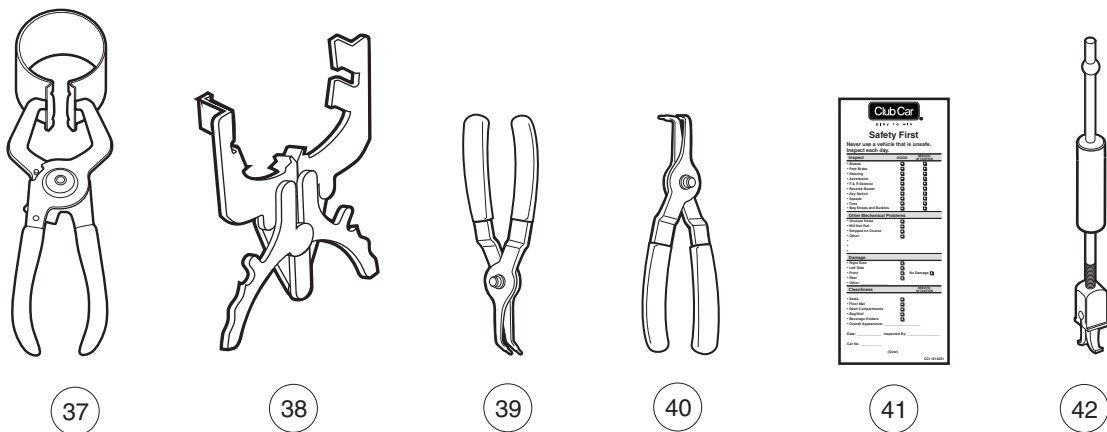
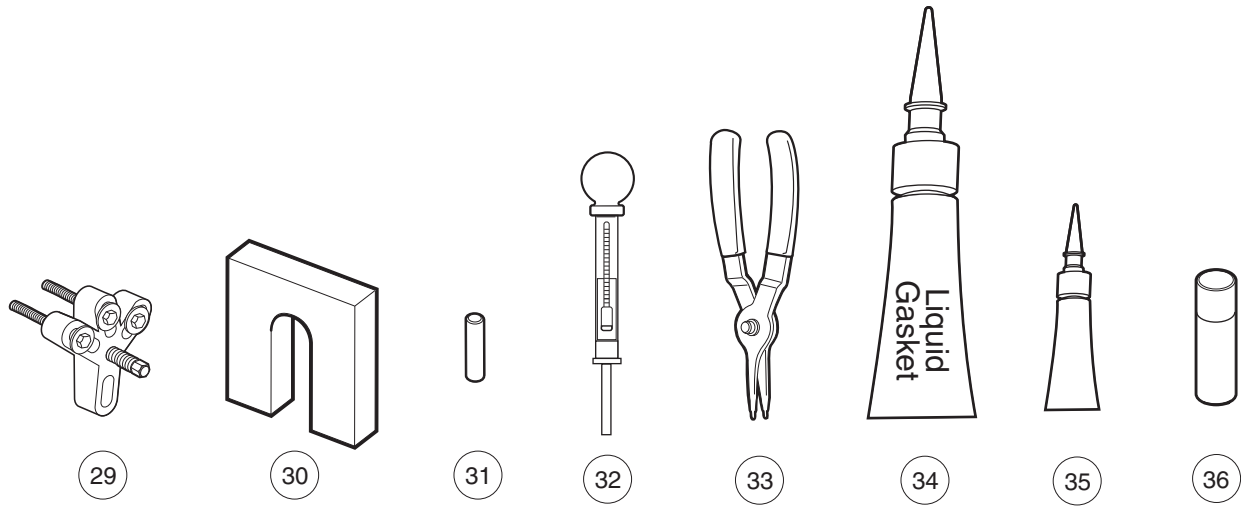
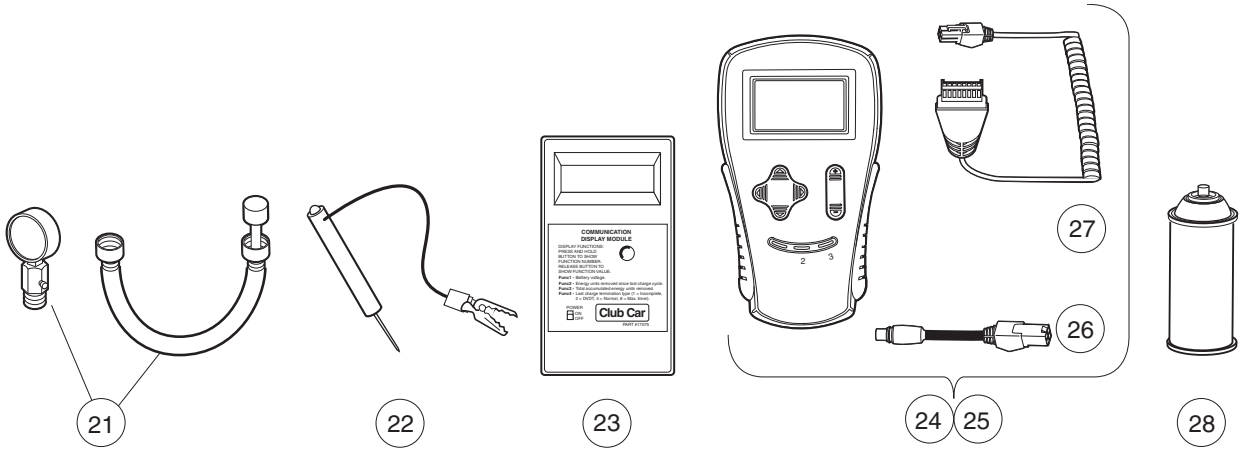
ITEM	PART NO.	DESCRIPTION	QTY GAS	QTY ELEC
		<p style="text-align: center;">1 2 3 4</p> <p>The following tool list includes all tools available from Club Car to perform maintenance and service procedures on all electric utility vehicles and all gasoline utility vehicles equipped with Kawasaki FE-series engines. Be sure to carefully examine the tool list for applicability to your vehicle before ordering.</p>		
1	<u>101871001</u>	Accelerator Pedal Adjustment Tool (Utility Vehicles).....	1	1
2	<u>101813202</u>	Adhesive, Guide Ring, 3-Gram Tube		1
3	<u>101641202</u>	Arbor	1	
4	<u>101831901</u>	Battery Discharge Machine, 36/48 Volt		1
5	<u>1014305</u>	Battery Terminal Protector Spray	1	1
6	1011767	Battery Thermometer	1	1
7	<u>1016417</u>	Bearing and Oil Seal Remover Assembly	1	1
8	<u>1016416</u>	Bearing Driver Set	1	1
9	<u>1012811</u>	Bearing Puller	1	1
10	<u>1012812</u>	Bearing Puller Wedge Attachment	1	1
11	1013582	Brake Adjustment Tool (used only on vehicles with manually adjusted mechanical brakes)	1	1
12	<u>102555501</u>	Brake Cable Release Tool	1	1
13	<u>101887101</u>	Calibration Test Module		1
14	<u>102562401</u>	Charger Bezel Tool		1
		Clutch Tools (items 14 - 20)	1	
15	<u>101808401</u>	Clutch Cam Installation Tool (for Kawasaki engines)	1	
16	<u>1015524</u>	Drive Clutch Holder Tool Assembly (for Kawasaki engines)	1	
17	<u>1014497</u>	Drive Clutch Hub Puller (for Kawasaki engines)	1	
18	<u>1014496</u>	Drive Clutch Puller (for Kawasaki engines)	1	
19	<u>1014508</u>	Driven Clutch Cam Puller (for Kawasaki engines)	1	
20	<u>1014507</u>	Driven Clutch Puller Plug (for Kawasaki engines)	1	
21	<u>101809101</u>	Press Weldment (for Kawasaki engines)	1	
		<p>Please refer to the maintenance and service manual for proper tool application.</p>		

24

G

E

24
G
E



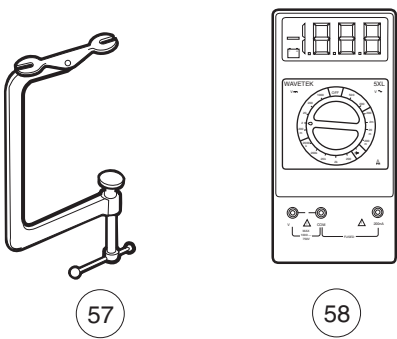
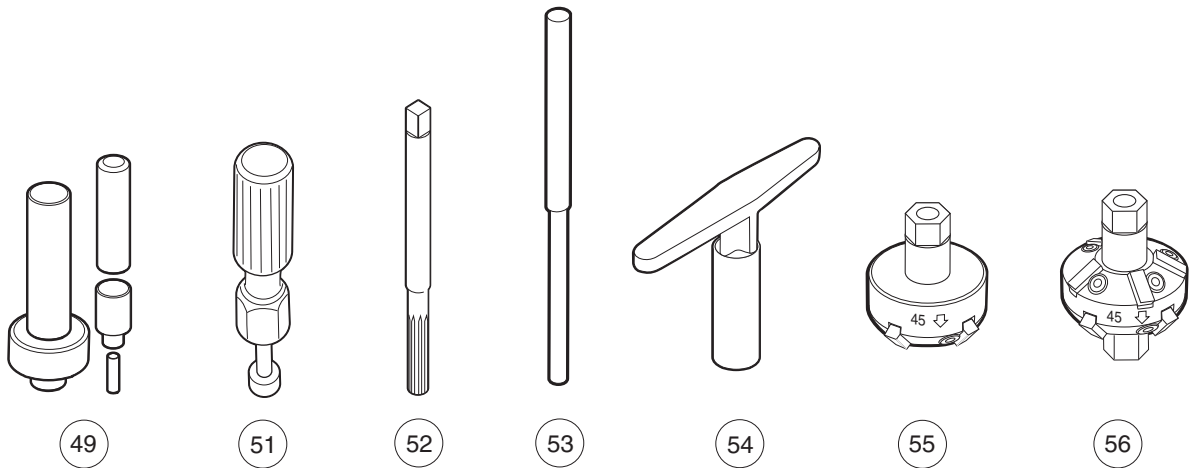
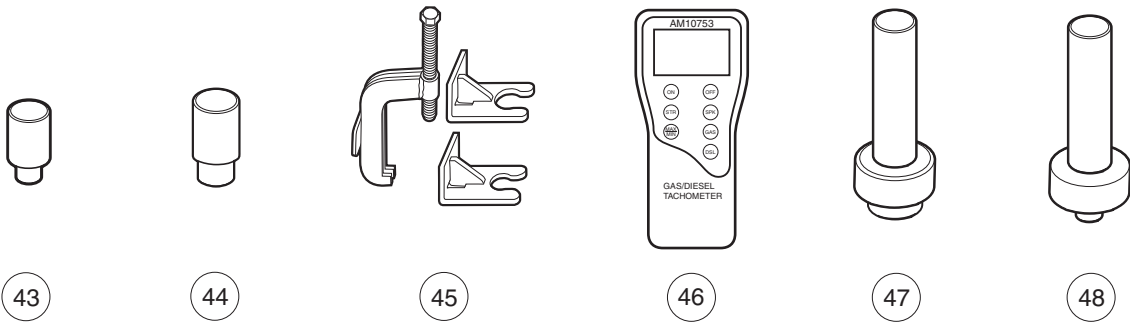
001601-001

MAINTENANCE AND SERVICE TOOLS, CONTINUED

ITEM	PART NO.	DESCRIPTION	QTY GAS	QTY ELEC
		1 2 3 4		
21	101641002	Compression Gauge and Adapter	1	
22	1011273	Continuity Tester	1	1
23	101831801	Communication Display Module		1
24	<u>102248803</u>	IQ Display Module (IQDM) Kit (IQ System and IQ Plus vehicles) (includes items 54 and 55)		1
25	102248804	IQ Display Module (IQDM-P) Kit (IQ System and IQ Plus vehicles)..... (includes items 54 and 55)		1
26	<u>102251501</u>	Adaptor, Cable		1
27	<u>102241502</u>	IQDM Series 2 Cable		1
28	<u>1012151</u>	Dry Moly Lubricant	1	1
29	<u>1016627</u>	Flywheel Puller Kit (for Kawasaki Engines)	1	
30	<u>1016418</u>	Gear Yoke	1	1
31	<u>101933101</u>	Governor Shaft Installation Tool (for Kawasaki Engine Vehicles)	1	
32	<u>1011478</u>	Hydrometer	1	1
33	<u>1013593</u>	Internal Retaining Ring Pliers	1	1
34	<u>101928701</u>	Liquid Gasket (transaxle case)	1	1
35	<u>102243402</u>	Moly-Teflon Lubricant (4-oz. (113-gram) tube)		1
36	<u>101997201</u>	Paint, Touch-Up ,Äi Beige*	1	1
36	<u>101997207</u>	Paint, Touch-Up ,Äi Black*	1	1
36	<u>101997212</u>	Paint, Touch-Up ,Äi Burgundy*	1	1
36	<u>101997211</u>	Paint, Touch-Up ,Äi Classic Blue (Navy)*	1	1
36	<u>101997205</u>	Paint, Touch-Up ,Äi Dark Gray*	1	1
36	<u>101997209</u>	Paint, Touch-Up ,Äi Dark Green*	1	1
36	<u>101997204</u>	Paint, Touch-Up ,Äi Gray*	1	1
36	<u>101997203</u>	Paint, Touch-Up ,Äi Red*	1	1
36	<u>101997206</u>	Paint, Touch-Up ,Äi Royal Blue (Pacific Blue)*	1	1
36	<u>101997202</u>	Paint, Touch-Up ,Äi White*	1	1
37	<u>1016414</u>	Piston Ring Compressor Kit	1	
38	<u>1016415</u>	Piston Ring Pliers	1	
39	<u>1012549</u>	Retaining Ring Pliers, 45→ External	1	1
40	<u>1012560</u>	Retaining Ring Pliers, 90→ Internal	1	1
41	<u>101823101</u>	Safety First Card (50 per pack)	1	1
42	<u>1012809</u>	Seal Puller	1	1
		Please refer to the maintenance and service manual for proper tool application.		

24
G
E

24
G
E



001602-001

MAINTENANCE AND SERVICE TOOLS, CONTINUED

ITEM	PART NO.	DESCRIPTION	QTY GAS	QTY ELEC
		1 2 3 4		
43	<u>1014264</u>	Steering Column Bearing Press Tool	1	1
44	<u>1014259</u>	Steering Column Retaining Ring Tool	1	1
45	102061201	Steering Wheel Puller Tool	1	1
46	<u>AM10753</u>	Tachometer (includes gasoline engine pick up lead only)	1	
47	<u>1014162</u>	Transaxle Axle Seal Tool (for electric vehicles)		1
48	1014161	Transaxle Pinion Seal Tool (for electric vehicles)		1
49	<u>1014115</u>	Transmission Tool Kit (for electric vehicles).....		1
50	<u>101611003</u>	Tune-Up Kit, All OHV (for FE290, FE350, FE400 only) (includes air filter, spark plug, oil filter, fuel filters) (not shown)	1	
51	<u>1016413</u>	Valve Clearance Adjuster Screw Holder (for FE290 engines only)	1	
52	101641201	Valve Guide Reamer (FE290, FE350, and FE400 only).....	1	
53	<u>1016552</u>	Valve Seat Cutter Guide	1	
54	<u>1016551</u>	Valve Seat Cutter T-Wrench	1	
55	<u>1016553</u>	Valve Seat Cutter, 45→× (32 mm diameter) (for FE290 engines only)	1	
56	<u>1016554</u>	Valve Seat Cutter, 45→×/30→× (35 mm diameter)	1	
57	<u>101641101</u>	Valve Spring Compressor	1	
58	1011480	Volt Ohm Meter	1	1
		Please refer to the maintenance and service manual for proper tool application.		

24

G

E

INDEX

Part Number and Page

AM10753	24-7	7174	6-9, 6-27, 7-7, 8-9, 11-13, 13-3, 14-3, 19-19, 19-21, 19-23	101090802	19-11, 19-13, 19-15
AM10080	17-9	7311	1-29, 1-31, 1-33, 1-35, 1-37, 6-27	1010909	4-5, 4-21
AM10081	17-9	7330	17-11, 21-3	1010921	5-3
AM10419	15-5, 16-11	7335	17-9, 21-3	1010927	5-3
AM10622	1-51	7336	21-3	1010932	5-3
AM10639	1-17	7473	1-3, 1-29, 1-31, 1-33, 1-35, 1-37, 1-43, 1-51, 4-5, 4-7, 5-3, 5-5, 5-7, 5-11, 6-3, 6-27, 7-11, 7-15, 8-11, 8-13, 8-25, 12-15	1010933	5-3
AM1205602	1-51	7577	22-7, 22-9, 22-11	1010934	1-51, 7-15, 8-25
AM1213901	1-9	7591	4-5, 4-7, 4-29, 10-9	1010954	7-11, 8-11, 8-13, 17-7, 17-13
AM1225001	1-5	7716	5-3	1010958	19-11, 19-13, 19-15
AM1232301	9-5	7818	7-11, 8-11, 8-13	1010984	2-3
AM1300001	19-25	7820	4-23, 4-25	1010993	1-47, 1-49
AM1300101	19-25	7847	1-19, 1-45, 13-3, 23-7	1011084	5-7
AM1300201	19-25	7893	4-5, 4-9, 4-11, 4-21, 7-11, 8-11, 8-13, 17-5	1011098	1-51
AM1300301	19-25	7973	1-13, 11-15	1011114	12-13, 18-19
CCX8506	22-3, 22-5, 22-7	8056	8-17, 8-23	1011137	5-15
SVP147801	3-3, 3-5	8057	7-11, 7-13, 8-13, 8-15, 8-17, 8-21, 8-23, 17-3	1011229	4-5, 4-7
SVPP230201	1-29	8058	7-11, 7-13, 8-13, 8-15, 8-17, 8-21, 8-23, 17-3	1011273	24-5
SVPP230901	1-29	8067	6-15	1011280	4-5, 4-7
SVPP230902	1-29	8104	4-9, 4-11, 17-3	1011291	17-11
SVPP230903	1-29	8233	1-11, 1-29, 1-31, 1-33, 1-35, 1-37, 1-45, 1-47, 1-49, 4-23, 4-25, 4-27, 5-5, 5-7, 6-27, 7-9, 11-3, 11-5, 11-13, 12-13, 17-5, 17-7, 17-13, 18-3, 18-19, 23-7	1011348	23-7
SVPP230904	1-29	8248	7-9, 11-3, 11-5, 18-3	1011382	4-13, 4-17
SVPP234001	1-29	8251	1-47, 1-49	1011402	5-3
SVPP285901	1-29	8294	4-23, 4-25	1011415	6-23
SVPP325510	23-3	8450	15-7, 16-7, 16-9	1011418	5-3
183	4-5, 4-7, 4-9, 4-11, 4-21, 11-5, 11-15, 15-7, 16-7, 16-9, 17-7, 17-13	8639	8-11, 8-13, 17-5, 19-19, 19-21, 19-23	1011439	4-5, 4-7
304	1-31, 1-33, 1-35, 1-37, 4-23, 4-25, 17-5, 23-7	8717	5-5, 5-7, 7-11, 8-11, 8-13, 17-3, 17-7, 17-13, 18-3, 18-5	1011478	24-5
320	1-27	8754	1-27, 5-5, 5-7, 6-5, 6-7, 6-17, 6-19, 6-21, 6-25, 7-7, 8-9	1011480	24-7
332	1-11, 1-25, 1-29, 1-31, 1-33, 1-35, 1-37, 1-45, 1-47, 1-49, 4-23, 4-25, 7-9, 11-17, 13-3, 19-19, 19-21, 19-23, 23-7	8755	6-19, 6-25	1011497	4-29
334	5-5, 5-7, 6-5, 6-7, 9-15, 15-7, 16-7, 16-9	8797	11-5	1011522	1-43
343	1-33, 1-37	8861	6-17, 6-27	1011546	1-43
357	1-43, 6-21, 6-27	8935	1-3	1011553	1-43, 3-3, 3-5
451	13-3, 20-3	8963	1-31, 1-33, 1-35, 1-37, 1-51	1011557	4-5, 4-7, 4-29
705	9-15	8990	4-9, 4-11, 4-19, 4-27, 6-5, 7-11, 18-7, 18-9, 18-11, 18-13, 19-19, 19-21, 19-23	1011558	4-29
706	1-43, 6-21	1010028	17-3	1011578	1-3, 6-7
808	1-43, 6-27, 15-7	1010124	6-21	1011582	4-29
1016	4-5, 4-9, 4-11, 4-21, 11-5	1010138	6-17	1011590	4-9
1017	4-3	1010145	6-23	1011652	1-25
1028	5-3	1010150	6-19	1011694	5-5, 5-7
1032	5-3	1010237	1-31, 1-33, 1-35, 1-37	1011697	1-51, 6-7, 6-13, 9-15, 11-13, 19-11, 19-13, 19-15
1218	1-43, 6-3, 12-15	1010434	1-7, 23-7	1011734	5-7
1241	1-11, 1-29, 1-31, 1-33, 1-35, 1-37, 4-5, 4-7, 5-3, 5-5, 5-7, 5-11, 6-3, 7-7, 7-11, 7-15, 8-11, 8-13, 8-25, 10-5, 12-15, 13-3	1010517	1-31, 1-33, 1-35, 1-37	1011767	24-3
1242	4-19, 5-11, 7-7, 7-11, 8-9, 8-11, 8-13, 19-19, 19-21, 19-23	1010577	1-29, 9-15, 10-5	1011779	5-11
1606	1-11, 8-25, 11-15	1010805	5-3	1011825	4-23, 4-25
1620	4-3	1010829	5-11	1011843	4-29
1624	1-43, 5-5, 5-7, 6-5, 7-7, 8-9	1010877	5-3	1011852	1-31, 1-33, 1-35, 1-37
2402	6-19	1010878	5-3	1011857	6-27
4029	4-23, 4-25			101187702	5-3
7048	6-15			1011897	1-21
7173	1-11, 4-5, 4-7, 6-27, 7-15, 8-25			1011931	5-5, 5-7

INDEX

1012101	22-7, 22-9, 22-11	1013683	19-11, 19-13, 19-15	1014276	6-21
1012151	24-5	1013687	11-3, 11-5	1014287	15-7, 16-7, 16-9
1012285	4-27, 11-7, 11-13, 19-19, 19-21, 19-23	1013700	11-13	1014288	6-7, 7-15, 8-25, 15-7, 16-7, 16-9, 19-19, 19-21, 19-23
1012295	7-11, 8-11, 8-13	1013734	13-3, 19-19, 19-21	1014289	8-5, 8-7
1012303	6-21, 6-25	1013746	11-3, 11-5, 11-7, 11-11, 12-7	1014304	19-11, 19-13, 19-15
1012333	17-5	1013760	17-7	1014305	24-3
1012382	7-3	1013768	17-11	1014306	1-47, 1-49, 4-27, 23-7
1012396	4-13, 7-3	1013769	17-11	1014375	7-15, 8-25
1012412	1-47, 1-49	1013770	17-11	1014435	1-21
1012431	7-11, 8-13, 8-15, 8-17	1013771	17-11	101444101	1-21
1012438	4-7	1013772	17-11	1014453	15-7, 16-7, 16-9
1012505	4-13, 4-17	1013773	17-11	1014454	15-5, 16-11
1012528	13-3, 14-3, 19-19, 19-21, 19-23	1013774	17-11	1014496	24-3
1012549	24-5	1013787	17-11	1014497	24-3
1012560	24-5	1013792	17-11	1014507	24-3
1012571	9-15	1013794	17-11, 21-3	1014508	24-3
1012594	8-15, 8-17	1013832	6-21	1014530	4-23, 4-25
1012604	6-7	1013869	5-3	1014540	4-27
1012605	6-7	1013870	5-3	1014555	6-25
1012649	11-3, 11-5, 11-7, 12-7	1013872	1-33, 1-37	1014727	8-15, 8-17
1012711	17-7	1013876	5-3	1014789	8-3
1012714	17-9	1013884	1-33, 1-37	1014807	7-11, 7-13, 8-13, 8-15, 8-17, 8-21, 8-23, 17-3
1012740	17-9	1013924	5-13, 5-15, 9-15, 10-5	1014808	7-11, 7-13, 8-13, 8-21, 8-23, 17-3
1012741	17-9	1014007	5-5, 5-7, 11-13, 12-13, 17-7, 17-13, 18-5, 18-19	1014902	6-25
1012747	17-9	1014049	15-7	1014928	11-3, 11-5
1012748	17-9	1014050	15-7	1014947	19-19, 19-21, 19-23
1012752	17-7	1014051	16-9	1014948	7-11
1012809	24-5	1014052	15-7	1015059	1-29
1012811	24-3	1014055	15-7, 16-7, 16-9	1015064	18-3
1012812	24-3	1014056	15-7, 16-7, 16-9	1015072	1-29, 19-11, 19-13, 19-15
1012830	7-7, 11-13, 13-3	1014057	15-7, 16-7, 16-9	1015077	1-29
1012836	15-5, 16-11	1014058	15-7, 16-7, 16-9	1015091	1-31, 1-33, 1-35, 1-37
1012896	17-7	1014059	15-7, 16-7, 16-9	1015137	11-3, 11-5, 11-7, 11-11, 12-7
1012987	18-3	1014062	15-7, 16-7, 16-9	1015139	11-3, 11-5
101303202	1-47, 1-49	1014063	15-7, 16-7, 16-9, 19-19, 19-21, 19-23	1015143	11-3, 11-5
1013035	6-5	1014065	7-11, 8-11, 8-13, 15-7, 16-7, 16-9	101524002	7-7
1013042	6-5, 6-11	1014070	15-5	1015332	7-3, 8-3, 9-3
1013044	6-5	1014072	15-5, 16-11	1015345	7-11
1013052	6-5	1014078	15-5, 16-11	1015371	7-11
1013061	17-3, 17-7, 17-13, 19-9	1014080	15-5, 16-11	1015372	7-11
101313402	11-3, 11-5, 11-7	1014115	24-7	1015373	7-11, 8-11, 8-13
1013343	1-13	1014116	11-3, 11-5, 12-3	1015405	7-11, 8-11, 8-13
1013344	1-13	1014119	7-3, 7-11	1015426	11-17
1013357	4-5, 4-7	1014125	6-7	1015453	6-27
1013461	11-5	1014126	6-7	1015457	6-27
1013462	11-5	1014145	7-11, 8-11, 8-13, 18-3	101547601	3-5
1013494	4-13, 4-17	1014161	24-7	1015524	24-3
1013531	5-11	1014162	24-7	1015528	4-13, 4-17
1013547	4-27	1014201	20-3	101553901	3-3, 3-5
1013579	4-27	1014207	17-11	1015583	6-25
1013582	24-3	1014213	6-7	101558302	6-21
1013589	7-11, 8-11, 8-13	1014214	6-7	1015597	6-15
1013591	18-3	1014217	6-7	1015608	1-3
1013593	24-5	1014259	24-7	1015613	6-27
1013609	7-11, 8-11, 8-13	1014264	24-7		
1013677	3-3				

INDEX

1015614	6-27	101642580	11-9	1016549	9-9
1015649	9-3	101642582	11-9	1016551	24-7
1015737	7-3, 7-11, 8-11, 8-13	101642585	11-9	1016552	24-7
1015741	4-5, 4-7, 7-11, 8-11, 8-13	1016429	9-7	1016553	24-7
1015752	7-11, 8-11, 8-13, 11-17	1016432	9-7, 17-7	1016554	24-7
1015760	6-27	1016436	9-9	1016560	9-9
1015814	13-3	1016437	11-9	1016561	9-5
101584502	11-13	1016438	11-11	1016562	9-5, 9-13
1015878	7-11, 7-13, 8-13, 8-21, 8-23, 17-3	1016440	9-9, 11-11	1016563	9-9
1015914	22-3, 22-7, 22-9, 22-11	1016441	11-11	1016564	9-11
1015917	22-7, 22-9	1016444	11-11	1016566	9-9
1015921	11-5	1016449	9-9	1016569	9-9
1015932	7-7, 8-9	1016450	9-9	1016570	9-7
1015969	9-3, 10-7	1016451	9-9	1016571	9-13
1016003	11-3	1016452	9-9	1016572	11-11
1016004	11-5	1016453	9-11	1016576	9-7
1016011	15-7	1016454	9-11	1016578	9-5
1016074	7-7	1016455	9-5	1016581	9-7
1016103	10-9	1016456	9-3	1016582	11-11
101611003	24-7	1016457	9-7	1016583	9-9
101611402	21-5	1016458	9-9	1016584	9-11
1016183	6-7	1016467	9-7	1016585	11-9
1016201	15-7, 16-7, 16-9	1016470	9-13	1016587	9-5
1016269	6-7	1016472	9-11	1016588	9-5
1016289	15-7, 16-7, 16-9	1016473	9-7	1016627	24-5
101629008	13-5	1016474	9-9	1016630	4-13
1016337	17-9	1016479	9-9	1016672	17-11
1016338	17-9	101648102	11-11	1016801	15-7, 16-7, 16-9
1016346	6-19	101648203	9-7	1016811	1-19
1016349	6-19	1016483	9-9	1016813	6-27
1016350	6-19	1016486	11-9	1016814	6-27
1016351	6-19	1016489	9-9	1016849	4-13, 4-17
1016353	6-19	101649002	11-11	1016851	4-13, 4-17
1016356	4-5, 4-7	1016494	9-11	1016879	4-3
1016363	4-7	1016496	9-11	1016880	4-3
1016365	4-19	1016499	11-9	1016883	7-7
1016366	4-7	1016501	11-9	1016901	15-7, 16-7
1016384	6-19	1016502	9-7	1016904	9-9, 13-3
1016385	6-21	1016506	9-11	1016916	1-25
1016386	6-19	1016507	9-3	1016952	1-19, 1-47, 1-49
1016387	6-19, 6-21	1016510	9-11	1016967	6-13
1016389	6-19	1016513	17-7	1017029	5-3
1016401	7-3, 7-11	1016517	9-9	1017035	4-29
101641002	24-5	1016519	9-9	1017062	4-3
101641101	24-7	1016521	9-11	1017064	4-3
101641201	24-7	1016531	9-3	1017065	4-3
101641202	24-3	1016535	9-11	101707402	4-9
1016413	24-7	1016537	9-7	101707405	4-11
1016414	24-5	1016538	9-11	1017075	4-9, 4-11
1016415	24-5	1016539	9-3	1017082	17-7, 17-13
1016416	24-3	1016541	9-13	101708301	1-19
1016417	24-3	1016542	9-9	1017141	1-47, 1-49
1016418	24-5	1016544	9-5, 9-9, 9-11	1017145	16-11
1016423	4-5, 4-7, 7-11	1016545	9-9	1017188	15-3
101642575	11-9	1016546	11-13	1017203	11-3, 11-5
101642578	11-9	1016547	9-3, 9-13, 11-11	1017226	6-9

INDEX

1017231	17-7	1017689	13-3	101826201	4-17
1017266	6-19	1017699	4-29	101826301	4-13
1017273	6-13	1017705	19-9	101826801	19-19, 19-21, 19-23
1017313	6-7	1017721	4-5, 4-21	101827101	9-15
1017314	6-7	1017724	4-9, 4-11	101827801	19-19, 19-21, 19-23
1017315	6-7	101773301	9-13	101828301	22-7
1017317	6-7	101773302	9-13	101828501	22-7, 22-9
1017378	5-5, 5-7	101773303	9-13	101828801	22-7
1017380	5-5, 5-7	101773304	9-13	101828802	22-7
101738301	15-7	101773305	9-13	101828901	22-7, 22-9, 22-11
101738302	15-7	101773306	9-13	101828902	22-7, 22-9, 22-11
1017424	5-5, 5-7	101773307	9-13	101828903	22-7
1017434	9-9	101773308	9-13	101830601	4-13, 4-17
1017442	9-7	101773309	9-13	101830701	4-13, 4-17
1017443	9-9	101773310	9-13	101831101	22-7
1017445	9-9	101773311	9-13	101831503	22-9
1017448	9-5	1017760	1-51	101831504	22-9
101744901	9-13	1017774	1-29	101831701	22-9
101744902	9-13	1017853	4-5, 4-7	101831702	22-9
1017450	9-13	101791101	5-13	101831801	24-5
101745101	9-13	1017936	1-45	101831901	24-3
101745102	9-13	101795701	19-5, 19-11, 19-13, 19-15	101832001	19-9, 23-7
1017453	9-13	101796201	5-5, 5-7	101832202	11-13
1017454	9-9	101796501	19-9	101832302	11-13
1017455	9-5	101796801	19-9	101832601	9-15
1017456	9-7	101801001	19-9, 23-7	101832701	9-15
101745701	9-13	101802101	19-9	101833101	9-15
101745702	9-13	101802201	22-7	101833401	15-5, 16-11
1017458	9-7	101802202	22-7	101833601	17-7
1017460	9-7	101802203	22-7	101833904	15-7
1017461	11-9	101804301	4-13, 11-17	101834001	15-5
1017463	9-5	101805701	11-15	101834502	4-13, 4-17
1017466	11-11	101806901	1-49	101834601	9-15
1017471	9-13	101808401	24-3	101834602	10-5
1017472	9-11	101809101	24-3	101834801	11-13, 17-7, 17-13
1017473	9-9	101811401	11-15	101835601	4-19
1017474	9-3	101811501	11-15	101836201	15-5
1017475	9-3	101811901	11-17	101837001	1-47
1017476	9-3	101812301	11-17	101837101	11-17
1017486	9-3	101813001	11-17	101837301	7-3, 7-5
1017487	9-11	101813202	24-3	101838201	22-9
1017490	9-5	101815501	5-13, 5-15	101838301	22-9
1017501	9-13	101815502	5-13, 5-15	101838401	22-9, 22-11
1017502	9-13	101816501	5-13, 5-15	101838501	22-9
1017503	9-13	101816502	5-13, 5-15	101838601	22-9, 22-11
1017504	9-11	101817401	5-5, 5-7	101838701	22-9
1017507	9-7	101818801	5-7	101841201	1-29
1017508	9-11	101819701	22-7	101841202	1-29
1017510	9-13	101821501	11-17	101841301	1-29
1017512	9-13	101823101	24-5	101850301	11-15
1017513	9-11	101823201	5-13, 5-15	101851101	4-13, 4-17
1017514	9-11	101823801	5-13, 5-15	101856002	4-17
101751801	9-11	101823901	5-13, 5-15	101856102	7-11, 8-11, 8-13
101751802	9-11	101824101	10-9	101856201	11-15
101751803	9-11	101824401	11-3, 11-5	101859401	13-3
1017686	15-5, 16-11	101825101	3-3, 3-5	101861901	5-5, 5-7

INDEX

101862001	5-5	101903101	6-19	101955101	4-23, 4-25
101871001	24-3	101903601	21-3	101955301	11-3, 11-5
101878201	5-3	101903701	21-3	101956201	22-11
101879401	6-5	101906901	21-3	101956202	22-11
101879501	6-5	101908101	19-7	101957101	4-5, 4-7
101879601	6-5	101908401	7-9, 19-7	101958201	22-11
101879701	6-5	101908601	3-3	101958301	22-11
101879801	6-5	101908703	19-19, 19-21, 19-23	101960501	1-49, 3-5, 7-5
101879901	6-5	101910401	1-29, 19-19, 19-21, 19-23	101960601	3-3, 3-5
101880001	6-5	101910501	17-11	101963401	8-19, 9-15, 10-5
101880101	6-5	101912401	5-7	101965202	19-23
101880201	6-5	101914001	21-5	101965205	19-19, 19-21
101880301	6-5	101914401	4-5, 22-7, 22-9	101968701	19-5
101881501	4-27	101915201	3-5	101969701	4-23
101881601	4-27	101916101	9-3	101971301	11-17
101881701	11-17	101916301	9-5	101972001	1-51, 24-5
101884801	9-15, 10-5	101916701	7-7	101972002	24-5
101886101	11-13, 12-13, 17-7, 17-13, 18-19	101917601	11-17	101972003	24-5
101887101	24-3	101917701	11-15	101972004	24-5
101887601	9-3	101918501	5-3, 5-5, 5-7	101972005	24-5
101889401	17-9	101919801	5-5, 5-7	101972006	24-5
101890001	17-9	101920101	20-3	101972007	24-5
101890101	17-7	101921501	11-17	101972009	24-5
101890201	17-7	101922101	21-3	101972011	24-5
101890501	17-7	101922201	21-3	101972012	24-5
101890601	17-7	101922501	7-9, 19-7	101972101	21-3
101890901	17-11	101923001	21-3	101972201	21-3
101891001	17-11	101923201	21-3	101972801	11-17
101891301	17-7	101923501	21-3	101973101	11-9
101891401	17-11	101923901	21-3	101973301	11-9
101891501	17-11	101925701	11-17	101973401	11-11
101891601	17-9	101926501	6-25	101973501	22-11
101891901	17-9	101926901	17-7, 17-19	101976601	22-11
101892001	17-9	101927101	17-7	101978001	19-5
101892201	17-9	101927201	17-7	101978102	19-5
101892301	17-9	101927301	17-7	101978202	19-5
101892401	17-9	101927501	17-9	101978601	21-5
101892501	17-9	101927601	17-9	101979101	8-15, 8-17
101892601	17-9	101927701	17-9	101980801	17-9
101892701	17-11	101927901	17-9	101980901	17-9
101892901	17-7	101928001	17-9	101981001	17-9
101893201	17-9	101928101	17-9	101984801	6-7
101893801	17-7	101928301	17-11	101985502	1-25
101893901	17-9	101928601	17-7	101987501	22-11
101894901	19-9	101928701	17-7, 21-3, 24-5	101987602	1-25
101895401	21-3	101929401	6-25	101987701	11-3, 11-5, 12-7
101895501	21-3	101931501	3-3, 19-19, 19-21, 19-23	101987901	4-3
101896901	11-3, 11-5	101932201	4-5, 4-7	101988001	4-3
101897001	21-3	101932601	19-19, 19-21, 19-23	101988002	4-3
101897201	21-3	101932701	19-19, 19-21, 19-23	101988101	4-3
101897401	21-3	101932902	17-19	101988201	4-3
101897601	21-3	101933101	24-5	101990801	5-11
101898001	7-15, 8-25	101936101	21-5	101997802	4-27
101898101	8-25	101942301	20-3	101997803	4-27
101900801	5-11	101953101	5-11	101997902	4-27
101903001	19-5	101954301	1-11, 1-25	101997903	4-27

INDEX

101998004	1-25	102243403	20-3	102508701	4-17
101998006	1-25	102248803	24-5	102515401	17-7, 17-13
101998007	1-25	102251501	24-5	102517501	4-11
101998008	1-25	102259801	19-19, 19-21, 19-23	102517601	4-25
101998501	1-25	102263601	19-5	102522001	11-5
102003201	11-3, 11-5	102263701	19-19, 19-21, 19-23	102526201	17-3, 18-3, 18-5
102004101	6-9	102269701	8-19	102529201	4-9, 4-11
102004201	6-25	102273701	22-3, 22-5	102529203	4-25
102004401	1-7	102273801	22-3, 22-5	102537802	6-13
102005701	1-23	102273901	22-3, 22-5	102538101	3-5
102022601	6-11	102274101	18-31	102538201	3-3
102022602	6-5, 6-11	102278001	6-7	102540301	9-15, 10-5
102025701	5-9	102289002	1-3	102540802	6-13
102025801	1-11, 12-5, 12-7	102289201	6-5, 6-11	102541402	10-9
102026001	5-5, 5-7	102292801	5-11	102541425	1-29
102031901	17-11	102296020	6-13	102541445	1-29
102045001	1-11	102296530	1-25, 1-29	102541465	1-29
102046501	3-7	102297230	19-3	102541501	1-29
102048401	1-11	102298116	10-9	102546401	4-11
102059501	18-15, 18-17	102298240	1-3	102555501	24-3
102061201	24-7	102298720	1-3	102558201	10-3, 12-15
102065901	9-15	102304801	9-9	102562401	24-3
102066201	6-25	102323101	5-11	102572401	4-17, 19-5
102075801	3-3, 3-5	102323201	5-11	102582401	1-29
102076701	1-51	102324901	1-29	102616701	17-3
102076702	1-31, 1-33, 1-35, 1-37	102336001	11-13	102617201	10-5, 14-3
102155801	15-5, 16-11	102336101	11-13	102617801	18-31
102158901	5-5, 5-7	102353201	6-15	102618601	1-3, 1-29
102162601	5-11	102353301	6-15	102621501	18-5, 18-15, 18-17
102163001	1-23	102354901	4-19	102684602	17-3
102163101	1-23	102355001	4-19	102704701	20-3
102166901	5-11	102355102	1-27	102704801	20-3
102185401	11-15	102355301	7-15, 8-25	102704901	20-3
102186001	20-3	102356601	21-3	102711001	7-5
102186101	20-3	102356801	21-3	102711201	7-11, 8-11, 8-13
102186201	20-3	102357501	4-19	102725501	12-15
102186401	20-3	102357701	6-15	102732401	10-5
102186701	20-3	102376001	17-3, 18-5	102751601	11-3, 11-5
102186901	20-3	102410604	10-9, 12-13	102753401	9-9
102187101	20-3	102411203	12-3	102771701	21-3
102187201	20-3	102411209	12-15	102778501	1-7
102190702	11-15	102430901	9-13	102778502	1-7
102196901	4-17, 19-5	102453001	17-9	102778503	1-7
102198701	4-5	102453101	17-9	102778504	1-7
102199001	4-5	102476401	12-13, 18-19	102778505	1-7
102199201	4-5	102490301	12-13	102778507	1-7
102199301	4-5	102491501	16-7, 16-9	102778509	1-7
102199401	4-5	102498201	12-13, 18-15, 18-17, 18-19	102778601	1-11
102199601	19-5	102503211	1-29	102806201	19-19, 19-21, 19-23
102235201	20-3	102503212	1-29	102806203	19-19, 19-21, 19-23
102240501	19-19, 19-21, 19-23	102503214	1-29	102829701	1-27
102241502	24-5	102503215	1-29	102829702	1-27
102242101	10-5, 15-5, 16-11	102503221	1-25	102829801	1-27
102242401	1-31, 1-33, 1-35, 1-37	102503222	1-25	102830401	6-21
102243101	19-19, 19-21, 19-23	102503224	1-25	102830501	1-3
102243402	24-5	102503225	1-25	102838401	9-5

INDEX

102838701	7-5, 8-5, 8-7	102900801	17-17	103313301	1-11
102838801	7-5, 8-5, 8-7	102900901	17-13	103316701	19-19, 19-21, 19-23
102838901	7-5, 8-5, 8-7	102901001	17-15	103316801	19-19, 19-21, 19-23
102839001	7-5, 8-5, 8-7	102901101	17-15	103316901	19-19, 19-21, 19-23
102839301	7-5, 8-5, 8-7	102901201	17-17	103345701	15-7
102841101	7-5, 8-5, 8-7	102901301	17-17	103347101	7-5, 8-5, 8-7
102844601	7-5, 8-5, 8-7	102901401	17-17	103347301	7-5, 8-5, 8-7
102844701	7-5, 8-5, 8-7	102901501	17-17	103347601	7-5, 8-5, 8-7
102852801	1-39	102901601	17-17	103347701	7-5, 8-5, 8-7
102854301	1-31, 1-33, 1-35, 1-37	102901701	17-17	103347801	7-5, 8-5, 8-7
102854302	1-31, 1-33, 1-35, 1-37	102901801	17-17	103347901	7-5, 8-5, 8-7
102865101	11-3, 11-5, 12-7	102901901	17-17	103348201	4-13
102869401	4-5, 4-7, 4-13, 4-17	102902001	17-17	103348202	4-15, 4-17
102871801	6-25	102902101	17-17	103348501	4-13, 7-3
102886301	21-3	102902201	17-17	103348601	4-13
102886401	21-3	102902301	17-17	103351001	6-17
102886501	21-3	102902401	17-17	103351101	6-23
102886601	21-3	102902501	17-17	103354401	4-15, 4-17
102896801	17-13	102902601	17-17	103354701	6-11
102896901	17-13	102902701	17-17	103364101	1-11
102897201	17-15	102902801	17-17, 21-3	103364201	1-11
102897301	17-15	102915601	4-29	103364801	6-27
102897401	17-13	102947502	11-3	103365401	1-47
102897501	17-13	102952301	11-5	103365402	1-47
102897601	17-13	102952302	11-3	103365403	1-47
102897701	17-15	102958001	19-17	103365404	1-47
102897801	17-13	102969401	17-3	103365405	1-47
102897901	17-13	102969801	17-3	103365407	1-47
102898001	17-15	102969901	17-3	103365409	1-47
102898101	17-15	102977001	4-13	103365501	1-49
102898201	17-13	102977002	4-17	103365502	1-49
102898301	17-15	103010101	11-3, 11-5	103365503	1-49
102898401	17-15	103173301	17-3	103365504	1-49
102898501	17-15	103177401	17-3	103365505	1-49
102898601	17-15	103180101	4-13, 4-17	103365507	1-49
102898701	17-15	103192701	17-3	103365509	1-49
102898801	17-15	103196202	10-5	103369501	17-3
102898901	17-15	103198301	4-17	103372101	11-3, 11-5, 12-3
102899001	17-15	103198401	7-9	103372401	11-7, 12-7
102899101	17-13	103199001	4-13	103372504	11-7
102899201	17-13	103199101	4-13	103372801	11-7
102899301	17-15	103205501	7-9	103378301	1-29
102899401	17-13	103218001	23-7	103378302	1-29
102899501	17-15	103218601	4-17, 19-5	103380201	5-13, 5-15
102899601	17-15	103255601	4-5	103380202	5-13, 5-15
102899701	17-13	103255701	4-7	103386202	9-3
102899801	17-13	103256901	4-5	103389101	3-7
102899901	17-15	103257001	4-7	103389201	3-7
102900001	17-13	103257603	4-15	103389301	3-7
102900101	17-13	103257701	4-15	103389401	3-7
102900201	17-13	103257801	4-15	103395101	1-11
102900301	17-13	103282601	19-19, 19-21, 19-23	103395505	19-17
102900401	17-15	103282701	19-19, 19-21, 19-23	103397901	4-7, 22-7
102900501	17-15	103295101	17-5	103405401	1-7
102900601	17-13	103295201	17-5	103405402	1-7
102900701	17-15	103306301	12-3	103405501	6-13

INDEX

103407601	1-39	103616301	9-9	103940501	19-5
103407701	1-41	103616401	9-11	103943401	19-3
103407801	1-41	103616501	9-5	103944301	12-3
103410401	1-35	103616601	9-5	103951501	18-31
103410501	1-31	103616701	9-5	103953301	7-5, 8-5, 8-7
103410601	1-37	103617101	11-9	103973901	16-9
103410701	1-33	103618001	4-11	103973902	16-7
103410803	1-37	103618101	4-25	103974002	16-11
103410901	1-33, 1-37	103628701	6-21	103974102	16-3
103411001	1-31, 1-35	103653401	6-5	103974201	16-7, 16-9
103411101	1-31, 1-33, 1-35, 1-37	103653501	6-5, 6-11	103974401	16-7, 16-9
103411201	1-31, 1-33, 1-35, 1-37	103653601	6-11	103975301	16-11
103411501	1-3	103667104	6-15	103976101	16-7, 16-9
103413101	1-3	103667204	6-15	103978001	12-13
103414901	4-7, 22-7	103667302	6-15	103979301	18-31
103418601	11-7	103667402	6-15	103979401	10-5
103428501	22-3, 22-5	103677101	1-23	103982201	10-5
103428601	22-3, 22-5	103678402	7-5	103983501	12-11
103428701	22-3, 22-5	103687001	7-3	103984601	16-7, 16-9
103428801	22-3	103695801	19-13	103989501	18-31
103429001	22-3, 22-5	103696801	19-11, 19-13, 19-15	103995001	18-31
103429101	22-3, 22-5	103697301	19-19, 19-23	103995901	10-7
103429201	22-3, 22-5	103697303	19-21	103996201	10-5
103429301	22-3, 22-5	103698701	4-7	104005301	8-9
103429501	22-3, 22-5	103700301	4-19	104005901	19-25
103429601	22-3	103717001	22-5	104006101	19-25
103429701	22-3, 22-5	103717002	22-5	104021701	18-31
103434001	22-3, 22-5	103717003	22-5	104023501	12-13, 18-19
103439901	22-3, 22-5	103718702	7-5	104025101	16-11
103477901	6-15	103719701	19-11	104027101	18-31
103483101	5-13, 5-15	103754901	1-23	105000301	8-11, 8-13
103483102	5-13, 5-15	103756401	12-7	105000401	8-11, 8-13
103483201	5-13, 5-15	103765601	19-15	105007402	12-13
103483401	5-13, 5-15	103774701	19-17	105007403	12-13
103483601	5-13, 5-15	103779601	22-5	105008101	8-3
103483701	5-13, 5-15	103781101	11-3, 11-5	105009101	12-15
103496801	7-15, 8-25	103787302	1-31, 1-33, 1-35, 1-37	105010001	10-19
103499101	22-3	103793001	19-15	105010101	10-15
103499102	22-3	103795503	1-31, 1-33, 1-35, 1-37	105010201	10-15
103499103	22-3	103804003	1-31	105010301	10-15
103502601	6-21	103804004	1-35	105010401	10-19
103504301	19-11, 19-13, 19-15	103865101	5-5, 5-7	105010501	10-19
103507001	6-21	103878401	19-11	105010601	10-19
103507101	11-11	103879701	18-23	105010701	10-19
103507201	11-11	103879702	18-21	105010801	10-15
103507301	11-11	103882801	10-5	105010901	10-15, 12-11
103510602	19-17	103886601	18-7, 18-9, 18-11, 18-13	105011001	10-19
103513001	22-5	103888101	1-23	105011101	10-19
103517401	22-5	103888301	1-23	105011201	10-19
103520301	11-15	103902101	19-3	105011301	10-19
103572501	20-3	103902301	19-3	105011401	10-19
103582801	21-3	103902401	19-3	105011501	10-19
103601501	6-5	103905201	12-3	105011601	10-19
103615601	9-9	103924801	8-3	105011701	10-19
103615801	9-13	103930201	19-13	105011801	10-19
103615901	9-11	103939201	1-15	105011901	10-15

INDEX

105012001	10-15	105017701	10-11	105029701	18-29
105012101	10-15	105017801	10-3, 10-11	105029801	18-27, 18-29
105012201	10-15	105017901	10-11	105029901	18-27, 18-29
105012301	10-15	105018001	10-13	105030001	18-21, 18-23
105012401	10-15	105018101	10-13	105030301	18-27, 18-29
105012501	10-19	105018201	10-13	105030401	18-27, 18-29
105012601	10-7, 10-13, 10-15	105018301	10-13	105030501	18-27, 18-29
105012701	10-21	105018401	10-13	105030601	18-27, 18-29
105012801	10-21	105018501	10-15	105030701	18-21, 18-23
105012901	10-21	105025001	18-21, 18-23	105030801	18-27, 18-29
105013001	10-21	105025101	18-21, 18-23	105030901	18-25
105013101	10-21	105025201	18-21, 18-23	105031001	18-29
105013201	10-21	105025301	18-21, 18-23	105037201	8-19
105013301	10-21	105025401	18-21, 18-23	105037401	8-11, 8-13
105013401	10-21	105025501	18-21, 18-23	105037501	18-3
105013501	10-21	105025601	18-21, 18-23	105037601	18-3
105013601	10-21	105025701	18-21, 18-23	105037701	18-3, 18-5
105013701	10-21	105025801	18-21, 18-23	105038001	18-5
105013801	10-21	105025901	18-21, 18-23	105038101	18-5
105013901	10-21	105026001	18-21, 18-23	105038201	18-5
105014001	10-21	105026101	18-21, 18-23	105038501	18-3, 18-5
105014101	10-21	105026201	18-21, 18-23	105038801	18-9
105014201	10-17	105026301	18-21, 18-23	105038805	18-11
105014301	10-17	105026401	18-21, 18-23	105038806	18-13
105014401	10-17	105026501	18-21, 18-23	105038808	18-7
105014501	10-17	105026601	18-21, 18-23	105039801	18-3, 18-5
105014601	10-17	105026701	18-21, 18-23	105039901	18-5
105014701	10-17	105026801	18-21, 18-23	105040401	18-3, 18-5
105014801	10-17	105026901	18-21, 18-23	105040402	18-5
105014901	10-17	105027001	18-21, 18-23	105040901	18-15
105015001	10-17	105027101	18-21, 18-23	105041201	18-3
105015101	10-17	105027201	18-21, 18-23	105043001	12-15
105015201	10-17	105027301	18-21, 18-23	105043401	12-5
105015301	10-17	105027401	18-25	105043501	12-3
105015401	10-17	105027501	18-25	105043801	12-5
105015501	10-17	105027601	18-25	105043901	12-5
105015601	10-17	105027701	18-25	105044901	12-7
105015701	10-17	105027801	18-25	105060601	18-5
105015801	10-17	105027901	18-25	105063501	18-21
105015901	10-17	105028001	18-25	105063601	18-27
105016001	10-11, 10-17	105028101	18-27, 18-29	105066001	18-27, 18-29
105016101	12-11	105028201	18-25	105066101	18-27, 18-29
105016201	12-11	105028301	18-21, 18-23	105073001	12-5
105016301	12-11	105028401	18-25	105075301	10-9
105016401	12-11	105028501	18-21, 18-23	105078807	2-3
105016501	12-11	105028601	18-25	105078814	2-3
105016701	10-7	105028701	18-25	105078901	2-3
105016801	10-7	105028801	18-25	105079202	2-3
105016901	10-7	105028901	18-25	105079205	2-3
105017001	10-7	105029001	18-25	105079801	2-3
105017101	10-7	105029101	18-25	105081501	8-3
105017201	12-9	105029201	18-25	105081601	8-3
105017301	10-11	105029301	18-29	105084801	10-9
105017401	10-11	105029401	18-29	105088501	12-15
105017501	10-11	105029501	18-27, 18-29	105096101	16-7, 16-9
105017601	10-11	105029601	18-29	105102601	8-17, 8-23

INDEX

- 105116301 19-3
105134601 10-5
105134901 18-17
105135101 12-13, 18-15, 18-17
105135901 8-3
105136001 8-3
105143301 8-3, 12-3
105144401 12-13, 18-19
105149101 5-9
105149201 5-9
105149301 10-5
105151401 8-3
105161701 8-3, 8-5, 8-7
105166801 19-25
105166901 19-25
105167001 19-25
105167101 19-25
105168501 19-25
105168601 19-25
105190101 8-7
105190102 8-5
105205401 8-9
105214101 14-3
105215401 12-3
105216604 2-3
105234801 18-21, 18-23
105234901 18-21, 18-23
105245401 12-3
105245701 8-3
105245801 16-5
105256701 8-3
105256801 8-3
105282901 12-5
105282902 12-5
105282903 12-5
47539957001 14-3
47542195001 5-13, 5-15
47579306001 23-7
47579307001 23-5
47579307002 23-5
47579307003 23-5
47579307004 23-5
47579307005 23-5
47579307006 23-5
47579307007 23-5
96704176 18-5
96704416 9-15
96705199 18-15, 18-17
96741046 10-5
- A**
AC cord 22-3, 22-5, 22-7, 22-9, 22-11
AC cord bushing 22-3, 22-5
AC cord receptacle 22-11
accelerator bracket and bearing assembly 5-5, 5-7
accelerator cable 11-13, 12-13
accelerator pedal adjustment tool 24-3
accelerator pivot rod 5-5, 5-7
accelerator return spring 5-5, 5-7
accelerator rod 5-7
adapter
 air intake 12-11
 cable (IQDM) 24-5
adhesive, guide ring 24-3
air box 11-17
air box top 11-17
air cleaner assembly 12-15
air deflector 10-9
air duct shield 11-15
air filter 10-3, 11-17, 12-15
air filter evacuator 12-15
air intake adapter 12-11
air intake hose 11-17, 12-15
ammeter 22-3, 22-5, 22-7, 22-9, 22-11
anti-sway bar 6-27
A-plate strap 6-19
A-plate, delta 6-19
arbor 24-3
arm
 governor 11-13, 12-13, 17-7, 17-13, 18-19
 pivot 17-7
 rocker 9-9
armature 20-3
armrest 1-25, 1-29
assembly
 accelerator bracket and bearing 5-5, 5-7
 accelerator pivot rod 5-5, 5-7
 air box 11-17
 air box top 11-17
 axle 17-11
 backrest 1-29
 bearing, steering shaft 6-7
 bell crank and shaft 7-11
 brake lever 5-13, 5-15
 connecting rod 9-13
 cylinder head 9-9
 delta A-plate 6-19
 delta shock and gear support 6-21
 drive clutch 15-7
 drive hub 15-7, 16-7, 16-9
 driven clutch 15-5, 16-11
 driven clutch fixed-face 15-5
 float 11-9
 frame and field (motor) 20-3
 fuel cap 11-3, 11-5, 12-3
 fuel pump 11-3, 11-5, 12-5
 fuel tank vent 11-3, 11-5
 governor 17-9, 17-15
 headlight 4-3
 headlight harness 4-3
 idle screw 11-9
 inner ball joint 6-5
 kingpin 6-19
 moveable-face 15-5, 15-7, 16-7, 16-9, 16-11
 pilot air screw 11-9
 plug cap 9-5
 ratchet 5-3, 5-5, 5-7
 secondary clutch weight 15-7, 16-7, 16-9
 steering shaft 6-7
 turn signal lens 4-3
axle 17-7, 17-11, 17-17, 21-3
axle guard 17-19, 21-5
axle shaft 18-27, 18-29
axle shaft oil seal 17-11, 17-17, 21-3
axle tube 17-11, 17-17, 18-27, 18-29, 21-3
- B**
backing plate, brake 5-13, 5-15
backrest assembly 1-29
backrest, beige 1-25
backrest, black 1-25
backrest, gray 1-25
backrest, white 1-25
baffle
 crankcase 10-7
balance shaft 10-21
ball bearing 7-5, 8-5, 8-7, 9-11, 18-25, 18-27, 18-29
ball joint 5-3, 5-7, 17-5
ball stud 7-11, 8-11, 8-13, 17-7, 17-13
ball, bearing 6-15
ball, shifter 17-9
ball, steel pressure relief 9-7
ball, trailer hitch 1-43
bar, nerf 1-27
bar, side 1-27
bar, stabilizer 6-27
barb, vent 11-3, 11-5
barrel, plastic 1-7, 23-7
battery
 12-volt, side-post 7-15, 8-25
 8-volt, 8VGCXC 19-13
 8-volt, CR165 19-11
 8-volt, GC8 19-15
battery charger 22-3, 22-5, 22-7, 22-9, 22-11, 23-3
battery charger case 22-3, 22-5, 22-7, 22-9, 22-11
battery charger receptacle 19-9
battery charger transformer 22-5, 22-7, 22-9, 22-11
battery clamp 7-15, 8-25
battery condition indicator 4-15, 4-17
battery condition indicator kit 4-15
battery discharge machine 24-3
battery hold-down 19-11, 19-13, 19-15
battery insulator 1-47

INDEX

- battery light 4-17
 - battery retainer 8-25
 - battery terminal protector spray 24-3
 - battery thermometer 24-3
 - battery, top-post, wire, 4ga, B+ 8-3
 - battery, top-post, wire, B- 4ga, 8-3
 - bearing 21-3
 - balance shaft 10-19
 - ball 6-15, 7-5, 8-5, 8-7, 9-11, 18-25, 18-27, 18-29
 - ball (motor) 20-3
 - ball (steering pinion) 6-5
 - cage roller 17-15
 - crankshaft 10-19
 - idler 15-7
 - inner axle tube 17-11, 21-3
 - lower pinion (steering) 6-5
 - needle 17-9
 - outer axle tube 17-11
 - pivot support 5-5, 5-7
 - steering shaft 6-7
 - thrust 6-19, 18-21, 18-23
 - bearing and oil seal remover 24-3
 - bearing driver set 24-3
 - bearing puller 24-3
 - bearing puller wedge 24-3
 - bearing seat 6-7
 - bed, box 1-51
 - bell crank and shaft 7-11
 - bellows 6-5
 - belt, drive 15-3, 16-3, 16-5
 - belt, starter/generator 7-7, 8-9
 - belt, V 7-7
 - beverage holder 1-19
 - bezel, headlight 4-3
 - bezel, taillight 4-29
 - block, brake-mounting 5-3
 - block, fuse 4-5, 4-7, 7-11, 8-11, 8-13
 - block, terminal 4-5, 4-7
 - body kick plate 1-47, 1-49
 - body, front 1-7
 - bolt, J- 19-11, 19-13, 19-15
 - bolt, U- 6-25
 - boot, steering column 6-7
 - boot, switch 7-9, 19-7
 - bottom, air box 11-17
 - box
 - air 11-17
 - differential 17-17
 - electrical component 7-11
 - steering gear 6-5
 - box bed 1-51
 - brace, canopy 1-11
 - bracket 6-25
 - accel.cable 12-13, 18-15, 18-17
 - accelerator cable 11-13
 - adjustable starter/generator 7-7
 - brake light switch 4-5, 4-7
 - carbon canister/ECU 12-7
 - FNR cable 12-13, 18-15, 18-17
 - FNR shifter 17-3
 - governor 12-13, 18-19
 - governor cable 11-13
 - headlight mounting 4-3
 - horn 4-23, 4-25
 - hour meter 4-27
 - mounting, starter/generator 10-5
 - mounting, transaxle/exhaust 10-5
 - muffler mounting 13-3
 - oil filter mount 9-7
 - oil level switch 9-11
 - relay mounting 22-9
 - snubber 9-15, 10-5
 - stabilizer bar mounting 6-27
 - starter/generator adjusting 8-9
 - starter/generator mounting 7-7
 - steering column 6-7
 - steering column mounting 6-7
 - throttle spring return 11-11
 - Tow/Run switch 7-9, 19-7
 - bracket, carburetor intake manifold 11-11
 - brake adjusting mechanism 5-13, 5-15
 - brake adjustment tool 24-3
 - brake backing plate 5-13, 5-15
 - brake cable 5-11
 - brake cable equalizer 5-11
 - brake cable hanger 5-11
 - brake cable release tool 24-3
 - brake cluster 5-13, 5-15
 - brake drum 5-13, 5-15
 - brake lever 5-13, 5-15
 - brake light switch bracket 4-5, 4-7
 - brake mounting block 5-3
 - brake pedal 5-3
 - brake pedal pad 5-3
 - brake relay kit, 12-volt 4-5
 - brake return spring 5-11
 - brake self-adjusting mechanism 5-13, 5-15
 - brake shoe 5-13, 5-15
 - brake spring 5-13, 5-15
 - breaker, circuit 22-3, 22-5, 22-7, 22-9, 22-11
 - breather 17-7, 17-13, 18-21, 18-23, 21-3
 - breather hose 12-11
 - brush 20-3
 - brush box assembly 20-3
 - brush cover kit, starter/generator 7-5, 8-5, 8-7
 - brush guard support 6-21
 - brush inspection port cover 7-5, 8-5, 8-7
 - brush rigging 20-3
 - brush spring 7-5, 8-5, 8-7, 20-3
 - brush spring set 7-5, 8-5, 8-7
 - brush spring, starter/generator 7-5, 8-5, 8-7
 - brush terminal, starter/generator 7-5, 8-5, 8-7
 - bulb, headlight 4-3
 - bulb, tail light 4-29
 - bumper 1-21
 - cast 1-3
 - drive unit (motor) 20-3
 - rubber 5-3
 - spring return 5-5, 5-7
 - bushing 7-11, 8-11, 8-13, 15-7, 16-7, 16-9, 17-3, 18-3, 18-5
 - AC cord 22-3, 22-5
 - bronze 6-15
 - nylon 5-3
 - spindle 6-15
 - stabilizer bar 6-27
 - steel 6-21, 6-25
 - urethane 6-19, 6-21, 6-25
 - bushing support 6-27
 - button, choke 11-15
 - button, drive 15-5, 16-11
 - buzzer, reverse 4-13, 4-17
- ## C
- cable
 - accelerator 11-13, 12-13
 - brake 5-11
 - FNR shifter 17-5, 18-7, 18-9, 18-11, 18-13
 - governor 11-13, 12-13
 - calibration test module 24-3
 - cam
 - driven clutch 15-5, 16-11
 - electrical component box 7-11, 8-11, 8-13
 - cam, engine 10-17
 - cam, FNR shifter 17-3
 - camshaft 9-11, 10-17
 - camshaft o-ring 10-17
 - camshaft shim 9-11
 - canister, carbon, fuel tank 11-7, 12-7
 - canopy brace 1-11
 - canopy support 1-31, 1-33, 1-35, 1-37
 - canopy trim plate 1-31, 1-33, 1-35, 1-37
 - cap
 - dust 4-17, 19-5
 - front hub 6-15
 - fuel tank 11-3, 11-5
 - fuel, gas, ratchet 11-3, 11-5, 12-3
 - key switch 4-13, 4-17
 - plug 9-5
 - rubber 18-31
 - carbon canister 11-7, 12-7
 - carburetor adapter 11-11
 - carburetor gasket 11-11
 - carburetor insulator 11-11
 - carburetor mounting gasket 11-11
 - carburetor, FE350 S27 11-9
 - card, safety first 24-5

INDEX

- cargo box 1-51
 - case
 - battery charger 22-3, 22-5, 22-7, 22-9, 22-11
 - differential gear 17-11
 - gear 17-7, 17-13, 21-3
 - rocker 9-9
 - transaxle 18-21, 18-23
 - cast bumper 1-3
 - CE mark controller 19-19, 19-21, 19-23
 - center shaft 18-25
 - chain, timing 10-17
 - charger
 - wire assembly kit 22-7
 - charger bezel tool 24-3
 - charger hardware kit 22-3, 22-5
 - charger receptacle 19-9
 - charger wires 22-3
 - charger, battery 23-3
 - charger, battery, PD3 22-3
 - charger, battery, PowerDrive 22-7
 - charger, battery, PowerDrive 3 22-5
 - charger, battery, PowerDrive European 22-11
 - charger, battery, PowerDrive Export 22-9
 - charging diode 8-19
 - choke button 11-15
 - choke lever 11-15
 - choke lever guide 11-15
 - choke positioner 11-15
 - choke valve 11-17
 - circuit breaker 22-3, 22-5, 22-7, 22-9, 22-11
 - clamp
 - battery 7-15, 8-25
 - cable retaining 11-13
 - hose 11-3, 11-5, 11-7, 11-11, 11-17, 12-3, 12-7, 12-15
 - hose, green 11-3, 11-5, 11-7
 - muffler hose 13-3
 - p- (fuel filter) 10-9, 12-13
 - clevis, upper delta 6-19
 - clip
 - meter 4-13
 - retainer plate 10-15
 - clip, piston pin 10-21
 - cluster idler gear 17-9
 - cluster, brake 5-13, 5-15
 - clutch
 - pin 18-25
 - clutch cam installation tool 24-3
 - clutch repair kit 15-5, 16-11
 - clutch tool kit 24-3
 - clutch weight 15-7, 16-7, 16-9
 - clutch, drive 16-7, 16-9
 - clutch, driven 15-5, 16-11
 - coil, ignition 10-11
 - collar 18-25
 - collet 9-9, 10-17
 - column, steering 6-7
 - communication display module 24-5
 - component box, electrical 7-11
 - component mounting plate 19-19, 19-21, 19-23
 - compression gauge 24-5
 - compression lug 19-19, 19-21, 19-23
 - compression mount 6-27
 - compression spring 11-15
 - compressor, piston ring 24-5
 - compressor, valve spring 24-7
 - connecting rod 9-13, 10-21
 - continuity tester 24-5
 - controller cover 19-19, 19-21, 19-23
 - controller cover gasket 19-19, 19-21, 19-23
 - controller, motor speed
 - IQ 19-19, 19-21, 19-23
 - controller, motor speed (CE) 19-19, 19-21, 19-23
 - converter, DC/DC 4-19
 - cooling fan 10-7
 - cord connector 9-11
 - cord set, DC 22-3, 22-5
 - cord, AC 22-3, 22-5, 22-7, 22-9, 22-11
 - cord, DC 22-7, 22-9, 22-11
 - counter shaft 18-25
 - counterbalance guide shaft 9-13
 - counterbalance weight 9-13
 - cover
 - brush inspection port 7-5, 8-5, 8-7
 - crankcase 9-11, 10-19
 - dust 5-13, 5-15
 - electrical box 7-11
 - fan 10-7
 - fuse block 4-7
 - oil pump 9-7
 - rocker switch hole 4-13, 4-17
 - screw head 4-13, 4-17
 - steering column 6-7
 - cover gasket, controller 19-19, 19-21, 19-23
 - cover plate 20-3
 - cover, controller 19-19, 19-21, 19-23
 - cover, rocker 10-15
 - cover, speed controller 19-19, 19-21, 19-23
 - cover, steering column 4-9, 4-11
 - cover, valve 10-15
 - cowl 1-7
 - cowl support 1-11
 - crankcase 9-13, 10-19
 - crankcase baffle 10-7
 - crankcase cover 9-11, 10-19
 - crankcase vent tube 11-11
 - crankshaft 9-13, 10-21
 - crankshaft rod 9-13
 - crankshaft shim 9-13
 - C-type stop ring 6-5
 - cup holder 1-19
 - cup, spring 5-5, 5-7
 - current limiter 22-11
 - cushion, shock absorber 6-23
 - cutter, valve seat 24-7
 - cylinder head 9-9, 10-15
- ## D
- dash closeout panel 1-11
 - dash component 1-13
 - dash panel 4-13, 4-17
 - dc converter, 15A 4-19
 - DC cord 22-7, 22-9, 22-11
 - DC cord set 22-3, 22-5
 - DC/DC converter 4-19
 - decal
 - battery danger 3-3
 - bed load warning 3-3, 3-5
 - box bed warning 1-51
 - Club Car name plate 3-7
 - component cover 3-3, 19-19, 19-21, 19-23
 - dash warning 3-3, 3-5
 - driver/passenger 3-5
 - engine warning 10-7
 - filter log 19-25
 - frame ground 3-5
 - inspect log 19-25
 - maintenance/operate switch 7-9
 - on/off 3-3, 3-5
 - operating instructions 3-3, 3-5
 - operating instructions (electric) 3-3
 - operating instructions (gas) 3-5
 - rotating parts 1-49, 3-5, 7-5
 - Tow/Run switch warning 3-3
 - trailer hitch 1-43, 3-3, 3-5
 - young driver warning 3-3, 3-5
 - deflector
 - air 10-9
 - deionizer 19-25
 - cartridge 19-25
 - delta A-plate 6-19
 - delta A-plate sub-assembly 6-19
 - delta shock and gear support 6-21
 - diagnostic port 4-17, 19-5
 - differential 18-29
 - limited-slip 18-27
 - open 18-29
 - differential drive unit 17-7, 21-3
 - differential gear 17-11, 21-3
 - differential gear case 17-11, 17-17
 - differential gear set 18-29
 - differential guard 17-19, 21-5
 - differential housing 21-3
 - differential idler gear 17-11
 - differential pin 17-11

INDEX

differential shaft 18-29
diode 7-11, 8-3
diode, charging 8-19
dipstick 9-3, 10-19
drain plug 9-7, 10-19, 17-13, 18-21, 18-23
drain plug gasket 9-7, 10-19, 17-7, 17-13
drain plug, rubber 7-5, 8-5, 8-7
drink holder 1-19
drive belt 15-3, 16-3, 16-5
drive button 15-5, 16-11
drive clutch 16-7, 16-9
drive clutch assembly 15-7
drive clutch button 15-7, 16-7, 16-9
drive clutch fixed-face 15-7
drive clutch holder tool 24-3
drive clutch hub puller 24-3
drive clutch puller 24-3
drive clutch pulley 15-7
drive clutch spring 15-7, 16-7, 16-9
drive clutch weight 15-7, 16-7, 16-9
drive hub 15-7, 16-7, 16-9
drive selector shaft 17-7, 17-13
drive unit bumper 20-3
drive unit guard 17-19, 21-5
driven clutch 15-5, 16-11
driven clutch button 15-5, 16-11
driven clutch cam 15-5, 16-11
driven clutch cam puller 24-3
driven clutch fixed-face assembly 15-5
driven clutch puller plug 24-3
driver, drive clutch 15-7, 16-7, 16-9
drum, brake 5-13, 5-15
dry moly lubricant 24-5
dust cap 4-17, 19-5
dust cover 5-13, 5-15

E

eccentric bolt 6-21
E-clip 5-11
ECU 12-9
electrical box cover 7-11
electrical component box 7-11
enclosure 1-39, 1-41
end cap, motor 20-3
end, tie rod 6-11
engine
air cleaner 12-15
air deflector 10-9
air filter 10-3, 12-15
air intake hose 12-15
balance shaft 10-21
bearing, balance shaft 10-19
bearing, crankshaft 10-19
breather hose 12-11
cam 10-17
camshaft 10-17

camshaft O-ring 10-17
connecting rod 10-21
crankcase 10-19
crankcase baffle 10-7
crankcase cover 10-19
crankcase plug 10-19
crankshaft 10-21
crankshaft key 10-21
cylinder head 10-15
dipstick 10-19
drain plug gasket 10-19
ECU 12-9
exhaust valve 10-17
fan 10-7
fan housing 10-7
flywheel 10-11
fuel injector 12-9
guide pin 10-19
head gasket 10-15
ignition coil 10-11
insulator, throttle body 12-11
intake valve 10-17
oil drain plug 10-19
oil filler tube 10-19
oil filler tube O-ring 10-19
oil level sensor 10-13
oil seal 10-19
piston 10-21
piston pin 10-21
piston pin clip 10-21
piston ring set 10-21
retainer plate 10-15
retainer plate clip 10-15
rocker arm 10-17
rocker cover 10-15
rocker cover gasket 10-15
rocker shaft 10-17
spark plug 10-3, 10-11
temperature sensor 10-13
throttle body 12-9
timing chain 10-17
timing chain guide 10-17
timing chain sprocket 10-17
timing chain tensioner 10-17
valve collet 10-17
valve guide 10-15
valve seal 10-15
valve spring 10-17
valve spring retainer 10-17
warning decal 10-7
engine mounting plate 9-15
engine shroud 9-3
engine warning decal 10-7
engine, EX40 10-5
engine, FE350 S27 9-3
equalizer rod 5-11

equalizer, brake cable 5-11
exhaust system 13-3
exhaust valve 9-9, 10-17
extrusion, cover support 19-19, 19-21, 19-23
extrusion, fender 1-7
extrusion, plastic 1-21

F

face, moveable 15-5, 15-7, 16-11
fan
cooling 10-7
fan cover 10-7
fan housing 9-3, 10-7
fan shroud 9-3
fan, flywheel 9-5
fender extrusion 1-7
fender, inner 1-45
field coil housing 7-5, 8-5, 8-7
fill plug 17-7, 17-13
fill plug gasket 17-13
filter
air 10-3, 11-17, 12-15
fuel 11-3, 11-5, 12-5
oil 9-7
oil pump 9-7
fitting, thread-forming grease 6-15
fixed-face, drive clutch 15-7
fixed-face, driven clutch 15-5
flasher, turn signal, 12-volt 4-11
float 11-9
floor mat 1-15
flywheel 9-5, 10-11
flywheel fan 9-5
flywheel fan plate 9-5
flywheel puller 24-5
FNR closeout brush 4-13
FNR handle 18-3
fnr shaft 18-5
FNR shift lever 17-7, 17-13, 18-15, 18-17
FNR shifter 17-3
FNR shifter base 18-3, 18-5
FNR shifter bracket 17-3
FNR shifter cable 17-5, 18-7, 18-9, 18-11, 18-13
FNR shifter cam 17-3
fork, shift 17-9, 17-15
frame and field assembly (motor) 20-3
frame and field, starter/generator 7-5, 8-5, 8-7
front body 1-7
front body support 1-47, 1-49
front spring retainer plate 6-21
fuel filter 11-3, 11-5, 12-5
Fuel Filter Kit 12-5
fuel gauge sending unit 11-5
fuel injector 12-9
fuel line 11-3, 11-5, 11-7, 11-11, 12-7
fuel meter 4-13

INDEX

Fuel Module, Hold-Down Ring 12-5
Fuel Pump 12-5
fuel pump 11-3, 11-5, 12-5
fuel tank 11-3, 11-5
fuel tank cap 11-3, 11-5
fuel tank strap 11-3, 11-5
fuel tank vent 11-3, 11-5
fuse 19-9, 22-7, 22-9, 22-11
 10-amp 7-11, 8-3, 8-11, 8-13
 20-amp 4-5, 4-7, 7-11
 2-amp 8-3
 3/8-amp 19-9
 5-amp 8-3
 charger 22-3, 22-5
fuse block 4-5, 4-7, 7-11, 8-11, 8-13
fuse block cover 4-7

G

gasket 18-21, 18-23
 carburetor 11-11
 carburetor mounting 11-9, 11-11
 cover, rocker 10-15
 cover, valve 10-15
 crankcase cover 9-9, 9-11
 drain plug 9-7, 10-19, 17-7
 drain plug, fill plug 17-13
 exhaust 9-9, 13-3
 head 9-9
 insulator 9-9, 11-11, 12-11
 liquid 17-7, 21-3, 24-5
 plug 21-3
 rocker case 9-9
 seat 1-25
 sending unit 11-5
 taillight 4-29
gasket kit, FE350 9-9
gasket, controller cover 19-19, 19-21, 19-23
gasket, head 10-15
gauge, battery condition 4-15, 4-17
gauge, compression 24-5
gauge, fuel-hour 4-13
gear
 17 tooth 18-25
 25 tooth 17-15
 28 tooth 17-15
 34 tooth 18-25
 52 tooth 18-25
 60 tooth 18-27, 18-29
 62 tooth 18-25
 case 17-13
 cluster idler 17-9
 differential 17-11, 17-17, 21-3
 differential idler 17-11, 21-3
 differential output 21-3
 governor 18-21, 18-23
 governor, 34 tooth 18-25

 helical 9-13, 17-9, 17-11
 planetary 17-17
 set, differential 18-29
 speed governor 17-15
 spur 9-13, 17-9
 sun 17-17
 synchro 17-9
gear yoke 24-5
gearcase 17-7, 21-3
governor 17-9, 17-15
governor arm 11-13, 12-13, 17-7, 17-13, 18-19
governor cable 11-13, 12-13
governor cable bracket 11-13
governor gear shaft 18-21, 18-23
governor shaft 18-21, 18-23
governor shaft installation tool 24-5
grommet 1-31, 1-35, 11-3, 11-5, 12-3
 ignition 9-5
guard, differential 17-19, 21-5
guide
 choke lever 11-15
 intake valve 9-9
 valve 10-15
 valve seat cutter 24-7
guide pin 10-19, 18-21, 18-23
guide ring adhesive 24-3
guide, timing chain 10-17
gun rack, floor mount 1-17

H

handle 18-5
handle, FNR 18-3
hanger, brake cable 5-11
hardware kit, charger 22-3, 22-5
harness
 wire 4-25
harness, headlight 4-5, 4-7
harness, wire 4-19, 4-25
harness, wire, gas engine-ECU 8-3
harness, wire, lighting 4-7
head gasket 9-9, 10-15
head, cylinder 9-9, 10-15
headlight 4-3
headlight assembly 4-3
headlight bulb 4-3
headlight harness 4-3
headlight retainer 4-3
headlight wire harness 4-5, 4-7
heatsink and rectifier 22-3, 22-7, 22-9, 22-11
helical gear 9-13, 17-9, 17-11
hill brake rod 5-3
hill brake weld assembly 5-3
hinge plate 1-25, 1-47, 1-49
hitch, trailer 1-43
hitch, trailer, ball 1-43
hold-down, battery 19-11, 19-13, 19-15

holder, cup 1-19
hole plug 4-17
horn 4-23, 4-25
horn bracket 4-23, 4-25
horn button and wire assembly 4-23
hose
 air intake 12-15
 engine breather 12-11
 fuel 11-3, 11-5, 12-7
 SPWS 19-17
 vent 11-7, 12-7
 vent flare 11-7
hose clamp, green 11-3, 11-5, 11-7
hose, air intake 11-17
hour meter 4-13, 4-27
hour meter, 36-48 volt 4-27
housing
 3-pin 20-3
 6-pin 19-19, 19-21, 19-23
 differential 21-3
 fan 9-3, 10-7
 field coil 7-5, 8-5, 8-7
hub 6-15, 18-31
hub cap 6-15
hub, synchronizer clutch 17-9
hydrometer 24-5

I

idle screw assembly 11-9
idler bearing 15-7
idler gear, differential 21-3
ignition coil 9-5, 10-11
indicator, battery condition 4-15, 4-17
inner frame snubber 9-15, 10-5
input shaft 18-25, 21-3
insert, synchronizer 17-9
instrument panel 4-13, 4-17
insulator 12-11
insulator gasket 9-9, 11-11, 12-11
insulator, battery 1-47
insulator, carburetor 11-11
intake valve 9-9, 10-17
intermediate shaft 21-3
internal retaining ring pliers 24-5
IQ display module (IQDM) 24-5

J

J-bolt 19-11, 19-13, 19-15
jet, main 11-9
jet, pilot 11-9
joint
 ball 5-3, 5-7, 17-5
 steering 6-9
jumper harness, run/maint 8-3

INDEX

K

key
crankshaft 9-5, 9-13
driven clutch 15-5, 16-11
On/Off 4-13, 4-17
square 15-5, 16-11
woodruff 17-7
key switch 4-13
key switch cap 4-13, 4-17
key switch, On/Off 4-17
key, crankshaft 10-21
kick plate, body 1-47, 1-49
kingpin 6-19
kit
3-pin housing 20-3
6-pin housing 19-19, 19-21, 19-23
accelerator pivot rod 5-5, 5-7
air duct shield 11-15
battery condition indicator 4-15
brake pedal 5-3
brake relay 4-5
brake shoe retainer 5-13, 5-15
clutch repair 15-5, 16-11
deflector, air 10-9
differential gear case 17-11
drive clutch button 15-7, 16-7, 16-9
drive clutch weight 15-7, 16-7, 16-9
driven clutch button 15-5, 16-11
enclosure 1-39, 1-41
fixed-face drive 15-7
flywheel puller 24-5
front hub replacement 6-15
fuel tank 11-5
gasket, FE350 9-9
hand pump, SPWS 19-25
hour meter 4-27
IQ display module (IQDM) 24-5
motor brush 20-3
motor brush spring 20-3
motor cover plate 20-3
motor speed sensor 20-3
motor terminal hardware 20-3
park brake latch 5-3
park brake pedal 5-3
PD3 hardware 22-3, 22-5
PD3 wiring 22-3
piston ring compressor 24-5
relay, 48V 4-7, 22-7
shock absorber cushion 6-23
shoe retainer 5-13, 5-15
steering column mounting bracket 6-7
taillight hardware 4-29
transmission tool 24-7
tune-up 24-7
turn signal 4-9

windshield, hinged 1-23
windshield, one-piece 1-21
wire assembly, charger 22-7
knob, forward/reverse 17-3, 18-5

L

lamp, turn signal and socket 4-9, 4-11
latch, air box 11-17
latch, park brake 5-3
leaf spring 6-25
lens, headlight 4-3
lens, taillight 4-29
lever
choke 11-15, 11-17
drive selector 17-7
speed governor 17-13
transaxle shift 18-15, 18-17
transmission shift 17-7, 17-13
light
battery 4-17
oil 4-13
water quality 19-25
limit switch 4-5, 4-7, 7-11, 7-13, 8-13, 8-15, 8-17, 8-21, 8-23, 17-3
limiter
current 22-11
voltage 4-5, 4-21
line, fuel 11-3, 11-5, 11-7, 11-11, 12-7
link, stabilizer bar 6-27
liquid gasket 17-7, 21-3, 24-5
low oil warning light 4-13
lubricant, dry moly 24-5
lubricant, moly-teflon 20-3, 24-5
lug nut 2-3
lug stud 17-11, 17-17, 18-31, 21-3
lug, compression 19-19, 19-21, 19-23

M

magnet, speed sensor 20-3
main jet 11-9
MCOR 19-3
mechanism, brake adjusting 5-13, 5-15
meter clip 4-13
meter, hour 4-27
meter, volt ohm 24-7
module
calibration test 24-3
communication display 24-5
moly-teflon lubricant 24-5
motor
48-volt IQ 20-3
motor brush kit 20-3
motor brush spring kit 20-3
motor bumper 20-3
motor end cap 20-3
motor magnet, speed sensor 20-3

motor speed controller
CE 19-19, 19-21, 19-23
IQ 19-19, 19-21, 19-23
motor speed sensor 20-3
motor speed sensor kit 20-3
motor terminal hardware kit 20-3
mount, compression 6-27
mounting block, brake 5-3
moveable-face 15-5, 15-7, 16-7, 16-9, 16-11
muffler hose clamp 13-3

N

needle bearing 17-9
nerf bar 1-27
non-skid tape 1-27
nozzle, main 11-9
nut, lug 2-3

O

oil conveyor 17-13
oil filler tube 9-3, 10-19
oil filter 9-7
oil filter mount bracket 9-7
oil filter screen 9-11
oil filter screen plate 9-11
oil level sensor 9-11, 10-13
oil level switch bracket 9-11
oil pump and rotor 9-7
oil pump cover 9-7
oil pump filter 9-7
oil pump plate 9-7
oil seal 9-9, 9-11, 9-13, 10-19, 17-7, 17-9, 18-21, 18-23
oil warning light, low 4-13
O-ring 9-3, 9-9, 9-11, 9-13, 10-17, 10-19
O-ring Kit, Fuel Module 12-5
O-Ring, Fuel Module 12-5

P

pad
brake pedal 5-3
park brake 5-3
thermal 8-19
paint, touch-up 24-5
panel
closeout, dash 1-11
panel, instrument 4-13, 4-17
panel, rear 23-7
park brake latch 5-3
park brake pedal 5-3
park brake rod sleeve 5-3
park brake spacer 5-3
park brake torsion spring 5-3
pawl 5-3
p-clamp (fuel filter) 10-9, 12-13

INDEX

- pedal, brake 5-3
 - pedal, park brake 5-3
 - pilot air screw assembly 11-9
 - pilot jet 11-9
 - pin
 - bow tie locking 5-11
 - clevis 5-11
 - differential 17-11, 18-29
 - guide 10-19, 18-21, 18-23
 - input shaft 18-25
 - piston 9-13, 10-21
 - pinion, steering 6-5
 - piston 9-13, 10-21
 - piston pin 9-13, 10-21
 - piston pin clip 10-21
 - piston ring 9-13, 10-21
 - piston ring compressor 24-5
 - piston ring pliers 24-5
 - piston ring set 9-13, 10-21
 - pivot arm 17-7
 - pivot support bearing 5-5, 5-7
 - plate
 - backing (brake) 5-13, 5-15
 - body kick 1-47, 1-49
 - component mounting 19-19, 19-21, 19-23
 - cover 20-3
 - engine mounting 9-15
 - flywheel fan 9-5
 - front spring retainer 6-21
 - hinge 1-25, 1-47, 1-49
 - mounting, CVT, center 10-5
 - mounting, engine/axle 10-5
 - oil filter screen 9-11
 - oil pump 9-7
 - receptacle backing 19-9, 23-7
 - retainer 10-15
 - spring mounting 6-21
 - thrust 17-9, 17-11
 - plate, canopy trim 1-31, 1-33, 1-35, 1-37
 - plate, steering wheel center 6-13
 - pliers
 - internal retaining ring 24-5
 - piston ring 24-5
 - retaining ring 24-5
 - plug
 - 6-pin 19-19, 19-21, 19-23
 - drain 9-7, 17-13, 18-21, 18-23
 - driven clutch puller 24-3
 - fill 17-7, 17-13
 - hole 4-17
 - oil drain 10-19
 - rubber drain 7-5, 8-5, 8-7
 - rubber, crankcase 10-19
 - spark 9-5, 10-3, 10-11
 - plug cap 9-5
 - plug, carburetor intake manifold 11-11
 - port, diagnostic 4-17, 19-5
 - positioner, choke 11-15
 - press weldment 24-3
 - protector spray, battery terminal 24-3
 - puller
 - bearing 24-3
 - drive clutch 24-3
 - drive clutch hub 24-3
 - driven clutch cam 24-3
 - flywheel 24-5
 - seal 24-5
 - pulley
 - drive clutch 15-7
 - starter-generator 7-5, 8-5, 8-7
 - v-belt 7-5, 8-5, 8-7
 - pump
 - fuel 11-3, 11-5, 12-5
 - push rod 9-9
- ## R
- rack guide pressure spring 6-5
 - rack, steering 6-5
 - ratchet, park brake 5-3, 5-5, 5-7
 - reamer, valve guide 24-7
 - rear panel 23-7
 - rear spring shackle 6-25
 - receptacle 19-9
 - receptacle backing plate 19-9, 23-7
 - receptacle, AC cord 22-11
 - receptacle, battery charger 19-9
 - rectifier with heatsink 22-3, 22-7, 22-9, 22-11
 - regulator, voltage 7-11, 8-11, 8-13
 - relay 4-7, 22-3, 22-5, 22-7, 22-9, 22-11
 - relay mounting bracket 22-9
 - relay, 12-volt 4-5
 - relay, 48V 4-7, 22-7
 - relay, brake, kit, 12-volt 4-5
 - remover, bearing and oil seal 24-3
 - resistor assembly 19-19, 19-21, 19-23
 - retainer
 - accelerator pedal spring 5-5, 5-7
 - battery 8-25
 - brake shoe 5-13, 5-15
 - headlight 4-3
 - shock absorber cushion 6-23
 - spring (drive clutch) 15-7
 - valve spring 9-9, 10-17
 - retainer plate 10-15
 - retaining ring 6-7
 - retaining ring pliers 24-5
 - return spring bumper 5-5, 5-7
 - reverse buzzer 4-13, 4-17
 - ring
 - C-type stop 6-5
 - piston 9-13, 10-21
 - retaining 6-7, 7-11, 8-11, 8-13, 15-5, 15-7, 16-7, 16-9, 16-11, 18-21, 18-23, 18-31
 - snap 6-5, 9-9, 9-13
 - spiral backup 15-7, 16-7, 16-9
 - synchronizer 17-9
 - rivet, blind push 6-13
 - rock guard 17-19, 21-5
 - rocker arm 9-9, 10-17
 - rocker case 9-9
 - rocker case gasket 9-9
 - rocker cover 10-15
 - rocker cover gasket 10-15
 - rocker shaft 9-9, 10-17
 - rocker switch 4-17
 - rocker switch (lights) 4-5, 4-7, 4-13, 4-17
 - rod
 - accelerator 5-7
 - accelerator pivot 5-5, 5-7
 - connecting 9-13, 10-21
 - crankshaft 9-13
 - equalizer 5-11
 - hill brake 5-3
 - push 9-9
 - shift 17-9
- ## S
- safety decal 3-3, 3-5
 - safety first card 24-5
 - score card plate 6-13
 - screen, oil filter 9-11
 - screw, valve clearance adjuster 24-7
 - seal
 - intake 11-17
 - lip 21-3
 - oil 9-9, 9-11, 9-13, 10-19, 17-7, 17-9, 17-11, 17-17, 18-21, 18-23, 21-3
 - steering pinion dust 6-5
 - valve 10-15
 - seal puller 24-5
 - sealant 17-7, 21-3
 - seat
 - spring 9-9
 - valve 9-7
 - seat back, beige 1-25
 - seat back, black 1-25
 - seat back, gray 1-25
 - seat back, white 1-25
 - seat bottom assembly 1-25
 - seat gasket 1-25
 - seat, bearing 6-7
 - select shaft 18-21, 18-23
 - sending unit, fuel gauge 11-5
 - sensor
 - oil level 10-13
 - temperature 10-13
 - sensor, motor speed 20-3
 - sensor, oil level 9-11

INDEX

- shackle, rear spring 6-25
 - shaft
 - axle 18-27, 18-29
 - balance 10-21
 - center 18-25
 - counter 18-25
 - counterbalance guide 9-13
 - differential 18-29
 - drive selector 17-7, 17-13
 - governor 18-21, 18-23
 - governor gear 18-21, 18-23
 - input 18-25, 21-3
 - intermediate 21-3
 - rocker 9-9, 10-17
 - select 18-21, 18-23
 - shift 18-25
 - steering column 6-7
 - transmission 17-9, 17-15
 - shaft, reverse gear 17-15
 - shaft, secondary
 - transmission 17-15
 - shield, air duct 11-15
 - shift fork 17-9, 17-15
 - shift lever 17-7, 17-13, 18-15, 18-17
 - shift rod 17-9
 - shift shaft 18-5, 18-25
 - shifter, base 18-5
 - shifter, FNR 17-3
 - shim, camshaft 9-11
 - shim, crankshaft 9-13
 - shock absorber 6-17, 6-23
 - shock absorber cushion 6-23
 - shock absorber cushion retainer 6-23
 - shoe retainer kit 5-13, 5-15
 - shoe, brake 5-13, 5-15
 - shroud 9-3
 - shroud, engine 9-3
 - shroud, fan 9-3
 - side bar 1-27
 - signal, turn 4-9
 - sleeve 18-21, 18-23
 - delta A-plate 6-19
 - governor 17-9
 - park brake rod 5-3
 - synchronizer 17-9
 - snap ring 6-5, 9-9, 9-13
 - snubber bracket 9-15, 10-5
 - snubber, inner frame 9-15, 10-5
 - solenoid 19-19, 19-21, 19-23
 - solenoid, 12-volt 7-11, 8-11, 8-13
 - spacer 1-3, 18-21, 18-23, 18-25
 - accelerator pivot rod 5-5, 5-7
 - park brake 5-3
 - spark arrester 13-5
 - spark plug 9-5, 10-3, 10-11
 - speed controller
 - CE 19-19, 19-21, 19-23
 - IQ 19-19, 19-21, 19-23
 - speed controller cover 19-19, 19-21, 19-23
 - speed sensor 20-3
 - speed sensor magnet 20-3
 - speed sensor, motor 20-3
 - spiral backup ring 15-7, 16-7, 16-9
 - spray, battery terminal protector 24-3
 - spring 18-21, 18-23
 - accelerator return 5-5, 5-7
 - brake 5-13, 5-15
 - brake return 5-11
 - brush 7-5, 8-5, 8-7, 20-3
 - compression 11-15
 - drive button 15-7, 16-7, 16-9
 - drive clutch 15-7, 16-7, 16-9
 - driven clutch 15-5, 16-11
 - extension return 11-17
 - leaf 6-25
 - park brake torsion 5-3
 - rack guide pressure 6-5
 - shifter 17-9
 - steering shaft compression 6-7
 - synchronizer 17-9
 - throttle return 11-11
 - valve 9-9, 10-17
 - spring cup 5-5, 5-7
 - spring mounting plate 6-21
 - spring retainer 10-17
 - spring, leaf 6-21
 - spur gear 9-13, 17-9
 - SPWS hose 19-17
 - stabilizer bar 6-27
 - stabilizer bar link 6-27
 - stabilizer bar mounting bracket 6-27
 - stand-offs, plastic 22-3, 22-5
 - starter/generator 8-5, 8-7
 - starter/generator belt 7-7
 - starter/generator brush cover kit 7-5, 8-5, 8-7
 - starter/generator brush spring 7-5, 8-5, 8-7
 - starter/generator brush terminal 7-5, 8-5, 8-7
 - starter/generator frame and field 7-5, 8-5, 8-7
 - starter/generator pulley 7-5, 8-5, 8-7
 - steel bushing 6-21, 6-25
 - steel pressure relief ball 9-7
 - steering column 6-7
 - steering column bearing press tool 24-7
 - steering column cover 4-9, 4-11
 - steering column retaining ring tool 24-7
 - steering gear box 6-5
 - steering joint 6-9
 - steering pinion 6-5
 - steering pinion dust seal 6-5
 - steering rack 6-5
 - steering shaft assembly 6-7
 - steering shaft compression spring 6-7
 - steering wheel 6-13
 - steering wheel puller tool 24-7
 - stiffener, flywheel side 9-15
 - stiffener, PTO side 9-15
 - strap, A-plate 6-19
 - strap, fuel tank 11-3, 11-5
 - stud 9-15
 - exhaust mounting
 - engine
 - exhaust mounting stud 10-15
 - intake mounting
 - engine
 - intake mounting stud 10-15, 12-11
 - lug 17-11, 17-17, 18-31, 21-3
 - stud, ball 7-11, 8-11, 8-13, 17-7, 17-13
 - support
 - brush guard 6-21
 - cowl 1-11
 - support yoke (steering) 6-5
 - support, bushing 6-27
 - support, front body 1-47, 1-49
 - suppressor, voltage 4-5, 22-7, 22-9, 22-11
 - switch
 - four-position 22-9, 22-11
 - key 4-13, 4-17
 - light rocker 4-5, 4-7, 4-13, 4-17
 - limit 4-5, 4-7, 7-11, 7-13, 8-13, 8-15, 8-17, 8-21, 8-23, 17-3
 - rocker 4-17
 - Tow/Run 19-7
 - turn signal 4-9, 4-11
 - switch rubber boot 7-9, 19-7
 - switch, toggle 7-9
 - synchro gear 17-9
 - synchronizer clutch hub 17-9
 - synchronizer insert 17-9
 - synchronizer sleeve 17-9
 - synchronizer spring 17-9
 - synchronizer, complete 17-15
 - system, exhaust 13-3
- ## T
- 12-volt solenoid 7-11, 8-11, 8-13
 - tachometer 24-7
 - tail light bulb 4-29
 - taillight 4-29
 - taillight assembly 4-29
 - taillight base 4-29
 - taillight bezel 4-29
 - taillight gasket 4-29
 - taillight hardware kit 4-29
 - taillight lens 4-29
 - tank, fuel 11-3, 11-5
 - tape 11-15
 - tape, non-skid 1-27

INDEX

- tappet 9-11
 - temperature sensor 10-13
 - tensioner, timing chain 10-17
 - terminal block 4-5, 4-7, 19-19, 19-21, 19-23
 - terminal, 1/4 quick-disconnect 4-19
 - tester, continuity 24-5
 - thermal pad 8-19
 - thermometer, battery 24-3
 - thread-forming grease fitting 6-15
 - throttle body 12-9
 - throttle return spring 11-11
 - throttle spring return bracket 11-11
 - thrust bearing 6-19
 - thrust plate 17-9, 17-11
 - tie rod 6-11
 - tie rod end 6-11
 - tie wrap 4-9, 4-11, 4-19, 4-27, 6-5, 7-11, 8-11, 8-13, 17-5, 18-7, 18-9, 18-11, 18-13, 19-19, 19-21, 19-23
 - timing chain 10-17
 - timing chain guide 10-17
 - tire 2-3
 - toggle switch 7-9
 - tool
 - accelerator pedal adjustment 24-3
 - brake adjustment 24-3
 - brake cable release 24-3
 - charger bezel 24-3
 - clutch cam installation 24-3
 - drive clutch holder 24-3
 - governor shaft installation 24-5
 - steering column bearing press 24-7
 - steering column retaining ring 24-7
 - steering wheel puller 24-7
 - transaxle axle seal 24-7
 - transaxle pinion seal 24-7
 - transmission 24-7
 - tool kit, clutch 24-3
 - touch-up paint 24-5
 - Tow/Run switch 19-7
 - Tow/Run switch bracket 7-9, 19-7
 - trailer hitch 1-43
 - trailer hitch ball 1-43
 - transaxle (Electric Vehicle) 21-3
 - transaxle axle seal tool 24-7
 - transaxle Graziano (gasoline vehicle), unitized 17-13
 - transaxle guard 17-19, 21-5
 - transaxle pinion seal tool 24-7
 - transaxle, limited-slip (Gas Vehicle) 18-21
 - transaxle, open-diff (Gas Vehicle) 18-23
 - transaxle, Kawasaki (Gasoline Vehicle) 17-7
 - transformer 22-3
 - transformer, battery charger 22-5, 22-7, 22-9, 22-11
 - transmission secondary shaft 17-15
 - transmission shaft 17-9, 17-15
 - transmission tool 24-7
 - tube
 - axle 17-11, 17-17, 18-27, 18-29, 21-3
 - crankcase vent 11-11
 - oil filler 9-3, 10-19
 - tune-up kit 24-7
 - turn signal 4-9
 - turn signal conversion kit 4-9
 - turn signal lens 4-3
 - turn signal socket and lamp 4-9, 4-11
 - turn signal switch 4-11
- ## U
- U-bolt 6-25
 - unitized transaxle Graziano 17-13
 - upper delta clevis 6-19
 - urethane bushing 6-19, 6-21, 6-25
- ## V
- valve 12-15
 - choke 11-17
 - exhaust 9-9, 10-17
 - fuel pickup tube 11-3, 11-5
 - intake 10-17
 - reed 9-9
 - valve clearance adjuster screw 24-7
 - valve collet 10-17
 - valve cover 10-15
 - valve cover gasket 10-15
 - valve guide 10-15
 - valve guide reamer 24-7
 - valve guide, intake 9-9
 - valve seal 10-15
 - valve seat 9-7
 - valve seat cutter 24-7
 - valve seat cutter guide 24-7
 - valve seat t-wrench 24-7
 - valve spring 9-9, 10-17
 - valve spring compressor 24-7
 - valve spring retainer 9-9
 - valve stem 2-3
 - v-belt 7-7
 - vent
 - fuel tank 12-3
 - transaxle 18-21, 18-23
 - vent barb 11-3, 11-5
 - vent, barb 11-7, 12-7
 - volt ohm meter 24-7
 - voltage limiter 4-5, 4-21
 - voltage regulator 7-11, 8-11, 8-13
 - voltage suppressor 4-5, 22-7, 22-9, 22-11
- ## W
- warning light, low oil 4-13
 - water quality light 19-25
 - wedge, bearing puller 24-3
 - weight
 - clutch 15-7, 16-7, 16-9
 - counterbalance 9-13
 - secondary clutch 15-7, 16-7, 16-9
 - weldment
 - governor bracket 12-13, 18-19
 - press 24-3
 - wheel 2-3
 - wheel, steering 6-13
 - windshield
 - one-piece 1-21
 - windshield channel 1-23
 - windshield, hinged 1-23
 - wire
 - green, starter/generator 8-3, 8-5, 8-7
 - ground, fuel tank 8-3, 12-3
 - wire harness 4-19, 4-25, 8-3
 - wire harness, headlight 4-5, 4-7
 - wire harness, lighting 4-7
 - wire lead, ignition 9-5
 - wiring, charger 22-3
 - woodruff key 17-7
 - wrap, tie 4-9, 4-11, 4-19, 4-27, 6-5, 7-11, 8-11, 8-13, 17-5, 18-7, 18-9, 18-11, 18-13, 19-19, 19-21, 19-23
- ## Y
- yoke, gear 24-5
 - yoke, support (steering) 6-5



Club Car, Inc.
P.O. Box 204658
Augusta, GA 30917-4658
USA

Web www.clubcar.com
Phone 1.706.863.3000
1.800.ClubCar
Int'l +1 706.863.3000
Fax 1.706.863.5808