



2016 Café Express Illustrated Parts List



Gasoline Vehicle

Manual Number 105334608
Edition Code 0615C0616B

USING THE ILLUSTRATED PARTS LIST

⚠ WARNING

- **This manual is to be used only for identification and ordering of service parts. Be sure to read and use the maintenance and service manual before attempting any vehicle repairs.**

This manual covers all 2016 Cafe Express gasoline vehicles.

The manual is divided into sections. Note that there are two or three flags on the outside edge of each page. The first flag contains the section number of which that page is a part. The other flag (or flags) contains the letter D, E, or G, signifying that the page pertains to the diesel, electric, or gasoline vehicles only.

Use the Table of Contents to find the sections and pages that contain the parts and assemblies you seek. The Table of Contents lists section numbers, and under them, the individual page titles and numbers to be found in that section. The index can be used to find specific parts and assemblies. The index is divided into numerical and alphabetical listings with the page numbers in italic text.

There is a two-page spread for each individual page title in the Table of Contents. On the left-hand page is an illustration showing the parts in their relative positions; the parts are each tagged with an item number in a balloon. The right-hand page is the parts list page, and gives the page title at the top, then the item numbers (corresponding to the numbers on the illustration), part descriptions, and quantity of parts used.

Note that a part description may be indented. This indentation corresponds to a parts assembly level indicated by the numbers 1, 2, 3, and 4 at the top left corner of the parts description area of the parts list page. A part that is indented to *level 2* is a component of the *level 1* part (assembly) that it is listed under. A *level 3* part is a component of the *level 2* part that it is listed under, and a *level 4* part is a component of the *level 3* part preceding it. In each case, the part quantity given for a level 2, 3, or 4 part is the quantity used per next higher level assembly of which it is a component. A part that is not indented is a *level 1* part. This means that the quantity given is the quantity used per the portion of the vehicle illustrated on that particular spread.



P. O. Box 204658
Augusta, Georgia 30917-4658 USA
Telephone 706-863-3000
Service Parts Fax 706-855-7413
www.clubcar.com

HOW TO ORDER PARTS

Replacement parts and accessories can be obtained from our network of authorized dealers and distributors. You can obtain the name and phone number of your closest authorized Club Car dealer or distributor by visiting our web site at www.clubcardealer.com, by calling our toll-free Service Parts and Technical Assistance hotline at (800) 872-2246 or (706) 863-3000, extension 3887, or by scanning this Quick Response (QR) code to be taken to the Club Car dealer locator. **Refer to Figure 1.** Download a QR code reader such as RedLaser or Barcode Scanner to your cell phone or tablet.

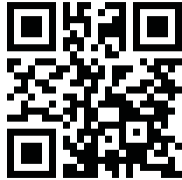


Figure 1 Dealer Locator QR Code

CUSTOMER SATISFACTION SURVEY

Let your voice be heard!

Please take time to participate in the Technical Publications satisfaction survey. Obtaining feedback from our customers is important to the department's continuous improvement process. The online survey takes less than five minutes and responses will help the department to examine current performance as well as identify areas for future improvement.

Our top priority is to provide timely, accurate, and user friendly manuals.

The online satisfaction survey can be found at: <http://bit.ly/1w9uFMh>



Figure 2 Survey QR Code

NOTE: *This illustrated parts list represents the most current information at the time of publication. Club Car, LLC is continually working to further improve its vehicles and other products. These improvements may affect the parts used to service the vehicle. Any modification and/or significant change in specifications will be forwarded to all Club Car and Carryall distributors/dealers and will, when applicable, appear in future editions of this illustrated parts list.*

Club Car, LLC reserves the right to change specifications and designs at any time without notice and without the obligation of making changes to units previously sold.

Copyright © 2015 Club Car, LLC.

Club Car is a registered trademark of Club Car, LLC.

This manual effective July 7, 2015.

CONTENTS

SECTION 1 – BODY AND TRIM

Heavy Duty Front Bumper	1-3
Headlight Guard	1-5
Fender Guard	1-7
Front License Plate Holder	1-9
Front Body	1-11
Body Touch-Up Paint	1-13
Front Bumper, Grille, and Fenders	1-15
Headlight Bezels	1-17
Dash, Glovebox Door, and Floormat	1-19
Front Frame, Standard	1-21
Seat Bottom	1-23
Seat Back	1-25
Seat Frame and Hip-Restraint	1-27
Windshield, Non-Hinged	1-29
Interior Mirror	1-31
Inner Rear Fenders	1-33
Rear Fenders and Tail Skirt	1-35
Rear License Plate Holder	1-37
Bed Latch, Hinge, and Prop Rod	1-39
Latch and Prop Rod Track	1-41
Electric Bed Lift – Gasoline Vehicles	1-43
Canopy, Frame, and Struts	1-45
CafÉ Express Lower Cabinet	1-47
CafÉ Express Upper Cabinet	1-49

SECTION 2 – WHEELS AND TIRES

Wheels and Tires	2-3
Wheel Covers	2-5

SECTION 3 – DECALS

Decals – CafÉ Express	3-3
Decals – CafÉ Express, Continued	3-5
Decals – CafÉ Express, Continued	3-7
Badging Decals – CafÉ Express	3-9

SECTION 4 – LIGHTS, CONTROLS, AND INDICATORS

Headlights	4-3
------------------	-----

CONTENTS

Horn, Turn Signals, and Taillights – Electric and Gasoline Vehicles	4-5
Horn and Tail Light Kit – Electric and Gasoline Vehicles	4-7
Instrument Panel – Gasoline Vehicle	4-9
Keyswitch, Pedal-Start – Gasoline Vehicle	4-11
Voltage Limiter – Gasoline Vehicle	4-13
Reflectors	4-15

SECTION 5 – BRAKES, PEDALS, AND CABLE ASSEMBLIES

Brake Pedal Assembly – Vehicles with 2-Wheel Brakes and 4-Wheel Brakes	5-3
Accelerator Pedal and Rod Assembly – Gasoline Vehicle	5-5
Pedal Close-Out Kit	5-7
Front Brake Assembly – Vehicles with 4-Wheel Brakes	5-9
Front Brake Cables and Equalizer – Gasoline Vehicle with 4-Wheel Brakes	5-11
Rear Brake Cables and Equalizer – Gasoline Vehicle with 4-Wheel Brakes	5-13
Rear Brakes, Manually-Adjusted – Gas Vehicles with 4-Wheel Brakes	5-15

SECTION 6 – STEERING, FRONT AND REAR SUSPENSION

Steering Gear Assembly	6-3
Steering Column	6-5
Steering Wheel	6-7
Steering Wheel with Clip	6-9
Front Suspension, Upper, HD	6-11
Front Suspension, Lower, HD, 3 Leaf-1 Plate	6-13
Front Suspension, Lower, HD, 2 Leaf-2 Plates	6-15
Steering Stop	6-17
Front Wheel Hubs	6-19
Rear Suspension Components, Standard	6-21

SECTION 7 – ELECTRICAL SYSTEM – GASOLINE EFI

Wiring, Fuses, and Diodes, Pedal-Start – EFI	7-3
Starter/Generator (Model 114-05-4001), Pedal-Start – EFI	7-5
Starter/Generator Mounting, EX40 – To Early-2016 Model Year	7-7
Starter/Generator Mounting, EX40 – From Early-2016 Model Year	7-9
Operation and Maintenance Switch	7-11
Electrical Component Box, Pedal-Start – EX40	7-13
Forward/Reverse Shifter Switches, Pedal-Start – EFI	7-15
Battery – Gasoline Utility Vehicles	7-17
Top-Post Battery - Gasoline Utility Vehicles	7-19

CONTENTS

SECTION 8 – ENGINE (SUBARU EX40)

Tune-Up Parts – Subaru EX40	8-3
Engine and Engine Mounting, Utility – To Early-2016 Model Year	8-5
Engine and Engine Mounting, Utility – From Early-2016 Model Year	8-7
Fan and Shroud – EX40	8-9
Air Deflector – EX40	8-11
Ignition Components and Flywheel – EX40	8-13
Sensors – EX40	8-15
Cylinder Head – EX40	8-17
Valvetrain and Timing Chain – EX40	8-19
Crankcase – EX40	8-21
Crankshaft and Piston – EX40	8-23

SECTION 9 – FUEL SYSTEM – EFI

Fuel Tank with Sending Unit, Side Fill – EFI	9-3
Fuel Tank Kits – EFI	9-5
Carbon Canister – EFI	9-7
Throttle Body and ECU – EFI	9-9
Throttle Body Mounting – EFI	9-11
Governor and Accelerator Cables – EFI	9-13
Air Filter System and Intake Hose – EFI	9-15

SECTION 10 – EXHAUST SYSTEM – EX40 ENGINE

Exhaust System – Utility	10-3
--------------------------------	------

SECTION 11 – DRIVE BELT AND CLUTCHES – EX40

Drive Belt – Pedal-Start Vehicles with EFI	11-3
Drive Clutch – Pedal-Start Vehicles	11-5
Driven Clutch (Standard Speed) – Pedal-Start	11-7

SECTION 12 – TRANSAXLE (FUJI ED65)

Forward/Reverse Shifter Assembly	12-3
Shifter Cable – CA500 & CA550	12-5
Shift Lever and Bracket – Pedal-Start Engines	12-7
Shift Lever and Bracket – Key-Start Engines	12-9
Governor Arm and Brackets – Utility Vehicles	12-11
Transaxle (ED65), Limited Slip – Page 1 of 3	12-13
Transaxle (ED65), Open – Page 1 of 3	12-15

CONTENTS

Transaxle (ED65), Limited Slip and Open – Page 2 of 3	12-17
Transaxle (ED65), Limited Slip – Page 3 of 3	12-19
Transaxle (ED65), Open – Page 3 of 3	12-21
Hub, Rear	12-23

SECTION 13 – MAINTENANCE AND SERVICE TOOLS

Maintenance and Service Tools	13-3
Maintenance and Service Tools, Continued	13-5
Maintenance and Service Tools, Continued	13-7

SECTION i – INDEX

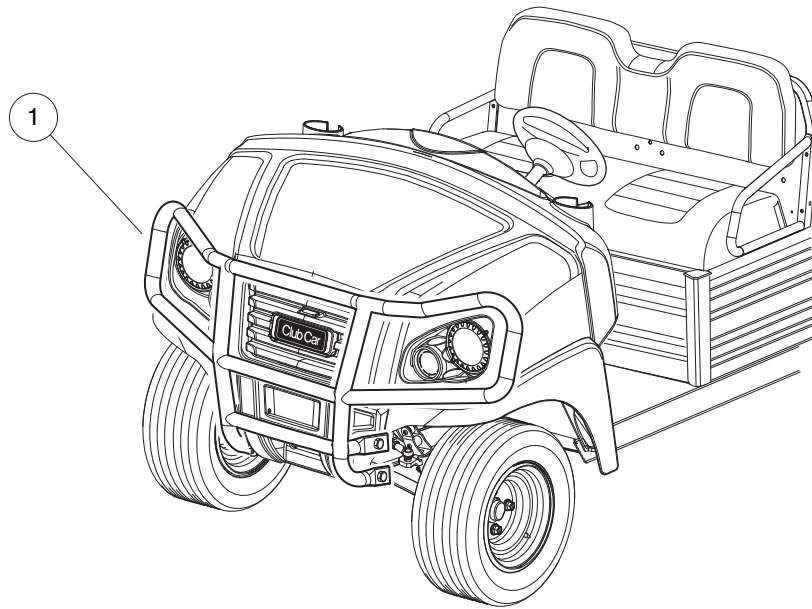
BODY AND TRIM

1

G

1

G



001100-002

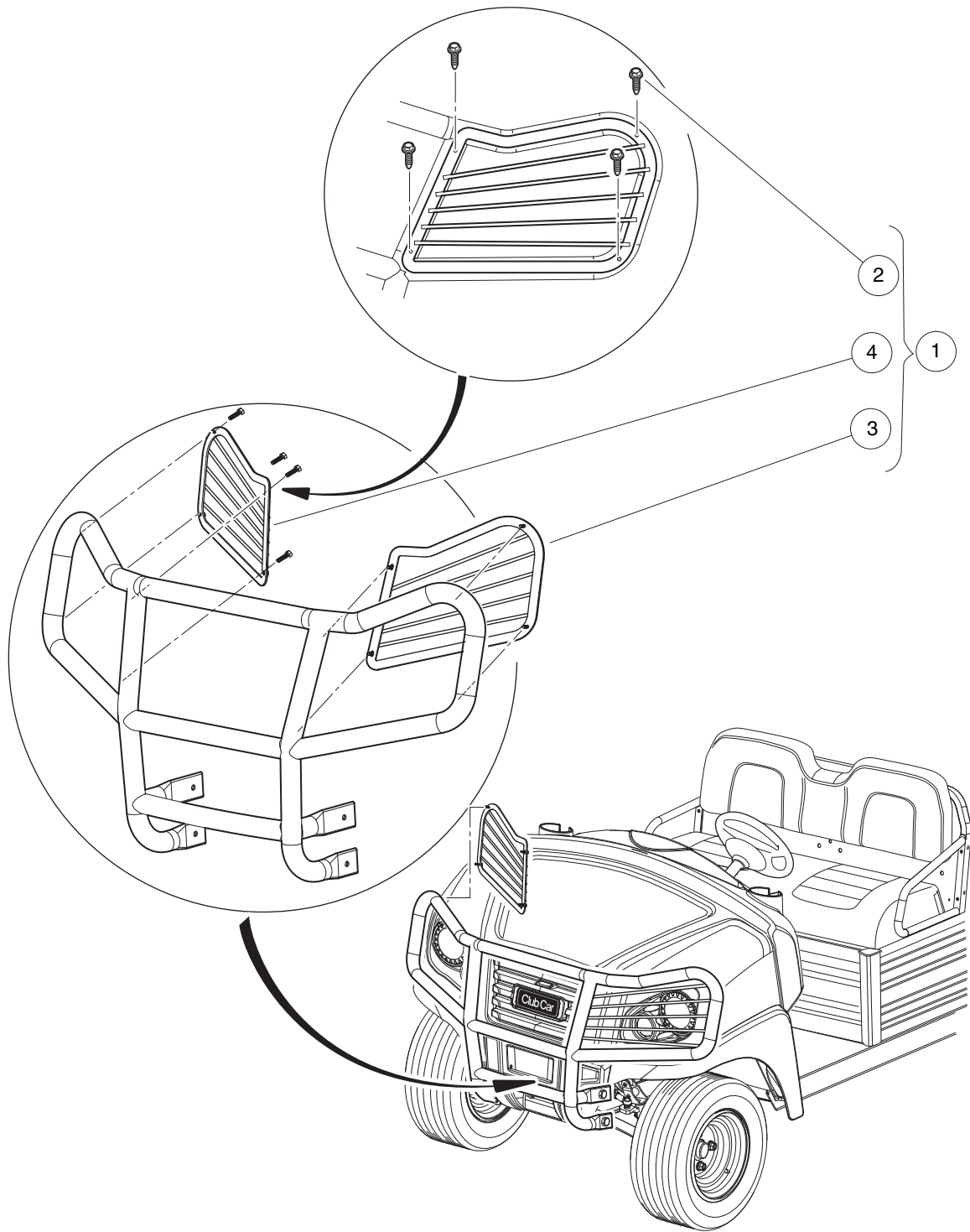
HEAVY DUTY FRONT BUMPER

ITEM	PART NO.	DESCRIPTION	QTY
1	<u>105100601</u>	<p>1 2 3 4 Kit, Hd Bumper, Hb Res</p> <p style="margin-left: 40px;">Note: Individual components are not procurable. Steering Stops, 105242801 and 105243001 are also required when installing the HD Bumper Kit.</p>	1

1

G

1
G



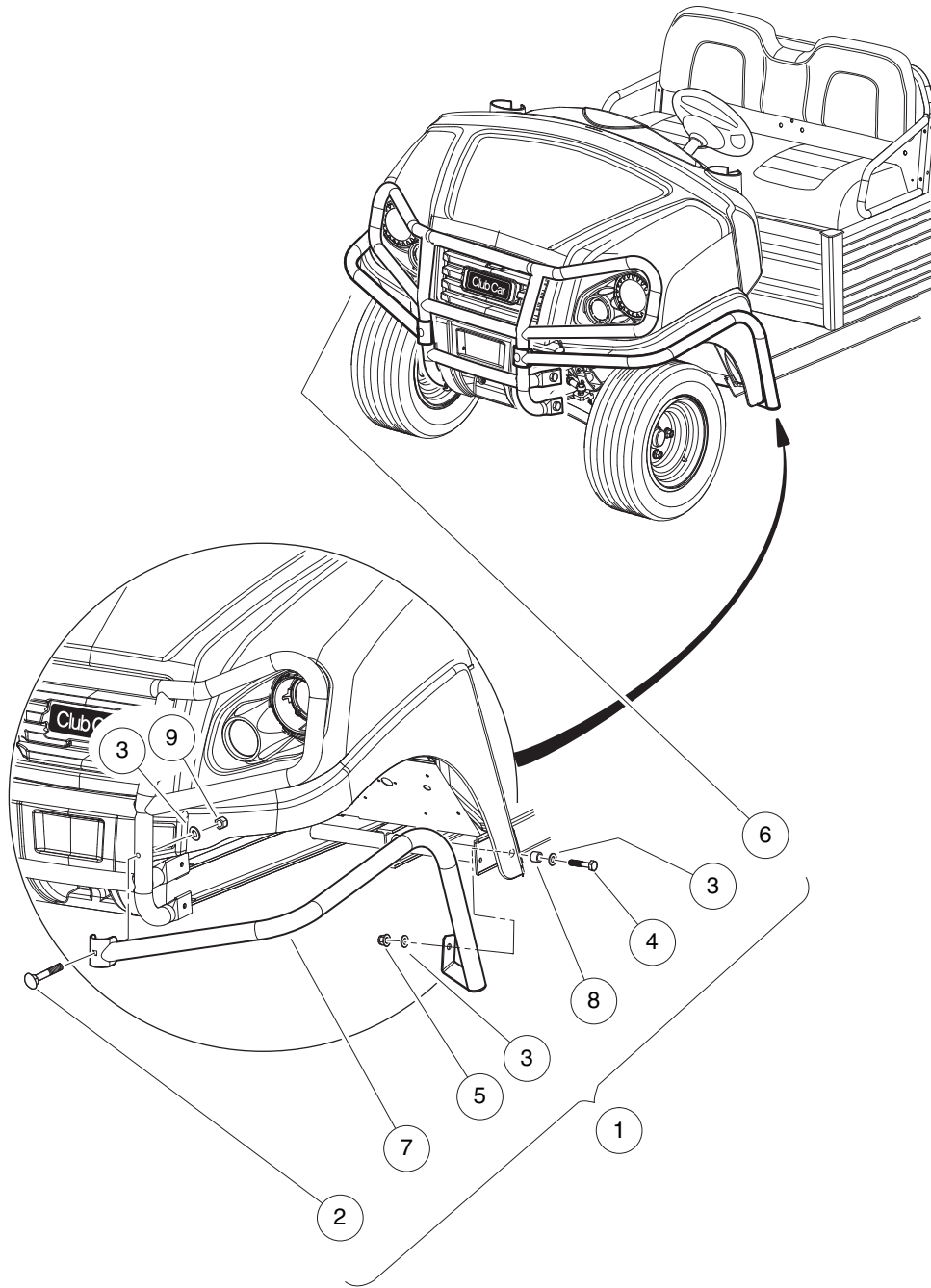
001300-017

HEADLIGHT GUARD

ITEM	PART NO.	DESCRIPTION	QTY
		1 2 3 4	
1	<u>105156301</u>	Kit, Head Light Guard, Utl Res (includes items 2 through 4)	1
2	<u>102296819</u>	Screw-M6 x 19	8
3	<u>105156701</u>	Guard, Headlight, UTL,LH	1
4	<u>105156702</u>	Guard, Head Light, Utl, Rh	1

1

G



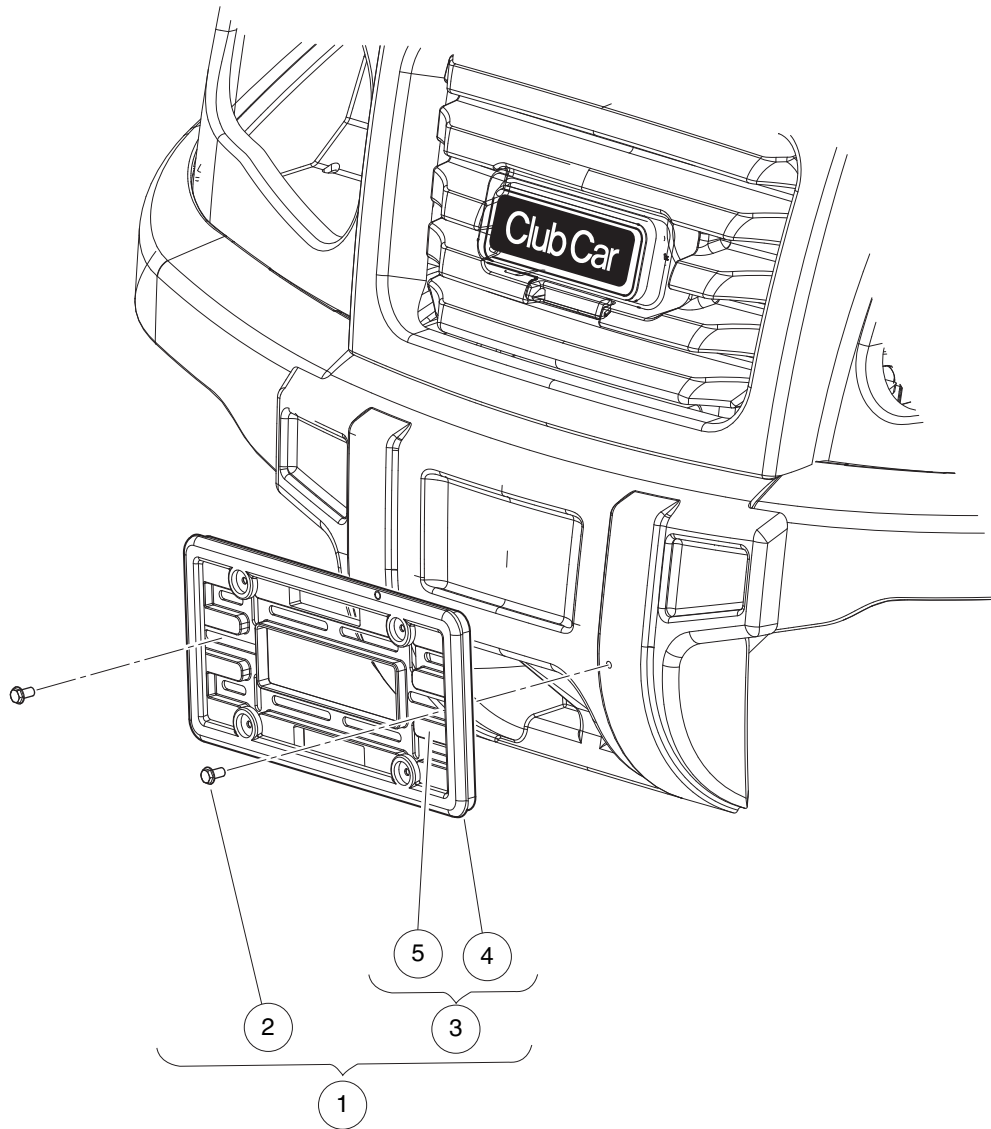
001300-002

FENDER GUARD

ITEM	PART NO.	DESCRIPTION	QTY
		1 2 3 4	
1	<u>105124001</u>	Kit, Fender Guard, Hb Res (includes items 2 through 9)	1
2	101242802	Bolt, 3/8-16 X 2.25 Rd Hd Sq Bk	2
3	<u>102323501</u>	Washer, Flat, 3/8, Blk Fin	6
4	<u>102621601</u>	Bolt, M10 X 1.50 X 45 Black	2
5	<u>102670701</u>	Nut, Flange, M10 X 1.5 Nylon	2
6	105074501	Weldment, Fender Guard, Hb, Rh	1
7	105074502	Weldment, Fender Guard, Hb, Lh	1
8	<u>105094001</u>	Spacer, Canopy Support, Dash	2
9	<u>8754</u>	Locknut, 3/8-16 Hex	2

1
G

1
G

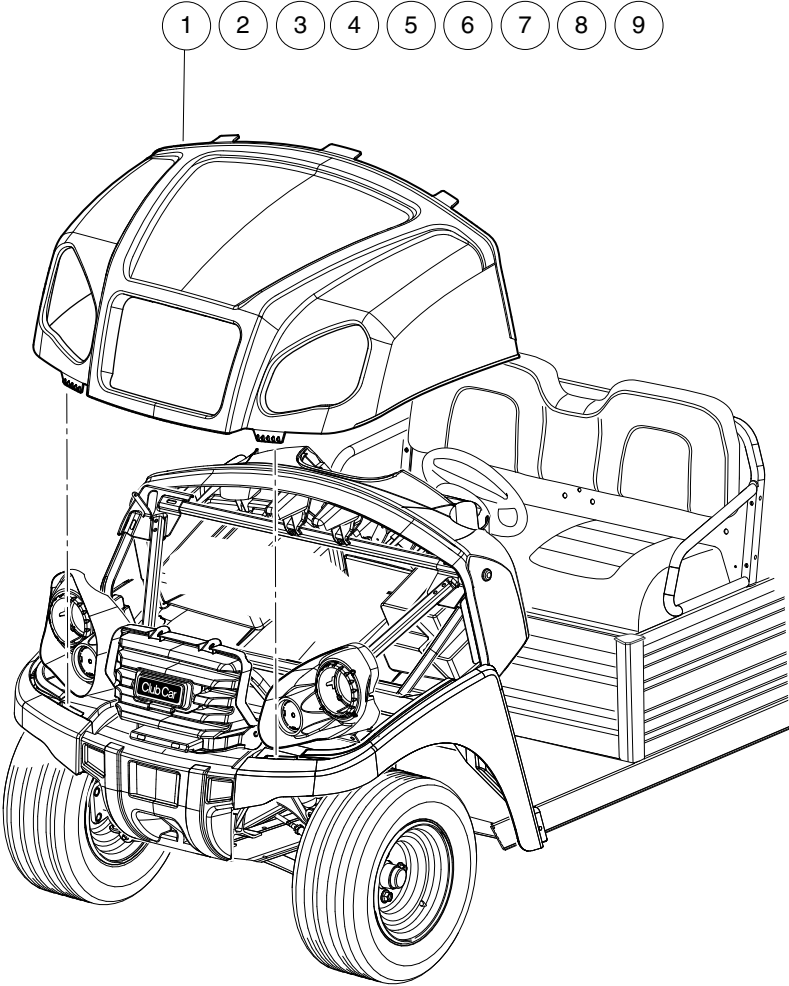


001155-001

FRONT LICENSE PLATE HOLDER

ITEM	PART NO.	DESCRIPTION	QTY
		1 2 3 4	
1	<u>105124901</u>	Kit, Front, License Pl, Lsv (includes items 2 and 3)	1
2	<u>101856101</u>	Screw, 1/4-15 X .50 Hi-lo Hex	2
3	<u>102311501</u>	Front License Plate Assembly (includes items 4 and 5)	1
4	N/A	Frame, License Plate	1
5	N/A	Mount, License Plate	1

1
G



001300-003

FRONT BODY

ITEM	PART NO.	DESCRIPTION	QTY
		1 2 3 4	
1	<u>105034321</u>	Cowl, Ca, Serv, Dk Green	1
2	<u>105034322</u>	Cowl, Ca, Serv, Dk Gray	1
3	<u>105034323</u>	Cowl, Ca, Serv, White	1
4	<u>105034324</u>	Cowl, Ca, Serv, Bright Blue	1
5	<u>105034325</u>	Cowl, Ca, Serv, Titn Silver	1
6	<u>105034326</u>	Cowl, Ca, Serv, Beige	1
7	<u>105034327</u>	Cowl, Ca, Serv, Red	1
8	<u>105034328</u>	Cowl, Ca, Serv, Black	1
9	<u>105034329</u>	Cowl, Ca, Serv, Classic Blue	1

1

G

1

G

- 1
- 2
- 3
- 4
- 5
- 6
- 7
- 8
- 9
- 10

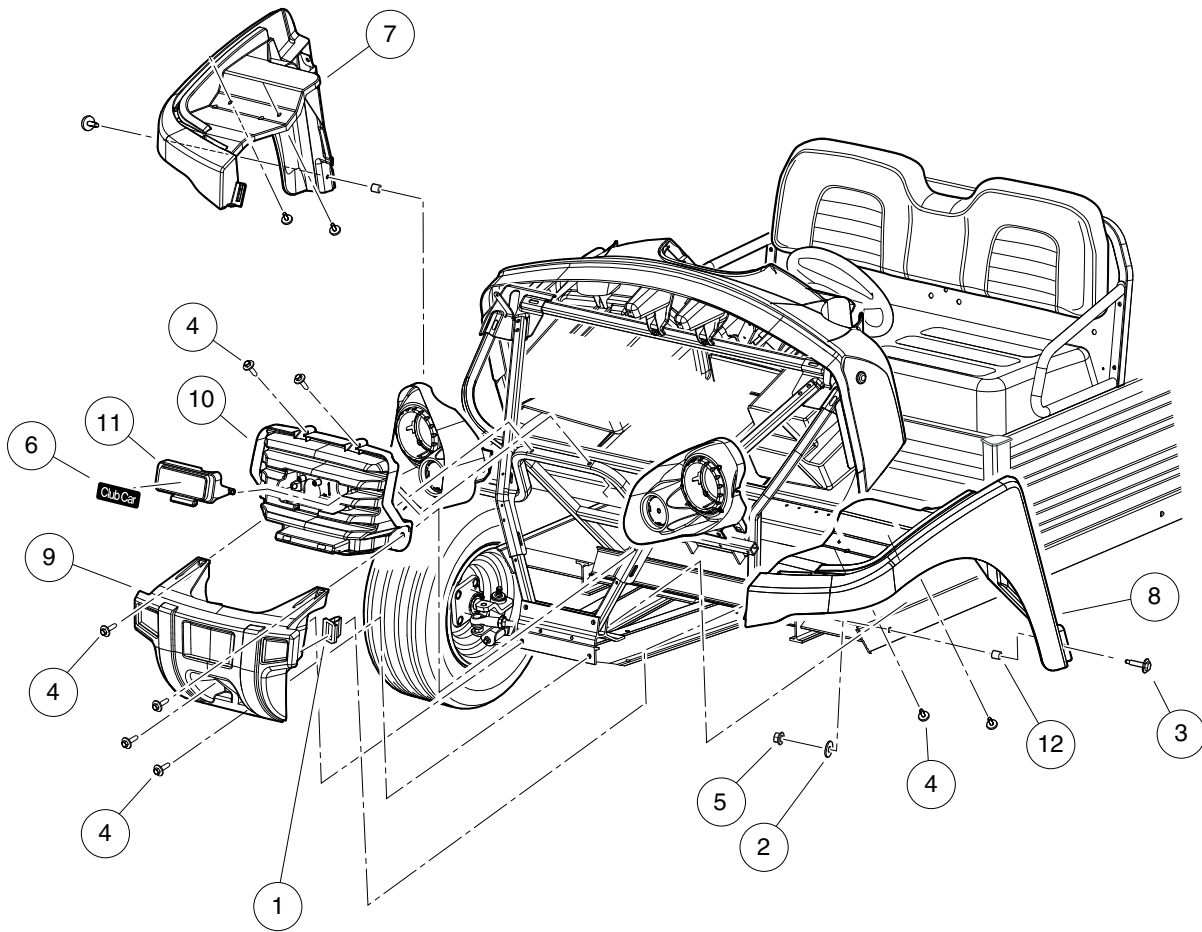


001300-020

BODY TOUCH-UP PAINT

ITEM	PART NO.	DESCRIPTION	QTY
		1 2 3 4	
1	<u>105117701</u>	Paint, Touch-up, White	1
2	<u>105117702</u>	Paint, Touch-up, Classic Blue	1
3	<u>105117703</u>	Paint, Touch-up, Dark Green	1
4	<u>105117704</u>	Paint, Touch-up, Red	1
5	<u>105117705</u>	Paint, Touch-up, Dark Gray	1
6	<u>105117706</u>	Paint, Touch-up, Black	1
7	<u>105117707</u>	Paint, Touch-up, Tan	1
8	<u>105117708</u>	Paint, Touch-up, Bright Blue	1
9	<u>105117709</u>	Paint, Touch-up, Titn Silver	1
10	<u>105117710</u>	Paint, Touch-up, Light Gray	1

1
G

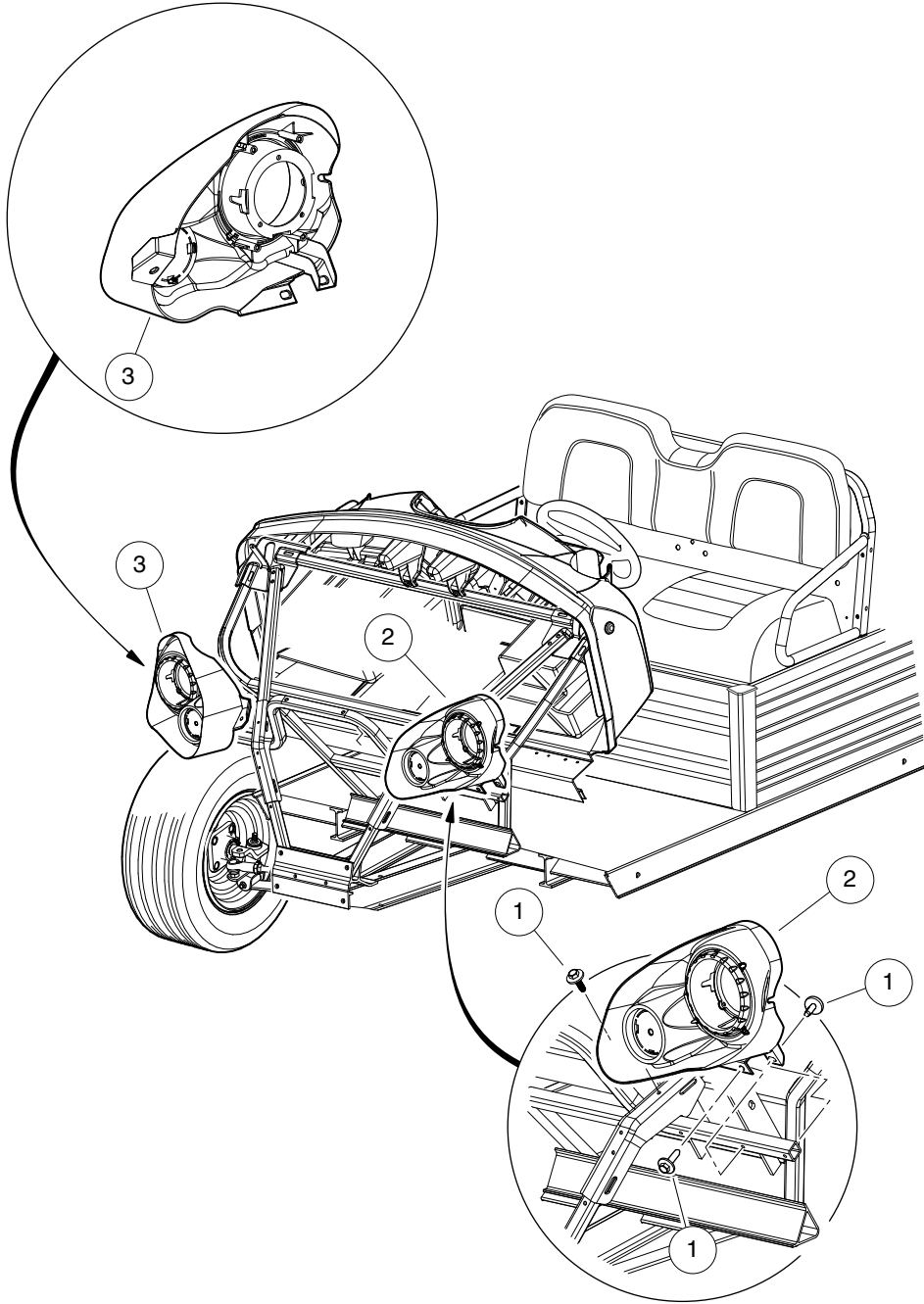


001300-004

FRONT BUMPER, GRILLE, AND FENDERS

ITEM	PART NO.	DESCRIPTION	QTY
		1 2 3 4	
1	<u>102292701</u>	Clip-body-trim	2
2	<u>102296301</u>	Washer, M6x18x1.6 Flat	2
3	<u>102296530</u>	Screw - M6 X 1.0 X 30 Sems	6
4	<u>102297125</u>	Screw, M6-1.0x25.4, Thread-Forming, SEMS	8
5	<u>102541501</u>	Nut-m6x1.0 Fl Mtl Lock,blk	2
6	<u>102883601</u>	Decal, Nameplate, CCI, Front	1
7	<u>105034401</u>	Fender, Front, Rh, Ca	1
8	<u>105034501</u>	Fender, Front, Lh, Ca	1
9	<u>105034601</u>	Bumper, Front, Plastic, Ca	1
10	<u>105034701</u>	Grille, Ca	1
11	<u>105034801</u>	Door, Charger Port, Ca	1
12	<u>105036701</u>	Spacer, Frt Fender, Ca	2

1
G



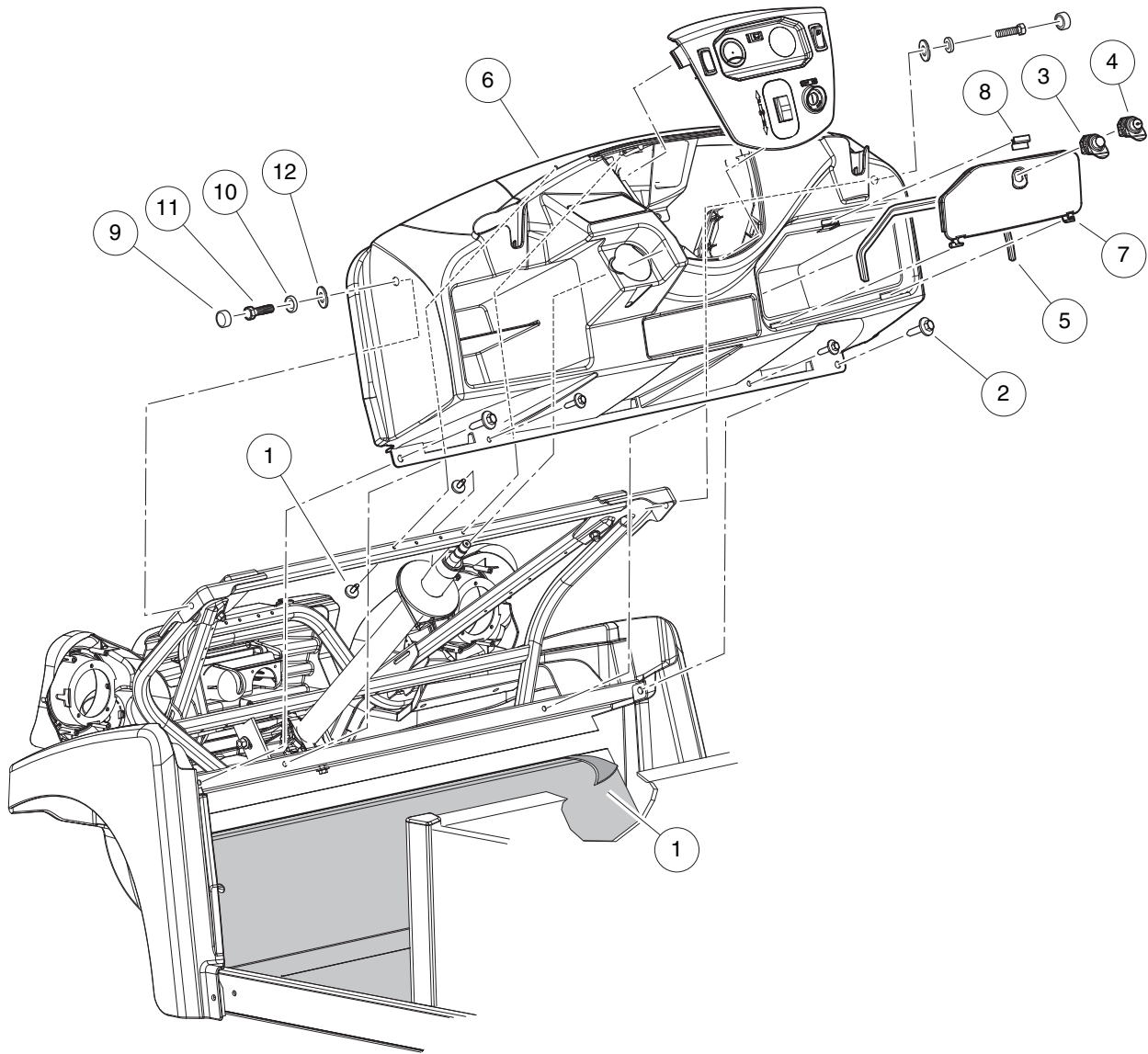
001300-005

HEADLIGHT BEZELS

ITEM	PART NO.	DESCRIPTION	QTY
		1 2 3 4	
1	<u>102297125</u>	Screw, M6-1.0x25.4, Thread-Forming, SEMS	6
2	<u>105034901</u>	Bezel, Hl, Lh, Ca	1
3	<u>105035001</u>	Bezel, Hl, Rh, Ca	1

1

G



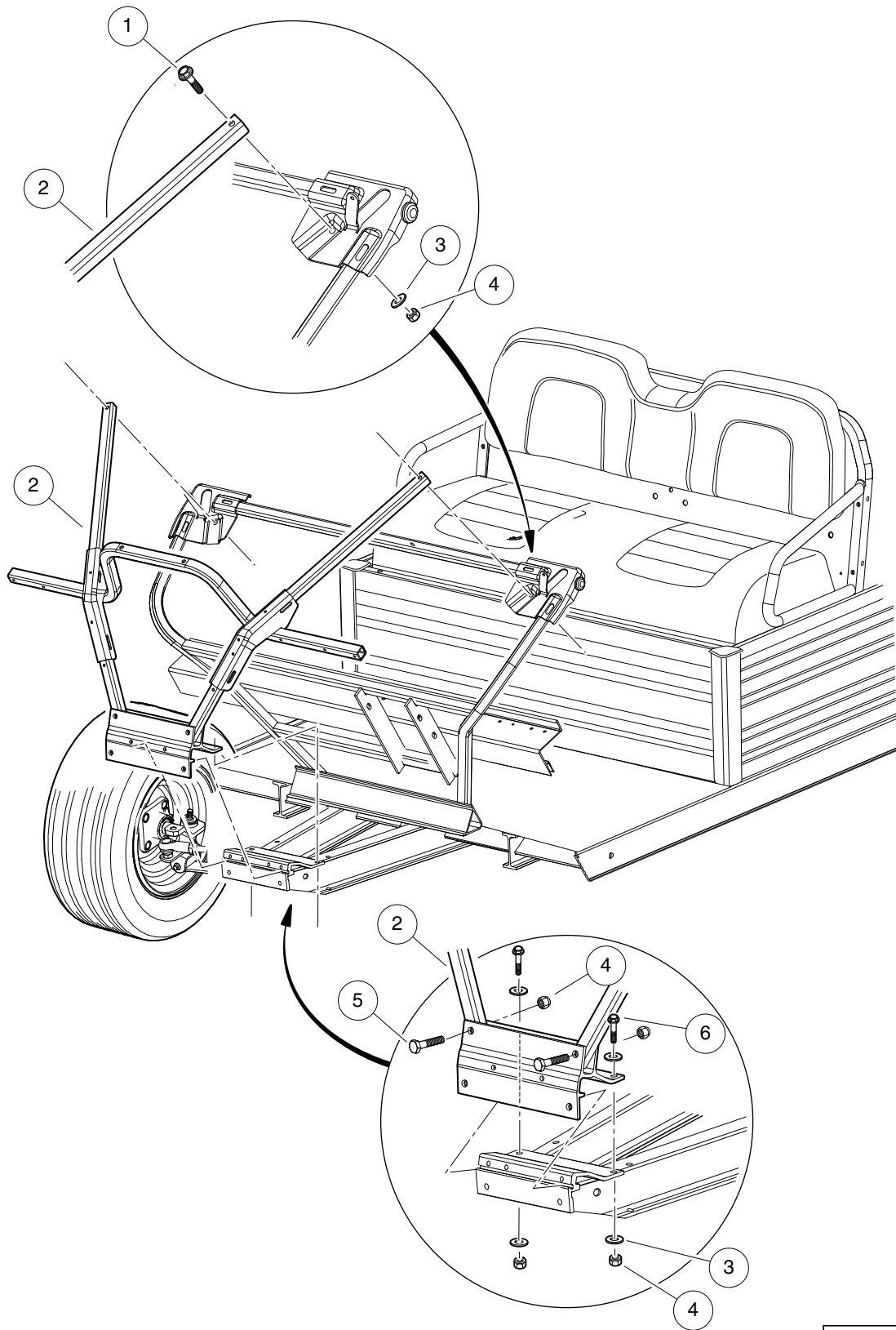
001300-006

DASH, GLOVEBOX DOOR, AND FLOORMAT

ITEM	PART NO.	DESCRIPTION	QTY
		1 2 3 4	
1	<u>101503202</u>	Floormat	1
2	<u>102297125</u>	Screw, M6-1.0x25.4, Thread-Forming, SEMS	6
3	<u>103182701</u>	Latch, Push Close	1
4	<u>103182702</u>	Latch, Push Close W/ Key	1
5	103540203	Seal, Bulb, 13 X 27 X 579 Mm	1
6	<u>105034001</u>	Dash, Ca	1
7	<u>105034201</u>	Door, Glove Box, Ca	1
8	<u>105035701</u>	Keeper, Latch, Ca	1
9	<u>105049201</u>	Cover, Bolt, Rh Series	2
10	<u>105049301</u>	Cover, Washer, Rhw Series	2
11	320	Screw, 3/8-16 X 1.00 Hex-Head Cap	2
12	<u>334</u>	Washer, 3/8, Type A, Flat	2

1
G

1
G



001107-001

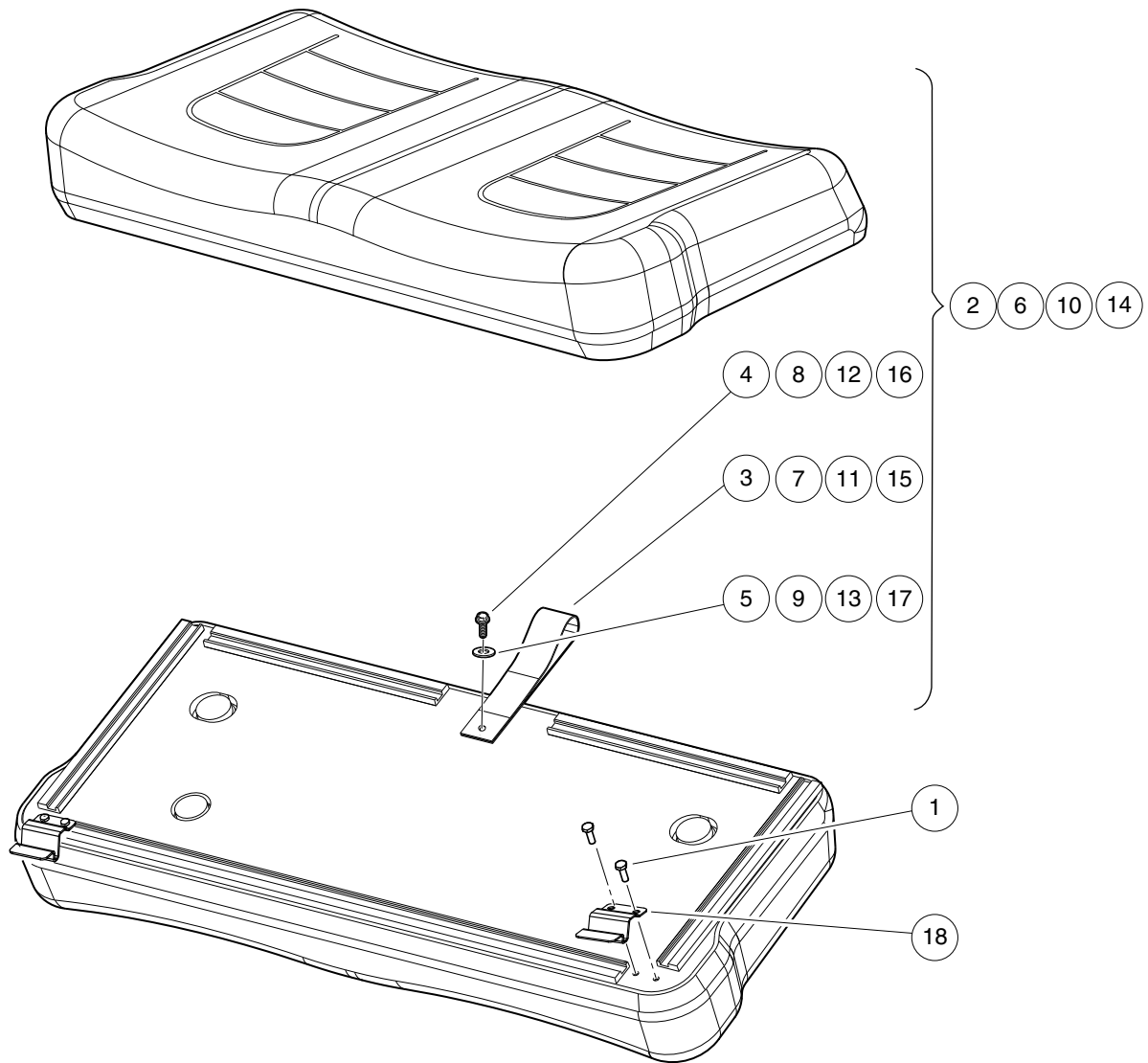
FRONT FRAME, STANDARD

ITEM	PART NO.	DESCRIPTION	QTY
		1 2 3 4	
1	<u>1011937</u>	Bolt, 5/16-18 X 1.25 Hex Head	2
2	<u>105007001</u>	Weldment, Front, Util, Std	1
3	<u>1241</u>	Washer, 5/16 Type A Flat	6
4	<u>7473</u>	Locknut, 5/16-18 Nylon Insert	6
5	<u>8935</u>	Screw, 5/16-18 X 2.25 Hex-Head Cap	2
6	<u>8963</u>	Screw, 5/16-18 X 1.75 Hex-Head Cap	2

1

G

1
G



001300-021

SEAT BOTTOM

ITEM	PART NO.	DESCRIPTION	QTY
		1 2 3 4	
1	<u>101954301</u>	Screw, 1/4-20 X 0.75 Hex-Head Cap	4
2	<u>105064521</u>	Asm, Seatbottom, White, Ca, Sp (includes items 3 through 5)	1
3	<u>1013309</u>	Strap, Utility Seat	1
4	<u>101954301</u>	Screw, 1/4-20 X 0.75 Hex-Head Cap	1
5	<u>332</u>	Washer, 1/4 Type A Narrow Flat	1
6	<u>105064522</u>	Asm, Seatbottom, Black, Ca, Sp (includes items 7 through 9)	1
7	<u>1013309</u>	Strap, Utility Seat	1
8	<u>101954301</u>	Screw, 1/4-20 X 0.75 Hex-Head Cap	1
9	<u>332</u>	Washer, 1/4 Type A Narrow Flat	1
10	<u>105064523</u>	Asm, Seatbottom, Gray, Ca, Sp (includes items 11 through 13)	1
11	<u>1013309</u>	Strap, Utility Seat	1
12	<u>101954301</u>	Screw, 1/4-20 X 0.75 Hex-Head Cap	1
13	<u>332</u>	Washer, 1/4 Type A Narrow Flat	1
14	<u>105064524</u>	Asm, Seatbottom, Beige,ca, Sp (includes items 15 through 17)	1
15	<u>1013309</u>	Strap, Utility Seat	1
16	<u>101954301</u>	Screw, 1/4-20 X 0.75 Hex-Head Cap	1
17	<u>332</u>	Washer, 1/4 Type A Narrow Flat	1
18	<u>105200401</u>	Bracket,Hinge, Seat,CA	2

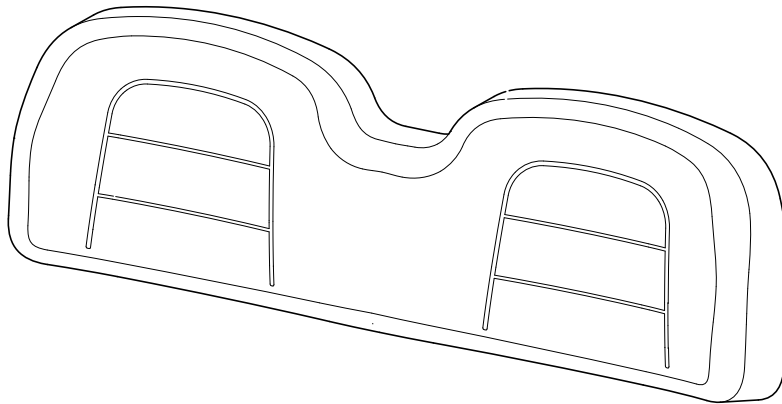
1

G

1

G

1 2 3 4

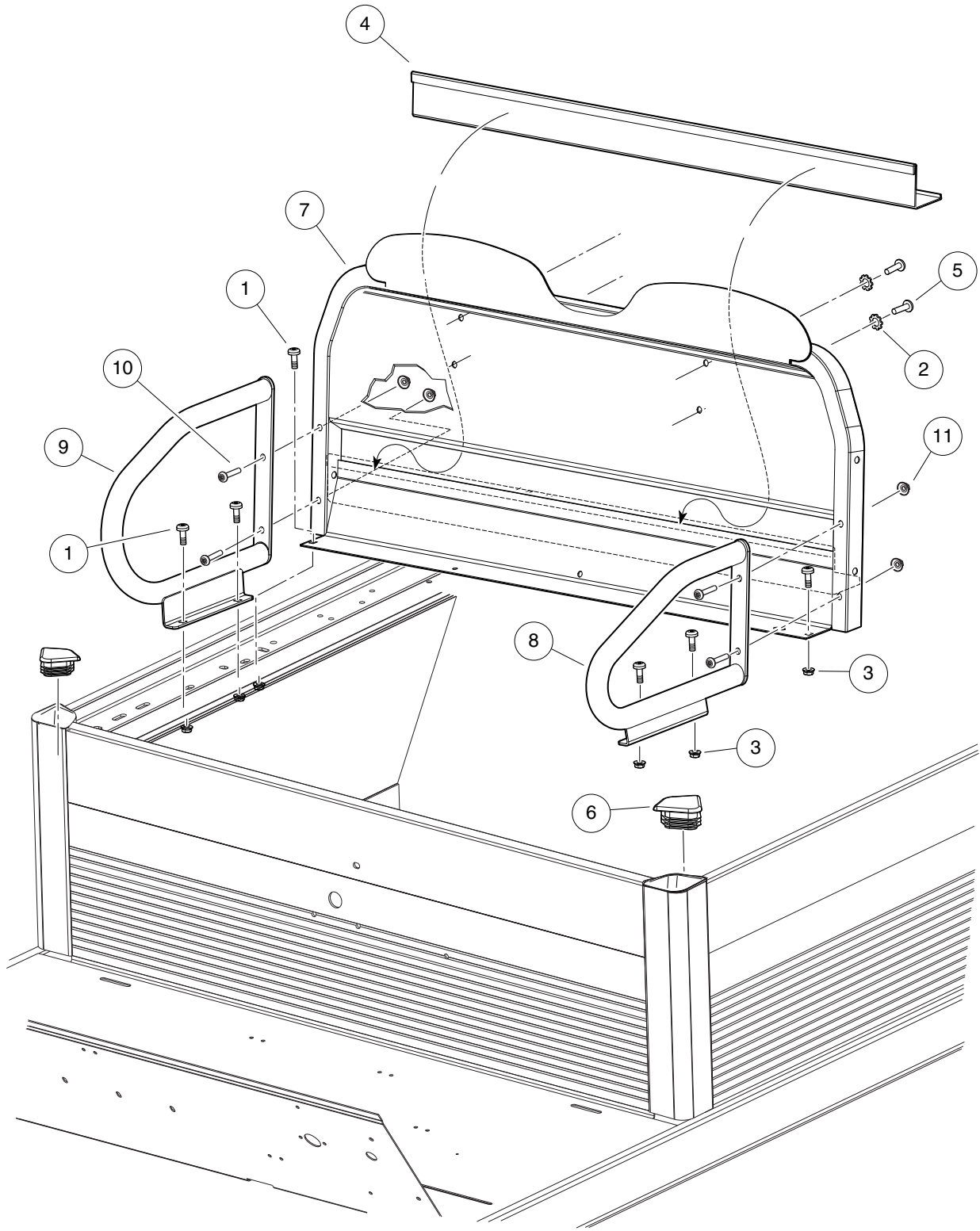


001300-022

SEAT BACK

ITEM	PART NO.	DESCRIPTION	QTY
		1 2 3 4	
1	<u>105064121</u>	Asm, Seatback, White, Ca, Sp	1
2	<u>105064122</u>	Asm, Seatback, Black, Ca, Sp	1
3	<u>105064123</u>	Asm, Seatback, Gray, Ca, Sp	1
4	<u>105064124</u>	Asm, Seatback, Beige, Ca, Sp	1

1
G

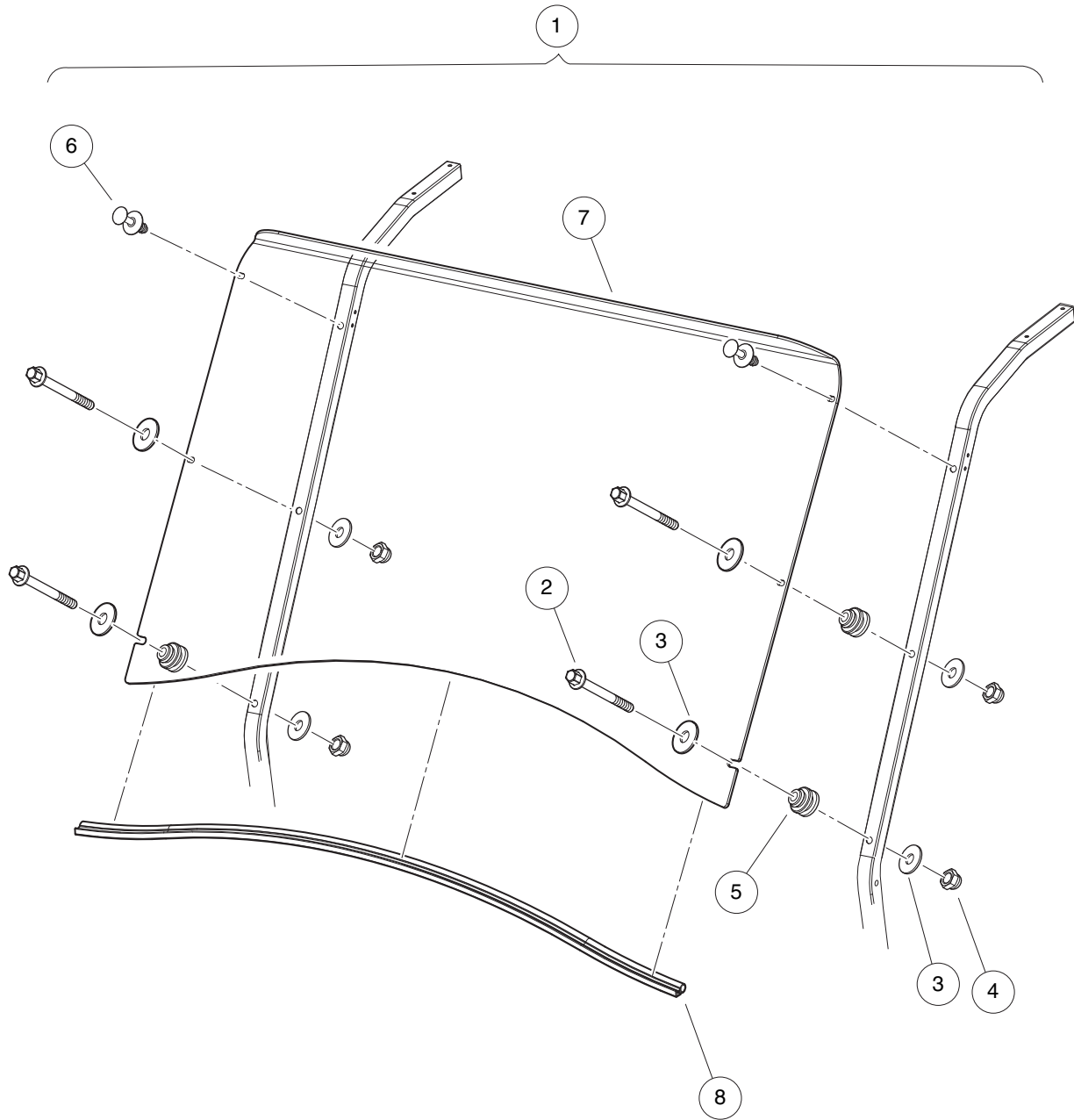


001161-003

SEAT FRAME AND HIP-RESTRAINT

ITEM	PART NO.	DESCRIPTION	QTY
		1 2 3 4	
1	1015399	Screw, 5/16-18 X 0.88 Torx Truss-Head	6
2	<u>101946201</u>	Washer, Lock, 0.250 External-Tooth	4
3	<u>101963401</u>	Locknut, 5/16-18 Hex Flange	6
4	<u>102989501</u>	Seal, Bed, 41-Inch	1
5	<u>103487501</u>	Screw, 1/4-20 X 1.0, Black	4
6	<u>105006501</u>	Cap, Corner, Frame	2
7	<u>105062401</u>	Seatback, Weldment, Ca	1
8	<u>105063001</u>	Wldmnt, Hip Restraint, Sml, Lh	1
9	<u>105063002</u>	Wldmnt, Hip Restraint, Lrg, Rh	1
10	<u>105078401</u>	Scrw, 5/16-18 X 1.75, Tr Tx Hd	4
11	<u>105194301</u>	Nut, 5/16-18, Conical Washer	4

1
G



001115-001

WINDSHIELD, NON-HINGED

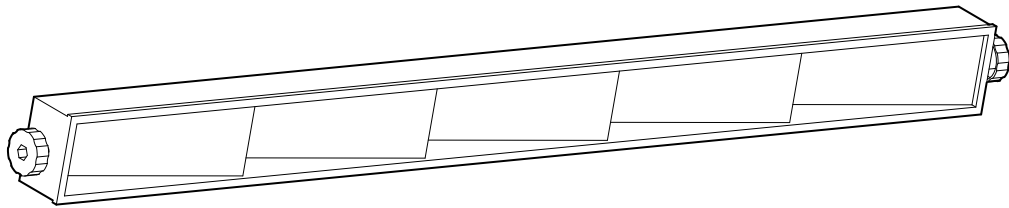
ITEM	PART NO.	DESCRIPTION	QTY
		1 2 3 4	
1	<u>105109201</u>	Kit, Windshield, Single, Hb (includes items 2 through 8)	1
2	<u>102296150</u>	Bolt - M6x1.0x50 Hex Flng Hd	4
3	<u>102296301</u>	Washer, M6x18x1.6 Flat	8
4	<u>102582401</u>	Cap Nut M6, Sp	4
5	<u>102947601</u>	Grommet, Windshield, Prec	4
6	<u>105093501</u>	Blind Rivet, Push, 3-10 Panel	2
7	<u>105102301</u>	Windshield, Single, Hb	1
8	<u>105196001</u>	seal,windshield	1

1
G

1

G

1



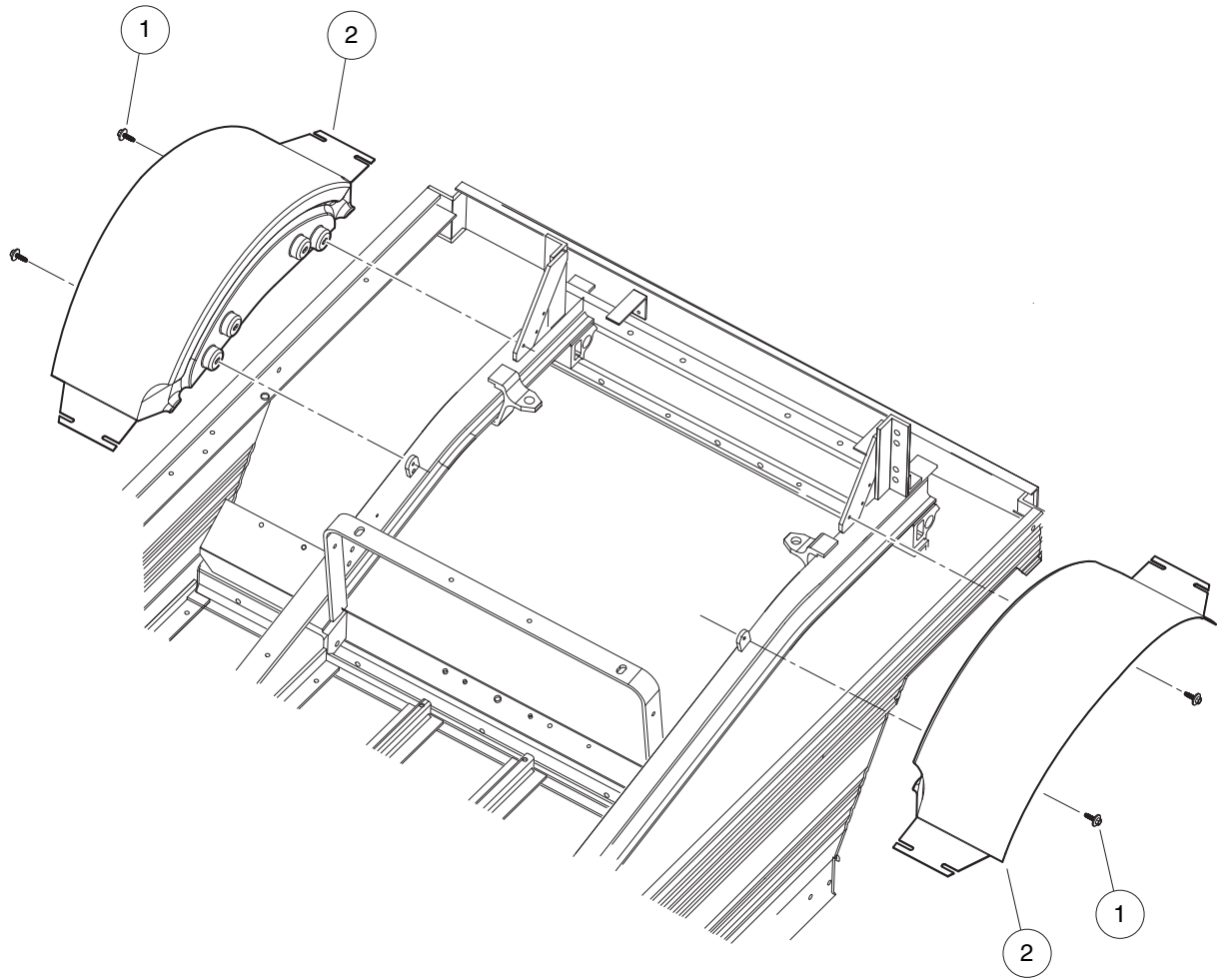
001300-024

INTERIOR MIRROR

ITEM	PART NO.	DESCRIPTION	QTY
1	<u>105291601</u>	<div style="display: flex; justify-content: space-between; margin-bottom: 5px;"> 1 2 3 4 </div> Kit, 5-Panel Mirror, Cafe Express	1

1

G

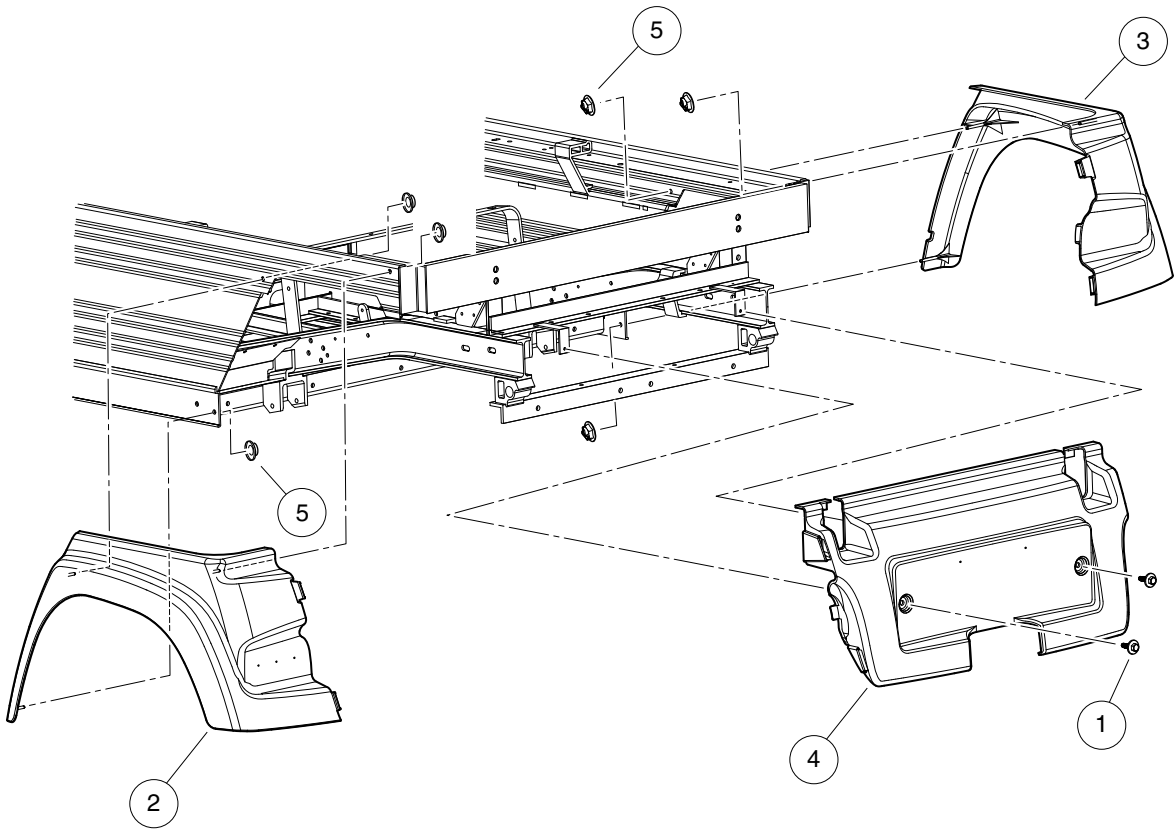


001123-001

INNER REAR FENDERS

ITEM	PART NO.	DESCRIPTION	QTY
1	<u>102297125</u>	1 2 3 4 Screw, M6-1.0x25.4, Thread-Forming, SEMS	4
2	<u>105035801</u>	Fender, Inner, Ca	2

1
G



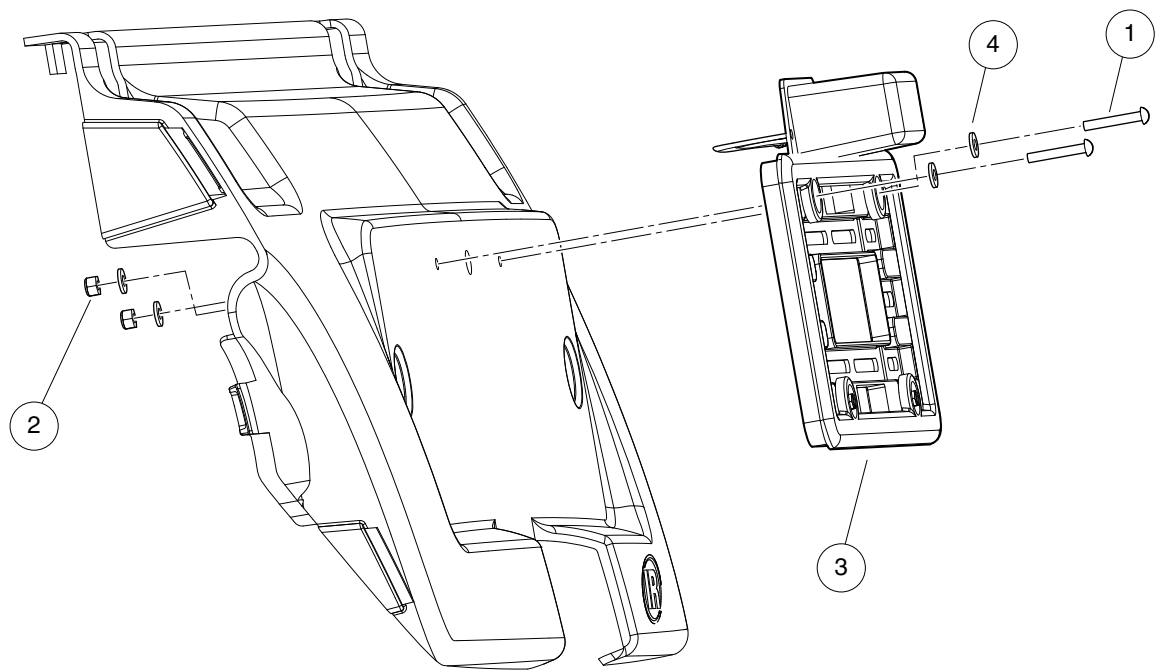
001124-001

REAR FENDERS AND TAIL SKIRT

ITEM	PART NO.	DESCRIPTION	QTY
		1 2 3 4	
1	<u>102297125</u>	Screw, M6-1.0x25.4, Thread-Forming, SEMS	2
2	<u>105035101</u>	Fender, Rear, Lh, Ca	1
3	<u>105035201</u>	Fender, Rear, Rh, Ca	1
4	<u>105035301</u>	Tailskirt, Ca	1
5	<u>105066401</u>	Nut, Self Thread, 5x10x15	6

1

G



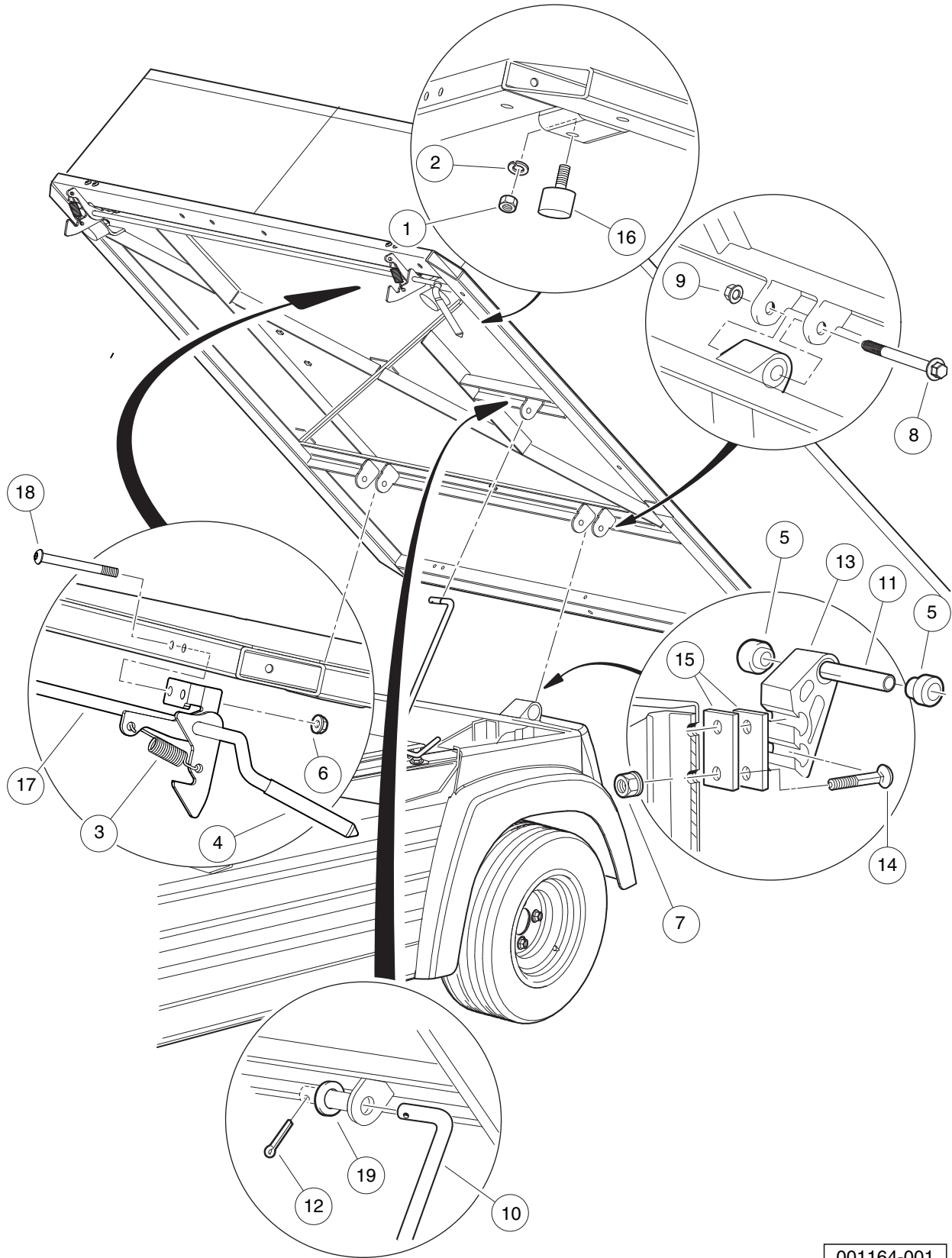
001170-001

REAR LICENSE PLATE HOLDER

ITEM	PART NO.	DESCRIPTION	QTY
		1 2 3 4	
1	<u>1010909</u>	Screw, #10-32 X 1.25 Rd Hd Mch	2
2	<u>1013061</u>	Locknut, #10-32 Nylon Insert	2
3	N/A	License Plate,ASM, Rear	1
4	<u>183</u>	Washer, #10, Type A, Flat	4

1

G



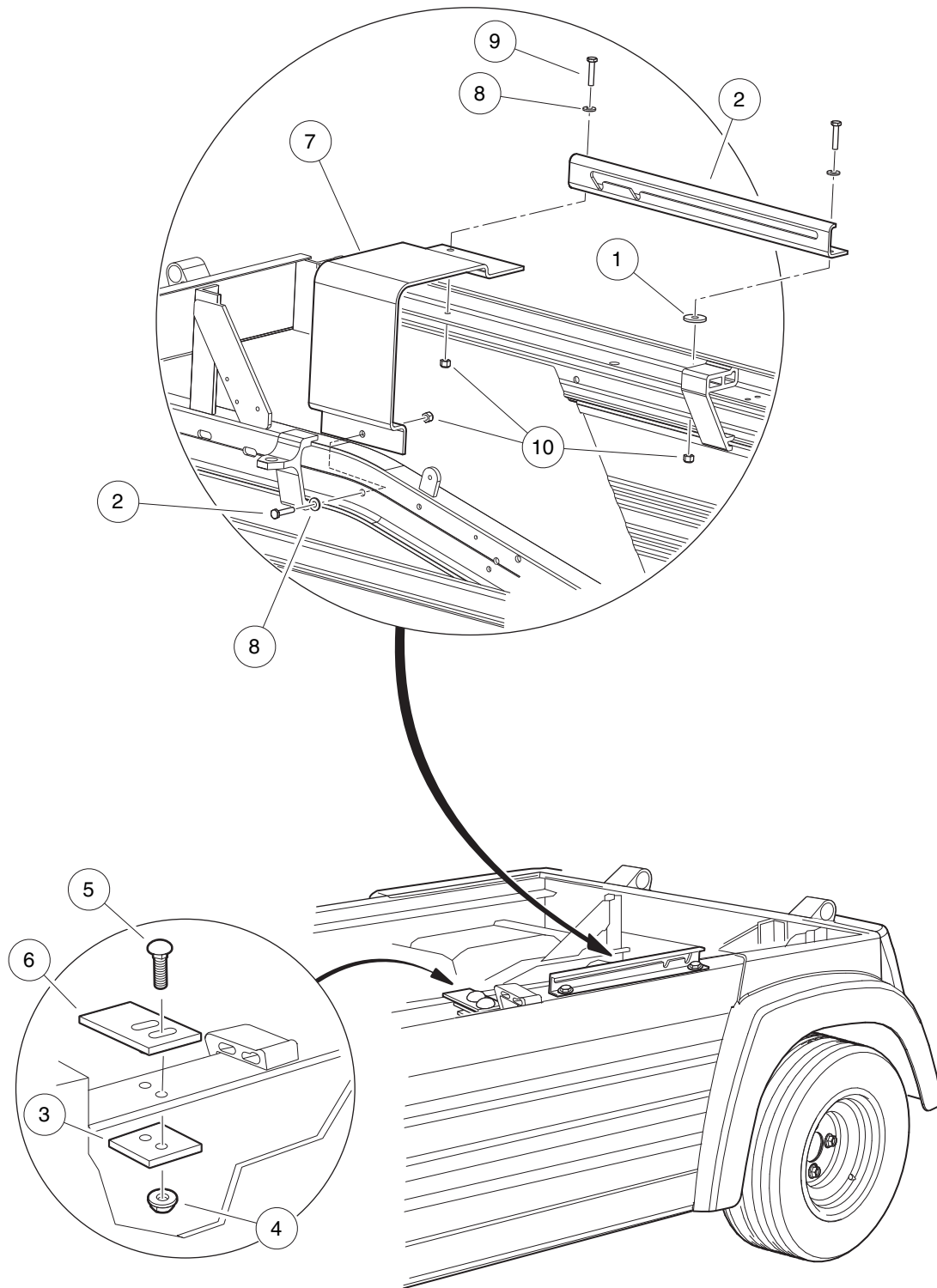
001164-001

BED LATCH, HINGE, AND PROP ROD

ITEM	PART NO.	DESCRIPTION	QTY
		1 2 3 4	
1	<u>1012528</u>	Nut, M8-1.25 Hex	2
2	<u>1013734</u>	Lockwasher, 8mm Split	2
3	<u>1015391</u>	Extension, Spring Latch	2
4	<u>1015400</u>	Grip, Tilt Latch Hand	1
5	<u>1015583</u>	Bushing, Urethane	4
6	<u>101835601</u>	Locknut, 1/4-20 Hex Whiz	4
7	<u>102065901</u>	Locknut, 3/8-16 Flanged Dimple	4
8	<u>102298185</u>	Bolt - Flange Hd, M8 X 85.0	2
9	<u>102298401</u>	Nut,m8,all Metal Lock	2
10	<u>102301401</u>	Rod, Prop	1
11	<u>102506401</u>	Sleeve - Spring Eye Mounts	2
12	<u>1035</u>	Cotter Pin, 3/32 x 1	1
13	<u>103538701</u>	Bracket, Bed Hinge, Extruded	2
14	<u>103539001</u>	3/8-16 X 1.25 Carr Blt Gr5 Zn	4
15	<u>103575801</u>	Shim, Bed Hinge, .125 Thick	4
16	<u>105036601</u>	Bumper, Bedfloor, Ca	2
17	<u>105169101</u>	Weldment, Bed Latch, CA	1
18	<u>105194101</u>	1/4-20 X 2.5, Bhcs, 6-lobe	4
19	<u>334</u>	Washer, 3/8, Type A, Flat	1

1
G

1
G

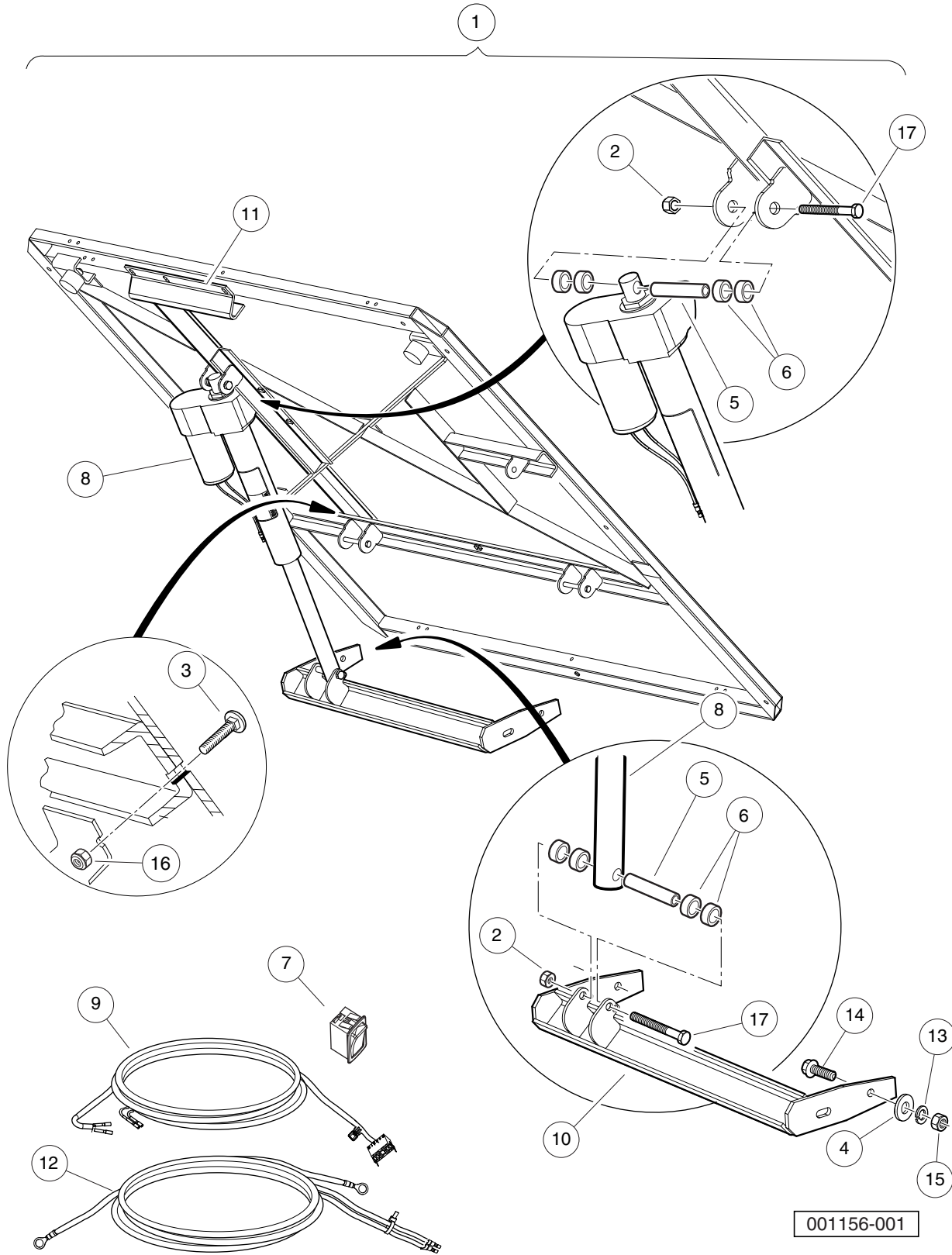


001163-001

LATCH AND PROP ROD TRACK

ITEM	PART NO.	DESCRIPTION	QTY
		1 2 3 4	
1	1012571	Washer, 5/16 Extra Thick Flat	1
2	1015700	Track Prop Rod Ca li	1
3	<u>1016060</u>	Plate, Latch Support	2
4	<u>101835601</u>	Locknut, 1/4-20 Hex Whiz	4
5	<u>101958602</u>	Bolt, Carriage, 1/4-20 X 1.0	4
6	<u>105110801</u>	Plate, Latch, Ca	2
7	<u>105142701</u>	Brkt, Side Support, CafÈ Exprs	1
8	<u>332</u>	Washer, 1/4 Type A Narrow Flat	3
9	<u>7479</u>	Screw, 1/4-20 X 1.25 Hex-Head Cap	3
10	<u>8233</u>	Locknut, 1/4-20, Nylon Insert	3

1
G

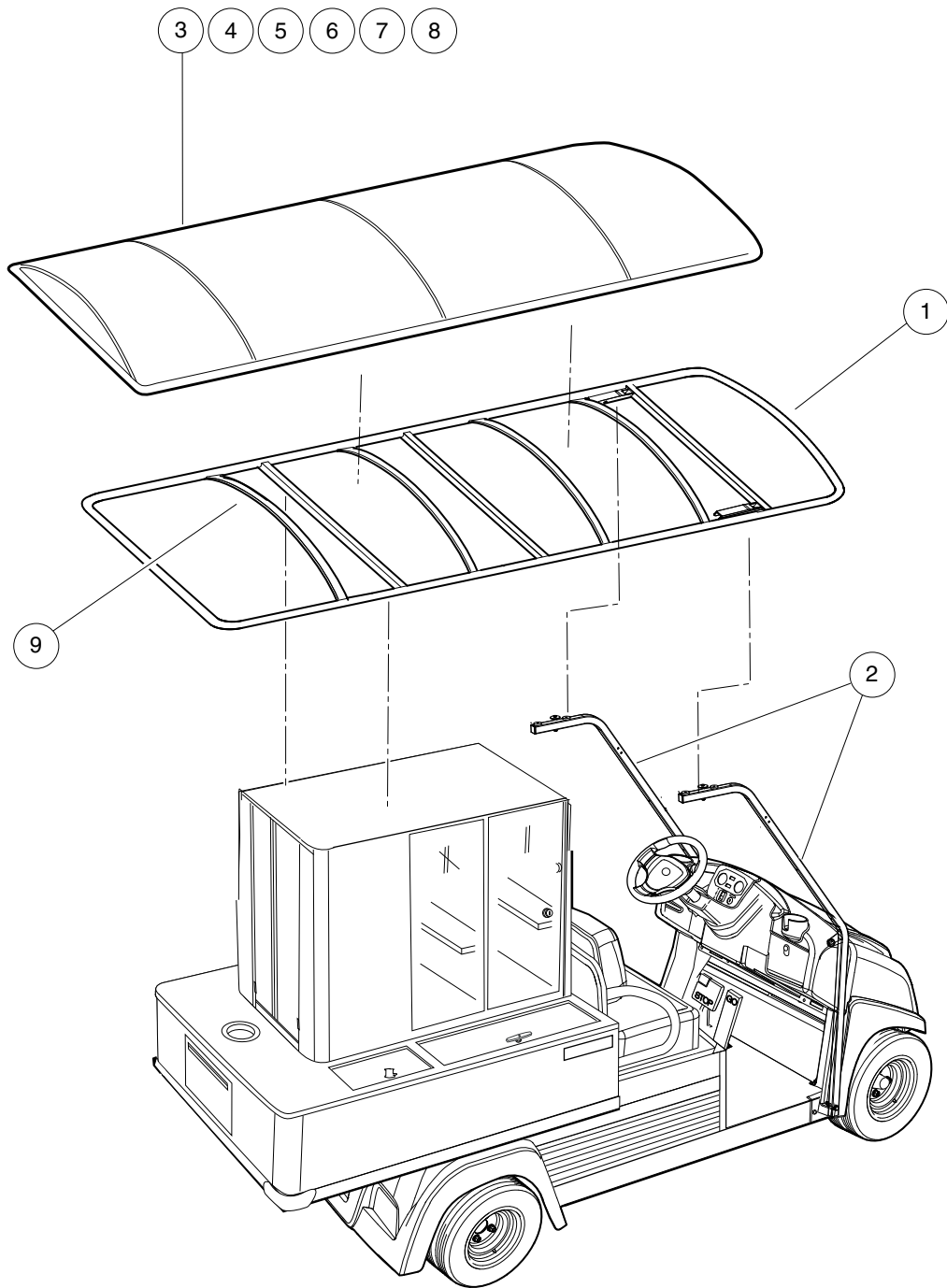


ELECTRIC BED LIFT – GASOLINE VEHICLES

ITEM	PART NO.	DESCRIPTION	QTY
		1 2 3 4	
1	<u>105170501</u>	Kit, Bed Lift, Gas, Med (includes items 2 through 17)	1
2	<u>1010138</u>	Locknut, 3/8-16 Dimpled	2
3	<u>101043502</u>	Bolt, Carriage, 5/16-18x1 blk	1
4	<u>1011990</u>	Washer, 3/8 Flat	4
5	<u>1016603</u>	Bushing, Long	2
6	1017774	Body Spacer	8
7	<u>102882501</u>	Switch, Rocker, Bed Lift	1
8	<u>103951801</u>	Actuator, Bed Lift, Electric	1
9	<u>105108901</u>	Harness, Bed Lift, Util	1
10	<u>105131001</u>	Weldment, Mnt, Bed Lift, Ca	1
11	<u>105193501</u>	Weldment, Bed Lift, Med	1
12	<u>105197601</u>	Asm, Jumper, Bedlift, Ca500	1
13	<u>357</u>	Lockwasher, 3/8 Split	4
14	705	Screw, Cap-hex Hd 3/8-16x1.25	4
15	<u>706</u>	Nut, Hex 3/8-16	4
16	<u>7473</u>	Locknut, 5/16-18 Nylon Insert	1
17	<u>7561</u>	Bolt, 3/8-16 X 3.00 Hex Head	2

1
G

1
G

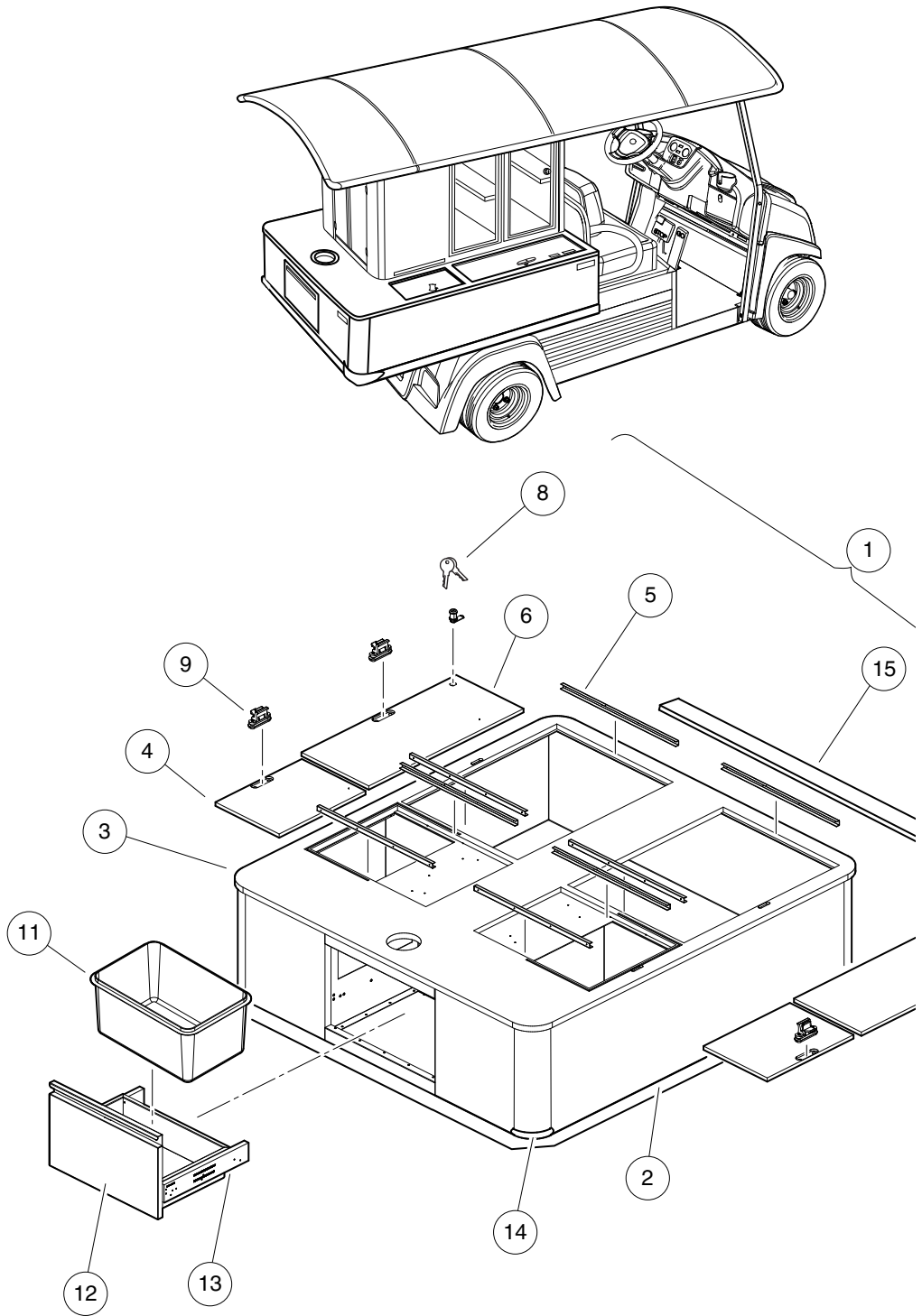


001153-001

CANOPY, FRAME, AND STRUTS

ITEM	PART NO.	DESCRIPTION	QTY
		1 2 3 4	
1	<u>105104001</u>	Cafe Express Canopy Frame 500	1
2	<u>105104101</u>	CafÈ Express Front Struts 500	1
3	<u>105104201</u>	CafÈ Express Canopy Green	1
4	<u>105104202</u>	CafÈ Express Canopy Grn/white	1
5	<u>105104203</u>	CafÈ Express Canopy Green Tw	1
6	<u>105104204</u>	CafÈ Express Canopy Blue Tw	1
7	<u>105104205</u>	CafÈ Express Canopy Linen Tw	1
8	<u>105104206</u>	CafÈ Express Canopy Gray Tw	1
9	<u>105210501</u>	CafÈ,Canopy,Cross Supports	4

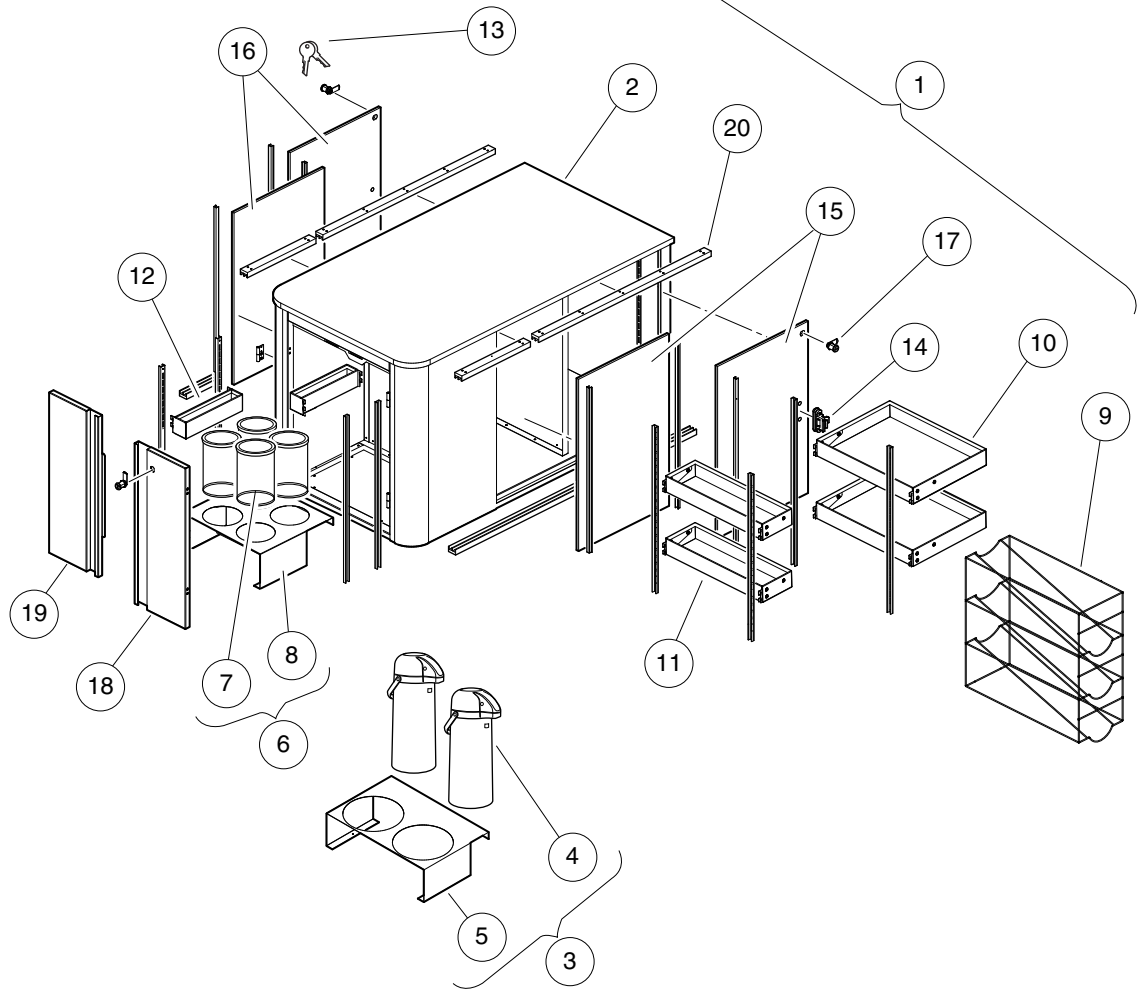
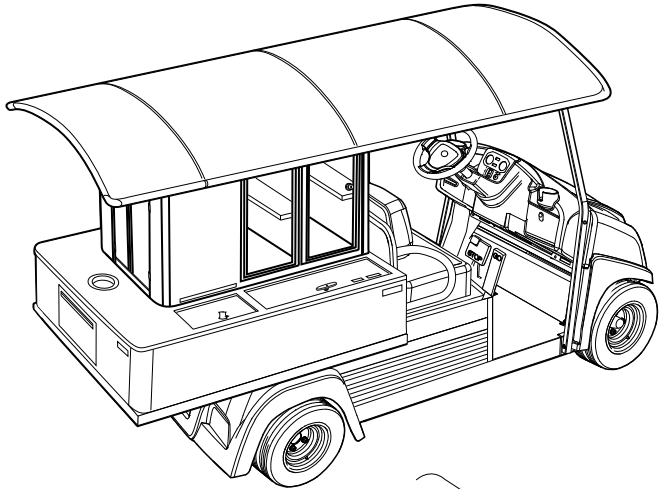
1
G



CAFÈ EXPRESS LOWER CABINET

ITEM	PART NO.	DESCRIPTION	QTY
		1 2 3 4	
1	N/A	CafÈ Express Base Cabinet Asm (includes items 2 through 15)	1
2	105102901	Frame Weld Asm Tilt Bed Mid	1
3	N/A	CafÈ Express Base Cabinet 500	1
4	<u>105210601</u>	CafÈ,Clean Ice,Slide Door	2
5	<u>105210701</u>	CafÈ, Lwr Cab, Slide Door Track	8
6	<u>105210801</u>	CafÈ,Can Bin,Slide Door,RH	1
7	<u>105210802</u>	CafÈ,Can Bin,Slide Door,RH	1
8	<u>105210901</u>	Keys, Door Lock	1
9	<u>105211201</u>	Slide Door Latch	4
10	105211501	CafÈ,Door Lock with keys	2
11	<u>105211801</u>	CafÈ,Trash Can	1
12	<u>105211901</u>	CafÈ,Trash Drawer-no slides	1
13	<u>105212001</u>	CafÈ,Trash Drawer,Slide Kit	1
14	<u>105212401</u>	Rear Bumper Set, CafÈ Exp Base	1
15	<u>105212501</u>	Lwr Cab, Front Close Out Trim	1

1
G



001159-001

CAFÈ EXPRESS UPPER CABINET

ITEM	PART NO.	DESCRIPTION	QTY
		1 2 3 4	
1	<u>105104901</u>	CafÈ Express Upper Cabinet Asm (includes item 2)	1
2	<u>105103801</u>	CafÈ Express Upper Cabinet 500 (includes items 3 through 20)	1
3	<u>105104301</u>	Tray with 2ea Air Pots (includes items 4 and 5)	1
4	<u>105212201</u>	Air Pot, Hot and Cold	1
5	<u>105212601</u>	CafÈ,Tray,Air Pot	2
6	<u>105104401</u>	Tray with 4ea Crocs (includes items 7 and 8)	1
7	<u>105212301</u>	Crocs,Plastic, Service Bar	1
8	<u>105212701</u>	CafÈ,Tray, Crocs	4
9	<u>105104501</u>	Cup Holder	1
10	<u>105104601</u>	Adjustable Shelf -Large	2
11	<u>105104602</u>	Adjustable Shelf,Med	2
12	<u>105104603</u>	Adjustable Shelf,Small	2
13	<u>105210901</u>	Keys, Door Lock	1
14	<u>105211201</u>	Slide Door Latch	2
15	<u>105211301</u>	Cafe,Up Slide Door,RH Set	1
16	<u>105211401</u>	CafÈ,Up, Slide Door,LH Set	1
17	<u>105211501</u>	CafÈ,Door Lock with keys	3
18	<u>105211601</u>	CafÈ Up,Coffee Door,RH	1
19	<u>105211701</u>	CafÈ Up,Coffee Door,LH	1
20	<u>105212101</u>	CafÈ,Up,DoorTrack 4 ea	1

1
G

1

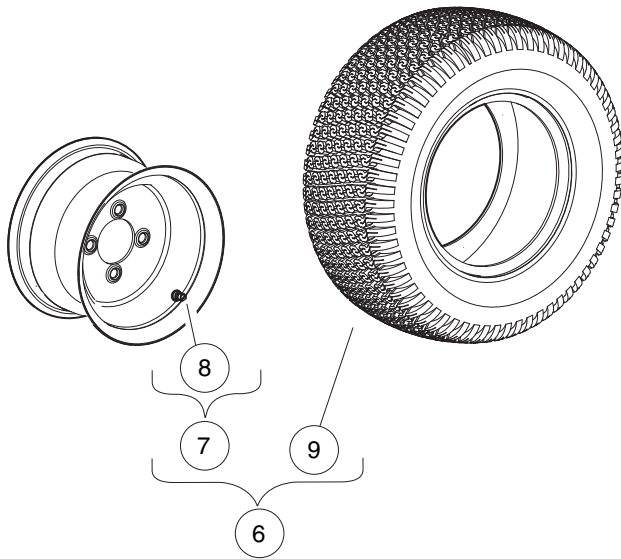
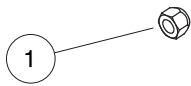
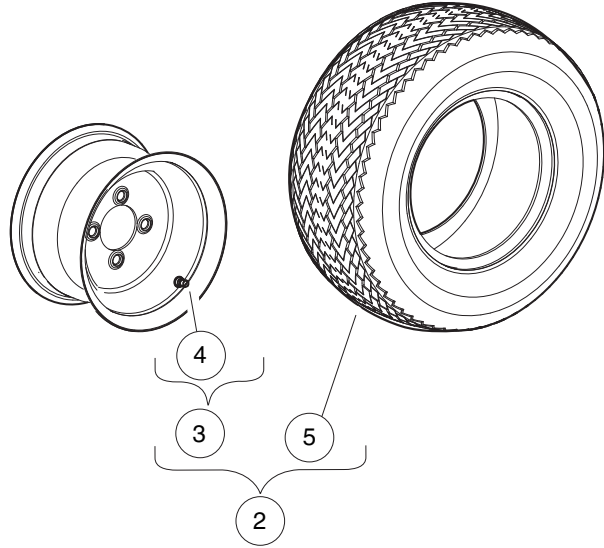
G

WHEELS AND TIRES

2

G

2
G



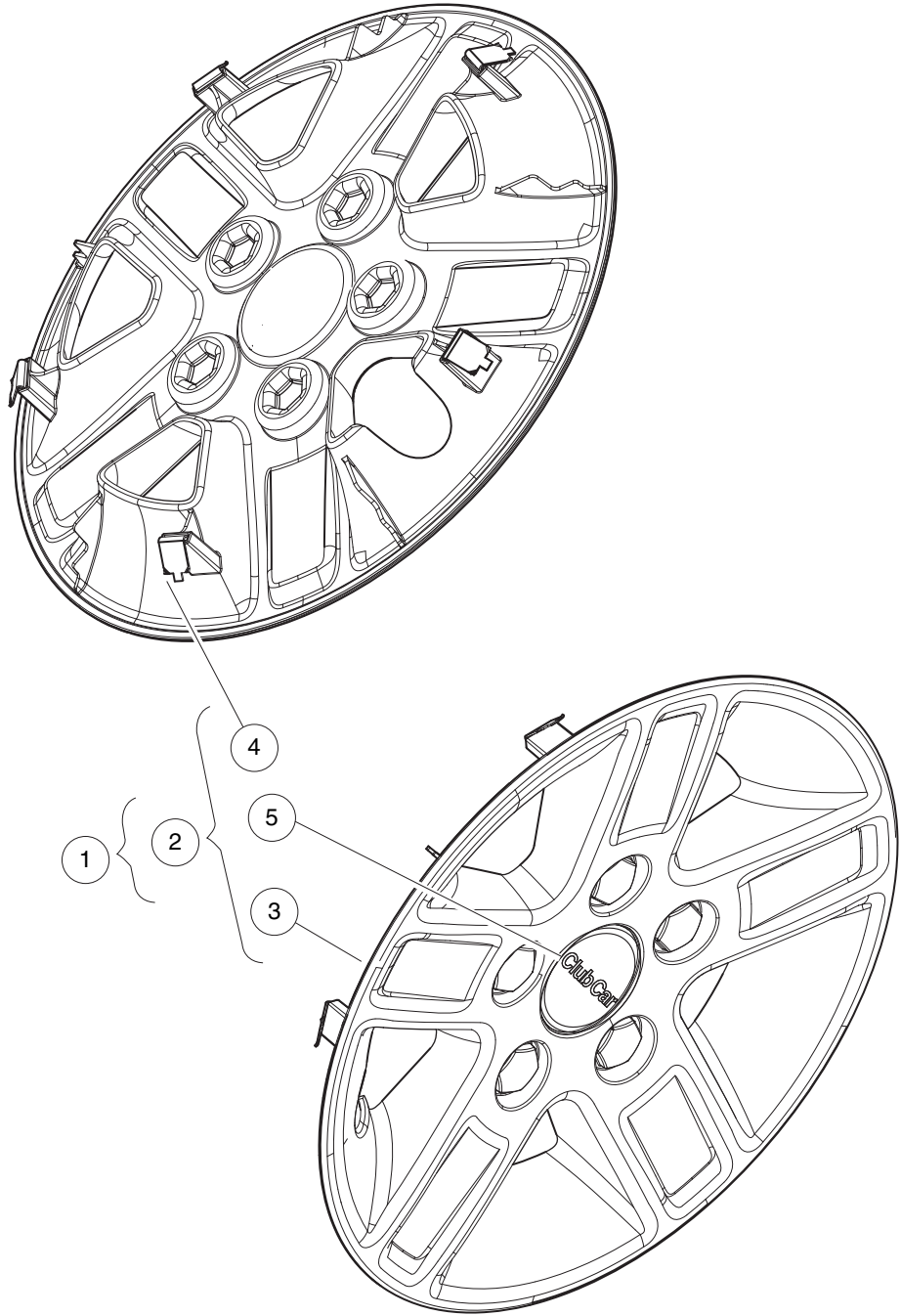
001320-001

WHEELS AND TIRES

ITEM	PART NO.	DESCRIPTION	QTY
		1 2 3 4	
1	<u>1010984</u>	.500-20 Unf Lug Nut	16
2	<u>105078809</u>	Asm,whl,hn1,20x10-10,6pl (includes items 3 through 5)	4
3	<u>105079204</u>	Whl,10x6", Gray, 0 Os,rr W/ Vs (includes item 4)	1
4	<u>105078901</u>	Valve Stem, Kenda, Tr 412	1
5	<u>105079301</u>	Tire, Hole-n-1, 20x10-10, 6pl	1
6	<u>105078810</u>	Asm,whl,st,20x10-10,6pl (includes items 7 through 9)	4
7	<u>105079204</u>	Whl,10x6", Gray, 0 Os,rr W/ Vs (includes item 8)	1
8	<u>105078901</u>	Valve Stem, Kenda, Tr 412	1
9	<u>105079401</u>	Tire, Superturf, 20x10-10, 6pl	1

2

G



001350-002

WHEEL COVERS

ITEM	PART NO.	DESCRIPTION	QTY
		1 2 3 4	
1	<u>105106501</u>	Kit, Wheel Cover, 10x6" (includes item 2)	1
2	<u>105106301</u>	Asm, Whl Cover, 5 Spoke, 10x6" (includes items 3 through 5)	4
3	N/A	Wheel Cover, 5 Spoke, 10x7"	1
4	105106101	Wheel Cover, Clip	5
5	105106201	Decal, Wheel Cover, Club Car	1

2

G

2

G

DECALS

3

G

WARNING

Unintended vehicle movement may cause severe injury or death. Before using vehicle, read owner's manual and vehicle safety warnings.

Before leaving vehicle:

- Engage park brake to lock wheels.
- Place vehicle in NEUTRAL.
- Turn key to OFF and remove key.

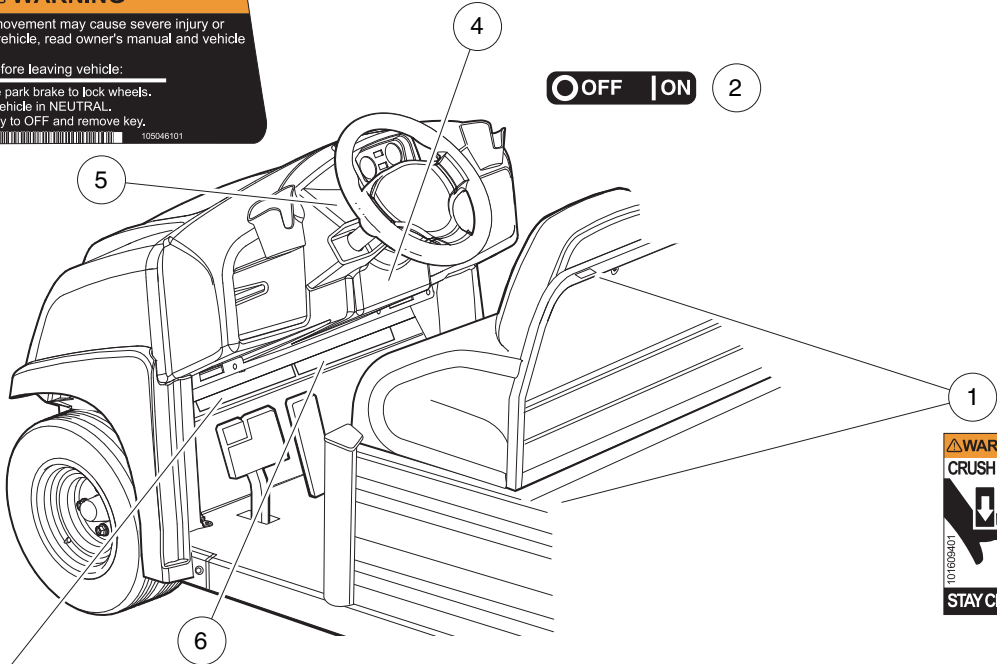
105046101

WARNING

UNINTENDED MOVEMENT, ROLLOVER, OR FALLING OUT CAN CAUSE SERIOUS INJURY OR DEATH.

- Vehicle to be operated by licensed and authorized persons only.
- Use in authorized areas only. Do not operate on public roads.
- One (1) person per bucket seat maximum.
- Two (2) persons per bench seat maximum.
- Operate from driver's seat only.
- Do not start vehicle until all occupants are fully seated.
- Drive slowly in turns and straight up and down slopes.
- Remain fully seated while moving.
- Hold on and keep entire body inside vehicle while moving.
- Never attempt jumps and avoid extreme braking in reverse.
- Do not leave children unattended in vehicle at any time.
- Children requiring a child safety seat must not ride in vehicle.
- Never operate under the influence of alcohol or drugs.

104026801



OFF | ON 2

WARNING
CRUSH AREA

101609401

STAY CLEAR

WARNING

VEHICLE ROLLOVER CAN CAUSE SERIOUS INJURY OR DEATH.

Operate vehicle only:

- On cart paths or improved surfaces.
- With 6-ply rated, 20x10-10 tires.
- With 28 to 32 psig (193 to 221 kPa) tire pressure checked daily.
- With all compartment loads equally distributed.

105185901

VEHICLE LOADING

Read owner's manual, supplement, and warnings on vehicle.

- Vehicle rated capacity - 850 lbs. (385.6 kg) on level surface only. Weight to include driver, passenger, and total cargo load.
- Maximum cargo load - 450 lbs. (204.1 kg). Weight to include total cargo load in ALL storage locations.
- Avoid top heavy loads.

- Cargo should be evenly distributed in the beverage unit, as far forward as possible, and secured.
- For vehicle stability, when fully loaded, drive slowly and avoid stopping on or backing down steep hills.
- When driving on uneven terrain or down steep hills, reduce speed and load.

CCI 102278901

2904

DECALS – CAFÈ EXPRESS

ITEM	PART NO.	DESCRIPTION	QTY
		1 2 3 4	
1	<u>101609401</u>	Decal, Crush Area Warning	2
2	<u>101825101</u>	Decal, Off/On	1
3	<u>102278901</u>	Decal, Loading -cafe Express	1
4	<u>104026801</u>	Decal, Oc, Warning, Ca	1
5	<u>105046101</u>	Decal, Op, Instructions, Ca	1
6	<u>105185901</u>	Decal, Warn Rollover CafÈ	1

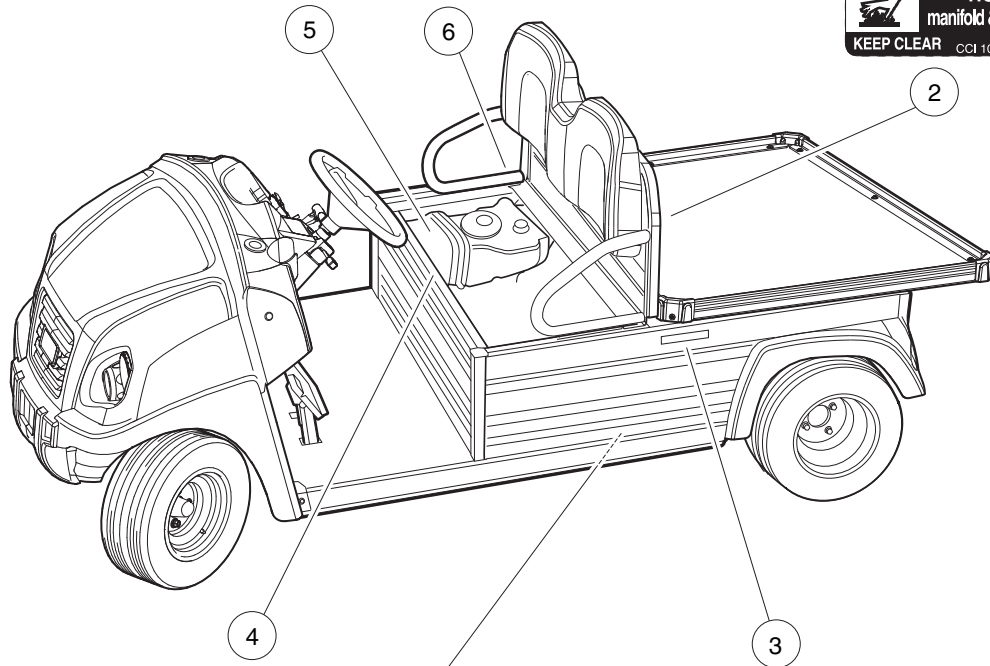
3

G

WARNING
GASOLINE EXPLOSION / FIRE CAN CAUSE SERIOUS INJURY OR DEATH
 • No sparks or open flame near fuel or fuel tank.
 • No smoking near fuel or fuel tank.
 • Stop engine and allow to cool before refueling.
 • Do not disconnect pressurized fuel lines.
 105082301

WARNING
GASOLINE EXPLOSION / FIRE CAN CAUSE SERIOUS INJURY OR DEATH.
 • No sparks or open flame near fuel or fuel tank.
 • No smoking near fuel or fuel tank.
 • Stop engine and allow to cool before refueling.
 105084701

WARNING
CAN CAUSE SEVERE INJURY
Rotating parts
HOT manifold & muffler
KEEP CLEAR CCI 101960501



Maintenance Operate
WARNING
VEHICLE MOVEMENT MAY CAUSE SERIOUS INJURY
 When switch is in Maintenance position, chock wheels and firmly set park brake.
 CCI 103205001

LATCH OPEN
WARNING
Crush area. Can cause severe injury. Stay clear when closing bed.
 CCI 102459301

WARNING
 Negative frame ground. Can cause severe injury. Do not contact positive (+) battery post or cable to frame. Disconnect negative battery lead first.

WARNING
 Excessive speed. Can cause severe injury or death. Do not tamper with engine governor adjustment.
 CCI 101915201

2905

DECALS – CAFÈ EXPRESS, CONTINUED

ITEM	PART NO.	DESCRIPTION	QTY
		1 2 3 4	
1	<u>101915201</u>	Decal, Frame Ground and Governor Warning	1
2	<u>101960501</u>	Decal, Rotating Parts/Hot Manifold	1
3	<u>102459301</u>	Decal, Bed Crush Area Warning	1
4	<u>103205501</u>	Decal, Run/Service Switch	1
5	<u>105082301</u>	Decal, Warn, Gas Pressure	1
6	<u>105084701</u>	Decal, Warn Gas Side Fill	1

3

G

IMPORTANT NOTICE

This vehicle is designed only for the conveyance of certain nonhazardous prepackaged foods and non-dairy products. In California, those foods not permitted are defined in Health & Safety Code section 113945. If you have any question concerning whether any particular prepackaged food complies with these standards, please consult the manufacturer or supplier of those foods before conveying them with this vehicle.

SWP203101

WARNING

FOOD POISONING CAN CAUSE SERIOUS ILLNESS OR DEATH.

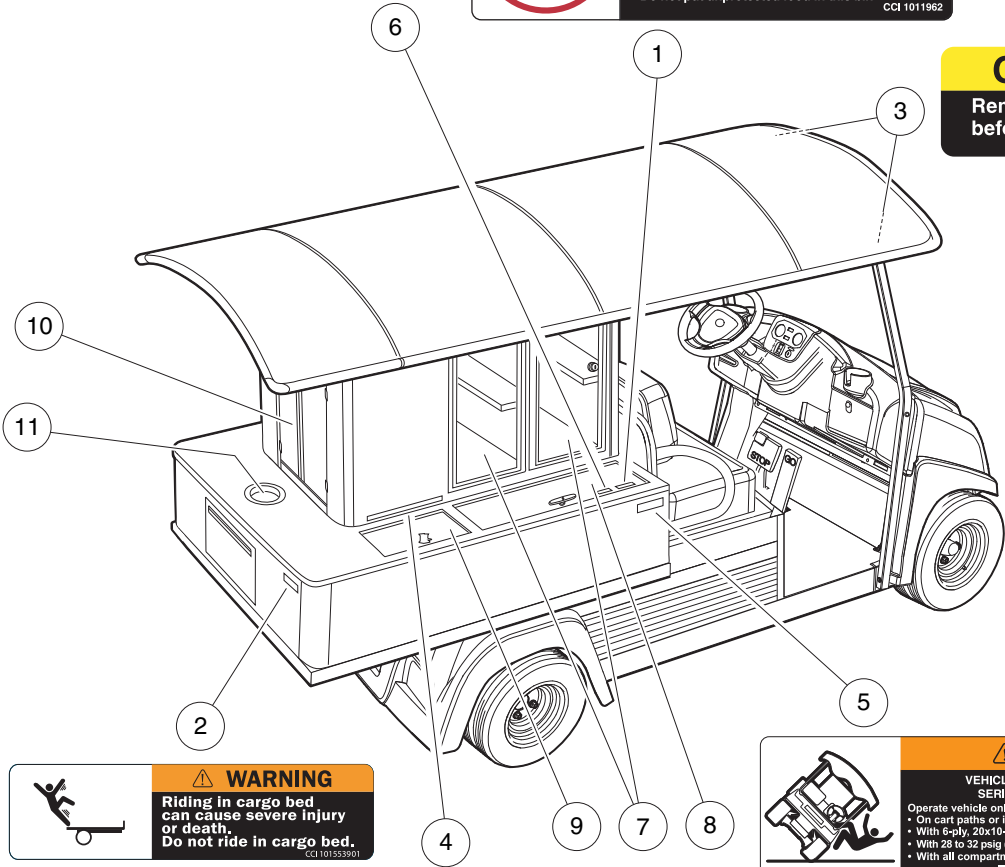
- This bin is not intended to store ice for human consumption.
- Do not put unprotected food in this bin.

CCI 1011962

CAUTION

Remove canopy pins before lifting bed.

CCI 102160601



WARNING

Riding in cargo bed can cause severe injury or death. Do not ride in cargo bed.

CCI 1012539201

WARNING

VEHICLE ROLLOVER CAN CAUSE SERIOUS INJURY OR DEATH.

Operate vehicle only:

- On cart paths or improved surfaces.
- With 6-ply, 20x10-10 tires.
- With 28 to 32 psig (193 to 221 kPa) tire pressure checked daily.
- With all compartment loads equally distributed.

105185002

CONSUMABLE ICE COMPARTMENT

2906

DECALS – CAFÈ EXPRESS, CONTINUED

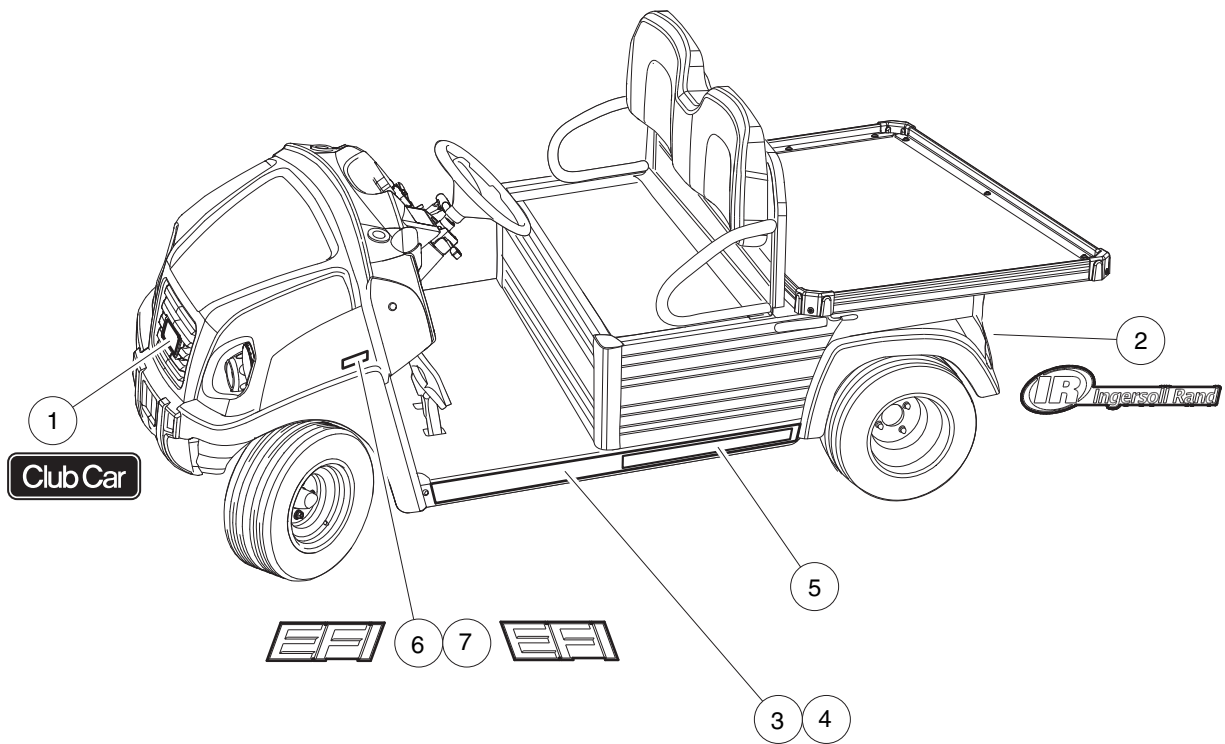
ITEM	PART NO.	DESCRIPTION	QTY
		1 2 3 4	
1	<u>1011962</u>	Decal, Refreshment Center	2
2	<u>101553901</u>	Decal, Bed Load Warning	1
3	<u>102160601</u>	Pin Removal Warning Decal	2
4	102175901	Decal, Consumable Ice	2
5	105185902	Decal, Warn, Port, Ref, Ctr	2
6	SVP203101	Decal, Proper Use Notice, CafÈ	2

3

G

3

G



001026-001

BADGING DECALS – CAFÈ EXPRESS

ITEM	PART NO.	DESCRIPTION	QTY
		1 2 3 4	
1	<u>102883601</u>	Decal, Nameplate, CCI, Front	1
2	<u>103234304</u>	Decal, Badge, Ir, Red	1
3	<u>105115002</u>	Decal, Side Stringer, Medium	1
4	105115005	Decal, R Side Stringer, Medium	1
5	105152801	Decal, Branding, Carryall	2
6	<u>105153301</u>	Decal, Efi, Italic, Lh	1
7	<u>105153302</u>	Decal, Efi, Italic, Rh	1

3

G

3

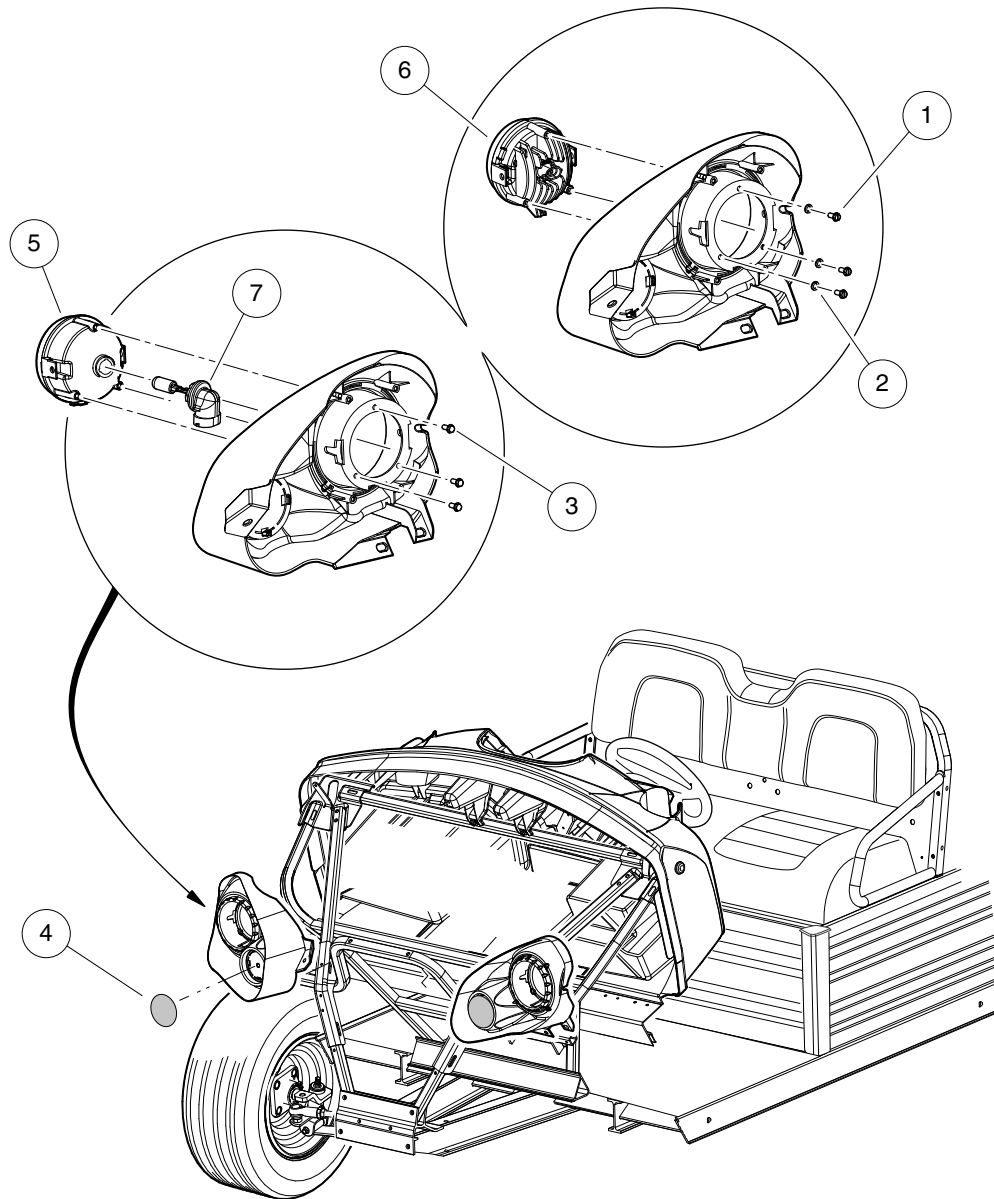
G

LIGHTS, CONTROLS, AND INDICATORS

4

G

4
G



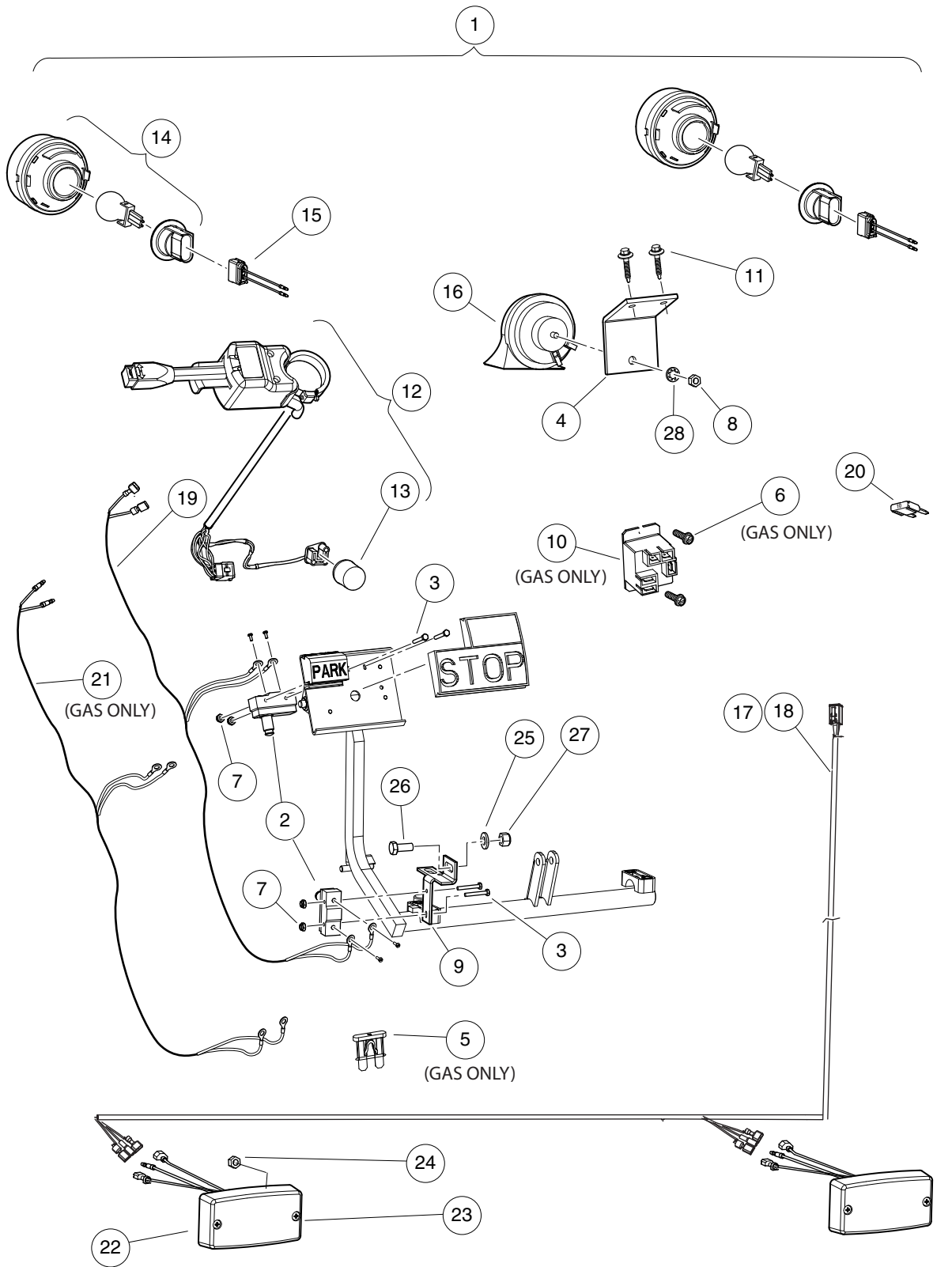
001370-001

HEADLIGHTS

ITEM	PART NO.	DESCRIPTION	QTY
		1 2 3 4	
1	<u>1011017</u>	Screw, #8-32 X 0.375	6
2	<u>1011610</u>	Lockwasher, #8 Split SS	6
3	<u>101850301</u>	Screw, #12-16 X 0.50 Washer-Head Hi-Lo	6
4	<u>105036801</u>	Reflector, Decal, 3.20", Amber	2
5	<u>105073401</u>	Hdlight, Round, 4.5", Utl	2
6	<u>105093701</u>	Hdlight, Round, 4.5", Led, Utl	2
7	<u>105093801</u>	Bulb, Halogen, 862	2

4
G

4
G



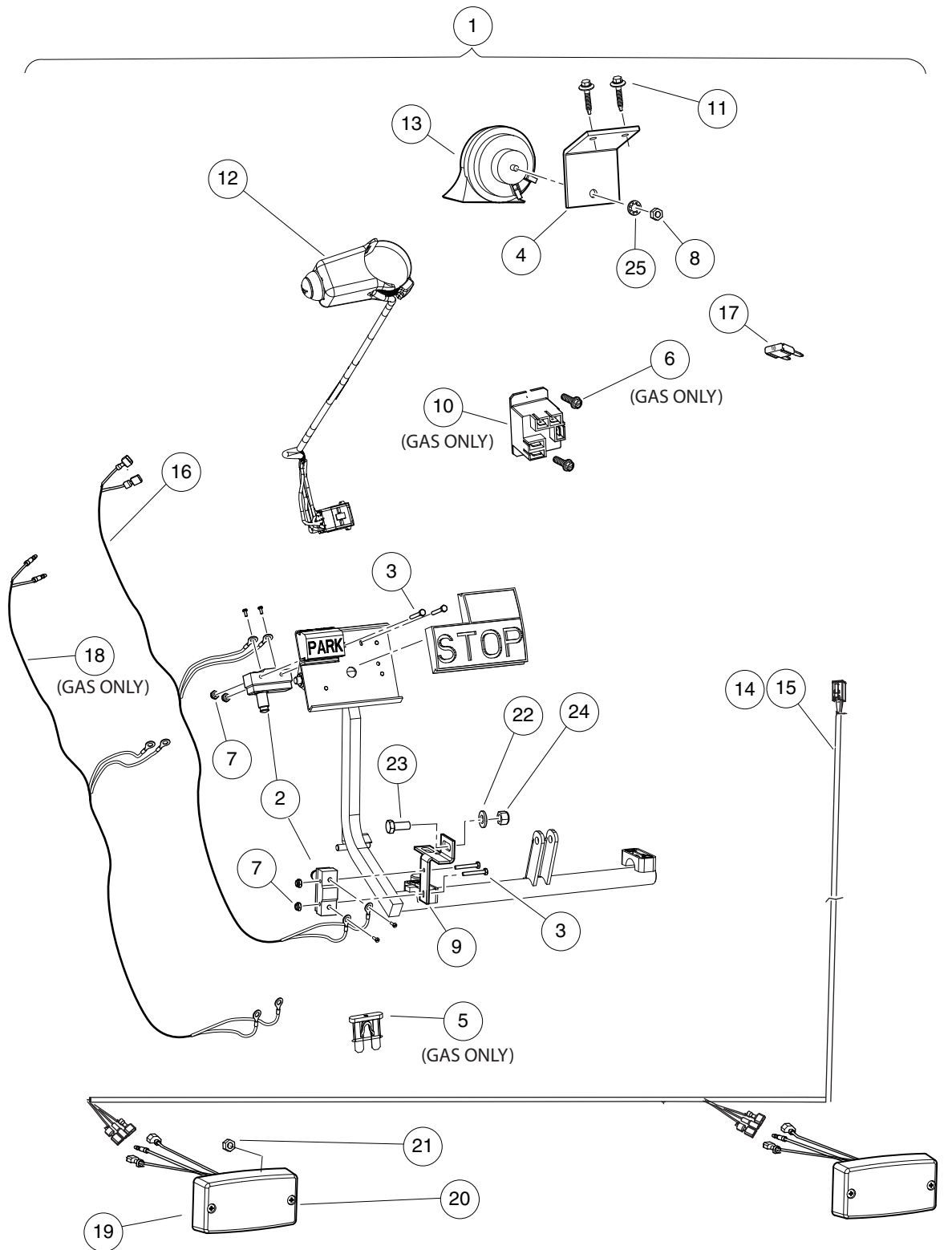
001368-002

HORN, TURN SIGNALS, AND TAILLIGHTS – ELECTRIC AND GASOLINE VEHICLES

ITEM	PART NO.	DESCRIPTION	QTY
		1 2 3 4	
1	<u>105122808</u>	Kit, Horn/Tail Light/Turn (includes items 2 through 28)	1
2	<u>1011439</u>	Switch, Limit	2
3	<u>1011557</u>	Screw, #6-32 X 1.00 Hex-Head Machine	4
4	<u>1011825</u>	Horn Bracket	1
5	<u>1012295</u>	Fuse, 10-Amp	1
6	<u>1016849</u>	Screw, #4-24 X 0.33, Pan-Head, Machine	2
7	<u>101932201</u>	Locknut, #6-32 Nylon	4
8	<u>101955101</u>	Nut, M6 Hex	1
9	<u>101957101</u>	Bracket, Brake Light Switch	1
10	<u>102199001</u>	Relay, 12-Volt	1
11	<u>102297125</u>	Screw, M6-1.0x25.4, Thread-Forming, SEMS	2
12	<u>102517501</u>	Turn Signal Asm (includes item 13)	1
13	<u>102546401</u>	Flasher Unit, Prec	1
14	<u>102894503</u>	Light, Turn Sig, Round 3", Utl	2
15	<u>103245001</u>	Jumper, Turn Signal, Ca/xrt/hu	2
16	<u>103484301</u>	Horn, 12v, Gnd Isolated	1
17	<u>105108201</u>	Harness, Tail Light, Utility, Short	1
18	<u>105108301</u>	Harness, Tail Light, Utility, Long	1
19	<u>105108401</u>	Harness, Brk, Pedal Switch Utl	1
20	<u>105114806</u>	Fuse, Mini, Atm, 10 Amp	1
21	<u>105135201</u>	Jumper, Hill Brake, Switch	1
22	<u>105165801</u>	Lamp, Stop/trn/tail, Footdeck	2
23	<u>105190601</u>	Screw, #8-32 X 0.625, Clr Znc	4
24	<u>105190701</u>	Nut, Flanged, #8-32, Serrated	4
25	<u>1241</u>	Washer, 5/16 Type A Flat	1
26	<u>7173</u>	Screw, 5/16-18 X 0.75, Hex-Head Cap	1
27	<u>7473</u>	Locknut, 5/16-18 Nylon Insert	2
28	<u>7820</u>	Washer, 5/16 Internal-Tooth	1
		Note: 1051082, Harness, Tail Light, Utility, Short, fits the following vehicles with serial prefix: MA, MB, MC, MD, ME, MF, MK, ML, MM, MP, MU.	

4
G

4
G



001367-002

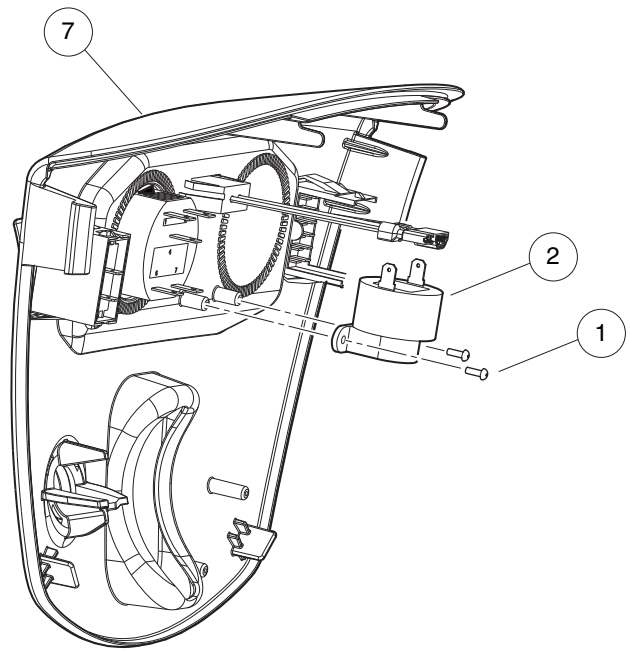
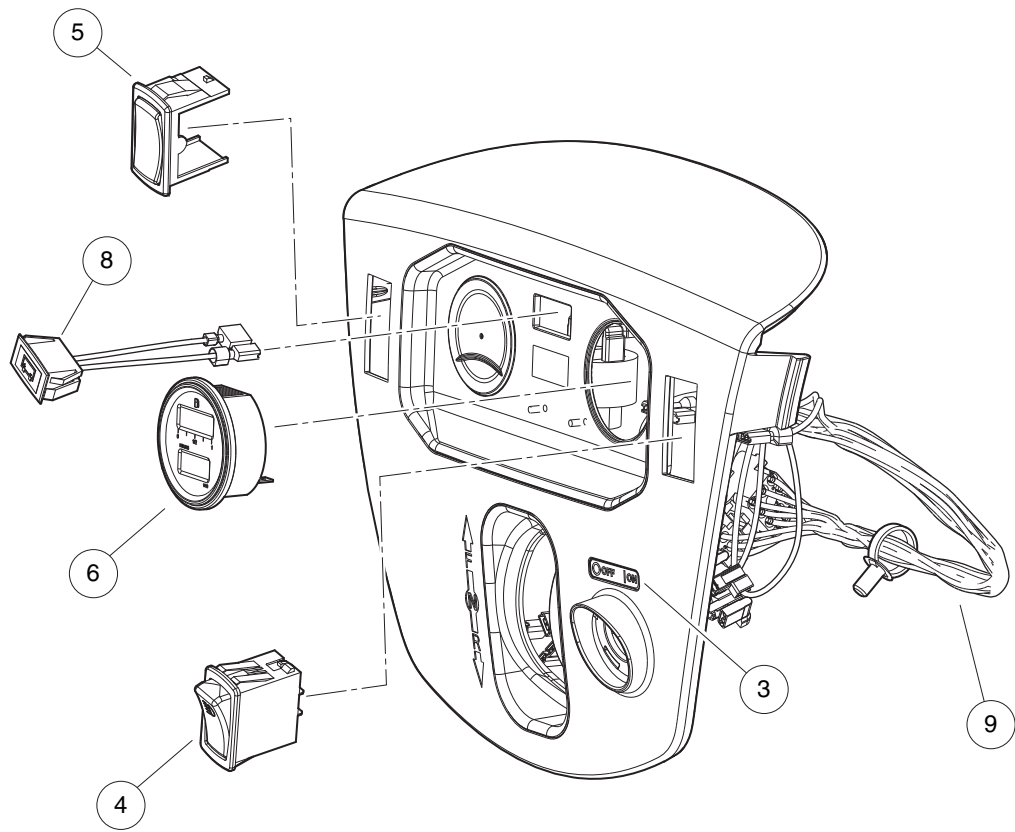
HORN AND TAIL LIGHT KIT – ELECTRIC AND GASOLINE VEHICLES

ITEM	PART NO.	DESCRIPTION	QTY
		1 2 3 4	
1	<u>105122807</u>	Kit, Horn/Tail Light/Turn (includes items 2 through 25)	1
2	<u>1011439</u>	Switch, Limit	2
3	<u>1011557</u>	Screw, #6-32 X 1.00 Hex-Head Machine	4
4	<u>1011825</u>	Horn Bracket	1
5	<u>1012295</u>	Fuse, 10-Amp	1
6	<u>1016849</u>	Screw, #4-24 X 0.33, Pan-Head, Machine	2
7	<u>101932201</u>	Locknut, #6-32 Nylon	4
8	<u>101955101</u>	Nut, M6 Hex	1
9	<u>101957101</u>	Bracket, Brake Light Switch	1
10	<u>102199001</u>	Relay, 12-Volt	1
11	<u>102297125</u>	Screw, M6-1.0x25.4, Thread-Forming, SEMS	2
12	<u>102517601</u>	Subasm, Horn Button Harness	1
13	<u>103484301</u>	Horn, 12v, Gnd Isolated	1
14	<u>105108201</u>	Harness, Tail Light, Utility, Short	1
15	<u>105108301</u>	Harness, Tail Light, Utility, Long	1
16	<u>105108401</u>	Harness, Brk, Pedal Switch Utl	1
17	<u>105114806</u>	Fuse, Mini, Atm, 10 Amp	1
18	<u>105135201</u>	Jumper, Hill Brake, Switch	1
19	<u>105165801</u>	Lamp, Stop/trn/tail, Footdeck	2
20	<u>105190601</u>	Screw, #8-32 X 0.625, Clr Znc	4
21	<u>105190701</u>	Nut, Flanged, #8-32, Serrated	4
22	<u>1241</u>	Washer, 5/16 Type A Flat	1
23	<u>7173</u>	Screw, 5/16-18 X 0.75, Hex-Head Cap	1
24	<u>7473</u>	Locknut, 5/16-18 Nylon Insert	1
25	<u>7820</u>	Washer, 5/16 Internal-Tooth	1
<p style="margin-left: 40px;">Note: <u>105108201</u> Harness, Tail Light, Utility, Short, fits the following vehicles with serial prefix: MA, MB, MC, MD, ME, MF, MK, ML, MM, MP, MU.</p>			

4

G

4
G



001372-001

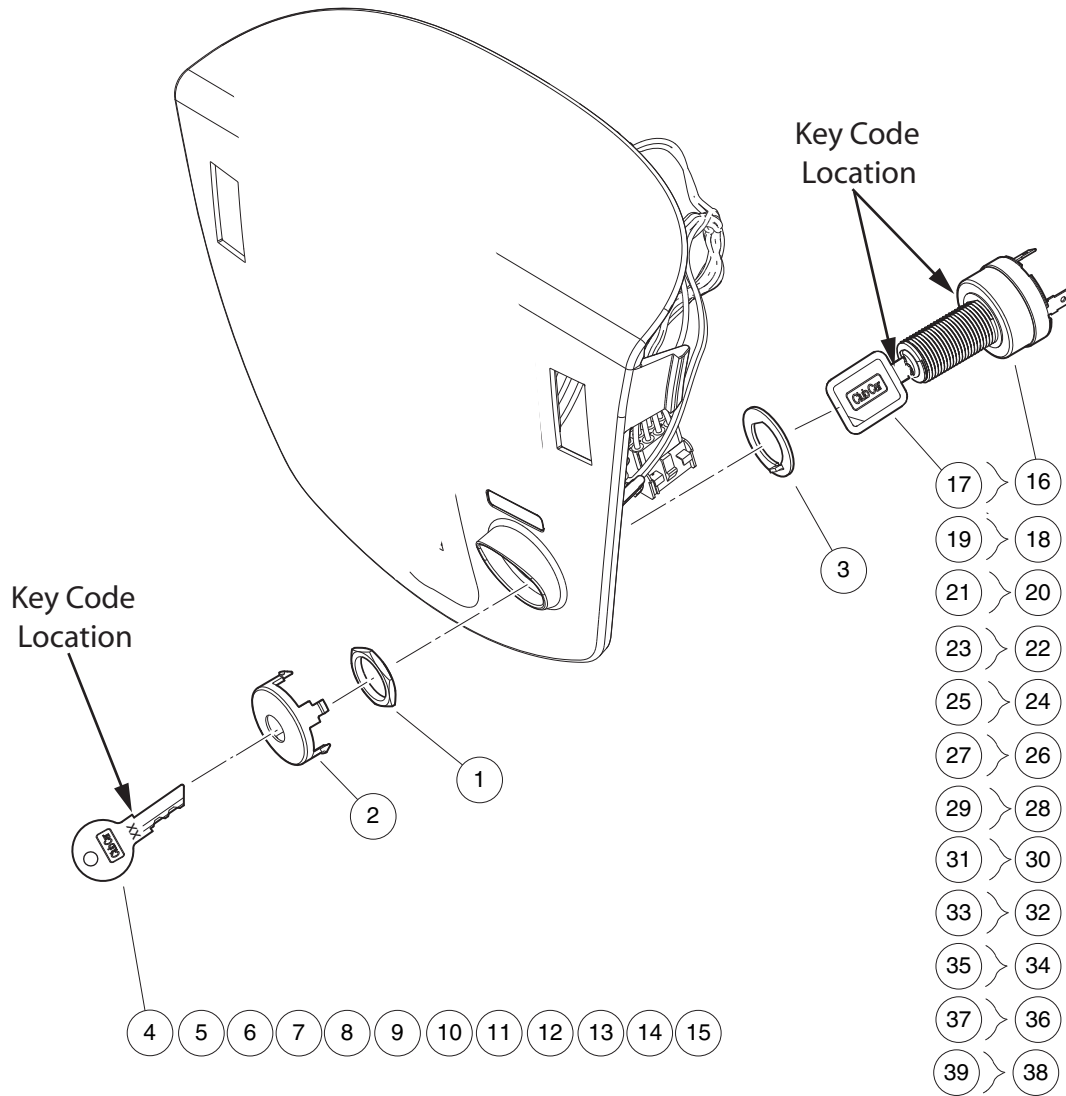
INSTRUMENT PANEL – GASOLINE VEHICLE

ITEM	PART NO.	DESCRIPTION	QTY
		1 2 3 4	
1	<u>1016849</u>	Screw, #4-24 X 0.33, Pan-Head, Machine	2
2	<u>1016851</u>	Buzzer, Reverse (9-48 VDC)	1
3	<u>101825101</u>	Decal, Off/On	1
4	<u>102869401</u>	Switch, Rocker, Light	1
5	<u>103180101</u>	Cover, Hole, Switch, Rocker	1
6	<u>103348602</u>	Gauge, Fuel-hour,sep Gnd, Ds	1
7	<u>105034102</u>	Panel, Instrument, Gas, Ca	1
8	<u>105037101</u>	Light, Oil (LED)	1
9	<u>105095101</u>	Harness, Wire, Instr. Panel, Gas, CA300-700	1

4

G

4
G



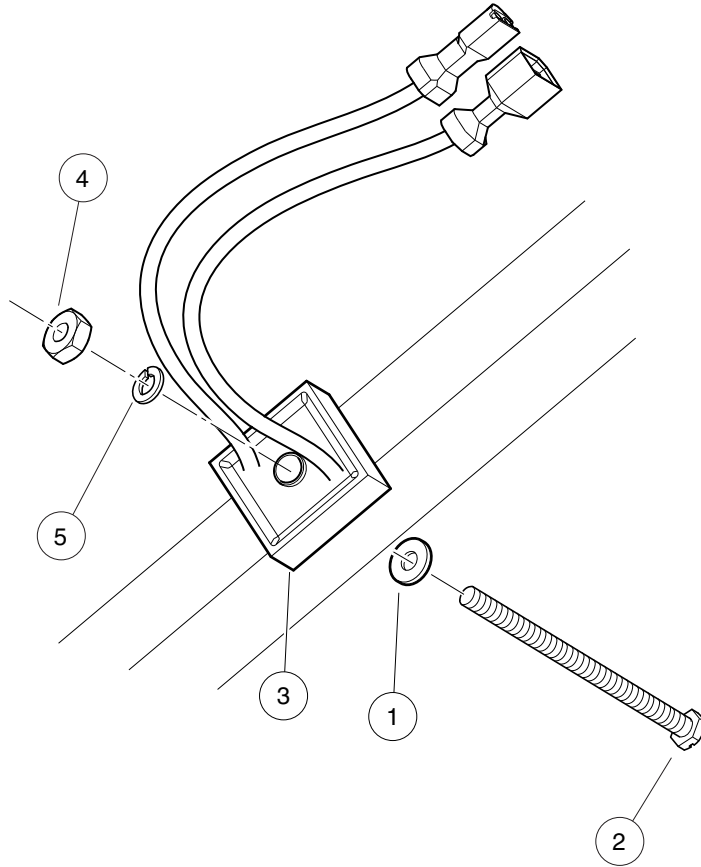
001355-001

KEYSWITCH, PEDAL-START – GASOLINE VEHICLE

ITEM	PART NO.	DESCRIPTION	QTY
		1 2 3 4	
1	<u>101830701</u>	Nut, Key Switch	1
2	<u>101834502</u>	Cap, Black Key Switch	1
3	<u>101851101</u>	Washer, Key Switch	1
4	<u>101974701</u>	Key, Uncommon 1a	1
5	<u>101974702</u>	Key, Uncommon 1b	1
6	<u>101974703</u>	Key, Uncommon 1c	1
7	<u>101974704</u>	Key, Uncommon 1d	1
8	<u>101974705</u>	Key, Uncommon 2a	1
9	<u>101974706</u>	Key, Uncommon 2b	1
10	<u>101974707</u>	Key, Uncommon 2c	1
11	<u>101974708</u>	Key, Uncommon 2d	1
12	<u>101974709</u>	Key, Uncommon 1e	1
13	<u>101974710</u>	Key, Uncommon 1f	1
14	<u>101974711</u>	Key, Uncommon 2e	1
15	<u>101974712</u>	Key, Uncommon 2f	1
16	<u>105081801</u>	Keysw, Uncom, 4t, Off/on 1a, G (includes item 17)	1
17	<u>105068001</u>	Key, Uncommon, Padded 1a	1
18	<u>105081802</u>	Keysw, Uncom, 4t, Off/on 1b, G (includes item 19)	1
19	<u>105068002</u>	Key, Uncommon, Padded 1b	1
20	<u>105081803</u>	Keysw, Uncom, 4t, Off/on 1c, G (includes item 21)	A/R
21	<u>105068003</u>	Key, Uncommon, Padded 1c	1
22	<u>105081804</u>	Keysw, Uncom, 4t, Off/on 1d, G (includes item 23)	1
23	<u>105068004</u>	Key, Uncommon, Padded 1d	1
24	<u>105081805</u>	Keysw, Uncom, 4t, Off/on 1e, G (includes item 25)	1
25	<u>105068005</u>	Key, Uncommon, Padded 1e	1
26	<u>105081806</u>	Keysw, Uncom, 4t, Off/on 1f, G (includes item 27)	1
27	<u>105068006</u>	Key, Uncommon, Padded 1f	1
28	<u>105081807</u>	Keysw, Uncom, 4t, Off/on 2a, G (includes item 29)	1
29	<u>105068007</u>	Key, Uncommon, Padded 2a	1
30	<u>105081808</u>	Keysw, Uncom, 4t, Off/on 2b, G (includes item 31)	1
31	<u>105068008</u>	Key, Uncommon, Padded 2b	1
32	<u>105081809</u>	Keysw, Uncom, 4t, Off/on 2c, G (includes item 33)	1
33	<u>105068009</u>	Key, Uncommon, Padded 2c	1
34	<u>105081810</u>	Keysw, Uncom, 4t, Off/on 2d, G (includes item 35)	1
35	<u>105068010</u>	Key, Uncommon, Padded 2d	1
36	<u>105081811</u>	Keysw, Uncom, 4t, Off/on 2e, G (includes item 37)	1
37	<u>105068011</u>	Key, Uncommon, Padded 2e	1
38	<u>105081812</u>	Keysw, Uncom, 4t, Off/on 2f, G (includes item 39)	1
39	<u>105068012</u>	Key, Uncommon, Padded 2f	1
		Note: Keyswitch <u>105081801</u> , is standard for pedal-start gasoline vehicles equipped with a cab. Keyswitch <u>105081802</u> , is standard for pedal-start gasoline vehicles without a cab. Keyswitches <u>105081803</u> through <u>105081812</u> allows different key code combinations for pedal-start gasoline fleet vehicles.	

4
G

4
G



001365-001

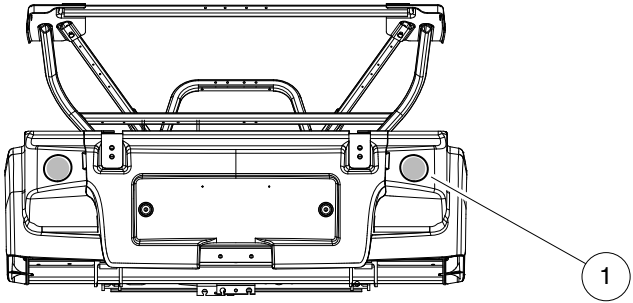
VOLTAGE LIMITER – GASOLINE VEHICLE

ITEM	PART NO.	DESCRIPTION	QTY
		1 2 3 4	
1	1012431	Washer, #4 Flat	1
2	<u>1015878</u>	Screw, #4-40 Hex Head Machine	1
3	<u>102529101</u>	Voltage Limiter, Prec	1
4	<u>8057</u>	Nut, #4-40 Hex Machine	1
5	<u>8058</u>	Lockwasher, #4 Split	1

4

G

4
G



001362-001

REFLECTORS

ITEM	PART NO.	DESCRIPTION	QTY
		1 2 3 4	
1	<u>103832501</u>	Reflector, Red, Round, Sae	2
2	<u>103832601</u>	Reflector, Yell, Rect, Sae	2
3	<u>105144801</u>	Reflector, Red, Rect, Sae	2

4
G

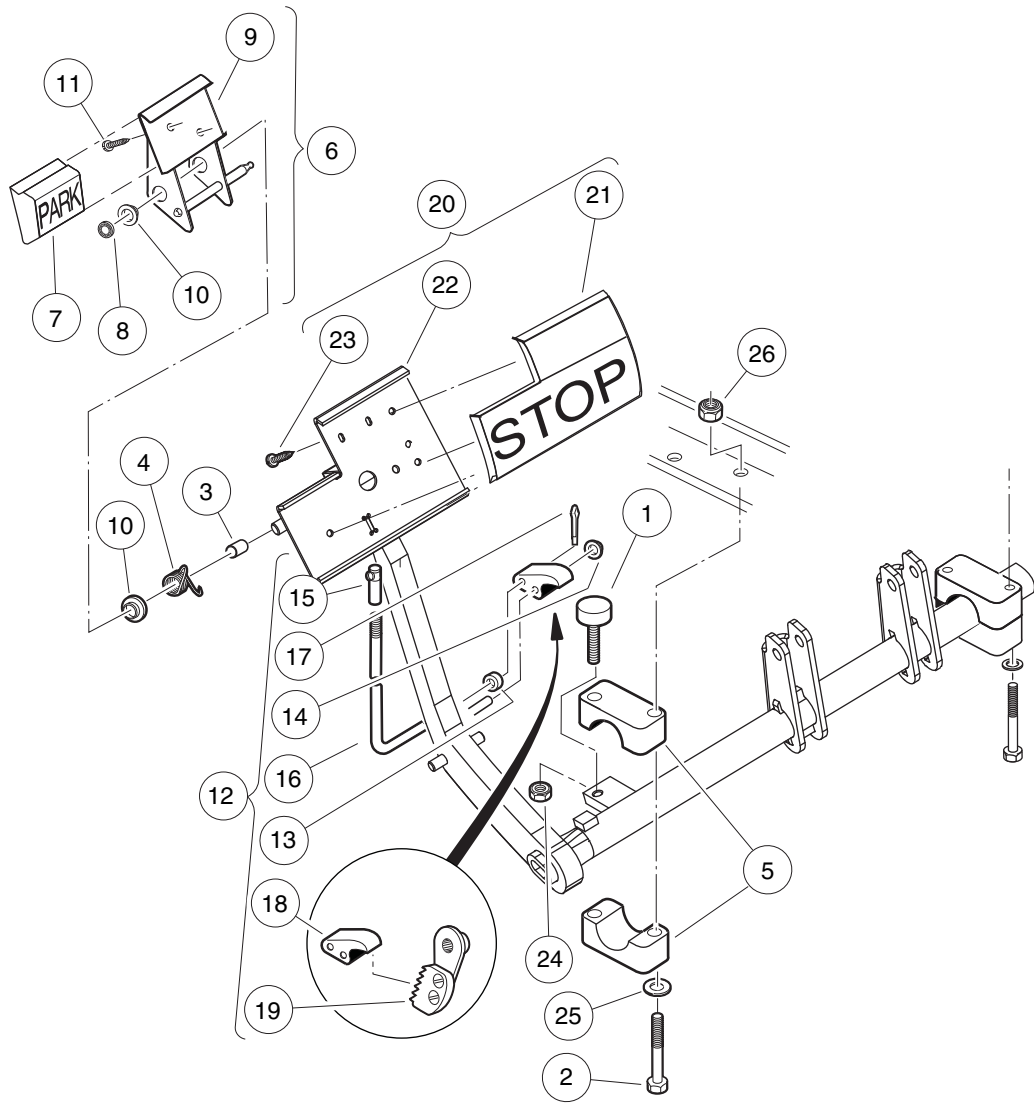
4

G

BRAKES, PEDALS, AND CABLE ASSEMBLIES

5

G

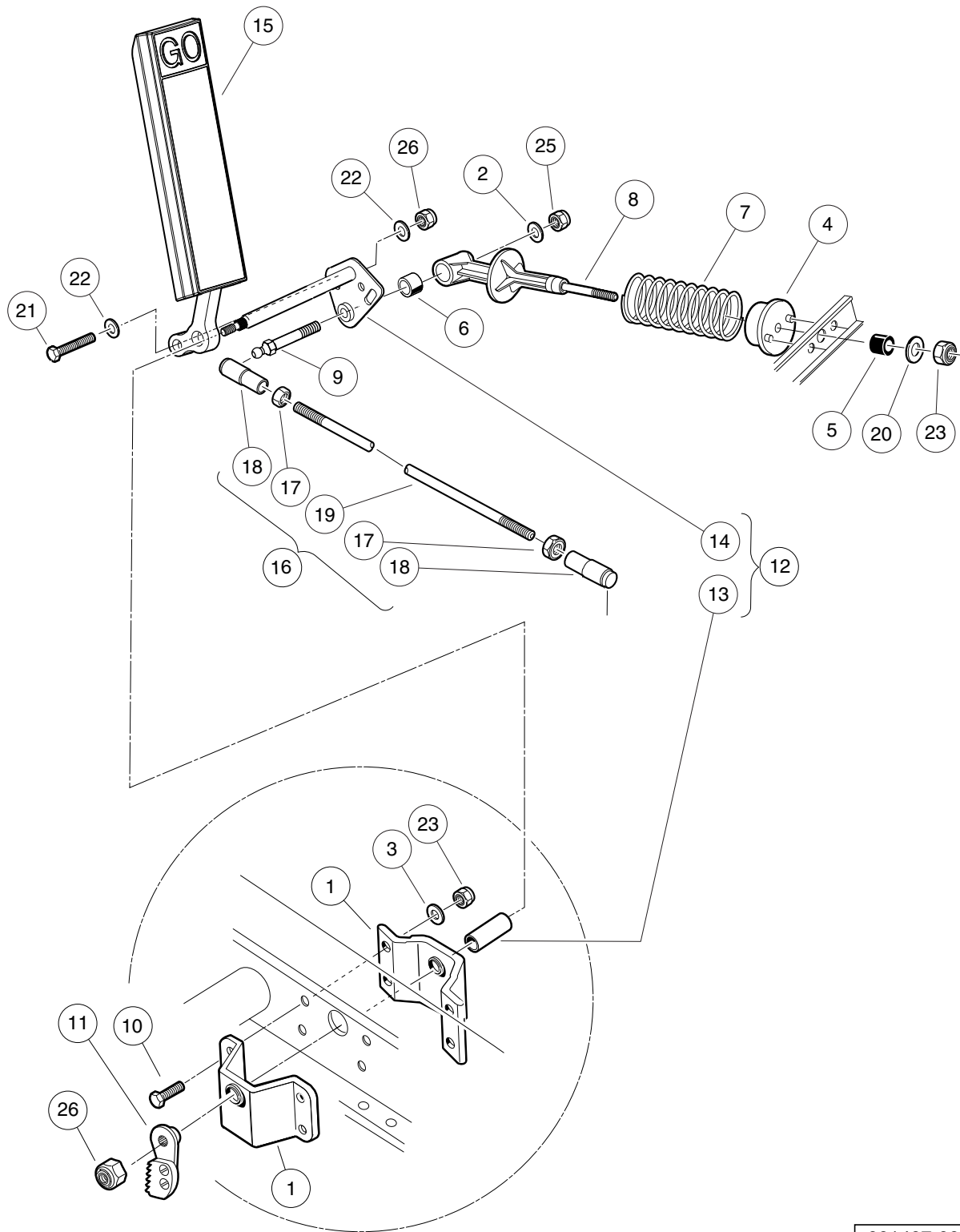


001405-002

BRAKE PEDAL ASSEMBLY – VEHICLES WITH 2-WHEEL BRAKES AND 4-WHEEL BRAKES

ITEM	PART NO.	DESCRIPTION	QTY
		1 2 3 4	
1	<u>1010878</u>	Bumper, Rubber	1
2	<u>1010921</u>	Screw, 5/16-18 X 2.50 Hex Cap	4
3	<u>1010927</u>	Hill Brake Spacer	1
4	<u>1010933</u>	Spring, Hill Brake Torsion	1
5	<u>1011402</u>	Package, Brake Mounting Block	1
6	<u>1011418</u>	Kit, Hill Brake Pedal (includes items 7 through 11)	1
7	<u>1013870</u>	Pad, Hill Brake	1
8	<u>1013876</u>	Pushnut, 3/8	1
9	N/A	Hill Brake Weld Assembly	1
10	<u>1032</u>	Bushing, Nylon	2
11	7716	Screw, #10-16 Type AB, Sheet Metal	2
12	<u>101187702</u>	Kit, Hill Brake Latch (includes items 13 through 19)	1
13	<u>1010805</u>	Sleeve, Hill Brake Rod	1
14	<u>1010877</u>	Pushnut, 3/8	1
15	1010932	Ball Joint, 1/4-28	1
16	N/A	Rod, Hill Brake	1
17	<u>1017029</u>	Pin, Cotter, 7/64 x 1/2 Stainless-Steel	1
18	N/A	Pawl, Hill Brake	1
19	101918501	Ratchet Assembly	1
20	<u>101878201</u>	Brake Pedal Kit (includes items 21 through 23)	1
21	<u>1013869</u>	Pad, Brake Pedal	1
22	N/A	Weldment, Brake Pedal, 2wr Std	1
23	7716	Screw, #10-16 Type AB, Sheet Metal	3
24	<u>1028</u>	Nut, 1/4-20 Hex	1
25	<u>1241</u>	Washer, 5/16 Type A Flat	4
26	<u>7473</u>	Locknut, 5/16-18 Nylon Insert	4

5
G

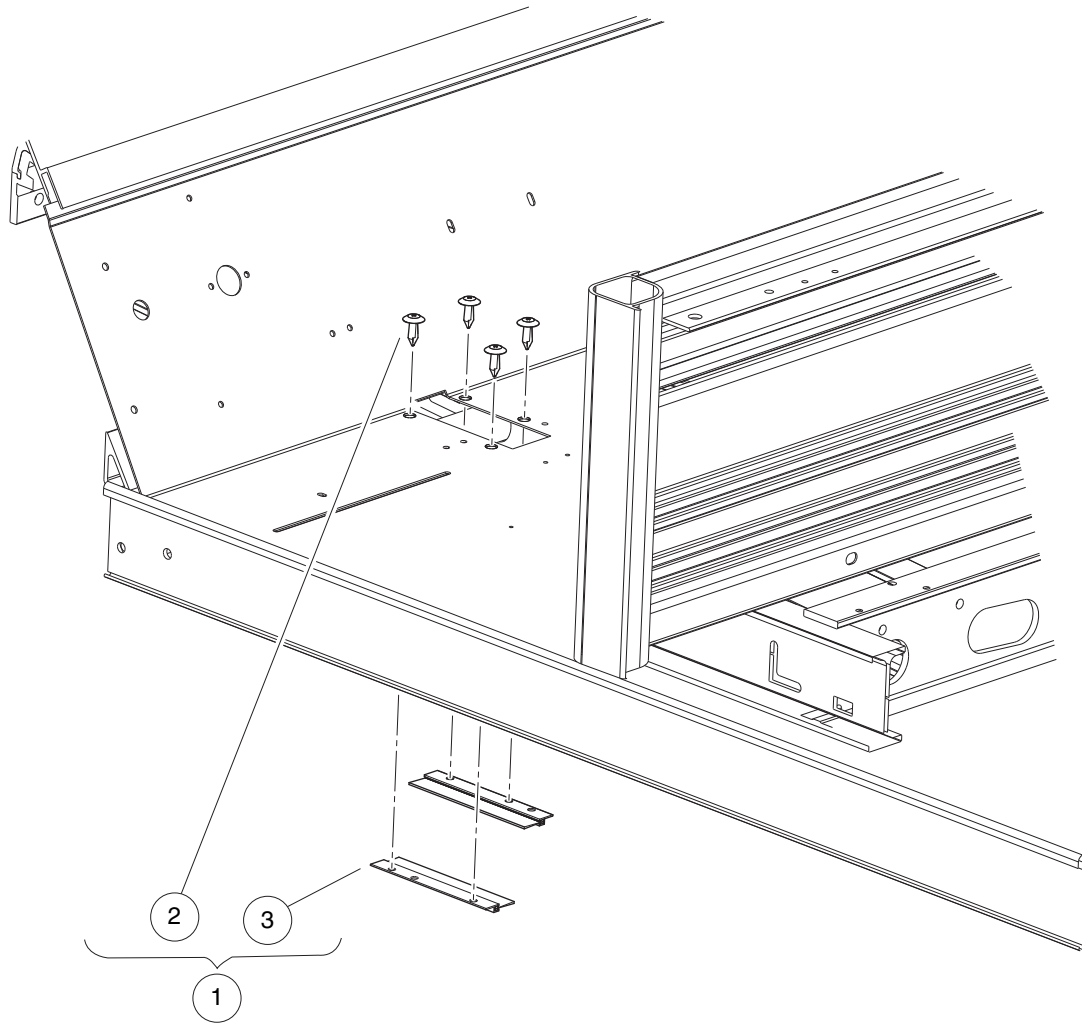


001407-001

ACCELERATOR PEDAL AND ROD ASSEMBLY – GASOLINE VEHICLE

ITEM	PART NO.	DESCRIPTION	QTY
		1 2 3 4	
1	<u>1011694</u>	Accelerator Bracket and Bearing Assembly	2
2	<u>1011931</u>	Washer, 1/4 Flat	1
3	<u>1014007</u>	Washer, 1/4, Flat	4
4	<u>1017378</u>	Cup, Spring	1
5	<u>1017380</u>	Bumper, Spring Return	1
6	<u>1017424</u>	Bearing, Pivot Support	1
7	101796201	Spring, Accelerator Return	1
8	<u>101817401</u>	Retainer, Spring	1
9	101818801	Stud, 1/4-28 X 1.35 Ball	1
10	<u>101861901</u>	Screw, 1/4-20 X 1.125 Hex Cap	4
11	101918501	Ratchet Assembly	1
12	<u>102026001</u>	Kit, Accelerator Pivot Rod Assembly (includes items 13 and 14)	1
13	101919801	Spacer, Accelerator	1
14	<u>102158901</u>	Pivot Rod Weldment	1
15	<u>103865101</u>	Pedal, Accel, Insert	1
16	<u>105100801</u>	Asm, Accel Rod, Utility (includes items 17 through 19)	1
17	<u>1011084</u>	Nut, 1/4-28 Hex Jam	2
18	<u>1011734</u>	Joint, Ball	2
19	<u>105100401</u>	Rod, Accel, Utility, Adj	1
20	<u>1241</u>	Washer, 5/16 Type A Flat	1
21	<u>1624</u>	Screw, 3/8-16 X 1.50, Hex-Head Cap	1
22	<u>334</u>	Washer, 3/8, Type A, Flat	2
23	<u>7473</u>	Locknut, 5/16-18 Nylon Insert	1
24	<u>8233</u>	Locknut, 1/4-20, Nylon Insert	4
25	<u>8717</u>	Locknut, Nylon Insert, 1/4-28	1
26	<u>8754</u>	Locknut, 3/8-16 Hex	2

5
G



001418-001

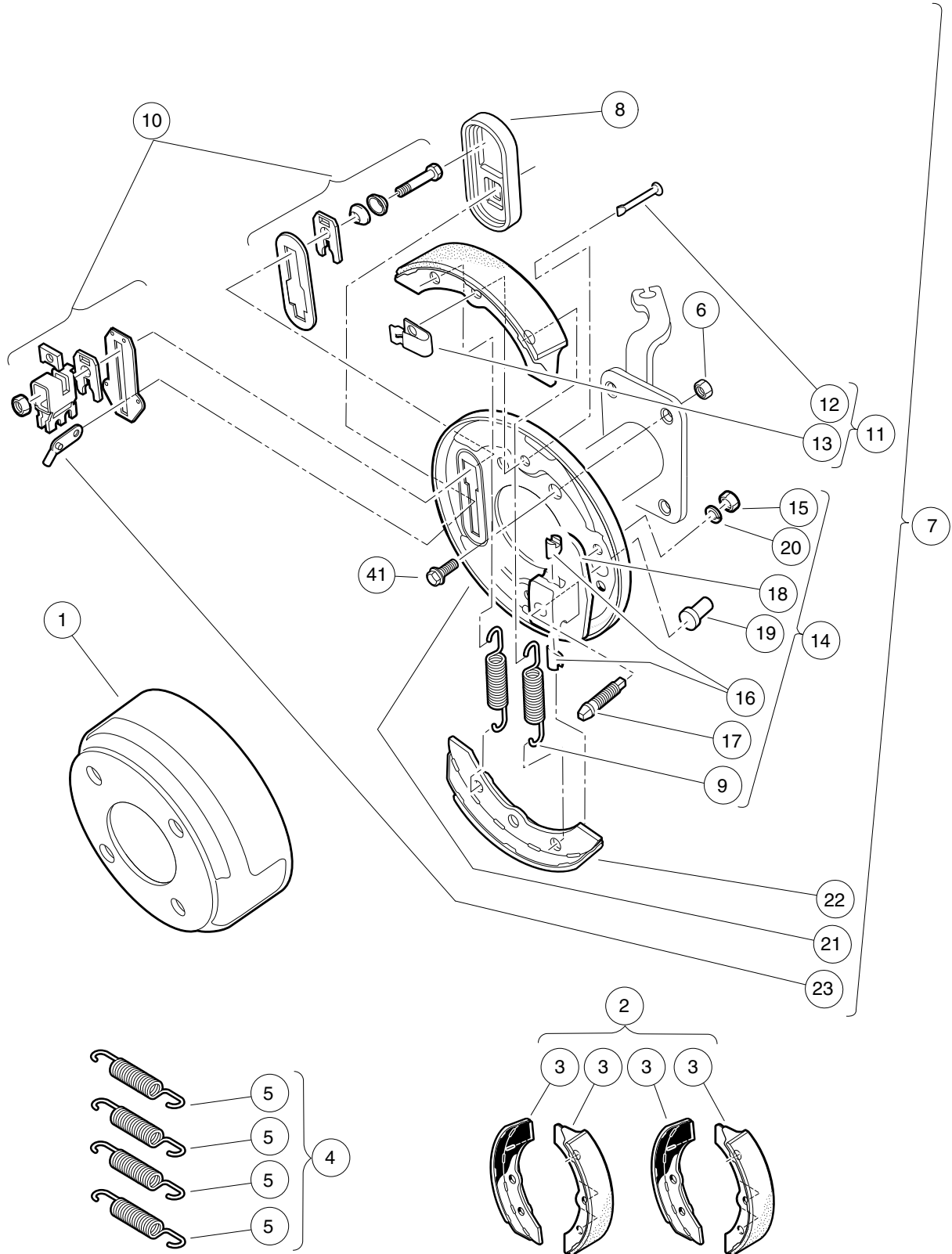
PEDAL CLOSE-OUT KIT

ITEM	PART NO.	DESCRIPTION	QTY
		1 2 3 4	
1	<u>105149101</u>	Kit, Close Out, Pedal, Utl (includes items 2 and 3)	1
2	<u>102025701</u>	Screw, Tuflok Panel, 1/4	4
3	<u>105149201</u>	Asm, Brush, Pedal Close Out	2

5

G

5
G



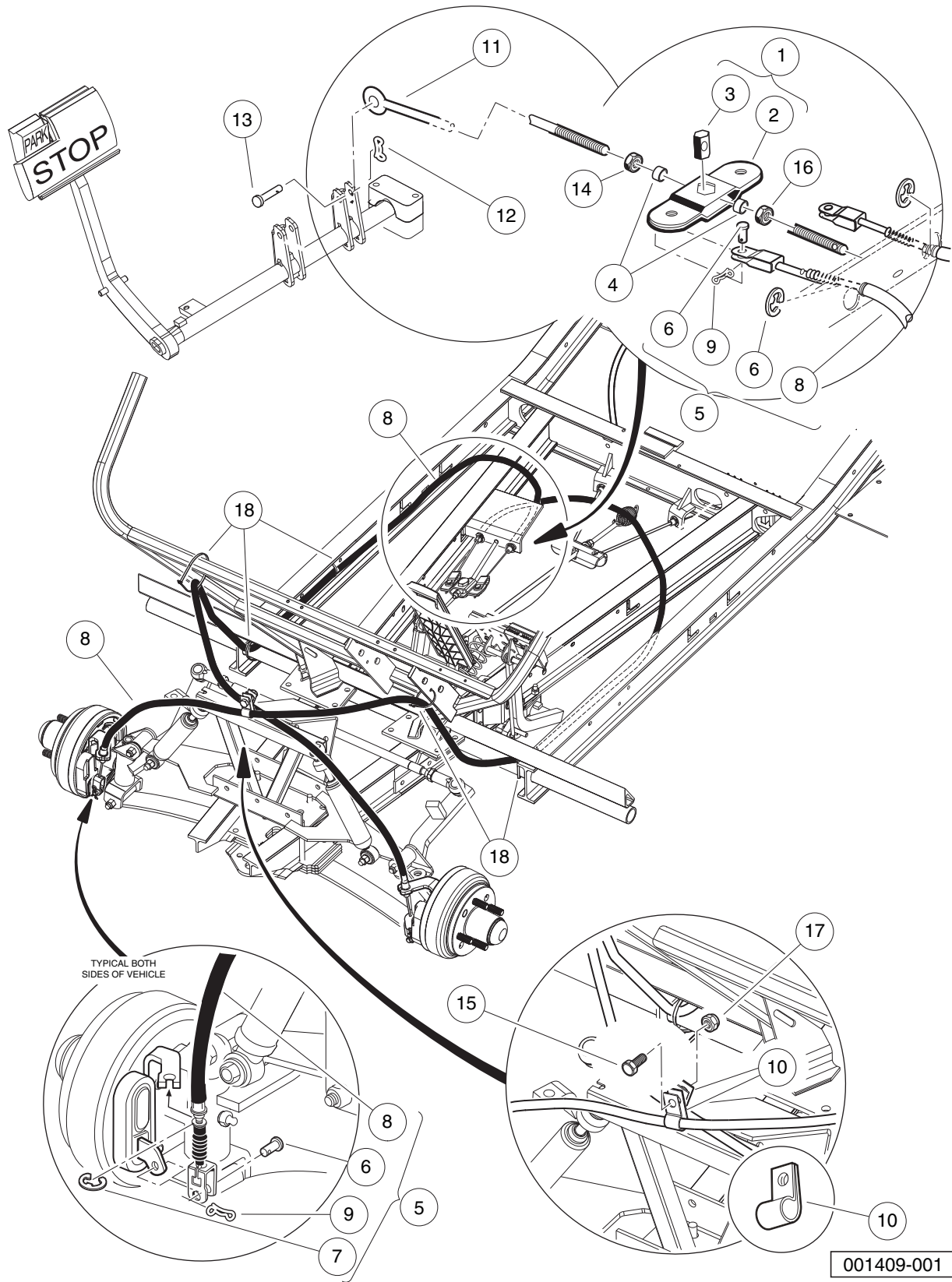
001402-002

FRONT BRAKE ASSEMBLY – VEHICLES WITH 4-WHEEL BRAKES

ITEM	PART NO.	DESCRIPTION	QTY
		1 2 3 4	
1	<u>1011137</u>	Drum, Brake	2
2	<u>101146302</u>	Kit, Non-Asbestos Brake Shoe (includes item 3)	1
3	101880701	Shoe Brake Manual Adj (Available in Kit, Non-Asbestos Brake Shoe)	4
4	<u>1011464</u>	Package, Brake Spring (includes item 5)	1
5	1011314	Brake Spring	4
6	<u>1013924</u>	Nut, 5/16-24, Hex Head Cone	8
7	<u>1016557</u>	Cluster, Brake, Driver-Side (includes items 8 through 23)	1
8	<u>1010850</u>	Dust Cover	1
9	1011314	Brake Spring	2
10	<u>1011465</u>	Kit, Brake Actuator	1
11	<u>1011466</u>	Kit, Shoe Retainer (includes items 12 and 13)	1
12	N/A	Pin	2
13	N/A	Shoe Clamp Spring	2
14	<u>1011467</u>	Kit, Anchor Body (includes items 15 through 20)	1
15	<u>1011114</u>	Nut, M6-1.00 Hex	2
16	1011298	Anchor Piston	2
17	N/A	Adjustment Bolt	1
18	N/A	Anchor Body Component	1
19	<u>1011303</u>	Adjustment Bolt Cap	1
20	<u>451</u>	Lockwasher, 1/4 Split	2
21	1011494	Backing Plate, Left-Hand	1
22	101880701	Shoe Brake Manual Adj (Available in Kit, Non-Asbestos Brake Shoe)	2
23	N/A	Arm, Brake Lever	1
24	<u>1016573</u>	Cluster, Brake, Passenger-Side (includes items 25 through 40)	1
25	<u>1010850</u>	Dust Cover	1
26	<u>1011154</u>	Backing Plate, Right-Hand	1
27	1011314	Brake Spring	2
28	<u>1011465</u>	Kit, Brake Actuator	1
29	<u>1011466</u>	Kit, Shoe Retainer (includes items 30 and 31)	1
30	N/A	Pin	2
31	N/A	Shoe Clamp Spring	2
32	<u>1011467</u>	Kit, Anchor Body (includes items 33 through 38)	1
33	<u>1011114</u>	Nut, M6-1.00 Hex	2
34	1011298	Anchor Piston	2
35	N/A	Adjustment Bolt	1
36	N/A	Anchor Body Component	1
37	<u>1011303</u>	Adjustment Bolt Cap	1
38	<u>451</u>	Lockwasher, 1/4 Split	2
39	101880701	Shoe Brake Manual Adj (Available in Kit, Non-Asbestos Brake Shoe)	2
40	N/A	Arm, Brake Lever	1
41	<u>47542195001</u>	Bolt, Brake Cluster Mnt	8
		Note: Passenger-side brake cluster (items 25-41) not shown. Components have a similar appearance to driver-side brake cluster components.	

5
G

5
G



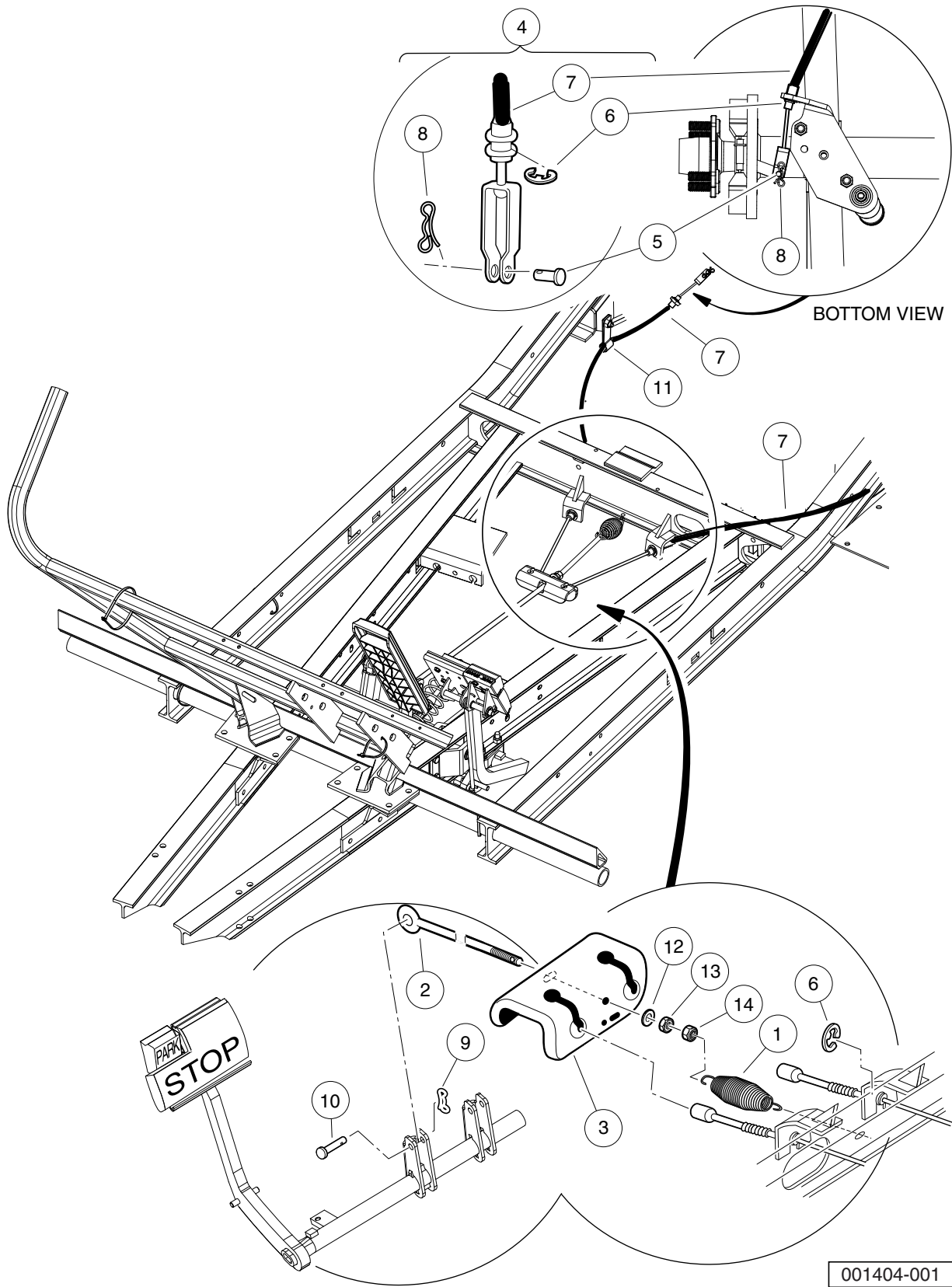
FRONT BRAKE CABLES AND EQUALIZER – GASOLINE VEHICLE WITH 4-WHEEL BRAKES

ITEM	PART NO.	DESCRIPTION	QTY
		1 2 3 4	
1	<u>1017211</u>	Kit, Equalizer and Pivot Limiter (includes items 2 and 3)	1
2	1016319	Equalizer Weld Assembly	1
3	1016320	Equalizer, Pivot Limiter	1
4	<u>101865301</u>	Spacer	2
5	<u>101874601</u>	Kit, Brake Cable (includes items 6 through 9)	1
6	<u>1010829</u>	Pin, Clevis, 5/16 X 3/4	4
7	<u>1011779</u>	E-Clip, 1/2	4
8	N/A	Brake Cable	2
9	<u>102292801</u>	Pin, Bow Tie Locking - .072	4
10	<u>101935301</u>	Clamp, Brake Cable	2
11	<u>101953106</u>	Rod, Equalizer, 9.75"	1
12	<u>102323101</u>	Pin, Bow Tie Locking	1
13	<u>102323201</u>	Pin, 3/8 X 1-5/16 Clevis	1
14	<u>1242</u>	Nut, 5/16-18 Hex	1
15	320	Screw, 3/8-16 X 1.00 Hex-Head Cap	1
16	<u>7473</u>	Locknut, 5/16-18 Nylon Insert	1
17	<u>8754</u>	Locknut, 3/8-16 Hex	1
18	<u>8990</u>	Tie Wrap, 8" Nylon	5

5

G

5
G



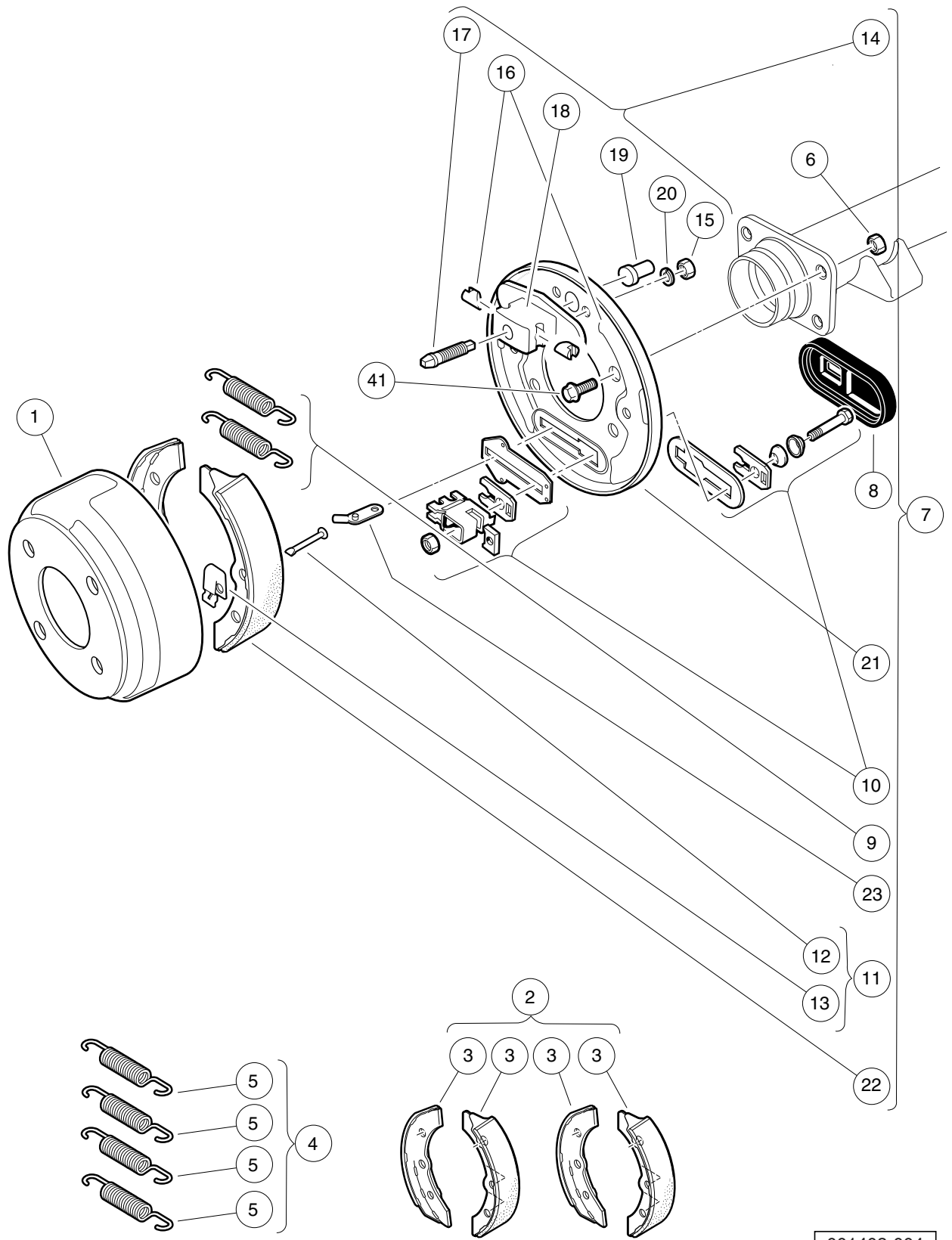
001404-001

REAR BRAKE CABLES AND EQUALIZER – GASOLINE VEHICLE WITH 4-WHEEL BRAKES

ITEM	PART NO.	DESCRIPTION	QTY
		1 2 3 4	
1	<u>1013531</u>	Spring, Brake Return	1
2	101953102	Rod, Equalizer, 20.91 inch	1
3	<u>101990801</u>	Equalizer Bracket	1
4	<u>102166901</u>	Kit, Brake Cable Rear (includes items 5 through 8)	A/R
5	<u>1010829</u>	Pin, Clevis, 5/16 X 3/4	2
6	<u>1011779</u>	E-Clip, 1/2	4
7	102162601	Cable, Brake	2
8	<u>102292801</u>	Pin, Bow Tie Locking - .072	2
9	<u>102323101</u>	Pin, Bow Tie Locking	1
10	<u>102323201</u>	Pin, 3/8 X 1-5/16 Clevis	1
11	105143201	Clamp, Cable, Brake, Sym, 2 In	2
12	<u>1241</u>	Washer, 5/16 Type A Flat	5
13	<u>1242</u>	Nut, 5/16-18 Hex	1
14	<u>7473</u>	Locknut, 5/16-18 Nylon Insert	5

5
G

5
G



001403-004

REAR BRAKES, MANUALLY-ADJUSTED – GAS VEHICLES WITH 4-WHEEL BRAKES

ITEM	PART NO.	DESCRIPTION	QTY
		1 2 3 4	
1	<u>1011137</u>	Drum, Brake	2
2	<u>101146302</u>	Kit, Non-Asbestos Brake Shoe (includes item 3)	1
3	101880701	Shoe Brake Manual Adj (Available in Kit, Non-Asbestos Brake Shoe)	4
4	<u>1011464</u>	Package, Brake Spring (includes item 5)	1
5	1011314	Brake Spring	4
6	<u>1013924</u>	Nut, 5/16-24, Hex Head Cone	8
7	<u>1016557</u>	Cluster, Brake, Driver-Side (includes items 8 through 23)	1
8	<u>1010850</u>	Dust Cover	1
9	1011314	Brake Spring	2
10	<u>1011465</u>	Kit, Brake Actuator	1
11	<u>1011466</u>	Kit, Shoe Retainer (includes items 12 and 13)	1
12	N/A	Pin	2
13	N/A	Shoe Clamp Spring	2
14	<u>1011467</u>	Kit, Anchor Body (includes items 15 through 20)	1
15	<u>1011114</u>	Nut, M6-1.00 Hex	2
16	1011298	Anchor Piston	2
17	N/A	Adjustment Bolt	1
18	N/A	Anchor Body Component	1
19	<u>1011303</u>	Adjustment Bolt Cap	1
20	<u>451</u>	Lockwasher, 1/4 Split	2
21	1011494	Backing Plate, Left-Hand	1
22	101880701	Shoe Brake Manual Adj (Available in Kit, Non-Asbestos Brake Shoe)	2
23	N/A	Arm, Brake Lever	1
24	<u>1016573</u>	Cluster, Brake, Passenger-Side (includes items 25 through 40)	1
25	<u>1010850</u>	Dust Cover	1
26	<u>1011154</u>	Backing Plate, Right-Hand	1
27	1011314	Brake Spring	2
28	<u>1011465</u>	Kit, Brake Actuator	1
29	<u>1011466</u>	Kit, Shoe Retainer (includes items 30 and 31)	1
30	N/A	Pin	2
31	N/A	Shoe Clamp Spring	2
32	<u>1011467</u>	Kit, Anchor Body (includes items 33 through 38)	1
33	<u>1011114</u>	Nut, M6-1.00 Hex	2
34	1011298	Anchor Piston	2
35	N/A	Adjustment Bolt	1
36	N/A	Anchor Body Component	1
37	<u>1011303</u>	Adjustment Bolt Cap	1
38	<u>451</u>	Lockwasher, 1/4 Split	2
39	101880701	Shoe Brake Manual Adj (Available in Kit, Non-Asbestos Brake Shoe)	2
40	N/A	Arm, Brake Lever	1
41	<u>47542195001</u>	Bolt, Brake Cluster Mnt	8
		Note: Passenger-side brake cluster (items 25-41) not shown. Components have a similar appearance to driver-side brake cluster components.	

5
G

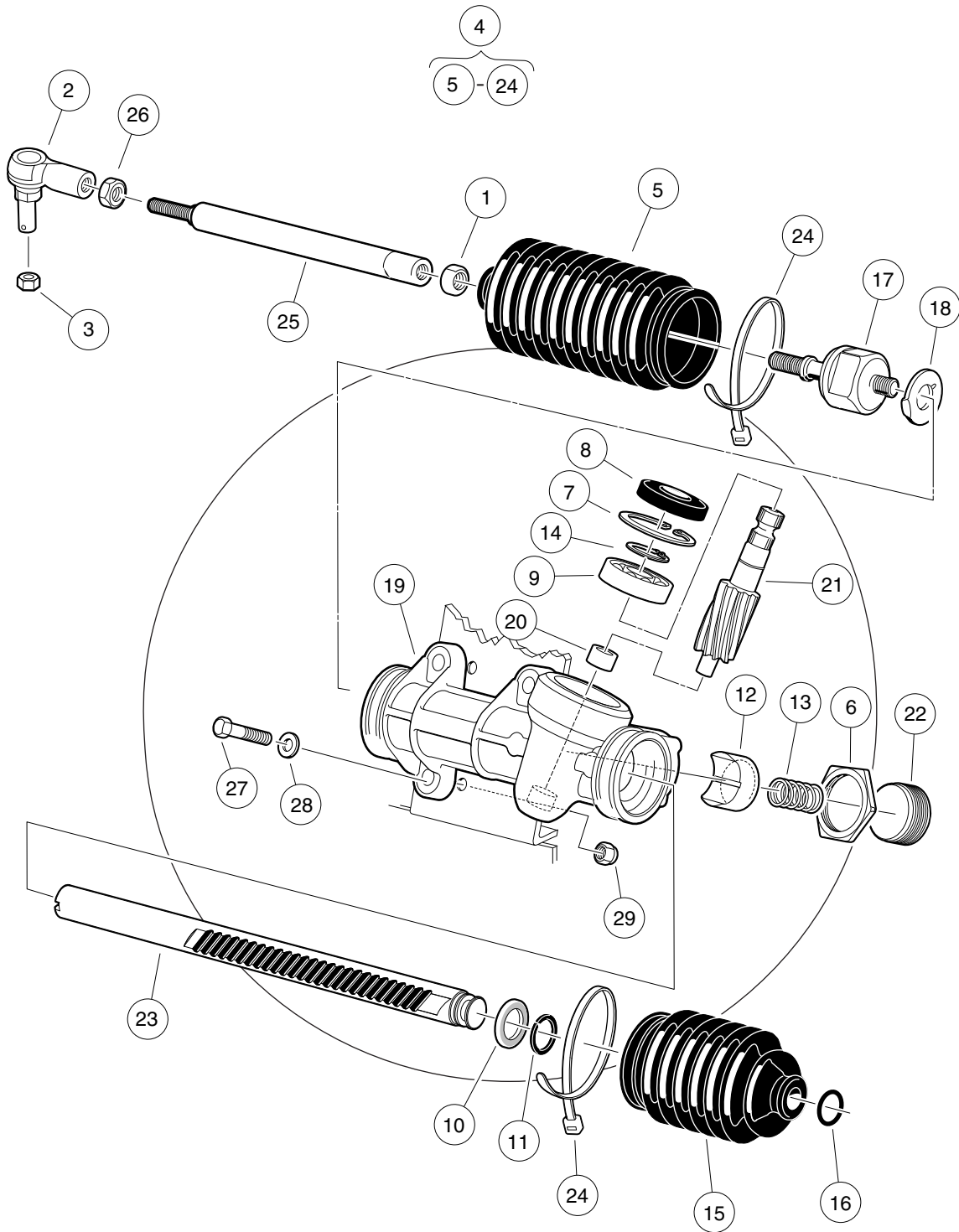
5

G

STEERING, FRONT AND REAR SUSPENSION

6

G

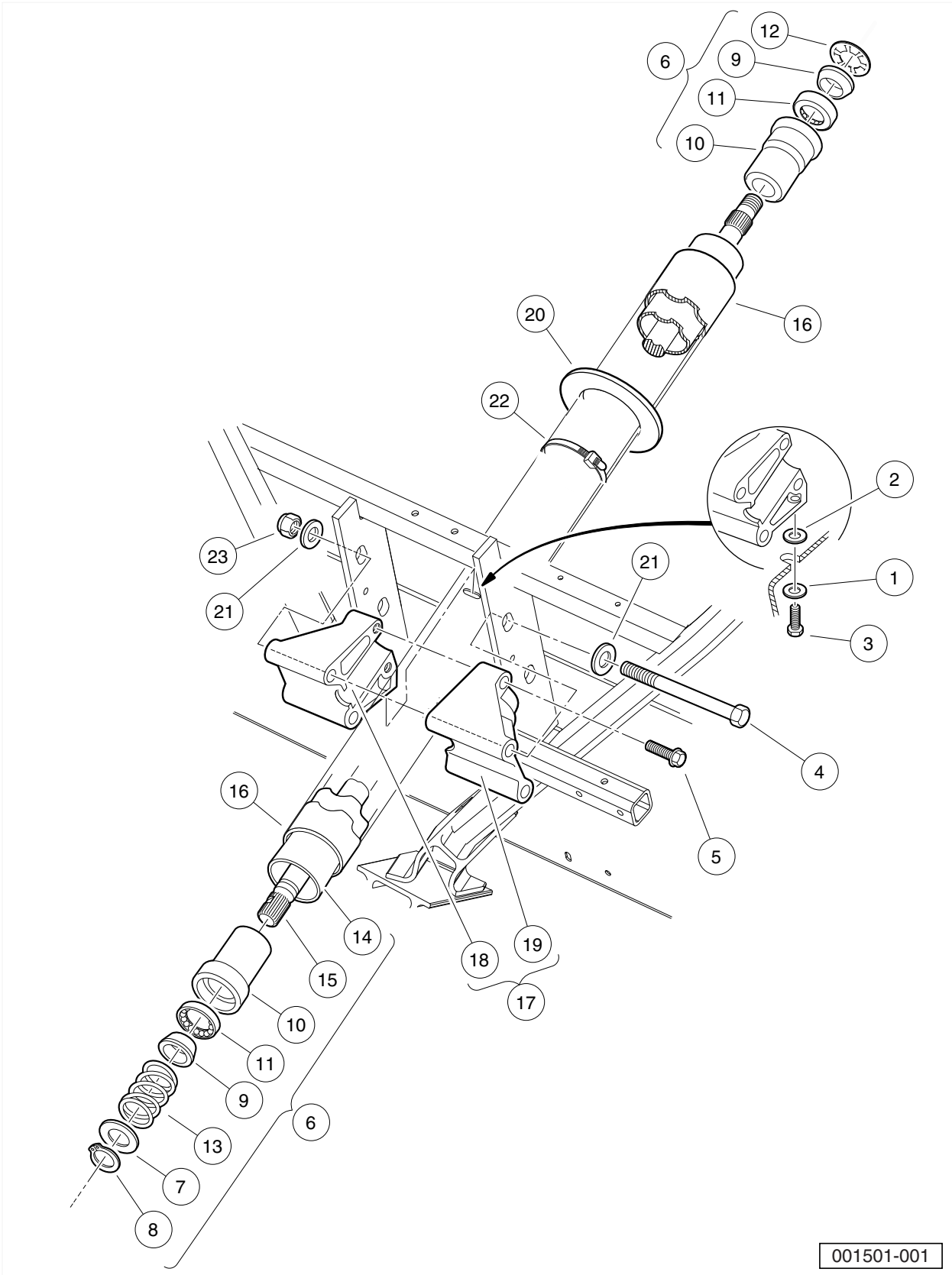


001500-002

STEERING GEAR ASSEMBLY

ITEM	PART NO.	DESCRIPTION	QTY
		1 2 3 4	
1	1013042	Nut, 12mm Hex	1
2	<u>102022602</u>	End, Tie Rod, M12 X 1.25, Lh	1
3	<u>102289201</u>	Nut - Hex Locking, M12 X 1.25	1
4	<u>103601501</u>	Asm, Steering Rack And Pinion (includes items 5 through 24)	1
5	<u>1013035</u>	Bellows, Long	1
6	<u>1013044</u>	Rack Screw Locknut	1
7	N/A	Snap Ring	1
8	<u>1013052</u>	Seal, Steering Pinion Dust	1
9	<u>101879401</u>	Bearing, Ball	1
10	<u>101879501</u>	Stop Washer	1
11	101879601	Stop Ring, C-Type	1
12	<u>101879701</u>	Support Yoke	1
13	<u>101879801</u>	Rack Guide Pressure Spring	1
14	<u>101879901</u>	Ring, Stop, C-Type	1
15	<u>101880001</u>	Bellows, Short	1
16	101880101	Dust Seal Retaining Ring	1
17	<u>101880201</u>	Inner Ball Joint Asm	1
18	101880301	Washer, Tab	1
19	N/A	Box, Steering Gear	1
20	N/A	Bearing, Lower Pinion	1
21	N/A	Pinion, Steering	1
22	N/A	Screw, Rack Guide	1
23	N/A	Rack, Steering	1
24	<u>8990</u>	Tie Wrap, 8" Nylon	2
25	<u>103653401</u>	Link, Drag, Male Thd	1
26	<u>103653501</u>	Nut, Jam, M12-1.25, Lh	1
27	<u>1624</u>	Screw, 3/8-16 X 1.50, Hex-Head Cap	3
28	<u>334</u>	Washer, 3/8, Type A, Flat	3
29	<u>8754</u>	Locknut, 3/8-16 Hex	3

6
G

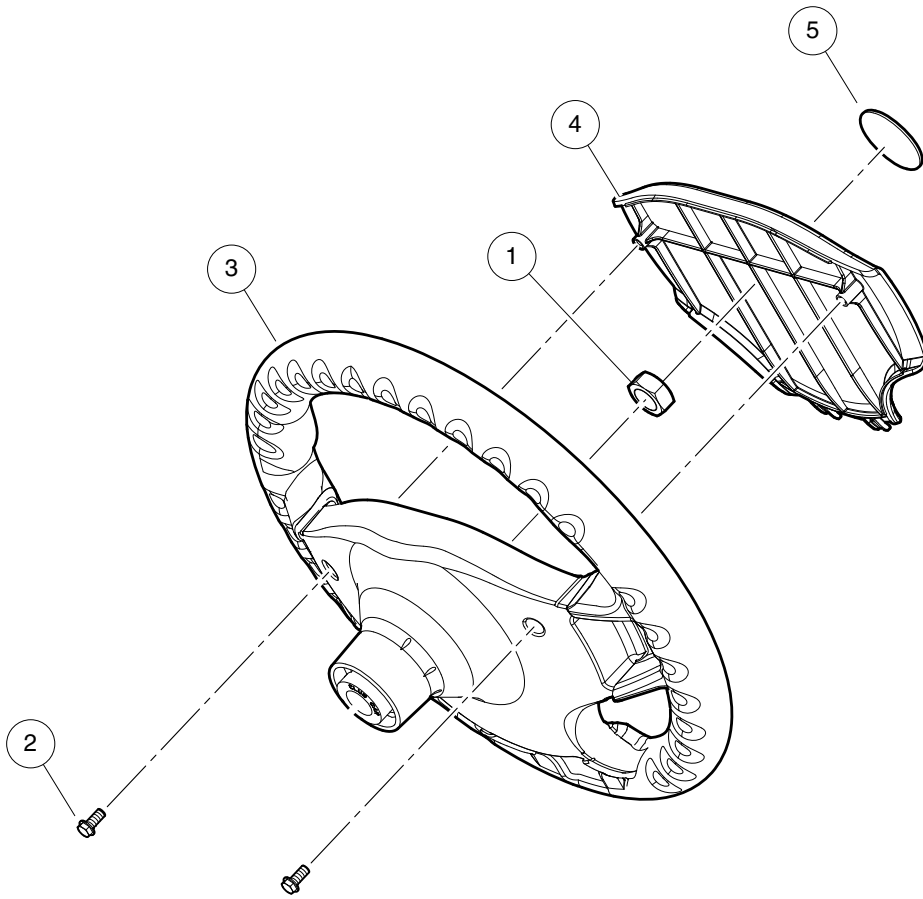
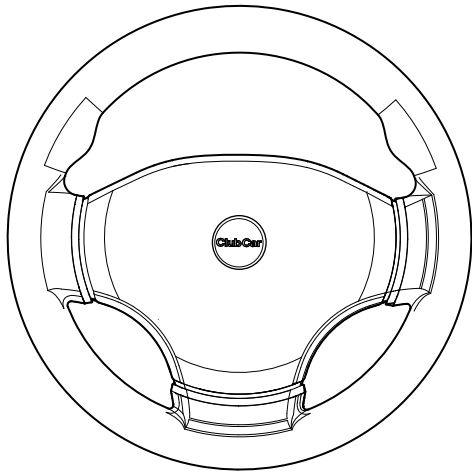


STEERING COLUMN

ITEM	PART NO.	DESCRIPTION	QTY
		1 2 3 4	
1	<u>1011697</u>	Washer, 5/16 Flat	1
2	<u>1012571</u>	Washer, 5/16 Extra Thick Flat	1
3	<u>1014288</u>	Screw, 5/16-18 X 0.75, Thread-Forming	1
4	<u>1016183</u>	Screw, 3/8-16 X 7.00 Hex Cap	2
5	<u>1016269</u>	Screw, 5/16-18 Thrd Forming	2
6	<u>1017313</u>	Steering Shaft Assembly (includes items 7 through 15)	1
7	<u>1012604</u>	Washer, 0.675 ID X 1.19 OD	1
8	<u>1012605</u>	Ring, 0.579 Internal Retaining	1
9	<u>1014125</u>	Wedge, Molded	2
10	<u>1014126</u>	Seat, Plastic Bearing	2
11	<u>1014213</u>	Bearing, Ball	2
12	<u>1014214</u>	Ring, Retaining	1
13	<u>1014217</u>	Spring, Steering Shaft	1
14	<u>1017314</u>	Column, Aluminum Steering	1
15	<u>1017315</u>	Shaft Steering Column	1
16	<u>1017317</u>	Tube Cover, Steering Column	1
17	101984801	Kit, Steering Column Mounting Bracket (includes items 18 and 19)	1
18	N/A	Bracket, RH Steering Column Mount	1
19	N/A	Bracket, LH Steering column mount	1
20	<u>102278001</u>	Boot, Steering Column Round	1
21	<u>334</u>	Washer, 3/8, Type A, Flat	4
22	<u>8639</u>	Tie Wrap, 11" Nylon	1
23	<u>8754</u>	Locknut, 3/8-16 Hex	2

6

G



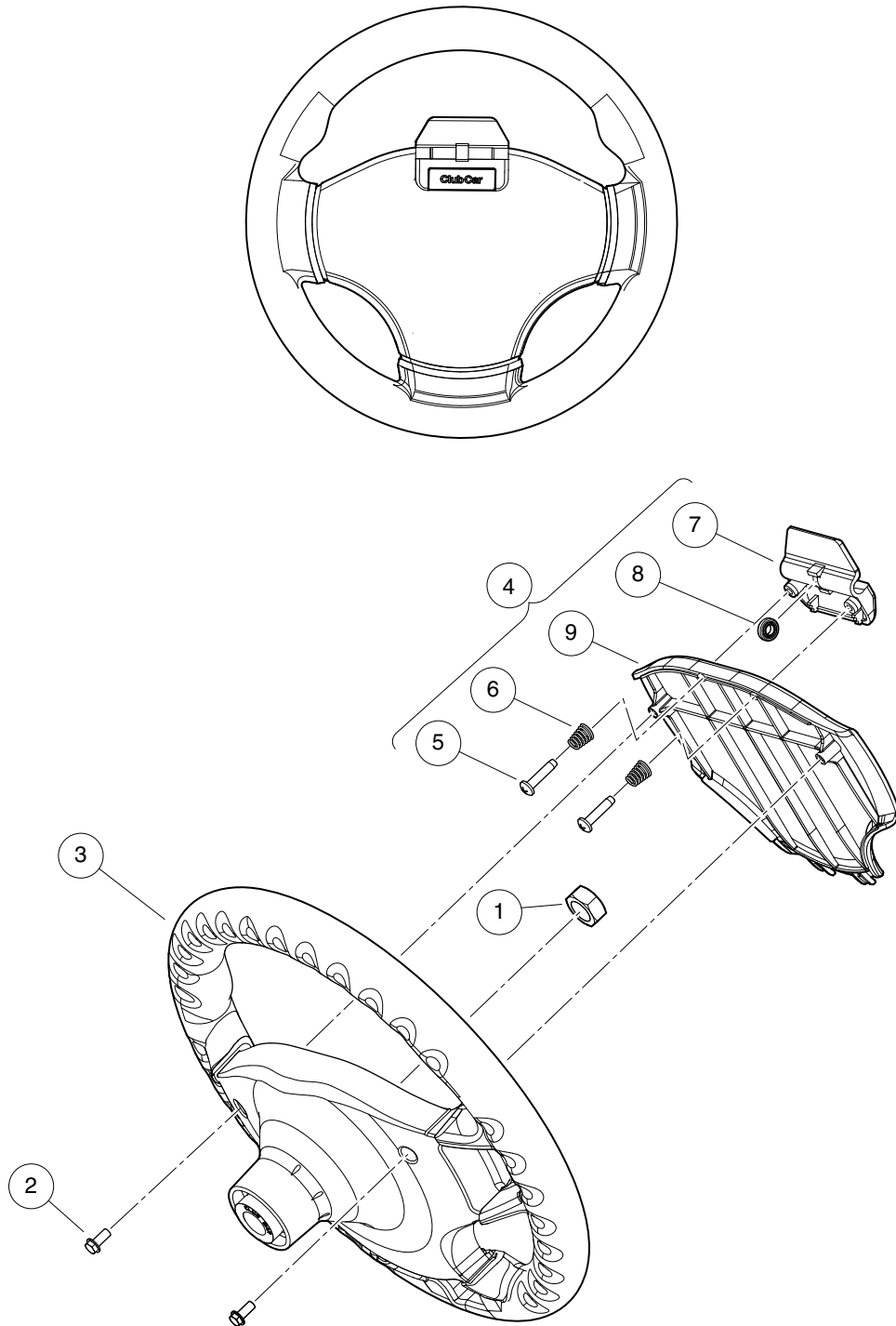
001503-001

STEERING WHEEL

6
G

ITEM	PART NO.	DESCRIPTION	QTY
		1 2 3 4	
1	<u>1017273</u>	Nut, 5/8-18 Nylon Insert Jam	1
2	<u>101850301</u>	Screw, #12-16 X 0.50 Washer-Head Hi-Lo	2
3	<u>103724504</u>	Steering Wheel, Soft Spl	1
4	<u>103724602</u>	Cover, Steering Wheel, Generic	1
5	<u>103829401</u>	Logo, Cci, Steer Wheel	1

6
G

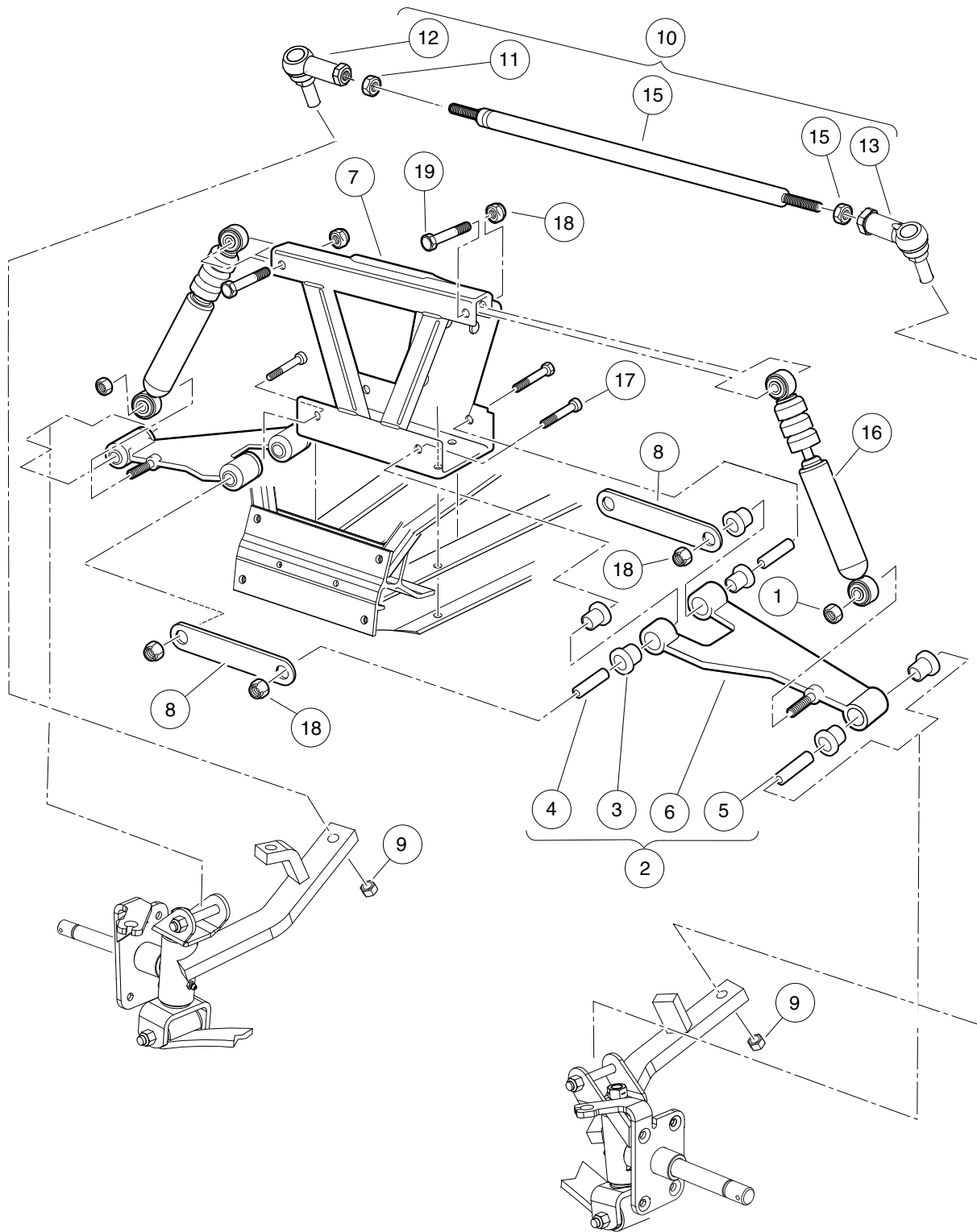


001504-001

STEERING WHEEL WITH CLIP

ITEM	PART NO.	DESCRIPTION	QTY
		1 2 3 4	
1	<u>1017273</u>	Nut, 5/8-18 Nylon Insert Jam	1
2	<u>101850301</u>	Screw, #12-16 X 0.50 Washer-Head Hi-Lo	2
3	<u>103724504</u>	Steering Wheel, Soft Spl	1
4	<u>103724901</u>	Asm, Scorecard, Clip (includes items 5 through 9)	1
5	<u>1012565</u>	Screw, #12 Phillips Round Head	2
6	<u>1012566</u>	Tapered Compression Spring	2
7	1016154	Clip, Scorecard	1
8	<u>1016214</u>	Pencil Grip	1
9	103724601	Cover, Steering Wheel, Clip	1

6
G



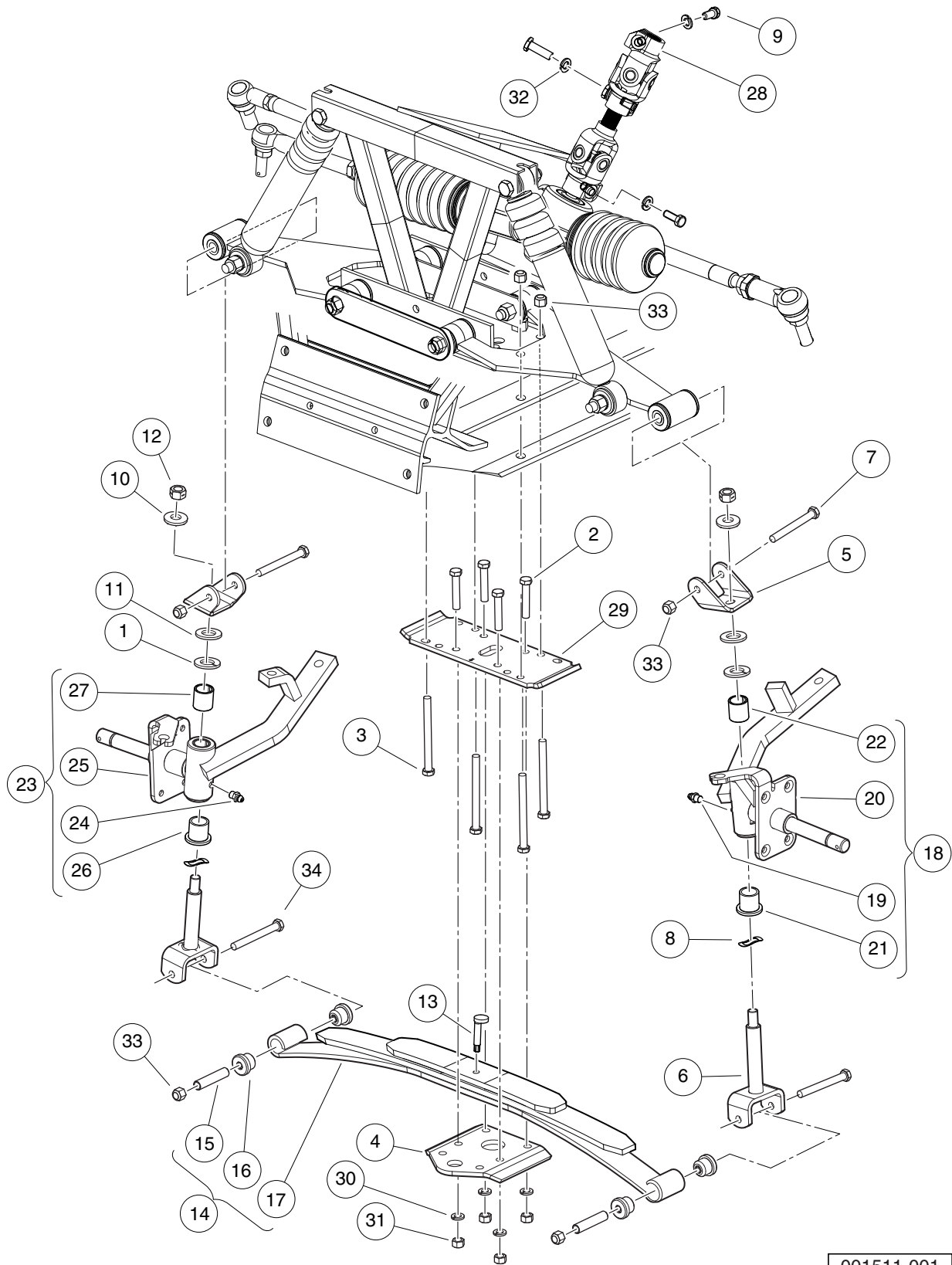
001510-001

FRONT SUSPENSION, UPPER, HD

ITEM	PART NO.	DESCRIPTION	QTY
		1 2 3 4	
1	<u>1010138</u>	Locknut, 3/8-16 Dimpled	2
2	<u>1016353</u>	Sub-Assembly, Delta A-Plate (includes items 3 through 6)	2
3	<u>1016346</u>	Bushing, Urethane	6
4	<u>1016349</u>	Sleeve, Delta Inner	2
5	<u>1016350</u>	Sleeve, Delta Outer	1
6	<u>1016351</u>	Delta A-Plate	1
7	<u>101638502</u>	Weldment, Shock & Gear, Ca	1
8	<u>1017266</u>	A-Plate Strap	2
9	<u>102289201</u>	Nut - Hex Locking, M12 X 1.25	2
10	<u>103653601</u>	Asm, Tie Rod (includes items 11 through 15)	1
11	1013042	Nut, 12mm Hex	1
12	<u>102022601</u>	End, Tie Rod M12 X 1.25 Rh	1
13	<u>102022602</u>	End, Tie Rod, M12 X 1.25, Lh	1
14	<u>103354701</u>	Rod, Tie, Male Thd	1
15	<u>103653501</u>	Nut, Jam, M12-1.25, Lh	1
16	<u>105106702</u>	Shock Absorb, Frnt, 3 Bump Ele	2
17	<u>2402</u>	Screw, 3/8-16 X 2.25 Hx Hd Cap	4
18	<u>8754</u>	Locknut, 3/8-16 Hex	6
19	<u>8861</u>	Bolt, 3/8-16 X 1.75 Hex	2

6

G

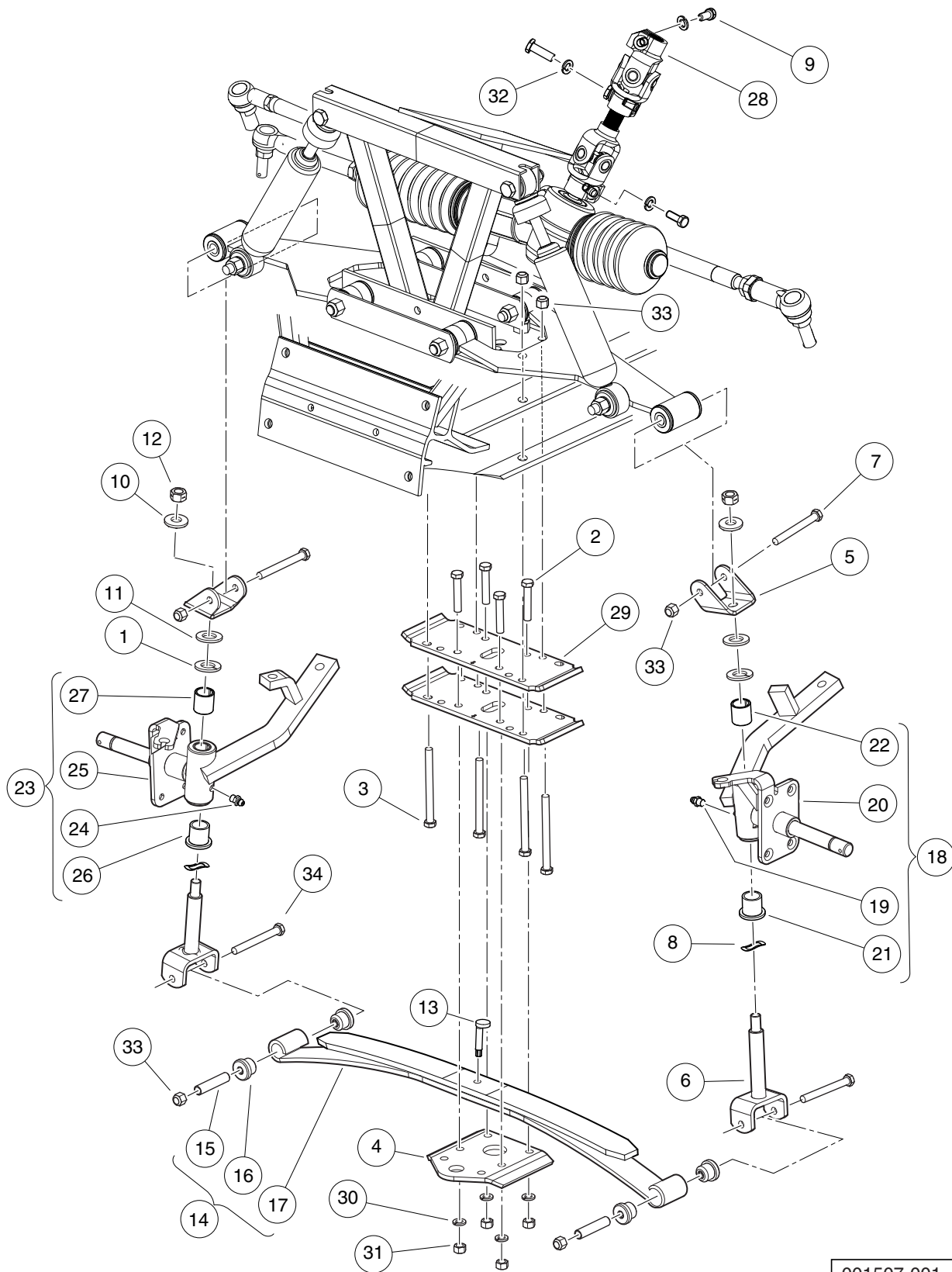


001511-001

FRONT SUSPENSION, LOWER, HD, 3 LEAF-1 PLATE

ITEM	PART NO.	DESCRIPTION	QTY
		1 2 3 4	
1	<u>1010150</u>	Bearing, Thrust	2
2	<u>1010177</u>	Bolt, 3/8-16 X 2.00 Hex Head	4
3	<u>1010200</u>	Bolt, 3/8-16 X 4.25 Hex Head	4
4	<u>1014276</u>	Plate, Front Spring Retainer	1
5	<u>1016384</u>	Clevis, Delta Upper	2
6	<u>1016386</u>	King Pin Assembly	2
7	<u>1016387</u>	Screw, 3/8-16 X 2.75 Hx Hd Cap	2
8	<u>1016389</u>	Washer, 1.125 Od Wave	2
9	<u>1017226</u>	Bolt, Hex-Head, 8mm X 1.25 - 30	3
10	<u>102564002</u>	Washer-1/2 Conical, Yellow	2
11	<u>102684501</u>	Washer, M12 Hard Regular	2
12	<u>102766301</u>	Nut, 1/2-20, Center Lock	2
13	<u>103507001</u>	Eccentric Bolt Common	1
14	<u>103628901</u>	Spring Asm, Front, 3 Leaf (includes items 15 through 17)	1
15	<u>1012303</u>	Bushing, Steel	2
16	<u>1015583</u>	Bushing, Urethane	4
17	103502801	Spring, Front, 3 Leaf	1
18	<u>103717302</u>	Asm, Spindle, Lh, 4wb, Sp (includes items 19 through 22)	1
19	<u>1015597</u>	Fitting, 1/4-28 Thread-Forming Grease	1
20	N/A	Subasm, Spindle, Lh, 4wb	1
21	<u>7048</u>	Bushing, Flanged Bronze	1
22	<u>8067</u>	Bushing, Bronze Spindle	1
23	<u>103717402</u>	Asm, Spindle, Rh, 4wb, Sp (includes items 24 through 27)	1
24	<u>1015597</u>	Fitting, 1/4-28 Thread-Forming Grease	1
25	N/A	Subasm, Spindle, Rh, 4wb	1
26	<u>7048</u>	Bushing, Flanged Bronze	1
27	<u>8067</u>	Bushing, Bronze Spindle	1
28	<u>105074201</u>	Shaft, Int, Steering, Sus Fwd	1
29	<u>105083301</u>	Plate, Spring Mount, Restyle	1
30	<u>357</u>	Lockwasher, 3/8 Split	4
31	<u>706</u>	Nut, Hex 3/8-16	5
32	<u>7174</u>	Lockwasher, 5/16 Split	3
33	<u>8754</u>	Locknut, 3/8-16 Hex	8
34	<u>8755</u>	Screw, 3/8-16 X 3.375 Hex Cap	2

6
G

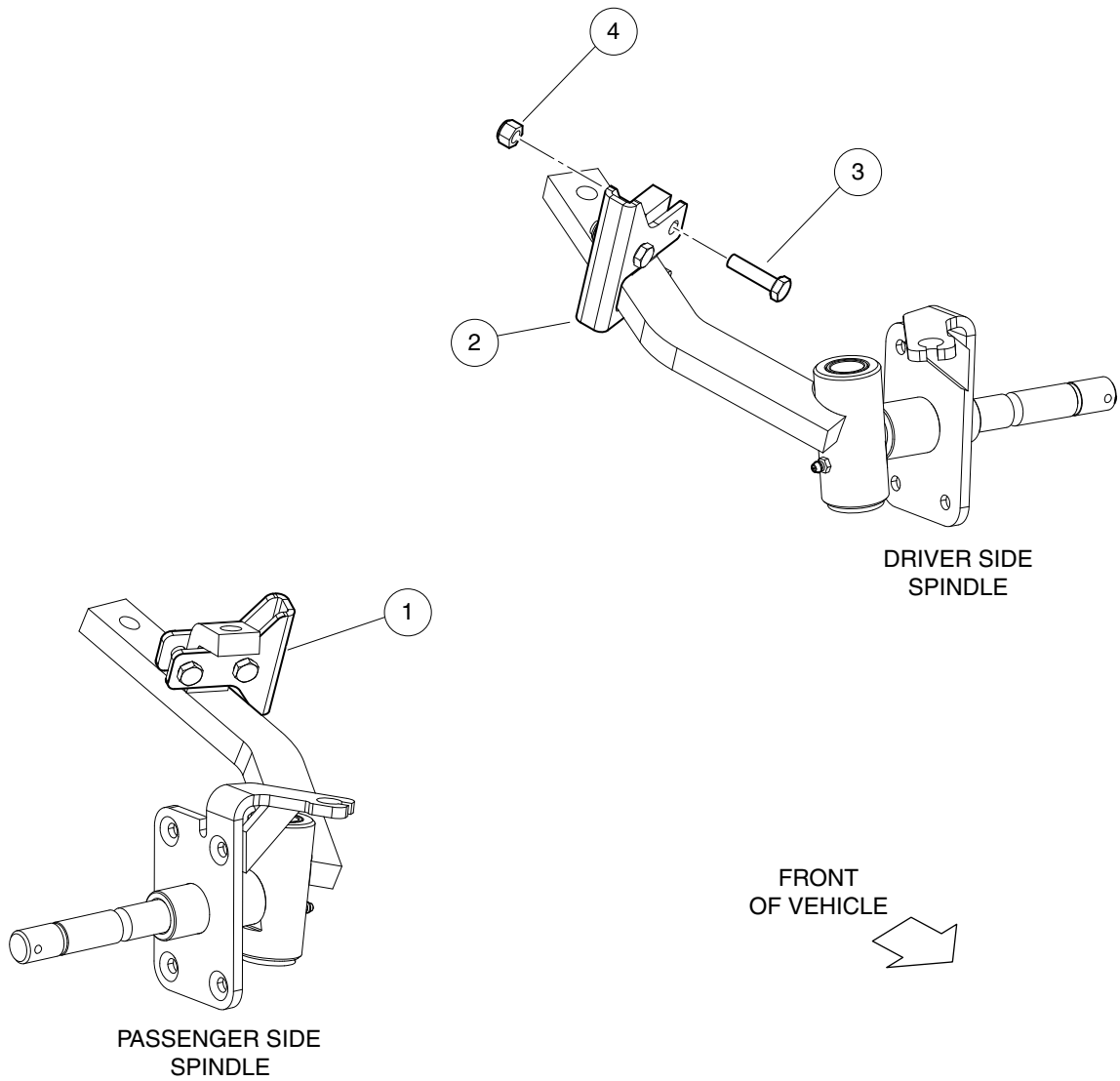


001507-001

FRONT SUSPENSION, LOWER, HD, 2 LEAF-2 PLATES

ITEM	PART NO.	DESCRIPTION	QTY
		1 2 3 4	
1	<u>1010150</u>	Bearing, Thrust	2
2	<u>1010177</u>	Bolt, 3/8-16 X 2.00 Hex Head	4
3	<u>1010200</u>	Bolt, 3/8-16 X 4.25 Hex Head	4
4	<u>1014276</u>	Plate, Front Spring Retainer	1
5	<u>1016384</u>	Clevis, Delta Upper	2
6	<u>1016386</u>	King Pin Assembly	2
7	<u>1016387</u>	Screw, 3/8-16 X 2.75 Hx Hd Cap	2
8	<u>1016389</u>	Washer, 1.125 Od Wave	2
9	<u>1017226</u>	Bolt, Hex-Head, 8mm X 1.25 - 30	3
10	<u>102564002</u>	Washer-1/2 Conical, Yellow	2
11	<u>102684501</u>	Washer, M12 Hard Regular	2
12	<u>102766301</u>	Nut, 1/2-20, Center Lock	2
13	<u>103507001</u>	Eccentric Bolt Common	1
14	<u>103628801</u>	Spring Asm, Front, 2 Leaf (includes items 15 through 17)	1
15	<u>1012303</u>	Bushing, Steel	2
16	<u>1015583</u>	Bushing, Urethane	4
17	<u>103502701</u>	Spring, Front, 2 Leaf	1
18	<u>103717302</u>	Asm, Spindle, Lh, 4wb, Sp (includes items 19 through 22)	1
19	<u>1015597</u>	Fitting, 1/4-28 Thread-Forming Grease	1
20	N/A	Subasm, Spindle, Lh, 4wb	1
21	<u>7048</u>	Bushing, Flanged Bronze	1
22	<u>8067</u>	Bushing, Bronze Spindle	1
23	<u>103717402</u>	Asm, Spindle, Rh, 4wb, Sp (includes items 24 through 27)	1
24	<u>1015597</u>	Fitting, 1/4-28 Thread-Forming Grease	1
25	N/A	Subasm, Spindle, Rh, 4wb	1
26	<u>7048</u>	Bushing, Flanged Bronze	1
27	<u>8067</u>	Bushing, Bronze Spindle	1
28	<u>105074201</u>	Shaft, Int, Steering, Sus Fwd	1
29	<u>105083301</u>	Plate, Spring Mount, Restyle	2
30	<u>357</u>	Lockwasher, 3/8 Split	4
31	<u>706</u>	Nut, Hex 3/8-16	5
32	<u>7174</u>	Lockwasher, 5/16 Split	3
33	<u>8754</u>	Locknut, 3/8-16 Hex	8
34	<u>8755</u>	Screw, 3/8-16 X 3.375 Hex Cap	2

6
G



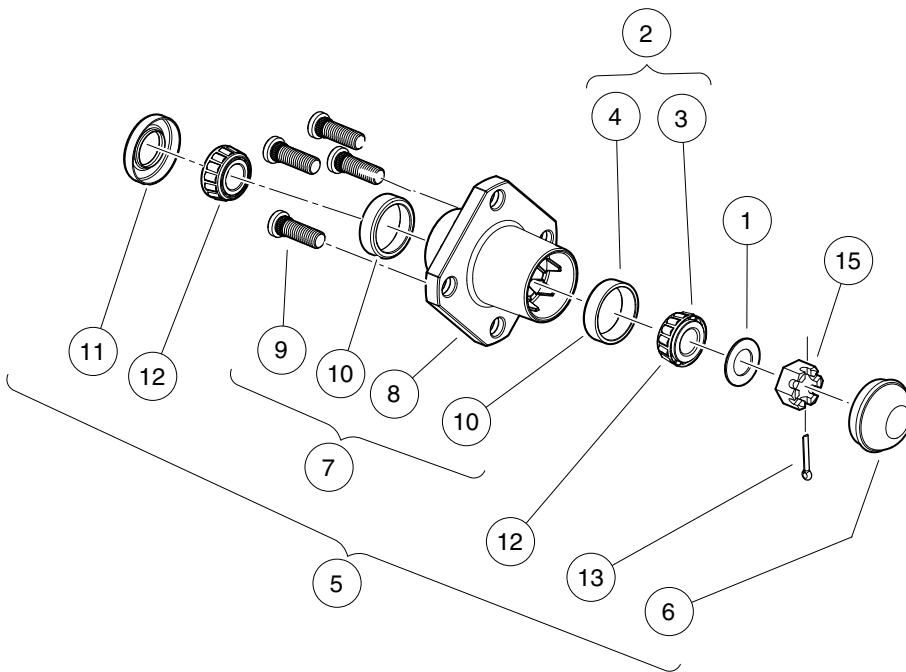
001529-001

STEERING STOP

ITEM	PART NO.	DESCRIPTION	QTY
		1 2 3 4	
1	<u>105242801</u>	Brkt, Steering Stop, Pass, Ca	1
2	<u>105243001</u>	Brkt, Steering Stop, Drv, Ca	1
3	1218	Screw, 5/16-18 X 1.25 Hex-Head Cap	4
4	<u>7473</u>	Locknut, 5/16-18 Nylon Insert	4
<p>Note: Steering Stops <u>105242801</u> and <u>105243001</u> are required if vehicle is equipped with the 105100601, HD Bumper Kit.</p>			

6

G



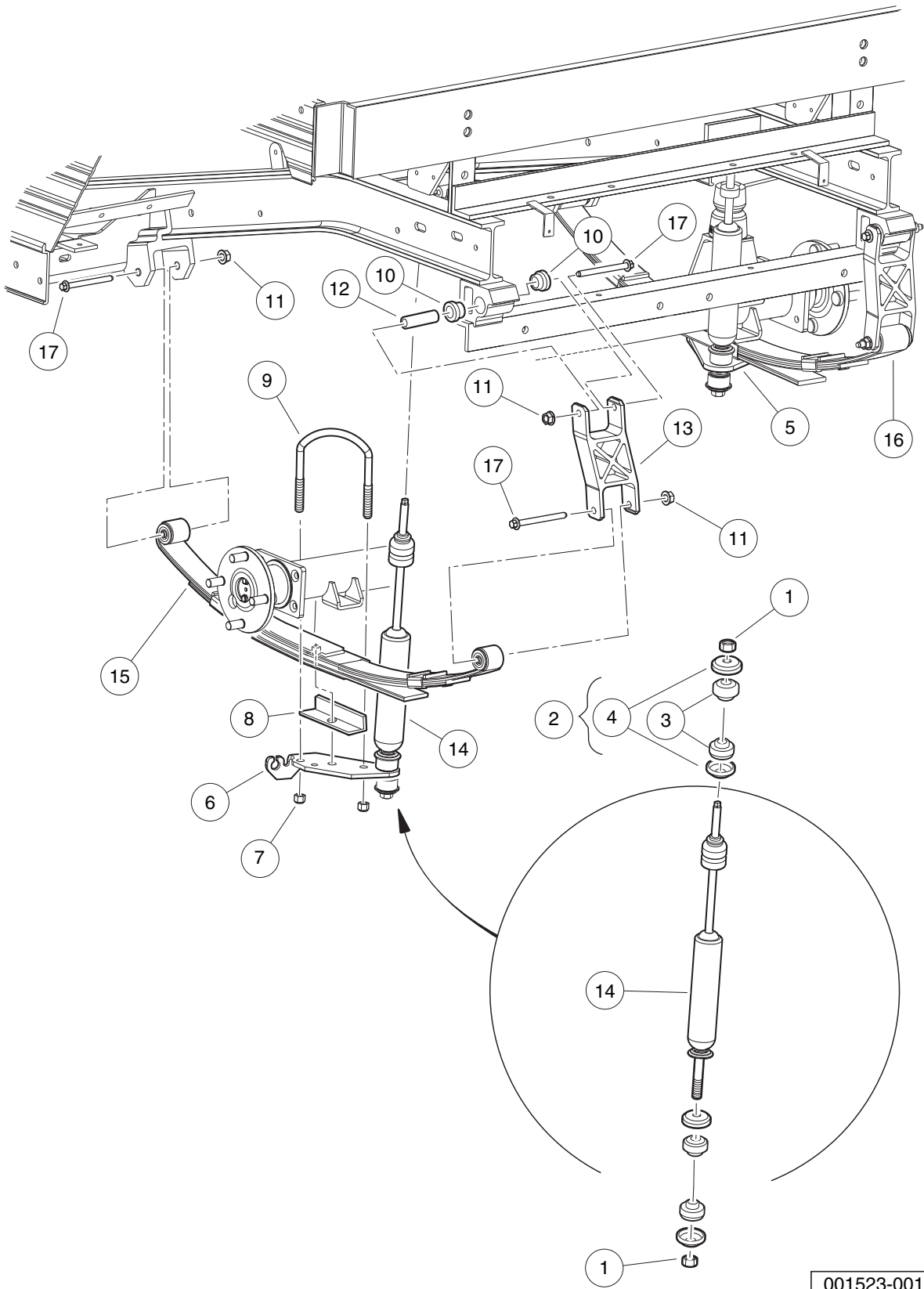
001520-002

FRONT WHEEL HUBS

ITEM	PART NO.	DESCRIPTION	QTY
		1 2 3 4	
1	<u>1010005</u>	Washer, 3/4 Flat	2
2	<u>1011393</u>	Hub Bearing Package (includes items 3 and 4)	4
3	7274	Bearing, Front Hub Wheel	1
4	7308	Race, Front Hub Bearing	1
5	<u>1011892</u>	Hub Assembly (includes items 6 through 13)	1
6	<u>1011887</u>	Dust Cover	1
7	N/A	Hub (includes items 8 through 10)	1
8	N/A	Front Hub	1
9	<u>103477901</u>	Lug Stud, 1/2-20 Unf, 4037	4
10	7308	Race, Front Hub Bearing	2
11	<u>1013135</u>	Seal, Double Lip	1
12	7274	Bearing, Front Hub Wheel	2
13	<u>7910</u>	Pin, 5/32 X 1.00 Cotter	1
14	<u>1013135</u>	Seal, Double Lip	2
15	<u>7840</u>	Nut, 3/4-16 Hex Slotted	2

6

G



001523-001

REAR SUSPENSION COMPONENTS, STANDARD

ITEM	PART NO.	DESCRIPTION	QTY
		1 2 3 4	
1	<u>1010145</u>	Nut, 3/8-24 Hex	4
2	<u>1011415</u>	Kit, Shock Absorber Cushion (includes items 3 and 4)	4
3	N/A	Cushion, Shock Absorber	2
4	N/A	Retainer, Shock Absorber Cushion	2
5	1012181	Bracket, Shock Mounting, Right (Passenger)	1
6	1012182	Bracket, Shock Mounting, Left (Driver)	1
7	<u>1014555</u>	Locknut, 7/16-14 Nylon Hex	4
8	1014573	Spring Retainer	2
9	<u>1014902</u>	U-Bolt	2
10	<u>101558302</u>	Bushing, Urethane, Soft	4
11	<u>102298401</u>	Nut,m8,all Metal Lock	6
12	<u>102506401</u>	Sleeve - Spring Eye Mounts	2
13	<u>105068902</u>	Shackle, 6", Com, Machined	2
14	<u>105106801</u>	Shock Absorber,Rear, 2 Bumper	2
15	<u>105186201</u>	Asm, Spring 600lb Nr Std, Lh	1
16	<u>105186202</u>	Asm, Spring 600lb Nr Std, Rh	1
17	<u>105188185</u>	Bolt, M8x85mm,10.9 Grade	6

6

G

6

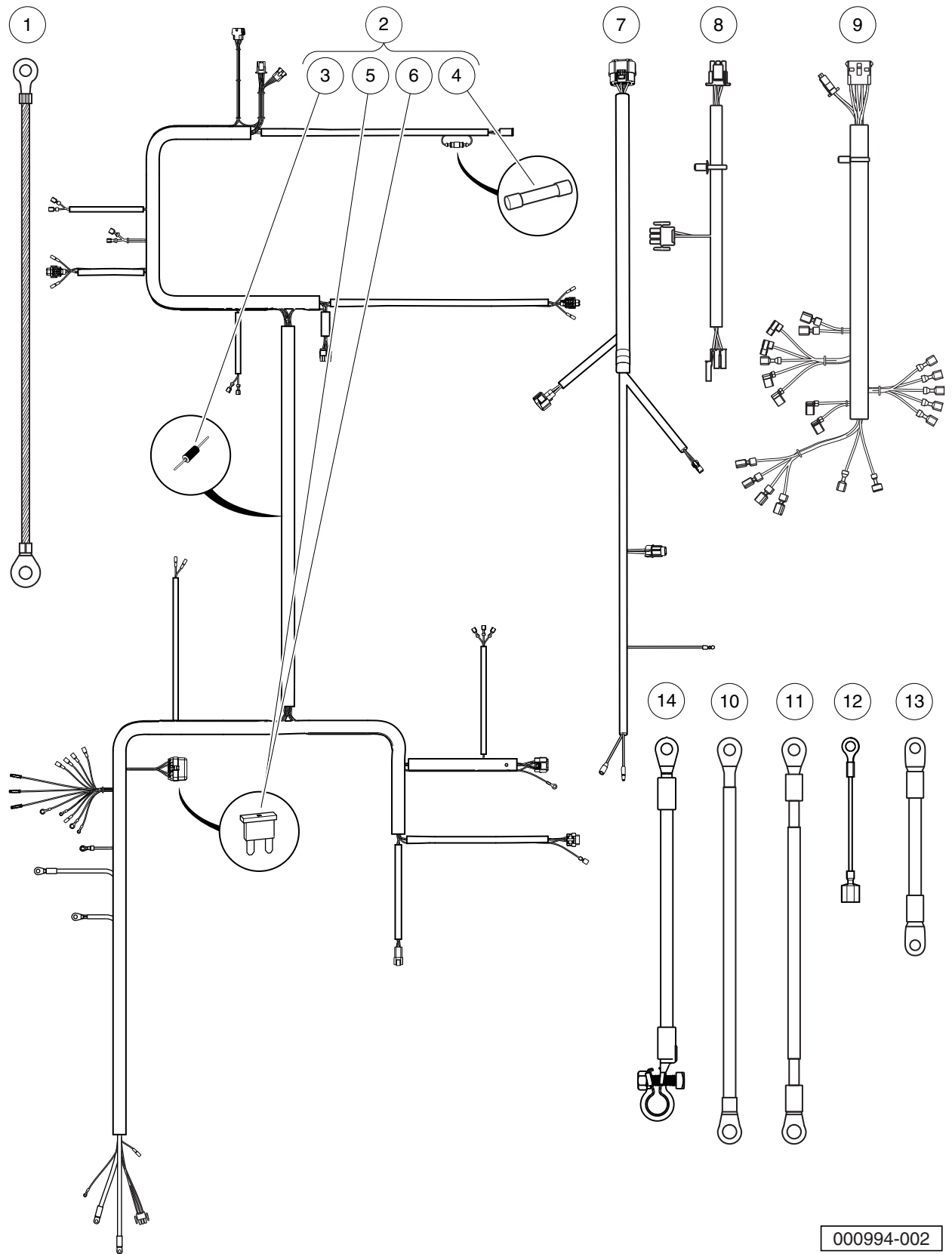
G

ELECTRICAL SYSTEM – GASOLINE EFI

7

G

7
G

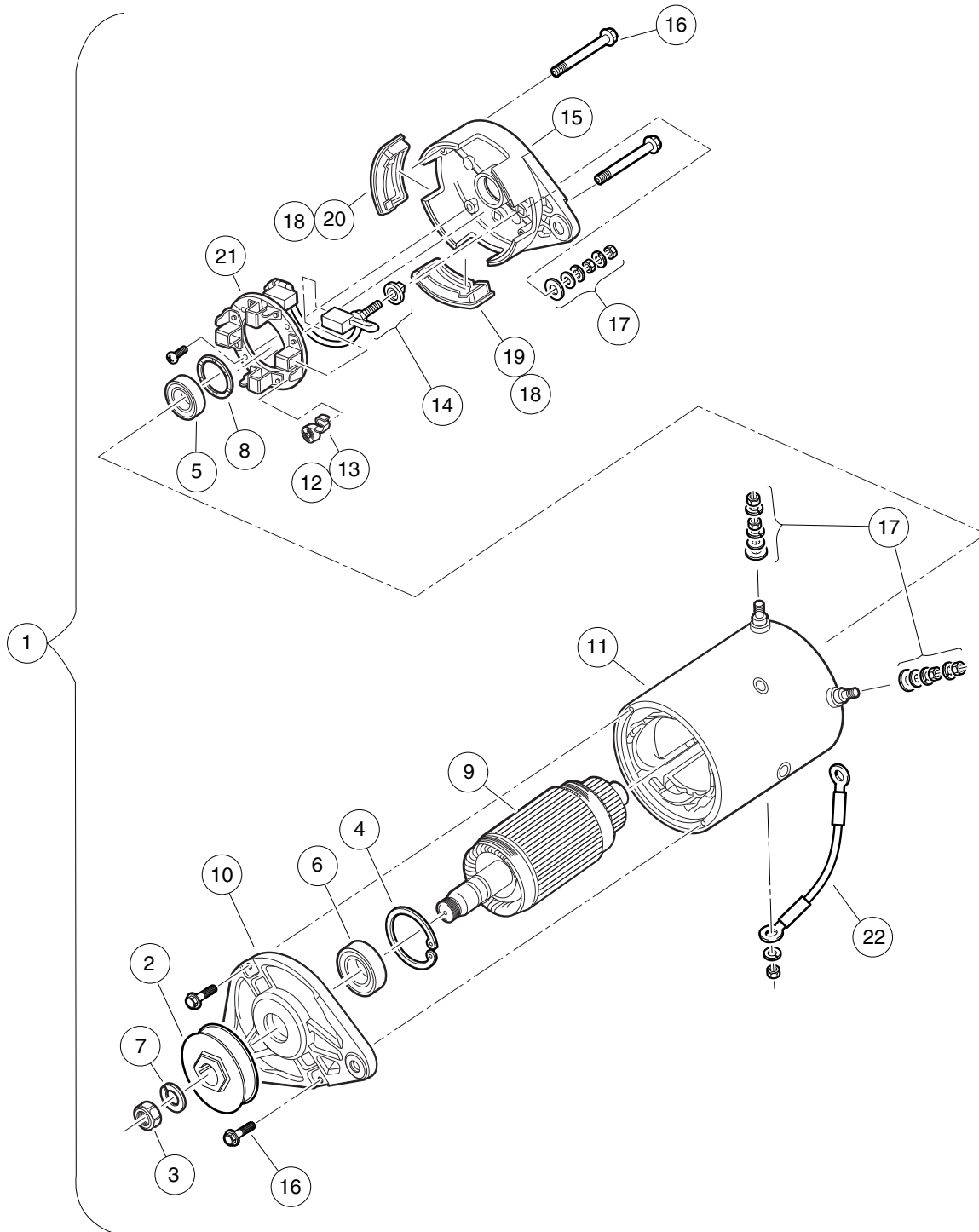


000994-002

WIRING, FUSES, AND DIODES, PEDAL-START – EFI

ITEM	PART NO.	DESCRIPTION	QTY
		1 2 3 4	
1	<u>1015332</u>	Wire, Ground, #10, Uninsulated	1
2	<u>105007701</u>	Harness, Wire, Main, CA500/550, Pedal-Start Gas (includes items 3 through 6)	1
3	<u>1014789</u>	Diode, General Purpose, 3.0-Amp	2
4	<u>103924801</u>	Fuse, Glass, 2-Amp	1
5	<u>105081501</u>	Fuse, ATM, 5-Amp	1
6	<u>105081601</u>	Fuse, ATM, 10-Amp	1
7	<u>105008101</u>	Harness, Wire, ECU/Engine	1
8	<u>105093301</u>	Harness, Wire, FNR Connector, CA300-700	1
9	<u>105095101</u>	Harness, Wire, Instr. Panel, Gas, CA300-700	1
10	<u>105135901</u>	Wire, Battery (side-post), B-, Gas	1
11	<u>105136001</u>	Wire, Battery (side-post), B+, Gas	1
12	<u>105143301</u>	Wire, Ground, Fuel Tank	1
13	<u>105161701</u>	Wire, 4-Ga, Green, Starter/Generator	1
14	<u>105256801</u>	Wire Assy, 4ga, Battery, (top-post) B+, Gas	1
		Note: For ECU, see Throttle Body in Fuel System section.	

7
G

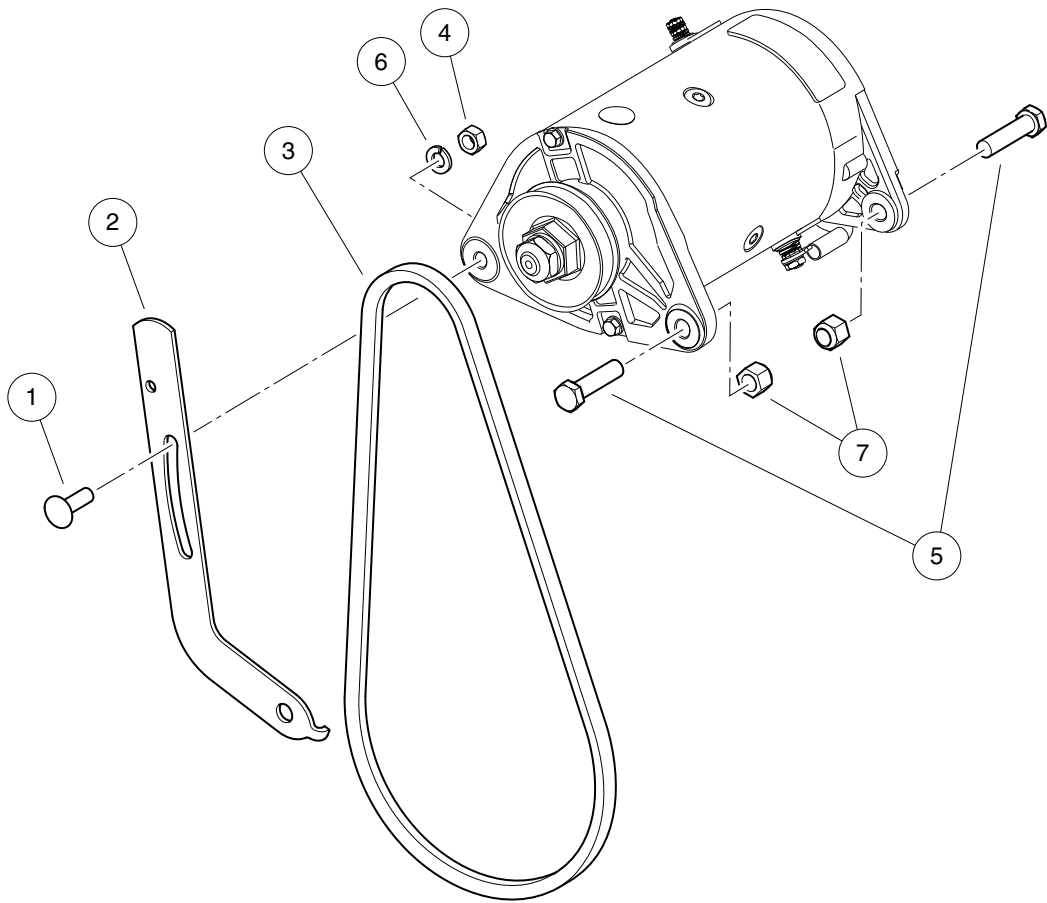


001016-001

STARTER/GENERATOR (MODEL 114-05-4001), PEDAL-START – EFI

ITEM	PART NO.	DESCRIPTION	QTY
		1 2 3 4	
1	<u>105190101</u>	Starter/Generator, High-Torque, Utility, Pedal-Start (includes items 2 through 22)	1
2	<u>1014289</u>	Pulley, Starter/Generator	1
3	<u>102838701</u>	Nut, Hex, M14x2, S/G	1
4	<u>102838801</u>	Retainer, Front, S/G	1
5	<u>102838901</u>	Bearing, Ball, Front, S-g	1
6	<u>102839001</u>	Bearing, Ball, Front, S-g	1
7	<u>102839301</u>	Washer, Lock M14x2, S-g	1
8	<u>102841101</u>	Washer, Wave, S-g	1
9	N/A	Asm, Armature, Starter/Generator	1
10	<u>102844601</u>	Head, Drive End, S-g	1
11	<u>102844701</u>	Asm, Frame and Field, Starter/Generator	1
12	<u>103347101</u>	Kit, Spring Brush, Starter/Generator (includes item 13)	1
13	N/A	Spring, Brush, S-g	4
14	<u>103347301</u>	Set, Brush Term, S-g	1
15	<u>103347601</u>	Head, Comm End, S-g	1
16	<u>103347701</u>	Set, Fastener, Ceh Deh, S-g	1
17	<u>103347801</u>	Set, Term Hardware, S/G	1
18	<u>103347901</u>	Kit, Cover, Brush Insp, Starter/Generator (includes items 19 and 20)	1
19	N/A	Plug, Rubber Drain, Start/Generator	3
20	N/A	Cover, Inspection, S-g	1
21	<u>103953301</u>	Kit, Brush And Brush Holder	1
22	<u>105161701</u>	Wire, 4-Ga, Green, Starter/Generator	1

7
G

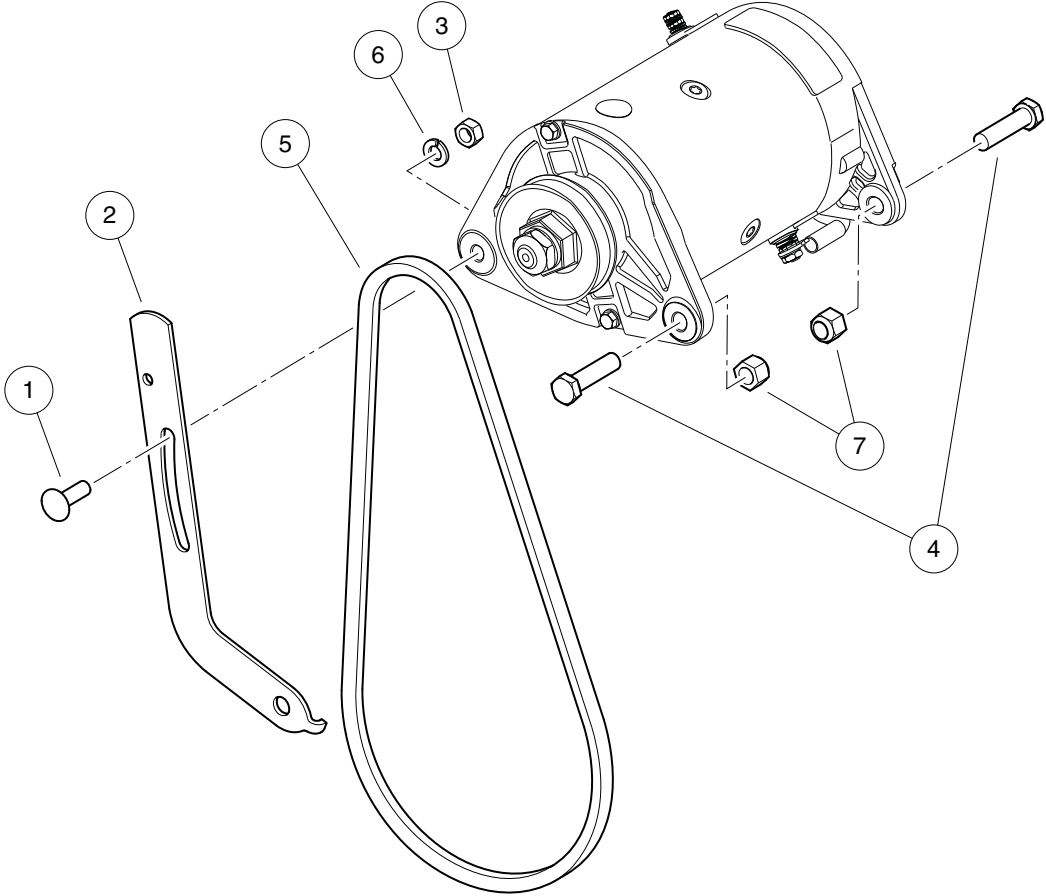


001009-001

STARTER/GENERATOR MOUNTING, EX40 – TO EARLY-2016 MODEL YEAR

ITEM	PART NO.	DESCRIPTION	QTY
		1 2 3 4	
1	<u>1015932</u>	Bolt, Carriage, 5/16-18	1
2	<u>104005301</u>	Bracket, Adjustable, Starter/Generator, EX40	1
3	<u>105205401</u>	Belt, Sg, 871, Ex40	1
4	<u>1242</u>	Nut, 5/16-18 Hex	1
5	<u>1624</u>	Screw, 3/8-16 X 1.50, Hex-Head Cap	2
6	<u>7174</u>	Lockwasher, 5/16 Split	1
7	<u>8754</u>	Locknut, 3/8-16 Hex	2

7
G

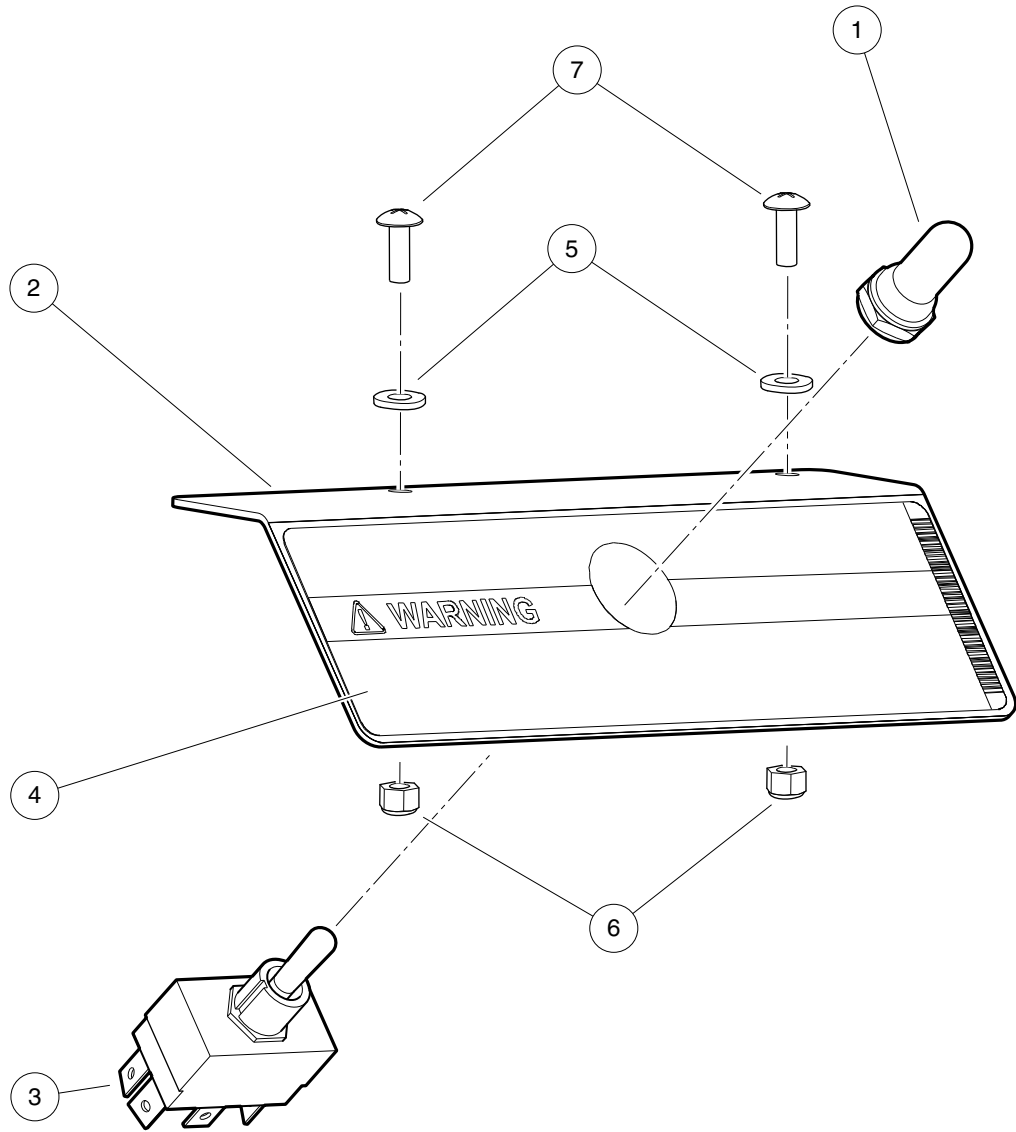


001009-002

STARTER/GENERATOR MOUNTING, EX40 – FROM EARLY-2016 MODEL YEAR

ITEM	PART NO.	DESCRIPTION	QTY
		1 2 3 4	
1	<u>1015932</u>	Bolt, Carriage, 5/16-18	1
2	<u>104005301</u>	Bracket, Adjustable, Starter/Generator, EX40	1
3	<u>1242</u>	Nut, 5/16-18 Hex	1
4	<u>1624</u>	Screw, 3/8-16 X 1.50, Hex-Head Cap	2
5	<u>47539338001</u>	Belt, Sg, Ex40, #5a	1
6	<u>7174</u>	Lockwasher, 5/16 Split	1
7	<u>8754</u>	Locknut, 3/8-16 Hex	2

7
G



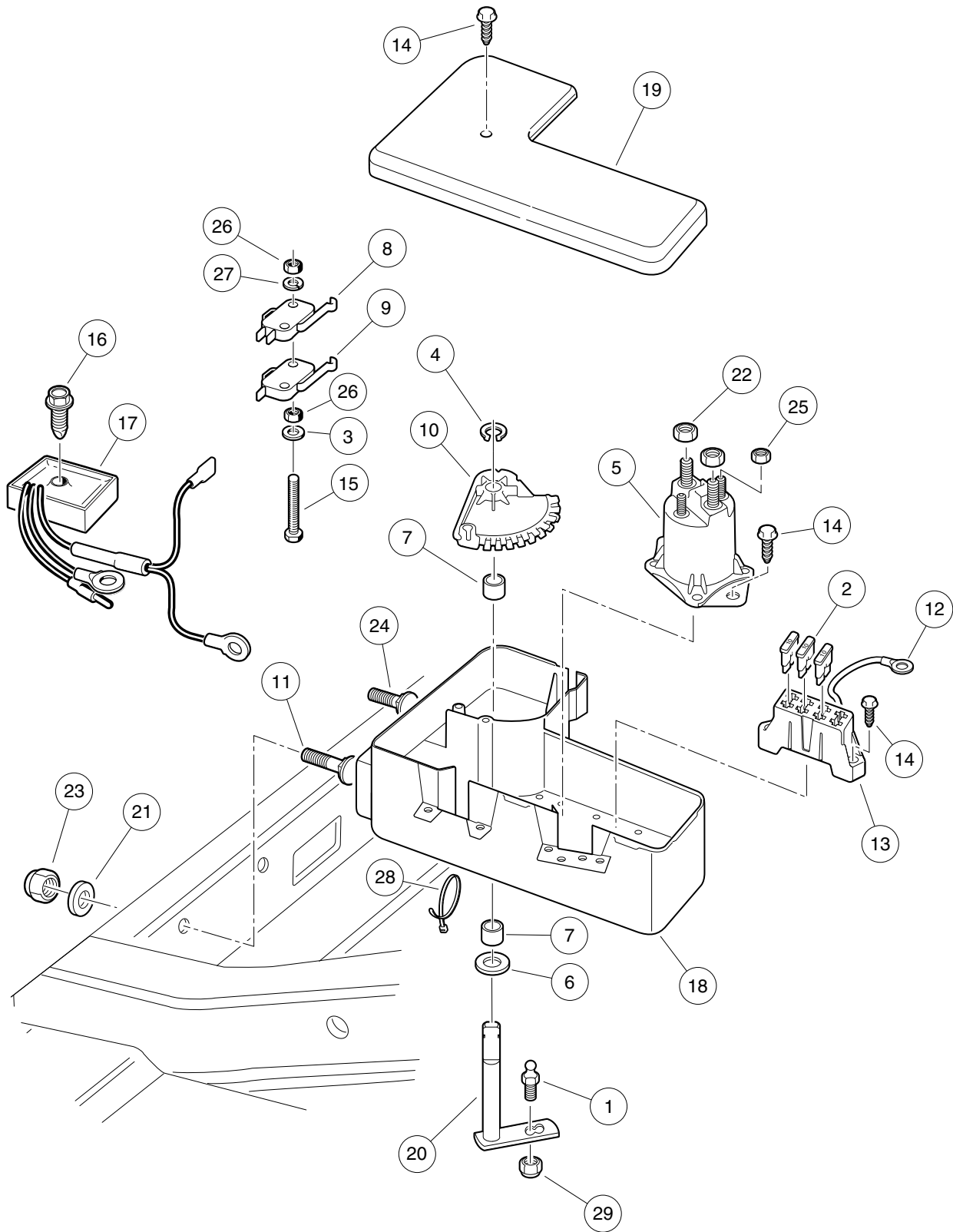
000755-003

OPERATION AND MAINTENANCE SWITCH

ITEM	PART NO.	DESCRIPTION	QTY
		1 2 3 4	
1	<u>101908401</u>	Boot, Switch	1
2	<u>101922501</u>	Bracket, Tow/Run Switch Mounting	1
3	<u>103198401</u>	Switch, Toggle, SPDT	1
4	<u>103205501</u>	Decal, Run/Service Switch	1
5	<u>332</u>	Washer, 1/4 Type A Narrow Flat	2
6	<u>8233</u>	Locknut, 1/4-20, Nylon Insert	2
7	<u>8248</u>	Screw, 1/4-20 X 0.75, Truss-Head Machine	2

7
G

7
G

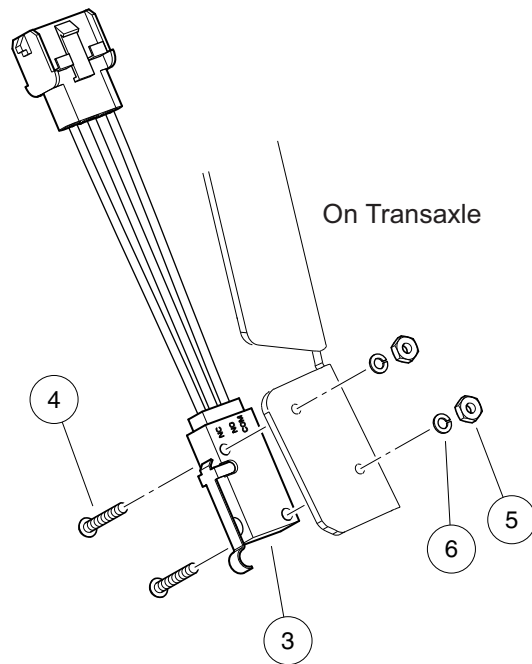
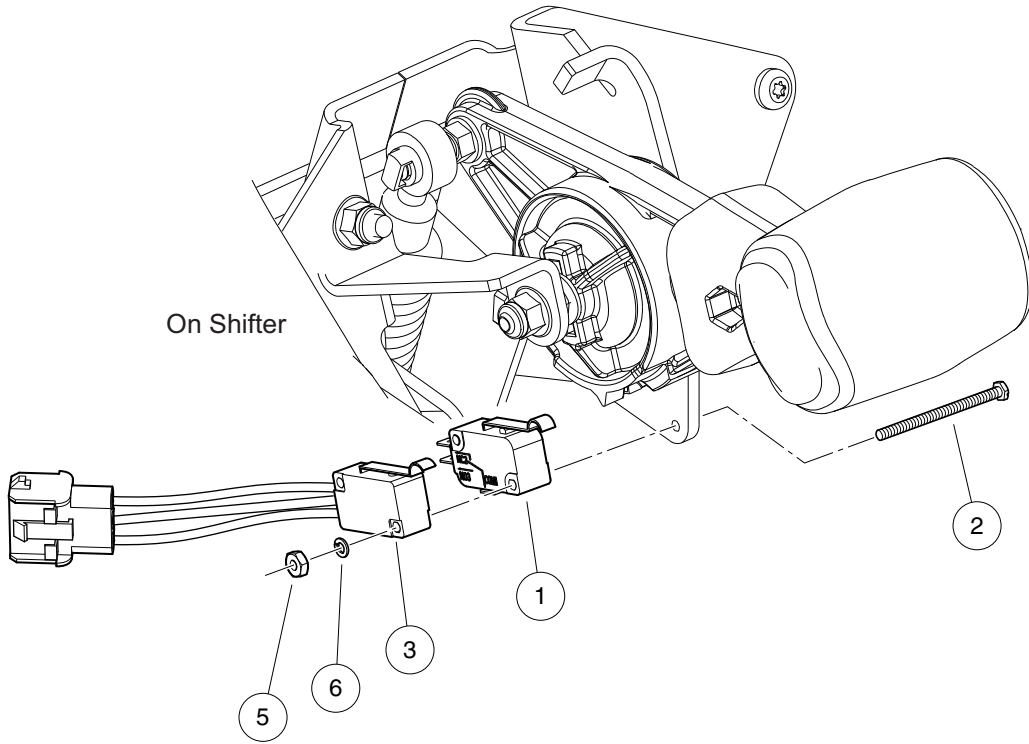


001014-001

ELECTRICAL COMPONENT BOX, PEDAL-START – EX40

ITEM	PART NO.	DESCRIPTION	QTY
		1 2 3 4	
1	<u>1010954</u>	Stud, Ball, 1/4-28 X 0.560	1
2	<u>1012295</u>	Fuse, 10-Amp	3
3	<u>1012431</u>	Washer, #4 Flat	2
4	<u>1013589</u>	Ring, Retaining, 0.338" Internal	1
5	<u>1013609</u>	Solenoid, 12-Volt	1
6	<u>1014065</u>	Washer, Flat, 0.38" ID, Delrin	1
7	<u>1014145</u>	Bushing, Secondary Weight, Split	2
8	<u>1014807</u>	Switch, Limit	1
9	<u>1014808</u>	Switch, Limit	1
10	<u>1015373</u>	Cam, Electric Box	1
11	<u>1015405</u>	Bolt, Carriage, 5/16-18 X 2.0	1
12	<u>1015737</u>	Wire Assy, #10 Red	1
13	<u>1015741</u>	Fuse Block	1
14	<u>1015752</u>	Screw, #12-16 X 0.625, Hi-Lo	5
15	<u>1015878</u>	Screw, #4-40 Hex Head Machine	2
16	<u>101856102</u>	Screw, 1/4-15 X 1.50, Hi-lo, Hex	1
17	<u>102711201</u>	Voltage Regulator	1
18	<u>105000301</u>	Box, Component, Electrical	1
19	<u>105000401</u>	Cover, Box, Component, Elec	1
20	<u>105037401</u>	Weldment, Bellcrank, Comp Box	1
21	<u>1241</u>	Washer, 5/16 Type A Flat	2
22	<u>1242</u>	Nut, 5/16-18 Hex	2
23	<u>7473</u>	Locknut, 5/16-18 Nylon Insert	2
24	<u>7818</u>	Bolt, Carriage, 5/16-18 X 1.5	1
25	<u>7893</u>	Nut, #10-32 Hex	2
26	<u>8057</u>	Nut, #4-40 Hex Machine	4
27	<u>8058</u>	Lockwasher, #4 Split	2
28	<u>8639</u>	Tie Wrap, 11" Nylon	6
29	<u>8717</u>	Locknut, Nylon Insert, 1/4-28	1

7
G



000999-001

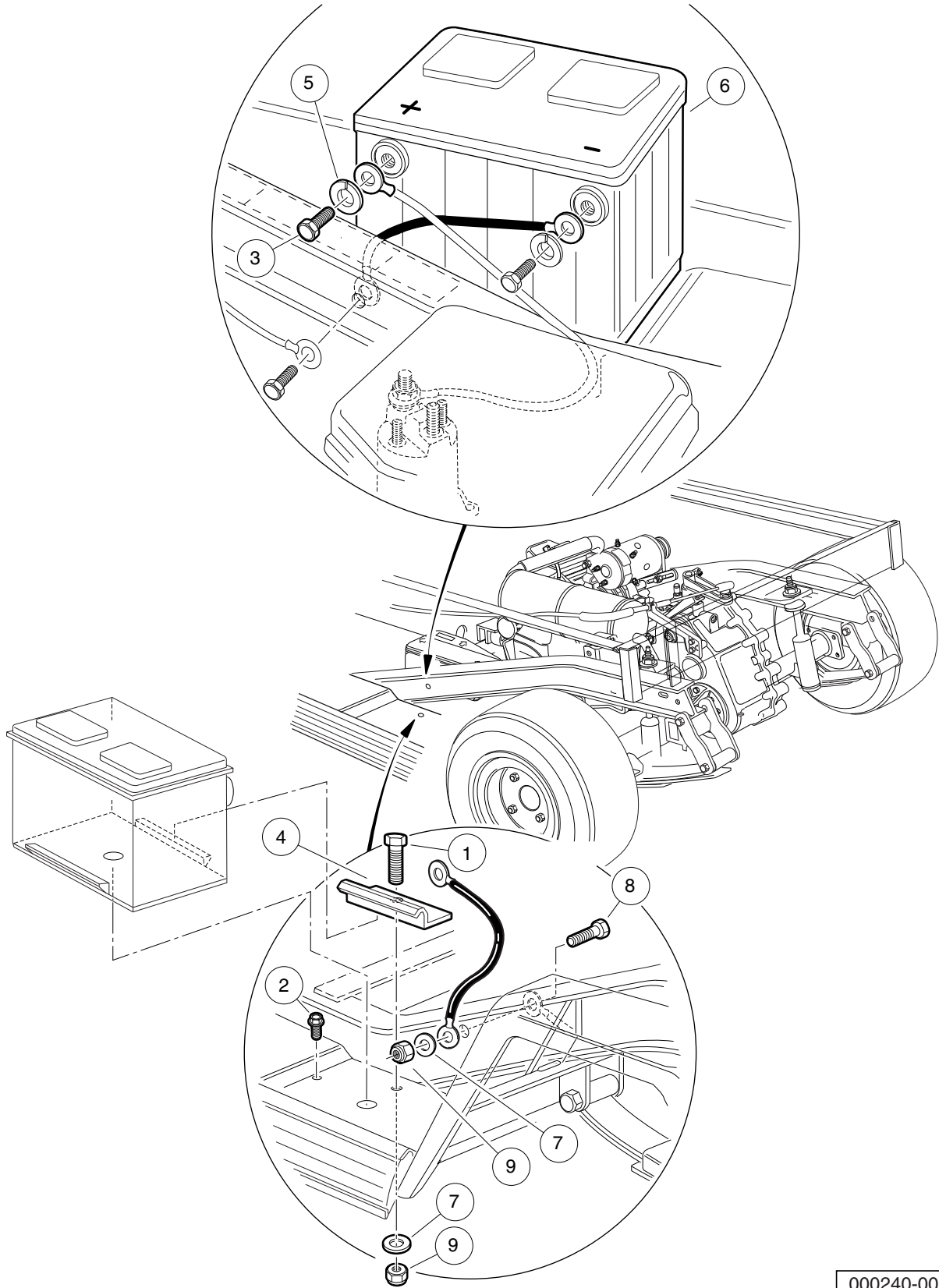
FORWARD/REVERSE SHIFTER SWITCHES, PEDAL-START – EFI

ITEM	PART NO.	DESCRIPTION	QTY
		1 2 3 4	
1	<u>1014807</u>	Switch, Limit	1
2	<u>1015878</u>	Screw, #4-40 Hex Head Machine	2
3	<u>105102601</u>	Switch, Limit, Sealed, with 3-Wire Lead	2
4	<u>8056</u>	Screw, #4-40 X 0.75 Round-Head Machine	2
5	<u>8057</u>	Nut, #4-40 Hex Machine	4
6	<u>8058</u>	Lockwasher, #4 Split	4

7

G

7
G



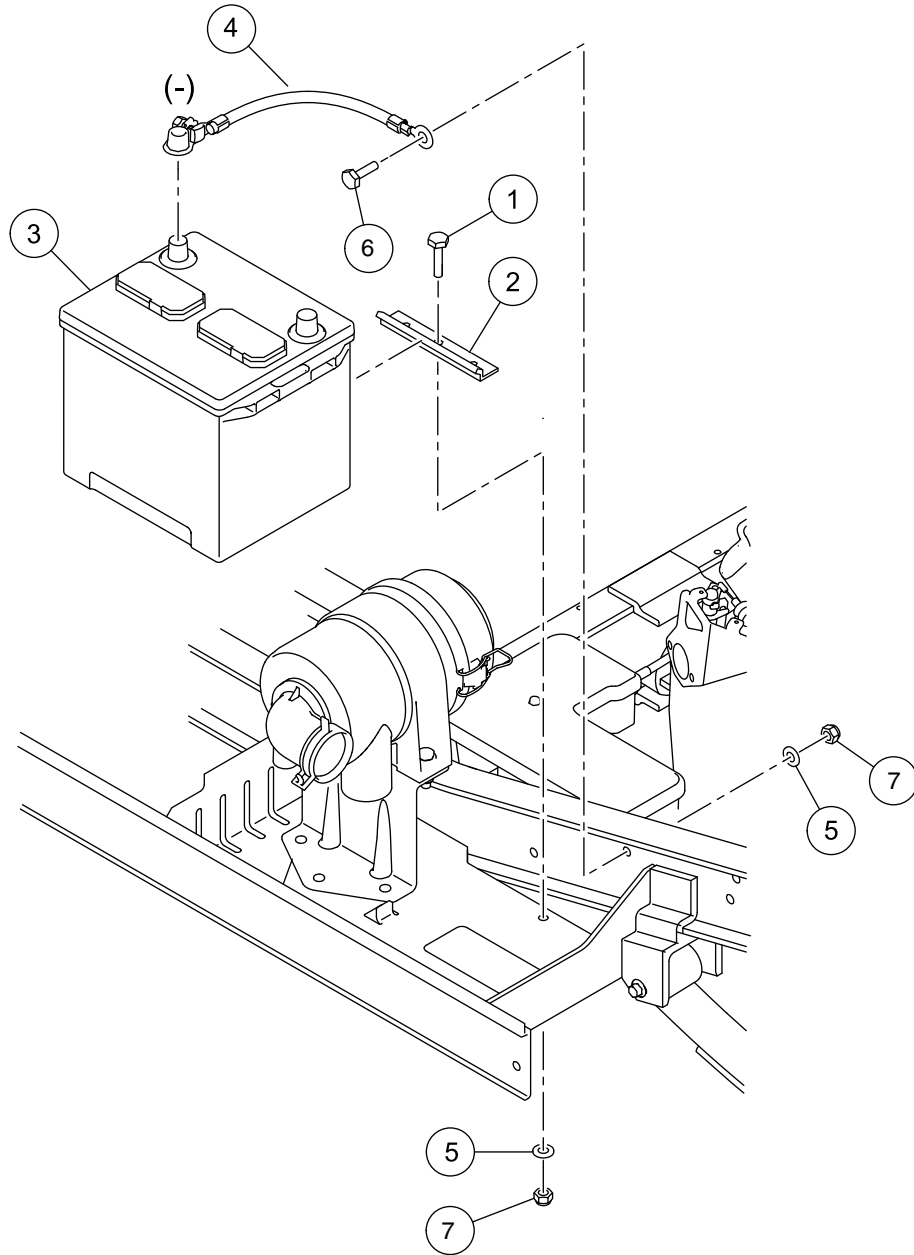
000240-001

BATTERY – GASOLINE UTILITY VEHICLES

ITEM	PART NO.	DESCRIPTION	QTY
		1 2 3 4	
1	<u>1010934</u>	Screw, 5/16-18 X 1.00 Hex Cap	1
2	<u>1014288</u>	Screw, 5/16-18 X 0.75, Thread-Forming	1
3	<u>1014375</u>	Screw, 3/8-16 X 0.50, Stainless Steel, Hex-Head	2
4	<u>101898001</u>	Clamp, Battery	1
5	<u>102355301</u>	Lockwasher, 3/8 Split Ss	2
6	<u>103496801</u>	Battery, Start, 12v	1
7	<u>1241</u>	Washer, 5/16 Type A Flat	2
8	<u>7173</u>	Screw, 5/16-18 X 0.75, Hex-Head Cap	1
9	<u>7473</u>	Locknut, 5/16-18 Nylon Insert	2

7

G



000250-001

TOP-POST BATTERY - GASOLINE UTILITY VEHICLES

ITEM	PART NO.	DESCRIPTION	QTY
		1 2 3 4	
1	<u>1010934</u>	Screw, 5/16-18 X 1.00 Hex Cap	1
2	<u>101898001</u>	Clamp, Battery	1
3	<u>105237301</u>	Battery, Start, 12v, Type 26	1
4	105256701	Wire Assy, 4ga, Battery, (top-post) B-, Gas	1
5	<u>1241</u>	Washer, 5/16 Type A Flat	2
6	<u>7173</u>	Screw, 5/16-18 X 0.75, Hex-Head Cap	1
7	<u>7473</u>	Locknut, 5/16-18 Nylon Insert	2

7

G

7

G

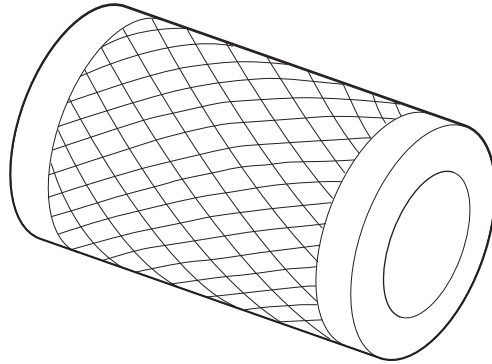
ENGINE (SUBARU EX40)

8

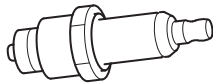
G

8

G



1



2

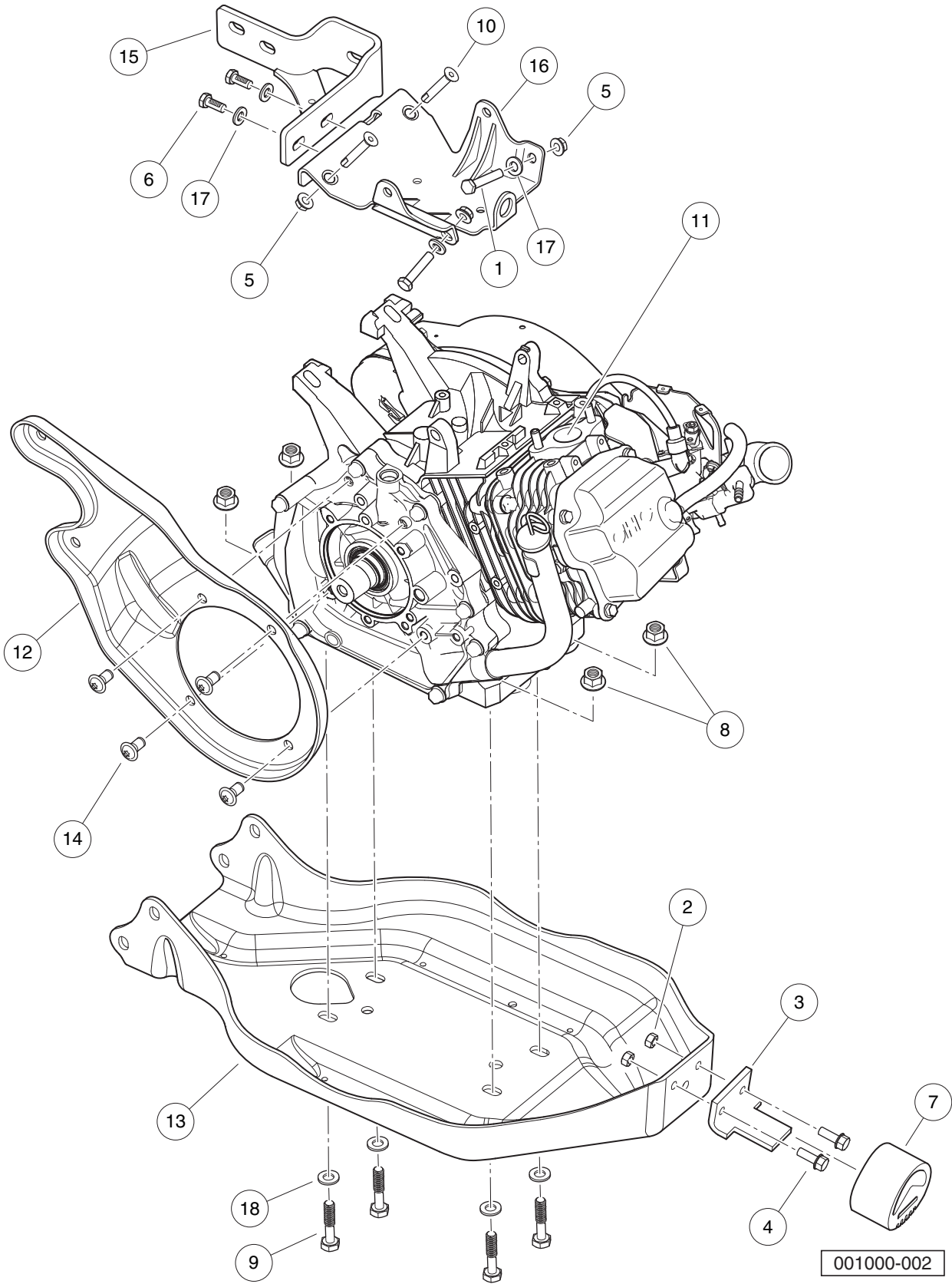
000992-003

TUNE-UP PARTS – SUBARU EX40

ITEM	PART NO.	DESCRIPTION	QTY
		1 2 3 4	
1	<u>102558201</u>	Air Filter, 4 Inch	1
2	105017801	Spark Plug, Subaru EX40	1

8

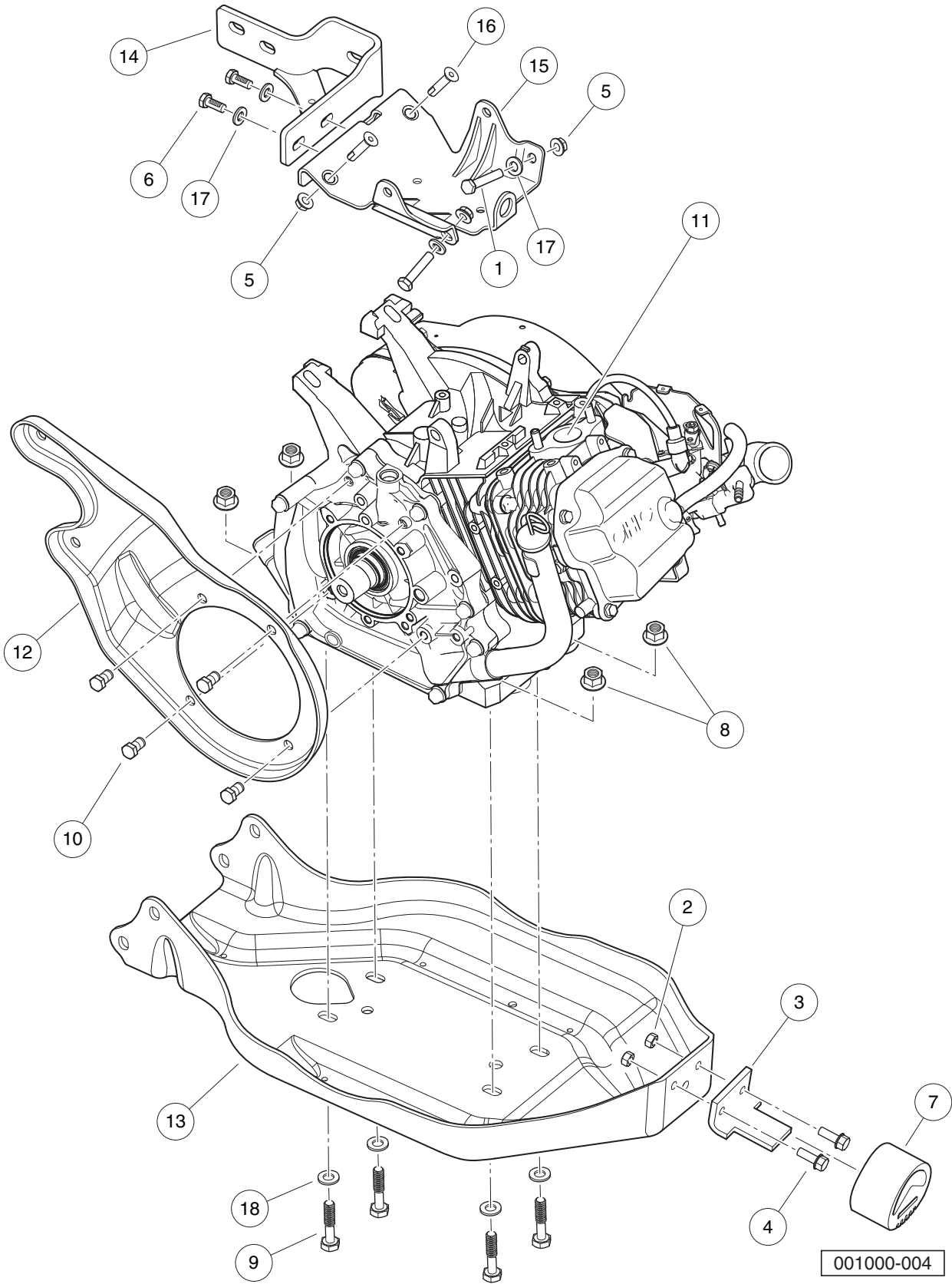
G



ENGINE AND ENGINE MOUNTING, UTILITY – TO EARLY-2016 MODEL YEAR

ITEM	PART NO.	DESCRIPTION	QTY
		1 2 3 4	
1	<u>1010577</u>	Bolt, Hex-Head, 5/16-18 X 1.50	2
2	<u>1013924</u>	Nut, 5/16-24, Hex Head Cone	2
3	<u>101834602</u>	Bracket, Snubber, Tall	1
4	<u>101884801</u>	Screw, 5/16-24 X 0.875, Grade-8	2
5	<u>101963401</u>	Locknut, 5/16-18 Hex Flange	4
6	<u>102242101</u>	Screw, 5/16-18 X 3/4 Hex-Head with Patch	2
7	<u>102540301</u>	Snubber, Inner Frame	1
8	<u>102617201</u>	Nut, Flanged, M10 X 1.5, Mechanically Deformed	4
9	<u>102732401</u>	Bolt, M10 X 45, Zn-Ni (Black)	4
10	<u>103196202</u>	5/16-18x1.75, Bolt, Loctite	2
11	<u>103882801</u>	Engine, Gas, Subaru EX40, EFI	1
12	<u>103979401</u>	Plate, Mounting, CVT, Center	1
13	<u>103982201</u>	Plate, Engine/Axle Mounting	1
14	<u>103996201</u>	Screw, 3/8-16 X .75, Btn Hd Cap	4
15	<u>105134601</u>	Bracket, Mounting, Transaxle/Exhaust,†EX40	1
16	<u>105149301</u>	Bracket,†Mounting, Starter/Generator,†EX40	1
17	<u>1241</u>	Washer, 5/16 Type A Flat	4
18	<u>96741046</u>	Washer, M10, Hard	4

8
G

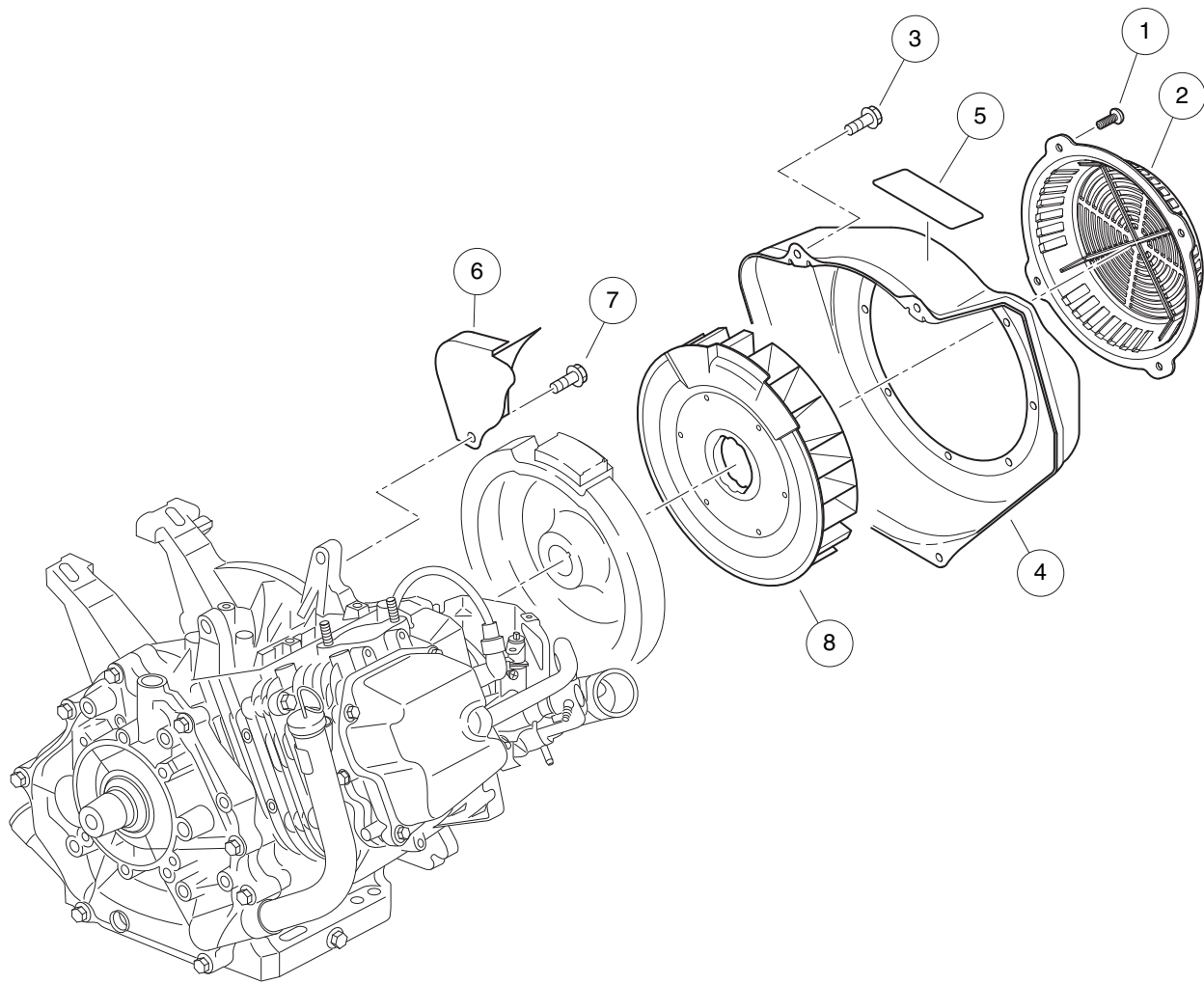


001000-004

ENGINE AND ENGINE MOUNTING, UTILITY – FROM EARLY-2016 MODEL YEAR

ITEM	PART NO.	DESCRIPTION	QTY
		1 2 3 4	
1	<u>1010577</u>	Bolt, Hex-Head, 5/16-18 X 1.50	2
2	<u>1013924</u>	Nut, 5/16-24, Hex Head Cone	2
3	<u>101834602</u>	Bracket, Snubber, Tall	1
4	<u>101884801</u>	Screw, 5/16-24 X 0.875, Grade-8	2
5	<u>101963401</u>	Locknut, 5/16-18 Hex Flange	4
6	<u>102242101</u>	Screw, 5/16-18 X 3/4 Hex-Head with Patch	2
7	<u>102540301</u>	Snubber, Inner Frame	1
8	<u>102617201</u>	Nut, Flanged, M10 X 1.5, Mechanically Deformed	4
9	<u>102732401</u>	Bolt, M10 X 45, Zn-Ni (Black)	4
10	<u>103508101</u>	Bolt, 3/8-16 X .75 Lock Patch	4
11	<u>103882801</u>	Engine, Gas, Subaru EX40, EFI	1
12	<u>103979401</u>	Plate, Mounting, CVT, Center	1
13	<u>103982201</u>	Plate, Engine/Axle Mounting	1
14	<u>105134601</u>	Bracket, Mounting, Transaxle/Exhaust,†EX40	1
15	<u>105149301</u>	Bracket,†Mounting, Starter/Generator,†EX40	1
16	<u>105262401</u>	Screw, 5/16-18 X 1.25, Cs, Lck	2
17	<u>1241</u>	Washer, 5/16 Type A Flat	4
18	<u>96741046</u>	Washer, M10, Hard	4

8
G



001001-001

FAN AND SHROUD – EX40

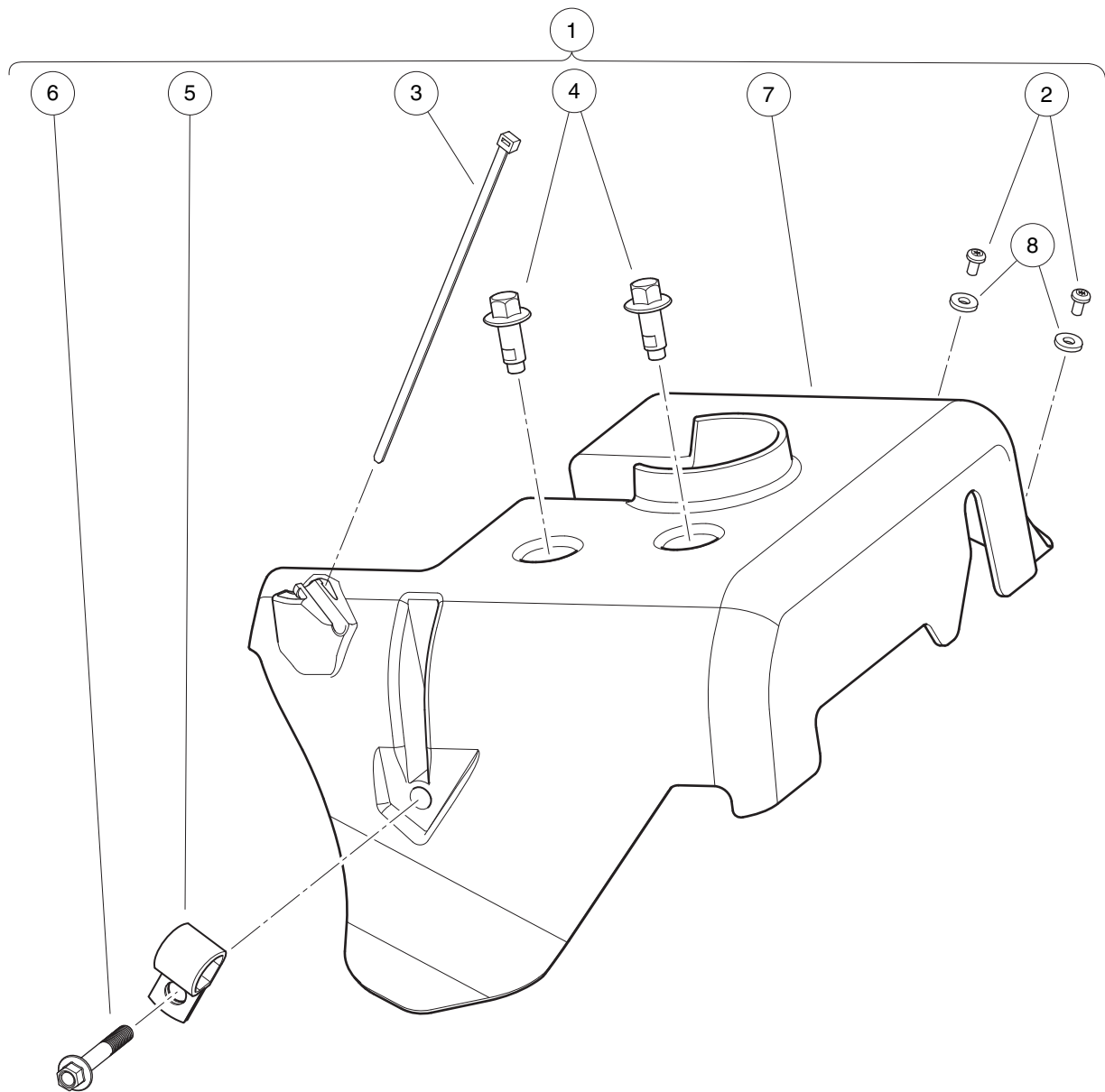
ITEM	PART NO.	DESCRIPTION	QTY
		1 2 3 4	
1	<u>1015969</u>	Screw, M6-1.00 X 10mm, Pan Hd	4
2	<u>103995901</u>	Cover, Fan, EX40	1
3	<u>105012601</u>	Bolt, Flange, M6x1.0x12, EX40	4
4	<u>105016701</u>	Housing, Fan, EX40	1
5	<u>105016801</u>	Label, Engine Warning, EX40	1
6	<u>105016901</u>	Baffle, Crankcase, EX40	1
7	<u>105017001</u>	Bolt, Baffle, M8x1.25x12 Ex40	1
8	<u>105017101</u>	Fan, Cooling, EX40	1

8

G

8

G



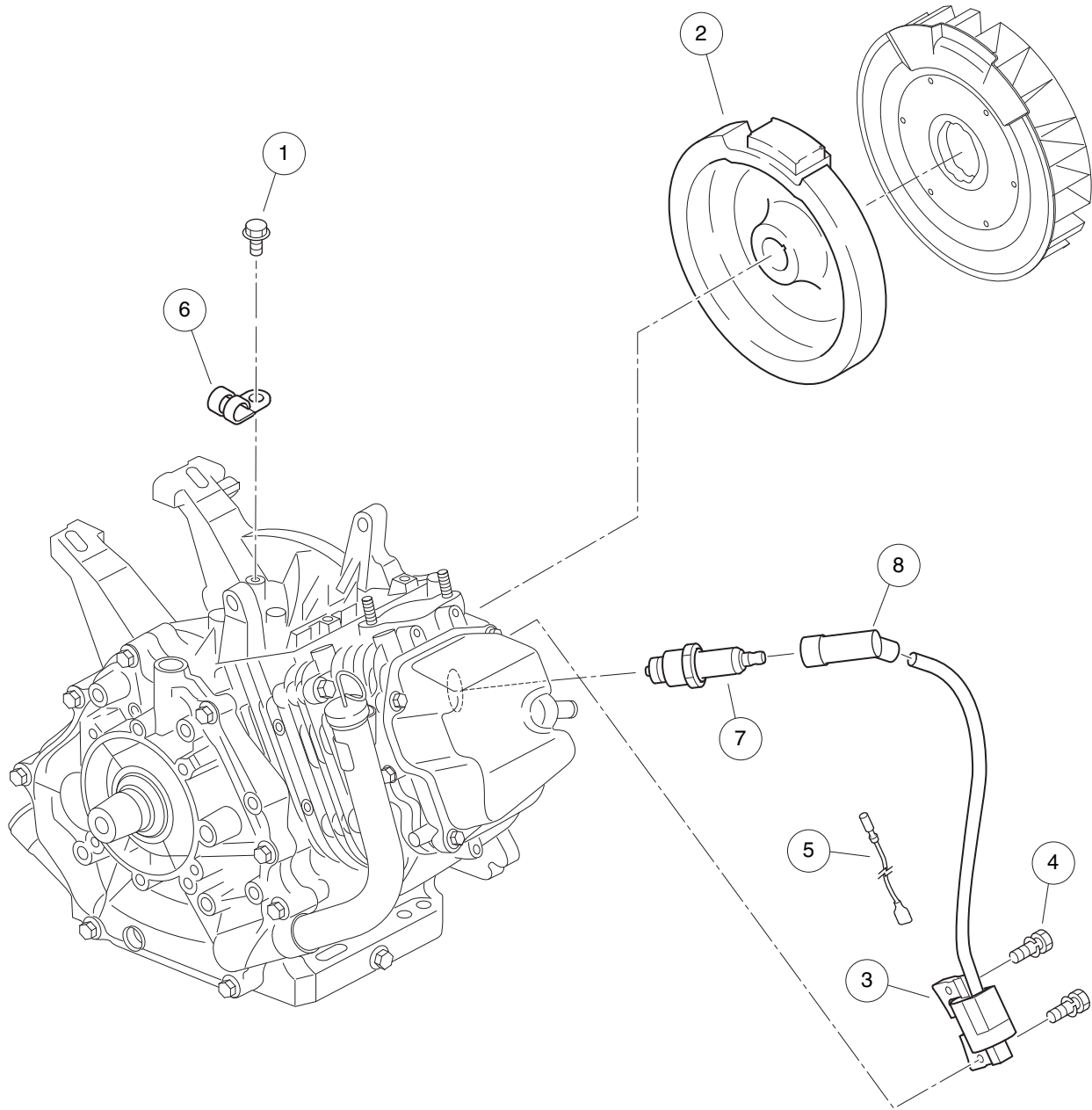
001002-001

AIR DEFLECTOR – EX40

ITEM	PART NO.	DESCRIPTION	QTY
		1 2 3 4	
1	<u>105084801</u>	Kit, Air Deflector, Subaru EX40 (includes items 2 through 8)	1
2	<u>1016103</u>	Screw, Pan Hd Tx, Taptite 6-32	2
3	101824101	Tie Wrap, Black	1
4	<u>102298116</u>	Bolt, Flanged Head, M8 X 16.0	2
5	<u>102410604</u>	P-clamp, Insulated, 0.625 Inch	1
6	<u>102541402</u>	Bolt, M6x1.0x40, Hex Flange Head, Blk-l	1
7	105075301	Deflector, Air, Subaru EX40	1
8	<u>7591</u>	Washer, #6, Flat	2

8

G

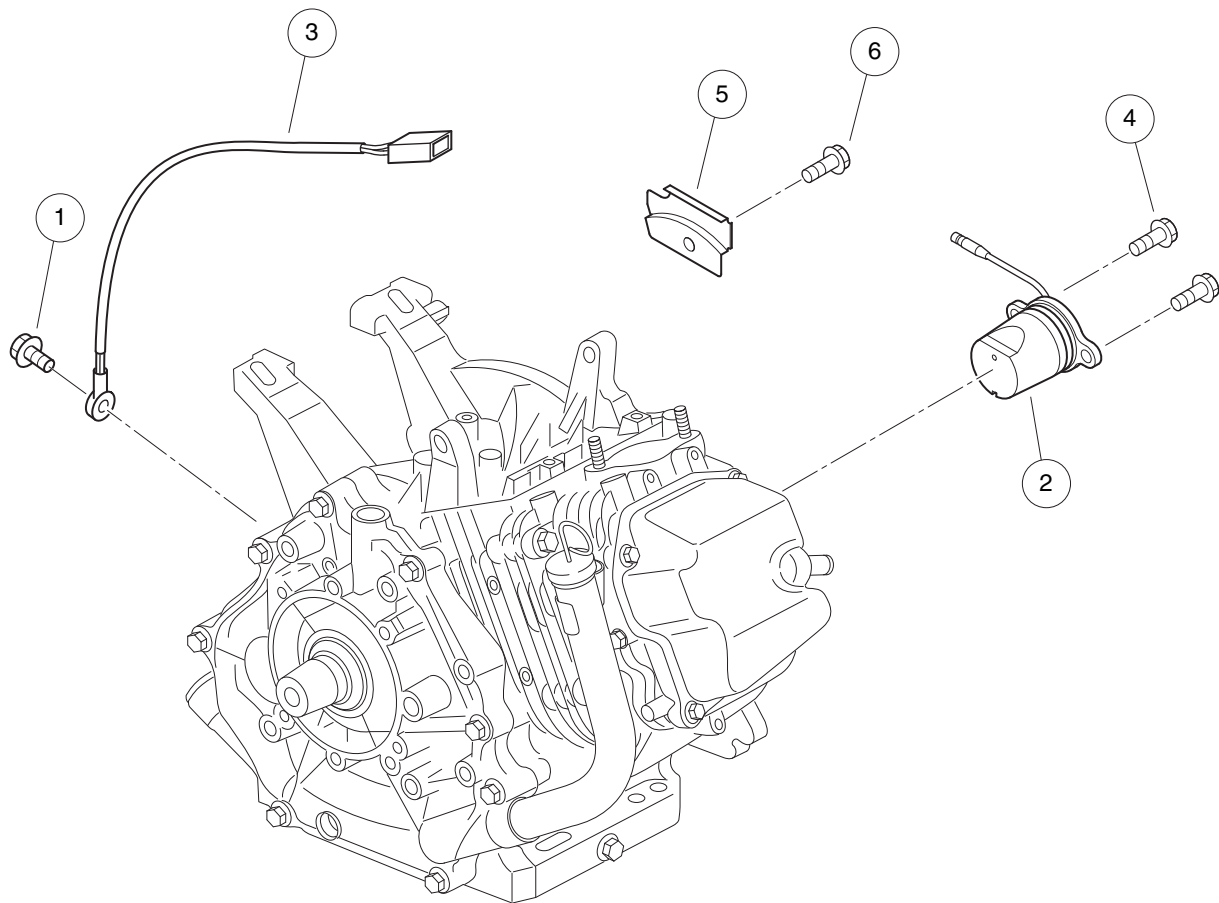


001003-001

IGNITION COMPONENTS AND FLYWHEEL – EX40

ITEM	PART NO.	DESCRIPTION	QTY
		1 2 3 4	
1	<u>105016001</u>	Bolt, Flange, M6x1.0x8, EX40	1
2	<u>105017301</u>	Flywheel, EX40	1
3	<u>105017401</u>	Coil, Ignition, CDI, EX40	1
4	<u>105017501</u>	Asm, Bolt-Washer, Coil, EX40	2
5	<u>105017601</u>	Asm, Wire, Coil Control, EX40	1
6	<u>105017701</u>	Clamp, Coil Control Wire, EX40	1
7	105017801	Spark Plug, Subaru EX40	1
8	<u>105017901</u>	Cap, Spark Plug, EX40	1

8
G



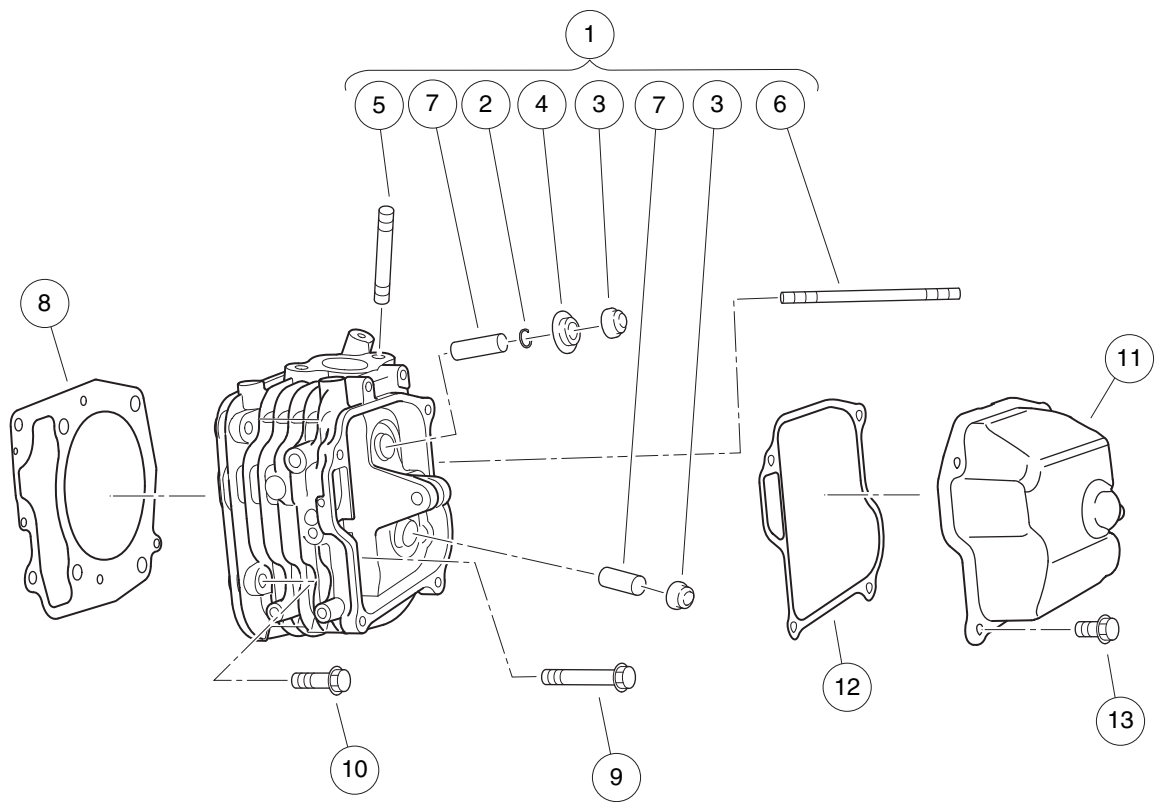
001004-001

SENSORS – EX40

ITEM	PART NO.	DESCRIPTION	QTY
		1 2 3 4	
1	<u>105012601</u>	Bolt, Flange, M6x1.0x12, EX40	1
2	<u>105018001</u>	Sensor, Oil Level, EX40	1
3	<u>105018101</u>	Sensor, Temperature, EX40	1
4	<u>105018201</u>	Bolt, Oil Sensor, M6x1.0x14, EX40	2
5	<u>105018301</u>	Clamp, Oil Sensor Wire, EX40	1
6	<u>105018401</u>	Bolt, Tap, Oil Wire Clamp, EX40	1

8

G



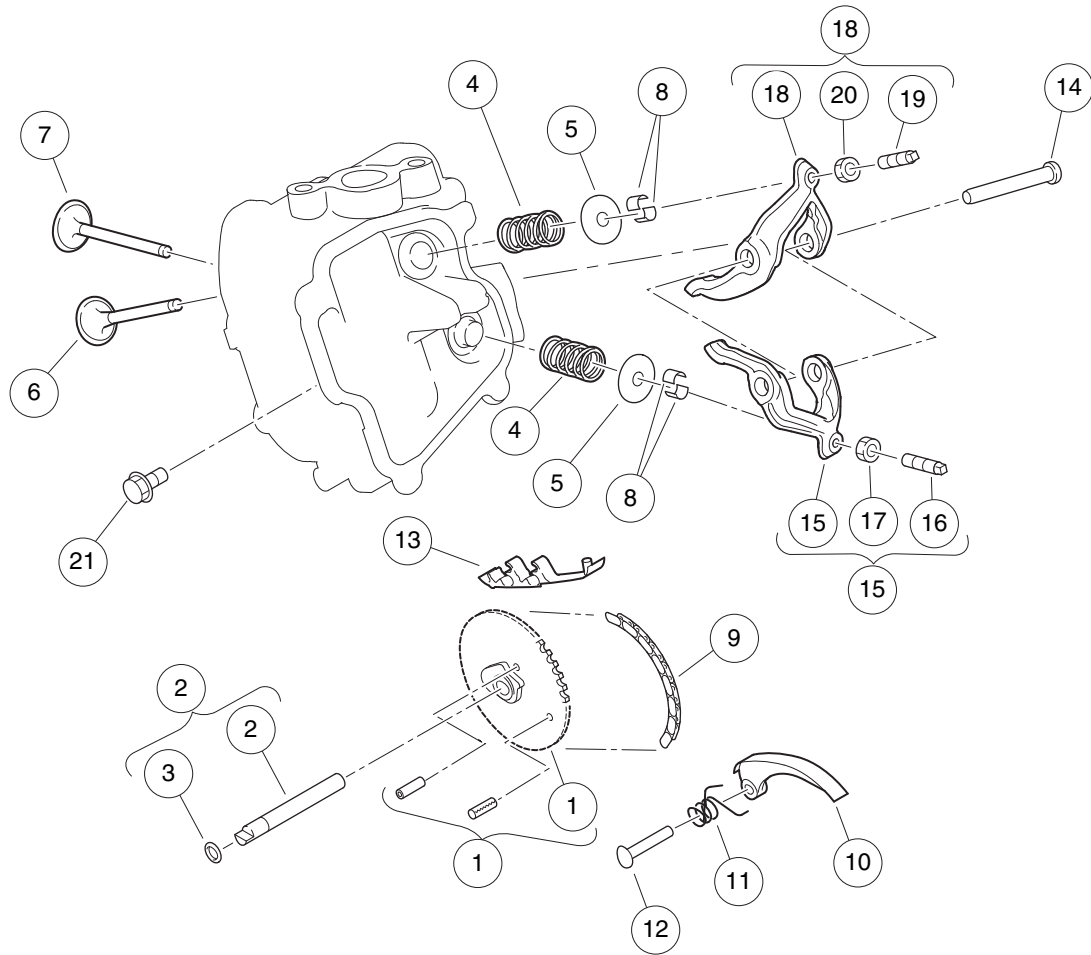
001005-001

CYLINDER HEAD – EX40

ITEM	PART NO.	DESCRIPTION	QTY
		1 2 3 4	
1	<u>105011901</u>	Asm, Cylinder Head, EX40 (includes items 2 through 7)	1
2	<u>105010101</u>	Clip, Retainer Plate, EX40	1
3	<u>105010201</u>	Seal, Valve, EX40	2
4	<u>105010301</u>	Plate, Retainer, EX40	1
5	<u>105010801</u>	Stud, Mounting, Exhaust, EX40	2
6	<u>105010901</u>	Stud, Mounting, Intake, EX40	2
7	<u>105018501</u>	Guide, Valve, EX40	2
8	<u>105012001</u>	Gasket, Head, EX40	1
9	<u>105012101</u>	Bolt, Head, M10x1.25x75, EX40	4
10	<u>105012201</u>	Bolt, Head, M8x1.25x35, EX40	2
11	<u>105012301</u>	Cover, Rocker, EX40	1
12	<u>105012401</u>	Gasket, Rocker Cover, EX40	1
13	<u>105012601</u>	Bolt, Flange, M6x1.0x12, EX40	4

8

G



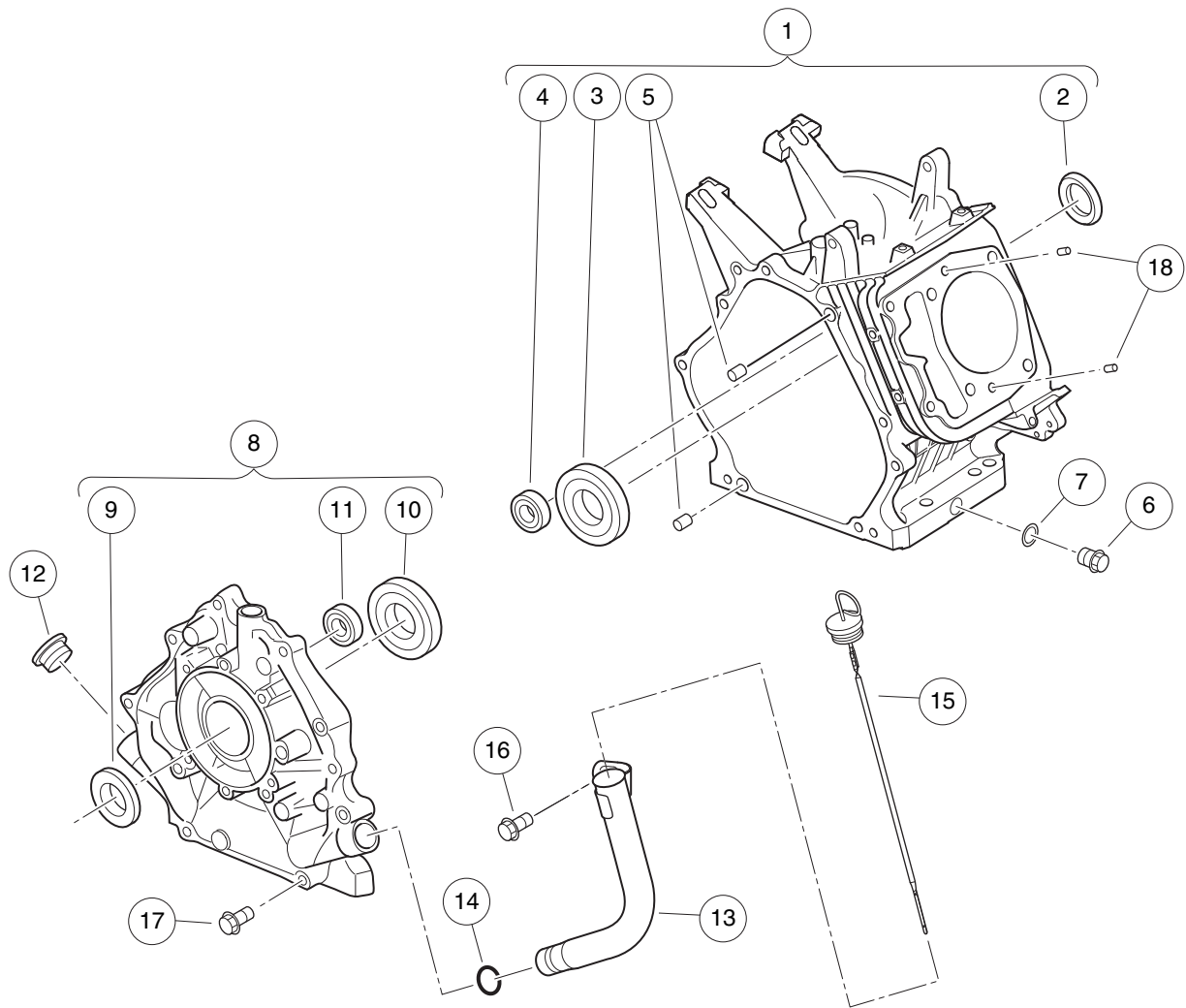
001006-001

VALVETRAIN AND TIMING CHAIN – EX40

ITEM	PART NO.	DESCRIPTION	QTY
		1 2 3 4	
1	<u>105014201</u>	Asm, Cam/Chain Sprocket, EX40	1
2	<u>105014301</u>	Asm, Camshaft and O-ring, EX40 (includes item 3)	1
3	<u>105014401</u>	O-ring, Camshaft, EX40	1
4	<u>105014501</u>	Spring, Valve, EX40	2
5	<u>105014601</u>	Retainer, Spring, EX40	2
6	<u>105014701</u>	Valve, Intake, EX40	1
7	<u>105014801</u>	Valve, Exhaust, EX40	1
8	<u>105014901</u>	Collet, Valve, EX40	4
9	<u>105015001</u>	Chain, Timing, EX40	1
10	<u>105015101</u>	Tensioner, Chain, EX40	1
11	<u>105015201</u>	Spring, Tension, EX40	1
12	<u>105015301</u>	Pin, Tensioner, EX40	1
13	<u>105015401</u>	Guide, Chain, EX40	1
14	<u>105015501</u>	Shaft, Rocker, EX40	1
15	<u>105015601</u>	Asm, Rocker Arm, Intake, EX40 (includes items 16 and 17)	1
16	<u>105015801</u>	Screw, Adjust, Valve, EX40	1
17	<u>105015901</u>	Nut, Adjust, Valve, EX40	1
18	<u>105015701</u>	Asm, Rocker Arm, Exhaust, EX40 (includes items 19 and 20)	1
19	<u>105015801</u>	Screw, Adjust, Valve, EX40	1
20	<u>105015901</u>	Nut, Adjust, Valve, EX40	1
21	<u>105016001</u>	Bolt, Flange, M6x1.0x8, EX40	1

8

G



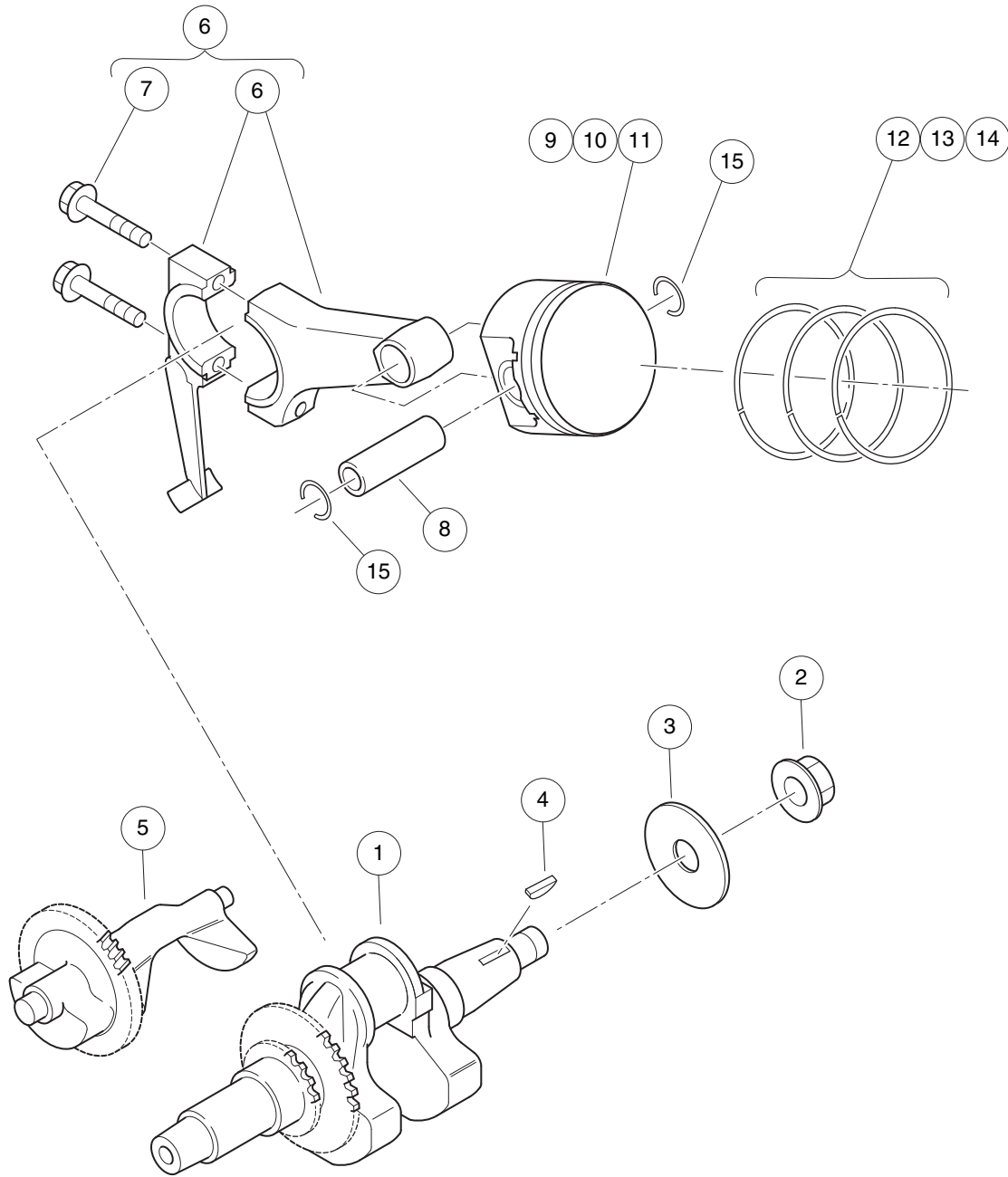
001007-001

CRANKCASE – EX40

ITEM	PART NO.	DESCRIPTION	QTY
		1 2 3 4	
1	105010001	Crankcase, EX40 (includes items 2 through 5)	1
2	<u>105010401</u>	Seal, Oil, Crankshaft, EX40	1
3	<u>105010501</u>	Bearing, Crankshaft, EX40	1
4	105010601	Bearing, Balance Shaft, EX40	1
5	<u>105010701</u>	Pin, Guide, Crankcase, EX40	2
6	105011001	Plug, Oil Drain, EX40	2
7	<u>105011101</u>	Gasket, Oil Drain Plug, EX40	2
8	105011201	Asm, Cover, Crankcase, EX40 (includes items 9 through 11)	1
9	<u>105010401</u>	Seal, Oil, Crankshaft, EX40	1
10	<u>105010501</u>	Bearing, Crankshaft, EX40	1
11	105010601	Bearing, Balance Shaft, EX40	1
12	<u>105011301</u>	Plug, Rubber, Crankcase, EX40	1
13	<u>105011401</u>	Tube, Oil Filler, EX40	1
14	<u>105011501</u>	O-ring, Oil Filler Tube, EX40	1
15	<u>105011601</u>	Dipstick, EX40	1
16	<u>105011701</u>	Bolt, Filler Tube, M8x1.25x12, EX40	1
17	<u>105011801</u>	Bolt, Case Cover, M8x1.25x38, EX40	8
18	<u>105012501</u>	Pin, Guide, Head, EX40	2

8

G



001008-001

CRANKSHAFT AND PISTON – EX40

ITEM	PART NO.	DESCRIPTION	QTY
		1 2 3 4	
1	105012701	Crankshaft, EX40	1
2	<u>105012801</u>	Nut, Crankshaft M18x1.5 Ex40	1
3	<u>105012901</u>	Washer, Crankshaft Ex40	1
4	<u>105013001</u>	Key, Woodruff, Crankshaft, EX40	1
5	<u>105013101</u>	Shaft, Balance, EX40	1
6	<u>105013201</u>	Asm, Rod, Connecting, EX40 (includes item 7)	1
7	<u>105013301</u>	Bolt, Rod M8x1.25x40 Ex40	2
8	<u>105013401</u>	Pin, Piston, EX40	1
9	<u>105013501</u>	Piston, Standard, EX40	1
10	<u>105013601</u>	Piston, 0.25 mm Oversize, EX40	1
11	<u>105013701</u>	Piston, 0.50 mm Oversize, EX40	1
12	<u>105013801</u>	Set, Piston Ring, Standard, EX40	1
13	<u>105013901</u>	Set, Piston Ring, 0.25 mm Oversize, EX40	1
14	<u>105014001</u>	Set, Piston Ring, 0.50 mm Oversize, EX40	1
15	<u>105014101</u>	Clip, Piston Pin, EX40	2

8

G

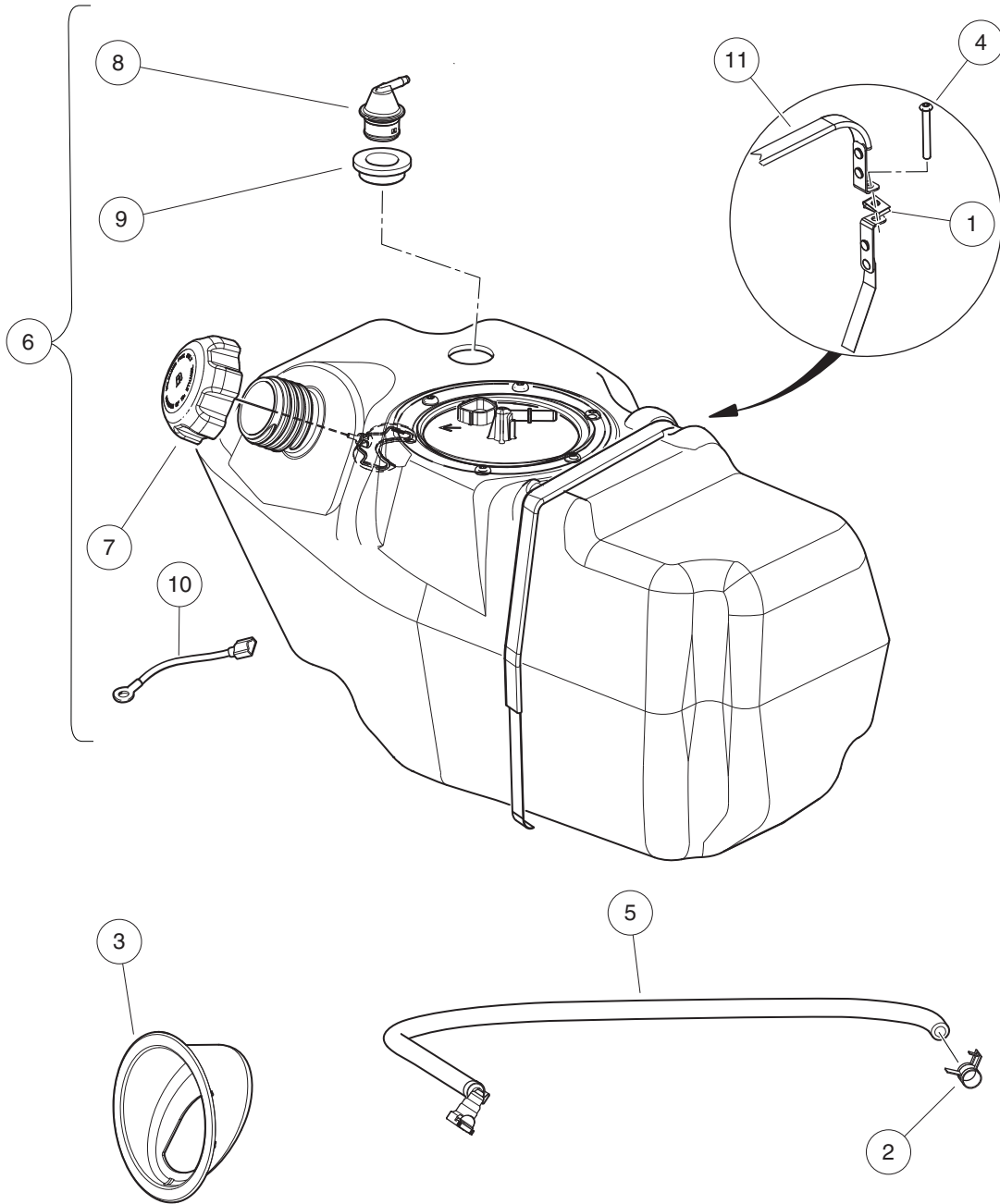
8

G

FUEL SYSTEM – EFI

9

G

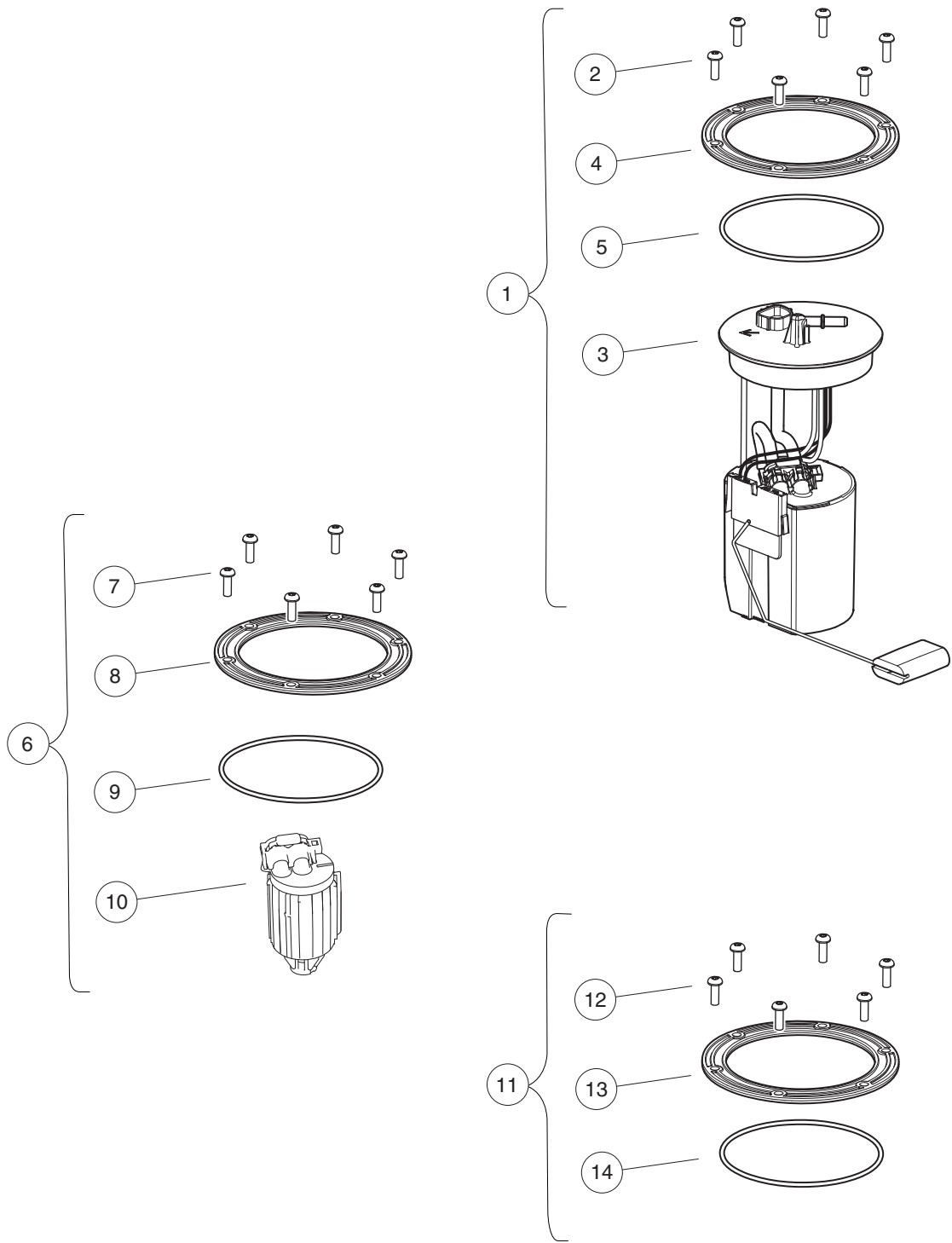


000977-006

FUEL TANK WITH SENDING UNIT, SIDE FILL – EFI

ITEM	PART NO.	DESCRIPTION	QTY
		1 2 3 4	
1	<u>1014116</u>	Nut, 1/4-20 Speed	1
2	<u>102411203</u>	Clamp, Hose, Ctb 14mm Dia.	1
3	<u>102977901</u>	Bezel, Fuel Fill, 5.0 Dia	1
4	<u>103306301</u>	Screw, Bhsc, 1/4-20 X 2.0	1
5	<u>105043501</u>	Asm, Fuel Line, Utility	1
6	<u>105044001</u>	Asm, Tank, Fuel, Side-Fill, Complete, w/Sending Unit (includes items 7 through 10)	1
7	<u>103372101</u>	Cap, Fuel Tank, Gas, Ratchet	1
8	<u>103905201</u>	Assembly, Vent, Fuel, 1/4 Inch O.D.	1
9	<u>103944301</u>	Grommet, Fuel Tank, Vent	1
10	<u>105143301</u>	Wire, Ground, Fuel Tank	1
11	<u>105093601</u>	Retention Strap, Tank	1

9
G



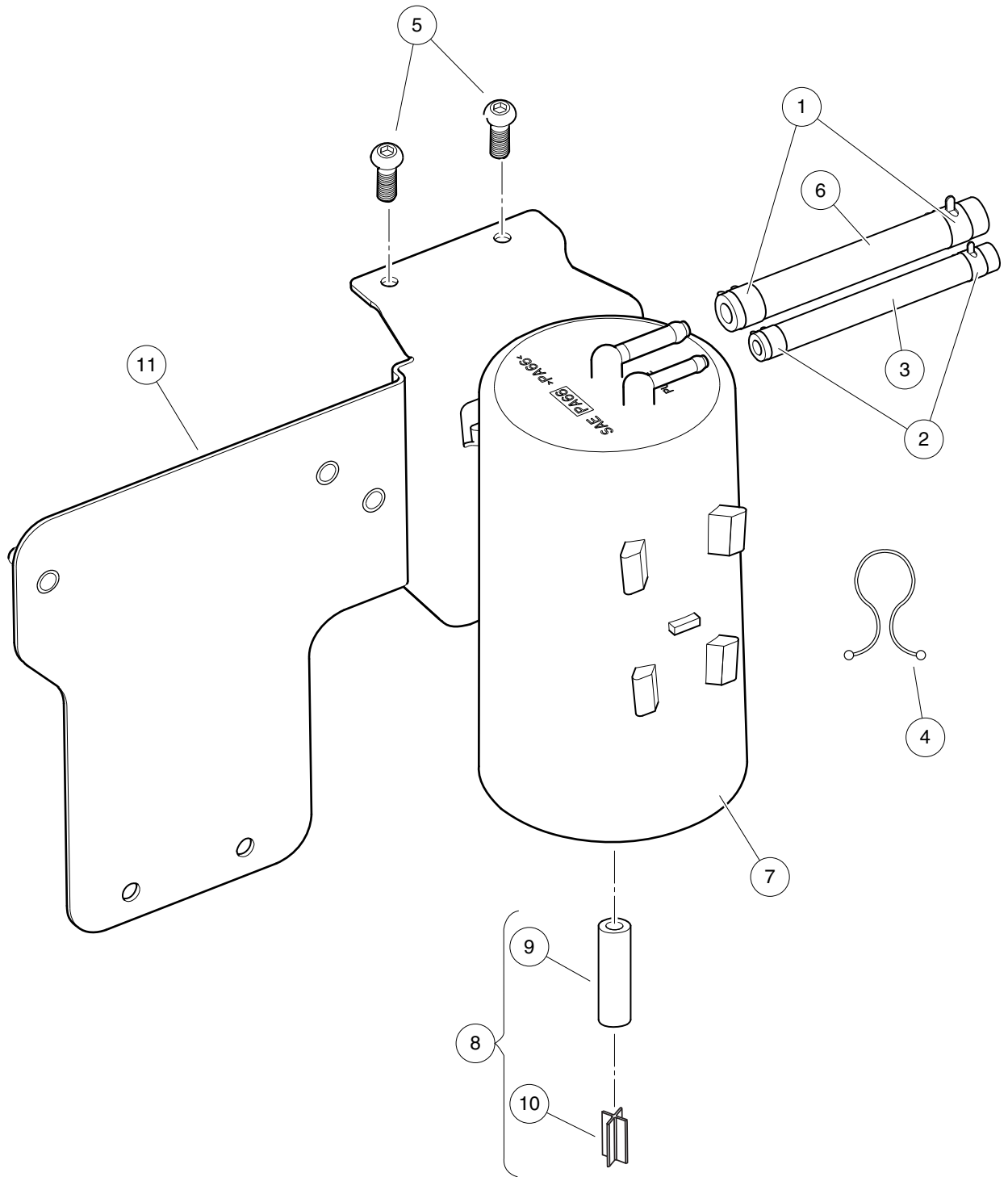
000977-005

FUEL TANK KITS – EFI

ITEM	PART NO.	DESCRIPTION	QTY
		1 2 3 4	
1	<u>105282901</u>	Kit, Fuel Pump Module (includes items 2 through 5)	1
2	<u>102025801</u>	Screw, 1/4-20 X .75 Torx Pn Hd	6
3	<u>105043401</u>	Fuel Pump Module, with Sending Unit	1
4	<u>105043801</u>	Fuel Module, Hold Down Ring	1
5	<u>105043901</u>	O-Ring, Fuel Module	1
6	<u>105282902</u>	Kit, Fuel Filter (includes items 7 through 10)	1
7	<u>102025801</u>	Screw, 1/4-20 X .75 Torx Pn Hd	6
8	<u>105043801</u>	Fuel Module, Hold Down Ring	1
9	<u>105043901</u>	O-Ring, Fuel Module	1
10	<u>105073001</u>	Fuel Filter, EX40, EFI	1
11	<u>105282903</u>	Kit, O-ring (includes items 12 through 14)	1
12	<u>102025801</u>	Screw, 1/4-20 X .75 Torx Pn Hd	6
13	<u>105043801</u>	Fuel Module, Hold Down Ring	1
14	<u>105043901</u>	O-Ring, Fuel Module	1

9

G



000980-006

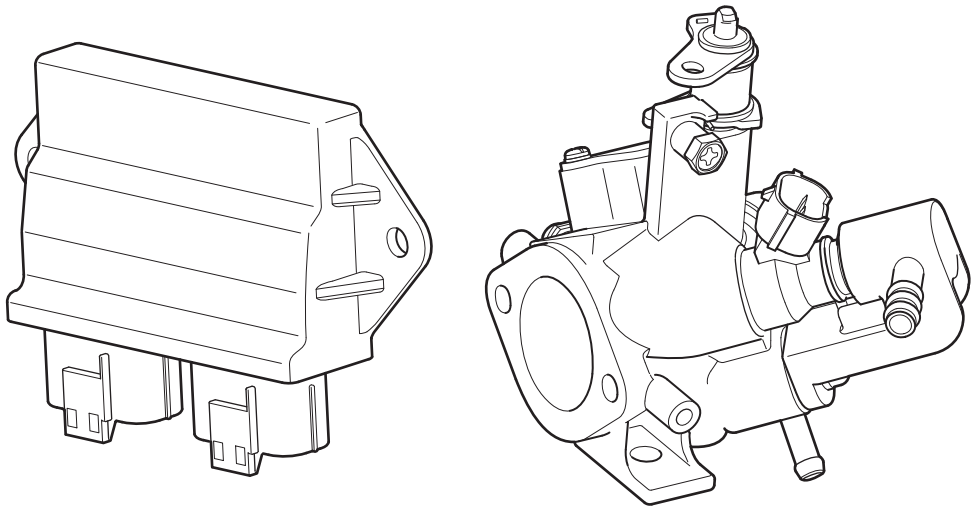
CARBON CANISTER – EFI

ITEM	PART NO.	DESCRIPTION	QTY
		1 2 3 4	
1	<u>1012649</u>	Clamp, 0.460 Red Hose	2
2	<u>1013746</u>	Clamp, 0.301 ID Hose	2
3	<u>1015137</u>	Fuel Line, 3/16 (available by the foot)	A/R
4	<u>101987701</u>	Clamp, Plastic Tie	2
5	<u>102025801</u>	Screw, 1/4-20 X .75 Torx Pn Hd	2
6	<u>102865101</u>	Fuel Line, 1/4 (available by the foot)	A/R
7	<u>103372401</u>	Canister, Carbon	1
8	<u>103756401</u>	Asm, Vent Line, Carbon Canister (includes items 9 and 10)	1
9	N/A	Hose, Vent, 5/16 I.D., Bulk	1
10	N/A	Vent, Barb, 5/16 I.D. Hose	1
11	<u>105044901</u>	Bracket, Carbon Canister/ECU	1

9

G

1

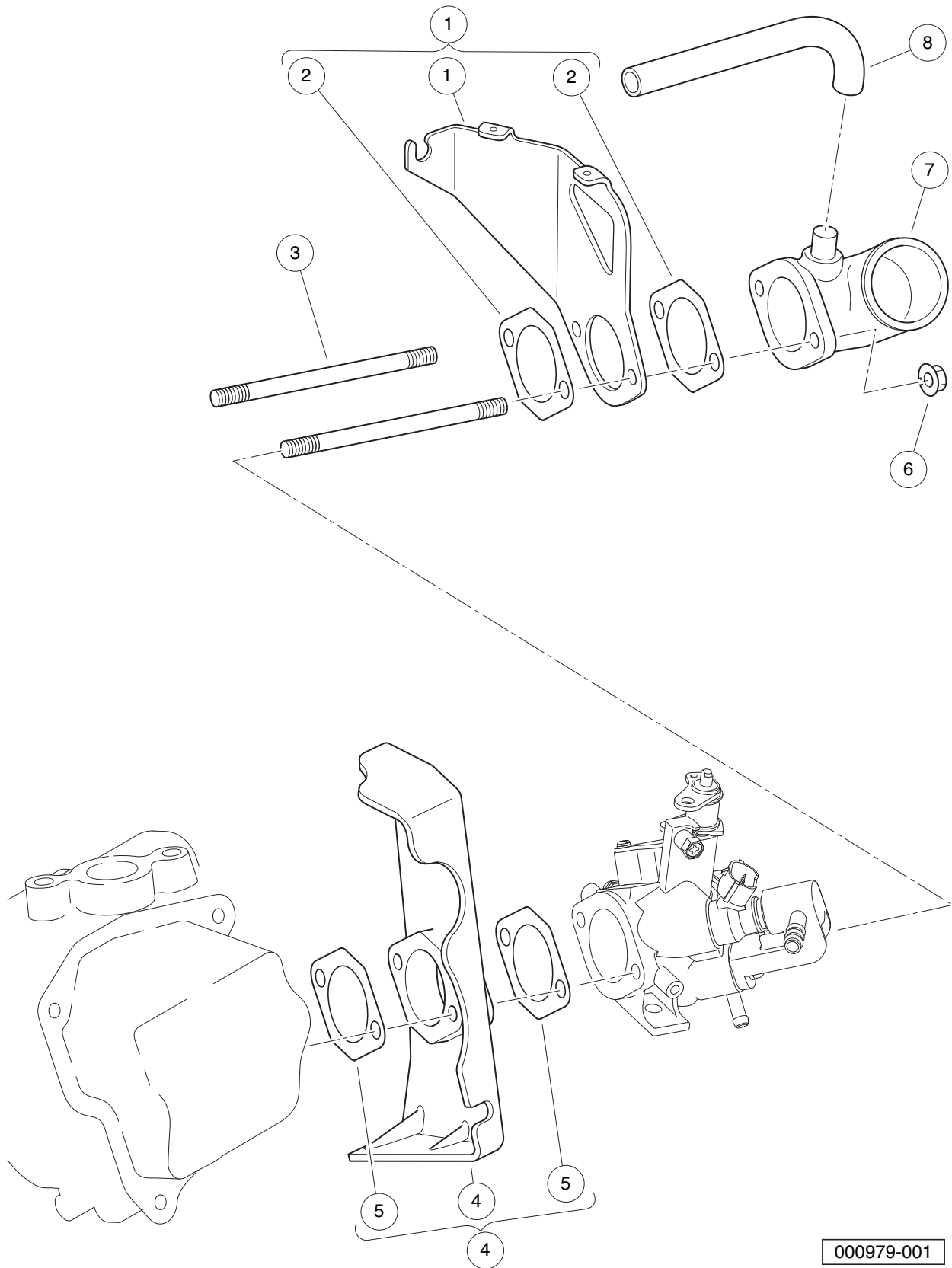


000964-001

THROTTLE BODY AND ECU – EFI

ITEM	PART NO.	DESCRIPTION	QTY
1	<u>105017201</u>	<p>1 2 3 4 Asm, Throttle Body/Fuel Injector with ECU, EX40</p>	1

9
G

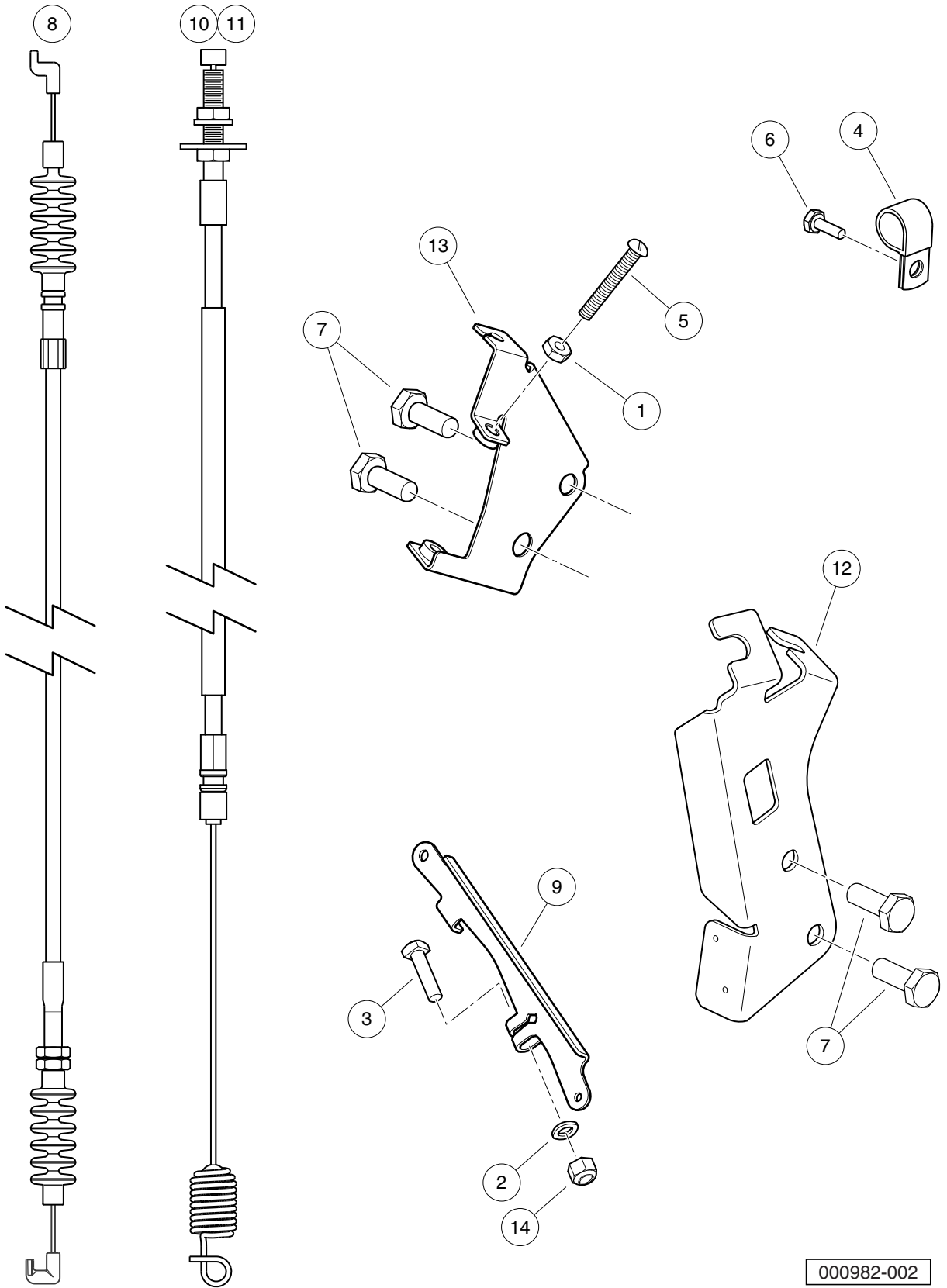


000979-001

THROTTLE BODY MOUNTING – EFI

ITEM	PART NO.	DESCRIPTION	QTY
		1 2 3 4	
1	<u>103983501</u>	Bracket, Operation, EX40 (includes item 2)	1
2	<u>105016201</u>	Gasket, Insulator, EX40	2
3	<u>105010901</u>	Stud, Mounting, Intake, EX40	2
4	<u>105016101</u>	Insulator, EX40 (includes item 5)	1
5	<u>105016201</u>	Gasket, Insulator, EX40	2
6	<u>105016301</u>	Nut, Intake Adapter, M6x1.0, EX40	2
7	<u>105016401</u>	Adapter, Air Intake, EX40	1
8	<u>105016501</u>	Hose, Breather, EX40	1

9
G



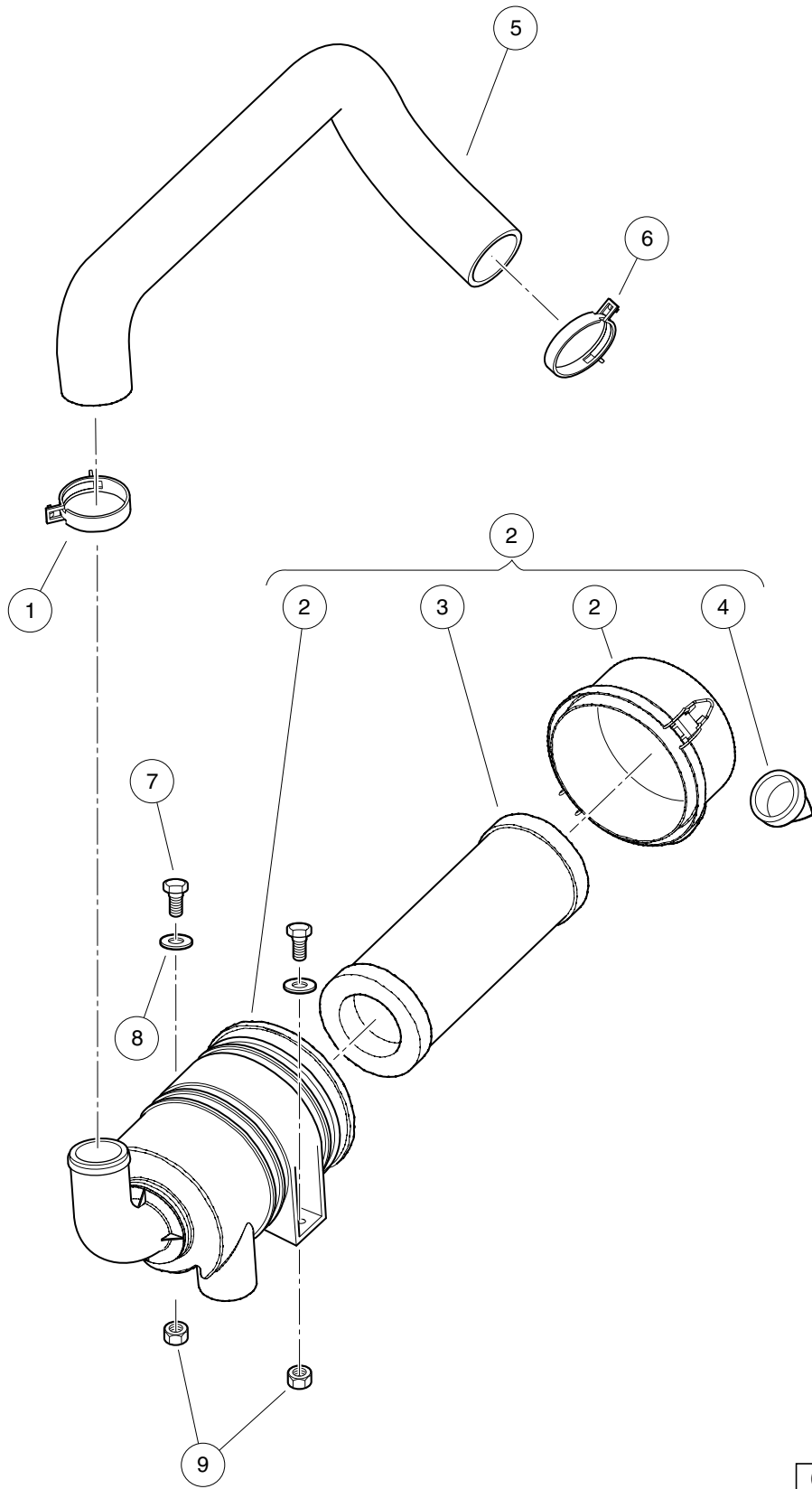
000982-002

GOVERNOR AND ACCELERATOR CABLES – EFI

ITEM	PART NO.	DESCRIPTION	QTY
		1 2 3 4	
1	<u>1011114</u>	Nut, M6-1.00 Hex	1
2	<u>1014007</u>	Washer, 1/4, Flat	1
3	<u>101886101</u>	Screw, 1/4-20 X 1.00, Square-Head	1
4	<u>102410604</u>	P-clamp, Insulated, 0.625 Inch	1
5	<u>102476401</u>	Bolt, Stop, Pedal	1
6	<u>102490301</u>	Bolt, M6 X 1 X 16, Loctite	1
7	<u>102498201</u>	Bolt, M10 X 1.25 X 25, Loctite	4
8	<u>103978001</u>	Cable, Governor, EX40	1
9	<u>104023501</u>	Arm, Governor, ED65	1
10	<u>105007402</u>	Cable, Accelerator, Utility, Low-Speed	1
11	<u>105007403</u>	Cable, Accelerator, Utility, Std-Speed	1
12	<u>105135101</u>	Bracket, Cable, FNR/Accelerator, ED65	1
13	<u>105144401</u>	Weldment, Governor Bracket	1
14	<u>8233</u>	Locknut, 1/4-20, Nylon Insert	1

9

G



000983-001

AIR FILTER SYSTEM AND INTAKE HOSE – EFI

ITEM	PART NO.	DESCRIPTION	QTY
		1 2 3 4	
1	<u>102411209</u>	Clamp, Hose, Ctb 55mm Dia.	1
2	<u>105009101</u>	Air Cleaner, Utility with EFI (includes items 3 and 4)	1
3	<u>102558201</u>	Air Filter, 4 Inch	1
4	<u>102725501</u>	Valve, Evacuator, Filter Air	1
5	<u>105043001</u>	Hose, Air Intake, Utility with EFI	1
6	<u>105088501</u>	Clamp, Ctb, 49mm Dia, W/clip	1
7	1218	Screw, 5/16-18 X 1.25 Hex-Head Cap	2
8	<u>1241</u>	Washer, 5/16 Type A Flat	2
9	<u>7473</u>	Locknut, 5/16-18 Nylon Insert	2

9

G

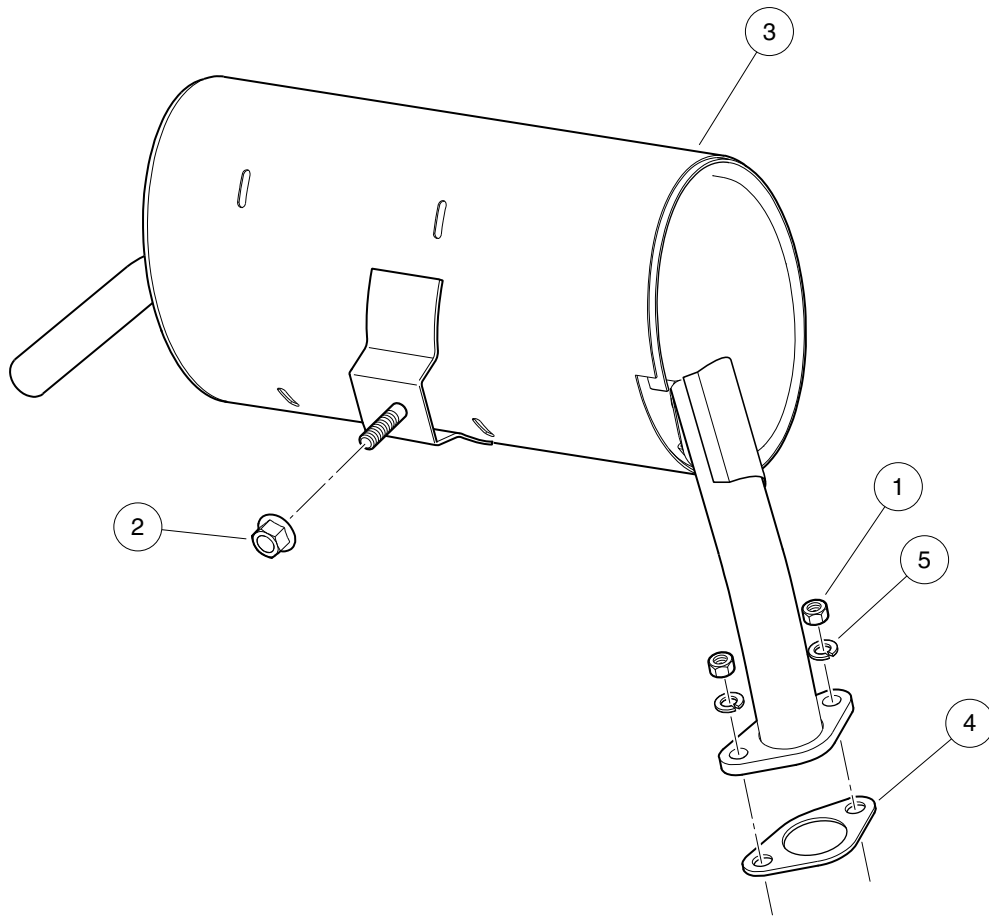
9

G

EXHAUST SYSTEM – EX40 ENGINE

10

G



000948-001

EXHAUST SYSTEM – UTILITY

ITEM	PART NO.	DESCRIPTION	QTY
		1 2 3 4	
1	<u>1012528</u>	Nut, M8-1.25 Hex	2
2	<u>102617201</u>	Nut, Flanged, M10 X 1.5, Mechanically Deformed	1
3	<u>105214101</u>	Exhaust, Low, Ex40, Utl	1
4	<u>47539957001</u>	Gasket, Exhaust, Ex40, Graphit	1
5	<u>7174</u>	Lockwasher, 5/16 Split	2

10

G

10

G

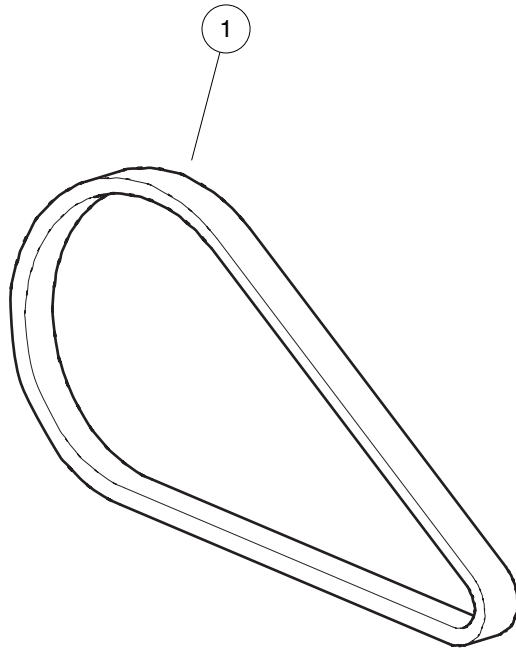
DRIVE BELT AND CLUTCHES – EX40

11

G

11

G



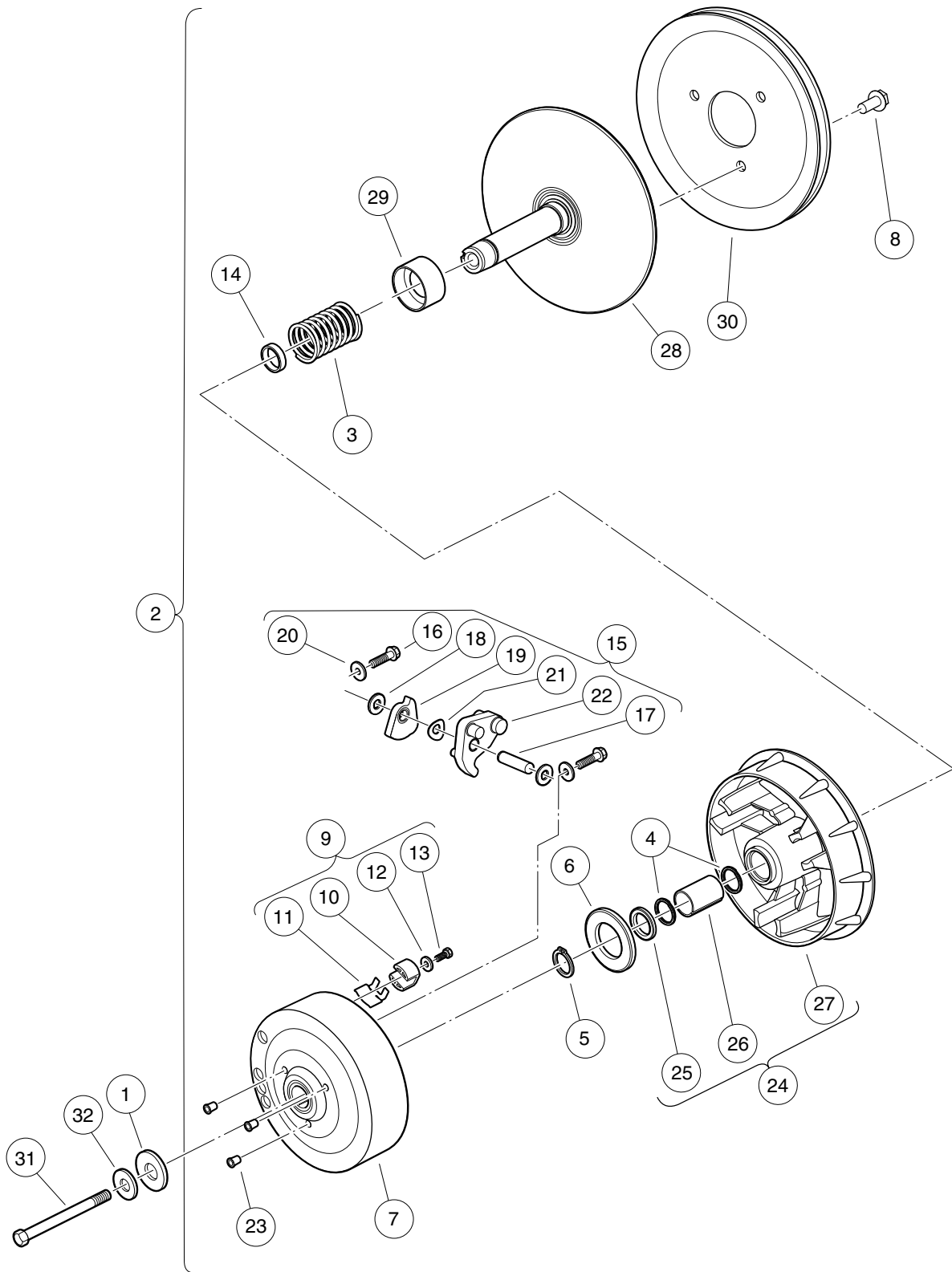
000918-001

DRIVE BELT – PEDAL-START VEHICLES WITH EFI

ITEM	PART NO.	DESCRIPTION	QTY
1	<u>105245801</u>	<div style="display: flex; justify-content: space-between; margin-bottom: 5px;"> 1 2 3 4 </div> Belt, Drive, Pedal-Start	1

11

G



000958-001

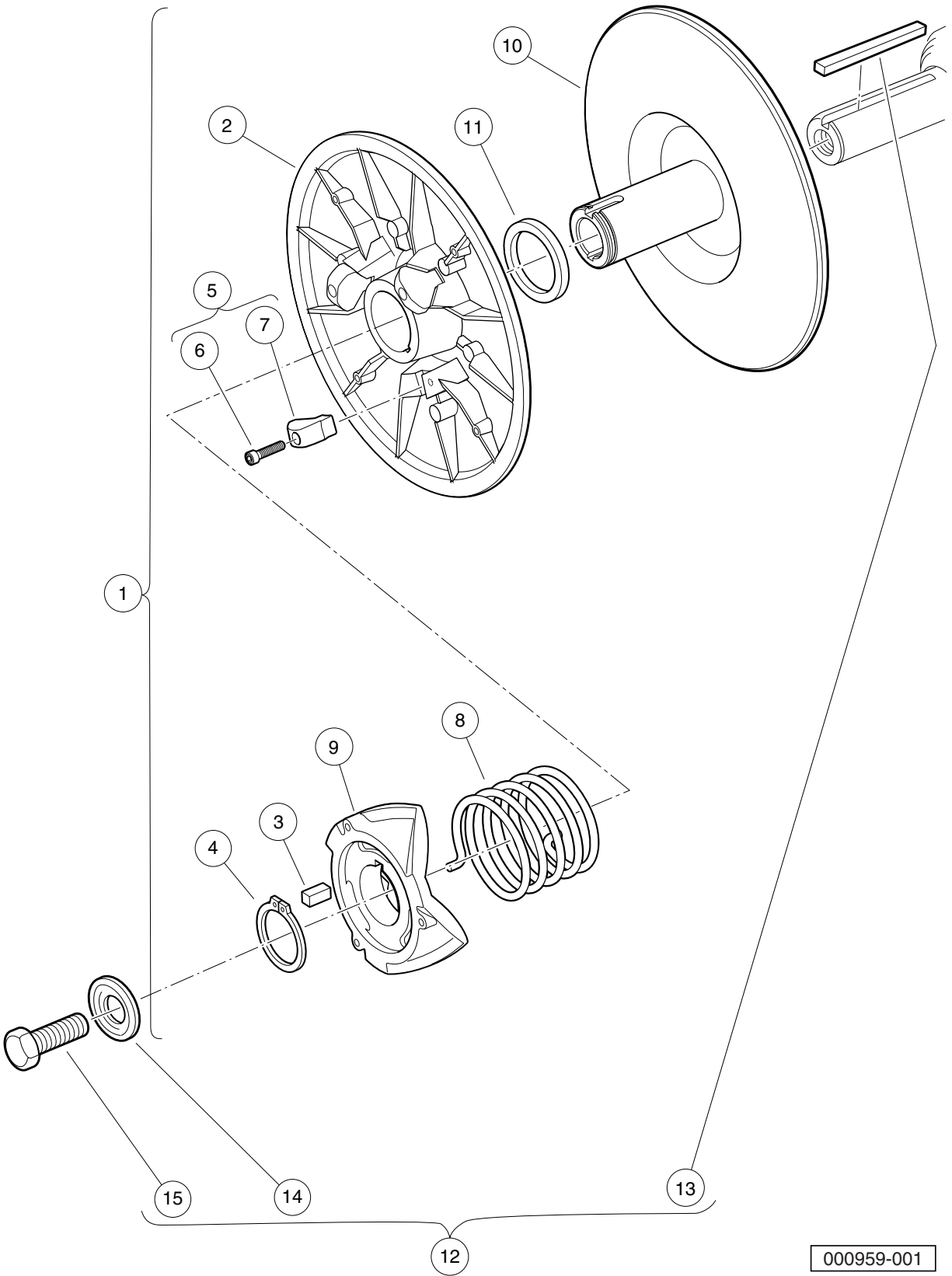
DRIVE CLUTCH – PEDAL-START VEHICLES

ITEM	PART NO.	DESCRIPTION	QTY
		1 2 3 4	
1	<u>102491501</u>	Washer, Hard, M10	1
2	<u>103973901</u>	Clutch, Drive, Pedal-Start (includes items 3 through 30)	1
3	<u>1014051</u>	Spring, Drive Clutch	1
4	<u>1014056</u>	Ring, Spiral Backup	2
5	<u>1014057</u>	Ring, 0.810" Internal Retaining	1
6	<u>1014058</u>	Thrust Washer	1
7	<u>1014059</u>	Drive Hub Assy, Drive Clutch	1
8	<u>1014288</u>	Screw, 5/16-18 X 0.75, Thread-Forming	3
9	<u>1014453</u>	Kit, Drive Clutch Button (includes items 10 through 13)	1
10	<u>1014062</u>	Driver, Drive Clutch	3
11	<u>1014287</u>	Spring, Drive Button	3
12	<u>183</u>	Washer, #10, Type A, Flat	3
13	<u>8450</u>	Screw, #10-24 X 0.50, Hex-Head	3
14	<u>1016289</u>	Spacer, Fixed Face Shaft	1
15	<u>1016801</u>	Kit, Drive Clutch Weight (includes items 16 through 22)	1
16	<u>1014063</u>	Screw, 1/4-20 X 1.00, Hex Head	6
17	N/A	Pin, Dowel, 0.3752 x 1.50	3
18	<u>1014065</u>	Washer, Flat, 0.38" ID, Delrin	6
19	N/A	Clutch Weight, Secondary	3
20	N/A	Washer	6
21	<u>1016201</u>	Washer, Wave	3
22	N/A	Weight, Primary	3
23	N/A	Cap Plug	3
24	<u>103974201</u>	Asm, Sheave, Moveable, Drive, Wr (includes items 25 through 27)	1
25	<u>1014055</u>	Retainer	1
26	N/A	Bushing, Split, Drive Clutch	1
27	N/A	Sheave, Moveable, Drive, Wr	1
28	<u>103974401</u>	Sheave, Fixed, Drive, Wr	1
29	<u>103984601</u>	Spacer, Idler, Drive	1
30	<u>105096101</u>	Pulley, 7.3 Inch Effective Dia	1
31	<u>103976101</u>	Screw, 3/8-24x5.75, Patch	1
32	<u>334</u>	Washer, 3/8, Type A, Flat	1

11

G

11
G



000959-001

DRIVEN CLUTCH (STANDARD SPEED) – PEDAL-START

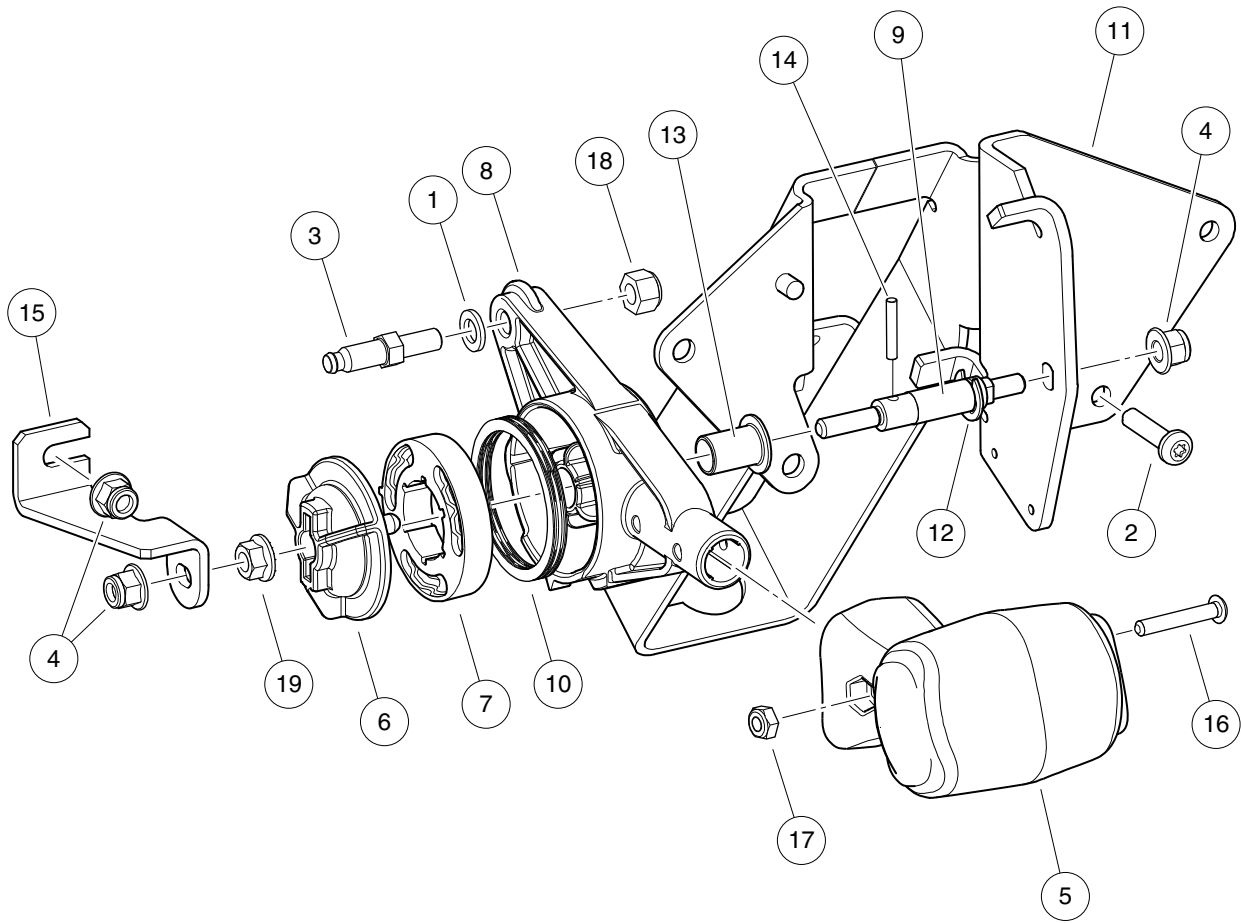
ITEM	PART NO.	DESCRIPTION	QTY
		1 2 3 4	
1	103974001	Clutch, Driven, Std-Speed, Pedal-Start (includes items 2 through 11)	1
2	<u>1014072</u>	Movable-Face Assembly with Bushing	1
3	<u>1014078</u>	Key, Driven Clutch	1
4	<u>1014080</u>	Ring, Retaining	1
5	<u>1014454</u>	Kit, Driven Clutch Button (includes items 6 and 7)	1
6	<u>1012836</u>	Screw, #8-32 X 3/4, Socket-Head Cap	3
7	N/A	Button, Drive	3
8	<u>1017686</u>	Cam, Driven Clutch	1
9	<u>103975301</u>	Sheave, Fixed, Driven, Wr	1
10	<u>104025101</u>	Washer, Acetal, Driven Clutch	1
11	104029401	Spring, Driven, Ccw, Pedal	1
12	<u>AM10419</u>	Kit, Clutch Repair (includes items 13 through 15)	1
13	<u>101833401</u>	Key, 3/16 Sq X 1.50"	1
14	<u>102155801</u>	Washer, Driven Clutch	1
15	<u>102242101</u>	Screw, 5/16-18 X 3/4 Hex-Head with Patch	1

11
G

11

G

TRANSAXLE (FUJI ED65)



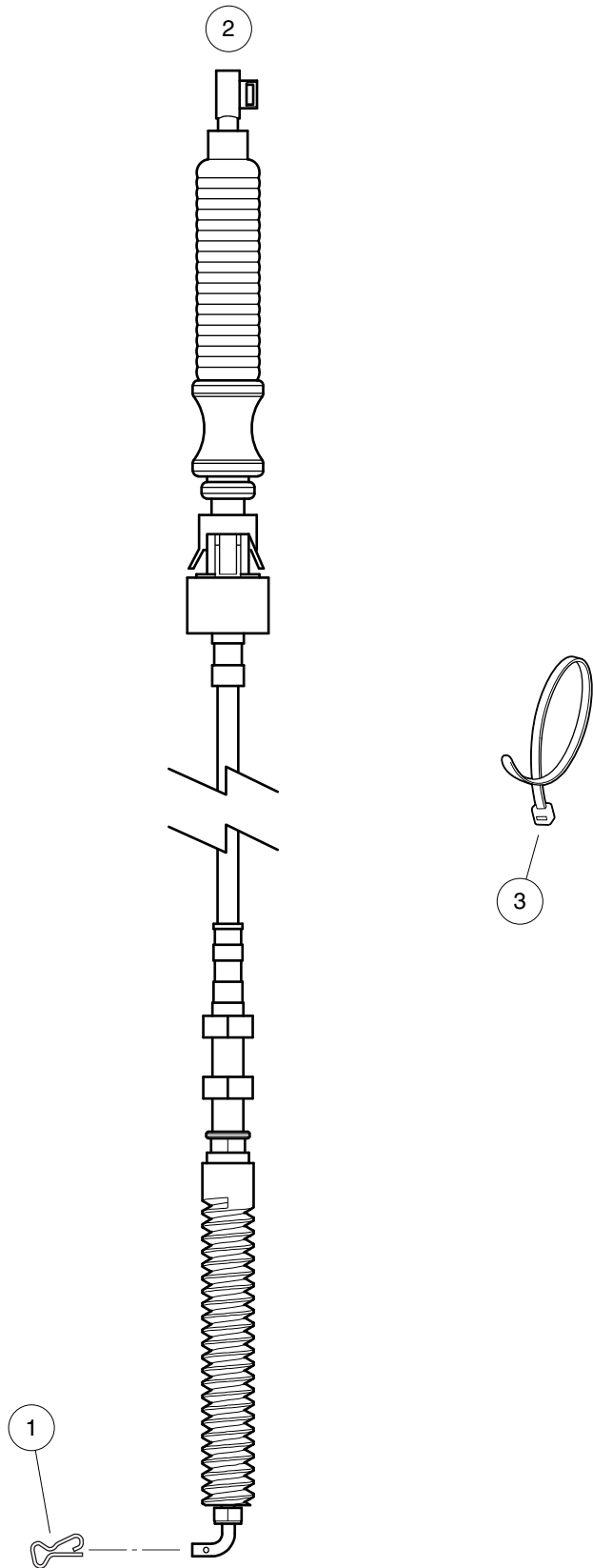
000987-001

FORWARD/REVERSE SHIFTER ASSEMBLY

ITEM	PART NO.	DESCRIPTION	QTY
		1 2 3 4	
1	<u>1014007</u>	Washer, 1/4, Flat	1
2	<u>102296020</u>	Screw, Torx Pan Hd Pt, M6 X 20	4
3	<u>102526201</u>	Stud, Thread, 1/4-28	1
4	<u>102621501</u>	Nut, Flange, M6 X 1.0, Nylon	3
5	<u>105036301</u>	Shifter, Soft, Gas, CA300-700	1
6	<u>105037701</u>	Follower, FNR Detent	1
7	<u>105038001</u>	Cam, FNR Detent, Alternate	1
8	<u>105038101</u>	Housing, FNR, Gas, CA300-700	1
9	<u>105038201</u>	Shaft, FNR, Dash	1
10	<u>105038501</u>	Spring, Wave, Gas FNR Shifter	1
11	<u>105039401</u>	Bracket, Shifter, Dash Mount	1
12	<u>105039801</u>	E-Clip, External, 8mm Groove	1
13	<u>105039901</u>	Bushing, Dash Shifter, Gas	1
14	<u>105040401</u>	Pin, Round, 0.125 Dia x 0.625	1
15	<u>105040501</u>	Bracket, Shifter, Brace, Dash	1
16	<u>105083701</u>	Bolt, 10-24 X 1.25", But Head	1
17	<u>105083801</u>	Nut, Nylon Lock, #10-24, Blk	1
18	<u>8717</u>	Locknut, Nylon Insert, 1/4-28	1
19	<u>96704176</u>	Nut, Flanged, M6 X 1, Serrated	1

12

G



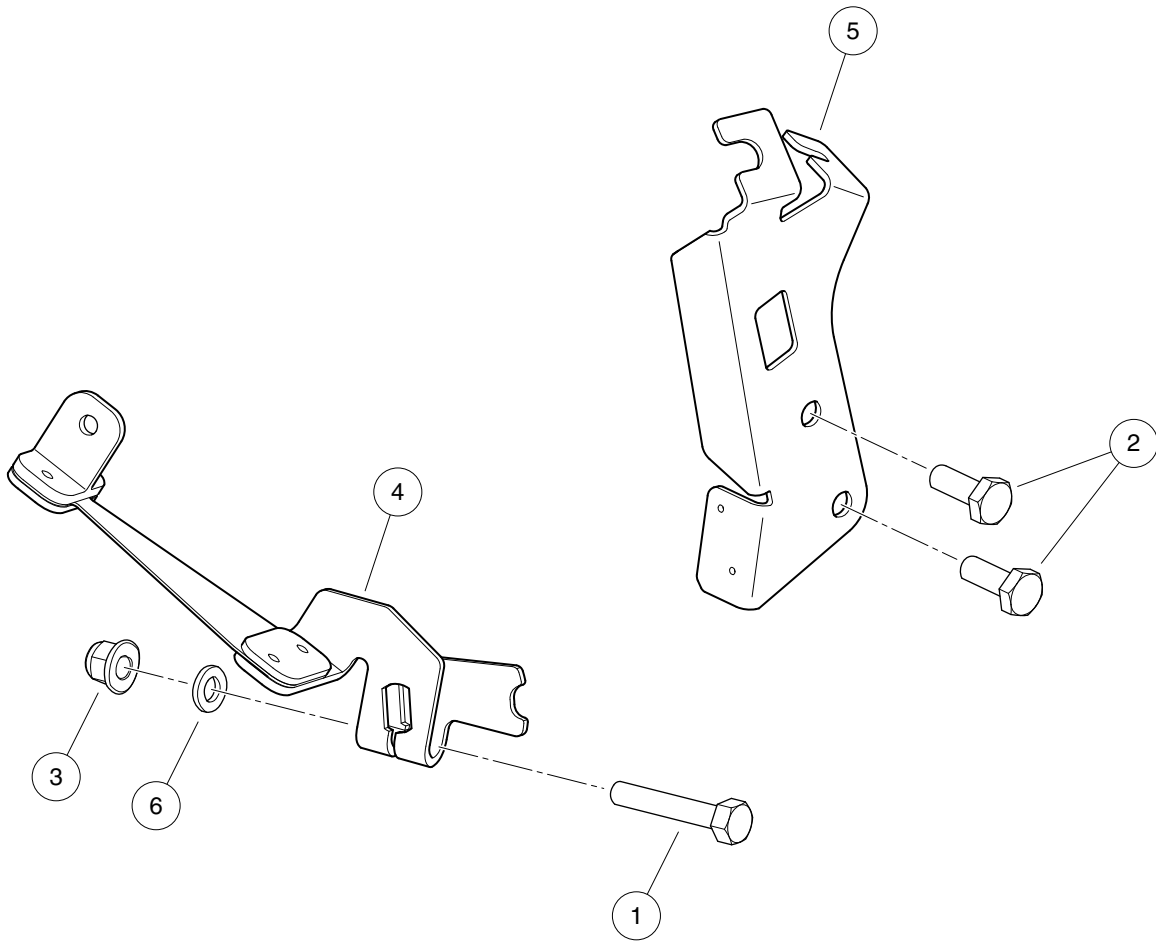
000988-001

SHIFTER CABLE – CA500 & CA550

ITEM	PART NO.	DESCRIPTION	QTY
		1 2 3 4	
1	<u>103886601</u>	Clip, Bowtie	1
2	<u>105038803</u>	Cable, Shifter, CA500/550/CafÉ Express	1
3	<u>8990</u>	Tie Wrap, 8" Nylon	A/R

12

G

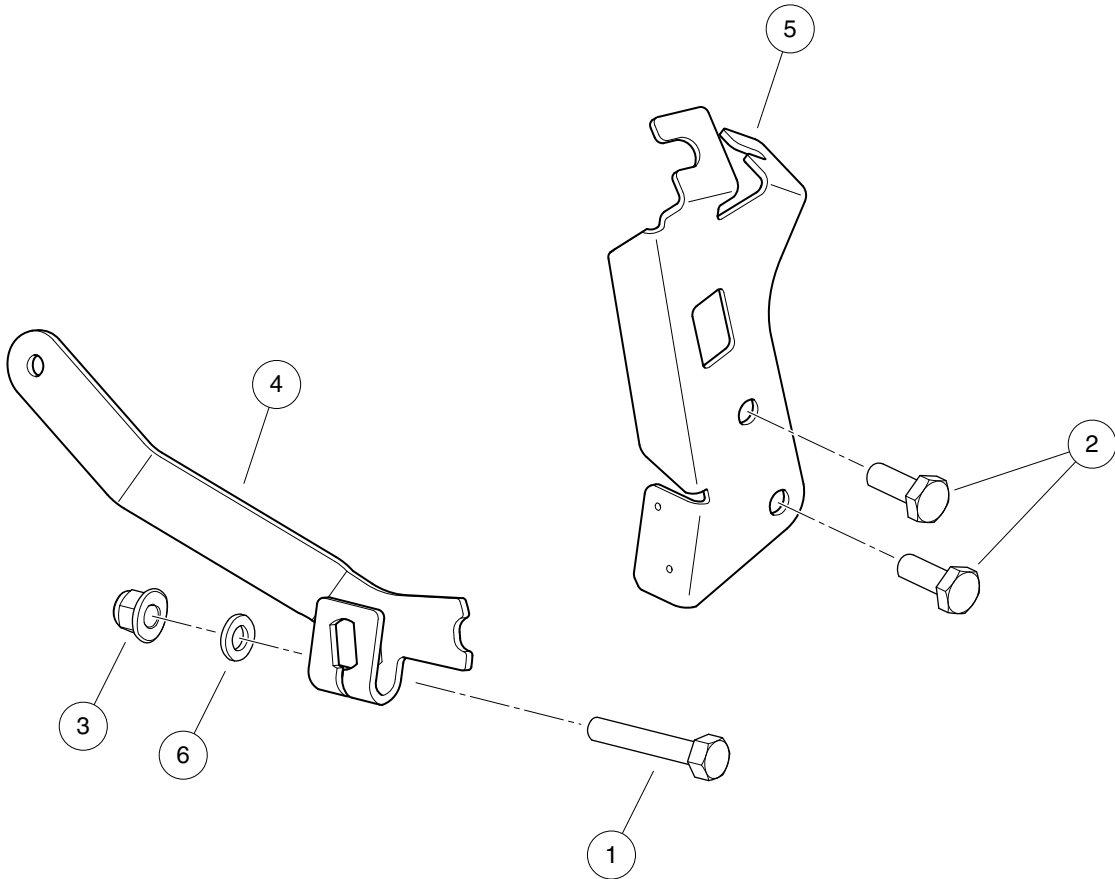


000965-001

SHIFT LEVER AND BRACKET – PEDAL-START ENGINES

ITEM	PART NO.	DESCRIPTION	QTY
		1 2 3 4	
1	<u>102059501</u>	Screw, 6M-1.00 X 35mm, Hex Head	1
2	<u>102498201</u>	Bolt, M10 X 1.25 X 25, Loctite	2
3	<u>102621501</u>	Nut, Flange, M6 X 1.0, Nylon	1
4	<u>105040901</u>	Lever, Shift, Flex, Transaxle, Pedal-Start	1
5	<u>105135101</u>	Bracket, Cable, FNR/Accelerator, ED65	1
6	<u>96705199</u>	Washer, M6	1

12
G

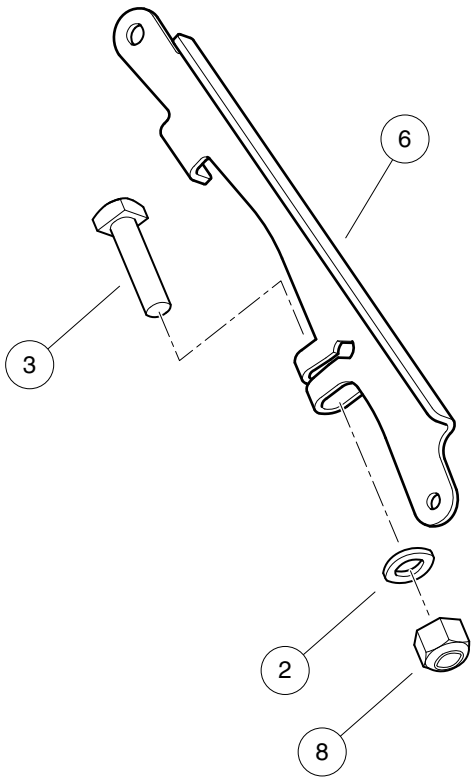
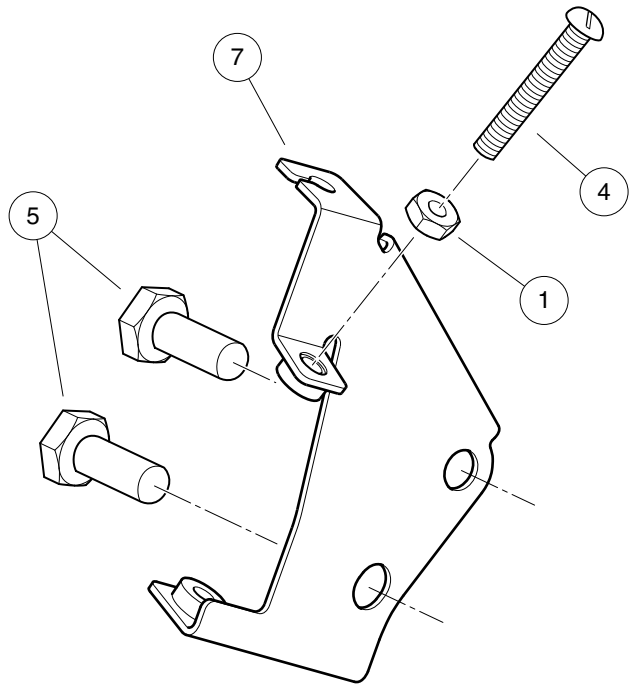


000965-002

SHIFT LEVER AND BRACKET – KEY-START ENGINES

ITEM	PART NO.	DESCRIPTION	QTY
		1 2 3 4	
1	<u>102059501</u>	Screw, 6M-1.00 X 35mm, Hex Head	1
2	<u>102498201</u>	Bolt, M10 X 1.25 X 25, Loctite	2
3	<u>102621501</u>	Nut, Flange, M6 X 1.0, Nylon	1
4	<u>105134901</u>	Lever, Shift, Transaxle, Key-Start	1
5	<u>105135101</u>	Bracket, Cable, FNR/Accelerator, ED65	1
6	<u>96705199</u>	Washer, M6	1

12
G



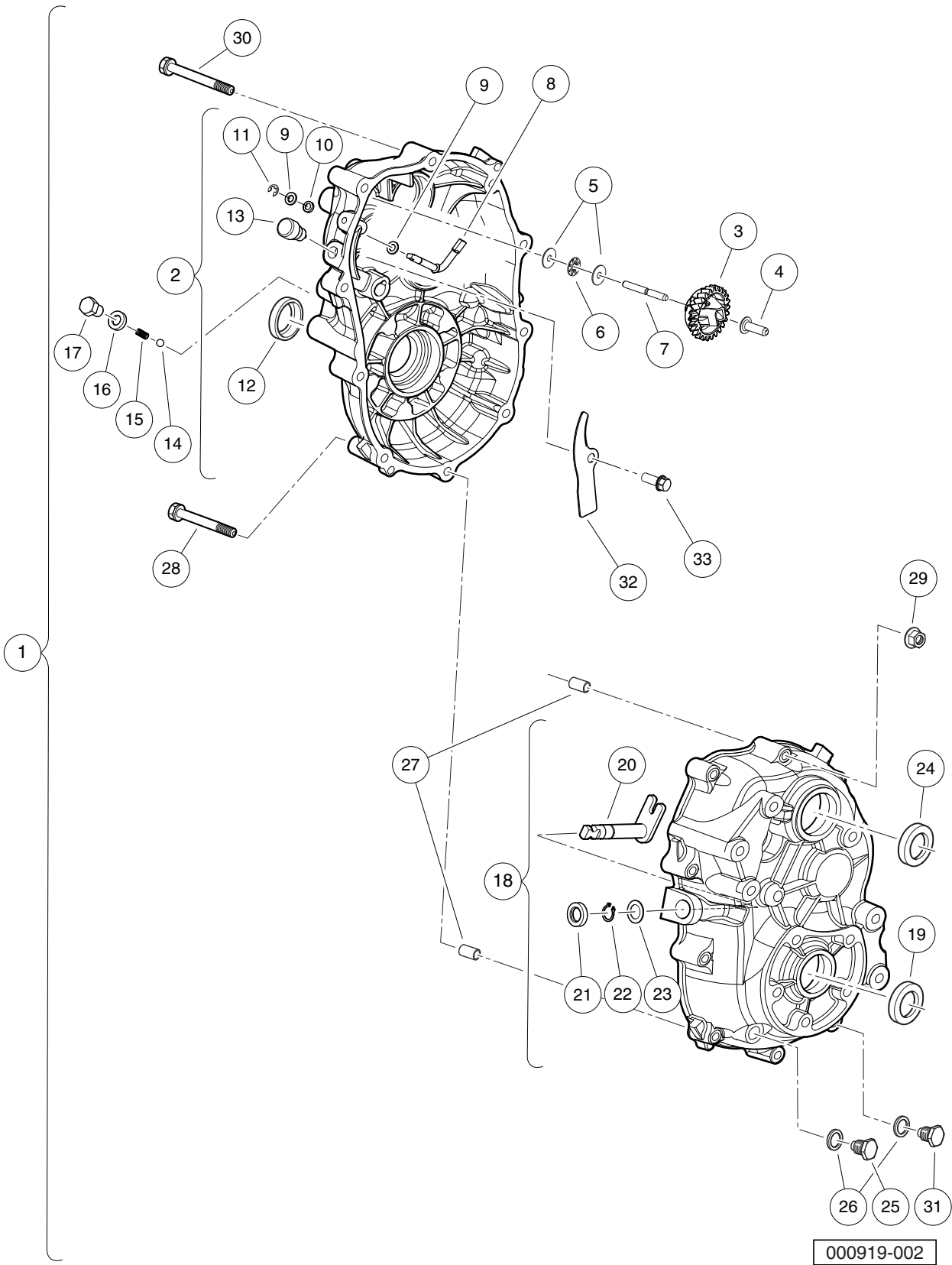
000966-002

GOVERNOR ARM AND BRACKETS – UTILITY VEHICLES

ITEM	PART NO.	DESCRIPTION	QTY
		1 2 3 4	
1	<u>1011114</u>	Nut, M6-1.00 Hex	1
2	<u>1014007</u>	Washer, 1/4, Flat	1
3	<u>101886101</u>	Screw, 1/4-20 X 1.00, Square-Head	1
4	<u>102476401</u>	Bolt, Stop, Pedal	1
5	<u>102498201</u>	Bolt, M10 X 1.25 X 25, Loctite	2
6	<u>104023501</u>	Arm, Governor, ED65	1
7	<u>105144401</u>	Weldment, Governor Bracket	1
8	<u>8233</u>	Locknut, 1/4-20, Nylon Insert	1

12

G

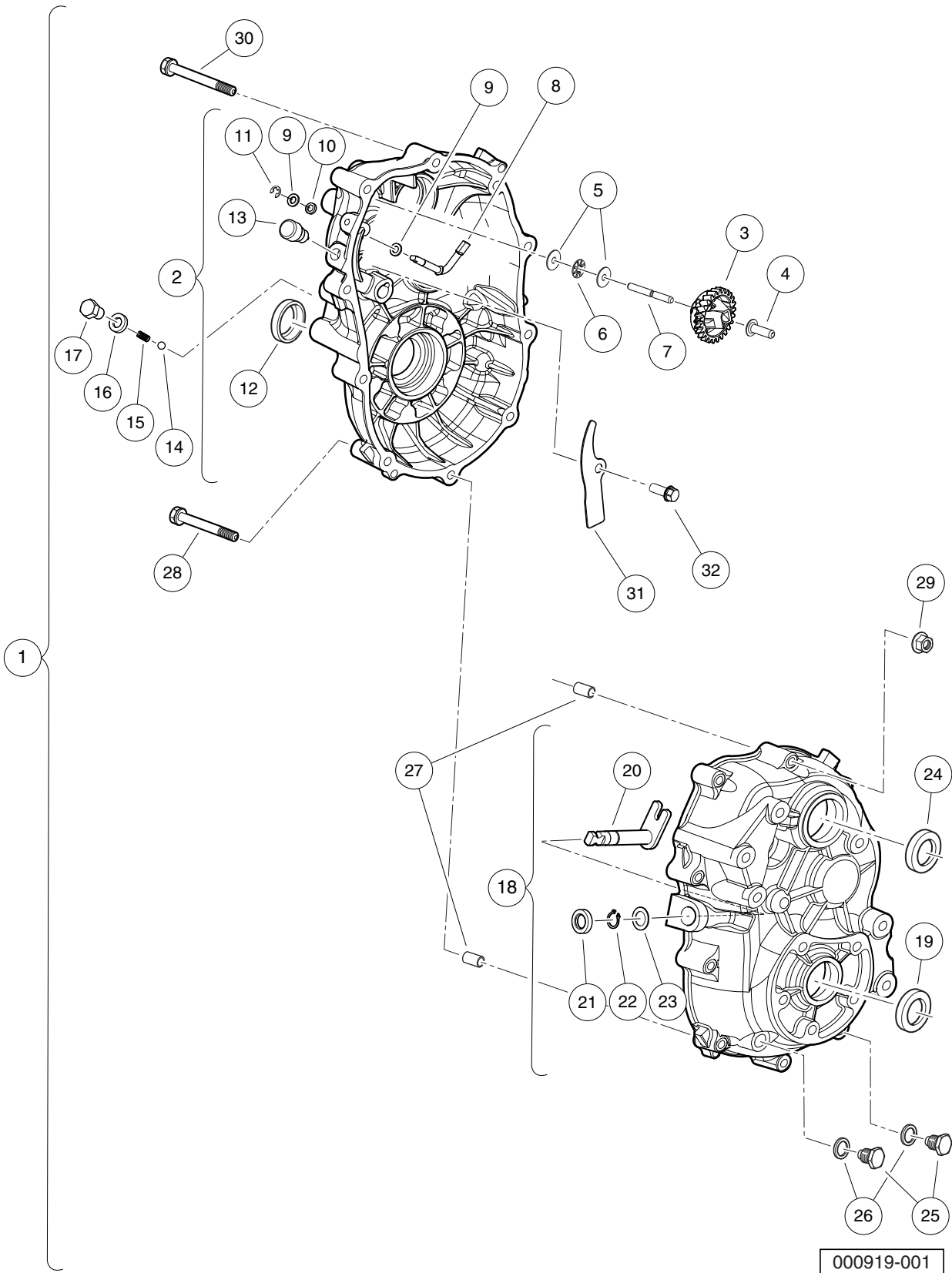


TRANSAXLE (ED65), LIMITED SLIP – PAGE 1 OF 3

ITEM	PART NO.	DESCRIPTION	QTY
		1 2 3 4	
1	<u>103879702</u>	Transaxle, ED65, Limited-Slip Differential (includes items 2 through 33)	1
2	<u>105025001</u>	Case, Transaxle, Left, Complete, ED65 (includes items 3 through 13)	1
3	<u>105025101</u>	Gear, Governor, Complete, ED65	1
4	<u>105025201</u>	Sleeve, Governor, ED65	1
5	<u>105025301</u>	Washer, ED65	2
6	<u>105025401</u>	Bearing, Thrust, ED65	1
7	<u>105025501</u>	Shaft, Governor Gear, ED65	1
8	<u>105025601</u>	Shaft, Governor, ED65	1
9	<u>105025701</u>	Washer, 6mm, ED65	2
10	<u>105025801</u>	Seal, Oil, 6x10x2.5, ED65	1
11	<u>105025901</u>	Retaining Ring, E5, ED65	1
12	<u>105026001</u>	Seal, Oil, 24x40x9, ED65	1
13	<u>105027101</u>	Vent, Breather, ED65	1
14	<u>105026101</u>	Ball, Steel, ED65	1
15	<u>105026201</u>	Spring, ED65	1
16	<u>105026301</u>	Gasket, 10, ED65	1
17	<u>105026401</u>	Bolt, M10-1.25x12mm Lg, ED65	1
18	<u>105026501</u>	Case, Transaxle, Right, Complete, ED65 (includes items 19 through 24)	1
19	<u>105026001</u>	Seal, Oil, 24x40x9, ED65	1
20	<u>105026601</u>	Shaft, Select, ED65	1
21	<u>105026701</u>	Seal, Oil, 13x22x5, ED65	1
22	<u>105026801</u>	Snap Ring, 13mm, ED65	1
23	<u>105026901</u>	Spacer, 13x1, ED65	1
24	<u>105027001</u>	Seal, Oil, 25x45x7, ED65	1
25	<u>105027201</u>	Plug, Oil Drain, ED65	1
26	<u>105027301</u>	Gasket, 14, ED65	2
27	<u>105028301</u>	Pin, Guide, ED65	2
28	<u>105028501</u>	Bolt, Flange, M8-1.25x65mm, ED65	1
29	<u>105030001</u>	Nut, Flange, M8-1.25, ED65	10
30	<u>105030701</u>	Bolt, Flanged, M8-1.25x80mm, ED65	9
31	<u>105063501</u>	Plug, Oil Drain, Magnetic, ED65	1
32	<u>105234801</u>	Plate, Ed65 Splash	1
33	<u>105234901</u>	Bolt, M6-1 X 12mm Lg, Ed65	1
Note: Fuji transaxle component listings span three pages. To identify your transaxle, locate the serial number decal on the axle tube.			

12

G



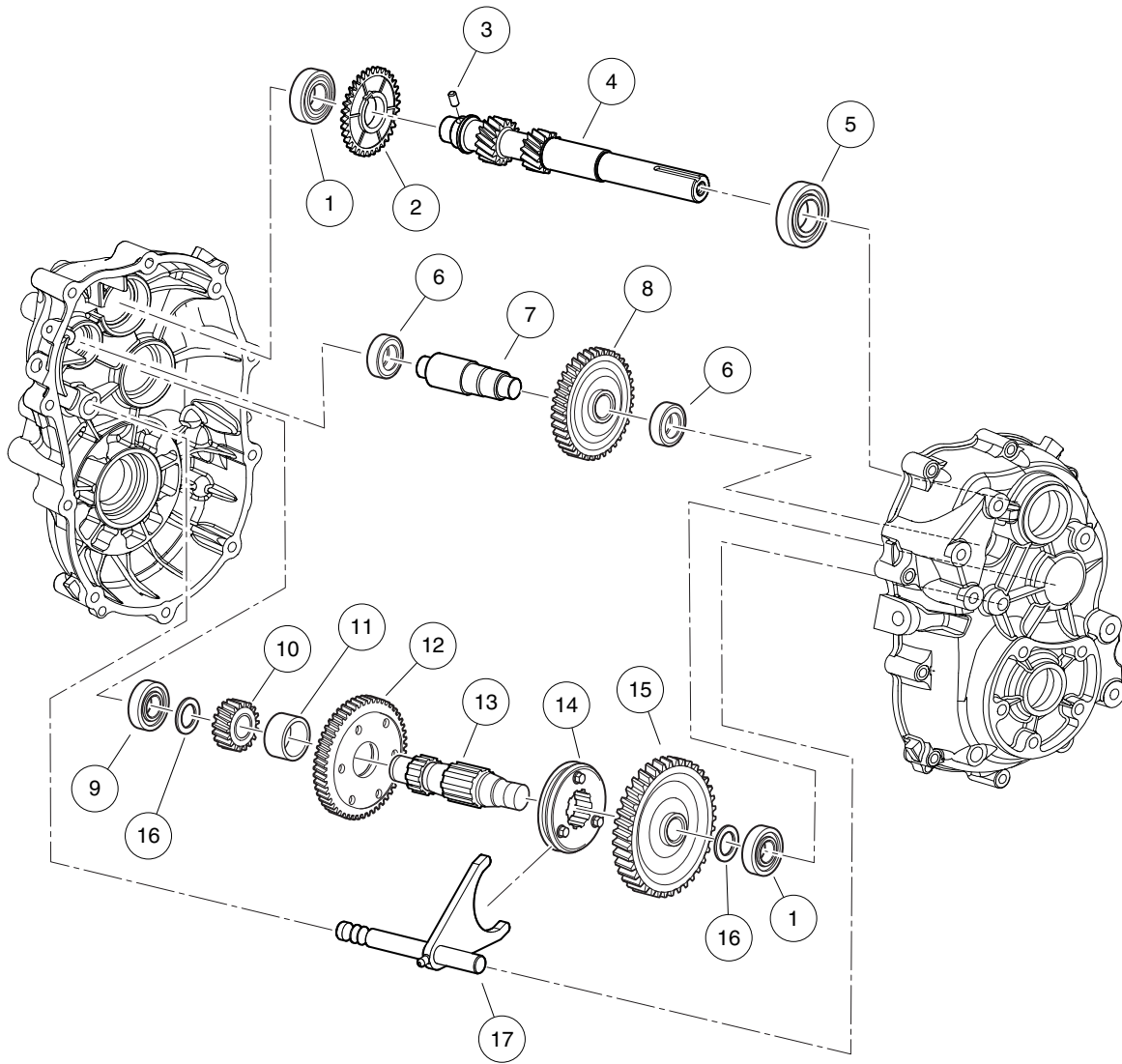
000919-001

TRANSAXLE (ED65), OPEN – PAGE 1 OF 3

ITEM	PART NO.	DESCRIPTION	QTY
		1 2 3 4	
1	<u>103879701</u>	Transaxle, ED65, Open Differential (includes items 2 through 32)	1
2	<u>105025001</u>	Case, Transaxle, Left, Complete, ED65 (includes items 3 through 13)	1
3	<u>105025101</u>	Gear, Governor, Complete, ED65	1
4	<u>105025201</u>	Sleeve, Governor, ED65	1
5	<u>105025301</u>	Washer, ED65	2
6	<u>105025401</u>	Bearing, Thrust, ED65	1
7	<u>105025501</u>	Shaft, Governor Gear, ED65	1
8	<u>105025601</u>	Shaft, Governor, ED65	1
9	<u>105025701</u>	Washer, 6mm, ED65	2
10	<u>105025801</u>	Seal, Oil, 6x10x2.5, ED65	1
11	<u>105025901</u>	Retaining Ring, E5, ED65	1
12	<u>105026001</u>	Seal, Oil, 24x40x9, ED65	1
13	<u>105027101</u>	Vent, Breather, ED65	1
14	<u>105026101</u>	Ball, Steel, ED65	1
15	<u>105026201</u>	Spring, ED65	1
16	<u>105026301</u>	Gasket, 10, ED65	1
17	<u>105026401</u>	Bolt, M10-1.25x12mm Lg, ED65	1
18	<u>105026501</u>	Case, Transaxle, Right, Complete, ED65 (includes items 19 through 24)	1
19	<u>105026001</u>	Seal, Oil, 24x40x9, ED65	1
20	<u>105026601</u>	Shaft, Select, ED65	1
21	<u>105026701</u>	Seal, Oil, 13x22x5, ED65	1
22	<u>105026801</u>	Snap Ring, 13mm, ED65	1
23	<u>105026901</u>	Spacer, 13x1, ED65	1
24	<u>105027001</u>	Seal, Oil, 25x45x7, ED65	1
25	<u>105027201</u>	Plug, Oil Drain, ED65	2
26	<u>105027301</u>	Gasket, 14, ED65	2
27	<u>105028301</u>	Pin, Guide, ED65	2
28	<u>105028501</u>	Bolt, Flange, M8-1.25x65mm, ED65	1
29	<u>105030001</u>	Nut, Flange, M8-1.25, ED65	10
30	<u>105030701</u>	Bolt, Flanged, M8-1.25x80mm, ED65	9
31	<u>105234801</u>	Plate, Ed65 Splash	1
32	<u>105234901</u>	Bolt, M6-1 X 12mm Lg, Ed65	1
Note: Fuji transaxle component listings span three pages. To identify your transaxle, locate the serial number decal on the axle tube.			

12

G



000919-003

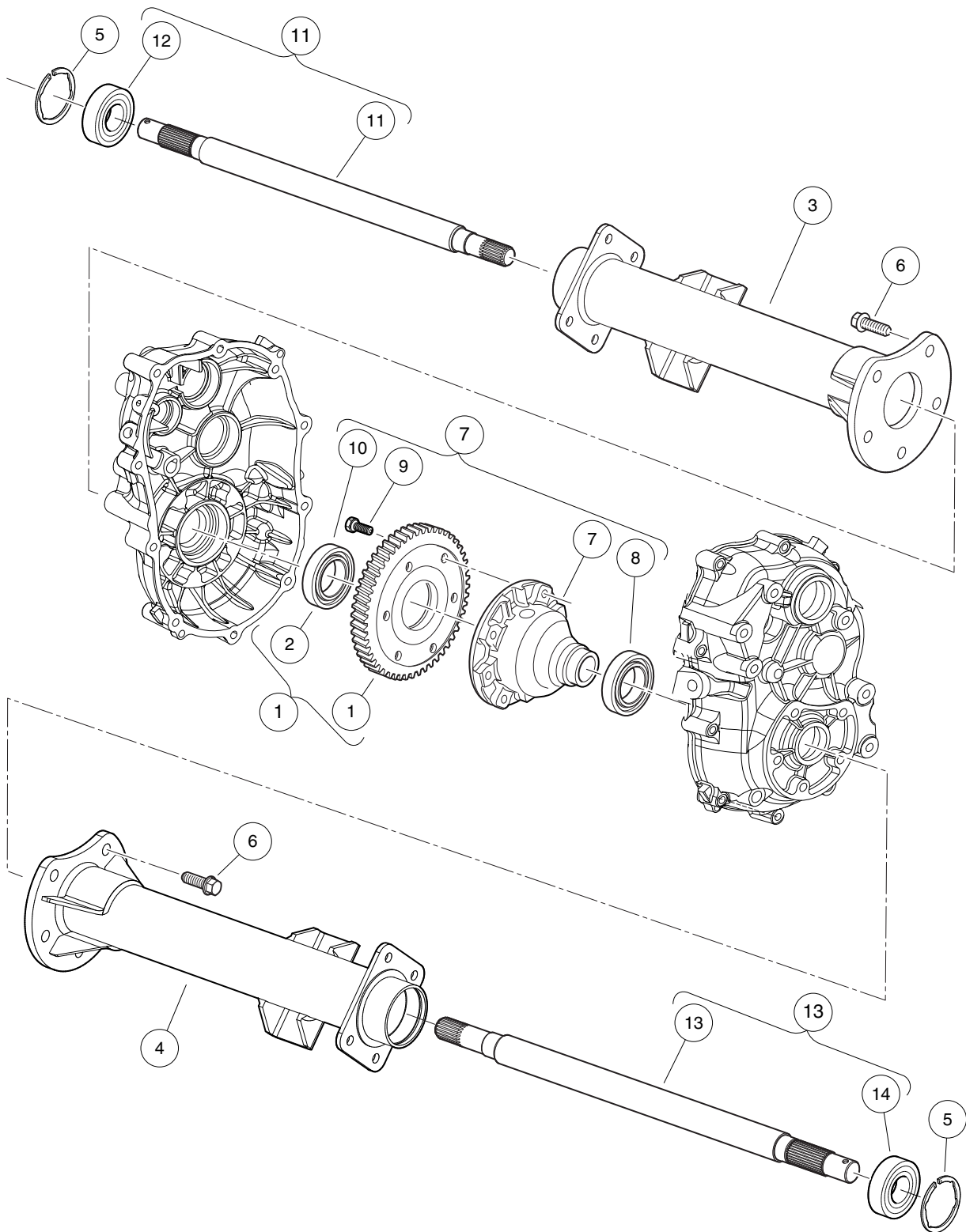
TRANSAXLE (ED65), LIMITED SLIP AND OPEN – PAGE 2 OF 3

ITEM	PART NO.	DESCRIPTION	QTY
		1 2 3 4	
1	<u>105027401</u>	Bearing, Ball (6204)	2
2	<u>105027501</u>	Gear, Governor, 34 Tooth, ED65	1
3	<u>105027601</u>	Pin, 6x12 Long, ED65	1
4	105027701	Shaft, Input, ED65	1
5	105027801	Bearing, Ball (6205 seal)	1
6	<u>105027901</u>	Bearing, Ball (6202)	2
7	105028001	Shaft, Counter, ED65	1
8	105028201	Gear, 34 Tooth, ED65	1
9	<u>105028401</u>	Bearing, Ball (6304)	1
10	105028601	Gear, 17 Tooth, ED65	1
11	<u>105028701</u>	Collar, 24 x 12, ED65	1
12	<u>105028801</u>	Gear, 52 Tooth, ED65	1
13	105028901	Shaft, Center, ED65	1
14	<u>105029001</u>	Clutch, Pin, ED65	1
15	105029101	Gear, 62 Tooth, ED65	1
16	<u>105029201</u>	Spacer, 20x2, ED65	2
17	<u>105030901</u>	Shaft, Shift, ED65	1
		<p>Note: To identify your transaxle, locate the serial number decal on the axle tube.</p>	

12

G

12
G



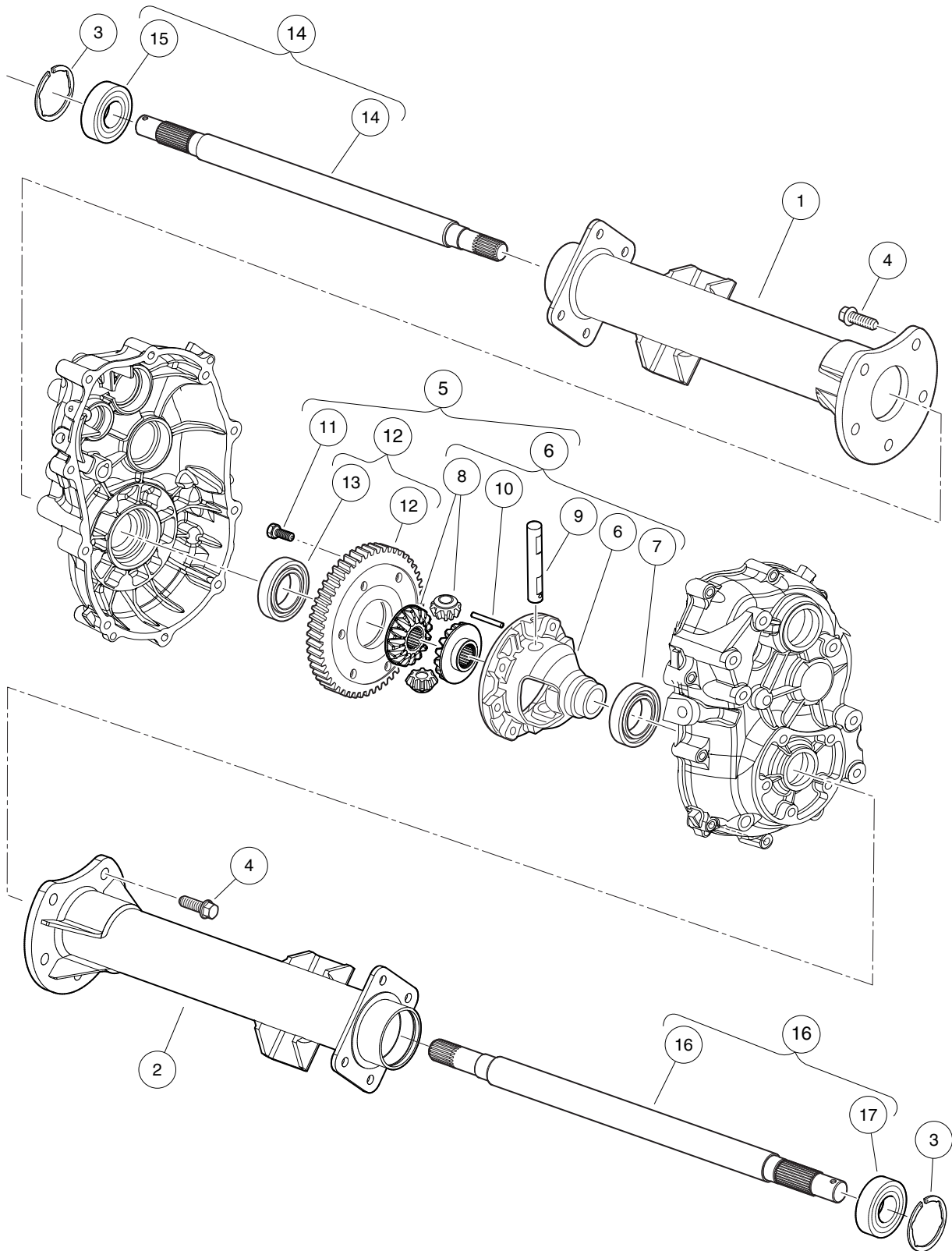
000919-005

TRANSAXLE (ED65), LIMITED SLIP – PAGE 3 OF 3

ITEM	PART NO.	DESCRIPTION	QTY
		1 2 3 4	
1	105029901	Gear, 60 Tooth, Complete, ED65 (includes item 2)	1
2	<u>105029801</u>	Bearing, Ball (6007)	1
3	105030401	Axle Tube, Driver-Side, ED65	1
4	105030501	Axle Tube, Passenger-Side, ED65	1
5	<u>105030601</u>	Snap Ring, 52mm, ED65	2
6	<u>105030801</u>	Bolt, Flange, M10-1.25x25, ED65	10
7	<u>105063601</u>	Differential, Limited-Slip, ED65 (includes items 8 through 10)	1
8	<u>105028101</u>	Bearing, Ball (6006)	1
9	<u>105029501</u>	Bolt, M10-1.25x26mm Lg, ED65	6
10	<u>105029801</u>	Bearing, Ball (6007)	1
11	<u>105066001</u>	Axle Shaft, Driver-Side, Complete, ED65 (includes item 12)	1
12	<u>105030301</u>	Bearing, Ball (6205DD)	1
13	<u>105066101</u>	Axle Shaft, Passenger-Side, Complete, ED65 (includes item 14)	1
14	<u>105030301</u>	Bearing, Ball (6205DD)	1
<p style="margin-left: 40px;">Note: To identify your transaxle, locate the serial number decal on the axle tube.</p>			

12

G



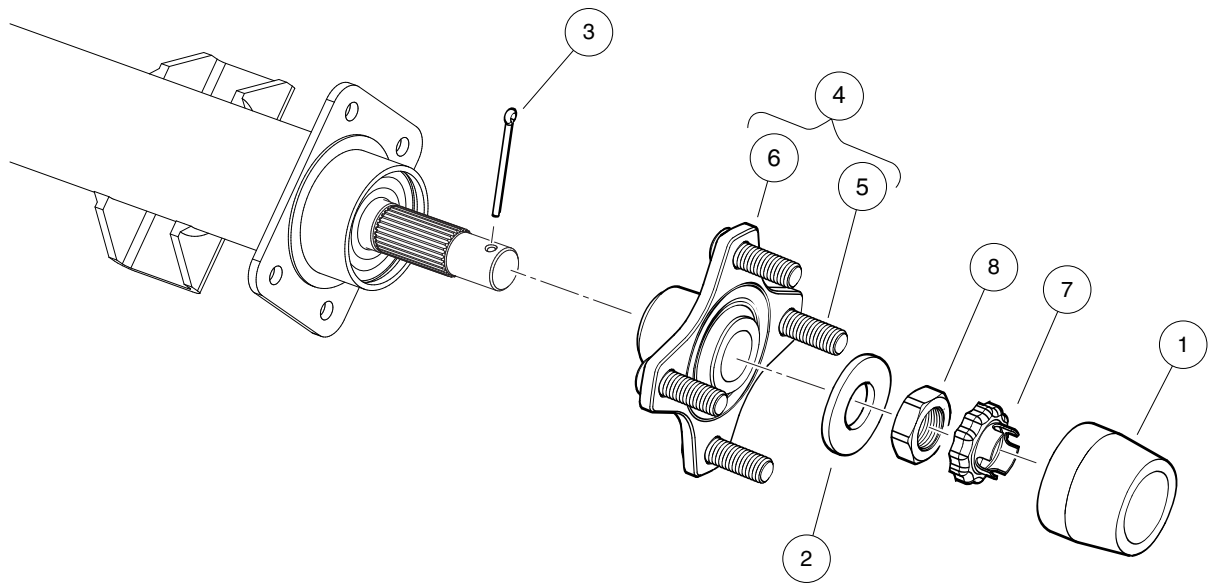
000919-004

TRANSAXLE (ED65), OPEN – PAGE 3 OF 3

ITEM	PART NO.	DESCRIPTION	QTY
		1 2 3 4	
1	105030401	Axle Tube, Driver-Side, ED65	1
2	105030501	Axle Tube, Passenger-Side, ED65	1
3	<u>105030601</u>	Snap Ring, 52mm, ED65	2
4	<u>105030801</u>	Bolt, Flange, M10-1.25x25, ED65	10
5	<u>105031001</u>	Differential, Open, ED65 (includes items 6 through 12)	1
6	<u>105029301</u>	Case, Differential, Complete, ED65 (includes items 7 through 10)	1
7	<u>105028101</u>	Bearing, Ball (6006)	1
8	105029401	Gear Set, Differential, ED65	1
9	<u>105029601</u>	Shaft, Differential, ED65	1
10	<u>105029701</u>	Pin, 4x40 Long, ED65	1
11	<u>105029501</u>	Bolt, M10-1.25x26mm Lg, ED65	6
12	105029901	Gear, 60 Tooth, Complete, ED65 (includes item 13)	1
13	<u>105029801</u>	Bearing, Ball (6007)	1
14	<u>105066001</u>	Axle Shaft, Driver-Side, Complete, ED65 (includes item 15)	1
15	<u>105030301</u>	Bearing, Ball (6205DD)	1
16	<u>105066101</u>	Axle Shaft, Passenger-Side, Complete, ED65 (includes item 17)	1
17	<u>105030301</u>	Bearing, Ball (6205DD)	1
		Note: To identify your transaxle, locate the serial number decal on the axle tube.	

12

G



000919-006

HUB, REAR

ITEM	PART NO.	DESCRIPTION	QTY
		1 2 3 4	
1	102274101	Center Cap, Rubber	2
2	<u>102617801</u>	Washer, Hard, M22	2
3	<u>103989501</u>	Pin, Cotter, 9/64 X 1.75"	2
4	<u>103995001</u>	Asm, Hub, Machined, Golf/Utility (includes items 5 and 6)	2
5	<u>103951501</u>	Lug Stud, 1/2-20 UNF, SAE J1102	4
6	<u>103979301</u>	Hub, Machined, Golf/Utility	1
7	<u>104021701</u>	Retaining Ring, Hex Nut, M22	2
8	<u>104027101</u>	Nut, Hex, M22x1.5, Thin	2

12
G

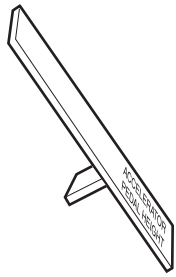
12

G

MAINTENANCE AND SERVICE TOOLS

13
G
E

13
G
E



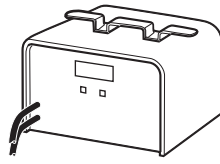
1



2



3



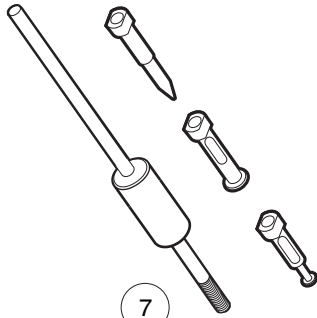
4



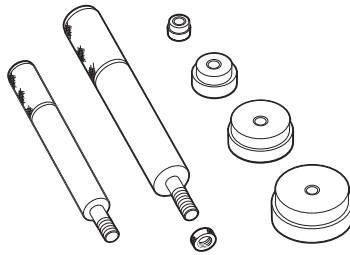
5



6



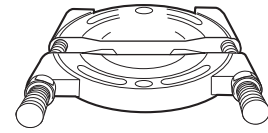
7



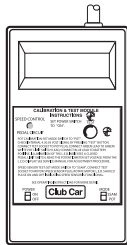
8



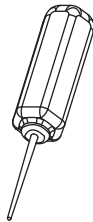
9



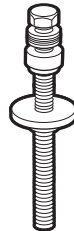
10



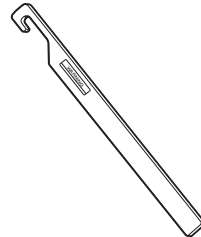
11



12



13



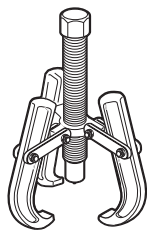
14



15



16



17



18



19

001060-002

MAINTENANCE AND SERVICE TOOLS

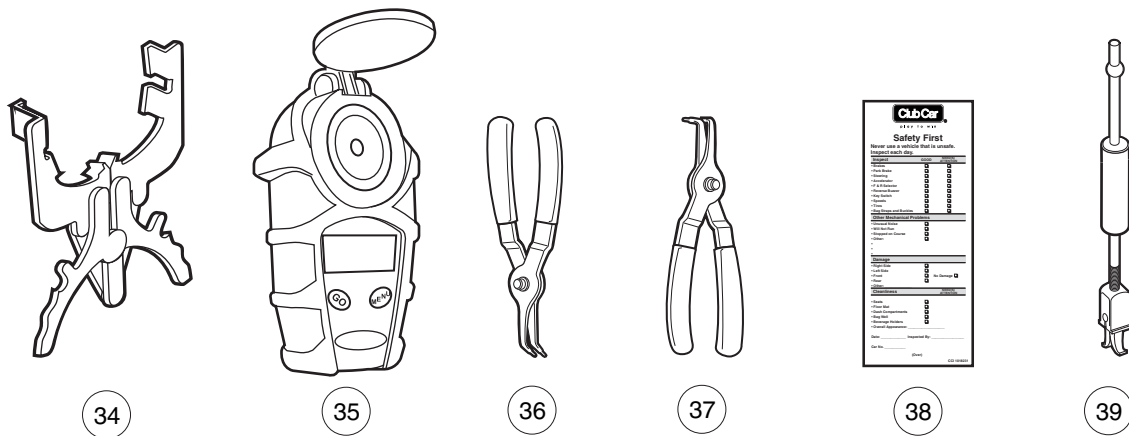
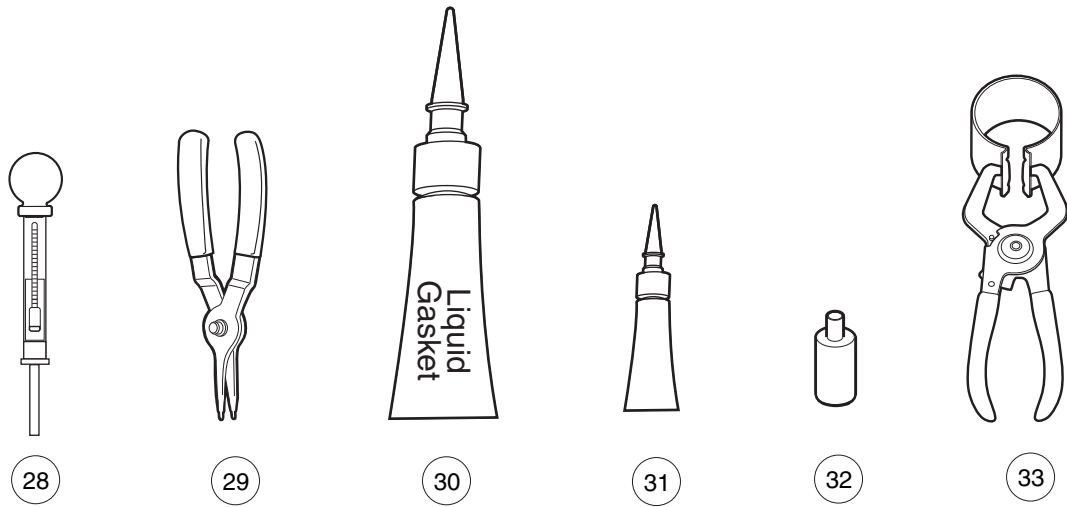
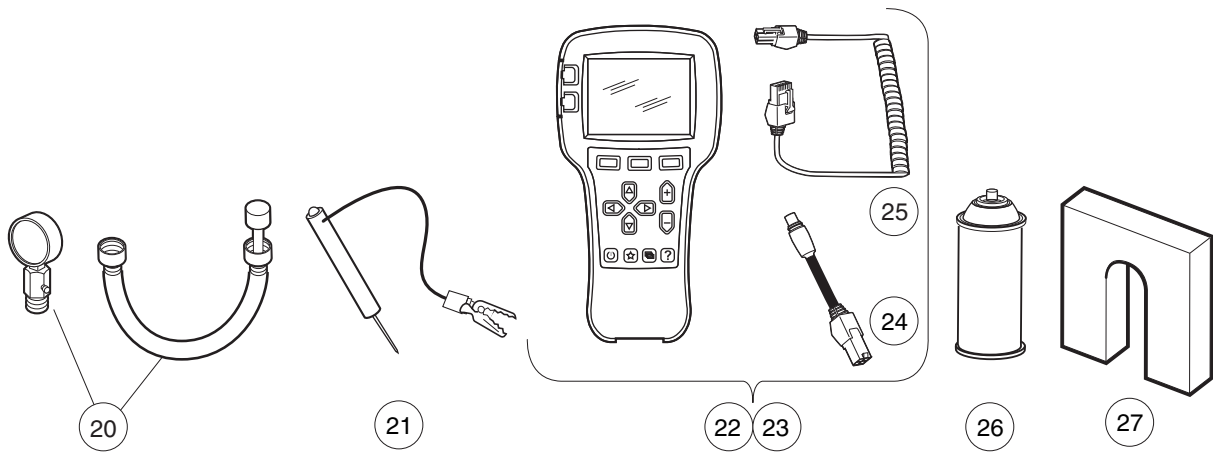
ITEM	PART NO.	DESCRIPTION	QTY GAS	QTY ELEC
		<p style="text-align: center;">1 2 3 4</p> <p>The following tool list includes all tools available from Club Car for maintenance and service procedures for gasoline and electric golf and utility vehicles. Be sure to carefully examine the tool list for applicability to your vehicle before ordering.</p>		
1	<u>101871001</u>	Accelerator Pedal Adjustment Tool (Utility Vehicles).....	1	1
2	<u>101813202</u>	Adhesive, Guide Ring, 3-Gram Tube		1
3	<u>101641202</u>	Arbor	1	
4	<u>101831901</u>	Battery Discharge Machine, 36/48 Volt		1
5	<u>1014305</u>	Battery Terminal Protector Spray	1	1
6	<u>1011767</u>	Battery Thermometer	1	1
7	<u>1016417</u>	Bearing and Oil Seal Remover Assembly	1	1
8	<u>1016416</u>	Bearing Driver Set	1	1
9	<u>1012811</u>	Bearing Puller	1	1
10	<u>1012812</u>	Bearing Puller Wedge Attachment	1	1
11	<u>101887101</u>	Calibration Test Module		1
12	<u>102562401</u>	Charger Bezel Tool		1
		Clutch Tools (items 14 - 20)	1	
13	<u>101808401</u>	Clutch Cam Installation Tool (for Subaru and Kawasaki engines)	1	
14	<u>105072501</u>	Drive Clutch Holder Tool Assembly (for Subaru and Kawasaki engines)	1	
15	<u>1014497</u>	Drive Clutch Hub Puller (for Subaru and Kawasaki engines)	1	
16	<u>1014496</u>	Drive Clutch Puller (for Subaru and Kawasaki engines)	1	
17	<u>1014508</u>	Driven Clutch Cam Puller (for Subaru and Kawasaki engines)	1	
18	<u>1014507</u>	Driven Clutch Puller Plug (for Subaru and Kawasaki engines)	1	
19	<u>101809101</u>	Press Weldment (for Subaru and Kawasaki engines)	1	
		<p>Please refer to the maintenance and service manual for proper tool application.</p>		

13

G

E

13
G
E



001061-002

MAINTENANCE AND SERVICE TOOLS, CONTINUED

ITEM	PART NO.	DESCRIPTION	QTY GAS	QTY ELEC
		1 2 3 4		
20	101641002	Compression Gauge and Adapter	1	
21	1011273	Continuity Tester	1	1
22	<u>105234501</u>	Controller Diagnostic Tool (CDT) User Kit (includes items 25 and 26)		1
23	<u>105234502</u>	Controller Diagnostic Tool (CDT) OEM Kit (includes items 25 and 26)		1
24	<u>102251501</u>	Adaptor, Cable		1
25	<u>105209601</u>	CDT Cable		1
26	<u>1012151</u>	Dry Moly Lubricant	1	1
27	<u>1016418</u>	Gear Yoke	1	1
28	<u>1011478</u>	Hydrometer	1	1
29	<u>1013593</u>	Internal Retaining Ring Pliers	1	1
30	<u>101928701</u>	Liquid Gasket (transaxle case)	1	1
31	<u>102243402</u>	Moly-Teflon Lubricant (4-oz. (113-gram) tube)		1
32	<u>102587201</u>	Paint Pen, Touch-Up, Precedent Underbody ,Ai Black.....	1	1
33	<u>1016414</u>	Piston Ring Compressor Kit	1	
34	<u>1016415</u>	Piston Ring Pliers	1	
35	<u>AM1285701</u>	Refractometer	1	1
36	<u>1012549</u>	Retaining Ring Pliers, 45→× External	1	1
37	<u>1012560</u>	Retaining Ring Pliers, 90→× Internal	1	1
38	<u>101823101</u>	Safety First Card (50 per pack)	1	1
39	<u>1012809</u>	Seal Puller	1	1
		Please refer to the maintenance and service manual for proper tool application.		

13

G

E

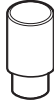
13

G

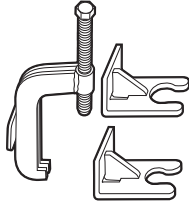
E



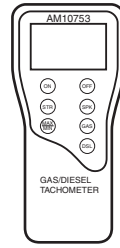
40



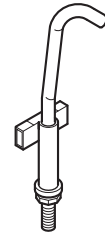
41



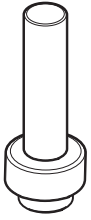
42



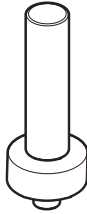
43



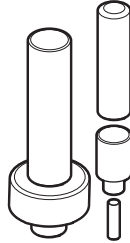
44



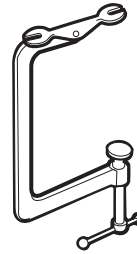
45



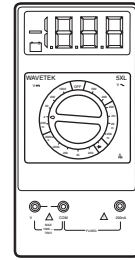
46



47



48



49

001062-001

MAINTENANCE AND SERVICE TOOLS, CONTINUED

ITEM	PART NO.	DESCRIPTION	QTY GAS	QTY ELEC	
		1 2 3 4			13
40	<u>1014264</u>	Steering Column Bearing Press Tool	1	1	G
41	<u>1014259</u>	Steering Column Retaining Ring Tool	1	1	E
42	102061201	Steering Wheel Puller Tool	1	1	
43	<u>AM10753</u>	Tachometer (includes gasoline engine pick up lead only)	1		
44	<u>102570401</u>	Tool, Tensioning, Starter Generator (For Precedent vehicles)	1		
45	<u>1014162</u>	Transaxle Axle Seal Tool (for electric vehicles)		1	
46	1014161	Transaxle Pinion Seal Tool (for electric vehicles)		1	
47	<u>1014115</u>	Transmission Tool Kit (for electric vehicles).....		1	
48	<u>101641101</u>	Valve Spring Compressor	1		
49	1011480	Volt Ohm Meter	1	1	
		Please refer to the maintenance and service manual for proper tool application.			

INDEX

Part Number and Page

AM10753	13-7	1010150	6-13, 6-15	1012181	6-21
AM10419	11-7	1010177	6-13, 6-15	1012182	6-21
SVP203101	3-7	1010200	6-13, 6-15	1012295	4-5, 4-7, 7-13
183	1-37, 11-5	101043502	1-43	1012303	6-13, 6-15
320	1-19, 5-11	1010577	8-5, 8-7	101242802	1-7
332	1-23, 1-41, 7-11	1010805	5-3	1012431	4-13, 7-13
334	1-19, 1-39, 5-5, 6-3, 6-5, 11-5	1010829	5-11, 5-13	1012528	1-39, 10-3
357	1-43, 6-13, 6-15	1010850	5-9, 5-15	1012549	13-5
451	5-9, 5-15	1010877	5-3	1012560	13-5
705	1-43	1010878	5-3	1012565	6-9
706	1-43, 6-13, 6-15	1010909	1-37	1012566	6-9
1028	5-3	1010921	5-3	1012571	1-41, 6-5
1032	5-3	1010927	5-3	1012604	6-5
1035	1-39	1010932	5-3	1012605	6-5
1218	6-17, 9-15	1010933	5-3	1012649	9-7
1241	1-21, 4-5, 4-7, 5-3, 5-5, 5-13, 7-13, 7-17, 7-19, 8-5, 8-7, 9-15	1010934	7-17, 7-19	1012809	13-5
1242	5-11, 5-13, 7-7, 7-9, 7-13	1010954	7-13	1012811	13-3
1624	5-5, 6-3, 7-7, 7-9	1010984	2-3	1012812	13-3
2402	6-11	1011017	4-3	1012836	11-7
7048	6-13, 6-15	1011084	5-5	1013035	6-3
7173	4-5, 4-7, 7-17, 7-19	1011114	5-9, 5-15, 9-13, 12-11	1013042	6-3, 6-11
7174	6-13, 6-15, 7-7, 7-9, 10-3	1011137	5-9, 5-15	1013044	6-3
7274	6-19	1011154	5-9, 5-15	1013052	6-3
7308	6-19	1011273	13-5	1013061	1-37
7473	1-21, 1-43, 4-5, 4-7, 5-3, 5-5, 5-11, 5-13, 6-17, 7-13, 7-17, 7-19, 9-15	1011298	5-9, 5-15	1013135	6-19
7479	1-41	1011303	5-9, 5-15	1013309	1-23
7561	1-43	1011314	5-9, 5-15	1013531	5-13
7591	8-11	1011393	6-19	1013589	7-13
7716	5-3	1011402	5-3	1013593	13-5
7818	7-13	1011415	6-21	1013609	7-13
7820	4-5, 4-7	1011418	5-3	1013734	1-39
7840	6-19	1011439	4-5, 4-7	1013746	9-7
7893	7-13	101146302	5-9, 5-15	1013869	5-3
7910	6-19	1011464	5-9, 5-15	1013870	5-3
8056	7-15	1011465	5-9, 5-15	1013876	5-3
8057	4-13, 7-13, 7-15	1011466	5-9, 5-15	1013924	5-9, 5-15, 8-5, 8-7
8058	4-13, 7-13, 7-15	1011467	5-9, 5-15	1014007	5-5, 9-13, 12-3, 12-11
8067	6-13, 6-15	1011478	13-5	1014051	11-5
8233	1-41, 5-5, 7-11, 9-13, 12-11	1011480	13-7	1014055	11-5
8248	7-11	1011494	5-9, 5-15	1014056	11-5
8450	11-5	1011557	4-5, 4-7	1014057	11-5
8639	6-5, 7-13	1011610	4-3	1014058	11-5
8717	5-5, 7-13, 12-3	1011694	5-5	1014059	11-5
8754	1-7, 5-5, 5-11, 6-3, 6-5, 6-11, 6-13, 6-15, 7-7, 7-9	1011697	6-5	1014062	11-5
8755	6-13, 6-15	1011734	5-5	1014063	11-5
8861	6-11	1011767	13-3	1014065	7-13, 11-5
8935	1-21	1011779	5-11, 5-13	1014072	11-7
8963	1-21	1011825	4-5, 4-7	1014078	11-7
8990	5-11, 6-3, 12-5	101187702	5-3	1014080	11-7
1010005	6-19	1011887	6-19	1014115	13-7
1010138	1-43, 6-11	1011892	6-19	1014116	9-3
1010145	6-21	1011931	5-5	1014125	6-5
		1011937	1-21	1014126	6-5
		1011962	3-7	1014145	7-13
		1011990	1-43	1014161	13-7
		1012151	13-5	1014162	13-7

INDEX

1014213	6-5	1016350	6-11	101865301	5-11
1014214	6-5	1016351	6-11	101871001	13-3
1014217	6-5	1016353	6-11	101874601	5-11
1014259	13-7	1016384	6-13, 6-15	101878201	5-3
1014264	13-7	101638502	6-11	101879401	6-3
1014276	6-13, 6-15	1016386	6-13, 6-15	101879501	6-3
1014287	11-5	1016387	6-13, 6-15	101879601	6-3
1014288	6-5, 7-17, 11-5	1016389	6-13, 6-15	101879701	6-3
1014289	7-5	101641002	13-5	101879801	6-3
1014305	13-3	101641101	13-7	101879901	6-3
1014375	7-17	101641202	13-3	101880001	6-3
1014453	11-5	1016414	13-5	101880101	6-3
1014454	11-7	1016415	13-5	101880201	6-3
1014496	13-3	1016416	13-3	101880301	6-3
1014497	13-3	1016417	13-3	101880701	5-9, 5-15
1014507	13-3	1016418	13-5	101884801	8-5, 8-7
1014508	13-3	1016557	5-9, 5-15	101886101	9-13, 12-11
1014555	6-21	1016573	5-9, 5-15	101887101	13-3
1014573	6-21	1016603	1-43	101898001	7-17, 7-19
1014789	7-3	1016801	11-5	101908401	7-11
1014807	7-13, 7-15	1016849	4-5, 4-7, 4-9	101915201	3-5
1014808	7-13	1016851	4-9	101918501	5-3, 5-5
1014902	6-21	1017029	5-3	101919801	5-5
101503202	1-19	1017211	5-11	101922501	7-11
1015137	9-7	1017226	6-13, 6-15	101928701	13-5
1015332	7-3	1017266	6-11	101932201	4-5, 4-7
1015373	7-13	1017273	6-7, 6-9	101935301	5-11
1015391	1-39	1017313	6-5	101946201	1-27
1015399	1-27	1017314	6-5	101953102	5-13
1015400	1-39	1017315	6-5	101953106	5-11
1015405	7-13	1017317	6-5	101954301	1-23
1015524	13-3	1017378	5-5	101955101	4-5, 4-7
101553901	3-7	1017380	5-5	101957101	4-5, 4-7
1015583	1-39, 6-13, 6-15	1017424	5-5	101958602	1-41
101558302	6-21	1017686	11-7	101960501	3-5
1015597	6-13, 6-15	1017774	1-43	101963401	1-27, 8-5, 8-7
1015700	1-41	101796201	5-5	101974701	4-11
1015737	7-13	101808401	13-3	101974702	4-11
1015741	7-13	101809101	13-3	101974703	4-11
1015752	7-13	101813202	13-3	101974704	4-11
1015878	4-13, 7-13, 7-15	101817401	5-5	101974705	4-11
1015932	7-7, 7-9	101818801	5-5	101974706	4-11
1015969	8-9	101823101	13-5	101974707	4-11
1016060	1-41	101824101	8-11	101974708	4-11
101609401	3-3	101825101	3-3, 4-9	101974709	4-11
1016103	8-11	101830701	4-11	101974710	4-11
1016154	6-9	101831901	13-3	101974711	4-11
1016183	6-5	101833401	11-7	101974712	4-11
1016201	11-5	101834502	4-11	101984801	6-5
1016214	6-9	101834602	8-5, 8-7	101987701	9-7
1016269	6-5	101835601	1-39, 1-41	101990801	5-13
1016289	11-5	101850301	4-3, 6-7, 6-9	102022601	6-11
1016319	5-11	101851101	4-11	102022602	6-3, 6-11
1016320	5-11	101856101	1-9	102025701	5-7
1016346	6-11	101856102	7-13	102025801	9-5, 9-7
1016349	6-11	101861901	5-5	102026001	5-5

INDEX

102059501	12-7, 12-9	102587201	13-5	103540203	1-19
102061201	13-7	102617201	8-5, 8-7, 10-3	103575801	1-39
102065901	1-39	102617801	12-23	103601501	6-3
102155801	11-7	102621501	12-3, 12-7, 12-9	103628801	6-15
102158901	5-5	102621601	1-7	103628901	6-13
102160601	3-7	102670701	1-7	103653401	6-3
102162601	5-13	102684501	6-13, 6-15	103653501	6-3, 6-11
102166901	5-13	102711201	7-13	103653601	6-11
102175901	3-7	102725501	9-15	103717302	6-13, 6-15
102199001	4-5, 4-7	102732401	8-5, 8-7	103717402	6-13, 6-15
102242101	8-5, 8-7, 11-7	102766301	6-13, 6-15	103724504	6-7, 6-9
102243402	13-5	102838701	7-5	103724601	6-9
102251501	13-5	102838801	7-5	103724602	6-7
102274101	12-23	102838901	7-5	103724901	6-9
102278001	6-5	102839001	7-5	103756401	9-7
102278901	3-3	102839301	7-5	103829401	6-7
102289201	6-3, 6-11	102841101	7-5	103832501	4-15
102292701	1-15	102844601	7-5	103832601	4-15
102292801	5-11, 5-13	102844701	7-5	103865101	5-5
102296020	12-3	102865101	9-7	103879701	12-15
102296150	1-29	102869401	4-9	103879702	12-13
102296301	1-15, 1-29	102882501	1-43	103882801	8-5, 8-7
102296530	1-15	102883601	1-15, 3-9	103886601	12-5
102296819	1-5	102894503	4-5	103905201	9-3
102297125	1-15, 1-17, 1-19, 1-33, 1-35, 4-5, 4-7	102947601	1-29	103924801	7-3
102298116	8-11	102977901	9-3	103944301	9-3
102298185	1-39	102989501	1-27	103951501	12-23
102298401	1-39, 6-21	103180101	4-9	103951801	1-43
102301401	1-39	103182701	1-19	103953301	7-5
102311501	1-9	103182702	1-19	103973901	11-5
102323101	5-11, 5-13	103196202	8-5	103974001	11-7
102323201	5-11, 5-13	103198401	7-11	103974201	11-5
102323501	1-7	103205501	3-5, 7-11	103974401	11-5
102355301	7-17	103234304	3-9	103975301	11-7
102410604	8-11, 9-13	103245001	4-5	103976101	11-5
102411203	9-3	103306301	9-3	103978001	9-13
102411209	9-15	103347101	7-5	103979301	12-23
102459301	3-5	103347301	7-5	103979401	8-5, 8-7
102476401	9-13, 12-11	103347601	7-5	103982201	8-5, 8-7
102490301	9-13	103347701	7-5	103983501	9-11
102491501	11-5	103347801	7-5	103984601	11-5
102498201	9-13, 12-7, 12-9, 12-11	103347901	7-5	103989501	12-23
102506401	1-39, 6-21	103348602	4-9	103995001	12-23
102517501	4-5	103354701	6-11	103995901	8-9
102517601	4-7	103372101	9-3	103996201	8-5
102526201	12-3	103372401	9-7	104005301	7-7, 7-9
102529101	4-13	103477901	6-19	104021701	12-23
102540301	8-5, 8-7	103484301	4-5, 4-7	104023501	9-13, 12-11
102541402	8-11	103487501	1-27	104025101	11-7
102541501	1-15	103496801	7-17	104026801	3-3
102546401	4-5	103502701	6-15	104027101	12-23
102558201	8-3, 9-15	103502801	6-13	104029401	11-7
102562401	13-3	103507001	6-13, 6-15	105000301	7-13
102564002	6-13, 6-15	103508101	8-7	105000401	7-13
102570401	13-7	103538701	1-39	105006501	1-27
102582401	1-29	103539001	1-39	105007001	1-21

INDEX

105007402	9-13	105015101	8-19	105027201	12-13, 12-15
105007403	9-13	105015201	8-19	105027301	12-13, 12-15
105007701	7-3	105015301	8-19	105027401	12-17
105008101	7-3	105015401	8-19	105027501	12-17
105009101	9-15	105015501	8-19	105027601	12-17
105010001	8-21	105015601	8-19	105027701	12-17
105010101	8-17	105015701	8-19	105027801	12-17
105010201	8-17	105015801	8-19	105027901	12-17
105010301	8-17	105015901	8-19	105028001	12-17
105010401	8-21	105016001	8-13, 8-19	105028101	12-19, 12-21
105010501	8-21	105016101	9-11	105028201	12-17
105010601	8-21	105016201	9-11	105028301	12-13, 12-15
105010701	8-21	105016301	9-11	105028401	12-17
105010801	8-17	105016401	9-11	105028501	12-13, 12-15
105010901	8-17, 9-11	105016501	9-11	105028601	12-17
105011001	8-21	105016701	8-9	105028701	12-17
105011101	8-21	105016801	8-9	105028801	12-17
105011201	8-21	105016901	8-9	105028901	12-17
105011301	8-21	105017001	8-9	105029001	12-17
105011401	8-21	105017101	8-9	105029101	12-17
105011501	8-21	105017201	9-9	105029201	12-17
105011601	8-21	105017301	8-13	105029301	12-21
105011701	8-21	105017401	8-13	105029401	12-21
105011801	8-21	105017501	8-13	105029501	12-19, 12-21
105011901	8-17	105017601	8-13	105029601	12-21
105012001	8-17	105017701	8-13	105029701	12-21
105012101	8-17	105017801	8-3, 8-13	105029801	12-19, 12-21
105012201	8-17	105017901	8-13	105029901	12-19, 12-21
105012301	8-17	105018001	8-15	105030001	12-13, 12-15
105012401	8-17	105018101	8-15	105030301	12-19, 12-21
105012501	8-21	105018201	8-15	105030401	12-19, 12-21
105012601	8-9, 8-15, 8-17	105018301	8-15	105030501	12-19, 12-21
105012701	8-23	105018401	8-15	105030601	12-19, 12-21
105012801	8-23	105018501	8-17	105030701	12-13, 12-15
105012901	8-23	105025001	12-13, 12-15	105030801	12-19, 12-21
105013001	8-23	105025101	12-13, 12-15	105030901	12-17
105013101	8-23	105025201	12-13, 12-15	105031001	12-21
105013201	8-23	105025301	12-13, 12-15	105034001	1-19
105013301	8-23	105025401	12-13, 12-15	105034102	4-9
105013401	8-23	105025501	12-13, 12-15	105034201	1-19
105013501	8-23	105025601	12-13, 12-15	105034321	1-11
105013601	8-23	105025701	12-13, 12-15	105034322	1-11
105013701	8-23	105025801	12-13, 12-15	105034323	1-11
105013801	8-23	105025901	12-13, 12-15	105034324	1-11
105013901	8-23	105026001	12-13, 12-15	105034325	1-11
105014001	8-23	105026101	12-13, 12-15	105034326	1-11
105014101	8-23	105026201	12-13, 12-15	105034327	1-11
105014201	8-19	105026301	12-13, 12-15	105034328	1-11
105014301	8-19	105026401	12-13, 12-15	105034329	1-11
105014401	8-19	105026501	12-13, 12-15	105034401	1-15
105014501	8-19	105026601	12-13, 12-15	105034501	1-15
105014601	8-19	105026701	12-13, 12-15	105034601	1-15
105014701	8-19	105026801	12-13, 12-15	105034701	1-15
105014801	8-19	105026901	12-13, 12-15	105034801	1-15
105014901	8-19	105027001	12-13, 12-15	105034901	1-17
105015001	8-19	105027101	12-13, 12-15	105035001	1-17

INDEX

105035101	1-35	105068008	4-11	105104101	1-45
105035201	1-35	105068009	4-11	105104201	1-45
105035301	1-35	105068010	4-11	105104202	1-45
105035701	1-19	105068011	4-11	105104203	1-45
105035801	1-33	105068012	4-11	105104204	1-45
105036301	12-3	105068902	6-21	105104205	1-45
105036601	1-39	105073001	9-5	105104206	1-45
105036701	1-15	105073401	4-3	105104301	1-49
105036801	4-3	105074201	6-13, 6-15	105104401	1-49
105037101	4-9	105074501	1-7	105104501	1-49
105037401	7-13	105074502	1-7	105104601	1-49
105037701	12-3	105075301	8-11	105104602	1-49
105038001	12-3	105078401	1-27	105104603	1-49
105038101	12-3	105078809	2-3	105104901	1-49
105038201	12-3	105078810	2-3	105106101	2-5
105038501	12-3	105078901	2-3	105106201	2-5
105038803	12-5	105079204	2-3	105106301	2-5
105039401	12-3	105079301	2-3	105106501	2-5
105039801	12-3	105079401	2-3	105106702	6-11
105039901	12-3	105081501	7-3	105106801	6-21
105040401	12-3	105081601	7-3	105108201	4-5, 4-7
105040501	12-3	105081801	4-11	105108301	4-5, 4-7
105040901	12-7	105081802	4-11	105108401	4-5, 4-7
105043001	9-15	105081803	4-11	105108901	1-43
105043401	9-5	105081804	4-11	105109201	1-29
105043501	9-3	105081805	4-11	105110801	1-41
105043801	9-5	105081806	4-11	105114806	4-5, 4-7
105043901	9-5	105081807	4-11	105115002	3-9
105044001	9-3	105081808	4-11	105115005	3-9
105044901	9-7	105081809	4-11	105117701	1-13
105046101	3-3	105081810	4-11	105117702	1-13
105049201	1-19	105081811	4-11	105117703	1-13
105049301	1-19	105081812	4-11	105117704	1-13
105062401	1-27	105082301	3-5	105117705	1-13
105063001	1-27	105083301	6-13, 6-15	105117706	1-13
105063002	1-27	105083701	12-3	105117707	1-13
105063501	12-13	105083801	12-3	105117708	1-13
105063601	12-19	105084701	3-5	105117709	1-13
105064121	1-25	105084801	8-11	105117710	1-13
105064122	1-25	105088501	9-15	105122807	4-7
105064123	1-25	105093301	7-3	105122808	4-5
105064124	1-25	105093501	1-29	105124001	1-7
105064521	1-23	105093601	9-3	105124901	1-9
105064522	1-23	105093701	4-3	105131001	1-43
105064523	1-23	105093801	4-3	105134601	8-5, 8-7
105064524	1-23	105094001	1-7	105134901	12-9
105066001	12-19, 12-21	105095101	4-9, 7-3	105135101	9-13, 12-7, 12-9
105066101	12-19, 12-21	105096101	11-5	105135201	4-5, 4-7
105066401	1-35	105100401	5-5	105135901	7-3
105068001	4-11	105100601	1-3	105136001	7-3
105068002	4-11	105100801	5-5	105142701	1-41
105068003	4-11	105102301	1-29	105143201	5-13
105068004	4-11	105102601	7-15	105143301	7-3, 9-3
105068005	4-11	105102901	1-47	105144401	9-13, 12-11
105068006	4-11	105103801	1-49	105144801	4-15
105068007	4-11	105104001	1-45	105149101	5-7

INDEX

- 105149201 5-7
 - 105149301 8-5, 8-7
 - 105152801 3-9
 - 105153301 3-9
 - 105153302 3-9
 - 105156301 1-5
 - 105156701 1-5
 - 105156702 1-5
 - 105161701 7-3, 7-5
 - 105165801 4-5, 4-7
 - 105169101 1-39
 - 105170501 1-43
 - 105185901 3-3
 - 105185902 3-7
 - 105186201 6-21
 - 105186202 6-21
 - 105188185 6-21
 - 105190101 7-5
 - 105190601 4-5, 4-7
 - 105190701 4-5, 4-7
 - 105193501 1-43
 - 105194101 1-39
 - 105194301 1-27
 - 105196001 1-29
 - 105197601 1-43
 - 105200401 1-23
 - 105205401 7-7
 - 105209601 13-5
 - 105210501 1-45
 - 105210601 1-47
 - 105210701 1-47
 - 105210801 1-47
 - 105210802 1-47
 - 105210901 1-47, 1-49
 - 105211201 1-47, 1-49
 - 105211301 1-49
 - 105211401 1-49
 - 105211501 1-47, 1-49
 - 105211601 1-49
 - 105211701 1-49
 - 105211801 1-47
 - 105211901 1-47
 - 105212001 1-47
 - 105212101 1-49
 - 105212201 1-49
 - 105212301 1-49
 - 105212401 1-47
 - 105212501 1-47
 - 105212601 1-49
 - 105212701 1-49
 - 105214101 10-3
 - 105234501 13-5
 - 105234502 13-5
 - 105234801 12-13, 12-15
 - 105234901 12-13, 12-15
 - 105237301 7-19
 - 105242801 6-17
 - 105243001 6-17
 - 105245801 11-3
 - 105256701 7-19
 - 105256801 7-3
 - 105262401 8-7
 - 105282901 9-5
 - 105282902 9-5
 - 105282903 9-5
 - 105291601 1-31
 - 47539338001 7-9
 - 47539957001 10-3
 - 47542195001 5-9, 5-15
 - 96704176 12-3
 - 96705199 12-7, 12-9
 - 96741046 8-5, 8-7
- A**
- accelerator bracket and bearing assembly 5-5
 - accelerator cable 9-13
 - accelerator pedal adjustment tool 13-3
 - accelerator pivot rod 5-5
 - accelerator return spring 5-5
 - adapter
 - air intake 9-11
 - cable (IQDM) 13-5
 - adhesive, guide ring 13-3
 - air cleaner assembly 9-15
 - air deflector 8-11
 - air filter 8-3, 9-15
 - air filter evacuator 9-15
 - air intake adapter 9-11
 - air intake hose 9-15
 - air pot 1-49
 - AM1285701 13-5
 - anchor body 5-9, 5-15
 - anchor body kit 5-9, 5-15
 - anchor, piston 5-9, 5-15
 - A-plate strap 6-11
 - A-plate, delta 6-11
 - arbor 13-3
 - arm
 - governor 9-13, 12-11
 - assembly
 - accelerator bracket and bearing 5-5
 - accelerator pivot rod 5-5
 - bearing, steering shaft 6-5
 - delta A-plate 6-11
 - drive hub 11-5
 - driven clutch 11-7
 - fuel cap 9-3
 - fuel pump 9-5
 - inner ball joint 6-3
 - kingpin 6-13, 6-15
 - moveable-face 11-5, 11-7
 - ratchet 5-3, 5-5
 - secondary clutch weight 11-5
 - steering shaft 6-5
 - axle shaft 12-19, 12-21
 - axle tube 12-19, 12-21
- B**
- backing plate, brake 5-9, 5-15
 - baffle
 - crankcase 8-9
 - balance shaft 8-23
 - ball bearing 7-5, 12-17, 12-19, 12-21
 - ball joint 5-3, 5-5
 - ball stud 7-13
 - base cabinet 1-47
 - battery
 - 12-volt, side-post 7-17
 - 12-volt, top-post 7-19
 - battery clamp 7-17, 7-19
 - battery discharge machine 13-3
 - battery terminal protector spray 13-3
 - battery thermometer 13-3
 - battery, top-post, wire, 4ga, B+ 7-3
 - battery, top-post, wire, B- 4ga, 7-19
 - bearing
 - balance shaft 8-21
 - ball 7-5, 12-17, 12-19, 12-21
 - ball (steering pinion) 6-3
 - crankshaft 8-21
 - front wheel hub 6-19
 - hub 6-19
 - lower pinion (steering) 6-3
 - pivot support 5-5
 - steering shaft 6-5
 - thrust 6-13, 6-15, 12-13, 12-15
 - bearing and oil seal remover 13-3
 - bearing driver set 13-3
 - bearing puller 13-3
 - bearing puller wedge 13-3
 - bearing seat 6-5
 - bed frame 1-47
 - bed latch weldment 1-39
 - bed lift actuator 1-43
 - bed lift harness 1-43
 - bed lift kit 1-43
 - bed lift weldment 1-43
 - bed seal 1-27
 - bellows 6-3
 - belt, drive 11-3
 - belt, starter/generator 7-7, 7-9
 - block, brake-mounting 5-3
 - block, fuse 7-13
 - body, anchor 5-9, 5-15
 - bolt, U- 6-21
 - boot, steering column 6-5
 - boot, switch 7-11
 - box

INDEX

steering gear 6-3
bracket
 accel.cable 9-13, 12-7, 12-9
 brake light switch 4-5, 4-7
 carbon canister/EUC 9-7
 FNR cable 9-13, 12-7, 12-9
 governor 9-13, 12-11
 horn 4-5, 4-7
 mounting, starter/generator 8-5, 8-7
 mounting, transaxle/exhaust 8-5, 8-7
 shifter 12-3
 shock mounting, drv 6-21
 shock mounting, pas 6-21
 snubber 8-5, 8-7
 starter/generator adjusting 7-7, 7-9
 steering column 6-5
 steering column mounting 6-5
 Tow/Run switch 7-11
bracket, hinge, bed 1-39
brake actuator kit 5-9, 5-15
brake backing plate 5-9, 5-15
brake cable 5-11, 5-13
brake cable equalizer 5-11, 5-13
brake cluster 5-9, 5-15
brake drum 5-9, 5-15
brake lever arm 5-9, 5-15
brake light switch bracket 4-5, 4-7
brake mounting block 5-3
brake pedal 5-3
brake pedal pad 5-3
brake return spring 5-13
brake shoe 5-9, 5-15
brake spring 5-9, 5-15
breather 12-13, 12-15
breather hose 9-11
Brkt, Steering Stop, Drv, CA, LSV 6-17
brush cover kit, starter/generator 7-5
brush inspection port cover 7-5
brush spring 7-5
brush spring set 7-5
brush spring, starter/generator 7-5
brush terminal, starter/generator 7-5
bulb, halogen 4-3
bumper
 rubber 5-3
 spring return 5-5
bumper kit 1-3
bumper, bedfloor 1-39
bushing 1-43, 7-13, 11-5, 12-3
 bronze 6-13, 6-15
 nylon 5-3
 spindle 6-13, 6-15
 steel 6-13, 6-15
 urethane 1-39, 6-11, 6-13, 6-15, 6-21
button, drive 11-7
buzzer, reverse 4-9

C
cable
 accelerator 9-13
 brake 5-11, 5-13
 FNR shifter 12-5
 governor 9-13
calibration test module 13-3
cam
 driven clutch 11-7
 electrical component box 7-13
cam, engine 8-19
camshaft 8-19
camshaft o-ring 8-19
canister, carbon, fuel tank 9-7
canopy cross support 1-45
canopy frame 1-45
canopy front struts 1-45
canopy, blue 1-45
canopy, gray 1-45
canopy, green 1-45
canopy, green/white 1-45
canopy, linen 1-45
cap
 fuel, gas, ratchet 9-3
 key switch 4-11
 rubber 12-23
carbon canister 9-7
card, safety first 13-5
case
 transaxle 12-13, 12-15
center shaft 12-17
chain, timing 8-19
charger bezel tool 13-3
clamp
 battery 7-17, 7-19
 hose 9-3, 9-7, 9-15
 p- (fuel filter) 8-11, 9-13
clevis, upper delta 6-13, 6-15
clip
 body trim 1-15
 retainer plate 8-17
 wheel cover 2-5
clip, piston pin 8-23
clip, score card 6-9
close out trim 1-47
cluster, brake 5-9, 5-15
clutch
 pin 12-17
clutch cam installation tool 13-3
clutch repair kit 11-7
clutch tool kit 13-3
clutch weight 11-5
clutch, drive 11-5
clutch, driven 11-7
coil, ignition 8-13

collar 12-17
collet 8-19
column, steering 6-5
compression gauge 13-5
compressor, piston ring 13-5
compressor, valve spring 13-7
connecting rod 8-23
continuity tester 13-5
controller diagnostic tool (CDT) 13-5
controller diagnostic tool (CDT) cable 13-5
cooling fan 8-9
counter shaft 12-17
cover
 brush inspection port 7-5
 crankcase 8-21
 dust 5-9, 5-15, 6-19
 fan 8-9
 rocker switch hole 4-9
 steering column 6-5
cover, rocker 8-17
cover, valve 8-17
cowl 1-11
crankcase 8-21
crankcase baffle 8-9
crankcase cover 8-21
crankshaft 8-23
crocs 1-49
C-type stop ring 6-3
cup holder 1-49
cup, spring 5-5
cushion, shock absorber 6-21
cylinder head 8-17
D
dash 1-19
decal
 bed load warning 3-7
 consumable ice 3-7
 crush area warning 3-3, 3-5
 engine warning 8-9
 frame ground 3-5
 nameplate 1-15, 3-9
 on/off 3-3, 4-9
 pin removal warning 3-7
 refreshment center 3-7
 rotating parts 3-5
 run/service switch 3-5, 7-11
 vehicle loading 3-3
 wheel cover 2-5
deflector
 air 8-11
delta A-plate 6-11
delta A-plate sub-assembly 6-11
differential 12-21
 limited-slip 12-19
 open 12-21

INDEX

differential gear set 12-21
differential shaft 12-21
diode 7-3
dipstick 8-21
door keys 1-47, 1-49
door latch 1-47, 1-49
door lock 1-47, 1-49
door, slide 1-49
door, charger port 1-15
door, glove box 1-19
drain plug 8-21, 12-13, 12-15
drain plug gasket 8-21
drain plug, rubber 7-5
drawer slider kit 1-47
drive belt 11-3
drive button 11-7
drive clutch 11-5
drive clutch button 11-5
drive clutch holder tool 13-3
drive clutch hub puller 13-3
drive clutch puller 13-3
drive clutch spring 11-5
drive clutch weight 11-5
drive hub 11-5
driven clutch 11-7
driven clutch button 11-7
driven clutch cam 11-7
driven clutch cam puller 13-3
driven clutch puller plug 13-3
driver, drive clutch 11-5
drum, brake 5-9, 5-15
dry moly lubricant 13-5
dust cover 5-9, 5-15, 6-19

E

eccentric bolt 6-13, 6-15
E-clip 5-11, 5-13
ECU 9-9
end, tie rod 6-11
engine
 air cleaner 9-15
 air deflector 8-11
 air filter 8-3, 9-15
 air intake hose 9-15
 balance shaft 8-23
 bearing, balance shaft 8-21
 bearing, crankshaft 8-21
 breather hose 9-11
 cam 8-19
 camshaft 8-19
 camshaft O-ring 8-19
 connecting rod 8-23
 crankcase 8-21
 crankcase baffle 8-9
 crankcase cover 8-21
 crankcase plug 8-21

crankshaft 8-23
crankshaft key 8-23
cylinder head 8-17
dipstick 8-21
drain plug gasket 8-21
ECU 9-9
exhaust valve 8-19
fan 8-9
fan housing 8-9
flywheel 8-13
fuel injector 9-9
guide pin 8-21
head gasket 8-17
ignition coil 8-13
insulator, throttle body 9-11
intake valve 8-19
oil drain plug 8-21
oil filler tube 8-21
oil filler tube O-ring 8-21
oil level sensor 8-15
oil seal 8-21
piston 8-23
piston pin 8-23
piston pin clip 8-23
piston ring set 8-23
retainer plate 8-17
retainer plate clip 8-17
rocker arm 8-19
rocker cover 8-17
rocker cover gasket 8-17
rocker shaft 8-19
spark plug 8-3, 8-13
temperature sensor 8-15
throttle body 9-9
timing chain 8-19
timing chain guide 8-19
timing chain sprocket 8-19
timing chain tensioner 8-19
valve collet 8-19
valve guide 8-17
valve seal 8-17
valve spring 8-19
valve spring retainer 8-19
warning decal 8-9
engine warning decal 8-9
engine, EX40 8-5, 8-7
equalizer pivot 5-11
equalizer rod 5-11, 5-13
equalizer, brake cable 5-11, 5-13
exhaust valve 8-19
extension, spring latch 1-39

F

face, moveable 11-7
fan
 cooling 8-9

fan cover 8-9
fan housing 8-9
fender, front, lh 1-15
fender, front, rh 1-15
fender, inner 1-33
fender, rear 1-35
field coil housing 7-5
filter
 air 8-3, 9-15
 fuel 9-5
fitting, thread-forming grease 6-13, 6-15
flasher, turn signal, 12-volt 4-5
floor mat 1-19
flywheel 8-13
fnr shaft 12-3
FNR shift lever 12-7, 12-9
FNR shifter base 12-3
FNR shifter cable 12-5
frame
 corner cap 1-27
frame and field, starter/generator 7-5
frame weldment, front 1-21
front spring retainer plate 6-13, 6-15
fuel filter 9-5
Fuel Filter Kit 9-5
fuel injector 9-9
fuel line 9-7
Fuel Module, Hold-Down Ring 9-5
Fuel Pump 9-5
fuel pump 9-5
fuel tank 9-3
fuse
 10-amp 4-5, 4-7, 7-3, 7-13
 2-amp 7-3
 5-amp 7-3
fuse block 7-13
fuse, mini, 10A 4-5, 4-7

G

gasket 12-13, 12-15
 cover, rocker 8-17
 cover, valve 8-17
 drain plug 8-21
 insulator 9-11
 liquid 13-5
gasket, head 8-17
gauge, compression 13-5
gear
 17 tooth 12-17
 34 tooth 12-17
 52 tooth 12-17
 60 tooth 12-19, 12-21
 62 tooth 12-17
 governor 12-13, 12-15
 governor, 34 tooth 12-17
 set, differential 12-21

INDEX

gear yoke 13-5
governor arm 9-13, 12-11
governor cable 9-13
governor gear shaft 12-13, 12-15
governor shaft 12-13, 12-15
grill 1-15
grip, pencil 6-9
grip, tilt latch hand 1-39
grommet 9-3
guide
 valve 8-17
guide pin 8-21, 12-13, 12-15
guide ring adhesive 13-3
guide, timing chain 8-19

H

handle, FNR 12-3
harness, main 7-3
harness, wire 4-7
harness, wire, gas engine-ECU 7-3
harness, wire, gas FNR connector 7-3
harness, wire, gas instr. panel 4-9, 7-3
harness, brake pedal switch 4-5, 4-7
harness, taillight 4-5, 4-7
head gasket 8-17
head, cylinder 8-17
headlight 4-3
headlight bezel, lh 1-17
headlight bezel, rh 1-17
headlight guard kit 1-5
headlight, led 4-3
hill brake rod 5-3
hill brake weld assembly 5-3
hip restraint 1-27
holder, license plate 1-9
horn bracket 4-5, 4-7
hose
 air intake 9-15
 engine breather 9-11
 fuel 9-7
 vent 9-7
housing
 fan 8-9
 field coil 7-5
hub 6-19, 12-23
hub bearing 6-19
hydrometer 13-5

I

ignition coil 8-13
inner frame snubber 8-5, 8-7
input shaft 12-17
instrument panel 4-9
insulator 9-11
insulator gasket 9-11

intake valve 8-19
internal retaining ring pliers 13-5

J

joint
 ball 5-3, 5-5

K

key
 driven clutch 11-7
 square 11-7
key switch cap 4-11
key switch, uncommon 4-11
key, crankshaft 8-23
kingpin 6-13, 6-15
kit
 accelerator pivot rod 5-5
 anchor body 5-9, 5-15
 brake actuator 5-9, 5-15
 brake cable 5-11
 brake pedal 5-3
 brake shoe 5-9, 5-15
 brake shoe retainer 5-9, 5-15
 clutch repair 11-7
 controller diagnostic tool (CDT) 13-5
 deflector, air 8-11
 drive clutch button 11-5
 drive clutch weight 11-5
 driven clutch button 11-7
 equalizer, brake 5-11
 park brake latch 5-3
 park brake pedal 5-3
 shock absorber cushion 6-21
 shoe retainer 5-9, 5-15
 steering column mounting bracket 6-5
Kit, Horn/Tail Light/Turn 4-7

L

lamp, stop, turn, tail 4-5, 4-7
latch 1-19
latch plate 1-41
latch, park brake 5-3
lever
 transaxle shift 12-7, 12-9
license frame kit 1-9
license plate 1-9
license plate holder 1-9
light
 oil 4-9
limit switch 4-5, 4-7, 7-13, 7-15
limiter
 voltage 4-13
line, fuel 9-7
liquid gasket 13-5
low oil warning light 4-9

lubricant, dry moly 13-5
lubricant, moly-teflon 13-5
lug nut 2-3
lug stud 12-23

M

main harness 7-3
mat, floor 1-19
meter, volt ohm 13-7
module
 calibration test 13-3
moly-teflon lubricant 13-5
mounting block, brake 5-3
moveable-face 11-5, 11-7

N

nameplate decal 1-15, 3-9
nut, lug 2-3

O

oil filler tube 8-21
oil level sensor 8-15
oil seal 8-21, 12-13, 12-15
oil warning light, low 4-9
O-ring 8-19, 8-21
O-ring Kit, Fuel Module 9-5
O-Ring, Fuel Module 9-5

P

pad
 brake pedal 5-3
 park brake 5-3
paint, underbody (black) 13-5
paint, touch-up 1-13
park brake latch 5-3
park brake pedal 5-3
park brake rod sleeve 5-3
park brake spacer 5-3
park brake torsion spring 5-3
pawl 5-3
p-clamp (fuel filter) 8-11, 9-13
pedal, brake 5-3
pedal, park brake 5-3
pencil grip 6-9
pin
 bow tie locking 5-11, 5-13
 clevis 5-11, 5-13
 differential 12-21
 guide 8-21, 12-13, 12-15
 input shaft 12-17
 piston 8-23
pinion, steering 6-3
piston 8-23
piston anchor 5-9, 5-15
piston pin 8-23

INDEX

- piston pin clip 8-23
- piston ring 8-23
- piston ring compressor 13-5
- piston ring pliers 13-5
- piston ring set 8-23
- pivot support bearing 5-5
- plate
 - front spring retainer 6-13, 6-15
 - license 1-9
 - mounting, CVT, center 8-5, 8-7
 - mounting, engine/axle 8-5, 8-7
 - retainer 8-17
- pliers
 - internal retaining ring 13-5
 - piston ring 13-5
 - retaining ring 13-5
- plug
 - drain 12-13, 12-15
 - driven clutch puller 13-3
 - oil drain 8-21
 - rubber drain 7-5
 - rubber, crankcase 8-21
 - spark 8-3, 8-13
- press weldment 13-3
- prop rod 1-39
- prop rod bracket side support 1-41
- prop rod track 1-41
- protector spray, battery terminal 13-3
- puller
 - bearing 13-3
 - drive clutch 13-3
 - drive clutch hub 13-3
 - driven clutch cam 13-3
 - seal 13-5
- pulley
 - starter-generator 7-5
 - v-belt 7-5
- pump
 - fuel 9-5
- R**
- race, front hub bearing 6-19
- rack guide pressure spring 6-3
- rack, steering 6-3
- ratchet, park brake 5-3, 5-5
- rear bumper, Café 1-47
- reflector, yellow 4-15
- reflector, amber 4-3
- reflector, red 4-15
- reflector, red, rectangle 4-15
- refractometer 13-5
- regulator, voltage 7-13
- relay, 12-volt 4-5, 4-7
- remover, bearing and oil seal 13-3
- retainer
 - accelerator pedal spring 5-5
 - brake shoe 5-9, 5-15
 - shock absorber cushion 6-21
 - spring 6-21
 - valve spring 8-19
- retainer plate 8-17
- retaining ring 6-5
- retaining ring pliers 13-5
- return spring bumper 5-5
- reverse buzzer 4-9
- ring
 - C-type stop 6-3
 - piston 8-23
 - retaining 6-5, 7-13, 11-5, 11-7, 12-13, 12-15, 12-23
 - snap 6-3
 - spiral backup 11-5
- rocker arm 8-19
- rocker cover 8-17
- rocker cover gasket 8-17
- rocker shaft 8-19
- rocker switch 1-43
- rocker switch (lights) 4-9
- rod
 - accelerator pivot 5-5
 - connecting 8-23
 - equalizer 5-11, 5-13
 - hill brake 5-3
 - prop 1-39
- S**
- safety first card 13-5
- score card clip 6-9
- score card plate 6-9
- seal
 - oil 8-21, 12-13, 12-15
 - steering pinion dust 6-3
 - valve 8-17
- seal puller 13-5
- seal, bed 1-27
- seat bottom 1-23
- seat strap 1-23
- seat, bearing 6-5
- seatback 1-25
- seatback weldment 1-27
- select shaft 12-13, 12-15
- sensor
 - oil level 8-15
 - temperature 8-15
- service bar 1-49
- shaft
 - axle 12-19, 12-21
 - balance 8-23
 - center 12-17
 - counter 12-17
 - differential 12-21
 - governor 12-13, 12-15
 - governor gear 12-13, 12-15
 - input 12-17
 - rocker 8-19
 - select 12-13, 12-15
 - shift 12-17
 - steering column 6-5
- shelf, adjustable 1-49
- shift lever 12-7, 12-9
- shift shaft 12-3, 12-17
- shifter bracket 12-3
- shifter handle 12-3
- shifter, base 12-3
- shifter, FNR 12-3
- shock absorber 6-21
- shock absorber cushion 6-21
- shock absorber cushion retainer 6-21
- shock mounting bracket, drv 6-21
- shock mounting bracket, pas 6-21
- shoe retainer kit 5-9, 5-15
- shoe, brake 5-9, 5-15
- sleeve 1-39, 6-21, 12-13, 12-15
 - delta A-plate 6-11
 - park brake rod 5-3
- slide door 1-47
- snap ring 6-3
- snubber bracket 8-5, 8-7
- snubber, inner frame 8-5, 8-7
- solenoid, 12-volt 7-13
- spacer 12-13, 12-15, 12-17
 - accelerator pivot rod 5-5
 - park brake 5-3
- spark plug 8-3, 8-13
- spindle assembly 6-13, 6-15
- spiral backup ring 11-5
- spray, battery terminal protector 13-3
- spring 12-13, 12-15
 - accelerator return 5-5
 - brake 5-9, 5-15
 - brake return 5-13
 - brush 7-5
 - compression 6-9
 - drive button 11-5
 - drive clutch 11-5
 - extension 1-39
 - park brake torsion 5-3
 - rack guide pressure 6-3
 - steering shaft compression 6-5
 - valve 8-19
- spring cup 5-5
- spring mounting plate 6-13, 6-15
- spring retainer 6-21, 8-19
- starter/generator 7-5
- starter/generator brush cover kit 7-5
- starter/generator brush spring 7-5
- starter/generator brush terminal 7-5
- starter/generator frame and field 7-5

INDEX

starter/generator pulley 7-5
steel bushing 6-13, 6-15
steering column 6-5
steering column bearing press tool 13-7
steering column retaining ring tool 13-7
steering gear box 6-3
steering pinion 6-3
steering pinion dust seal 6-3
steering rack 6-3
steering shaft 6-13, 6-15
steering shaft assembly 6-5
steering shaft compression spring 6-5
steering wheel puller tool 13-7
strap, A-plate 6-11
strap, seat 1-23
stud
 exhaust mounting
 engine
 exhaust mounting stud 8-17
 intake mounting
 engine
 intake mounting stud 8-17, 9-11
 lug 12-23
stud, ball 7-13
support yoke (steering) 6-3
switch
 key, uncommon 4-11
 light rocker 4-9
 limit 4-5, 4-7, 7-13, 7-15
 rocker 1-43
 turn signal 4-5
switch rubber boot 7-11
switch, toggle 7-11

T

12-volt solenoid 7-13
tachometer 13-7
taillight 1-35
tank, fuel 9-3
temperature sensor 8-15
tensioner, timing chain 8-19
tester, continuity 13-5
thermometer, battery 13-3
thread-forming grease fitting 6-13, 6-15
throttle body 9-9
thrust bearing 6-13, 6-15
tie rod 6-11
tie rod end 6-11
tie wrap 5-11, 6-3, 6-5, 7-13, 12-5
tilt latch hand grip 1-39
timing chain 8-19
timing chain guide 8-19
tire 2-3
toggle switch 7-11
tool
 accelerator pedal adjustment 13-3

belt tensioning, starter/generator 13-7
charger bezel 13-3
clutch cam installation 13-3
drive clutch holder 13-3
steering column bearing press 13-7
steering column retaining ring 13-7
steering wheel puller 13-7
transaxle axle seal 13-7
transaxle pinion seal 13-7
transmission 13-7
tool kit, clutch 13-3
touch-up paint 13-5
Tow/Run switch bracket 7-11
track, door 1-49
track, prop rod 1-41
transaxle axle seal tool 13-7
transaxle pinion seal tool 13-7
transaxle, limited-slip (Gas Vehicle) 12-13
transaxle, open-diff (Gas Vehicle) 12-15
transmission tool 13-7
trash can 1-47
tube
 axle 12-19, 12-21
 oil filler 8-21
turn signal switch 4-5

U

U-bolt 6-21
upper cabinet 1-49
upper delta clevis 6-13, 6-15
urethane bushing 1-39, 6-11, 6-13, 6-15, 6-21

V

valve 9-15
 exhaust 8-19
 intake 8-19
valve collet 8-19
valve cover 8-17
valve cover gasket 8-17
valve guide 8-17
valve seal 8-17
valve spring 8-19
valve spring compressor 13-7
valve stem 2-3
vent
 fuel tank 9-3
 transaxle 12-13, 12-15
vent, barb 9-7
volt ohm meter 13-7
voltage limiter 4-13
voltage regulator 7-13

W

warning light, low oil 4-9
wedge, bearing puller 13-3

weight
 clutch 11-5
 secondary clutch 11-5
weldment
 governor bracket 9-13, 12-11
 press 13-3
wheel cover 2-5
windshield kit, non-hinged 1-29
windshield, non-hinged 1-29
wire
 green, starter/generator 7-3, 7-5
 ground, fuel tank 7-3, 9-3
wire harness 4-7, 4-9, 7-3
wrap, tie 5-11, 6-3, 6-5, 7-13, 12-5

Y

yoke, gear 13-5
yoke, support (steering) 6-3



Club Car, Inc.
P.O. Box 204658
Augusta, GA 30917-4658
USA

Web www.clubcar.com
Phone 1.706.863.3000
1.800.ClubCar
Int'l +1 706.863.3000
Fax 1.706.863.5808