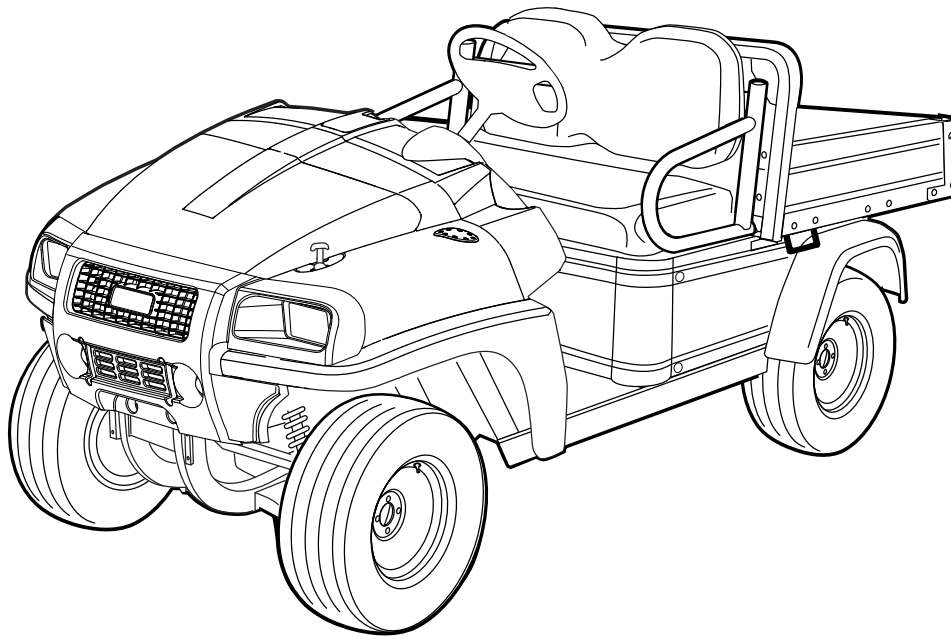




2014
Carryall 295 2WD
Illustrated Parts List



Gasoline Utility Vehicle

Manual Number 105062802
Edition Code 0713C0616B

USING THE ILLUSTRATED PARTS LIST

⚠ WARNING

- **This manual is to be used only for identification and ordering of service parts. Be sure to read and use the maintenance and service manual before attempting any vehicle repairs.**

This manual covers all 2014 Carryall 295 two-wheel drive vehicles.

The manual is divided into sections. Note that there are two or three flags on the outside edge of each page. The first flag contains the section number of which that page is a part. The other flag (or flags) contains the letter D, E, or G, signifying that the page pertains to the diesel, electric, or gasoline vehicles only.

Use the Table of Contents to find the sections and pages that contain the parts and assemblies you seek. The Table of Contents lists section numbers, and under them, the individual page titles and numbers to be found in that section. The index can be used to find specific parts and assemblies. The index is divided into numerical and alphabetical listings with the page numbers in italic text.

There is a two-page spread for each individual page title in the Table of Contents. On the left-hand page is an illustration showing the parts in their relative positions; the parts are each tagged with an item number in a balloon. The right-hand page is the parts list page, and gives the page title at the top, then the item numbers (corresponding to the numbers on the illustration), part descriptions, and quantity of parts used.

Note that a part description may be indented. This indentation corresponds to a parts assembly level indicated by the numbers 1, 2, 3, and 4 at the top left corner of the parts description area of the parts list page. A part that is indented to *level 2* is a component of the *level 1* part (assembly) that it is listed under. A *level 3* part is a component of the *level 2* part that it is listed under, and a *level 4* part is a component of the *level 3* part preceding it. In each case, the part quantity given for a level 2, 3, or 4 part is the quantity used per next higher level assembly of which it is a component. A part that is not indented is a *level 1* part. This means that the quantity given is the quantity used per the portion of the vehicle illustrated on that particular spread.



P. O. Box 204658
Augusta, Georgia 30917-4658 USA
Telephone 706-863-3000
Service Parts Fax 706-855-7413
www.clubcar.com

HOW TO ORDER PARTS

Replacement parts and accessories can be obtained from our network of authorized dealers and distributors. You can obtain the name and phone number of your closest authorized Club Car dealer or distributor by visiting our web site at www.clubcardealer.com, by calling our toll-free Service Parts and Technical Assistance hotline at (800) 872-2246 or (706) 863-3000, extension 3887, or by scanning this Quick Response (QR) code to be taken to the Club Car dealer locator. **Refer to Figure 1.** Download a QR code reader such as RedLaser or Barcode Scanner to your cell phone or tablet.



Figure 1 Dealer Locator QR Code

CUSTOMER SATISFACTION SURVEY

Let your voice be heard!

Please take time to participate in the Technical Publications satisfaction survey. Obtaining feedback from our customers is important to the department's continuous improvement process. The online survey takes less than five minutes and responses will help the department to examine current performance as well as identify areas for future improvement.

Our top priority is to provide timely, accurate, and user friendly manuals.

The online satisfaction survey can be found at: <http://bit.ly/1w9uFMh>



Figure 2 Survey QR Code

NOTE: *This illustrated parts list represents the most current information at the time of publication. Club Car, LLC is continually working to further improve its vehicles and other products. These improvements may affect the parts used to service the vehicle. Any modification and/or significant change in specifications will be forwarded to all Club Car and Carryall distributors/dealers and will, when applicable, appear in future editions of this illustrated parts list.*

Club Car, LLC reserves the right to change specifications and designs at any time without notice and without the obligation of making changes to units previously sold.

Copyright © 2013 Club Car, LLC.
Club Car is a registered trademark of Club Car, LLC.
This manual effective July 15, 2013.

CONTENTS

SECTION 1 – BODY AND TRIM

Fascia, Fenders, and Cowls (Molded in Color) – Carryall	1-3
Cowl Plug	1-5
Dash and Splash Guard	1-7
Glove Box	1-9
Side Stringers – 2 Passenger	1-11
Floorboard	1-13
Seat Support- Vehicle without ROPS	1-15
Bench Seat – Gray	1-17
Bench Seat – Black	1-19
Bench Seat – Tan	1-21
Bucket Seats – Gray	1-23
Bucket Seats – Black	1-25
Bench Seat Conversion Kit	1-27
2-Point Seat Belts	1-29
ROPS and Seat Support	1-31
Canopy (Vehicle with ROPS)	1-33
Canopy and Supports – Vehicle without ROPS	1-35
Latch Plates and Prop Rod	1-37
Tilt Bed, Hinge, and Latch	1-39
Box Bed – Aluminum	1-41
Side Panels and Rear Fenders	1-43

SECTION 2 – WHEELS AND TIRES

Wheels and Tires – Steel with Turf	2-3
Wheels and Tires – Steel with All-Terrain/Mud	2-5
Wheels and Tires – Alloy with All-Terrain/Mud	2-7

SECTION 3 – DECALS

Safety Decals	3-3
Safety Decals, Continued (without ROPS Option)	3-5
Safety Decals, Continued (with ROPS Option)	3-7
Badging Decals	3-9

SECTION 4 – BRAKE SYSTEM

Front Brakes	4-3
Master Cylinder with Integral Reservoir	4-5
Hydraulic Brake Lines and Clips	4-7

CONTENTS

Brake Pedal	4-9
Park Brake System	4-11
Rear Brakes	4-13

SECTION 5 – STEERING AND SUSPENSION

Steering Wheel and Column	5-3
Steering Gear	5-5
Front Suspension – Page 1 of 2	5-7
Front Suspension – Page 2 of 2	5-9
Shock Absorbers – 1050 lb Capacity	5-11
Shock Absorbers – 1500 lb Capacity	5-13
Rear Suspension (4-Link)	5-15

SECTION 6 – ELECTRICAL SYSTEM

Headlights – Carryall	6-3
Wiring – Gasoline Vehicle	6-5
Electrical Components, Front Body – Gas Vehicle	6-7
Electrical Component Box, Gasoline Vehicle	6-9
Battery – Gasoline Vehicle	6-11
Top-Post Battery – Gasoline Vehicle	6-13

SECTION 7 – KAWASAKI FH680D GASOLINE ENGINE

Tune-Up Kit – Kawasaki FH680	7-3
Kawasaki FH680D Gasoline Engine and Mounting	7-5
Oil and Lubrication Components	7-7
Oil Filter Adapter – Kawasaki FH680	7-9
Ignition Components and Flywheel – Kawasaki FH680	7-11
Cylinder Head and Crankcase	7-13
Valves and Camshaft	7-15
Pistons and Crankshaft	7-17
Shrouds and Brackets	7-19

SECTION 8 – FUEL, INTAKE, ACCELERATOR AND GOVERNOR SYSTEMS

Fuel Tank – Gasoline Vehicle	8-3
Fuel Pump, Filter and Hose – Kawasaki FH680	8-5
Carbon Canister – Gasoline Vehicle	8-7
Intake Hoses and Air Filter – Kawasaki FH680	8-9
Carburetor – Kawasaki FH680	8-11

CONTENTS

Intake Manifold and Carburetor Mounting – Kawasaki FH680	8-13
Accelerator Pedal	8-15
Accelerator and Choke Cables – Kawasaki FH680	8-17
Governor Arm and Springs	8-19

SECTION 9 – EXHAUST SYSTEM

Exhaust Pipe and Muffler	9-3
Exhaust Header – Kawasaki FH680	9-5

SECTION 10 – CLUTCHES

Drive Belt	10-3
Drive Clutch (3 Weight) – Gas Vehicle	10-5
Driven Clutch (for 3 Weight Drive Clutch)	10-7
Clutch Cover (Non-Sealed)	10-9
Clutch Cover (Sealed)	10-11

SECTION 11 – DRIVETRAIN COMPONENTS

Oil, Differential and Transmission	11-3
Forward/Reverse Shifter	11-5
Shifter Cable	11-7
Prop Shaft	11-9
Transmission – Page 1 of 3	11-11
Transmission – Page 2 of 3	11-13
Transmission – Page 3 of 3	11-15
Rear Differential and Axles – Page 1 of 2	11-17
Rear Differential and Axles – Page 2 of 2	11-19

SECTION 12 – MAINTENANCE AND SERVICE TOOLS

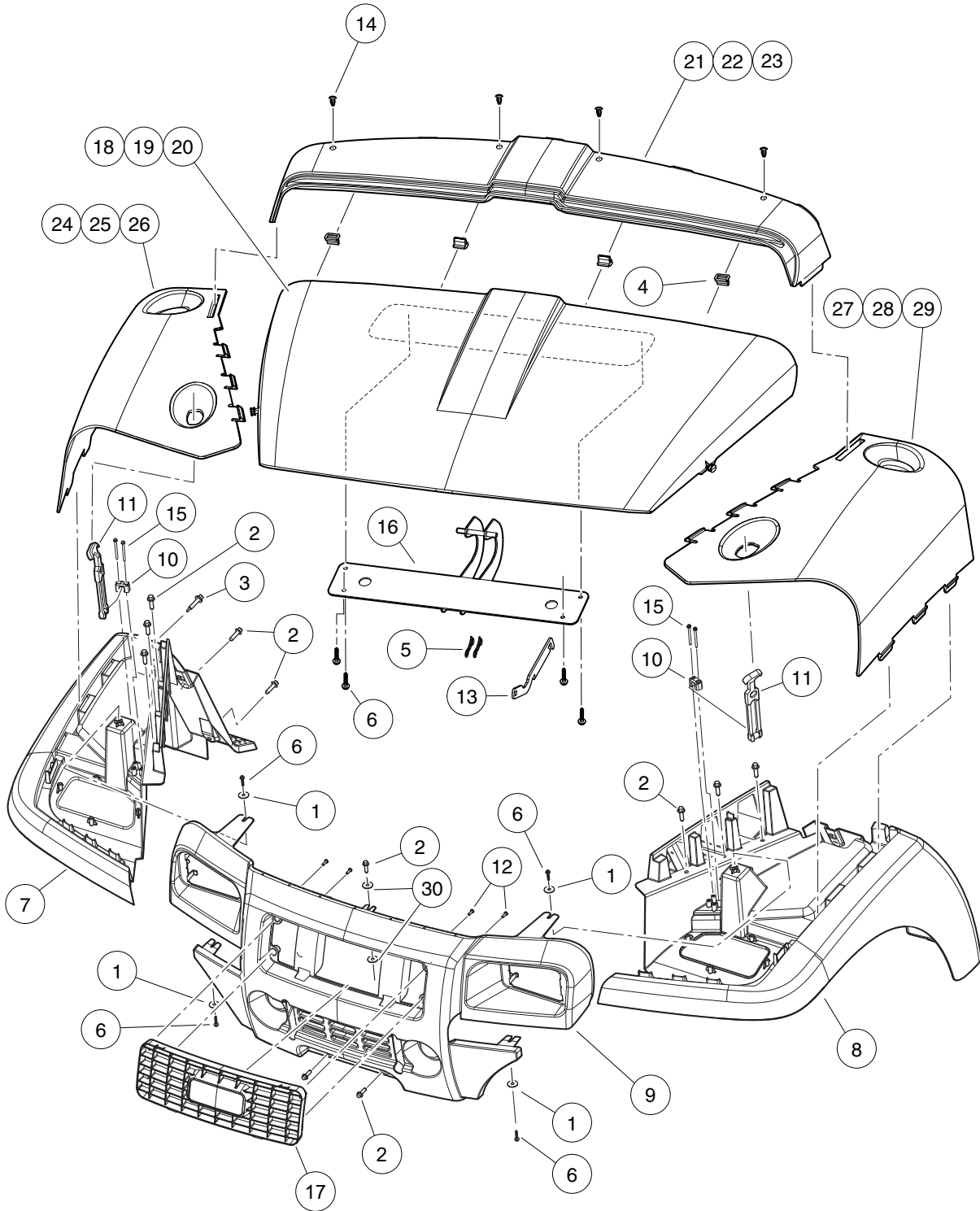
Maintenance and Service Tools – 295/1550	12-3
Maintenance and Service Tools – 295/1550, Continued	12-5

SECTION i – INDEX

BODY AND TRIM

1

G



000507-006

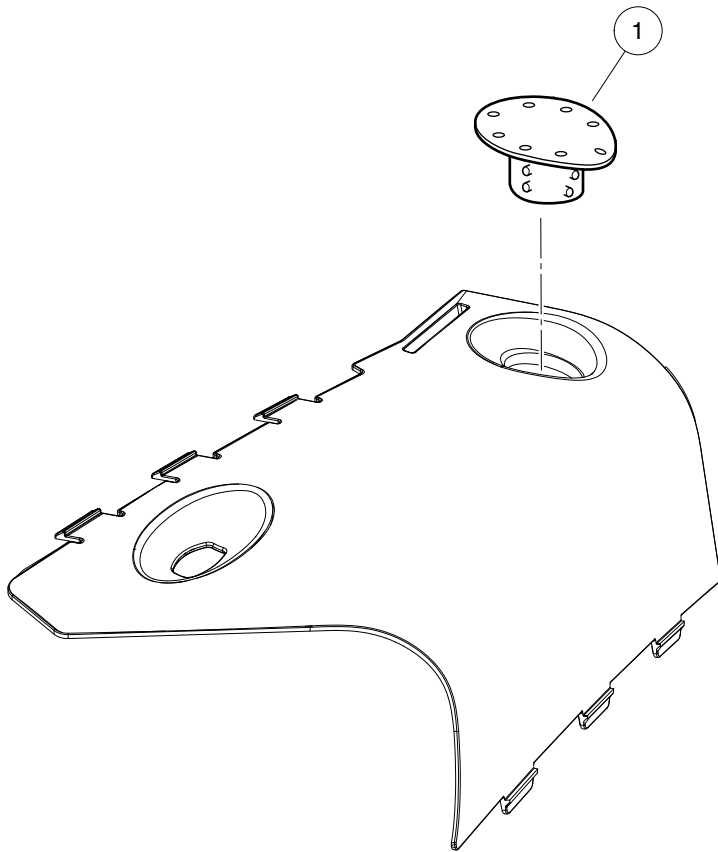
FASCIA, FENDERS, AND COWLS (MOLDED IN COLOR) – CARRYALL

ITEM	PART NO.	DESCRIPTION	QTY
		1 2 3 4	
1	1011578	Washer, 5/16 Type B Flat	4
2	102289001	Screw, M8X1.25X30, Hex	13
3	102292356	Screw-1/4-20x56 Hwh Self Drill	2
4	102292701	Clip-body-trim	4
5	102292801	Pin, Bow Tie Locking - .072	2
6	102297230	Screw, M6, Torx, Interlock Thread	8
7	102866901	Fender, Front, Pass, AWD	1
8	102867001	Fender, Front, Drv, AWD	1
9	102867501	Fascia, Front, CA, AWD	1
10	102882401	Bracket, Latch, Draw	2
11	102895101	Latch, Draw, Hood	2
12	102895401	Screw, D50x16, Torx PN Hd PT	4
13	102896501	Prop, Hood	1
14	102967901	Rivet, Removable, Tuflok 1/4"	4
15	103218107	Screw, #8x2.00 AB Thd, Hex Hd	4
16	103588001	Asm, Hood Hinge	1
17	103760601	Grill, Carryall	1
18	103959210	Hood, Dark Green	1
19	103959214	Hood, Dark Gray	1
20	103959218	Hood, Real Tree Camo	1
21	103959310	Panel, Cowl, Center, Dark Green	1
22	103959314	Panel, Cowl, Center, Dark Gray	1
23	103959318	Panel, Cowl, Center, Real Tree Camo	1
24	103959410	Panel, Cowl, Passenger-Side, Dark Green	1
25	103959414	Panel, Cowl, Passenger-Side, Dark Gray	1
26	103959418	Panel, Cowl, Passenger-Side, Real Tree Camo	1
27	103959510	Panel, Cowl, Driver-Side, Dark Green	1
28	103959514	Panel, Cowl, Driver-Side, Dark Gray	1
29	103959518	Panel, Cowl, Driver-Side, Real Tree Camo	1
30	808	Washer, 3/8 Type B Flat	2
		Note: These color body panels are molded in color except for black and camo.	

1
G

1

G

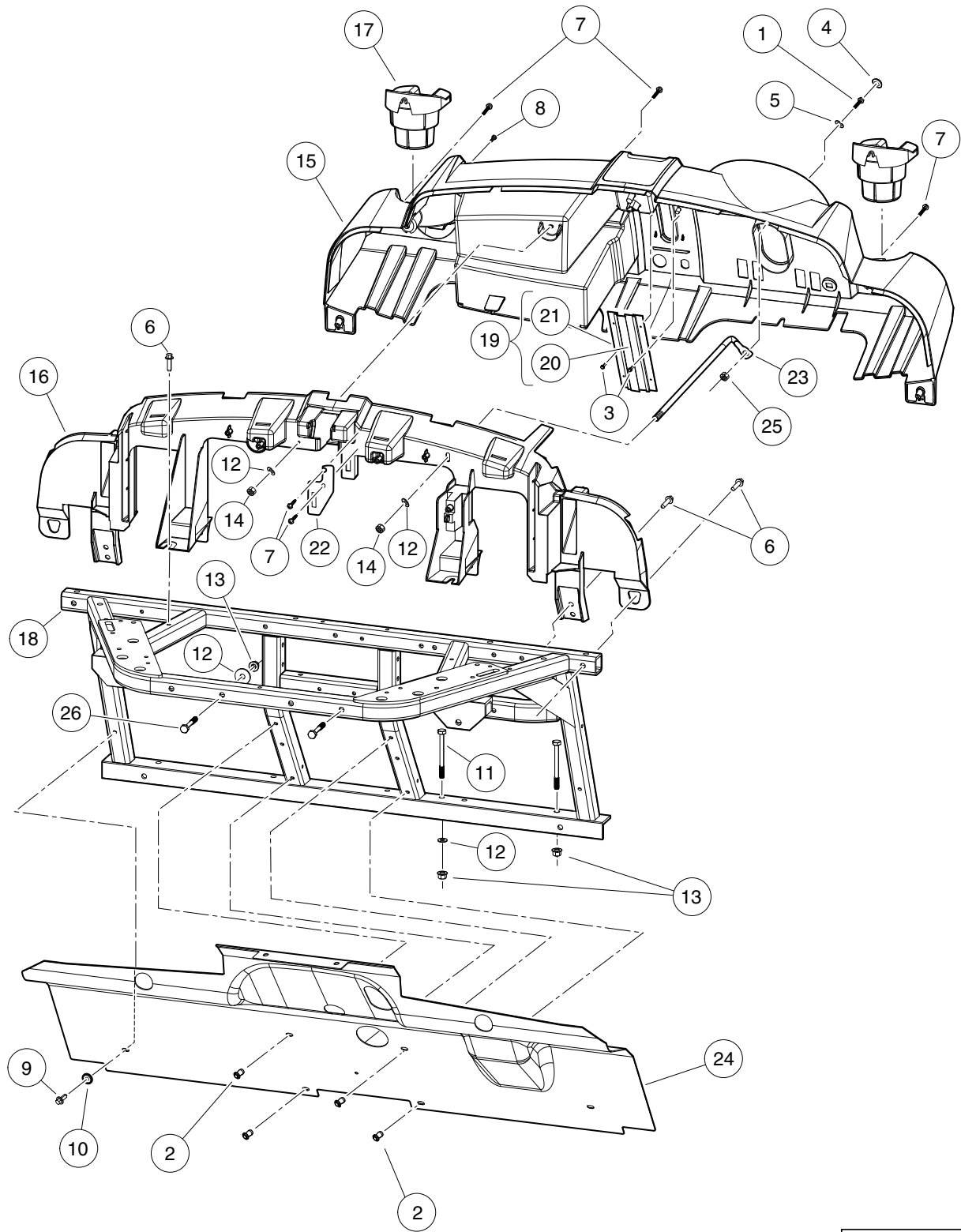


000508-006

COWL PLUG

ITEM	PART NO.	DESCRIPTION	QTY
1	103954001	1 2 3 4 Plug, Panel, Cowl	2

1
G



000519-003

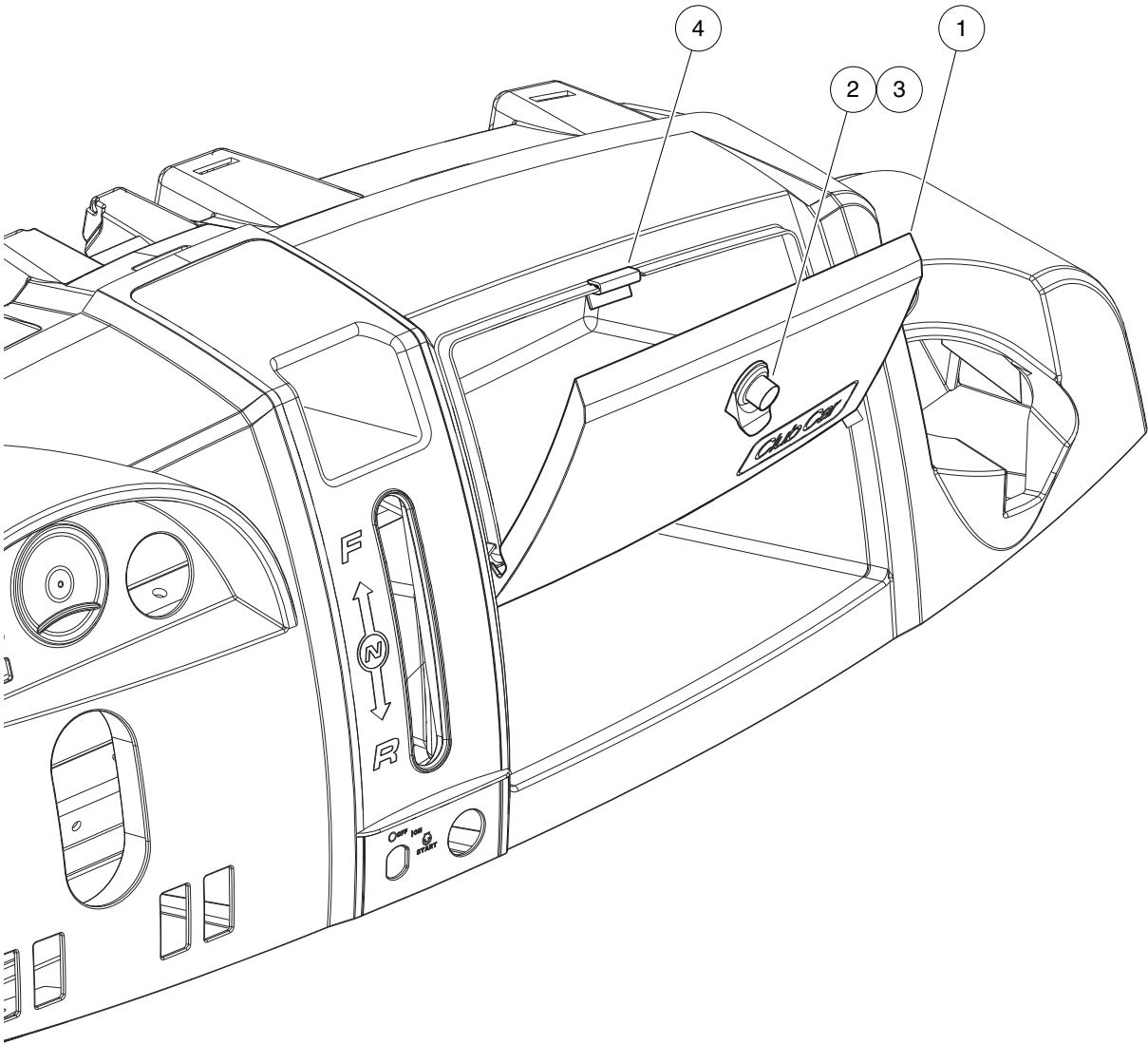
DASH AND SPLASH GUARD

ITEM	PART NO.	DESCRIPTION	QTY
		1 2 3 4	
1	1016916	Screw, 1/4-20 X 1.50 Hex-Head Cap	1
2	1016967	Blind Rivet, Push Type	4
3	101804301	Screw, #8 X 0.500, Hex-Head Hi-Lo	2
4	102045001	Cap, 1/4" Plastic Screw Head	1
5	102048401	Washer, 1/4 Id Scalloped Plast	1
6	102289001	Screw, M8X1.25X30, Hex	6
7	102297230	Screw, M6, Torx, Interlock Thread	5
8	102298580	M8-1.25 X 80 Sems	1
9	102298720	Screw, M8-1.25x20, Taptite	2
10	102323501	Washer, Flat, 3/8, Blk Fin	2
11	102491301	Bolt, M10x1.50x100 (Black)	4
12	102491501	Washer, Hard, M10	10
13	102617201	Nut, Flanged, M10 X 1.5, Mechanically Deformed	8
14	102618601	Lock Nut, Flange, M8 X 1.25 Nylon	2
15	102867101	Dash, Design A	1
16	102867301	Support, Structural	1
17	102883401	Cup Holder, Utility	2
18	102935501	Weldment, Dash, Front	1
19	103233001	Asm, Brush, Fnr (includes items 20 and 21)	2
20	N/A	Brush, Strip, FNR	2
21	N/A	Holder, Brush, Strip, FNR	2
22	103253801	Bracket, Hood Support	1
23	103268001	Rod, Connection, Dash	1
24	103296001	Guard, Splash, Gas Injection	1
25	8233	Locknut, 1/4-20, Nylon Insert	1
26	96715552	Bolt, M10 X 1.50 X 65	4

1

G

1
G



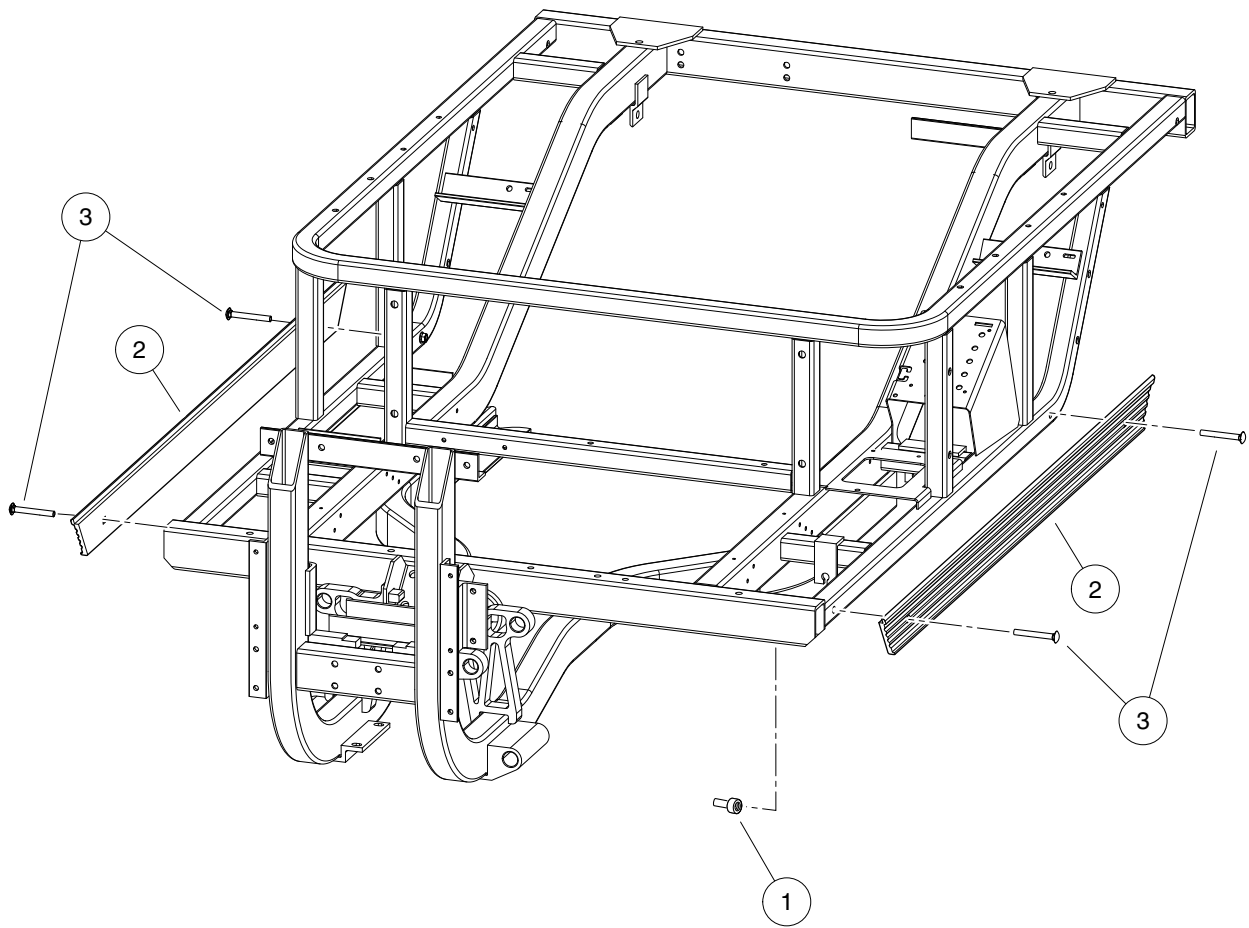
000789-001

GLOVE BOX

ITEM	PART NO.	DESCRIPTION	QTY
		1 2 3 4	
1	102867202	Cover, Storage, Dash, Blk, Cci	1
2	103182701	Latch, Push Close	1
3	103182702	Latch, Push Close W/ Key	1
4	103182801	Keeper, Latch, Push Close	1

1
G

1
G



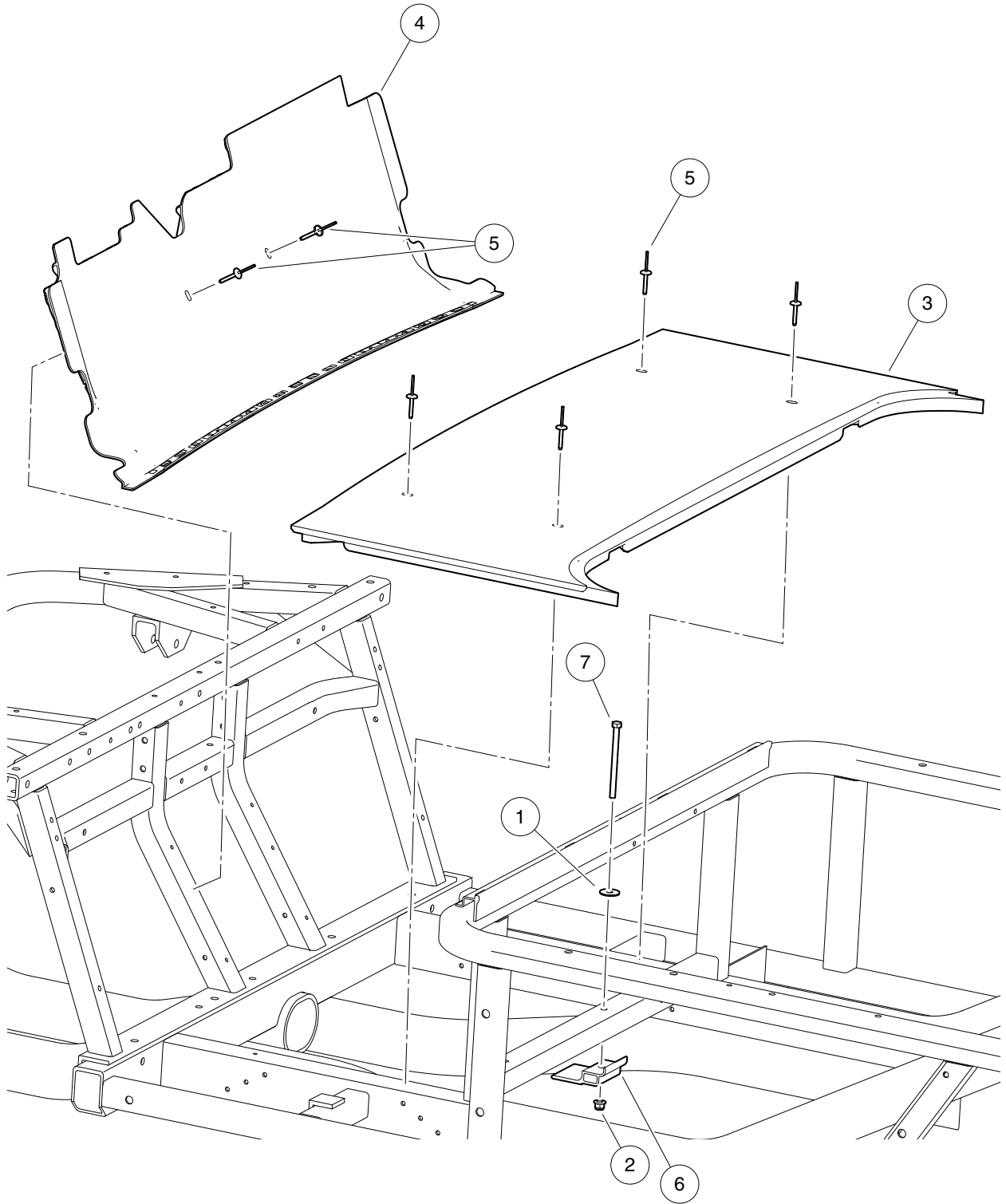
000527-001

SIDE STRINGERS – 2 PASSENGER

ITEM	PART NO.	DESCRIPTION	QTY
		1 2 3 4	
1	102491701	Well Nut 1/4-20	8
2	103485501	Stringer, Side, 1200mm	2
3	103487501	Screw, 1/4-20 X 1.0, Black	8

1
G

1
G



000790-003

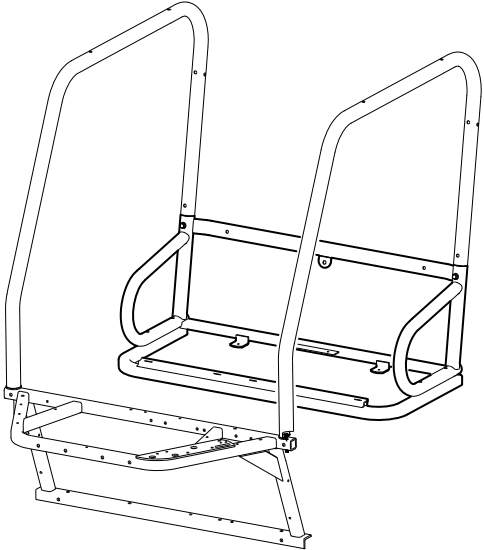
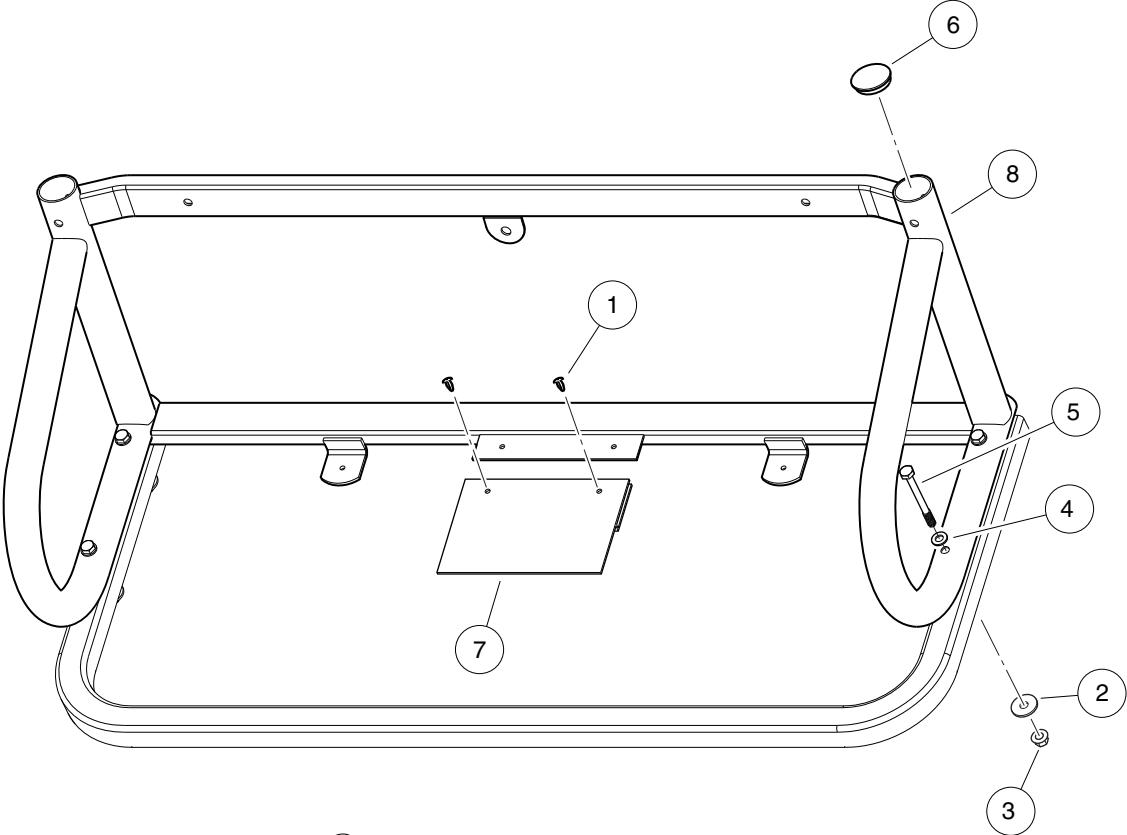
FLOORBOARD

ITEM	PART NO.	DESCRIPTION	QTY
		1 2 3 4	
1	1011578	Washer, 5/16 Type B Flat	1
2	102618601	Lock Nut, Flange, M8 X 1.25 Nylon	1
3	103319601	Floorboard, Lower	1
4	103319701	Floorboard, Upper	1
5	103400001	3/16 X 1.19 Alum Rivet, Blk	6
6	103417401	Bracket, Support, Floorboard	1
7	103423701	Bolt, M8 X 1.25 X 110	1

1

G

1
G



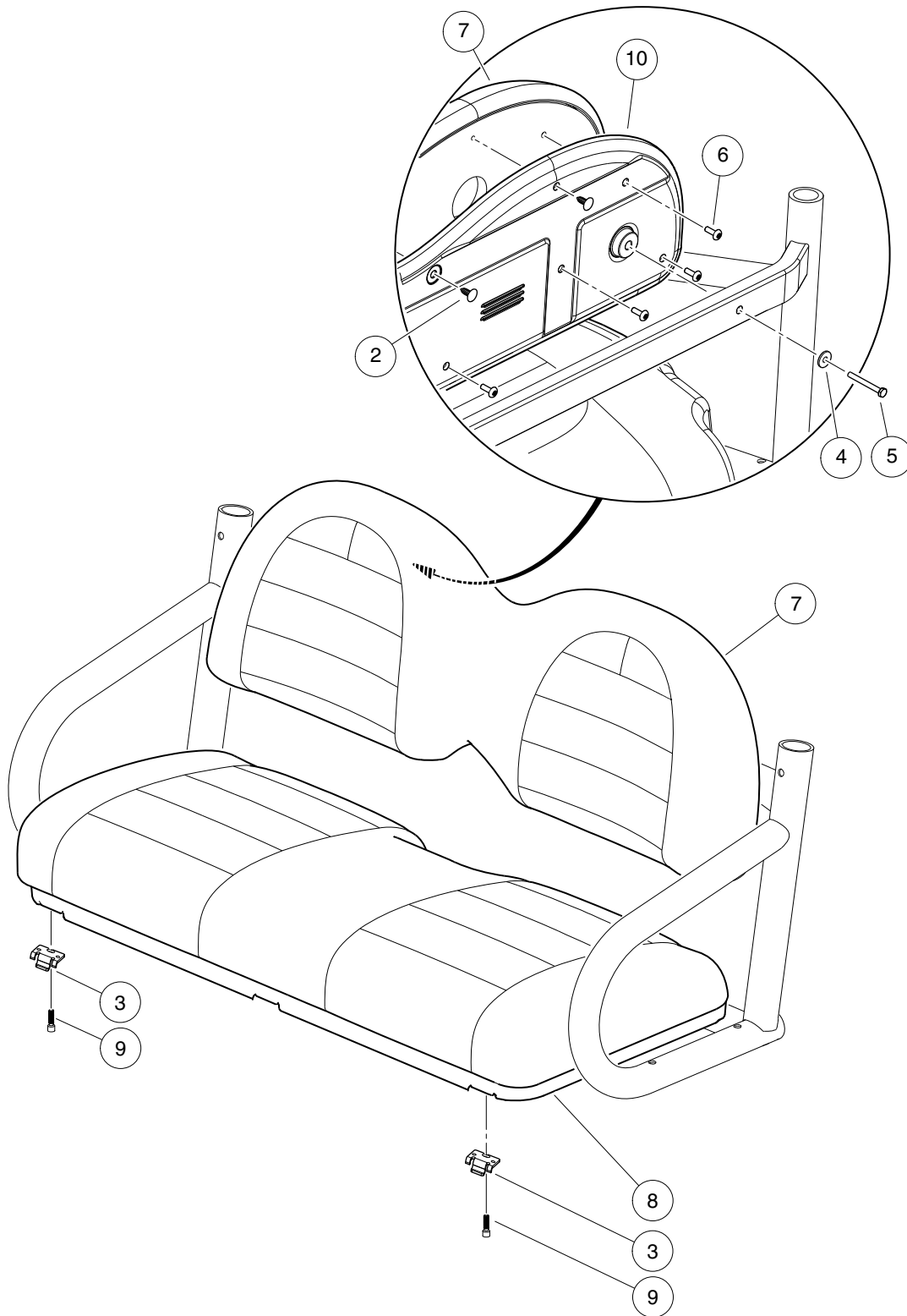
000029-006

SEAT SUPPORT- VEHICLE WITHOUT ROPS

ITEM	PART NO.	DESCRIPTION	QTY
		1 2 3 4	
1	102025701	Screw, Tuflok Panel, 1/4	2
2	102491501	Washer, Hard, M10	4
3	102617201	Nut, Flanged, M10 X 1.5, Mechanically Deformed	4
4	102718101	Washer, Hard, M10, Zn-Ni/Blk	4
5	102732301	Bolt, M10 X 100, Zn-Ni (Black)	4
6	103215301	Plug, Tube, Round, 2"	2
7	103636701	Closeout, Center, Style B	1
8	103954101	Weldment, Seat Support, 2wd	1

1
G

1
G



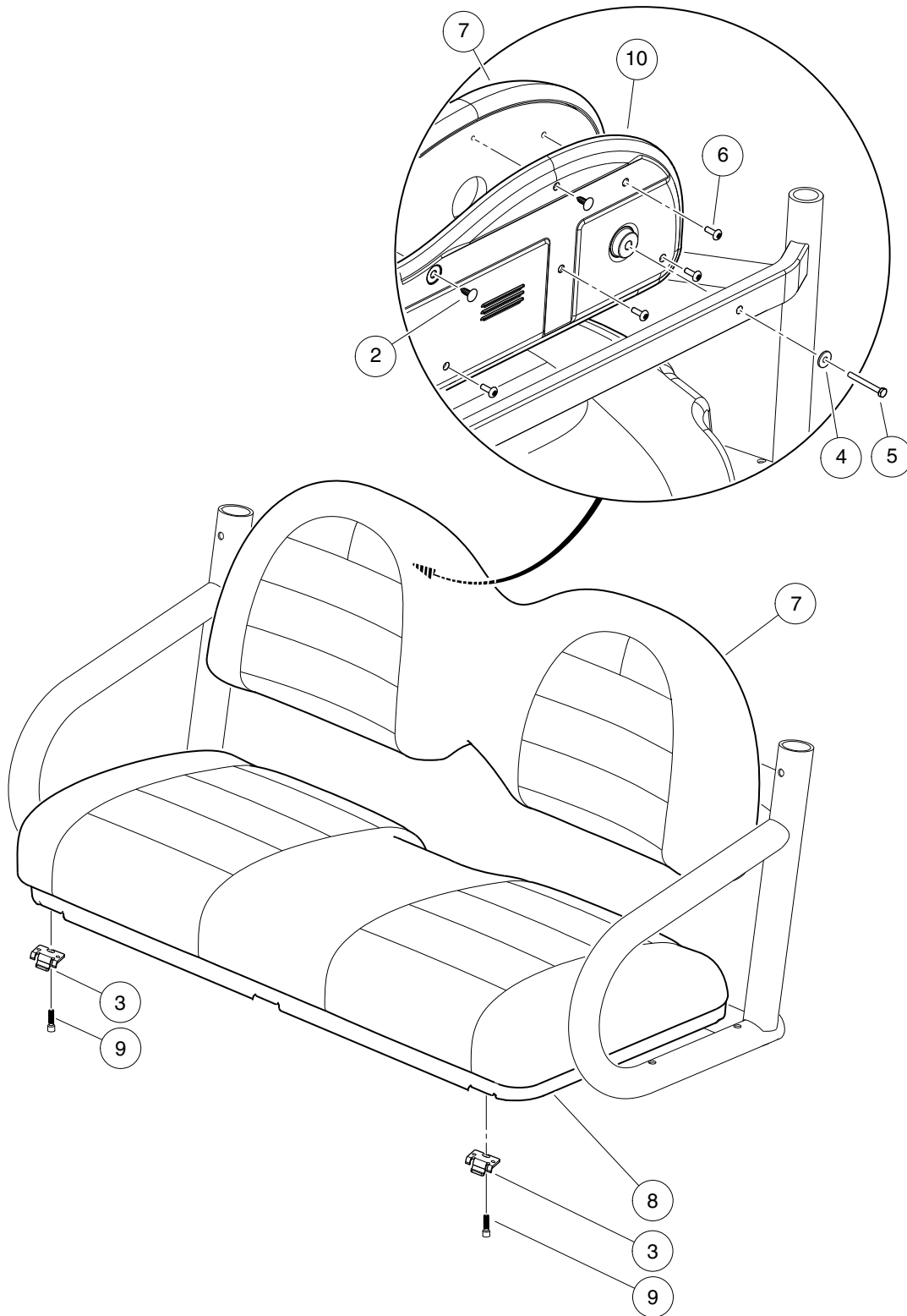
000523-002

BENCH SEAT – GRAY

ITEM	PART NO.	DESCRIPTION	QTY
		1 2 3 4	
1	103647201	Kit, Bench Seat, Gray (includes items 2 through 10)	1
2	1010434	Barrel - Plastic	8
3	1011652	Hinge Plate	2
4	1011697	Washer, 5/16 Flat	3
5	1014201	Screw, 1/4-20 X 2.25 Hex Cap	3
6	1014415	Screw, 1/4-20 X 0.75 Torx Truss-Head	4
7	103456001	Seat Back, Bench, Gray	1
8	103629102	Seat, Bench, Bottom, Gray	1
9	103629501	Screw, 1/4-20 X .75 Shcs	4
10	103831101	Cap, Seatback, Vented	1

1
G

1
G



000523-002

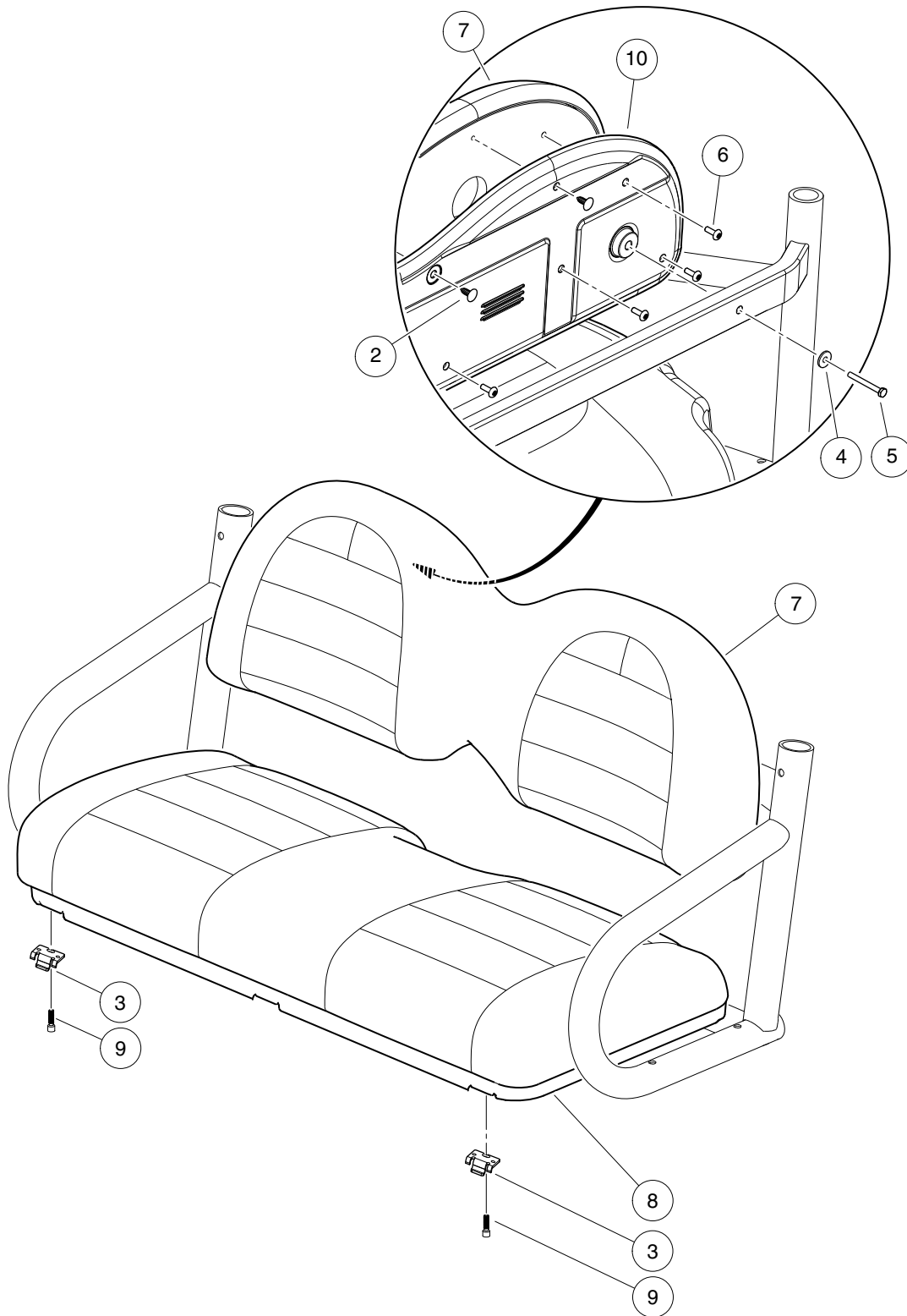
BENCH SEAT – BLACK

ITEM	PART NO.	DESCRIPTION	QTY
		1 2 3 4	
1	103647202	Kit, Bench Seat, Blk (includes items 2 through 10)	1
2	1010434	Barrel - Plastic	8
3	1011652	Hinge Plate	2
4	1011697	Washer, 5/16 Flat	3
5	1014201	Screw, 1/4-20 X 2.25 Hex Cap	3
6	1014415	Screw, 1/4-20 X 0.75 Torx Truss-Head	4
7	103456002	Seat Back, Bench, Black	1
8	103629101	Seat, Bench, Bottom, Blk	1
9	103629501	Screw, 1/4-20 X .75 Shcs	4
10	103831101	Cap, Seatback, Vented	1
<p style="margin-left: 40px;">Note: For other colors, order -02 Kit for Black; -03 Kit for Tan.</p>			

1

G

1
G



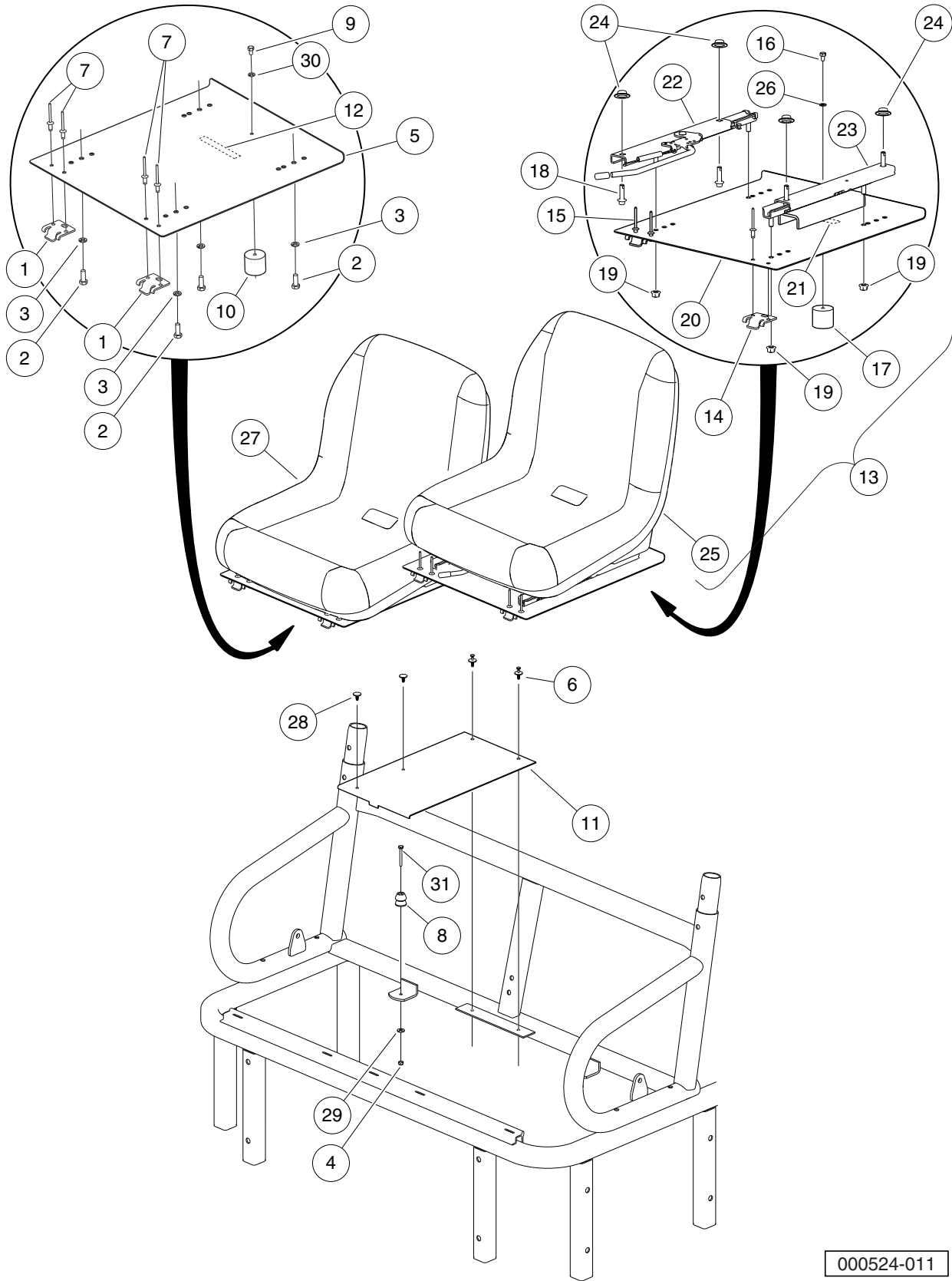
000523-002

BENCH SEAT – TAN

ITEM	PART NO.	DESCRIPTION	QTY
		1 2 3 4	
1	103647203	Kit, Bench Seat, Tan (includes items 2 through 10)	1
2	1010434	Barrel - Plastic	8
3	1011652	Hinge Plate	2
4	1011697	Washer, 5/16 Flat	3
5	1014201	Screw, 1/4-20 X 2.25 Hex Cap	3
6	1014415	Screw, 1/4-20 X 0.75 Torx Truss-Head	4
7	103456003	Seat Back, Bench, Tan	1
8	103629103	Seat, Bench, Bottom, Tan	1
9	103629501	Screw, 1/4-20 X .75 Shcs	4
10	103831101	Cap, Seatback, Vented	1
		 Note: For other colors, order -02 Kit for Black; -03 Kit for Tan.	

1
G

1
G



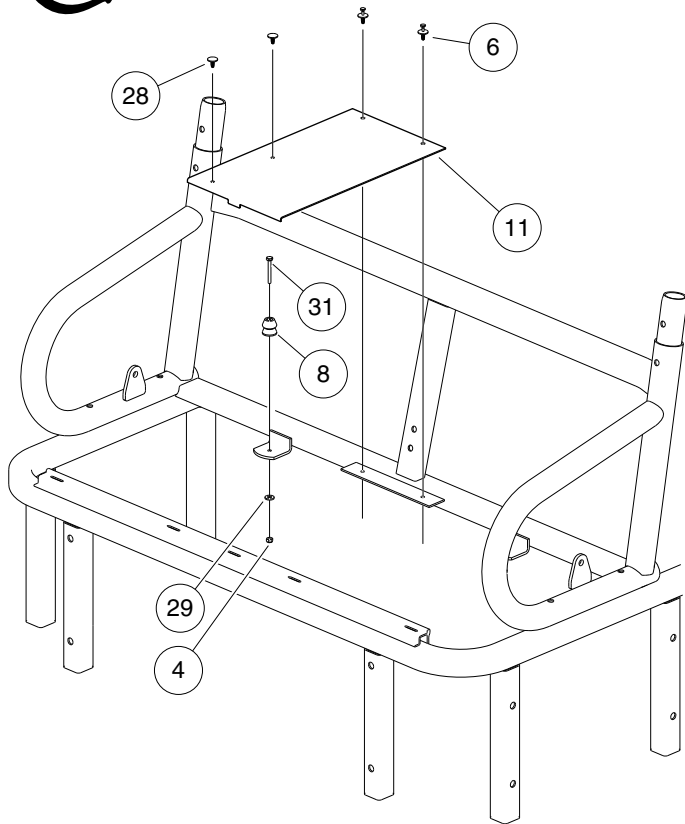
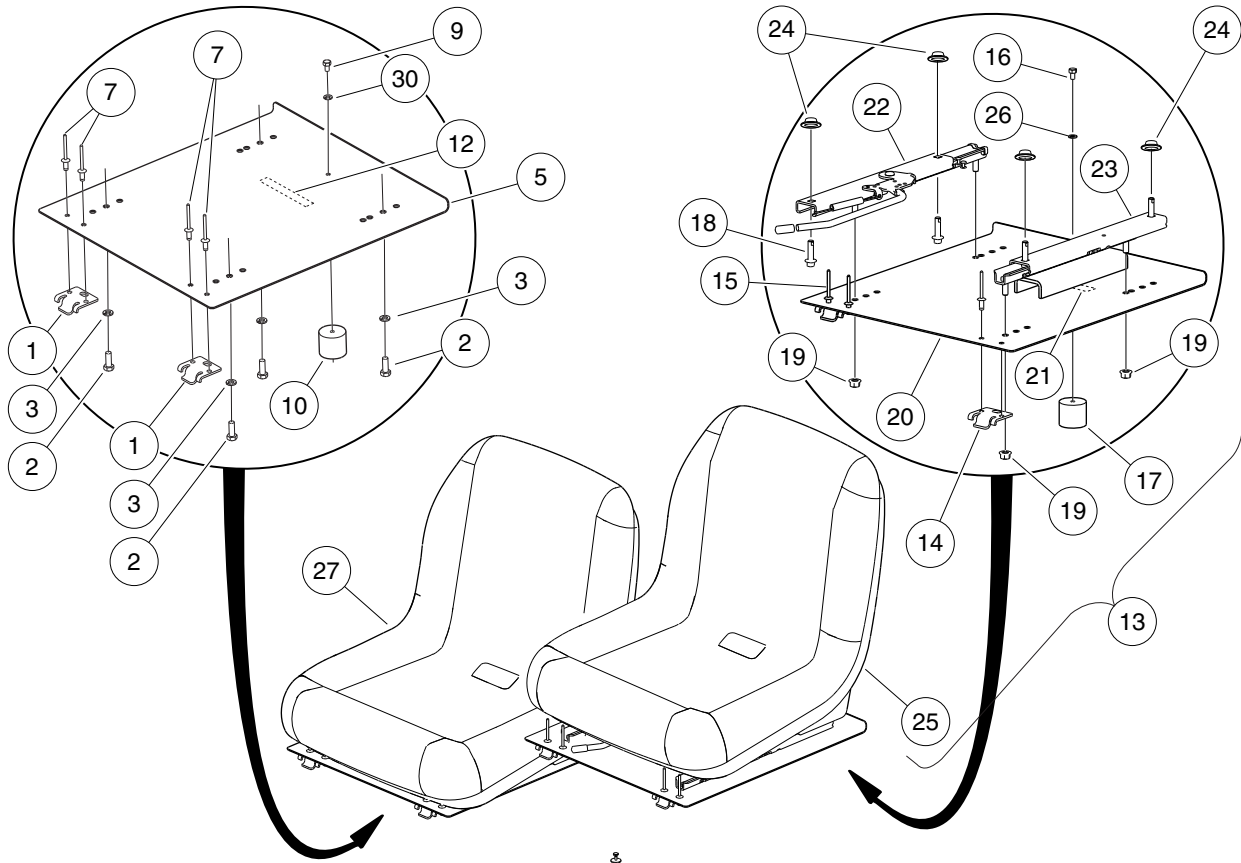
000524-011

BUCKET SEATS – GRAY

ITEM	PART NO.	DESCRIPTION	QTY
		1 2 3 4	
1	1011652	Hinge Plate	2
2	1012830	Screw, M8-125 X 22 Hex-Head	4
3	1013734	Lockwasher, 8mm Split	4
4	101887601	Locknut, M6-1.00 Nylon Insert	2
5	102023703	Pan, Seat, Passenger	1
6	102025701	Screw, Tuflok Panel, 1/4	2
7	102047001	Rivet, 1/4 X .438 Blind	4
8	102059001	Seat Holder Base	2
9	102059401	Screw, 6m-1.00 X 10mm Hex Head	1
10	102061101	Seat Holder Cup	1
11	102442002	Pan, Center, Closeout, Pfex	1
12	102458901	Decal, Hot Surface Warning	1
13	102473701	Asm, Bucket Seat Adjustable (includes items 14 through 26)	1
14	1011652	Hinge Plate	2
15	102047001	Rivet, 1/4 X .438 Blind	4
16	102059401	Screw, 6m-1.00 X 10mm Hex Head	1
17	102061101	Seat Holder Cup	1
18	102298130	Bolt, Flange Head, M8 X 30.0	4
19	102298401	Nut,m8,all Metal Lock	4
20	102456001	Pan, Seat, Driver Asm	1
21	102458901	Decal, Hot Surface Warning	1
22	102473501	Adjuster, Forward/Aft	1
23	102473601	Adjuster, Slider	1
24	102475901	Washer, Bell	4
25	103267001	Seat, Bucket, Gray	1
26	451	Lockwasher, 1/4 Split	1
27	103267001	Seat, Bucket, Gray	1
28	103978801	Barrel-push 6mm	2
29	332	Washer, 1/4 Type A Narrow Flat	2
30	451	Lockwasher, 1/4 Split	1
31	96742515	Bolt, M6 X 1 X 45	2

1
G

1
G

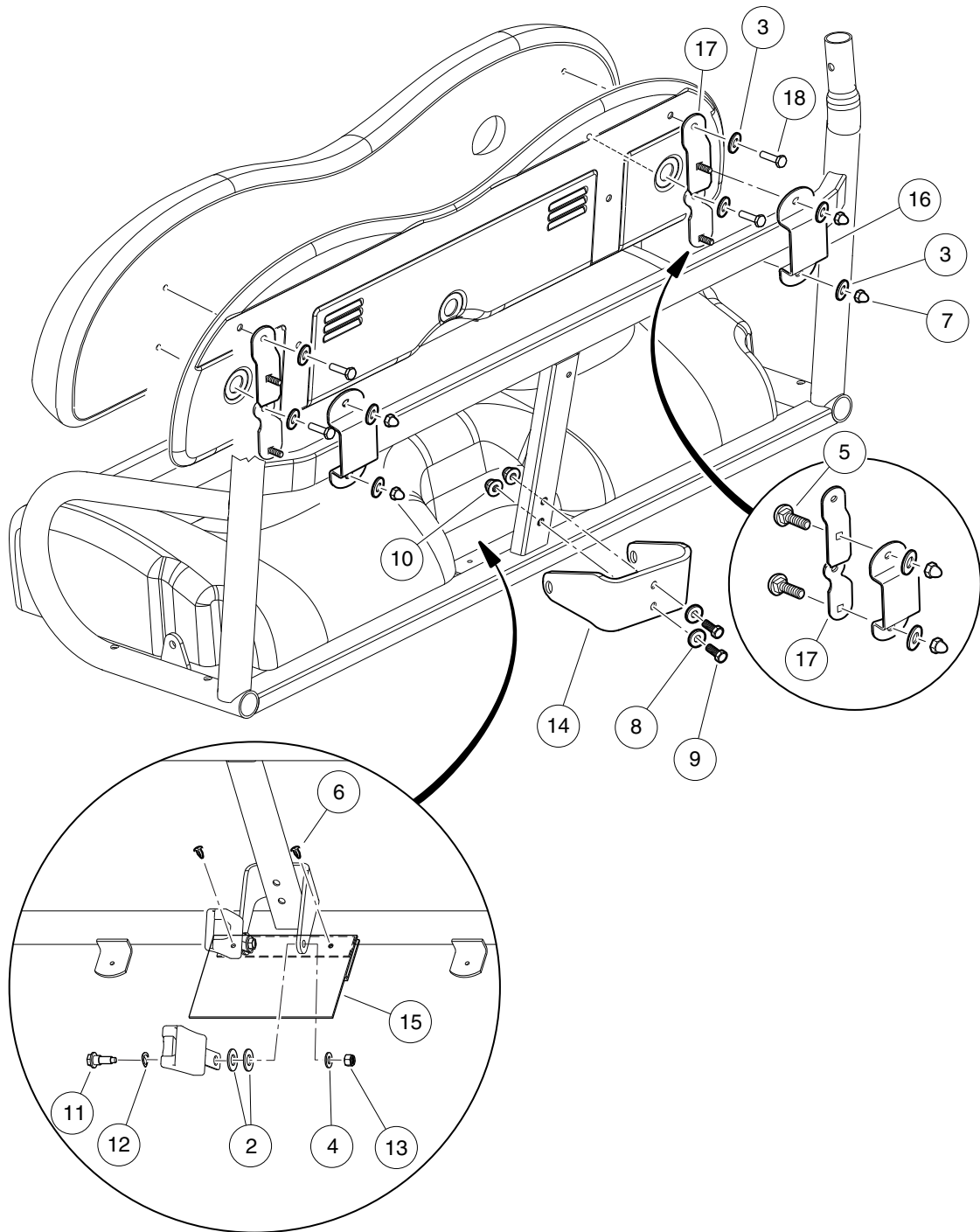


000524-011

BUCKET SEATS – BLACK

ITEM	PART NO.	DESCRIPTION	QTY
		1 2 3 4	
1	1011652	Hinge Plate	2
2	1012830	Screw, M8-125 X 22 Hex-Head	4
3	1013734	Lockwasher, 8mm Split	4
4	101887601	Locknut, M6-1.00 Nylon Insert	2
5	102023703	Pan, Seat, Passenger	1
6	102025701	Screw, Tuflok Panel, 1/4	2
7	102047001	Rivet, 1/4 X .438 Blind	4
8	102059001	Seat Holder Base	2
9	102059401	Screw, 6m-1.00 X 10mm Hex Head	1
10	102061101	Seat Holder Cup	1
11	102442002	Pan, Center, Closeout, Pfex	1
12	102458901	Decal, Hot Surface Warning	1
13	103218901	Asm, Bucket Seat, Adj, Blk (includes items 14 through 26)	1
14	1011652	Hinge Plate	2
15	102047001	Rivet, 1/4 X .438 Blind	4
16	102059401	Screw, 6m-1.00 X 10mm Hex Head	1
17	102061101	Seat Holder Cup	1
18	102298130	Bolt, Flange Head, M8 X 30.0	4
19	102298401	Nut,m8,all Metal Lock	4
20	102456001	Pan, Seat, Driver Asm	1
21	102458901	Decal, Hot Surface Warning	1
22	102473501	Adjuster, Forward/Aft	1
23	102473601	Adjuster, Slider	1
24	102475901	Washer, Bell	4
25	103267002	Seat, Bucket, Black	1
26	451	Lockwasher, 1/4 Split	1
27	103267002	Seat, Bucket, Black	1
28	103978801	Barrel-push 6mm	2
29	332	Washer, 1/4 Type A Narrow Flat	2
30	451	Lockwasher, 1/4 Split	1
31	96742515	Bolt, M6 X 1 X 45	2

1
G



000523-003

BENCH SEAT CONVERSION KIT

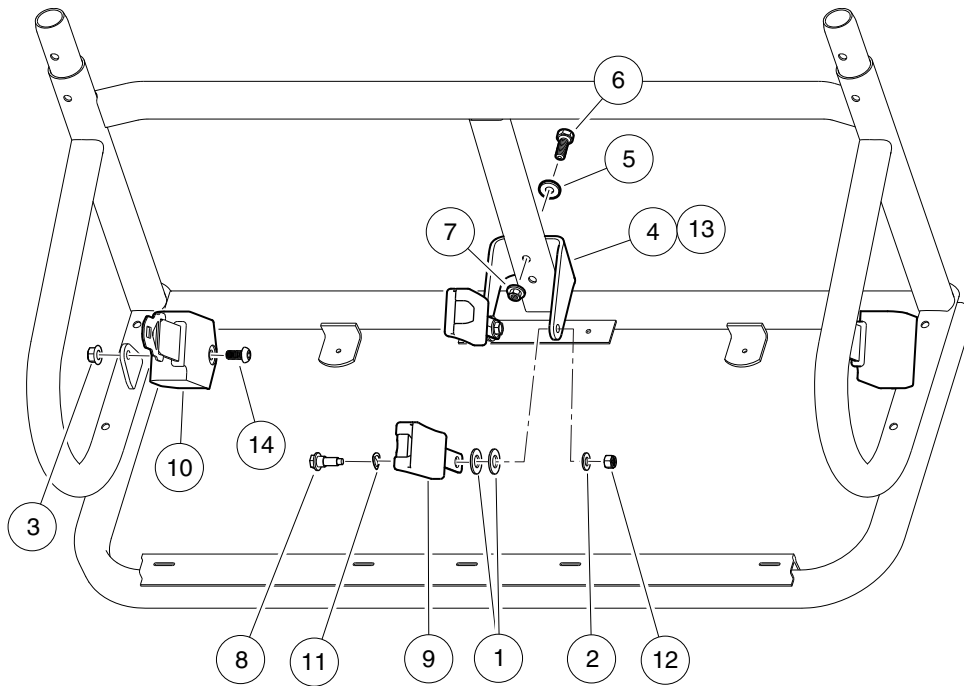
ITEM	PART NO.	DESCRIPTION	QTY
		1 2 3 4	
1	103643901	Kit, Seat, Bench, Conv (includes items 2 through 18)	1
2	1010193	Washer, 5/8 Type A Plain Flat	4
3	1011964	Washer, 1/4 Flat	8
4	1014557	Washer, 7/16 Flat	2
5	101958601	Carriage Bolt, 1/4-20 X 0.75	4
6	102025701	Screw, Tuflok Panel, 1/4	2
7	102242401	Nut - Nylon Insert W/cap	4
8	102718101	Washer, Hard, M10, Zn-Ni/Blk	2
9	102732401	Bolt, M10 X 45, Zn-Ni (Black)	2
10	103216401	Nut, Flanged, M10 x 1.5, Black	2
11	103529601	Bolt, Shoulder, 15 Mm	2
12	103530701	Washer, Spring, 15 Mm Id	2
13	103534201	Lock Nut, 7/16-20 Nylon	2
14	103635101	Bracket, Seatbelt, Style H, Bolt-On (for Bench Seat)	1
15	103636701	Closeout, Center, Style B	1
16	103646501	Bracket - Seat Clamp	2
17	103646601	Bracket - Seat Adapt	2
18	304	Screw, 1/4-20 X 1.0 Hex-Head Cap	4
Note: 103643901 Bench Seat Conversion Kit is required to be used with 103647201, 02, and 03 Bench Seat Kits.			

1

G

1

G



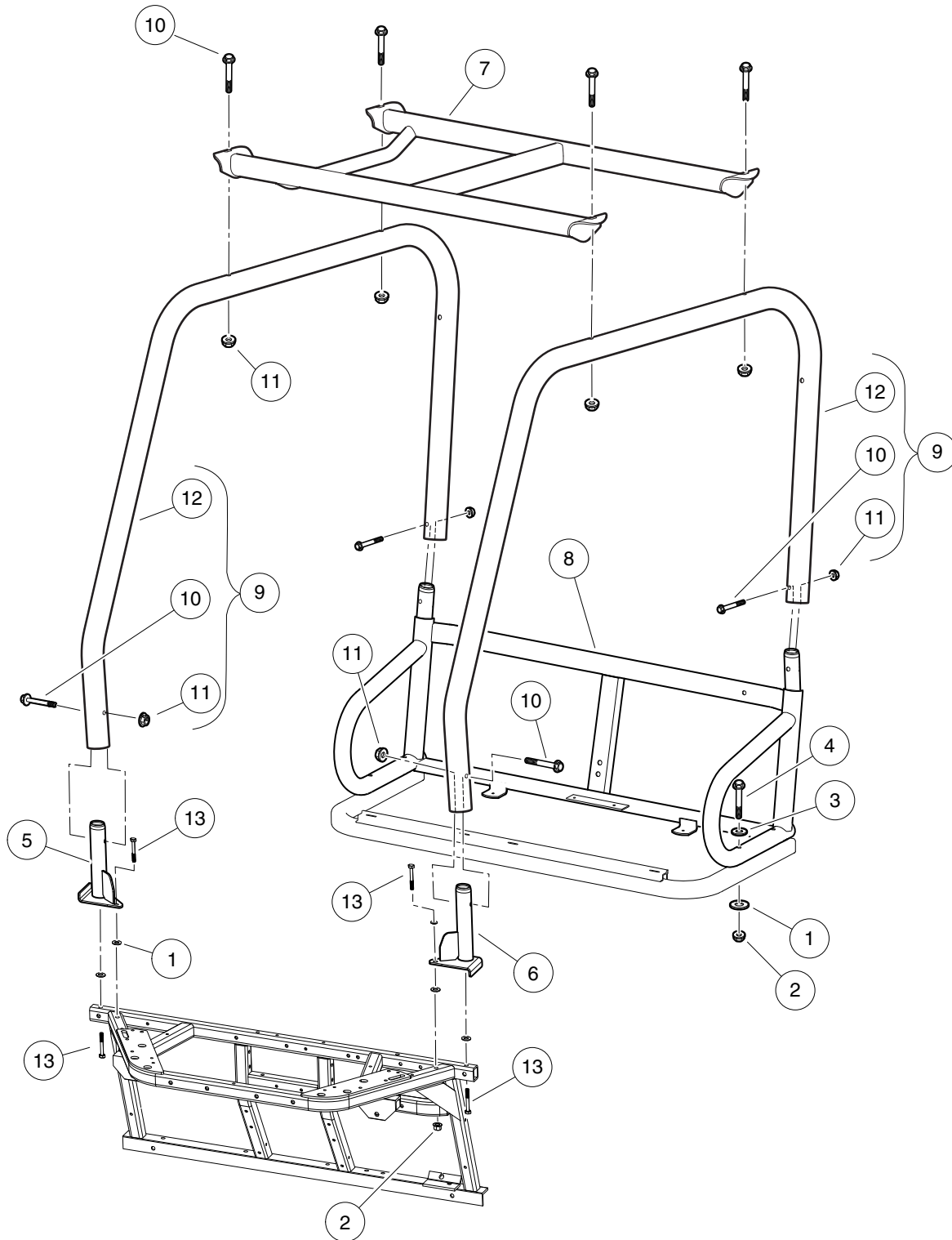
000029-007

2-POINT SEAT BELTS

ITEM	PART NO.	DESCRIPTION	QTY
		1 2 3 4	
1	1010193	Washer, 5/8 Type A Plain Flat	4
2	1014557	Washer, 7/16 Flat	2
3	102620301	Ln Flg, M12 X 1.75, Md, Black	2
4	102670601	Bracket, Seatbelt, Bolt-On (for Bucket Seats)	1
5	102718101	Washer, Hard, M10, Zn-Ni/Blk	2
6	102732401	Bolt, M10 X 45, Zn-Ni (Black)	2
7	103216401	Nut, Flanged, M10 x 1.5, Black	2
8	103529601	Bolt, Shoulder, 15 Mm	2
9	103529701	Asm, Buckle, Seat-belt	2
10	103529801	Retractor, Seat-belt	2
11	103530701	Washer, Spring, 15 Mm Id	2
12	103534201	Lock Nut, 7/16-20 Nylon	2
13	103635101	Bracket, Seatbelt, Style H, Bolt-On (for Bench Seat)	1
14	103806401	Bolt Btn, M12x1.75 X 25 Black	2
Note: Item 4 bracket is for bucket seats. Item 13 bracket is for bench seat.			

1

G



000029-008

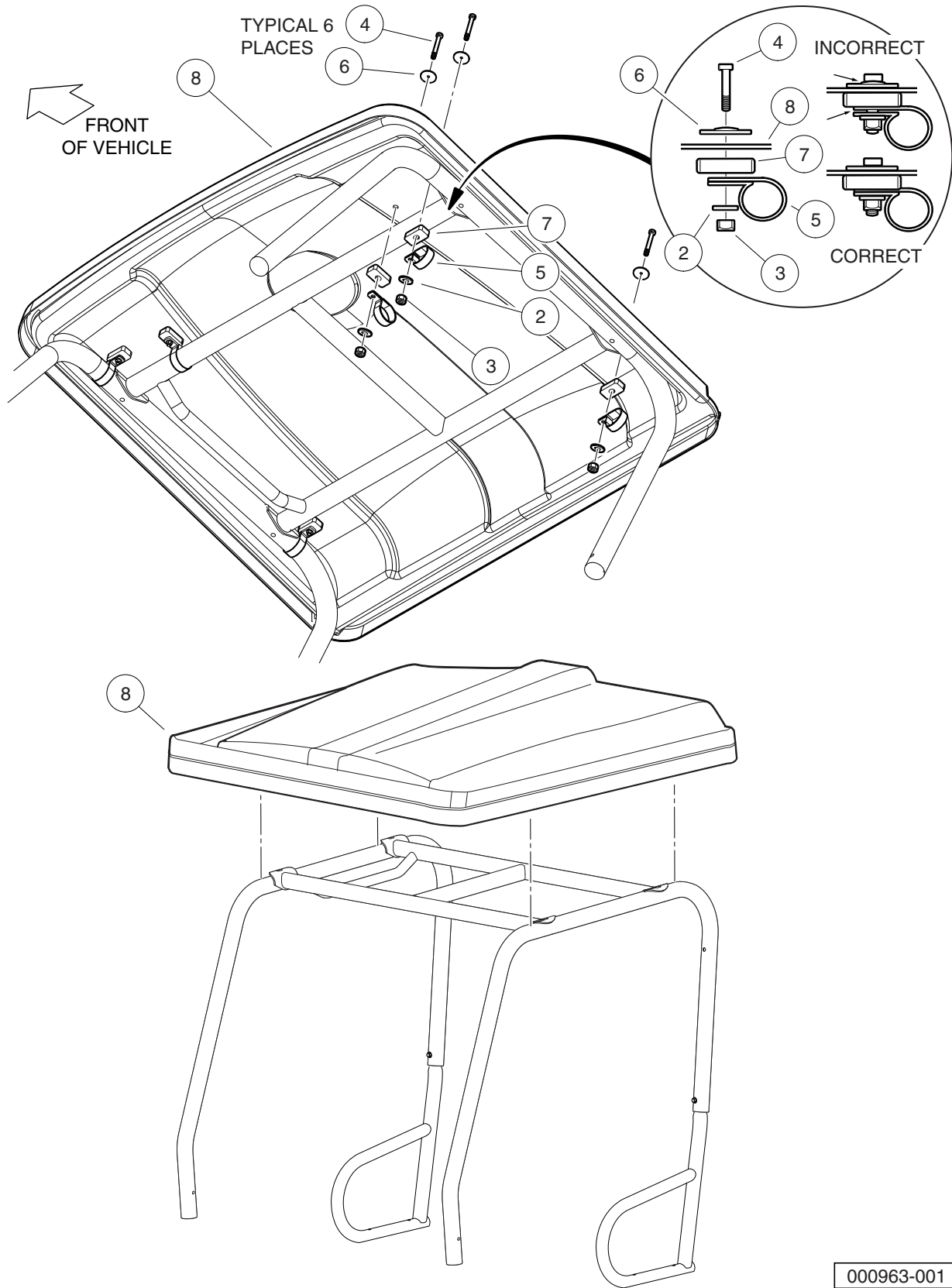
ROPS AND SEAT SUPPORT

ITEM	PART NO.	DESCRIPTION	QTY
		1 2 3 4	
1	102491501	Washer, Hard, M10	8
2	102617201	Nut, Flanged, M10 X 1.5, Mechanically Deformed	4
3	102718101	Washer, Hard, M10, Zn-Ni/Blk	4
4	102732301	Bolt, M10 X 100, Zn-Ni (Black)	4
5	102983201	Weldment, Front, Base, ROPS, Right-Hand	1
6	102983601	Weldment, Front, Base, ROPS, Left-Hand	1
7	103225801	Asm, Top, ROPS	1
8	103361701	Weldment, Seat Support, ROPS	1
9	103511201	Kit, Side Rops, Awd, Domestic (includes items 10 through 12)	1
10	102988701	Bolt, Flanged, M10 X 1.5 X 65	8
11	103216401	Nut, Flanged, M10 x 1.5, Black	8
12	N/A	Tube, Rops, Side Support, Awd	2
13	96715552	Bolt, M10 X 1.50 X 65	4

1

G

1
G



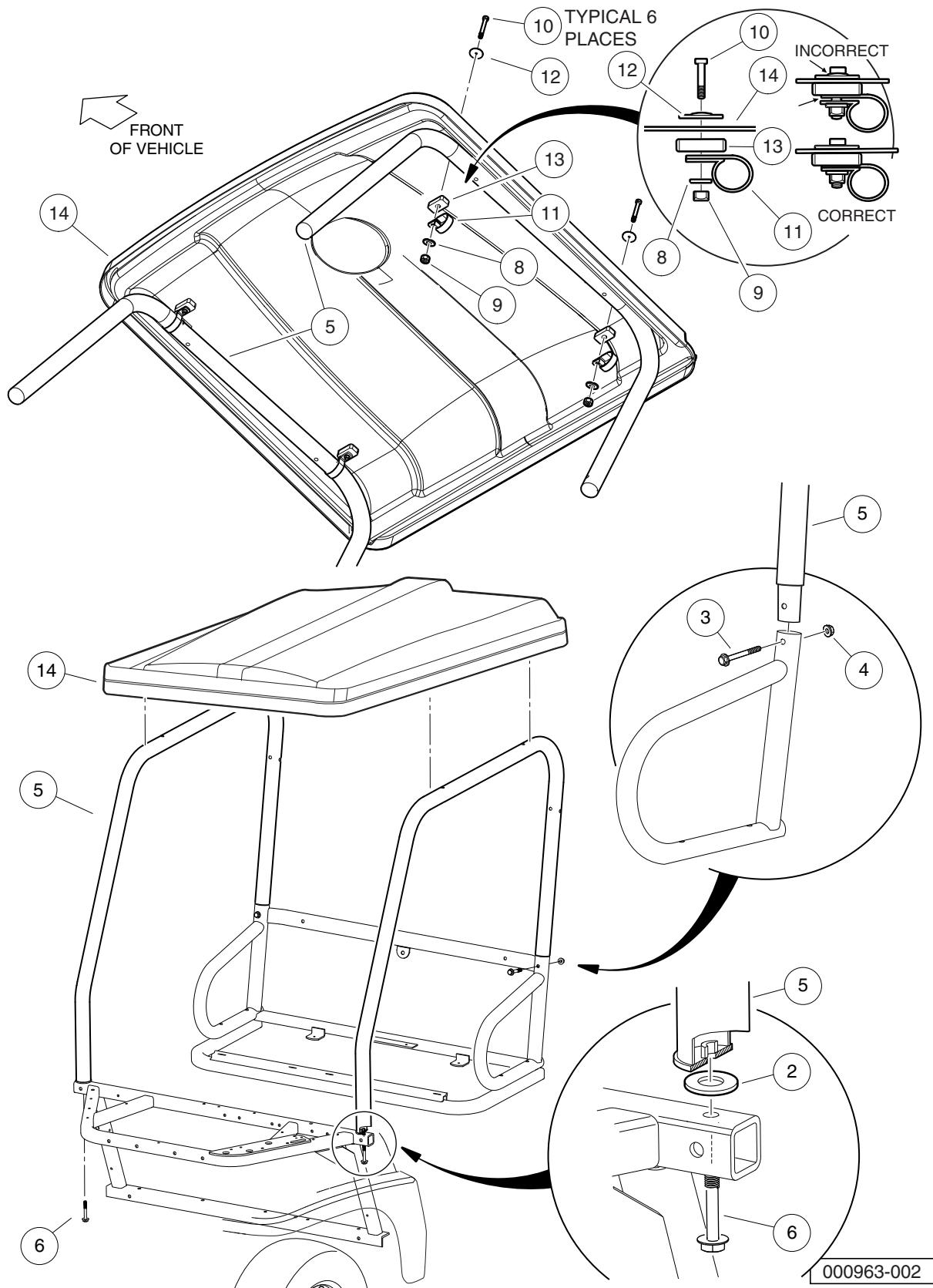
CANOPY (VEHICLE WITH ROPS)

ITEM	PART NO.	DESCRIPTION	QTY
		1 2 3 4	
1	103955901	Kit, Canopy, Black, 4wd (includes items 2 through 8)	1
2	1011964	Washer, 1/4 Flat	6
3	1015068	Locknut, 1/4-20 Nylon	6
4	102343601	Screw, 1/4-20 X 1 3/4 Ss Hx Ca	6
5	103223101	P Clamp Insul 50.8 Dia	6
6	103844301	Washer, Sealing, 0.25 X 1.50	6
7	103844401	Spacer, 0.625 X 2.25 X 1.25	6
8	N/A	Canopy, Black, 4wd	1

1

G

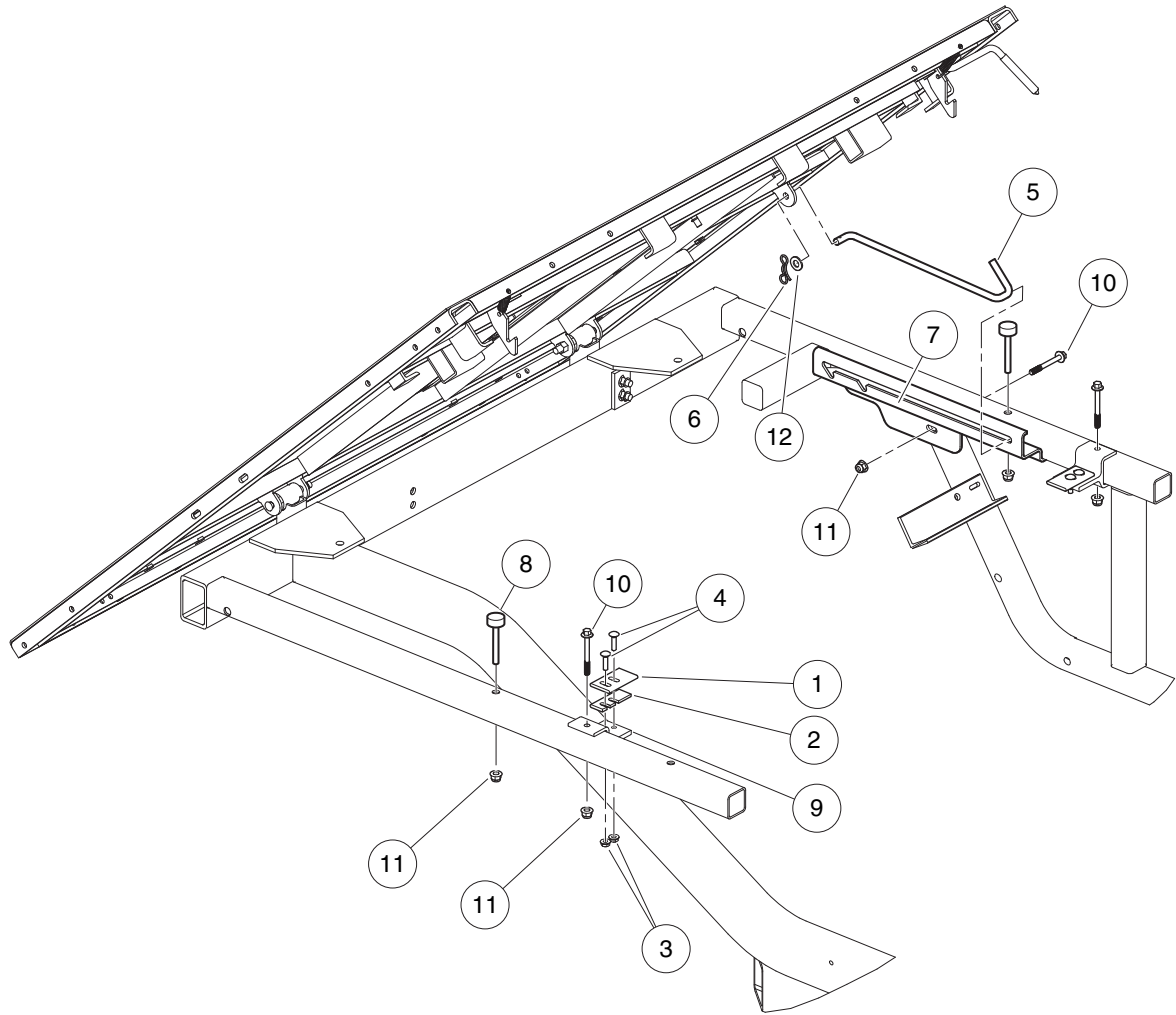
1
G



CANOPY AND SUPPORTS – VEHICLE WITHOUT ROPS

ITEM	PART NO.	DESCRIPTION	QTY
		1 2 3 4	
1	103948601	Kit, Support, Canopy/windshld (includes items 2 through 6)	1
2	102491501	Washer, Hard, M10	2
3	102988701	Bolt, Flanged, M10 X 1.5 X 65	2
4	103216401	Nut, Flanged, M10 x 1.5, Black	2
5	103948501	Weldment, Canopy/windshld	2
6	96715552	Bolt, M10 X 1.50 X 65	2
7	103955902	Kit, Canopy, Black, 2wd (includes items 8 through 14)	1
8	1011964	Washer, 1/4 Flat	4
9	1015068	Locknut, 1/4-20 Nylon	4
10	102343601	Screw, 1/4-20 X 1 3/4 Ss Hx Ca	4
11	103223101	P Clamp Insul 50.8 Dia	4
12	103844301	Washer, Sealing, 0.25 X 1.50	4
13	103844401	Spacer, 0.625 X 2.25 X 1.25	4
14	N/A	Canopy, Black, 2wd	1

1
G

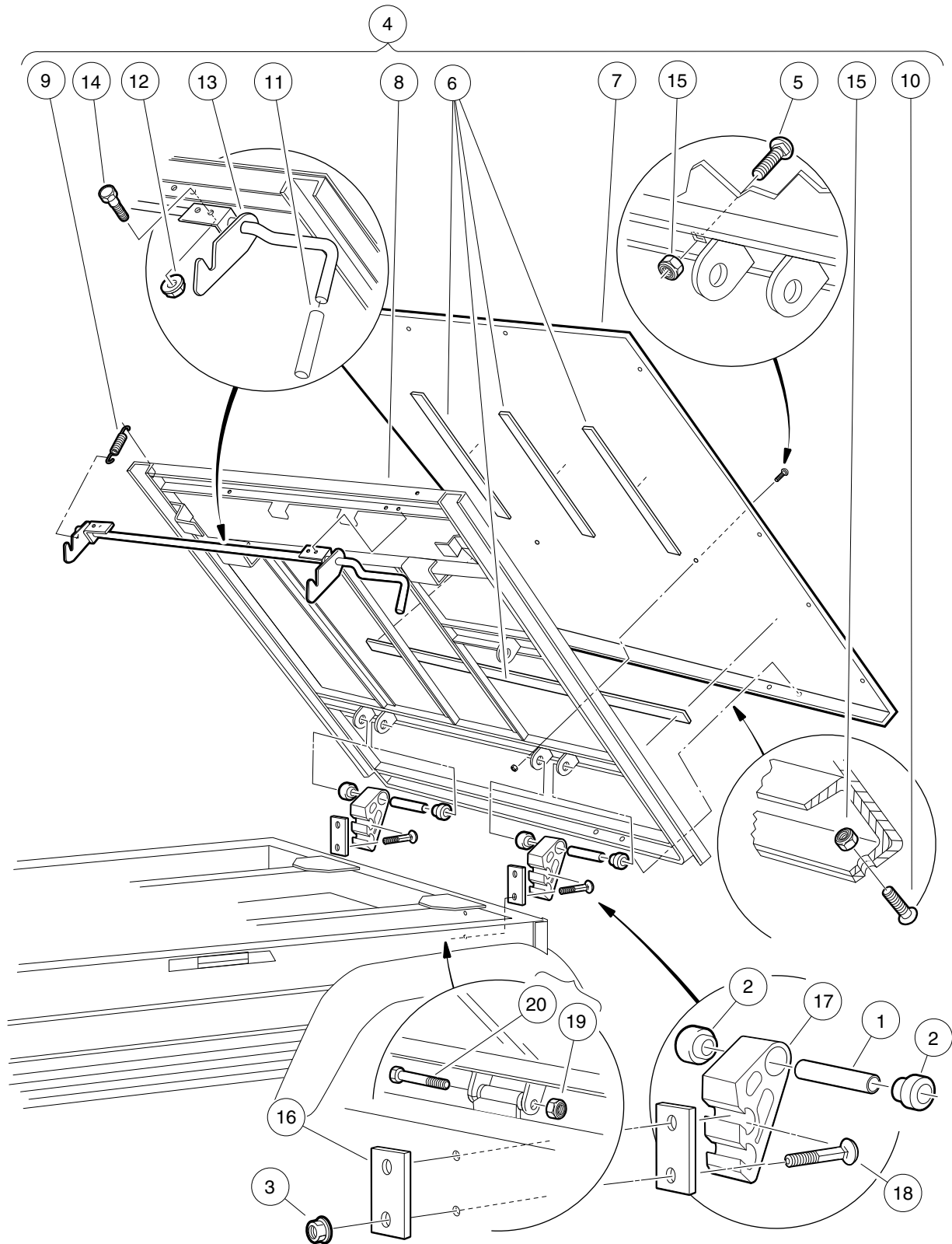


000036-001

LATCH PLATES AND PROP ROD

ITEM	PART NO.	DESCRIPTION	QTY
		1 2 3 4	
1	1015277	Latch Plate, Tilt Bed	2
2	1016078	Latch Plate Shim	1
3	101835601	Locknut, 1/4-20 Hex Whiz	4
4	101958602	Bolt, Carriage, 1/4-20 X 1.0	4
5	102301401	Rod, Prop	1
6	102323101	Pin, Bow Tie Locking	1
7	102418101	Track, Prop Rod	1
8	102426601	Bumper, Bed, Mtg, Front	2
9	102493801	Bracket, Latch, Bed	2
10	102618301	Bolt, Flanged Head, M8 X 1.25 X 65	3
11	102618601	Lock Nut, Flange, M8 X 1.25 Nylon	5
12	334	Washer, 3/8, Type A, Flat	1

1
G

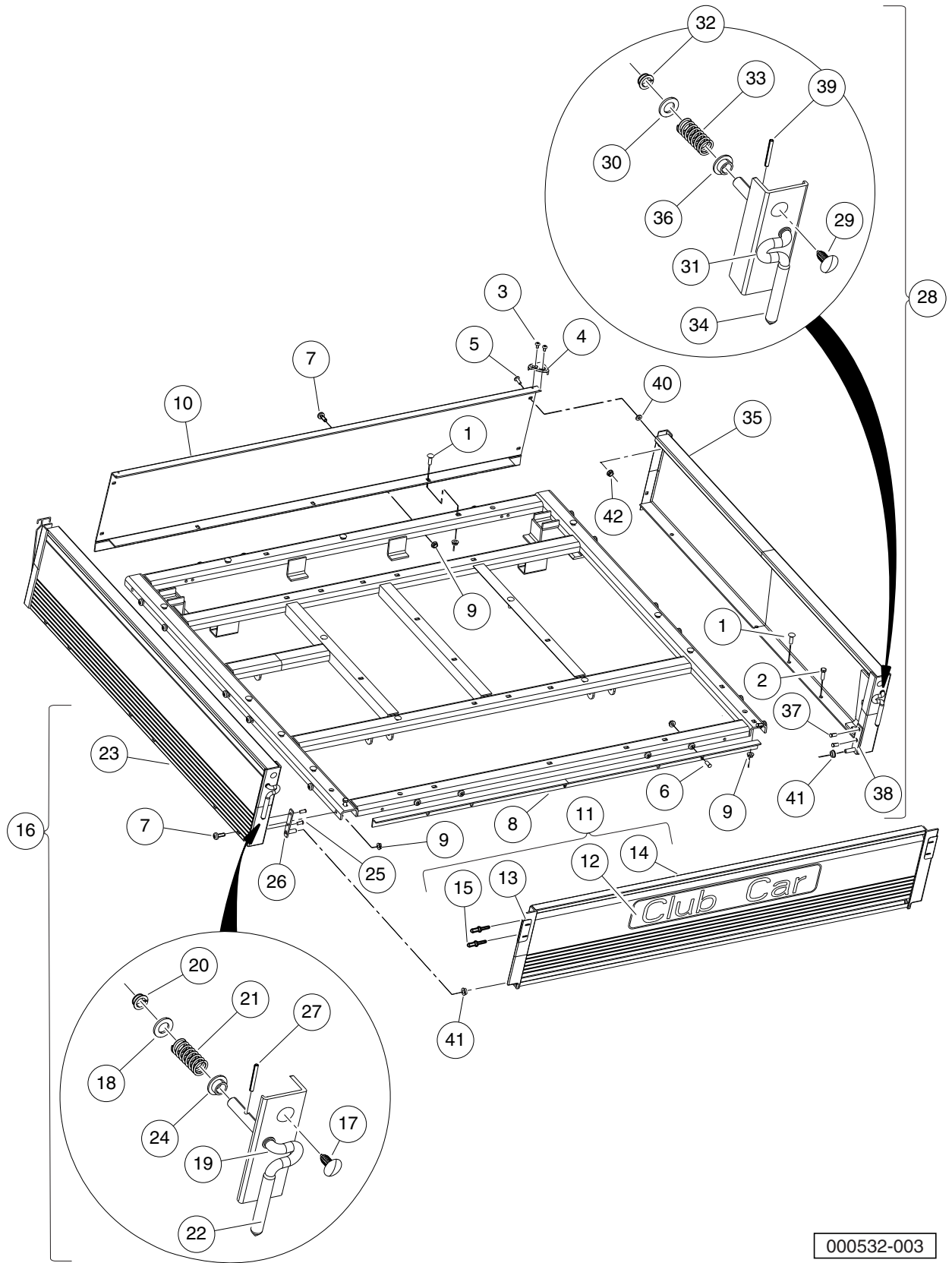


000037-001

TILT BED, HINGE, AND LATCH

ITEM	PART NO.	DESCRIPTION	QTY
		1 2 3 4	
1	1012303	Bushing, Steel	2
2	1015583	Bushing, Urethane	2
3	102065901	Locknut, 3/8-16 Flanged Dimple	4
4	102171503	Tilt Bed Assembly (includes items 5 through 15)	1
5	1010435	Bolt, Carriage, 5/16-18 X 1.00	4
6	1014471	Tape, Vinyl Foam 1/8" x 3/4"	1
7	1015258	Plate, Floor Bed	1
8	N/A	Frame Assembly	1
9	1015391	Extension, Spring Latch	2
10	1015399	Screw, 5/16-18 X 0.88 Torx Truss-Head	4
11	1015400	Grip, Tilt Latch Hand	1
12	101835601	Locknut, 1/4-20 Hex Whiz	4
13	102426901	Ltch Weld Asm Tlt Bd	1
14	403	Screw, 1/4-20 X 0.625 Hex-Head Cap	4
15	7473	Locknut, 5/16-18 Nylon Insert	8
16	102614101	Plate, Back	2
17	103538701	Bracket, Bed Hinge, Extruded	2
18	103538901	Bolt, Carriage, 3/8-16 x 3.5" Grade 5	4
19	8754	Locknut, 3/8-16 Hex	2
20	8755	Screw, 3/8-16 X 3.375 Hex Cap	2

1
G

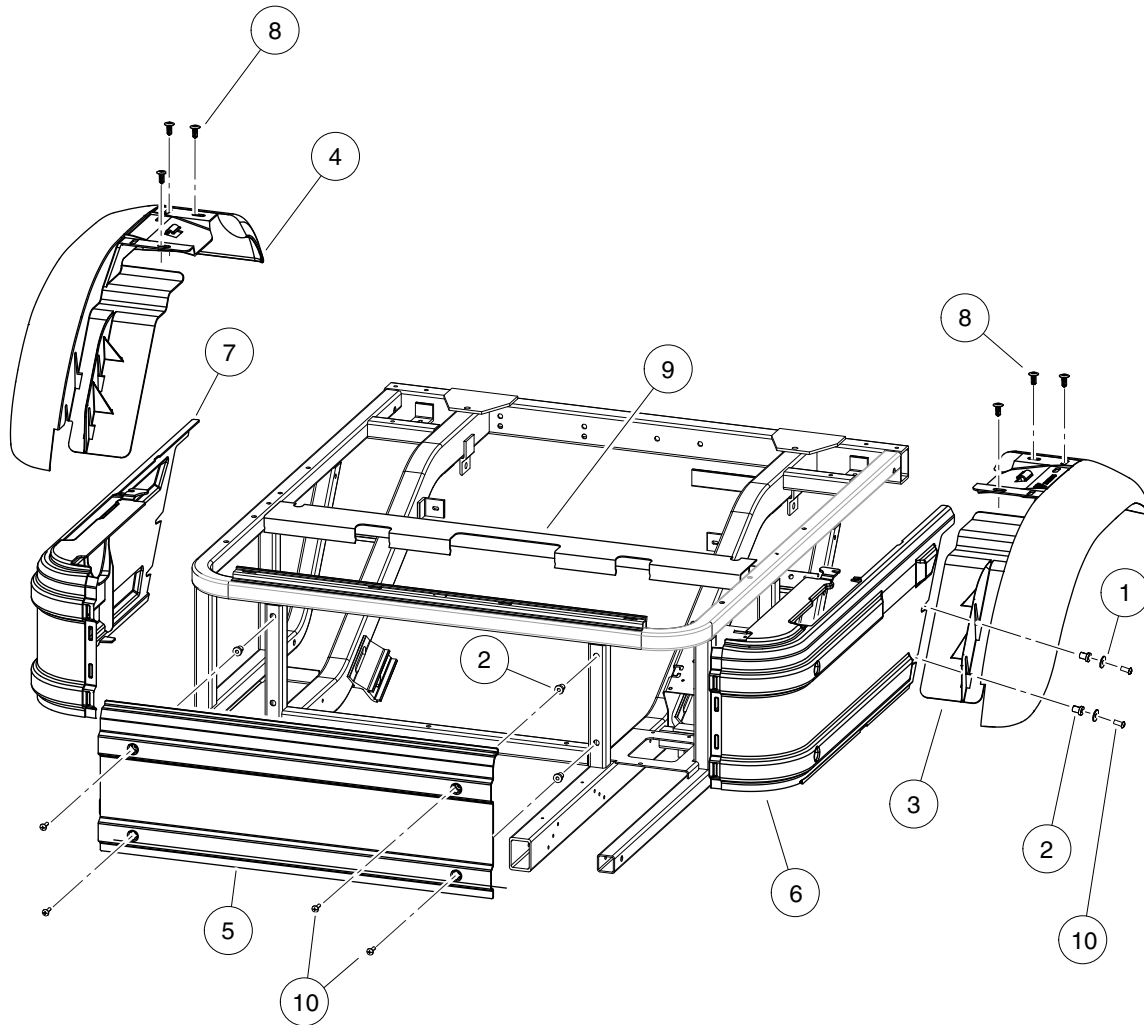


000532-003

BOX BED – ALUMINUM

ITEM	PART NO.	DESCRIPTION	QTY
		1 2 3 4	
1	1010435	Bolt, Carriage, 5/16-18 X 1.00	11
2	1010934	Screw, 5/16-18 X 1.00 Hex Cap	2
3	1014321	Screw, #10 Truss-Head Torx	4
4	1014387	Cap, Corner	2
5	1014415	Screw, 1/4-20 X 0.75 Torx Truss-Head	4
6	1014537	Stud, Self-Clinching Flush Head	2
7	1015399	Screw, 5/16-18 X 0.88 Torx Truss-Head	16
8	N/A	Box Bed Tailgate Angle	1
9	101963401	Locknut, 5/16-18 Hex Flange	33
10	102030101	Panel, Front	1
11	102030201	Tailgate Asm (includes items 12 through 15)	1
12	1013317	Decal, Logo, Tailgate	1
13	1015246	Plate, Tailgate Latch Wear	2
14	N/A	Tailgate Weldment	1
15	7973	Rivet, 3/16 X .400 Blind	4
16	103191401	Asm, Panel, Side, Left (includes items 17 through 28)	1
17	1010434	Barrel - Plastic	1
18	1011990	Washer, 3/8 Flat	1
19	1015313	Latch, Tailgate, Left-Hand	1
20	1015363	Bushing, Snap-In	1
21	1015390	Compression Spring Latch Tilt	1
22	1015400	Grip, Tilt Latch Hand	1
23	103191201	Weldment, Panel, Side, Left	1
24	1032	Bushing, Nylon	1
25	103379401	Rivet, 1/4 X 0.30, Blind	2
26	103406501	Kit, Tailgate Mounting Bracket, CA, LH (includes item 27)	1
27	103406601	Stud, 1/4 Self-clnchg Flush	2
28	1231	Pin, 1/8 X 1.00 Split Roll	1
29	103191501	Asm, Panel, Side, Right (includes items 30 through 41)	1
30	1010434	Barrel - Plastic	1
31	1011990	Washer, 3/8 Flat	1
32	1015245	Latch, Tailgate, Right-Hand	1
33	1015363	Bushing, Snap-In	1
34	1015390	Compression Spring Latch Tilt	1
35	1015400	Grip, Tilt Latch Hand	1
36	103191301	Weldment, Panel, Side, Right	1
37	1032	Bushing, Nylon	1
38	103379401	Rivet, 1/4 X 0.30, Blind	2
39	103406502	Kit, Tailgate Mounting Bracket, CA, RH (includes item 40)	1
40	103406601	Stud, 1/4 Self-clnchg Flush	2
41	1231	Pin, 1/8 X 1.00 Split Roll	1
42	332	Washer, 1/4 Type A Narrow Flat	4
43	7049	Bushing, Nylon	2
44	8233	Locknut, 1/4-20, Nylon Insert	4

1
G



000518-005

SIDE PANELS AND REAR FENDERS

ITEM	PART NO.	DESCRIPTION	QTY
		1 2 3 4	
1	1014306	Washer, 1/4" Type B Flat	4
2	102491701	Well Nut 1/4-20	8
3	102913801	Left Rear Fender (Black)	1
4	102913901	Right Rear Fender (Black)	1
5	102914001	Panel, Front, Kick (Black)	1
6	102914101	Panel, Side, Molded, Driver (Black)	1
7	102914102	Panel, Side, Molded, Passenger (Black)	1
8	103200501	Screw, Tuflok, 10mm	6
9	103331201	Closeout, Extrusion	1
10	8251	Screw, 1/4-20 X 1.0 Truss-Head Machine	8

1
G

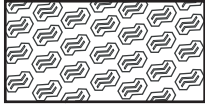
1

G

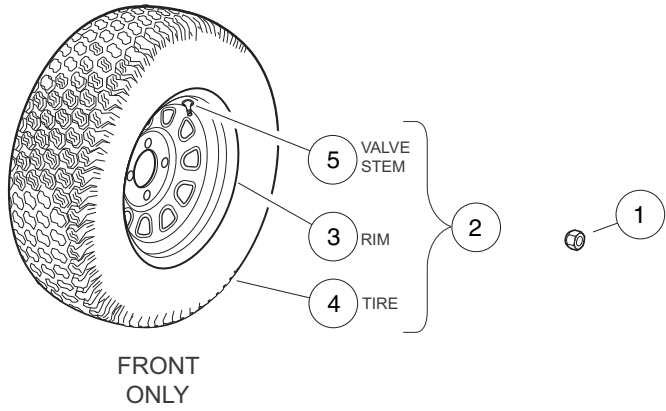
WHEELS AND TIRES

2

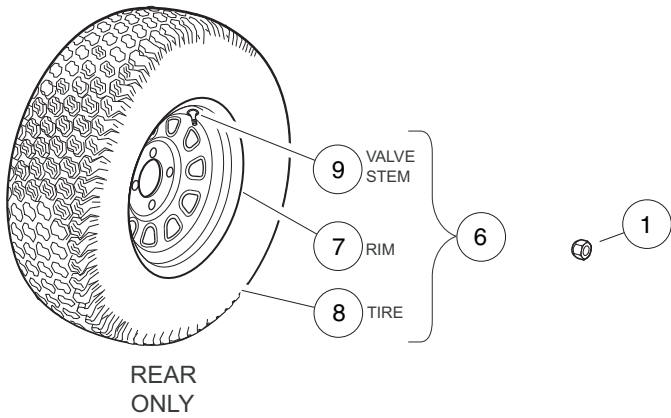
G



Turf



FRONT ONLY



REAR ONLY

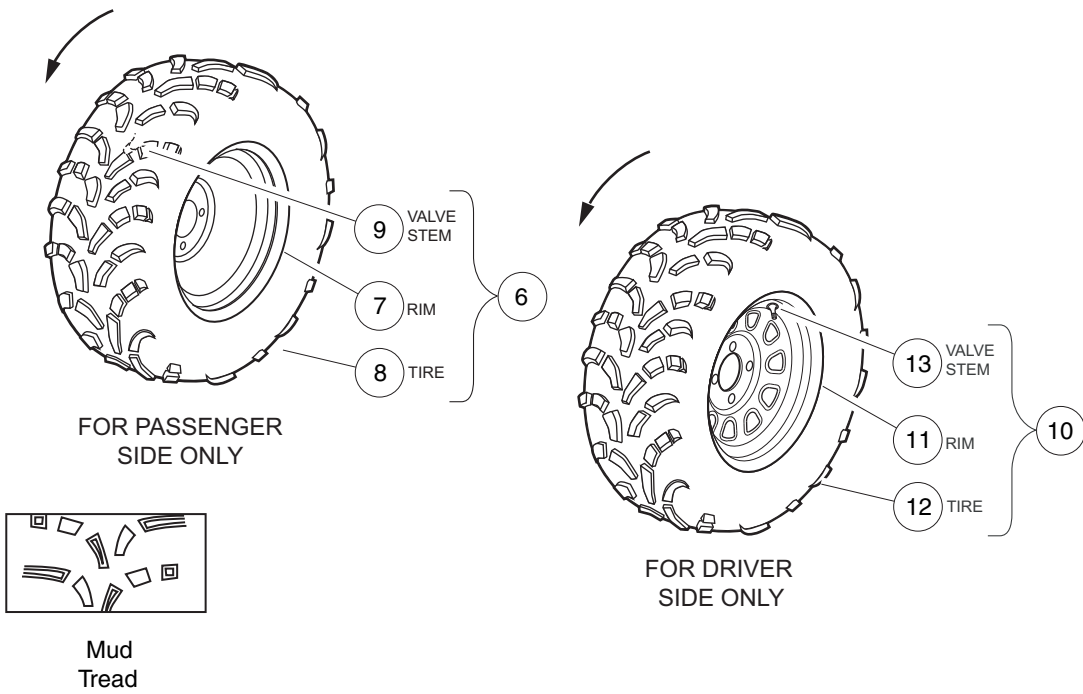
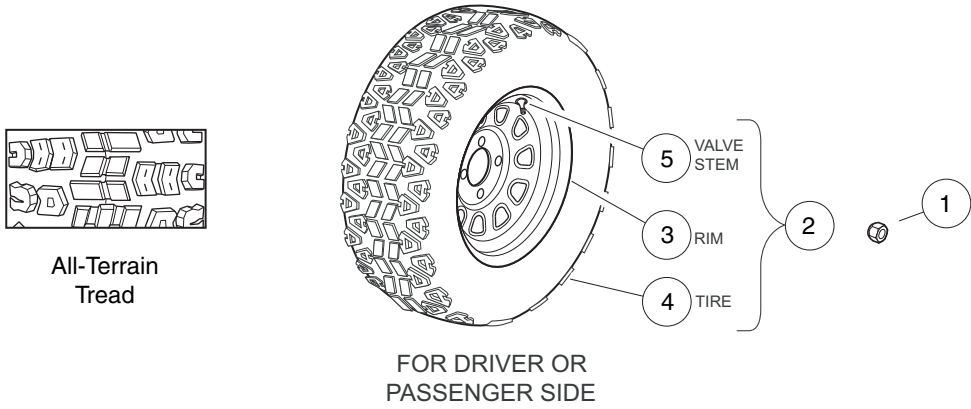
000506-004

WHEELS AND TIRES – STEEL WITH TURF

ITEM	PART NO.	DESCRIPTION	QTY
		1 2 3 4	
1	102736901	Nut, Lug, 1/2-20 SAE J2283	16
2	103971001	Wheel/Tire Assy, Turf, 23x10.5-12 K500, Black Wheel (includes items 3 through 5)	2
3	103234503	Wheel, 10 Window, Black	1
4	103971101	Tire, Turf K500, 23x10.5-12 4p	1
5	7310	Valve Stem, Black Plastic	1
6	103971201	Wheel/Tire Assy, Turf, 24x12-12 K500, Black Wheel (includes items 7 through 9)	2
7	103234503	Wheel, 10 Window, Black	1
8	103971301	Tire, Turf K500, 24x12-12 4p	1
9	7310	Valve Stem, Black Plastic	1
<p style="margin-left: 40px;">Note: Use Item 2 (103971001) on front only; use Item 6 (103971201) on rear only.</p>			

2

G



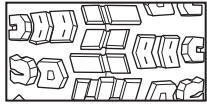
000506-002

WHEELS AND TIRES – STEEL WITH ALL-TERRAIN/MUD

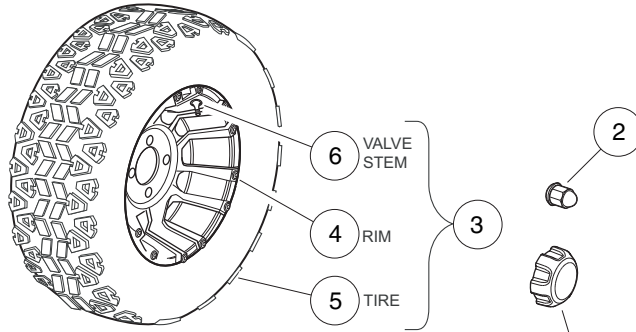
ITEM	PART NO.	DESCRIPTION	QTY
		1 2 3 4	
1	102736901	Nut, Lug, 1/2-20 SAE J2283	16
2	103779001	Wheel/Tire Assy, All Terrain, 25x11-12 K502, Black Wheel (includes items 3 through 5) .	4
3	103234503	Wheel, 10 Window, Black	1
4	103778601	Tire, All Terrain, K502, 25x11-12	1
5	7310	Valve Stem, Black Plastic	1
6	103901101	Wheel/Tire Assy, Pass. Side, Mud, 25x11-12 OTR 440, Black (includes items 7 through 9)	2
7	103234503	Wheel, 10 Window, Black	1
8	103901001	Tire, Mud, 6ply, 25x11-12, 440	1
9	7310	Valve Stem, Black Plastic	1
10	103901102	Wheel/Tire Assy, Driver Side, Mud, 25x11-12 OTR 440, Black (includes items 11 through 13)	2
11	103234503	Wheel, 10 Window, Black	1
12	103901001	Tire, Mud, 6ply, 25x11-12, 440	1
13	7310	Valve Stem, Black Plastic	1
<p style="text-align: center;">Note: Use Item 6 (103901101) on passenger side only; use Item 10 (103901102) on driver side only.</p>			

2

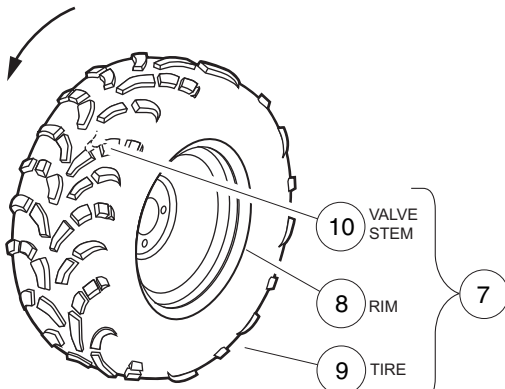
G



All-Terrain



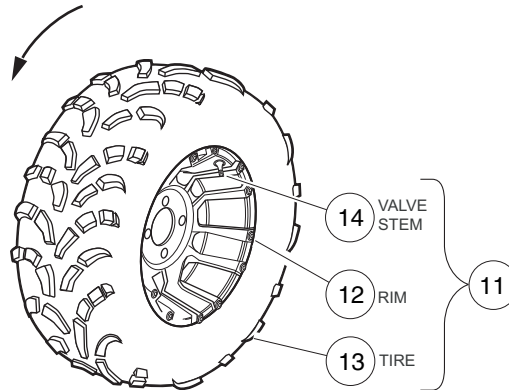
FOR DRIVER OR PASSENGER SIDE



FOR PASSENGER SIDE ONLY



Mud



FOR DRIVER SIDE ONLY

000506-003

WHEELS AND TIRES – ALLOY WITH ALL-TERRAIN/MUD

ITEM	PART NO.	DESCRIPTION	QTY
		1 2 3 4	
1	103532801	Cap, Center, Chrome	4
2	103699801	Lug Nut, 13/16 X 1/2-20, CE	16
3	103779004	Wheel/Tire Assy, All Terrain, 25x11-12 K502, Alloy Wheel (includes items 4 through 6) .	4
4	103525002	Wheel, Alloy	1
5	103778601	Tire, All Terrain, K502, 25x11-12	1
6	7310	Valve Stem, Black Plastic	1
7	103901107	Wheel/Tire Assy, Pass. Side, Mud, 25x11-12 OTR 440, Alloy (includes items 8 through 10)	2
8	103525002	Wheel, Alloy	1
9	103901001	Tire, Mud, 6ply, 25x11-12, 440	1
10	7310	Valve Stem, Black Plastic	1
11	103901108	Wheel/Tire Assy, Driver Side, Mud, 25x11-12 OTR 440, Alloy (includes items 12 through 14)	2
12	103525002	Wheel, Alloy	1
13	103901001	Tire, Mud, 6ply, 25x11-12, 440	1
14	7310	Valve Stem, Black Plastic	1
<p style="margin-left: 40px;">Note: Use Item 7 (103901101) on passenger side only; Item 11 (103901108) use on driver side only.</p>			

2

G

2

G

DECALS

3

G

⚠ WARNING
GASOLINE EXPLOSION / FIRE.
 • Can cause severe injury or death.
 • No smoking, sparks, or open flames.
 • Stop engine, allow to cool before refueling.
 • Turn fuel valve (—) on during operation.
 (—) off during storage or transport.
 CCI 10245901

OPERATING INSTRUCTIONS

- Read owner's manual and vehicle safety warnings. Study and understand controls.

TO START ENGINE

- Place shift lever in NEUTRAL (N) and press brake pedal.
- Turn key to START and hold until engine starts.

Diesel Vehicles Only:

- If required, turn key to PREHEAT and hold for 10-15 seconds.

TO OPERATE VEHICLE

- Ensure wheels are turned in desired direction and path is clear.
- With vehicle stopped and engine at idle, select vehicle direction.

Forward
 Neutral
 Reverse (Buzzer will sound)

- Release park brake and slowly press accelerator pedal to increase speed.
- All-wheel drive will automatically drive appropriate wheel(s).

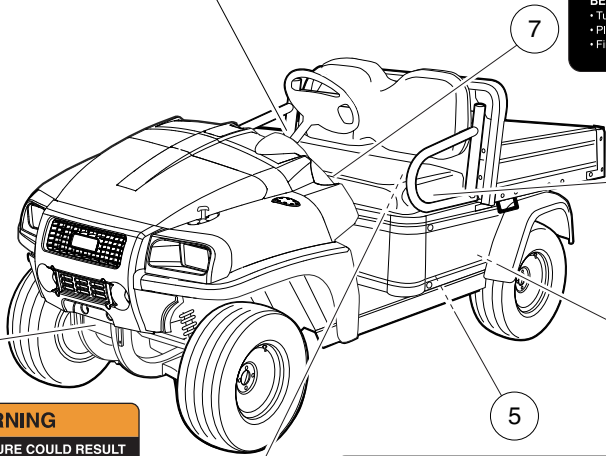
TO STOP VEHICLE

- Release accelerator pedal and push brake pedal.

BEFORE LEAVING VEHICLE

- Turn key to OFF and remove key.
- Place shift lever in NEUTRAL (N).
- Firmly set park brake.

CCI 102884301



⚠ WARNING
CAN CAUSE SEVERE INJURY
HOT manifold
KEEP CLEAR
CCI 102459001

⚠ WARNING
WINCH CABLE FRACTURE COULD RESULT IN SERIOUS INJURY OR DEATH.
 • Do not use winch while persons are seated on the vehicle.
 • Use remote operation switch for winch control.
 • Stand to the side and away from the vehicle to operate winch.
 • Read winch operator manual before operating winch.
 102231601

⚠ WARNING
CAN CAUSE SEVERE BURNS
Hot Surface
CCI 102458901

⚠ WARNING
Negative frame ground. Can cause severe injury. Do not contact positive (+) battery post or cable to frame. Disconnect negative (-) battery cable first.
CCI 102459101

<p>⚠ WARNING CAN CAUSE SEVERE INJURY Rotating parts. KEEP CLEAR.</p>	<p>⚠ WARNING CAN CAUSE SEVERE INJURY Hot manifold and muffler. KEEP CLEAR.</p>	<p>⚠ WARNING CAN CAUSE SEVERE INJURY Hot manifold and muffler. KEEP CLEAR.</p>
---	---	---

CCI 102459501

SAFETY DECALS

ITEM	PART NO.	DESCRIPTION	QTY
		1 2 3 4	
1	101547601	Decal, Gasoline Explosion/Fire Warning	1
2	102231601	Decal, Winch Cable Fracture Warning	1
3	102458901	Decal, Hot Surface Warning	2
4	102459001	Decal, Hot Manifold Warning	1
5	102459101	Decal, Frame Ground Warning	1
6	102459501	Decal, Rotating Parts and Hot Exhaust Warning	1
7	102884301	Decal, Operating Instr, AWD	1

3

G

⚠ WARNING

UNINTENDED MOVEMENT, ROLLOVER, OR FALLING OUT CAN CAUSE SERIOUS INJURY OR DEATH.

- Young drivers increase chance of death.
 - No drivers younger than 16 years old.
 - Vehicle to be operated by licensed and authorized persons only.
- Use in authorized areas only. Do not operate on public roads.
- One (1) person per bucket seat maximum.
- Two (2) persons per bench seat maximum.
- Operate from driver's seat only.
- Do not start vehicle until all occupants are fully seated.
- Drive slowly in turns and straight up and down slopes.
- Remain fully seated while moving.
- Hold on and keep entire body inside vehicle while moving.
- Never attempt jumps and avoid extreme braking in reverse.
- Do not leave children unattended in vehicle at any time.
- Children requiring a child safety seat must not ride in vehicle.
- Never operate under the influence of alcohol or drugs.

NOTICE

The canopy support is not certified as a rollover protective structure.

CCI 10392801



⚠ WARNING

CAN CAUSE SEVERE INJURY

Rotating parts. **KEEP CLEAR.**

CCI 10209001

NOTICE

MAXIMUM TONGUE WEIGHT - 150 lbs.

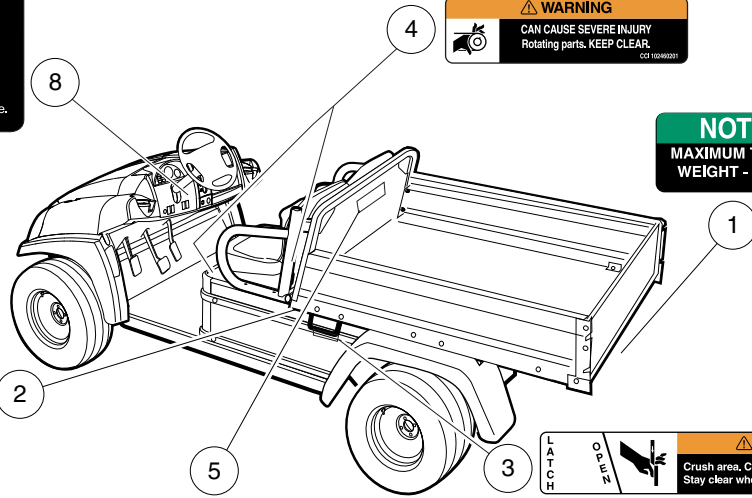
CCI 10115533

⚠ WARNING

CRUSH AREA

STAY CLEAR

CCI 101609401



⚠ WARNING

Crush area. Can cause severe injury. Stay clear when closing bed.

CCI 10308001

⚠ WARNING

RIDING IN CARGO BED CAN CAUSE SERIOUS INJURY OR DEATH.

Do not ride in cargo bed.

⚠ WARNING

ROLLOVER CAN CAUSE SERIOUS INJURY OR DEATH.

- Place cargo forward in the cargo bed and distribute evenly side to side. Secure load.
- On uneven or steep terrain, reduce speed and load.
- Avoid stopping on or backing down steep hills.
- Avoid top-heavy loads.

VEHICLE LOADING

- Read owner's manual and warnings on dash.
- Vehicle rated capacity: 1200 lb. (544 kg) on level surface only.
- Includes occupants and cargo load.
- Maximum cargo load: 800 lb. (363 kg).
- Includes cargo, bed load, optional equipment, and trailer tongue weight.

103202001

⚠ WARNING

RIDING IN CARGO BED CAN CAUSE SERIOUS INJURY OR DEATH.

Do not ride in cargo bed.

⚠ WARNING

ROLLOVER CAN CAUSE SERIOUS INJURY OR DEATH.

- Place cargo forward in the cargo bed and distribute evenly side to side. Secure load.
- On uneven or steep terrain, reduce speed and load.
- Avoid stopping on or backing down steep hills.
- Avoid top-heavy loads.

HIGH-CAPACITY VEHICLE LOADING

- Read owner's manual and warnings on dash.
- Vehicle rated capacity: 1450 lb. (658 kg) on level surface only.
- Includes occupants and cargo load.
- Maximum cargo load: 1050 lb. (476 kg).
- Includes cargo, bed load, optional equipment, and trailer tongue weight.

103204001

⚠ WARNING

RIDING IN CARGO BED CAN CAUSE SERIOUS INJURY OR DEATH.

Do not ride in cargo bed.

⚠ WARNING

ROLLOVER CAN CAUSE SERIOUS INJURY OR DEATH.

- Reduce speed when heavily loaded.
- Place cargo forward in the cargo bed and distribute evenly side to side. Secure load.
- On uneven or steep terrain, reduce speed and load.
- Avoid stopping on or backing down steep hills.
- Avoid top-heavy loads.

HIGH-CAPACITY VEHICLE LOADING

- Read owner's manual and warnings on dash.
- Vehicle rated capacity: 1900 lb. (862 kg) on level surface only.
- Includes occupants and cargo load.
- Maximum cargo load: 1500 lb. (680 kg) - Includes cargo, bed load, optional equipment, and trailer tongue weight.
- Towing not allowed when cargo load exceeds 1050 lb. (476 kg).

103951301

000509-007

SAFETY DECALS, CONTINUED (WITHOUT ROPS OPTION)

ITEM	PART NO.	DESCRIPTION	QTY
		1 2 3 4	
1	1011553	Decal, Trailer Hitch	1
2	101609401	Decal, Crush Area Warning	1
3	102459301	Decal, Bed Crush Area Warning	1
4	102460201	Decal, Rotating Parts Warning	2
5	103202601	Decal, Vehicle Loading, 800 lbs	1
6	103210401	Decal, Vehicle Loading, 1050 lbs	1
7	103951301	Decal, Vehicle Loading, 1500 lbs	1
8	103962801	Decal, Warning, Occ, 2wd No ROPS	1

3

G

WARNING

ROLLOVER OR FALLING OFF MAY CAUSE DEATH

- Read owner's manual and operating instructions.
- Fasten seat belts and remain seated while moving.
- Children requiring a child safety seat must not ride on vehicle. Comply with state and local laws pertaining to child safety.
- Drive slowly in turns and straight up and down slopes.
- Do not start vehicle until all occupants are seated.
- Two (2) persons per bench seat maximum.
- One (1) person per bucket seat maximum.
- Operate from driver side only and not on public roads.
- Keep entire body inside vehicle while moving.
- Do not operate while under the influence of alcohol or drugs.
- Never attempt jumps and avoid extreme braking in reverse.

CCI 102884401

UNDER 16

WARNING

YOUNG DRIVERS INCREASE CHANCE OF DEATH

- Young drivers may not be able to control vehicle.
- No drivers younger than 16 years old.
- Do not leave children unattended on vehicle.

CCI 102899401

WARNING

- Do not modify or remove Roll-over Protective Structure (ROPS).
- Replace ROPS if damaged. Do not attempt repair.
- Use seat belts during operation. Do not jump from vehicle.
- Keep away from drop-offs, steep slopes, and unstable surfaces.

CCI 102961201

WARNING

CAN CAUSE SEVERE INJURY

Rotating parts. KEEP CLEAR.

CCI 10146001

NOTICE

MAXIMUM TONGUE WEIGHT - 150 lbs.

CCI 1011553

WARNING

CRUSH AREA

STAY CLEAR

CCI 101093401

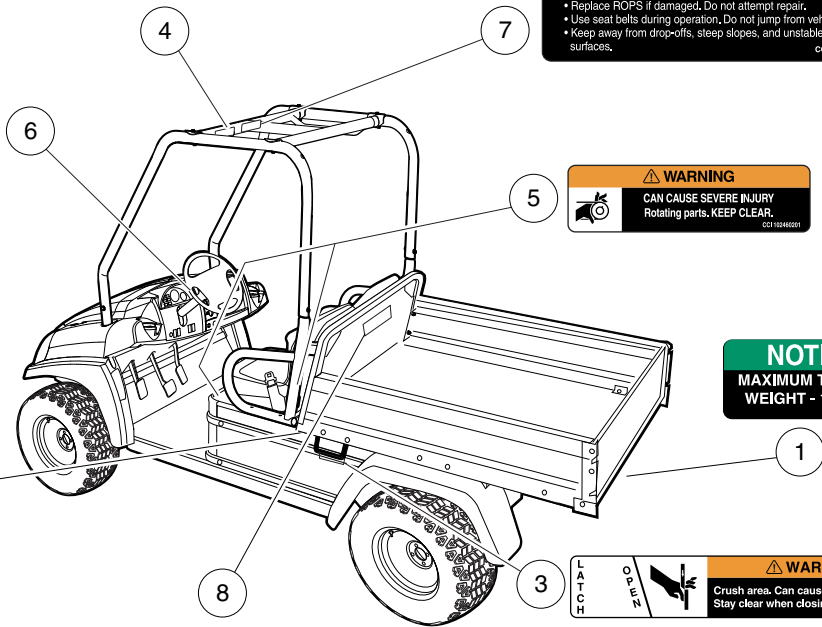
WARNING

Crush area. Can cause severe injury. Stay clear when closing bed.

CCI 10146001

<p>WARNING</p> <p>RIDING IN CARGO BED CAN CAUSE SERIOUS INJURY OR DEATH.</p> <p>• Do not ride in cargo bed.</p>	<p>WARNING</p> <p>ROLLOVER CAN CAUSE SERIOUS INJURY OR DEATH.</p> <ul style="list-style-type: none"> • Place cargo forward in the cargo bed and distribute evenly side to side. Secure load. • On uneven or steep terrain, reduce speed and load. • Avoid stopping on or backing down steep hills. • Avoid top-heavy loads. 	<p>HIGH-CAPACITY VEHICLE LOADING</p> <ul style="list-style-type: none"> • Read owner's manual and warnings on dash. • Vehicle rated capacity: 1450 lb. (658 kg) on level surface only. • Includes occupants and cargo load. • Maximum cargo load: 1050 lb. (476 kg). • Includes cargo, bed load, optional equipment, and trailer tongue weight.
---	---	---

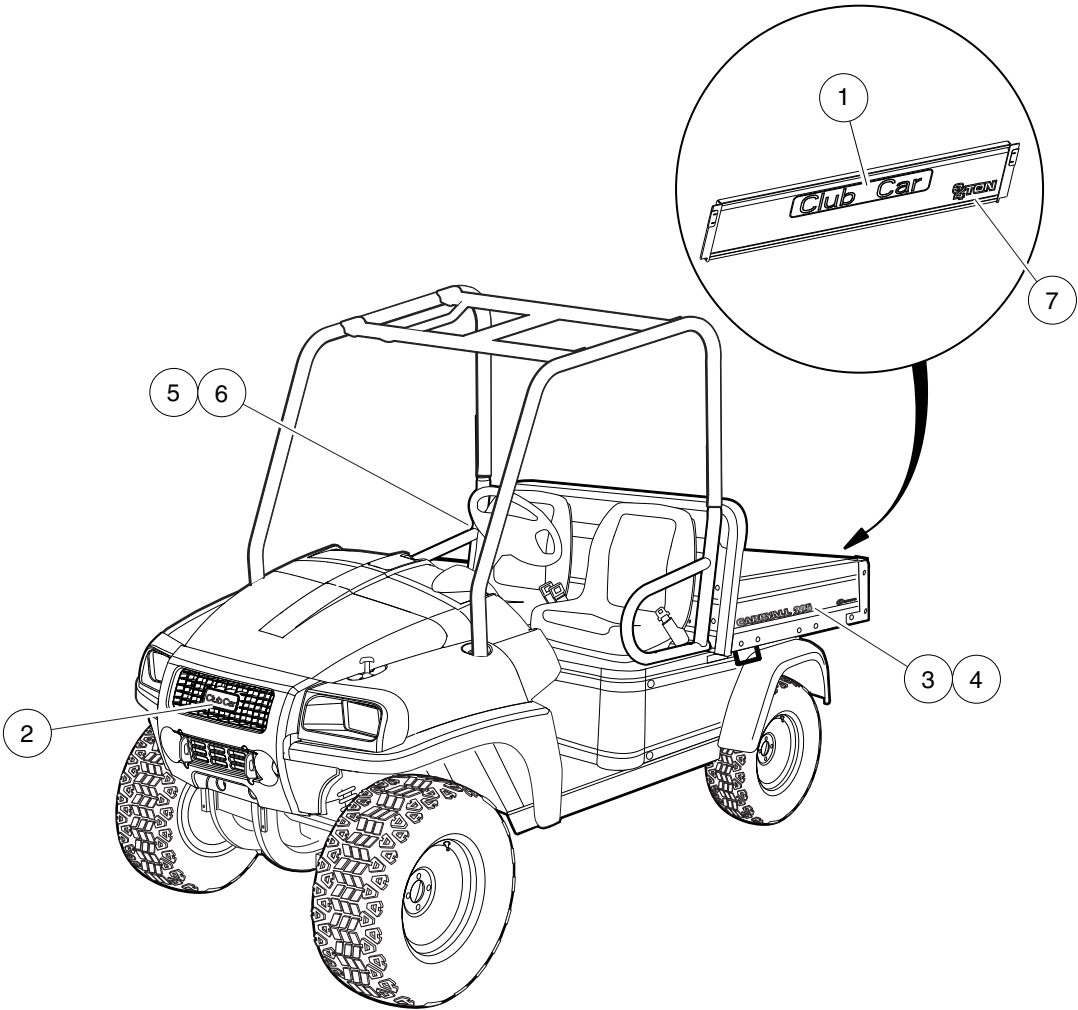
<p>WARNING</p> <p>RIDING IN CARGO BED CAN CAUSE SERIOUS INJURY OR DEATH.</p> <p>• Do not ride in cargo bed.</p>	<p>WARNING</p> <p>ROLLOVER CAN CAUSE SERIOUS INJURY OR DEATH.</p> <ul style="list-style-type: none"> • Reduce speed when heavily loaded. • Place cargo forward in the cargo bed and distribute evenly side to side. Secure load. • On uneven or steep terrain, reduce speed and load. • Avoid stopping on or backing down steep hills. • Avoid top-heavy loads. 	<p>HIGH-CAPACITY VEHICLE LOADING</p> <ul style="list-style-type: none"> • Read owner's manual and warnings on dash. • Vehicle rated capacity: 1900 lb. (862 kg) on level surface only. • Includes occupants and cargo load. • Maximum cargo load: 1500 lb. (680 kg) - Includes cargo, bed load, optional equipment, and trailer tongue weight. • Towing not allowed when cargo load exceeds 1050 lb. (476 kg).
---	--	--



SAFETY DECALS, CONTINUED (WITH ROPS OPTION)

ITEM	PART NO.	DESCRIPTION	QTY
		1 2 3 4	
1	1011553	Decal, Trailer Hitch	1
2	101609401	Decal, Crush Area Warning	1
3	102459301	Decal, Bed Crush Area Warning	1
4	102459401	Decal, Young Driver Warning	1
5	102460201	Decal, Rotating Parts Warning	2
6	102884401	Decal, Warning, Rollover	1
7	102961201	Decal, Warning, AWD ROPS	1
8	103210401	Decal, Vehicle Loading, 1050 lbs	1
9	103951301	Decal, Vehicle Loading, 1500 lbs	1

3
G



000531-007

BADGING DECALS

ITEM	PART NO.	DESCRIPTION	QTY
		1 2 3 4	
1	1013317	Decal, Logo, Tailgate	1
2	102883601	Decal, Nameplate, CCI, Front	1
3	103233614	Decal, Badge, CA 295, Driver-Side, Dk Gray	1
4	103233617	Decal, Badge, CA 295, Driver-Side, Ntrl	1
5	103233714	Decal, Badge, CA 295, Passenger-Side, Dk Gray	1
6	103233717	Decal, Badge, CA 295, Passenger-Side, Ntrl	1
7	104006401	Decal, Capacity, 3/4 Ton	1

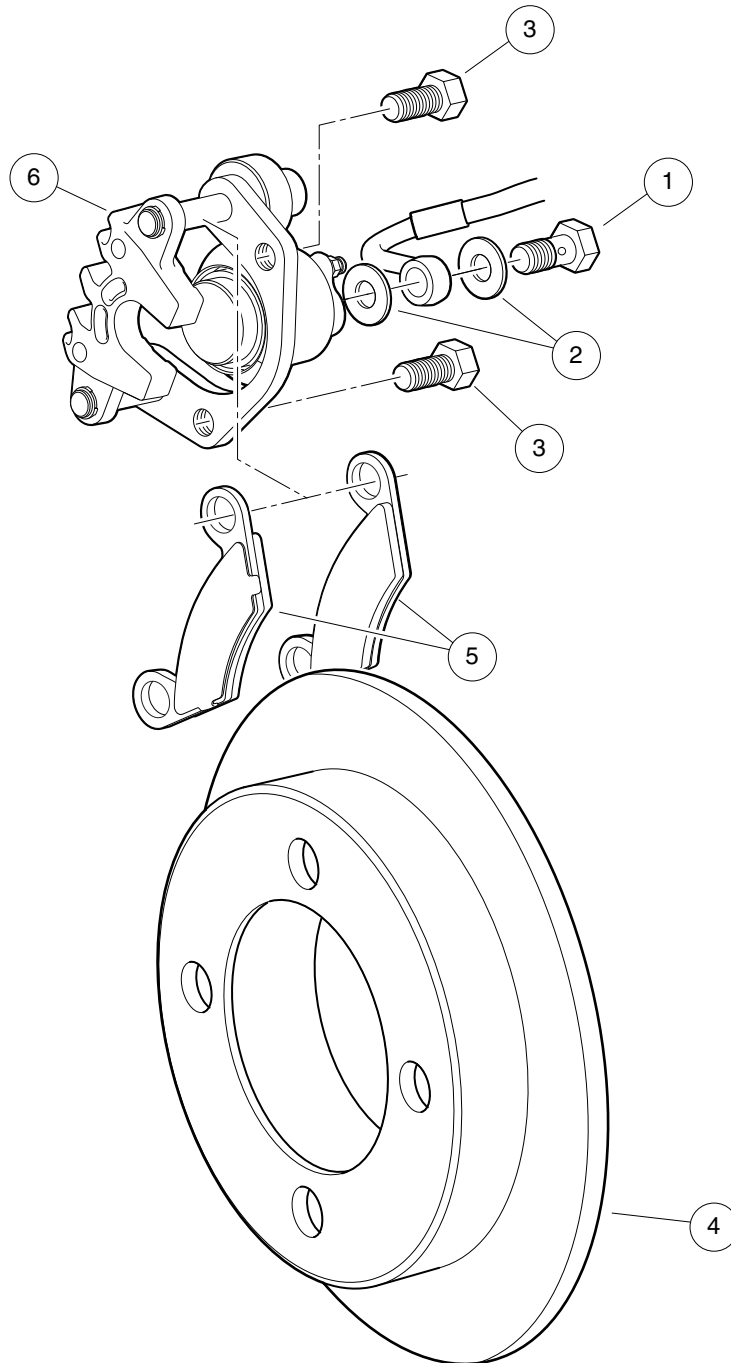
3

G

3

G

BRAKE SYSTEM



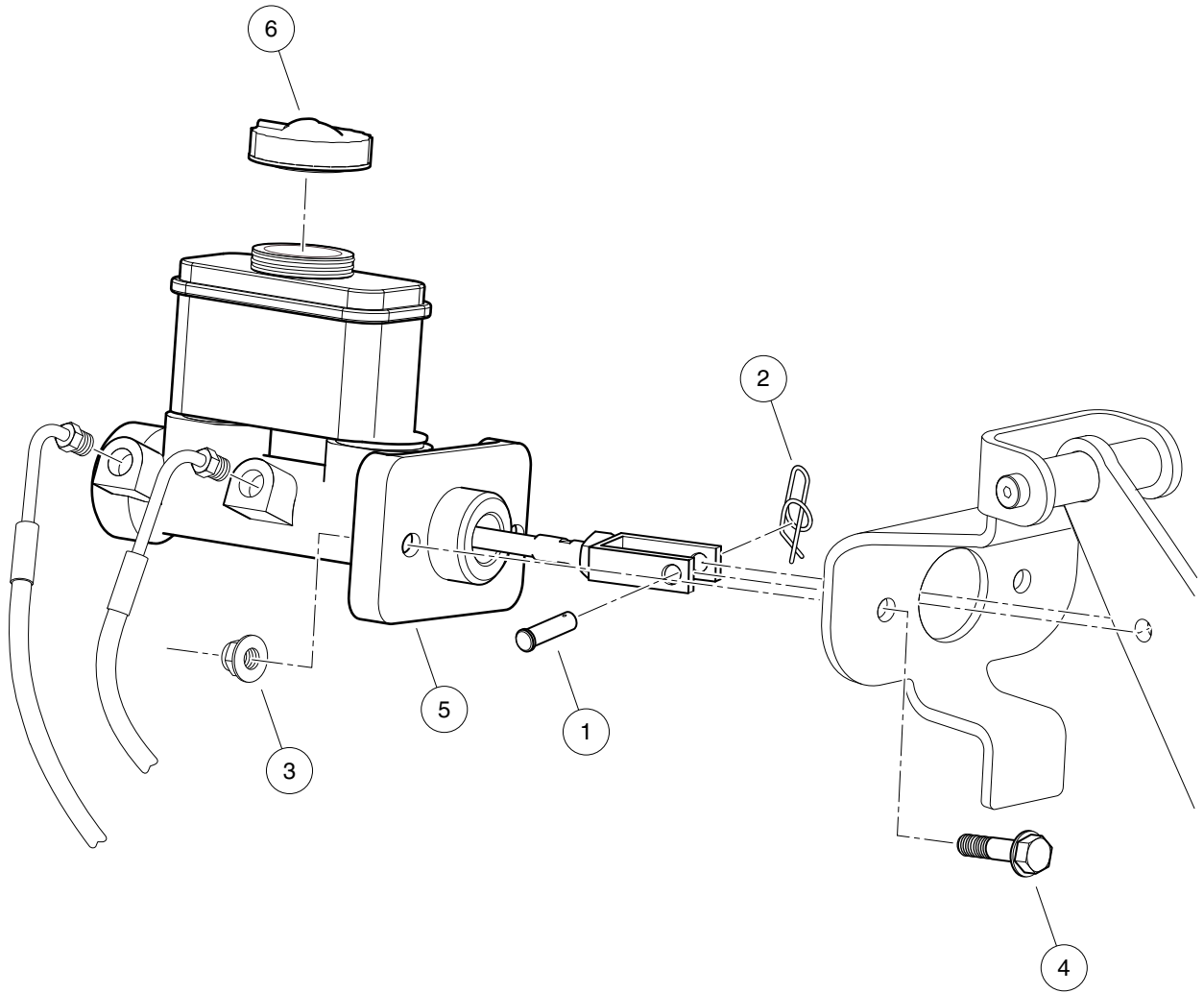
000067-003

FRONT BRAKES

ITEM	PART NO.	DESCRIPTION	QTY
		1 2 3 4	
1	102488001	Bolt, Banjo, M10x1x19	2
2	102491601	Washer, Copper, M10 Crush	2
3	102493301	Bolt, Flange Head, 3/8-24x.750 with Loctite	4
4	103077501	Rotor, Disc, Brake	2
5	103160101	Kit, Brake Pad, 7646	1
6	103574301	Caliper, Brake, Front, w/pad 7646	2

4
G

4
G



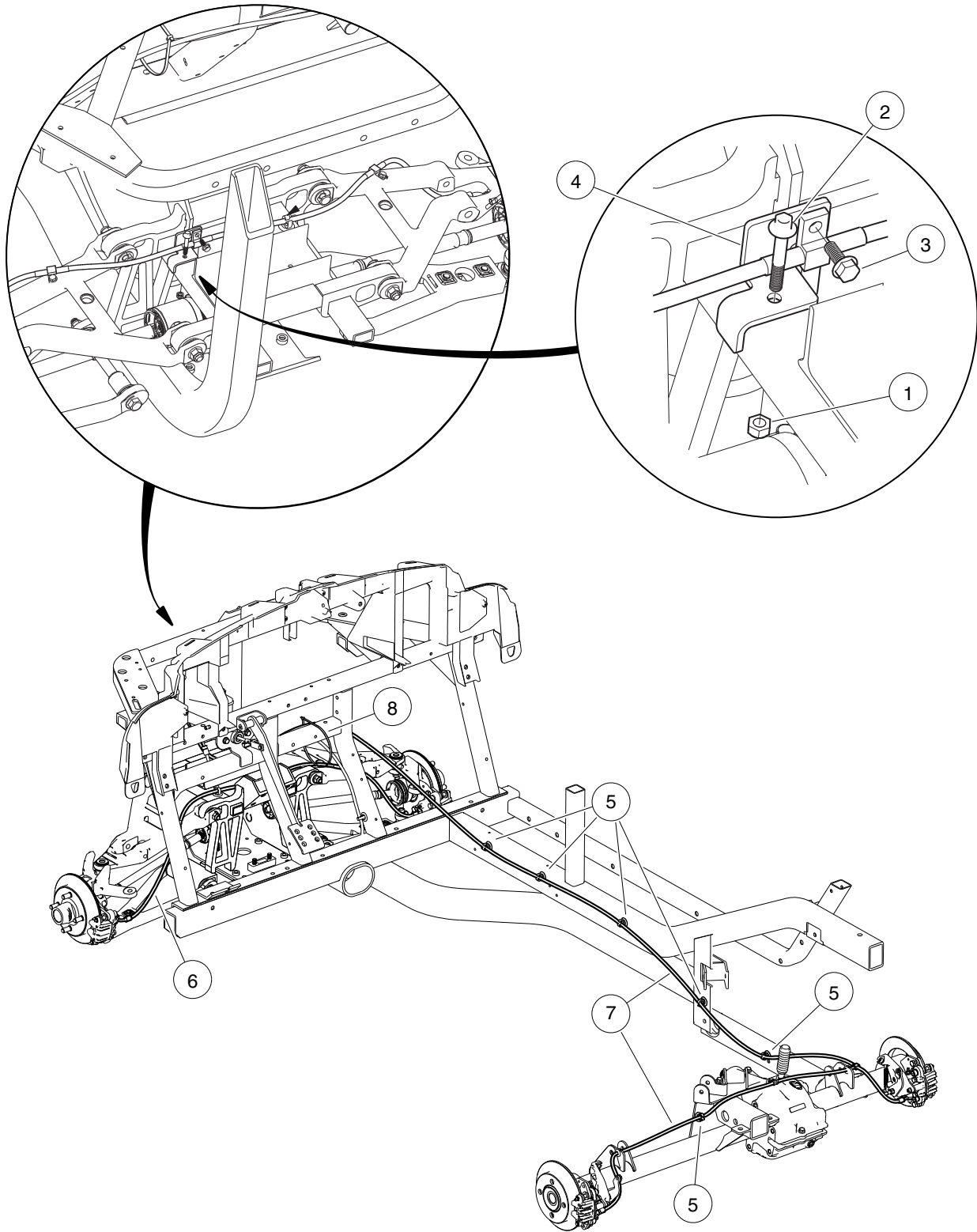
000792-001

MASTER CYLINDER WITH INTEGRAL RESERVOIR

ITEM	PART NO.	DESCRIPTION	QTY
		1 2 3 4	
1	101082903	Pin, Clevis, 5/16 X 1	1
2	102176901	Pin, Rue	1
3	102298401	Nut,m8,all Metal Lock	2
4	102618401	Bolt Flanged Head, M8 X 1.25 X 35	2
5	103376101	Cylinder, Master, Integral Res	1
6	103380701	Cap, Filler, Master Cylinder	1

4
G

4
G



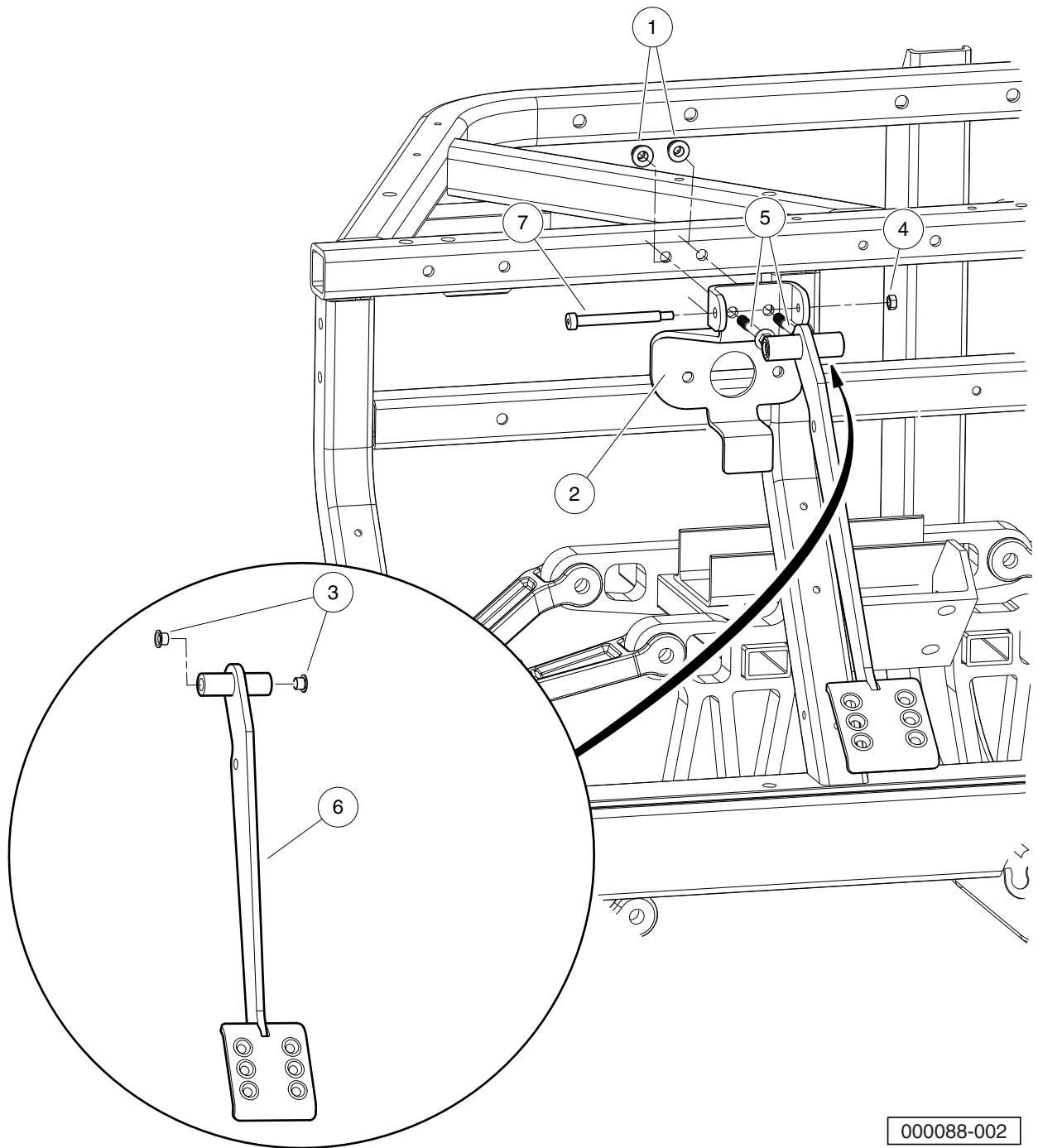
000015-005

HYDRAULIC BRAKE LINES AND CLIPS

ITEM	PART NO.	DESCRIPTION	QTY
		1 2 3 4	
1	101887601	Locknut, M6-1.00 Nylon Insert	1
2	102296140	Bolt, Flanged Head, M6x1.0x40	1
3	102296716	Screw, M6 X 16 Tt Hx Fl Hd	4
4	102474301	Bracket, Tee, Brakeline	1
5	102475701	Clip, Brake Line	9
6	103174302	Brake Line, Front, 295/295 SE/1550/1550 SE	1
7	103842501	Brake Line, Rear, 295/1550	1
8	8639	Tie Wrap, 11" Nylon	1

4

G

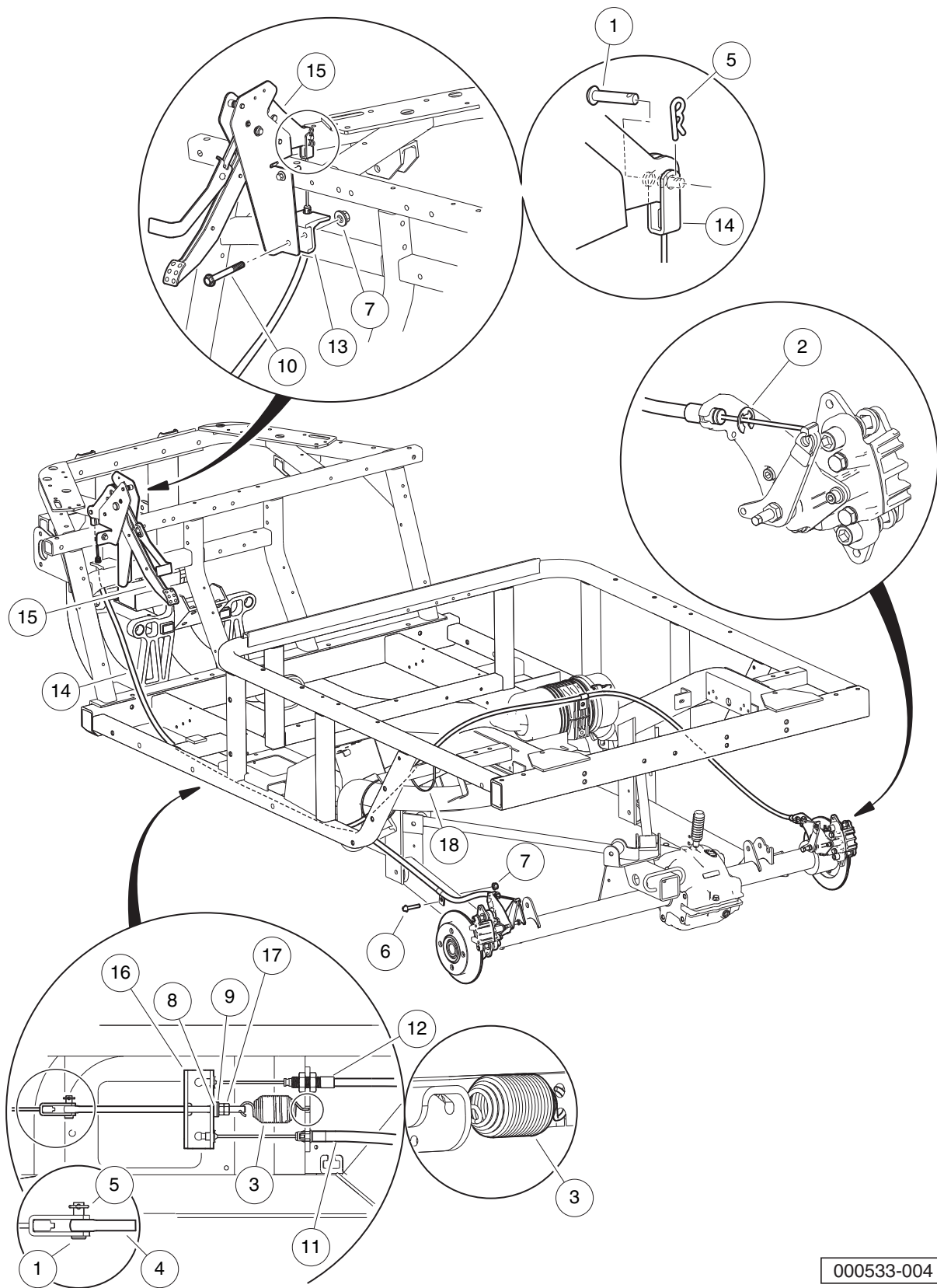


000088-002

BRAKE PEDAL

ITEM	PART NO.	DESCRIPTION	QTY
		1 2 3 4	
1	102298401	Nut,m8,all Metal Lock	2
2	102380601	Bracket, Pedal, Brake	1
3	102442901	Bushing, Greaseless	2
4	102618101	Nut, M6x1, Mechanically Deformed	1
5	102618301	Bolt, Flanged Head, M8 X 1.25 X 65	2
6	102626201	Weldment, Pedal, Brake, Hung	1
7	103273101	Bolt, Shoulder, M8 X 70, Hc	1

4
G



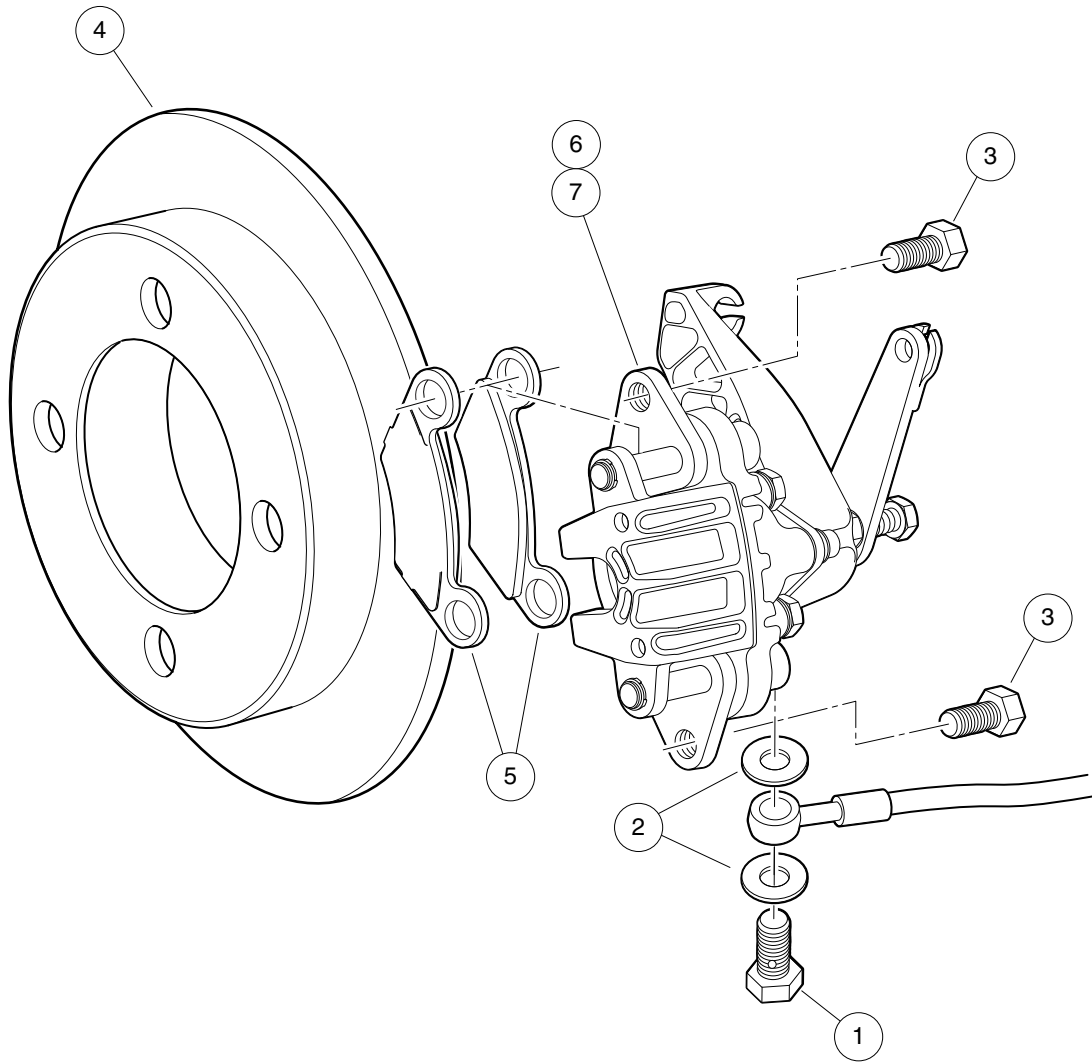
000533-004

PARK BRAKE SYSTEM

ITEM	PART NO.	DESCRIPTION	QTY
		1 2 3 4	
1	101082903	Pin, Clevis, 5/16 X 1	2
2	1011779	E-Clip, 1/2	2
3	1013531	Spring, Brake Return	1
4	101953101	Rod, Equalizer, 8.91"	1
5	102292801	Pin, Bow Tie Locking - .072	2
6	102298240	Bolt, Flange Head, M8-1.25 X 40	1
7	102298401	Nut,m8,all Metal Lock	4
8	102551901	Washer, 5/16, Self Comp, Cup	1
9	102552001	Washer, 5/16, Self Comp, Cone	1
10	102618301	Bolt, Flanged Head, M8 X 1.25 X 65	3
11	102763301	Cable, Noncoated, Pbrake, Left	1
12	102763401	Cable, Noncoated, Pbrake, Right	1
13	103500901	Bracket, Cable, Park Brake	1
14	103505301	Cable, Main Park Brake, 295/1550	1
15	103505401	Asm, Pedal, Park Brake	1
16	103535001	Bracket, Equalizer, Prec Awd	1
17	1242	Nut, 5/16-18 Hex	2
18	8639	Tie Wrap, 11" Nylon	2

4

G



000068-005

REAR BRAKES

ITEM	PART NO.	DESCRIPTION	QTY
		1 2 3 4	
1	102488001	Bolt, Banjo, M10x1x19	2
2	102491601	Washer, Copper, M10 Crush	4
3	102493301	Bolt, Flange Head, 3/8-24x.750 with Loctite	4
4	103077501	Rotor, Disc, Brake	2
5	103160101	Kit, Brake Pad, 7646	1
6	103523602	Caliper, Brake, Rear, LH, with Park Brake	1
7	103523702	Caliper, Brake, Rear, RH, with Park Brake	1

4
G

4

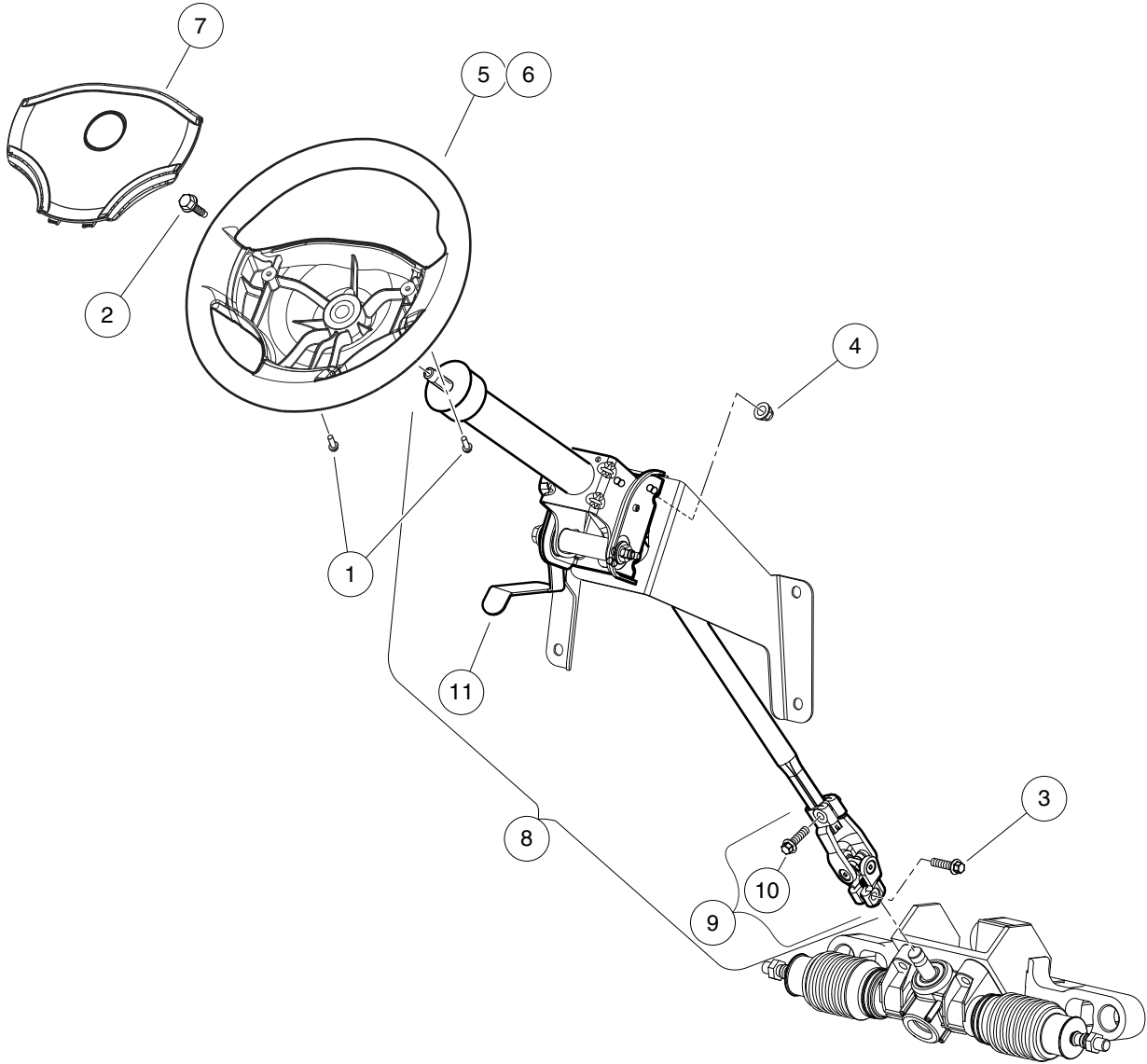
G

STEERING AND SUSPENSION

5

G

5
G



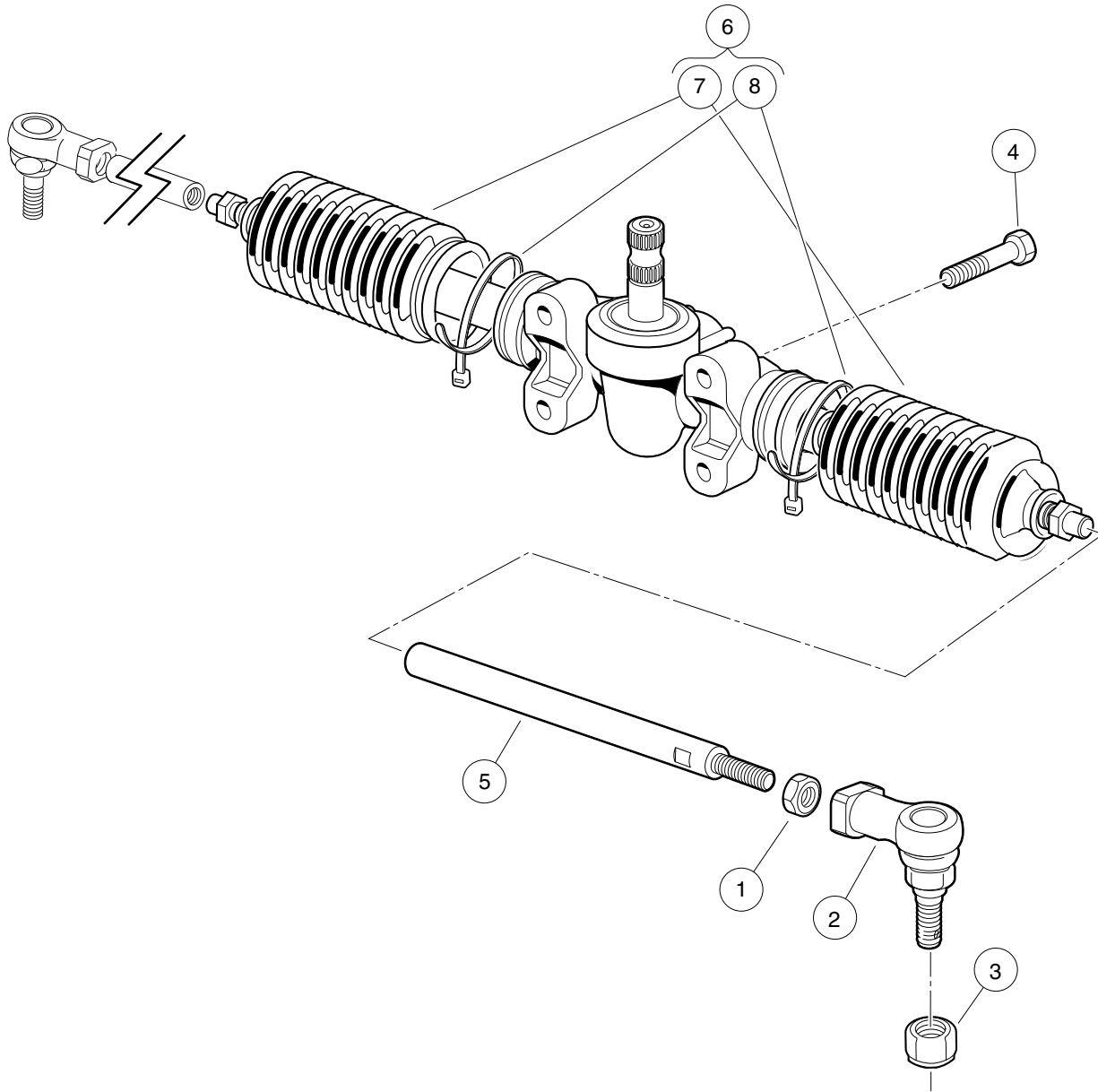
000070-006

STEERING WHEEL AND COLUMN

ITEM	PART NO.	DESCRIPTION	QTY
		1 2 3 4	
1	101850301	Screw, #12-16 X 0.50 Washer-Head Hi-Lo	2
2	102290120	Bolt, M10 X 20 Hex Washer Hd	1
3	102298130	Bolt, Flange Head, M8 X 30.0	1
4	102298401	Nut,m8,all Metal Lock	3
5	103724501	Steering Wheel, Hex	1
6	103724503	Steering Wheel, Soft Grip, Hex	1
7	103724602	Cover, Steering Wheel, Generic	1
8	103859901	Column, Steering, Awd (includes items 9 through 11)	1
9	103810201	Kit, Prec Lower Yoke, Wanda (includes item 10)	1
10	102298130	Bolt, Flange Head, M8 X 30.0	1
11	103862701	Handle, Steering, Tilt, Awd	1

5
G

5
G



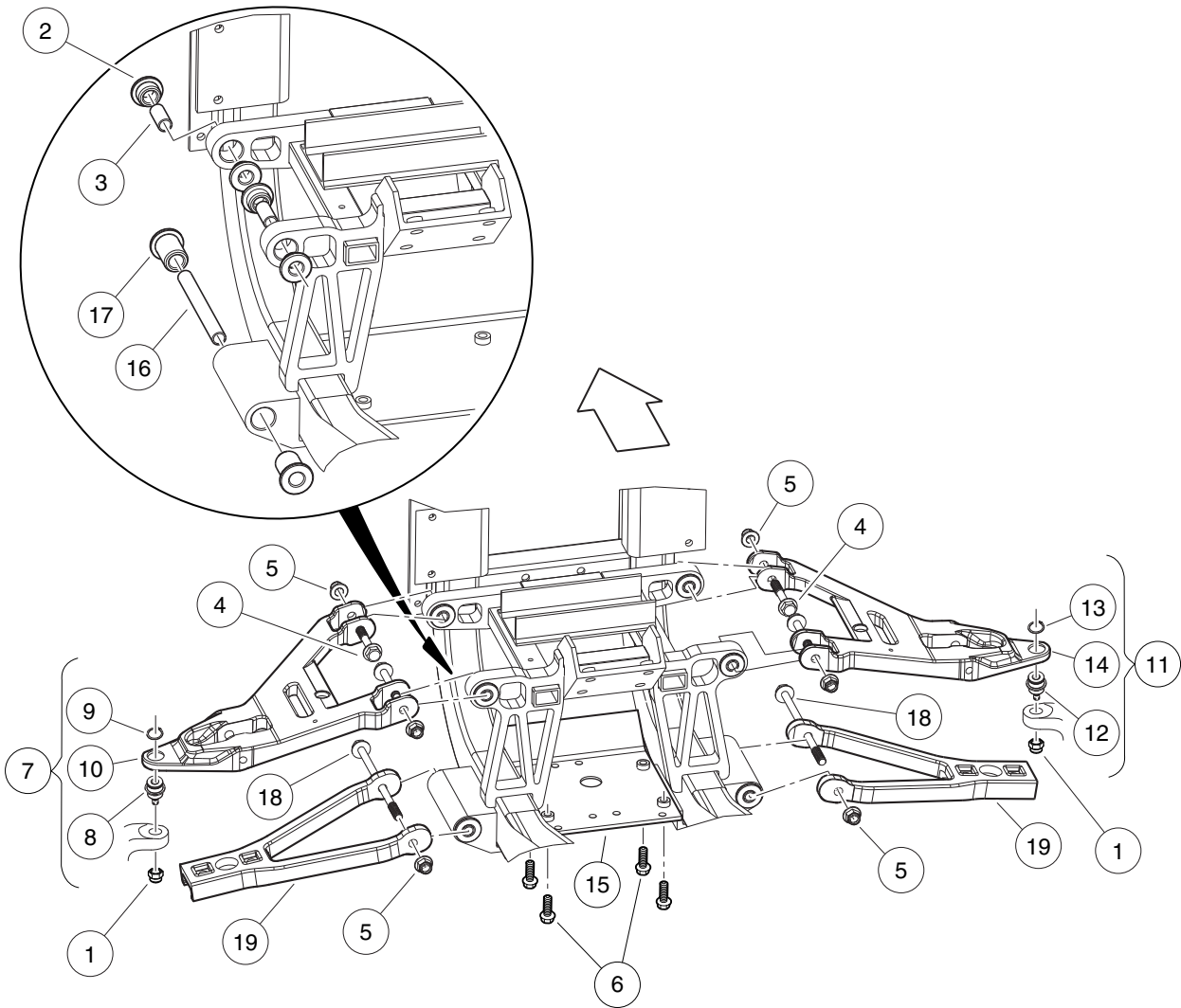
000071-004

STEERING GEAR

ITEM	PART NO.	DESCRIPTION	QTY
		1 2 3 4	
1	1013042	Nut, 12mm Hex	2
2	102022601	End, Tie Rod M12 X 1.25 Rh	2
3	102022901	Locknut, M12-1.25 Nylon	2
4	102687801	Bolt, Flange Head, M10x 1.5 X 40 with Loctite	4
5	102816801	Link, Drag, Wt	2
6	103866601	Gear, Steering, AWD (includes items 7 and 8)	1
7	1013035	Bellows, Long	2
8	8990	Tie Wrap, 8" Nylon	2

5
G

5
G

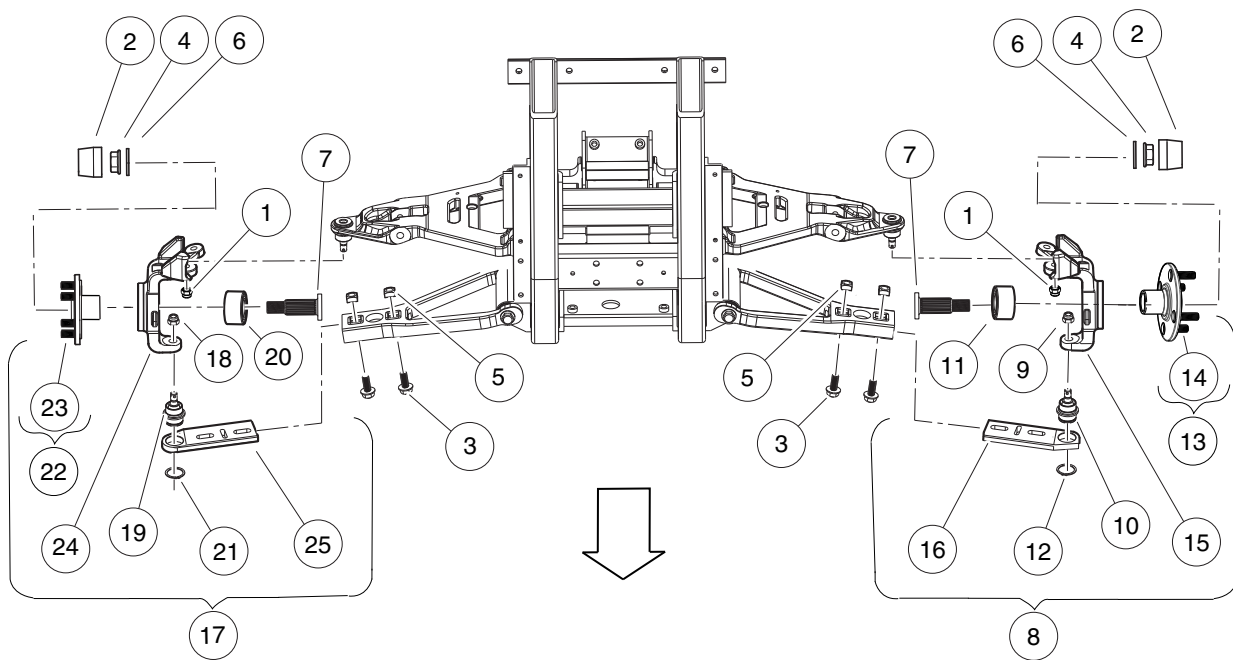


000534-011

FRONT SUSPENSION – PAGE 1 OF 2

ITEM	PART NO.	DESCRIPTION	QTY
		1 2 3 4	
1	102022901	Locknut, M12-1.25 Nylon	2
2	102408401	Bushing, A-Arm	8
3	102437001	Sleeve, Upper	4
4	102616301	Bolt, Flange Head, M12 X 1.75 X 70	4
5	102620501	Nut, Flange, M12x1.75, Nylon Grade 10	6
6	102711601	Bolt, Flange Head, M10 X 1.5 X 25	4
7	102792001	Asm, A-Arm, Upper, Left (includes items 8 through 10)	1
8	102361901	Joint, Ball	1
9	102722301	Ring, Retaining, Ext, 1-1/4"	1
10	102927101	Arm, Upper, Wide, Machined, LH	1
11	102792002	Asm, A-arm, Upper, Right (includes items 12 through 14)	1
12	102361901	Joint, Ball	1
13	102722301	Ring, Retaining, Ext, 1-1/4"	1
14	102927102	Arm, Upper, Wide, Machined, RH	1
15	103244701	Asm, Mount, Diff Plate	1
16	103256401	Sleeve, Lower Arm	2
17	103256501	Bushing, Lower Arm	4
18	103256701	Bolt, Flange, M12 X 1.75 X 200 10	2
19	103969801	Lower Control Arm, Machined	2

5
G



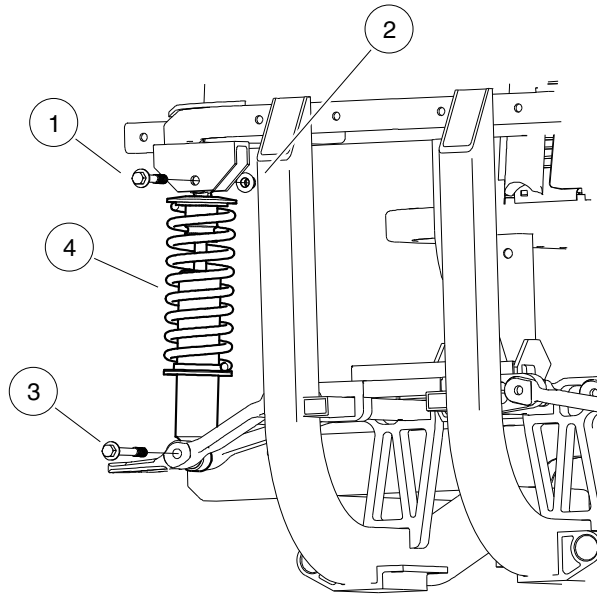
000534-012

FRONT SUSPENSION – PAGE 2 OF 2

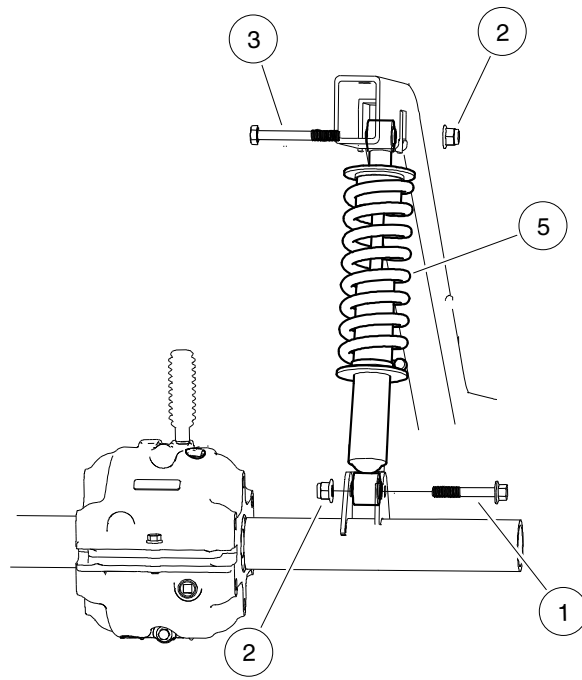
ITEM	PART NO.	DESCRIPTION	QTY
		1 2 3 4	
1	102022901	Locknut, M12-1.25 Nylon	2
2	102274101	Center Cap, Rubber	2
3	102490801	Bolt, Flange Head, M12x 1.75x 30 with Loctite	4
4	102617501	Nut, Flange, M22 X 1.5 Mech Def	2
5	102617701	Nut, Square, M12x 1.75	4
6	102617801	Washer, Hard, M22	2
7	103948401	Retainer, Front Wheel Bearing	2
8	103980901	Asm, Upright, AWD, Caster, Driver-Side, for Single-Piston Caliper (includes items 9 through 16) 1	
9	102022901	Locknut, M12-1.25 Nylon	1
10	102361901	Joint, Ball	1
11	102464301	Bearing	1
12	102722301	Ring, Retaining, Ext, 1-1/4"	1
13	103146204	Wheel Hub, Front, 1550, Service (includes item 14)	1
14	103951501	Lug Stud, 1/2-20 UNF, SAE J1102	4
15	N/A	Upright, Finished, LH	1
16	103939301	Slide, Adjuster, 5 Degree, Ds	1
17	103980902	Asm, Upright, AWD, Caster, Passenger-Side, for Single-Piston Caliper (includes items 18 through 25) 1	
18	102022901	Locknut, M12-1.25 Nylon	1
19	102361901	Joint, Ball	1
20	102464301	Bearing	1
21	102722301	Ring, Retaining, Ext, 1-1/4"	1
22	103146204	Wheel Hub, Front, 1550, Service (includes item 23)	1
23	103951501	Lug Stud, 1/2-20 UNF, SAE J1102	4
24	N/A	Upright, Finished, RH	1
25	103939302	Slide, Adjuster, 5 Degree, Ps	1

5

G



Front



Rear

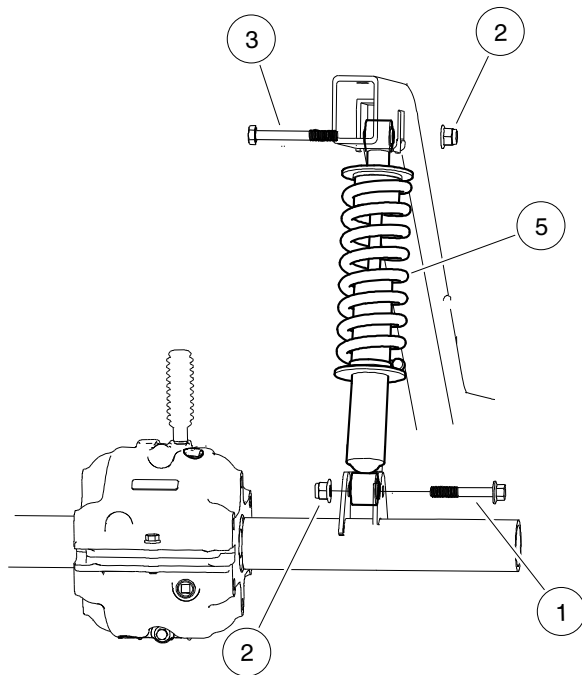
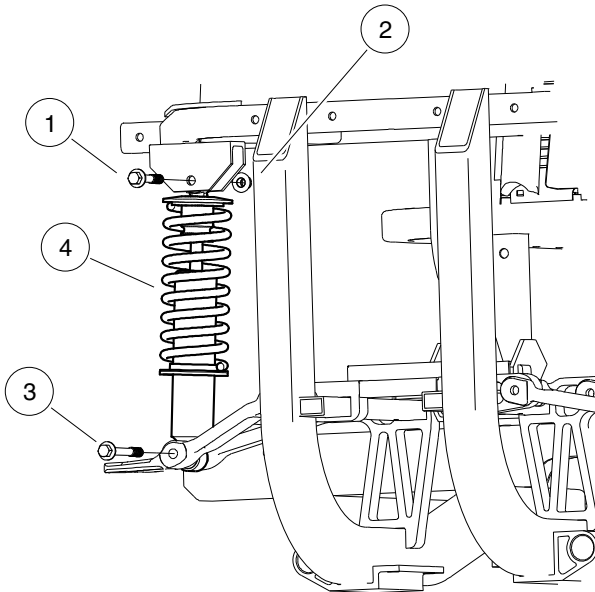
000530-005

SHOCK ABSORBERS – 1050 LB CAPACITY

ITEM	PART NO.	DESCRIPTION	QTY
		1 2 3 4	
1	102616301	Bolt, Flange Head, M12 X 1.75 X 70	4
2	102620501	Nut, Flange, M12x1.75, Nylon Grade 10	6
3	102788701	Bolt, Flange, M12x1.75x100, Patch	4
4	103841801	Shock Absorber, Coil-over, Front, 1050 lb Capacity	2
5	103930501	Shock Absorber, Coil-over, Rear, 1050 lb Capacity	2
		Note: Shocks must be installed as matched pairs.	

5
G

5
G



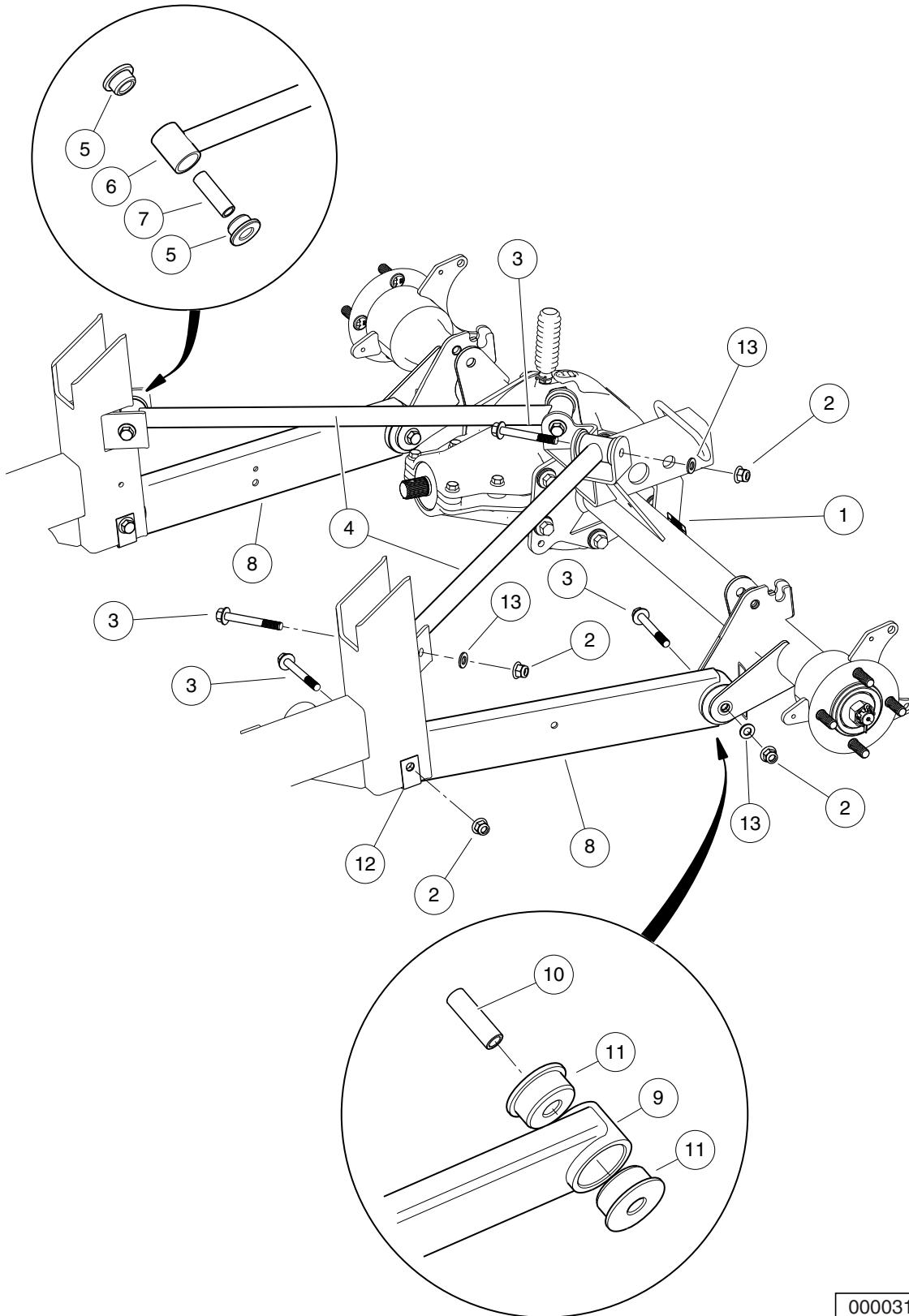
000530-006

SHOCK ABSORBERS – 1500 LB CAPACITY

ITEM	PART NO.	DESCRIPTION	QTY
		1 2 3 4	
1	102616301	Bolt, Flange Head, M12 X 1.75 X 70	4
2	102620501	Nut, Flange, M12x1.75, Nylon Grade 10	6
3	102788701	Bolt, Flange, M12x1.75x100, Patch	4
4	103951601	Shock Absorber, Coil-over, Front, 1500 lb Capacity	2
5	103951701	Shock Absorber, Coil-over, Rear, 1500 lb Capacity	2
		Note: Shocks must be installed as matched pairs.	

5
G

5
G



000031-005

REAR SUSPENSION (4-LINK)

ITEM	PART NO.	DESCRIPTION	QTY
		1 2 3 4	
1	1011553	Decal, Trailer Hitch	1
2	102670701	Nut, Flange, M10 X 1.5 Nylon	8
3	103147001	Bolt, Flg, M10 X 1.5 X 80	8
4	103860302	Assy, Lateral Link, Service Replacement, 4-Link Susp (includes items 5 through 7)	2
5	102408401	Bushing, A-Arm	4
6	N/A	Link, Lateral, Awd	1
7	103845501	Sleeve, Inner, 4link	2
8	103860402	Assy, Trailing Link, Service Replacement, 4-Link Susp (includes items 9 through 11)	2
9	N/A	Link, Trailing, Awd	1
10	103845501	Sleeve, Inner, 4link	2
11	103886201	Bushing, Poly, 4-link	4
12	103923001	Clip, Wear, Trail Link	4
13	96741046	Washer, M10, Hard	6

5
G

5

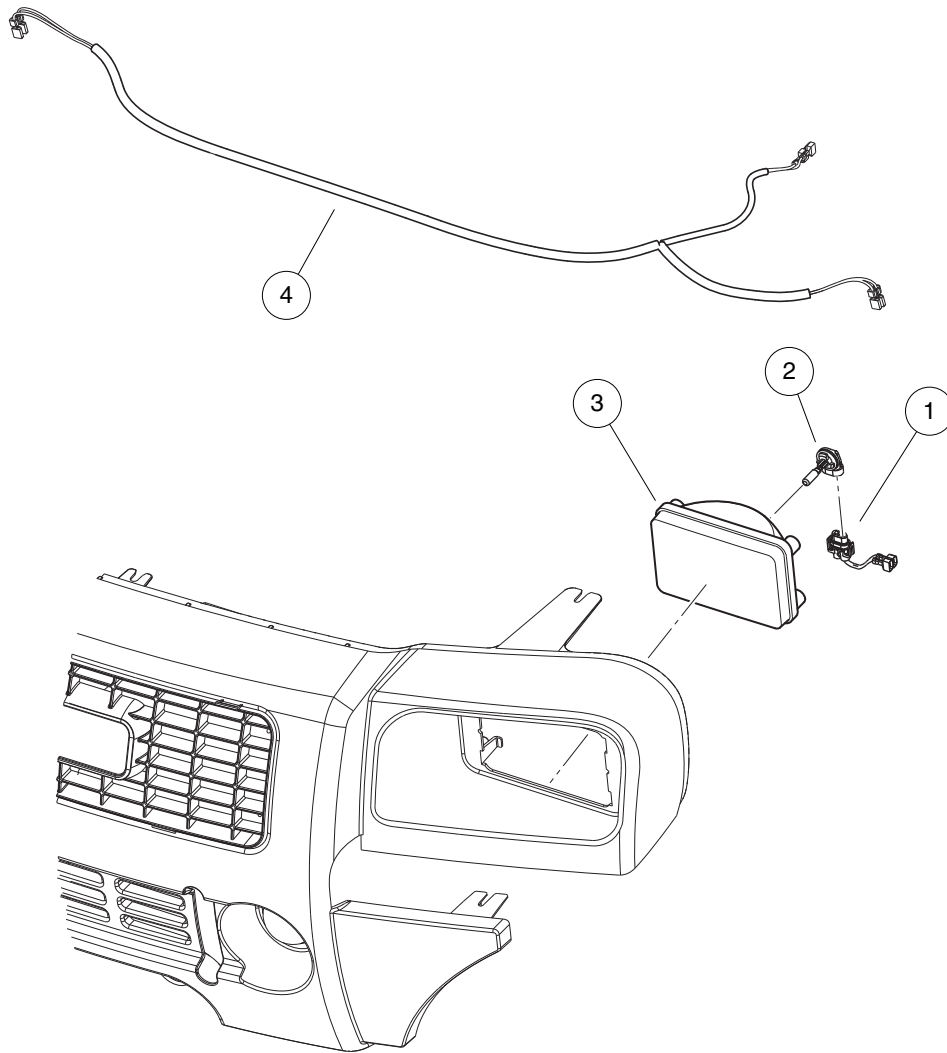
G

ELECTRICAL SYSTEM

6

G

6
G

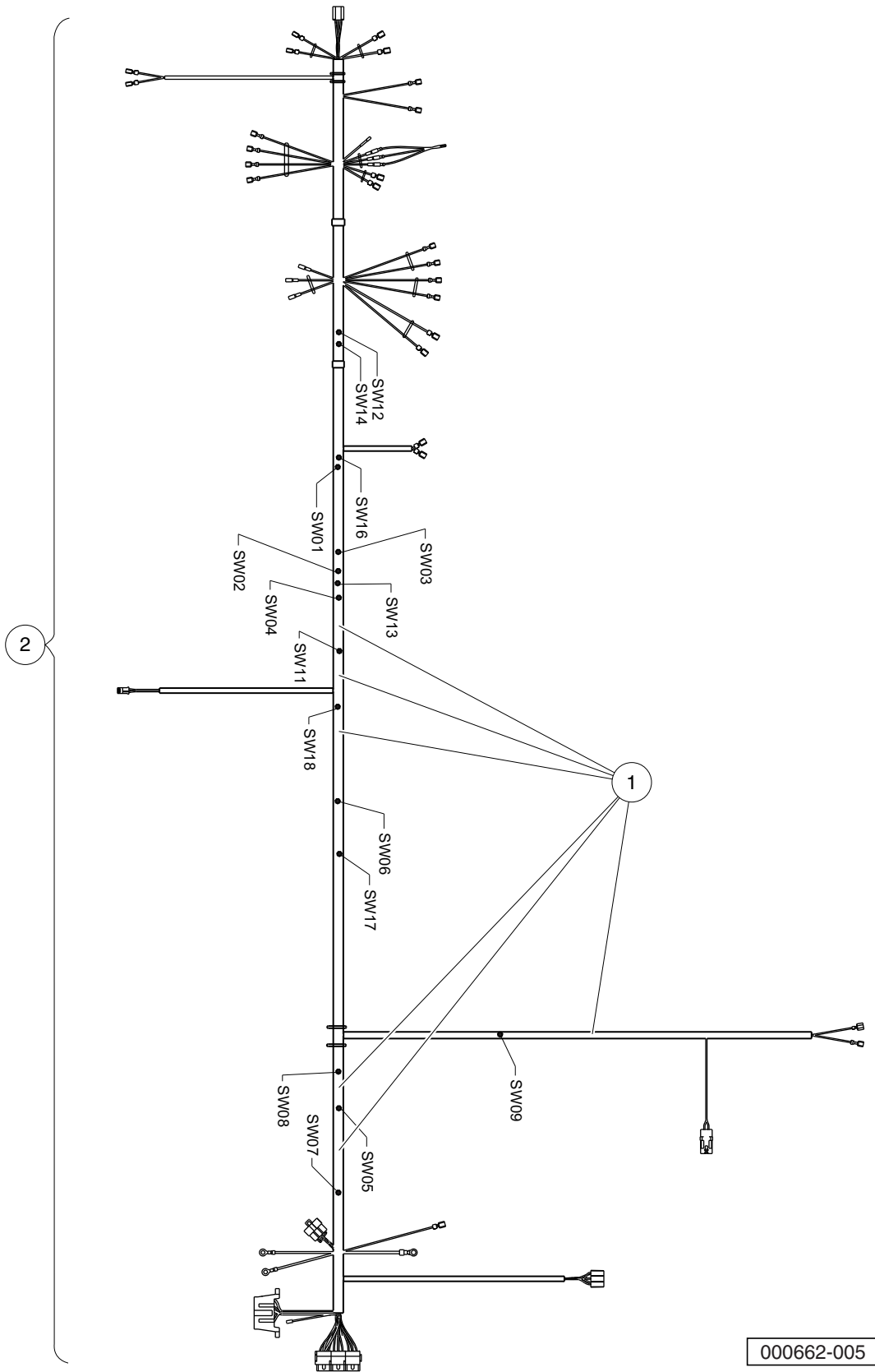


000880-003

HEADLIGHTS – CARRYALL

ITEM	PART NO.	DESCRIPTION	QTY
		1 2 3 4	
1	101987901	Connector, Harness Assembly, Headlight	2
2	101988101	Bulb, Headlight	2
3	101988201	Lens, Headlight	2
4	103213301	Harness, Wire, XRT/CA Restyle Headlights	1

6
G



000662-005

WIRING – GASOLINE VEHICLE

ITEM	PART NO.	DESCRIPTION	QTY
1	1014789	1 2 3 4 Diode, General Purpose, 3.0-Amp	6
2	103305701	Harness, Wire, AWD, Kawasaki FH680, 295/1550	1

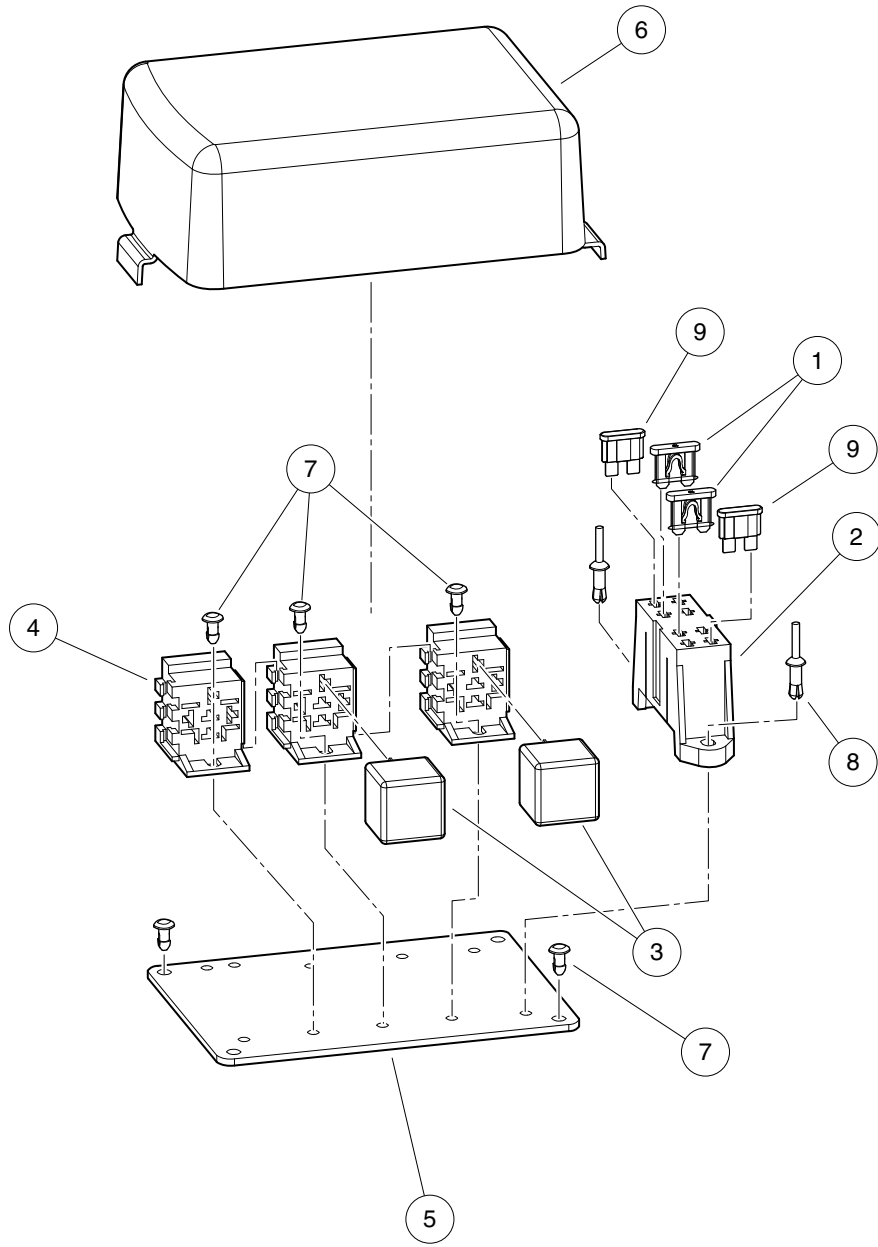
6
G

ELECTRICAL COMPONENTS, FRONT BODY – GAS VEHICLE

ITEM	PART NO.	DESCRIPTION	QTY
		1 2 3 4	
1	1016630	Light, Oil	1
2	101802601	Plug, Hole	5
3	102044702	Key Switch 12v Key Start	1
4	102044801	Key Set	1
5	102051601	Spacer, Keyswitch	1
6	102051701	Nut, Key Switch	1
7	102198001	Receptacle, Accessory	1
8	102869401	Switch, Rocker, Light	1
9	103180101	Cover, Hole, Switch, Rocker	3
10	103348101	Gauge, Fuel-hour, Sep Gnd	1
11	103348201	Clip, Meter, Round	1
12	103348501	Asm, Wire Meter, F-h Jumper	1

6

G



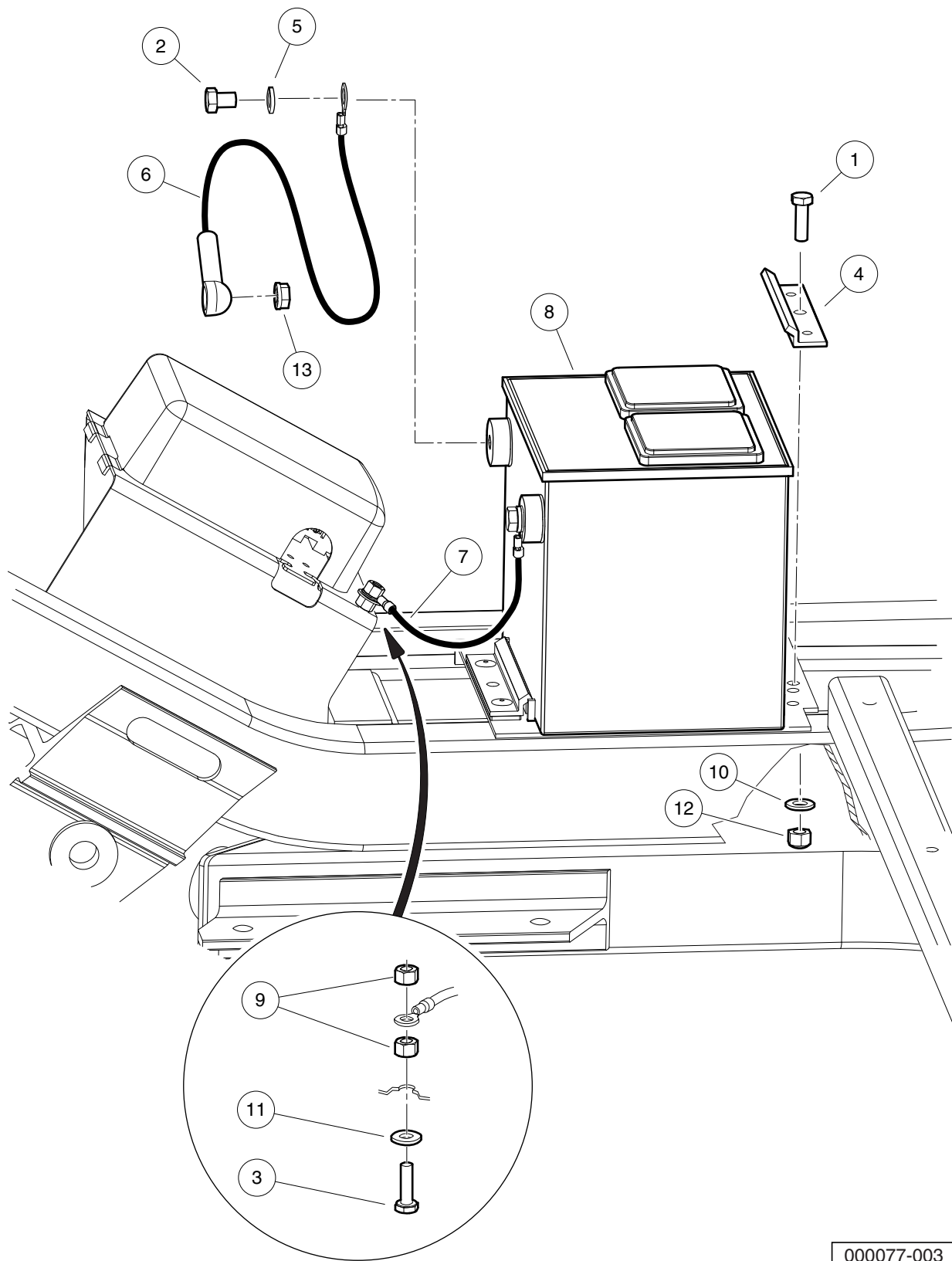
000076-003

ELECTRICAL COMPONENT BOX, GASOLINE VEHICLE

ITEM	PART NO.	DESCRIPTION	QTY
		1 2 3 4	
1	1012295	Fuse, 10-Amp	2
2	1015741	Fuse Block	1
3	102420201	Relay, Mini ISO, SPDT	3
4	102420301	Connector, Relay	3
5	102420401	Plate, Electrical	1
6	102420501	Cover, Electrical	1
7	102447901	Fastener, Push-in	7
8	102448001	Rivet, Drive	2
9	102492201	Fuse, 25-Amp	2

6
G

6
G



000077-003

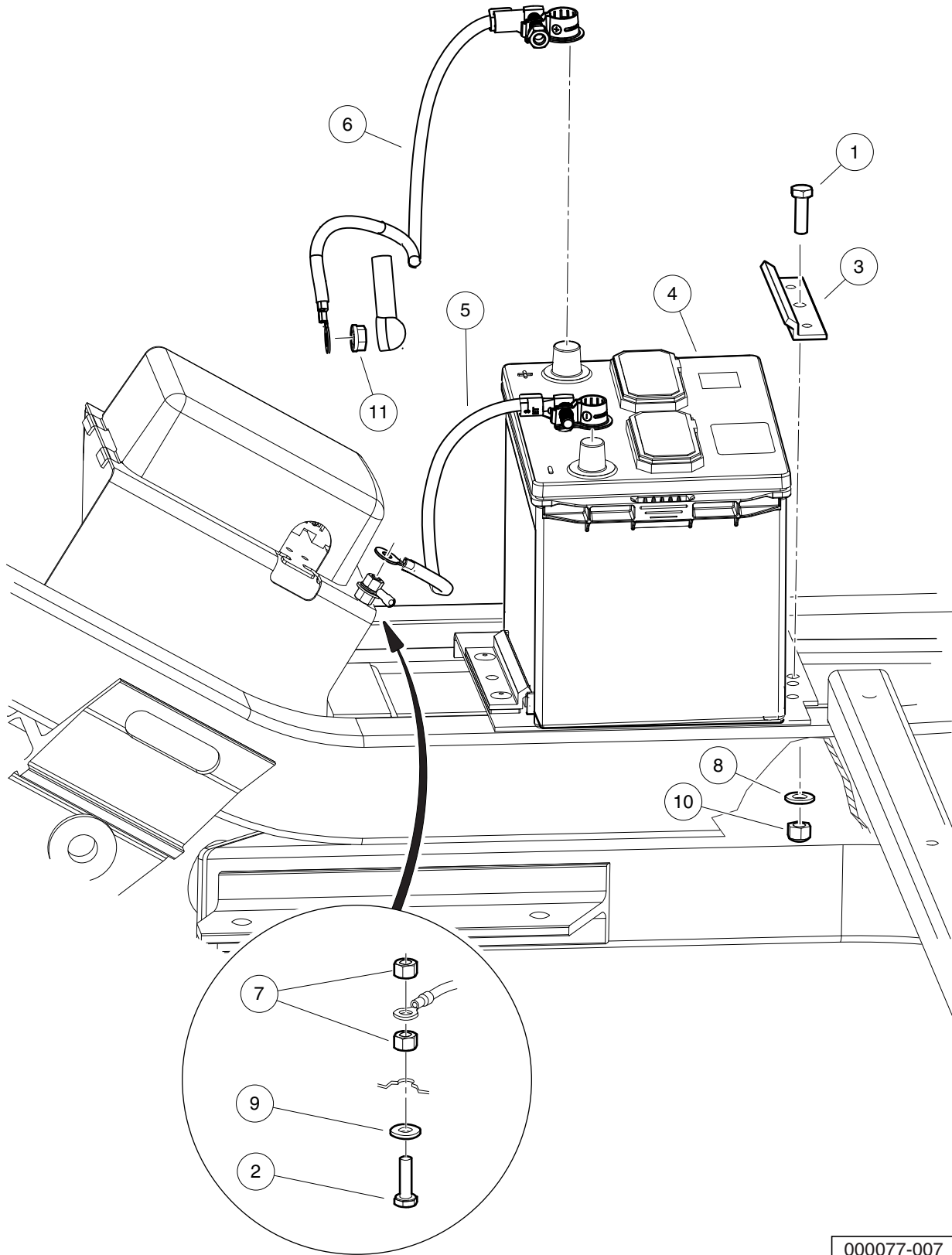
BATTERY – GASOLINE VEHICLE

ITEM	PART NO.	DESCRIPTION	QTY
		1 2 3 4	
1	1010934	Screw, 5/16-18 X 1.00 Hex Cap	1
2	1014375	Screw, 3/8-16 X 0.50, Stainless Steel, Hex-Head	2
3	1015521	Screw, 1/4-20 X .88 Hex Hd Cap	1
4	101898001	Clamp, Battery	1
5	102355301	Lockwasher, 3/8 Split Ss	2
6	102442201	Asm, #6 Red Wire	1
7	102448401	Wire Asm, #6 Blk, Awd, 350	1
8	103496801	Battery, Start, 12v	1
9	1108	Locknut, 1/4-20 Dimpled	2
10	1241	Washer, 5/16 Type A Flat	1
11	332	Washer, 1/4 Type A Narrow Flat	1
12	7473	Locknut, 5/16-18 Nylon Insert	1
13	96704416	Nut, Flange, M8 X 1.25 Serrated	1

6

G

6
G



000077-007

TOP-POST BATTERY – GASOLINE VEHICLE

ITEM	PART NO.	DESCRIPTION	QTY
		1 2 3 4	
1	1010934	Screw, 5/16-18 X 1.00 Hex Cap	1
2	1015521	Screw, 1/4-20 X .88 Hex Hd Cap	1
3	101898001	Clamp, Battery	1
4	105237301	Battery, Start, 12v, Type 26	1
5	105256201	Wire Asm, #6 Blk, (top-post battery) Awd, 426	1
6	105256601	Wire Asm, #6 Red, (top-post battery) Awd, 476	1
7	1108	Locknut, 1/4-20 Dimpled	2
8	1241	Washer, 5/16 Type A Flat	1
9	332	Washer, 1/4 Type A Narrow Flat	1
10	7473	Locknut, 5/16-18 Nylon Insert	1
11	96704416	Nut, Flange, M8 X 1.25 Serrated	1

6
G

6

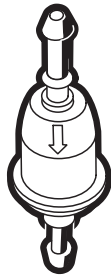
G

KAWASAKI FH680D GASOLINE ENGINE

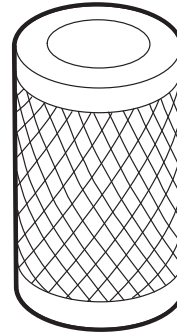
7

G

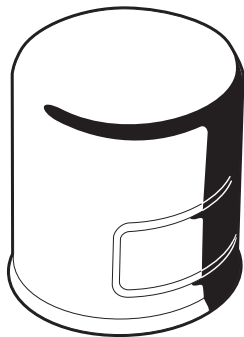
7
G



2



3



4



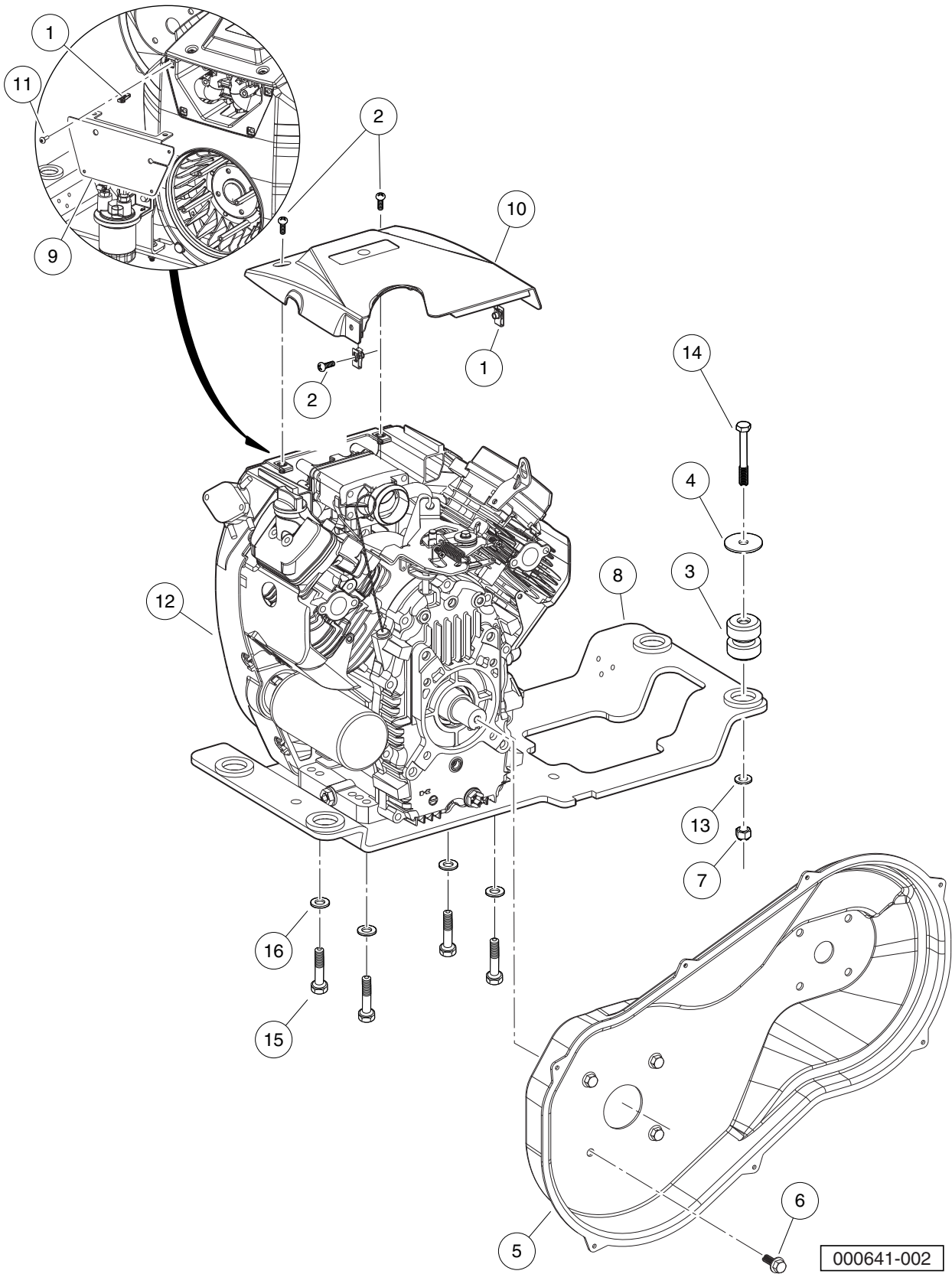
5

000992-001

TUNE-UP KIT – KAWASAKI FH680

ITEM	PART NO.	DESCRIPTION	QTY
		1 2 3 4	
1	AM1232401	Kit, Tune-Up (For Kawasaki V-twin engines) (includes items 2 through 5)	1
2	102003201	Filter, Fuel, 30 Micron	1
3	102498601	Element, Filter, Air, 5 Inch	1
4	103887901	Filter, Oil, Kawasaki	1
5	AM1232301	Spark Plug, BPR2ES	2

7
G

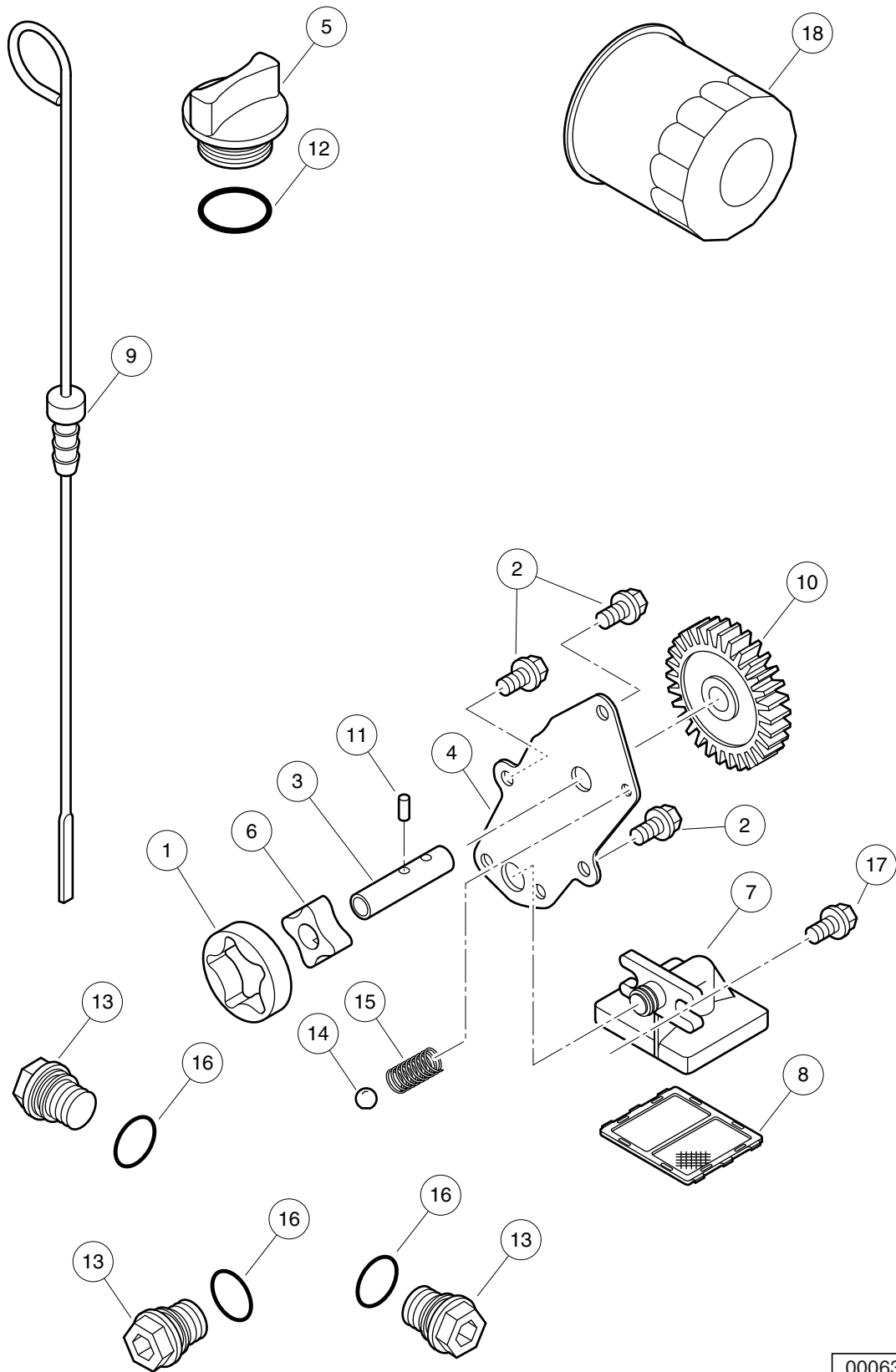


KAWASAKI FH680D GASOLINE ENGINE AND MOUNTING

ITEM	PART NO.	DESCRIPTION	QTY
		1 2 3 4	
1	102296601	U-Nut, M6-1.0, Prevailing Torque	4
2	102296920	Screw, M6, Torx Button Head, Sems	4
3	102370501	Isolator Ring and Bushing	4
4	102370601	Washer, Snubbing, Ring N Bush	4
5	102462504	Cover, Cvt, Inner Fh680d	1
6	102491001	Bolt, Flanged Head, 3/8-16x1.0 with Loctite	4
7	102740401	Locknut, M12x1.75 Nylon Insert	4
8	102951901	Weldment, Eng Mnt, Kaw, Fh680d	1
9	103208701	Engine, Front Cover, Fh680d	1
10	103262901	Cover, Engine, Top	1
11	103279201	Screw, Pn Hd Blk, 10-16 X .625	4
12	103528201	Engine, Kawasaki, FH680D	1
13	96701412	Washer, M12 Hard	4
14	96704721	Bolt, M12 X 1.75 X 90	4
15	96704960	Bolt, M10 X 1.5 X 60	4
16	96741046	Washer, M10, Hard	4

7

G

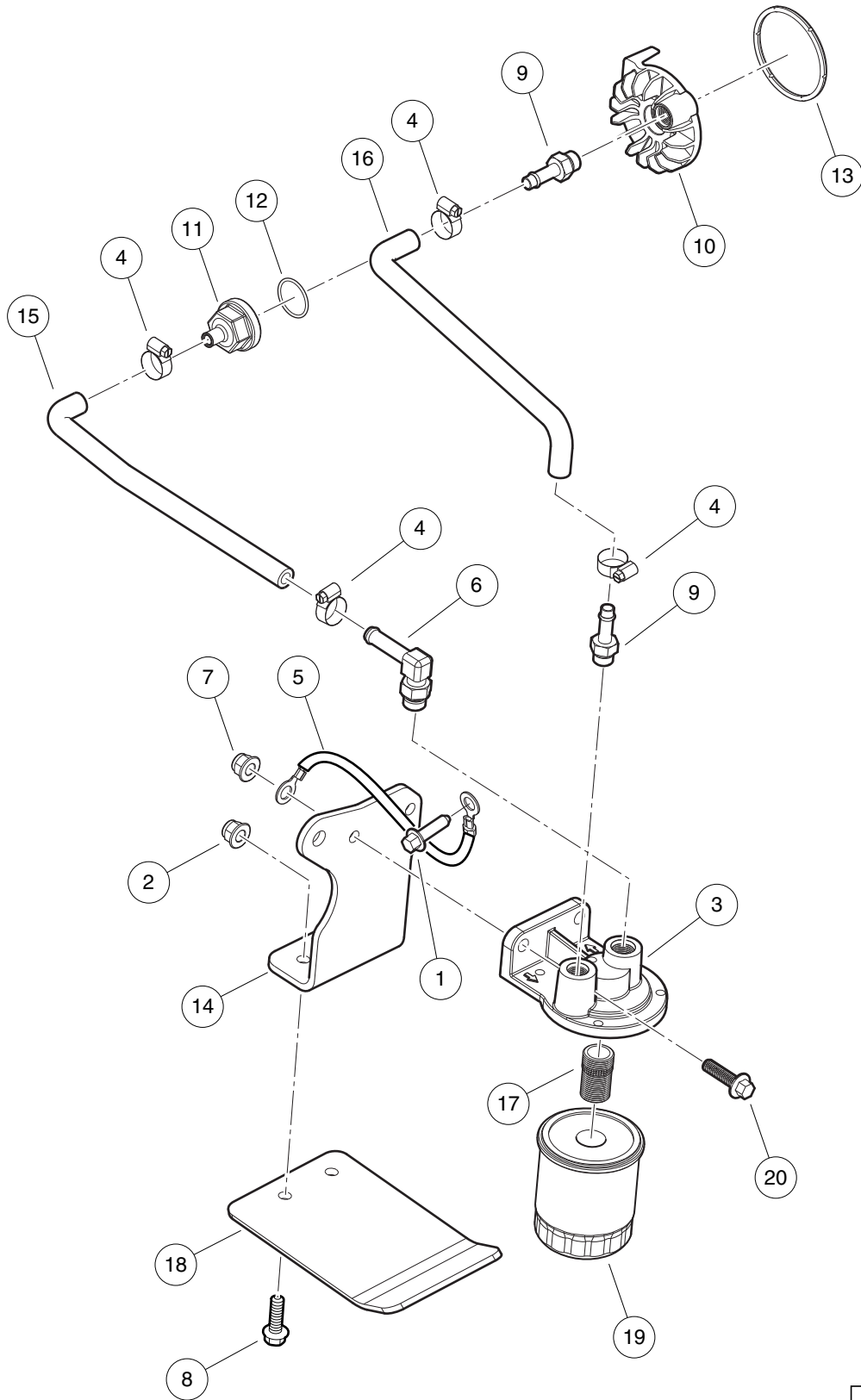


000637-004

OIL AND LUBRICATION COMPONENTS

ITEM	PART NO.	DESCRIPTION	QTY
		1 2 3 4	
1	101648201	Rotor, Pump, Oil, Outer	1
2	102992401	Bolt, Flg, M6 X 1.0 X 12	3
3	102996901	Shaft, Oil Pump, Fh	1
4	102997001	Plate, Oil Pump, Fh	1
5	102997101	Cap, Oil, Fill, Fh	1
6	102997201	Rotor, Pump, Oil, Inner, Fh	1
7	102997401	Pickup, Oil, Fh	1
8	102997601	Screen, Pickup, Oil, Fh	1
9	102997701	Gauge, Oil, Fh	1
10	102997801	Gear, Spur, Oil Pump, Fh	1
11	102997901	Pin, Oil Pump, Fh	2
12	102998001	O-ring, Cap, Oil, Fill, Fh	1
13	102998101	Plug, Oil Drain, Fh	3
14	102998201	Ball, Oil Pump, Fh	1
15	102998301	Spring, Oil Pump, Fh	1
16	102998401	O-ring, Drain Plug, Oil, Fh	3
17	103300301	Bolt, Oil Pickup, Fh	2
18	103887901	Filter, Oil, Kawasaki	1

7
G



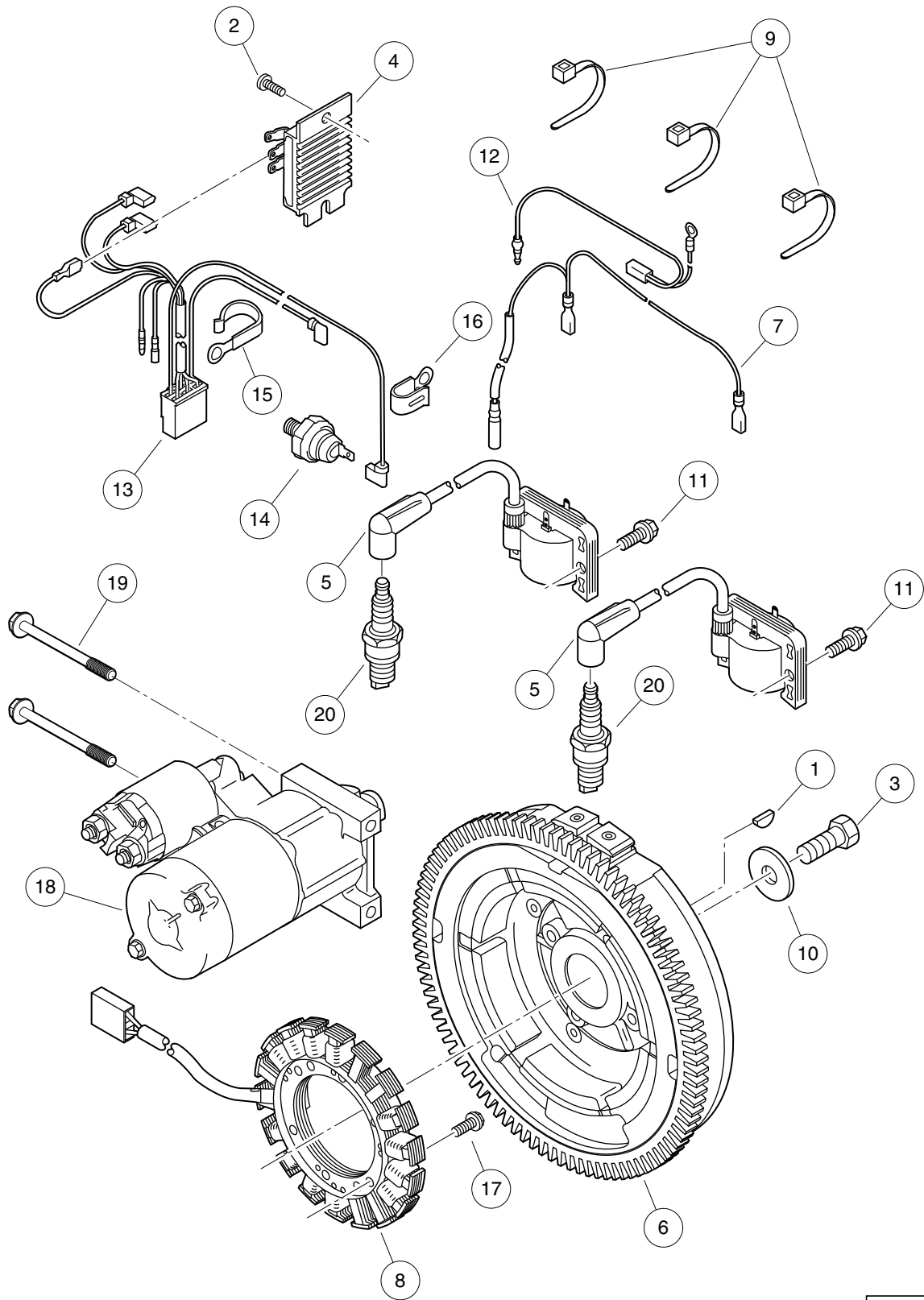
000671-004

OIL FILTER ADAPTER – KAWASAKI FH680

ITEM	PART NO.	DESCRIPTION	QTY
		1 2 3 4	
1	102289001	Screw, M8X1.25X30, Hex	1
2	102298401	Nut,m8,all Metal Lock	2
3	102371401	Bracket, Oil Filter Mount	1
4	102443601	Clamp, Hose	4
5	102448501	Wire Asm, #6 Blk, Awd, 325	1
6	102457501	Adapter, 90, 3/8 Tube	1
7	102618601	Lock Nut, Flange, M8 X 1.25 Nylon	2
8	102621301	Bolt, M8 X 1.25 X 40 with Loctite	2
9	102722001	Adapter, 5/16 Hose	2
10	102958301	Adapter, Special, Oil Filter	1
11	102958401	Nut, Special, Hose Adapter	1
12	102958501	O-ring, 23.52 X 1.78mm	1
13	102958601	O-ring, Oil Filter Adapter	1
14	103197201	Bracket, Oil Filter, Fh680d	1
15	103240601	Hose, Formed, Oil, 5/16"	1
16	103246901	Hose, Formed, Oil, 5/16", Ret	1
17	103276201	Nipple, 3/4-16 X M20 X 1.5-6g	1
18	103326401	Guard, Oil Filter, Fh680d	1
19	103887901	Filter, Oil, Kawasaki	1
20	96705587	Bolt, M8 X 1.25 X 30	2

7
G

7
G



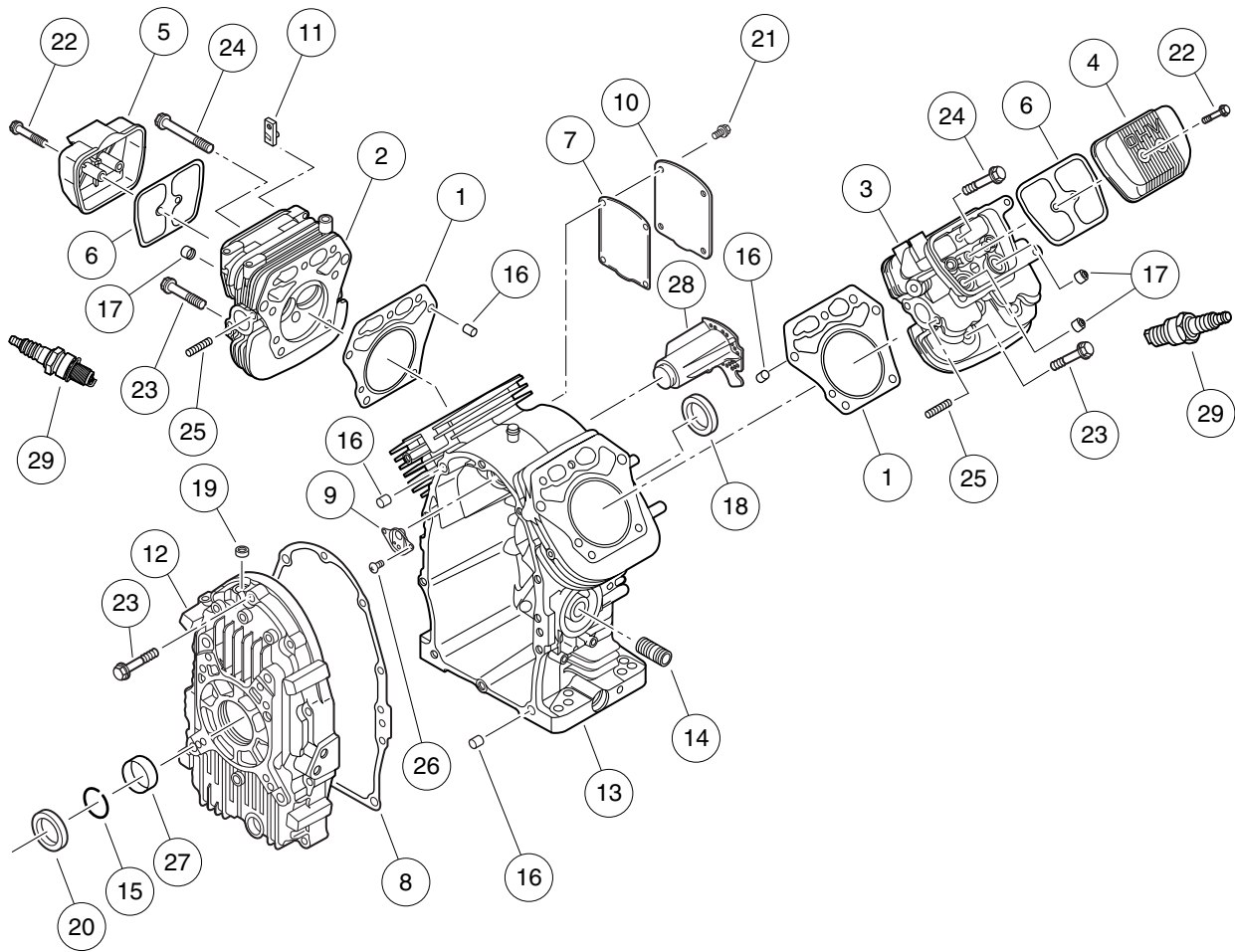
000626-002

IGNITION COMPONENTS AND FLYWHEEL – KAWASAKI FH680

ITEM	PART NO.	DESCRIPTION	QTY
		1 2 3 4	
1	N/A	Key	1
2	1016544	Screw	1
3	102994301	Bolt, Flg, M12 X 1.25 X 30	1
4	103000401	Regulator, Voltage, Fh	1
5	103000501	Asm, Coil, Ignition, Fh	2
6	103000601	Flywheel, Assy, Fh	1
7	103000801	Harness, Regulator, Fh	1
8	103000901	Coil, Charging, Fh	1
9	103001301	Band, Harness, Fh	3
10	103001501	Washer, Flywheel, Fh	1
11	103298501	Bolt, Flanged, M6 X 20, Kaw	4
12	103299501	Harness, Ignition, Fh	1
13	103299601	Harness, Engine, Main, Fh	1
14	103299701	Switch, Oil Pressure, Fh	1
15	103299801	Clamp, Harness, Large, Fh	1
16	103299901	Clamp, Harness, Small, Fh	1
17	103300101	Screw, Pan, Coil Mount, Fh	4
18	103345501	Starter, Electric, Fh680d	1
19	103687401	Bolt, Flg, M8 X 1.25 X 83	2
20	AM1232301	Spark Plug, BPR2ES	2

7

G

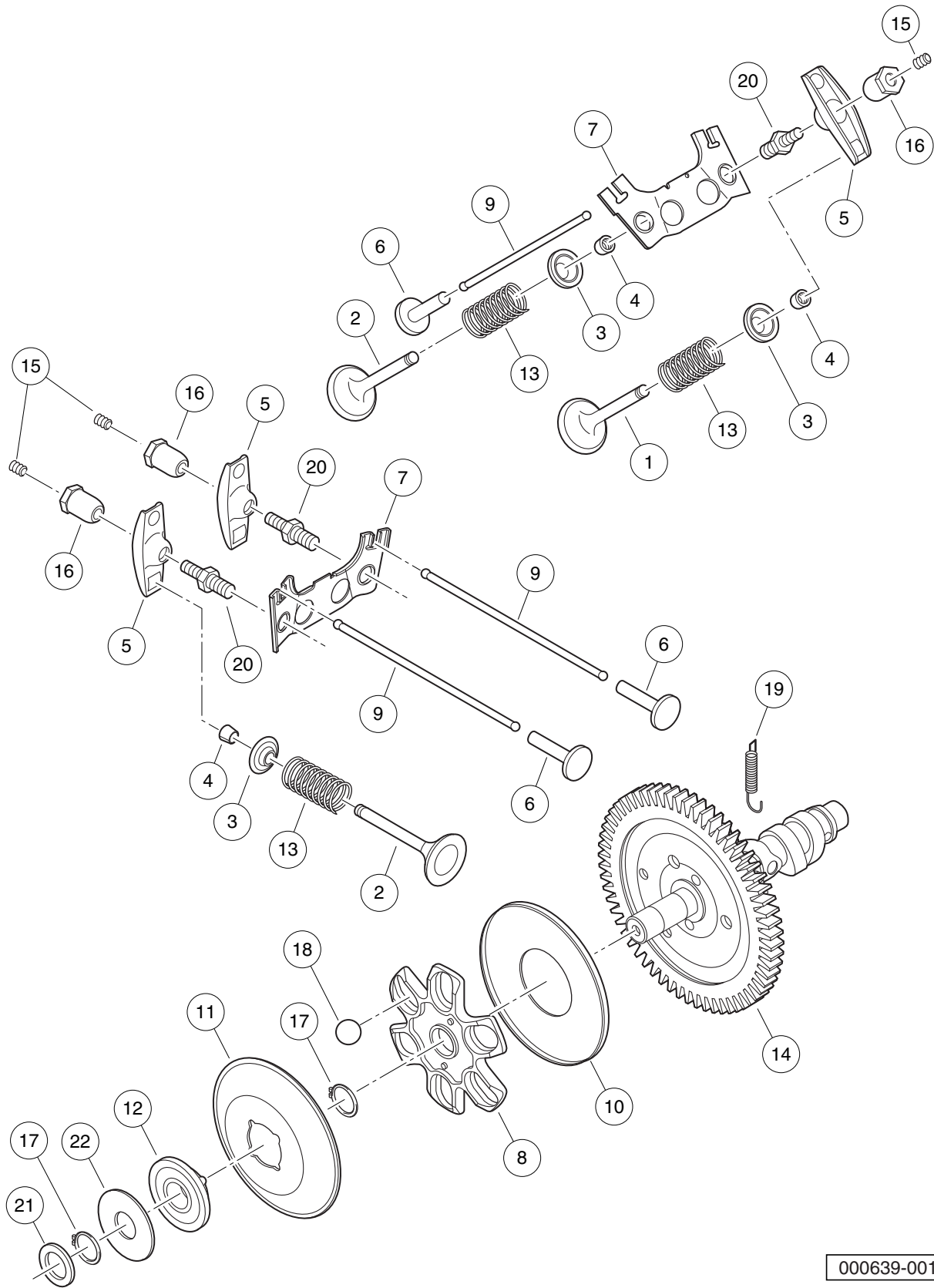


000638-003

CYLINDER HEAD AND CRANKCASE

ITEM	PART NO.	DESCRIPTION	QTY
		1 2 3 4	
1	102990101	Gasket, Head, Cyl, Fh	2
2	102990201	Head, Cyld 1, Fh	1
3	102990301	Head, Cyld 2, Fh	1
4	102990401	Cover, Rocker, Cyld 1, Fh	1
5	102990501	Cover, Rocker, Cyld 2, Fh	1
6	102990601	Gasket, Rocker, Cover, FH	2
7	102990701	Gasket, Breather, Fh	1
8	102990801	Gasket, Cover, Crank, Fh	1
9	102990901	Valve, Assy, Reed, Fh	1
10	102991101	Cover, Crkcase, Comp, Fh	1
11	102991201	Pipe, Head, Comp, Clyd, Fh	1
12	102991401	Cover, Crankcase, Fh	1
13	102991501	Crankcase, Comp, Fh	1
14	102991601	Nipple, Oil Filter, Fh	1
15	102991801	Ring, Snap, Fh	1
16	102991901	Pin, Head, Fh	6
17	102992001	Seal, Oil, Valve, Fh	4
18	102992101	Seal, Oil, Crank, Rear, Fh	1
19	102992201	Seal, Oil, Governor, Fh	1
20	102992301	Seal, Oil, Crank, Front, Fh	1
21	102992401	Bolt, Flg, M6 X 1.0 X 12	4
22	102992601	Bolt, Flg, M6 X 1.0 X 40	4
23	102992701	Bolt, Flg, M8 X 1.25 X 50	18
24	102992801	Bolt, Flg, M8 X 1.25 X 75	2
25	102992901	Stud, M8 X 1.25, Exhaust, Fh	4
26	103298601	Screw, Pan, Governor, Fh	2
27	103298901	Bushing, Main, Fh	1
28	103981201	Pipe, Crankcase Breather, Fh680 (with O-Ring)	1
29	AM1232301	Spark Plug, BPR2ES	2

7
G



000639-001

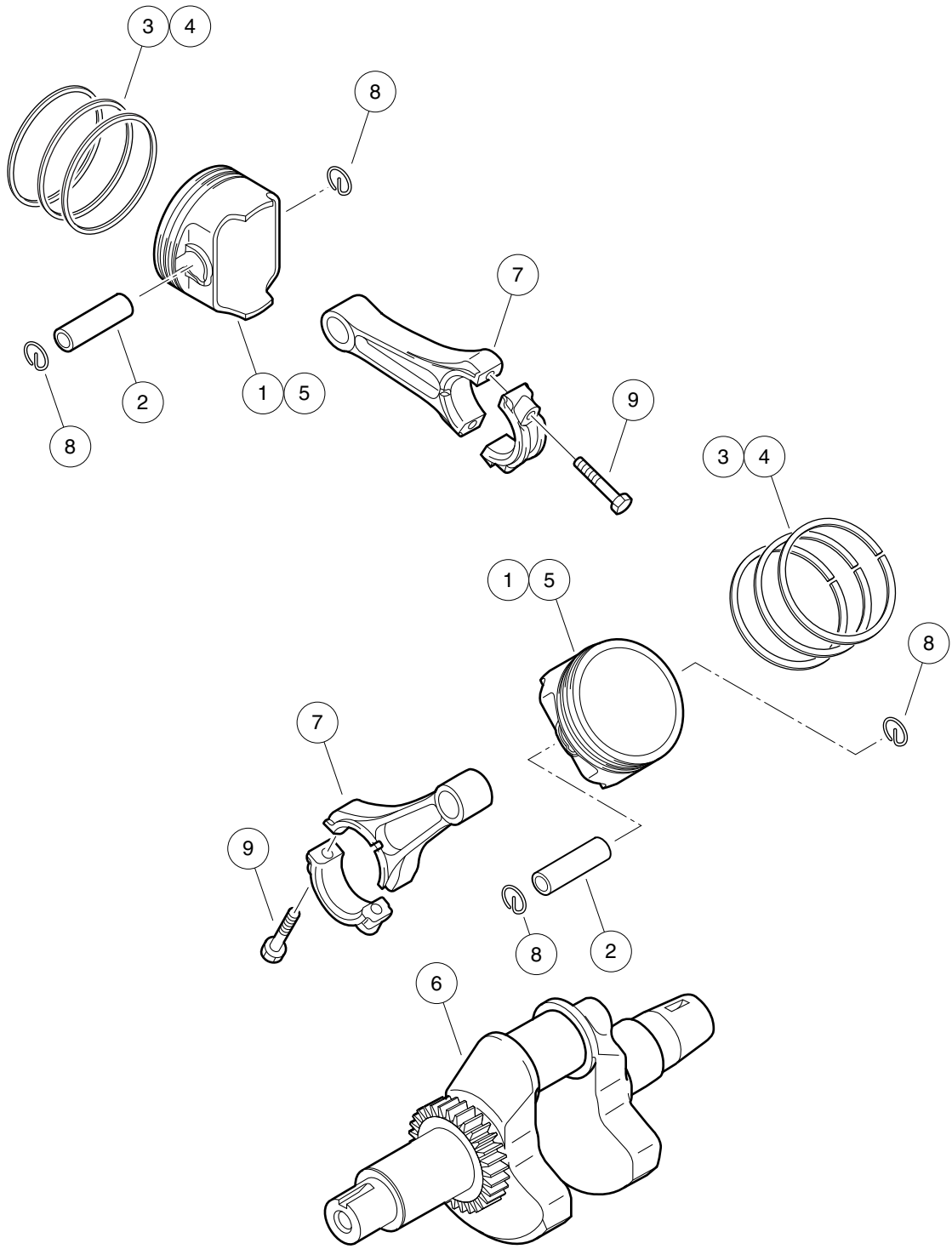
VALVES AND CAMSHAFT

ITEM	PART NO.	DESCRIPTION	QTY
		1 2 3 4	
1	102994601	Valve, Intake, Fh	2
2	102994701	Valve, Exhaust, Fh	2
3	102994801	Retainer, Valve Spring, Fh	4
4	102994901	Collet, Spring, Valve, Fh	8
5	102995001	Arm, Rocker	4
6	102995101	Tappet, Rod, Push, Fh	4
7	102995201	Guide, Arm, Rocker, Fh	2
8	102995301	Guide, Camshaft, Gov, Fh	1
9	102995401	Rod, Push, Fh	4
10	102995501	Plate, Camshaft, Gov, Fh	1
11	102995601	Plate, Ring, Gov, Fh	1
12	102995701	Sleeve, Plate, Gov, Fh	1
13	102995801	Spring, Valve, Fh	4
14	102995901	Kit, Camshaft, Comp, Fh	1
15	102996001	Screw, Rocker Arm, Fh	4
16	102996101	Nut, Arm, Rocker, Fh	4
17	102996201	Ring, Snap, Gov, Fh	2
18	102996301	Ball, Guide, Gov, Fh	6
19	102996401	Spring, Camshaft, Fh	1
20	102996501	Stud, Rocker Arm, Fh	4
21	102996601	Washer, Sleeve, Gov, Fh	1
22	102996701	Washer, Gov, Fh	1

7

G

7
G

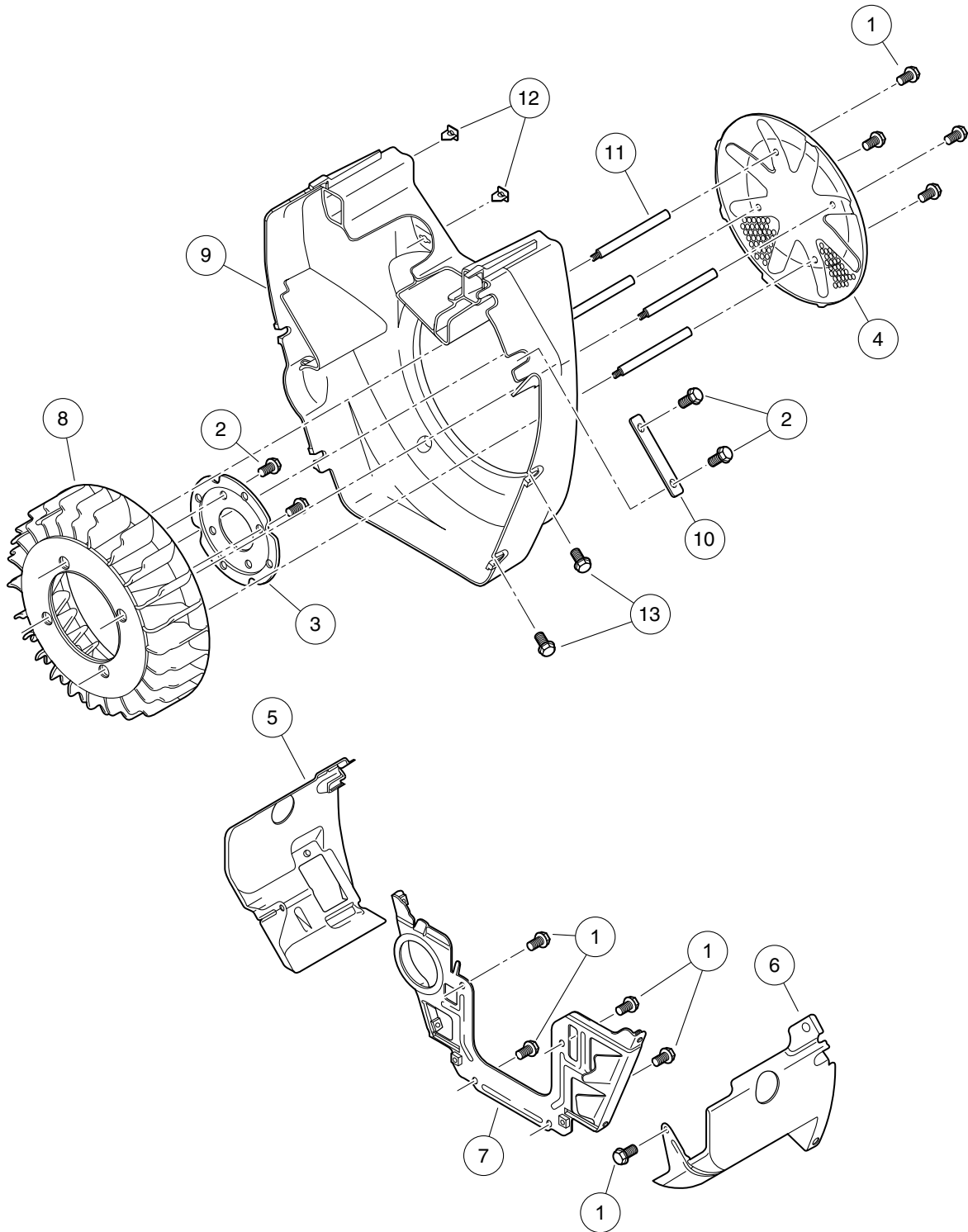


000640-001

PISTONS AND CRANKSHAFT

ITEM	PART NO.	DESCRIPTION	QTY
		1 2 3 4	
1	102993201	Piston, Engine, Fh	2
2	102993301	Pin, Piston, Engine, Fh	2
3	102993401	Ring, Set, Piston, Fh	2
4	102993501	Ring, Set, Piston, 0.50, Fh	A/R
5	102993601	Piston, Engine, 0.50, Fh	A/R
6	102993701	Crankshaft, Comp, Fh	1
7	102993901	Kit, Rod, Connecting, Fh	2
8	102994101	Ring, Snap, Pin, Piston, Fh	4
9	102994401	Bolt, Flg, M6 X 1.00 X 35	4

7
G



000625-001

SHROUDS AND BRACKETS

ITEM	PART NO.	DESCRIPTION	QTY
		1 2 3 4	
1	102992401	Bolt, Flg, M6 X 1.0 X 12	9
2	102992501	Bolt, Flg, M6 X 1.0 X 16	4
3	102998601	Plate, Housing, Fan, Fh	1
4	102998701	Screen, Fan, Fh	1
5	102999101	Shroud, Engine, Rh, Fh	1
6	102999201	Shroud, Engine, Lh, Fh	1
7	102999301	Shroud, Engine, Front, Fh	1
8	102999501	Fan, Cooling, Fh	1
9	102999601	Housing, Engine, Fh	1
10	103000001	Washer, Housing, Fan, Fh	1
11	103299301	Stud, Fan Screen, Fh	4
12	103299401	Nut, Press In, Front Cover, Fh	4
13	103300301	Bolt, Oil Pickup, Fh	4

7
G

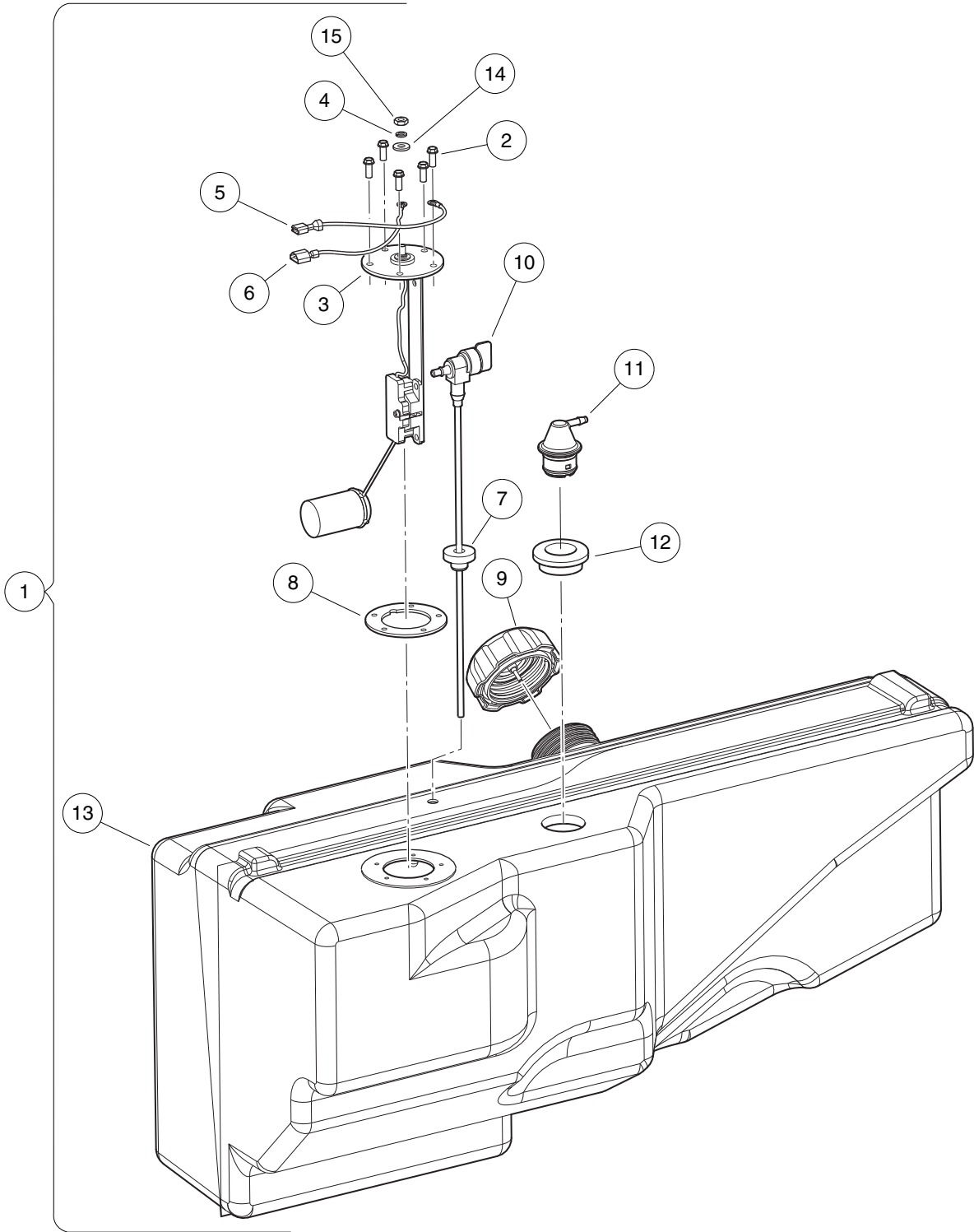
7

G

FUEL, INTAKE, ACCELERATOR AND GOVERNOR SYSTEMS

8

G



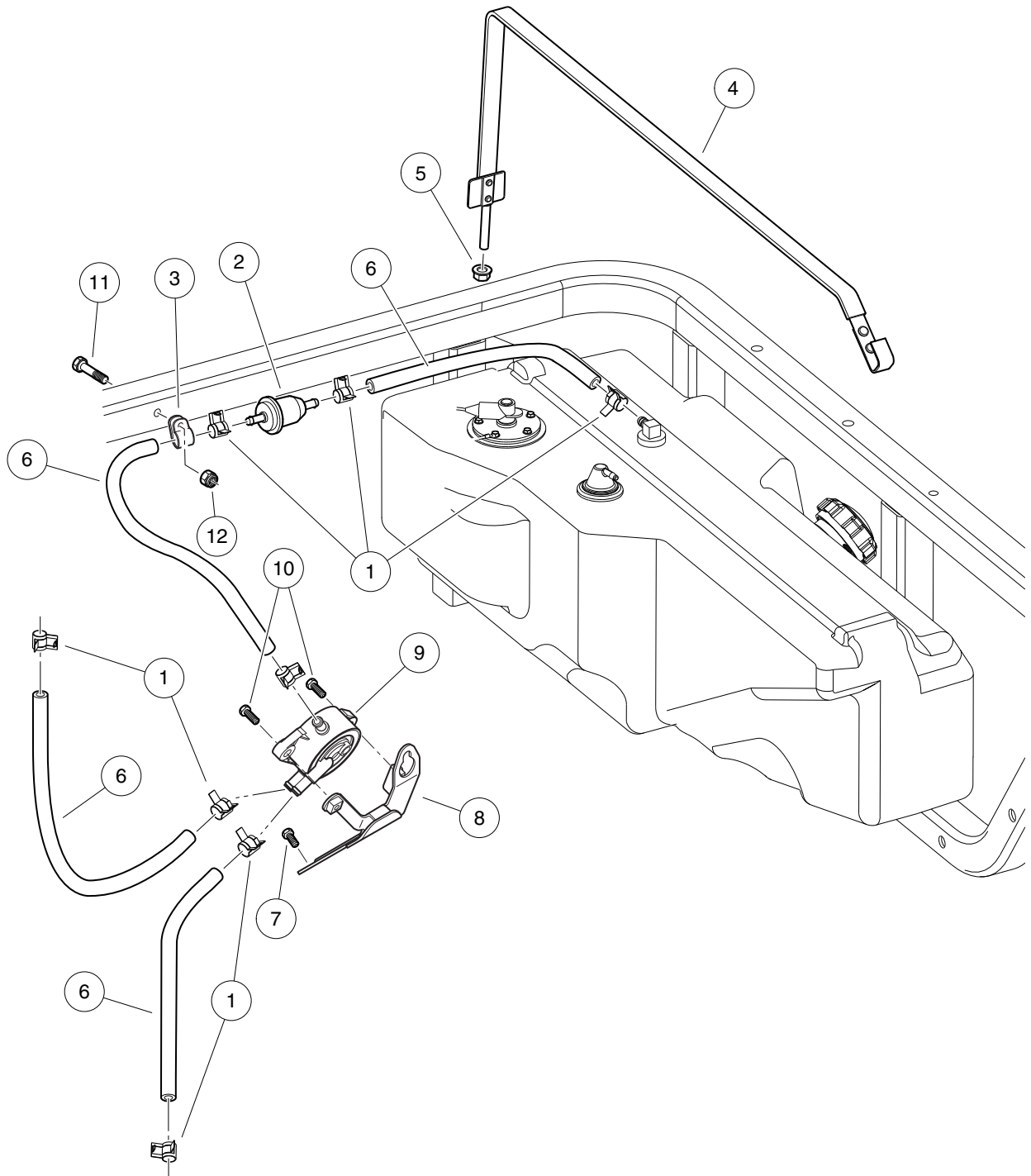
000082-008

FUEL TANK – GASOLINE VEHICLE

ITEM	PART NO.	DESCRIPTION	QTY
		1 2 3 4	
1	103963701	Asm, Tank Fuel, Gas 4x4 Nano (includes items 2 through 15)	1
2	1013461	Screw, #10-16 Hex-Head Hi-Lo	5
3	1013462	Sending Unit, Fuel Level *	1
4	1016	Lockwasher, #10 Split	1
5	N/A	Wire Asm, Blk, 170mm	1
6	N/A	Wire Asm, Org, 170mm	1
7	102406701	Bushing, Line, Return	1
8	102522001	Gasket, Rubber	1
9	103372101	Cap, Fuel Tank, Gas, Ratchet	1
10	103372302	Valve, Fuel, 288mm	1
11	103905201	Assembly, Vent, Fuel, 1/4 Inch O.D.	1
12	103944301	Grommet, Fuel Tank, Vent	1
13	N/A	Tank, Fuel, Gas, 4x4 Nano	1
14	183	Washer, #10, Type A, Flat	1
15	8797	Nut, #10-32 Brass Hex	1
		* Note: Must replace fuel sending unit gasket when servicing this component.	

8

G



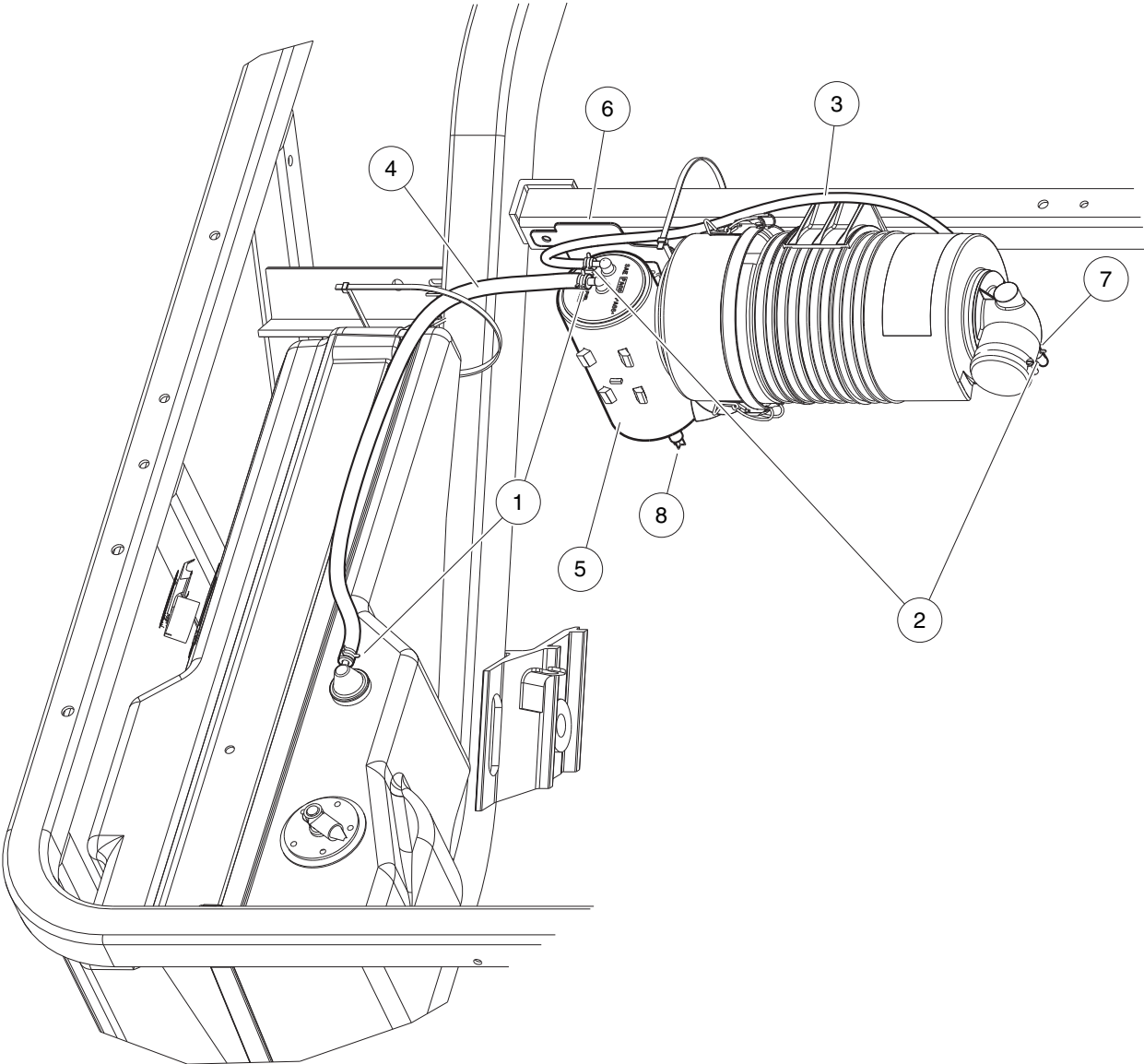
000672-003

FUEL PUMP, FILTER AND HOSE – KAWASAKI FH680

ITEM	PART NO.	DESCRIPTION	QTY
		1 2 3 4	
1	1012649	Clamp, 0.460 Red Hose	4
2	102003201	Filter, Fuel, 30 Micron	1
3	102410604	P-clamp, Insulated, 0.625 Inch	1
4	102426301	Strap, Tank, Fuel	1
5	102618601	Lock Nut, Flange, M8 X 1.25 Nylon	1
6	102865101	Fuel Line, 1/4 (available by the foot)	A/R
7	102992501	Bolt, Flg, M6 X 1.0 X 16	1
8	103009901	Bracket, Fuel Pump, Fh	1
9	103010101	Pump, Fuel, Impulse, Fh	1
10	103298501	Bolt, Flanged, M6 X 20, Kaw	2
11	324	Screw, 1/4-20 X 2.50 Hx Hd Cap	1
12	8233	Locknut, 1/4-20, Nylon Insert	1

8

G

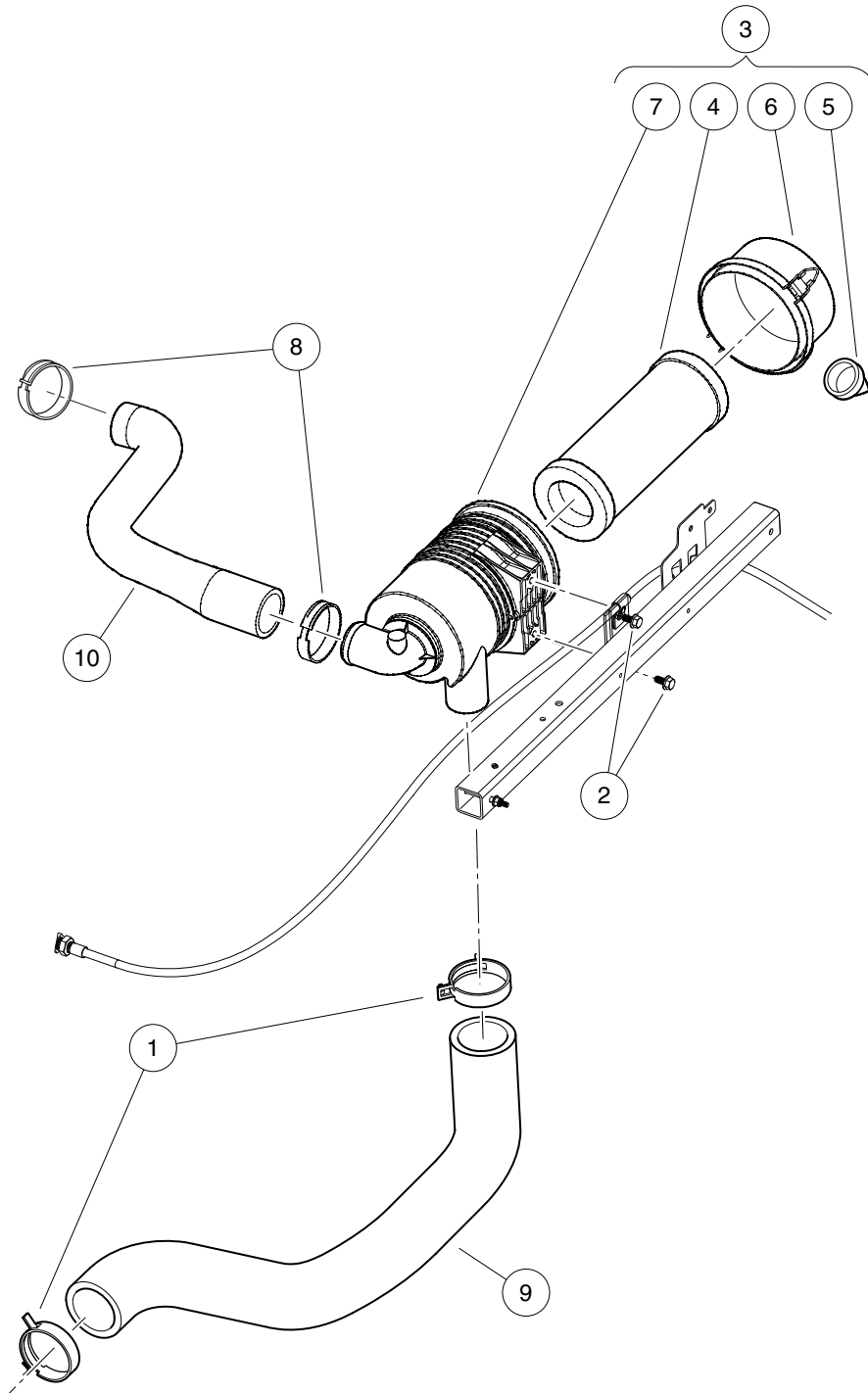


000972-001

CARBON CANISTER – GASOLINE VEHICLE

ITEM	PART NO.	DESCRIPTION	QTY
		1 2 3 4	
1	1012649	Clamp, 0.460 Red Hose	2
2	101313402	Clamp, Green Hose	2
3	1015137	Fuel Line, 3/16 (available by the foot)	3
4	102865101	Fuel Line, 1/4 (available by the foot)	2
5	103372401	Canister, Carbon	1
6	103452001	Brkt, Mtg, Carbon Canister	1
7	103701301	Adapter, 1/8 Npt X 3/16 Barb	1
8	103756401	Asm, Vent Line, Carbon Canister (includes items 9 and 10)	1
9	N/A	Hose, Vent, 5/16 I.D., Bulk	1
10	N/A	Vent, Barb, 5/16 I.D. Hose	1

8
G

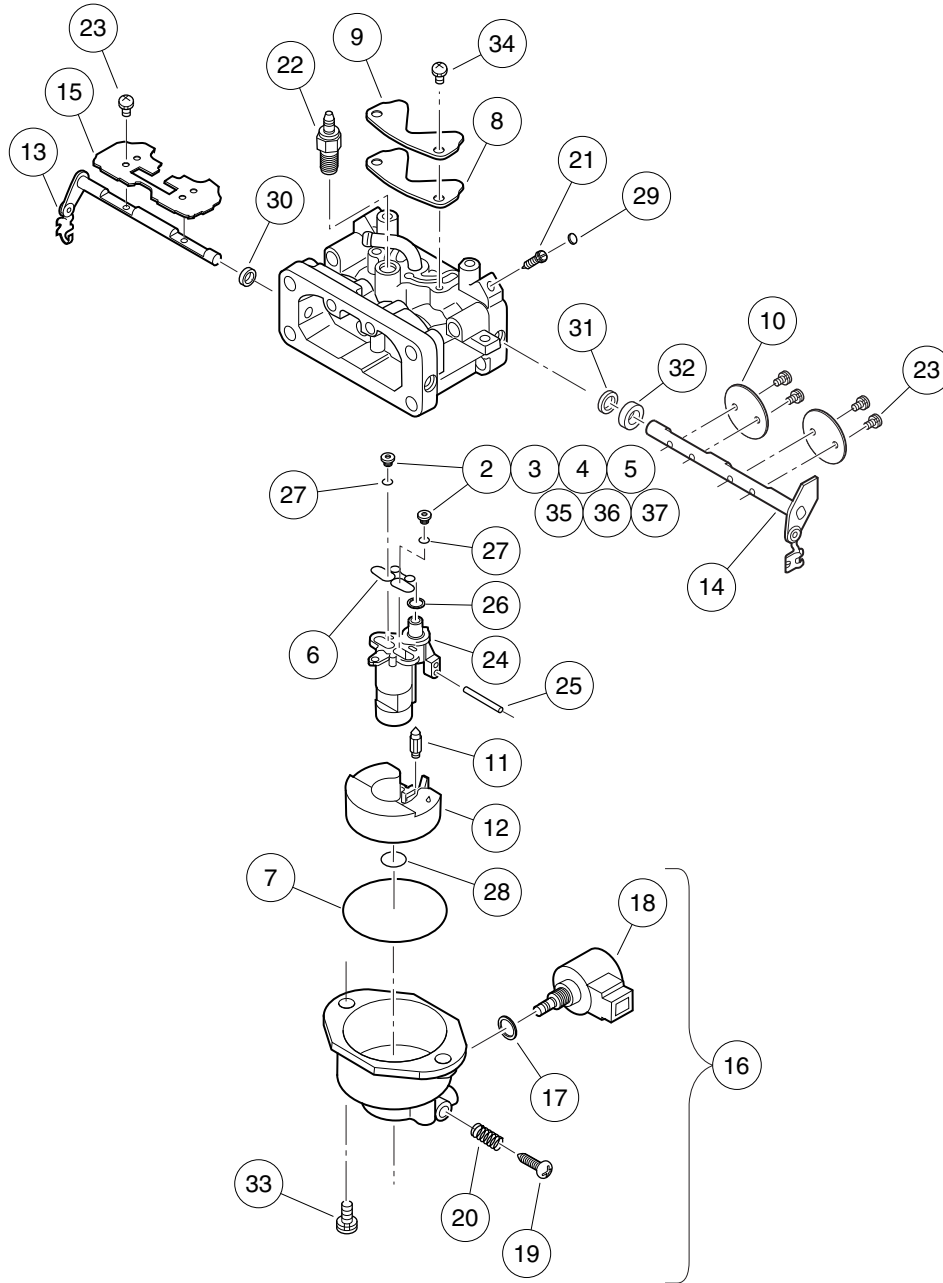


000090-006

INTAKE HOSES AND AIR FILTER – KAWASAKI FH680

ITEM	PART NO.	DESCRIPTION	QTY
		1 2 3 4	
1	102411210	Clamp, Hose, Ctb 64mm	2
2	102621201	Bolt, Flanged Head, M8 X1.25x 16, with Loctite	2
3	102810701	Filter, Air, Canister, with Label (includes items 4 through 7)	1
4	102498601	Element, Filter, Air, 5 Inch	1
5	102725501	Valve, Evacuator, Filter Air	1
6	102725601	Cap, Latch Lock, Filter, Air	1
7	N/A	Body, Canister, Filter, Air	1
8	103441401	Clamp, Worm Screw, Hose, 2"	2
9	103848401	Hose, Intake, Air	1
10	103924701	Hose, Air Intake, Awd, Gas	1

8
G



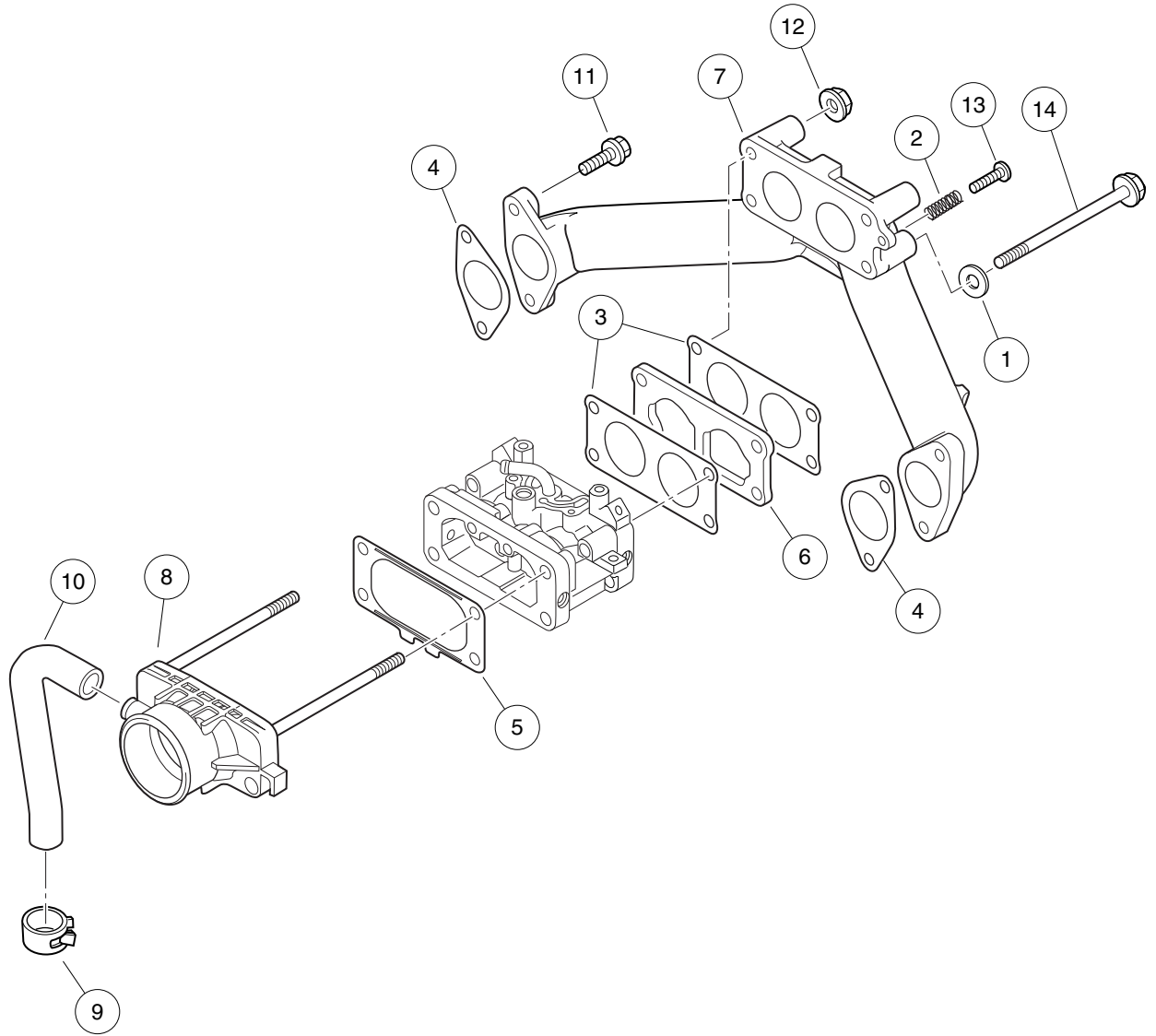
000673-004

CARBURETOR – KAWASAKI FH680

ITEM	PART NO.	DESCRIPTION	QTY
		1 2 3 4	
1	103596801	Asm, Carburetor, FH680D (includes items 2 through 35)	1
2	103307201	Kit, Jet, 6600 Ft +, Fh680d (includes item 3)	1
3	103306801	Jet, Push In #96, FH680D (6600 ft and higher (2000 m and higher))	2
4	103307301	Kit, Jet, 3300-6600 Ft, Fh680d (includes item 5)	1
5	103306901	Jet, Push In #99, FH680D (3300-6600 ft (1000-2000 m))	2
6	103340601	Gasket, Fh680d	1
7	103340701	Gasket, Carburetor, Dia. 52	1
8	103340801	Gasket, Cover, Fh680d	1
9	103340901	Cover, Slow Passage, Fh680d	1
10	103341101	Valve, Throttle, Fh680d	2
11	103341201	Valve, Float, Fh680d	1
12	103341301	Float, Carburetor, Fh680d	1
13	103341401	Shaft, Carburetor, Fh680d	1
14	103341501	Shaft, Carburetor, Throttle	1
15	103341601	Valve, Carburetor, Fh680d	1
16	103341701	Asm, Chamber, Float, Fh680d (includes items 17 through 20)	1
17	103340501	Gasket, Carburetor, Fh680d	1
18	103341901	Solenoid, Carburetor, Fh680d	1
19	103342201	Screw, Drain, Carburetor	1
20	103343601	Spring, Carburetor, Fh680d	1
21	103341801	Needle, Jet, Fh680d	2
22	103342001	Heater, Carburetor, Fh680d	1
23	103342101	Screw, Carburetor, M3 X 6	6
24	103342301	Spacer, Carburetor, Fh680d	1
25	N/A	Pin, Carburetor, Fh680d	1
26	103342501	O-ring, Carburetor, Dia. 6.5	1
27	103342601	O-ring, Carburetor, Fh680d	2
28	103342701	O-ring, Carburetor, Dia. 9	1
29	103343301	Plug, Expansion, Carburetor	2
30	103343401	Seal, Carburetor, Dia. 5.9	1
31	103343501	Seal, Carburetor, Fh680d	1
32	103343701	Collar, Carburetor, Fh680d	1
33	103343801	Screw, Carburetor, M5	2
34	103343901	Screw, Carburetor, M4	2
35	103596701	Kit, Jet, 0-3300 ft. FH680D (includes items 36 and 37)	1
36	103307001	Jet, Push In #102, FH680D (0-3300 ft (0-1000 m))	1
37	103596601	Jet, Push In, #104 FH680D (0-3000 ft (0-1000m))	1

8

G

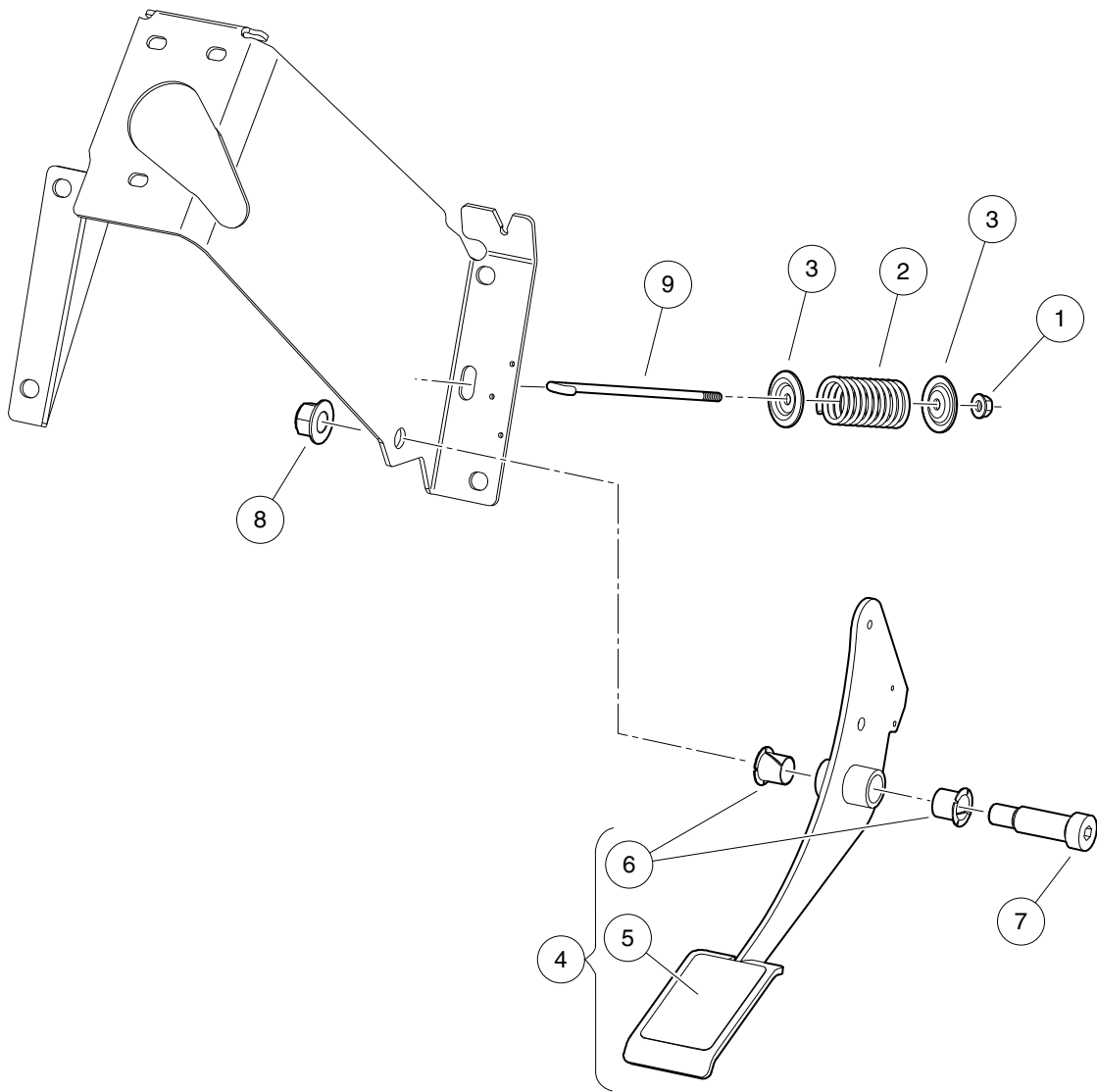


000673-002

INTAKE MANIFOLD AND CARBURETOR MOUNTING – KAWASAKI FH680

ITEM	PART NO.	DESCRIPTION	QTY
		1 2 3 4	
1	1016513	Washer, M6 Flat	2
2	103002801	Spring, Fh	1
3	103003801	Gasket, Carburetor, Fh	2
4	103003901	Gasket, Manifold, Fh	2
5	103004201	Gasket, Air Filter, Fh	1
6	103005001	Insulator, Manifold, Fh	1
7	103005601	Manifold, Intake, Fh	1
8	103297101	Pipe, Intake Adapter, Fh	1
9	103297201	Clamp, Crankcase Vent, Fh	1
10	103297301	Tube, Crankcase Vent, Fh	1
11	103298501	Bolt, Flanged, M6 X 20, Kaw	4
12	103320201	Nut, Carburetor, M6	2
13	103320301	Screw, Carburetor, M4 X 20	1
14	103320401	Bolt, Flg, Carburetor, M6x105	2

8
G

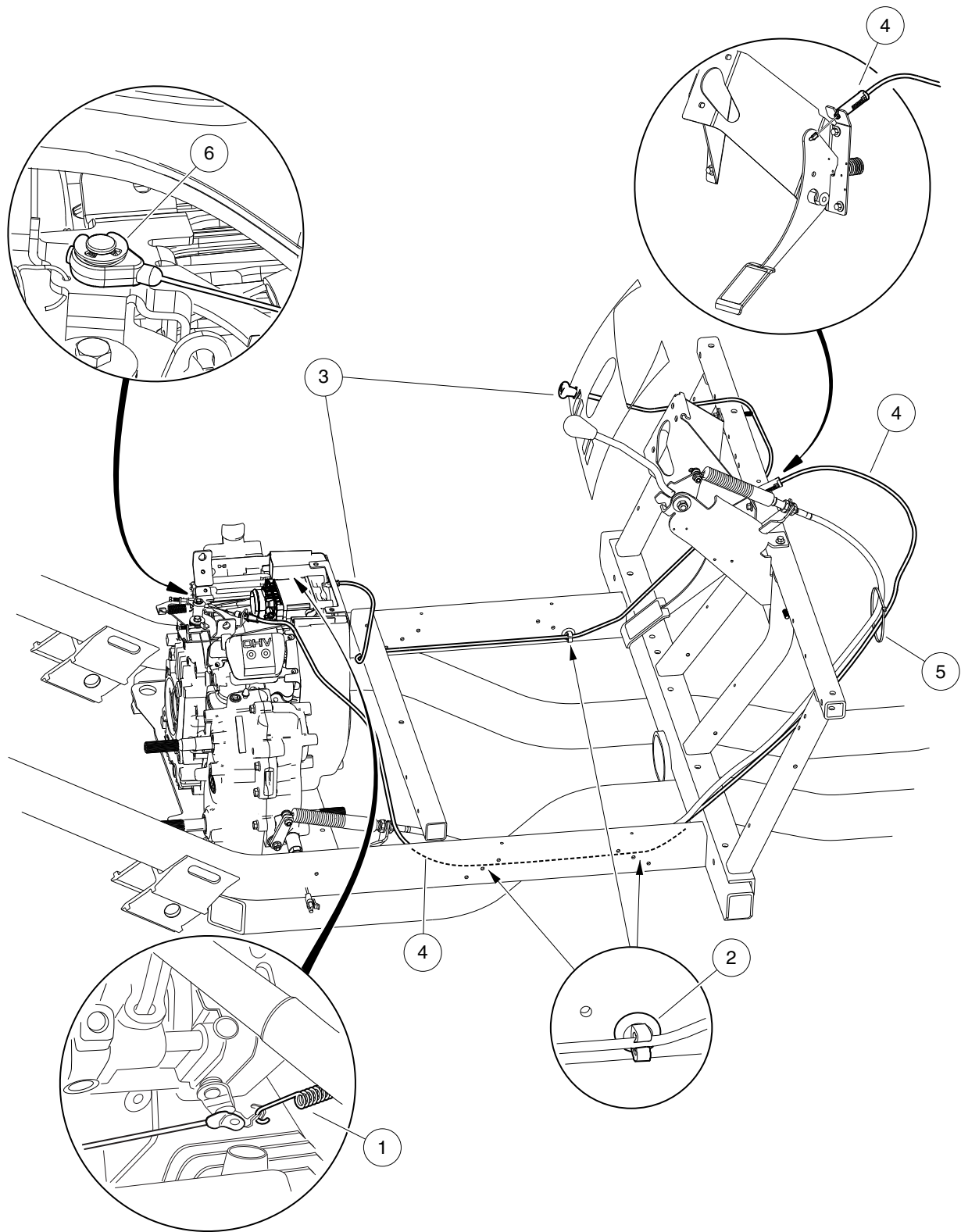


000026-005

ACCELERATOR PEDAL

ITEM	PART NO.	DESCRIPTION	QTY
		1 2 3 4	
1	102296401	Nut, M6x1.0, Flange, Metal Lock	1
2	102445201	Spring, Comp, Pedal, Pullrod	1
3	102461401	Washer, Retaining Spring, 7mm	2
4	103478901	Asm, Pedal, Accelerator (includes items 5 and 6)	1
5	102479301	Pad, Grip Tape, Accelerator	1
6	103479101	Bushing, Nyliner, 5/8"	2
7	103479201	Bolt, Shoulder, 5/8 X 1 1/2	1
8	103479301	Nut Hex Flg 1/2-13 Nylock Gr G	1
9	103883201	Rod, Accelerator Return, J	1

8
G



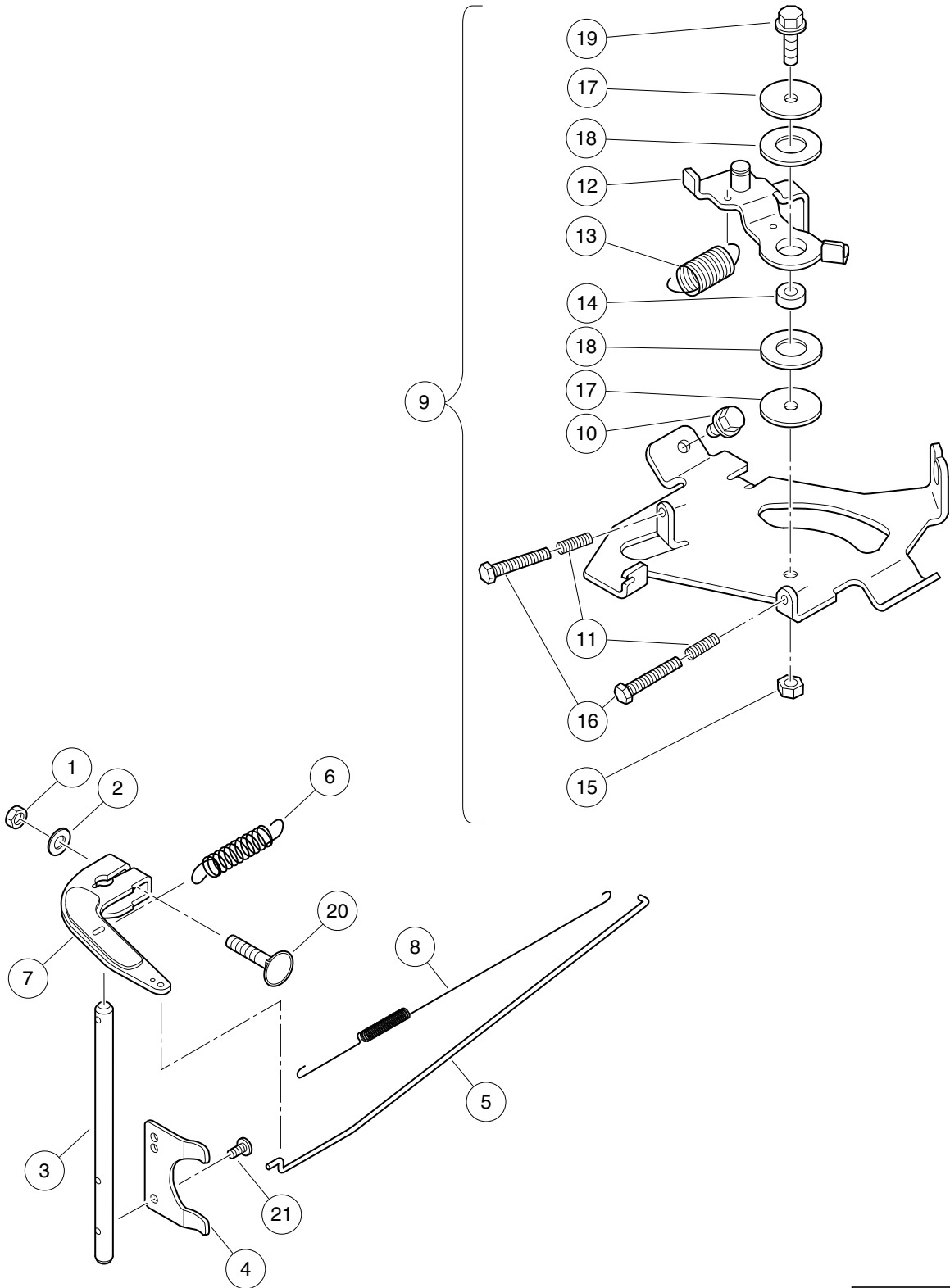
000536-007

ACCELERATOR AND CHOKE CABLES – KAWASAKI FH680

ITEM	PART NO.	DESCRIPTION	QTY
		1 2 3 4	
1	102457001	Spring	1
2	102475701	Clip, Brake Line	3
3	103277402	Cable, Choke, 1550, Fh680d	1
4	103922001	Cable, Accelerator, AWD, Gas	1
5	8990	Tie Wrap, 8" Nylon	1
6	96950126	Ring, Retaining	1

8

G



000636-001

GOVERNOR ARM AND SPRINGS

ITEM	PART NO.	DESCRIPTION	QTY
		1 2 3 4	
1	N/A	Nut, M6	1
2	1016513	Washer, M6 Flat	1
3	103002001	Shaft, Governor, Fh	1
4	103002101	Plate, Governor, Fh	1
5	103002301	Link, Arm, Governor, Fh	1
6	103002401	Spring, Governor, Fh	1
7	103002501	Arm, Governor, Shaft	1
8	103002901	Spring, Arm, Governor, Fh	1
9	103297701	Panel, Control, Complete, Fh (includes items 10 through 19)	1
10	102992401	Bolt, Flg, M6 X 1.0 X 12	2
11	103002801	Spring, Fh	2
12	103297401	Lever, Governor, Control, Fh	1
13	103297501	Spring, Governor Return, Fh	1
14	103297601	Collar, Governor, Fh	1
15	103297801	Nut, Governor, Fh	1
16	103298001	Bolt, Speed Control, Fh	2
17	103298201	Washer, Governor, Lower, Fh	2
18	103298301	Washer, Governor, Middle, Fh	2
19	103298501	Bolt, Flanged, M6 X 20, Kaw	1
20	103298101	Bolt, M6 X 35, Kawasaki	1
21	103298601	Screw, Pan, Governor, Fh	2

8

G

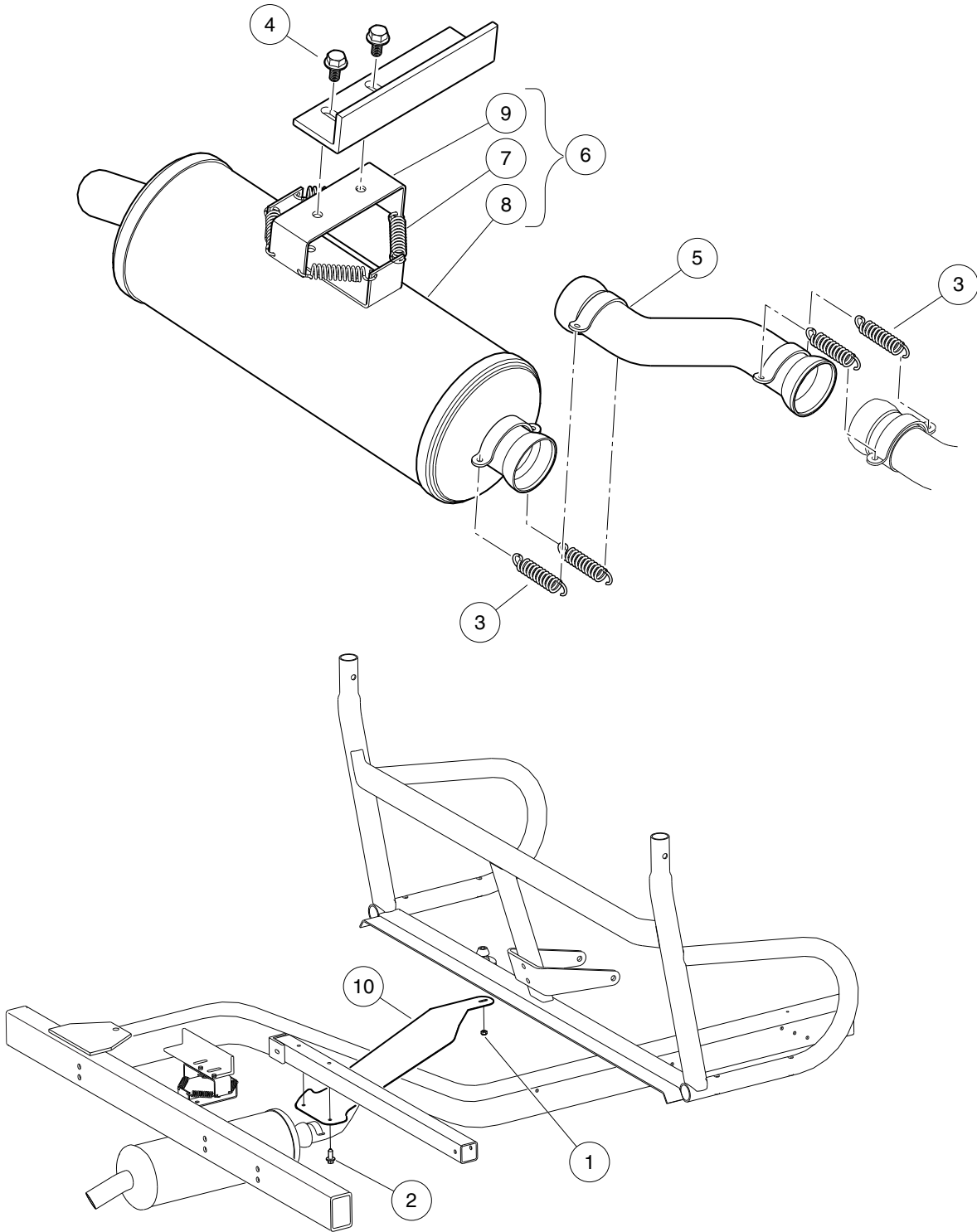
8

G

EXHAUST SYSTEM

9

G



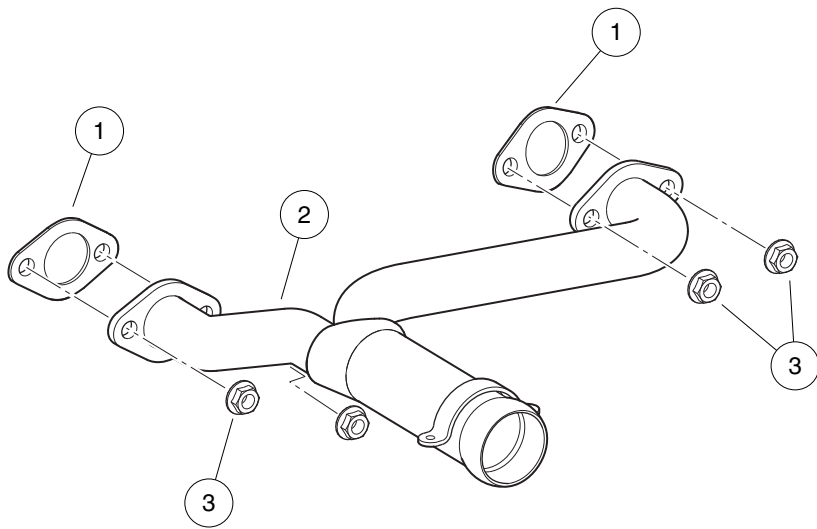
000538-005

EXHAUST PIPE AND MUFFLER

ITEM	PART NO.	DESCRIPTION	QTY
		1 2 3 4	
1	101887601	Locknut, M6-1.00 Nylon Insert	1
2	102298720	Screw, M8-1.25x20, Taptite	2
3	102409501	Spring, Exhaust	4
4	102621201	Bolt, Flanged Head, M8 X1.25x 16, with Loctite	2
5	102786201	Pipe, Exhaust, Int, Offset	1
6	102812801	Asm, Muffler, AWD Homologation (includes items 7 through 9)	1
7	102409501	Spring, Exhaust	4
8	N/A	Muffler	1
9	N/A	Bracket, Muffler	1
10	102930901	Shield, Exhaust, Clearance	1

9

G



000538-004

EXHAUST HEADER – KAWASAKI FH680

ITEM	PART NO.	DESCRIPTION	QTY
		1 2 3 4	
1	102949301	Gasket, Exhaust Header, Fh680d	2
2	103268101	Header, Exhaust, Gas, Fh680d	1
3	96704416	Nut, Flange, M8 X 1.25 Serrated	4

9

G

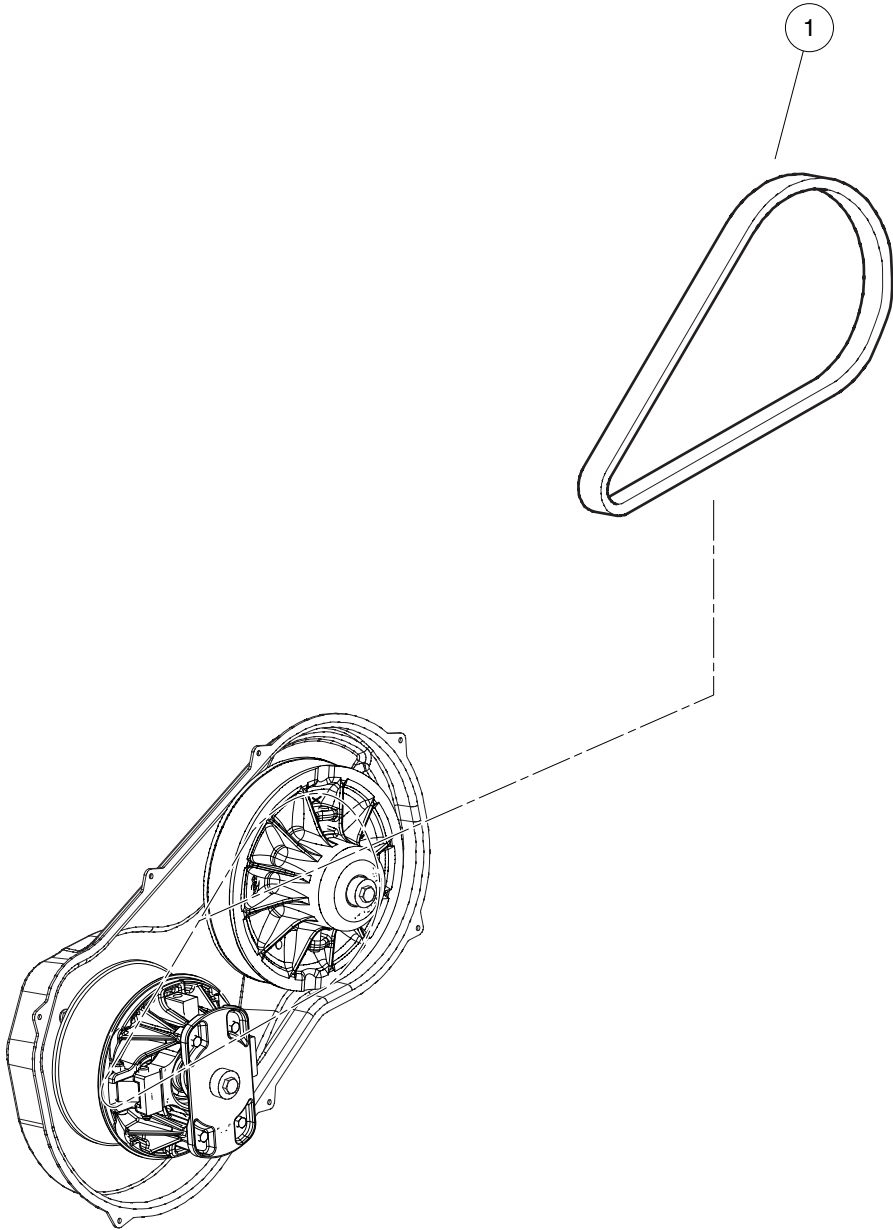
9

G

CLUTCHES

10

G

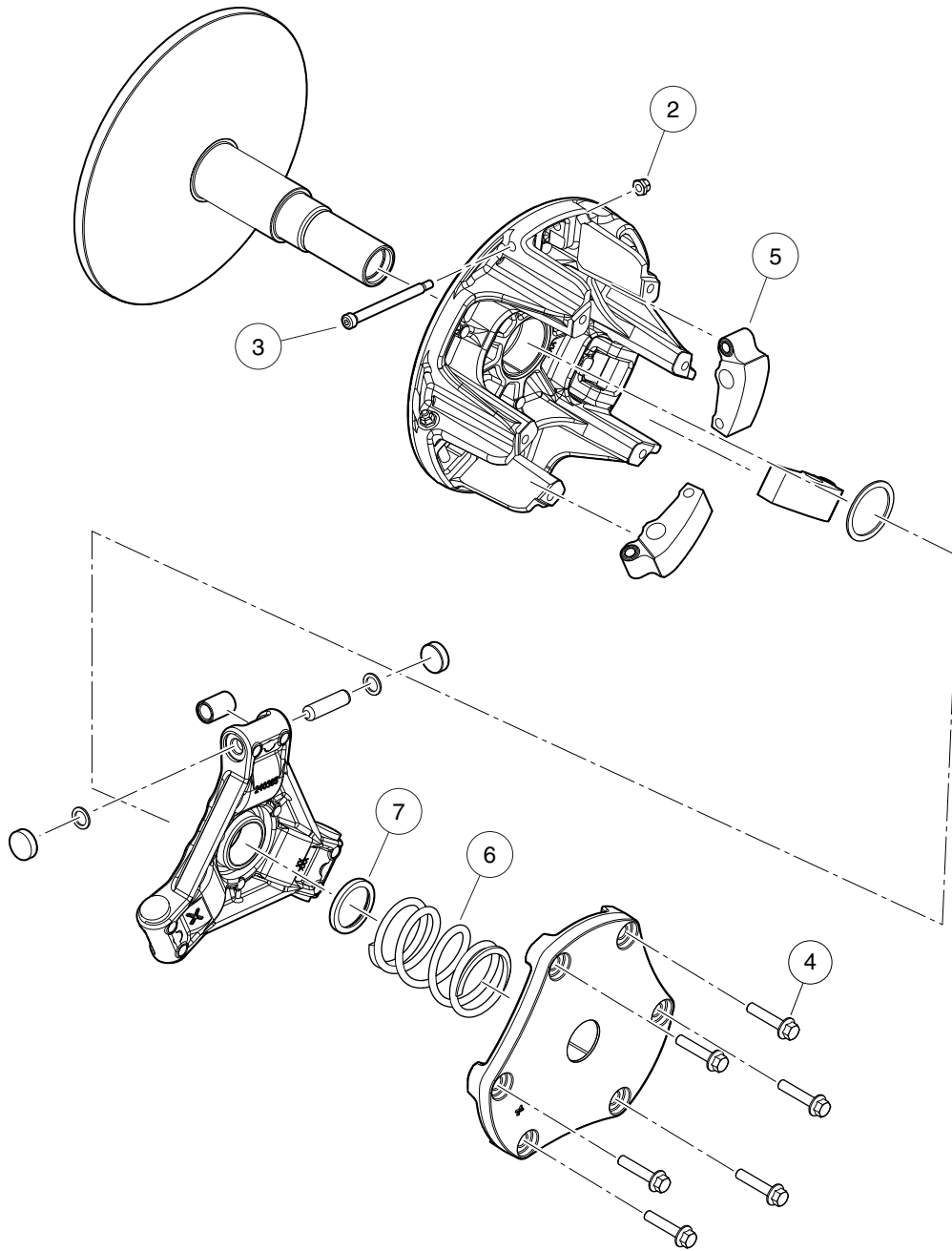


000084-001

DRIVE BELT

ITEM	PART NO.	DESCRIPTION	QTY
1	102374901	1 2 3 4 Belt, Drive	1

10
G

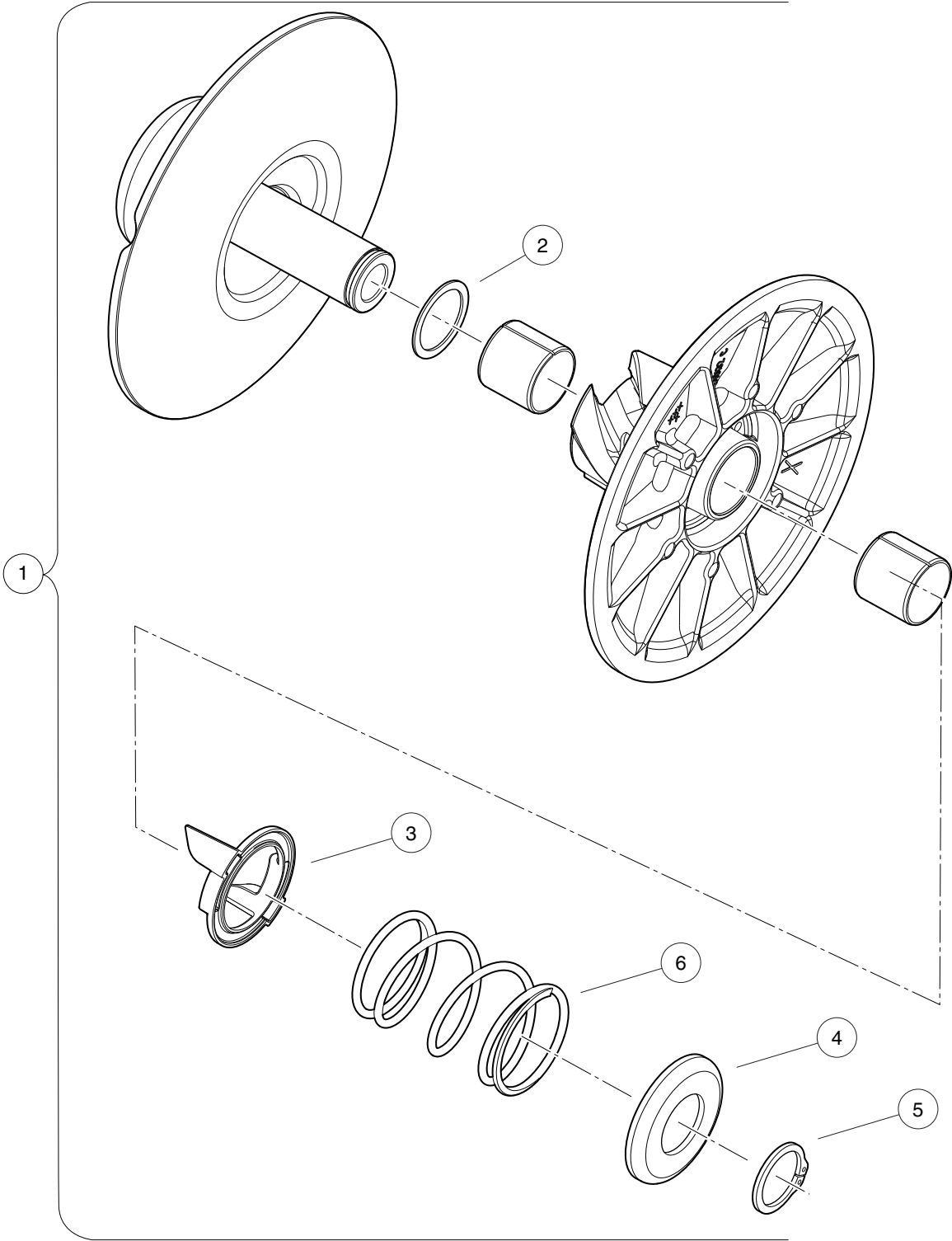


000007-008

DRIVE CLUTCH (3 WEIGHT) – GAS VEHICLE

ITEM	PART NO.	DESCRIPTION	QTY
		1 2 3 4	
1	103948801	Clutch, Drive, Gas, 3wt. 19mph (includes items 2 through 7)	1
2	103829601	Nut, Lock, Hex #10-24 Flexloc	3
3	103829701	Screw, Shldr, Hex Skt .25x2.5	3
4	103829801	Screw, Hex Flg Hd, 1/4-20x1.25	6
5	103829901	Weight, Clutch, D-153 G	3
6	103856101	Spring, Comp, 2.0 Od Black/slv	1
7	103957501	Spacer, 3wt CVT	1

10
G



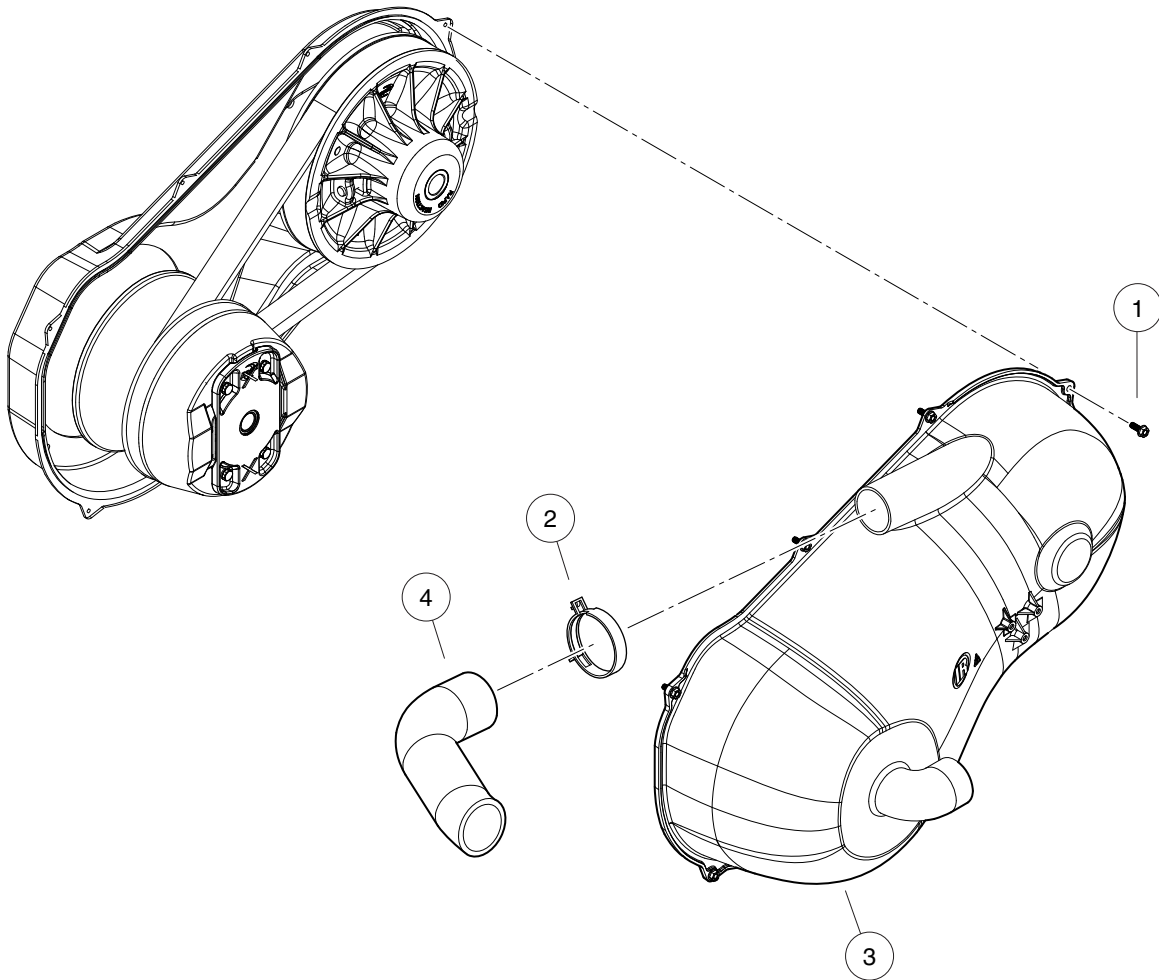
000003-002

DRIVEN CLUTCH (FOR 3 WEIGHT DRIVE CLUTCH)

ITEM	PART NO.	DESCRIPTION	QTY
		1 2 3 4	
1	103828201	Clutch, Driven, 3 Weight (includes items 2 through 6)	1
2	102695401	Washer, Thrust, 1.53 X 1.92	1
3	102695601	Retainer, Spring, Inner	1
4	102695801	Retainer, Spring, Outer	1
5	102695901	Ring, Retaining, External	1
6	103829001	Spring, Comp, 2.7 Od, Almd/blk	1

10

G



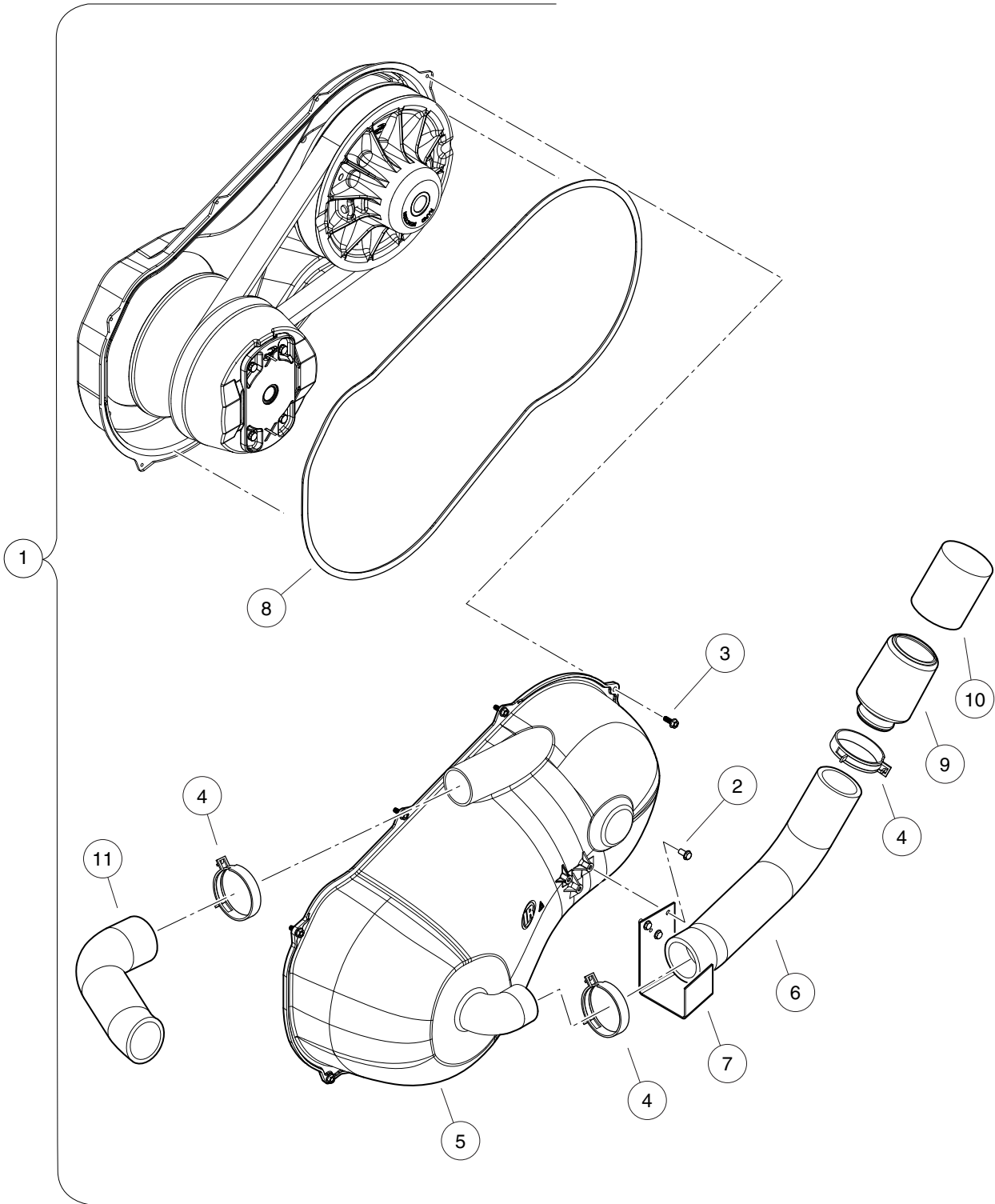
000008-003

CLUTCH COVER (NON-SEALED)

ITEM	PART NO.	DESCRIPTION	QTY
		1 2 3 4	
1	102296716	Screw, M6 X 16 Tt Hx Fl Hd	7
2	102411210	Clamp, Hose, Ctb 64mm	1
3	102628301	Cover, Cvt, Open	1
4	103320601	Hose, Outlet, Cvt	1

10

G



000008-004

CLUTCH COVER (SEALED)

ITEM	PART NO.	DESCRIPTION	QTY
		1 2 3 4	
1	102616003	Kit, Sealed CVT Cover (includes items 2 through 11)	1
2	101856101	Screw, 1/4-15 X .50 Hi-lo Hex	3
3	102296716	Screw, M6 X 16 Tt Hx Fl Hd	7
4	102411210	Clamp, Hose, Ctb 64mm	2
5	102414501	Cover, CVT Outer	1
6	102481001	Hose, Inlet, Cover, CVT	1
7	102481201	Bracket, Inlet, Cover, CVT	1
8	102481301	Gasket, Cover, CVT	1
9	102616101	Cap, Inlet, Cover, CVT	1
10	102628001	Filter, Inlet, Cover, CVT	1
11	103320601	Hose, Outlet, Cvt	1

10

G

10

G

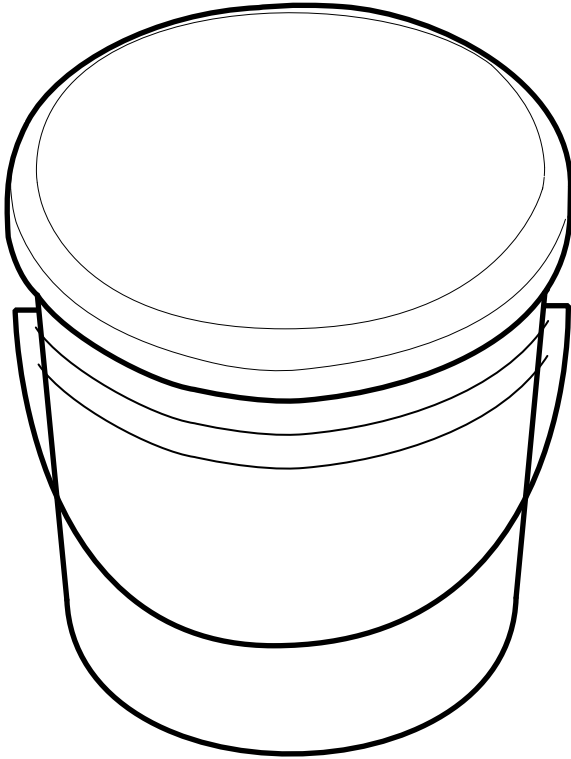
DRIVETRAIN COMPONENTS

11

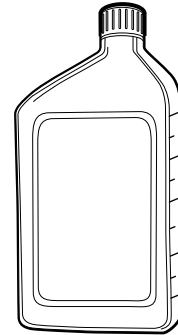
G

11

G



1



2

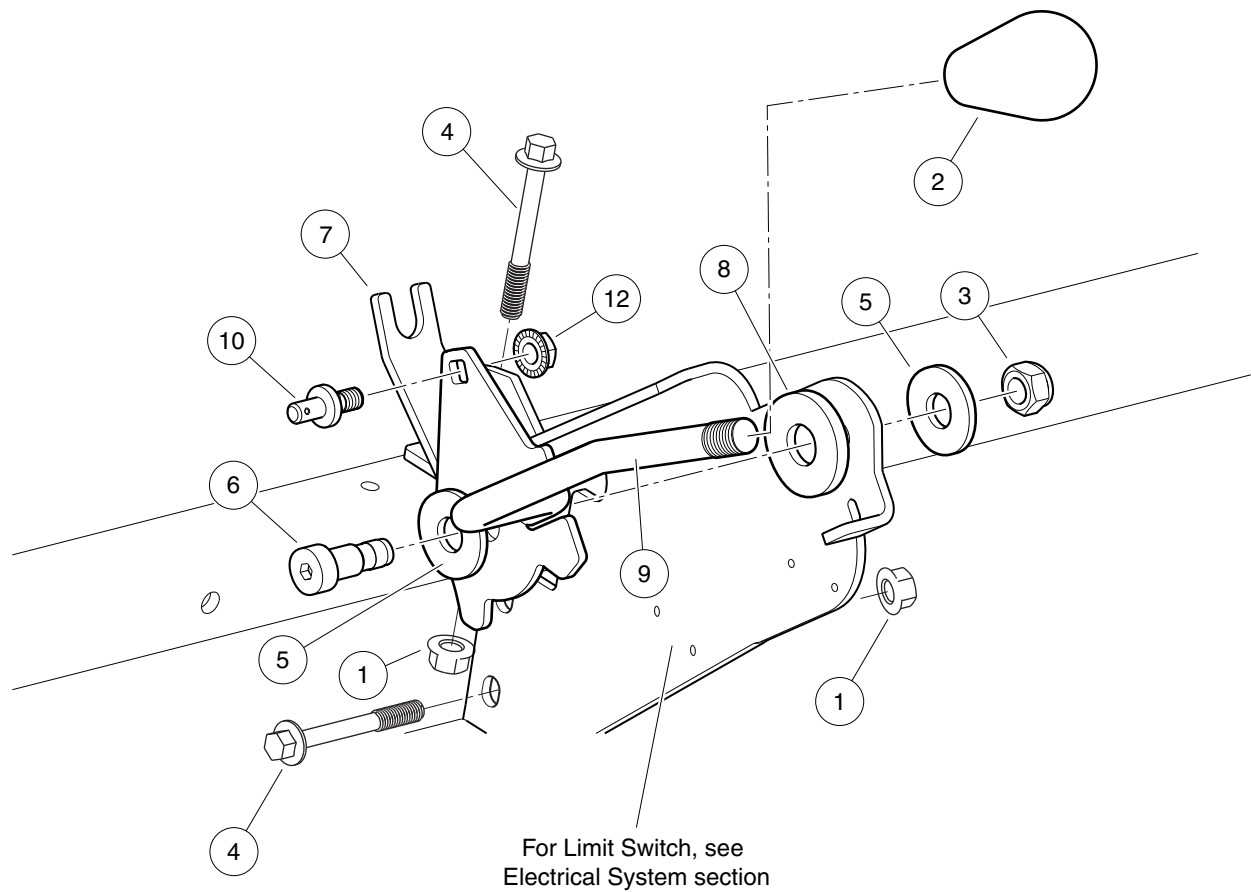
001069-001

OIL, DIFFERENTIAL AND TRANSMISSION

ITEM	PART NO.	DESCRIPTION	QTY
1	102723901	Oil, Locking Diff, 5 Gallon	A/R
2	AM1216101	Oil, Locking Diff, Quart	A/R
		<p style="margin: 0;">1 2 3 4</p> <p style="margin: 0;">Note: Use this oil for both front and rear differentials and the transmission. Available in 5-Gallon or Quart.</p>	

11

G



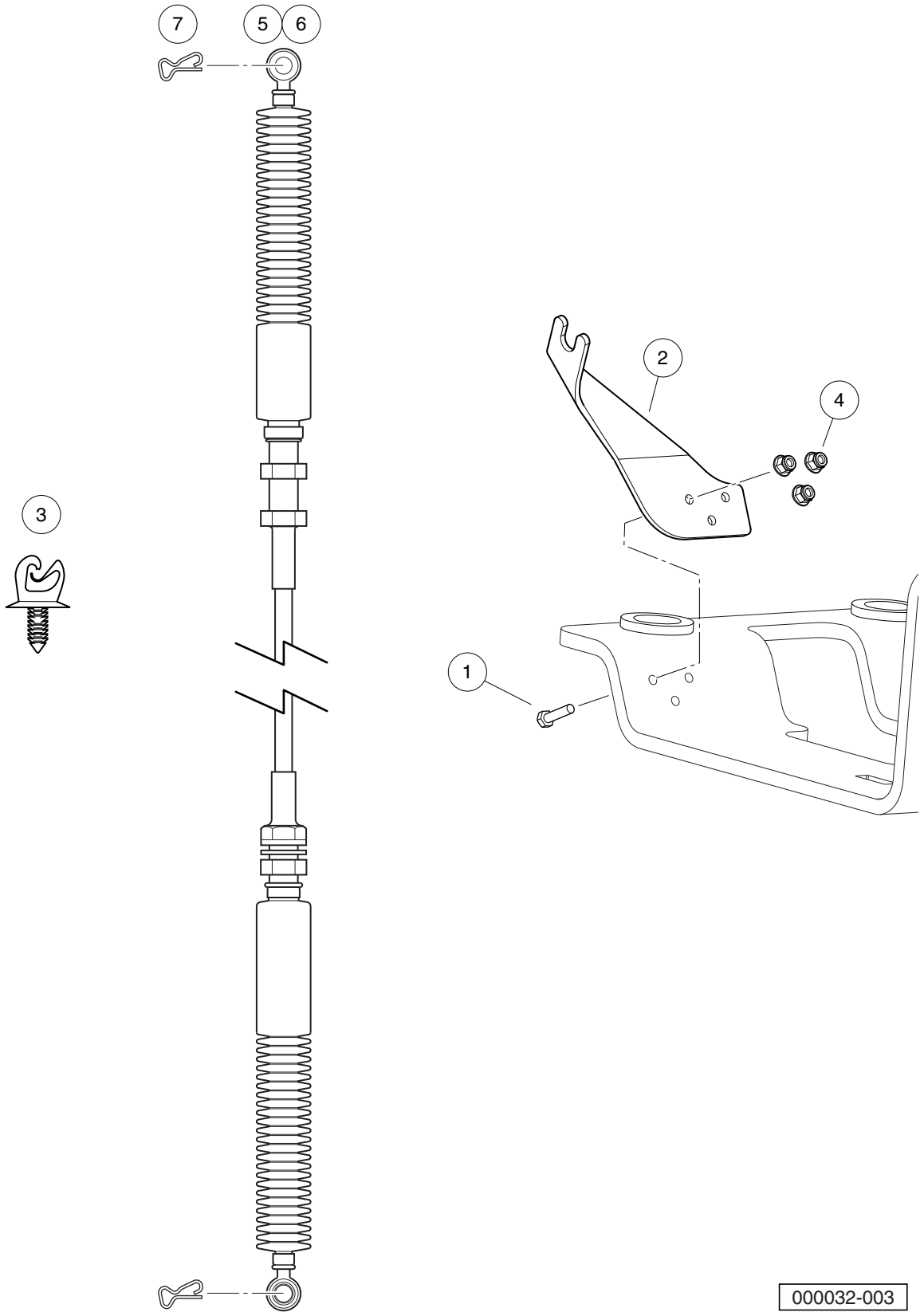
000030-004

FORWARD/REVERSE SHIFTER

ITEM	PART NO.	DESCRIPTION	QTY
		1 2 3 4	
1	102298401	Nut,m8,all Metal Lock	3
2	102376001	Knob, FNR, Shifter	1
3	102616701	Locknut, M10x1.5 Nylon Insert	1
4	102618301	Bolt, Flanged Head, M8 X 1.25 X 65	3
5	102684501	Washer, M12 Hard Regular	2
6	102684603	Shoulder Bolt, M12 X 16	1
7	N/A	Weldment, FNR Shift-Bracket, AWD	1
8	103873001	Bushing, Fnr, Awd	1
9	103886001	Weldment, Shifter, FNR, AWD	1
10	103886101	Pin, Cable, Fnr	1
11	8990	Tie Wrap, 8" Nylon	2
12	96704416	Nut, Flange, M8 X 1.25 Serrated	1

11

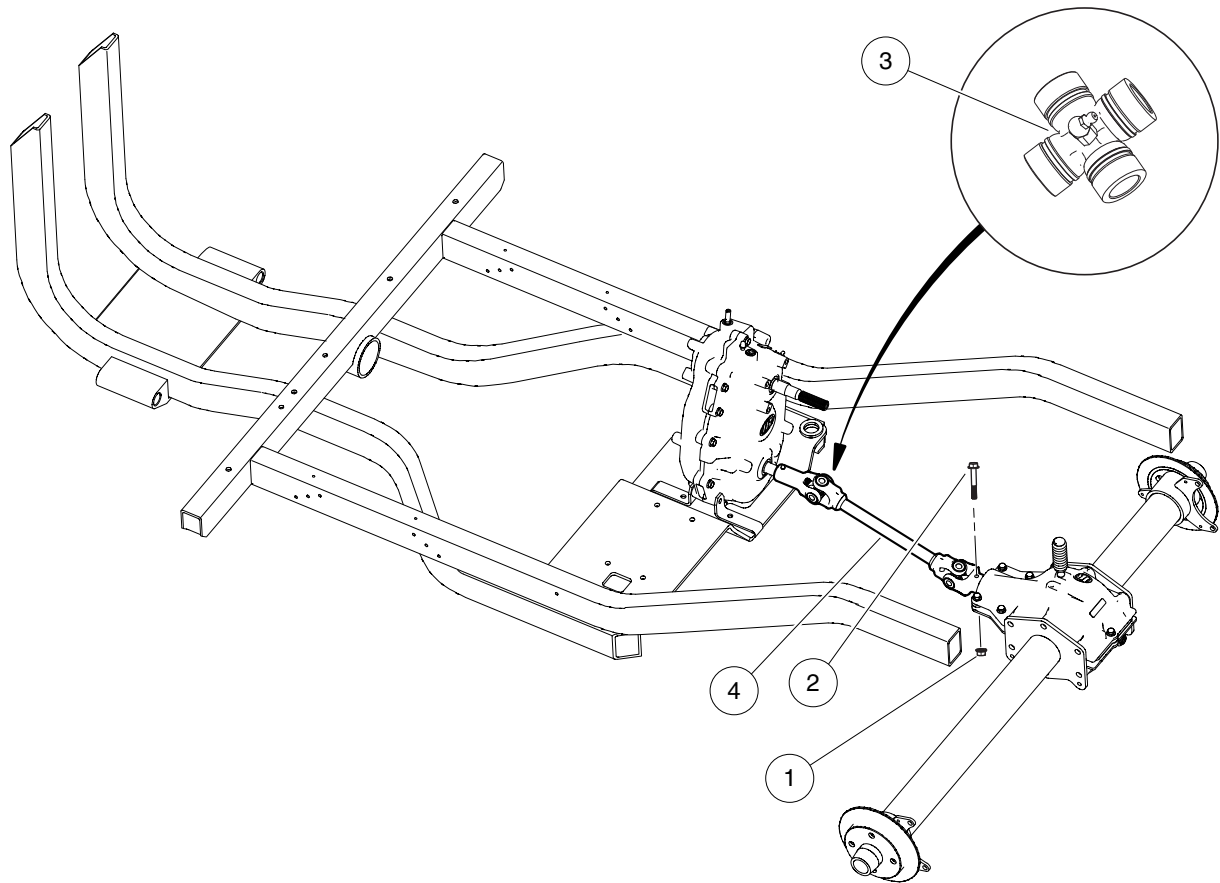
G



SHIFTER CABLE

ITEM	PART NO.	DESCRIPTION	QTY
		1 2 3 4	
1	1012769	Screw, M6-1.00 X 25mm Hex Cap	3
2	102382401	Bracket, FNR Trans Cable	1
3	102475701	Clip, Brake Line	1
4	102621501	Nut, Flange, M6 X 1.0, Nylon	3
5	103879301	Cable, Transmission Shift, 295/1550	1
6	103879401	Cable, Transmission Shift, 295 SE/1550 SE	1
7	103886601	Clip, Bowtie	2

11
G



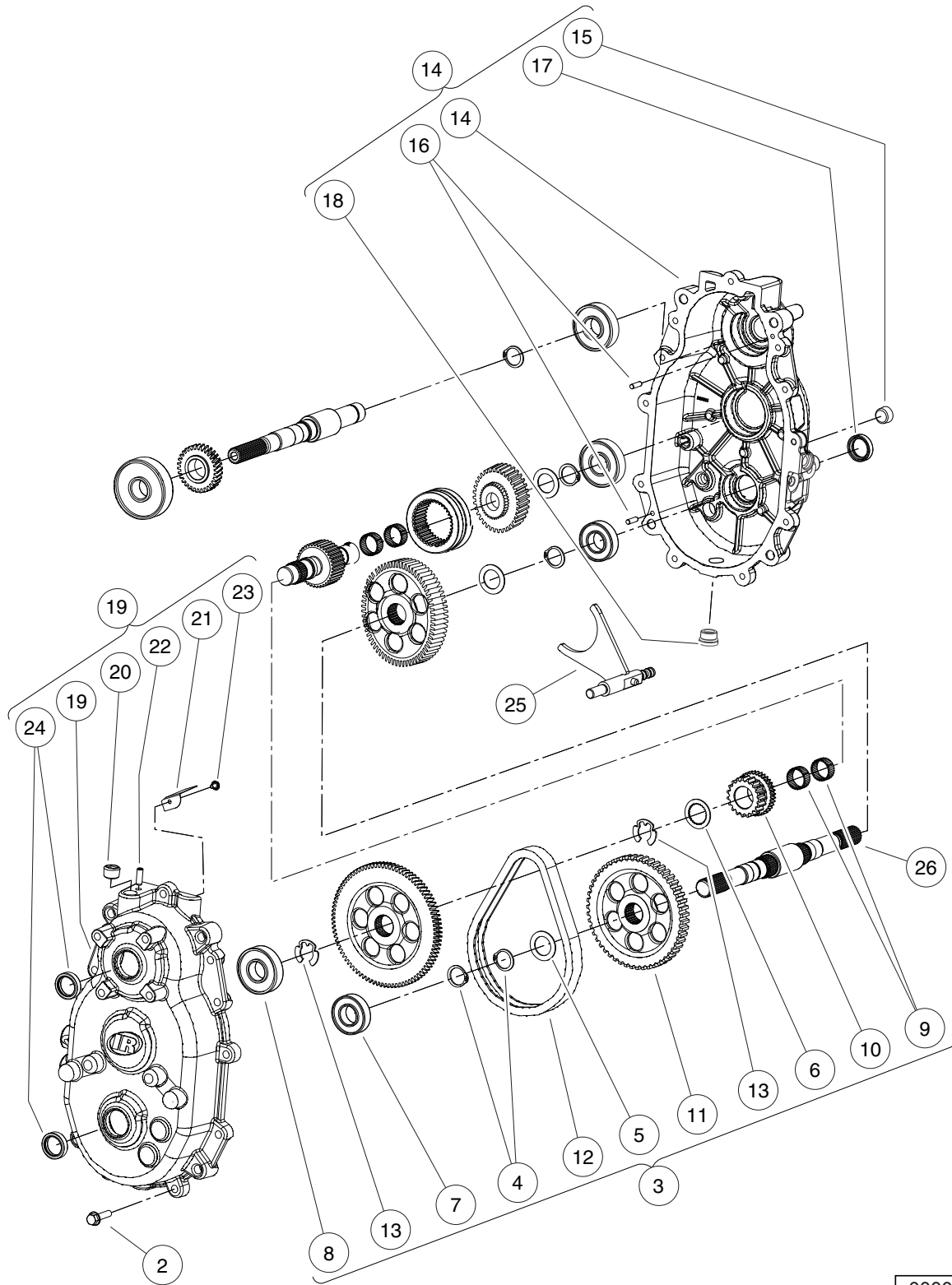
000091-005

PROP SHAFT

ITEM	PART NO.	DESCRIPTION	QTY
		1 2 3 4	
1	102298401	Nut,m8,all Metal Lock	1
2	103990201	Bolt, M8 X 1.25 X 50 Hh Cap	1
3	105100901	Kit, Universal Joint Replacement	1
4	105173301	Propshaft, Rear, No Spln Zerk	1

11

G



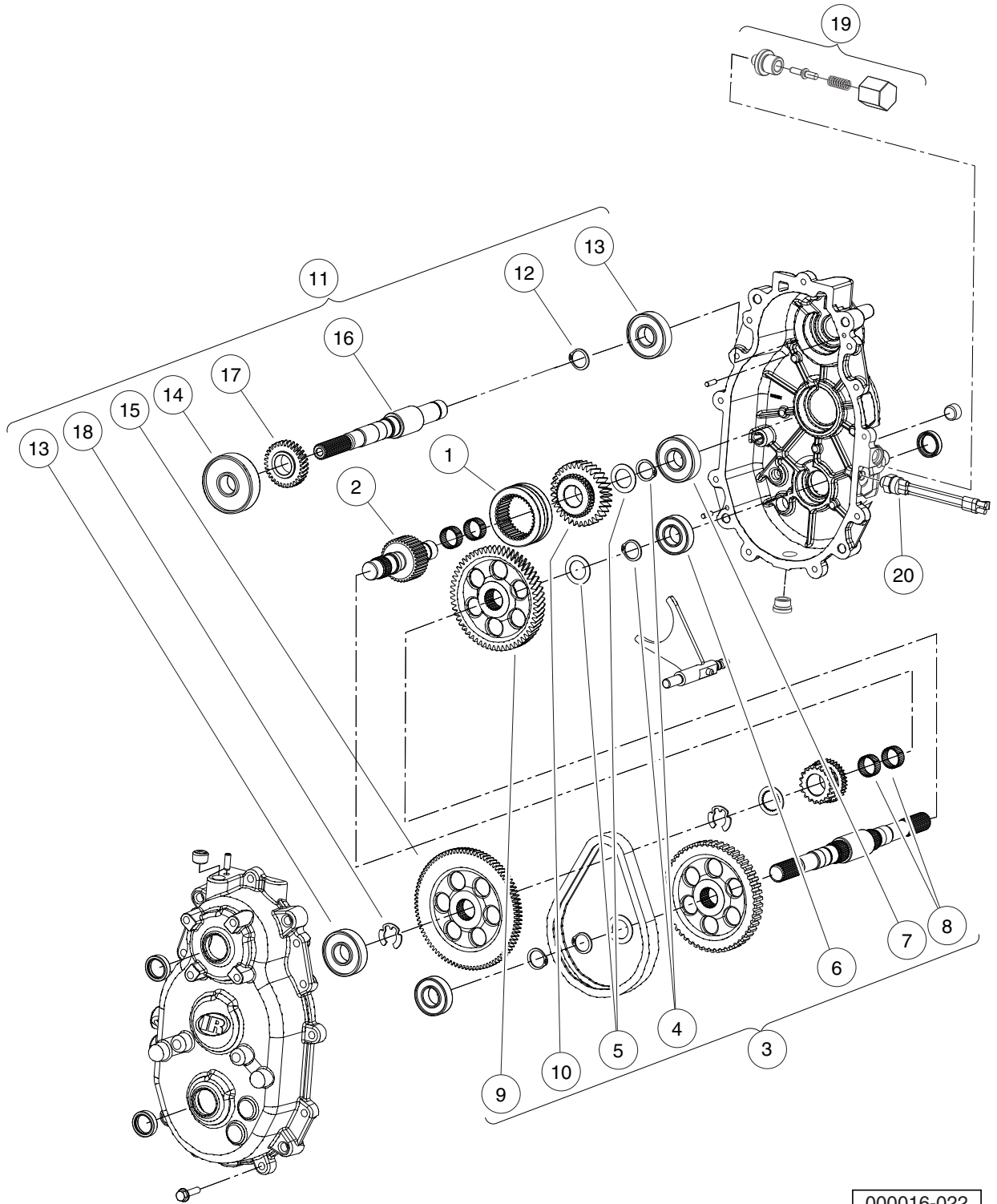
000016-018

TRANSMISSION – PAGE 1 OF 3

ITEM	PART NO.	DESCRIPTION	QTY
		1 2 3 4	
1	103969001	Transmission, Awd, 422046 (includes items 2 through 26)	1
2	102693301	Screw, hex Flange, M8 X 35	11
3	102765201	Kit, Reverse Gear Repair (includes items 4 through 13)	1
4	102696201	Ring, Retaining, Basic External	2
5	102696501	Washer, Thrust, 1.007 X .062	1
6	102696701	Washer, 26.231 X 39.167 X 1.57	1
7	102696801	Bearing, Ball	1
8	102696901	Bearing, Ball	1
9	102697101	Bearing, Needle	2
10	N/A	Sprocket, 19-Tooth	1
11	N/A	Sprocket, 51-Tooth	1
12	N/A	Chain, .375p, .75 Wide, 60ptch	1
13	102699701	Ring, Retaining, E-Ring	2
14	105125301	Asm, Gear Case, Front (includes items 15 through 18)	1
15	102694201	Plug, Square Skt, 1/12-14, Ptf	1
16	102696101	Pin, Dowel, 6 X 20	2
17	102699401	Seal, Triple, 25 X 35 X 7.8	1
18	103250401	Plug, 3/4-16	1
19	105125401	Asm, Gear Case, Rear (includes items 20 through 24)	1
20	102694201	Plug, Square Skt, 1/12-14, Ptf	1
21	N/A	Oil, Deflector	1
22	N/A	Vent, Trans	1
23	N/A	Screw, Tapping # 10-24 X .375	1
24	102699401	Seal, Triple, 25 X 35 X 7.8	2
25	105125701	Fork,Transmission	1
26	105125801	Shaft,Output	1

11

G



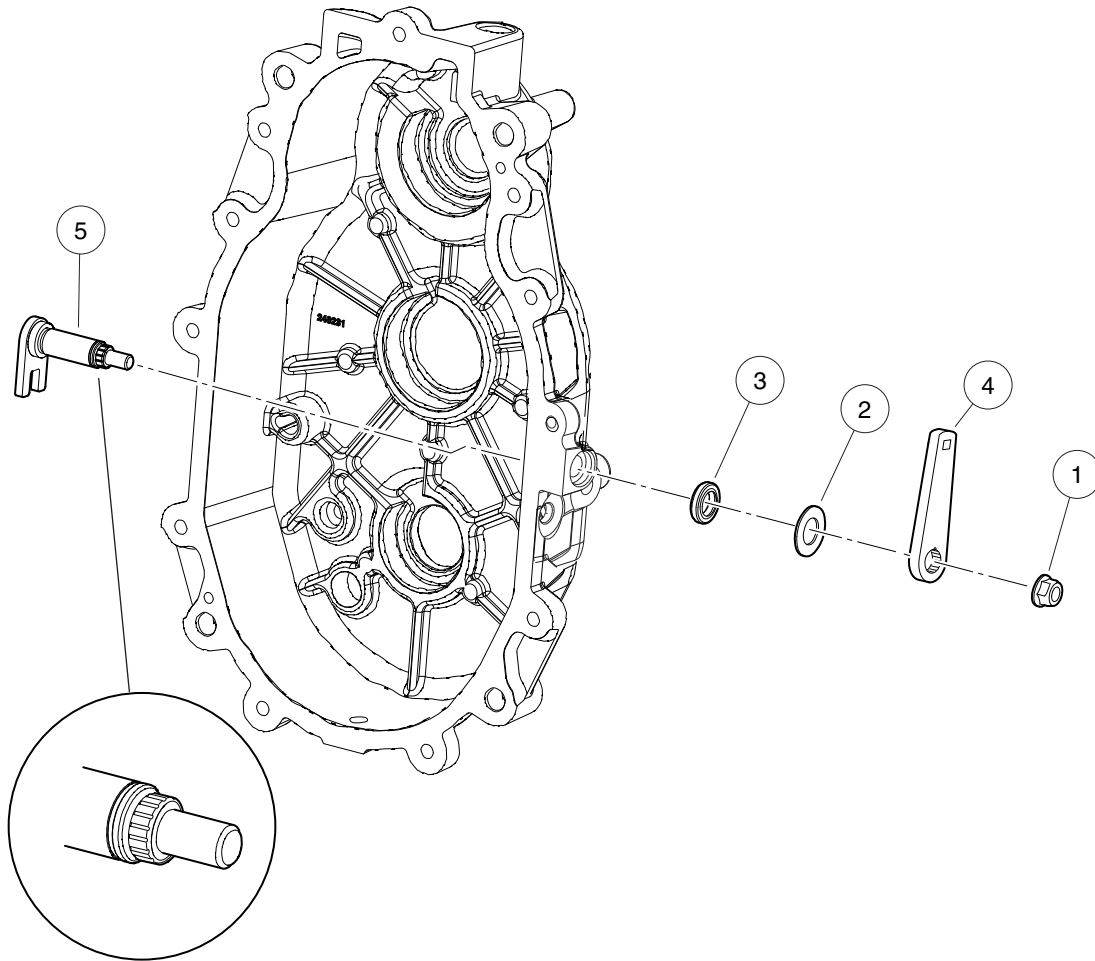
000016-022

TRANSMISSION – PAGE 2 OF 3

ITEM	PART NO.	DESCRIPTION	QTY
		1 2 3 4	
1	102697501	Dog, Engagement	1
2	102698701	Shaft, Intermediate	1
3	102764901	Kit, Forward Gear Repair (includes items 4 through 10)	1
4	102696201	Ring, Retaining, Basic External	2
5	102696501	Washer, Thrust, 1.007 X .062	2
6	102696801	Bearing, Ball	1
7	102696901	Bearing, Ball	1
8	102697101	Bearing, Needle	2
9	N/A	Gear, Helical 58-Tooth	1
10	N/A	Gear, Helical 34-Tooth	1
11	103721801	Kit, Input Shaft Repair (includes items 12 through 18)	1
12	102696201	Ring, Retaining, Basic External	1
13	102696901	Bearing, Ball	2
14	102697001	Bearing, Ball	1
15	N/A	Gear, Helical 90-Tooth	1
16	N/A	Shaft, Input	1
17	N/A	Gear, Helical, 31-tooth	1
18	102699701	Ring, Retaining, E-Ring	1
19	105125501	Kit, Detent Repair	1
20	105125601	Switch, Indicator, Pollak	1

11

G



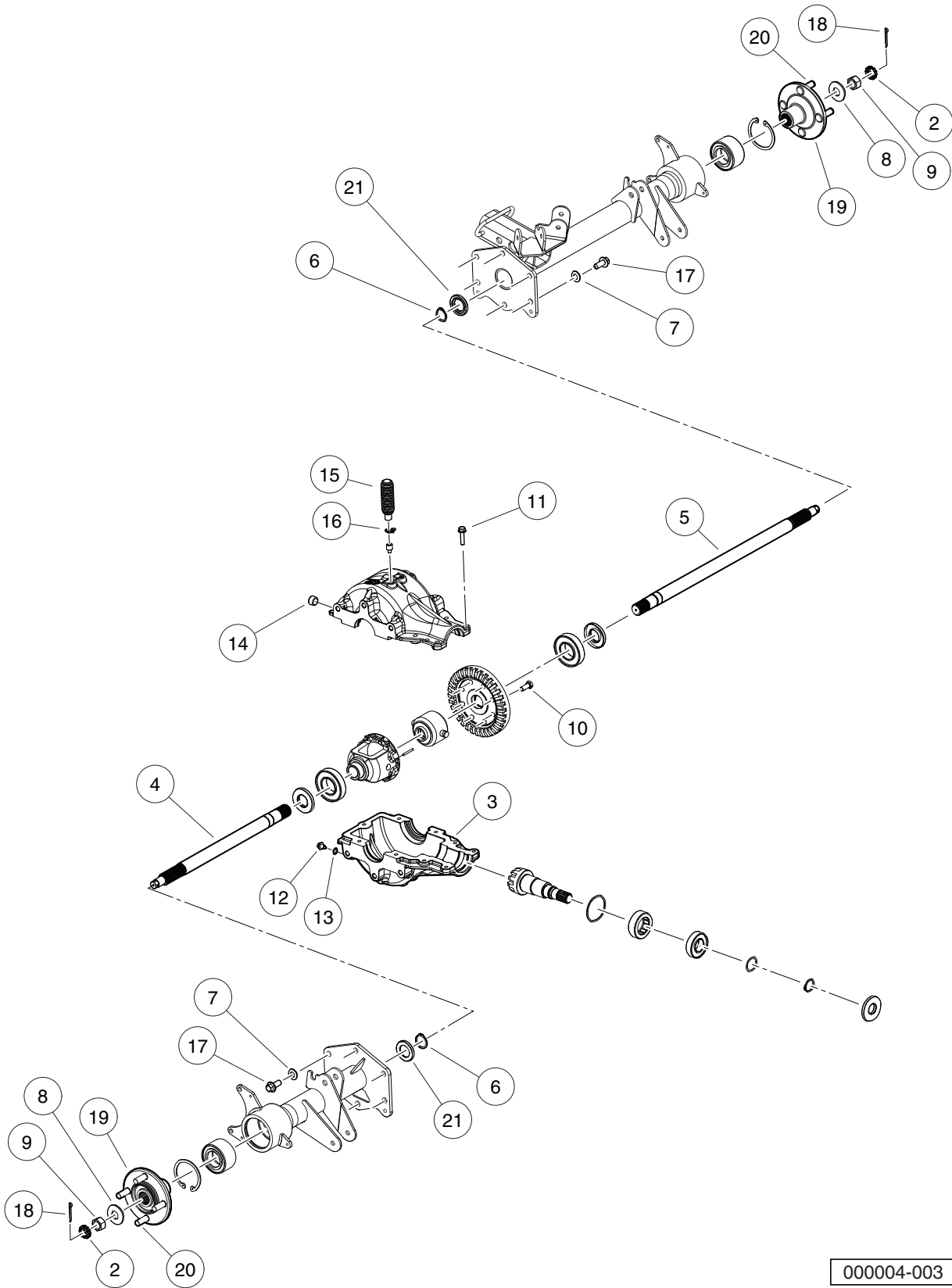
000016-021

TRANSMISSION – PAGE 3 OF 3

ITEM	PART NO.	DESCRIPTION	QTY
		1 2 3 4	
1	102696001	Nut, Lock Hex, Nylon, 5/16-24	1
2	102696601	Washer, Flat, .58 X 1.08 X .05	1
3	102699601	Seal, Dual Lip, .88 X .56 X .19	1
4	103883001	Bellcrank, Square-hole	1
5	105125901	Shaft, Shift	1

11

G

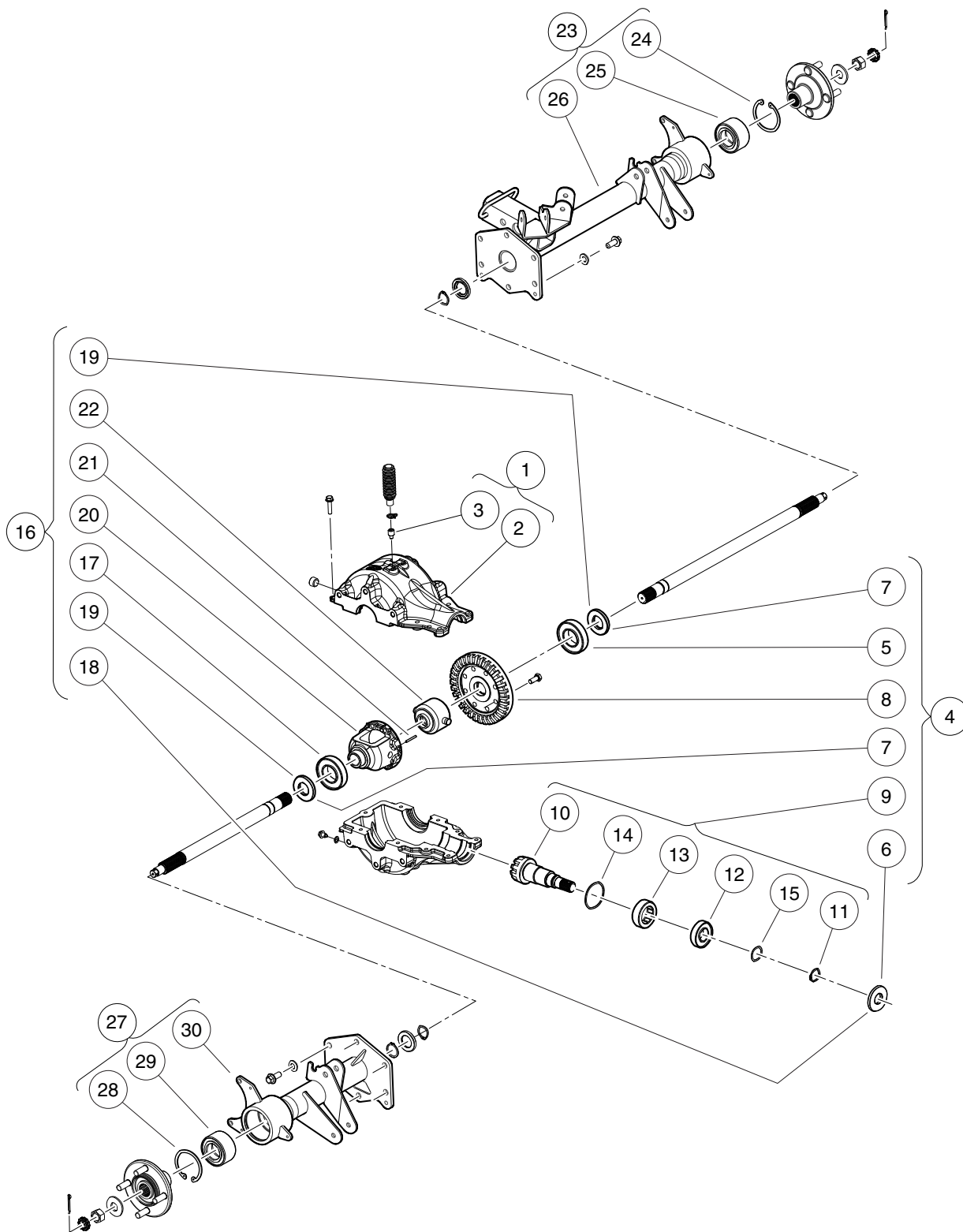


000004-003

REAR DIFFERENTIAL AND AXLES – PAGE 1 OF 2

ITEM	PART NO.	DESCRIPTION	QTY
		1 2 3 4	
1	103843901	Axle, Rear, Awd, 4link (includes items 2 through 21)	1
2	102276001	Locking Cap, Nut	2
3	102449101	Gearcase, Lower, Machined	1
4	102463501	Axle, Right-hand	1
5	102463601	Axle, Left-Hand	1
6	102463901	Ring, Retaining, External	2
7	102672201	Washer, Belleville, 1.063 X .043	12
8	102672301	Washer, Belleville, 49 X 4	2
9	102672401	Nut, Hex, M20 X 1.5 , Modified	2
10	102693201	Screw, M10 X 25	8
11	102693301	Screw, hex Flange, M8 X 35	9
12	102693401	Plug,3/8-16, Hex Flange	1
13	102693501	Washer, .625 X .382 X .60	1
14	102694201	Plug, Square Skt, 1/12-14, Ptf	1
15	102694301	Bellows, Vent, Upper Housing	1
16	102694401	Clamp, Hose, Dw-9.5	1
17	102694701	Screw, Hex Fl, M12 X 1.75 X 30	12
18	102694801	Pin, Cotter, 5/32 X 1.25	2
19	103146203	Asm, Wheel Hub, Rear, 1550 (includes item 20)	2
20	103951501	Lug Stud, 1/2-20 UNF, SAE J1102	4
21	103879501	Washer, C-bored 60.5 X 30.3	2

11
G



000004-004

REAR DIFFERENTIAL AND AXLES – PAGE 2 OF 2

ITEM	PART NO.	DESCRIPTION	QTY
		1 2 3 4	
1	102765301	Asm, Gearcase, Upper (includes items 2 and 3)	1
2	N/A	Gearcase, Upper, Machined	1
3	102694001	Vent, Top, Upper Housing	1
4	102765801	Kit, Rear Axle Gear Repair (includes items 5 through 9)	1
5	102464201	Bearing, Ball	1
6	102464401	Seal, Dual-Lip 25x 62x 7tc	1
7	102464501	Seal, Dual-Lip 30x 62x 8tc	2
8	102762601	Gear, Ring, 33-Tooth	1
9	102765701	Asm, Pinion W/ Bearings (includes items 10 through 15)	1
10	102463101	Pinion, 10t Machined	1
11	102463901	Ring, Retaining, External	1
12	102464001	Bearing, Ball	1
13	102464101	Bearing, Needle, Drawn Shell	1
14	102693601	Washer, 2.625 X 2.367 X .06	1
15	102694502	Shim, 1.50 X 1.189 X .008	1
16	103871801	Asm, Carrier, Etched Locker (includes items 17 through 22)	1
17	102464201	Bearing, Ball	1
18	102464401	Seal, Dual-Lip 25x 62x 7tc	1
19	102464501	Seal, Dual-Lip 30x 62x 8tc	2
20	102961301	Housing, Differential, Mach	1
21	102961401	Pin, Dowel, 4 X 35	1
22	N/A	Asm, Locker, Nongrease/Spacers	1
23	103922801	Assy, Axle Tube, Rear, LH (includes items 24 through 26)	1
24	102463801	Ring, Retaining, Internal	1
25	102464301	Bearing	1
26	103868201	Weldment, Axle Tube, LH, 4-Link Susp	1
27	103922901	Assy, Axle Tube, Rear, RH (includes items 28 through 30)	1
28	102463801	Ring, Retaining, Internal	1
29	102464301	Bearing	1
30	103868301	Weldment, Axle Tube, RH, 4-Link Susp	1

11

G

11

G

MAINTENANCE AND SERVICE TOOLS

12

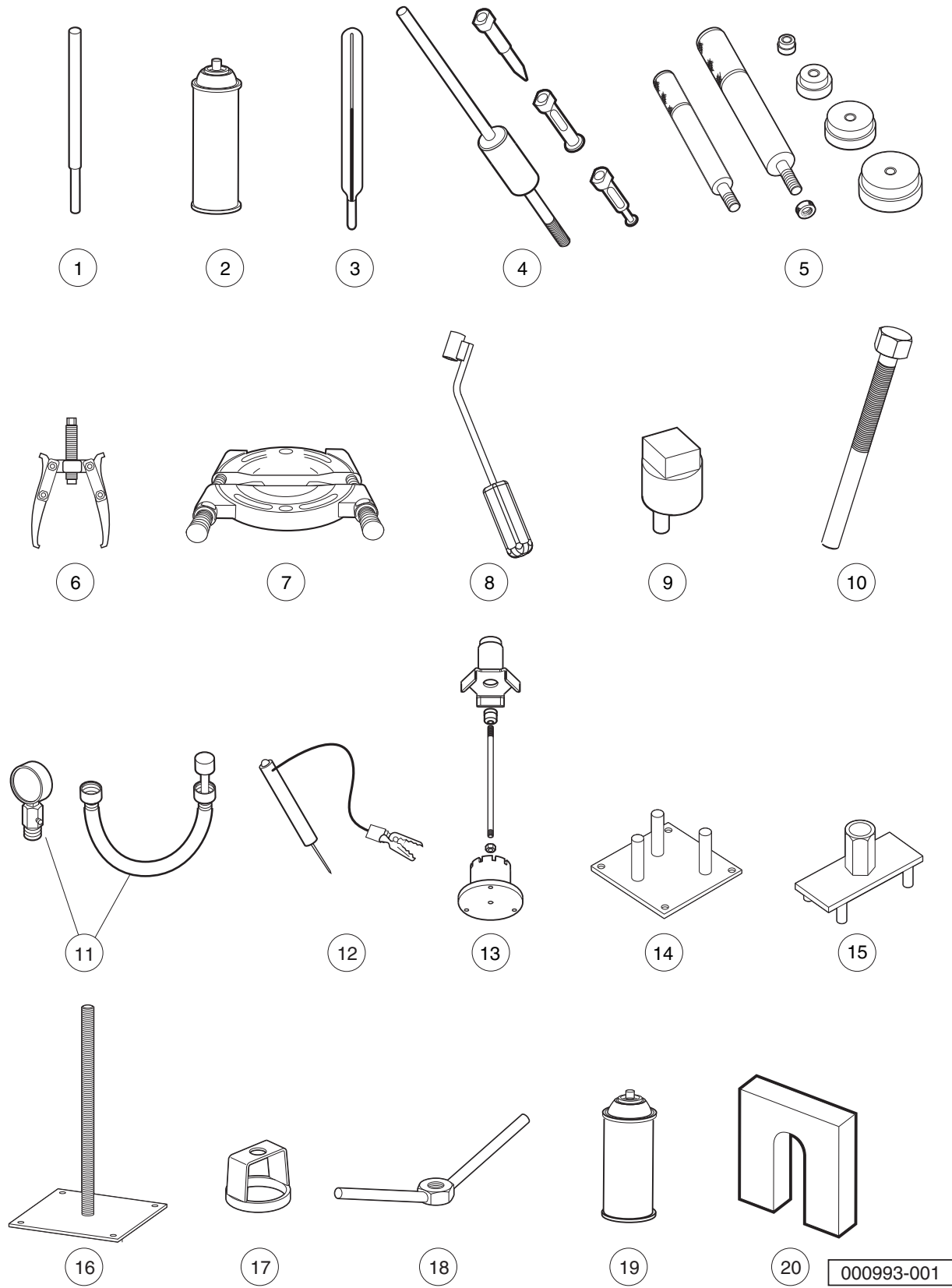
G

D

12

G

D



000993-001

MAINTENANCE AND SERVICE TOOLS – 295/1550

ITEM	PART NO.	DESCRIPTION	QTY GAS	QTY DIESEL
		<p>1 2 3 4</p> <p>The following list includes all tools available from Club Car for maintenance and service procedures on all variants of the Carryall 295 and XRT 1550 utility vehicles equipped with either the Kawasaki FH680 or Kubota D722 engines, both past and present models. Be sure to carefully examine the tool list for applicability to your vehicle before ordering.</p>		
1	101641202	Arbor	1	1
2	1014305	Battery Terminal Protector Spray	1	1
3	1011767	Battery Thermometer	1	1
4	1016417	Bearing and Oil Seal Remover Assembly	1	1
5	1016416	Bearing Driver Set	1	1
6	1012811	Bearing Puller	1	1
7	1012812	Bearing Puller Wedge Attachment	1	1
8	102555501	Brake Cable Release Tool	1	1
9	102447101	Camber Adjustment Tool (for AWD vehicles)	1	1
10	102686101	Clutch Removal Tool (for AWD vehicles)	1	1
11	101641002	Compression Gauge and Adapter	1	
12	1011273	Continuity Tester	1	1
13	103865301	Drive Clutch Service Tool (for AWD vehicles with 3-weight drive clutch)	1	1
14	102601501	Drive ClutchFixed Sheave Tool (for AWD vehicles with 2-weight drive clutch)	1	1
15	102607501	Drive Clutch Spider Removal Tool (for AWD vehicles with 2-weight drive clutch)	1	1
16	102603501	Driven Clutch Spring Compression Base (for use with items 17 and 18) (for AWD vehicles)	1	1
17	102605201	Driven Clutch Spring Compression Collar (for use with items 16 and 18) (for AWD vehicles)	1	1
18	102606101	Driven Clutch Spring Compression Nut (for use with items 16 and 17) (for AWD vehicles)	1	1
19	1012151	Dry Moly Lubricant	1	1
20	1016418	Gear Yoke	1	1
		<p>Please refer to the maintenance and service manual for proper tool application.</p>		

12

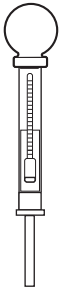
G

D

12

G

D



21



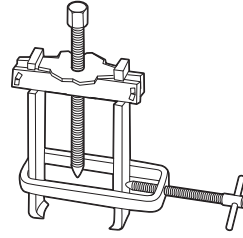
22



23



24



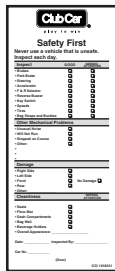
25



26



27



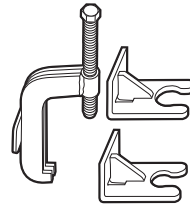
28



29



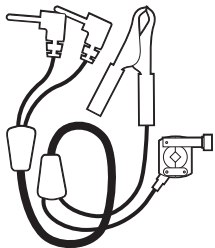
30



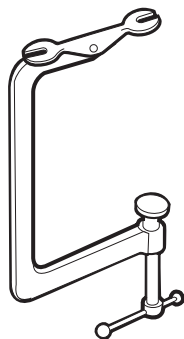
31



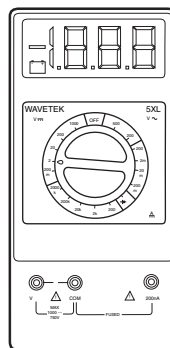
32



33



34



35

000993-002

MAINTENANCE AND SERVICE TOOLS – 295/1550, CONTINUED

ITEM	PART NO.	DESCRIPTION	QTY GAS	QTY DIESEL
		1 2 3 4		
21	1011478	Hydrometer	1	1
22	1013593	Internal Retaining Ring Pliers	1	1
23	101928701	Liquid Gasket (transaxle case)	1	1
24	101997207	Paint, Touch-Up – Black	1	1
24	101997205	Paint, Touch-Up – Dark Gray	1	1
24	101997209	Paint, Touch-Up – Dark Green	1	1
24	101997204	Paint, Touch-Up – Gray.....	1	1
24	101997203	Paint, Touch-Up – Red	1	1
25	102668801	Puller, Special Use (for AWD vehicles with Kubota D722 Diesel Engines)		1
26	1012549	Retaining Ring Pliers, 45° External	1	1
27	1012560	Retaining Ring Pliers, 90° Internal	1	1
28	101823101	Safety First Card (50 per pack)	1	1
29	1012809	Seal Puller	1	1
30	102330901	Spanner Wrench (for coil over shock front suspension vehicles only)	1	1
31	102061201	Steering Wheel Puller Tool	1	1
32	AM10753	Tachometer (includes gasoline engine pick up lead only)	1	1
33	AM10771	Tachometer Diesel Probe (for use with item 32)		1
34	101641101	Valve Spring Compressor	1	
35	1011480	Volt Ohm Meter	1	1
		Please refer to the maintenance and service manual for proper tool application.		

12

G

D

INDEX

Part Number and Page

AM10753	12-5	1012811	12-3	101835601	1-37, 1-39
AM10771	12-5	1012812	12-3	101850301	5-3
AM1216101	11-3	1012830	1-23, 1-25	101856101	10-11
AM1232301	7-3, 7-11, 7-13	1013035	5-5	101887601	1-23, 1-25, 4-7, 9-3
AM1232401	7-3	1013042	5-5	101898001	6-11, 6-13
183	8-3	101313402	8-7	101928701	12-5
304	1-27	1013317	1-41, 3-9	101953101	4-11
324	8-5	1013461	8-3	101958601	1-27
332	1-23, 1-25, 1-41, 6-11, 6-13	1013462	8-3	101958602	1-37
334	1-37	1013531	4-11	101963401	1-41
403	1-39	1013593	12-5	101972003	12-5
451	1-23, 1-25	1013734	1-23, 1-25	101972004	12-5
808	1-3	1014201	1-17, 1-19, 1-21	101972005	12-5
1016	8-3	1014305	12-3	101972007	12-5
1032	1-41	1014306	1-43	101972009	12-5
1108	6-11, 6-13	1014321	1-41	101987901	6-3
1231	1-41	1014375	6-11	101988101	6-3
1241	6-11, 6-13	1014387	1-41	101988201	6-3
1242	4-11	1014415	1-17, 1-19, 1-21, 1-41	102003201	7-3, 8-5
7049	1-41	1014471	1-39	102022601	5-5
7310	2-3, 2-5, 2-7	1014537	1-41	102022901	5-5, 5-7, 5-9
7473	1-39, 6-11, 6-13	1014557	1-27, 1-29	102023703	1-23, 1-25
7973	1-41	1014789	6-5	102025701	1-15, 1-23, 1-25, 1-27
8233	1-7, 1-41, 8-5	1015068	1-33, 1-35	102030101	1-41
8251	1-43	1015137	8-7	102030201	1-41
8639	4-7, 4-11	1015245	1-41	102044702	6-7
8754	1-39	1015246	1-41	102044801	6-7
8755	1-39	1015258	1-39	102045001	1-7
8797	8-3	1015277	1-37	102047001	1-23, 1-25
8990	5-5, 8-17, 11-5	1015313	1-41	102048401	1-7
1010193	1-27, 1-29	1015363	1-41	102051601	6-7
1010434	1-17, 1-19, 1-21, 1-41	1015390	1-41	102051701	6-7
1010435	1-39, 1-41	1015391	1-39	102059001	1-23, 1-25
101082903	4-5, 4-11	1015399	1-39, 1-41	102059401	1-23, 1-25
1010934	1-41, 6-11, 6-13	1015400	1-39, 1-41	102061101	1-23, 1-25
1011273	12-3	101547601	3-3	102061201	12-5
1011478	12-5	1015521	6-11, 6-13	102065901	1-39
1011480	12-5	1015583	1-39	102171503	1-39
1011553	3-5, 3-7, 5-15	1015741	6-9	102176901	4-5
1011578	1-3, 1-13	1016078	1-37	102198001	6-7
1011652	1-17, 1-19, 1-21, 1-23, 1-25	101609401	3-5, 3-7	102231601	3-3
1011697	1-17, 1-19, 1-21	101641002	12-3	102242401	1-27
1011767	12-3	101641101	12-5	102274101	5-9
1011779	4-11	101641202	12-3	102276001	11-17
1011964	1-27, 1-33, 1-35	1016416	12-3	102289001	1-3, 1-7, 7-9
1011990	1-41	1016417	12-3	102290120	5-3
1012151	12-3	1016418	12-3	102292356	1-3
1012295	6-9	101648201	7-7	102292701	1-3
1012303	1-39	1016513	8-13, 8-19	102292801	1-3, 4-11
1012549	12-5	1016544	7-11	102296140	4-7
1012560	12-5	1016630	6-7	102296401	8-15
1012649	8-5, 8-7	1016916	1-7	102296601	7-5
1012769	11-7	1016967	1-7	102296716	4-7, 10-9, 10-11
1012809	12-5	101802601	6-7	102296920	7-5
		101804301	1-7	102297230	1-3, 1-7
		101823101	12-5	102298130	1-23, 1-25, 5-3

INDEX

102298240	4-11	102462504	7-5	102620501	5-7, 5-11, 5-13
102298401	1-23, 1-25, 4-5, 4-9, 4-11, 5-3, 7-9, 11-5, 11-9	102463101	11-19	102621201	8-9, 9-3
102298580	1-7	102463501	11-17	102621301	7-9
102298720	1-7, 9-3	102463601	11-17	102621501	11-7
102301401	1-37	102463801	11-19	102626201	4-9
102323101	1-37	102463901	11-17, 11-19	102628001	10-11
102323501	1-7	102464001	11-19	102628301	10-9
102330901	12-5	102464101	11-19	102668801	12-5
102343601	1-33, 1-35	102464201	11-19	102670601	1-29
102355301	6-11	102464301	5-9, 11-19	102670701	5-15
102361901	5-7, 5-9	102464401	11-19	102672201	11-17
102370501	7-5	102464501	11-19	102672301	11-17
102370601	7-5	102473501	1-23, 1-25	102672401	11-17
102371401	7-9	102473601	1-23, 1-25	102684501	11-5
102374901	10-3	102473701	1-23	102684603	11-5
102376001	11-5	102474301	4-7	102686101	12-3
102380601	4-9	102475701	4-7, 8-17, 11-7	102687801	5-5
102382401	11-7	102475901	1-23, 1-25	102693201	11-17
102406701	8-3	102479301	8-15	102693301	11-11, 11-17
102408401	5-7, 5-15	102481001	10-11	102693401	11-17
102409501	9-3	102481201	10-11	102693501	11-17
102410604	8-5	102481301	10-11	102693601	11-19
102411210	8-9, 10-9, 10-11	102488001	4-3, 4-13	102694001	11-19
102414501	10-11	102490801	5-9	102694201	11-11, 11-17
102418101	1-37	102491001	7-5	102694301	11-17
102420201	6-9	102491301	1-7	102694401	11-17
102420301	6-9	102491501	1-7, 1-15, 1-31, 1-35	102694502	11-19
102420401	6-9	102491601	4-3, 4-13	102694701	11-17
102420501	6-9	102491701	1-11, 1-43	102694801	11-17
102426301	8-5	102492201	6-9	102695401	10-7
102426601	1-37	102493301	4-3, 4-13	102695601	10-7
102426901	1-39	102493801	1-37	102695801	10-7
102437001	5-7	102498601	7-3, 8-9	102695901	10-7
102442002	1-23, 1-25	102522001	8-3	102696001	11-15
102442201	6-11	102551901	4-11	102696101	11-11
102442901	4-9	102552001	4-11	102696201	11-11, 11-13
102443601	7-9	102555501	12-3	102696501	11-11, 11-13
102445201	8-15	102601501	12-3	102696601	11-15
102447101	12-3	102603501	12-3	102696701	11-11
102447901	6-9	102605201	12-3	102696801	11-11, 11-13
102448001	6-9	102606101	12-3	102696901	11-11, 11-13
102448401	6-11	102607501	12-3	102697001	11-13
102448501	7-9	102614101	1-39	102697101	11-11, 11-13
102449101	11-17	102616003	10-11	102697501	11-13
102456001	1-23, 1-25	102616101	10-11	102698701	11-13
102457001	8-17	102616301	5-7, 5-11, 5-13	102699401	11-11
102457501	7-9	102616701	11-5	102699601	11-15
102458901	1-23, 1-25, 3-3	102617201	1-7, 1-15, 1-31	102699701	11-11, 11-13
102459001	3-3	102617501	5-9	102711601	5-7
102459101	3-3	102617701	5-9	102718101	1-15, 1-27, 1-29, 1-31
102459301	3-5, 3-7	102617801	5-9	102722001	7-9
102459401	3-7	102618101	4-9	102722301	5-7, 5-9
102459501	3-3	102618301	1-37, 4-9, 4-11, 11-5	102723901	11-3
102460201	3-5, 3-7	102618401	4-5	102725501	8-9
102461401	8-15	102618601	1-7, 1-13, 1-37, 7-9, 8-5	102725601	8-9
		102620301	1-29	102732301	1-15, 1-31

INDEX

102732401	1-27, 1-29	102990101	7-13	102996601	7-15
102736901	2-3, 2-5	102990201	7-13	102996701	7-15
102740401	7-5	102990301	7-13	102996901	7-7
102762601	11-19	102990401	7-13	102997001	7-7
102763301	4-11	102990501	7-13	102997101	7-7
102763401	4-11	102990601	7-13	102997201	7-7
102764901	11-13	102990701	7-13	102997401	7-7
102765201	11-11	102990801	7-13	102997601	7-7
102765301	11-19	102990901	7-13	102997701	7-7
102765701	11-19	102991101	7-13	102997801	7-7
102765801	11-19	102991201	7-13	102997901	7-7
102786201	9-3	102991401	7-13	102998001	7-7
102788701	5-11, 5-13	102991501	7-13	102998101	7-7
102792001	5-7	102991601	7-13	102998201	7-7
102792002	5-7	102991801	7-13	102998301	7-7
102810701	8-9	102991901	7-13	102998401	7-7
102812801	9-3	102992001	7-13	102998601	7-19
102816801	5-5	102992101	7-13	102998701	7-19
102865101	8-5, 8-7	102992201	7-13	102999101	7-19
102866901	1-3	102992301	7-13	102999201	7-19
102867001	1-3	102992401	7-7, 7-13, 7-19, 8-19	102999301	7-19
102867101	1-7	102992501	7-19, 8-5	102999501	7-19
102867202	1-9	102992601	7-13	102999601	7-19
102867301	1-7	102992701	7-13	103000001	7-19
102867501	1-3	102992801	7-13	103000401	7-11
102869401	6-7	102992901	7-13	103000501	7-11
102882401	1-3	102993201	7-17	103000601	7-11
102883401	1-7	102993301	7-17	103000801	7-11
102883601	3-9	102993401	7-17	103000901	7-11
102884301	3-3	102993501	7-17	103001301	7-11
102884401	3-7	102993601	7-17	103001501	7-11
102895101	1-3	102993701	7-17	103002001	8-19
102895401	1-3	102993901	7-17	103002101	8-19
102896501	1-3	102994101	7-17	103002301	8-19
102913801	1-43	102994301	7-11	103002401	8-19
102913901	1-43	102994401	7-17	103002501	8-19
102914001	1-43	102994601	7-15	103002801	8-13, 8-19
102914101	1-43	102994701	7-15	103002901	8-19
102914102	1-43	102994801	7-15	103003801	8-13
102927101	5-7	102994901	7-15	103003901	8-13
102927102	5-7	102995001	7-15	103004201	8-13
102930901	9-3	102995101	7-15	103005001	8-13
102935501	1-7	102995201	7-15	103005601	8-13
102949301	9-5	102995301	7-15	103009901	8-5
102951901	7-5	102995401	7-15	103010101	8-5
102958301	7-9	102995501	7-15	103077501	4-3, 4-13
102958401	7-9	102995601	7-15	103146203	11-17
102958501	7-9	102995701	7-15	103146204	5-9
102958601	7-9	102995801	7-15	103147001	5-15
102961201	3-7	102995901	7-15	103160101	4-3, 4-13
102961301	11-19	102996001	7-15	103174302	4-7
102961401	11-19	102996101	7-15	103180101	6-7
102967901	1-3	102996201	7-15	103182701	1-9
102983201	1-31	102996301	7-15	103182702	1-9
102983601	1-31	102996401	7-15	103182801	1-9
102988701	1-31, 1-35	102996501	7-15	103191201	1-41

INDEX

103191301	1-41	103299501	7-11	103372401	8-7
103191401	1-41	103299601	7-11	103376101	4-5
103191501	1-41	103299701	7-11	103379401	1-41
103197201	7-9	103299801	7-11	103380701	4-5
103200501	1-43	103299901	7-11	103400001	1-13
103202601	3-5	103300101	7-11	103406501	1-41
103208701	7-5	103300301	7-7, 7-19	103406502	1-41
103210401	3-5, 3-7	103305701	6-5	103406601	1-41
103213301	6-3	103306801	8-11	103417401	1-13
103215301	1-15	103306901	8-11	103423701	1-13
103216401	1-27, 1-29, 1-31, 1-35	103307001	8-11	103441401	8-9
103218107	1-3	103307201	8-11	103452001	8-7
103218901	1-25	103307301	8-11	103456001	1-17
103223101	1-33, 1-35	103319601	1-13	103456002	1-19
103225801	1-31	103319701	1-13	103456003	1-21
103233001	1-7	103320201	8-13	103478901	8-15
103233614	3-9	103320301	8-13	103479101	8-15
103233617	3-9	103320401	8-13	103479201	8-15
103233714	3-9	103320601	10-9, 10-11	103479301	8-15
103233717	3-9	103326401	7-9	103485501	1-11
103234503	2-3, 2-5	103331201	1-43	103487501	1-11
103240601	7-9	103340501	8-11	103496801	6-11
103244701	5-7	103340601	8-11	103500901	4-11
103246901	7-9	103340701	8-11	103505301	4-11
103250401	11-11	103340801	8-11	103505401	4-11
103253801	1-7	103340901	8-11	103511201	1-31
103256401	5-7	103341101	8-11	103523602	4-13
103256501	5-7	103341201	8-11	103523702	4-13
103256701	5-7	103341301	8-11	103525002	2-7
103262901	7-5	103341401	8-11	103528201	7-5
103267001	1-23	103341501	8-11	103529601	1-27, 1-29
103267002	1-25	103341601	8-11	103529701	1-29
103268001	1-7	103341701	8-11	103529801	1-29
103268101	9-5	103341801	8-11	103530701	1-27, 1-29
103273101	4-9	103341901	8-11	103532801	2-7
103276201	7-9	103342001	8-11	103534201	1-27, 1-29
103277402	8-17	103342101	8-11	103535001	4-11
103279201	7-5	103342201	8-11	103538701	1-39
103296001	1-7	103342301	8-11	103538901	1-39
103297101	8-13	103342501	8-11	103574301	4-3
103297201	8-13	103342601	8-11	103588001	1-3
103297301	8-13	103342701	8-11	103596601	8-11
103297401	8-19	103343301	8-11	103596701	8-11
103297501	8-19	103343401	8-11	103596801	8-11
103297601	8-19	103343501	8-11	103629101	1-19
103297701	8-19	103343601	8-11	103629102	1-17
103297801	8-19	103343701	8-11	103629103	1-21
103298001	8-19	103343801	8-11	103629501	1-17, 1-19, 1-21
103298101	8-19	103343901	8-11	103635101	1-27, 1-29
103298201	8-19	103345501	7-11	103636701	1-15, 1-27
103298301	8-19	103348101	6-7	103643901	1-27
103298501	7-11, 8-5, 8-13, 8-19	103348201	6-7	103646501	1-27
103298601	7-13, 8-19	103348501	6-7	103646601	1-27
103298901	7-13	103361701	1-31	103647201	1-17
103299301	7-19	103372101	8-3	103647202	1-19
103299401	7-19	103372302	8-3	103647203	1-21

INDEX

103687401	7-11	103922801	11-19	105237301	6-13
103699801	2-7	103922901	11-19	105256201	6-13
103701301	8-7	103923001	5-15	105256601	6-13
103721801	11-13	103924701	8-9	96701412	7-5
103724501	5-3	103930501	5-11	96704416	6-11, 6-13, 9-5, 11-5
103724503	5-3	103939301	5-9	96704721	7-5
103724602	5-3	103939302	5-9	96704960	7-5
103756401	8-7	103944301	8-3	96705587	7-9
103760601	1-3	103948401	5-9	96715552	1-7, 1-31, 1-35
103778601	2-5, 2-7	103948501	1-35	96741046	5-15, 7-5
103779001	2-5	103948601	1-35	96742515	1-23, 1-25
103779004	2-7	103948801	10-5	96950126	8-17
103806401	1-29	103951301	3-5, 3-7		
103810201	5-3	103951501	5-9, 11-17	A	
103828201	10-7	103951601	5-13	A-arm	5-7
103829001	10-7	103951701	5-13	accelerator cable	8-17
103829601	10-5	103954001	1-5	accelerator pedal	8-15
103829701	10-5	103954101	1-15	accessory receptacle	6-7
103829801	10-5	103955901	1-33	adapter	
103829901	10-5	103955902	1-35	hose	7-9
103831101	1-17, 1-19, 1-21	103957501	10-5	oil filter	7-9
103841801	5-11	103959210	1-3	tube	7-9
103842501	4-7	103959214	1-3	adjuster, forward/aft	1-23, 1-25
103843901	11-17	103959218	1-3	adjuster, slider	1-23, 1-25
103844301	1-33, 1-35	103959310	1-3	air filter	7-3, 8-9
103844401	1-33, 1-35	103959314	1-3	air filter canister	8-9
103845501	5-15	103959318	1-3	air filter evacuator	8-9
103848401	8-9	103959410	1-3	air filter gasket	8-13
103856101	10-5	103959414	1-3	arbor	12-3
103859901	5-3	103959418	1-3	arm	
103860302	5-15	103959510	1-3	A	5-7
103860402	5-15	103959514	1-3	A-	5-7
103862701	5-3	103959518	1-3	governor link	8-19
103865301	12-3	103962801	3-5	governor shaft	8-19
103866601	5-5	103963701	8-3	rocker	7-15
103868201	11-19	103969001	11-11	assembly	
103868301	11-19	103969801	5-7	accelerator pedal	8-15
103871801	11-19	103971001	2-3	brake line	4-7
103873001	11-5	103971101	2-3	brake pedal	4-9
103879301	11-7	103971201	2-3	bucket seat	1-23
103879401	11-7	103971301	2-3	filler cap	4-5
103879501	11-17	103978801	1-23, 1-25	forward/reverse	11-5
103883001	11-15	103980901	5-9	fuel cap	8-3
103883201	8-15	103980902	5-9	fuel pump	8-5
103886001	11-5	103981201	7-13	gear case	11-19
103886101	11-5	103990201	11-9	headlight harness	6-3
103886201	5-15	104006401	3-9	latch, tilt bed	1-39
103886601	11-7	105100901	11-9	muffler	5-7
103887901	7-3, 7-7, 7-9	105125301	11-11	pinion	11-19
103901001	2-5, 2-7	105125401	11-11	tilt bed	1-39
103901101	2-5	105125501	11-13	wire	6-11, 7-9, 8-3
103901102	2-5	105125601	11-13	axle	11-17
103901107	2-7	105125701	11-11	axle tube	11-19
103901108	2-7	105125801	11-11	axle, rear	11-17
103905201	8-3	105125901	11-15		
103922001	8-17	105173301	11-9		

INDEX

B

ball joint 5-7, 5-9
banjo bolt 4-3, 4-13
barrel, plastic 1-17, 1-19, 1-21, 1-41
base, seat holder 1-23, 1-25
battery
 12-volt, side-post 6-11
 12-volt, top-post 6-13
battery clamp 6-11, 6-13
battery terminal protector spray 12-3
battery thermometer 12-3
bearing
 hub 5-9, 11-19
 needle 11-11, 11-13, 11-19
bearing and oil seal remover 12-3
bearing driver set 12-3
bearing puller 12-3
bearing puller wedge 12-3
bed floor plate 1-39
bed latch 1-41
bed latch spring 1-41
bed, tilt 1-39
bellcrank 11-15
bellows 5-5, 11-17
belt, drive 10-3
bench seat back 1-17
bench seat back cap 1-17, 1-19, 1-21
bench seat bottom 1-17
bench seat conversion kit 1-27
black bench seat kit 1-19
block, fuse 6-9
bolt
 banjo 4-3, 4-13
bracket
 bed latch 1-37
 brake line 4-7
 brake pedal 4-9
 carbon canister 8-7
 cover inlet 10-11
 draw latch 1-3
 equalizer 4-11
 hood support 1-7
 muffler 9-3
 oil filter 7-9
 oil filter mount 7-9
 seatbelt 1-29
 transmission cable 11-7
bracket, hinge, bed 1-39
brake cable 4-11
brake cable release tool 12-3
brake caliper, front 4-3
brake caliper, rear 4-13
brake line, front 4-7
brake line, rear 4-7
brake pad service kit 4-3, 4-13

brake pedal 4-9
brake return spring 4-11
brake rotor 4-3, 4-13
breather gasket 7-13
brush, FNR 1-7
bucket seat 1-23, 1-25
buckle, seat-belt 1-29
bulb, headlight 6-3
bumper
 bed 1-37
bushing
 A-arm 5-7, 5-15
 forward/reverse 11-5
 greaseless 4-9
 lower arm 5-7
 nylon 1-41
 return line 8-3
 snap-in 1-41
 steel 1-39
 urethane 1-39

C

cable
 accelerator 8-17
 brake 4-11
 FNR shifter 11-7
 main park brake 4-11
caliper, brake, front 4-3
caliper, brake, rear 4-13
camber adjustment tool 12-3
camshaft 7-15
camshaft guide 7-15
camshaft kit 7-15
camshaft plate 7-15
camshaft spring 7-15
canister, air filter 8-9
canister, carbon, fuel tank 8-7
canopy 1-33, 1-35
canopy support kit 1-35
cap
 air filter 8-9
 center, alloy wheel 2-7
 corner 1-41
 filler 4-5
 fuel, gas, ratchet 8-3
 inlet 10-11
 oil fill 7-7
 rubber 5-9
carbon canister 8-7
carburetor 8-11
carburetor gasket 8-11, 8-13
carburetor heater 8-11
carburetor jet 8-11
carburetor seal 8-11
carburetor shaft 8-11
carburetor solenoid 8-11
carburetor spring 8-11
carburetor throttle shaft 8-11
carburetor valve 8-11
card, safety first 12-5
carrier, differential 11-19
case
 gear 11-17, 11-19
center closeout 1-15, 1-27
chain, transmission 11-11
charge coil 7-11
clamp
 battery 6-11, 6-13
 hose 8-5, 8-7
 hose, green 8-7
 p- (fuel filter) 8-5
clevis pin 4-5, 4-11
clip
 body trim 1-3
 brake line 4-7, 8-17, 11-7
 meter 6-7
 wear 5-15
closeout 1-43
closeout, center 1-15, 1-27
clutch 10-5, 10-7
clutch cover (non-sealed)
 CVT 10-9
clutch cover (sealed) 10-11
clutch removal tool 12-3
coil
 charge 7-11
 ignition 7-11
coil over shock 5-11, 5-13
column, steering 5-3
compression gauge 12-3
compressor, valve spring 12-5
connecting rod 7-17
connector, relay 6-9
continuity tester 12-3
control panel 8-19
cooling fan 7-19
cover
 CCI dash storage 1-9
 crankcase 7-13
 CVT 7-5, 10-11
 electrical 6-9
 engine 7-5
 rocker 7-13
 rocker switch hole 6-7
cover gasket 8-11
cowl panel 1-3
cowl panel, driver-side 1-3
cowl panel, passenger-side 1-3
cowl plug 1-5
crank oil seal 7-13
crankcase 7-13
crankcase cover 7-13

INDEX

crankcase cover gasket 7-13
crankcase vent tube 8-13
crankshaft 7-17
cup holder 1-7
cup holder, seat 1-23, 1-25
CVT cover 7-5, 10-9
CVT cover kit, sealed 10-11
CVT cover kit, unsealed 10-11
cylinder head 7-13
cylinder, master 4-5

D

dash 1-7
dash weldment 1-7
decal
 3/4 ton 3-9
 CA 295 3-9
 crush area warning 3-5, 3-7
 driver/passenger 3-3
 ground warning 3-3
 hot manifold warning 3-3
 hot surface warning 1-23, 1-25, 3-3
 nameplate 3-9
 occupant warning 3-5
 operating instructions 3-3
 operator warning 3-7
 ROPS warning 3-7
 rotating parts and hot manifold 3-3
 rotating parts warning 3-5, 3-7
 tailgate 1-41, 3-9
 trailer hitch 3-5, 3-7, 5-15
 under 16 warning 3-7
 vehicle loading 3-5, 3-7
 winch cable warning 3-3
deflector oil 11-11
detent, repair 11-13
diesel tachometer probe 12-5
differential housing 11-19
differential oil 11-3
differential, rear 11-17, 11-19
diode 6-5
drag link 5-5
drive belt 10-3
drive clutch 10-5
drive clutch fixed sheave tool 12-3
drive clutch service tool 12-3
drive clutch spacer 10-5
drive clutch spider removal tool 12-3
driven clutch 10-7
driven clutch spring compression base tool 12-3
driven clutch spring compression collar tool 12-3
driven clutch spring compression nut tool 12-3
dry moly lubricant 12-3

E

E-clip 4-11
end, tie rod 5-5
engine cover 7-5
engine shroud 7-19
engine starter motor 7-11
engine, gasoline, Kawasaki FH680 7-5
equalizer 4-11
equalizer rod 4-11
exhaust gasket 9-5
exhaust header 9-5
exhaust header gasket 9-5
exhaust pipe 9-3
exhaust shield 9-3
exhaust valve 7-15
extension, spring latch 1-39

F

fan housing plate 7-19
fan, cooling 7-19
fascia 1-3
fastener, push-in 6-9
fender, front 1-3
fender, left rear 1-43
fender, rear 1-43
filler cap 4-5
filter
 air 7-3, 8-9
 fuel 7-3, 8-5
 inlet cover 10-11
 oil 7-3, 7-7, 7-9
float valve 8-11
floor plate, bed 1-39
floorboard 1-13
flywheel 7-11
FNR brush 1-7
FNR brush strip 1-7
FNR shifter 11-5
FNR shifter bracket 11-7
FNR shifter cable 11-7
fork, transmission 11-11
frame, tilt bed 1-39
front panel 1-41
fuel filter 7-3, 8-5
fuel gauge sending unit 8-3
fuel gauge/hour meter 6-7
fuel line 8-5, 8-7
fuel pump 8-5
fuel tank (gasoline) 8-3
fuel tank strap 8-5
fuse
 10-amp 6-9
 25-amp 6-9
fuse block 6-9

G

gasket 8-11
 air filter 8-13
 breather 7-13
 carburetor 8-11, 8-13
 cover 8-11, 10-11
 crankcase cover 7-13
 exhaust header 9-5
 head 7-13
 liquid 12-5
 manifold 8-13
 rocker cover 7-13
 sending unit 8-3
gauge
 compression 12-3
 fuel-hour 6-7
 oil dipstick 7-7
gear
 case 11-17, 11-19
 helical 11-13
 oil pump 7-7
 ring 11-19
 steering 5-5
gear case assembly, rear 11-11
gear case, front 11-11
gear ring engagement 11-13
gear yoke 12-3
governor control lever 8-19
governor link arm 8-19
governor oil seal 7-13
governor plate 8-19
governor return spring 8-19
governor shaft 8-19
governor shaft arm 8-19
governor spring 8-19
gray bench seat kit 1-17
grill 1-3
grip tape, accelerator pad 8-15
grip, tilt latch hand 1-39, 1-41
grommet 8-3
guard, oil filter 7-9
guard, splash 1-7
guide
 camshaft 7-15
 rocker arm 7-15

H

harness 7-11
harness, wire 6-3
harness, wire - Kawasaki FH680 6-5
head gasket 7-13
head, cylinder 7-13
header, exhaust 9-5
headlight 6-3
headlight bulb 6-3

INDEX

headlight harness 6-3
heater, carburetor 8-11
helical gear 11-13
hinge plate 1-17, 1-19, 1-21, 1-23, 1-25
hinge, hood 1-3
holder
 cup 1-7
 FNR strip brush 1-7
hood 1-3
hood latch 1-3
hood prop 1-3
hose
 fuel 8-5, 8-7
 inlet 10-11
 intake 8-9
 outlet 10-9, 10-11
 vent 8-7
hose clamp, green 8-7
hour meter 6-7
housing
 differential 11-19
hub
 wheel 5-9
hydrometer 12-5

I

ignition coil 7-11
insulator, manifold 8-13
intake adapter pipe 8-13
intake hose 8-9
intake manifold 8-13
intake valve 7-15
internal retaining ring pliers 12-5
isolator ring and bushing 7-5

J

jet kit
 0-3300 ft 8-11
 3300-6600 ft 8-11
 6600+ ft 8-11
jet needle 8-11
jet, carburetor 8-11
joint
 ball 5-7, 5-9

K

keeper, push-close latch 1-9
key 7-11
key (pair) 6-7
key switch 6-7
key switch spacer 6-7
keyswitch nut 6-7
kick panel 1-43
kit
 bench seat black 1-19

bench seat conversion 1-27
bench seat gray 1-17
bench seat tan 1-21
brake pad service 4-3, 4-13
canopy 1-33, 1-35
canopy support 1-35
carburetor jet 8-11
connecting rod 7-17
forward gear repair 11-13
rear axle gear repair 11-19
reverse gear repair 11-11
tailgate mounting 1-41
tune-up 7-3
knob, forward/reverse 11-5

L

latch 1-9
latch bracket 1-3
latch keeper 1-9
latch plate, tilt bed 1-37
latch, bed 1-41
latch, hood draw 1-3
latch, tilt bed 1-39
lateral link, rear suspension 5-15
lens, headlight 6-3
lever
 governor control 8-19
light
 oil 6-7
line, fuel 8-7
link, drag 5-5
liquid gasket 12-5
low oil warning light 6-7
lubricant, dry moly 12-3
lug stud 5-9, 11-17

M

manifold
 intake 8-13
manifold gasket 8-13
manifold insulator 8-13
master cylinder 4-5
meter clip 6-7
meter, volt ohm 12-5
muffler 5-7, 9-3

N

nameplate decal 3-9
needle, jet 8-11
nongrease/spacers locker 11-19
nut, keyswitch 6-7

O

oil cap 7-7
oil deflector 11-11

oil dipstick gauge 7-7
oil drain plug 7-7
oil filter 7-3, 7-7, 7-9
oil filter adapter 7-9
oil filter bracket 7-9
oil filter guard 7-9
oil filter nipple 7-13
oil pickup 7-7
oil pickup screen 7-7
oil pressure switch 7-11
oil pump 7-7
oil pump plate 7-7
oil pump rotor 7-7
oil pump shaft 7-7
oil pump spring 7-7
oil pump spur gear 7-7
oil seal, crank 7-13
oil seal, governor 7-13
oil valve seal 7-13
oil warning light, low 6-7
oil, locking differential 11-3
O-ring 7-7, 7-9, 8-11

P

pan
 center 1-23, 1-25
 seat 1-23, 1-25
panel
 center cowl 1-3
 control 8-19
 driver-side 1-43
 driver-side cowl 1-3
 front 1-41
 front kick 1-43
 passenger-side 1-43
 passenger-side cowl 1-3
 side 1-41
park brake cable 4-11
p-clamp (fuel filter) 8-5
pedal, accelerator 8-15
pedal, brake 4-9
pedal, park brake 4-11
pickup, oil 7-7
pin
 bow tie locking 1-3, 4-11
pin, cable 11-5
pin, clevis 4-5, 4-11
pinion 11-19
pipe
 exhaust 9-3
 intake adapter 8-13
piston 7-17
piston ring set 0.50 7-17
plate
 back 1-39
 camshaft 7-15

INDEX

closeout 1-43
electrical 6-9
fan housing 7-19
governor 8-19
hinge 1-17, 1-19, 1-21, 1-23, 1-25
latch 1-37
oil pump 7-7
tailgate latch wear 1-41
pliers
 internal retaining ring 12-5
 retaining ring 12-5
plug 11-11
 2 inch tube 1-15
 engine block 11-17
 gearcase 11-11, 11-17
 hole 6-7
 oil drain 7-7
 spark 7-3, 7-11, 7-13
plug, cowl 1-5
prop rod 1-37
prop, hood 1-3
protector spray, battery terminal 12-3
puller
 bearing 12-3
 clutch 12-3
 seal 12-5
 special use tool 12-5
pump
 fuel 8-5
pump, oil 7-7
push rod 7-15
push rod tappet 7-15

R

rear axle 11-17
rear differential 11-17, 11-19
receptacle, accessory 6-7
reed valve assembly 7-13
regulator, voltage 7-11
relay 6-9
relay connector 6-9
remover, bearing and oil seal 12-3
retainer
 spring (driven clutch) 10-7
 valve spring 7-15
retaining ring pliers 12-5
retractor, seat-belt 1-29
ring
 retaining, ext 5-7, 5-9
ring gear 11-19
rivet, blind push 1-7
Rivet, Removable 1-3
rocker arm 7-15
rocker arm guide 7-15
rocker arm stud 7-15
rocker cover 7-13

rocker cover gasket 7-13
rocker switch (lights) 6-7
rod
 "J" 8-15
 equalizer 4-11
 prop 1-37
 push 7-15
ROPS front base weldment 1-31
ROPS seat support 1-31
ROPS side 1-31
ROPS top 1-31
ROPS warning decal 3-7
rotor disc brake 4-3, 4-13
rotor, oil pump 7-7

S

safety first card 12-5
screen, oil pickup 7-7
seal
 carburetor 8-11
 dual lip 11-15, 11-19
 oil valve 7-13
 triple lip 11-11
seal puller 12-5
seat
 bucket 1-23, 1-25
seat back cap, bench 1-17, 1-19, 1-21
seat back, bench 1-17, 1-19
seat belt buckle 1-29
seat bottom, bench 1-17
seat holder base 1-23, 1-25
seat, bucket 1-25
seat-belt retainer 1-29
sending unit, fuel gauge 8-3
shaft
 carburetor 8-11
 governor 8-19
 input 11-13
 intermediate 11-13
 oil pump 7-7
 output 11-11
 shift 11-15
shield, exhaust 9-3
shim 11-19
shim, latch plate 1-37
shock absorber, coil over 5-11, 5-13
shroud, engine 7-19
side panel weldment 1-41
side stringer 1-11
sleeve
 lower arm 5-7
 upper suspension 5-7
solenoid, carburetor 8-11
spacer
 5/8 x 2 1/4 x 1 1/4 1-33, 1-35
 drive clutch 10-5

key switch 6-7
spanner wrench 12-5
spark plug 7-3, 7-11, 7-13
splash guard 1-7
spray, battery terminal protector 12-3
spring 7-7, 7-15
 brake return 4-11
 carburetor 8-11
 choke spring 8-17
 compression 10-5, 10-7
 exhaust 9-3
 extension 1-39
 governor 8-19
 governor idle 8-17
 governor return 8-19
 latch tilt 1-41
 pedal 8-15
 valve 7-15
sprocket 11-11
starter motor, engine 7-11
steel bushing 1-39
steering
 lower control arm 5-7
 slide adjuster 5-9
 upper A-arm 5-7
 upright 5-9
steering column 5-3
steering gear 5-5
steering wheel 5-3
steering wheel puller tool 12-5
stem, valve 2-3, 2-5, 2-7
strap, fuel tank 8-5
stringer, side 1-11
strip, FNR brush 1-7
stud
 lug 5-9, 11-17
 self-clinching 1-41
support, structural 1-7
switch
 key 6-7
 light rocker 6-7
 oil pressure 7-11
switch, indicator 11-13

T

tachometer 12-5
tachometer probe, diesel 12-5
tailgate 1-41
tailgate angle 1-41
tailgate latch wear plate 1-41
tailgate mounting kit 1-41
tan bench seat kit 1-21
tank, fuel (gasoline) 8-3
tape, grip, accelerator pad 8-15
tape, vinyl foam 1-39
tappet, push rod 7-15

INDEX

tester, continuity 12-3
thermometer, battery 12-3
throttle shaft, carburetor 8-11
throttle valve 8-11
tie rod end 5-5
tie wrap 4-7, 4-11, 5-5, 8-17, 11-5
tilt bed 1-39
tilt bed frame 1-39
tilt latch hand grip 1-39, 1-41
tire
 all-terrain 2-5, 2-7
 mud 2-5, 2-7
 turf 2-3
tool
 brake cable release 12-3
 camber adjustment 12-3
 drive clutch fixed sheave 12-3
 drive clutch service 12-3
 drive clutch spider removal 12-3
 driven clutch spring compression base 12-3
 driven clutch spring compression collar 12-3
 driven clutch spring compression nut 12-3
 puller, special use 12-5
 steering wheel puller 12-5
track, prop rod 1-37
trailing link, rear suspension 5-15
transaxle housing 11-19
transmission 11-11
transmission cable bracket 11-7
transmission chain 11-11
transmission fork 11-11
tube
 axle 11-19
 crankcase vent 8-13
Tuflok 1-3
tune-up kit 7-3

U

u-joint
 replacement kit 11-9
urethane bushing 1-39

V

valve 8-9
 carburetor 8-11
 exhaust 7-15
 float 8-11
 intake 7-15
 throttle 8-11
valve assembly, reed 7-13
valve spring 7-15
valve spring compressor 12-5
valve spring retainer 7-15
valve stem 2-3, 2-5, 2-7

vent
 fuel tank 8-3
vent, barb 8-7
vent, housing, upper 11-19
vent, transmission 11-11
volt ohm meter 12-5
voltage regulator 7-11

W

warning light, low oil 6-7
wear clip 5-15
wedge, bearing puller 12-3
weldment
 brake pedal 4-9
 front dash 1-7
 ROPS base front 1-31
 seat support 1-15
 seat support ROPS 1-31
 tilt bed frame 1-39
weldment, seat 1-15
wheel
 alloy 2-7
 hub 5-9
 steel 2-3, 2-5
 steering 5-3
wheel cap, alloy 2-7
wire assembly 6-11, 7-9, 8-3
wire harness 6-3, 7-11
wire harness - Kawasaki FH680 6-5
wrap, tie 4-7, 4-11, 5-5, 8-17, 11-5
wrench, spanner 12-5

Y

yoke, gear 12-3



Club Car, Inc.
P.O. Box 204658
Augusta, GA 30917-4658
USA

Web www.clubcar.com
Phone 1.706.863.3000
1.800.ClubCar
Int'l +1 706.863.3000
Fax 1.706.863.5808