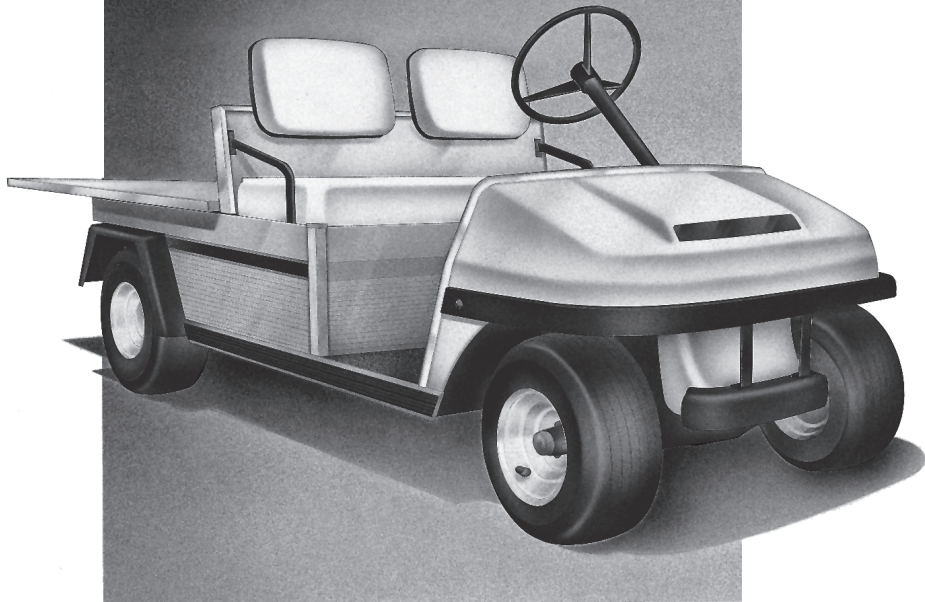


**1998**  
**ILLUSTRATED**  
**PARTS LIST**



**CARRYALL I, CARRYALL II,  
CARRYALL TURF II, CARRYALL II PLUS,  
AND CARRYALL VI VEHICLES**

MANUAL NUMBER 101968302  
EDITION CODE 1197C0508B



# USING THE ILLUSTRATED PARTS LIST

## WARNING

- THIS MANUAL IS TO BE USED ONLY FOR IDENTIFICATION AND ORDERING OF SERVICE PARTS. BE SURE TO READ AND USE THE MAINTENANCE AND SERVICE MANUAL BEFORE ATTEMPTING ANY VEHICLE REPAIRS.

This manual covers all 1998 Carryall® vehicles.

The manual is divided into 16 sections. Sections 1 through 6 pertain to both gasoline and electric vehicles, sections 7 through 12 pertain to gasoline vehicles only, and sections 13 through 16 pertain to electric vehicles only. Note that there are two or three flags on the outside edge of each page. The first flag contains the section number of which that page is a part. The other flag (or flags) contains either the letter G or E, signifying that the page pertains to either the gasoline or electric vehicle only, or to both the gasoline and electric vehicles.

Use the Table of Contents to find the sections and pages that contain the parts and assemblies you seek. The Table of Contents lists section titles and numbers, and under them, the individual page titles and numbers to be found in that section. Unless a page title specifies a particular vehicle(s), the page applies to all Carryall vehicles.

Typically, there is a two-page spread for each individual page title in the Table of Contents (however, some titles require several spreads). On the left-hand page is an illustration showing the parts in their relative positions; the parts are each tagged with an item number in a balloon. The right-hand page is the parts list page, and gives the page title at the top, then the item numbers (corresponding to the numbers on the illustration), part descriptions, and quantity of parts used. Some item numbers have more than one part number because several models and/or configurations of a component are represented together on one spread.

Note that a part description may be indented. This indentation corresponds to a parts assembly level indicated by the numbers 1, 2, 3, and 4 at the top left corner of the parts description area of the parts list page. A part that is indented to *level 2* is a component of the *level 1* part (assembly) that it is listed under. A *level 3* part is a component of the *level 2* part that it is listed under, and a *level 4* part is a component of the *level 3* part preceding it. In each case, the part quantity given for a level 2, 3, or 4 part is the quantity used per next higher level assembly of which it is a component. A part that is not indented is a *level 1* part. This means that the quantity given is the quantity used per the portion of the vehicle illustrated on that particular spread.



P. O. Box 204658  
Augusta, Georgia 30917-4658 USA  
Telephone 706-863-3000  
Service Parts Fax 706-855-7413

© 1997, CLUB CAR, INC.  
All rights reserved.

This manual effective August 18, 1997





# CONTENTS

## MAINTENANCE AND SERVICE TOOLS

SECTION

**1**

MAINTENANCE AND SERVICE TOOLS ..... 1-3 - 1-5

## BODY AND TRIM

SECTION

**2**

FRONT BODY ..... 2-3  
SEATS AND SUPPORT STRUCTURE—CARRYALL I, II, TURF II AND II PLUS ..... 2-5  
SEATS AND SUPPORT STRUCTURE—CARRYALL VI ..... 2-7  
TILT BED, HINGE, AND LATCH—CARRYALL I ..... 2-9  
HINGE PLATE—CARRYALL I, II, TURF II AND II PLUS; PROP ROD—CARRYALL II, TURF II AND II PLUS .... 2-11  
TILT BED AND LATCH—CARRYALL II, TURF II AND II PLUS ..... 2-13  
CARGO BOX—CARRYALL TURF II..... 2-15  
ACCESS DOOR AND SIDE DOORS—CARRYALL VI ..... 2-17  
FLAT BED ASSEMBLY—CARRYALL VI ..... 2-19  
FLAT BED TRIM—CARRYALL VI ..... 2-21  
REAR COVER—CARRYALL I, II, TURF II AND II PLUS ..... 2-23  
REAR COVER—CARRYALL VI ..... 2-25

## WHEELS AND TIRES

SECTION

**3**

WHEELS AND TIRES ..... 3-3

## SAFETY DECALS

SECTION

**4**

SAFETY DECALS—CARRYALL I, II, TURF II AND II PLUS ..... 4-3 - 4-5  
SAFETY DECALS—CARRYALL VI ..... 4-7 - 4-9

## BRAKES, PEDAL, AND CABLE ASSEMBLIES

SECTION

**5**

REAR BRAKE ASSEMBLY, SELF-ADJUSTING—CARRYALL I ..... 5-3  
REAR BRAKE ASSEMBLY, MANUALLY ADJUSTED—CARRYALL II, TURF II, II PLUS, AND VI ..... 5-5  
BRAKE PEDAL AND CABLE ASSEMBLY—VEHICLE WITH 2-WHEEL BRAKING ..... 5-7  
BRAKE PEDAL AND CABLE ASSEMBLY—VEHICLE WITH 4-WHEEL BRAKING ..... 5-9  
FRONT BRAKE ASSEMBLY—VEHICLE WITH 4-WHEEL BRAKING ..... 5-11  
ACCELERATOR PEDAL ASSEMBLY—ELECTRIC CARRYALL I AND ALL GASOLINE VEHICLES ..... 5-13  
ACCELERATOR PEDAL ASSEMBLY—ELECTRIC CARRYALL II AND VI ..... 5-15

## STEERING, FRONT AND REAR SUSPENSION

SECTION

**6**

STEERING COLUMN ..... 6-3  
STEERING GEAR ASSEMBLY ..... 6-5  
FRONT SUSPENSION, UPPER—VEHICLE WITH 2-WHEEL BRAKING ..... 6-7  
FRONT SUSPENSION, LOWER—VEHICLE WITH 2-WHEEL BRAKING ..... 6-9  
FRONT SUSPENSION, UPPER—VEHICLE WITH 4-WHEEL BRAKING ..... 6-11  
FRONT SUSPENSION, LOWER—VEHICLE WITH 4-WHEEL BRAKING ..... 6-13  
REAR SUSPENSION ..... 6-15  
STABILIZER BAR—ELECTRIC CARRYALL II, GASOLINE CARRYALL II, TURF II, II PLUS AND VI ..... 6-17

# CONTENTS

## **ELECTRICAL SYSTEM—GASOLINE VEHICLE**

### **SECTION**

**7**

|  |      |
|--|------|
| FORWARD AND REVERSE SHIFTER ASSEMBLY—GASOLINE VEHICLE .....                          | 7-3  |
| WIRING—GASOLINE CARRYALL I .....   | 7-5  |
| WIRING—GASOLINE CARRYALL II .....  | 7-7  |
| ELECTRICAL COMPONENT BOX, GASOLINE VEHICLE—CARRYALL I, II, AND TURF II .....         | 7-9  |
| ELECTRICAL COMPONENTS, FRONT BODY—GASOLINE CARRYALL I, II, TURF II AND II PLUS ..... | 7-11 |
| HEADLIGHTS AND HOUR METER—GASOLINE CARRYALL TURF II .....                            | 7-13 |
| WIRING—GASOLINE CARRYALL TURF II .....   | 7-15 |
| WIRING—GASOLINE CARRYALL II PLUS .....   | 7-17 |
| WIRING—GASOLINE CARRYALL VI .....  | 7-19 |
| ELECTRICAL COMPONENT BOX, GASOLINE VEHICLE—CARRYALL II PLUS AND VI .....             | 7-21 |
| ELECTRICAL COMPONENTS, FRONT BODY—GASOLINE CARRYALL VI .....                         | 7-23 |
| CONTROLS AND GAUGES—GASOLINE CARRYALL VI .....                                       | 7-25 |
| ELECTRICAL COMPONENTS, REAR BODY—GASOLINE CARRYALL VI .....                          | 7-27 |
| STARTER/GENERATOR ASSEMBLY .....   | 7-29 |
| STARTER/GENERATOR MOUNTING .....   | 7-31 |
| BATTERY—GASOLINE VEHICLE .....   | 7-33 |

## **ENGINE**

### **SECTION**

**8**

|   |             |
|---|-------------|
| FE 290 ENGINE—CARRYALL I AND II .....                 | 8-3 - 8-13  |
| FE 350 ENGINE —CARRYALL TURF II, II PLUS AND VI ..... | 8-14 - 8-25 |
| ENGINE MOUNTING .....                                 | 8-27        |

## **FUEL, INTAKE, AND GOVERNOR SYSTEMS**

### **SECTION**

**9**

|   |      |
|---|------|
| FUEL SYSTEM .....   | 9-3  |
| CARBURETOR ASSEMBLY, FE 290 ENGINE—CARRYALL I AND II .....                      | 9-5  |
| CARBURETOR ASSEMBLY, FE 350 ENGINE—CARRYALL TURF II, II PLUS AND VI .....       | 9-7  |
| CARBURETOR INSTALLATION .....   | 9-9  |
| GOVERNOR AND ACCELERATOR CABLES .....   | 9-11 |
| INTAKE DUCT, CHOKE, AND AIR BOX ASSEMBLY—CARRYALL I .....                       | 9-13 |
| INTAKE DUCT, CHOKE, AND AIR BOX ASSEMBLY—CARRYALL II, TURF II AND II PLUS ..... | 9-15 |
| INTAKE DUCT, CHOKE, AND AIR BOX ASSEMBLY—CARRYALL VI .....                      | 9-17 |

## **EXHAUST SYSTEM**

### **SECTION**

**10**

|   |      |
|---|------|
| EXHAUST SYSTEM, FE 290—CARRYALL I AND II .....                | 10-3 |
| EXHAUST SYSTEM, FE 350—CARRYALL TURF II, II PLUS AND VI ..... | 10-5 |

## **TORQUE CONVERTER**

### **SECTION**

**11**

|                     |      |
|---------------------|------|
| DRIVE CLUTCH .....  | 11-3 |
| DRIVEN CLUTCH ..... | 11-5 |

# CONTENTS

---

## UNITIZED TRANSAXLE—GASOLINE VEHICLE

SECTION

**12**

UNITIZED TRANSAXLE—GASOLINE VEHICLE ..... 12-3 - 12-7

---

## ELECTRICAL SYSTEM—ELECTRIC VEHICLE

SECTION

**13**

FORWARD AND REVERSE SWITCH—POWERDRIVE ELECTRIC VEHICLE..... 13-3  
MULTI-STEP POTENTIOMETER—CARRYALL I POWERDRIVE ELECTRIC VEHICLE ..... 13-5  
WIRING—CARRYALL I POWERDRIVE ELECTRIC VEHICLE ..... 13-7  
ELECTRICAL COMPONENTS, FRONT BODY—CARRYALL I AND II POWERDRIVE VEHICLES ..... 13-9  
BATTERIES, CHARGER RECEPTACLE—CARRYALL I POWERDRIVE ELECTRIC VEHICLE ..... 13-11  
COMPUTER, CONTROLLER, AND SOLENOID—CARRYALL I POWERDRIVE VEHICLE ..... 13-13  
CONTINUOUSLY VARIABLE POTENTIOMETER—CARRYALL II AND VI POWERDRIVE VEHICLES ..... 13-15  
WIRING—CARRYALL II POWERDRIVE ELECTRIC VEHICLE ..... 13-17  
COMPUTER, CONTROLLER, AND SOLENOID—CARRYALL II POWERDRIVE VEHICLE ..... 13-19  
BATTERIES, CHARGER RECEPTACLE—CARRYALL II POWERDRIVE ELECTRIC VEHICLE ..... 13-21  
WIRING—CARRYALL VI POWERDRIVE ELECTRIC VEHICLE ..... 13-23  
ELECTRICAL COMPONENTS, FRONT BODY—CARRYALL VI POWERDRIVE ELECTRIC VEHICLE ..... 13-25  
CONTROLS AND GAUGES—CARRYALL VI POWERDRIVE ELECTRIC VEHICLE ..... 13-27  
ELECTRICAL COMPONENTS, CENTER BODY—CARRYALL VI POWERDRIVE VEHICLE ..... 13-29 - 13-31  
ELECTRICAL COMPONENTS, REAR BODY—CARRYALL VI POWERDRIVE ELECTRIC VEHICLE ..... 13-33

---

## BATTERY CHARGER

SECTION

**14**

POWERDRIVE BATTERY CHARGER, DOMESTIC—CARRYALL I AND II ..... 14-3  
POWERDRIVE BATTERY CHARGER, EXPORT—CARRYALL I AND II ..... 14-5  
POWERDRIVE BATTERY CHARGER, EUROPEAN—CARRYALL I AND II ..... 14-7  
ON-BOARD POWERDRIVE BATTERY CHARGER, DOMESTIC—CARRYALL VI ..... 14-9  
ON-BOARD POWERDRIVE BATTERY CHARGER, EXPORT—CARRYALL VI ..... 14-11

---

## ELECTRIC MOTOR

SECTION

**15**

MOTOR—POWERDRIVE ELECTRIC VEHICLE ..... 15-3

---

## TRANSAXLE—ELECTRIC VEHICLE

SECTION

**16**

TRANSAXLE, TYPE G—POWERDRIVE ELECTRIC VEHICLE ..... 16-3  
TRANSAXLE, TYPE K—POWERDRIVE ELECTRIC VEHICLE ..... 16-5

**1**  
**G**  
**E**

# MAINTENANCE AND SERVICE TOOLS

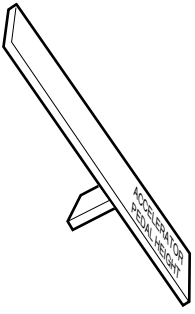
---

1

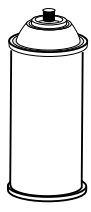
G

E

**1  
G  
E**



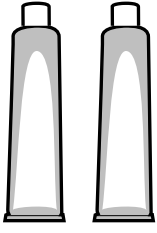
1



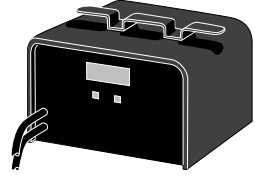
2



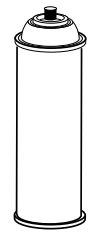
3



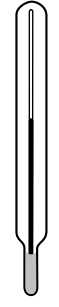
4



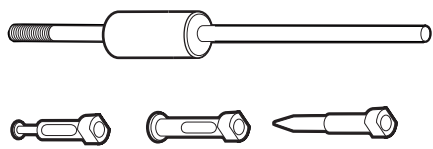
5



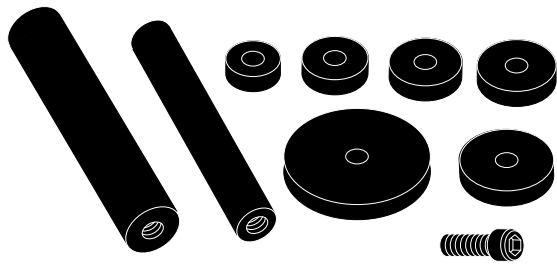
6



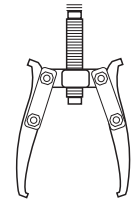
7



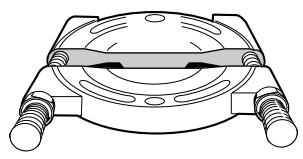
8



9



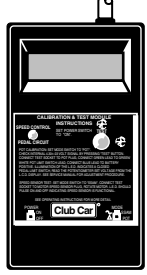
10



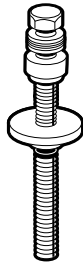
11



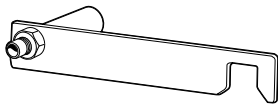
12



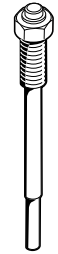
13



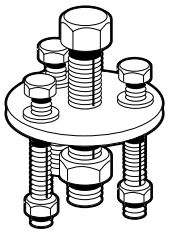
14



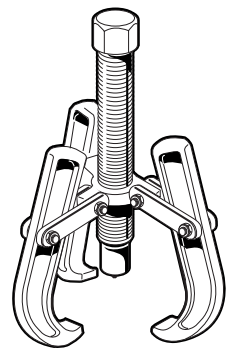
15



16



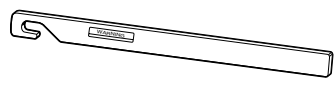
17



18



19



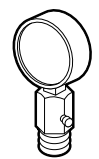
20



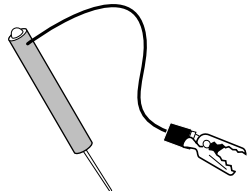
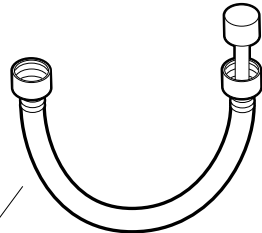
21



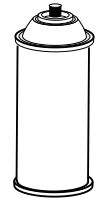
22



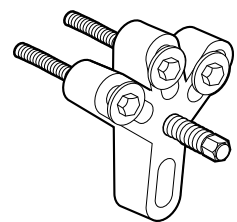
23



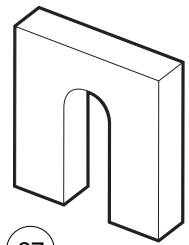
24



25



26



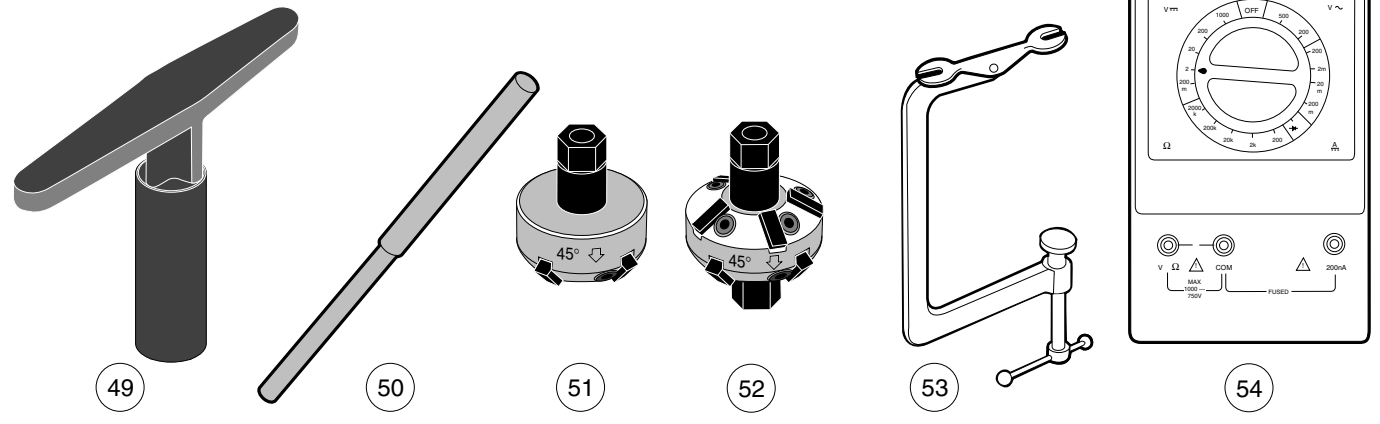
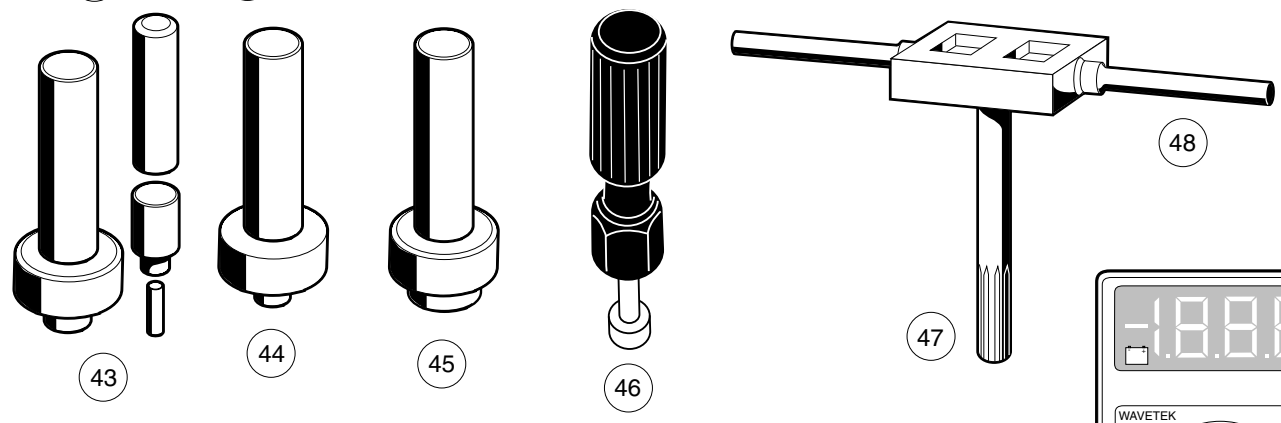
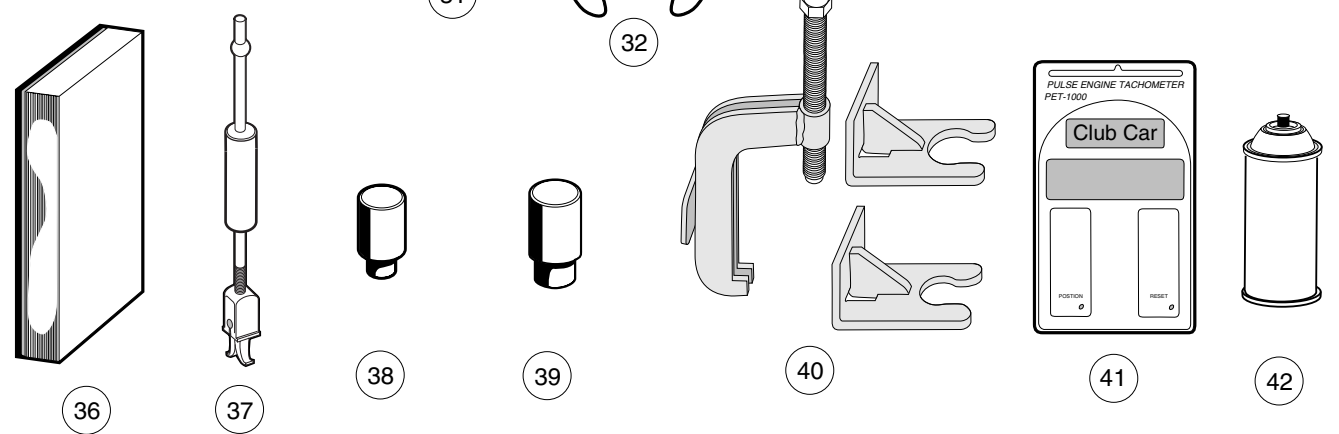
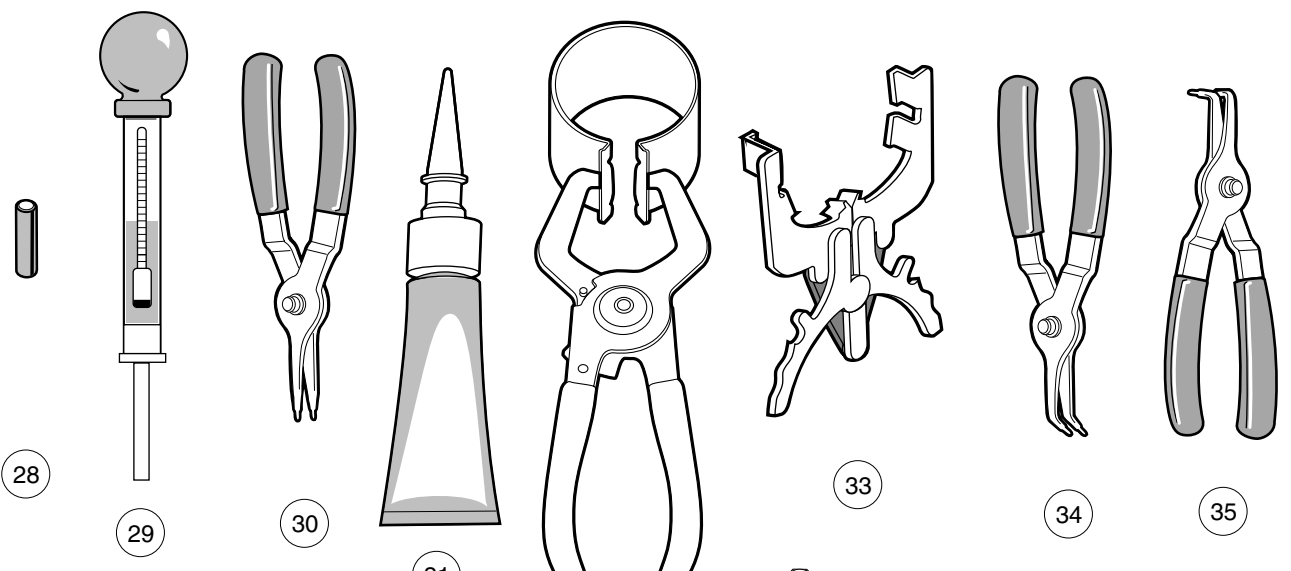
27

# MAINTENANCE AND SERVICE TOOLS

| ITEM | PART NO.          | DESCRIPTION  | QTY<br>GAS | QTY<br>ELEC |
|------|-------------------|--|------------|-------------|
|      |                   | 1 2 3 4  |            |             |
| 1    | <u>1018710-01</u> | ACCELERATOR PEDAL ADJUSTMENT TOOL .....  | 1          | 1           |
| 2    | 1016985           | ADHESION PROMOTER - ARMORFLEX® .....   | 1          | 1           |
| 3    | <u>1018132-02</u> | ADHESIVE, GUIDE RING, 3 GRAM TUBE .....  |            | 1           |
| 4    | 1017295           | ARMORFLEX REPAIR KIT .....   | 1          | 1           |
| 5    | <u>1018319-01</u> | BATTERY DISCHARGE MACHINE, 36/48 VOLT .....  |            | 1           |
| 6    | <u>1014305</u>    | BATTERY TERMINAL PROTECTOR SPRAY .....   | 1          | 1           |
| 7    | 1011767           | BATTERY THERMOMETER .....  |            | 1           |
| 8    | <u>1016417</u>    | BEARING AND OIL SEAL REMOVER ASSEMBLY .....  | 1          | 1           |
| 9    | <u>1016416</u>    | BEARING DRIVER SET .....   | 1          | 1           |
| 10   | <u>1012811</u>    | BEARING PULLER .....   | 1          | 1           |
| 11   | <u>1012812</u>    | BEARING PULLER WEDGE ATTACHMENT .....  | 1          | 1           |
| 12   | 1013582           | BRAKE ADJUSTMENT TOOL (USED ONLY ON VEHICLES WITH<br>MANUALLY ADJUSTED BRAKES) ..... | 1          | 1           |
| 13   | <u>1018871-01</u> | CALIBRATION TEST MODULE .....  |            | 1           |
| 14   | <u>1018084-01</u> | CAM INSTALLATION TOOL .....  | 1          |             |
|      | <u>1014510</u>    | CLUTCH TOOL KIT (INCLUDES ITEMS 15 - 21 ) .....                                      | 1          |             |
| 15   | <u>1014498</u>    | CLUTCH ALIGNMENT TOOL .....  | 1          |             |
| 16   | <u>1014496</u>    | DRIVE CLUTCH PULLER .....  | 1          |             |
| 17   | <u>1014497</u>    | DRIVE CLUTCH HUB PULLER .....  | 1          |             |
| 18   | <u>1014508</u>    | DRIVEN CLUTCH CAM PULLER .....   | 1          |             |
| 19   | <u>1014507</u>    | DRIVEN CLUTCH PULLER PLUG .....  | 1          |             |
| 20   | <u>1015524</u>    | DRIVE CLUTCH HOLDER TOOL ASSEMBLY .....  | 1          |             |
| 21   | <u>1018091-01</u> | PRESS WELDMENT .....   | 1          |             |
| 22   | 1018318-01        | COMMUNICATION DISPLAY MODULE .....   |            | 1           |
| 23   | 1016410-02        | COMPRESSION GAUGE AND ADAPTER .....  | 1          |             |
| 24   | 1011273           | CONTINUITY TESTER .....  | 1          | 1           |
| 25   | <u>1012151</u>    | DRY MOLY LUBRICANT .....   | 1          | 1           |
| 26   | <u>1016627</u>    | FLY WHEEL PULLER KIT .....   | 1          |             |
| 27   | <u>1016418</u>    | GEAR YOKE .....  | 1          | 1           |
|      |                   | PLEASE REFER TO THE MAINTENANCE AND SERVICE MANUAL<br>FOR PROPER TOOL APPLICATION.   |            |             |

1  
G  
E

**1  
G  
E**





# MAINTENANCE AND SERVICE TOOLS, CONTINUED

| ITEM   | PART NO.          | DESCRIPTION  | QTY<br>GAS | QTY<br>ELEC |
|--|-------------------|--|------------|-------------|
|  |                   | 1 2 3 4  |            |             |
| 28   | <u>1019331-01</u> | GOVERNOR SHAFT INSTALLATION TOOL .....   | 1          |             |
| 29   | <u>1011478</u>    | HYDROMETER .....   | 1          | 1           |
| 30   | <u>1013593</u>    | INTERNAL RETAINING RING PLIERS .....   | 1          | 1           |
| 31   | <u>1019287-01</u> | LIQUID GASKET (TRANSAXLE CASE) .....   | 1          |             |
| 32   | <u>1016414</u>    | PISTON RING COMPRESSOR KIT .....   | 1          |             |
| 33   | <u>1016415</u>    | PISTON RING PLIERS .....   | 1          |             |
| 34   | <u>1012549</u>    | RETAINING RING PLIERS - 45° EXTERNAL .....   | 1          | 1           |
| 35   | <u>1012560</u>    | RETAINING RING PLIERS - 90° INTERNAL .....   | 1          | 1           |
| 36   | <u>1018231-01</u> | SAFETY FIRST CARD (50 PER PACK) .....  | 1          | 1           |
| 37   | <u>1012809</u>    | SEAL PULLER .....  | 1          | 1           |
| 38   | <u>1014264</u>    | STEERING COLUMN BEARING PRESS TOOL .....   | 1          | 1           |
| 39   | <u>1014259</u>    | STEERING COLUMN RETAINING RING TOOL .....  | 1          | 1           |
| 40   | 1020612           | STEERING WHEEL PULLER TOOL .....   | 1          | 1           |
| 41   | 1016112           | TACHOMETER .....   | 1          |             |
| 42   | <u>1017097-01</u> | TOUCH-UP PAINT, LACQUER - BEIGE .....  | 1          | 1           |
| 42   | <u>1017097-02</u> | TOUCH-UP PAINT, LACQUER - WHITE .....  | 1          | 1           |
| 42   | <u>1017097-04</u> | TOUCH-UP PAINT, LACQUER - GREY .....   | 1          | 1           |
| 42   | <u>1017097-06</u> | TOUCH-UP PAINT, LACQUER - RED .....  | 1          | 1           |
| 42   | 1017097-08        | TOUCH-UP PAINT, LACQUER - DARK BLUE .....  | 1          | 1           |
| 42   | 1017097-09        | TOUCH-UP PAINT, LACQUER - DARK GREEN .....   | 1          | 1           |
| 43   | <u>1014115</u>    | TRANSMISSION TOOL KIT .....  | 1          |             |
| 44   | 1014161           | TRANSAXLE PINION SEAL TOOL .....   | 1          | 1           |
| 45   | <u>1014162</u>    | TRANSAXLE AXLE SEAL TOOL .....   | 1          | 1           |
| 46   | <u>1016413</u>    | VALVE CLEARANCE ADJUSTER SCREW HOLDER .....  | 1          |             |
| 47   | 1016412-01        | VALVE GUIDE REAMER .....   | 1          |             |
| 48   | <u>1016412-02</u> | ARBOR .....  | 1          |             |
| 49   | <u>1016551</u>    | VALVE SEAT CUTTER T-WRENCH .....   | 1          |             |
| 50   | <u>1016552</u>    | VALVE SEAT CUTTER GUIDE .....  | 1          |             |
| 51   | <u>1016553</u>    | VALVE SEAT CUTTER, 45° (32mm DIAMETER) .....   | 1          |             |
| 52   | <u>1016554</u>    | VALVE SEAT CUTTER, 32° AND 45° (35mm DIAMETER) .....   | 1          |             |
| 53   | <u>1016411-01</u> | VALVE SPRING COMPRESSOR .....  | 1          |             |
| 54   | 1011480           | VOLT OHM METER .....   | 1          | 1           |
| 55   | 1016110-02        | TUNE-UP KIT (FE 290 ENGINE) (INCLUDES AIR FILTER, SPARK PLUG,<br>OIL FILTER, FUEL FILTERS) (NOT SHOWN) ..... | 1          |             |
| 56   | <u>1016110-03</u> | TUNE-UP KIT (FE 350 ENGINE) (INCLUDES AIR FILTER, SPARK PLUG,<br>OIL FILTER, FUEL FILTERS) (NOT SHOWN) ..... | 1          |             |
| PLEASE REFER TO THE MAINTENANCE AND SERVICE MANUAL<br>FOR PROPER TOOL APPLICATION. |                   |  |            |             |



**1**  
**G**  
**E**

# BODY AND TRIM

---

2

G

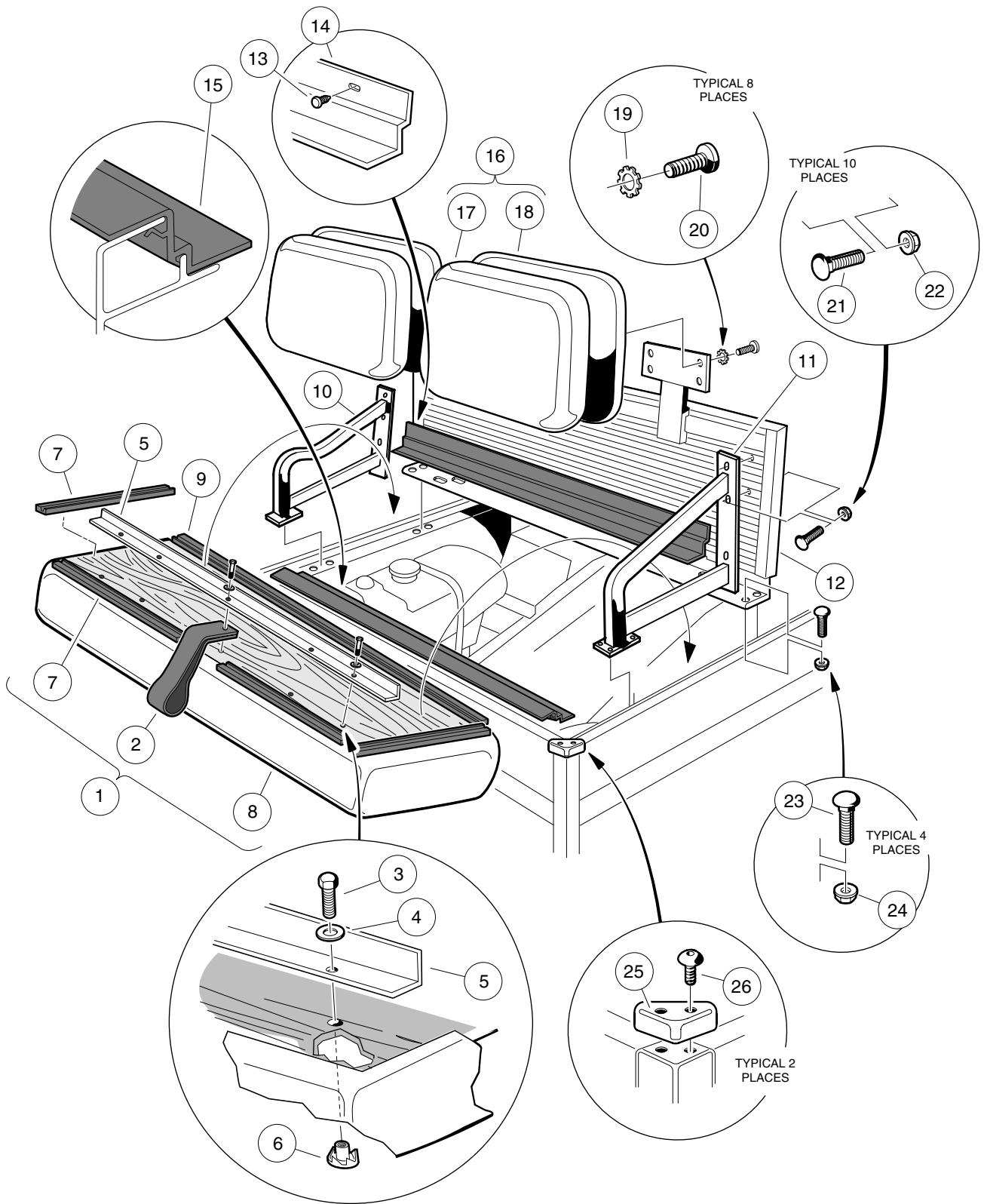
E



# FRONT BODY

2  
G  
E

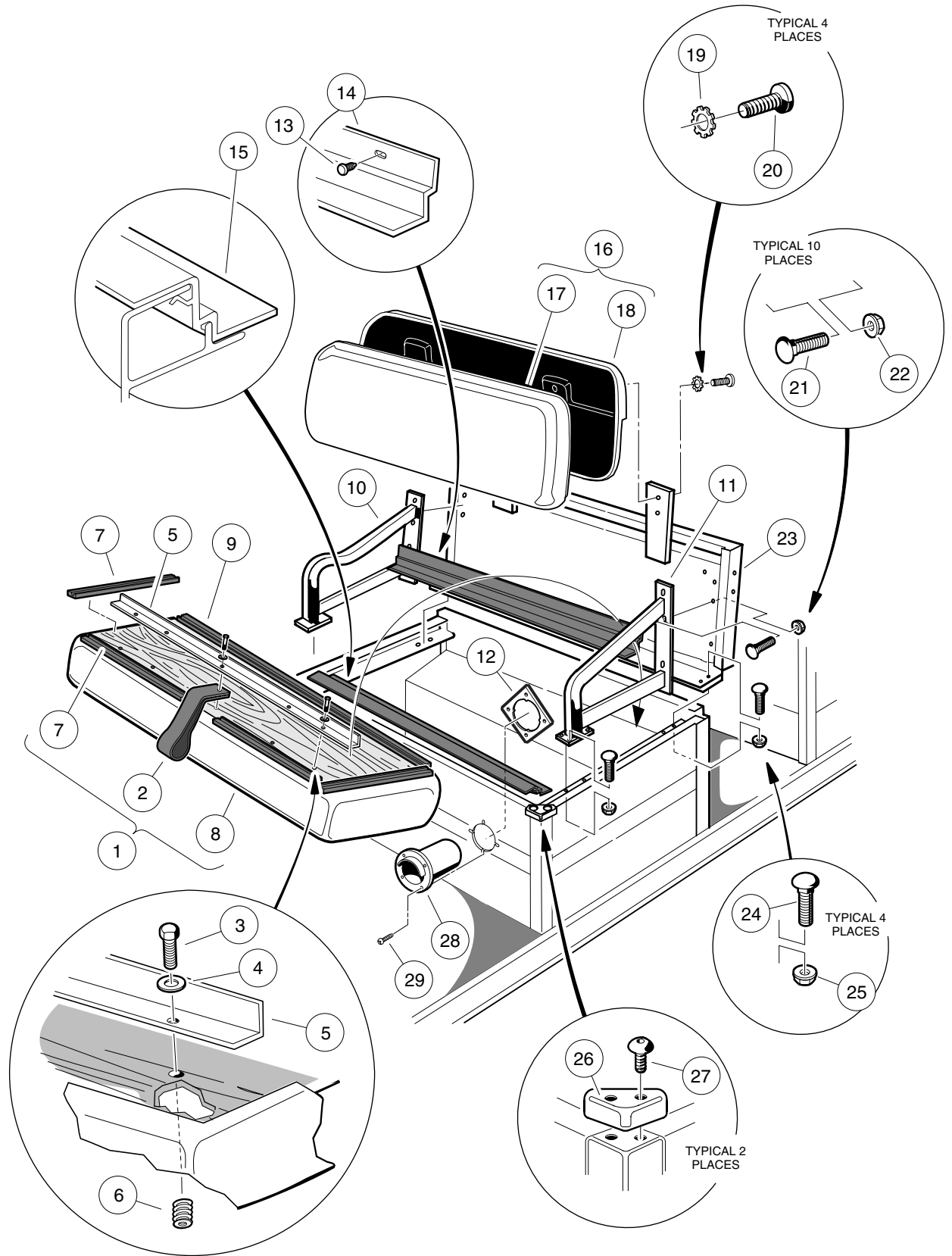
| ITEM | PART NO.          | DESCRIPTION   | QTY GAS | QTY ELEC |
|------|-------------------|---|---------|----------|
|      |                   | 1 2 3 4   |         |          |
| 1    | <u>1017348-02</u> | KIT, HEAVY DUTY BUMPER (INCLUDES ITEMS 2 - 5)<br>(CARRYALL II, TURF II, II PLUS AND VI) ..... | 1       | 1        |
| 2    | <u>1010435</u>    | BOLT, CARRIAGE, 5/16 - 18 x 1 .....   | 2       | 2        |
| 3    | 0007473           | NUT, NYLON LOCK, 5/16 - 18 .....  | 4       | 4        |
| 4    | <u>1010546</u>    | SPACER .....  | 2       | 2        |
| 5    | <u>1015405</u>    | BOLT, CARRIAGE, 5/16 - 18 x 2 .....   | 2       | 2        |
| 6    | <u>1017080</u>    | KIT, FRONT BUMPER (INCLUDES ITEMS 7 - 10) .....   | 1       | 1        |
| 7    | <u>1016868</u>    | BUMPER, FRONT .....   | 1       | 1        |
| 8    | 0007251           | SCREW, PHILLIPS TRUSS HEAD, 5/16 - 18 x 1 .....   | 2       | 2        |
| 9    | 0007473           | NUT, NYLON LOCK, 5/16 - 18 .....  | 2       | 2        |
| 10   | <u>1016967</u>    | RIVET, BLIND PUSH TYPE .....  | 2       | 2        |
| 11   | <u>1016702-01</u> | NAMEPLATE, CLUB CAR (SILVER) .....  | 1       | 1        |
| 12   | <u>1016925-04</u> | BODY, FRONT (GRAY) .....  | 1       | 1        |
| 12   | <u>1016939-04</u> | BODY, FRONT WITH HEADLIGHT OPENING (GRAY) (CARRYALL VI ONLY) .....                            | 1       | 1        |
| 12   | <u>1016939-09</u> | BODY, FRONT WITH HEADLIGHT OPENING (GREEN) (CARRYALL TURF II) .....                           | 1       | 1        |
| 13   | <u>1011014</u>    | TRIM, FRONT BODY .....  | 1       | 1        |
| 14   | 0007251           | SCREW, PHILLIPS TRUSS HEAD, 5/16 - 18 x 1 .....   | 2       | 2        |
| 15   | <u>1010435</u>    | BOLT, CARRIAGE, 5/16 - 18 x 1 .....   | 2       | 2        |
| 16   | 0001241           | WASHER, FLAT, 5/16 .....  | 2       | 2        |
| 17   | 0007473           | NUT, NYLON LOCK, 5/16 - 18 .....  | 2       | 2        |
| 18   | <u>1011017</u>    | SCREW, FLANGE LOCK .....  | 6       | 6        |
| 19   | 1011394           | NUT, SLAB BASE "T" (PACKAGE OF 4) .....   | 1       | 1        |
| 20   | 1013475-01        | TRIM, SIDE BUMPER GUARD (CARRYALL I ONLY) .....   | 2       | 2        |
| 20   | 1013475-02        | TRIM, SIDE BUMPER GUARD (CARRYALL II, TURF II, AND II PLUS) .....                             | 2       | 2        |
| 20   | <u>1013475-03</u> | TRIM, SIDE BUMPER GUARD (CARRYALL VI ONLY) .....  | 2       | 2        |
| 21   | <u>1012047</u>    | SCREW, SELF-TAPPING, #8 - 32 x 3/8 .....  | 8       | 8        |
| 22   | <u>1014645</u>    | KIT, SNAP WASHER, BLACK (INCLUDES ITEMS 23 - 26) .....  | 1       | 1        |
| 23   | N/A               | NUT, SPEED, #10 - 32 .....  | 1       | 1        |
| 24   | N/A               | WASHER, CUP, #10 .....  | 1       | 1        |
| 25   | N/A               | SCREW, SHEET METAL, #10 x 3/4 .....   | 1       | 1        |
| 26   | N/A               | COVER, SCREW HEAD .....   | 1       | 1        |
| 27   | 0007973           | RIVET, ALUMINUM POP, 3/16 .....   | 5       | 5        |
| 28   | <u>1015032</u>    | MAT, FLOOR, FRONT .....   | 1       | 1        |
| 29   | <u>1013343</u>    | COMPONENT, DASH, PASSENGER SIDE (BLACK) .....   | 1       | 1        |
| 30   | 1016604-04        | PANEL, CENTER DASH (BLACK) .....  | 1       | 1        |
| 31   | 1013344           | COMPONENT, DASH, DRIVER SIDE (BLACK) .....  | 1       | 1        |
| 32   | 1013422           | KIT, CUP HOLDER (INCLUDES ITEMS 33 AND 34) (CARRYALL TURF II ONLY) ...                        | 2       | 2        |
| 33   | <u>1010545</u>    | SCREW, HEX HEAD, 1/4 - 20 x 3/4 .....   | 2       | 2        |
| 34   | <u>1013421</u>    | NUT, TWIN SPEED, 1/4 - 20 .....   | 1       | 1        |



# SEATS AND SUPPORT STRUCTURE— CARRYALL I, II, TURF II AND II PLUS

| ITEM | PART NO.          | DESCRIPTION  | QTY<br>GAS | QTY<br>ELEC |
|------|-------------------|--|------------|-------------|
|      |                   | 1 2 3 4  |            |             |
| 1    | <u>1015645-02</u> | ASSEMBLY, SEAT BOTTOM - WHITE (INCLUDES ITEMS 2 - 9) .....   | 1          | 1           |
| 1    | <u>1015645-03</u> | ASSEMBLY, SEAT BOTTOM - BLACK (INCLUDES ITEMS 2 - 9) .....   | 1          | 1           |
| 1    | <u>1015645-05</u> | ASSEMBLY, SEAT BOTTOM - GRAY (INCLUDES ITEMS 2 - 9) .....    | 1          | 1           |
| 2    | <u>1013309</u>    | STRAP, SEAT BOTTOM .....                                     | 1          | 1           |
| 3    | <u>1019543-01</u> | SCREW, HEX HEAD, 1/4 - 20 x 1 .....                          | 5          | 5           |
| 4    | 0000332           | WASHER, FLAT, 1/4 .....                                      | 5          | 5           |
| 5    | <u>1018943-03</u> | STIFFENER, SEAT .....  | 1          | 1           |
| 6    | 1010086           | T-NUT .....  | 5          | 5           |
| 7    | <u>1013311</u>    | BUMPER, SEAT, SHORT .....                                    | 4          | 4           |
| 8    | <u>1015627-02</u> | COVER, VINYL SEAT BOTTOM - WHITE .....                       | 1          | 1           |
| 8    | <u>1015627-04</u> | COVER, VINYL SEAT BOTTOM - BLACK .....                       | 1          | 1           |
| 8    | <u>1015627-10</u> | COVER, VINYL SEAT BOTTOM - GRAY .....                        | 1          | 1           |
| 9    | <u>1013312</u>    | BUMPER, SEAT, LONG .....                                     | 1          | 1           |
| 10   | <u>1018885-01</u> | ASSEMBLY, ARM REST, PASSENGER .....                          | 1          | 1           |
| 11   | 1018885-02        | ASSEMBLY, ARM REST, DRIVER .....                             | 1          | 1           |
| 12   | <u>1015239</u>    | PANEL, SEAT SUPPORT .....                                    | 1          | 1           |
| 13   | <u>1010434</u>    | BARREL, PLASTIC .....  | 5          | 5           |
| 14   | <u>1019639-01</u> | TRIM, SEAT BOTTOM, REAR .....                                | 1          | 1           |
| 15   | <u>1019640-01</u> | TRIM, SEAT BOTTOM, FRONT .....                               | 1          | 1           |
| 16   | <u>1015652-02</u> | ASSEMBLY, SEAT BACK - WHITE (INCLUDES ITEMS 17 AND 18) ..... | 2          | 2           |
| 16   | <u>1015652-05</u> | ASSEMBLY, SEAT BACK - BLACK (INCLUDES ITEMS 17 AND 18) ..... | 2          | 2           |
| 16   | 1015652-06        | ASSEMBLY, SEAT BACK - GRAY (INCLUDES ITEMS 17 AND 18) .....  | 2          | 2           |
| 17   | <u>1015626-02</u> | COVER, VINYL SEAT BACK - WHITE .....                         | 1          | 1           |
| 17   | <u>1015626-04</u> | COVER, VINYL SEAT BACK - BLACK .....                         | 1          | 1           |
| 17   | <u>1015626-05</u> | COVER, VINYL SEAT BACK - GRAY .....                          | 1          | 1           |
| 18   | <u>1013335</u>    | CAP, SEAT BACK - BLACK .....                                 | 1          | 1           |
| 19   | <u>1019462-01</u> | WASHER, EXTERNAL TOOTH LOCK, 1/4 .....                       | 8          | 8           |
| 20   | 0008248           | SCREW, PHILLIPS TRUSS HEAD, 1/4 - 20 x 3/4 .....             | 8          | 8           |
| 21   | <u>1019586-01</u> | BOLT, CARRIAGE, 1/4 - 20 x 3/4 .....                         | 10         | 10          |
| 22   | <u>1018356-01</u> | NUT, FLANGE, 1/4 - 20 .....                                  | 10         | 10          |
| 23   | <u>1019633-01</u> | BOLT, CARRIAGE, 5/16 - 18 x 3/4 .....                        | 4          | 4           |
| 24   | <u>1019634-01</u> | NUT, FLANGE, 5/16 - 18 .....                                 | 4          | 4           |
| 25   | <u>1014387</u>    | CAP, CORNER .....  | 2          | 2           |
| 26   | <u>1014321</u>    | SCREW, TRUSS TORX HEAD, 1/4 - 14 x 3/4 .....                 | 4          | 4           |

**2**  
**G**  
**E**

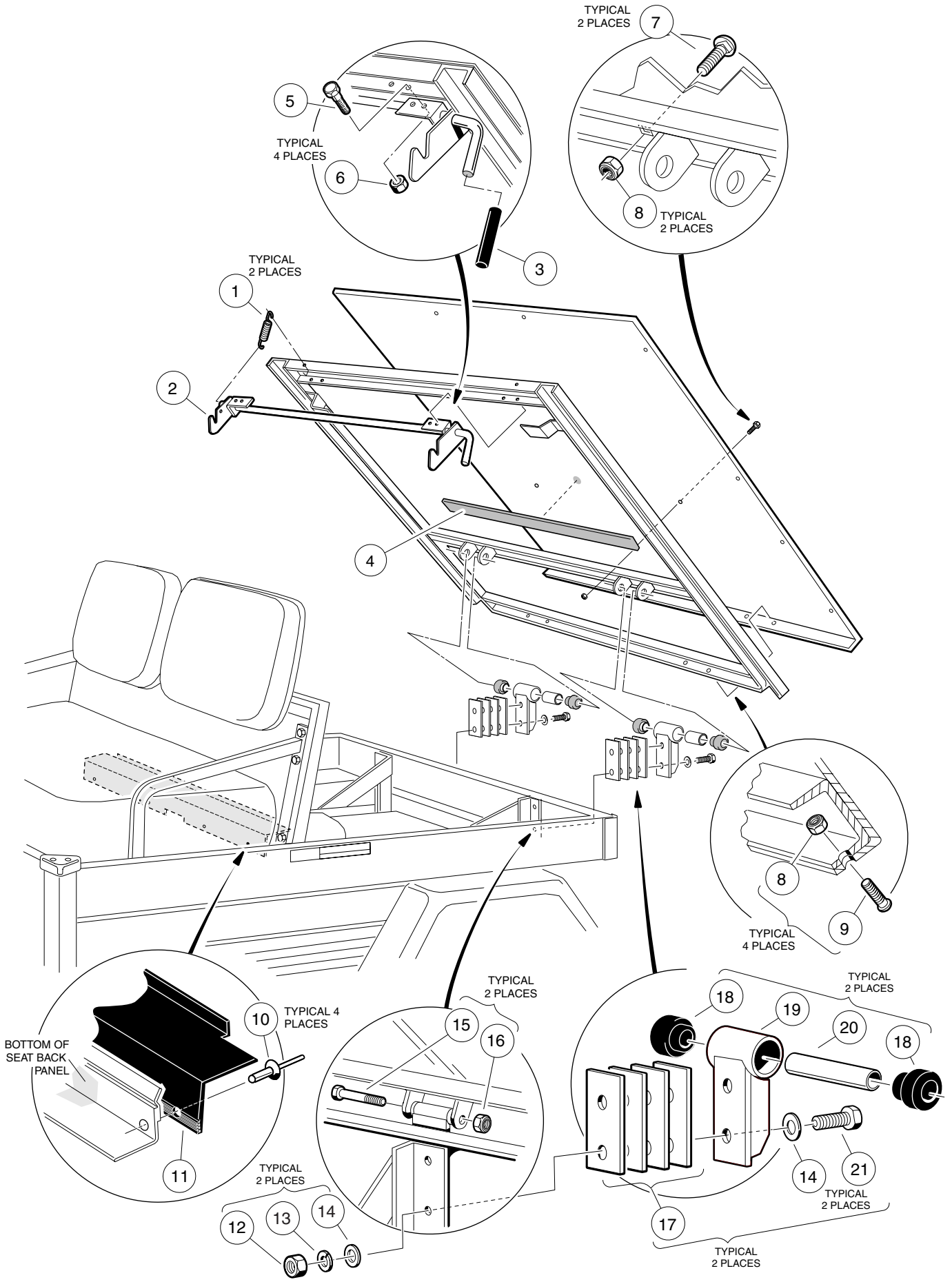




# SEATS AND SUPPORT STRUCTURE— CARRYALL VI

| ITEM | PART NO.          | DESCRIPTION   | QTY GAS | QTY ELEC |
|------|-------------------|---|---------|----------|
|      |                   | 1 2 3 4   |         |          |
| 1    | <u>1015645-02</u> | ASSEMBLY, SEAT BOTTOM - WHITE (INCLUDES ITEMS 2 - 9) .....        | 1       | 1        |
| 1    | <u>1015645-03</u> | ASSEMBLY, SEAT BOTTOM - BLACK (INCLUDES ITEMS 2 - 9) .....        | 1       | 1        |
| 1    | <u>1015645-05</u> | ASSEMBLY, SEAT BOTTOM - GRAY (INCLUDES ITEMS 2 - 9) .....         | 1       | 1        |
| 2    | <u>1013309</u>    | STRAP, SEAT BOTTOM .....  | 1       | 1        |
| 3    | <u>1019543-01</u> | SCREW, HEX HEAD, 1/4 - 20 x 1 .....                               | 5       | 5        |
| 4    | 0000332           | WASHER, FLAT, 1/4 .....   | 5       | 5        |
| 5    | <u>1018943-03</u> | STIFFENER, SEAT .....   | 1       | 1        |
| 6    | 1010086           | T-NUT .....   | 5       | 5        |
| 7    | <u>1013311</u>    | BUMPER, SEAT, SHORT .....   | 4       | 4        |
| 8    | <u>1015627-02</u> | COVER, VINYL SEAT BOTTOM - WHITE .....                            | 1       | 1        |
| 8    | <u>1015627-04</u> | COVER, VINYL SEAT BOTTOM - BLACK .....                            | 1       | 1        |
| 8    | <u>1015627-10</u> | COVER, VINYL SEAT BOTTOM - GRAY .....                             | 1       | 1        |
| 9    | <u>1013312</u>    | BUMPER, SEAT, LONG .....  | 1       | 1        |
| 10   | <u>1018885-01</u> | ASSEMBLY, ARMREST, PASSENGER .....                                | 1       | 1        |
| 11   | 1018885-02        | ASSEMBLY, ARMREST, DRIVER .....                                   | 1       | 1        |
| 12   | <u>1018010-01</u> | PLATE, RECEPTACLE BACKING (ELECTRIC VEHICLE ONLY) .....           |         | 1        |
| 13   | <u>1010434</u>    | BARREL, PLASTIC .....   | 5       | 5        |
| 14   | <u>1019639-01</u> | TRIM, SEAT BOTTOM, REAR .....                                     | 1       | 1        |
| 15   | <u>1019640-01</u> | TRIM, SEAT BOTTOM, FRONT .....                                    | 1       | 1        |
| 16   | <u>1016777-01</u> | ASSEMBLY, SEAT BACK - WHITE (INCLUDES ITEMS 17 AND 18) .....      | 1       | 1        |
| 16   | <u>1016777-02</u> | ASSEMBLY, SEAT BACK - BLACK (INCLUDES ITEMS 17 AND 18) .....      | 1       | 1        |
| 16   | <u>1016777-05</u> | ASSEMBLY, SEAT BACK - GRAY (INCLUDES ITEMS 17 AND 18) .....       | 1       | 1        |
| 17   | <u>1016755-02</u> | COVER, VINYL SEAT BACK - WHITE .....                              | 1       | 1        |
| 17   | 1016755-04        | COVER, VINYL SEAT BACK - BLACK .....                              | 1       | 1        |
| 17   | <u>1016755-06</u> | COVER, VINYL SEAT BACK - GRAY .....                               | 1       | 1        |
| 18   | 1016751           | CAP, SEAT BACK .....  | 1       | 1        |
| 19   | <u>1019462-01</u> | WASHER, EXTERNAL TOOTH LOCK, 1/4 .....                            | 8       | 8        |
| 20   | 0008251           | SCREW, PHILLIPS TRUSS HEAD, 1/4 - 20 x 1 .....                    | 8       | 8        |
| 21   | <u>1019586-01</u> | BOLT, CARRIAGE, 1/4 - 20 x 3/4 .....                              | 10      | 10       |
| 22   | <u>1018356-01</u> | NUT, FLANGE, 1/4 - 20 .....                                       | 10      | 10       |
| 23   | 1016723           | PANEL, SEAT SUPPORT .....   | 1       | 1        |
| 24   | <u>1019633-01</u> | BOLT, CARRIAGE, 5/16 - 18 x 3/4 .....                             | 4       | 4        |
| 25   | <u>1019634-01</u> | NUT, FLANGE, 5/16 - 18 .....                                      | 4       | 4        |
| 26   | <u>1014387</u>    | CAP, CORNER .....   | 2       | 2        |
| 27   | <u>1014321</u>    | SCREW, TRUSS TORX HEAD, 1/4 - 14 x 3/4 .....                      | 4       | 4        |
| 28   | <u>1016673</u>    | HOUSING, CORD (ELECTRIC VEHICLE ONLY) .....                       |         | 1        |
| 29   | 0008796           | SCREW, PHILLIPS HEAD, #7 - 19 x 3/4 (ELECTRIC VEHICLE ONLY) ..... |         | 4        |

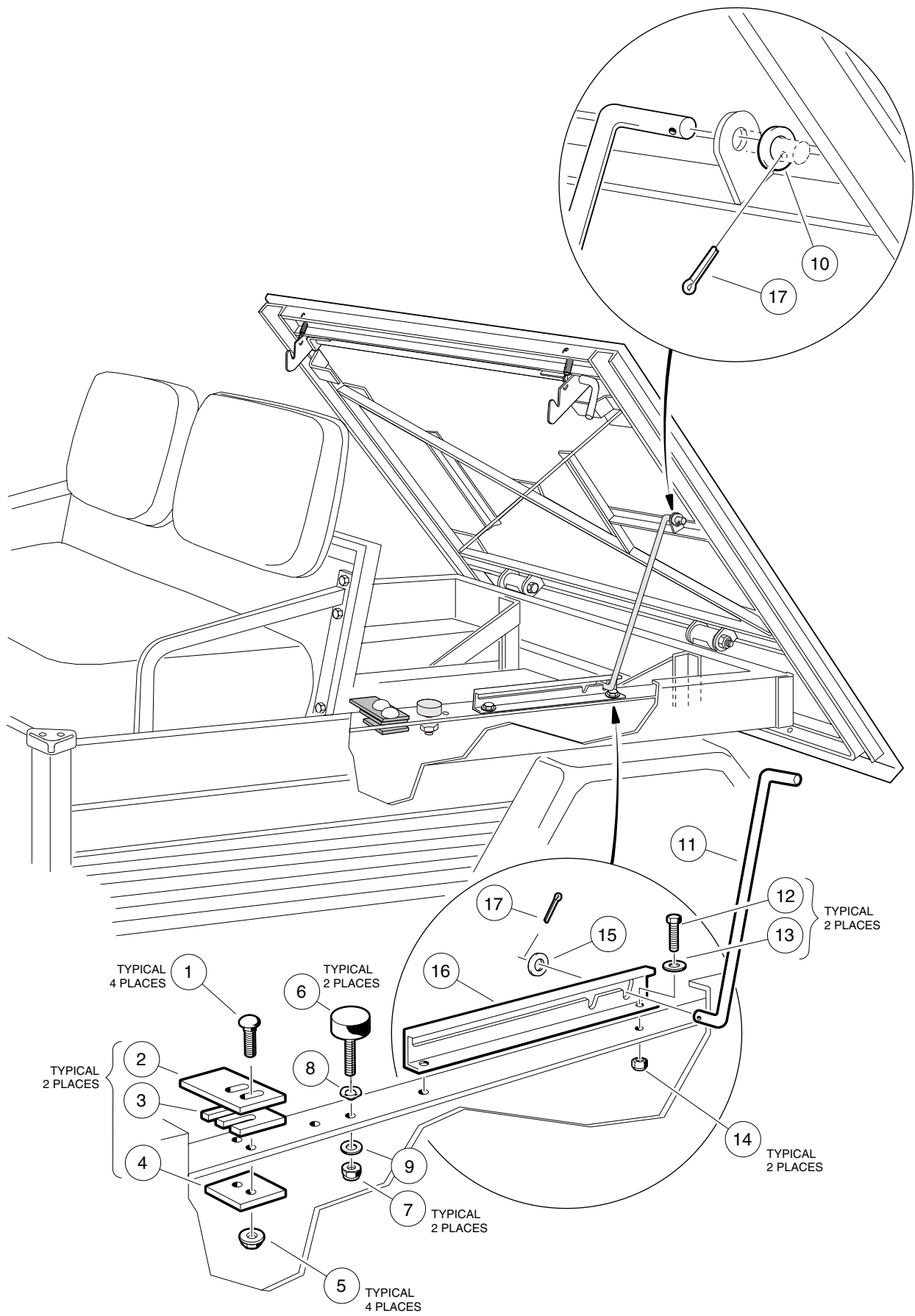
**2**  
**G**  
**E**



# TILT BED, HINGE, AND LATCH—CARRYALL I

| ITEM   | PART NO.          | DESCRIPTION  | QTY<br>GAS | QTY<br>ELEC |
|--|-------------------|--|------------|-------------|
|  |                   | 1 2 3 4  |            |             |
|  | 1015427           | ASSEMBLY, TILT BED AND LATCH, CARRYALL I (INCLUDES ITEMS 1 - 9)..... | 1          | 1           |
| 1  | <u>1015391</u>    | SPRING, LATCH EXTENSION .....  | 2          | 2           |
| 2  | 1015252           | ASSEMBLY, LATCH WELD .....   | 1          | 1           |
| 3  | <u>1015400</u>    | HAND GRIP, TILT LATCH .....  | 1          | 1           |
| 4  | <u>1014471</u>    | INSULATION, BULK, (42" LONG) .....                                   | A/R        | A/R         |
| 5  | 0000403           | SCREW, HEX HEAD CAP, 1/4 - 20 x 5/8 .....                            | 4          | 4           |
| 6  | <u>1018356-01</u> | NUT, FLANGED LOCK, 1/4 - 20 .....                                    | 4          | 4           |
| 7  | <u>1010435</u>    | BOLT, CARRIAGE, 5/16 - 18 x 1 .....                                  | 2          | 2           |
| 8  | 0007473           | NUT, NYLON LOCK, 5/16 - 18 .....                                     | 6          | 6           |
| 9  | 1015399           | SCREW, TORX TRUSS HEAD, 5/16 - 18 x 3/4 .....                        | 4          | 4           |
| 10   | 0007532           | RIVET, 5/16 .....  | 4          | 4           |
| 11   | <u>1017976</u>    | SEAL, BED .....  | 1          | 1           |
| 12   | 0000706           | NUT, HEX, 3/18 - 16 .....  | 4          | 4           |
| 13   | 0000357           | WASHER, LOCK, 3/8 .....  | 4          | 4           |
| 14   | <u>1011990</u>    | WASHER, FLAT, 3/8 .....  | 8          | 8           |
| 15   | 0008755           | SCREW, HEX HEAD CAP, 3/8 - 16 x 3 3/8 .....                          | 2          | 2           |
| 16   | 0008754           | NUT, NYLON LOCK, 3/8 - 16 .....                                      | 2          | 2           |
| 17   | <u>1015507</u>    | SHIM, TILT BED PIVOT .....   | A/R        | A/R         |
| 18   | <u>1015583</u>    | BUSHING, URETHANE .....  | 4          | 4           |
| 19   | <u>1015356</u>    | ASSEMBLY, TILT BED HINGE WELD .....                                  | 2          | 2           |
| 20   | <u>1012303</u>    | BUSHING, STEEL .....   | 2          | 2           |
| 21   | 0008861           | SCREW, HEX HEAD CAP, 3/8 - 16 x 1 3/4 .....                          | 4          | 4           |
| FOR LATCH PLATE COMPONENTS, SEE PAGE 2 - 11. |                   |  |            |             |

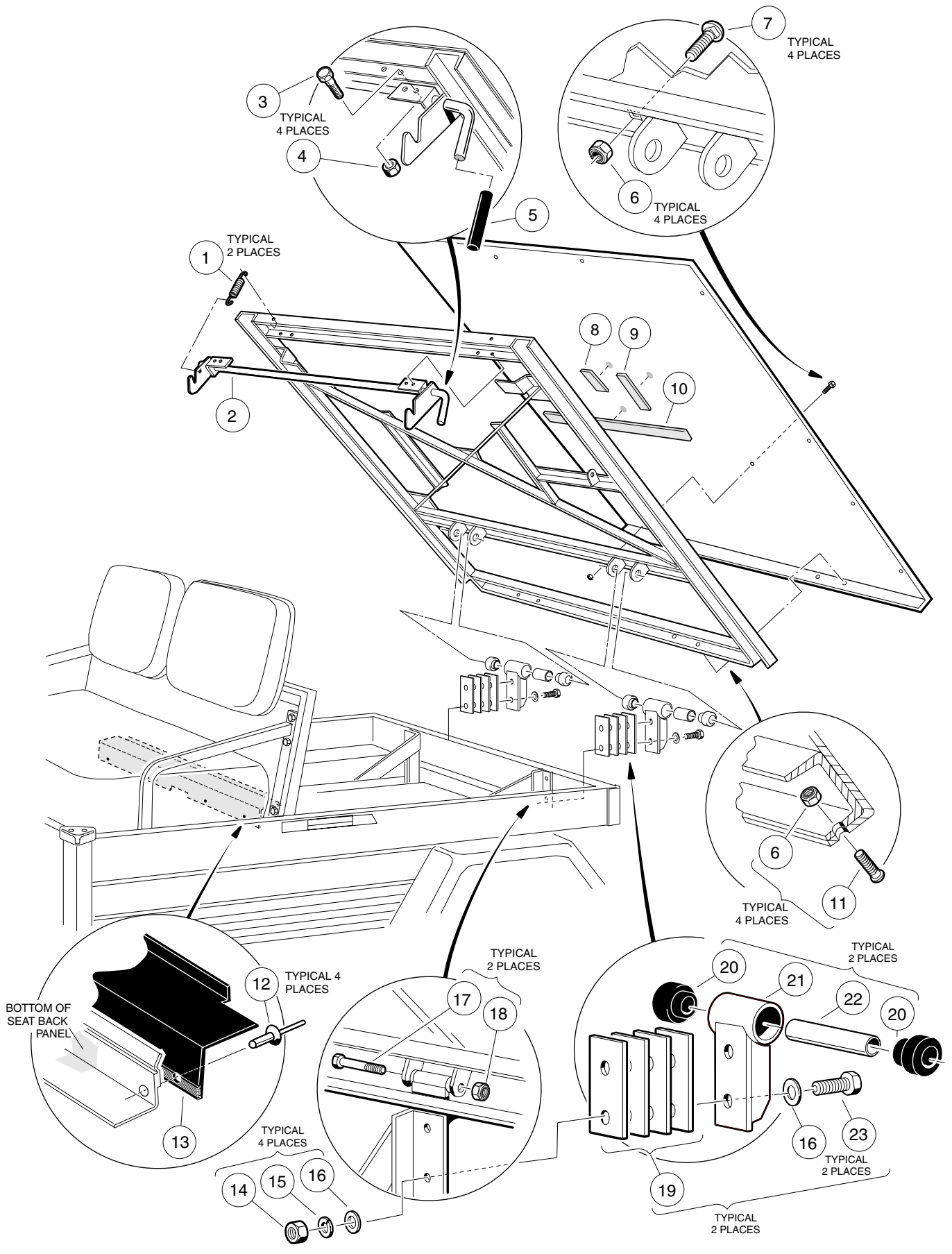
2  
G  
E



# LATCH PLATE—CARRYALL I, II, TURF II AND II PLUS PROP ROD—CARRYALL II, TURF II AND II PLUS

| ITEM | PART NO.          | DESCRIPTION   | QTY GAS | QTY ELEC |
|------|-------------------|---|---------|----------|
|      |                   | 1 2 3 4   |         |          |
|      |                   | ITEMS 1 - 9: CARRYALL I, II, TURF II AND II PLUS                          |         |          |
| 1    | <u>1019586-01</u> | BOLT, CARRIAGE, 1/4 - 20 x 1 .....  | 4       | 4        |
| 2    | <u>1015277</u>    | PLATE, TILT BED LATCH .....   | 2       | 2        |
| 3    | <u>1016078</u>    | SHIM, LATCH PLATE .....   | A/R     | A/R      |
| 4    | <u>1016060</u>    | SUPPORT, LATCH PLATE .....  | 2       | 2        |
| 5    | <u>1018356-01</u> | NUT, FLANGE, 1/4 - 20 .....   | 4       | 4        |
| 6    | <u>1010878</u>    | BUMPER, RUBBER .....  | 2       | 2        |
| 7    | 0008233           | NUT, NYLON LOCK, 1/4 - 20 .....   | 2       | 2        |
| 8    | <u>1016201</u>    | WASHER, WAVE .....  | 2       | 2        |
| 9    | 0000332           | WASHER, FLAT, 1/4 .....   | 2       | 2        |
|      | <u>1019228-01</u> | KIT, PROP ROD (CARRYALL II, TURF II AND II PLUS) (INCLUDES ITEMS 10 - 17) | 1       | 1        |
| 10   | 0000334           | WASHER, FLAT, 3/8 .....   | 1       | 1        |
| 11   | N/A               | ROD, PROP .....   | 1       | 1        |
| 12   | 0007847           | SCREW, HEX HEAD CAP, 1/4 - 20 x 3/4 .....                                 | 2       | 2        |
| 13   | 0000332           | WASHER, FLAT, 1/4 .....   | 2       | 2        |
| 14   | 0008233           | NUT, NYLON LOCK, 1/4 - 20 .....   | 2       | 2        |
| 15   | <u>1017328</u>    | WASHER, CONVEX, 3/8 .....   | 1       | 1        |
| 16   | N/A               | TRACK, PROP ROD .....   | 1       | 1        |
| 17   | <u>0001035</u>    | PIN, COTTER, 3/32 x 1 .....   | 2       | 2        |

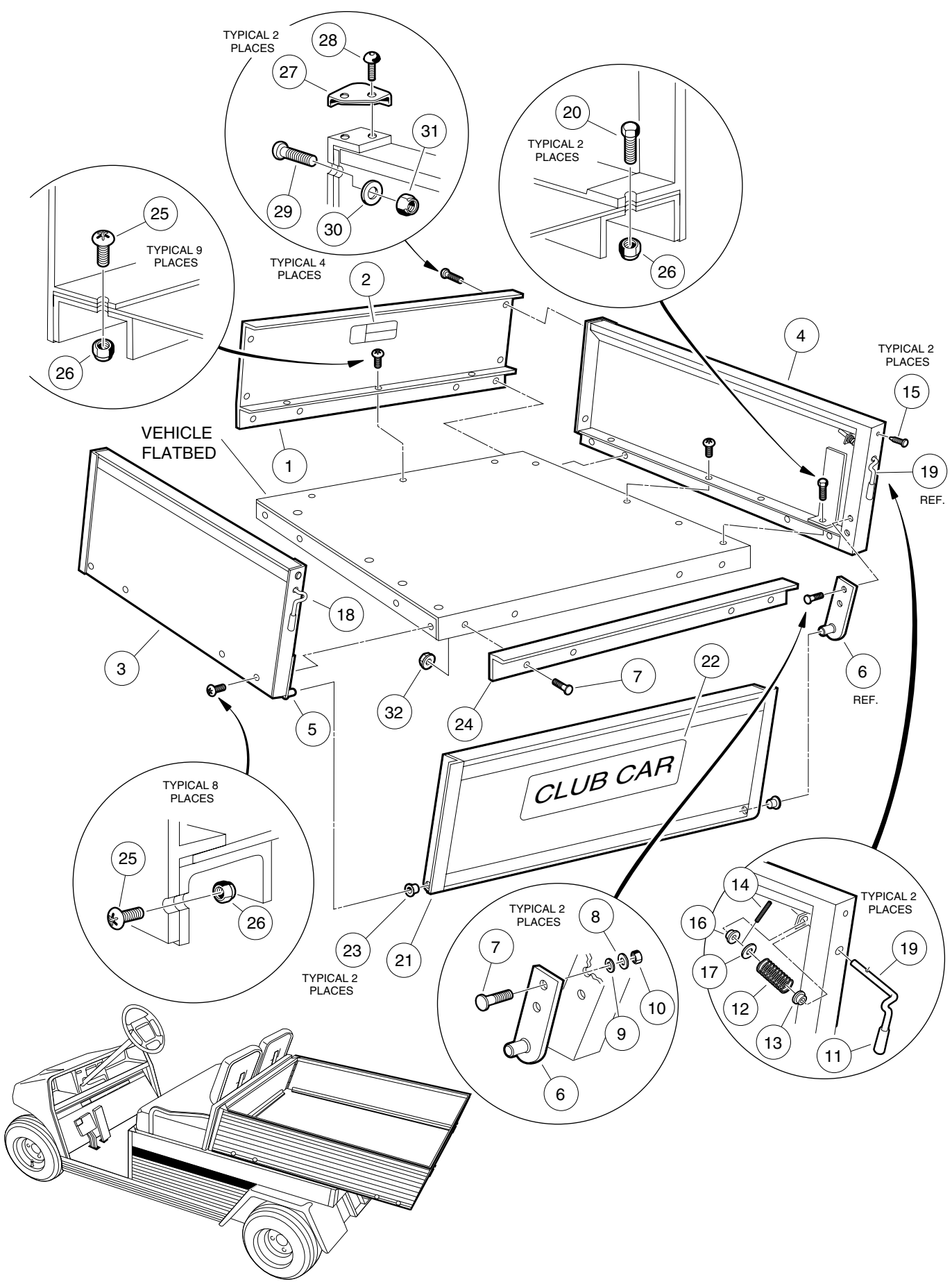
**2**  
**G**  
**E**



# TILT BED, HINGE AND LATCH— CARRYALL II, TURF II AND II PLUS

| ITEM | PART NO.          | DESCRIPTION  | QTY<br>GAS | QTY<br>ELEC |
|------|-------------------|--|------------|-------------|
|      |                   | 1 2 3 4  |            |             |
|      | <u>1015429-01</u> | ASSEMBLY, TILT BED, MANUAL LIFT, CARRYALL II, TURF II AND II PLUS .....<br>(INCLUDES ITEMS 1 - 11) | 1          | 1           |
| 1    | <u>1015391</u>    | SPRING, LATCH EXTENSION .....  | 2          | 2           |
| 2    | 1015252           | ASSEMBLY, LATCH WELD .....   | 1          | 1           |
| 3    | 0000403           | SCREW, HEX HEAD CAP, 1/4 - 20 x 5/8 .....  | 4          | 4           |
| 4    | <u>1018356-01</u> | NUT, FLANGED LOCK, 1/4 - 20 .....  | 4          | 4           |
| 5    | <u>1015400</u>    | HAND GRIP, TILT LATCH .....  | 1          | 1           |
| 6    | 0007473           | NUT, NYLON LOCK, 5/16 - 18 .....   | 8          | 8           |
| 7    | <u>1010435</u>    | BOLT, CARRIAGE, 5/16 - 18 x 1 .....  | 4          | 4           |
| 8    | <u>1014471</u>    | INSULATION, BULK (4" LONG) .....   | A/R        | A/R         |
| 9    | <u>1014471</u>    | INSULATION, BULK (8" LONG) .....   | A/R        | A/R         |
| 10   | <u>1014471</u>    | INSULATION, BULK (46" LONG) .....  | A/R        | A/R         |
| 11   | 1015399           | SCREW, TORX TRUSS HEAD, 5/16 - 18 x 5/8 .....  | 4          | 4           |
| 12   | 0007532           | RIVET, 5/16 .....  | 4          | 4           |
| 13   | <u>1017976</u>    | SEAL, BED .....  | 1          | 1           |
| 14   | 0000706           | NUT, HEX, 3/8 - 16 .....   | 4          | 4           |
| 15   | 0000357           | WASHER, LOCK, 3/8 .....  | 4          | 4           |
| 16   | <u>1011990</u>    | WASHER, FLAT, 3/8 .....  | 8          | 8           |
| 17   | 0008755           | SCREW, HEX HEAD CAP, 3/8 - 16 x 3 3/8 .....  | 2          | 2           |
| 18   | 0008754           | NUT, NYLON LOCK, 3/8 - 16 .....  | 2          | 2           |
| 19   | <u>1015507</u>    | SHIM, TILT BED PIVOT .....   | A/R        | A/R         |
| 20   | <u>1015583</u>    | BUSHING, URETHANE .....  | 4          | 4           |
| 21   | <u>1015356</u>    | ASSEMBLY, TILT BED HINGE WELD .....  | 2          | 2           |
| 22   | <u>1012303</u>    | BUSHING, STEEL .....   | 2          | 2           |
| 23   | 0008861           | SCREW, HEX HEAD CAP, 3/8 - 16 x 1 3/4 .....  | 4          | 4           |
|      |                   | FOR LATCH PLATE AND PROP ROD COMPONENTS, SEE PAGE 2 - 11.  |            |             |

2  
G  
E

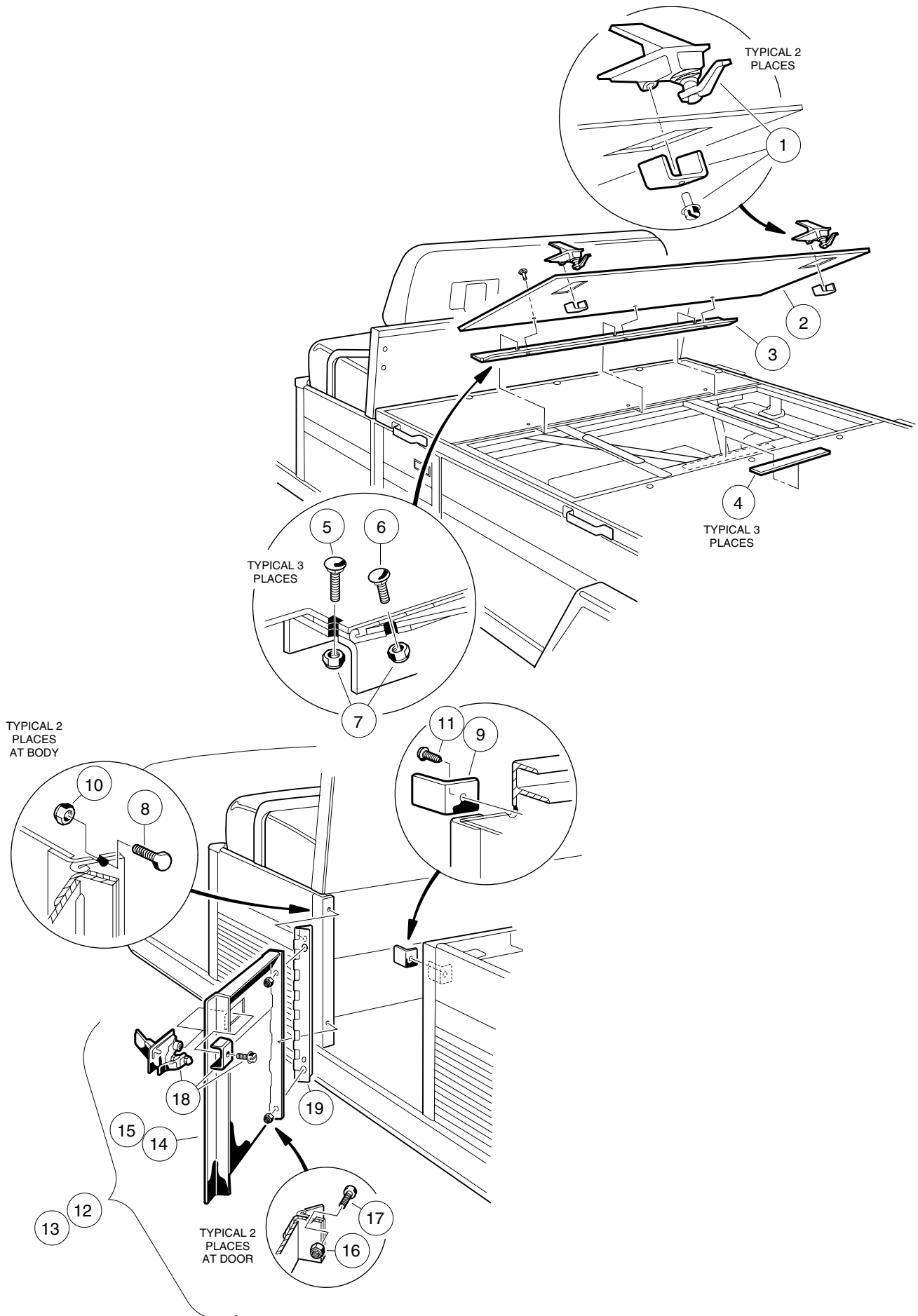




# CARGO BOX-CARRYALL TURF II

| ITEM | PART NO.          | DESCRIPTION   | QTY<br>GAS | QTY<br>ELEC |
|------|-------------------|---|------------|-------------|
|      |                   | 1 2 3 4   |            |             |
|      | <u>1015607</u>    | KIT, CARGO BOX (INCLUDES ITEMS 1 - 32) .....                                | 1          | 1           |
| 1    | <u>1015412</u>    | FRONT PANEL ASSEMBLY (INCLUDES ITEM 2) .....                                | 1          | 1           |
| 2    | <u>1015539-01</u> | DECAL, BED LOAD .....   | 1          | 1           |
| 3    | <u>1015368</u>    | SIDE PANEL ASSEMBLY, DRIVER SIDE (INCLUDES ITEMS 5 AND 7 - 18) .....        | 1          | 1           |
| 4    | <u>1015366</u>    | SIDE PANEL ASSEMBLY, PASSENGER SIDE (INCLUDES ITEMS 6 - 17<br>AND 19) ..... | 1          | 1           |
| 5    | <u>1014513</u>    | BRACKET, TAILGATE, DRIVER SIDE .....  | 1          | 1           |
| 6    | <u>1014514</u>    | BRACKET, TAILGATE, PASSENGER SIDE .....                                     | 1          | 1           |
| 7    | <u>1014537</u>    | STUD, FLUSH HEAD .....  | 8          | 8           |
| 8    | 0001241           | WASHER, FLAT, 5/16 .....  | 4          | 4           |
| 9    | 0007174           | WASHER, LOCK, 5/16 .....  | 4          | 4           |
| 10   | 0001242           | NUT, HEX, 5/16 - 18 .....   | 4          | 4           |
| 11   | <u>1015400</u>    | GRIP, HAND .....  | 2          | 2           |
| 12   | <u>1015390</u>    | SPRING, COMPRESSION .....   | 2          | 2           |
| 13   | <u>0001032</u>    | BUSHING, NYLON .....  | 2          | 2           |
| 14   | 0001231           | ROLL PIN, 1/8 x 1 .....   | 2          | 2           |
| 15   | <u>1010434</u>    | BARREL, PLASTIC (BLACK) .....   | 2          | 2           |
| 16   | <u>1015363</u>    | BUSHING .....   | 2          | 2           |
| 17   | <u>1011990</u>    | WASHER, FLAT, 3/8 .....   | 2          | 2           |
| 18   | <u>1015313</u>    | LATCH, DRIVER SIDE .....  | 1          | 1           |
| 19   | <u>1015245</u>    | LATCH, PASSENGER SIDE .....   | 1          | 1           |
| 20   | <u>1010934</u>    | SCREW, HEX HEAD CAP, 5/16 - 18 x 1 .....                                    | 2          | 2           |
| 21   | <u>1015424</u>    | TAILGATE ASSEMBLY (INCLUDES ITEM 22) .....                                  | 1          | 1           |
| 22   | <u>1013317</u>    | DECAL, CLUB CAR TAILGATE .....  | 2          | 2           |
| 23   | 0007049           | BUSHING, NYLON .....  | 2          | 2           |
| 24   | <u>1018947-02</u> | KIT, TAILGATE ANGLE .....   | 1          | 1           |
| 25   | 1015399           | SCREW, TORX TRUSS HEAD, 5/16 - 18 x 3/4 .....                               | 17         | 17          |
| 26   | 0007473           | NUT, NYLON LOCK, 5/16 - 18 .....  | 19         | 19          |
| 27   | <u>1014387</u>    | CAP, CORNER .....   | 2          | 2           |
| 28   | <u>1014321</u>    | SCREW, TORX TRUSS HEAD, #10 - 24 x 3/8 .....                                | 4          | 4           |
| 29   | <u>1014415</u>    | SCREW, TORX TRUSS HEAD, 1/4 - 20 x 3/4 .....                                | 4          | 4           |
| 30   | 0000332           | WASHER, FLAT, 1/4 .....   | 4          | 4           |
| 31   | 0008233           | NUT, NYLON LOCK, 1/4 - 20 .....   | 4          | 4           |
| 32   | <u>1019634-01</u> | NUT, FLANGE LOCK, 5/16 - 18 .....   | 4          | 4           |

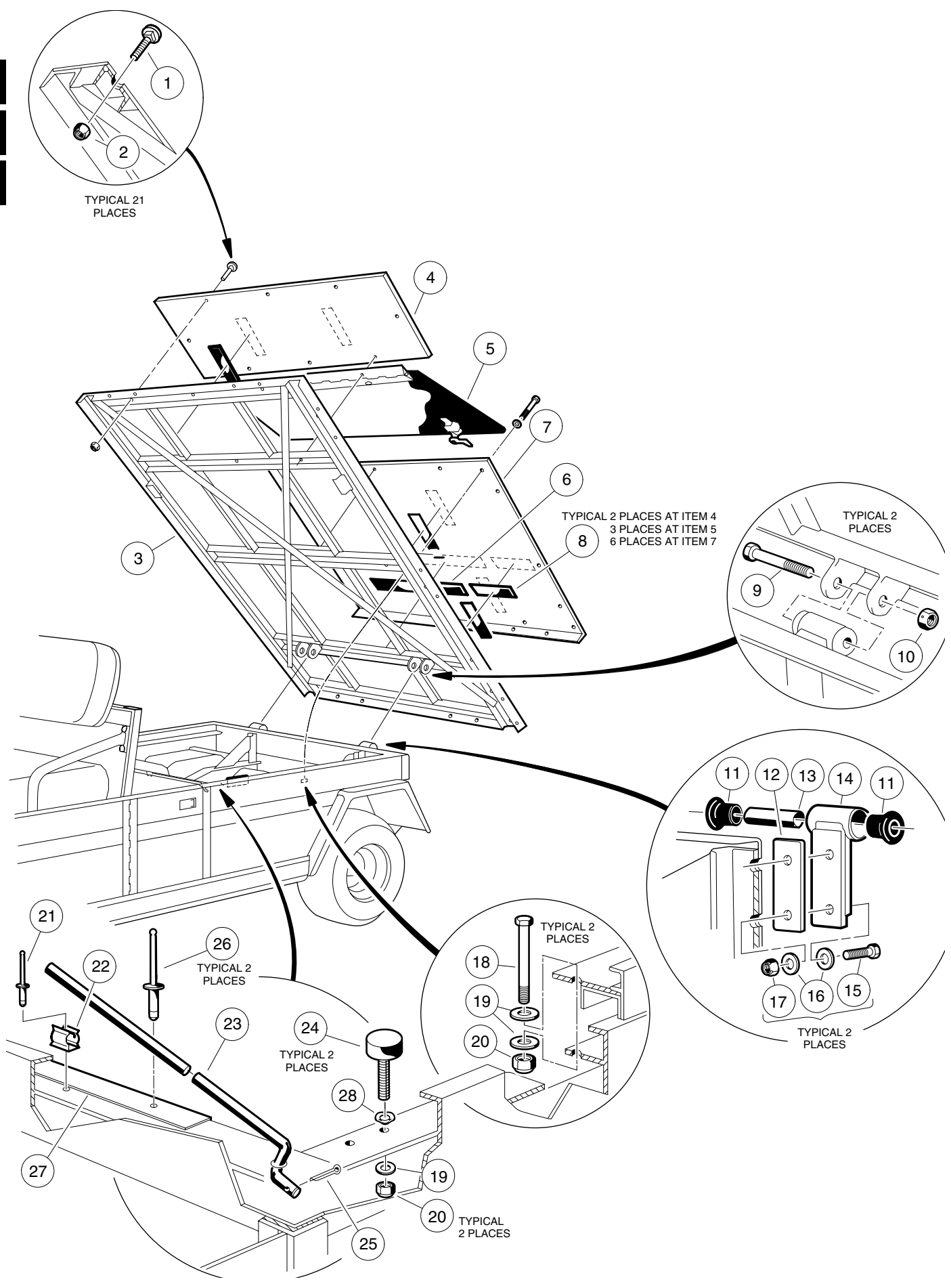
2  
G  
E



# ACCESS DOOR AND SIDE DOORS—CARRYALL VI

| ITEM | PART NO.          | DESCRIPTION  | QTY<br>GAS | QTY<br>ELEC |
|------|-------------------|--|------------|-------------|
|      |                   | 1 2 3 4  |            |             |
| 1    | 1016914           | LATCH, COMPARTMENT DOOR .....  | 2          | 2           |
| 2    | <u>1016891-01</u> | PLATE, LONG BED ACCESS DOOR .....  | 1          | 1           |
| 3    | <u>1016881</u>    | HINGE, LONG BED ACCESS DOOR .....  | 1          | 1           |
| 4    | <u>1014471</u>    | INSULATION, BULK (8-1/2" LONG) .....   | A/R        | A/R         |
| 5    | <u>1010435</u>    | BOLT, CARRIAGE, 5/16 - 18 x 1 .....  | 3          | 3           |
| 6    | <u>1017077</u>    | BOLT, CARRIAGE, 5/16 - 18 x 5/8 .....  | 3          | 3           |
| 7    | 0007473           | NUT, NYLON LOCK, 5/16 - 18 .....   | 6          | 6           |
| 8    | 0000403           | SCREW, HEX HEAD CAP, 1/4 - 20 x 5/8 .....                                      | 2          | 2           |
| 9    | <u>1013280</u>    | CLIP, ANGLE, CARRYALL .....  | 2          | 2           |
| 10   | 0008233           | NUT, NYLON LOCK, 1/4 - 20 .....  | 2          | 2           |
| 11   | <u>1012285</u>    | SCREW, THREAD-ROLLING, 1/4 - 20 x 5/8 .....                                    | 2          | 2           |
| 12   | 1016955           | ASSEMBLY, COMPARTMENT DOOR (DRIVER SIDE)<br>(INCLUDES ITEMS 14, 16 - 19) ..... | 1          | 1           |
| 13   | <u>1016954</u>    | ASSEMBLY, COMPARTMENT DOOR (PASSENGER SIDE)<br>(INCLUDES ITEMS 15 - 19) .....  | 1          | 1           |
| 14   | <u>1016918</u>    | ASSEMBLY, COMPARTMENT DOOR WELD (DRIVER SIDE).....                             | 1          | 1           |
| 15   | 1016909           | ASSEMBLY, COMPARTMENT DOOR WELD (PASSENGER SIDE) .....                         | 1          | 1           |
| 16   | 0008233           | NUT, NYLON LOCK, 1/4 - 20 .....  | 2          | 2           |
| 17   | 0000403           | SCREW, HEX HEAD CAP, 1/4 - 20 x 5/8 .....                                      | 2          | 2           |
| 18   | 1016914           | LATCH, COMPARTMENT DOOR .....  | 2          | 2           |
| 19   | <u>1016920</u>    | HINGE, COMPARTMENT DOOR .....  | 2          | 2           |

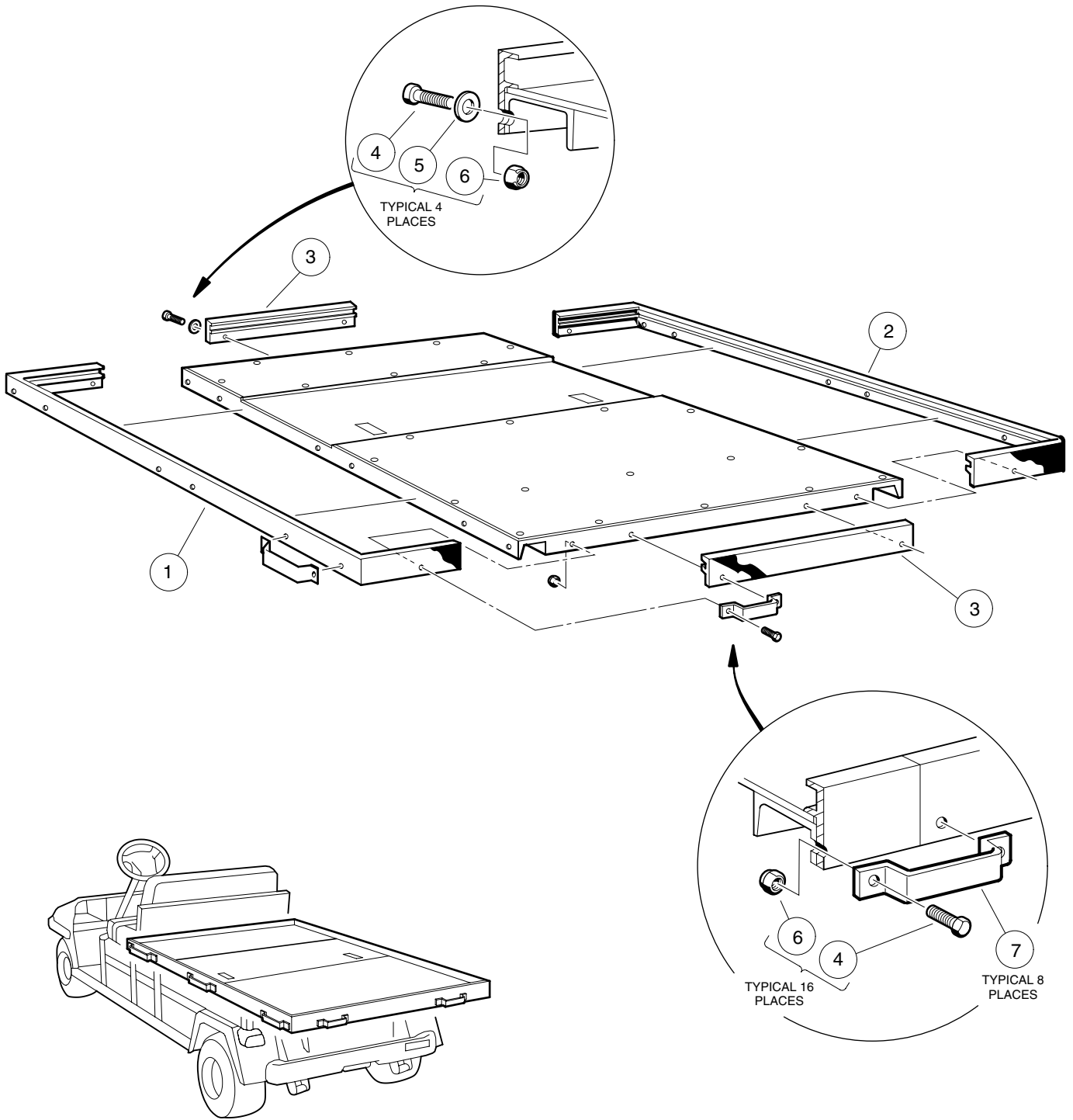
2  
G  
E



# FLAT BED ASSEMBLY—CARRYALL VI

| ITEM | PART NO.          | DESCRIPTION  | QTY<br>GAS | QTY<br>ELEC |
|------|-------------------|--|------------|-------------|
|      |                   | 1 2 3 4  |            |             |
|      | <u>1016942</u>    | ASSEMBLY, FLAT BED (INCLUDES ITEMS 1 - 8) .....              | 1          | 1           |
| 1    | <u>1010435</u>    | BOLT, CARRIAGE, 5/16 - 18 x 1 .....                          | 21         | 21          |
| 2    | 0007473           | NUT, NYLON LOCK, 5/16 - 18 .....                             | 21         | 21          |
| 3    | <u>1016878</u>    | FRAME, BED .....   | 1          | 1           |
| 4    | <u>1016892</u>    | PLATE, FORWARD FLOOR .....                                   | 1          | 1           |
| 5    |                   | ACCESS DOOR, LATCH, AND MOUNTING HARDWARE<br>(SEE PAGE 2-15) |            |             |
| 6    | <u>1014471</u>    | INSULATION, BULK (20" LONG) .....                            | A/R        | A/R         |
| 7    | <u>1016893</u>    | PLATE, REAR FLOOR .....                                      | 1          | 1           |
| 8    | <u>1014471</u>    | INSULATION, BULK (8" LONG) .....                             | A/R        | A/R         |
| 9    | 0008755           | SCREW, HEX HEAD CAP, 3/8 - 16 x 3-3/8 .....                  | 2          | 2           |
| 10   | 0008754           | NUT, NYLON LOCK, 3/8 - 16 .....                              | 2          | 2           |
| 11   | <u>1015583</u>    | BUSHING, URETHANE .....                                      | 4          | 4           |
| 12   | <u>1015507</u>    | SHIM, TILT BED PIVOT .....                                   | A/R        | A/R         |
| 13   | <u>1012303</u>    | BUSHING, STEEL .....   | 2          | 2           |
| 14   | <u>1015356</u>    | ASSEMBLY, TILT BED HINGE WELD .....                          | 2          | 2           |
| 15   | 0008861           | SCREW, HEX HEAD CAP, 3/8 - 16 x 1 3/4 .....                  | 4          | 4           |
| 16   | <u>1011990</u>    | WASHER, FLAT, 3/8 .....                                      | 8          | 8           |
| 17   | 0008754           | NUT, NYLON LOCK, 3/8 - 16 .....                              | 4          | 4           |
| 18   | <u>1013872</u>    | SCREW, HEX HEAD CAP, 1/4 - 20 x 4 .....                      | 2          | 2           |
| 19   | 0000332           | WASHER, FLAT, 1/4 .....                                      | 6          | 6           |
| 20   | 0008233           | NUT, NYLON LOCK, 1/4 - 20 .....                              | 4          | 4           |
| 21   | <u>1015727</u>    | RIVET, POP .....   | 1          | 1           |
| 22   | <u>1013413</u>    | CLIP, ROD, 3/8 .....   | 1          | 1           |
| 23   | 1017213           | ROD, PROP, LONG BED .....                                    | 1          | 1           |
| 24   | <u>1010878</u>    | BUMPER, RUBBER .....   | 2          | 2           |
| 25   | <u>0001035</u>    | PIN, COTTER, 3/32 x 1 .....                                  | 1          | 1           |
| 26   | <u>1013357</u>    | RIVET, POP .....   |            | 2           |
| 27   | <u>1018370-01</u> | INSULATOR, BATTERY .....                                     |            | 1           |
| 28   | <u>1016201</u>    | WASHER, WAVE .....   | 2          | 2           |

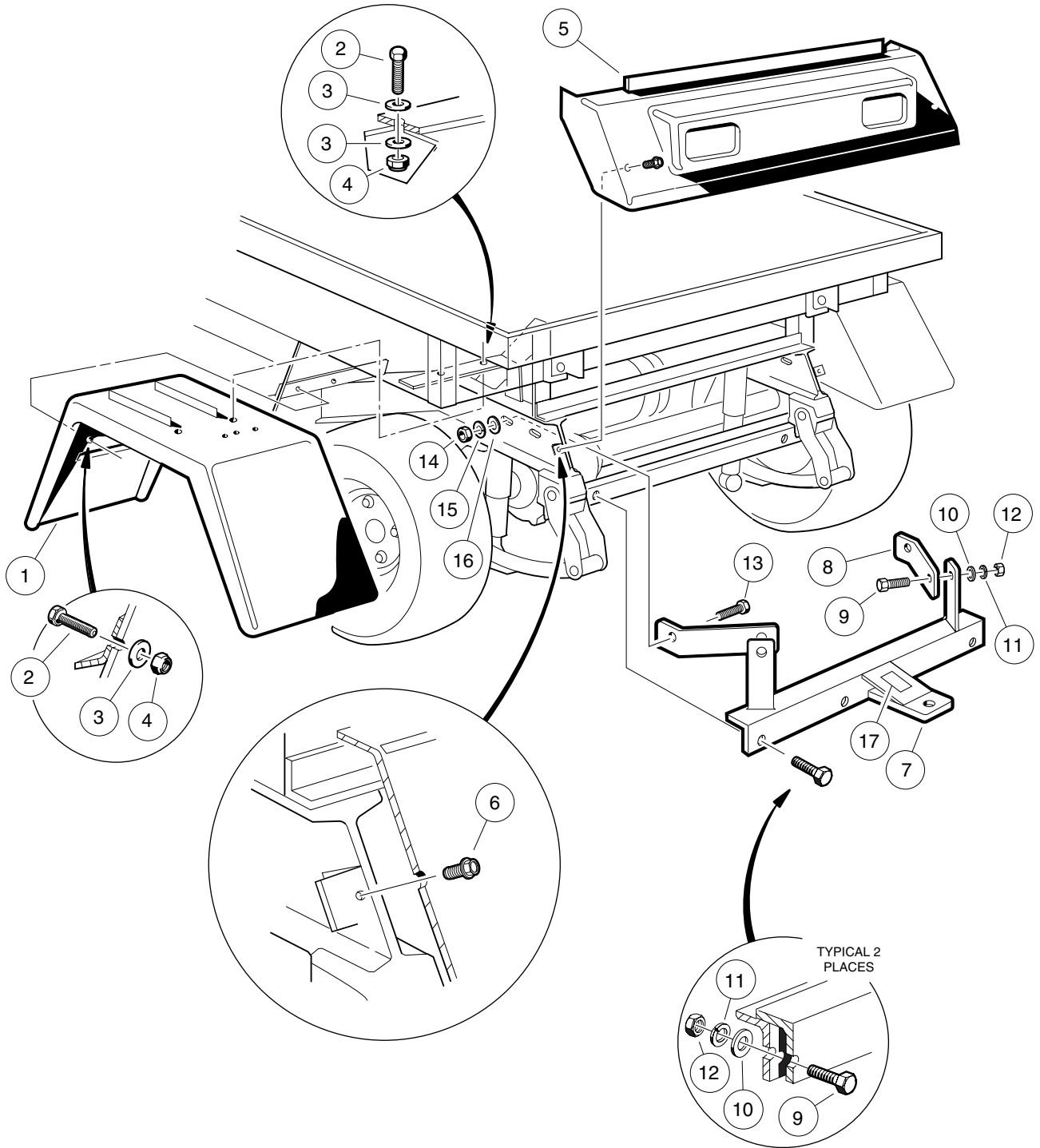
2  
G  
E



# FLAT BED TRIM—CARRYALL VI

| ITEM | PART NO.       | DESCRIPTION                          | QTY<br>GAS | QTY<br>ELEC |
|------|----------------|--------------------------------------|------------|-------------|
|      |                | 1 2 3 4                              |            |             |
| 1    | <u>1016944</u> | TRIM, LONG BED, DRIVER SIDE .....    | 1          | 1           |
| 2    | <u>1016948</u> | TRIM, LONG BED, PASSENGER SIDE ..... | 1          | 1           |
| 3    | <u>1016943</u> | TRIM, LONG BED, FRONT AND REAR.....  | 2          | 2           |
| 4    | <u>1010934</u> | BOLT, HEX HEAD, 5/16 - 18 x 1 .....  | 20         | 20          |
| 5    | 0001241        | WASHER, FLAT, 5/16 .....             | 4          | 4           |
| 6    | 0007473        | NUT, NYLON LOCK, 5/16 - 18 .....     | 20         | 20          |
| 7    | <u>1016077</u> | BRACKET, STAKE SIDE .....            | 8          | 8           |

2  
G  
E

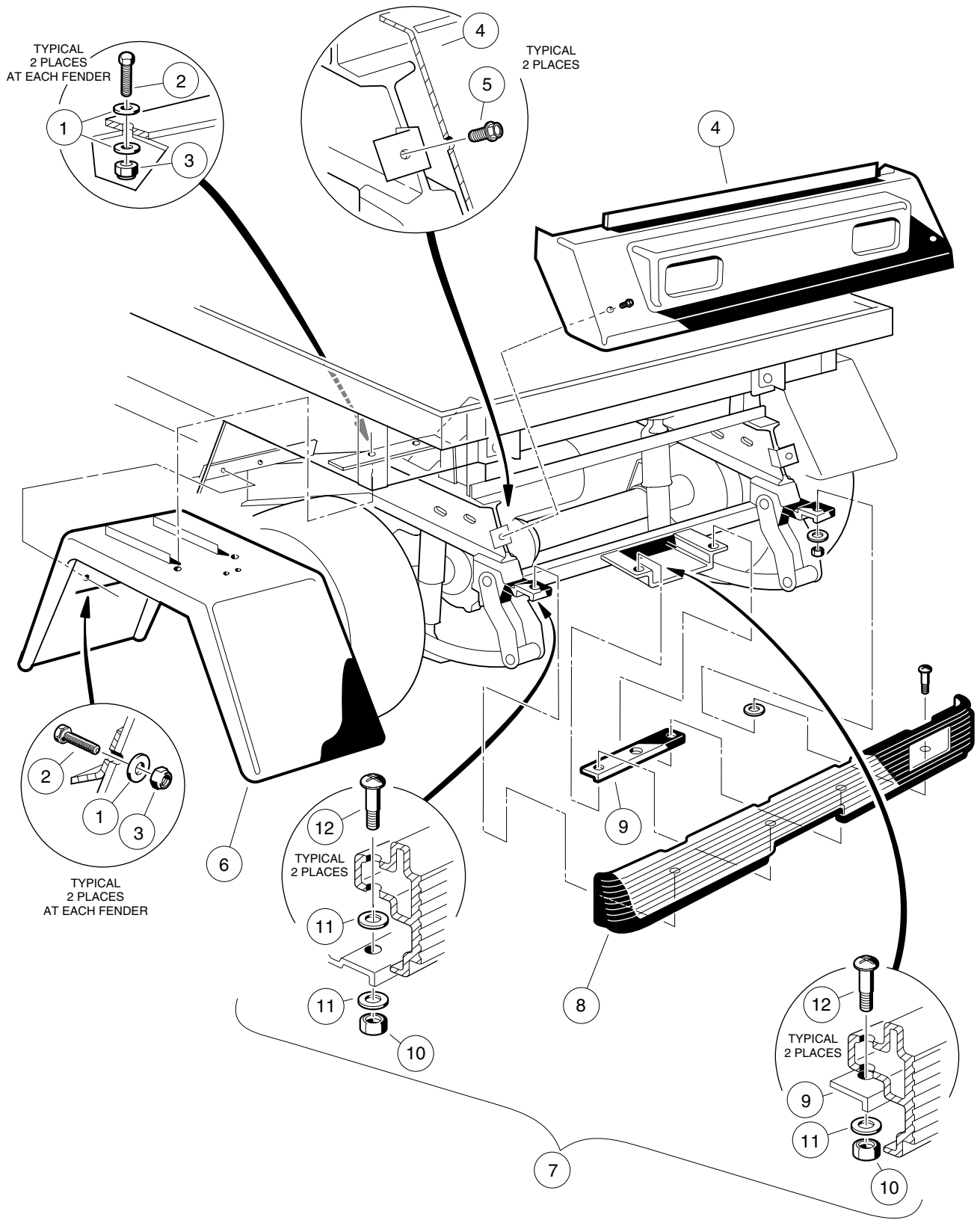




# REAR COVER—CARRYALL I, II, TURF II AND II PLUS

| ITEM | PART NO.       | DESCRIPTION  | QTY<br>GAS | QTY<br>ELEC |
|------|----------------|--|------------|-------------|
|      |                | 1 2 3 4  |            |             |
| 1    | <u>1016679</u> | FENDER, REAR .....   | 2          | 2           |
| 2    | 0000304        | SCREW, HEX HEAD CAP, 1/4 - 20 x 1 .....  | 8          | 8           |
| 3    | <u>1014306</u> | WASHER, FLAT, TYPE B, 1/4 .....  | 8          | 8           |
| 4    | 0008233        | NUT, NYLON LOCK, 1/4 - 20 .....  | 8          | 8           |
| 5    | <u>1015530</u> | TAILSKIRT .....  | 1          | 1           |
| 6    | <u>1012285</u> | SCREW, THREAD-ROLLING, 1/4 - 20 x 5/8 .....  | 2          | 2           |
| 7    | <u>1015445</u> | KIT, TRAILER HITCH (CARRYALL II, TURF II AND II PLUS)<br>(INCLUDES ITEMS 8 - 17) ..... | 1          | 1           |
| 8    | <u>1013483</u> | BRACE, TRAILER HITCH .....   | 2          | 2           |
| 9    | <u>1010934</u> | SCREW, HEX HEAD CAP, 5/16 - 18 x 1 .....   | 4          | 4           |
| 10   | 0001241        | WASHER, FLAT, 5/16 .....   | 4          | 4           |
| 11   | 0007174        | WASHER, LOCK, 5/16 .....   | 4          | 4           |
| 12   | 0001242        | NUT, HEX, 5/16 - 18 .....  | 4          | 4           |
| 13   | 0000705        | SCREW, HEX HEAD CAP, 3/8 - 16 x 1 1/4.....   | 2          | 2           |
| 14   | 0000706        | NUT, HEX, 3/8 - 16 .....   | 2          | 2           |
| 15   | 0000357        | WASHER, LOCK, 3/8 .....  | 2          | 2           |
| 16   | <u>1011990</u> | WASHER, FLAT, 3/8 .....  | 2          | 2           |
| 17   | <u>1011553</u> | DECAL .....  | 1          | 1           |

2  
G  
E



# REAR COVER—CARRYALL VI

| ITEM | PART NO.       | DESCRIPTION  | QTY<br>GAS | QTY<br>ELEC |
|------|----------------|--|------------|-------------|
|      |                | 1 2 3 4  |            |             |
| 1    | <u>1014306</u> | WASHER, FLAT, 1/4 .....                                | 12         | 12          |
| 2    | 0000304        | SCREW, HEX HEAD CAP, 1/4 - 20 x 1 .....                | 8          | 8           |
| 3    | 0008233        | NUT, NYLON LOCK, 1/4 - 20 .....                        | 8          | 8           |
| 4    | <u>1015530</u> | TAILSKIRT .....  | 1          | 1           |
| 5    | <u>1012285</u> | SCREW, THREAD-ROLLING, 1/4 - 20 x 5/8 .....            | 2          | 2           |
| 6    | <u>1016679</u> | FENDER, REAR .....                                     | 2          | 2           |
| 7    | <u>1017079</u> | KIT, REAR BUMPER (INCLUDES ITEMS 8 - 12) .....         | 1          | 1           |
| 8    | <u>1016379</u> | BUMPER, REAR .....                                     | 1          | 1           |
| 9    | <u>1016875</u> | PLATE, MOUNTING, LONG .....                            | 1          | 1           |
| 10   | 0007473        | NUT, NYLON LOCK, 5/16 - 18 .....                       | 4          | 4           |
| 11   | <u>1011697</u> | WASHER, FLAT, 5/16 .....                               | 6          | 6           |
| 12   | <u>1016876</u> | BOLT, PHILLIPS TRUSS HEAD SHOULDER, 3/8 - 18 x 2 ..... | 4          | 4           |

2  
G  
E

**2**  
**G**  
**E**

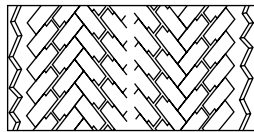
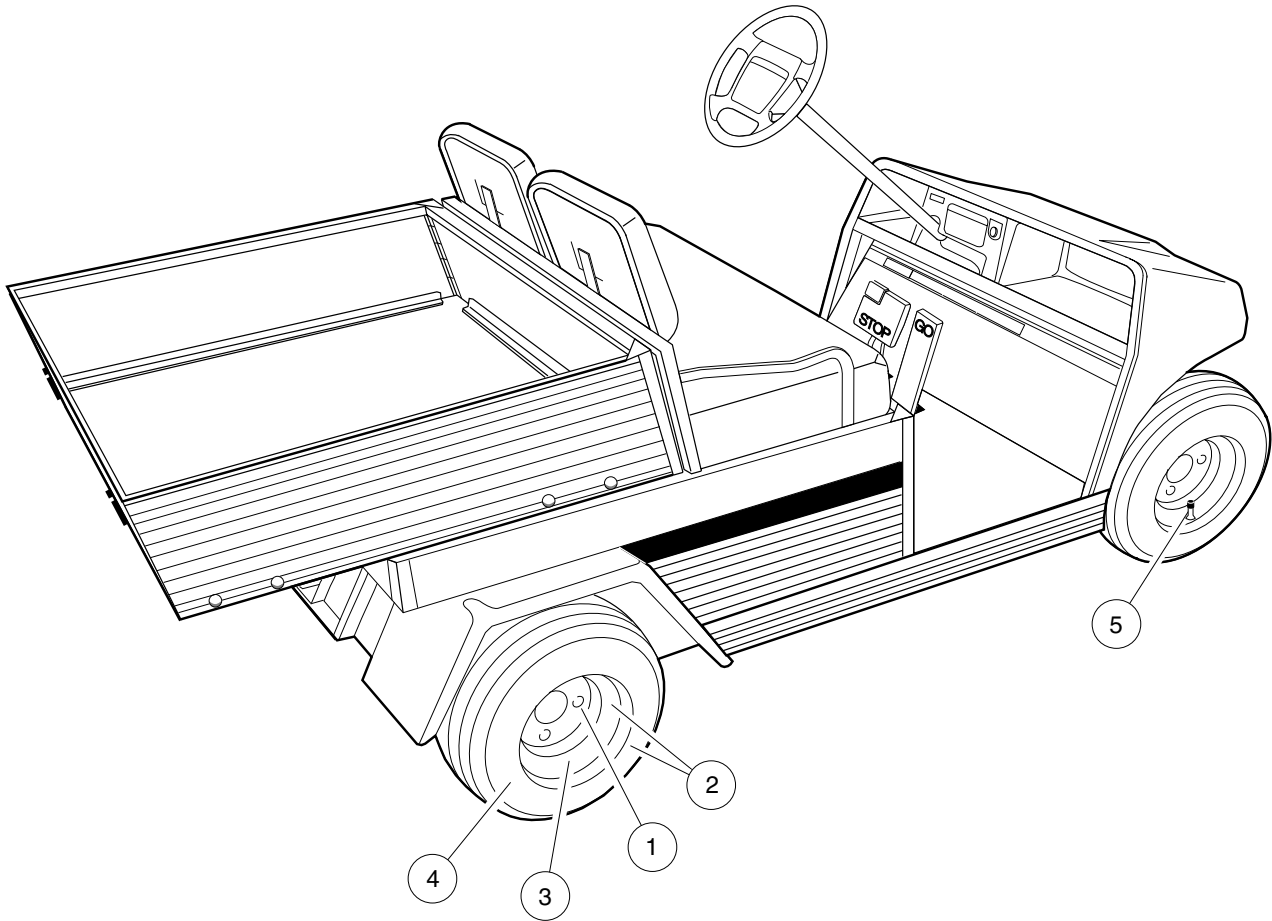
# WHEELS AND TIRES

---

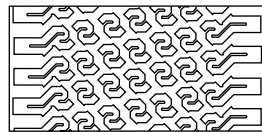
3

G

E



**PREMIUM  
TREAD**



**EXTRA  
TRACTION**

# WHEELS AND TIRES

| ITEM | PART NO.          | DESCRIPTION  | QTY<br>GAS | QTY<br>ELEC |
|------|-------------------|--|------------|-------------|
|      |                   | 1 2 3 4  |            |             |
| 1    | <u>1010984</u>    | NUT, LUG .....   | 16         | 16          |
| 2    | <u>1016514-02</u> | ASSEMBLY, WHITE WHEEL AND TIRE, PREMIUM TREAD, 4-PLY (18 x 8.5 - 8)<br>(CARRYALL I ONLY) ..... | 2          | 2           |
| 2    | <u>1016514-06</u> | ASSEMBLY, WHITE WHEEL AND TIRE, PREMIUM TREAD, 6-PLY (18 x 8.5 - 8).....                       | 2          | 2           |
| 2    | <u>1016514-07</u> | ASSEMBLY, WHITE WHEEL AND TIRE, EXTRA TRACTION, 6-PLY (18 x 8.5 - 8) ...                       | 2          | 2           |
| 2    | <u>1016514-09</u> | ASSEMBLY, WHITE WHEEL AND TIRE (18.5 x 6.5 - 8) (CARRYALL I, II, AND VI) ..                    | 2          | 2           |
| 3    | <u>1014771</u>    | WHEEL RIM, WHITE (8 INCHES WIDE) .....   | 4          | 4           |
| 4    | <u>1015672-02</u> | TIRE, UNMOUNTED, PREMIUM TREAD, 4-PLY (18 x 8.5 - 8) (CARRYALL I ONLY)                         | 2          | 2           |
| 4    | <u>1017370-02</u> | TIRE, UNMOUNTED, PREMIUM TREAD, 6-PLY (18 x 8.5 - 8) .....                                     | 2          | 2           |
| 4    | <u>1017693-02</u> | TIRE, UNMOUNTED, EXTRA TRACTION, 6-PLY (18 x 8.5 - 8) .....                                    | 2          | 2           |
| 5    | 0007310           | STEM, VALVE .....  | 4          | 4           |

3  
G  
E

**3**  
**G**  
**E**



# SAFETY DECALS

---

4

G

E

**WARNING**

READ AND FOLLOW THESE WARNINGS AND THE OPERATING INSTRUCTIONS BEFORE USING VEHICLE. FAILURE TO DO SO CAN CAUSE SEVERE INJURY OR DEATH.

- Operation from driver side by authorized persons only and only in designated areas - not on public roads.
- DO NOT start vehicle until all occupants (two (2) per seat maximum) are seated.
- Remain seated with entire body inside vehicle and hold on to seat handle or handrail at all times.
- Drive slowly in turns and straight up and down slopes.
- Never stand in front of or behind vehicle.
- DO NOT operate while under the influence of alcohol or drugs.
- DO NOT leave children unattended on vehicle at any time.

CCI 1019606-01

**DRIVER/PASSENGER WARNING DECAL**

**KEY SWITCH DECAL**



**CARRYALL I, II, AND TURF II**



**CARRYALL II PLUS**

**OPERATING INSTRUCTIONS DECAL**

**OPERATING INSTRUCTIONS**

- Read Owner's Manual and safety warnings located on dash panel prior to driving.
  - Study and understand controls.
- Make sure wheels are turned in desired direction.
- Turn key to "ON" position and be sure nothing is in your path.
- While vehicle is stopped, select direction by placing shift lever or switch in desired position:
  - F - Forward N - Neutral R - Reverse (Buzzer will sound)
- Vehicle will start moving when accelerator pedal is depressed.
- Slowly depress accelerator pedal to increase speed. Park brake will release when accelerator pedal is depressed.
- To stop, release accelerator pedal and depress brake pedal.
- After stopping, firmly depress park brake until it locks.
- Place forward and reverse switch in neutral position.
- Turn key "OFF" and remove key when not in use.

CCI 1018216-01

**CARRYALL I, II, AND TURF II**

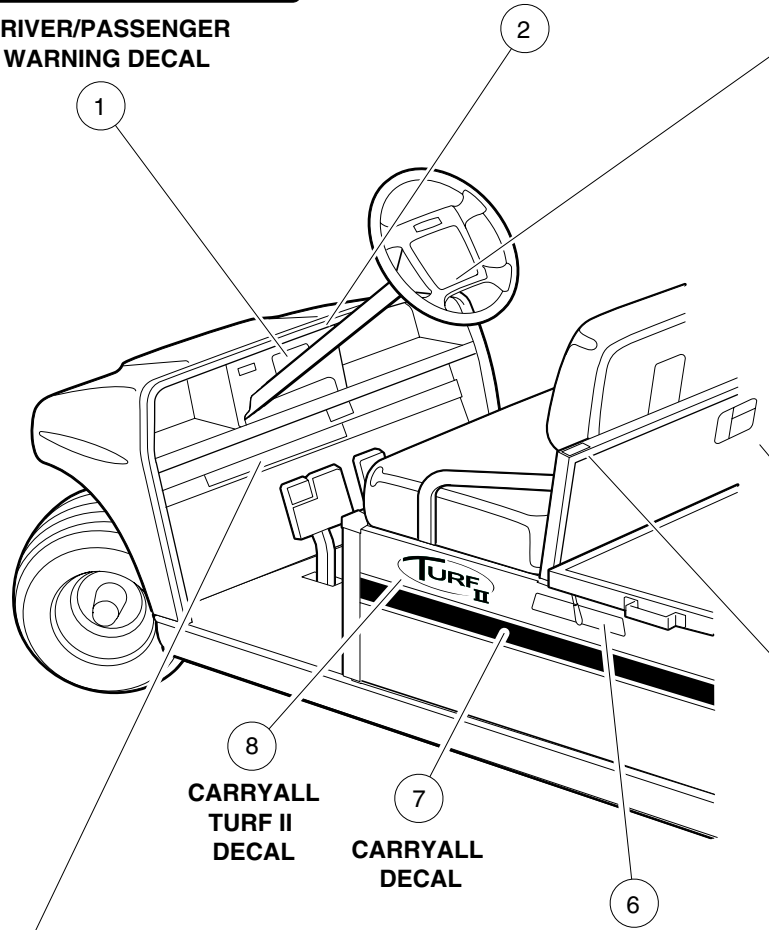
**OPERATING INSTRUCTIONS DECAL**

**OPERATING INSTRUCTIONS**

- Read Owner's Manual and safety warnings located on dash panel prior to driving.
  - Study and understand controls.
- To start engine:
  - Place shift lever in "N" - Neutral position.
  - Depress brake pedal.
  - Turn key switch to "START" position and release.
- To operate vehicles:
  - Make sure wheels are turned in desired direction.
  - Be sure nothing is in your path.
  - While vehicle is stopped, select vehicle direction by placing shift lever or switch in desired position.
    - F - Forward N - Neutral R - Reverse (Buzzer will sound)
  - Park brake will release when accelerator pedal is pushed.
  - Slowly push accelerator pedal to increase speed.
  - Accelerator pedal must be released to shift vehicle to neutral.
- To stop vehicles:
  - Release accelerator pedal and push brake pedal.
  - After stopping, firmly push park brake until it locks.
  - Turn key to "OFF" position, remove key and place shift lever in straight up neutral position when not in use.

CCI 1016932-01

**CARRYALL II PLUS**



**WARNING**

Riding in cargo bed can cause severe injury or death. Do not ride in cargo bed.

CCI 1015389-01

**BED LOAD WARNING DECAL**

**WARNING**

**CRUSH AREA**

**STAY CLEAR**

CCI 1016094-01

**CRUSH AREA DECAL**

**WARNING**

Crush area. Can cause severe injury. Stay clear when closing bed.

LATCH

CCI 1015437-01

**BED LATCH WARNING DECAL**

**VEHICLE LOADING DECAL**

|  |  |  |
|--|--|--|
| <p><b>VEHICLE LOADING</b></p> <p>Read Owner's Manual and warnings on dash.</p> | <ul style="list-style-type: none"> <li>• Vehicle rated capacity - 800 lbs. on level surface only. Weight to include passengers, cargo bed load, and gross trailer weight. See Owner's Manual.</li> <li>• Maximum cargo load - 300 lbs. Weight to include cargo bed load and gross trailer weight.</li> <li>• Maximum trailer hitch tongue weight - 150 lbs.</li> </ul> | <ul style="list-style-type: none"> <li>• Cargo should be evenly spread over the floor of the cargo bed as far forward as possible and secured.</li> <li>• For vehicle stability, when fully loaded, drive slowly and avoid stopping on or backing down steep hills.</li> <li>• Avoid top heavy loads. See Owner's Manual.</li> <li>• When driving on uneven terrain or down steep hills, reduce speed and load.</li> </ul> <p>CCI 1019601-01</p> |
|  | <p><b>CARRYALL I ONLY</b></p>  |  |

|  |   |  |
|--|---|--|
| <p><b>VEHICLE LOADING</b></p> <p>Read Owner's Manual and warnings on dash.</p> | <ul style="list-style-type: none"> <li>• Vehicle rated capacity - 1200 lbs. on level surface only. Weight to include passengers, cargo bed load, and gross trailer weight. See Owner's Manual.</li> <li>• Maximum cargo load - 800 lbs. Weight to include cargo bed load and gross trailer weight.</li> <li>• Maximum trailer hitch tongue weight - 150 lbs.</li> </ul> | <ul style="list-style-type: none"> <li>• Cargo should be evenly spread over the floor of the cargo bed as far forward as possible and secured.</li> <li>• For vehicle stability, when fully loaded, drive slowly and avoid stopping on or backing down steep hills.</li> <li>• Avoid top heavy loads. See Owner's Manual.</li> <li>• When driving on uneven terrain or down steep hills, reduce speed and load.</li> </ul> <p>CCI 1019602-01</p> |
|  | <p><b>CARRYALL II, TURF II, AND II PLUS</b></p>   |  |

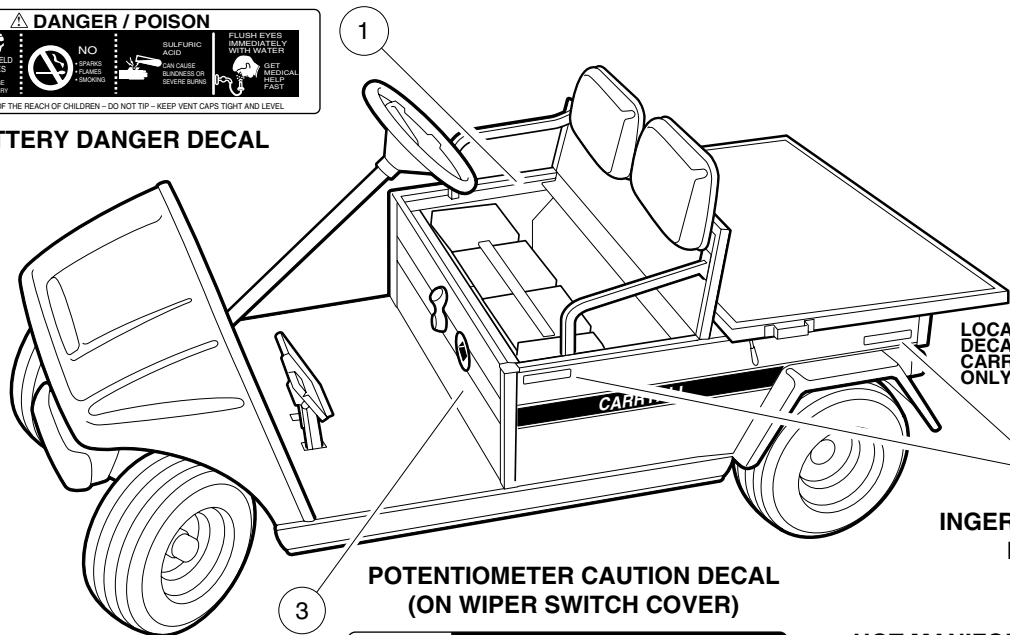
# SAFETY DECALS— CARRYALL I, II, TURF II, AND II PLUS

| ITEM | PART NO.          | DESCRIPTION   | QTY<br>GAS | QTY<br>ELEC |
|------|-------------------|---|------------|-------------|
|      |                   | 1 2 3 4   |            |             |
| 1    | 1019606-01        | DECAL, DRIVER/PASSENGER WARNING .....                             | 1          | 1           |
| 2    | <u>1018251-01</u> | DECAL, KEY SWITCH (CARRYALL I, II, AND TURF II) .....             | 1          | 1           |
| 2    | <u>1018251-02</u> | DECAL, KEY SWITCH (CARRYALL II PLUS ONLY) .....                   | 1          |             |
| 3    | 1016216-01        | DECAL, OPERATING INSTRUCTIONS (CARRYALL I, II, AND TURF II) ..... | 1          | 1           |
| 3    | <u>1016932-01</u> | DECAL, OPERATING INSTRUCTIONS (CARRYALL II PLUS ONLY) .....       | 1          |             |
| 4    | <u>1015539-01</u> | DECAL, BED LOAD WARNING .....                                     | 1          | 1           |
| 5    | <u>1016094-01</u> | DECAL, CRUSH AREA .....   | 1          | 1           |
| 6    | <u>1015437-01</u> | DECAL, BED/LATCH WARNING .....                                    | 1          | 1           |
| 7    | <u>1015397</u>    | DECAL, CARRYALL I (DRIVER SIDE) .....                             | 1          | 1           |
| 7    | <u>1015396</u>    | DECAL, CARRYALL I (PASSENGER SIDE) .....                          | 1          | 1           |
| 7    | <u>1015394</u>    | DECAL, CARRYALL II (DRIVER SIDE) .....                            | 1          | 1           |
| 7    | <u>1015395</u>    | DECAL, CARRYALL II (PASSENGER SIDE) .....                         | 1          | 1           |
| 7    | 1016086           | DECAL, CARRYALL II PLUS (DRIVER SIDE) .....                       | 1          | 1           |
| 7    | 1016085           | DECAL, CARRYALL II PLUS (PASSENGER SIDE) .....                    | 1          | 1           |
| 7    | <u>1019725-02</u> | DECAL, CARRYALL TURF II (GREEN STRIPE) (DRIVER SIDE) .....        | 1          | 1           |
| 7    | <u>1019725-01</u> | DECAL, CARRYALL TURF II (GREEN STRIPE) (PASSENGER SIDE) .....     | 1          | 1           |
| 8    | <u>1019737-01</u> | DECAL, CARRYALL TURF II .....                                     | 2          | 2           |
| 9    | <u>1019601-01</u> | DECAL, VEHICLE LOADING (CARRYALL I ONLY) .....                    | 1          | 1           |
| 9    | <u>1019602-01</u> | DECAL, VEHICLE LOADING (CARRYALL II, TURF II, AND II PLUS) .....  | 1          | 1           |

**4**  
**G**  
**E**



**BATTERY DANGER DECAL**



LOCATION OF I/R DECAL FOR CARRYALL TURF II ONLY

**INGERSOLL-RAND DECAL**

**POTENTIOMETER CAUTION DECAL (ON WIPER SWITCH COVER)**

**NOTICE** • DO NOT OPERATE VEHICLE WITHOUT COVER IN PLACE. • DO NOT DIRECT WATER STREAM AT THIS SWITCH. CCI 1016109-01

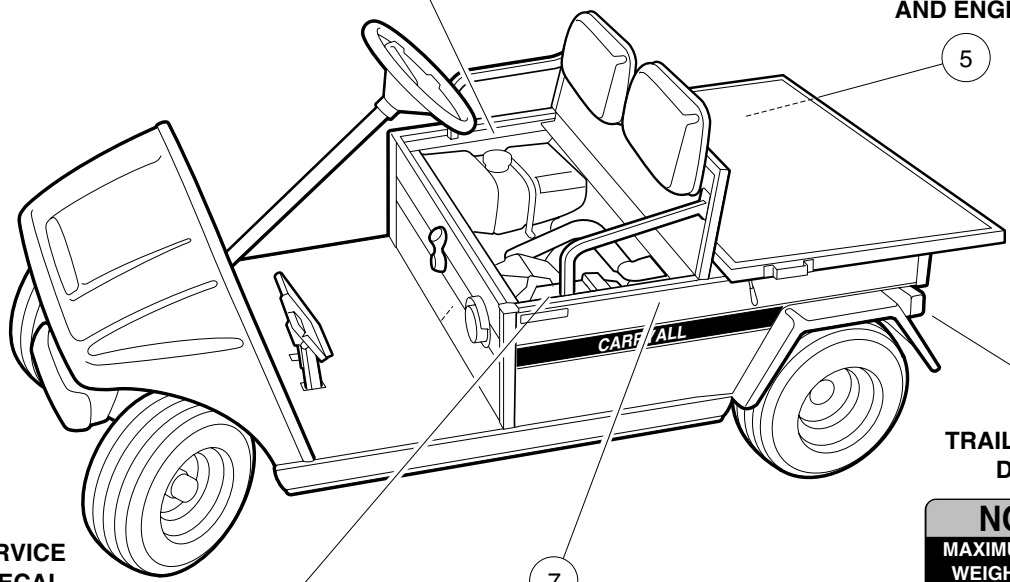
(CARRYALL I ONLY)

**HOT MANIFOLD AND MUFFLER DECAL**



(ON STARTER/GENERATOR AND ENGINE)

**GASOLINE DANGER DECAL**



**GASOLINE VEHICLE**

5

6

**NOTICE** MAXIMUM TONGUE WEIGHT - 150 lbs. CCI 1011553

**TRAILER HITCH DECAL**

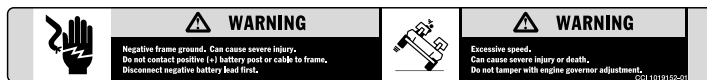
**PERIODIC SERVICE SCHEDULE DECAL**

| Periodic Service Schedule              |   |
|--|---|
| Service                                | Regular Interval  |
| 1. Check Engine Oil Level              | Monthly   |
| 2. Change Engine Oil and Filter        | First 100 Hours - * Then One Year or 200 hours,             |
| 3. Check and Clean Air Filter Element* | One Year Under Normal Use Six Months Under Dusty Conditions |
| 4. Change Air Filter†                  | * Two Years or 300 Hours                                    |
| 5. Check Tire Pressure                 | Monthly (See Manual)  |
| 6. Replace Fuel Filters                | * Two Years or 300 Hours                                    |
| 7. Check / Fill Transaxle              | * One Year or 150 Hours                                     |

\* Whichever comes first  
 † For easy access to air filter housing, remove the intake hose from the front of the housing.

(ON INTAKE BOX)

**FRAME GROUND WARNING DECAL**



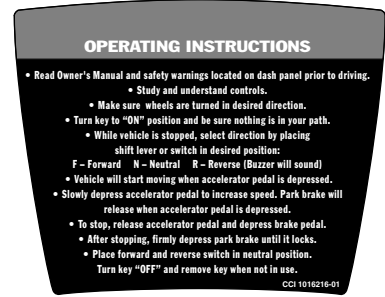
(ON FRAME)

# SAFETY DECALS— CARRYALL I, II, TURF II, AND II PLUS

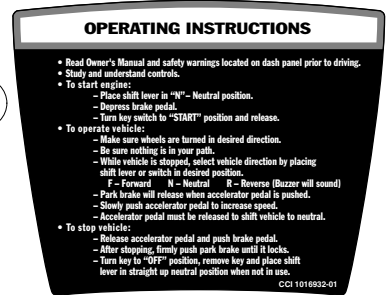
| ITEM | PART NO.          | DESCRIPTION   | QTY<br>GAS | QTY<br>ELEC |
|------|-------------------|---|------------|-------------|
|      |                   | 1 2 3 4   |            |             |
| 1    | <u>1013677</u>    | DECAL, BATTERY DANGER/POISON .....                            |            | 1           |
| 2    | <u>1019219-01</u> | DECAL, INGERSOLL-RAND .....                                   | 2          | 2           |
| 3    | <u>1016109-01</u> | DECAL, POTENTIOMETER CAUTION (CARRYALL I ONLY) .....          |            | 1           |
| 4    | <u>1015476-01</u> | DECAL, GASOLINE DANGER .....                                  | 1          |             |
| 5    | <u>1019605-01</u> | DECAL, HOT MANIFOLD AND MUFFLER .....                         | 2          |             |
| 6    | <u>1011553</u>    | DECAL, TRAILER HITCH (CARRYALL II, TURF II AND II PLUS) ..... | 1          | 1           |
| 7    | <u>1019152-01</u> | DECAL, FRAME GROUND .....                                     | 1          |             |
| 8    | <u>1019443-01</u> | DECAL, PERIODIC SERVICE SCHEDULE .....                        | 1          |             |

4  
G  
E

**OPERATING INSTRUCTIONS DECAL**



**ELECTRIC VEHICLE**



**GASOLINE VEHICLE**

**KEY SWITCH DECAL**



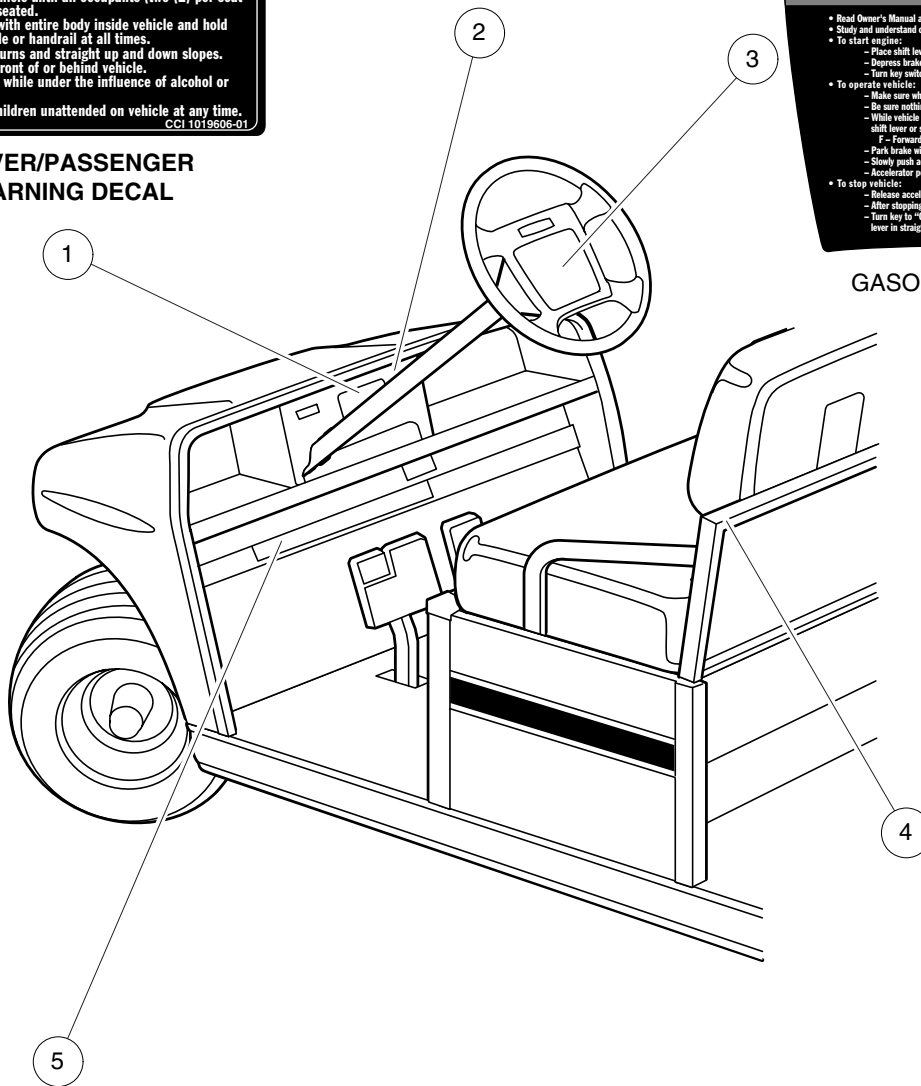
**GASOLINE VEHICLE**



**ELECTRIC VEHICLE**



**DRIVER/PASSENGER WARNING DECAL**



**CRUSH AREA DECAL**

**VEHICLE LOADING DECAL**

| VEHICLE LOADING                           | Vehicle rated capacity - 1500 lbs. on level surface only. Weight to include passengers, cargo bed load, and gross trailer weight. See Owner's Manual. | Cargo should be evenly spread over the floor of the cargo bed as far forward as possible and secured.     |
|---|---|---|
| Read Owner's Manual and warnings on dash. | Maximum cargo load - 1000 lbs. Weight to include cargo bed load (500 lbs. MAX) and gross trailer weight.  | For vehicle stability, when fully loaded, drive slowly and avoid stopping on or backing down steep hills. |
|   | Maximum trailer hitch tongue weight - 150 lbs.  | Avoid top heavy loads. See Owner's Manual.  |
|   |   | When driving on uneven terrain or down steep hills, reduce speed and load.                                |

CCI 1019600-01

# SAFETY DECALS— CARRYALL VI

| ITEM | PART NO.          | DESCRIPTION                           | QTY<br>GAS | QTY<br>ELEC |
|------|-------------------|---------------------------------------|------------|-------------|
|      |                   | 1 2 3 4                               |            |             |
| 1    | 1019606-01        | DECAL, DRIVER/PASSENGER WARNING ..... | 1          | 1           |
| 2    | <u>1018251-01</u> | DECAL, KEY SWITCH .....               |            | 1           |
| 2    | <u>1018251-02</u> | DECAL, KEY SWITCH .....               | 1          |             |
| 3    | 1016216-01        | DECAL, OPERATING INSTRUCTIONS .....   |            | 1           |
| 3    | <u>1016932-01</u> | DECAL, OPERATING INSTRUCTIONS .....   | 1          |             |
| 4    | <u>1016094-01</u> | DECAL, CRUSH AREA .....               | 2          | 2           |
| 5    | <u>1019600-01</u> | DECAL, VEHICLE LOADING .....          | 1          | 1           |

4  
G  
E

**NOTICE**  
Do not operate vehicle without this cover properly installed.  
See vehicle Maintenance and Service Manual before servicing.  
CCI 1019515-01

**ELECTRICAL COMPONENT  
COVER CAUTION DECAL  
(ON COVER)**

**DANGER / POISON**

EXPLOSION  
GASOLINE  
FLAMES OR FIRE

NO  
SPARKS  
FLAMES  
SMOKING

SULFURIC  
ACID  
SUN BURNS  
BLINDNESS OR  
SEVERE BURNS

FLUSH EYES  
IMMEDIATELY  
WITH WATER  
SEEK  
MEDICAL  
HELP  
FAST

KEEP OUT OF THE REACH OF CHILDREN - DO NOT TIP - KEEP VENT CAPS TIGHT AND LEVEL

**BATTERY DANGER DECAL  
(ON FRAME)**

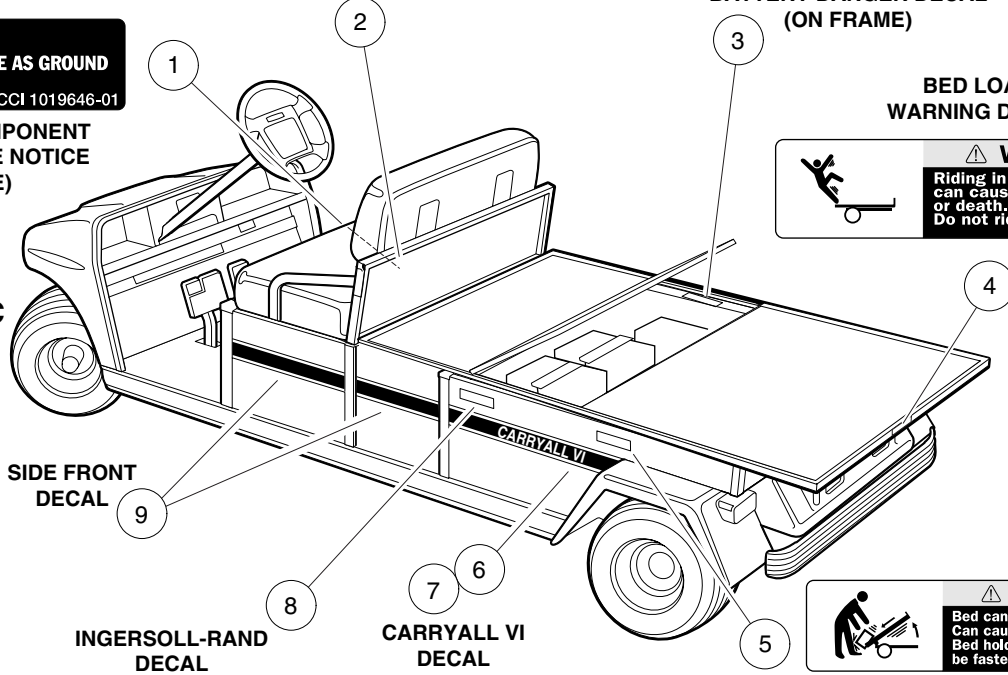
**NOTICE DO NOT USE AS GROUND**  
CCI 1019646-01

**ELECTRICAL COMPONENT  
MOUNTING PLATE NOTICE  
(ON PLATE)**

**BED LOAD  
WARNING DECAL**

**WARNING**  
Riding in cargo bed  
can cause severe injury  
or death.  
Do not ride in cargo bed.  
CCI 1015539-01

**ELECTRIC  
VEHICLE**



**WARNING**  
Bed can tip up unexpectedly.  
Can cause severe injury.  
Bed hold down bolts must  
be fastened.  
CCI 1017078-01

**BED BOLT  
WARNING DECAL**

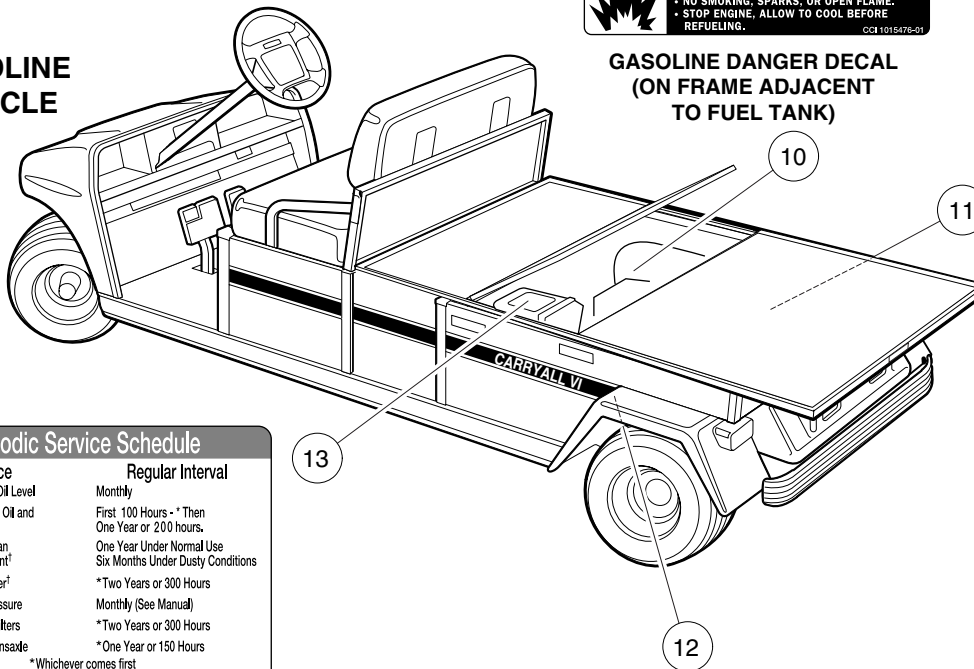
**WARNING**

- GASOLINE EXPLOSION / FIRE.
- CAN CAUSE SEVERE INJURY OR DEATH.
- NO SMOKING, SPARKS, OR OPEN FLAME.
- STOP ENGINE, ALLOW TO COOL BEFORE REFUELING.

CCI 1015476-01

**GASOLINE DANGER DECAL  
(ON FRAME ADJACENT  
TO FUEL TANK)**

**GASOLINE  
VEHICLE**



**HOT MANIFOLD AND  
MUFFLER DECAL**

**WARNING**  
CAN CAUSE SEVERE INJURY

Moving parts

HOT  
manifold & muffler

KEEP CLEAR CCI 1019605-01

**(ON  
STARTER/GENERATOR  
AND ENGINE)**

**Periodic Service Schedule**

| Service  | Regular Interval  |
|--|---|
| 1. Check Engine Oil Level                          | Monthly   |
| 2. Change Engine Oil and Filter                    | First 100 Hours - * Then One Year or 200 hours.             |
| 3. Check and Clean Air Filter Element <sup>1</sup> | One Year Under Normal Use Six Months Under Dusty Conditions |
| 4. Change Air Filter <sup>1</sup>                  | *Two Years or 300 Hours                                     |
| 5. Check Tire Pressure                             | Monthly (See Manual)  |
| 6. Replace Fuel Filters                            | *Two Years or 300 Hours                                     |
| 7. Check / Fill Transaxle                          | *One Year or 150 Hours                                      |

\*Whichever comes first

<sup>1</sup>For easy access to air filter housing, remove the intake hose from the front of the housing.

**PERIODIC SERVICE  
SCHEDULE DECAL  
(ON INTAKE BOX)**

**FRAME GROUND WARNING DECAL**

**WARNING**

Negative frame ground. Can cause severe injury. Do not contact positive (+) battery post or cable to frame. Disconnect negative battery lead first.

**WARNING**

Excessive speed. Can cause severe injury or death. Do not tamper with engine governor adjustment. CCI 1019153-01

**(ON FRAME)**



# SAFETY DECALS— CARRYALL VI

4  
G  
E

| ITEM | PART NO.          | DESCRIPTION                               | QTY<br>GAS | QTY<br>ELEC |
|------|-------------------|---|------------|-------------|
|      |                   | 1 2 3 4                                   |            |             |
| 1    | <u>1019646-01</u> | DECAL, NO GROUND .....                    |            | 1           |
| 2    | <u>1019315-01</u> | DECAL, COMPONENT COVER .....              |            | 1           |
| 3    | <u>1013677</u>    | DECAL, BATTERY DANGER/POISON .....        |            | 1           |
| 4    | <u>1015539-01</u> | DECAL, BED LOAD .....                     | 1          | 1           |
| 5    | <u>1017078-01</u> | DECAL, BED BOLT .....                     | 1          | 1           |
| 6    | <u>1016971-02</u> | DECAL, CARRYALL VI (DRIVER SIDE) .....    | 1          | 1           |
| 7    | <u>1016971-01</u> | DECAL, CARRYALL VI (PASSENGER SIDE) ..... | 1          | 1           |
| 8    | <u>1019219-01</u> | DECAL, INGERSOLL-RAND .....               | 2          | 2           |
| 9    | <u>1016757</u>    | DECAL, SIDE PANEL .....                   | 4          | 4           |
| 10   | <u>1015476-01</u> | DECAL, GASOLINE DANGER .....              | 1          |             |
| 11   | <u>1019605-01</u> | DECAL, HOT MANIFOLD AND MUFFLER .....     | 2          |             |
| 12   | <u>1019152-01</u> | DECAL, FRAME GROUND WARNING .....         | 1          |             |
| 13   | <u>1019443-01</u> | DECAL, PERIODIC SERVICE SCHEDULE .....    | 1          |             |

**4**  
**G**  
**E**

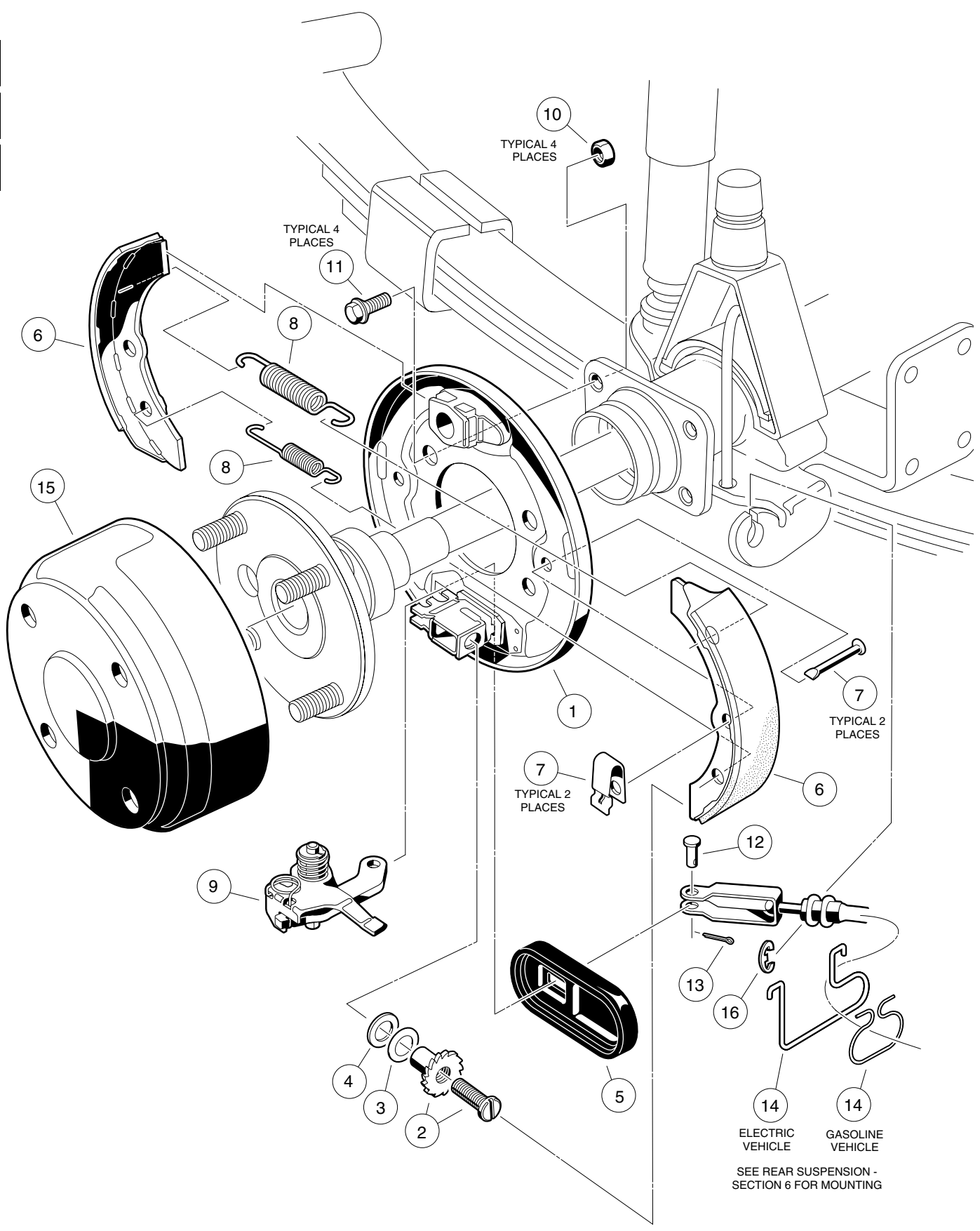
# BRAKES, PEDAL, AND CABLE ASSEMBLIES

---

5

G

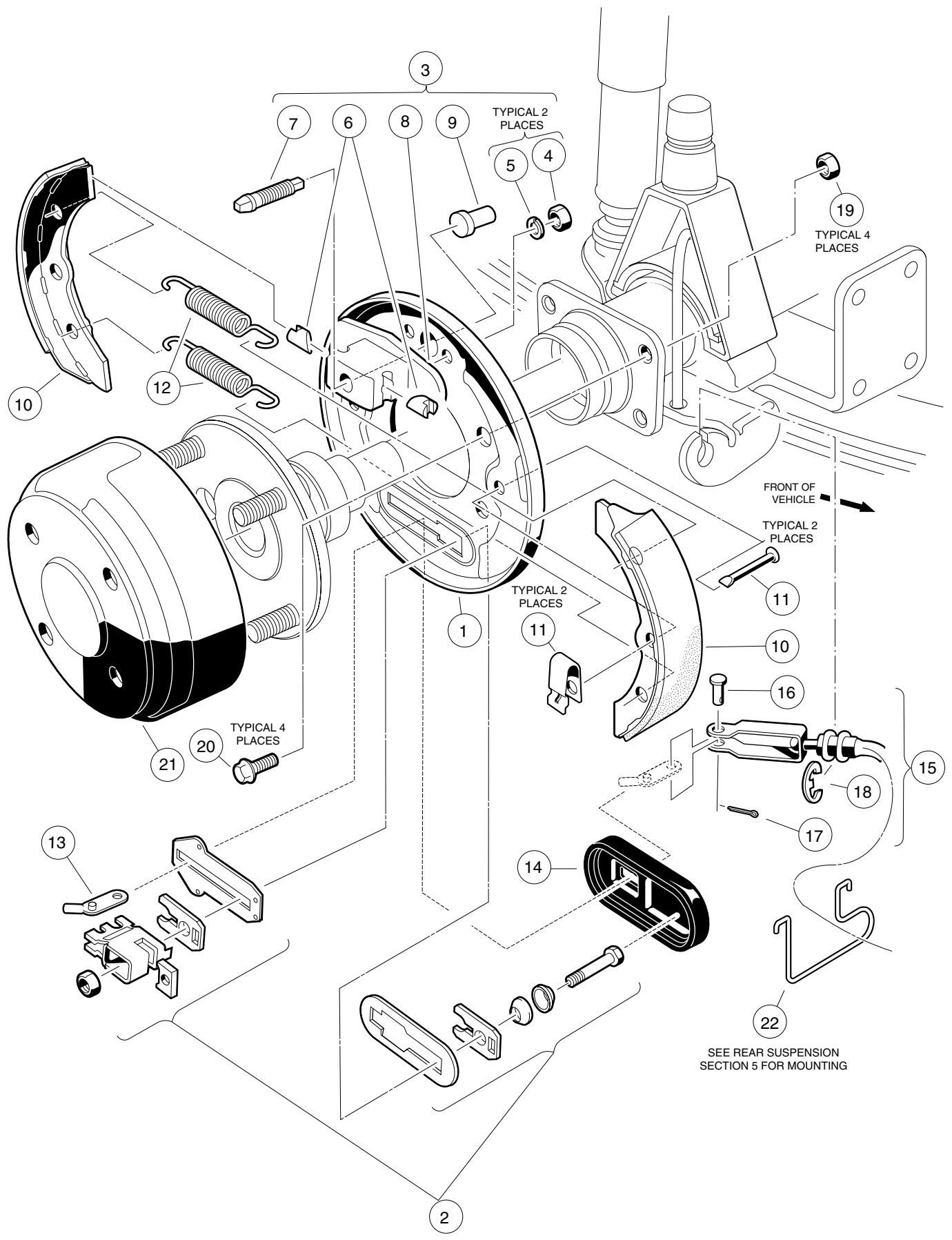
E



# REAR BRAKE ASSEMBLY, SELF-ADJUSTING— CARRYALL I

| ITEM | PART NO.          | DESCRIPTION  | QTY<br>GAS | QTY<br>ELEC |
|------|-------------------|--|------------|-------------|
|      |                   | 1 2 3 4  |            |             |
|      | <u>1018233-01</u> | CLUSTER, PASSENGER SIDE BRAKE (INCLUDES ITEMS 1 - 9) .....                   | 1          | 1           |
|      | <u>1018233-02</u> | CLUSTER, DRIVER SIDE BRAKE (INCLUDES ITEMS 1 - 9) .....                      | 1          | 1           |
| 1    | <u>1018240-01</u> | ASSEMBLY, BACKING PLATE, PASSENGER SIDE<br>(INCLUDES ITEMS 2, 3 AND 4) ..... | 1          | 1           |
| 1    | <u>1018240-02</u> | ASSEMBLY, BACKING PLATE, DRIVER SIDE (INCLUDES ITEMS 2, 3 AND 4) ..          | 1          | 1           |
| 2    | <u>1018165-01</u> | MECHANISM, ADJUSTING, PASSENGER SIDE .....                                   | 1          | 1           |
| 2    | <u>1018165-02</u> | MECHANISM, ADJUSTING, DRIVER SIDE .....                                      | 1          | 1           |
| 3    | <u>1018239-01</u> | WASHER .....   | 1          | 1           |
| 4    | <u>1018238-01</u> | WASHER, PLATE .....  | 1          | 1           |
| 5    | <u>1010850</u>    | COVER, DUST .....  | 1          | 1           |
| 6    | <u>1018232-01</u> | PACKAGE, BRAKE SHOE (FOUR PIECES) .....                                      | 1          | 1           |
| 7    | <u>1011466</u>    | KIT, SHOE RETAINER (FOUR PIECES) .....                                       | 1          | 1           |
| 8    | <u>1018163-01</u> | PACKAGE, BRAKE SPRING (FOUR PIECES) .....                                    | 1          | 1           |
| 9    | <u>1018155-01</u> | ASSEMBLY, LEVER, PASSENGER SIDE .....  | 1          | 1           |
| 9    | <u>1018155-02</u> | ASSEMBLY, LEVER, DRIVER SIDE .....   | 1          | 1           |
| 10   | <u>1013924</u>    | NUT, HEX HEAD LOCK, GRADE 8, 5/16 - 24 .....                                 | 8          | 8           |
| 11   | <u>1014153</u>    | BOLT, BRAKE CLUSTER MOUNTING .....   | 8          | 8           |
| 12   | <u>1010829</u>    | PIN, CLEVIS, 5/16 .....  | 2          | 2           |
| 13   | <u>0001035</u>    | PIN, COTTER, 3/32 x 1 .....  | 2          | 2           |
| 14   | <u>1019008-01</u> | HANGER, BRAKE CABLE (GASOLINE VEHICLE ONLY) .....                            | 2          |             |
| 14   | <u>1013207</u>    | HANGER, BRAKE CABLE (ELECTRIC VEHICLE ONLY) .....                            |            | 2           |
| 15   | <u>1017911-01</u> | DRUM, BRAKE .....  | 2          | 2           |
| 16   | <u>1011779</u>    | E-CLIP, 1/2 .....  | 2          | 2           |

5  
G  
E

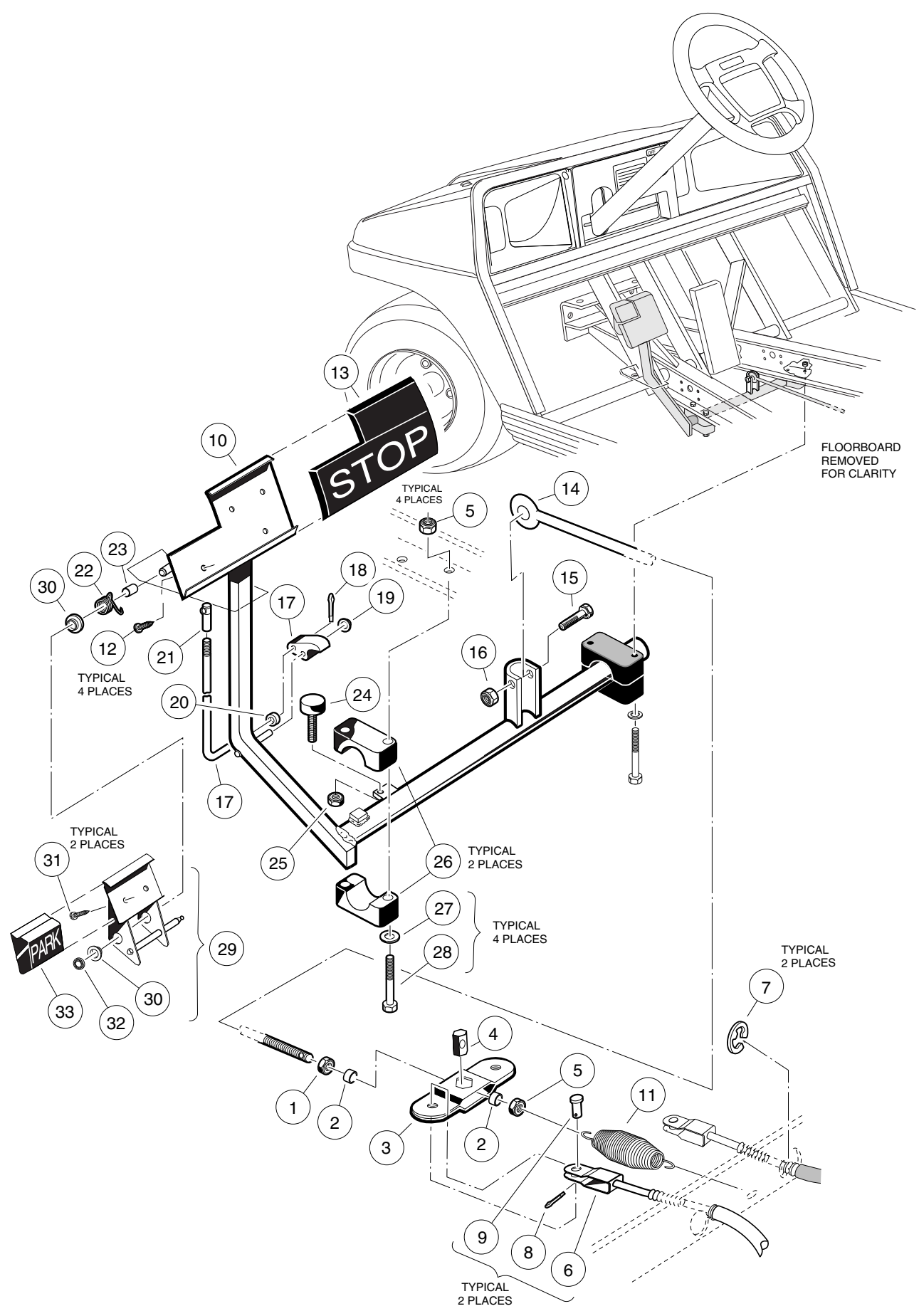


SEE REAR SUSPENSION  
SECTION 5 FOR MOUNTING

# REAR BRAKE ASSEMBLY, MANUALLY ADJUSTED— CARRYALL II, TURF II, II PLUS AND VI

| ITEM | PART NO.          | DESCRIPTION  | QTY<br>GAS | QTY<br>ELEC |
|------|-------------------|--|------------|-------------|
|      |                   | 1 2 3 4  |            |             |
|      | <u>1016573</u>    | CLUSTER, PASSENGER SIDE BRAKE, WITHOUT BRAKE DRUM<br>(INCLUDES ITEMS 1 - 14) ..... | 1          | 1           |
|      | <u>1016557</u>    | CLUSTER, DRIVER SIDE BRAKE, WITHOUT BRAKE DRUM<br>(INCLUDES ITEMS 1 - 14) .....    | 1          | 1           |
| 1    | 1011494           | PLATE, BACKING, DRIVER SIDE .....  | 1          | 1           |
| 1    | <u>1011154</u>    | PLATE, BACKING, PASSENGER SIDE .....   | 1          | 1           |
| 2    | <u>1011465</u>    | KIT, BRAKE ACTUATOR .....  | 1          | 1           |
| 3    | <u>1011467</u>    | KIT, ANCHOR BODY (INCLUDES ITEMS 4 - 9) .....                                      | 1          | 1           |
| 4    | <u>1011114</u>    | NUT, M6 x 1 .....  | 2          | 2           |
| 5    | 0000451           | WASHER, LOCK, 1/4 .....  | 2          | 2           |
| 6    | N/A               | PISTON, ANCHOR .....   | 2          | 2           |
| 7    | N/A               | BOLT, ADJUSTMENT .....   | 1          | 1           |
| 8    | N/A               | BODY, ANCHOR .....   | 1          | 1           |
| 9    | <u>1011303</u>    | CAP, ADJUSTMENT BOLT .....   | 1          | 1           |
| 10   | <u>1011463-02</u> | PACKAGE, BRAKE SHOE (FOUR PIECES) .....  | 1          | 1           |
| 11   | <u>1011466</u>    | KIT, SHOE RETAINER (FOUR PIECES) .....   | 1          | 1           |
| 12   | <u>1011464</u>    | PACKAGE, BRAKE SPRING (FOUR PIECES) .....  | 1          | 1           |
| 13   | N/A               | ARM, BRAKE LEVER .....   | 1          | 1           |
| 14   | <u>1010850</u>    | COVER, DUST .....  | 1          | 1           |
| 15   | <u>1011403</u>    | KIT, EQUALIZER AND PIVOT LIMITER (INCLUDES ITEMS 16, 17 AND 18) .....              | 2          | 2           |
| 16   | <u>1010829</u>    | PIN, CLEVIS, 5/16 .....  | 2          | 2           |
| 17   | <u>0001035</u>    | PIN, COTTER, 3/32 x 1 .....  | 2          | 2           |
| 18   | <u>1011779</u>    | E-CLIP, 1/2 .....  | 2          | 2           |
| 19   | <u>1013924</u>    | NUT, CONE LOCK, GRADE 8, 5/16 - 24 .....   | 8          | 8           |
| 20   | <u>1014153</u>    | BOLT, BRAKE CLUSTER MOUNTING .....   | 8          | 8           |
| 21   | <u>1017911-01</u> | DRUM, BRAKE .....  | 2          | 2           |
| 22   | <u>1013207</u>    | HANGER, BRAKE CABLE .....  | 2          | 2           |

5  
G  
E

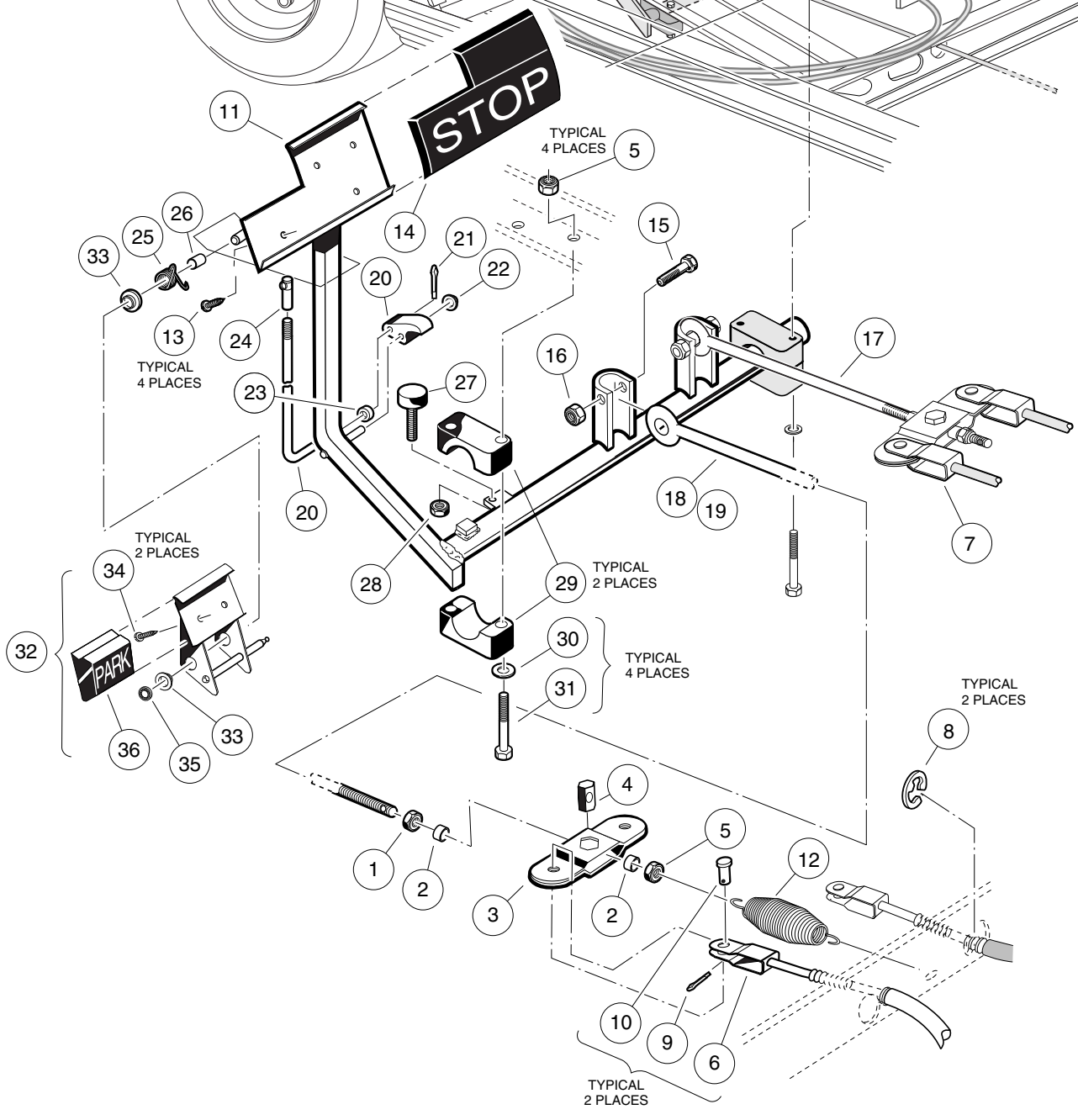
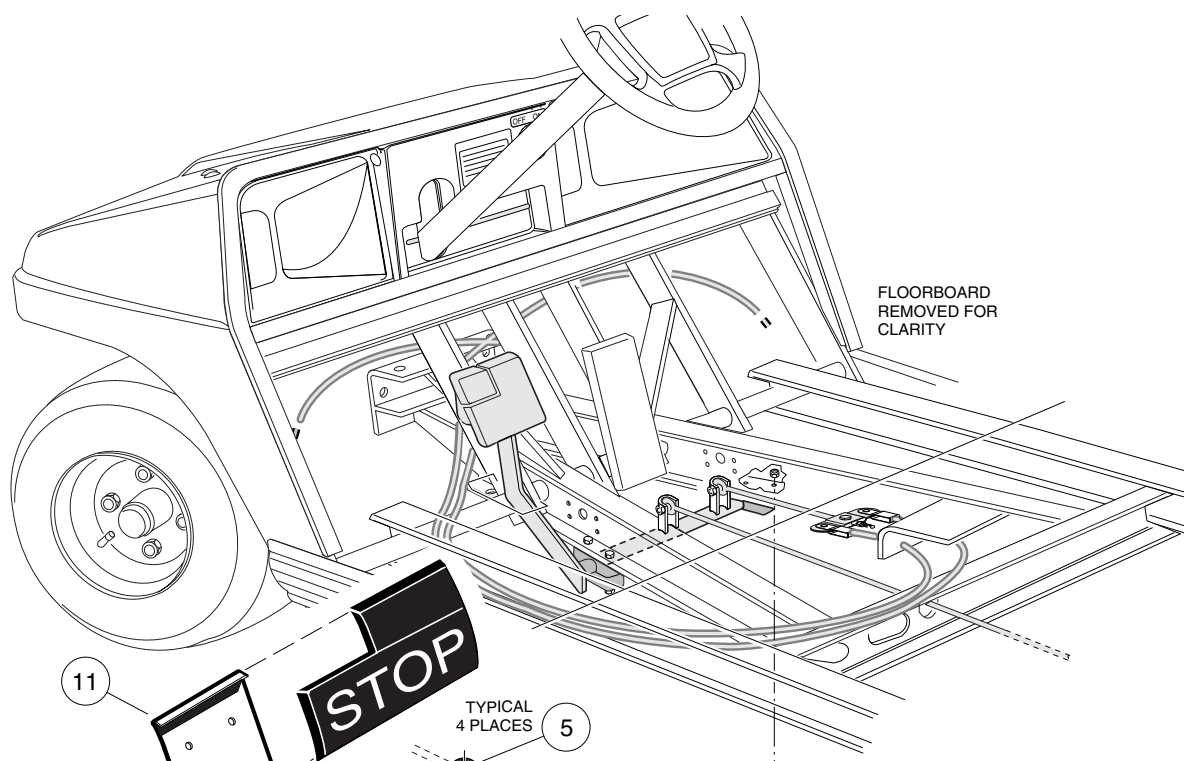




# BRAKE PEDAL AND CABLE ASSEMBLY— VEHICLE WITH 2-WHEEL BRAKING

| ITEM | PART NO.          | DESCRIPTION  | QTY<br>GAS | QTY<br>ELEC |
|------|-------------------|--|------------|-------------|
|      |                   | 1 2 3 4  |            |             |
| 1    | 0001242           | NUT, HEX, 5/16 - 18 .....  | 1          | 1           |
| 2    | <u>1018653-01</u> | SPACER, EQUALIZER .....  | 2          | 2           |
| 3    | <u>1017211</u>    | KIT, EQUALIZER AND PIVOT LIMITER (INCLUDES ITEM 4) .....                                   | 1          | 1           |
| 4    | N/A               | PIN, EQUALIZER PIVOT .....   | 1          | 1           |
| 5    | 0007473           | NUT, NYLON LOCK, 5/16 - 18 .....   | 5          | 5           |
| 6    | <u>1011403</u>    | KIT, BRAKE CABLE, REAR (INCLUDES ITEMS 7 - 9) .....  | 2          | 2           |
| 7    | <u>1011779</u>    | E-CLIP, 1/2 .....  | 2          | 2           |
| 8    | <u>0001035</u>    | PIN, COTTER, 3/32 x 1 .....  | 2          | 2           |
| 9    | <u>1010829</u>    | PIN, CLEVIS, 5/16 .....  | 2          | 2           |
| 10   | <u>1019540-01</u> | KIT, BRAKE PEDAL (INCLUDES ITEMS 11 - 16, 19 AND 32) .....                                 | 1          | 1           |
| 11   | <u>1013531</u>    | SPRING, BRAKE RETURN .....   | 1          | 1           |
| 12   | 0007716           | SCREW, SLOTTED HEX WASHER HEAD, #10 - 16 x 1/2 .....                                       | 4          | 4           |
| 13   | <u>1013869</u>    | PAD, BRAKE PEDAL .....   | 1          | 1           |
| 14   | <u>1019531-01</u> | ROD, EQUALIZER (CARRYALL I ONLY) .....   | 1          | 1           |
| 14   | <u>1019531-02</u> | ROD, EQUALIZER (CARRYALL II ONLY) .....  | 1          | 1           |
| 15   | <u>1019530-01</u> | BOLT, HEX HEAD SHOULDER, 3/8 x 1 .....   | 1          | 1           |
| 16   | 0007473           | NUT, NYLON LOCK, 5/16 - 18 .....   | 1          | 1           |
|      | <u>1011877-02</u> | KIT, PARK BRAKE LATCH (INCLUDES ITEMS 17 - 21<br>AND ITEM 25 ON PAGE 5-13) .....           | 1          | 1           |
| 17   | N/A               | ROD AND PAWL .....   | 1          | 1           |
| 18   | <u>1017029</u>    | PIN, COTTER, 7/64 x 1/2 .....  | 1          | 1           |
| 19   | <u>1010877</u>    | NUT, PUSH, 5/16 .....  | 1          | 1           |
| 20   | <u>1010805</u>    | SLEEVE, PARK BRAKE ROD .....   | 1          | 1           |
| 21   | <u>1010932</u>    | JOINT, BALL, 1/4 - 28 .....  | 1          | 1           |
| 22   | <u>1010933</u>    | SPRING, PARK BRAKE TORSION .....   | 1          | 1           |
| 23   | <u>1010927</u>    | SPACER, PARK BRAKE .....   | 1          | 1           |
| 24   | <u>1010878</u>    | BUMPER, RUBBER .....   | 1          | 1           |
| 25   | 0001028           | NUT, HEX, 1/4 - 20 .....   | 1          | 1           |
| 26   | <u>1011402</u>    | PACKAGE, BRAKE MOUNTING BLOCK (CONTAINS UPPER AND LOWER<br>FOR LEFT AND RIGHT SIDES) ..... | 1          | 1           |
| 27   | 0001241           | WASHER, FLAT, 5/16 .....   | 4          | 4           |
| 28   | <u>1010921</u>    | SCREW, HEX HEAD CAP, 5/16 - 18 x 2 1/2 .....   | 4          | 4           |
| 29   | <u>1011418</u>    | KIT, PARK BRAKE PEDAL (INCLUDES ITEMS 30 - 33) .....                                       | 1          | 1           |
| 30   | <u>0001032</u>    | BUSHING, NYLON .....   | 2          | 2           |
| 31   | 0007716           | SCREW, SLOTTED HEX WASHER HEAD, #10 - 16 x 1/2 .....                                       | 2          | 2           |
| 32   | <u>1013876</u>    | NUT, PUSH, 3/8 .....   | 1          | 1           |
| 33   | <u>1013870</u>    | PAD, PARK BRAKE .....  | 1          | 1           |

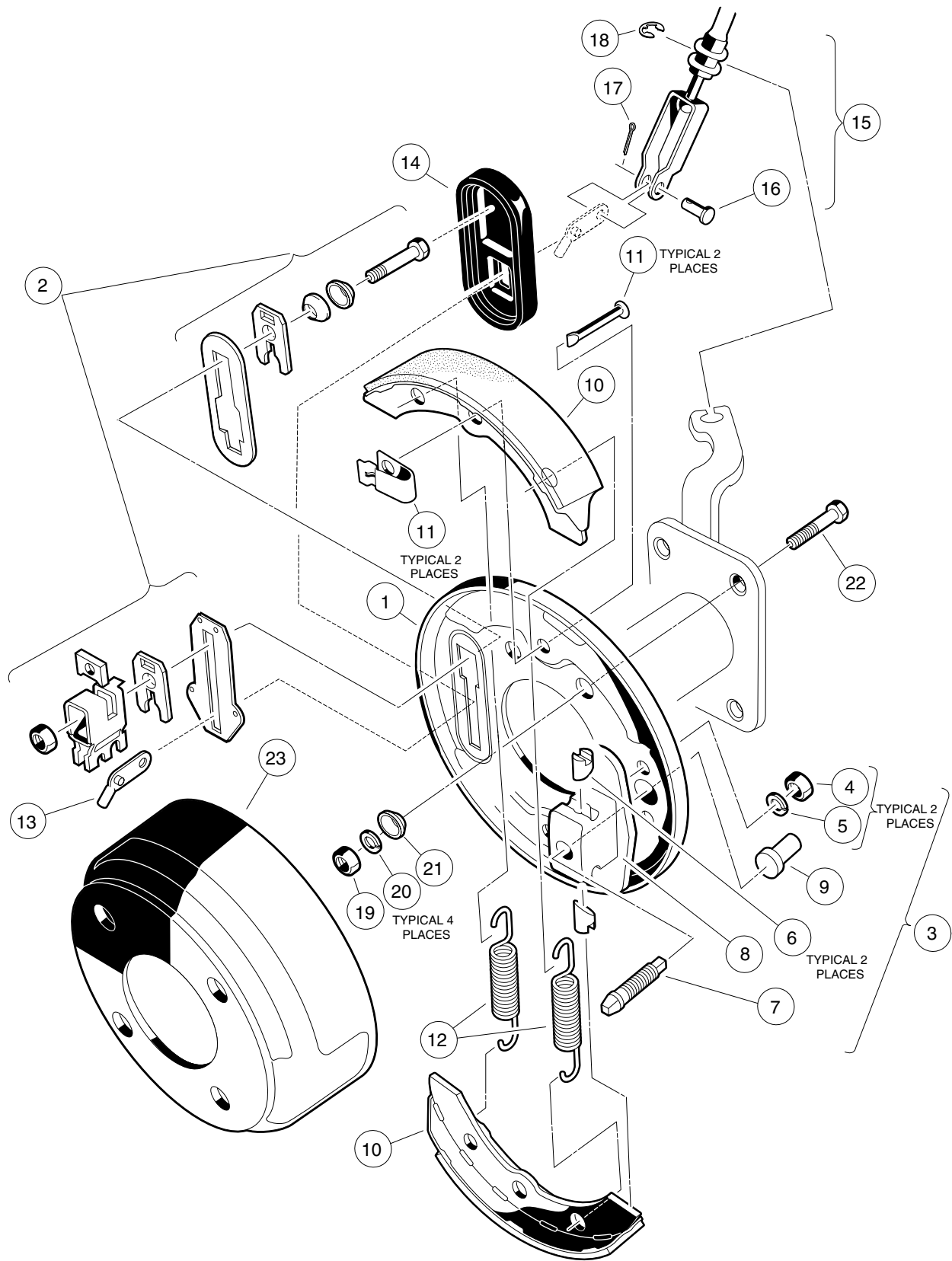
**5  
G  
E**



# BRAKE PEDAL AND CABLE ASSEMBLY— VEHICLE WITH 4-WHEEL BRAKING

| ITEM | PART NO.          | DESCRIPTION  | QTY<br>GAS | QTY<br>ELEC |
|------|-------------------|--|------------|-------------|
|      |                   | 1 2 3 4  |            |             |
| 1    | 0001242           | NUT, HEX, 5/16 - 18 .....  | 1          | 1           |
| 2    | <u>1018653-01</u> | SPACER, EQUALIZER .....  | 2          | 2           |
| 3    | <u>1017211</u>    | KIT, EQUALIZER AND PIVOT LIMITER (INCLUDES ITEM 4) .....                                   | 1          | 1           |
| 4    | N/A               | PIN, EQUALIZER PIVOT .....   | 1          | 1           |
| 5    | 0007473           | NUT, NYLON LOCK, 5/16 - 18 .....   | 5          | 5           |
| 6    | <u>1011403</u>    | KIT, BRAKE CABLE, REAR (INCLUDES ITEMS 8 - 10) .....                                       | 2          | 2           |
| 7    | <u>1018746-01</u> | KIT, BRAKE CABLE, FRONT (INCLUDES ITEMS 8 - 10) .....                                      | 2          | 2           |
| 8    | <u>1011779</u>    | E-CLIP, 1/2 .....  | 2          | 2           |
| 9    | <u>0001035</u>    | PIN, COTTER, 3/32 x 1 .....  | 2          | 2           |
| 10   | <u>1010829</u>    | PIN, CLEVIS, 5/16 .....  | 2          | 2           |
| 11   | <u>1019540-01</u> | KIT, BRAKE PEDAL (INCLUDES ITEMS 12 - 18, 22 AND 35) .....                                 | 1          | 1           |
| 12   | <u>1013531</u>    | SPRING, BRAKE RETURN .....   | 1          | 1           |
| 13   | 0007716           | SCREW, SLOTTED HEX WASHER HEAD, #10 - 16 x 1/2 .....                                       | 4          | 4           |
| 14   | <u>1013869</u>    | PAD, BRAKE PEDAL .....   | 1          | 1           |
| 15   | 1019530-01        | BOLT, HEX HEAD SHOULDER, 3/8 x 1 .....   | 2          | 2           |
| 16   | 0007473           | NUT, NYLON LOCK, 5/16 - 18 .....   | 2          | 2           |
| 17   | <u>1019531-01</u> | ROD, EQUALIZER, FRONT .....  | 1          | 1           |
| 18   | 1019531-02        | ROD, EQUALIZER, REAR (CARRYALL II AND II PLUS) .....                                       | 1          | 1           |
| 19   | 1019531-03        | ROD, EQUALIZER, REAR (CARRYALL VI ) .....  | 1          | 1           |
|      | <u>1011877-02</u> | KIT, PARK BRAKE LATCH (INCLUDES ITEMS 20 - 24<br>AND ITEM 25 ON PAGE 5-13) .....           | 1          | 1           |
| 20   | N/A               | ROD AND PAWL .....   | 1          | 1           |
| 21   | <u>1017029</u>    | PIN, COTTER, 7/64 x 1/2 .....  | 1          | 1           |
| 22   | <u>1010877</u>    | NUT, PUSH, 5/16 .....  | 1          | 1           |
| 23   | <u>1010805</u>    | SLEEVE, PARK BRAKE ROD .....   | 1          | 1           |
| 24   | 1010932           | JOINT, BALL, 1/4 - 28 .....  | 1          | 1           |
| 25   | <u>1010933</u>    | SPRING, PARK BRAKE TORSION .....   | 1          | 1           |
| 26   | <u>1010927</u>    | SPACER, PARK BRAKE .....   | 1          | 1           |
| 27   | <u>1010878</u>    | BUMPER, RUBBER .....   | 1          | 1           |
| 28   | 0001028           | NUT, HEX, 1/4 - 20 .....   | 1          | 1           |
| 29   | <u>1011402</u>    | PACKAGE, BRAKE MOUNTING BLOCK (CONTAINS UPPER AND LOWER<br>FOR LEFT AND RIGHT SIDES) ..... | 1          | 1           |
| 30   | 0001241           | WASHER, FLAT, 5/16 .....   | 4          | 4           |
| 31   | <u>1010921</u>    | SCREW, HEX HEAD CAP, 5/16 - 18 x 2 1/2 .....   | 4          | 4           |
| 32   | <u>1011418</u>    | KIT, PARK BRAKE PEDAL (INCLUDES ITEMS 33 - 36) .....                                       | 1          | 1           |
| 33   | <u>0001032</u>    | BUSHING, NYLON .....   | 2          | 2           |
| 34   | 0007716           | SCREW, SLOTTED HEX WASHER HEAD, #10 -16 x 1/2 .....  | 2          | 2           |
| 35   | <u>1013876</u>    | NUT, PUSH, 3/8 .....   | 1          | 1           |
| 36   | <u>1013870</u>    | PAD, PARK BRAKE .....  | 1          | 1           |

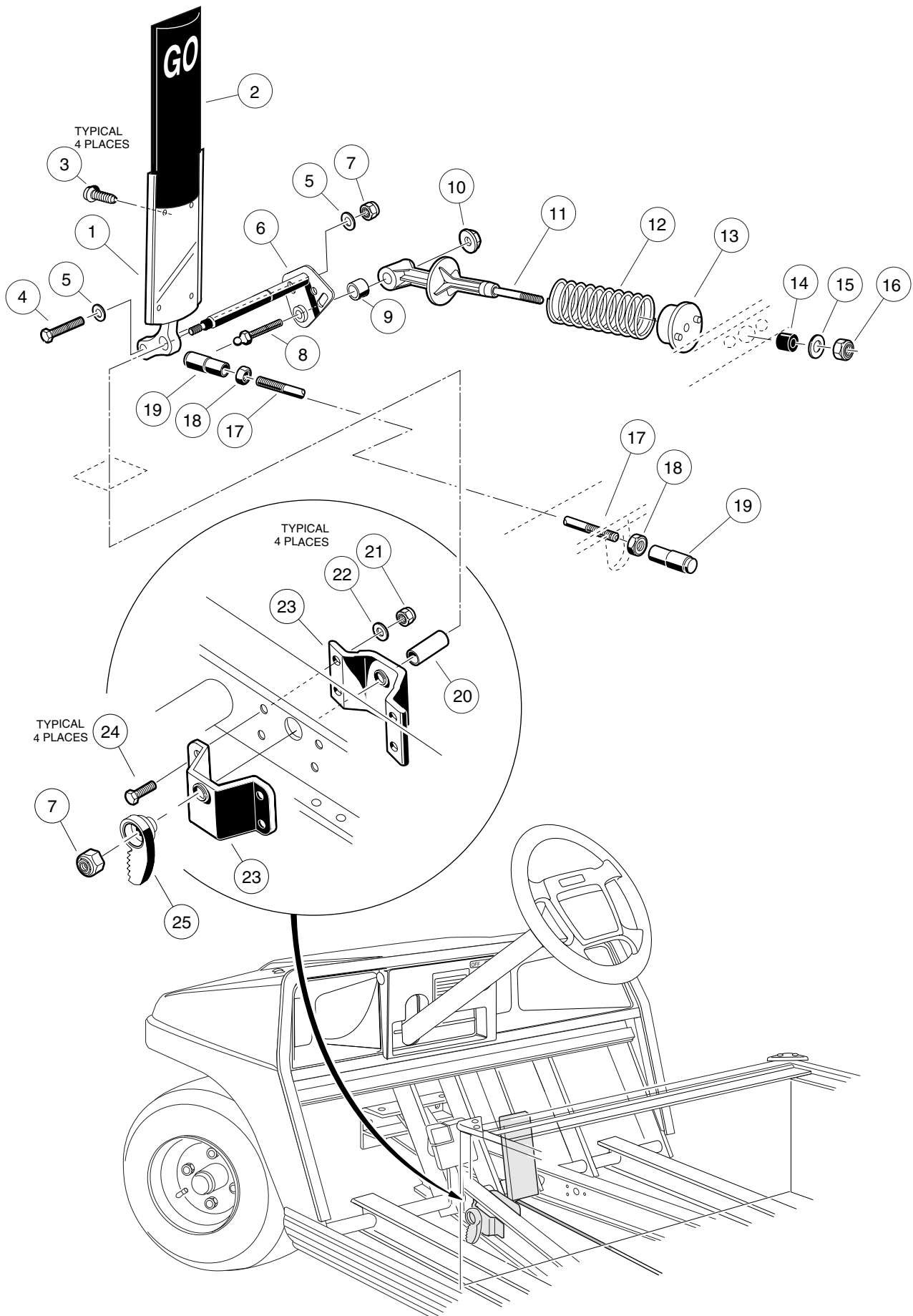
**5  
G  
E**



# FRONT BRAKE ASSEMBLY— VEHICLE WITH 4-WHEEL BRAKING

| ITEM | PART NO.          | DESCRIPTION  | QTY<br>GAS | QTY<br>ELEC |
|------|-------------------|--|------------|-------------|
|      |                   | 1 2 3 4  |            |             |
|      | <u>1016573</u>    | CLUSTER, PASSENGER SIDE BRAKE, WITHOUT BRAKE DRUM<br>(INCLUDES ITEMS 1 - 14) ..... | 1          | 1           |
|      | <u>1016557</u>    | CLUSTER, DRIVER SIDE BRAKE, WITHOUT BRAKE DRUM<br>(INCLUDES ITEMS 1 - 14) .....    | 1          | 1           |
| 1    | <u>1011154</u>    | PLATE, BACKING, PASSENGER SIDE .....   | 1          | 1           |
| 1    | <u>1011494</u>    | PLATE, BACKING, DRIVER SIDE .....  | 1          | 1           |
| 2    | <u>1011465</u>    | KIT, BRAKE ACTUATOR .....  | 1          | 1           |
| 3    | <u>1011467</u>    | KIT, ANCHOR BODY (INCLUDES ITEMS 4 - 9) .....                                      | 1          | 1           |
| 4    | <u>1011114</u>    | NUT, M6 x 1 .....  | 2          | 2           |
| 5    | <u>0000451</u>    | WASHER, LOCK, 1/4 .....  | 2          | 2           |
| 6    | N/A               | PISTON, ANCHOR .....   | 2          | 2           |
| 7    | N/A               | BOLT, ADJUSTMENT .....   | 1          | 1           |
| 8    | N/A               | BODY, ANCHOR .....   | 1          | 1           |
| 9    | <u>1011303</u>    | CAP, ADJUSTMENT BOLT .....   | 1          | 1           |
| 10   | <u>1011463-02</u> | PACKAGE, BRAKE SHOE (FOUR PIECES) .....  | 1          | 1           |
| 11   | <u>1011466</u>    | KIT, SHOE RETAINER (FOUR PIECES) .....   | 1          | 1           |
| 12   | <u>1011464</u>    | PACKAGE, BRAKE SPRING (FOUR PIECES) .....  | 1          | 1           |
| 13   | N/A               | ARM, BRAKE LEVER .....   | 1          | 1           |
| 14   | <u>1010850</u>    | COVER, DUST .....  | 1          | 1           |
| 15   | <u>1018746-01</u> | KIT, BRAKE CABLE, FRONT (INCLUDES ITEMS 16, 17 AND 18) .....                       | 2          | 2           |
| 16   | <u>1010829</u>    | PIN, CLEVIS, 5/16 .....  | 2          | 2           |
| 17   | <u>0001035</u>    | PIN, COTTER, 3/32 x 1 .....  | 2          | 2           |
| 18   | <u>1011779</u>    | E-CLIP, 1/2 .....  | 2          | 2           |
| 19   | <u>1018727-01</u> | NUT, HEX, 5/16 - 24 .....  | 8          | 8           |
| 20   | <u>0007174</u>    | WASHER, LOCK, 5/16 x 24 .....  | 8          | 8           |
| 21   | <u>1018690-01</u> | WASHER, CONE .....   | 8          | 8           |
| 22   | <u>1017232</u>    | BOLT, HEX HEAD, 5/16 - 24 x 1 .....  | 8          | 8           |
| 23   | <u>1011137</u>    | DRUM, BRAKE .....  | 2          | 2           |

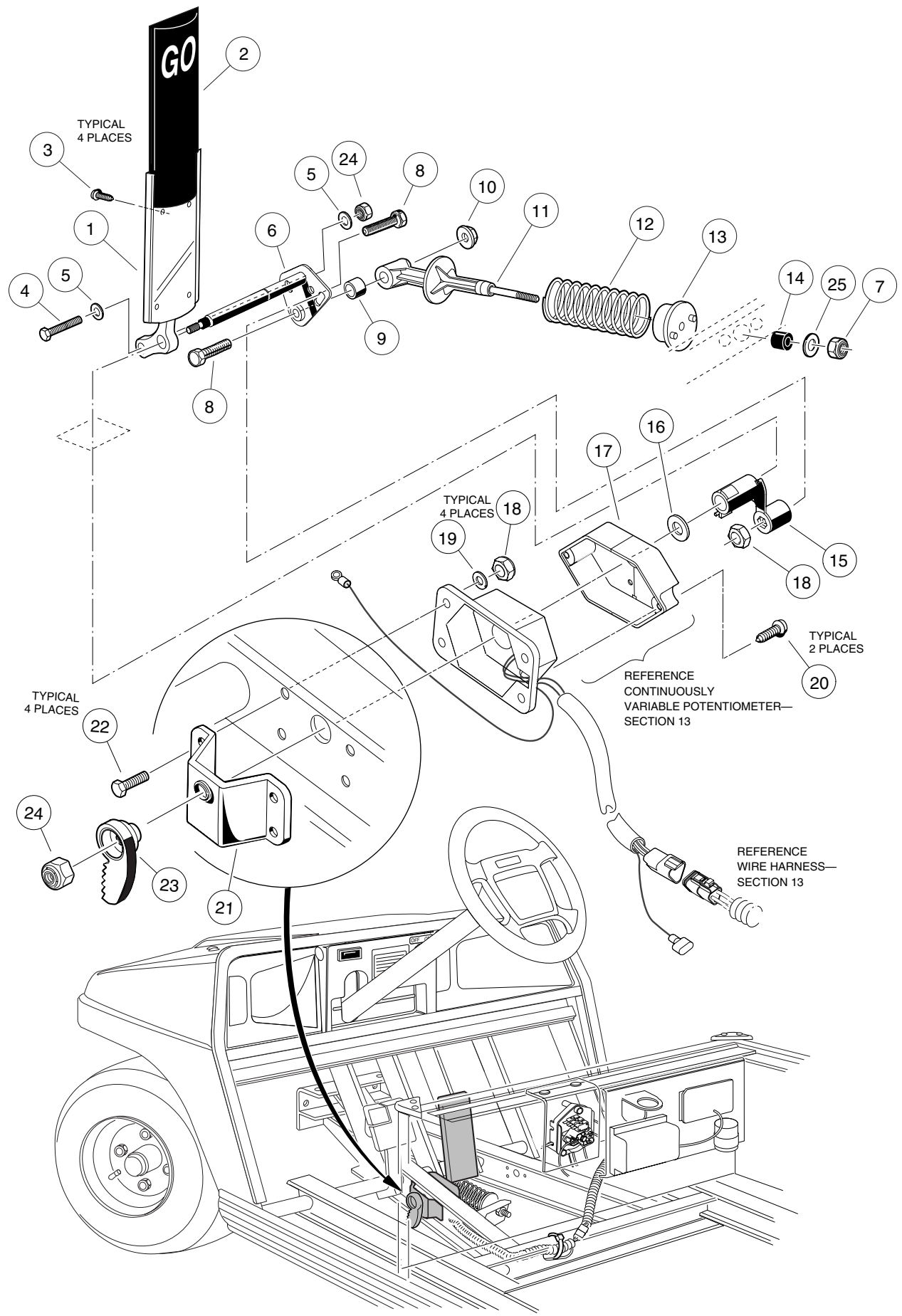
5  
G  
E



# ACCELERATOR PEDAL ASSEMBLY— ELECTRIC CARRYALL I AND ALL GASOLINE VEHICLES

| ITEM | PART NO.          | DESCRIPTION   | QTY<br>GAS | QTY<br>ELEC |
|------|-------------------|---|------------|-------------|
|      |                   | 1 2 3 4   |            |             |
| 1    | <u>1017696</u>    | SUB-ASSEMBLY, ACCELERATOR PEDAL (INCLUDES ITEMS 2 AND 3) .....  | 1          | 1           |
| 2    | 1013871           | PAD, PEDAL .....  | 1          | 1           |
| 3    | 0007716           | SCREW, SLOTTED HEX WASHER HEAD, #10 - 16 x 1/2 .....  | 4          | 4           |
| 4    | 0001624           | SCREW, HEX CAP, 3/8 - 16 x 1 1/2 .....  | 1          | 1           |
| 5    | 0000334           | WASHER, FLAT, 3/8 .....   | 2          | 2           |
| 6    | 1017325           | ASSEMBLY, ACCELERATOR PIVOT ROD .....   | 1          | 1           |
| 7    | 0008754           | NUT, NYLON LOCK, 3/8 - 16 .....   | 2          | 2           |
| 8    | 1018188-01        | STUD, BALL .....  | 1          | 1           |
| 9    | <u>1017424</u>    | BEARING, PIVOT SUPPORT .....  | 1          | 1           |
| 10   | <u>1019669-01</u> | NUT, FLANGE, 1/4 - 28 .....   | 1          | 1           |
| 11   | <u>1018174-01</u> | RETAINER, SPRING .....  | 1          | 1           |
| 12   | 1017962-01        | SPRING, RETURN .....  | 1          | 1           |
| 13   | <u>1017378</u>    | CUP, SPRING .....   | 1          | 1           |
| 14   | <u>1017380</u>    | BUMPER, RETURN SPRING .....   | 1          | 1           |
| 15   | 0001241           | WASHER, FLAT, 5/16 .....  | 1          | 1           |
| 16   | 0007473           | NUT, NYLON LOCK, 5/16 - 18 .....  | 1          | 1           |
| 17   | 1018719-01        | ASSEMBLY, ACCELERATOR ROD (ELECTRIC CARRYALL I ONLY)<br>(INCLUDES ITEMS 18 AND 19) .....                  |            | 1           |
| 17   | 1019124-01        | ASSEMBLY, ACCELERATOR ROD (GASOLINE CARRYALL I ONLY)<br>(INCLUDES ITEMS 18 AND 19) .....                  | 1          |             |
| 17   | <u>1018220-01</u> | ASSEMBLY, ACCELERATOR ROD (GASOLINE CARRYALL II, TURF II<br>AND II PLUS) (INCLUDES ITEMS 18 AND 19) ..... | 1          |             |
| 17   | <u>1016747-02</u> | ASSEMBLY, ACCELERATOR ROD (GASOLINE CARRYALL VI ONLY)<br>(INCLUDES ITEMS 18 AND 19) .....                 | 1          |             |
| 18   | <u>1011084</u>    | NUT, UNF HEX JAM, 1/4 - 28 .....  | 2          | 2           |
| 19   | <u>1011734</u>    | JOINT, SPRING-LOADED BALL .....   | 2          | 2           |
| 20   | <u>1011700</u>    | SPACER .....  | 1          | 1           |
| 21   | 0008233           | NUT, NYLON LOCK, 1/4 - 20 .....   | 4          | 4           |
| 22   | <u>1014007</u>    | WASHER, FLAT, TYPE B, 1/4 .....   | 4          | 4           |
| 23   | <u>1011694</u>    | SUPPORT, ACCELERATOR PIVOT ROD .....  | 2          | 2           |
| 24   | <u>1018619-01</u> | SCREW, HEX CAP, 1/4 - 20 x 1 1/8 .....  | 4          | 4           |
|      | <u>1011877-02</u> | KIT, PARK BRAKE LATCH (INCLUDES ITEM 25 AND ITEMS 17 - 21 ON<br>PAGE 5-7) .....                           | 1          | 1           |
| 25   | N/A               | ASSEMBLY, RACHET .....  | 1          | 1           |

**5**  
**G**  
**E**





# ACCELERATOR PEDAL ASSEMBLY— ELECTRIC CARRYALL II AND VI

| ITEM | PART NO.          | DESCRIPTION   | QTY<br>GAS | QTY<br>ELEC |
|------|-------------------|---|------------|-------------|
|      |                   | 1 2 3 4   |            |             |
| 1    | <u>1017696</u>    | SUB-ASSEMBLY, ACCELERATOR PEDAL (INCLUDES ITEMS 2 AND 3) .....                  |            | 1           |
| 2    | 1013871           | PAD, PEDAL .....  |            | 1           |
| 3    | 0007716           | SCREW, SLOTTED HEX WASHER HEAD, #10 - 16 x 1/2 .....                            |            | 4           |
| 4    | 0001624           | SCREW, HEX CAP, 3/8 - 16 x 1 1/2 .....  |            | 1           |
| 5    | 0000334           | WASHER, FLAT, 3/8 .....   |            | 2           |
| 6    | 1017325           | ASSEMBLY, ACCELERATOR PIVOT ROD .....   |            | 1           |
| 7    | 0007473           | NUT, NYLON LOCK, 5/16 - 18 .....  |            | 1           |
| 8    | <u>1018620-01</u> | SCREW, HEX HEAD CAP, 1/4 - 20 x 1 3/8 .....                                     |            | 2           |
| 9    | <u>1017424</u>    | BEARING, PIVOT SUPPORT .....  |            | 1           |
| 10   | <u>1015661</u>    | NUT, FLANGE LOCK, 1/4 - 20 .....  |            | 1           |
| 11   | <u>1018174-01</u> | RETAINER, SPRING .....  |            | 1           |
| 12   | 1017962-01        | SPRING, RETURN .....  |            | 1           |
| 13   | <u>1017378</u>    | CUP, SPRING .....   |            | 1           |
| 14   | <u>1017380</u>    | BUMPER, RETURN SPRING .....   |            | 1           |
| 15   | <u>1017400</u>    | LEVER, ACTUATOR .....   |            | 1           |
| 16   | <u>1018042-01</u> | WASHER, PLASTIC, 1/2 .....  |            | 1           |
| 17   | <u>1017743</u>    | COVER, ACCELERATOR .....  |            | 1           |
| 18   | 0008233           | NUT, NYLON LOCK, 1/4 - 20 .....   |            | 5           |
| 19   | <u>1014007</u>    | WASHER, FLAT, TYPE B, 1/4 .....   |            | 4           |
| 20   | <u>1018043-01</u> | SCREW, HI-LO HEX HEAD, #8 - 18 x 1/2 .....                                      |            | 2           |
| 21   | <u>1011694</u>    | SUPPORT, ACCELERATOR PIVOT ROD .....  |            | 1           |
| 22   | <u>1018619-01</u> | SCREW, HEX CAP, 1/4 - 20 x 1 1/8 .....  |            | 4           |
|      | <u>1011877-02</u> | KIT, PARK BRAKE LATCH (INCLUDES ITEM 23 AND ITEMS 17 - 21 ON<br>PAGE 5-7) ..... |            | 1           |
| 23   | N/A               | ASSEMBLY, RATCHET .....   |            | 1           |
| 24   | 0008754           | NUT, NYLON LOCK, 3/8 x 16 .....   |            | 2           |
| 25   | 0001241           | WASHER, FLAT, 5/16 .....  |            | 1           |

**5**  
**G**  
**E**

**5**  
**G**  
**E**

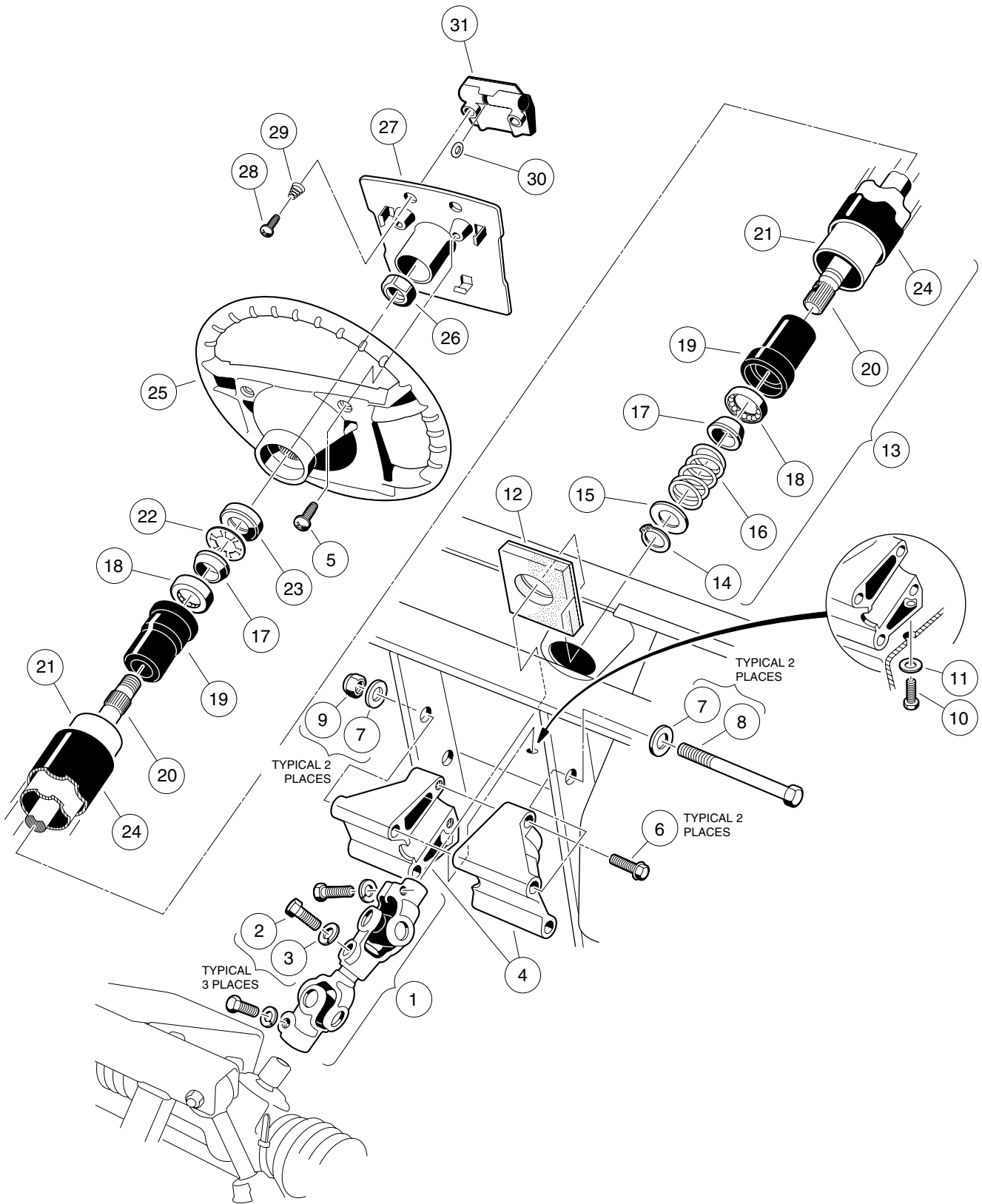
# STEERING, FRONT AND REAR SUSPENSION

---

6

G

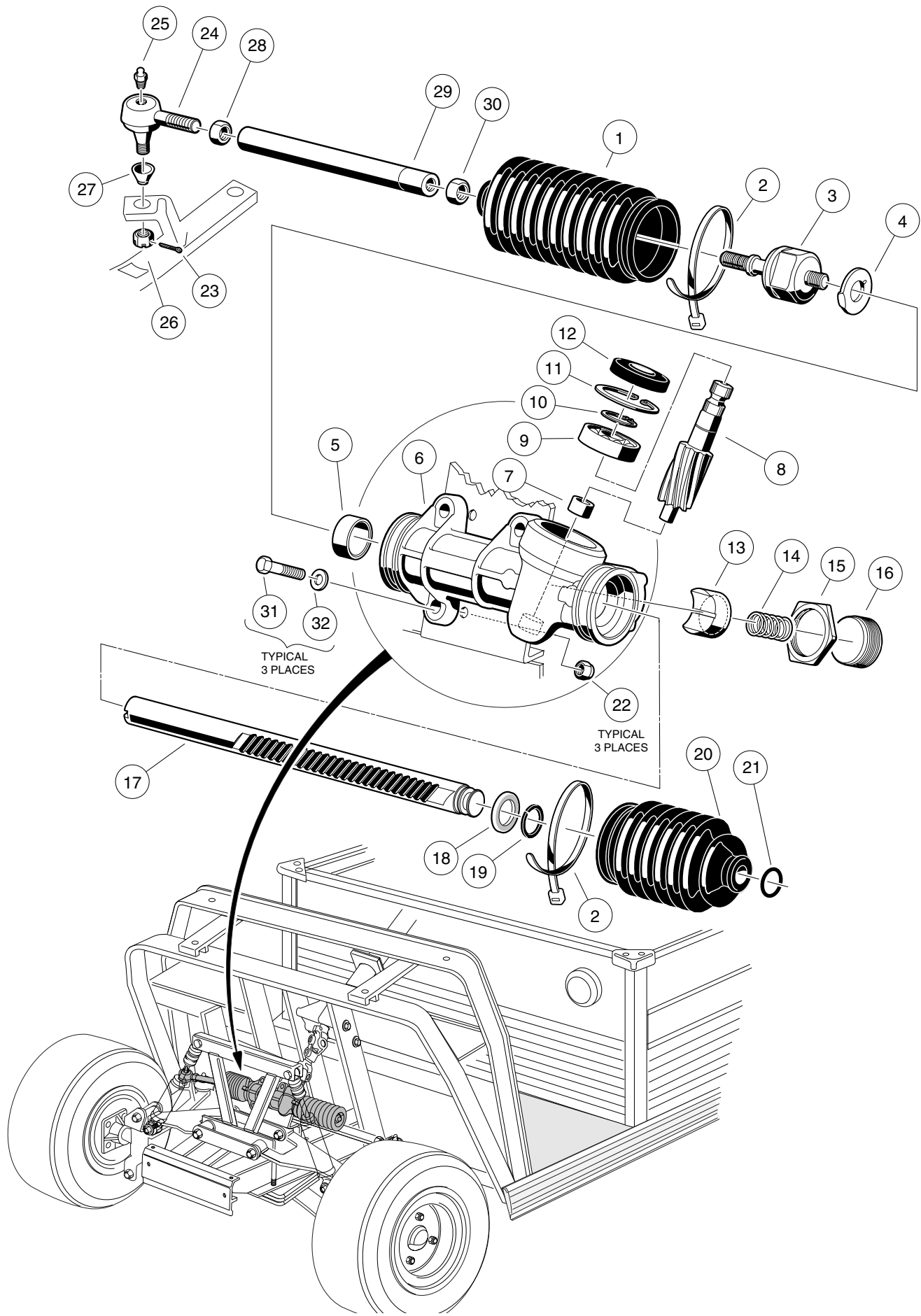
E



# STEERING COLUMN

| ITEM | PART NO.       | DESCRIPTION   | QTY<br>GAS | QTY<br>ELEC |
|------|----------------|---|------------|-------------|
|      |                | 1 2 3 4   |            |             |
| 1    | <u>1013861</u> | JOINT, COMPOUND STEERING (INCLUDES ITEMS 2 AND 3) .....                             | 1          | 1           |
| 2    | <u>1017226</u> | SCREW, HEX HEAD CAP, M8 x 1.25 x 30MM .....   | 3          | 3           |
| 3    | 0007174        | WASHER, LOCK, 5/16 .....  | 3          | 3           |
| 4    | 1019848-01     | KIT, STEERING COLUMN, MOUNTING BRACKET .....  | 1          | 1           |
| 5    | <u>1016663</u> | SCREW, PHILLIPS, TYPE A, #12 - 11 x 5/8 .....                                       | 2          | 2           |
| 6    | <u>1016269</u> | SCREW, HEX WASHER HEAD THREAD FORMING, 5/16 - 18 x 2 .....                          | 2          | 2           |
| 7    | 0000334        | WASHER, FLAT, 3/8 .....   | 4          | 4           |
| 8    | <u>1016183</u> | SCREW, HEX HEAD CAP, 3/8 - 16 x 7 .....   | 2          | 2           |
| 9    | 0008754        | NUT, NYLON LOCK, 3/8 - 16 .....   | 2          | 2           |
| 10   | <u>1014288</u> | SCREW, HEX WASHER HEAD THREAD FORMING, 5/16 - 18 x 3/4 .....                        | 1          | 1           |
| 11   | <u>1011697</u> | WASHER, FLAT, 5/16 .....  | 1          | 1           |
| 12   | <u>1012499</u> | BOOT, STEERING COLUMN .....   | 1          | 1           |
| 13   | 1016181        | ASSEMBLY, STEERING COLUMN (INCLUDES ITEMS 14 - 23) .....                            | 1          | 1           |
| 14   | <u>1012605</u> | RING, RETAINING .....   | 1          | 1           |
| 15   | <u>1012604</u> | WASHER, STEEL, 5/8 .....  | 1          | 1           |
| 16   | <u>1014217</u> | SPRING, COMPRESSION .....   | 1          | 1           |
| 17   | 1014125        | WEDGE .....   | 2          | 2           |
| 18   | <u>1014213</u> | ASSEMBLY, BEARING .....   | 2          | 2           |
| 19   | <u>1014126</u> | SEAT, BEARING .....   | 2          | 2           |
| 20   | <u>1015545</u> | SHAFT, STEERING COLUMN .....  | 1          | 1           |
| 21   | 1016622        | COLUMN, ALUMINUM STEERING .....   | 1          | 1           |
| 22   | 1014214        | RING, RETAINING .....   | 1          | 1           |
| 23   | <u>1014211</u> | SEAL, BEARING .....   | 1          | 1           |
| 24   | 1016263        | COVER, STEERING COLUMN .....  | 1          | 1           |
| 25   | <u>1016156</u> | WHEEL, STEERING .....   | 1          | 1           |
| 26   | <u>1017273</u> | NUT, NYLON LOCK, 5/8 - 18 .....   | 1          | 1           |
| 27   | 1016155-02     | PLATE, SCORECARD (CARRYALL I, II, II PLUS AND VI).....                              | 1          | 1           |
| 27   | 1016219        | ASSEMBLY, SCORECARD PLATE (INCLUDES ITEMS 28 - 31)<br>(CARRYALL TURF II ONLY) ..... | 1          | 1           |
| 28   | <u>1012565</u> | SCREW, ROUND HEAD, #12 - 14 x 1 .....   | 2          | 2           |
| 29   | <u>1012566</u> | SPRING, TAPERED COMPRESSION .....   | 2          | 2           |
| 30   | <u>1016214</u> | GRIP, PENCIL .....  | 2          | 2           |
| 31   | 1016154        | CLIP, SCORE CARD .....  | 1          | 1           |

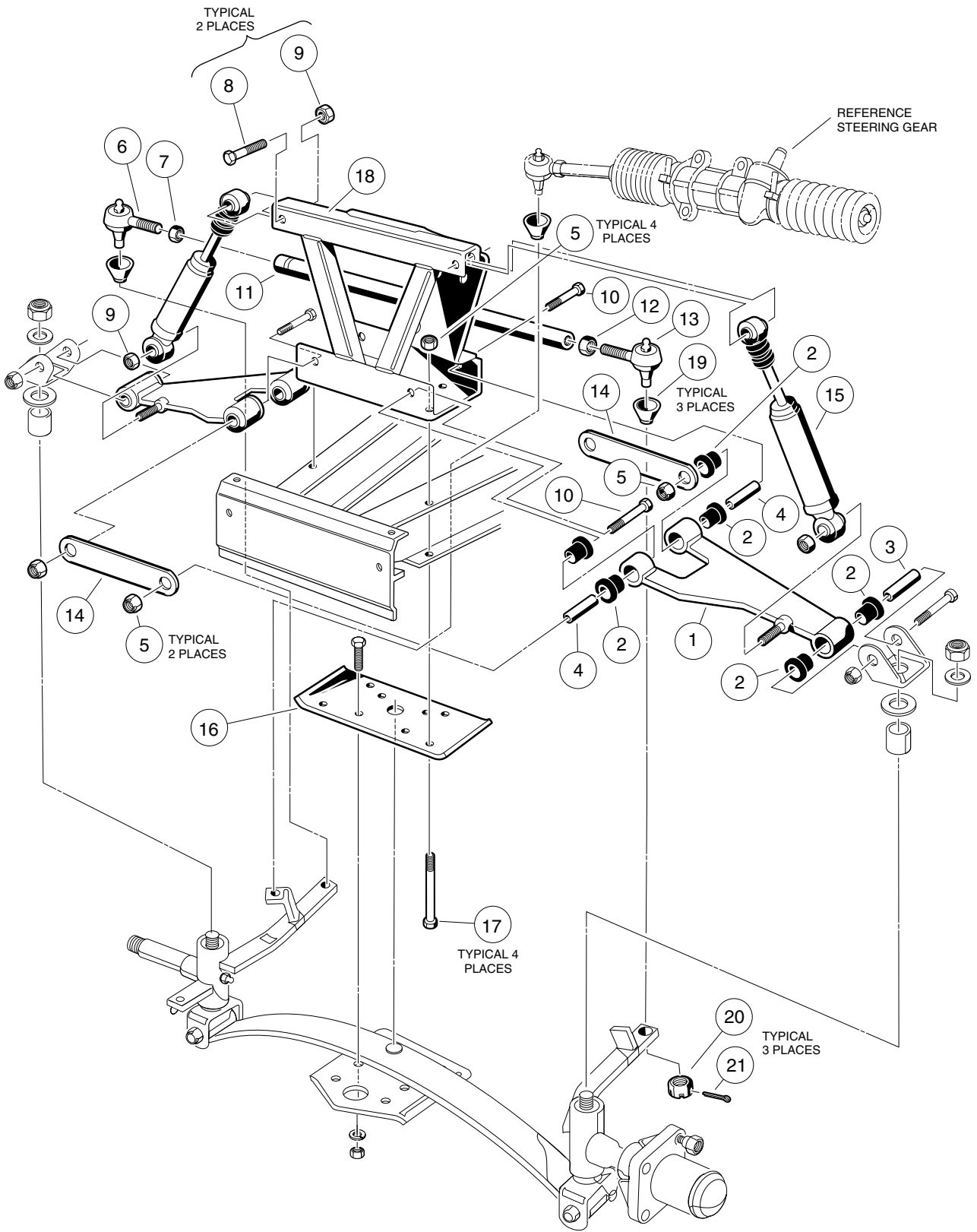
6  
G  
E



# STEERING GEAR ASSEMBLY

| ITEM | PART NO.          | DESCRIPTION   | QTY<br>GAS | QTY<br>ELEC |
|------|-------------------|---|------------|-------------|
|      |                   | 1 2 3 4   |            |             |
|      | <u>1018783-02</u> | ASSEMBLY, STEERING GEAR BOX (INCLUDES ITEMS 1 - 21) .....         | 1          | 1           |
| 1    | <u>1013035</u>    | SEAL, DUST, PASSENGER SIDE .....                                  | 1          | 1           |
| 2    | 0008990           | WRAP, TIE .....   | 2          | 2           |
| 3    | <u>1018802-01</u> | ASSEMBLY, INNER BALL JOINT .....                                  | 1          | 1           |
| 4    | <u>1018803-01</u> | WASHER, TAB .....   | 1          | 1           |
| 5    | N/A               | BUSHING, RACK .....   | 1          | 1           |
| 6    | N/A               | BOX, STEERING GEAR .....  | 1          | 1           |
| 7    | N/A               | BEARING, LOWER PINION .....                                       | 1          | 1           |
| 8    | N/A               | PINION, STEERING .....  | 1          | 1           |
| 9    | <u>1018794-01</u> | BEARING, UPPER PINION .....                                       | 1          | 1           |
| 10   | <u>1018799-01</u> | RING, C-TYPE STOP .....   | 1          | 1           |
| 11   | 1013051           | RING, SNAP .....  | 1          | 1           |
| 12   | <u>1013052</u>    | SEAL, DUST, STEERING PINION .....                                 | 1          | 1           |
| 13   | <u>1018797-01</u> | GUIDE, STEERING RACK .....  | 1          | 1           |
| 14   | <u>1018798-01</u> | SPRING, YOKE .....  | 1          | 1           |
| 15   | <u>1013044</u>    | NUT, LOCK, RACK SCREW .....                                       | 1          | 1           |
| 16   | N/A               | SCREW, RACK GUIDE .....   | 1          | 1           |
| 17   | N/A               | RACK, STEERING .....  | 1          | 1           |
| 18   | <u>1018795-01</u> | WASHER, STOP .....  | 1          | 1           |
| 19   | 1018796-01        | RING, C-TYPE STOP .....   | 1          | 1           |
| 20   | <u>1018800-01</u> | SEAL, DUST, DRIVER SIDE .....                                     | 1          | 1           |
| 21   | 1018801-01        | RING, RETAINING .....   | 1          | 1           |
| 22   | <u>8754</u>       | NUT, NYLON LOCK, 3/8 - 16 .....                                   | 3          | 3           |
| 23   | <u>0001035</u>    | PIN, COTTER, 3/32 x 1 .....                                       | 1          | 1           |
| 24   | 0007540           | BALL JOINT, LEFT HAND THREAD (INCLUDES ITEMS 25, 26 AND 27) ..... | 1          | 1           |
| 25   | <u>1015597</u>    | FITTING, THREAD FORM GREASE, 1/4 - 28 .....                       | 1          | 1           |
| 26   | <u>0007602</u>    | NUT, HEX SLOTTED, 3/8 - 24 .....                                  | 1          | 1           |
| 27   | <u>1011930</u>    | BOOT, DUST.....   | 1          | 1           |
| 28   | 0007555           | NUT, HEX, LEFT HAND THREAD, 1/2 - 20 .....                        | 1          | 1           |
| 29   | <u>1012467</u>    | LINK, RACK AND PINION DRAG .....                                  | 1          | 1           |
| 30   | 1013042           | NUT, HEX, M12 x 1.75 .....  | 1          | 1           |
| 31   | 0001624           | BOLT, HEX HEAD, 3/8 - 16 x 1 1/2 .....                            | 3          | 3           |
| 32   | 0000334           | WASHER, FLAT, 3/8 .....   | 3          | 3           |

6  
G  
E

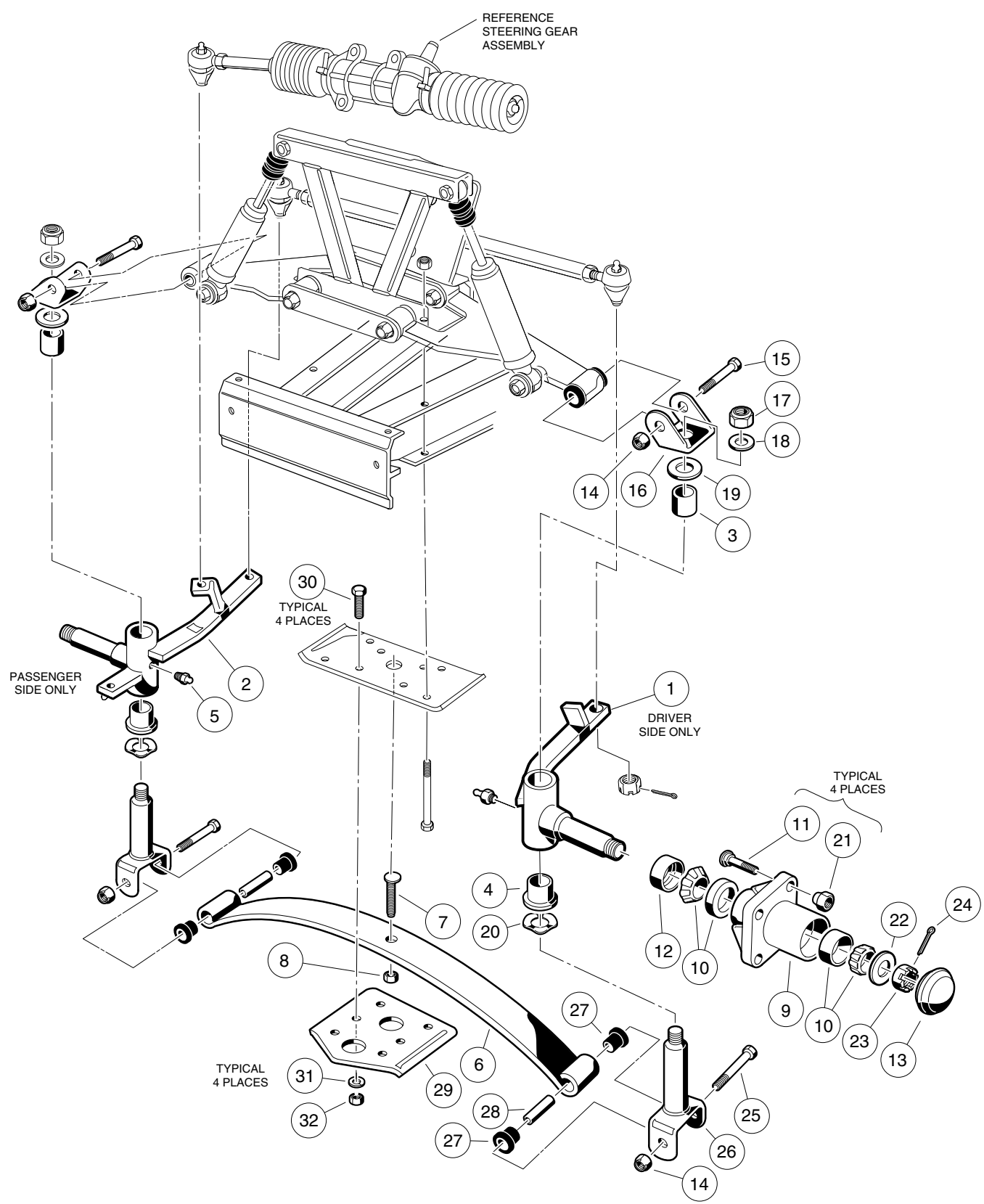




# FRONT SUSPENSION, UPPER— VEHICLE WITH 2-WHEEL BRAKING

| ITEM | PART NO.       | DESCRIPTION   | QTY<br>GAS | QTY<br>ELEC |
|------|----------------|---|------------|-------------|
|      |                | 1 2 3 4   |            |             |
| 1    | <u>1016353</u> | ASSEMBLY, DELTA A-PLATE (INCLUDES ITEMS 2, 3 AND 4) ..... | 2          | 2           |
| 2    | <u>1016346</u> | BUSHING, URETHANE .....                                   | 6          | 6           |
| 3    | <u>1016350</u> | SLEEVE, DELTA OUTER .....                                 | 1          | 1           |
| 4    | <u>1016349</u> | SLEEVE, DELTA INNER .....                                 | 2          | 2           |
| 5    | 0008754        | NUT, NYLON LOCK, 3/8 - 16 .....                           | 8          | 8           |
| 6    | 0007539        | BALL JOINT .....  | 1          | 1           |
| 7    | 0001308        | NUT, HEX, 1/2 - 20 .....                                  | 1          | 1           |
| 8    | 0001624        | BOLT, HEX HEAD, 3/8 - 16 x 1 1/2 .....                    | 2          | 2           |
| 9    | <u>1010138</u> | NUT, DIMPLED LOCK, 3/8 - 16 .....                         | 4          | 4           |
| 10   | 0002402        | SCREW, HEX CAP, 3/8 - 16 x 2 1/4 .....                    | 4          | 4           |
| 11   | <u>1010219</u> | ROD, TIE .....  | 1          | 1           |
| 12   | 0007555        | NUT, HEX, LEFT HAND THREAD, 1/2 - 20 .....                | 1          | 1           |
| 13   | 0007540        | BALL JOINT, LEFT HAND THREAD .....                        | 1          | 1           |
| 14   | <u>1017266</u> | STRAP, A-PLATE .....                                      | 2          | 2           |
| 15   | <u>1014235</u> | SHOCK ABSORBER, FRONT .....                               | 2          | 2           |
| 16   | <u>1010124</u> | PLATE, SPRING MOUNTING .....                              | 1          | 1           |
| 17   | <u>1010200</u> | BOLT, HEX HEAD, 3/8 - 16 x 4 1/4 .....                    | 4          | 4           |
| 18   | <u>1016385</u> | ASSEMBLY, DELTA SHOCK AND GEAR SUPPORT .....              | 1          | 1           |
| 19   | <u>1011930</u> | SEAL, DUST .....  | 3          | 3           |
| 20   | <u>0007602</u> | NUT, SLOTTED HEX, 3/8 - 24 .....                          | 3          | 3           |
| 21   | <u>0001035</u> | PIN, COTTER, 3/32 x 1 .....                               | 1          | 1           |

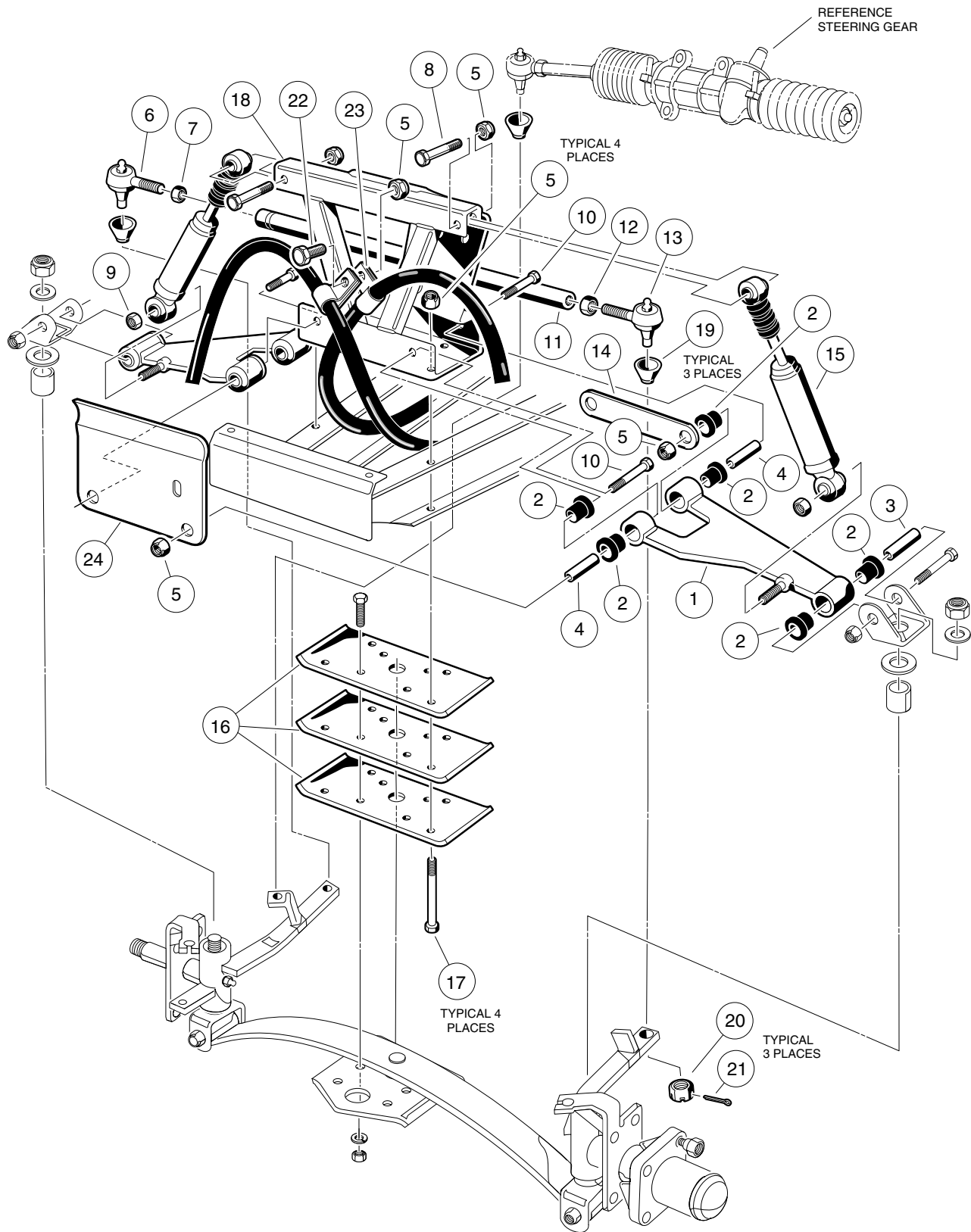
**6**  
**G**  
**E**



# FRONT SUSPENSION, LOWER— VEHICLE WITH 2-WHEEL BRAKING

| ITEM | PART NO.          | DESCRIPTION   | QTY<br>GAS | QTY<br>ELEC |
|------|-------------------|---|------------|-------------|
|      |                   | 1 2 3 4   |            |             |
| 1    | <u>1010348</u>    | ASSEMBLY, SPINDLE, DRIVER SIDE (INCLUDES ITEMS 3, 4 AND 5) .....    | 1          | 1           |
| 2    | <u>1010347</u>    | ASSEMBLY, SPINDLE, PASSENGER SIDE (INCLUDES ITEMS 3, 4 AND 5) ..... | 1          | 1           |
| 3    | 0008067           | BUSHING, BRONZE SPINDLE .....                                       | 1          | 1           |
| 4    | 0007048           | BUSHING, BRONZE .....   | 1          | 1           |
| 5    | <u>1015597</u>    | FITTING, GREASE, 1/4 - 28 .....                                     | 1          | 1           |
| 6    | <u>1012030</u>    | SPRING, TAPERED LEAF .....  |            | 1           |
| 7    | 0008745           | ECCENTRIC .....   | 1          | 1           |
| 8    | 0000706           | NUT, HEX, 3/8 - 16 .....  | 1          | 1           |
| 9    | <u>1011892</u>    | ASSEMBLY, HUB (INCLUDES ITEMS 10 - 13) .....                        | 2          | 2           |
| 10   | <u>1011393</u>    | PACKAGE, HUB BEARING .....  | 2          | 2           |
| 11   | <u>1011304</u>    | STUD, LUG, 1/2 - 20 .....   | 4          | 4           |
| 12   | <u>1013135</u>    | SEAL, DOUBLE LIP .....  | 1          | 1           |
| 13   | <u>1011887</u>    | COVER, DUST .....   | 1          | 1           |
| 14   | 0008754           | NUT, NYLON LOCK, 3/8 - 16 .....                                     | 4          | 4           |
| 15   | <u>1016387</u>    | SCREW, HEX HEAD CAP, 3/8 - 16 x 2 3/4 .....                         | 2          | 2           |
| 16   | <u>1016384</u>    | CLEVIS, UPPER DELTA .....   | 2          | 2           |
| 17   | <u>1019031-01</u> | NUT, NYLON LOCK, 1/2 - 20 .....                                     | 2          | 2           |
| 18   | <u>1010028</u>    | WASHER, FLAT, 1/2 .....   | 2          | 2           |
| 19   | <u>1010150</u>    | BEARING, THRUST .....   | 2          | 2           |
| 20   | <u>1016389</u>    | WASHER, KINGPIN WAVE .....  | 2          | 2           |
| 21   | <u>1010984</u>    | NUT, LUG .....  | 8          | 8           |
| 22   | <u>1010005</u>    | WASHER, FLAT, 3/4 .....   | 2          | 2           |
| 23   | 0007840           | NUT, HEX SLOTTED, 3/4 - 16 .....                                    | 2          | 2           |
| 24   | 0007910           | PIN, COTTER, 5/32 x 1 .....   | 2          | 2           |
| 25   | 0008755           | SCREW, HEX HEAD CAP, 3/8 - 16 x 3 3/8 .....                         | 2          | 2           |
| 26   | <u>1016386</u>    | KINGPIN .....   | 2          | 2           |
| 27   | <u>1015583</u>    | BUSHING, URETHANE .....   | 4          | 4           |
| 28   | <u>1012303</u>    | BUSHING, STEEL .....  | 2          | 2           |
| 29   | <u>1014276</u>    | PLATE, FRONT SPRING RETAINER .....                                  | 1          | 1           |
| 30   | 0001624           | SCREW, HEX HEAD CAP, 3/8 - 16 x 1 1/2 .....                         | 4          | 4           |
| 31   | 0000357           | WASHER, LOCK, 3/8 .....   | 4          | 4           |
| 32   | 0000706           | NUT, HEX, 3/8 - 16 .....  | 4          | 4           |

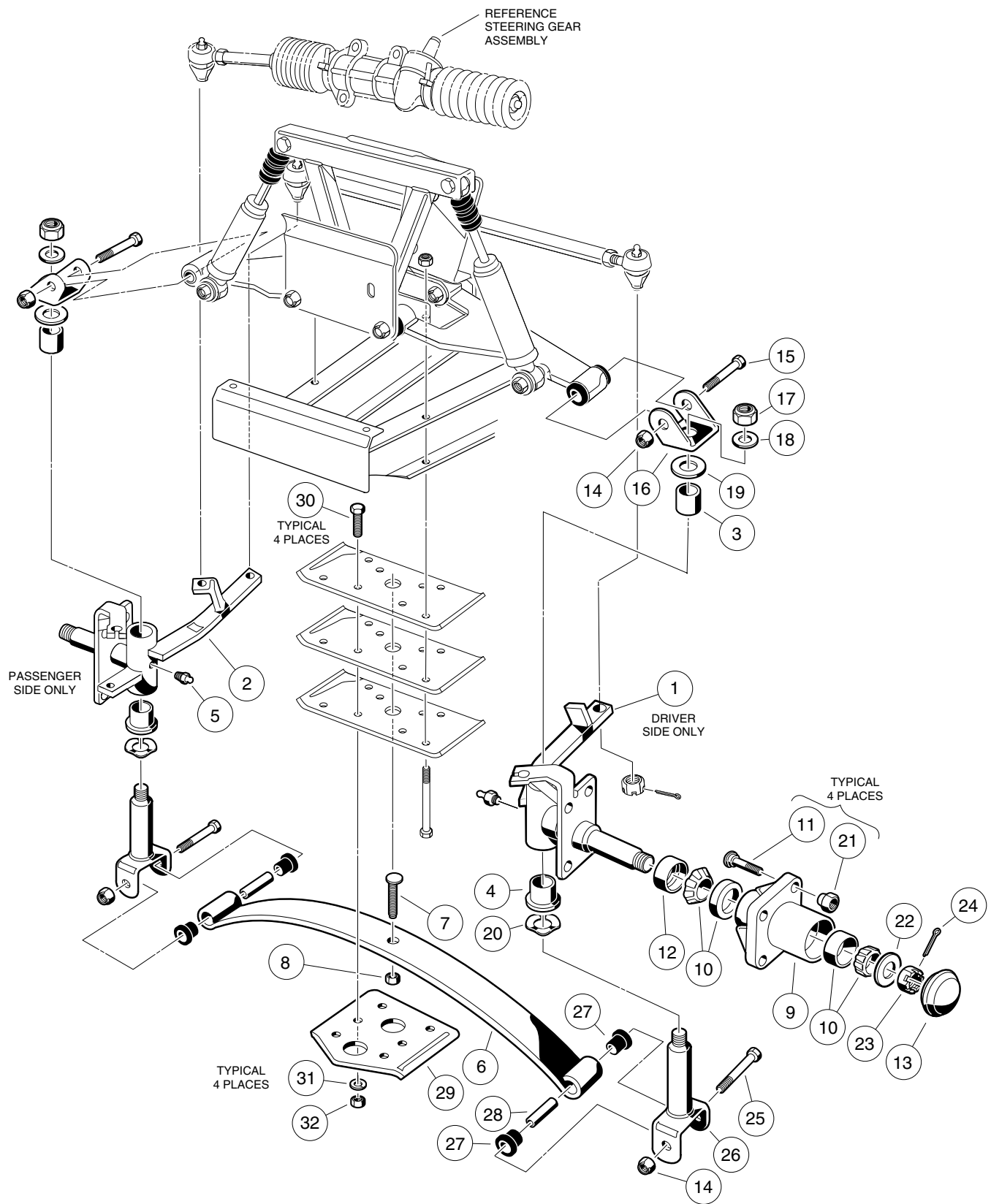
**6**  
**G**  
**E**



# FRONT SUSPENSION, UPPER— VEHICLE WITH 4-WHEEL BRAKING

| ITEM | PART NO.          | DESCRIPTION   | QTY<br>GAS | QTY<br>ELEC |
|------|-------------------|---|------------|-------------|
|      |                   | 1 2 3 4   |            |             |
| 1    | <u>1016353</u>    | ASSEMBLY, DELTA A-PLATE (INCLUDES ITEMS 2, 3 AND 4) ..... | 2          | 2           |
| 2    | <u>1016346</u>    | BUSHING, URETHANE .....                                   | 6          | 6           |
| 3    | <u>1016350</u>    | SLEEVE, DELTA OUTER .....                                 | 1          | 1           |
| 4    | <u>1016349</u>    | SLEEVE, DELTA INNER .....                                 | 2          | 2           |
| 5    | 0008754           | NUT, NYLON LOCK, 3/8 - 16 .....                           | 11         | 11          |
| 6    | 0007539           | BALL JOINT .....  | 1          | 1           |
| 7    | 0001308           | NUT, HEX, 1/2 - 20 .....                                  | 1          | 1           |
| 8    | 0008861           | BOLT, HEX HEAD, 3/8 - 16 x 2 3/4 .....                    | 2          | 2           |
| 9    | <u>1010138</u>    | NUT, DIMPLED LOCK, 3/8 - 16 .....                         | 2          | 2           |
| 10   | 0002402           | BOLT, HEX HEAD, 3/8 - 16 x 2 1/4 .....                    | 4          | 4           |
| 11   | <u>1010219</u>    | ROD, TIE .....  | 1          | 1           |
| 12   | 0007555           | NUT, HEX, LEFT HAND THREAD, 1/2 - 20 .....                | 1          | 1           |
| 13   | 0007540           | BALL JOINT, LEFT HAND THREAD .....                        | 1          | 1           |
| 14   | <u>1017266</u>    | STRAP, A-PLATE .....                                      | 1          | 1           |
| 15   | <u>1018706-01</u> | SHOCK ABSORBER, FRONT .....                               | 2          | 2           |
| 16   | <u>1010124</u>    | PLATE, SPRING MOUNTING .....                              | 3          | 3           |
| 17   | <u>1018705-01</u> | BOLT, HEX HEAD, 3/8 - 16 x 4 3/4 .....                    | 4          | 4           |
| 18   | <u>1016385</u>    | ASSEMBLY, DELTA SHOCK AND GEAR SUPPORT .....              | 1          | 1           |
| 19   | <u>1011930</u>    | SEAL, DUST .....  | 3          | 3           |
| 20   | <u>0007602</u>    | NUT, SLOTTED HEX, 3/8 - 24 .....                          | 3          | 3           |
| 21   | <u>0001035</u>    | PIN, COTTER, 3/32 x 1 .....                               | 1          | 1           |
| 22   | 0000320           | BOLT, HEX HEAD, 3/8 - 16 x 1 .....                        | 1          | 1           |
| 23   | <u>1019353-01</u> | CLAMP, BRAKE CABLE (PART OF BRAKE CABLE ASSEMBLY) .....   | 2          | 2           |
| 24   | <u>1019550-01</u> | BRACKET, BRAKE CABLE GUIDE .....                          | 1          | 1           |

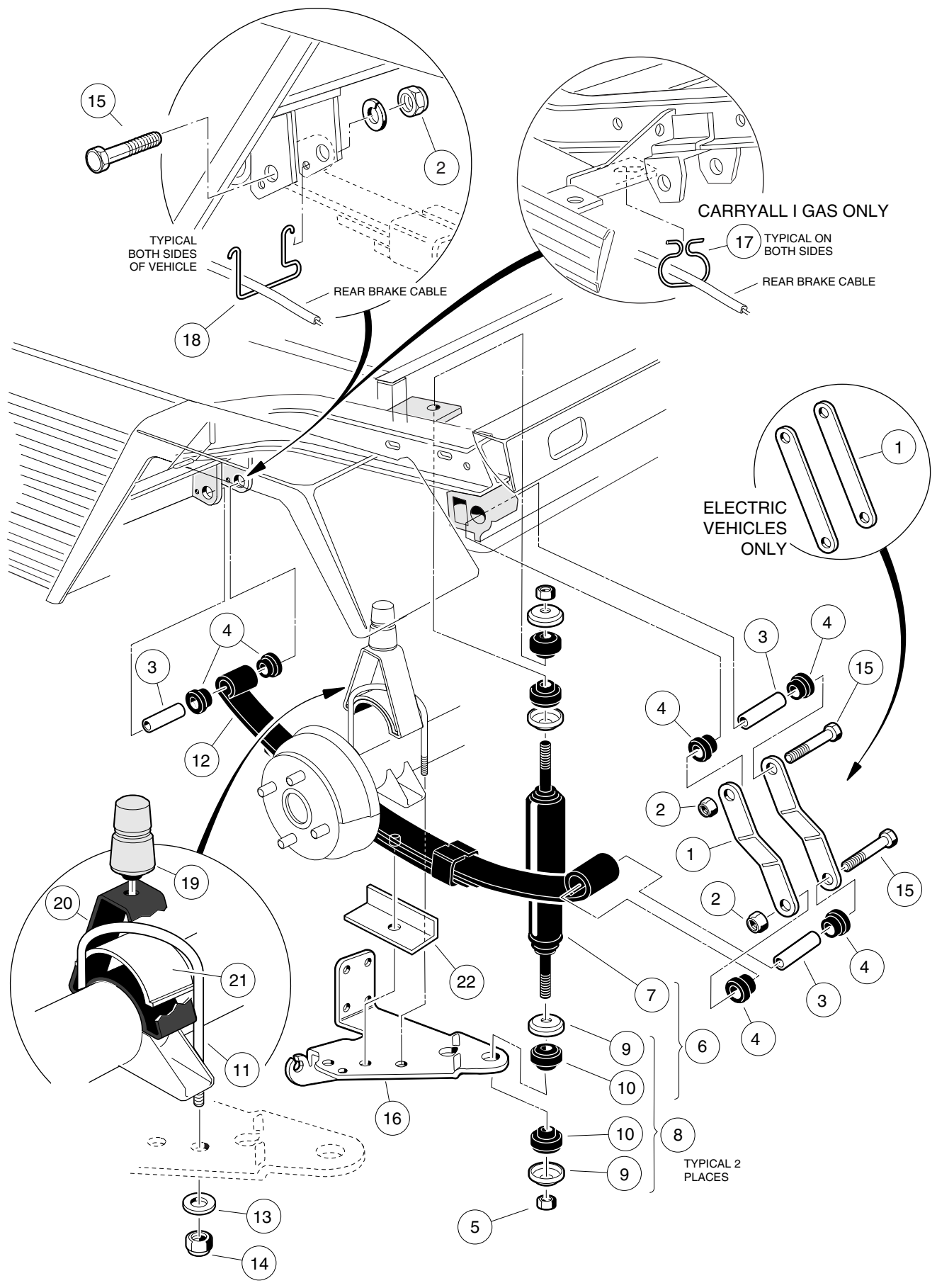
**6**  
**G**  
**E**



# FRONT SUSPENSION, LOWER— VEHICLE WITH 4-WHEEL BRAKING

| ITEM | PART NO.          | DESCRIPTION   | QTY<br>GAS | QTY<br>ELEC |
|------|-------------------|---|------------|-------------|
|      |                   | 1 2 3 4   |            |             |
| 1    | 1018769-01        | ASSEMBLY, SPINDLE, DRIVER SIDE (INCLUDES ITEMS 3, 4 AND 5) .....    | 1          | 1           |
| 2    | <u>1018770-01</u> | ASSEMBLY, SPINDLE, PASSENGER SIDE (INCLUDES ITEMS 3, 4 AND 5) ..... | 1          | 1           |
| 3    | 0008067           | BUSHING, BRONZE SPINDLE .....                                       | 1          | 1           |
| 4    | 0007048           | BUSHING, BRONZE .....   | 1          | 1           |
| 5    | <u>1015597</u>    | FITTING, GREASE, 1/4 - 28 .....                                     | 1          | 1           |
| 6    | <u>1012030</u>    | SPRING, TAPERED LEAF .....  | 1          | 1           |
| 7    | 0008745           | ASSEMBLY, ECCENTRIC .....   | 1          | 1           |
| 8    | 0000706           | NUT, HEX, 3/8 - 16 .....  | 1          | 1           |
| 9    | <u>1011892</u>    | ASSEMBLY, HUB (INCLUDES ITEMS 10 - 13) .....                        | 2          | 2           |
| 10   | <u>1011393</u>    | PACKAGE, HUB BEARING .....  | 2          | 2           |
| 11   | <u>1011304</u>    | STUD, LUG, 1/2 - 20 .....   | 4          | 4           |
| 12   | <u>1013135</u>    | SEAL, DOUBLE LIP .....  | 1          | 1           |
| 13   | <u>1011887</u>    | COVER, DUST .....   | 1          | 1           |
| 14   | 0008754           | NUT, NYLON LOCK, 3/8 - 16 .....                                     | 4          | 4           |
| 15   | <u>1016387</u>    | SCREW, HEX HEAD CAP, 3/8 - 16 x 2 3/4 .....                         | 2          | 2           |
| 16   | <u>1016384</u>    | CLEVIS, UPPER DELTA .....   | 2          | 2           |
| 17   | <u>1019031-01</u> | NUT, NYLON LOCK, 1/2 - 20 .....                                     | 2          | 2           |
| 18   | <u>1010028</u>    | WASHER, FLAT, 1/2 .....   | 2          | 2           |
| 19   | <u>1010150</u>    | BEARING, THRUST .....   | 2          | 2           |
| 20   | <u>1016389</u>    | WASHER, KINGPIN WAVE .....  | 2          | 2           |
| 21   | <u>1010984</u>    | NUT, LUG .....  | 8          | 8           |
| 22   | <u>1010005</u>    | WASHER, FLAT, 3/4 .....   | 2          | 2           |
| 23   | 0007840           | NUT, HEX SLOTTED, 3/4 - 16 .....                                    | 2          | 2           |
| 24   | 0007910           | PIN, COTTER, 5/32 x 1 .....   | 2          | 2           |
| 25   | 0008755           | SCREW, HEX HEAD CAP, 3/8 - 16 x 3 3/8 .....                         | 2          | 2           |
| 26   | <u>1016386</u>    | KINGPIN .....   | 2          | 2           |
| 27   | <u>1015583</u>    | BUSHING, URETHANE .....   | 4          | 4           |
| 28   | <u>1012303</u>    | BUSHING, STEEL .....  | 2          | 2           |
| 29   | <u>1014276</u>    | PLATE, FRONT SPRING RETAINER .....                                  | 1          | 1           |
| 30   | <u>1010177</u>    | SCREW, HEX HEAD CAP, 3/8 - 16 x 2 .....                             | 4          | 4           |
| 31   | 0000357           | WASHER, LOCK, 3/8 .....   | 4          | 4           |
| 32   | 0000706           | NUT, HEX, 3/8 - 16 .....  | 4          | 4           |

**6**  
**G**  
**E**

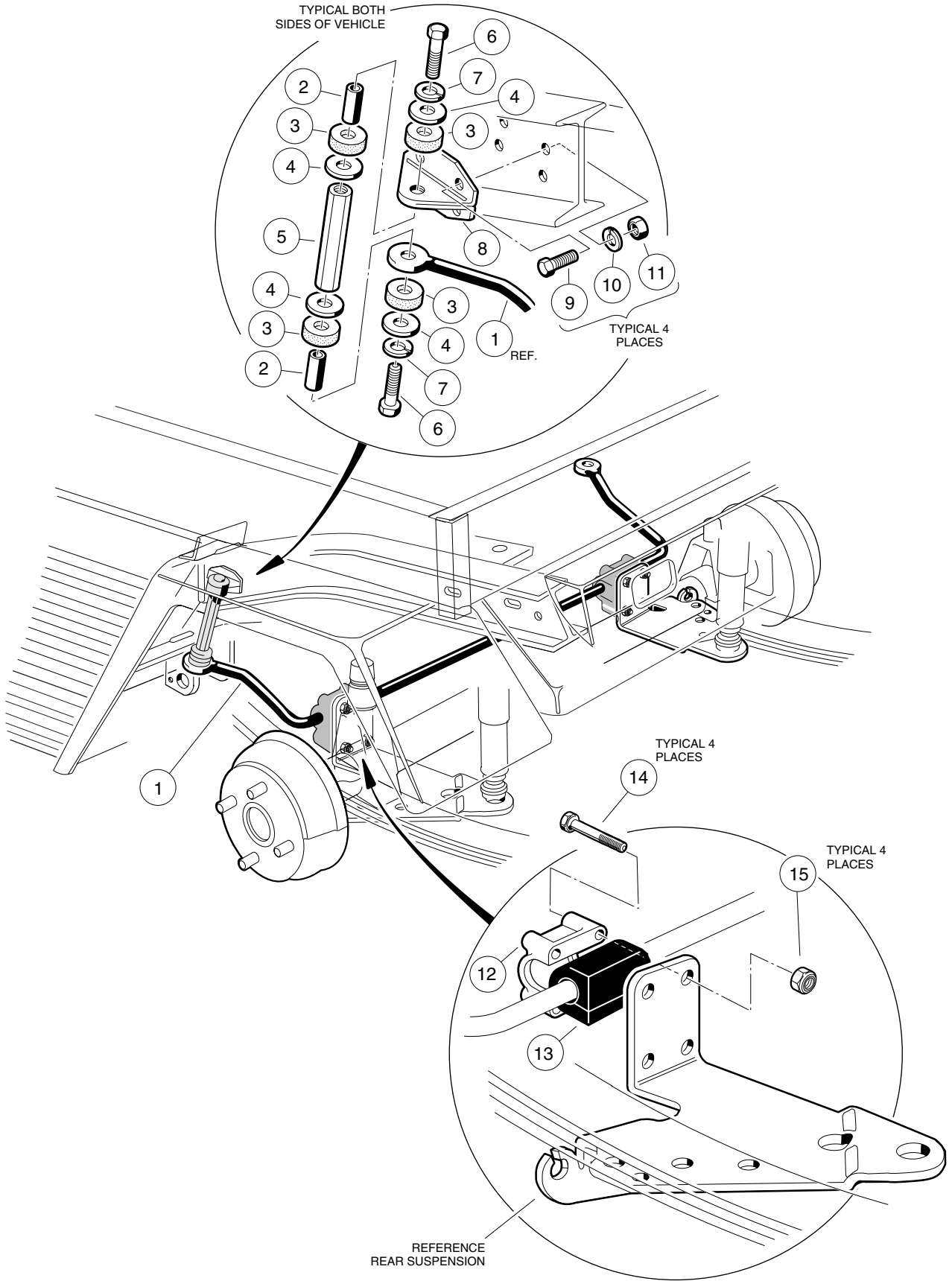




# REAR SUSPENSION

| ITEM | PART NO.          | DESCRIPTION   | QTY GAS | QTY ELEC |
|------|-------------------|---|---------|----------|
|      |                   | 1 2 3 4   |         |          |
| 1    | 0007569           | SHACKLE, REAR SPRING (ELECTRIC VEHICLE) .....                       |         | 4        |
| 1    | <u>1012304</u>    | SHACKLE, REAR SPRING (GASOLINE VEHICLE) .....                       | 4       |          |
| 2    | 0008754           | NUT, NYLON LOCK, 3/8 - 16 .....                                     | 6       | 6        |
| 3    | <u>1012303</u>    | BUSHING, STEEL .....  | 4       | 4        |
| 4    | <u>1015583</u>    | BUSHING, URETHANE .....   | 12      | 12       |
| 5    | <u>1010145</u>    | NUT, UNF HEX, 3/8 - 24 .....  | 4       | 4        |
| 6    | <u>1013164</u>    | KIT, SHOCK ABSORBER (INCLUDES ITEMS 7, 9 AND 10) .....              | 1       | 1        |
| 7    | <u>1014236</u>    | SHOCK ABSORBER, REAR .....  | 2       | 2        |
| 8    | <u>1011415</u>    | KIT, SHOCK ABSORBER CUSHION (INCLUDES 2 EACH OF ITEMS 9 AND 10) ... | 4       | 4        |
| 9    | N/A               | RETAINER, SHOCK ABSORBER CUSHION .....                              | 8       | 8        |
| 10   | N/A               | CUSHION, SHOCK ABSORBER .....                                       | 8       | 8        |
| 11   | <u>1014902</u>    | U-BOLT .....  | 2       | 2        |
| 12   | <u>1014675</u>    | SPRING, REAR LEAF .....   | 2       | 2        |
| 13   | <u>1014557</u>    | WASHER, FLAT, 7/16 .....  | 4       | 4        |
| 14   | <u>1014555</u>    | NUT, NYLON LOCK, 7/16 - 24 .....                                    | 4       | 4        |
| 15   | 0008755           | SCREW, HEX HEAD CAP, 3/8 - 16 x 3 3/8 .....                         | 6       | 6        |
| 16   | <u>1019265-01</u> | PAD, SPRING, DRIVER SIDE .....                                      | 1       | 1        |
| 16   | 1019294-01        | PAD, SPRING, PASSENGER SIDE .....                                   | 1       | 1        |
| 17   | 1019008-01        | HANGER, BRAKE CABLE (GASOLINE CARRYALL I ONLY) .....                | 2       |          |
| 18   | <u>1013207</u>    | HANGER, BRAKE CABLE (ALL OTHER VEHICLES) .....                      | 2       | 2        |
| 19   | <u>1017235</u>    | BUMPER, JOUNCE .....  | 2       | 2        |
| 20   | 1014546-02        | MOUNT, BUMPER (GASOLINE VEHICLE ONLY) .....                         | 2       |          |
| 20   | <u>1014549-02</u> | MOUNT, BUMPER (ELECTRIC VEHICLE ONLY) .....                         |         | 2        |
| 21   | <u>1014901</u>    | SPACER, OVERLOAD BUMPER .....                                       | 2       | 2        |
| 22   | 1014573           | RETAINER, SPRING .....  | 2       | 2        |

6  
G  
E



# STABILIZER BAR—ELECTRIC CARRYALL II, GASOLINE CARRYALL II, TURF II, II PLUS, AND VI

| ITEM | PART NO.       | DESCRIPTION                                 | QTY<br>GAS | QTY<br>ELEC |
|------|----------------|---|------------|-------------|
|      |                | 1 2 3 4                                     |            |             |
| 1    | <u>1015760</u> | BAR, STABILIZER, 3/4 DIAMETER .....         | 1          | 1           |
| 2    | <u>1015457</u> | SPACER .....                                | 4          | 4           |
| 3    | <u>1015453</u> | MOUNT, COMPRESSION .....                    | 8          | 8           |
| 4    | 0000808        | WASHER, FLAT, 3/8 .....                     | 8          | 8           |
| 5    | <u>1016814</u> | LINK, STABILIZER BAR .....                  | 2          | 2           |
| 6    | 0008861        | SCREW, HEX HEAD CAP, 3/8 - 16 x 1 3/4 ..... | 4          | 4           |
| 7    | 0000357        | WASHER, LOCK, 3/8 .....                     | 4          | 4           |
| 8    | <u>1016813</u> | BRACKET, STABILIZER BAR MOUNTING .....      | 2          | 2           |
| 9    | 0007173        | SCREW, HEX HEAD CAP, 5/16 - 18 x 3/4 .....  | 8          | 8           |
| 10   | 0007174        | WASHER, LOCK, 5/16 .....                    | 8          | 8           |
| 11   | 0001242        | NUT, HEX, 5/16 - 18 .....                   | 8          | 8           |
| 12   | <u>1015614</u> | SUPPORT, STABILIZER BAR BUSHING .....       | 2          | 2           |
| 13   | <u>1015613</u> | BUSHING, STABILIZER BAR .....               | 2          | 2           |
| 14   | 0007311        | SCREW, HEX HEAD CAP, 1/4 - 20 x 2 .....     | 8          | 8           |
| 15   | 0008233        | NUT, NYLON LOCK, 1/4 - 20 .....             | 8          | 8           |

**6**  
**G**  
**E**

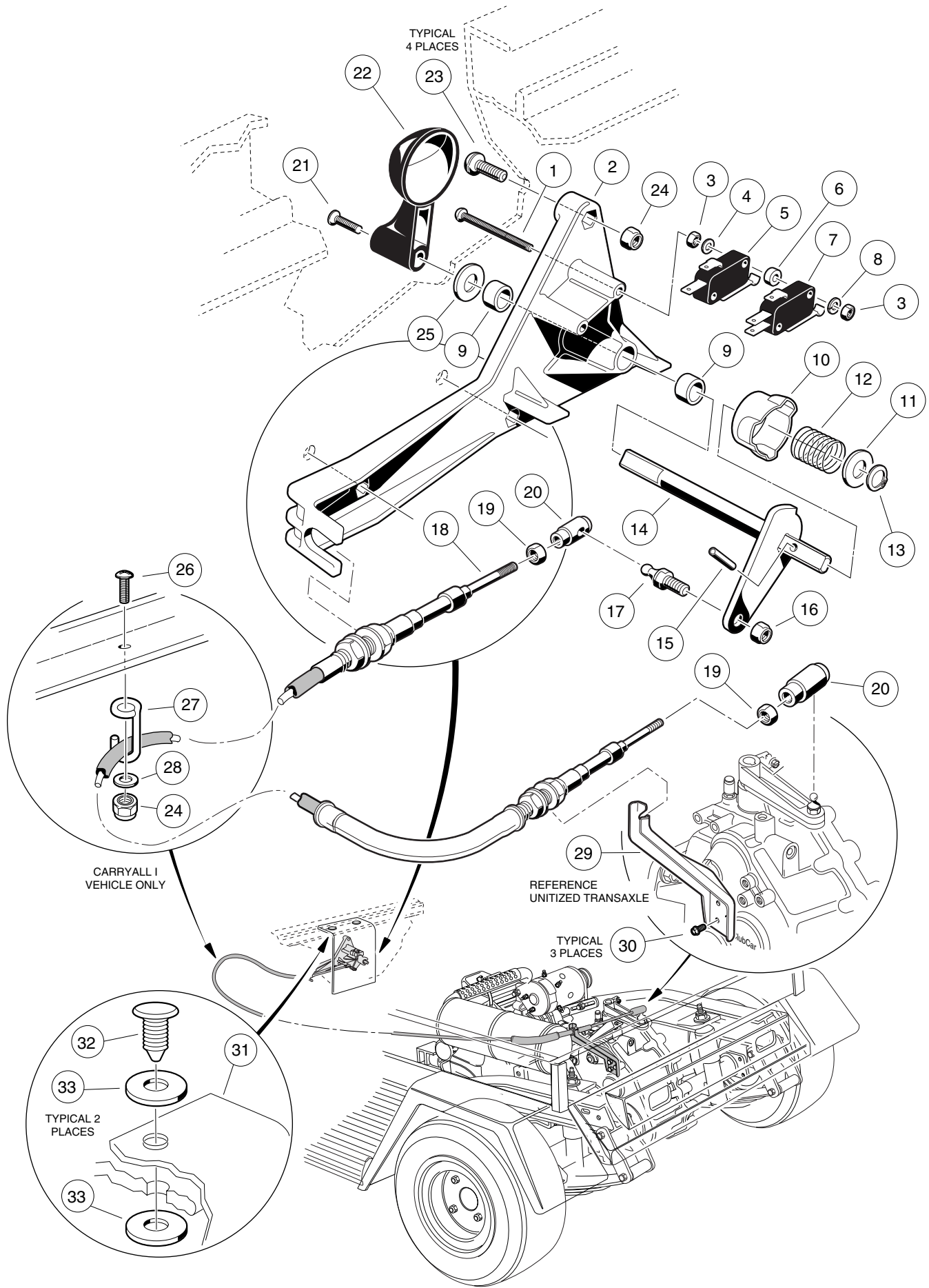
**6**  
**G**  
**E**

# ELECTRICAL SYSTEM— GASOLINE VEHICLE

---

7

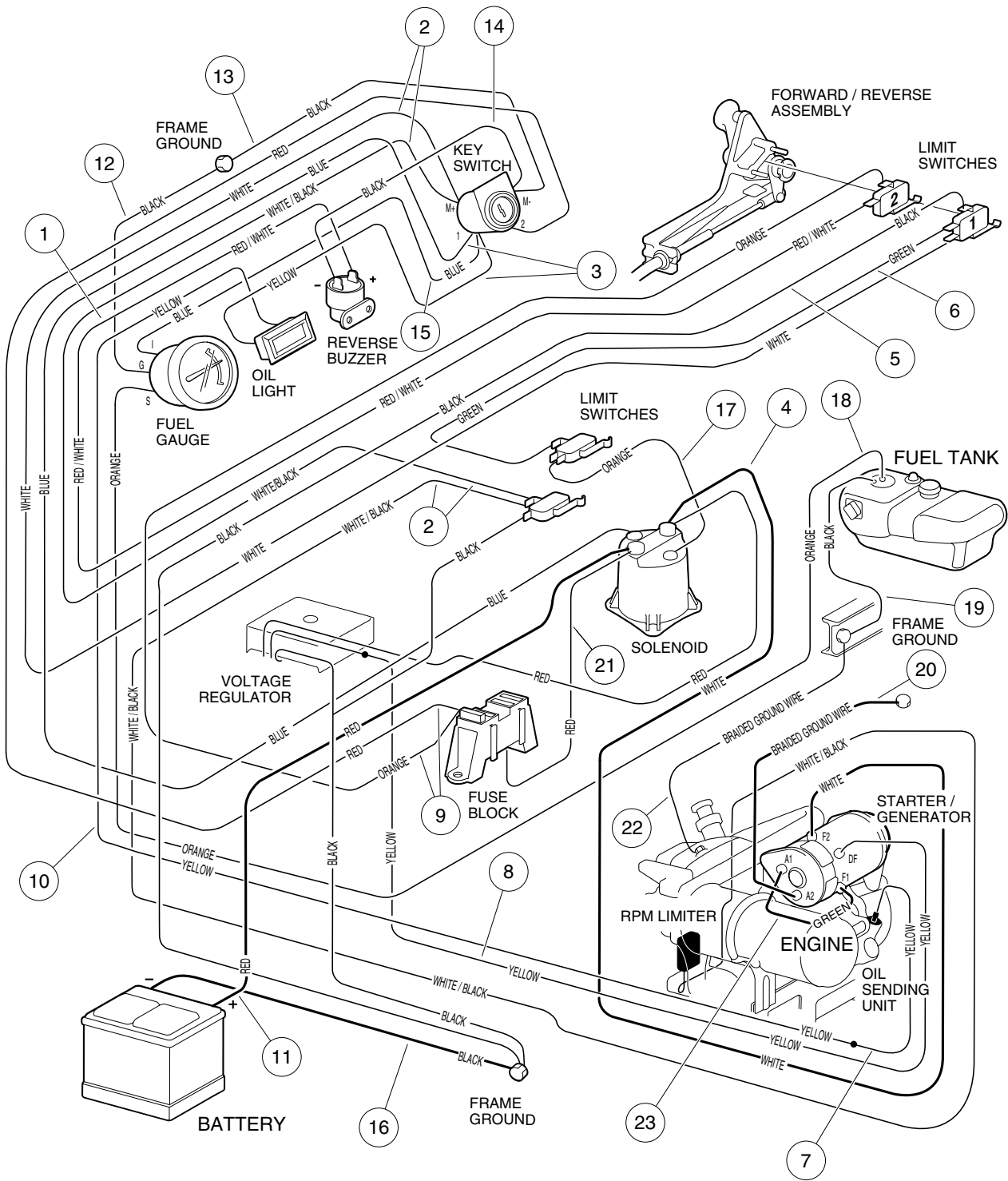
G



# FORWARD AND REVERSE SHIFTER ASSEMBLY— GASOLINE VEHICLE

| ITEM | PART NO.          | DESCRIPTION   | QTY |
|------|-------------------|---|-----|
|      |                   | 1 2 3 4   |     |
|      | 1016947           | ASSEMBLY, FORWARD AND REVERSE SHIFTER (INCLUDES ITEMS 1 - 17) .....                                     | 1   |
| 1    | <u>1012594</u>    | SCREW, MACHINE, #4 - 40 x 1 1/2 .....   | 2   |
| 2    | <u>1016342</u>    | BASE, FORWARD AND REVERSE SHIFTER .....   | 1   |
| 3    | 0008057           | NUT, HEX HEAD, #4 - 40 .....  | 4   |
| 4    | 1012431           | WASHER, FLAT, #4 .....  | 4   |
| 5    | <u>1014808</u>    | SWITCH, LIMIT .....   | 1   |
| 6    | <u>1014727</u>    | WASHER, NYLON FLAT, #4 .....  | 2   |
| 7    | <u>1014807</u>    | SWITCH, LIMIT .....   | 1   |
| 8    | 0008058           | WASHER, LOCK, #4 .....  | 2   |
| 9    | <u>1014145</u>    | BUSHING, BRONZE .....   | 2   |
| 10   | 1014089           | KIT, NEUTRAL LOCK-OUT CAM (INCLUDES ITEM 11) .....  | 1   |
| 11   | <u>1014065</u>    | WASHER, FLAT .....  | 1   |
| 12   | <u>1013590</u>    | SPRING, FORWARD AND REVERSE CAM .....   | 1   |
| 13   | <u>1013589</u>    | RING, RETAINING .....   | 1   |
| 14   | 1013587           | WELDMENT, FORWARD AND REVERSE BELL CRANK .....  | 1   |
| 15   | <u>1013591</u>    | PIN, ROLL, 1/8 .....  | 1   |
| 16   | 0008717           | NUT, NYLON LOCK, 1/4 - 28 .....   | 1   |
| 17   | <u>1010954</u>    | STUD, BALL, 1/4 - 28 x 1/4 .....  | 1   |
| 18   | <u>1019515-01</u> | CABLE, TRANSMISSION (INCLUDES ITEMS 19 AND 20) (CARRYALL I ONLY) .....                                  | 1   |
| 18   | <u>1015409</u>    | CABLE, TRANSMISSION (INCLUDES ITEMS 19 AND 20) (CARRYALL II, TURF II,<br>AND II PLUS) .....             | 1   |
| 18   | <u>1016727-01</u> | CABLE, TRANSMISSION (INCLUDES ITEMS 19 AND 20) (CARRYALL VI ONLY) .....                                 | 1   |
| 19   | 0007893           | NUT, HEX, #10 - 32 .....  | 2   |
| 20   | <u>1012333</u>    | JOINT, BALL .....   | 2   |
| 21   | <u>1013198</u>    | SCREW, PHILLIPS OVAL COUNTERSUNK MACHINE, #8 - 32 x 5/8 .....   | 1   |
| 22   | <u>1012987</u>    | HANDLE, FORWARD AND REVERSE SWITCH .....  | 1   |
| 23   | 0008248           | SCREW, PHILLIPS TRUSS HEAD, 1/4 - 20 x 3/4 .....  | 4   |
| 24   | 0008233           | NUT, NYLON LOCK, 1/4 - 20 .....   | 5   |
| 25   | <u>1016201</u>    | WASHER, WAVE, 3/8 .....   | 1   |
| 26   | 0008251           | SCREW, PHILLIPS HEAD, 1/4 - 20 x 1 (CARRYALL I ONLY) .....  | 1   |
| 27   | <u>1018558-01</u> | RETAINER, CABLE (CARRYALL I ONLY) .....   | 1   |
| 28   | 0000332           | WASHER, FLAT, 1/4 (CARRYALL I ONLY) .....   | 1   |
| 29   | <u>1019226-01</u> | BRACKET, TRANSMISSION CABLE SUPPORT .....   | 1   |
| 30   | <u>1012285</u>    | SCREW, THREAD ROLLING, 1/4 - 20 x 5/8 .....   | 3   |
| 31   | 1018962-01        | KIT, FORWARD AND REVERSE SWITCH COVER (INCLUDES ITEM 32)<br>(CARRYALL I, II, TURF II AND II PLUS) ..... | 1   |
| 32   | <u>1010434</u>    | BARREL, PLASTIC .....   | 2   |
| 33   | <u>1014306</u>    | WASHER, FLAT, TYPE B, 1/4 .....   | 4   |



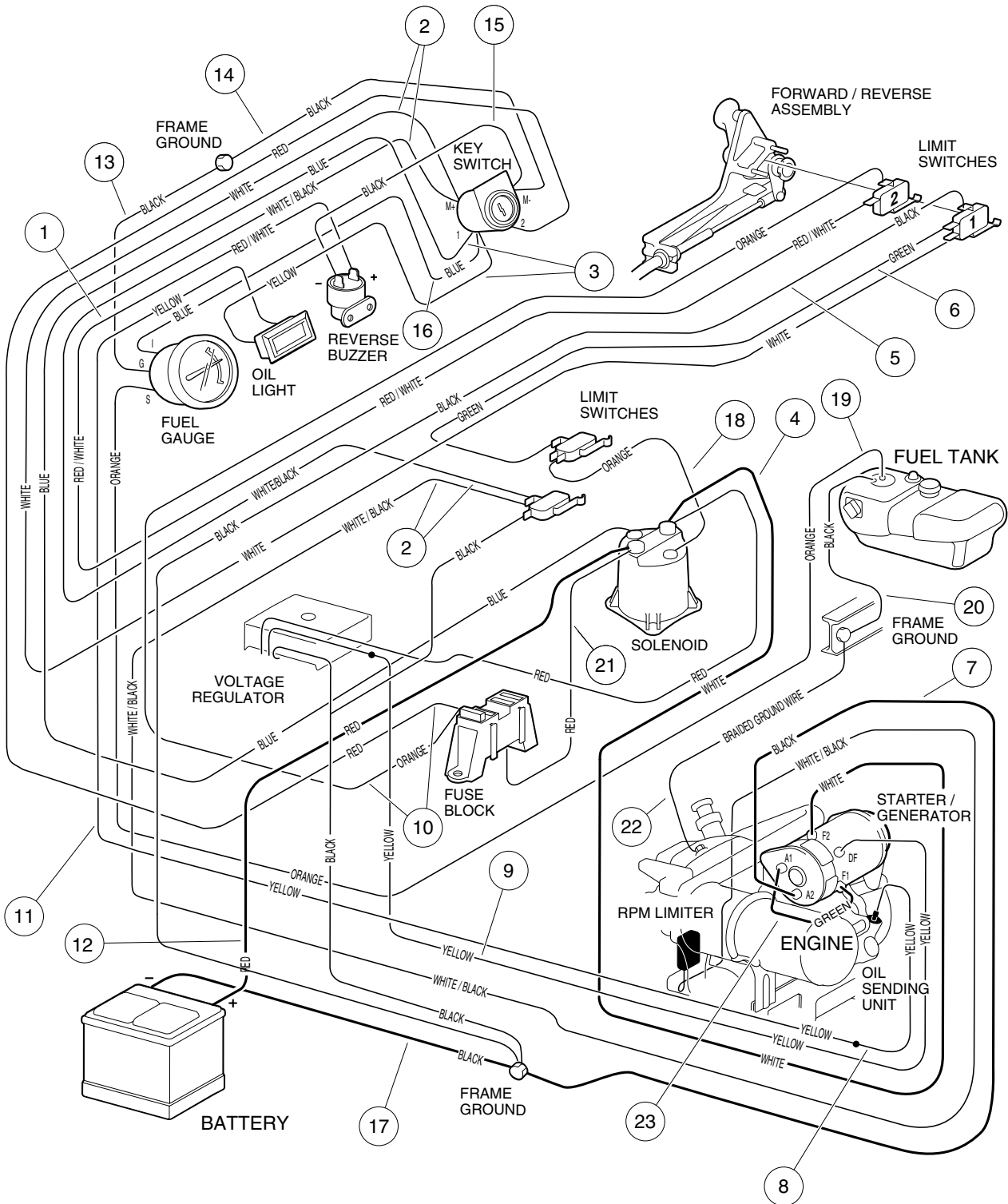




# WIRING—GASOLINE CARRYALL I

| ITEM | PART NO.          | DESCRIPTION  | QTY |
|------|-------------------|--|-----|
|      |                   | 1 2 3 4  |     |
|      | 1018893-02        | WIRE HARNESS ASSEMBLY (INCLUDES ITEMS 1 - 10) .....                | 1   |
| 1    | N/A               | WIRE ASSEMBLY, #18 RED/WHITE .....                                 | 1   |
| 2    | N/A               | WIRE ASSEMBLY, #18 WHITE, #18 WHITE/BLACK .....                    | 1   |
| 3    | N/A               | WIRE ASSEMBLY, #18 YELLOW, #16 BLUE .....                          | 1   |
| 4    | <u>1015769</u>    | WIRE ASSEMBLY, #6 WHITE .....                                      | 1   |
| 5    | N/A               | WIRE ASSEMBLY, #18 BLACK .....                                     | 1   |
| 6    | N/A               | WIRE ASSEMBLY, #18 GREEN .....                                     | 1   |
| 7    | N/A               | WIRE ASSEMBLY, #18 YELLOW .....                                    | 1   |
| 8    | N/A               | WIRE ASSEMBLY, #16 YELLOW .....                                    | 1   |
| 9    | N/A               | WIRE ASSEMBLY, #16 RED, #16 ORANGE .....                           | 1   |
| 10   | N/A               | WIRE ASSEMBLY, #18 YELLOW .....                                    | 1   |
| 11   | <u>1014119</u>    | WIRE ASSEMBLY, #6 RED .....  | 1   |
| 12   | N/A               | WIRE ASSEMBLY, #18 BLACK .....                                     | 1   |
| 13   | N/A               | WIRE ASSEMBLY, #18 BLACK .....                                     | 1   |
| 14   | N/A               | WIRE ASSEMBLY, #18 BLACK (PART OF REVERSE BUZZER KIT) .....        | 1   |
| 15   | N/A               | WIRE ASSEMBLY, #18 BLUE .....                                      | 1   |
| 16   | <u>1012382</u>    | WIRE ASSEMBLY, #6 BLACK .....                                      | 1   |
| 17   | N/A               | WIRE ASSEMBLY, #18 ORANGE (PART OF ELECTRICAL COMPONENT BOX) ..... | 1   |
| 18   | N/A               | WIRE ASSEMBLY, #18 ORANGE .....                                    | 1   |
| 19   | N/A               | WIRE ASSEMBLY, #18 BLACK .....                                     | 1   |
| 20   | <u>1015920</u>    | WIRE ASSEMBLY, #6 BRAIDED GROUND .....                             | 1   |
| 21   | <u>1015737</u>    | WIRE ASSEMBLY, #10 RED (PART OF ELECTRICAL COMPONENT BOX) .....    | 1   |
| 22   | <u>1015332</u>    | WIRE ASSEMBLY, #10 BRAIDED GROUND .....                            | 1   |
| 23   | <u>1018373-01</u> | WIRE ASSEMBLY, #6 GREEN .....                                      | 1   |

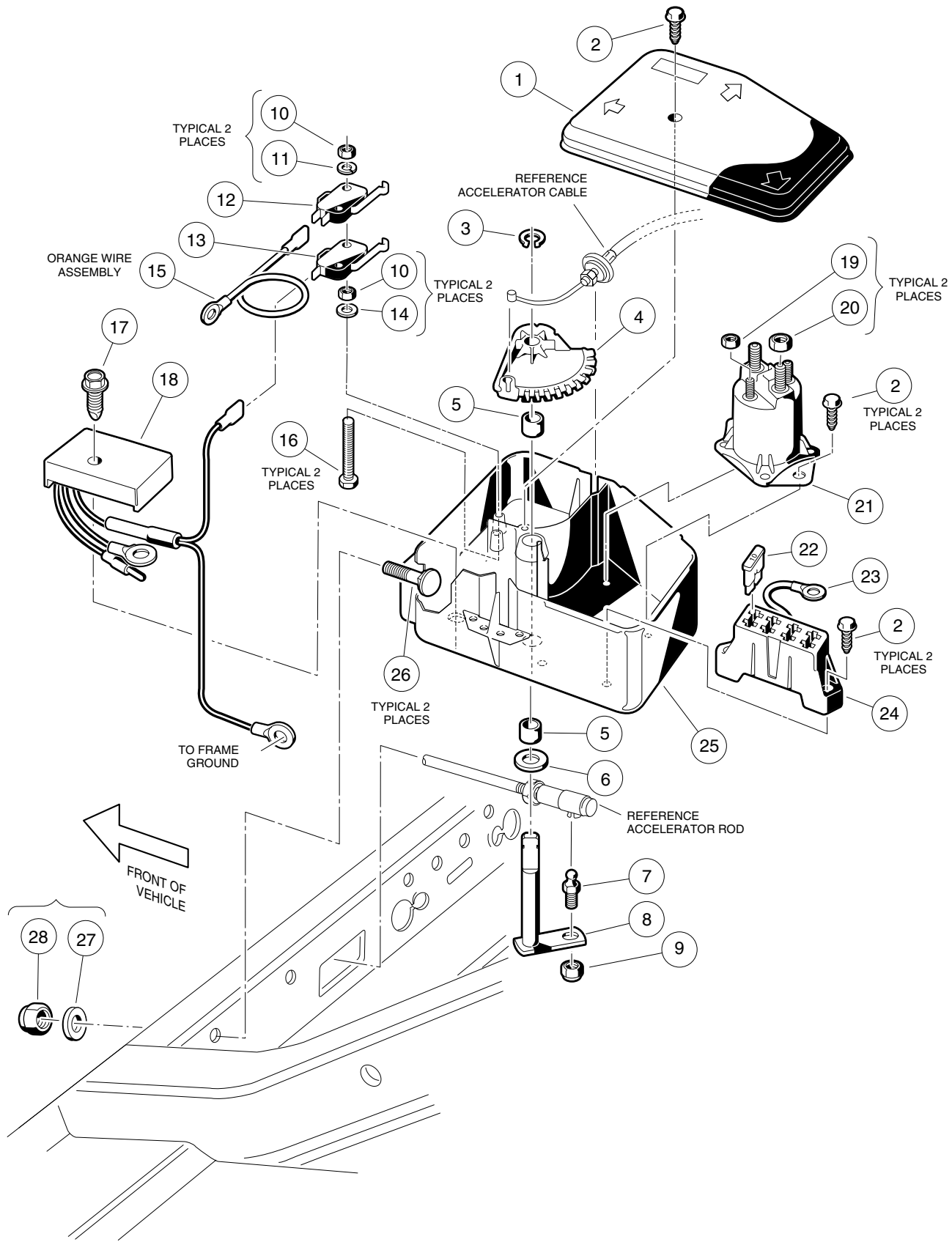




# WIRING—GASOLINE CARRYALL II

7  
G

| ITEM | PART NO.          | DESCRIPTION  | QTY |
|------|-------------------|--|-----|
|      |                   | 1 2 3 4  |     |
|      | <u>1016299-02</u> | WIRE HARNESS ASSEMBLY (INCLUDES ITEMS 1 - 11) .....                | 1   |
| 1    | N/A               | WIRE ASSEMBLY, #16 RED/WHITE .....                                 | 1   |
| 2    | N/A               | WIRE ASSEMBLY, #18 WHITE, #18 WHITE/BLACK .....                    | 1   |
| 3    | N/A               | WIRE ASSEMBLY, #18 YELLOW, #16 BLUE .....                          | 1   |
| 4    | <u>1015769</u>    | WIRE ASSEMBLY, #6 WHITE .....                                      | 1   |
| 5    | <u>1016297</u>    | WIRE ASSEMBLY, #16 BLACK .....                                     | 1   |
| 6    | N/A               | WIRE ASSEMBLY, #16 GREEN .....                                     | 1   |
| 7    | <u>1016380</u>    | WIRE ASSEMBLY, #6 BLACK .....                                      | 1   |
| 8    | N/A               | WIRE ASSEMBLY, #18 YELLOW .....                                    | 1   |
| 9    | N/A               | WIRE ASSEMBLY, #16 YELLOW .....                                    | 1   |
| 10   | N/A               | WIRE ASSEMBLY, #16 RED, #16 ORANGE .....                           | 1   |
| 11   | N/A               | WIRE ASSEMBLY, #16 YELLOW .....                                    | 1   |
| 12   | <u>1014119</u>    | WIRE ASSEMBLY, #6 RED .....  | 1   |
| 13   | N/A               | WIRE ASSEMBLY, #18 BLACK .....                                     | 1   |
| 14   | N/A               | WIRE ASSEMBLY, #18 BLACK .....                                     | 1   |
| 15   | N/A               | WIRE ASSEMBLY, #18 BLACK (PART OF REVERSE BUZZER KIT) .....        | 1   |
| 16   | N/A               | WIRE ASSEMBLY, #18 BLUE .....                                      | 1   |
| 17   | <u>1012382</u>    | WIRE ASSEMBLY, #6 BLACK .....                                      | 1   |
| 18   | N/A               | WIRE ASSEMBLY, #18 ORANGE (PART OF ELECTRICAL COMPONENT BOX) ..... | 1   |
| 19   | N/A               | WIRE ASSEMBLY, #18 ORANGE .....                                    | 1   |
| 20   | N/A               | WIRE ASSEMBLY, #18 BLACK .....                                     | 1   |
| 21   | <u>1015737</u>    | WIRE ASSEMBLY, #10 RED (PART OF ELECTRICAL COMPONENT BOX) .....    | 1   |
| 22   | <u>1015332</u>    | WIRE ASSEMBLY, #10 BRAIDED GROUND .....                            | 1   |
| 23   | <u>1018373-01</u> | WIRE ASSEMBLY, #6 GREEN .....                                      | 1   |

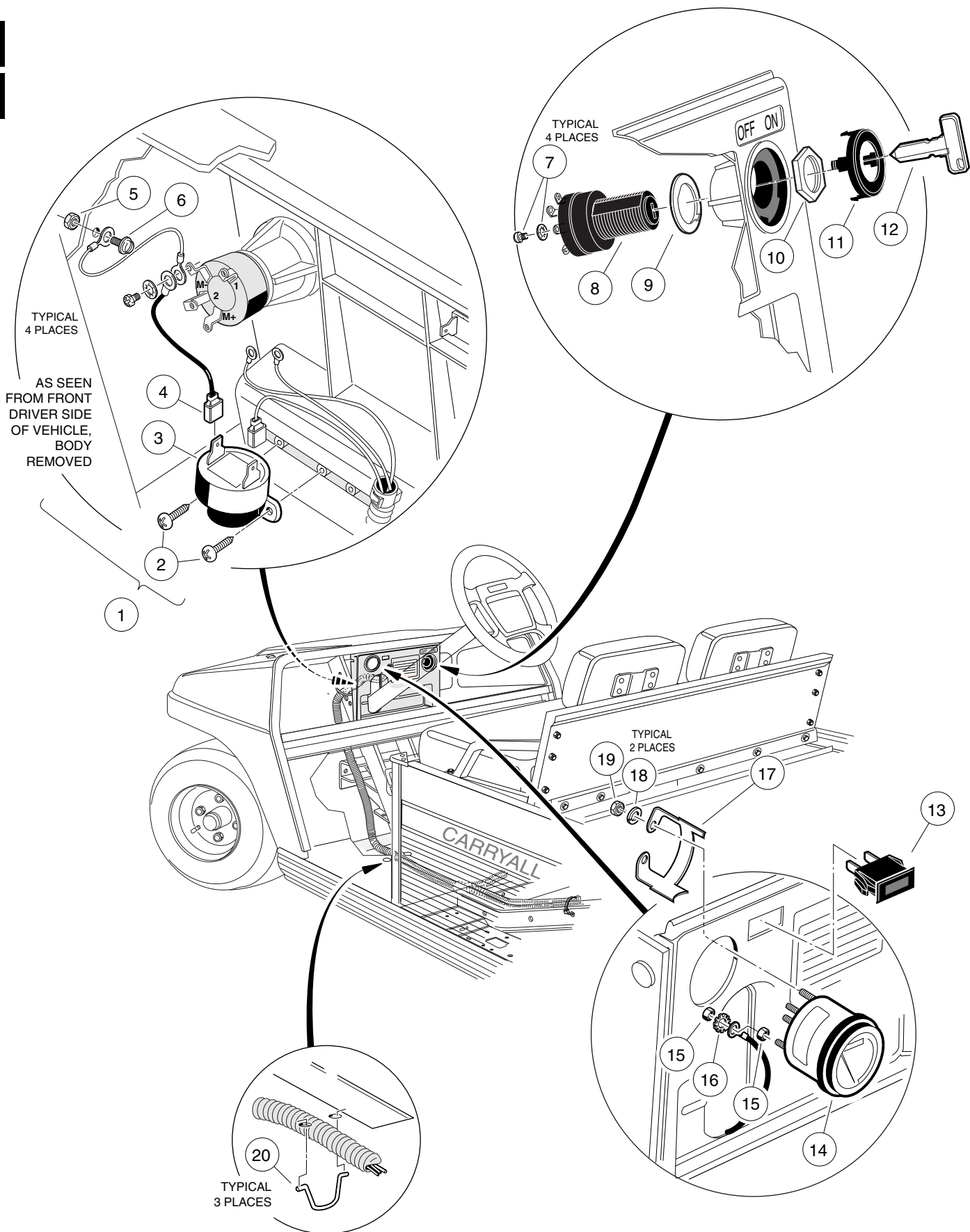


# ELECTRICAL COMPONENT BOX, GASOLINE VEHICLE— CARRYALL I, II, AND TURF II



| ITEM | PART NO.          | DESCRIPTION   | QTY |
|------|-------------------|---|-----|
|      |                   | 1 2 3 4   |     |
|      | <u>1018276-01</u> | BOX, ELECTRICAL COMPONENT, COMPLETE<br>(INCLUDES ITEMS 1 - 25 AND 1018893-02 - SEE PAGE 7-5) (CARRYALL I ONLY) .....                    | 1   |
|      | <u>1018276-02</u> | BOX, ELECTRICAL COMPONENT, COMPLETE<br>(INCLUDES ITEMS 1 - 25 AND 1016299-02 - SEE PAGE 7-7 or 7-15)<br>(CARRYALL II AND TURF II) ..... | 1   |
| 1    | <u>1015372</u>    | COVER, ELECTRICAL COMPONENT BOX .....   | 1   |
| 2    | <u>1015752</u>    | SCREW, HI-LO, #12 - 16 x 5/8 .....  | 5   |
| 3    | <u>1013589</u>    | RING, RETAINING .....   | 1   |
| 4    | <u>1015373</u>    | CAM, ELECTRICAL BOX .....   | 1   |
| 5    | <u>1014145</u>    | BUSHING, BRONZE .....   | 2   |
| 6    | <u>1014065</u>    | WASHER, FLAT .....  | 1   |
| 7    | <u>1010954</u>    | STUD, BALL, 1/4 - 28 .....  | 1   |
| 8    | 1015345           | ASSEMBLY, BELL CRANK SHAFT .....  | 1   |
| 9    | 0008717           | NUT, NYLON LOCK, 1/4 - 28 .....   | 1   |
| 10   | 0008057           | NUT, HEX, #4 - 40 .....   | 4   |
| 11   | 0008058           | WASHER, LOCK, #4 .....  | 2   |
| 12   | <u>1014807</u>    | SWITCH, LIMIT .....   | 1   |
| 13   | <u>1014808</u>    | SWITCH, LIMIT .....   | 1   |
| 14   | 1012431           | WASHER, FLAT, #4 .....  | 2   |
| 15   | N/A               | WIRE ASSEMBLY, #16 ORANGE .....   | 1   |
| 16   | <u>1015878</u>    | SCREW, HEX HEAD MACHINE, #4 - 40 x 1 5/8 .....  | 2   |
| 17   | <u>1018561-02</u> | SCREW, HEX WASHER HEAD HI-LO, 1/4 - 15 x 1 1/2 .....  | 1   |
| 18   | <u>1015777</u>    | ASSEMBLY, VOLTAGE REGULATOR .....   | 1   |
| 19   | 0007893           | NUT, HEX, #10 - 32 .....  | 2   |
| 20   | 0001242           | NUT, HEX, 5/16 - 18 .....   | 2   |
| 21   | <u>1013609</u>    | SOLENOID, 12 VOLT .....   | 1   |
| 22   | <u>1012295</u>    | FUSE, 10 AMP .....  | 1   |
| 23   | <u>1015737</u>    | WIRE ASSEMBLY, #10 RED .....  | 1   |
| 24   | <u>1015741</u>    | BLOCK, FUSE .....   | 1   |
| 25   | <u>1015371</u>    | BOX, ELECTRICAL COMPONENT .....   | 1   |
| 26   | <u>1015405</u>    | BOLT, CARRIAGE, 5/16 - 18 x 2 .....   | 2   |
| 27   | 0001241           | WASHER, FLAT, 5/16 .....  | 2   |
| 28   | 0007473           | NUT, NYLON LOCK, 5/16 - 18 .....  | 2   |

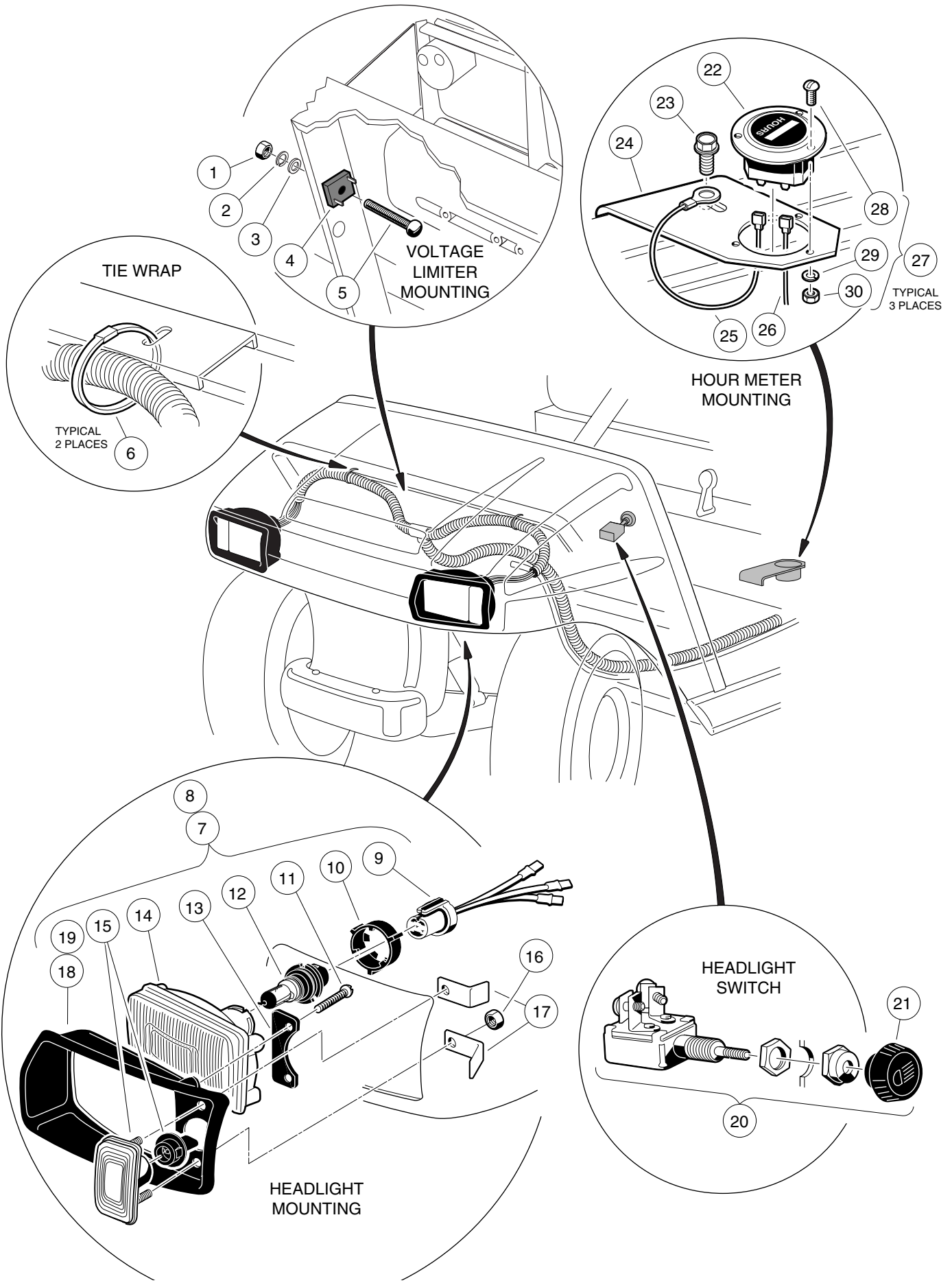
**7**  
**G**



# ELECTRICAL COMPONENTS, FRONT BODY— GASOLINE CARRYALL I, II, TURF II AND II PLUS

| ITEM | PART NO.          | DESCRIPTION   | QTY |
|------|-------------------|---|-----|
|      |                   | 1 2 3 4   |     |
| 1    | <u>1016859</u>    | KIT, REVERSE BUZZER (INCLUDES ITEMS 2, 3 AND 4) .....                 | 1   |
| 2    | <u>1016849</u>    | SCREW, PAN HEAD HILO, #4 - 24 x 5/16 .....                            | 2   |
| 3    | <u>1016851</u>    | BUZZER, REVERSE .....   | 1   |
| 4    | N/A               | WIRE ASSEMBLY, #18 BLACK .....  | 1   |
| 5    | <u>1011229</u>    | NUT, K LOCK, #6 - 32 .....  | 1   |
| 6    | <u>1015720</u>    | BOLT, HEX WASHER HEAD, # 6 - 32 x 1/2 .....                           | 1   |
| 7    | 1018306-01        | ASSEMBLY, SCREW AND WASHER (QUANTITY OF 5 FOR CARRYALL II PLUS) ..... | 4   |
| 8    | <u>1018263-01</u> | SWITCH, KEY (CARRYALL I, II AND TURF II) .....                        | 1   |
| 8    | 1018264-01        | SWITCH, KEY (CARRYALL II PLUS ONLY) .....                             | 1   |
| 9    | <u>1018511-01</u> | WASHER .....  | 1   |
| 10   | <u>1018307-01</u> | NUT, KEY SWITCH .....   | 1   |
| 11   | <u>1018345-02</u> | CAP, KEY SWITCH .....   | 1   |
| 12   | <u>1012505</u>    | KEY (PAIR) .....  | 1   |
| 13   | <u>1016630</u>    | LIGHT, OIL WARNING .....  | 1   |
| 14   | <u>1015103</u>    | GAUGE, FUEL (INCLUDES ITEMS 15 AND 16) .....                          | 1   |
| 15   | N/A               | NUT, BRASS .....  | 6   |
| 16   | N/A               | WASHER, EXTERNAL TOOTH LOCK .....                                     | 3   |
| 17   | <u>1015104</u>    | BRACKET, FUEL GAUGE .....   | 1   |
| 18   | <u>1011610</u>    | WASHER, LOCK, #8 .....  | 2   |
| 19   | <u>1011571</u>    | NUT, HEX, #8 - 32 .....   | 2   |
| 20   | <u>1019009-01</u> | RETAINER, HARNESS .....   | 3   |

**7**  
**G**

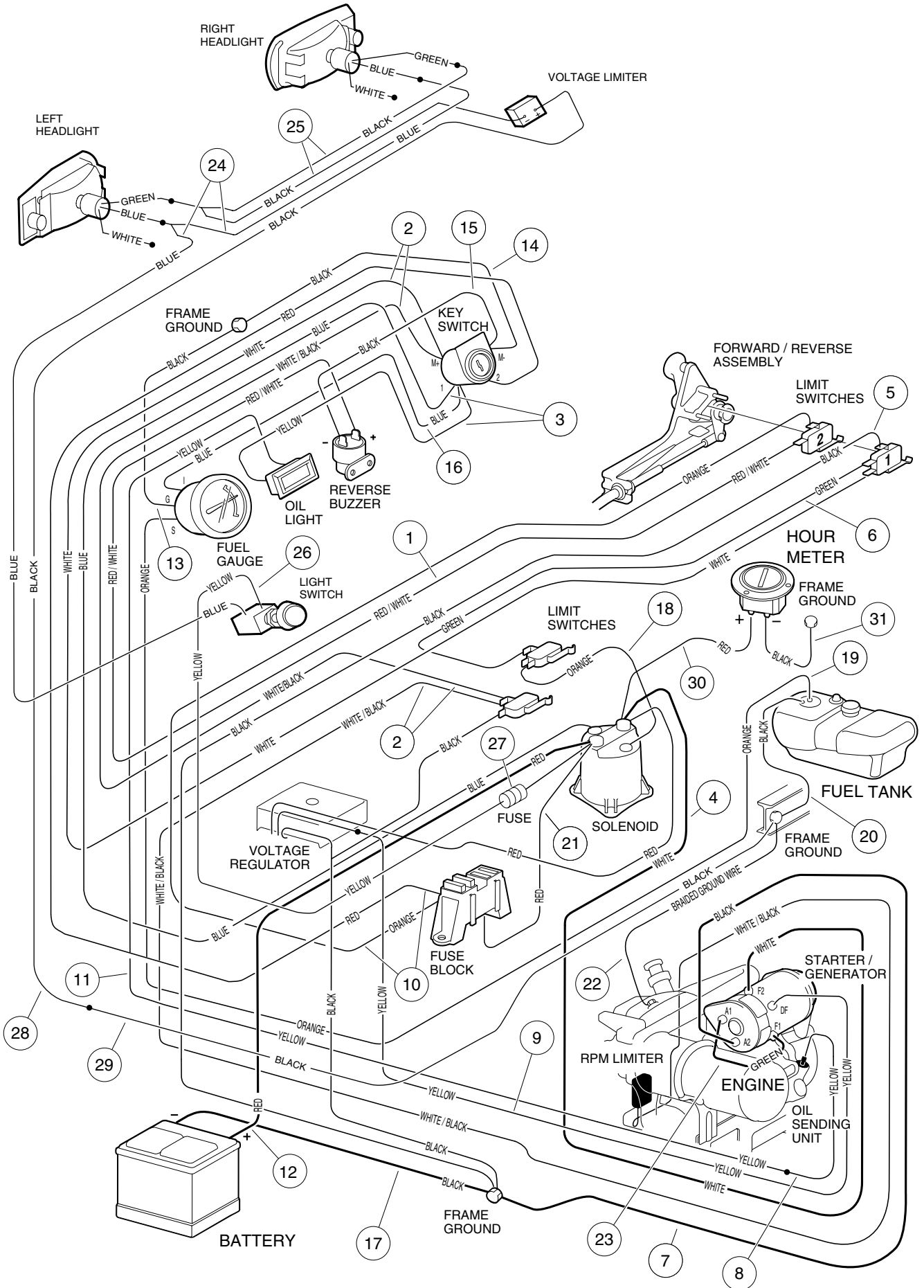




# HEADLIGHTS AND HOUR METER— GASOLINE CARRYALL TURF II

| ITEM | PART NO.          | DESCRIPTION  | QTY |
|------|-------------------|--|-----|
|      |                   | 1 2 3 4  |     |
| 1    | 0007893           | NUT, HEX, #10 - 32 .....   | 1   |
| 2    | 0001016           | WASHER, LOCK, #10 .....  | 1   |
| 3    | 0000183           | WASHER, FLAT, #10 .....  | 1   |
| 4    | <u>1017721</u>    | VOLTAGE LIMITER .....  | 1   |
| 5    | <u>1010909</u>    | SCREW, MACHINE HEAD, #10 - 32 x 1 1/4 .....                              | 1   |
| 6    | 0008990           | WRAP, TIE .....  | 4   |
| 7    | <u>1016897-01</u> | ASSEMBLY, HEADLIGHT, DRIVER SIDE (INCLUDES ITEMS 9 - 18) .....           | 1   |
| 8    | <u>1016897-02</u> | ASSEMBLY, HEADLIGHT, PASSENGER SIDE (INCLUDES ITEMS 9 - 17 AND 19) ..... | 1   |
| 9    | <u>1017066</u>    | HARNES, HEADLIGHT WIRE .....   | 1   |
| 10   | 1017059           | LOCK, BULB COLLAR .....  | 1   |
| 11   | <u>1013461</u>    | SCREW, HI-LO, #10 - 16 .....   | 2   |
| 12   | <u>1017060</u>    | BULB, HALOGEN .....  | 1   |
| 13   | <u>1017065</u>    | RETAINER, HEADLIGHT .....  | 1   |
| 14   | 1017061           | LENS, HEADLIGHT .....  | 1   |
| 15   | <u>1017062</u>    | ASSEMBLY, TURN SIGNAL LENS .....   | 1   |
| 16   | 0007893           | NUT, HEX, #10 - 32 .....   | 2   |
| 17   | <u>1017064</u>    | BRACKET, MOUNTING .....  | 2   |
| 18   | <u>1016880</u>    | BEZEL, HEADLIGHT, DRIVER SIDE.....                                       | 1   |
| 19   | <u>1016879</u>    | BEZEL, HEADLIGHT, PASSENGER SIDE .....                                   | 1   |
| 20   | 0004034           | SWITCH, LIGHT (INCLUDES ITEM 21) .....                                   | 1   |
| 21   | <u>1013857</u>    | KNOB, LIGHT SWITCH .....   | 1   |
| 22   | 1013578           | KIT, HOUR METER, 12 VOLT (INCLUDES ITEMS 23 - 30) .....                  | 1   |
| 23   | <u>1012285</u>    | SCREW, THREAD-ROLLING, 1/4 - 20 x 5/8 .....                              | 1   |
| 24   | <u>1013547</u>    | BRACKET, HOUR METER MOUNTING .....                                       | 1   |
| 25   | N/A               | WIRE ASSEMBLY, #18 BLACK .....   | 1   |
| 26   | N/A               | WIRE ASSEMBLY, #18 RED .....   | 1   |
| 27   | <u>1016862</u>    | KIT, HARDWARE, HOUR METER MOUNTING (INCLUDES ITEMS 28 - 30) .....        | 1   |
| 28   | N/A               | SCREW, ROUND HEAD, #6 - 32 x 1/2 .....                                   | 3   |
| 29   | N/A               | NUT, HEX, #6 - 32 .....  | 3   |
| 30   | N/A               | WASHER, LOCK, #6 - 32 .....  | 3   |

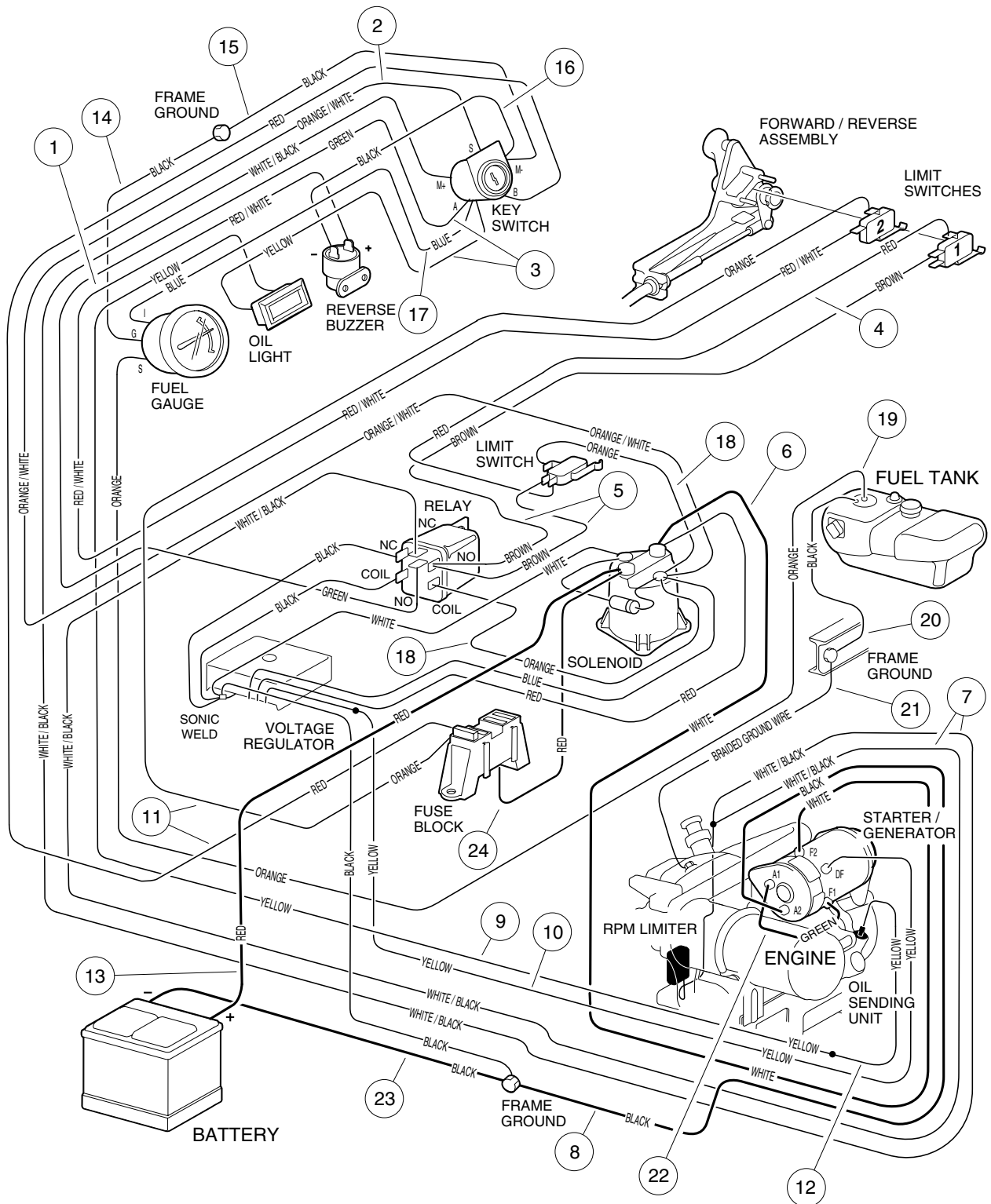




# WIRING— GASOLINE CARRYALL TURF II

7  
G

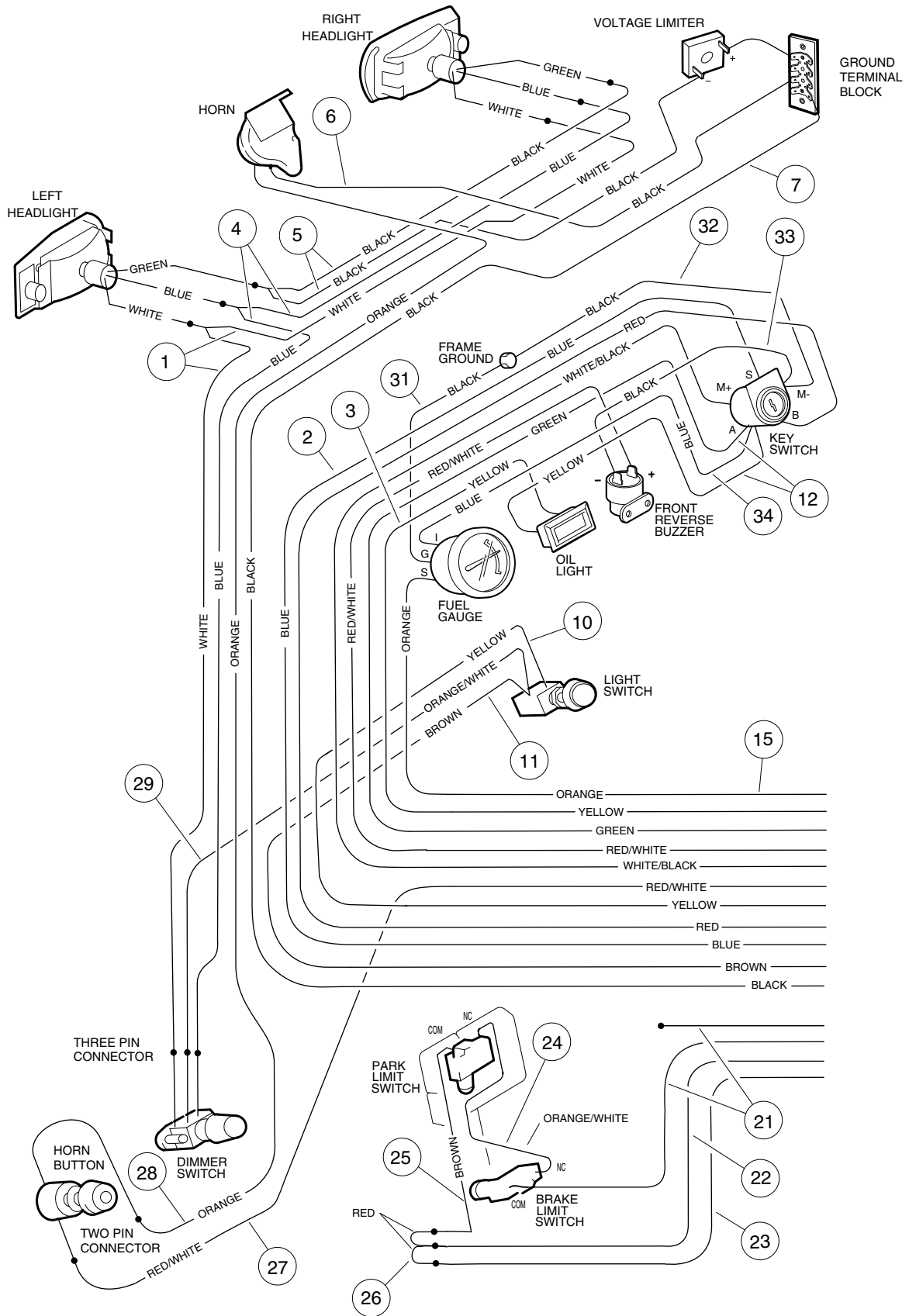
| ITEM | PART NO.          | DESCRIPTION  | QTY |
|------|-------------------|--|-----|
|      |                   | 1 2 3 4  |     |
|      | <u>1016299-02</u> | WIRE HARNESS ASSEMBLY (INCLUDES ITEMS 1 - 11) .....                | 1   |
| 1    | N/A               | WIRE ASSEMBLY, #16 RED/WHITE .....                                 | 1   |
| 2    | N/A               | WIRE ASSEMBLY, #18 WHITE, #18 WHITE/BLACK .....                    | 1   |
| 3    | N/A               | WIRE ASSEMBLY, #18 YELLOW, #16 BLUE .....                          | 1   |
| 4    | <u>1015769</u>    | WIRE ASSEMBLY, #6 WHITE .....                                      | 1   |
| 5    | 1016297           | WIRE ASSEMBLY, #16 BLACK .....                                     | 1   |
| 6    | N/A               | WIRE ASSEMBLY, #16 GREEN .....                                     | 1   |
| 7    | <u>1016380</u>    | WIRE ASSEMBLY, #6 BLACK .....                                      | 1   |
| 8    | N/A               | WIRE ASSEMBLY, #18 YELLOW .....                                    | 1   |
| 9    | N/A               | WIRE ASSEMBLY, #16 YELLOW .....                                    | 1   |
| 10   | N/A               | WIRE ASSEMBLY, #16 RED, #16 ORANGE .....                           | 1   |
| 11   | N/A               | WIRE ASSEMBLY, #16 YELLOW .....                                    | 1   |
| 12   | <u>1014119</u>    | WIRE ASSEMBLY, #6 RED .....  | 1   |
| 13   | N/A               | WIRE ASSEMBLY, #18 BLACK .....                                     | 1   |
| 14   | N/A               | WIRE ASSEMBLY, #18 BLACK .....                                     | 1   |
| 15   | N/A               | WIRE ASSEMBLY, #18 BLACK (PART OF REVERSE BUZZER KIT) .....        | 1   |
| 16   | N/A               | WIRE ASSEMBLY, #18 BLUE .....                                      | 1   |
| 17   | <u>1012382</u>    | WIRE ASSEMBLY, #6 BLACK .....                                      | 1   |
| 18   | N/A               | WIRE ASSEMBLY, #18 ORANGE (PART OF ELECTRICAL COMPONENT BOX) ..... | 1   |
| 19   | N/A               | WIRE ASSEMBLY, #18 ORANGE .....                                    | 1   |
| 20   | N/A               | WIRE ASSEMBLY, #18 BLACK .....                                     | 1   |
| 21   | <u>1015737</u>    | WIRE ASSEMBLY, #10 RED (PART OF ELECTRICAL COMPONENT BOX) .....    | 1   |
| 22   | <u>1015332</u>    | WIRE ASSEMBLY, #10 BRAIDED GROUND .....                            | 1   |
| 23   | <u>1018373-01</u> | WIRE ASSEMBLY, #6 GREEN .....                                      | 1   |
|      | 1016858           | WIRE HARNESS, HEADLIGHT (INCLUDES ITEMS 24 - 29) .....             | 1   |
| 24   | N/A               | WIRE ASSEMBLY, #16 BLUE .....                                      | 1   |
| 25   | N/A               | WIRE ASSEMBLY, #16 BLACK .....                                     | 1   |
| 26   | N/A               | WIRE ASSEMBLY, #16 YELLOW (INCLUDES ITEM 27) .....                 | 1   |
| 27   | 0008106           | FUSE, 20 AMP .....   | 1   |
| 28   | N/A               | WIRE ASSEMBLY, #16 BLACK .....                                     | 1   |
| 29   | N/A               | WIRE ASSEMBLY, #16 BLACK .....                                     | 1   |
| 30   | N/A               | WIRE ASSEMBLY, #18 RED (PART OF HOUR METER KIT) .....              | 1   |
| 31   | N/A               | WIRE ASSEMBLY, #18 BLACK (PART OF HOUR METER KIT) .....            | 1   |



# WIRING—GASOLINE CARRYALL II PLUS

| ITEM | PART NO.          | DESCRIPTION   | QTY |
|------|-------------------|---|-----|
|      |                   | 1 2 3 4   |     |
|      | 1016895-02        | WIRE HARNESS ASSEMBLY, CARRYALL II PLUS (INCLUDES ITEMS 1 - 12) ..... | 1   |
| 1    | N/A               | WIRE ASSEMBLY, #16 RED/WHITE .....                                    | 1   |
| 2    | N/A               | WIRE ASSEMBLY, #18 ORANGE/WHITE .....                                 | 1   |
| 3    | N/A               | WIRE ASSEMBLY, #18 YELLOW/#18 GREEN .....                             | 1   |
| 4    | N/A               | WIRE ASSEMBLY, #18 RED .....  | 1   |
| 5    | N/A               | WIRE ASSEMBLY, #18 BROWN .....  | 1   |
| 6    | <u>1015769</u>    | WIRE ASSEMBLY, #6 WHITE .....   | 1   |
| 7    | N/A               | WIRE ASSEMBLY, #18 WHITE/BLACK .....                                  | 1   |
| 8    | <u>1016380</u>    | WIRE ASSEMBLY, #6 BLACK .....   | 1   |
| 9    | N/A               | WIRE ASSEMBLY, #16 YELLOW .....                                       | 1   |
| 10   | N/A               | WIRE ASSEMBLY, #16 YELLOW .....                                       | 1   |
| 11   | N/A               | WIRE ASSEMBLY, #16 RED, #16 ORANGE .....                              | 1   |
| 12   | N/A               | WIRE ASSEMBLY, #18 YELLOW .....                                       | 1   |
| 13   | <u>1014119</u>    | WIRE ASSEMBLY, #6 RED .....   | 1   |
| 14   | N/A               | WIRE ASSEMBLY, #18 BLACK .....  | 1   |
| 15   | N/A               | WIRE ASSEMBLY, #18 BLACK .....  | 1   |
| 16   | N/A               | WIRE ASSEMBLY, #18 BLACK .....  | 1   |
| 17   | N/A               | WIRE ASSEMBLY, #18 BLUE .....   | 1   |
| 18   | N/A               | WIRE ASSEMBLY, #18 ORANGE (PART OF ELECTRICAL COMPONENT BOX) .....    | 1   |
| 19   | N/A               | WIRE ASSEMBLY, #18 ORANGE .....                                       | 1   |
| 20   | N/A               | WIRE ASSEMBLY, #18 BLACK .....  | 1   |
| 21   | <u>1015332</u>    | WIRE ASSEMBLY, #10 BRAIDED GROUND .....                               | 1   |
| 22   | <u>1018373-01</u> | WIRE ASSEMBLY, #6 GREEN .....   | 1   |
| 23   | <u>1012382</u>    | WIRE ASSEMBLY, #6 BLACK .....   | 1   |
| 24   | <u>1015737</u>    | WIRE ASSEMBLY, #10 RED (PART OF ELECTRICAL COMPONENT BOX) .....       | 1   |











# WIRING—GASOLINE CARRYALL VI

| ITEM | PART NO.          | DESCRIPTION  | QTY |
|------|-------------------|--|-----|
|      |                   | 1 2 3 4  |     |
|      | <u>1019695-02</u> | HARNESS, WIRE (INCLUDES ITEMS 1 - 29) .....                        | 1   |
| 1    | N/A               | WIRE ASSEMBLY, #16 WHITE .....                                     | 1   |
| 2    | N/A               | WIRE ASSEMBLY, #18 BLUE .....                                      | 1   |
| 3    | N/A               | WIRE ASSEMBLY, #18 YELLOW .....                                    | 1   |
| 4    | N/A               | WIRE ASSEMBLY, #18 BLUE .....                                      | 1   |
| 5    | N/A               | WIRE ASSEMBLY, #16 BLACK .....                                     | 1   |
| 6    | N/A               | WIRE ASSEMBLY, #16 BLACK .....                                     | 1   |
| 7    | N/A               | WIRE ASSEMBLY, #14 BLACK, #18 BLACK .....                          | 1   |
| 8    | N/A               | WIRE ASSEMBLY, #18 RED .....                                       | 1   |
| 9    | N/A               | WIRE ASSEMBLY, #18 BROWN .....                                     | 1   |
| 10   | N/A               | WIRE ASSEMBLY, #14 YELLOW .....                                    | 1   |
| 11   | N/A               | WIRE ASSEMBLY, #18 BROWN .....                                     | 1   |
| 12   | N/A               | WIRE ASSEMBLY, #18 GREEN AND #18 YELLOW .....                      | 1   |
| 13   | N/A               | WIRE ASSEMBLY, #16 RED AND #16 ORANGE .....                        | 1   |
| 14   | N/A               | WIRE ASSEMBLY, #18 RED/WHITE .....                                 | 1   |
| 15   | N/A               | WIRE ASSEMBLY, #18 ORANGE .....                                    | 1   |
| 16   | N/A               | WIRE ASSEMBLY, #16 YELLOW .....                                    | 1   |
| 17   | <u>1016380</u>    | WIRE ASSEMBLY, # 6 BLACK .....                                     | 1   |
| 18   | <u>1015769</u>    | WIRE ASSEMBLY, # 6 WHITE .....                                     | 1   |
| 19   | N/A               | WIRE ASSEMBLY, #18 YELLOW .....                                    | 1   |
| 20   | N/A               | WIRE ASSEMBLY, #18 WHITE/BLACK .....                               | 1   |
| 21   | N/A               | WIRE ASSEMBLY, #18 GREEN/WHITE AND #18 BLUE .....                  | 1   |
| 22   | N/A               | WIRE ASSEMBLY, #18 YELLOW .....                                    | 1   |
| 23   | N/A               | WIRE ASSEMBLY, #18 WHITE .....                                     | 1   |
| 24   | N/A               | WIRE ASSEMBLY, #16 ORANGE/WHITE .....                              | 1   |
| 25   | N/A               | WIRE ASSEMBLY, #16 BROWN .....                                     | 1   |
| 26   | N/A               | WIRE ASSEMBLY, #18 RED .....                                       | 1   |
| 27   | N/A               | WIRE ASSEMBLY, #16 RED/WHITE .....                                 | 1   |
| 28   | N/A               | WIRE ASSEMBLY, #16 ORANGE .....                                    | 1   |
| 29   | N/A               | WIRE ASSEMBLY, #16 ORANGE/WHITE .....                              | 1   |
| 30   | <u>1014119</u>    | WIRE ASSEMBLY, #6 RED .....  | 1   |
| 31   | N/A               | WIRE ASSEMBLY, #18 BLACK .....                                     | 1   |
| 32   | N/A               | WIRE ASSEMBLY, #18 BLACK .....                                     | 1   |
| 33   | N/A               | WIRE ASSEMBLY, #18 BLACK (PART OF REVERSE BUZZER KIT) .....        | 2   |
| 34   | N/A               | WIRE ASSEMBLY, #18 BLUE .....                                      | 1   |
| 35   | N/A               | WIRE ASSEMBLY, #18 ORANGE (PART OF ELECTRICAL COMPONENT BOX) ..... | 1   |
| 36   | N/A               | WIRE ASSEMBLY, #18 BLACK .....                                     | 1   |
| 37   | <u>1015332</u>    | WIRE ASSEMBLY, #10 BRAIDED GROUND WIRE .....                       | 1   |
| 38   | <u>1015737</u>    | WIRE ASSEMBLY, #10 RED (PART OF ELECTRICAL COMPONENT BOX) .....    | 1   |
| 39   | <u>1018373-01</u> | WIRE ASSEMBLY, #6 GREEN .....                                      | 1   |
| 40   | <u>1012382</u>    | WIRE ASSEMBLY, #6 BLACK .....                                      | 1   |



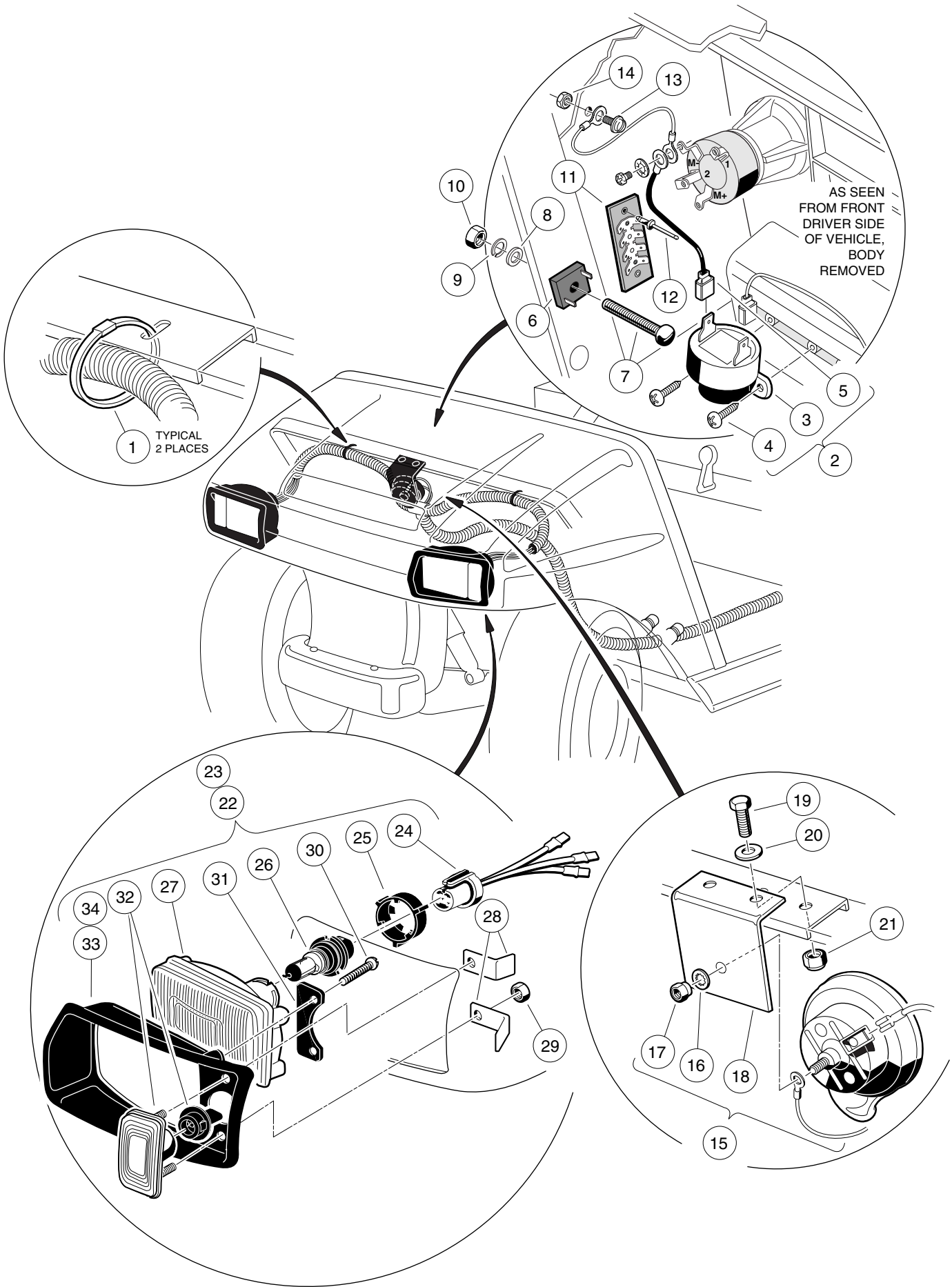


# ELECTRICAL COMPONENT BOX, GASOLINE VEHICLE— CARRYALL II PLUS AND VI



| ITEM | PART NO.          | DESCRIPTION   | QTY |
|------|-------------------|---|-----|
|      |                   | 1 2 3 4   |     |
|      | <u>1018277-01</u> | BOX, ELECTRICAL COMPONENT, COMPLETE<br>(INCLUDES ITEMS 1 - 31 AND WIRE HARNESS 1016895-02 - SEE PAGE 7-17)<br>(FOR CARRYALL II PLUS ONLY) ..... | 1   |
|      | <u>1018277-02</u> | BOX, ELECTRICAL COMPONENT, COMPLETE<br>(INCLUDES ITEMS 1 - 31 AND WIRE HARNESS 1019695-02 - SEE PAGE 7-19)<br>(FOR CARRYALL VI ONLY) .....      | 1   |
| 1    | <u>1017239</u>    | RELAY .....   | 1   |
| 2    | 0008450           | SCREW, HEX HEAD MACHINE, #10 - 24 x 1/2 .....   | 1   |
| 3    | 0000183           | WASHER, FLAT, #10 .....   | 1   |
| 4    | <u>1017243</u>    | BRACKET, RELAY MOUNTING .....   | 1   |
| 5    | 0001016           | WASHER, LOCK, #10 .....   | 1   |
| 6    | 0001017           | NUT, HEX, #10 - 24 .....  | 1   |
| 7    | <u>1015372</u>    | COVER, ELECTRICAL COMPONENT BOX .....   | 1   |
| 8    | <u>1015752</u>    | SCREW, HI-LO, #12 - 16 x 5/8 .....  | 5   |
| 9    | 0001242           | NUT, HEX, 5/16 - 18 .....   | 2   |
| 10   | 0007893           | NUT, HEX, #10 - 32 .....  | 2   |
| 11   | 1014948           | ASSEMBLY, DIODE .....   | 1   |
| 12   | N/A               | WIRE ASSEMBLY, #18 ORANGE .....   | 1   |
| 13   | <u>1013609</u>    | SOLENOID .....  | 1   |
| 14   | <u>1014807</u>    | SWITCH, LIMIT .....   | 1   |
| 15   | <u>1013589</u>    | RING, RETAINING .....   | 1   |
| 16   | <u>1015373</u>    | CAM, ELECTRICAL BOX .....   | 1   |
| 17   | <u>1014145</u>    | BUSHING, BRONZE .....   | 2   |
| 18   | <u>1014065</u>    | WASHER, FLAT .....  | 1   |
| 19   | 1015345           | ASSEMBLY, BELL CRANK SHAFT .....  | 1   |
| 20   | <u>1010954</u>    | STUD, BALL, 1/4 - 28 .....  | 1   |
| 21   | 0008717           | NUT, NYLON LOCK, 1/4 - 28 .....   | 1   |
| 22   | <u>1016997</u>    | BOX, ELECTRICAL COMPONENT .....   | 1   |
| 23   | <u>1012295</u>    | FUSE, 10 AMP .....  | 1   |
| 24   | <u>1015737</u>    | WIRE ASSEMBLY, #10 RED .....  | 1   |
| 25   | <u>1015741</u>    | BLOCK, FUSE .....   | 1   |
| 26   | <u>1015405</u>    | BOLT, CARRIAGE, 5/16 - 18 x 2 .....   | 1   |
| 27   | <u>1017238</u>    | REGULATOR, VOLTAGE .....  | 1   |
| 28   | <u>1015878</u>    | SCREW, HEX HEAD MACHINE, #4 - 40 x 1 5/8 .....  | 2   |
| 29   | 1012431           | WASHER, FLAT, #4 .....  | 2   |
| 30   | 0008057           | NUT, HEX, #4 - 40 .....   | 4   |
| 31   | 0008058           | WASHER, LOCK, #4 .....  | 2   |
| 32   | <u>1016423</u>    | FUSE, 20 AMP (CARRYALL VI ONLY) .....   | 3   |
| 33   | <u>1018561-02</u> | SCREW, HEX WASHER HEAD HI-LO, 1/4 - 15 x 1 1/2 .....  | 1   |
| 34   | 0001241           | WASHER, FLAT, 5/16 .....  | 2   |
| 35   | 0007473           | NUT, NYLON LOCK, 5/16 - 18 .....  | 2   |

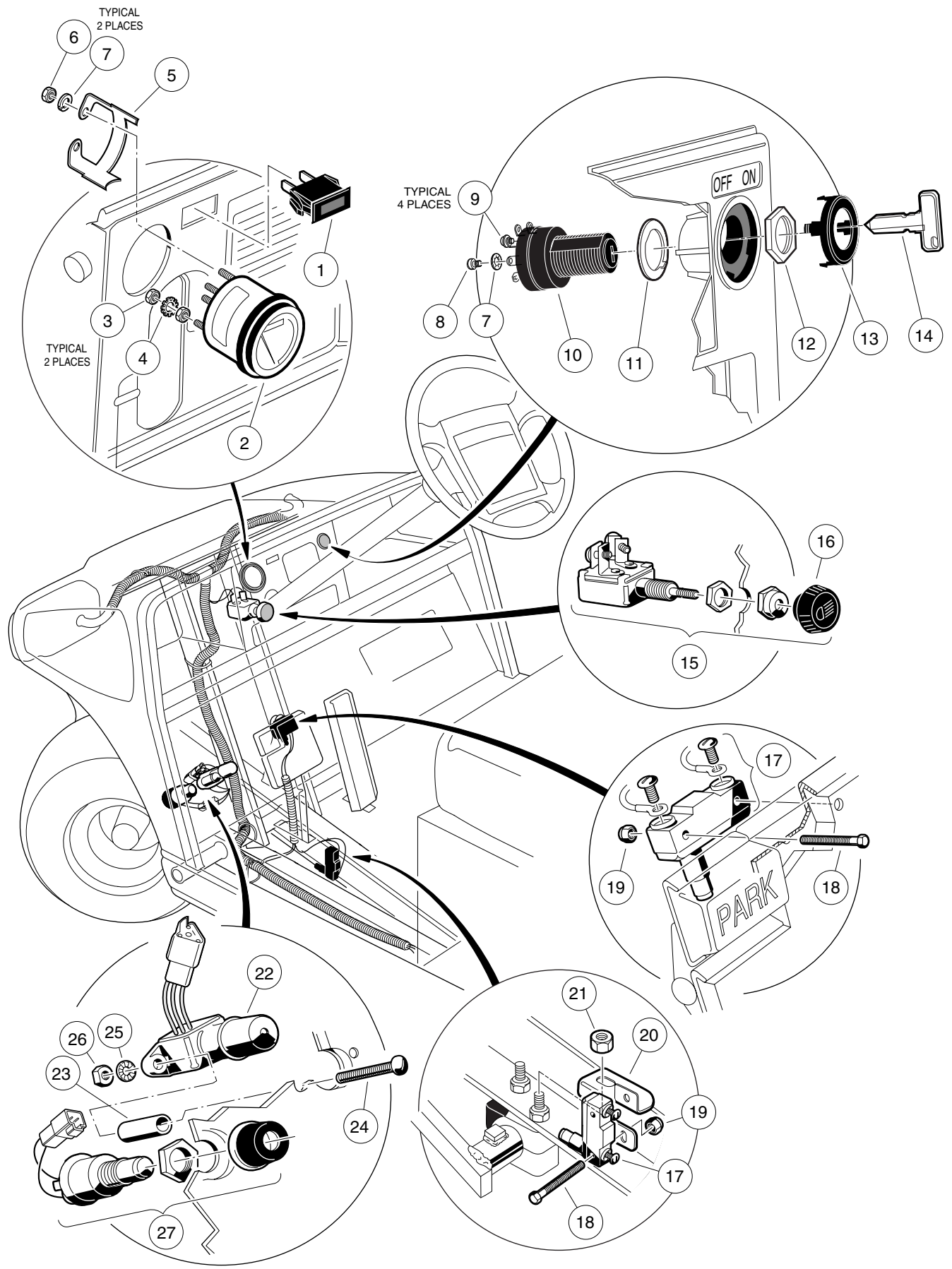
**7**  
**G**



# ELECTRICAL COMPONENTS, FRONT BODY— GASOLINE CARRYALL VI

| ITEM | PART NO.          | DESCRIPTION   | QTY |
|------|-------------------|---|-----|
|      |                   | 1 2 3 4   |     |
| 1    | 0008639           | WRAP, TIE .....   | 4   |
| 2    | <u>1016859</u>    | KIT, REVERSE BUZZER (INCLUDES ITEMS 3, 4 AND 5) .....                     | 1   |
| 3    | <u>1016851</u>    | BUZZER, REVERSE .....   | 1   |
| 4    | <u>1016849</u>    | SCREW, PAN HEAD HILO, #4 - 24 x 5/16 .....                                | 2   |
| 5    | N/A               | WIRE ASSEMBLY, #18 BLACK .....  | 1   |
| 6    | <u>1017721</u>    | LIMITER, VOLTAGE (FOR GASOLINE VEHICLE LIGHTING INSTALLATION) .....       | 1   |
| 7    | <u>1010909</u>    | SCREW, MACHINE, #10 - 32 x 1 1/4 .....                                    | 1   |
| 8    | 0000183           | WASHER, FLAT, #10 .....   | 1   |
| 9    | 0001016           | WASHER, LOCK, #10 .....   | 1   |
| 10   | 0007893           | NUT, HEX, #10 - 32 .....  | 1   |
| 11   | <u>1016356</u>    | BLOCK, TERMINAL .....   | 1   |
| 12   | <u>1013357</u>    | RIVET, ALUMINUM POP, 5/32 .....   | 2   |
| 13   | <u>1015720</u>    | BOLT, HEX WASHER HEAD, #6 - 32 x 1/2 .....                                | 1   |
| 14   | <u>1011229</u>    | NUT, "K" LOCK, #6 - 32 .....  | 1   |
| 15   | 0004029           | ASSEMBLY, HORN (INCLUDES ITEMS 16, 17 AND 18) .....                       | 1   |
| 16   | 0007820           | WASHER, INTERNAL TOOTH, 5/16 .....  | 1   |
| 17   | <u>1019551-01</u> | NUT, M6 x 1.25 .....  | 1   |
| 18   | <u>1011825</u>    | BRACKET, HORN .....   | 1   |
| 19   | 0000304           | BOLT, HEX HEAD, 1/4 - 20 x 1 .....  | 2   |
| 20   | 0000332           | WASHER, FLAT, 1/4 .....   | 2   |
| 21   | 0008233           | NUT, NYLON LOCK, 1/4 - 20 .....   | 2   |
| 22   | <u>1016897-01</u> | ASSEMBLY, HEADLIGHT, DRIVER SIDE (INCLUDES ITEMS 24 - 33) .....           | 1   |
| 23   | <u>1016897-02</u> | ASSEMBLY, HEADLIGHT, PASSENGER SIDE (INCLUDES ITEMS 24 - 32 AND 34) ..... | 1   |
| 24   | <u>1017066</u>    | HARNESS, HEADLIGHT WIRE .....   | 1   |
| 25   | 1017059           | LOCK, BULB COLLAR .....   | 1   |
| 26   | <u>1017060</u>    | BULB, HALOGEN .....   | 1   |
| 27   | 1017061           | LENS, HEADLIGHT .....   | 1   |
| 28   | <u>1017064</u>    | BRACKET, MOUNTING .....   | 2   |
| 29   | 0007893           | NUT, HEX, #10 - 32 .....  | 2   |
| 30   | <u>1013461</u>    | SCREW, HI-LO, #10 - 16 x 7/16 .....                                       | 2   |
| 31   | <u>1017065</u>    | RETAINER, HEADLIGHT .....   | 1   |
| 32   | <u>1017062</u>    | ASSEMBLY, TURN SIGNAL LENS .....  | 1   |
| 33   | <u>1016880</u>    | BEZEL, HEADLIGHT, DRIVER SIDE .....                                       | 1   |
| 34   | <u>1016879</u>    | BEZEL, HEADLIGHT, PASSENGER SIDE .....                                    | 1   |



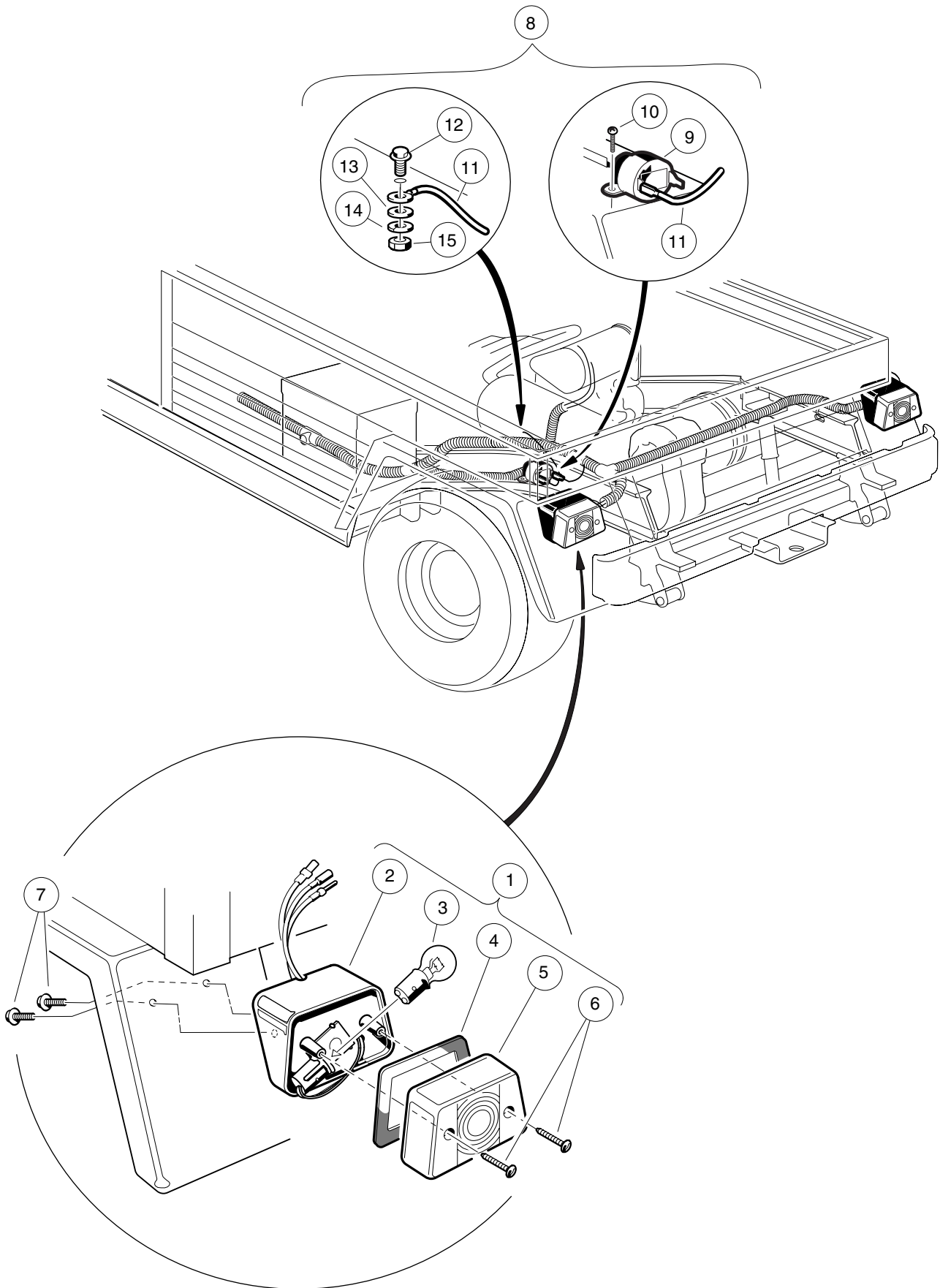


# CONTROLS AND GAUGES—GASOLINE CARRYALL VI

| ITEM | PART NO.          | DESCRIPTION                                   | QTY |
|------|-------------------|---|-----|
|      |                   | 1 2 3 4                                       |     |
| 1    | <u>1016630</u>    | LIGHT, OIL WARNING .....                      | 1   |
| 2    | <u>1015103</u>    | GAUGE, FUEL (INCLUDES ITEMS 3 AND 4) .....    | 1   |
| 3    | N/A               | NUT, BRASS .....                              | 6   |
| 4    | N/A               | WASHER, EXTERNAL TOOTH LOCK .....             | 3   |
| 5    | <u>1015104</u>    | BRACKET, FUEL GAUGE .....                     | 1   |
| 6    | <u>1011571</u>    | NUT, HEX, #8 - 32 .....                       | 2   |
| 7    | <u>1011610</u>    | WASHER, LOCK, #8 .....                        | 3   |
| 8    | <u>1016092</u>    | SCREW, PAN HEAD MACHINE, #8 - 32 x 7/16 ..... | 1   |
| 9    | 1018306-01        | ASSEMBLY, SCREW AND WASHER .....              | 4   |
| 10   | 1018264-01        | SWITCH, KEY .....                             | 1   |
| 11   | <u>1018511-01</u> | WASHER .....                                  | 1   |
| 12   | <u>1018307-01</u> | NUT, KEY SWITCH .....                         | 1   |
| 13   | <u>1018345-02</u> | CAP, KEY SWITCH .....                         | 1   |
| 14   | <u>1012505</u>    | KEY (PAIR) .....                              | 1   |
| 15   | 0004034           | SWITCH, LIGHT (INCLUDES ITEM 16) .....        | 1   |
| 16   | <u>1013857</u>    | KNOB, LIGHT SWITCH .....                      | 1   |
| 17   | <u>1011439</u>    | SWITCH, LIMIT .....                           | 2   |
| 18   | <u>1011557</u>    | SCREW, HEX HEAD MACHINE, #6 - 32 x 1 .....    | 4   |
| 19   | <u>1019322-01</u> | NUT, NYLON LOCK, #6 - 32 .....                | 4   |
| 20   | <u>1019571-01</u> | BRACKET, BRAKE LIGHT SWITCH .....             | 1   |
| 21   | <u>1011280</u>    | NUT, LOCK, 5/16 - 18 .....                    | 1   |
| 22   | <u>1019698-01</u> | SWITCH, DIMMER .....                          | 1   |
| 23   | <u>1018713-01</u> | STAND-OFF, DIMMER SWITCH .....                | 2   |
| 24   | <u>1018712-01</u> | SCREW, MACHINE, #10 - 32 x 1 .....            | 2   |
| 25   | 0008049           | WASHER, INTERNAL TOOTH LOCK, #10 .....        | 2   |
| 26   | 0007893           | NUT, HEX, #10 - 32 .....                      | 2   |
| 27   | <u>1019697-01</u> | BUTTON, HORN .....                            | 1   |



**7**  
**G**



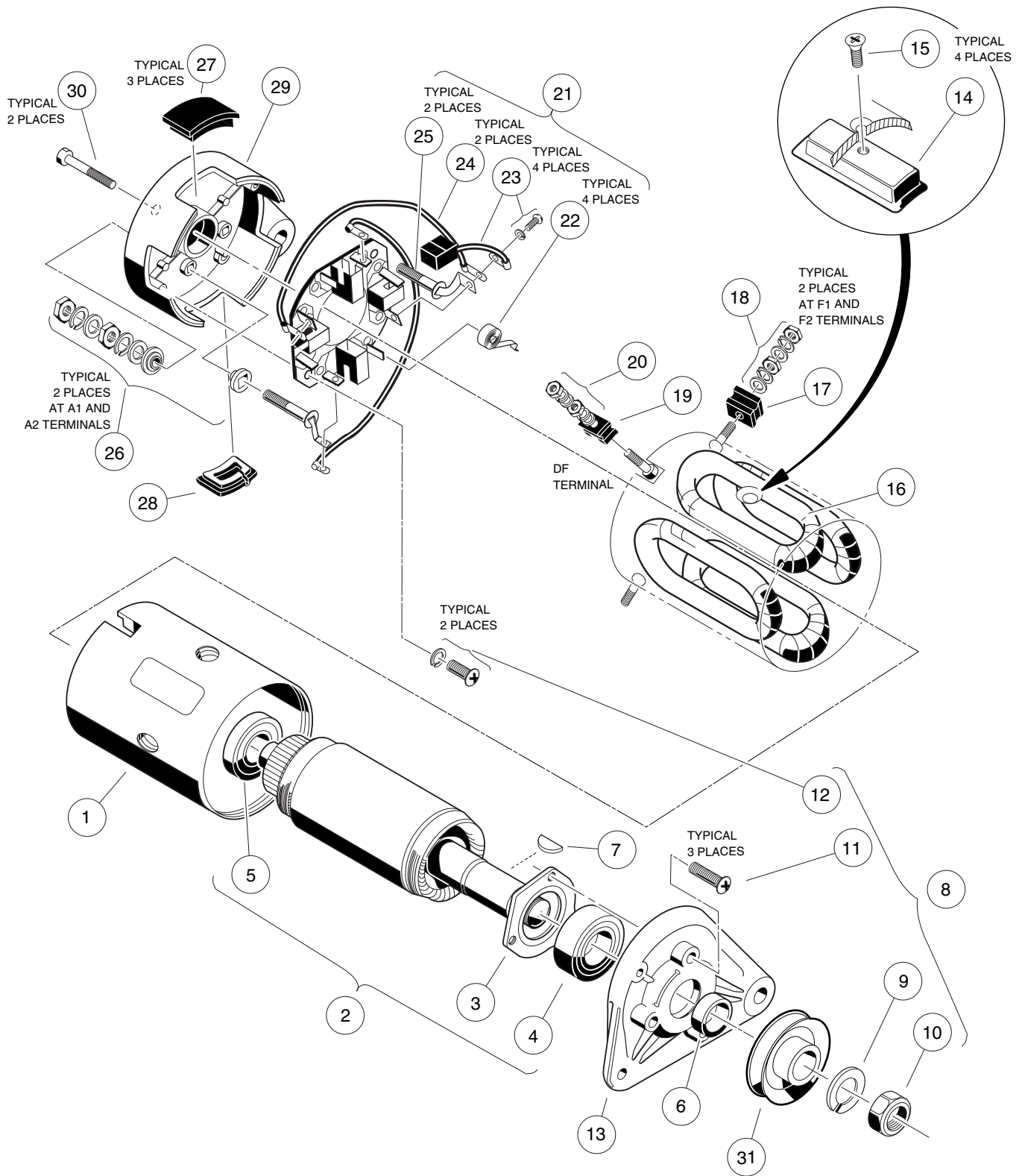


# ELECTRICAL COMPONENTS, REAR BODY— GASOLINE CARRYALL VI

| ITEM | PART NO.       | DESCRIPTION                                       | QTY |
|------|----------------|---|-----|
|      |                | 1 2 3 4   |     |
| 1    | <u>1016717</u> | ASSEMBLY, TAILLIGHT (INCLUDES ITEMS 2 - 6) .....  | 2   |
| 2    | N/A            | HOUSING, TAILLIGHT .....                          | 1   |
| 3    | <u>1011582</u> | BULB .....  | 1   |
| 4    | N/A            | GASKET .....                                      | 1   |
| 5    | N/A            | LENS .....  | 1   |
| 6    | N/A            | SCREW, LENS .....                                 | 2   |
| 7    | <u>1015752</u> | SCREW, HEX WASHER HEAD, #12 - 16 x 1/2 .....      | 4   |
| 8    | <u>1016859</u> | KIT, REVERSE BUZZER (INCLUDES ITEMS 9 - 15) ..... | 1   |
| 9    | <u>1016851</u> | BUZZER, REVERSE .....                             | 1   |
| 10   | <u>1016849</u> | SCREW, PAN HEAD HILO, #4 - 24 x 5/16 .....        | 2   |
| 11   | N/A            | WIRE ASSEMBLY, #18 BLACK .....                    | 1   |
| 12   | <u>1015720</u> | SCREW, HEX WASHER HEAD, #6 - 32 x 1/2 .....       | 1   |
| 13   | 0007591        | WASHER, FLAT .....                                | 1   |
| 14   | <u>1011622</u> | WASHER, LOCK, #6 .....                            | 1   |
| 15   | <u>1011558</u> | NUT, HEX, #6 - 32 .....                           | 1   |

7  
G

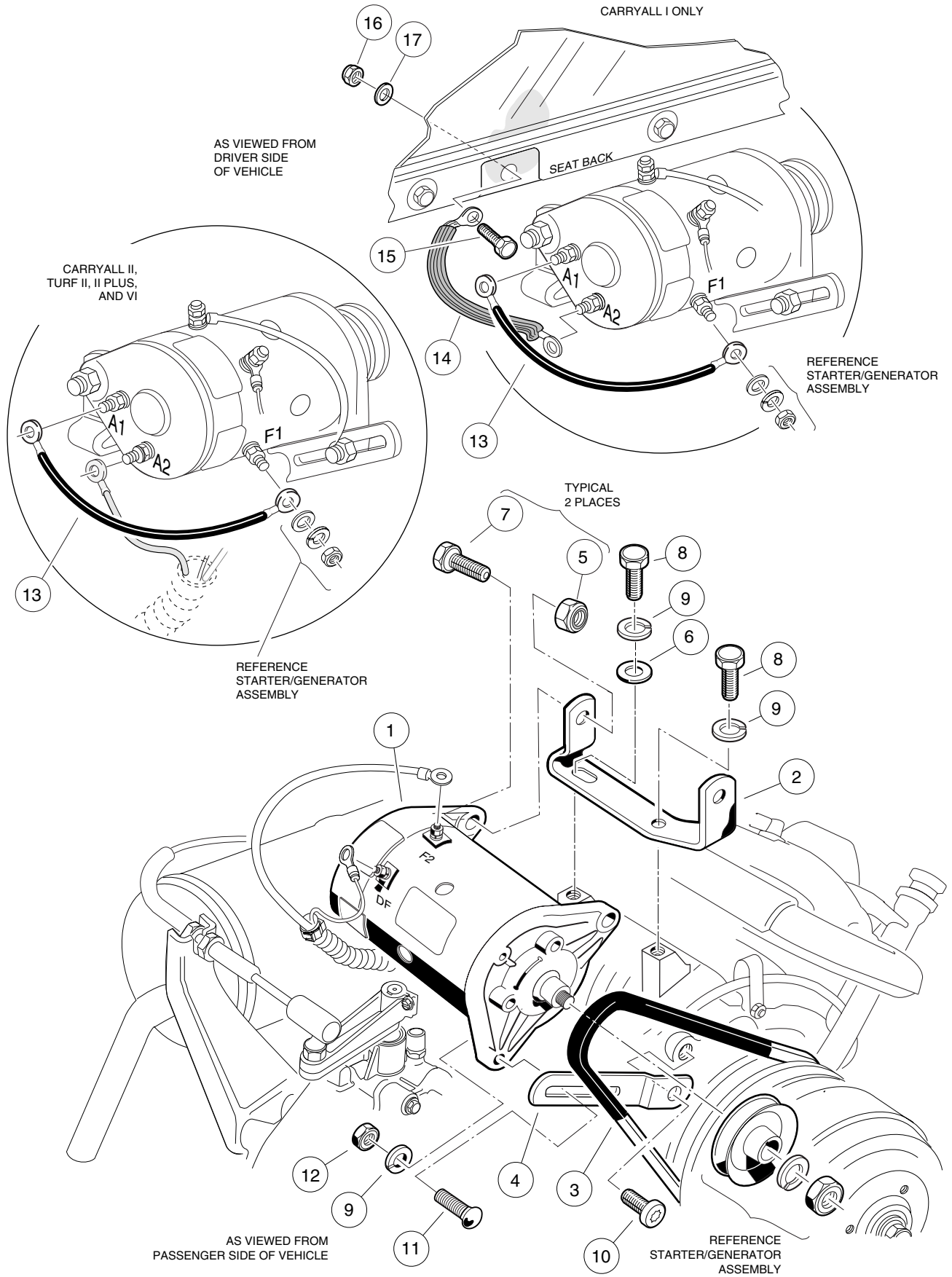
**7**  
**G**



# STARTER/GENERATOR ASSEMBLY

| ITEM | PART NO.          | DESCRIPTION  | QTY |
|------|-------------------|--|-----|
|      |                   | 1 2 3 4  |     |
|      | <u>1018337-01</u> | STARTER/GENERATOR (CLOCKWISE ROTATION) (INCLUDES ITEMS 1 - 30) ..... | 1   |
| 1    | <u>1018752-01</u> | HOUSING, FIELD COIL .....  | 1   |
| 2    | <u>1018751-01</u> | ASSEMBLY, ARMATURE (INCLUDES ITEMS 3, 4 AND 5) .....                 | 1   |
| 3    | <u>1018750-01</u> | RETAINER, BEARING .....  | 1   |
| 4    | <u>1013001</u>    | BALL BEARING, OUTPUT SHAFT .....                                     | 1   |
| 5    | <u>1013005</u>    | COMMUTATOR, BALL BEARING .....                                       | 1   |
| 6    | <u>1019399-01</u> | SPACER, 5/16 .....   | 1   |
| 7    | <u>1013003</u>    | KEY, WOODRUFF .....  | 1   |
| 8    | <u>1018765-01</u> | KIT, PULLEY NUT AND SCREW (INCLUDES ITEMS 9 - 12) .....              | 1   |
| 9    | N/A               | WASHER, LOCK, M14 .....  | 1   |
| 10   | N/A               | NUT, HEX, M14 x 2 .....  | 1   |
| 11   | N/A               | SCREW, CROSS - RECESSED, M5 x .8 x 18MM .....                        | 3   |
| 12   | <u>1018965-01</u> | SCREW, CROSS - RECESSED, M5 x .8 x 16MM (WITH LOCK WASHER) .....     | 2   |
| 13   | <u>1018749-01</u> | END BELL, OUTPUT SHAFT .....   | 1   |
| 14   | <u>1018753-01</u> | SET, POLE (SET OF 4) .....   | 1   |
| 15   | <u>1018754-01</u> | SCREW, POLE PIECE (SET OF 4) .....                                   | 1   |
| 16   | <u>1018755-01</u> | ASSEMBLY, FIELD COIL .....   | 1   |
| 17   | <u>1018756-01</u> | SET, F INSULATOR .....   | 2   |
| 18   | <u>1018776-01</u> | PACKAGE, TERMINAL HARDWARE (F1 AND F2) .....                         | 2   |
| 19   | <u>1018757-01</u> | SET, DF INSULATOR .....  | 1   |
| 20   | <u>1018777-01</u> | PACKAGE, TERMINAL HARDWARE (DF) .....                                | 1   |
| 21   | <u>1013011-02</u> | HOLDER, BRUSH (INCLUDES ITEMS 22 - 25) .....                         | 1   |
| 22   | <u>1018781-01</u> | SPRING, BRUSH .....  | 4   |
| 23   | <u>1018693-02</u> | PACKAGE, BRUSH (INCLUDES 4 BRUSHES, 4 SCREWS, 4 WASHERS) .....       | 1   |
| 24   | <u>1018762-02</u> | ASSEMBLY, BRUSH CONNECTOR .....                                      | 2   |
| 25   | <u>1018758-02</u> | A CONNECTOR (SET OF 2) .....   | 1   |
| 26   | <u>1018760-01</u> | PACKAGE, TERMINAL HARDWARE (A1 AND A2) .....                         | 2   |
| 27   | <u>1018763-01</u> | COVER, BRUSH INSPECTION PORT (SET OF 4) (INCLUDES ITEM 28) .....     | 1   |
| 28   | <u>1017653</u>    | COVER, BRUSH INSPECTION PORT, WITH DRAIN .....                       | 1   |
| 29   | <u>1018764-02</u> | END BELL, COMMUTATOR .....   | 1   |
| 30   | <u>1018790-01</u> | BOLT, CLAMP, M6 x 1 x 180MM .....                                    | 2   |
| 31   | <u>1014289</u>    | PULLEY (SILVER COLOR) .....  | 1   |





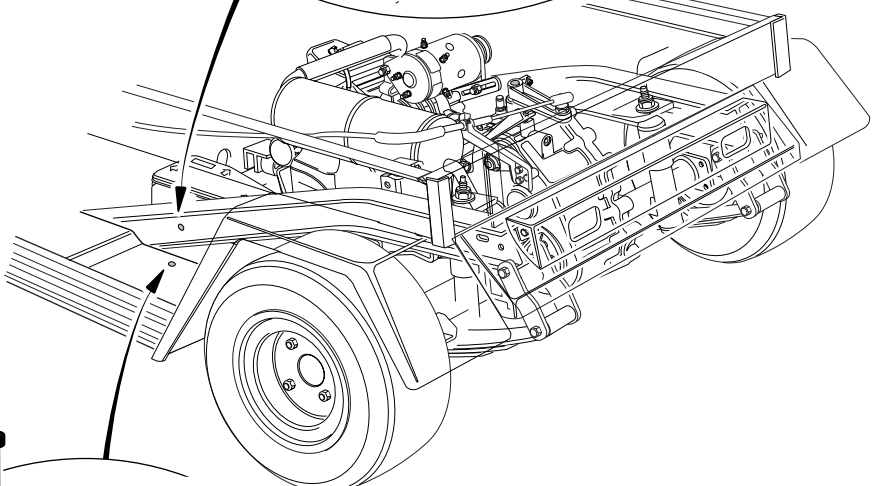
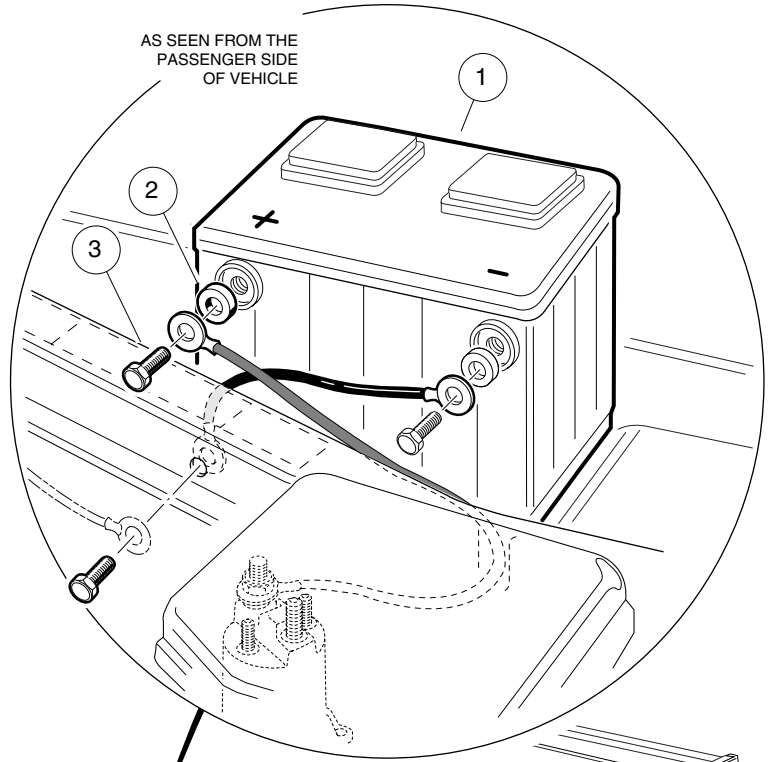
# STARTER/GENERATOR MOUNTING



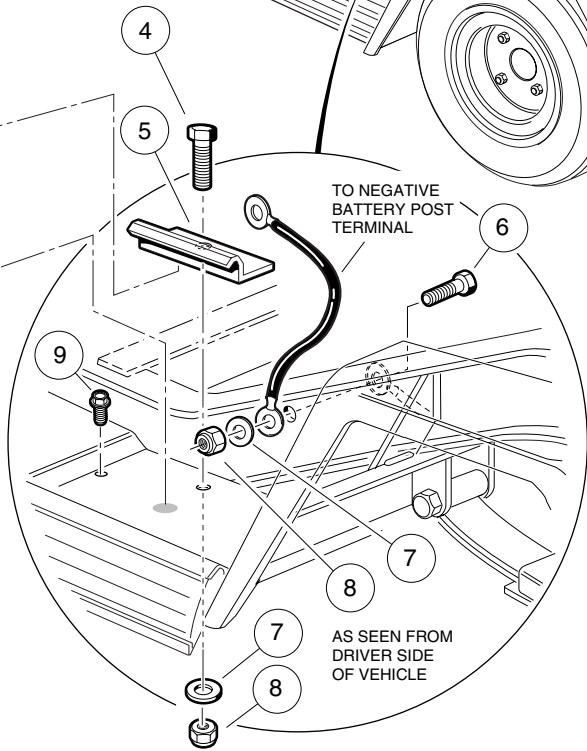
| ITEM | PART NO.          | DESCRIPTION   | QTY |
|------|-------------------|---|-----|
|      |                   | 1 2 3 4   |     |
| 1    | <u>1018337-01</u> | STARTER/GENERATOR .....   | 1   |
| 2    | <u>1015240-01</u> | BRACKET, MOUNTING, FE 290 (CARRYALL I AND II).....                  | 1   |
| 2    | <u>1015240-02</u> | BRACKET, MOUNTING, FE 350 (CARRYALL TURF II, II PLUS, AND VI) ..... | 1   |
| 3    | <u>1019167-01</u> | BELT .....  | 1   |
| 4    | <u>1016883</u>    | BRACKET, ADJUSTING .....  | 1   |
| 5    | 0008754           | NUT, NYLON LOCK, 3/8 - 16 .....                                     | 2   |
| 6    | 1015075           | WASHER, FLAT, 5/16 .....  | 1   |
| 7    | 0000705           | BOLT, HEX HEAD, 3/8 - 16 x 1 1/4 .....                              | 2   |
| 8    | 1019035-01        | SCREW, HEX HEAD CAP, M8 x 1.25 x 24MM .....                         | 2   |
| 9    | 0007174           | WASHER, LOCK, 5/16 .....  | 3   |
| 10   | <u>1016074</u>    | SCREW, TORX HEAD, M8 x 1.25 x 18MM .....                            | 1   |
| 11   | <u>1015932</u>    | BOLT, CARRIAGE, 5/16 - 18 x 1 .....                                 | 1   |
| 12   | 0001242           | NUT, HEX, 5/16 - 18 .....   | 1   |
| 13   | <u>1018373-01</u> | WIRE ASSEMBLY, #6 GREEN .....                                       | 1   |
| 14   | <u>1015920</u>    | WIRE ASSEMBLY, #6 BRAIDED GROUND (CARRYALL I ONLY) .....            | 1   |
| 15   | 0007173           | SCREW, HEX HEAD CAP, 5/16 - 18 x 3/4 (CARRYALL I ONLY) .....        | 1   |
| 16   | 0007473           | NUT, NYLON LOCK, 5/16 - 18 (CARRYALL I ONLY) .....                  | 1   |
| 17   | 0001241           | WASHER, FLAT, 5/16 (CARRYALL I ONLY) .....                          | 1   |

**7**  
**G**

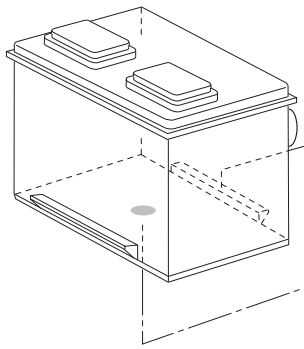
AS SEEN FROM THE PASSENGER SIDE OF VEHICLE



TO NEGATIVE BATTERY POST TERMINAL



AS SEEN FROM DRIVER SIDE OF VEHICLE



# BATTERY—GASOLINE VEHICLE

| ITEM | PART NO.          | DESCRIPTION  | QTY |
|------|-------------------|--|-----|
|      |                   | 1 2 3 4  |     |
| 1    | <u>1012328</u>    | BATTERY, 12 VOLT .....                                     | 1   |
| 2    | <u>1014374</u>    | SPACER, BATTERY TERMINAL BOLT .....                        | 2   |
| 3    | <u>1014375</u>    | SCREW, HEX HEAD CAP, STAINLESS STEEL, 3/8 - 16 x 1/2 ..... | 2   |
| 4    | <u>1010934</u>    | BOLT, HEX HEAD, 5/16 - 18 x 1 .....                        | 1   |
| 5    | <u>1018980-01</u> | CLAMP, BATTERY .....                                       | 1   |
| 6    | 0007173           | SCREW, HEX CAP, 5/16 - 18 x 3/4 .....                      | 1   |
| 7    | 0001241           | WASHER, FLAT, 5/16 .....                                   | 2   |
| 8    | 0007473           | NUT, NYLON LOCK, 5/16 - 18 .....                           | 2   |
| 9    | <u>1014288</u>    | SCREW, THREAD-FORMING, 5/16 - 16 x 3/4 .....               | 1   |



**7**  
**G**



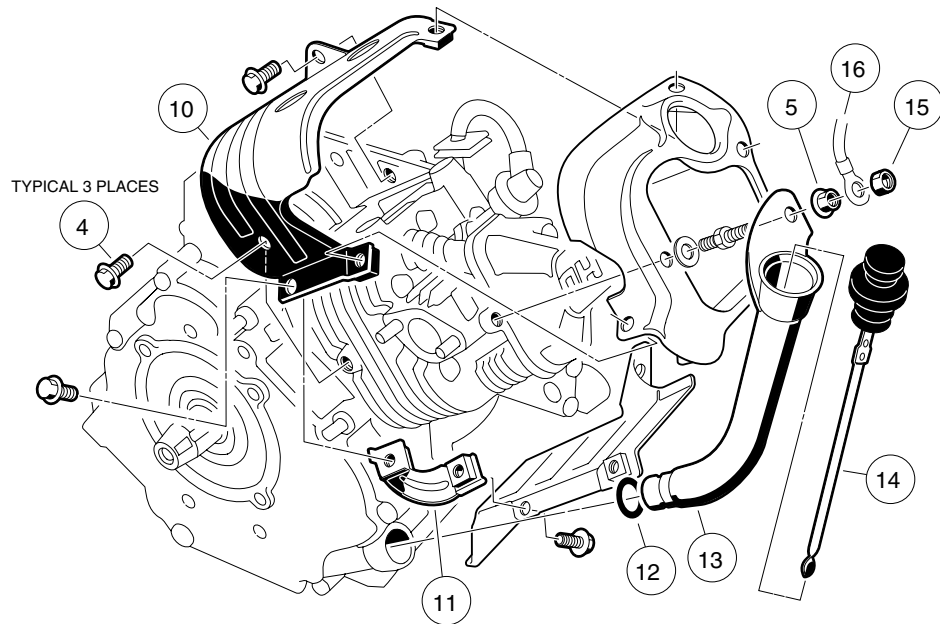
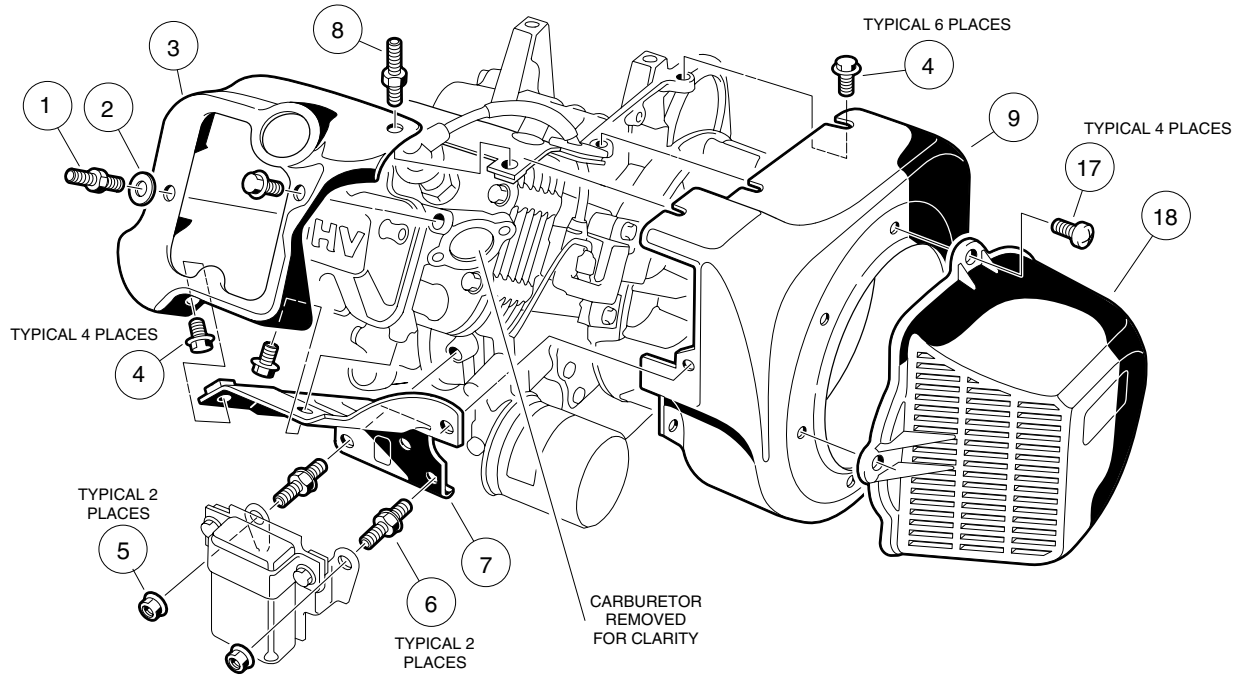
# ENGINE

---

8

G

# FE 290 ENGINE

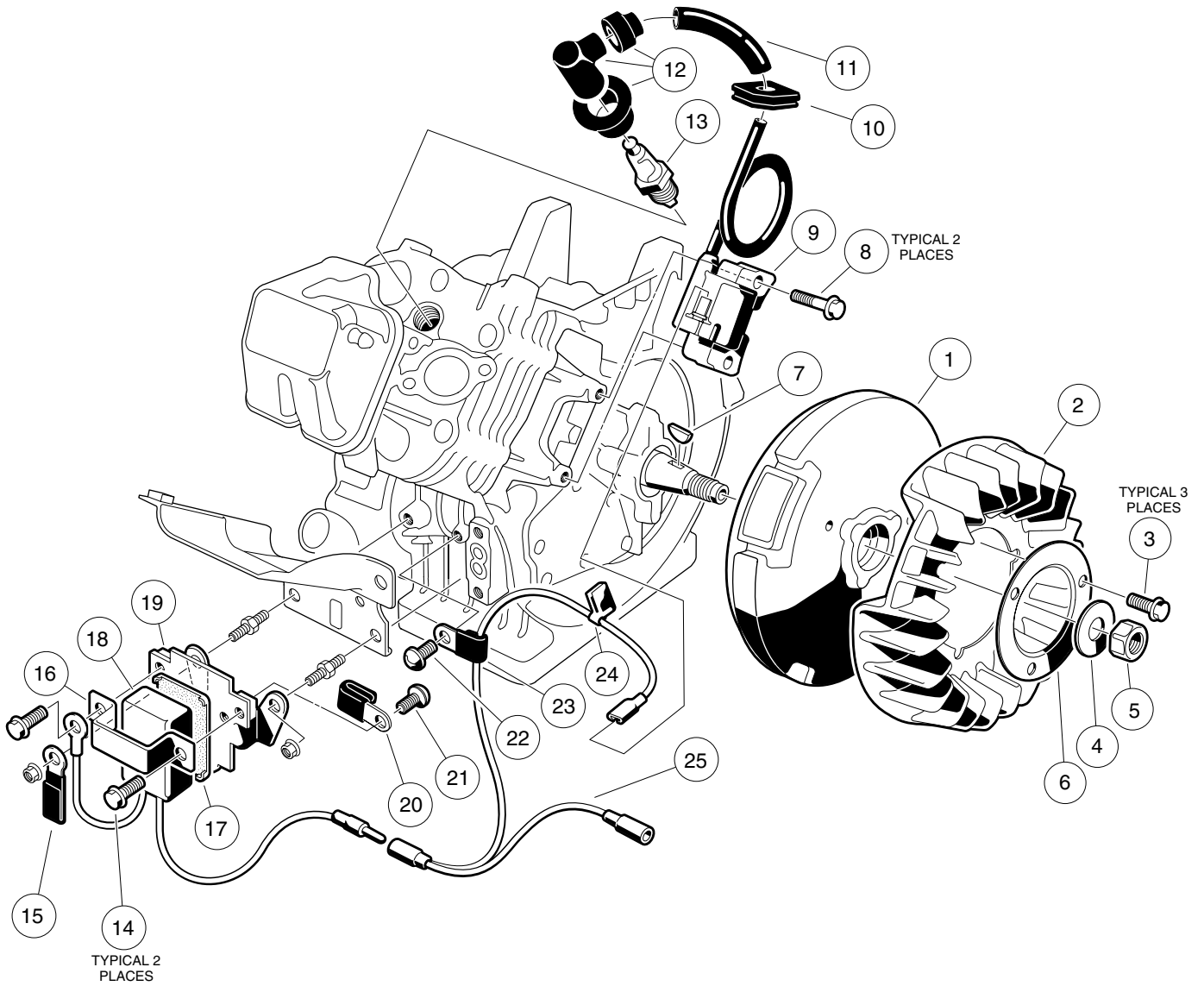


# FE 290 ENGINE— CARRYALL I AND II

8  
G

| ITEM | PART NO.          | DESCRIPTION   | QTY |
|------|-------------------|---|-----|
|      |                   | 1 2 3 4   |     |
|      | <u>1019539-01</u> | FE 290 OHV GASOLINE ENGINE (CLOCKWISE ROTATION) WITH CARBURETOR<br>(DOES NOT INCLUDE ITEMS 15 THROUGH 18) ..... | 1   |
| 1    | <u>1016507</u>    | BOLT, 2-ENDED, M6 x 1 x 29MM .....  | 1   |
| 2    | <u>1016512</u>    | WASHER, FLAT, 6MM .....   | 1   |
| 3    | <u>1016524</u>    | SHROUD, ENGINE, FE 290 .....  | 1   |
| 4    | 1016456           | BOLT, FLANGED, M6 x 1 x 12MM .....  | 15  |
| 5    | 1016547           | NUT, FLANGE, M6 x 1 .....   | 3   |
| 6    | <u>1019097-01</u> | BOLT, 2-ENDED, M6 x 1 x 27MM .....  | 1   |
| 7    | 1016526           | SHROUD, ENGINE, FE 290 (LOWER) .....  | 1   |
| 8    | <u>1017221</u>    | BOLT, 2-ENDED, M6 x 1 x 46MM .....  | 1   |
| 9    | 1019156-01        | HOUSING, FAN .....  | 1   |
| 10   | <u>1016525</u>    | SHROUD, ENGINE, FE 290 (UPPER) .....  | 1   |
| 11   | <u>1016443</u>    | BRACKET .....   | 1   |
| 12   | <u>1016539</u>    | O-RING .....  | 1   |
| 13   | <u>1016536</u>    | TUBE, OIL FILLER, FE 290 .....  | 1   |
| 14   | 1016531           | DIPSTICK .....  | 1   |
| 15   | <u>1011114</u>    | NUT, M6 x1 .....  | 1   |
| 16   | <u>1015332</u>    | WIRE ASSEMBLY, #10 BRAIDED GROUND .....   | 1   |
| 17   | <u>1015969</u>    | SCREW, PAN HEAD, M6 x 1 x 14MM .....  | 4   |
| 18   | <u>1015649</u>    | SHROUD, FAN .....   | 1   |

# FE 290 ENGINE

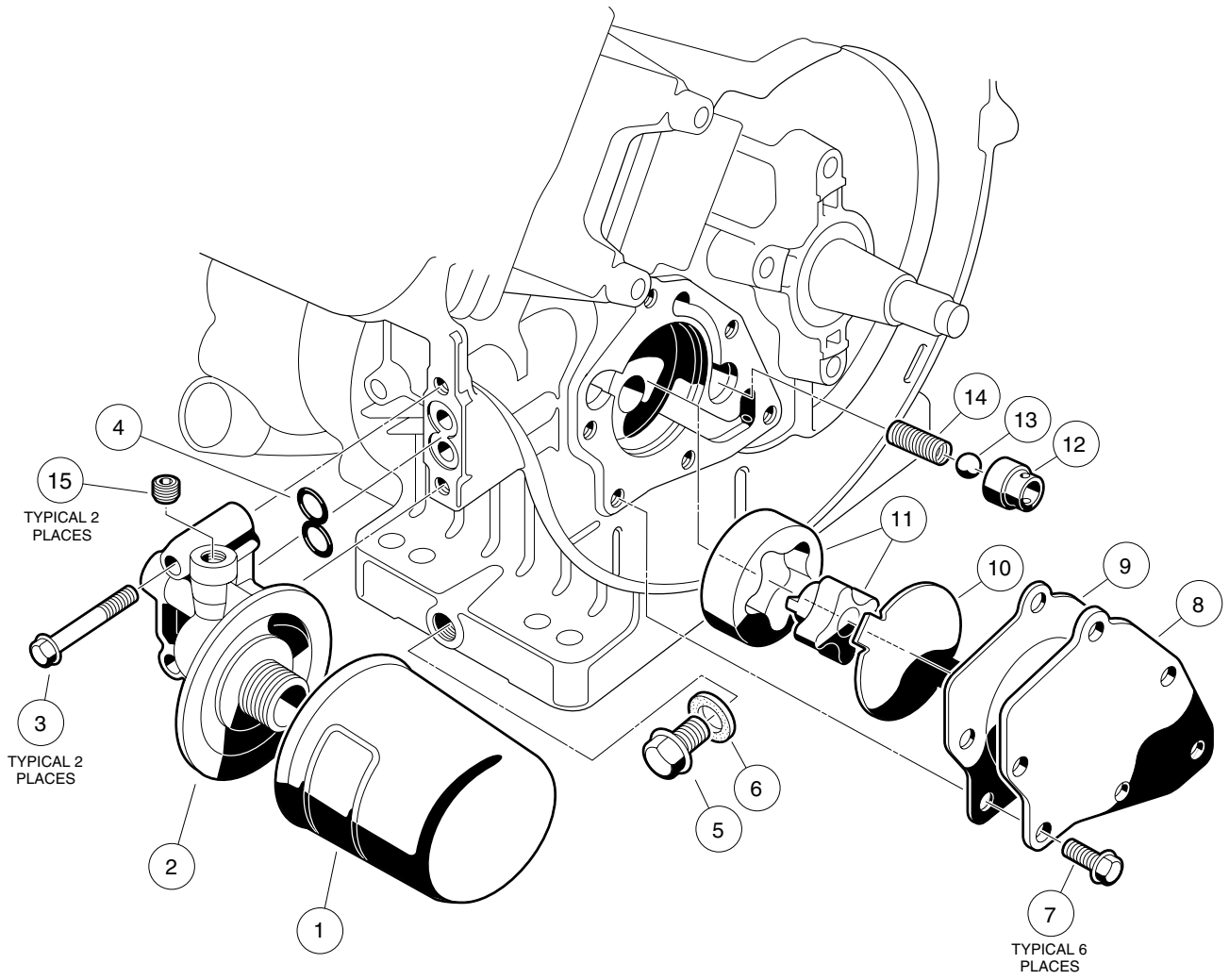


# FE 290 ENGINE— CARRYALL I AND II

8  
G

| ITEM | PART NO.          | DESCRIPTION  | QTY |
|------|-------------------|--|-----|
|      |                   | 1 2 3 4  |     |
| 1    | <u>1019157-01</u> | FLYWHEEL .....   | 1   |
| 2    | <u>1019158-01</u> | FAN, FLYWHEEL, GREY .....                                | 1   |
| 3    | <u>1017448</u>    | SCREW, FLANGED HEX HEAD, M6 x 1 x 10MM .....             | 3   |
| 4    | <u>1016548</u>    | WASHER, FLAT, 16MM .....                                 | 1   |
| 5    | <u>1016505</u>    | NUT, HEX, M16 x 2 .....                                  | 1   |
| 6    | <u>1017455</u>    | PLATE, FLYWHEEL FAN .....                                | 1   |
| 7    | <u>1016562</u>    | KEY .....  | 1   |
| 8    | <u>1016455</u>    | BOLT, FLANGED, M5 x .8 x 25MM .....                      | 2   |
| 9    | <u>1019092-01</u> | COIL, IGNITION (WITH INTERNAL IGNITER) .....             | 1   |
| 10   | <u>1016578</u>    | GROMMET .....  | 1   |
| 11   | <u>1016588</u>    | TUBE, 7MM x 70MM .....                                   | 1   |
| 12   | <u>1016493</u>    | ASSEMBLY, PLUG CAP .....                                 | 1   |
| 13   | <u>1018811-01</u> | SPARK PLUG .....   | 1   |
| 14   | <u>1016456</u>    | BOLT, FLANGED, M6 x 1 x 12MM .....                       | 2   |
| 15   | <u>1012981</u>    | CLAMP .....  | 1   |
| 16   | <u>1016579</u>    | MOUNT, RPM LIMITER .....                                 | 1   |
| 17   | <u>1016586</u>    | DAMPER, RPM LIMITER .....                                | 1   |
| 18   | <u>1019094-01</u> | LIMITER, RPM - OHV .....                                 | 1   |
| 19   | <u>1016445</u>    | BRACKET, RPM LIMITER .....                               | 1   |
| 20   | <u>1019095-01</u> | CLAMP .....  | 1   |
| 21   | <u>1016497</u>    | SCREW, CROSS PAN HEAD, M5 x .8 x 8MM .....               | 1   |
| 22   | <u>1016544</u>    | SCREW, CROSS PAN HEAD SELF-TAPPING, M5 x .8 x 12MM ..... | 1   |
| 23   | <u>1016561</u>    | CLAMP .....  | 1   |
| 24   | <u>1016587</u>    | CLAMP .....  | 1   |
| 25   | <u>1019093-01</u> | WIRE, LEAD .....   | 1   |

# FE 290 ENGINE



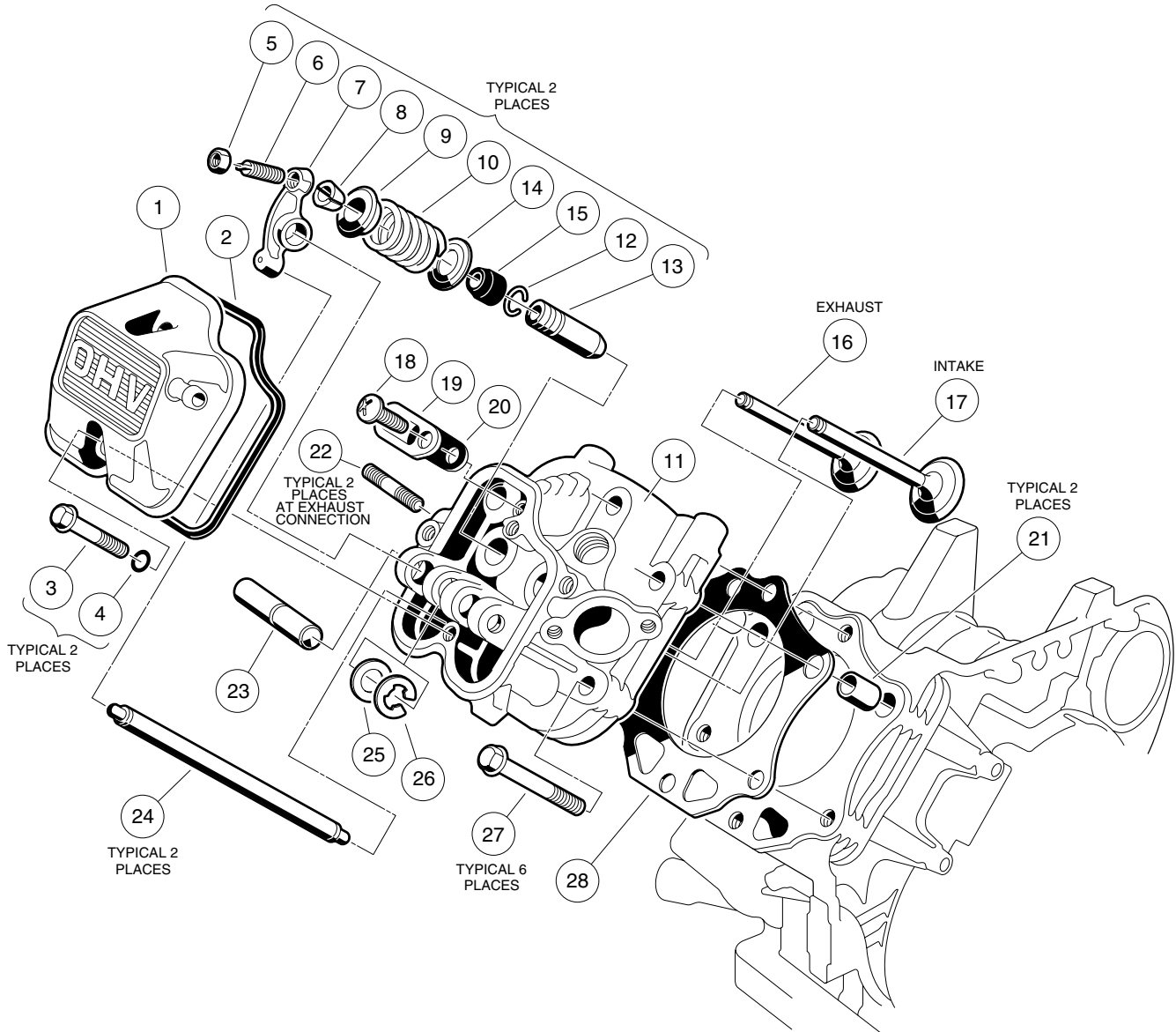
# FE 290 ENGINE— CARRYALL I AND II

| ITEM | PART NO.          | DESCRIPTION                                  | QTY |
|------|-------------------|--|-----|
|      |                   | 1 2 3 4                                      |     |
| 1    | <u>1016467</u>    | ASSEMBLY, OIL FILTER, OHV .....              | 1   |
| 2    | <u>1016502</u>    | BRACKET, OIL FILTER .....                    | 1   |
| 3    | <u>1016457</u>    | BOLT, FLANGED HEX HEAD, M6 x 1 x 40MM .....  | 2   |
| 4    | <u>1016570</u>    | O-RING, OIL FILTER MOUNT .....               | 1   |
| 5    | <u>1016576</u>    | PLUG, DRAIN, FE 290 .....                    | 1   |
| 6    | <u>1016432</u>    | GASKET, DRAIN PLUG .....                     | 1   |
| 7    | <u>1017456</u>    | SCREW, FLANGED HEX HEAD, M6 x 1 x 12MM ..... | 6   |
| 8    | <u>1016484</u>    | COVER, PUMP .....                            | 1   |
| 9    | <u>1016435</u>    | GASKET, OIL PUMP .....                       | 1   |
| 10   | <u>1016473</u>    | PLATE, OIL PUMP .....                        | 1   |
| 11   | <u>1016482-03</u> | PUMP, OIL, AND ROTOR .....                   | 1   |
| 12   | <u>1016429</u>    | SEAT, VALVE .....                            | 1   |
| 13   | <u>1016537</u>    | BALL, STEEL, PRESSURE RELIEF .....           | 1   |
| 14   | <u>1016581</u>    | SPRING .....                                 | 1   |
| 15   | <u>1017507</u>    | PLUG .....                                   | 2   |

8

G

# FE 290 ENGINE



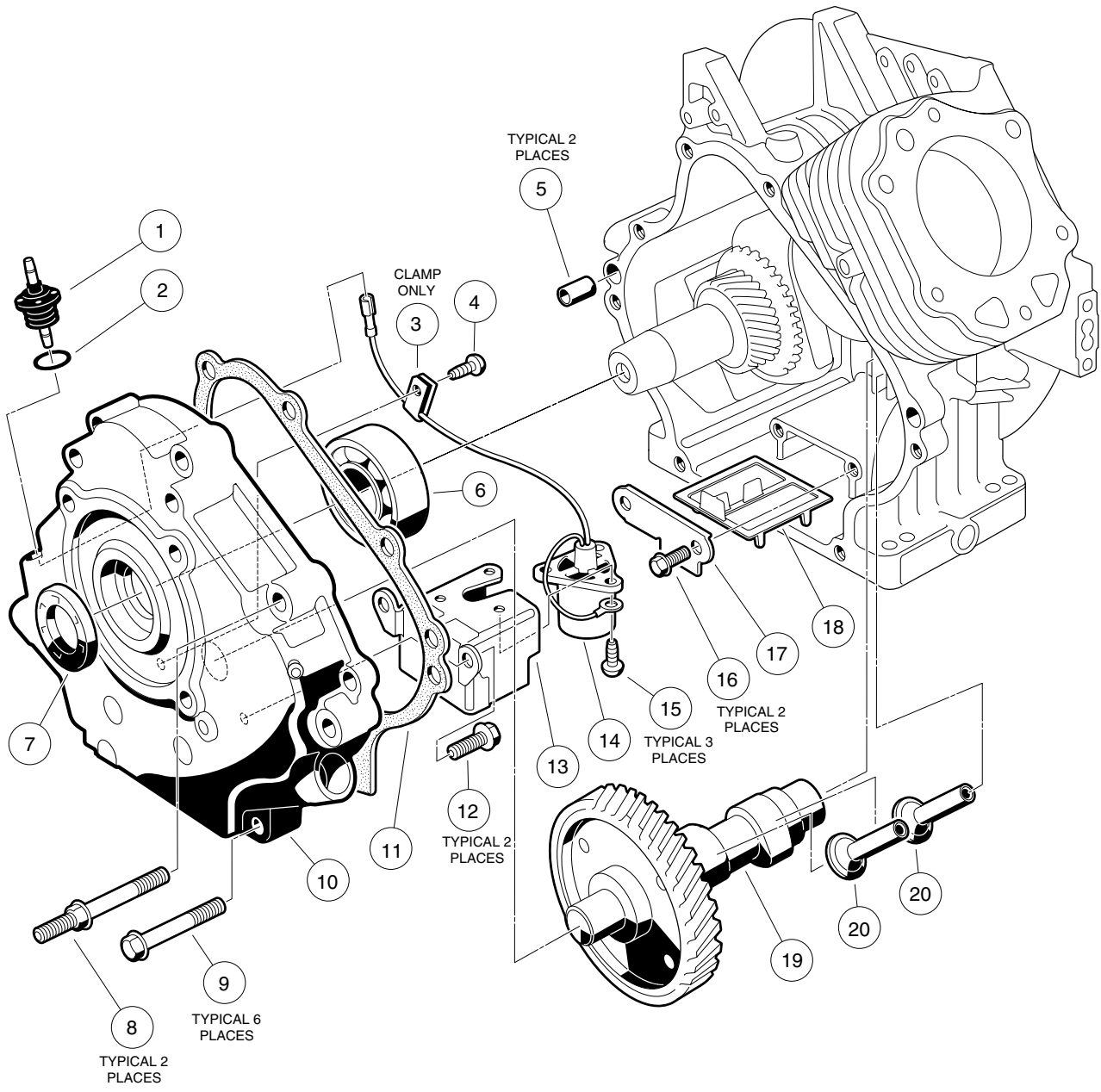


# FE 290 ENGINE— CARRYALL I AND II

| ITEM | PART NO.       | DESCRIPTION   | QTY |
|------|----------------|---|-----|
|      |                | 1 2 3 4   |     |
| 1    | <u>1016442</u> | CASE, ROCKER .....  | 1   |
| 2    | <u>1016436</u> | GASKET, ROCKER CASE .....                                     | 1   |
| 3    | <u>1016583</u> | BOLT, FLANGED, M6 x 1 x 35MM .....                            | 2   |
| 4    | <u>1016569</u> | O-RING .....  | 2   |
| 5    | <u>1016545</u> | NUT, HEX, M5 x .8 .....                                       | 2   |
| 6    | <u>1016542</u> | SCREW, STUD, M5 x .8 .....                                    | 2   |
| 7    | <u>1016451</u> | ARM, ROCKER .....   | 2   |
| 8    | <u>1016450</u> | COLLET .....  | 2   |
| 9    | <u>1016449</u> | RETAINER, VALVE SPRING .....                                  | 2   |
| 10   | <u>1016523</u> | SPRING, ENGINE VALVE .....                                    | 2   |
| 11   | <u>1016431</u> | ASSEMBLY, CYLINDER HEAD, OHV (INCLUDES ITEMS 12 AND 13) ..... | 1   |
| 12   | <u>1016560</u> | RING, SNAP .....  | 2   |
| 13   | <u>1016519</u> | GUIDE, VALVE .....  | 2   |
| 14   | <u>1016479</u> | SEAT, SPRING .....  | 2   |
| 15   | <u>1016566</u> | SEAL, VALVE .....   | 2   |
| 16   | <u>1016448</u> | VALVE, EXHAUST .....  | 1   |
| 17   | <u>1016447</u> | VALVE, INTAKE .....   | 1   |
| 18   | <u>1016544</u> | SCREW, CROSS PAN HEAD SELF-TAPPING, M5 x .8 x 12MM .....      | 1   |
| 19   | <u>1016474</u> | PLATE .....   | 1   |
| 20   | <u>1016483</u> | VALVE .....   | 1   |
| 21   | <u>1016563</u> | PIN .....   | 2   |
| 22   | <u>1016489</u> | BOLT, STUD, M8 x 1.25 x 29MM .....                            | 2   |
| 23   | <u>1016452</u> | SHAFT, ROCKER .....   | 1   |
| 24   | <u>1016471</u> | ROD, PUSH .....   | 2   |
| 25   | <u>1016549</u> | WASHER, FLAT, M12 .....                                       | 1   |
| 26   | <u>1016517</u> | CIRCLIP, TYPE E .....   | 1   |
| 27   | <u>1016458</u> | BOLT, FLANGED, M8 x 1.25 x 45MM .....                         | 6   |
| 28   | <u>1016430</u> | GASKET, HEAD .....  | 1   |

8  
G

# FE 290 ENGINE

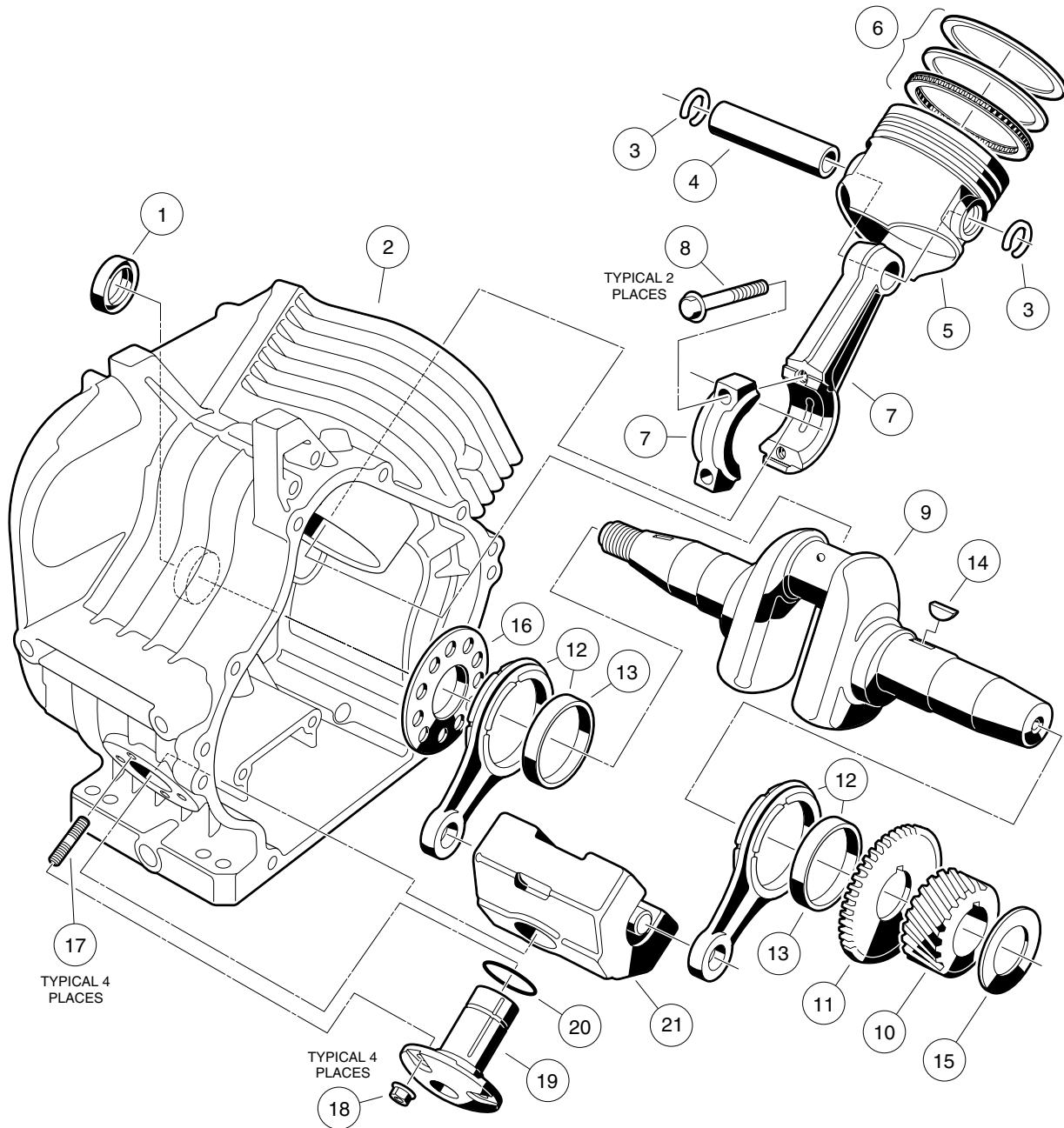


# FE 290 ENGINE— CARRYALL I AND II

| ITEM | PART NO.          | DESCRIPTION  | QTY |
|------|-------------------|--|-----|
|      |                   | 1 2 3 4  |     |
| 1    | <u>1016535</u>    | CONNECTOR, CORD .....                                    | 1   |
| 2    | <u>1016538</u>    | O-RING .....   | 1   |
| 3    | <u>1016506</u>    | CLAMP .....  | 1   |
| 4    | <u>1016544</u>    | SCREW, CROSS PAN HEAD SELF-TAPPING, M5 x .8 x 12MM ..... | 1   |
| 5    | <u>1016564</u>    | PIN .....  | 2   |
| 6    | <u>1016565</u>    | BEARING, BALL .....                                      | 1   |
| 7    | <u>1016567</u>    | SEAL, CRANKSHAFT .....                                   | 1   |
| 8    | <u>1016584</u>    | BOLT, 2-ENDED, M8 x 1.25 x 69MM .....                    | 2   |
| 9    | <u>1016458</u>    | BOLT, FLANGED, M8 x 1.25 x 45MM .....                    | 6   |
| 10   | <u>1016520</u>    | COVER, CRANKCASE .....                                   | 1   |
| 11   | <u>1016446</u>    | GASKET, CRANKCASE COVER .....                            | 1   |
| 12   | <u>1016456</u>    | BOLT, FLANGED, M6 x 1 x 12MM .....                       | 2   |
| 13   | <u>1016510</u>    | BRACKET, OIL LEVEL SWITCH .....                          | 1   |
| 14   | <u>1016494</u>    | SENSOR, OIL LEVEL .....                                  | 1   |
| 15   | <u>1016496</u>    | SCREW, CROSS PAN HEAD, M4 x .7 x 8MM .....               | 3   |
| 16   | <u>1016454</u>    | BOLT, FLANGED, M5 x .8 x 8MM .....                       | 2   |
| 17   | <u>1016472</u>    | PLATE, OIL FILTER SCREEN .....                           | 1   |
| 18   | <u>1016521</u>    | SCREEN, OIL FILTER .....                                 | 1   |
| 19   | <u>1019154-01</u> | CAMSHAFT, COMPLETE .....                                 | 1   |
| 20   | <u>1016453</u>    | TAPPET .....   | 2   |



# FE 290 ENGINE

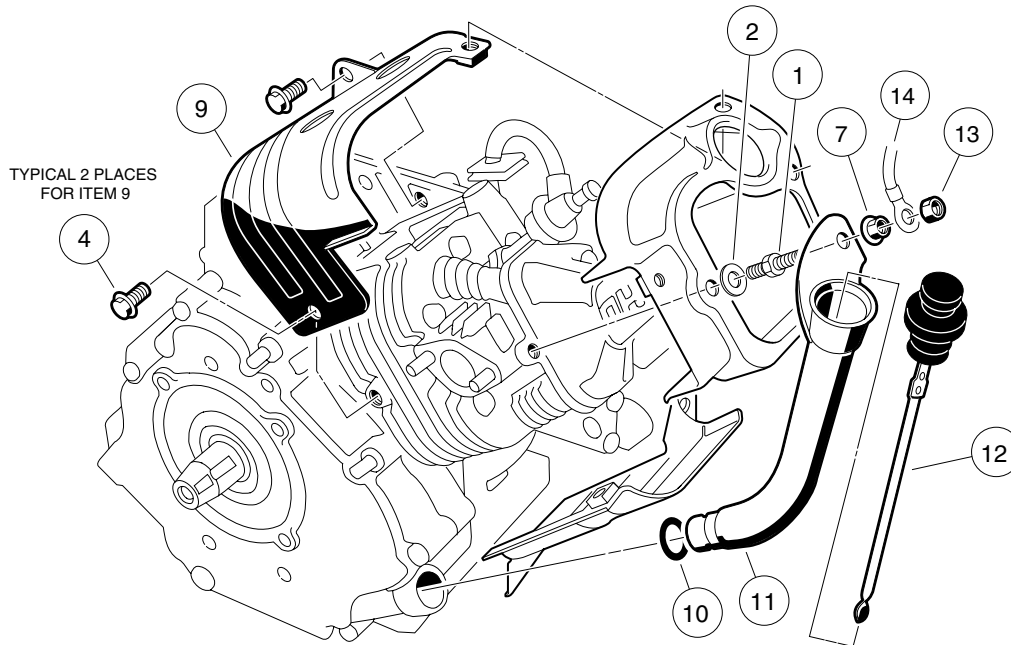
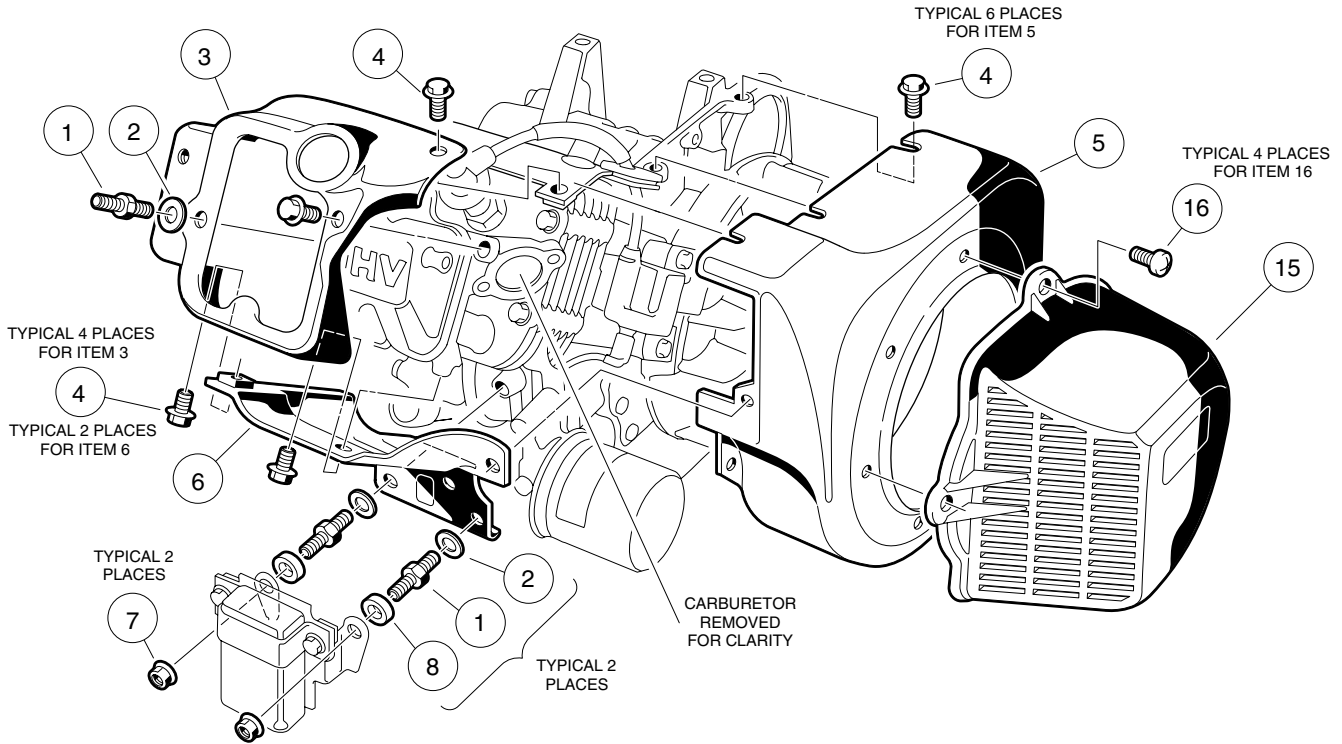


# FE 290 ENGINE— CARRYALL I AND II

8  
G

| ITEM | PART NO.          | DESCRIPTION   | QTY |
|------|-------------------|---|-----|
|      |                   | 1 2 3 4   |     |
| 1    | <u>1016568</u>    | SEAL, OIL .....   | 1   |
| 2    | <u>1019155-01</u> | CRANKCASE, COMPLETE, OHV .....  | 1   |
| 3    | <u>1016558</u>    | RING, SNAP .....  | 2   |
| 4    | 1016460           | PIN, PISTON .....   | 1   |
| 5    | <u>1016459-01</u> | PISTON, STANDARD .....  | 1   |
| 5    | 1016459-02        | PISTON, .25MM OVERSIZED .....   | 1   |
| 5    | <u>1016459-03</u> | PISTON, .50MM OVERSIZED .....   | 1   |
| 6    | <u>1016461-01</u> | RING SET, PISTON, STANDARD .....  | 1   |
| 6    | 1016461-02        | RING SET, PISTON, .25MM OVERSIZED .....   | 1   |
| 6    | <u>1016461-03</u> | RING SET, PISTON, .50MM OVERSIZED .....   | 1   |
| 7    | <u>1016475-01</u> | ASSEMBLY, CONNECTING ROD, STANDARD (INCLUDES 2 EACH OF ITEM 8) .....            | 1   |
| 7    | 1016475-02        | ASSEMBLY, CONNECTING ROD, .50MM UNDERSIZED<br>(INCLUDES 2 EACH OF ITEM 8) ..... | 1   |
| 8    | <u>1016509</u>    | BOLT, HEX HEAD, M7 x 1 x 36MM .....   | 2   |
| 9    | 1019223-01        | CRANKSHAFT, OHV (INCLUDES ITEMS 10, 11 AND ONE EACH OF ITEM 12) .....           | 1   |
| 10   | <u>1016533</u>    | GEAR, HELICAL .....   | 1   |
| 11   | <u>1016532</u>    | GEAR, SPUR .....  | 1   |
| 12   | <u>1016516</u>    | ASSEMBLY, CONNECTING ROD (INCLUDES ONE EACH OF ITEM 13) .....                   | 2   |
| 13   | 1016580           | BEARING, PLAIN .....  | 2   |
| 14   | <u>1016562</u>    | KEY .....   | 1   |
| 15   | <u>1016550-01</u> | SHIM, CRANKSHAFT, 1.13MM THICK .....  | A/R |
| 15   | <u>1016550-02</u> | SHIM, CRANKSHAFT, 1.18MM THICK .....  | A/R |
| 15   | <u>1016550-03</u> | SHIM, CRANKSHAFT, 1.23MM THICK .....  | A/R |
| 15   | <u>1016550-04</u> | SHIM, CRANKSHAFT, 1.28MM THICK .....  | A/R |
| 15   | <u>1016550-05</u> | SHIM, CRANKSHAFT, 1.33MM THICK .....  | A/R |
| 15   | <u>1016550-06</u> | SHIM, CRANKSHAFT, 1.38MM THICK .....  | A/R |
| 15   | <u>1016550-07</u> | SHIM, CRANKSHAFT, 1.43MM THICK .....  | A/R |
| 15   | <u>1016550-08</u> | SHIM, CRANKSHAFT, 1.48MM THICK .....  | A/R |
| 15   | <u>1016550-09</u> | SHIM, CRANKSHAFT, 1.53MM THICK .....  | A/R |
| 16   | 1016559           | SPACER .....  | 1   |
| 17   | <u>1016541</u>    | BOLT, STUD, M6 x 1 x 22MM .....   | 4   |
| 18   | 1016547           | NUT, FLANGED, M6 x 1 .....  | 4   |
| 19   | 1016470           | SHAFT, GUIDE COUNTERBALANCE .....   | 1   |
| 20   | <u>1016571</u>    | O-RING .....  | 1   |
| 21   | <u>1016469</u>    | WEIGHT, COUNTERBALANCE .....  | 1   |

# FE 350 ENGINE

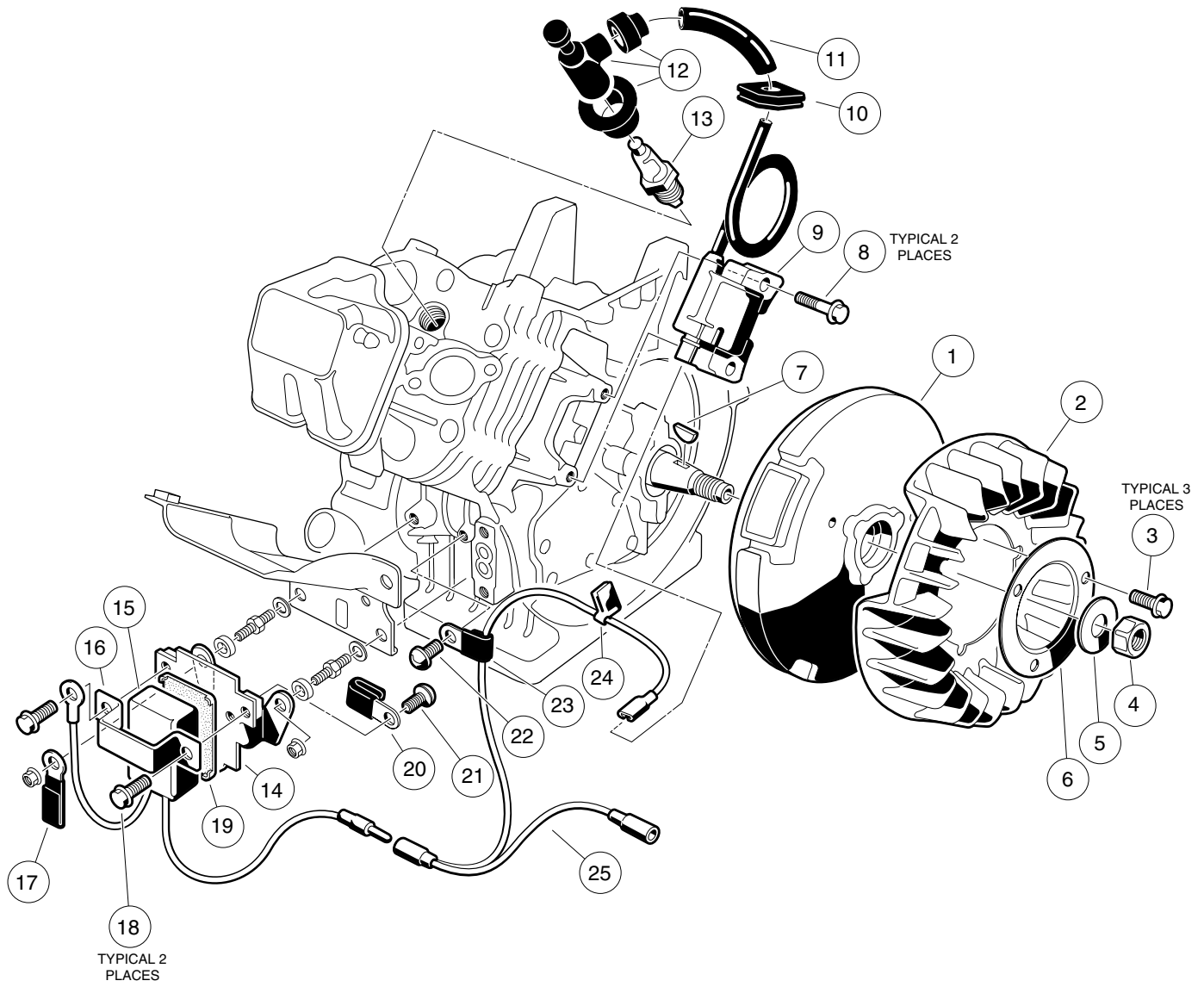


# FE 350 ENGINE— CARRYALL TURF II, II PLUS AND VI

| ITEM | PART NO.          | DESCRIPTION  | QTY |
|------|-------------------|--|-----|
|      |                   | 1 2 3 4  |     |
|      | <u>1019538-01</u> | FE 350 OHV GASOLINE ENGINE, COMPLETE (CLOCKWISE ROTATION) WITH CARBURETOR (WITH COMPRESSION RELEASE) (CARRYALL II PLUS AND VI) (DOES NOT INCLUDE ITEMS 13 - 16)..... | 1   |
|      | <u>1019538-02</u> | FE 350 OHV GASOLINE ENGINE, COMPLETE (CLOCKWISE ROTATION) WITH CARBURETOR (WITHOUT COMPRESSION RELEASE) (CARRYALL TURF II) (DOES NOT INCLUDE ITEMS 13 - 16) .....    | 1   |
| 1    | <u>1016507</u>    | BOLT, 2-ENDED, M6 x 1 x 29MM .....   | 3   |
| 2    | <u>1016512</u>    | WASHER, FLAT, 6 MM .....   | 3   |
| 3    | <u>1017474</u>    | SHROUD, CYLINDER HEAD .....  | 1   |
| 4    | <u>1016456</u>    | BOLT, FLANGED, M6 x 1 x 12MM .....   | 14  |
| 5    | <u>1019161-01</u> | HOUSING, FAN .....   | 1   |
| 6    | <u>1017476</u>    | SHROUD, LOWER CYLINDER .....   | 1   |
| 7    | <u>1016547</u>    | NUT, FLANGE, M6 x 1 .....  | 3   |
| 8    | <u>1017500</u>    | SPACER .....   | 2   |
| 9    | <u>1017475</u>    | SHROUD, UPPER CYLINDER .....   | 1   |
| 10   | <u>1016539</u>    | O-RING .....   | 1   |
| 11   | <u>1017486</u>    | TUBE, OIL FILLER .....   | 1   |
| 12   | <u>1016531</u>    | DIPSTICK .....   | 1   |
| 13   | <u>1011114</u>    | NUT, M6 x 1 .....  | 1   |
| 14   | <u>1015332</u>    | WIRE ASSEMBLY, #10 BLACK .....   | 1   |
| 15   | <u>1015649</u>    | SHROUD, FAN .....  | 1   |
| 16   | <u>1015969</u>    | SCREW, PAN HEAD, M6 x 1 x 14 MM .....  | 4   |



# FE 350 ENGINE



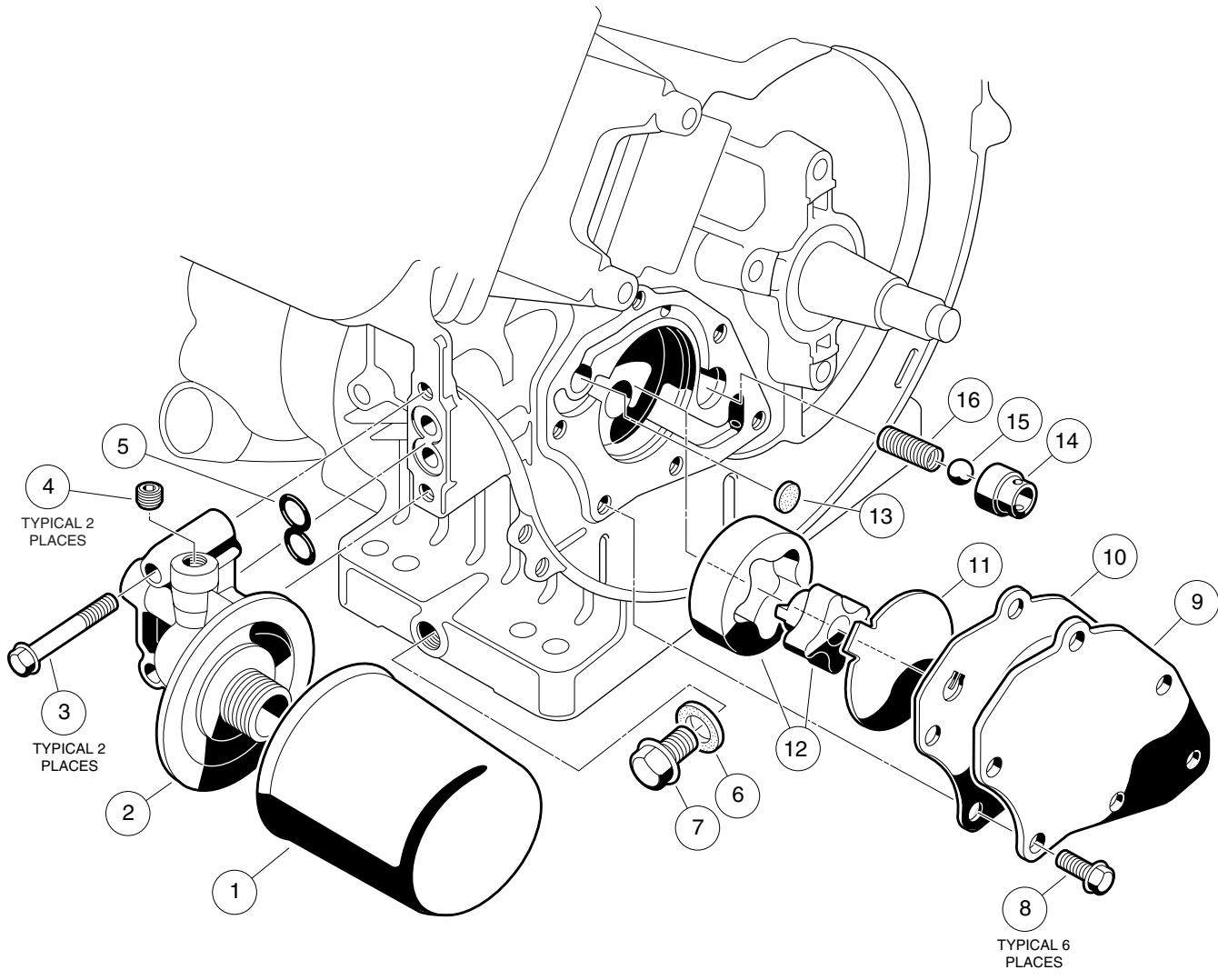


# FE 350 ENGINE— CARRYALL TURF II, II PLUS AND VI

| ITEM | PART NO.          | DESCRIPTION   | QTY |
|------|-------------------|---|-----|
|      |                   | 1 2 3 4   |     |
| 1    | <u>1019162-01</u> | FLYWHEEL .....                                      | 1   |
| 2    | <u>1019163-01</u> | FAN, FLYWHEEL—GREY .....                            | 1   |
| 3    | <u>1017448</u>    | SCREW, FLANGED HEX HEAD, M6 x 1 x 10MM .....        | 3   |
| 4    | <u>1017467</u>    | NUT, HEX, 18MM FINE .....                           | 1   |
| 5    | <u>1017490</u>    | WASHER, FLAT, 18MM .....                            | 1   |
| 6    | <u>1017455</u>    | PLATE, FLYWHEEL FAN .....                           | 1   |
| 7    | <u>1016562</u>    | KEY .....   | 1   |
| 8    | <u>1016455</u>    | SCREW, HEX HEAD FLANGED, M5 x 0.8 x 25MM .....      | 2   |
| 9    | <u>1019092-01</u> | COIL, IGNITION (WITH INTERNAL IGNITER) .....        | 1   |
| 10   | <u>1016578</u>    | GROMMET .....                                       | 1   |
| 11   | <u>1016588</u>    | TUBE, 7MM I.D. x 10MM O.D. x 70MM LG. ....          | 1   |
| 12   | <u>1017463</u>    | ASSEMBLY, PLUG CAP .....                            | 1   |
| 13   | <u>1018811-01</u> | PLUG, SPARK .....                                   | 1   |
| 14   | 1016445           | BRACKET, RPM LIMITER .....                          | 1   |
| 15   | 1019094-01        | LIMITER, RPM .....                                  | 1   |
| 16   | <u>1016579</u>    | BAND, RPM LIMITER MOUNT .....                       | 1   |
| 17   | <u>1012981</u>    | CLAMP .....   | 1   |
| 18   | 1016456           | SCREW, FLANGED HEX HEAD, M6 x 1 x 12MM .....        | 2   |
| 19   | 1016586           | DAMPER .....  | 1   |
| 20   | 1019095-01        | CLAMP .....   | 1   |
| 21   | <u>1016497</u>    | SCREW, CROSS PAN HEAD, M5 x .08 x 8MM .....         | 1   |
| 22   | <u>1016544</u>    | SCREW, CROSS PAN HEAD SELF-TAPPING, M5 x 12MM ..... | 1   |
| 23   | <u>1016561</u>    | CLAMP .....   | 1   |
| 24   | <u>1016587</u>    | CLAMP .....   | 1   |
| 25   | <u>1019093-01</u> | WIRE, LEAD .....                                    | 1   |



# FE 350 ENGINE

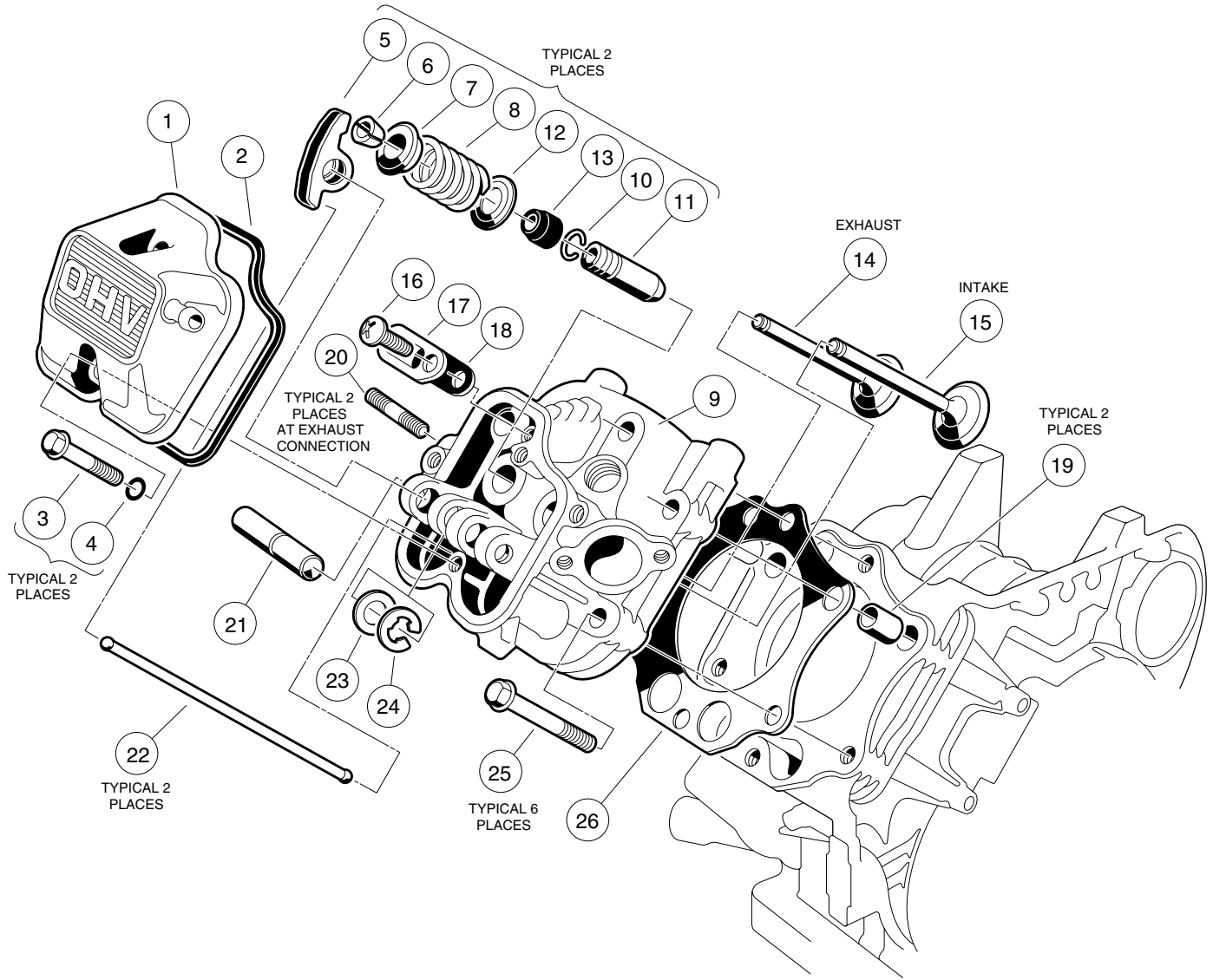


# FE 350 ENGINE— CARRYALL TURF II, II PLUS AND VI

| ITEM | PART NO.          | DESCRIPTION                                  | QTY |
|------|-------------------|--|-----|
|      |                   | 1 2 3 4                                      |     |
| 1    | <u>1016467</u>    | OIL FILTER .....                             | 1   |
| 2    | <u>1016502</u>    | BRACKET, OIL FILTER .....                    | 1   |
| 3    | <u>1016457</u>    | BOLT, FLANGED HEX HEAD, M6 x 1 x 40MM .....  | 2   |
| 4    | <u>1017507</u>    | PLUG .....                                   | 2   |
| 5    | <u>1016570</u>    | O-RING .....                                 | 1   |
| 6    | <u>1016432</u>    | GASKET, DRAIN PLUG .....                     | 1   |
| 7    | <u>1016576</u>    | PLUG, DRAIN .....                            | 1   |
| 8    | <u>1017456</u>    | SCREW, FLANGED HEX HEAD, M6 x 1 x 12MM ..... | 6   |
| 9    | <u>1017460</u>    | COVER, PUMP .....                            | 1   |
| 10   | <u>1017442</u>    | GASKET, OIL PUMP .....                       | 1   |
| 11   | <u>1016473</u>    | PLATE, OIL PUMP .....                        | 1   |
| 12   | <u>1016482-03</u> | PUMP, OIL, AND ROTOR .....                   | 1   |
| 13   | <u>1017458</u>    | FILTER .....                                 | 1   |
| 14   | <u>1016429</u>    | SEAT, VALVE .....                            | 1   |
| 15   | <u>1016537</u>    | BALL, STEEL, PRESSURE RELIEF .....           | 1   |
| 16   | <u>1016581</u>    | SPRING .....                                 | 1   |



# FE 350 ENGINE

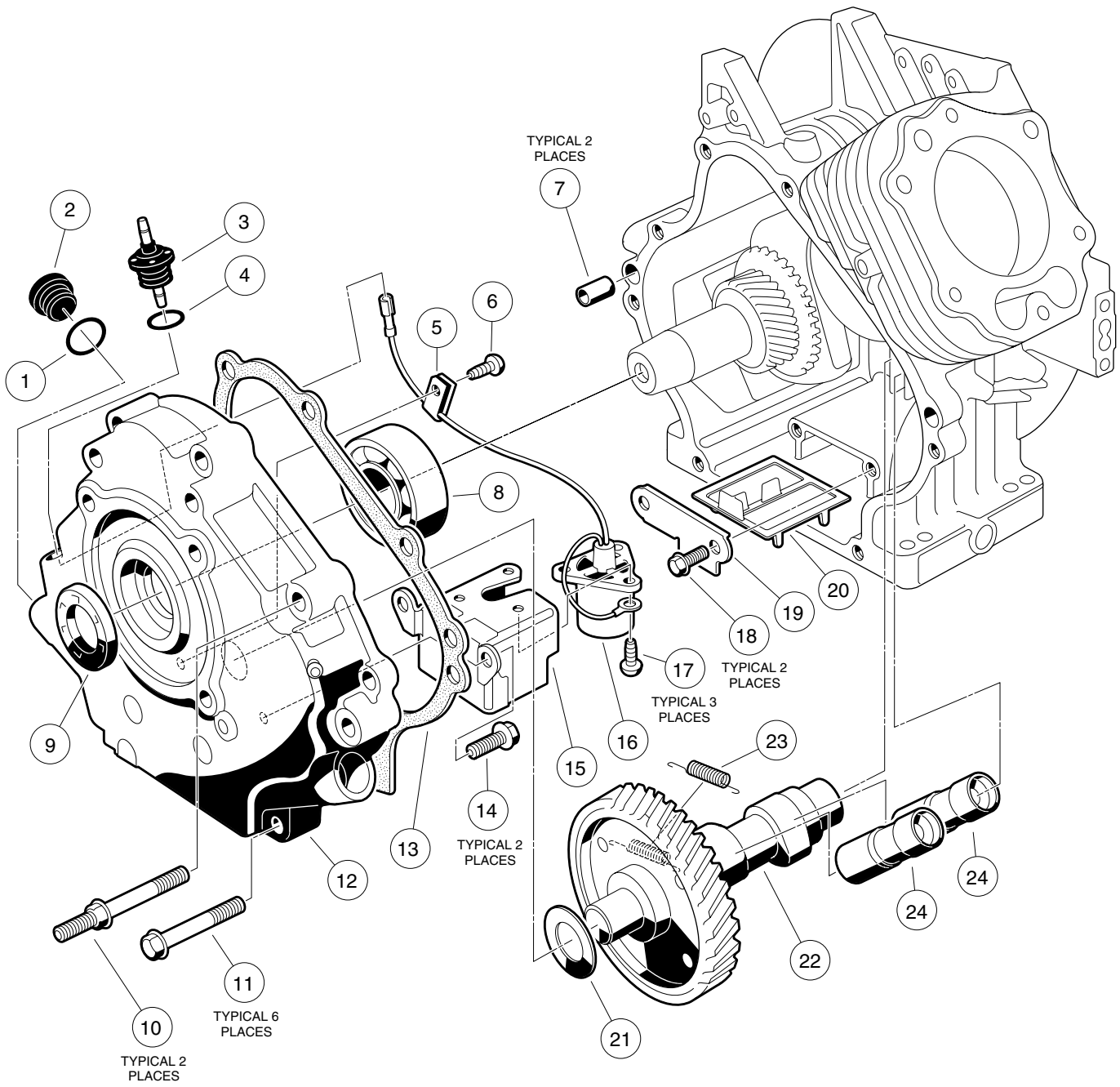


# FE 350 ENGINE— CARRYALL TURF II, II PLUS AND VI

| ITEM | PART NO.       | DESCRIPTION  | QTY |
|------|----------------|--|-----|
|      |                | 1 2 3 4  |     |
| 1    | <u>1016442</u> | CASE, ROCKER .....   | 1   |
| 2    | <u>1016436</u> | GASKET, ROCKER CASE .....  | 1   |
| 3    | <u>1016583</u> | BOLT, FLANGED, M6 x 1 x 35MM .....                               | 2   |
| 4    | <u>1016569</u> | O-RING .....   | 2   |
| 5    | <u>1017446</u> | ARM, ROCKER .....  | 2   |
| 6    | <u>1016450</u> | COLLET .....   | 4   |
| 7    | <u>1016449</u> | RETAINER, VALVE SPRING .....                                     | 2   |
| 8    | <u>1017473</u> | SPRING, ENGINE VALVE .....                                       | 2   |
| 9    | <u>1017435</u> | ASSEMBLY, CYLINDER HEAD, FE 350 (INCLUDES ITEMS 10 AND 11) ..... | 1   |
| 10   | <u>1016560</u> | RING, SNAP .....   | 2   |
| 11   | <u>1016519</u> | GUIDE, VALVE .....   | 2   |
| 12   | <u>1016479</u> | SEAT, SPRING .....   | 2   |
| 13   | <u>1016566</u> | SEAL, VALVE .....  | 2   |
| 14   | <u>1017445</u> | VALVE, EXHAUST .....   | 1   |
| 15   | <u>1017444</u> | VALVE, INTAKE .....  | 1   |
| 16   | <u>1016544</u> | SCREW, CROSS PAN HEAD SELF-TAPPING, M5 x .8 x 12MM .....         | 1   |
| 17   | <u>1016474</u> | PLATE .....  | 1   |
| 18   | <u>1016483</u> | VALVE .....  | 1   |
| 19   | <u>1016563</u> | PIN .....  | 2   |
| 20   | <u>1016489</u> | BOLT, STUD, M8 x 1.25 x 29MM .....                               | 2   |
| 21   | <u>1016452</u> | SHAFT, ROCKER .....  | 1   |
| 22   | <u>1017454</u> | ROD, PUSH .....  | 2   |
| 23   | <u>1016549</u> | WASHER, FLAT, M12 .....  | 1   |
| 24   | <u>1016517</u> | CIRCLIP, TYPE-E .....  | 1   |
| 25   | <u>1016458</u> | BOLT, FLANGED, M8 x 1.25 x 45MM .....                            | 6   |
| 26   | <u>1017434</u> | GASKET, HEAD .....   | 1   |



**FE 350 ENGINE**

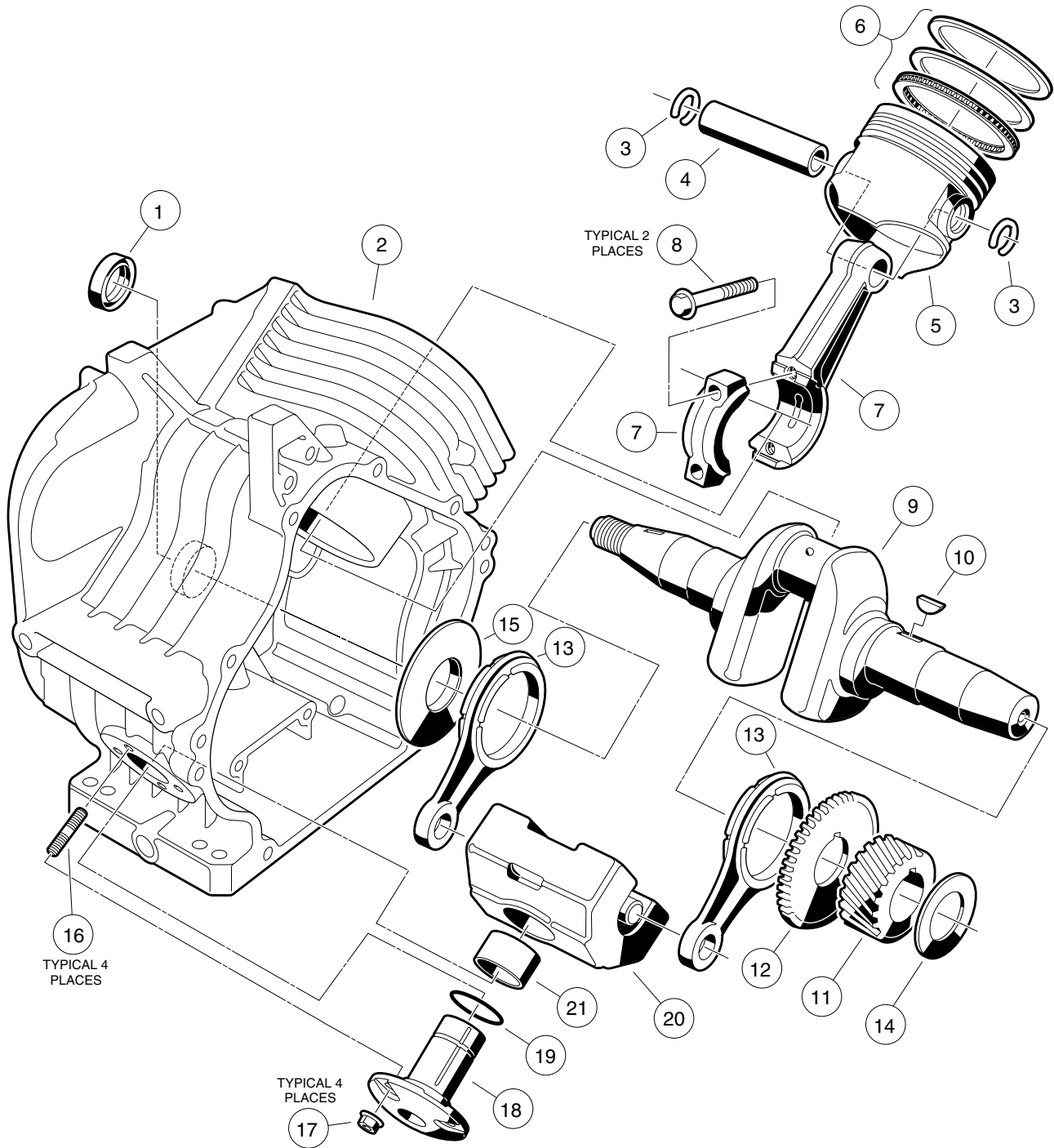


# FE 350 ENGINE— CARRYALL TURF II, II PLUS AND VI

| ITEM | PART NO.          | DESCRIPTION  | QTY |
|------|-------------------|--|-----|
|      |                   | 1 2 3 4  |     |
| 1    | <u>1016538</u>    | O-RING .....   | 1   |
| 2    | <u>1017508</u>    | PLUG .....   | 1   |
| 3    | <u>1016535</u>    | CONNECTOR, OIL SENDING UNIT .....                                    | 1   |
| 4    | <u>1016538</u>    | O-RING .....   | 1   |
| 5    | <u>1016506</u>    | CLAMP .....  | 1   |
| 6    | <u>1016544</u>    | SCREW, CROSS PAN HEAD SELF-TAPPING, M5 x .8 x 12MM .....             | 1   |
| 7    | <u>1016564</u>    | PIN .....  | 2   |
| 8    | <u>1017487</u>    | BEARING, CRANKSHAFT .....  | 1   |
| 9    | <u>1017504</u>    | SEAL, CRANKSHAFT .....   | 1   |
| 10   | <u>1016584</u>    | BOLT, 2-ENDED FLANGED, M8 x 1.25 x 69MM .....                        | 2   |
| 11   | <u>1017514</u>    | BOLT, FLANGED, M8 x 1.25 x 45MM .....                                | 6   |
| 12   | <u>1017472</u>    | COVER, CRANKCASE .....   | 1   |
| 13   | <u>1017443</u>    | GASKET, CRANKCASE COVER .....  | 1   |
| 14   | <u>1017513</u>    | BOLT, FLANGED, M6 x 1 x 12MM .....                                   | 2   |
| 15   | <u>1016510</u>    | BRACKET, OIL LEVEL SWITCH .....                                      | 1   |
| 16   | <u>1016494</u>    | SENSOR, OIL LEVEL .....  | 1   |
| 17   | <u>1016496</u>    | SCREW, CROSS PAN HEAD, M4 x .7 x 8MM .....                           | 3   |
| 18   | <u>1016454</u>    | BOLT, FLANGED, M5 x .8 x 8MM .....                                   | 2   |
| 19   | <u>1016472</u>    | PLATE, OIL FILTER SCREEN .....                                       | 1   |
| 20   | <u>1016521</u>    | SCREEN, OIL FILTER .....   | 1   |
| 21   | <u>1017518-01</u> | SHIM, 0.3MM THICK .....  | A/R |
| 21   | <u>1017518-02</u> | SHIM, 0.4MM THICK .....  | A/R |
| 21   | <u>1017518-03</u> | SHIM, 0.5MM THICK .....  | A/R |
| 22   | <u>1019476-01</u> | CAMSHAFT (WITHOUT COMPRESSION RELEASE) (CARRYALL TURF II ONLY) ..... | 1   |
| 22   | <u>1019159-01</u> | CAMSHAFT (INCLUDES ITEM 23) (CARRYALL II PLUS AND VI) .....          | 1   |
| 23   | <u>1017511</u>    | SPRING .....   | 1   |
| 24   | <u>1017447</u>    | LIFTER, HYDRAULIC .....  | 2   |



# FE 350 ENGINE

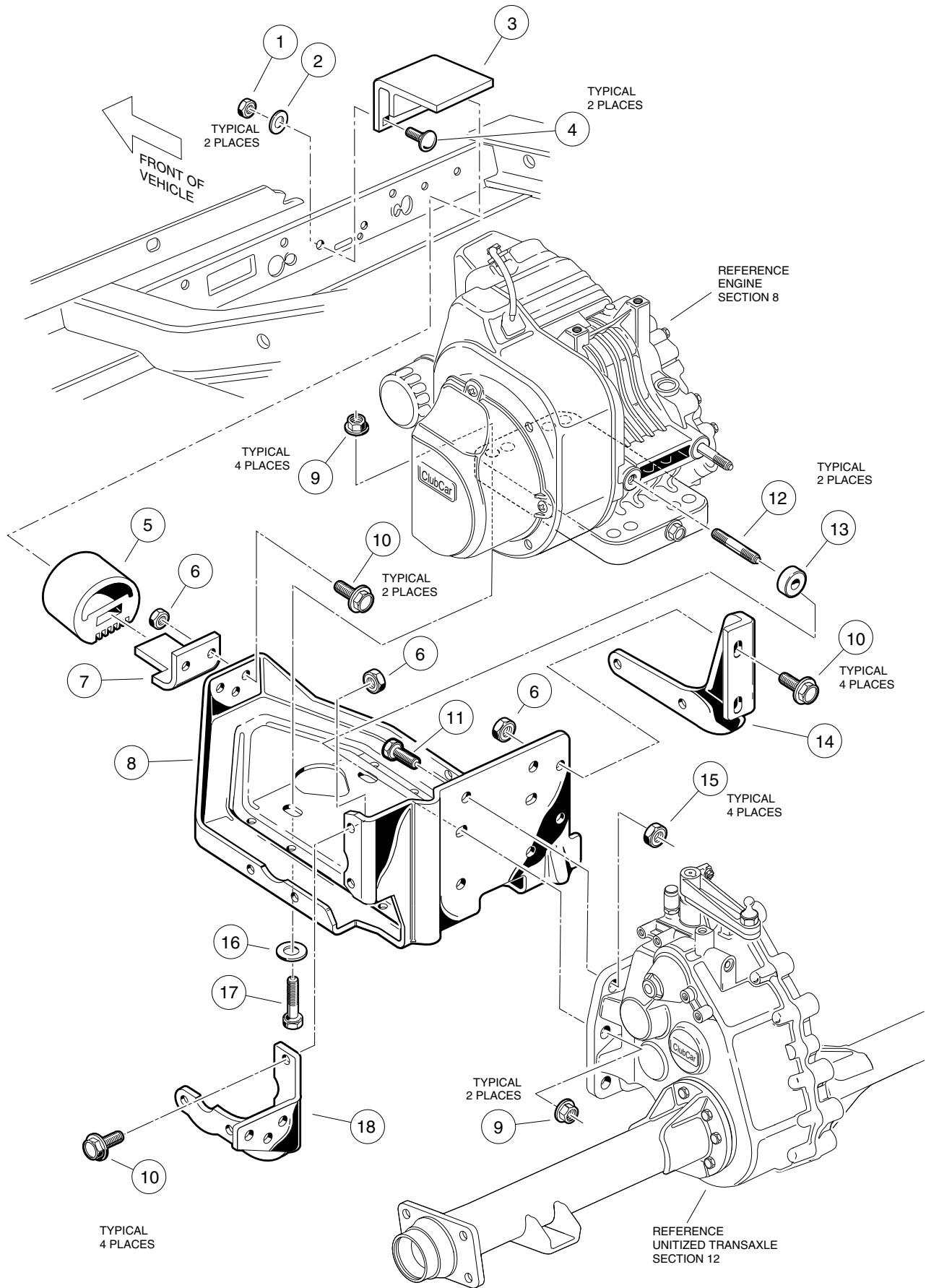




# FE 350 ENGINE— CARRYALL TURF II, II PLUS AND VI

| ITEM | PART NO.          | DESCRIPTION  | QTY |
|------|-------------------|--|-----|
|      |                   | 1 2 3 4  |     |
| 1    | <u>1017503</u>    | SEAL, OIL .....  | 1   |
| 2    | <u>1019160-01</u> | CRANKCASE, COMPLETE, FE 350 (CLOCKWISE ROTATION) .....                           | 1   |
| 3    | <u>1017502</u>    | RING, SNAP .....   | 2   |
| 4    | 1017450           | PIN, PISTON .....  | 1   |
| 5    | <u>1017449-01</u> | PISTON, STANDARD.....  | 1   |
| 5    | <u>1017449-02</u> | PISTON, .50MM OVERSIZED .....  | 1   |
| 6    | <u>1017451-01</u> | RING SET, PISTON, STANDARD .....   | 1   |
| 6    | <u>1017451-02</u> | RING SET, PISTON, .50MM OVERSIZED .....  | 1   |
| 7    | 1017457-01        | ASSEMBLY, CONNECTING ROD, STANDARD (INCLUDES 2 EACH OF ITEM 8) .....             | 1   |
| 7    | <u>1017457-02</u> | ASSEMBLY, CONNECTING ROD, .50MM UNDERSIZED)<br>(INCLUDES 2 EACH OF ITEM 8) ..... | 1   |
| 8    | <u>1017512</u>    | BOLT, HEX HEAD, M7 x 1 x 36MM .....  | 2   |
| 9    | 1019223-02        | CRANKSHAFT, COMPLETE, FE 350 (INCLUDES ITEMS 10 - 13) .....                      | 1   |
| 10   | <u>1016562</u>    | KEY .....  | 1   |
| 11   | <u>1017484</u>    | GEAR, HELICAL .....  | 1   |
| 12   | <u>1017483</u>    | GEAR, SPUR .....   | 1   |
| 13   | <u>1017471</u>    | ROD, CONNECTING .....  | 2   |
| 14   | <u>1017733-01</u> | SHIM, CRANKSHAFT, 1.18MM THICK .....   | A/R |
| 14   | <u>1017733-02</u> | SHIM, CRANKSHAFT, 1.25MM THICK .....   | A/R |
| 14   | <u>1017733-03</u> | SHIM, CRANKSHAFT, 1.32MM THICK .....   | A/R |
| 14   | <u>1017733-04</u> | SHIM, CRANKSHAFT, 1.39MM THICK .....   | A/R |
| 14   | <u>1017733-05</u> | SHIM, CRANKSHAFT, 1.46MM THICK .....   | A/R |
| 14   | <u>1017733-06</u> | SHIM, CRANKSHAFT, 1.53MM THICK .....   | A/R |
| 14   | <u>1017733-07</u> | SHIM, CRANKSHAFT, 1.60MM THICK .....   | A/R |
| 14   | <u>1017733-08</u> | SHIM, CRANKSHAFT, 1.67MM THICK .....   | A/R |
| 14   | <u>1017733-09</u> | SHIM, CRANKSHAFT, 1.74MM THICK .....   | A/R |
| 14   | <u>1017733-10</u> | SHIM, CRANKSHAFT, 1.11MM THICK .....   | A/R |
| 14   | <u>1017733-11</u> | SHIM, CRANKSHAFT, 1.81MM THICK .....   | A/R |
| 15   | 1017501           | SPACER .....   | 1   |
| 16   | <u>1016541</u>    | BOLT, STUD, M6 x 1 x 22MM .....  | 4   |
| 17   | 1016547           | NUT, FLANGED, M6 x 1 .....   | 4   |
| 18   | 1016470           | SHAFT, GUIDE COUNTERBALANCE .....  | 1   |
| 19   | <u>1016571</u>    | O-RING .....   | 1   |
| 20   | <u>1017453</u>    | WEIGHT, COUNTERBALANCE (INCLUDES ITEM 21) .....                                  | 1   |
| 21   | 1017510           | BEARING .....  | 1   |





# ENGINE MOUNTING

| ITEM | PART NO.          | DESCRIPTION   | QTY |
|------|-------------------|---|-----|
|      |                   | 1 2 3 4   |     |
| 1    | 0007473           | NUT, NYLON LOCK, 5/16 - 18 (CARRYALL I ONLY) .....        | 2   |
| 2    | 0001241           | WASHER, FLAT, 5/16 - 18 (CARRYALL I ONLY) .....           | 2   |
| 3    | <u>1018646-01</u> | RETAINER, SNUBBER (CARRYALL I ONLY) .....                 | 1   |
| 4    | 0007818           | BOLT, CARRIAGE, 5/16 - 18 x 1 1/2 (CARRYALL I ONLY) ..... | 2   |
| 5    | 1012164           | SNUBBER .....   | 1   |
| 6    | <u>1013924</u>    | NUT, HEX LOCK, 5/16 - 24, UNF .....                       | 10  |
| 7    | <u>1018346-01</u> | BRACKET, SNUBBER .....                                    | 1   |
| 8    | <u>1018271-01</u> | PLATE, MOUNTING .....                                     | 1   |
| 9    | 1018330-01        | NUT, FLANGE, M8 x 1.25 .....                              | 6   |
| 10   | <u>1018848-01</u> | SCREW, HEX WASHER, 5/16 -24 x 7/8 .....                   | 10  |
| 11   | <u>1018333-01</u> | SCREW, HEX HEAD CAP, M10 x 1.25 x 30MM .....              | 4   |
| 12   | <u>1018332-01</u> | STUD, M8 x 1.25 .....                                     | 2   |
| 13   | <u>1018321-01</u> | SPACER .....  | 2   |
| 14   | <u>1018326-01</u> | STIFFENER, DRIVE CLUTCH SIDE .....                        | 1   |
| 15   | <u>1018329-01</u> | NUT, FLANGE, M10 x 1.25 .....                             | 4   |
| 16   | 1012571           | WASHER, HEAVY FLAT, 5/16 .....                            | 4   |
| 17   | <u>1018559-01</u> | SCREW, HEX HEAD CAP, M8 x 1.25 x 43MM .....               | 4   |
| 18   | <u>1018327-01</u> | STIFFENER, FLYWHEEL SIDE .....                            | 1   |



**8**

## **FE 290 ENGINE**

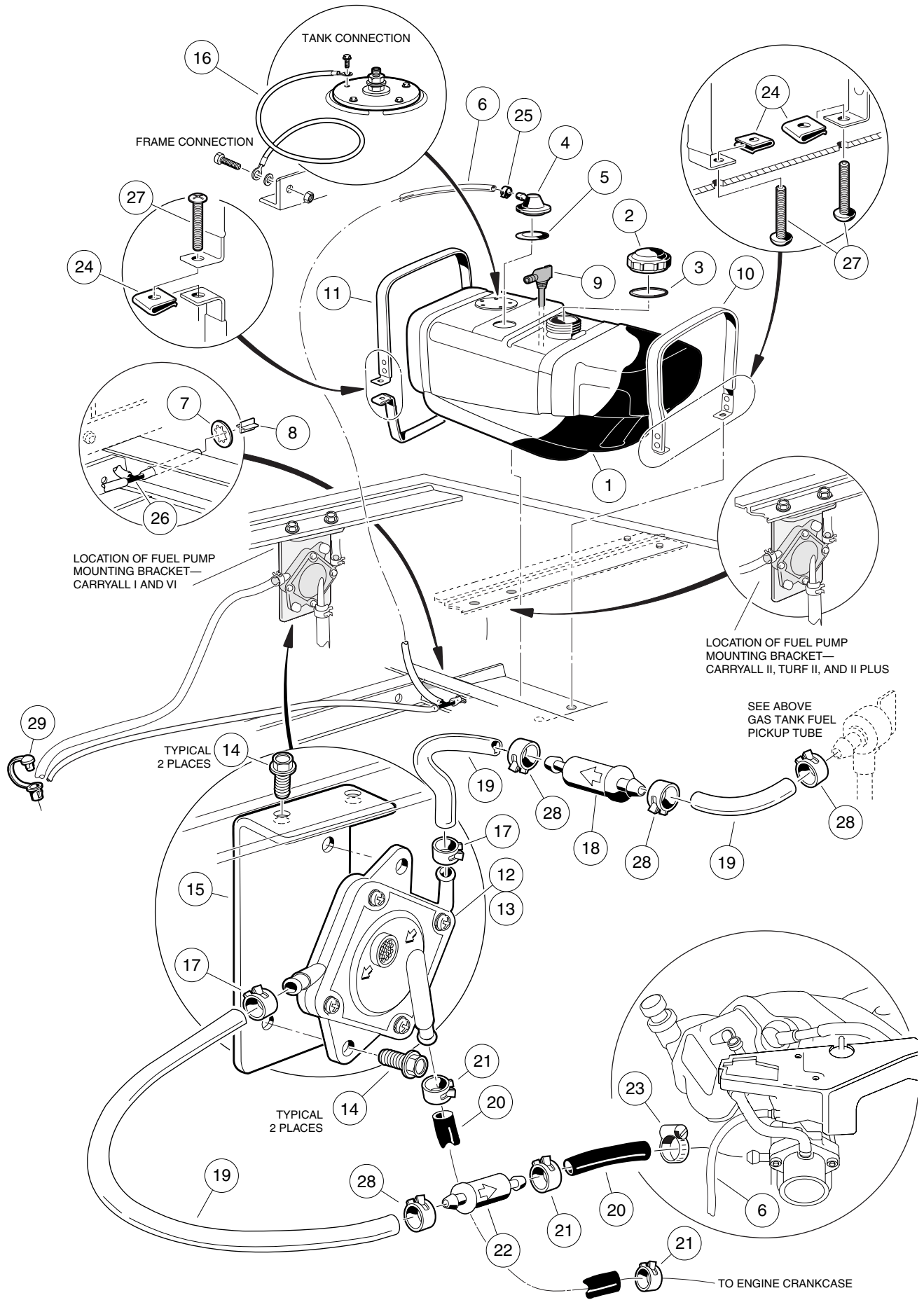
**G**

# FUEL, INTAKE, AND GOVERNOR SYSTEMS

---

9

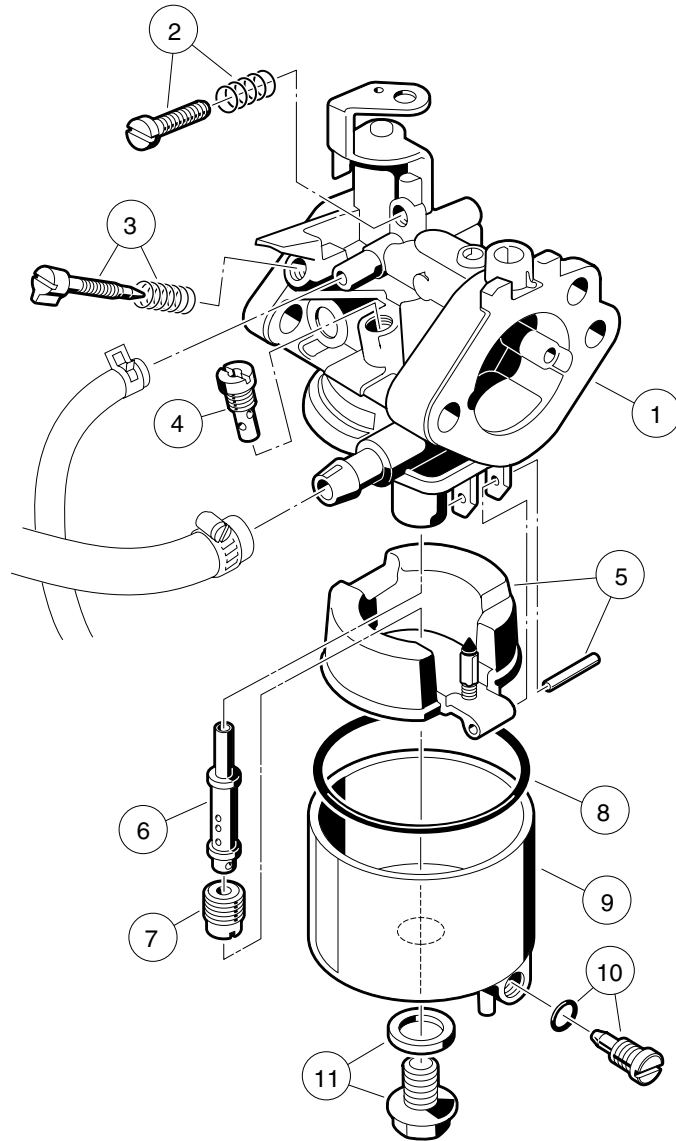
G



# FUEL SYSTEM

**9**  
**G**

| ITEM | PART NO.          | DESCRIPTION  | QTY |
|------|-------------------|--|-----|
|      |                   | 1 2 3 4  |     |
| 1    | 1016004           | KIT, FUEL TANK, WITH SENDING UNIT (INCLUDES ITEMS 2 - 9) ..... | 1   |
| 2    | <u>1015188</u>    | CAP, FUEL TANK, NONVENTED (INCLUDES ITEM 3) .....              | 1   |
| 3    | <u>1014535</u>    | GASKET, FUEL CAP .....   | 1   |
| 4    | <u>1015143</u>    | ASSEMBLY, FUEL TANK VENT .....                                 | 1   |
| 5    | <u>1015139</u>    | GROMMET, INSULATION .....                                      | 1   |
| 6    | <u>1015137</u>    | LINE, BULK VENT (AVAILABLE BY THE FOOT) .....                  | A/R |
| 7    | <u>1016059</u>    | CLIP, STUD .....   | 1   |
| 8    | <u>1018244-01</u> | BARB, VENT .....   | 1   |
| 9    | 1018969-01        | VALVE, FUEL PICKUP TUBE WITH SHUT-OFF .....                    | 1   |
| 10   | <u>1014928</u>    | ASSEMBLY, REAR FUEL STRAP .....                                | 1   |
| 11   | <u>1019553-01</u> | ASSEMBLY, FRONT FUEL STRAP .....                               | 1   |
| 12   | <u>1014523</u>    | PUMP, FUEL IMPULSE .....                                       | 1   |
| 13   | <u>1014524</u>    | KIT, REBUILD, FUEL IMPULSE PUMP .....                          | 1   |
| 14   | <u>1012285</u>    | SCREW, THREAD-ROLLING, 1/4 - 20 x 5/8 .....                    | 4   |
| 15   | <u>1019295-01</u> | BRACKET, FUEL PUMP MOUNTING .....                              | 1   |
| 16   | N/A               | WIRE ASSEMBLY, #16 BLACK .....                                 | 1   |
| 17   | <u>1013134-01</u> | CLAMP, HOSE (BLACK) .....                                      | 2   |
| 18   | 1013684           | FILTER , PRIMARY FUEL (WHITE) .....                            | 1   |
| 19   | <u>1012293</u>    | LINE, BULK FUEL (YELLOW) .....                                 | A/R |
| 20   | <u>1013692</u>    | LINE, BULK FUEL (BLACK) .....                                  | A/R |
| 21   | <u>1012649</u>    | CLAMP, HOSE (RED) .....  | 3   |
| 22   | 1014522           | FILTER, SECONDARY FUEL (BLUE) .....                            | 1   |
| 23   | <u>1013687</u>    | CLAMP, HOSE, 3/8 .....   | 1   |
| 24   | <u>1014116</u>    | NUT, U-TYPE SPEED, 1/4 - 20 .....                              | 3   |
| 25   | <u>1013746</u>    | CLAMP, HOSE (GREY) .....                                       | 1   |
| 26   | <u>1019556-01</u> | T-FITTING .....  | 1   |
| 27   | <u>1011988</u>    | SCREW, PHILLIPS TRUSS HEAD, 1/4 - 20 x 2 .....                 | 3   |
| 28   | <u>1013134-02</u> | CLAMP, HOSE (GREEN) .....                                      | 4   |
| 29   | <u>1019183-01</u> | CLAMP, WIRE .....  | 1   |

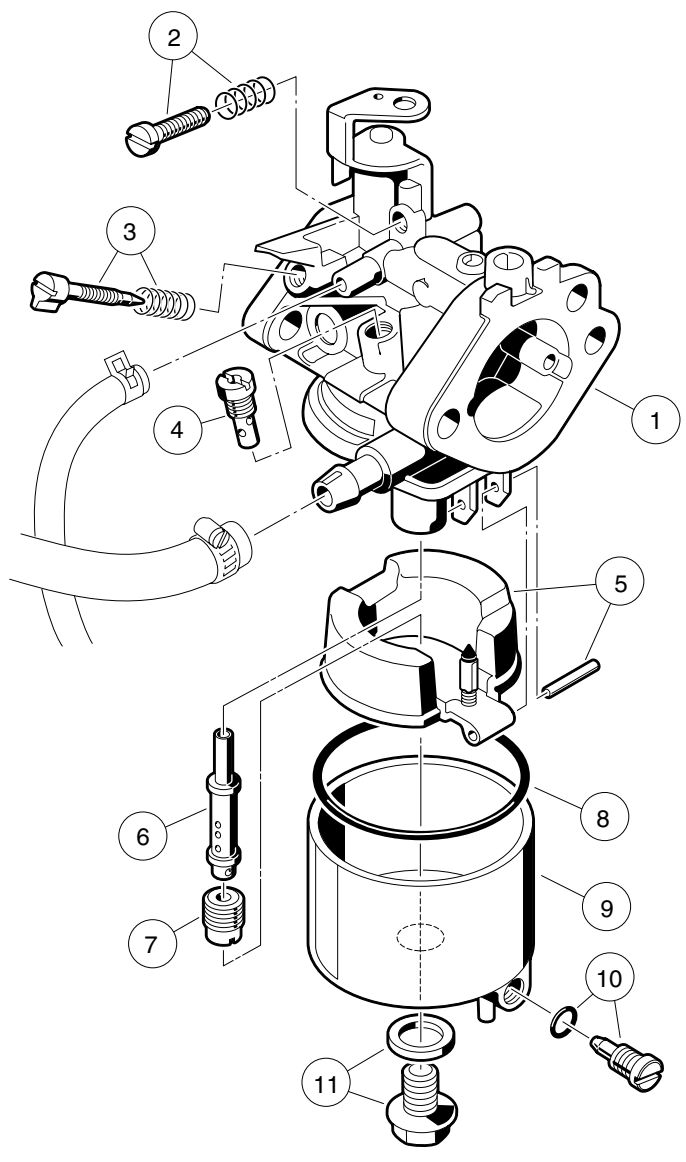




# CARBURETOR ASSEMBLY, FE 290 ENGINE— CARRYALL I AND II

| ITEM | PART NO.          | DESCRIPTION  | QTY |
|------|-------------------|--|-----|
|      |                   | 1 2 3 4  |     |
| 1    | <u>1019056-01</u> | ASSEMBLY, CARBURETOR (INCLUDES ITEMS 2 - 11) ..... | 1   |
| 2    | <u>1016501</u>    | ASSEMBLY, IDLE SCREW .....                         | 1   |
| 3    | N/A               | ASSEMBLY, PILOT AIR SCREW .....                    | 1   |
| 4    | <u>1019731-01</u> | JET, PILOT, #40 .....                              | 1   |
| 5    | <u>1016486</u>    | ASSEMBLY, FLOAT .....                              | 1   |
| 6    | <u>1019732-01</u> | NOZZLE, MAIN .....                                 | 1   |
|      |                   | STANDARD JETTING:                                  |     |
| 7    | <u>1016425-82</u> | JET, MAIN, 0 - 3,000 FEET .....                    | A/R |
| 7    | <u>1016425-80</u> | JET, MAIN, 3,000 - 5,000 FEET .....                | A/R |
| 7    | <u>1016425-78</u> | JET, MAIN, 5,000 - 8,000 FEET .....                | A/R |
| 7    | <u>1016425-75</u> | JET, MAIN, 8,000 - 10,000 FEET .....               | A/R |
| 7    | <u>1016425-72</u> | JET, MAIN, 10,000 FEET AND ABOVE .....             | A/R |
| 8    | <u>1016437</u>    | GASKET, FLOAT CHAMBER .....                        | 1   |
| 9    | <u>1017461</u>    | ASSEMBLY, FLOAT CHAMBER (INCLUDES ITEM 10) .....   | 1   |
| 10   | <u>1016499</u>    | ASSEMBLY, SCREW .....                              | 1   |
| 11   | <u>1016585</u>    | ASSEMBLY, BOLT .....                               | 1   |





# CARBURETOR ASSEMBLY, FE 350 ENGINE— CARRYALL TURF II, II PLUS AND VI

| ITEM | PART NO.          | DESCRIPTION  | QTY |
|------|-------------------|--|-----|
|      |                   | 1 2 3 4  |     |
| 1    | <u>1019059-01</u> | ASSEMBLY, CARBURETOR (INCLUDES ITEMS 2 - 11) ..... | 1   |
| 2    | <u>1016501</u>    | ASSEMBLY, IDLE SCREW .....                         | 1   |
| 3    | N/A               | ASSEMBLY, PILOT AIR SCREW .....                    | 1   |
| 4    | <u>1019731-01</u> | JET, PILOT, #40 .....                              | 1   |
| 5    | <u>1016486</u>    | ASSEMBLY, FLOAT .....                              | 1   |
| 6    | <u>1019733-01</u> | NOZZLE, MAIN .....                                 | 1   |
|      |                   | STANDARD JETTING:                                  |     |
| 7    | <u>1016425-85</u> | JET, MAIN, 0 - 3,000 FEET .....                    | A/R |
| 7    | <u>1016425-82</u> | JET, MAIN, 3,000 - 5,000 FEET .....                | A/R |
| 7    | <u>1016425-80</u> | JET, MAIN, 5,000 - 8,000 FEET .....                | A/R |
| 7    | <u>1016425-78</u> | JET, MAIN, 8,000 - 10,000 FEET .....               | A/R |
| 7    | <u>1016425-75</u> | JET, MAIN, 10,000 FEET AND ABOVE .....             | A/R |
| 8    | <u>1016437</u>    | GASKET, FLOAT CHAMBER .....                        | 1   |
| 9    | <u>1017461</u>    | ASSEMBLY, FLOAT CHAMBER (INCLUDES ITEM 10) .....   | 1   |
| 10   | <u>1016499</u>    | ASSEMBLY, SCREW .....                              | 1   |
| 11   | <u>1016585</u>    | ASSEMBLY, BOLT .....                               | 1   |

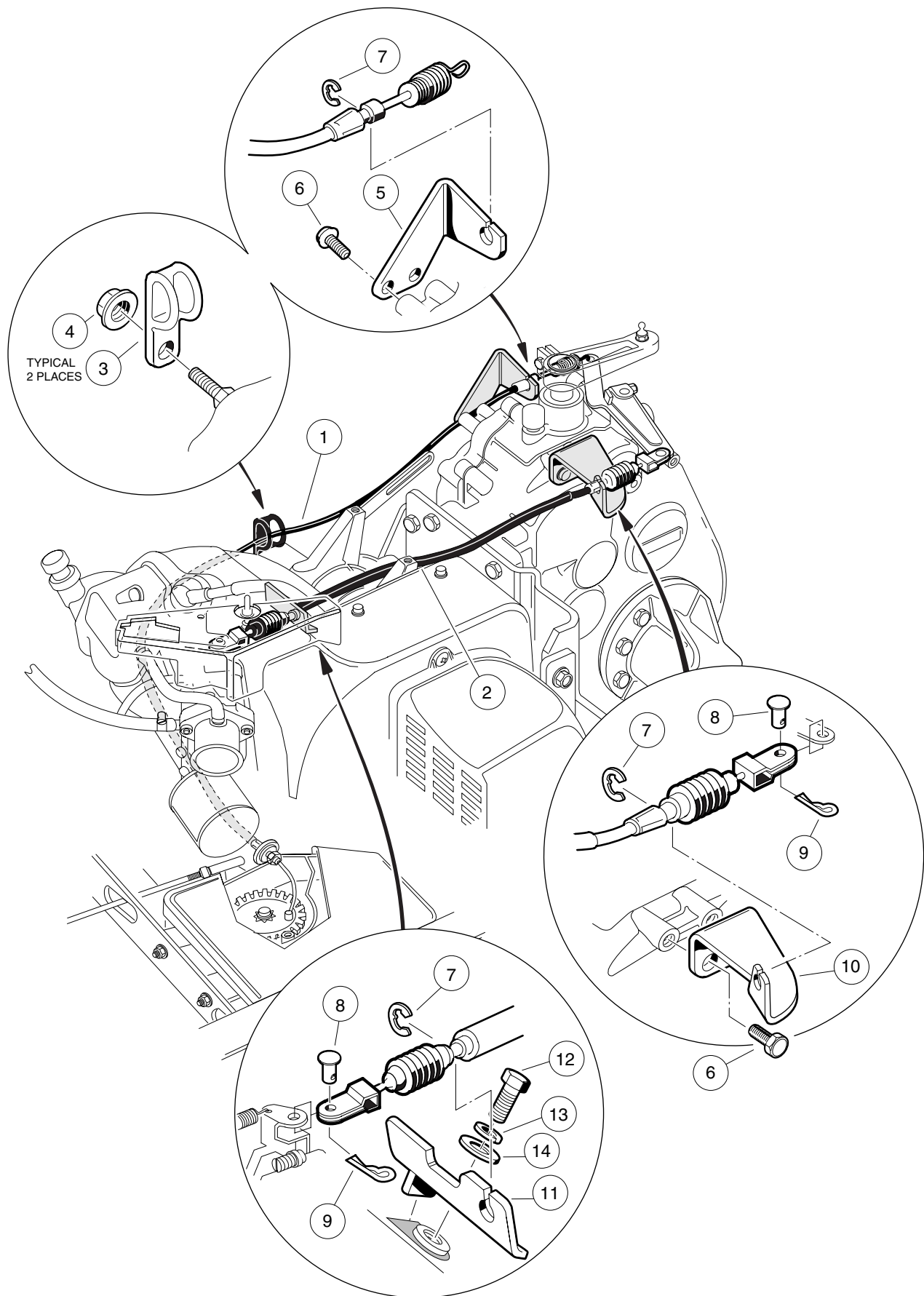




# CARBURETOR INSTALLATION

| ITEM | PART NO.          | DESCRIPTION   | QTY |
|------|-------------------|---|-----|
|      |                   | 1 2 3 4   |     |
| 1    | <u>1016440</u>    | GASKET, INSULATOR .....   | 1   |
| 2    | 1016481-02        | INSULATOR, CARBURETOR .....   | 1   |
| 3    | <u>1016439</u>    | GASKET, CARBURETOR INSULATOR TO THROTTLE BRACKET (CARRYALL I AND II) ....                 | 1   |
| 3    | <u>1019734-01</u> | GASKET, CARBURETOR INSULATOR TO THROTTLE BRACKET (CARRYALL TURF II, II PLUS AND VI) ..... | 1   |
| 4    | <u>1016444</u>    | BRACKET, THROTTLE .....   | 1   |
| 5    | 1018202-01        | GUARD, GOVERNOR (CARRYALL I AND II) .....   | 1   |
| 6    | <u>1016103</u>    | SCREW, PAN/TORX HEAD SELF-TAPPING, #6 - 32 x 1/4 (CARRYALL I AND II) .....                | 2   |
| 7    | <u>1011697</u>    | WASHER, FLAT, 5/16 (CARRYALL I AND II) .....  | 1   |
| 8    | <u>1018876-01</u> | NUT, NYLON LOCK, M6 x 1 (CARRYALL I AND II) .....   | 1   |
| 9    | <u>1013746</u>    | CLAMP, HOSE .....   | 1   |
| 10   | <u>1016441</u>    | GASKET, THROTTLE BRACKET TO CARBURETOR .....  | 1   |
| 11   | <u>1016582</u>    | SPRING, THROTTLE RETURN .....   | 1   |
| 12   | <u>1019056-01</u> | ASSEMBLY, CARBURETOR (CARRYALL I AND II) .....  | 1   |
| 12   | <u>1019059-01</u> | ASSEMBLY, CARBURETOR (CARRYALL TURF II, II PLUS AND VI) .....                             | 1   |
| 13   | <u>1017466</u>    | CLAMP, HOSE .....   | 2   |
| 14   | <u>1015137</u>    | LINE, BULK VENT .....   | 1   |
| 15   | <u>1016572</u>    | TUBE, CRANKCASE VENT .....  | 1   |
| 16   | <u>1016438</u>    | GASKET, CARBURETOR TO INTAKE MANIFOLD .....   | 1   |
| 17   | 1016480           | PIPE, INTAKE .....  | 1   |
| 18   | <u>1016490-02</u> | SCREW, 2-ENDED STUD, M6 x 1 x 90MM .....  | 2   |
| 19   | 1016547           | NUT, FLANGED, M6 x 1 .....  | 2   |

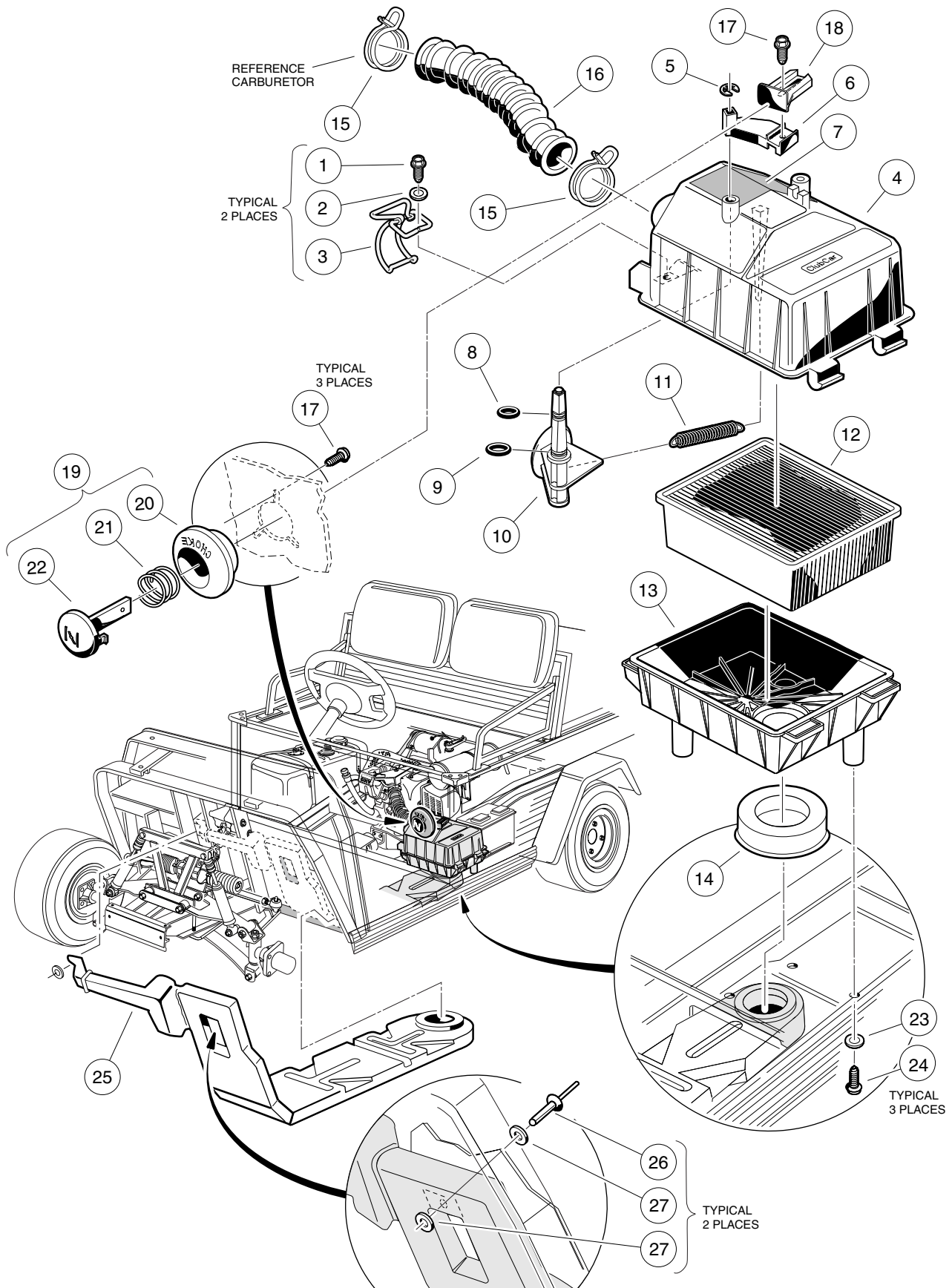




# GOVERNOR AND ACCELERATOR CABLES

| ITEM | PART NO.          | DESCRIPTION   | QTY |
|------|-------------------|---|-----|
|      |                   | 1 2 3 4   |     |
| 1    | <u>1018325-01</u> | CABLE, ACCELERATOR .....                                  | 1   |
| 1    | <u>1018324-01</u> | CABLE, GOVERNOR (CARRYALL I AND II) .....                 | 1   |
| 2    | <u>1018324-02</u> | CABLE, GOVERNOR (CARRYALL TURF II , II PLUS AND VI) ..... | 1   |
| 3    | <u>1013700</u>    | CLAMP, CABLE RETAINING .....                              | 2   |
| 4    | <u>1016546</u>    | NUT, FLANGED HEX, M8 x 1.25 .....                         | 2   |
| 5    | <u>1018323-01</u> | BRACKET, ACCELERATOR SUPPORT .....                        | 1   |
| 6    | <u>1012285</u>    | SCREW, THREAD ROLLING, 1/4 - 20 x 5/8 .....               | 4   |
| 7    | <u>1016202</u>    | E-RING .....  | 3   |
| 8    | <u>1015408</u>    | PIN, GOVERNOR CABLE CLEVIS .....                          | 2   |
| 9    | <u>1014413</u>    | PIN, HAIR SPRING COTTER, 1/8 I.D. x 5/8 .....             | 2   |
| 10   | <u>1018322-01</u> | BRACKET, SUPPORT .....                                    | 1   |
| 11   | <u>1015845</u>    | BRACKET, GOVERNOR CABLE ENGINE .....                      | 1   |
| 12   | <u>1019035-01</u> | SCREW, HEX HEAD CAP, M8 x 1.25 x 24 MM .....              | 1   |
| 13   | 0007174           | WASHER, LOCK, 5/16 .....                                  | 1   |
| 14   | <u>1011697</u>    | WASHER, FLAT, 5/16 .....                                  | 1   |



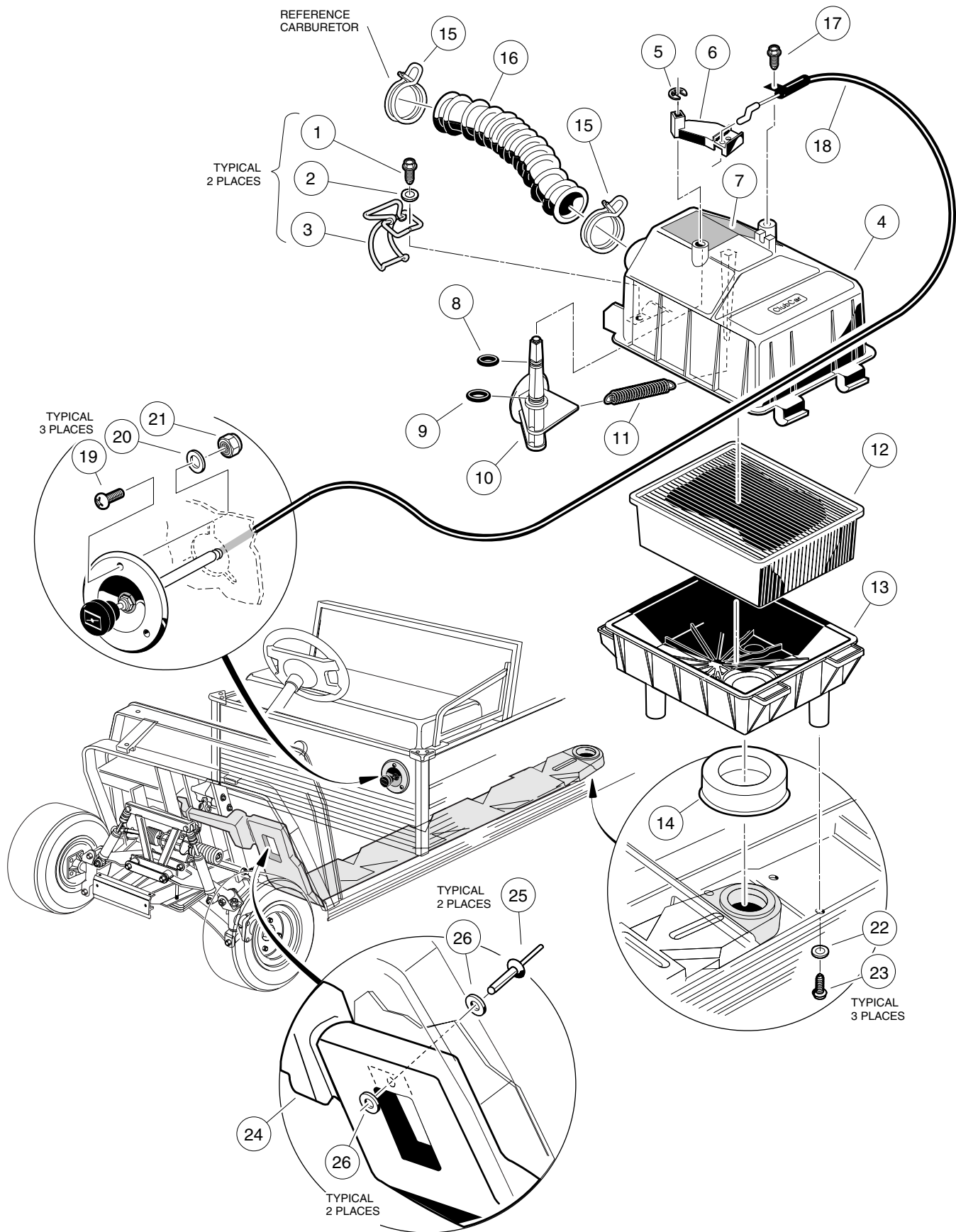




# INTAKE DUCT, CHOKE, AND AIR BOX ASSEMBLY— CARRYALL I

| ITEM | PART NO.          | DESCRIPTION   | QTY |
|------|-------------------|---|-----|
|      |                   | 1 2 3 4   |     |
|      | <u>1018215-01</u> | ASSEMBLY, AIR BOX (INCLUDES ITEMS 1 - 14) .....             | 1   |
| 1    | <u>1018043-01</u> | SCREW, HI-LO HEX HEAD, #8 - 1/2 .....                       | 2   |
| 2    | <u>1018817-01</u> | WASHER, STAINLESS STEEL, #8 .....                           | 2   |
| 3    | <u>1019257-01</u> | LATCH, WIRE .....   | 2   |
| 4    | <u>1019728-01</u> | ASSEMBLY, AIR BOX TOP (INCLUDES ITEMS 5 - 11) .....         | 1   |
| 5    | <u>1018130-01</u> | E-CLIP .....  | 1   |
| 6    | <u>1019176-01</u> | LEVER, CHOKE .....  | 1   |
| 7    | 1019443-01        | DECAL, SERVICE .....  | 1   |
| 8    | N/A               | O-RING, 5/16 (RED) .....                                    | 1   |
| 9    | N/A               | O-RING, 3/8 (GREEN) .....                                   | 1   |
| 10   | N/A               | VALVE, CHOKE .....  | 1   |
| 11   | <u>1018123-01</u> | SPRING, RETURN .....  | 1   |
| 12   | <u>1015426</u>    | FILTER, AIR .....   | 1   |
| 13   | <u>1018119-01</u> | BOTTOM, AIR BOX .....                                       | 1   |
| 14   | <u>1019215-01</u> | SEAL, INTAKE .....  | 1   |
| 15   | <u>1019713-01</u> | CLAMP, HOSE (AIR INTAKE) .....                              | 2   |
| 16   | <u>1018371-01</u> | HOSE, INTAKE .....  | 1   |
| 17   | <u>1018503-01</u> | SCREW, HI-LO, #12 x 1/2 .....                               | 4   |
| 18   | <u>1019177-01</u> | POSITIONER, CHOKE .....                                     | 1   |
| 19   | <u>1018057-01</u> | ASSEMBLY, CHOKE BUTTON (INCLUDES ITEMS 20, 21 AND 22) ..... | 1   |
| 20   | <u>1018115-01</u> | GUIDE, CHOKE LEVER .....                                    | 1   |
| 21   | <u>1018562-01</u> | SPRING, COMPRESSION .....                                   | 1   |
| 22   | <u>1018114-01</u> | LEVER, CHOKE .....  | 1   |
| 23   | 0000332           | WASHER, FLAT, 1/4 .....                                     | 3   |
| 24   | 1015752           | SCREW, HI-LO, #12 - 16 x 5/8 .....                          | 3   |
| 25   | <u>1019581-01</u> | ASSEMBLY, AIR DUCT .....                                    | 1   |
| 26   | 0001606           | RIVET, POP, 3/16 .....                                      | 2   |
| 27   | 0000183           | WASHER, FLAT, #10 .....                                     | 4   |
|      | 1019710-01        | AIR DUCT REPAIR KIT (NOT SHOWN) .....                       | A/R |

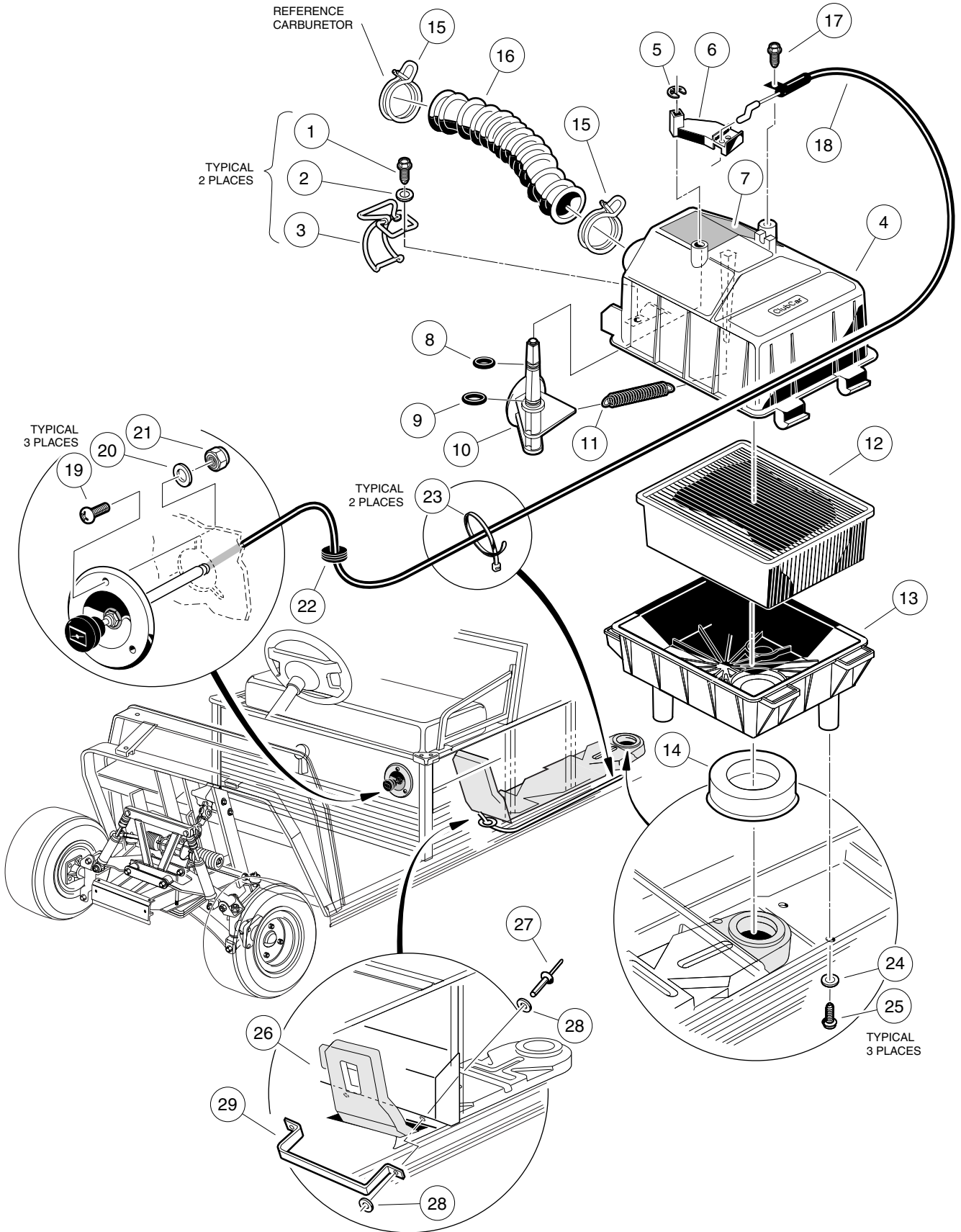




# INTAKE DUCT, CHOKE, AND AIR BOX ASSEMBLY— CARRYALL II, TURF II AND II PLUS

| ITEM | PART NO.          | DESCRIPTION   | QTY |
|------|-------------------|---|-----|
|      |                   | 1 2 3 4   |     |
|      | <u>1018215-01</u> | ASSEMBLY, AIR BOX (INCLUDES ITEMS 1 - 14) .....     | 1   |
| 1    | <u>1018043-01</u> | SCREW, HI-LO HEX HEAD, #8 - 1/2 .....               | 2   |
| 2    | <u>1018817-01</u> | WASHER, STAINLESS STEEL, #8 .....                   | 2   |
| 3    | <u>1019257-01</u> | LATCH, WIRE .....                                   | 2   |
| 4    | <u>1019728-01</u> | ASSEMBLY, AIR BOX TOP (INCLUDES ITEMS 5 - 11) ..... | 1   |
| 5    | <u>1018130-01</u> | E-CLIP .....  | 1   |
| 6    | <u>1019176-01</u> | LEVER, CHOKE .....                                  | 1   |
| 7    | 1019443-01        | DECAL, SERVICE .....                                | 1   |
| 8    | N/A               | O-RING, 5/16 (RED) .....                            | 1   |
| 9    | N/A               | O-RING, 3/8 (GREEN) .....                           | 1   |
| 10   | N/A               | VALVE, CHOKE .....                                  | 1   |
| 11   | <u>1018123-01</u> | SPRING, RETURN .....                                | 1   |
| 12   | <u>1015426</u>    | FILTER, AIR .....                                   | 1   |
| 13   | <u>1018119-01</u> | BOTTOM, AIR BOX .....                               | 1   |
| 14   | <u>1019215-01</u> | SEAL, INTAKE .....                                  | 1   |
| 15   | <u>1019713-01</u> | CLAMP, HOSE (AIR INTAKE) .....                      | 2   |
| 16   | <u>1018371-01</u> | HOSE, INTAKE .....                                  | 1   |
| 17   | <u>1018043-01</u> | SCREW, HEX HEAD HI-LO, #8 x 1/2 .....               | 1   |
| 18   | <u>1019268-01</u> | CABLE, CHOKE .....                                  | 1   |
| 19   | 0001631           | SCREW, PAN HEAD, #10 - 24 x 3/4 .....               | 3   |
| 20   | 0000183           | WASHER, #10 .....                                   | 3   |
| 21   | <u>1012438</u>    | NUT, NYLON LOCK, #10 - 24 .....                     | 3   |
| 22   | 0000332           | WASHER, FLAT, 1/4 .....                             | 3   |
| 23   | 1015752           | SCREW, HI-LO, #12 - 16 x 5/8 .....                  | 3   |
| 24   | <u>1019581-02</u> | ASSEMBLY, AIR DUCT .....                            | 1   |
| 25   | 0001606           | RIVET, POP, 3/16 .....                              | 2   |
| 26   | 0000183           | WASHER, FLAT, #10 .....                             | 4   |
|      | 1019710-01        | AIR DUCT REPAIR KIT (NOT SHOWN) .....               | A/R |





# INTAKE DUCT, CHOKE, AND AIR BOX ASSEMBLY— CARRYALL VI

| ITEM | PART NO.          | DESCRIPTION   | QTY |
|------|-------------------|---|-----|
|      |                   | 1 2 3 4   |     |
|      | <u>1018215-01</u> | ASSEMBLY, AIR BOX (INCLUDES ITEMS 1 - 14) .....     | 1   |
| 1    | <u>1018043-01</u> | SCREW, HI-LO HEX HEAD, #8 - 1/2 .....               | 2   |
| 2    | <u>1018817-01</u> | WASHER, STAINLESS STEEL, #8 .....                   | 2   |
| 3    | <u>1019257-01</u> | LATCH, WIRE .....                                   | 2   |
| 4    | <u>1019728-01</u> | ASSEMBLY, AIR BOX TOP (INCLUDES ITEMS 5 - 11) ..... | 1   |
| 5    | <u>1018130-01</u> | E-CLIP .....  | 1   |
| 6    | <u>1019176-01</u> | LEVER, CHOKE .....                                  | 1   |
| 7    | 1019443-01        | DECAL, SERVICE .....                                | 1   |
| 8    | N/A               | O-RING, 5/16 (RED) .....                            | 1   |
| 9    | N/A               | O-RING, 3/8 (GREEN) .....                           | 1   |
| 10   | N/A               | VALVE, CHOKE .....                                  | 1   |
| 11   | <u>1018123-01</u> | SPRING, RETURN .....                                | 1   |
| 12   | <u>1015426</u>    | FILTER, AIR .....                                   | 1   |
| 13   | <u>1018119-01</u> | BOTTOM, AIR BOX .....                               | 1   |
| 14   | <u>1019215-01</u> | SEAL, INTAKE .....                                  | 1   |
| 15   | <u>1019713-01</u> | CLAMP, HOSE (AIR INTAKE) .....                      | 2   |
| 16   | <u>1018371-01</u> | HOSE, INTAKE .....                                  | 1   |
| 17   | <u>1018043-01</u> | SCREW, HEX HEAD HI-LO, #8 x 1/2 .....               | 1   |
| 18   | <u>1019268-02</u> | CABLE, CHOKE .....                                  | 1   |
| 19   | 0001631           | SCREW, PAN HEAD, 10 - 24 x 3/4 .....                | 3   |
| 20   | 0000183           | WASHER, #10 .....                                   | 3   |
| 21   | <u>1012438</u>    | NUT, NYLON LOCK, #10 - 24 .....                     | 3   |
| 22   | <u>1015139</u>    | GROMMET .....                                       | 1   |
| 23   | 0008168           | TIE, WIRE .....                                     | 2   |
| 24   | 0000332           | WASHER, FLAT, 1/4 .....                             | 3   |
| 25   | 1015752           | SCREW, HI-LO, #12 - 16 x 5/8 .....                  | 3   |
| 26   | <u>1018113-01</u> | DUCT, AIR .....                                     | 1   |
| 27   | 0007973           | RIVET, POP, 3/16 .....                              | 2   |
| 28   | 0000183           | WASHER, FLAT, #10 .....                             | 4   |
| 29   | <u>1018257-01</u> | BRACKET, RETAINING .....                            | 1   |
|      | 1019710-01        | AIR DUCT REPAIR KIT (NOT SHOWN) .....               | A/R |



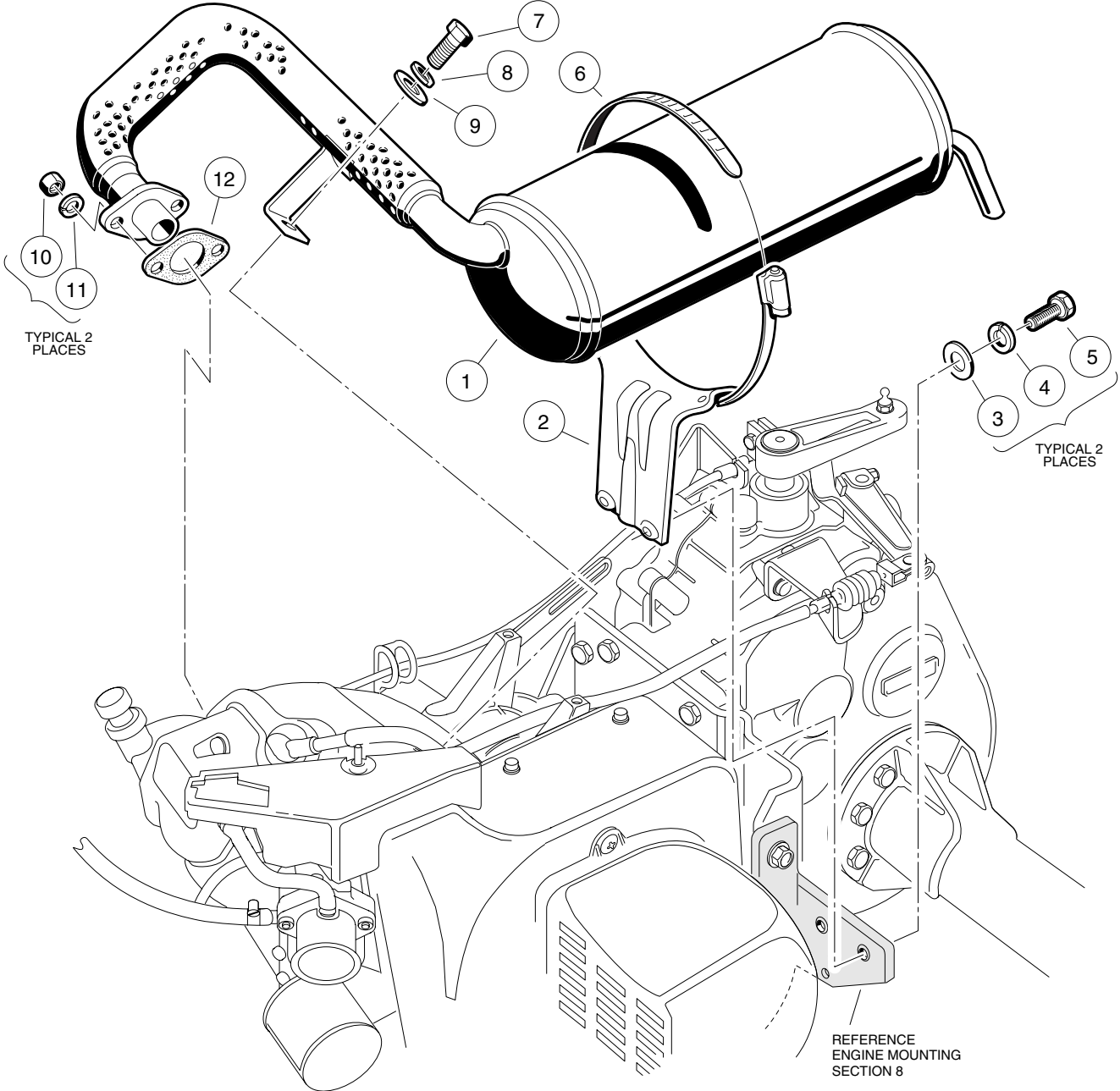


# EXHAUST SYSTEM

---

10

G

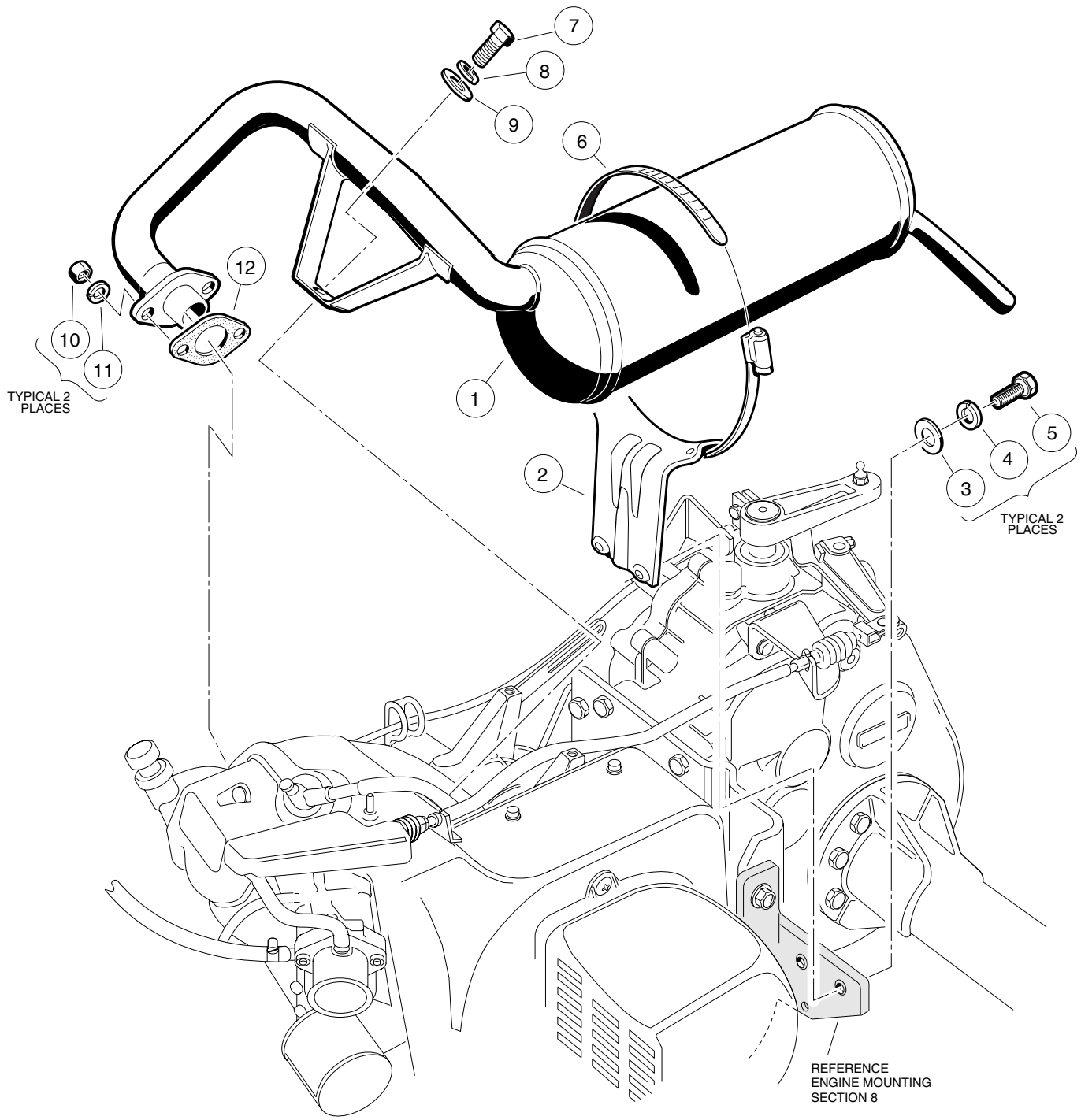




# EXHAUST SYSTEM, FE 290— CARRYALL I AND II

| ITEM | PART NO.          | DESCRIPTION                                 | QTY |
|------|-------------------|---|-----|
|      |                   | 1 2 3 4                                     |     |
| 1    | <u>1018593-01</u> | SYSTEM, EXHAUST .....                       | 1   |
| 2    | <u>1015814</u>    | BRACKET, MUFFLER MOUNTING .....             | 1   |
| 3    | 0000332           | WASHER, FLAT, 1/4 .....                     | 2   |
| 4    | 0000451           | WASHER, LOCK, 1/4 .....                     | 2   |
| 5    | 0007847           | SCREW, HEX HEAD, 1/4 - 20 x 3/4 .....       | 2   |
| 6    | 1017689           | CLAMP, MUFFLER .....                        | 1   |
| 7    | 1019035-01        | SCREW, HEX HEAD CAP, M8 x 1.25 x 24MM ..... | 1   |
| 8    | 0007174           | WASHER, LOCK, 5/16 .....                    | 1   |
| 9    | 1015075           | WASHER, FLAT, 5/16 .....                    | 1   |
| 10   | <u>1012528</u>    | NUT, HEX, M8 x 1.25 .....                   | 2   |
| 11   | <u>1013734</u>    | WASHER, LOCK, 8MM .....                     | 2   |
| 12   | <u>1015330</u>    | GASKET, EXHAUST .....                       | 1   |

10  
G



# EXHAUST SYSTEM, FE 350— CARRYALL TURF II, II PLUS AND VI

| ITEM | PART NO.          | DESCRIPTION                                 | QTY |
|------|-------------------|---|-----|
|      |                   | 1 2 3 4                                     |     |
| 1    | <u>1018594-01</u> | SYSTEM, EXHAUST .....                       | 1   |
| 2    | <u>1015814</u>    | BRACKET, MUFFLER MOUNTING .....             | 1   |
| 3    | 0000332           | WASHER, FLAT, 1/4 .....                     | 2   |
| 4    | 0000451           | WASHER, LOCK, 1/4 .....                     | 2   |
| 5    | 0007847           | SCREW, HEX HEAD, 1/4 - 20 x 3/4 .....       | 2   |
| 6    | 1017689           | CLAMP, MUFFLER .....                        | 1   |
| 7    | 1019035-01        | SCREW, HEX HEAD CAP, M8 x 1.25 x 24MM ..... | 1   |
| 8    | 0007174           | WASHER, LOCK, 5/16 .....                    | 1   |
| 9    | <u>1011697</u>    | WASHER, FLAT, 5/16 .....                    | 1   |
| 10   | <u>1012528</u>    | NUT, HEX, M8 x 1.25 .....                   | 2   |
| 11   | <u>1013734</u>    | WASHER, LOCK, 8MM .....                     | 2   |
| 12   | <u>1016904</u>    | GASKET, EXHAUST .....                       | 1   |

10  
G

**10**

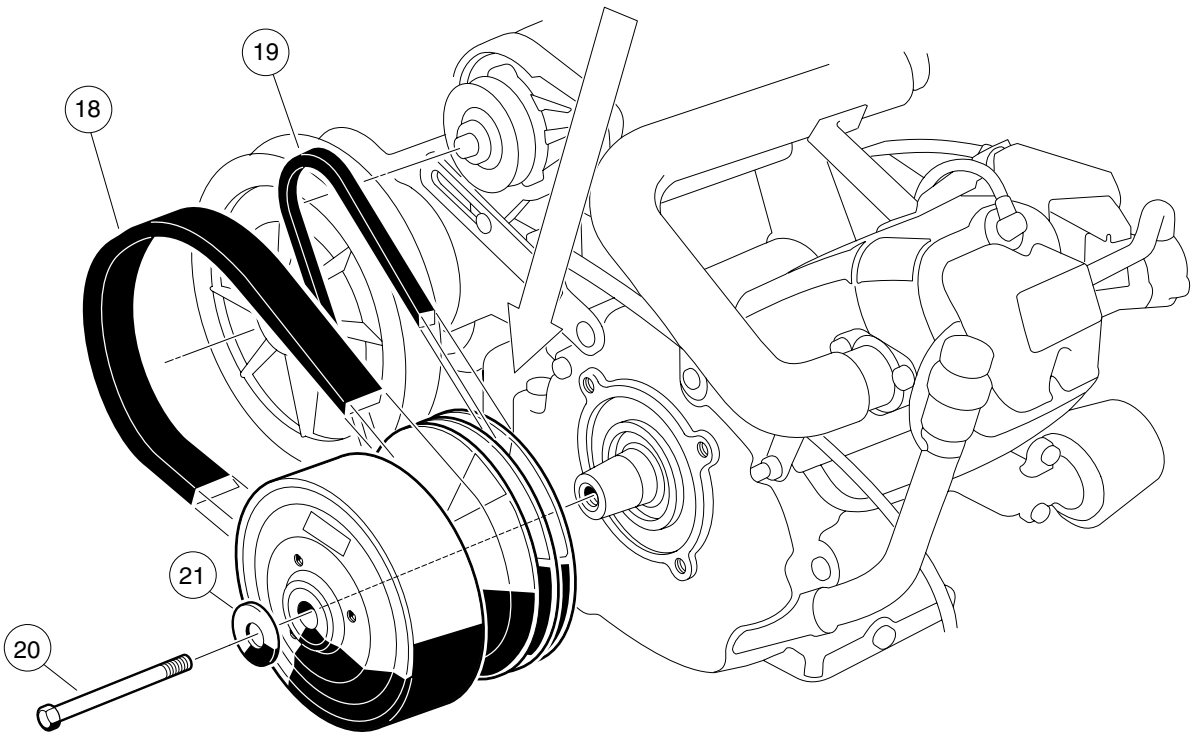
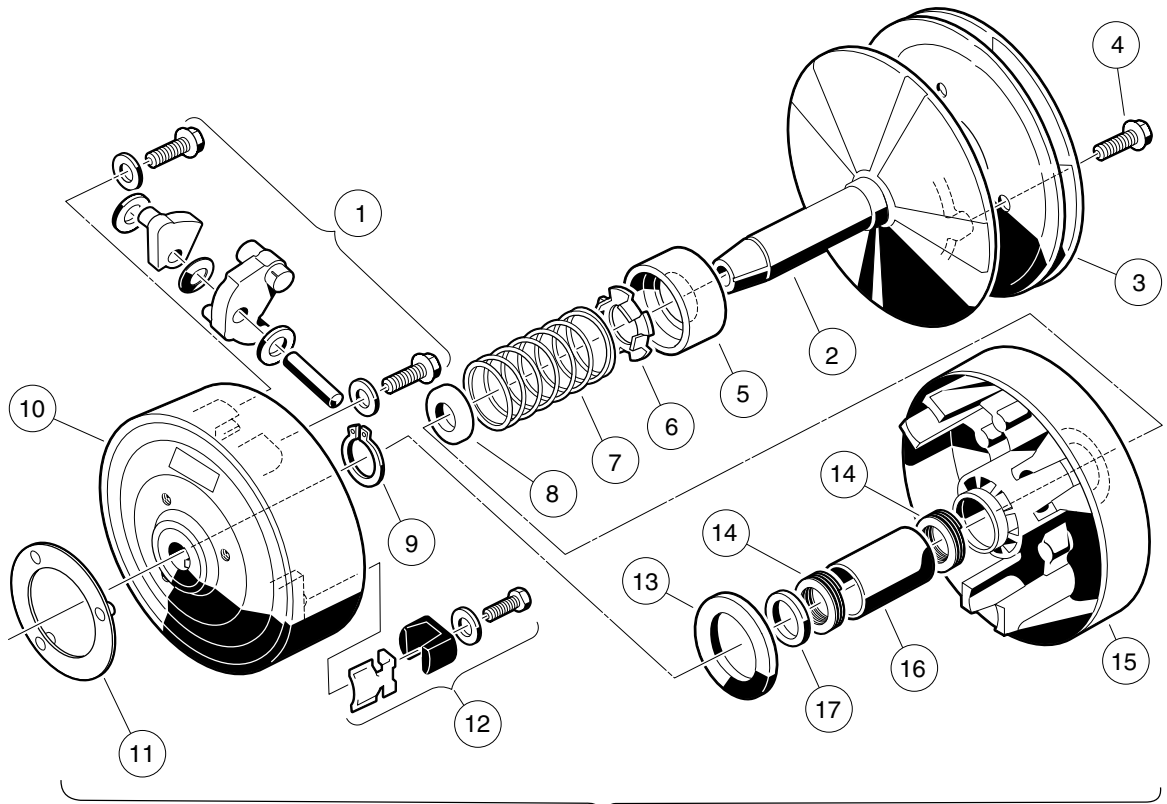
**G**

# TORQUE CONVERTER

---

11

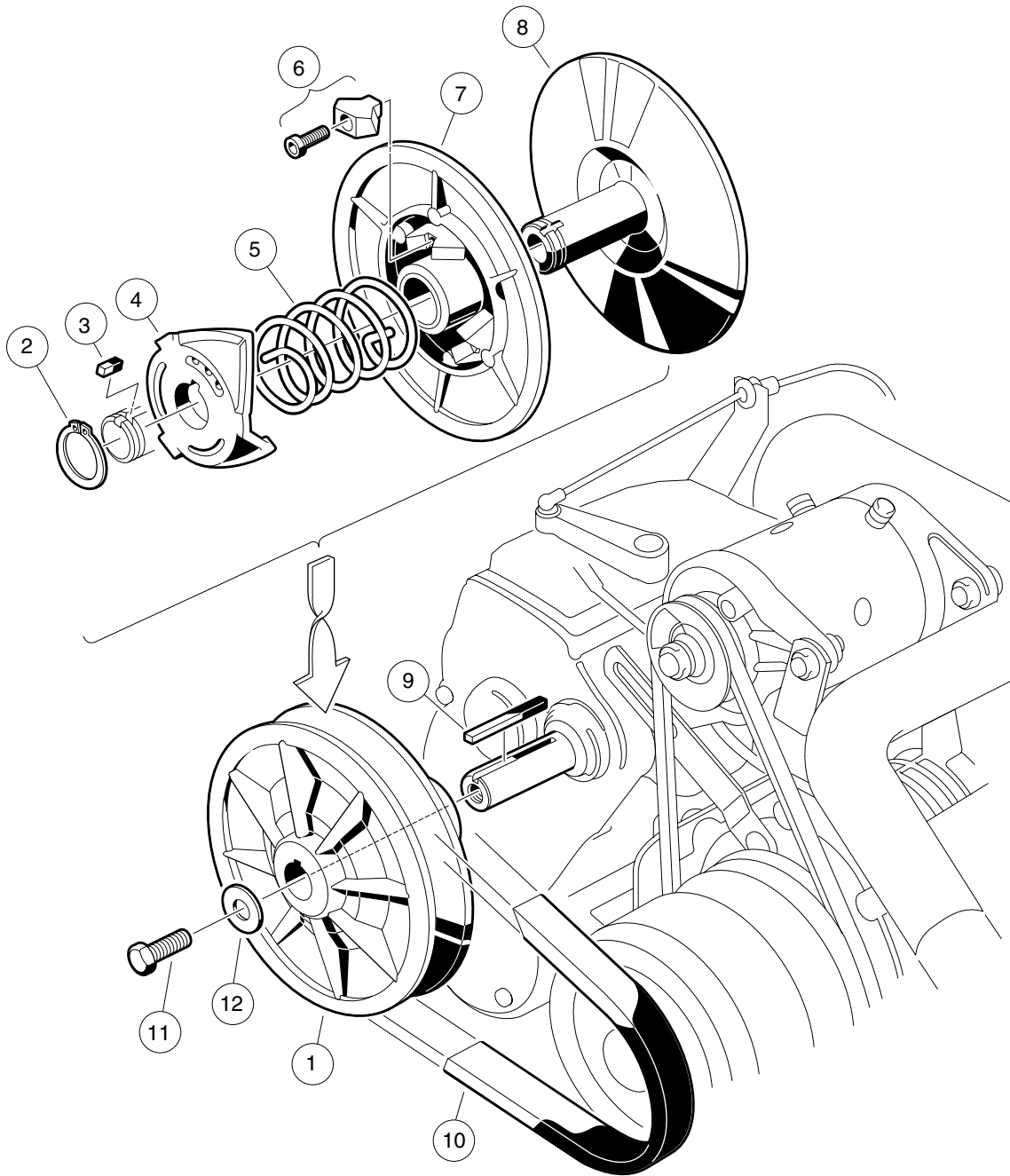
G



# DRIVE CLUTCH

**11**  
**G**

| ITEM | PART NO.          | DESCRIPTION   | QTY |
|------|-------------------|---|-----|
|      |                   | 1 2 3 4   |     |
|      | <u>1018339-02</u> | ASSEMBLY, DRIVE CLUTCH (CARRYALL I, II AND TURF II) (INCLUDES ITEMS 1 - 17) ... | 1   |
|      | <u>1018339-04</u> | ASSEMBLY, DRIVE CLUTCH (CARRYALL II PLUS AND VI) (INCLUDES ITEMS 1 - 17) .....  | 1   |
| 1    | <u>1016801</u>    | KIT, DRIVE CLUTCH WEIGHT .....  | 1   |
| 2    | <u>1019298-01</u> | ASSEMBLY, FIXED FACE (CARRYALL I, II AND TURF II) (INCLUDES ITEMS 3 AND 4)      | 1   |
| 2    | <u>1017383-01</u> | ASSEMBLY, FIXED FACE (CARRYALL II PLUS AND VI) (INCLUDES ITEMS 3 AND 4) ...     | 1   |
| 3    | N/A               | PULLEY .....  | 1   |
| 4    | N/A               | SCREW, WASHER HEAD HEX MACHINE .....  | 3   |
| 5    | 1014049           | BEARING, IDLER .....  | 1   |
| 6    | <u>1014050</u>    | SPRING, RETAINER .....  | 1   |
| 7    | <u>1014051</u>    | SPRING, DRIVE CLUTCH—BLACK (CARRYALL I, II AND TURF II) .....                   | 1   |
| 7    | <u>1016901</u>    | SPRING, DRIVE CLUTCH—DARK GREEN (CARRYALL II PLUS AND VI) .....                 | 1   |
| 8    | <u>1016289</u>    | SPACER, FIXED FACE SHAFT .....  | 1   |
| 9    | <u>1014057</u>    | RING, RETAINING .....   | 1   |
| 10   | 1014059           | ASSEMBLY, DRIVE HUB .....   | 1   |
| 11   | <u>1019256-01</u> | PLUG, DRIVE CLUTCH .....  | 1   |
| 12   | <u>1014453</u>    | KIT, DRIVE CLUTCH BUTTON .....  | 1   |
| 13   | 1014058           | WASHER, THRUST .....  | 1   |
| 14   | <u>1014056</u>    | RING, SPIRAL BACK-UP .....  | 2   |
| 15   | 1014052           | ASSEMBLY, MOVABLE FACE (INCLUDES ITEMS 16 AND 17) .....                         | 1   |
| 16   | N/A               | BUSHING .....   | 1   |
| 17   | <u>1014055</u>    | RETAINER .....  | 1   |
| 18   | <u>1016203</u>    | BELT, DRIVE (CARRYALL I) .....  | 1   |
| 18   | <u>1017188</u>    | BELT, DRIVE (CARRYALL II, TURF II, II PLUS AND VI) .....                        | 1   |
| 19   | <u>1019167-01</u> | BELT, STARTER/GENERATOR .....   | 1   |
| 20   | <u>1019165-01</u> | SCREW, HEX HEAD CAP (LEFT HAND THREADS), 3/8 - 24 x 5 1/2 .....                 | 1   |
| 21   | <u>1017328</u>    | WASHER, MOUNTING—GREEN .....  | 1   |





# DRIVEN CLUTCH

**11**  
**G**

| ITEM | PART NO.          | DESCRIPTION   | QTY |
|------|-------------------|---|-----|
|      |                   | 1 2 3 4   |     |
| 1    | <u>1018340-01</u> | ASSEMBLY, DRIVEN CLUTCH (INCLUDES ITEMS 2 - 8) (CARRYALL I, II, TURF II AND VI) | 1   |
| 1    | <u>1018340-03</u> | ASSEMBLY, DRIVEN CLUTCH (INCLUDES ITEMS 2 - 8) (CARRYALL II PLUS ONLY) .....    | 1   |
| 2    | <u>1014080</u>    | RING, RETAINING .....   | 1   |
| 3    | <u>1014078</u>    | KEY .....   | 1   |
| 4    | <u>1017686</u>    | CAM .....   | 1   |
| 5    | <u>1018362-01</u> | SPRING—GREEN (CARRYALL I, II, TURF II AND VI) .....                             | 1   |
| 5    | <u>1018362-02</u> | SPRING—PURPLE (CARRYALL II PLUS ONLY) .....                                     | 1   |
| 6    | <u>1014454</u>    | KIT, BUTTON (INCLUDES 3 BUTTONS AND 3 SCREWS) .....                             | 1   |
| 7    | <u>1014072</u>    | ASSEMBLY, MOVEABLE FACE, WITH BUSHING .....                                     | 1   |
| 8    | <u>1014070</u>    | ASSEMBLY, FIXED FACE .....  | 1   |
| 9    | <u>1018334-01</u> | KEY, SQUARE TRANSMISSION .....  | 1   |
| 10   | <u>1016203</u>    | BELT, DRIVE (CARRYALL I ONLY) .....   | 1   |
| 10   | <u>1017188</u>    | BELT, DRIVE (CARRYALL II, TURF II, II PLUS AND VI) .....                        | 1   |
| 11   | 0007173           | SCREW, HEX HEAD CAP, 5/16 - 18 x 3/4 .....                                      | 1   |
| 12   | <u>1017327</u>    | WASHER, MOUNTING—YELLOW .....   | 1   |

**11**

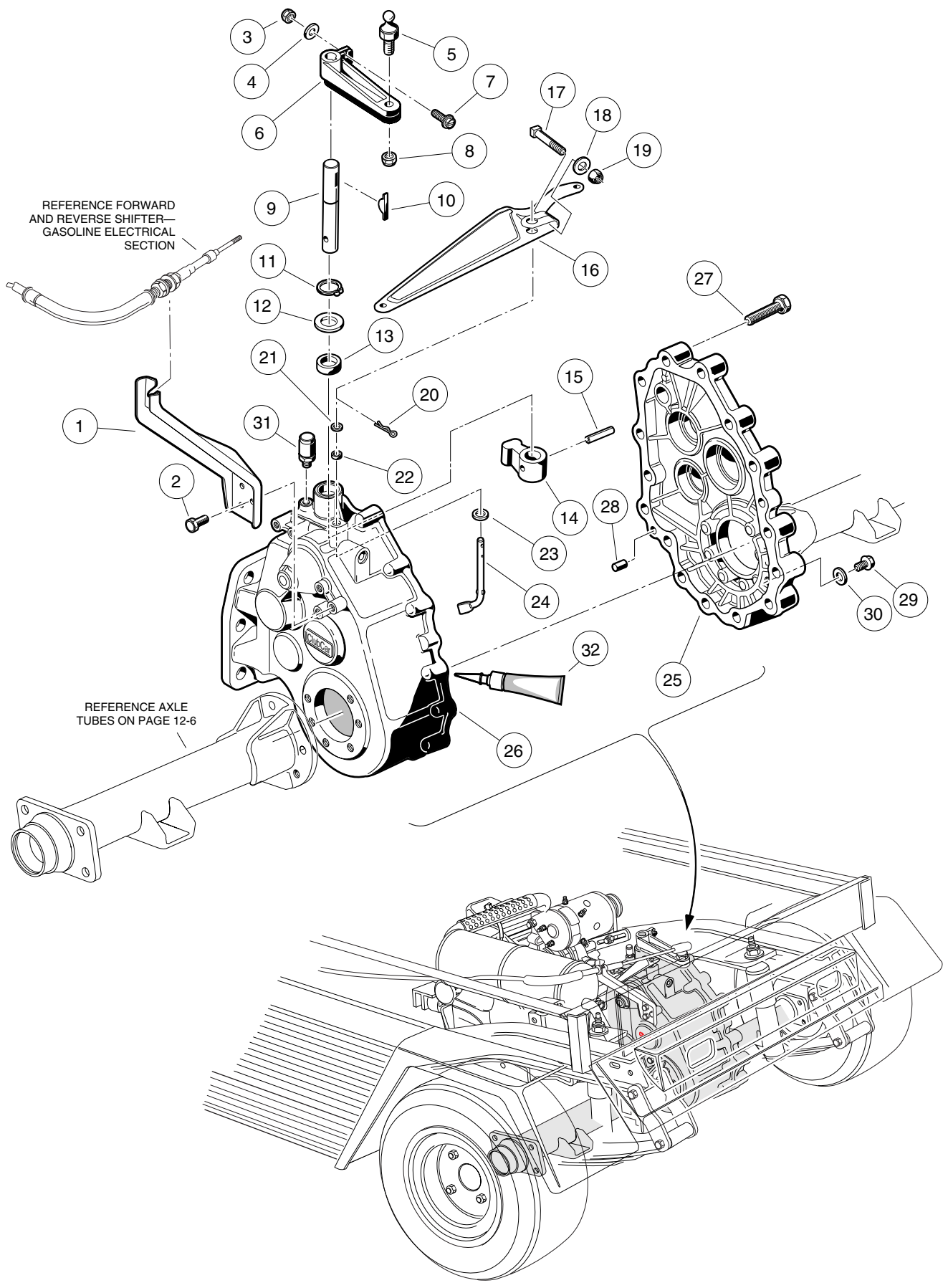
**G**

# UNITIZED TRANSAXLE— GASOLINE VEHICLE

---

12

G

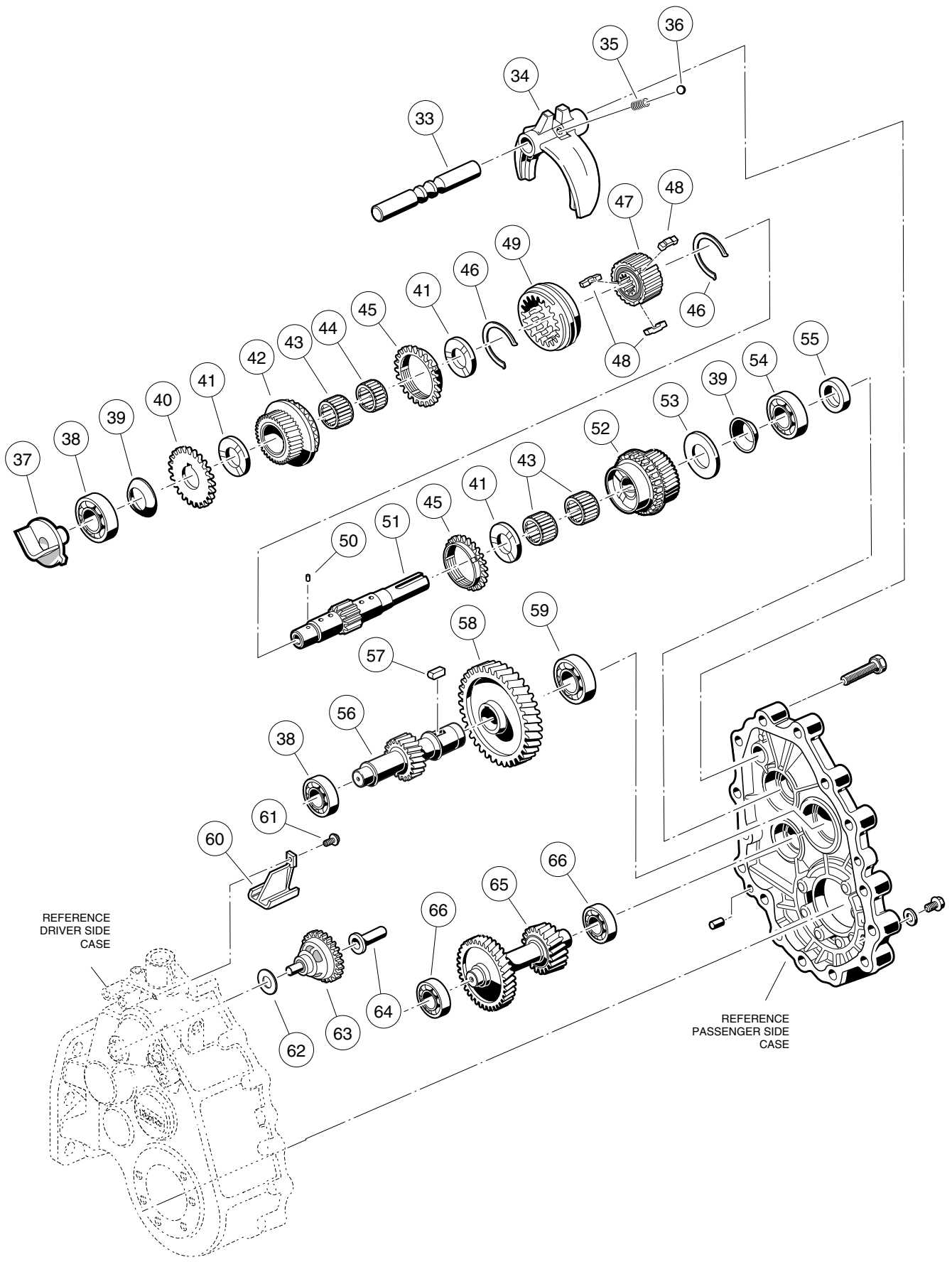


# UNITIZED TRANSAXLE—GASOLINE VEHICLE

| ITEM | PART NO.          | DESCRIPTION                                      | QTY |
|------|-------------------|--|-----|
|      |                   | 1 2 3 4  |     |
| 1    | <u>1019226-01</u> | BRACKET, TRANSMISSION CABLE SUPPORT .....        | 1   |
| 2    | <u>1012285</u>    | SCREW, THREAD ROLLING, 1/4 - 20 x 5/8 .....      | 3   |
|      | <u>1018336-01</u> | UNITIZED TRANSAXLE (INCLUDES ITEMS 3 - 90) ..... | 1   |
| 3    | <u>1013061</u>    | NUT, NYLON LOCK, #10 - 32 .....                  | 1   |
| 4    | 0000183           | WASHER, FLAT, #10 .....                          | 1   |
| 5    | <u>1010954</u>    | STUD, BALL, 1/4 - 28 x 9/16 .....                | 1   |
| 6    | <u>1016341</u>    | LEVER, TRANSMISSION SHIFTER .....                | 1   |
| 7    | <u>1017082</u>    | SCREW, HEX WASHER HEAD, #10 - 32 x 3/4 .....     | 1   |
| 8    | 0008717           | NUT, NYLON LOCK, 1/4 - 28 .....                  | 1   |
| 9    | <u>1018902-01</u> | SHAFT, SHIFTER .....                             | 1   |
| 10   | <u>1017231</u>    | KEY, WOODRUFF .....                              | 1   |
| 11   | <u>1019273-01</u> | RING, SNAP .....                                 | 1   |
| 12   | <u>1018929-01</u> | WASHER, FLAT .....                               | 1   |
| 13   | <u>1019272-01</u> | SEAL, OIL .....                                  | 1   |
| 14   | <u>1018901-01</u> | LEVER, SHIFTER .....                             | 1   |
| 15   | <u>1012752</u>    | PIN, ROLL .....                                  | 1   |
| 16   | <u>1018348-01</u> | ARM, GOVERNOR LEVER .....                        | 1   |
| 17   | <u>1018861-01</u> | SCREW, SQUARE HEAD, 1/4 - 20 x 1 .....           | 1   |
| 18   | <u>1014007</u>    | WASHER, FLAT, TYPE B, 1/4 .....                  | 1   |
| 19   | 0008233           | NUT, NYLON LOCK, 1/4 - 20 .....                  | 1   |
| 20   | <u>1019286-01</u> | PIN, COTTER .....                                | 1   |
| 21   | <u>1016513</u>    | WASHER, FLAT .....                               | 1   |
| 22   | <u>1019271-01</u> | SEAL, OIL .....                                  | 1   |
| 23   | <u>1018938-01</u> | WASHER .....                                     | 1   |
| 24   | <u>1018913-01</u> | ARM, PIVOT .....                                 | 1   |
| 25   | <u>1018906-01</u> | GEAR CASE (RIGHT) .....                          | 1   |
| 26   | <u>1018905-01</u> | GEAR CASE (LEFT) .....                           | 1   |
| 27   | <u>1019269-01</u> | BOLT, FLANGED, M8 x 1.25 x 40MM .....            | 15  |
| 28   | <u>1012896</u>    | PIN, DOWEL .....                                 | 2   |
| 29   | <u>1013759</u>    | PLUG, DRAIN (INCLUDES ITEM 30) .....             | 2   |
| 30   | <u>1016432</u>    | GASKET .....                                     | 1   |
| 31   | <u>1012711</u>    | BREATHER .....                                   | 1   |
| 32   | <u>1019287-01</u> | GASKET, LIQUID, 8.8 OZ. (250 GRAMS) .....        | A/R |

12

G

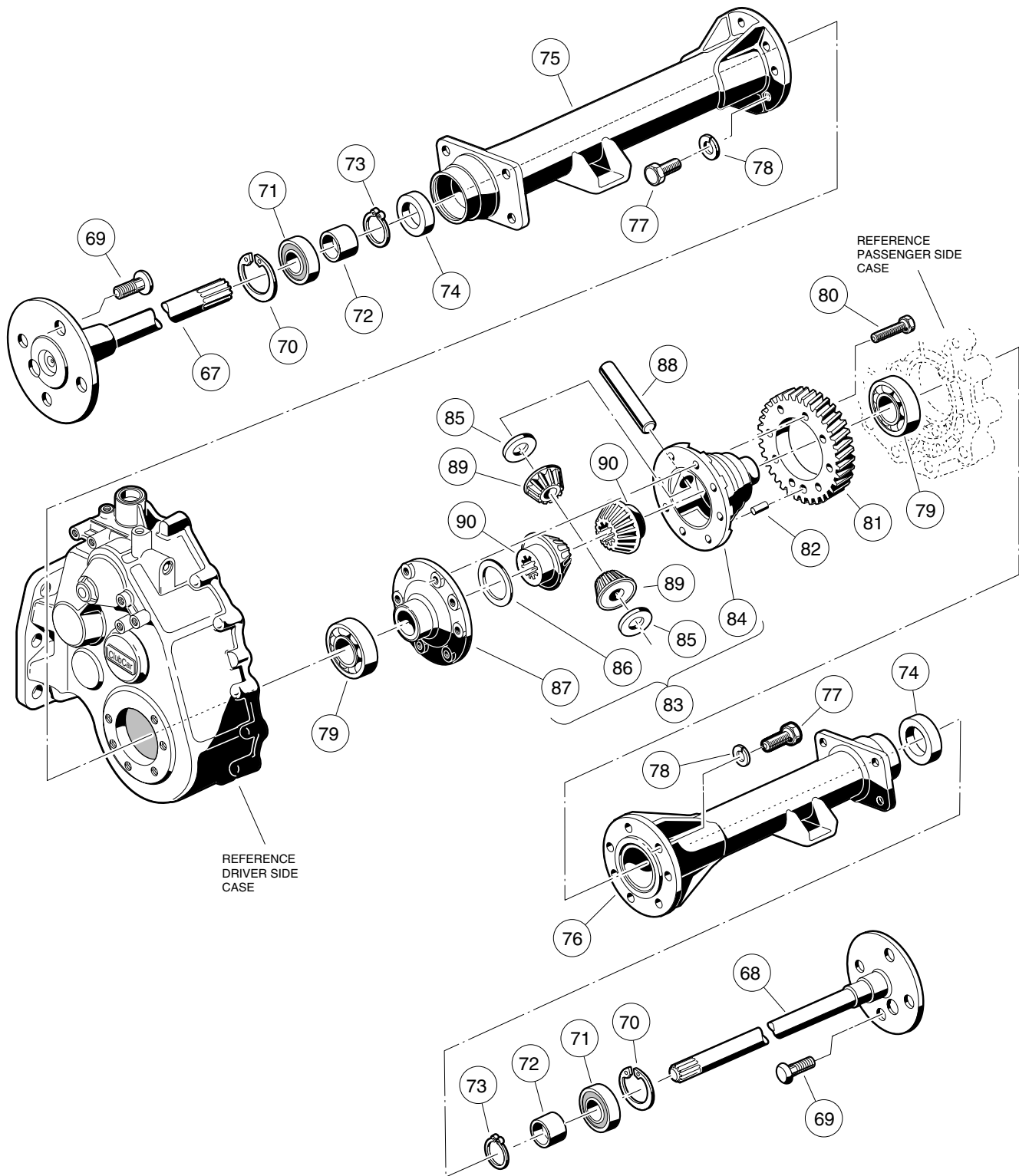


# UNITIZED TRANSAXLE—GASOLINE VEHICLE

| ITEM | PART NO.          | DESCRIPTION                          | QTY |
|------|-------------------|--------------------------------------|-----|
|      |                   | 1 2 3 4                              |     |
| 33   | 1018920-01        | ROD, SHIFT .....                     | 1   |
| 34   | <u>1018900-01</u> | FORK, SHIFT .....                    | 1   |
| 35   | <u>1012748</u>    | SPRING .....                         | 1   |
| 36   | <u>1012747</u>    | BALL, STEEL .....                    | 1   |
| 37   | <u>1018894-01</u> | GUIDE .....                          | 1   |
| 38   | 0007336           | BEARING, BALL .....                  | 2   |
| 39   | <u>1016338</u>    | WASHER, SPRING .....                 | 2   |
| 40   | <u>1018924-01</u> | GEAR, SPUR .....                     | 1   |
| 41   | <u>1018922-01</u> | PLATE, THRUST .....                  | 3   |
| 42   | <u>1018897-01</u> | GEAR ASSEMBLY, 28 TOOTH, INPUT ..... | 1   |
| 43   | 1019276-01        | BEARING, NEEDLE .....                | 3   |
| 44   | <u>1019275-01</u> | BEARING, NEEDLE .....                | 1   |
| 45   | <u>1012742</u>    | RING, SYNCHRONIZER .....             | 2   |
| 46   | <u>1012741</u>    | SPRING, SYNCHRONIZER .....           | 2   |
| 47   | <u>1019280-01</u> | HUB, SYNCHRONIZER CLUTCH .....       | 1   |
| 48   | <u>1012740</u>    | INSERT, SYNCHRONIZER .....           | 3   |
| 49   | <u>1019279-01</u> | SLEEVE, SYNCHRONIZER .....           | 1   |
| 50   | <u>1019277-01</u> | PIN, DOWEL .....                     | 1   |
| 51   | <u>1018899-01</u> | SHAFT, INPUT .....                   | 1   |
| 52   | <u>1018896-01</u> | GEAR ASSEMBLY, 25 TOOTH, INPUT ..... | 1   |
| 53   | <u>1016337</u>    | WASHER, THRUST .....                 | 1   |
| 54   | <u>1019278-01</u> | BEARING, BALL .....                  | 1   |
| 55   | <u>1012714</u>    | SEAL, OIL, INPUT SHAFT .....         | 1   |
| 56   | <u>1018926-01</u> | GEAR, 17 TOOTH .....                 | 1   |
| 57   | <u>1018932-01</u> | KEY .....                            | 1   |
| 58   | <u>1018925-01</u> | GEAR, 61 TOOTH .....                 | 1   |
| 59   | 1019281-01        | BEARING, BALL .....                  | 1   |
| 60   | <u>1018895-01</u> | GUIDE, OIL FLOW.....                 | 1   |
| 61   | <u>1019282-01</u> | SCREW, M8 x 1.25 x 10 MM .....       | 1   |
| 62   | <u>1018939-01</u> | WASHER .....                         | 1   |
| 63   | <u>1018923-01</u> | GOVERNOR ASSEMBLY .....              | 1   |
| 64   | <u>1018916-01</u> | SLEEVE .....                         | 1   |
| 65   | <u>1018919-01</u> | GEAR, CLUSTER IDLER .....            | 1   |
| 66   | 0007335           | BEARING, BALL .....                  | 2   |

12

G





# UNITIZED TRANSAXLE—GASOLINE VEHICLE

| ITEM | PART NO.          | DESCRIPTION  | QTY |
|------|-------------------|--|-----|
|      |                   | 1 2 3 4  |     |
| 67   | <u>1018915-01</u> | AXLE ASSEMBLY, DRIVER SIDE (INCLUDES ITEMS 69 - 73) .....    | 1   |
| 68   | <u>1018914-01</u> | AXLE ASSEMBLY, PASSENGER SIDE (INCLUDES ITEMS 69 - 73) ..... | 1   |
| 69   | <u>1013787</u>    | STUD, LUG .....  | 4   |
| 70   | <u>1013792</u>    | RING, RETAINING .....  | 1   |
| 71   | <u>1011291</u>    | BEARING, OUTER AXLE TUBE .....                               | 1   |
| 72   | <u>1014207</u>    | BUSHING, 25 MM I. D. ....                                    | 1   |
| 73   | <u>1016672</u>    | RING, RETAINING .....  | 1   |
| 74   | <u>1013794</u>    | SEAL, OIL .....  | 1   |
| 75   | <u>1018910-01</u> | ASSEMBLY, AXLE TUBE, DRIVER SIDE .....                       | 1   |
| 76   | <u>1018909-01</u> | ASSEMBLY, AXLE TUBE, PASSENGER SIDE .....                    | 1   |
| 77   | <u>1013790</u>    | BOLT, M10 x 1.5 x 30MM .....                                 | 14  |
| 78   | <u>1013791</u>    | WASHER, LOCK, M10 .....                                      | 14  |
| 79   | 0007330           | BEARING, INNER AXLE TUBE .....                               | 2   |
| 80   | <u>1019283-01</u> | BOLT, M8 x 1.25 x 37MM .....                                 | 8   |
| 81   | <u>1018927-01</u> | GEAR, OUTPUT .....   | 1   |
| 82   | <u>1014193</u>    | PIN, DOWEL .....   | 1   |
| 83   | <u>1019105-01</u> | KIT, DIFFERENTIAL GEAR CASE (INCLUDES ITEMS 84 - 87) .....   | 1   |
| 84   | <u>1013768</u>    | CASE, GEAR CARRIER .....                                     | 1   |
| 85   | <u>1013774</u>    | PLATE, THRUST (IDLER GEAR) .....                             | 2   |
| 86   | <u>1013773</u>    | PLATE, THRUST (DIFFERENTIAL GEAR) .....                      | 1   |
| 87   | <u>1013769</u>    | COVER, GEAR CASE .....                                       | 1   |
| 88   | <u>1013772</u>    | PIN, DIFFERENTIAL .....                                      | 1   |
| 89   | <u>1013770</u>    | GEAR, DIFFERENTIAL IDLER .....                               | 2   |
| 90   | <u>1013771</u>    | GEAR, DIFFERENTIAL .....                                     | 2   |

12

G

**12**

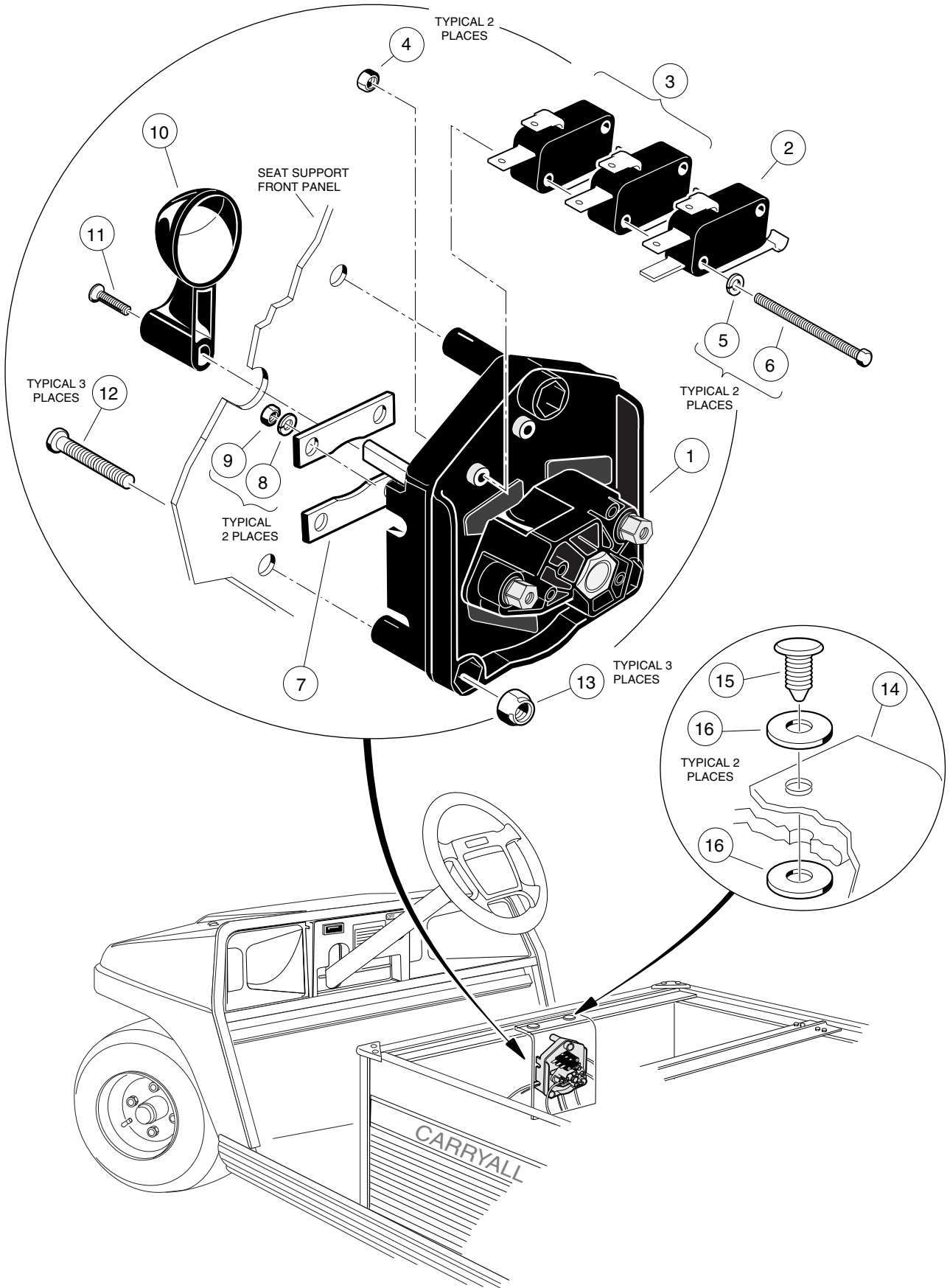
**G**

# ELECTRICAL SYSTEM— ELECTRIC VEHICLE

---

13

E

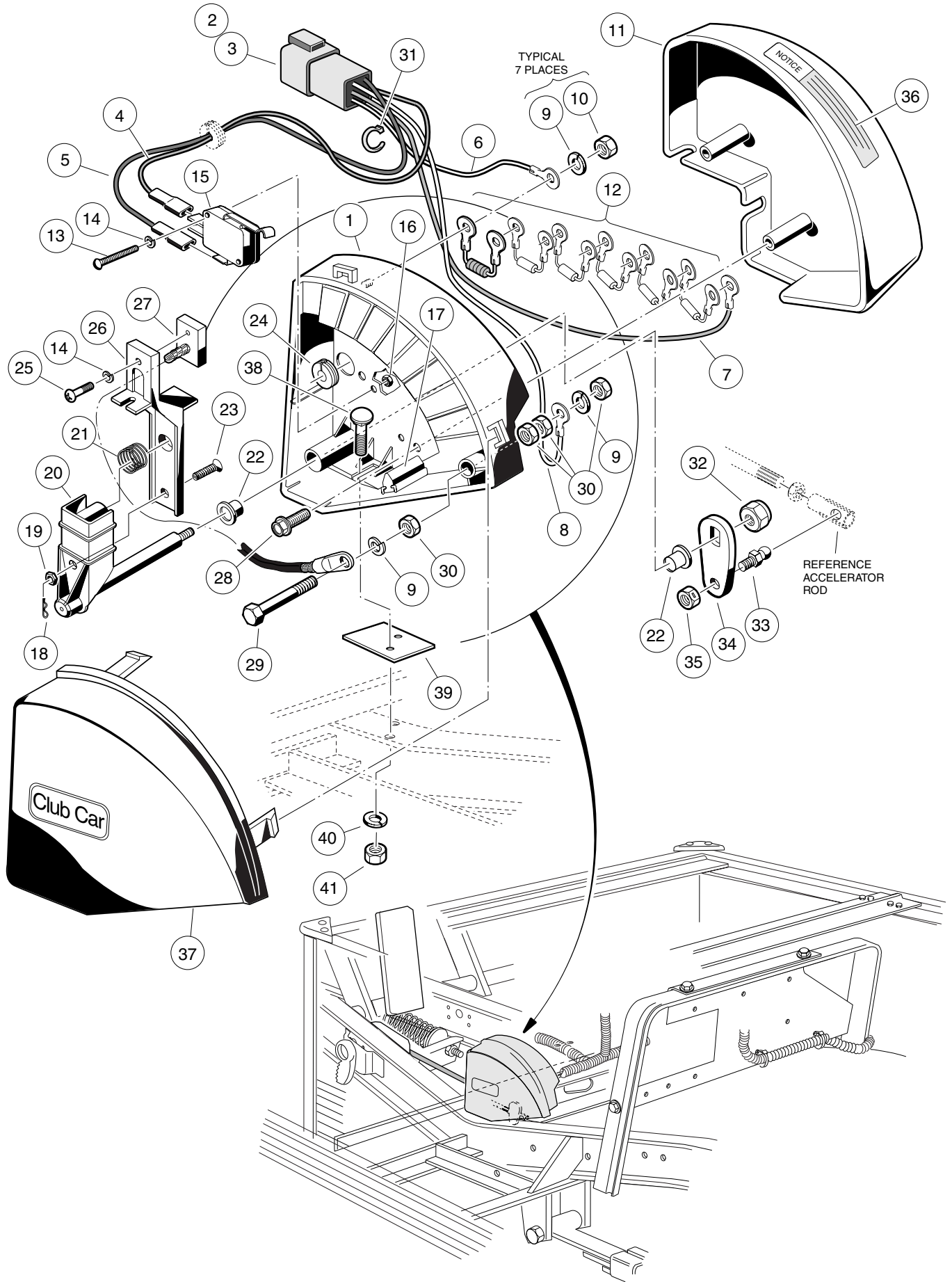


# FORWARD AND REVERSE SWITCH— POWERDRIVE ELECTRIC VEHICLE

| ITEM | PART NO.          | DESCRIPTION   | QTY |
|------|-------------------|---|-----|
|      |                   | 1 2 3 4   |     |
| 1    | <u>1017530-05</u> | ASSEMBLY, FORWARD AND REVERSE SWITCH (INCLUDES ITEMS 2 - 9) .....                     | 1   |
| 2    | <u>1014807</u>    | SWITCH, LIMIT .....   | 1   |
| 3    | <u>1014808</u>    | SWITCH, LIMIT .....   | 2   |
| 4    | 0008057           | NUT, HEX, #4 - 40 .....   | 2   |
| 5    | 0008058           | WASHER, LOCK, #4 .....  | 2   |
| 6    | <u>1014871</u>    | SCREW, HEX WASHER HEAD, #4 - 40 x 2 .....   | 2   |
| 7    | <u>1017799</u>    | BAR, BUS .....  | 2   |
| 8    | 0000451           | WASHER, LOCK, 1/4 .....   | 4   |
| 9    | 0001028           | NUT, HEX, 1/4 - 20 .....  | 4   |
| 10   | <u>1012987</u>    | HANDLE, FORWARD AND REVERSE SWITCH .....  | 1   |
| 11   | <u>1013198</u>    | SCREW, PHILLIPS HEAD MACHINE, #8 - 32 x 5/8 .....                                     | 1   |
| 12   | 1016845           | SCREW, PHILLIPS TRUSS HEAD, 1/4 - 20 x 2 1/8 .....                                    | 3   |
| 13   | 0008233           | NUT, NYLON LOCK, 1/4 - 20 .....   | 3   |
| 14   | 1018962-01        | KIT, FORWARD AND REVERSE SWITCH COVER (INCLUDES ITEM 15)<br>(CARRYALL I AND II) ..... | 1   |
| 15   | <u>1010434</u>    | BARREL, PLASTIC .....   | 2   |
| 16   | <u>1014306</u>    | WASHER, FLAT, TYPE B, 1/4 (CARRYALL I AND II) .....                                   | 4   |

13

E



# MULTI-STEP POTENTIOMETER— CARRYALL I POWERDRIVE ELECTRIC VEHICLE

13

E

| ITEM | PART NO.          | DESCRIPTION  | QTY |
|------|-------------------|--|-----|
|      |                   | 1 2 3 4  |     |
|      | 1019320-03        | ASSEMBLY, WIPER SWITCH (INCLUDES ITEMS 1 - 37) .....         | 1   |
| 1    | <u>1014999</u>    | ASSEMBLY, WIPER SWITCH CASE, 6 SPEED .....                   | 1   |
| 2    | 1019580-02        | ASSEMBLY, 5-WIRE AND RECEPTACLE (INCLUDES ITEMS 3 - 8) ..... | 1   |
| 3    | <u>1019326-01</u> | KIT, 6-PIN RECEPTACLE .....                                  | 1   |
| 4    | N/A               | WIRE ASSEMBLY, #18 GREEN/WHITE .....                         | 1   |
| 5    | N/A               | WIRE ASSEMBLY, #18 BLUE .....                                | 1   |
| 6    | N/A               | WIRE ASSEMBLY, #18 BLACK/WHITE .....                         | 1   |
| 7    | N/A               | WIRE ASSEMBLY, #18 PURPLE.....                               | 1   |
| 8    | N/A               | WIRE ASSEMBLY, #18 YELLOW.....                               | 1   |
| 9    | 0000451           | WASHER, LOCK, 1/4 .....                                      | 17  |
| 10   | 0001014           | NUT, BRASS HEX, 1/4 - 20 .....                               | 15  |
| 11   | <u>1019469-01</u> | PROTECTOR, WIPER SWITCH RESISTOR .....                       | 1   |
| 12   | <u>1019711-01</u> | KIT, RESISTOR ASSEMBLY .....                                 | 1   |
| 13   | 0008056           | SCREW, ROUND HEAD MACHINE, #4 - 40 x 3/4 .....               | 2   |
| 14   | 0008058           | WASHER, LOCK, #4 .....                                       | 3   |
| 15   | <u>1014807</u>    | SWITCH, LIMIT.....   | 1   |
| 16   | 0008057           | NUT, HEX, #4 - 40 .....                                      | 2   |
| 17   | 1014414           | BUMPER, WIPER SWITCH .....                                   | 1   |
| 18   | <u>1014413</u>    | PIN, HAIR SPRING COTTER .....                                | 1   |
| 19   | 0007893           | NUT, HEX, #10 - 32 .....                                     | 1   |
| 20   | <u>1014017</u>    | CARRIER, WIPER SWITCH ARM .....                              | 1   |
| 21   | <u>1013998</u>    | SPRING, WIPER SWITCH BRUSH .....                             | 1   |
| 22   | <u>1012903</u>    | BEARING, BRONZE .....  | 2   |
| 23   | <u>1014000</u>    | STUD, WIPER SWITCH ADJUSTING .....                           | 1   |
| 24   | <u>1014010</u>    | GROMMET, SPLIT .....   | 1   |
| 25   | <u>1014019</u>    | SCREW, SELF-TAPPING, #4 - 40 x 3/8 .....                     | 1   |
| 26   | <u>1013887</u>    | ARM, SPEED SWITCH .....                                      | 1   |
| 27   | <u>1013860</u>    | ASSEMBLY, SWITCH BRUSH .....                                 | 1   |
| 28   | <u>1013461</u>    | SCREW, HEX HEAD HI-LO, #10 - 16 x 1/2 .....                  | 2   |
| 29   | <u>1014189</u>    | SCREW, HEX HEAD CAP, 1/4 - 20 x 2 .....                      | 1   |
| 30   | <u>1014253</u>    | NUT, BRASS HEX JAM, 1/4 - 20 .....                           | 3   |
| 31   | 0008990           | WRAP, TIE .....  | 1   |
| 32   | 0007473           | NUT, NYLON LOCK, 5/16 - 18 .....                             | 1   |
| 33   | <u>1012353</u>    | STUD, SHORT BALL, 1/4 - 28 .....                             | 1   |
| 34   | <u>1014003</u>    | CRANK, BELL .....  | 1   |
| 35   | 0008449           | NUT, DIMPLED LOCK, 1/4 - 28 .....                            | 1   |
| 36   | <u>1016109-01</u> | DECAL, WIPER SWITCH WARNING .....                            | 1   |
| 37   | <u>1013886</u>    | COVER, WIPER SWITCH .....                                    | 1   |
| 38   | <u>1014109</u>    | BOLT, CARRIAGE, #10 - 24 x 1 .....                           | 2   |
| 39   | <u>1019492-01</u> | SHIM, WIPER SWITCH .....                                     | 1   |
| 40   | <u>1016175</u>    | WASHER, LOCK, #10 .....                                      | 2   |
| 41   | 0001017           | NUT, HEX, #10 - 24 .....                                     | 2   |





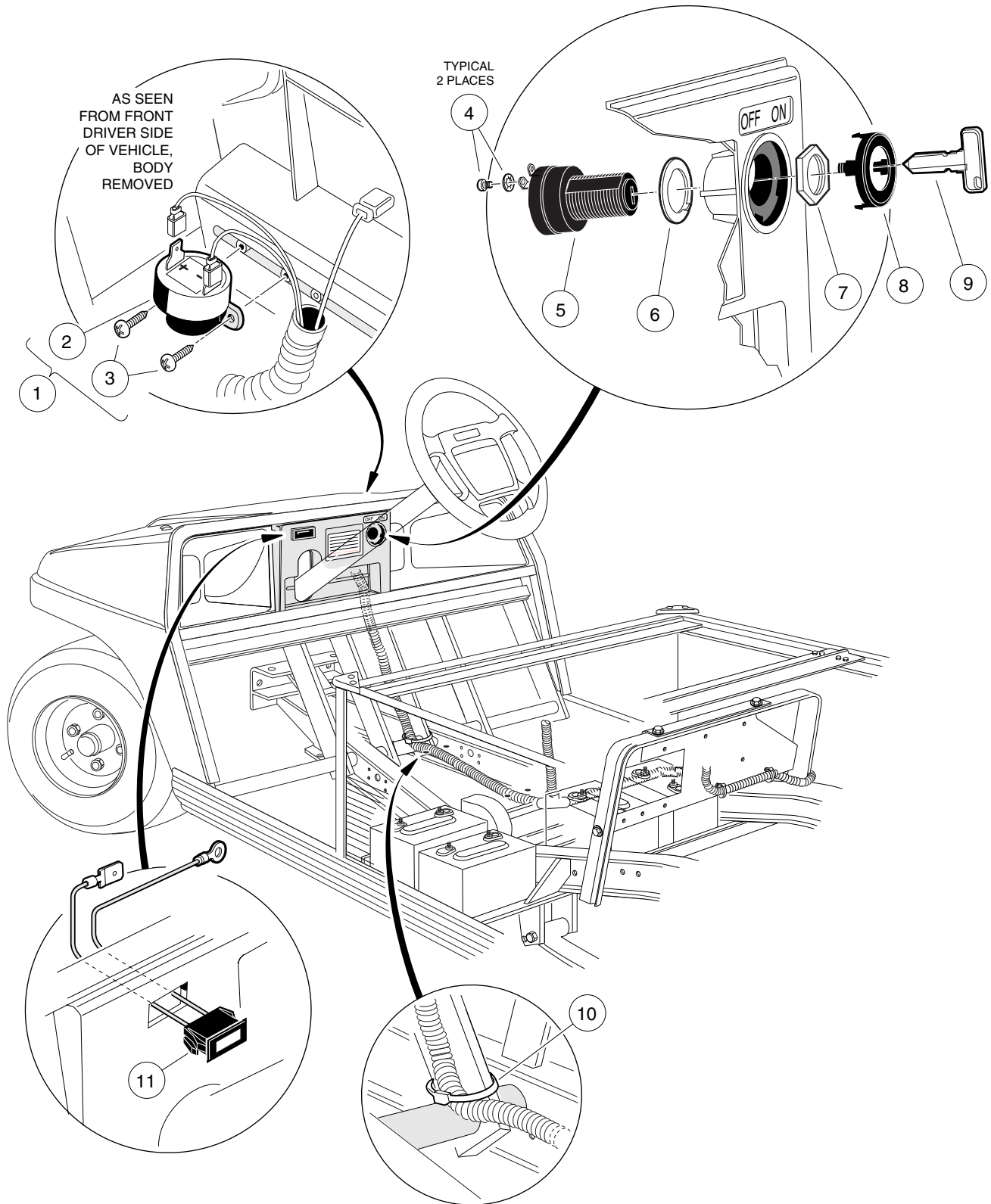
# WIRING—

## CARRYALL I POWERDRIVE ELECTRIC VEHICLE

13

E

| ITEM | PART NO.          | DESCRIPTION   | QTY |
|------|-------------------|---|-----|
|      |                   | 1 2 3 4   |     |
|      | <u>1019110-02</u> | WIRE HARNESS (INCLUDES ITEMS 1 - 20) .....                            | 1   |
| 1    | N/A               | WIRE ASSEMBLY, #18 BROWN .....  | 1   |
| 2    | 1019327-01        | KIT, 6-PIN PLUG ASSEMBLY .....  | 1   |
| 3    | N/A               | WIRE ASSEMBLY, #18 BLUE .....   | 1   |
| 4    | N/A               | WIRE ASSEMBLY, #18 PURPLE .....                                       | 1   |
| 5    | N/A               | WIRE ASSEMBLY, #18 YELLOW .....                                       | 1   |
| 6    | N/A               | WIRE ASSEMBLY, #18 GREEN/WHITE .....                                  | 1   |
| 7    | <u>1018830-02</u> | WIRE ASSEMBLY, #18 BLACK (INCLUDES RESISTOR AND #18 WHITE WIRE) ..... | 1   |
| 8    | N/A               | WIRE ASSEMBLY, #18 GREEN .....  | 1   |
| 9    | N/A               | WIRE ASSEMBLY, #18 WHITE/BLACK .....                                  | 1   |
| 10   | <u>1019014-01</u> | WIRE ASSEMBLY, #6 BLUE .....  | 1   |
| 11   | <u>1019012-01</u> | WIRE ASSEMBLY, #6 ORANGE .....  | 1   |
| 12   | 1019111-01        | WIRE ASSEMBLY, #6 WHITE .....   | 1   |
| 13   | N/A               | WIRE ASSEMBLY, #18 RED/WHITE .....                                    | 1   |
| 14   | N/A               | WIRE ASSEMBLY, #18 RED .....  | 1   |
| 15   | N/A               | WIRE ASSEMBLY, #18 GREEN .....  | 1   |
| 16   | N/A               | WIRE ASSEMBLY, #18 RED .....  | 1   |
| 17   | N/A               | WIRE ASSEMBLY, #18 ORANGE .....                                       | 1   |
| 18   | N/A               | WIRE ASSEMBLY, #18 RED .....  | 1   |
| 19   | <u>1019013-01</u> | WIRE ASSEMBLY, #6 BLUE .....  | 1   |
| 20   | N/A               | WIRE ASSEMBLY, #18 YELLOW .....                                       | 1   |
| 21   | N/A               | WIRE ASSEMBLY, #10 BLACK (PART OF ON-BOARD COMPUTER ASSEMBLY) .....   | 1   |
| 22   | N/A               | WIRE ASSEMBLY, #18 GRAY (PART OF ON-BOARD COMPUTER ASSEMBLY) .....    | 1   |
| 23   | N/A               | WIRE ASSEMBLY, #10 RED (PART OF FUSE AND RECEPTACLE ASSEMBLY) .....   | 1   |
| 24   | <u>1017957-01</u> | WIRE ASSEMBLY, #6 BLACK .....   | 5   |
| 25   | N/A               | WIRE ASSEMBLY, #18 ORANGE/WHITE (PART OF BATTERY LIGHT) .....         | 1   |
| 26   | <u>1014947</u>    | ASSEMBLY, RESISTOR .....  | 1   |
| 27   | <u>1019028-01</u> | WIRE ASSEMBLY, #6 RED .....   | 1   |
| 28   | 1014948           | ASSEMBLY, DIODE .....   | 1   |
| 29   | <u>1019030-01</u> | WIRE ASSEMBLY, #6 YELLOW .....  | 1   |
| 30   | <u>1019029-01</u> | WIRE ASSEMBLY, #6 GREEN .....   | 1   |
| 31   | <u>1014856</u>    | WIRE ASSEMBLY, #6 WHITE .....   | 1   |
| 32   | N/A               | WIRE ASSEMBLY, #10 BLACK (PART OF ON-BOARD COMPUTER ASSEMBLY) .....   | 1   |
| 33   | <u>1019201-01</u> | KIT, 3-PIN PLUG ASSEMBLY .....  | 1   |
| 34   | 1018278-01        | KIT, WIRE AND TERMINAL, #6 BLACK .....                                | 1   |

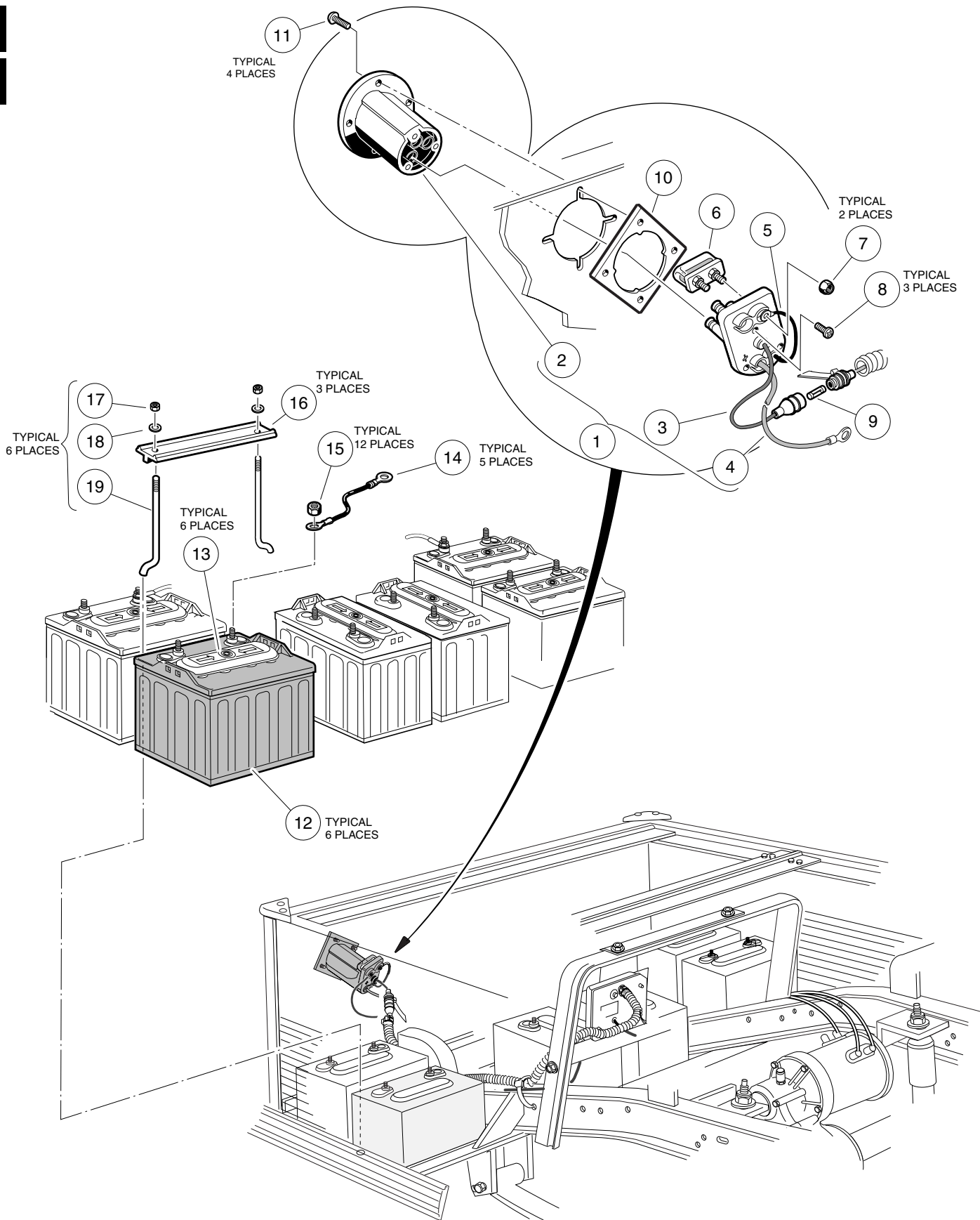


# ELECTRICAL COMPONENTS, FRONT BODY— CARRYALL I AND II POWERDRIVE ELECTRIC VEHICLES

| ITEM | PART NO.          | DESCRIPTION  | QTY |
|------|-------------------|--|-----|
|      |                   | 1 2 3 4  |     |
| 1    | <u>1016859</u>    | KIT, REVERSE BUZZER (INCLUDES ITEMS 2 AND 3) ..... | 1   |
| 2    | <u>1016851</u>    | BUZZER, REVERSE .....                              | 1   |
| 3    | <u>1016849</u>    | SCREW, PAN HEAD HI-LO, #4 - 24 x 5/16 .....        | 2   |
| 4    | 1018306-01        | ASSEMBLY, SCREW AND WASHER .....                   | 2   |
| 5    | <u>1018262-01</u> | SWITCH, KEY .....                                  | 1   |
| 6    | <u>1018511-01</u> | WASHER .....                                       | 1   |
| 7    | <u>1018307-01</u> | NUT, KEY SWITCH .....                              | 1   |
| 8    | <u>1018345-02</u> | CAP, KEY SWITCH (BLACK) .....                      | 1   |
| 9    | <u>1012505</u>    | KEY (PAIR) .....                                   | 1   |
| 10   | 0008990           | TIE, WIRE .....                                    | 2   |
| 11   | <u>1019355-01</u> | LIGHT, BATTERY WARNING (AMBER) .....               | 1   |

13

E

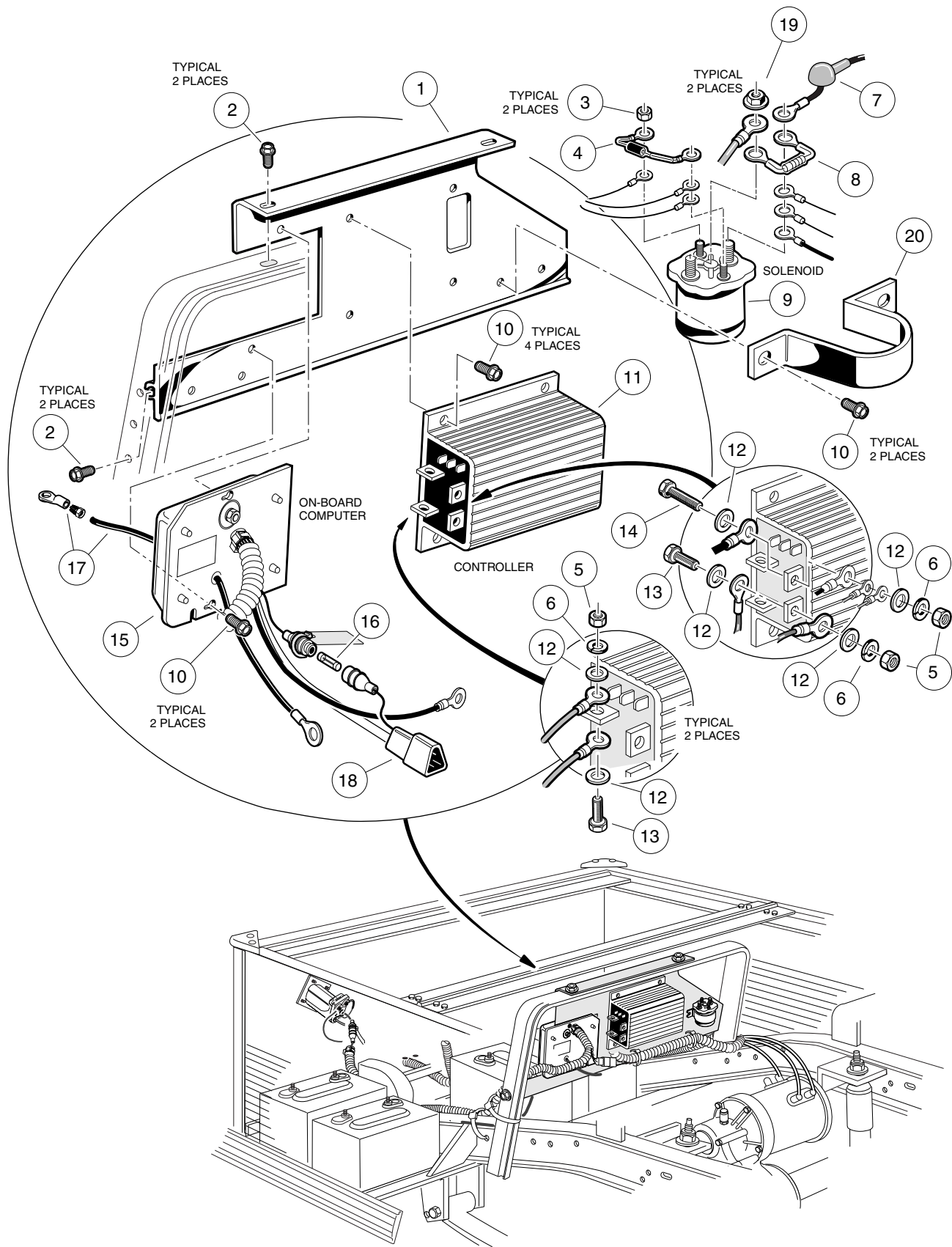


# BATTERIES, CHARGER RECEPTACLE— CARRYALL I POWERDRIVE ELECTRIC VEHICLE

| ITEM | PART NO.          | DESCRIPTION   | QTY |
|------|-------------------|---|-----|
|      |                   | 1 2 3 4   |     |
| 1    | <u>1018021-01</u> | KIT, FUSE AND RECEPTACLE (INCLUDES ITEMS 2 - 9) ..... | 1   |
| 2    | <u>1017965-01</u> | BEZEL, RECEPTACLE .....                               | 1   |
| 3    | N/A               | WIRE ASSEMBLY, SENSE LEAD, GRAY .....                 | 1   |
| 4    | N/A               | WIRE ASSEMBLY, #10 RED .....                          | 1   |
| 5    | N/A               | WIRE ASSEMBLY, #10 BLACK .....                        | 1   |
| 6    | <u>1017968-01</u> | ASSEMBLY, FUSE, 48 VOLT (INCLUDES ITEM 7) .....       | 1   |
| 7    | <u>1013061</u>    | NUT, NYLON LOCK, #10 .....                            | 2   |
| 8    | <u>1017705</u>    | SCREW, PHILLIPS PAN HEAD, #8 TYPE AB .....            | 3   |
| 9    | <u>1018949-01</u> | ASSEMBLY, FUSE, 3/8 AMP .....                         | 1   |
| 10   | <u>1018010-01</u> | PLATE, RECEPTACLE BACKING .....                       | 1   |
| 11   | <u>1018320-01</u> | SCREW, PHILLIPS PAN HEAD, #7 - 18 x 3/4 .....         | 4   |
| 12   | <u>1017977-01</u> | BATTERY, 8 VOLT POWERDRIVE .....                      | 6   |
| 12   | <u>1017977-02</u> | BATTERY, 8 VOLT POWERDRIVE, DRY .....                 | 6   |
| 13   | <u>1017978-01</u> | CAP, BATTERY, 4 PORT GANG .....                       | 6   |
| 14   | <u>1017957-01</u> | WIRE ASSEMBLY, #6 BLACK .....                         | 5   |
| 15   | <u>1014304</u>    | NUT, HEX, STAINLESS STEEL, 5/16 - 18 .....            | 12  |
| 16   | <u>1018030-01</u> | HOLD-DOWN, BATTERY .....                              | 3   |
| 17   | 1015072           | NUT, NYLON LOCK, STAINLESS STEEL, 5/16 - 18 .....     | 6   |
| 18   | <u>1011578</u>    | WASHER, FLAT, TYPE B WIDE, 5/16 .....                 | 6   |
| 19   | 1013683           | J-BOLT .....  | 6   |

13

E

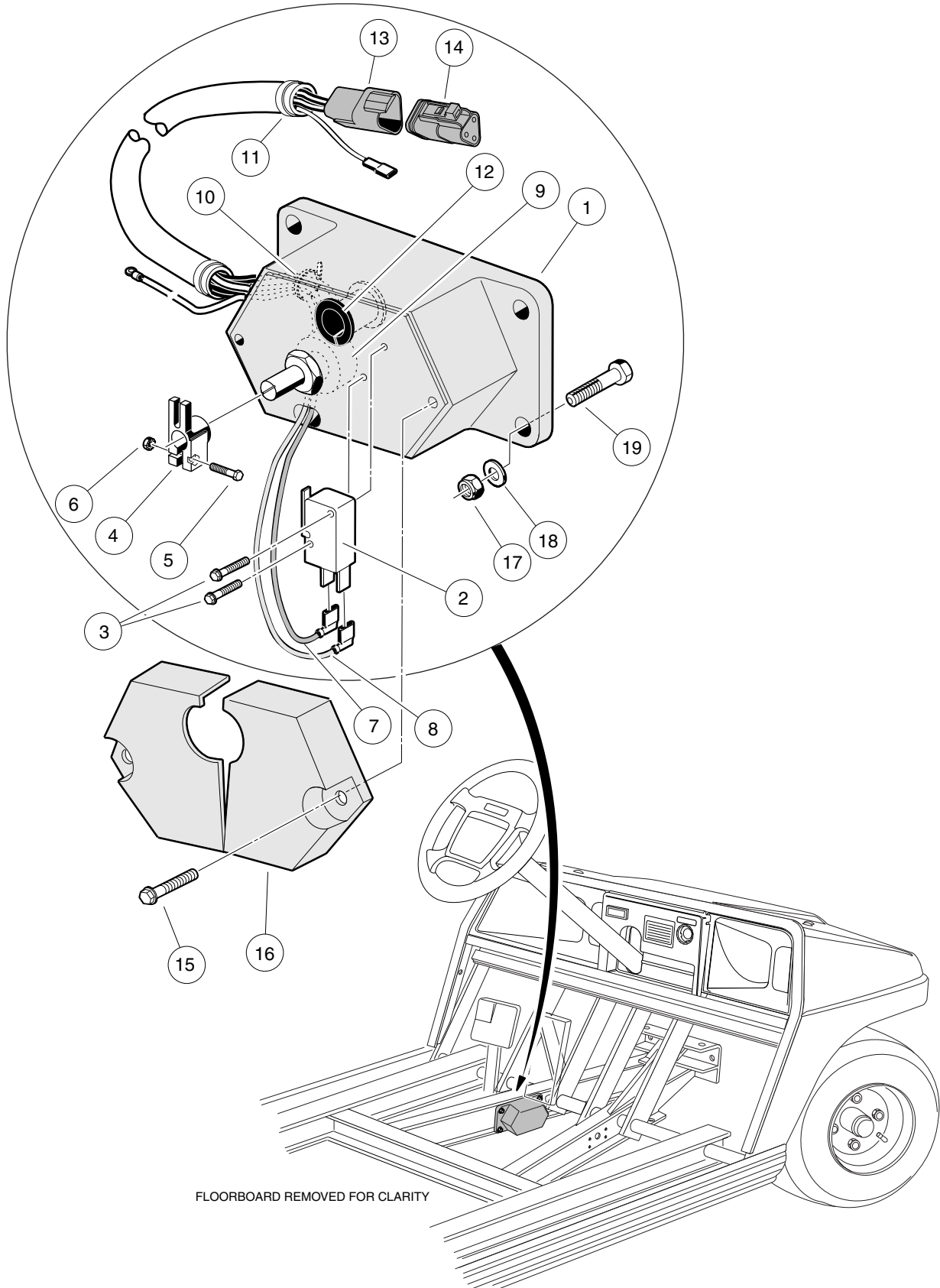


# COMPUTER, CONTROLLER, AND SOLENOID— CARRYALL I POWERDRIVE ELECTRIC VEHICLE

| ITEM | PART NO.          | DESCRIPTION   | QTY |
|------|-------------------|---|-----|
|      |                   | 1 2 3 4   |     |
| 1    | 1019652-01        | PLATE, COMPONENT MOUNTING .....                         | 1   |
| 2    | <u>1014288</u>    | SCREW, THREAD-FORMING, 5/16 - 18 x 3/4 .....            | 4   |
| 3    | 0007893           | NUT, HEX, #10 - 32 .....                                | 2   |
| 4    | 1014948           | ASSEMBLY, DIODE .....                                   | 1   |
| 5    | 0001242           | NUT, HEX, 5/16 - 18 .....                               | 5   |
| 6    | 0007174           | WASHER, LOCK, 5/16 .....                                | 5   |
| 7    | <u>1019026-01</u> | BOOT, WIRE .....  | 1   |
| 8    | <u>1014947</u>    | ASSEMBLY, RESISTOR .....                                | 1   |
| 9    | <u>1018836-01</u> | SOLENOID, 48 VOLT (WITH MOUNTING BRACKET) .....         | 1   |
| 10   | <u>1012285</u>    | SCREW, THREAD-ROLLING, 1/4 - 20 x 5/8 .....             | 8   |
| 11   | <u>1018402-03</u> | CONTROLLER, 48 VOLT (300 AMP) .....                     | 1   |
| 12   | 0001241           | WASHER, FLAT, 5/16 .....                                | 6   |
| 13   | 0007173           | BOLT, HEX HEAD, 5/16 - 18 x 3/4 .....                   | 3   |
| 14   | 0001218           | BOLT, HEX HEAD, 5/16 - 18 x 1 1/4 .....                 | 1   |
| 15   | <u>1019099-01</u> | COMPUTER, ON-BOARD (INCLUDES ITEMS 16, 17 AND 18) ..... | 1   |
| 16   | <u>1018949-01</u> | FUSE ASSEMBLY, 3/8 AMP .....                            | 2   |
| 17   | 1018278-01        | KIT, WIRE AND TERMINAL, #6 BLACK .....                  | 1   |
| 18   | <u>1019423-01</u> | KIT, 3-PIN RECEPTACLE .....                             | 1   |
| 19   | <u>1017237</u>    | NUT, FLANGE, 5/16 - 24 .....                            | 2   |
| 20   | <u>1019579-01</u> | BRACKET, MOUNTING .....                                 | 1   |

13  
E

**13**  
**E**



FLOORBOARD REMOVED FOR CLARITY

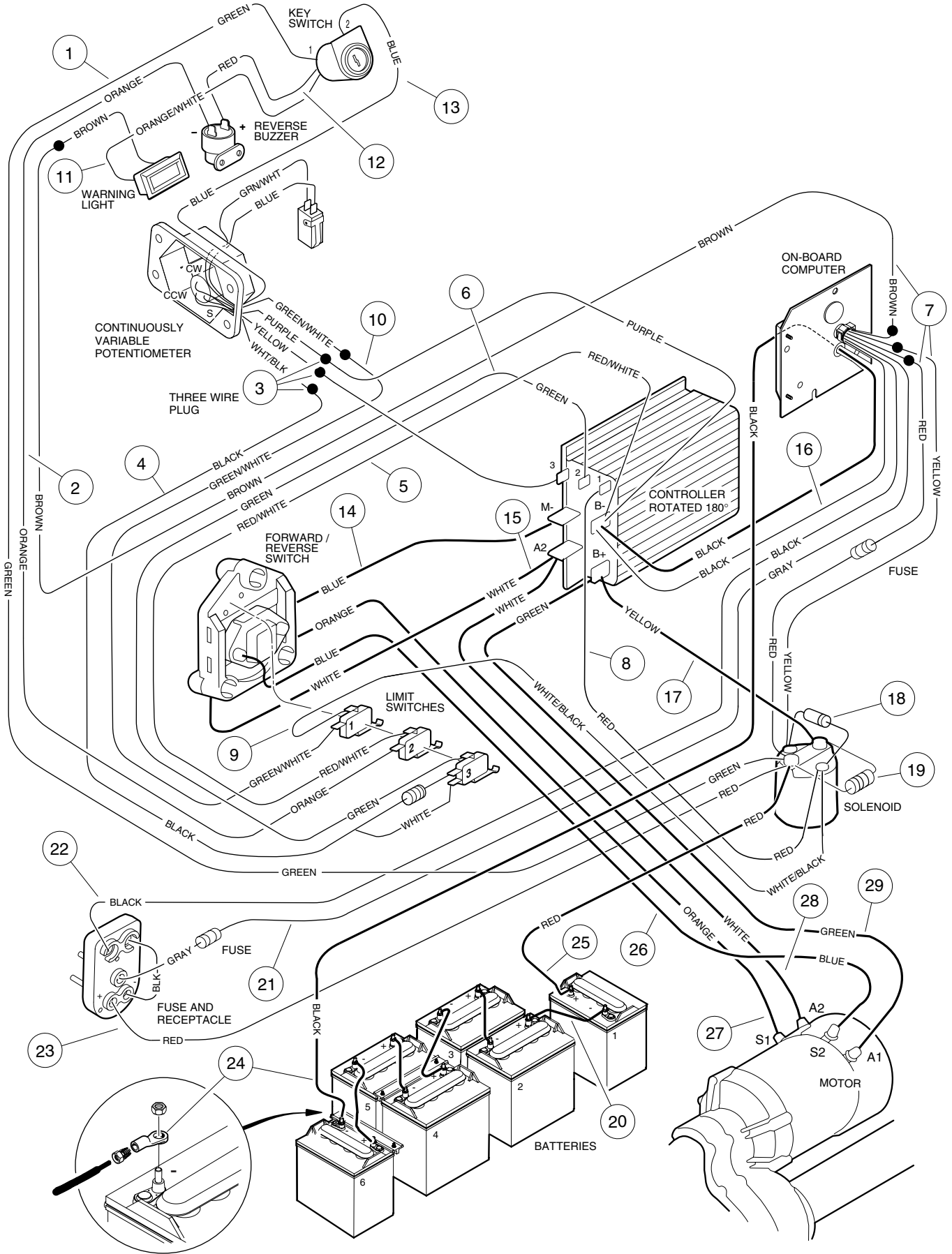


# CONTINUOUSLY VARIABLE POTENTIOMETER— CARRYALL II AND VI POWERDRIVE ELECTRIC VEHICLES

| ITEM | PART NO.          | DESCRIPTION   | QTY |
|------|-------------------|---|-----|
|      |                   | 1 2 3 4   |     |
|      | <u>1017392-01</u> | ASSEMBLY, POTENTIOMETER HOUSING WITH GREY PLUG<br>(INCLUDES ITEMS 1 - 13) ..... | 1   |
| 1    | N/A               | HOUSING, POTENTIOMETER .....  | 1   |
| 2    | <u>1017830</u>    | SWITCH, LIMIT .....   | 1   |
| 3    | <u>1018226-01</u> | SCREW, HEX HEAD, #4 - 24 .....  | 2   |
| 4    | <u>1018090-01</u> | LEVER, POTENTIOMETER .....  | 1   |
| 5    | <u>1017853</u>    | SCREW, HEX HEAD, #6 - 32 x 3/4 .....  | 1   |
| 6    | <u>1011229</u>    | NUT, LOCK, "K", #6 - 32 .....   | 1   |
| 7    | N/A               | WIRE ASSEMBLY, #18 BLUE .....   | 1   |
| 8    | N/A               | WIRE ASSEMBLY, #18 GREEN/WHITE .....  | 1   |
| 9    | N/A               | POTENTIOMETER .....   | 1   |
| 10   | 0008990           | WRAP, TIE .....   | 3   |
| 11   | N/A               | CONDUIT, ELECTRICAL .....   | 1   |
| 12   | <u>1017424</u>    | BEARING, PIVOT SUPPORT .....  | 1   |
| 13   | <u>1018951-01</u> | RECEPTACLE, 3-PIN .....   | 1   |
| 14   | <u>1019201-01</u> | KIT, 3-PIN PLUG .....   | 1   |
| 15   | <u>1018043-01</u> | SCREW, HI-LO HEX HEAD, #8 - 18 x 1/2 .....                                      | 2   |
| 16   | <u>1017743</u>    | COVER, ACCELERATOR .....  | 1   |
| 17   | 0008233           | NUT, NYLON LOCK, 1/4 - 20 .....   | 4   |
| 18   | 0000332           | WASHER, FLAT, 1/4 .....   | 4   |
| 19   | <u>1018619-01</u> | SCREW, HEX HEAD CAP, 1/4 - 20 x 1 1/8 .....                                     | 4   |

13  
E

**13**  
**E**



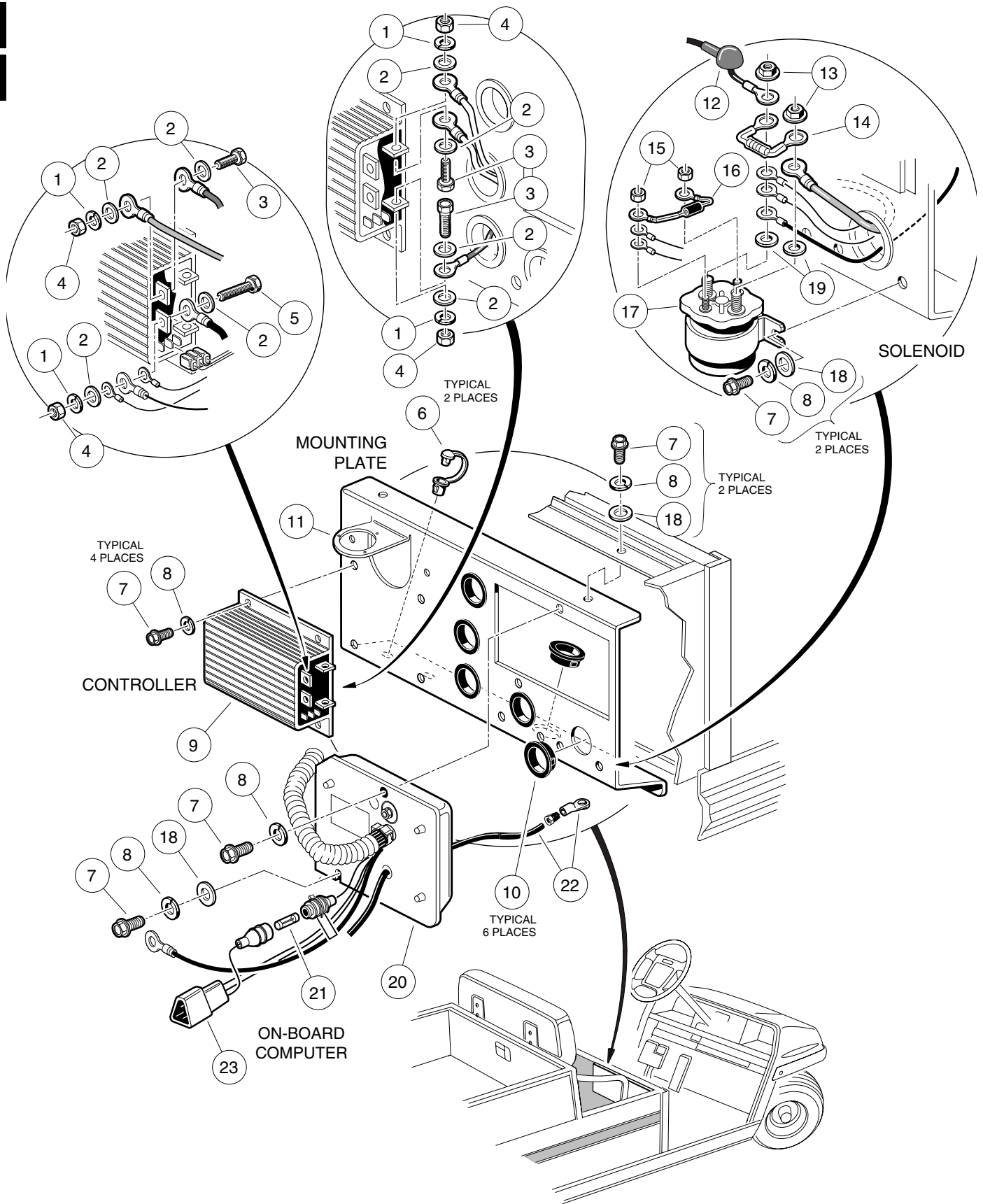
# WIRING—

## CARRYALL II POWERDRIVE ELECTRIC VEHICLE

| ITEM | PART NO.          | DESCRIPTION  | QTY |
|------|-------------------|--|-----|
|      |                   | 1 2 3 4  |     |
|      | <u>1019116-01</u> | WIRE HARNESS (INCLUDES ITEMS 1 - 9) .....                                | 1   |
| 1    | N/A               | WIRE ASSEMBLY, #18 GREEN .....   | 1   |
| 2    | N/A               | WIRE ASSEMBLY, #18 ORANGE .....  | 1   |
| 3    | <u>1018651-06</u> | ASSEMBLY, 3-PIN PLUG (INCLUDES #18 PURPLE, #18 YELLOW AND ITEM 4) .....  | 1   |
| 4    | <u>1018830-02</u> | WIRE ASSEMBLY, #18 BLACK (INCLUDES RESISTOR AND #18 WHITE WIRE) .....    | 1   |
| 5    | N/A               | WIRE ASSEMBLY, #18 RED/WHITE .....                                       | 1   |
| 6    | N/A               | WIRE ASSEMBLY, #18 GREEN .....   | 1   |
| 7    | <u>1019308-01</u> | ASSEMBLY, 3-PIN PLUG (INCLUDES #18 BROWN, #18 YELLOW, AND #18 RED) ..... | 1   |
| 8    | N/A               | WIRE ASSEMBLY, #18 RED .....   | 1   |
| 9    | N/A               | WIRE ASSEMBLY, #18 WHITE/BLACK .....                                     | 1   |
| 10   | N/A               | WIRE ASSEMBLY, #18 GREEN/WHITE .....                                     | 1   |
| 11   | N/A               | WIRE ASSEMBLY, #18 ORANGE/WHITE (PART OF BATTERY LIGHT) .....            | 1   |
| 12   | N/A               | WIRE ASSEMBLY, #18 RED .....   | 1   |
| 13   | N/A               | WIRE ASSEMBLY, #18 BLUE (PART OF POTENTIOMETER ASSEMBLY) .....           | 1   |
| 14   | <u>1019088-01</u> | WIRE ASSEMBLY, #6 BLUE .....   | 1   |
| 15   | <u>1016729</u>    | WIRE ASSEMBLY, #6 WHITE .....  | 1   |
| 16   | N/A               | WIRE ASSEMBLY, #10 BLACK (PART OF ON-BOARD COMPUTER ASSEMBLY) .....      | 1   |
| 17   | <u>1016732</u>    | WIRE ASSEMBLY, #6 YELLOW .....   | 1   |
| 18   | 1014948           | ASSEMBLY, DIODE .....  | 1   |
| 19   | <u>1014947</u>    | ASSEMBLY, RESISTOR .....   | 1   |
| 20   | <u>1017957-01</u> | WIRE ASSEMBLY, #6 BLACK .....  | 5   |
| 21   | N/A               | WIRE ASSEMBLY, #18 GREY (PART OF ON-BOARD COMPUTER ASSEMBLY) .....       | 1   |
| 22   | N/A               | WIRE ASSEMBLY, #10 BLACK (PART OF ON-BOARD COMPUTER ASSEMBLY) .....      | 1   |
| 23   | N/A               | WIRE ASSEMBLY, #10 RED (PART OF FUSE AND RECEPTACLE ASSEMBLY) .....      | 1   |
| 24   | 1018278-03        | KIT, WIRE AND TERMINAL, #6 BLACK .....                                   | 1   |
| 25   | <u>1019045-01</u> | WIRE ASSEMBLY, #6 RED .....  | 1   |
| 26   | <u>1019046-01</u> | WIRE ASSEMBLY, #6 BLUE .....   | 1   |
| 27   | <u>1019047-01</u> | WIRE ASSEMBLY, #6 ORANGE .....   | 1   |
| 28   | <u>1019089-01</u> | WIRE ASSEMBLY, #6 WHITE .....  | 1   |
| 29   | <u>1019044-01</u> | WIRE ASSEMBLY, #6 GREEN .....  | 1   |

13

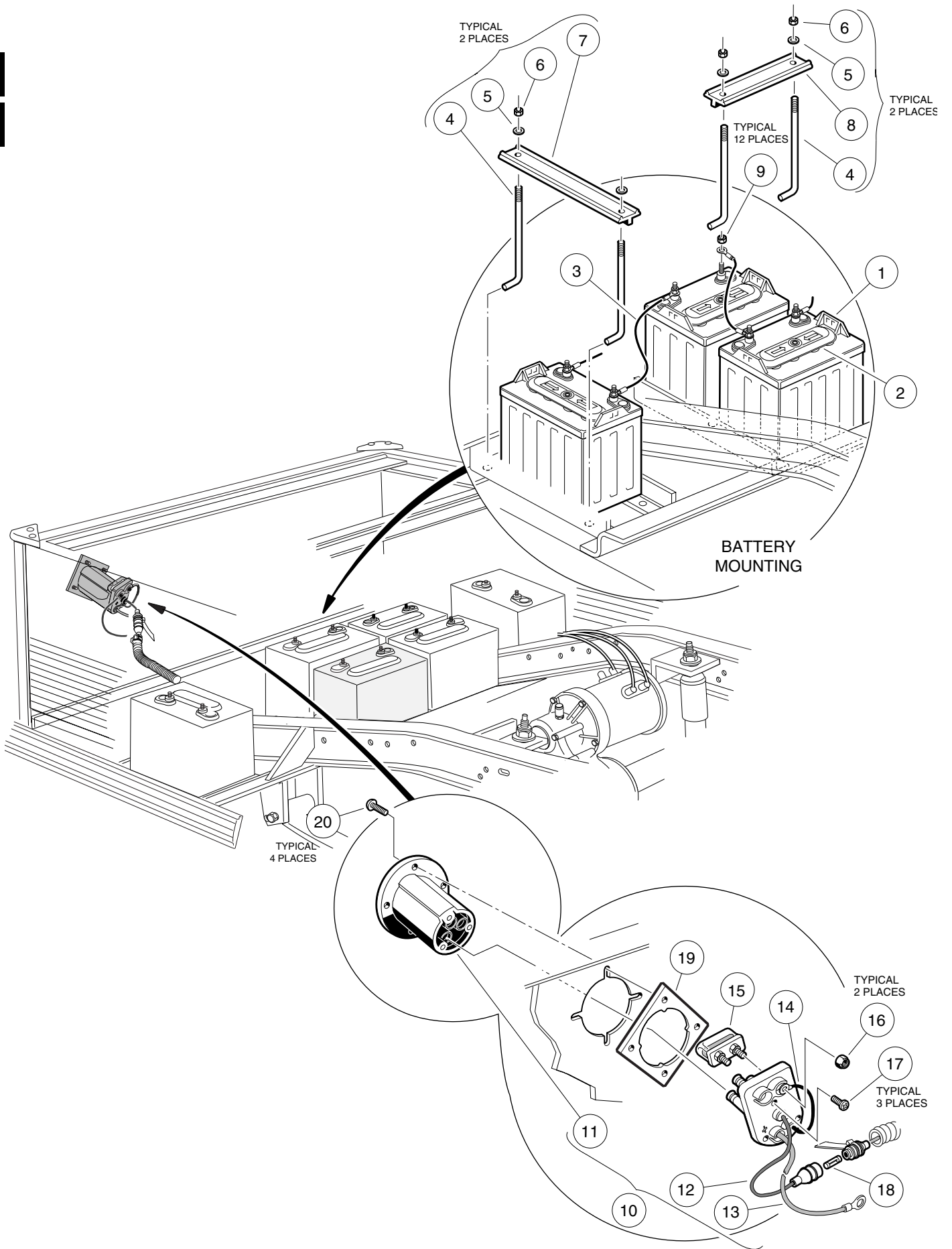
E



# COMPUTER, CONTROLLER, AND SOLENOID— CARRYALL II POWERDRIVE VEHICLE

| ITEM | PART NO.          | DESCRIPTION   | QTY |
|------|-------------------|---|-----|
|      |                   | 1 2 3 4   |     |
| 1    | 0007174           | WASHER, LOCK, 5/16 .....                                | 4   |
| 2    | 0001241           | WASHER, FLAT, 5/16 .....                                | 8   |
| 3    | 0007173           | BOLT, HEX HEAD, 5/16 - 18 x 3/4 .....                   | 3   |
| 4    | 0001242           | NUT, HEX, 5/16 - 18 .....                               | 4   |
| 5    | 0001218           | BOLT, HEX HEAD, 5/16 - 18 x 1 1/4 .....                 | 1   |
| 6    | <u>1019183-01</u> | CLAMP, WIRE .....                                       | 2   |
| 7    | <u>1012285</u>    | SCREW, HEX HEAD THREAD ROLLING, 1/4 - 20 x 5/8 .....    | 10  |
| 8    | 0000451           | WASHER, LOCK, 1/4 .....                                 | 10  |
| 9    | <u>1018402-03</u> | CONTROLLER, 48 VOLT (300 AMP) .....                     | 1   |
| 10   | <u>1019243-01</u> | BUSHING, SNAP .....                                     | 6   |
| 11   | <u>1019117-01</u> | PLATE, MOUNTING .....                                   | 1   |
| 12   | <u>1019026-01</u> | BOOT, WIRE .....  | 1   |
| 13   | <u>1017237</u>    | NUT, FLANGE, 5/16 - 24 .....                            | 2   |
| 14   | <u>1014947</u>    | ASSEMBLY, RESISTOR .....                                | 1   |
| 15   | 0007893           | NUT, HEX, #10 - 32 .....                                | 2   |
| 16   | 1014948           | ASSEMBLY, DIODE .....                                   | 1   |
| 17   | <u>1018836-01</u> | SOLENOID, 48 VOLT (WITH MOUNTING BRACKET) .....         | 1   |
| 18   | 0000332           | WASHER, FLAT, 1/4 .....                                 | 5   |
| 19   | <u>1019344-01</u> | WASHER, FLAT, 5/16 .....                                | 2   |
| 20   | <u>1019099-05</u> | COMPUTER, ON-BOARD (INCLUDES ITEMS 21, 22 AND 23) ..... | 1   |
| 21   | <u>1018949-01</u> | FUSE ASSEMBLY, 3/8 AMP .....                            | 1   |
| 22   | 1018278-03        | KIT, WIRE AND TERMINAL, #6 BLACK .....                  | 1   |
| 23   | <u>1019423-01</u> | KIT, 3-PIN RECEPTACLE .....                             | 1   |

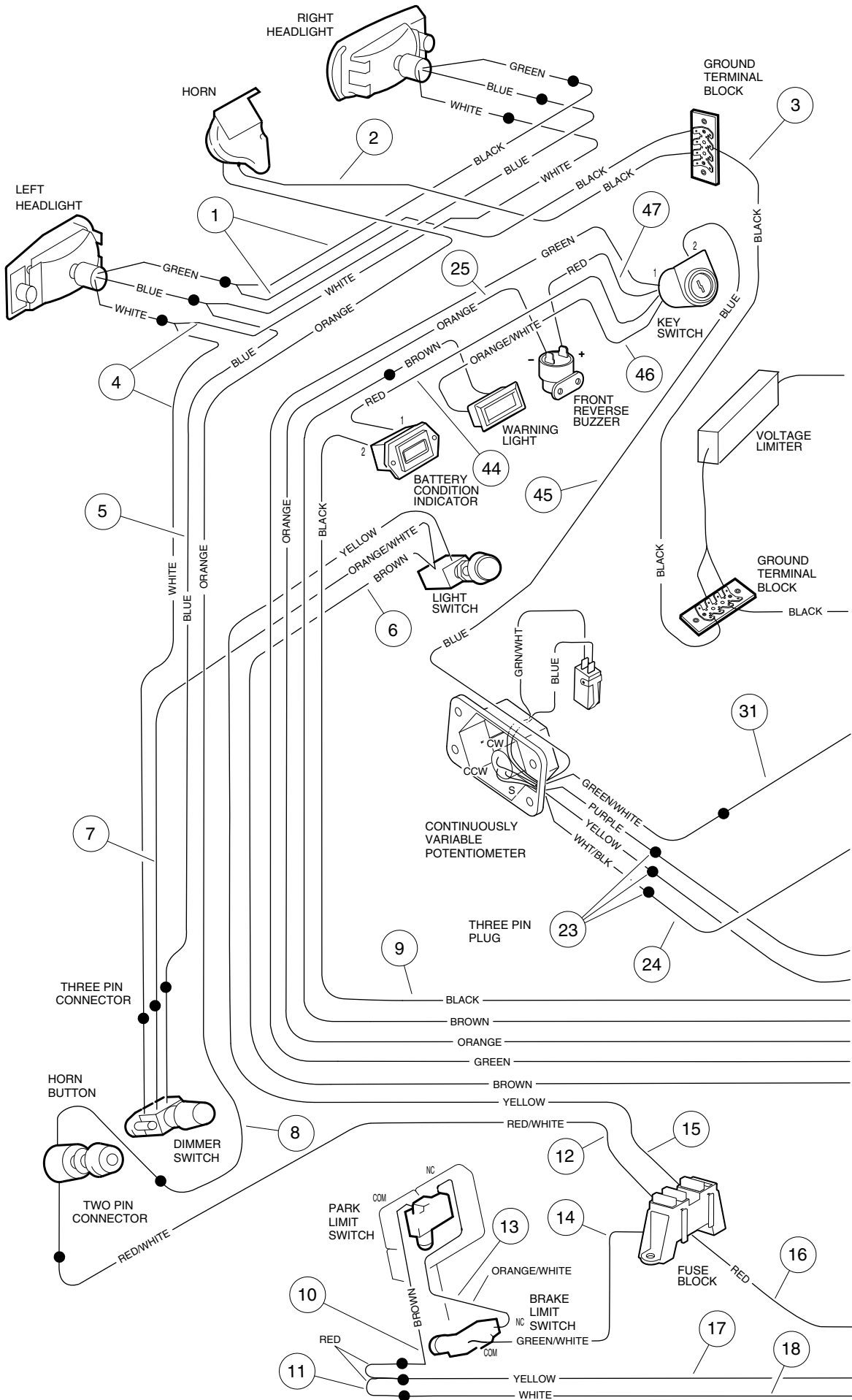
13  
E



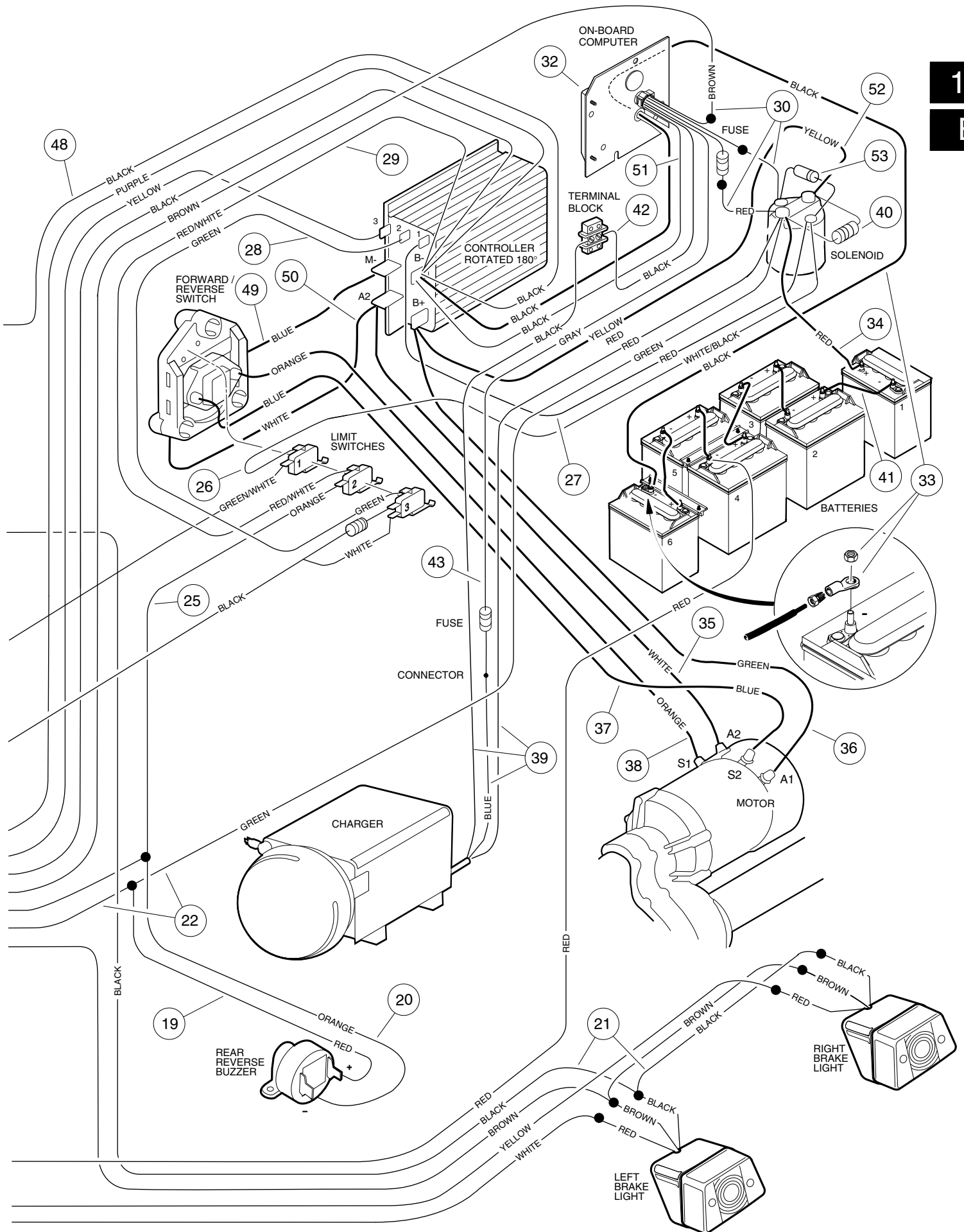
# BATTERIES, CHARGER RECEPTACLE— CARRYALL II POWERDRIVE ELECTRIC VEHICLE

| ITEM | PART NO.          | DESCRIPTION   | QTY |
|------|-------------------|---|-----|
|      |                   | 1 2 3 4   |     |
| 1    | <u>1017977-01</u> | BATTERY, 8-VOLT POWERDRIVE .....                        | 6   |
| 1    | <u>1017977-02</u> | BATTERY, 8-VOLT POWERDRIVE, DRY .....                   | 6   |
| 2    | <u>1017978-01</u> | CAP, BATTERY, 4 PORT GANG .....                         | 6   |
| 3    | <u>1017957-01</u> | WIRE ASSEMBLY, #6 BLACK .....                           | 5   |
| 4    | <u>1016682-01</u> | ROD, BATTERY HOLD-DOWN .....                            | 8   |
| 5    | <u>1011578</u>    | WASHER, FLAT, TYPE B WIDE, 5/16 .....                   | 8   |
| 6    | <u>1015072</u>    | NUT, NYLON LOCK, STAINLESS STEEL, 5/16 - 18 .....       | 8   |
| 7    | <u>1018030-02</u> | HOLD-DOWN, BATTERY, LONG .....                          | 2   |
| 8    | <u>1018030-01</u> | HOLD-DOWN, BATTERY, SHORT .....                         | 2   |
| 9    | <u>1014304</u>    | NUT, HEX, STAINLESS STEEL, 5/16 -18 .....               | 12  |
| 10   | <u>1018021-01</u> | KIT, FUSE AND RECEPTACLE (INCLUDES ITEMS 11 - 18) ..... | 1   |
| 11   | <u>1017965-01</u> | BEZEL, RECEPTACLE .....                                 | 1   |
| 12   | N/A               | WIRE ASSEMBLY, SENSE LEAD, GRAY .....                   | 1   |
| 13   | N/A               | WIRE ASSEMBLY, #10 RED .....                            | 1   |
| 14   | N/A               | WIRE ASSEMBLY, #10 BLACK .....                          | 1   |
| 15   | <u>1017968-01</u> | ASSEMBLY, FUSE, 48 VOLT (INCLUDES ITEM 16) .....        | 1   |
| 16   | <u>1013061</u>    | NUT, NYLON LOCK, #10 .....                              | 2   |
| 17   | <u>1017705</u>    | SCREW, PHILLIPS PAN HEAD, TYPE AB, #8 .....             | 3   |
| 18   | <u>1018949-01</u> | ASSEMBLY, FUSE, 3/8 AMP .....                           | 1   |
| 19   | <u>1018010-01</u> | PLATE, RECEPTACLE BACKING .....                         | 1   |
| 20   | <u>1018320-01</u> | SCREW, PHILLIPS PAN HEAD, #7 - 18 x 3/4 .....           | 4   |

13  
E









# WIRING—

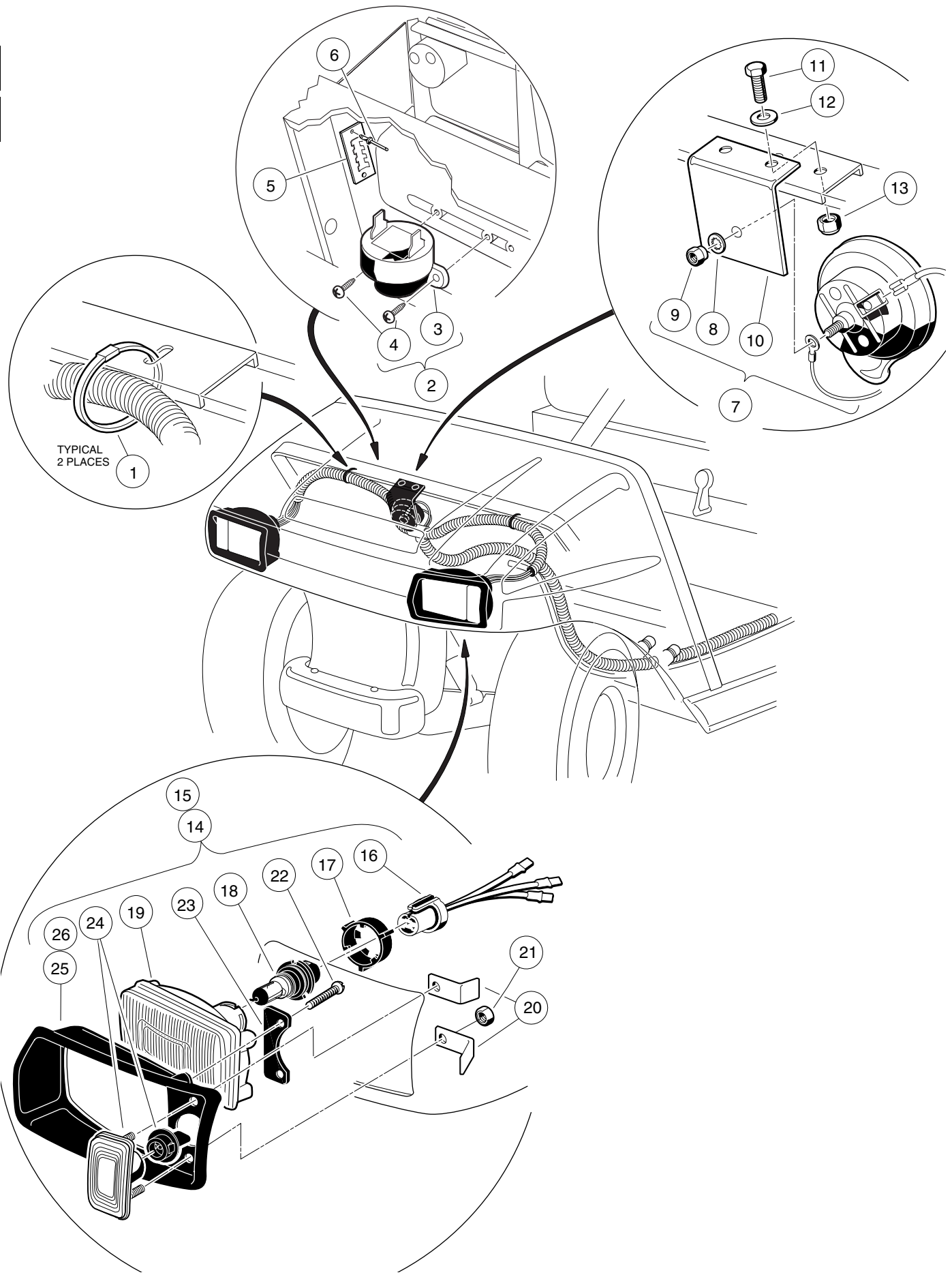
## CARRYALL VI POWERDRIVE ELECTRIC VEHICLE

13

E

| ITEM | PART NO.          | DESCRIPTION   | QTY |
|------|-------------------|---|-----|
|      |                   | 1 2 3 4   |     |
|      | <u>1019693-01</u> | WIRE HARNESS, LIGHTING (CONTAINS ITEMS 1 - 21) .....                      | 1   |
| 1    | N/A               | WIRE ASSEMBLY, #16 BLACK .....  | 1   |
| 2    | N/A               | WIRE ASSEMBLY, #16 BLACK .....  | 1   |
| 3    | N/A               | WIRE ASSEMBLY, #14 BLACK .....  | 1   |
| 4    | N/A               | WIRE ASSEMBLY, #16 WHITE .....  | 1   |
| 5    | N/A               | WIRE ASSEMBLY, #18 BLUE .....   | 1   |
| 6    | N/A               | WIRE ASSEMBLY, #16 BROWN .....  | 1   |
| 7    | N/A               | WIRE ASSEMBLY, #16 ORANGE/WHITE .....                                     | 1   |
| 8    | N/A               | WIRE ASSEMBLY, #16 ORANGE .....   | 1   |
| 9    | N/A               | WIRE ASSEMBLY, #18 BLACK .....  | 1   |
| 10   | N/A               | WIRE ASSEMBLY, #16 BROWN .....  | 1   |
| 11   | N/A               | WIRE ASSEMBLY, #18 RED .....  | 1   |
| 12   | N/A               | WIRE ASSEMBLY, #16 RED/WHITE .....  | 1   |
| 13   | N/A               | WIRE ASSEMBLY, #16 ORANGE/WHITE .....                                     | 1   |
| 14   | N/A               | WIRE ASSEMBLY, #16 GREEN/WHITE .....                                      | 1   |
| 15   | N/A               | WIRE ASSEMBLY, #14 YELLOW .....   | 1   |
| 16   | 1016698           | WIRE ASSEMBLY, #10 RED .....  | 1   |
| 17   | N/A               | WIRE ASSEMBLY, #18 YELLOW .....   | 1   |
| 18   | N/A               | WIRE ASSEMBLY, #18 WHITE .....  | 1   |
| 19   | N/A               | WIRE ASSEMBLY, #18 RED .....  | 1   |
| 20   | N/A               | WIRE ASSEMBLY, #18 ORANGE .....   | 1   |
| 21   | N/A               | WIRE ASSEMBLY, #16 BLACK .....  | 1   |
|      | <u>1019116-01</u> | WIRE HARNESS, POWER (INCLUDES ITEMS 22 - 31) .....                        | 1   |
| 22   | N/A               | WIRE ASSEMBLY, #18 GREEN .....  | 1   |
| 23   | <u>1018651-06</u> | ASSEMBLY, 3-WIRE PLUG (INCLUDES #18 PURPLE, #18 YELLOW AND ITEM 24) ..... | 1   |
| 24   | <u>1018830-02</u> | WIRE ASSEMBLY, #18 BLACK (INCLUDES RESISTOR AND #18 WHITE WIRE) .....     | 1   |
| 25   | N/A               | WIRE ASSEMBLY, #18 ORANGE .....   | 1   |
| 26   | N/A               | WIRE ASSEMBLY, #18 WHITE/BLACK .....                                      | 1   |
| 27   | N/A               | WIRE ASSEMBLY, #18 RED .....  | 1   |
| 28   | N/A               | WIRE ASSEMBLY, #18 GREEN .....  | 1   |
| 29   | N/A               | WIRE ASSEMBLY, #18 RED/WHITE .....  | 1   |
| 30   | <u>1019308-01</u> | ASSEMBLY, 3-PIN PLUG (INCLUDES #18 BROWN, #18 YELLOW, AND #18 RED) .....  | 1   |
| 31   | N/A               | WIRE ASSEMBLY, #18 GREEN/WHITE .....                                      | 1   |
|      | <u>1019101-02</u> | WIRE HARNESS, POWER (INCLUDES ITEMS 32 - 38) .....                        | 1   |
| 32   | <u>1019099-03</u> | COMPUTER, ON-BOARD (SEE PAGE 12-30) (INCLUDES ITEM 33) .....              | 1   |
| 33   | <u>1018278-02</u> | KIT, WIRE AND TERMINAL, #6 BLACK .....                                    | 1   |
| 34   | <u>1019045-02</u> | WIRE ASSEMBLY, #6 RED .....   | 1   |
| 35   | <u>1019089-02</u> | WIRE ASSEMBLY, #6 WHITE .....   | 1   |
| 36   | <u>1019044-02</u> | WIRE ASSEMBLY, #6 GREEN .....   | 1   |
| 37   | <u>1019046-02</u> | WIRE ASSEMBLY, #6 BLUE .....  | 1   |
| 38   | <u>1019047-02</u> | WIRE ASSEMBLY, #6 ORANGE .....  | 1   |
| 39   | <u>1018291-01</u> | DC CORD, #10 BLUE, #10 RED, #10 BLACK (PART OF CHARGER) .....             | 1   |
| 40   | <u>1014947</u>    | ASSEMBLY, RESISTOR .....  | 1   |
| 41   | <u>1017957-01</u> | WIRE ASSEMBLY, #6 BLACK .....   | 5   |
| 42   | N/A               | WIRE ASSEMBLY, #10 BLACK (PART OF ON-BOARD COMPUTER ASSEMBLY) .....       | 1   |
| 43   | N/A               | WIRE ASSEMBLY, #18 GREY (PART OF ON-BOARD COMPUTER ASSEMBLY) .....        | 1   |
| 44   | N/A               | WIRE ASSEMBLY, #16 RED .....  | 1   |
| 45   | N/A               | WIRE ASSEMBLY, #18 BLUE (PART OF POTENTIOMETER ASSEMBLY) .....            | 1   |
| 46   | N/A               | WIRE ASSEMBLY, #18 ORANGE/WHITE .....                                     | 1   |
| 47   | N/A               | WIRE ASSEMBLY, #18 RED .....  | 1   |
| 48   | N/A               | WIRE ASSEMBLY, #10 BLACK (PART OF VOLTAGE LIMITER ASSEMBLY) .....         | 1   |
| 49   | <u>1019088-01</u> | WIRE ASSEMBLY, #6 BLUE .....  | 1   |
| 50   | <u>1016729</u>    | WIRE ASSEMBLY, #6 WHITE .....   | 1   |
| 51   | N/A               | WIRE ASSEMBLY, #10 BLACK (PART OF ON-BOARD COMPUTER ASSEMBLY) .....       | 1   |
| 52   | <u>1016732</u>    | WIRE ASSEMBLY, #6 YELLOW .....  | 1   |
| 53   | <u>1014948</u>    | ASSEMBLY, DIODE .....   | 1   |

**13**  
**E**



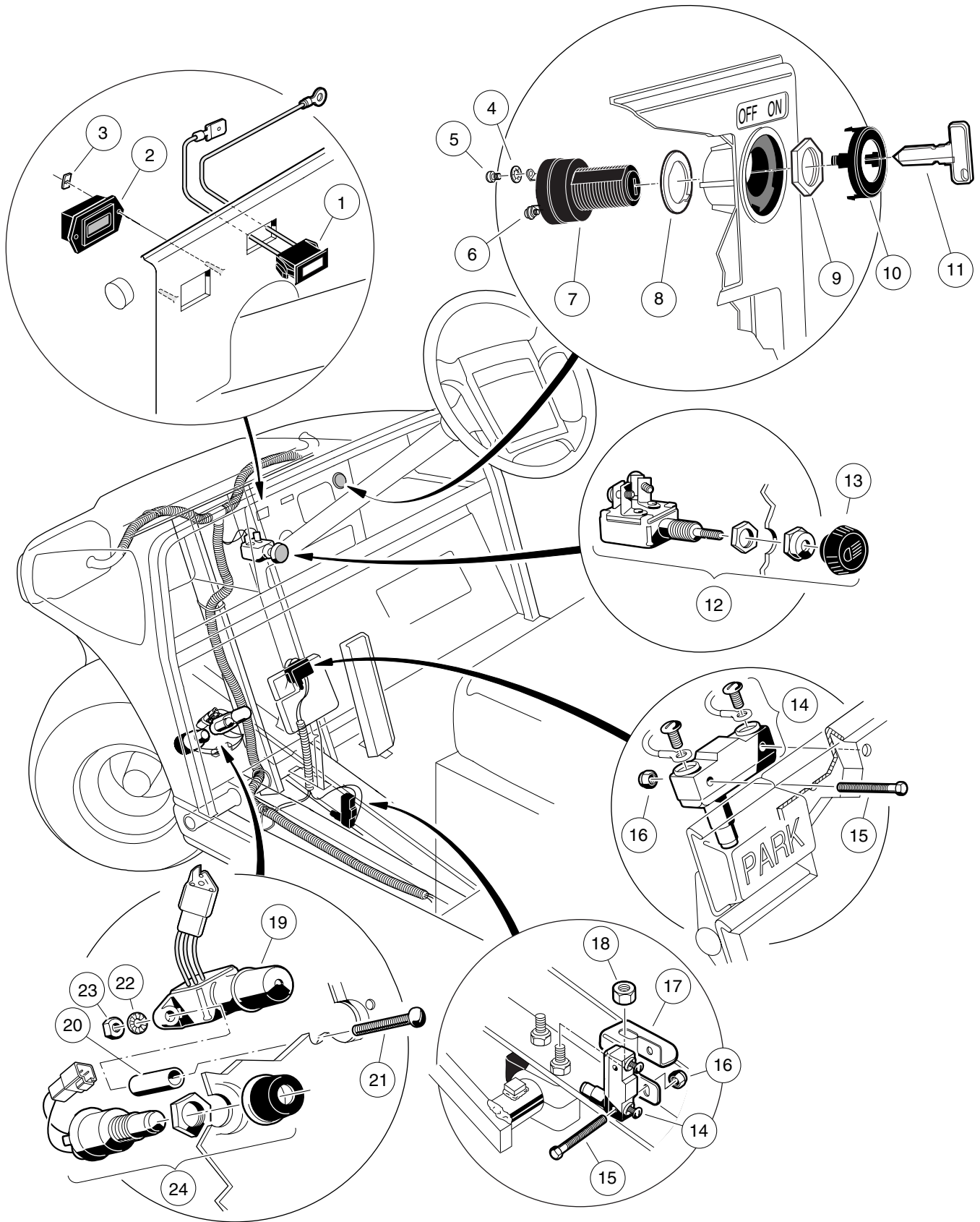
# ELECTRICAL COMPONENTS, FRONT BODY— CARRYALL VI POWERDRIVE ELECTRIC VEHICLE

| ITEM | PART NO.          | DESCRIPTION   | QTY |
|------|-------------------|---|-----|
|      |                   | 1 2 3 4   |     |
| 1    | 0008639           | WRAP, TIE .....   | 2   |
| 2    | <u>1016859</u>    | KIT, REVERSE BUZZER (INCLUDES ITEMS 3 AND 4) .....                        | 1   |
| 3    | <u>1016851</u>    | BUZZER, REVERSE .....   | 1   |
| 4    | <u>1016849</u>    | SCREW, PAN HEAD HI-LO, #4 - 24 x 5/16 .....                               | 2   |
| 5    | <u>1016356</u>    | BLOCK, TERMINAL .....   | 1   |
| 6    | <u>1013357</u>    | RIVET, ALUMINUM POP, 5/32 .....   | 2   |
| 7    | 0004029           | ASSEMBLY, HORN (INCLUDES ITEMS 8, 9 AND 10) .....                         | 1   |
| 8    | 0007820           | WASHER, INTERNAL TOOTH, 5/16 .....  | 1   |
| 9    | <u>1019551-01</u> | NUT, M6 x 1 1/4 .....   | 1   |
| 10   | <u>1011825</u>    | BRACKET, HORN .....   | 1   |
| 11   | 0000304           | BOLT, HEX HEAD, 1/4 - 20 x 1 .....  | 2   |
| 12   | 0000332           | WASHER, FLAT, 1/4 .....   | 2   |
| 13   | 0008233           | NUT, NYLON LOCK, 1/4 - 20 .....   | 2   |
| 14   | <u>1016897-01</u> | ASSEMBLY, HEADLIGHT, DRIVER SIDE (INCLUDES ITEMS 16 - 25) .....           | 1   |
| 15   | <u>1016897-02</u> | ASSEMBLY, HEADLIGHT, PASSENGER SIDE (INCLUDES ITEMS 16 - 24 AND 26) ..... | 1   |
| 16   | <u>1017066</u>    | HARNES, HEADLIGHT WIRE .....  | 1   |
| 17   | 1017059           | LOCK, BULB COLLAR .....   | 1   |
| 18   | <u>1017060</u>    | BULB, HALOGEN .....   | 1   |
| 19   | 1017061           | LENS, HEADLIGHT .....   | 1   |
| 20   | <u>1017064</u>    | BRACKET, MOUNTING .....   | 2   |
| 21   | 0007893           | NUT, HEX, #10 - 32 .....  | 2   |
| 22   | <u>1013461</u>    | SCREW, HI-LO, #10 - 16 .....  | 2   |
| 23   | <u>1017065</u>    | RETAINER, HEADLIGHT .....   | 1   |
| 24   | <u>1017062</u>    | ASSEMBLY, TURN SIGNAL LENS .....  | 1   |
| 25   | <u>1016880</u>    | BEZEL, HEADLIGHT, DRIVER SIDE.....  | 1   |
| 26   | <u>1016879</u>    | BEZEL, HEADLIGHT, PASSENGER SIDE .....                                    | 1   |

13

E

**13**  
**E**



# CONTROLS AND GAUGES— CARRYALL VI POWERDRIVE ELECTRIC VEHICLE

13

E

| ITEM | PART NO.          | DESCRIPTION                                   | QTY |
|------|-------------------|---|-----|
|      |                   | 1 2 3 4                                       |     |
| 1    | <u>1019355-01</u> | LIGHT, BATTERY WARNING (AMBER) .....          | 1   |
| 2    | <u>1018142-01</u> | INDICATOR, BATTERY .....                      | 1   |
| 3    | <u>1018147-01</u> | RETAINER, PUSH ON .....                       | 2   |
| 4    | <u>1011610</u>    | WASHER, LOCK, #8 .....                        | 1   |
| 5    | <u>1016092</u>    | SCREW, PAN HEAD MACHINE, #8 - 32 x 7/16 ..... | 1   |
| 6    | <u>1018306-01</u> | ASSEMBLY, SCREW AND WASHER .....              | 1   |
| 7    | <u>1018262-01</u> | SWITCH, KEY .....                             | 1   |
| 8    | <u>1018511-01</u> | WASHER .....                                  | 1   |
| 9    | <u>1018307-01</u> | NUT, KEY SWITCH .....                         | 1   |
| 10   | <u>1018345-02</u> | CAP, KEY SWITCH .....                         | 1   |
| 11   | <u>1012505</u>    | KEY (PAIR) .....                              | 1   |
| 12   | 0004034           | SWITCH, LIGHT (INCLUDES ITEM 13) .....        | 1   |
| 13   | <u>1013857</u>    | KNOB, LIGHT SWITCH .....                      | 1   |
| 14   | <u>1011439</u>    | SWITCH, LIMIT .....                           | 2   |
| 15   | <u>1011557</u>    | SCREW, HEX HEAD MACHINE, #6 - 32 x 1 .....    | 4   |
| 16   | <u>1019322-01</u> | NUT, NYLON LOCK, #6 - 32 .....                | 4   |
| 17   | <u>1019571-01</u> | BRACKET, BRAKE LIGHT SWITCH .....             | 1   |
| 18   | <u>1011280</u>    | NUT, LOCK, 5/16 - 18 .....                    | 1   |
| 19   | <u>1019698-01</u> | SWITCH, DIMMER .....                          | 1   |
| 20   | <u>1018713-01</u> | STAND-OFF, DIMMER SWITCH .....                | 2   |
| 21   | <u>1018712-01</u> | SCREW, MACHINE, #10 - 32 x 1 .....            | 2   |
| 22   | 0008049           | WASHER, INTERNAL TOOTH LOCK, #10 .....        | 2   |
| 23   | 0007893           | NUT, HEX, #10 - 32 .....                      | 2   |
| 24   | <u>1019697-01</u> | BUTTON, HORN .....                            | 1   |



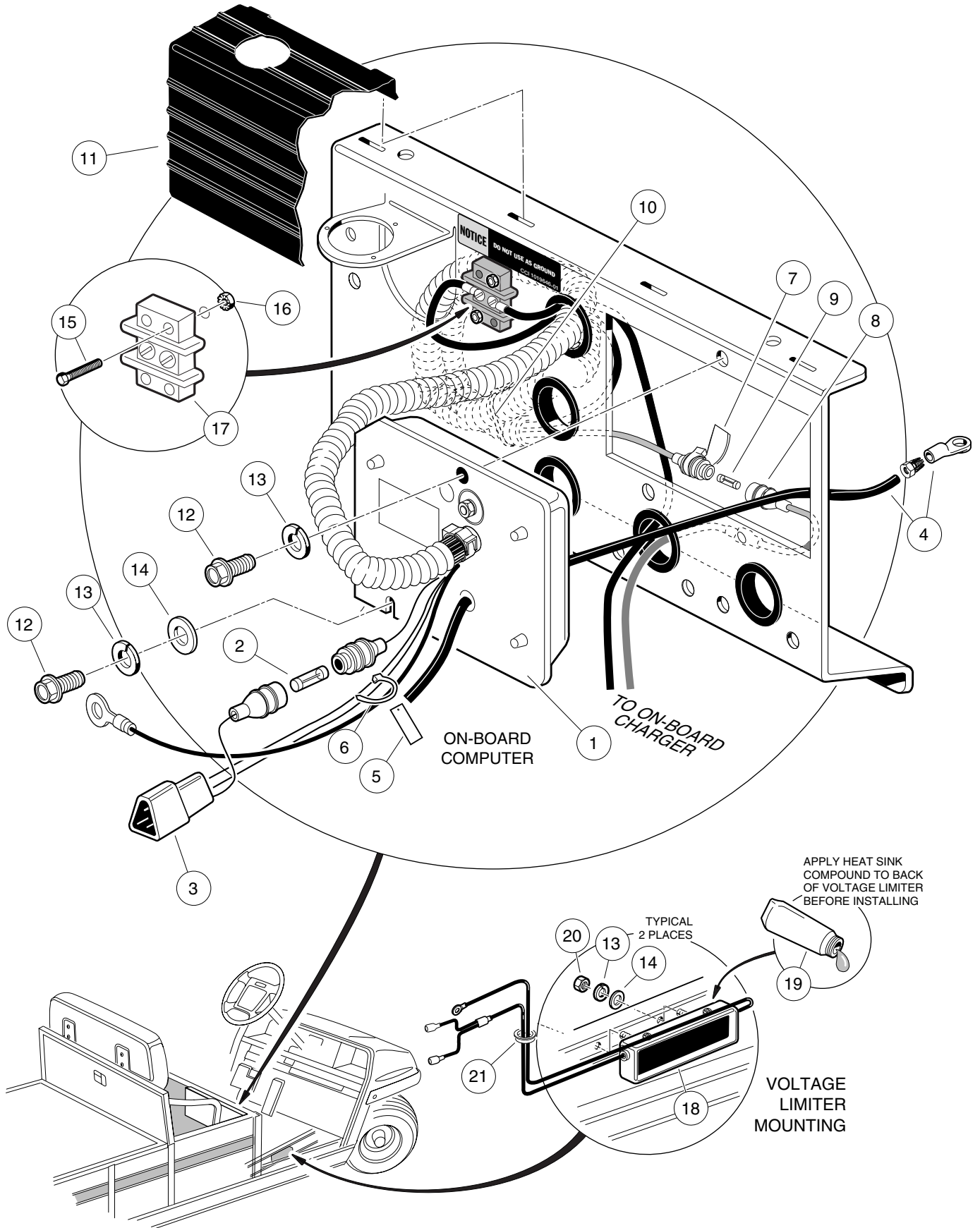


# ELECTRICAL COMPONENTS, CENTER BODY— CARRYALL VI POWERDRIVE ELECTRIC VEHICLE

| ITEM | PART NO.          | DESCRIPTION  | QTY |
|------|-------------------|--|-----|
|      |                   | 1 2 3 4  |     |
| 1    | 0007174           | WASHER, LOCK, 5/16 .....                             | 4   |
| 2    | 0001241           | WASHER, FLAT, 5/16 .....                             | 8   |
| 3    | 0007173           | BOLT, HEX HEAD, 5/16 - 18 x 3/4 .....                | 3   |
| 4    | 0001242           | NUT, HEX, 5/16 - 18 .....                            | 4   |
| 5    | 0001218           | BOLT, HEX HEAD, 5/16 - 18 x 1 1/4 .....              | 1   |
| 6    | <u>1019183-01</u> | CLAMP, WIRE .....                                    | 2   |
| 7    | <u>1012285</u>    | SCREW, HEX HEAD THREAD-ROLLING, 1/4 - 20 x 5/8 ..... | 8   |
| 8    | 0000451           | WASHER, LOCK, 1/4 .....                              | 8   |
| 9    | <u>1018402-03</u> | CONTROLLER, 48 VOLT (300 AMP) .....                  | 1   |
| 10   | <u>1019243-01</u> | BUSHING, SNAP .....                                  | 6   |
| 11   | <u>1019117-01</u> | PLATE, MOUNTING .....                                | 1   |
| 12   | <u>1019026-01</u> | BOOT, WIRE .....                                     | 1   |
| 13   | <u>1017237</u>    | NUT, FLANGE, 5/16 - 24 .....                         | 2   |
| 14   | <u>1014947</u>    | ASSEMBLY, RESISTOR .....                             | 1   |
| 15   | 0007893           | NUT, HEX, #10 - 32 .....                             | 2   |
| 16   | 1014948           | ASSEMBLY, DIODE .....                                | 1   |
| 17   | <u>1018836-01</u> | SOLENOID, 48 VOLT (WITH MOUNTING BRACKET).....       | 1   |
| 18   | 0000332           | WASHER, FLAT, 1/4 .....                              | 4   |
| 19   | <u>1019344-01</u> | WASHER, FLAT, 5/16 .....                             | 2   |
| 20   | <u>1016356</u>    | BLOCK, TERMINAL .....                                | 1   |
| 21   | <u>1013357</u>    | RIVET, ALUMINUM POP, 5/32 .....                      | 2   |
| 22   | <u>1015741</u>    | BLOCK, FUSE .....                                    | 1   |
| 23   | <u>1016423</u>    | FUSE, 20 AMP .....                                   | 3   |
| 24   | <u>1012438</u>    | NUT, NYLON LOCK, #10 - 24 .....                      | 2   |
| 25   | 0000183           | WASHER, FLAT, #10 .....                              | 4   |
| 26   | 1016363           | COVER, FUSE BLOCK .....                              | 1   |
| 27   | 0001017           | NUT, HEX, #10 - 24 .....                             | 2   |
| 28   | 0001016           | WASHER, LOCK, #10 .....                              | 4   |
| 29   | <u>1016631</u>    | NUT, PUSH .....                                      | 2   |
| 30   | <u>1016366</u>    | SCREW, ROUND HEAD, #10 - 24 x 3 .....                | 2   |

13  
E

**13**  
**E**

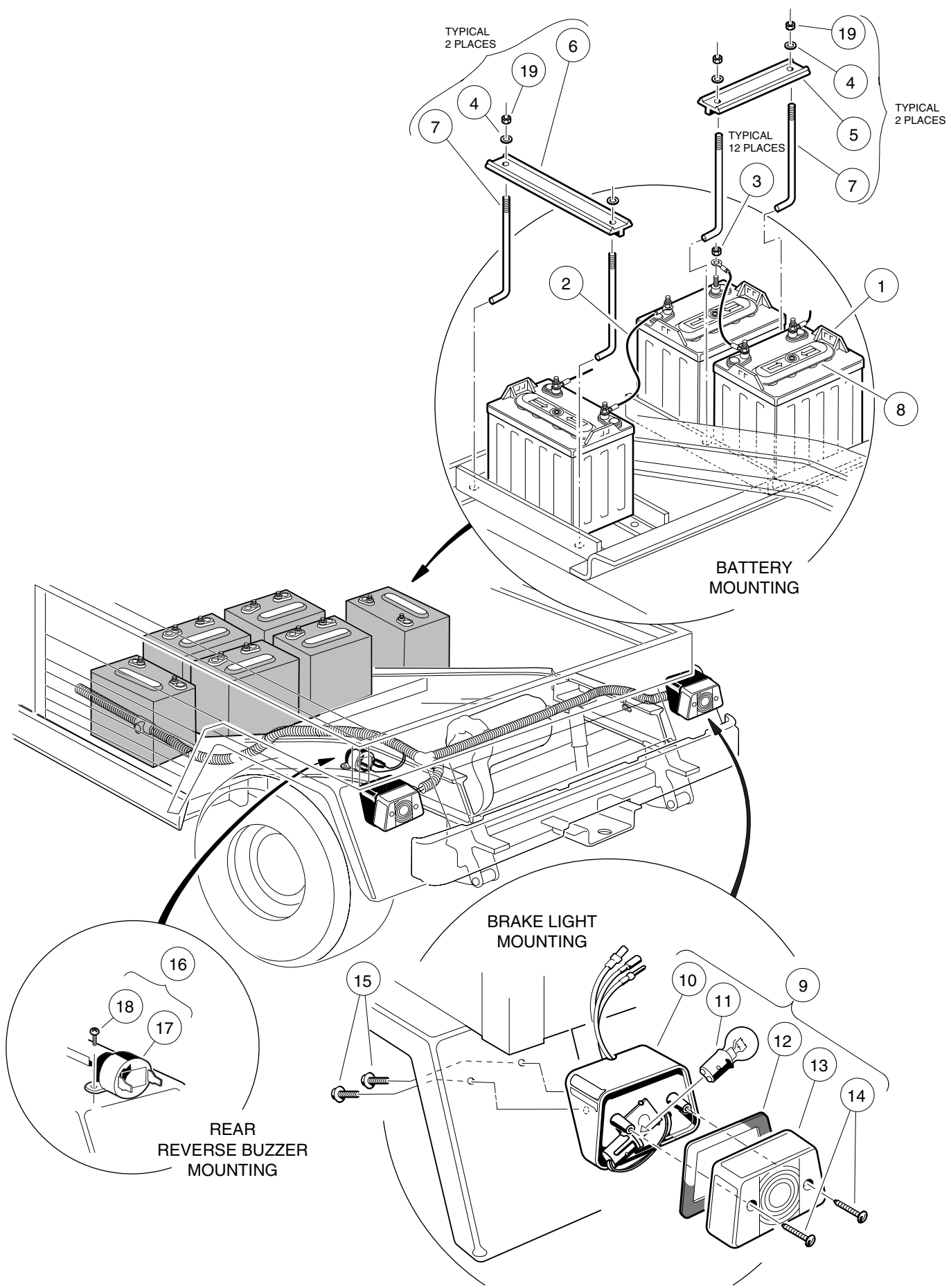


# ELECTRICAL COMPONENTS, CENTER BODY, CONTINUED— CARRYALL VI POWERDRIVE ELECTRIC VEHICLE

| ITEM | PART NO.          | DESCRIPTION  | QTY |
|------|-------------------|--|-----|
|      |                   | 1 2 3 4  |     |
| 1    | <u>1019099-03</u> | COMPUTER, ON-BOARD (INCLUDES ITEMS 2 - 7) .....      | 1   |
| 2    | <u>1018949-01</u> | FUSE ASSEMBLY, 3/8 AMP .....                         | 1   |
| 3    | <u>1019423-01</u> | CONNECTOR, 3-PIN .....                               | 1   |
| 4    | <u>1018278-02</u> | KIT, WIRE AND TERMINAL, #6 BLACK .....               | 1   |
| 5    | 1018844-01        | LABEL .....  | 1   |
| 6    | 0008168           | WRAP, TIE .....                                      | 2   |
| 7    | 1019349-01        | LABEL .....  | 1   |
| 8    | <u>1019575-01</u> | ADAPTER, TWO-WAY (INCLUDES ITEM 9).....              | 1   |
| 9    | <u>1018949-01</u> | FUSE ASSEMBLY, 3/8 AMP .....                         | 1   |
| 10   | 0008990           | TIE, WIRE .....                                      | 1   |
| 11   | <u>1019316-01</u> | ASSEMBLY, COMPONENT COVER .....                      | 1   |
| 12   | <u>1012285</u>    | SCREW, HEX HEAD THREAD-ROLLING, 1/4 - 20 x 5/8 ..... | 2   |
| 13   | 0000451           | WASHER, LOCK, 1/4 .....                              | 4   |
| 14   | 0000332           | WASHER, FLAT, 1/4 .....                              | 3   |
| 15   | <u>1017853</u>    | SCREW, HEX HEAD MACHINE, #6 - 32 x 3/4 .....         | 2   |
| 16   | <u>1011229</u>    | NUT, K LOCK, #6 - 32 .....                           | 2   |
| 17   | <u>1019668-01</u> | BLOCK, TERMINAL .....                                | 1   |
| 18   | <u>1018108-01</u> | LIMITER, VOLTAGE (INCLUDES ITEM 19) .....            | 1   |
| 19   | 1018367-02        | COMPOUND, HEAT SINK .....                            | A/R |
| 20   | 0001028           | NUT, HEX, 1/4 - 20 .....                             | 2   |
| 21   | <u>1018024-01</u> | GROMMET, 5/8 .....                                   | 1   |

13

E



# ELECTRICAL COMPONENTS, REAR BODY— CARRYALL VI POWERDRIVE ELECTRIC VEHICLE

| ITEM | PART NO.          | DESCRIPTION  | QTY |
|------|-------------------|--|-----|
|      |                   | 1 2 3 4  |     |
| 1    | <u>1017977-01</u> | BATTERY, 8-VOLT POWERDRIVE .....                     | 6   |
| 1    | <u>1017977-02</u> | BATTERY, 8-VOLT POWERDRIVE, DRY .....                | 6   |
| 2    | <u>1017957-01</u> | WIRE ASSEMBLY, #6 BLACK .....                        | 5   |
| 3    | <u>1014304</u>    | NUT, HEX, STAINLESS STEEL, 5/16 -18 .....            | 12  |
| 4    | <u>1011578</u>    | WASHER, FLAT, TYPE B WIDE, 5/16 .....                | 8   |
| 5    | <u>1018030-01</u> | HOLD-DOWN, BATTERY, SHORT .....                      | 2   |
| 6    | <u>1018030-02</u> | HOLD-DOWN, BATTERY, LONG .....                       | 2   |
| 7    | <u>1016682-01</u> | ROD, BATTERY HOLD-DOWN .....                         | 8   |
| 8    | <u>1017978-01</u> | CAP, BATTERY, 4 PORT GANG .....                      | 6   |
| 9    | <u>1016717</u>    | ASSEMBLY, TAILLIGHT (INCLUDES ITEMS 10 - 14) .....   | 2   |
| 10   | N/A               | HOUSING, TAILLIGHT .....                             | 1   |
| 11   | <u>1011582</u>    | BULB .....   | 1   |
| 12   | N/A               | GASKET .....   | 1   |
| 13   | N/A               | LENS .....   | 1   |
| 14   | N/A               | SCREW, LENS .....                                    | 2   |
| 15   | <u>1015752</u>    | SCREW, HI-LO, #12 - 16 x 5/8 .....                   | 4   |
| 16   | <u>1016859</u>    | KIT, REVERSE BUZZER (INCLUDES ITEMS 17 AND 18) ..... | 1   |
| 17   | <u>1016851</u>    | BUZZER, REVERSE .....                                | 1   |
| 18   | <u>1016849</u>    | SCREW, PAN HEAD HI-LO, #4 - 24 x 5/16 .....          | 2   |
| 19   | <u>1015072</u>    | NUT, NYLON LOCK, STAINLESS STEEL, 5/16 - 18 .....    | 8   |

13  
E

**13**

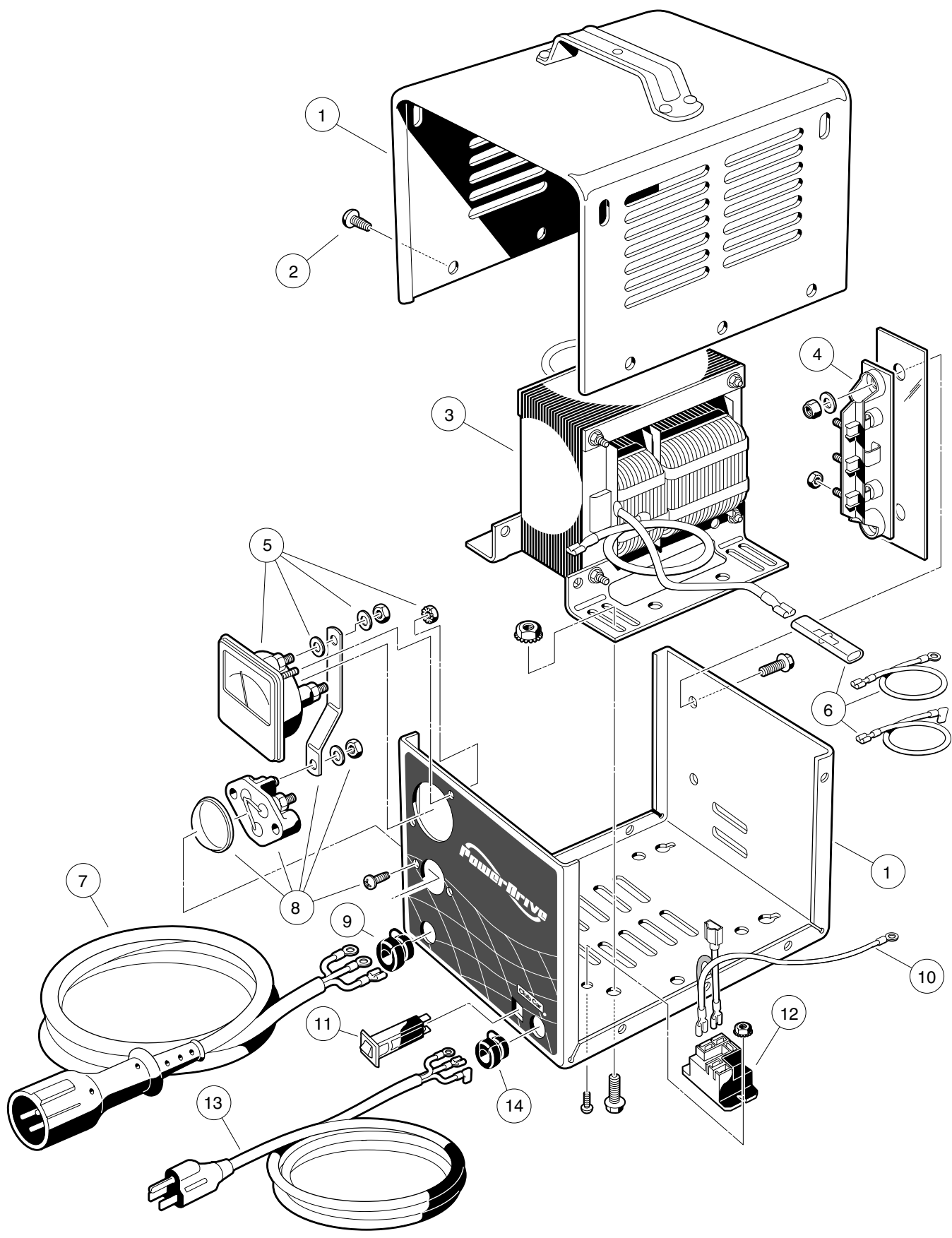
**E**

# BATTERY CHARGER

---

14

E

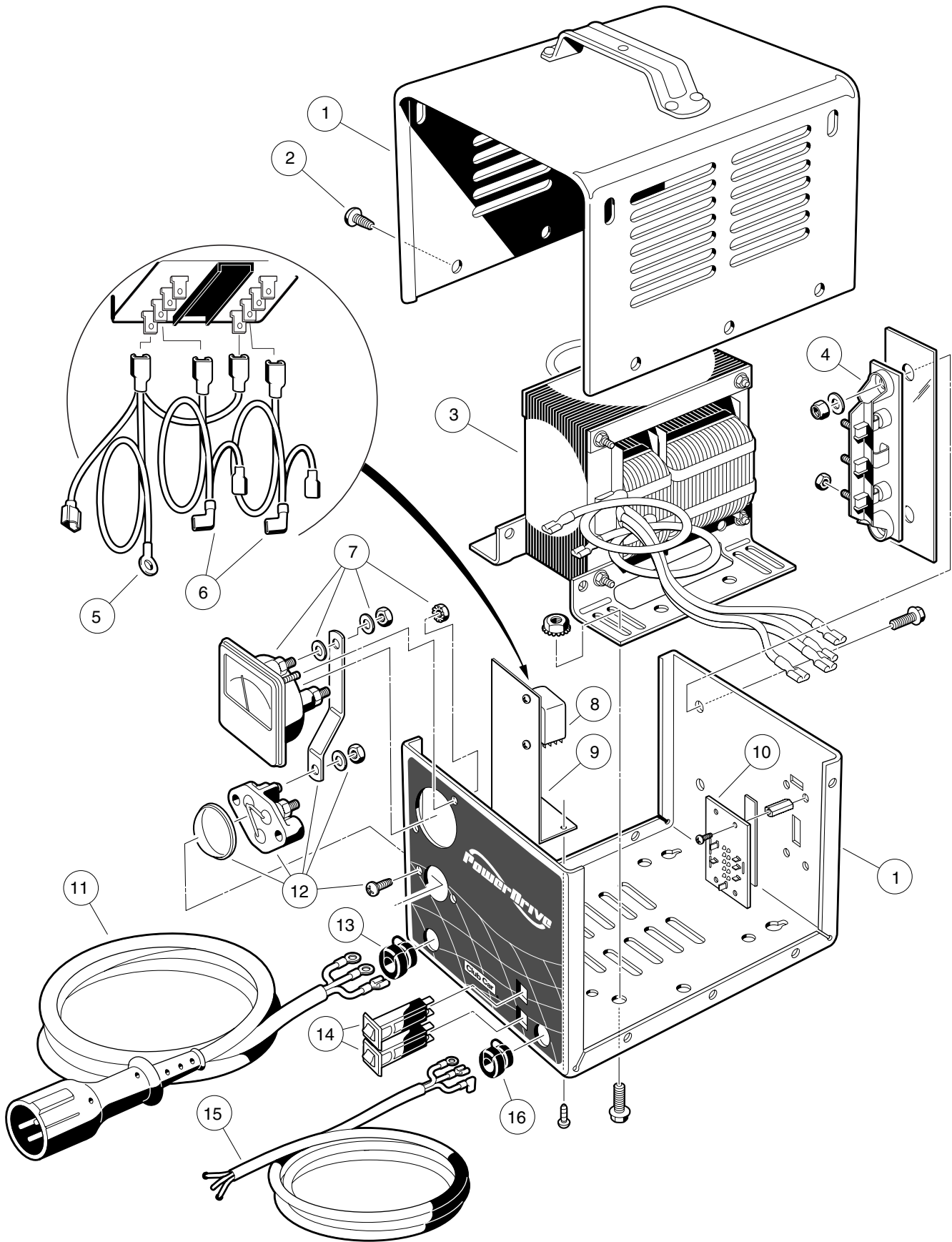




# POWERDRIVE BATTERY CHARGER, DOMESTIC—CARRYALL I AND II

14  
E

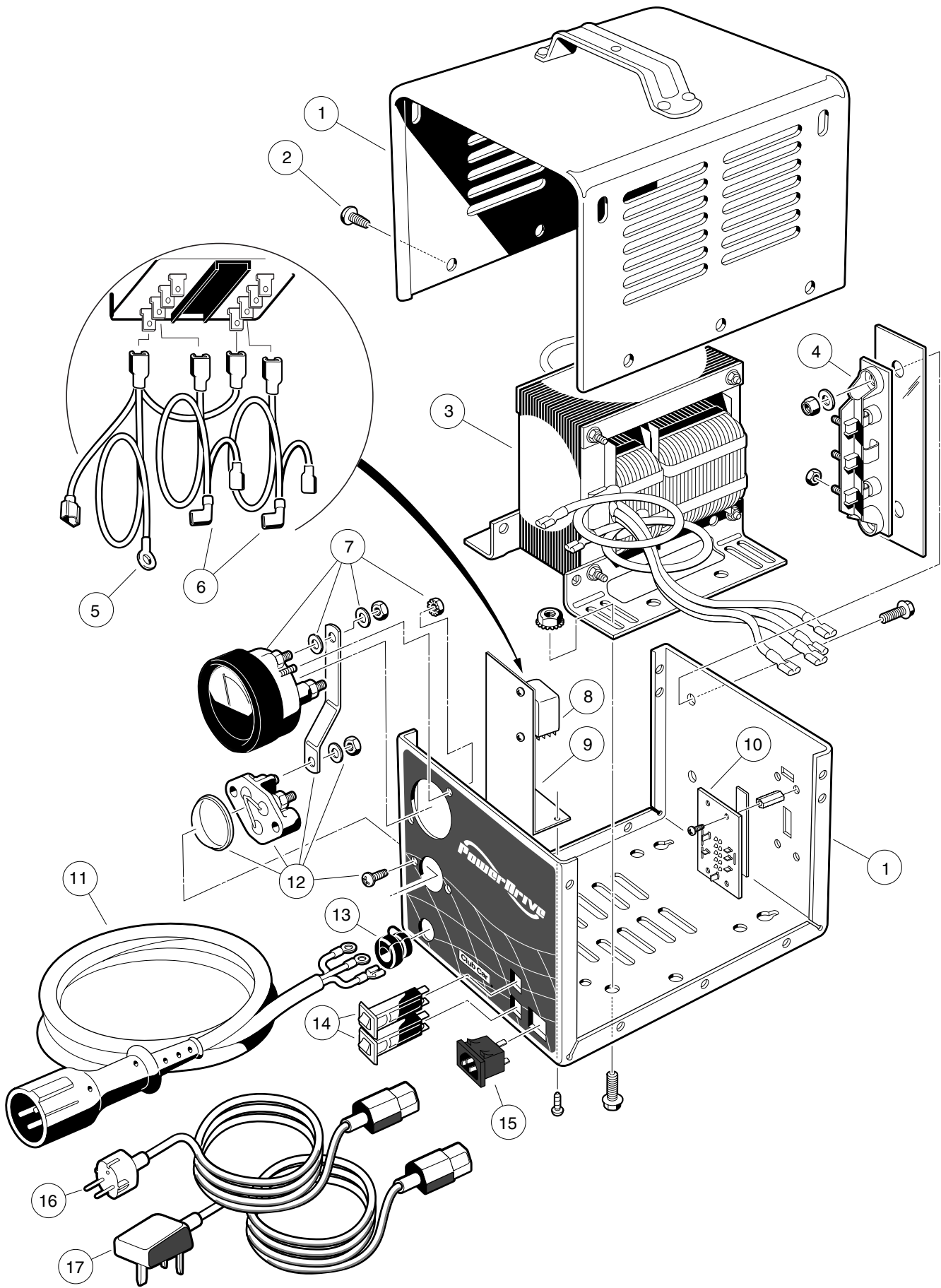
| ITEM | PART NO.          | DESCRIPTION  | QTY |
|------|-------------------|--|-----|
|      |                   | 1 2 3 4  |     |
|      | <u>1018022-01</u> | CHARGER, BATTERY, POWERDRIVE, DOMESTIC 120VAC 48VDC 60 HZ<br>(MODEL NUMBER 17930-11) (INCLUDES ITEMS 1 - 14)<br>103 IN. DC CORD WITH MALE 3-PIN PLUG, 12 AWG<br>74 IN. AC CORD WITH MALE GROUNDED PLUG ..... | 1   |
|      | <u>1018022-02</u> | CHARGER, BATTERY, POWERDRIVE 120VAC 48VDC 60 HZ<br>(MODEL NUMBER 17930-18) (INCLUDES ITEMS 1 - 14)<br>144 IN. DC CORD WITH MALE 3-PIN PLUG, 12 AWG<br>108 IN. AC CORD WITH MALE GROUNDED PLUG .....          | 1   |
|      | <u>1018022-03</u> | CHARGER, BATTERY, POWERDRIVE 120VAC 48VDC 60 HZ<br>(MODEL NUMBER 17930-19) (INCLUDES ITEMS 1 - 14)<br>240 IN. DC CORD WITH MALE 3-PIN PLUG, 12 AWG<br>108 IN. AC CORD WITH MALE GROUNDED PLUG .....          | 1   |
| 1    | <u>1018283-01</u> | ASSEMBLY, CASE (INCLUDES ITEM 2) .....   | 1   |
| 2    | 0007577           | SCREW, PAN HEAD, SELF-TAPPING, #10 - 16 x 1/2 .....  | 10  |
| 3    | <u>1018197-01</u> | ASSEMBLY, TRANSFORMER .....  | 1   |
| 4    | <u>1015914</u>    | ASSEMBLY, HEATSINK, WITH DIODES (INCLUDES MOUNTING HARDWARE) .....   | 1   |
| 5    | <u>1018285-01</u> | AMMETER (INCLUDES MOUNTING HARDWARE) .....   | 1   |
| 6    | <u>1018311-01</u> | KIT, WIRE ASSEMBLY .....   | 1   |
| 7    | <u>1018289-01</u> | CORDSET, DC, 113 INCHES LONG WITH MALE 3-PIN PLUG, 12 AWG .....  | 1   |
| 7    | <u>1018289-02</u> | CORDSET, DC, 154 INCHES LONG WITH MALE 3-PIN PLUG, 12 AWG .....  | 1   |
| 7    | <u>1018289-03</u> | CORDSET, DC, 250 INCHES LONG WITH MALE 3-PIN PLUG, 12 AWG .....  | 1   |
| 8    | <u>1012101</u>    | ASSEMBLY, FUSE (INCLUDES MOUNTING HARDWARE) .....  | 1   |
| 9    | <u>1012098</u>    | BUSHING, STRAIN RELIEF, DC CORD, 12 AWG .....  | 1   |
| 10   | <u>1019144-01</u> | ASSEMBLY, VOLTAGE SUPPRESSOR .....   | 1   |
| 11   | <u>1018287-01</u> | BREAKER, CIRCUIT, 15 AMP .....   | 1   |
| 12   | <u>1018286-01</u> | RELAY, POWER, 48 VDC .....   | 1   |
| 13   | <u>1018288-01</u> | CORDSET, AC, 80 INCHES LONG .....  | 1   |
| 13   | <u>1018288-02</u> | CORDSET, AC, 116 INCHES LONG .....   | 1   |
| 14   | <u>1015917</u>    | BUSHING, STRAIN RELIEF, AC CORD .....  | 1   |



# POWERDRIVE BATTERY CHARGER, EXPORT—CARRYALL I AND II

14  
E

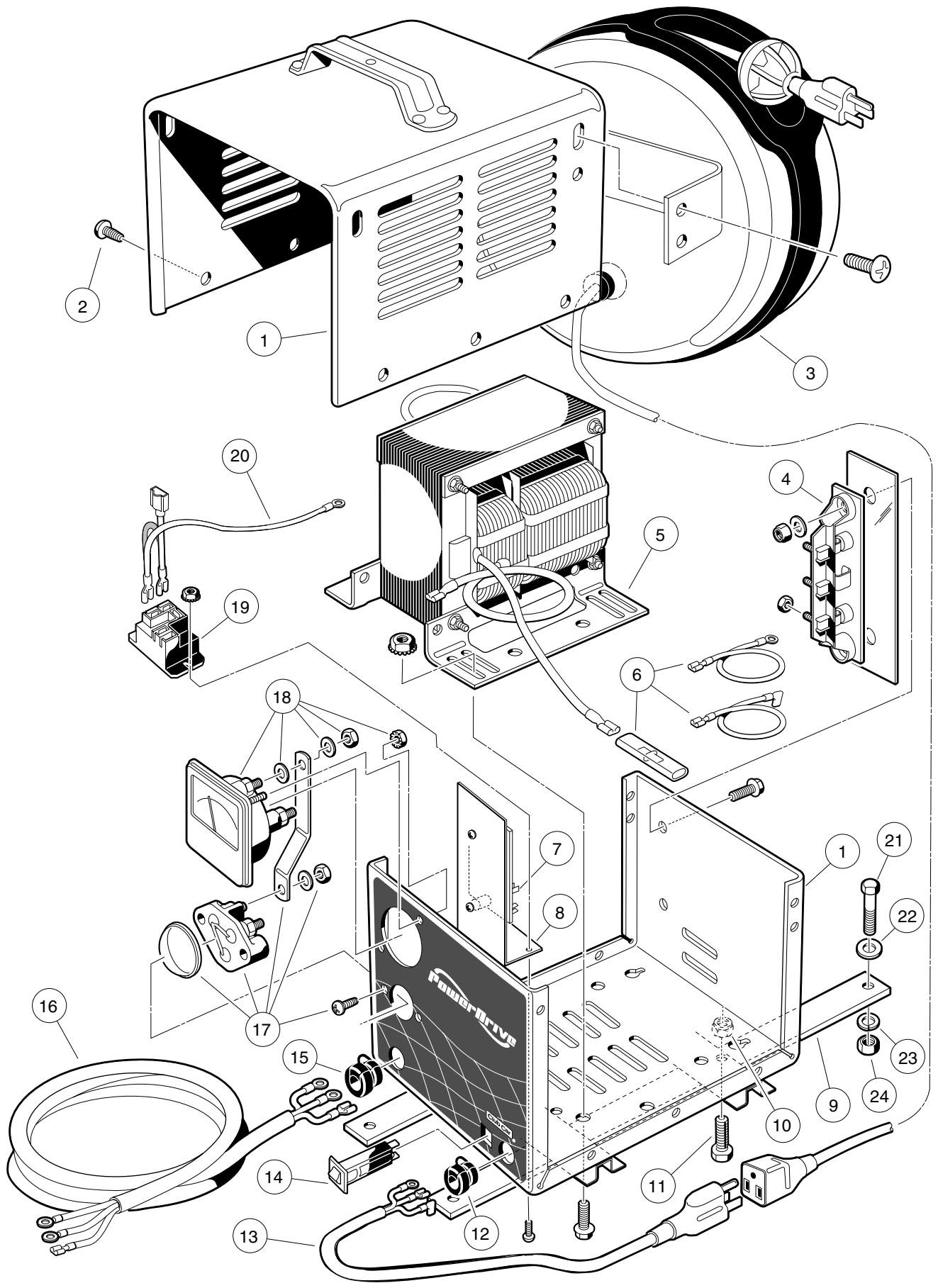
| ITEM | PART NO.          | DESCRIPTION   | QTY |
|------|-------------------|---|-----|
|      |                   | 1 2 3 4   |     |
|      | <u>1018315-03</u> | CHARGER, BATTERY, POWERDRIVE, EXPORT WITH 4-POSITION SWITCH<br>100 - 200 - 220 - 240 VAC, 48 VDC 50/60 HZ<br>(MODEL NUMBER 18780-11) (INCLUDES ITEMS 1 - 16)<br>103 IN. DC CORD WITH MALE 3-PIN PLUG, 12 AWG<br>74 IN. AC CORD WITH NO PLUG ..... | 1   |
|      | 1018315-04        | CHARGER, BATTERY, POWERDRIVE EXPORT WITH 4-POSITION SWITCH<br>100 - 200 - 220 - 240 VAC, 48 VDC 50/60 HZ<br>(MODEL NUMBER 18780-18) (INCLUDES ITEMS 1 - 16)<br>144 IN. DC CORD WITH MALE 3-PIN PLUG, 12 AWG<br>108 IN. AC CORD WITH NO PLUG ..... | 1   |
| 1    | N/A               | ASSEMBLY, CASE (INCLUDES ITEM 2) .....  | 1   |
| 2    | 0007577           | SCREW, PAN HEAD, SELF-TAPPING, #10 - 16 x 1/2 .....   | 10  |
| 3    | 1018382-01        | ASSEMBLY, TRANSFORMER .....   | 1   |
| 4    | <u>1015914</u>    | ASSEMBLY, HEATSINK, WITH DIODES (INCLUDES MOUNTING HARDWARE) .....  | 1   |
| 5    | 1019144-01        | ASSEMBLY, VOLTAGE SUPPRESSOR .....  | 1   |
| 6    | 1018385-01        | KIT, WIRE ASSEMBLY .....  | 1   |
| 7    | <u>1018285-01</u> | AMMETER (INCLUDES HARDWARE) .....   | 1   |
| 8    | <u>1018383-01</u> | RELAY, POWER, 48 VDC (INCLUDES MOUNTING HARDWARE) .....   | 1   |
| 9    | <u>1018387-01</u> | BRACKET, POWER RELAY MOUNTING .....   | 1   |
| 10   | 1018386-01        | SWITCH, 4-POSITION, SLIDE .....   | 1   |
| 11   | <u>1018289-01</u> | CORDSET, DC, 113 INCHES LONG WITH MALE 3-PIN PLUG, 12 AWG .....   | 1   |
| 11   | <u>1018289-02</u> | CORDSET, DC, 154 INCHES LONG WITH MALE 3-PIN PLUG, 12 AWG .....   | 1   |
| 11   | <u>1018289-03</u> | CORDSET, DC, 250 INCHES LONG WITH MALE 3-PIN PLUG, 12 AWG .....   | 1   |
| 12   | <u>1012101</u>    | ASSEMBLY, FUSE (INCLUDES HARDWARE) .....  | 1   |
| 13   | <u>1012098</u>    | BUSHING, STRAIN RELIEF, DC CORD, 12 AWG .....   | 1   |
| 14   | 1018384-01        | BREAKER, CIRCUIT, 15 AMP .....  | 2   |
| 15   | <u>1018317-01</u> | CORDSET, AC, 80 INCHES LONG, WITH LEADS (NO PLUG) .....   | 1   |
| 15   | <u>1018317-02</u> | CORDSET, AC, 116 INCHES LONG, WITH LEADS (NO PLUG) .....  | 1   |
| 16   | <u>1015917</u>    | BUSHING, STRAIN RELIEF, AC CORD .....   | 1   |



# POWERDRIVE BATTERY CHARGER, EUROPEAN—CARRYALL I AND II

14  
E

| ITEM | PART NO.          | DESCRIPTION  | QTY |
|------|-------------------|--|-----|
|      |                   | 1 2 3 4  |     |
|      | <u>1019562-01</u> | CHARGER, BATTERY, POWERDRIVE, EUROPEAN WITH 4-POSITION SWITCH<br>100 - 200 - 220 - 240 VAC, 48 VDC 50/60 HZ<br>(MODEL NUMBER 20300) (INCLUDES ITEMS 1 - 15)<br>103" DC CORD WITH MALE 3-PIN PLUG, 12 AWG ..... | 1   |
|      | <u>1019562-02</u> | CHARGER, BATTERY, POWERDRIVE EUROPEAN WITH 4-POSITION SWITCH<br>100 - 200 - 220 - 240 VAC, 48 VDC 50/60 HZ<br>(MODEL NUMBER 20310) (INCLUDES ITEMS 1 - 15)<br>144" DC CORD WITH MALE 3-PIN PLUG, 12 AWG .....  | 1   |
| 1    | 1018381-02        | ASSEMBLY, CASE (INCLUDES ITEM 2) .....   | 1   |
| 2    | 0007577           | SCREW, PAN HEAD, SELF-TAPPING, #10 - 16 x 1/2 .....  | 10  |
| 3    | 1018382-01        | ASSEMBLY, TRANSFORMER .....  | 1   |
| 4    | <u>1015914</u>    | ASSEMBLY, HEATSINK, WITH DIODES (INCLUDES MOUNTING HARDWARE) .....   | 1   |
| 5    | 1019144-01        | ASSEMBLY, VOLTAGE SUPPRESSOR .....   | 1   |
| 6    | 1018385-01        | KIT, WIRE ASSEMBLY .....   | 1   |
| 7    | 1019766-01        | AMMETER (INCLUDES HARDWARE) .....  | 1   |
| 8    | <u>1019875-01</u> | RELAY, POWER, 48 VDC (INCLUDES MOUNTING HARDWARE) .....  | 1   |
| 9    | <u>1018387-01</u> | BRACKET, POWER RELAY MOUNTING .....  | 1   |
| 10   | 1018386-01        | SWITCH, 4-POSITION, SLIDE .....  | 1   |
| 11   | <u>1018289-01</u> | CORDSET, DC, 103" LONG WITH MALE 3-PIN PLUG, 12 AWG .....  | 1   |
| 11   | <u>1018289-02</u> | CORDSET, DC, 144" LONG WITH MALE 3-PIN PLUG, 12 AWG .....  | 1   |
| 11   | <u>1018289-03</u> | CORDSET, DC, 250" LONG WITH MALE 3-PIN PLUG, 12 AWG .....  | 1   |
| 12   | <u>1012101</u>    | ASSEMBLY, FUSE (INCLUDES HARDWARE) .....   | 1   |
| 13   | <u>1012098</u>    | BUSHING, STRAIN RELIEF, DC CORD, 12 AWG .....  | 1   |
| 14   | 1018384-01        | BREAKER, CIRCUIT, 15 AMP .....   | 2   |
| 15   | 1019735-01        | RECEPTACLE, AC CORD .....  | 1   |
| 16   | 1019583-01        | CORDSET, AC, CONTINENTAL EUROPE, 96" LONG (WITH MALE 2-PIN PLUG) .....   | 1   |
| 17   | <u>1019582-01</u> | CORDSET, AC, U.K., 96" LONG (WITH MALE 3-PIN PLUG) .....   | 1   |



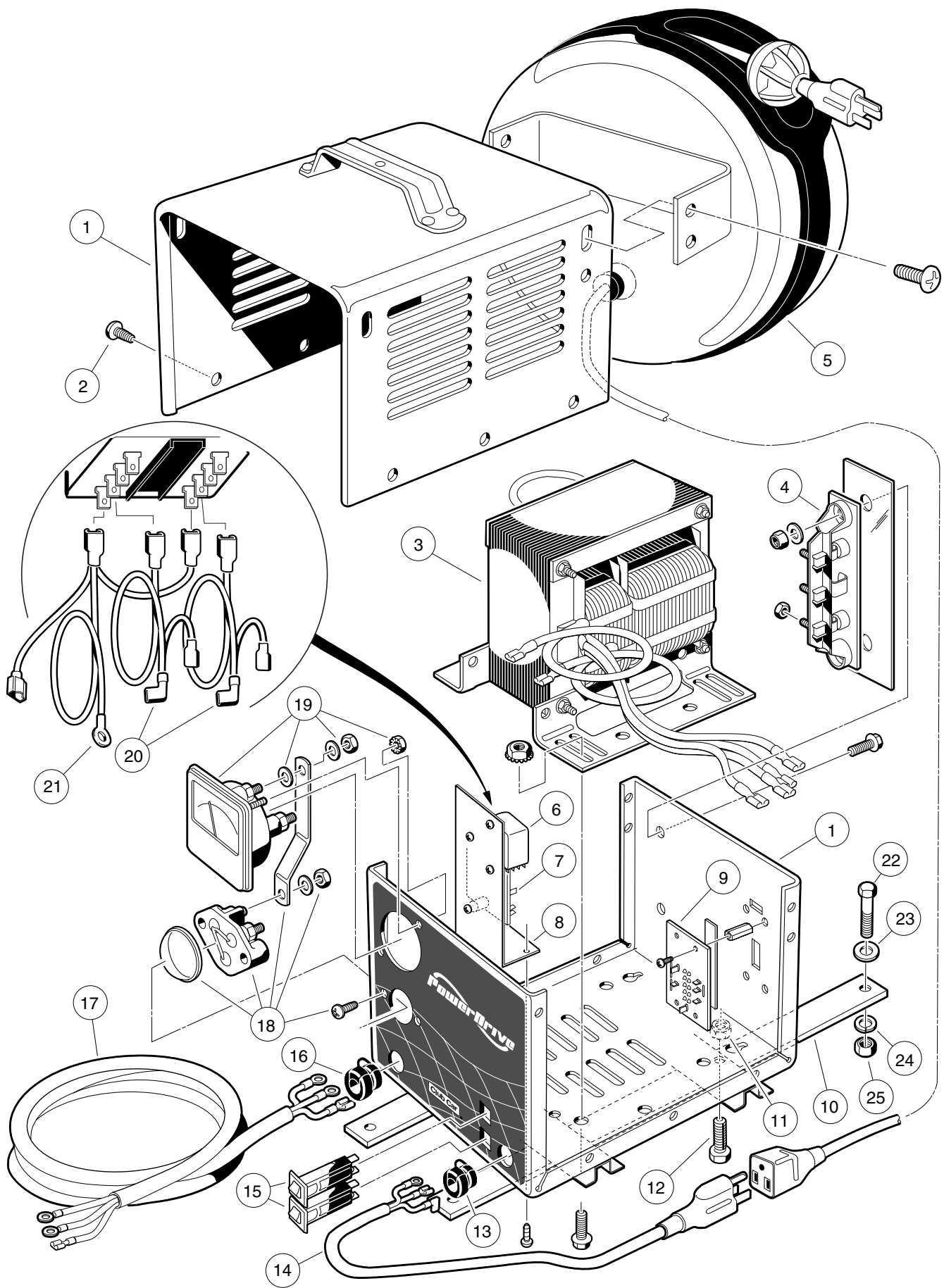
# ON-BOARD POWERDRIVE BATTERY CHARGER, DOMESTIC—CARRYALL VI

| ITEM | PART NO.          | DESCRIPTION  | QTY |
|------|-------------------|--|-----|
|      |                   | 1 2 3 4  |     |
|      | <u>1018143-01</u> | ASSEMBLY, POWERDRIVE BATTERY CHARGER WITH REEL, ON-BOARD<br>120VAC 48VDC 60 HZ (INCLUDES ITEMS 1 - 20) ..... | 1   |
| 1    | 1018161-01        | ASSEMBLY, CASE (INCLUDES ITEM 2) .....   | 1   |
| 2    | 0007577           | SCREW, PAN HEAD, SELF-TAPPING, #10 - 16 x 1/2 .....  | 12  |
| 3    | <u>1017187</u>    | ASSEMBLY, RETRACTABLE CORD REEL .....  | 1   |
| 4    | <u>1015914</u>    | ASSEMBLY, HEATSINK, WITH DIODES (INCLUDES HARDWARE) .....  | 1   |
| 5    | <u>1018197-01</u> | ASSEMBLY, TRANSFORMER .....  | 1   |
| 6    | <u>1018417-01</u> | KIT, WIRE ASSEMBLY .....   | 1   |
| 7    | <u>1018419-01</u> | BOARD, CONTROL .....   | 1   |
| 8    | <u>1018387-01</u> | BRACKET, RELAY AND RESET BOARD MOUNTING .....  | 1   |
| 9    | <u>1011707</u>    | BRACKET, MOUNTING .....  | 2   |
| 10   | 0008233           | NUT, LOCK, 1/4 - 20 .....  | 4   |
| 11   | 0007847           | BOLT, HEX HEAD, 1/4 - 20 x 3/4 .....   | 4   |
| 12   | <u>1015917</u>    | BUSHING, STRAIN RELIEF, AC CORD .....  | 1   |
| 13   | <u>1018290-01</u> | CORDSET, AC, 24 INCHES WITH GROUNDED PLUG .....  | 1   |
| 14   | 1018287-01        | BREAKER, CIRCUIT, 15 AMP .....   | 1   |
| 15   | <u>1012098</u>    | BUSHING, STRAIN RELIEF, DC CORD, 12 AWG .....  | 1   |
| 16   | <u>1018291-01</u> | CORDSET, DC, 90 INCHES LONG WITH LEADS, 12 AWG .....   | 1   |
| 17   | <u>1012101</u>    | ASSEMBLY, FUSE (INCLUDES HARDWARE) .....   | 1   |
| 18   | <u>1018285-01</u> | AMMETER (INCLUDES HARDWARE) .....  | 1   |
| 19   | <u>1018286-01</u> | RELAY, POWER, 48 VDC .....   | 1   |
| 20   | 1019144-01        | ASSEMBLY, VOLTAGE SUPPRESSOR .....   | 1   |
| 21   | 0007479           | BOLT, HEX HEAD, 1/4 - 20 x 1 1/4 .....   | 4   |
| 22   | <u>1014306</u>    | WASHER, FLAT, 1/4 .....  | 4   |
| 23   | 0000451           | WASHER, LOCK, 1/4 .....  | 4   |
| 24   | 0001028           | NUT, HEX, 1/4 - 20 .....   | 4   |

14

E







# ON-BOARD POWERDRIVE BATTERY CHARGER, EXPORT—CARRYALL VI

| ITEM | PART NO.          | DESCRIPTION  | QTY |
|------|-------------------|--|-----|
|      |                   | 1 2 3 4  |     |
|      | <u>1018143-02</u> | ASSEMBLY, POWERDRIVE BATTERY CHARGER AND REEL, ON-BOARD WITH<br>4-POSITION SWITCH, 100 - 200 - 220 - 240 VAC, 48 VDC 50/60 HZ<br>(INCLUDES ITEMS 1 - 21) ..... | 1   |
| 1    | 1018416-01        | ASSEMBLY, CASE (INCLUDES ITEM 2) .....   | 1   |
| 2    | 0007577           | SCREW, PAN HEAD, SELF-TAPPING, #10 - 16 x 1/2 .....  | 12  |
| 3    | 1018382-01        | ASSEMBLY, TRANSFORMER .....  | 1   |
| 4    | <u>1015914</u>    | ASSEMBLY, HEATSINK, WITH DIODES (INCLUDES MOUNTING HARDWARE) .....   | 1   |
| 5    | <u>1017187</u>    | ASSEMBLY, RETRACTABLE CORD REEL .....  | 1   |
| 6    | <u>1018383-01</u> | RELAY, POWER (INCLUDES MOUNTING HARDWARE) .....  | 1   |
| 7    | <u>1018419-01</u> | BOARD, CONTROL .....   | 1   |
| 8    | <u>1018387-01</u> | BRACKET, MOUNTING, RELAY AND RESET BOARD .....   | 1   |
| 9    | 1018386-01        | SWITCH, 4-POSITION, SLIDE .....  | 1   |
| 10   | <u>1011707</u>    | BRACKET, MOUNTING .....  | 2   |
| 11   | 0008233           | NUT, LOCK, 1/4 - 20 .....  | 4   |
| 12   | 0007847           | BOLT, HEX HEAD, 1/4 - 20 x 3/4 .....   | 4   |
| 13   | <u>1015917</u>    | BUSHING, STRAIN RELIEF, AC CORD .....  | 1   |
| 14   | <u>1018290-01</u> | CORDSET, AC, 3 x 1.5MM x 24 INCHES LONG, WITH GROUNDED PLUG .....  | 1   |
| 15   | 1018384-01        | BREAKER, CIRCUIT .....   | 2   |
| 16   | <u>1012098</u>    | BUSHING, STRAIN RELIEF, DC CORD, 12 AWG .....  | 1   |
| 17   | <u>1018291-01</u> | CORDSET, DC, 90.5 INCHES LONG WITH LEADS, 12 AWG .....   | 1   |
| 18   | <u>1012101</u>    | ASSEMBLY, FUSE (INCLUDES HARDWARE).....  | 1   |
| 19   | <u>1018285-01</u> | AMMETER (INCLUDES HARDWARE) .....  | 1   |
| 20   | 1018418-01        | KIT, WIRE ASSEMBLY .....   | 1   |
| 21   | 1019144-01        | ASSEMBLY, VOLTAGE SUPPRESSOR .....   | 1   |
| 22   | 0007479           | BOLT, HEX HEAD, 1/4 - 20 x 1 1/4 .....   | 4   |
| 23   | <u>1014306</u>    | WASHER, FLAT, 1/4 .....  | 4   |
| 24   | 0000451           | WASHER, LOCK, 1/4 .....  | 4   |
| 25   | 0001028           | NUT, HEX, 1/4 - 20 .....   | 4   |

14  
E

**14**

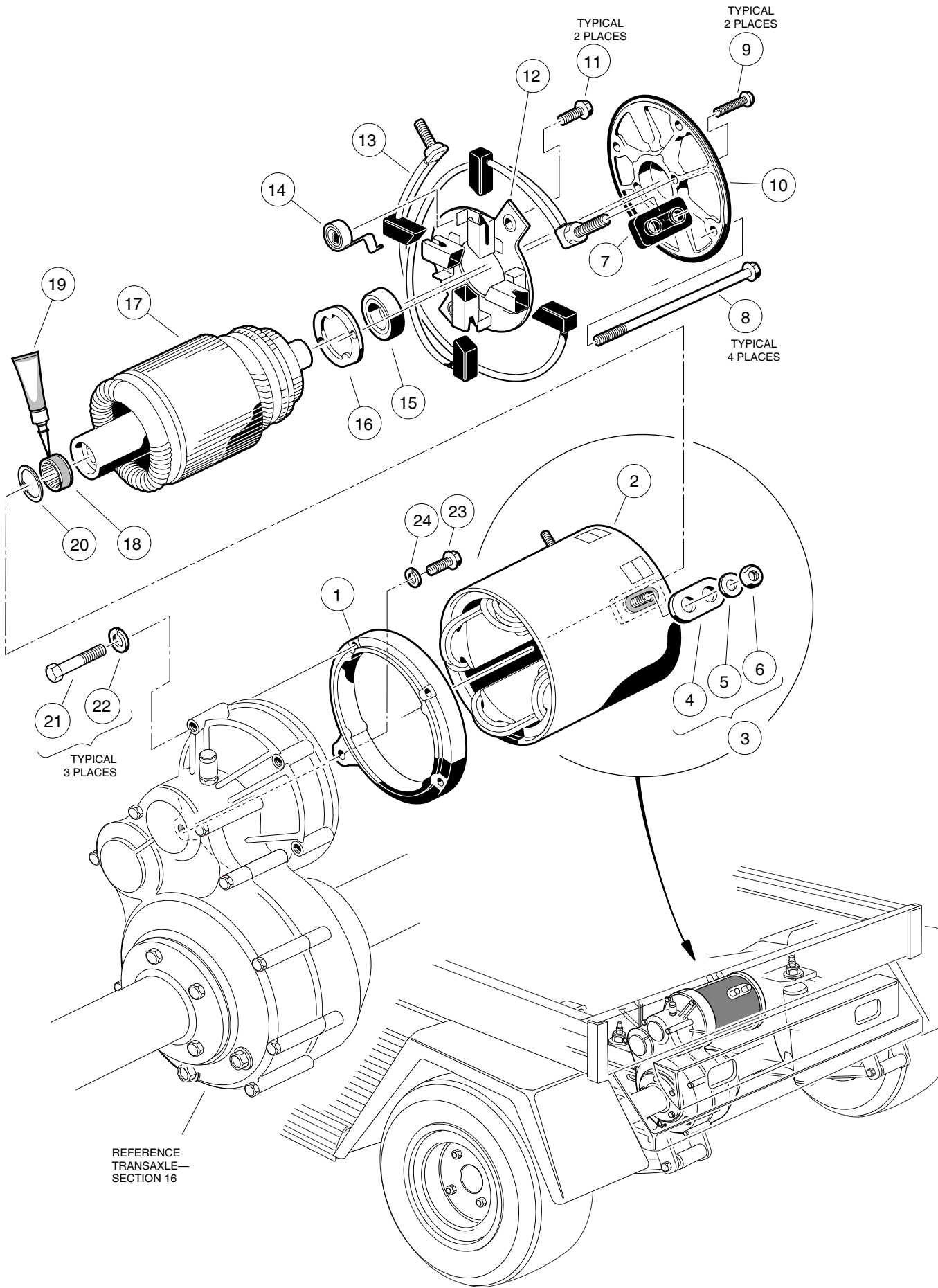
**E**

# ELECTRIC MOTOR

---

15

E



# MOTOR—POWERDRIVE ELECTRIC VEHICLE

15  
E

| ITEM | PART NO.          | DESCRIPTION  | QTY |
|------|-------------------|--|-----|
|      |                   | 1 2 3 4  |     |
|      | <u>1017857-01</u> | ASSEMBLY, 48 VOLT MOTOR, 3.10 HP (INCLUDES ITEMS 1 - 20) ..... | 1   |
| 1    | <u>1017944</u>    | SHIELD, END .....  | 1   |
| 2    | <u>1017958</u>    | ASSEMBLY, STATOR SHELL AND WINDING .....                       | 1   |
| 3    | <u>1017947</u>    | PACKAGE, HARDWARE (INCLUDES ITEMS 4 - 7) .....                 | 1   |
| 4    | N/A               | BUSHING, INSULATOR .....                                       | 2   |
| 5    | N/A               | WASHER, FLAT, 5/16 .....                                       | 4   |
| 6    | N/A               | NUT, HEX, 5/16 - 18 .....                                      | 4   |
| 7    | N/A               | BUSHING, INSULATOR .....                                       | 2   |
| 8    | <u>1017961</u>    | SCREW, CLAMP, UNF, #10 - 32 x 8 5/8 .....                      | 4   |
| 9    | <u>1017953</u>    | SCREW, BEARING RETAINER, #8 - 32 x 7/8 .....                   | 2   |
| 10   | <u>1017951</u>    | SHIELD, END .....  | 1   |
| 11   | <u>1017949</u>    | SCREW, BRUSH HOLDER, #6 - 32 x 1/2 .....                       | 2   |
| 12   | <u>1017948</u>    | RIGGING, BRUSH .....   | 1   |
| 13   | <u>1017946</u>    | PACKAGE, BRUSH (2 PIECES) .....                                | 1   |
| 14   | 1011411           | PACKAGE, BRUSH SPRING (4 PIECES) .....                         | 1   |
| 15   | <u>1011290</u>    | BEARING, BALL .....  | 1   |
| 16   | <u>1017950</u>    | RETAINER, BEARING .....  | 1   |
| 17   | N/A               | ARMATURE .....   | 1   |
| 18   | <u>1017891-01</u> | RING, GUIDE .....  | 1   |
| 19   | <u>1018132-02</u> | ADHESIVE, GUIDE RING, 3 GRAM TUBE .....                        | A/R |
| 20   | <u>1018228-01</u> | RING, INTERNAL RETAINING .....                                 | 1   |
| 21   | 1014201           | BOLT, HEX HEAD, 1/4 - 20 x 2 1/4 .....                         | 3   |
| 22   | 0000451           | WASHER, LOCK, 1/4 .....  | 3   |
| 23   | <u>1010934</u>    | BOLT, HEX HEAD, 5/16 - 18 x 1 .....                            | 1   |
| 24   | 0007174           | WASHER, LOCK, 5/16 .....                                       | 1   |

**15**

**E**

# TRANSAXLE— ELECTRIC VEHICLE

---

16

E



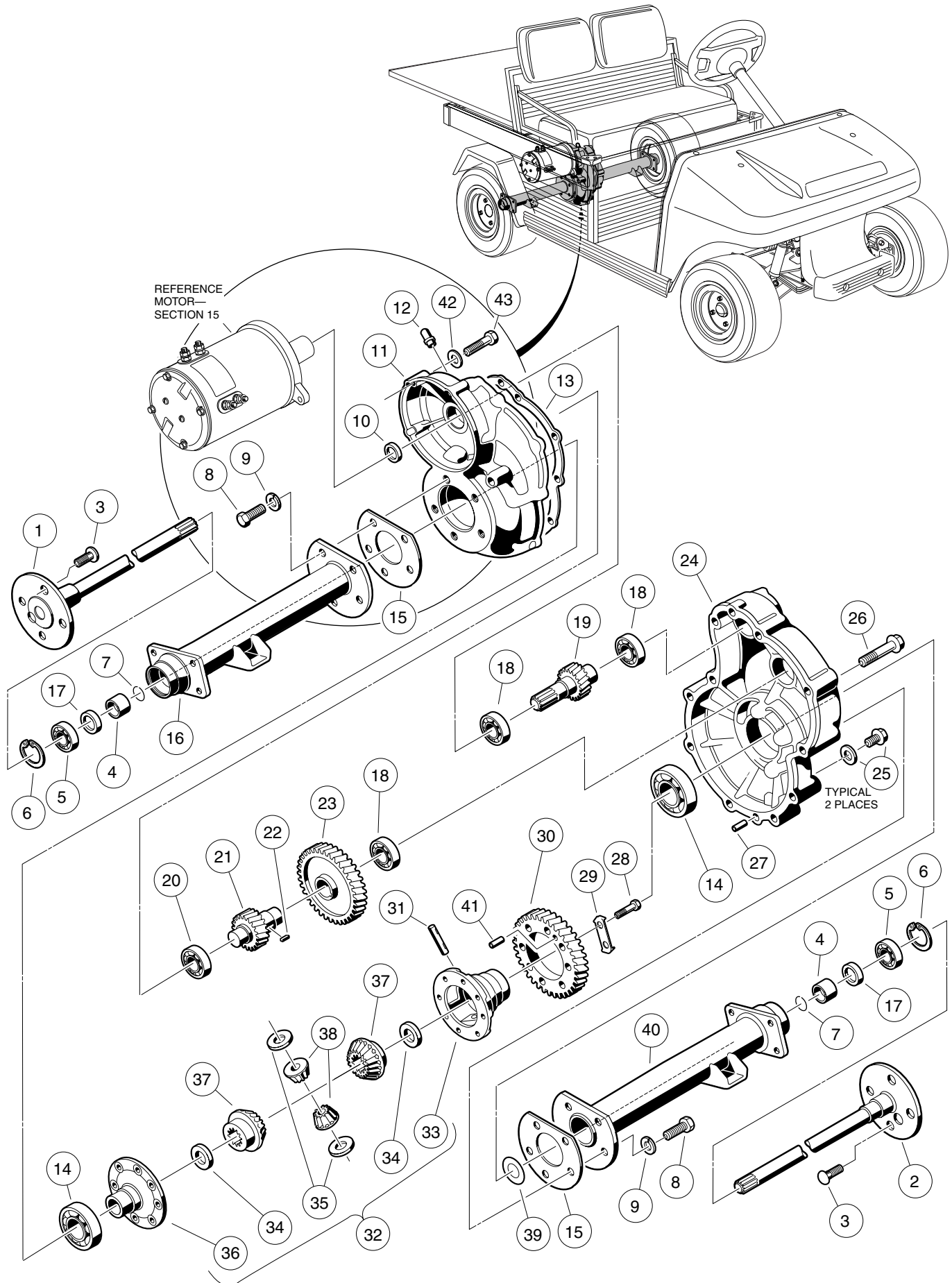


# TRANSAXLE, TYPE G— POWERDRIVE ELECTRIC VEHICLE

16  
E

| ITEM | PART NO.          | DESCRIPTION  | QTY |
|------|-------------------|--|-----|
|      |                   | 1 2 3 4  |     |
|      | <u>1018960-01</u> | TRANSAXLE, TYPE G (INCLUDES ITEMS 1 - 36) .....            | 1   |
| 1    | <u>1018958-01</u> | AXLE ASSEMBLY, PASSENGER SIDE (INCLUDES ITEMS 3 - 7) ..... | 1   |
| 2    | <u>1018959-01</u> | AXLE ASSEMBLY, DRIVER SIDE (INCLUDES ITEMS 3 - 7) .....    | 1   |
| 3    | <u>1019222-01</u> | STUD, LUG .....  | 8   |
| 4    | <u>1019723-01</u> | SLEEVE .....   | 1   |
| 5    | <u>1011291</u>    | BEARING, OUTER AXLE TUBE .....                             | 2   |
| 6    | <u>1018971-01</u> | RING, RETAINING .....                                      | 2   |
| 7    | <u>1019754-01</u> | RING, RETAINING .....                                      | 2   |
| 8    | <u>1019760-01</u> | BOLT, M10 x 1.5 x 35MM .....                               | 10  |
| 9    | <u>1018979-01</u> | WASHER, LOCK, 20MM .....                                   | 10  |
| 10   | <u>1019235-01</u> | SEAL, OIL, INPUT SHAFT .....                               | 1   |
| 11   | <u>1018955-01</u> | GEAR CASE, PASSENGER SIDE .....                            | 1   |
| 12   | <u>1018972-01</u> | BREATHER .....   | 1   |
| 13   | <u>0007330</u>    | BEARING, DIFFERENTIAL .....                                | 2   |
| 14   | <u>1018956-01</u> | ASSEMBLY, AXLE TUBE, PASSENGER SIDE .....                  | 1   |
| 15   | <u>1013794</u>    | SEAL, OIL, AXLE SHAFT .....                                | 2   |
| 16   | <u>0007335</u>    | BEARING, INPUT GEAR.....                                   | 3   |
| 17   | <u>1019237-01</u> | SHAFT, INPUT .....   | 1   |
| 18   | <u>0007336</u>    | BEARING, INTERMEDIATE GEAR .....                           | 1   |
| 19   | <u>1019069-01</u> | ASSEMBLY, INTERMEDIATE GEAR .....                          | 1   |
| 20   | <u>1018954-01</u> | GEAR CASE, DRIVER SIDE .....                               | 1   |
| 21   | <u>1019722-01</u> | PLUG, FILL .....   | 1   |
| 22   | <u>1019721-01</u> | PLUG, MAGNETIC .....                                       | 1   |
| 23   | <u>1019232-01</u> | GASKET, PLUG .....   | 2   |
| 24   | <u>1018970-01</u> | BOLT, M8 x 1.25 x 60MM .....                               | 11  |
| 25   | <u>1018976-01</u> | PIN, DOWEL .....   | 2   |
| 26   | <u>1019236-01</u> | HOUSING, DIFFERENTIAL .....                                | 1   |
| 27   | <u>1019239-01</u> | GEAR, DIFFERENTIAL .....                                   | 2   |
| 28   | <u>1019036-01</u> | PLATE, THRUST (IDLER GEAR) .....                           | 2   |
| 29   | <u>1019230-01</u> | GEAR, DIFFERENTIAL IDLER .....                             | 2   |
| 30   | <u>1019037-01</u> | PLATE, THRUST .....  | 2   |
| 31   | <u>1019221-01</u> | PIN, DIFFERENTIAL .....                                    | 1   |
| 32   | <u>1019062-01</u> | GEAR, OUTPUT .....   | 1   |
| 33   | <u>1018974-01</u> | BOLT, M10 x 1.5 x 25MM .....                               | 4   |
| 34   | <u>1019724-01</u> | PIN, DOWEL .....   | 1   |
| 35   | <u>1018957-01</u> | ASSEMBLY, AXLE TUBE, DRIVER SIDE .....                     | 1   |
| 36   | <u>1019287-01</u> | GASKET, LIQUID, 8.8 OZ. (250 GRAM) .....                   | A/R |
| 37   | <u>0000451</u>    | WASHER, LOCK, 1/4 .....                                    | 3   |
| 38   | <u>1014201</u>    | BOLT, HEX HEAD, 1/4 - 20 x 2 1/4 .....                     | 3   |

**NOTE: TRANSAXLE TYPE IS IDENTIFIED BY ORIENTATION OF GEAR CASE BOLTS. THE TYPE G TRANSAXLE HAS GEAR CASE BOLT HEADS FACING TOWARD THE PASSENGER SIDE OF THE VEHICLE.**



# TRANSAXLE, TYPE K— POWERDRIVE ELECTRIC VEHICLE

16  
E

| ITEM  | PART NO.          | DESCRIPTION  | QTY |
|---|-------------------|--|-----|
|   |                   | 1 2 3 4  |     |
|   | 1017683-02        | TRANSAXLE, TYPE K (INCLUDES ITEMS 1 - 41) .....            | 1   |
| 1   | 1013785           | AXLE ASSEMBLY, PASSENGER SIDE (INCLUDES ITEMS 3 - 7) ..... | 1   |
| 2   | 1013786           | AXLE ASSEMBLY, DRIVER SIDE (INCLUDES ITEMS 3 - 7) .....    | 1   |
| 3   | <u>1013787</u>    | STUD, LUG .....  | 8   |
| 4   | 1014207           | BUSHING, 25 MM I. D. ....                                  | 1   |
| 5   | <u>1011291</u>    | BEARING, OUTER AXLE TUBE .....                             | 2   |
| 6   | <u>1013792</u>    | CIRCLIP, TYPE C .....                                      | 2   |
| 7   | <u>1016672</u>    | RING, RETAINING .....                                      | 2   |
| 8   | <u>1013790</u>    | BOLT, M10 x 1.5 x 30MM .....                               | 10  |
| 9   | <u>1013791</u>    | WASHER, LOCK, 13/32 .....                                  | 10  |
| 10  | <u>1013775</u>    | SEAL, INPUT SHAFT OIL .....                                | 1   |
| 11  | 1013756           | GEAR CASE, PASSENGER SIDE .....                            | 1   |
| 12  | <u>1012711</u>    | BREATHER .....   | 1   |
| 13  | <u>1013758</u>    | GASKET, CASE .....   | 1   |
| 14  | 0007330           | BEARING, INNER AXLE TUBE .....                             | 2   |
| 15  | <u>1013789</u>    | GASKET, AXLE TUBE .....                                    | 2   |
| 16  | 1017704           | ASSEMBLY, AXLE TUBE, PASSENGER SIDE .....                  | 1   |
| 17  | <u>1013794</u>    | SEAL, AXLE SHAFT OIL .....                                 | 2   |
| 18  | 0007335           | BEARING, INPUT GEAR .....                                  | 3   |
| 19  | <u>1013764</u>    | SHAFT, INPUT .....   | 1   |
| 20  | 0007336           | BEARING, INTERMEDIATE GEAR .....                           | 1   |
| 21  | <u>1013766</u>    | GEAR, INTERMEDIATE, SMALL .....                            | 1   |
| 22  | <u>1013780</u>    | KEY, SUNK .....  | 1   |
| 23  | 1013765           | GEAR, INTERMEDIATE, LARGE .....                            | 1   |
| 24  | 1013757           | GEAR CASE, DRIVER SIDE .....                               | 1   |
| 25  | <u>1013759</u>    | PLUG, FILL, WITH GASKET .....                              | 2   |
| 26  | <u>1013763</u>    | BOLT, M6 x 1 x 50MM .....                                  | 10  |
| 27  | <u>1012710</u>    | PIN, DOWEL .....   | 2   |
| 28  | <u>1013779</u>    | BOLT, M8 x 1.25 x 37MM .....                               | 8   |
| 29  | <u>1013782</u>    | PLATE, LOCK .....  | 4   |
| 30  | <u>1013767</u>    | GEAR, OUTPUT .....   | 1   |
| 31  | <u>1013772</u>    | PIN, DIFFERENTIAL .....                                    | 1   |
| 32  | <u>1019105-01</u> | KIT, DIFFERENTIAL GEAR CASE (INCLUDES ITEMS 33 - 36) ..... | 1   |
| 33  | 1013768           | GEAR CASE, DIFFERENTIAL (DRIVER SIDE) .....                | 1   |
| 34  | <u>1013773</u>    | PLATE, THRUST (DIFFERENTIAL GEAR) .....                    | 2   |
| 35  | <u>1013774</u>    | PLATE, THRUST (IDLER GEAR) .....                           | 2   |
| 36  | 1013769           | GEAR CASE, DIFFERENTIAL (PASSENGER SIDE).....              | 1   |
| 37  | 1013771           | GEAR, DIFFERENTIAL .....                                   | 2   |
| 38  | <u>1013770</u>    | GEAR, DIFFERENTIAL IDLER .....                             | 2   |
| 39  | <u>1013781</u>    | SHIM .....   | 1   |
| 40  | <u>1017703</u>    | ASSEMBLY, AXLE TUBE, DRIVER SIDE .....                     | 1   |
| 41  | <u>1014193</u>    | PIN, DOWEL .....   | 1   |
| 42  | 1014201           | BOLT, HEX HEAD, 1/4 - 20 x 2 1/4 .....                     | 3   |
| 43  | 0000451           | WASHER, LOCK, 1/4 .....                                    | 3   |
| <p><b>NOTE: TRANSAXLE TYPE IS IDENTIFIED BY ORIENTATION OF GEAR CASE BOLTS. THE TYPE K TRANSAXLE HAS GEAR CASE BOLT HEADS FACING TOWARD THE DRIVER SIDE OF THE VEHICLE.</b></p> |                   |  |     |





**16**

**E**



**CLUB CAR**  

---

**INGERSOLL-RAND**

**Transportation and Utility Vehicles**  

---

Club Car Inc.  
P.O. Box 204658  
Augusta, GA 30917-4658