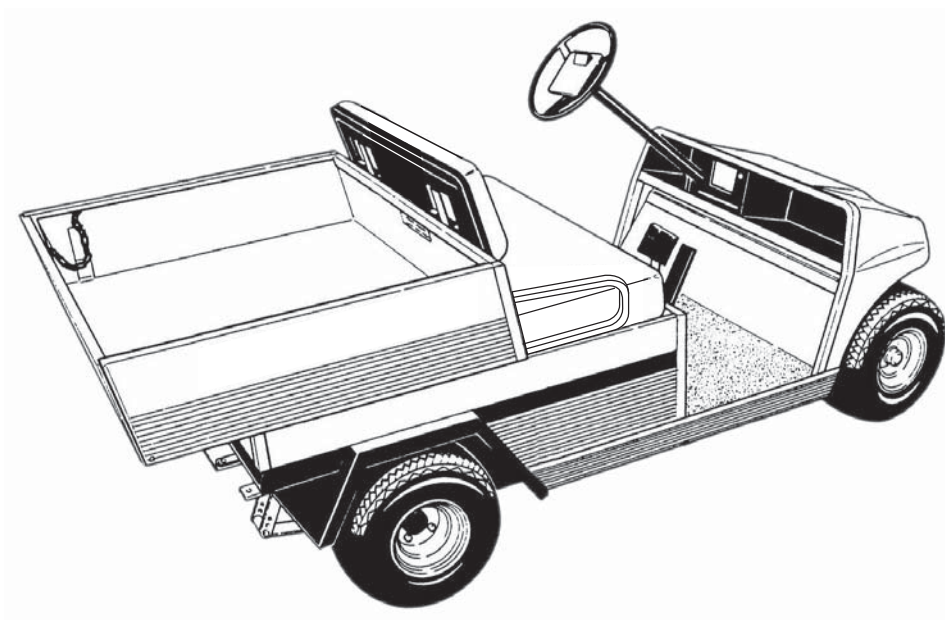




2013
Turf 1 and Carryall 1
Illustrated Parts List



Gasoline and Electric Vehicles

Manual Number 103997608
Edition Code 0316B0616A

USING THE ILLUSTRATED PARTS LIST

⚠ WARNING

- **This manual is to be used only for identification and ordering of service parts. Be sure to read and use the maintenance and service manual before attempting any vehicle repairs.**

This manual covers all Turf/Carryall 1 vehicles built during the 2013 model year.

The manual is divided into sections. Note that there are two or three flags on the outside edge of each page. The first flag contains the section number of which that page is a part. The other flag (or flags) contains the letter G or E, signifying that the page pertains to the electric or gasoline vehicles only.

Use the Table of Contents to find the sections and pages that contain the parts and assemblies you seek. The Table of Contents lists section numbers, and under them, the individual page titles and numbers to be found in that section. The index can be used to find specific parts and assemblies. The index is divided into numerical and alphabetical listings with the page numbers in italic text.

There is a two-page spread for each individual page title in the Table of Contents. On the left-hand page is an illustration showing the parts in their relative positions; the parts are each tagged with an item number in a balloon. The right-hand page is the parts list page, and gives the page title at the top, then the item numbers (corresponding to the numbers on the illustration), part descriptions, and quantity of parts used.

Note that a part description may be indented. This indention corresponds to a parts assembly level indicated by the numbers 1, 2, 3, and 4 at the top left corner of the parts description area of the parts list page. A part that is indented to *level 2* is a component of the *level 1* part (assembly) that it is listed under. A *level 3* part is a component of the *level 2* part that it is listed under, and a *level 4* part is a component of the *level 3* part preceding it. In each case, the part quantity given for a level 2, 3, or 4 part is the quantity used per next higher level assembly of which it is a component. A part that is not indented is a *level 1* part. This means that the quantity given is the quantity used per the portion of the vehicle illustrated on that particular spread.



P. O. Box 204658
Augusta, Georgia 30917-4658 USA
Telephone 706-863-3000
Service Parts Fax 706-855-7413
www.clubcar.com

HOW TO ORDER PARTS

Replacement parts and accessories can be obtained from our network of authorized dealers and distributors. You can obtain the name and phone number of your closest authorized Club Car dealer or distributor by visiting our web site at www.clubcardealer.com, by calling our toll-free Service Parts and Technical Assistance hotline at (800) 872-2246 or (706) 863-3000, extension 3887, or by scanning this Quick Response (QR) code to be taken to the Club Car dealer locator. **Refer to Figure 1.** Download a QR code reader such as RedLaser or Barcode Scanner to your cell phone or tablet.



Figure 1 Dealer Locator QR Code

CUSTOMER SATISFACTION SURVEY

Let your voice be heard!

Please take time to participate in the Technical Publications satisfaction survey. Obtaining feedback from our customers is important to the department's continuous improvement process. The online survey takes less than five minutes and responses will help the department to examine current performance as well as identify areas for future improvement.

Our top priority is to provide timely, accurate, and user friendly manuals.

The online satisfaction survey can be found at: <http://bit.ly/1w9uFMh>



Figure 2 Survey QR Code

NOTE: *This illustrated parts list represents the most current information at the time of publication. Club Car, Inc. is continually working to further improve its vehicles and other products. These improvements may affect the parts used to service the vehicle. Any modification and/or significant change in specifications will be forwarded to all Club Car and Carryall distributors/dealers and will, when applicable, appear in future editions of this illustrated parts list.*

Club Car, Inc. reserves the right to change specifications and designs at any time without notice and without the obligation of making changes to units previously sold.

Copyright © 2012 Club Car, LLC
Club Car and ArmorFlex
are registered trademarks of Club Car, LLC
This manual effective August 1, 2012.

2013 Turf 1 and Carryall 1 Vehicles Illustrated Part

CONTENTS

SECTION 1 – BODY AND TRIM

Front Body and Trim – Turf, Utility, & Transportation	1-3
Brush Guard Kit – DS, Utility, & Villager	1-5
Splash Guard – Gasoline Vehicles Only	1-7
Dash Pockets and Floormat – To Late-2013 Model Year	1-9
Dash Pockets and Floormat – From Late-2013 Model Year	1-11
Beverage Holder	1-13
Mirror, Rear-View – without Cab	1-15
Grommets, Chassis	1-17
Seat Bottom	1-19
Seat Back Assembly	1-21
Windshield, Hinged	1-23
Windshield, Non-Hinged	1-25
Canopy Kit, White	1-27
Canopy Kit, Beige	1-29
Canopy Kit, Black	1-31
Hip Restraints and Seat Back Mounting	1-33
Tilt Bed, Extruded Hinge, and Latch	1-35
Latch Plate	1-37
Cargo Box	1-39
Cargo Box Mounting	1-41
Stake Side Kit – Turf/CA 1 and TransPorter 4	1-43
Bed Mat	1-45
Portable Refreshment Center	1-47
Toolboxes	1-49
Trailer Hitch, Heavy-Duty	1-51
Trailer Hitch, Light-Duty	1-53
Trailer Hitch Ball	1-55
Rear Body Trim – Turf/Carryall 1, 2, 2 Plus, and 6	1-57
Cab, CPL – Turf/CA 1, 2, 2 Plus, 6, 252 and XRT 900	1-59
Doors – CPL Cab	1-61
Windshield Wiper – CPL Cab	1-63
Windshields – CPL Cab	1-65
Seat Belts, Roof, Vent, & Seals – CPL Cab	1-67
Lights – CPL Cab	1-69
Fan and Mirror – CPL Cab	1-71
Van Box – Turf/CA 1	1-73

CONTENTS

SECTION 2 – WHEELS AND TIRES

Wheels (Silver) and Tires – Turf/Carryall 1	2-3
Wheel Covers	2-5

SECTION 3 – DECALS

Decals – Gas and Electric Vehicles	3-3
Decals – Turf/Carryall 1 Electric	3-5
Decals – Turf/Carryall 1 Gasoline	3-7
Decals, Badging – Turf/Carryall 1	3-9

SECTION 4 – LIGHTS, CONTROLS, AND INDICATORS

Headlights	4-3
Light Kit, Standard – Turf/CA 1 Gasoline Vehicles	4-5
Light Kit, Standard – Turf/CA 1 IQ System Electric Vehicles	4-7
Turn Signal Kit – DS and Utility Gasoline and Electric Vehicles	4-9
Turn Signal (with Horn Button) Kit – DS and Utility Gas and Electric Vehicles	4-11
Instrument Panel and Electrical Components – Turf/Carryall 1, 2, and 252 Gas	4-13
Instrument Panel and Electrical Components – Turf/CA 1 and 2 Electric	4-15
Battery Condition Indicator – Electric Vehicles	4-17
DC Converter – IQ System, Electric Vehicle	4-19
DC Converter – IQ System, CE Electric Vehicle	4-21
Voltage Limiter – Gasoline Vehicle	4-23
Strobe Light, Post-Mounted – Gasoline Vehicles	4-25
Strobe Light, Post-Mounted – Electric Vehicles	4-27
Strobe Light, Canopy-Mounted	4-29
Horn with Column-Mounted Button	4-31
Hour Meter – IQ System and IQ Plus Electric Vehicles	4-33
Taillights	4-35

SECTION 5 – BRAKES, PEDALS, AND CABLE ASSEMBLIES

Brake Pedal Assembly	5-3
Accelerator Pedal Assembly – Electric Vehicles	5-5
Accelerator Pedal Assembly – Gasoline Vehicles	5-7
Accelerator Rod – Turf/Carryall 1 Gasoline Vehicles	5-9
Rear Brake Assembly, Self-Adjusting – Vehicle with 2-Wheel Brakes	5-11
Rear Brake Cables and Equalizer	5-13

CONTENTS

SECTION 6 – STEERING AND SUSPENSION

Steering Gear Assembly (Wanda) – Maint.-Free Ball Joint	6-3
Steering Column – Utility	6-5
Intermediate Steering Shaft (Wanda) – Turf/CA 1/2/6	6-7
Steering Wheel	6-9
Steering Wheel with Clip	6-11
Front Spindles and Hubs – Vehicles with Two-Wheel Brakes and Maintenance-Free Ball Joints	6-13
Front Suspension, Upper – Vehicles with Two-Wheel Brakes and Maintenance-Free Ball Joints	6-15
Front Suspension, Lower – Vehicles with Two-Wheel Brakes and Maintenance-Free Ball Joints	6-17
Heavy Duty Front Spindles for Maint.-Free Balljoints	6-19
Heavy Duty Front Springs	6-21
Rear Suspension – Gasoline Turf/CA 1	6-23
Rear Suspension – Electric Turf/CA 1	6-25

SECTION 7 – ELECTRICAL SYSTEM – GASOLINE VEHICLE

Wiring – Turf/Carryall 1 Gas with AMD Starter/Gen	7-3
Starter/Generator Assembly (Pedal-Start), Model 114-01-4009A	7-5
Starter/Generator Mounting – 114-0x-400xx Models	7-7
Operation and Maintenance Switch	7-9
Electrical Component Box – Turf/Carryall 1, 2, and 252	7-11
Forward/Reverse Shifter Switches – Dash Mounted Shifter	7-13
Battery – Gasoline Utility Vehicles	7-15

SECTION 8 – ENGINE (S27) W/O ACR, 50-STATE

Tune-Up Kit – Kawasaki FE350	8-3
FE350 Engine (S27) w/o ACR, Shrouds, and Brackets; 50-State	8-5
FE350 Engine (S27) – Ignition Components and Flywheel	8-7
FE350 Engine (S27) – Oil Circulation	8-9
FE350 Engine (S27) – Cylinder Head	8-11
FE350 Engine (S27) – Crankcase, Camshaft, and Oil Sensor	8-13
FE350 Engine (S27) – Crankcase and Crankshaft	8-15
FE350 Engine (S27) – Mounting	8-17

SECTION 9 – FUEL, INTAKE, AND GOVERNOR SYSTEMS

Fuel System, 50-State	9-3
Carbon Canister	9-5
Carburetor Assembly – FE350 S27	9-7
Carburetor Mounting, Utility, FE350 S23 S24 S27	9-9

CONTENTS

Governor and Accelerator Cables	9-11
Air Intake Duct and Choke Button – Turf/Carryall 1	9-13
Air Filter and Intake Hose	9-15

SECTION 10 – EXHAUST SYSTEM

Exhaust System – FE350 Engine	10-3
-------------------------------------	------

SECTION 11 – DRIVE BELT AND CLUTCHES

Drive Belt	11-3
Drive Clutch – Turf/Carryall 1, 2, and 252	11-5
Driven Clutch – Turf/Carryall 1, 2, and 252	11-7

SECTION 12 – UNITIZED TRANSAXLE – GASOLINE VEHICLES

Forward/Reverse Shifter	12-3
Shifter Cable – Turf/Carryall 1	12-5
Kawasaki Transaxle – Gear Cases and Brackets	12-7
Kawasaki Transaxle – F&R Transmission and Gear Reduction	12-9
Kawasaki Transaxle – Differential and Axles	12-11
Graziano Transaxle – Gear Cases and Levers	12-13
Graziano Transaxle – F&R Transmission and Gear Reduction	12-15
Graziano Transaxle – Differential and Axles	12-17

SECTION 13 – ELECTRICAL SYSTEM – ELECTRIC VEHICLES

Motor Controller Output Regulator (MCOR)	13-3
Wiring – Turf/CA 1 Electric	13-5
Battery Charger Receptacle	13-7
Tow/Run Switch – IQ System	13-9
Batteries, 8-volt, JCI	13-11
Single Point Watering System, 8V Crown & JCI	13-13
Computer, Controller, and Solenoid – For Crown and JCI Batteries	13-15
Hand Pump and Deionizer (Battery-Powered Quality Light)	13-17
CE Compliance Kit – Turf and Carryall 1	13-19

SECTION 14 – ELECTRIC MOTOR

Motor (Model EJ8-4001A) – Electric Vehicle	14-3
--	------

CONTENTS

SECTION 15 – TRANSAXLE – ELECTRIC VEHICLES

Transaxle – Electric Vehicles	15-3
Differential Guard – Electric Vehicles	15-5

SECTION 16 – BATTERY CHARGERS

PowerDrive 3 Battery Charger (Model 26580-31,-38,-39), Domestic	16-3
PowerDrive Battery Charger (Models 17930-11,-18,-19), Domestic	16-5
PowerDrive Battery Charger (Model 18780-18), Export	16-7
PowerDrive Battery Charger (Model 27640-61), Export	16-9
PowerDrive Battery Charger (Model 20310-18), European	16-11
PowerDrive Battery Charger (Model 27640-11), European	16-13
Onboard PowerDrive Battery Charger (Model 19770-98), Domestic	16-15
Onboard PowerDrive Battery Charger (Model 19710), International	16-17

SECTION 17 – MAINTENANCE AND SERVICE TOOLS

Maintenance and Service Tools	17-3
Maintenance and Service Tools, Continued	17-5
Maintenance and Service Tools, Continued	17-7

SECTION i – INDEX

BODY AND TRIM

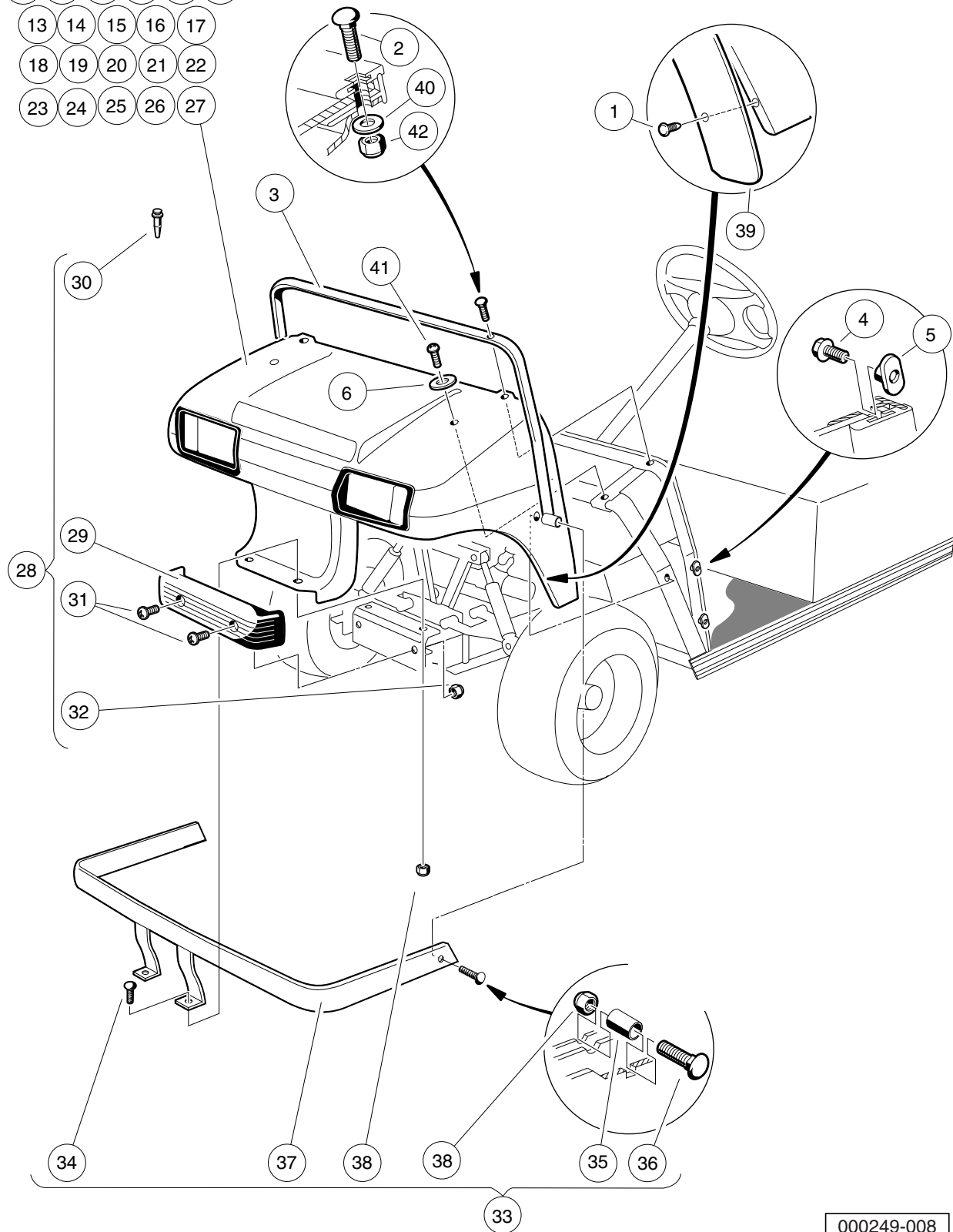
1

G

E

1
G
E

- 7 8 9 10 11 12
- 13 14 15 16 17
- 18 19 20 21 22
- 23 24 25 26 27

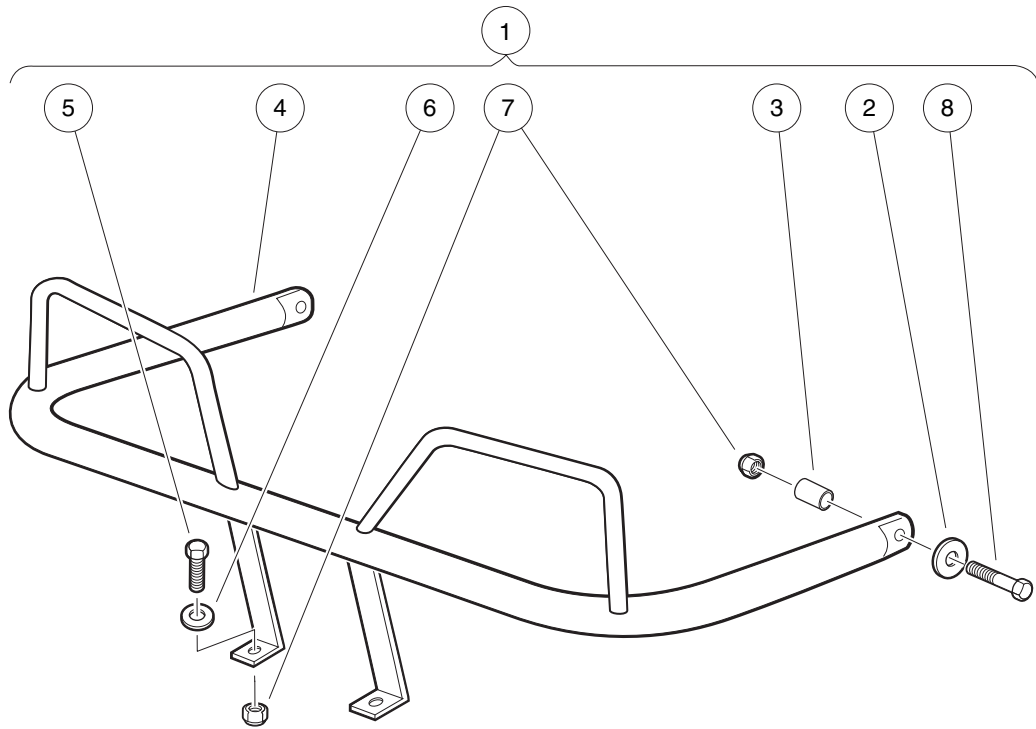


000249-008

FRONT BODY AND TRIM – TURF, UTILITY, & TRANSPORTATION

ITEM	PART NO.	DESCRIPTION	QTY
		1 2 3 4	
1	<u>1010434</u>	Barrel - Plastic	12
2	<u>1010435</u>	Bolt, Carriage, 5/16-18 X 1.00	2
3	<u>1011014</u>	Trim, Cowl	1
4	<u>1011017</u>	Screw, #8-32 X 0.375	6
5	<u>1011394</u>	T-Nut Package (Set of 4)	1
6	<u>1015075</u>	Washer, 5/16 Flat Type A	2
7	<u>101692501</u>	Cowl, TPO, Beige	1
8	<u>101692502</u>	Cowl, TPO, White	1
9	<u>101692504</u>	Cowl, Tpo -gray	1
10	<u>101692506</u>	Cowl, TPO, Red	1
11	<u>101692509</u>	Cowl, TPO, Pacific Blue (Royal Blue)	1
12	<u>101692510</u>	Cowl, TPO, Dark Green	1
13	<u>101692511</u>	Cowl, TPO, Black	1
14	<u>101692512</u>	Cowl, TPO, Classic Blue (Navy)	1
15	<u>101692513</u>	Cowl, TPO, Burgundy	1
16	<u>101692514</u>	Cowl, TPO, Dark Gray	1
17	<u>101692515</u>	Cowl, TPO, Safety Yellow	1
18	<u>101693901</u>	Cowl with Headlight Opening, TPO, Beige	1
19	<u>101693902</u>	Cowl with Headlight Opening, TPO, White	1
20	<u>101693904</u>	Cowl with Headlight Opening, TPO, Gray	1
21	<u>101693906</u>	Cowl with Headlight Opening, TPO, Red	1
22	<u>101693909</u>	Cowl with Headlight Opening, TPO, Dark Green	1
23	<u>101693910</u>	Cowl with Headlight Opening, TPO, Black	1
24	<u>101693911</u>	Cowl with Headlight Opening, TPO, Classic Blue (Navy)	1
25	<u>101693912</u>	Cowl with Headlight Opening, TPO, Burgundy	1
26	<u>101693913</u>	Cowl with Headlight Opening, TPO, Dark Gray	1
27	<u>101693914</u>	Cowl with Headlight Opening, TPO, Safety Yellow	1
28	<u>1017080</u>	Kit, Front Bumper (includes items 29 through 32)	1
29	<u>1016868</u>	Front Bumper	1
30	<u>1016967</u>	Blind Rivet, Push Type	2
31	<u>7251</u>	Screw, 5/16-18 x 1.0 Truss-Head	2
32	<u>7473</u>	Locknut, 5/16-18 Nylon Insert	2
33	<u>101734802</u>	Kit, Heavy-Duty Bumper (includes items 34 through 38)	1
34	<u>1010435</u>	Bolt, Carriage, 5/16-18 X 1.00	2
35	<u>1010546</u>	Spacer	2
36	<u>1015405</u>	Bolt, Carriage, 5/16-18 X 2.0	2
37	N/A	Weldment, Heavy Duty Bumper	1
38	<u>7473</u>	Locknut, 5/16-18 Nylon Insert	4
39	<u>101870401</u>	Fender Extrusion	2
40	<u>1241</u>	Washer, 5/16 Type A Flat	2
41	<u>7251</u>	Screw, 5/16-18 x 1.0 Truss-Head	2
42	<u>7473</u>	Locknut, 5/16-18 Nylon Insert	2

1
G
E



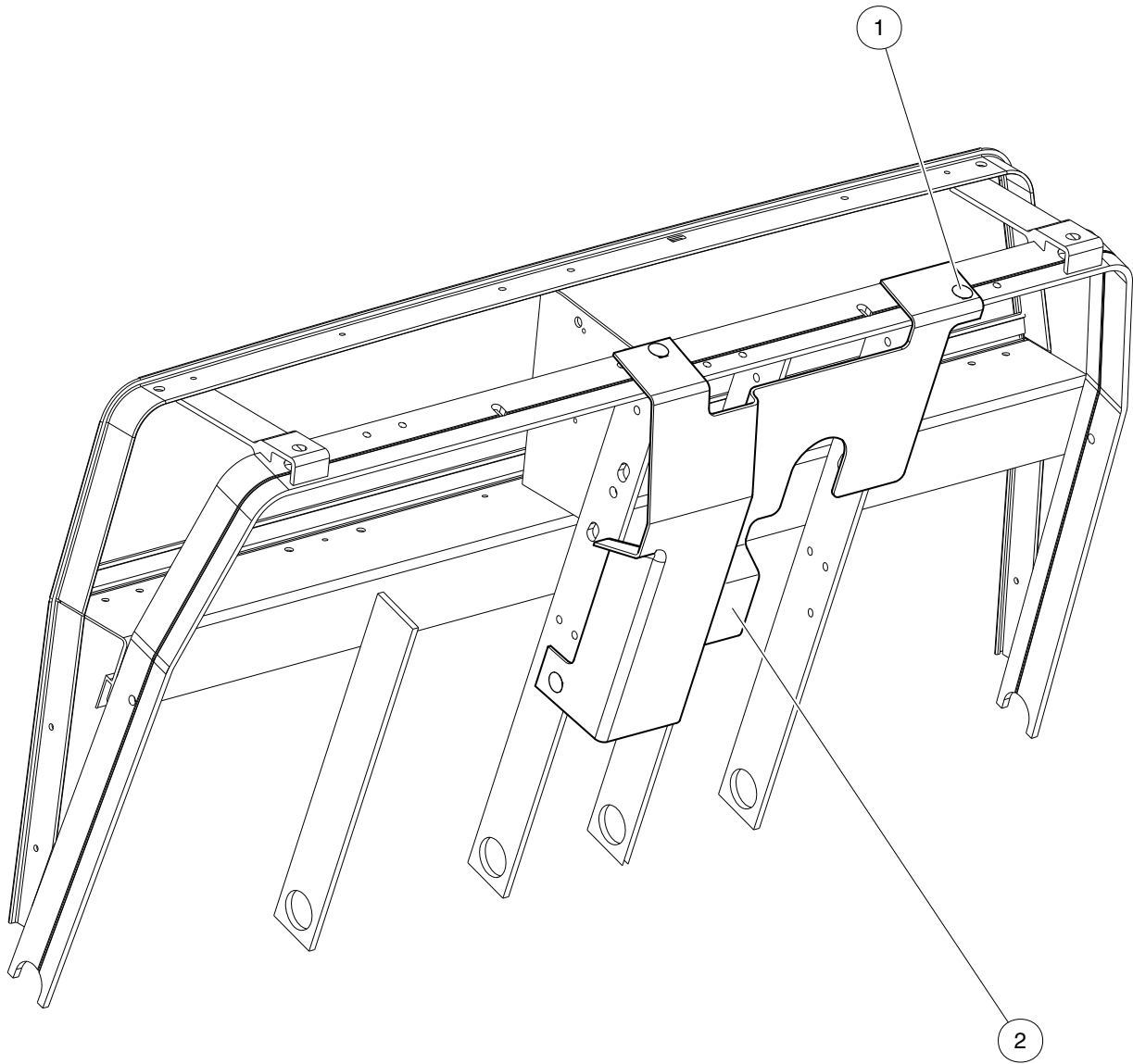
001238-001

BRUSH GUARD KIT – DS, UTILITY, & VILLAGER

ITEM	PART NO.	DESCRIPTION	QTY
		1 2 3 4	
1	SVP143902	Kit, Brush Guard, Heavy-Duty, DS/Utility/Villager (includes items 2 through 8)	1
2	<u>1011578</u>	Washer, 5/16 Type B Flat	2
3	<u>1015608</u>	Tube Spacer, Hydraulic Cylinder	2
4	103895401	Weldment, Brush Guard, Hd	1
5	1218	Screw, 5/16-18 X 1.25 Hex-Head Cap	2
6	<u>1241</u>	Washer, 5/16 Type A Flat	2
7	<u>7473</u>	Locknut, 5/16-18 Nylon Insert	4
8	<u>8935</u>	Screw, 5/16-18 X 2.25 Hex-Head Cap	2

1
G
E

1
G
E

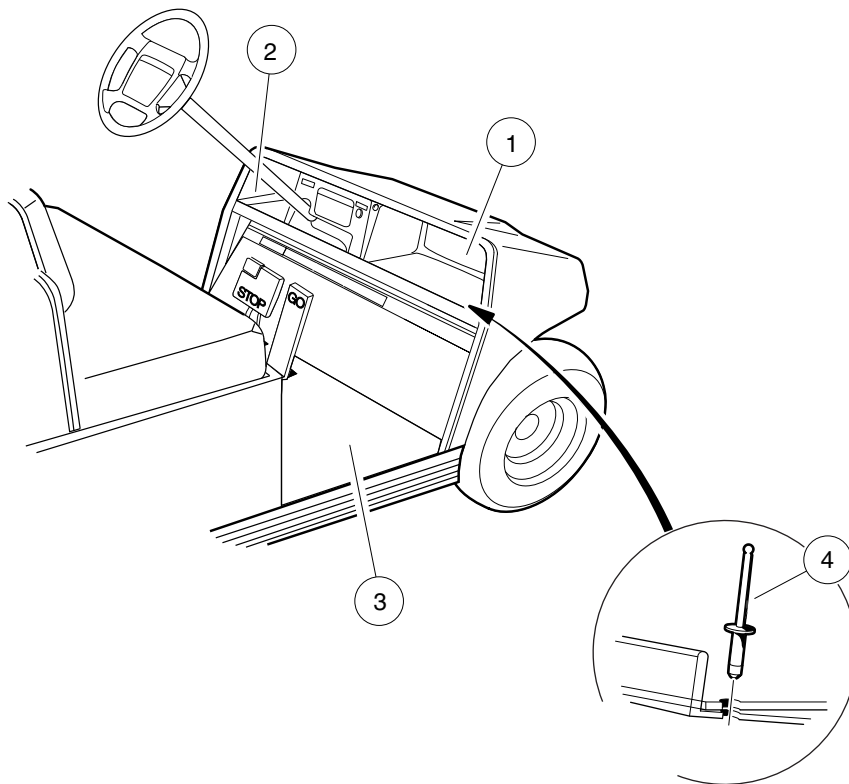


000593-002

SPLASH GUARD – GASOLINE VEHICLES ONLY

ITEM	PART NO.	DESCRIPTION	QTY
1	<u>1010434</u>	1 2 3 4 Barrel - Plastic	3
2	<u>103174401</u>	Splash Guard	1

1
G
E



000252-002

DASH POCKETS AND FLOORMAT – TO LATE-2013 MODEL YEAR

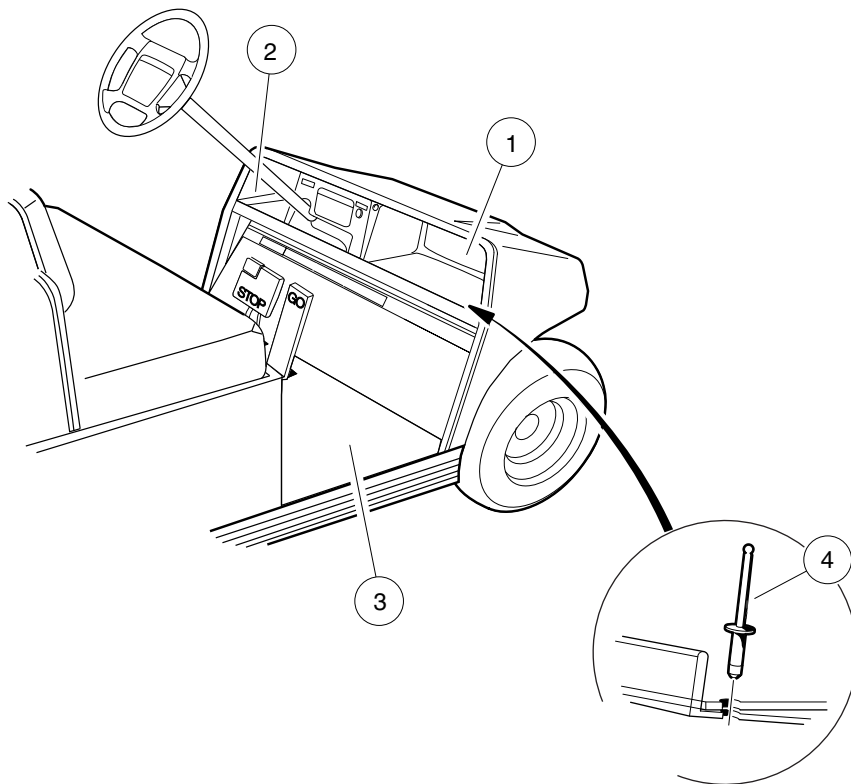
ITEM	PART NO.	DESCRIPTION	QTY
		1 2 3 4	
1	<u>1013343</u>	Dash Component, Passenger-Side, Black	1
2	1013344	Dash Component, Driver-Side	1
3	<u>101503202</u>	Floormat	1
4	<u>7973</u>	Rivet, 3/16 X .400 Blind	5

1

G

E

1
G
E



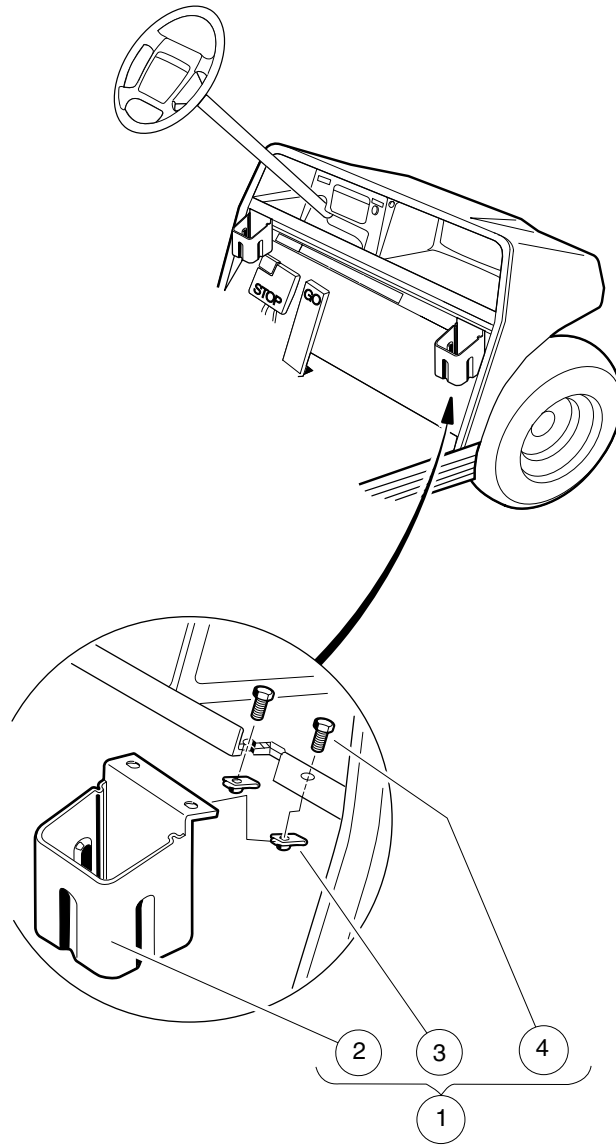
000252-002

DASH POCKETS AND FLOORMAT – FROM LATE-2013 MODEL YEAR

ITEM	PART NO.	DESCRIPTION	QTY
		1 2 3 4	
1	<u>1013343</u>	Dash Component, Passenger-Side, Black	1
2	1013344	Dash Component, Driver-Side	1
3	103939201	Floor Mat, Ds/utl, Std	1
4	<u>7973</u>	Rivet, 3/16 X .400 Blind	5

1
G
E

1
G
E



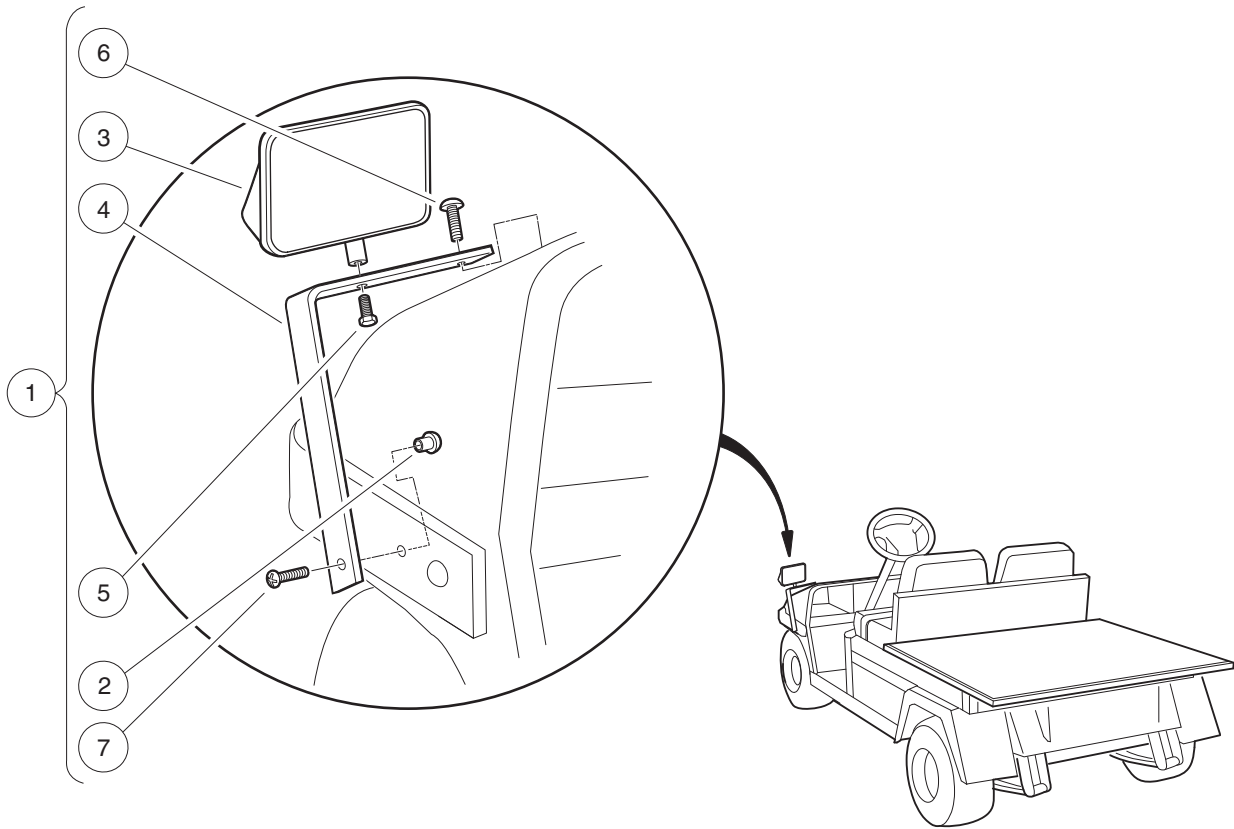
000253-001

BEVERAGE HOLDER

ITEM	PART NO.	DESCRIPTION	QTY
		1 2 3 4	
1	1013422	Cup Holder Kit (includes items 2 through 4)	2
2	1013420	Holder, Single Cup	1
3	1016952	U-Nut, 1/4-20	2
4	<u>7847</u>	Screw, 1/4-20 X 0.75 Hex-Head Cap	2

1
G
E

1
G
E



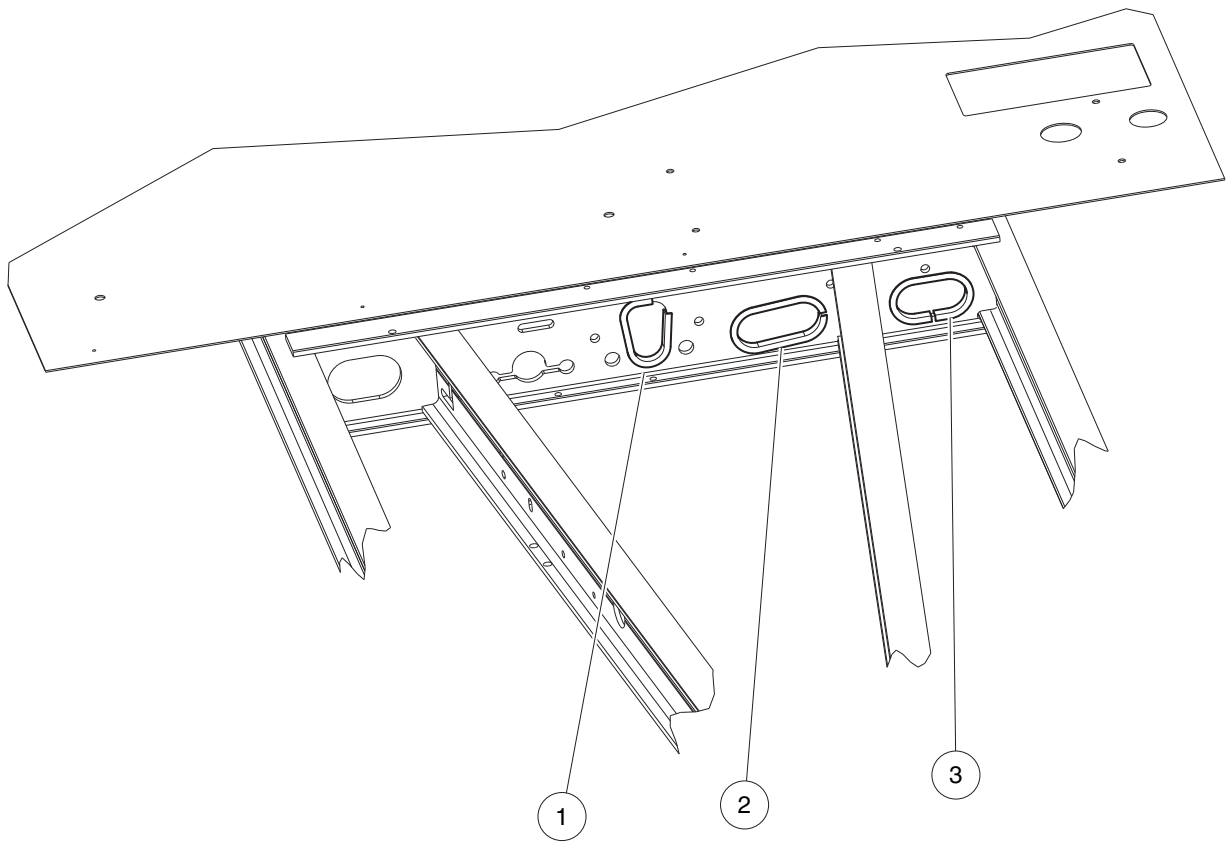
001211-001

MIRROR, REAR-VIEW – WITHOUT CAB

ITEM	PART NO.	DESCRIPTION	QTY
		1 2 3 4	
1	<u>1013846</u>	Kit, Rear Mirror, West Coast (includes items 2 through 7)	1
2	1011878	T-nut, 1/4-20 X .310 Capped	1
3	1013824	Rear View Mirror	1
4	<u>1013825</u>	Mirror Mounting Bracket	1
5	<u>7173</u>	Screw, 5/16-18 X 0.75, Hex-Head Cap	1
6	<u>7251</u>	Screw, 5/16-18 x 1.0 Truss-Head	1
7	<u>8248</u>	Screw, 1/4-20 X 0.75, Truss-Head Machine	1
<p style="margin-left: 40px;">Note: To install this kit, vehicle must be equipped with a heavy-duty front bumper.</p>			

1
G
E

1
G
E

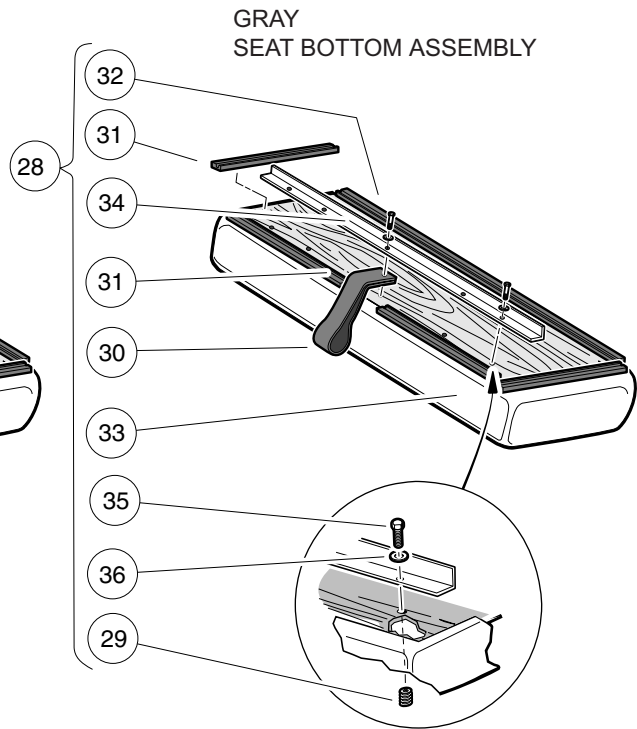
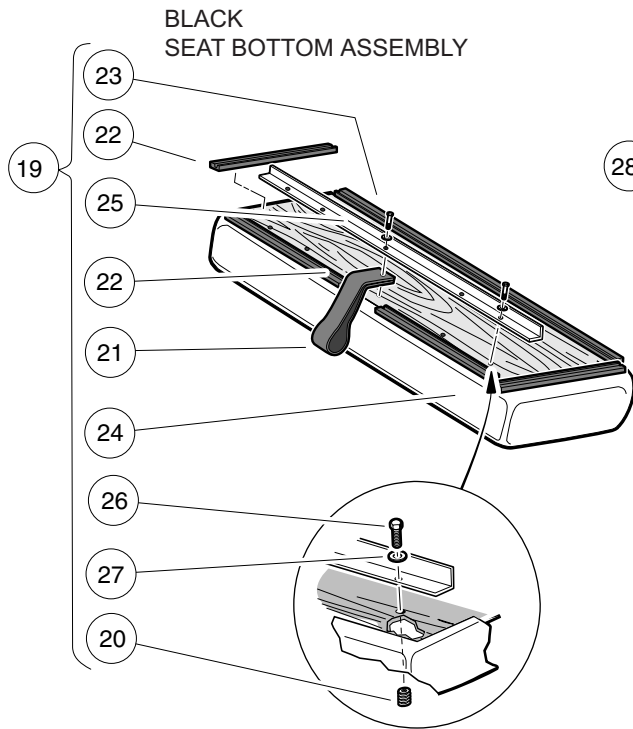
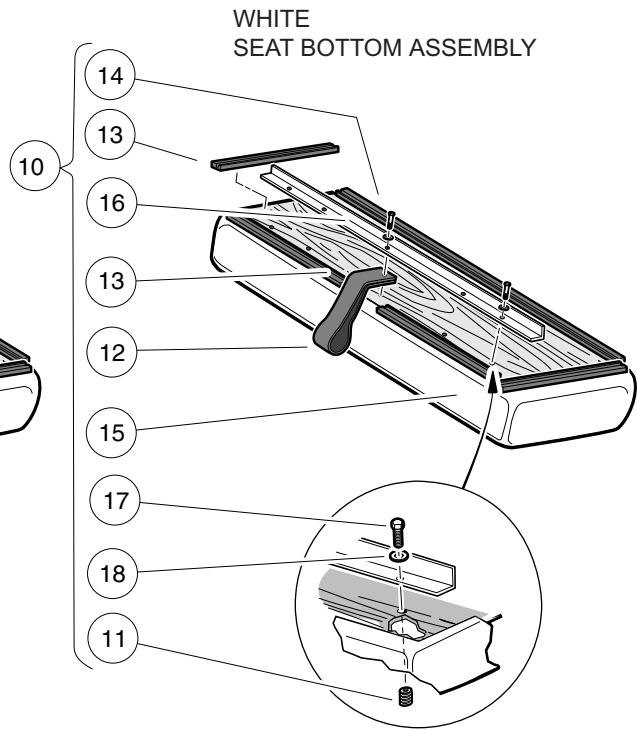
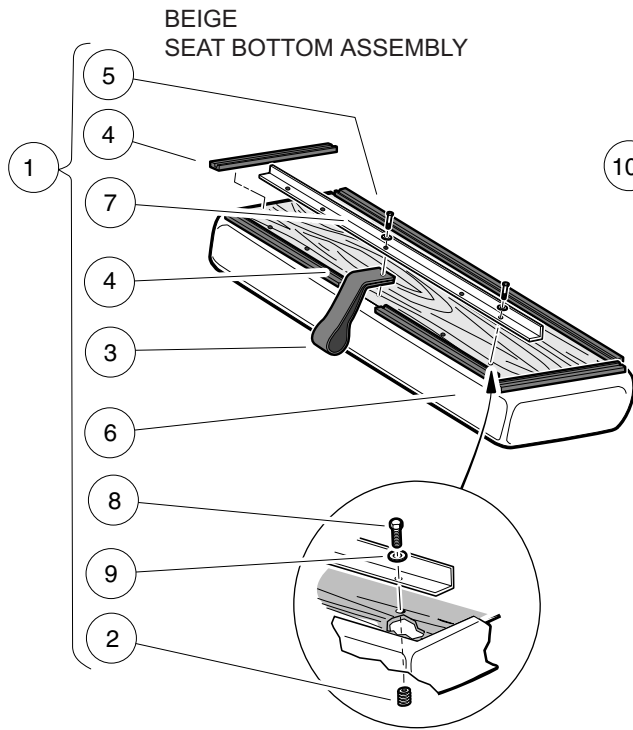


001221-001

GROMMETS, CHASSIS

ITEM	PART NO.	DESCRIPTION	QTY
		1 2 3 4	
1	<u>101806001</u>	I-beam Grommet - 5.5	A/R
2	<u>101806002</u>	I-beam Grommet - 7.5	A/R
3	<u>101806005</u>	I-beam Grommet - 6.75	A/R

1
G
E



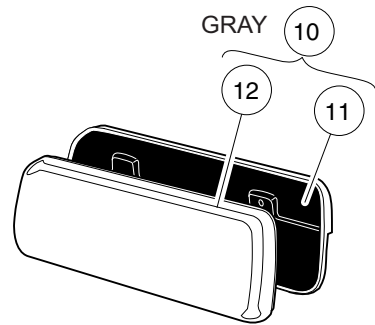
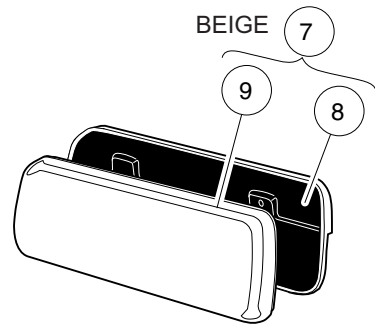
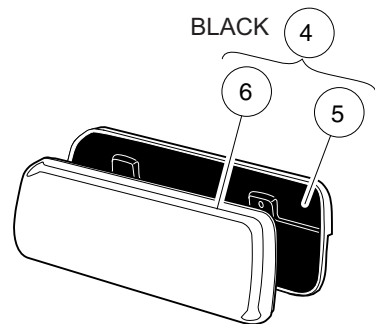
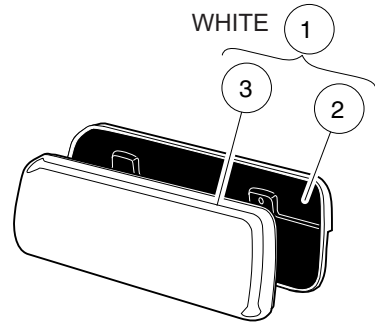
000254-001

SEAT BOTTOM

ITEM	PART NO.	DESCRIPTION	QTY
		1 2 3 4	
1	<u>101564501</u>	Seat Bottom Assembly, Beige (includes items 2 through 9)	1
2	<u>1010543</u>	Insert - Wood	5
3	<u>1013309</u>	Strap, Utility Seat	1
4	<u>1013311</u>	Bumper, Seat, Short	4
5	<u>1013312</u>	Bumper, Seat, Long	1
6	<u>101562711</u>	Vinyl Cover, Seat Bottom, Buff	1
7	<u>101894303</u>	Stiffener	1
8	<u>101954301</u>	Screw, 1/4-20 X 0.75 Hex-Head Cap	5
9	<u>332</u>	Washer, 1/4 Type A Narrow Flat	5
10	<u>101564502</u>	Seat Bottom Assembly, White (includes items 11 through 18)	1
11	<u>1010543</u>	Insert - Wood	5
12	<u>1013309</u>	Strap, Utility Seat	1
13	<u>1013311</u>	Bumper, Seat, Short	4
14	<u>1013312</u>	Bumper, Seat, Long	1
15	<u>101562712</u>	Vinyl Cover, Seat Bottom, White	1
16	<u>101894303</u>	Stiffener	1
17	<u>101954301</u>	Screw, 1/4-20 X 0.75 Hex-Head Cap	5
18	<u>332</u>	Washer, 1/4 Type A Narrow Flat	5
19	<u>101564503</u>	Seat Bottom Assembly, Black (includes items 20 through 27)	1
20	<u>1010543</u>	Insert - Wood	5
21	<u>1013309</u>	Strap, Utility Seat	1
22	<u>1013311</u>	Bumper, Seat, Short	4
23	<u>1013312</u>	Bumper, Seat, Long	1
24	<u>101562714</u>	Vinyl Cover, Seat Bottom, Black	1
25	<u>101894303</u>	Stiffener	1
26	<u>101954301</u>	Screw, 1/4-20 X 0.75 Hex-Head Cap	5
27	<u>332</u>	Washer, 1/4 Type A Narrow Flat	5
28	<u>101564505</u>	Seat Bottom Assembly, Gray (includes items 29 through 36)	1
29	<u>1010543</u>	Insert - Wood	5
30	<u>1013309</u>	Strap, Utility Seat	1
31	<u>1013311</u>	Bumper, Seat, Short	4
32	<u>1013312</u>	Bumper, Seat, Long	1
33	<u>101562715</u>	Vinyl Cover, Seat Bottom, Gray	2
34	<u>101894303</u>	Stiffener	1
35	<u>101954301</u>	Screw, 1/4-20 X 0.75 Hex-Head Cap	5
36	<u>332</u>	Washer, 1/4 Type A Narrow Flat	5

1
G
E

1
G
E



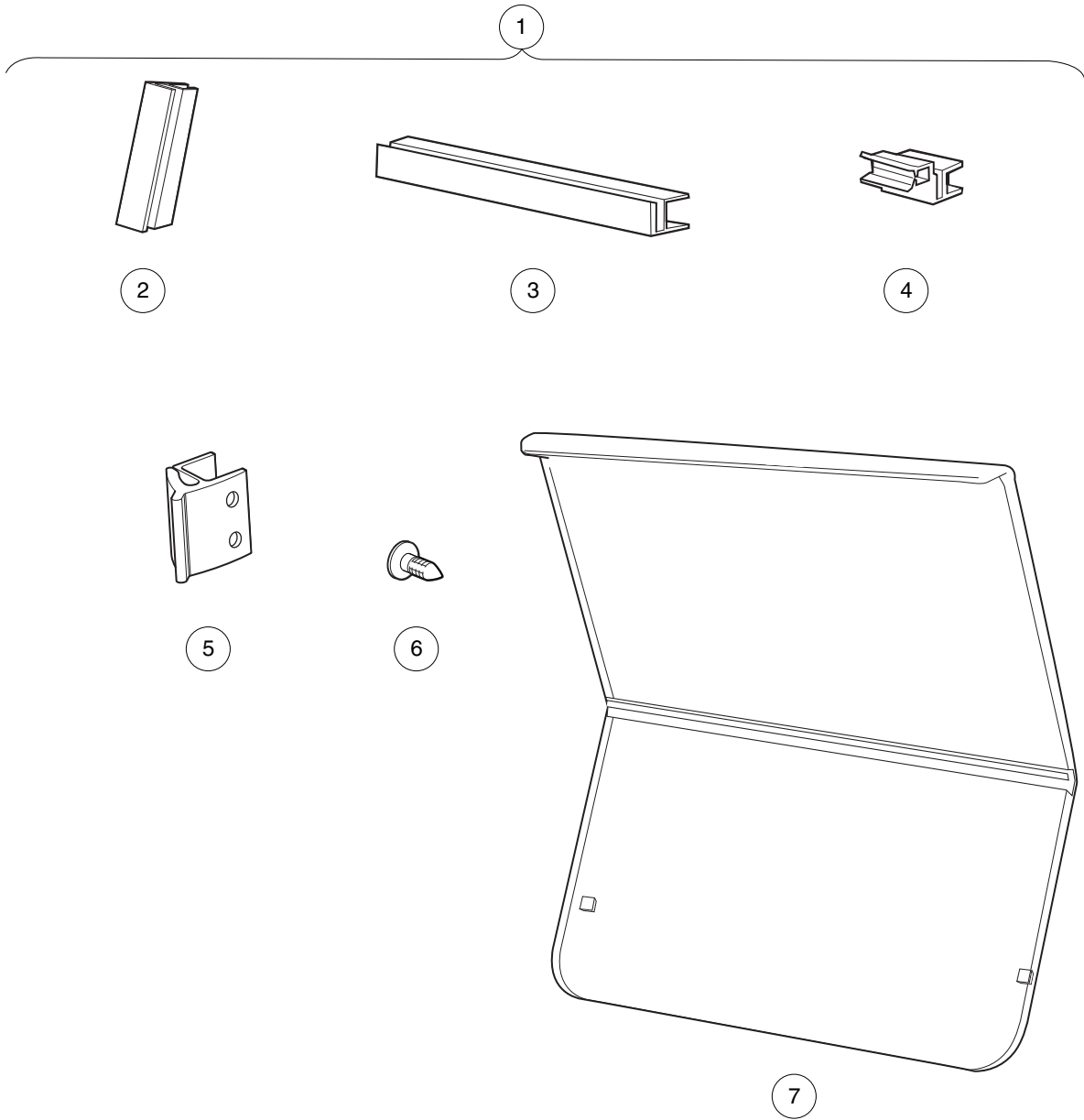
000608-001

SEAT BACK ASSEMBLY

ITEM	PART NO.	DESCRIPTION	QTY
		1 2 3 4	
1	<u>101677701</u>	Seat Back Assembly, White (includes items 2 and 3)	1
2	1016751	Cap, Seat Back	1
3	<u>101675512</u>	Vinyl Seat Back, White	1
4	<u>101677702</u>	Seat Back Assembly, Black (includes items 5 and 6)	1
5	1016751	Cap, Seat Back	1
6	<u>101675514</u>	Vinyl Seat Back, Black	1
7	<u>101677703</u>	Seat Back Assembly, Beige (includes items 8 and 9)	1
8	1016751	Cap, Seat Back	1
9	<u>101675511</u>	Vinyl Seat Back, Beige	1
10	<u>101677705</u>	Seat Back Assembly, Gray (includes items 11 and 12)	1
11	1016751	Cap, Seat Back	1
12	<u>101675515</u>	Vinyl Seat Back-nstd Svc	1

1
G
E

1
G
E



001257-001

WINDSHIELD, HINGED

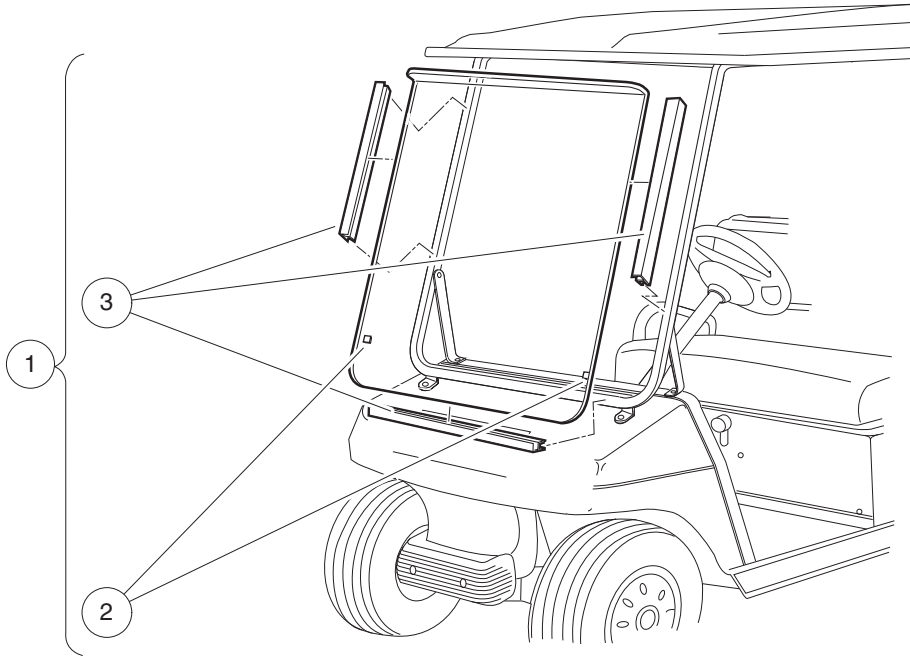
ITEM	PART NO.	DESCRIPTION	QTY
		1 2 3 4	
1	103888301	Kit, Hinged Windshield, Utility (includes items 2 through 7)	1
2	<u>102005701</u>	5" Plastic Extrusion	4
3	<u>102163001</u>	Windshield Channel	1
4	<u>102163101</u>	Channel with Receiver Clip	2
5	<u>103677101</u>	W/s, Rubber, Clip Retainer	2
6	<u>103754901</u>	Fastener, Barrel - .610 X .25	8
7	103888101	Hinged Windshield, Utility	1

1
G
E

1

G

E



001204-001

WINDSHIELD, NON-HINGED

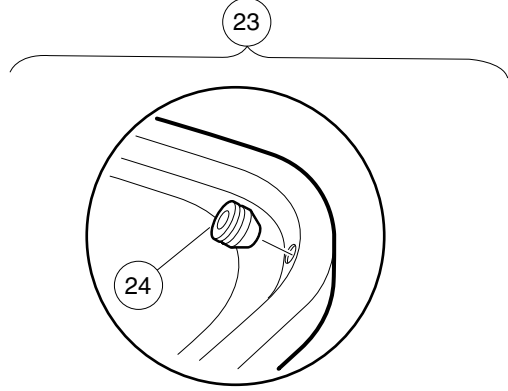
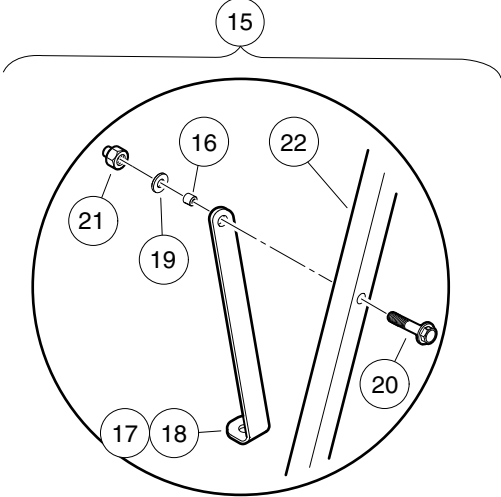
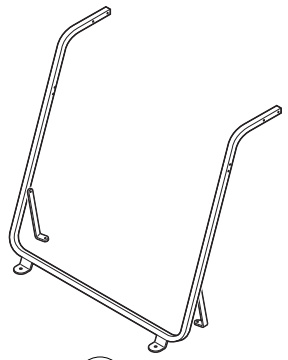
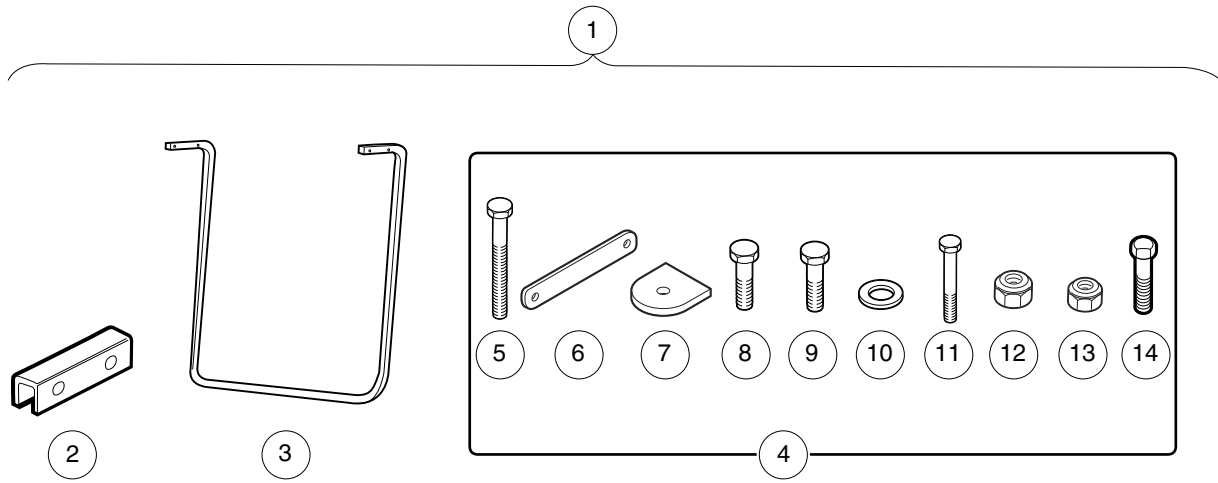
ITEM	PART NO.	DESCRIPTION	QTY
		1 2 3 4	
1	1014435	Windshield Tinted One-Piece (includes items 2 and 3)	1
2	<u>1011897</u>	Bumper, Protective	2
3	<u>101444101</u>	21" Plastic Extrusion	3

1

G

E

1
G
E



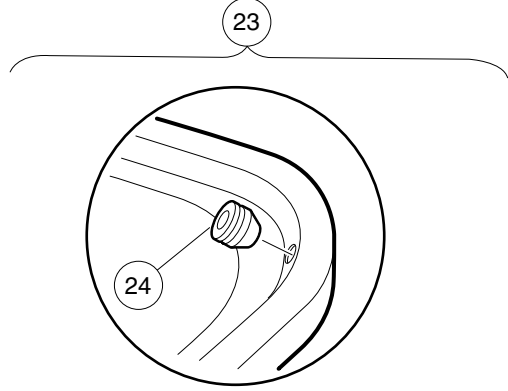
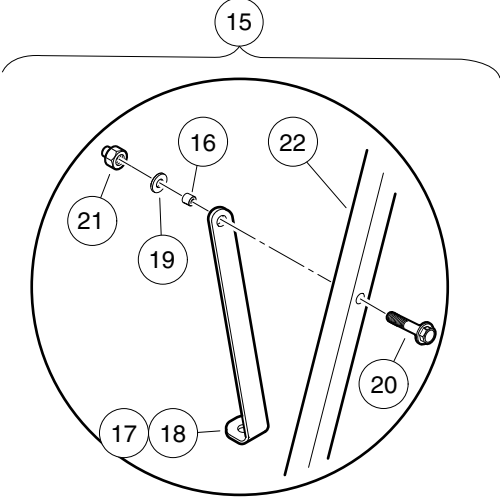
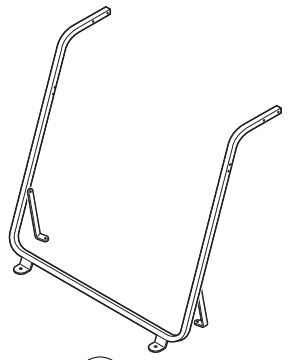
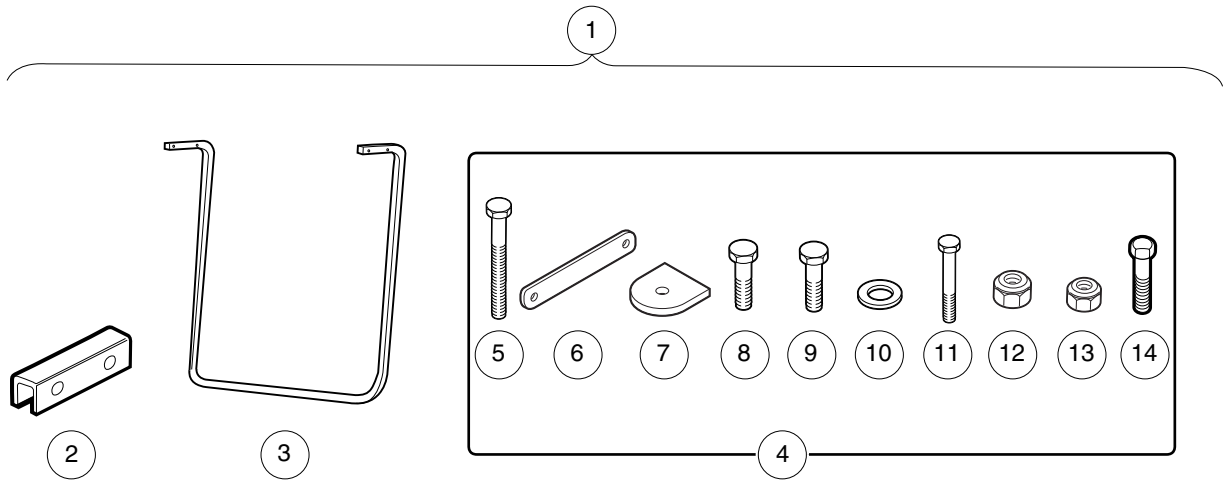
001258-001

CANOPY KIT, WHITE

ITEM	PART NO.	DESCRIPTION	QTY
		1 2 3 4	
1	<u>1014506</u>	Kit, Canopy, White (includes items 2 through 23)	1
2	<u>1012008</u>	Support, Side Canopy	4
3	<u>1014503</u>	Brace, Rear Canopy	1
4	<u>1016855</u>	Kit, Hardware, Canopy (includes items 5 through 14)	1
5	<u>1010921</u>	Screw, 5/16-18 X 2.50 Hex Cap	1
6	<u>1011852</u>	Plate, Canopy Trim	8
7	<u>1011883</u>	Pad, Windshield Frame Mounting	2
8	<u>1011937</u>	Bolt, 5/16-18 X 1.25 Hex Head	2
9	1218	Screw, 5/16-18 X 1.25 Hex-Head Cap	2
10	<u>1241</u>	Washer, 5/16 Type A Flat	6
11	<u>7311</u>	Screw, 1/4-20 X 2.00 Hex-Head Cap	8
12	<u>7473</u>	Locknut, 5/16-18 Nylon Insert	3
13	<u>8233</u>	Locknut, 1/4-20, Nylon Insert	8
14	<u>8963</u>	Screw, 5/16-18 X 1.75 Hex-Head Cap	3
15	<u>103789601</u>	W/s Fr / Knee Br, Aluminum (includes items 16 through 22)	1
16	<u>1010237</u>	Bushing	2
17	<u>1011862</u>	Brace, Right-Hand Canopy Mount Knee	1
18	<u>1011865</u>	Brace, Left-Hand Canopy Mount Knee	1
19	1011964	Washer, 1/4 Flat	2
20	<u>102076701</u>	Screw, 1/4-20 X 1.75 Hex Sems	2
21	<u>102242401</u>	Nut - Nylon Insert W/cap	2
22	<u>103787401</u>	Asm, Windshield Frame, Alum	1
23	<u>103804003</u>	Asm, Canopy, Utility White (includes item 24)	1
24	1011942	Modified Grommet	2

1
G
E

1
G
E



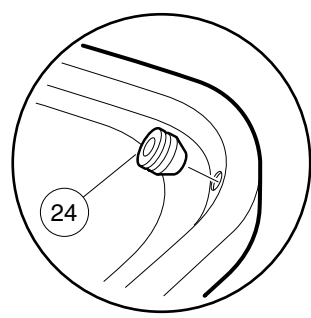
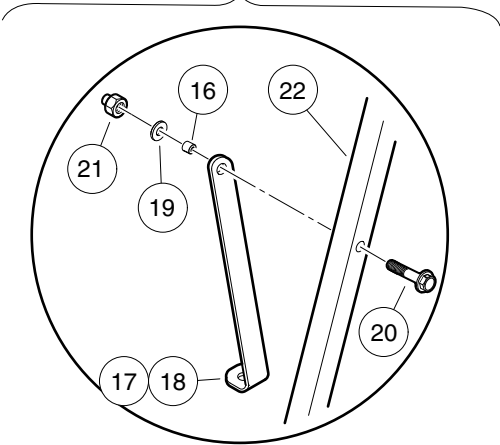
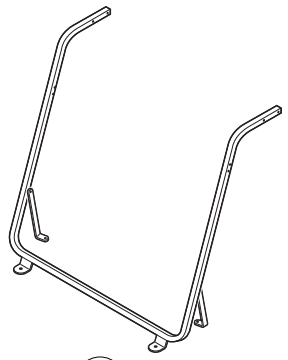
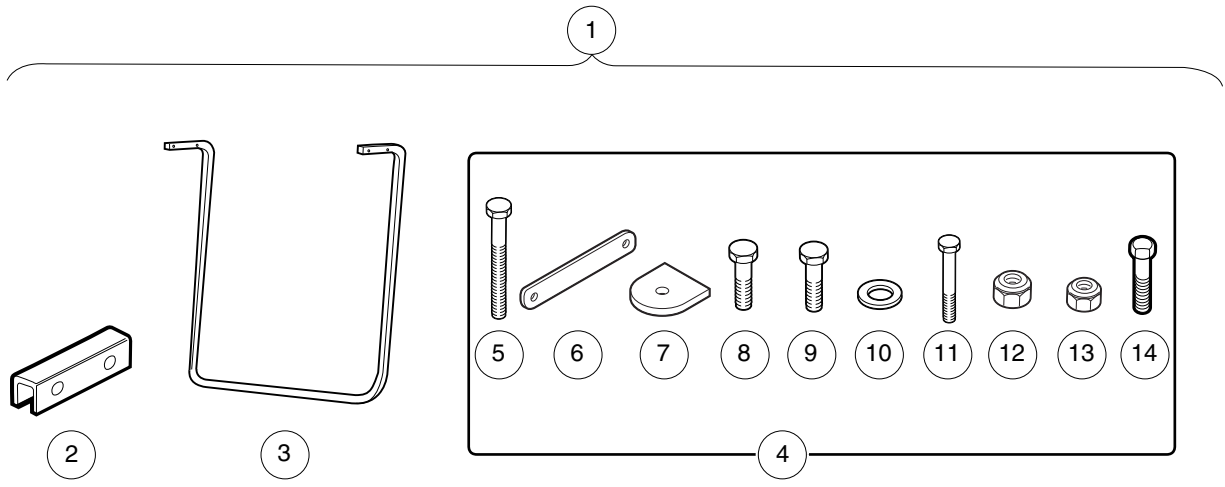
001258-001

CANOPY KIT, BEIGE

ITEM	PART NO.	DESCRIPTION	QTY
		1 2 3 4	
1	<u>101450698</u>	Kit, Canopy, Beige, Ca1/2 (includes items 2 through 23)	1
2	1012008	Support, Side Canopy	4
3	<u>1014503</u>	Brace, Rear Canopy	1
4	1016855	Kit, Hardware, Canopy (includes items 5 through 14)	1
5	<u>1010921</u>	Screw, 5/16-18 X 2.50 Hex Cap	1
6	1011852	Plate, Canopy Trim	8
7	<u>1011883</u>	Pad, Windshield Frame Mounting	2
8	<u>1011937</u>	Bolt, 5/16-18 X 1.25 Hex Head	2
9	1218	Screw, 5/16-18 X 1.25 Hex-Head Cap	2
10	<u>1241</u>	Washer, 5/16 Type A Flat	6
11	<u>7311</u>	Screw, 1/4-20 X 2.00 Hex-Head Cap	8
12	<u>7473</u>	Locknut, 5/16-18 Nylon Insert	3
13	<u>8233</u>	Locknut, 1/4-20, Nylon Insert	8
14	<u>8963</u>	Screw, 5/16-18 X 1.75 Hex-Head Cap	3
15	<u>103789601</u>	W/s Fr / Knee Br, Aluminum (includes items 16 through 22)	1
16	<u>1010237</u>	Bushing	2
17	<u>1011862</u>	Brace, Right-Hand Canopy Mount Knee	1
18	<u>1011865</u>	Brace, Left-Hand Canopy Mount Knee	1
19	1011964	Washer, 1/4 Flat	2
20	<u>102076701</u>	Screw, 1/4-20 X 1.75 Hex Sems	2
21	<u>102242401</u>	Nut - Nylon Insert W/cap	2
22	<u>103787401</u>	Asm, Windshield Frame, Alum	1
23	<u>103804005</u>	Asm, Canopy, Utility Beige (includes item 24)	1
24	1011942	Modified Grommet	2

1
G
E

1
G
E

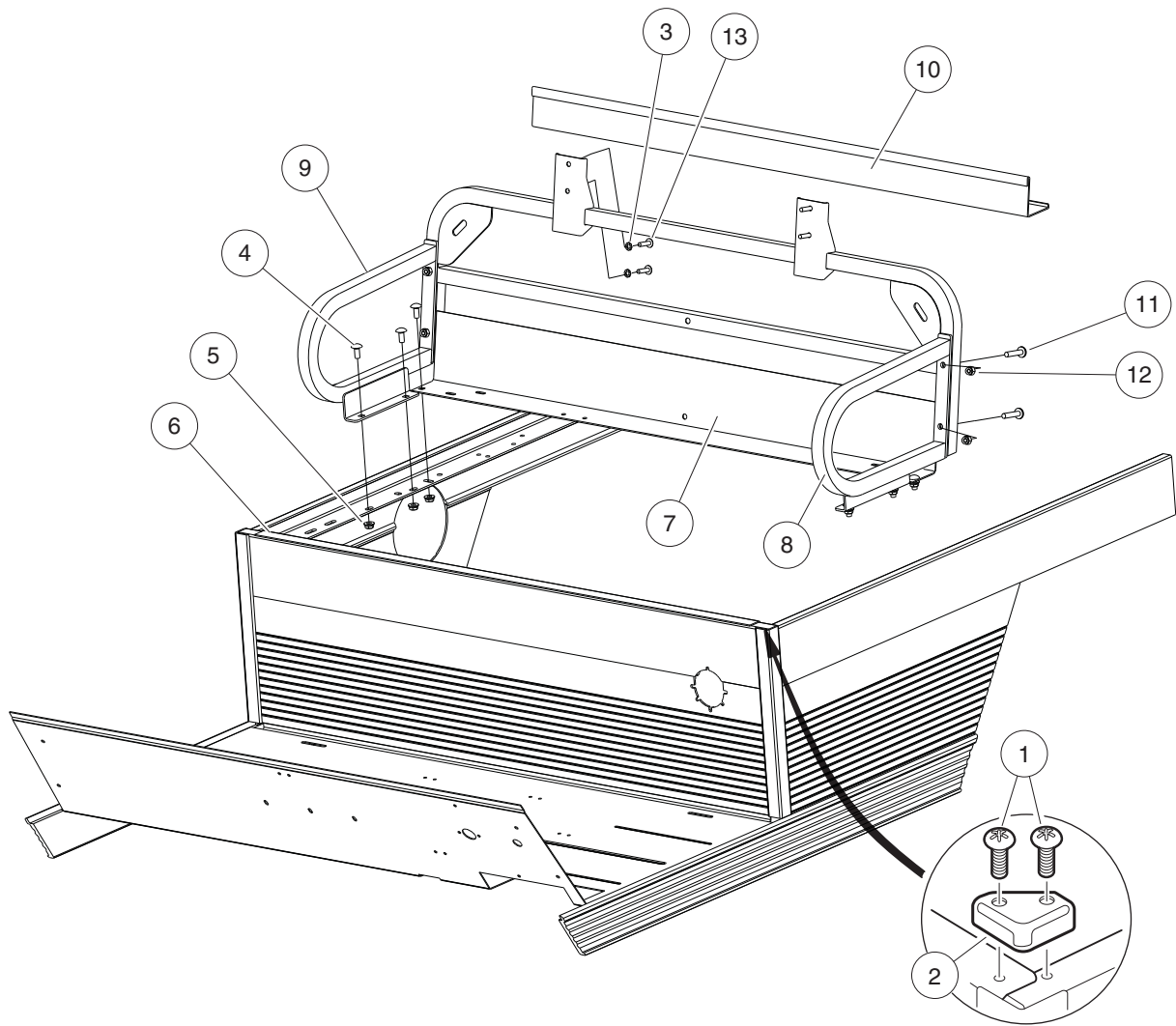


001258-001

CANOPY KIT, BLACK

ITEM	PART NO.	DESCRIPTION	QTY
		1 2 3 4	
1	<u>102198501</u>	Kit, Canopy Black (includes items 2 through 23)	1
2	1012008	Support, Side Canopy	4
3	101450302	Brace, Cai Rear Canopy, Black	1
4	1016855	Kit, Hardware, Canopy (includes items 5 through 14)	1
5	<u>1010921</u>	Screw, 5/16-18 X 2.50 Hex Cap	1
6	1011852	Plate, Canopy Trim	8
7	<u>1011883</u>	Pad, Windshield Frame Mounting	2
8	<u>1011937</u>	Bolt, 5/16-18 X 1.25 Hex Head	2
9	1218	Screw, 5/16-18 X 1.25 Hex-Head Cap	2
10	<u>1241</u>	Washer, 5/16 Type A Flat	6
11	<u>7311</u>	Screw, 1/4-20 X 2.00 Hex-Head Cap	8
12	<u>7473</u>	Locknut, 5/16-18 Nylon Insert	3
13	<u>8233</u>	Locknut, 1/4-20, Nylon Insert	8
14	<u>8963</u>	Screw, 5/16-18 X 1.75 Hex-Head Cap	3
15	103789603	W/s Fr / Knee Br, Alum, Black (includes items 16 through 22)	1
16	<u>1010237</u>	Bushing	2
17	<u>101186202</u>	Knee Brace Rh Canopy Mtg, Blk	1
18	<u>101186502</u>	Knee Brace Lh Canopy Mtg, Blk	1
19	1011964	Washer, 1/4 Flat	2
20	<u>102076702</u>	1/4-20 X 1.75 Hex Sems Blk	2
21	<u>102242401</u>	Nut - Nylon Insert W/cap	2
22	103787403	Asm, W/s Frame, Alum, Black	1
23	<u>103804004</u>	Asm, Canopy, Utility Black (includes item 24)	1
24	1011942	Modified Grommet	2

1
G
E



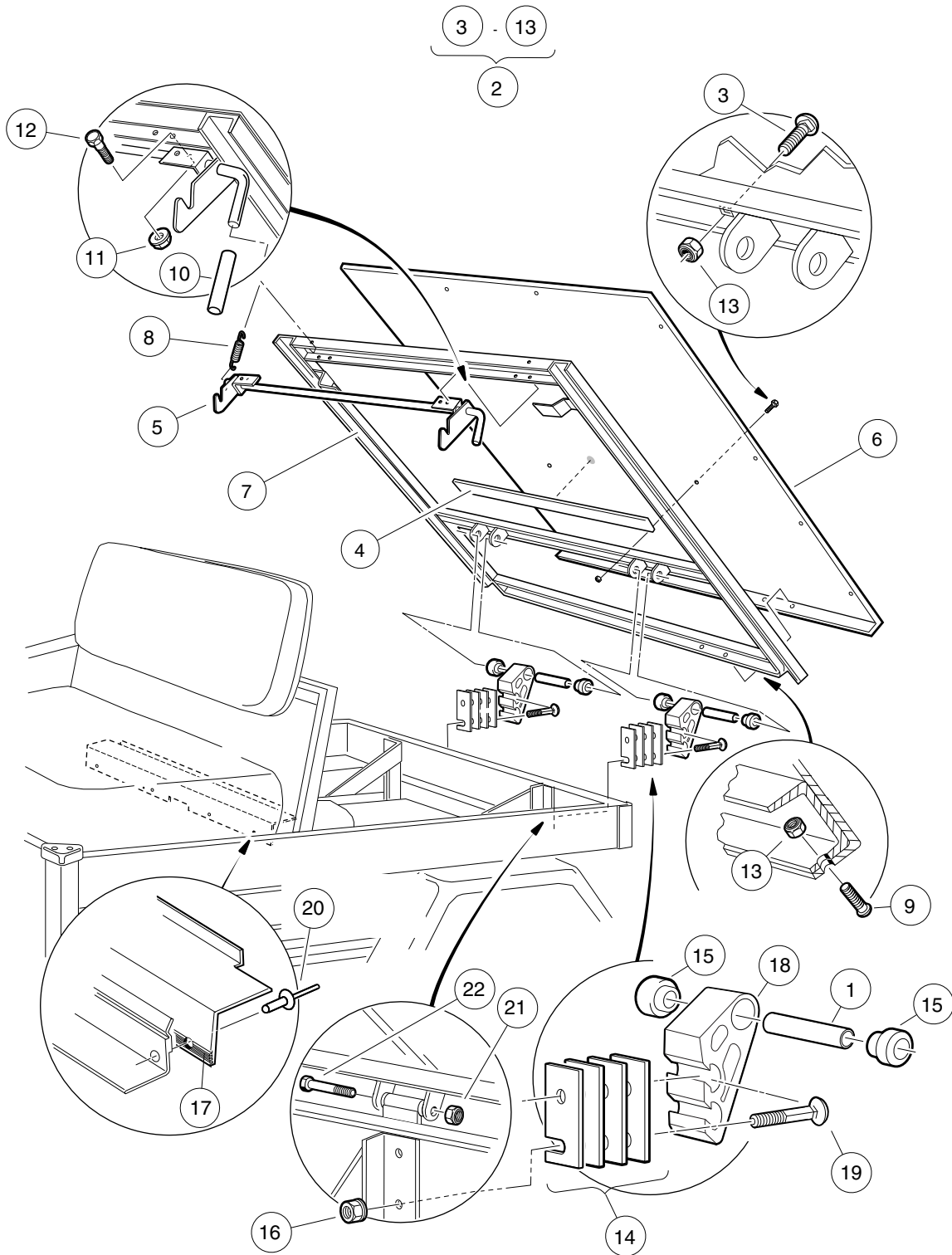
000603-004

HIP RESTRAINTS AND SEAT BACK MOUNTING

ITEM	PART NO.	DESCRIPTION	QTY
		1 2 3 4	
1	<u>1014321</u>	Screw, #10 Truss-Head Torx	4
2	<u>1014387</u>	Cap, Corner	2
3	<u>101946201</u>	Washer, Lock, 0.250 External-Tooth	4
4	<u>101963301</u>	Bolt, 5/16-18 X 0.75 Round-Head	6
5	<u>101963401</u>	Locknut, 5/16-18 Hex Flange	6
6	<u>101964001</u>	Trim, Seat Bottom Front	1
7	<u>102966401</u>	Seat Back, Tube	1
8	<u>102966501</u>	Hip Restraint, Left	1
9	<u>102966502</u>	Hip Restraint, Right	1
10	<u>102989501</u>	Seal, Bed, 41-Inch	1
11	<u>103245201</u>	Screw, 5/16-18 X 1.5, Tr Tx Hd	4
12	<u>103245301</u>	Nut, Hex, Cp, Mech Def, 5/16-1	4
13	<u>8251</u>	Screw, 1/4-20 X 1.0 Truss-Head Machine	4

1
G
E

1
G
E



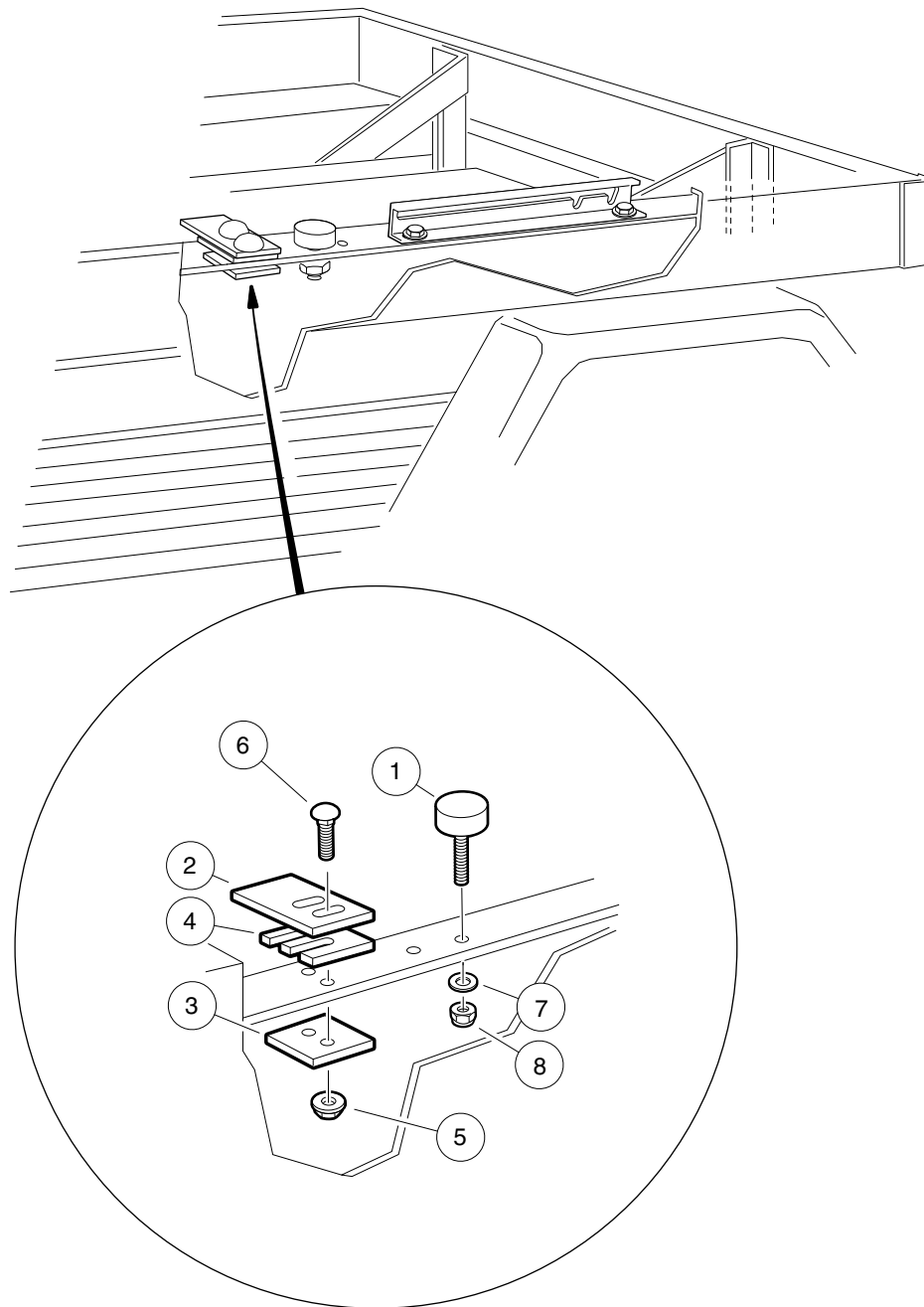
000256-003

TILT BED, EXTRUDED HINGE, AND LATCH

ITEM	PART NO.	DESCRIPTION	QTY
		1 2 3 4	
1	<u>1012303</u>	Bushing, Steel	2
2	1015427	Tilt Bed, Carryall 1 (includes items 3 through 13)	1
3	<u>1010435</u>	Bolt, Carriage, 5/16-18 X 1.00	2
4	<u>1014471</u>	Tape, Vinyl Foam 1/8" x 3/4"	1
5	1015252	Latch Weld Assembly	1
6	N/A	Plate, Floor, Carryall 1 Flat bed	1
7	N/A	Frame Assembly, Tilt Bed	1
8	<u>1015391</u>	Extension, Spring Latch	2
9	1015399	Screw, 5/16-18 X 0.88 Torx Truss-Head	4
10	<u>1015400</u>	Grip, Tilt Latch Hand	1
11	<u>101835601</u>	Locknut, 1/4-20 Hex Whiz	4
12	<u>403</u>	Screw, 1/4-20 X 0.625 Hex-Head Cap	4
13	<u>7473</u>	Locknut, 5/16-18 Nylon Insert	6
14	<u>1015507</u>	Shim, Tilt Bed Pivot	1
15	<u>1015583</u>	Bushing, Urethane	4
16	<u>102065901</u>	Locknut, 3/8-16 Flanged Dimple	4
17	<u>102989501</u>	Seal, Bed, 41-Inch	1
18	<u>103538701</u>	Bracket, Bed Hinge, Extruded	2
19	<u>103538901</u>	Bolt, Carriage, 3/8-16 x 3.5" Grade 5	4
20	7532	Rivet, 3/16 X 0.3125, Pop	4
21	<u>8754</u>	Locknut, 3/8-16 Hex	2
22	<u>8755</u>	Screw, 3/8-16 X 3.375 Hex Cap	2

1
G
E

1
G
E



000258-002

LATCH PLATE

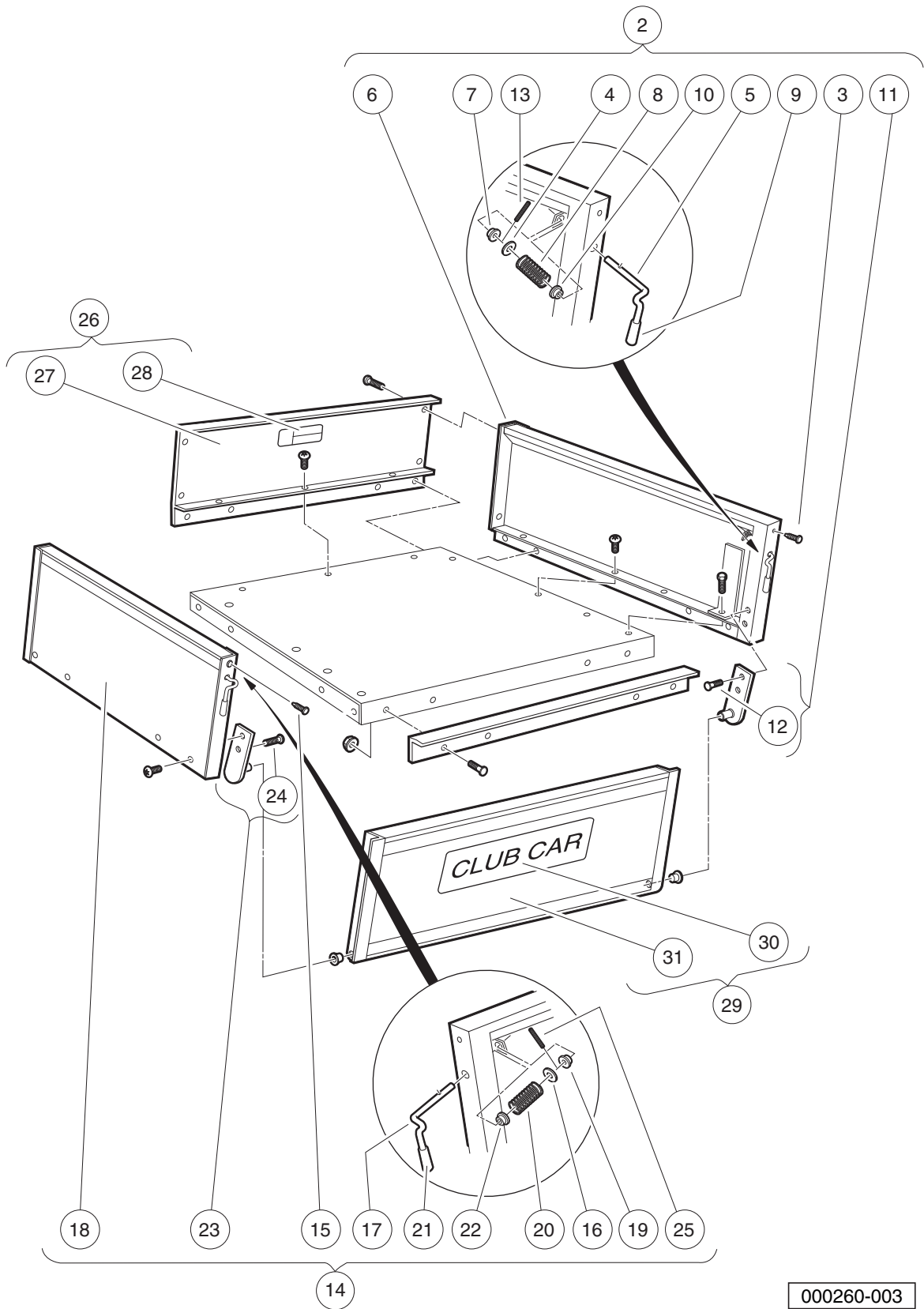
ITEM	PART NO.	DESCRIPTION	QTY
		1 2 3 4	
1	<u>1010878</u>	Bumper, Rubber	2
2	<u>1015277</u>	Latch Plate, Tilt Bed	2
3	<u>1016060</u>	Plate, Latch Support	2
4	<u>1016078</u>	Latch Plate Shim	A/R
5	<u>101835601</u>	Locknut, 1/4-20 Hex Whiz	4
6	<u>101958601</u>	Carriage Bolt, 1/4-20 X 0.75	4
7	<u>332</u>	Washer, 1/4 Type A Narrow Flat	4
8	<u>8233</u>	Locknut, 1/4-20, Nylon Insert	4

1

G

E

1
G
E



000260-003

CARGO BOX

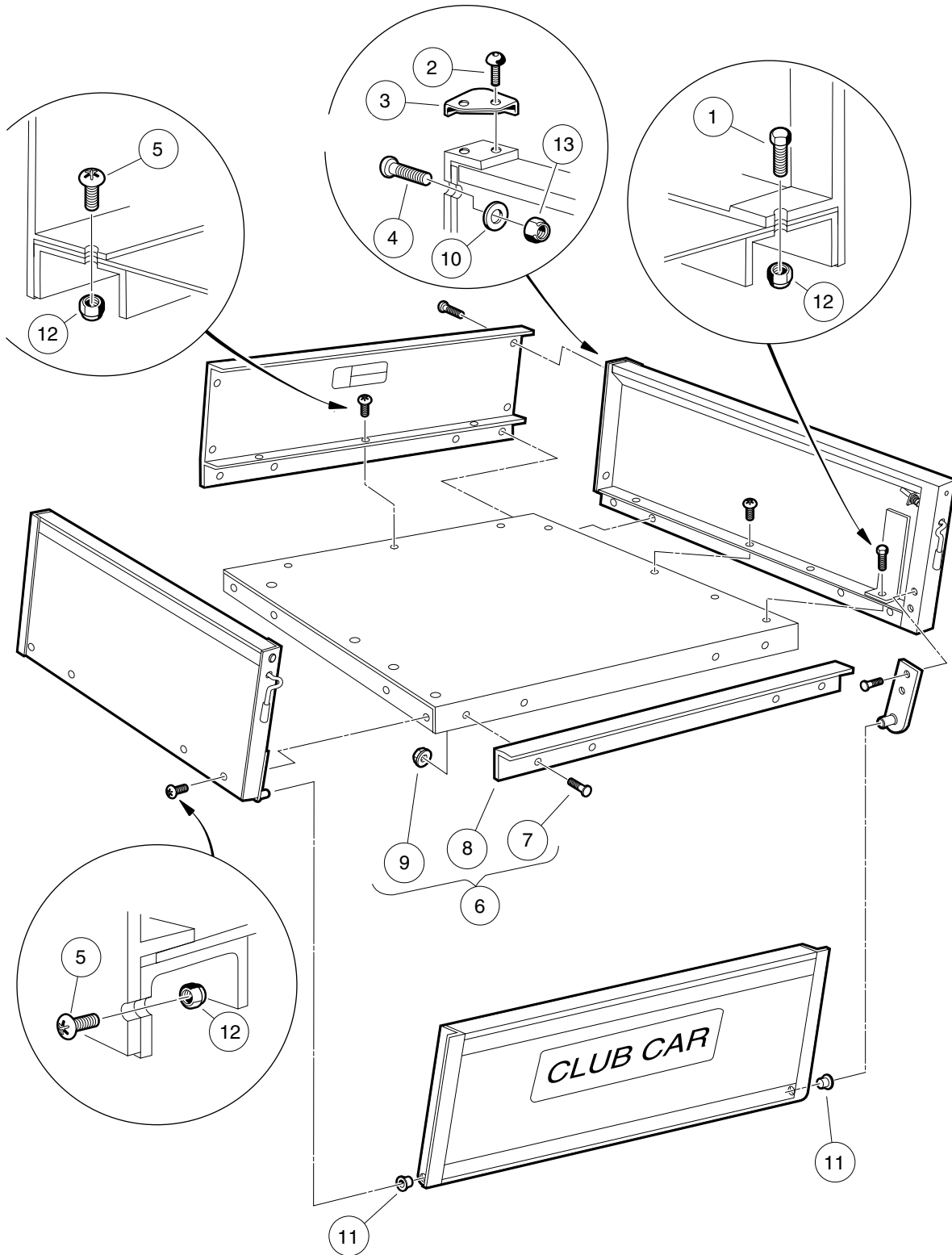
ITEM	PART NO.	DESCRIPTION	QTY
		1 2 3 4	
1	<u>1015606</u>	Kit, Cargo Box (includes items 2 through 29)	1
2	<u>1015365</u>	Side Panel Assembly, Right-Hand (includes items 3 through 13)	1
3	<u>1010434</u>	Barrel - Plastic	1
4	<u>1011990</u>	Washer, 3/8 Flat	1
5	<u>1015245</u>	Latch, Tailgate, Right-Hand	1
6	N/A	Side-Panel Weldment, Right-Hand	1
7	<u>1015363</u>	Bushing, Snap-In	1
8	<u>1015390</u>	Compression Spring Latch Tilt	1
9	<u>1015400</u>	Grip, Tilt Latch Hand	1
10	<u>1032</u>	Bushing, Nylon	1
11	<u>103406502</u>	Kit, Tailgate Mounting Bracket, CA, RH (includes item 12)	1
12	<u>103406601</u>	Stud, 1/4 Self-clnchg Flush	2
13	1231	Pin, 1/8 X 1.00 Split Roll	1
14	<u>1015367</u>	Side Panel Assembly, Left-Hand (includes items 15 through 25)	1
15	<u>1010434</u>	Barrel - Plastic	1
16	<u>1011990</u>	Washer, 3/8 Flat	1
17	<u>1015313</u>	Latch, Tailgate, Left-Hand	1
18	N/A	Side-Panel Weldment	1
19	<u>1015363</u>	Bushing, Snap-In	1
20	<u>1015390</u>	Compression Spring Latch Tilt	1
21	<u>1015400</u>	Grip, Tilt Latch Hand	1
22	<u>1032</u>	Bushing, Nylon	1
23	<u>103406501</u>	Kit, Tailgate Mounting Bracket, CA, LH (includes item 24)	1
24	<u>103406601</u>	Stud, 1/4 Self-clnchg Flush	2
25	1231	Pin, 1/8 X 1.00 Split Roll	1
26	<u>1015413</u>	Assembly, Front Panel (includes items 27 and 28)	1
27	N/A	Front Panel Box	1
28	<u>101553901</u>	Decal, Bed Load Warning	1
29	1015414	Assembly, Tailgate (includes items 30 and 31)	1
30	<u>1013317</u>	Decal, Logo, Tailgate	1
31	N/A	Tailgate Weldment	1
<p>Note: Additional components in kit <u>1015606</u> are shown on the following two pages.</p>			

1

G

E

1
G
E



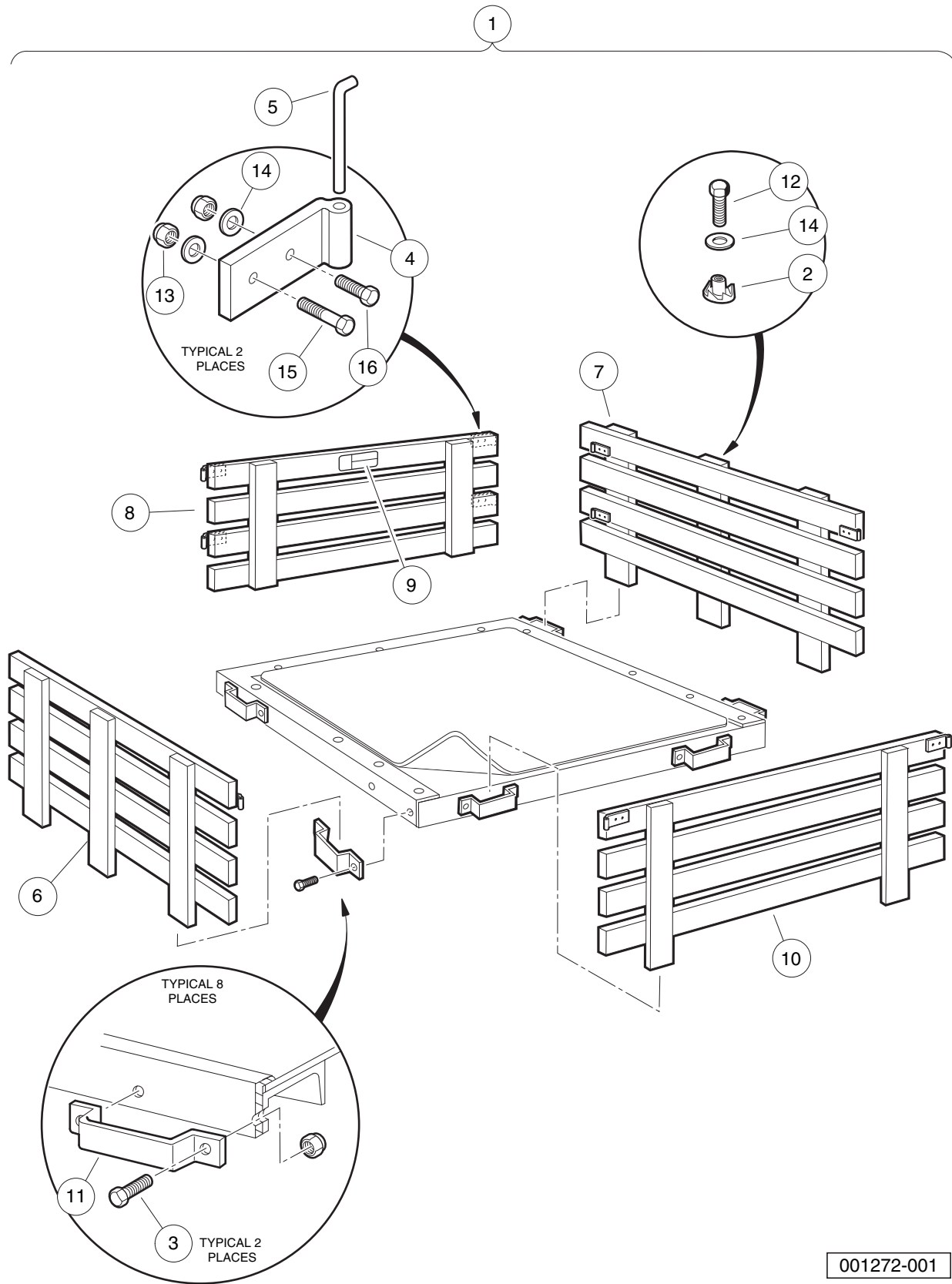
000261-001

CARGO BOX MOUNTING

ITEM	PART NO.	DESCRIPTION	QTY
		1 2 3 4	
1	<u>1010934</u>	Screw, 5/16-18 X 1.00 Hex Cap	2
2	<u>1014321</u>	Screw, #10 Truss-Head Torx	4
3	<u>1014387</u>	Cap, Corner	2
4	<u>1014415</u>	Screw, 1/4-20 X 0.75 Torx Truss-Head	4
5	1015399	Screw, 5/16-18 X 0.88 Torx Truss-Head	17
6	****	Kit, Tailgate Angle (includes items 7 through 9)	1
7	<u>1014537</u>	Stud, Self-Clinching Flush Head	4
8	N/A	Box Bed Tailgate Angle	1
9	<u>101963401</u>	Locknut, 5/16-18 Hex Flange	4
10	<u>332</u>	Washer, 1/4 Type A Narrow Flat	4
11	<u>7049</u>	Bushing, Nylon	2
12	<u>7473</u>	Locknut, 5/16-18 Nylon Insert	19
13	<u>8233</u>	Locknut, 1/4-20, Nylon Insert	4
<p style="text-align: center;">**** Special order item available upon request.</p> <p style="text-align: center;">Note: All parts listed on this page are included in kit 1015606.</p>			

1
G
E

1
G
E



STAKE SIDE KIT – TURF/CA 1 AND TRANSPORTER 4

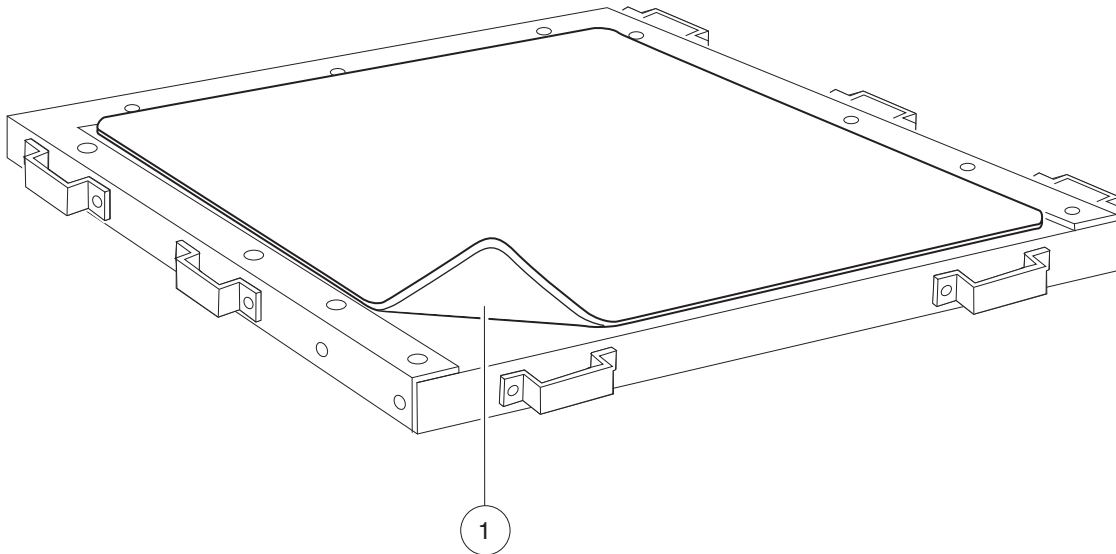
ITEM	PART NO.	DESCRIPTION	QTY
		1 2 3 4	
1	<u>1015660</u>	Stake Side Kit (includes items 2 through 16)	1
2	1010086	T-Nut	58
3	<u>1010934</u>	Screw, 5/16-18 X 1.00 Hex Cap	16
4	<u>1015654</u>	Stake Side Hinge	12
5	<u>1015656</u>	Pin, hinge	6
6	101565701	Stake Side, Driver-Side	1
7	101565702	Stake Side, Passenger-Side	1
8	101565703	Stake Side, Front (includes item 9)	1
9	<u>101553901</u>	Decal, Bed Load Warning	1
10	101565704	Stake Side, Rear	1
11	<u>1016077</u>	Bracket, Stake Side	6
12	1016916	Screw, 1/4-20 X 1.50 Hex-Head Cap	58
13	<u>1108</u>	Locknut, 1/4-20 Dimpled	24
14	<u>332</u>	Washer, 1/4 Type A Narrow Flat	82
15	<u>7311</u>	Screw, 1/4-20 X 2.00 Hex-Head Cap	6
16	<u>7479</u>	Screw, 1/4-20 X 1.25 Hex-Head Cap	18

1
G
E

1

G

E



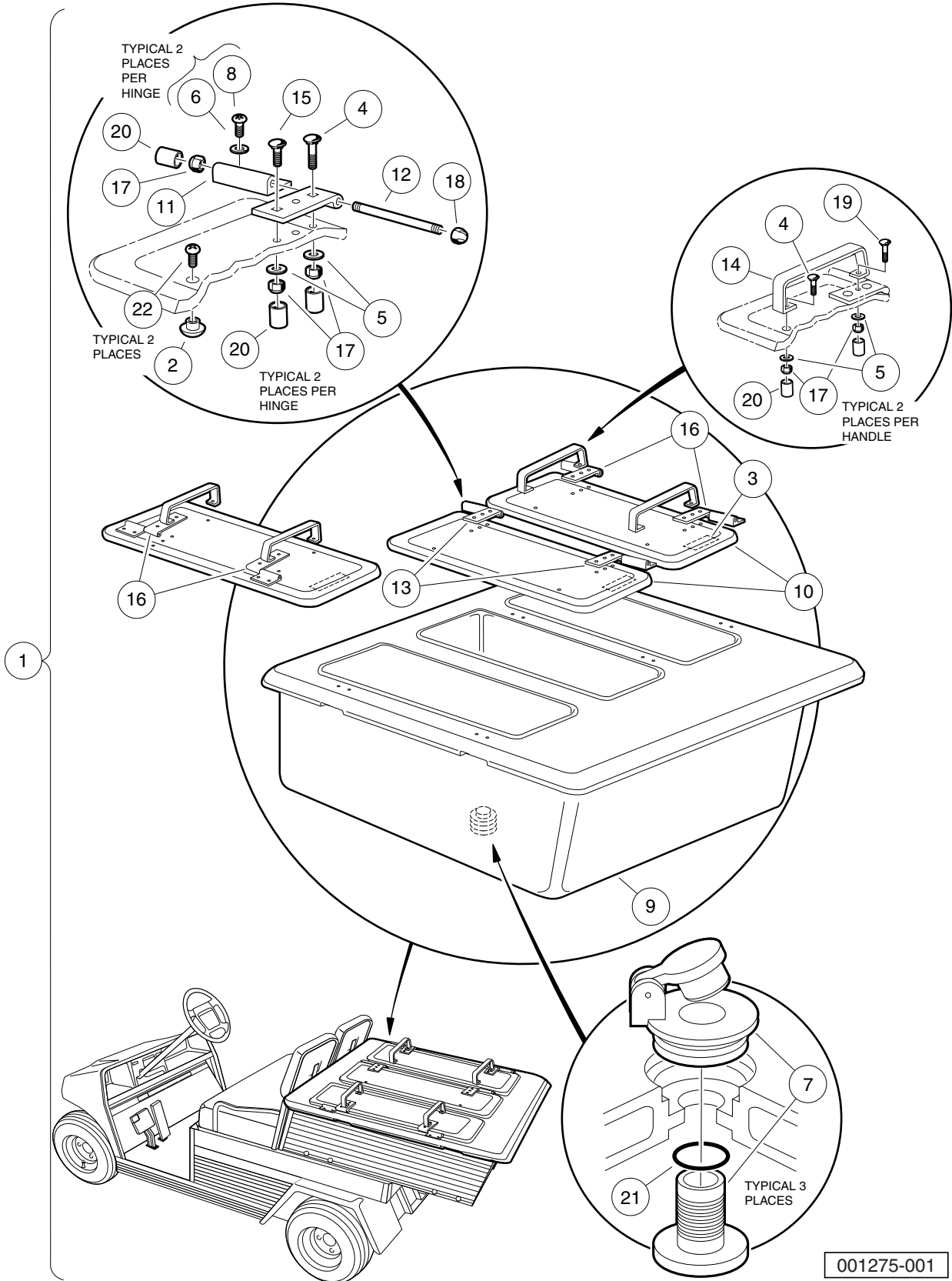
001207-001

BED MAT

ITEM	PART NO.	DESCRIPTION	QTY
1	<u>101770203</u>	1 2 3 4 Bed Mat - Turf/Carryall 1	1

1
G
E

1
G
E

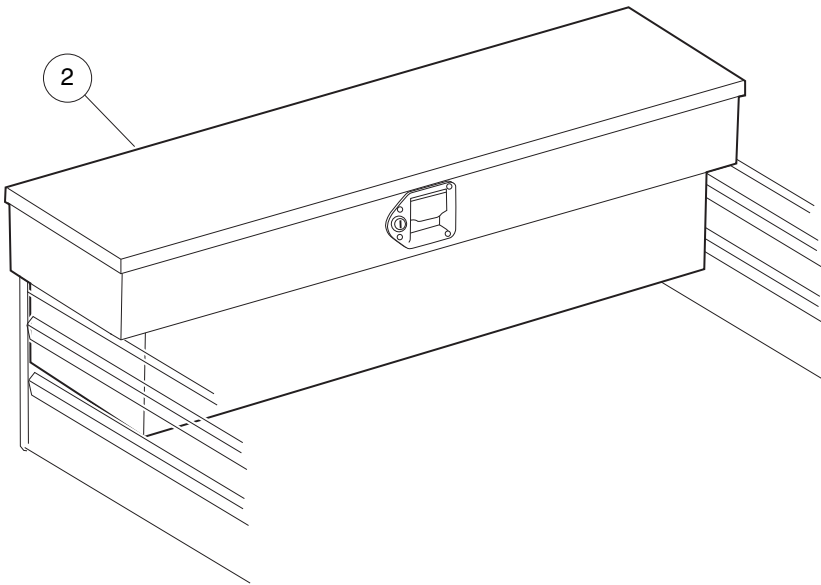
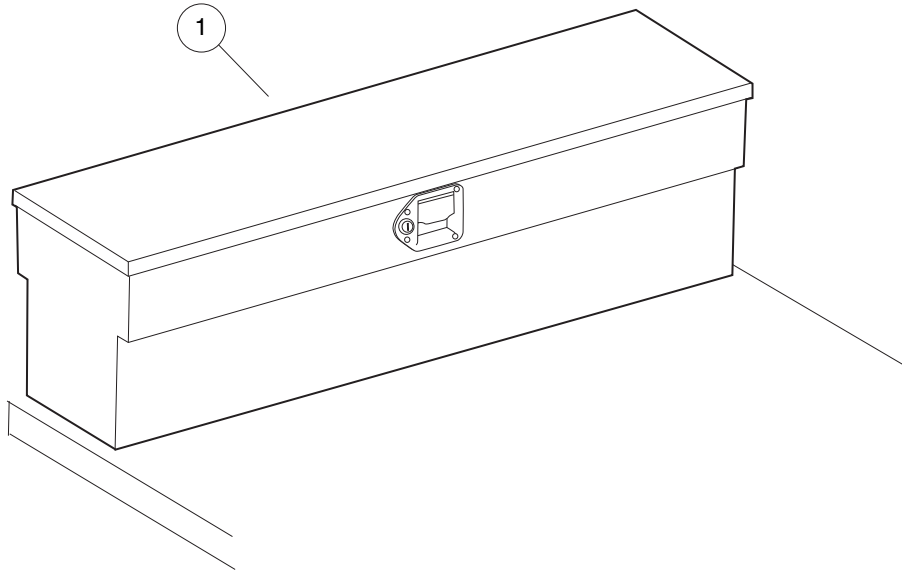


PORTABLE REFRESHMENT CENTER

ITEM	PART NO.	DESCRIPTION	QTY
		1 2 3 4	
1	1014556	Portable Refreshment Center (includes items 2 through 22)	1
2	1011878	T-nut, 1/4-20 X .310 Capped	2
3	<u>1011962</u>	Decal, Refreshment Center	3
4	<u>1011963</u>	Bolt, 1/4-20 X 1.50 Rd Hd Sq N	10
5	1011964	Washer, 1/4 Flat	20
6	<u>1011965</u>	Lockwasher, 1/4 Split Ss	12
7	<u>1011972</u>	Drain Plug (port Refresh Ctr)	3
8	<u>1014415</u>	Screw, 1/4-20 X 0.75 Torx Truss-Head	12
9	1014490	Refreshment Unit Carryall I	1
10	<u>1014517</u>	Refreshment Unit Door Ca I	3
11	<u>1014521</u>	Bar Unit Hinge Ca I	6
12	<u>1014548</u>	Rod, Refreshment Center Hinge	6
13	<u>1014559</u>	Bar Unit Center Door Hinge Cai	2
14	<u>1014942</u>	Bar Unit Handle	4
15	<u>1014943</u>	Bolt, 1/4-20 X 1.25 Stainless	6
16	<u>1014944</u>	Bar Unit Side Door Hinge Ca I	4
17	1015068	Locknut, 1/4-20 Nylon	26
18	<u>1015091</u>	Nut, 1/4-20 Stainless-Steel Center-Lock Cap	6
19	<u>1015148</u>	Bolt, 1/4-20 X 1.75 Carriage	4
20	<u>101885601</u>	Cap	26
21	<u>101918101</u>	O-ring, Prc	3
22	<u>8251</u>	Screw, 1/4-20 X 1.0 Truss-Head Machine	2

1
G
E

1
G
E



001157-001

TOOLBOXES

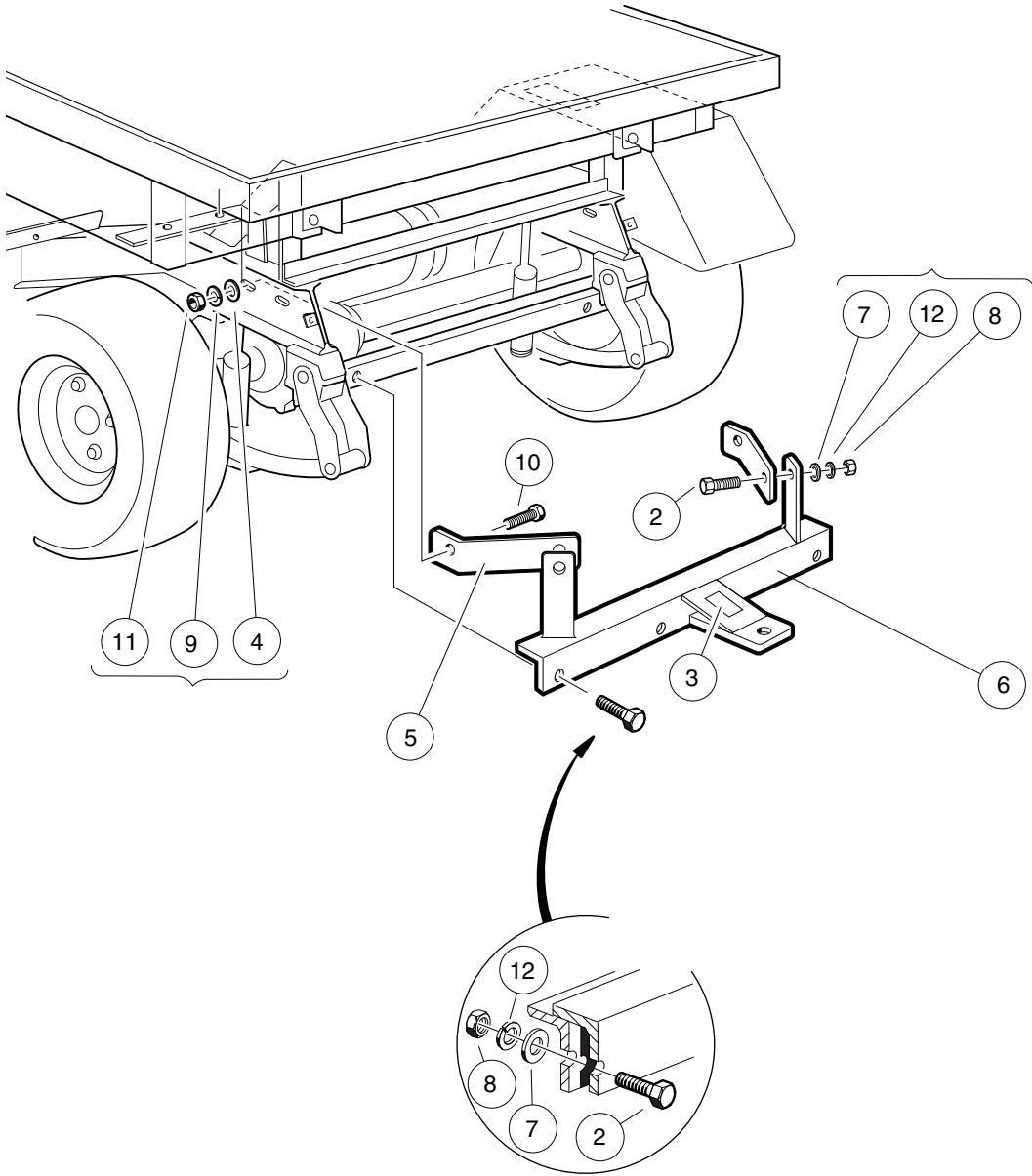
ITEM	PART NO.	DESCRIPTION	QTY
1	<u>101837401</u>	1 2 3 4 Toolbox, Flat Bed	1
2	<u>101837501</u>	Tool Box, Box Bed	1

1

G

E

1
G
E



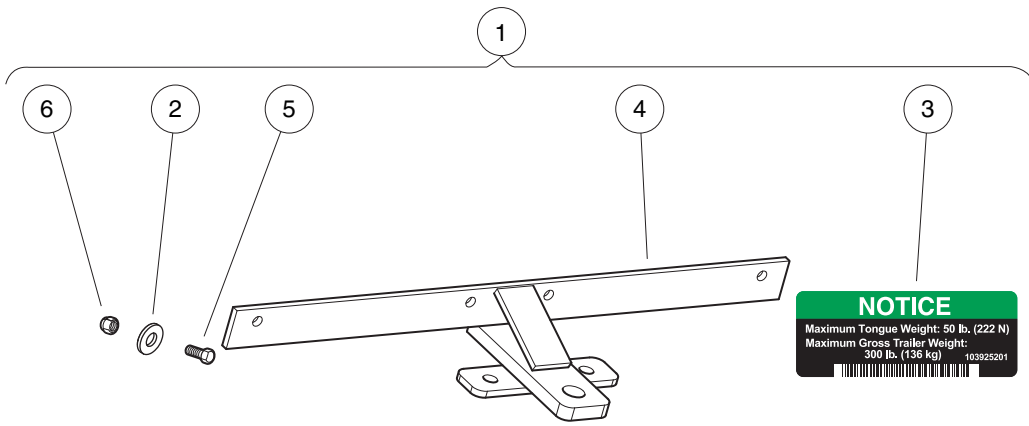
000265-001

TRAILER HITCH, HEAVY-DUTY

ITEM	PART NO.	DESCRIPTION	QTY
		1 2 3 4	
1	<u>1015445</u>	Kit, Trailer Hitch (includes items 2 through 12)	1
2	<u>1010934</u>	Screw, 5/16-18 X 1.00 Hex Cap	4
3	<u>1011553</u>	Decal, Trailer Hitch	1
4	<u>1011990</u>	Washer, 3/8 Flat	2
5	<u>1013483</u>	Brace, Trailer Hitch	2
6	N/A	Asm, Trailer Hitch	1
7	<u>1241</u>	Washer, 5/16 Type A Flat	4
8	<u>1242</u>	Nut, 5/16-18 Hex	4
9	<u>357</u>	Lockwasher, 3/8 Split	2
10	705	Screw, Cap-hex Hd 3/8-16x1.25	2
11	<u>706</u>	Nut, Hex 3/8-16	2
12	<u>7174</u>	Lockwasher, 5/16 Split	4

1
G
E

1
G
E

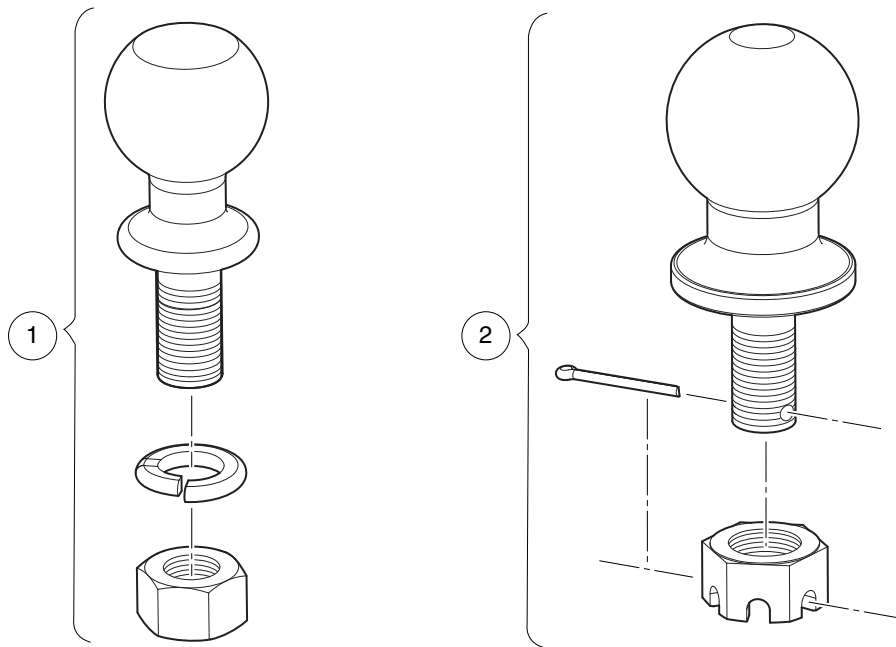


001239-001

TRAILER HITCH, LIGHT-DUTY

ITEM	PART NO.	DESCRIPTION	QTY
		1 2 3 4	
1	<u>103925001</u>	Kit, Trailer Hitch, Light-Duty (includes items 2 through 6)	1
2	1012571	Washer, 5/16 Extra Thick Flat	8
3	<u>103925201</u>	Decal, Trailer Htch, 50lb Tng	1
4	103930001	Ld Trailer Hitch Weld Assy	1
5	1218	Screw, 5/16-18 X 1.25 Hex-Head Cap	4
6	<u>7473</u>	Locknut, 5/16-18 Nylon Insert	4

1
G
E



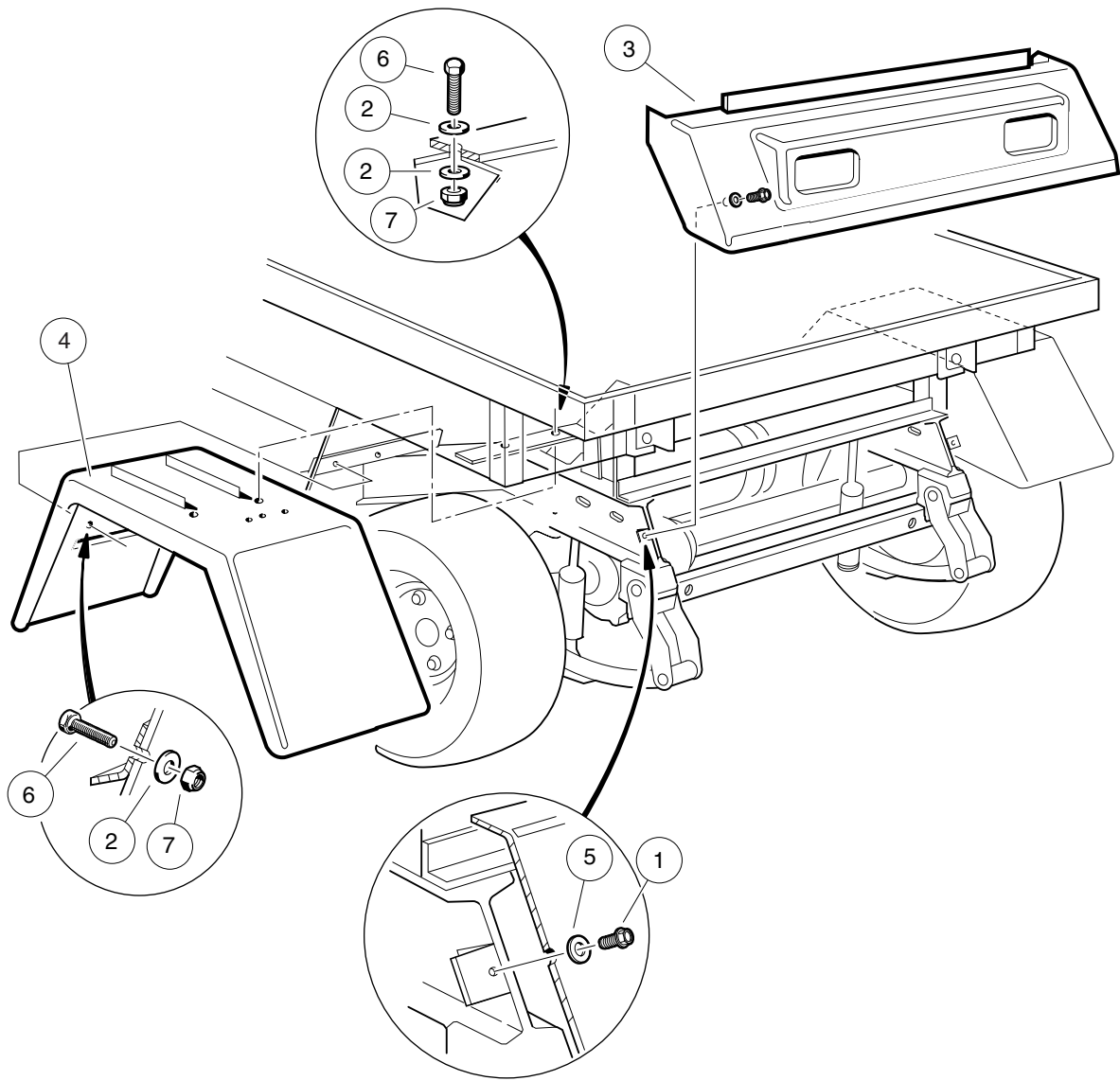
001137-001

TRAILER HITCH BALL

ITEM	PART NO.	DESCRIPTION	QTY
1	<u>1011546</u>	1 2 3 4 Trailer Hitch Ball - 1 7/8"	1
2	<u>AM1264001</u>	Chrome Hitch Ball, 2"	1

1
G
E

1
G
E



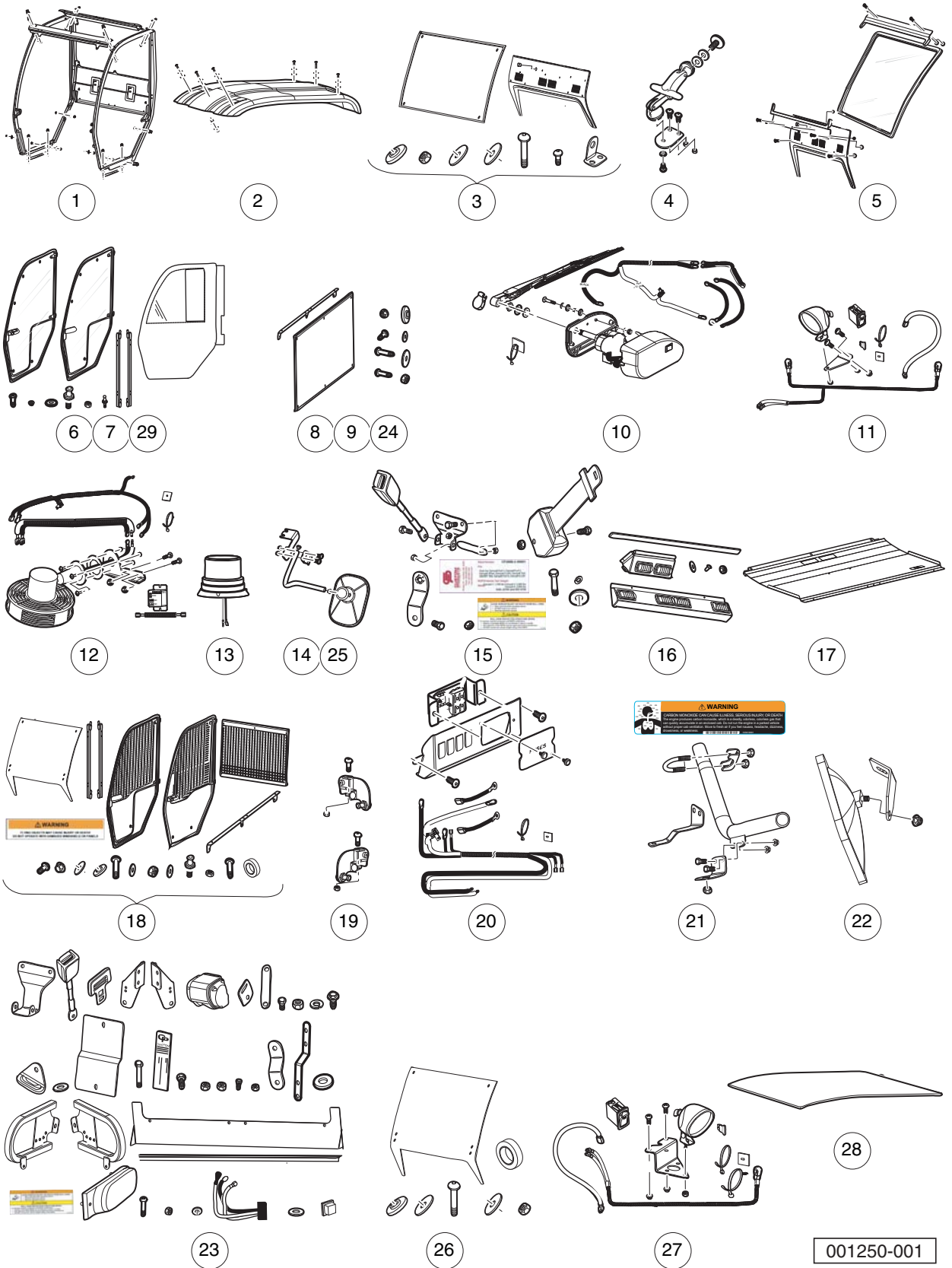
000266-001

REAR BODY TRIM – TURF/CARRYALL 1, 2, 2 PLUS, AND 6

ITEM	PART NO.	DESCRIPTION	QTY
		1 2 3 4	
1	<u>1012285</u>	Screw, 1/4 X 0.625 Hex-Head	2
2	<u>1014306</u>	Washer, 1/4" Type B Flat	12
3	<u>1015530</u>	Tailskirt	1
4	<u>1016679</u>	Rear Fender	2
5	<u>332</u>	Washer, 1/4 Type A Narrow Flat	2
6	<u>7847</u>	Screw, 1/4-20 X 0.75 Hex-Head Cap	8
7	<u>8233</u>	Locknut, 1/4-20, Nylon Insert	8

1
G
E

1
G
E

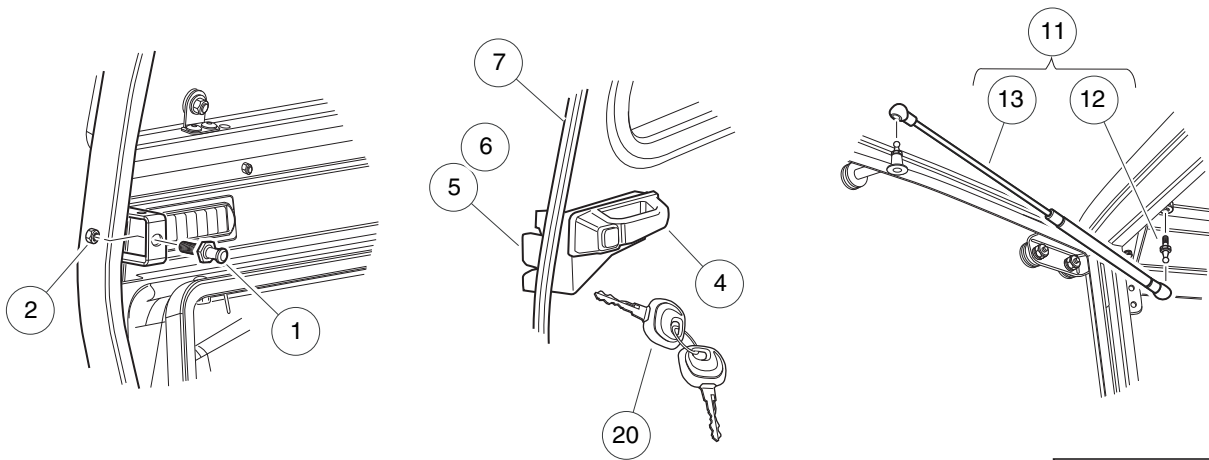
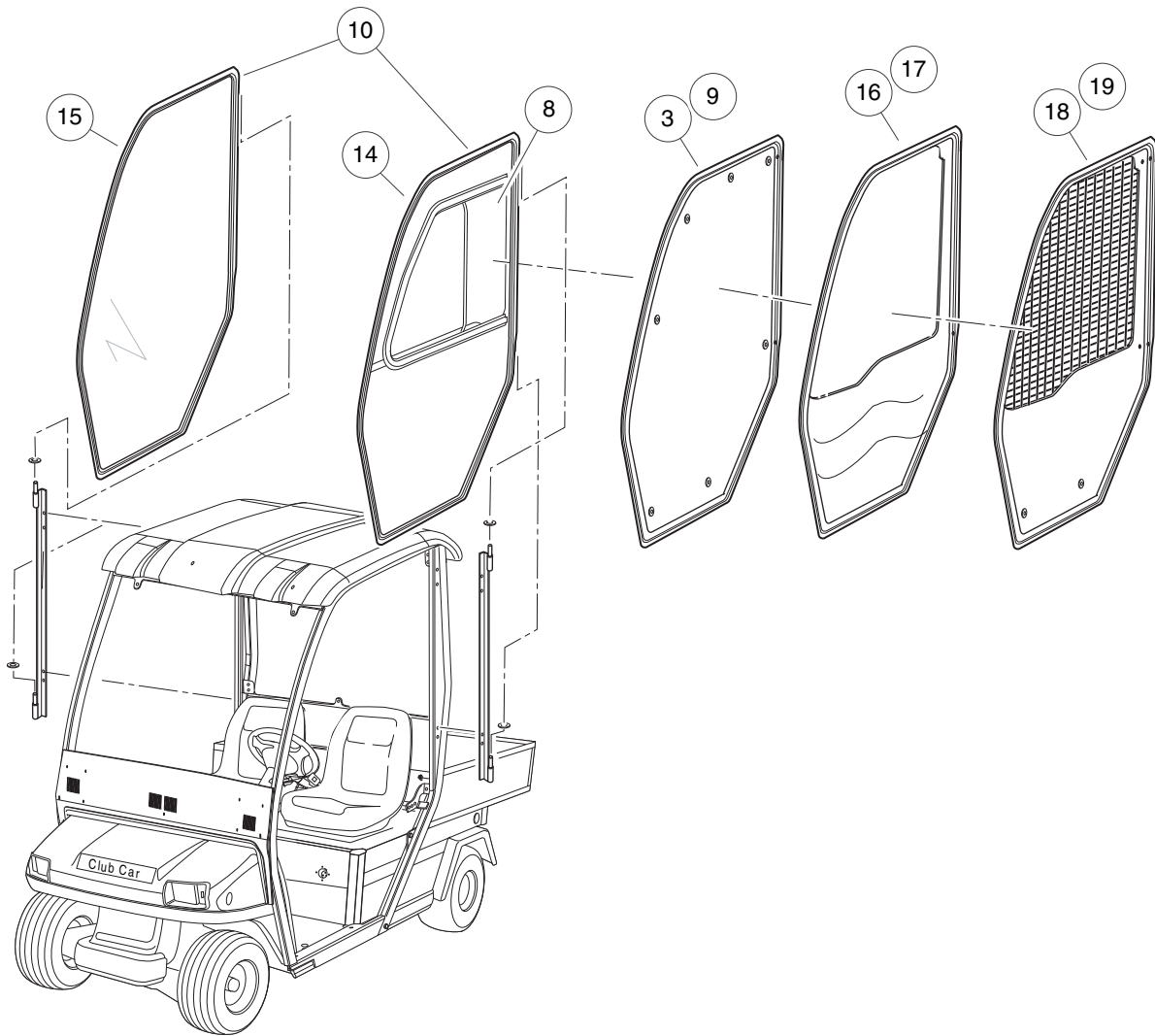


CAB, CPL – TURF/CA 1, 2, 2 PLUS, 6, 252 AND XRT 900

ITEM	PART NO.	DESCRIPTION	QTY
		1 2 3 4	
1	103910101	Kit, Side Frames	1
2	103910201	Kit, Roof, White	1
3	<u>103910301</u>	Kit, Front Window, Fixed, Tempered	1
4	<u>103910401</u>	Kit, Frt Window Tip-out	1
5	<u>103910501</u>	Kit, Front Window, Laminated, LSV	1
6	<u>103910601</u>	Kit, Doors, Hard-Side, Acrylic	1
7	<u>103910701</u>	Kit, Doors, Glass, LH Open	1
8	103910801	Kit, Rear Window, Acrylic	1
9	<u>103910901</u>	Kit, Rear Window, Sliding	1
10	<u>103911001</u>	Kit, Wiper, 12vdc	1
11	<u>103911101</u>	Kit, Work Lights, Front	1
12	<u>103911301</u>	Kit, Fan, 7-inch, Recirculation	1
13	<u>103911401</u>	Kit, Warning Beacon	1
14	<u>103911501</u>	Kit, Mirror, Outside, LH	1
15	<u>103911601</u>	Kit, ROPS, with 2-Point Seat Belts	1
16	<u>103911701</u>	Kit, Vent And Seal	1
17	<u>103912001</u>	Kit, FOPS	1
18	<u>103912101</u>	Kit, Driving-Range, with Doors	1
19	<u>103912201</u>	Kit, Door-Hold, LH and RH	1
20	<u>103912301</u>	Kit, Main Switch, Fuse Block	1
21	<u>103912501</u>	Kit, Exhaust Extension	1
22	<u>103912601</u>	Kit, Mirror, Interior	1
23	<u>103912701</u>	Kit, ROPS, with 3-Point Seat Belts	1
24	<u>103912801</u>	Kit, Rear Window, Glass	1
25	<u>103912901</u>	Kit, Mirror, Outside, RH	1
26	<u>103913001</u>	Kit, Front Window, Polycarbonate	1
27	<u>103913101</u>	Kit, Work Lights, Rear	1
28	<u>103913201</u>	Kit, Roof Liner	1
29	<u>103913301</u>	Kit, Doors, Soft, Wire-Frame	1
		Note: Use kits above to create a complete cab equipped with desired accessories.	

1
G
E

1
G
E



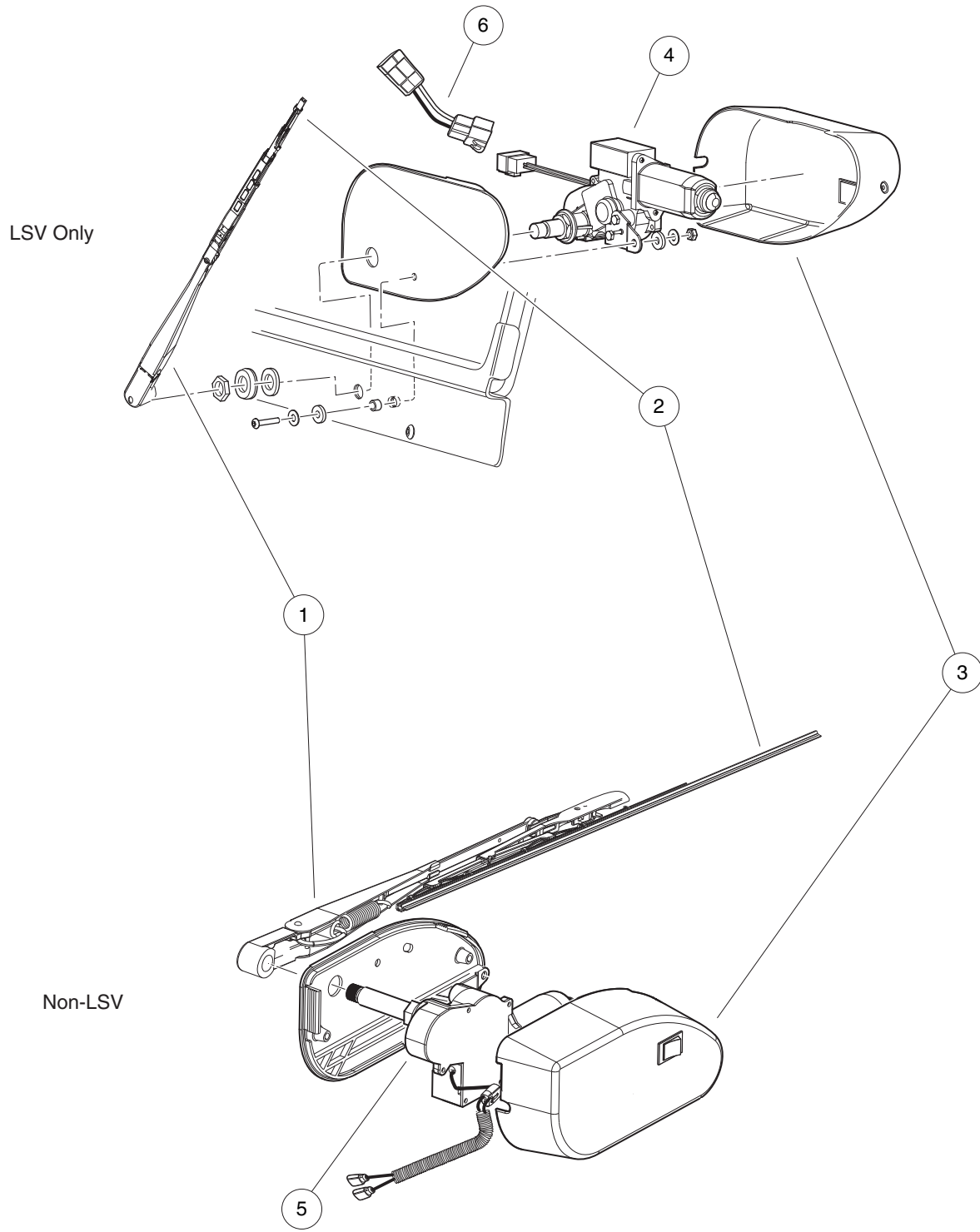
001251-001

DOORS – CPL CAB

ITEM	PART NO.	DESCRIPTION	QTY
		1 2 3 4	
1	<u>104001601</u>	Striker Stud 10 mm	2
2	<u>104001701</u>	Nut, Hex, Jam, M12-1.0	2
3	<u>104002701</u>	Door Panel, Acrylic, T2	2
4	<u>104002801</u>	Grab Handle, Exterior	2
5	<u>104002901</u>	Rotary Latch, Interior, Lh	1
6	<u>104003001</u>	Rotary Latch, Interior, Rh	1
7	<u>104003401</u>	Foam Spacer, Door	2
8	<u>104004901</u>	Window, Sliding, LH	1
9	<u>104014901</u>	Kit, Cab, Seals, Acrylic Doors	1
10	<u>104015001</u>	Kit, Cab, Seals, Glass Doors	1
11	<u>104015501</u>	Kit, Cab, Range Dr Gas Springs (includes items 12 and 13)	1
12	<u>104001101</u>	Ball Stud	2
13	<u>104001201</u>	Gas Spring	2
14	<u>104027501</u>	Door, Glass, Lh, Replacement	1
15	<u>104027601</u>	Door, Glass, Rh, Replacement	1
16	<u>104027701</u>	Door, Soft, Rh, Replacement	1
17	<u>104027801</u>	Door, Soft, Lh, Replacement	1
18	<u>104028001</u>	Door, Range, Lh	1
19	<u>104028101</u>	Door, Range, Rh	1
20	<u>AM1290701</u>	Key, Set (2), CPL Cab	1

1
G
E

1
G
E



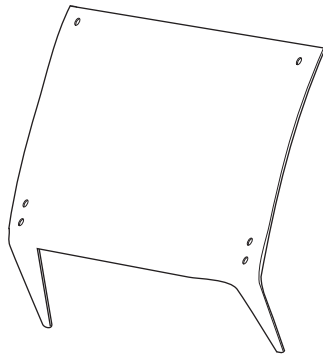
001252-001

WINDSHIELD WIPER – CPL CAB

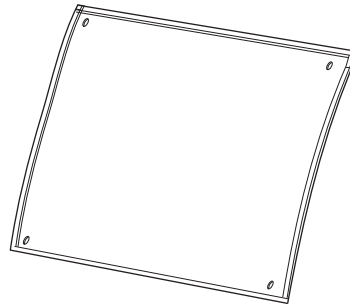
ITEM	PART NO.	DESCRIPTION	QTY
		1 2 3 4	
1	<u>10400901</u>	Wiper Arm, Modified	1
2	<u>104001001</u>	Wiper Blade, Modified	1
3	<u>104003501</u>	Cover, Wiper Mtr & Switch Asm	1
4	<u>104003601</u>	Wiper Motor, 12v, 2-inch Shaft	1
5	<u>104004101</u>	Wiper Motor, 12v, 110deg, 1-inch Shaft	1
6	<u>104005001</u>	Wire Harness, Jumper, LSV, Wiper	1

1
G
E

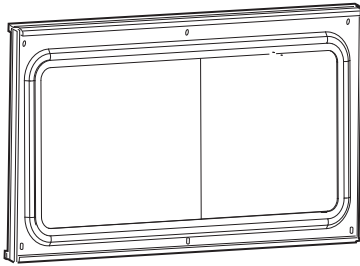
1
G
E



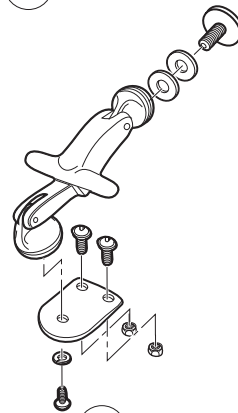
1



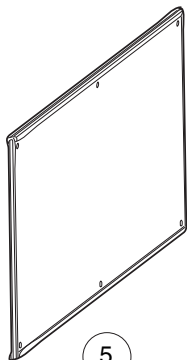
2



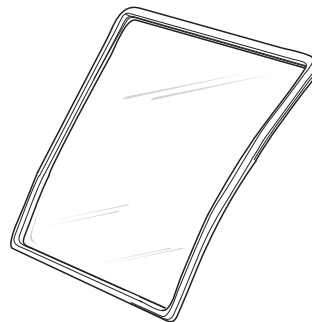
3



4



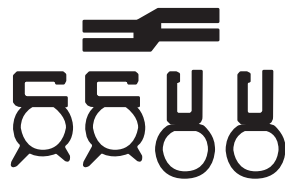
5



9



6



7



8

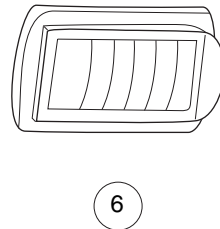
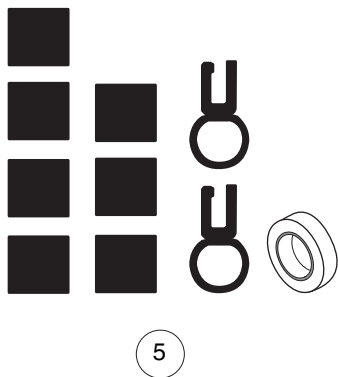
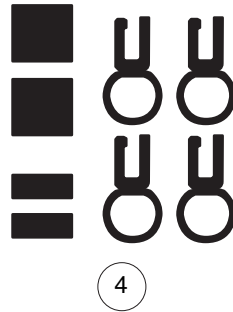
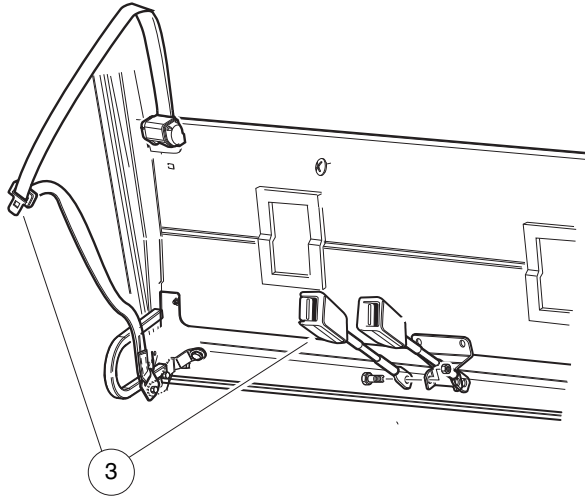
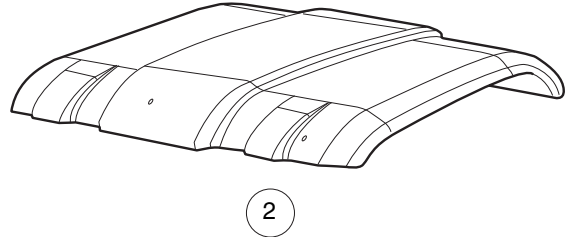
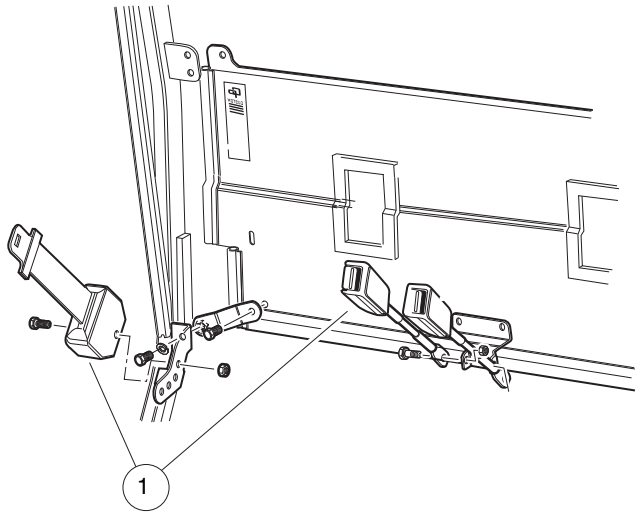
001253-001

WINDSHIELDS – CPL CAB

ITEM	PART NO.	DESCRIPTION	QTY
		1 2 3 4	
1	<u>103913001</u>	Kit, Front Window, Polycarbonate	1
2	<u>104002601</u>	Windshield, Tempered	1
3	<u>104003101</u>	Window, Rear Sliding	1
4	<u>104003901</u>	Handle, Tee	2
5	<u>104004801</u>	Window, Rear	1
6	<u>104014801</u>	Kit, Cab, Seals, Windshield	1
7	<u>104015101</u>	Kit, Cab, Seals, Rr Slid Wind	1
8	<u>104015301</u>	Kit, Cab, Seals, Rr Window	1
9	<u>105002801</u>	Windshield, Laminated	1

1
G
E

1
G
E



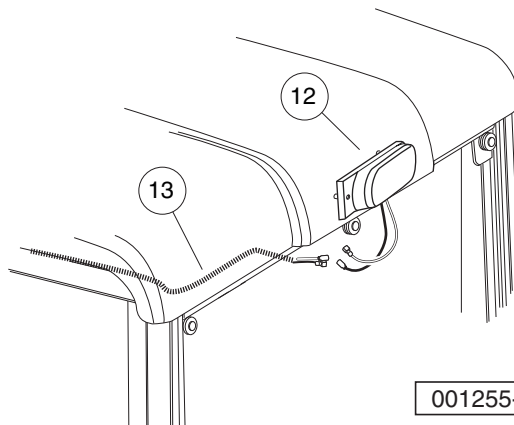
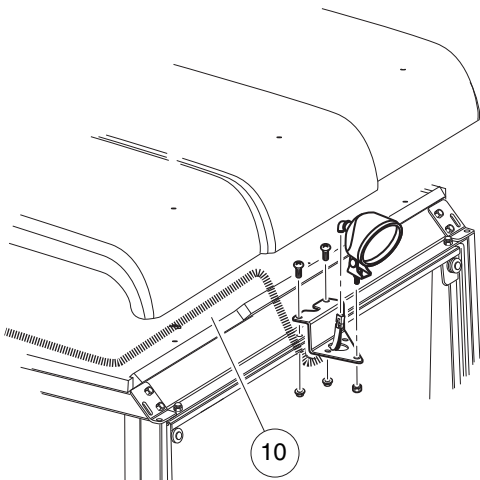
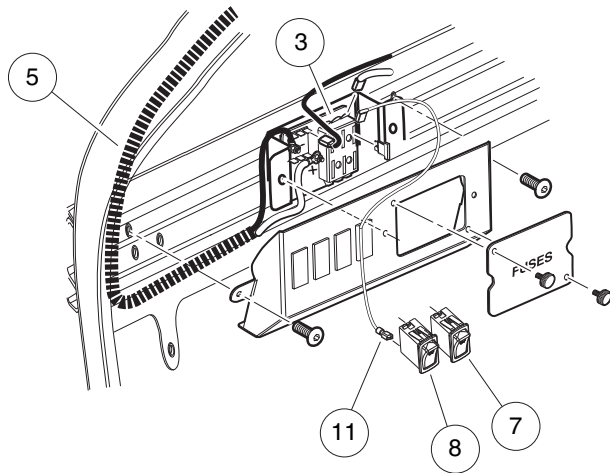
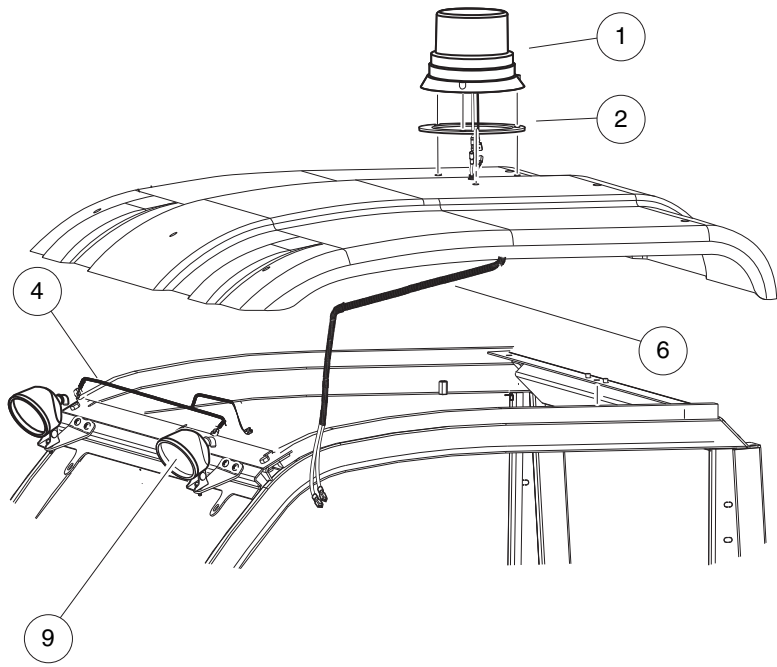
001254-001

SEAT BELTS, ROOF, VENT, & SEALS – CPL CAB

ITEM	PART NO.	DESCRIPTION	QTY
		1 2 3 4	
1	<u>104001901</u>	Seat Belt, 2 Point	2
2	<u>104002501</u>	Roof Panel, White	1
3	<u>104004001</u>	Seat Belt, 3 Point	2
4	<u>104014701</u>	Kit, Cab, Seals, Side Frame	1
5	<u>104015201</u>	Kit, Cab, Seals, Vent	1
6	<u>104028301</u>	Vent, Louver	A/R

1
G
E

1
G
E



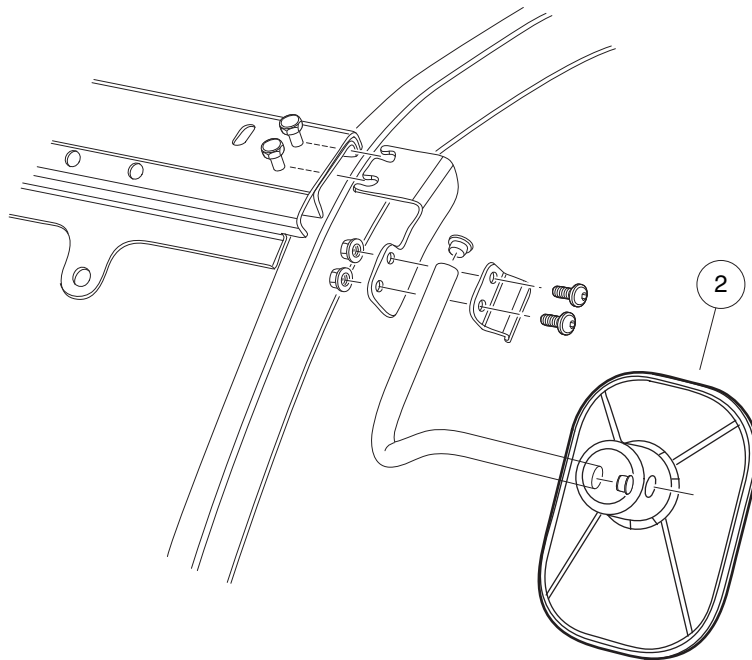
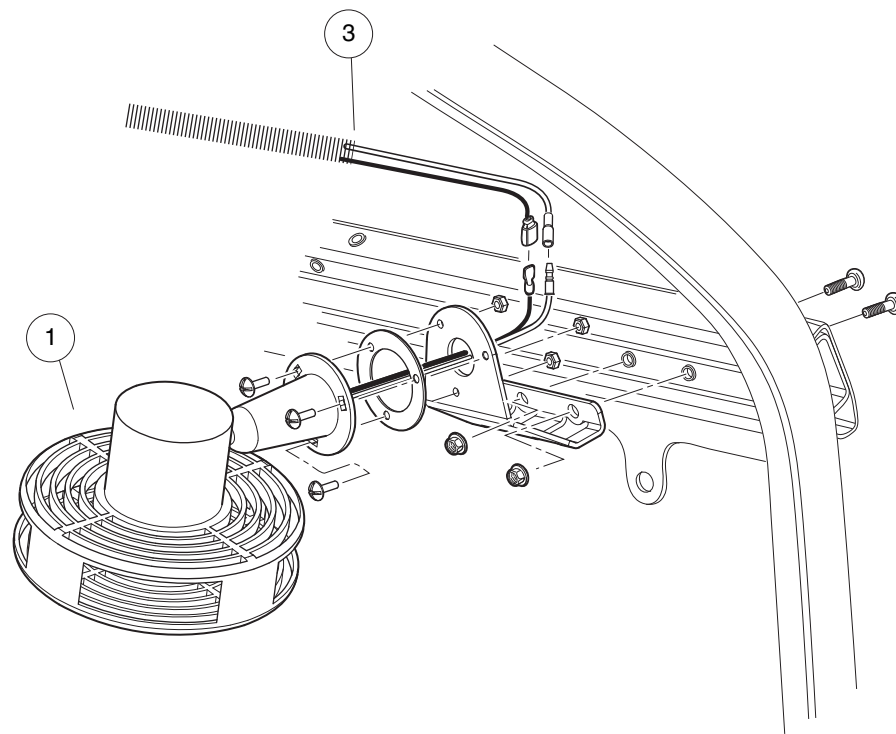
001255-001

LIGHTS – CPL CAB

ITEM	PART NO.	DESCRIPTION	QTY
		1 2 3 4	
1	<u>104002101</u>	Light, Strobe, Amber	1
2	<u>104002201</u>	Seal Gasket, Foam	1
3	<u>104002301</u>	Fuse Holder, ATC, 6-Slot	1
4	<u>104003201</u>	Wire Harness, Front Work Lights	1
5	<u>104004201</u>	Wire Harness, Main, CPL Cab	1
6	<u>104004401</u>	Wire Harness, Beacon	1
7	<u>104004501</u>	Switch, L Series, Headlight	1
8	<u>104004601</u>	Switch, L Series, Strobelight	1
9	<u>104004701</u>	Lamp, 700t/862-12v	A/R
10	<u>104027901</u>	Wire Harness, Rear Work Light	1
11	<u>104028201</u>	Wire Harness, Fuse Block to Switch	1
12	<u>105002901</u>	Light, CHMSL, Red	1
13	<u>105003001</u>	Wire Harness, CHMSL Light	1

1
G
E

1
G
E

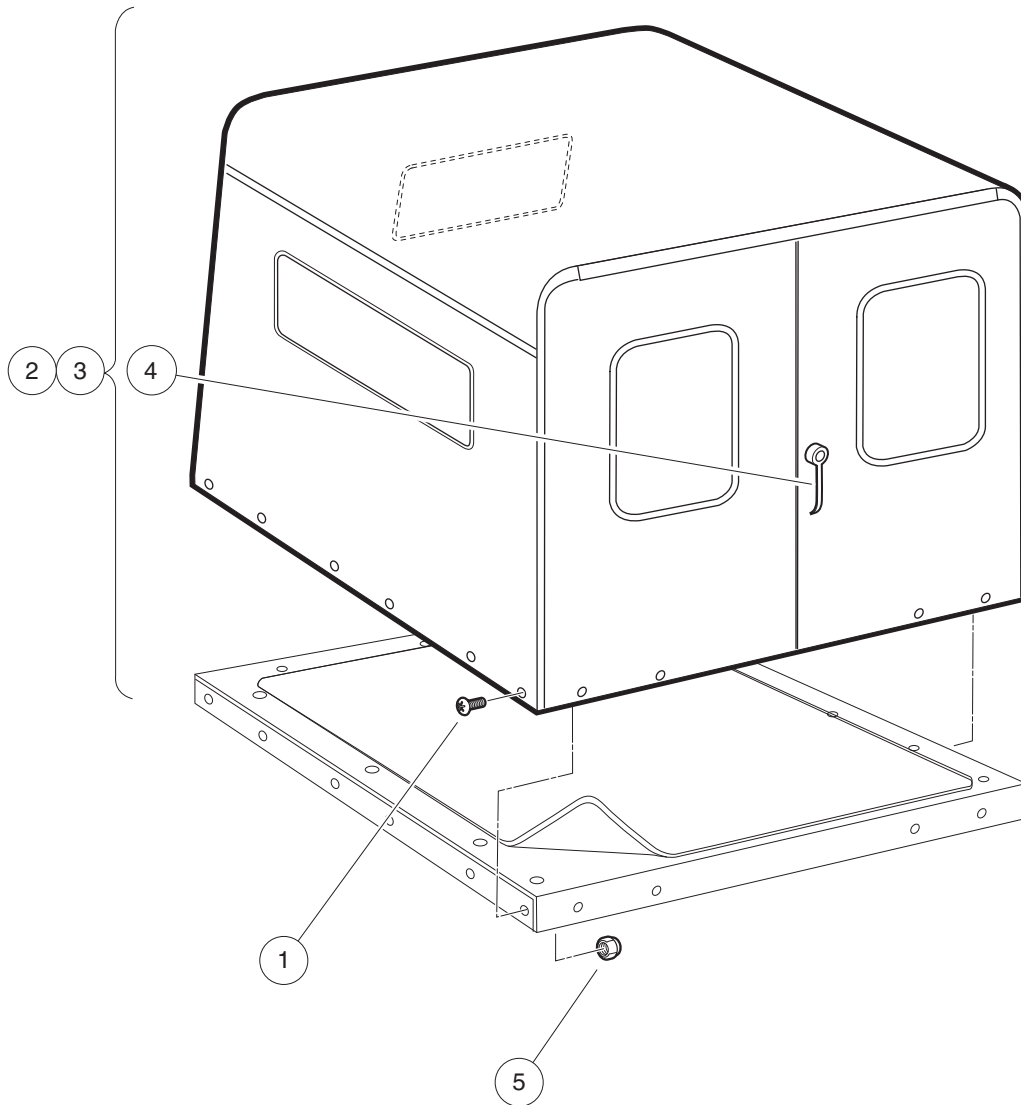


001256-001

FAN AND MIRROR – CPL CAB

ITEM	PART NO.	DESCRIPTION	QTY
1	<u>104001401</u>	1 2 3 4 Fan, 12v, 3 Position	1
2	<u>104002001</u>	Mirror, Universal, 5.5" X 7.5"	1
3	<u>104004301</u>	Wire Harness, Fan	1

1
G
E



001208-001

VAN BOX – TURF/CA 1

ITEM	PART NO.	DESCRIPTION	QTY
		1 2 3 4	
1	1015399	Screw, 5/16-18 X 0.88 Torx Truss-Head	20
2	<u>101754203</u>	Custom Van Box, Gray	1
3	<u>101754206</u>	Custom Van Box Kit, White (includes item 4)	1
4	<u>102006201</u>	Handle, Van Box Door	1
5	<u>7473</u>	Locknut, 5/16-18 Nylon Insert	20
<p>Note: Item 2, Van Box Gray, includes item 4, Door Handle.</p>			

1

G

E

1

G

E

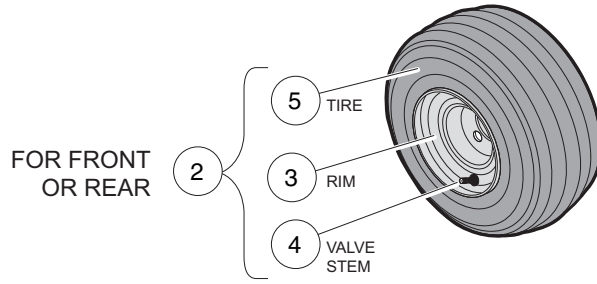
WHEELS AND TIRES

2

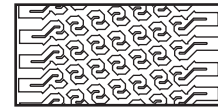
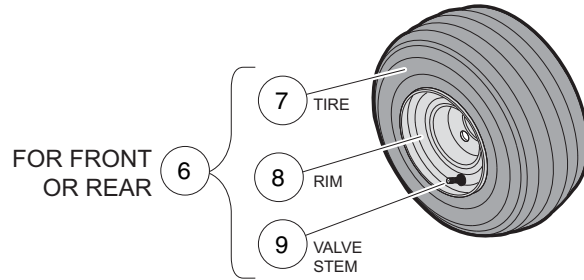
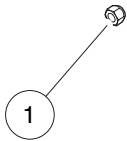
G

E

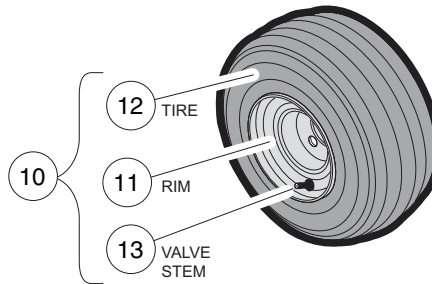
2
G
E



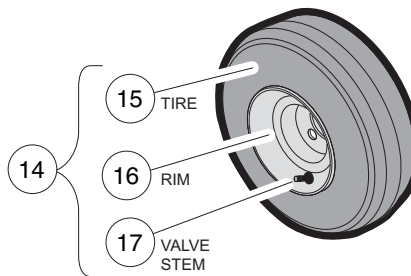
STANDARD
GRADE TREAD
Kenda®



EXTRA TRACTION
Kenda®



KENDA HOLE-N-ONE
K389 TREAD



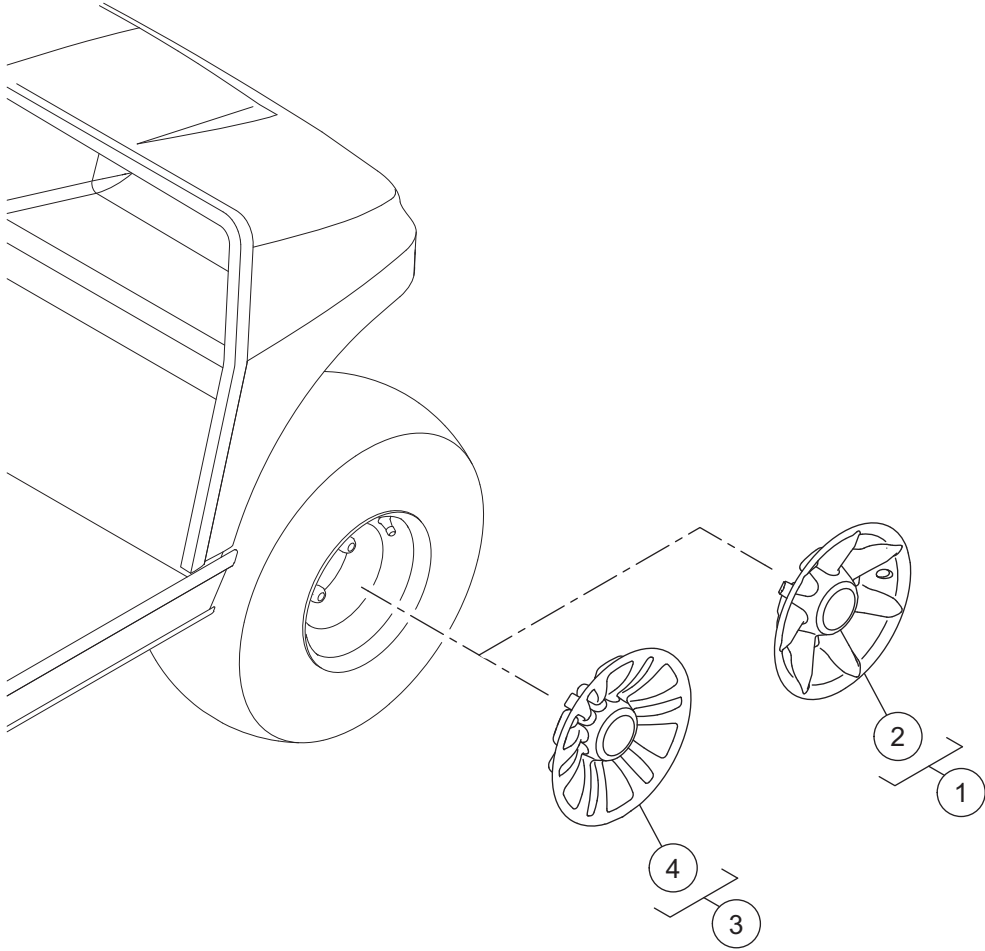
KENDA HOLE-N-ONE
K389 TREAD

000269-020

WHEELS (SILVER) AND TIRES – TURF/CARRYALL 1

ITEM	PART NO.	DESCRIPTION	QTY
		1 2 3 4	
1	<u>1010984</u>	.500-20 Unf Lug Nut	16
2	<u>103951001</u>	Assembly, Silver Wheel Kenda, Hn1 4ply (includes items 3 through 5)	A/R
3	<u>103459104</u>	Wheel Rim, 8"x7", Silver, Std	1
4	<u>7310</u>	Valve Stem, Black Plastic	1
5	<u>AM10682</u>	Unmounted Prem Tire 18x8.50x8	1
6	<u>103951002</u>	Assembly, Silver Wheel Kenda, X/t 6ply (includes items 7 through 9)	A/R
7	<u>102569302</u>	Tire, Kenda, 18x8.5-8, 6-ply Xtr	1
8	<u>103459104</u>	Wheel Rim, 8"x7", Silver, Std	1
9	<u>7310</u>	Valve Stem, Black Plastic	1
10	<u>103951003</u>	Asm,silver Whl Kenda, Hn1 6pl (includes items 11 through 13)	A/R
11	<u>103459104</u>	Wheel Rim, 8"x7", Silver, Std	1
12	<u>103658601</u>	Tire, Kenda Hn1, 6pl	1
13	<u>7310</u>	Valve Stem, Black Plastic	1
14	<u>103951004</u>	Asm,silver Whl Kenda,6.5" 6pl (includes items 15 through 17)	A/R
15	<u>103722901</u>	Tire, Kenda Hole-N-One, 18x6.5 - 8, Prem, 6-Ply	1
16	<u>103723003</u>	Wheel Rim, 8 X 5.375, Silver	1
17	<u>7310</u>	Valve Stem, Black Plastic	1

2
G
E



001203-002

WHEEL COVERS

ITEM	PART NO.	DESCRIPTION	QTY
		1 2 3 4	
1	<u>102559901</u>	Hub Cap Kit, Prec (includes item 2)	1
2	<u>103694501</u>	Hub Cap, 7 Prong	4
3	<u>102559902</u>	Kit, Wheel Cover, 12 Spk (includes item 4)	1
4	<u>105142401</u>	Wheel Cover, 12 Spk, 8", Slvr	4

2

G

E

2

G

E

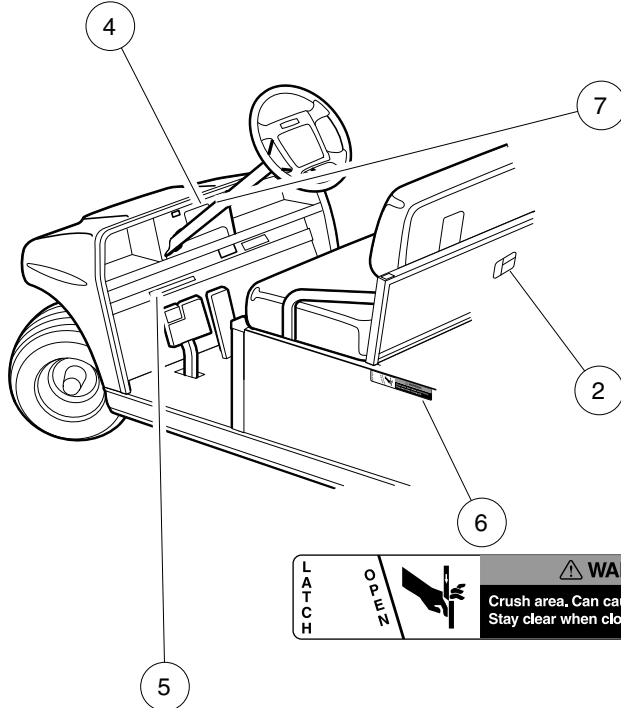
DECALS

3

G

E

OFF | ON



⚠ WARNING

ROLLOVER OR FALLING OFF MAY CAUSE DEATH.

- Before using vehicle, read operating instructions.
- Remain seated and hold on to seat handle while moving.
- Do not start vehicle until all occupants are seated.
- Two (2) persons per seat maximum.
- Operate from driver side only and not on public roads.
- Keep entire body inside vehicle while moving.
- Drive slowly in turns and straight up and down slopes.
- Do not leave children unattended on vehicle.
- Never operate under the influence of alcohol or drugs.
- Use brakes to reduce speed when coasting downhill.
- Never stand in front of or behind vehicle.

CCI 103205401

⚠ WARNING

Riding in cargo bed can cause severe injury or death. Do not ride in cargo bed.

CCI 1015339-01

LATCH | OPEN

⚠ WARNING

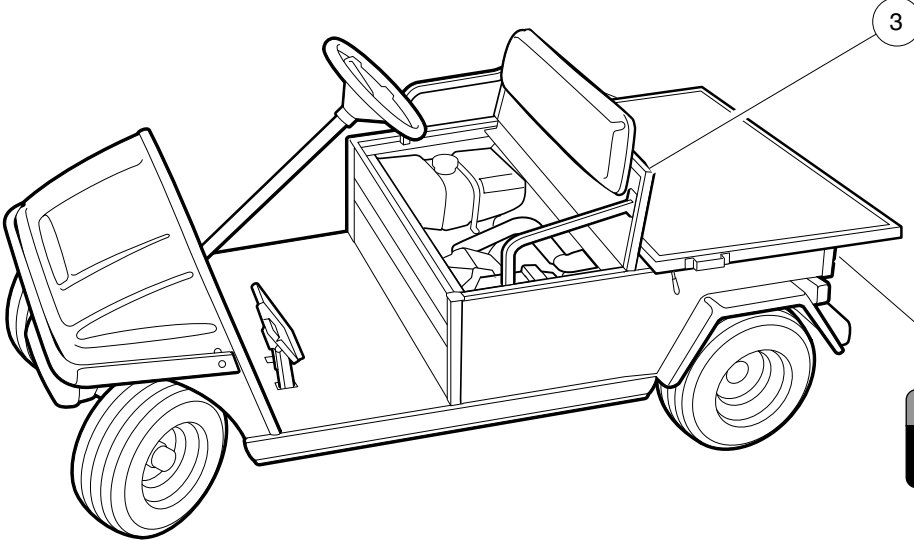
Crush area. Can cause severe injury. Stay clear when closing bed.

VEHICLE LOADING

Read owner's manual and warnings on dash.

- Vehicle rated capacity - 800 lb on level surface only. Weight to include passengers, cargo bed load, and gross trailer weight. See owner's manual.
- Maximum cargo load - 300 lb. Weight to include cargo bed load and gross trailer weight.
- Maximum trailer hitch tongue weight - 150 lbs.

- Cargo should be evenly spread over the floor of the cargo bed as far forward as possible and secured.
 - For vehicle stability, when fully loaded, drive slowly and avoid stopping on or backing down steep hills.
 - Avoid top heavy loads. See owner's manual.
 - When driving on uneven terrain or down steep hills, reduce speed and load.
- CCI 101960101



⚠ WARNING

CRUSH AREA

STAY CLEAR

CCI 1016094-01

NOTICE

MAXIMUM TONGUE WEIGHT - 150 lb. (667 N)

CCI 1011553

000270-002

DECALS – GAS AND ELECTRIC VEHICLES

ITEM	PART NO.	DESCRIPTION	QTY
		1 2 3 4	
1	<u>1011553</u>	Decal, Trailer Hitch	1
2	<u>101553901</u>	Decal, Bed Load Warning	1
3	<u>101609401</u>	Decal, Crush Area Warning	2
4	<u>101825101</u>	Decal, Off/On	1
5	<u>101960101</u>	Decal, Vehicle Loading	1
6	<u>102459301</u>	Decal, Bed Crush Area Warning	1
7	<u>103205401</u>	Decal, Warning, Rollover, Utl	1

3
G
E

OPERATING INSTRUCTIONS

Before using vehicle, read owner's manual and vehicle safety warnings. Study and understand controls.

TO OPERATE

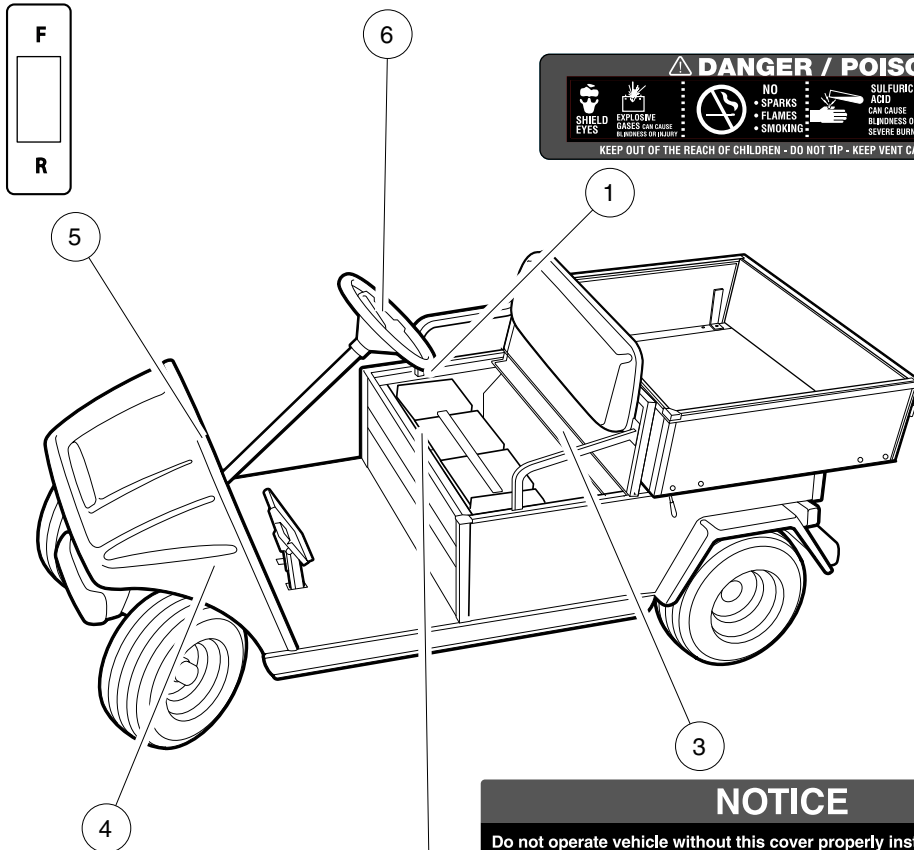
- Ensure wheels are turned in desired direction and path is clear.
- Turn key to **ON** position.
- Select **FORWARD** or **REVERSE** only when stopped.
- Release park brake fully.
- Vehicle will start moving when accelerator pedal is pressed.
- Slowly press accelerator pedal to increase speed.
- During operation, beeping alarm indicates reduction in motor braking.
- To stop, release accelerator pedal and press brake pedal.

WARNING

Unintended vehicle movement may cause severe injury or death. Before leaving vehicle:

- Engage park brake to lock wheels.
- Place vehicle in **NEUTRAL**.
- Turn key to **OFF** and remove key.

103783001



⚠ DANGER / POISON

 SHIELD EYES	 EXPLOSIVE GASES CAN CAUSE BLINDNESS OR INJURY	 NO SPARKS • FLAMES • SMOKING	 SULFURIC ACID CAN CAUSE BLINDNESS OR SEVERE BURNING	 FLUSH EYES IMMEDIATELY WITH WATER GET MEDICAL HELP FAST
------------------------	--	---	--	--

KEEP OUT OF THE REACH OF CHILDREN - DO NOT TIP - KEEP VENT CAPS TIGHT AND LEVEL

IMPORTANT NOTICE

- Maximum vehicle speed is limited by motor braking during downhill operation with accelerator pedal depressed.
- If motor brake enabled, vehicle motor will brake when accelerator pedal is released.
- Beeping alarm indicates reduction in motor braking. Apply brakes to reduce speed.
- System is activated only when tow switch is in the "RUN" position.
- When towing vehicle, tow switch must be in the "TOW" position.

101929902

NOTICE

Do not operate vehicle without this cover properly installed. Do not direct water stream in this area; will cause damage to components. See vehicle maintenance and service manual before servicing.

CCI 101931501

⚠ WARNING TOW RUN

Place Tow/Run switch in TOW position before:

- Disconnecting or connecting batteries
- Towing
- Extended storage
- Servicing

FAILURE TO HEED THIS WARNING COULD RESULT IN A BATTERY EXPLOSION OR SEVERE PERSONAL INJURY.

CCI 101908601

000272-003

DECALS – TURF/CARRYALL 1 ELECTRIC

ITEM	PART NO.	DESCRIPTION	QTY
		1 2 3 4	
1	<u>1013677</u>	Decal, Battery Danger	6
2	<u>101908601</u>	Decal, Tow/Run Switch Warning	1
3	<u>101931501</u>	Decal, Component Cover	1
4	<u>101959902</u>	Decal, IQ System Motor Braking	1
5	<u>103210301</u>	Decal, Forward/Reverse, Electric	1
6	<u>103783001</u>	Decal, Op Instr, Ele	1

3
G
E

OPERATING INSTRUCTIONS

Before using vehicle, read owner's manual and vehicle safety warnings. Study and understand controls.

TO OPERATE

- Ensure wheels are turned in desired direction and path is clear.
- Turn key to ON position.
- Select FORWARD or REVERSE only when stopped.
- Release park brake fully.
- Vehicle will start moving when accelerator pedal is pressed.
- Slowly press accelerator pedal to increase speed.
- To stop, release accelerator pedal and press brake pedal.

WARNING

Unintended vehicle movement may cause severe injury or death. Before leaving vehicle:

- Engage park brake to lock wheels.
- Place vehicle in NEUTRAL.
- Turn key to OFF and remove key.

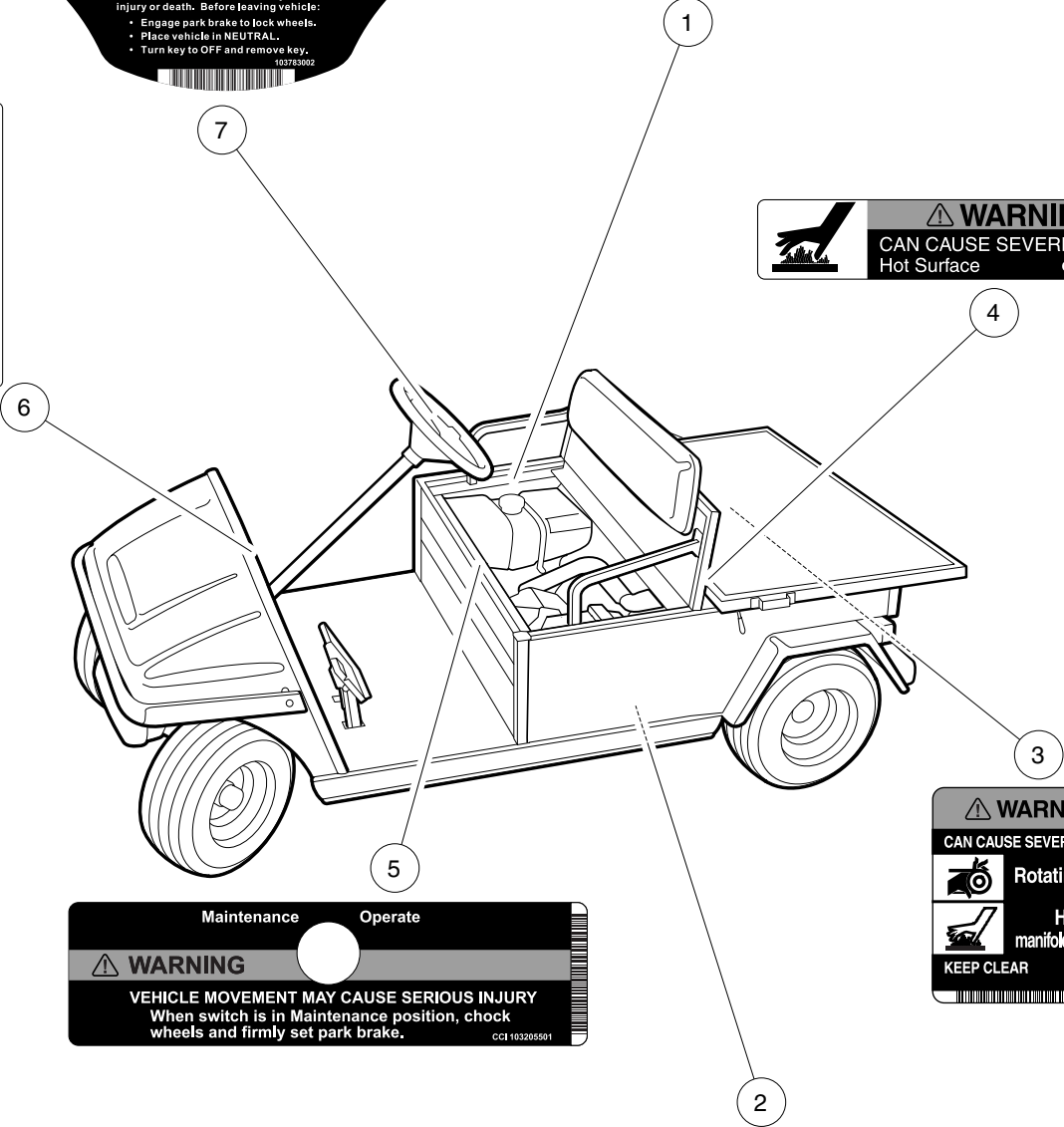
10373002

WARNING

GASOLINE EXPLOSION / FIRE.

- Can cause severe injury or death.
- No smoking, sparks, or open flame.
- Stop engine, allow to cool before refueling.
- Turn fuel valve (←) on during operation. (→) off during storage or transport.

CCI 101547601



WARNING

CAN CAUSE SEVERE BURNS
Hot Surface

CCI 102458901

Maintenance Operate

WARNING

VEHICLE MOVEMENT MAY CAUSE SERIOUS INJURY
When switch is in Maintenance position, chock wheels and firmly set park brake.

CCI 103205501

WARNING

CAN CAUSE SEVERE INJURY

Rotating parts

HOT
manifold & muffler

KEEP CLEAR

CCI 101960501

	<p>WARNING</p> <p>Negative frame ground. Can cause severe injury. Do not contact positive (+) battery post or cable to frame. Disconnect negative battery cable first.</p>		<p>WARNING</p> <p>Excessive speed can cause severe injury or death. Do not tamper with engine governor adjustment.</p> <p>CCI 101915201</p>
--	---	--	--

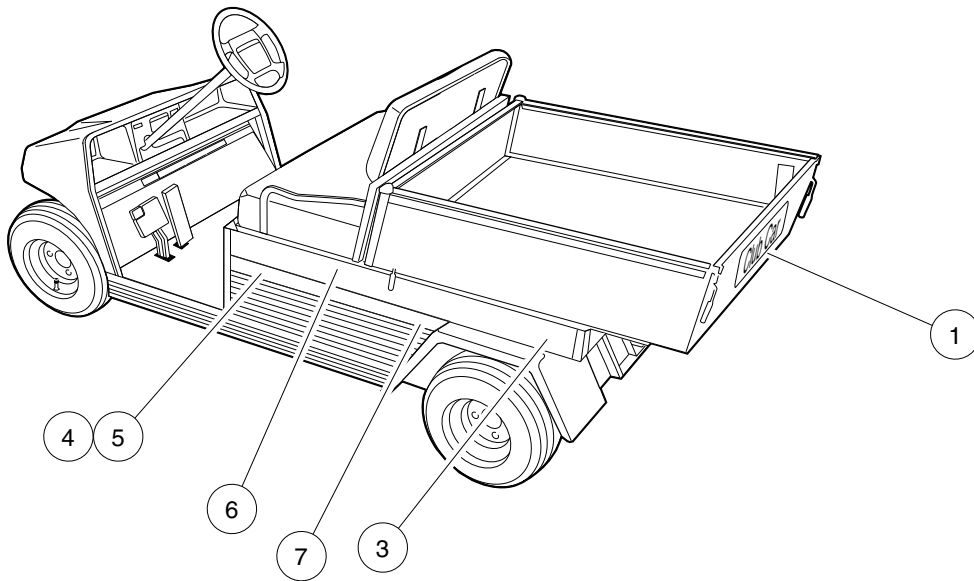
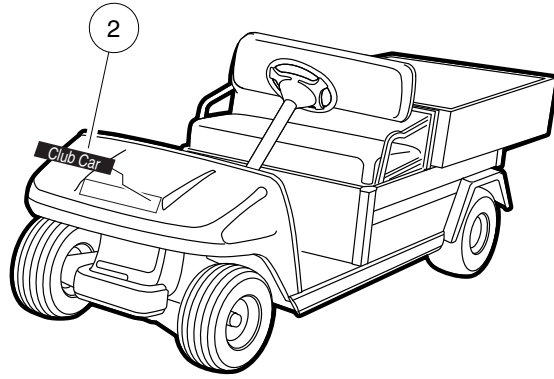
000273-003

DECALS – TURF/CARRYALL 1 GASOLINE

ITEM	PART NO.	DESCRIPTION	QTY
		1 2 3 4	
1	<u>101547601</u>	Decal, Gasoline Explosion/Fire Warning	1
2	<u>101915201</u>	Decal, Frame Ground and Governor Warning	1
3	<u>101960501</u>	Decal, Rotating Parts/Hot Manifold	2
4	<u>102458901</u>	Decal, Hot Surface Warning	2
5	<u>103205501</u>	Decal, Run/Service Switch	1
6	<u>103210201</u>	Decal, Forward/Reverse, Gas	1
7	<u>103783002</u>	Decal, Op Instr, Gas Ps	1

3
G
E

3
G
E



000287-008

DECALS, BADGING – TURF/CARRYALL 1

ITEM	PART NO.	DESCRIPTION	QTY
		1 2 3 4	
1	<u>1013317</u>	Decal, Logo, Tailgate	1
2	<u>101670201</u>	Nameplate Kit (silver)	1
3	<u>103234303</u>	Decal, Badge, Ir Black	2
4	<u>103260001</u>	Decal Turf 1 Side Panel	2
5	<u>103260701</u>	Decal Ca 1 Side Panel	2
6	<u>103284001</u>	Decal Ca1 Black Bar	1
7	<u>103464901</u>	Decal, Zev	2

3
G
E

3

G

E

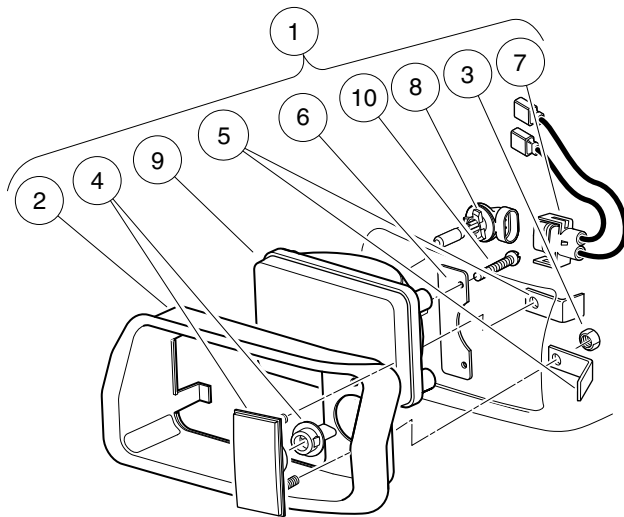
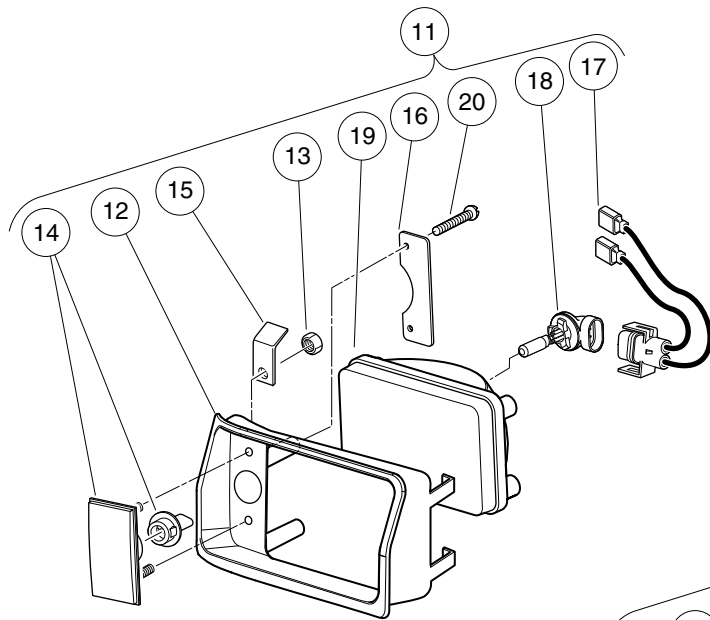
LIGHTS, CONTROLS, AND INDICATORS

4

G

E

4
G
E



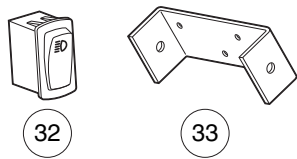
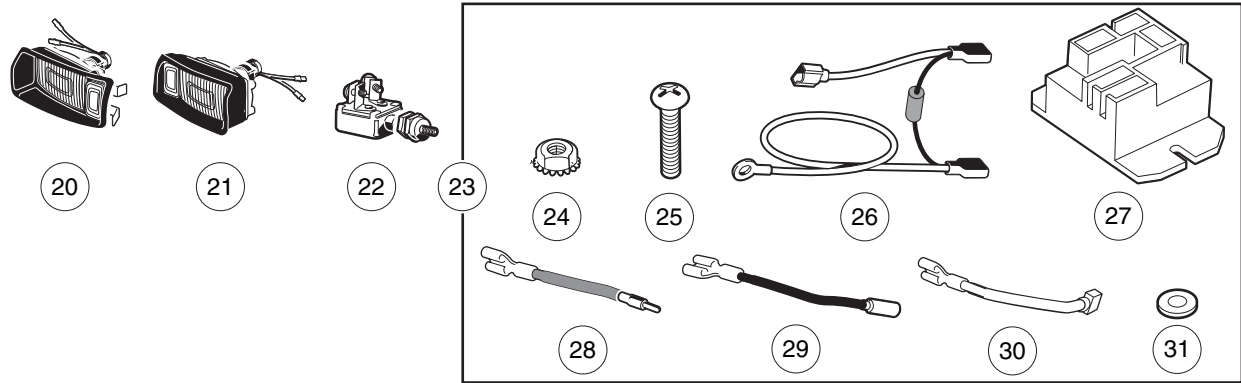
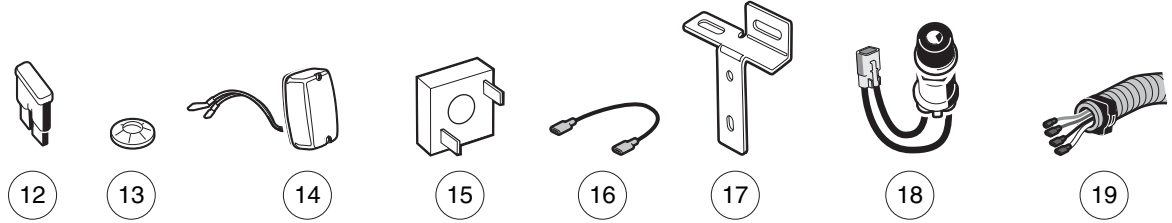
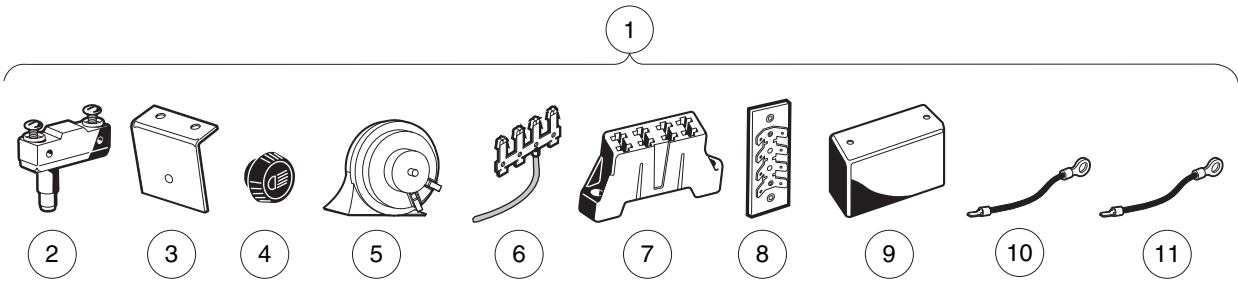
001097-001

HEADLIGHTS

ITEM	PART NO.	DESCRIPTION	QTY
		1 2 3 4	
1	<u>101988001</u>	Headlight Assembly, Driver-Side Single Beam (includes items 2 through 10)	1
2	<u>1016880</u>	Headlight Bezel, Left	1
3	<u>1017</u>	Nut, #10-24 Stainless-Steel Hex Machine	2
4	<u>1017062</u>	Turn Signal Lens Assy	1
5	<u>1017064</u>	Mounting Bracket	2
6	<u>1017065</u>	Retainer, Headlight	1
7	<u>101987901</u>	Connector, Harness Assembly, Headlight	1
8	<u>101988101</u>	Bulb, Headlight	1
9	<u>101988201</u>	Lens, Headlight	1
10	1620	Screw, #10-16 X 0.75 Pan-Head Tap	2
11	<u>101988002</u>	Headlight Assy, Passenger-Side Single Beam (includes items 12 through 20)	1
12	<u>1016879</u>	Headlight Bezel, Right	1
13	<u>1017</u>	Nut, #10-24 Stainless-Steel Hex Machine	2
14	<u>1017062</u>	Turn Signal Lens Assy	1
15	<u>1017064</u>	Mounting Bracket	2
16	<u>1017065</u>	Retainer, Headlight	1
17	<u>101987901</u>	Connector, Harness Assembly, Headlight	1
18	<u>101988101</u>	Bulb, Headlight	1
19	<u>101988201</u>	Lens, Headlight	1
20	1620	Screw, #10-16 X 0.75 Pan-Head Tap	2

4
G
E

4
G
E



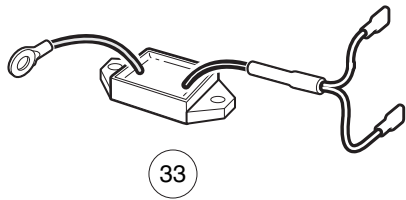
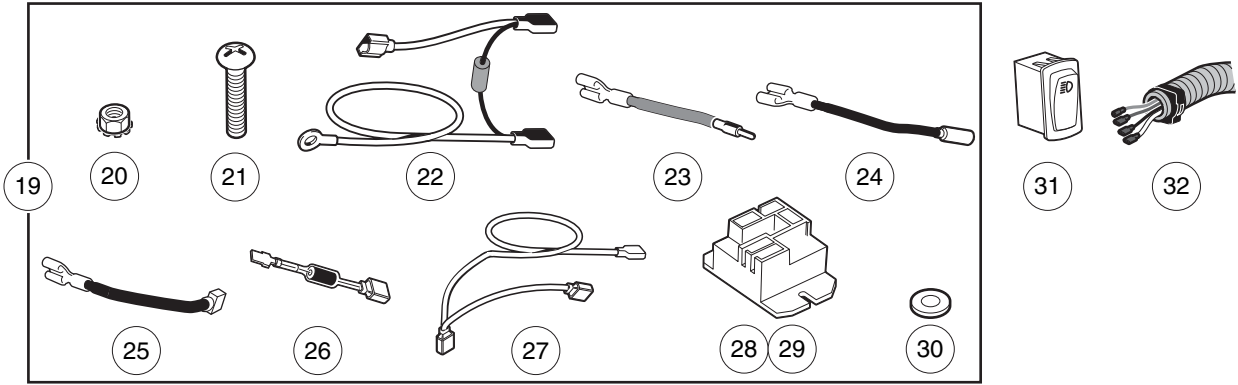
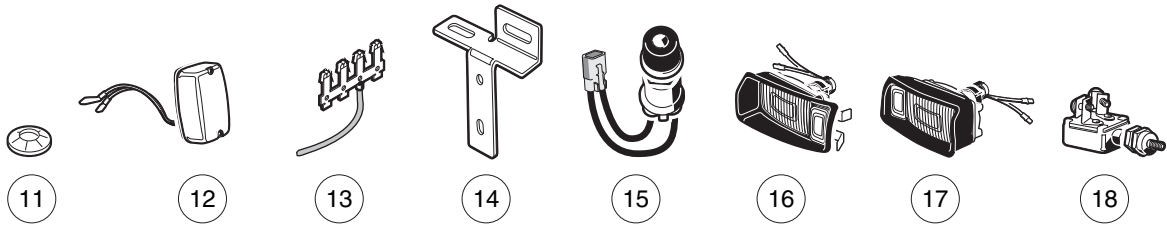
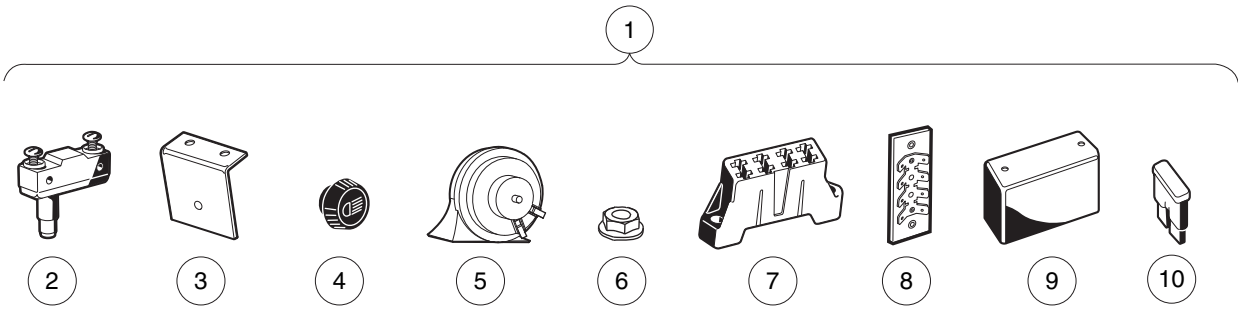
001277-001

LIGHT KIT, STANDARD – TURF/CA 1 GASOLINE VEHICLES

ITEM	PART NO.	DESCRIPTION	QTY
		1 2 3 4	
1	101705608	Light Pkg, Std, CA 1, Gas, Field (includes items 2 through 33)	1
2	<u>1011439</u>	Switch, Limit	2
3	<u>1011825</u>	Horn Bracket	1
4	<u>1013857</u>	Knob, Light Switch	1
5	<u>1014530</u>	Horn, 12-VDC	1
6	<u>1015737</u>	Wire Assy, #10 Red	1
7	<u>1015741</u>	Fuse Block	1
8	<u>1016356</u>	Terminal Block with Insulator	1
9	1016363	Fuse Block Cover	1
10	<u>1016364</u>	Wire Assembly #10 Black	1
11	<u>1016367</u>	Wire Assy, #10 Black	1
12	<u>1016423</u>	Fuse, 20-Amp	3
13	<u>1016631</u>	Push Nut	2
14	1017035	Taillight Assembly	2
15	<u>1017721</u>	Limiter, Voltage	1
16	1017722	Wire Assy, #16 Black	1
17	<u>101957101</u>	Bracket, Brake Light Switch	1
18	<u>101969701</u>	Horn Button and Wire Assembly	1
19	101987801	Lighting Harness Assembly	1
20	<u>101988001</u>	Headlight Assembly, Driver-Side Single Beam	1
21	<u>101988002</u>	Headlight Assy, Passenger-Side Single Beam	1
22	<u>102051901</u>	Switch, Light	1
23	102198701	Brake Relay Kit - 12v (includes items 24 through 31)	1
24	<u>1011229</u>	Locknut, #6-32 Whiz	2
25	<u>1017853</u>	Screw, #6-32 X 0.75 Hex-Head Machine	2
26	101914401	Assembly, Voltage Suppressor	1
27	<u>102199001</u>	Relay, 12-Volt	1
28	<u>102199201</u>	Wire Asm #18 Brown	1
29	<u>102199301</u>	Wire Asm #18 Black	1
30	<u>102199401</u>	Wire Asm #18 Black	1
31	<u>7591</u>	Washer, #6, Flat	2
32	<u>102869401</u>	Switch, Rocker, Light	1
33	<u>103254101</u>	Bracket, Mtg, Power Relay	1

4
G
E

4
G
E



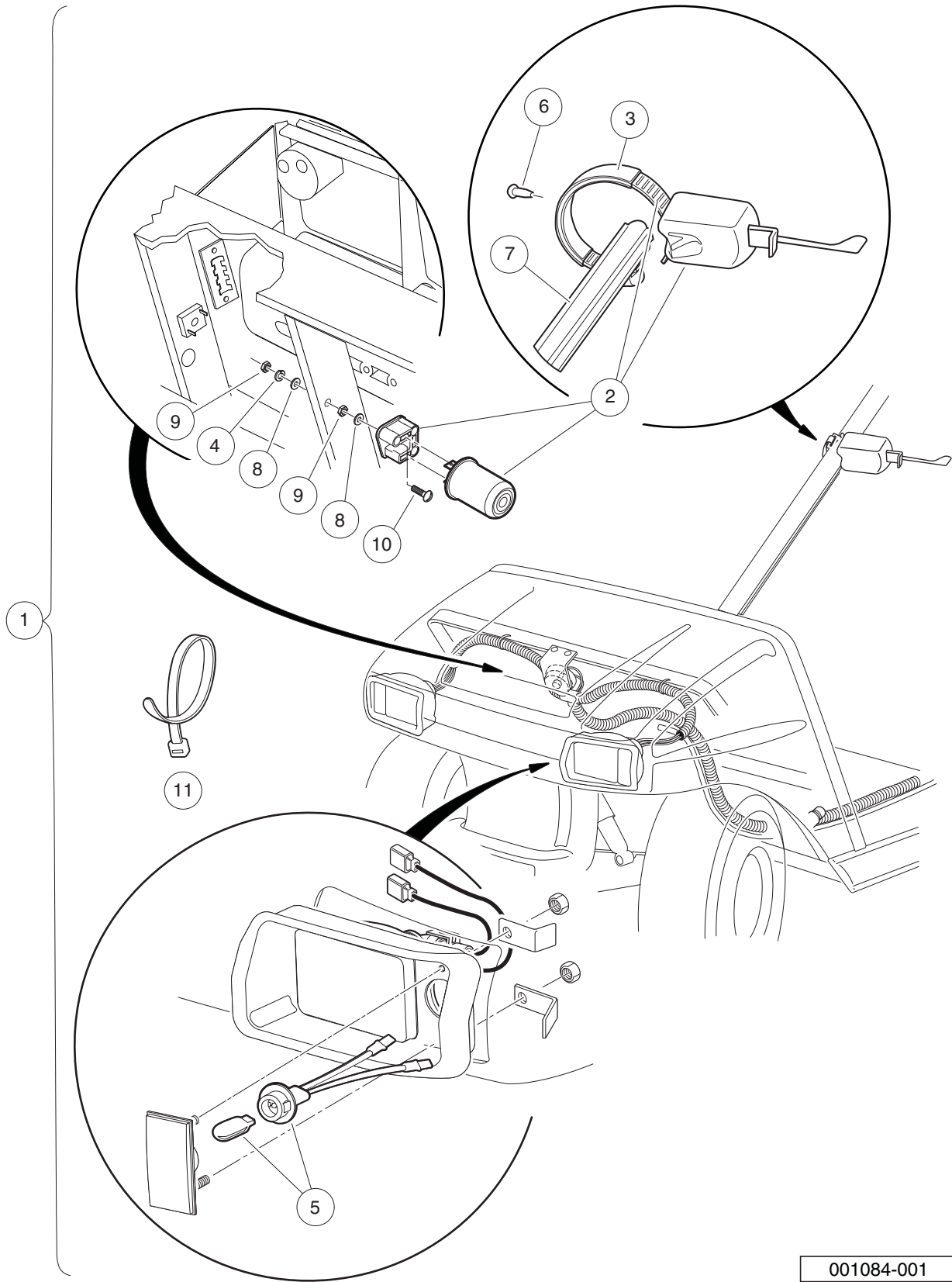
001278-002

LIGHT KIT, STANDARD – TURF/CA 1 IQ SYSTEM ELECTRIC VEHICLES

ITEM	PART NO.	DESCRIPTION	QTY
		1 2 3 4	
1	<u>101814011</u>	Light Pkg, Std, CA 1, Elec, Field (includes items 2 through 33)	1
2	<u>1011439</u>	Switch, Limit	2
3	<u>1011825</u>	Horn Bracket	1
4	<u>1013857</u>	Knob, Light Switch	1
5	<u>1014530</u>	Horn, 12-VDC	1
6	<u>1015661</u>	Nut, Lock Hx Flanged 1/4-20	2
7	<u>1015741</u>	Fuse Block	1
8	<u>1016356</u>	Terminal Block with Insulator	2
9	<u>1016363</u>	Fuse Block Cover	1
10	<u>1016423</u>	Fuse, 20-Amp	3
11	<u>1016631</u>	Push Nut	2
12	<u>1017035</u>	Taillight Assembly	2
13	<u>101810601</u>	Wire Assy, #10 Red	1
14	<u>101957101</u>	Bracket, Brake Light Switch	1
15	<u>101969701</u>	Horn Button and Wire Assembly	1
16	<u>101988001</u>	Headlight Assembly, Driver-Side Single Beam	1
17	<u>101988002</u>	Headlight Assy, Passenger-Side Single Beam	1
18	<u>102051901</u>	Switch, Light	1
19	<u>102267501</u>	Brake Relay Kit - 48v Series (includes items 20 through 30)	1
20	<u>1011229</u>	Locknut, #6-32 Whiz	2
21	<u>1017853</u>	Screw, #6-32 X 0.75 Hex-Head Machine	2
22	<u>101914402</u>	Asm, Pd Volt. Supp. W/o Instr.	1
23	<u>102199201</u>	Wire Asm #18 Brown	1
24	<u>102199301</u>	Wire Asm #18 Black	1
25	<u>102199401</u>	Wire Asm #18 Black	1
26	<u>102273101</u>	Diode Assembly	1
27	<u>102569101</u>	Wire Asm #18 Yellow	1
28	<u>103414901</u>	Kit, Relay, 48v 30a W/instr (includes item 29)	1
29	<u>103397901</u>	Relay, Spst No, 48v 30a, Pmt	1
30	<u>7591</u>	Washer, #6, Flat	2
31	<u>102869401</u>	Switch, Rocker, Light	1
32	<u>103257001</u>	Wire Harness, Lighting	1
33	<u>103470902</u>	Limiter, Voltage, Post Mnt	1

4
G
E

4
G
E



001084-001

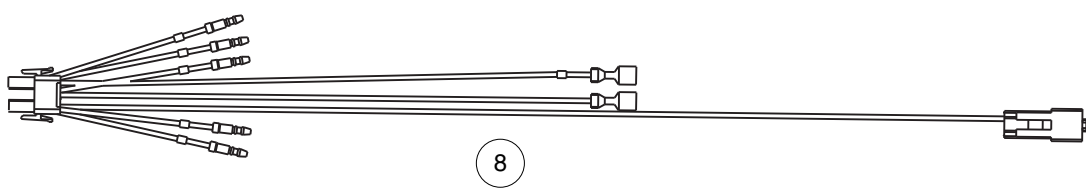
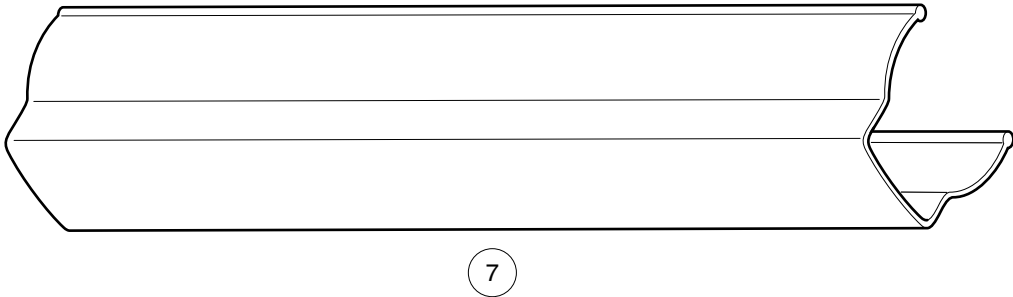
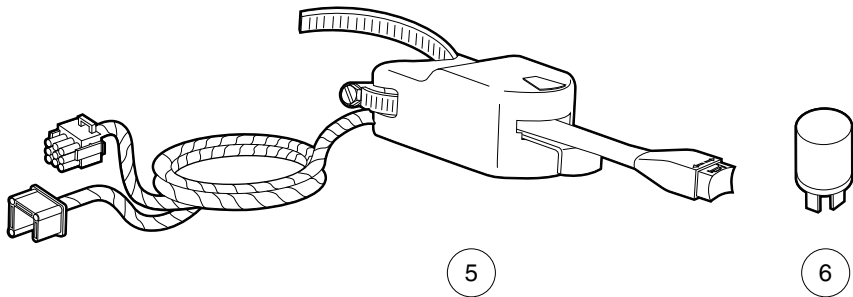
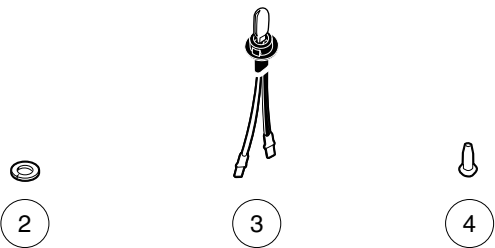
TURN SIGNAL KIT – DS AND UTILITY GASOLINE AND ELECTRIC VEHICLES

ITEM	PART NO.	DESCRIPTION	QTY
		1 2 3 4	
1	101707402	Turn Signal Conversion Kit (includes items 2 through 11)	1
2	<u>1011590</u>	Switch Sub-assy, Turn Signal	1
3	N/A	Strap, Extrusion	1
4	<u>1016</u>	Lockwasher, #10 Split	1
5	<u>1017075</u>	Socket & Lamp Assembly	2
6	<u>1017724</u>	Rivet, Plastic	1
7	<u>102529201</u>	Wire Cover, Steering Column	1
8	<u>183</u>	Washer, #10, Type A, Flat	2
9	<u>7893</u>	Nut, #10-32 Hex	2
10	8104	Screw, #10-32 X .75 Rd Hd Mach	1
11	<u>8990</u>	Tie Wrap, 8" Nylon	1

4
G
E

4
G
E

1



001101-001

TURN SIGNAL (WITH HORN BUTTON) KIT – DS AND UTILITY GAS AND ELECTRIC VEHICLES

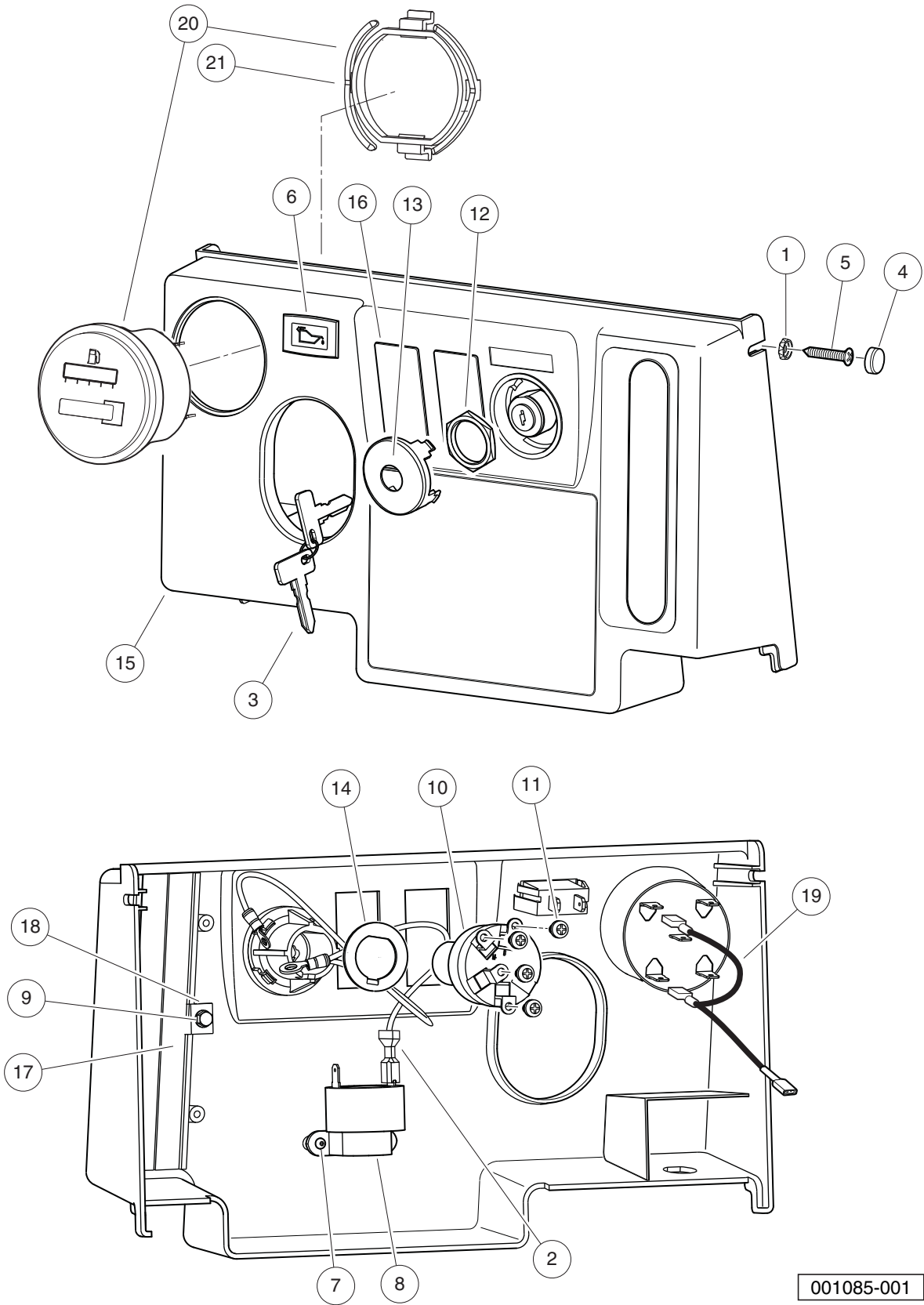
ITEM	PART NO.	DESCRIPTION	QTY
		1 2 3 4	
1	101707405	Kit, Turn Signal-horn (includes items 2 through 12)	1
2	<u>1016</u>	Lockwasher, #10 Split	1
3	<u>1017075</u>	Socket & Lamp Assembly	2
4	<u>1017724</u>	Rivet, Plastic	1
5	<u>102517501</u>	Turn Signal Asm (includes item 6)	1
6	<u>102546401</u>	Flasher Unit, Prec	1
7	<u>102529201</u>	Wire Cover, Steering Column	1
8	<u>103618001</u>	Harness, Jumper, Turn Signal	1
9	<u>183</u>	Washer, #10, Type A, Flat	2
10	<u>7893</u>	Nut, #10-32 Hex	2
11	8104	Screw, #10-32 X .75 Rd Hd Mach	1
12	<u>8990</u>	Tie Wrap, 8" Nylon	1

4

G

E

4
G
E



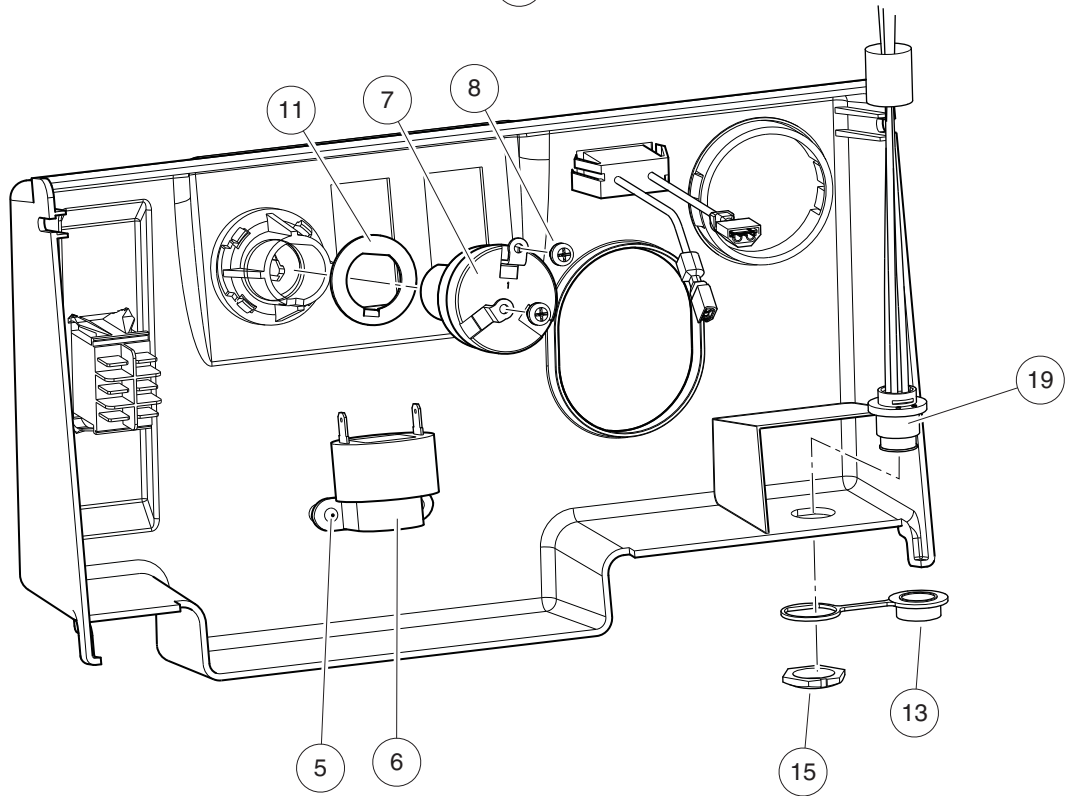
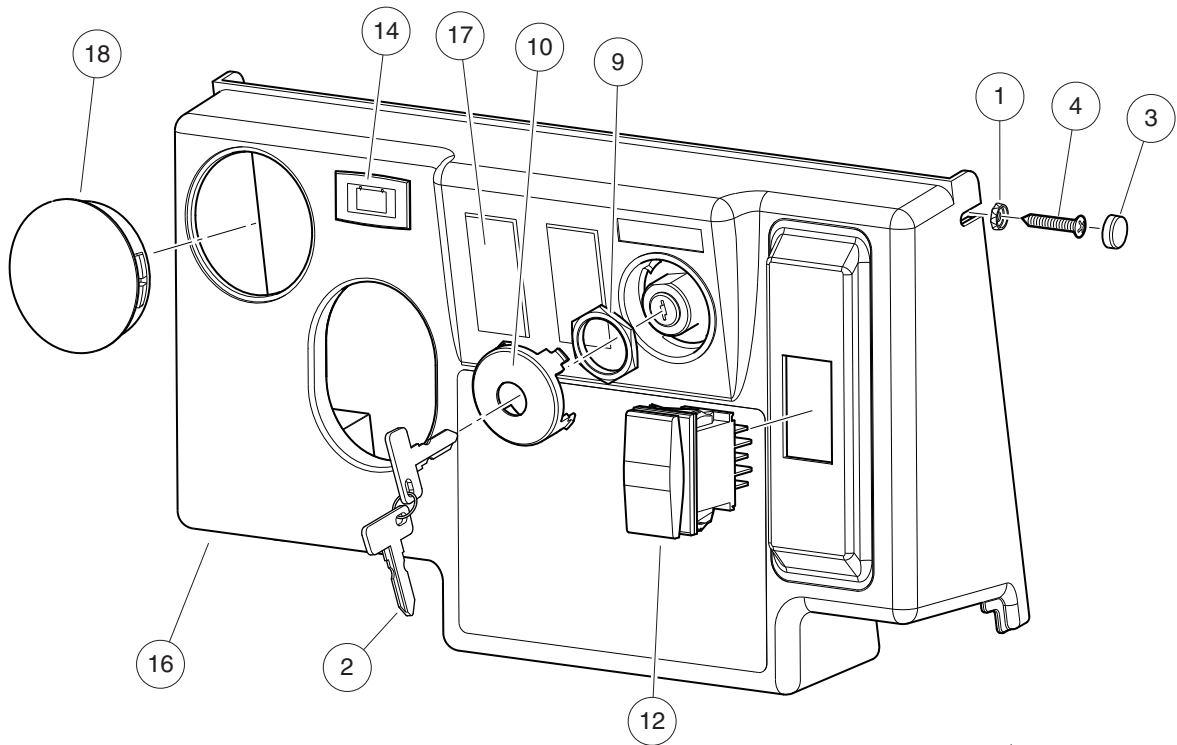
001085-001

INSTRUMENT PANEL AND ELECTRICAL COMPONENTS – TURF/ CARRYALL 1, 2, AND 252 GAS

ITEM	PART NO.	DESCRIPTION	QTY
		1 2 3 4	
1	1011382	Washer, #10 Pan-Head Screw	2
2	1012396	Wire Assy #18 Black	1
3	<u>1012505</u>	Keys (set of 2)	1
4	<u>1013494</u>	Cover, Screw Head	2
5	<u>1015528</u>	Screw, #10 x 1-1/4 Phillips Head	2
6	<u>1016630</u>	Light, Oil	1
7	<u>1016849</u>	Screw, #4-24 X 0.33, Pan-Head, Machine	2
8	<u>1016851</u>	Buzzer, Reverse (9-48 VDC)	1
9	<u>101804301</u>	Screw, #8 X 0.500, Hex-Head Hi-Lo	2
10	<u>101826301</u>	Key Switch, 12-Volt, Off/On	1
11	101830601	Screw and Washer Assembly	4
12	<u>101830701</u>	Nut, Key Switch	1
13	<u>101834502</u>	Cap, Black Key Switch	1
14	<u>101851101</u>	Washer, Key Switch	1
15	<u>102977001</u>	Panel, Dash, Center, Gas (Instrument Panel)	1
16	<u>103180101</u>	Cover, Hole, Switch, Rocker	2
17	<u>103199001</u>	Brush, Closeout, FNR	2
18	<u>103199101</u>	Washer, Retaining, Brush, FNR	2
19	<u>103348501</u>	Asm, Wire Meter, F-h Jumper	1
20	<u>103348601</u>	Gauge, Fuel-hour,sep Gnd,utl (includes item 21)	1
21	<u>103348201</u>	Clip, Meter, Round	1

4
G
E

4
G
E



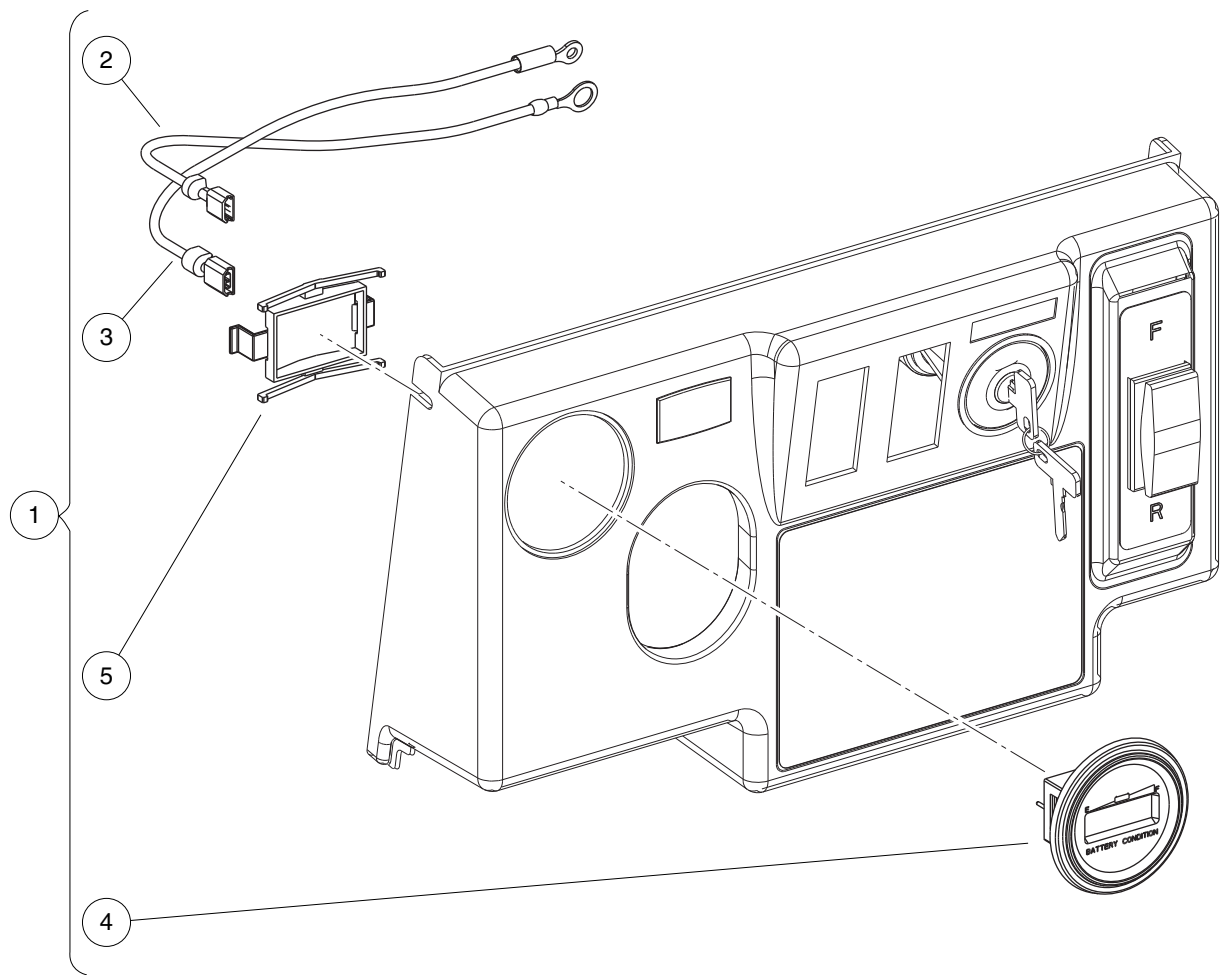
001087-001

INSTRUMENT PANEL AND ELECTRICAL COMPONENTS – TURF/ CA 1 AND 2 ELECTRIC

ITEM	PART NO.	DESCRIPTION	QTY
		1 2 3 4	
1	1011382	Washer, #10 Pan-Head Screw	2
2	<u>1012505</u>	Keys (set of 2)	1
3	<u>1013494</u>	Cover, Screw Head	2
4	<u>1015528</u>	Screw, #10 x 1-1/4 Phillips Head	2
5	<u>1016849</u>	Screw, #4-24 X 0.33, Pan-Head, Machine	2
6	<u>1016851</u>	Buzzer, Reverse (9-48 VDC)	1
7	<u>101826201</u>	Key Switch, On/Off	1
8	101830601	Screw and Washer Assembly	2
9	<u>101830701</u>	Nut, Key Switch	1
10	<u>101834502</u>	Cap, Black Key Switch	1
11	<u>101851101</u>	Washer, Key Switch	1
12	<u>101856002</u>	Switch, Rocker, Single-Pole	1
13	<u>102196901</u>	Dust Cap	1
14	<u>102508701</u>	Light, Battery	1
15	<u>102572401</u>	Nut, Diagnostic Port, Prec	1
16	<u>102977002</u>	Panel, Dash, Center, Elec (Instrument Panel)	1
17	<u>103180101</u>	Cover, Hole, Switch, Rocker	2
18	<u>103198301</u>	Plug, Hole, Round, 2.0 In	1
19	<u>103218601</u>	Harness, Diagnostic Port	1

4
G
E

4
G
E



000817-002

BATTERY CONDITION INDICATOR – ELECTRIC VEHICLES

ITEM	PART NO.	DESCRIPTION	QTY
		1 2 3 4	
1	<u>103257603</u>	Kit, Gauge, Battery Condition Indicator (includes items 2 through 4)	1
2	<u>103257701</u>	Wire Asm, #18 Black, 2565mm	1
3	<u>103257801</u>	Wire Asm, #16 Red, 330mm	1
4	<u>103354401</u>	Gauge, Battery Cond Ind, Rnd (includes item 5)	1
5	<u>103348202</u>	Clip, Bci, Round	1

4

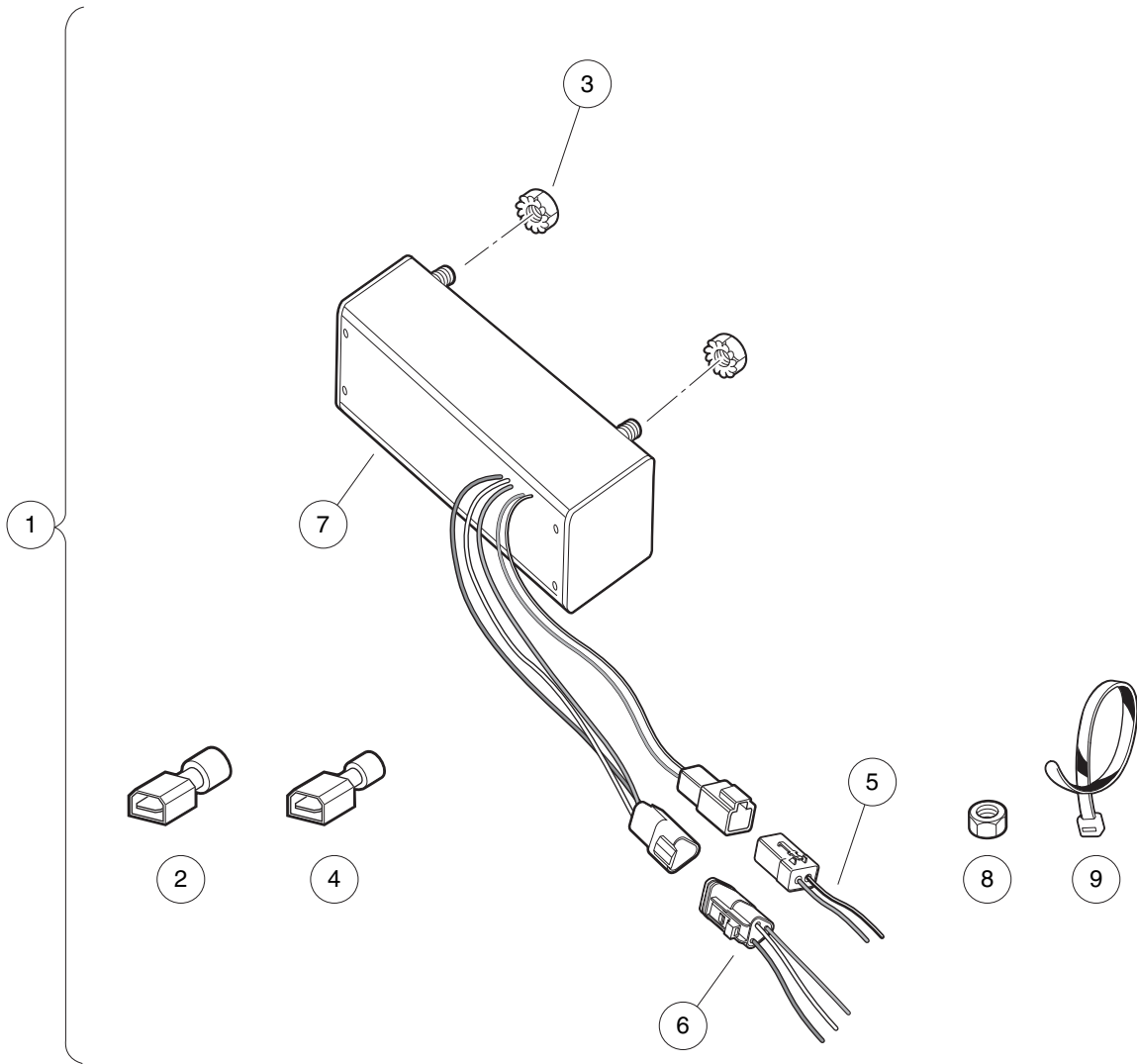
G

E

4

G

E



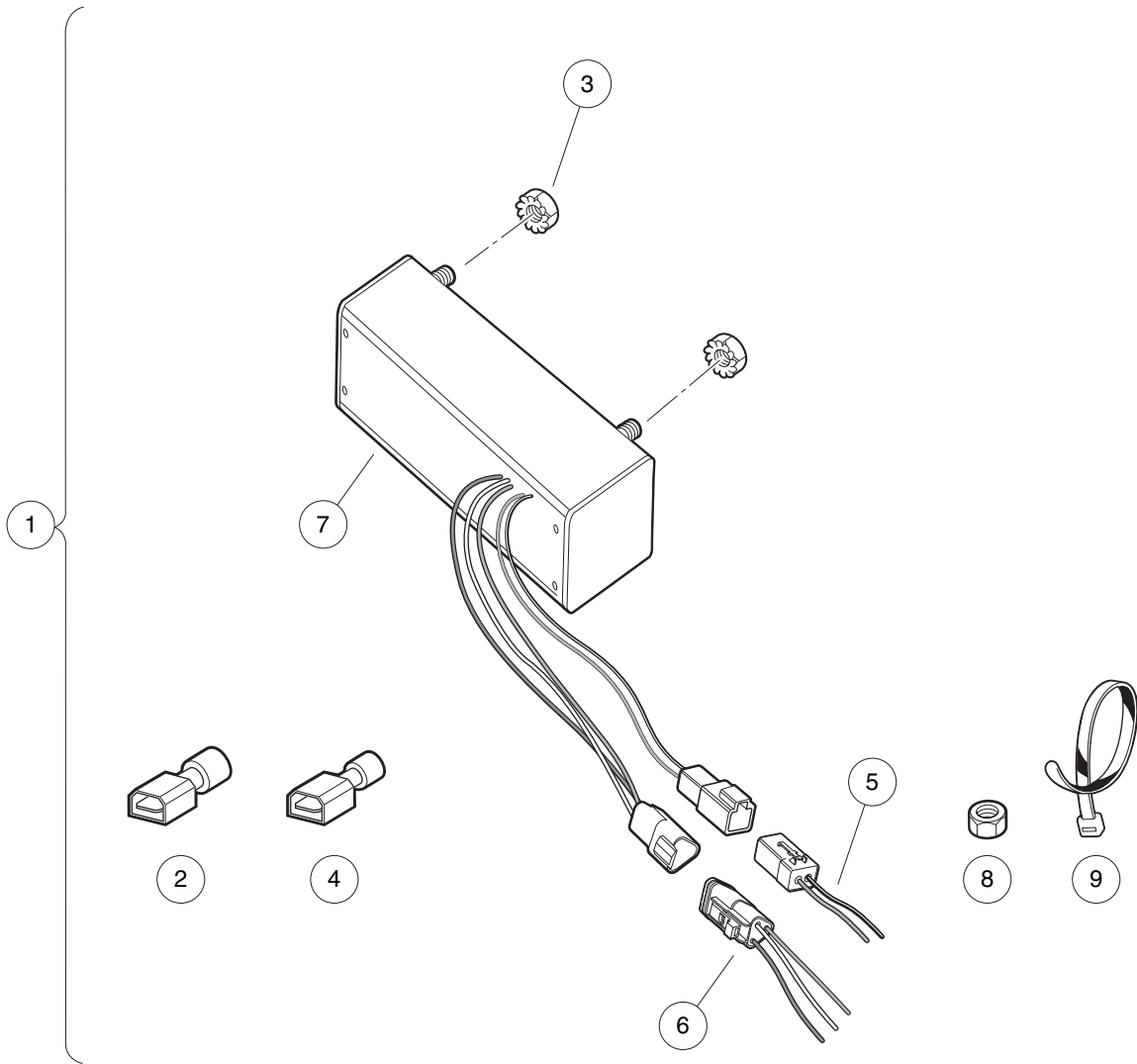
001271-002

DC CONVERTER – IQ SYSTEM, ELECTRIC VEHICLE

ITEM	PART NO.	DESCRIPTION	QTY
		1 2 3 4	
1	<u>102357501</u>	Kit, DC/DC Converter (includes items 2 through 9)	1
2	<u>1016365</u>	Terminal, 1/4" Male Quick Disconnect	1
3	<u>101835601</u>	Locknut, 1/4-20 Hex Whiz	2
4	N/A	Terminal, 1/4" Male Quick Disconnect	1
5	<u>102354901</u>	Harness, Dc Converter - 12v	1
6	<u>102355001</u>	Harness, Dc Converter - 48v	1
7	<u>103700301</u>	Converter, Dc/dc, Isoltd	1
8	<u>1242</u>	Nut, 5/16-18 Hex	1
9	<u>8990</u>	Tie Wrap, 8" Nylon	4

4
G
E

4
G
E



001271-002

DC CONVERTER – IQ SYSTEM, CE ELECTRIC VEHICLE

ITEM	PART NO.	DESCRIPTION	QTY
		1 2 3 4	
1	102357502	Kit, Dc Converter Ce (includes items 2 through 9)	1
2	<u>1016365</u>	Terminal, 1/4" Male Quick Disconnect	1
3	<u>101835601</u>	Locknut, 1/4-20 Hex Whiz	2
4	N/A	Terminal, 1/4" Male Quick Disconnect	1
5	<u>102354901</u>	Harness, Dc Converter - 12v	1
6	<u>102355001</u>	Harness, Dc Converter - 48v	1
7	<u>103802401</u>	Converter, Dc/dc, Ce	1
8	<u>1242</u>	Nut, 5/16-18 Hex	1
9	<u>8990</u>	Tie Wrap, 8" Nylon	4

4

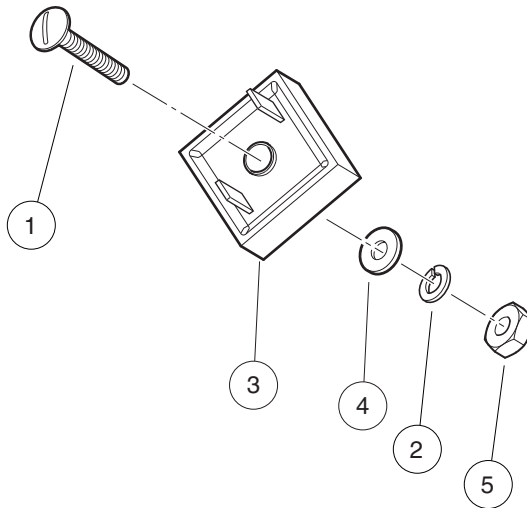
G

E

4

G

E



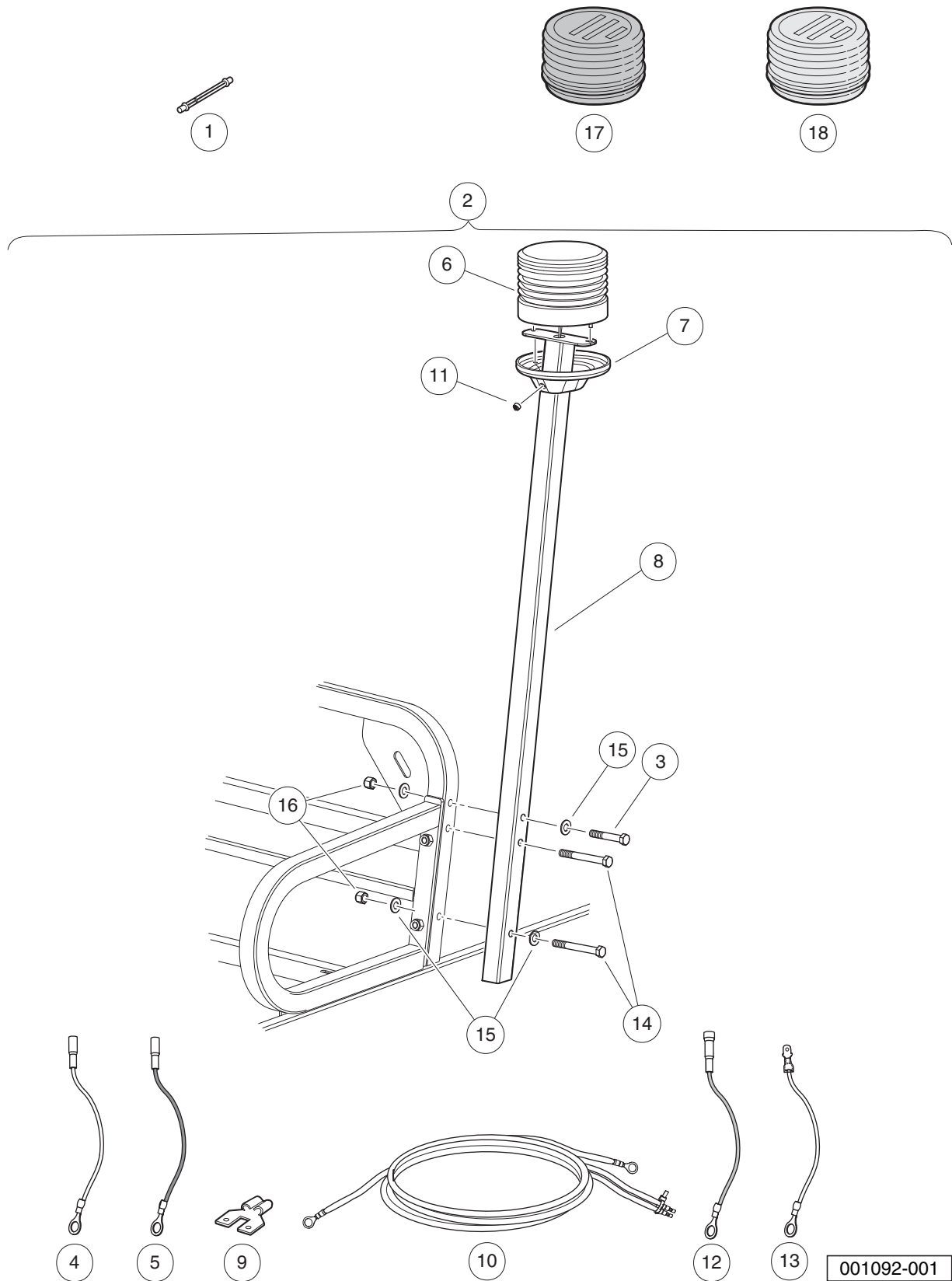
001091-001

VOLTAGE LIMITER – GASOLINE VEHICLE

ITEM	PART NO.	DESCRIPTION	QTY
		1 2 3 4	
1	<u>1010909</u>	Screw, #10-32 X 1.25 Rd Hd Mch	1
2	<u>1016</u>	Lockwasher, #10 Split	1
3	<u>1017721</u>	Limitter, Voltage	1
4	<u>183</u>	Washer, #10, Type A, Flat	1
5	<u>7893</u>	Nut, #10-32 Hex	1

4
G
E

4
G
E

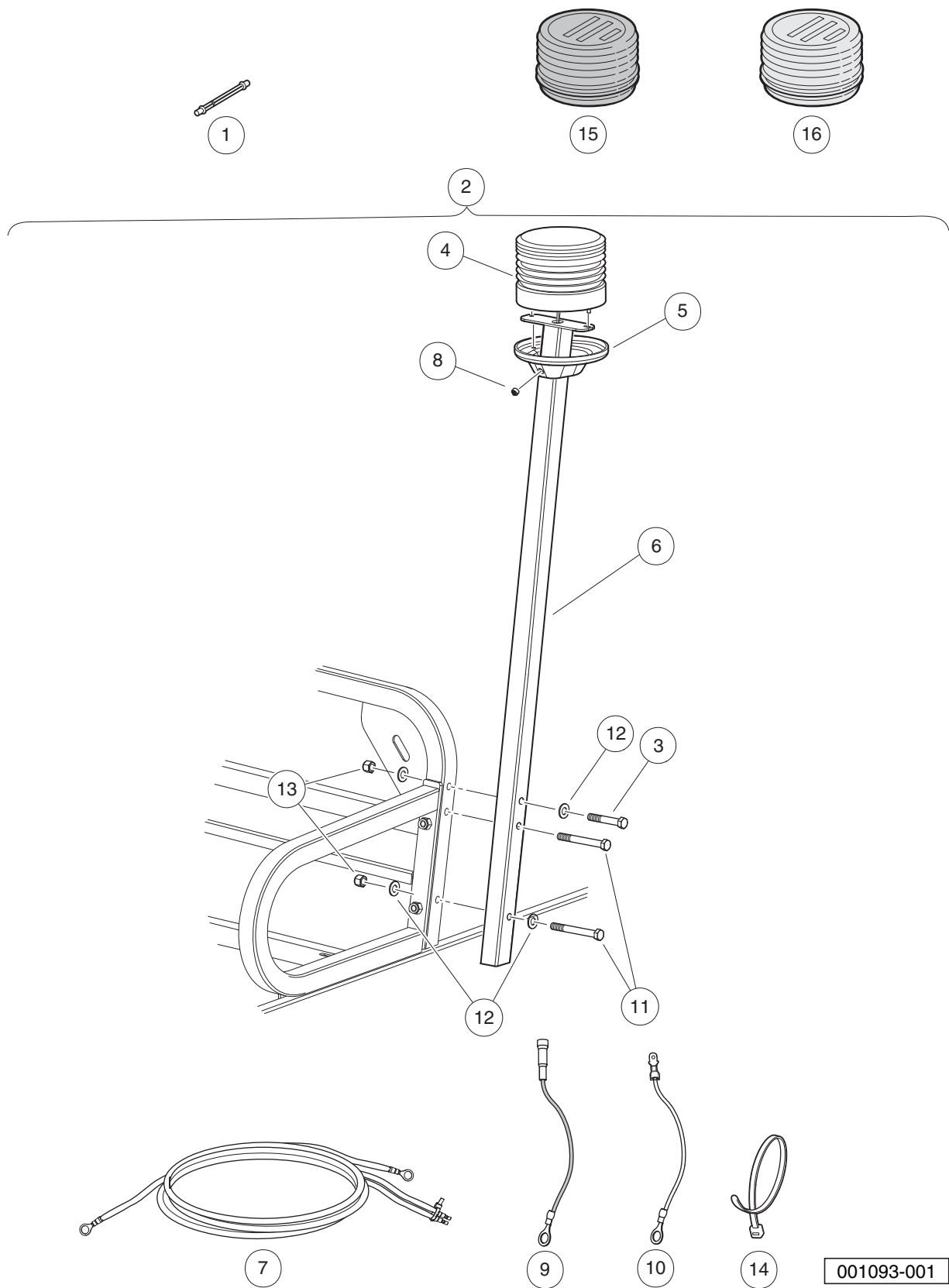


STROBE LIGHT, POST-MOUNTED – GASOLINE VEHICLES

ITEM	PART NO.	DESCRIPTION	QTY
		1 2 3 4	
1	<u>1015526</u>	Bulb, Replacement, for Strobe Light	1
2	<u>1015765</u>	Safety Strobe Lht Post Mnt Gas (includes items 3 through 16)	1
3	<u>1013509</u>	Screw, 1/4-20 X 1.75 Hx Hd Cap	2
4	1015153	Wire Assembly #16 Yellow	1
5	1015154	Wire Assembly Blue Ca #16	1
6	<u>1015156</u>	Light Assembly, Strobe	1
7	1015157	Cover Plate Switch - Pole Ca	1
8	<u>1015160</u>	Pole Weldment Carryall	1
9	<u>1015162</u>	3/16 Tab Adapter Non-insul	1
10	<u>1015172</u>	Wire Harness Assy, Strobe Lght	1
11	<u>1015187</u>	Switch Assembly	1
12	1016837	Wire Assembly Red #18	1
13	1016929	Wire Assembly Black #16	1
14	<u>324</u>	Screw, 1/4-20 X 2.50 Hx Hd Cap	2
15	<u>332</u>	Washer, 1/4 Type A Narrow Flat	4
16	<u>8233</u>	Locknut, 1/4-20, Nylon Insert	2
17	<u>AM1243701</u>	Lens, Blue, for Strobe Light	1
18	<u>AM1243801</u>	Lens, Red, for Strobe Light	1

4
G
E

4
G
E



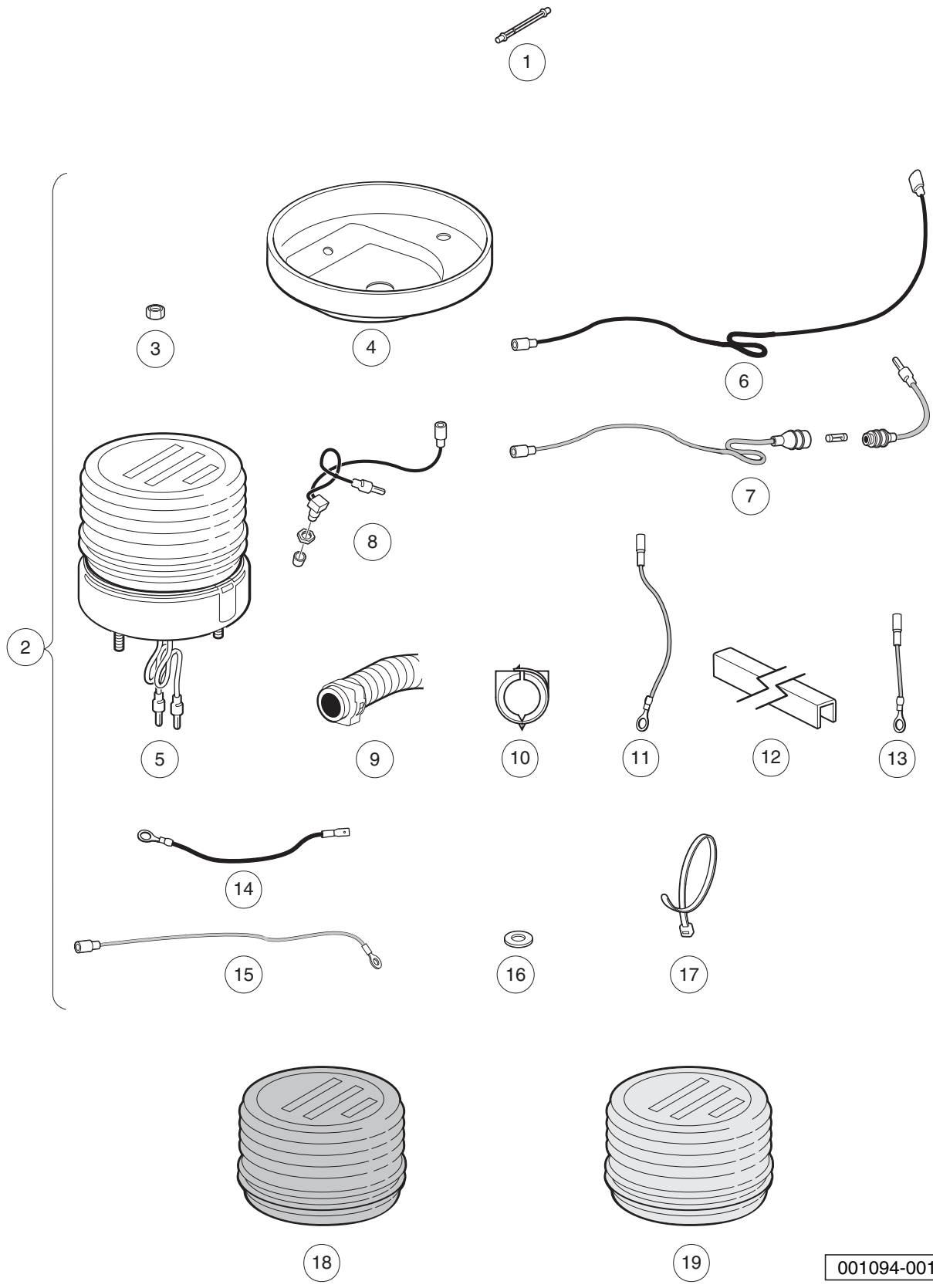
001093-001

STROBE LIGHT, POST-MOUNTED – ELECTRIC VEHICLES

ITEM	PART NO.	DESCRIPTION	QTY
		1 2 3 4	
1	<u>1015526</u>	Bulb, Replacement, for Strobe Light	1
2	<u>101814601</u>	Safety Strobe Lht & Post Mt El (includes items 3 through 14)	1
3	<u>1013509</u>	Screw, 1/4-20 X 1.75 Hx Hd Cap	2
4	<u>1015156</u>	Light Assembly, Strobe	1
5	1015157	Cover Plate Switch - Pole Ca	1
6	<u>1015160</u>	Pole Weldment Carryall	1
7	<u>1015172</u>	Wire Harness Assy, Strobe Lght	1
8	<u>1015187</u>	Switch Assembly	1
9	1016837	Wire Assembly Red #18	1
10	1016929	Wire Assembly Black #16	1
11	<u>324</u>	Screw, 1/4-20 X 2.50 Hx Hd Cap	2
12	<u>332</u>	Washer, 1/4 Type A Narrow Flat	4
13	<u>8233</u>	Locknut, 1/4-20, Nylon Insert	2
14	<u>8990</u>	Tie Wrap, 8" Nylon	4
15	<u>AM1243701</u>	Lens, Blue, for Strobe Light	1
16	<u>AM1243801</u>	Lens, Red, for Strobe Light	1

4
G
E

4
G
E



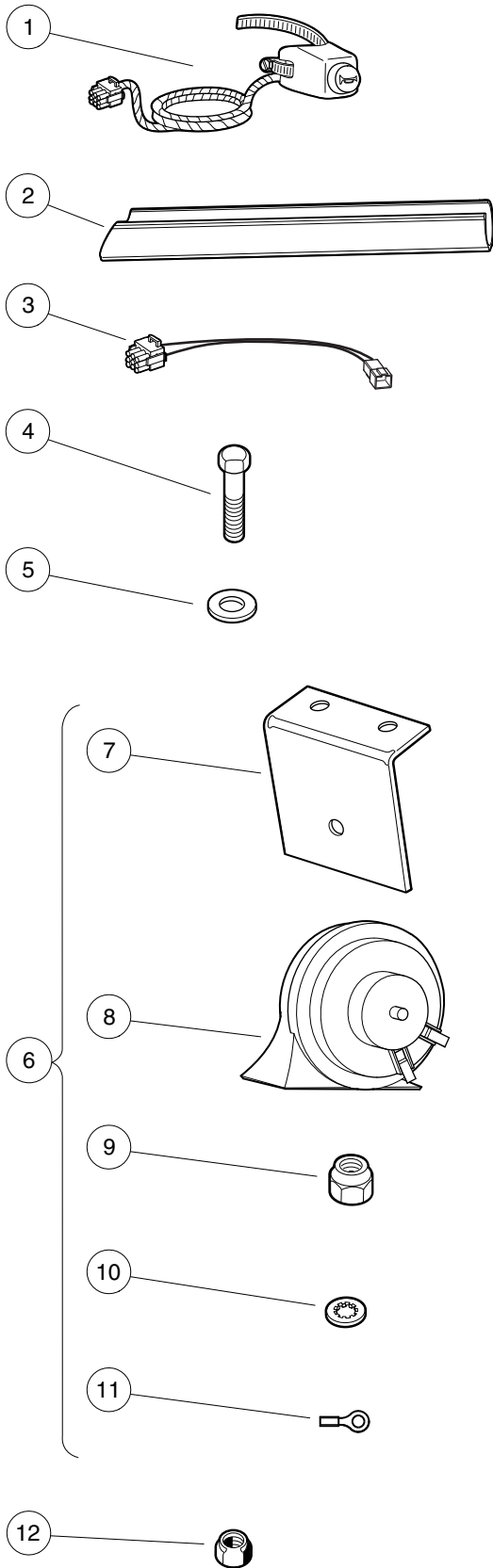
001094-001

STROBE LIGHT, CANOPY-MOUNTED

ITEM	PART NO.	DESCRIPTION	QTY
		1 2 3 4	
1	<u>1015526</u>	Bulb, Replacement, for Strobe Light	1
2	<u>AM1243501</u>	Kit, Roof Mounted Strobe Fd (includes items 3 through 17)	A/R
3	<u>1012438</u>	Locknut, #10-24 Nylon Insert	2
4	<u>1015010</u>	Cover Plate Switch	1
5	<u>1015156</u>	Light Assembly, Strobe	1
6	<u>1015167</u>	#16 Black Wire Asm	1
7	<u>1015170</u>	Wire Assembly #16	1
8	<u>1015187</u>	Switch Assembly	1
9	<u>1015768</u>	Split Convolute Elec Conduit	11
10	<u>1015770</u>	Outlet Ring - .5 Diameter	5
11	<u>1016230</u>	Wire Asm #16 Red	1
12	<u>1016267</u>	Snap On Conduit Vert.	1
13	<u>1016287</u>	Wire Asm #16 Red	1
14	<u>1016929</u>	Wire Assembly Black #16	1
15	<u>101821601</u>	#18 Red Wire Assembly	1
16	<u>183</u>	Washer, #10, Type A, Flat	2
17	<u>8639</u>	Tie Wrap, 11" Nylon	8
18	<u>AM1243701</u>	Lens, Blue, for Strobe Light	A/R
19	<u>AM1243801</u>	Lens, Red, for Strobe Light	A/R

4
G
E

4
G
E



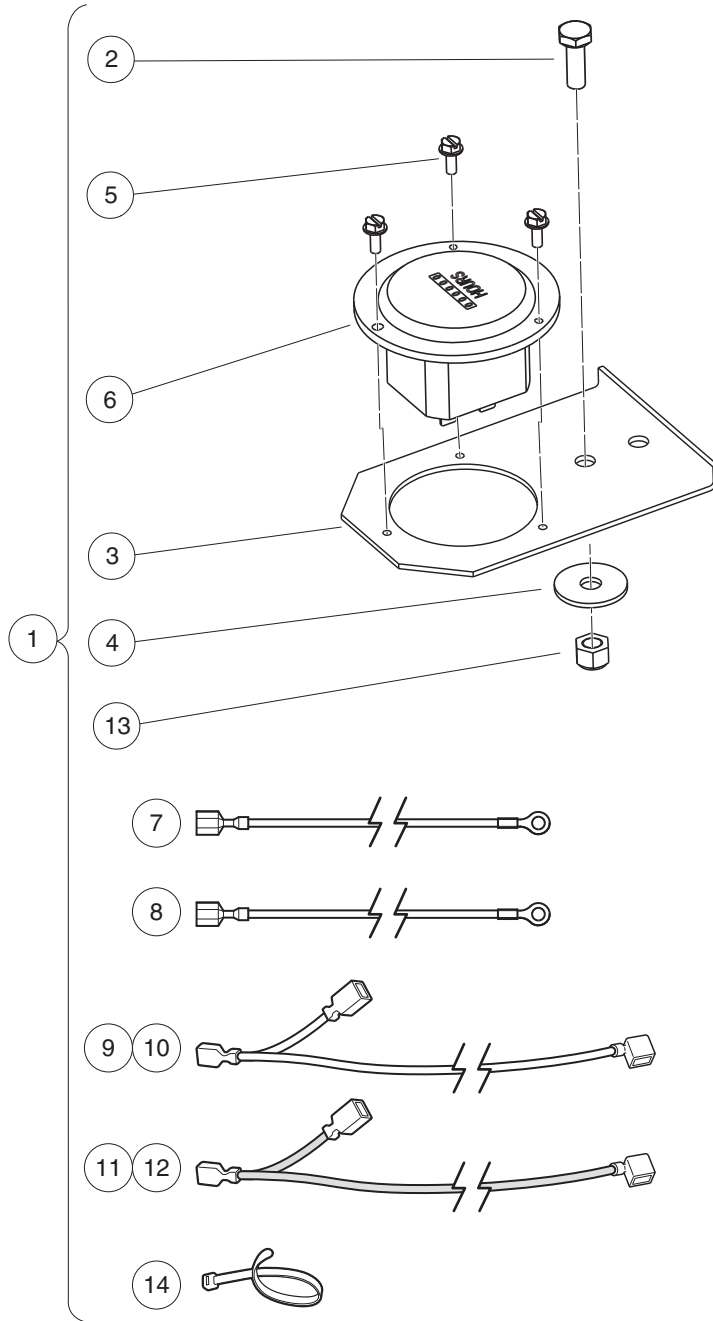
001095-002

HORN WITH COLUMN-MOUNTED BUTTON

ITEM	PART NO.	DESCRIPTION	QTY
		1 2 3 4	
1	102517601	Subasm, Horn Button Harness	1
2	<u>102529203</u>	Wire Cover-steer Column 304 Mm	1
3	<u>103618101</u>	Harness, Jumper, Horn	1
4	304	Screw, 1/4-20 X 1.0 Hex-Head Cap	2
5	<u>332</u>	Washer, 1/4 Type A Narrow Flat	2
6	<u>4029</u>	Horn (includes items 7 through 11)	1
7	<u>1011825</u>	Horn Bracket	1
8	<u>1014530</u>	Horn, 12-VDC	1
9	<u>101955101</u>	Nut, M6 Hex	1
10	<u>7820</u>	Washer, 5/16 Internal-Tooth	1
11	8294	5/16 Ring Term.	1
12	<u>8233</u>	Locknut, 1/4-20, Nylon Insert	2

4
G
E

4
G
E



001096-001

HOUR METER – IQ SYSTEM AND IQ PLUS ELECTRIC VEHICLES

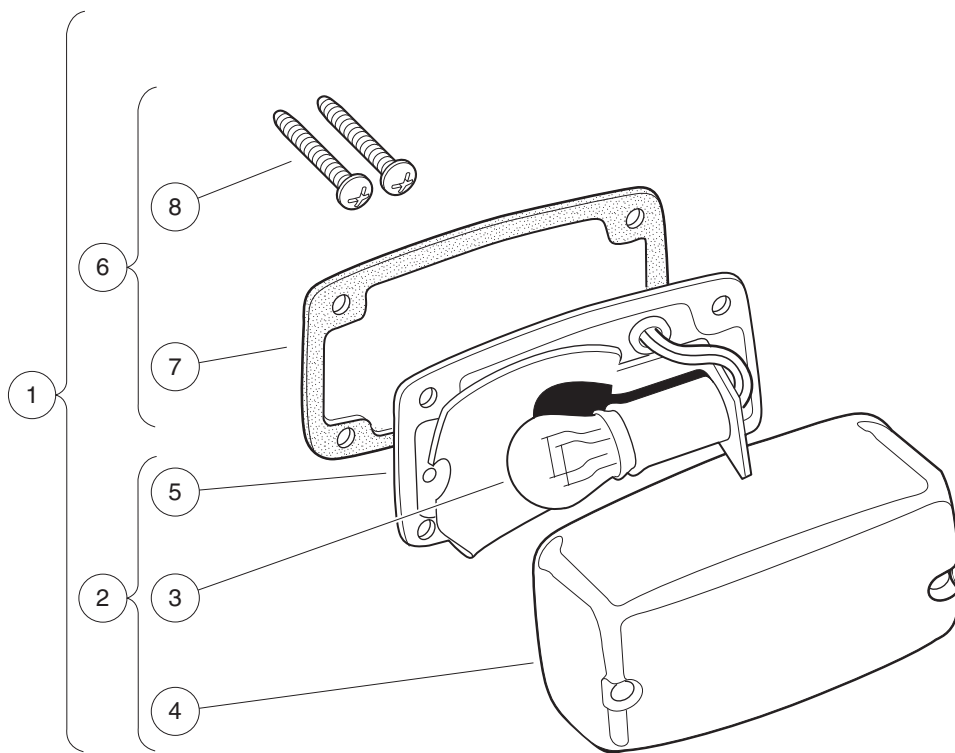
ITEM	PART NO.	DESCRIPTION	QTY
		1 2 3 4	
1	<u>1013579</u>	Kit, Hour Meter (includes items 2 through 14)	1
2	<u>1012285</u>	Screw, 1/4 X 0.625 Hex-Head	1
3	<u>1013547</u>	Hour Meter Bracket	1
4	<u>1014306</u>	Washer, 1/4" Type B Flat	1
5	<u>1014540</u>	Screw, #6-32 X 3/8 Taptite	3
6	N/A	Hour Meter	1
7	101881501	Wire Assembly Black #18	1
8	101881601	Wire Assembly Red #18	1
9	<u>101997802</u>	Wire Assembly #18 Yellow	1
10	<u>101997803</u>	Wire Asm #18 Yellow 31"	1
11	<u>101997902</u>	Wire Assembly #18 Red	1
12	<u>101997903</u>	Wire Asm # 18 Red 31"	1
13	<u>8233</u>	Locknut, 1/4-20, Nylon Insert	1
14	<u>8990</u>	Tie Wrap, 8" Nylon	1
		<p>Note: The kit includes components that apply to multiple vehicles. The installation instructions will specify which components are required for a specific model. After installation, discard components not used.</p>	

4
G
E

4

G

E



001081-001

TAILLIGHTS

ITEM	PART NO.	DESCRIPTION	QTY
		1 2 3 4	
1	1017035	Taillight Assembly (includes items 2 through 6)	2
2	N/A	Light, Tail (includes items 3 through 5)	1
3	<u>1011582</u>	Taillight Bulb	1
4	<u>1011843</u>	Taillight Lens	1
5	N/A	Base, Taillight	1
6	<u>1017699</u>	Hardware Kit, Tail Light (includes items 7 and 8)	1
7	N/A	Gasket	1
8	N/A	Screw, Tapered	2

4
G
E

4

G

E

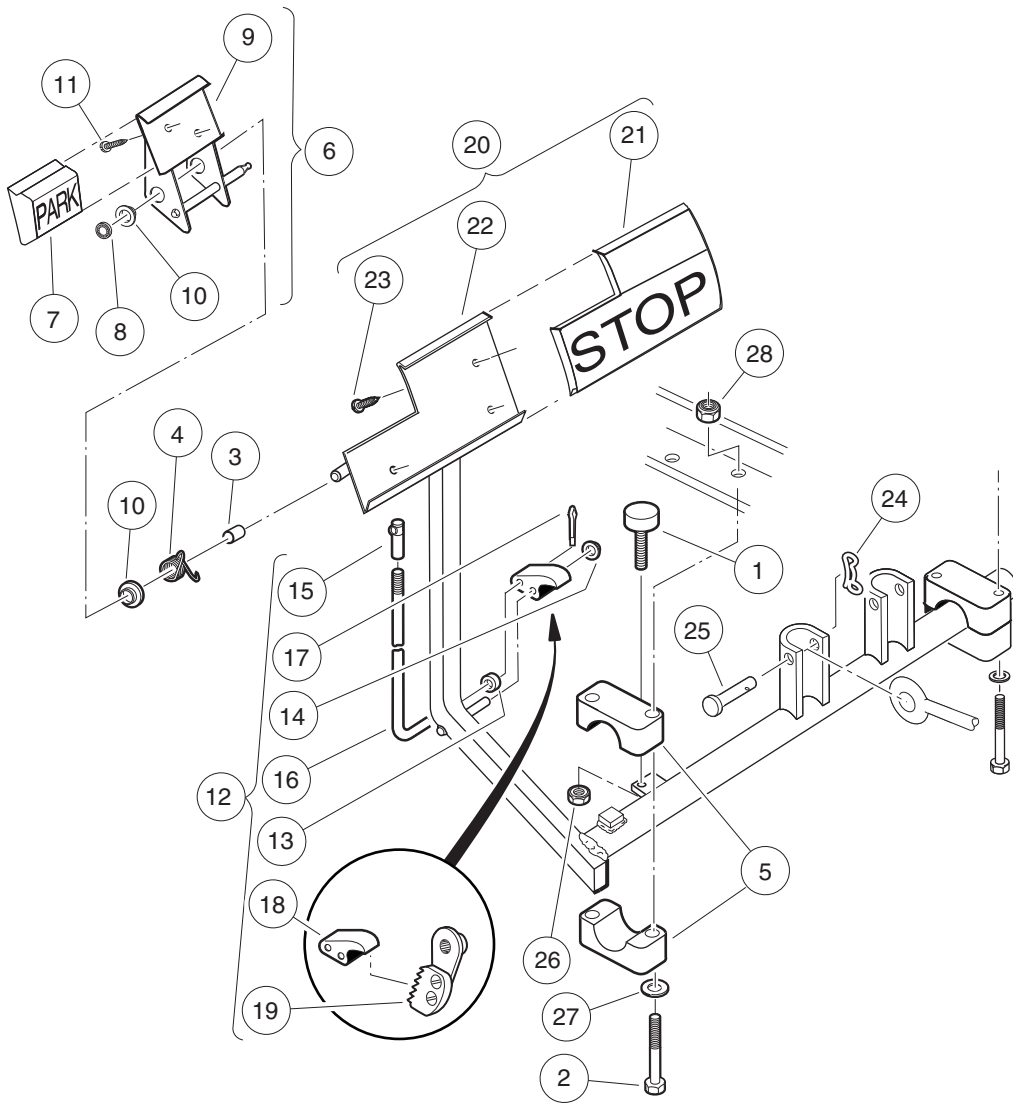
BRAKES, PEDALS, AND CABLE ASSEMBLIES

5

G

E

5
G
E



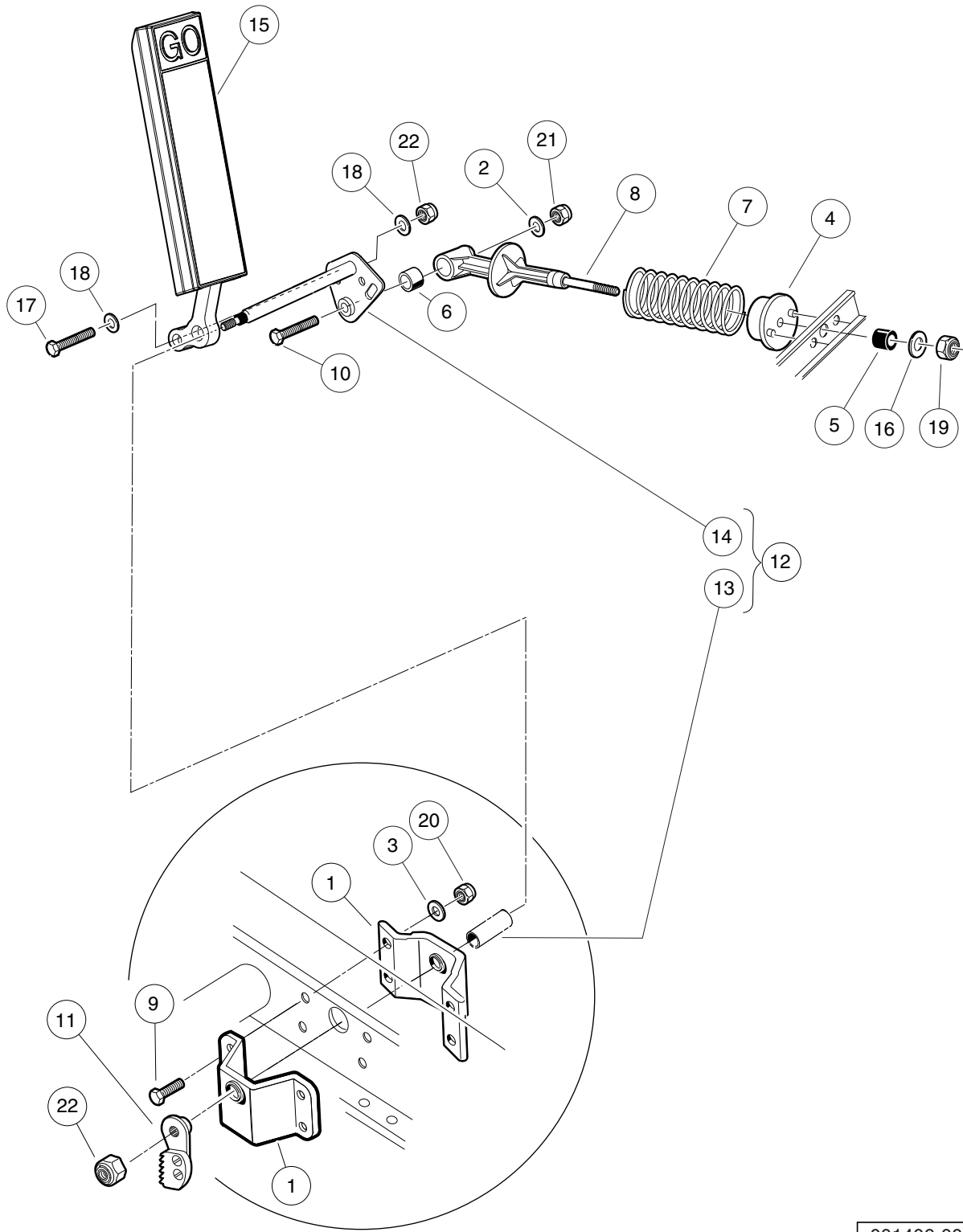
000187-001

BRAKE PEDAL ASSEMBLY

ITEM	PART NO.	DESCRIPTION	QTY
		1 2 3 4	
1	<u>1010878</u>	Bumper, Rubber	1
2	<u>1010921</u>	Screw, 5/16-18 X 2.50 Hex Cap	4
3	<u>1010927</u>	Hill Brake Spacer	1
4	<u>1010933</u>	Spring, Hill Brake Torsion	1
5	<u>1011402</u>	Package, Brake Mounting Block	1
6	<u>1011418</u>	Kit, Hill Brake Pedal (includes items 7 through 11)	1
7	<u>1013870</u>	Pad, Hill Brake	1
8	<u>1013876</u>	Pushnut, 3/8	1
9	N/A	Hill Brake Weld Assembly	1
10	<u>1032</u>	Bushing, Nylon	2
11	7716	Screw, #10-16 Type AB, Sheet Metal	2
12	<u>101187702</u>	Kit, Hill Brake Latch (includes items 13 through 19)	1
13	<u>1010805</u>	Sleeve, Hill Brake Rod	1
14	<u>1010877</u>	Pushnut, 3/8	1
15	1010932	Ball Joint, 1/4-28	1
16	N/A	Rod, Hill Brake	1
17	<u>1017029</u>	Pin, Cotter, 7/64 x 1/2 Stainless-Steel	1
18	N/A	Pawl, Hill Brake	1
19	101918501	Ratchet Assembly	1
20	<u>101878201</u>	Brake Pedal Kit (includes items 21 through 23)	1
21	<u>1013869</u>	Pad, Brake Pedal	1
22	N/A	Weldment, Brake Pedal, 2wr Std	1
23	7716	Screw, #10-16 Type AB, Sheet Metal	3
24	<u>102323101</u>	Pin, Bow Tie Locking	1
25	<u>102323201</u>	Pin, 3/8 X 1-5/16 Clevis	1
26	<u>1028</u>	Nut, 1/4-20 Hex	1
27	<u>1241</u>	Washer, 5/16 Type A Flat	4
28	<u>7473</u>	Locknut, 5/16-18 Nylon Insert	4

5
G
E

5
G
E



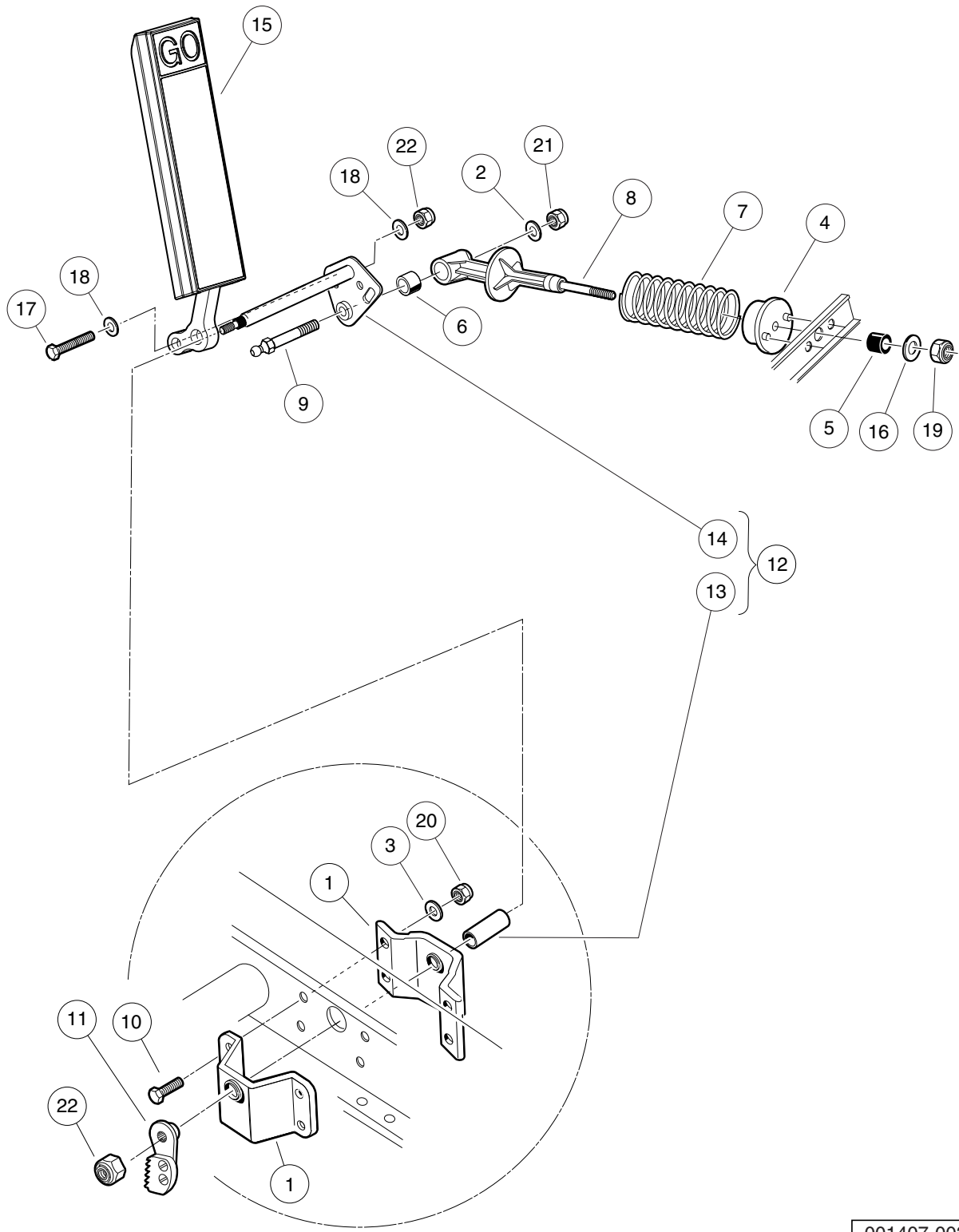
001406-001

ACCELERATOR PEDAL ASSEMBLY – ELECTRIC VEHICLES

ITEM	PART NO.	DESCRIPTION	QTY
		1 2 3 4	
1	<u>1011694</u>	Accelerator Bracket and Bearing Assembly	2
2	<u>1011931</u>	Washer, 1/4 Flat	1
3	<u>1014007</u>	Washer, 1/4, Flat	4
4	<u>1017378</u>	Cup, Spring	1
5	<u>1017380</u>	Bumper, Spring Return	1
6	<u>1017424</u>	Bearing, Pivot Support	1
7	101796201	Spring, Accelerator Return	1
8	<u>101817401</u>	Retainer, Spring	1
9	<u>101861901</u>	Screw, 1/4-20 X 1.125 Hex Cap	4
10	<u>101862001</u>	Screw, 1/4-20 X 1.500 Flange	1
11	101918501	Ratchet Assembly	1
12	<u>102026001</u>	Kit, Accelerator Pivot Rod Assembly (includes items 13 and 14)	1
13	101919801	Spacer, Accelerator	1
14	<u>102158901</u>	Pivot Rod Weldment	1
15	<u>103865101</u>	Pedal, Accel, Insert	A/R
16	<u>1241</u>	Washer, 5/16 Type A Flat	1
17	<u>1624</u>	Screw, 3/8-16 X 1.50, Hex-Head Cap	1
18	<u>334</u>	Washer, 3/8, Type A, Flat	2
19	<u>7473</u>	Locknut, 5/16-18 Nylon Insert	1
20	<u>8233</u>	Locknut, 1/4-20, Nylon Insert	4
21	<u>8717</u>	Locknut, Nylon Insert, 1/4-28	1
22	<u>8754</u>	Locknut, 3/8-16 Hex	2

5
G
E

5
G
E



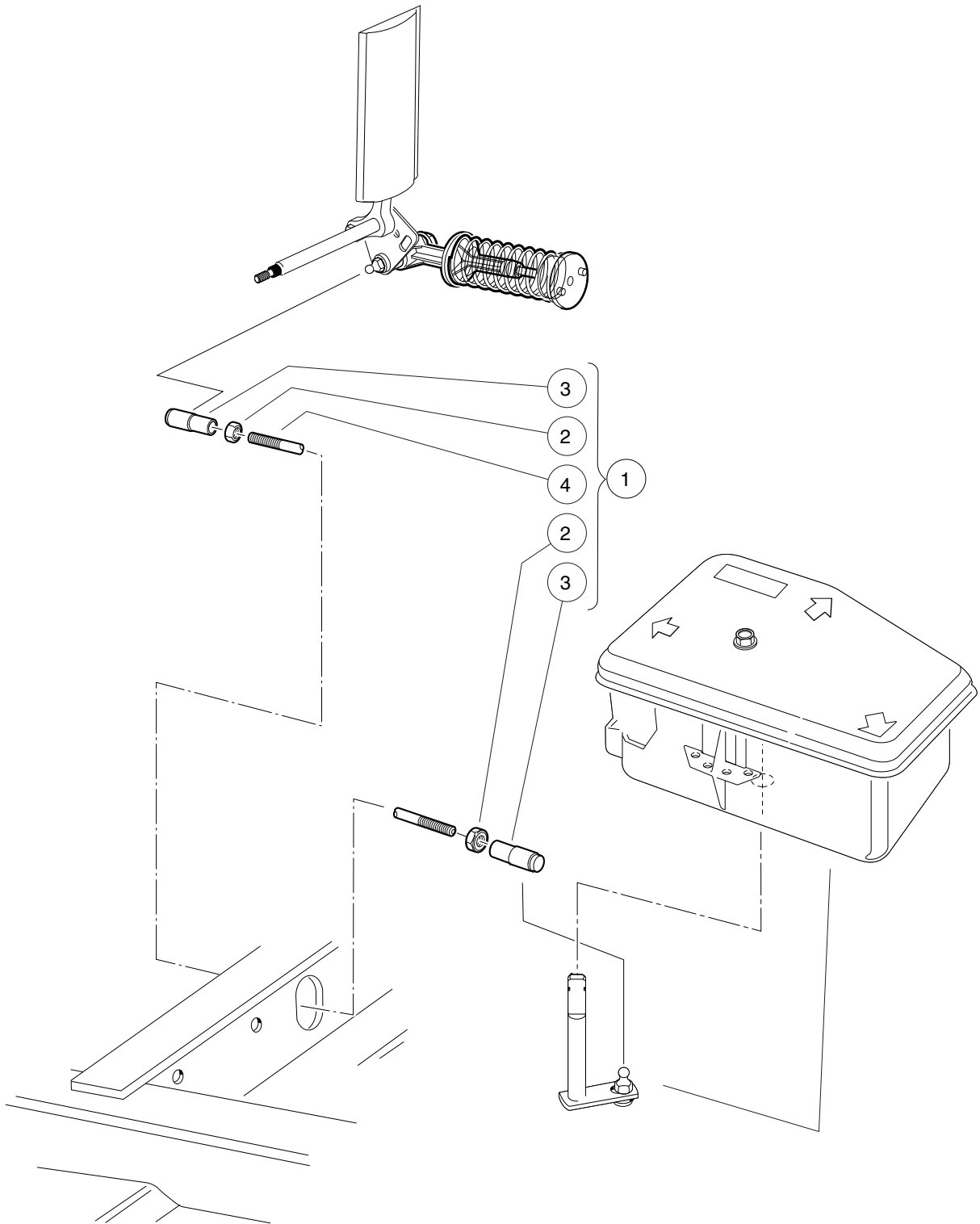
001407-003

ACCELERATOR PEDAL ASSEMBLY – GASOLINE VEHICLES

ITEM	PART NO.	DESCRIPTION	QTY
		1 2 3 4	
1	<u>1011694</u>	Accelerator Bracket and Bearing Assembly	2
2	<u>1011931</u>	Washer, 1/4 Flat	1
3	<u>1014007</u>	Washer, 1/4, Flat	4
4	<u>1017378</u>	Cup, Spring	1
5	<u>1017380</u>	Bumper, Spring Return	1
6	<u>1017424</u>	Bearing, Pivot Support	1
7	101796201	Spring, Accelerator Return	1
8	<u>101817401</u>	Retainer, Spring	1
9	101818801	Stud, 1/4-28 X 1.35 Ball	1
10	<u>101861901</u>	Screw, 1/4-20 X 1.125 Hex Cap	4
11	101918501	Ratchet Assembly	1
12	<u>102026001</u>	Kit, Accelerator Pivot Rod Assembly (includes items 13 and 14)	1
13	101919801	Spacer, Accelerator	1
14	<u>102158901</u>	Pivot Rod Weldment	1
15	<u>103865101</u>	Pedal, Accel, Insert	1
16	<u>1241</u>	Washer, 5/16 Type A Flat	1
17	<u>1624</u>	Screw, 3/8-16 X 1.50, Hex-Head Cap	1
18	<u>334</u>	Washer, 3/8, Type A, Flat	2
19	<u>7473</u>	Locknut, 5/16-18 Nylon Insert	1
20	<u>8233</u>	Locknut, 1/4-20, Nylon Insert	4
21	<u>8717</u>	Locknut, Nylon Insert, 1/4-28	1
22	<u>8754</u>	Locknut, 3/8-16 Hex	2

5
G
E

5
G
E



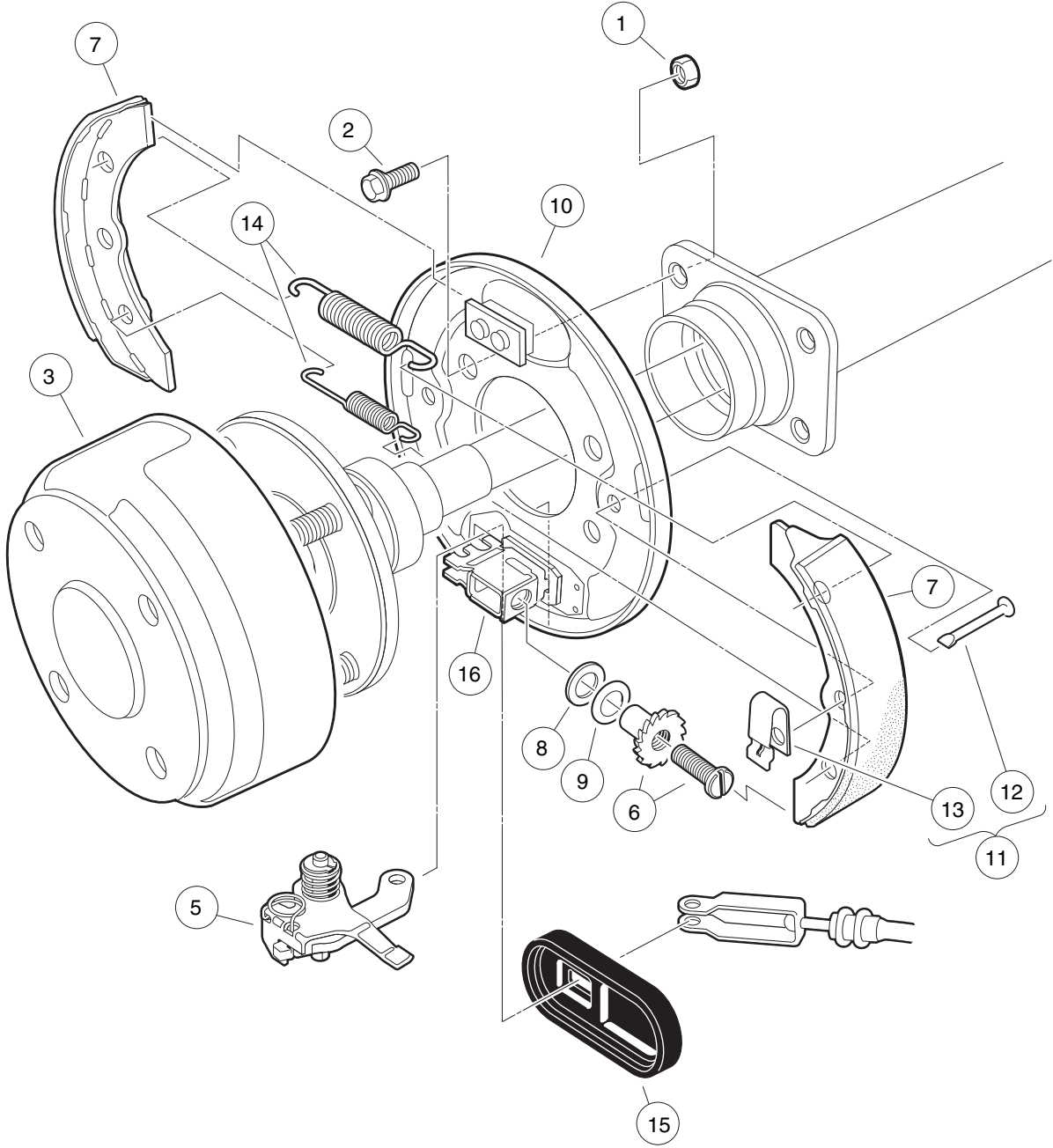
000362-001

ACCELERATOR ROD – TURF/CARRYALL 1 GASOLINE VEHICLES

ITEM	PART NO.	DESCRIPTION	QTY
		1 2 3 4	
1	101912401	Rod, Accelerator (includes items 2 through 4)	1
2	<u>1011084</u>	Nut, 1/4-28 Hex Jam	2
3	<u>1011734</u>	Joint, Ball	2
4	N/A	Accelerator Rod	1

5
G
E

5
G
E



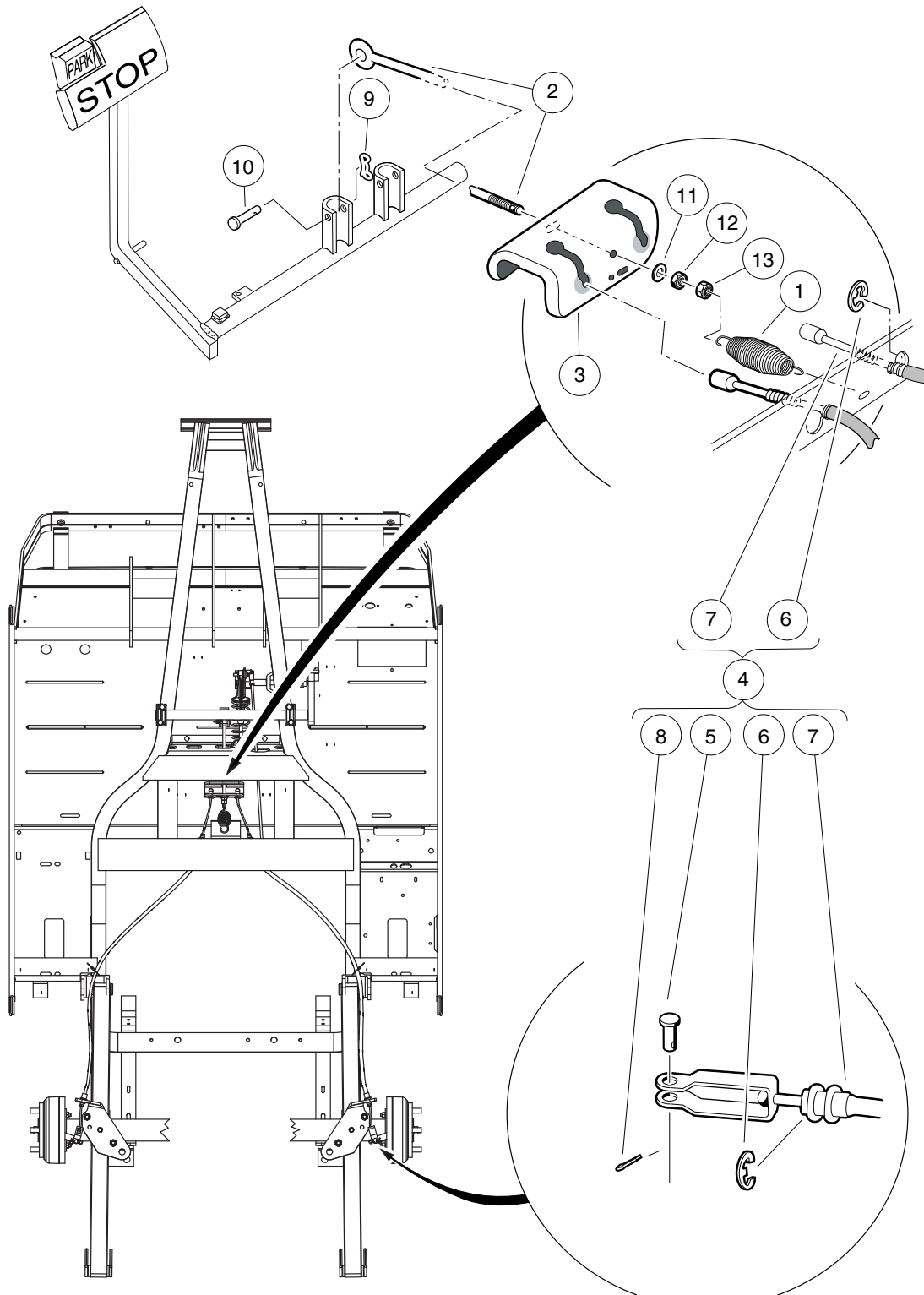
000186-003

REAR BRAKE ASSEMBLY, SELF-ADJUSTING – VEHICLE WITH 2-WHEEL BRAKES

ITEM	PART NO.	DESCRIPTION	QTY
		1 2 3 4	
1	<u>1013924</u>	Nut, 5/16-24, Hex Head Cone	8
2	<u>1014153</u>	Bolt, Brake Cluster Mounting	8
3	<u>101791101</u>	Drum without Center Hole, Brake	2
4	<u>103380201</u>	Asm, Brake Cluster, Mech, Drvr (includes items 5 through 16)	1
5	<u>101815502</u>	Lever Assembly, Self-Adjusting Brake, Left	1
6	<u>101816502</u>	Adjusting Mechanism, Self-Adjusting Brake, Left	1
7	<u>101823201</u>	Package, Brake Shoe, Self-Adjusting	1
8	<u>101823801</u>	Plate, Washer, Brake, Self-Adjusting	1
9	<u>101823901</u>	Washer, Brake, Self-Adjusting	1
10	<u>103483102</u>	Back Plate, Lh	1
11	<u>103483201</u>	Kit, Shoe Retainer (includes items 12 and 13)	1
12	N/A	Pin	2
13	N/A	Spring, Shoe, Clamp	2
14	<u>103483401</u>	Package Brake Spring Self Adj	1
15	<u>103483601</u>	Cover, Dust	1
16	<u>103483701</u>	Brake Block	1
17	<u>103380202</u>	Asm, Brake Cluster, Mech, Pass (includes items 18 through 29)	1
18	<u>101815501</u>	Lever Assembly, Self-Adjusting Brake, Right (Passenger)	1
19	<u>101816501</u>	Adj Mechanism, S.A. Brakes, Right (Passenger)	1
20	<u>101823201</u>	Package, Brake Shoe, Self-Adjusting	1
21	<u>101823801</u>	Plate, Washer, Brake, Self-Adjusting	1
22	<u>101823901</u>	Washer, Brake, Self-Adjusting	1
23	<u>103483101</u>	Back Plate, Rh	1
24	<u>103483201</u>	Kit, Shoe Retainer (includes items 25 and 26)	1
25	N/A	Pin	2
26	N/A	Spring, Shoe, Clamp	2
27	<u>103483401</u>	Package Brake Spring Self Adj	1
28	<u>103483601</u>	Cover, Dust	1
29	<u>103483701</u>	Brake Block	1
<p>Note: Passenger-side brake cluster not shown. Components have a similar appearance to driver-side brake cluster components. 1033802 brake cluster assemblies are backward compatible but individual parts that do not share part numbers with 1018233 are not.</p>			

5
G
E

5
G
E



000296-001

REAR BRAKE CABLES AND EQUALIZER

ITEM	PART NO.	DESCRIPTION	QTY
		1 2 3 4	
1	<u>1013531</u>	Spring, Brake Return	1
2	<u>101953101</u>	Rod, Equalizer, 8.91"	1
3	<u>101990801</u>	Equalizer Bracket	1
4	<u>102022101</u>	Brake Cable Kit (includes items 5 through 8)	2
5	<u>1010829</u>	Pin, Clevis, 5/16 X 3/4	1
6	<u>1011779</u>	E-Clip, 1/2	2
7	N/A	Cable, Brake, 41"	1
8	<u>102292801</u>	Pin, Bow Tie Locking - .072	1
9	<u>102323101</u>	Pin, Bow Tie Locking	1
10	<u>102323201</u>	Pin, 3/8 X 1-5/16 Clevis	1
11	<u>1241</u>	Washer, 5/16 Type A Flat	1
12	<u>1242</u>	Nut, 5/16-18 Hex	1
13	<u>7473</u>	Locknut, 5/16-18 Nylon Insert	1

5
G
E

5

G

E

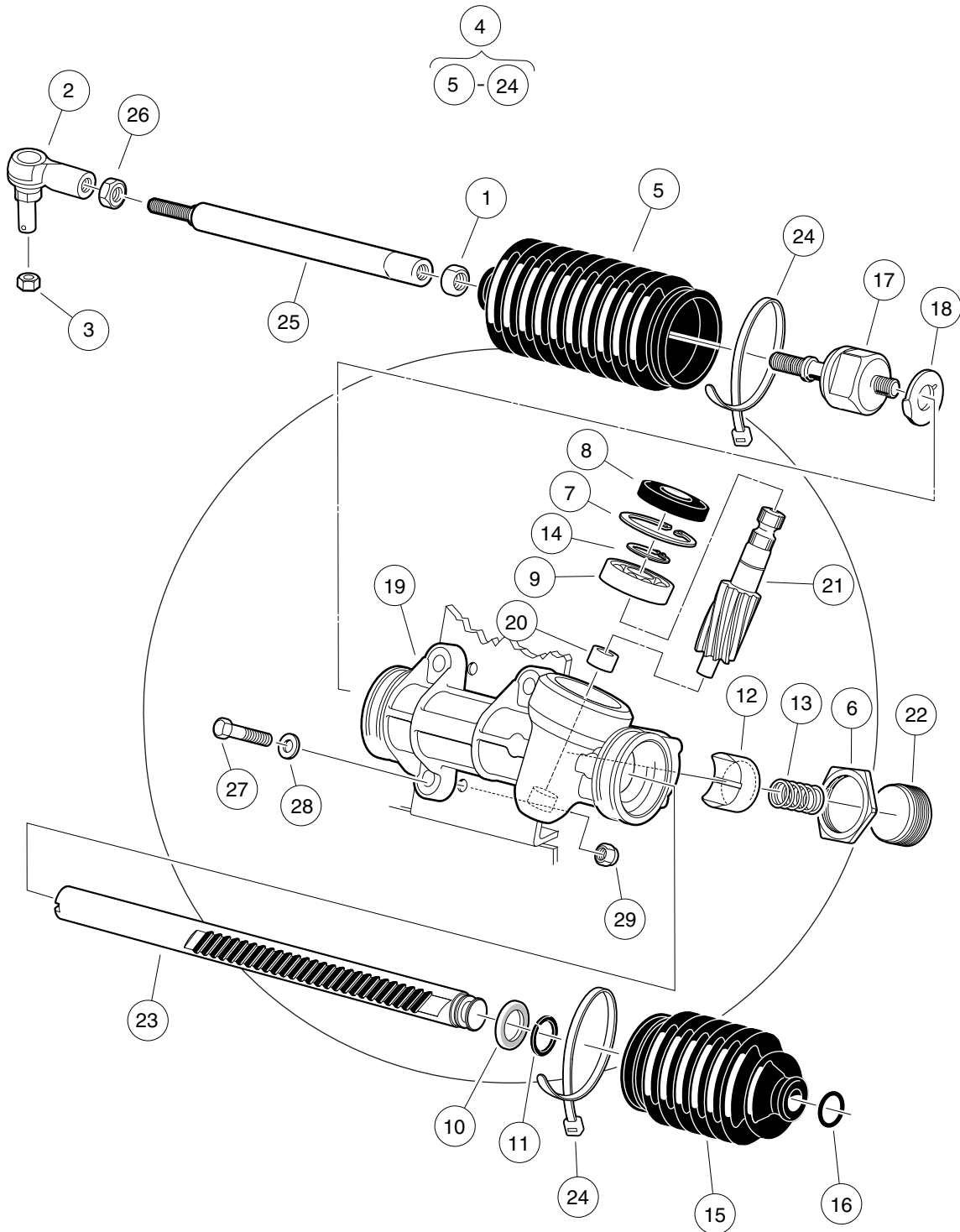
STEERING AND SUSPENSION

6

G

E

6
G
E



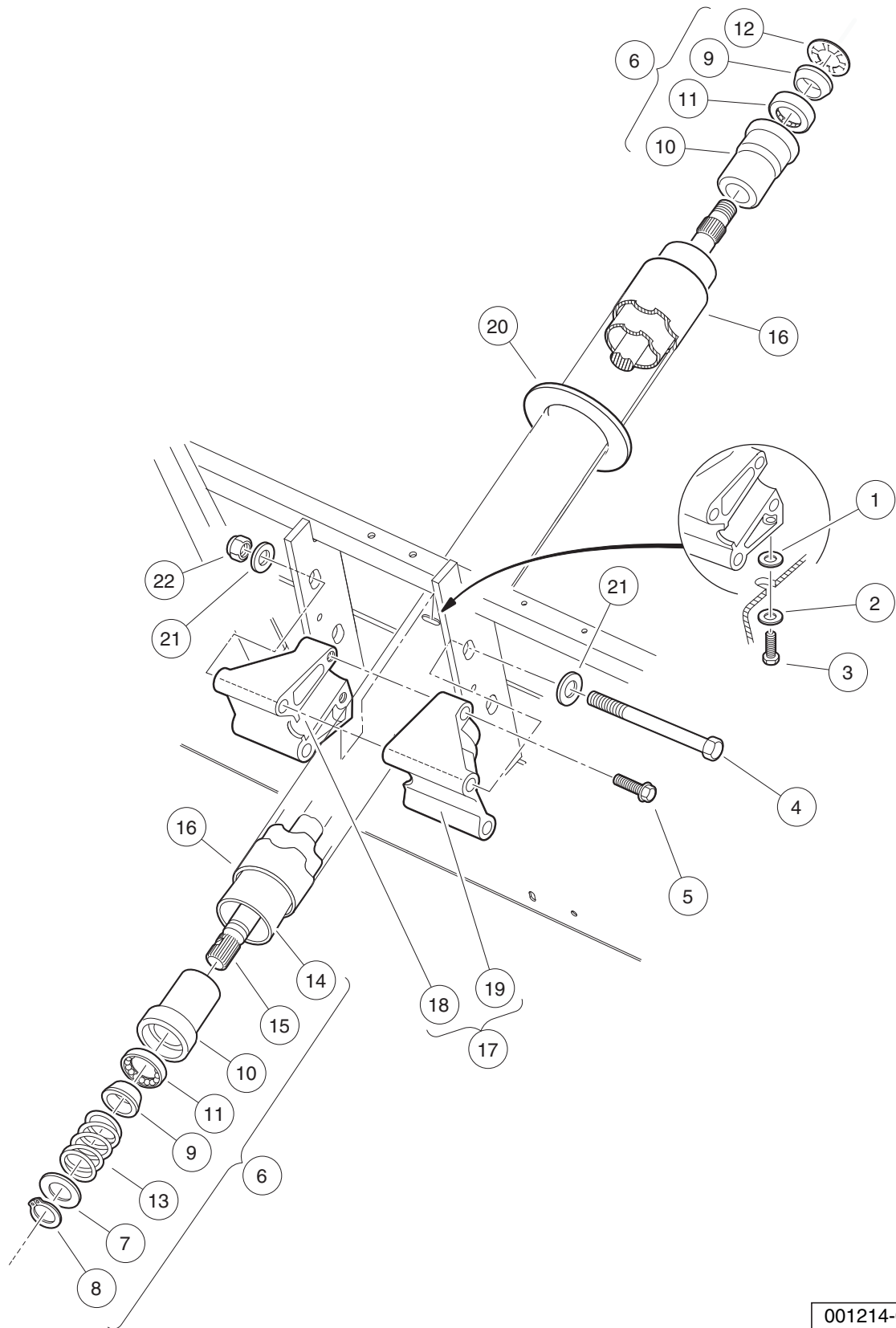
001500-002

STEERING GEAR ASSEMBLY (WANDA) – MAINT.-FREE BALL JOINT

ITEM	PART NO.	DESCRIPTION	QTY
		1 2 3 4	
1	1013042	Nut, 12mm Hex	1
2	<u>102022602</u>	End, Tie Rod, M12 X 1.25, Lh	1
3	<u>102289201</u>	Nut - Hex Locking, M12 X 1.25	1
4	<u>103601501</u>	Asm, Steering Rack And Pinion (includes items 5 through 24)	1
5	<u>1013035</u>	Bellows, Long	1
6	<u>1013044</u>	Rack Screw Locknut	1
7	N/A	Snap Ring	1
8	<u>1013052</u>	Seal, Steering Pinion Dust	1
9	<u>101879401</u>	Bearing, Ball	1
10	<u>101879501</u>	Stop Washer	1
11	101879601	Stop Ring, C-Type	1
12	<u>101879701</u>	Support Yoke	1
13	<u>101879801</u>	Rack Guide Pressure Spring	1
14	<u>101879901</u>	Ring, Stop, C-Type	1
15	<u>101880001</u>	Bellows, Short	1
16	101880101	Dust Seal Retaining Ring	1
17	<u>101880201</u>	Inner Ball Joint Asm	1
18	101880301	Washer, Tab	1
19	N/A	Box, Steering Gear	1
20	N/A	Bearing, Lower Pinion	1
21	N/A	Pinion, Steering	1
22	N/A	Screw, Rack Guide	1
23	N/A	Rack, Steering	1
24	<u>8990</u>	Tie Wrap, 8" Nylon	2
25	<u>103653401</u>	Link, Drag, Male Thd	1
26	<u>103653501</u>	Nut, Jam, M12-1.25, Lh	1
27	<u>1624</u>	Screw, 3/8-16 X 1.50, Hex-Head Cap	3
28	<u>334</u>	Washer, 3/8, Type A, Flat	3
29	<u>8754</u>	Locknut, 3/8-16 Hex	3

6
G
E

6
G
E



001214-001

STEERING COLUMN – UTILITY

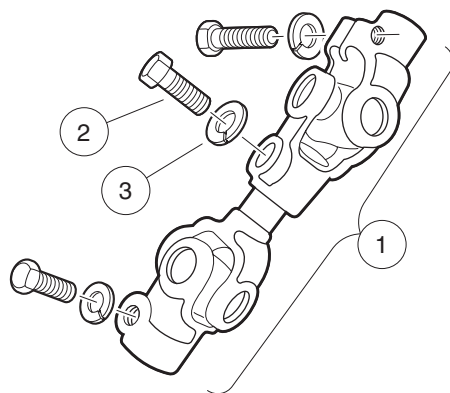
ITEM	PART NO.	DESCRIPTION	QTY
		1 2 3 4	
1	<u>1011578</u>	Washer, 5/16 Type B Flat	1
2	<u>1011697</u>	Washer, 5/16 Flat	1
3	<u>1014288</u>	Screw, 5/16-18 X 0.75, Thread-Forming	1
4	<u>1016183</u>	Screw, 3/8-16 X 7.00 Hex Cap	2
5	<u>1016269</u>	Screw, 5/16-18 Thrd Forming	2
6	<u>1017313</u>	Steering Shaft Assembly (includes items 7 through 15)	1
7	<u>1012604</u>	Washer, 0.675 ID X 1.19 OD	1
8	<u>1012605</u>	Ring, 0.579 Internal Retaining	1
9	1014125	Wedge, Molded	2
10	<u>1014126</u>	Seat, Plastic Bearing	2
11	<u>1014213</u>	Bearing, Ball	2
12	1014214	Ring, Retaining	1
13	<u>1014217</u>	Spring, Steering Shaft	1
14	<u>1017314</u>	Column, Aluminum Steering	1
15	<u>1017315</u>	Shaft Steering Column	1
16	<u>1017317</u>	Tube Cover, Steering Column	1
17	101984801	Kit, Steering Column Mounting Bracket (includes items 18 and 19)	1
18	N/A	Bracket, RH Steering Column Mount	1
19	N/A	Bracket, LH Steering column mount	1
20	<u>102278001</u>	Boot, Steering Column Round	1
21	<u>334</u>	Washer, 3/8, Type A, Flat	4
22	<u>8754</u>	Locknut, 3/8-16 Hex	2

6
G
E

6

G

E



001217-001

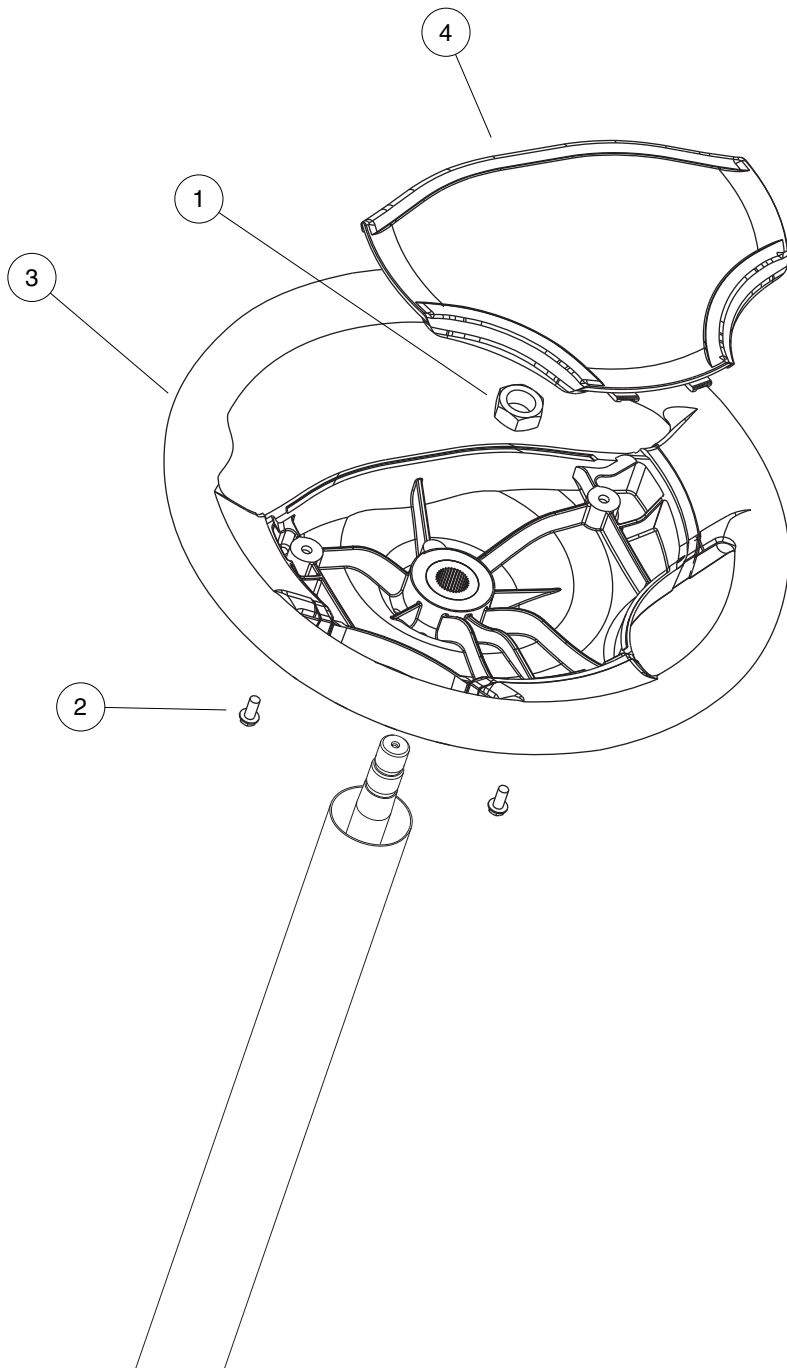
INTERMEDIATE STEERING SHAFT (WANDA) – TURF/CA 1/2/6

ITEM	PART NO.	DESCRIPTION	QTY
		1 2 3 4	
1	<u>103601601</u>	Shaft, Intermediate Steering (includes items 2 and 3)	1
2	<u>1017226</u>	Bolt, Hex-Head, 8mm X 1.25 - 30	3
3	<u>7174</u>	Lockwasher, 5/16 Split	3

6

G

E



000246-007

STEERING WHEEL

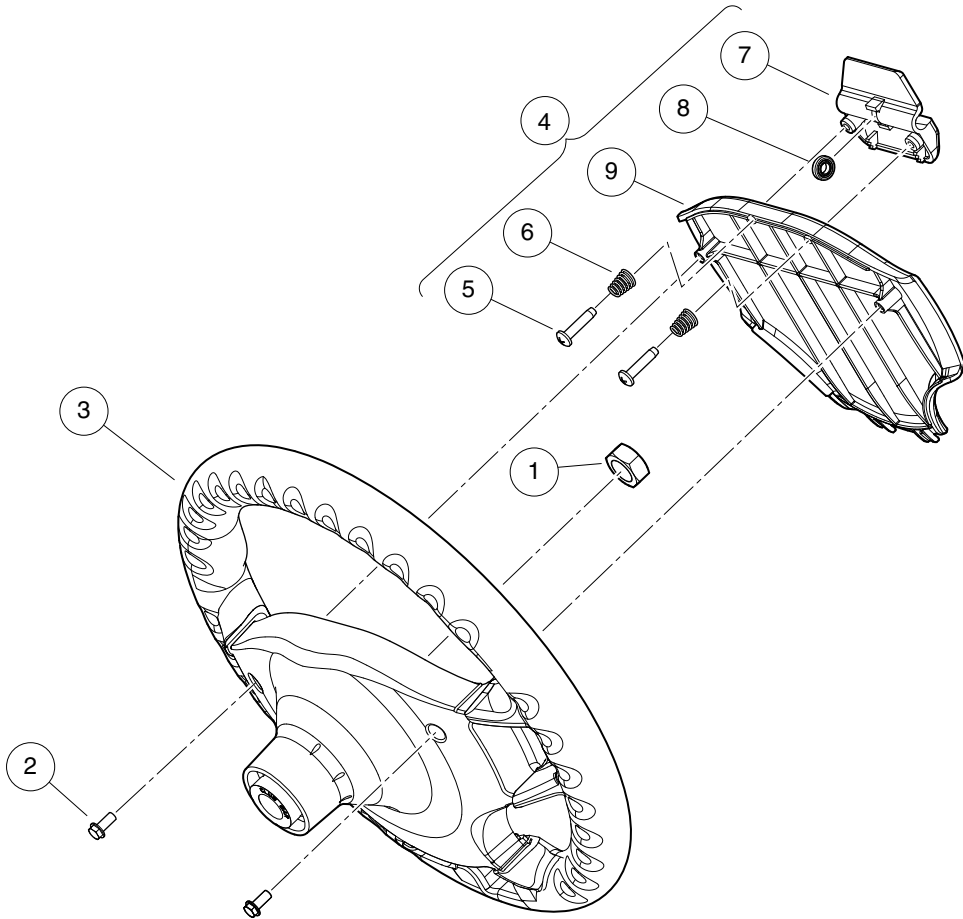
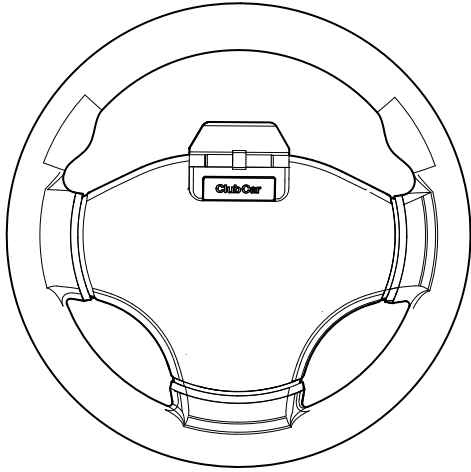
ITEM	PART NO.	DESCRIPTION	QTY
		1 2 3 4	
1	<u>1017273</u>	Nut, 5/8-18 Nylon Insert Jam	1
2	<u>101850301</u>	Screw, #12-16 X 0.50 Washer-Head Hi-Lo	2
3	<u>103724502</u>	Wheel, Steering, Splined	1
4	<u>103724602</u>	Cover, Steering Wheel, Generic	1

6

G

E

6
G
E



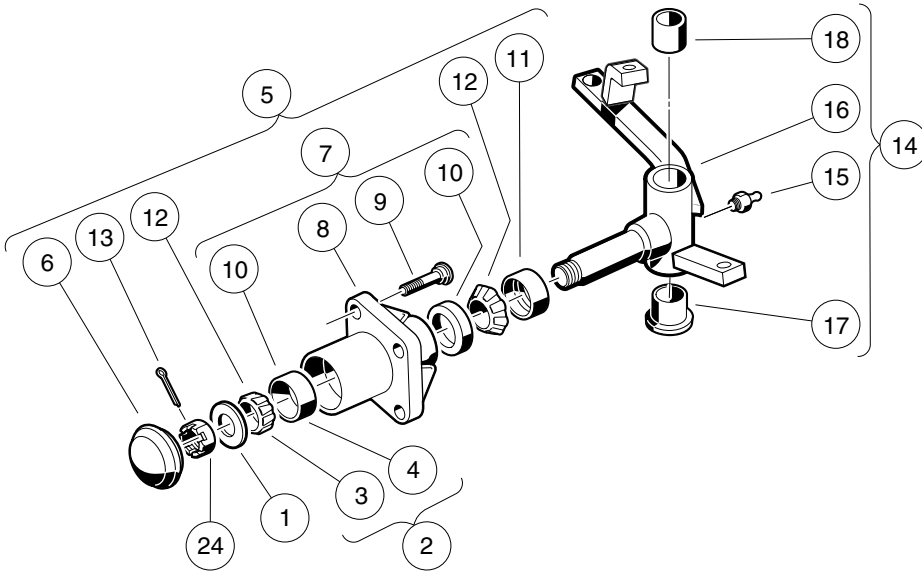
001504-001

STEERING WHEEL WITH CLIP

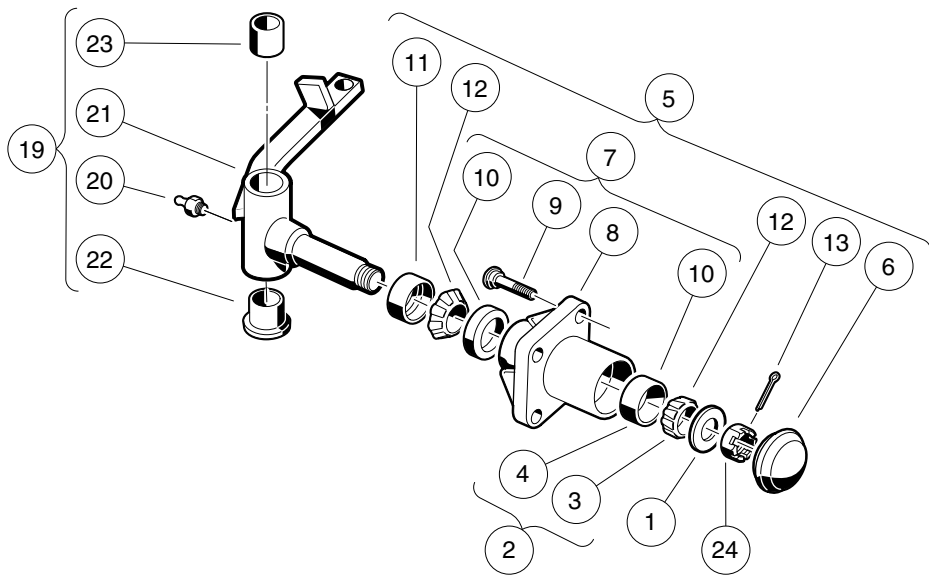
ITEM	PART NO.	DESCRIPTION	QTY
		1 2 3 4	
1	<u>1017273</u>	Nut, 5/8-18 Nylon Insert Jam	1
2	<u>101850301</u>	Screw, #12-16 X 0.50 Washer-Head Hi-Lo	2
3	<u>103724502</u>	Wheel, Steering, Splined	1
4	<u>103724901</u>	Asm, Scorecard, Clip (includes items 5 through 9)	1
5	<u>1012565</u>	Screw, #12 Phillips Round Head	2
6	<u>1012566</u>	Tapered Compression Spring	2
7	1016154	Clip, Scorecard	1
8	<u>1016214</u>	Pencil Grip	1
9	103724601	Cover, Steering Wheel, Clip	1

6
G
E

PASSENGER SIDE



DRIVER SIDE



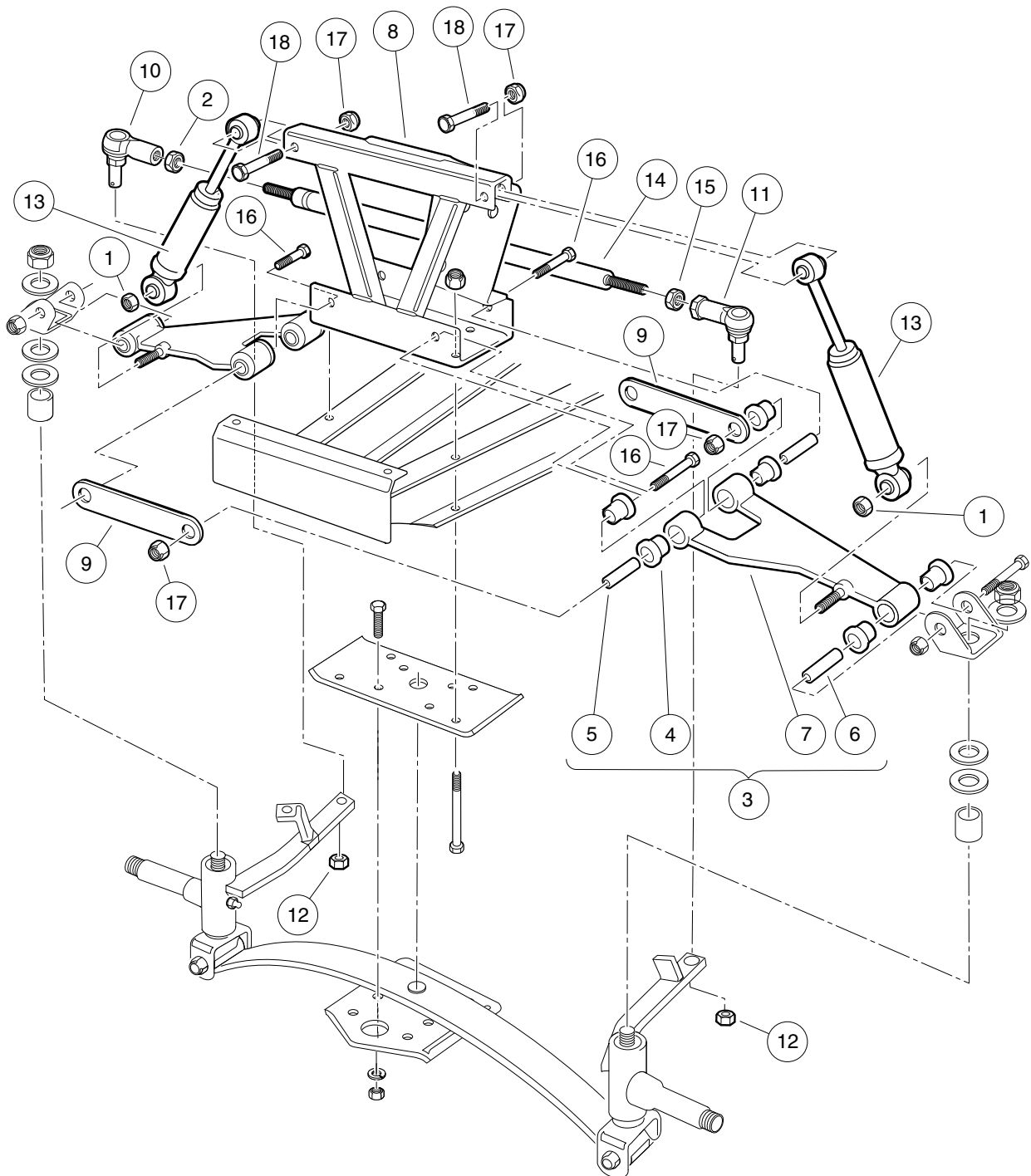
001104-001

FRONT SPINDLES AND HUBS – VEHICLES WITH TWO-WHEEL BRAKES AND MAINTENANCE-FREE BALL JOINTS

ITEM	PART NO.	DESCRIPTION	QTY
		1 2 3 4	
1	<u>1010005</u>	Washer, 3/4 Flat	2
2	<u>1011393</u>	Hub Bearing Package (includes items 3 and 4)	4
3	7274	Bearing, Front Hub Wheel	1
4	7308	Race, Front Hub Bearing	1
5	<u>1011892</u>	Hub Assembly (includes items 6 through 13)	2
6	<u>1011887</u>	Dust Cover	1
7	N/A	Hub (includes items 8 through 10)	1
8	N/A	Front Hub	1
9	<u>103477901</u>	Lug Stud, 1/2-20 Unf, 4037	4
10	7308	Race, Front Hub Bearing	2
11	<u>1013135</u>	Seal, Double Lip	1
12	7274	Bearing, Front Hub Wheel	2
13	<u>7910</u>	Pin, 5/32 X 1.00 Cotter	1
14	<u>103665902</u>	Asm, Spindle, Rh, 2wb, Sp (includes items 15 through 18)	1
15	<u>1015597</u>	Fitting, 1/4-28 Thread-Forming Grease	1
16	N/A	Subasm, Spndle, Rh, 2wb	1
17	<u>7048</u>	Bushing, Flanged Bronze	1
18	<u>8067</u>	Bushing, Bronze Spindle	1
19	<u>103666002</u>	Asm, Spindle, Lh, 2wb, Sp (includes items 20 through 23)	1
20	<u>1015597</u>	Fitting, 1/4-28 Thread-Forming Grease	1
21	N/A	Subasm, Spndle, Lh, 2wb	1
22	<u>7048</u>	Bushing, Flanged Bronze	1
23	<u>8067</u>	Bushing, Bronze Spindle	1
24	<u>7840</u>	Nut, 3/4-16 Hex Slotted	2

6
G
E

6
G
E



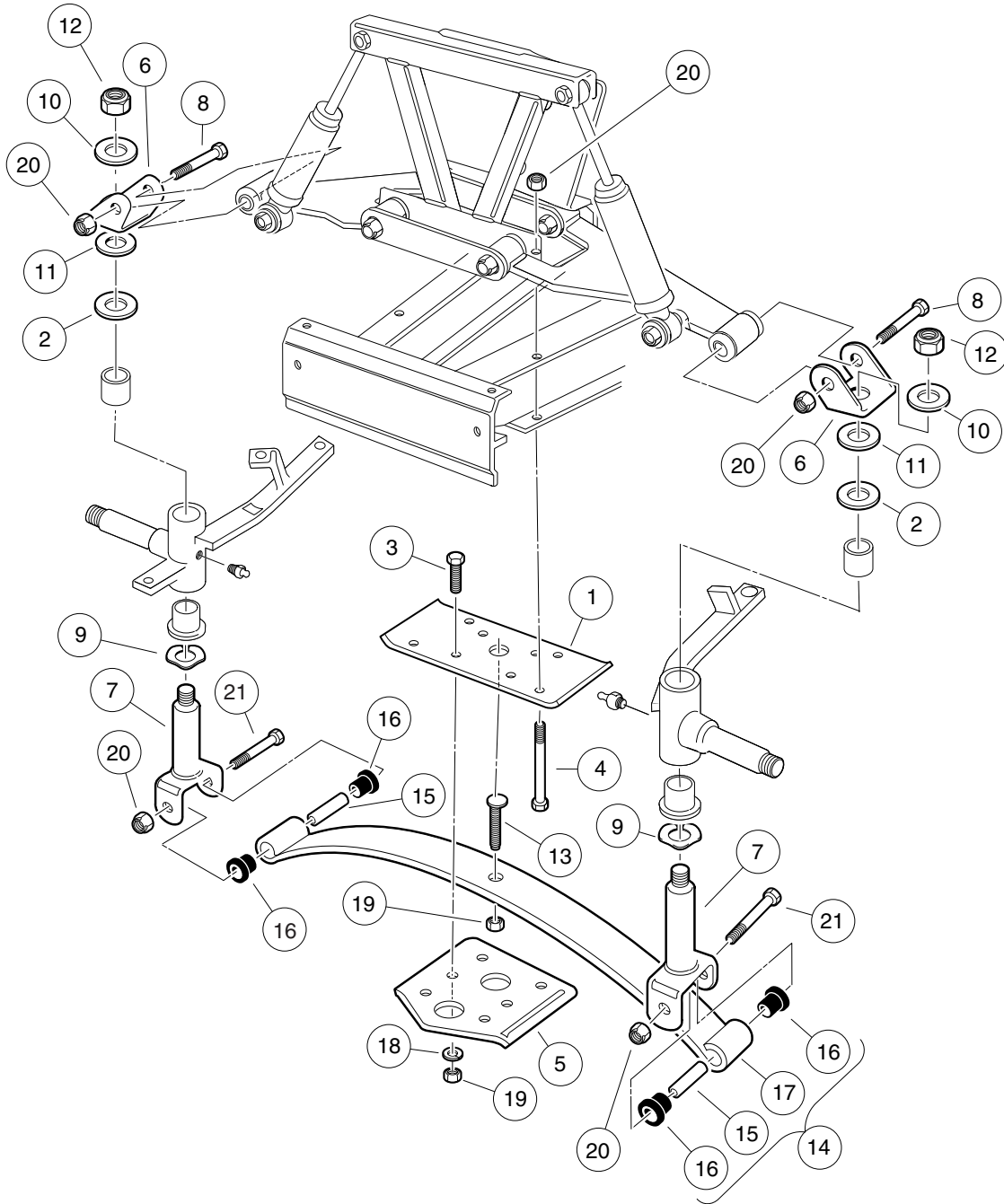
001105-001

FRONT SUSPENSION, UPPER – VEHICLES WITH TWO-WHEEL BRAKES AND MAINTENANCE-FREE BALL JOINTS

ITEM	PART NO.	DESCRIPTION	QTY
		1 2 3 4	
1	<u>1010138</u>	Locknut, 3/8-16 Dimpled	2
2	<u>1013042</u>	Nut, 12mm Hex	1
3	<u>1016353</u>	Sub-Assembly, Delta A-Plate (includes items 4 through 7)	2
4	<u>1016346</u>	Bushing, Urethane	6
5	<u>1016349</u>	Sleeve, Delta Inner	2
6	<u>1016350</u>	Sleeve, Delta Outer	1
7	<u>1016351</u>	Delta A-Plate	1
8	<u>1016385</u>	Delta Shock and Gear Support Assembly	1
9	<u>1017266</u>	A-Plate Strap	2
10	<u>102022601</u>	End, Tie Rod M12 X 1.25 Rh	1
11	<u>102022602</u>	End, Tie Rod, M12 X 1.25, Lh	1
12	<u>102289201</u>	Nut - Hex Locking, M12 X 1.25	2
13	<u>103351001</u>	Shock Absorber, Front, Common	2
14	<u>103354701</u>	Rod, Tie, Male Thd	1
15	<u>103653501</u>	Nut, Jam, M12-1.25, Lh	1
16	<u>2402</u>	Screw, 3/8-16 X 2.25 Hx Hd Cap	4
17	<u>8754</u>	Locknut, 3/8-16 Hex	6
18	<u>8861</u>	Bolt, 3/8-16 X 1.75 Hex	2

6
G
E

6
G
E



001106-001

FRONT SUSPENSION, LOWER – VEHICLES WITH TWO-WHEEL BRAKES AND MAINTENANCE-FREE BALL JOINTS

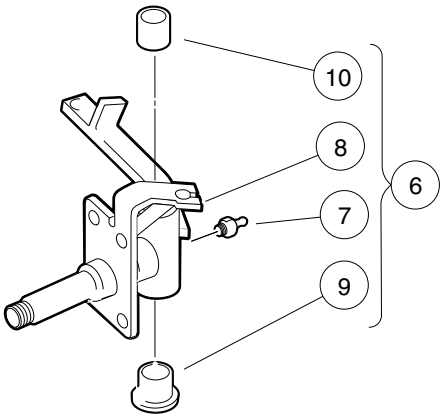
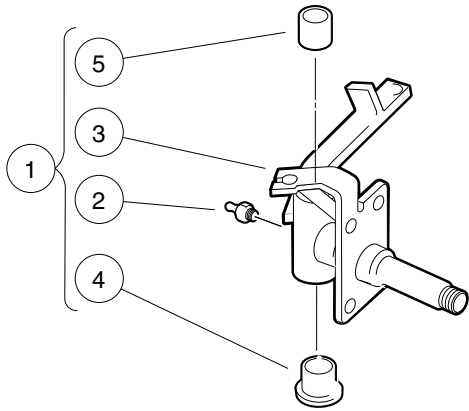
ITEM	PART NO.	DESCRIPTION	QTY
		1 2 3 4	
1	<u>1010124</u>	Plate, Spring Mount	1
2	<u>1010150</u>	Bearing, Thrust	2
3	<u>1010177</u>	Bolt, 3/8-16 X 2.00 Hex Head	4
4	<u>1010200</u>	Bolt, 3/8-16 X 4.25 Hex Head	4
5	<u>1014276</u>	Plate, Front Spring Retainer	1
6	<u>1016384</u>	Clevis, Delta Upper	2
7	<u>1016386</u>	King Pin Assembly	2
8	<u>1016387</u>	Screw, 3/8-16 X 2.75 Hx Hd Cap	2
9	<u>1016389</u>	Washer, 1.125 Od Wave	2
10	<u>102564002</u>	Washer-1/2 Conical, Yellow	2
11	<u>102684501</u>	Washer, M12 Hard Regular	2
12	<u>102766301</u>	Nut, 1/2-20, Center Lock	2
13	<u>103507001</u>	Eccentric Bolt Common	1
14	<u>103628701</u>	Spring Asm, Front, 1 Leaf (includes items 15 through 17)	1
15	<u>1012303</u>	Bushing, Steel	2
16	<u>101558302</u>	Bushing, Urethane, Soft	4
17	103502601	Spring, Front, 1 Leaf	1
18	<u>357</u>	Lockwasher, 3/8 Split	4
19	<u>706</u>	Nut, Hex 3/8-16	5
20	<u>8754</u>	Locknut, 3/8-16 Hex	8
21	<u>8755</u>	Screw, 3/8-16 X 3.375 Hex Cap	2

6
G
E

6

G

E



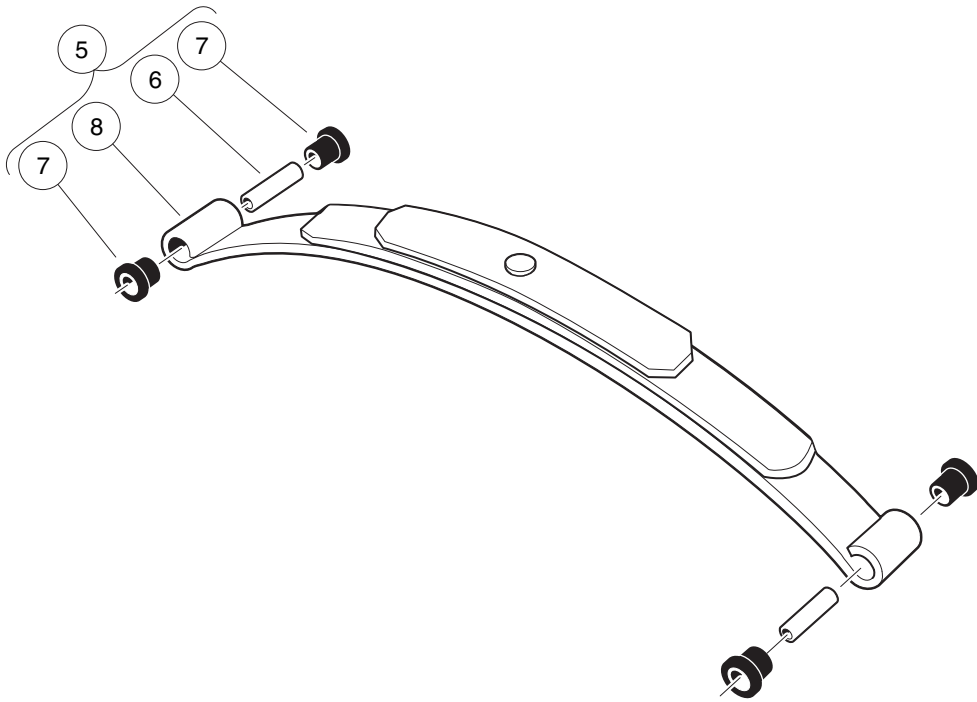
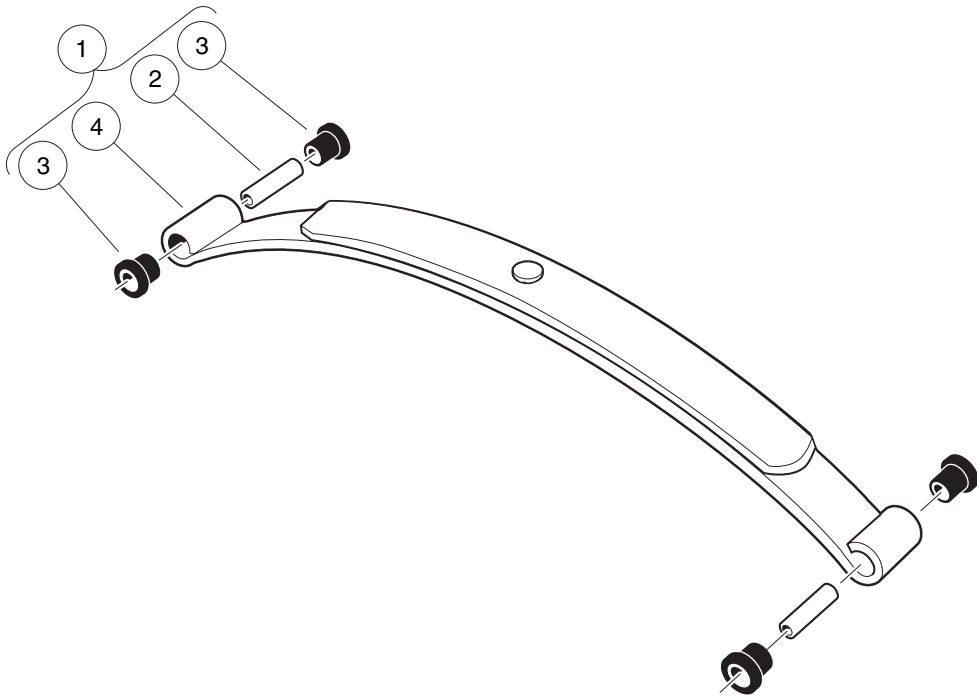
001280-001

HEAVY DUTY FRONT SPINDLES FOR MAINT.-FREE BALLJOINTS

ITEM	PART NO.	DESCRIPTION	QTY
		1 2 3 4	
1	<u>103717302</u>	Asm, Spindle, Lh, 4wb, Sp (includes items 2 through 5)	1
2	<u>1015597</u>	Fitting, 1/4-28 Thread-Forming Grease	1
3	N/A	Subasm, Spindle, Lh, 4wb	1
4	<u>7048</u>	Bushing, Flanged Bronze	1
5	<u>8067</u>	Bushing, Bronze Spindle	1
6	<u>103717402</u>	Asm, Spindle, Rh, 4wb, Sp (includes items 7 through 10)	1
7	<u>1015597</u>	Fitting, 1/4-28 Thread-Forming Grease	1
8	N/A	Subasm, Spindle, Rh, 4wb	1
9	<u>7048</u>	Bushing, Flanged Bronze	1
10	<u>8067</u>	Bushing, Bronze Spindle	1

6
G
E

6
G
E



001225-001

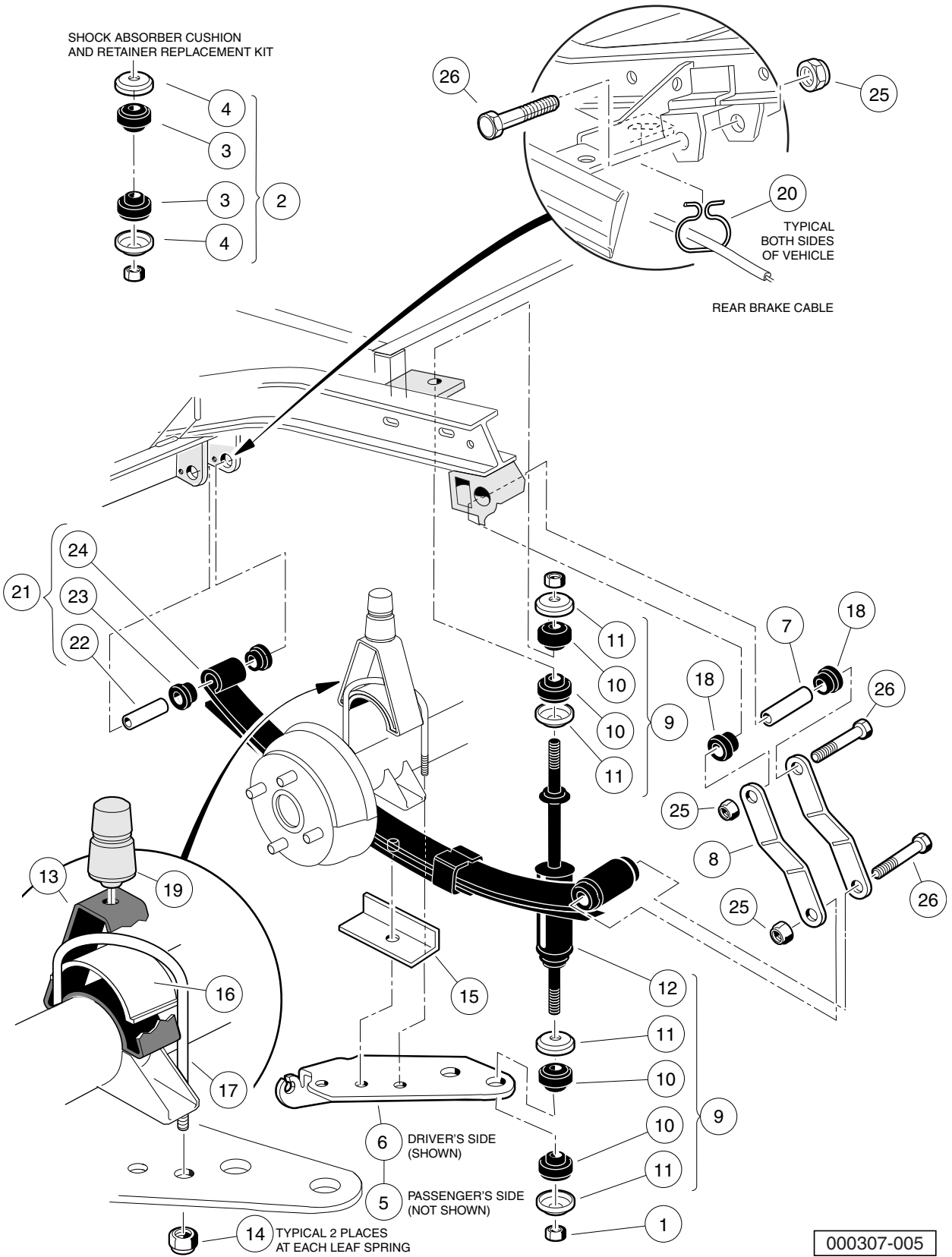
HEAVY DUTY FRONT SPRINGS

ITEM	PART NO.	DESCRIPTION	QTY
		1 2 3 4	
1	<u>103628801</u>	Spring Asm, Front, 2 Leaf (includes items 2 through 4)	1
2	<u>1012303</u>	Bushing, Steel	2
3	<u>1015583</u>	Bushing, Urethane	4
4	<u>103502701</u>	Spring, Front, 2 Leaf	1
5	<u>103628901</u>	Spring Asm, Front, 3 Leaf (includes items 6 through 8)	1
6	<u>1012303</u>	Bushing, Steel	2
7	<u>1015583</u>	Bushing, Urethane	4
8	103502801	Spring, Front, 3 Leaf	1

6
G
E

6
G
E

SHOCK ABSORBER CUSHION
AND RETAINER REPLACEMENT KIT

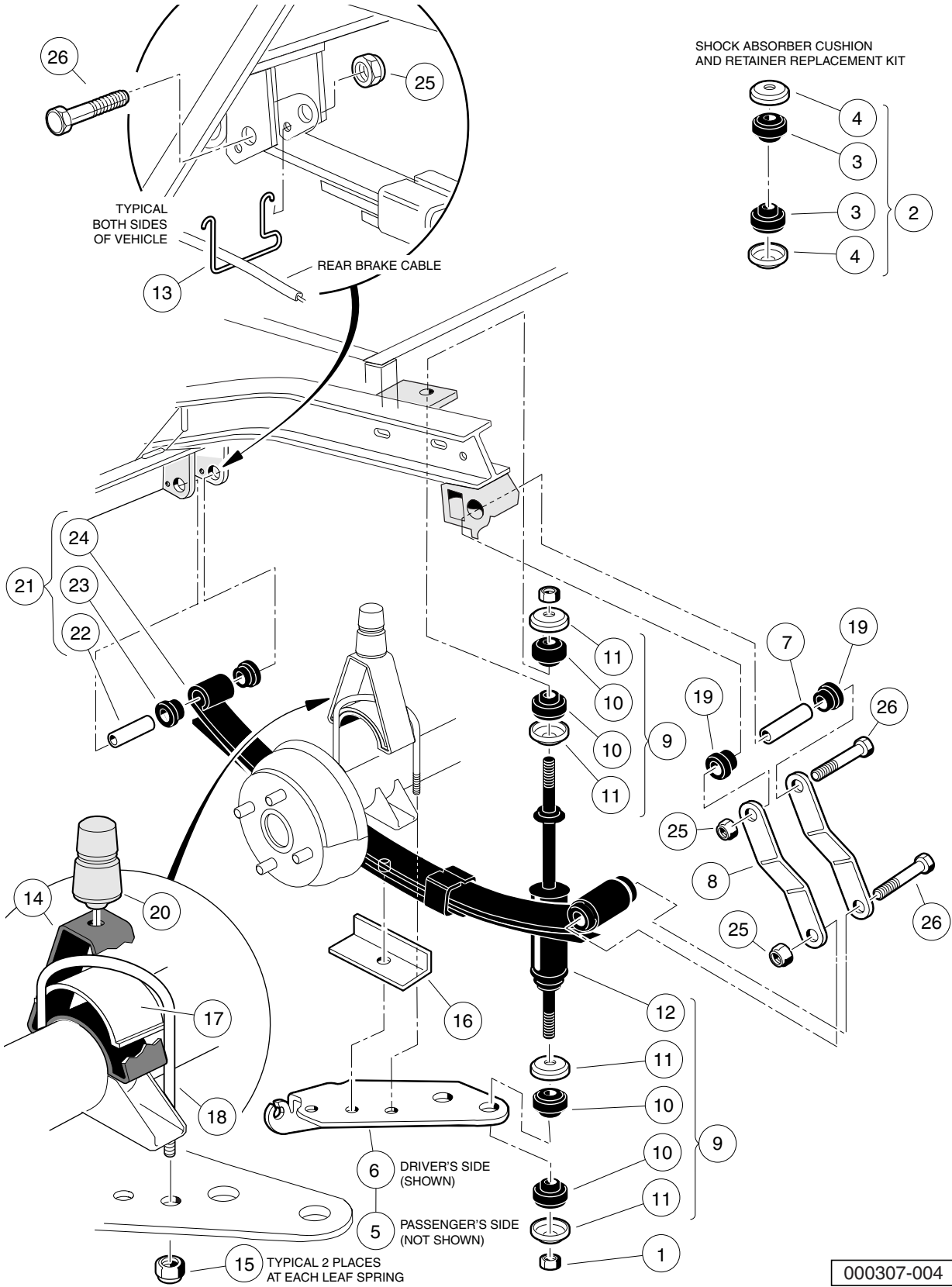


000307-005

REAR SUSPENSION – GASOLINE TURF/CA 1

ITEM	PART NO.	DESCRIPTION	QTY
		1 2 3 4	
1	<u>1010145</u>	Nut, 3/8-24 Hex	4
2	<u>1011415</u>	Kit, Shock Absorber Cushion (includes items 3 and 4)	4
3	N/A	Cushion, Shock Absorber	2
4	N/A	Retainer, Shock Absorber Cushion	2
5	1012181	Bracket, Shock Mounting, Right (Passenger)	1
6	1012182	Bracket, Shock Mounting, Left (Driver)	1
7	<u>1012303</u>	Bushing, Steel	2
8	<u>1012304</u>	Shackle, Rear Spring	4
9	<u>1013164</u>	Shock Absorber Kit (includes items 10 through 12)	1
10	N/A	Cushion, Shock Absorber	8
11	N/A	Retainer, Shock Absorber Cushion	8
12	<u>102588501</u>	Shock Absorber Rear Prv Spd	2
13	101454602	Bumper Mount	2
14	<u>1014555</u>	Locknut, 7/16-14 Nylon Hex	4
15	1014573	Spring Retainer	2
16	<u>1014901</u>	Spacer, Overload Bumper	2
17	<u>1014902</u>	U-Bolt	2
18	<u>1015583</u>	Bushing, Urethane	4
19	<u>1017235</u>	Bumper, Jounce	2
20	101900801	Hanger, Brake Cable	2
21	<u>103935201</u>	Asm-rear Leaf Spring, Ca1-vill (includes items 22 through 24)	2
22	<u>1012303</u>	Bushing, Steel	2
23	<u>101558302</u>	Bushing, Urethane, Soft	4
24	N/A	Leaf Spring, Rear, Ca1-vill	1
25	<u>8754</u>	Locknut, 3/8-16 Hex	6
26	<u>8755</u>	Screw, 3/8-16 X 3.375 Hex Cap	6
<p>Note: Only the driver-side rear suspension is shown. Parts for the passenger-side rear suspension are identical except for the leaf spring/shock mounting plate.</p>			

6
G
E



REAR SUSPENSION – ELECTRIC TURF/CA 1

ITEM	PART NO.	DESCRIPTION	QTY
		1 2 3 4	
1	<u>1010145</u>	Nut, 3/8-24 Hex	4
2	<u>1011415</u>	Kit, Shock Absorber Cushion (includes items 3 and 4)	4
3	N/A	Cushion, Shock Absorber	2
4	N/A	Retainer, Shock Absorber Cushion	2
5	1012181	Bracket, Shock Mounting, Right (Passenger)	1
6	1012182	Bracket, Shock Mounting, Left (Driver)	1
7	<u>1012303</u>	Bushing, Steel	2
8	<u>1012304</u>	Shackle, Rear Spring	4
9	<u>1013164</u>	Shock Absorber Kit (includes items 10 through 12)	1
10	N/A	Cushion, Shock Absorber	8
11	N/A	Retainer, Shock Absorber Cushion	8
12	<u>102588501</u>	Shock Absorber Rear Prv Spd	2
13	<u>1013207</u>	Hanger, Brake Cable	2
14	<u>101454902</u>	Bumper Mount, Angled	2
15	<u>1014555</u>	Locknut, 7/16-14 Nylon Hex	4
16	1014573	Spring Retainer	2
17	<u>1014901</u>	Spacer, Overload Bumper	2
18	<u>1014902</u>	U-Bolt	2
19	<u>1015583</u>	Bushing, Urethane	4
20	<u>1017235</u>	Bumper, Jounce	2
21	<u>103935201</u>	Asm-rear Leaf Spring, Ca1-vill (includes items 22 through 24)	2
22	<u>1012303</u>	Bushing, Steel	2
23	<u>101558302</u>	Bushing, Urethane, Soft	4
24	N/A	Leaf Spring, Rear, Ca1-vill	1
25	<u>8754</u>	Locknut, 3/8-16 Hex	6
26	<u>8755</u>	Screw, 3/8-16 X 3.375 Hex Cap	6
<p>Note: Only the driver-side rear suspension is shown. Parts for the passenger-side rear suspension are identical except for the leaf spring/shock mounting plate.</p>			

6
G
E

6

G

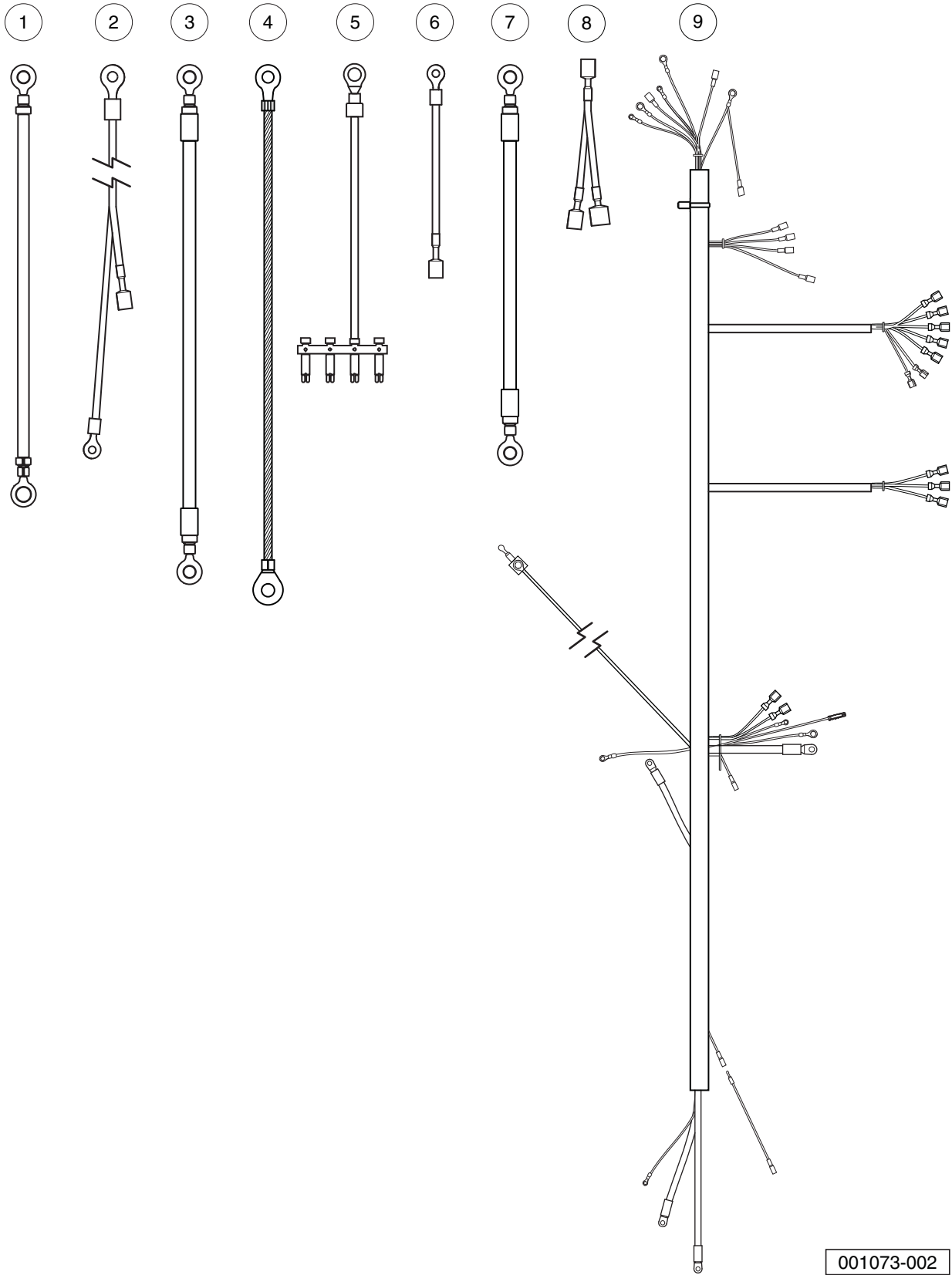
E

ELECTRICAL SYSTEM – GASOLINE VEHICLE

7

G

7
G

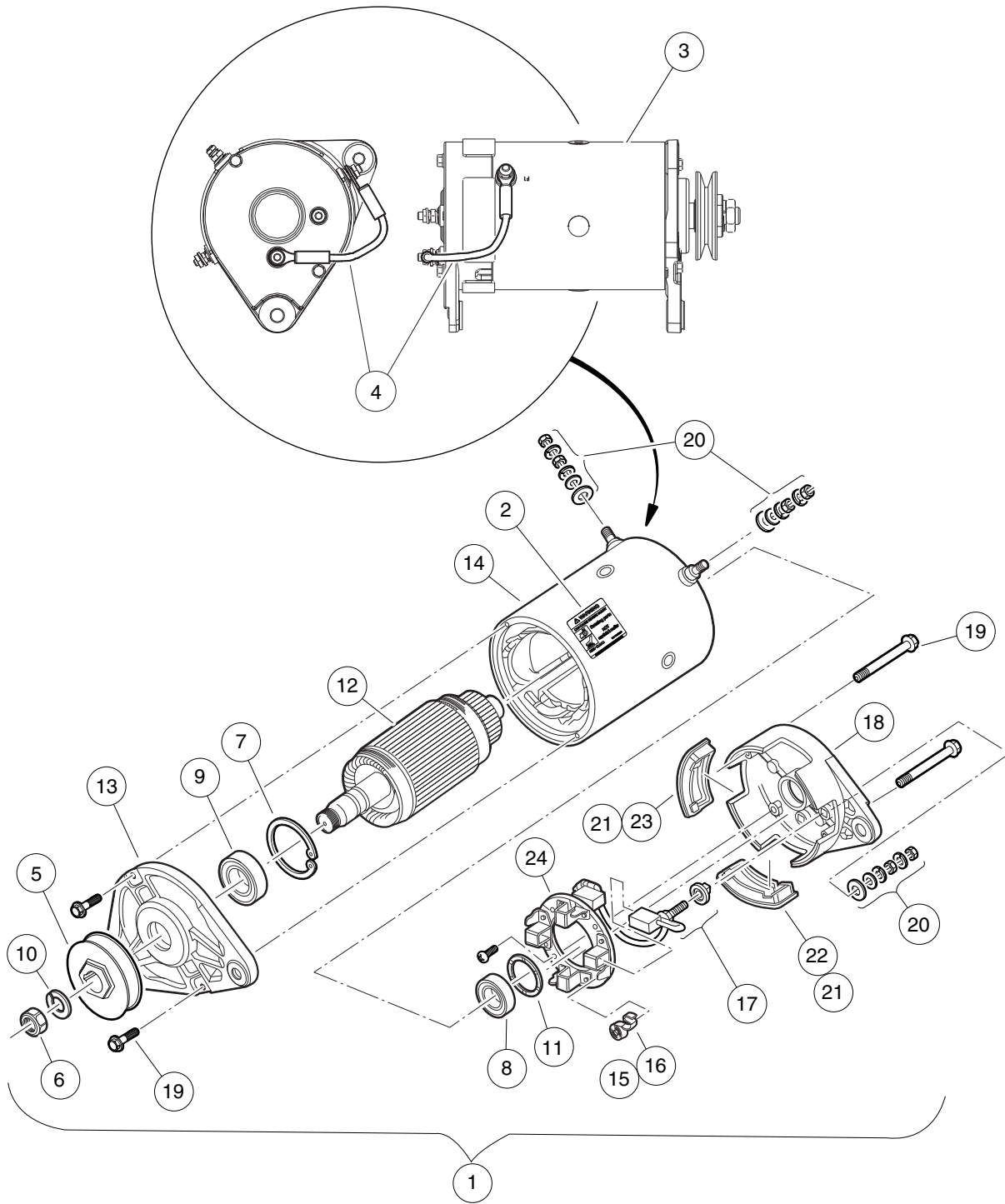


001073-002

WIRING – TURF/CARRYALL 1 GAS WITH AMD STARTER/GEN

ITEM	PART NO.	DESCRIPTION	QTY
		1 2 3 4	
1	<u>1012382</u>	Wire Assy, #6 Black	1
2	<u>1012396</u>	Wire Assy #18 Black	1
3	<u>1014119</u>	Wire Assembly #6 Red	1
4	<u>1015332</u>	Wire, Ground, #10, Uninsulated	1
5	<u>1015737</u>	Wire Assy, #10 Red	1
6	<u>1016401</u>	Wire Assy, #16 Orange	1
7	<u>101837301</u>	Wire Assy, #6 Green	1
8	<u>103348501</u>	Asm, Wire Meter, F-h Jumper	1
9	<u>103687001</u>	Asm, Harn, Ca1, Gas, Amd S/g	1

7
G

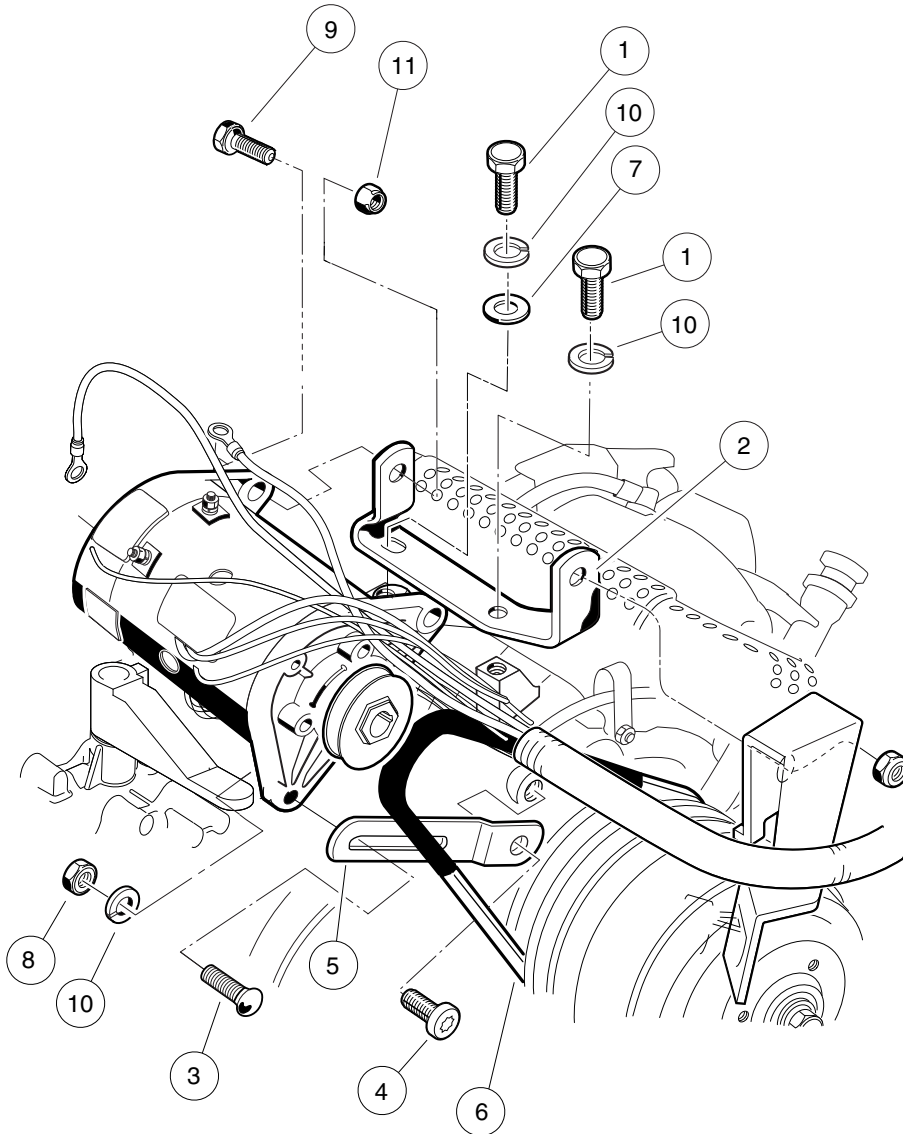


000124-005

STARTER/GENERATOR ASSEMBLY (PEDAL-START), MODEL 114-01-4009A

ITEM	PART NO.	DESCRIPTION	QTY
		1 2 3 4	
1	103678402	Asm, St/gen, Bi-rot, Ps, Svc (includes items 2 and 3)	1
2	<u>101960501</u>	Decal, Rotating Parts/Hot Manifold	1
3	103718702	St/gen, Bi-rot, Util,ps W/wire (includes items 4 through 24)	1
4	<u>101837301</u>	Wire Assy, #6 Green	1
5	<u>102711001</u>	Pulley, V-Belt	1
6	<u>102838701</u>	Nut, Hex, M14x2, S/G	1
7	<u>102838801</u>	Retainer, Front, S/G	1
8	<u>102838901</u>	Bearing, Ball, Rear, S-g	1
9	<u>102839001</u>	Bearing, Ball, Front, S-g	1
10	<u>102839301</u>	Washer, Lock M14x2, S-g	1
11	<u>102841101</u>	Washer, Wave, S-g	1
12	N/A	Asm, Armature, Starter/Generator	1
13	102844601	Head, Drive End, S-g	1
14	<u>102844701</u>	Asm, Frame and Field, Starter/Generator	1
15	<u>103347101</u>	Kit, Spring Brush, Starter/Generator (includes item 16)	1
16	N/A	Spring, Brush, S-g	4
17	<u>103347301</u>	Set, Brush Term, S-g	1
18	<u>103347601</u>	Head, Comm End, S-g	1
19	<u>103347701</u>	Set, Fast, Ceh Deh, S-g	1
20	<u>103347801</u>	Set, Term Hardware, S/G	1
21	<u>103347901</u>	Kit, Cover, Brush Insp, Starter/Generator (includes items 22 and 23)	1
22	N/A	Plug, Rubber Drain, Start/Generator	3
23	N/A	Cover, Inspection, S-g	1
24	<u>103953301</u>	Kit, Brush And Brush Holder	1

7
G

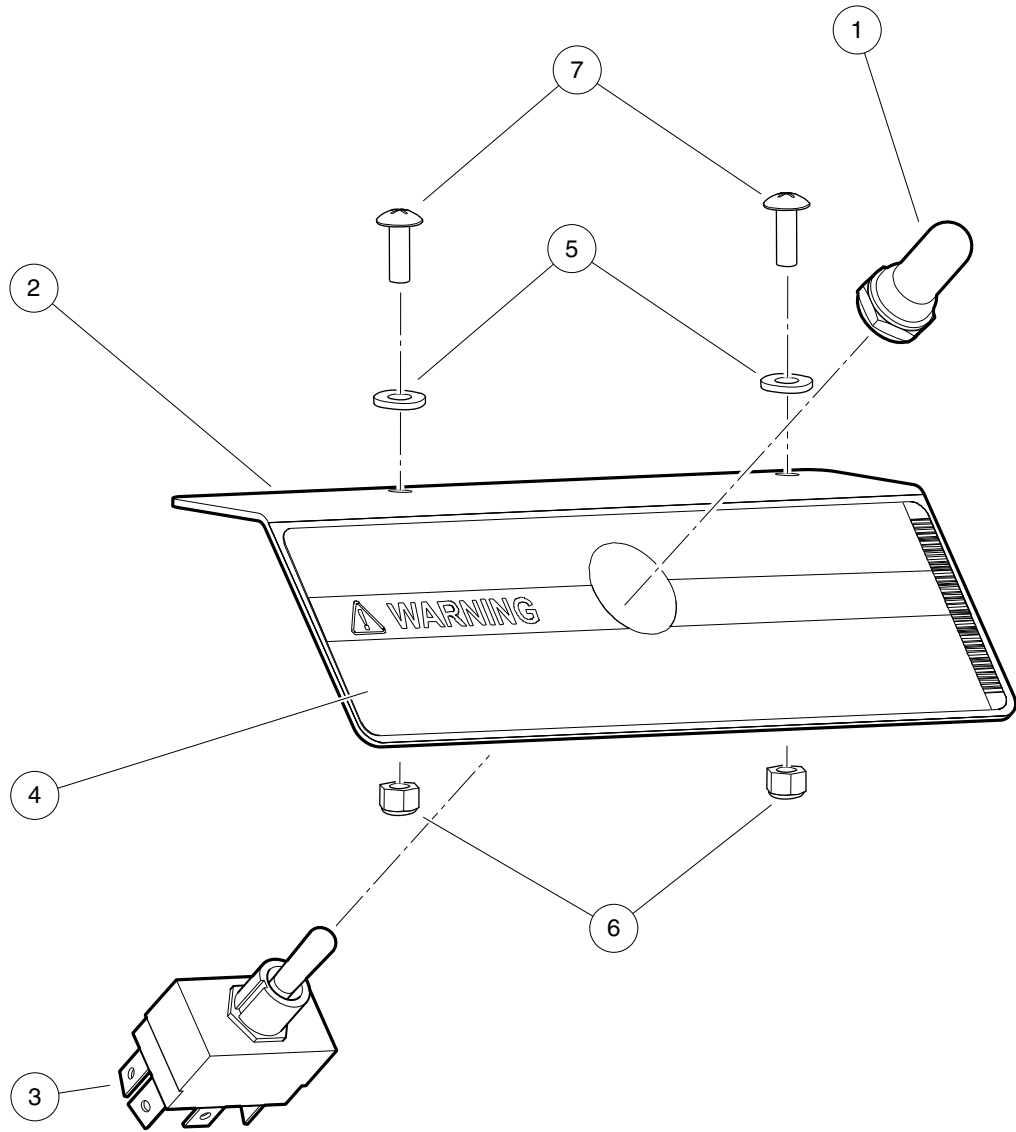


000238-005

STARTER/GENERATOR MOUNTING – 114-0X-400XX MODELS

ITEM	PART NO.	DESCRIPTION	QTY
		1 2 3 4	
1	<u>1012830</u>	Screw, M8-125 X 22 Hex-Head	2
2	<u>101524002</u>	Bracket, Starter/Generator Mounting	1
3	<u>1015932</u>	Bolt, Carriage, 5/16-18	1
4	<u>1016074</u>	Screw, M8-1.25 X 18mm Torx	1
5	<u>1016883</u>	Bracket, Starter/Generator Adjustment	1
6	<u>101916701</u>	V-Belt	1
7	<u>1241</u>	Washer, 5/16 Type A Flat	1
8	<u>1242</u>	Nut, 5/16-18 Hex	1
9	<u>1624</u>	Screw, 3/8-16 X 1.50, Hex-Head Cap	2
10	<u>7174</u>	Lockwasher, 5/16 Split	3
11	<u>8754</u>	Locknut, 3/8-16 Hex	2

7
G



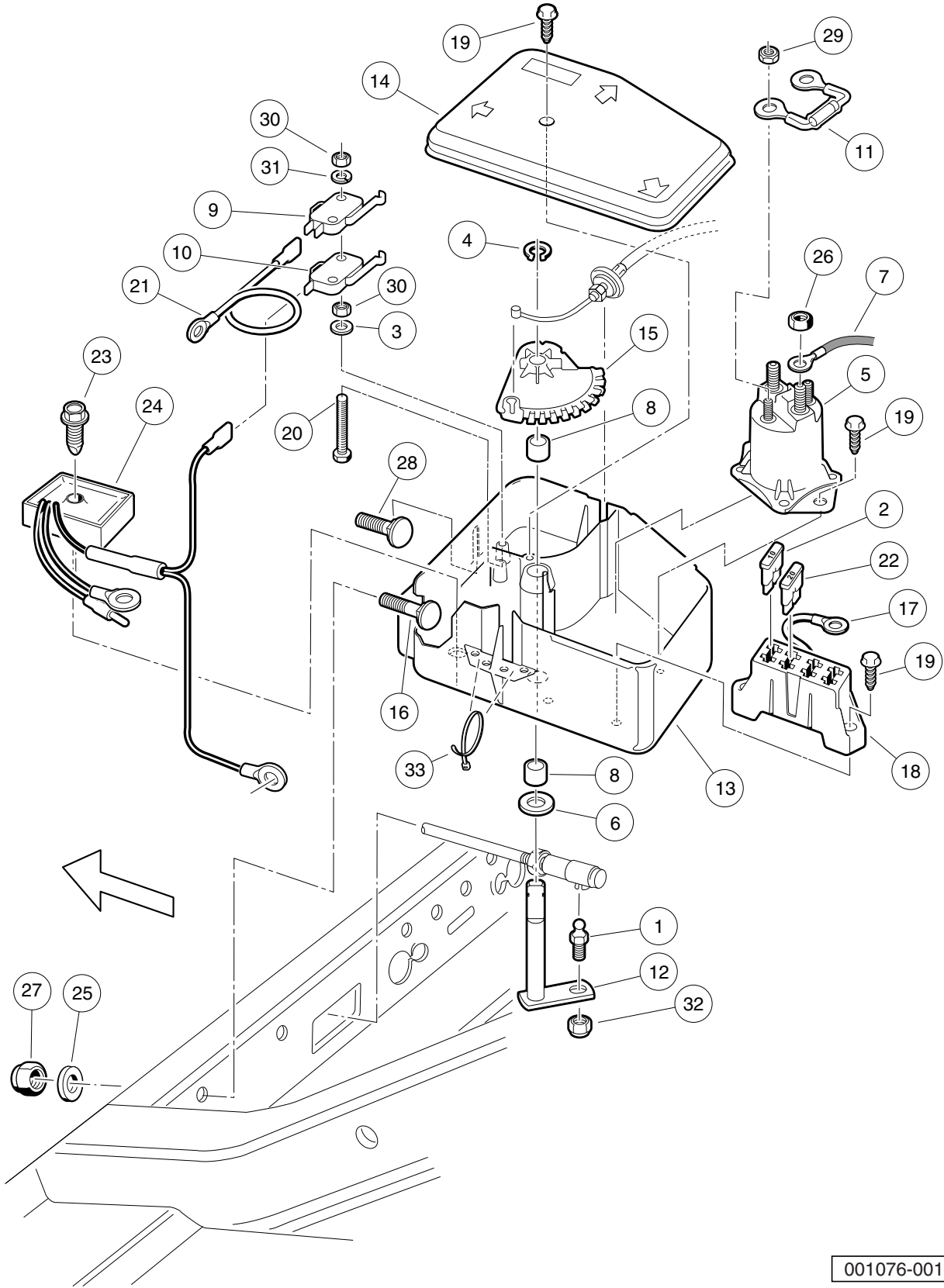
000755-003

OPERATION AND MAINTENANCE SWITCH

ITEM	PART NO.	DESCRIPTION	QTY
		1 2 3 4	
1	<u>101908401</u>	Boot, Switch	1
2	<u>101922501</u>	Bracket, Tow/Run Switch Mounting	1
3	<u>103198401</u>	Switch, Toggle, SPDT	1
4	<u>103205501</u>	Decal, Run/Service Switch	1
5	<u>332</u>	Washer, 1/4 Type A Narrow Flat	2
6	<u>8233</u>	Locknut, 1/4-20, Nylon Insert	2
7	<u>8248</u>	Screw, 1/4-20 X 0.75, Truss-Head Machine	2

7
G

7
G

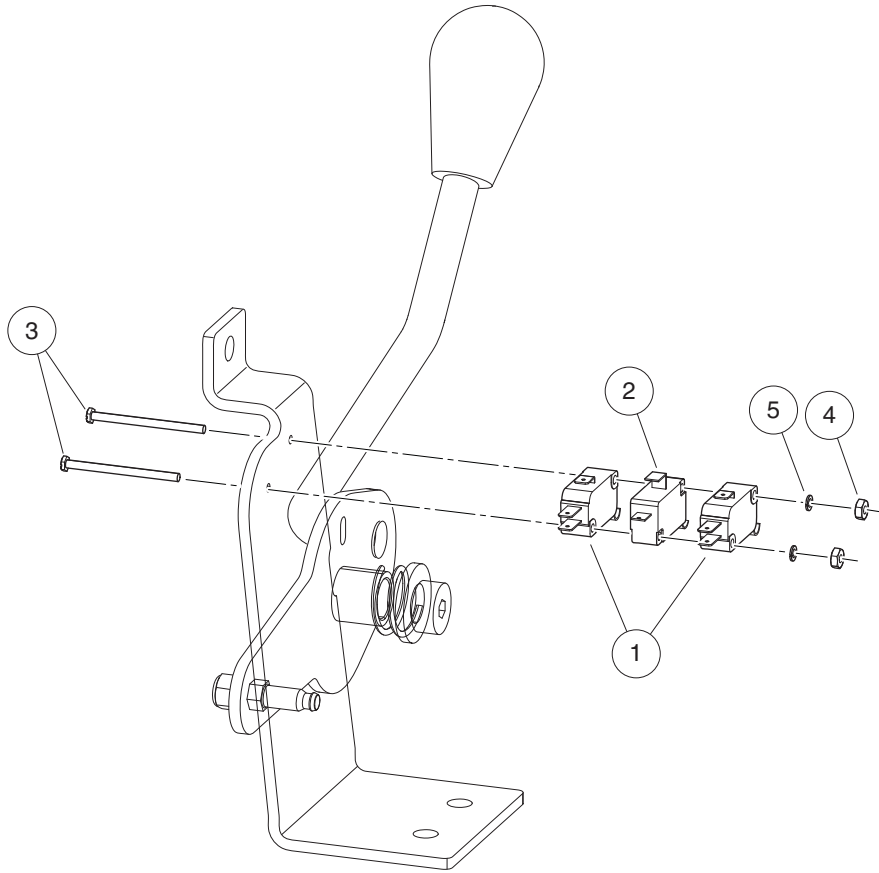


001076-001

ELECTRICAL COMPONENT BOX – TURF/CARRYALL 1, 2, AND 252

7
G

ITEM	PART NO.	DESCRIPTION	QTY
		1 2 3 4	
1	<u>1010954</u>	Stud, Ball, 1/4-28 X 0.560	1
2	<u>1012295</u>	Fuse, 10-Amp	1
3	<u>1012431</u>	Washer, #4 Flat	2
4	<u>1013589</u>	Ring, Retaining, 0.338" Internal	1
5	<u>1013609</u>	Solenoid, 12-Volt	1
6	<u>1014065</u>	Washer, Flat, 0.38" ID, Delrin	1
7	<u>1014119</u>	Wire Assembly #6 Red	1
8	<u>1014145</u>	Bushing, Secondary Weight, Split	2
9	<u>1014807</u>	Switch, Limit	1
10	<u>1014808</u>	Switch, Limit	1
11	<u>1014948</u>	Diode	1
12	<u>1015345</u>	Bell Crank and Shaft Assembly	1
13	<u>1015371</u>	Box, Electrical Component	1
14	<u>1015372</u>	Cover, Electric Box	1
15	<u>1015373</u>	Cam, Electric Box	1
16	<u>1015405</u>	Bolt, Carriage, 5/16-18 X 2.0	1
17	<u>1015737</u>	Wire Assy, #10 Red	1
18	<u>1015741</u>	Fuse Block	1
19	<u>1015752</u>	Screw, #12-16 X 0.625, Hi-Lo	5
20	<u>1015878</u>	Screw, #4-40 Hex Head Machine	2
21	<u>1016401</u>	Wire Assy, #16 Orange	1
22	<u>1016423</u>	Fuse, 20-Amp	1
23	<u>101856102</u>	Screw, 1/4-15 X 1.50, Hi-lo, Hex	1
24	<u>102711201</u>	Voltage Regulator	1
25	<u>1241</u>	Washer, 5/16 Type A Flat	2
26	<u>1242</u>	Nut, 5/16-18 Hex	2
27	<u>7473</u>	Locknut, 5/16-18 Nylon Insert	2
28	<u>7818</u>	Bolt, Carriage, 5/16-18 X 1.5	1
29	<u>7893</u>	Nut, #10-32 Hex	2
30	<u>8057</u>	Nut, #4-40 Hex Machine	4
31	<u>8058</u>	Lockwasher, #4 Split	2
32	<u>8717</u>	Locknut, Nylon Insert, 1/4-28	1
33	<u>8990</u>	Tie Wrap, 8" Nylon	2



001080-001

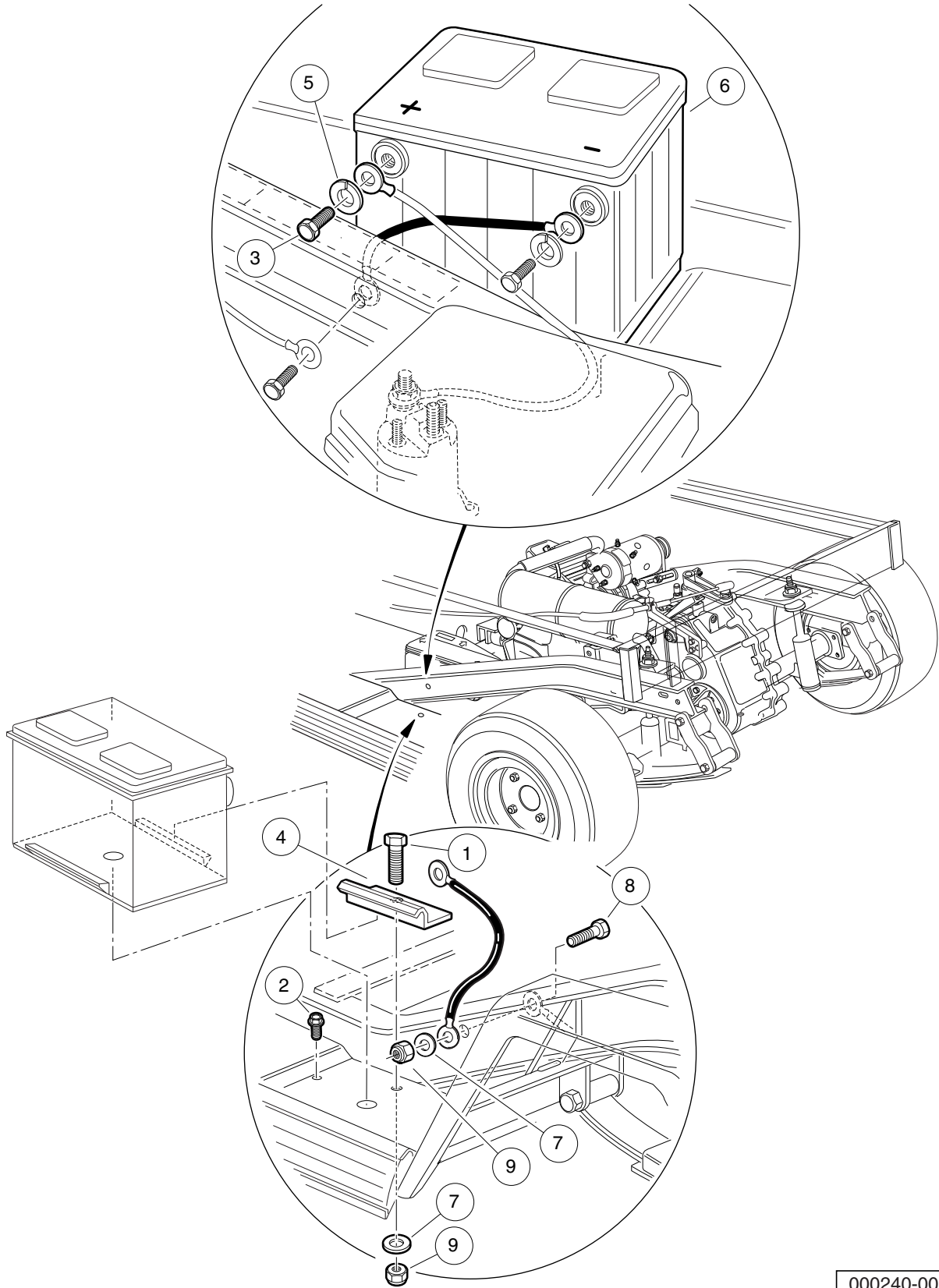
FORWARD/REVERSE SHIFTER SWITCHES – DASH MOUNTED SHIFTER

ITEM	PART NO.	DESCRIPTION	QTY
		1 2 3 4	
1	<u>1014807</u>	Switch, Limit	2
2	<u>1014808</u>	Switch, Limit	1
3	<u>1015878</u>	Screw, #4-40 Hex Head Machine	2
4	<u>8057</u>	Nut, #4-40 Hex Machine	2
5	<u>8058</u>	Lockwasher, #4 Split	2

7

G

7
G



000240-001

BATTERY – GASOLINE UTILITY VEHICLES

ITEM	PART NO.	DESCRIPTION	QTY
		1 2 3 4	
1	<u>1010934</u>	Screw, 5/16-18 X 1.00 Hex Cap	1
2	<u>1014288</u>	Screw, 5/16-18 X 0.75, Thread-Forming	1
3	<u>1014375</u>	Screw, 3/8-16 X 0.50, Stainless Steel, Hex-Head	2
4	<u>101898001</u>	Clamp, Battery	1
5	<u>102355301</u>	Lockwasher, 3/8 Split Ss	2
6	<u>103496801</u>	Battery, Start, 12v	1
7	<u>1241</u>	Washer, 5/16 Type A Flat	2
8	<u>7173</u>	Screw, 5/16-18 X 0.75, Hex-Head Cap	1
9	<u>7473</u>	Locknut, 5/16-18 Nylon Insert	2

7

G

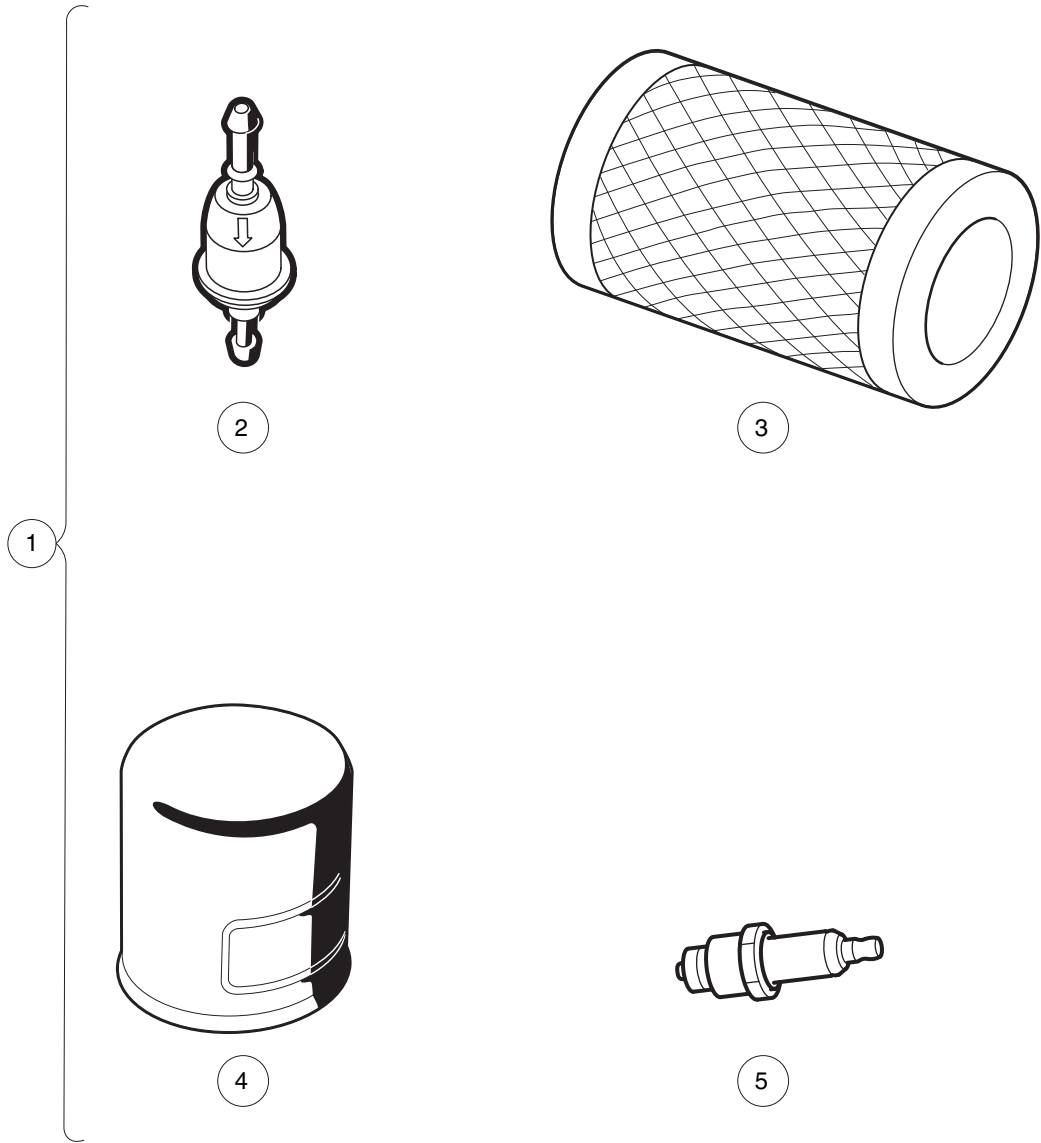
7

G

ENGINE (S27) W/O ACR, 50-STATE

8

G



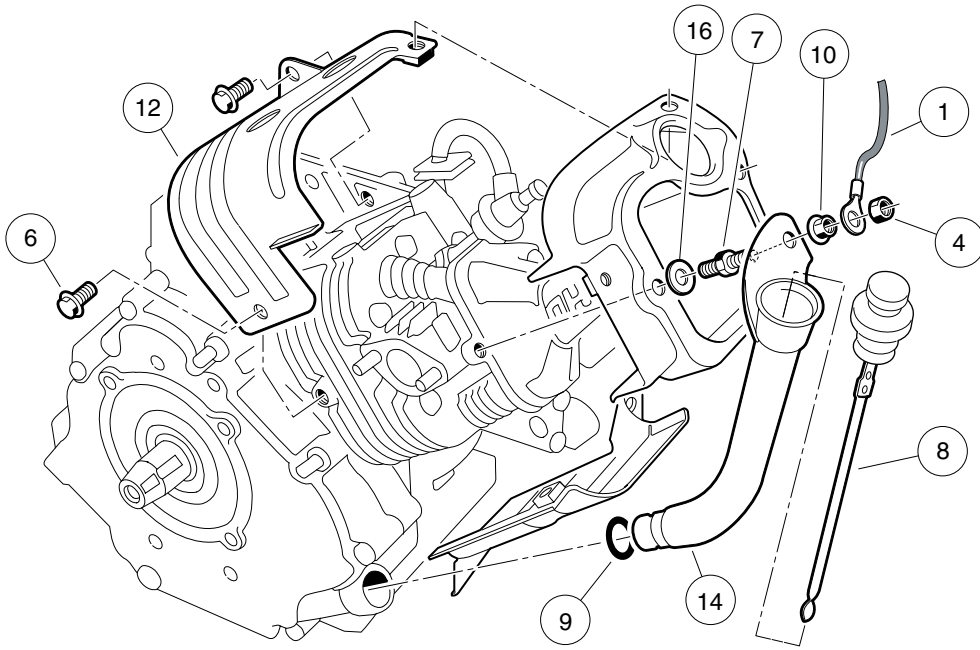
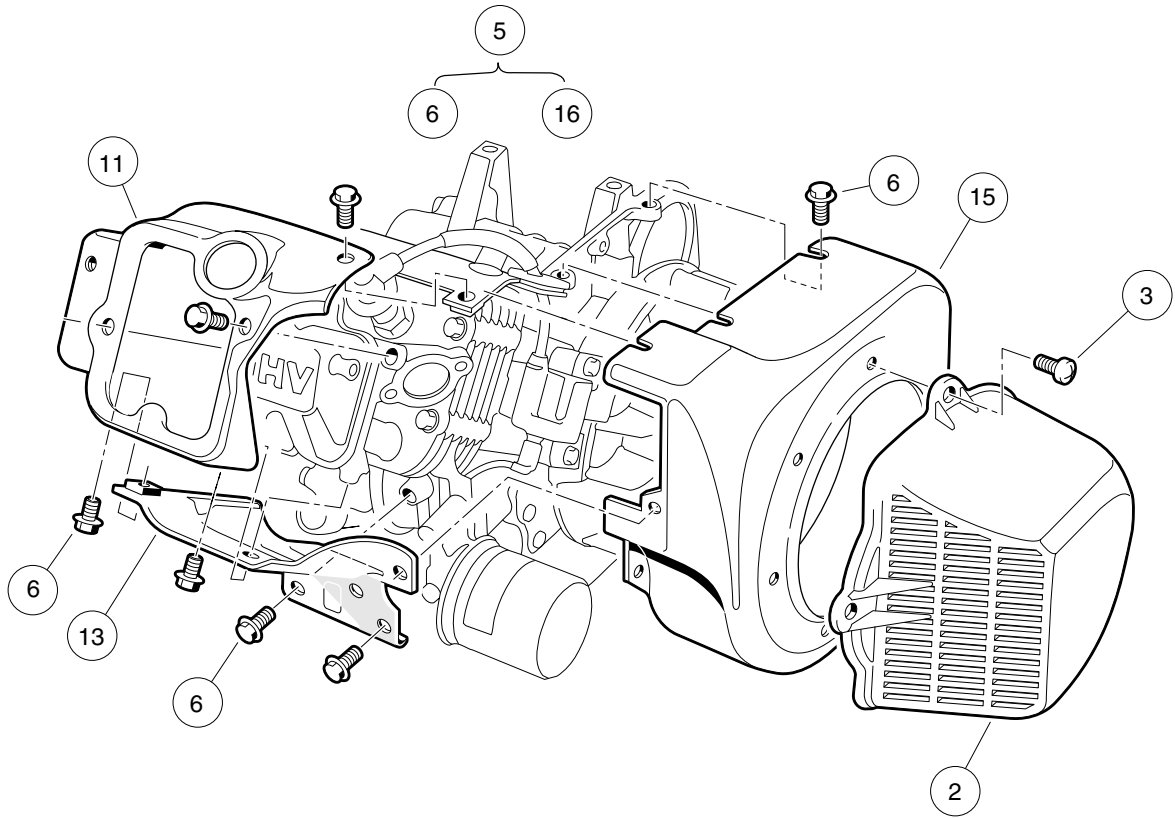
001064-001

TUNE-UP KIT – KAWASAKI FE350

ITEM	PART NO.	DESCRIPTION	QTY
		1 2 3 4	
1	<u>AM1220301</u>	Kit, Tune-Up (For FE290 and FE350 engines) (includes items 2 through 5)	1
2	<u>102003201</u>	Filter, Fuel, 30 Micron	1
3	<u>102558201</u>	Air Filter, 4 Inch	1
4	<u>103887901</u>	Filter, Oil, Kawasaki	1
5	<u>AM1232301</u>	Spark Plug, BPR2ES	1

8

G



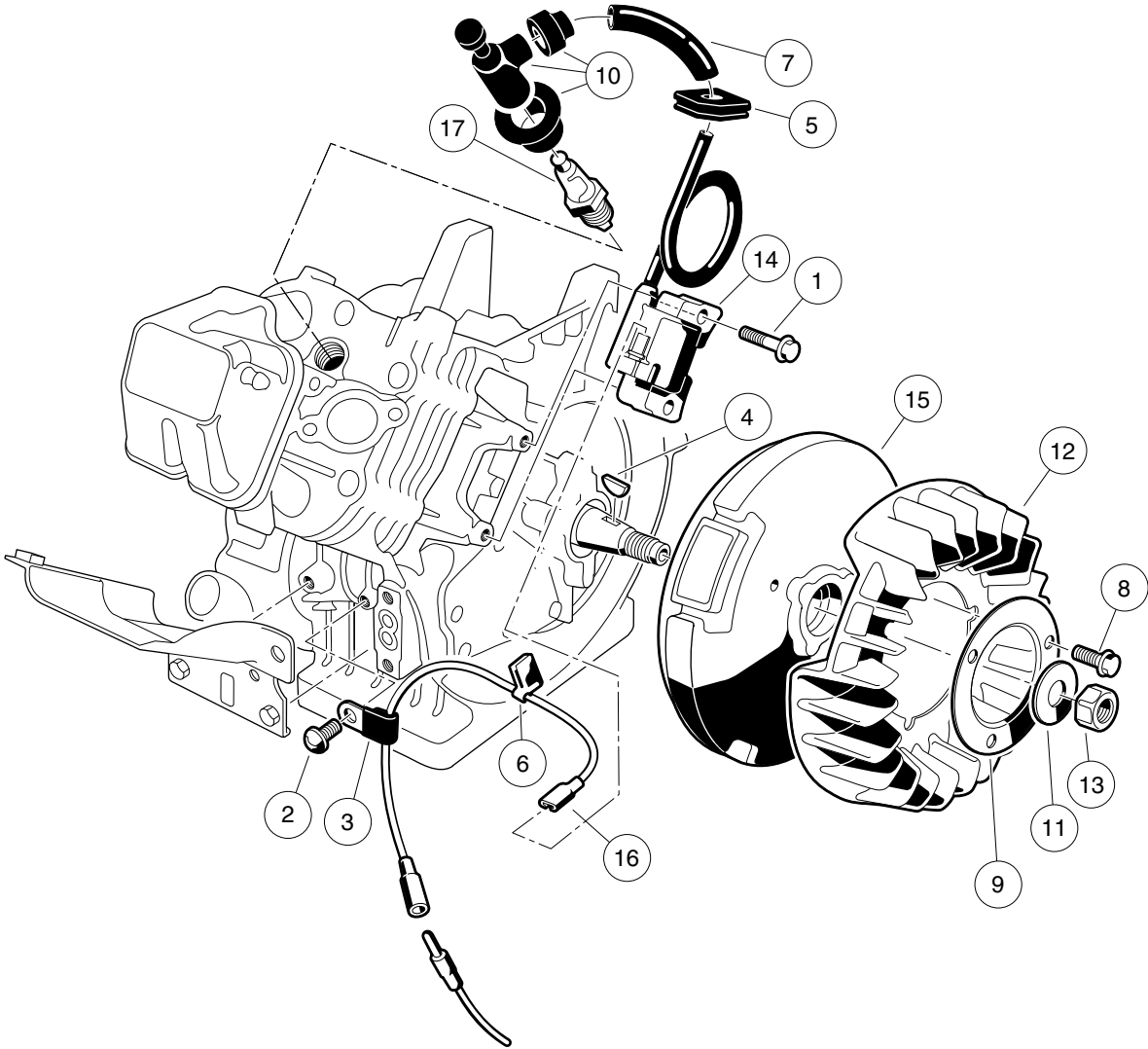
000201-002

FE350 ENGINE (S27) W/O ACR, SHROUDS, AND BRACKETS; 50-STATE

ITEM	PART NO.	DESCRIPTION	QTY
		1 2 3 4	
1	<u>1015332</u>	Wire, Ground, #10, Uninsulated	1
2	<u>1015649</u>	Shroud, Fan	1
3	<u>1015969</u>	Screw, M6-1.00 X 10mm, Pan Hd	4
4	<u>101887601</u>	Locknut, M6-1.00 Nylon Insert	1
5	<u>103386202</u>	Engine, FE350 S27 (includes items 6 through 16)	1
6	1016456	Bolt, Flange Head, M6 x 1 x 12 mm	16
7	<u>1016507</u>	Bolt, Two-Ended	1
8	1016531	Dipstick	1
9	<u>1016539</u>	O-Ring	1
10	1016547	Nut, M6 Flange	1
11	<u>1017474</u>	Shroud, Engine	1
12	<u>1017475</u>	Shroud, Engine	1
13	<u>1017476</u>	Shroud, Engine	1
14	<u>1017486</u>	Tube, Oil Filler	1
15	<u>101916101</u>	Housing, FE350 Fan	1
16	N/A	Washer, 6mm Flat	1
Note: The S27 engine meets emission requirements for all 50 states.			

8

G

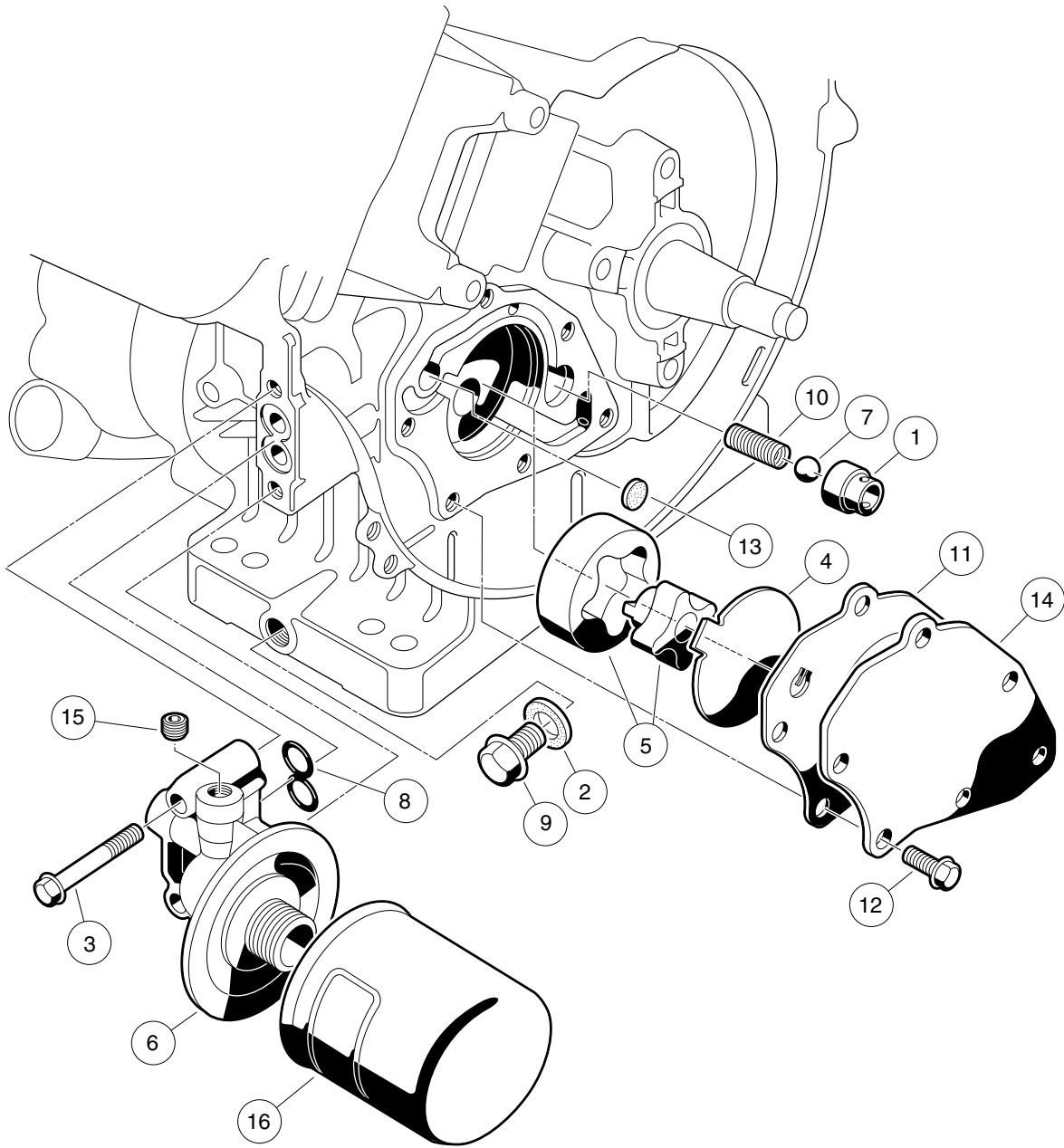


000202-004

FE350 ENGINE (S27) – IGNITION COMPONENTS AND FLYWHEEL

ITEM	PART NO.	DESCRIPTION	QTY
		1 2 3 4	
1	<u>1016455</u>	Bolt, Flange Head	2
2	<u>1016544</u>	Screw	1
3	<u>1016561</u>	Clamp	1
4	<u>1016562</u>	Key	1
5	<u>1016578</u>	Grommet, Ignition	1
6	<u>1016587</u>	Clamp	1
7	<u>1016588</u>	Tube, 7mm X 10mm X 70mm	1
8	<u>1017448</u>	Bolt, Flanged	3
9	<u>1017455</u>	Plate, Flywheel Fan	1
10	<u>1017463</u>	Cap Asm, Plug	1
11	<u>1017490</u>	Washer, Flat	1
12	<u>101916301</u>	Fan (cw)	1
13	<u>102838401</u>	Nut, Hex, 18 mm Fine	1
14	<u>103616501</u>	Coil Asm, Ignition	1
15	<u>103616601</u>	Flywheel, Complete	1
16	<u>103616701</u>	Wire Lead, Ignition	1
17	<u>AM1232301</u>	Spark Plug, BPR2ES	1

8
G



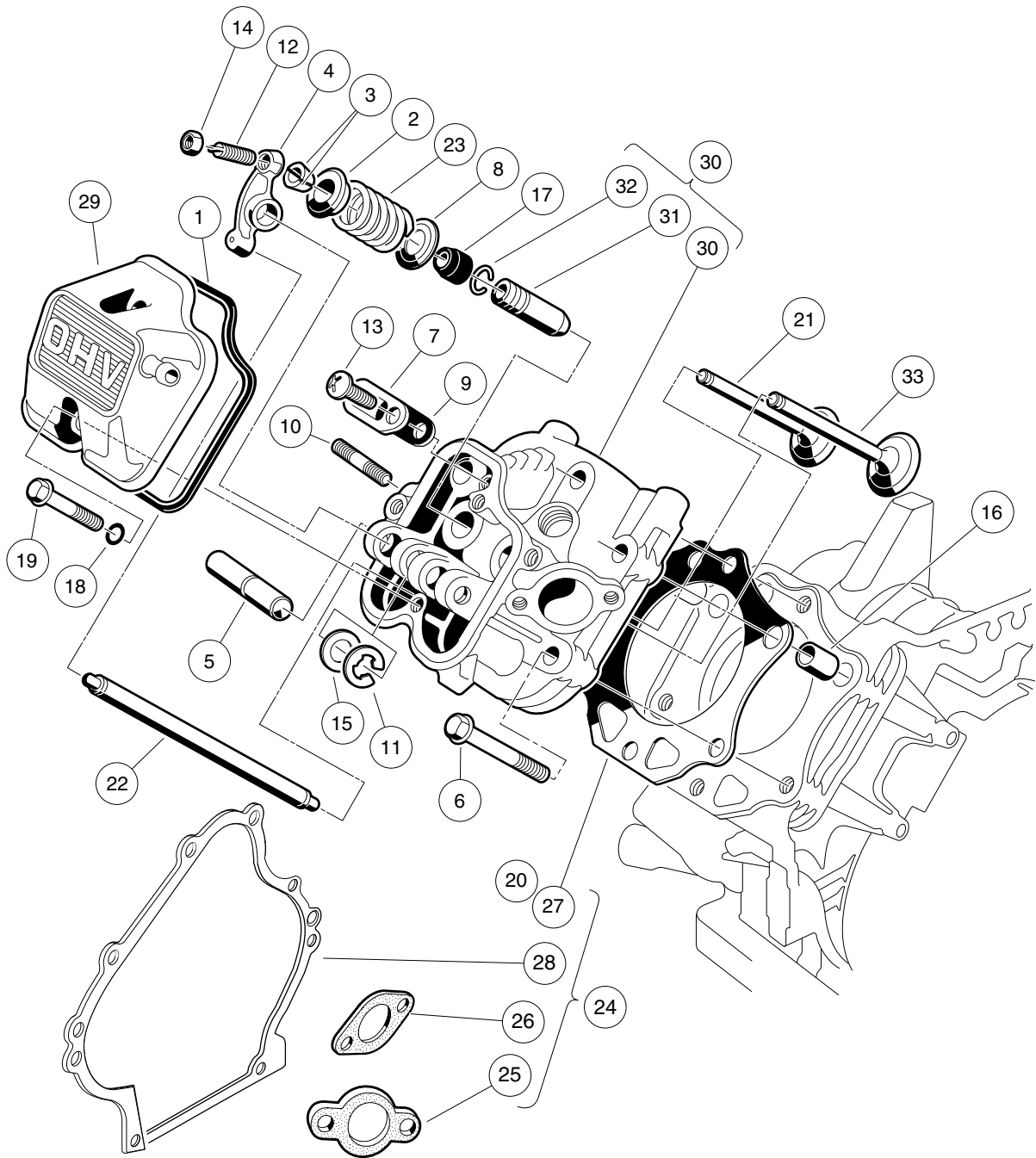
000203-002

FE350 ENGINE (S27) – OIL CIRCULATION

ITEM	PART NO.	DESCRIPTION	QTY
		1 2 3 4	
1	1016429	Seat, Valve Oil Pressure Relief	1
2	<u>1016432</u>	Gasket, Drain Plug	1
3	<u>1016457</u>	Bolt, Flange Head	2
4	<u>1016473</u>	Plate, Oil Pump	1
5	<u>101648203</u>	Oil Pump And Rotor	1
6	<u>1016502</u>	Bracket, Oil Filter Mount	1
7	<u>1016537</u>	Ball, Steel, Press, Relief	1
8	<u>1016570</u>	O-Ring	1
9	1016576	Plug, Drain	1
10	<u>1016581</u>	Spring	1
11	<u>1017442</u>	Gasket	1
12	<u>1017456</u>	Bolt, Flanged	6
13	<u>1017458</u>	Filter	1
14	<u>1017460</u>	Cover, Pump	1
15	<u>1017507</u>	Plug	2
16	<u>103887901</u>	Filter, Oil, Kawasaki	1

8

G

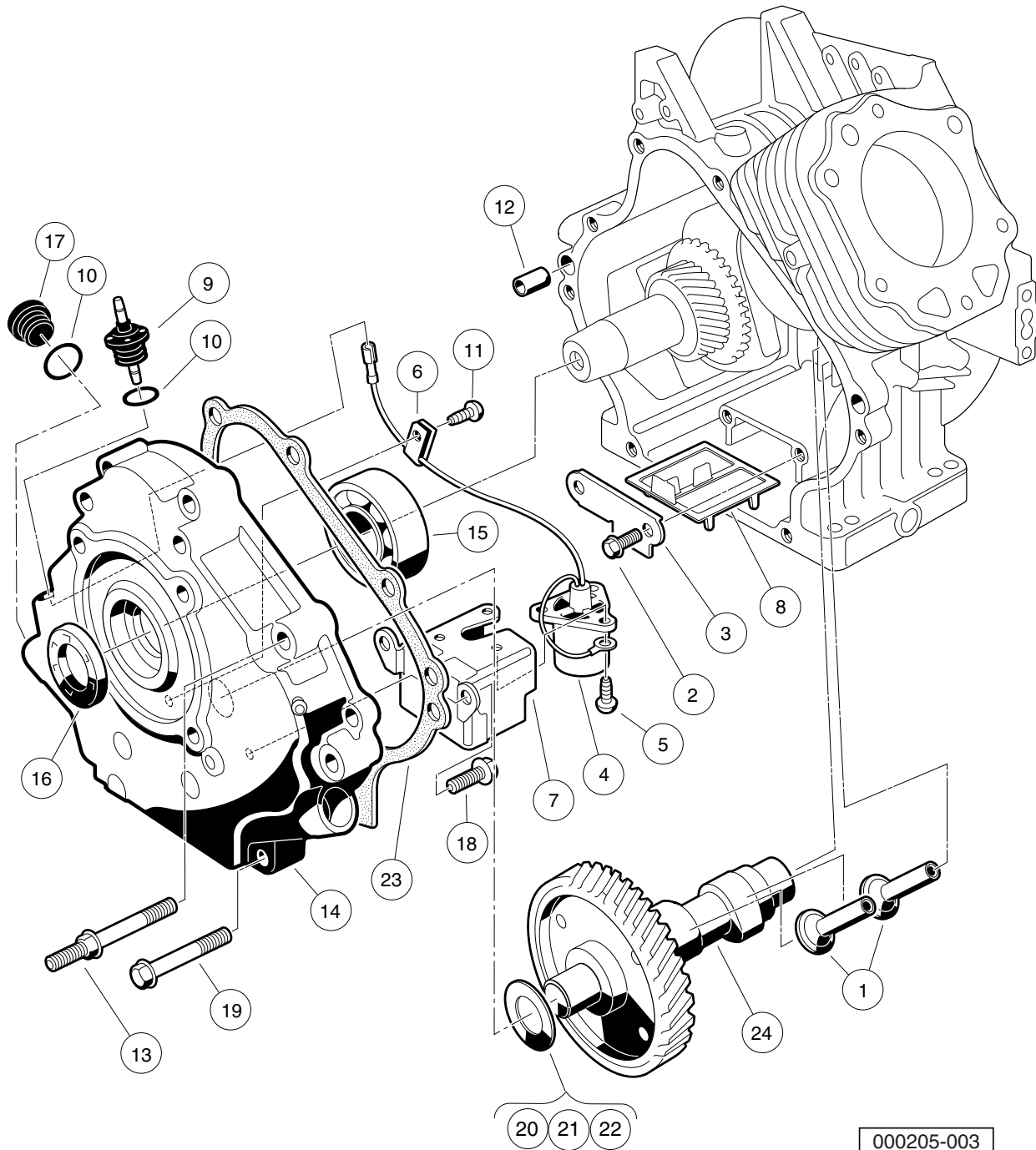


000204-007

FE350 ENGINE (S27) – CYLINDER HEAD

ITEM	PART NO.	DESCRIPTION	QTY
		1 2 3 4	
1	<u>1016436</u>	Gasket, Rocker Case	1
2	<u>1016449</u>	Retainer, Valve Spring	2
3	<u>1016450</u>	Collet	4
4	<u>1016451</u>	Arm, Rocker	2
5	<u>1016452</u>	Shaft, Rocker	1
6	<u>1016458</u>	Bolt, Flange Head, M8 x 1.25 x 45 mm	6
7	<u>1016474</u>	Plate	1
8	<u>1016479</u>	Seat, Spring	2
9	<u>1016483</u>	Valve	1
10	<u>1016489</u>	Stud, Two-Ended, M8-1.25	2
11	<u>1016517</u>	Circlip, Type-E	1
12	<u>1016542</u>	Screw	2
13	<u>1016544</u>	Screw	1
14	<u>1016545</u>	Nut	2
15	<u>1016549</u>	Washer, 12.1x19x1.8	1
16	<u>1016563</u>	Pin	2
17	<u>1016566</u>	Seal, Oil	2
18	<u>1016569</u>	O-Ring	2
19	<u>1016583</u>	Bolt, 6x35	2
20	<u>1017434</u>	Gasket, Head	1
21	<u>1017445</u>	Valve, Exhaust	1
22	<u>1017454</u>	Rod, Push	2
23	<u>1017473</u>	Spring, Engine Valve	2
24	<u>102304801</u>	Kit, Gasket, FE350 (includes items 25 through 28)	1
25	<u>1016440</u>	Gasket, Engine to Insulator	1
26	<u>1016904</u>	Gasket, Exhaust	1
27	<u>1017434</u>	Gasket, Head	1
28	<u>1017443</u>	Gasket, Crankcase Cover	1
29	<u>102753401</u>	Case, Rocker, Fe	1
30	<u>103615601</u>	Cylinder Head (includes items 31 and 32)	1
31	<u>1016519</u>	Guide, Valve, Intake, Exhaust	2
32	<u>1016560</u>	Snap Ring	2
33	<u>103616301</u>	Valve, Intake, Hard Tip	1
		Note: Item 25 is not a component of the FE350 engine.	

8
G

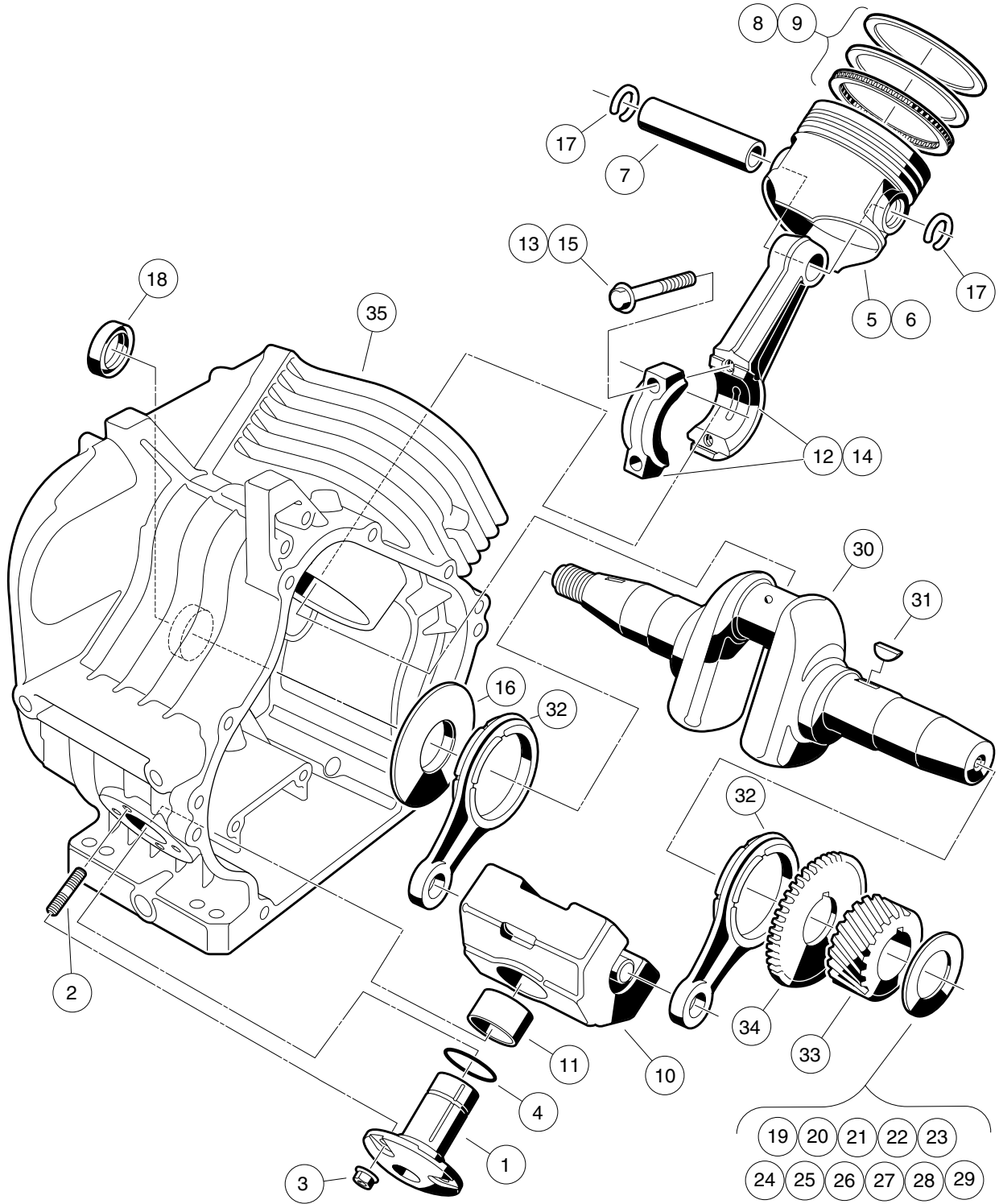


000205-003

FE350 ENGINE (S27) – CRANKCASE, CAMSHAFT, AND OIL SENSOR

ITEM	PART NO.	DESCRIPTION	QTY
		1 2 3 4	
1	1016453	Tappet	2
2	<u>1016454</u>	Bolt, Flange Head, M5 x 0.8 x 8 mm	2
3	<u>1016472</u>	Plate, Oil Filter Screen	1
4	1016494	Sensor, Oil Level	1
5	<u>1016496</u>	Screw, Cross Pan-Head, M4 x 0.7 x 8 mm	3
6	<u>1016506</u>	Clamp	1
7	<u>1016510</u>	Bracket, Switch, Oil Level	1
8	<u>1016521</u>	Screen, Oil Filter	1
9	<u>1016535</u>	Connector, Cord	1
10	<u>1016538</u>	O-Ring	2
11	<u>1016544</u>	Screw	1
12	<u>1016564</u>	Pin	2
13	<u>1016584</u>	Bolt, Two-Ended, M8 x 1.25 x 69 mm	2
14	<u>1017472</u>	Cover Crankcase	1
15	<u>1017487</u>	Bearing, Ball	1
16	<u>1017504</u>	Seal, Oil	1
17	1017508	Plug	1
18	<u>1017513</u>	Bolt Switch Bracket	2
19	<u>1017514</u>	Screw, M8-1.25 X 45mm Hex	6
20	<u>101751801</u>	Shim, 0.3	1
21	<u>101751802</u>	Shim, 0.4	1
22	<u>101751803</u>	Shim, 0.5	1
23	<u>103615901</u>	Gasket, Crankcase Cover	1
24	<u>103616401</u>	Camshaft, Complete	1

8
G



000206-003

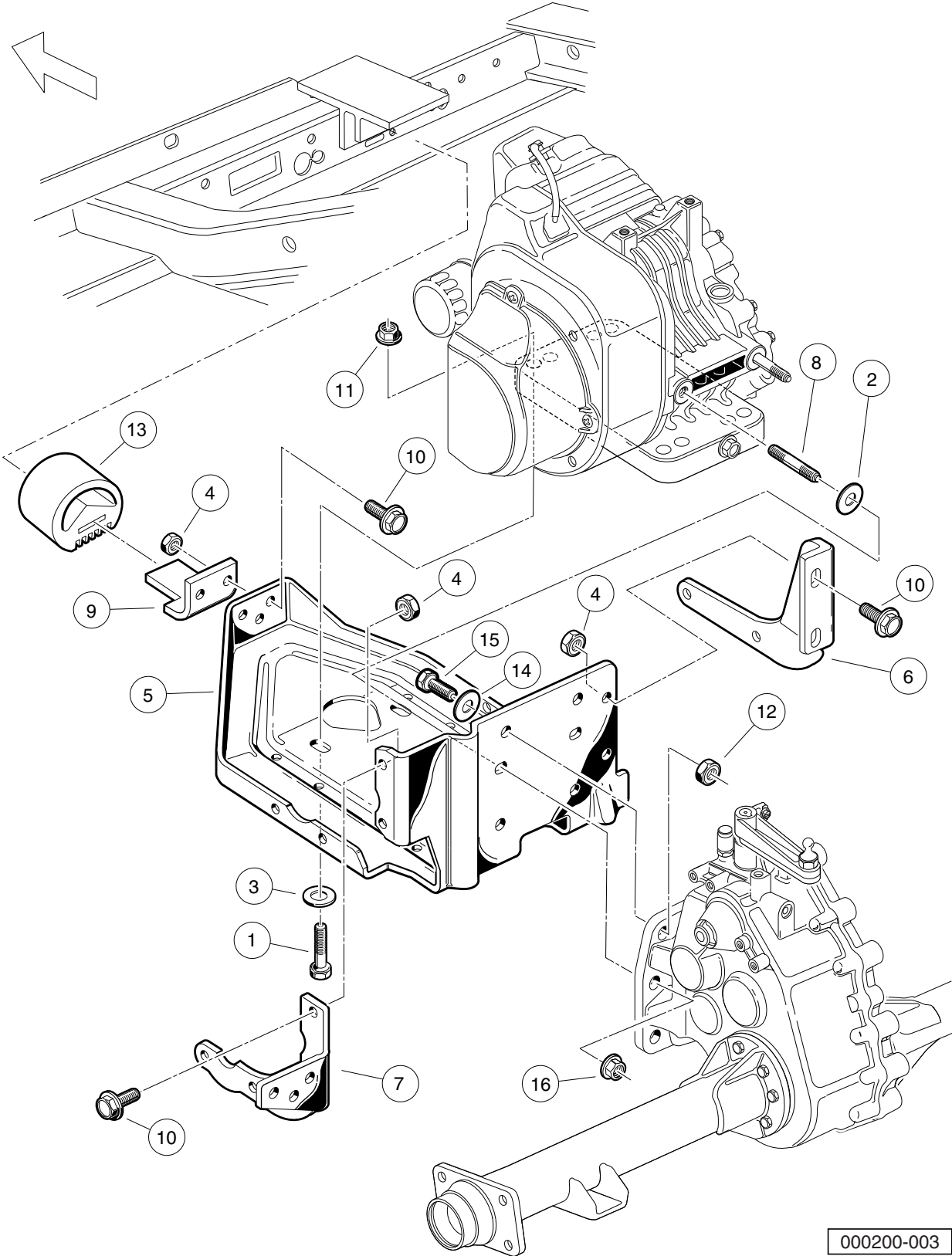
FE350 ENGINE (S27) – CRANKCASE AND CRANKSHAFT

ITEM	PART NO.	DESCRIPTION	QTY
		1 2 3 4	
1	1016470	Shaft, Guide, Counterbalance	1
2	<u>1016541</u>	Stud, 6x14	4
3	1016547	Nut, Flanged, M6 X 1.00	4
4	<u>1016571</u>	O-Ring	1
5	<u>101744901</u>	Piston, Standard	1
6	<u>101744902</u>	Piston, 0.50 mm Oversize	1
7	1017450	Pin, Piston	1
8	<u>101745101</u>	Ring Set, Standard Piston	1
9	<u>101745102</u>	Ring Set, Piston, 0.50 mm Oversize	1
10	<u>1017453</u>	Counterbalance Weight (includes item 11)	1
11	1017510	Bearing, Plain	1
12	101745701	Asm, Con. Rod Std (includes item 13)	1
13	<u>1017512</u>	Bolt	2
14	<u>101745702</u>	Asm,Con.Rod 0.5mm U/s (includes item 15)	1
15	<u>1017512</u>	Bolt	2
16	1017501	Spacer	1
17	<u>1017502</u>	Snap Ring	2
18	<u>1017503</u>	Seal, Oil	1
19	<u>101773301</u>	Shim, Crankshaft, 1.18mm	1
20	<u>101773302</u>	Shim, Crankshaft, 1.25mm	1
21	<u>101773303</u>	Shim, Crankshaft, 1.32mm	1
22	<u>101773304</u>	Shim, Crankshaft, 1.39mm	1
23	<u>101773305</u>	Shim, Crankshaft, 1.46mm	1
24	<u>101773306</u>	Shim, Crankshaft, 1.53mm	1
25	<u>101773307</u>	Shim, Crankshaft, 1.60mm	1
26	<u>101773308</u>	Shim, Crankshaft, 1.67mm	1
27	<u>101773309</u>	Shim, Crankshaft, 1.74mm	1
28	<u>101773310</u>	Shim, Crankshaft, 1.11 mm	1
29	<u>101773311</u>	Shim, Crankshaft, 1.81mm	1
30	<u>102430901</u>	Crankshaft, FE350 Left-Hand, 22-Tooth (includes items 31 through 34)	1
31	<u>1016562</u>	Key	1
32	<u>1017471</u>	Rod	2
33	N/A	Gear, Helical	1
34	N/A	Gear, Spur	1
35	<u>103615801</u>	Crankcase, FE350	1

8

G

8
G



000200-003

FE350 ENGINE (S27) – MOUNTING

ITEM	PART NO.	DESCRIPTION	QTY
		1 2 3 4	
1	<u>1010577</u>	Bolt, Hex-Head, 5/16-18 X 1.50	4
2	<u>1011697</u>	Washer, 5/16 Flat	2
3	1012571	Washer, 5/16 Extra Thick Flat	4
4	<u>1013924</u>	Nut, 5/16-24, Hex Head Cone	10
5	<u>101827101</u>	Plate, Engine Mounting	1
6	<u>101832601</u>	Stiffener (PTO Side)	1
7	<u>101832701</u>	Stiffener (Flywheel Side)	1
8	<u>101833101</u>	Stud, M8-1.25 X 50 mm Two-Ended	2
9	<u>101834601</u>	Bracket, Snubber	1
10	<u>101884801</u>	Screw, 5/16-24 X 0.875, Grade-8	10
11	<u>101963401</u>	Locknut, 5/16-18 Hex Flange	4
12	<u>102065901</u>	Locknut, 3/8-16 Flanged Dimple	4
13	<u>102540301</u>	Snubber, Inner Frame	1
14	<u>334</u>	Washer, 3/8, Type A, Flat	4
15	705	Screw, Cap-hex Hd 3/8-16x1.25	4
16	<u>96704416</u>	Nut, Flange, M8 X 1.25 Serrated	2

8

G

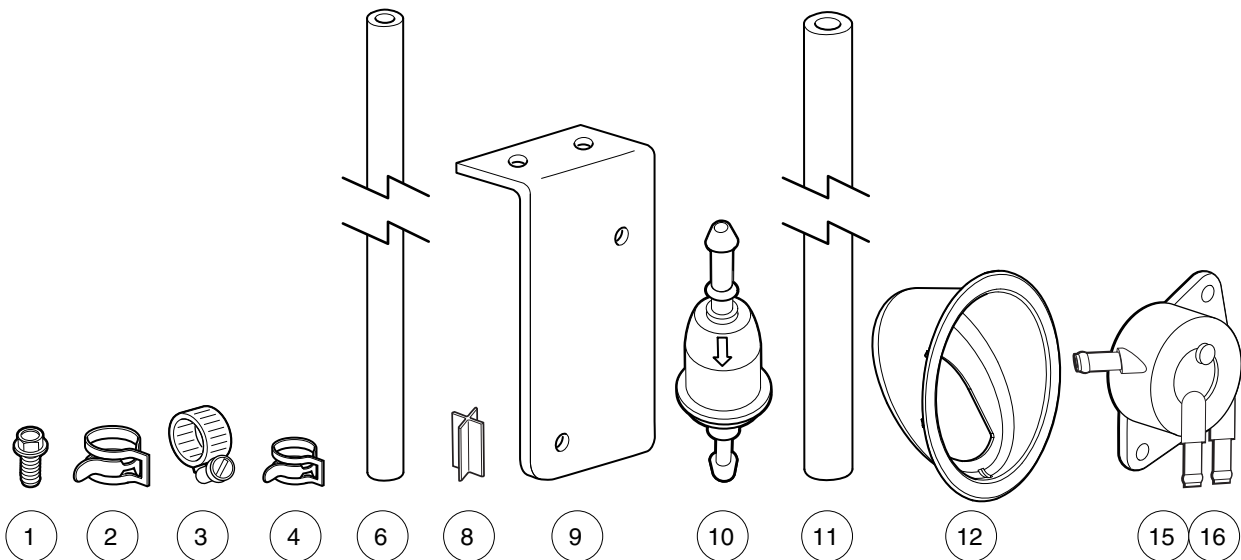
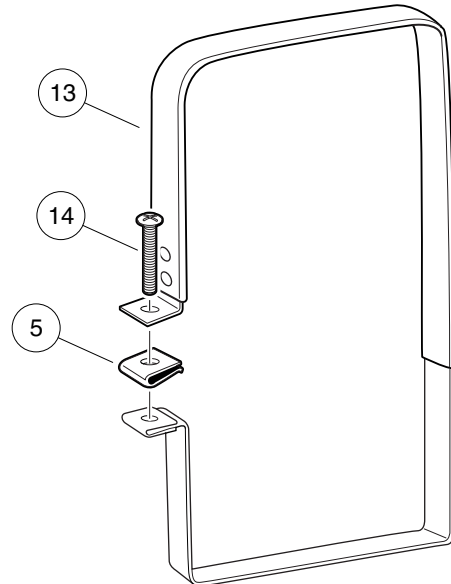
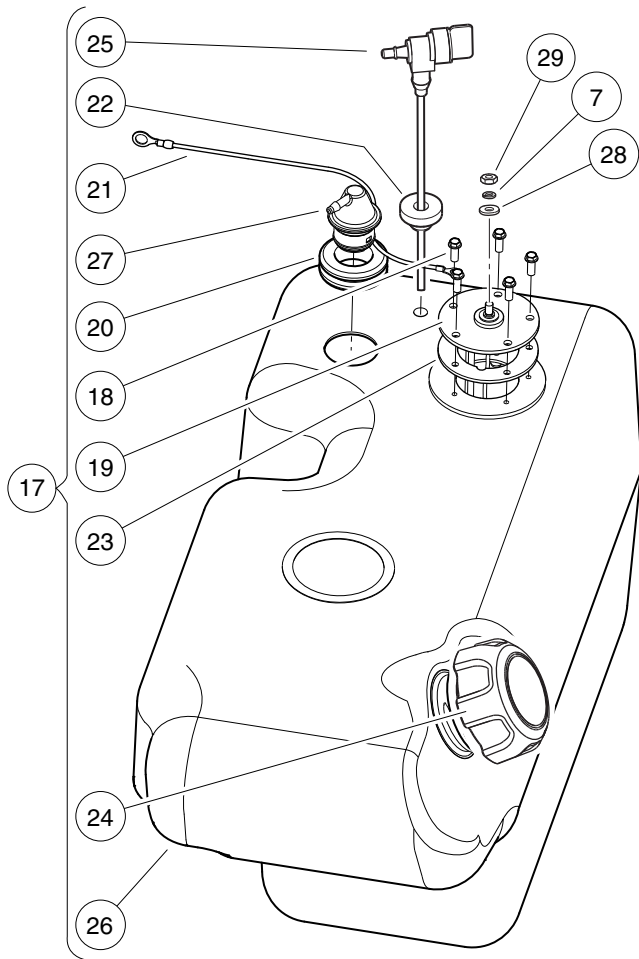
8

G

FUEL, INTAKE, AND GOVERNOR SYSTEMS

9

G



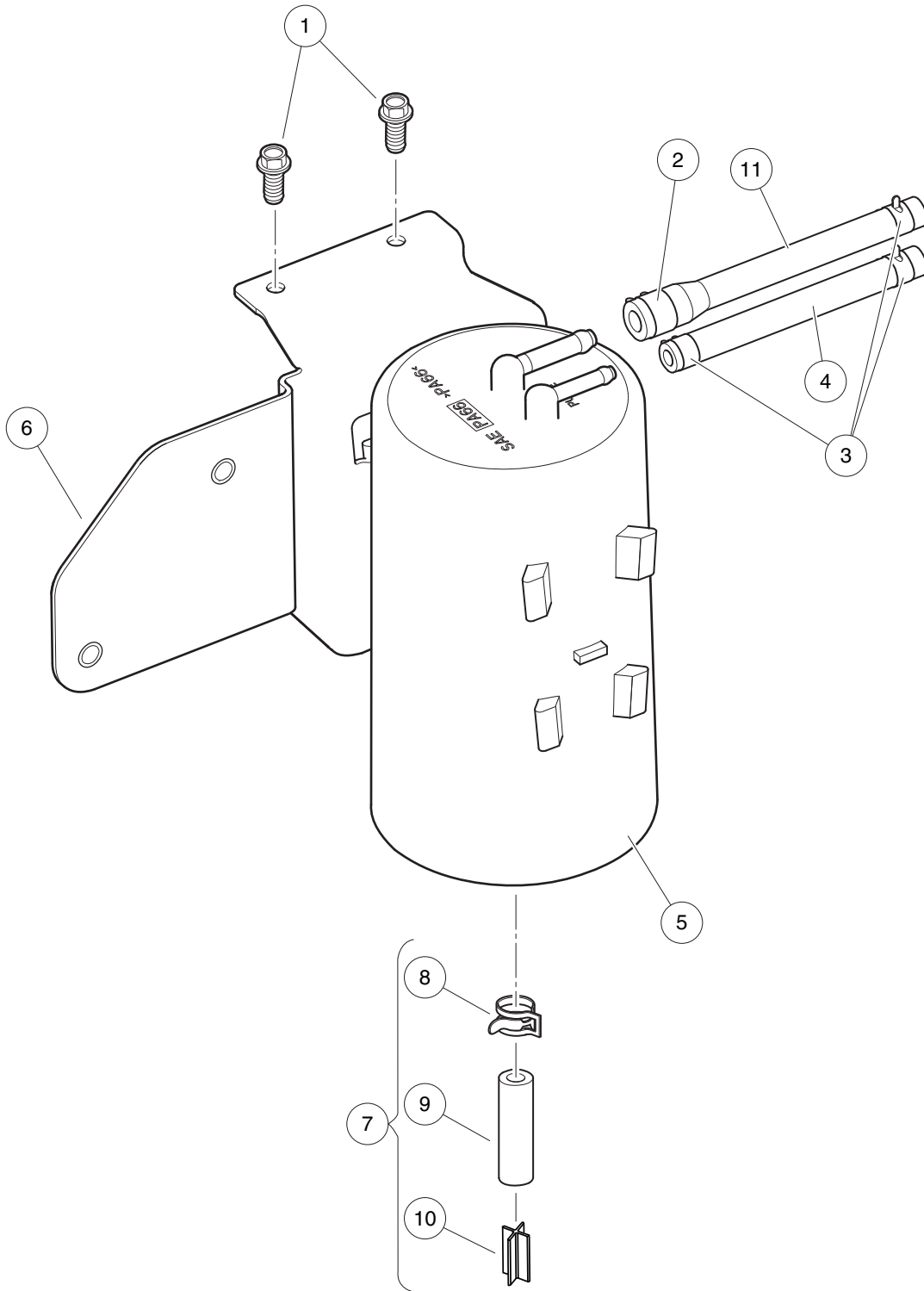
001072-006

FUEL SYSTEM, 50-STATE

ITEM	PART NO.	DESCRIPTION	QTY
		1 2 3 4	
1	<u>1012285</u>	Screw, 1/4 X 0.625 Hex-Head	4
2	<u>1012649</u>	Clamp, 0.460 Red Hose	8
3	<u>1013687</u>	Clamp, 3/8" Hose (screw type)	1
4	<u>1013746</u>	Clamp, 0.301 ID Hose	2
5	<u>1014116</u>	Nut, 1/4-20 Speed	1
6	<u>1015137</u>	Fuel Line, 3/16 (available by the foot)	A/R
7	<u>1016</u>	Lockwasher, #10 Split	1
8	<u>101824401</u>	Vent Barb	1
9	<u>101929501</u>	Mount Fuel Pump	1
10	<u>102003201</u>	Filter, Fuel, 30 Micron	2
11	<u>102865101</u>	Fuel Line, 1/4 (available by the foot)	A/R
12	<u>102977901</u>	Bezel, Fuel Fill, 5.0 Dia	1
13	<u>102978001</u>	Strap, Fuel Tank, Side Fill	1
14	<u>103306301</u>	Screw, Bhsc, 1/4-20 X 2.0	1
15	<u>103781101</u>	Kit, Fuel Pump Retrofit (includes item 16)	1
16	<u>103010101</u>	Pump, Fuel, Impulse, Fh	1
17	<u>103956801</u>	Asm, Fuel Tank,side Fill,nano (includes items 18 through 27)	1
18	<u>1013461</u>	Screw, #10-16 Hex-Head Hi-Lo	5
19	<u>1013462</u>	Sending Unit, Fuel Level *	1
20	<u>1015139</u>	Insulation Grommet	1
21	<u>1015921</u>	Wire Assembly #16 Black	1
22	<u>102406701</u>	Bushing, Line, Return	1
23	<u>102522001</u>	Gasket, Rubber	1
24	<u>103372101</u>	Cap, Fuel Tank, Gas, Ratchet	1
25	<u>103372301</u>	Valve, Fuel, 259mm	1
26	<u>103788001</u>	Tank, Fuel,side Fill,nano	1
27	<u>103905201</u>	Assembly, Vent, Fuel, 1/4 Inch O.D.	1
28	<u>183</u>	Washer, #10, Type A, Flat	1
29	<u>8797</u>	Nut, #10-32 Brass Hex	1
		* Note: Must replace fuel sending unit gasket when servicing this component.	

9

G



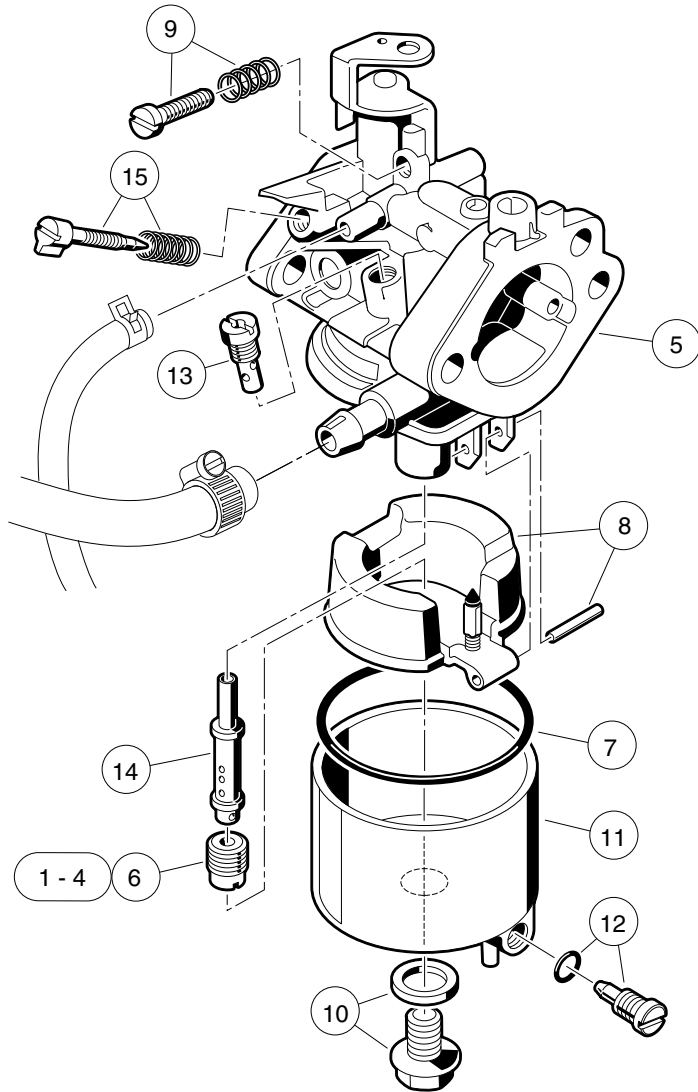
000980-008

CARBON CANISTER

ITEM	PART NO.	DESCRIPTION	QTY
		1 2 3 4	
1	<u>1012285</u>	Screw, 1/4 X 0.625 Hex-Head	2
2	<u>101313402</u>	Clamp, Green Hose	1
3	<u>1013746</u>	Clamp, 0.301 ID Hose	3
4	<u>1015137</u>	Fuel Line, 3/16 (available by the foot)	A/R
5	<u>103372401</u>	Canister, Carbon	1
6	<u>103372801</u>	Bracket, Carbon Canister, Sw	1
7	<u>103418601</u>	Asm, Vent Line, Utility (includes items 8 through 10)	1
8	<u>1012649</u>	Clamp, 0.460 Red Hose	1
9	N/A	Hose, Vent, 5/16 I.D., Bulk	A/R
10	N/A	Vent, Barb, 5/16 I.D. Hose	1
11	<u>103851201</u>	Hose, Vent Flared, 9.0 Inch	1

9

G



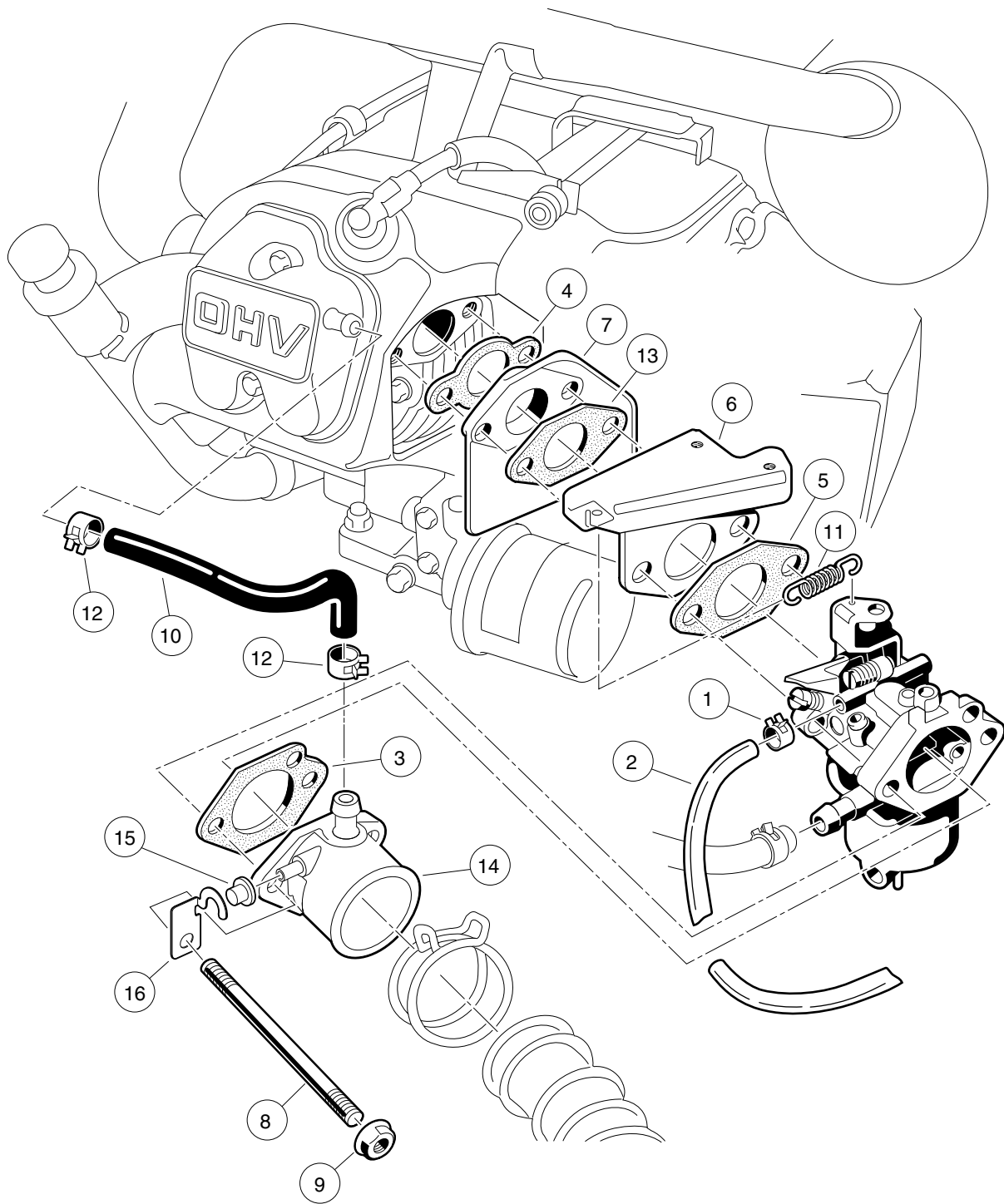
000212-002

CARBURETOR ASSEMBLY – FE350 S27

ITEM	PART NO.	DESCRIPTION	QTY
		1 2 3 4	
1	<u>101642575</u>	Jet, Altitude, # 75	1
2	<u>101642578</u>	Jet, Altitude, # 78	1
3	<u>101642580</u>	Jet, Altitude, # 80	1
4	<u>101642582</u>	Jet, Altitude, # 82	1
5	<u>103617101</u>	Carburetor, FE350 S27 (includes items 6 through 15)	1
6	<u>101642585</u>	Jet, Altitude, # 85	1
7	<u>1016437</u>	Gasket, Carburetor Bowl OHV	1
8	<u>1016486</u>	Float Assembly	1
9	<u>1016501</u>	Screw Assembly	1
10	<u>1016585</u>	Bolt	1
11	<u>1017461</u>	Chamber Assembly, Float (includes item 12)	1
12	<u>1016499</u>	Screw Assembly	1
13	<u>101973101</u>	Jet, #40 Pilot	1
14	<u>101973301</u>	Nozzle, Main	1
15	N/A	Assembly, Pilot Air Screw	1
Note: <u>101642585</u> for 0 - 3,200 feet; <u>101642582</u> for 3,200 - 6,500 feet; <u>101642580</u> for 6,500 - 9,800 feet; <u>101642578</u> for 9,800 feet and above.			

9

G



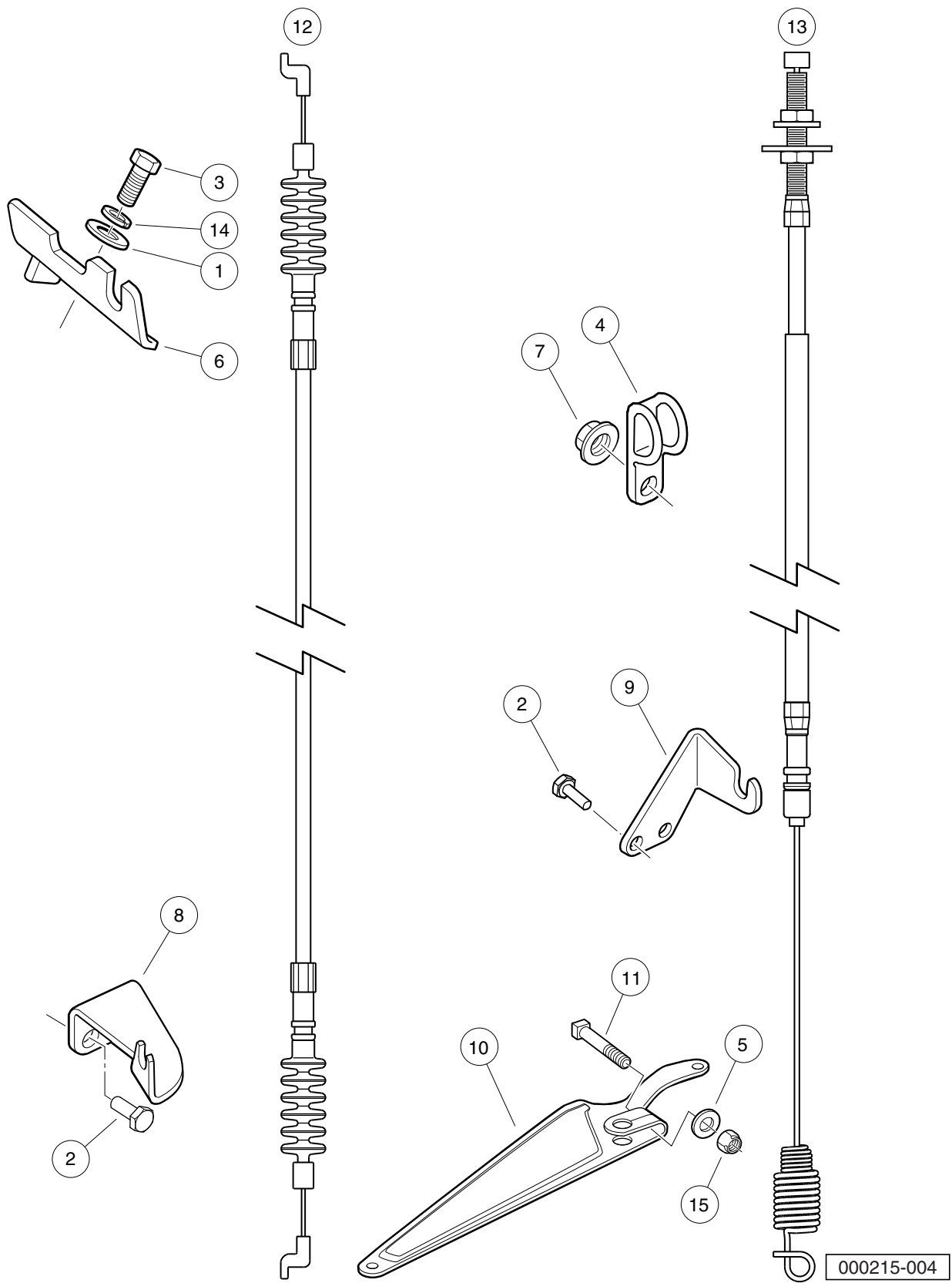
000214-002

CARBURETOR MOUNTING, UTILITY, FE350 S23 S24 S27

ITEM	PART NO.	DESCRIPTION	QTY
		1 2 3 4	
1	<u>1013746</u>	Clamp, 0.301 ID Hose	1
2	<u>1015137</u>	Fuel Line, 3/16 (available by the foot)	1
3	<u>1016438</u>	Gasket, Carb To Intake Manifold	1
4	<u>1016440</u>	Gasket, Engine to Insulator	1
5	<u>1016441</u>	Gasket, Sprg Brkt To Carb OHV	1
6	<u>1016444</u>	Bracket, Throttle Spring Return	1
7	101648102	Insulator, Carburetor	1
8	<u>101649002</u>	Stud, M6-1.00 Two-Ended	2
9	1016547	Nut, M6 Flange	2
10	<u>1016572</u>	Tube, Crankcase Vent	1
11	<u>1016582</u>	Spring, Throttle Return	1
12	<u>1017466</u>	Clamp	2
13	<u>101973401</u>	Gasket, Insulator To Bracket	1
14	103507101	Carburetor Adapter w/ Tap	1
15	103507201	Plug, Intake Manifold, Carb	1
16	103507301	Bracket, Intake Manifold, Carb	1

9

G

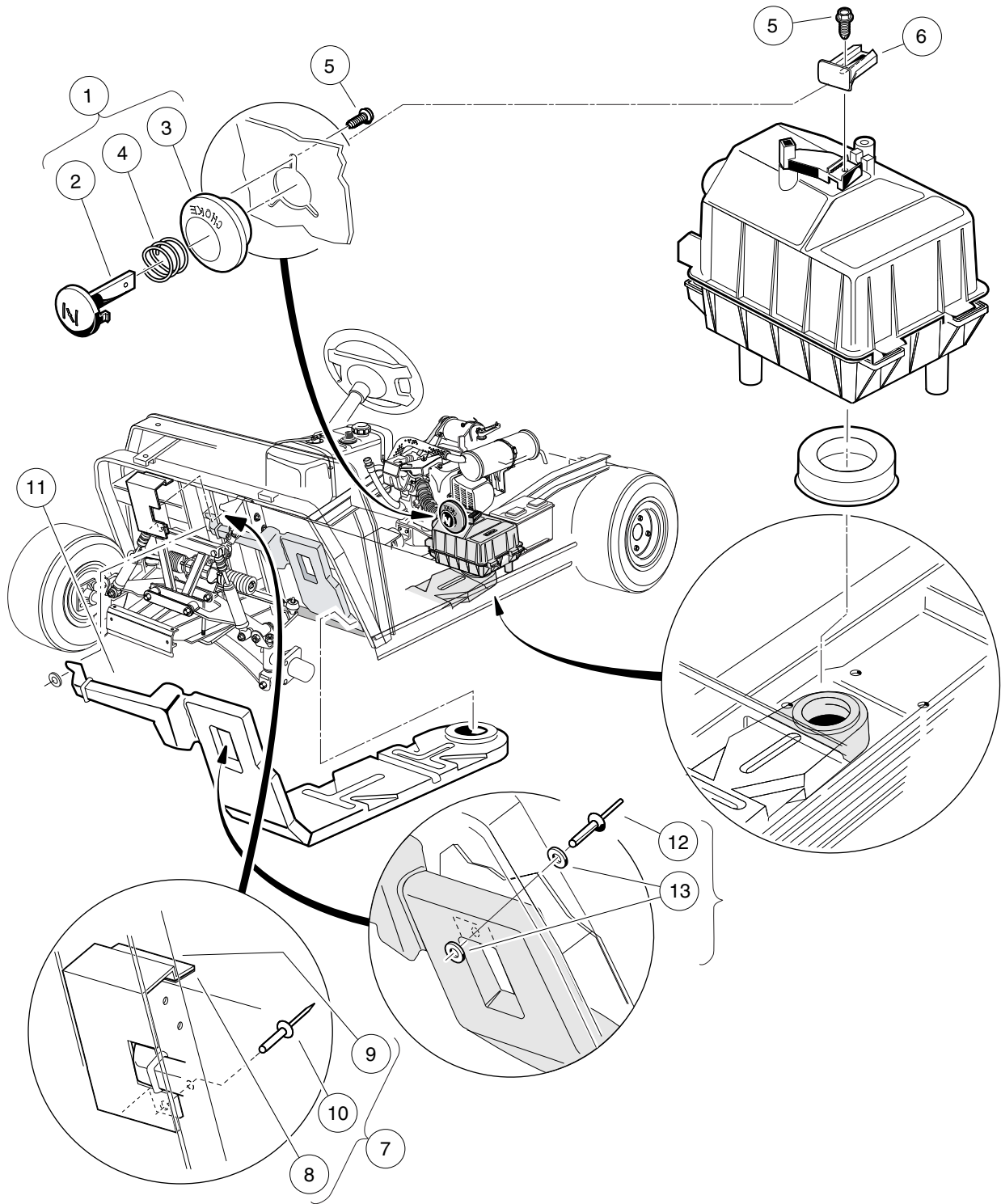


GOVERNOR AND ACCELERATOR CABLES

ITEM	PART NO.	DESCRIPTION	QTY
		1 2 3 4	
1	<u>1011697</u>	Washer, 5/16 Flat	1
2	<u>1012285</u>	Screw, 1/4 X 0.625 Hex-Head	4
3	<u>1012830</u>	Screw, M8-125 X 22 Hex-Head	1
4	<u>1013700</u>	Clamp	2
5	<u>1014007</u>	Washer, 1/4, Flat	1
6	<u>101584502</u>	Bracket, Governor Cable Snap-In	1
7	<u>1016546</u>	Nut	2
8	<u>101832202</u>	Bracket, Rear Governor Cable Snap-In	1
9	<u>101832302</u>	Bracket, Rear Accelerator Cable Snap-In	1
10	<u>101834801</u>	Arm, Governor	1
11	<u>101886101</u>	Screw, 1/4-20 X 1.00, Square-Head	1
12	<u>102336001</u>	Cable, Governor, Snap-In	1
13	<u>102336101</u>	Cable, Accelerator, Snap-In	1
14	<u>7174</u>	Lockwasher, 5/16 Split	1
15	<u>8233</u>	Locknut, 1/4-20, Nylon Insert	1

9

G

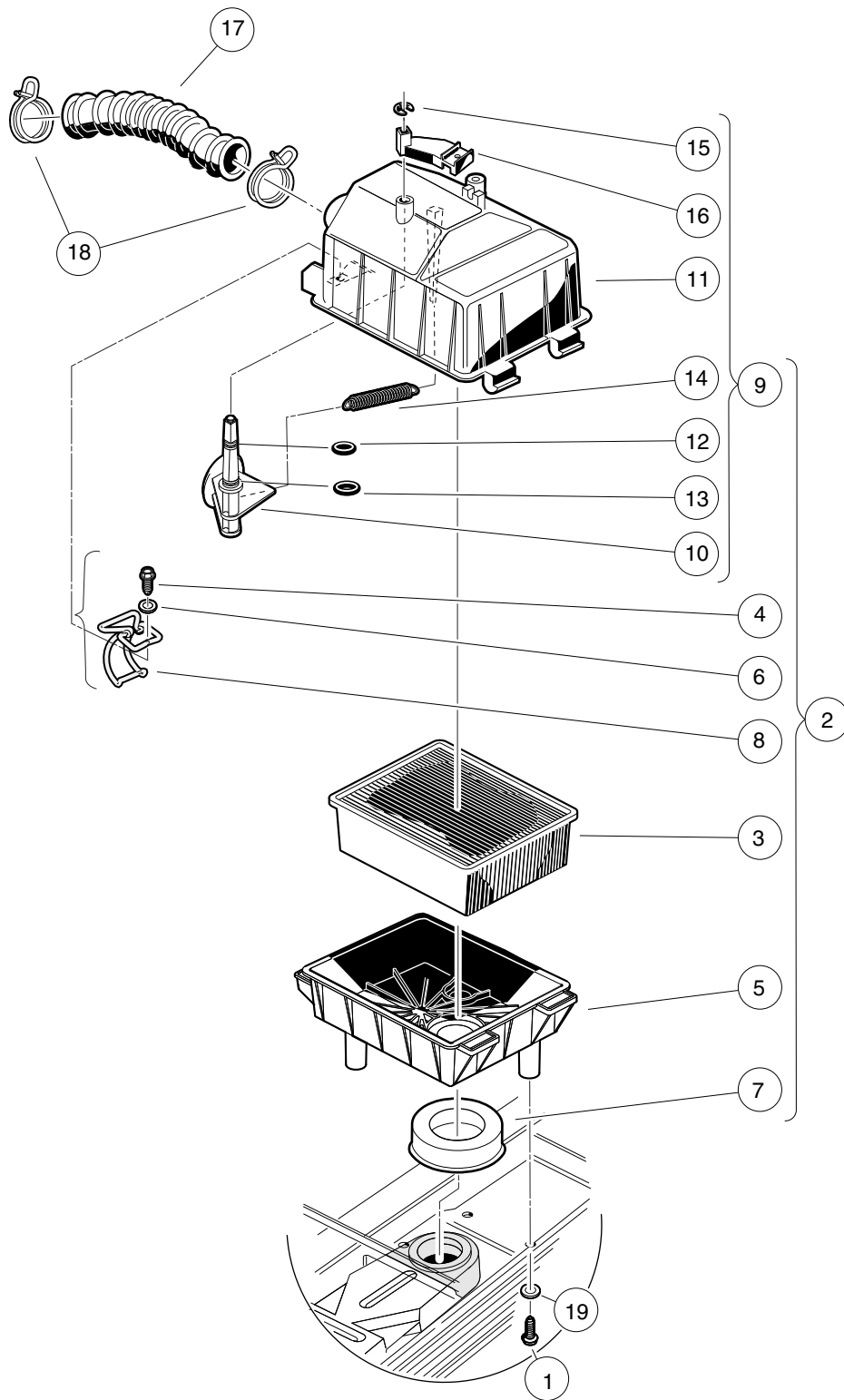


000338-006

AIR INTAKE DUCT AND CHOKE BUTTON – TURF/CARRYALL 1

ITEM	PART NO.	DESCRIPTION	QTY
		1 2 3 4	
1	<u>101805701</u>	Button Assembly, Choke (includes items 2 through 4)	1
2	<u>101811401</u>	Lever, Choke	1
3	<u>101811501</u>	Guide, Choke Lever	1
4	<u>101856201</u>	Compression Spring	1
5	<u>101850301</u>	Screw, #12-16 X 0.50 Washer-Head Hi-Lo	4
6	<u>101917701</u>	Choke Positioner	1
7	<u>102190702</u>	Kit, Air Duct Shield (includes items 8 through 10)	1
8	<u>102185401</u>	Tape, 3M VHB 4950	1
9	N/A	Shield, Air Duct	1
10	<u>7973</u>	Rivet, 3/16 X .400 Blind	1
11	<u>103520301</u>	Duct, Air Intake, Ds	1
12	<u>1606</u>	Rivet, 3/16 X .500 Alum Pop	2
13	<u>183</u>	Washer, #10, Type A, Flat	4

9
G



000332-001

AIR FILTER AND INTAKE HOSE

ITEM	PART NO.	DESCRIPTION	QTY
		1 2 3 4	
1	<u>1015752</u>	Screw, #12-16 X 0.625, Hi-Lo	3
2	<u>101821501</u>	Assembly, Air Box (includes items 3 through 9)	1
3	<u>1015426</u>	Filter, Air	1
4	<u>101804301</u>	Screw, #8 X 0.500, Hex-Head Hi-Lo	2
5	<u>101811901</u>	Bottom, Air Box	1
6	<u>101881701</u>	Washer, #8 Stainless-Steel Flat	2
7	<u>101921501</u>	Seal, Intake	1
8	<u>101925701</u>	Latch, Wireform	2
9	<u>101972801</u>	Top Assy, Air Box (includes items 10 through 16)	1
10	N/A	Valve, Choke	1
11	N/A	Top, Air Box	1
12	N/A	O-Ring, 5/16	1
13	N/A	O-Ring, 3/8	1
14	<u>101812301</u>	Spring, Extension Return	1
15	<u>101813001</u>	Retaining Ring 0.25, Shaft	1
16	<u>101917601</u>	Lever, Choke	1
17	<u>101837101</u>	Hose, Air Intake	1
18	<u>101971301</u>	Clamp, 1.58" ID Hose	2
19	<u>332</u>	Washer, 1/4 Type A Narrow Flat	3

9
G

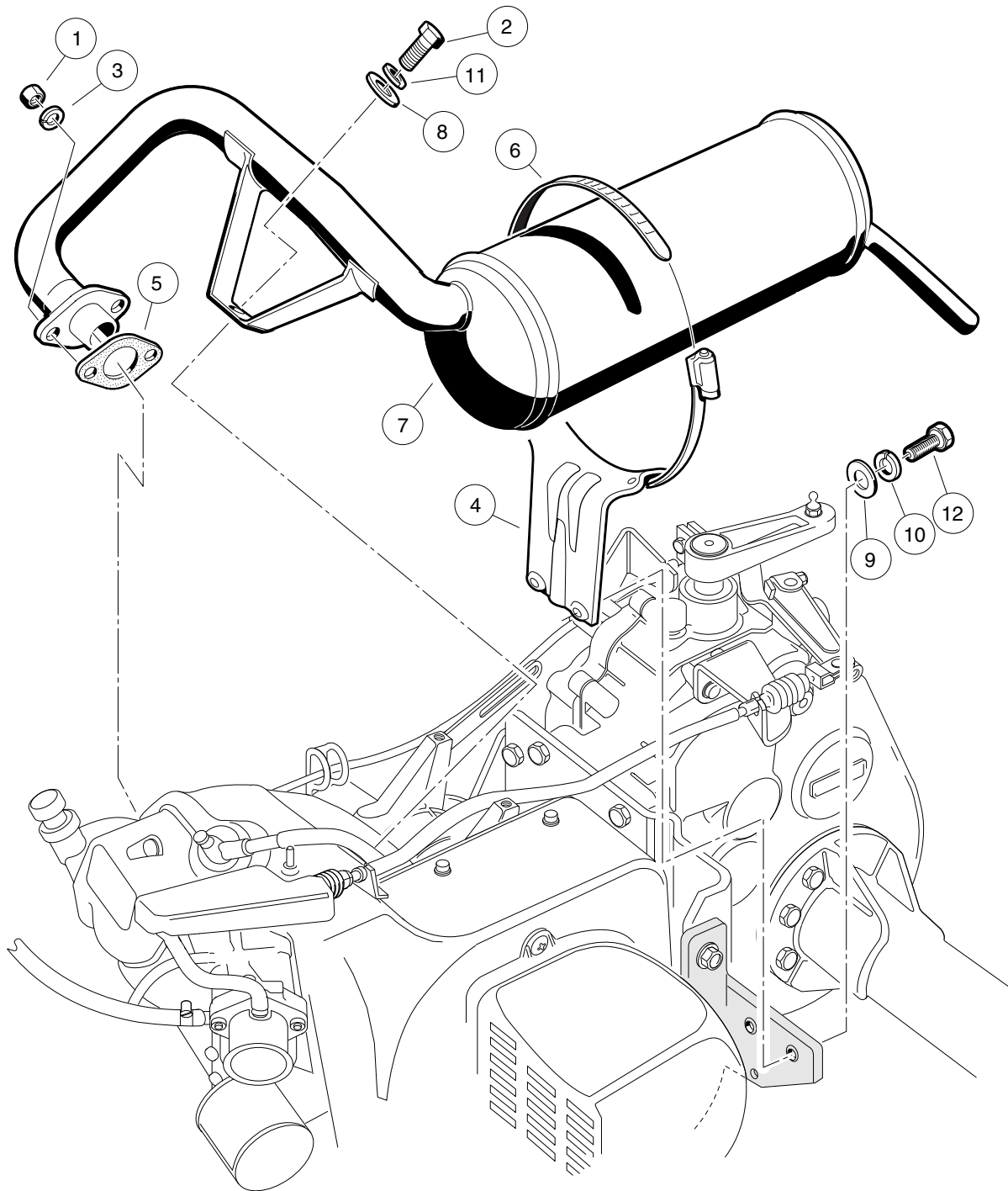
9

G

EXHAUST SYSTEM

10

G



000209-001

EXHAUST SYSTEM – FE350 ENGINE

ITEM	PART NO.	DESCRIPTION	QTY
		1 2 3 4	
1	<u>1012528</u>	Nut, M8-1.25 Hex	2
2	<u>1012830</u>	Screw, M8-125 X 22 Hex-Head	1
3	<u>1013734</u>	Lockwasher, 8mm Split	2
4	<u>1015814</u>	Bracket, Muffler Mounting	1
5	<u>1016904</u>	Gasket, Exhaust	1
6	1017689	Clamp, 5" Muffler Hose	1
7	<u>101859401</u>	Exhaust System, FE350	1
8	<u>1241</u>	Washer, 5/16 Type A Flat	1
9	<u>332</u>	Washer, 1/4 Type A Narrow Flat	2
10	<u>451</u>	Lockwasher, 1/4 Split	2
11	<u>7174</u>	Lockwasher, 5/16 Split	1
12	<u>7847</u>	Screw, 1/4-20 X 0.75 Hex-Head Cap	2

10

G

10

G

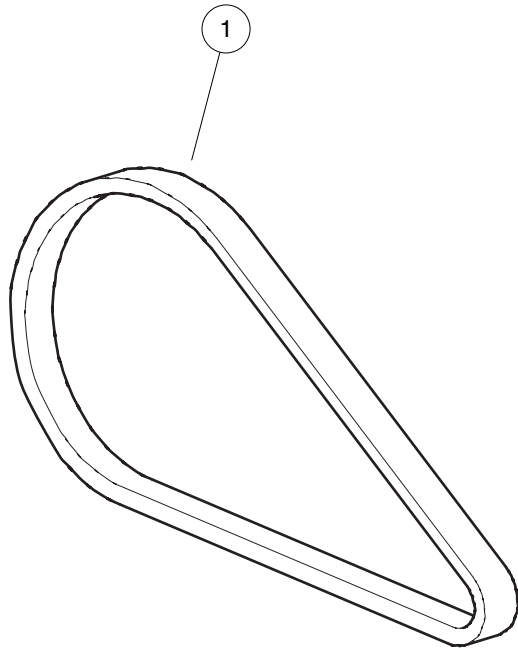
DRIVE BELT AND CLUTCHES

11

G

11

G

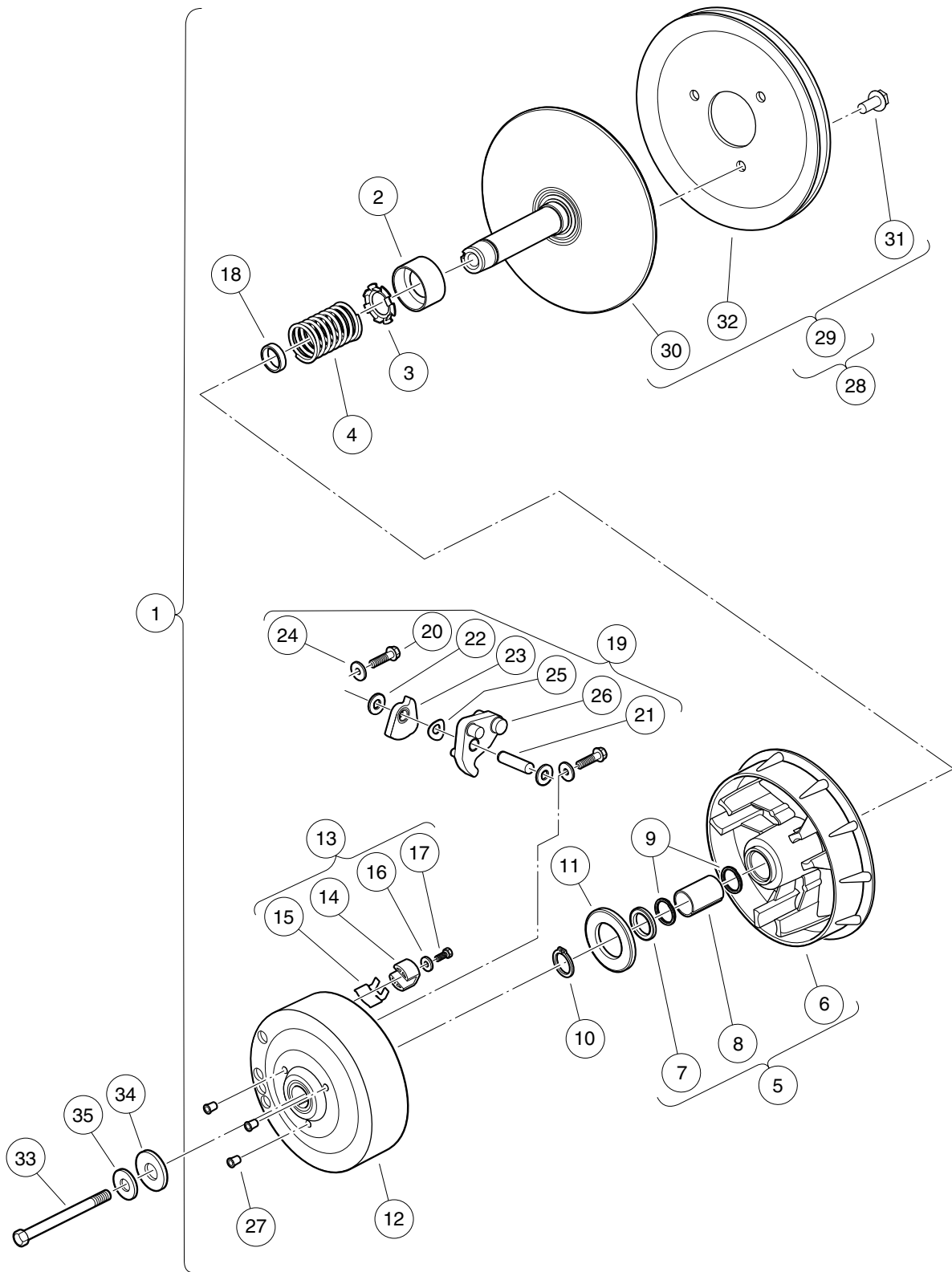


000918-001

DRIVE BELT

ITEM	PART NO.	DESCRIPTION	QTY
1	<u>1017188</u>	1 2 3 4 Belt, Drive (FE350)	1

11
G

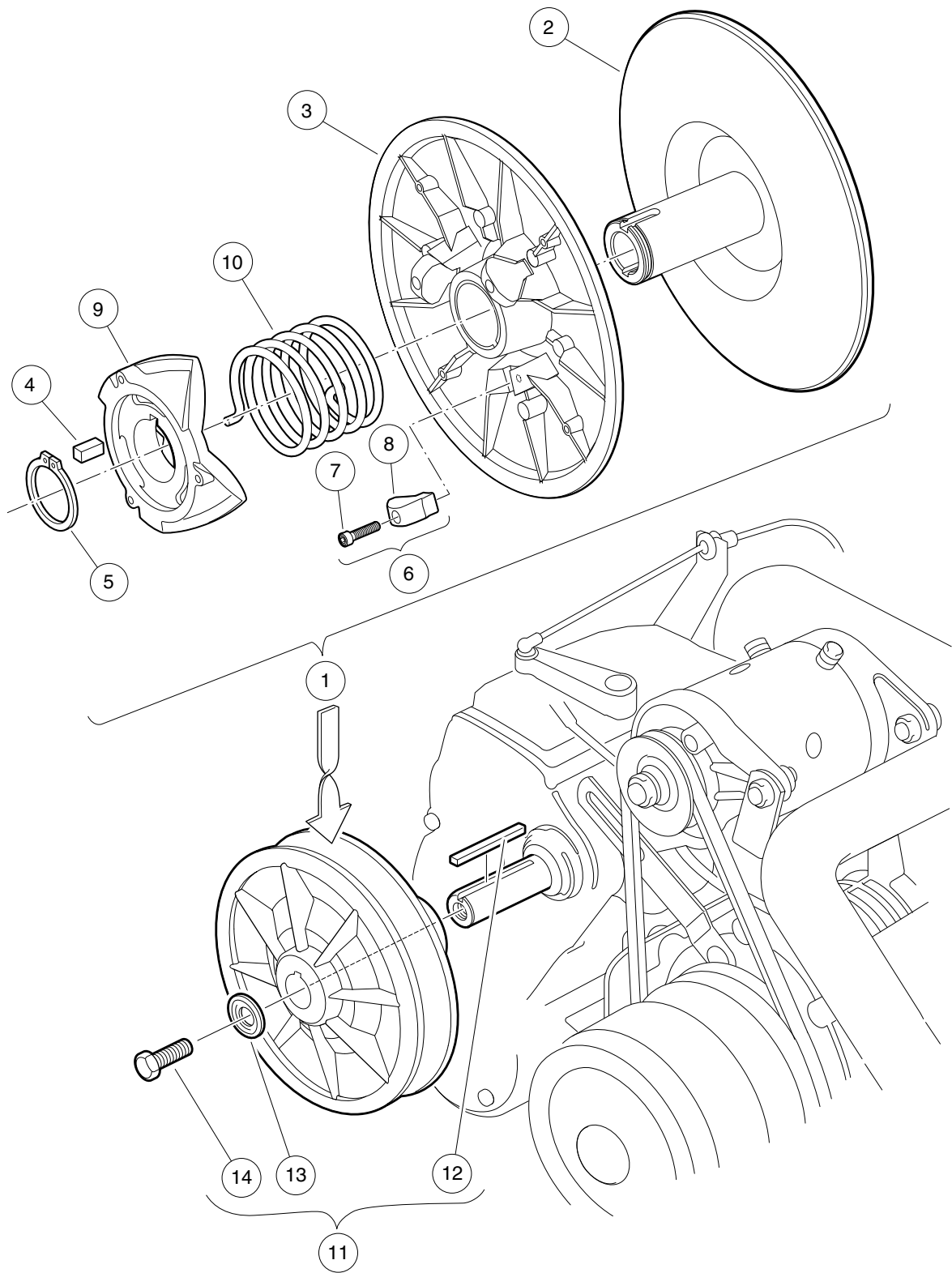


000217-006

DRIVE CLUTCH – TURF/CARRYALL 1, 2, AND 252

ITEM	PART NO.	DESCRIPTION	QTY
		1 2 3 4	
1	<u>101833902</u>	Clutch, Drive (includes items 2 through 28)	1
2	1014049	Bearing, Idler	1
3	<u>1014050</u>	Retainer, Spring	1
4	<u>1014051</u>	Spring, Drive Clutch	1
5	1014052	Movable-Face Assembly (includes items 6 through 8)	1
6	N/A	Drive Clutch Movable Face	1
7	<u>1014055</u>	Retainer	1
8	N/A	Bushing, Split, Drive Clutch	1
9	<u>1014056</u>	Ring, Spiral Backup	2
10	<u>1014057</u>	Ring, 0.810" Internal Retaining	1
11	1014058	Thrust Washer	1
12	1014059	Drive Hub Assy, Drive Clutch	1
13	<u>1014453</u>	Kit, Drive Clutch Button (includes items 14 through 17)	1
14	<u>1014062</u>	Driver, Drive Clutch	3
15	<u>1014287</u>	Spring, Drive Button	3
16	<u>183</u>	Washer, #10, Type A, Flat	3
17	<u>8450</u>	Screw, #10-24 X 0.50, Hex-Head	3
18	<u>1016289</u>	Spacer, Fixed Face Shaft	1
19	<u>1016801</u>	Kit, Drive Clutch Weight (includes items 20 through 26)	1
20	<u>1014063</u>	Screw, 1/4-20 X 1.00, Hex Head	6
21	N/A	Pin, Dowel, 0.3752 x 1.50	3
22	<u>1014065</u>	Washer, Flat, 0.38" ID, Delrin	6
23	N/A	Clutch Weight, Secondary	3
24	N/A	Washer	6
25	<u>1016201</u>	Washer, Wave	3
26	N/A	Weight, Primary	3
27	<u>101925601</u>	Plug, Drive Clutch	3
28	<u>101929802</u>	Kit, Fxd Face Dr Asm Fe290/350 (includes item 29)	1
29	N/A	Assembly, Fixed-Face Drive (includes items 30 through 32)	1
30	N/A	Fixed Face Assembly, Drive Clutch	1
31	<u>1014288</u>	Screw, 5/16-18 X 0.75, Thread-Forming	3
32	N/A	Pulley, Clutch	1
33	<u>103345701</u>	Screw 3/8-24x5.5 Hex Loc Ptch	1
34	<u>334</u>	Washer, 3/8, Type A, Flat	1
35	<u>808</u>	Washer, 3/8 Type B Flat	1

11
G



000219-001

DRIVEN CLUTCH – TURF/CARRYALL 1, 2, AND 252

ITEM	PART NO.	DESCRIPTION	QTY
		1 2 3 4	
1	<u>101834001</u>	Assembly, Driven Clutch (includes items 2 through 10)	1
2	<u>1014070</u>	Fixed Face Assy, Driven Clutch	1
3	<u>1014072</u>	Movable-Face Assembly with Bushing	1
4	<u>1014078</u>	Key, Driven Clutch	1
5	<u>1014080</u>	Ring, Retaining	1
6	<u>1014454</u>	Kit, Driven Clutch Button (includes items 7 and 8)	1
7	<u>1012836</u>	Screw, #8-32 X 3/4, Socket-Head Cap	3
8	N/A	Button, Drive	3
9	<u>1017686</u>	Cam, Driven Clutch	1
10	<u>101836201</u>	Spring, Driven Clutch, Reversed	1
11	<u>AM10419</u>	Kit, Clutch Repair (includes items 12 through 14)	1
12	<u>101833401</u>	Key, 3/16 Sq X 1.50"	1
13	<u>102155801</u>	Washer, Driven Clutch	1
14	<u>102242101</u>	Screw, 5/16-18 X 3/4 Hex-Head with Patch	1

11

G

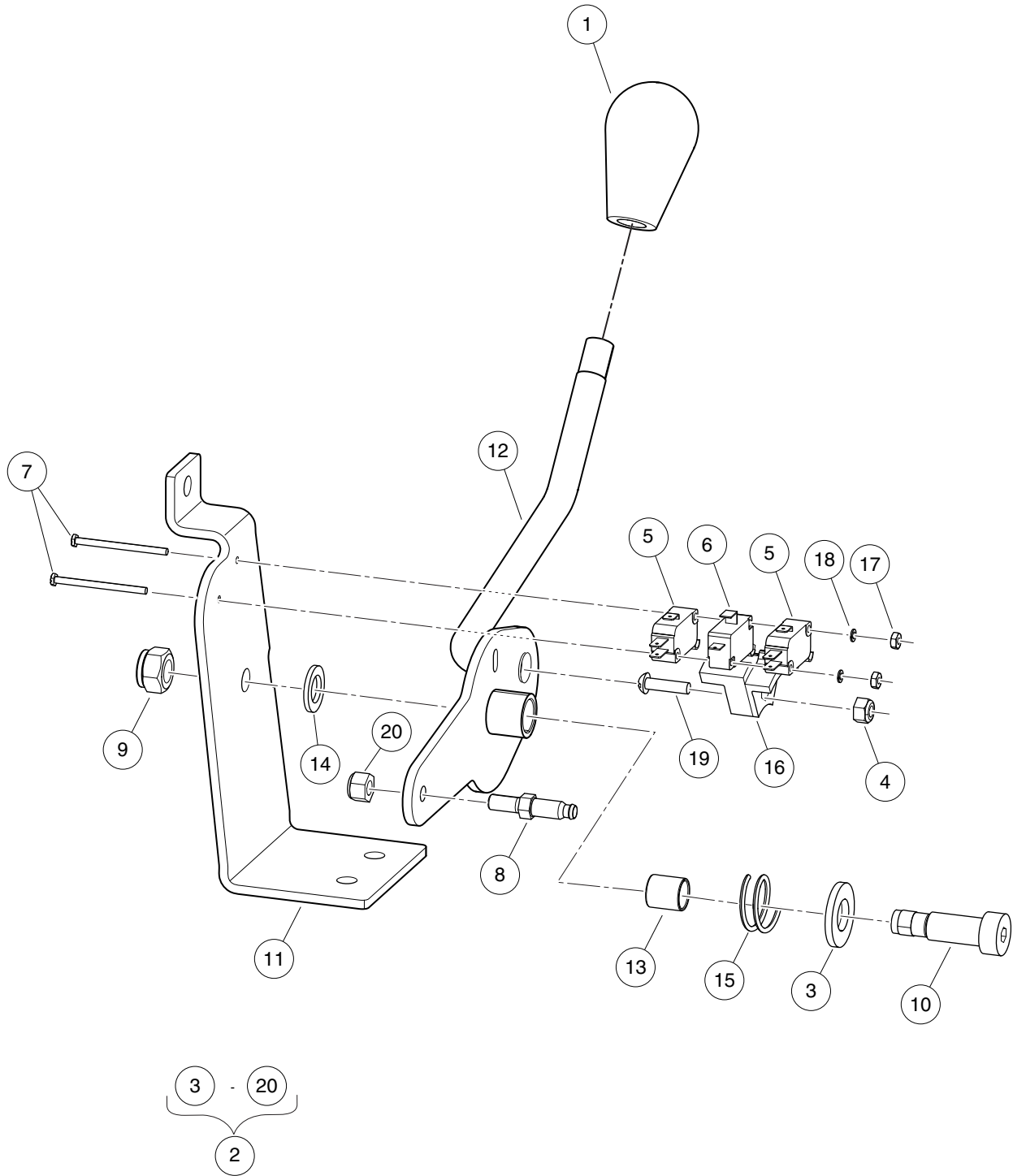
11

G

UNITIZED TRANSAXLE – GASOLINE VEHICLES

12

G



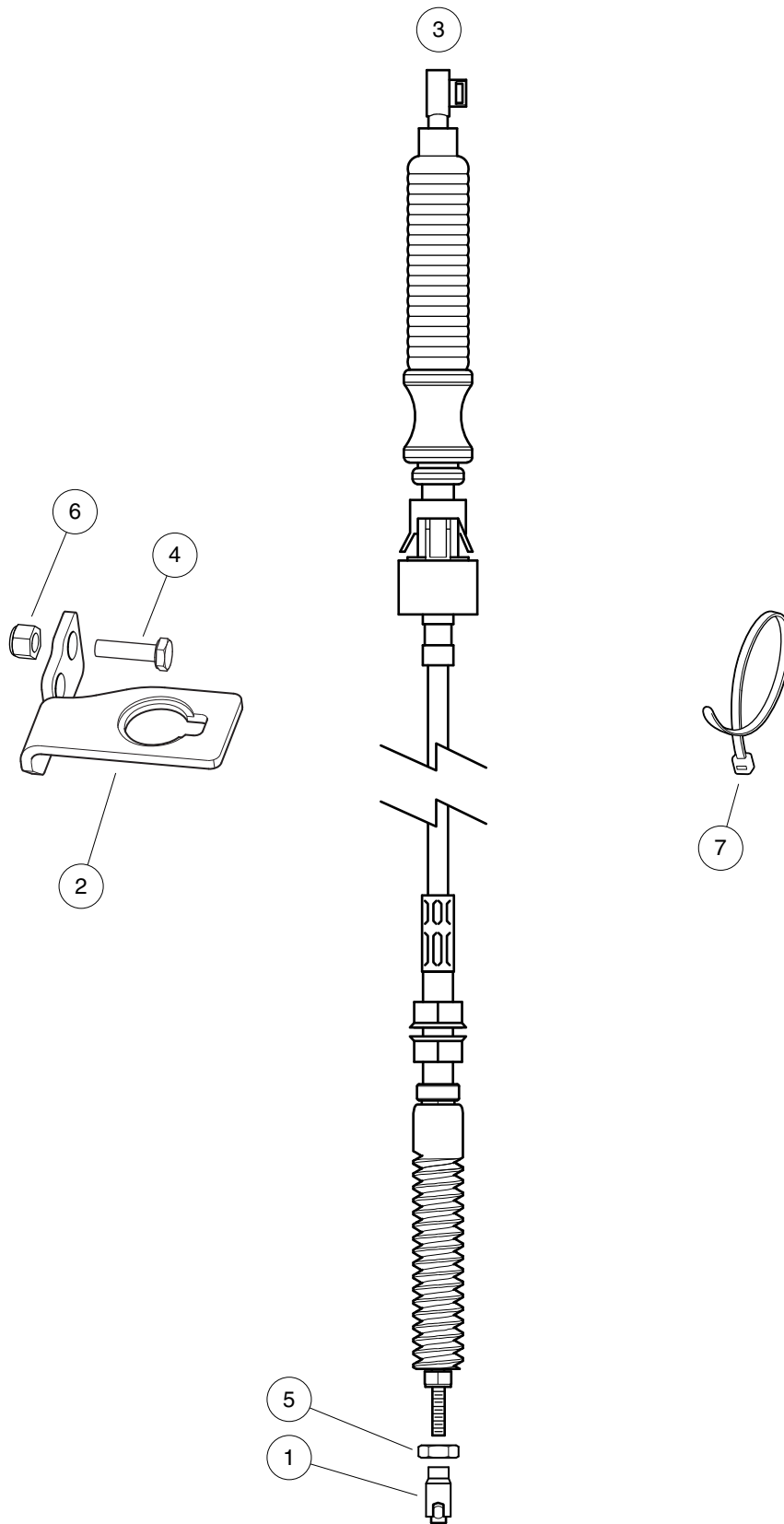
000563-001

FORWARD/REVERSE SHIFTER

ITEM	PART NO.	DESCRIPTION	QTY
		1 2 3 4	
1	<u>102376001</u>	Knob, FNR, Shifter	1
2	<u>102969901</u>	Asm, Shifter, FNR (includes items 3 through 20)	1
3	<u>1010028</u>	Washer, 1/2 Type A Flat	1
4	<u>1013061</u>	Locknut, #10-32 Nylon Insert	1
5	<u>1014807</u>	Switch, Limit	2
6	<u>1014808</u>	Switch, Limit	1
7	<u>1015878</u>	Screw, #4-40 Hex Head Machine	2
8	<u>102526201</u>	Stud, Thread, 1/4-28	1
9	<u>102616701</u>	Locknut, M10x1.5 Nylon Insert	1
10	<u>102684602</u>	Shoulder Bolt, M12 X 25.0	1
11	<u>102969401</u>	Bracket, Shifter, FNR	1
12	<u>102969801</u>	Weldment, Shift Lever, FNR	1
13	<u>103173301</u>	Bushing, Greaseless, 12mm Id	1
14	<u>103177401</u>	Washer, Thrust, Shifter, FNR	1
15	<u>103192701</u>	Spring, Comp, .97 Od X.75 L	1
16	<u>103369501</u>	Cam, Limit Switch, Fnr Shifter	1
17	<u>8057</u>	Nut, #4-40 Hex Machine	2
18	<u>8058</u>	Lockwasher, #4 Split	2
19	8104	Screw, #10-32 X .75 Rd Hd Mach	1
20	<u>8717</u>	Locknut, Nylon Insert, 1/4-28	1

12

G



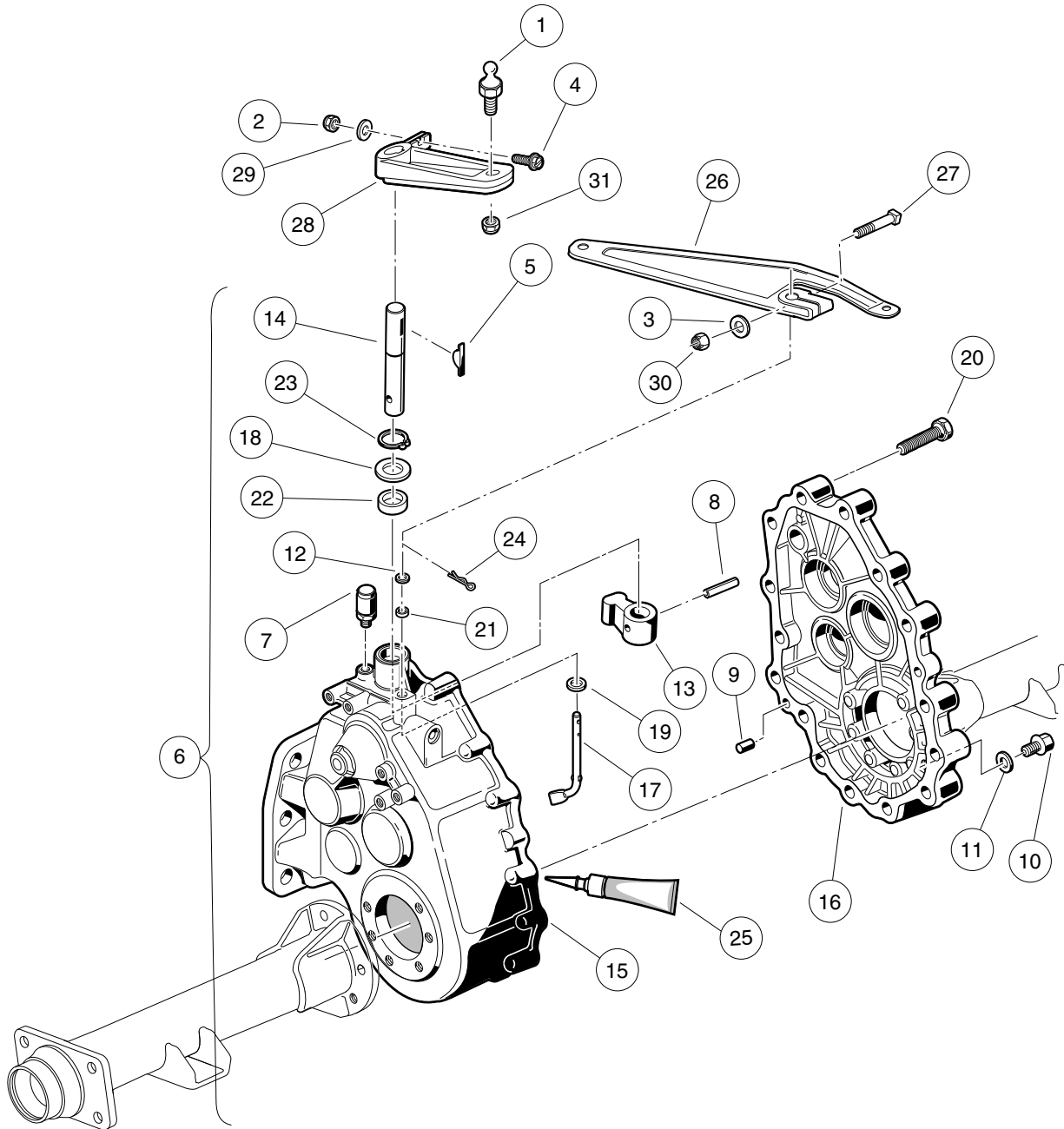
001071-001

SHIFTER CABLE – TURF/CARRYALL 1

ITEM	PART NO.	DESCRIPTION	QTY
		1 2 3 4	
1	<u>1012333</u>	Joint, #10-32 Ball	1
2	<u>103295101</u>	Brkt, Spt, Cable End, Fnr	1
3	<u>103295201</u>	Cable, Trans, Ball End, 1550mm	1
4	304	Screw, 1/4-20 X 1.0 Hex-Head Cap	2
5	<u>7893</u>	Nut, #10-32 Hex	1
6	<u>8233</u>	Locknut, 1/4-20, Nylon Insert	2
7	<u>8639</u>	Tie Wrap, 11" Nylon	A/R

12

G



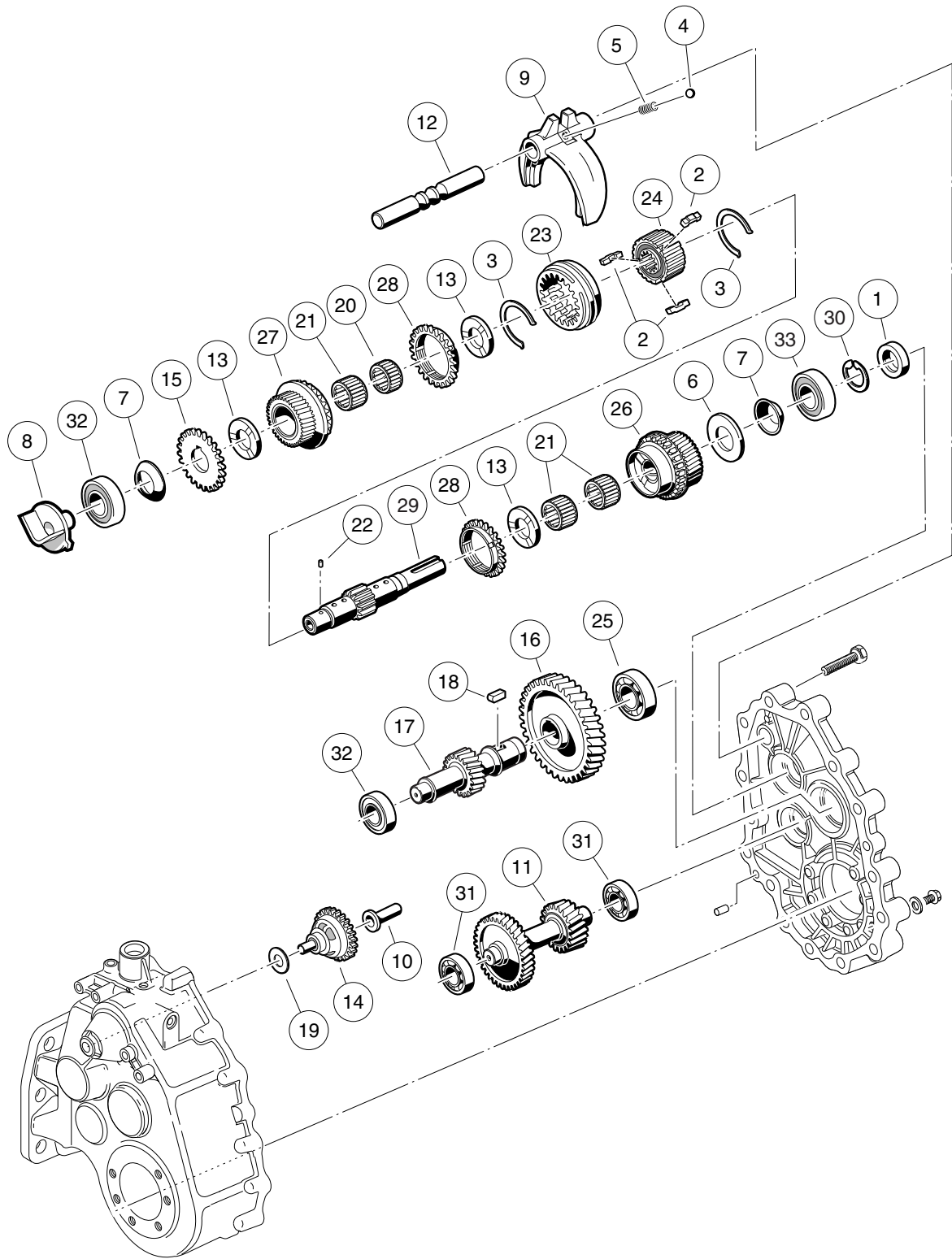
000220-005

KAWASAKI TRANSAXLE – GEAR CASES AND BRACKETS

ITEM	PART NO.	DESCRIPTION	QTY
		1 2 3 4	
1	<u>1010954</u>	Stud, Ball, 1/4-28 X 0.560	1
2	<u>1013061</u>	Locknut, #10-32 Nylon Insert	1
3	<u>1014007</u>	Washer, 1/4, Flat	1
4	<u>1017082</u>	Screw, #10-32 X 0.75, Hex-Head Machine	1
5	<u>1017231</u>	Key, Woodruff	1
6	<u>101833601</u>	Transaxle, 11.77 Ratio (includes items 7 through 25)	1
7	<u>1012711</u>	Breather	1
8	<u>1012752</u>	Roll Pin	1
9	<u>1012896</u>	Pin, Dowel	2
10	<u>1013760</u>	Fill Plug	2
11	<u>1016432</u>	Gasket, Drain Plug	1
12	<u>1016513</u>	Washer, M6 Flat	1
13	<u>101890101</u>	Lever, Drive Selector	1
14	<u>101890201</u>	Shaft, Drive Selector	1
15	<u>101890501</u>	Gear Case (driver side)	1
16	<u>101890601</u>	Gear Case (passenger side)	1
17	<u>101891301</u>	Arm Pivot	1
18	<u>101892901</u>	Washer	1
19	<u>101893801</u>	Washer	1
20	<u>101926901</u>	Screw, M8-1.25 X 40mm Hex-Head	15
21	<u>101927101</u>	Seal, Oil	1
22	<u>101927201</u>	Seal, Oil	1
23	<u>101927301</u>	Snap Ring	1
24	<u>101928601</u>	Pin, Cotter	1
25	<u>101928701</u>	Liquid Gasket (Transaxle case)	1
26	<u>101834801</u>	Arm, Governor	1
27	<u>101886101</u>	Screw, 1/4-20 X 1.00, Square-Head	1
28	<u>102515401</u>	Lever, Transmission Shift	1
29	<u>183</u>	Washer, #10, Type A, Flat	1
30	<u>8233</u>	Locknut, 1/4-20, Nylon Insert	1
31	<u>8717</u>	Locknut, Nylon Insert, 1/4-28	1
		<p>Note: Kawasaki transaxle component listings span three pages. To identify your transaxle, locate the serial number decal on the axle tube.</p>	

12

G



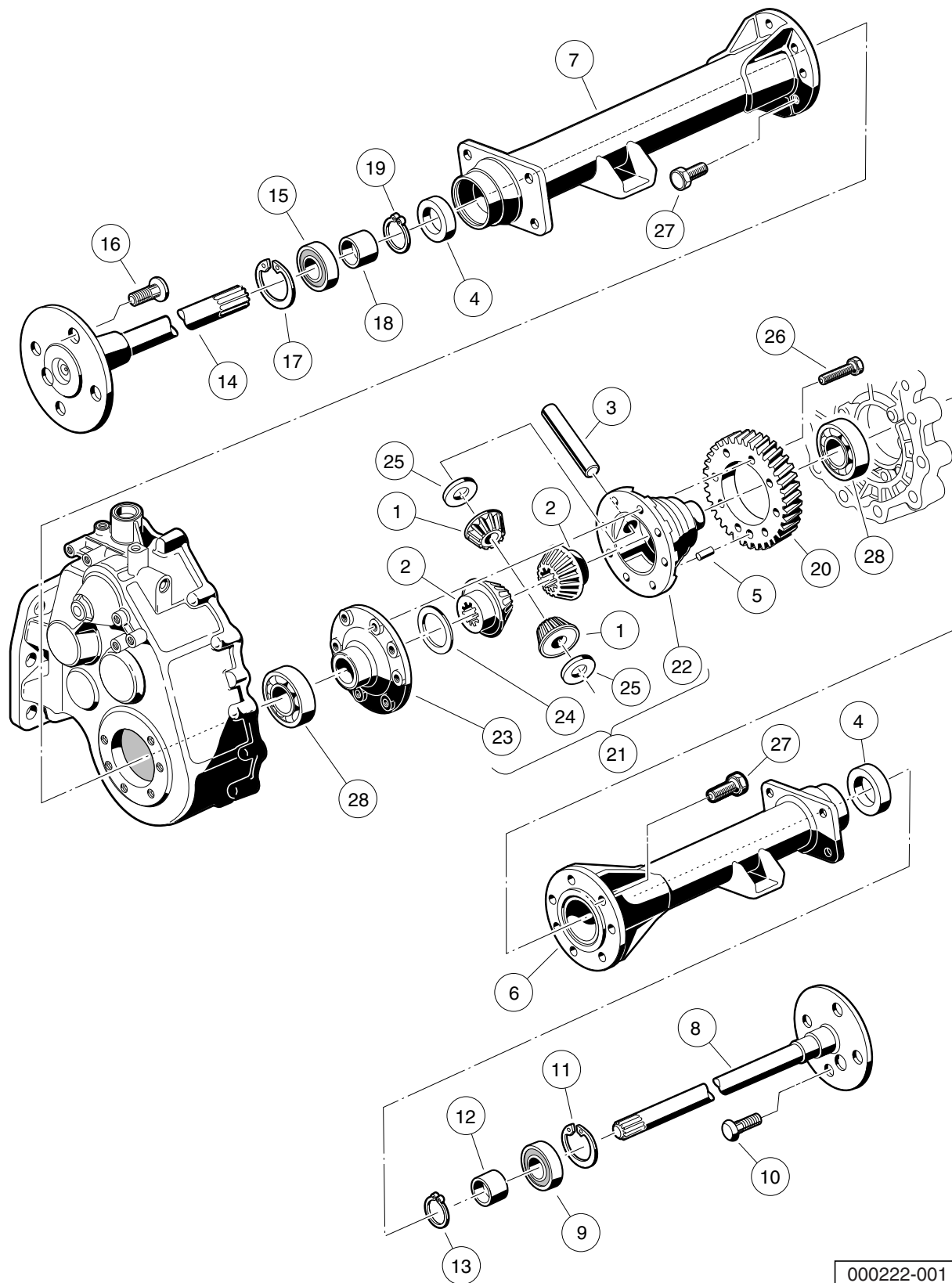
000221-001

KAWASAKI TRANSAXLE – F&R TRANSMISSION AND GEAR REDUCTION

12

G

ITEM	PART NO.	DESCRIPTION	QTY
		1 2 3 4	
1	<u>1012714</u>	Oil Seal	1
2	<u>1012740</u>	Synchro Insert	3
3	<u>1012741</u>	Synchro Spring	2
4	<u>1012747</u>	Shifter Ball	1
5	<u>1012748</u>	Shifter Spring	1
6	<u>1016337</u>	Washer, Thrust	1
7	<u>1016338</u>	Washer, Spring	2
8	<u>101889401</u>	Guide	1
9	<u>101890001</u>	Fork - Shift	1
10	<u>101891601</u>	Sleeve, Governor	1
11	<u>101891901</u>	Gear, Cluster	1
12	<u>101892001</u>	Rod, Shift	1
13	<u>101892201</u>	Plate, Thrust	3
14	<u>101892301</u>	Governor Assembly	1
15	<u>101892401</u>	Gear, Spur	1
16	<u>101892501</u>	Gear, Helical (61 Tooth)	1
17	<u>101892601</u>	Gear, Helical (17 Tooth)	1
18	<u>101893201</u>	Key Sunk	1
19	<u>101893901</u>	Washer	1
20	<u>101927501</u>	Needle Bearing	1
21	<u>101927601</u>	Needle Bearing	3
22	<u>101927701</u>	Pin, .116" Dia X 0.264 Dowel	1
23	<u>101927901</u>	Sleeve, Synchro	1
24	<u>101928001</u>	Hub, Synchro Clutch	1
25	<u>101928101</u>	Bearing, Ball	1
26	<u>101980801</u>	Gear Assembly, 16-Degree Synchro (25 Tooth)	1
27	<u>101980901</u>	Gear Assembly, 16-Degree Rear Synchro (28 Tooth)	1
28	<u>101981001</u>	Ring, 16-Degree Synchronizer	2
29	<u>102453001</u>	Shaft, Trans, with Circlip	1
30	<u>102453101</u>	Circlip	1
31	<u>7335</u>	Bearing	2
32	<u>AM10080</u>	Bearing, Ball, Sealed	2
33	<u>AM10081</u>	Bearing, Ball, Sealed	1
Note: To identify your transaxle, locate the serial number decal on the axle			



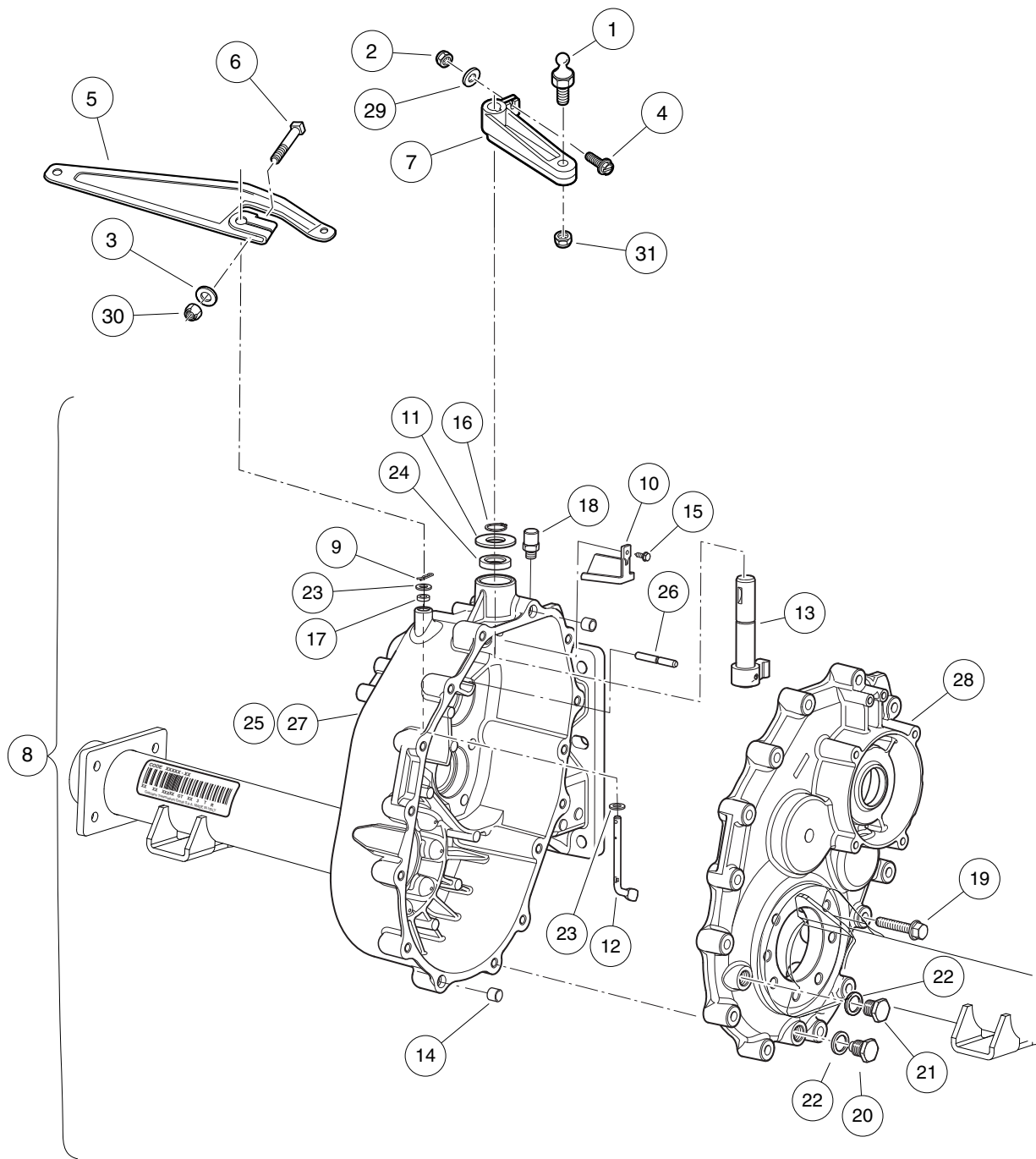
000222-001

KAWASAKI TRANSAXLE – DIFFERENTIAL AND AXLES

ITEM	PART NO.	DESCRIPTION	QTY
		1 2 3 4	
1	<u>1013770</u>	Differential Idler Gear	2
2	<u>1013771</u>	Gear, Differential	2
3	<u>1013772</u>	Pin, Differential	1
4	<u>1013794</u>	Axle Shaft Oil Seal	2
5	N/A	Dowel Pin	1
6	<u>101890901</u>	Axle Tube (Passenger Side)	1
7	<u>101891001</u>	Axle Tube (Driver Side)	1
8	<u>101891401</u>	Axle Assembly, Passenger Side (includes items 9 through 13)	1
9	<u>1011291</u>	Outer Axle, Tube Bearing	1
10	<u>1013787</u>	Lug Stud	4
11	<u>1013792</u>	Circlip Type C	1
12	<u>1014207</u>	Bushing	1
13	<u>1016672</u>	Retaining Ring	1
14	<u>101891501</u>	Axle Assembly, Driver-Side (includes items 15 through 19)	1
15	<u>1011291</u>	Outer Axle, Tube Bearing	1
16	<u>1013787</u>	Lug Stud	4
17	<u>1013792</u>	Circlip Type C	1
18	<u>1014207</u>	Bushing	1
19	<u>1016672</u>	Retaining Ring	1
20	<u>101892701</u>	Gear, Helical	1
21	<u>101910501</u>	Kit, Differential Gear Case (includes items 22 through 25)	1
22	<u>1013768</u>	Differential Gear Case, Left-Hand	1
23	<u>1013769</u>	Differential Gear Case, Right-Hand	1
24	<u>1013773</u>	Plate, Thrust (Differential Gear)	1
25	<u>1013774</u>	Plate, Thrust (Idler Gear)	2
26	<u>101928301</u>	Screw, M8-1.25 X 35mm Hex Head	8
27	<u>102031901</u>	Bolt, M10 X 1.5 X 30mm	14
28	<u>7330</u>	Inner Axle Tube Bearing	2
Note: To identify your transaxle, locate the serial number decal on the axle			

12

G



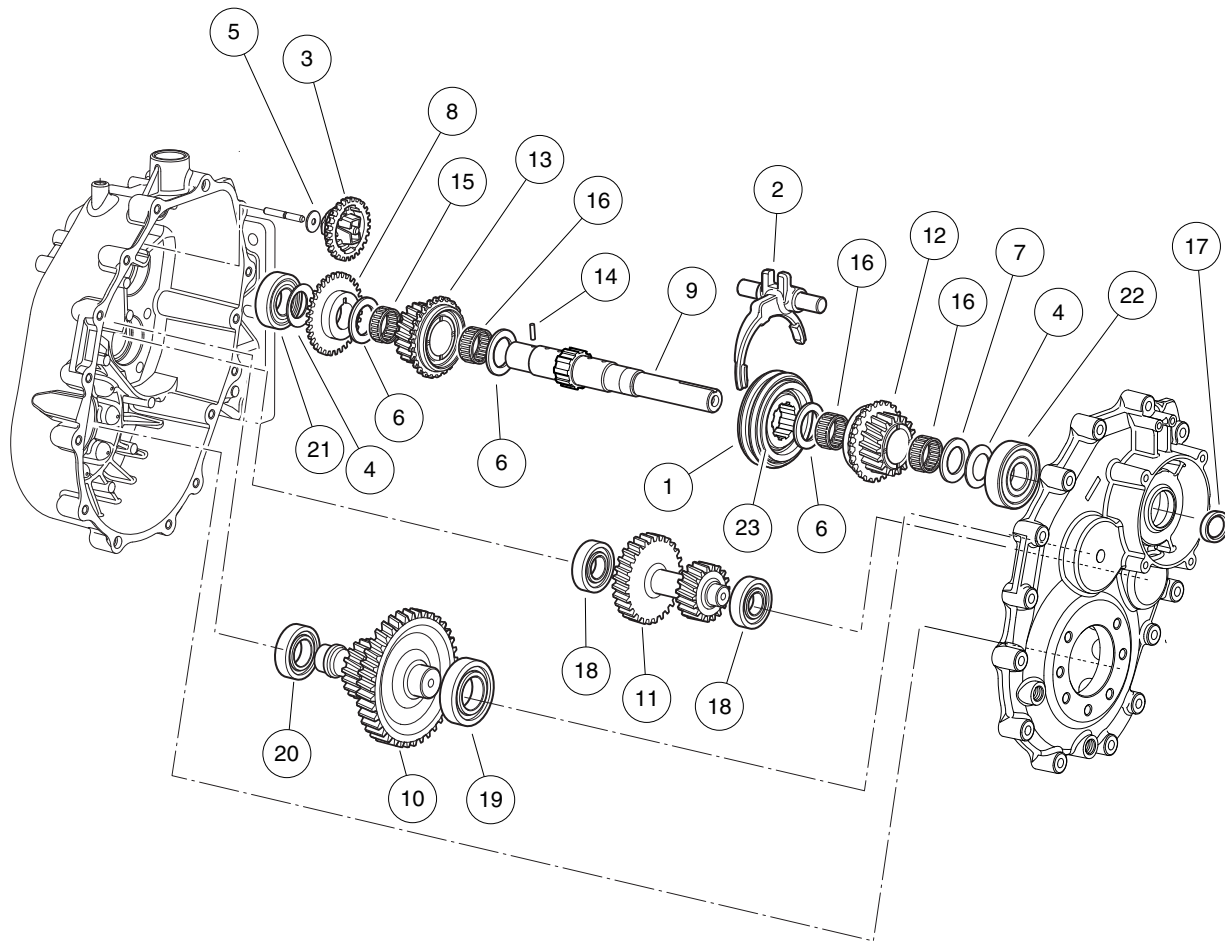
000680-010

GRAZIANO TRANSAXLE – GEAR CASES AND LEVERS

ITEM	PART NO.	DESCRIPTION	QTY
		1 2 3 4	
1	<u>1010954</u>	Stud, Ball, 1/4-28 X 0.560	1
2	<u>1013061</u>	Locknut, #10-32 Nylon Insert	1
3	<u>1014007</u>	Washer, 1/4, Flat	1
4	<u>1017082</u>	Screw, #10-32 X 0.75, Hex-Head Machine	1
5	<u>101834801</u>	Arm, Governor	1
6	<u>101886101</u>	Screw, 1/4-20 X 1.00, Square-Head	1
7	<u>102515401</u>	Lever, Transmission Shift	1
8	<u>103874201</u>	Transaxle, Gas, 11.77:1, Gtg (includes items 9 through 28)	1
9	<u>102897401</u>	Pin, Split	1
10	<u>102897601</u>	Conveyor, Oil	1
11	<u>102897801</u>	Washer, Thrust	1
12	<u>102897901</u>	Lever, Speed Governor	1
13	<u>102898201</u>	Unit, Drive Selector	1
14	<u>102899101</u>	Dowel	2
15	<u>102899201</u>	Screw	1
16	<u>102899401</u>	Ring, Snap	1
17	<u>102899701</u>	Grommet	1
18	<u>102899801</u>	Breather	1
19	<u>102900001</u>	Screw	15
20	<u>102900101</u>	Drain Plug, Magnetic	1
21	<u>102900201</u>	Fill Plug	1
22	<u>102900301</u>	Seal	2
23	<u>102900601</u>	Washer	2
24	<u>102900901</u>	Grommet	1
25	103882101	Case, Transaxle, W/gov Pin (includes items 26 and 27)	1
26	N/A	Pin, Speed Governor	1
27	N/A	Cover, Gear Box (Driver-Side)	1
28	103882301	Cover, Gear Box (Passenger-Side)	1
29	<u>183</u>	Washer, #10, Type A, Flat	1
30	<u>8233</u>	Locknut, 1/4-20, Nylon Insert	1
31	<u>8717</u>	Locknut, Nylon Insert, 1/4-28	1
<p>Note: Graziano transaxle component listings span three pages. To identify your transaxle, locate the serial number decal on the axle tube. <u>103874201</u> is used on vehicles with serial numbers 1235-307250 and greater and is backwards compatible. However, some service parts are not compatible with other transaxles.</p>			

12

G



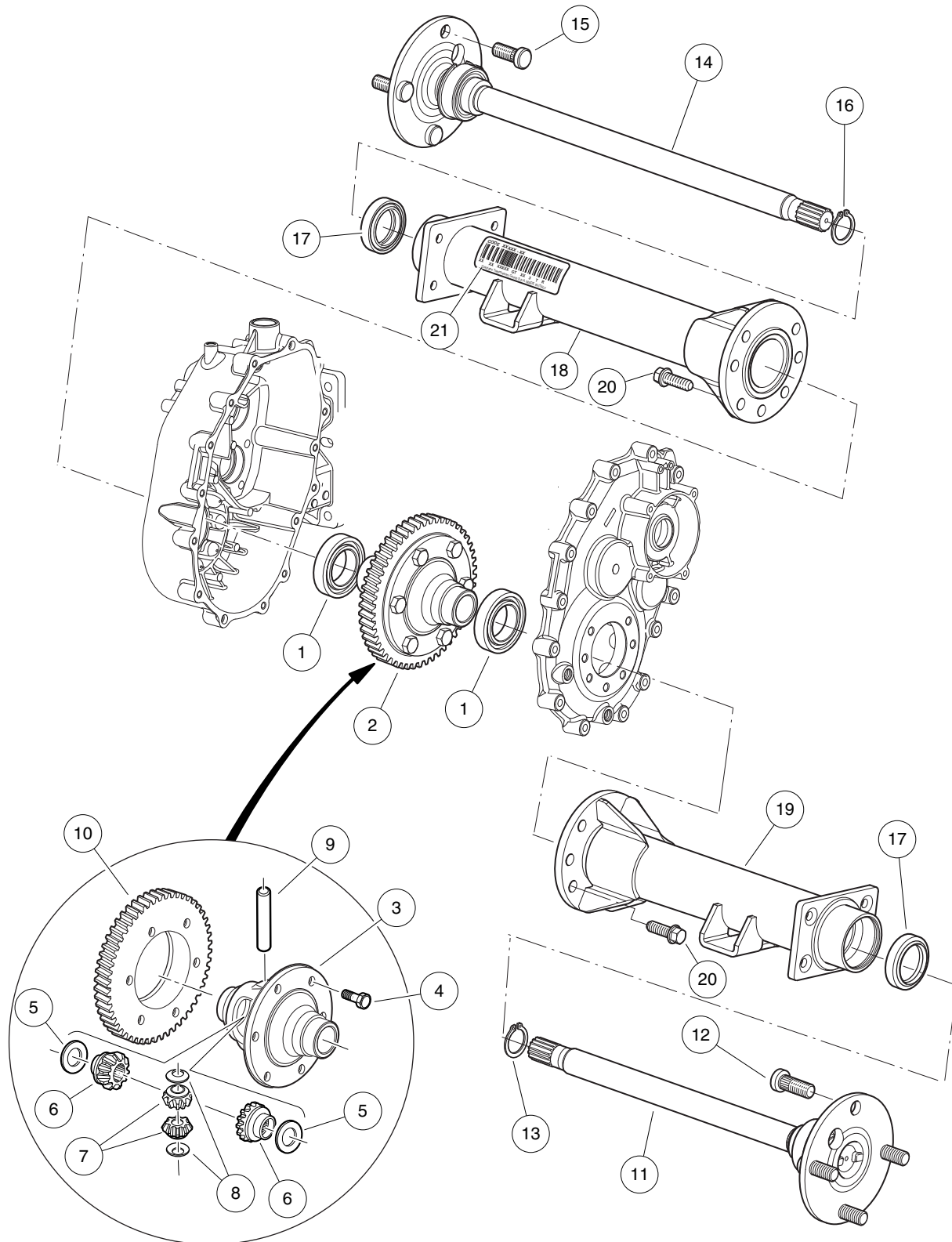
000680-008

GRAZIANO TRANSAXLE – F&R TRANSMISSION AND GEAR REDUCTION

12

G

ITEM	PART NO.	DESCRIPTION	QTY
		1 2 3 4	
1	<u>102897201</u>	Synchronizer, Complete	1
2	<u>102897301</u>	Fork, Complete	1
3	<u>102897701</u>	Assembly, Speed Governor	1
4	<u>102898001</u>	Washer, Belleville	2
5	<u>102898101</u>	Bearing, Thrust	1
6	<u>102898301</u>	Bearing, Thrust	3
7	<u>102898401</u>	Washer, Thrust	1
8	<u>102898501</u>	Gear, Speed Governor	1
9	<u>102898601</u>	Shaft, Main	1
10	<u>102898701</u>	Shaft, Secondary	1
11	<u>102898801</u>	Shaft, Reverse Gear	1
12	<u>102898901</u>	Gear, Complete, 25t	1
13	<u>102899001</u>	Gear, Complete, 28t	1
14	<u>102899301</u>	Pin	1
15	<u>102899501</u>	Cage, Roller	1
16	<u>102899601</u>	Cage, Roller	3
17	<u>102899901</u>	Grommet	1
18	<u>102900401</u>	Bearing	2
19	<u>102900501</u>	Bearing, 62 Od X 30 Id X 16	1
20	<u>102900701</u>	Bearing	1
21	<u>102901001</u>	Bearing	1
22	<u>102901101</u>	Bearing	1
23	<u>103882001</u>	Washer, Wave, Trans Synchro	2
<p>Note: To identify your transaxle, locate the serial number decal on the axle tube.</p>			



000681-002

GRAZIANO TRANSAXLE – DIFFERENTIAL AND AXLES

ITEM	PART NO.	DESCRIPTION	QTY
		1 2 3 4	
1	<u>102900801</u>	Bearing, 68 Od X 40 Id X 15	2
2	<u>102902001</u>	Assembly, Differential (includes items 3 through 10)	1
3	<u>102901201</u>	Box, Differential	1
4	<u>102901301</u>	Screw, M10 X 25	6
5	<u>102901401</u>	Ring, Sleeve	2
6	<u>102901501</u>	Gear, Sun	2
7	<u>102901601</u>	Gear, Planetary	2
8	<u>102901701</u>	Ring, Sleeve	2
9	<u>102901801</u>	Pin	1
10	<u>102901901</u>	Gear	1
11	<u>102902101</u>	Shaft, Axle, Short, Complete (Passenger-Side) (includes items 12 and 13)	1
12	<u>102902301</u>	Bolt, Stud	4
13	<u>102902401</u>	Snap Ring	1
14	<u>102902201</u>	Shaft, Axle, Long, Complete (Driver-Side) (includes items 15 and 16)	1
15	<u>102902301</u>	Bolt, Stud	4
16	<u>102902401</u>	Snap Ring	1
17	<u>102902501</u>	Seal, Lip	2
18	<u>102902601</u>	Axle Tube, (Driver-Side)	1
19	<u>102902701</u>	Axle Tube, (Passenger-Side)	1
20	<u>102902801</u>	Screw, M10 X 30	14
21	N/A	Tag, Serial	1
<p style="margin-left: 40px;">Note: To identify your transaxle, locate the serial number decal on the axle tube.</p>			

12

G

12

G

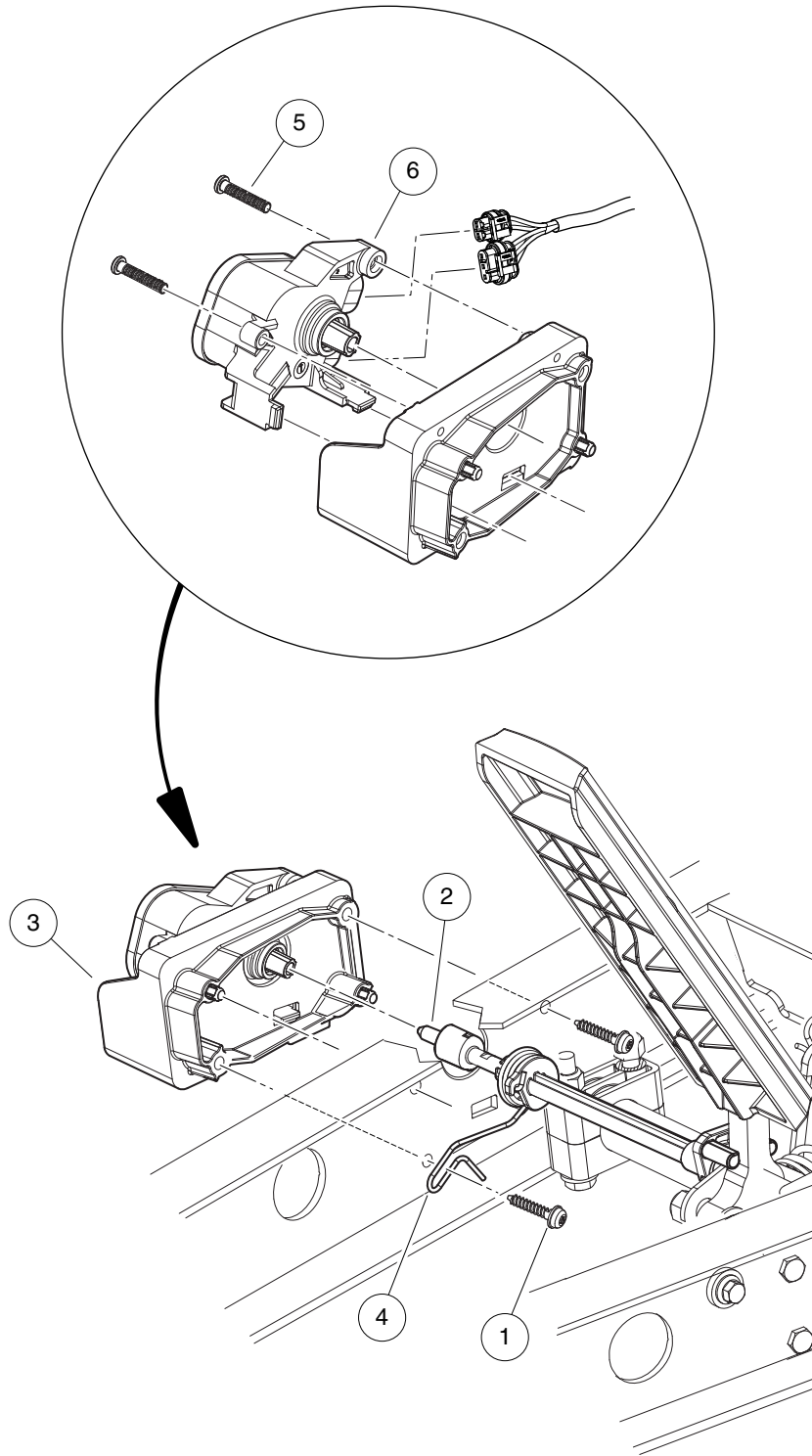
ELECTRICAL SYSTEM – ELECTRIC VEHICLES

13

E

13

E



002522-001

MOTOR CONTROLLER OUTPUT REGULATOR (MCOR)

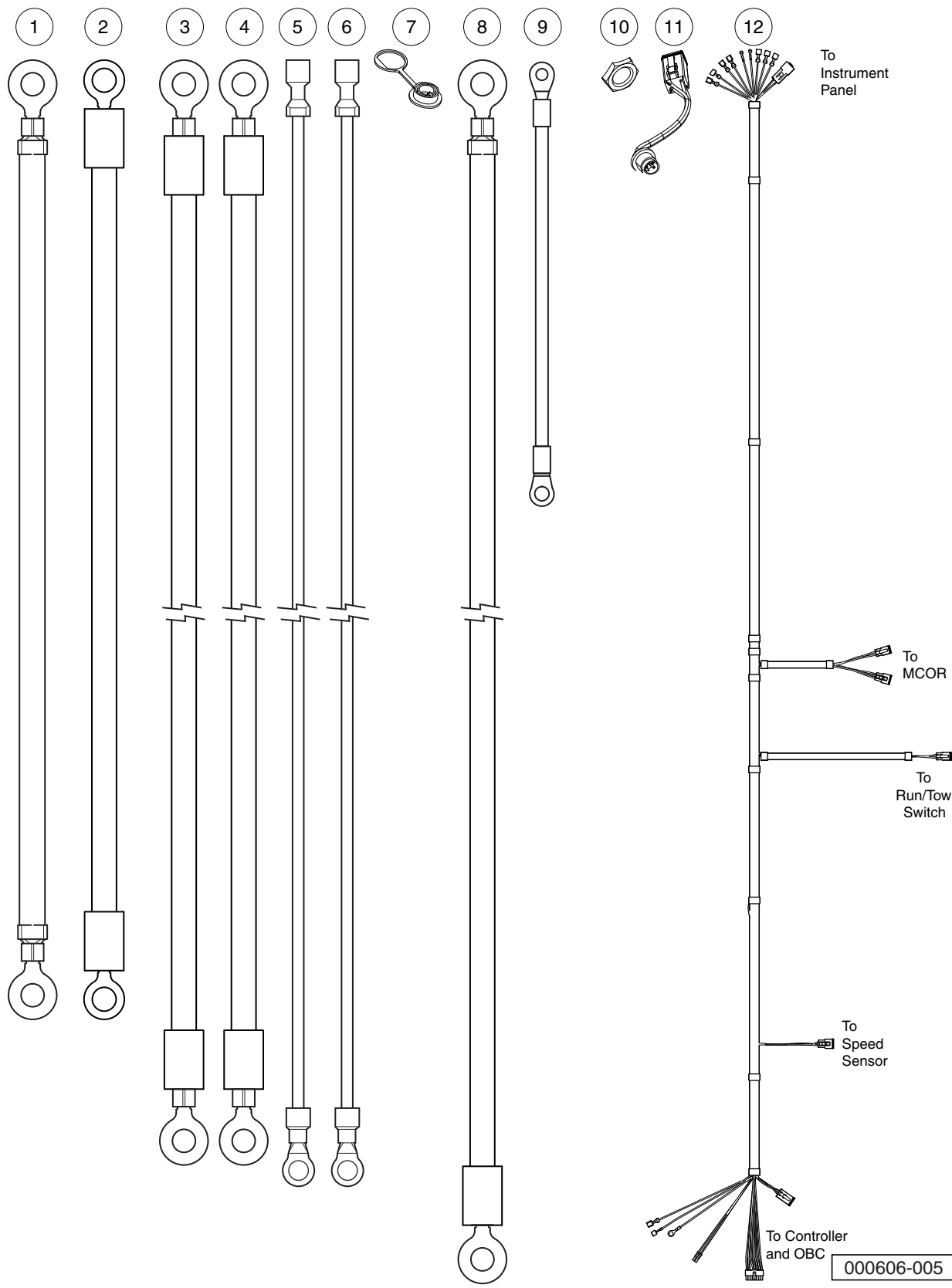
ITEM	PART NO.	DESCRIPTION	QTY
		1 2 3 4	
1	<u>102297230</u>	Screw, M6, Torx, Interlock Thread	2
2	<u>103902101</u>	Bar, Drive, Cast	1
3	<u>103902301</u>	Housing, Mcor	1
4	<u>103902401</u>	Spring, Torsion	1
5	<u>103943401</u>	Screw, Pan, #10 X 1.00 Hi-lo	2
6	<u>105116301</u>	MCOR4, Type 16 Switch	1

13

E

13

E



000606-005

WIRING – TURF/CA 1 ELECTRIC

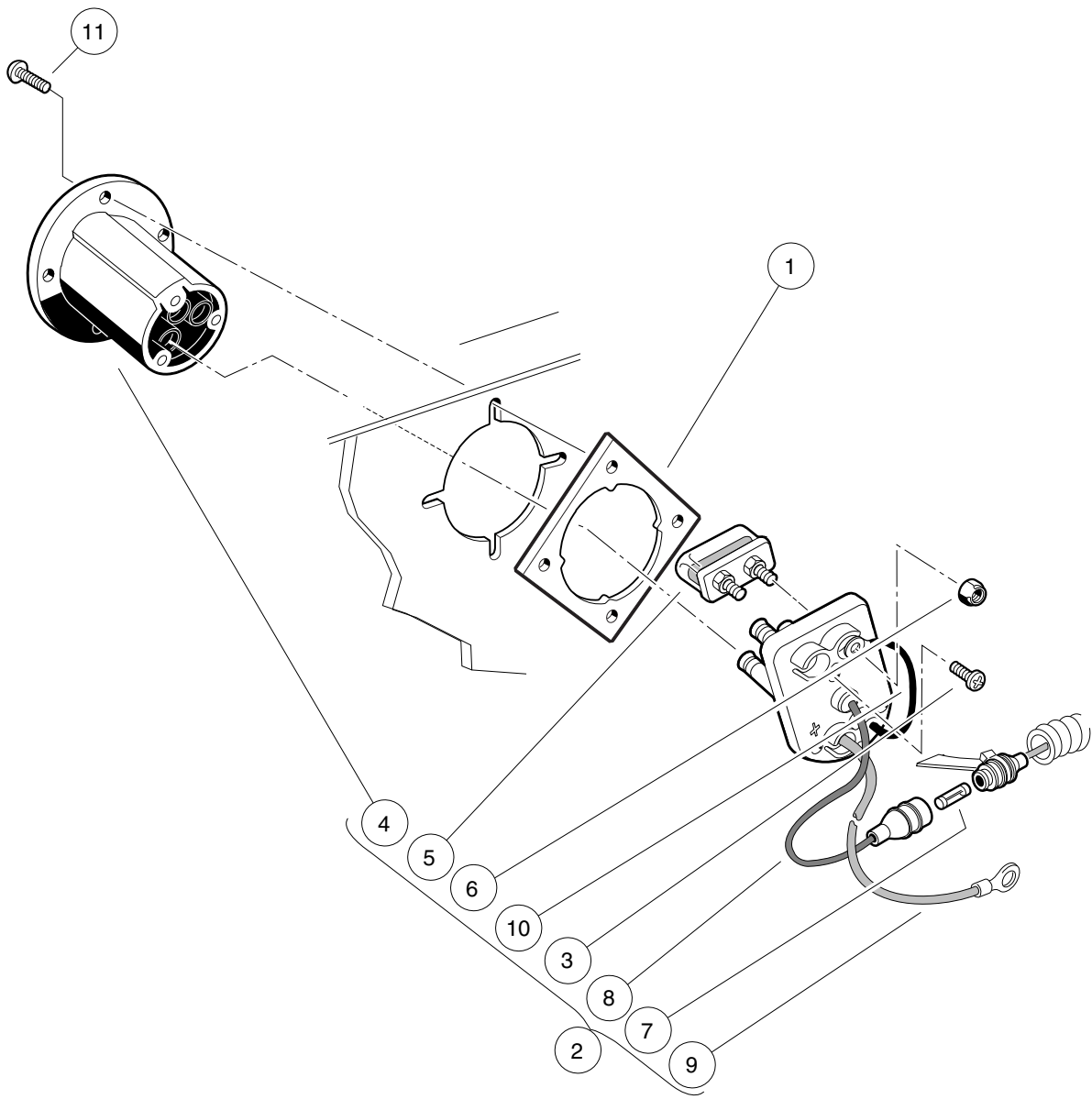
ITEM	PART NO.	DESCRIPTION	QTY
		1 2 3 4	
1	<u>101795701</u>	Asm, Wire, #6blk, 15 In	5
2	<u>101903001</u>	Wire Assembly #6 Yellow	1
3	<u>101968701</u>	Wire Assy, #6 White	1
4	<u>101978001</u>	Wire Assy, #6 Green	1
5	<u>101978102</u>	Asm, Wire, #10 Orange 1/4	1
6	<u>101978202</u>	Asm, Wire, #10 Blue 1/4	1
7	<u>102196901</u>	Dust Cap	1
8	<u>102199601</u>	Wire Asm, #6 Red, 37.7	1
9	<u>102263601</u>	Wire Assy, #10 Black	1
10	<u>102572401</u>	Nut, Diagnostic Port, Prec	1
11	<u>103218601</u>	Harness, Diagnostic Port	1
12	<u>103940501</u>	Harness, Ca1, Iq, Mc3	1

13

E

13

E



000369-001

BATTERY CHARGER RECEPTACLE

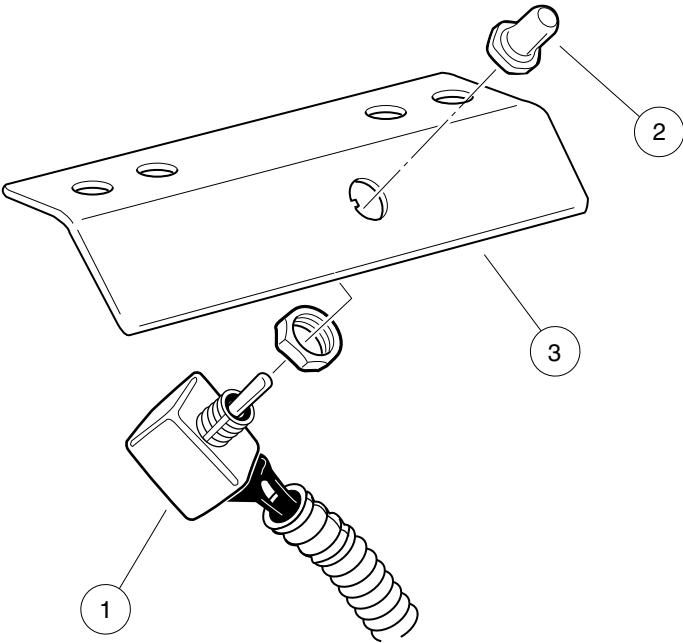
ITEM	PART NO.	DESCRIPTION	QTY
		1 2 3 4	
1	<u>101801001</u>	Plate, Receptacle Backing	1
2	<u>101802101</u>	Fuse and Receptacle Assembly (includes items 3 through 10)	1
3	<u>1017705</u>	Screw, #8 X 5/8 Phillips Pan-Head Type AB	3
4	<u>101796501</u>	Receptacle	1
5	<u>101796801</u>	Fuse Assembly (includes item 6)	1
6	<u>1013061</u>	Locknut, #10-32 Nylon Insert	2
7	<u>101894901</u>	Fuse, 3/8-Amp	1
8	N/A	Wire Assembly, Sense Lead, Gray	1
9	N/A	Wire Assembly, #10 Red	1
10	N/A	Wire Assembly, #10 Black	1
11	<u>101832001</u>	Screw, #7-19 X 0.625 Phillips Pan-Head Tap	4

13

E

13

E



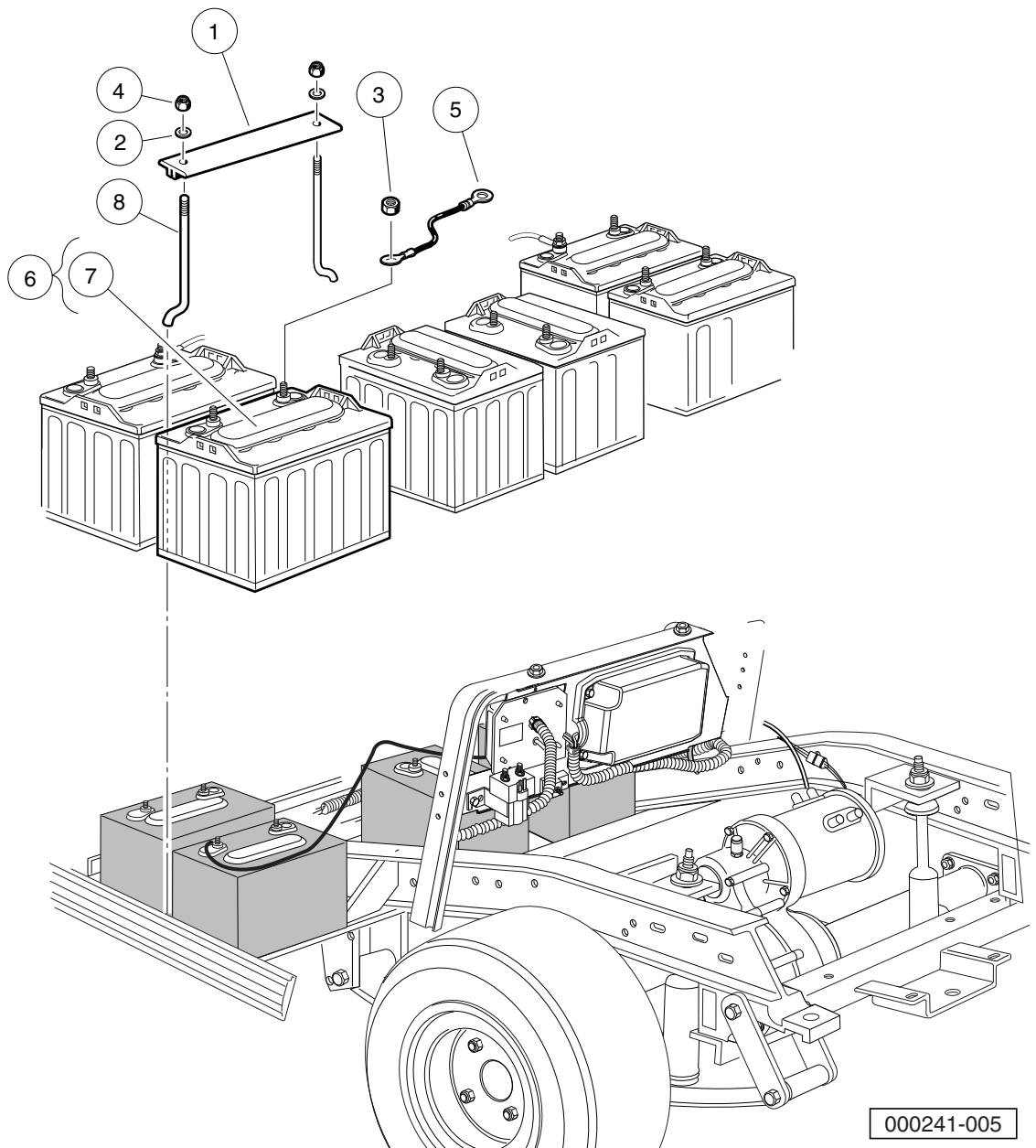
000605-002

TOW/RUN SWITCH – IQ SYSTEM

ITEM	PART NO.	DESCRIPTION	QTY
		1 2 3 4	
1	<u>101908101</u>	Switch Assembly, Tow/Run	1
2	<u>101908401</u>	Boot, Switch	1
3	<u>101922501</u>	Bracket, Tow/Run Switch Mounting	1

13

E



BATTERIES, 8-VOLT, JCI

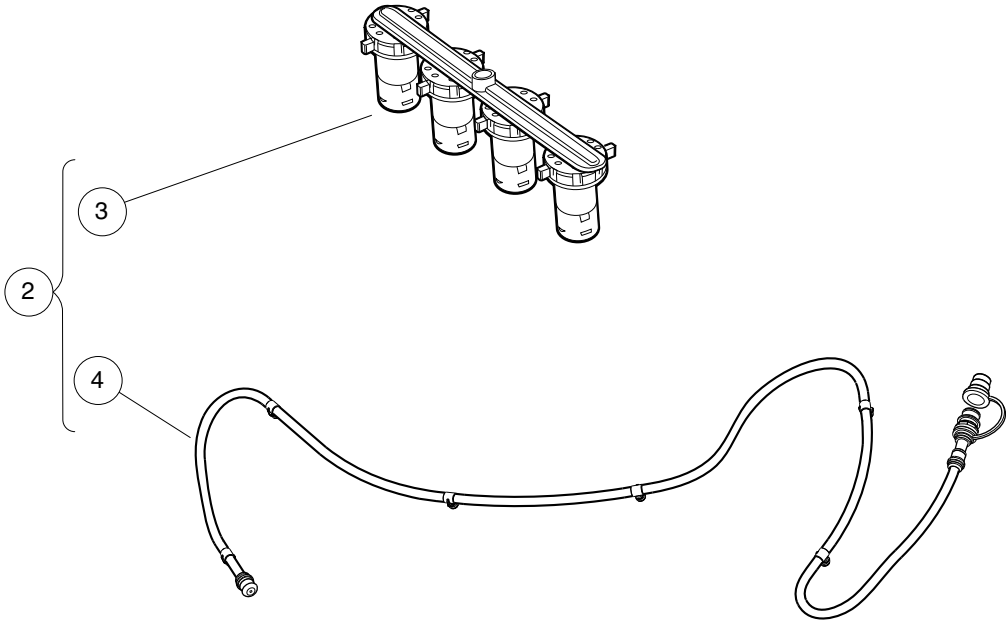
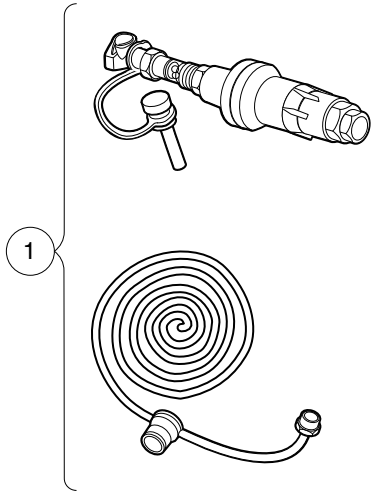
ITEM	PART NO.	DESCRIPTION	QTY
		1 2 3 4	
1	<u>101090801</u>	Hold-Down, Battery	3
2	1012571	Washer, 5/16 Extra Thick Flat	6
3	<u>1014304</u>	Nut, 5/16-18 Stainless-Steel Hex	12
4	1015072	Locknut, 5/16-18 Nylon Insert	6
5	<u>101795701</u>	Asm, Wire, #6blk 13in	5
6	<u>103793001</u>	Battery, 8-Volt, JCI GC8 (includes item 7)	6
7	<u>103765601</u>	Cap, Spin, 8-Volt Battery	1
8	<u>103958101</u>	J-bolt 10.75"	6

13

E

13

E



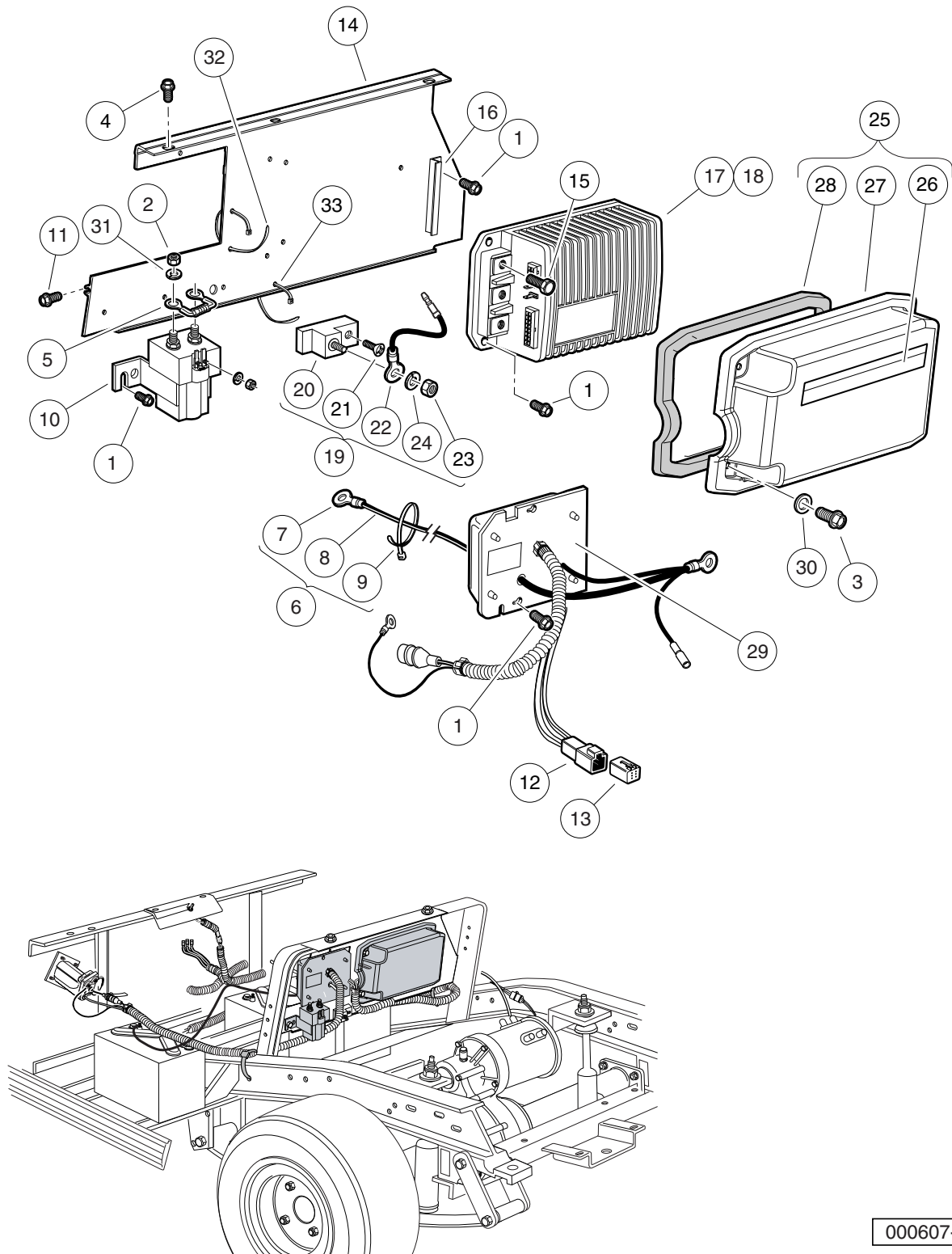
000731-007

SINGLE POINT WATERING SYSTEM, 8V CROWN & JCI

ITEM	PART NO.	DESCRIPTION	QTY
		1 2 3 4	
1	<u>102958001</u>	Kit Regulated Hose Sply Spws	1
2	<u>103395505</u>	Kit, Spws, Prec, 8 Volt Non-Trojan (includes items 3 and 4)	1
3	<u>103510602</u>	Spws, Manifold Asm, 8v Non-Trojan	6
4	<u>103774701</u>	Spws, Hose 8v Non-trojan	1
		Note: For Crown and JCI 8-Volt batteries only.	

13

E



000607-006

COMPUTER, CONTROLLER, AND SOLENOID – FOR CROWN AND JCI BATTERIES

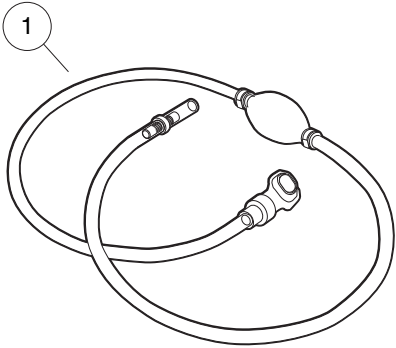
ITEM	PART NO.	DESCRIPTION	QTY
		1 2 3 4	
1	<u>1012285</u>	Screw, 1/4 X 0.625 Hex-Head	9
2	<u>1012528</u>	Nut, M8-1.25 Hex	2
3	<u>1014063</u>	Screw, 1/4-20 X 1.00, Hex Head	2
4	<u>1014288</u>	Screw, 5/16-18 X 0.75, Thread-Forming	2
5	<u>1014947</u>	Resistor Assembly	1
6	101827801	Ground Wire Kit, 48-Volt (includes items 7 through 9)	1
7	101826801	Compression Lug	1
8	N/A	Wire Assembly, Black	1
9	<u>8990</u>	Tie Wrap, 8" Nylon	3
10	<u>101908703</u>	Solenoid, 48v W/ Diode	1
11	<u>101910401</u>	Screw, 5/16-18 X 1.25 Thrd Frm	2
12	<u>101932601</u>	Kit, 6-Pin Wedge Lock	1
13	101932701	Kit, 6-Pin Receptacle and Wedge Lock	1
14	<u>101965202</u>	Plate, Component Mounting	1
15	<u>102240501</u>	Bolt, Controller, Terminal	3
16	<u>102243101</u>	Extrusion, Cover Support	1
17	<u>102806201</u>	Controller, IQ, 48-volt	1
18	<u>102806203</u>	Controller, IQ, 48-volt, CE	1
19	<u>103282701</u>	Kit, Terminal Block Ground (includes items 20 through 24)	1
20	<u>102259801</u>	Terminal Block	1
21	<u>102263701</u>	Screw, #10-24 X 0.75 Phillips, Thread-Forming	1
22	<u>103282601</u>	Wire Assembly Black #10	1
23	<u>1242</u>	Nut, 5/16-18 Hex	1
24	<u>7174</u>	Lockwasher, 5/16 Split	1
25	<u>103316901</u>	Cover Asm - Controller (includes items 26 through 28)	1
26	<u>101931501</u>	Decal, Component Cover	1
27	<u>103316701</u>	Cover - Controller, Deep	1
28	<u>103316801</u>	Gasket - Controller Cover	1
29	<u>103697301</u>	Obc, Iq, A1, #6	1
30	<u>332</u>	Washer, 1/4 Type A Narrow Flat	2
31	<u>7174</u>	Lockwasher, 5/16 Split	2
32	<u>8639</u>	Tie Wrap, 11" Nylon	1
33	<u>8990</u>	Tie Wrap, 8" Nylon	1

13

E

13

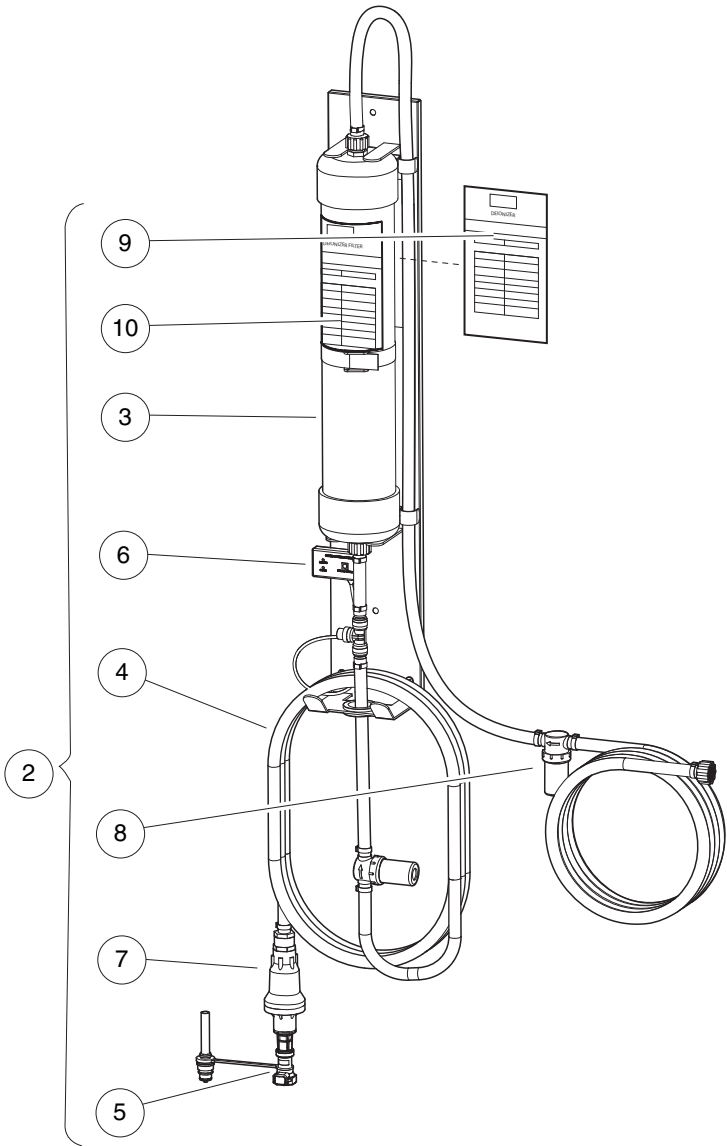
E



11



12



002523-003

HAND PUMP AND DEIONIZER (BATTERY-POWERED QUALITY LIGHT)

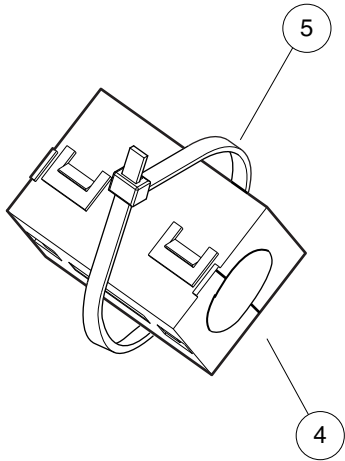
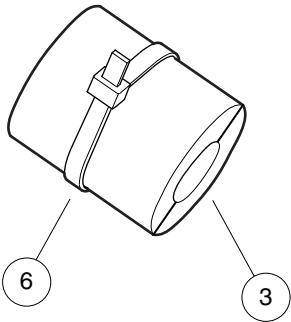
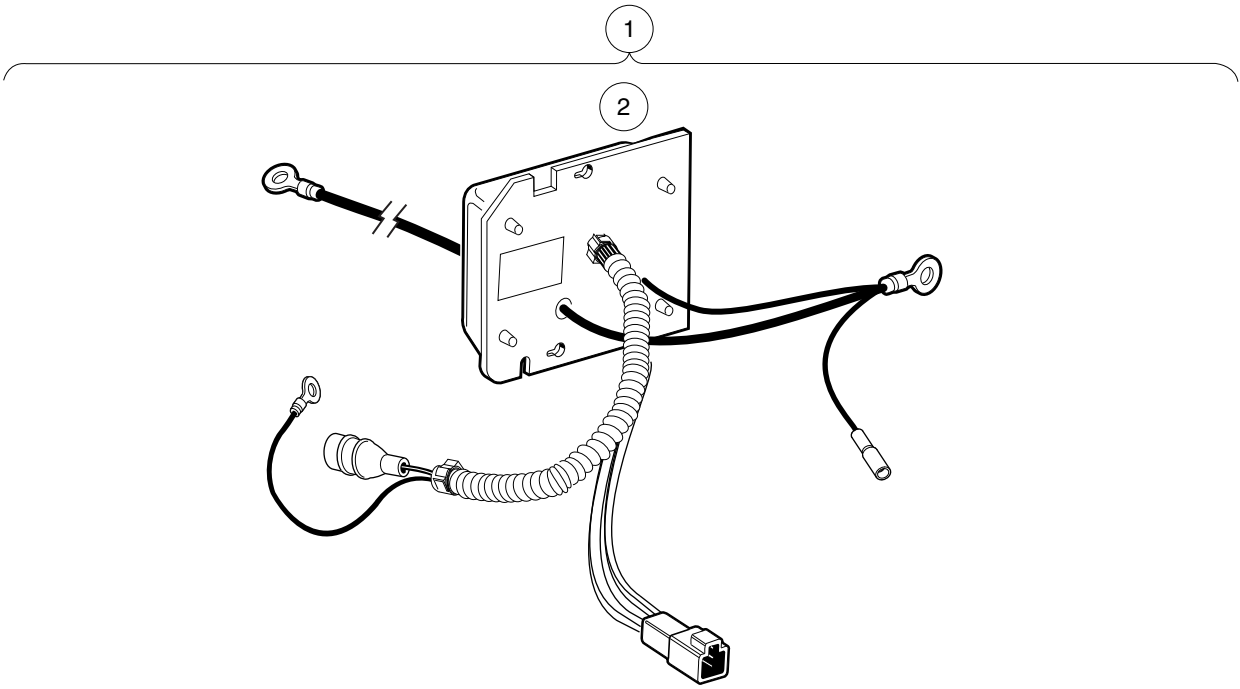
ITEM	PART NO.	DESCRIPTION	QTY
		1 2 3 4	
1	<u>104006101</u>	Kit, Hand Pump, Spws	1
2	<u>105166801</u>	Deionizer, w/Battery-Powered Water Quality Light (includes items 3 through 10)	1
3	<u>104005901</u>	Cartridge, Deionizer	1
4	<u>105166901</u>	Hose,outlet,deionizer	1
5	<u>105167001</u>	Flow Ind, W/coupler, Deionizer	1
6	<u>105167101</u>	Light, Quality, Battery-Powered, w/T-Fitting	1
7	<u>105168501</u>	Regulator, Pressure, Deionizer	1
8	<u>105168601</u>	Strainer, In-line, Deionizer	1
9	<u>AM1300001</u>	Decal, Filter Log, Blue	1
10	<u>AM1300201</u>	Decal, Inspect Log, Yellow	1
11	AM1300101	Decal, Filter Log, Blue, Pack of 100	A/R
12	AM1300301	Decal, Inspect Log, Yellow, Pack of 100	A/R

13

E

13

E



001279-001

CE COMPLIANCE KIT – TURF AND CARRYALL 1

ITEM	PART NO.	DESCRIPTION	QTY
		1 2 3 4	
1	<u>103584801</u>	Kit, IQ EMC Compliance (includes items 2 through 6)	1
2	<u>102806203</u>	Controller, IQ, 48-volt, CE	1
3	<u>103449501</u>	Bead, Ferrite, Tdk	2
4	<u>103449601</u>	Bead, Ferrite, Fair-rite	3
5	<u>8639</u>	Tie Wrap, 11" Nylon	4
6	<u>8990</u>	Tie Wrap, 8" Nylon	4

13

E

13

E

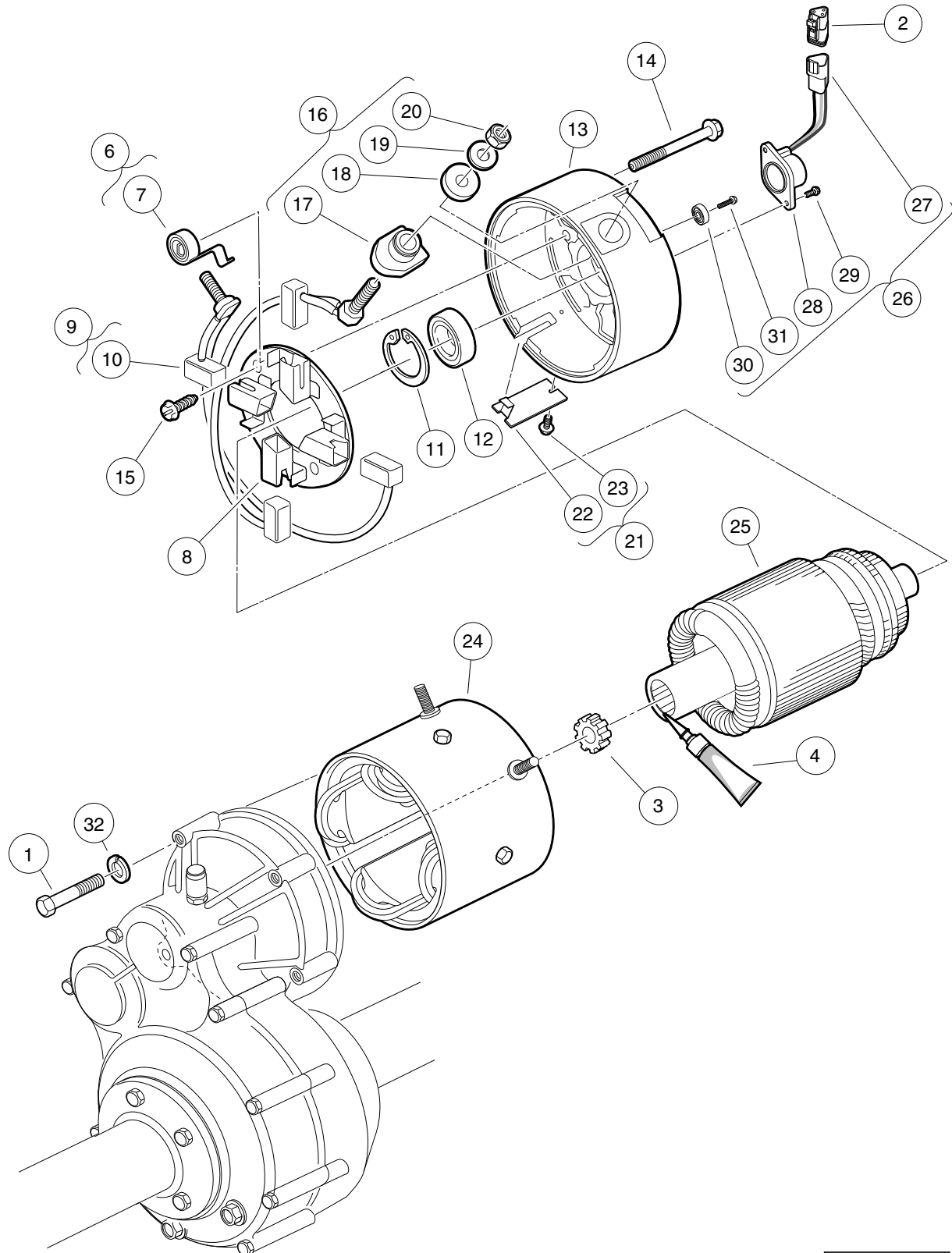
ELECTRIC MOTOR

14

E

14

E



000185-002

MOTOR (MODEL EJ8-4001A) – ELECTRIC VEHICLE

ITEM	PART NO.	DESCRIPTION	QTY
		1 2 3 4	
1	1014201	Screw, 1/4-20 X 2.25 Hex Cap	3
2	<u>101920101</u>	Kit, 3-Pin Wedge Lock	1
3	<u>102235201</u>	Bumper, Drive Unit	1
4	<u>102243403</u>	Lubricant, Moly-Teflon (Single-Use Tube)	1
5	<u>103572501</u>	IQ Electric Motor, 48-VDC 3.3 hp (includes items 6 through 26)	1
6	<u>102186001</u>	Spring Kit, Motor Brush (includes item 7)	1
7	N/A	Spring, Brush, S-g	4
8	<u>102186101</u>	Brush Box Assembly	1
9	<u>102186201</u>	Brush Kit, Motor (includes item 10)	1
10	N/A	Assembly, Brush and Terminal	2
11	N/A	Ring, 2.24" Internal Retaining	1
12	<u>102186401</u>	Bearing, Ball	1
13	<u>102186701</u>	End Cap, Motor	1
14	N/A	Screw, 1/4-20 X 2.25 Hex-Head Washer	2
15	<u>102186901</u>	Screw, #8-32 X .5 Hex-Head	2
16	<u>102187101</u>	Hardware Kit, Motor Terminal (includes items 17 through 20)	2
17	N/A	Bushing, Nylon	2
18	N/A	Washer, Nylon Flat	2
19	N/A	Washer, Flat, 5/16 Steel	2
20	N/A	Nut, Brass Hex, 5/16 - 18	2
21	<u>102187201</u>	Plate Kit, Motor Cover (includes items 22 and 23)	1
22	N/A	Assembly, Cover Plate	1
23	N/A	Screw, #8-32 x 0.375, Taptite Thread	1
24	<u>102704701</u>	Frame and Field Assembly	1
25	<u>102704801</u>	Armature Assembly	1
26	<u>102704901</u>	Kit, Speed Sensor (includes items 27 through 31)	1
27	<u>101942301</u>	Kit, 3-Pin Wedge Lock	1
28	N/A	Sensor, Motor Speed, ADC	1
29	N/A	Screw, #8-32, Taptite Thread	2
30	N/A	Magnet, ADC Motor	1
31	N/A	Screw, 1/4-20 x 0.5	1
32	<u>451</u>	Lockwasher, 1/4 Split	3
		Note: The F1 and F2 terminal posts on the EJ8-4001A motor have 1/4 - 20 thread.	

14

E

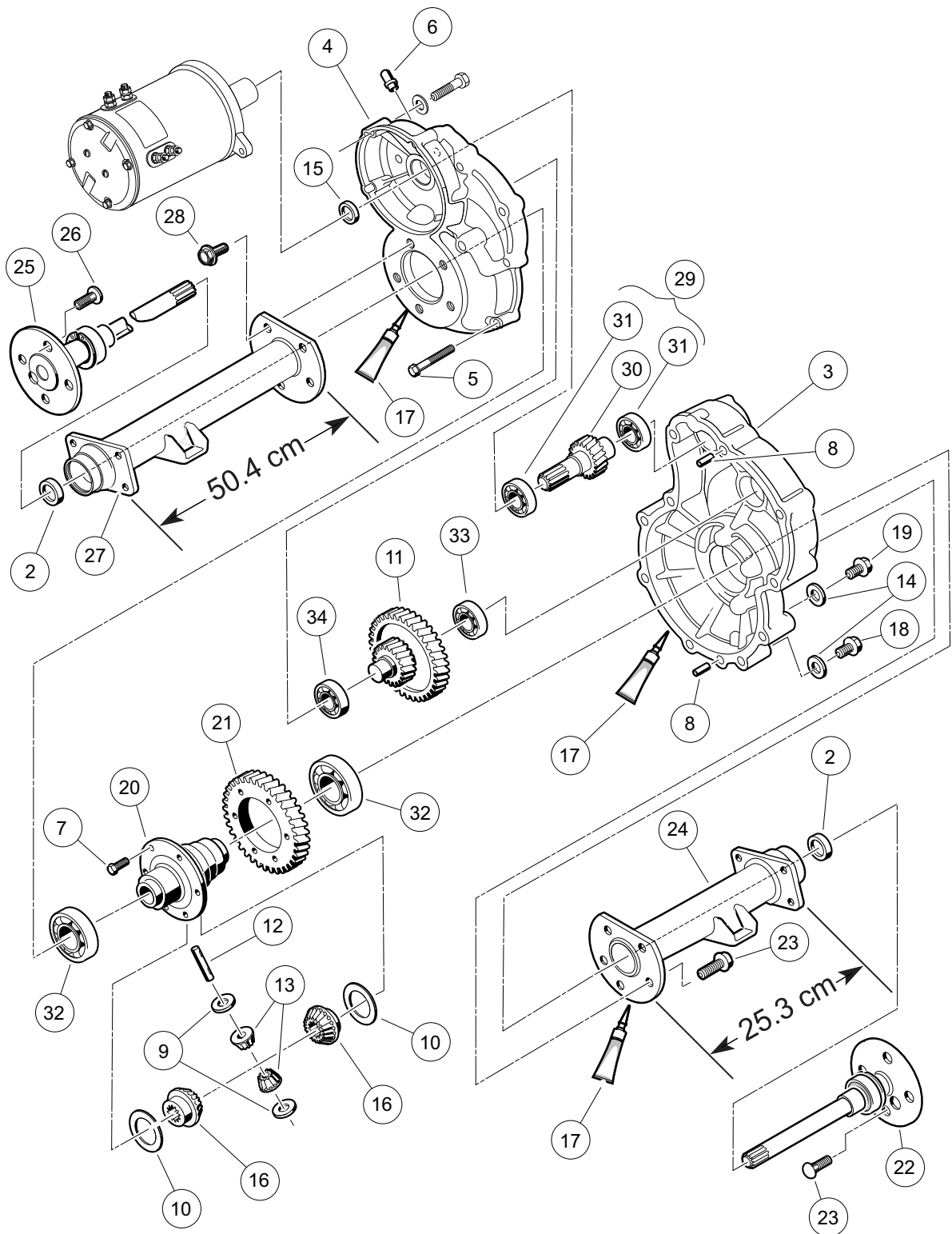
14

E

TRANSAXLE – ELECTRIC VEHICLES

15

E



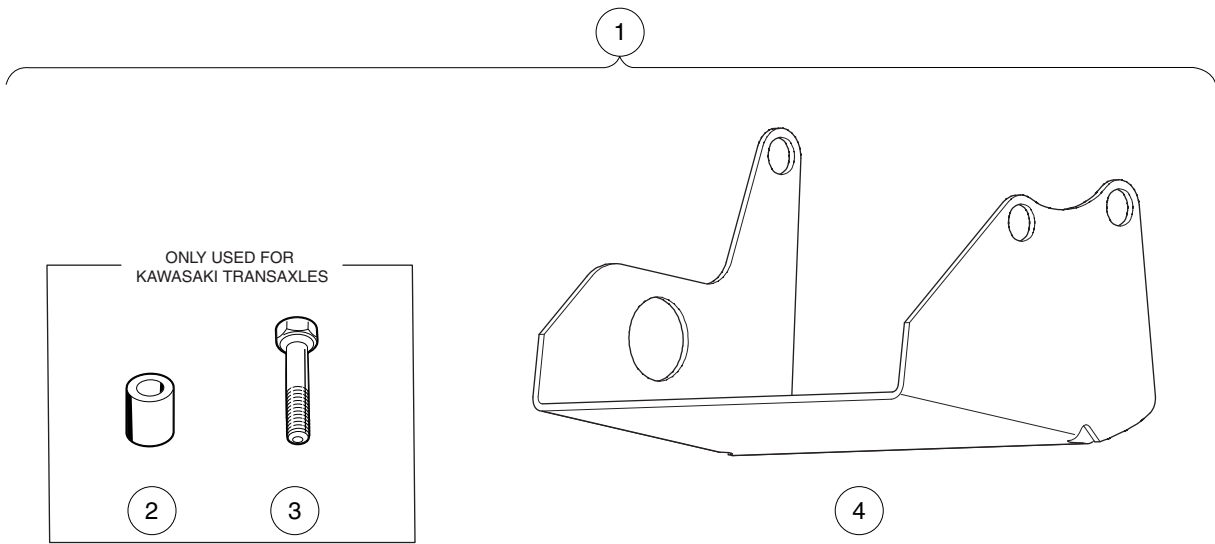
000223-005

TRANSAXLE – ELECTRIC VEHICLES

ITEM	PART NO.	DESCRIPTION	QTY
		1 2 3 4	
1	<u>102771701</u>	Transaxle, Electric (includes items 2 through 34)	1
2	<u>1013794</u>	Axle Shaft Oil Seal	2
3	<u>101895401</u>	Gear Case, Driver-Side	1
4	<u>101895501</u>	Gear Case, Passenger-Side	1
5	<u>101897001</u>	Screw, M8-1.25 X 60mm Hex-Head	11
6	<u>101897201</u>	Breather	1
7	<u>101897401</u>	Screw, M10-1.25 X 25mm	6
8	<u>101897601</u>	Pin, 11mm OD X 8.5mm ID X 10mm	2
9	<u>101903601</u>	Washer, Thrust	2
10	<u>101903701</u>	Washer, Thrust	2
11	<u>101906901</u>	Intermediate Shaft Assembly	1
12	<u>101922101</u>	Pin, 15.99mm X 88.7mm Dowel	1
13	<u>101923001</u>	Gear, Differential Idler	2
14	<u>101923201</u>	Gasket	2
15	<u>101923501</u>	Seal, Lip	1
16	<u>101923901</u>	Gear, Differential	2
17	<u>101928701</u>	Liquid Gasket (Transaxle case)	1
18	<u>101972101</u>	Plug, M14-1.5 X 12mm Magnetic	1
19	<u>101972201</u>	Plug, M14-1.5 X 12mm Hex	1
20	<u>102356601</u>	Housing, Differential, 6 Bolt	6
21	<u>102356801</u>	Gear, Differential Output, 6-Bolt	6
22	<u>102886301</u>	Axle Assembly, Driver-Side (includes item 23)	1
23	<u>101922201</u>	Lug Stud	4
24	<u>102886401</u>	Tube, Axle, Driver-Side	1
25	<u>102886501</u>	Axle Assembly, Passenger-Side (includes item 26)	1
26	<u>101922201</u>	Lug Stud	4
27	<u>102886601</u>	Tube, Axle, Passenger-Side	1
28	<u>102902801</u>	Screw, M10 X 30	10
29	<u>103582801</u>	Asm, E Trans Shaft/bearing (includes items 30 and 31)	1
30	N/A	Shaft, Input	1
31	<u>7335</u>	Bearing	2
32	<u>7330</u>	Inner Axle Tube Bearing	2
33	<u>7335</u>	Bearing	1
34	<u>7336</u>	Bearing	1

15

E



000365-002

DIFFERENTIAL GUARD – ELECTRIC VEHICLES

ITEM	PART NO.	DESCRIPTION	QTY
		1 2 3 4	
1	<u>101611402</u>	Kit, Differential Guard, Elec Vehicles (includes items 2 through 4)	1
2	<u>101914001</u>	Spacer, Steel	2
3	<u>101936101</u>	Screw, M10-1.50 X 60mm Hex Cap	2
4	<u>101978601</u>	Guard, Differential, Electric Vehicle Transaxle	1

15

E

15

E

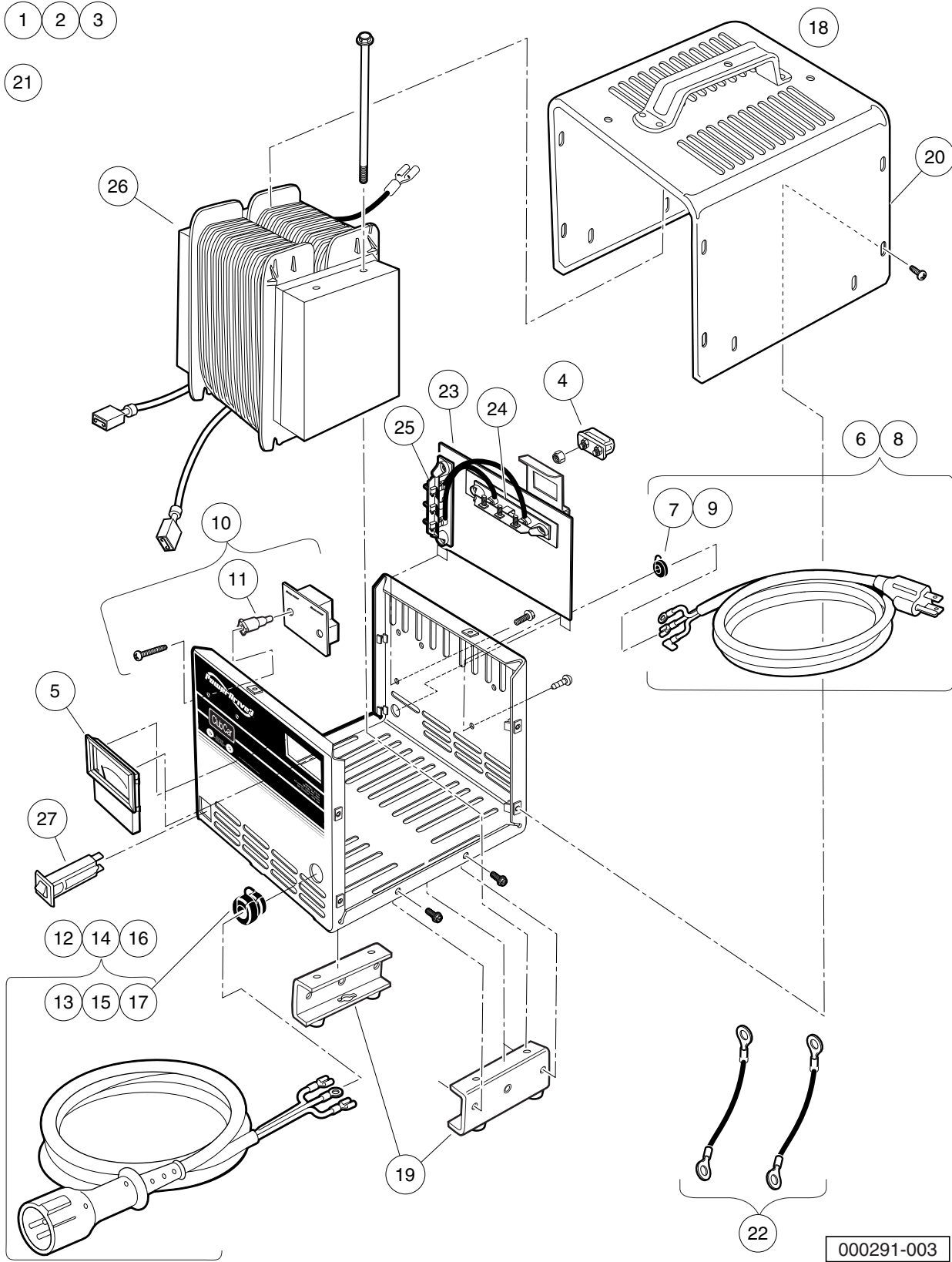
BATTERY CHARGERS

16

E

- 1
- 2
- 3

- 21



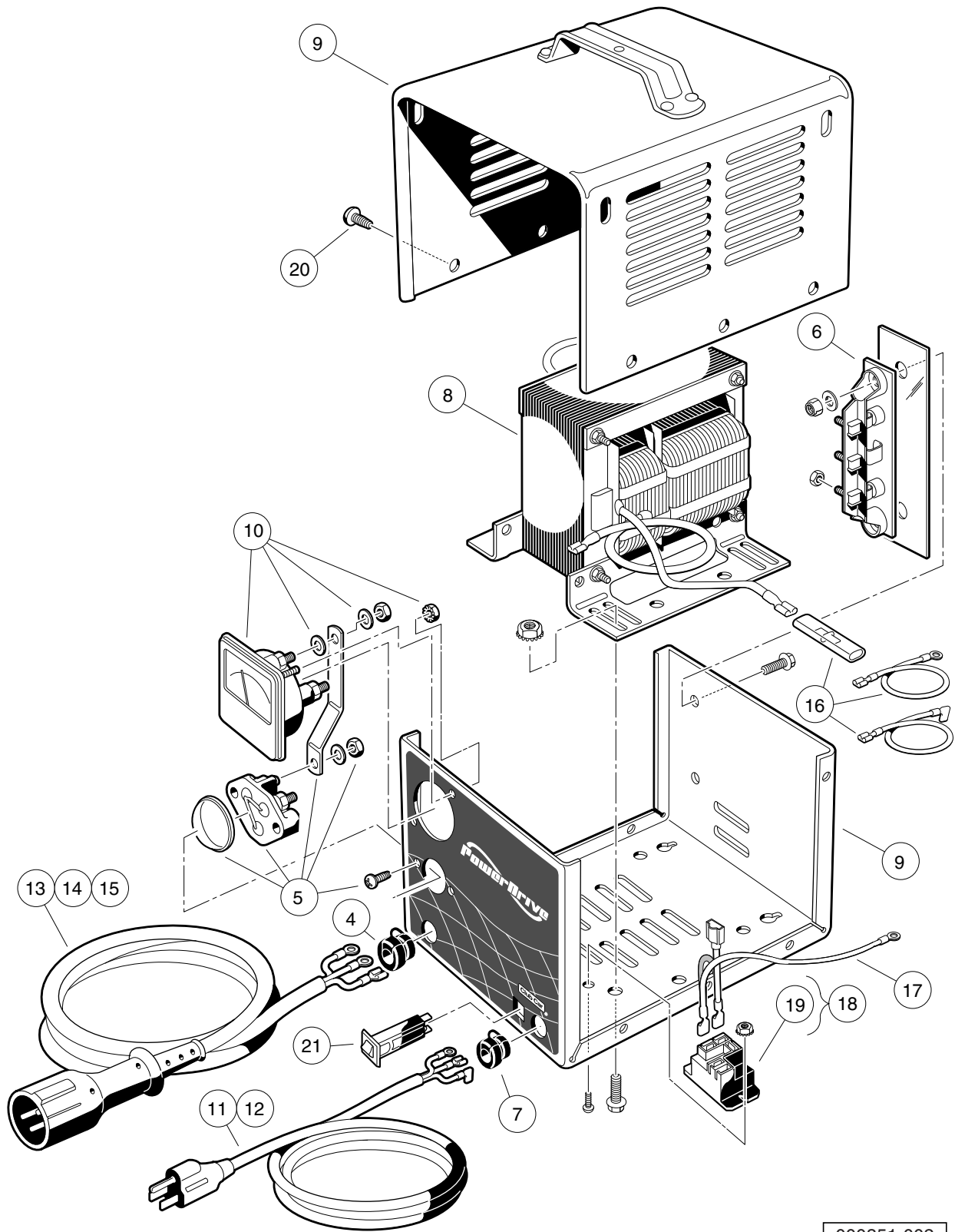
000291-003

POWERDRIVE 3 BATTERY CHARGER (MODEL 26580-31,-38,-39), DOMESTIC

16

E

ITEM	PART NO.	DESCRIPTION	QTY
		1 2 3 4	
1	<u>103717001</u>	Charger, PowerDrive 3, 9ft DC, 6ft AC	1
2	<u>103717002</u>	Charger, PowerDrive 3, 12ft DC, 9ft AC	1
3	<u>103717003</u>	Charger, PowerDrive 3, 20ft DC, 9ft AC (includes items 4 through 27)	1
4	<u>102273701</u>	PD2 Fuse Asm	1
5	<u>102273801</u>	PD2 Ammeter	1
6	<u>103428501</u>	Kit, PD3 Cordset - AC 80" (includes item 7)	1
7	<u>102273901</u>	PD2 AC Cord Bushing	1
8	<u>103428601</u>	Kit, PD3 Cordset, - AC 114" (includes item 9)	1
9	<u>102273901</u>	PD2 AC Cord Bushing	1
10	<u>103428701</u>	Asm, PD3 Board Relay (includes item 11)	1
11	<u>103429701</u>	PD3 Plastic Stand-Offs	2
12	<u>103429001</u>	PD3 Cordset - DC 113" (includes item 13)	1
13	<u>1012098</u>	Bushing, DC Cord	1
14	<u>103429101</u>	PD3 Cordset - DC 154" (includes item 15)	1
15	<u>1012098</u>	Bushing, DC Cord	1
16	<u>103429201</u>	PD3 Cordset - DC 205" (includes item 17)	1
17	<u>1012098</u>	Bushing, DC Cord	1
18	<u>103429301</u>	Asm, PD3 Case (includes items 19 and 20)	1
19	<u>103434001</u>	Asm, PD3 Legs	1
20	<u>103439901</u>	PD3Case Top (Includes Handle)	1
21	<u>103429501</u>	Kit, PD3 Hardware	1
22	<u>103513001</u>	Wire Asm Kit Blk Pd3	1
23	<u>103517401</u>	Kit Pd3 Button Diode (includes items 24 and 25)	1
24	N/A	Asm Diode Top	1
25	N/A	Asm Diode Side	1
26	<u>103779601</u>	Transformer, Pd3, AI	1
27	<u>CCX8506</u>	Circuit Breaker, 15-Amp/120-Volt	1
<p>Note: Level 1 Battery Charger part numbers include one AC and one DC cord. They do not include all of the level 2 cords listed.</p>			



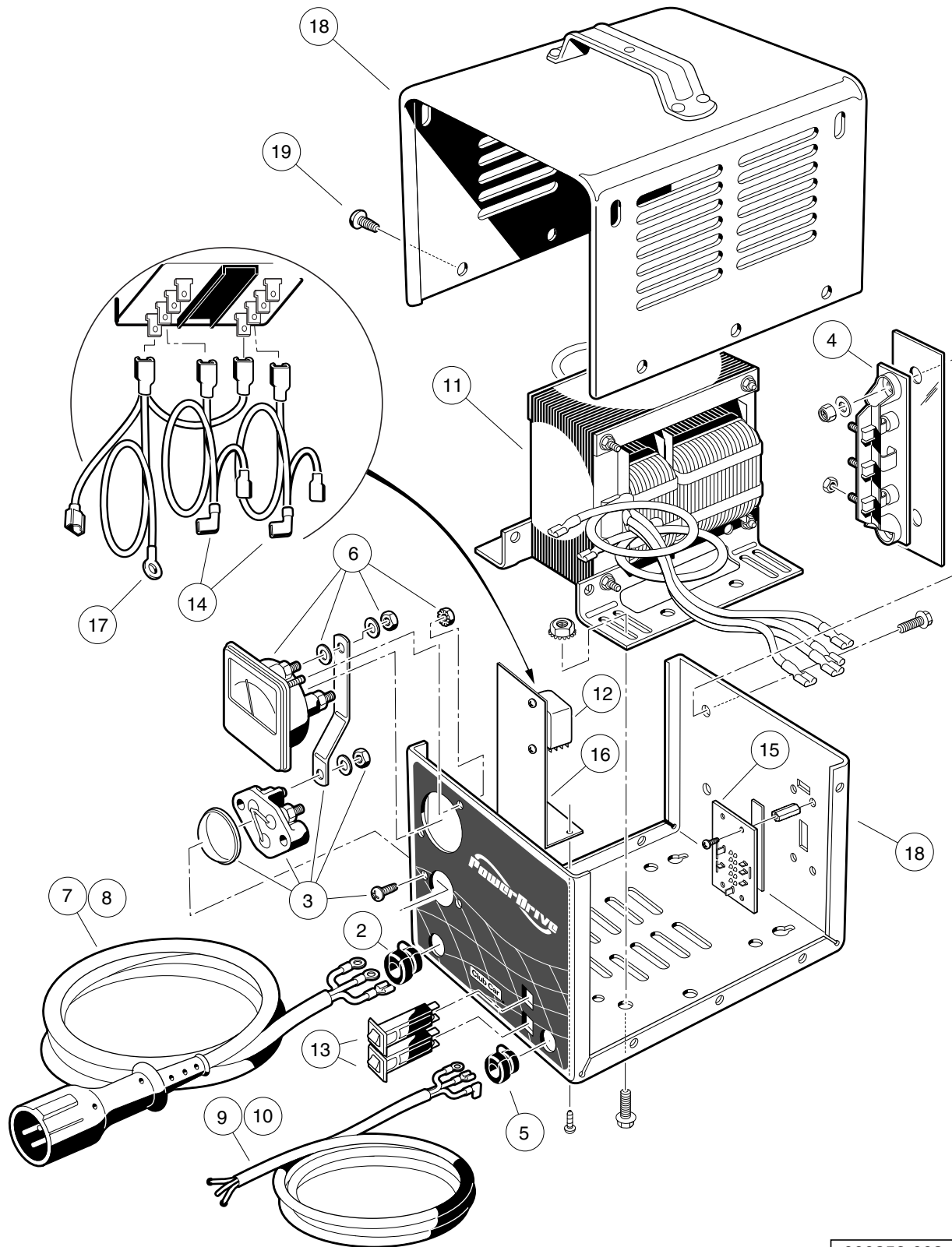
000351-002

POWERDRIVE BATTERY CHARGER (MODELS 17930-11,-18,-19), DOMESTIC

ITEM	PART NO.	DESCRIPTION	QTY
		1 2 3 4	
1	<u>101802201</u>	Charger, PowerDrive, 48V/17A, 9ft DC, 6ft AC Cord	1
2	<u>101802202</u>	Charger, PowerDrive, 48V/17A, 12ft DC, 9ft AC Cord	1
3	<u>101802203</u>	Charger, PowerDrive, 48V/17A, 20ft DC, 9ft AC Cord (includes items 4 through 21)	1
4	<u>1012098</u>	Bushing, DC Cord	1
5	<u>1012101</u>	Fuse Assembly	1
6	<u>1015914</u>	Rectifier with Heatsink Assembly	1
7	<u>1015917</u>	Bushing, AC Cord	1
8	<u>101819701</u>	Transformer, Battery Charger	1
9	<u>101828301</u>	Case Assembly	1
10	<u>101828501</u>	Ammeter	1
11	<u>101828801</u>	Cord, AC, 80-Inch (203 cm)	1
12	<u>101828802</u>	Cord, AC, 108-Inch (274 cm)	1
13	<u>101828901</u>	Cord, DC, 113-Inch (287 cm)	1
14	<u>101828902</u>	Cord, DC, 154-Inch (391 cm)	1
15	<u>101828903</u>	Cord, DC, 250-Inch (635 cm)	1
16	<u>101831101</u>	Wire Assembly Kit	1
17	101914401	Assembly, Voltage Suppressor	1
18	<u>103414901</u>	Kit, Relay, 48v 30a W/instr (includes item 19)	1
19	<u>103397901</u>	Relay, Spst No, 48v 30a, Pmt	1
20	7577	Screw, #10 X 0.50 Phillips Pan-Head	10
21	<u>CCX8506</u>	Circuit Breaker, 15-Amp/120-Volt	1
<p>Note: Level 1 Battery Charger part numbers include one AC and one DC cord. They do not include all of the level 2 cords listed.</p>			

16

E



000352-003

POWERDRIVE BATTERY CHARGER (MODEL 18780-18), EXPORT

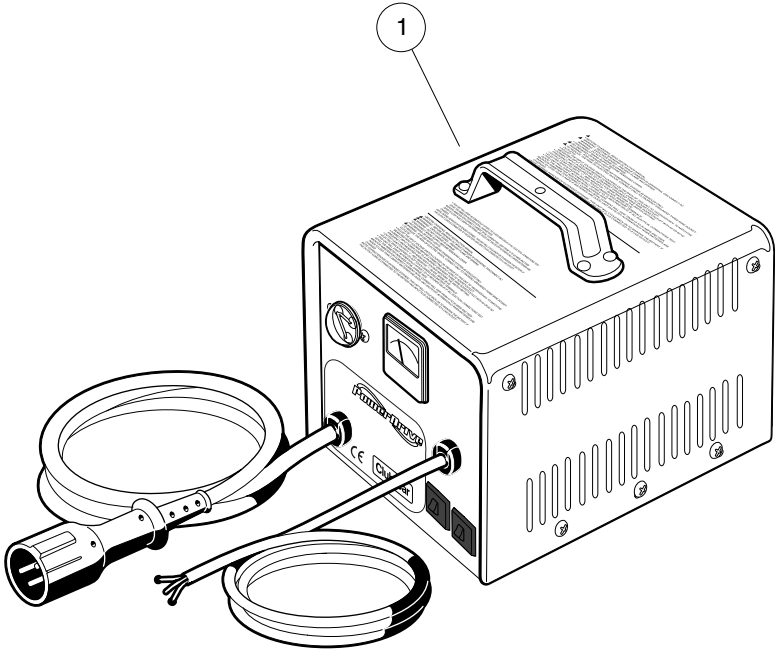
ITEM	PART NO.	DESCRIPTION	QTY
		1 2 3 4	
1	101831504	Battery Charger, 48-Volt DC (12-ft DC, 9-ft AC) (includes items 2 through 19)	1
2	<u>1012098</u>	Bushing, DC Cord	1
3	<u>1012101</u>	Fuse Assembly	1
4	<u>1015914</u>	Rectifier with Heatsink Assembly	1
5	<u>1015917</u>	Bushing, AC Cord	1
6	<u>101828501</u>	Ammeter	1
7	<u>101828901</u>	Cord, DC, 113-Inch (287 cm)	1
8	<u>101828902</u>	Cord, DC, 154-Inch (391 cm)	1
9	<u>101831701</u>	Cord, AC, 80-Inch (203 cm), without Plug	1
10	<u>101831702</u>	Cord, AC, 118-Inch (300 cm), without Plug	1
11	101838201	Transformer, Export Battery Charger	1
12	<u>101838301</u>	Relay, Export Charger	1
13	101838401	Circuit Breaker	2
14	101838501	Kit, Wire Assembly	1
15	101838601	Four-Position Switch	1
16	<u>101838701</u>	Mounting Bracket, Relay	1
17	101914401	Assembly, Voltage Suppressor	1
18	N/A	Case, Charger	1
19	7577	Screw, #10 X 0.50 Phillips Pan-Head	10
<p>Note: Model 18780-18 Export charger (p/n 101831504) is the only Export charger available with a 12 foot DC cord. For Export charger with an 8.5 foot DC cord, see Model 27640-61 on next page. Note 2: Level 1 Battery Charger part numbers include one AC and one DC cord. They do not include all of the level 2 cords listed.</p>			

16

E

16

E



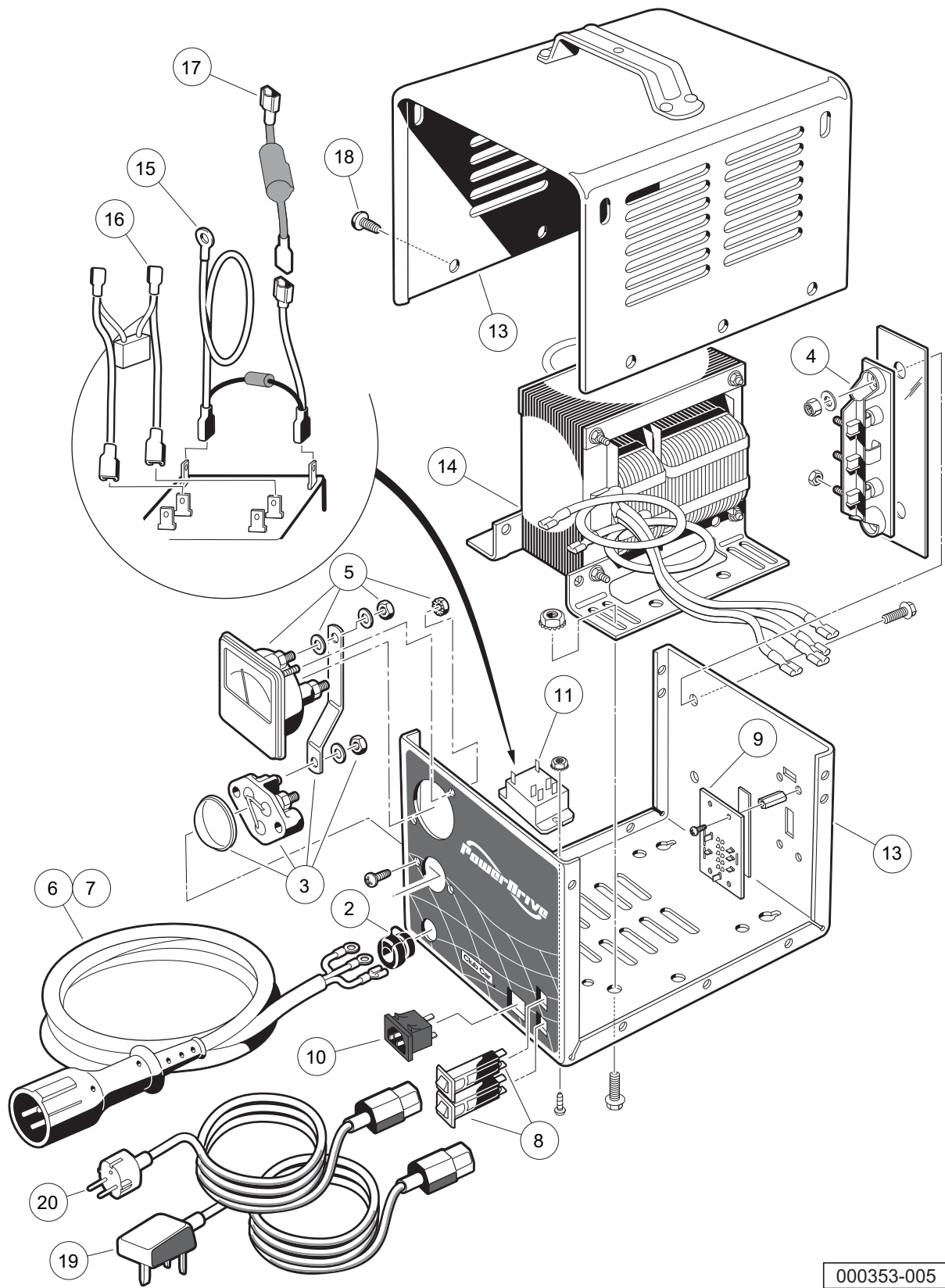
000352-002

POWERDRIVE BATTERY CHARGER (MODEL 27640-61), EXPORT

ITEM	PART NO.	DESCRIPTION	QTY
1	<u>103976801</u>	<p>1 2 3 4</p> <p>Battery Charger, Export, Stationary, 48VDC, 8.5ft DC, 6ft AC Cord</p> <p>Note: Model 27640-61 Export charger (p/n <u>103976801</u>) is the only Export charger available with an 8.5 foot DC cord. For Export charger with 12 foot DC cord, see Model 18780-18 on previous page. Note 2: Battery Charger</p>	1

16

E



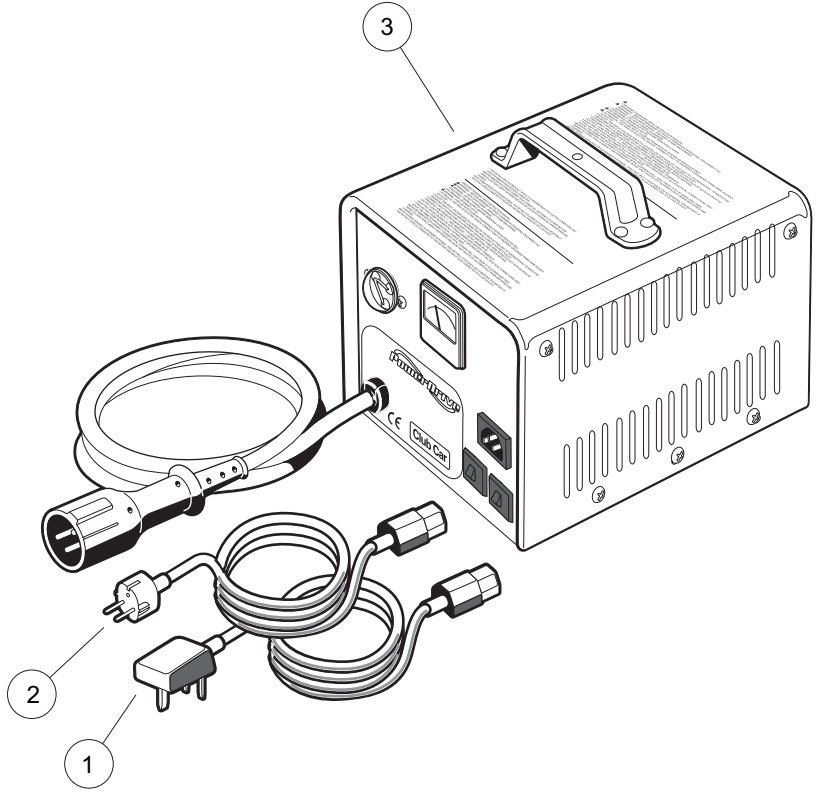
000353-005

POWERDRIVE BATTERY CHARGER (MODEL 20310-18), EUROPEAN

16

E

ITEM	PART NO.	DESCRIPTION	QTY
		1 2 3 4	
1	<u>101956202</u>	Battery Charger, 48-Volt w/ 4-Pos. Switch (12-ft DC) (includes items 2 through 18)	1
2	<u>1012098</u>	Bushing, DC Cord	1
3	<u>1012101</u>	Fuse Assembly	1
4	<u>1015914</u>	Rectifier with Heatsink Assembly	1
5	<u>101828501</u>	Ammeter	1
6	<u>101828901</u>	Cord, DC, 113-Inch (287 cm)	1
7	<u>101828902</u>	Cord, DC, 154-Inch (391 cm)	1
8	101838401	Circuit Breaker	2
9	101838601	Four-Position Switch	1
10	101973501	Receptacle, AC Cord	1
11	<u>101987501</u>	Relay	1
12	N/A	Wire, Jumper	1
13	N/A	Case, Charger	1
14	****	Transformer, European Battery Charger	1
15	****	Suppressor, AC Voltage	1
16	****	Assembly, Wire	1
17	N/A	Limiter, Current	1
18	7577	Screw, #10 X 0.50 Phillips Pan-Head	10
19	<u>101958201</u>	Cord, UK, AC, Battery Charger	1
20	101958301	Cord, European AC, Battery Charger	1
<p>**** Special order item available upon request.</p> <p>Note: Model 20310-18 European charger (p/n <u>101956202</u>) is the only European charger available with a 12 foot DC cord. For European charger with an 8.5 foot DC cord, see Model 27640-11 on next page. Note 2: Level 1 Battery Charger part numbers include one AC and one DC cord. They do not include all of the level 2 cords listed.</p>			



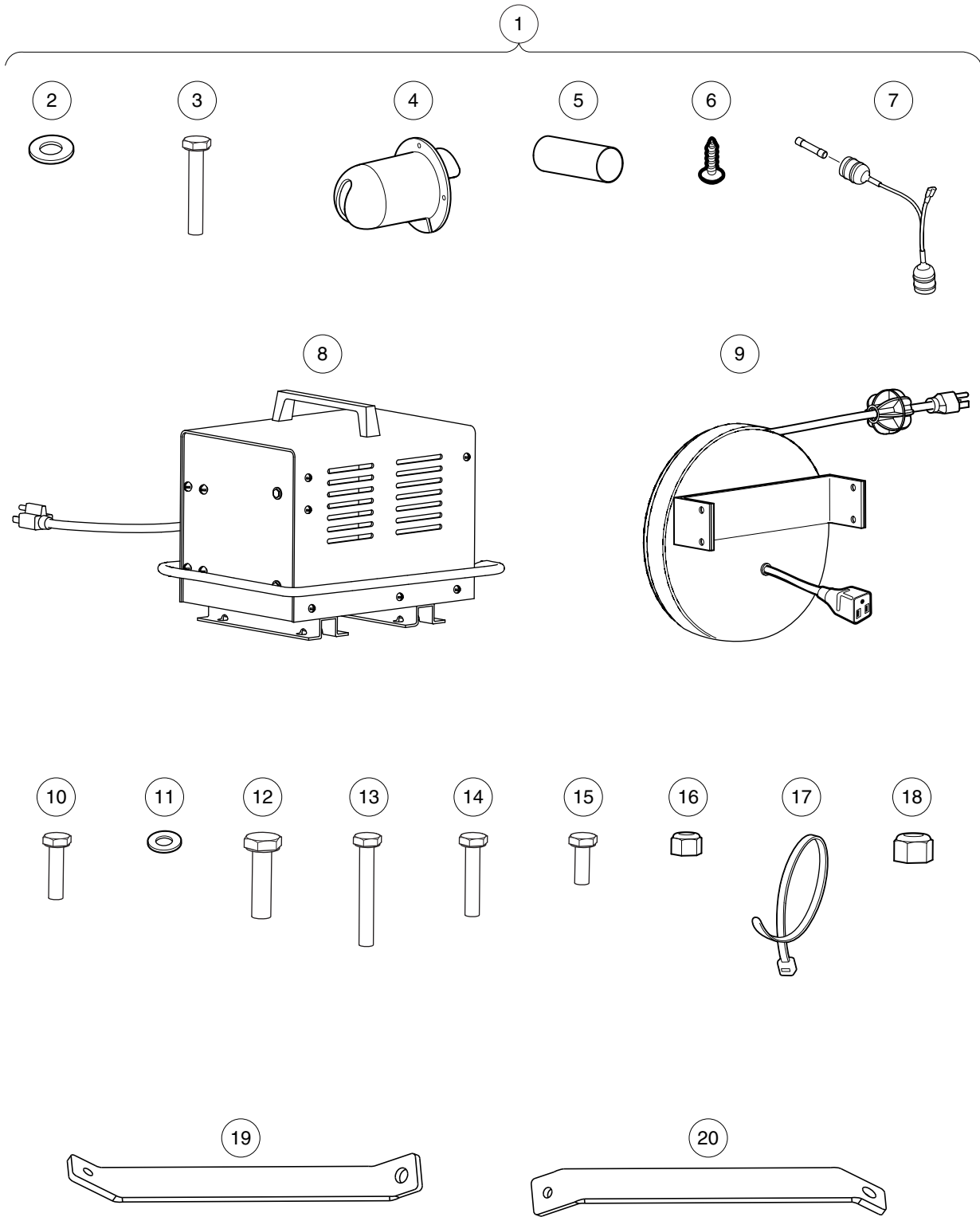
000353-004

POWERDRIVE BATTERY CHARGER (MODEL 27640-11), EUROPEAN

ITEM	PART NO.	DESCRIPTION	QTY
		1 2 3 4	
1	<u>101958201</u>	Cord, UK, AC, Battery Charger	1
2	101958301	Cord, European AC, Battery Charger	1
3	<u>103976901</u>	Battery Charger, European, Stationary, 48VDC, 8.5ft DC Cord	1
<p style="text-align: center;">Note: Model 27640-11 European charger (p/n <u>103976901</u>) is the only European charger available with an 8.5 foot DC cord. For European charger with 12 foot DC cord, see Model 20310-18 on previous page. Note 2: Battery Charger part number includes one AC and one DC cord.</p>			

16

E



001269-001

ONBOARD POWERDRIVE BATTERY CHARGER (MODEL 19770-98), DOMESTIC

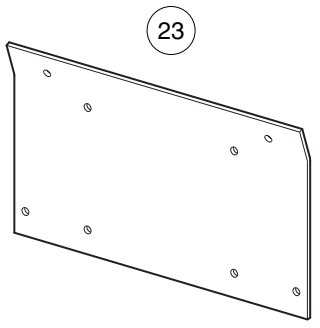
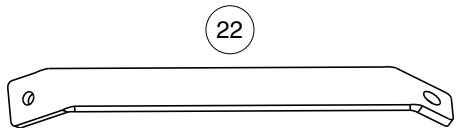
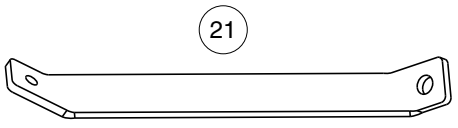
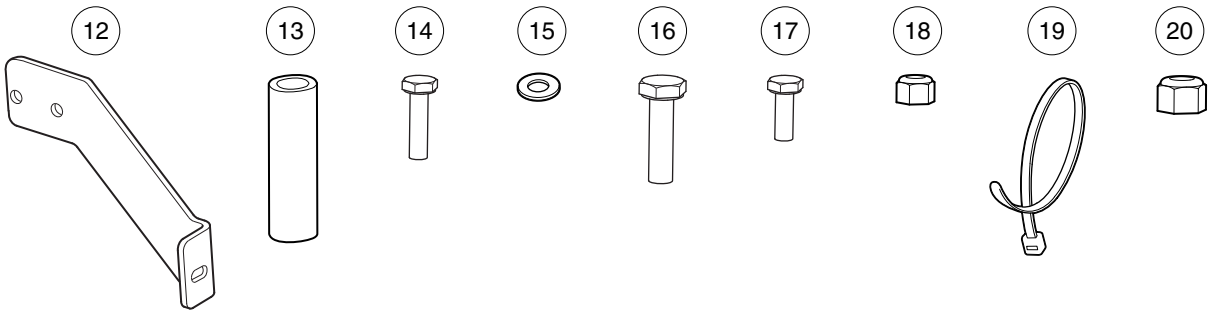
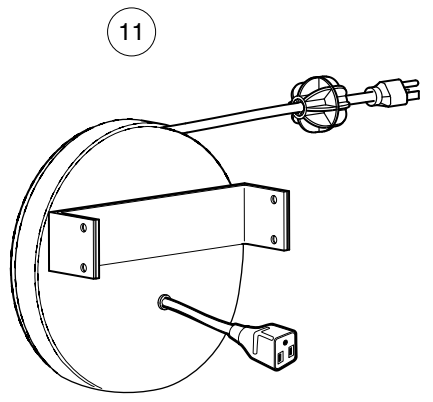
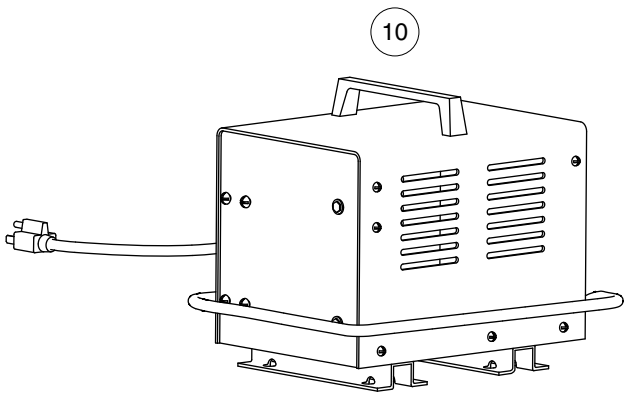
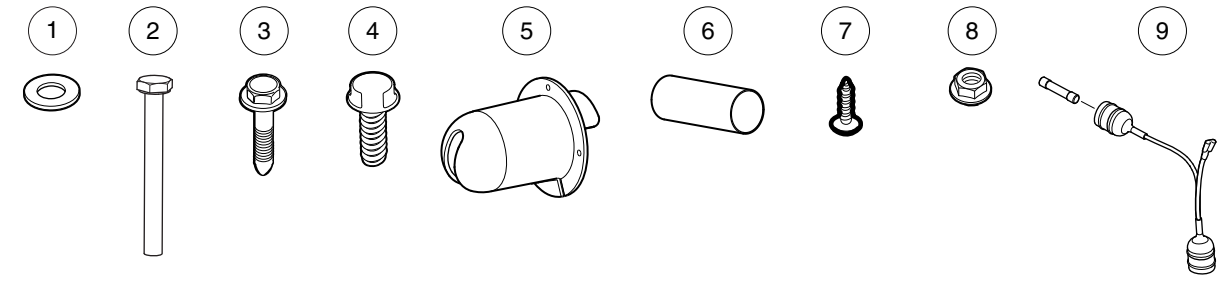
ITEM	PART NO.	DESCRIPTION	QTY
		1 2 3 4	
1	SVP150002	Kit, Charger, Onboard, CA1, Domestic, Field-Installed (includes items 2 through 20)	1
2	<u>1011990</u>	Washer, 3/8 Flat	4
3	<u>1013509</u>	Screw, 1/4-20 X 1.75 Hx Hd Cap	1
4	<u>1016673</u>	Housing, Cord Reel	1
5	<u>1017189</u>	Heat Shrink Tube 1.5" X 3"	1
6	<u>101832001</u>	Screw, #7-19 X 0.625 Phillips Pan-Head Tap	4
7	<u>101896801</u>	Fuse Holder Assembly	1
8	<u>101939701</u>	Batt.charger, O/b 120vac 48vdc	1
9	<u>101965401</u>	Reel Assy, Retractable Cord	1
10	304	Screw, 1/4-20 X 1.0 Hex-Head Cap	4
11	<u>332</u>	Washer, 1/4 Type A Narrow Flat	20
12	705	Screw, Cap-hex Hd 3/8-16x1.25	2
13	<u>7311</u>	Screw, 1/4-20 X 2.00 Hex-Head Cap	1
14	<u>7479</u>	Screw, 1/4-20 X 1.25 Hex-Head Cap	4
15	<u>7847</u>	Screw, 1/4-20 X 0.75 Hex-Head Cap	4
16	<u>8233</u>	Locknut, 1/4-20, Nylon Insert	14
17	<u>8639</u>	Tie Wrap, 11" Nylon	6
18	<u>8754</u>	Locknut, 3/8-16 Hex	2
19	SVP148901	Charger Mount Leg Rh	1
20	SVP148902	Charger Mount Leg Lh	1

16

E

16

E



001270-001

ONBOARD POWERDRIVE BATTERY CHARGER (MODEL 19710), INTERNATIONAL

ITEM	PART NO.	DESCRIPTION	QTY
		1 2 3 4	
1	<u>1011990</u>	Washer, 3/8 Flat	4
2	<u>1012159</u>	Bolt, 1/4-20 X 2.75 Hex-Head	2
3	<u>1014063</u>	Screw, 1/4-20 X 1.00, Hex Head	2
4	<u>1014288</u>	Screw, 5/16-18 X 0.75, Thread-Forming	5
5	<u>1016673</u>	Housing, Cord Reel	1
6	<u>1017189</u>	Heat Shrink Tube 1.5" X 3"	1
7	<u>101832001</u>	Screw, #7-19 X 0.625 Phillips Pan-Head Tap	4
8	<u>101835601</u>	Locknut, 1/4-20 Hex Whiz	2
9	<u>101896801</u>	Fuse Holder Assembly	1
10	<u>101939801</u>	Bat.charger, O/b 48vac W/4-pos	1
11	<u>101965401</u>	Reel Assy, Retractable Cord	1
12	<u>103483801</u>	Brkt, Mtg Cord Reel, Ca2	1
13	<u>103483901</u>	Spacer, Cord Reel, Ca2	2
14	304	Screw, 1/4-20 X 1.0 Hex-Head Cap	4
15	<u>332</u>	Washer, 1/4 Type A Narrow Flat	12
16	705	Screw, Cap-hex Hd 3/8-16x1.25	2
17	<u>7847</u>	Screw, 1/4-20 X 0.75 Hex-Head Cap	4
18	<u>8233</u>	Locknut, 1/4-20, Nylon Insert	8
19	<u>8639</u>	Tie Wrap, 11" Nylon	6
20	<u>8754</u>	Locknut, 3/8-16 Hex	2
21	SVP148901	Charger Mount Leg Rh	1
22	SVP148902	Charger Mount Leg Lh	1
23	SVP149001	Charger Mount, Rear	1

16

E

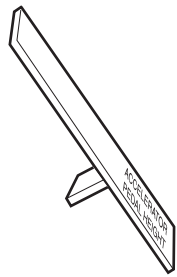
16

E

MAINTENANCE AND SERVICE TOOLS

17
G
E

17
G
E



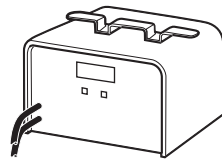
1



2



3



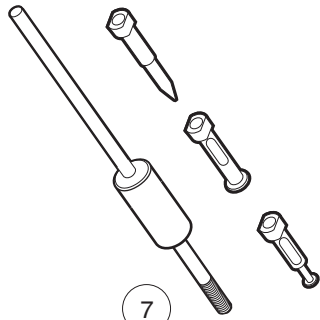
4



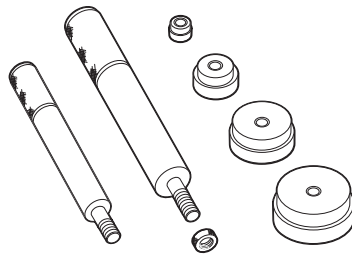
5



6



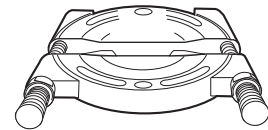
7



8



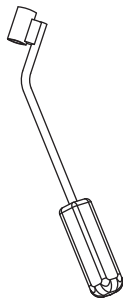
9



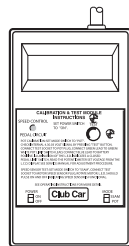
10



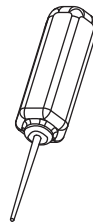
11



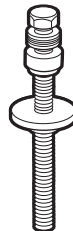
12



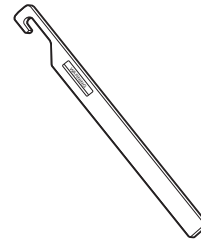
13



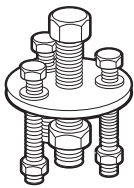
14



15



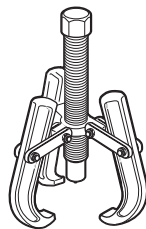
16



17



18



19



20



21

001600-001

MAINTENANCE AND SERVICE TOOLS

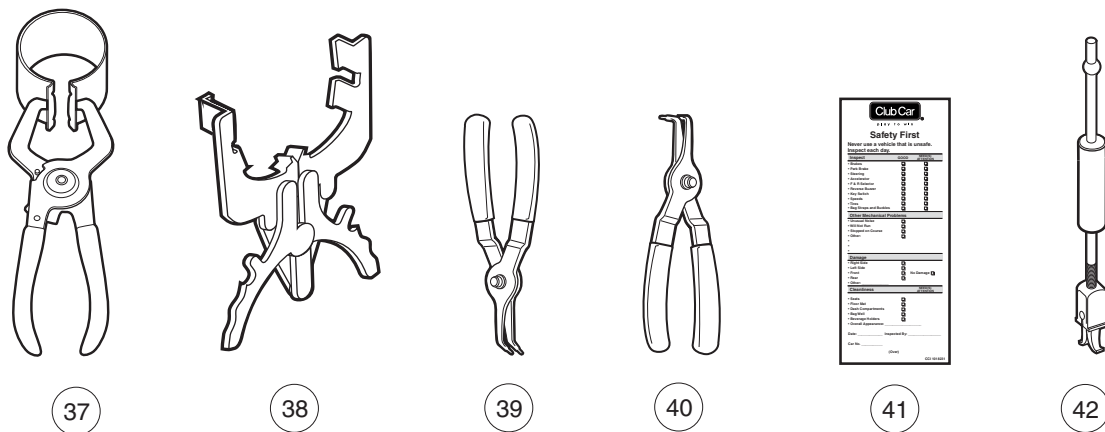
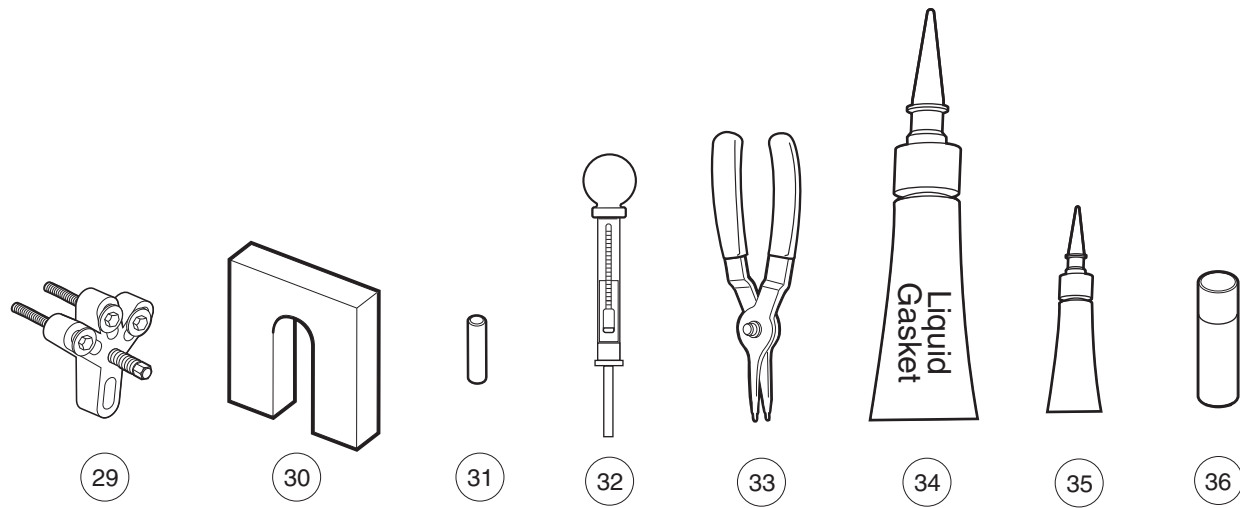
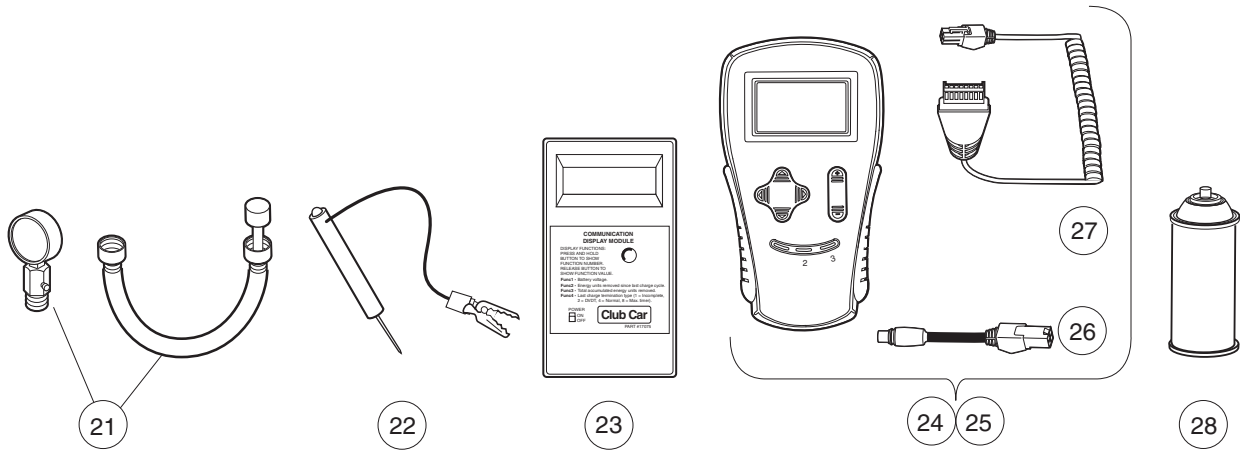
ITEM	PART NO.	DESCRIPTION	QTY GAS	QTY ELEC
		<p style="text-align: center;">1 2 3 4</p> <p>The following tool list includes all tools available from Club Car to perform maintenance and service procedures on all electric utility vehicles and all gasoline utility vehicles equipped with Kawasaki FE-series engines. Be sure to carefully examine the tool list for applicability to your vehicle before ordering.</p>		
1	<u>101871001</u>	Accelerator Pedal Adjustment Tool (Utility Vehicles).....	1	1
2	<u>101813202</u>	Adhesive, Guide Ring, 3-Gram Tube		1
3	<u>101641202</u>	Arbor	1	
4	<u>101831901</u>	Battery Discharge Machine, 36/48 Volt		1
5	<u>1014305</u>	Battery Terminal Protector Spray	1	1
6	1011767	Battery Thermometer	1	1
7	<u>1016417</u>	Bearing and Oil Seal Remover Assembly	1	1
8	<u>1016416</u>	Bearing Driver Set	1	1
9	<u>1012811</u>	Bearing Puller	1	1
10	<u>1012812</u>	Bearing Puller Wedge Attachment	1	1
11	1013582	Brake Adjustment Tool (used only on vehicles with manually adjusted mechanical brakes)	1	1
12	<u>102555501</u>	Brake Cable Release Tool	1	1
13	<u>101887101</u>	Calibration Test Module		1
14	<u>102562401</u>	Charger Bezel Tool		1
		Clutch Tools (items 14 - 20)	1	
15	<u>101808401</u>	Clutch Cam Installation Tool (for Kawasaki engines)	1	
16	<u>1015524</u>	Drive Clutch Holder Tool Assembly (for Kawasaki engines)	1	
17	<u>1014497</u>	Drive Clutch Hub Puller (for Kawasaki engines)	1	
18	<u>1014496</u>	Drive Clutch Puller (for Kawasaki engines)	1	
19	<u>1014508</u>	Driven Clutch Cam Puller (for Kawasaki engines)	1	
20	<u>1014507</u>	Driven Clutch Puller Plug (for Kawasaki engines)	1	
21	<u>101809101</u>	Press Weldment (for Kawasaki engines)	1	
		<p>Please refer to the maintenance and service manual for proper tool application.</p>		

17

G

E

17
G
E



001601-001

MAINTENANCE AND SERVICE TOOLS, CONTINUED

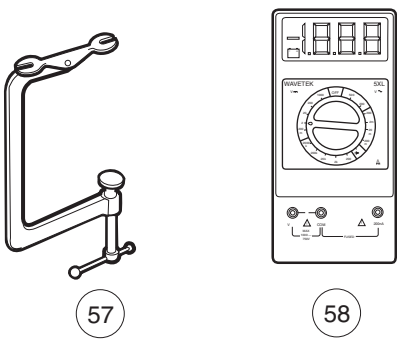
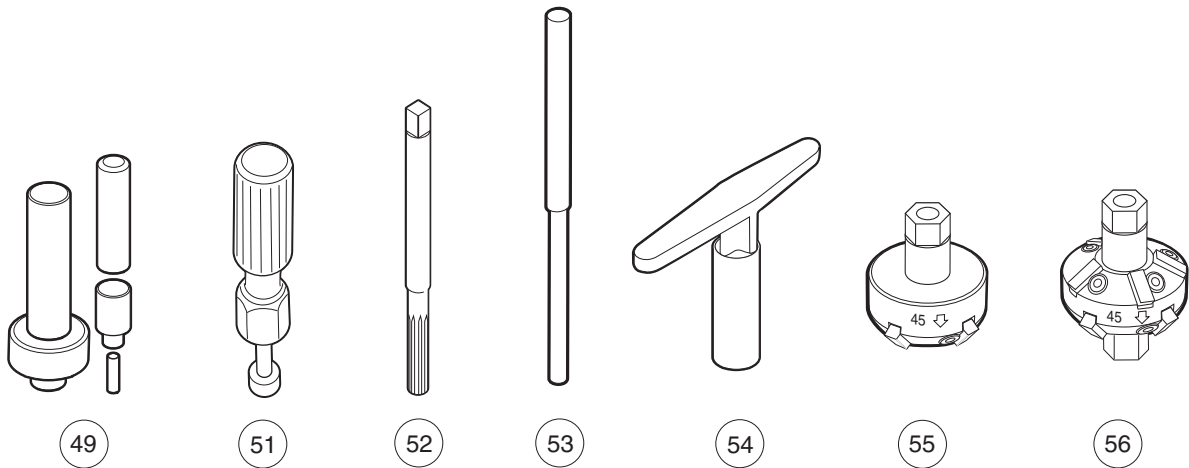
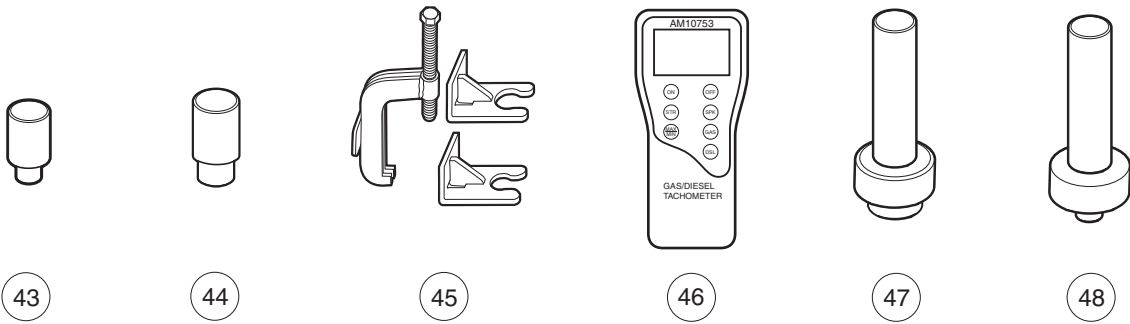
ITEM	PART NO.	DESCRIPTION	QTY GAS	QTY ELEC
		1 2 3 4		
21	101641002	Compression Gauge and Adapter	1	
22	1011273	Continuity Tester	1	1
23	101831801	Communication Display Module		1
24	<u>102248803</u>	IQ Display Module (IQDM) Kit (IQ System and IQ Plus vehicles) (includes items 54 and 55)		1
25	102248804	IQ Display Module (IQDM-P) Kit (IQ System and IQ Plus vehicles) (includes items 54 and 55)		1
26	<u>102251501</u>	Adaptor, Cable		1
27	<u>102241502</u>	IQDM Series 2 Cable		1
28	<u>1012151</u>	Dry Moly Lubricant	1	1
29	<u>1016627</u>	Flywheel Puller Kit (for Kawasaki Engines)	1	
30	<u>1016418</u>	Gear Yoke	1	1
31	<u>101933101</u>	Governor Shaft Installation Tool (for Kawasaki Engine Vehicles)	1	
32	<u>1011478</u>	Hydrometer	1	1
33	<u>1013593</u>	Internal Retaining Ring Pliers	1	1
34	<u>101928701</u>	Liquid Gasket (transaxle case)	1	1
35	<u>102243402</u>	Moly-Teflon Lubricant (4-oz. (113-gram) tube)		1
36	<u>101997201</u>	Paint, Touch-Up ,Äi Beige*	1	1
36	<u>101997207</u>	Paint, Touch-Up ,Äi Black*	1	1
36	<u>101997212</u>	Paint, Touch-Up ,Äi Burgundy*	1	1
36	<u>101997211</u>	Paint, Touch-Up ,Äi Classic Blue (Navy)*	1	1
36	<u>101997205</u>	Paint, Touch-Up ,Äi Dark Gray*	1	1
36	<u>101997209</u>	Paint, Touch-Up ,Äi Dark Green*	1	1
36	<u>101997204</u>	Paint, Touch-Up ,Äi Gray*	1	1
36	<u>101997203</u>	Paint, Touch-Up ,Äi Red*	1	1
36	<u>101997206</u>	Paint, Touch-Up ,Äi Royal Blue (Pacific Blue)*	1	1
36	<u>101997202</u>	Paint, Touch-Up ,Äi White*	1	1
37	<u>1016414</u>	Piston Ring Compressor Kit	1	
38	<u>1016415</u>	Piston Ring Pliers	1	
39	<u>1012549</u>	Retaining Ring Pliers, 45→ External	1	1
40	<u>1012560</u>	Retaining Ring Pliers, 90→ Internal	1	1
41	<u>101823101</u>	Safety First Card (50 per pack)	1	1
42	<u>1012809</u>	Seal Puller	1	1
		Please refer to the maintenance and service manual for proper tool application.		

17

G

E

17
G
E



001602-001

MAINTENANCE AND SERVICE TOOLS, CONTINUED

ITEM	PART NO.	DESCRIPTION	QTY GAS	QTY ELEC
		1 2 3 4		
43	<u>1014264</u>	Steering Column Bearing Press Tool	1	1
44	<u>1014259</u>	Steering Column Retaining Ring Tool	1	1
45	102061201	Steering Wheel Puller Tool	1	1
46	<u>AM10753</u>	Tachometer (includes gasoline engine pick up lead only)	1	
47	<u>1014162</u>	Transaxle Axle Seal Tool (for electric vehicles)		1
48	1014161	Transaxle Pinion Seal Tool (for electric vehicles)		1
49	<u>1014115</u>	Transmission Tool Kit (for electric vehicles).....		1
50	<u>101611003</u>	Tune-Up Kit, All OHV (for FE290, FE350, FE400 only) (includes air filter, spark plug, oil filter, fuel filters) (not shown)	1	
51	<u>1016413</u>	Valve Clearance Adjuster Screw Holder (for FE290 engines only)	1	
52	101641201	Valve Guide Reamer (FE290, FE350, and FE400 only).....	1	
53	<u>1016552</u>	Valve Seat Cutter Guide	1	
54	<u>1016551</u>	Valve Seat Cutter T-Wrench	1	
55	<u>1016553</u>	Valve Seat Cutter, 45→× (32 mm diameter) (for FE290 engines only)	1	
56	<u>1016554</u>	Valve Seat Cutter, 45→×/30→× (35 mm diameter)	1	
57	<u>101641101</u>	Valve Spring Compressor	1	
58	1011480	Volt Ohm Meter	1	1
		Please refer to the maintenance and service manual for proper tool application.		

17
G
E

INDEX

Part Number and Page

AM10753	17-7	7274	6-13	1010577	8-17
AM10080	12-9	7308	6-13	1010805	5-3
AM10081	12-9	7310	2-3	1010829	5-13
AM10419	11-7	7311	1-27, 1-29, 1-31, 1-43, 16-15	1010877	5-3
AM10682	2-3	7330	12-11, 15-3	1010878	1-37, 5-3
AM1220301	8-3	7335	12-9, 15-3	101090801	13-11
AM1232301	8-3, 8-7	7336	15-3	1010909	4-23
AM1243501	4-29	7473	1-3, 1-5, 1-27, 1-29, 1-31, 1-35, 1-41, 1-53, 1-73, 5-3, 5-5, 5-7, 5-13, 7-11, 7-15	1010921	1-27, 1-29, 1-31, 5-3
AM1243701	4-25, 4-27, 4-29	7479	1-43, 16-15	1010927	5-3
AM1243801	4-25, 4-27, 4-29	7532	1-35	1010932	5-3
AM1264001	1-55	7577	16-5, 16-7, 16-11	1010933	5-3
AM1290701	1-61	7591	4-5, 4-7	1010934	1-41, 1-43, 1-51, 7-15
AM1300001	13-17	7716	5-3	1010954	7-11, 12-7, 12-13
AM1300101	13-17	7818	7-11	1010984	2-3
AM1300201	13-17	7820	4-31	1011014	1-3
AM1300301	13-17	7840	6-13	1011017	1-3
CCX8506	16-3, 16-5	7847	1-13, 1-57, 10-3, 16-15, 16-17	1011084	5-9
SVP143902	1-5	7893	4-9, 4-11, 4-23, 7-11, 12-5	1011229	4-5, 4-7
SVP148901	16-15, 16-17	7910	6-13	1011273	17-5
SVP148902	16-15, 16-17	7973	1-9, 1-11, 9-13	1011291	12-11
SVP149001	16-17	8057	7-11, 7-13, 12-3	1011382	4-13, 4-15
SVP150002	16-15	8058	7-11, 7-13, 12-3	1011393	6-13
183	4-9, 4-11, 4-23, 4-29, 9-3, 9-13, 11-5, 12-7, 12-13	8067	6-13, 6-19	1011394	1-3
304	4-31, 12-5, 16-15, 16-17	8104	4-9, 4-11, 12-3	1011402	5-3
324	4-25, 4-27	8233	1-27, 1-29, 1-31, 1-37, 1-41, 1-57, 4-25, 4-27, 4-31, 4-33, 5-5, 5-7, 7-9, 9-11, 12-5, 12-7, 12-13, 16-15, 16-17	1011415	6-23, 6-25
332	1-19, 1-37, 1-41, 1-43, 1-57, 4-25, 4-27, 4-31, 7-9, 9-15, 10-3, 13-15, 16-15, 16-17	8248	1-15, 7-9	1011418	5-3
334	5-5, 5-7, 6-3, 6-5, 8-17, 11-5	8251	1-33, 1-47	1011439	4-5, 4-7
357	1-51, 6-17	8294	4-31	1011478	17-5
403	1-35	8450	11-5	1011480	17-7
451	10-3, 14-3	8639	4-29, 12-5, 13-15, 13-19, 16-15, 16-17	1011546	1-55
705	1-51, 8-17, 16-15, 16-17	8717	5-5, 5-7, 7-11, 12-3, 12-7, 12-13	1011553	1-51, 3-3
706	1-51, 6-17	8754	1-35, 5-5, 5-7, 6-3, 6-5, 6-15, 6-17, 6-23, 6-25, 7-7, 16-15, 16-17	1011578	1-5, 6-5
808	11-5	8755	1-35, 6-17, 6-23, 6-25	1011582	4-35
1016	4-9, 4-11, 4-23, 9-3	8797	9-3	1011590	4-9
1017	4-3	8861	6-15	1011694	5-5, 5-7
1028	5-3	8935	1-5	1011697	6-5, 8-17, 9-11
1032	1-39, 5-3	8963	1-27, 1-29, 1-31	1011734	5-9
1108	1-43	8990	4-9, 4-11, 4-19, 4-21, 4-27, 4-33, 6-3, 7-11, 13-15, 13-19	1011767	17-3
1218	1-5, 1-27, 1-29, 1-31, 1-53	1010005	6-13	1011779	5-13
1231	1-39	1010028	12-3	1011825	4-5, 4-7, 4-31
1241	1-3, 1-5, 1-27, 1-29, 1-31, 1-51, 5-3, 5-5, 5-7, 5-13, 7-7, 7-11, 7-15, 10-3	1010086	1-43	1011843	4-35
1242	1-51, 4-19, 4-21, 5-13, 7-7, 7-11, 13-15	1010124	6-17	1011852	1-27, 1-29, 1-31
1606	9-13	1010138	6-15	1011862	1-27, 1-29
1620	4-3	1010145	6-23, 6-25	101186202	1-31
1624	5-5, 5-7, 6-3, 7-7	1010150	6-17	1011865	1-27, 1-29
2402	6-15	1010177	6-17	101186502	1-31
4029	4-31	1010200	6-17	101187702	5-3
7048	6-13, 6-19	1010237	1-27, 1-29, 1-31	1011878	1-15, 1-47
7049	1-41	1010434	1-3, 1-7, 1-39	1011883	1-27, 1-29, 1-31
7173	1-15, 7-15	1010435	1-3, 1-35	1011887	6-13
7174	1-51, 6-7, 7-7, 9-11, 10-3, 13-15	1010543	1-19	1011892	6-13
7251	1-3, 1-15	1010546	1-3	1011897	1-25
				1011931	5-5, 5-7
				1011937	1-27, 1-29, 1-31
				1011942	1-27, 1-29, 1-31
				1011962	1-47

INDEX

1011963	1-47	1013317	1-39, 3-9	1014078	11-7
1011964	1-27, 1-29, 1-31, 1-47	1013343	1-9, 1-11	1014080	11-7
1011965	1-47	1013344	1-9, 1-11	1014115	17-7
1011972	1-47	1013420	1-13	1014116	9-3
1011990	1-39, 1-51, 16-15, 16-17	1013422	1-13	1014119	7-3, 7-11
1012008	1-27, 1-29, 1-31	1013461	9-3	1014125	6-5
1012098	16-3, 16-5, 16-7, 16-11	1013462	9-3	1014126	6-5
1012101	16-5, 16-7, 16-11	1013483	1-51	1014145	7-11
1012151	17-5	1013494	4-13, 4-15	1014153	5-11
1012159	16-17	1013509	4-25, 4-27, 16-15	1014161	17-7
1012181	6-23, 6-25	1013531	5-13	1014162	17-7
1012182	6-23, 6-25	1013547	4-33	1014201	14-3
1012285	1-57, 4-33, 9-3, 9-5, 9-11, 13-15	1013579	4-33	1014207	12-11
1012295	7-11	1013582	17-3	1014213	6-5
1012303	1-35, 6-17, 6-21, 6-23, 6-25	1013589	7-11	1014214	6-5
1012304	6-23, 6-25	1013593	17-5	1014217	6-5
1012333	12-5	1013609	7-11	1014259	17-7
1012382	7-3	1013677	3-5	1014264	17-7
1012396	4-13, 7-3	1013687	9-3	1014276	6-17
1012431	7-11	1013700	9-11	1014287	11-5
1012438	4-29	1013734	10-3	1014288	6-5, 7-15, 11-5, 13-15, 16-17
1012505	4-13, 4-15	1013746	9-3, 9-5, 9-9	1014304	13-11
1012528	10-3, 13-15	1013760	12-7	1014305	17-3
1012549	17-5	1013768	12-11	1014306	1-57, 4-33
1012560	17-5	1013769	12-11	1014321	1-33, 1-41
1012565	6-11	1013770	12-11	1014375	7-15
1012566	6-11	1013771	12-11	1014387	1-33, 1-41
1012571	1-53, 8-17, 13-11	1013772	12-11	1014415	1-41, 1-47
1012604	6-5	1013773	12-11	1014435	1-25
1012605	6-5	1013774	12-11	101444101	1-25
1012649	9-3, 9-5	1013787	12-11	1014453	11-5
1012711	12-7	1013792	12-11	1014454	11-7
1012714	12-9	1013794	12-11, 15-3	1014471	1-35
1012740	12-9	1013824	1-15	1014490	1-47
1012741	12-9	1013825	1-15	1014496	17-3
1012747	12-9	1013846	1-15	1014497	17-3
1012748	12-9	1013857	4-5, 4-7	1014503	1-27, 1-29
1012752	12-7	1013869	5-3	101450302	1-31
1012809	17-5	1013870	5-3	1014506	1-27
1012811	17-3	1013876	5-3	101450698	1-29
1012812	17-3	1013924	5-11, 8-17	1014507	17-3
1012830	7-7, 9-11, 10-3	1014007	5-5, 5-7, 9-11, 12-7, 12-13	1014508	17-3
1012836	11-7	1014049	11-5	1014517	1-47
1012896	12-7	1014050	11-5	1014521	1-47
1013035	6-3	1014051	11-5	1014530	4-5, 4-7, 4-31
1013042	6-3, 6-15	1014052	11-5	1014537	1-41
1013044	6-3	1014055	11-5	1014540	4-33
1013052	6-3	1014056	11-5	101454602	6-23
1013061	12-3, 12-7, 12-13, 13-7	1014057	11-5	1014548	1-47
101313402	9-5	1014058	11-5	101454902	6-25
1013135	6-13	1014059	11-5	1014555	6-23, 6-25
1013164	6-23, 6-25	1014062	11-5	1014556	1-47
1013207	6-25	1014063	11-5, 13-15, 16-17	1014559	1-47
1013309	1-19	1014065	7-11, 11-5	1014573	6-23, 6-25
1013311	1-19	1014070	11-7	1014807	7-11, 7-13, 12-3
1013312	1-19	1014072	11-7	1014808	7-11, 7-13, 12-3

INDEX

1014901	6-23, 6-25	1015583	1-35, 6-21, 6-23, 6-25	1016350	6-15
1014902	6-23, 6-25	101558302	6-17, 6-23, 6-25	1016351	6-15
1014942	1-47	1015597	6-13, 6-19	1016353	6-15
1014943	1-47	1015606	1-39	1016356	4-5, 4-7
1014944	1-47	1015608	1-5	1016363	4-5, 4-7
1014947	13-15	101562711	1-19	1016364	4-5
1014948	7-11	101562712	1-19	1016365	4-19, 4-21
1015010	4-29	101562714	1-19	1016367	4-5
101503202	1-9	101562715	1-19	1016384	6-17
1015068	1-47	101564501	1-19	1016385	6-15
1015072	13-11	101564502	1-19	1016386	6-17
1015075	1-3	101564503	1-19	1016387	6-17
1015091	1-47	101564505	1-19	1016389	6-17
1015137	9-3, 9-5, 9-9	1015649	8-5	1016401	7-3, 7-11
1015139	9-3	1015654	1-43	101641002	17-5
1015148	1-47	1015656	1-43	101641101	17-7
1015153	4-25	101565701	1-43	101641201	17-7
1015154	4-25	101565702	1-43	101641202	17-3
1015156	4-25, 4-27, 4-29	101565703	1-43	1016413	17-7
1015157	4-25, 4-27	101565704	1-43	1016414	17-5
1015160	4-25, 4-27	1015660	1-43	1016415	17-5
1015162	4-25	1015661	4-7	1016416	17-3
1015167	4-29	1015737	4-5, 7-3, 7-11	1016417	17-3
1015170	4-29	1015741	4-5, 4-7, 7-11	1016418	17-5
1015172	4-25, 4-27	1015752	7-11, 9-15	1016423	4-5, 4-7, 7-11
1015187	4-25, 4-27, 4-29	1015765	4-25	101642575	9-7
101524002	7-7	1015768	4-29	101642578	9-7
1015245	1-39	1015770	4-29	101642580	9-7
1015252	1-35	1015814	10-3	101642582	9-7
1015277	1-37	101584502	9-11	101642585	9-7
1015313	1-39	1015878	7-11, 7-13, 12-3	1016429	8-9
1015332	7-3, 8-5	1015914	16-5, 16-7, 16-11	1016432	8-9, 12-7
1015345	7-11	1015917	16-5, 16-7	1016436	8-11
1015363	1-39	1015921	9-3	1016437	9-7
1015365	1-39	1015932	7-7	1016438	9-9
1015367	1-39	1015969	8-5	1016440	8-11, 9-9
1015371	7-11	1016060	1-37	1016441	9-9
1015372	7-11	1016074	7-7	1016444	9-9
1015373	7-11	1016077	1-43	1016449	8-11
1015390	1-39	1016078	1-37	1016450	8-11
1015391	1-35	101609401	3-3	1016451	8-11
1015399	1-35, 1-41, 1-73	101611003	17-7	1016452	8-11
1015400	1-35, 1-39	101611402	15-5	1016453	8-13
1015405	1-3, 7-11	1016154	6-11	1016454	8-13
1015413	1-39	1016183	6-5	1016455	8-7
1015414	1-39	1016201	11-5	1016456	8-5
1015426	9-15	1016214	6-11	1016457	8-9
1015427	1-35	1016230	4-29	1016458	8-11
1015445	1-51	1016267	4-29	1016470	8-15
101547601	3-7	1016269	6-5	1016472	8-13
1015507	1-35	1016287	4-29	1016473	8-9
1015524	17-3	1016289	11-5	1016474	8-11
1015526	4-25, 4-27, 4-29	1016337	12-9	1016479	8-11
1015528	4-13, 4-15	1016338	12-9	101648102	9-9
1015530	1-57	1016346	6-15	101648203	8-9
101553901	1-39, 1-43, 3-3	1016349	6-15	1016483	8-11

INDEX

1016486	9-7	101670201	3-9	1017188	11-3
1016489	8-11	1016751	1-21	1017189	16-15, 16-17
101649002	9-9	101675511	1-21	1017226	6-7
1016494	8-13	101675512	1-21	1017231	12-7
1016496	8-13	101675514	1-21	1017235	6-23, 6-25
1016499	9-7	101675515	1-21	1017266	6-15
1016501	9-7	101677701	1-21	1017273	6-9, 6-11
1016502	8-9	101677702	1-21	1017313	6-5
1016506	8-13	101677703	1-21	1017314	6-5
1016507	8-5	101677705	1-21	1017315	6-5
1016510	8-13	1016801	11-5	1017317	6-5
1016513	12-7	1016837	4-25, 4-27	101734802	1-3
1016517	8-11	1016849	4-13, 4-15	1017378	5-5, 5-7
1016519	8-11	1016851	4-13, 4-15	1017380	5-5, 5-7
1016521	8-13	1016855	1-27, 1-29, 1-31	1017424	5-5, 5-7
1016531	8-5	1016868	1-3	1017434	8-11
1016535	8-13	1016879	4-3	1017442	8-9
1016537	8-9	1016880	4-3	1017443	8-11
1016538	8-13	1016883	7-7	1017445	8-11
1016539	8-5	1016904	8-11, 10-3	1017448	8-7
1016541	8-15	1016916	1-43	101744901	8-15
1016542	8-11	101692501	1-3	101744902	8-15
1016544	8-7, 8-11, 8-13	101692502	1-3	1017450	8-15
1016545	8-11	101692504	1-3	101745101	8-15
1016546	9-11	101692506	1-3	101745102	8-15
1016547	8-5, 8-15, 9-9	101692509	1-3	1017453	8-15
1016549	8-11	101692510	1-3	1017454	8-11
1016551	17-7	101692511	1-3	1017455	8-7
1016552	17-7	101692512	1-3	1017456	8-9
1016553	17-7	101692513	1-3	101745701	8-15
1016554	17-7	101692514	1-3	101745702	8-15
1016560	8-11	101692515	1-3	1017458	8-9
1016561	8-7	1016929	4-25, 4-27, 4-29	1017460	8-9
1016562	8-7, 8-15	101693901	1-3	1017461	9-7
1016563	8-11	101693902	1-3	1017463	8-7
1016564	8-13	101693904	1-3	1017466	9-9
1016566	8-11	101693906	1-3	1017471	8-15
1016569	8-11	101693909	1-3	1017472	8-13
1016570	8-9	101693910	1-3	1017473	8-11
1016571	8-15	101693911	1-3	1017474	8-5
1016572	9-9	101693912	1-3	1017475	8-5
1016576	8-9	101693913	1-3	1017476	8-5
1016578	8-7	101693914	1-3	1017486	8-5
1016581	8-9	1016952	1-13	1017487	8-13
1016582	9-9	1016967	1-3	1017490	8-7
1016583	8-11	1017029	5-3	1017501	8-15
1016584	8-13	1017035	4-5, 4-7, 4-35	1017502	8-15
1016585	9-7	101705608	4-5	1017503	8-15
1016587	8-7	1017062	4-3	1017504	8-13
1016588	8-7	1017064	4-3	1017507	8-9
1016627	17-5	1017065	4-3	1017508	8-13
1016630	4-13	101707402	4-9	1017510	8-15
1016631	4-5, 4-7	101707405	4-11	1017512	8-15
1016672	12-11	1017075	4-9, 4-11	1017513	8-13
1016673	16-15, 16-17	1017080	1-3	1017514	8-13
1016679	1-57	1017082	12-7, 12-13	101751801	8-13

INDEX

101751802	8-13	101819701	16-5	101856002	4-15
101751803	8-13	101821501	9-15	101856102	7-11
101754203	1-73	101821601	4-29	101856201	9-13
101754206	1-73	101823101	17-5	101859401	10-3
1017686	11-7	101823201	5-11	101861901	5-5, 5-7
1017689	10-3	101823801	5-11	101862001	5-5
1017699	4-35	101823901	5-11	101870401	1-3
101770203	1-45	101824401	9-3	101871001	17-3
1017705	13-7	101825101	3-3	101878201	5-3
1017721	4-5, 4-23	101826201	4-15	101879401	6-3
1017722	4-5	101826301	4-13	101879501	6-3
1017724	4-9, 4-11	101826801	13-15	101879601	6-3
101773301	8-15	101827101	8-17	101879701	6-3
101773302	8-15	101827801	13-15	101879801	6-3
101773303	8-15	101828301	16-5	101879901	6-3
101773304	8-15	101828501	16-5, 16-7, 16-11	101880001	6-3
101773305	8-15	101828801	16-5	101880101	6-3
101773306	8-15	101828802	16-5	101880201	6-3
101773307	8-15	101828901	16-5, 16-7, 16-11	101880301	6-3
101773308	8-15	101828902	16-5, 16-7, 16-11	101881501	4-33
101773309	8-15	101828903	16-5	101881601	4-33
101773310	8-15	101830601	4-13, 4-15	101881701	9-15
101773311	8-15	101830701	4-13, 4-15	101884801	8-17
1017853	4-5, 4-7	101831101	16-5	101885601	1-47
101791101	5-11	101831504	16-7	101886101	9-11, 12-7, 12-13
101795701	13-5, 13-11	101831701	16-7	101887101	17-3
101796201	5-5, 5-7	101831702	16-7	101887601	8-5
101796501	13-7	101831801	17-5	101889401	12-9
101796801	13-7	101831901	17-3	101890001	12-9
101801001	13-7	101832001	13-7, 16-15, 16-17	101890101	12-7
101802101	13-7	101832202	9-11	101890201	12-7
101802201	16-5	101832302	9-11	101890501	12-7
101802202	16-5	101832601	8-17	101890601	12-7
101802203	16-5	101832701	8-17	101890901	12-11
101804301	4-13, 9-15	101833101	8-17	101891001	12-11
101805701	9-13	101833401	11-7	101891301	12-7
101806001	1-17	101833601	12-7	101891401	12-11
101806002	1-17	101833902	11-5	101891501	12-11
101806005	1-17	101834001	11-7	101891601	12-9
101808401	17-3	101834502	4-13, 4-15	101891901	12-9
101809101	17-3	101834601	8-17	101892001	12-9
101810601	4-7	101834801	9-11, 12-7, 12-13	101892201	12-9
101811401	9-13	101835601	1-35, 1-37, 4-19, 4-21, 16-17	101892301	12-9
101811501	9-13	101836201	11-7	101892401	12-9
101811901	9-15	101837101	9-15	101892501	12-9
101812301	9-15	101837301	7-3, 7-5	101892601	12-9
101813001	9-15	101837401	1-49	101892701	12-11
101813202	17-3	101837501	1-49	101892901	12-7
101814011	4-7	101838201	16-7	101893201	12-9
101814601	4-27	101838301	16-7	101893801	12-7
101815501	5-11	101838401	16-7, 16-11	101893901	12-9
101815502	5-11	101838501	16-7	101894303	1-19
101816501	5-11	101838601	16-7, 16-11	101894901	13-7
101816502	5-11	101838701	16-7	101895401	15-3
101817401	5-5, 5-7	101850301	6-9, 6-11, 9-13	101895501	15-3
101818801	5-7	101851101	4-13, 4-15	101896801	16-15, 16-17

INDEX

101897001	15-3	101932601	13-15	101988002	4-3, 4-5, 4-7
101897201	15-3	101932701	13-15	101988101	4-3
101897401	15-3	101933101	17-5	101988201	4-3
101897601	15-3	101936101	15-5	101990801	5-13
101898001	7-15	101939701	16-15	101997802	4-33
101900801	6-23	101939801	16-17	101997803	4-33
101903001	13-5	101942301	14-3	101997902	4-33
101903601	15-3	101946201	1-33	101997903	4-33
101903701	15-3	101953101	5-13	102003201	8-3, 9-3
101906901	15-3	101954301	1-19	102005701	1-23
101908101	13-9	101955101	4-31	102006201	1-73
101908401	7-9, 13-9	101956202	16-11	102022101	5-13
101908601	3-5	101957101	4-5, 4-7	102022601	6-15
101908703	13-15	101958201	16-11, 16-13	102022602	6-3, 6-15
101910401	13-15	101958301	16-11, 16-13	102026001	5-5, 5-7
101910501	12-11	101958601	1-37	102031901	12-11
101912401	5-9	101959902	3-5	102051901	4-5, 4-7
101914001	15-5	101960101	3-3	102061201	17-7
101914401	4-5, 16-5, 16-7	101960501	3-7, 7-5	102065901	1-35, 8-17
101914402	4-7	101963301	1-33	102076701	1-27, 1-29
101915201	3-7	101963401	1-33, 1-41, 8-17	102076702	1-31
101916101	8-5	101964001	1-33	102155801	11-7
101916301	8-7	101965202	13-15	102158901	5-5, 5-7
101916701	7-7	101965401	16-15, 16-17	102163001	1-23
101917601	9-15	101968701	13-5	102163101	1-23
101917701	9-13	101969701	4-5, 4-7	102185401	9-13
101918101	1-47	101971301	9-15	102186001	14-3
101918501	5-3, 5-5, 5-7	101972001	17-5	102186101	14-3
101919801	5-5, 5-7	101972002	17-5	102186201	14-3
101920101	14-3	101972003	17-5	102186401	14-3
101921501	9-15	101972004	17-5	102186701	14-3
101922101	15-3	101972005	17-5	102186901	14-3
101922201	15-3	101972006	17-5	102187101	14-3
101922501	7-9, 13-9	101972007	17-5	102187201	14-3
101923001	15-3	101972009	17-5	102190702	9-13
101923201	15-3	101972011	17-5	102196901	4-15, 13-5
101923501	15-3	101972012	17-5	102198501	1-31
101923901	15-3	101972101	15-3	102198701	4-5
101925601	11-5	101972201	15-3	102199001	4-5
101925701	9-15	101972801	9-15	102199201	4-5, 4-7
101926901	12-7	101973101	9-7	102199301	4-5, 4-7
101927101	12-7	101973301	9-7	102199401	4-5, 4-7
101927201	12-7	101973401	9-9	102199601	13-5
101927301	12-7	101973501	16-11	102235201	14-3
101927501	12-9	101978001	13-5	102240501	13-15
101927601	12-9	101978102	13-5	102241502	17-5
101927701	12-9	101978202	13-5	102242101	11-7
101927901	12-9	101978601	15-5	102242401	1-27, 1-29, 1-31
101928001	12-9	101980801	12-9	102243101	13-15
101928101	12-9	101980901	12-9	102243402	17-5
101928301	12-11	101981001	12-9	102243403	14-3
101928601	12-7	101984801	6-5	102248803	17-5
101928701	12-7, 15-3, 17-5	101987501	16-11	102251501	17-5
101929501	9-3	101987801	4-5	102259801	13-15
101929802	11-5	101987901	4-3	102263601	13-5
101931501	3-5, 13-15	101988001	4-3, 4-5, 4-7	102263701	13-15

INDEX

102267501	4-7	102753401	8-11	102900901	12-13
102273101	4-7	102766301	6-17	102901001	12-15
102273701	16-3	102771701	15-3	102901101	12-15
102273801	16-3	102806201	13-15	102901201	12-17
102273901	16-3	102806203	13-15, 13-19	102901301	12-17
102278001	6-5	102838401	8-7	102901401	12-17
102289201	6-3, 6-15	102838701	7-5	102901501	12-17
102292801	5-13	102838801	7-5	102901601	12-17
102297230	13-3	102838901	7-5	102901701	12-17
102304801	8-11	102839001	7-5	102901801	12-17
102323101	5-3, 5-13	102839301	7-5	102901901	12-17
102323201	5-3, 5-13	102841101	7-5	102902001	12-17
102336001	9-11	102844601	7-5	102902101	12-17
102336101	9-11	102844701	7-5	102902201	12-17
102354901	4-19, 4-21	102865101	9-3	102902301	12-17
102355001	4-19, 4-21	102869401	4-5, 4-7	102902401	12-17
102355301	7-15	102886301	15-3	102902501	12-17
102356601	15-3	102886401	15-3	102902601	12-17
102356801	15-3	102886501	15-3	102902701	12-17
102357501	4-19	102886601	15-3	102902801	12-17, 15-3
102357502	4-21	102897201	12-15	102958001	13-13
102376001	12-3	102897301	12-15	102966401	1-33
102406701	9-3	102897401	12-13	102966501	1-33
102430901	8-15	102897601	12-13	102966502	1-33
102453001	12-9	102897701	12-15	102969401	12-3
102453101	12-9	102897801	12-13	102969801	12-3
102458901	3-7	102897901	12-13	102969901	12-3
102459301	3-3	102898001	12-15	102977001	4-13
102508701	4-15	102898101	12-15	102977002	4-15
102515401	12-7, 12-13	102898201	12-13	102977901	9-3
102517501	4-11	102898301	12-15	102978001	9-3
102517601	4-31	102898401	12-15	102989501	1-33, 1-35
102522001	9-3	102898501	12-15	103010101	9-3
102526201	12-3	102898601	12-15	103173301	12-3
102529201	4-9, 4-11	102898701	12-15	103174401	1-7
102529203	4-31	102898801	12-15	103177401	12-3
102540301	8-17	102898901	12-15	103180101	4-13, 4-15
102546401	4-11	102899001	12-15	103192701	12-3
102555501	17-3	102899101	12-13	103198301	4-15
102558201	8-3	102899201	12-13	103198401	7-9
102559901	2-5	102899301	12-15	103199001	4-13
102559902	2-5	102899401	12-13	103199101	4-13
102562401	17-3	102899501	12-15	103205401	3-3
102564002	6-17	102899601	12-15	103205501	3-7, 7-9
102569101	4-7	102899701	12-13	103210201	3-7
102569302	2-3	102899801	12-13	103210301	3-5
102572401	4-15, 13-5	102899901	12-15	103218601	4-15, 13-5
102588501	6-23, 6-25	102900001	12-13	103234303	3-9
102616701	12-3	102900101	12-13	103245201	1-33
102684501	6-17	102900201	12-13	103245301	1-33
102684602	12-3	102900301	12-13	103254101	4-5
102704701	14-3	102900401	12-15	103257001	4-7
102704801	14-3	102900501	12-15	103257603	4-17
102704901	14-3	102900601	12-13	103257701	4-17
102711001	7-5	102900701	12-15	103257801	4-17
102711201	7-11	102900801	12-17	103260001	3-9

INDEX

103260701	3-9	103483101	5-11	103717402	6-19
103282601	13-15	103483102	5-11	103718702	7-5
103282701	13-15	103483201	5-11	103722901	2-3
103284001	3-9	103483401	5-11	103723003	2-3
103295101	12-5	103483601	5-11	103724502	6-9, 6-11
103295201	12-5	103483701	5-11	103724601	6-11
103306301	9-3	103483801	16-17	103724602	6-9
103316701	13-15	103483901	16-17	103724901	6-11
103316801	13-15	103496801	7-15	103754901	1-23
103316901	13-15	103502601	6-17	103765601	13-11
103345701	11-5	103502701	6-21	103774701	13-13
103347101	7-5	103502801	6-21	103779601	16-3
103347301	7-5	103507001	6-17	103781101	9-3
103347601	7-5	103507101	9-9	103783001	3-5
103347701	7-5	103507201	9-9	103783002	3-7
103347801	7-5	103507301	9-9	103787401	1-27, 1-29
103347901	7-5	103510602	13-13	103787403	1-31
103348201	4-13	103513001	16-3	103788001	9-3
103348202	4-17	103517401	16-3	103789601	1-27, 1-29
103348501	4-13, 7-3	103520301	9-13	103789603	1-31
103348601	4-13	103538701	1-35	103793001	13-11
103351001	6-15	103538901	1-35	103802401	4-21
103354401	4-17	103572501	14-3	103804003	1-27
103354701	6-15	103582801	15-3	103804004	1-31
103369501	12-3	103584801	13-19	103804005	1-29
103372101	9-3	103601501	6-3	103851201	9-5
103372301	9-3	103601601	6-7	103865101	5-5, 5-7
103372401	9-5	103615601	8-11	103874201	12-13
103372801	9-5	103615801	8-15	103882001	12-15
103380201	5-11	103615901	8-13	103882101	12-13
103380202	5-11	103616301	8-11	103882301	12-13
103386202	8-5	103616401	8-13	103887901	8-3, 8-9
103395505	13-13	103616501	8-7	103888101	1-23
103397901	4-7, 16-5	103616601	8-7	103888301	1-23
103406501	1-39	103616701	8-7	103895401	1-5
103406502	1-39	103617101	9-7	103902101	13-3
103406601	1-39	103618001	4-11	103902301	13-3
103414901	4-7, 16-5	103618101	4-31	103902401	13-3
103418601	9-5	103628701	6-17	103905201	9-3
103428501	16-3	103628801	6-21	103910101	1-59
103428601	16-3	103628901	6-21	103910201	1-59
103428701	16-3	103653401	6-3	103910301	1-59
103429001	16-3	103653501	6-3, 6-15	103910401	1-59
103429101	16-3	103658601	2-3	103910501	1-59
103429201	16-3	103665902	6-13	103910601	1-59
103429301	16-3	103666002	6-13	103910701	1-59
103429501	16-3	103677101	1-23	103910801	1-59
103429701	16-3	103678402	7-5	103910901	1-59
103434001	16-3	103687001	7-3	103911001	1-59
103439901	16-3	103694501	2-5	103911101	1-59
103449501	13-19	103697301	13-15	103911301	1-59
103449601	13-19	103700301	4-19	103911401	1-59
103459104	2-3	103717001	16-3	103911501	1-59
103464901	3-9	103717002	16-3	103911601	1-59
103470902	4-7	103717003	16-3	103911701	1-59
103477901	6-13	103717302	6-19	103912001	1-59

INDEX

- 103912101 1-59
 - 103912201 1-59
 - 103912301 1-59
 - 103912501 1-59
 - 103912601 1-59
 - 103912701 1-59
 - 103912801 1-59
 - 103912901 1-59
 - 103913001 1-59, 1-65
 - 103913101 1-59
 - 103913201 1-59
 - 103913301 1-59
 - 103925001 1-53
 - 103925201 1-53
 - 103930001 1-53
 - 103935201 6-23, 6-25
 - 103939201 1-11
 - 103940501 13-5
 - 103943401 13-3
 - 103951001 2-3
 - 103951002 2-3
 - 103951003 2-3
 - 103951004 2-3
 - 103953301 7-5
 - 103956801 9-3
 - 103958101 13-11
 - 103976801 16-9
 - 103976901 16-13
 - 104000901 1-63
 - 104001001 1-63
 - 104001101 1-61
 - 104001201 1-61
 - 104001401 1-71
 - 104001601 1-61
 - 104001701 1-61
 - 104001901 1-67
 - 104002001 1-71
 - 104002101 1-69
 - 104002201 1-69
 - 104002301 1-69
 - 104002501 1-67
 - 104002601 1-65
 - 104002701 1-61
 - 104002801 1-61
 - 104002901 1-61
 - 104003001 1-61
 - 104003101 1-65
 - 104003201 1-69
 - 104003401 1-61
 - 104003501 1-63
 - 104003601 1-63
 - 104003901 1-65
 - 104004001 1-67
 - 104004101 1-63
 - 104004201 1-69
 - 104004301 1-71
 - 104004401 1-69
 - 104004501 1-69
 - 104004601 1-69
 - 104004701 1-69
 - 104004801 1-65
 - 104004901 1-61
 - 104005001 1-63
 - 104005901 13-17
 - 104006101 13-17
 - 104014701 1-67
 - 104014801 1-65
 - 104014901 1-61
 - 104015001 1-61
 - 104015101 1-65
 - 104015201 1-67
 - 104015301 1-65
 - 104015501 1-61
 - 104027501 1-61
 - 104027601 1-61
 - 104027701 1-61
 - 104027801 1-61
 - 104027901 1-69
 - 104028001 1-61
 - 104028101 1-61
 - 104028201 1-69
 - 104028301 1-67
 - 105002801 1-65
 - 105002901 1-69
 - 105003001 1-69
 - 105116301 13-3
 - 105142401 2-5
 - 105166801 13-17
 - 105166901 13-17
 - 105167001 13-17
 - 105167101 13-17
 - 105168501 13-17
 - 105168601 13-17
 - 96704416 8-17
- A**
- absorber, rear shock 6-23, 6-25
 - AC cord 16-3, 16-5, 16-7, 16-11, 16-13
 - AC cord bushing 16-3
 - AC cord receptacle 16-11
 - accelerator bracket and bearing assembly 5-5, 5-7
 - accelerator cable 9-11
 - accelerator pedal adjustment tool 17-3
 - accelerator pivot rod 5-5, 5-7
 - accelerator return spring 5-5, 5-7
 - accelerator rod 5-9
 - adapter
 - cable (IQDM) 17-5
 - adhesive, guide ring 17-3
 - air box 9-15
 - air box top 9-15
 - air duct shield 9-13
 - air filter 8-3, 9-15
 - air intake hose 9-15
 - ammeter 16-3, 16-5, 16-7, 16-11
 - angled bumper mount 6-25
 - A-plate strap 6-15
 - A-plate, delta 6-15
 - arbor 17-3
 - arm
 - governor 9-11, 12-7, 12-13
 - pivot 12-7
 - rocker 8-11
 - armature 14-3
 - assembly
 - accelerator bracket and bearing 5-5, 5-7
 - accelerator pivot rod 5-5, 5-7
 - air box 9-15
 - air box top 9-15
 - axle 12-11
 - bearing, steering shaft 6-5
 - bell crank and shaft 7-11
 - brake lever 5-11
 - connecting rod 8-15
 - cylinder head 8-11
 - delta A-plate 6-15
 - delta shock and gear support 6-15
 - diode 4-7
 - drive hub 11-5
 - driven clutch 11-7
 - driven clutch fixed-face 11-7
 - float 9-7
 - frame and field (motor) 14-3
 - front panel 1-39
 - fuel cap 9-3
 - fuel pump 9-3
 - governor 12-9, 12-15
 - headlight 4-3, 4-5, 4-7
 - headlight harness 4-3
 - idle screw 9-7
 - inner ball joint 6-3
 - kingpin 6-17
 - latch weld 1-35
 - moveable-face 11-5, 11-7
 - pilot air screw 9-7
 - plug cap 8-7
 - ratchet 5-3, 5-5, 5-7
 - secondary clutch weight 11-5
 - side panel 1-39
 - steering shaft 6-5
 - tailgate 1-39
 - turn signal lens 4-3
 - axle 12-7, 12-11, 12-13, 12-17, 15-3
 - axle guard 15-5
 - axle shaft oil seal 12-11, 12-17, 15-3
 - axle tube 12-11, 12-17, 15-3

INDEX

B

- backing plate, brake 5-11
- ball bearing 7-5, 8-13
- ball joint 5-3, 5-9, 12-5
- ball stud 7-11, 12-7, 12-13
- ball, shifter 12-9
- ball, steel pressure relief 8-9
- ball, trailer hitch 1-55
- barb, vent 9-3
- barrel, plastic 1-3, 1-7, 1-39
- battery
 - 12-volt, side-post 7-15
 - 8-volt, GC8 13-11
- battery charger 16-3, 16-5, 16-7, 16-9, 16-11, 16-13
- battery charger case 16-3, 16-5, 16-7, 16-11
- battery charger receptacle 13-7
- battery charger retractable cord assembly 16-15, 16-17
- battery charger transformer 16-3, 16-5, 16-7, 16-11
- battery charger, onboard 16-15, 16-17
- battery clamp 7-15
- battery condition indicator 4-17
- battery condition indicator kit 4-17
- battery discharge machine 17-3
- battery hold-down 13-11
- battery light 4-15
- battery terminal protector spray 17-3
- battery thermometer 17-3
- bead, ferrite 13-19
- bearing 15-3
 - ball 7-5, 8-13
 - ball (motor) 14-3
 - ball (steering pinion) 6-3
 - cage roller 12-15
 - front wheel hub 6-13
 - hub 6-13
 - idler 11-5
 - inner axle tube 12-11, 15-3
 - lower pinion (steering) 6-3
 - needle 12-9
 - outer axle tube 12-11
 - pivot support 5-5, 5-7
 - steering shaft 6-5
 - thrust 6-17
- bearing and oil seal remover 17-3
- bearing driver set 17-3
- bearing puller 17-3
- bearing puller wedge 17-3
- bearing seat 6-5
- bed frame assembly 1-35
- bed latch 1-39
- bed latch spring 1-39
- bed mat 1-45
- bed seal 1-33, 1-35
- bed, floor plate 1-35
- bed, tilt 1-35
- bell crank and shaft 7-11
- bellows 6-3
- belt, drive 11-3
- belt, starter/generator 7-7
- belt, V 7-7
- bezel, headlight 4-3
- block, brake-mounting 5-3
- block, fuse 4-5, 4-7, 7-11
- block, terminal 4-5, 4-7
- body, front 1-3
- bolt, U- 6-23, 6-25
- boot, steering column 6-5
- boot, switch 7-9, 13-9
- bottom, air box 9-15
- box
 - air 9-15
 - cargo 1-39
 - differential 12-17
 - electrical component 7-11
 - steering gear 6-3
 - tool 1-49
- box, tool 1-49
- box, van 1-73
- brace, trailer hitch 1-51
- bracket
 - accelerator cable 9-11
 - adjustable starter/generator 7-7
 - brake light switch 4-5, 4-7
 - FNR shifter 12-3
 - governor cable 9-11
 - headlight mounting 4-3
 - horn 4-5, 4-7, 4-31
 - hour meter 4-33
 - muffler mounting 10-3
 - oil filter mount 8-9
 - oil level switch 8-13
 - relay mounting 16-7
 - shock mounting, drv 6-23, 6-25
 - shock mounting, pas 6-23, 6-25
 - snubber 8-17
 - stake side 1-43
 - starter/generator mounting 7-7
 - steering column 6-5
 - steering column mounting 6-5
 - throttle spring return 9-9
 - Tow/Run switch 7-9, 13-9
- bracket, carburetor intake manifold 9-9
- bracket, hinge, bed 1-35
- brake adjusting mechanism 5-11
- brake adjustment tool 17-3
- brake backing plate 5-11
- brake cable 5-13
- brake cable equalizer 5-13
- brake cable hanger 6-23, 6-25
- brake cable release tool 17-3
- brake cluster 5-11
- brake drum 5-11
- brake lever 5-11
- brake light switch bracket 4-5, 4-7
- brake mounting block 5-3
- brake pedal 5-3
- brake pedal pad 5-3
- brake relay kit, 12-volt 4-5
- brake relay kit, 48-volt 4-7
- brake return spring 5-13
- brake self-adjusting mechanism 5-11
- brake shoe 5-11
- brake spring 5-11
- breaker, circuit 16-3, 16-5, 16-7, 16-11
- breather 12-7, 12-13, 15-3
- brush 14-3
- brush box assembly 14-3
- brush cover kit, starter/generator 7-5
- brush guard kit 1-5
- brush inspection port cover 7-5
- brush rigging 14-3
- brush spring 7-5, 14-3
- brush spring set 7-5
- brush spring, starter/generator 7-5
- brush terminal, starter/generator 7-5
- bulb, headlight 4-3
- bulb, strobe light 4-25, 4-27, 4-29
- bulb, tail light 4-35
- bumper 1-25
 - drive unit (motor) 14-3
 - front 1-3
 - front, heavy duty 1-3
 - front, kit 1-3
 - jounce 6-23, 6-25
 - rubber 1-37, 5-3
 - seal, long 1-19
 - spring return 5-5, 5-7
- bumper mount 6-23
- bumper mount, angled 6-25
- bumper, heavy-duty 1-3
- bumper, seat 1-19
- bushing 7-11, 11-5, 12-3
 - AC cord 16-3
 - bronze 6-13, 6-19
 - nylon 1-39, 1-41, 5-3
 - return line 9-3
 - snap-in 1-39
 - spindle 6-13, 6-19
 - steel 1-35, 6-17, 6-21, 6-23, 6-25
 - urethane 1-35, 6-15, 6-17, 6-21, 6-23, 6-25
- button, choke 9-13
- button, drive 11-7
- buzzer, reverse 4-13, 4-15

INDEX

C

cab
fan 1-71
mirror 1-71
roof 1-59, 1-67
vent 1-67

cable
accelerator 9-11
brake 5-13
FNR shifter 12-5
governor 9-11

calibration test module 17-3

cam
driven clutch 11-7
electrical component box 7-11

cam, FNR shifter 12-3

camshaft 8-13

camshaft shim 8-13

canister, carbon, fuel tank 9-5

canopy 1-27, 1-29, 1-31

canopy brace 1-27, 1-29

canopy hardware 1-27, 1-29, 1-31

canopy support 1-27, 1-29, 1-31

canopy trim plate 1-27, 1-29, 1-31

cap 1-47
corner 1-33, 1-41
dust 4-15, 13-5
fuel, gas, ratchet 9-3
key switch 4-13, 4-15
plug 8-7
seat back 1-21

cap, hub, 7 prong 2-5

carbon canister 9-5

carburetor adapter 9-9

carburetor gasket 9-9

carburetor insulator 9-9

carburetor mounting gasket 9-9

carburetor, FE350 S27 9-7

card, safety first 17-5

cargo bed, side panel 1-39

cargo box 1-39

case
battery charger 16-3, 16-5, 16-7, 16-11
differential gear 12-11
gear 12-7, 15-3
rocker 8-11

CE compliance kit 13-19

CE mark controller 13-15, 13-19

CE mark ferrite bead, Fair-rite 13-19

CE mark ferrite bead, TDK 13-19

charger
wire assembly kit 16-5

charger bezel tool 17-3

charger hardware kit 16-3

charger receptacle 13-7

charger, battery, onboard 16-15, 16-17

charger, battery, PowerDrive 16-5

charger, battery, PowerDrive 3 16-3

charger, battery, PowerDrive European 16-11, 16-13

charger, battery, PowerDrive Export 16-7, 16-9

charger, onboard 16-15

choke button 9-13

choke lever 9-13

choke lever guide 9-13

choke positioner 9-13

choke valve 9-15

circuit breaker 16-3, 16-5, 16-7, 16-11

clamp
battery 7-15
cable retaining 9-11
hose 9-3, 9-5, 9-9, 9-15
hose, green 9-5
muffler hose 10-3

clevis, upper delta 6-17

clip
meter 4-13

clip, score card 6-11

cluster idler gear 12-9

cluster, brake 5-11

clutch cam installation tool 17-3

clutch pulley 11-5

clutch repair kit 11-7

clutch tool kit 17-3

clutch weight 11-5

clutch, drive 11-5

clutch, driven 11-7

collet 8-11

column, steering 6-5

communication display module 17-5

component box, electrical 7-11

component mounting plate 13-15

compression gauge 17-5

compression lug 13-15

compression spring 9-13

compressor, piston ring 17-5

compressor, valve spring 17-7

conduit 4-29

connecting rod 8-15

continuity tester 17-5

controller cover 13-15

controller cover gasket 13-15

controller, motor speed
IQ 13-15

controller, motor speed (CE) 13-15, 13-19

converter, DC/DC 4-19

cord connector 8-13

cord reel 16-15, 16-17

cord set, DC 16-3

cord, AC 16-3, 16-5, 16-7, 16-11, 16-13

cord, DC 16-5, 16-7, 16-11

cord, retractable, assembly 16-15, 16-17

counterbalance guide shaft 8-15

counterbalance weight 8-15

cover
brush inspection port 7-5
crankcase 8-13
dust 5-11, 6-13
electrical box 7-11
fuse block 4-5, 4-7
oil pump 8-9
rocker switch hole 4-13, 4-15
screw head 4-13, 4-15
steering column 6-5

cover gasket, controller 13-15

cover plate 14-3

cover, controller 13-15

cover, speed controller 13-15

cover, steering column 4-9, 4-11

cowl 1-3

crankcase 8-15

crankcase cover 8-13

crankcase vent tube 9-9

crankshaft 8-15

crankshaft rod 8-15

crankshaft shim 8-15

C-type stop ring 6-3

cup holder 1-13

cup, spring 5-5, 5-7

current limiter 16-11

cushion, shock absorber 6-23, 6-25

cutter, valve seat 17-7

cylinder head 8-11

D

dash component 1-9, 1-11

dash panel 4-13, 4-15

dc converter, 15A 4-19

dc converter, CE 4-21

DC cord 16-5, 16-7, 16-11

DC cord set 16-3

DC/DC converter 4-19

decal
battery danger 3-5
bed load warning 1-39, 1-43, 3-3
Carryall 1 3-9
Club Car name plate 3-9
component cover 3-5, 13-15
crush area warning 3-3
driver/passenger 3-7
filter log 13-17
FNR 3-5, 3-7
frame ground 3-7
hot surface warning 3-7
inspect log 13-17
motor braking 3-5
on/off 3-3

INDEX

operating instructions 3-5, 3-7
refreshment center 1-47
rollover warning 3-3
rotating parts 3-7, 7-5
run/service switch 3-7, 7-9
tailgate 1-39, 3-9
Tow/Run switch warning 3-5
trailer hitch 1-51, 3-3
Turf 1 3-9
vehicle loading 3-3
deionizer 13-17
 cartridge 13-17
delta A-plate 6-15
delta A-plate sub-assembly 6-15
delta shock and gear support 6-15
diagnostic port 4-15, 13-5
differential drive unit 12-7, 12-13, 15-3
differential gear 12-11, 15-3
differential gear case 12-11, 12-17
differential guard 15-5
differential housing 15-3
differential idler gear 12-11
differential pin 12-11
diode 4-7, 7-11
dipstick 8-5
door 1-59
drain plug 1-47, 8-9, 12-13
drain plug gasket 8-9, 12-7, 12-13
drain plug, rubber 7-5
drive belt 11-3
drive button 11-7
drive clutch 11-5
drive clutch button 11-5
drive clutch fixed-face 11-5
drive clutch holder tool 17-3
drive clutch hub puller 17-3
drive clutch puller 17-3
drive clutch spring 11-5
drive clutch weight 11-5
drive hub 11-5
drive selector shaft 12-7, 12-13
drive unit bumper 14-3
drive unit guard 15-5
driven clutch 11-7
driven clutch button 11-7
driven clutch cam 11-7
driven clutch cam puller 17-3
driven clutch fixed-face assembly 11-7
driven clutch puller plug 17-3
driver, drive clutch 11-5
drum, brake 5-11
dry moly lubricant 17-5
dust cap 4-15, 13-5
dust cover 5-11, 6-13

E

eccentric bolt 6-17
E-clip 5-13
electrical box cover 7-11
electrical component box 7-11
end cap, motor 14-3
end, tie rod 6-15
engine
 air filter 8-3
engine mounting plate 8-17
engine shroud 8-5
engine tune-up kit 8-3
engine, FE350 S27 8-5
equalizer rod 5-13
equalizer, brake cable 5-13
exhaust 1-59
exhaust system 10-3
exhaust valve 8-11
extension, spring latch 1-35
extrusion, cover support 13-15
extrusion, fender 1-3
extrusion, plastic 1-25

F

face, moveable 11-5, 11-7
fan 1-59, 1-71
fan housing 8-5
fan shroud 8-5
fan, flywheel 8-7
fender extrusion 1-3
fender, rear 1-57
ferrite bead (CE), Fair-rite 13-19
ferrite bead (CE), TDK 13-19
field coil housing 7-5
fill plug 12-7, 12-13
fill plug gasket 12-13
filter
 air 8-3, 9-15
 fuel 8-3, 9-3
 oil 8-3, 8-9
 oil pump 8-9
fitting, thread-forming grease 6-13, 6-19
fixed-face, drive clutch 11-5
fixed-face, driven clutch 11-7
flasher, turn signal, 12-volt 4-11
float 9-7
floor mat 1-9
floormat 1-11
flywheel 8-7
flywheel fan 8-7
flywheel fan plate 8-7
flywheel puller 17-5
FNR closeout brush 4-13
FNR shift lever 12-7, 12-13
FNR shifter 12-3

FNR shifter bracket 12-3
FNR shifter cable 12-5
FNR shifter cam 12-3
FOPS 1-59
fork, shift 12-9, 12-15
frame and field assembly (motor) 14-3
frame and field, starter/generator 7-5
front body 1-3
front bumper 1-3
front bumper kit 1-3
front panel 1-39
front spring retainer plate 6-17
fuel filter 8-3, 9-3
fuel gauge sending unit 9-3
fuel line 9-3, 9-5, 9-9
fuel meter 4-13
fuel pump 9-3
fuel pump mount 9-3
fuel tank 9-3
fuel tank strap 9-3
fuse 13-7, 16-5, 16-7, 16-11
 10-amp 7-11
 20-amp 4-5, 4-7, 7-11
 3/8-amp 13-7
 charger 16-3
fuse block 1-59, 4-5, 4-7, 7-11
fuse block cover 4-5, 4-7
fuse holder 1-69, 16-15, 16-17

G

gasket
 carburetor 9-9
 carburetor mounting 9-7, 9-9
 crankcase cover 8-11, 8-13
 drain plug 8-9, 12-7
 drain plug, fill plug 12-13
 exhaust 8-11, 10-3
 head 8-11
 insulator 8-11, 9-9
 liquid 12-7, 15-3, 17-5
 plug 15-3
 rocker case 8-11
 sending unit 9-3
 strobe light 1-69
 taillight 4-35
gasket kit, FE350 8-11
gasket, controller cover 13-15
gauge, battery condition 4-17
gauge, compression 17-5
gauge, fuel-hour 4-13
gear
 25 tooth 12-15
 28 tooth 12-15
 cluster idler 12-9
 differential 12-11, 12-17, 15-3
 differential idler 12-11, 15-3

INDEX

differential output 15-3
helical 8-15, 12-9, 12-11
planetary 12-17
speed governor 12-15
spur 8-15, 12-9
sun 12-17
synchro 12-9
gear yoke 17-5
gearcase 12-7, 15-3
governor 12-9, 12-15
governor arm 9-11, 12-7, 12-13
governor cable 9-11
governor cable bracket 9-11
governor shaft installation tool 17-5
grip, pencil 6-11
grip, tilt latch hand 1-35, 1-39
grommet 1-17, 1-27, 1-29, 1-31, 9-3
ignition 8-7
guard, differential 15-5
guard, splash 1-7
guide
choke lever 9-13
intake valve 8-11
valve seat cutter 17-7
guide ring adhesive 17-3

H

handle 1-73
handle, bar unit 1-47
handle, tee 1-65
hanger, brake cable 6-23, 6-25
hardware kit, charger 16-3
harness
wire 4-31
harness, wire 4-5, 4-19, 4-21, 4-25, 4-27, 4-31
harness, wire, lighting 4-7
head gasket 8-11
head, cylinder 8-11
headlight 4-3
headlight assembly 4-3, 4-5, 4-7
headlight bulb 4-3
headlight harness 4-3
headlight retainer 4-3
headliner 1-59
heat shrink tube 16-15, 16-17
heatsink and rectifier 16-5, 16-7, 16-11
heavy-duty bumper 1-3
helical gear 8-15, 12-9, 12-11
hill brake rod 5-3
hill brake weld assembly 5-3
hinge pin 1-43
hinge, bar unit side door 1-47
hinge, stake side 1-43
hitch, trailer 1-51
hitch, trailer, ball 1-55
hold-down, battery 13-11

holder, cup 1-13
hole plug 4-15
horn 4-5, 4-7, 4-31
horn bracket 4-5, 4-7, 4-31
horn button and wire assembly 4-5, 4-7
hose
fuel 9-3
SPWS 13-13
vent 9-5
hose clamp, green 9-5
hose, air intake 9-15
hour meter 4-13, 4-33
hour meter, 36-48 volt 4-33
housing
3-pin 14-3
6-pin 13-15
differential 15-3
fan 8-5
field coil 7-5
hub 6-13
hub bearing 6-13
hub cap 2-5
hub cap, 7 prong 2-5
hub, synchronizer clutch 12-9
hydrometer 17-5

I

idle screw assembly 9-7
idler bearing 11-5
idler gear, differential 15-3
ignition coil 8-7
indicator, battery condition 4-17
inner frame snubber 8-17
input shaft 15-3
insert, synchronizer 12-9
instrument panel 4-13, 4-15
insulator gasket 8-11, 9-9
insulator, carburetor 9-9
intake valve 8-11
intermediate shaft 15-3
internal retaining ring pliers 17-5
IQ display module (IQDM) 17-5

J

jet, main 9-7
jet, pilot 9-7
joint
ball 5-3, 5-9, 12-5
jounce bumper 6-23, 6-25

K

key
crankshaft 8-7, 8-15
driven clutch 11-7
On/Off 4-13, 4-15

square 11-7
woodruff 12-7
key switch 4-13
key switch cap 4-13, 4-15
key switch, On/Off 4-15
keys 1-61
kingpin 6-17
kit
3-pin housing 14-3
6-pin housing 13-15
accelerator pivot rod 5-5, 5-7
air duct shield 9-13
battery condition indicator 4-17
beacon 1-59
brake cable 5-13
brake pedal 5-3
brake relay 4-5
brake shoe retainer 5-11
brush guard 1-5
canopy 1-27, 1-29, 1-31
CE compliance 13-19
clutch repair 11-7
cup holder 1-13
differential gear case 12-11
door-hold 1-59
doors 1-59
drive clutch button 11-5
drive clutch weight 11-5
driven clutch button 11-7
driving-range 1-59
exhaust extension 1-59
fan 1-59
fixed-face drive 11-5
flywheel puller 17-5
FOPS 1-59
front bumper 1-3
front window 1-59, 1-65
front work lights 1-59
fuse block 1-59
gasket, FE350 8-11
hand pump, SPWS 13-17
heavy-duty front bumper 1-3
hour meter 4-33
hub cap 2-5
IQ display module (IQDM) 17-5
key set 1-61
light 4-5, 4-7
main switch 1-59
mirror 1-15, 1-59
motor brush 14-3
motor brush spring 14-3
motor cover plate 14-3
motor speed sensor 14-3
motor terminal hardware 14-3
name plate 3-9
onboard charger 16-15

INDEX

park brake latch 5-3
park brake pedal 5-3
PD3 hardware 16-3
piston ring compressor 17-5
rear window 1-59
rear work light 1-59
relay, 48V 4-7, 16-5
roof 1-59
roof liner 1-59
ROPS 1-59
seals 1-61, 1-65, 1-67
seat belts 1-59
shock absorber 6-23, 6-25
shock absorber cushion 6-23, 6-25
shoe retainer 5-11
side frames 1-59
steering column mounting bracket 6-5
strobe light 4-25, 4-27, 4-29
tailgate mounting 1-39
taillight hardware 4-35
trailer hitch 1-51, 1-53
transmission tool 17-7
tune up 8-3
tune-up 17-7
turn signal 4-9
vent and seals 1-59
windshield, hinged 1-23
windshield, one-piece 1-25
wire assembly, charger 16-5
knob, forward/reverse 12-3
knob, light switch 4-5, 4-7

L

lamp, strobe light 4-25, 4-27, 4-29
lamp, turn signal and socket 4-9, 4-11
latch plate, tilt bed 1-37
latch weld 1-35
latch, air box 9-15
latch, bed 1-39
latch, park brake 5-3
lens, headlight 4-3
lens, strobe light 4-25, 4-27, 4-29
lens, taillight 4-35
lever
choke 9-13, 9-15
drive selector 12-7
speed governor 12-13
transmission shift 12-7, 12-13
light
battery 4-15
beacon 1-59
CHMSL 1-69
oil 4-13
strobe 1-69
water quality 13-17
work 1-59

light switch 4-5, 4-7
light switch knob 4-5, 4-7
light, strobe 4-25, 4-27, 4-29
lighting package 4-5, 4-7
limit switch 4-5, 4-7, 7-11, 7-13, 12-3
limiter
current 16-11
voltage 4-5, 4-23
line, fuel 9-3, 9-5, 9-9
liquid gasket 12-7, 15-3, 17-5
low oil warning light 4-13
lubricant, dry moly 17-5
lubricant, moly-teflon 14-3, 17-5
lug nut 2-3
lug stud 12-11, 12-17, 15-3
lug, compression 13-15

M

magnet, speed sensor 14-3
main jet 9-7
mat, bed 1-45
mat, floor 1-9
MCOR 13-3
mechanism, brake adjusting 5-11
meter clip 4-13
meter, hour 4-33
meter, volt ohm 17-7
mirror 1-15, 1-59, 1-71
mirror, rear view 1-15
module
calibration test 17-3
communication display 17-5
moly-teflon lubricant 17-5
motor
48-volt IQ 14-3
wiper 1-63
motor brush kit 14-3
motor brush spring kit 14-3
motor bumper 14-3
motor end cap 14-3
motor magnet, speed sensor 14-3
motor speed controller
CE 13-15, 13-19
IQ 13-15
motor speed sensor 14-3
motor speed sensor kit 14-3
motor terminal hardware kit 14-3
mount, bumper 6-23
mount, fuel pump 9-3
mounting block, brake 5-3
moveable-face 11-5, 11-7
muffler hose clamp 10-3

N

name plate 3-9

needle bearing 12-9
nozzle, main 9-7
nut, lug 2-3

O

oil conveyor 12-13
oil filler tube 8-5
oil filter 8-3, 8-9
oil filter mount bracket 8-9
oil filter screen 8-13
oil filter screen plate 8-13
oil level sensor 8-13
oil level switch bracket 8-13
oil pump and rotor 8-9
oil pump cover 8-9
oil pump filter 8-9
oil pump plate 8-9
oil seal 8-11, 8-13, 8-15, 12-7, 12-9
oil warning light, low 4-13
onboard battery charger 16-15, 16-17
O-ring 1-47, 8-5, 8-11, 8-13, 8-15
overload bumper spacer 6-23, 6-25

P

pad
brake pedal 5-3
park brake 5-3
paint, touch-up 17-5
panel box 1-39
panel, front 1-39
panel, instrument 4-13, 4-15
panel, side 1-39
park brake latch 5-3
park brake pedal 5-3
park brake rod sleeve 5-3
park brake spacer 5-3
park brake torsion spring 5-3
pawl 5-3
pedal, brake 5-3
pedal, park brake 5-3
pencil grip 6-11
pilot air screw assembly 9-7
pilot jet 9-7
pin
bow tie locking 5-13
clevis 5-13
differential 12-11
piston 8-15
pin, hinge 1-43
pinion, steering 6-3
piston 8-15
piston pin 8-15
piston ring 8-15
piston ring compressor 17-5
piston ring pliers 17-5

INDEX

- piston ring set 8-15
- pivot arm 12-7
- pivot support bearing 5-5, 5-7
- plate
 - backing (brake) 5-11
 - bed floor 1-35
 - component mounting 13-15
 - cover 14-3
 - engine mounting 8-17
 - flywheel fan 8-7
 - front spring retainer 6-17
 - latch 1-37
 - name 3-9
 - oil filter screen 8-13
 - oil pump 8-9
 - receptacle backing 13-7
 - spring mounting 6-17
 - thrust 12-9, 12-11
- plate, canopy trim 1-27, 1-29, 1-31
- pliers
 - internal retaining ring 17-5
 - piston ring 17-5
 - retaining ring 17-5
- plug
 - 6-pin 13-15
 - drain 1-47, 8-9, 12-13
 - drive clutch 11-5
 - driven clutch puller 17-3
 - fill 12-7, 12-13
 - hole 4-15
 - rubber drain 7-5
 - spark 8-3, 8-7
- plug cap 8-7
- plug, carburetor intake manifold 9-9
- port, diagnostic 4-15, 13-5
- portable refreshment center 1-47
- positioner, choke 9-13
- PRC 1-47
- press weldment 17-3
- protector spray, battery terminal 17-3
- puller
 - bearing 17-3
 - drive clutch 17-3
 - drive clutch hub 17-3
 - driven clutch cam 17-3
 - flywheel 17-5
 - seal 17-5
- pulley
 - clutch 11-5
 - starter-generator 7-5
 - v-belt 7-5
- pump
 - fuel 9-3
- push rod 8-11
- R**
 - race, front hub bearing 6-13
 - rack guide pressure spring 6-3
 - rack, steering 6-3
 - ratchet, park brake 5-3, 5-5, 5-7
 - reamer, valve guide 17-7
 - rear fender 1-57
 - rear spring shackle 6-23, 6-25
 - rear view mirror 1-15
 - receptacle 13-7
 - receptacle backing plate 13-7
 - receptacle, AC cord 16-11
 - receptacle, battery charger 13-7
 - rectifier with heatsink 16-5, 16-7, 16-11
 - reel assembly, retractable 16-15, 16-17
 - reel cord 16-15, 16-17
 - refreshment center 1-47
 - refreshment center, portable 1-47
 - regulator, voltage 7-11
 - relay 4-7, 16-3, 16-5, 16-7, 16-11
 - relay mounting bracket 16-7
 - relay, 12-volt 4-5
 - relay, 48V 4-7, 16-5
 - relay, brake, kit, 12-volt 4-5
 - relay, brake, kit, 48-volt 4-7
 - remover, bearing and oil seal 17-3
 - resistor assembly 13-15
 - retainer
 - accelerator pedal spring 5-5, 5-7
 - brake shoe 5-11
 - headlight 4-3
 - shock absorber cushion 6-23, 6-25
 - spring 6-23, 6-25
 - spring (drive clutch) 11-5
 - valve spring 8-11
 - retaining ring 6-5
 - retaining ring pliers 17-5
 - return spring bumper 5-5, 5-7
 - reverse buzzer 4-13, 4-15
 - rim (wheel) 2-3
 - ring
 - C-type stop 6-3
 - piston 8-15
 - retaining 6-5, 7-11, 11-5, 11-7
 - snap 6-3, 8-11, 8-15
 - spiral backup 11-5
 - synchronizer 12-9
 - rivet, blind push 1-3
 - rock guard 15-5
 - rocker arm 8-11
 - rocker case 8-11
 - rocker case gasket 8-11
 - rocker shaft 8-11
 - rocker switch 4-15
 - rocker switch (lights) 4-5, 4-7
- rod
 - accelerator 5-9
 - accelerator pivot 5-5, 5-7
 - connecting 8-15
 - crankshaft 8-15
 - equalizer 5-13
 - hill brake 5-3
 - push 8-11
 - shift 12-9
- roof 1-59, 1-67
- ROPS 1-59
- S**
 - safety first card 17-5
 - score card clip 6-11
 - score card plate 6-11
 - screen, oil filter 8-13
 - screw, valve clearance adjuster 17-7
 - seal
 - intake 9-15
 - lip 15-3
 - oil 8-11, 8-13, 8-15, 12-7, 12-9, 12-11, 12-17, 15-3
 - steering pinion dust 6-3
 - seal puller 17-5
 - seal, bed 1-33, 1-35
 - sealant 12-7, 15-3
 - seals 1-61
 - seat
 - spring 8-11
 - valve 8-9
 - seat back 1-21
 - seat back assembly 1-21
 - seat back cap 1-21
 - seat back tube 1-33
 - seat back, white 1-21
 - seat bottom assembly 1-19
 - seat bumper 1-19
 - seat cover, vinyl 1-19
 - seat strap 1-19
 - seat, bearing 6-5
 - sending unit, fuel gauge 9-3
 - sensor, motor speed 14-3
 - sensor, oil level 8-13
 - shackle, rear spring 6-23, 6-25
 - shaft
 - counterbalance guide 8-15
 - drive selector 12-7, 12-13
 - input 15-3
 - intermediate 15-3
 - rocker 8-11
 - steering column 6-5
 - transmission 12-9, 12-15
 - shaft, reverse gear 12-15
 - shaft, secondary
 - transmission 12-15

INDEX

- shield, air duct 9-13
- shift fork 12-9, 12-15
- shift lever 12-7, 12-13
- shift rod 12-9
- shifter, FNR 12-3
- shim, camshaft 8-13
- shim, crankshaft 8-15
- shim, latch plate 1-37
- shim, tilt bed pivot 1-35
- shock absorber 6-15
- shock absorber (rear) 6-23, 6-25
- shock absorber cushion 6-23, 6-25
- shock absorber cushion retainer 6-23, 6-25
- shock mounting bracket, drv 6-23, 6-25
- shock mounting bracket, pas 6-23, 6-25
- shoe retainer kit 5-11
- shoe, brake 5-11
- shroud 8-5
- shroud, engine 8-5
- shroud, fan 8-5
- side panel 1-39
- signal, turn 4-9
- sleeve
 - delta A-plate 6-15
 - governor 12-9
 - park brake rod 5-3
 - synchronizer 12-9
- snap ring 6-3, 8-11, 8-15
- snubber bracket 8-17
- snubber, inner frame 8-17
- solenoid 13-15
- solenoid, 12-volt 7-11
- spacer 1-5
 - accelerator pivot rod 5-5, 5-7
 - overload bumper 6-23, 6-25
 - park brake 5-3
- spark plug 8-3, 8-7
- speed controller
 - CE 13-15, 13-19
 - IQ 13-15
- speed controller cover 13-15
- speed sensor 14-3
- speed sensor magnet 14-3
- speed sensor, motor 14-3
- spindle 6-13
- spindle assembly 6-19
- spiral backup ring 11-5
- splash guard 1-7
- spray, battery terminal protector 17-3
- spring
 - accelerator return 5-5, 5-7
 - brake 5-11
 - brake return 5-13
 - brush 7-5, 14-3
 - compression 6-11, 9-13
 - drive button 11-5
 - drive clutch 11-5
 - driven clutch 11-7
 - extension 1-35
 - extension return 9-15
 - latch tilt 1-39
 - park brake torsion 5-3
 - rack guide pressure 6-3
 - shifter 12-9
 - steering shaft compression 6-5
 - synchronizer 12-9
 - throttle return 9-9
 - valve 8-11
- spring cup 5-5, 5-7
- spring mounting plate 6-17
- spring retainer 6-23, 6-25
- spring, leaf 6-17
- spur gear 8-15, 12-9
- SPWS hose 13-13
- stake side 1-43
- stake side bracket 1-43
- stake side hinge 1-43
- stake side kit 1-43
- stand-offs, plastic 16-3
- starter/generator belt 7-7
- starter/generator brush cover kit 7-5
- starter/generator brush spring 7-5
- starter/generator brush terminal 7-5
- starter/generator frame and field 7-5
- starter/generator pulley 7-5
- steel bushing 1-35, 6-17, 6-21, 6-23, 6-25
- steel pressure relief ball 8-9
- steering column 6-5
- steering column bearing press tool 17-7
- steering column cover 4-9, 4-11
- steering column retaining ring tool 17-7
- steering gear box 6-3
- steering pinion 6-3
- steering pinion dust seal 6-3
- steering rack 6-3
- steering shaft assembly 6-5
- steering shaft compression spring 6-5
- steering wheel 6-9, 6-11
- steering wheel puller tool 17-7
- stem, valve 2-3
- stiffener 1-19
- stiffener, flywheel side 8-17
- stiffener, PTO side 8-17
- strap, A-plate 6-15
- strap, fuel tank 9-3
- strap, seat 1-19
- strobe light 1-69, 4-25, 4-27, 4-29
- strobe light lens 4-25, 4-27, 4-29
- stud 8-17
 - lug 12-11, 12-17, 15-3
 - self-clinching 1-41
- stud, ball 7-11, 12-7, 12-13
- support yoke (steering) 6-3
- suppressor, voltage 4-5, 16-5, 16-7, 16-11
- switch plate cover 4-25, 4-27, 4-29
- switch
 - four-position 16-7, 16-11
 - key 4-13, 4-15
 - light 4-5, 4-7
 - light rocker 4-5, 4-7
 - limit 4-5, 4-7, 7-11, 7-13, 12-3
 - rocker 4-15
 - Tow/Run 13-9
 - turn signal 4-9, 4-11
- switch assembly 4-25, 4-27, 4-29
- switch rubber boot 7-9, 13-9
- switch, toggle 7-9
- synchro gear 12-9
- synchronizer clutch hub 12-9
- synchronizer insert 12-9
- synchronizer sleeve 12-9
- synchronizer spring 12-9
- synchronizer, complete 12-15
- system, exhaust 10-3

T

- 12-volt solenoid 7-11
- tachometer 17-7
- tail light bulb 4-35
- tailgate 1-39
- tailgate angle 1-41
- tailgate mounting kit 1-39
- taillight 4-35
- taillight assembly 4-5, 4-7, 4-35
- taillight base 4-35
- taillight gasket 4-35
- taillight hardware kit 4-35
- taillight lens 4-35
- taillight skirt 1-57
- tank
 - fuel 9-3
- tape 9-13
- tape, vinyl foam 1-35
- tappet 8-13
- tee handle 1-65
- terminal block 4-5, 4-7, 13-15
- terminal, 1/4 quick-disconnect 4-19, 4-21
- tester, continuity 17-5
- thermometer, battery 7-13
- thread-forming grease fitting 6-13, 6-19
- throttle return spring 9-9
- throttle spring return bracket 9-9
- thrust bearing 6-17
- thrust plate 12-9, 12-11
- tie rod 6-15
- tie rod end 6-15
- tie wrap 4-9, 4-11, 4-19, 4-21, 4-27, 4-29, 4-33, 6-3, 7-11, 12-5, 13-15, 13-19, 16-15, 16-17

INDEX

- tilt bed 1-35
 - tilt latch hand grip 1-35, 1-39
 - tire 2-3
 - toggle switch 7-9
 - tool
 - accelerator pedal adjustment 17-3
 - brake adjustment 17-3
 - brake cable release 17-3
 - charger bezel 17-3
 - clutch cam installation 17-3
 - drive clutch holder 17-3
 - governor shaft installation 17-5
 - steering column bearing press 17-7
 - steering column retaining ring 17-7
 - steering wheel puller 17-7
 - transaxle axle seal 17-7
 - transaxle pinion seal 17-7
 - transmission 17-7
 - tool box 1-49
 - tool kit, clutch 17-3
 - toolbox 1-49
 - touch-up paint 17-5
 - Tow/Run switch 13-9
 - Tow/Run switch bracket 7-9, 13-9
 - trailer hitch 1-51
 - trailer hitch ball 1-55
 - trailer hitch brace 1-51
 - trailer hitch kit 1-53
 - transaxle (Electric Vehicle) 15-3
 - transaxle axle seal tool 17-7
 - transaxle guard 15-5
 - transaxle pinion seal tool 17-7
 - transaxle, Gaziano (Gasoline Vehicle) 12-13
 - transaxle, Kawasaki (Gasoline Vehicle) 12-7
 - transformer, battery charger 16-3, 16-5, 16-7, 16-11
 - transmission secondary shaft 12-15
 - transmission shaft 12-9, 12-15
 - transmission tool 17-7
 - trim
 - cowl 1-3
 - seat bottom 1-33
 - tube
 - axle 12-11, 12-17, 15-3
 - crankcase vent 9-9
 - oil filler 8-5
 - seat back 1-33
 - tune-up kit 8-3, 17-7
 - turn signal 4-9
 - turn signal conversion kit 4-9
 - turn signal lens 4-3
 - turn signal socket and lamp 4-9, 4-11
 - turn signal switch 4-11
- U**
- U-bolt 6-23, 6-25
 - upper delta clevis 6-17
 - urethane bushing 1-35, 6-15, 6-17, 6-21, 6-23, 6-25
- V**
- valve
 - choke 9-15
 - exhaust 8-11
 - reed 8-11
 - valve clearance adjuster screw 17-7
 - valve guide reamer 17-7
 - valve guide, intake 8-11
 - valve seat 8-9
 - valve seat cutter 17-7
 - valve seat cutter guide 17-7
 - valve seat t-wrench 17-7
 - valve spring 8-11
 - valve spring compressor 17-7
 - valve spring retainer 8-11
 - valve stem 2-3
 - van box 1-73
 - v-belt 7-7
 - vent 1-67
 - fuel tank 9-3
 - vent barb 9-3
 - vent, barb 9-5
 - volt ohm meter 17-7
 - voltage limiter 4-5, 4-23
 - voltage regulator 7-11
 - voltage suppressor 4-5, 16-5, 16-7, 16-11
- W**
- warning light, low oil 4-13
 - water quality light 13-17
 - wedge, bearing puller 17-3
 - weight
 - clutch 11-5
 - counterbalance 8-15
 - secondary clutch 11-5
 - weldment
 - press 17-3
 - wheel 2-3
 - steering 6-9, 6-11
 - window 1-61
 - windshield 1-59, 1-65
 - one-piece 1-25
 - windshield channel 1-23
 - windshield frame pad 1-27, 1-29, 1-31
 - windshield, hinged 1-23
 - wiper 1-63
 - wire harness 4-5, 4-19, 4-21, 4-25, 4-27, 4-31
 - beacon 1-69
 - CHMSL light 1-69
 - fan 1-71
 - front work lights 1-69
 - fuse block to switch 1-69
 - main, CPL cab 1-69
 - rear work light 1-69
 - wiper jumper 1-63
 - wire harness, lighting 4-7
 - wire lead, ignition 8-7
 - woodruff key 12-7
 - wrap, tie 4-9, 4-11, 4-19, 4-21, 4-27, 4-29, 4-33, 6-3, 7-11, 12-5, 13-15, 13-19, 16-15, 16-17
- Y**
- yoke, gear 17-5
 - yoke, support (steering) 6-3



Club Car, Inc.
P.O. Box 204658
Augusta, GA 30917-4658
USA

Web www.clubcar.com
Phone 1.706.863.3000
1.800.ClubCar
Int'l +1 706.863.3000
Fax 1.706.863.5808