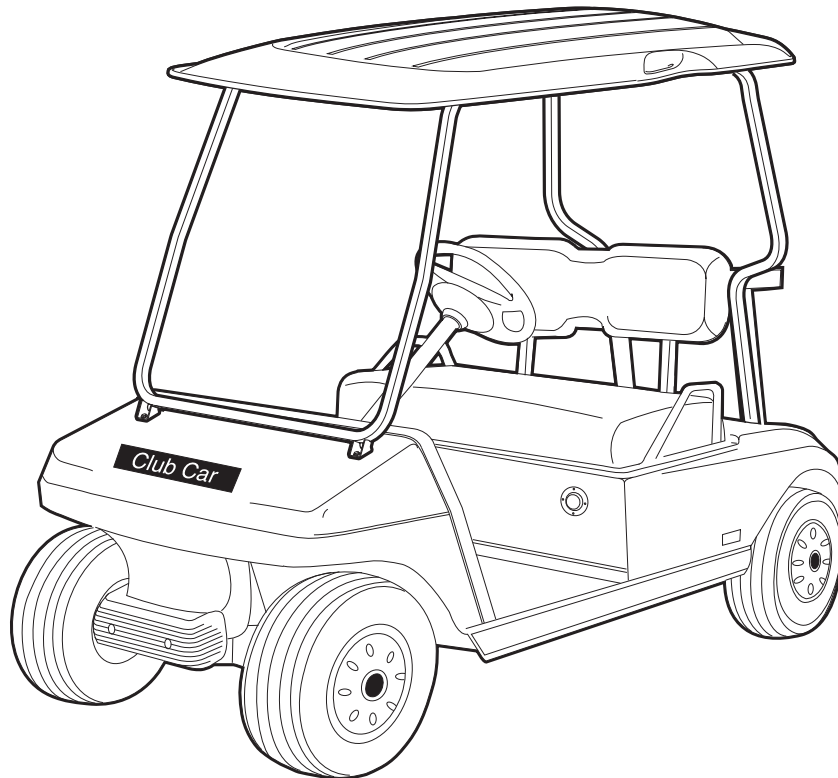




**2009-2011
DS Golf Cars
Illustrated Parts List**



Gasoline and Electric

Manual Number 103472602
Edition Code 0508K0112J

USING THE ILLUSTRATED PARTS LIST

⚠ WARNING

- **This manual is to be used only for identification and ordering of service parts. Be sure to read and use the maintenance and service manual before attempting any vehicle repairs.**

This manual covers all 2009-2011 DS golf cars.

The manual is divided into sections. Note that there are two or three flags on the outside edge of each page. The first flag contains the section number of which that page is a part. The other flag (or flags) contains the letter G or E, signifying that the page pertains to the electric or gasoline vehicles only.

Use the Table of Contents to find the sections and pages that contain the parts and assemblies you seek. The Table of Contents lists section numbers, and under them, the individual page titles and numbers to be found in that section. The index can be used to find specific parts and assemblies.

There is a two-page spread for each individual page title in the Table of Contents. On the left-hand page is an illustration showing the parts in their relative positions; the parts are each tagged with an item number in a balloon. The right-hand page is the parts list page, and gives the page title at the top, then the item numbers (corresponding to the numbers on the illustration), part descriptions, and quantity of parts used.

Note that a part description may be indented. This indentation corresponds to a parts assembly level indicated by the numbers 1, 2, 3, and 4 at the top left corner of the parts description area of the parts list page. A part that is indented to *level 2* is a component of the *level 1* part (assembly) that it is listed under. A *level 3* part is a component of the *level 2* part that it is listed under, and a *level 4* part is a component of the *level 3* part preceding it. In each case, the part quantity given for a level 2, 3, or 4 part is the quantity used per next higher level assembly of which it is a component. A part that is not indented is a *level 1* part. This means that the quantity given is the quantity used per the portion of the vehicle illustrated on that particular spread.

HOW TO ORDER PARTS

Replacement parts and accessories can be obtained from our network of authorized dealers and distributors. You can obtain the name and phone number of your closest authorized Club Car dealer or distributor by visiting our web site at www.clubcar.com and clicking on the "Distributor Search" link or by calling our toll-free Service Parts and Technical Assistance hotline at (800) 872-2246 or (706) 863-3000, extension 3887.



P. O. Box 204658
Augusta, Georgia 30917-4658 USA
Telephone 706-863-3000
Service Parts Fax 706-855-7413
www.clubcar.com

NOTE: *This illustrated parts list represents the most current information at the time of publication. Club Car, LLC. is continually working to further improve its vehicles and other products. These improvements may affect the parts used to service the vehicle. Any modification and/or significant change in specifications will be forwarded to all Club Car and Carryall distributors/dealers and will, when applicable, appear in future editions of this illustrated parts list.*

Club Car, LLC. reserves the right to change specifications and designs at any time without notice and without the obligation of making changes to units previously sold.

Copyright © 2010 Club Car, LLC.
Club Car and *ArmorFlex*
are registered trademarks of Club Car, LLC.
This manual effective August 1, 2010.

2009-2011 DS Golf Cars Illustrated Parts List

CONTENTS

SECTION 1 – BODY AND TRIM

Front Body	1-3
Rear Body Trim	1-5
Dash Components	1-7
Beverage Holder	1-9
Front Seat Bottom and Armrests	1-11
Rear Body and Fender – Gasoline Vehicle	1-13
Rear Body and Fender – Electric Vehicle	1-15
Seat Back and Bag Hoop	1-17
Canopy	1-19
Rear Access Door	1-21
Scuff Guard and Bagwell Protector Kits	1-23
Rear Body and Fender – Electric Vehicle (Style B)	1-25
Rear Body and Fender – Gasoline Vehicle (Style B)	1-27

SECTION 2 – WHEELS AND TIRES

Wheels and Tires	2-3
------------------------	-----

SECTION 3 – DECALS

Decals – Gasoline Vehicle	3-3
Decals – Electric Vehicle	3-5

SECTION 4 – BRAKES, PEDAL, AND CABLE ASSEMBLIES

Rear Brake Assembly, Self-Adjusting	4-3
Brake Pedal Assembly	4-5
Brake Cable, Equalizer, and Equalizer Rod	4-7
Accelerator Pedal Assembly – Gasoline Vehicle	4-9
Accelerator Pedal Assembly – Electric Vehicles with MCOR	4-11
Accelerator Rod	4-13

SECTION 5 – STEERING, FRONT AND REAR SUSPENSION

Steering Column	5-3
Steering Wheel	5-5
Front Suspension, Upper	5-7
Front Suspension, Lower	5-9
Front Spindles and Hubs	5-11
Rear Suspension – Gasoline Vehicle	5-13
Rear Suspension – Electric Vehicle	5-15

CONTENTS

Steering Gear Assembly	5-17
------------------------------	------

SECTION 6 – ELECTRICAL SYSTEM – GASOLINE VEHICLE

Wiring	6-5
Electrical Component Box – Gasoline Vehicle	6-7
Electrical Components, Front Body – Gasoline Vehicle	6-9
Starter/Generator Assembly Model G425419 – Gasoline Vehicles	6-11
Starter/Generator Assembly Model 114-01-4005 – Gasoline Vehicles	6-13
FE290 Starter/Generator Mounting	6-15
Battery – Gasoline Vehicle	6-17
Starter/Generator Assembly – Gasoline Vehicles	6-19

SECTION 7 – FE290 ENGINE

FE290 Engine – Shrouds and Brackets	7-3
FE290 Engine – Ignition Components and Flywheel	7-5
FE290 Engine – Oil Circulation	7-7
FE290 Engine – Cylinder Head	7-9
FE290 Engine – Crankcase, Camshaft, and Oil Sensor	7-11
FE290 Engine – Crankcase and Crankshaft	7-13
FE290 Engine Mounting	7-15

SECTION 8 – FUEL, INTAKE, AND GOVERNOR SYSTEMS

Carburetor Assembly – FE290	8-3
Carburetor Installation – FE290	8-5
Governor and Accelerator Cables	8-7
Air Box and Intake Hose	8-9
Intake System	8-11
Fuel System	8-13

SECTION 9 – EXHAUST SYSTEM

Exhaust System – FE290 Engine	9-3
-------------------------------------	-----

SECTION 10 – TORQUE CONVERTER

Drive Clutch	10-3
Drive Belt – FE290	10-5
Driven Clutch	10-7

CONTENTS

SECTION 11 – TRANSAXLE – GASOLINE VEHICLE

Transaxle – Gasoline Vehicles, Gear Cases and Brackets	11-3
Transaxle – Gasoline Vehicles, Transmission and Gear Reduction	11-5
Transaxle – Gasoline Vehicles, Differential and Axles	11-7
Forward/Reverse Shifter Assembly – Gasoline Vehicles	11-9
Forward/Reverse Shifter Cable – Gasoline Vehicles	11-11

SECTION 12 – ELECTRICAL SYSTEM – ELECTRIC VEHICLE

Wiring	12-5
Wiring	12-9
Instrument Panel Components	12-11
Motor Controller Output Regulator (MCOR)	12-13
Battery Charger Receptacle	12-15
Batteries, Electric Vehicle	12-17
Batteries – 6 X 8V, Electric Vehicle	12-19
OBC, Controller, and Solenoid – Electric Vehicle	12-21
Forward/Reverse Switch, Tow/Run Switch	12-23

SECTION 13 – ELECTRIC MOTOR

Motor (Model 5BC59JBS6390) – Electric Vehicle	13-3
Motor (Model EJ4-4001) – Electric Vehicle	13-5
Motor (Model EJ8-4001A) – Electric Vehicle	13-7

SECTION 14 – TRANSAXLE – ELECTRIC VEHICLES

Transaxle – Electric Vehicles	14-3
-------------------------------------	------

SECTION 15 – BATTERY CHARGER

PowerDrive 3 Battery Charger, Domestic	15-3
PowerDrive 2 Battery Charger (Model 22110), Domestic	15-5
PowerDrive Battery Charger (Model 17930), Domestic	15-7
PowerDrive Battery Charger (Model 18780), Export	15-9
PowerDrive Battery Charger (Model 20310), European	15-11

SECTION 16 – MAINTENANCE AND SERVICE TOOLS

Maintenance and Service Tools	16-3
Maintenance and Service Tools, Continued	16-5
Maintenance and Service Tools, Continued	16-7

CONTENTS

Maintenance and Service Tools, Continued	16-9
Maintenance and Service Tools, Continued	16-11

SECTION i – INDEX

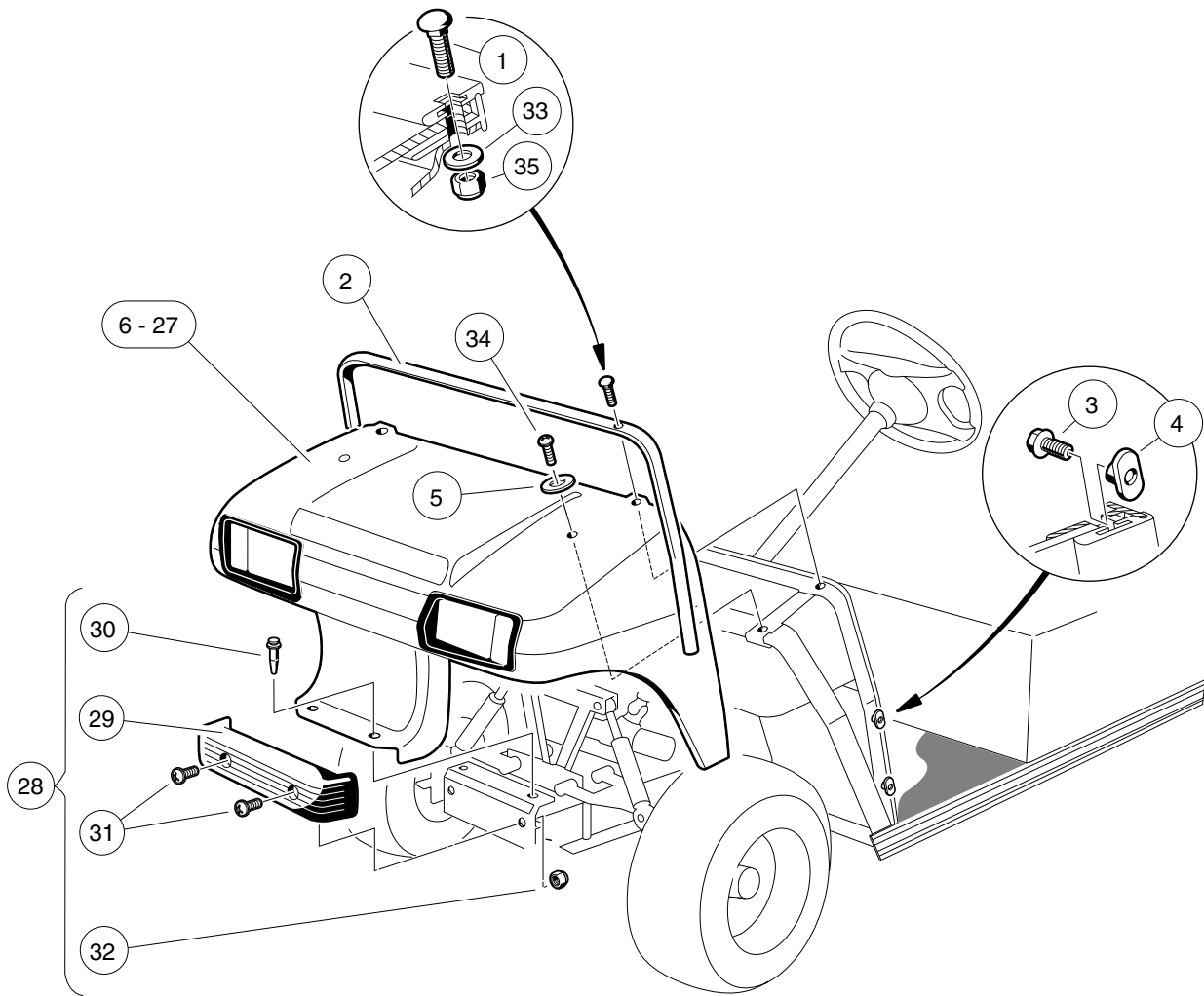
BODY AND TRIM

1

G

E

1
G
E

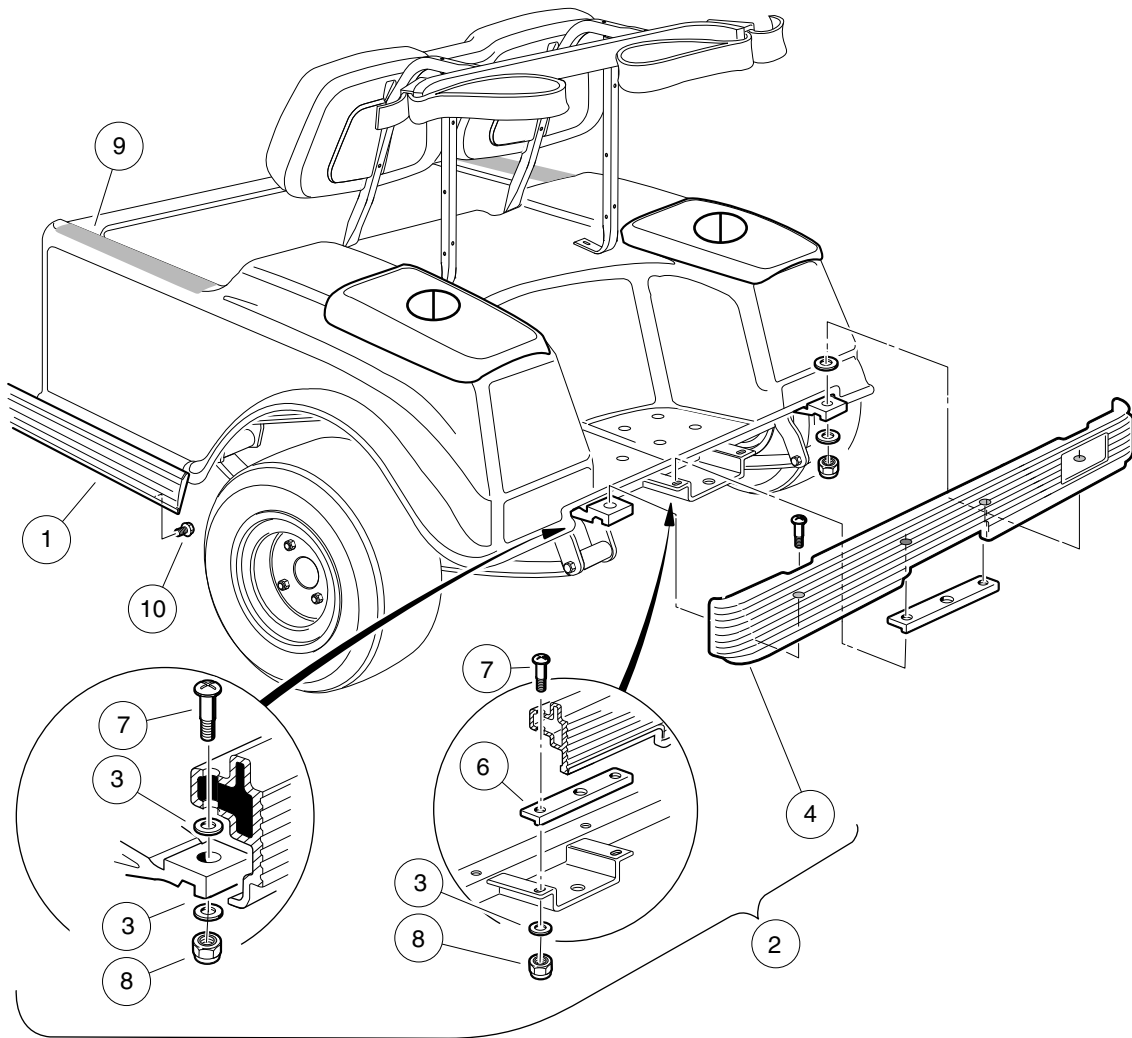


000249-002

FRONT BODY

ITEM	PART NO.	DESCRIPTION	QTY
		1 2 3 4	
1	<u>1010435</u>	Bolt, Carriage, 5/16-18 X 1.00	2
2	<u>1011014</u>	Trim, Cowl	1
3	<u>1011017</u>	Screw, #8-32 X 0.375	6
4	1011394	T-Nut Package (Set of 4)	1
5	1015075	Washer, 5/16 Flat Type A	2
6	<u>101692501</u>	Cowl, TPO, Beige	1
7	<u>101692502</u>	Cowl, TPO, White	1
8	<u>101692504</u>	Cowl, Tpo -gray	1
9	<u>101692506</u>	Cowl, TPO, Red	1
10	<u>101692509</u>	Cowl, TPO, Pacific Blue (Royal Blue)	1
11	<u>101692510</u>	Cowl, TPO, Dark Green	1
12	<u>101692511</u>	Cowl, TPO, Black	1
13	<u>101692512</u>	Cowl, TPO, Classic Blue (Navy)	1
14	<u>101692513</u>	Cowl, TPO, Burgundy	1
15	<u>101692514</u>	Cowl, TPO, Dark Gray	1
16	<u>101692515</u>	Cowl, TPO, Safety Yellow	1
17	<u>101693901</u>	Cowl with Headlight Opening, TPO, Beige	1
18	<u>101693902</u>	Cowl with Headlight Opening, TPO, White	1
19	<u>101693904</u>	Cowl with Headlight Opening, TPO, Gray	1
20	<u>101693906</u>	Cowl with Headlight Opening, TPO, Red	1
21	<u>101693908</u>	Cowl with Headlight Opening, TPO, Pacific Blue (Royal Blue)	1
22	<u>101693909</u>	Cowl with Headlight Opening, TPO, Dark Green	1
23	<u>101693910</u>	Cowl with Headlight Opening, TPO, Black	1
24	<u>101693911</u>	Cowl with Headlight Opening, TPO, Classic Blue (Navy)	1
25	<u>101693912</u>	Cowl with Headlight Opening, TPO, Burgundy	1
26	<u>101693913</u>	Cowl with Headlight Opening, TPO, Dark Gray	1
27	<u>101693914</u>	Cowl with Headlight Opening, TPO, Safety Yellow	1
28	<u>1017080</u>	Kit, Front Bumper (includes items 29 through 32)	1
29	<u>1016868</u>	Front Bumper	1
30	<u>1016967</u>	Blind Rivet, Push Type	2
31	<u>7251</u>	Screw, 5/16-18 x 1.0 Truss-Head	2
32	<u>7473</u>	Locknut, 5/16-18 Nylon Insert	2
33	<u>1241</u>	Washer, 5/16 Type A Flat	2
34	<u>7251</u>	Screw, 5/16-18 x 1.0 Truss-Head	2
35	<u>7473</u>	Locknut, 5/16-18 Nylon Insert	2

1
G
E



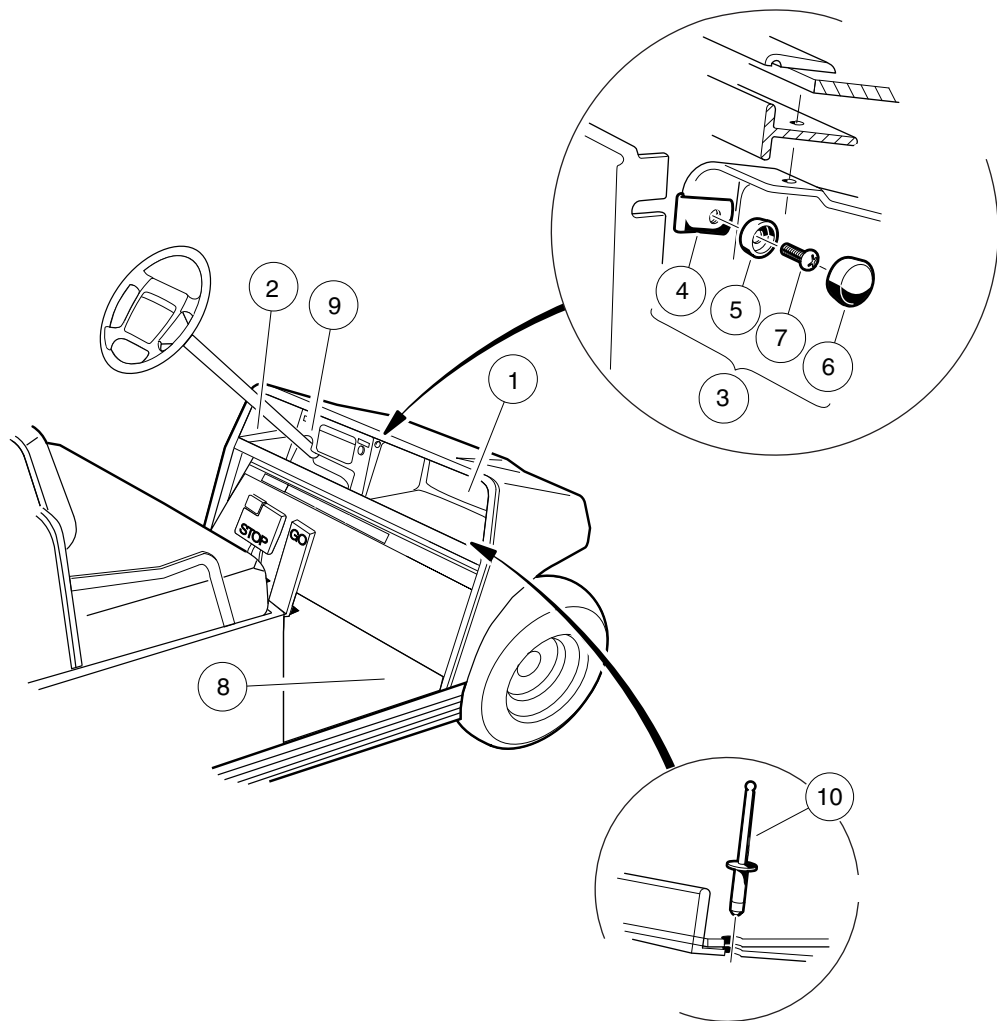
000451-001

REAR BODY TRIM

ITEM	PART NO.	DESCRIPTION	QTY
		1 2 3 4	
1	<u>1013983</u>	Bumper, Side Trim	2
2	<u>1017079</u>	Kit, Rear Bumper (includes items 3 through 8)	1
3	<u>1011697</u>	Washer, 5/16 Flat	6
4	<u>1016379</u>	Bumper, Rear	1
5	<u>1016874</u>	Plate, Bumper Mounting, Short	2
6	<u>1016875</u>	Plate, Bumper Mounting, Long	1
7	<u>1016876</u>	Bolt, 3/8 Shoulder	4
8	<u>7473</u>	Locknut, 5/16-18 Nylon Insert	4
9	<u>102221201</u>	Wear Pad	2
10	<u>102310701</u>	Screw, #8-18 x 0.375, Hex-Head Washer	8
<p style="margin-left: 40px;">Note: Item 5 not used in this application.</p>			

1
G
E

1
G
E



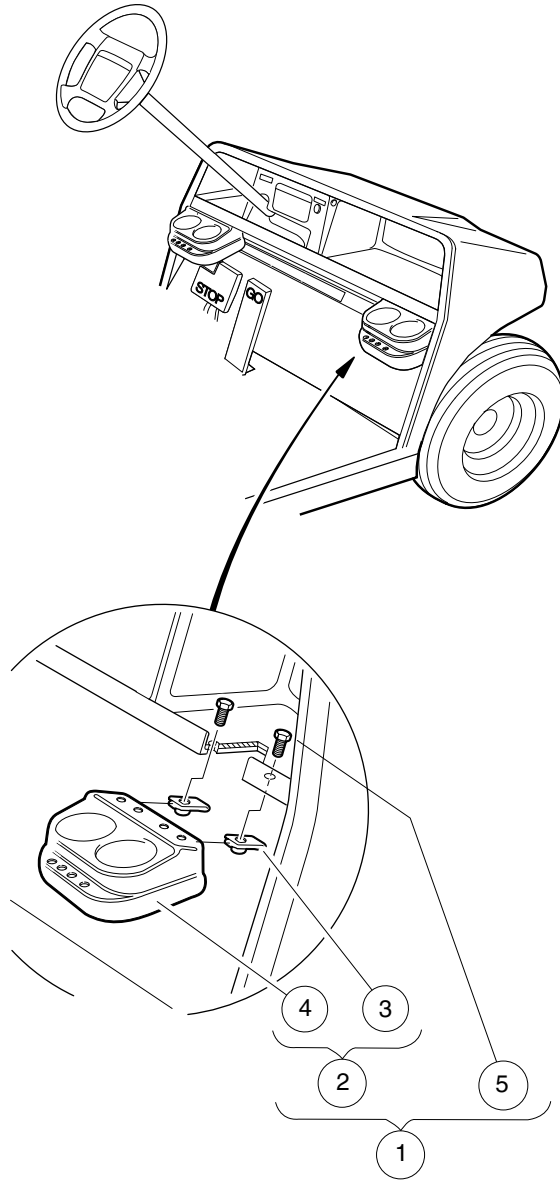
000252-001

DASH COMPONENTS

ITEM	PART NO.	DESCRIPTION	QTY
		1 2 3 4	
1	<u>1013343</u>	Dash Component, Passenger-Side, Black	1
2	1013344	Dash Component, Driver-Side	1
3	<u>1014645</u>	Snap Washer Kit, Black (includes items 4 through 7)	2
4	<u>1011019</u>	Nut, Speed	1
5	1011382	Washer, #10 Pan-Head Screw	1
6	<u>1013494</u>	Cover, Screw Head	1
7	1620	Screw, #10-16 X 0.75 Pan-Head Tap	1
8	<u>101503202</u>	Floormat	1
9	101660404	Dash Panel, Black Center	1
10	<u>7973</u>	Rivet, 3/16 X .400 Blind	5

1
G
E

1
G
E



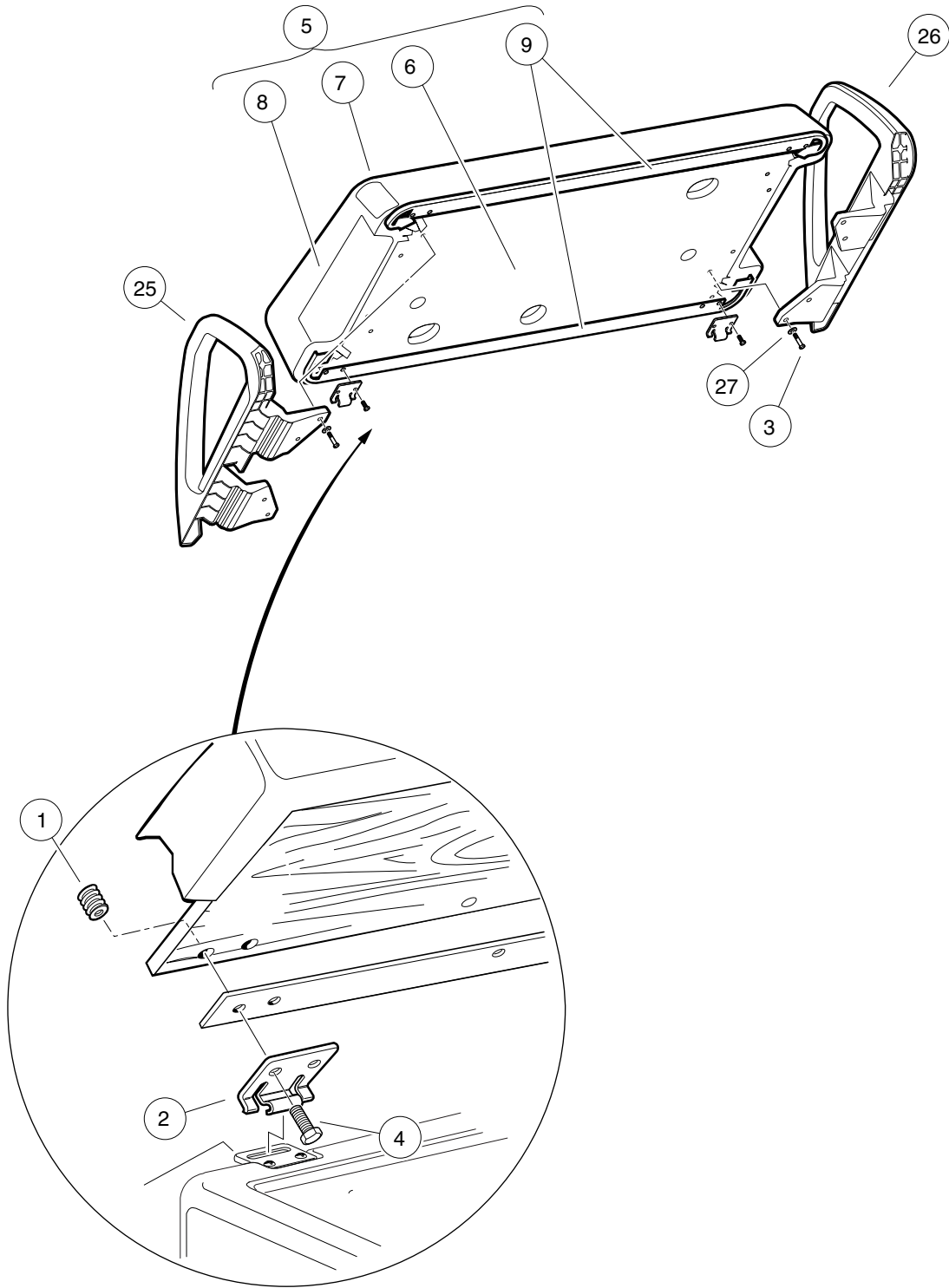
000253-002

BEVERAGE HOLDER

ITEM	PART NO.	DESCRIPTION	QTY
		1 2 3 4	
1	<u>101708301</u>	Drink Holder Kit (includes items 2 through 5)	2
2	<u>1016811</u>	Holder, Dual Cup (includes items 3 and 4)	1
3	1016952	U-Nut, 1/4-20	2
4	N/A	Cup Holder, Dual	1
5	<u>7847</u>	Screw, 1/4-20 X 0.75 Hex-Head Cap	2

1
G
E

1
G
E



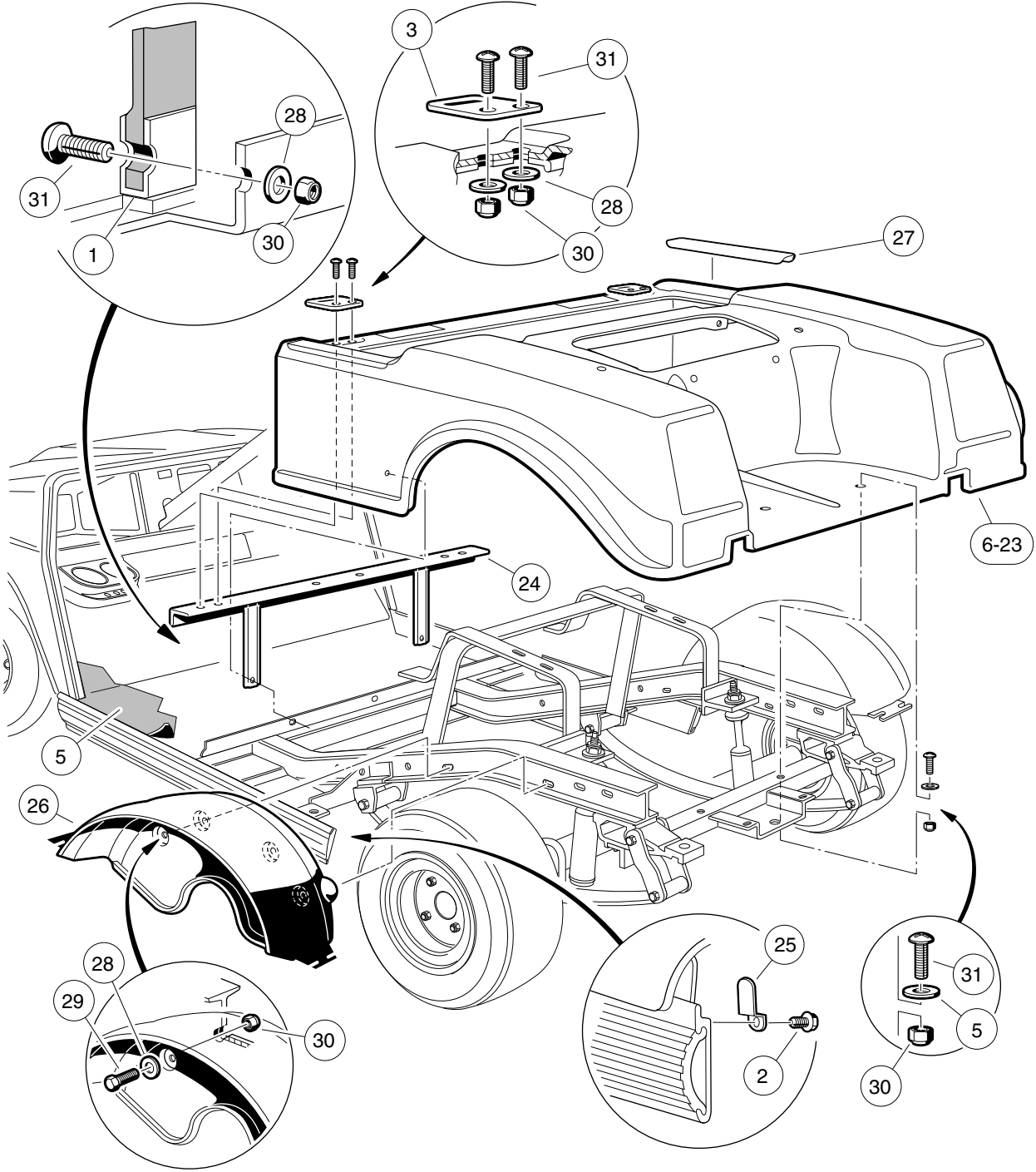
000364-003

FRONT SEAT BOTTOM AND ARMRESTS

ITEM	PART NO.	DESCRIPTION	QTY
		1 2 3 4	
1	1010543	Insert - Wood	4
2	<u>1011652</u>	Hinge Plate	2
3	1016916	Screw, 1/4-20 X 1.50 Hex-Head Cap	8
4	<u>101954301</u>	Screw, 1/4-20 X 0.75 Hex-Head Cap	4
5	<u>102174201</u>	Seat Bottom Assembly, Buff (includes items 6 through 9)	1
6	N/A	Plywood Assy	1
7	<u>101998211</u>	Vinyl Cover Seat Btm - Buffsvc	1
8	N/A	Foam, Seat	1
9	<u>101998501</u>	Gasket, Seat	2
10	<u>102174202</u>	Seat Bottom Assembly, White (includes items 11 through 14)	1
11	N/A	Plywood Assy	1
12	<u>101998212</u>	Vinyl Cover, Seat Bottom, White	1
13	N/A	Foam, Seat	1
14	<u>101998501</u>	Gasket, Seat	2
15	<u>102174204</u>	Seat Bottom Assembly, Black (includes items 16 through 19)	1
16	N/A	Plywood Assy	1
17	<u>101998214</u>	Vinyl Cover, Seat Bottom, Black	1
18	N/A	Foam, Seat	1
19	<u>101998501</u>	Gasket, Seat	2
20	<u>102174205</u>	Seat Bottom Assembly, Gray (includes items 21 through 24)	1
21	N/A	Plywood Assy	1
22	<u>101998215</u>	Vinyl Cover, Seat Bottom, Gray	1
23	N/A	Foam, Seat	1
24	<u>101998501</u>	Gasket, Seat	2
25	<u>103246701</u>	Hip Restraint, Drvr Side	1
26	<u>103246801</u>	Hip Restraint, Pass Side	1
27	<u>332</u>	Washer, 1/4 Type A Narrow Flat	8
Note: Sub-components contained in items 10, 15, and 20 are the same as those shown for item 5, except for the vinyl seat covers.			

1
G
E

1
G
E



000450-001

REAR BODY AND FENDER – GASOLINE VEHICLE

ITEM	PART NO.	DESCRIPTION	QTY
		1 2 3 4	
1	<u>1010993</u>	Body Kick Plate	1
2	<u>1012047</u>	Screw, #8-32 X .375 Self Tap	2
3	<u>1012412</u>	Body, Hinge Plate	2
4	<u>1014306</u>	Washer, 1/4" Type B Flat	2
5	<u>101503202</u>	Floormat	1
6	<u>101692601</u>	Body, Beige, TPO, Rear	1
7	<u>101692602</u>	Body, White, TPO, Rear	1
8	<u>101692604</u>	Body, Gray, TPO, Rear	1
9	<u>101692606</u>	Body, Red, TPO, Rear	1
10	<u>101692609</u>	Body, Pacific Blue (Royal Blue), TPO, Rear	1
11	<u>101692610</u>	Body, Dark Green, TPO, Rear	1
12	<u>101692611</u>	Body, Black, TPO, Rear	1
13	<u>101692612</u>	Body, Classic Blue, (Navy) TPO, Rear	1
14	<u>101692613</u>	Body, Burgundy, TPO, Rear	1
15	<u>101696208</u>	Body with Tail Light Hole, Beige, Rear	1
16	<u>101696209</u>	Body with Tail Light Hole, White, Rear	1
17	<u>101696211</u>	Body with Tail Light Hole, Gray, Rear	1
18	<u>101696213</u>	Body with Tail Light Hole, Red, Rear	1
19	<u>101696215</u>	Body with Tail Light Hole, Pacific Blue (Royal Blue), Rear	1
20	<u>101696216</u>	Body with Tail Light Hole, Dark Green, Rear	1
21	<u>101696219</u>	Body with Tail Light Hole, Black, Rear	1
22	<u>101696220</u>	Body with Tail Light Hole, Classic Blue, Rear	1
23	<u>101696221</u>	Body with Tail Light Hole, Burgundy, Rear	1
24	<u>1017141</u>	Body Support Weldment	1
25	<u>1017748</u>	Body Keeper Clip	2
26	<u>1017936</u>	Fender, Inner	2
27	<u>102221201</u>	Wear Pad	2
28	<u>332</u>	Washer, 1/4 Type A Narrow Flat	10
29	<u>7847</u>	Screw, 1/4-20 X 0.75 Hex-Head Cap	4
30	<u>8233</u>	Locknut, 1/4-20 Nylon Insert	12
31	<u>8251</u>	Screw, 1/4-20 X 1.0 Truss-Head Machine	8
		Note: Bodies on this page are to be used with vehicles manufactured before 08/03/09.	

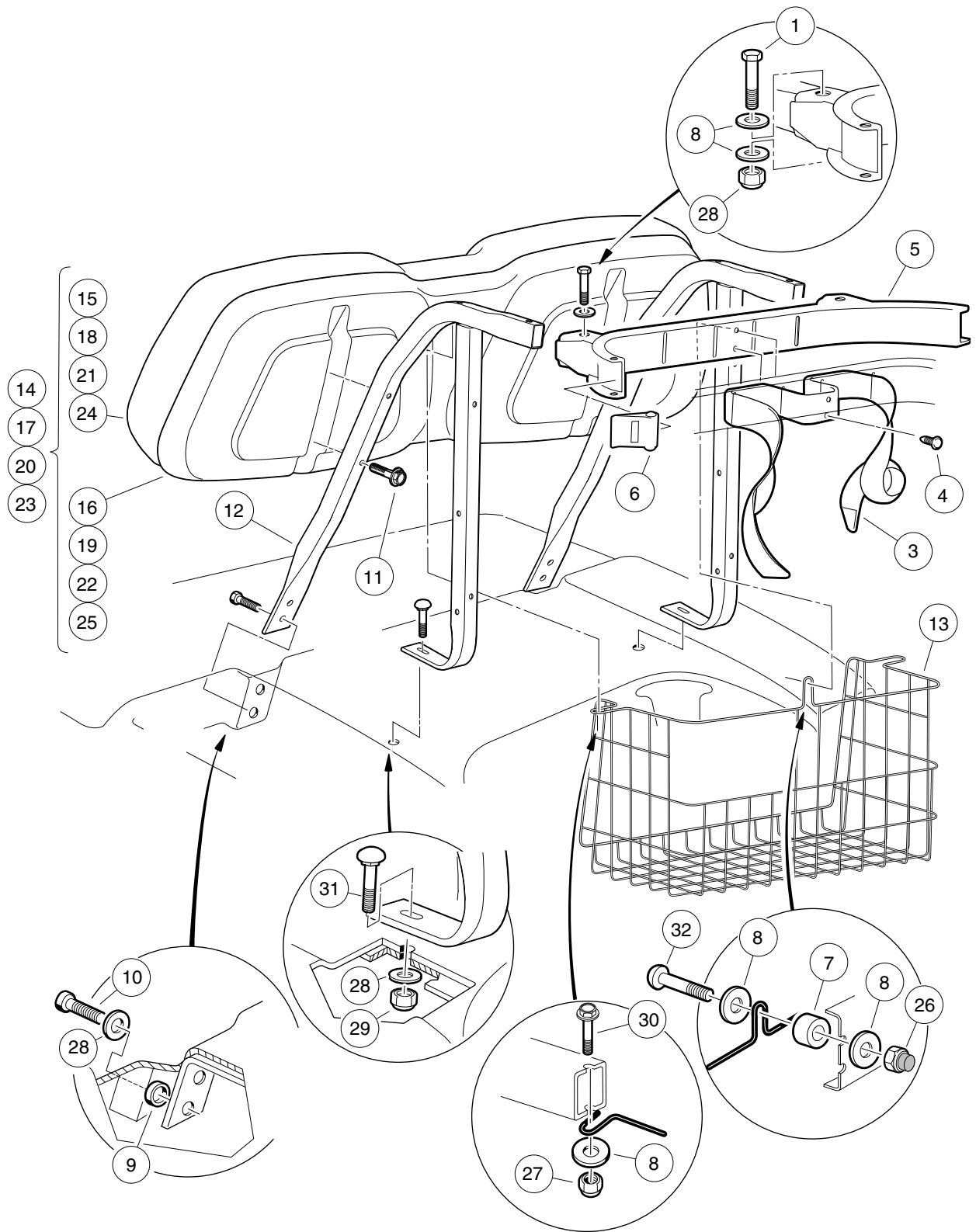
1
G
E

REAR BODY AND FENDER – ELECTRIC VEHICLE

ITEM	PART NO.	DESCRIPTION	QTY
		1 2 3 4	
1	<u>1010993</u>	Body Kick Plate	1
2	<u>1012047</u>	Screw, #8-32 X .375 Self Tap	2
3	<u>1012159</u>	Bolt, 1/4-20 X 2.75 Hex-Head	2
4	<u>1012412</u>	Body, Hinge Plate	2
5	<u>1014306</u>	Washer, 1/4" Type B Flat	2
6	<u>101503202</u>	Floormat	1
7	<u>101693301</u>	Body, Beige, TPO, Rear	1
8	<u>101693302</u>	Body, White, TPO, Rear	1
9	<u>101693304</u>	Body, Gray, TPO, Rear	1
10	<u>101693306</u>	Body, Red, TPO, Rear	1
11	<u>101693309</u>	Body, Pacific Blue (Royal Blue), TPO, Rear	1
12	<u>101693310</u>	Body, Dark Green, TPO, Rear	1
13	<u>101693311</u>	Body, Black, TPO, Rear	1
14	<u>101693312</u>	Body, Classic Blue, TPO, Rear	1
15	<u>101693313</u>	Body, Burgundy, TPO, Rear	1
16	<u>101696201</u>	Body with Tail Light Hole, Beige, Rear	1
17	<u>101696202</u>	Body with Tail Light Hole, White, Rear	1
18	<u>101696204</u>	Body with Tail Light Hole, Gray, Rear	1
19	N/A	Body with Tail Light Hole, Red, Rear	1
20	<u>101696217</u>	Body, Rear W/tlt -ele Pacific Blue (Royal Blue)	1
21	<u>101696218</u>	Body with Tail Light Hole, Dark Green, Rear	1
22	<u>101696222</u>	Body with Tail Light Hole, Black, Rear	1
23	<u>101696223</u>	Body with Tail Light Hole, Classic Blue, Rear	1
24	<u>101696224</u>	Body with Tail Light Hole, Burgundy, Rear	1
25	<u>1017141</u>	Body Support Weldment	1
26	<u>1017748</u>	Body Keeper Clip	2
27	<u>1017814</u>	Spacer, 1.88-inch	2
28	<u>1017815</u>	Spacer, 0.5-inch	2
29	<u>1017936</u>	Fender, Inner	2
30	<u>102221201</u>	Wear Pad	2
31	<u>332</u>	Washer, 1/4 Type A Narrow Flat	10
32	<u>7479</u>	Screw, 1/4-20 X 1.25 Hex-Head Cap	2
33	<u>8233</u>	Locknut, 1/4-20 Nylon Insert	12
34	<u>8251</u>	Screw, 1/4-20 X 1.0 Truss-Head Machine	8
		Note: Bodies on this page are to be used with vehicles manufactured before 08/03/09.	

1
G
E

1
G
E



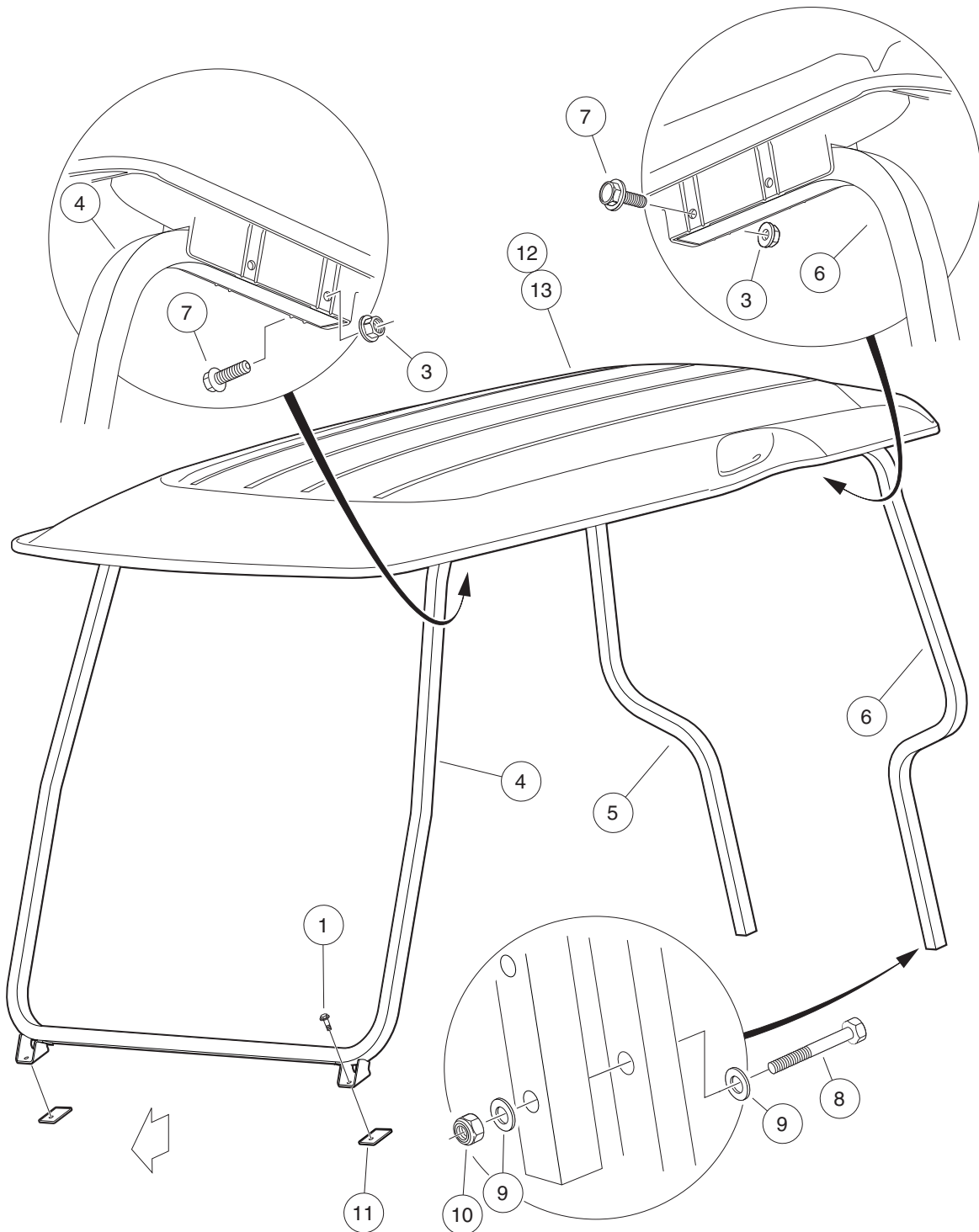
000453-001

SEAT BACK AND BAG HOOP

ITEM	PART NO.	DESCRIPTION	QTY
		1 2 3 4	
1	<u>1010921</u>	Screw, 5/16-18 X 2.50 Hex Cap	2
2	<u>1013935</u>	Bag Hoop W/buckle & Strap Asm (includes items 3 through 6)	1
3	<u>1010413</u>	Bag Strap Assembly	1
4	<u>1010434</u>	Barrel - Plastic	2
5	N/A	Molded Bag Hoop	1
6	<u>1013754</u>	Buckle, Bag Strap	2
7	<u>1014482</u>	Spacer, Nylon	1
8	<u>1015075</u>	Washer, 5/16 Flat Type A	8
9	<u>1017774</u>	Body Spacer	4
10	<u>101910401</u>	Screw, 5/16-18 X 1.25 Thrd Frm	4
11	<u>102076701</u>	Screw, 1/4-20 X 1.75 Hex Sems	4
12	<u>102236601</u>	Support Weldment	2
13	<u>102236703</u>	Sweater Basket, Black	1
14	<u>102238301</u>	Kit, Seat Back, Buff (includes items 15 and 16)	1
15	<u>102060511</u>	Skin Seat Back, Beige	1
16	<u>102237001</u>	Cap - Seat Back	1
17	<u>102238302</u>	Kit, Seat Back, White (includes items 18 and 19)	1
18	<u>102060512</u>	Skin Seat Back, White	1
19	<u>102237001</u>	Cap - Seat Back	1
20	<u>102238304</u>	Kit, Seat Back, Black (includes items 21 and 22)	1
21	<u>102060514</u>	Skin Seat Back, Black	1
22	<u>102237001</u>	Cap - Seat Back	1
23	<u>102238305</u>	Kit, Seat Back, Gray (includes items 24 and 25)	1
24	<u>102060515</u>	Skin Seat Back, Gray	1
25	<u>102237001</u>	Cap - Seat Back	1
26	<u>102242401</u>	Nut - Nylon Insert W/cap	1
27	<u>1028</u>	Nut, 1/4-20 Hex	2
28	<u>1241</u>	Washer, 5/16 Type A Flat	6
29	<u>7473</u>	Locknut, 5/16-18 Nylon Insert	4
30	<u>7479</u>	Screw, 1/4-20 X 1.25 Hex-Head Cap	2
31	<u>7818</u>	Bolt, Carriage, 5/16-18 X 1.5	2
32	<u>8418</u>	Screw, 1/4-20 X 1.50 Phillips Truss-Head	1

1
G
E

1
G
E



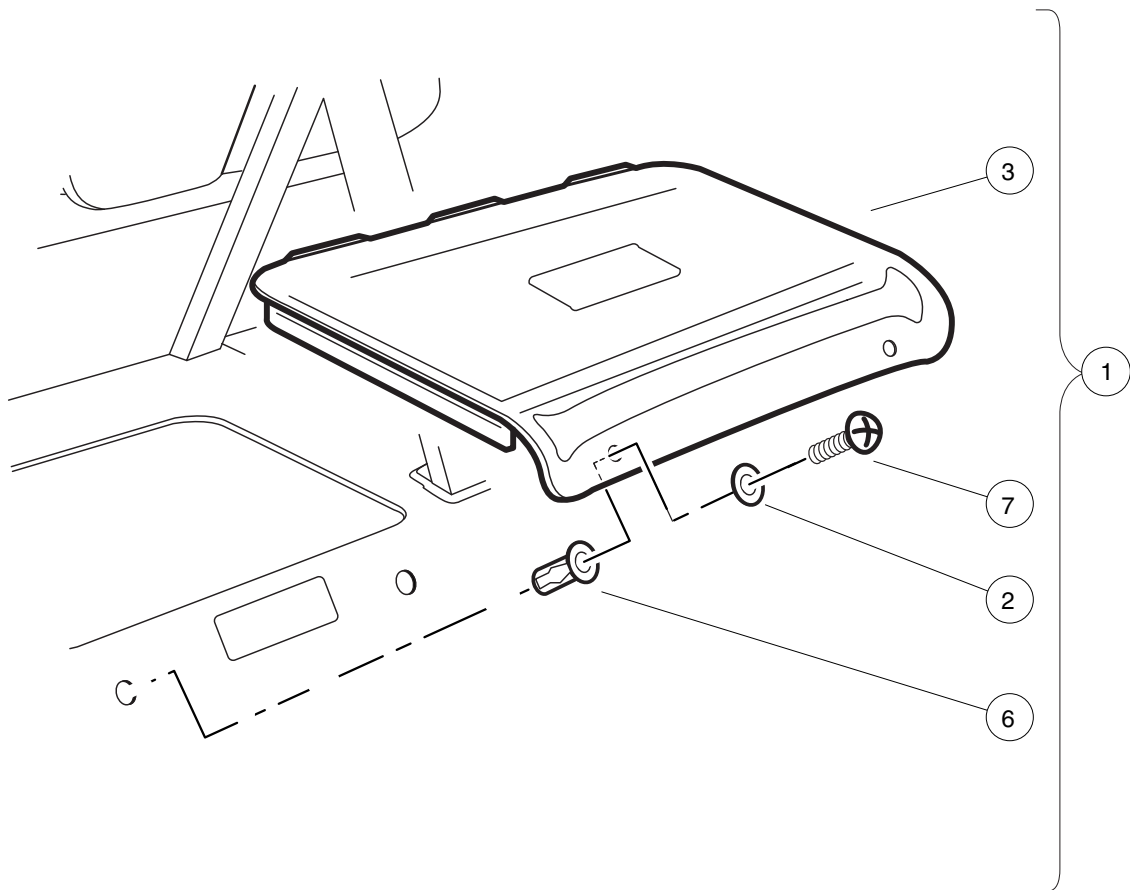
000454-001

CANOPY

ITEM	PART NO.	DESCRIPTION	QTY
		1 2 3 4	
1	102099101	Screw, 5/16-18 X 1.00 Hex Sems	2
2	<u>102155501</u>	Canopy Kit Struts (includes items 3 through 10)	1
3	<u>101835601</u>	Locknut, 1/4-20 Hex Whiz	8
4	<u>102063901</u>	Weldment - Windshield Frame	1
5	<u>102064601</u>	Support, Rear Canopy, Right-Hand	1
6	<u>102065501</u>	Support, Rear Canopy Left-Hand	1
7	<u>102076701</u>	Screw, 1/4-20 X 1.75 Hex Sems	8
8	<u>324</u>	Screw, 1/4-20 X 2.50 Hx Hd Cap	4
9	<u>332</u>	Washer, 1/4 Type A Narrow Flat	8
10	<u>8233</u>	Locknut, 1/4-20 Nylon Insert	4
11	102198301	Pad, Windshield Frame	2
12	<u>103708301</u>	Canopy, 2pass, Ds, White	1
13	<u>103708302</u>	Canopy, 2pass, Ds, Beige	1

1
G
E

1
G
E



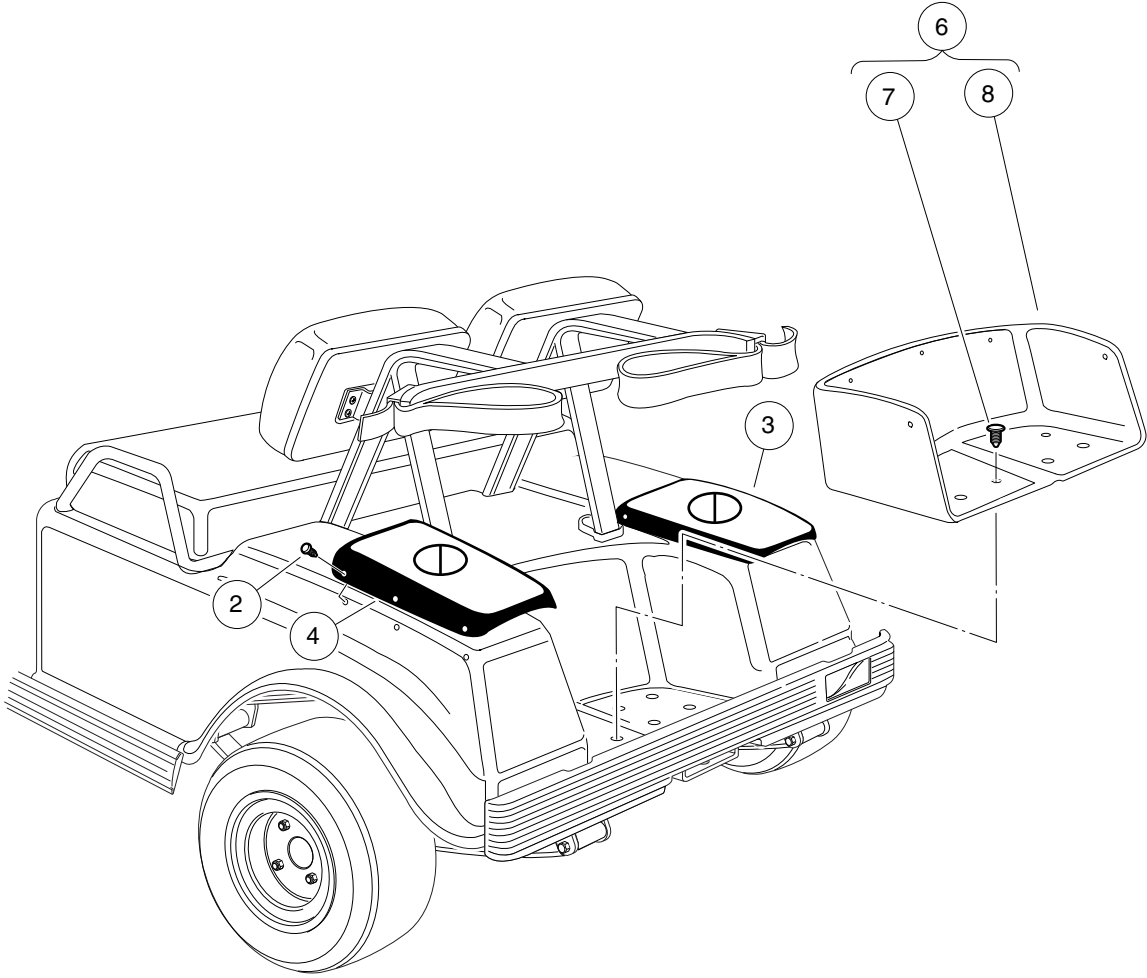
000783-001

REAR ACCESS DOOR

ITEM	PART NO.	DESCRIPTION	QTY
		1 2 3 4	
1	<u>1013218</u>	Kit, Access Door Black (includes items 2 through 7)	1
2	<u>1012581</u>	Washer, 0.609-inch OD, Nylon Cup	2
3	<u>1013032</u>	Molded Access Door Black	1
4	<u>1013216</u>	Plug, Button	2
5	N/A	Instruction Sheet Access Door	1
6	<u>1015525</u>	Nut, 1/4-20 Blind	2
7	<u>8251</u>	Screw, 1/4-20 X 1.0 Truss-Head Machine	2

1
G
E

1
G
E



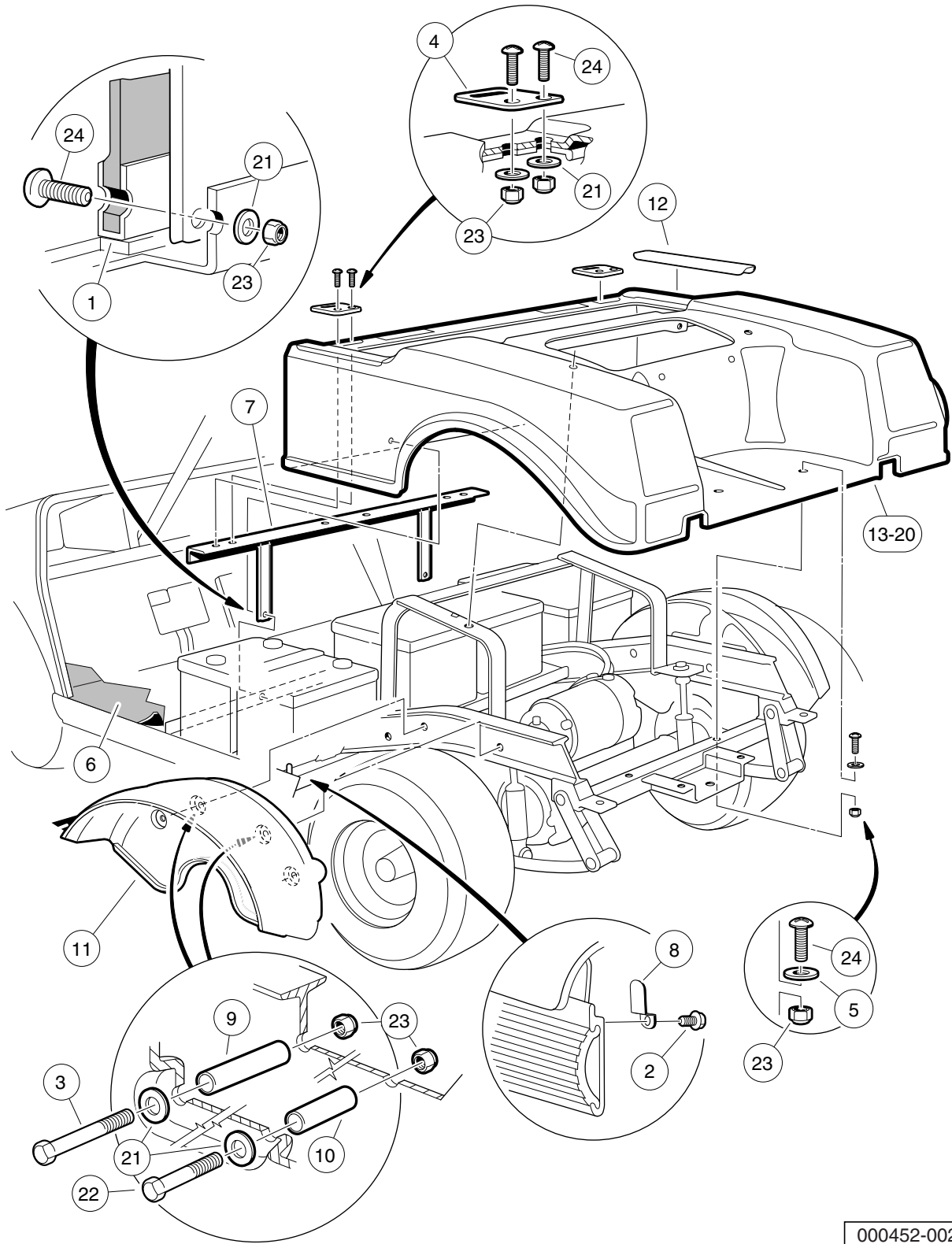
APM-000063-001

SCUFF GUARD AND BAGWELL PROTECTOR KITS

ITEM	PART NO.	DESCRIPTION	QTY
		1 2 3 4	
1	101706702	Scuff Guard Kit, TPO Body (includes items 2 through 5)	1
2	<u>1010434</u>	Barrel - Plastic	12
3	<u>101776201</u>	Scuff Guard Rh	1
4	<u>101776301</u>	Scuff Guard Lh	1
5	N/A	Instructions, Scuff Grd Instal	1
6	<u>101768202</u>	Bagwell Protector Kit (includes items 7 through 9)	1
7	<u>1010434</u>	Barrel - Plastic	9
8	<u>1017267</u>	Protector Bagwell	1
9	N/A	Instruction	1
10	<u>101768204</u>	Bagwell Protector - Ten Pack (includes items 11 through 13)	1
11	<u>1010434</u>	Barrel - Plastic	90
12	<u>1017267</u>	Protector Bagwell	10
13	N/A	Instruction	1

1
G
E

1
G
E



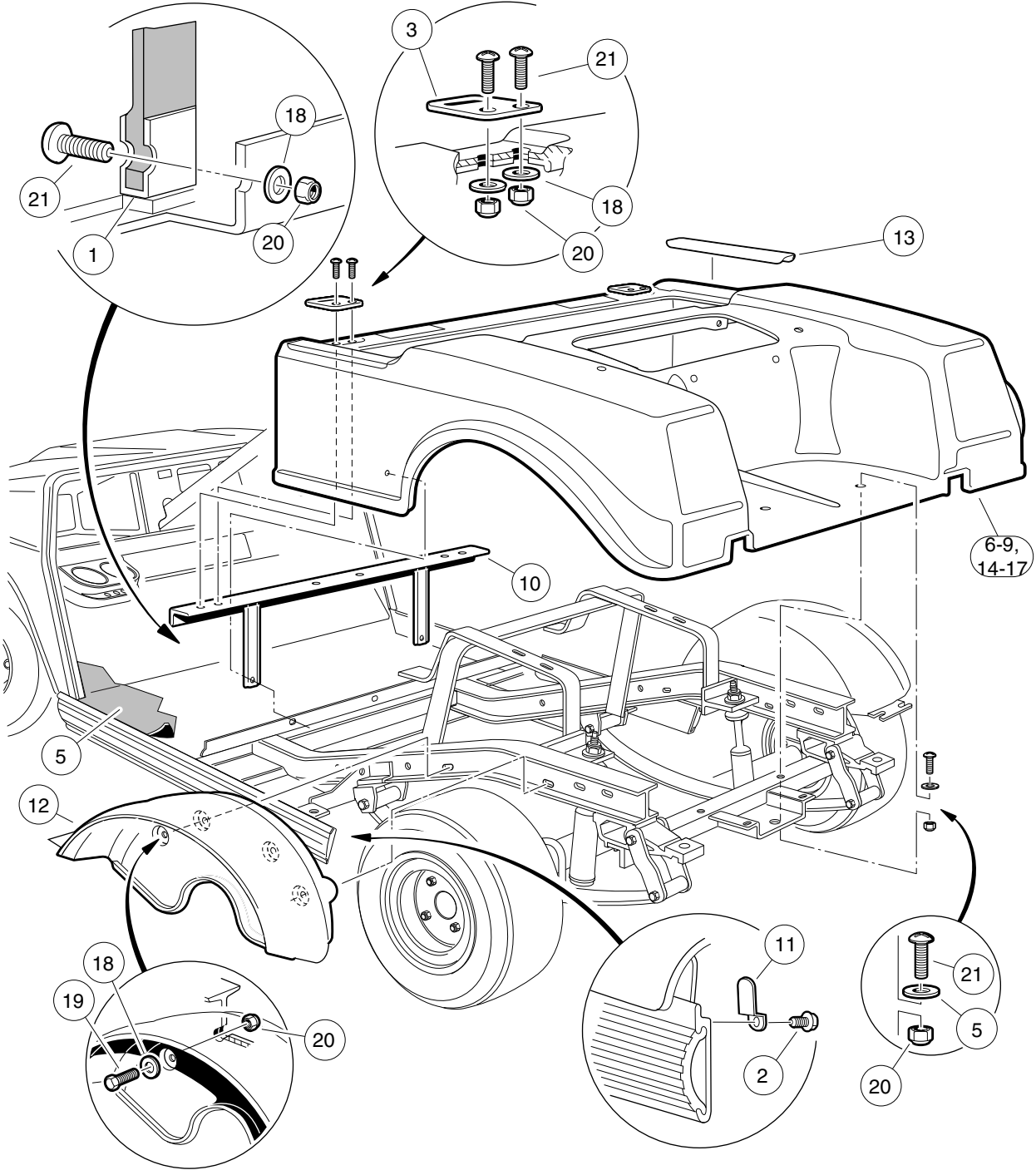
000452-002

REAR BODY AND FENDER – ELECTRIC VEHICLE (STYLE B)

ITEM	PART NO.	DESCRIPTION	QTY
		1 2 3 4	
1	<u>1010993</u>	Body Kick Plate	1
2	<u>1012047</u>	Screw, #8-32 X .375 Self Tap	2
3	<u>1012159</u>	Bolt, 1/4-20 X 2.75 Hex-Head	2
4	<u>1012412</u>	Body, Hinge Plate	2
5	<u>1014306</u>	Washer, 1/4" Type B Flat	2
6	<u>101503202</u>	Floormat	1
7	<u>1017141</u>	Body Support Weldment	1
8	<u>1017748</u>	Body Keeper Clip	2
9	<u>1017814</u>	Spacer, 1.88-inch	2
10	<u>1017815</u>	Spacer, 0.5-inch	2
11	<u>1017936</u>	Fender, Inner	2
12	<u>102221201</u>	Wear Pad	2
13	<u>103697401</u>	Body, Rear, TI, El, Beige	1
14	<u>103697402</u>	Body, Rear, TI, El, White	1
15	<u>103697403</u>	Body, Rear, TI, El, Nstd	1
16	<u>103697404</u>	Body, Rear, TI, El, D Green	1
17	<u>103700201</u>	Body, Rear, El, Svc, Beige	1
18	<u>103700202</u>	Body, Rear, El, Svc, White	1
19	<u>103700203</u>	Body, Rear, El, Svc, Nstd	1
20	<u>103700204</u>	Body, Rear, El, Svc, D Green	1
21	<u>332</u>	Washer, 1/4 Type A Narrow Flat	10
22	<u>7479</u>	Screw, 1/4-20 X 1.25 Hex-Head Cap	2
23	<u>8233</u>	Locknut, 1/4-20 Nylon Insert	12
24	<u>8251</u>	Screw, 1/4-20 X 1.0 Truss-Head Machine	8
Note: Bodies on this page are for use on vehicle manufactured after 08/03/09.			

1
G
E

1
G
E



000450-002

REAR BODY AND FENDER – GASOLINE VEHICLE (STYLE B)

ITEM	PART NO.	DESCRIPTION	QTY
		1 2 3 4	
1	<u>1010993</u>	Body Kick Plate	1
2	<u>1012047</u>	Screw, #8-32 X .375 Self Tap	2
3	<u>1012412</u>	Body, Hinge Plate	2
4	<u>1014306</u>	Washer, 1/4" Type B Flat	2
5	<u>101503202</u>	Floormat	1
6	<u>101696208</u>	Body with Tail Light Hole, Beige, Rear	1
7	<u>101696209</u>	Body with Tail Light Hole, White, Rear	1
8	<u>101696216</u>	Body with Tail Light Hole, Dark Green, Rear	1
9	<u>101696219</u>	Body with Tail Light Hole, Black, Rear	1
10	<u>1017141</u>	Body Support Weldment	1
11	<u>1017748</u>	Body Keeper Clip	2
12	<u>1017936</u>	Fender, Inner	2
13	<u>102221201</u>	Wear Pad	2
14	<u>103696701</u>	Body, Rear, Gas, Beige	1
15	<u>103696702</u>	Body, Rear, Gas, White	1
16	<u>103696703</u>	Body, Rear, Gas, Nstd	1
17	<u>103696704</u>	Body, Rear, Gas, D Green	1
18	<u>332</u>	Washer, 1/4 Type A Narrow Flat	10
19	<u>7847</u>	Screw, 1/4-20 X 0.75 Hex-Head Cap	4
20	<u>8233</u>	Locknut, 1/4-20 Nylon Insert	12
21	<u>8251</u>	Screw, 1/4-20 X 1.0 Truss-Head Machine	8
Note: Bodies on this page are to be used with vehicles manufactured after 08/03/09.			

1
G
E

1

G

E

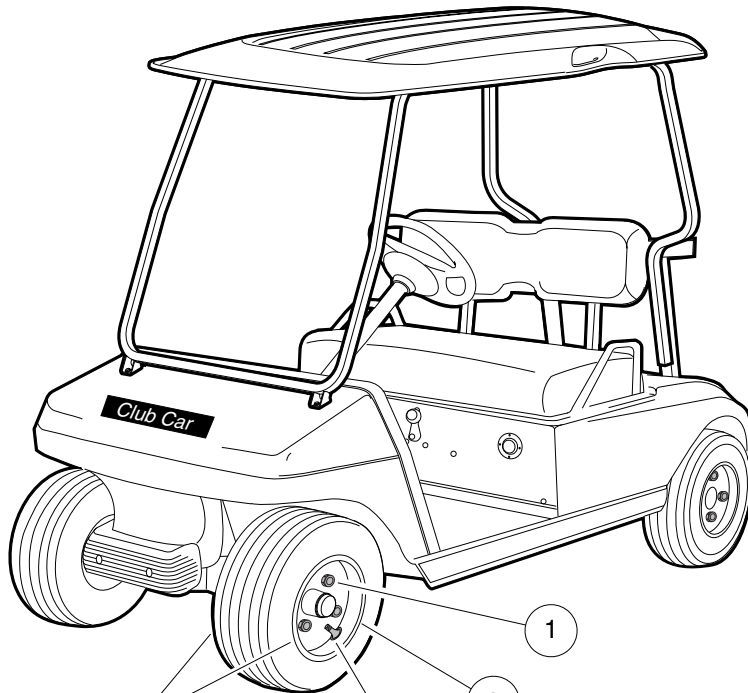
WHEELS AND TIRES

2

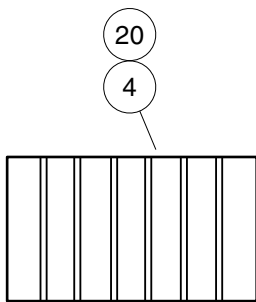
G

E

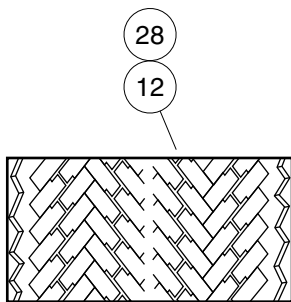
2
G
E



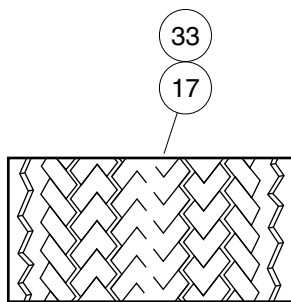
- 1
- 2
- 3
- 4
- 5
- 6
- 7
- 8
- 9
- 10
- 11
- 12
- 13
- 14
- 15
- 16
- 17
- 18
- 19
- 20
- 21
- 22
- 23
- 24
- 25
- 26
- 27
- 28
- 29
- 30
- 31
- 32
- 33



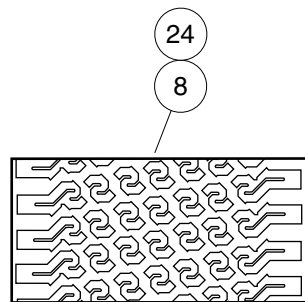
STANDARD TREAD
Carlisle®



PERFORMANCE
GRADE TREAD
Duro®



PREMIUM TREAD
Kenda®



EXTRA TRACTION
Duro

Note: The performance grade tire has the wheel and tire matched and balanced at the Duro tire factory.

000457-001

WHEELS AND TIRES

ITEM	PART NO.	DESCRIPTION	QTY
		1 2 3 4	
1	<u>1010984</u>	.500-20 Unf Lug Nut	16
2	<u>101570501</u>	Tire/Wheel Asm, Beige, Standard Tread (includes items 3 through 5)	4
3	1015707	Wheel Rim, Beige	1
4	727102	Tire Unmto Turf Glde 18x8.50-8	1
5	<u>7310</u>	Valve Stem	1
6	<u>101570507</u>	Tire/Wheel Asm, Beige, Xtrac Tread, 6-ply (includes items 7 through 9)	2
7	1015707	Wheel Rim, Beige	1
8	N/A	Tire, Unmounted Xtrac 18 x 8.50-8	1
9	<u>7310</u>	Valve Stem	1
10	<u>101570512</u>	Tire/Wheel Asm, Beige, Duro Premium Tread (includes items 11 through 13)	4
11	1015707	Wheel Rim, Beige	1
12	<u>102569304</u>	Duro 18 X 8.5 X 8, 4-Ply	1
13	<u>7310</u>	Valve Stem	1
14	<u>101570513</u>	Tire/Wheel Asm, Beige, Kenda Premium Tread (includes items 15 through 17)	4
15	1015707	Wheel Rim, Beige	1
16	<u>7310</u>	Valve Stem	1
17	<u>AM10682</u>	Unmounted Prem Tire 18x8.50x8	1
18	<u>101651401</u>	Tire/Wheel Asm, White, Standard Tread (includes items 19 through 21)	4
19	<u>1014771</u>	Wheel Rim, White	1
20	727102	Tire Unmto Turf Glde 18x8.50-8	1
21	<u>7310</u>	Valve Stem	1
22	<u>101651407</u>	Tire/Wheel Asm, White, Extra-Traction, 6-Ply (includes items 23 through 25)	2
23	<u>1014771</u>	Wheel Rim, White	1
24	N/A	Tire, Unmounted Xtrac 18 x 8.50-8	1
25	<u>7310</u>	Valve Stem	1
26	<u>101651412</u>	Tire/Wheel Asm, White, Duro Premium Tread (includes items 27 through 29)	4
27	<u>1014771</u>	Wheel Rim, White	1
28	<u>102569304</u>	Duro 18 X 8.5 X 8, 4-Ply	1
29	<u>7310</u>	Valve Stem	1
30	<u>101651413</u>	Tire/Wheel Asm, White, Kenda Premium Tread (includes items 31 through 33)	4
31	<u>1014771</u>	Wheel Rim, White	1
32	<u>7310</u>	Valve Stem	1
33	<u>AM10682</u>	Unmounted Prem Tire 18x8.50x8	1

2
G
E

2

G

E

DECALS

3

G

E

⚠ WARNING
ROLLOVER OR FALLING OFF MAY CAUSE DEATH.

- Before using vehicle, read operating instructions.
- Remain seated and hold on to seat handle while moving.
- Do not start vehicle until all occupants are seated.
- Two (2) persons per seat maximum.
- Operate from driver side only and not on public roads.
- Keep entire body inside vehicle while moving.
- Drive slowly in turns and straight up and down slopes.
- Do not leave children unattended on vehicle.
- Never operate under the influence of alcohol or drugs.
- Use brakes to reduce speed when coasting downhill.
- Never stand in front of or behind vehicle.

CCI 1019606-01

OFF | ON

OPERATING INSTRUCTIONS

- Read owner's manual and safety warnings located on dash panel prior to driving.
- Study and understand controls.

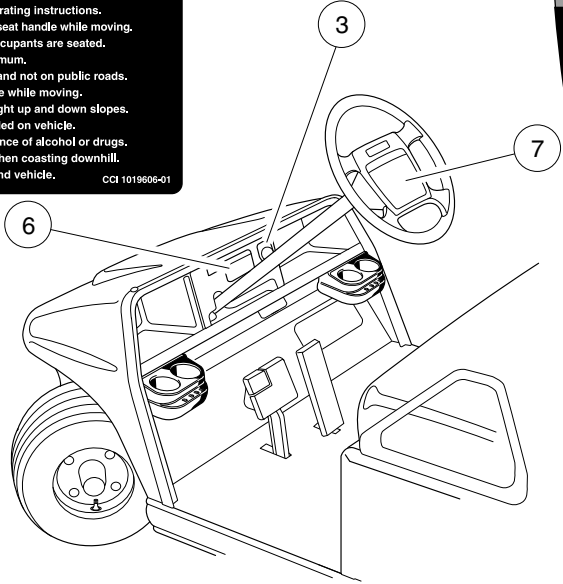
TO OPERATE

- Turn wheels to desired direction and ensure path is clear.
- Turn key to ON position.
- While stopped, place shift lever in desired position:
 F=Forward N=Neutral R=Reverse (Buzzer will sound)
- Park brake will release and vehicle will start moving when accelerator pedal is pressed.
- Slowly press accelerator pedal to increase speed.
- To stop, release accelerator pedal and press brake pedal.

BEFORE LEAVING

- Press park brake pedal until it locks and holds vehicle.
- Place Forward/Reverse switch in NEUTRAL position.
- Turn key OFF and remove key when not in use.

CCI 10259201



⚠ WARNING
CAN CAUSE SEVERE INJURY

Rotating parts

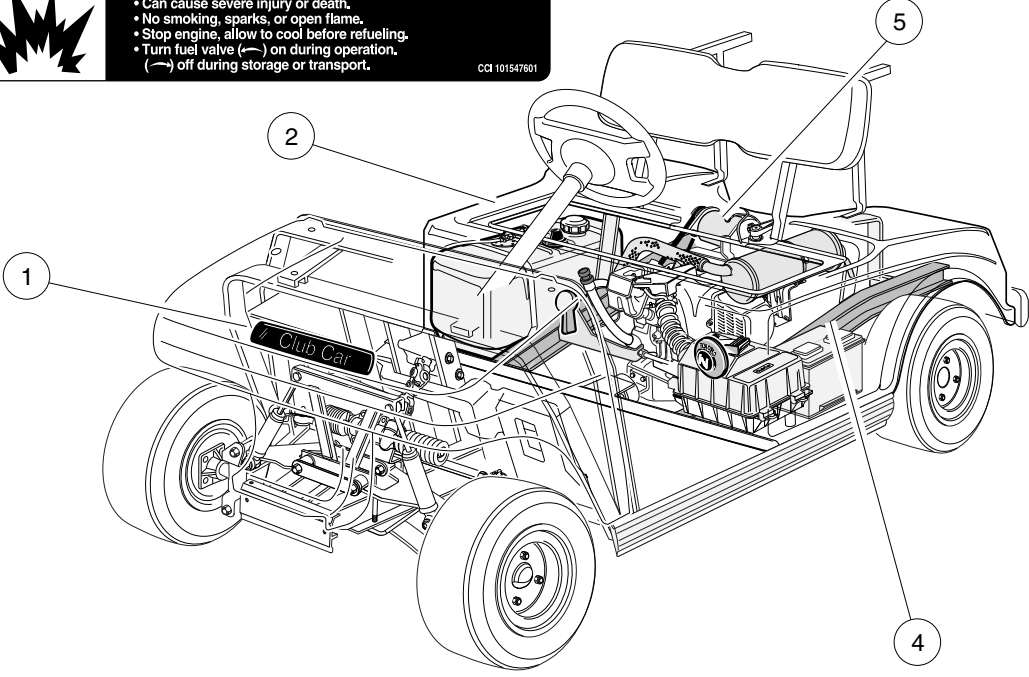
HOT manifold & muffler

KEEP CLEAR CCI 1019605-01

⚠ WARNING
GASOLINE EXPLOSION / FIRE.

- Can cause severe injury or death.
- No smoking, sparks, or open flame.
- Stop engine, allow to cool before refueling.
- Turn fuel valve (←) on during operation, (→) off during storage or transport.

CCI 101547601



⚠ WARNING

Negative frame ground. Can cause severe injury. Do not contact positive (+) battery post or cable to frame. Disconnect negative battery cable first.

⚠ WARNING

Excessive speed can cause severe injury or death. Do not tamper with engine governor adjustment.

CCI 101915201

000458-001

DECALS – GASOLINE VEHICLE

ITEM	PART NO.	DESCRIPTION	QTY
		1 2 3 4	
1	<u>1014198</u>	Nameplate Kit (gold)	1
2	<u>101547601</u>	Decal, Gasoline Explosion/Fire Warning	1
3	<u>101825101</u>	Decal, Off/On	1
4	<u>101915201</u>	Decal, Frame Ground and Governor Warning	1
5	<u>101960501</u>	Decal, Rotating Parts/Hot Manifold	2
6	<u>101960601</u>	Decal, Dash Warning	1
7	<u>102519201</u>	Decal, Operating Instr, Gas	1

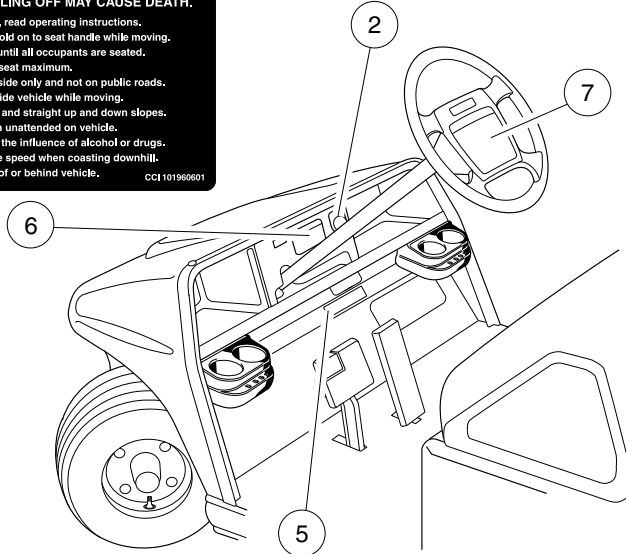
3
G
E

⚠ WARNING
ROLLOVER OR FALLING OFF MAY CAUSE DEATH.

- Before using vehicle, read operating instructions.
- Remain seated and hold on to seat handle while moving.
- Do not start vehicle until all occupants are seated.
- Two (2) persons per seat maximum.
- Operate from driver side only and not on public roads.
- Keep entire body inside vehicle while moving.
- Drive slowly in turns and straight up and down slopes.
- Do not leave children unattended on vehicle.
- Never operate under the influence of alcohol or drugs.
- Use brakes to reduce speed when coasting downhill.
- Never stand in front of or behind vehicle.

CCI101960601

OFF | ON



OPERATING INSTRUCTIONS

- Read owner's manual and dash-mounted safety warnings prior to driving.
- Study and understand controls.

TO OPERATE

- Turn wheels to desired direction and ensure path is clear.
- Turn key to ON position.
- While stopped, place Forward/Reverse switch in desired position: F=Forward, N=Neutral, R=Reverse (Buzzer will sound)
- Park brake will release and vehicle will start moving when accelerator pedal is pressed.
- Slowly press accelerator pedal to increase speed.
- To stop, release accelerator pedal and press brake pedal.

BEFORE LEAVING

- Press park brake pedal until it locks and holds vehicle.
- Place Forward/Reverse switch in NEUTRAL position.
- Turn key OFF and remove key when not in use.

MOTOR BRAKING

- Electric motor braking provides speed regulation functions.
- For parked vehicle, beeping alarm indicates vehicle roll away.
- In operation, beeping alarm indicates reduction in motor braking.
- Apply brakes to further reduce vehicle speed as required.
- System is activated only when tow switch is in the RUN position.
- When towing this vehicle, tow switch must be in the TOW position.

CCI 10258001

IMPORTANT NOTICE

- Maximum vehicle speed is limited by motor braking during downhill operation with accelerator pedal depressed.
- If motor brake enabled, vehicle motor will brake when accelerator pedal is released.
- Beeping alarm indicates reduction in motor braking. Apply brakes to reduce speed.
- System is activated only when tow switch is in the "RUN" position.
- When towing vehicle, tow switch must be in the "TOW" position.

101959902

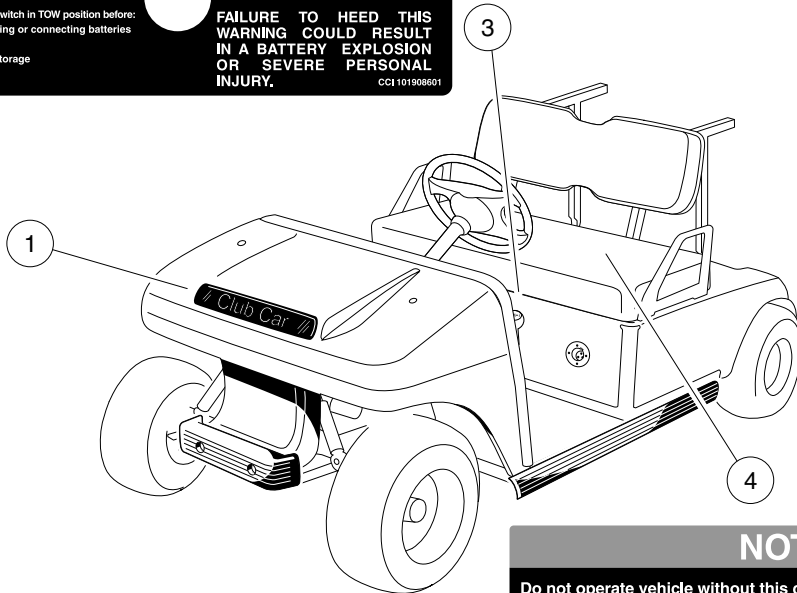
⚠ WARNING TOW RUN

Place Tow/Run switch in TOW position before:

- Disconnecting or connecting batteries
- Towing
- Extended storage
- Servicing

FAILURE TO HEED THIS WARNING COULD RESULT IN A BATTERY EXPLOSION OR SEVERE PERSONAL INJURY.

CCI101908601



NOTICE

Do not operate vehicle without this cover properly installed.
 Do not direct water stream in this area; will cause damage to components.
 See vehicle maintenance and service manual before servicing.

CCI 101931501

000459-001

DECALS – ELECTRIC VEHICLE

ITEM	PART NO.	DESCRIPTION	QTY
		1 2 3 4	
1	<u>1014198</u>	Nameplate Kit (gold)	1
2	<u>101825101</u>	Decal, Off/On	1
3	<u>101908601</u>	Decal, Tow/Run Switch Warning	1
4	<u>101931501</u>	Decal, Component Cover	1
5	<u>101959902</u>	Decal, IQ System Motor Braking	1
6	<u>101960601</u>	Decal, Dash Warning	1
7	<u>102518001</u>	Decal, Operating Instr, Elec	1

3
G
E

3

G

E

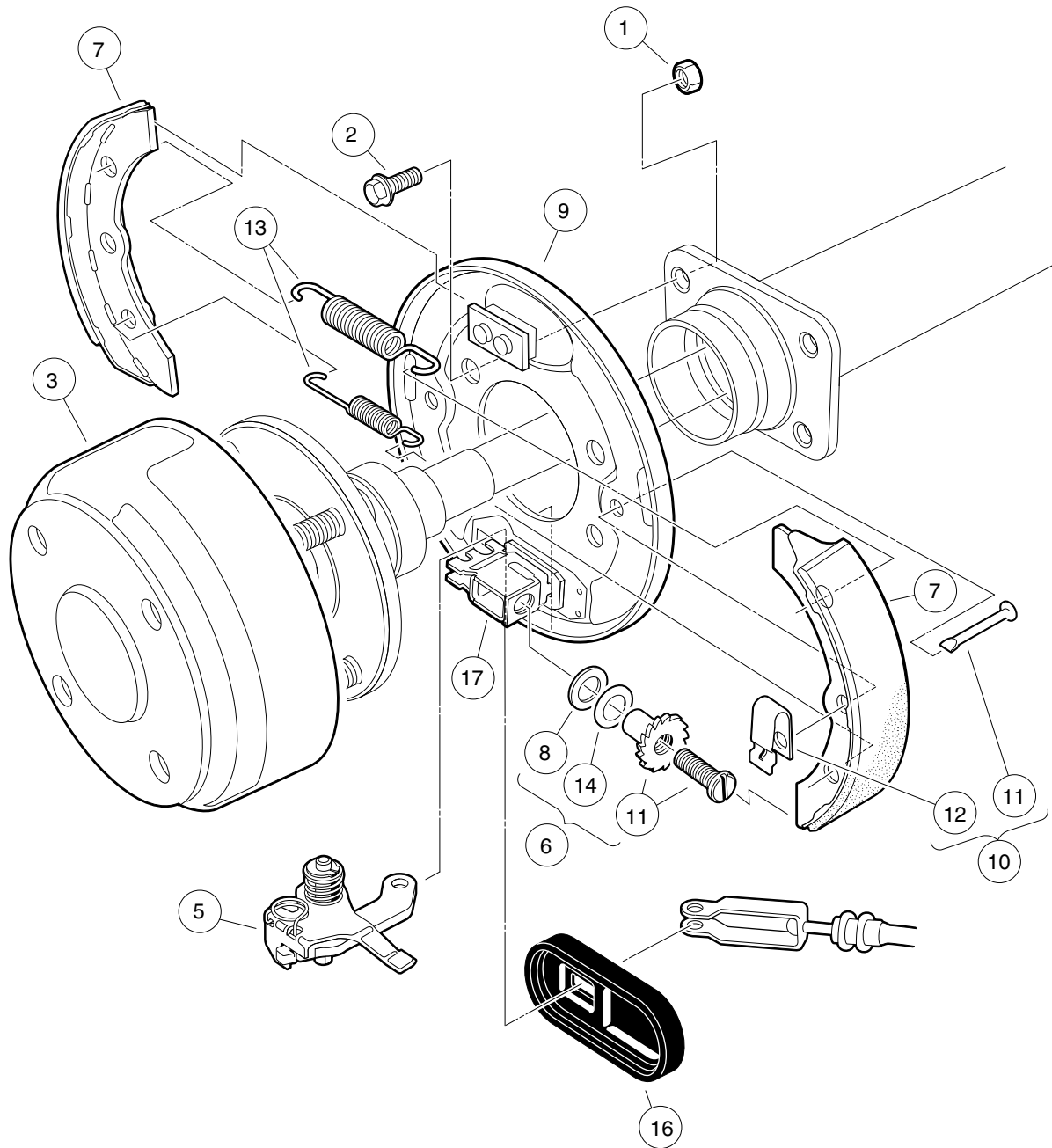
BRAKES, PEDAL, AND CABLE ASSEMBLIES

4

G

E

4
G
E



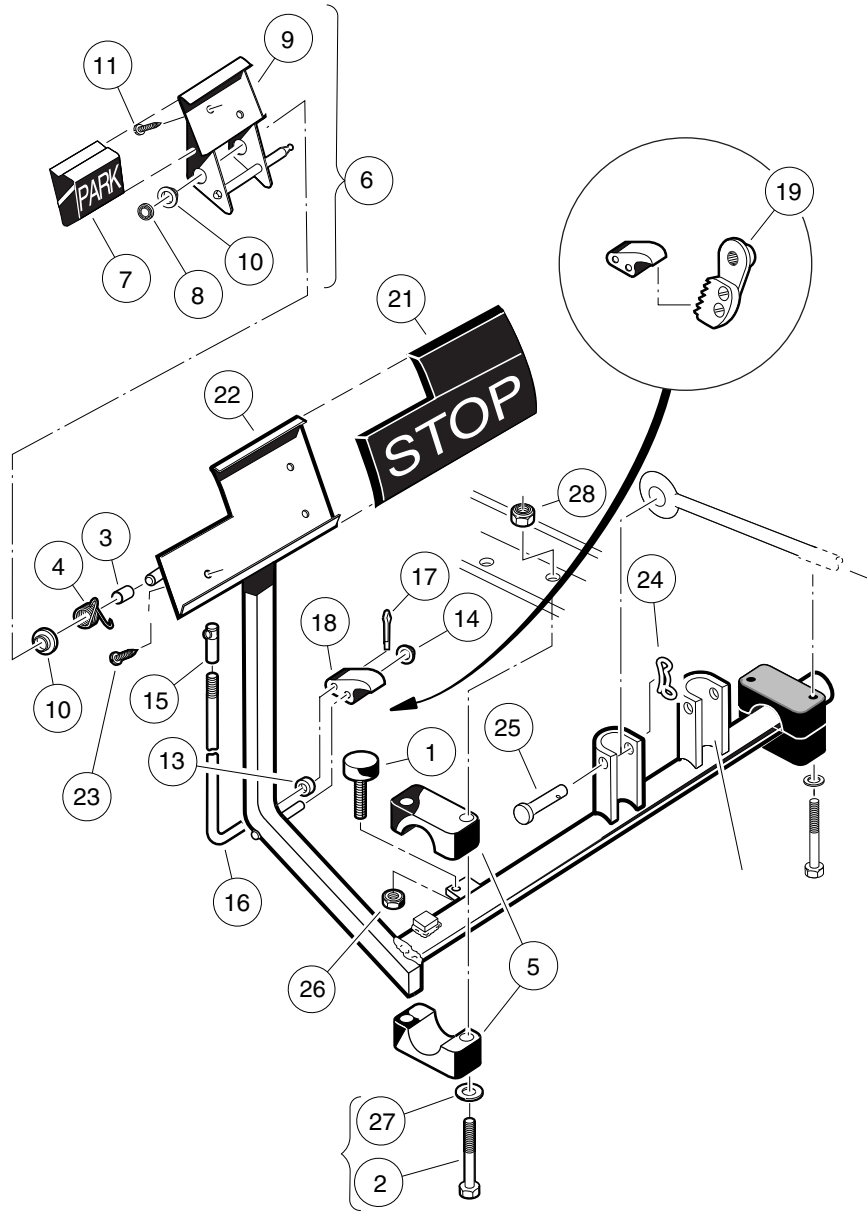
000186-001

REAR BRAKE ASSEMBLY, SELF-ADJUSTING

ITEM	PART NO.	DESCRIPTION	QTY
		1 2 3 4	
1	<u>1013924</u>	Nut, 5/16-24 Hex Head Cone	8
2	<u>1014153</u>	Bolt, Brake Cluster Mounting	8
3	<u>101791101</u>	Drum without Center Hole, Brake	2
4	<u>103380201</u>	Asm, Brake Cluster, Mech, Drvr (includes items 5 through 17)	1
5	<u>101815501</u>	Lever Assembly, Self-Adjusting Brake, Right (Passenger)	1
6	<u>101816501</u>	Adj Mechanism, S.A. Brakes, Right (Passenger)	1
7	<u>101823201</u>	Package, Brake Shoe, Self-Adjusting	1
8	<u>101823801</u>	Plate, Washer, Brake, Self-Adjusting	1
9	<u>103483101</u>	Back Plate, Rh	1
10	<u>103483201</u>	Kit, Shoe Retainer (includes items 11 and 12)	1
11	<u>1010953</u>	Pin	2
12	<u>103483301</u>	Spring, Shoe, Clamp	2
13	<u>103483401</u>	Package Brake Spring Self Adj (includes items 14 and 15)	1
14	<u>101816401</u>	Brake Spring Self Adj	2
15	<u>103483501</u>	Spring Brake	2
16	<u>103483601</u>	Cover, Dust	1
17	<u>103483701</u>	Brake Block	1
18	<u>103380202</u>	Asm, Brake Cluster, Mech, Pass (includes items 19 through 31)	1
19	<u>101815502</u>	Lever Assembly, Self-Adjusting Brake, Left	1
20	<u>101816502</u>	Adjusting Mechanism, Self-Adjusting Brake, Left	1
21	<u>101823201</u>	Package, Brake Shoe, Self-Adjusting	1
22	<u>101823801</u>	Plate, Washer, Brake, Self-Adjusting	1
23	<u>103483102</u>	Back Plate, Lh	1
24	<u>103483201</u>	Kit, Shoe Retainer (includes items 25 and 26)	1
25	<u>1010953</u>	Pin	2
26	<u>103483301</u>	Spring, Shoe, Clamp	2
27	<u>103483401</u>	Package Brake Spring Self Adj (includes items 28 and 29)	1
28	<u>101816401</u>	Brake Spring Self Adj	2
29	<u>103483501</u>	Spring Brake	2
30	<u>103483601</u>	Cover, Dust	1
31	<u>103483701</u>	Brake Block	1
		Note: Driver-side brake cluster not shown. Components have a similar appearance to passenger-side brake cluster components.	

4
G
E

4
G
E



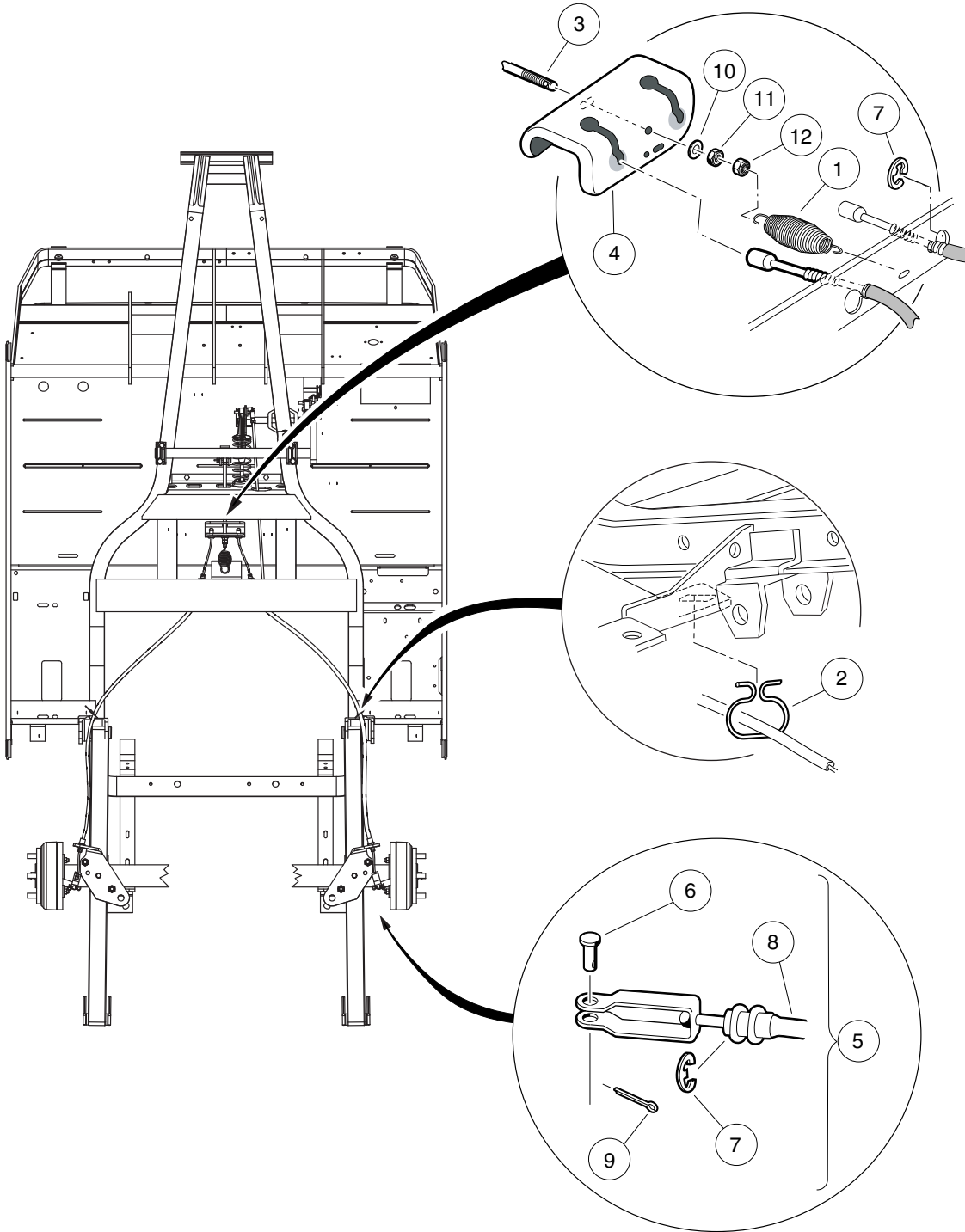
000187-001

BRAKE PEDAL ASSEMBLY

ITEM	PART NO.	DESCRIPTION	QTY
		1 2 3 4	
1	<u>1010878</u>	Bumper, Rubber	1
2	<u>1010921</u>	Screw, 5/16-18 X 2.50 Hex Cap	4
3	<u>1010927</u>	Hill Brake Spacer	1
4	<u>1010933</u>	Spring, Hill Brake Torsion	1
5	<u>1011402</u>	Package, Brake Mounting Block	1
6	<u>1011418</u>	Kit, Hill Brake Pedal (includes items 7 through 11)	1
7	<u>1013870</u>	Pad, Hill Brake	1
8	<u>1013876</u>	Pushnut, 3/8	1
9	N/A	Hill Brake Weld Assembly	1
10	<u>1032</u>	Bushing, Nylon	2
11	7716	Screw, #10-16 Type AB, Sheet Metal	2
12	<u>101187702</u>	Kit, Hill Brake Latch (includes items 13 through 19)	1
13	<u>1010805</u>	Sleeve, Hill Brake Rod	1
14	<u>1010877</u>	Pushnut, 3/8	1
15	1010932	Ball Joint, 1/4-28	1
16	N/A	Rod, Hill Brake	1
17	<u>1017029</u>	Pin, Cotter, 7/64 x 1/2 Stainless-Steel	1
18	N/A	Pawl, Hill Brake	1
19	101918501	Ratchet Assembly	1
20	<u>101878201</u>	Brake Pedal Kit (includes items 21 through 23)	1
21	<u>1013869</u>	Pad, Brake Pedal	1
22	N/A	Weldment, Brake Pedal 4wb Std	1
23	7716	Screw, #10-16 Type AB, Sheet Metal	3
24	<u>102323101</u>	Pin, Bow Tie Locking	1
25	<u>102323201</u>	Pin, 3/8 X 1-5/16 Clevis	1
26	<u>1028</u>	Nut, 1/4-20 Hex	1
27	<u>1241</u>	Washer, 5/16 Type A Flat	4
28	<u>7473</u>	Locknut, 5/16-18 Nylon Insert	4

4
G
E

4
G
E



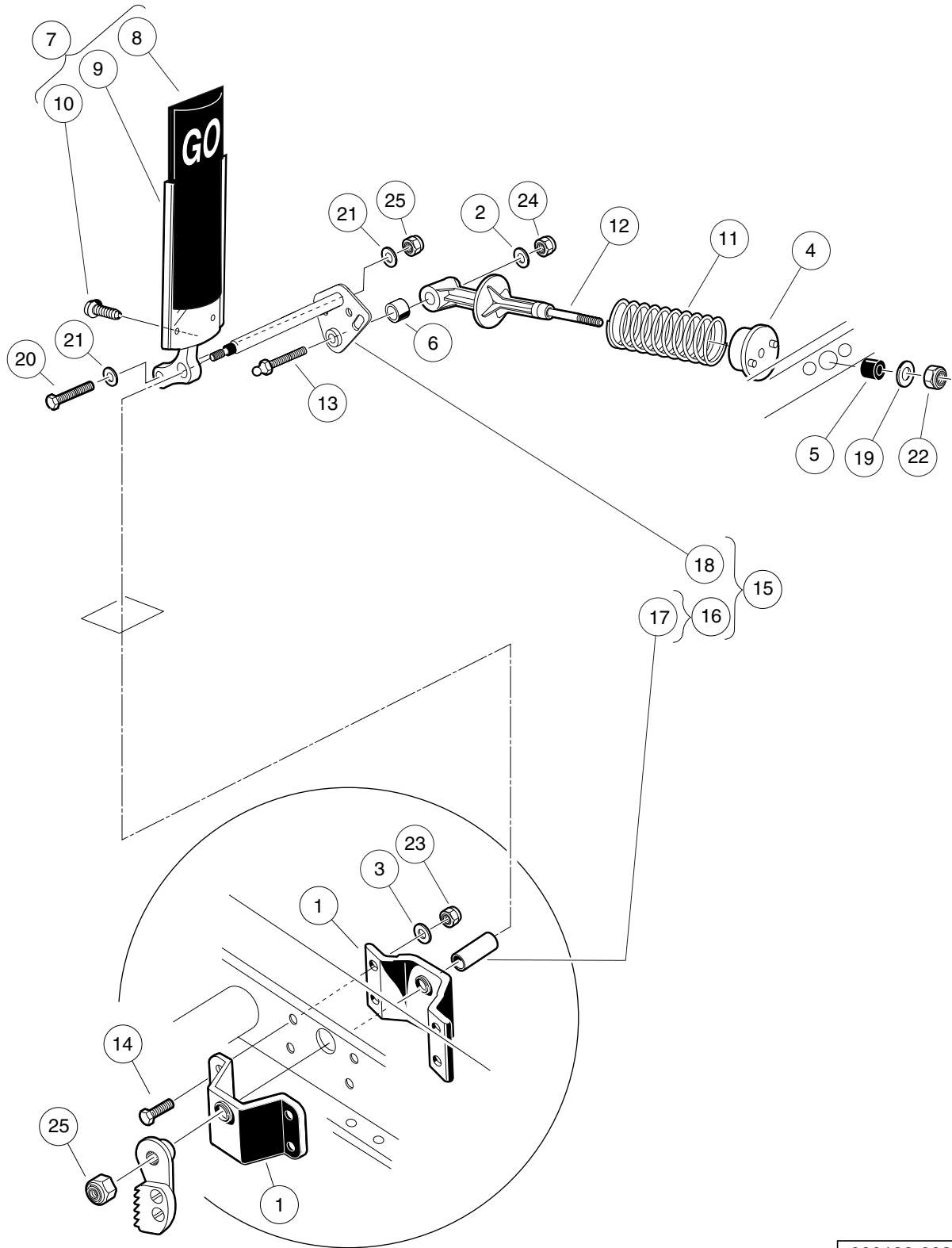
000245-001

BRAKE CABLE, EQUALIZER, AND EQUALIZER ROD

ITEM	PART NO.	DESCRIPTION	QTY
		1 2 3 4	
1	<u>1013531</u>	Spring, Brake Return	1
2	101900801	Hanger, Brake Cable	2
3	<u>101953101</u>	Rod, Equalizer, 8.91"	1
4	<u>101990801</u>	Equalizer Bracket	1
5	<u>102022101</u>	Brake Cable Kit (includes items 6 through 9)	2
6	<u>1010829</u>	Pin, Clevis, 5/16 X 3/4	1
7	<u>1011779</u>	E-Clip, 1/2	2
8	N/A	Cable, Brake, 41"	1
9	<u>1035</u>	Cotter Pin, 3/32 x 1	1
10	<u>1241</u>	Washer, 5/16 Type A Flat	5
11	<u>1242</u>	Nut, 5/16-18 Hex	1
12	<u>7473</u>	Locknut, 5/16-18 Nylon Insert	5

4
G
E

4
G
E



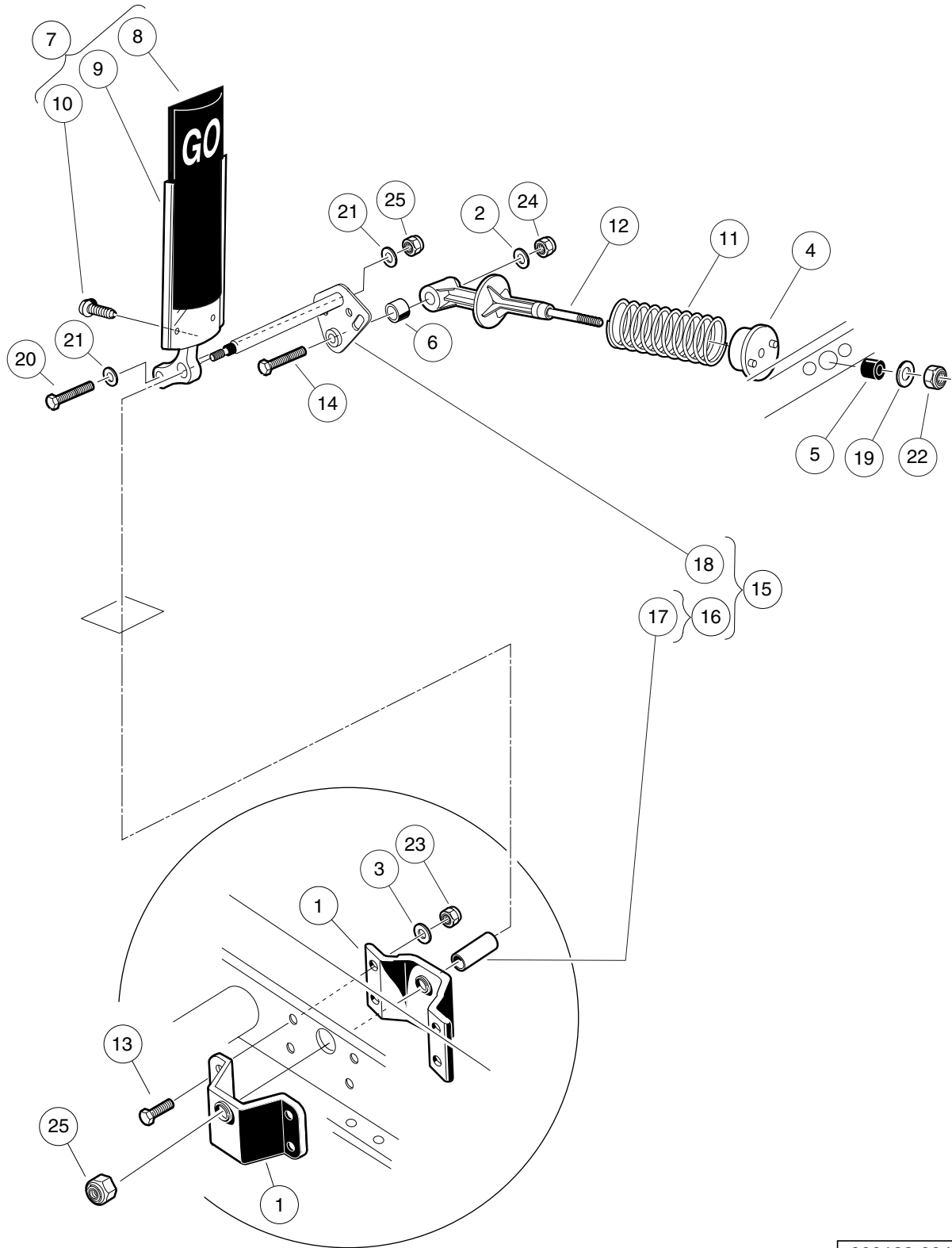
000188-003

ACCELERATOR PEDAL ASSEMBLY – GASOLINE VEHICLE

ITEM	PART NO.	DESCRIPTION	QTY
		1 2 3 4	
1	<u>1011694</u>	Accelerator Bracket and Bearing Assembly	2
2	<u>1011931</u>	Washer, 1/4 Flat	1
3	<u>1014007</u>	Washer, 1/4 Flat	4
4	<u>1017378</u>	Cup, Spring	1
5	<u>1017380</u>	Bumper, Spring Return	1
6	<u>1017424</u>	Bearing, Pivot Support	1
7	<u>1017696</u>	Sub Asm, Accelerator Pedal (includes items 8 through 10)	1
8	1013871	Pad, Accelerator Pedal	1
9	N/A	Accelerator Pedal Weldment	1
10	7716	Screw, #10-16 Type AB, Sheet Metal	4
11	101796201	Spring, Accelerator Return	1
12	<u>101817401</u>	Retainer, Spring	1
13	101818801	Stud, 1/4-28 X 1.35 Ball	1
14	<u>101861901</u>	Screw, 1/4-20 X 1.125 Hex Cap	4
15	<u>102026001</u>	Kit, Accelerator Pivot Rod Assembly (includes items 16 through 18)	1
16	<u>1011700</u>	Spacer Assembly (includes item 17)	1
17	101919801	Spacer, Accelerator	1
18	N/A	Pivot Rod Weldment	1
19	<u>1241</u>	Washer, 5/16 Type A Flat	1
20	<u>1624</u>	Screw, 3/8-16 X 1.50 Hex-Head Cap	1
21	<u>334</u>	Washer, 3/8 Type A Flat	2
22	<u>7473</u>	Locknut, 5/16-18 Nylon Insert	1
23	<u>8233</u>	Locknut, 1/4-20 Nylon Insert	4
24	<u>8717</u>	Locknut, 1/4-28 Nylon Insert	1
25	<u>8754</u>	Locknut, 3/8-16 Hex	2

4
G
E

4
G
E



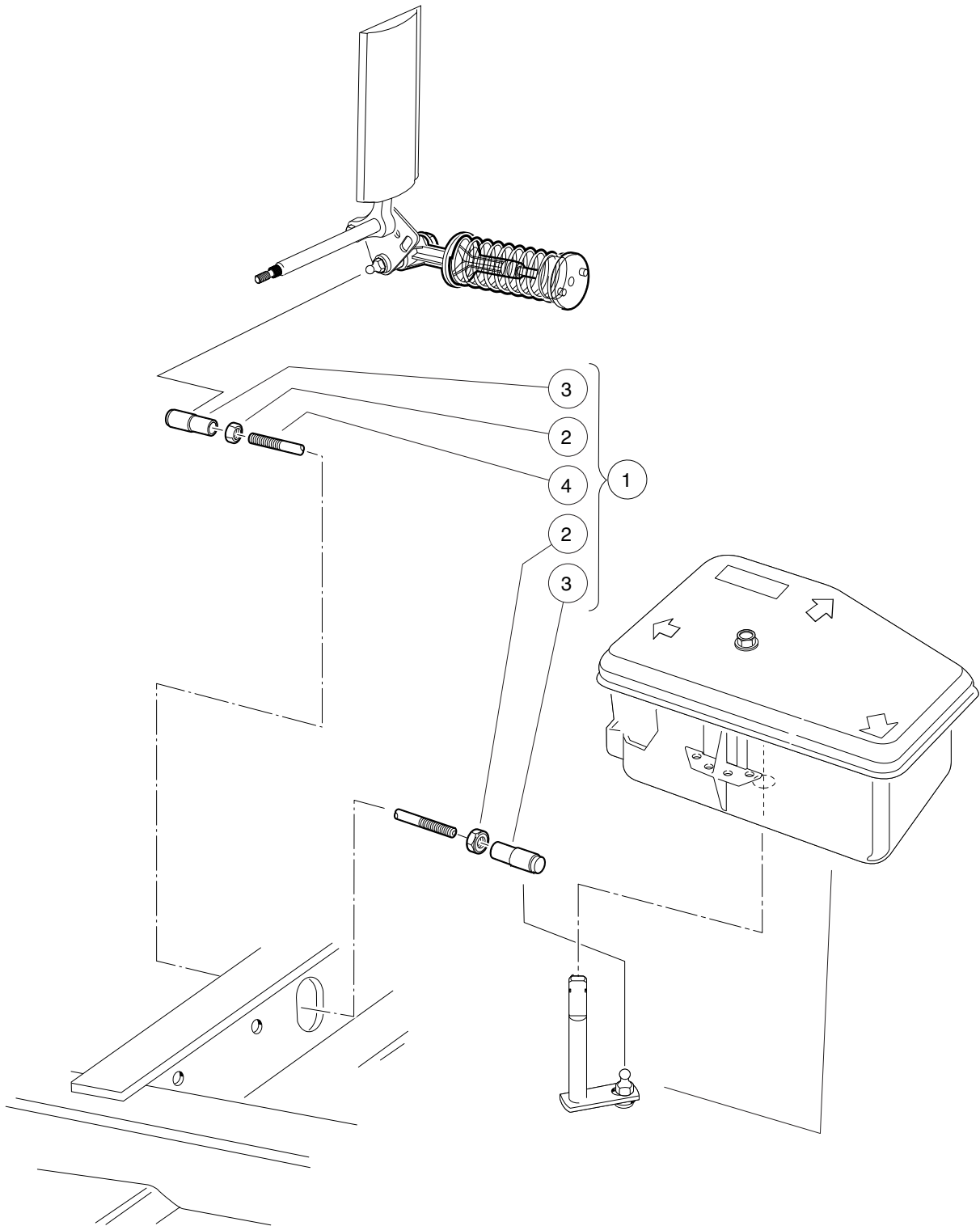
000188-004

ACCELERATOR PEDAL ASSEMBLY – ELECTRIC VEHICLES WITH MCOR

ITEM	PART NO.	DESCRIPTION	QTY
		1 2 3 4	
1	<u>1011694</u>	Accelerator Bracket and Bearing Assembly	2
2	<u>1011931</u>	Washer, 1/4 Flat	1
3	<u>1014007</u>	Washer, 1/4 Flat	4
4	<u>1017378</u>	Cup, Spring	1
5	<u>1017380</u>	Bumper, Spring Return	1
6	<u>1017424</u>	Bearing, Pivot Support	1
7	<u>1017696</u>	Sub Asm, Accelerator Pedal (includes items 8 through 10)	1
8	1013871	Pad, Accelerator Pedal	1
9	N/A	Accelerator Pedal Weldment	1
10	7716	Screw, #10-16 Type AB, Sheet Metal	4
11	101796201	Spring, Accelerator Return	1
12	<u>101817401</u>	Retainer, Spring	1
13	<u>101861901</u>	Screw, 1/4-20 X 1.125 Hex Cap	4
14	<u>101862001</u>	Screw, 1/4-20 X 1.500 Flange	1
15	<u>102026001</u>	Kit, Accelerator Pivot Rod Assembly (includes items 16 through 18)	1
16	<u>1011700</u>	Spacer Assembly (includes item 17)	1
17	101919801	Spacer, Accelerator	1
18	N/A	Pivot Rod Weldment	1
19	<u>1241</u>	Washer, 5/16 Type A Flat	1
20	<u>1624</u>	Screw, 3/8-16 X 1.50 Hex-Head Cap	1
21	<u>334</u>	Washer, 3/8 Type A Flat	2
22	<u>7473</u>	Locknut, 5/16-18 Nylon Insert	1
23	<u>8233</u>	Locknut, 1/4-20 Nylon Insert	4
24	<u>8717</u>	Locknut, 1/4-28 Nylon Insert	1
25	<u>8754</u>	Locknut, 3/8-16 Hex	2

4
G
E

4
G
E



000362-001

ACCELERATOR ROD

ITEM	PART NO.	DESCRIPTION	QTY
		1 2 3 4	
1	101912401	Rod, Accelerator (includes items 2 through 4)	1
2	<u>1011084</u>	Nut, 1/4-28 Hex Jam	2
3	<u>1011734</u>	Joint, Ball	2
4	N/A	Accelerator Rod	1

4

G

E

4

G

E

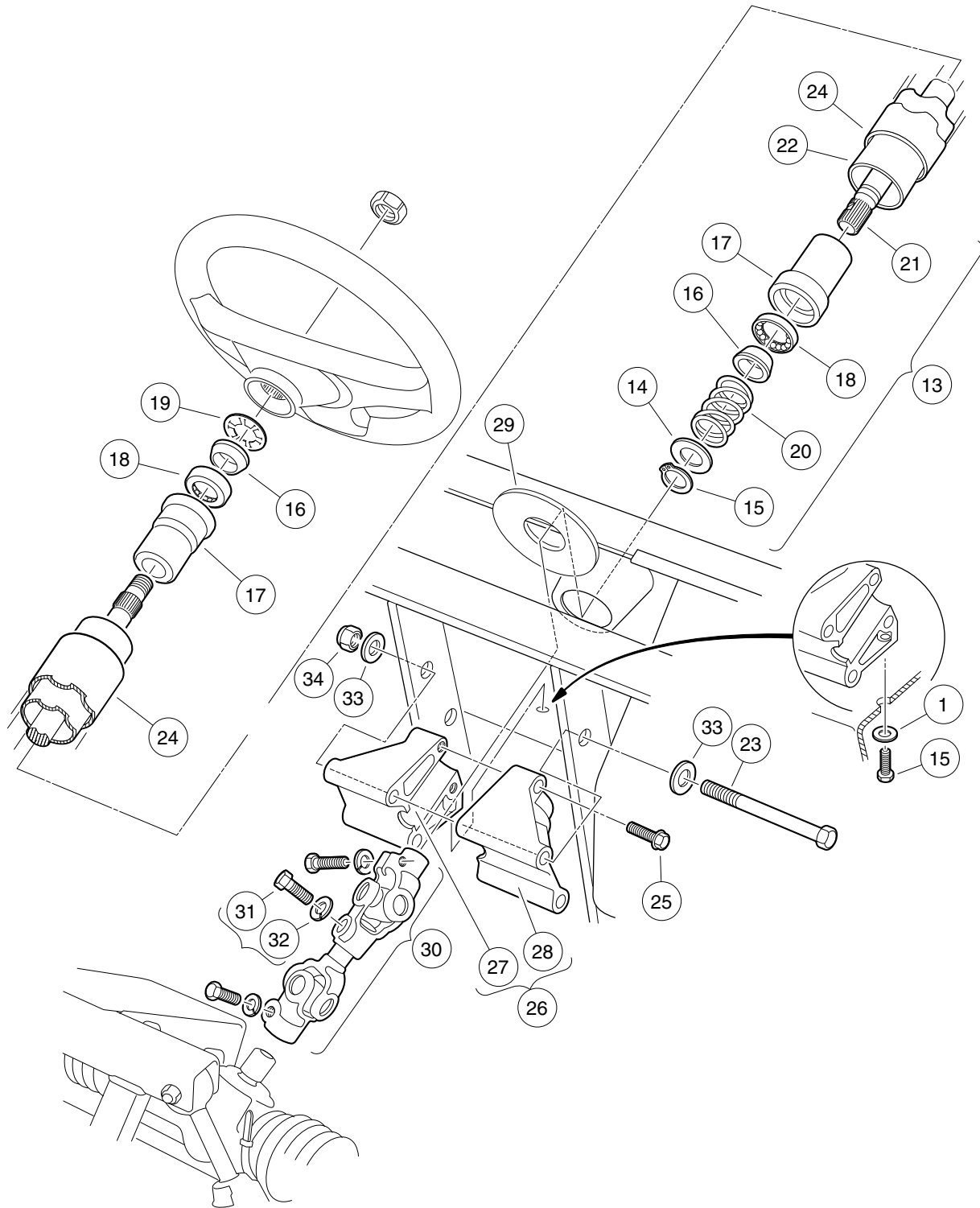
STEERING, FRONT AND REAR SUSPENSION

5

G

E

5
G
E



000247-002

STEERING COLUMN

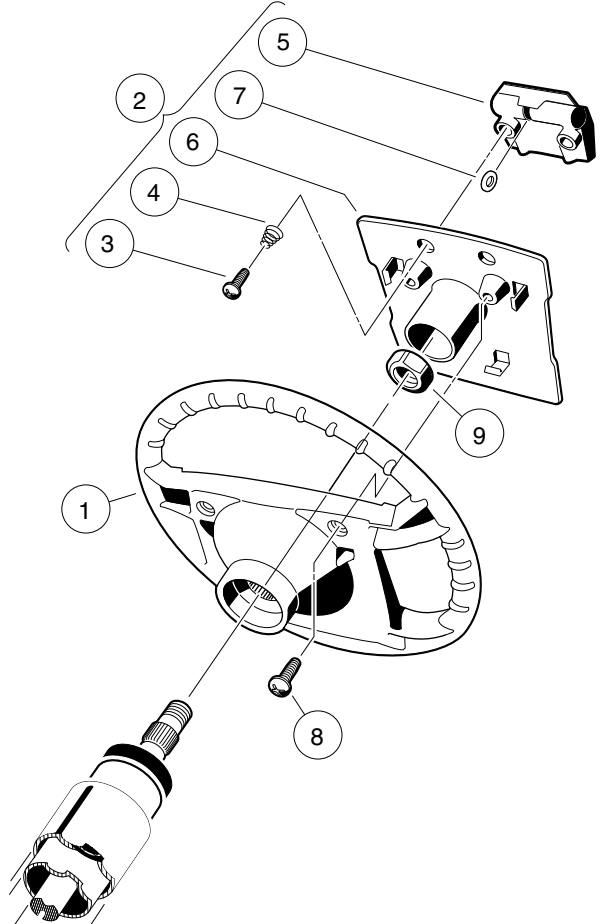
ITEM	PART NO.	DESCRIPTION	QTY
		1 2 3 4	
1	<u>1011697</u>	Washer, 5/16 Flat	1
2	<u>1014216</u>	Steering Column Rebuild Kit (includes items 3 through 11)	1
3	<u>1012466</u>	Dust Cover	1
4	<u>1012605</u>	Ring, 0.579 Internal Retaining	1
5	1014125	Wedge, Molded	2
6	<u>1014126</u>	Seat, Plastic Bearing	2
7	<u>1014211</u>	Seal, Bearing	1
8	<u>1014212</u>	Spacer, Shaft	1
9	<u>1014213</u>	Bearing, Ball	2
10	1014214	Ring, Retaining	1
11	<u>1014217</u>	Spring, Steering Shaft	1
12	<u>1014288</u>	Screw, 5/16-18 X 0.75 Thread-Forming	1
13	1016181	Steering Shaft Assembly (includes items 14 through 22)	1
14	<u>1012604</u>	Washer, 0.675 ID X 1.19 OD	1
15	<u>1012605</u>	Ring, 0.579 Internal Retaining	1
16	1014125	Wedge, Molded	2
17	<u>1014126</u>	Seat, Plastic Bearing	2
18	<u>1014213</u>	Bearing, Ball	2
19	1014214	Ring, Retaining	1
20	<u>1014217</u>	Spring, Steering Shaft	1
21	<u>1015545</u>	Shaft, Steering Column	1
22	1016622	Column, Aluminum Steering	1
23	<u>1016183</u>	Screw, 3/8-16 X 7.00 Hex Cap	2
24	1016263	Cover, Steering Column Tube	1
25	<u>1016269</u>	Screw, 5/16-18 Thrd Forming	2
26	101984801	Kit, Steering Column Mounting Bracket (includes items 27 and 28)	1
27	N/A	Bracket, RH Steering Column Mount	1
28	N/A	Bracket, LH Steering column mount	1
29	<u>102278001</u>	Boot, Steering Column Round	1
30	<u>103601601</u>	Shaft, Intermediate Steering (includes items 31 and 32)	1
31	<u>1017226</u>	Bolt, Hex-Head, 8mm X 1.25 - 30	3
32	<u>7174</u>	Lockwasher, 5/16 Split	3
33	<u>334</u>	Washer, 3/8 Type A Flat	4
34	<u>8754</u>	Locknut, 3/8-16 Hex	2

5
G
E

5

G

E



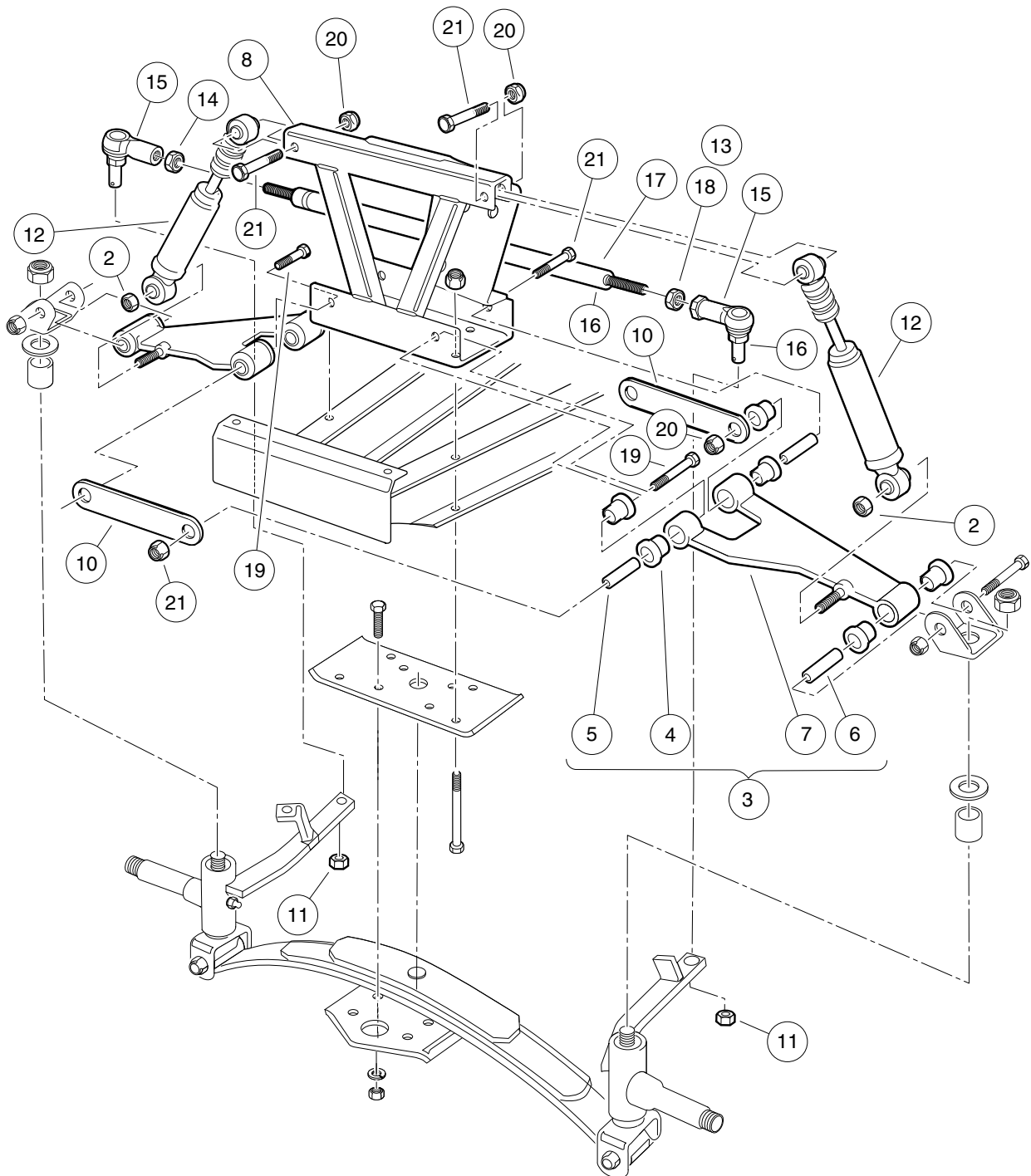
000246-002

STEERING WHEEL

ITEM	PART NO.	DESCRIPTION	QTY
		1 2 3 4	
1	<u>1016156</u>	Wheel, Steering	1
2	1016219	Plate, Scorecard (includes items 3 through 7)	1
3	<u>1012565</u>	Screw, #12 Phillips Round Head	2
4	<u>1012566</u>	Tapered Compression Spring	2
5	1016154	Clip, Scorecard	1
6	N/A	Plate, Score Card	1
7	N/A	Pencil Grip	1
8	<u>1016663</u>	Screw, #12-14 X 0.625	2
9	<u>1017273</u>	Nut, 5/8-18 Nylon Insert Jam	1

5
G
E

5
G
E



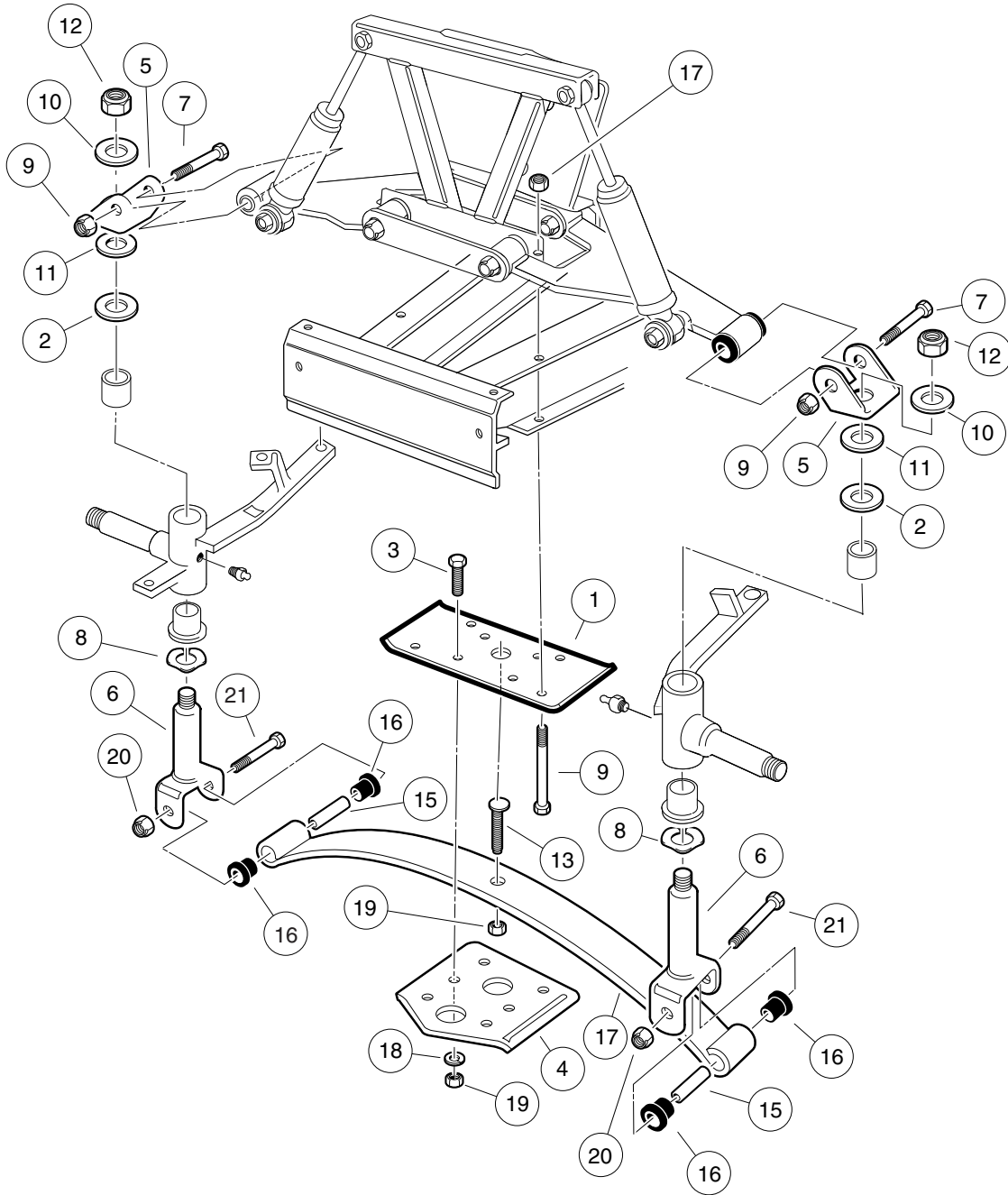
000312-002

FRONT SUSPENSION, UPPER

ITEM	PART NO.	DESCRIPTION	QTY
		1 2 3 4	
1	N/A	Sub, Fr Susp. -1 Lf-2wb Golf (includes items 2 through 21)	1
2	<u>1010138</u>	Locknut, 3/8-16 Dimpled	2
3	<u>1016353</u>	Sub-Assembly, Delta A-Plate (includes items 4 through 7)	2
4	<u>1016346</u>	Bushing, Urethane	6
5	<u>1016349</u>	Sleeve, Delta Inner	2
6	<u>1016350</u>	Sleeve, Delta Outer	1
7	<u>1016351</u>	Delta A-Plate	1
8	<u>1016385</u>	Delta Shock and Gear Support Assembly	1
9	<u>1016387</u>	Screw, 3/8-16 X 2.75 Hx Hd Cap	2
10	<u>1017266</u>	A-Plate Strap	2
11	<u>102289201</u>	Nut - Hex Locking, M12 X 1.25	3
12	<u>103351001</u>	Shock Absorber, Front, Common	2
13	N/A	Asm, Tie Rod (includes items 14 through 18)	1
14	1013042	Nut, 12mm Hex	1
15	<u>102022601</u>	End, Tie Rod M12 X 1.25 Rh	1
16	<u>102022602</u>	End, Tie Rod, M12 X 1.25, Lh	1
17	<u>103354701</u>	Rod, Tie, Male Thd	1
18	<u>103653501</u>	Nut, Jam, M12-1.25, Lh	1
19	<u>2402</u>	Screw, 3/8-16 X 2.25 Hx Hd Cap	4
20	<u>8754</u>	Locknut, 3/8-16 Hex	13
21	<u>8861</u>	Bolt, 3/8-16 X 1.75 Hex	2

5
G
E

5
G
E



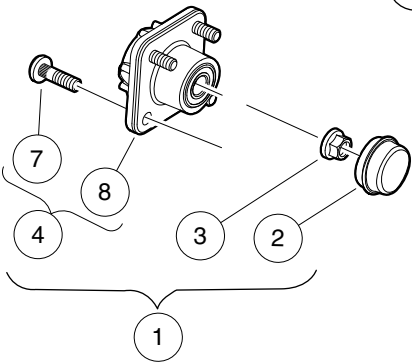
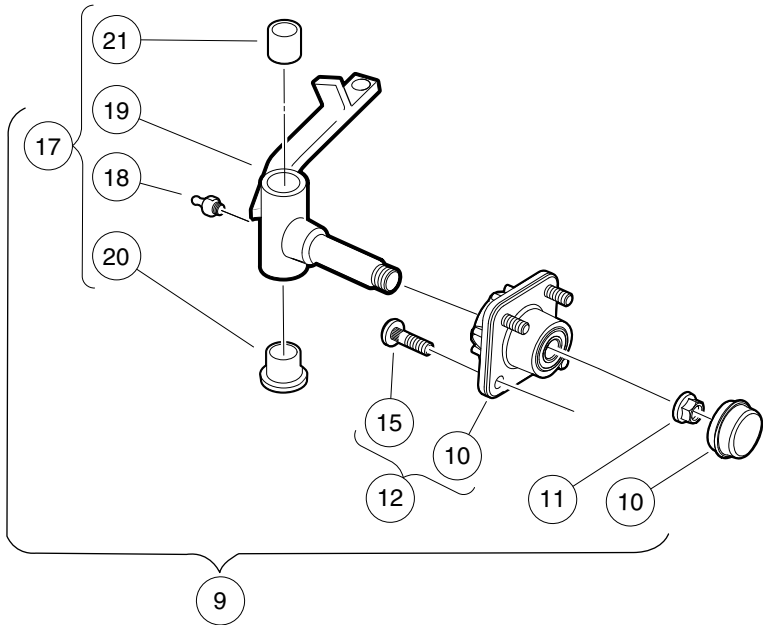
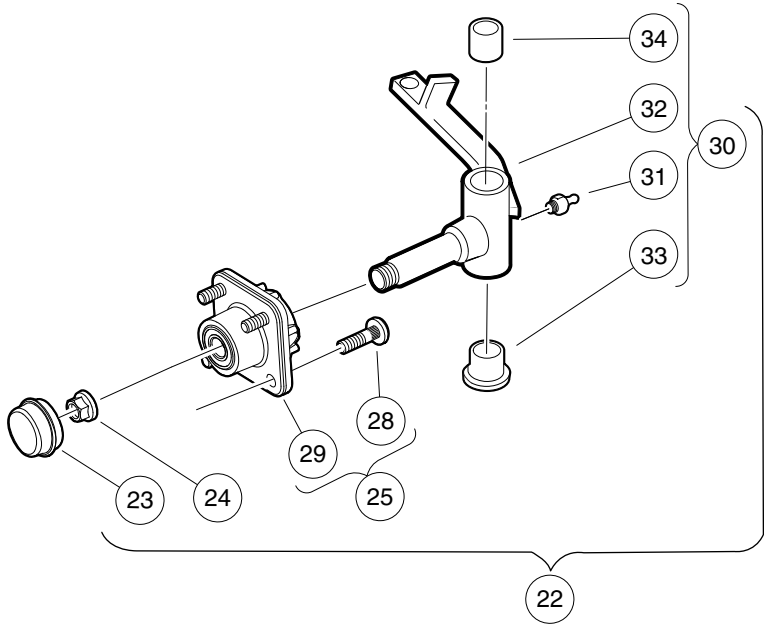
000311-001

FRONT SUSPENSION, LOWER

ITEM	PART NO.	DESCRIPTION	QTY
		1 2 3 4	
1	<u>1010124</u>	Plate, Spring Mount	1
2	<u>1010150</u>	Bearing, Thrust	2
3	<u>1010177</u>	Bolt, 3/8-16 X 2.00 Hex Head	4
4	<u>1014276</u>	Plate, Front Spring Retainer	1
5	<u>1016384</u>	Clevis, Delta Upper	2
6	<u>1016386</u>	King Pin Assembly	2
7	<u>1016387</u>	Screw, 3/8-16 X 2.75 Hx Hd Cap	2
8	<u>1016389</u>	Washer, 1.125 Od Wave	2
9	<u>101870501</u>	Screw, 3/8-16 X 4.75 Hx Hd Cap	4
10	<u>102564002</u>	Washer-1/2 Conical, Yellow	2
11	<u>102684501</u>	Washer, M12 Hard Regular	2
12	<u>102766301</u>	Nut, 1/2-20, Center Lock	2
13	<u>103507001</u>	Eccentric Bolt Common	1
14	N/A	Spring Asm, Front, 1 Leaf (includes items 15 through 17)	1
15	<u>1012303</u>	Bushing, Steel	2
16	<u>1015583</u>	Bushing, Urethane	4
17	N/A	Spring, Front, 1 Leaf	1
18	<u>357</u>	Lockwasher, 3/8 Split	4
19	<u>706</u>	Nut, Hex 3/8-16	1
20	<u>8754</u>	Locknut, 3/8-16 Hex	4
21	<u>8755</u>	Screw, 3/8-16 X 3.375 Hex Cap	2

5
G
E

5
G
E



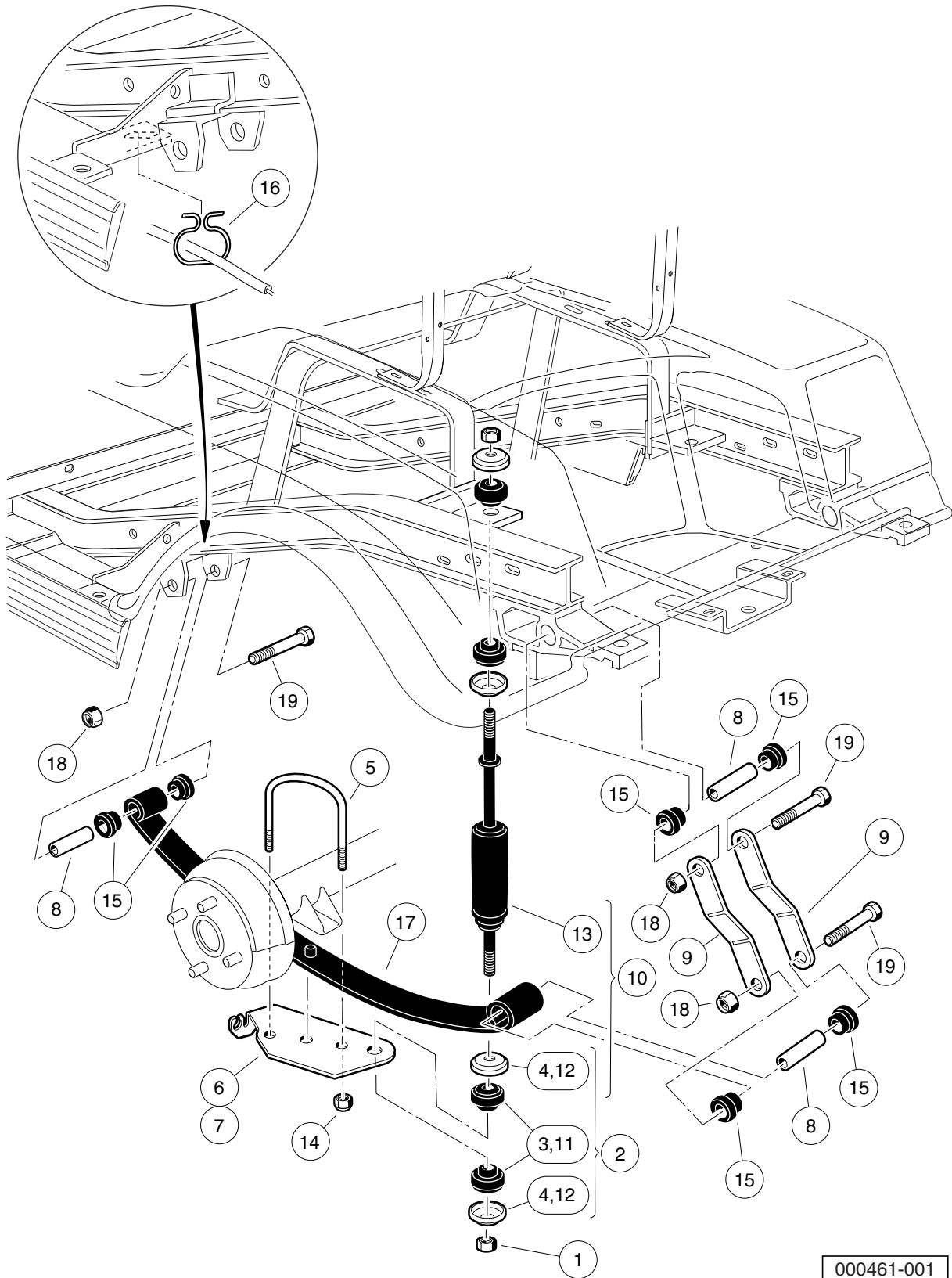
000301-002

FRONT SPINDLES AND HUBS

ITEM	PART NO.	DESCRIPTION	QTY
		1 2 3 4	
1	N/A	Replacement Kit, Front Hub (includes items 2 through 4)	2
2	<u>102353201</u>	Cap, Front Hub	1
3	<u>102353301</u>	Hex Nut, Locking Flange, M14x2	1
4	N/A	Asm, Front Hub, Bb, Long Stud (includes items 5 through 8)	1
5	N/A	Bearing, Ball, 6204	2
6	N/A	Spacer, Bearing, Front Hub, Pm	1
7	<u>103477901</u>	Lug Stud, 1/2-20 Unf, 4037	4
8	N/A	Front Hub, Ball Brg, Long Stud	1
9	N/A	Asm, Frt Hub & Spndle, Rh (includes items 10 through 17)	1
10	<u>102353201</u>	Cap, Front Hub	1
11	<u>102353301</u>	Hex Nut, Locking Flange, M14x2	1
12	N/A	Asm, Front Hub, Bb, Long Stud (includes items 13 through 16)	1
13	N/A	Bearing, Ball, 6204	2
14	N/A	Spacer, Bearing, Front Hub, Pm	1
15	<u>103477901</u>	Lug Stud, 1/2-20 Unf, 4037	4
16	N/A	Front Hub, Ball Brg, Long Stud	1
17	<u>103667103</u>	Asm, Spindle, Rh, Sp (includes items 18 through 21)	1
18	<u>1015597</u>	Fitting, 1/4-28 Thread-Forming Grease	1
19	N/A	Subasm, Spndle, Rh, 2wb	1
20	<u>7048</u>	Bushing, Flanged Bronze	1
21	<u>8067</u>	Bushing, Bronze Spindle	1
22	N/A	Asm, Frt Hub & Spndle, Lh (includes items 23 through 30)	1
23	<u>102353201</u>	Cap, Front Hub	1
24	<u>102353301</u>	Hex Nut, Locking Flange, M14x2	1
25	N/A	Asm, Front Hub, Bb, Long Stud (includes items 26 through 29)	1
26	N/A	Bearing, Ball, 6204	2
27	N/A	Spacer, Bearing, Front Hub, Pm	1
28	<u>103477901</u>	Lug Stud, 1/2-20 Unf, 4037	4
29	N/A	Front Hub, Ball Brg, Long Stud	1
30	<u>103667203</u>	Asm, Spindle, Lh, Sp (includes items 31 through 34)	1
31	<u>1015597</u>	Fitting, 1/4-28 Thread-Forming Grease	1
32	N/A	Subasm, Spndle, Lh, 2wb	1
33	<u>7048</u>	Bushing, Flanged Bronze	1
34	<u>8067</u>	Bushing, Bronze Spindle	1

5
G
E

5
G
E



000461-001

REAR SUSPENSION – GASOLINE VEHICLE

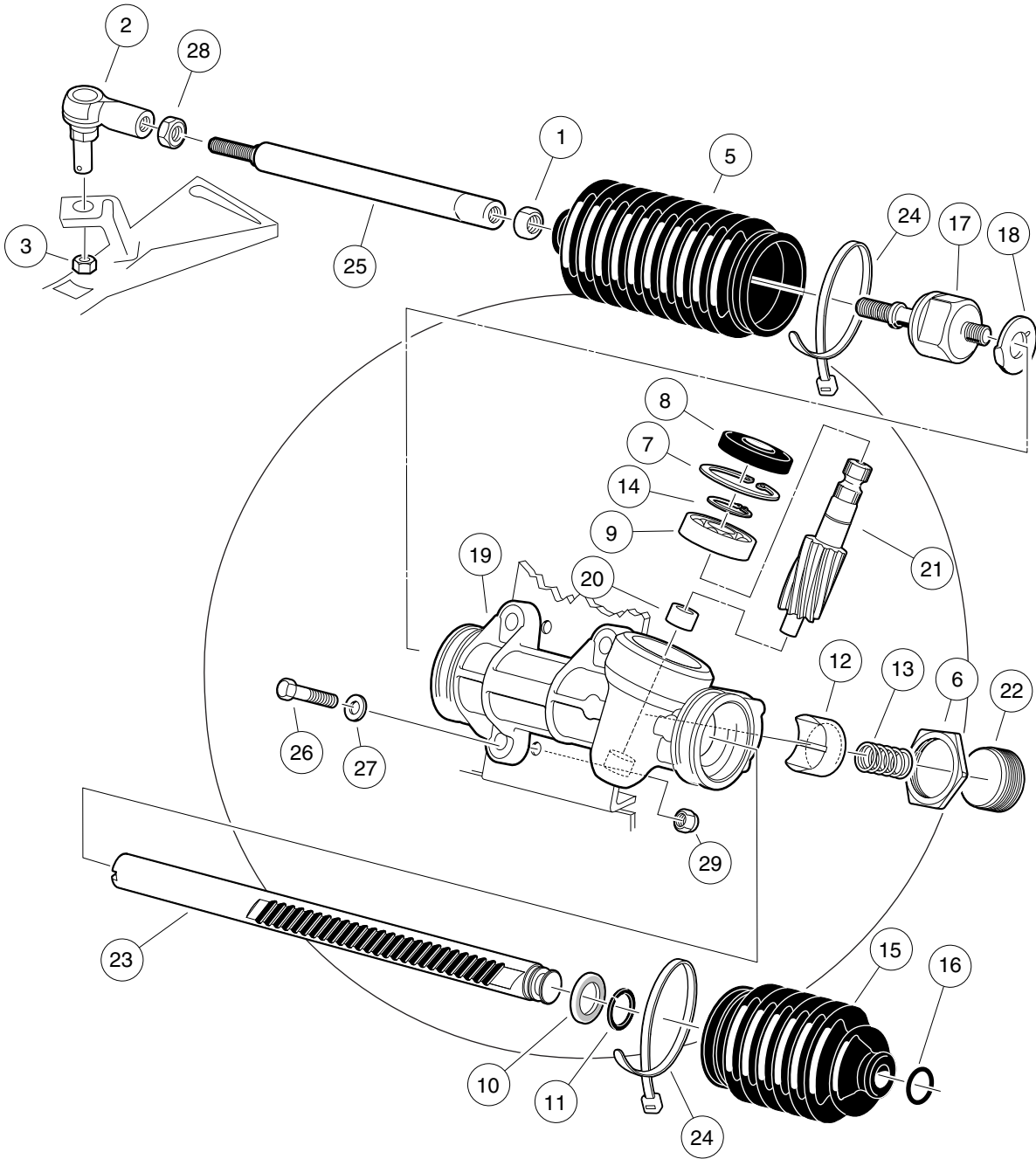
ITEM	PART NO.	DESCRIPTION	QTY	
		1 2 3 4		5
1	<u>1010145</u>	Nut, 3/8-24 Hex	4	G
2	<u>1011415</u>	Kit, Shock Absorber Cushion (includes items 3 and 4)	4	E
3	<u>1010142</u>	Cushion, Shock Absorber	2	
4	<u>1010144</u>	Retainer, Shock Absorber Cushion	2	
5	<u>1012180</u>	U-Bolt	2	
6	1012181	Bracket, Shock Mounting, Right (Passenger)	1	
7	1012182	Bracket, Shock Mounting, Left (Driver)	1	
8	<u>1012303</u>	Bushing, Steel	6	
9	<u>1012304</u>	Shackle, Rear Spring	4	
10	<u>1013164</u>	Shock Absorber Kit (includes items 11 through 13)	1	
11	<u>1010142</u>	Cushion, Shock Absorber	8	
12	<u>1010144</u>	Retainer, Shock Absorber Cushion	8	
13	<u>102588501</u>	Shock Absorber Rear Prv Spd	2	
14	<u>1014555</u>	Locknut, 7/16-14 Nylon Hex	4	
15	<u>1015583</u>	Bushing, Urethane	12	
16	101900801	Hanger, Brake Cable	2	
17	103502901	Spring, Rear, Ds	2	
18	<u>8754</u>	Locknut, 3/8-16 Hex	6	
19	<u>8755</u>	Screw, 3/8-16 X 3.375 Hex Cap	6	

REAR SUSPENSION – ELECTRIC VEHICLE

ITEM	PART NO.	DESCRIPTION	QTY
		1 2 3 4	
1	<u>1010145</u>	Nut, 3/8-24 Hex	4
2	<u>1011415</u>	Kit, Shock Absorber Cushion (includes items 3 and 4)	4
3	<u>1010142</u>	Cushion, Shock Absorber	2
4	<u>1010144</u>	Retainer, Shock Absorber Cushion	2
5	<u>1012180</u>	U-Bolt	2
6	1012181	Bracket, Shock Mounting, Right (Passenger)	1
7	1012182	Bracket, Shock Mounting, Left (Driver)	1
8	<u>1012303</u>	Bushing, Steel	6
9	<u>1012304</u>	Shackle, Rear Spring	4
10	<u>1013164</u>	Shock Absorber Kit (includes items 11 through 13)	1
11	<u>1010142</u>	Cushion, Shock Absorber	8
12	<u>1010144</u>	Retainer, Shock Absorber Cushion	8
13	<u>102588501</u>	Shock Absorber Rear Prv Spd	2
14	<u>1013207</u>	Hanger, Brake Cable	2
15	<u>1014555</u>	Locknut, 7/16-14 Nylon Hex	4
16	<u>1015583</u>	Bushing, Urethane	12
17	<u>103629001</u>	Spring Asm, Rear, Ds	2
18	<u>8754</u>	Locknut, 3/8-16 Hex	6
19	<u>8755</u>	Screw, 3/8-16 X 3.375 Hex Cap	6

5
G
E

5
G
E



000960-001

STEERING GEAR ASSEMBLY

ITEM	PART NO.	DESCRIPTION	QTY	
		1 2 3 4		5
1	1013042	Nut, 12mm Hex	1	G
2	<u>102022602</u>	End, Tie Rod, M12 X 1.25, Lh	1	E
3	<u>102289201</u>	Nut - Hex Locking, M12 X 1.25	3	
4	<u>103601501</u>	Asm, Steering Rack And Pinion (includes items 5 through 24)	1	
5	<u>1013035</u>	Bellows, Long	1	
6	<u>1013044</u>	Rack Screw Locknut	1	
7	1013051	Snap Ring	1	
8	<u>1013052</u>	Seal, Steering Pinion Dust	1	
9	<u>101879401</u>	Bearing, Ball	1	
10	<u>101879501</u>	Stop Washer	1	
11	101879601	Stop Ring, C-Type	1	
12	<u>101879701</u>	Support Yoke	1	
13	<u>101879801</u>	Rack Guide Pressure Spring	1	
14	<u>101879901</u>	Ring, Stop, C-Type	1	
15	<u>101880001</u>	Bellows, Short	1	
16	101880101	Dust Seal Retaining Ring	1	
17	<u>101880201</u>	Inner Ball Joint Asm	1	
18	101880301	Washer, Tab	1	
19	N/A	Box, Steering Gear	1	
20	N/A	Bearing, Lower Pinion	1	
21	N/A	Pinion, Steering	1	
22	N/A	Screw, Rack Guide	1	
23	N/A	Rack, Steering	1	
24	<u>8990</u>	Tie Wrap, 8" Nylon	2	
25	<u>103653401</u>	Link, Drag, Male Thd	1	
26	<u>1624</u>	Screw, 3/8-16 X 1.50 Hex-Head Cap	3	
27	<u>334</u>	Washer, 3/8 Type A Flat	3	
28	<u>7555</u>	Nut, 1/2-20 Hex, Left-Hand Thread	1	
29	<u>8754</u>	Locknut, 3/8-16 Hex	3	

5

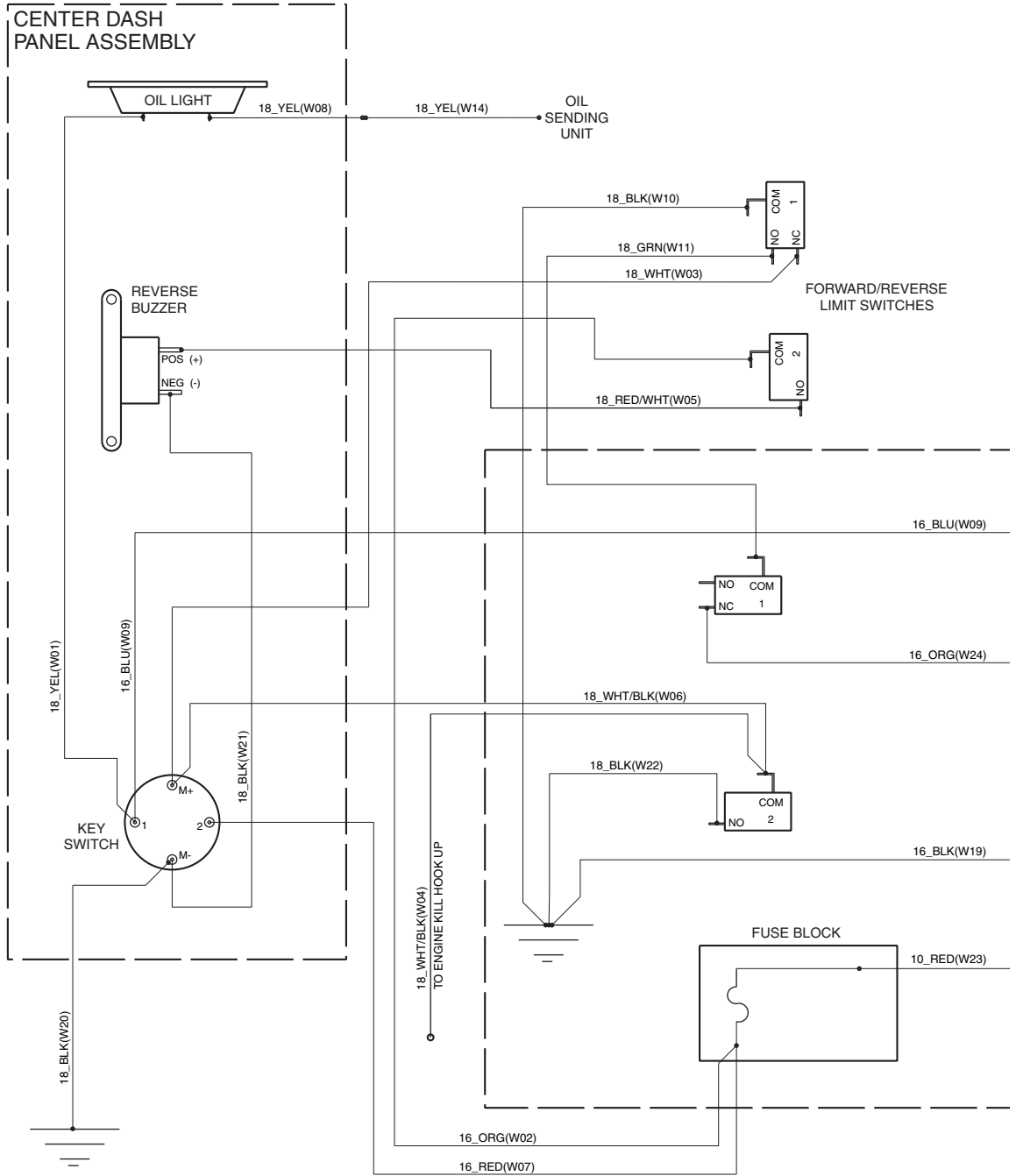
G

E

ELECTRICAL SYSTEM – GASOLINE VEHICLE

6

G



000468-001

6

G

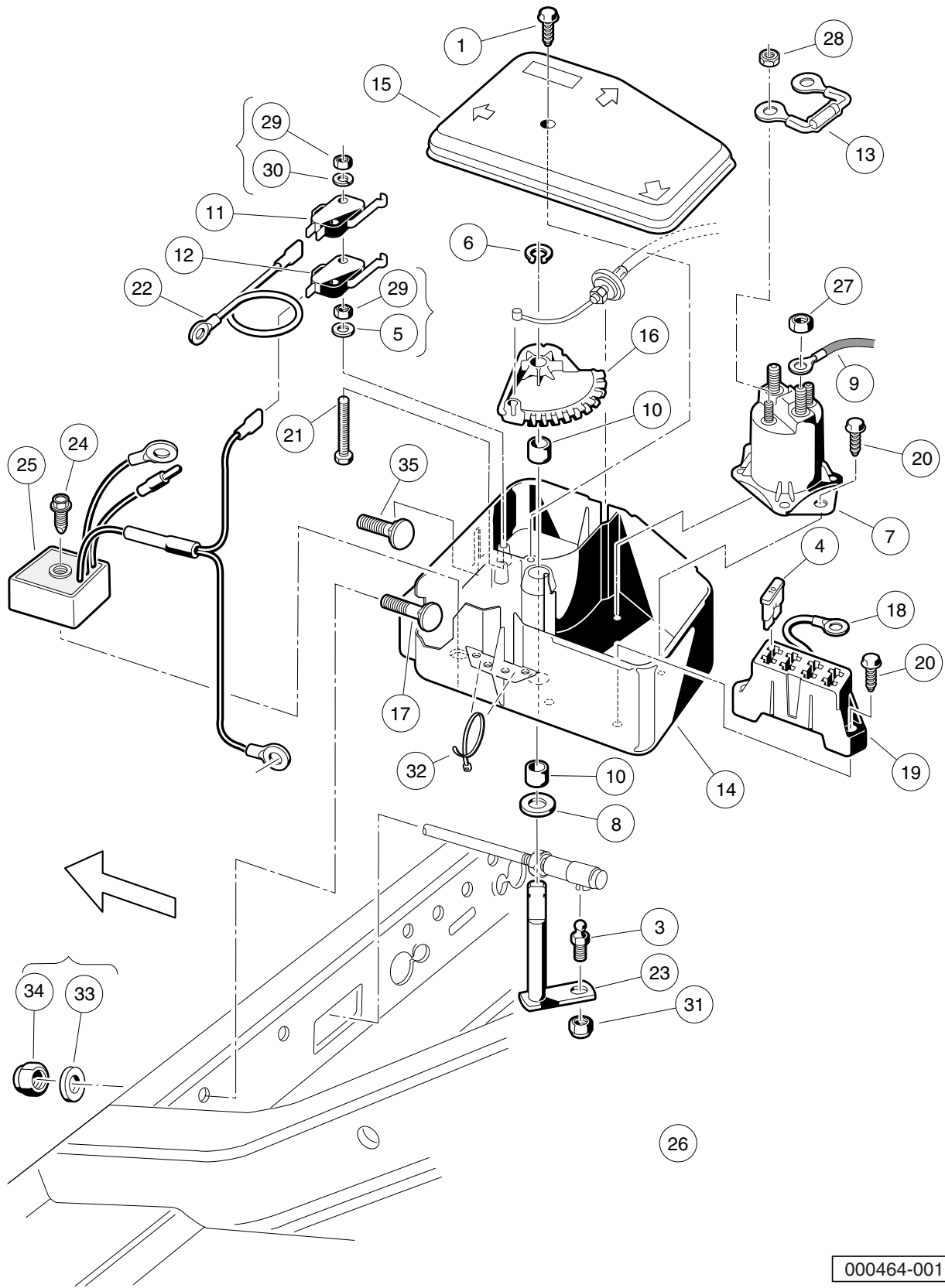
See previous two pages for illustration.

WIRING

ITEM	PART NO.	DESCRIPTION	QTY
		1 2 3 4	
1	<u>1012382</u>	Wire Assy, #6 Black	1
2	<u>1015332</u>	Wire Assembly, #10, Uninsulated	1
3	<u>1015737</u>	Wire Assy, #10 Red	1
4	<u>1015920</u>	Ground Wire Assembly	1
5	<u>101837301</u>	Wire Assy, #6 Green	1
6	<u>103332302</u>	Assy Wire Harness Gas Ds Kit	1

6

G

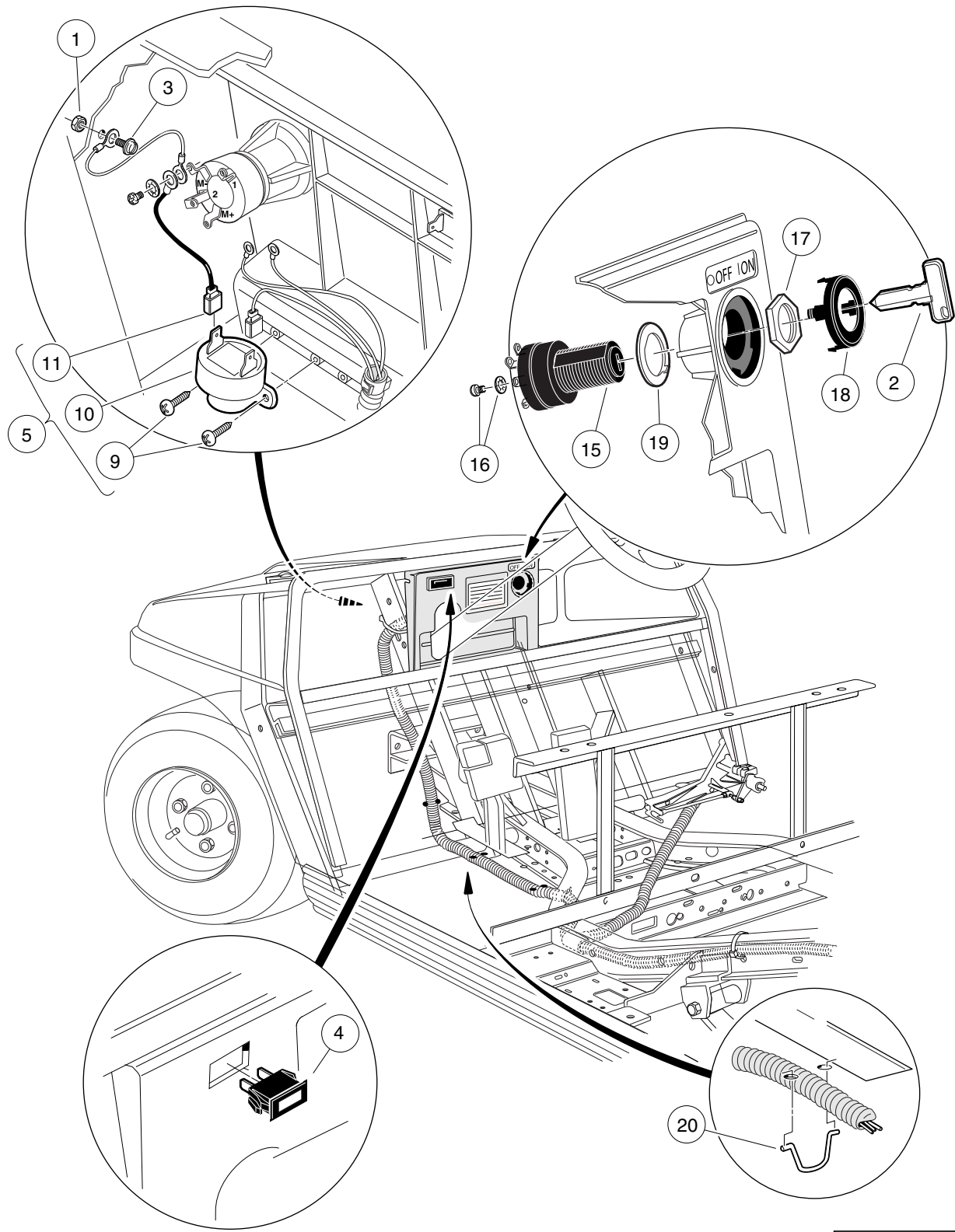


000464-001

ELECTRICAL COMPONENT BOX – GASOLINE VEHICLE

ITEM	PART NO.	DESCRIPTION	QTY
		1 2 3 4	
1	<u>1015752</u>	Screw, #12-16 X 0.625 Hi-Lo	1
2	<u>101827601</u>	Elec Component Box Asm , Ds (includes items 3 through 32)	1
3	<u>1010954</u>	Stud, 1/4-28 X 0.560 Ball	1
4	<u>1012295</u>	Fuse, 10-Amp	1
5	<u>1012431</u>	Washer, #4 Flat	2
6	<u>1013589</u>	Ring, 0.338" Internal Retaining	1
7	<u>1013609</u>	Solenoid, 12-Volt	1
8	<u>1014065</u>	Washer, 0.38" ID Delrin Flat	1
9	<u>1014119</u>	Wire Assembly #6 Red	1
10	<u>1014145</u>	Bushing, Secondary Weight, Split	2
11	<u>1014807</u>	Switch, Limit	1
12	<u>1014808</u>	Switch, Limit	1
13	<u>1014948</u>	Diode	1
14	<u>1015371</u>	Box, Electrical Component	1
15	<u>1015372</u>	Cover, Electric Box	1
16	<u>1015373</u>	Cam, Electric Box	1
17	<u>1015405</u>	Bolt, Carriage, 5/16-18 X 2.0	1
18	<u>1015737</u>	Wire Assy, #10 Red	1
19	<u>1015741</u>	Fuse Block	1
20	<u>1015752</u>	Screw, #12-16 X 0.625 Hi-Lo	4
21	<u>1015878</u>	Screw, #4-40 Hex Head Machine	2
22	<u>1016401</u>	Wire Assy, #16 Orange	1
23	<u>101821301</u>	Bell Crank Weld Asm	1
24	<u>101856102</u>	Screw, 1/4-15 X 1.50 Hi-lo Hex	1
25	<u>102711201</u>	Voltage Regulator	1
26	<u>103332302</u>	Assy Wire Harness Gas Ds Kit	1
27	<u>1242</u>	Nut, 5/16-18 Hex	2
28	<u>7893</u>	Nut, #10-32 Hex	2
29	<u>8057</u>	Nut, #4-40 Hex Machine	4
30	<u>8058</u>	Lockwasher, #4 Split	2
31	<u>8717</u>	Locknut, 1/4-28 Nylon Insert	1
32	<u>8990</u>	Tie Wrap, 8" Nylon	2
33	<u>1241</u>	Washer, 5/16 Type A Flat	2
34	<u>7473</u>	Locknut, 5/16-18 Nylon Insert	2
35	<u>7818</u>	Bolt, Carriage, 5/16-18 X 1.5	1

6
G



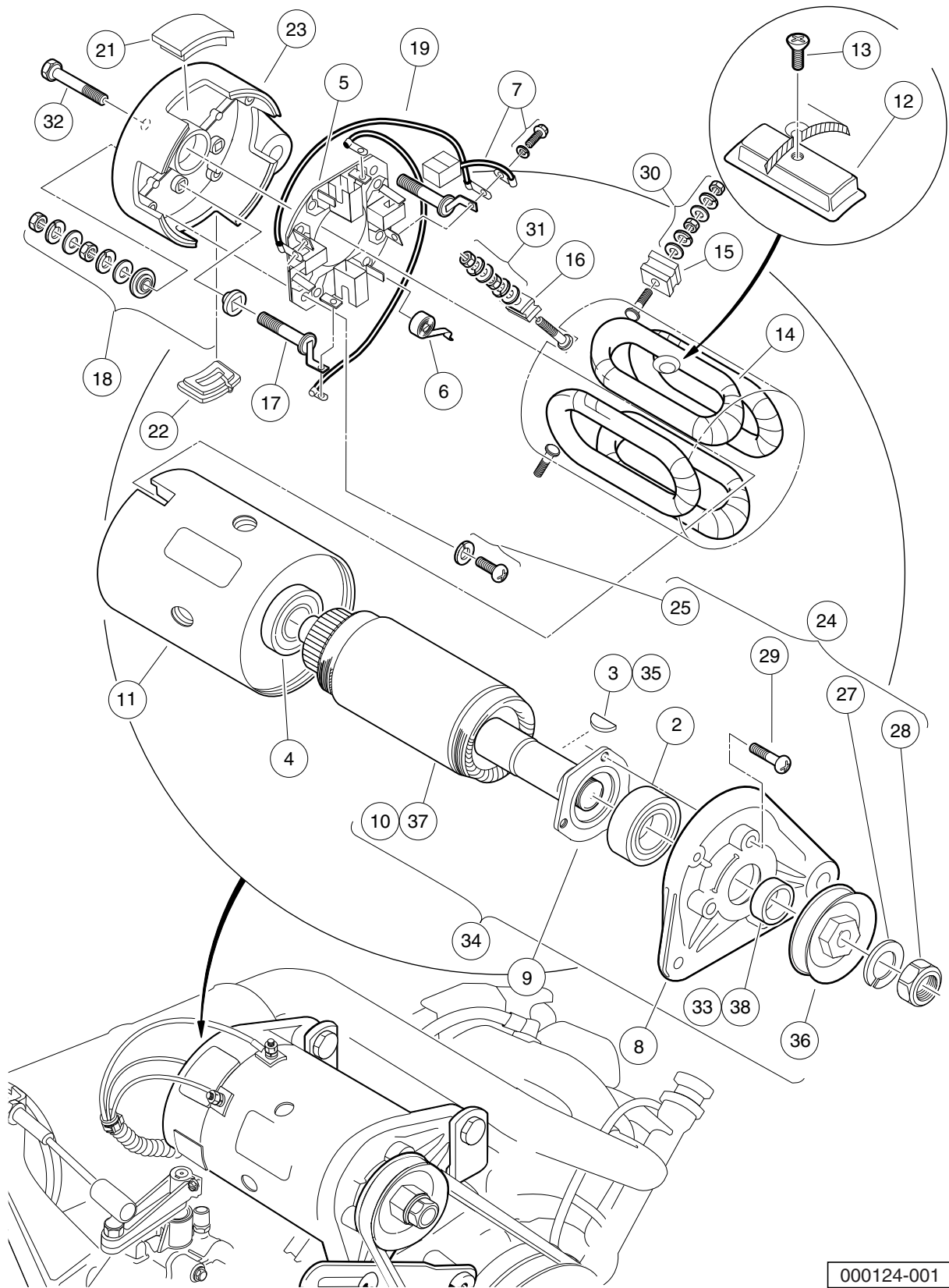
000465-001

ELECTRICAL COMPONENTS, FRONT BODY – GASOLINE VEHICLE

ITEM	PART NO.	DESCRIPTION	QTY
		1 2 3 4	
1	<u>1011229</u>	Locknut, #6-32 Whiz	1
2	<u>1012505</u>	Keys (set of 2)	1
3	<u>1015720</u>	Screw, #6-32 X 1/2 Hex Washer-Head	1
4	<u>1016630</u>	Light, Oil	1
5	<u>1016859</u>	Kit, Reverse Buzzer (includes items 6 through 14)	1
6	<u>1011229</u>	Locknut, #6-32 Whiz	1
7	<u>1012431</u>	Washer, #4 Flat	2
8	<u>1015720</u>	Screw, #6-32 X 1/2 Hex Washer-Head	1
9	<u>1016849</u>	Screw, #4-24 X 0.33 Pan-Head Machine	2
10	<u>1016851</u>	Buzzer, Reverse (9-48 VDC)	1
11	<u>1016857</u>	Wire Assembly Black #18	1
12	<u>8056</u>	Screw, #4-40 X 0.75 Round-Head Machine	2
13	<u>8057</u>	Nut, #4-40 Hex Machine	2
14	<u>8058</u>	Lockwasher, #4 Split	2
15	<u>101826301</u>	Key Switch, 12-Volt, Off/On	1
16	<u>101830601</u>	Screw and Washer Assembly	4
17	<u>101830701</u>	Nut, Key Switch	1
18	<u>101834502</u>	Cap, Black Key Switch	1
19	<u>101851101</u>	Washer, Key Switch	1
20	<u>101900901</u>	Harness Retainer	3
21	<u>AM10079</u>	Bulk Std Keys (50) *	1
		Note: Some parts in Reverse Buzzer Kit are not used in this application.	

6
G

6
G

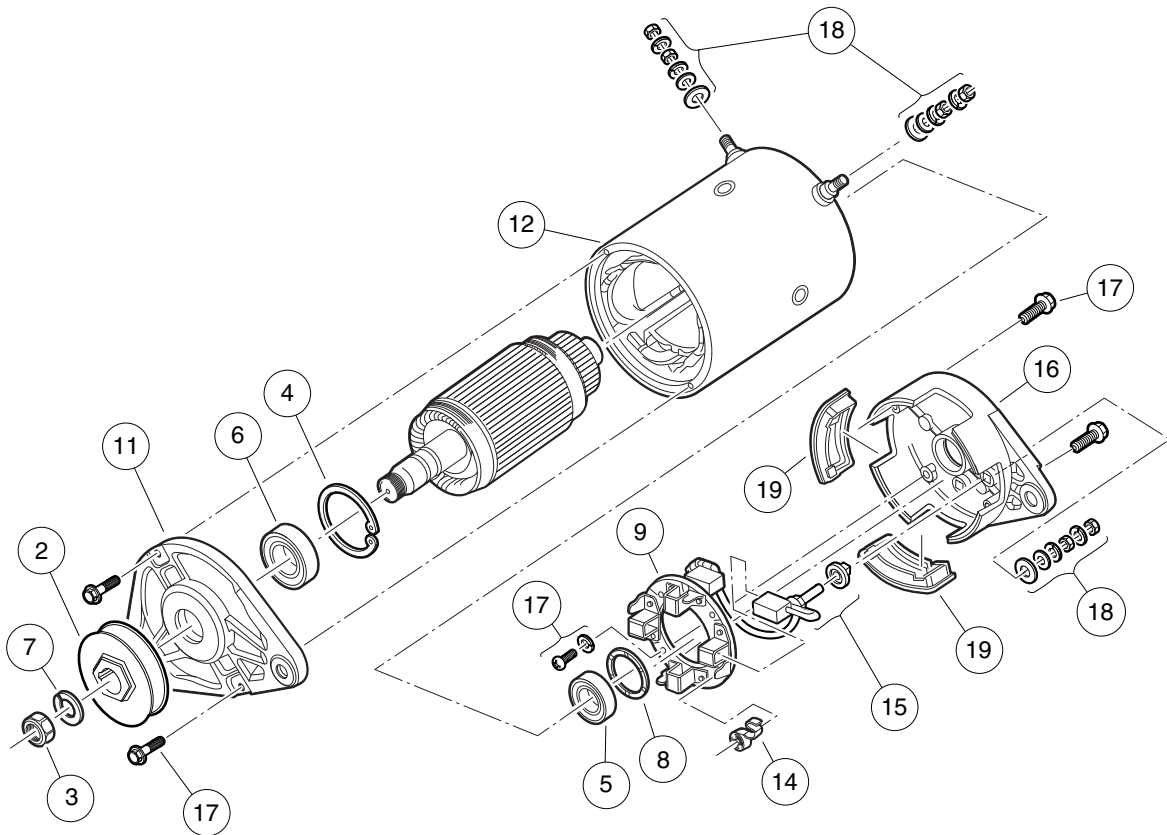


000124-001

STARTER/GENERATOR ASSEMBLY MODEL G425419 – GASOLINE VEHICLES

ITEM	PART NO.	DESCRIPTION	QTY
		1 2 3 4	
1	<u>101833701</u>	Starter/Generator (cw) (includes items 2 through 33)	1
2	<u>1013001</u>	Bearing, Output Shaft Ball	1
3	<u>1013003</u>	Key, Starter/Generator	1
4	<u>1013005</u>	Bearing, Ball	1
5	<u>101301102</u>	Brush Holder Assembly (cw) (includes item 6)	1
6	<u>101878101</u>	Brush Spring Set	4
7	<u>101869302</u>	Brush and Screw Set (cw)	1
8	<u>101874901</u>	Front Bracket	1
9	<u>101875001</u>	Retainer	1
10	<u>101875101</u>	Armature	1
11	<u>101875201</u>	Field Coil Housing	1
12	<u>101875301</u>	Pole Set	1
13	<u>101875401</u>	Screw Set	1
14	<u>101875501</u>	Field Stator Coil Assembly	1
15	<u>101875601</u>	F Insulator Set	2
16	<u>101875701</u>	DF Insulator	1
17	<u>101875802</u>	A Connector (cw)	1
18	<u>101876001</u>	Screw and Mold Assembly	2
19	<u>101876202</u>	Brush Connector Assembly (cw)	2
20	<u>101876301</u>	Cover Set (includes items 21 and 22)	1
21	<u>1012991</u>	Brush Inspection Port Cover	3
22	<u>1017653</u>	Brush Port Cover w/Drain	1
23	<u>101876402</u>	Rear Bracket (cw)	1
24	<u>101876501</u>	Nut and Screw Set (includes items 25 through 29)	1
25	<u>101896501</u>	Brush Holder Asm Screw	2
26	N/A	Washer, M5 Flat	1
27	N/A	Washer, M14 Lock	1
28	N/A	Nut, Hex, M14 x 2	1
29	N/A	Screw, M5 x 0.8 x 18mm	3
30	<u>101877601</u>	Nut and Washer Set	2
31	<u>101877701</u>	Nut and Washer Set	1
32	<u>101879001</u>	Through Bolt Set	2
33	<u>101939901</u>	Spacer	1
34	<u>101875102</u>	Armature Asm Conversion Kit (includes items 35 through 38)	1
35	<u>1013003</u>	Key, Starter/Generator	1
36	<u>1014289</u>	Pulley, Starter/Generator	1
37	<u>101875101</u>	Armature	1
38	<u>101939901</u>	Spacer	1
<p>Note: Item 36 will ONLY fit Model G425419 Starter/Generator.</p>			

6
G



000124-002

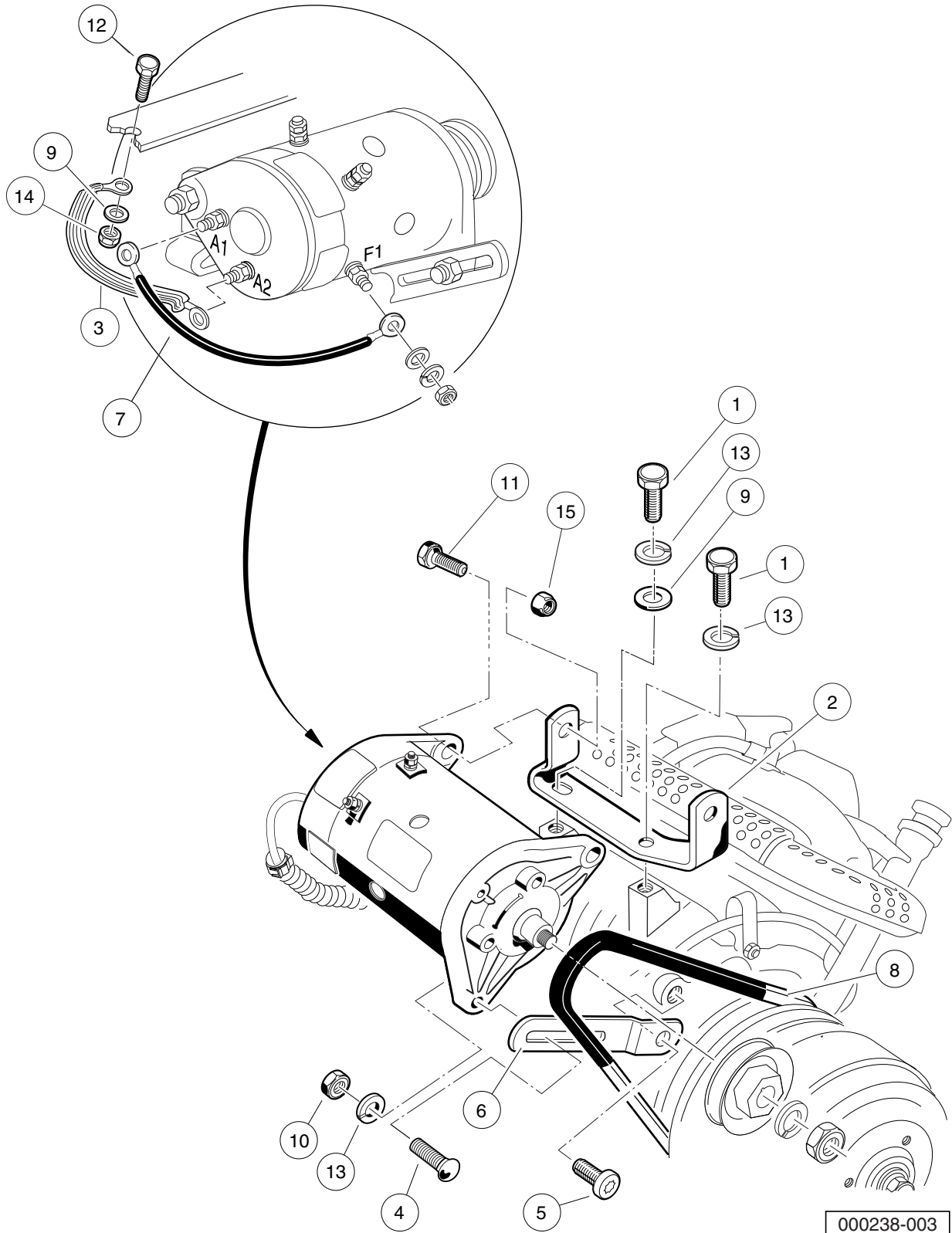
STARTER/GENERATOR ASSEMBLY MODEL 114-01-4005 – GASOLINE VEHICLES

ITEM	PART NO.	DESCRIPTION	QTY
		1 2 3 4	
1	<u>102628201</u>	Starter/Generator Bi-Rotational (includes items 2 through 19)	1
2	<u>102711001</u>	Pulley, V-Belt	1
3	<u>102838701</u>	Nut, Hex, M14x2, S-g	1
4	<u>102838801</u>	Retainer, Front, S-g	1
5	<u>102838901</u>	Bearing, Ball, Front, S-g	1
6	<u>102839001</u>	Bearing, Ball, Front, S-g	1
7	<u>102839301</u>	Washer, Lock M14x2, S-g	1
8	<u>102841101</u>	Washer, Wave, S-g	1
9	<u>102844401</u>	Assembly, Brush Plate, Starter/Generator	1
10	<u>102844501</u>	Asm, Armature, Starter/Generator	1
11	102844601	Head, Drive End, S-g	1
12	<u>102844701</u>	Asm, Frame and Field, Starter/Generator	1
13	<u>103347101</u>	Kit, Spring Brush, Starter/Generator (includes item 14)	1
14	N/A	Spring, Brush, S-g	4
15	<u>103347301</u>	Set, Brush Term, S-g	1
16	<u>103347601</u>	Head, Comm End, S-g	1
17	<u>103347701</u>	Set, Fast, Ceh Deh, S-g	1
18	<u>103347801</u>	Set, Term Hadrware, S/G	1
19	<u>103347901</u>	Kit, Cover, Brush Insp, Starter/Generator (includes items 20 and 21)	1
20	N/A	Plug, Rubber Drain, Start/Generator	3
21	N/A	Cover, Inspection, S-g	1
<p>Note: Item 2 will ONLY fit Model 114-01-4005 Starter/Generator.</p>			

6

G

6
G

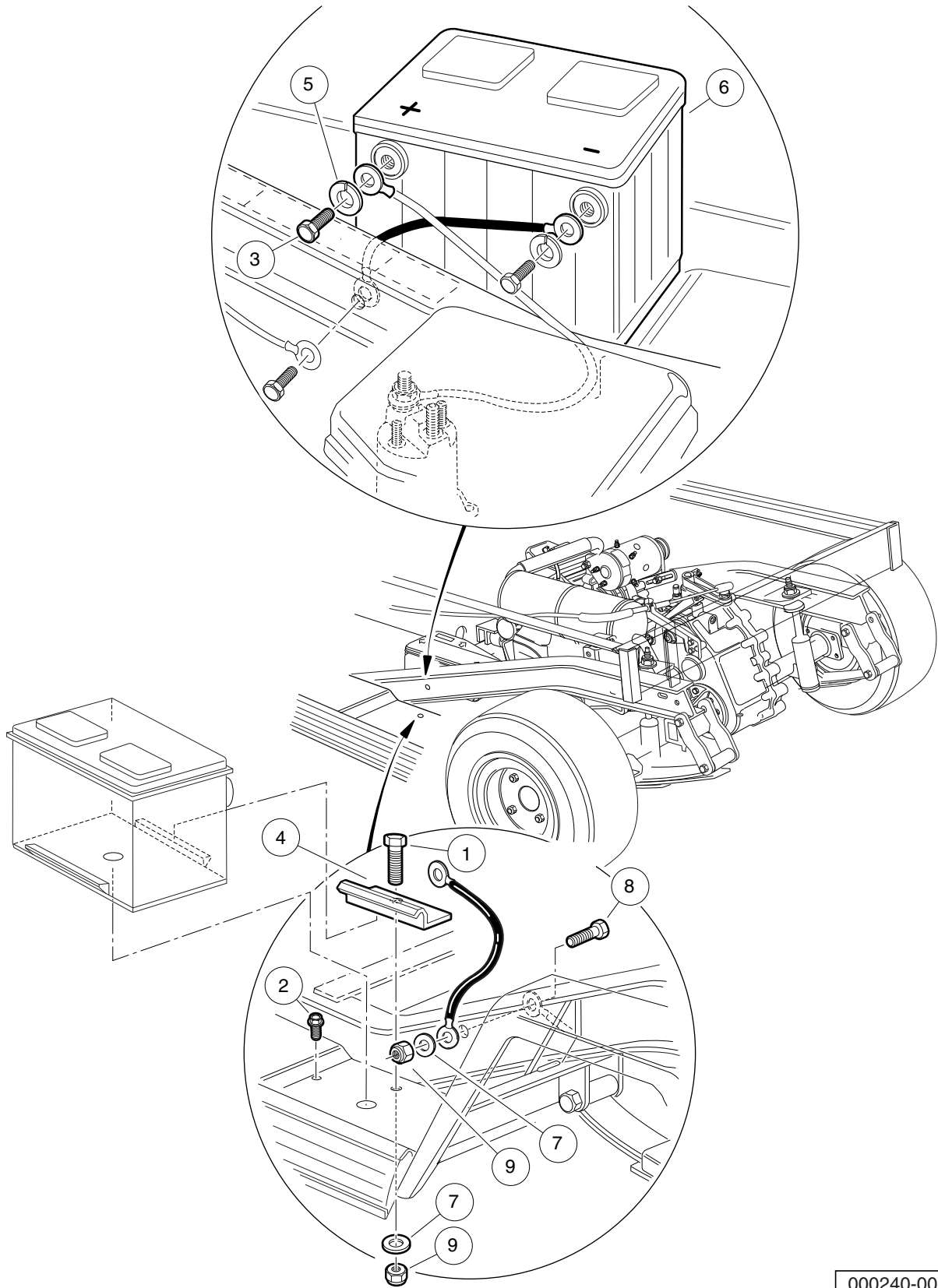


FE290 STARTER/GENERATOR MOUNTING

ITEM	PART NO.	DESCRIPTION	QTY
		1 2 3 4	
1	<u>1012830</u>	Screw, M8-125 X 22 Hex-Head	2
2	<u>101524001</u>	Bracket, Starter/Generator Mounting (FE290)	1
3	<u>1015920</u>	Ground Wire Assembly	1
4	<u>1015932</u>	Bolt, Carriage, 5/16-18	1
5	<u>1016074</u>	Screw, M8-1.25 X 18mm Torx	1
6	<u>1016883</u>	Bracket, Starter/Generator Adjustment	1
7	<u>101837301</u>	Wire Assy, #6 Green	1
8	<u>101916701</u>	V-Belt	1
9	<u>1241</u>	Washer, 5/16 Type A Flat	1
10	<u>1242</u>	Nut, 5/16-18 Hex	1
11	705	Screw, Cap-hex Hd 3/8-16x1.25	2
12	<u>7173</u>	Screw, 5/16-18 X 0.75 Hex-Head Cap	1
13	<u>7174</u>	Lockwasher, 5/16 Split	3
14	<u>7473</u>	Locknut, 5/16-18 Nylon Insert	1
15	<u>8754</u>	Locknut, 3/8-16 Hex	2

6
G

6
G

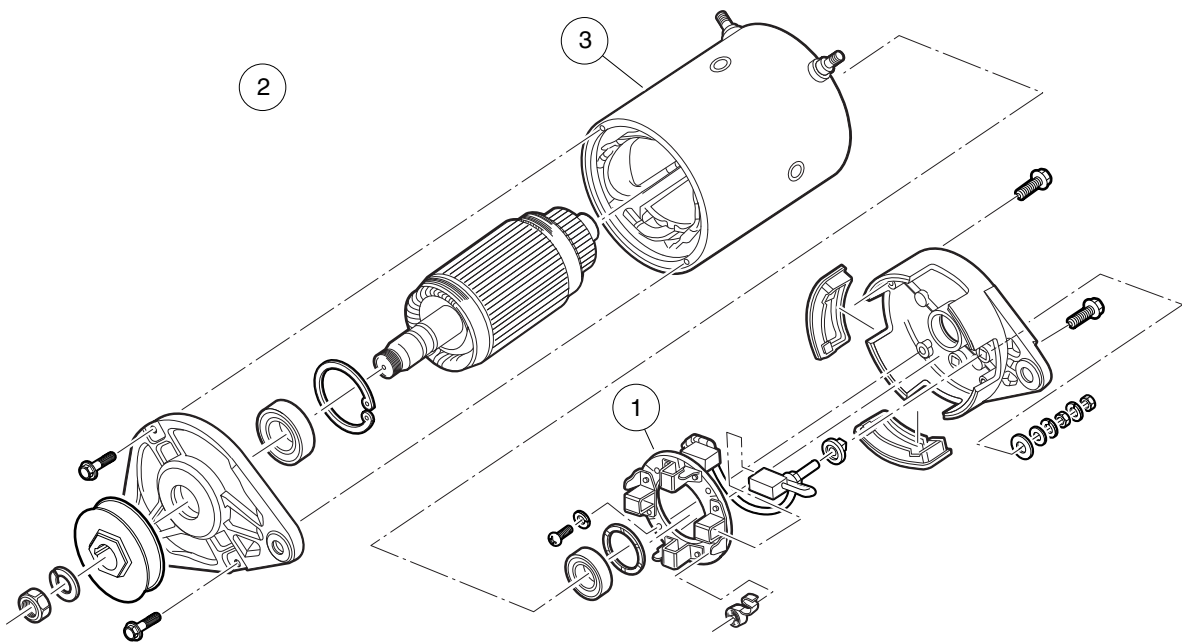


000240-001

BATTERY – GASOLINE VEHICLE

ITEM	PART NO.	DESCRIPTION	QTY
		1 2 3 4	
1	<u>1010934</u>	Screw, 5/16-18 X 1.00 Hex Cap	1
2	<u>1014288</u>	Screw, 5/16-18 X 0.75 Thread-Forming	1
3	<u>1014375</u>	Screw, 3/8-16 X 0.50 Stainless Steel Hex-Head	2
4	<u>101898001</u>	Clamp, Battery	1
5	<u>102355301</u>	Lockwasher, #10 Split Ss	2
6	N/A	Battery, Start, 12v	1
7	<u>1241</u>	Washer, 5/16 Type A Flat	2
8	<u>7173</u>	Screw, 5/16-18 X 0.75 Hex-Head Cap	1
9	<u>7473</u>	Locknut, 5/16-18 Nylon Insert	2

6
G



000124-003

STARTER/GENERATOR ASSEMBLY – GASOLINE VEHICLES

ITEM	PART NO.	DESCRIPTION	QTY
		1 2 3 4	
1	<u>103347301</u>	Set, Brush Term, S-g	1
2	N/A	Asm, St/gen, Bi-rot, Ks, Svc	1
3	103720102	Assy, Frame Field, Util Ks	1

6
G

6

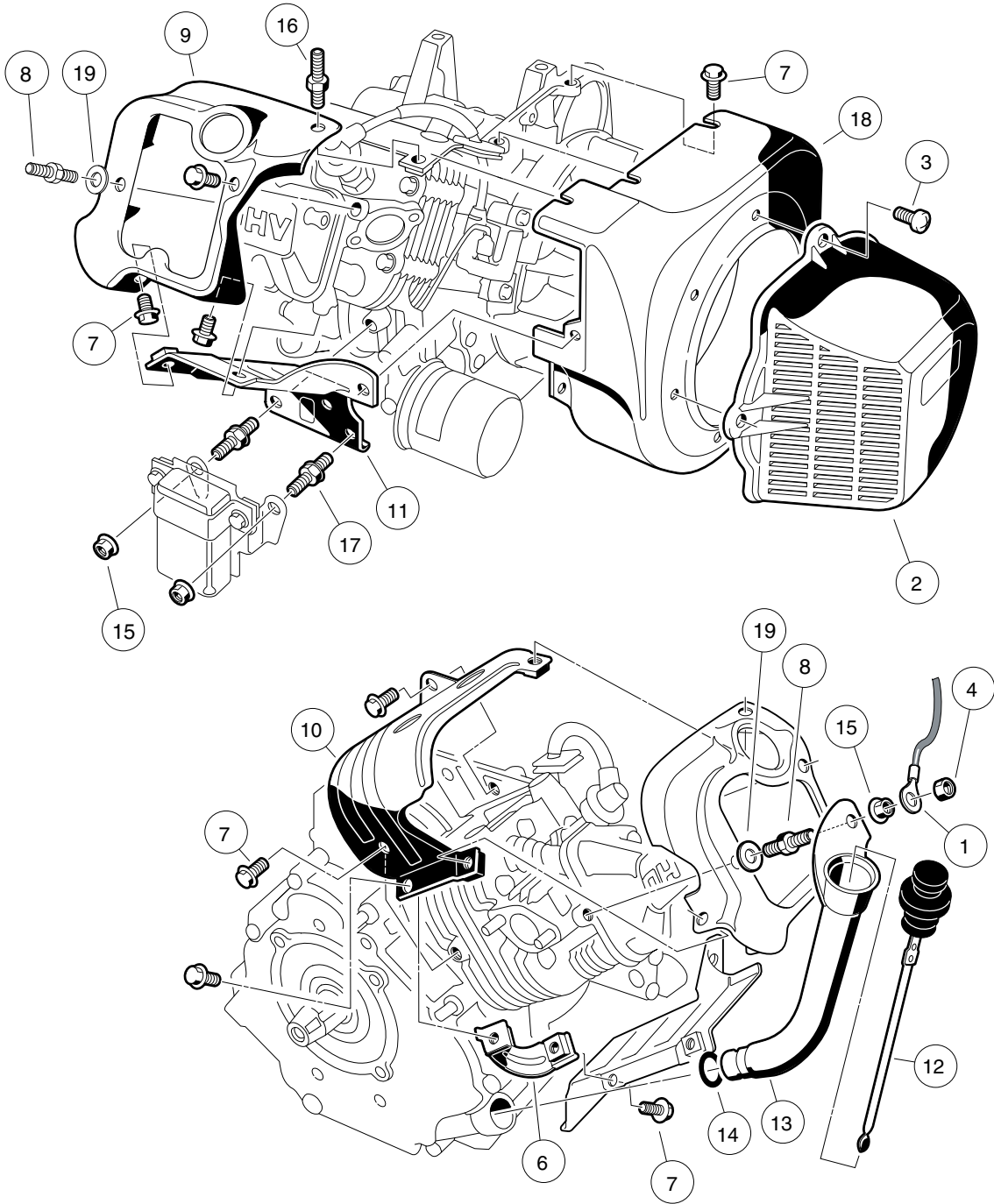
G

FE290 ENGINE

7

G

7
G

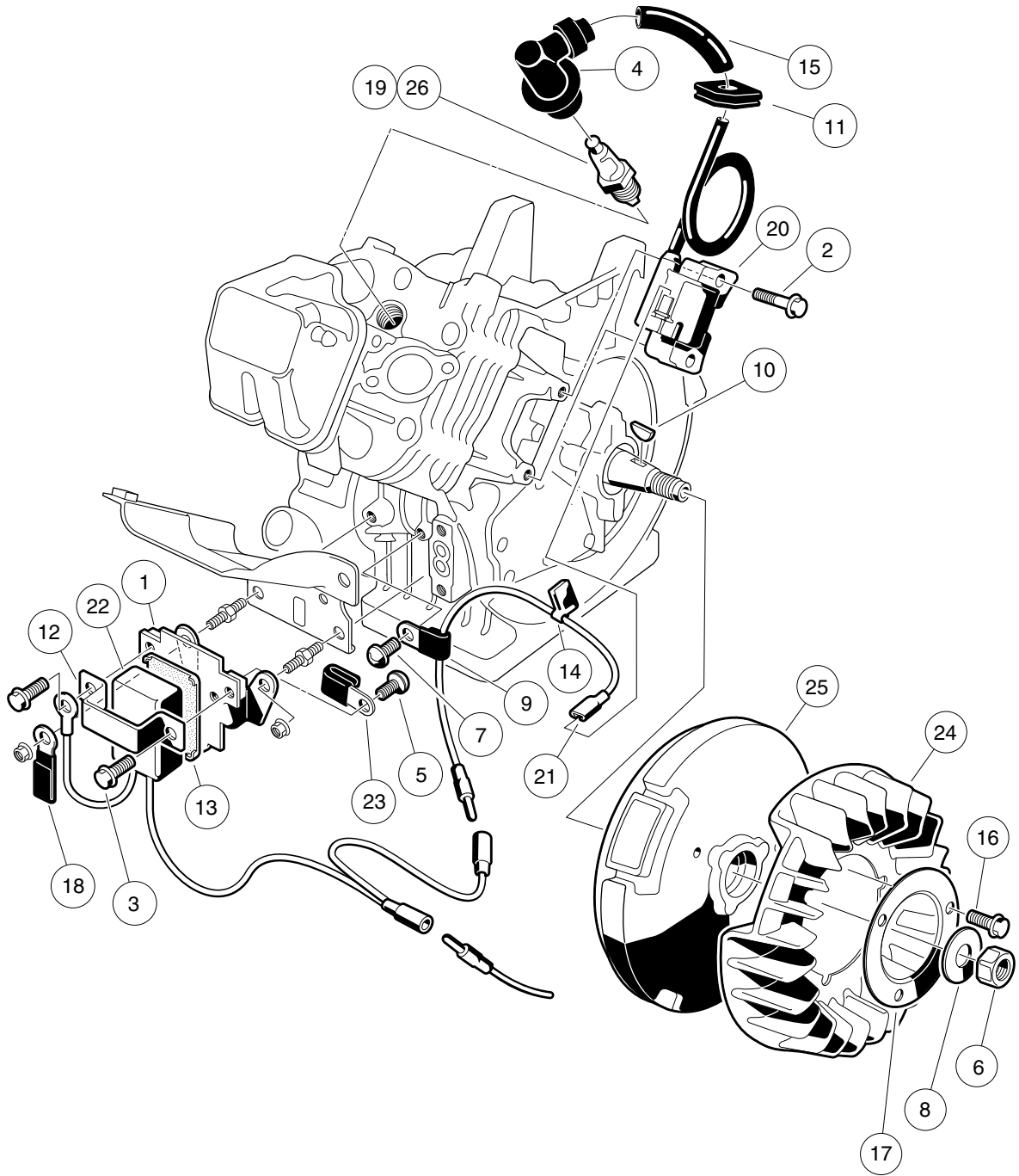


000194-001

FE290 ENGINE – SHROUDS AND BRACKETS

ITEM	PART NO.	DESCRIPTION	QTY
		1 2 3 4	
1	<u>1015332</u>	Wire Assembly, #10, Uninsulated	1
2	<u>1015649</u>	Shroud, Fan	1
3	<u>1015969</u>	Screw, M6-1.00 X 10mm Pan Hd	4
4	<u>101887601</u>	Locknut, M6-1.00 Nylon Insert	1
5	<u>101953901</u>	Engine, FE290 (cw) * (includes items 6 through 19)	1
6	<u>1016443</u>	Bracket	1
7	<u>1016456</u>	Bolt, Flange Head, M6 x 1 x 12 mm	15
8	<u>1016507</u>	Bolt, Two-Ended	1
9	<u>1016524</u>	Shroud, Engine, FE290D	1
10	<u>1016525</u>	Shroud, Engine, FE290D	1
11	<u>1016526</u>	Shroud, Engine, FE290D	1
12	<u>1016531</u>	Dipstick	1
13	<u>1016536</u>	Tube, Oil Filler, FE290D	1
14	<u>1016539</u>	O-Ring	1
15	<u>1016547</u>	Nut, M6 Flange	3
16	<u>1017221</u>	Screw, M6-1.00 Stud	1
17	<u>101909701</u>	Stud, M6-1.00, Two-Ended	2
18	<u>101915601</u>	Housing, FE290 Fan	1
19	N/A	Washer, 6 mm Flat	1
		* Note: FE290 engine component listings span several pages.	

7
G



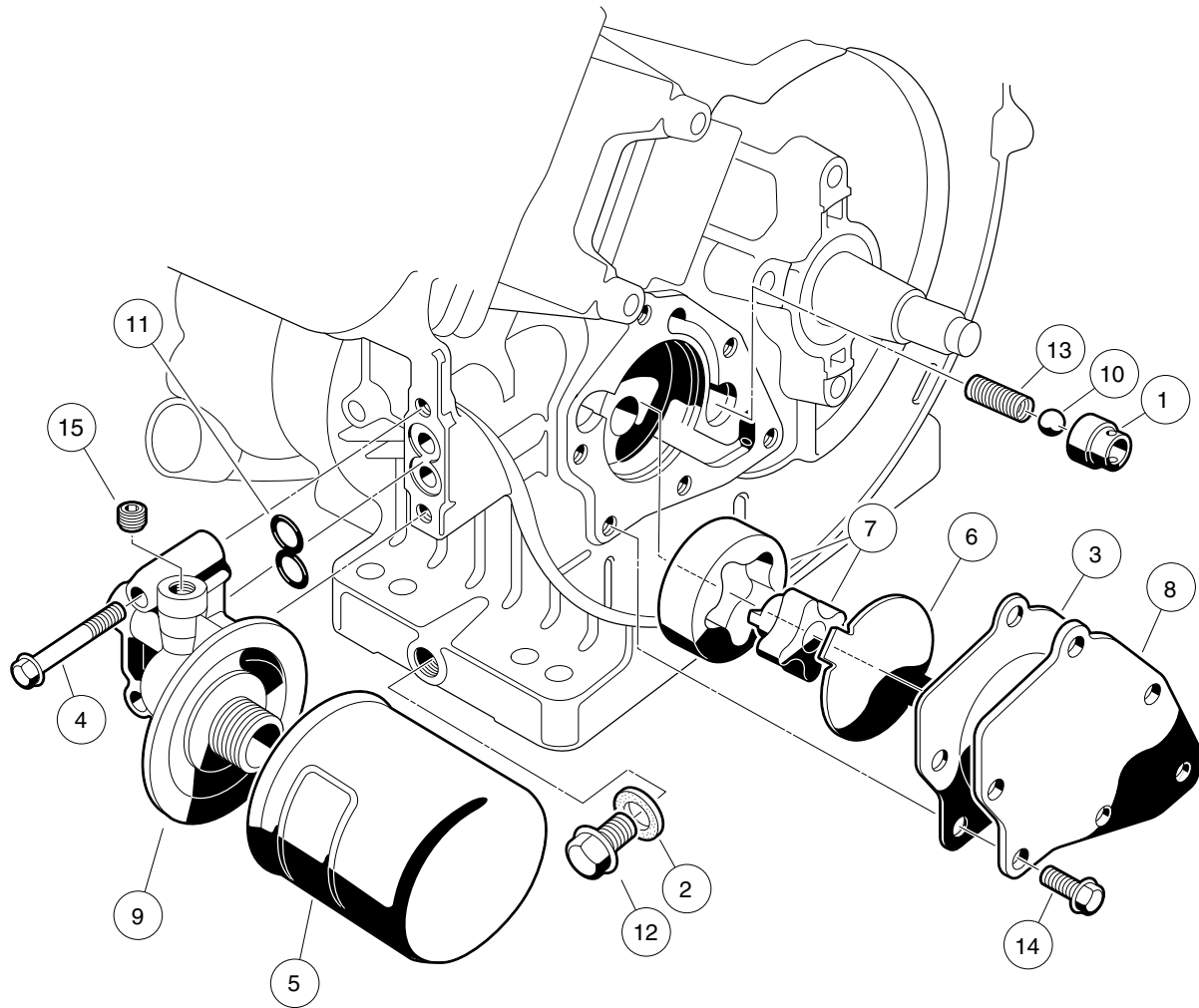
000195-001

FE290 ENGINE – IGNITION COMPONENTS AND FLYWHEEL

ITEM	PART NO.	DESCRIPTION	QTY
		1 2 3 4	
1	1016445	Bracket, RPM Limiter	1
2	<u>1016455</u>	Bolt, Flange Head	2
3	1016456	Bolt, Flange Head, M6 x 1 x 12 mm	2
4	<u>1016493</u>	Cap, Spark Plug	1
5	<u>1016497</u>	Screw, Pan WP Cross	1
6	<u>1016505</u>	Nut, Hex, Fine	1
7	<u>1016544</u>	Screw	1
8	<u>1016548</u>	Washer, M16 Flat	1
9	<u>1016561</u>	Clamp	1
10	<u>1016562</u>	Key	1
11	<u>1016578</u>	Ignition, Grommet	1
12	<u>1016579</u>	Band, RPM Limiter Mount	1
13	1016586	Damper, RPM Limiter	1
14	<u>1016587</u>	Clamp	1
15	<u>1016588</u>	Tube, 7mm X 10mm X 70mm	1
16	<u>1017448</u>	Bolt, Flanged	3
17	<u>1017455</u>	Plate, Flywheel Fan	1
18	<u>1017468</u>	Clamp	1
19	<u>101881101</u>	Spark Plug, OHV (Autolite)	1
20	<u>101909201</u>	Coil, Ignition	1
21	<u>101909301</u>	Lead Wire Assy	1
22	101909401	Limiter, RPM	1
23	101909501	Clamp, Steel	1
24	<u>101915801</u>	Fan, FE290 (cw)	1
25	<u>101929301</u>	Flywheel, Complete	1
26	<u>AM10724</u>	Spark Plug, OHV (NGK)	1

7

G



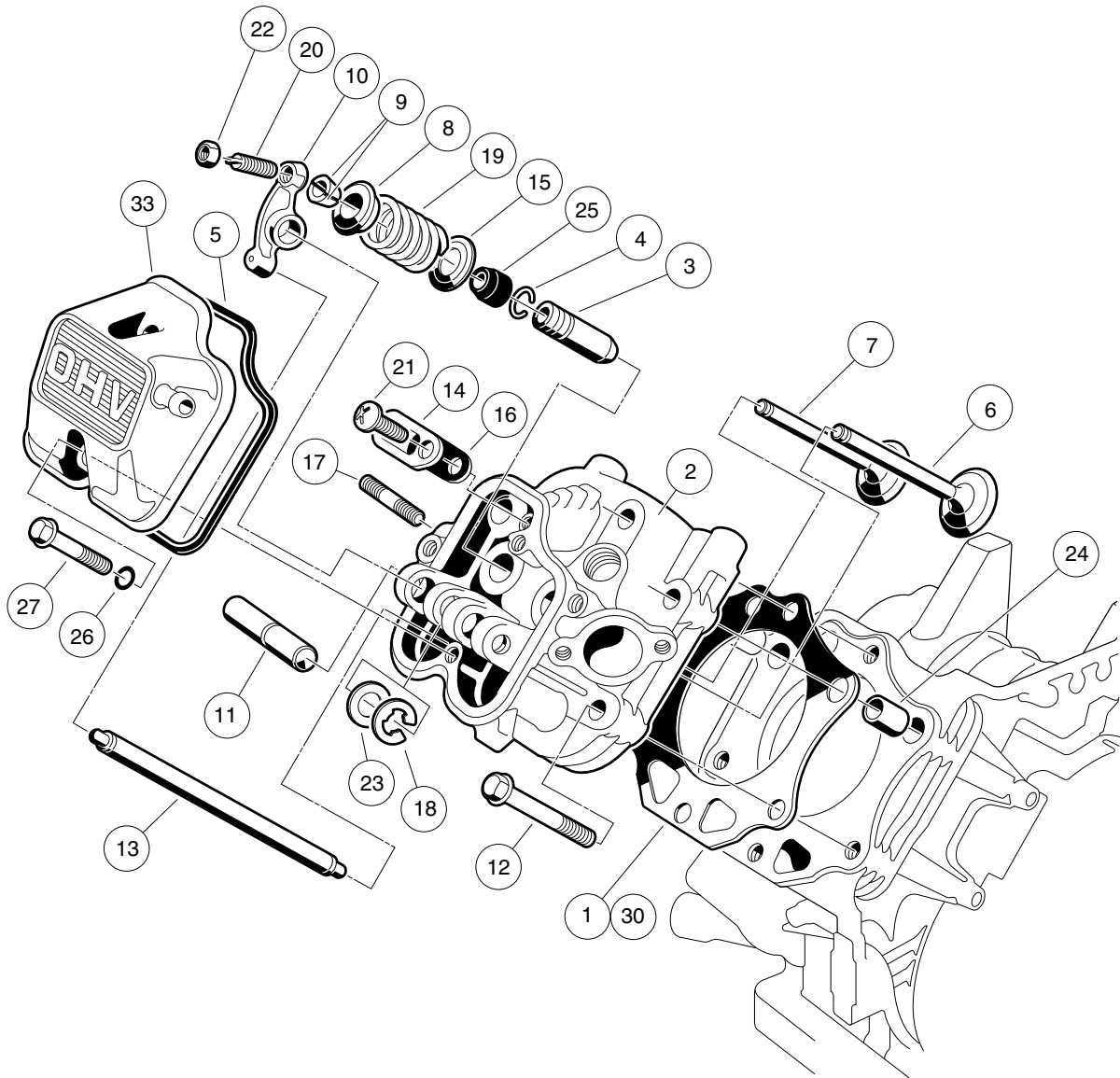
000196-001

FE290 ENGINE – OIL CIRCULATION

ITEM	PART NO.	DESCRIPTION	QTY
		1 2 3 4	
1	1016429	Seat, Value Oil Press Relief	1
2	<u>1016432</u>	Gasket, Drain Plug	1
3	<u>1016435</u>	Gasket, Oil Pump	1
4	<u>1016457</u>	Bolt, Flange Head	2
5	<u>1016467</u>	Filter, Oil	1
6	<u>1016473</u>	Plate, Oil Pump	1
7	<u>101648203</u>	Oil Pump And Rotor	1
8	<u>1016484</u>	Cover, Pump	1
9	<u>1016502</u>	Bracket, Oil Filter Mount	1
10	<u>1016537</u>	Ball, Steel, Press, Relief	1
11	<u>1016570</u>	O-Ring	1
12	1016576	Plug, Drain	1
13	<u>1016581</u>	Spring	1
14	<u>1017456</u>	Bolt, Flanged	6
15	<u>1017507</u>	Plug	2

7

G



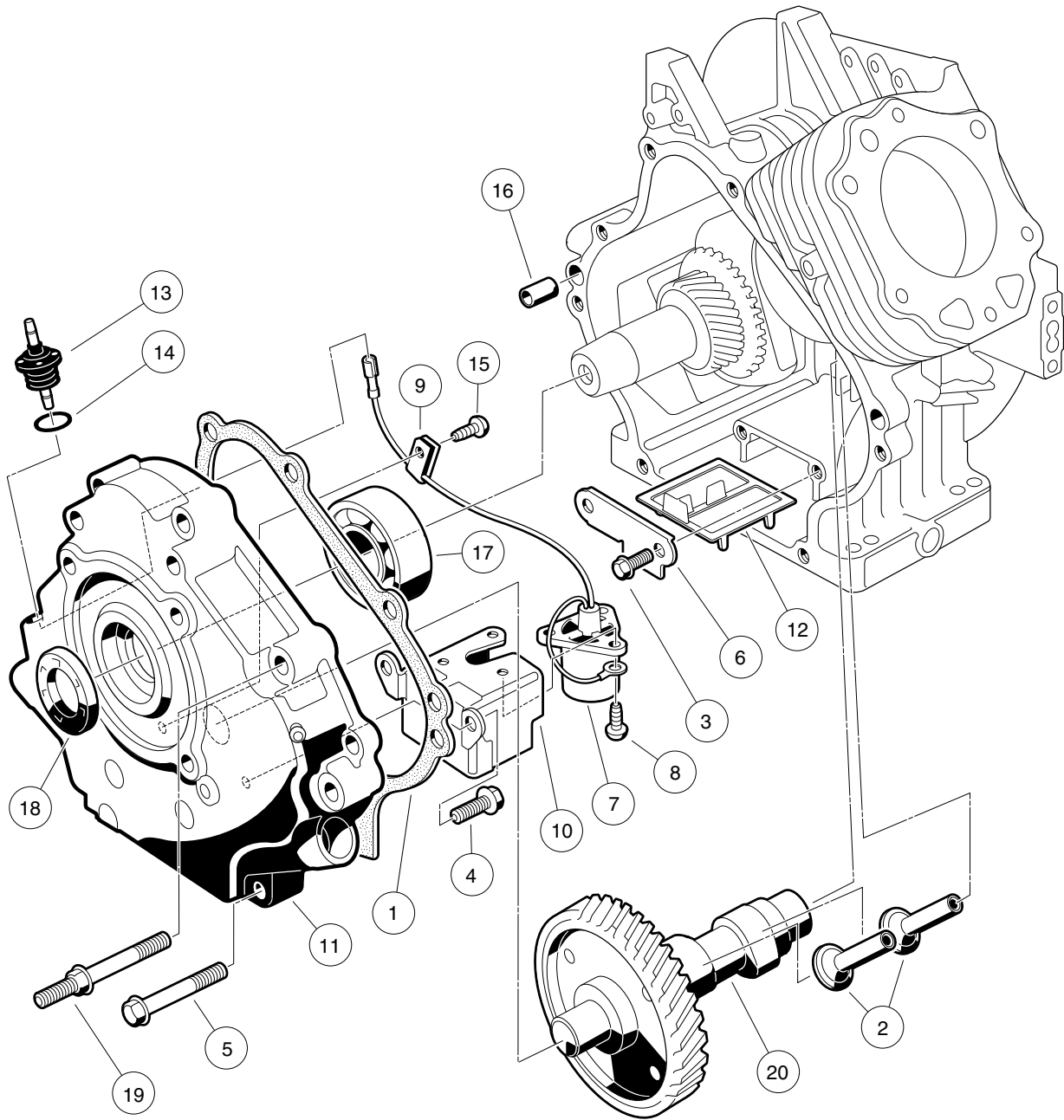
000197-001

FE290 ENGINE – CYLINDER HEAD

ITEM	PART NO.	DESCRIPTION	QTY
		1 2 3 4	
1	<u>1016430</u>	Gasket, Head, FE290	1
2	<u>1016431</u>	Head Assembly, FE290 Cylinder (includes items 3 and 4)	1
3	<u>1016519</u>	Guide, Valve	2
4	<u>1016560</u>	Snap Ring	2
5	<u>1016436</u>	Gasket, Rocker Case	1
6	<u>1016447</u>	Valve, Intake	1
7	<u>1016448</u>	Valve, Exhaust	1
8	<u>1016449</u>	Retainer, Valve Spring	2
9	<u>1016450</u>	Collet	4
10	<u>1016451</u>	Arm, Rocker	2
11	<u>1016452</u>	Shaft, Rocker	1
12	<u>1016458</u>	Bolt, Flange Head, M8 x 1.25 x 45 mm	6
13	<u>1016471</u>	Rod, Push	2
14	<u>1016474</u>	Plate	1
15	<u>1016479</u>	Seat, Spring	2
16	<u>1016483</u>	Valve	1
17	<u>1016489</u>	Stud, Two-Ended, M8-1.25	2
18	<u>1016517</u>	Circlip, Type-E	1
19	<u>1016523</u>	Spring, Engine Valve	2
20	<u>1016542</u>	Screw	2
21	<u>1016544</u>	Screw	1
22	<u>1016545</u>	Nut	2
23	<u>1016549</u>	Washer, 12.1x19x1.8	1
24	<u>1016563</u>	Pin	2
25	<u>1016566</u>	Seal, Oil	2
26	<u>1016569</u>	O-Ring	2
27	<u>1016583</u>	Bolt, 6x35	2
28	<u>102304701</u>	Kit, Gasket, FE290 (includes items 29 through 32)	1
29	<u>1015330</u>	Gasket, Exhaust	1
30	<u>1016430</u>	Gasket, Head, FE290	1
31	<u>1016440</u>	Gasket, Engine to Insulator	1
32	<u>1016446</u>	Gasket, Crankcase Cover	1
33	<u>102753401</u>	Case, Rocker	1

7

G

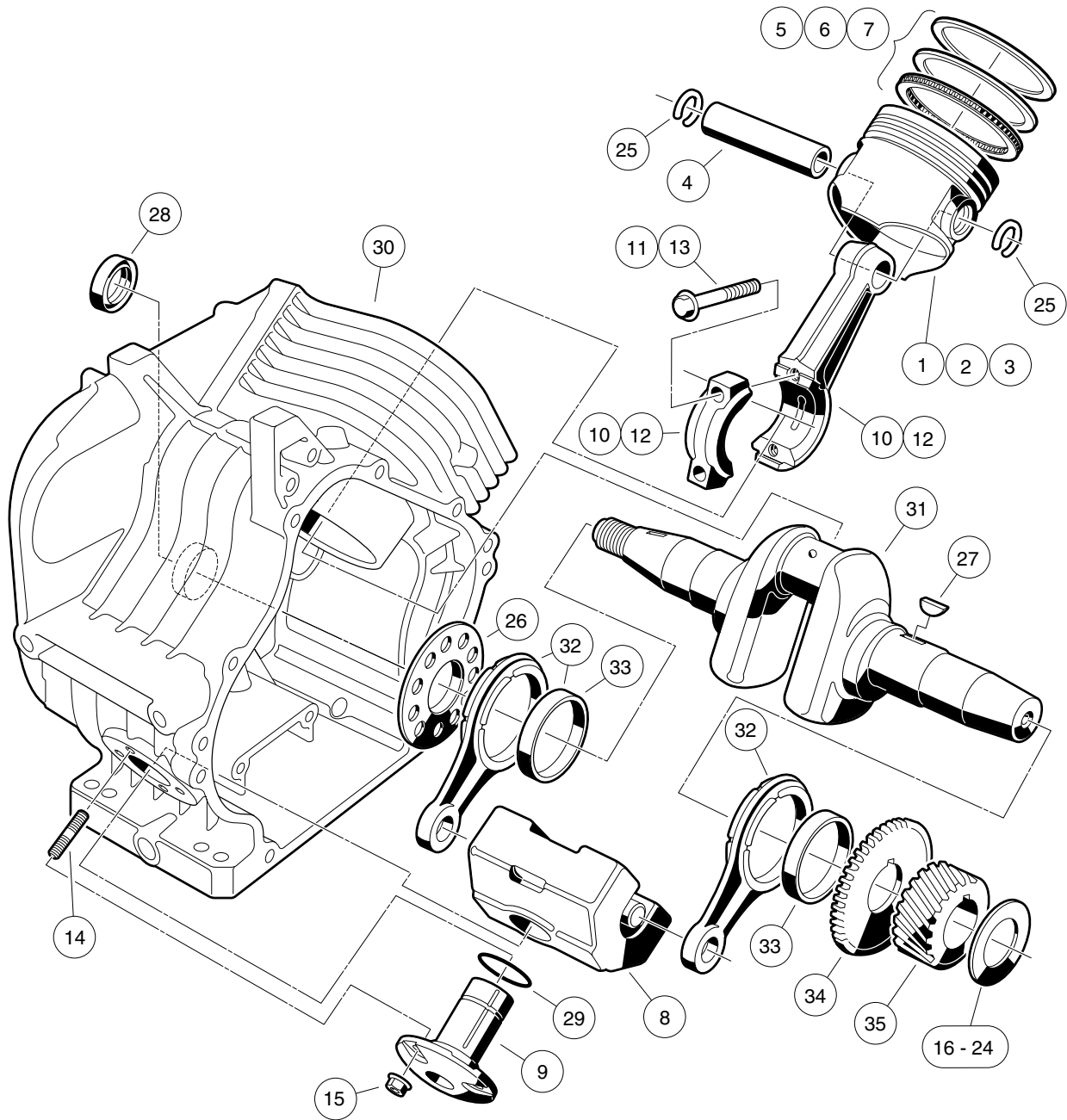


000198-001

FE290 ENGINE – CRANKCASE, CAMSHAFT, AND OIL SENSOR

ITEM	PART NO.	DESCRIPTION	QTY
		1 2 3 4	
1	<u>1016446</u>	Gasket, Crankcase Cover	1
2	<u>1016453</u>	Tappet	2
3	<u>1016454</u>	Bolt, Flange Head, M5 x 0.8 x 8 mm	2
4	<u>1016456</u>	Bolt, Flange Head, M6 x 1 x 12 mm	2
5	<u>1016458</u>	Bolt, Flange Head, M8 x 1.25 x 45 mm	6
6	<u>1016472</u>	Plate, Oil Filter Screen	1
7	<u>1016494</u>	Sensor, Oil Level	1
8	<u>1016496</u>	Screw, Cross Pan-Head, M4 x 0.7 x 8 mm	3
9	<u>1016506</u>	Clamp	1
10	<u>1016510</u>	Bracket, Switch, Oil Level	1
11	<u>1016520</u>	Cover, Crankcase	1
12	<u>1016521</u>	Screen, Oil Filter	1
13	<u>1016535</u>	Connector, Cord	1
14	<u>1016538</u>	O-Ring	1
15	<u>1016544</u>	Screw	1
16	<u>1016564</u>	Pin	2
17	<u>1016565</u>	Bearing, Ball	1
18	<u>1016567</u>	Seal, Crankshaft	1
19	<u>1016584</u>	Bolt, Two-Ended, M8 x 1.25 x 69 mm	2
20	<u>101915401</u>	Camshaft Complete, FE290	1

7
G



000199-001

FE290 ENGINE – CRANKCASE AND CRANKSHAFT

ITEM	PART NO.	DESCRIPTION	QTY
		1 2 3 4	
1	<u>101645901</u>	Piston	1
2	<u>101645902</u>	Piston, Engine 0.25 mm Over	1
3	<u>101645903</u>	Piston, Engine 0.50 mm Over	1
4	<u>1016460</u>	Pin, Piston	1
5	<u>101646101</u>	Ring Set, Piston	1
6	<u>101646102</u>	Ring Set, Piston 0.25 mm Over	1
7	<u>101646103</u>	Ring Set, Piston 0.50 mm Over	1
8	<u>1016469</u>	Weight, Counterbalance	1
9	<u>1016470</u>	Shaft, Guide, Counterbalance	1
10	<u>101647501</u>	Rod Assembly (includes item 11)	1
11	<u>1016509</u>	Bolt	2
12	<u>101647502</u>	Rod Assembly, Connecting 0.50 mm Under (includes item 13)	1
13	<u>1016509</u>	Bolt	2
14	<u>1016541</u>	Stud, 6x14	4
15	<u>1016547</u>	Nut, M6 Flange	4
16	<u>101655001</u>	Shim, Crankshaft T=1.13	1
17	<u>101655002</u>	Shim, Crankshaft T=1.18	1
18	<u>101655003</u>	Shim, Crankshaft T=1.23	1
19	<u>101655004</u>	Shim, Crankshaft T=1.28	1
20	<u>101655005</u>	Shim, Crankshaft T=1.33	1
21	<u>101655006</u>	Shim, Crankshaft T=1.38	1
22	<u>101655007</u>	Shim, Crankshaft T=1.43	1
23	<u>101655008</u>	Shim, Crankshaft T=1.48	1
24	<u>101655009</u>	Shim, Crankshaft T=1.53	1
25	<u>1016558</u>	Ring, Snap	2
26	<u>1016559</u>	Spacer	1
27	<u>1016562</u>	Key	1
28	<u>1016568</u>	Seal, Oil	1
29	<u>1016571</u>	O-Ring	1
30	<u>101915501</u>	Crankcase Complete, FE290 (cw)	1
31	<u>101922301</u>	Crankshaft, FE290 Left-Hand Thread (includes items 32 through 35)	1
32	<u>1016516</u>	Rod (includes item 33)	2
33	<u>1016580</u>	Bearing, Plane	1
34	<u>1016532</u>	Gear, Spur	1
35	<u>1016533</u>	Gear, Helical	1

7
G

FE290 ENGINE MOUNTING

ITEM	PART NO.	DESCRIPTION	QTY
		1 2 3 4	
1	<u>1010577</u>	Bolt, Hex-Head, 5/16-18 X 1.50	4
2	1012571	Washer, 5/16 Extra Thick Flat	4
3	<u>1013924</u>	Nut, 5/16-24 Hex Head Cone	6
4	<u>101827101</u>	Plate, Engine Mounting	1
5	<u>101832101</u>	Spacer, Powdered Metal	2
6	<u>101832701</u>	Stiffener (Flywheel Side)	1
7	<u>101833201</u>	Stud, M8-1.25 X 60mm Two-Ended	2
8	<u>101834601</u>	Snubber Bracket	1
9	<u>101884801</u>	Screw, 5/16-24 X 0.875 Grade-8	6
10	<u>101963401</u>	Locknut, 5/16-18 Hex Flange	4
11	<u>102065901</u>	Locknut, 3/8-16 Flanged Dimple	4
12	<u>102540301</u>	Inner Frame Snubber	1
13	<u>334</u>	Washer, 3/8 Type A Flat	4
14	705	Screw, Cap-hex Hd 3/8-16x1.25	4
15	<u>96704416</u>	Nut Flg, M8 X 1.25 Serrated	2

7

G

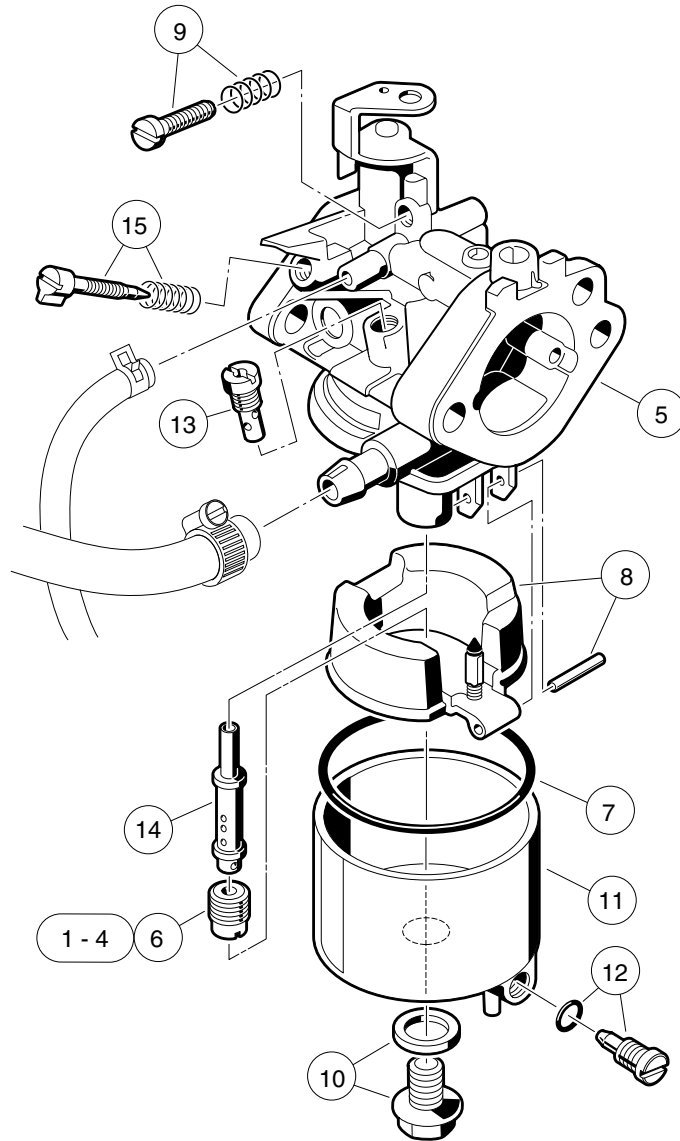
7

G

FUEL, INTAKE, AND GOVERNOR SYSTEMS

8

G



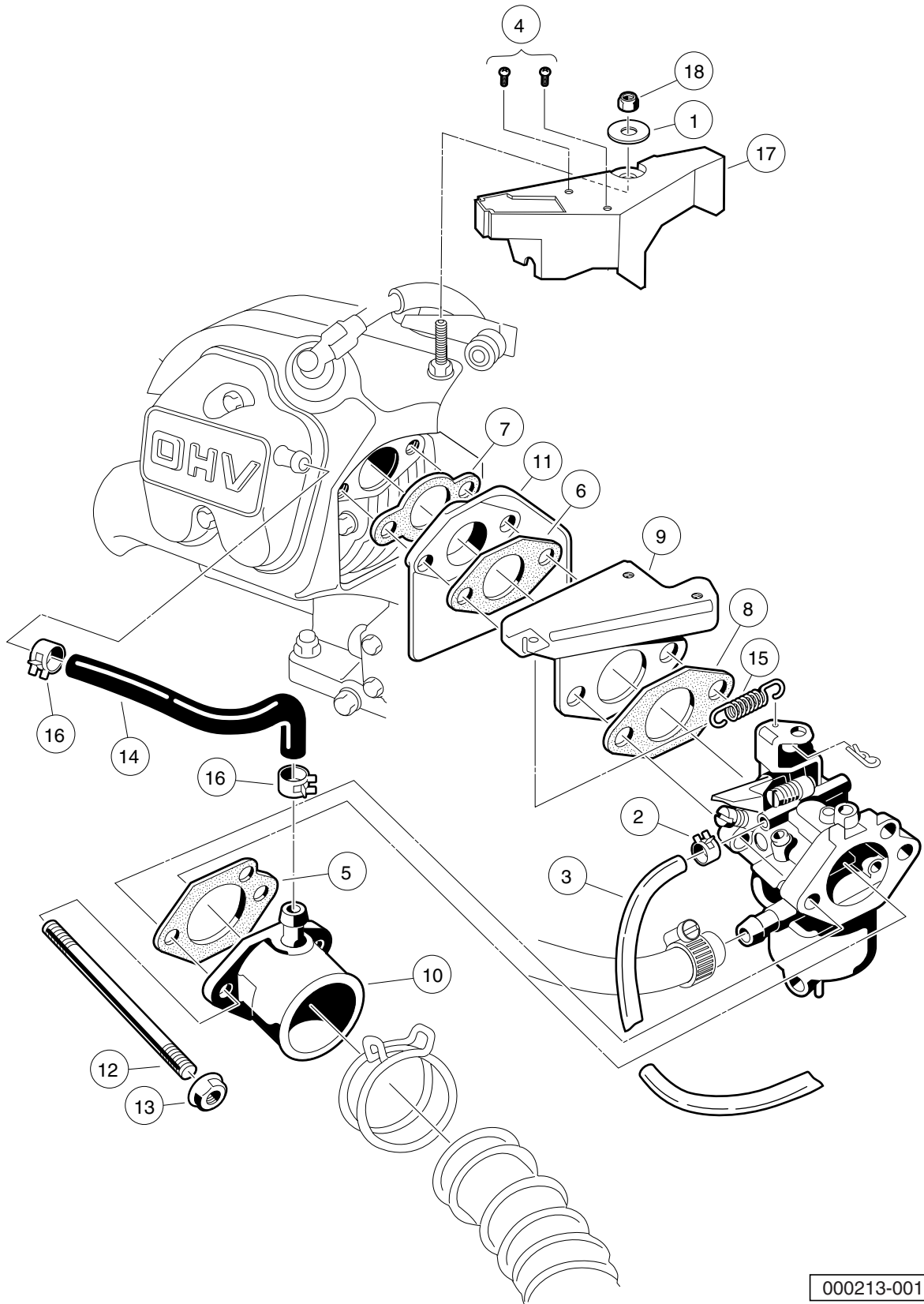
000211-001

CARBURETOR ASSEMBLY – FE290

ITEM	PART NO.	DESCRIPTION	QTY
		1 2 3 4	
1	<u>101642572</u>	Jet, Altitude, # 72	1
2	<u>101642575</u>	Jet, Altitude, # 75	1
3	<u>101642578</u>	Jet, Altitude, # 78	1
4	<u>101642580</u>	Jet, Altitude, # 80	1
5	<u>101905601</u>	Carburetor Assembly, FE290D (includes items 6 through 15)	1
6	<u>101642582</u>	Jet, Altitude, # 82	1
7	<u>1016437</u>	Gasket, Carburetor Bowl OHV	1
8	<u>1016486</u>	Float Assembly	1
9	<u>1016501</u>	Screw Assembly	1
10	<u>1016585</u>	Bolt	1
11	<u>1017461</u>	Chamber Assembly, Float (includes item 12)	1
12	<u>1016499</u>	Screw Assembly	1
13	<u>101973101</u>	Jet, #40 Pilot	1
14	<u>101973201</u>	Nozzle, Main	1
15	N/A	Assembly, Pilot Air Screw	1
<p style="margin: 0;">Note: <u>101642582</u> for 0 - 3,000 feet; <u>101642580</u> for 3,000 - 5,000 feet; <u>101642578</u> for 5,000 - 8,000 feet; <u>101642575</u> for 8,000 - 10,000 feet; <u>101642572</u> for 10,000 feet and higher.</p>			

8

G



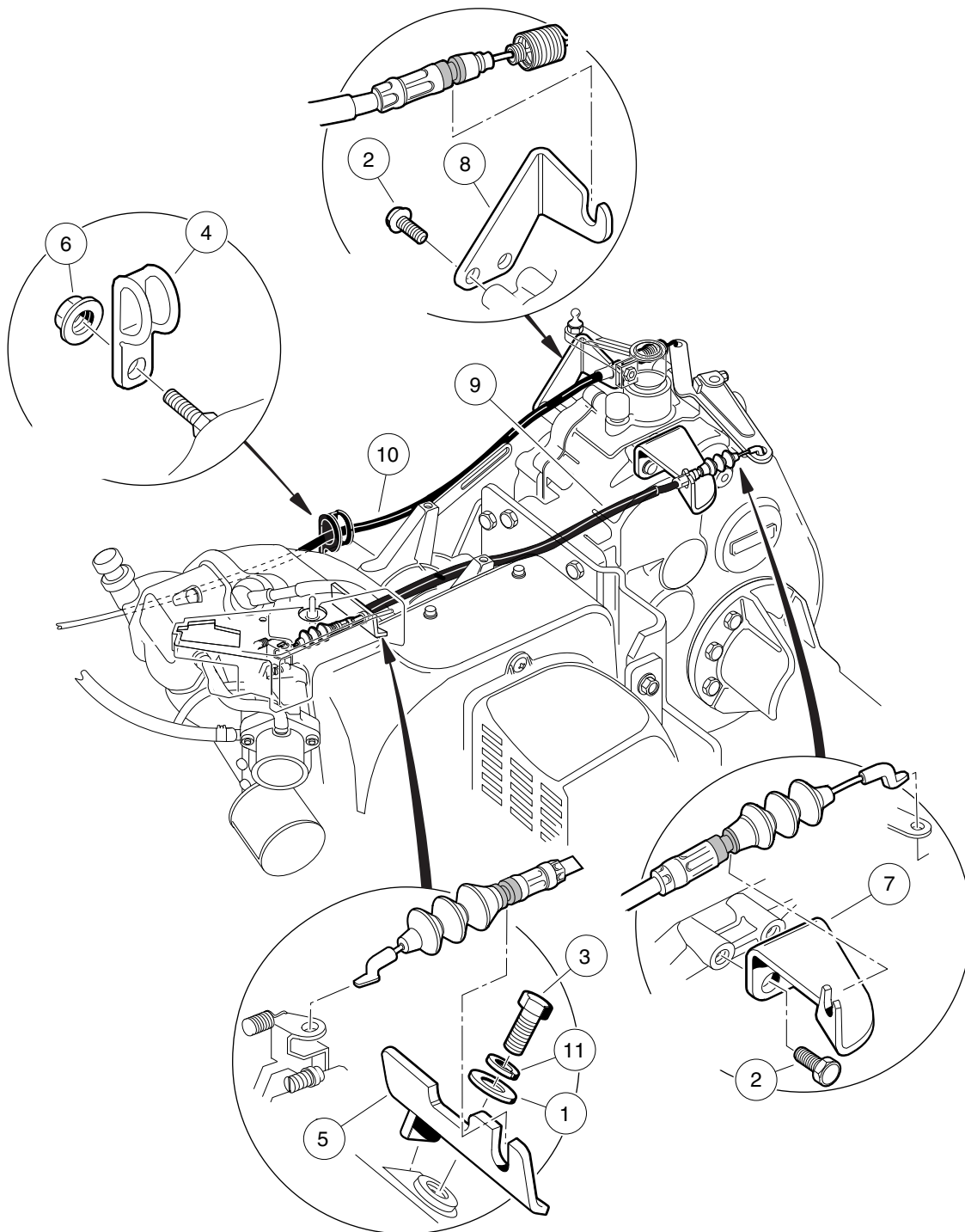
000213-001

CARBURETOR INSTALLATION – FE290

ITEM	PART NO.	DESCRIPTION	QTY
		1 2 3 4	
1	<u>1011697</u>	Washer, 5/16 Flat	1
2	<u>1013746</u>	Clamp, 0.301 ID Hose	1
3	<u>1015137</u>	Fuel Line (available by the foot)	1
4	<u>1016103</u>	Screw, Pan Hd Tx, Taptite 6-32	2
5	<u>1016438</u>	Gasket, Carb To Intake Manifold	1
6	<u>1016439</u>	Gasket, Insulator	1
7	<u>1016440</u>	Gasket, Engine to Insulator	1
8	<u>1016441</u>	Gasket, Sprg Brkt To Carb OHV	1
9	<u>1016444</u>	Bracket, Throttle Spring Return	1
10	1016480	Pipe, Intake Manifold	1
11	101648102	Insulator, Carburetor	1
12	<u>101649002</u>	Stud, M6-1.00 Two-Ended	2
13	1016547	Nut, M6 Flange	2
14	<u>1016572</u>	Tube, Crankcase Vent	1
15	<u>1016582</u>	Spring, Throttle Return	1
16	<u>1017466</u>	Clamp	2
17	101820201	Shield, Governor	1
18	<u>101887601</u>	Locknut, M6-1.00 Nylon Insert	1

8

G



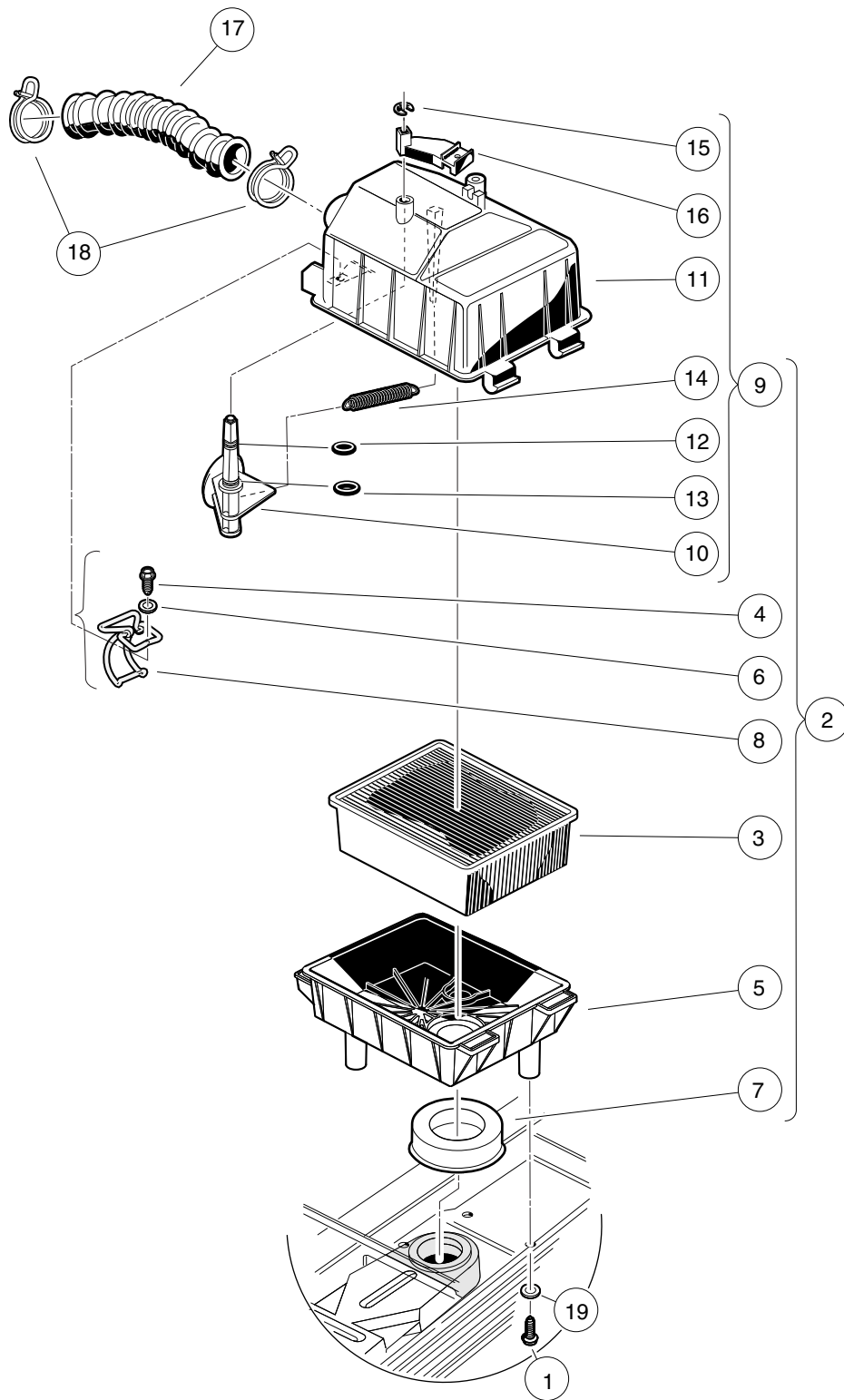
000215-001

GOVERNOR AND ACCELERATOR CABLES

ITEM	PART NO.	DESCRIPTION	QTY
		1 2 3 4	
1	<u>1011697</u>	Washer, 5/16 Flat	1
2	<u>1012285</u>	Screw, 1/4 X 0.625 Hex-Head	4
3	<u>1012830</u>	Screw, M8-125 X 22 Hex-Head	1
4	<u>1013700</u>	Clamp	2
5	<u>101584502</u>	Bracket, Governor Cable Snap-In	1
6	<u>1016546</u>	Nut	2
7	<u>101832202</u>	Bracket, Rear Governor Cable Snap-In	1
8	<u>101832302</u>	Bracket, Rear Accelerator Cable Snap-In	1
9	<u>102336001</u>	Cable, Governor, Snap-In	1
10	<u>102336101</u>	Cable, Accelerator, Snap-In	1
11	<u>7174</u>	Lockwasher, 5/16 Split	1

8

G



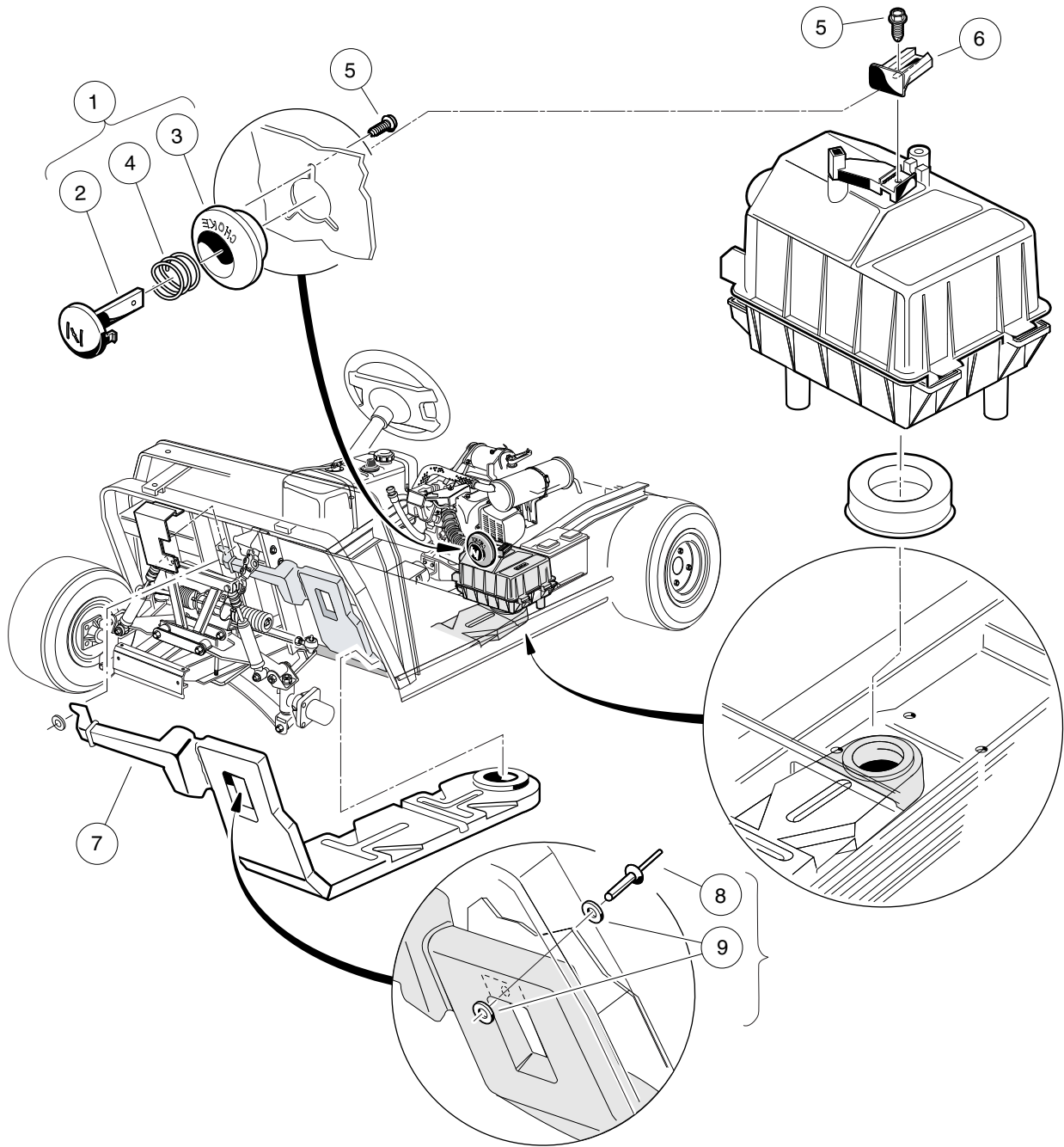
000332-001

AIR BOX AND INTAKE HOSE

ITEM	PART NO.	DESCRIPTION	QTY
		1 2 3 4	
1	<u>1015752</u>	Screw, #12-16 X 0.625 Hi-Lo	3
2	<u>101821501</u>	Assembly, Air Box (includes items 3 through 9)	1
3	<u>1015426</u>	Filter, Air	1
4	<u>101804301</u>	Screw, #8 X 0.500, Hex-Head Hi-Lo	2
5	<u>101811901</u>	Bottom, Air Box	1
6	<u>101881701</u>	Washer, #8 Stainless-Steel Flat	2
7	<u>101921501</u>	Seal, Intake	1
8	<u>101925701</u>	Latch, Wireform	2
9	<u>101972801</u>	Top Assy, Air Box (includes items 10 through 16)	1
10	N/A	Valve, Choke	1
11	101811801	Top, Air Box	1
12	N/A	O-Ring, 5/16	1
13	N/A	O-Ring, 3/8	1
14	<u>101812301</u>	Spring, Extension Return	1
15	<u>101813001</u>	Retaining Ring 0.25, Shaft	1
16	<u>101917601</u>	Lever, Choke	1
17	<u>101837101</u>	Hose, Air Intake	1
18	<u>101971301</u>	Clamp, 1.58" ID Hose	2
19	<u>332</u>	Washer, 1/4 Type A Narrow Flat	3

8

G



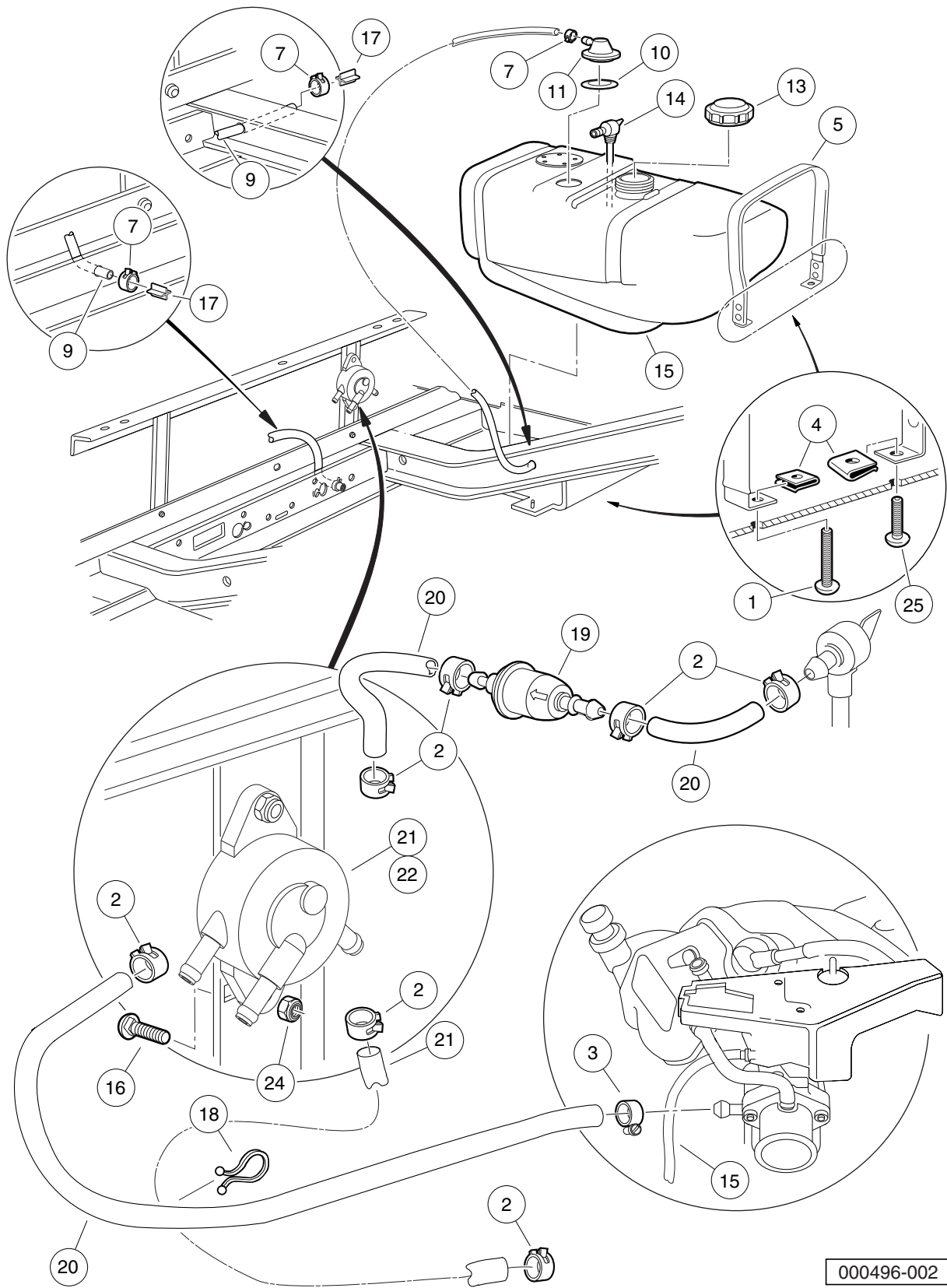
000338-004

INTAKE SYSTEM

ITEM	PART NO.	DESCRIPTION	QTY
		1 2 3 4	
1	<u>101805701</u>	Button Assembly, Choke (includes items 2 through 4)	1
2	<u>101811401</u>	Lever, Choke	1
3	<u>101811501</u>	Guide, Choke Lever	1
4	<u>101856201</u>	Compression Spring	1
5	<u>101850301</u>	Screw, #12-16 X 0.50 Washer-Head Hi-Lo	4
6	<u>101917701</u>	Choke Positioner	1
7	<u>103520301</u>	Duct, Air Intake, Ds	1
8	<u>1606</u>	Rivet, 3/16 X .500 Alum Pop	2
9	<u>183</u>	Washer, #10 Type A Flat	4

8

G



FUEL SYSTEM

8

G

ITEM	PART NO.	DESCRIPTION	QTY
		1 2 3 4	
1	<u>1011988</u>	Screw, 1/4-20 X 2.00 Phillips Truss-Head	1
2	<u>1012649</u>	Clamp, 0.460 Red Hose	7
3	<u>1013687</u>	Clamp, 3/8" Hose (screw type)	1
4	<u>1014116</u>	Nut, 1/4-20 Speed	2
5	<u>1014928</u>	Fuel Strap Assembly Rear	1
6	<u>1016003</u>	Kit, Fuel Tank - Vented (includes items 7 and 8)	1
7	<u>1013746</u>	Clamp, 0.301 ID Hose	2
8	<u>103651902</u>	Asm, Tank, Ds Utl Wo/su† Nano (includes items 9 through 15)	1
9	<u>1015137</u>	Fuel Line (available by the foot)	1
10	<u>1015139</u>	Insulation Grommet	1
11	<u>1015143</u>	Vent, Fuel Tank	1
12	<u>102406701</u>	Bushing, Line, Return	1
13	<u>103372101</u>	Cap, Fuel Tank, Gas, Ratchet	1
14	<u>103372302</u>	Fuel Pickup w/Shut-Off Valve, 288mm	1
15	<u>103776902</u>	Tank, Fuel, Top, Wo/su Nano	1
16	<u>1017203</u>	Carriage Bolt	2
17	<u>101824401</u>	Vent Barb	1
18	<u>101987701</u>	Clamp, Plastic Tie	1
19	<u>102003201</u>	Filter, Fuel, 30 Micron	1
20	<u>102865101</u>	Fuel Line	1
21	<u>103781101</u>	Kit, Fuel Pump Retrofit (includes items 22 and 23)	1
22	<u>103010101</u>	Pump, Fuel, Impulse, Fh	1
23	<u>103781201</u>	Instr, Fuel Pump Retrofit	1
24	<u>8233</u>	Locknut, 1/4-20 Nylon Insert	2
25	<u>8248</u>	Screw, 1/4-20 X 0.75 Truss-Head Machine	1
		 Note: Total fuel line length: 47 inches (119.4 cm)	

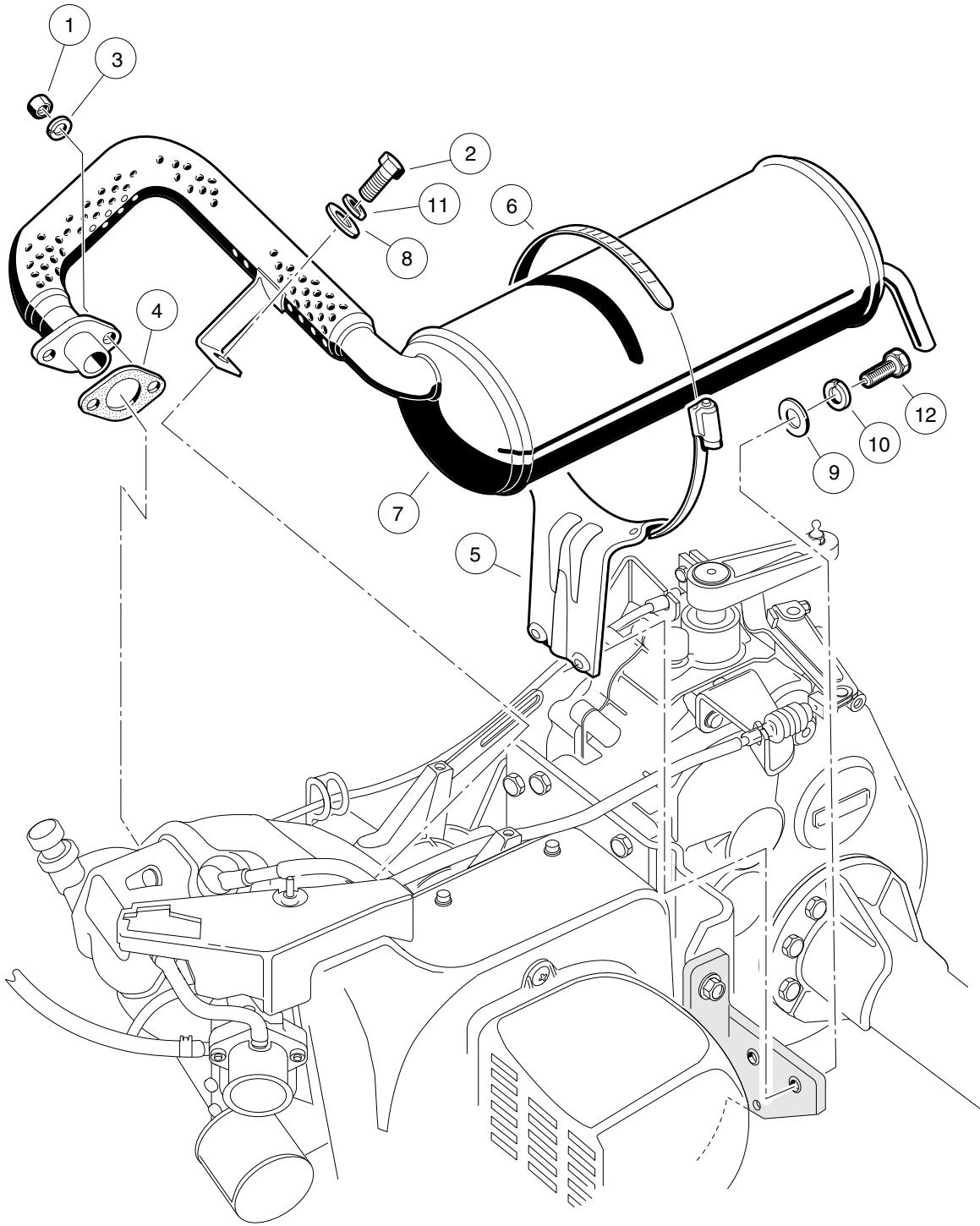
8

G

EXHAUST SYSTEM

9

G



000208-001

EXHAUST SYSTEM – FE290 ENGINE

ITEM	PART NO.	DESCRIPTION	QTY
		1 2 3 4	
1	<u>1012528</u>	Nut, M8-1.25 Hex	2
2	<u>1012830</u>	Screw, M8-125 X 22 Hex-Head	1
3	<u>1013734</u>	Lockwasher, 8mm Split	2
4	<u>1015330</u>	Gasket, Exhaust	1
5	<u>1015814</u>	Bracket, Muffler Mounting	1
6	1017689	Clamp, 5" Muffler Hose	1
7	<u>101859301</u>	Exhaust System, FE290	1
8	<u>1241</u>	Washer, 5/16 Type A Flat	1
9	<u>332</u>	Washer, 1/4 Type A Narrow Flat	2
10	<u>451</u>	Lockwasher, 1/4 Split	2
11	<u>7174</u>	Lockwasher, 5/16 Split	1
12	<u>7847</u>	Screw, 1/4-20 X 0.75 Hex-Head Cap	2

9

G

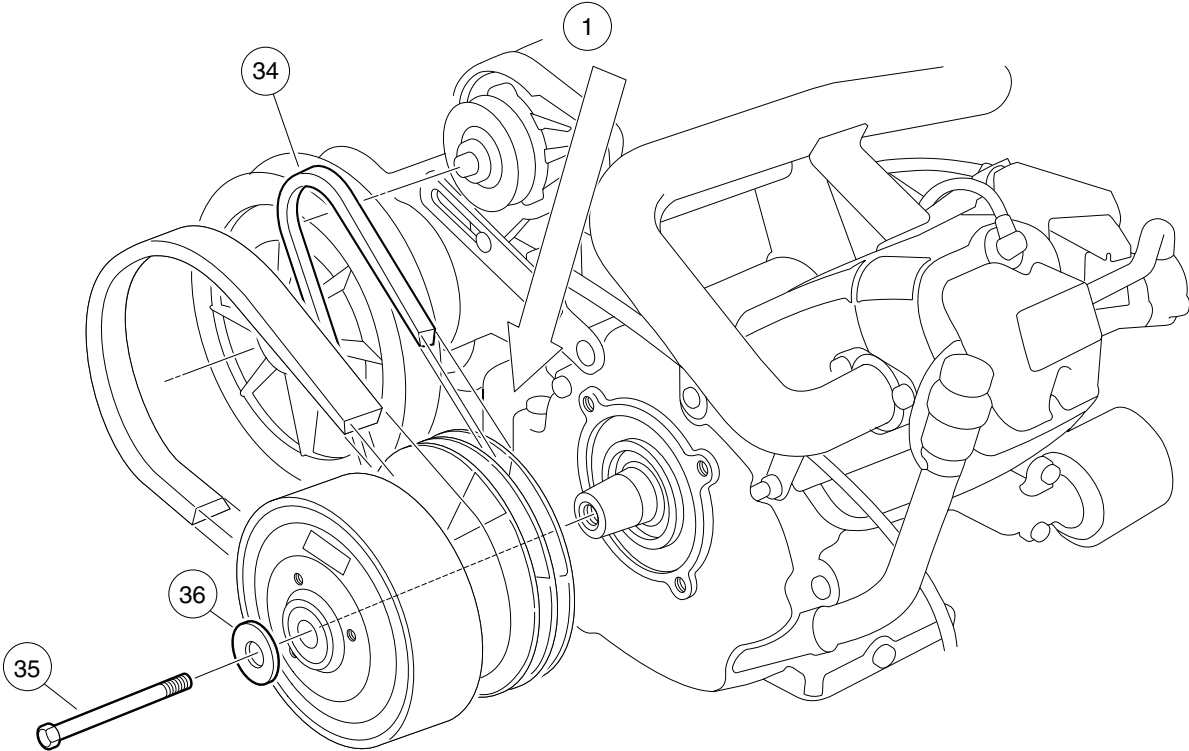
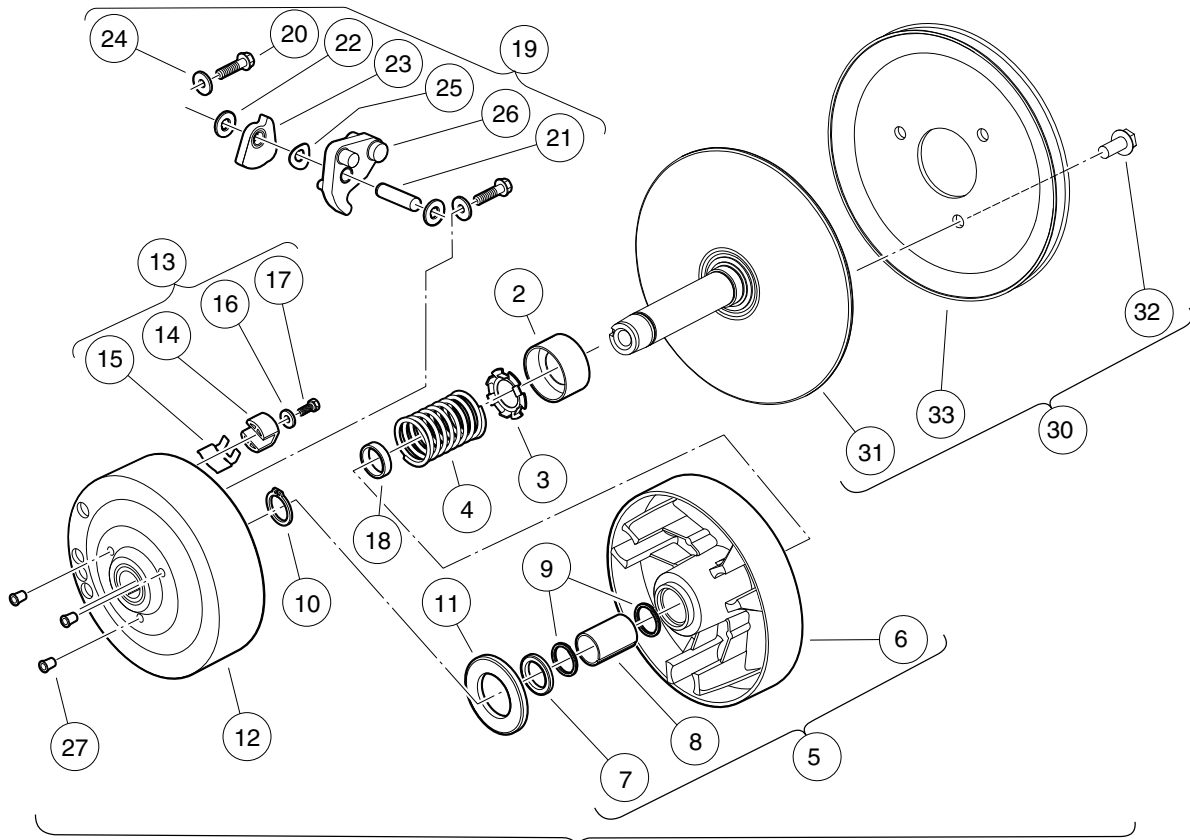
9

G

TORQUE CONVERTER

10

G



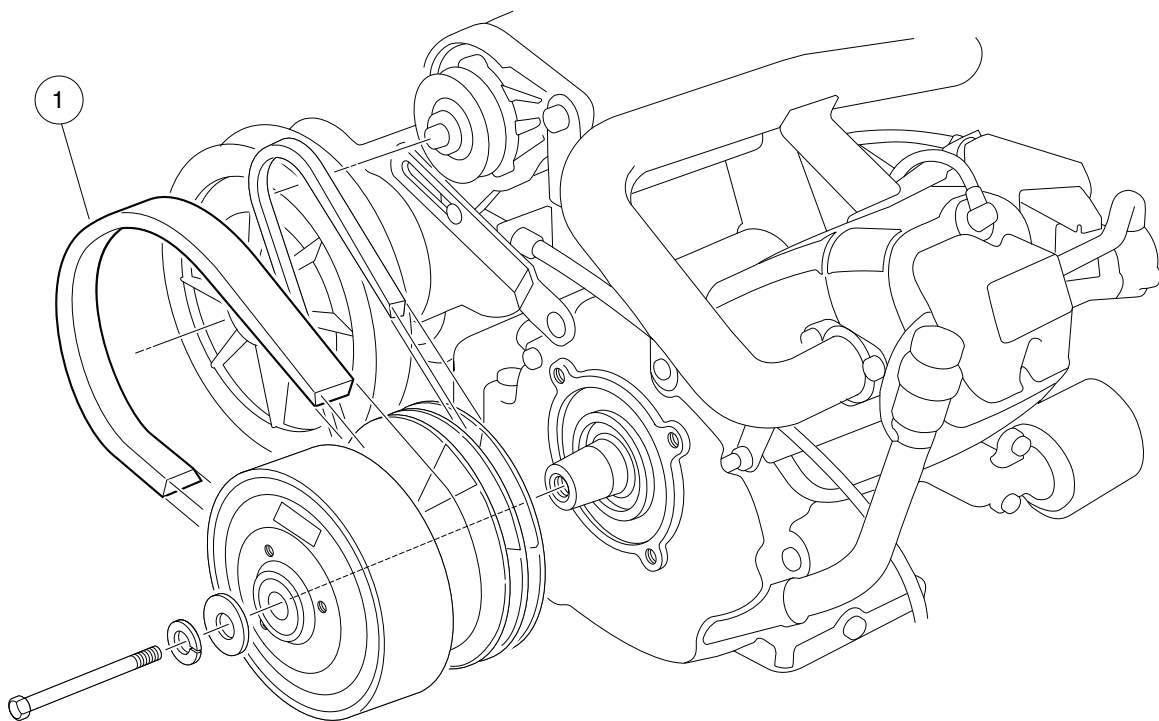
000217-001

DRIVE CLUTCH

10

G

ITEM	PART NO.	DESCRIPTION	QTY
		1 2 3 4	
1	<u>101833902</u>	Clutch, Drive (includes items 2 through 28)	1
2	1014049	Bearing, Idler	1
3	<u>1014050</u>	Retainer, Spring	1
4	<u>1014051</u>	Spring, Drive Clutch	1
5	1014052	Movable-Face Assembly (includes items 6 through 8)	1
6	N/A	Drive Clutch Movable Face	1
7	<u>1014055</u>	Retainer	1
8	N/A	Bushing, Split, Drive Clutch	1
9	<u>1014056</u>	Ring, Spiral Backup	2
10	<u>1014057</u>	Ring, 0.810" Internal Retaining	1
11	1014058	Thrust Washer	1
12	1014059	Drive Hub Assy, Drive Clutch	1
13	<u>1014453</u>	Kit, Drive Clutch Button (includes items 14 through 17)	1
14	<u>1014062</u>	Driver, Drive Clutch	3
15	<u>1014287</u>	Spring, Drive Button	3
16	<u>183</u>	Washer, #10 Type A Flat	3
17	<u>8450</u>	Screw, #10-24 X 0.50 Hex-Head	3
18	<u>1016289</u>	Spacer, Fixed Face Shaft	1
19	<u>1016801</u>	Kit, Drive Clutch Weight (includes items 20 through 26)	1
20	<u>1014063</u>	Screw, 1/4-20 X 1.00 Hex Head	6
21	N/A	Pin, 0.3752 X 1.50 Dowel	3
22	<u>1014065</u>	Washer, 0.38" ID Delrin Flat	6
23	N/A	Clutch Weight, Secondary	3
24	N/A	Washer	6
25	<u>1016201</u>	Washer, Wave	3
26	N/A	Weight, Primary	3
27	<u>101925601</u>	Plug, Drive Clutch	3
28	<u>101929802</u>	Kit, Fxd Face Dr Asm Fe290/350 (includes items 29 and 30)	1
29	N/A	Desiccant Bag (Not Shown)	1
30	101929801	Assembly, Fixed-Face Drive (includes items 31 through 33)	1
31	N/A	Fixed Face Assembly, Drive Clutch	1
32	<u>1014288</u>	Screw, 5/16-18 X 0.75 Thread-Forming	3
33	N/A	Pulley, Clutch	1
34	<u>101916701</u>	V-Belt	1
35	<u>103345701</u>	Screw 3/8-24x5.5 Hex Loc Ptch	1
36	<u>808</u>	Washer, 3/8 Type B Flat	1
		Note: Item 29 not shown.	



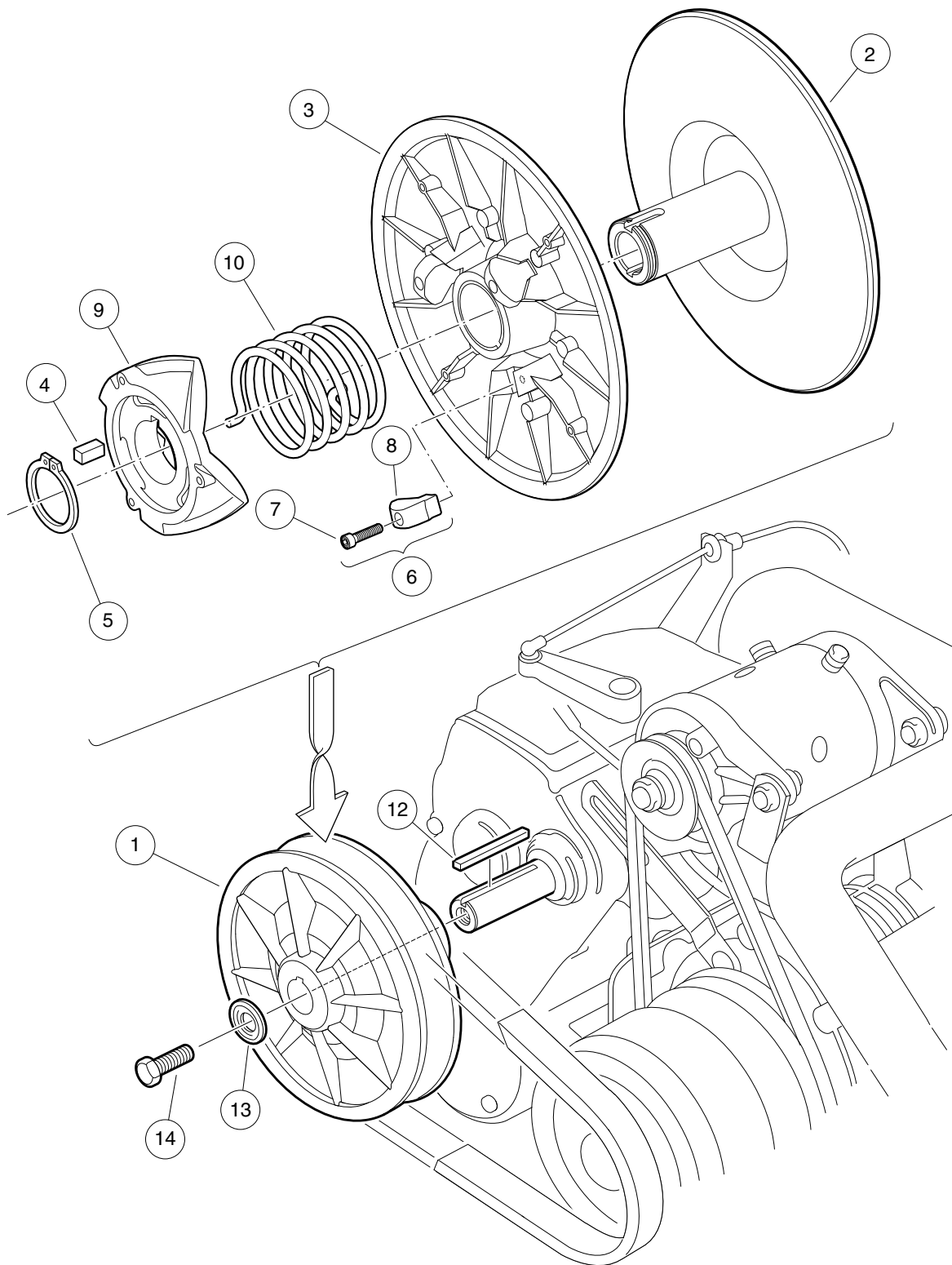
000218-001

DRIVE BELT – FE290

ITEM	PART NO.	DESCRIPTION	QTY
1	<u>1016203</u>	<div style="display: flex; justify-content: space-between; margin-bottom: 5px;"> 1 2 3 4 </div> Belt, Drive	1

10

G



000219-001

DRIVEN CLUTCH

ITEM	PART NO.	DESCRIPTION	QTY
		1 2 3 4	
1	<u>101834001</u>	Assembly, Driven Clutch (includes items 2 through 10)	1
2	<u>1014070</u>	Fixed Face Assy, Driven Clutch	1
3	<u>1014072</u>	Movable-Face Assembly with Bushing	1
4	<u>1014078</u>	Key, Driven Clutch	1
5	<u>1014080</u>	Ring, Retaining	1
6	<u>1014454</u>	Kit, Driven Clutch Button (includes items 7 and 8)	1
7	<u>1012836</u>	Screw, #8-32 X 3/4 Socket-Head Cap	3
8	1014076	Button, Drive	3
9	<u>1017686</u>	Cam, Driven Clutch	1
10	<u>101836201</u>	Spring, Driven Clutch, Reversed	1
11	<u>AM10419</u>	Kit, Clutch Repair (includes items 12 through 14)	1
12	<u>101833401</u>	Key, 3/16 Sq X 1.50"	1
13	<u>102155801</u>	Washer, Driven Clutch	1
14	<u>102242101</u>	Screw, 5/16-18 X 3/4 Hex-Head with Patch	1

10
G

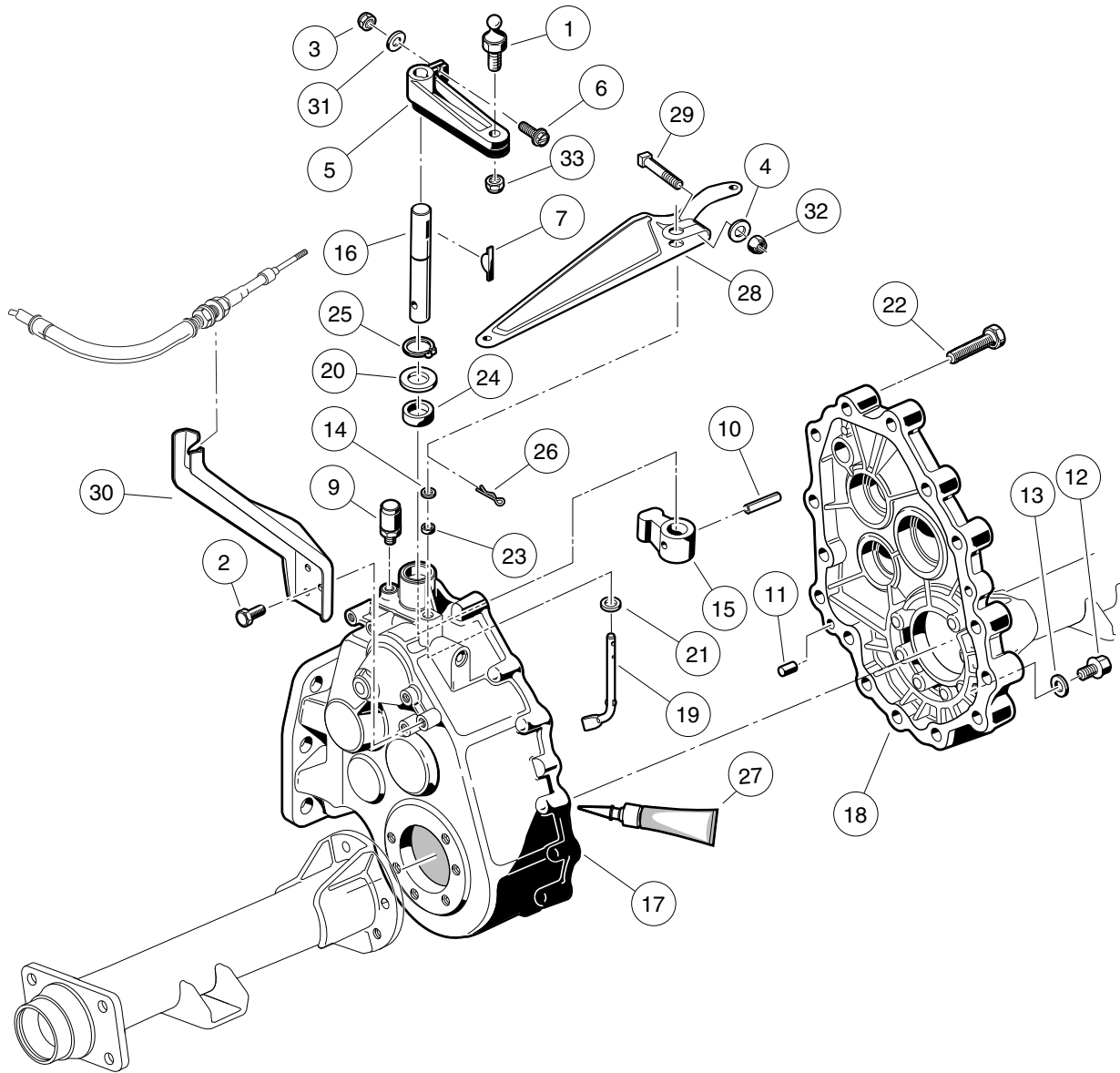
10

G

TRANSAXLE – GASOLINE VEHICLE

11

G



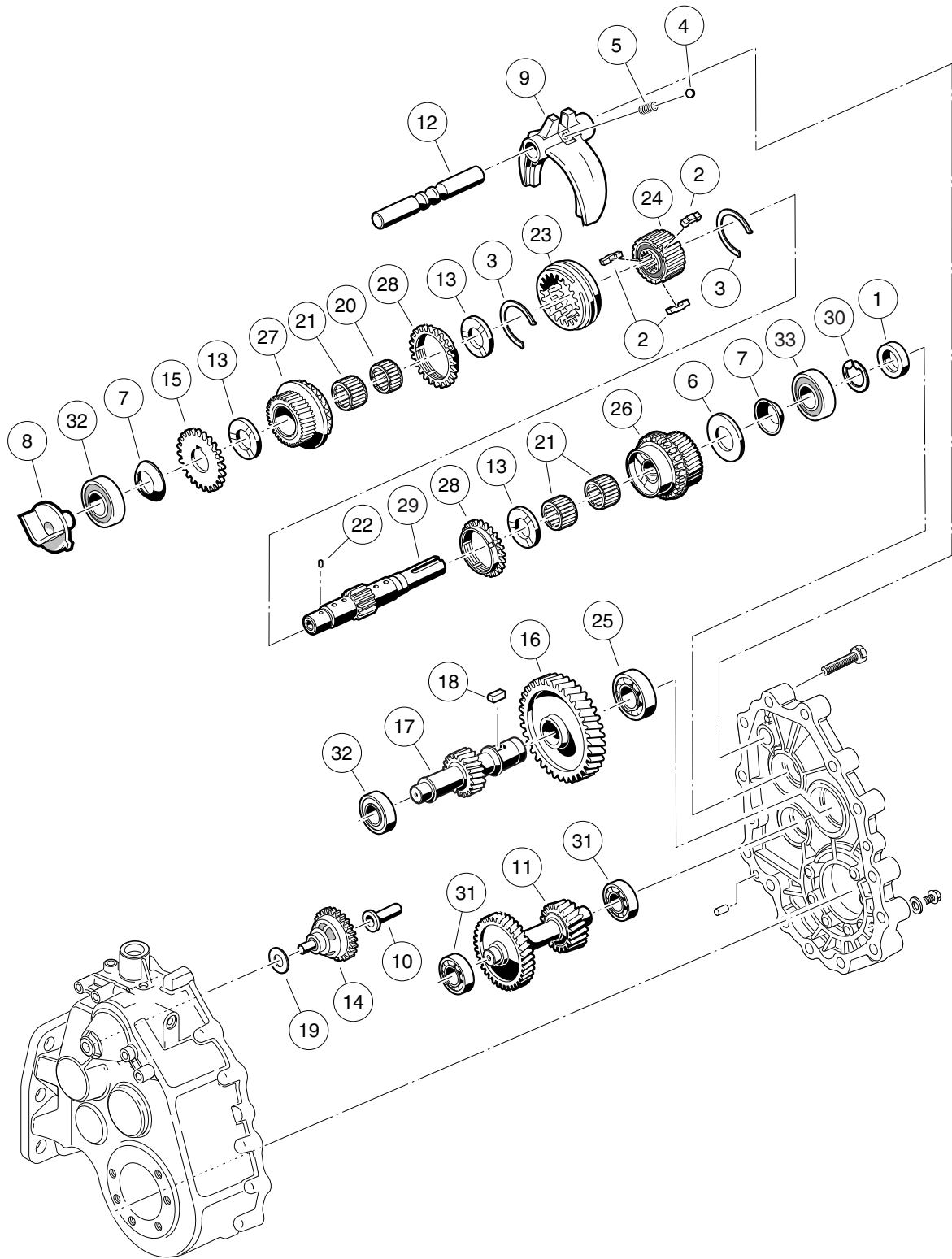
000220-001

TRANSAXLE – GASOLINE VEHICLES, GEAR CASES AND BRACKETS

ITEM	PART NO.	DESCRIPTION	QTY
		1 2 3 4	
1	<u>1010954</u>	Stud, 1/4-28 X 0.560 Ball	1
2	<u>1012285</u>	Screw, 1/4 X 0.625 Hex-Head	3
3	<u>1013061</u>	Locknut, #10-32 Nylon Insert	1
4	<u>1014007</u>	Washer, 1/4 Flat	1
5	<u>1016341</u>	Lever, Transmission Shift	1
6	<u>1017082</u>	Screw, #10-32 X 0.75, Hex-Head Machine	1
7	<u>1017231</u>	Key, Woodruff	1
8	<u>101833601</u>	Transaxle, 11.77 Ratio (includes items 9 through 27)	1
9	<u>1012711</u>	Breather	1
10	<u>1012752</u>	Roll Pin	1
11	<u>1012896</u>	Pin, Dowel	2
12	<u>1013760</u>	Fill Plug	2
13	<u>1016432</u>	Gasket, Drain Plug	1
14	<u>1016513</u>	Washer, M6 Flat	1
15	<u>101890101</u>	Lever, Change	1
16	<u>101890201</u>	Shaft - Change	1
17	<u>101890501</u>	Gear Case (driver side)	1
18	<u>101890601</u>	Gear Case (passenger side)	1
19	<u>101891301</u>	Arm Pivot	1
20	<u>101892901</u>	Washer	1
21	<u>101893801</u>	Washer	1
22	<u>101926901</u>	Screw, M8-1.25 X 40mm Hex-Head	15
23	<u>101927101</u>	Seal, Oil	1
24	<u>101927201</u>	Seal, Oil	1
25	<u>101927301</u>	Snap Ring	1
26	<u>101928601</u>	Pin, Cotter	1
27	<u>101928701</u>	Liquid Gasket (Transaxle case)	1
28	<u>101834801</u>	Arm, Governor	1
29	<u>101886101</u>	Screw, 1/4-20 X 1.00 Square-Head	1
30	<u>102045901</u>	Bracket, Shifter	1
31	<u>183</u>	Washer, #10 Type A Flat	1
32	<u>8233</u>	Locknut, 1/4-20 Nylon Insert	1
33	<u>8717</u>	Locknut, 1/4-28 Nylon Insert	1

11

G



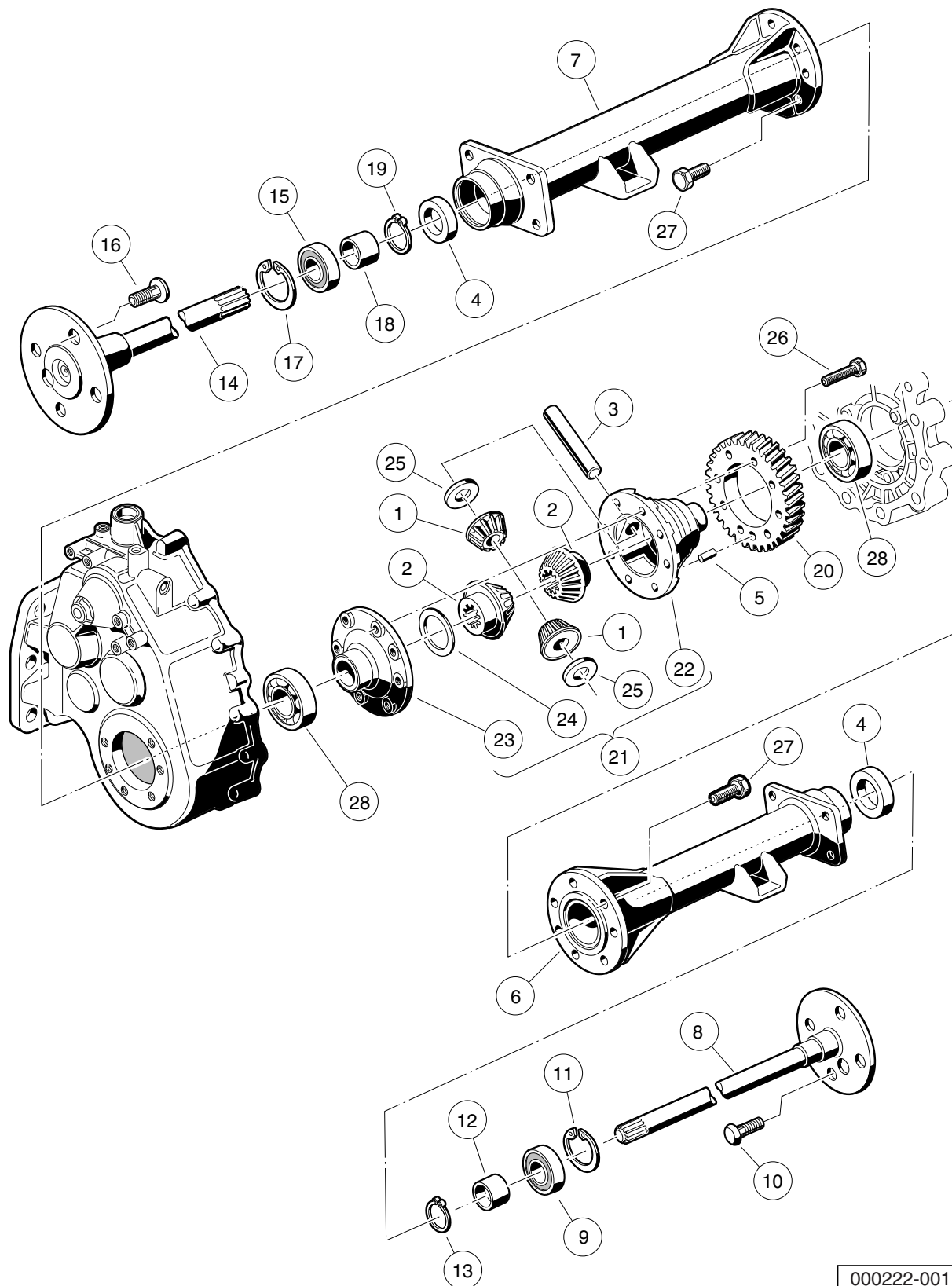
000221-001

TRANSAXLE – GASOLINE VEHICLES, TRANSMISSION AND GEAR REDUCTION

11

G

ITEM	PART NO.	DESCRIPTION	QTY
		1 2 3 4	
1	<u>1012714</u>	Oil Seal	1
2	<u>1012740</u>	Synchro Insert	3
3	<u>1012741</u>	Synchro Spring	2
4	<u>1012747</u>	Shifter Ball	1
5	<u>1012748</u>	Shifter Spring	1
6	<u>1016337</u>	Washer, Thrust	1
7	<u>1016338</u>	Washer, Spring	2
8	<u>101889401</u>	Guide	1
9	<u>101890001</u>	Fork - Shift	1
10	<u>101891601</u>	Sleeve, Governor	1
11	<u>101891901</u>	Gear, Cluster	1
12	<u>101892001</u>	Rod, Shift	1
13	<u>101892201</u>	Plate, Thrust	3
14	<u>101892301</u>	Governor Assembly	1
15	<u>101892401</u>	Gear, Spur	1
16	<u>101892501</u>	Gear, Helical (61 Tooth)	1
17	<u>101892601</u>	Gear, Helical (17 Tooth)	1
18	<u>101893201</u>	Key Sunk	1
19	<u>101893901</u>	Washer	1
20	<u>101927501</u>	Needle Bearing	1
21	<u>101927601</u>	Needle Bearing	3
22	<u>101927701</u>	Pin, .116" Dia X 0.264 Dowel	1
23	<u>101927901</u>	Sleeve, Synchro	1
24	<u>101928001</u>	Hub, Synchro Clutch	1
25	<u>101928101</u>	Bearing, Ball	1
26	<u>101980801</u>	Gear Assembly, 16-Degree Synchro (25 Tooth)	1
27	<u>101980901</u>	Gear Assembly, 16-Degree Rear Synchro (28 Tooth)	1
28	<u>101981001</u>	Ring, 16-Degree Synchronizer	2
29	<u>102453001</u>	Shaft, Trans, with Circlip	1
30	<u>102453101</u>	Circlip	1
31	<u>7335</u>	Bearing	2
32	<u>AM10080</u>	Bearing, Ball, Sealed	2
33	<u>AM10081</u>	Bearing, Ball, Sealed	1
<p>Note: Items listed on this page are components of the unitized transaxle.</p>			

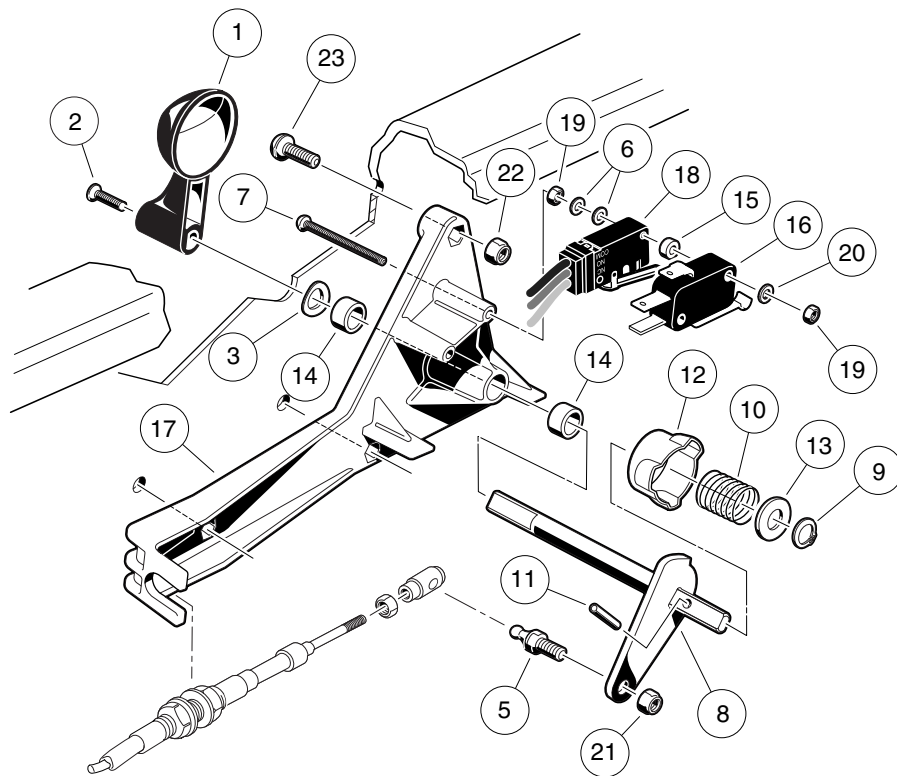


000222-001

TRANSAXLE – GASOLINE VEHICLES, DIFFERENTIAL AND AXLES

ITEM	PART NO.	DESCRIPTION	QTY
		1 2 3 4	
1	<u>1013770</u>	Differential Idler Gear	2
2	<u>1013771</u>	Gear, Differential	2
3	<u>1013772</u>	Pin, Differential	1
4	<u>1013794</u>	Axle Shaft Oil Seal	2
5	<u>1014193</u>	Dowel Pin	1
6	<u>101890901</u>	Pipe	1
7	<u>101891001</u>	Pipe	1
8	<u>101891401</u>	Axle Assembly, Passenger Side (includes items 9 through 13)	1
9	<u>1011291</u>	Outer Axle, Tube Bearing	1
10	<u>1013787</u>	Lug Stud	4
11	<u>1013792</u>	Circlip Type C	1
12	<u>1014207</u>	Bushing	1
13	<u>1016672</u>	Retaining Ring	1
14	<u>101891501</u>	Axle Assembly, Driver-Side (includes items 15 through 19)	1
15	<u>1011291</u>	Outer Axle, Tube Bearing	1
16	<u>1013787</u>	Lug Stud	4
17	<u>1013792</u>	Circlip Type C	1
18	<u>1014207</u>	Bushing	1
19	<u>1016672</u>	Retaining Ring	1
20	<u>101892701</u>	Gear, Helical	1
21	<u>101910501</u>	Kit, Differential Gear Case (includes items 22 through 25)	1
22	<u>1013768</u>	Differential Gear Case, Left-Hand	1
23	<u>1013769</u>	Differential Gear Case, Right-Hand	1
24	<u>1013773</u>	Plate, Thrust (Differential Gear)	1
25	<u>1013774</u>	Plate, Thrust (Idler Gear)	2
26	<u>101928301</u>	Screw, M8-1.25 X 35mm Hex Head	8
27	<u>102031901</u>	Bolt, M10 X 1.5 X 30mm	14
28	<u>7330</u>	Inner Axle Tube Bearing	2

11
G

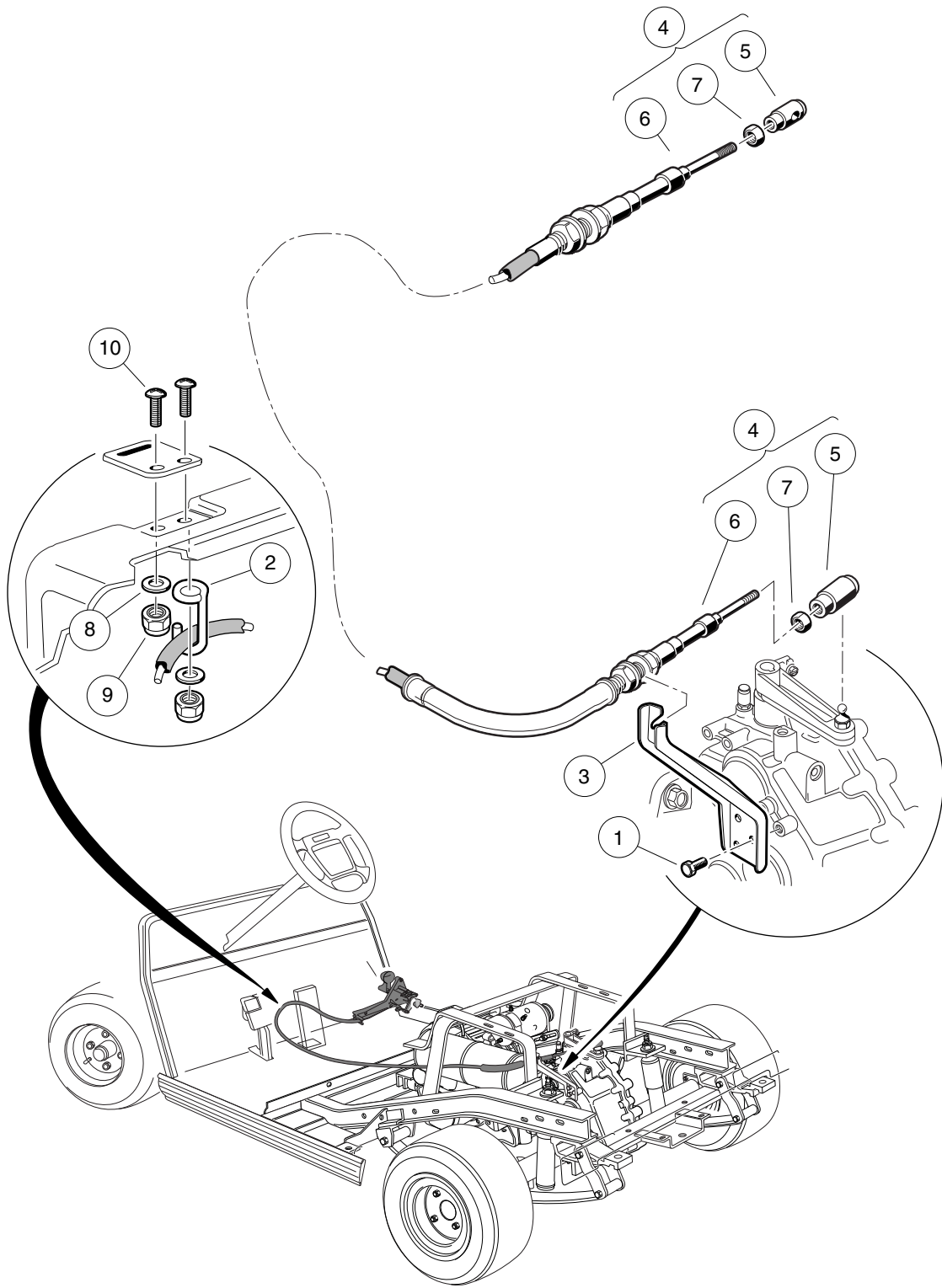


000236-001

FORWARD/REVERSE SHIFTER ASSEMBLY – GASOLINE VEHICLES

ITEM	PART NO.	DESCRIPTION	QTY
		1 2 3 4	
1	<u>1012987</u>	Handle, FNR	1
2	<u>1015064</u>	Screw, #8-32 X 0.63 Machine	1
3	<u>1016201</u>	Washer, Wave	1
4	1016947	Assembly, FNR Shifter (includes items 5 through 21)	1
5	<u>1010954</u>	Stud, 1/4-28 X 0.560 Ball	1
6	1012431	Washer, #4 Flat	4
7	<u>1012594</u>	Screw, #4-40 Machine	2
8	1013587	FNR Bell Crank Weldment	1
9	<u>1013589</u>	Ring, 0.338" Internal Retaining	1
10	<u>1013590</u>	Spring, FNR Cam	1
11	<u>1013591</u>	Pin, 1/8 X 1/2 Roll	1
12	1014089	Neutral Lockout Cam Kit (includes item 13)	1
13	<u>1014065</u>	Washer, 0.38" ID Delrin Flat	1
14	<u>1014145</u>	Bushing, Secondary Weight, Split	2
15	<u>1014727</u>	Washer, #4 Nylon Flat	2
16	<u>1014807</u>	Switch, Limit	1
17	<u>1016342</u>	FNR Shifter Base	1
18	<u>101979101</u>	Assembly, Switch, Limit	1
19	<u>8057</u>	Nut, #4-40 Hex Machine	4
20	<u>8058</u>	Lockwasher, #4 Split	2
21	<u>8717</u>	Locknut, 1/4-28 Nylon Insert	1
22	<u>8233</u>	Locknut, 1/4-20 Nylon Insert	4
23	<u>8248</u>	Screw, 1/4-20 X 0.75 Truss-Head Machine	4

11
G



000248-001

FORWARD/REVERSE SHIFTER CABLE – GASOLINE VEHICLES

ITEM	PART NO.	DESCRIPTION	QTY
		1 2 3 4	
1	<u>1012285</u>	Screw, 1/4 X 0.625 Hex-Head	3
2	<u>101855801</u>	Cable Retainer	1
3	<u>101922601</u>	Bracket, Shifter	1
4	<u>101951501</u>	FNR Shifter Cable (includes items 5 through 7)	1
5	<u>1012333</u>	Joint, #10-32 Ball	2
6	<u>103379501</u>	Cable, Transmission Shifter Ds	1
7	<u>7893</u>	Nut, #10-32 Hex	2
8	<u>332</u>	Washer, 1/4 Type A Narrow Flat	4
9	<u>8233</u>	Locknut, 1/4-20 Nylon Insert	4
10	<u>8251</u>	Screw, 1/4-20 X 1.0 Truss-Head Machine	4

11

G

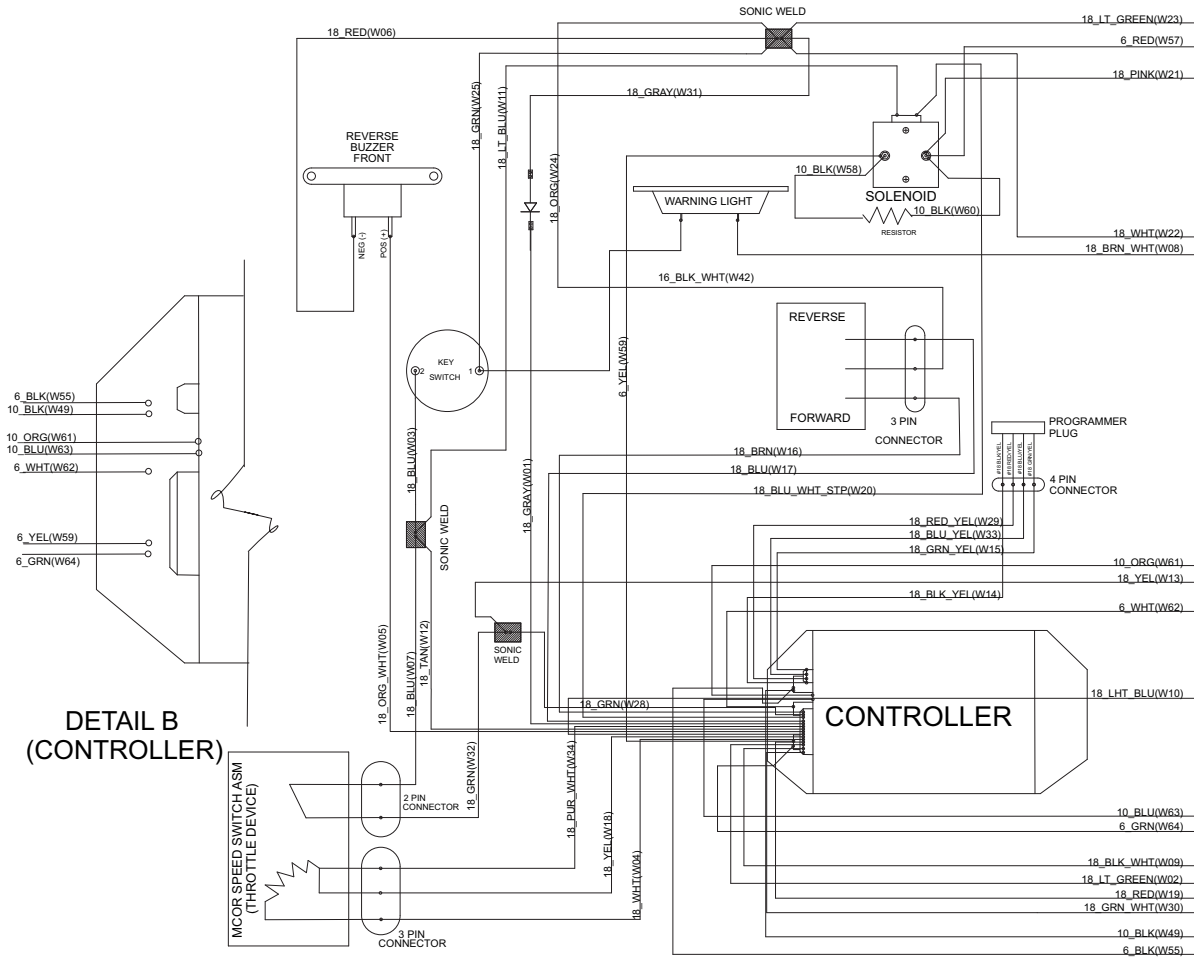
11

G

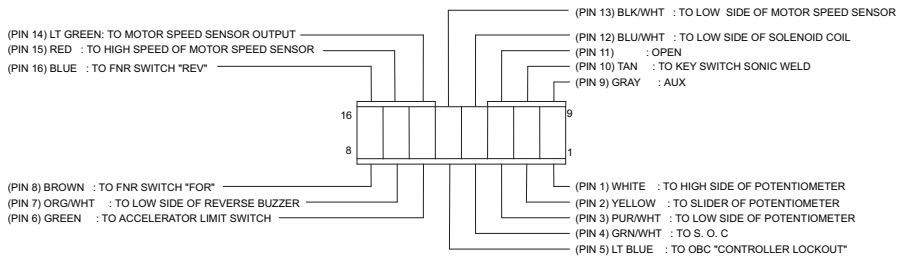
ELECTRICAL SYSTEM – ELECTRIC VEHICLE

12

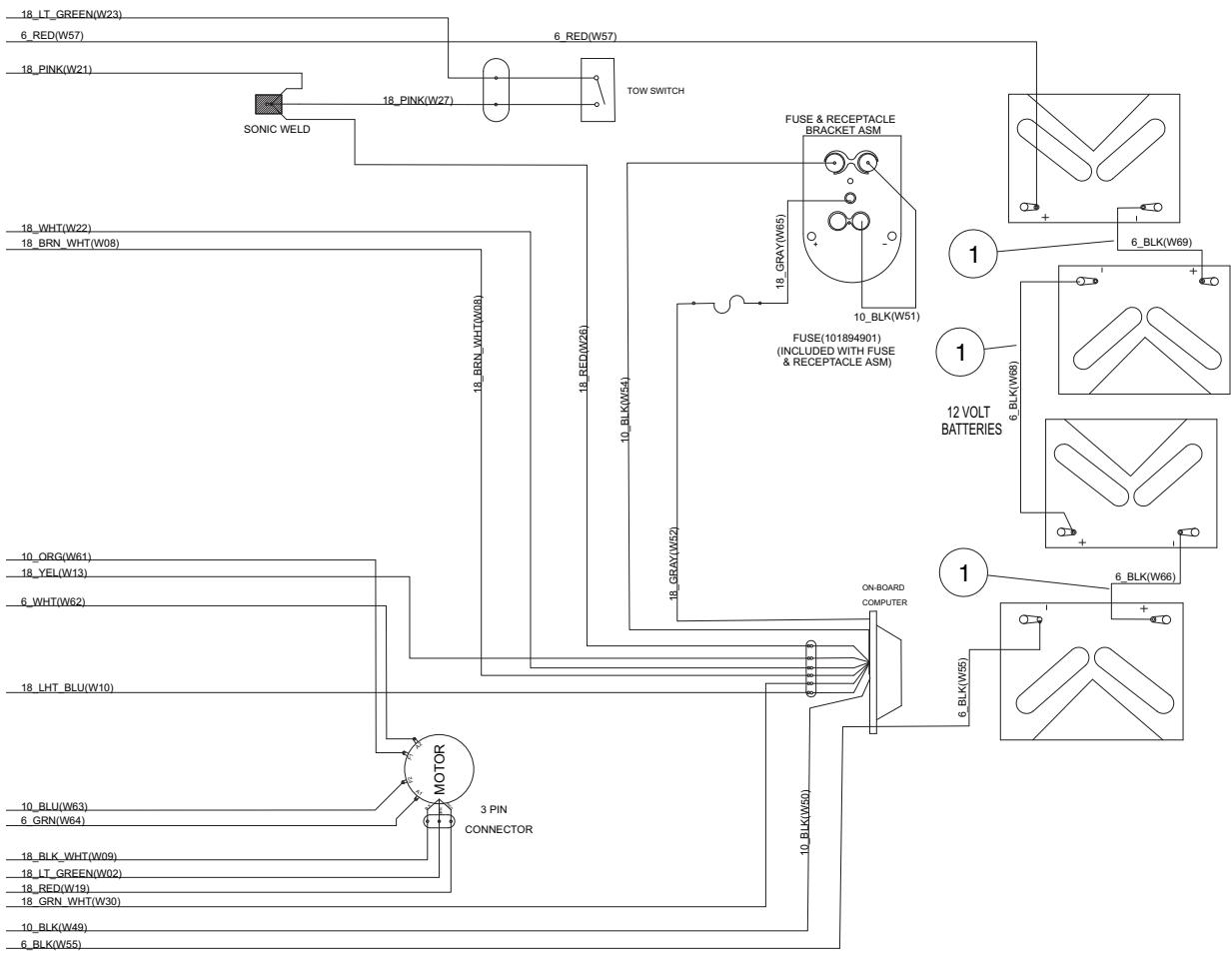
E



DETAIL B (CONTROLLER)



000412-002



000412-002

12

E

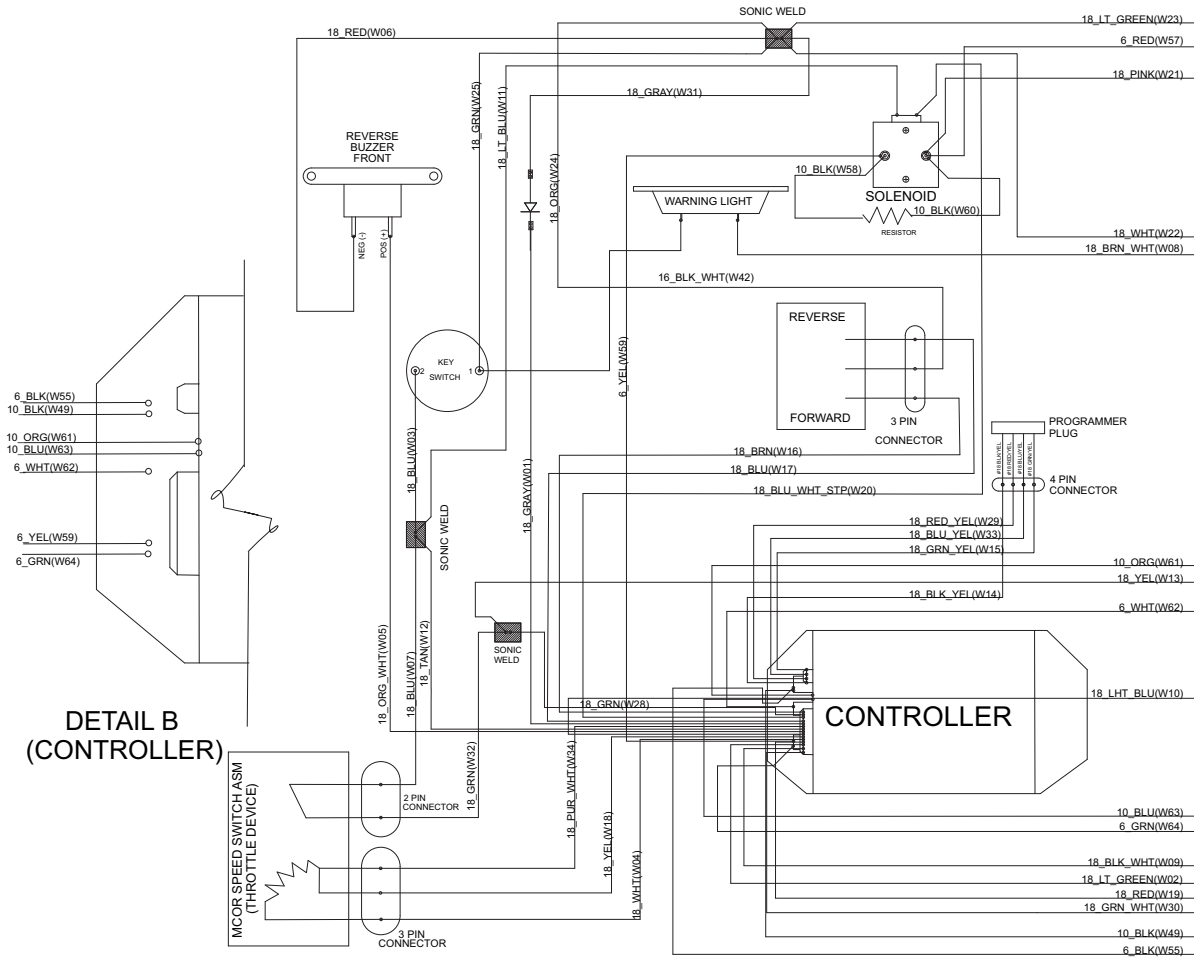
See previous two pages for illustration.

WIRING

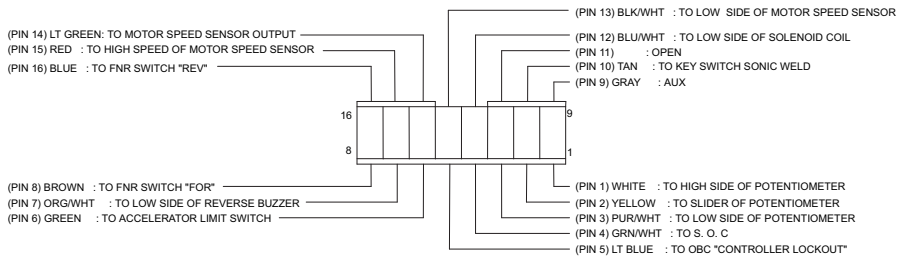
ITEM	PART NO.	DESCRIPTION	QTY
		1 2 3 4	
1	<u>101795701</u>	Asm, Wire, #6blk 13in	3
2	<u>102913301</u>	Wire Harness, Electric, DS, Four 12-Volt Batteries	1
3	<u>103250701</u>	Wire Harness Ds Iq Data	1

12

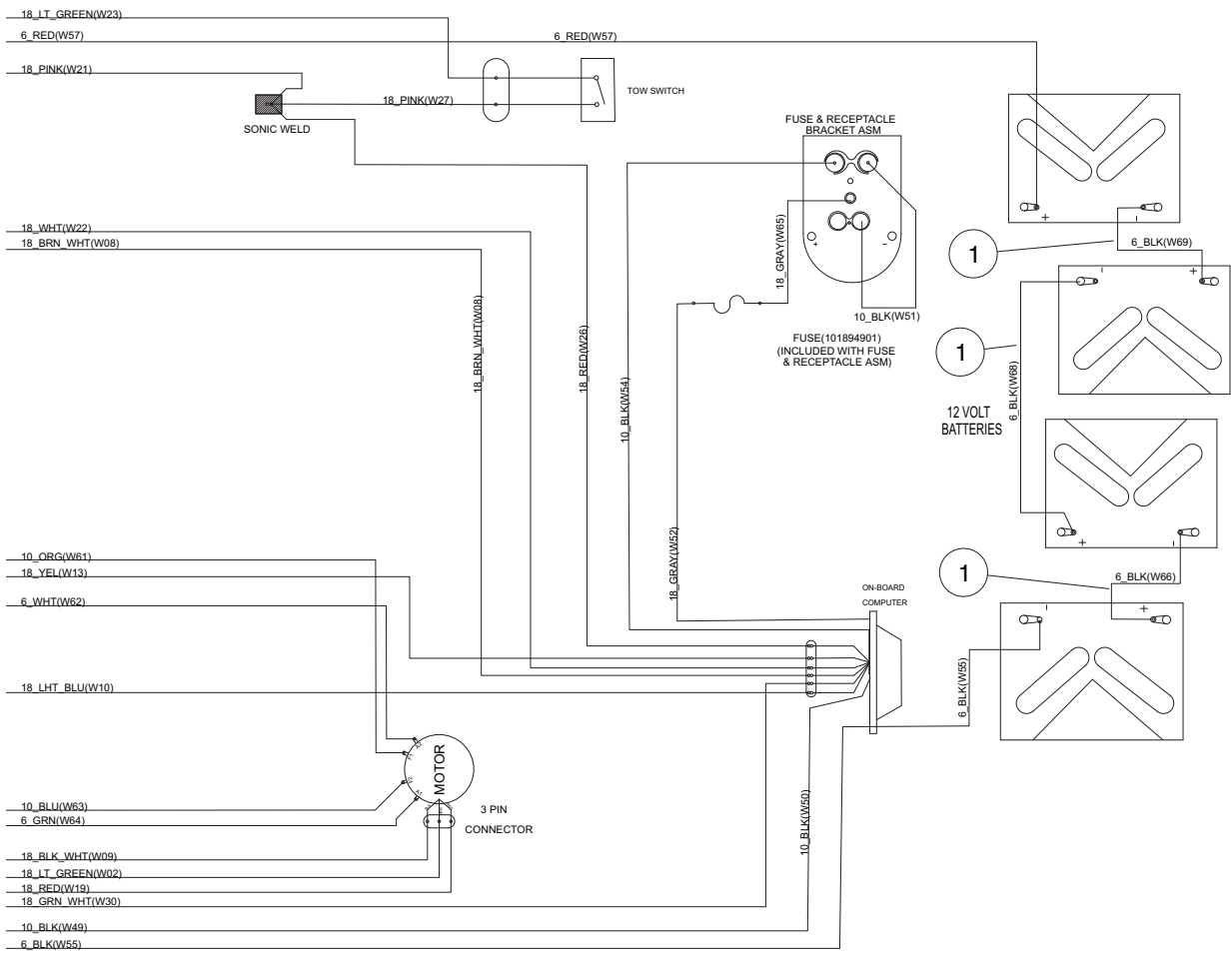
E



DETAIL B (CONTROLLER)



000412-002



000412-002

12

E

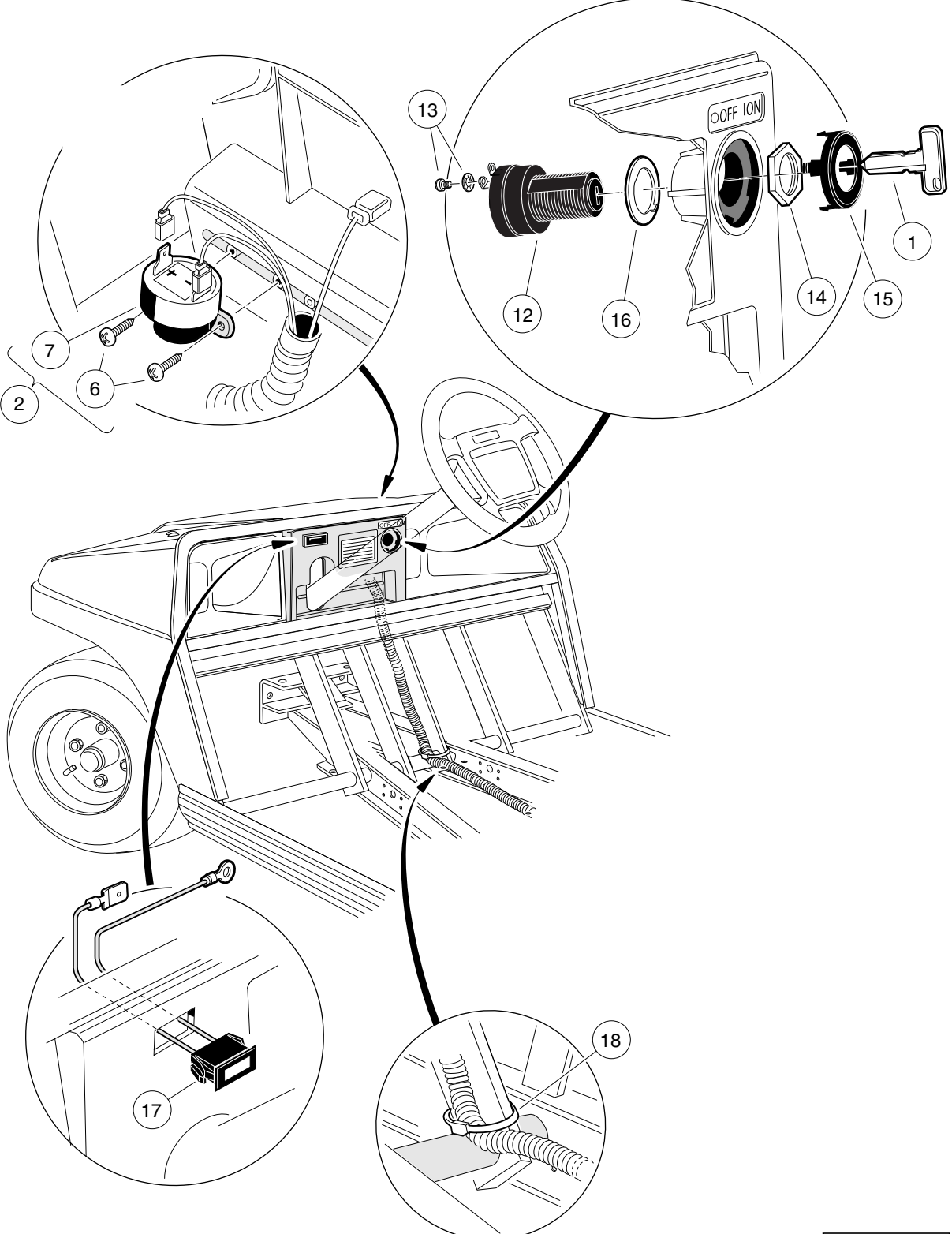
See previous two pages for illustration.

WIRING

ITEM	PART NO.	DESCRIPTION	QTY
1	<u>103689601</u>	1 2 3 4 Wire Harness Elec Ds 6x8v	1

12

E



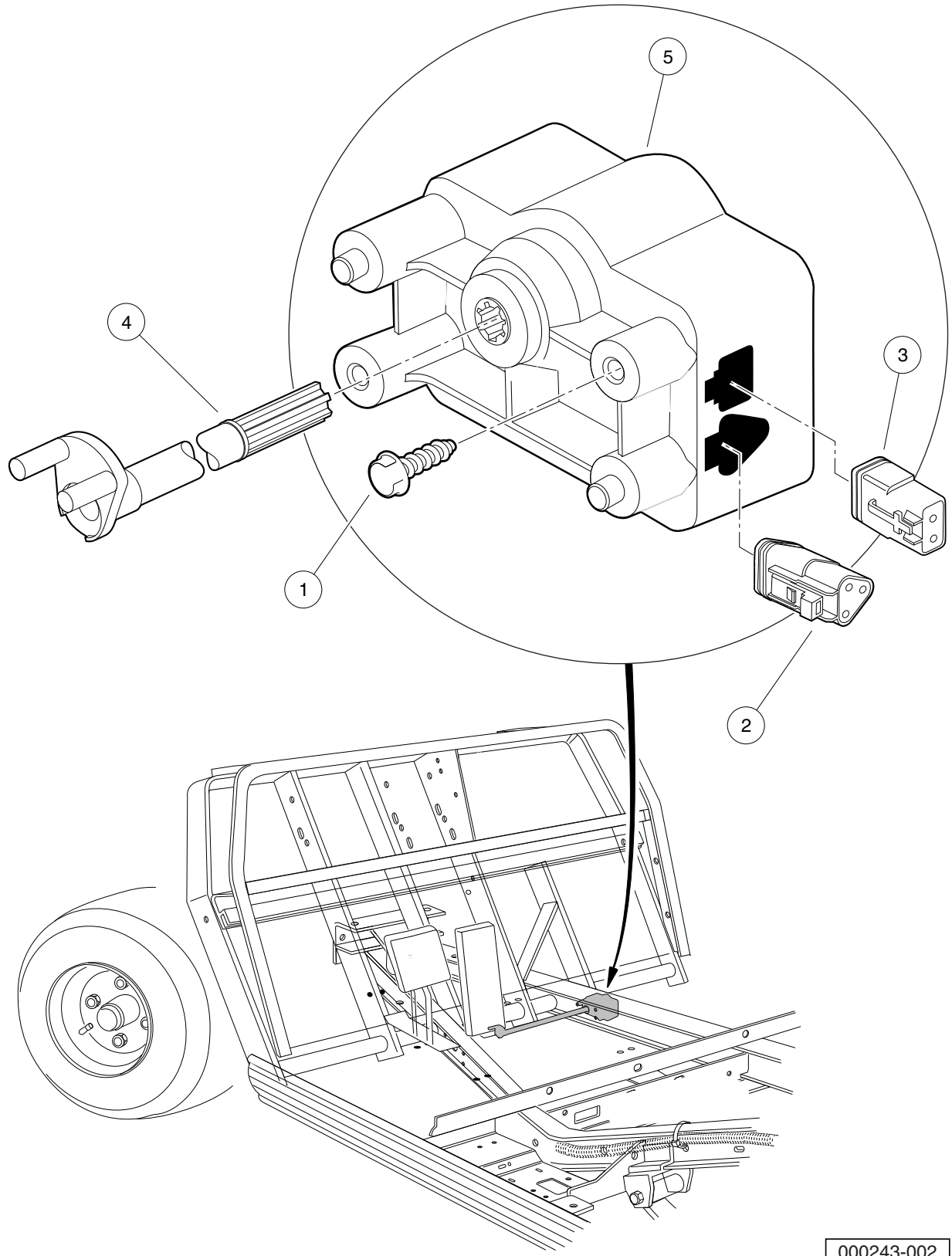
000340-001

INSTRUMENT PANEL COMPONENTS

ITEM	PART NO.	DESCRIPTION	QTY
		1 2 3 4	
1	<u>1012505</u>	Keys (set of 2)	1
2	<u>1016859</u>	Kit, Reverse Buzzer (includes items 3 through 11)	1
3	<u>1011229</u>	Locknut, #6-32 Whiz	1
4	<u>1012431</u>	Washer, #4 Flat	2
5	<u>1015720</u>	Screw, #6-32 X 1/2 Hex Washer-Head	1
6	<u>1016849</u>	Screw, #4-24 X 0.33 Pan-Head Machine	2
7	<u>1016851</u>	Buzzer, Reverse (9-48 VDC)	1
8	<u>1016857</u>	Wire Assembly Black #18	1
9	<u>8056</u>	Screw, #4-40 X 0.75 Round-Head Machine	2
10	<u>8057</u>	Nut, #4-40 Hex Machine	2
11	<u>8058</u>	Lockwasher, #4 Split	2
12	<u>101826201</u>	Key Switch, On/Off	1
13	<u>101830601</u>	Screw and Washer Assembly	2
14	<u>101830701</u>	Nut, Key Switch	1
15	<u>101834502</u>	Cap, Black Key Switch	1
16	<u>101851101</u>	Washer, Key Switch	1
17	<u>101935501</u>	Light, Battery (Amber)	1
18	<u>8990</u>	Tie Wrap, 8" Nylon	2
Note: Item 2, Reverse Buzzer Kit, contains parts not used in this application.			

12

E



000243-002

MOTOR CONTROLLER OUTPUT REGULATOR (MCOR)

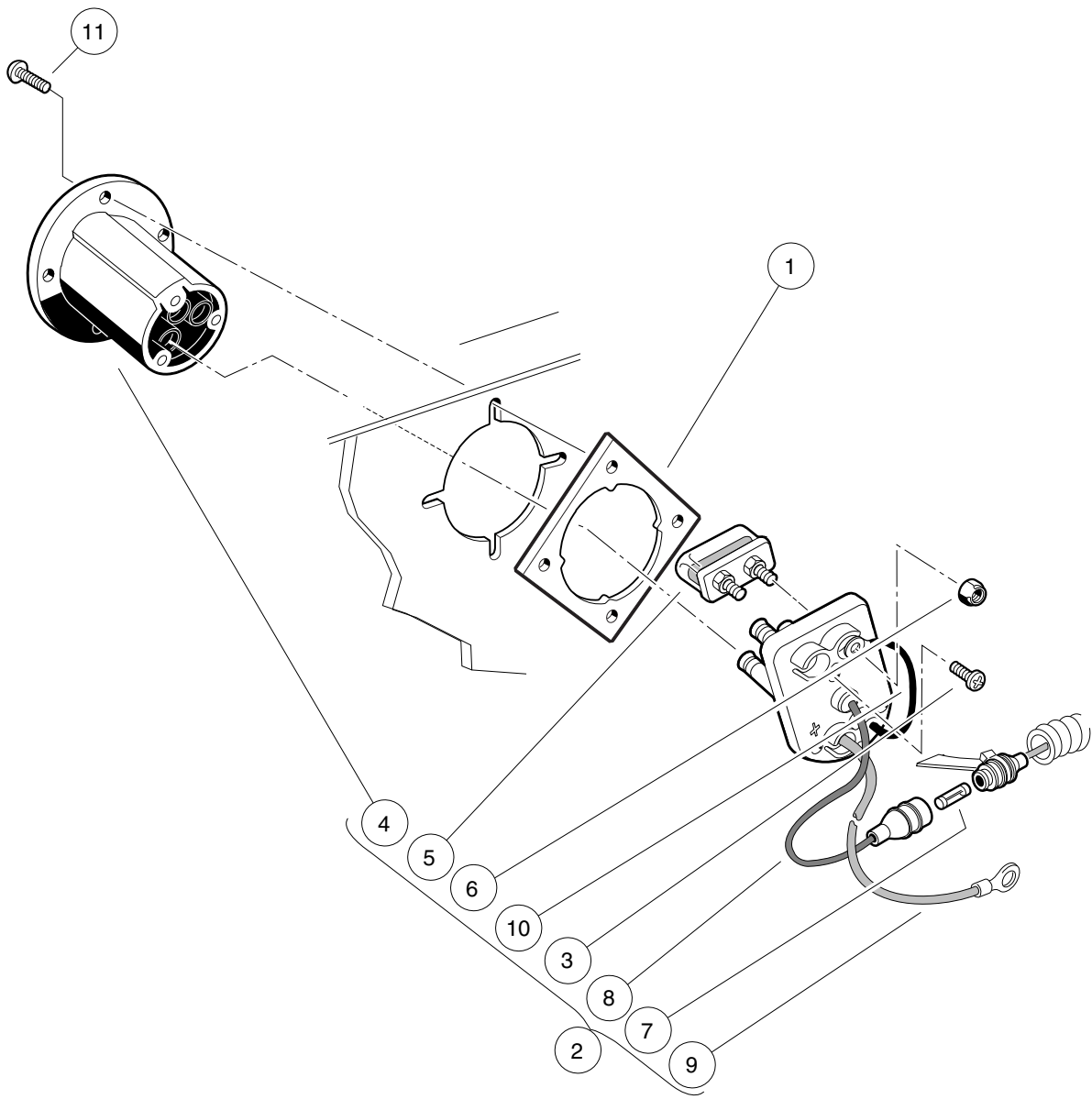
ITEM	PART NO.	DESCRIPTION	QTY
		1 2 3 4	
1	<u>1015752</u>	Screw, #12-16 X 0.625 Hi-Lo	2
2	<u>101920101</u>	Kit, 3-Pin Wedge Lock	1
3	<u>101936801</u>	Kit, 2-Pin Wedge Lock	1
4	102101001	Bar, Drive, Cast	1
5	<u>102101101</u>	MCOR	1

12

E

12

E



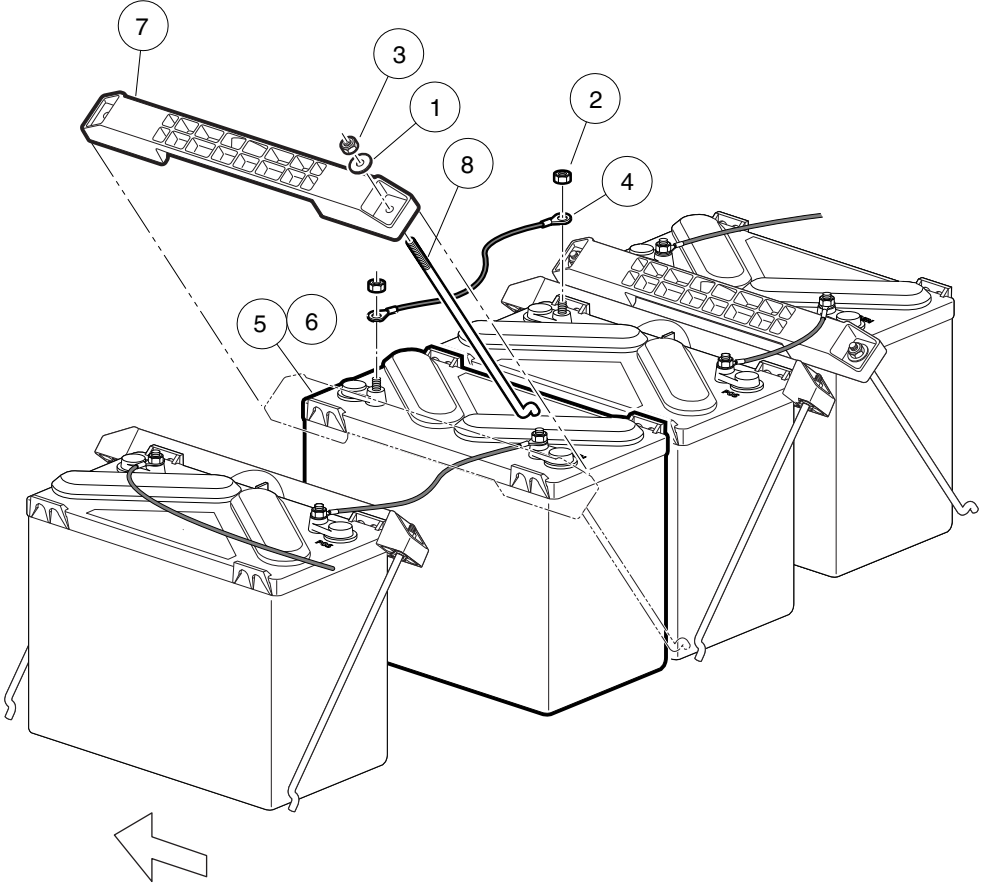
000369-001

BATTERY CHARGER RECEPTACLE

ITEM	PART NO.	DESCRIPTION	QTY
		1 2 3 4	
1	<u>101801001</u>	Plate, Receptacle Backing	1
2	<u>101802101</u>	Fuse and Receptacle Assembly (includes items 3 through 10)	1
3	<u>1017705</u>	Screw, #8 X 5/8 Phillips Pan-Head Type AB	3
4	<u>101796501</u>	Receptacle	1
5	<u>101796801</u>	Fuse Assembly (includes item 6)	1
6	<u>1013061</u>	Locknut, #10-32 Nylon Insert	2
7	N/A	Fuse, 3/8-Amp	1
8	N/A	Wire Assembly, Sense Lead, Gray	1
9	N/A	Wire Assembly, #10 Red	1
10	N/A	Wire Assembly, #10 Black	1
11	<u>101832001</u>	Screw, #7-19 X 0.625 Phillips Pan-Head Tap	4

12

E



000241-002

BATTERIES, ELECTRIC VEHICLE

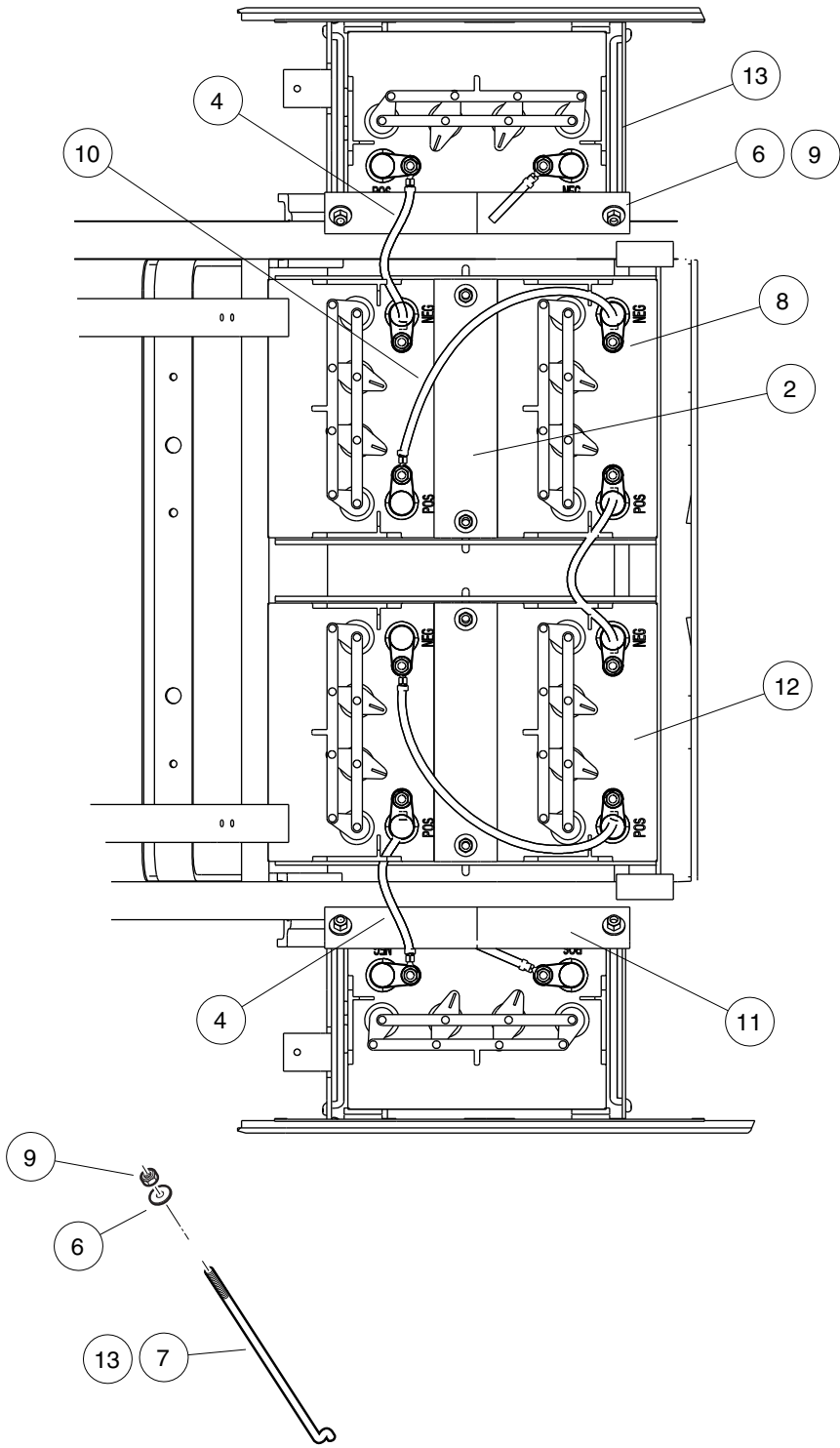
ITEM	PART NO.	DESCRIPTION	QTY
		1 2 3 4	
1	<u>1011697</u>	Washer, 5/16 Flat	8
2	<u>1014304</u>	Nut, 5/16-18 Stainless-Steel Hex	8
3	1015072	Locknut, 5/16-18 Nylon Insert	8
4	<u>101795701</u>	Asm, Wire, #6blk 13in	3
5	<u>102511301</u>	Battery, Ventmaster 12-Volt (Wet)	4
6	<u>102511302</u>	Battery, Ventmaster 12-Volt (Dry, also known as moist)	4
7	<u>102777401</u>	Battery Hold-Down	4
8	<u>102832601</u>	Bolt, Battery, J-	8

12

E

12

E



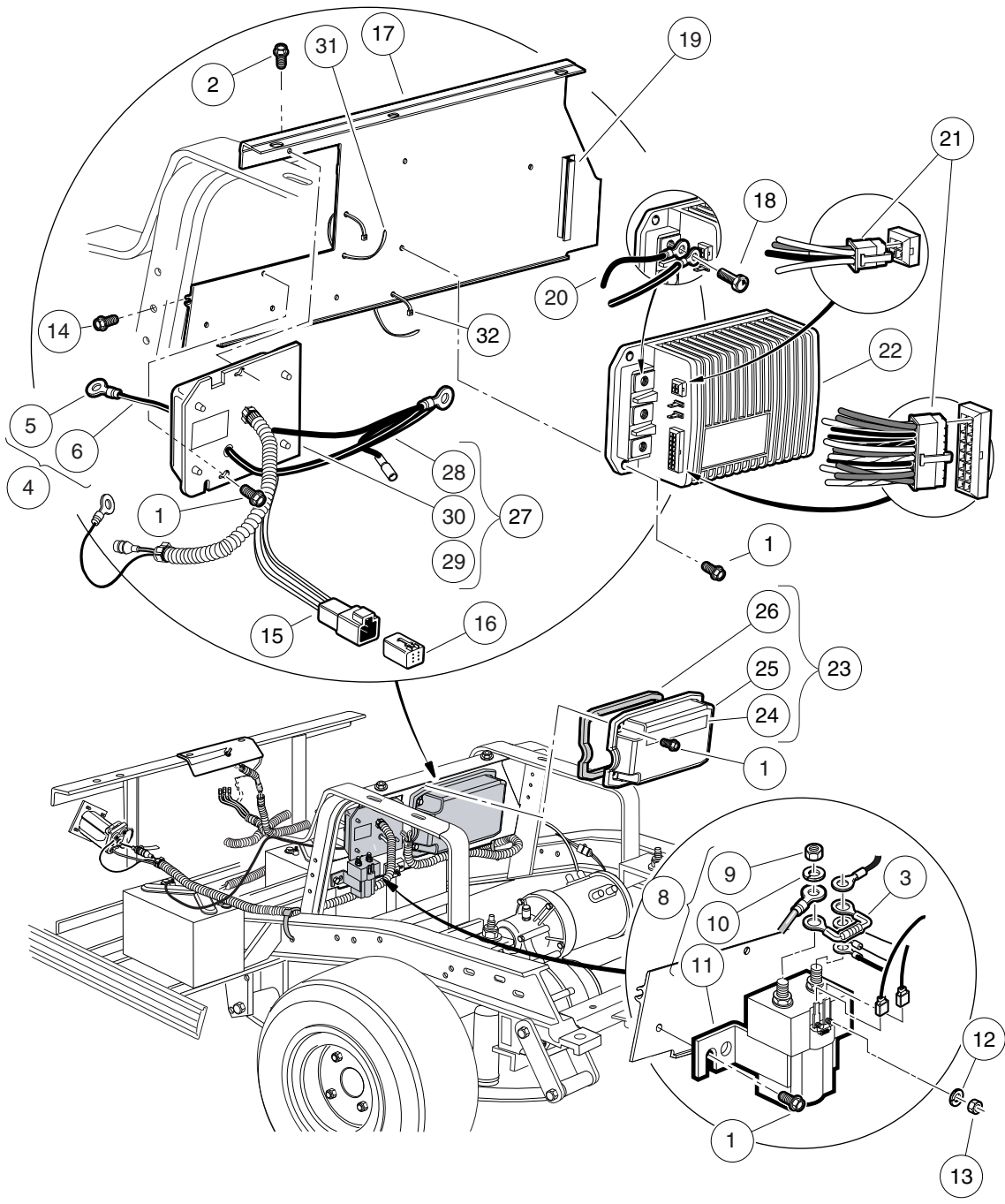
000241-004

BATTERIES – 6 X 8V, ELECTRIC VEHICLE

ITEM	PART NO.	DESCRIPTION	QTY
		1 2 3 4	
1	N/A	Instl, 8v Batt Us 48v Elec 6ga (includes items 2 through 13)	1
2	<u>101090801</u>	Hold-Down, Battery	2
3	<u>101090802</u>	Hold-Down, Battery	2
4	<u>1010958</u>	Asm, Wire, #6blk 8in	3
5	<u>1011578</u>	Washer, 5/16 Type B Flat	4
6	<u>1011697</u>	Washer, 5/16 Flat	4
7	1013683	J-Bolt	4
8	<u>1014304</u>	Nut, 5/16-18 Stainless-Steel Hex	12
9	1015072	Locknut, 5/16-18 Nylon Insert	8
10	<u>101795701</u>	Asm, Wire, #6blk 13in	2
11	<u>103504301</u>	Tee, Batt Ret Ctr Short	2
12	N/A	Battery, 8v, 8vgcxc, Wet	6
13	<u>103696801</u>	J Bolt, Batt Hold Down 12"	4

12

E



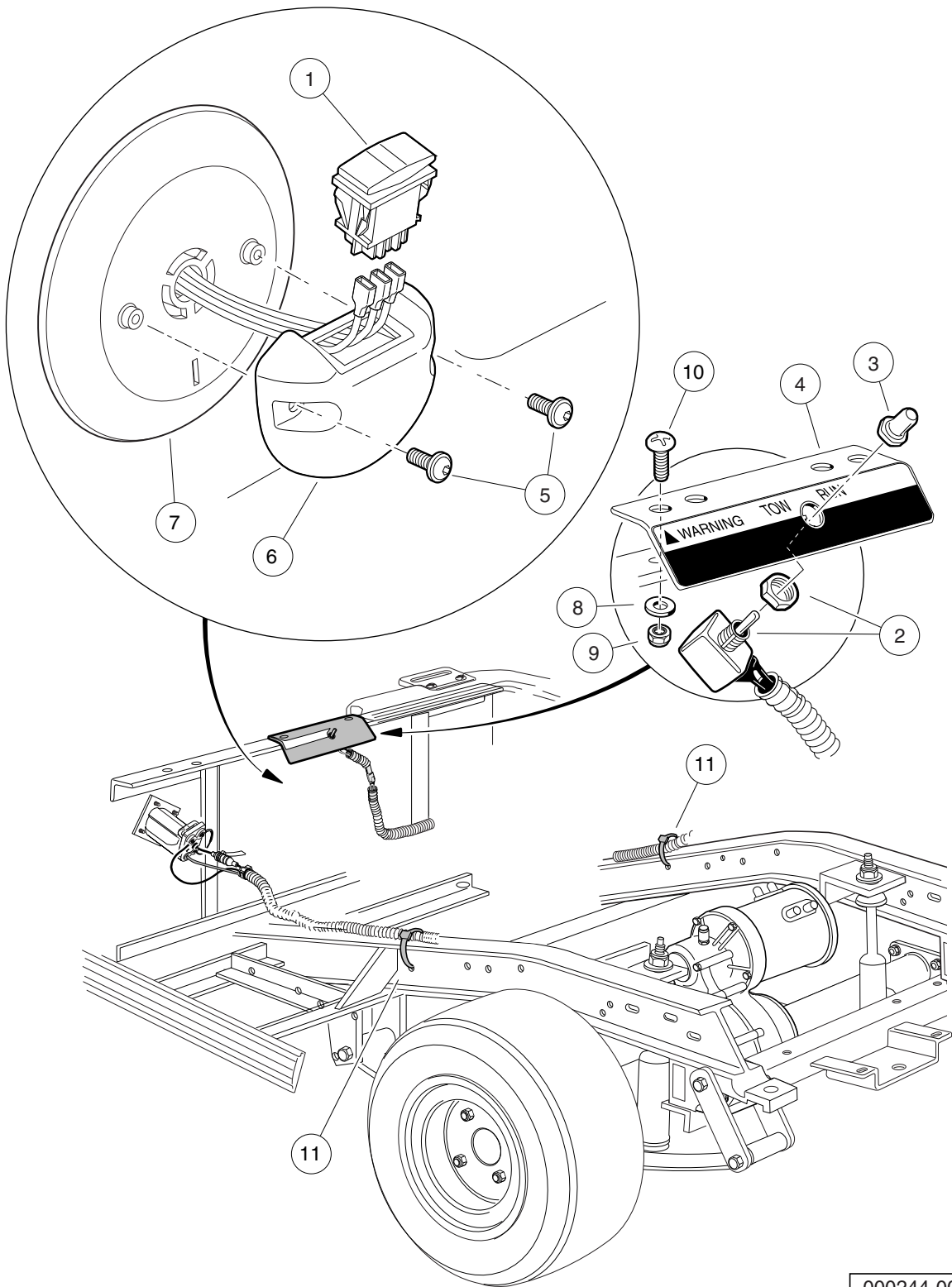
000242-005

OBC, CONTROLLER, AND SOLENOID – ELECTRIC VEHICLE

12

E

ITEM	PART NO.	DESCRIPTION	QTY
		1 2 3 4	
1	<u>1012285</u>	Screw, 1/4 X 0.625 Hex-Head	9
2	<u>1014288</u>	Screw, 5/16-18 X 0.75 Thread-Forming	2
3	<u>1014947</u>	Resistor Assembly	1
4	101827801	Ground Wire Kit, 48-Volt (includes items 5 through 7)	1
5	101826801	Compression Lug	1
6	N/A	Wire Assembly, Black	1
7	<u>8990</u>	Tie Wrap, 8" Nylon	3
8	<u>101908701</u>	Solenoid, 48-Volt (includes items 9 through 13)	1
9	<u>1012528</u>	Nut, M8-1.25 Hex	2
10	<u>1013734</u>	Lockwasher, 8mm Split	2
11	N/A	Solenoid, 48-Volt	1
12	N/A	Washer, Lock	2
13	N/A	Nut	2
14	<u>101910401</u>	Screw, 5/16-18 X 1.25 Thrd Frm	2
15	<u>101932601</u>	Kit, 6-Pin Wedge Lock	1
16	101932701	Kit, 6-Pin Receptacle and Wedge Lock	1
17	<u>101965205</u>	Plate, Component Mounting	1
18	<u>102240501</u>	Bolt, Controller, Terminal	3
19	****	Extrusion, Cover Support	1
20	<u>102263601</u>	Wire Assy, #10 Black	1
21	<u>102266501</u>	Kit, Connector, IQ Controller	1
22	<u>102806201</u>	Controller, IQ, 48-volt	1
23	<u>103316901</u>	Cover Asm - Controller (includes items 24 through 26)	1
24	<u>101931501</u>	Decal, Component Cover	1
25	<u>103316701</u>	Cover - Controller, Deep	1
26	<u>103316801</u>	Gasket - Controller Cover	1
27	N/A	Kit, OBC, DS and Util IQ (includes items 28 through 30)	1
28	<u>103282601</u>	Wire Assembly Black #10	1
29	N/A	Instr Obc Ds Pre 01-28-2007	1
30	103403101	Asm, Obc, Iq, V3.0	1
31	<u>8639</u>	Tie Wrap, 11" Nylon	1
32	<u>8990</u>	Tie Wrap, 8" Nylon	1
		**** Special order item available upon request.	



000244-005

FORWARD/REVERSE SWITCH, TOW/RUN SWITCH

ITEM	PART NO.	DESCRIPTION	QTY
		1 2 3 4	
1	<u>101856002</u>	Switch, Rocker, Single-Pole	1
2	<u>101908101</u>	Switch Assembly, Tow/Run	1
3	<u>101908401</u>	Boot, Switch	1
4	<u>101922501</u>	Bracket, Tow/Run Switch Mounting	1
5	<u>102296920</u>	Screw, M6 Torx Btn Hd Sems	2
6	<u>102508401</u>	Housing, FNR Electric	1
7	<u>103262701</u>	Bezel Adapter Fnr	1
8	<u>332</u>	Washer, 1/4 Type A Narrow Flat	2
9	<u>8233</u>	Locknut, 1/4-20 Nylon Insert	2
10	<u>8248</u>	Screw, 1/4-20 X 0.75 Truss-Head Machine	2
11	<u>8990</u>	Tie Wrap, 8" Nylon	1

12

E

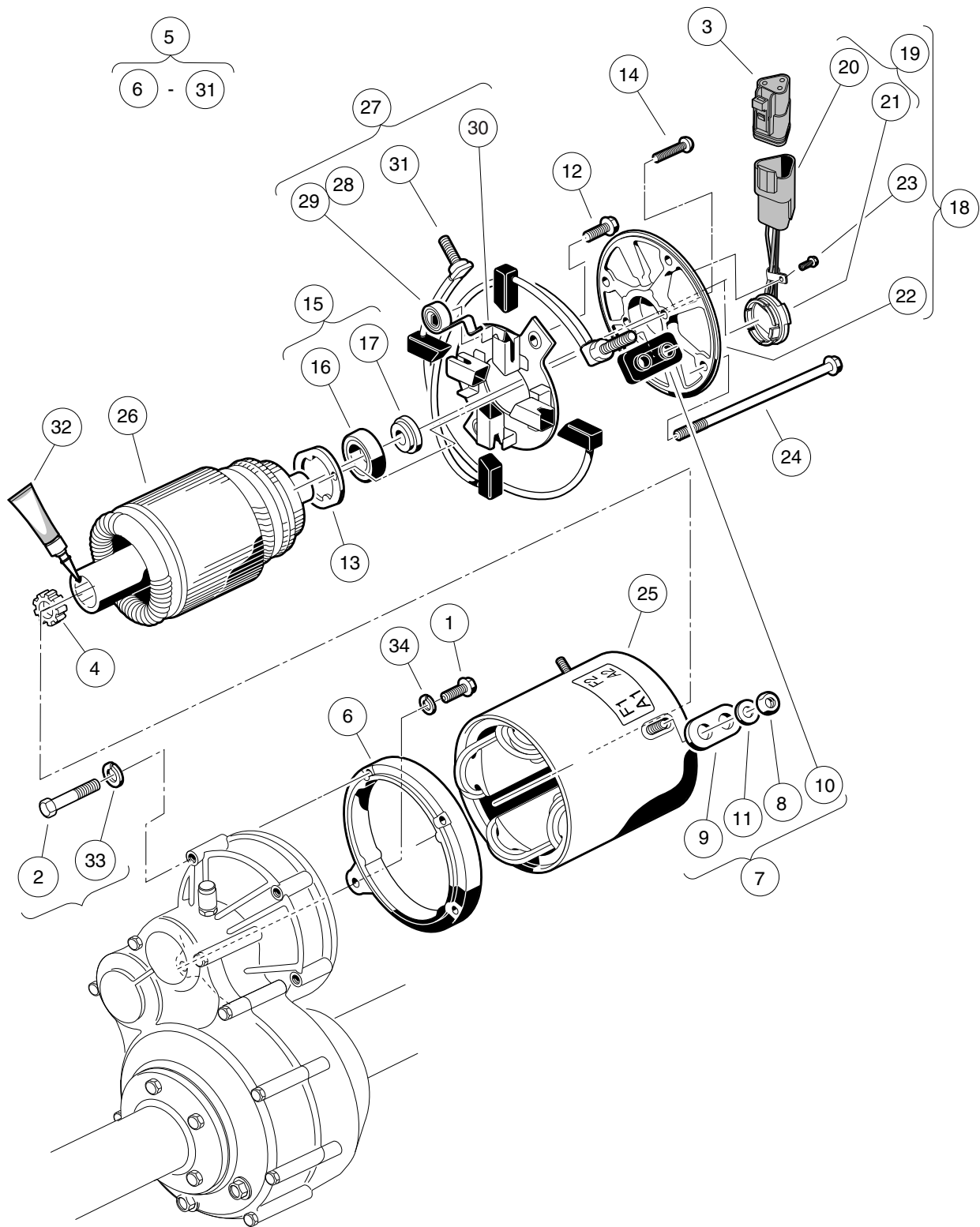
12

E

ELECTRIC MOTOR

13

E



000349-002

MOTOR (MODEL 5BC59JBS6390) – ELECTRIC VEHICLE

ITEM	PART NO.	DESCRIPTION	QTY
		1 2 3 4	
1	<u>1010934</u>	Screw, 5/16-18 X 1.00 Hex Cap	1
2	<u>1014201</u>	Screw, 1/4-20 X 2.25 Hex Cap	3
3	<u>101920101</u>	Kit, 3-Pin Wedge Lock	1
4	<u>102235201</u>	Bumper, Drive Unit	1
5	<u>102240104</u>	Motor, 48-Volt Non-Skew IQ * (includes items 6 through 27)	1
6	<u>1017944</u>	End Shield	1
7	<u>1017947</u>	Hardware Package (includes items 8 through 11)	1
8	<u>1011280</u>	Locknut, 5/16-18	4
9	N/A	Insulator Bushing	2
10	N/A	Insulated Bushing	2
11	<u>1241</u>	Washer, 5/16 Type A Flat	4
12	<u>1017949</u>	Screw, #6-32 X 0.480 Hex-Head	2
13	<u>1017950</u>	Bearing Retainer	1
14	<u>1017953</u>	Screw, Bearing Retainer	2
15	<u>102265701</u>	Kit, Bearing and Magnet (includes items 16 and 17)	1
16	<u>1011290</u>	Ball Bearing	1
17	<u>102265801</u>	Magnet	1
18	<u>102265901</u>	Motor End Shield Asm (includes items 19 through 23)	1
19	<u>102265601</u>	Speed Sensor Assembly (includes items 20 and 21)	1
20	<u>101942301</u>	Kit, 3-Pin Wedge Lock	1
21	N/A	Sensor, Speed, without Connector	1
22	<u>102266001</u>	End Shield, Motor	1
23	<u>102267001</u>	Screw, #8-32 X 0.375 Hex-Head	1
24	<u>102266101</u>	Screw, #10 - 32 X 8.250	4
25	<u>103325701</u>	Stator Shell and Winding	1
26	<u>103325801</u>	Non Skew Armature	1
27	<u>103337601</u>	Brush Assembly, IQ Motor, Non-Skew (includes items 28 through 31)	1
28	<u>1011411</u>	Kit, Brush Spring (ge Motor) (includes item 29)	1
29	<u>1011285</u>	Brush Spring	4
30	<u>103325501</u>	Brush Rigging, Non-Skew Motor	1
31	<u>103325601</u>	Brush Set, Non-Skew	1
32	<u>102243403</u>	Lubricant, Moly-Teflon (Single-Use Tube)	1
33	<u>451</u>	Lockwasher, 1/4 Split	3
34	<u>7174</u>	Lockwasher, 5/16 Split	1
* Note: The model 5BC59JBS6390 motor has been discontinued. To replace the motor, use motor model EJ8-4001A.			

13

E

MOTOR (MODEL EJ4-4001) – ELECTRIC VEHICLE

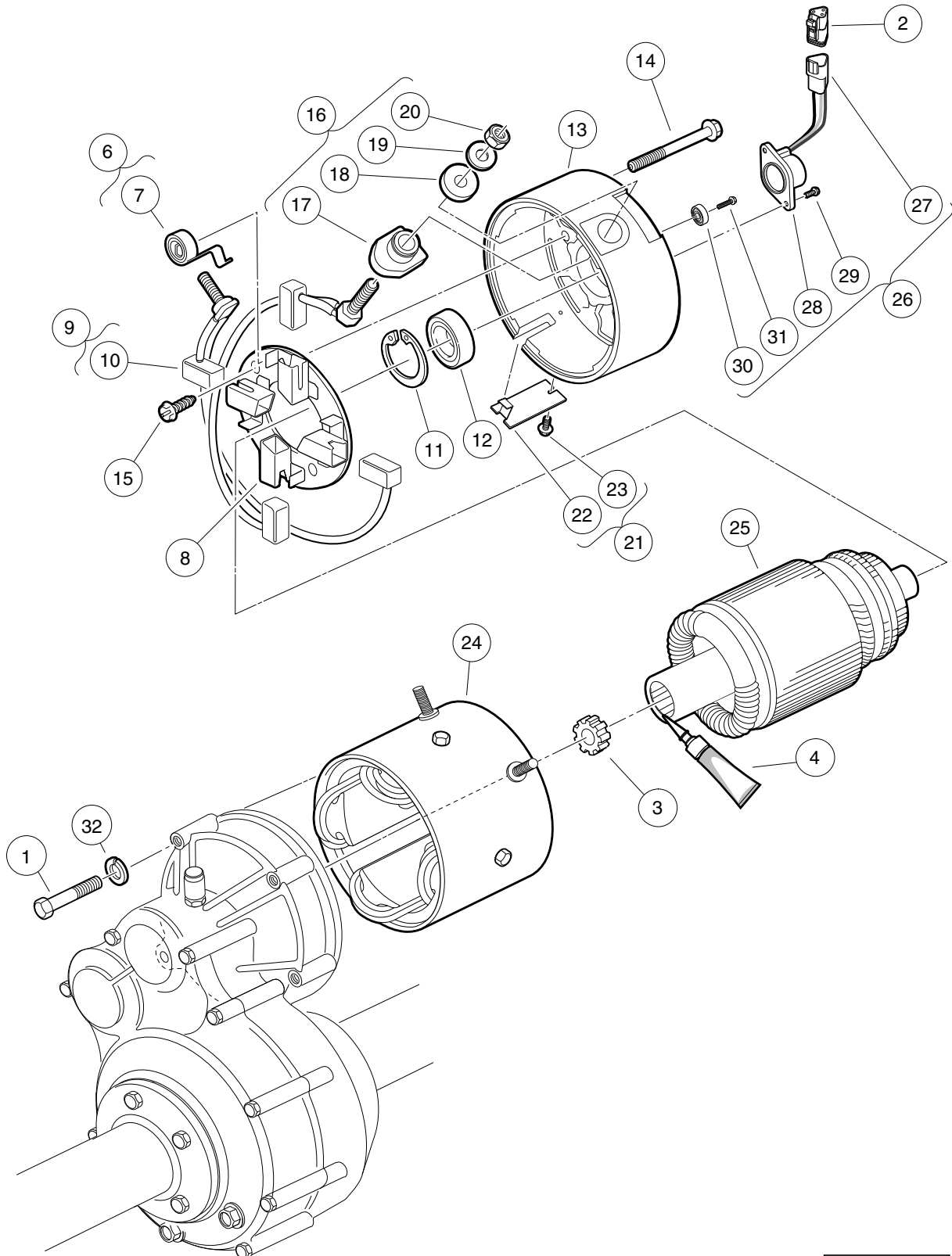
ITEM	PART NO.	DESCRIPTION	QTY
		1 2 3 4	
1	<u>1010934</u>	Screw, 5/16-18 X 1.00 Hex Cap	1
2	<u>1014201</u>	Screw, 1/4-20 X 2.25 Hex Cap	3
3	<u>101920101</u>	Kit, 3-Pin Wedge Lock	1
4	<u>102235201</u>	Bumper, Drive Unit	1
5	<u>102243403</u>	Lubricant, Moly-Teflon (Single-Use Tube)	1
6	<u>102705001</u>	IQ Electric Motor, 48-VDC 3.3 hp * (includes items 7 through 34)	1
7	<u>102186001</u>	Spring Kit, Motor Brush (includes item 8)	1
8	N/A	Spring, Brush, S-g	4
9	<u>102186101</u>	Brush Box Assembly	1
10	<u>102186201</u>	Brush Kit, Motor (includes item 11)	1
11	N/A	Assembly, Brush and Terminal	2
12	<u>102186301</u>	Ring, 2.24" Internal Retaining	1
13	<u>102186401</u>	Bearing, Ball	1
14	<u>102186701</u>	End Cap, Motor	1
15	N/A	Screw, 1/4-20 X 2.25 Hex-Head Washer	2
16	<u>102186901</u>	Screw, #8-32 X .5 Hex-Head	2
17	<u>102187001</u>	L-Bracket, Motor	1
18	<u>102187101</u>	Hardware Kit, Motor Terminal (includes items 19 through 22)	2
19	N/A	Bushing, Nylon	2
20	N/A	Washer, Nylon Flat	2
21	N/A	Washer, Flat, 5/16 Steel	2
22	N/A	Nut, Brass Hex, 5/16 - 18	2
23	<u>102187201</u>	Plate Kit, Motor Cover (includes items 24 and 25)	1
24	N/A	Assembly, Cover Plate	1
25	N/A	Screw, #8-32 x 0.375, Taptite Thread	1
26	<u>102704701</u>	Frame and Field Assembly	1
27	<u>102704801</u>	Armature Assembly	1
28	<u>102704901</u>	Kit, Speed Sensor (includes items 29 through 33)	1
29	<u>101942301</u>	Kit, 3-Pin Wedge Lock	1
30	N/A	Sensor, Motor Speed, ADC	1
31	N/A	Screw, #8-32, Taptite Thread	2
32	N/A	Magnet, ADC Motor	1
33	N/A	Screw, 1/4-20 x 0.5	1
34	N/A	Bolt, 1/4 - 20 x 0.73 Thread-Forming	2
35	<u>451</u>	Lockwasher, 1/4 Split	3
36	<u>7174</u>	Lockwasher, 5/16 Split	1
		* Note: The model EJ4-4001 motor has been discontinued. To replace the motor, use motor model EJ8-4001A.	

13

E

13

E



000185-002

MOTOR (MODEL EJ8-4001A) – ELECTRIC VEHICLE

ITEM	PART NO.	DESCRIPTION	QTY
		1 2 3 4	
1	1014201	Screw, 1/4-20 X 2.25 Hex Cap	3
2	<u>101920101</u>	Kit, 3-Pin Wedge Lock	1
3	<u>102235201</u>	Bumper, Drive Unit	1
4	<u>102243403</u>	Lubricant, Moly-Teflon (Single-Use Tube)	1
5	N/A	IQ Electric Motor, 48-VDC 3.3 hp (includes items 6 through 26)	1
6	<u>102186001</u>	Spring Kit, Motor Brush (includes item 7)	1
7	N/A	Spring, Brush, S-g	4
8	<u>102186101</u>	Brush Box Assembly	1
9	<u>102186201</u>	Brush Kit, Motor (includes item 10)	1
10	N/A	Assembly, Brush and Terminal	2
11	<u>102186301</u>	Ring, 2.24" Internal Retaining	1
12	<u>102186401</u>	Bearing, Ball	1
13	<u>102186701</u>	End Cap, Motor	1
14	N/A	Screw, 1/4-20 X 2.25 Hex-Head Washer	2
15	<u>102186901</u>	Screw, #8-32 X .5 Hex-Head	2
16	<u>102187101</u>	Hardware Kit, Motor Terminal (includes items 17 through 20)	2
17	N/A	Bushing, Nylon	2
18	N/A	Washer, Nylon Flat	2
19	N/A	Washer, Flat, 5/16 Steel	2
20	N/A	Nut, Brass Hex, 5/16 - 18	2
21	<u>102187201</u>	Plate Kit, Motor Cover (includes items 22 and 23)	1
22	N/A	Assembly, Cover Plate	1
23	N/A	Screw, #8-32 x 0.375, Taptite Thread	1
24	<u>102704701</u>	Frame and Field Assembly	1
25	<u>102704801</u>	Armature Assembly	1
26	<u>102704901</u>	Kit, Speed Sensor (includes items 27 through 31)	1
27	<u>101942301</u>	Kit, 3-Pin Wedge Lock	1
28	N/A	Sensor, Motor Speed, ADC	1
29	N/A	Screw, #8-32, Taptite Thread	2
30	N/A	Magnet, ADC Motor	1
31	N/A	Screw, 1/4-20 x 0.5	1
32	<u>451</u>	Lockwasher, 1/4 Split	3

13

E

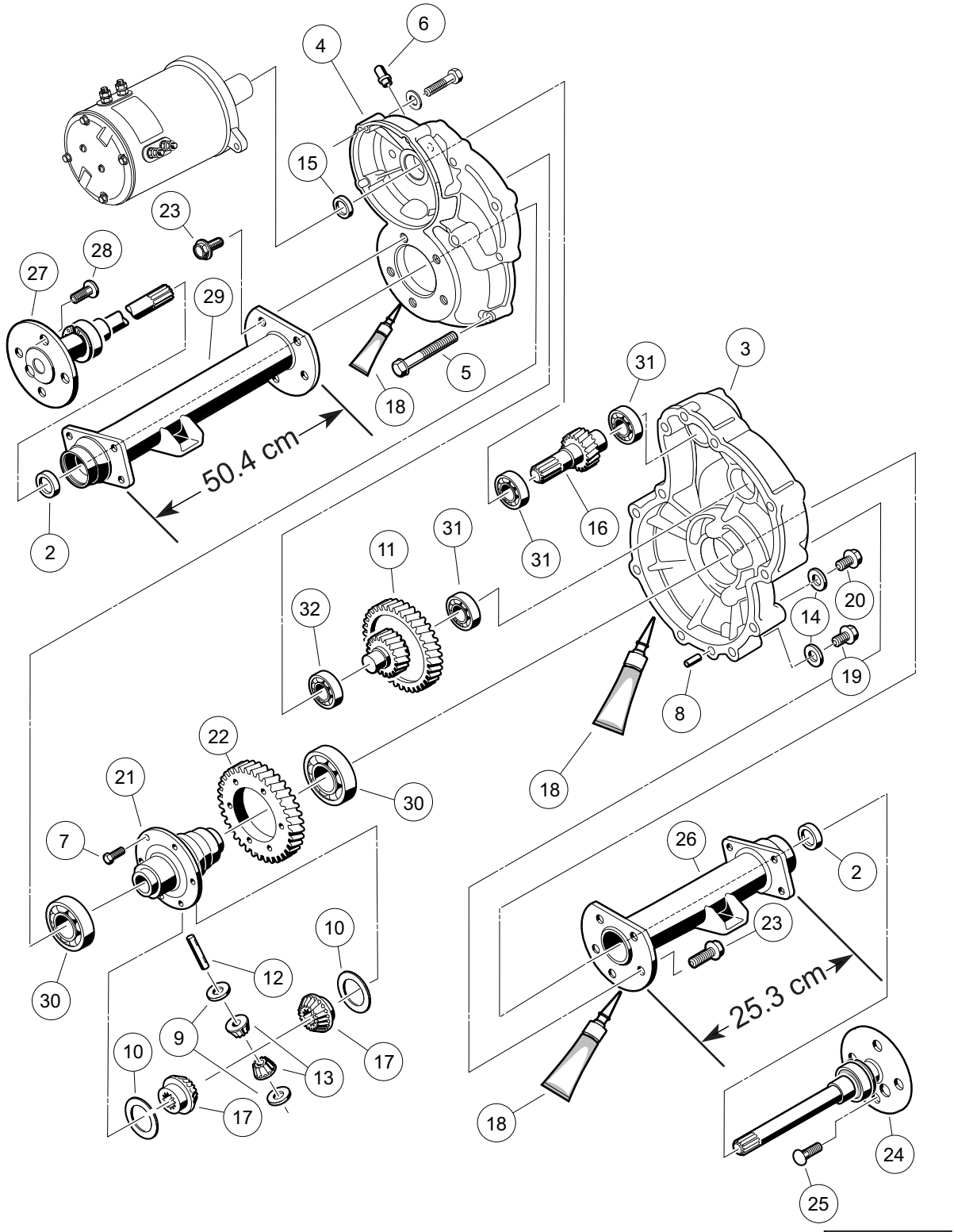
13

E

TRANSAXLE – ELECTRIC VEHICLES

14

E



000223-002

TRANSAXLE – ELECTRIC VEHICLES

ITEM	PART NO.	DESCRIPTION	QTY
		1 2 3 4	
1	<u>102771701</u>	Transaxle, Electric (includes items 2 through 32)	1
2	<u>1013794</u>	Axle Shaft Oil Seal	2
3	<u>101895401</u>	Gear Case, Left-Hand	1
4	<u>101895501</u>	Gear Case, Passenger-Side	1
5	<u>101897001</u>	Screw, M8-1.25 X 60mm Hex-Head	11
6	<u>101897201</u>	Breather	1
7	<u>101897401</u>	Screw, M10-1.25 X 25mm	6
8	<u>101897601</u>	Pin, 11mm OD X 8.5mm ID X 10mm	2
9	<u>101903601</u>	Washer, Thrust	2
10	<u>101903701</u>	Washer, Thrust	2
11	<u>101906901</u>	Intermediate Shaft Assembly	1
12	<u>101922101</u>	Pin, 15.99mm X 88.7mm Dowel	1
13	<u>101923001</u>	Gear, Differential Idler	2
14	<u>101923201</u>	Gasket	2
15	<u>101923501</u>	Seal, Lip	1
16	<u>101923701</u>	Shaft, Input	1
17	<u>101923901</u>	Gear, Differential	2
18	<u>101928701</u>	Liquid Gasket (Transaxle case)	1
19	<u>101972101</u>	Plug, M14-1.5 X 12mm Magnetic	1
20	<u>101972201</u>	Plug, M14-1.5 X 12mm Hex	1
21	<u>102356601</u>	Housing, Differential, 6 Bolt	1
22	<u>102356801</u>	Gear, Differential Output, 6-Bolt	1
23	<u>102357001</u>	Screw, Flg Hd M10 X 1.5 X 30	10
24	<u>102886301</u>	Axle Assembly, Driver-Side (includes item 25)	1
25	<u>101922201</u>	Lug Stud	4
26	<u>102886401</u>	Tube, Axle, Driver-Side	1
27	<u>102886501</u>	Axle Assembly, Passenger-Side (includes item 28)	1
28	<u>101922201</u>	Lug Stud	4
29	<u>102886601</u>	Tube, Axle, Passenger-Side	1
30	<u>7330</u>	Inner Axle Tube Bearing	2
31	<u>7335</u>	Bearing	3
32	<u>7336</u>	Bearing	1

14

E

14

E

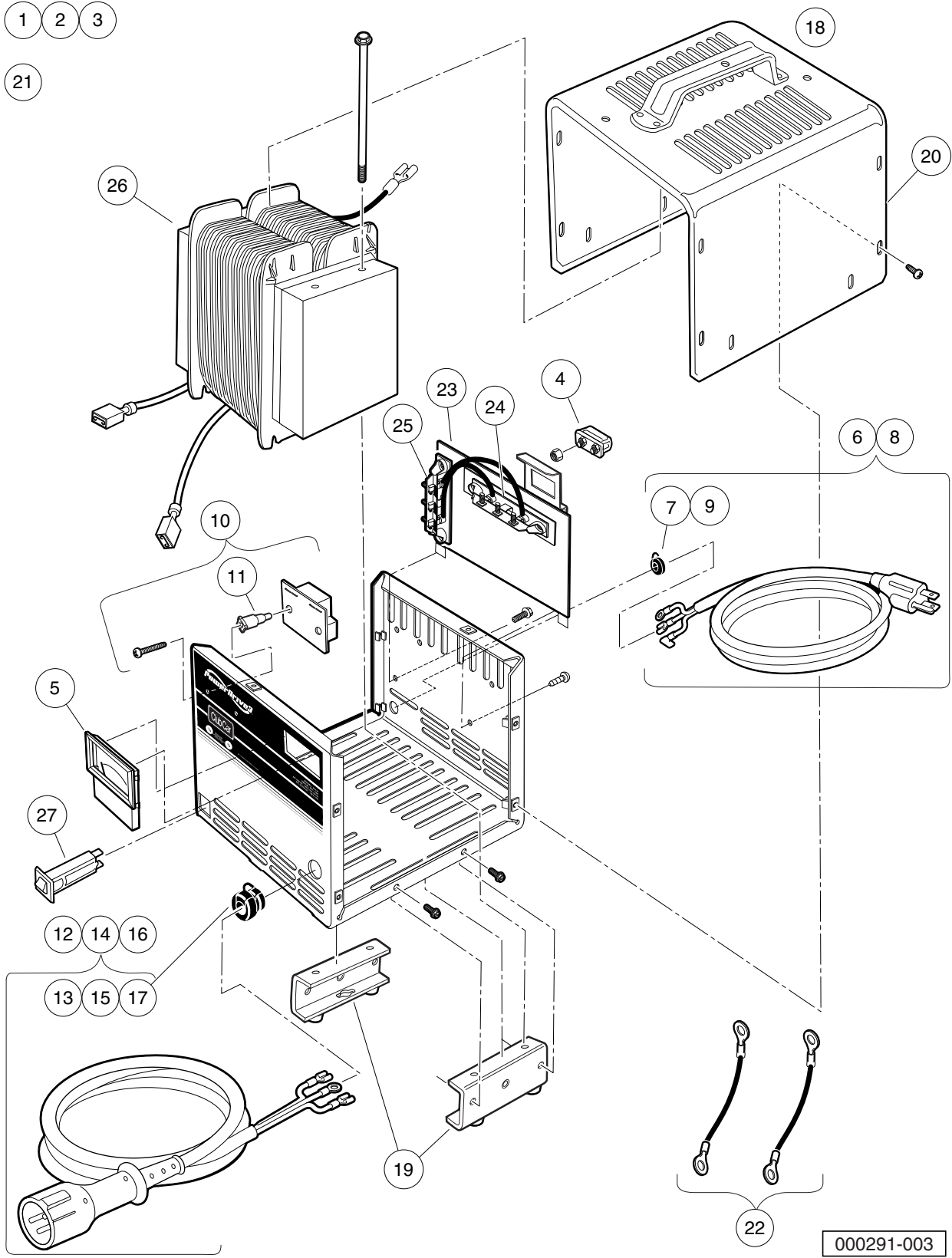
BATTERY CHARGER

15

E

1 2 3

21



000291-003

POWERDRIVE 3 BATTERY CHARGER, DOMESTIC

ITEM	PART NO.	DESCRIPTION	QTY
		1 2 3 4	
1	<u>103717001</u>	Chgr, Pd3 Stnry, 9Dc6'Ac'	1
2	<u>103717002</u>	Chgr, Pd3 Stnry, 12Dc9'Ac'	1
3	<u>103717003</u>	Chgr, Pd3 Stnry, 20Dc9'Ac'(includes items 4 through 27)	1
4	<u>102273701</u>	PD2 Fuse Asm	1
5	<u>102273801</u>	PD2 Ammeter	1
6	<u>103428501</u>	Kit, PD3 Cordset - AC 80" (includes item 7)	1
7	<u>102273901</u>	PD2 AC Cord Bushing	1
8	<u>103428601</u>	Kit, PD3 Cordset, - AC 114" (includes item 9)	1
9	<u>102273901</u>	PD2 AC Cord Bushing	1
10	<u>103428701</u>	Asm, PD3 Board Relay (includes item 11)	1
11	<u>103429701</u>	PD3 Plastic Stand-Offs	2
12	<u>103429001</u>	PD3 Cordset - DC 113" (includes item 13)	1
13	<u>1012098</u>	Bushing, DC Cord	1
14	<u>103429101</u>	PD3 Cordset - DC 154" (includes item 15)	1
15	<u>1012098</u>	Bushing, DC Cord	1
16	<u>103429201</u>	PD3 Cordset - DC 205" (includes item 17)	1
17	<u>1012098</u>	Bushing, DC Cord	1
18	<u>103429301</u>	Asm, PD3 Case (includes items 19 and 20)	1
19	<u>103434001</u>	Asm, PD3 Legs	1
20	<u>103439901</u>	PD3Case Top (Includes Handle)	1
21	<u>103429501</u>	Kit, PD3 Hardware	1
22	<u>103513001</u>	Wire Asm Kit Blk Pd3	1
23	<u>103517401</u>	Kit Pd3 Button Diode (includes items 24 and 25)	1
24	<u>103512801</u>	Asm Diode Top	1
25	<u>103512901</u>	Asm Diode Side	1
26	<u>103779601</u>	Transformer, Pd3, Al	1
27	<u>CCX8506</u>	Circuit Breaker, 15-Amp/120-Volt	1

15

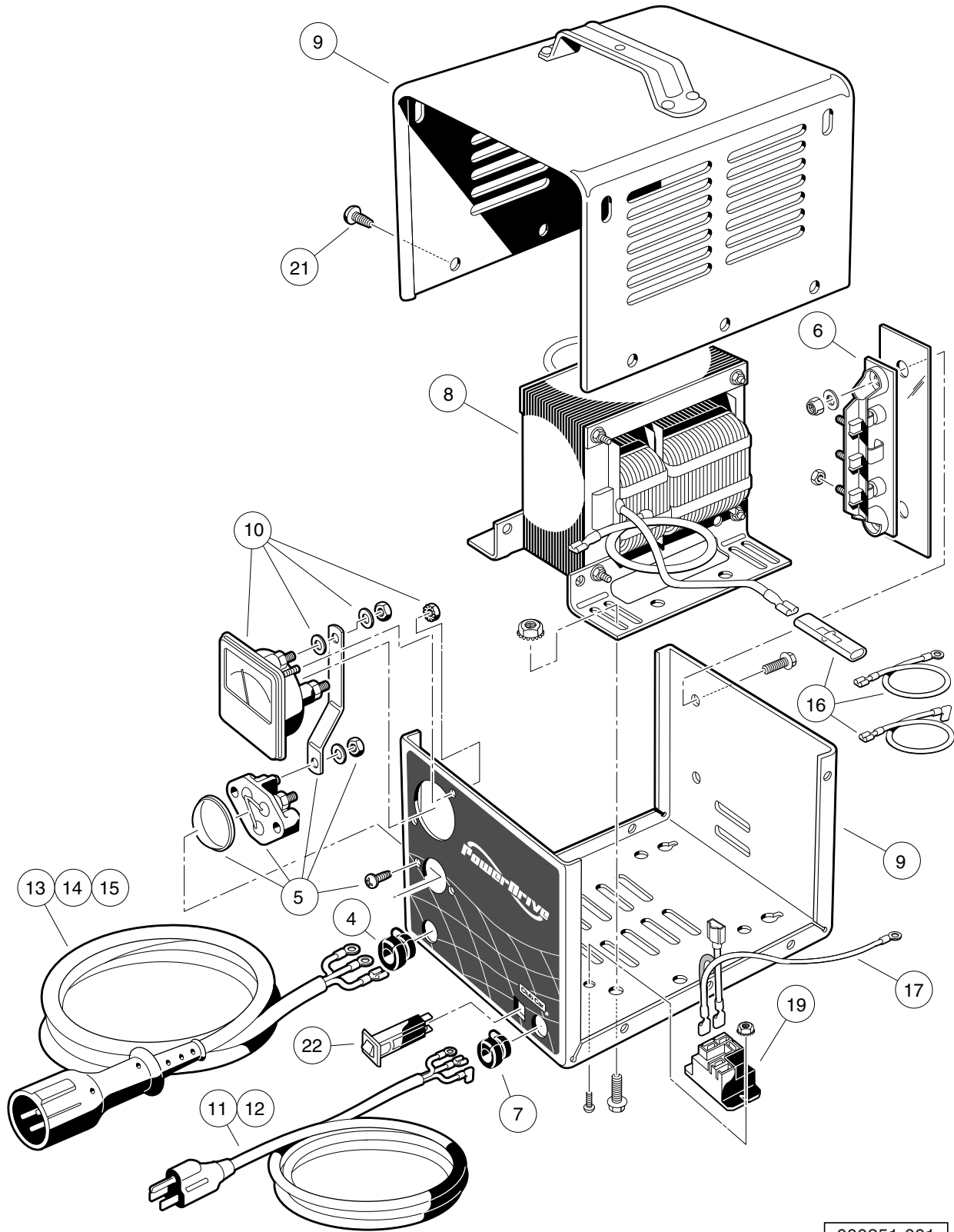
E

POWERDRIVE 2 BATTERY CHARGER (MODEL 22110), DOMESTIC

ITEM	PART NO.	DESCRIPTION	QTY
		1 2 3 4	
1	<u>101802204</u>	48-V/13-A PowerDrive 2 (9-ft. DC, 6-ft. AC)	1
2	<u>101802205</u>	48-V/13-A PowerDrive 2 (12-ft. DC, 9-ft. AC)	1
3	<u>101802206</u>	48-V/13-A PowerDrive 2 (20-ft. DC, 9-ft. AC) (includes items 4 through 23)	1
4	<u>1012098</u>	Bushing, DC Cord	1
5	<u>101828801</u>	Cord, AC, 80-Inch (203 cm)	1
6	<u>101828802</u>	Cord, AC, 108-Inch (274 cm)	1
7	<u>101828904</u>	PD2 DC Cordset, 113-inch	1
8	<u>101828905</u>	PD2 DC Cordset, 154-inch	1
9	<u>101828906</u>	Pd2 Dc Cordset 250 Inch	1
10	<u>102273201</u>	PD2 Case (includes item 11)	1
11	7577	Screw, #10 X 0.50 Phillips Pan-Head	12
12	<u>102273301</u>	PD2 Transformer Asm	1
13	<u>102273401</u>	PD2 Heatsink	1
14	<u>102273601</u>	PD2 Wire Asm	1
15	<u>102273701</u>	PD2 Fuse Asm	1
16	<u>102273801</u>	PD2 Ammeter	1
17	<u>102273901</u>	PD2 AC Cord Bushing	1
18	<u>102274001</u>	PD2 Handle	1
19	<u>103414901</u>	Kit, Relay, 48v 30a W/instr (includes items 20 and 21)	1
20	<u>103397901</u>	Relay, Spst No, 48v 30a, Pmt	1
21	N/A	Kit, Relay, 48v 30a Instrns	1
22	<u>103517601</u>	Pd2 Rectifier Kit	1
23	<u>CCX8506</u>	Circuit Breaker, 15-Amp/120-Volt	1
<p>Note: Item 16 not shown. Level 1 Battery Charger part numbers include one AC and one DC cord. They do not include all of the level 2 cords listed.</p>			

15

E



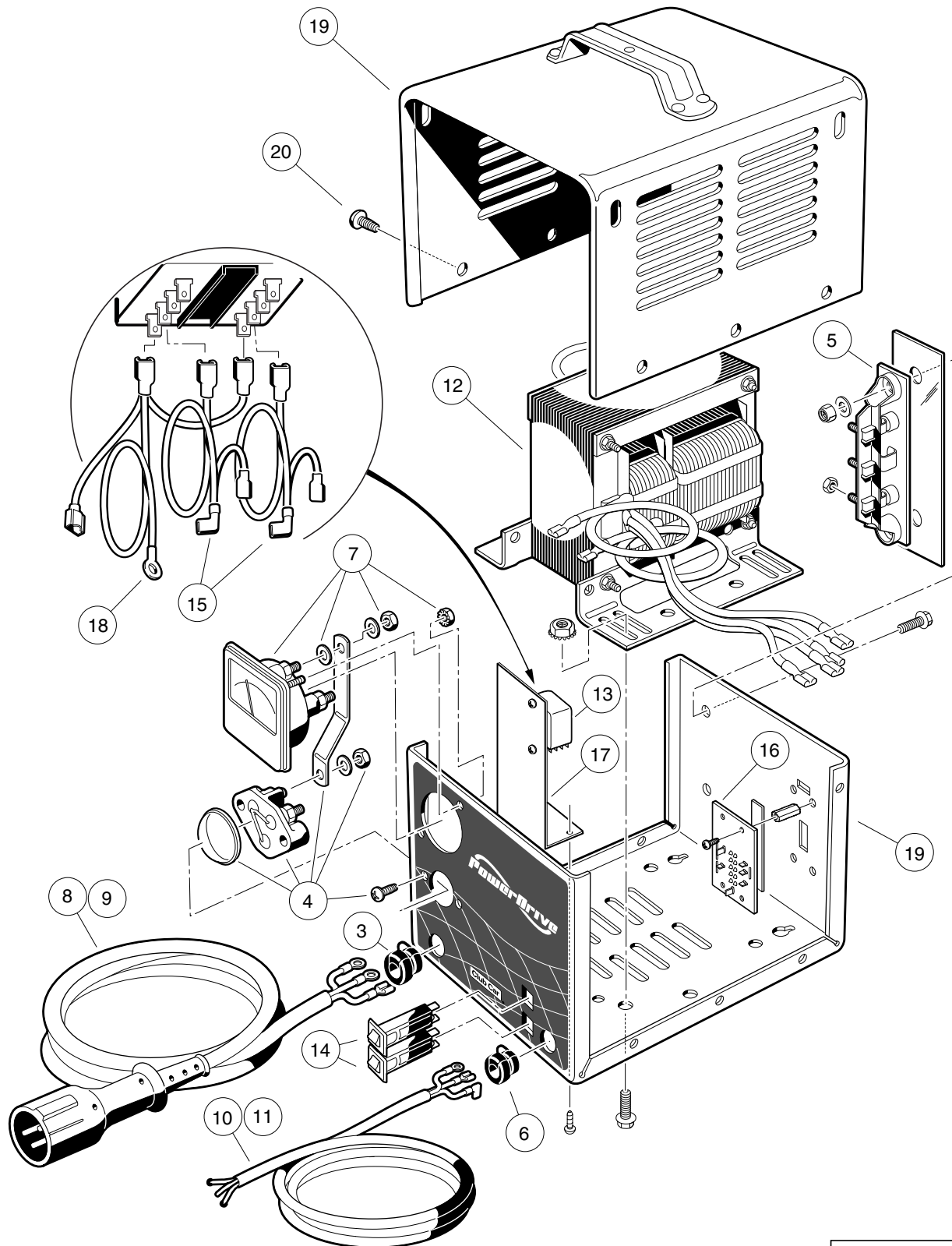
000351-001

POWERDRIVE BATTERY CHARGER (MODEL 17930), DOMESTIC

ITEM	PART NO.	DESCRIPTION	QTY
		1 2 3 4	
1	<u>101802201</u>	48V/17A PowerDrive (9-ft DC, 6-ft AC Cord)	1
2	<u>101802202</u>	48V/17A PowerDrive (12-ft DC, 9-ft AC Cord)	1
3	<u>101802203</u>	48V/17A PowerDrive (20-ft DC, 9-ft AC Cord) (includes items 4 through 22)	1
4	<u>1012098</u>	Bushing, DC Cord	1
5	<u>1012101</u>	Fuse Assembly	1
6	<u>1015914</u>	Rectifier with Heatsink Assembly	1
7	<u>1015917</u>	Bushing, AC Cord	1
8	****	Transformer, Battery Charger	1
9	<u>101828301</u>	Case Assembly	1
10	<u>101828501</u>	Ammeter	1
11	<u>101828801</u>	Cord, AC, 80-Inch (203 cm)	1
12	<u>101828802</u>	Cord, AC, 108-Inch (274 cm)	1
13	<u>101828901</u>	Cord, DC, 113-Inch (287 cm)	1
14	<u>101828902</u>	Cord, DC, 154-Inch (391 cm)	1
15	<u>101828903</u>	Cord, DC, 250-Inch (635 cm)	1
16	<u>101831101</u>	Wire Assembly Kit	1
17	101914401	Assembly, Voltage Suppressor	1
18	<u>103414901</u>	Kit, Relay, 48v 30a W/instr (includes items 19 and 20)	1
19	<u>103397901</u>	Relay, Spst No, 48v 30a, Pmt	1
20	N/A	Kit, Relay, 48v 30a Instrns	1
21	7577	Screw, #10 X 0.50 Phillips Pan-Head	10
22	<u>CCX8506</u>	Circuit Breaker, 15-Amp/120-Volt	1
		**** Special order item available upon request.	
		Note: Level 1 Battery Charger part numbers include one AC and one DC cord. They do not include all of the level 2 cords listed.	

15

E



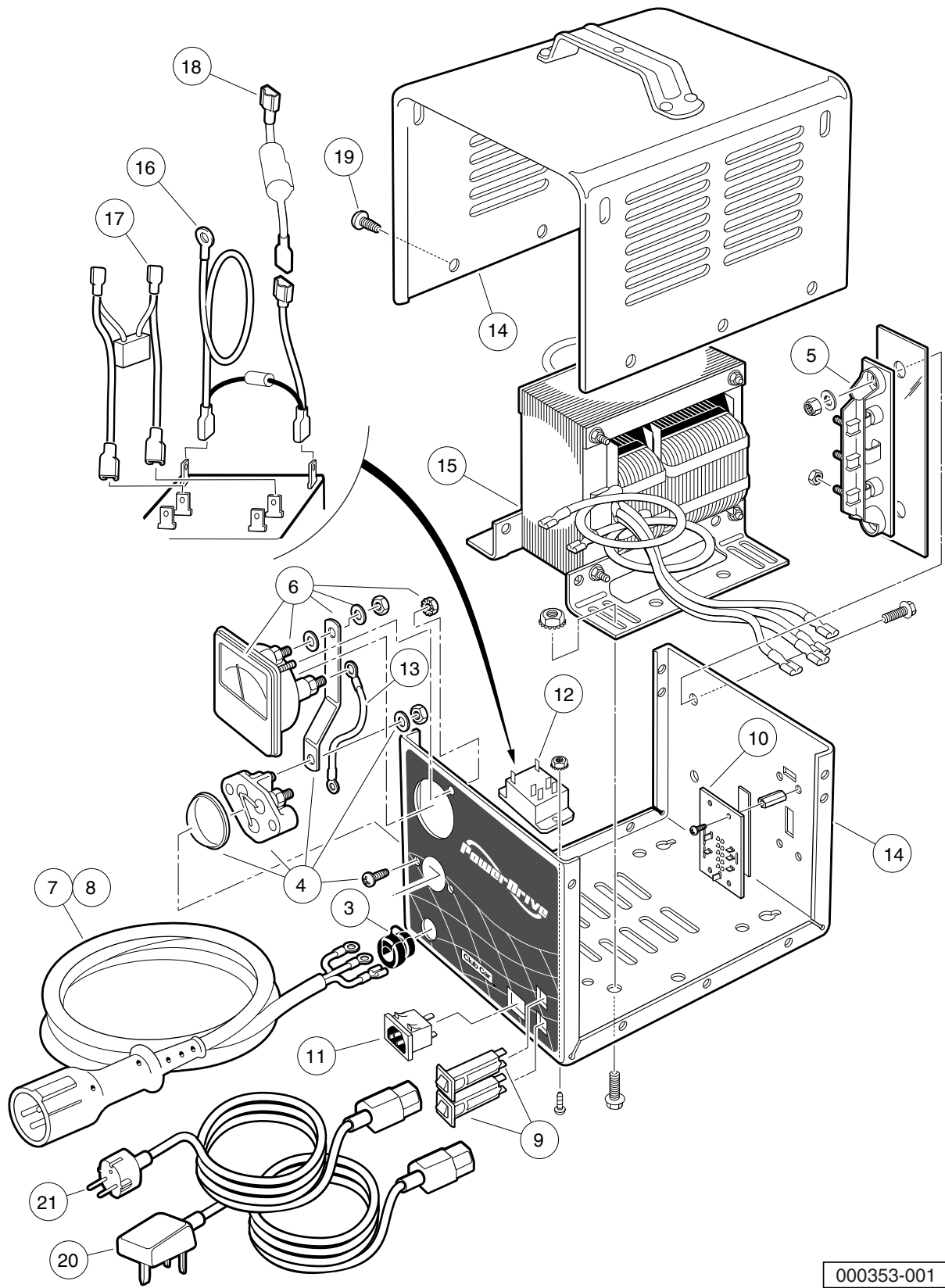
000352-001

POWERDRIVE BATTERY CHARGER (MODEL 18780), EXPORT

ITEM	PART NO.	DESCRIPTION	QTY
		1 2 3 4	
1	101831503	Battery Charger, 48-Volt DC (8.5-ft DC, 6-ft AC)	1
2	101831504	Battery Charger, 48-Volt DC (12-ft DC, 9-ft AC) (includes items 3 through 20)	1
3	<u>1012098</u>	Bushing, DC Cord	1
4	<u>1012101</u>	Fuse Assembly	1
5	<u>1015914</u>	Rectifier with Heatsink Assembly	1
6	<u>1015917</u>	Bushing, AC Cord	1
7	<u>101828501</u>	Ammeter	1
8	<u>101828901</u>	Cord, DC, 113-Inch (287 cm)	1
9	<u>101828902</u>	Cord, DC, 154-Inch (391 cm)	1
10	<u>101831701</u>	Cord, AC, 80-Inch (203 cm), without Plug	1
11	<u>101831702</u>	Cord, AC, 118-Inch (203 cm), without Plug	1
12	101838201	Transformer, Export Battery Charger	1
13	<u>101838301</u>	Relay, Export Charger	1
14	101838401	Circuit Breaker	2
15	101838501	Kit, Wire Assembly	1
16	101838601	Four-Position Switch	1
17	****	Mounting Bracket, Relay	1
18	101914401	Assembly, Voltage Suppressor	1
19	N/A	Case, Charger	1
20	7577	Screw, #10 X 0.50 Phillips Pan-Head	10
<p>**** Special order item available upon request.</p> <p>Note: Level 1 Battery Charger part numbers include one AC and one DC cord. They do not include all of the level 2 cords listed.</p>			

15

E



000353-001

POWERDRIVE BATTERY CHARGER (MODEL 20310), EUROPEAN

15

E

ITEM	PART NO.	DESCRIPTION	QTY
		1 2 3 4	
1	<u>101956201</u>	Battery Charger, 48-Volt w/ 4-Position Switch (8.5-ft DC)	1
2	<u>101956202</u>	Battery Charger, 48-Volt w/ 4-Pos. Switch (12-ft DC) (includes items 3 through 19)	1
3	<u>1012098</u>	Bushing, DC Cord	1
4	<u>1012101</u>	Fuse Assembly	1
5	<u>1015914</u>	Rectifier with Heatsink Assembly	1
6	<u>101828501</u>	Ammeter	1
7	<u>101828901</u>	Cord, DC, 113-Inch (287 cm)	1
8	<u>101828902</u>	Cord, DC, 154-Inch (391 cm)	1
9	101838401	Circuit Breaker	2
10	101838601	Four-Position Switch	1
11	101973501	Receptacle, AC Cord	1
12	<u>101987501</u>	Relay	1
13	N/A	Wire, Jumper	1
14	N/A	Case, Charger	1
15	****	Transformer, European Battery Charger	1
16	****	Suppressor, AC Voltage	1
17	****	Assembly, Wire	1
18	****	Limiter, Current	1
19	7577	Screw, #10 X 0.50 Phillips Pan-Head	10
20	<u>101958201</u>	Cord, UK, AC, Battery Charger	1
21	101958301	Cord, European AC, Battery Charger	1
		**** Special order item available upon request.	
		Note: Level 1 Battery Charger part numbers include one AC and one DC cord. They do not include all of the level 2 cords listed.	

15

E

MAINTENANCE AND SERVICE TOOLS

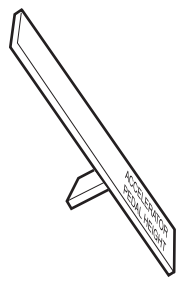
16

G

E

D

16
G
E
D



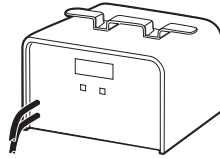
1



2



3



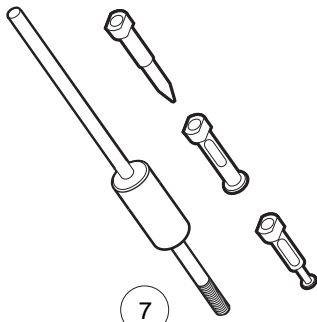
4



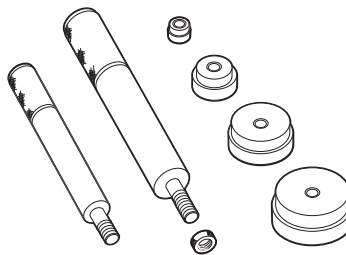
5



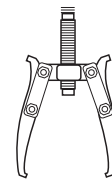
6



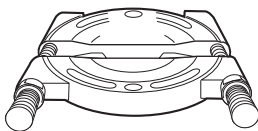
7



8



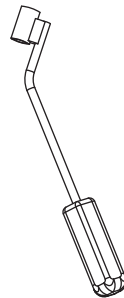
9



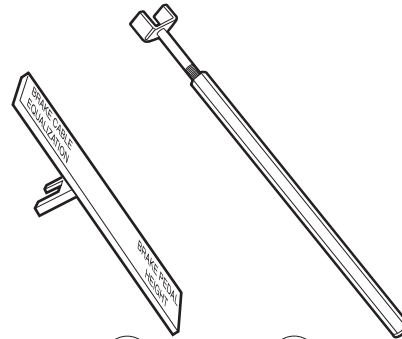
10



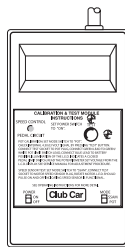
11



12



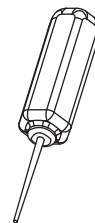
14 15
13



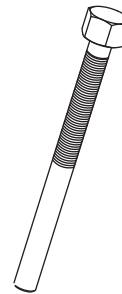
16



17



18



19

MAINTENANCE AND SERVICE TOOLS

ITEM	PART NO.	DESCRIPTION	QTY DIESEL	QTY GAS	QTY ELEC
		<p style="text-align: center;">1 2 3 4</p> <p>The following tool list includes all tools available from Club Car for maintenance and service procedures for gasoline, electric, and/or diesel vehicles, both past and present models. Be sure to carefully examine the tool list for applicability to your vehicle before ordering.</p>			
1	<u>101871001</u>	Accelerator Pedal Adjustment Tool		1	1
2	<u>101813202</u>	Adhesive, Guide Ring, 3-Gram Tube			1
3	<u>101641202</u>	Arbor		1	
4	<u>101831901</u>	Battery Discharge Machine, 36/48 Volt			1
5	<u>1014305</u>	Battery Terminal Protector Spray	1	1	1
6	<u>1011767</u>	Battery Thermometer	1	1	1
7	<u>1016417</u>	Bearing and Oil Seal Remover Assembly	1	1	1
8	<u>1016416</u>	Bearing Driver Set	1	1	1
9	<u>1012811</u>	Bearing Puller	1	1	1
10	<u>1012812</u>	Bearing Puller Wedge Attachment	1	1	1
11	<u>1013582</u>	Brake Adjustment Tool (used only on vehicles with manually adjusted mechanical brakes)			
12	<u>102555501</u>	Brake Cable Release Tool	1	1	1
13	<u>102249901</u>	Brake Pedal Adjustment Tool Kit (used for the Carryall Electric Industrial Truck only) (includes items 14 and 15).....			1
14	****	Brake Pedal Adjustment Tool			1
15	****	Brake Pedal Tension Tool			1
16	<u>101887101</u>	Calibration Test Module			1
17	<u>101808401</u>	Cam Installation Tool		1	
18	<u>102562401</u>	Charger Bezel Tool			1
19	<u>102686101</u>	Clutch Removal Tool (for 4x4 vehicles)	1	1	
		Please refer to the maintenance and service manual for proper tool application.			
	****	Special order item available upon request			

16

G

E

D

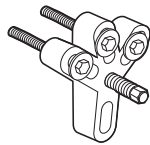
MAINTENANCE AND SERVICE TOOLS, CONTINUED

ITEM	PART NO.	DESCRIPTION	QTY DIESEL	QTY GAS	QTY ELEC	16
		1 2 3 4				G
20	<u>1014510</u>	Clutch Tool Kit (includes items 21 - 27)		1		E
21	<u>1014498</u>	Clutch Alignment Tool (for pre-unitized transaxle vehicles built prior to 1997 model year)		1		D
22	<u>1014496</u>	Drive Clutch Puller (for Kawasaki engines only)		1		
23	<u>1014497</u>	Drive Clutch Hub Puller (for Kawasaki engines only)		1		
24	<u>1014508</u>	Driven Clutch Cam Puller (for Kawasaki engines only)		1		
25	<u>1014507</u>	Driven Clutch Puller Plug (for Kawasaki engines only)		1		
26	<u>1015524</u>	Drive Clutch Holder Tool Assembly (for Kawasaki engines only)		1		
27	<u>101809101</u>	Press Weldment (for Kawasaki engines only)		1		
28	<u>102601501</u>	Drive ClutchFixed Sheave Tool (for 4x4 vehicles)	1	1		
29	<u>102603501</u>	Driven Clutch Spring Compression Base (for use with items 30 and 31) (for 4x4 vehicles)	1	1		
30	<u>102605201</u>	Driven Clutch Spring Compression Collar (for use with items 29 and 31) (for 4x4 vehicles)	1	1		
31	<u>102606101</u>	Driven Clutch Spring Compression Nut (for use with items 29 and 30) (for 4x4 vehicles)	1	1		
32	<u>102607501</u>	Drive Clutch Spider Removal Tool (for 4x4 vehicles)	1	1		
33	101831801	Communication Display Module			1	
34	101641002	Compression Gauge and Adapter		1		
35	1011273	Continuity Tester		1	1	
36	<u>102773801</u>	Cutter, Valve Seat, #122		1		
37	<u>102773901</u>	Cutter, Valve Seat #115		1		
38	<u>102774101</u>	Wrench, T, #505.....		1		
39	<u>102774101</u>	Adapter, T-Wrench		1		
40	102675401	Cutter, Valve Seat, 60 Degree (requires item 51) (for Honda GX620 Gasoline Engines)		1		
41	<u>102774201</u>	Pilot, 6.6 MM		1		
42	<u>102774301</u>	Pilot, 6.62 MM.....		1		
43	<u>102774401</u>	Pilot, 6.65 MM.....		1		
		Please refer to the maintenance and service manual for proper tool application.				

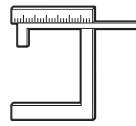
16
G
E
D



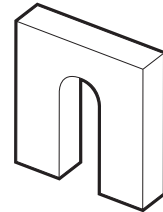
44



45



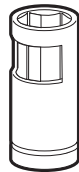
46



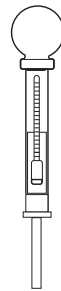
47



48



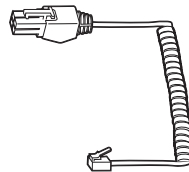
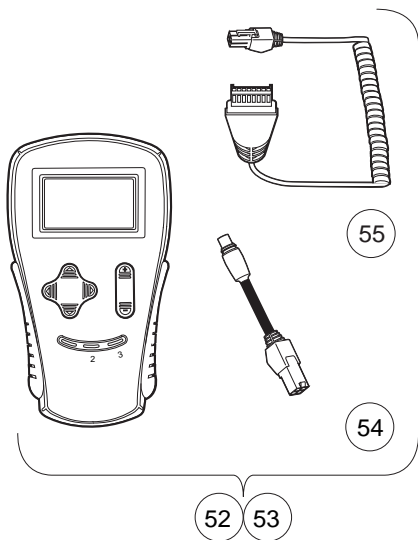
49



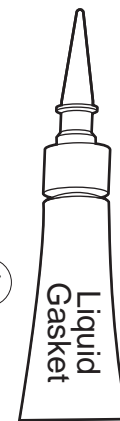
50



51



56



57



58



59 60



61

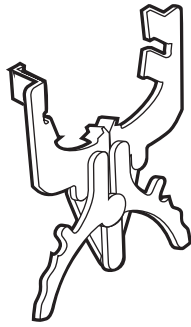
MAINTENANCE AND SERVICE TOOLS, CONTINUED

ITEM	PART NO.	DESCRIPTION	QTY DIESEL	QTY GAS	QTY ELEC	16	
		1 2 3 4				G	
44	<u>1012151</u>	Dry Moly Lubricant	1	1	1	E	
45	<u>1016627</u>	Flywheel Puller Kit (for Kawasaki Engines)		1		D	
46	<u>102669901</u>	Gauge, Carburetor Float Level (for Honda GX620 Gasoline Engines)		1			
47	<u>1016418</u>	Gear Yoke	1	1	1		
48	<u>101933101</u>	Governor Shaft Installation Tool (for Kawasaki Engine Vehicles)		1			
49	<u>102169401</u>	Hydraulic Brake Adjuster (for Turf/CA 272/472, Pioneer/XRT 1200, Bobcat 2100, HUV 4213)			1		
50	<u>1011478</u>	Hydrometer	1	1	1		
51	<u>1013593</u>	Internal Retaining Ring Pliers	1	1	1		
52	<u>102248803</u>	IQ Display Module (IQDM) Kit (IQ System and IQ Plus vehicles)			1		
		(includes items 54 and 55)					
53	<u>102248804</u>	IQ Display Module (IQDM-P) Kit (IQ System and IQ Plus vehicles)			1		
		(includes items 54 and 55)					
54	<u>102251501</u>	Adaptor, Cable			1		
55	<u>102241502</u>	IQDM Series 2 Cable			1		
56	<u>102241501</u>	IQDM Series 1 Cable (replacement)			1		
57	<u>101928701</u>	Liquid Gasket (transaxle case)	1	1	1		
58	<u>102243402</u>	Moly-Teflon Lubricant (4-oz. (113-gram) tube)			1		
59	<u>101997201</u>	Paint, Touch-Up – Beige*		1	1		
59	<u>101997207</u>	Paint, Touch-Up – Black*		1	1		
59	<u>101997212</u>	Paint, Touch-Up – Burgundy*		1	1		
59	<u>101997211</u>	Paint, Touch-Up – Classic Blue (Navy)*		1	1		
59	<u>101997205</u>	Paint, Touch-Up – Dark Gray*	1	1	1		
59	<u>101997209</u>	Paint, Touch-Up – Dark Green*	1	1	1		
59	<u>101997204</u>	Paint, Touch-Up – Gray*	1	1	1		
59	<u>101997203</u>	Paint, Touch-Up – Red*	1	1	1		
59	<u>101997206</u>	Paint, Touch-Up – Royal Blue (Pacific Blue)*		1	1		
59	<u>101997202</u>	Paint, Touch-Up – White*	1	1	1		
60	<u>102562301</u>	Paint, Precedent Underbody – Gray		1	1		
61	<u>102587201</u>	Paint Pen, Touch-Up, Precedent Underbody – Black		1	1		
		Please refer to the maintenance and service manual for proper tool application.					
		* Item 59 is not for use on Surlyn [®] body material, which is used on Precedent vehicles.					

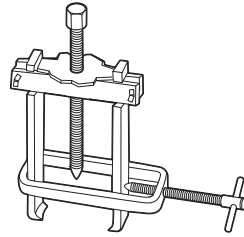
16
G
E
D



62



63



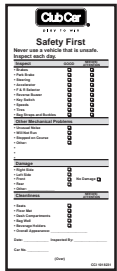
64



65



66



67



68



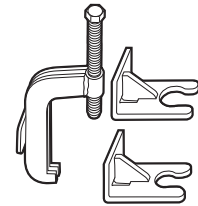
69



70



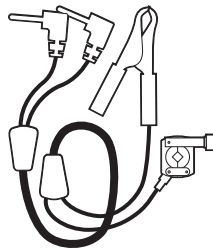
71



72



73



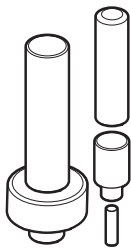
74



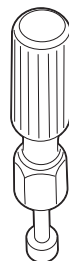
75



76



77



83



84



85



86

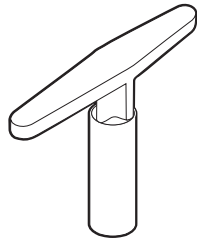
MAINTENANCE AND SERVICE TOOLS, CONTINUED

ITEM	PART NO.	DESCRIPTION	QTY DIESEL	QTY GAS	QTY ELEC	16
		1 2 3 4				G
62	<u>1016414</u>	Piston Ring Compressor Kit (FE290, FE350 and FE400 engines)		1		E
63	<u>1016415</u>	Piston Ring Pliers (for Kawasaki Engines)		1		D
64	<u>102668801</u>	Puller, Special Use (for Kubota D722 Diesel Engines)	1			
65	<u>1012549</u>	Retaining Ring Pliers, 45° External	1	1	1	
66	<u>1012560</u>	Retaining Ring Pliers, 90° Internal	1	1	1	
67	<u>101823101</u>	Safety First Card (50 per pack)	1	1	1	
68	<u>1012809</u>	Seal Puller	1	1	1	
69	<u>102330901</u>	Spanner Wrench (for coil over shock front suspension vehicles only)	1	1		
70	<u>1014264</u>	Steering Column Bearing Press Tool		1	1	
71	<u>1014259</u>	Steering Column Retaining Ring Tool		1	1	
72	<u>102061201</u>	Steering Wheel Puller Tool	1	1	1	
73	<u>AM10753</u>	Tachometer (includes gasoline engine pick up lead only)	1	1		
74	<u>AM10771</u>	Tachometer Diesel Probe (for use with item 73)	1			
75	<u>1014162</u>	Transaxle Axle Seal Tool		1		
76	<u>1014161</u>	Transaxle Pinion Seal Tool		1		
77	<u>1014115</u>	Transmission Tool Kit		1		
78	<u>101611003</u>	Tune-Up Kit, All OHV (for FE290, FE350, FE400 only) (includes air filter, spark plug, oil filter, fuel filters) (not shown)		1		
79	<u>AM11804</u>	Tune-Up Kit, Gx620 (for Honda Engines) (includes air filter, spark plug, oil filter, fuel filters) (not shown)		1		
80	<u>AM11805</u>	Tune-Up Kit, D722 (for Kubota Engines) (includes air filter, oil filter, fuel filters, water separator filter) (not shown)	1			
81	<u>AM1220301</u>	Tune-Up Kit, Precedent (for FE290/350 Engines) (includes air filter, spark plug, oil filter, fuel filters) (not shown)		1		
82	<u>AM1232401</u>	Tune-Up Kit, FH680D (for Kawasaki V-Twin Engines) (includes oil filter, fuel filter, air filter, and spark plugs) (not shown)		1		
83	<u>1016413</u>	Valve Clearance Adjuster Screw Holder (for FE290 engines only)		1		
84	<u>102674601</u>	Valve Guide Driver (for Honda GX620 Gasoline Engines)		1		
85	<u>101641201</u>	Valve Guide Reamer (FE290, FE350, and FE400 only)		1		
86	<u>102674401</u>	Valve Guide Reamer, 6.6 mm (for Honda GX620 Gasoline Engines)		1		

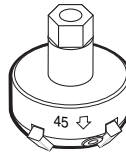
16
G
E
D



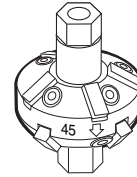
87



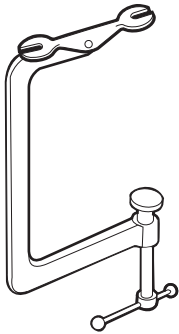
88



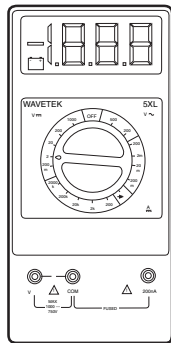
89



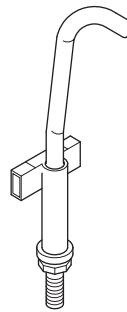
90



91



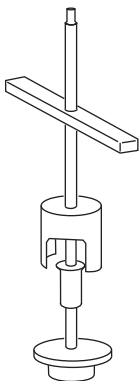
92



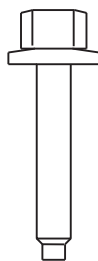
93



94



95



96

MAINTENANCE AND SERVICE TOOLS, CONTINUED

ITEM	PART NO.	DESCRIPTION	QTY DIESEL	QTY GAS	QTY ELEC	16
		1 2 3 4				G
87	<u>1016552</u>	Valve Seat Cutter Guide		1		E
88	<u>1016551</u>	Valve Seat Cutter T-Wrench		1		D
89	<u>1016553</u>	Valve Seat Cutter, 45° (32 mm diameter) (for FE290 engines only)		1		
90	<u>1016554</u>	Valve Seat Cutter, 45°/30° (35 mm diameter)		1		
91	<u>101641101</u>	Valve Spring Compressor		1		
92	1011480	Volt Ohm Meter	1	1	1	
93	<u>102570401</u>	Tool, Tensioning, Starter Generator (For Precedent vehicles)		1		
94	<u>103601401</u>	Puller, Drive Clutch, XRT 950*		1		
95	<u>103601701</u>	Tool, Disassembly, Driven Clutch, XRT 950		1		
96	<u>103600501</u>	Screw, Driven Clutch Disassembly, M6, XRT 950		1		
<p>*Note: The XRT 950 Drive Clutch Puller requires the use of Screw, Driven Clutch Disassembly, CCI Part Number <u>103600501</u>.</p>						

INDEX

Part Number and Page

AM10753	16-9	8251	1-13, 1-15, 1-21, 1-25, 1-27, 11-11	1011578	12-19
AM10771	16-9	8418	1-17	1011652	1-11
AM10079	6-9	8450	10-3	1011694	4-9, 4-11
AM10080	11-5	8639	12-21	1011697	1-5, 5-3, 8-5, 8-7, 12-17, 12-19
AM10081	11-5	8717	4-9, 4-11, 6-7, 11-3, 11-9	1011700	4-9, 4-11
AM10419	10-7	8754	4-9, 4-11, 5-3, 5-7, 5-9, 5-13, 5-15, 5-17, 6-15	1011734	4-13
AM10682	2-3	8755	5-9, 5-13, 5-15	1011767	16-3
AM10724	7-5	8861	5-7	1011779	4-7
CCX8506	15-3, 15-5, 15-7	8990	5-17, 6-7, 12-11, 12-21, 12-23	101187702	4-5
183	8-11, 10-3, 11-3	1010124	5-9	1011931	4-9, 4-11
324	1-19	1010138	5-7	1011988	8-13
332	1-11, 1-13, 1-15, 1-19, 1-25, 1-27, 8-9, 9-3, 11-11, 12-23	1010142	5-13, 5-15	1012047	1-13, 1-15, 1-25, 1-27
334	4-9, 4-11, 5-3, 5-17, 7-15	1010144	5-13, 5-15	1012098	15-3, 15-5, 15-7, 15-9, 15-11
357	5-9	1010145	5-13, 5-15	1012101	15-7, 15-9, 15-11
451	9-3, 13-3, 13-5, 13-7	1010150	5-9	1012151	16-7
705	6-15, 7-15	1010177	5-9	1012159	1-15, 1-25
706	5-9	1010413	1-17	1012180	5-13, 5-15
808	10-3	1010434	1-17, 1-23	1012181	5-13, 5-15
1028	1-17, 4-5	1010435	1-3	1012182	5-13, 5-15
1032	4-5	1010543	1-11	1012285	8-7, 11-3, 11-11, 12-21
1035	4-7	1010577	7-15	1012295	6-7
1241	1-3, 1-17, 4-5, 4-7, 4-9, 4-11, 6-7, 6-15, 6-17, 9-3, 13-3	1010805	4-5	1012303	5-9, 5-13, 5-15
1242	4-7, 6-7, 6-15	1010829	4-7	1012304	5-13, 5-15
1606	8-11	1010877	4-5	1012333	11-11
1620	1-7	1010878	4-5	1012382	6-5
1624	4-9, 4-11, 5-17	101090801	12-19	1012412	1-13, 1-15, 1-25, 1-27
2402	5-7	101090802	12-19	1012431	6-7, 6-9, 11-9, 12-11
7048	5-11	1010921	1-17, 4-5	1012466	5-3
7173	6-15, 6-17	1010927	4-5	1012505	6-9, 12-11
7174	5-3, 6-15, 8-7, 9-3, 13-3, 13-5	1010932	4-5	1012528	9-3, 12-21
7251	1-3	1010933	4-5	1012549	16-9
727102	2-3	1010934	6-17, 13-3, 13-5	1012560	16-9
7310	2-3	1010953	4-3	1012565	5-5
7330	11-7, 14-3	1010954	6-7, 11-3, 11-9	1012566	5-5
7335	11-5, 14-3	1010958	12-19	1012571	7-15
7336	14-3	1010984	2-3	1012581	1-21
7473	1-3, 1-5, 1-17, 4-5, 4-7, 4-9, 4-11, 6-7, 6-15, 6-17	1010993	1-13, 1-15, 1-25, 1-27	1012594	11-9
7479	1-15, 1-17, 1-25	1011014	1-3	1012604	5-3
7555	5-17	1011017	1-3	1012605	5-3
7577	15-5, 15-7, 15-9, 15-11	1011019	1-7	1012649	8-13
7716	4-5, 4-9, 4-11	1011084	4-13	1012711	11-3
7818	1-17, 6-7	1011229	6-9, 12-11	1012714	11-5
7847	1-9, 1-13, 1-27, 9-3	1011273	16-5	1012740	11-5
7893	6-7, 11-11	1011280	13-3	1012741	11-5
7973	1-7	1011285	13-3	1012747	11-5
8056	6-9, 12-11	1011290	13-3	1012748	11-5
8057	6-7, 6-9, 11-9, 12-11	1011291	11-7	1012752	11-3
8058	6-7, 6-9, 11-9, 12-11	1011382	1-7	1012809	16-9
8067	5-11	1011394	1-3	1012811	16-3
8233	1-13, 1-15, 1-19, 1-25, 1-27, 4-9, 4-11, 8-13, 11-3, 11-9, 11-11, 12-23	1011402	4-5	1012812	16-3
8248	8-13, 11-9, 12-23	1011411	13-3	1012830	6-15, 8-7, 9-3
		1011415	5-13, 5-15	1012836	10-7
		1011418	4-5	1012896	11-3
		1011478	16-7	1012987	11-9
		1011480	16-11	1012991	6-11
				1013001	6-11

INDEX

1013003	6-11	1014057	10-3	1014928	8-13
1013005	6-11	1014058	10-3	1014947	12-21
101301102	6-11	1014059	10-3	1014948	6-7
1013032	1-21	1014062	10-3	101503202	1-7, 1-13, 1-15, 1-25, 1-27
1013035	5-17	1014063	10-3	1015064	11-9
1013042	5-7, 5-17	1014065	6-7, 10-3, 11-9	1015072	12-17, 12-19
1013044	5-17	1014070	10-7	1015075	1-3, 1-17
1013051	5-17	1014072	10-7	1015137	8-5, 8-13
1013052	5-17	1014076	10-7	1015139	8-13
1013061	11-3, 12-15	1014078	10-7	1015143	8-13
1013164	5-13, 5-15	1014080	10-7	101524001	6-15
1013207	5-15	1014089	11-9	1015330	7-9, 9-3
1013216	1-21	1014115	16-9	1015332	6-5, 7-3
1013218	1-21	1014116	8-13	1015371	6-7
1013343	1-7	1014119	6-7	1015372	6-7
1013344	1-7	1014125	5-3	1015373	6-7
1013494	1-7	1014126	5-3	1015405	6-7
1013531	4-7	1014145	6-7, 11-9	1015426	8-9
1013582	16-3	1014153	4-3	101547601	3-3
1013587	11-9	1014161	16-9	1015524	16-5
1013589	6-7, 11-9	1014162	16-9	1015525	1-21
1013590	11-9	1014193	11-7	1015545	5-3
1013591	11-9	1014198	3-3, 3-5	1015583	5-9, 5-13, 5-15
1013593	16-7	1014201	13-3, 13-5, 13-7	1015597	5-11
1013609	6-7	1014207	11-7	1015649	7-3
1013683	12-19	1014211	5-3	101570501	2-3
1013687	8-13	1014212	5-3	101570507	2-3
1013700	8-7	1014213	5-3	101570512	2-3
1013734	9-3, 12-21	1014214	5-3	101570513	2-3
1013746	8-5, 8-13	1014216	5-3	1015707	2-3
1013754	1-17	1014217	5-3	1015720	6-9, 12-11
1013760	11-3	1014259	16-9	1015737	6-5, 6-7
1013768	11-7	1014264	16-9	1015741	6-7
1013769	11-7	1014276	5-9	1015752	6-7, 8-9, 12-13
1013770	11-7	1014287	10-3	1015814	9-3
1013771	11-7	1014288	5-3, 6-17, 10-3, 12-21	101584502	8-7
1013772	11-7	1014289	6-11	1015878	6-7
1013773	11-7	1014304	12-17, 12-19	1015914	15-7, 15-9, 15-11
1013774	11-7	1014305	16-3	1015917	15-7, 15-9
1013787	11-7	1014306	1-13, 1-15, 1-25, 1-27	1015920	6-5, 6-15
1013792	11-7	1014375	6-17	1015932	6-15
1013794	11-7, 14-3	1014453	10-3	1015969	7-3
1013869	4-5	1014454	10-7	1016003	8-13
1013870	4-5	1014482	1-17	1016074	6-15
1013871	4-9, 4-11	1014496	16-5	1016103	8-5
1013876	4-5	1014497	16-5	101611003	16-9
1013924	4-3, 7-15	1014498	16-5	1016154	5-5
1013935	1-17	1014507	16-5	1016156	5-5
1013983	1-5	1014508	16-5	1016181	5-3
1014007	4-9, 4-11, 11-3	1014510	16-5	1016183	5-3
1014049	10-3	1014555	5-13, 5-15	1016201	10-3, 11-9
1014050	10-3	1014645	1-7	1016203	10-5
1014051	10-3	1014727	11-9	1016219	5-5
1014052	10-3	1014771	2-3	1016263	5-3
1014055	10-3	1014807	6-7, 11-9	1016269	5-3
1014056	10-3	1014808	6-7	1016289	10-3

INDEX

1016337	11-5	1016457	7-7	1016535	7-11
1016338	11-5	1016458	7-9, 7-11	1016536	7-3
1016341	11-3	101645901	7-13	1016537	7-7
1016342	11-9	101645902	7-13	1016538	7-11
1016346	5-7	101645903	7-13	1016539	7-3
1016349	5-7	1016460	7-13	1016541	7-13
1016350	5-7	101646101	7-13	1016542	7-9
1016351	5-7	101646102	7-13	1016544	7-5, 7-9, 7-11
1016353	5-7	101646103	7-13	1016545	7-9
1016379	1-5	1016467	7-7	1016546	8-7
1016384	5-9	1016469	7-13	1016547	7-3, 7-13, 8-5
1016385	5-7	1016470	7-13	1016548	7-5
1016386	5-9	1016471	7-9	1016549	7-9
1016387	5-7, 5-9	1016472	7-11	101655001	7-13
1016389	5-9	1016473	7-7	101655002	7-13
1016401	6-7	1016474	7-9	101655003	7-13
101641002	16-5	101647501	7-13	101655004	7-13
101641101	16-11	101647502	7-13	101655005	7-13
101641201	16-9	1016479	7-9	101655006	7-13
101641202	16-3	1016480	8-5	101655007	7-13
1016413	16-9	101648102	8-5	101655008	7-13
1016414	16-9	101648203	7-7	101655009	7-13
1016415	16-9	1016483	7-9	1016551	16-11
1016416	16-3	1016484	7-7	1016552	16-11
1016417	16-3	1016486	8-3	1016553	16-11
1016418	16-7	1016489	7-9	1016554	16-11
101642572	8-3	101649002	8-5	1016558	7-13
101642575	8-3	1016493	7-5	1016559	7-13
101642578	8-3	1016494	7-11	1016560	7-9
101642580	8-3	1016496	7-11	1016561	7-5
101642582	8-3	1016497	7-5	1016562	7-5, 7-13
1016429	7-7	1016499	8-3	1016563	7-9
1016430	7-9	1016501	8-3	1016564	7-11
1016431	7-9	1016502	7-7	1016565	7-11
1016432	7-7, 11-3	1016505	7-5	1016566	7-9
1016435	7-7	1016506	7-11	1016567	7-11
1016436	7-9	1016507	7-3	1016568	7-13
1016437	8-3	1016509	7-13	1016569	7-9
1016438	8-5	1016510	7-11	1016570	7-7
1016439	8-5	1016513	11-3	1016571	7-13
1016440	7-9, 8-5	101651401	2-3	1016572	8-5
1016441	8-5	101651407	2-3	1016576	7-7
1016443	7-3	101651412	2-3	1016578	7-5
1016444	8-5	101651413	2-3	1016579	7-5
1016445	7-5	1016516	7-13	1016580	7-13
1016446	7-9, 7-11	1016517	7-9	1016581	7-7
1016447	7-9	1016519	7-9	1016582	8-5
1016448	7-9	1016520	7-11	1016583	7-9
1016449	7-9	1016521	7-11	1016584	7-11
1016450	7-9	1016523	7-9	1016585	8-3
1016451	7-9	1016524	7-3	1016586	7-5
1016452	7-9	1016525	7-3	1016587	7-5
1016453	7-11	1016526	7-3	1016588	7-5
1016454	7-11	1016531	7-3	101660404	1-7
1016455	7-5	1016532	7-13	1016622	5-3
1016456	7-3, 7-5, 7-11	1016533	7-13	1016627	16-7

INDEX

1016630	6-9	1016952	1-9	101791101	4-3
1016663	5-5	101696201	1-15	1017936	1-13, 1-15, 1-25, 1-27
1016672	11-7	101696202	1-15	1017944	13-3
1016801	10-3	101696204	1-15	1017947	13-3
1016811	1-9	101696208	1-13, 1-27	1017949	13-3
1016849	6-9, 12-11	101696209	1-13, 1-27	1017950	13-3
1016851	6-9, 12-11	101696211	1-13	1017953	13-3
1016857	6-9, 12-11	101696213	1-13	101795701	12-5, 12-17, 12-19
1016859	6-9, 12-11	101696215	1-13	101796201	4-9, 4-11
1016868	1-3	101696216	1-13, 1-27	101796501	12-15
1016874	1-5	101696217	1-15	101796801	12-15
1016875	1-5	101696218	1-15	101801001	12-15
1016876	1-5	101696219	1-13, 1-27	101802101	12-15
1016883	6-15	101696220	1-13	101802201	15-7
1016916	1-11	101696221	1-13	101802202	15-7
101692501	1-3	101696222	1-15	101802203	15-7
101692502	1-3	101696223	1-15	101802204	15-5
101692504	1-3	101696224	1-15	101802205	15-5
101692506	1-3	1016967	1-3	101802206	15-5
101692509	1-3	1017029	4-5	101804301	8-9
101692510	1-3	101706702	1-23	101805701	8-11
101692511	1-3	1017079	1-5	101808401	16-3
101692512	1-3	1017080	1-3	101809101	16-5
101692513	1-3	1017082	11-3	101811401	8-11
101692514	1-3	101708301	1-9	101811501	8-11
101692515	1-3	1017141	1-13, 1-15, 1-25, 1-27	101811801	8-9
101692601	1-13	1017203	8-13	101811901	8-9
101692602	1-13	1017221	7-3	101812301	8-9
101692604	1-13	1017226	5-3	101813001	8-9
101692606	1-13	1017231	11-3	101813202	16-3
101692609	1-13	1017266	5-7	101815501	4-3
101692610	1-13	1017267	1-23	101815502	4-3
101692611	1-13	1017273	5-5	101816401	4-3
101692612	1-13	1017378	4-9, 4-11	101816501	4-3
101692613	1-13	1017380	4-9, 4-11	101816502	4-3
101693301	1-15	1017424	4-9, 4-11	101817401	4-9, 4-11
101693302	1-15	1017448	7-5	101818801	4-9
101693304	1-15	1017455	7-5	101820201	8-5
101693306	1-15	1017456	7-7	101821301	6-7
101693309	1-15	1017461	8-3	101821501	8-9
101693310	1-15	1017466	8-5	101823101	16-9
101693311	1-15	1017468	7-5	101823201	4-3
101693312	1-15	1017507	7-7	101823801	4-3
101693313	1-15	1017653	6-11	101824401	8-13
101693901	1-3	101768202	1-23	101825101	3-3, 3-5
101693902	1-3	101768204	1-23	101826201	12-11
101693904	1-3	1017686	10-7	101826301	6-9
101693906	1-3	1017689	9-3	101826801	12-21
101693908	1-3	1017696	4-9, 4-11	101827101	7-15
101693909	1-3	1017705	12-15	101827601	6-7
101693910	1-3	1017748	1-13, 1-15, 1-25, 1-27	101827801	12-21
101693911	1-3	101776201	1-23	101828301	15-7
101693912	1-3	101776301	1-23	101828501	15-7, 15-9, 15-11
101693913	1-3	1017774	1-17	101828801	15-5, 15-7
101693914	1-3	1017814	1-15, 1-25	101828802	15-5, 15-7
1016947	11-9	1017815	1-15, 1-25	101828901	15-7, 15-9, 15-11

INDEX

101828902	15-7, 15-9, 15-11	101875501	6-11	101896501	6-11
101828903	15-7	101875601	6-11	101897001	14-3
101828904	15-5	101875701	6-11	101897201	14-3
101828905	15-5	101875802	6-11	101897401	14-3
101828906	15-5	101876001	6-11	101897601	14-3
101830601	6-9, 12-11	101876202	6-11	101898001	6-17
101830701	6-9, 12-11	101876301	6-11	101900801	4-7, 5-13
101831101	15-7	101876402	6-11	101900901	6-9
101831503	15-9	101876501	6-11	101903601	14-3
101831504	15-9	101877601	6-11	101903701	14-3
101831701	15-9	101877701	6-11	101905601	8-3
101831702	15-9	101878101	6-11	101906901	14-3
101831801	16-5	101878201	4-5	101908101	12-23
101831901	16-3	101879001	6-11	101908401	12-23
101832001	12-15	101879401	5-17	101908601	3-5
101832101	7-15	101879501	5-17	101908701	12-21
101832202	8-7	101879601	5-17	101909201	7-5
101832302	8-7	101879701	5-17	101909301	7-5
101832701	7-15	101879801	5-17	101909401	7-5
101833201	7-15	101879901	5-17	101909501	7-5
101833401	10-7	101880001	5-17	101909701	7-3
101833601	11-3	101880101	5-17	101910401	1-17, 12-21
101833701	6-11	101880201	5-17	101910501	11-7
101833902	10-3	101880301	5-17	101912401	4-13
101834001	10-7	101881101	7-5	101914401	15-7, 15-9
101834502	6-9, 12-11	101881701	8-9	101915201	3-3
101834601	7-15	101884801	7-15	101915401	7-11
101834801	11-3	101886101	11-3	101915501	7-13
101835601	1-19	101887101	16-3	101915601	7-3
101836201	10-7	101887601	7-3, 8-5	101915801	7-5
101837101	8-9	101889401	11-5	101916701	6-15, 10-3
101837301	6-5, 6-15	101890001	11-5	101917601	8-9
101838201	15-9	101890101	11-3	101917701	8-11
101838301	15-9	101890201	11-3	101918501	4-5
101838401	15-9, 15-11	101890501	11-3	101919801	4-9, 4-11
101838501	15-9	101890601	11-3	101920101	12-13, 13-3, 13-5, 13-7
101838601	15-9, 15-11	101890901	11-7	101921501	8-9
101850301	8-11	101891001	11-7	101922101	14-3
101851101	6-9, 12-11	101891301	11-3	101922201	14-3
101855801	11-11	101891401	11-7	101922301	7-13
101856002	12-23	101891501	11-7	101922501	12-23
101856102	6-7	101891601	11-5	101922601	11-11
101856201	8-11	101891901	11-5	101923001	14-3
101859301	9-3	101892001	11-5	101923201	14-3
101861901	4-9, 4-11	101892201	11-5	101923501	14-3
101862001	4-11	101892301	11-5	101923701	14-3
101869302	6-11	101892401	11-5	101923901	14-3
101870501	5-9	101892501	11-5	101925601	10-3
101871001	16-3	101892601	11-5	101925701	8-9
101874901	6-11	101892701	11-7	101926901	11-3
101875001	6-11	101892901	11-3	101927101	11-3
101875101	6-11	101893201	11-5	101927201	11-3
101875102	6-11	101893801	11-3	101927301	11-3
101875201	6-11	101893901	11-5	101927501	11-5
101875301	6-11	101895401	14-3	101927601	11-5
101875401	6-11	101895501	14-3	101927701	11-5

INDEX

101927901	11-5	101998212	1-11	102242401	1-17
101928001	11-5	101998214	1-11	102243402	16-7
101928101	11-5	101998215	1-11	102243403	13-3, 13-5, 13-7
101928301	11-7	101998501	1-11	102248803	16-7
101928601	11-3	102003201	8-13	102249901	16-3
101928701	11-3, 14-3, 16-7	102022101	4-7	102251501	16-7
101929301	7-5	102022601	5-7	102263601	12-21
101929801	10-3	102022602	5-7, 5-17	102265601	13-3
101929802	10-3	102026001	4-9, 4-11	102265701	13-3
101931501	3-5, 12-21	102031901	11-7	102265801	13-3
101932601	12-21	102045901	11-3	102265901	13-3
101932701	12-21	102060511	1-17	102266001	13-3
101933101	16-7	102060512	1-17	102266101	13-3
101935501	12-11	102060514	1-17	102266501	12-21
101936801	12-13	102060515	1-17	102267001	13-3
101939901	6-11	102061201	16-9	102273201	15-5
101942301	13-3, 13-5, 13-7	102063901	1-19	102273301	15-5
101951501	11-11	102064601	1-19	102273401	15-5
101953101	4-7	102065501	1-19	102273601	15-5
101953901	7-3	102065901	7-15	102273701	15-3, 15-5
101954301	1-11	102076701	1-17, 1-19	102273801	15-3, 15-5
101956201	15-11	102099101	1-19	102273901	15-3, 15-5
101956202	15-11	102101001	12-13	102274001	15-5
101958201	15-11	102101101	12-13	102278001	5-3
101958301	15-11	102155501	1-19	102289201	5-7, 5-17
101959902	3-5	102155801	10-7	102296920	12-23
101960501	3-3	102169401	16-7	102304701	7-9
101960601	3-3, 3-5	102174201	1-11	102310701	1-5
101963401	7-15	102174202	1-11	102323101	4-5
101965205	12-21	102174204	1-11	102323201	4-5
101971301	8-9	102174205	1-11	102330901	16-9
101972001	16-7	102186001	13-5, 13-7	102336001	8-7
101972002	16-7	102186101	13-5, 13-7	102336101	8-7
101972003	16-7	102186201	13-5, 13-7	102353201	5-11
101972004	16-7	102186301	13-5, 13-7	102353301	5-11
101972005	16-7	102186401	13-5, 13-7	102355301	6-17
101972006	16-7	102186701	13-5, 13-7	102356601	14-3
101972007	16-7	102186901	13-5, 13-7	102356801	14-3
101972009	16-7	102187001	13-5	102357001	14-3
101972011	16-7	102187101	13-5, 13-7	102406701	8-13
101972012	16-7	102187201	13-5, 13-7	102453001	11-5
101972101	14-3	102198301	1-19	102453101	11-5
101972201	14-3	102221201	1-5, 1-13, 1-15, 1-25, 1-27	102508401	12-23
101972801	8-9	102235201	13-3, 13-5, 13-7	102511301	12-17
101973101	8-3	102236601	1-17	102511302	12-17
101973201	8-3	102236703	1-17	102518001	3-5
101973501	15-11	102237001	1-17	102519201	3-3
101979101	11-9	102238301	1-17	102540301	7-15
101980801	11-5	102238302	1-17	102555501	16-3
101980901	11-5	102238304	1-17	102562401	16-3
101981001	11-5	102238305	1-17	102564002	5-9
101984801	5-3	102240104	13-3	102569304	2-3
101987501	15-11	102240501	12-21	102570401	16-11
101987701	8-13	102241501	16-7	102588501	5-13, 5-15
101990801	4-7	102241502	16-7	102601501	16-5
101998211	1-11	102242101	10-7	102603501	16-5

INDEX

102605201	16-5	103325601	13-3	103653501	5-7
102606101	16-5	103325701	13-3	103667103	5-11
102607501	16-5	103325801	13-3	103667203	5-11
102628201	6-13	103332302	6-5, 6-7	103689601	12-9
102668801	16-9	103337601	13-3	103696701	1-27
102669901	16-7	103345701	10-3	103696702	1-27
102674001	16-5	103347101	6-13	103696703	1-27
102674101	16-5	103347301	6-13, 6-19	103696704	1-27
102674201	16-5	103347601	6-13	103696801	12-19
102674401	16-9	103347701	6-13	103697401	1-25
102674601	16-9	103347801	6-13	103697402	1-25
102675001	16-5	103347901	6-13	103697403	1-25
102675101	16-5	103351001	5-7	103697404	1-25
102675201	16-5	103354701	5-7	103700201	1-25
102675301	16-5	103372101	8-13	103700202	1-25
102675401	16-5	103372302	8-13	103700203	1-25
102684501	5-9	103379501	11-11	103700204	1-25
102686101	16-3	103380201	4-3	103708301	1-19
102704701	13-5, 13-7	103380202	4-3	103708302	1-19
102704801	13-5, 13-7	103397901	15-5, 15-7	103717001	15-3
102704901	13-5, 13-7	103403101	12-21	103717002	15-3
102705001	13-5	103414901	15-5, 15-7	103717003	15-3
102711001	6-13	103428501	15-3	103720102	6-19
102711201	6-7	103428601	15-3	103776902	8-13
102753401	7-9	103428701	15-3	103779601	15-3
102766301	5-9	103429001	15-3	103781101	8-13
102771701	14-3	103429101	15-3	103781201	8-13
102777401	12-17	103429201	15-3	96704416	7-15
102806201	12-21	103429301	15-3		
102832601	12-17	103429501	15-3		
102838701	6-13	103429701	15-3	A	
102838801	6-13	103434001	15-3	absorber, rear shock	5-13, 5-15
102838901	6-13	103439901	15-3	AC cord	15-5, 15-7, 15-9, 15-11
102839001	6-13	103477901	5-11	AC cord bushing	15-3, 15-5
102839301	6-13	103483101	4-3	AC cord receptacle	15-11
102841101	6-13	103483102	4-3	AC cordset	15-3
102844401	6-13	103483201	4-3	accelerator bracket and bearing assembly	4-9, 4-11
102844501	6-13	103483301	4-3	accelerator cable	8-7
102844601	6-13	103483401	4-3	accelerator pedal	4-9, 4-11
102844701	6-13	103483501	4-3	accelerator pedal adjustment tool	16-3
102865101	8-13	103483601	4-3	accelerator pivot rod	4-9, 4-11
102886301	14-3	103483701	4-3	accelerator return spring	4-9, 4-11
102886401	14-3	103502901	5-13	accelerator rod	4-13
102886501	14-3	103504301	12-19	access door	1-21
102886601	14-3	103507001	5-9	adapter	
102913301	12-5	103512801	15-3	cable (IQDM)	16-7
103010101	8-13	103512901	15-3	adhesive, guide ring	16-3
103246701	1-11	103513001	15-3	adjuster	
103246801	1-11	103517401	15-3	hydraulic brake	16-7
103250701	12-5	103517601	15-5	air box	8-9
103262701	12-23	103520301	8-11	air box top	8-9
103282601	12-21	103601501	5-17	air filter	8-9
103316701	12-21	103601601	5-3	air intake hose	8-9
103316801	12-21	103629001	5-15	ammeter	15-3, 15-5, 15-7, 15-9, 15-11
103316901	12-21	103651902	8-13	A-plate strap	5-7
103325501	13-3	103653401	5-17	A-plate, delta	5-7

INDEX

- arbor 16-3
- arm
 - governor 11-3
 - pivot 11-3
 - rocker 7-9
- armature 6-11, 13-3, 13-5, 13-7
- armature conversion kit 6-11
- assembly
 - accelerator bracket and bearing 4-9, 4-11
 - accelerator pivot rod 4-9, 4-11
 - air box 8-9
 - air box top 8-9
 - armature 6-11
 - axle 11-7
 - bearing, steering shaft 5-3
 - brake lever 4-3
 - brush connector 6-11
 - brush holder 6-11
 - carburetor 8-3
 - connecting rod 7-13
 - delta A-plate 5-7
 - delta shock and gear support 5-7
 - drive hub 10-3
 - driven clutch 10-7
 - driven clutch fixed-face 10-7
 - field coil 6-11
 - float 8-3
 - Forward/Reverse shifter 11-9
 - frame and field (motor) 13-5, 13-7
 - fuel tank vent 8-13
 - governor 11-5
 - idle screw 8-3
 - inner ball joint 5-17
 - kingpin 5-9
 - moveable-face 10-3, 10-7
 - pilot air screw 8-3
 - ratchet 4-5
 - score card plate 5-5
 - secondary clutch weight 10-3
 - steering shaft 5-3
 - steering wheel 5-5
- axle 11-7, 14-3
- axle shaft oil seal 11-7, 14-3
- axle tube 14-3
- B**
- bag hoop 1-17
- bag strap assembly 1-17
- bag strap buckle 1-17
- bag well protector 1-23
- bag, desiccant 10-3
- bagwell protector 1-23
- ball joint 4-5, 4-13, 11-11
- ball stud 6-7, 11-3, 11-9
- ball, bearing 5-11, 6-13
- ball, shifter 11-5
- ball, steel pressure relief 7-7
- band, RPM limiter mount 7-5
- bar, drive 12-13
- barb, vent 8-13
- barrel, plastic 1-17, 1-23
- basket, sweater 1-17
- battery 6-17
- battery charger 15-5, 15-7, 15-9, 15-11
- battery charger case 15-5, 15-7, 15-9, 15-11
- battery charger handle 15-5
- battery charger receptacle 12-15
- battery charger transformer 15-5, 15-7, 15-9, 15-11
- battery clamp 6-17
- battery discharge machine 16-3
- battery hold-down 12-19
- battery hold-down, 12-volt 12-17
- battery terminal protector spray 16-3
- battery thermometer 16-3
- battery warning light 12-11
- battery, 12-volt, Trojan T1275, moist 12-17
- battery, 12-volt, Trojan T1275, wet 12-17
- bearing 14-3
 - ball 5-11, 6-13
 - ball (motor) 13-5, 13-7
 - ball (steering pinion) 5-17
 - idler 10-3
 - inner axle tube 11-7, 14-3
 - lower pinion (steering) 5-17
 - needle 11-5
 - outer axle tube 11-7
 - pivot support 4-9, 4-11
 - steering shaft 5-3
 - thrust 5-9
- bearing and oil seal remover 16-3
- bearing driver set 16-3
- bearing puller 16-3
- bearing puller wedge 16-3
- bearing retainer 13-3
- bearing seal 5-3
- bearing seat 5-3
- bell crank 6-7, 11-9
- bellows 5-17
- belt, drive 10-5
- belt, starter/generator 6-15, 10-3
- beverage holder 1-9
- block, brake-mounting 4-5
- block, fuse 6-7
- body kick plate 1-13, 1-15, 1-25, 1-27
- body, front 1-3
- body, rear 1-13, 1-15, 1-27
- bolt, J- 12-17, 12-19
- boot, steering column 5-3
- boot, switch 12-23
- bottom, air box 8-9
- box
 - air 8-9
 - electrical component 6-7
 - steering gear 5-17
- bracket 7-3
 - accelerator cable 8-7
 - adjustable starter/generator 6-15
 - governor cable 8-7
 - muffler mounting 9-3
 - oil filter mount 7-7
 - oil level switch 7-11
 - relay mounting 15-9
 - RPM limiter 7-5
 - shifter 11-3, 11-11
 - shock absorber 5-13, 5-15
 - shock mounting 5-13, 5-15
 - snubber 7-15
 - starter/generator mounting 6-15
 - steering column 5-3
 - steering column mounting 5-3
 - throttle spring return 8-5
 - Tow/Run switch 12-23
- brake adjusting mechanism 4-3
- brake adjustment tool 16-3
- brake cable 4-7
- brake cable equalizer 4-7
- brake cable hanger 4-7, 5-13, 5-15
- brake cable release tool 16-3
- brake drum 4-3
- brake lever 4-3
- brake mounting block 4-5
- brake pedal 4-5
- brake pedal adjustment tool 16-3
- brake pedal pad 4-5
- brake pedal tension tool 16-3
- brake return spring 4-7
- brake self-adjusting mechanism 4-3
- brake shoe 4-3
- brake spring 4-3
- breaker, circuit 15-3, 15-5, 15-7, 15-9, 15-11
- breather 11-3, 14-3
- brush 13-3, 13-5, 13-7
- brush and screw set 6-11
- brush box assembly 13-5, 13-7
- brush connector 6-11
- brush cover kit, starter/generator 6-13
- brush holder 6-11
- brush inspection port cover 6-11
- brush plate
 - starter/generator 6-13
- brush port cover 6-11
- brush rigging 13-3, 13-5, 13-7
- brush spring 6-13, 13-3, 13-5, 13-7
- brush spring set 6-11
- brush spring, starter/generator 6-13
- brush terminal, starter/generator 6-13, 6-19
- buckle, bag strap 1-17

INDEX

- bumper
 - drive unit (motor) 13-3, 13-5, 13-7
 - front 1-3
 - front, kit 1-3
 - rear 1-5
 - rubber 4-5
 - side trim 1-5
 - spring return 4-9, 4-11
 - bumper mounting 1-5
 - bushing 10-3
 - AC cord 15-3, 15-5
 - bronze 5-11
 - nylon 4-5
 - return line 8-13
 - spindle 5-11
 - steel 5-9, 5-13, 5-15
 - urethane 5-7, 5-9, 5-13, 5-15
 - bushing, insulated 13-3
 - button, choke 8-11
 - button, drive 10-7
 - buzzer, reverse 6-9, 12-11
- ## C
- cable
 - accelerator 8-7
 - brake 4-7
 - governor 8-7
 - IQDM 16-7
 - transmission 11-11
 - cable retainer 11-11
 - calibration test module 16-3
 - cam
 - driven clutch 10-7
 - electrical component box 6-7
 - neutral lockout 11-9
 - cam installation tool 16-3
 - camshaft 7-11
 - canopy support 1-19
 - cap
 - key switch 6-9, 12-11
 - spark plug 7-5
 - carburetor 8-3
 - carburetor float level tool 16-7
 - carburetor insulator 8-5, 13-3
 - carburetor mounting gasket 8-5
 - card, safety first 16-9
 - case
 - battery charger 15-5, 15-7, 15-9, 15-11
 - differential gear 11-7
 - gear 11-3, 14-3
 - rocker 7-9
 - case, charger 15-3
 - charger bezel tool 16-3
 - charger board relay 15-3
 - charger case 15-3
 - charger hardware 15-3
 - charger legs 15-3
 - charger receptacle 12-15
 - charger, battery 15-5, 15-7
 - choke button 8-11
 - choke lever 8-11
 - choke lever guide 8-11
 - choke positioner 8-11
 - choke valve 8-9
 - circuit breaker 15-3, 15-5, 15-7, 15-9, 15-11
 - clamp
 - battery 6-17
 - cable retaining 8-7
 - hose 8-5, 8-9, 8-13
 - muffler hose 9-3
 - clevis, upper delta 5-9
 - clip, score card 5-5
 - cluster idler gear 11-5
 - clutch alignment tool 16-5
 - clutch pulley 10-3
 - clutch removal tool 16-3
 - clutch repair kit 10-7
 - clutch tool kit 16-5
 - clutch weight 10-3
 - clutch, drive 10-3
 - clutch, driven 10-7
 - coil, field 6-11
 - coil, ignition 7-5
 - collet 7-9
 - column, steering 5-3
 - communication display module 16-5
 - component box, electrical 6-7
 - component mounting plate 12-21
 - compression gauge 16-5
 - compression lug 12-21
 - compression spring 8-11
 - compressor, piston ring 16-9
 - compressor, valve spring 16-11
 - computer, onboard 12-21
 - connecting rod 7-13
 - connector, a- 6-11
 - connector, speed controller 12-21
 - continuity tester 16-5
 - controller cover 12-21
 - controller cover gasket 12-21
 - controller, motor speed 12-21
 - cord connector 7-11
 - cord set, DC 15-5
 - cord, AC 15-5, 15-7, 15-9, 15-11
 - cord, DC 15-7, 15-9, 15-11
 - Cordset
 - PD3, AC 114" 15-3
 - PD3, AC 80" 15-3
 - PD3, DC 113" 15-3
 - PD3, DC 154" 15-3
 - PD3, DC 205" 15-3
 - counterbalance guide shaft 7-13
 - counterbalance weight 7-13
 - cover
 - brush inspection port 6-11
 - brush port 6-11
 - crankcase 7-11
 - dust 5-3
 - electrical box 6-7
 - oil pump 7-7
 - screw head 1-7
 - steering column tube 5-3
 - cover gasket, controller 12-21
 - cover plate 13-5, 13-7
 - cover, controller 12-21
 - cover, speed controller 12-21
 - cowl 1-3
 - crank, bell 11-9
 - crankcase 7-13
 - crankcase cover gasket 7-9, 7-11
 - crankcase vent tube 8-5
 - crankshaft 7-13
 - crankshaft seal 7-11
 - crankshaft shim 7-13
 - C-type stop ring 5-17
 - cup holder 1-9
 - cup, spring 4-9, 4-11
 - current limiter 15-11
 - cushion, shock absorber 5-13, 5-15
 - cutter, valve seat 16-5, 16-11
- ## D
- damper, RPM limiter 7-5
 - dash component 1-7
 - dash panel 1-7
 - DC cord 15-7, 15-9, 15-11
 - DC cord set 15-5
 - DC cordset 15-3
 - decal
 - component cover 3-5, 12-21
 - dash warning 3-3, 3-5
 - driver/passenger 3-3
 - frame ground 3-3
 - motor braking 3-5
 - on/off 3-3, 3-5
 - operating instructions (electric) 3-5
 - operating instructions (gas) 3-3
 - rotating parts 3-3
 - Tow/Run switch warning 3-5
 - delta A-plate 5-7
 - delta A-plate sub-assembly 5-7
 - delta shock and gear support 5-7
 - desiccant bag 10-3
 - DF-terminal insulator 6-11
 - diesel tachometer probe 16-9
 - differential
 - drive unit 14-3
 - differential gear 11-7, 14-3

INDEX

differential gear case 11-7
differential housing 14-3
differential idler gear 11-7
differential pin 11-7
diode 6-7
dipstick 7-3
door, access 1-21
drain plug 7-7
drain plug gasket 7-7, 11-3
drain plug, rubber 6-13
drink holder 1-9
drive bar 12-13
drive belt 10-5
drive button 10-7
drive clutch 10-3
drive clutch button 10-3
drive clutch fixed sheave tool 16-5
drive clutch fixed-face 10-3
drive clutch holder tool 16-5
drive clutch hub puller 16-5
drive clutch puller 16-5
drive clutch spider removal tool 16-5
drive clutch spring 10-3
drive clutch weight 10-3
drive hub 10-3
drive unit bumper 13-3, 13-5, 13-7
driven clutch 10-7
driven clutch button 10-7
driven clutch cam 10-7
driven clutch cam puller 16-5
driven clutch fixed-face assembly 10-7
driven clutch puller plug 16-5
driven clutch spring compression base tool 16-5
driven clutch spring compression collar tool 16-5
driven clutch spring compression nut tool 16-5
driver, drive clutch 10-3
drum, brake 4-3
dry moly lubricant 16-7
dust cover 5-3

E

E-clip 4-7
electrical box cover 6-7
electrical component box 6-7
end bell, commutator 6-11
end bell, output shaft 6-11
end cap, motor 13-3, 13-5, 13-7
end shield
 motor 13-3
end, tie rod 5-7
engine 7-3
engine mounting plate 7-15
engine shroud 7-3

engine valve spring 7-9
equalizer rod 4-7
equalizer, brake cable 4-7
exhaust system 9-3
exhaust valve 7-9
extrusion 12-21

F

face, moveable 10-3, 10-7
fan housing 7-3
fan shroud 7-3
fan, flywheel 7-5
fender, inner 1-13, 1-15, 1-25, 1-27
field coil 6-11
field coil housing 6-11
fill plug 11-3
filter
 air 8-9
 fuel 8-13
 oil 7-7
fitting, thread-forming grease 5-11
fixed-face, drive clutch 10-3
fixed-face, driven clutch 10-7
float 8-3
floor mat 1-7, 1-13, 1-15, 1-25, 1-27
flywheel 7-5
flywheel fan plate 7-5
flywheel puller 16-7
FNR handle 11-9
FNR housing 12-23
FNR shifter base 11-9
foam, seat 1-11
fork, shift 11-5
Forward/Reverse shifter 11-9
frame and field assembly (motor) 13-5, 13-7
frame and field, starter/generator 6-13
front body 1-3
front body support 1-13, 1-15, 1-25, 1-27
front bumper 1-3
front bumper kit 1-3
front spring retainer plate 5-9
front suspension 5-7
F-terminal hardware 6-11
f-terminal insulator 6-11
fuel filter 8-13
fuel line 8-5, 8-13
fuel tank 8-13
fuel tank strap 8-13
fuel tank vent 8-13
fuse 12-15, 15-7, 15-9, 15-11
 10-amp 6-7
 3/8-amp 12-15
 charger 15-3, 15-5
fuse block 6-7

G

gasket 14-3
 carburetor mounting 8-3, 8-5
 crankcase cover 7-9, 7-11
 drain plug 7-7, 11-3
 exhaust 7-9, 9-3
 head 7-9
 insulator 7-9, 8-5
 liquid 11-3, 14-3, 16-7
 oil pump 7-7
 rocker case 7-9
 seat 1-11
gasket kit, FE290 7-9
gasket, controller cover 12-21
gauge, compression 16-5
gear
 case 11-3, 14-3
 cluster idler 11-5
 differential 11-7, 14-3
 differential idler 11-7, 14-3
 differential output 14-3
 helical 7-13, 11-5, 11-7
 spur 7-13, 11-5
 synchro 11-5
gear yoke 16-7
governor 11-5
governor arm 11-3
governor cable 8-7
governor cable bracket 8-7
governor shaft installation tool 16-7
governor shield 8-5
grip, pencil 5-5
grommet 8-13
guide
 choke lever 8-11
 intake valve 7-9
 valve seat cutter 16-11
guide ring adhesive 16-3

H

handle, battery charger 15-5
handle, FNR 11-9
hanger, brake cable 4-7, 5-13, 5-15
hardware kit, charger 15-3
hardware, F-terminal 6-11
harness, wire 6-5, 6-7, 12-5
head gasket 7-9
head, FE290 7-9
heatsink 15-5
heatsink and rectifier 15-7, 15-9, 15-11
helical gear 7-13, 11-5, 11-7
hill brake rod 4-5
hill brake weld assembly 4-5
hinge plate 1-11, 1-13, 1-15, 1-25, 1-27
hold-down, battery 12-19

INDEX

hold-down, battery, 12-volt 12-17
holder, cup 1-9
hoop, bag 1-17
hose, air intake 8-9
hose, fuel 8-13
housing
 2-pin 12-13
 3-pin 12-13, 13-3, 13-5, 13-7
 6-pin 12-21
 differential 14-3
 fan 7-3
 field coil 6-11
hub 5-11
hub, synchronizer clutch 11-5
hubcap 5-11
hydraulic brake adjuster 16-7
hydrometer 16-7

I

idle screw assembly 8-3
idler bearing 10-3
idler gear, differential 14-3
ignition coil 7-5
inner frame snubber 7-15
input shaft 14-3
insert, synchronizer 11-5
instrument panel 1-7
insulated bushing 13-3
insulator gasket 7-9, 8-5
insulator, carburetor 8-5, 13-3
intake pipe 8-5
intake valve 7-9
intermediate shaft 14-3
internal retaining ring pliers 16-7
IQ display module (IQDM) 16-7

J

J-bolt 12-17, 12-19
jet, main 8-3
jet, pilot 8-3
joint
 ball 4-5, 4-13, 11-11

K

key
 crankshaft 7-5, 7-13
 driven clutch 10-7
 On/Off 6-9, 12-11
 square 10-7
 starter/generator 6-11
 woodruff 11-3
key switch 6-9
key switch cap 6-9, 12-11
key switch, On/Off 12-11
kick plate, body 1-13, 1-15, 1-25, 1-27

kingpin 5-9
kit
 2-pin housing 12-13
 3-pin housing 12-13, 13-3, 13-5, 13-7
 6-pin housing 12-21
 accelerator pivot rod 4-9, 4-11
 brake cable 4-7
 brake pedal 4-5
 brake pedal adjustment tool 16-3
 clutch repair 10-7
 differential gear case 11-7
 drive clutch button 10-3
 drive clutch weight 10-3
 driven clutch button 10-7
 front hub replacement 5-11
 IQ display module (IQDM) 16-7
 magnet and bearing 13-3
 motor brush 13-5, 13-7
 motor brush spring 13-5, 13-7
 motor cover plate 13-5, 13-7
 motor speed sensor 13-5, 13-7
 motor terminal hardware 13-5, 13-7
 neutral lockout cam 11-9
 park brake latch 4-5
 park brake pedal 4-5
 PD3 Cordest, AC 114" 15-3
 PD3 Cordest, AC 80" 15-3
 PD3 Cordest, DC 113" 15-3
 PD3 Cordest, DC 154" 15-3
 PD3 Cordest, DC 205" 15-3
 PD3 hardware 15-3
 reverse buzzer 6-9, 12-11
 shock absorber 5-13, 5-15
 shock absorber cushion 5-13, 5-15
 steering column rebuild 5-3
 tune-up 16-9

L

latch, air box 8-9
latch, park brake 4-5
L-bracket, motor 13-5
legs, charger 15-3
lever
 change 11-3
 choke 8-9, 8-11
 transmission shifter 11-3
light
 battery warning 12-11
 oil 6-9
limit switch 6-7, 11-9
limiter
 current 15-11
 RPM 7-5
line, fuel 8-5, 8-13
liquid gasket 11-3, 14-3, 16-7
low oil warning light 6-9

lubricant, dry moly 16-7
lubricant, moly-teflon 13-3, 13-5, 13-7, 16-7
lug nut 2-3
lug stud 11-7, 14-3
lug, compression 12-21

M

magnet and bearing kit 13-3
magnet, speed sensor 13-3, 13-5, 13-7
main jet 8-3
main nozzle 8-3
mat, floor 1-7, 1-13, 1-15, 1-25, 1-27
MCOR 12-13
mechanism, brake adjusting 4-3
meter, volt ohm 16-11
module
 calibration test 16-3
 communication display 16-5
moly-teflon lubricant 16-7
motor
 48-volt 13-3
 48-volt IQ 13-5, 13-7
motor armature 13-3
motor brush 13-3
motor brush kit 13-5, 13-7
motor brush spring kit 13-5, 13-7
motor bumper 13-3, 13-5, 13-7
motor end cap 13-3, 13-5, 13-7
motor end shield 13-3
motor L-bracket 13-5
motor magnet, speed sensor 13-3, 13-5, 13-7
motor speed controller 12-21
motor speed sensor 13-3, 13-5, 13-7
motor speed sensor kit 13-5, 13-7
motor stator shell and winding 13-3
motor terminal hardware kit 13-5, 13-7
mounting block, brake 4-5
moveable-face 10-3, 10-7
muffler hose clamp 9-3

N

nameplate kit, amber 3-3, 3-5
needle bearing 11-5
neutral lockout cam 11-9
nozzle, main 8-3
nut, lug 2-3

O

OBC 12-21
OBC, onboard computer 12-21
oil filler tube 7-3
oil filter 7-7
oil filter mount bracket 7-7
oil filter screen 7-11
oil filter screen plate 7-11

INDEX

oil level sensor 7-11
oil level switch bracket 7-11
oil pump and rotor 7-7
oil pump cover 7-7
oil pump gasket 7-7
oil pump plate 7-7
oil seal 7-9, 7-13, 11-3, 11-5
oil warning light, low 6-9
onboard computer 12-21
O-ring 7-3, 7-9, 7-11, 7-13

P

pad
 accelerator pedal 4-9, 4-11
 brake pedal 4-5
 park brake 4-5
 wear 1-5, 1-13, 1-15, 1-25, 1-27
paint, touch-up 16-7
park brake latch 4-5
park brake pedal 4-5
park brake rod sleeve 4-5
park brake spacer 4-5
park brake torsion spring 4-5
pawl 4-5
pedal, accelerator 4-9, 4-11
pedal, brake 4-5
pedal, park brake 4-5
pencil grip 5-5
pilot air screw 8-3
pilot jet 8-3
pin, differential 11-7
pin, piston 7-13
pinion, steering 5-17
pipe, intake 8-5
piston 7-13
piston ring 7-13
piston ring compressor 16-9
piston ring pliers 16-9
pivot arm 11-3
pivot support bearing 4-9, 4-11
plate
 body kick 1-13, 1-15, 1-25, 1-27
 bumper mounting 1-5
 component mounting 12-21
 cover 13-5, 13-7
 engine mounting 7-15
 flywheel fan 7-5
 front spring retainer 5-9
 hinge 1-11, 1-13, 1-15, 1-25, 1-27
 oil filter screen 7-11
 oil pump 7-7
 receptacle backing 12-15
 score card 5-5
 spring mounting 5-9
 thrust 11-5, 11-7
pliers

internal retaining ring 16-7
piston ring 16-9
retaining ring 16-9
plug
 6-pin 12-21
 drain 7-7
 driven clutch puller 16-5
 fill 11-3
 rubber drain 6-13
 spark 7-5
pole set 6-11
positioner, choke 8-11
press weldment 16-5
protector spray, battery terminal 16-3
puller
 bearing 16-3
 clutch 16-3
 drive clutch 16-5
 drive clutch hub 16-5
 driven clutch cam 16-5
 flywheel 16-7
 seal 16-9
 special use tool 16-9
pulley 6-13
 clutch 10-3
 starter-generator 6-11
push rod 7-9

R

rack guide pressure spring 5-17
rack, steering 5-17
ratchet, park brake 4-5
reamer, valve guide 16-9
rear bumper 1-5
rear spring shackle 5-13, 5-15
receptacle 12-15
receptacle backing plate 12-15
receptacle, AC cord 15-11
receptacle, battery charger 12-15
rectifier with heatsink 15-7, 15-9, 15-11
regulator, voltage 6-7
relay 15-9, 15-11
relay mounting bracket 15-9
relay, charger board 15-3
remover, bearing and oil seal 16-3
resistor assembly 12-21
retainer
 accelerator pedal spring 4-9, 4-11
 bearing 13-3
 cable 11-11
 shock absorber cushion 5-13, 5-15
 spring (drive clutch) 10-3
 valve spring 7-9
retaining ring 5-3
retaining ring pliers 16-9
return spring bumper 4-9, 4-11

reverse buzzer 6-9, 12-11
rigging, brush 13-3
rim, wheel, white 2-3
ring
 piston 7-13
 retaining 5-3, 6-7, 10-3, 10-7, 11-9
 snap 5-17, 7-9, 7-13
 spiral backup 10-3
 synchronizer 11-5
ring, C-type stop 5-17
rivet, blind push 1-3
rocker arm 7-9
rocker case 7-9
rocker case gasket 7-9
rocker shaft 7-9
rocker switch 12-23
rod
 accelerator 4-13
 accelerator pivot 4-9, 4-11
 connecting 7-13
 crankshaft 7-13
 equalizer 4-7
 hill brake 4-5
 push 7-9
 shift 11-5
rotor, oil pump and 7-7
RPM limiter 7-5
RPM limiter bracket 7-5
RPM limiter damper 7-5
RPM limiter mount band 7-5

S

safety first card 16-9
score card clip 5-5
score card plate 5-5
screen, oil filter 7-11
screw, valve clearance adjuster 16-9
scuff guard 1-23
scuff guard kit, rear body 1-23
seal
 bearing 5-3
 crankshaft 7-11
 intake 8-9
 lip 14-3
 oil 7-9, 7-13, 11-3, 11-5, 11-7, 14-3
 steering pinion dust 5-17
seal puller 16-9
sealant 11-3, 14-3
seat
 spring 7-9
 valve 7-7
seat back 1-17
seat back cap 1-17
seat bottom assembly 1-11
seat bottom cover 1-11
seat cover, vinyl 1-11

INDEX

- seat cover, white 1-11
 - seat foam 1-11
 - seat gasket 1-11
 - seat, bearing 5-3
 - sensor, motor speed 13-3, 13-5, 13-7
 - sensor, oil level 7-11
 - sensor, speed 13-3
 - set, brush and screw 6-11
 - set, pole 6-11
 - shackle, rear spring 5-13, 5-15
 - shaft
 - change 11-3
 - counterbalance guide 7-13
 - input 14-3
 - intermediate 14-3
 - rocker 7-9
 - transmission 11-5
 - shield, governor 8-5
 - shift fork 11-5
 - shift rod 11-5
 - shifter base, FNR 11-9
 - shifter bracket 11-3, 11-11
 - shim, crankshaft 7-13
 - shock absorber 5-7
 - shock absorber (rear) 5-13, 5-15
 - shock absorber cushion 5-13, 5-15
 - shock absorber cushion retainer 5-13, 5-15
 - shock mounting bracket 5-13, 5-15
 - shoe, brake 4-3
 - shroud, engine 7-3
 - shroud, fan 7-3
 - sleeve
 - delta A-plate 5-7
 - governor 11-5
 - park brake rod 4-5
 - synchronizer 11-5
 - snap ring 5-17, 7-9, 7-13
 - snubber bracket 7-15
 - snubber, inner frame 7-15
 - solenoid, 12-volt 6-7
 - solenoid, 48-volt 12-21
 - spacer
 - accelerator pivot rod 4-9, 4-11
 - park brake 4-5
 - spanner wrench 16-9
 - spark plug 7-5
 - spark plug cap 7-5
 - speed controller 12-21
 - speed controller connector 12-21
 - speed controller cover 12-21
 - speed sensor 13-3, 13-5, 13-7
 - speed sensor magnet 13-3, 13-5, 13-7
 - speed sensor, motor 13-3, 13-5, 13-7
 - spiral backup ring 10-3
 - spray, battery terminal protector 16-3
 - spring
 - accelerator return 4-9, 4-11
 - brake return 4-7
 - brush 6-11, 6-13, 13-3, 13-5, 13-7
 - compression 5-5, 8-11
 - drive button 10-3
 - drive clutch 10-3
 - driven clutch 10-7
 - engine valve 7-9
 - extension return 8-9
 - forward/reverse cam 11-9
 - park brake torsion 4-5
 - rack guide pressure 5-17
 - shifter 11-5
 - steering shaft compression 5-3
 - synchronizer 11-5
 - throttle return 8-5
 - spring cup 4-9, 4-11
 - spring mounting plate 5-9
 - spur gear 7-13, 11-5
 - stand-offs, plastic 15-3
 - starter/generator 6-11
 - starter/generator (cw) 6-13
 - starter/generator belt 6-15, 10-3
 - starter/generator brush cover kit 6-13
 - starter/generator brush plate 6-13
 - starter/generator brush spring 6-13
 - starter/generator brush terminal 6-13, 6-19
 - starter/generator frame and field 6-13
 - starter/generator mounting bracket 6-15
 - starter/generator pulley 6-11
 - stator shell and winding 13-3
 - steel bushing 5-9, 5-13, 5-15
 - steel pressure relief ball 7-7
 - steering column 5-3
 - steering column bearing press tool 16-9
 - steering column retaining ring tool 16-9
 - steering gear box 5-17
 - steering pinion 5-17
 - steering pinion dust seal 5-17
 - steering rack 5-17
 - steering shaft assembly 5-3
 - steering shaft column 5-3
 - steering shaft compression spring 5-3
 - steering wheel 5-5
 - steering wheel puller tool 16-9
 - stem, valve 2-3
 - stiffener, flywheel side 7-15
 - strap, A-plate 5-7
 - strap, fuel tank 8-13
 - stud 7-15
 - lug 11-7, 14-3
 - stud, ball 6-7, 11-3, 11-9
 - support yoke (steering) 5-17
 - support, front body 1-13, 1-15, 1-25, 1-27
 - suppressor, voltage 15-7, 15-9, 15-11
 - suspension, front 5-7
 - sweater basket 1-17
 - switch
 - four-position 15-9, 15-11
 - key 6-9, 12-11
 - limit 6-7, 11-9
 - rocker 12-23
 - Tow/Run 12-23
 - switch rubber boot 12-23
 - synchro gear 11-5
 - synchronizer clutch hub 11-5
 - synchronizer insert 11-5
 - synchronizer sleeve 11-5
 - synchronizer spring 11-5
 - system, exhaust 9-3
- ## T
- 12-volt solenoid 6-7
 - tachometer 16-9
 - tachometer probe, diesel 16-9
 - tank, fuel 8-13
 - tappet 7-11
 - tester, continuity 16-5
 - thermometer, battery 16-3
 - thread-forming grease fitting 5-11
 - throttle return spring 8-5
 - throttle spring return bracket 8-5
 - thrust bearing 5-9
 - thrust plate 11-5, 11-7
 - tie rod end 5-7
 - tie wrap 5-17, 6-7, 12-11, 12-21, 12-23
 - tire 2-3
 - tire and wheel assembly 2-3
 - tool
 - accelerator pedal adjustment 16-3
 - belt tensioning, starter/generator 16-11
 - brake adjustment 16-3
 - brake cable release 16-3
 - brake pedal adjustment 16-3
 - brake pedal tension 16-3
 - cam installation 16-3
 - carburetor float level 16-7
 - charger bezel 16-3
 - clutch alignment 16-5
 - cT-wrench 16-5
 - drive clutch fixed sheave 16-5
 - drive clutch holder 16-5
 - drive clutch spider removal 16-5
 - driven clutch spring compression base 16-5
 - driven clutch spring compression collar 16-5
 - driven clutch spring compression nut 16-5
 - governor shaft installation 16-7
 - puller, special use 16-9
 - steering column bearing press 16-9
 - steering column retaining ring 16-9

INDEX

steering wheel puller 16-9
transaxle axle seal 16-9
transaxle pinion seal 16-9
transmission 16-9
valve guide driver 16-9
valve seat cutter 16-5
tool kit, clutch 16-5
touch-up paint 16-7
Tow/Run switch 12-23
Tow/Run switch bracket 12-23
transaxle 14-3
transaxle axle seal tool 16-9
transaxle housing 14-3
transaxle pinion seal tool 16-9
transaxle, unitized 11-3
transformer, battery charger 15-5, 15-7, 15-9,
15-11
transmission cable 11-11
transmission shaft 11-5
transmission tool 16-9
trim
cowl 1-3
tube
crankcase vent 8-5
oil filler 7-3
tune-up kit 16-9
T-wrench tool 16-5

U

u-bolt 5-13, 5-15
unitized transaxle 11-3
upper delta clevis 5-9
urethane bushing 5-7, 5-9, 5-13, 5-15

V

valve
choke 8-9
exhaust 7-9
intake 7-9
reed 7-9
valve clearance adjuster screw 16-9
valve guide driver tool 16-9
valve guide reamer 16-9
valve guide, intake 7-9
valve seat 7-7
valve seat cutter 16-5, 16-11
valve seat cutter guide 16-11
valve seat cutter tool 16-5
valve seat t-wrench 16-11
valve spring compressor 16-11
valve spring retainer 7-9
valve stem 2-3
vent barb 8-13
volt ohm meter 16-11
voltage regulator 6-7
voltage suppressor 15-7, 15-9, 15-11

W

warning light, low oil 6-9
wear pad 1-5, 1-13, 1-15, 1-25, 1-27
wedge, bearing puller 16-3
weight
clutch 10-3
counterbalance 7-13
secondary clutch 10-3
weldment
press 16-5
wheel 2-3
wheel and tire assembly 2-3
wheel rim, white 2-3
wheel, steering 5-5
windshield frame 1-19
windshield frame pad 1-19
wire harness 6-5, 6-7, 12-5
woodruff key 11-3
wrap, tie 5-17, 6-7, 12-11, 12-21, 12-23
wrench, spanner 16-9

Y

yoke, gear 16-7
yoke, support (steering) 5-17



Club Car, Inc.
P.O. Box 204658
Augusta, GA 30917-4658
USA

Web www.clubcar.com
Phone 1.706.863.3000
1.800.ClubCar
Int'l +1 706.863.3000
Fax 1.706.863.5808