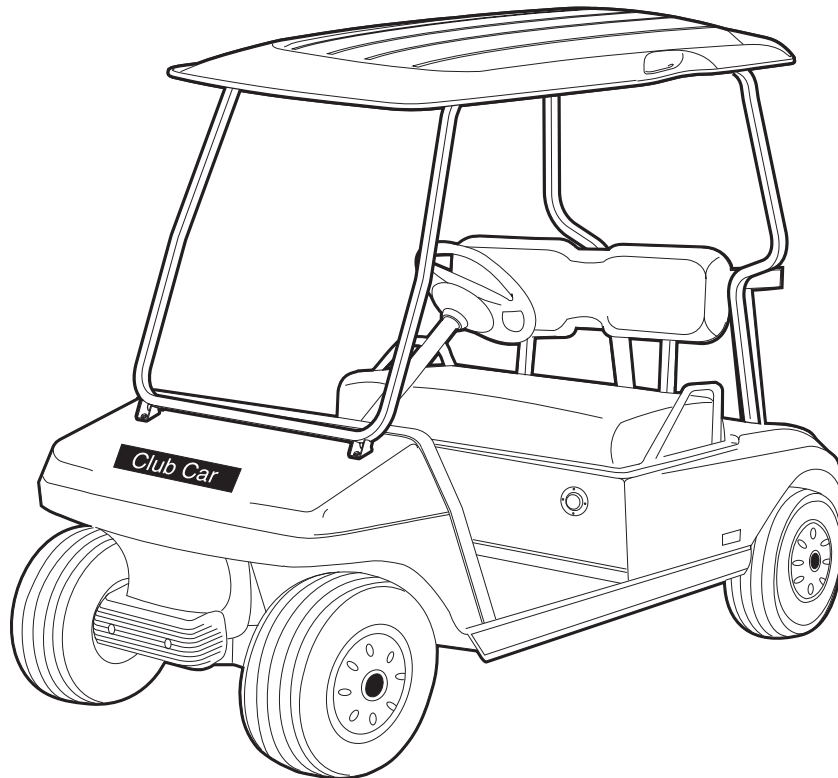




**2008  
DS Golf Cars  
Illustrated Parts List**



**Gasoline and Electric**

Manual Number 103373002  
Edition Code 1007L0112K



# USING THE ILLUSTRATED PARTS LIST

---

## **⚠ WARNING**

- **This manual is to be used only for identification and ordering of service parts. Be sure to read and use the maintenance and service manual before attempting any vehicle repairs.**

This manual covers all 2008 DS golf cars.

The manual is divided into sections. Note that there are two or three flags on the outside edge of each page. The first flag contains the section number of which that page is a part. The other flag (or flags) contains the letter G or E, signifying that the page pertains to the electric or gasoline vehicles only.

Use the Table of Contents to find the sections and pages that contain the parts and assemblies you seek. The Table of Contents lists section numbers, and under them, the individual page titles and numbers to be found in that section. The index can be used to find specific parts and assemblies.

There is a two-page spread for each individual page title in the Table of Contents. On the left-hand page is an illustration showing the parts in their relative positions; the parts are each tagged with an item number in a balloon. The right-hand page is the parts list page, and gives the page title at the top, then the item numbers (corresponding to the numbers on the illustration), part descriptions, and quantity of parts used.

Note that a part description may be indented. This indentation corresponds to a parts assembly level indicated by the numbers 1, 2, 3, and 4 at the top left corner of the parts description area of the parts list page. A part that is indented to *level 2* is a component of the *level 1* part (assembly) that it is listed under. A *level 3* part is a component of the *level 2* part that it is listed under, and a *level 4* part is a component of the *level 3* part preceding it. In each case, the part quantity given for a level 2, 3, or 4 part is the quantity used per next higher level assembly of which it is a component. A part that is not indented is a *level 1* part. This means that the quantity given is the quantity used per the portion of the vehicle illustrated on that particular spread.

## **HOW TO ORDER PARTS**

Replacement parts and accessories can be obtained from our network of authorized dealers and distributors. You can obtain the name and phone number of your closest authorized Club Car dealer or distributor by visiting our web site at [www.clubcar.com](http://www.clubcar.com) and clicking on the "Distributor Search" link or by calling our toll-free Service Parts and Technical Assistance hotline at (800) 872-2246 or (706) 863-3000, extension 3887.



**P. O. Box 204658**  
**Augusta, Georgia 30917-4658 USA**  
**Telephone 706-863-3000**  
**Service Parts Fax 706-855-7413**  
**[www.clubcar.com](http://www.clubcar.com)**

**NOTE:** *This illustrated parts list represents the most current information at the time of publication. Club Car, Inc. is continually working to further improve its vehicles and other products. These improvements may affect the parts used to service the vehicle. Any modification and/or significant change in specifications will be forwarded to all Club Car and Carryall distributors/dealers and will, when applicable, appear in future editions of this illustrated parts list.*

*Club Car, Inc. reserves the right to change specifications and designs at any time without notice and without the obligation of making changes to units previously sold.*

Copyright © 2007 Club Car, Inc.  
*Club Car* and *ArmorFlex*  
are registered trademarks of Club Car, Inc.  
This manual effective August 6, 2007.

*2008 DS Golf Cars Illustrated Parts List*

# CONTENTS

---

## SECTION 1 – BODY AND TRIM

---

Front Body .....	1-3
Rear Body Trim .....	1-5
Dash Components .....	1-7
Beverage Holder .....	1-9
Front Seat Bottom and Armrests .....	1-11
Rear Body and Fender – Gasoline Vehicle .....	1-13
Rear Body and Fender – Electric Vehicle .....	1-15
Seat Back and Bag Hoop .....	1-17
Canopy .....	1-19
Rear Access Door .....	1-21
Scuff Guard and Bagwell Protector Kits .....	1-23
Rear Body and Fender – Electric Vehicle (Style B) .....	1-25
Rear Body and Fender – Gasoline Vehicle (Style B) .....	1-27

---

## SECTION 2 – WHEELS AND TIRES

---

Wheels and Tires .....	2-3
------------------------	-----

---

## SECTION 3 – DECALS

---

Decals – Gasoline Vehicle .....	3-3
Decals – Electric Vehicle .....	3-5

---

## SECTION 4 – BRAKES, PEDAL, AND CABLE ASSEMBLIES

---

Rear Brake Assembly, Self-Adjusting .....	4-3
Brake Pedal Assembly .....	4-5
Brake Cable, Equalizer, and Equalizer Rod .....	4-7
Accelerator Pedal Assembly – Gasoline Vehicle .....	4-9
Accelerator Pedal Assembly – Electric Vehicles with MCOR .....	4-11
Accelerator Rod .....	4-13

---

## SECTION 5 – STEERING, FRONT AND REAR SUSPENSION

---

Steering Column .....	5-3
Steering Wheel .....	5-5
Front Suspension, Upper .....	5-7
Front Suspension, Lower .....	5-9
Front Spindles and Hubs .....	5-11
Rear Suspension – Gasoline Vehicle .....	5-13
Rear Suspension – Electric Vehicle .....	5-15

# CONTENTS

---

Steering Gear Assembly .....	5-17
------------------------------	------

## **SECTION 6 – ELECTRICAL SYSTEM – GASOLINE VEHICLE**

---

Wiring .....	6-5
Electrical Component Box – Gasoline Vehicle .....	6-7
Electrical Components, Front Body – Gasoline Vehicle .....	6-9
Starter/Generator Assembly Model G425419 – Gasoline Vehicles .....	6-11
Starter/Generator Assembly Model 114-01-4005 – Gasoline Vehicles .....	6-13
FE290 Starter/Generator Mounting .....	6-15
Battery – Gasoline Vehicle .....	6-17
Starter/Generator Assembly – Gasoline Vehicles .....	6-19

## **SECTION 7 – FE290 ENGINE**

---

FE290 Engine – Shrouds and Brackets .....	7-3
FE290 Engine – Ignition Components and Flywheel .....	7-5
FE290 Engine – Oil Circulation .....	7-7
FE290 Engine – Cylinder Head .....	7-9
FE290 Engine – Crankcase, Camshaft, and Oil Sensor .....	7-11
FE290 Engine – Crankcase and Crankshaft .....	7-13
FE290 Engine Mounting .....	7-15

## **SECTION 8 – FUEL, INTAKE, AND GOVERNOR SYSTEMS**

---

Fuel System .....	8-3
Carburetor Assembly – FE290 .....	8-5
Carburetor Installation – FE290 .....	8-7
Governor and Accelerator Cables .....	8-9
Air Box and Intake Hose .....	8-11
Intake System .....	8-13

## **SECTION 9 – EXHAUST SYSTEM**

---

Exhaust System – FE290 Engine .....	9-3
-------------------------------------	-----

## **SECTION 10 – TORQUE CONVERTER**

---

Drive Clutch .....	10-3
Drive Belt – FE290 .....	10-5
Driven Clutch .....	10-7

# CONTENTS

---

## SECTION 11 – TRANSAXLE – GASOLINE VEHICLE

---

Transaxle – Gasoline Vehicles, Gear Cases and Brackets .....	11-3
Transaxle – Gasoline Vehicles, Transmission and Gear Reduction .....	11-5
Transaxle – Gasoline Vehicles, Differential and Axles .....	11-7
Forward/Reverse Shifter Assembly – Gasoline Vehicles .....	11-9
Forward/Reverse Shifter Cable – Gasoline Vehicles .....	11-11

---

## SECTION 12 – GRAZIANO TRANSAXLE – GASOLINE VEHICLE

---

Graziano Transaxle – Gasoline Vehicles .....	12-3
Graziano Transaxle – Gasoline Vehicles .....	12-5
Graziano Transaxle – Gasoline Vehicles .....	12-7

---

## SECTION 13 – ELECTRICAL SYSTEM – ELECTRIC VEHICLE

---

Wiring .....	13-5
Wiring .....	13-9
Instrument Panel Components .....	13-11
Motor Controller Output Regulator (MCOR) .....	13-13
Battery Charger Receptacle .....	13-15
Batteries, Electric Vehicle .....	13-17
Batteries – 6 X 8V, Electric Vehicle .....	13-19
OBC, Controller, and Solenoid – Electric Vehicle .....	13-21
Forward/Reverse Switch, Tow/Run Switch .....	13-23

---

## SECTION 14 – ELECTRIC MOTOR

---

Motor (Model 5BC59JBS6390) – Electric Vehicle .....	14-3
Motor (Model EJ4-4001) – Electric Vehicle .....	14-5
Motor (Model EJ8-4001A) – Electric Vehicle .....	14-7

---

## SECTION 15 – TRANSAXLE – ELECTRIC VEHICLES

---

Transaxle – Electric Vehicles .....	15-3
-------------------------------------	------

---

## SECTION 16 – BATTERY CHARGER

---

PowerDrive 3 Battery Charger, Domestic .....	16-3
PowerDrive 2 Battery Charger (Model 22110), Domestic .....	16-5
PowerDrive Battery Charger (Model 17930), Domestic .....	16-7
PowerDrive Battery Charger (Model 18780), Export .....	16-9
PowerDrive Battery Charger (Model 20310), European .....	16-11

# CONTENTS

---

## SECTION 17 – MAINTENANCE AND SERVICE TOOLS

---

Maintenance and Service Tools .....	17-3
Maintenance and Service Tools, Continued .....	17-5
Maintenance and Service Tools, Continued .....	17-7
Maintenance and Service Tools, Continued .....	17-9
Maintenance and Service Tools, Continued .....	17-11

## SECTION i – INDEX

---



# BODY AND TRIM

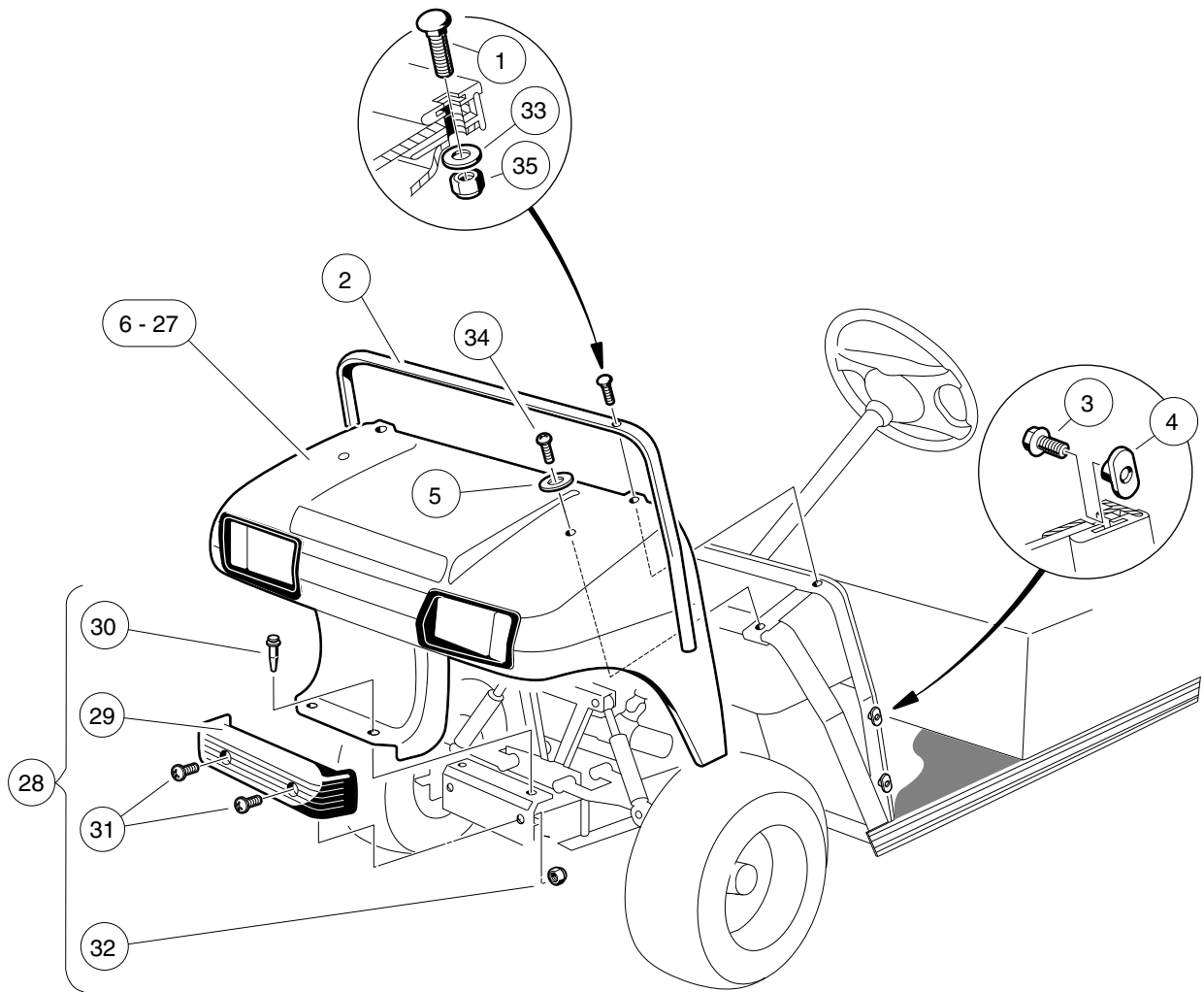
---

1

G

E

**1**  
**G**  
**E**

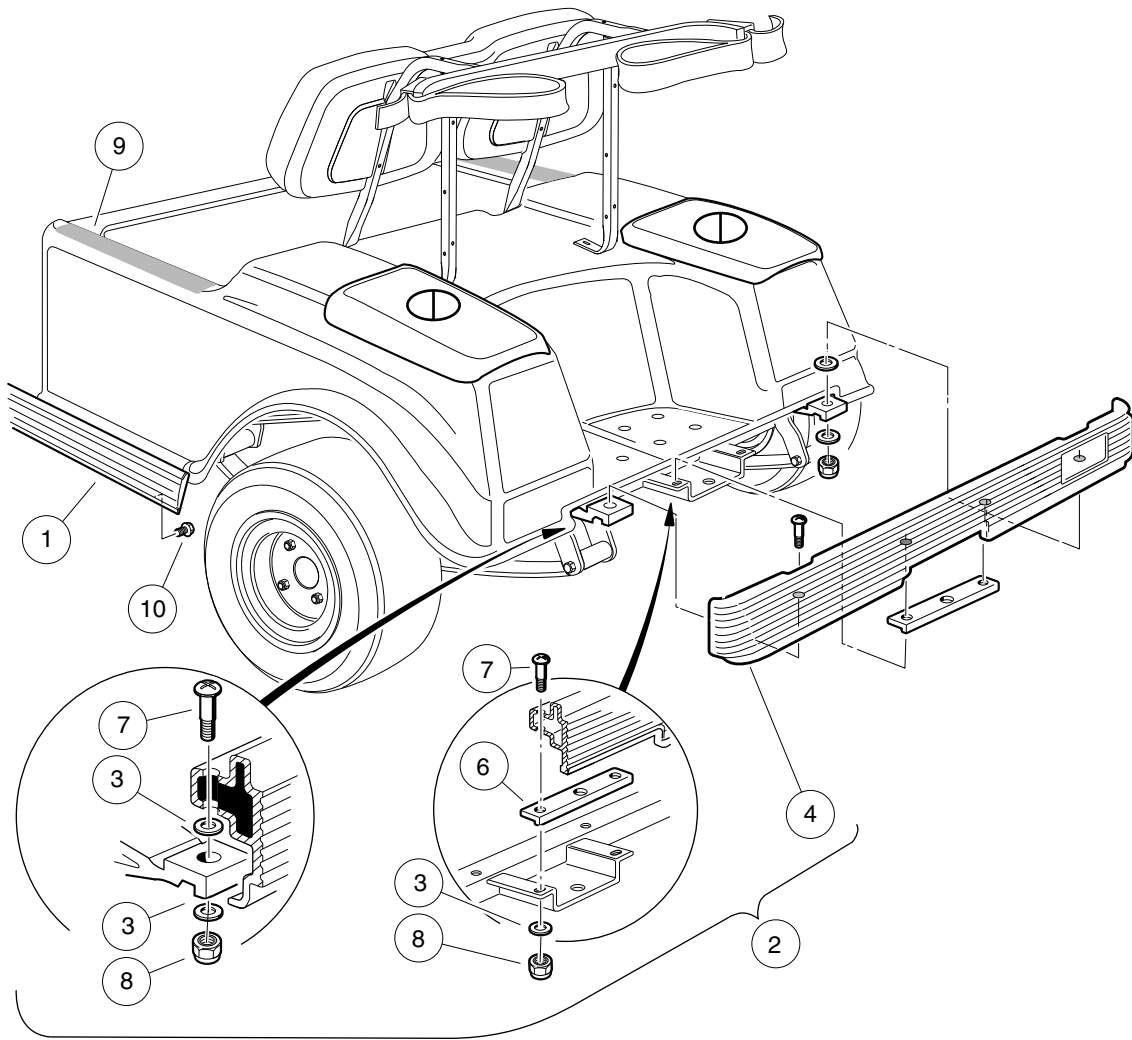


000249-002

# FRONT BODY

ITEM	PART NO.	DESCRIPTION	QTY
		1 2 3 4	
1	<u>1010435</u>	Bolt, Carriage, 5/16-18 X 1.00 .....	2
2	<u>1011014</u>	Trim, Cowl .....	1
3	<u>1011017</u>	Screw, #8-32 X 0.375 .....	6
4	1011394	T-Nut Package (Set of 4) .....	1
5	1015075	Washer, 5/16 Flat Type A .....	2
6	<u>101692501</u>	Cowl, TPO, Beige .....	1
7	<u>101692502</u>	Cowl, TPO, White .....	1
8	<u>101692504</u>	Cowl, Tpo -gray .....	1
9	<u>101692506</u>	Cowl, TPO, Red .....	1
10	<u>101692509</u>	Cowl, TPO, Pacific Blue (Royal Blue) .....	1
11	<u>101692510</u>	Cowl, TPO, Dark Green .....	1
12	<u>101692511</u>	Cowl, TPO, Black .....	1
13	<u>101692512</u>	Cowl, TPO, Classic Blue (Navy) .....	1
14	<u>101692513</u>	Cowl, TPO, Burgundy .....	1
15	<u>101692514</u>	Cowl, TPO, Dark Gray .....	1
16	<u>101692515</u>	Cowl, TPO, Safety Yellow .....	1
17	<u>101693901</u>	Cowl with Headlight Opening, TPO, Beige .....	1
18	<u>101693902</u>	Cowl with Headlight Opening, TPO, White .....	1
19	<u>101693904</u>	Cowl with Headlight Opening, TPO, Gray .....	1
20	<u>101693906</u>	Cowl with Headlight Opening, TPO, Red .....	1
21	<u>101693908</u>	Cowl with Headlight Opening, TPO, Pacific Blue (Royal Blue) .....	1
22	<u>101693909</u>	Cowl with Headlight Opening, TPO, Dark Green .....	1
23	<u>101693910</u>	Cowl with Headlight Opening, TPO, Black .....	1
24	<u>101693911</u>	Cowl with Headlight Opening, TPO, Classic Blue (Navy) .....	1
25	<u>101693912</u>	Cowl with Headlight Opening, TPO, Burgundy .....	1
26	<u>101693913</u>	Cowl with Headlight Opening, TPO, Dark Gray .....	1
27	<u>101693914</u>	Cowl with Headlight Opening, TPO, Safety Yellow .....	1
28	<u>1017080</u>	Kit, Front Bumper (includes items 29 through 32) .....	1
29	<u>1016868</u>	Front Bumper .....	1
30	<u>1016967</u>	Blind Rivet, Push Type .....	2
31	<u>7251</u>	Screw, 5/16-18 x 1.0 Truss-Head .....	2
32	<u>7473</u>	Locknut, 5/16-18 Nylon Insert .....	2
33	<u>1241</u>	Washer, 5/16 Type A Flat .....	2
34	<u>7251</u>	Screw, 5/16-18 x 1.0 Truss-Head .....	2
35	<u>7473</u>	Locknut, 5/16-18 Nylon Insert .....	2

1  
G  
E



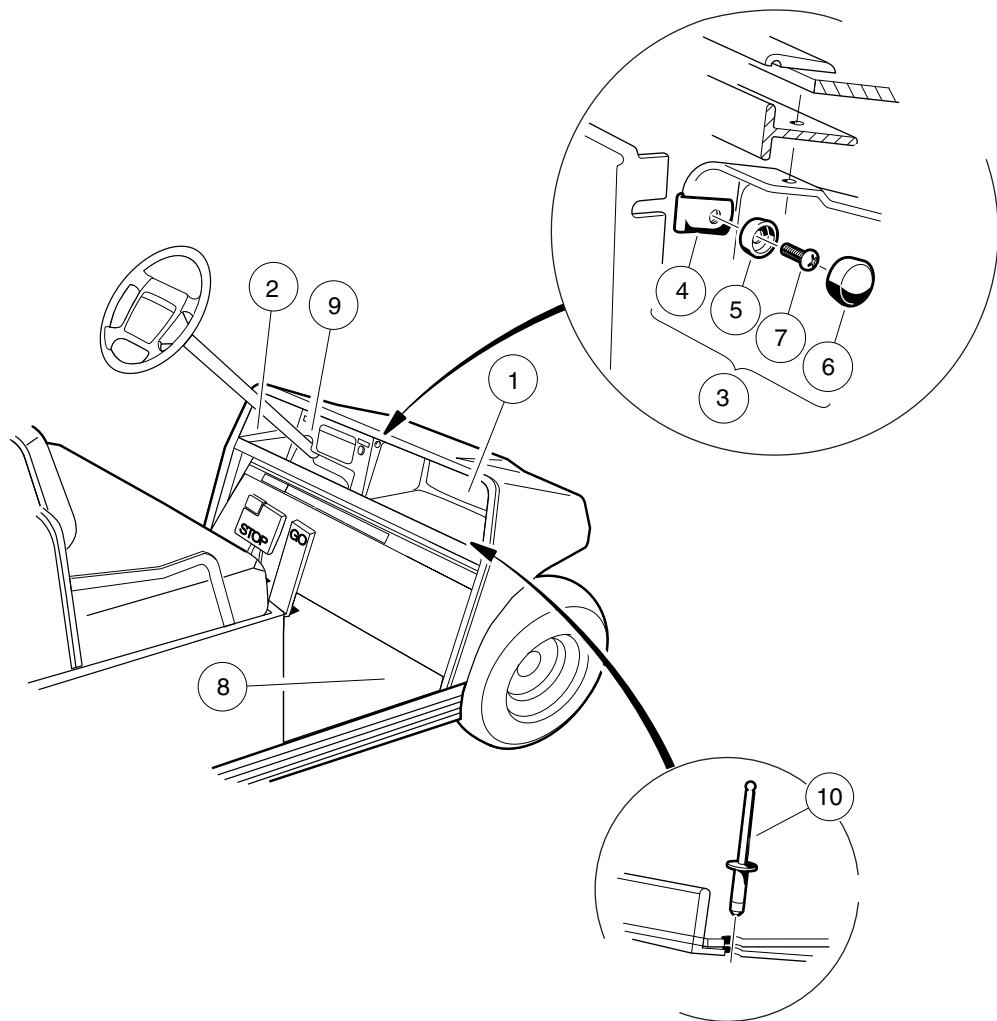
000451-001

# REAR BODY TRIM

ITEM	PART NO.	DESCRIPTION	QTY
		1 2 3 4	
1	<u>1013983</u>	Bumper, Side Trim .....	2
2	<u>1017079</u>	Kit, Rear Bumper (includes items 3 through 8) .....	1
3	<u>1011697</u>	Washer, 5/16 Flat .....	6
4	<u>1016379</u>	Bumper, Rear .....	1
5	<u>1016874</u>	Plate, Bumper Mounting, Short .....	2
6	<u>1016875</u>	Plate, Bumper Mounting, Long .....	1
7	<u>1016876</u>	Bolt, 3/8 Shoulder .....	4
8	<u>7473</u>	Locknut, 5/16-18 Nylon Insert .....	4
9	<u>102221201</u>	Wear Pad .....	2
10	<u>102310701</u>	Screw, #8-18 x 0.375, Hex-Head Washer .....	8
<p style="margin-left: 40px;">Note: Item 5 not used in this application.</p>			

1  
G  
E

**1**  
**G**  
**E**

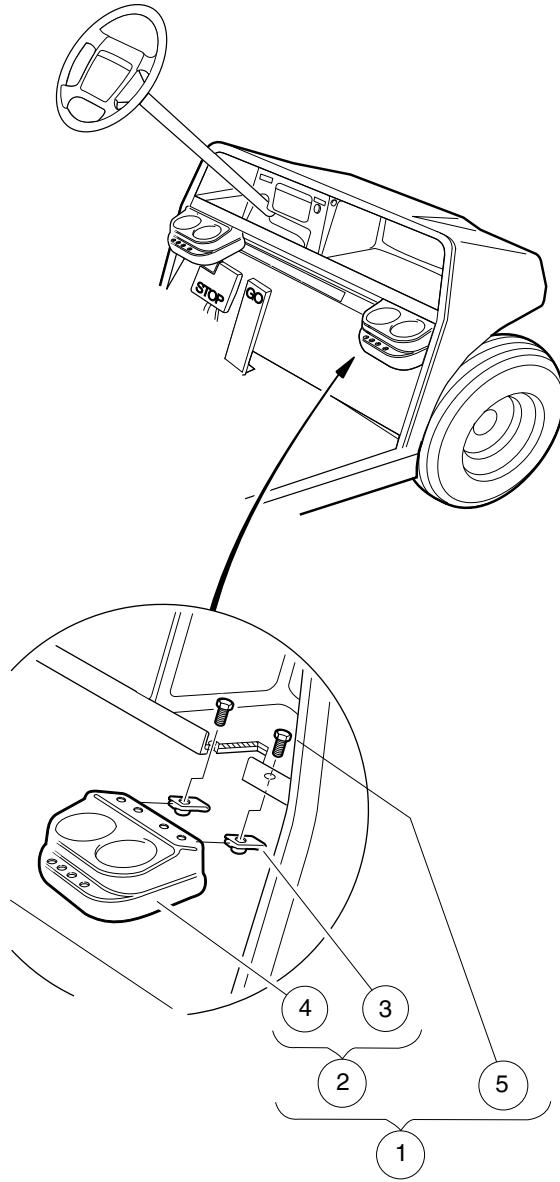


000252-001

# DASH COMPONENTS

ITEM	PART NO.	DESCRIPTION	QTY
		<b>1 2 3 4</b>	
1	<u>1013343</u>	Dash Component, Passenger-Side, Black .....	1
2	1013344	Dash Component, Driver-Side .....	1
3	<u>1014645</u>	Snap Washer Kit, Black (includes items 4 through 7) .....	2
4	<u>1011019</u>	Nut, Speed .....	1
5	1011382	Washer, #10 Pan-Head Screw .....	1
6	<u>1013494</u>	Cover, Screw Head .....	1
7	1620	Screw, #10-16 X 0.75 Pan-Head Tap .....	1
8	<u>101503202</u>	Floormat .....	1
9	101660404	Dash Panel, Black Center .....	1
10	<u>7973</u>	Rivet, 3/16 X .400 Blind .....	5

1  
G  
E



000253-002

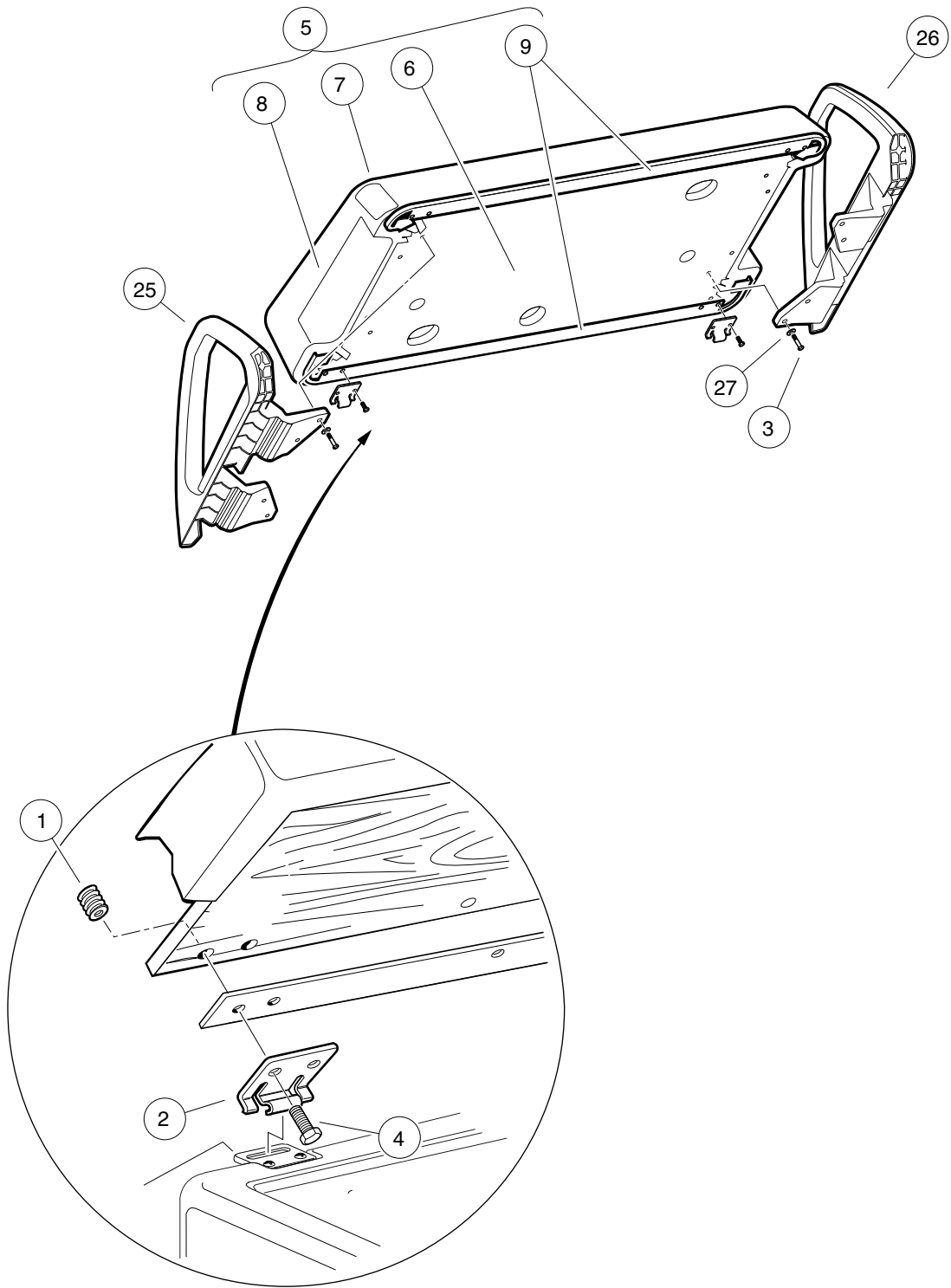


# BEVERAGE HOLDER

ITEM	PART NO.	DESCRIPTION	QTY
		1 2 3 4	
1	<u>101708301</u>	Drink Holder Kit (includes items 2 through 5) .....	2
2	<u>1016811</u>	Holder, Dual Cup (includes items 3 and 4) .....	1
3	1016952	U-Nut, 1/4-20 .....	2
4	N/A	Cup Holder, Dual .....	1
5	<u>7847</u>	Screw, 1/4-20 X 0.75 Hex-Head Cap .....	2

1  
G  
E

**1**  
**G**  
**E**



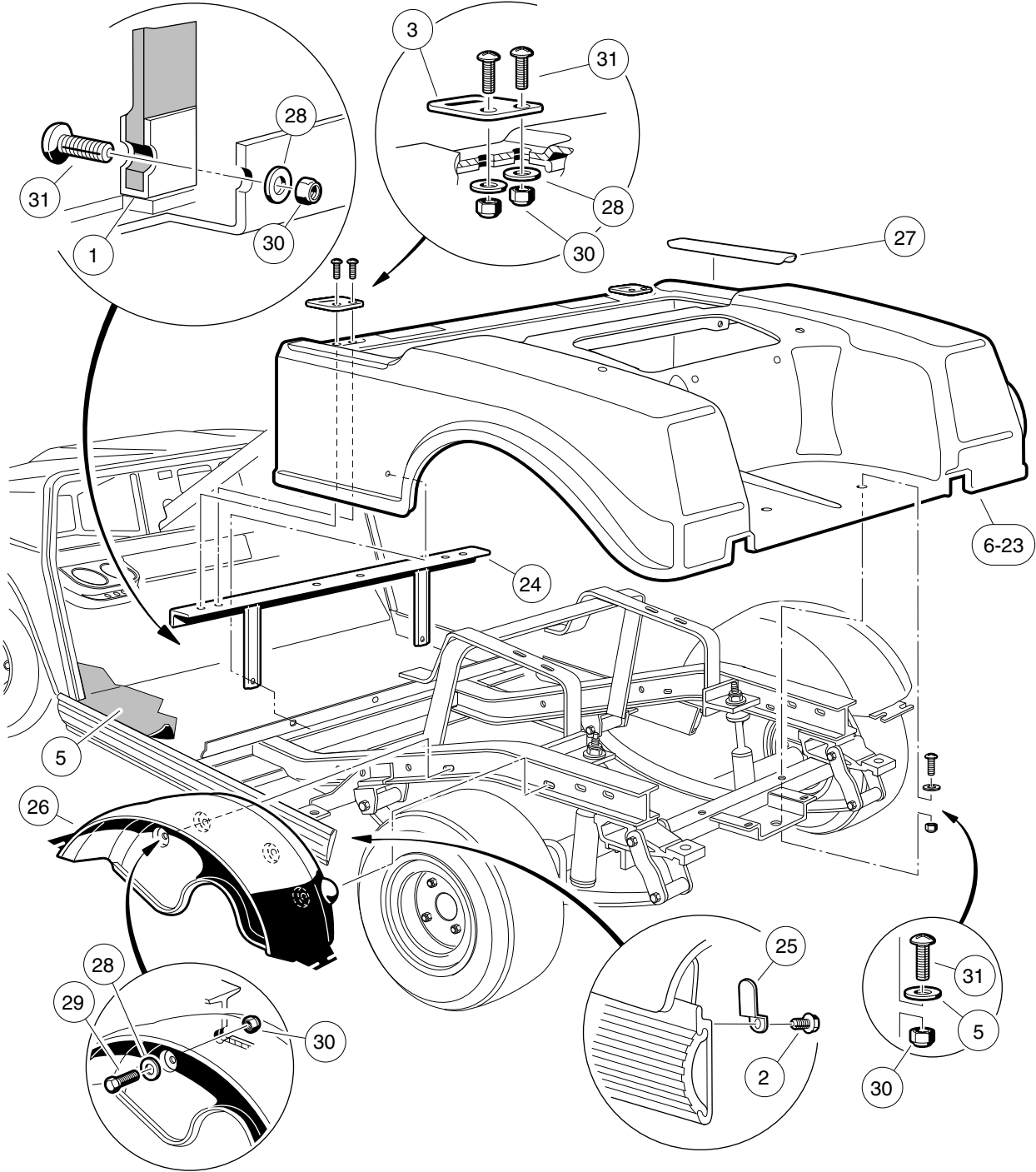
000364-003

# FRONT SEAT BOTTOM AND ARMRESTS

ITEM	PART NO.	DESCRIPTION	QTY
		1 2 3 4	
1	1010543	Insert - Wood .....	4
2	<u>1011652</u>	Hinge Plate .....	2
3	1016916	Screw, 1/4-20 X 1.50 Hex-Head Cap .....	8
4	<u>101954301</u>	Screw, 1/4-20 X 0.75 Hex-Head Cap .....	4
5	<u>102174201</u>	Seat Bottom Assembly, Buff (includes items 6 through 9) .....	1
6	N/A	Plywood Assy .....	1
7	<u>101998211</u>	Vinyl Cover Seat Btm - Buffsvc .....	1
8	N/A	Foam, Seat .....	1
9	<u>101998501</u>	Gasket, Seat .....	2
10	<u>102174202</u>	Seat Bottom Assembly, White (includes items 11 through 14) .....	1
11	N/A	Plywood Assy .....	1
12	<u>101998212</u>	Vinyl Cover, Seat Bottom, White .....	1
13	N/A	Foam, Seat .....	1
14	<u>101998501</u>	Gasket, Seat .....	2
15	<u>102174204</u>	Seat Bottom Assembly, Black (includes items 16 through 19) .....	1
16	N/A	Plywood Assy .....	1
17	<u>101998214</u>	Vinyl Cover, Seat Bottom, Black .....	1
18	N/A	Foam, Seat .....	1
19	<u>101998501</u>	Gasket, Seat .....	2
20	<u>102174205</u>	Seat Bottom Assembly, Gray (includes items 21 through 24) .....	1
21	N/A	Plywood Assy .....	1
22	<u>101998215</u>	Vinyl Cover, Seat Bottom, Gray .....	1
23	N/A	Foam, Seat .....	1
24	<u>101998501</u>	Gasket, Seat .....	2
25	<u>103246701</u>	Hip Restraint, Drvr Side .....	1
26	<u>103246801</u>	Hip Restraint, Pass Side .....	1
27	<u>332</u>	Washer, 1/4 Type A Narrow Flat .....	8
Note: Sub-components contained in items 10, 15, and 20 are the same as those shown for item 5, except for the vinyl seat covers.			

1  
G  
E

**1**  
**G**  
**E**



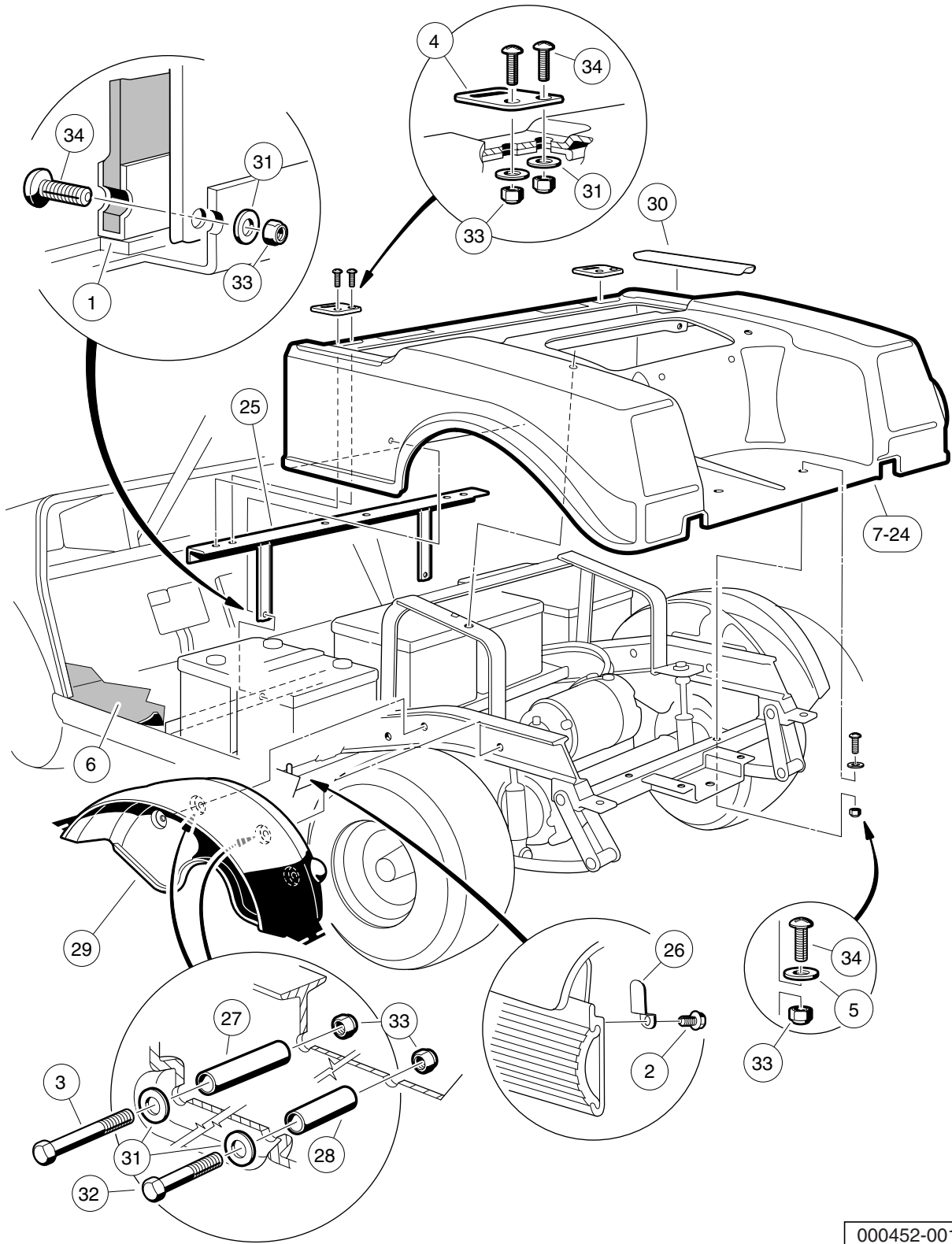
000450-001

## REAR BODY AND FENDER – GASOLINE VEHICLE

ITEM	PART NO.	DESCRIPTION	QTY
		1 2 3 4	
1	<u>1010993</u>	Body Kick Plate .....	1
2	<u>1012047</u>	Screw, #8-32 X .375 Self Tap .....	2
3	<u>1012412</u>	Body, Hinge Plate .....	2
4	<u>1014306</u>	Washer, 1/4" Type B Flat .....	2
5	<u>101503202</u>	Floormat .....	1
6	<u>101692601</u>	Body, Beige, TPO, Rear .....	1
7	<u>101692602</u>	Body, White, TPO, Rear .....	1
8	<u>101692604</u>	Body, Gray, TPO, Rear .....	1
9	<u>101692606</u>	Body, Red, TPO, Rear .....	1
10	<u>101692609</u>	Body, Pacific Blue (Royal Blue), TPO, Rear .....	1
11	<u>101692610</u>	Body, Dark Green, TPO, Rear .....	1
12	<u>101692611</u>	Body, Black, TPO, Rear .....	1
13	<u>101692612</u>	Body, Classic Blue, (Navy) TPO, Rear .....	1
14	<u>101692613</u>	Body, Burgundy, TPO, Rear .....	1
15	<u>101696208</u>	Body with Tail Light Hole, Beige, Rear .....	1
16	<u>101696209</u>	Body with Tail Light Hole, White, Rear .....	1
17	<u>101696211</u>	Body with Tail Light Hole, Gray, Rear .....	1
18	<u>101696213</u>	Body with Tail Light Hole, Red, Rear .....	1
19	<u>101696215</u>	Body with Tail Light Hole, Pacific Blue (Royal Blue), Rear .....	1
20	<u>101696216</u>	Body with Tail Light Hole, Dark Green, Rear .....	1
21	<u>101696219</u>	Body with Tail Light Hole, Black, Rear .....	1
22	<u>101696220</u>	Body with Tail Light Hole, Classic Blue, Rear .....	1
23	<u>101696221</u>	Body with Tail Light Hole, Burgundy, Rear .....	1
24	<u>1017141</u>	Body Support Weldment .....	1
25	<u>1017748</u>	Body Keeper Clip .....	2
26	<u>1017936</u>	Fender, Inner .....	2
27	<u>102221201</u>	Wear Pad .....	2
28	<u>332</u>	Washer, 1/4 Type A Narrow Flat .....	10
29	<u>7847</u>	Screw, 1/4-20 X 0.75 Hex-Head Cap .....	4
30	<u>8233</u>	Locknut, 1/4-20 Nylon Insert .....	12
31	<u>8251</u>	Screw, 1/4-20 X 1.0 Truss-Head Machine .....	8
		Note: Bodies on this page are to be used with vehicles manufactured before 08/03/09.	

**1**  
**G**  
**E**

**1**  
**G**  
**E**



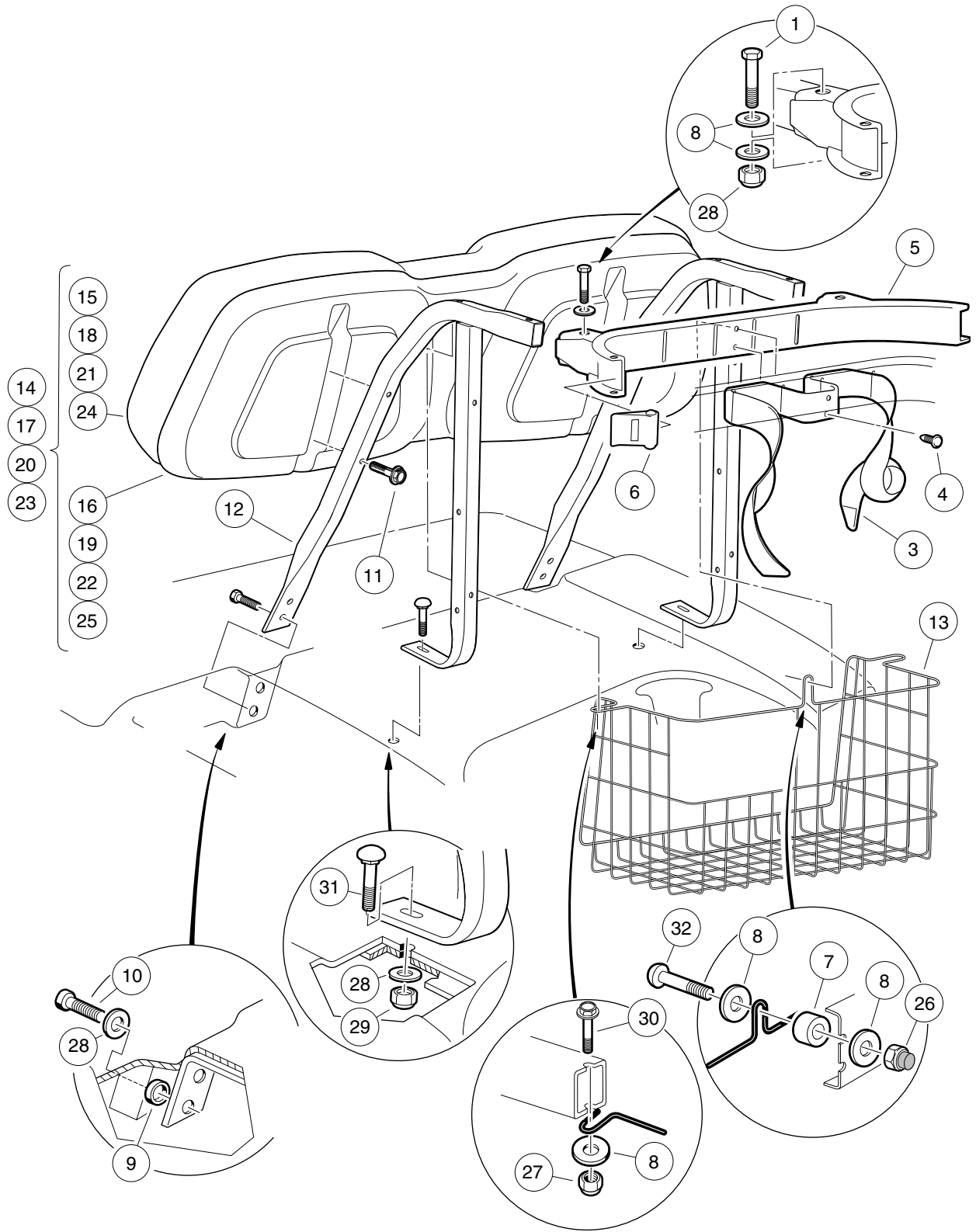
000452-001

## REAR BODY AND FENDER – ELECTRIC VEHICLE

ITEM	PART NO.	DESCRIPTION	QTY
		<b>1 2 3 4</b>	
1	<u>1010993</u>	Body Kick Plate .....	1
2	<u>1012047</u>	Screw, #8-32 X .375 Self Tap .....	2
3	<u>1012159</u>	Bolt, 1/4-20 X 2.75 Hex-Head .....	2
4	<u>1012412</u>	Body, Hinge Plate .....	2
5	<u>1014306</u>	Washer, 1/4" Type B Flat .....	2
6	<u>101503202</u>	Floormat .....	1
7	<u>101693301</u>	Body, Beige, TPO, Rear .....	1
8	<u>101693302</u>	Body, White, TPO, Rear .....	1
9	<u>101693304</u>	Body, Gray, TPO, Rear .....	1
10	<u>101693306</u>	Body, Red, TPO, Rear .....	1
11	<u>101693309</u>	Body, Pacific Blue (Royal Blue), TPO, Rear .....	1
12	<u>101693310</u>	Body, Dark Green, TPO, Rear .....	1
13	<u>101693311</u>	Body, Black, TPO, Rear .....	1
14	<u>101693312</u>	Body, Classic Blue, TPO, Rear .....	1
15	<u>101693313</u>	Body, Burgundy, TPO, Rear .....	1
16	<u>101696201</u>	Body with Tail Light Hole, Beige, Rear .....	1
17	<u>101696202</u>	Body with Tail Light Hole, White, Rear .....	1
18	<u>101696204</u>	Body with Tail Light Hole, Gray, Rear .....	1
19	N/A	Body with Tail Light Hole, Red, Rear .....	1
20	<u>101696217</u>	Body, Rear W/tlt -ele Pacific Blue (Royal Blue) .....	1
21	<u>101696218</u>	Body with Tail Light Hole, Dark Green, Rear .....	1
22	<u>101696222</u>	Body with Tail Light Hole, Black, Rear .....	1
23	<u>101696223</u>	Body with Tail Light Hole, Classic Blue, Rear .....	1
24	<u>101696224</u>	Body with Tail Light Hole, Burgundy, Rear .....	1
25	<u>1017141</u>	Body Support Weldment .....	1
26	<u>1017748</u>	Body Keeper Clip .....	2
27	<u>1017814</u>	Spacer, 1.88-inch .....	2
28	<u>1017815</u>	Spacer, 0.5-inch .....	2
29	<u>1017936</u>	Fender, Inner .....	2
30	<u>102221201</u>	Wear Pad .....	2
31	<u>332</u>	Washer, 1/4 Type A Narrow Flat .....	10
32	<u>7479</u>	Screw, 1/4-20 X 1.25 Hex-Head Cap .....	2
33	<u>8233</u>	Locknut, 1/4-20 Nylon Insert .....	12
34	<u>8251</u>	Screw, 1/4-20 X 1.0 Truss-Head Machine .....	8
		Note: Bodies on this page are to be used with vehicles manufactured before 08/03/09.	

**1**  
**G**  
**E**

1  
G  
E



000453-001

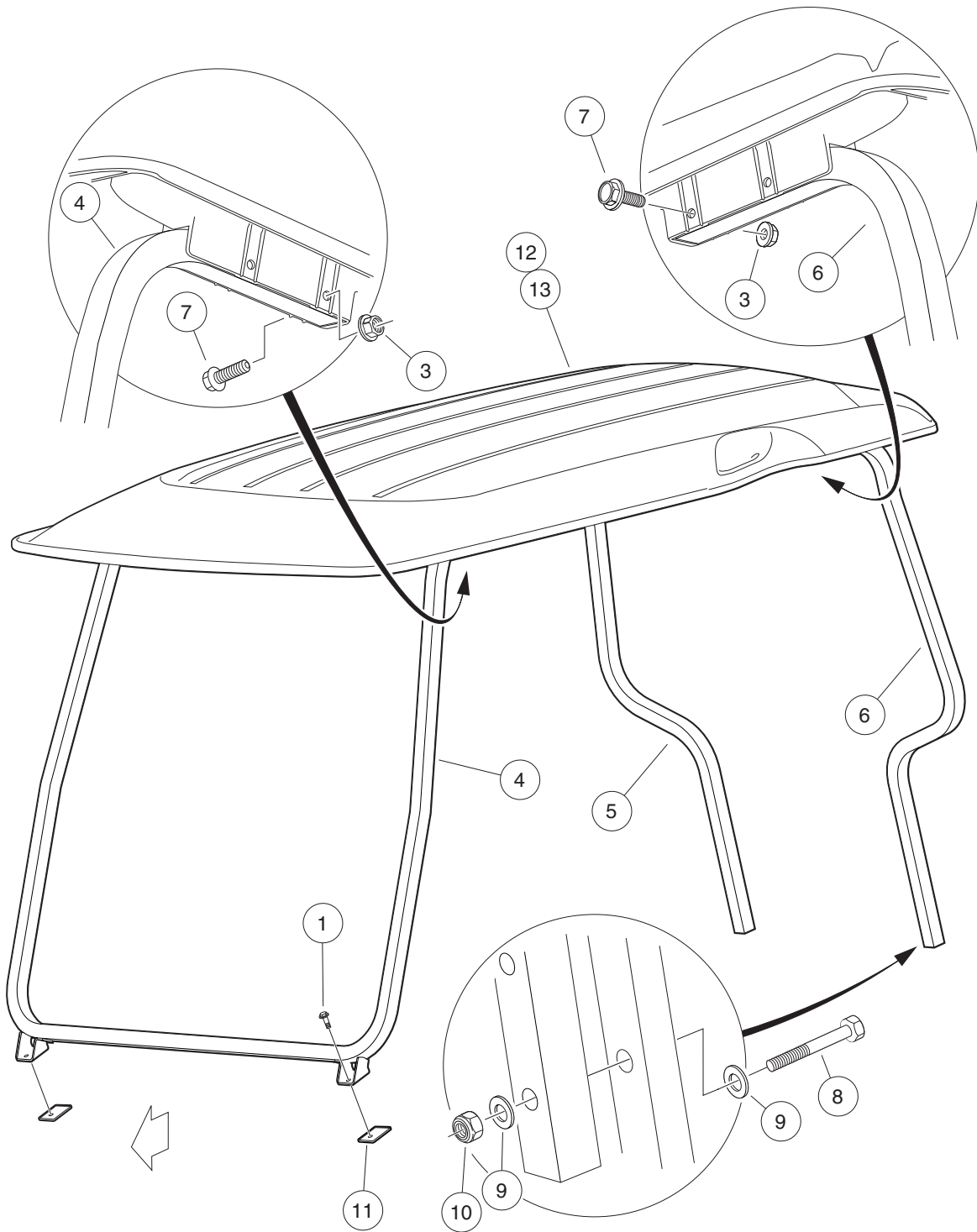


# SEAT BACK AND BAG HOOP

ITEM	PART NO.	DESCRIPTION	QTY
		<b>1 2 3 4</b>	
1	<u>1010921</u>	Screw, 5/16-18 X 2.50 Hex Cap .....	2
2	<u>1013935</u>	Bag Hoop W/buckle & Strap Asm (includes items 3 through 6) .....	1
3	<u>1010413</u>	Bag Strap Assembly .....	1
4	<u>1010434</u>	Barrel - Plastic .....	2
5	N/A	Molded Bag Hoop .....	1
6	<u>1013754</u>	Buckle, Bag Strap .....	2
7	<u>1014482</u>	Spacer, Nylon .....	1
8	<u>1015075</u>	Washer, 5/16 Flat Type A .....	8
9	<u>1017774</u>	Body Spacer .....	4
10	<u>101910401</u>	Screw, 5/16-18 X 1.25 Thrd Frm .....	4
11	<u>102076701</u>	Screw, 1/4-20 X 1.75 Hex Sems .....	4
12	<u>102236601</u>	Support Weldment .....	2
13	<u>102236703</u>	Sweater Basket, Black .....	1
14	<u>102238301</u>	Kit, Seat Back, Buff (includes items 15 and 16) .....	1
15	<u>102060511</u>	Skin Seat Back, Beige .....	1
16	<u>102237001</u>	Cap - Seat Back .....	1
17	<u>102238302</u>	Kit, Seat Back, White (includes items 18 and 19) .....	1
18	<u>102060512</u>	Skin Seat Back, White .....	1
19	<u>102237001</u>	Cap - Seat Back .....	1
20	<u>102238304</u>	Kit, Seat Back, Black (includes items 21 and 22) .....	1
21	<u>102060514</u>	Skin Seat Back, Black .....	1
22	<u>102237001</u>	Cap - Seat Back .....	1
23	<u>102238305</u>	Kit, Seat Back, Gray (includes items 24 and 25) .....	1
24	<u>102060515</u>	Skin Seat Back, Gray .....	1
25	<u>102237001</u>	Cap - Seat Back .....	1
26	<u>102242401</u>	Nut - Nylon Insert W/cap .....	1
27	<u>1028</u>	Nut, 1/4-20 Hex .....	2
28	<u>1241</u>	Washer, 5/16 Type A Flat .....	6
29	<u>7473</u>	Locknut, 5/16-18 Nylon Insert .....	4
30	<u>7479</u>	Screw, 1/4-20 X 1.25 Hex-Head Cap .....	2
31	<u>7818</u>	Bolt, Carriage, 5/16-18 X 1.5 .....	2
32	<u>8418</u>	Screw, 1/4-20 X 1.50 Phillips Truss-Head .....	1

**1**  
**G**  
**E**

**1**  
**G**  
**E**



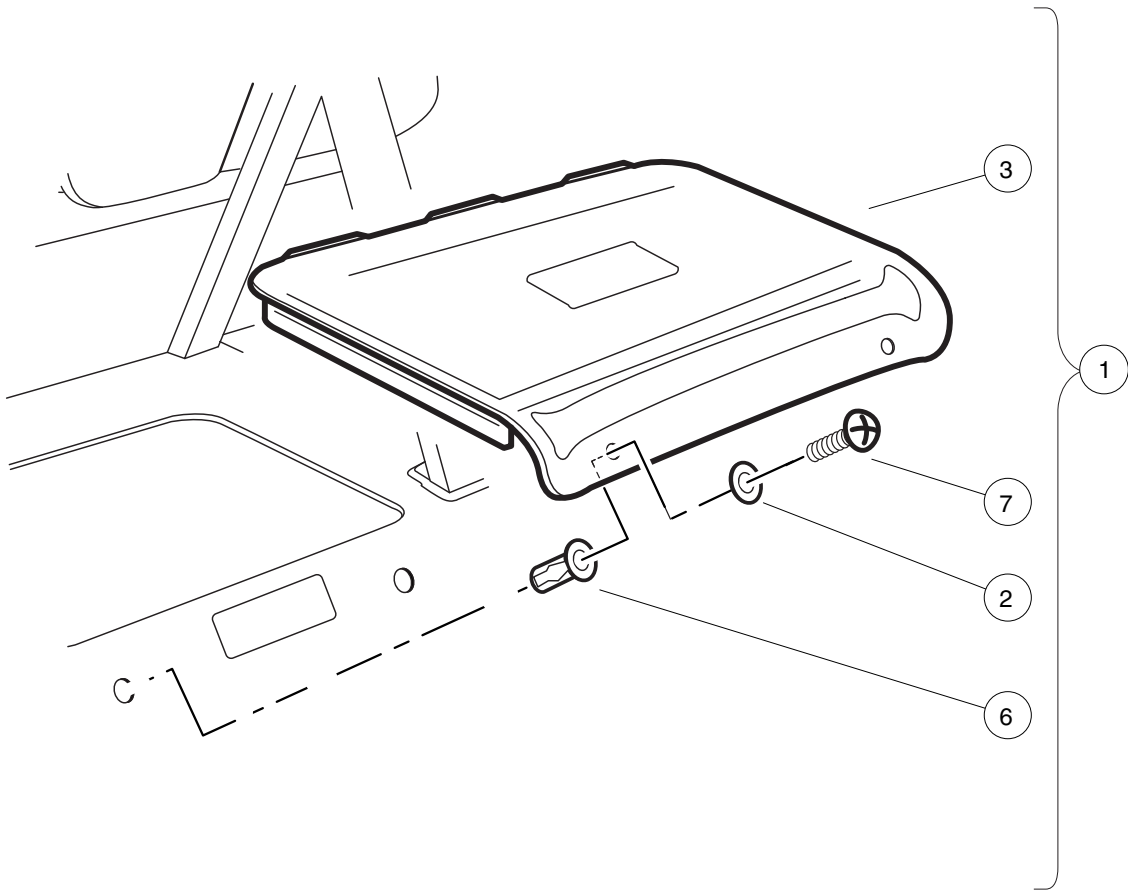
000454-001

# CANOPY

ITEM	PART NO.	DESCRIPTION	QTY
		<b>1 2 3 4</b>	
1	102099101	Screw, 5/16-18 X 1.00 Hex Sems .....	2
2	<u>102155501</u>	Canopy Kit Struts (includes items 3 through 10) .....	1
3	<u>101835601</u>	Locknut, 1/4-20 Hex Whiz .....	8
4	<u>102063901</u>	Weldment - Windshield Frame .....	1
5	<u>102064601</u>	Support, Rear Canopy, Right-Hand .....	1
6	<u>102065501</u>	Support, Rear Canopy Left-Hand .....	1
7	<u>102076701</u>	Screw, 1/4-20 X 1.75 Hex Sems .....	8
8	<u>324</u>	Screw, 1/4-20 X 2.50 Hx Hd Cap .....	4
9	<u>332</u>	Washer, 1/4 Type A Narrow Flat .....	8
10	<u>8233</u>	Locknut, 1/4-20 Nylon Insert .....	4
11	102198301	Pad, Windshield Frame .....	2
12	<u>103708301</u>	Canopy, 2pass, Ds, White .....	1
13	<u>103708302</u>	Canopy, 2pass, Ds, Beige .....	1

**1**  
**G**  
**E**

**1**  
**G**  
**E**



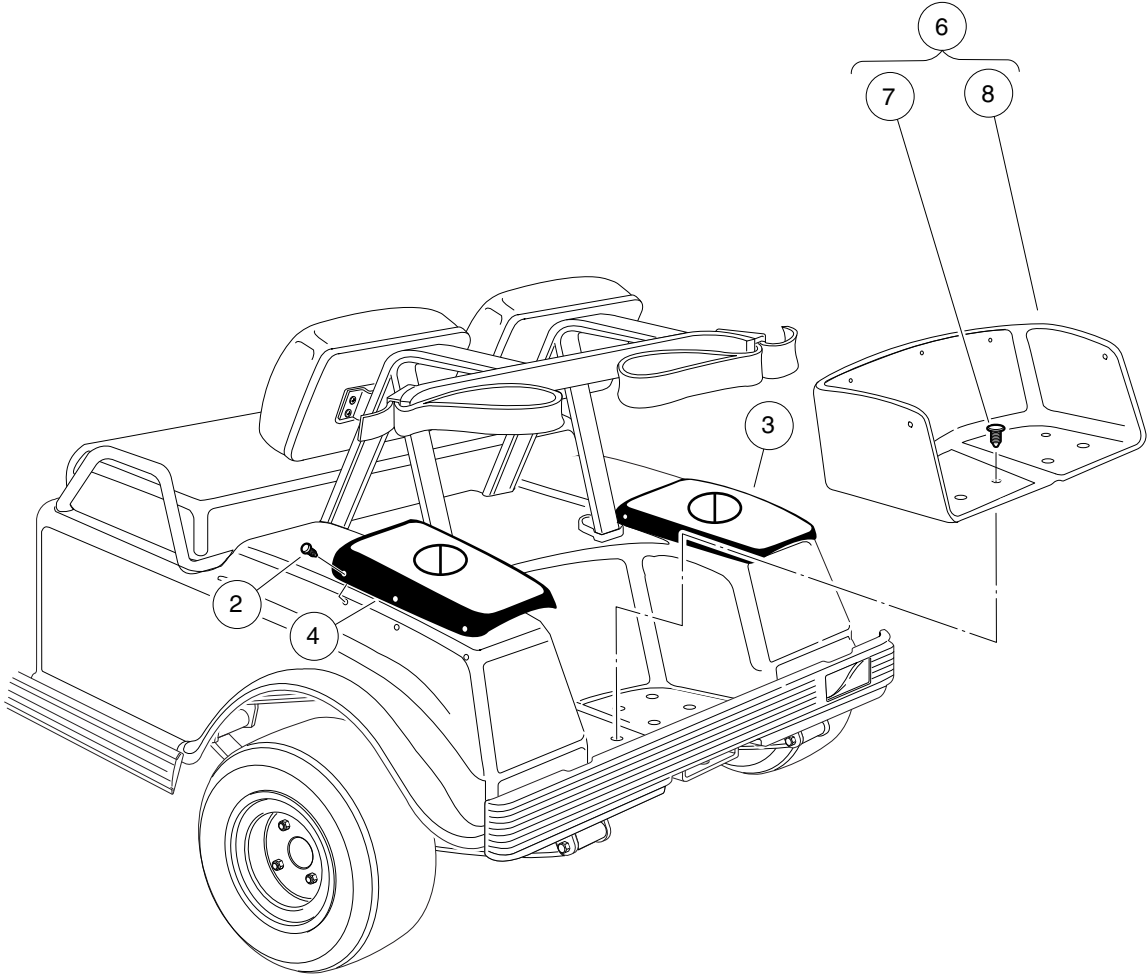
000783-001

# REAR ACCESS DOOR

ITEM	PART NO.	DESCRIPTION	QTY
		1 2 3 4	
1	<u>1013218</u>	Kit, Access Door Black (includes items 2 through 7) .....	1
2	<u>1012581</u>	Washer, 0.609-inch OD, Nylon Cup .....	2
3	<u>1013032</u>	Molded Access Door Black .....	1
4	<u>1013216</u>	Plug, Button .....	2
5	N/A	Instruction Sheet Access Door .....	1
6	<u>1015525</u>	Nut, 1/4-20 Blind .....	2
7	<u>8251</u>	Screw, 1/4-20 X 1.0 Truss-Head Machine .....	2

1  
G  
E

**1**  
**G**  
**E**



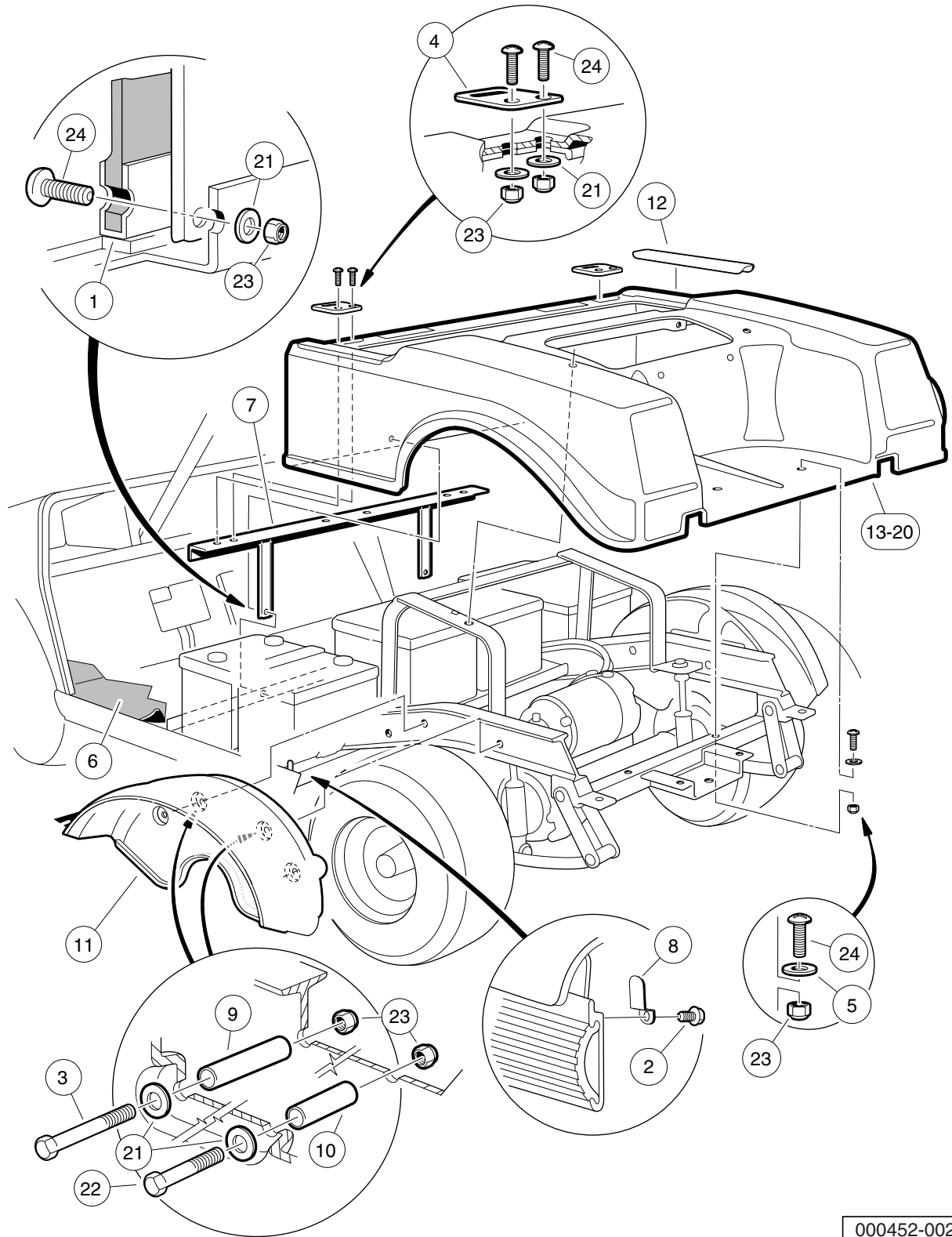
APM-000063-001

# SCUFF GUARD AND BAGWELL PROTECTOR KITS

ITEM	PART NO.	DESCRIPTION	QTY
		<b>1 2 3 4</b>	
1	101706702	Scuff Guard Kit, TPO Body (includes items 2 through 5) .....	1
2	<u>1010434</u>	Barrel - Plastic .....	12
3	<u>101776201</u>	Scuff Guard Rh .....	1
4	<u>101776301</u>	Scuff Guard Lh .....	1
5	N/A	Instructions, Scuff Grd Instal .....	1
6	<u>101768202</u>	Bagwell Protector Kit (includes items 7 through 9) .....	1
7	<u>1010434</u>	Barrel - Plastic .....	9
8	<u>1017267</u>	Protector Bagwell .....	1
9	N/A	Instruction .....	1
10	<u>101768204</u>	Bagwell Protector - Ten Pack (includes items 11 through 13) .....	1
11	<u>1010434</u>	Barrel - Plastic .....	90
12	<u>1017267</u>	Protector Bagwell .....	10
13	N/A	Instruction .....	1

**1**  
**G**  
**E**

**1**  
**G**  
**E**



000452-002

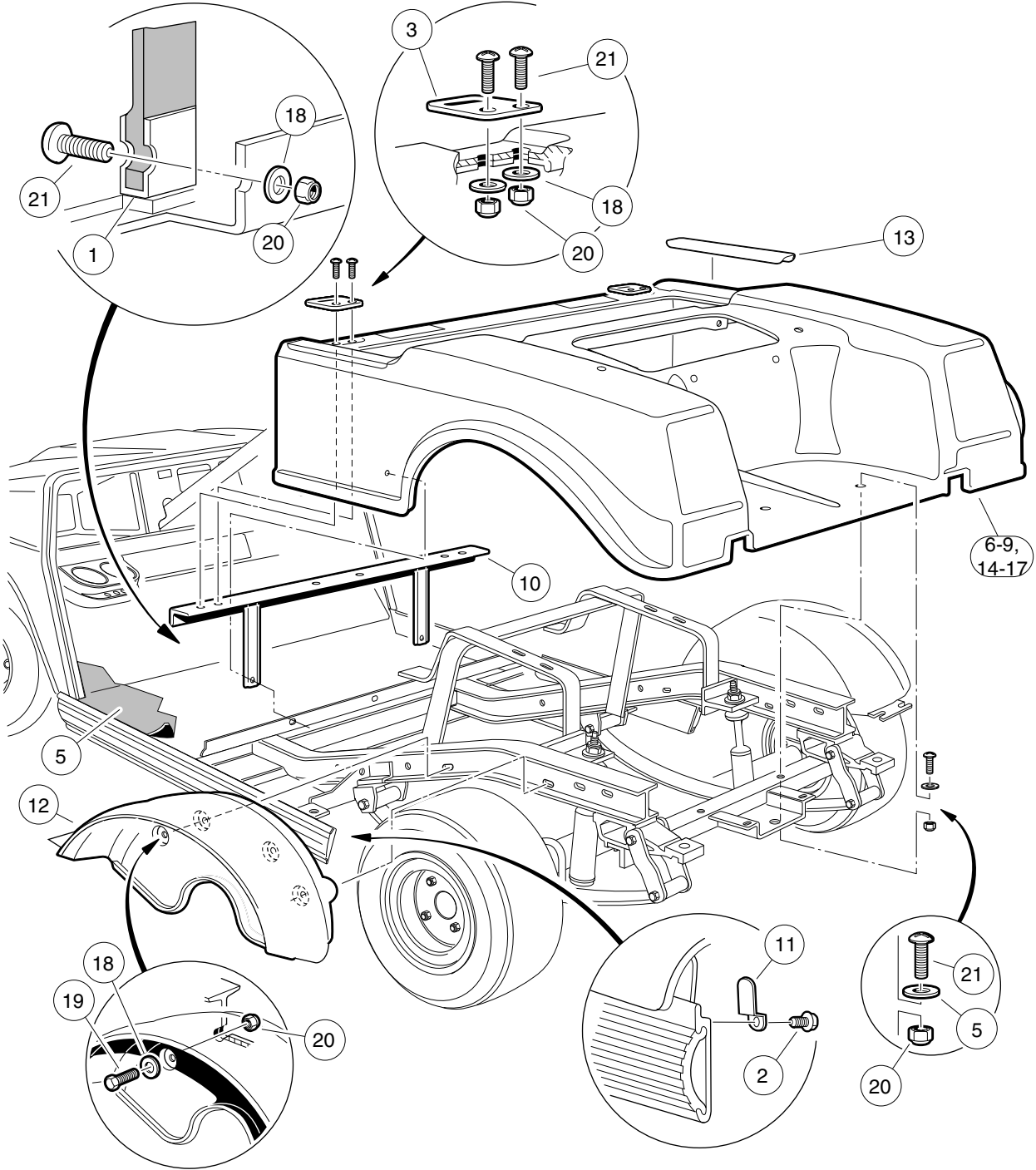


## REAR BODY AND FENDER – ELECTRIC VEHICLE (STYLE B)

ITEM	PART NO.	DESCRIPTION	QTY
		1 2 3 4	
1	<u>1010993</u>	Body Kick Plate .....	1
2	<u>1012047</u>	Screw, #8-32 X .375 Self Tap .....	2
3	<u>1012159</u>	Bolt, 1/4-20 X 2.75 Hex-Head .....	2
4	<u>1012412</u>	Body, Hinge Plate .....	2
5	<u>1014306</u>	Washer, 1/4" Type B Flat .....	2
6	<u>101503202</u>	Floormat .....	1
7	<u>1017141</u>	Body Support Weldment .....	1
8	<u>1017748</u>	Body Keeper Clip .....	2
9	<u>1017814</u>	Spacer, 1.88-inch .....	2
10	<u>1017815</u>	Spacer, 0.5-inch .....	2
11	<u>1017936</u>	Fender, Inner .....	2
12	<u>102221201</u>	Wear Pad .....	2
13	<u>103697401</u>	Body, Rear, TI, El, Beige .....	1
14	<u>103697402</u>	Body, Rear, TI, El, White .....	1
15	<u>103697403</u>	Body, Rear, TI, El, Nstd .....	1
16	<u>103697404</u>	Body, Rear, TI, El, D Green .....	1
17	<u>103700201</u>	Body, Rear, El, Svc, Beige .....	1
18	<u>103700202</u>	Body, Rear, El, Svc, White .....	1
19	<u>103700203</u>	Body, Rear, El, Svc, Nstd .....	1
20	<u>103700204</u>	Body, Rear, El, Svc, D Green .....	1
21	<u>332</u>	Washer, 1/4 Type A Narrow Flat .....	10
22	<u>7479</u>	Screw, 1/4-20 X 1.25 Hex-Head Cap .....	2
23	<u>8233</u>	Locknut, 1/4-20 Nylon Insert .....	12
24	<u>8251</u>	Screw, 1/4-20 X 1.0 Truss-Head Machine .....	8
Note: Bodies on this page are for use on vehicle manufactured after 08/03/09.			

1  
G  
E

**1**  
**G**  
**E**



000450-002

# REAR BODY AND FENDER – GASOLINE VEHICLE (STYLE B)

ITEM	PART NO.	DESCRIPTION	QTY
		1 2 3 4	
1	<u>1010993</u>	Body Kick Plate .....	1
2	<u>1012047</u>	Screw, #8-32 X .375 Self Tap .....	2
3	<u>1012412</u>	Body, Hinge Plate .....	2
4	<u>1014306</u>	Washer, 1/4" Type B Flat .....	2
5	<u>101503202</u>	Floormat .....	1
6	<u>101696208</u>	Body with Tail Light Hole, Beige, Rear .....	1
7	<u>101696209</u>	Body with Tail Light Hole, White, Rear .....	1
8	<u>101696216</u>	Body with Tail Light Hole, Dark Green, Rear .....	1
9	<u>101696219</u>	Body with Tail Light Hole, Black, Rear .....	1
10	<u>1017141</u>	Body Support Weldment .....	1
11	<u>1017748</u>	Body Keeper Clip .....	2
12	<u>1017936</u>	Fender, Inner .....	2
13	<u>102221201</u>	Wear Pad .....	2
14	<u>103696701</u>	Body, Rear, Gas, Beige .....	1
15	<u>103696702</u>	Body, Rear, Gas, White .....	1
16	<u>103696703</u>	Body, Rear, Gas, Nstd .....	1
17	<u>103696704</u>	Body, Rear, Gas, D Green .....	1
18	<u>332</u>	Washer, 1/4 Type A Narrow Flat .....	10
19	<u>7847</u>	Screw, 1/4-20 X 0.75 Hex-Head Cap .....	4
20	<u>8233</u>	Locknut, 1/4-20 Nylon Insert .....	12
21	<u>8251</u>	Screw, 1/4-20 X 1.0 Truss-Head Machine .....	8
<p>Note: Bodies on this page are to be used with vehicles manufactured after 08/03/09.</p>			

1  
G  
E

**1**

**G**

**E**

# WHEELS AND TIRES

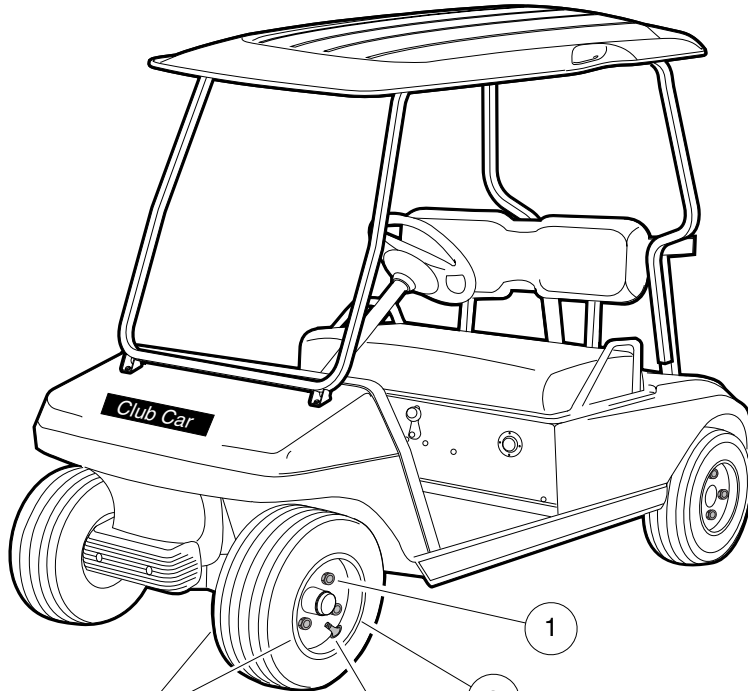
---

2

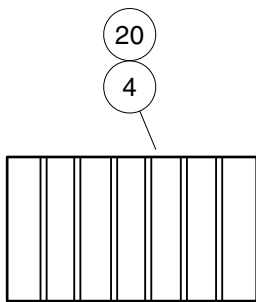
G

E

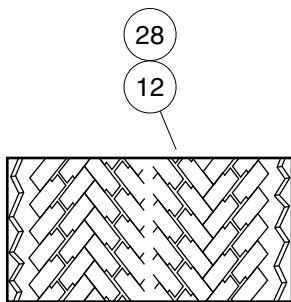
**2**  
**G**  
**E**



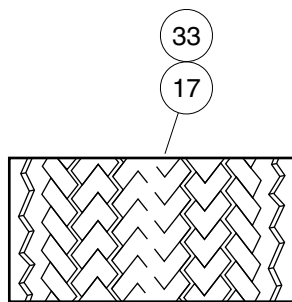
- 1
- 2
- 3
- 4
- 5
- 6
- 7
- 8
- 9
- 10
- 11
- 12
- 13
- 14
- 15
- 16
- 17
- 18
- 19
- 20
- 21
- 22
- 23
- 24
- 25
- 26
- 27
- 28
- 29
- 30
- 31
- 32
- 33



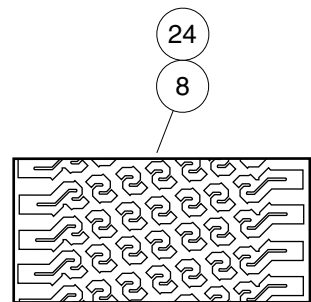
STANDARD TREAD  
Carlisle®



PERFORMANCE  
GRADE TREAD  
Duro®



PREMIUM TREAD  
Kenda®



EXTRA TRACTION  
Duro

Note: The performance grade tire has the wheel and tire matched and balanced at the Duro tire factory.

000457-001

# WHEELS AND TIRES

ITEM	PART NO.	DESCRIPTION	QTY
		<b>1 2 3 4</b>	
1	<u>1010984</u>	.500-20 Unf Lug Nut .....	16
2	<u>101570501</u>	Tire/Wheel Asm, Beige, Standard Tread (includes items 3 through 5) .....	4
3	1015707	Wheel Rim, Beige .....	1
4	727102	Tire Unmto Turf Glde 18x8.50-8 .....	1
5	<u>7310</u>	Valve Stem .....	1
6	<u>101570507</u>	Tire/Wheel Asm, Beige, Xtrac Tread, 6-ply (includes items 7 through 9) .....	2
7	1015707	Wheel Rim, Beige .....	1
8	N/A	Tire, Unmounted Xtrac 18 x 8.50-8 .....	1
9	<u>7310</u>	Valve Stem .....	1
10	<u>101570512</u>	Tire/Wheel Asm, Beige, Duro Premium Tread (includes items 11 through 13) .....	4
11	1015707	Wheel Rim, Beige .....	1
12	<u>102569304</u>	Duro 18 X 8.5 X 8, 4-Ply .....	1
13	<u>7310</u>	Valve Stem .....	1
14	<u>101570513</u>	Tire/Wheel Asm, Beige, Kenda Premium Tread (includes items 15 through 17) .....	4
15	1015707	Wheel Rim, Beige .....	1
16	<u>7310</u>	Valve Stem .....	1
17	<u>AM10682</u>	Unmounted Prem Tire 18x8.50x8 .....	1
18	<u>101651401</u>	Tire/Wheel Asm, White, Standard Tread (includes items 19 through 21) .....	4
19	<u>1014771</u>	Wheel Rim, White .....	1
20	727102	Tire Unmto Turf Glde 18x8.50-8 .....	1
21	<u>7310</u>	Valve Stem .....	1
22	<u>101651407</u>	Tire/Wheel Asm, White, Extra-Traction, 6-Ply (includes items 23 through 25) .....	2
23	<u>1014771</u>	Wheel Rim, White .....	1
24	N/A	Tire, Unmounted Xtrac 18 x 8.50-8 .....	1
25	<u>7310</u>	Valve Stem .....	1
26	<u>101651412</u>	Tire/Wheel Asm, White, Duro Premium Tread (includes items 27 through 29) .....	4
27	<u>1014771</u>	Wheel Rim, White .....	1
28	<u>102569304</u>	Duro 18 X 8.5 X 8, 4-Ply .....	1
29	<u>7310</u>	Valve Stem .....	1
30	<u>101651413</u>	Tire/Wheel Asm, White, Kenda Premium Tread (includes items 31 through 33) .....	4
31	<u>1014771</u>	Wheel Rim, White .....	1
32	<u>7310</u>	Valve Stem .....	1
33	<u>AM10682</u>	Unmounted Prem Tire 18x8.50x8 .....	1

**2**  
**G**  
**E**

**2**

**G**

**E**



# DECALS

---

3

G

E

**⚠ WARNING**  
**ROLLOVER OR FALLING OFF MAY CAUSE DEATH.**

- Before using vehicle, read operating instructions.
- Remain seated and hold on to seat handle while moving.
- Do not start vehicle until all occupants are seated.
- Two (2) persons per seat maximum.
- Operate from driver side only and not on public roads.
- Keep entire body inside vehicle while moving.
- Drive slowly in turns and straight up and down slopes.
- Do not leave children unattended on vehicle.
- Never operate under the influence of alcohol or drugs.
- Use brakes to reduce speed when coasting downhill.
- Never stand in front of or behind vehicle.

CCI 1019606-01

**OFF | ON**

**OPERATING INSTRUCTIONS**

- Read owner's manual and safety warnings located on dash panel prior to driving.
- Study and understand controls.

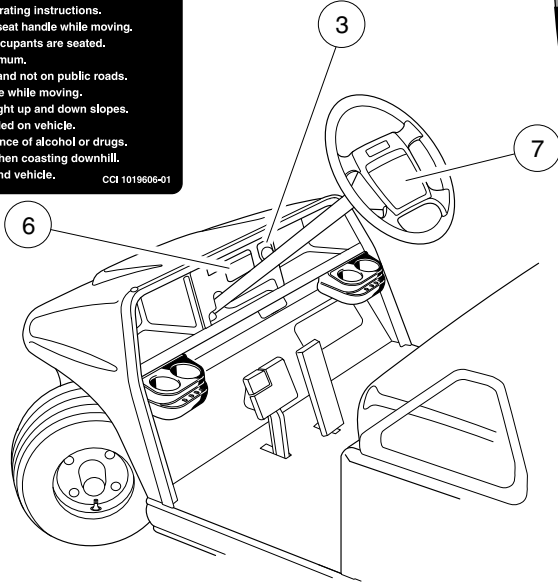
**TO OPERATE**

- Turn wheels to desired direction and ensure path is clear.
- Turn key to ON position.
- While stopped, place shift lever in desired position:  
 F=Forward N=Neutral R=Reverse (Buzzer will sound)
- Park brake will release and vehicle will start moving when accelerator pedal is pressed.
- Slowly press accelerator pedal to increase speed.
- To stop, release accelerator pedal and press brake pedal.

**BEFORE LEAVING**

- Press park brake pedal until it locks and holds vehicle.
- Place Forward/Reverse switch in NEUTRAL position.
- Turn key OFF and remove key when not in use.

CCI 10259201



**⚠ WARNING**  
**CAN CAUSE SEVERE INJURY**

**Rotating parts**

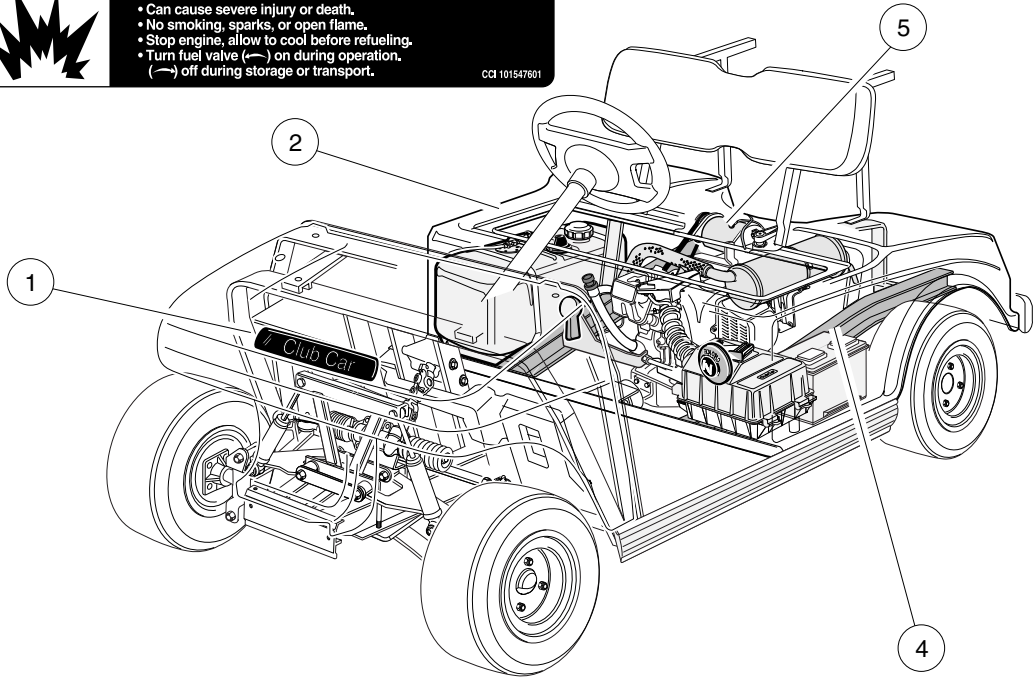
**HOT manifold & muffler**

**KEEP CLEAR** CCI 1019605-01

**⚠ WARNING**  
**GASOLINE EXPLOSION / FIRE.**

- Can cause severe injury or death.
- No smoking, sparks, or open flame.
- Stop engine, allow to cool before refueling.
- Turn fuel valve (←) on during operation, (→) off during storage or transport.

CCI 101547601



**⚠ WARNING**

**Negative frame ground. Can cause severe injury. Do not contact positive (+) battery post or cable to frame. Disconnect negative battery cable first.**

**⚠ WARNING**

**Excessive speed can cause severe injury or death. Do not tamper with engine governor adjustment.**

CCI 101915201

000458-001

## DECALS – GASOLINE VEHICLE

ITEM	PART NO.	DESCRIPTION	QTY
		1 2 3 4	
1	<u>1014198</u>	Nameplate Kit (gold) .....	1
2	<u>101547601</u>	Decal, Gasoline Explosion/Fire Warning .....	1
3	<u>101825101</u>	Decal, Off/On .....	1
4	<u>101915201</u>	Decal, Frame Ground and Governor Warning .....	1
5	<u>101960501</u>	Decal, Rotating Parts/Hot Manifold .....	2
6	<u>101960601</u>	Decal, Dash Warning .....	1
7	<u>102519201</u>	Decal, Operating Instr, Gas .....	1

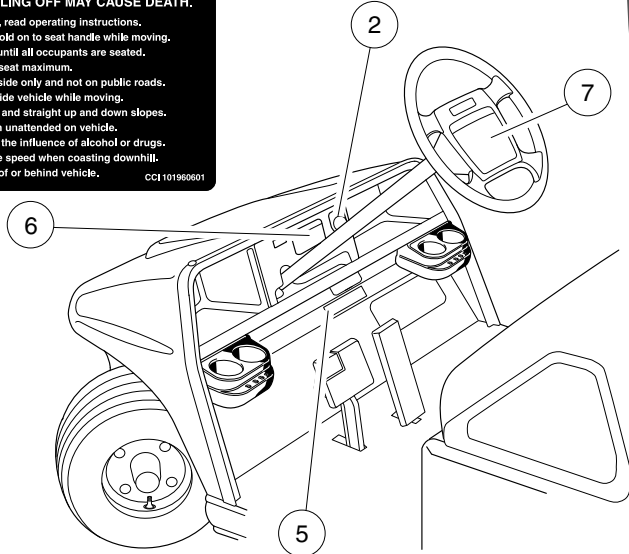
3  
G  
E

**⚠ WARNING**  
**ROLLOVER OR FALLING OFF MAY CAUSE DEATH.**

- Before using vehicle, read operating instructions.
- Remain seated and hold on to seat handle while moving.
- Do not start vehicle until all occupants are seated.
- Two (2) persons per seat maximum.
- Operate from driver side only and not on public roads.
- Keep entire body inside vehicle while moving.
- Drive slowly in turns and straight up and down slopes.
- Do not leave children unattended on vehicle.
- Never operate under the influence of alcohol or drugs.
- Use brakes to reduce speed when coasting downhill.
- Never stand in front of or behind vehicle.

CCI101960601

**OFF | ON**



**OPERATING INSTRUCTIONS**

- Read owner's manual and dash-mounted safety warnings prior to driving.
- Study and understand controls.

**TO OPERATE**

- Turn wheels to desired direction and ensure path is clear.
- Turn key to ON position.
- While stopped, place Forward/Reverse switch in desired position: F=Forward, N=Neutral, R=Reverse (Buzzer will sound)
- Park brake will release and vehicle will start moving when accelerator pedal is pressed.
- Slowly press accelerator pedal to increase speed.
- To stop, release accelerator pedal and press brake pedal.

**BEFORE LEAVING**

- Press park brake pedal until it locks and holds vehicle.
- Place Forward/Reverse switch in NEUTRAL position.
- Turn key OFF and remove key when not in use.

**MOTOR BRAKING**

- Electric motor braking provides speed regulation functions.
- For parked vehicle, beeping alarm indicates vehicle roll away.
- In operation, beeping alarm indicates reduction in motor braking.
- Apply brakes to further reduce vehicle speed as required.
- System is activated only when tow switch is in the RUN position.
- When towing this vehicle, tow switch must be in the TOW position.

CCI 10258001

**IMPORTANT NOTICE**

- Maximum vehicle speed is limited by motor braking during downhill operation with accelerator pedal depressed.
- If motor brake enabled, vehicle motor will brake when accelerator pedal is released.
- Beeping alarm indicates reduction in motor braking. Apply brakes to reduce speed.
- System is activated only when tow switch is in the "RUN" position.
- When towing vehicle, tow switch must be in the "TOW" position.

101959902

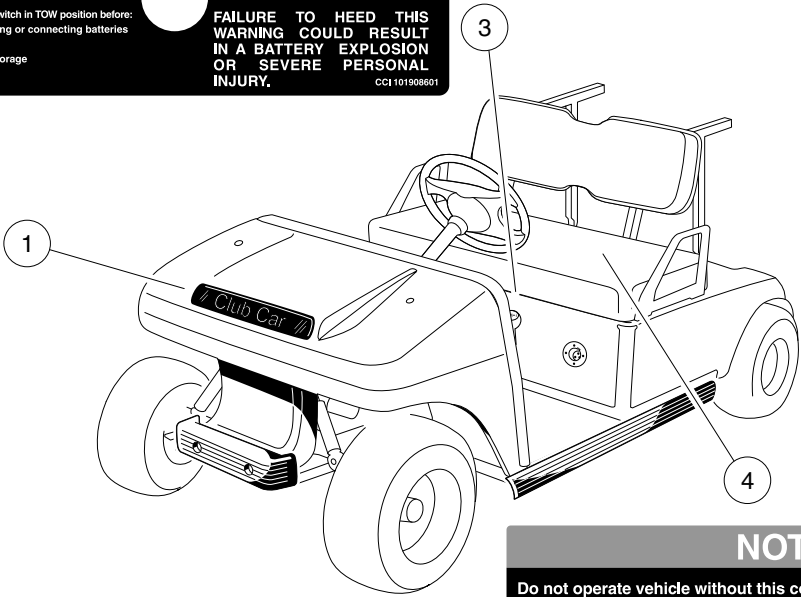
**⚠ WARNING** TOW RUN

Place Tow/Run switch in TOW position before:

- Disconnecting or connecting batteries
- Towing
- Extended storage
- Servicing

**FAILURE TO HEED THIS WARNING COULD RESULT IN A BATTERY EXPLOSION OR SEVERE PERSONAL INJURY.**

CCI101908601



**NOTICE**

Do not operate vehicle without this cover properly installed.  
 Do not direct water stream in this area; will cause damage to components.  
 See vehicle maintenance and service manual before servicing.

CCI 101931501

000459-001

## DECALS – ELECTRIC VEHICLE

ITEM	PART NO.	DESCRIPTION	QTY
		<b>1 2 3 4</b>	
1	<u>1014198</u>	Nameplate Kit (gold) .....	1
2	<u>101825101</u>	Decal, Off/On .....	1
3	<u>101908601</u>	Decal, Tow/Run Switch Warning .....	1
4	<u>101931501</u>	Decal, Component Cover .....	1
5	<u>101959902</u>	Decal, IQ System Motor Braking .....	1
6	101960601	Decal, Dash Warning .....	1
7	102518001	Decal, Operating Instr, Elec .....	1

**3**  
**G**  
**E**

**3**

**G**

**E**

# **BRAKES, PEDAL, AND CABLE ASSEMBLIES**

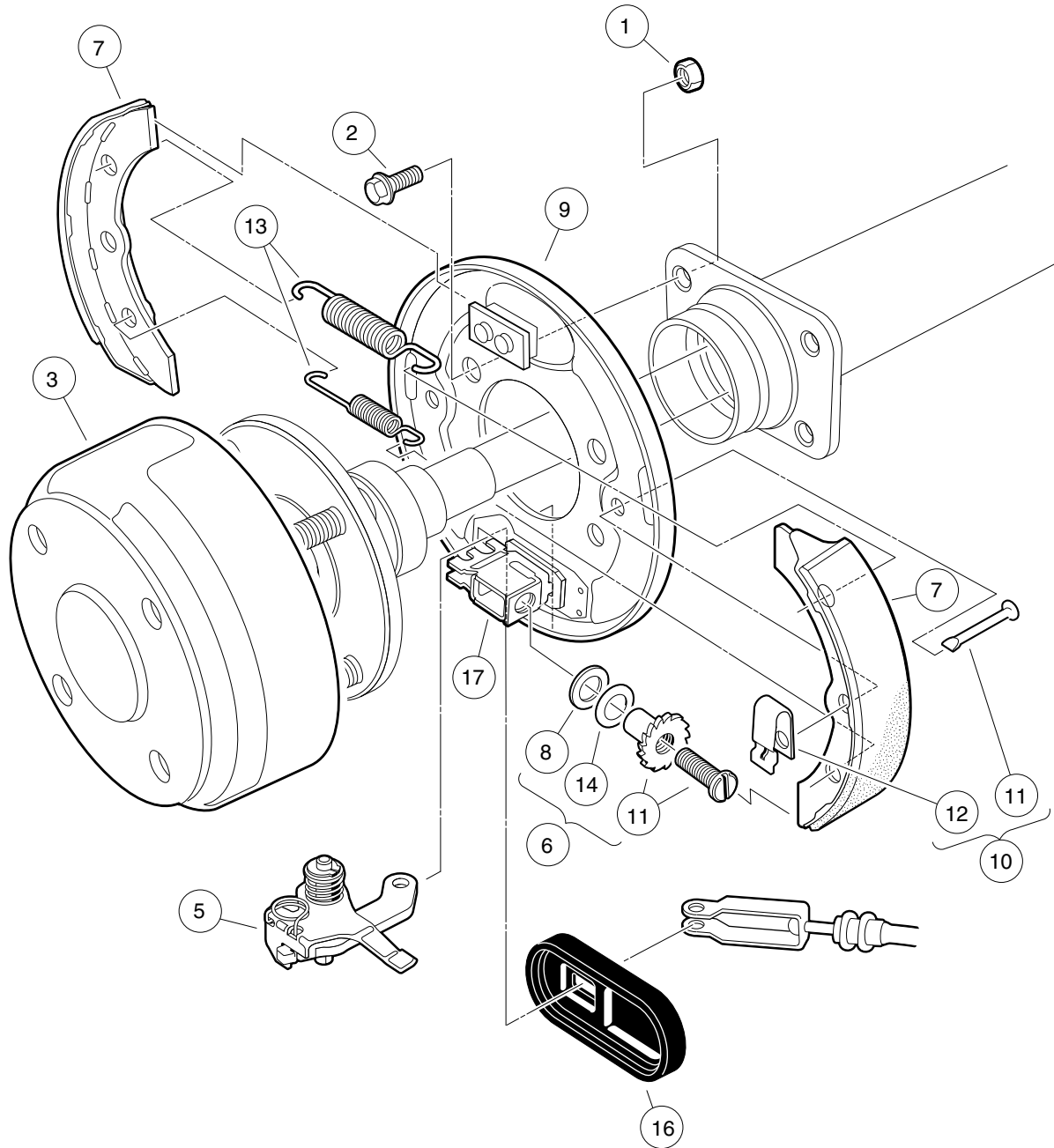
---

**4**

**G**

**E**

**4**  
**G**  
**E**



000186-001

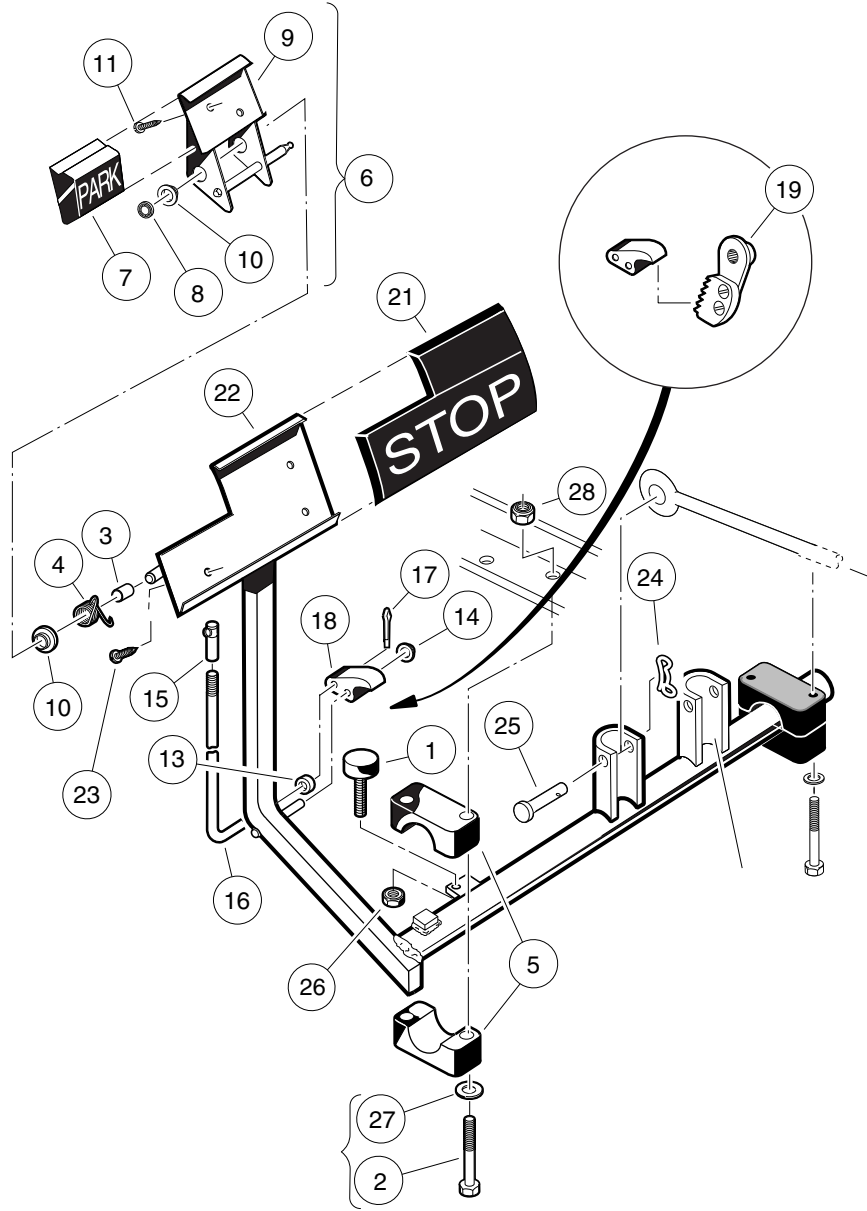


# REAR BRAKE ASSEMBLY, SELF-ADJUSTING

ITEM	PART NO.	DESCRIPTION	QTY
		1 2 3 4	
1	<u>1013924</u>	Nut, 5/16-24 Hex Head Cone .....	8
2	<u>1014153</u>	Bolt, Brake Cluster Mounting .....	8
3	<u>101791101</u>	Drum without Center Hole, Brake .....	2
4	<u>103380201</u>	Asm, Brake Cluster, Mech, Drvr (includes items 5 through 17) .....	1
5	<u>101815501</u>	Lever Assembly, Self-Adjusting Brake, Right (Passenger) .....	1
6	<u>101816501</u>	Adj Mechanism, S.A. Brakes, Right (Passenger) .....	1
7	<u>101823201</u>	Package, Brake Shoe, Self-Adjusting .....	1
8	<u>101823801</u>	Plate, Washer, Brake, Self-Adjusting .....	1
9	<u>103483101</u>	Back Plate, Rh .....	1
10	<u>103483201</u>	Kit, Shoe Retainer (includes items 11 and 12) .....	1
11	<u>1010953</u>	Pin .....	2
12	<u>103483301</u>	Spring, Shoe, Clamp .....	2
13	<u>103483401</u>	Package Brake Spring Self Adj (includes items 14 and 15) .....	1
14	<u>101816401</u>	Brake Spring Self Adj .....	2
15	<u>103483501</u>	Spring Brake .....	2
16	<u>103483601</u>	Cover, Dust .....	1
17	<u>103483701</u>	Brake Block .....	1
18	<u>103380202</u>	Asm, Brake Cluster, Mech, Pass (includes items 19 through 31) .....	1
19	<u>101815502</u>	Lever Assembly, Self-Adjusting Brake, Left .....	1
20	<u>101816502</u>	Adjusting Mechanism, Self-Adjusting Brake, Left .....	1
21	<u>101823201</u>	Package, Brake Shoe, Self-Adjusting .....	1
22	<u>101823801</u>	Plate, Washer, Brake, Self-Adjusting .....	1
23	<u>103483102</u>	Back Plate, Lh .....	1
24	<u>103483201</u>	Kit, Shoe Retainer (includes items 25 and 26) .....	1
25	<u>1010953</u>	Pin .....	2
26	<u>103483301</u>	Spring, Shoe, Clamp .....	2
27	<u>103483401</u>	Package Brake Spring Self Adj (includes items 28 and 29) .....	1
28	<u>101816401</u>	Brake Spring Self Adj .....	2
29	<u>103483501</u>	Spring Brake .....	2
30	<u>103483601</u>	Cover, Dust .....	1
31	<u>103483701</u>	Brake Block .....	1
		Note: Driver-side brake cluster not shown. Components have a similar appearance to passenger-side brake cluster components.	

4  
G  
E

**4**  
**G**  
**E**

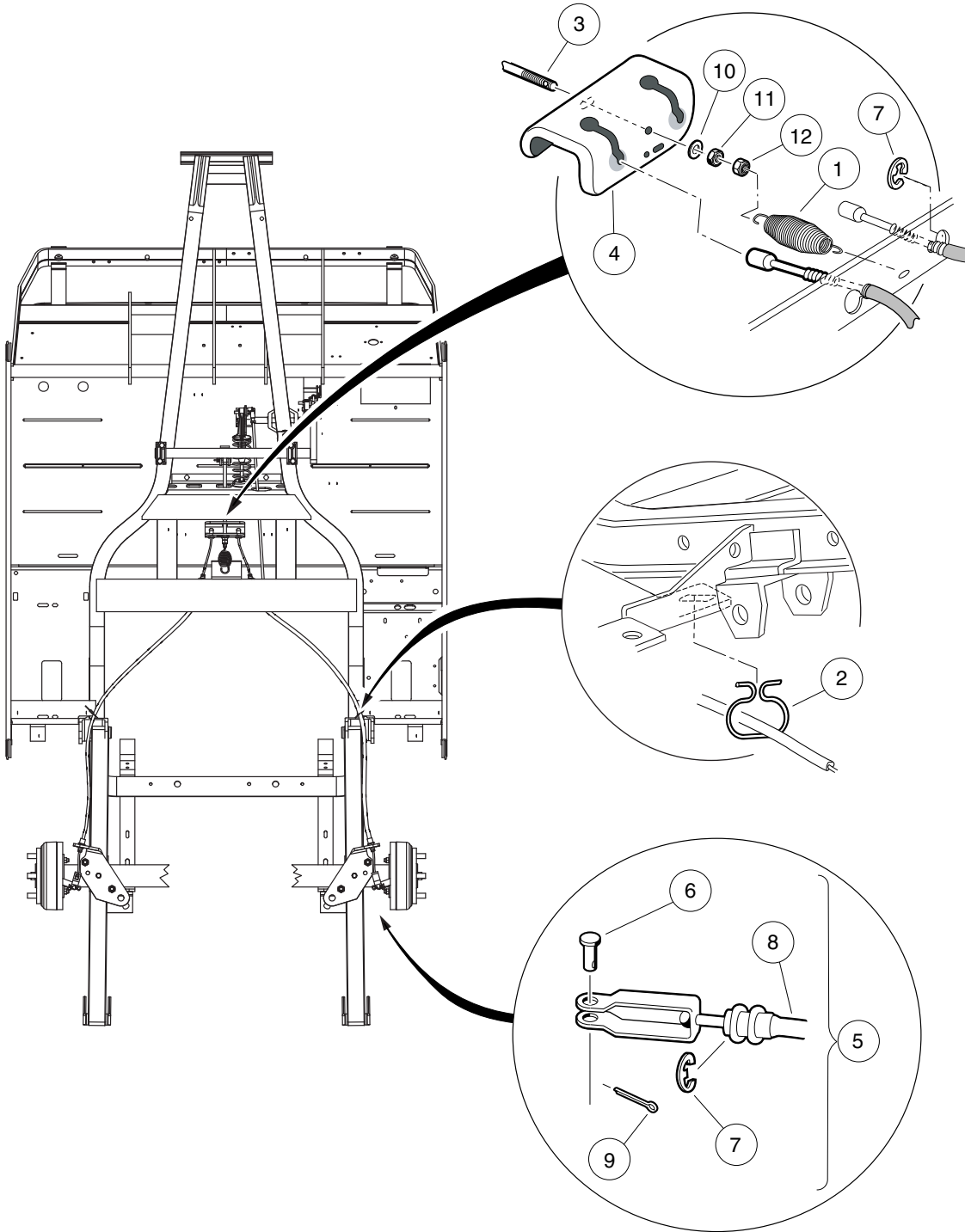


000187-001

# BRAKE PEDAL ASSEMBLY

ITEM	PART NO.	DESCRIPTION	QTY	
		<b>1 2 3 4</b>		<b>4</b>
1	<u>1010878</u>	Bumper, Rubber .....	1	<b>G</b>
2	<u>1010921</u>	Screw, 5/16-18 X 2.50 Hex Cap .....	4	<b>E</b>
3	<u>1010927</u>	Hill Brake Spacer .....	1	
4	<u>1010933</u>	Spring, Hill Brake Torsion .....	1	
5	<u>1011402</u>	Package, Brake Mounting Block .....	1	
6	<u>1011418</u>	Kit, Hill Brake Pedal (includes items 7 through 11) .....	1	
7	<u>1013870</u>	Pad, Hill Brake .....	1	
8	<u>1013876</u>	Pushnut, 3/8 .....	1	
9	N/A	Hill Brake Weld Assembly .....	1	
10	<u>1032</u>	Bushing, Nylon .....	2	
11	7716	Screw, #10-16 Type AB, Sheet Metal .....	2	
12	<u>101187702</u>	Kit, Hill Brake Latch (includes items 13 through 19) .....	1	
13	<u>1010805</u>	Sleeve, Hill Brake Rod .....	1	
14	<u>1010877</u>	Pushnut, 3/8 .....	1	
15	1010932	Ball Joint, 1/4-28 .....	1	
16	N/A	Rod, Hill Brake .....	1	
17	<u>1017029</u>	Pin, Cotter, 7/64 x 1/2 Stainless-Steel .....	1	
18	N/A	Pawl, Hill Brake .....	1	
19	101918501	Ratchet Assembly .....	1	
20	<u>101878201</u>	Brake Pedal Kit (includes items 21 through 23) .....	1	
21	<u>1013869</u>	Pad, Brake Pedal .....	1	
22	N/A	Weldment, Brake Pedal 4wb Std .....	1	
23	7716	Screw, #10-16 Type AB, Sheet Metal .....	3	
24	<u>102323101</u>	Pin, Bow Tie Locking .....	1	
25	<u>102323201</u>	Pin, 3/8 X 1-5/16 Clevis .....	1	
26	<u>1028</u>	Nut, 1/4-20 Hex .....	1	
27	<u>1241</u>	Washer, 5/16 Type A Flat .....	4	
28	<u>7473</u>	Locknut, 5/16-18 Nylon Insert .....	4	

**4**  
**G**  
**E**



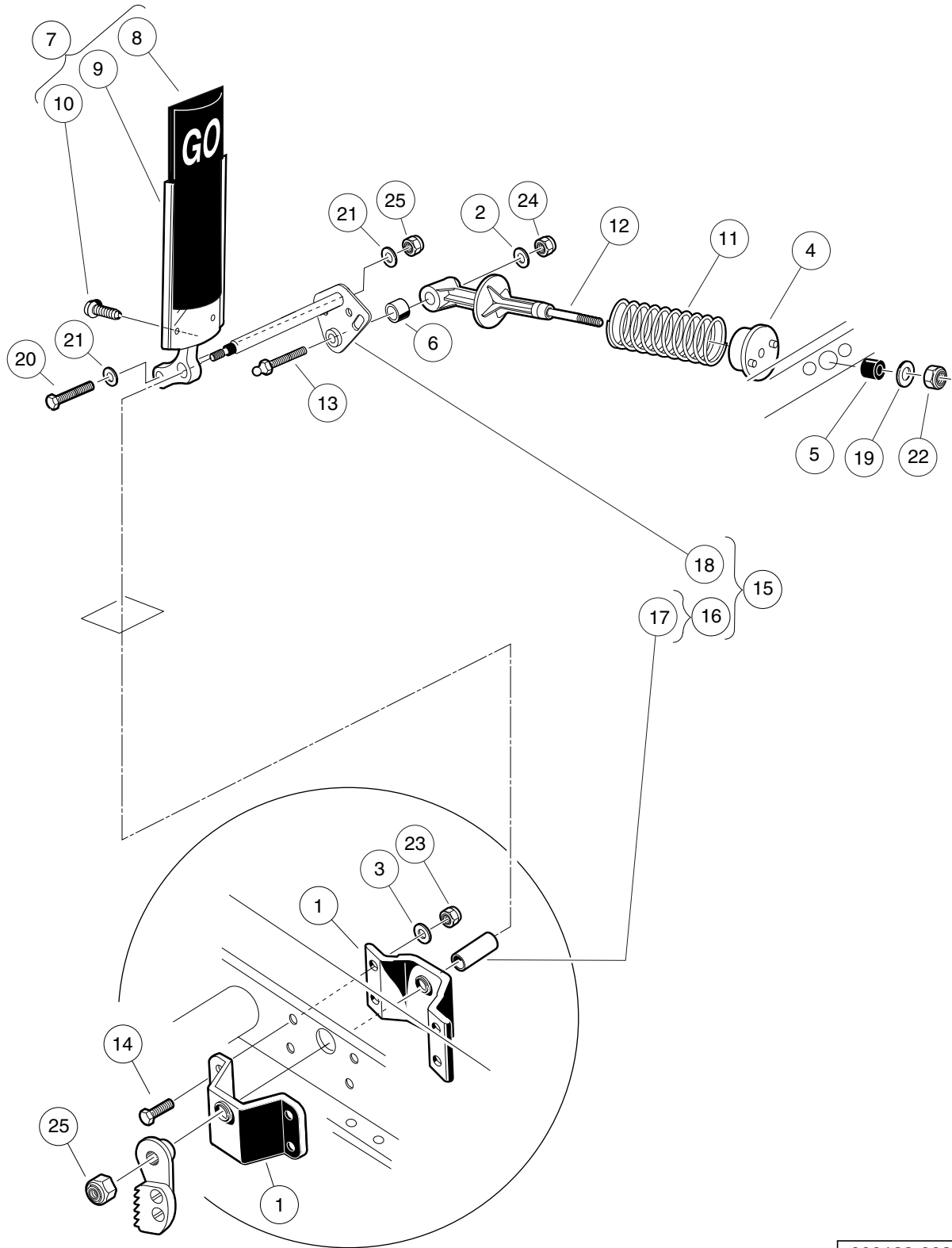
000245-001

## BRAKE CABLE, EQUALIZER, AND EQUALIZER ROD

ITEM	PART NO.	DESCRIPTION	QTY
		1 2 3 4	
1	<u>1013531</u>	Spring, Brake Return .....	1
2	101900801	Hanger, Brake Cable .....	2
3	<u>101953101</u>	Rod, Equalizer, 8.91" .....	1
4	<u>101990801</u>	Equalizer Bracket .....	1
5	<u>102022101</u>	Brake Cable Kit (includes items 6 through 9) .....	2
6	<u>1010829</u>	Pin, Clevis, 5/16 X 3/4 .....	1
7	<u>1011779</u>	E-Clip, 1/2 .....	2
8	N/A	Cable, Brake, 41" .....	1
9	<u>1035</u>	Cotter Pin, 3/32 x 1 .....	1
10	<u>1241</u>	Washer, 5/16 Type A Flat .....	5
11	<u>1242</u>	Nut, 5/16-18 Hex .....	1
12	<u>7473</u>	Locknut, 5/16-18 Nylon Insert .....	5

**4**  
**G**  
**E**

**4**  
**G**  
**E**



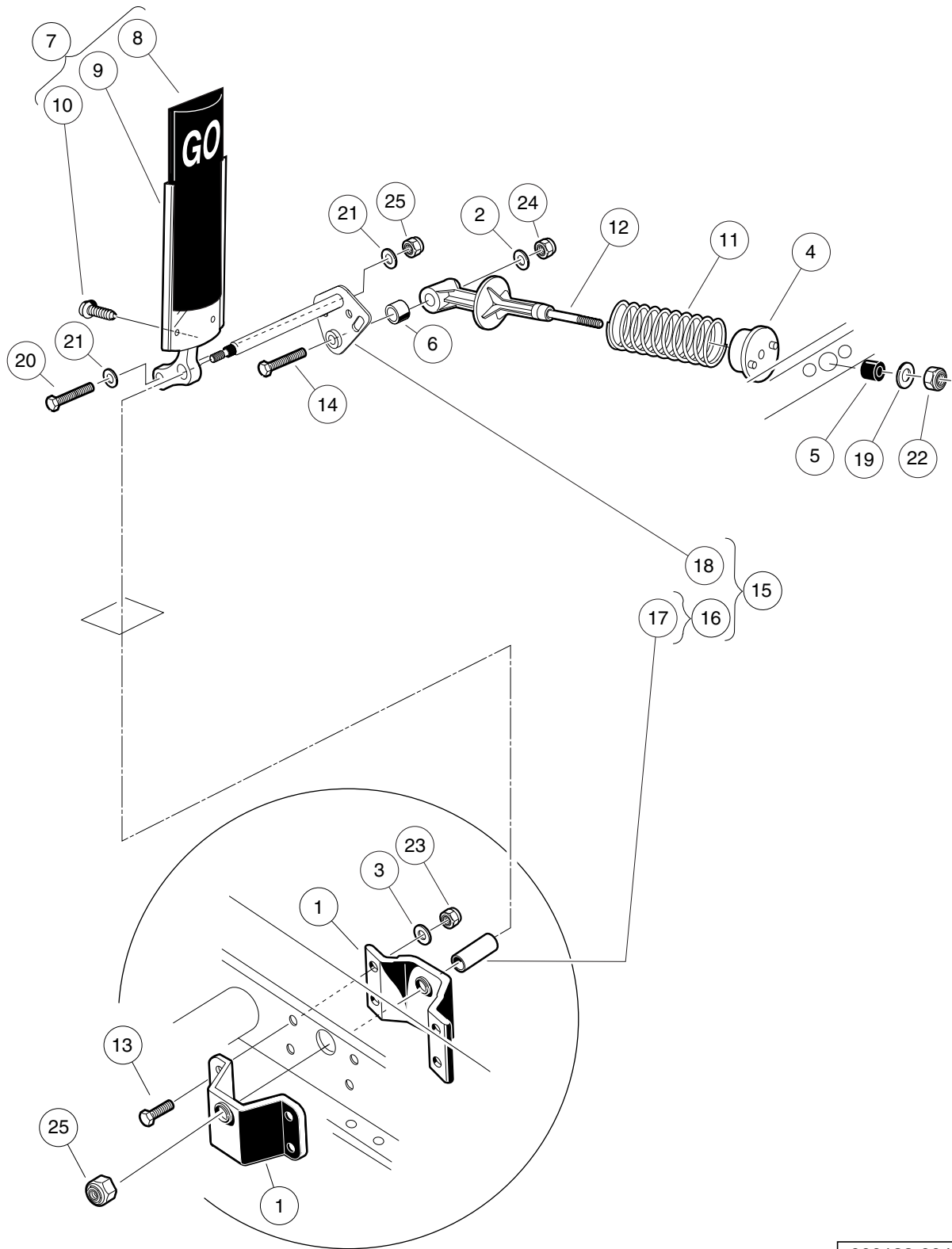
000188-003

# ACCELERATOR PEDAL ASSEMBLY – GASOLINE VEHICLE

ITEM	PART NO.	DESCRIPTION	QTY
		1 2 3 4	
1	<u>1011694</u>	Accelerator Bracket and Bearing Assembly .....	2
2	<u>1011931</u>	Washer, 1/4 Flat .....	1
3	<u>1014007</u>	Washer, 1/4 Flat .....	4
4	<u>1017378</u>	Cup, Spring .....	1
5	<u>1017380</u>	Bumper, Spring Return .....	1
6	<u>1017424</u>	Bearing, Pivot Support .....	1
7	<u>1017696</u>	Sub Asm, Accelerator Pedal (includes items 8 through 10) .....	1
8	1013871	Pad, Accelerator Pedal .....	1
9	N/A	Accelerator Pedal Weldment .....	1
10	7716	Screw, #10-16 Type AB, Sheet Metal .....	4
11	101796201	Spring, Accelerator Return .....	1
12	<u>101817401</u>	Retainer, Spring .....	1
13	101818801	Stud, 1/4-28 X 1.35 Ball .....	1
14	<u>101861901</u>	Screw, 1/4-20 X 1.125 Hex Cap .....	4
15	<u>102026001</u>	Kit, Accelerator Pivot Rod Assembly (includes items 16 through 18) .....	1
16	<u>1011700</u>	Spacer Assembly (includes item 17) .....	1
17	101919801	Spacer, Accelerator .....	1
18	N/A	Pivot Rod Weldment .....	1
19	<u>1241</u>	Washer, 5/16 Type A Flat .....	1
20	<u>1624</u>	Screw, 3/8-16 X 1.50 Hex-Head Cap .....	1
21	<u>334</u>	Washer, 3/8 Type A Flat .....	2
22	<u>7473</u>	Locknut, 5/16-18 Nylon Insert .....	1
23	<u>8233</u>	Locknut, 1/4-20 Nylon Insert .....	4
24	<u>8717</u>	Locknut, 1/4-28 Nylon Insert .....	1
25	<u>8754</u>	Locknut, 3/8-16 Hex .....	2

4  
G  
E

**4**  
**G**  
**E**



000188-004

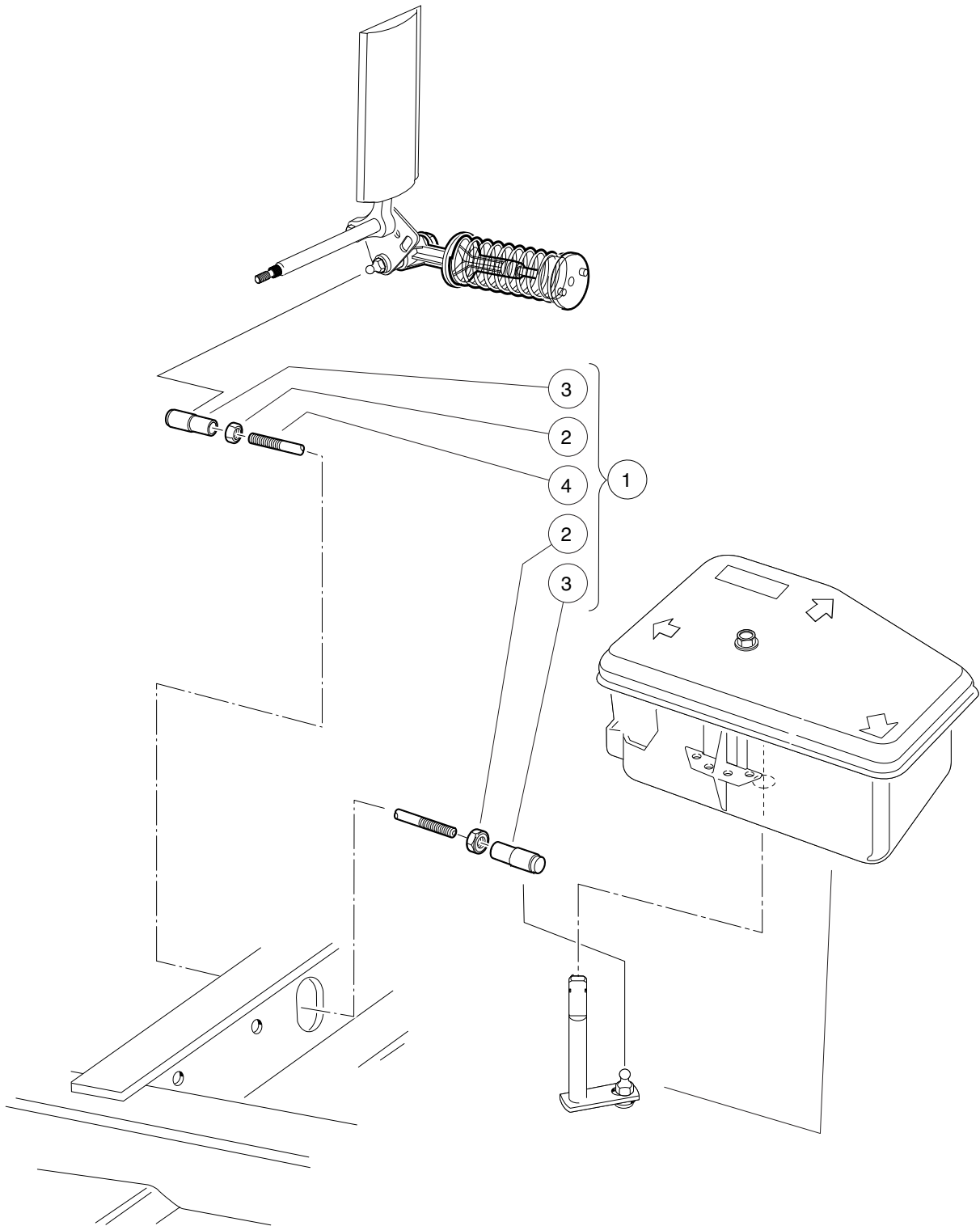


## ACCELERATOR PEDAL ASSEMBLY – ELECTRIC VEHICLES WITH MCOR

ITEM	PART NO.	DESCRIPTION	QTY
		<b>1 2 3 4</b>	
1	<u>1011694</u>	Accelerator Bracket and Bearing Assembly .....	2
2	<u>1011931</u>	Washer, 1/4 Flat .....	1
3	<u>1014007</u>	Washer, 1/4 Flat .....	4
4	<u>1017378</u>	Cup, Spring .....	1
5	<u>1017380</u>	Bumper, Spring Return .....	1
6	<u>1017424</u>	Bearing, Pivot Support .....	1
7	<u>1017696</u>	Sub Asm, Accelerator Pedal (includes items 8 through 10) .....	1
8	1013871	Pad, Accelerator Pedal .....	1
9	N/A	Accelerator Pedal Weldment .....	1
10	7716	Screw, #10-16 Type AB, Sheet Metal .....	4
11	101796201	Spring, Accelerator Return .....	1
12	<u>101817401</u>	Retainer, Spring .....	1
13	<u>101861901</u>	Screw, 1/4-20 X 1.125 Hex Cap .....	4
14	<u>101862001</u>	Screw, 1/4-20 X 1.500 Flange .....	1
15	<u>102026001</u>	Kit, Accelerator Pivot Rod Assembly (includes items 16 through 18) .....	1
16	<u>1011700</u>	Spacer Assembly (includes item 17) .....	1
17	101919801	Spacer, Accelerator .....	1
18	N/A	Pivot Rod Weldment .....	1
19	<u>1241</u>	Washer, 5/16 Type A Flat .....	1
20	<u>1624</u>	Screw, 3/8-16 X 1.50 Hex-Head Cap .....	1
21	<u>334</u>	Washer, 3/8 Type A Flat .....	2
22	<u>7473</u>	Locknut, 5/16-18 Nylon Insert .....	1
23	<u>8233</u>	Locknut, 1/4-20 Nylon Insert .....	4
24	<u>8717</u>	Locknut, 1/4-28 Nylon Insert .....	1
25	<u>8754</u>	Locknut, 3/8-16 Hex .....	2

**4**  
**G**  
**E**

**4**  
**G**  
**E**



000362-001

# ACCELERATOR ROD

ITEM	PART NO.	DESCRIPTION	QTY
		1 2 3 4	
1	101912401	Rod, Accelerator (includes items 2 through 4) .....	1
2	<u>1011084</u>	Nut, 1/4-28 Hex Jam .....	2
3	<u>1011734</u>	Joint, Ball .....	2
4	N/A	Accelerator Rod .....	1

**4**

**G**

**E**

**4**

**G**

**E**

# STEERING, FRONT AND REAR SUSPENSION

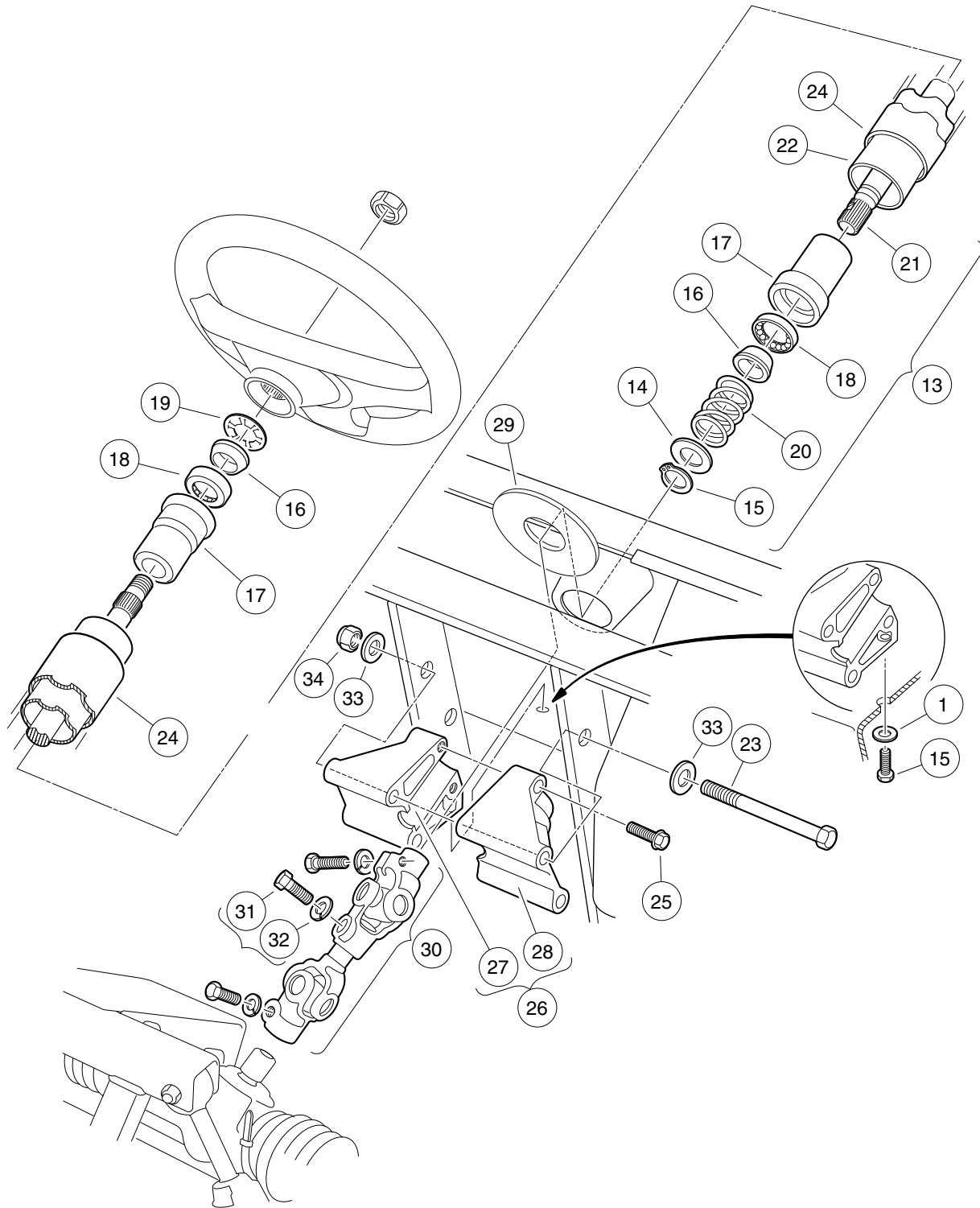
---

5

G

E

**5**  
**G**  
**E**



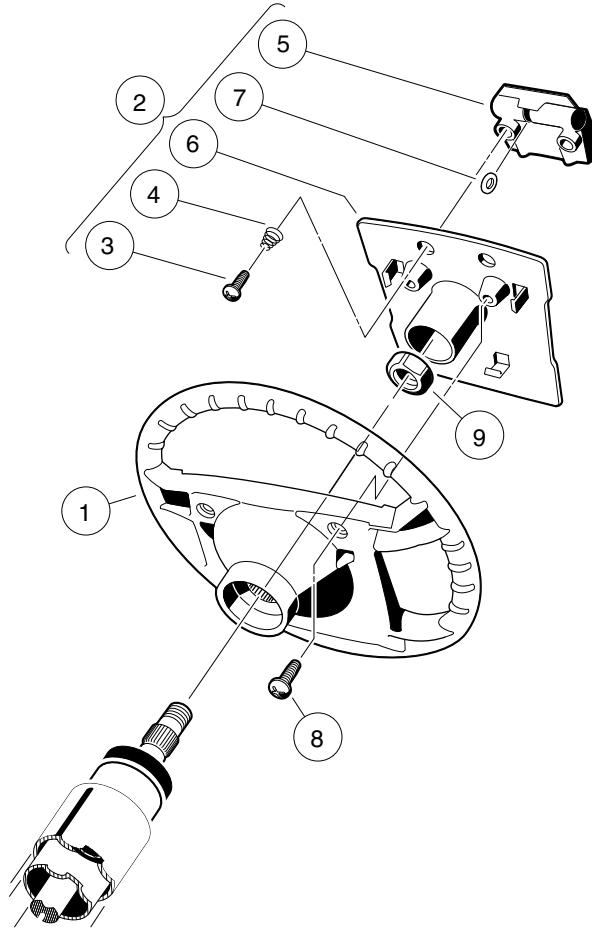
000247-002

# STEERING COLUMN

ITEM	PART NO.	DESCRIPTION	QTY
		<b>1 2 3 4</b>	
1	<u>1011697</u>	Washer, 5/16 Flat .....	1
2	<u>1014216</u>	Steering Column Rebuild Kit (includes items 3 through 11) .....	1
3	<u>1012466</u>	Dust Cover .....	1
4	<u>1012605</u>	Ring, 0.579 Internal Retaining .....	1
5	1014125	Wedge, Molded .....	2
6	<u>1014126</u>	Seat, Plastic Bearing .....	2
7	<u>1014211</u>	Seal, Bearing .....	1
8	<u>1014212</u>	Spacer, Shaft .....	1
9	<u>1014213</u>	Bearing, Ball .....	2
10	1014214	Ring, Retaining .....	1
11	<u>1014217</u>	Spring, Steering Shaft .....	1
12	<u>1014288</u>	Screw, 5/16-18 X 0.75 Thread-Forming .....	1
13	1016181	Steering Shaft Assembly (includes items 14 through 22) .....	1
14	<u>1012604</u>	Washer, 0.675 ID X 1.19 OD .....	1
15	<u>1012605</u>	Ring, 0.579 Internal Retaining .....	1
16	1014125	Wedge, Molded .....	2
17	<u>1014126</u>	Seat, Plastic Bearing .....	2
18	<u>1014213</u>	Bearing, Ball .....	2
19	1014214	Ring, Retaining .....	1
20	<u>1014217</u>	Spring, Steering Shaft .....	1
21	<u>1015545</u>	Shaft, Steering Column .....	1
22	1016622	Column, Aluminum Steering .....	1
23	<u>1016183</u>	Screw, 3/8-16 X 7.00 Hex Cap .....	2
24	1016263	Cover, Steering Column Tube .....	1
25	<u>1016269</u>	Screw, 5/16-18 Thrd Forming .....	2
26	101984801	Kit, Steering Column Mounting Bracket (includes items 27 and 28) .....	1
27	N/A	Bracket, RH Steering Column Mount .....	1
28	N/A	Bracket, LH Steering column mount .....	1
29	<u>102278001</u>	Boot, Steering Column Round .....	1
30	<u>103601601</u>	Shaft, Intermediate Steering (includes items 31 and 32) .....	1
31	<u>1017226</u>	Bolt, Hex-Head, 8mm X 1.25 - 30 .....	3
32	<u>7174</u>	Lockwasher, 5/16 Split .....	3
33	<u>334</u>	Washer, 3/8 Type A Flat .....	4
34	<u>8754</u>	Locknut, 3/8-16 Hex .....	2

**5**  
**G**  
**E**

**5**  
**G**  
**E**



000246-002

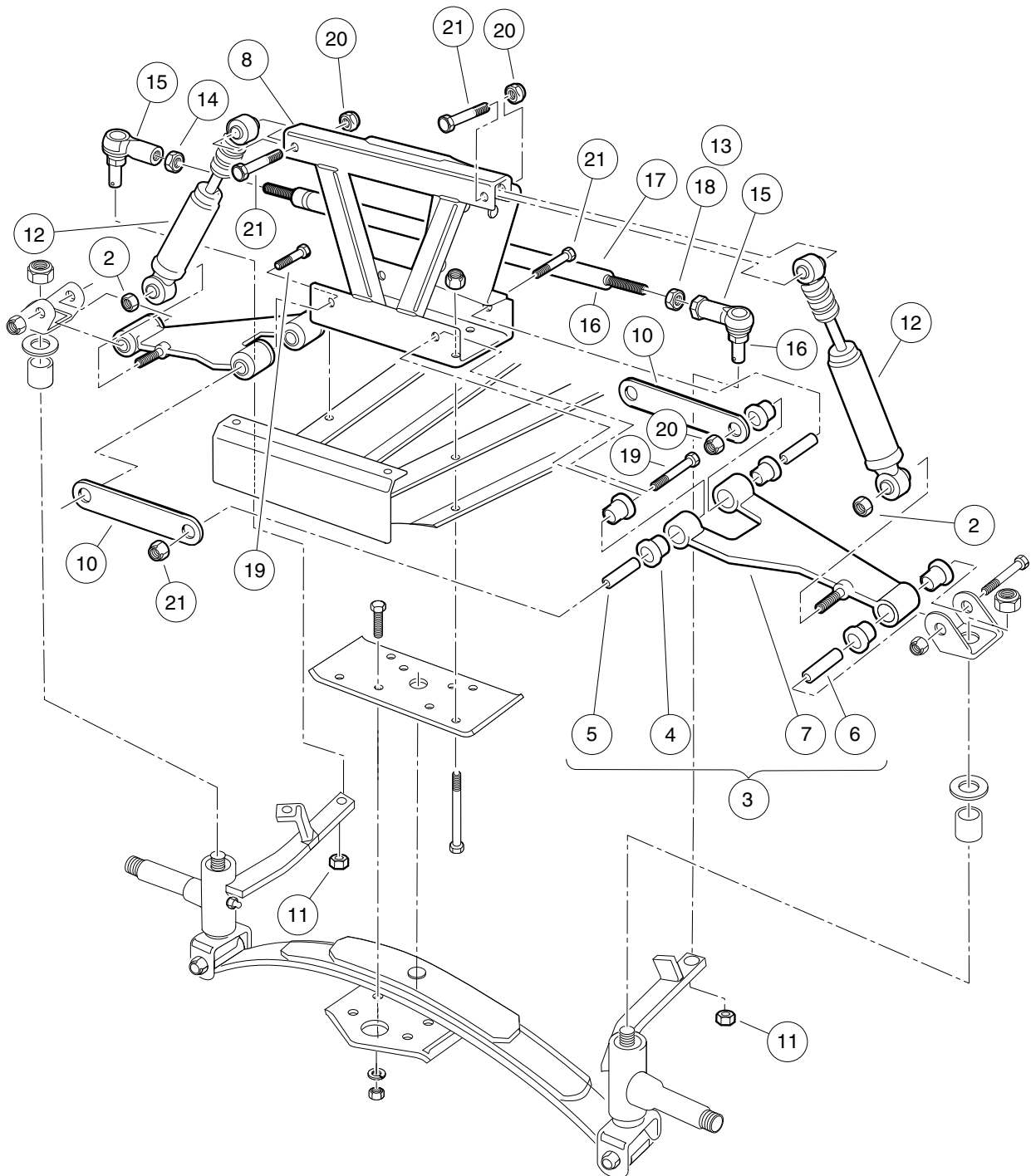


# STEERING WHEEL

ITEM	PART NO.	DESCRIPTION	QTY
		1 2 3 4	
1	<u>1016156</u>	Wheel, Steering .....	1
2	1016219	Plate, Scorecard (includes items 3 through 7) .....	1
3	<u>1012565</u>	Screw, #12 Phillips Round Head .....	2
4	<u>1012566</u>	Tapered Compression Spring .....	2
5	1016154	Clip, Scorecard .....	1
6	N/A	Plate, Score Card .....	1
7	N/A	Pencil Grip .....	1
8	<u>1016663</u>	Screw, #12-14 X 0.625 .....	2
9	<u>1017273</u>	Nut, 5/8-18 Nylon Insert Jam .....	1

5  
G  
E

**5**  
**G**  
**E**



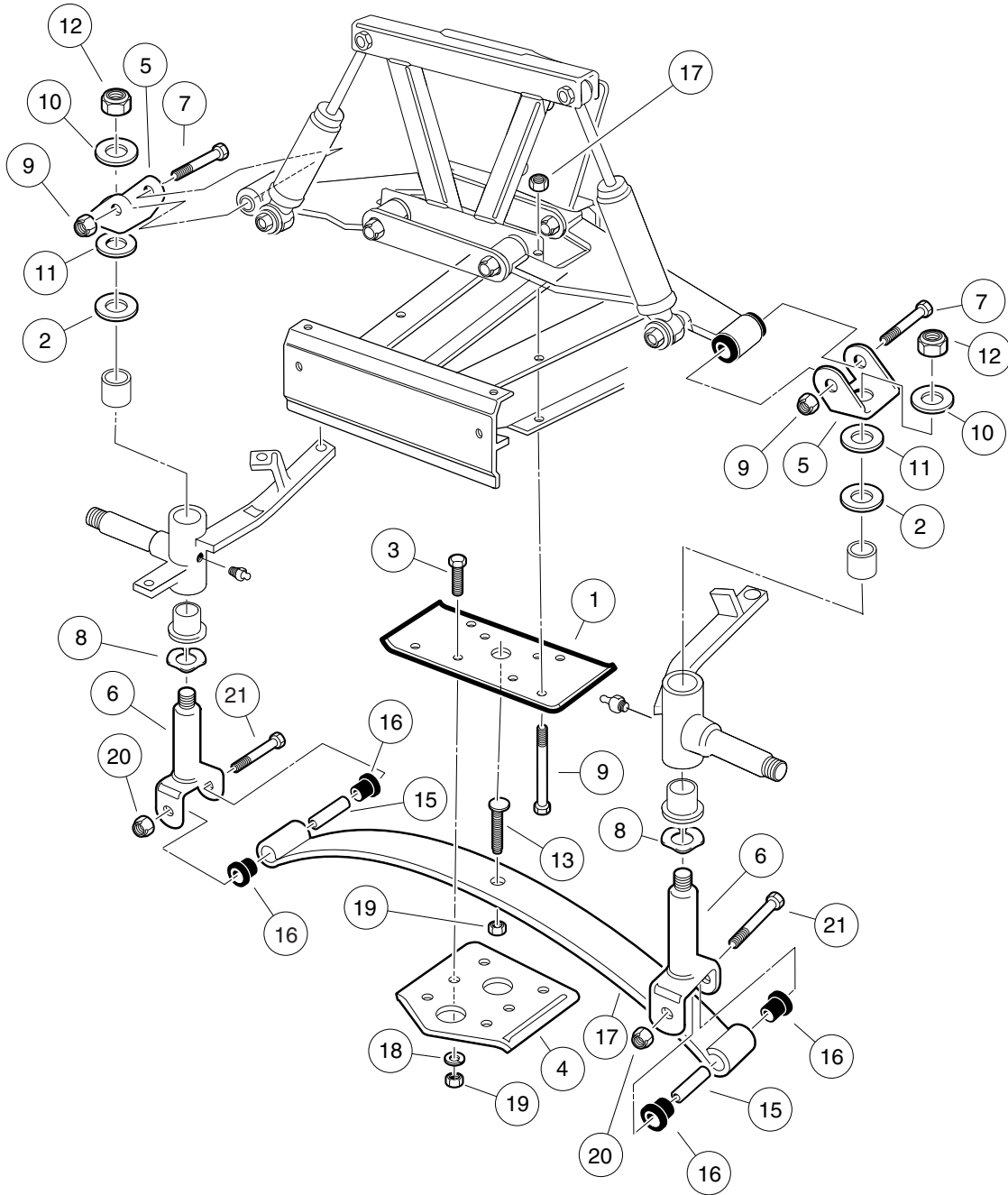
000312-002

## FRONT SUSPENSION, UPPER

ITEM	PART NO.	DESCRIPTION	QTY
		<b>1 2 3 4</b>	
1	N/A	Sub, Fr Susp. -1 Lf-2wb Golf (includes items 2 through 21) .....	1
2	<u>1010138</u>	Locknut, 3/8-16 Dimpled .....	2
3	<u>1016353</u>	Sub-Assembly, Delta A-Plate (includes items 4 through 7) .....	2
4	<u>1016346</u>	Bushing, Urethane .....	6
5	<u>1016349</u>	Sleeve, Delta Inner .....	2
6	<u>1016350</u>	Sleeve, Delta Outer .....	1
7	<u>1016351</u>	Delta A-Plate .....	1
8	<u>1016385</u>	Delta Shock and Gear Support Assembly .....	1
9	<u>1016387</u>	Screw, 3/8-16 X 2.75 Hx Hd Cap .....	2
10	<u>1017266</u>	A-Plate Strap .....	2
11	<u>102289201</u>	Nut - Hex Locking, M12 X 1.25 .....	3
12	<u>103351001</u>	Shock Absorber, Front, Common .....	2
13	N/A	Asm, Tie Rod (includes items 14 through 18) .....	1
14	1013042	Nut, 12mm Hex .....	1
15	<u>102022601</u>	End, Tie Rod M12 X 1.25 Rh .....	1
16	<u>102022602</u>	End, Tie Rod, M12 X 1.25, Lh .....	1
17	<u>103354701</u>	Rod, Tie, Male Thd .....	1
18	<u>103653501</u>	Nut, Jam, M12-1.25, Lh .....	1
19	<u>2402</u>	Screw, 3/8-16 X 2.25 Hx Hd Cap .....	4
20	<u>8754</u>	Locknut, 3/8-16 Hex .....	13
21	<u>8861</u>	Bolt, 3/8-16 X 1.75 Hex .....	2

5  
G  
E

**5**  
**G**  
**E**



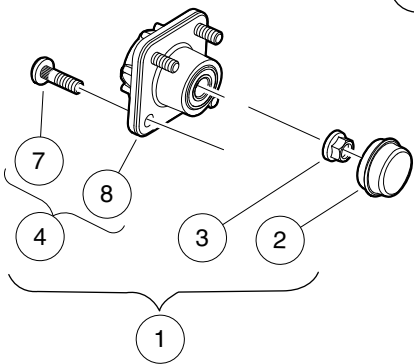
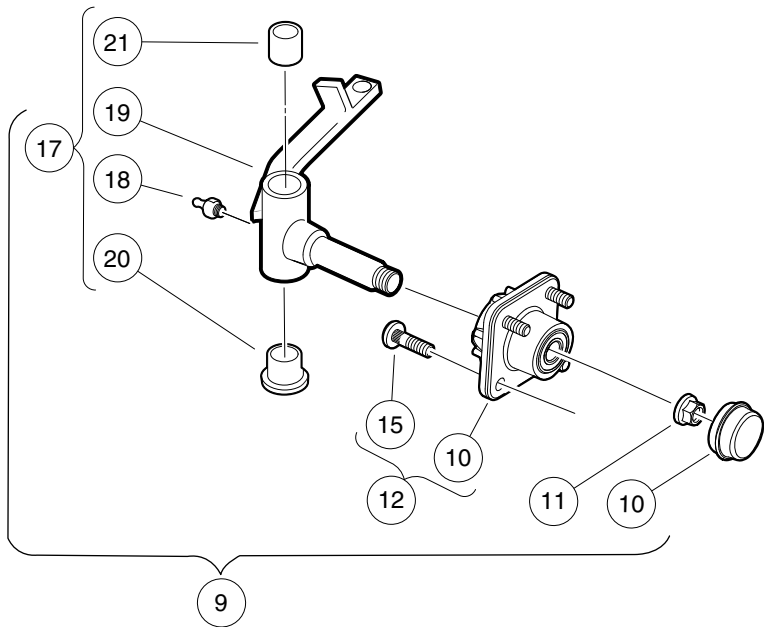
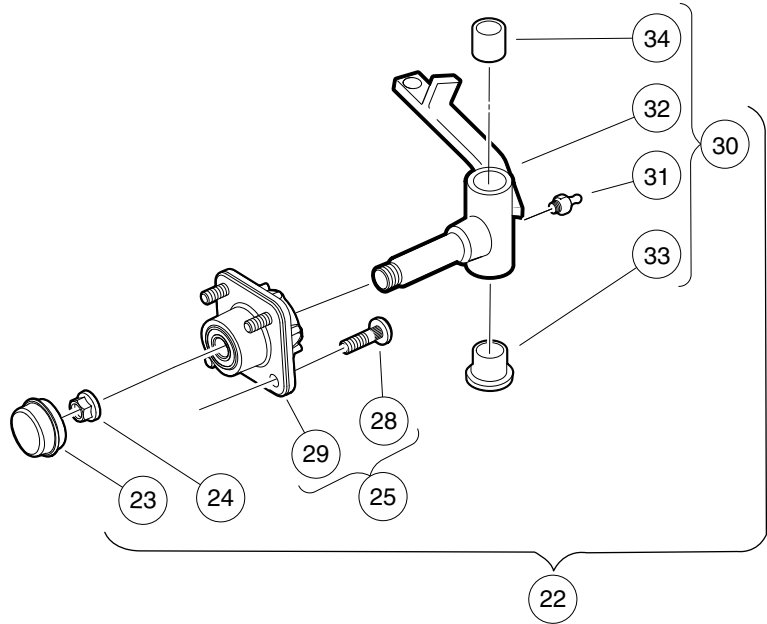
000311-001

## FRONT SUSPENSION, LOWER

ITEM	PART NO.	DESCRIPTION	QTY
		<b>1 2 3 4</b>	
1	<u>1010124</u>	Plate, Spring Mount .....	1
2	<u>1010150</u>	Bearing, Thrust .....	2
3	<u>1010177</u>	Bolt, 3/8-16 X 2.00 Hex Head .....	4
4	<u>1014276</u>	Plate, Front Spring Retainer .....	1
5	<u>1016384</u>	Clevis, Delta Upper .....	2
6	<u>1016386</u>	King Pin Assembly .....	2
7	<u>1016387</u>	Screw, 3/8-16 X 2.75 Hx Hd Cap .....	2
8	<u>1016389</u>	Washer, 1.125 Od Wave .....	2
9	<u>101870501</u>	Screw, 3/8-16 X 4.75 Hx Hd Cap .....	4
10	<u>102564002</u>	Washer-1/2 Conical, Yellow .....	2
11	<u>102684501</u>	Washer, M12 Hard Regular .....	2
12	<u>102766301</u>	Nut, 1/2-20, Center Lock .....	2
13	<u>103507001</u>	Eccentric Bolt Common .....	1
14	N/A	Spring Asm, Front, 1 Leaf (includes items 15 through 17) .....	1
15	<u>1012303</u>	Bushing, Steel .....	2
16	<u>1015583</u>	Bushing, Urethane .....	4
17	N/A	Spring, Front, 1 Leaf .....	1
18	<u>357</u>	Lockwasher, 3/8 Split .....	4
19	<u>706</u>	Nut, Hex 3/8-16 .....	1
20	<u>8754</u>	Locknut, 3/8-16 Hex .....	4
21	<u>8755</u>	Screw, 3/8-16 X 3.375 Hex Cap .....	2

**5**  
**G**  
**E**

**5**  
**G**  
**E**



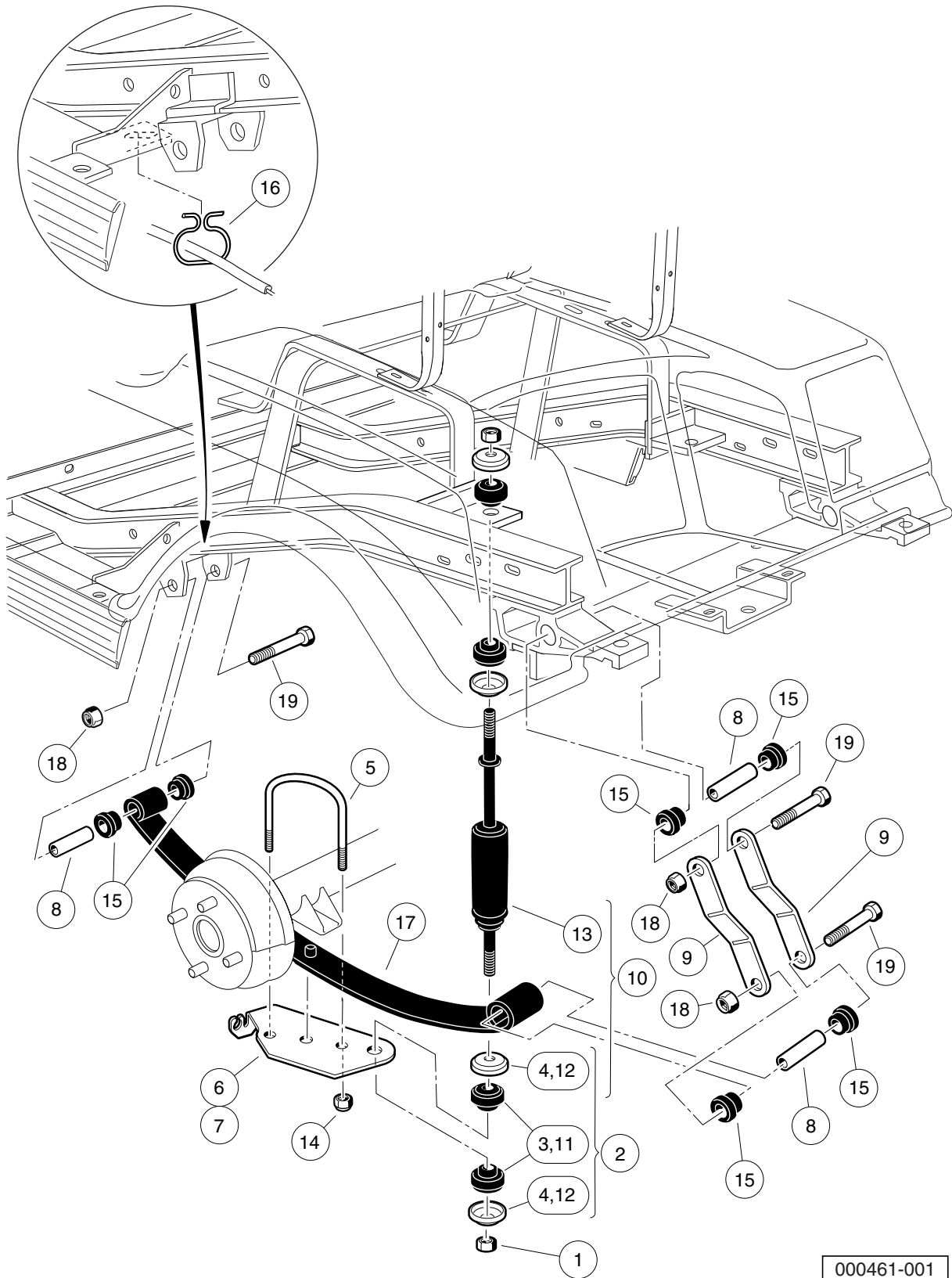
000301-002

# FRONT SPINDLES AND HUBS

ITEM	PART NO.	DESCRIPTION	QTY
		<b>1 2 3 4</b>	
1	N/A	Replacement Kit, Front Hub (includes items 2 through 4) .....	2
2	<u>102353201</u>	Cap, Front Hub .....	1
3	<u>102353301</u>	Hex Nut, Locking Flange, M14x2 .....	1
4	N/A	Asm, Front Hub, Bb, Long Stud (includes items 5 through 8) .....	1
5	N/A	Bearing, Ball, 6204 .....	2
6	N/A	Spacer, Bearing, Front Hub, Pm .....	1
7	<u>103477901</u>	Lug Stud, 1/2-20 Unf, 4037 .....	4
8	N/A	Front Hub, Ball Brg, Long Stud .....	1
9	N/A	Asm, Frt Hub & Spndle, Rh (includes items 10 through 17) .....	1
10	<u>102353201</u>	Cap, Front Hub .....	1
11	<u>102353301</u>	Hex Nut, Locking Flange, M14x2 .....	1
12	N/A	Asm, Front Hub, Bb, Long Stud (includes items 13 through 16) .....	1
13	N/A	Bearing, Ball, 6204 .....	2
14	N/A	Spacer, Bearing, Front Hub, Pm .....	1
15	<u>103477901</u>	Lug Stud, 1/2-20 Unf, 4037 .....	4
16	N/A	Front Hub, Ball Brg, Long Stud .....	1
17	<u>103667103</u>	Asm, Spindle, Rh, Sp (includes items 18 through 21) .....	1
18	<u>1015597</u>	Fitting, 1/4-28 Thread-Forming Grease .....	1
19	N/A	Subasm, Spndle, Rh, 2wb .....	1
20	<u>7048</u>	Bushing, Flanged Bronze .....	1
21	<u>8067</u>	Bushing, Bronze Spindle .....	1
22	N/A	Asm, Frt Hub & Spndle, Lh (includes items 23 through 30) .....	1
23	<u>102353201</u>	Cap, Front Hub .....	1
24	<u>102353301</u>	Hex Nut, Locking Flange, M14x2 .....	1
25	N/A	Asm, Front Hub, Bb, Long Stud (includes items 26 through 29) .....	1
26	N/A	Bearing, Ball, 6204 .....	2
27	N/A	Spacer, Bearing, Front Hub, Pm .....	1
28	<u>103477901</u>	Lug Stud, 1/2-20 Unf, 4037 .....	4
29	N/A	Front Hub, Ball Brg, Long Stud .....	1
30	<u>103667203</u>	Asm, Spindle, Lh, Sp (includes items 31 through 34) .....	1
31	<u>1015597</u>	Fitting, 1/4-28 Thread-Forming Grease .....	1
32	N/A	Subasm, Spndle, Lh, 2wb .....	1
33	<u>7048</u>	Bushing, Flanged Bronze .....	1
34	<u>8067</u>	Bushing, Bronze Spindle .....	1

**5**  
**G**  
**E**

**5**  
**G**  
**E**



000461-001

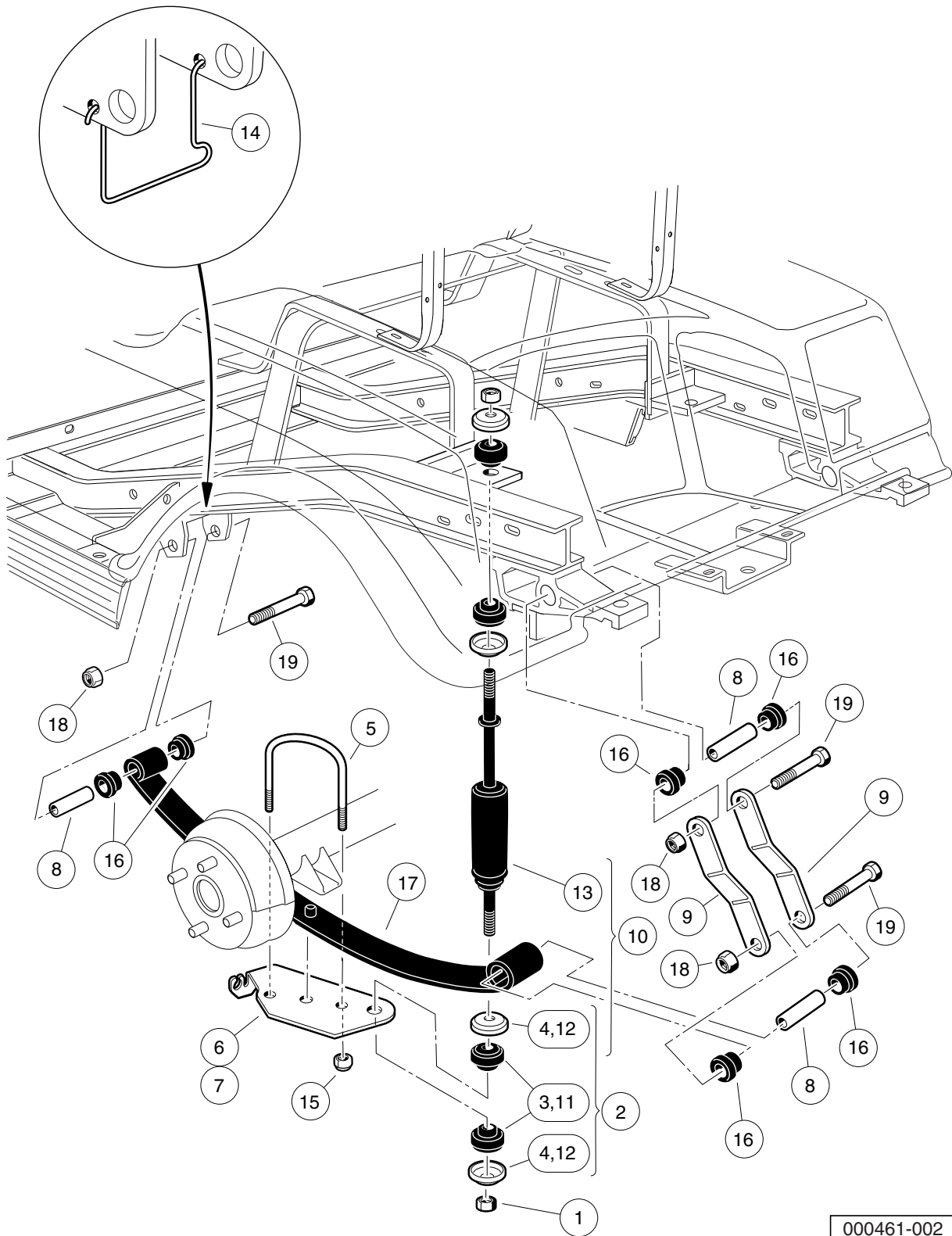


## REAR SUSPENSION – GASOLINE VEHICLE

ITEM	PART NO.	DESCRIPTION	QTY
		1 2 3 4	
1	<u>1010145</u>	Nut, 3/8-24 Hex .....	4
2	<u>1011415</u>	Kit, Shock Absorber Cushion (includes items 3 and 4) .....	4
3	<u>1010142</u>	Cushion, Shock Absorber .....	2
4	<u>1010144</u>	Retainer, Shock Absorber Cushion .....	2
5	<u>1012180</u>	U-Bolt .....	2
6	1012181	Bracket, Shock Mounting, Right (Passenger) .....	1
7	1012182	Bracket, Shock Mounting, Left (Driver) .....	1
8	<u>1012303</u>	Bushing, Steel .....	6
9	<u>1012304</u>	Shackle, Rear Spring .....	4
10	<u>1013164</u>	Shock Absorber Kit (includes items 11 through 13) .....	1
11	<u>1010142</u>	Cushion, Shock Absorber .....	8
12	<u>1010144</u>	Retainer, Shock Absorber Cushion .....	8
13	<u>102588501</u>	Shock Absorber Rear Prv Spd .....	2
14	<u>1014555</u>	Locknut, 7/16-14 Nylon Hex .....	4
15	<u>1015583</u>	Bushing, Urethane .....	12
16	101900801	Hanger, Brake Cable .....	2
17	103502901	Spring, Rear, Ds .....	2
18	<u>8754</u>	Locknut, 3/8-16 Hex .....	6
19	<u>8755</u>	Screw, 3/8-16 X 3.375 Hex Cap .....	6

5  
G  
E

**5**  
**G**  
**E**



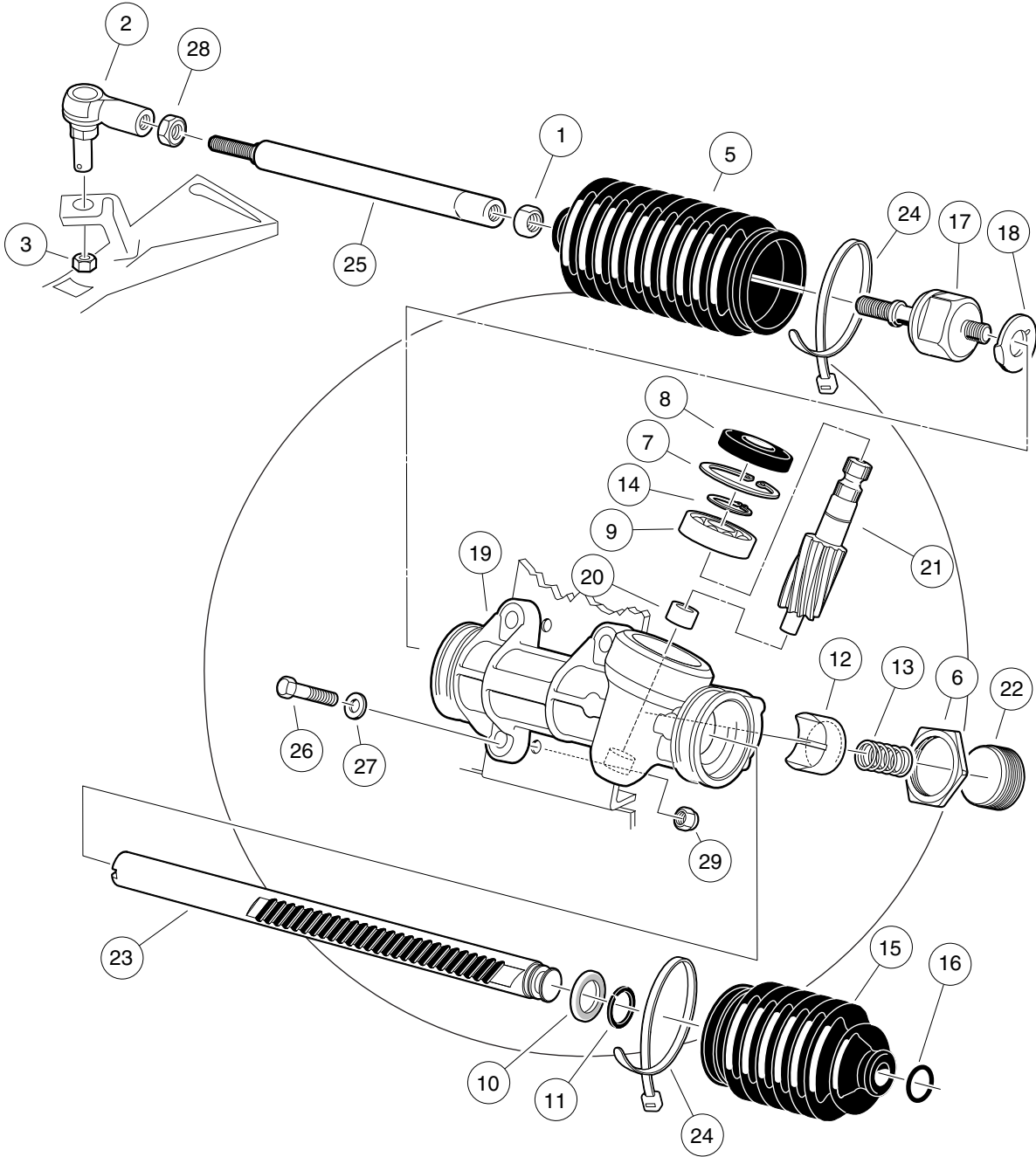
000461-002

## REAR SUSPENSION – ELECTRIC VEHICLE

ITEM	PART NO.	DESCRIPTION	QTY
		1 2 3 4	
1	<u>1010145</u>	Nut, 3/8-24 Hex .....	4
2	<u>1011415</u>	Kit, Shock Absorber Cushion (includes items 3 and 4) .....	4
3	<u>1010142</u>	Cushion, Shock Absorber .....	2
4	<u>1010144</u>	Retainer, Shock Absorber Cushion .....	2
5	<u>1012180</u>	U-Bolt .....	2
6	1012181	Bracket, Shock Mounting, Right (Passenger) .....	1
7	1012182	Bracket, Shock Mounting, Left (Driver) .....	1
8	<u>1012303</u>	Bushing, Steel .....	6
9	<u>1012304</u>	Shackle, Rear Spring .....	4
10	<u>1013164</u>	Shock Absorber Kit (includes items 11 through 13) .....	1
11	<u>1010142</u>	Cushion, Shock Absorber .....	8
12	<u>1010144</u>	Retainer, Shock Absorber Cushion .....	8
13	<u>102588501</u>	Shock Absorber Rear Prv Spd .....	2
14	<u>1013207</u>	Hanger, Brake Cable .....	2
15	<u>1014555</u>	Locknut, 7/16-14 Nylon Hex .....	4
16	<u>1015583</u>	Bushing, Urethane .....	12
17	<u>103629001</u>	Spring Asm, Rear, Ds .....	2
18	<u>8754</u>	Locknut, 3/8-16 Hex .....	6
19	<u>8755</u>	Screw, 3/8-16 X 3.375 Hex Cap .....	6

5  
G  
E

**5**  
**G**  
**E**



000960-001

# STEERING GEAR ASSEMBLY

ITEM	PART NO.	DESCRIPTION	QTY	<b>5</b>
		<b>1 2 3 4</b>		<b>G</b>
1	1013042	Nut, 12mm Hex .....	1	<b>E</b>
2	<u>102022602</u>	End, Tie Rod, M12 X 1.25, Lh .....	1	
3	<u>102289201</u>	Nut - Hex Locking, M12 X 1.25 .....	3	
4	<u>103601501</u>	Asm, Steering Rack And Pinion (includes items 5 through 24) .....	1	
5	<u>1013035</u>	Bellows, Long .....	1	
6	<u>1013044</u>	Rack Screw Locknut .....	1	
7	1013051	Snap Ring .....	1	
8	<u>1013052</u>	Seal, Steering Pinion Dust .....	1	
9	<u>101879401</u>	Bearing, Ball .....	1	
10	<u>101879501</u>	Stop Washer .....	1	
11	101879601	Stop Ring, C-Type .....	1	
12	<u>101879701</u>	Support Yoke .....	1	
13	<u>101879801</u>	Rack Guide Pressure Spring .....	1	
14	<u>101879901</u>	Ring, Stop, C-Type .....	1	
15	<u>101880001</u>	Bellows, Short .....	1	
16	101880101	Dust Seal Retaining Ring .....	1	
17	<u>101880201</u>	Inner Ball Joint Asm .....	1	
18	101880301	Washer, Tab .....	1	
19	N/A	Box, Steering Gear .....	1	
20	N/A	Bearing, Lower Pinion .....	1	
21	N/A	Pinion, Steering .....	1	
22	N/A	Screw, Rack Guide .....	1	
23	N/A	Rack, Steering .....	1	
24	<u>8990</u>	Tie Wrap, 8" Nylon .....	2	
25	<u>103653401</u>	Link, Drag, Male Thd .....	1	
26	<u>1624</u>	Screw, 3/8-16 X 1.50 Hex-Head Cap .....	3	
27	<u>334</u>	Washer, 3/8 Type A Flat .....	3	
28	<u>7555</u>	Nut, 1/2-20 Hex, Left-Hand Thread .....	1	
29	<u>8754</u>	Locknut, 3/8-16 Hex .....	3	

**5**

**G**

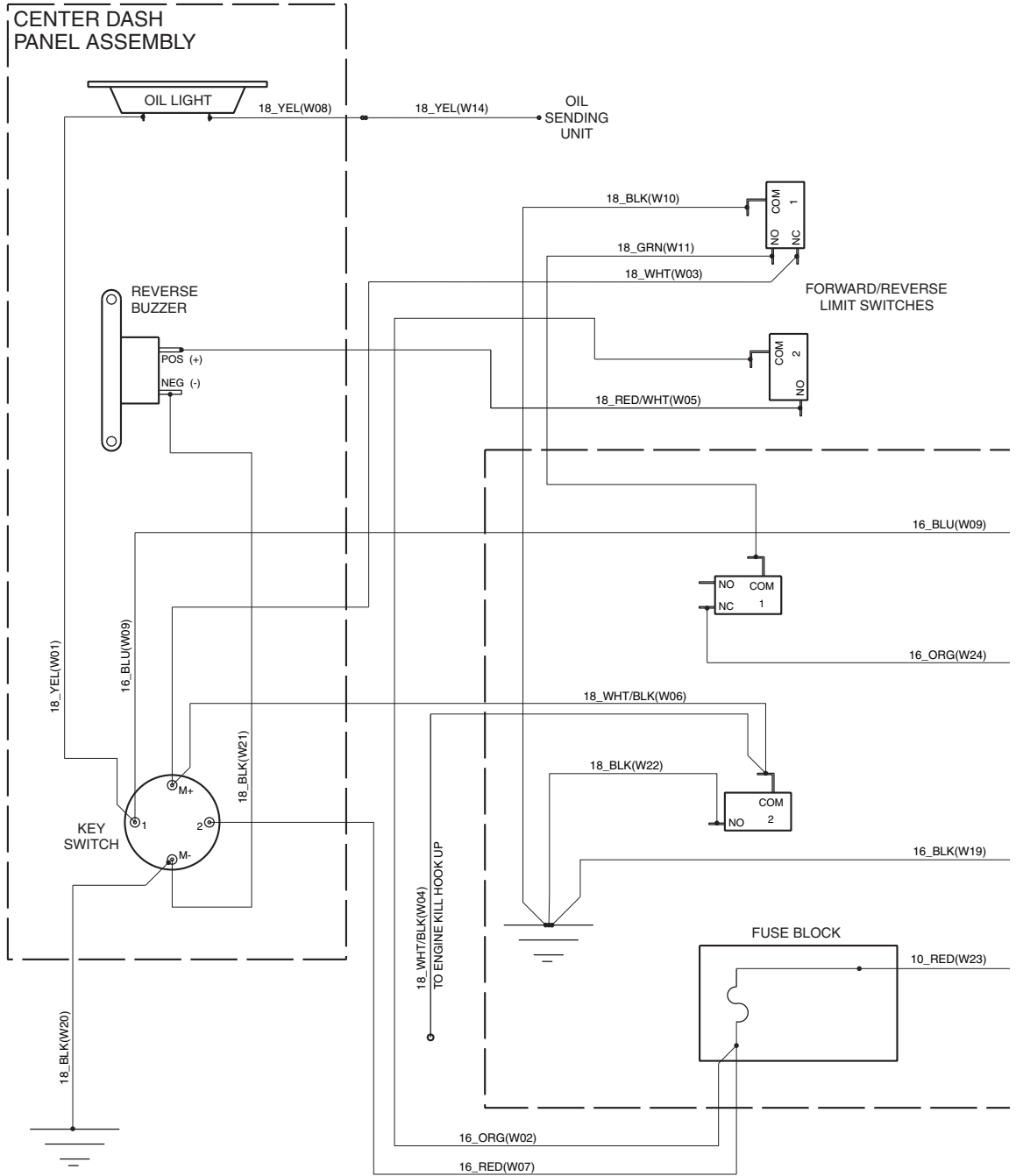
**E**

# ELECTRICAL SYSTEM – GASOLINE VEHICLE

---

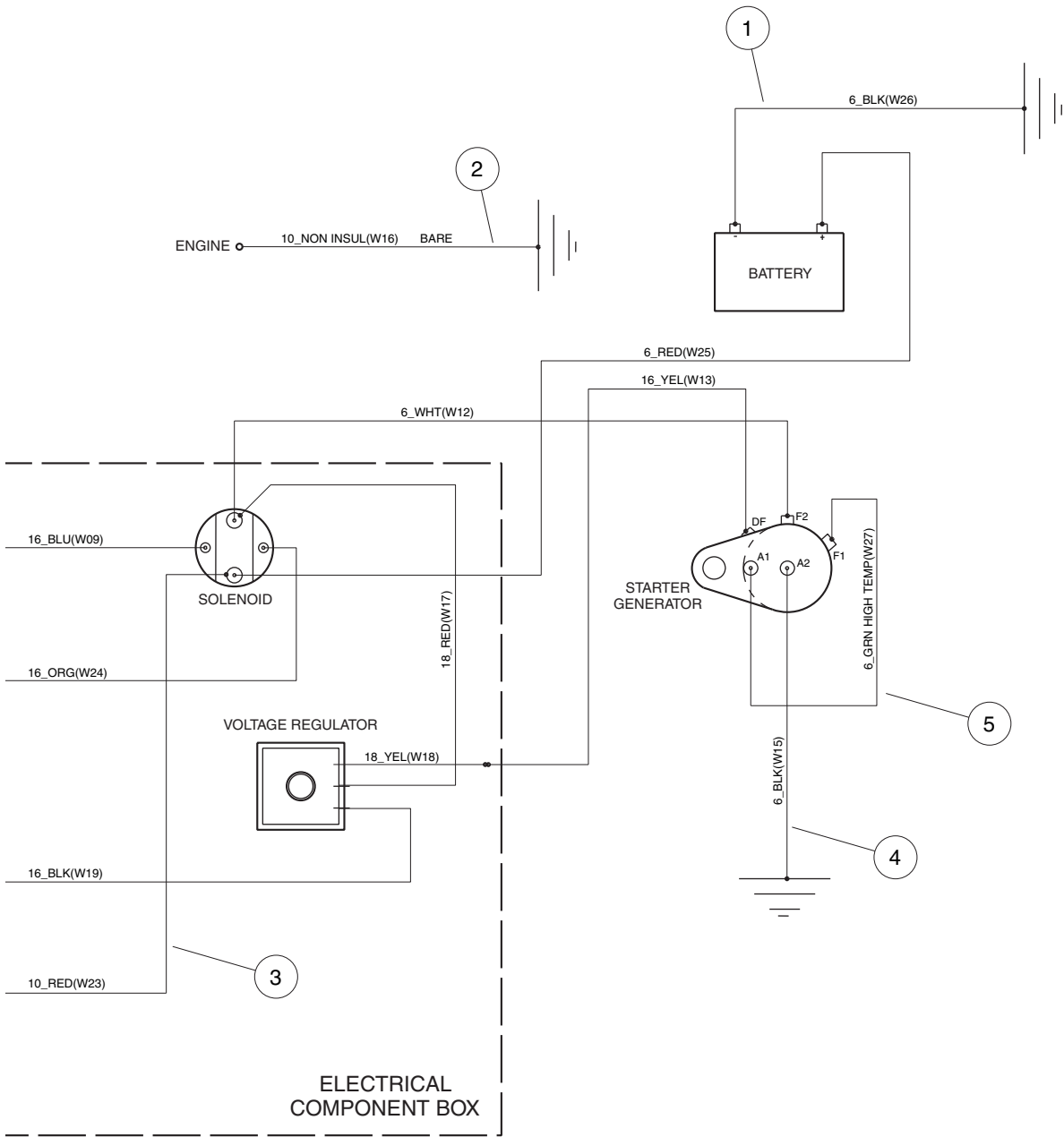
6

G



000468-001





000468-001

**6**

**G**

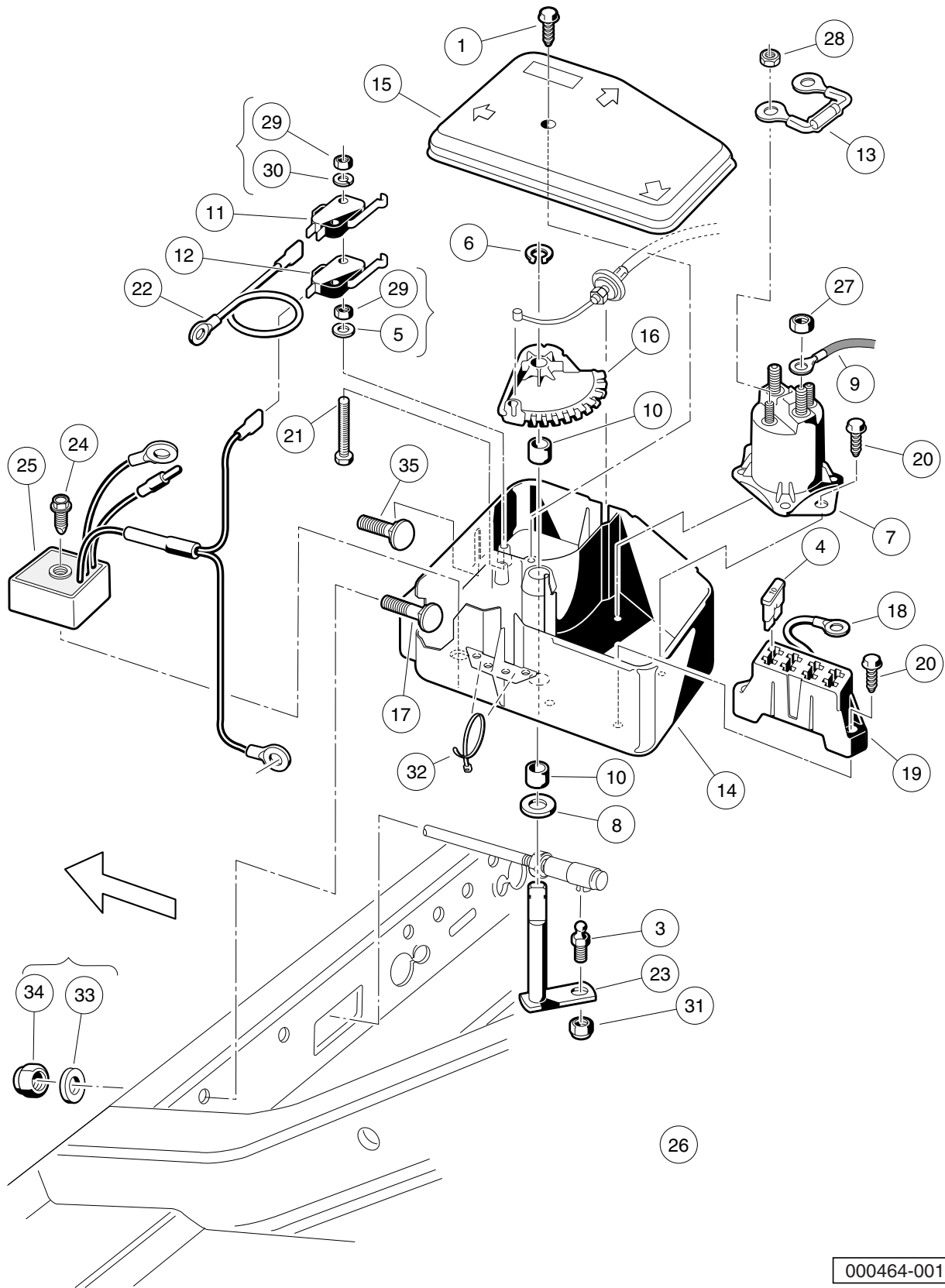
See previous two pages for illustration.

# WIRING

ITEM	PART NO.	DESCRIPTION	QTY
		1 2 3 4	
1	<u>1012382</u>	Wire Assy, #6 Black .....	1
2	<u>1015332</u>	Wire Assembly, #10, Uninsulated .....	1
3	<u>1015737</u>	Wire Assy, #10 Red .....	1
4	<u>1015920</u>	Ground Wire Assembly .....	1
5	<u>101837301</u>	Wire Assy, #6 Green .....	1
6	<u>103332302</u>	Assy Wire Harness Gas Ds Kit .....	1

6

G

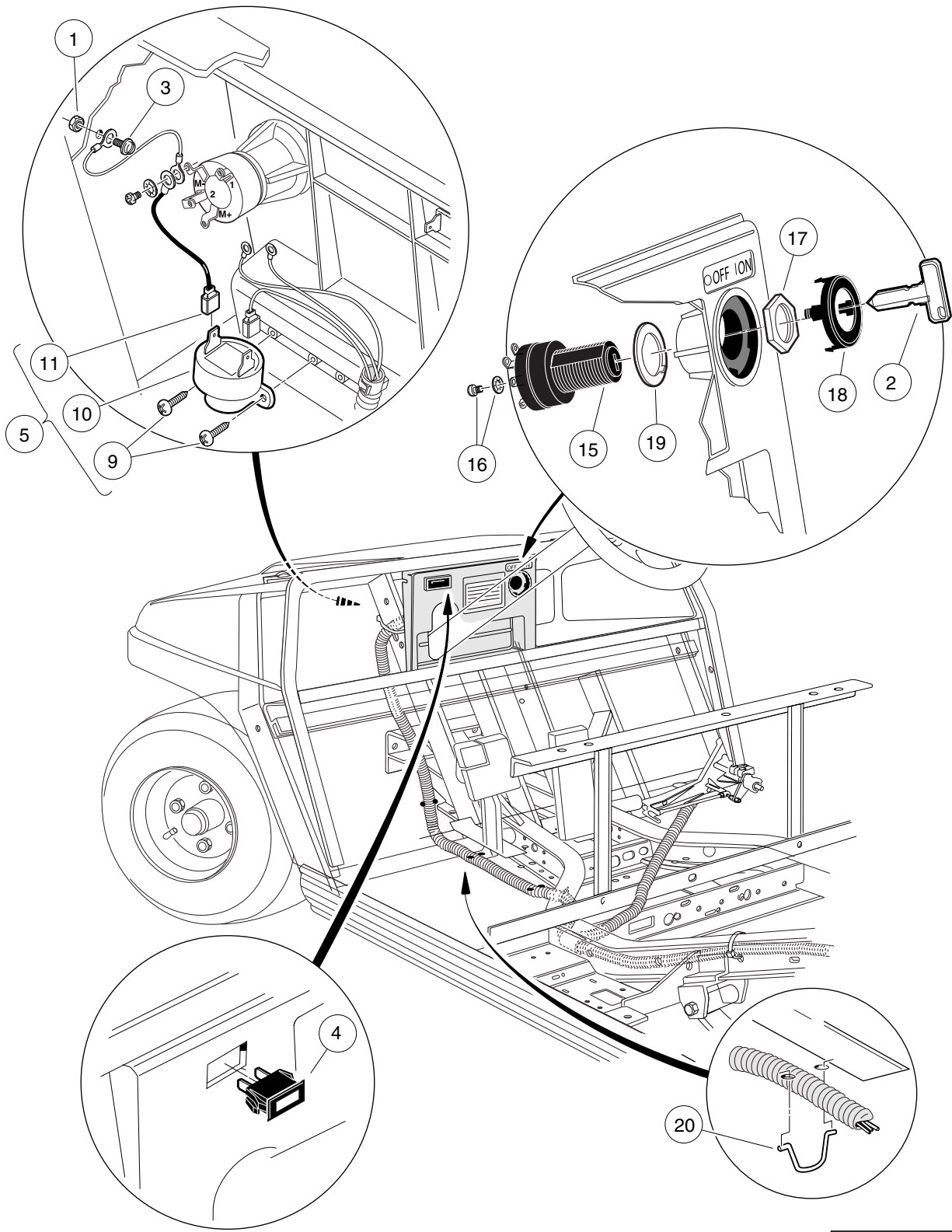


000464-001

# ELECTRICAL COMPONENT BOX – GASOLINE VEHICLE

ITEM	PART NO.	DESCRIPTION	QTY
		1 2 3 4	
1	<u>1015752</u>	Screw, #12-16 X 0.625 Hi-Lo .....	1
2	<u>101827601</u>	Elec Component Box Asm , Ds (includes items 3 through 32) .....	1
3	<u>1010954</u>	Stud, 1/4-28 X 0.560 Ball .....	1
4	<u>1012295</u>	Fuse, 10-Amp .....	1
5	<u>1012431</u>	Washer, #4 Flat .....	2
6	<u>1013589</u>	Ring, 0.338" Internal Retaining .....	1
7	<u>1013609</u>	Solenoid, 12-Volt .....	1
8	<u>1014065</u>	Washer, 0.38" ID Delrin Flat .....	1
9	<u>1014119</u>	Wire Assembly #6 Red .....	1
10	<u>1014145</u>	Bushing, Secondary Weight, Split .....	2
11	<u>1014807</u>	Switch, Limit .....	1
12	<u>1014808</u>	Switch, Limit .....	1
13	<u>1014948</u>	Diode .....	1
14	<u>1015371</u>	Box, Electrical Component .....	1
15	<u>1015372</u>	Cover, Electric Box .....	1
16	<u>1015373</u>	Cam, Electric Box .....	1
17	<u>1015405</u>	Bolt, Carriage, 5/16-18 X 2.0 .....	1
18	<u>1015737</u>	Wire Assy, #10 Red .....	1
19	<u>1015741</u>	Fuse Block .....	1
20	<u>1015752</u>	Screw, #12-16 X 0.625 Hi-Lo .....	4
21	<u>1015878</u>	Screw, #4-40 Hex Head Machine .....	2
22	<u>1016401</u>	Wire Assy, #16 Orange .....	1
23	<u>101821301</u>	Bell Crank Weld Asm .....	1
24	<u>101856102</u>	Screw, 1/4-15 X 1.50 Hi-lo Hex .....	1
25	<u>102711201</u>	Voltage Regulator .....	1
26	<u>103332302</u>	Assy Wire Harness Gas Ds Kit .....	1
27	<u>1242</u>	Nut, 5/16-18 Hex .....	2
28	<u>7893</u>	Nut, #10-32 Hex .....	2
29	<u>8057</u>	Nut, #4-40 Hex Machine .....	4
30	<u>8058</u>	Lockwasher, #4 Split .....	2
31	<u>8717</u>	Locknut, 1/4-28 Nylon Insert .....	1
32	<u>8990</u>	Tie Wrap, 8" Nylon .....	2
33	<u>1241</u>	Washer, 5/16 Type A Flat .....	2
34	<u>7473</u>	Locknut, 5/16-18 Nylon Insert .....	2
35	<u>7818</u>	Bolt, Carriage, 5/16-18 X 1.5 .....	1

**6**  
**G**



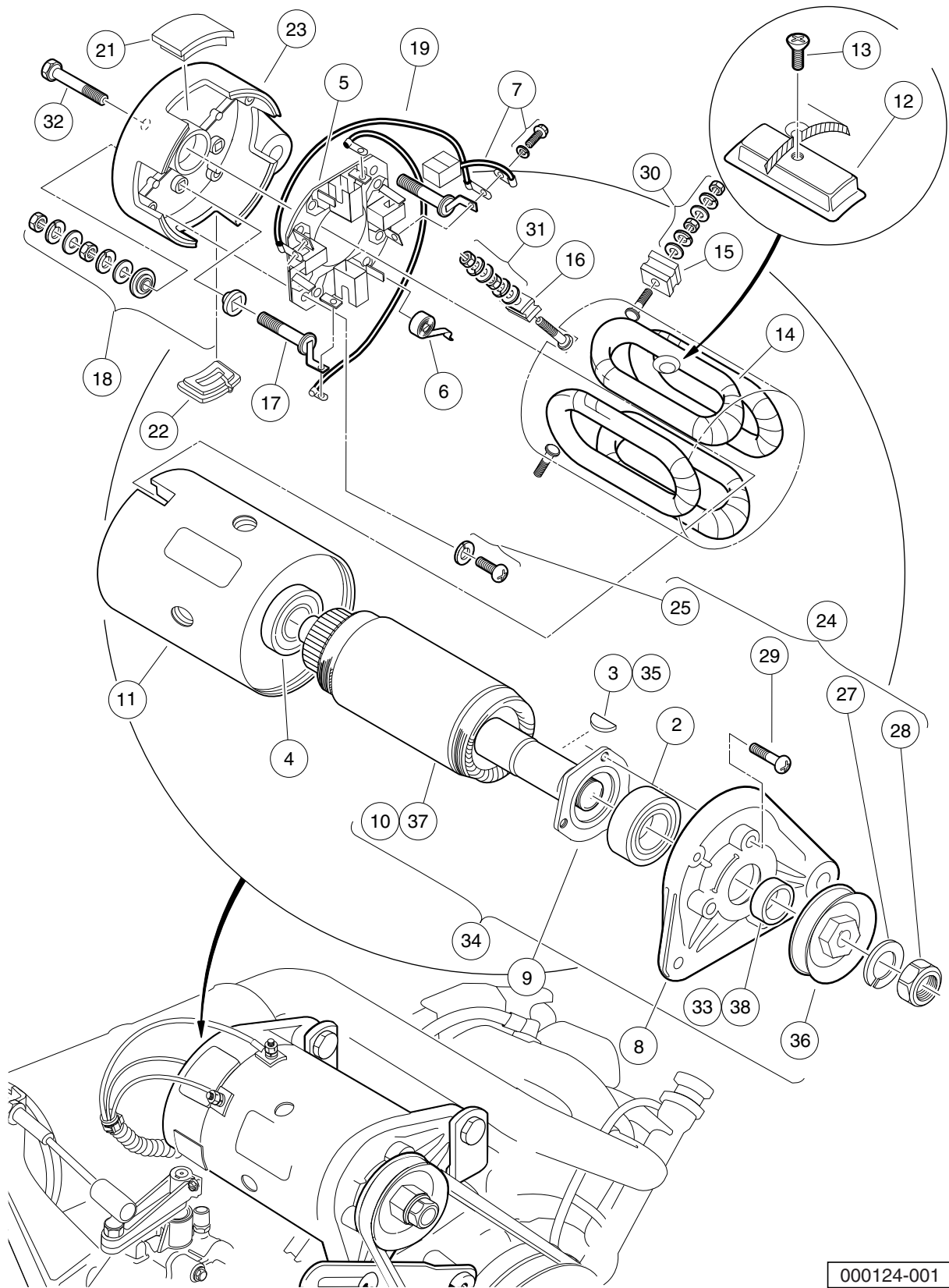
000465-001

# ELECTRICAL COMPONENTS, FRONT BODY – GASOLINE VEHICLE

ITEM	PART NO.	DESCRIPTION	QTY
		1 2 3 4	
1	<u>1011229</u>	Locknut, #6-32 Whiz .....	1
2	<u>1012505</u>	Keys (set of 2) .....	1
3	<u>1015720</u>	Screw, #6-32 X 1/2 Hex Washer-Head .....	1
4	<u>1016630</u>	Light, Oil .....	1
5	<u>1016859</u>	Kit, Reverse Buzzer (includes items 6 through 14) .....	1
6	<u>1011229</u>	Locknut, #6-32 Whiz .....	1
7	<u>1012431</u>	Washer, #4 Flat .....	2
8	<u>1015720</u>	Screw, #6-32 X 1/2 Hex Washer-Head .....	1
9	<u>1016849</u>	Screw, #4-24 X 0.33 Pan-Head Machine .....	2
10	<u>1016851</u>	Buzzer, Reverse (9-48 VDC) .....	1
11	<u>1016857</u>	Wire Assembly Black #18 .....	1
12	<u>8056</u>	Screw, #4-40 X 0.75 Round-Head Machine .....	2
13	<u>8057</u>	Nut, #4-40 Hex Machine .....	2
14	<u>8058</u>	Lockwasher, #4 Split .....	2
15	<u>101826301</u>	Key Switch, 12-Volt, Off/On .....	1
16	<u>101830601</u>	Screw and Washer Assembly .....	4
17	<u>101830701</u>	Nut, Key Switch .....	1
18	<u>101834502</u>	Cap, Black Key Switch .....	1
19	<u>101851101</u>	Washer, Key Switch .....	1
20	<u>101900901</u>	Harness Retainer .....	3
21	<u>AM10079</u>	Bulk Std Keys (50) * .....	1
		Note: Some parts in Reverse Buzzer Kit are not used in this application.	

**6**  
**G**

**6**  
**G**



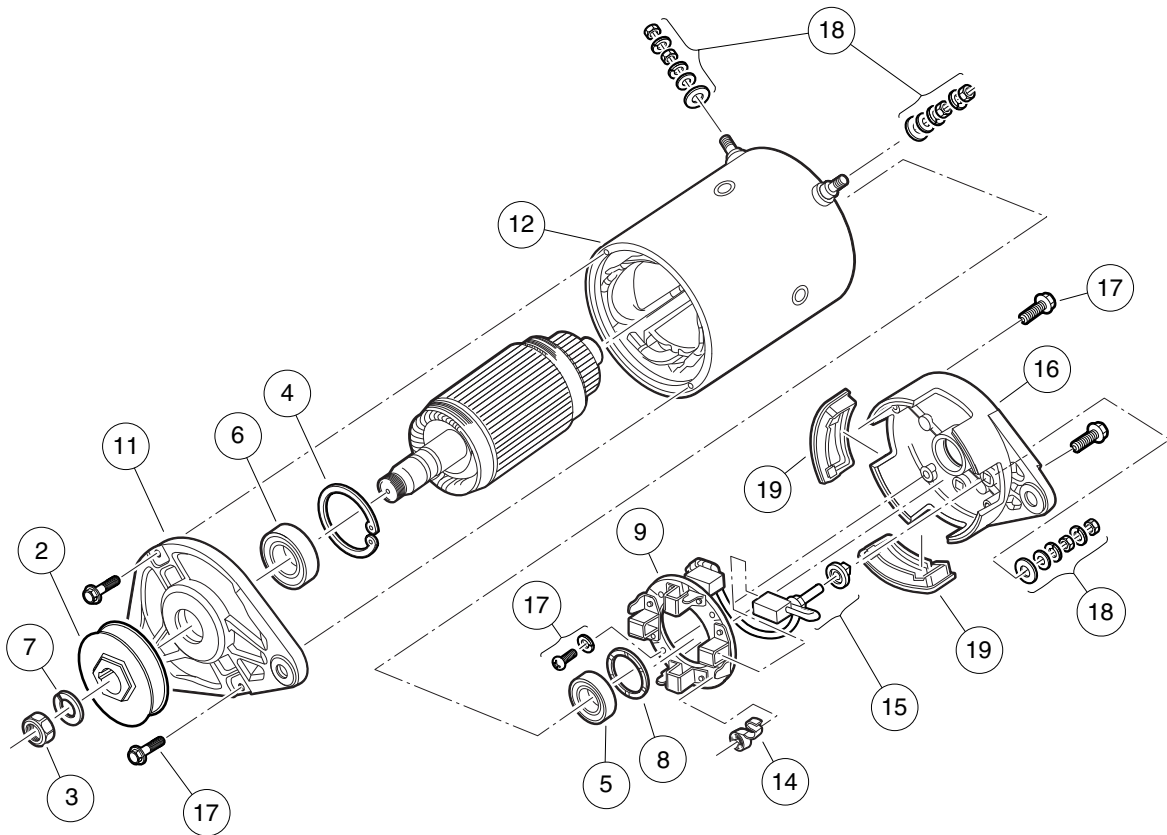
000124-001



# STARTER/GENERATOR ASSEMBLY MODEL G425419 – GASOLINE VEHICLES

ITEM	PART NO.	DESCRIPTION	QTY
		1 2 3 4	
1	<u>101833701</u>	Starter/Generator (cw) (includes items 2 through 33) .....	1
2	<u>1013001</u>	Bearing, Output Shaft Ball .....	1
3	<u>1013003</u>	Key, Starter/Generator .....	1
4	<u>1013005</u>	Bearing, Ball .....	1
5	<u>101301102</u>	Brush Holder Assembly (cw) (includes item 6) .....	1
6	<u>101878101</u>	Brush Spring Set .....	4
7	<u>101869302</u>	Brush and Screw Set (cw) .....	1
8	<u>101874901</u>	Front Bracket .....	1
9	<u>101875001</u>	Retainer .....	1
10	<u>101875101</u>	Armature .....	1
11	<u>101875201</u>	Field Coil Housing .....	1
12	<u>101875301</u>	Pole Set .....	1
13	<u>101875401</u>	Screw Set .....	1
14	<u>101875501</u>	Field Stator Coil Assembly .....	1
15	<u>101875601</u>	F Insulator Set .....	2
16	<u>101875701</u>	DF Insulator .....	1
17	<u>101875802</u>	A Connector (cw) .....	1
18	<u>101876001</u>	Screw and Mold Assembly .....	2
19	<u>101876202</u>	Brush Connector Assembly (cw) .....	2
20	<u>101876301</u>	Cover Set (includes items 21 and 22) .....	1
21	<u>1012991</u>	Brush Inspection Port Cover .....	3
22	<u>1017653</u>	Brush Port Cover w/Drain .....	1
23	<u>101876402</u>	Rear Bracket (cw) .....	1
24	<u>101876501</u>	Nut and Screw Set (includes items 25 through 29) .....	1
25	<u>101896501</u>	Brush Holder Asm Screw .....	2
26	N/A	Washer, M5 Flat .....	1
27	N/A	Washer, M14 Lock .....	1
28	N/A	Nut, Hex, M14 x 2 .....	1
29	N/A	Screw, M5 x 0.8 x 18mm .....	3
30	<u>101877601</u>	Nut and Washer Set .....	2
31	<u>101877701</u>	Nut and Washer Set .....	1
32	<u>101879001</u>	Through Bolt Set .....	2
33	<u>101939901</u>	Spacer .....	1
34	<u>101875102</u>	Armature Asm Conversion Kit (includes items 35 through 38) .....	1
35	<u>1013003</u>	Key, Starter/Generator .....	1
36	<u>1014289</u>	Pulley, Starter/Generator .....	1
37	<u>101875101</u>	Armature .....	1
38	<u>101939901</u>	Spacer .....	1
		Note: Item 36 will ONLY fit Model G425419 Starter/Generator.	

**6**  
**G**



000124-002

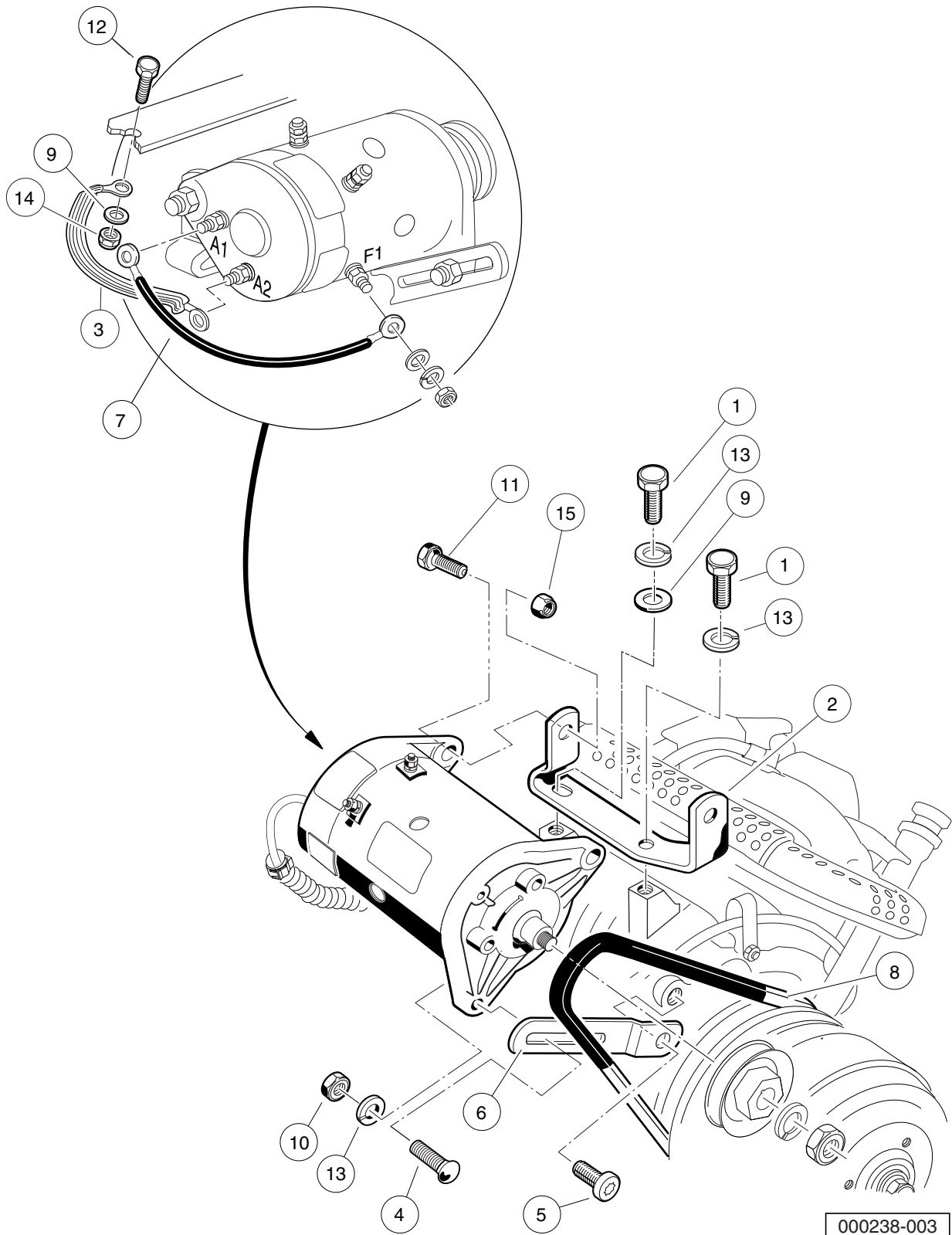
# STARTER/GENERATOR ASSEMBLY MODEL 114-01-4005 – GASOLINE VEHICLES

ITEM	PART NO.	DESCRIPTION	QTY
		1 2 3 4	
1	<u>102628201</u>	Starter/Generator Bi-Rotational (includes items 2 through 19) .....	1
2	<u>102711001</u>	Pulley, V-Belt .....	1
3	<u>102838701</u>	Nut, Hex, M14x2, S-g .....	1
4	<u>102838801</u>	Retainer, Front, S-g .....	1
5	<u>102838901</u>	Bearing, Ball, Front, S-g .....	1
6	<u>102839001</u>	Bearing, Ball, Front, S-g .....	1
7	<u>102839301</u>	Washer, Lock M14x2, S-g .....	1
8	<u>102841101</u>	Washer, Wave, S-g .....	1
9	<u>102844401</u>	Assembly, Brush Plate, Starter/Generator .....	1
10	<u>102844501</u>	Asm, Armature, Starter/Generator .....	1
11	<u>102844601</u>	Head, Drive End, S-g .....	1
12	<u>102844701</u>	Asm, Frame and Field, Starter/Generator .....	1
13	<u>103347101</u>	Kit, Spring Brush, Starter/Generator (includes item 14) .....	1
14	N/A	Spring, Brush, S-g .....	4
15	<u>103347301</u>	Set, Brush Term, S-g .....	1
16	<u>103347601</u>	Head, Comm End, S-g .....	1
17	<u>103347701</u>	Set, Fast, Ceh Deh, S-g .....	1
18	<u>103347801</u>	Set, Term Hadrware, S/G .....	1
19	<u>103347901</u>	Kit, Cover, Brush Insp, Starter/Generator (includes items 20 and 21) .....	1
20	N/A	Plug, Rubber Drain, Start/Generator .....	3
21	N/A	Cover, Inspection, S-g .....	1
<p>Note: Item 2 will ONLY fit Model 114-01-4005 Starter/Generator.</p>			

6

G

**6**  
**G**

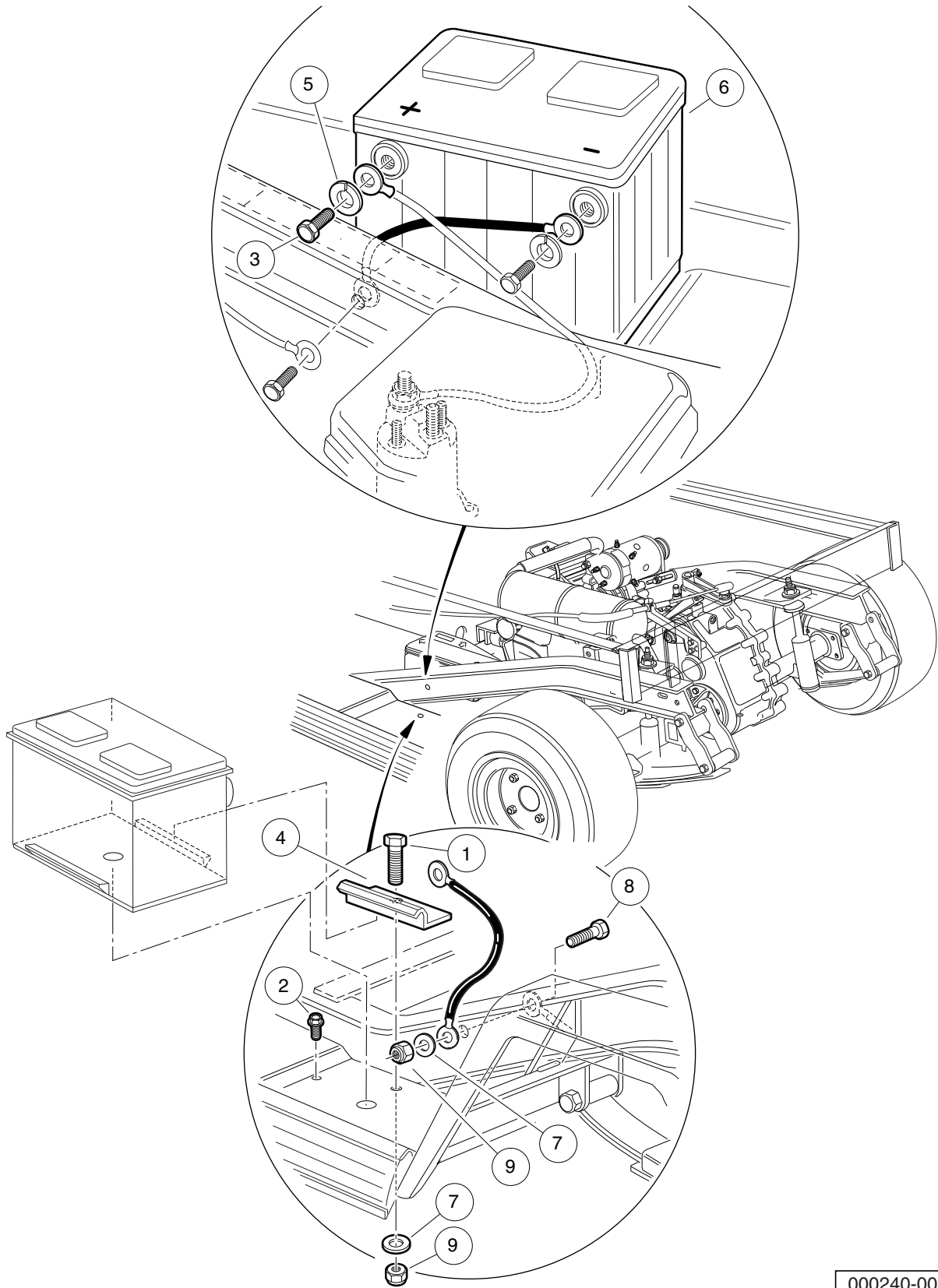


## FE290 STARTER/GENERATOR MOUNTING

ITEM	PART NO.	DESCRIPTION	QTY
		1 2 3 4	
1	<u>1012830</u>	Screw, M8-125 X 22 Hex-Head .....	2
2	<u>101524001</u>	Bracket, Starter/Generator Mounting (FE290) .....	1
3	<u>1015920</u>	Ground Wire Assembly .....	1
4	<u>1015932</u>	Bolt, Carriage, 5/16-18 .....	1
5	<u>1016074</u>	Screw, M8-1.25 X 18mm Torx .....	1
6	<u>1016883</u>	Bracket, Starter/Generator Adjustment .....	1
7	<u>101837301</u>	Wire Assy, #6 Green .....	1
8	<u>101916701</u>	V-Belt .....	1
9	<u>1241</u>	Washer, 5/16 Type A Flat .....	1
10	<u>1242</u>	Nut, 5/16-18 Hex .....	1
11	705	Screw, Cap-hex Hd 3/8-16x1.25 .....	2
12	<u>7173</u>	Screw, 5/16-18 X 0.75 Hex-Head Cap .....	1
13	<u>7174</u>	Lockwasher, 5/16 Split .....	3
14	<u>7473</u>	Locknut, 5/16-18 Nylon Insert .....	1
15	<u>8754</u>	Locknut, 3/8-16 Hex .....	2

6  
G

**6**  
**G**

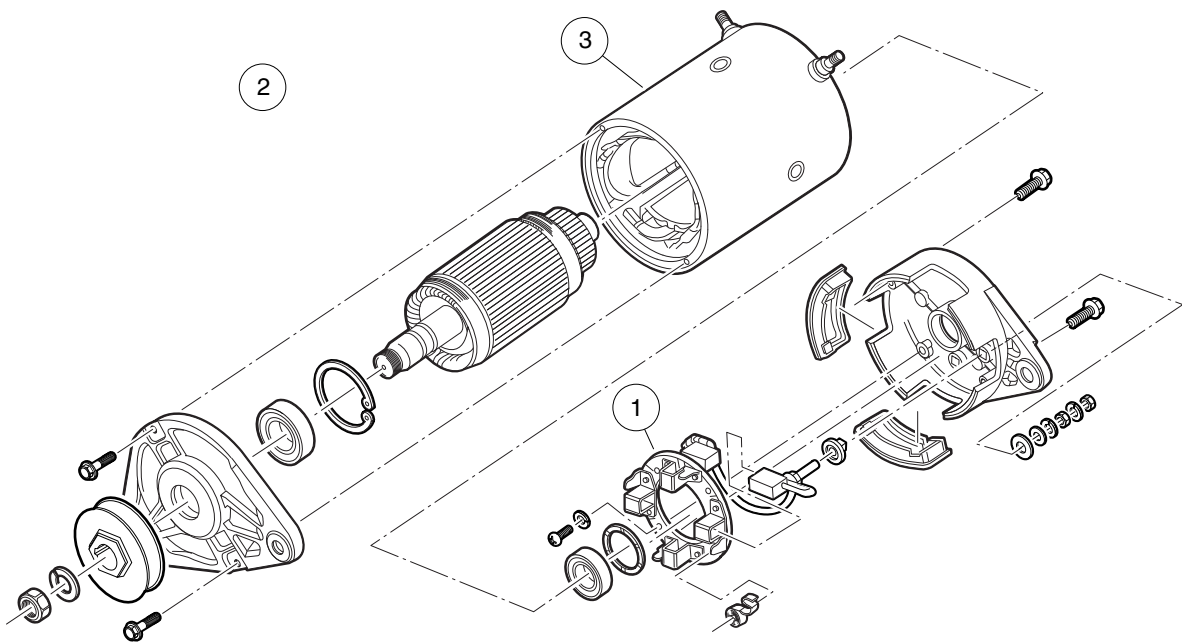


000240-001

## BATTERY – GASOLINE VEHICLE

ITEM	PART NO.	DESCRIPTION	QTY
		1 2 3 4	
1	<u>1010934</u>	Screw, 5/16-18 X 1.00 Hex Cap .....	1
2	<u>1014288</u>	Screw, 5/16-18 X 0.75 Thread-Forming .....	1
3	<u>1014375</u>	Screw, 3/8-16 X 0.50 Stainless Steel Hex-Head .....	2
4	<u>101898001</u>	Clamp, Battery .....	1
5	<u>102355301</u>	Lockwasher, #10 Split Ss .....	2
6	N/A	Battery, Start, 12v .....	1
7	<u>1241</u>	Washer, 5/16 Type A Flat .....	2
8	<u>7173</u>	Screw, 5/16-18 X 0.75 Hex-Head Cap .....	1
9	<u>7473</u>	Locknut, 5/16-18 Nylon Insert .....	2

6  
G



000124-003



# STARTER/GENERATOR ASSEMBLY – GASOLINE VEHICLES

ITEM	PART NO.	DESCRIPTION	QTY
1	<u>103347301</u>	1 2 3 4 Set, Brush Term, S-g .....	1
2	N/A	Asm, St/gen, Bi-rot, Ks, Svc .....	1
3	103720102	Assy, Frame Field, Util Ks .....	1

**6**  
**G**

6

G

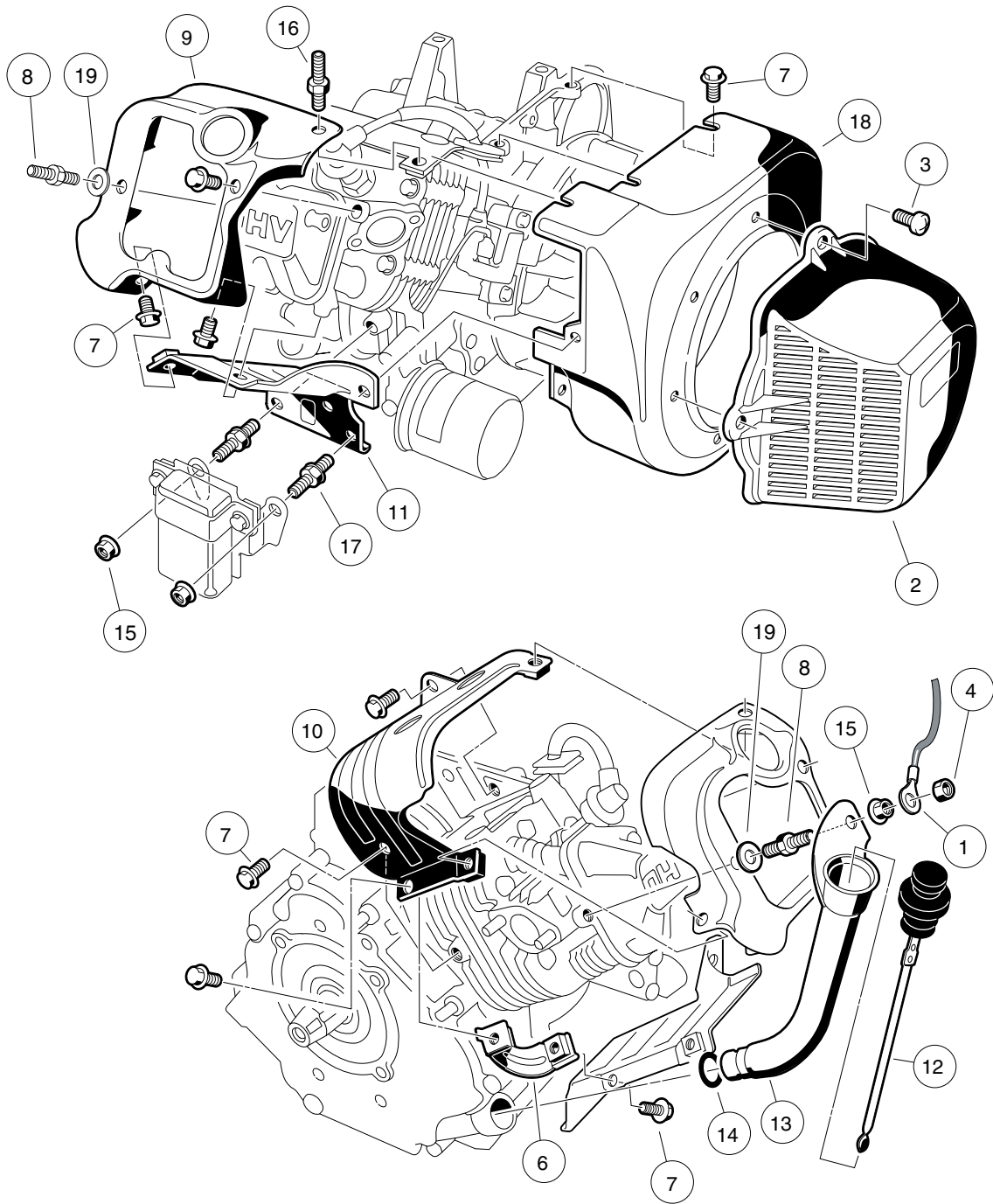
# FE290 ENGINE

---

7

G

**7**  
**G**

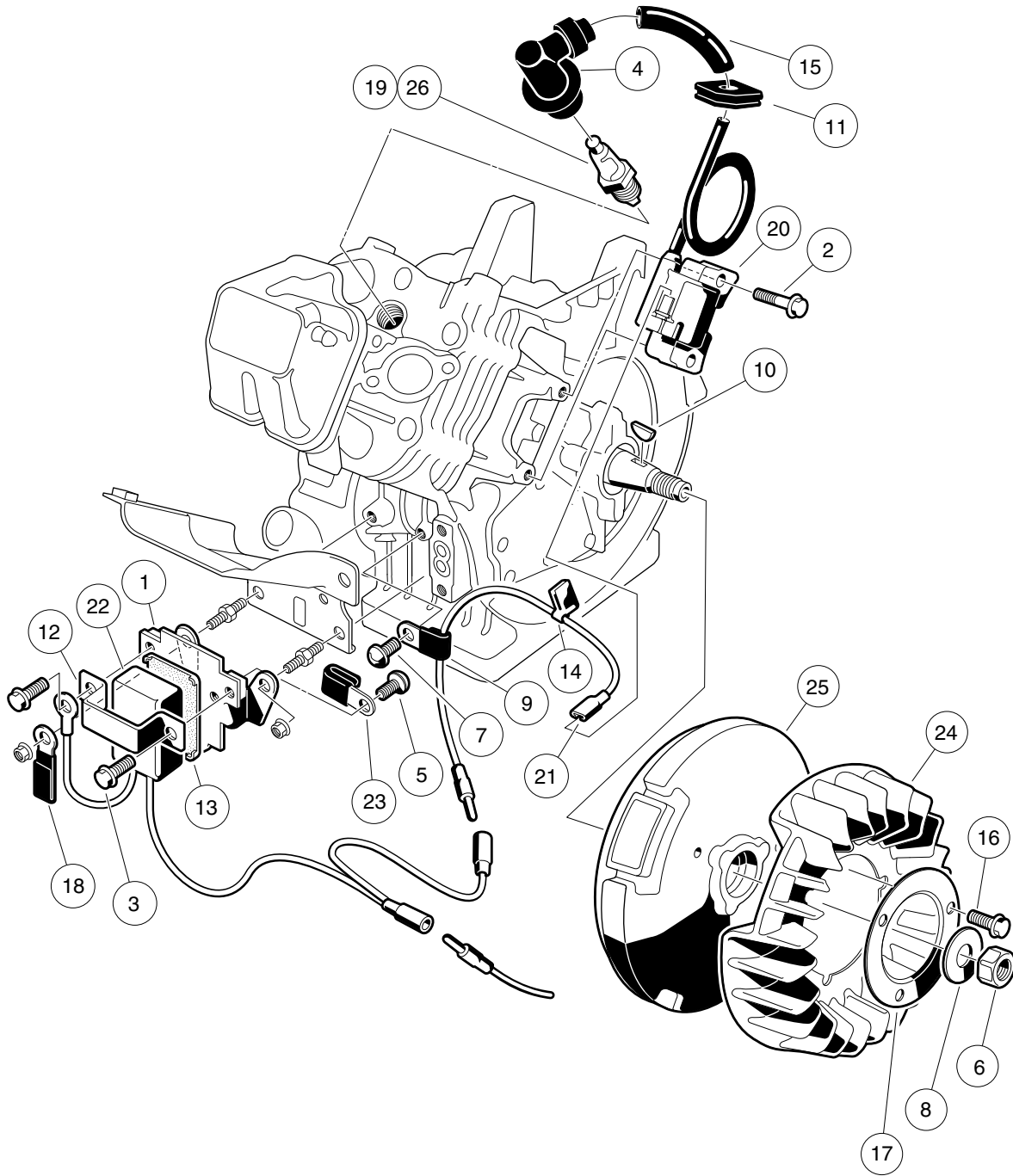


000194-001

## FE290 ENGINE – SHROUDS AND BRACKETS

ITEM	PART NO.	DESCRIPTION	QTY
		1 2 3 4	
1	<u>1015332</u>	Wire Assembly, #10, Uninsulated .....	1
2	<u>1015649</u>	Shroud, Fan .....	1
3	<u>1015969</u>	Screw, M6-1.00 X 10mm Pan Hd .....	4
4	<u>101887601</u>	Locknut, M6-1.00 Nylon Insert .....	1
5	<u>101953901</u>	Engine, FE290 (cw) * (includes items 6 through 19) .....	1
6	<u>1016443</u>	Bracket .....	1
7	<u>1016456</u>	Bolt, Flange Head, M6 x 1 x 12 mm .....	15
8	<u>1016507</u>	Bolt, Two-Ended .....	1
9	<u>1016524</u>	Shroud, Engine, FE290D .....	1
10	<u>1016525</u>	Shroud, Engine, FE290D .....	1
11	<u>1016526</u>	Shroud, Engine, FE290D .....	1
12	<u>1016531</u>	Dipstick .....	1
13	<u>1016536</u>	Tube, Oil Filler, FE290D .....	1
14	<u>1016539</u>	O-Ring .....	1
15	<u>1016547</u>	Nut, M6 Flange .....	3
16	<u>1017221</u>	Screw, M6-1.00 Stud .....	1
17	<u>101909701</u>	Stud, M6-1.00, Two-Ended .....	2
18	<u>101915601</u>	Housing, FE290 Fan .....	1
19	N/A	Washer, 6 mm Flat .....	1
* Note: FE290 engine component listings span several pages.			

**7**  
**G**

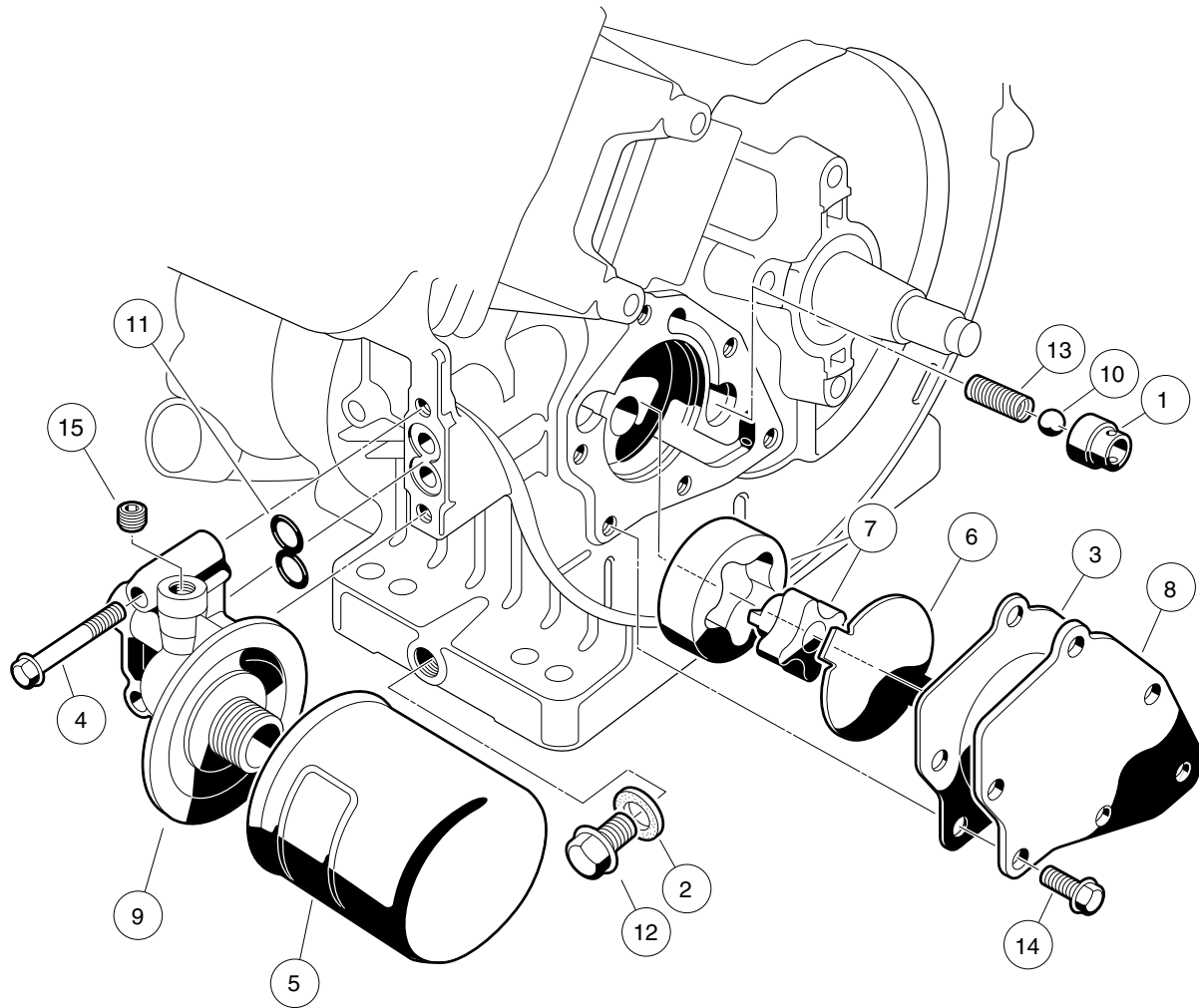


000195-001

# FE290 ENGINE – IGNITION COMPONENTS AND FLYWHEEL

ITEM	PART NO.	DESCRIPTION	QTY
		1 2 3 4	
1	1016445	Bracket, RPM Limiter .....	1
2	<u>1016455</u>	Bolt, Flange Head .....	2
3	1016456	Bolt, Flange Head, M6 x 1 x 12 mm .....	2
4	<u>1016493</u>	Cap, Spark Plug .....	1
5	<u>1016497</u>	Screw, Pan WP Cross .....	1
6	<u>1016505</u>	Nut, Hex, Fine .....	1
7	<u>1016544</u>	Screw .....	1
8	<u>1016548</u>	Washer, M16 Flat .....	1
9	<u>1016561</u>	Clamp .....	1
10	<u>1016562</u>	Key .....	1
11	<u>1016578</u>	Ignition, Grommet .....	1
12	<u>1016579</u>	Band, RPM Limiter Mount .....	1
13	1016586	Damper, RPM Limiter .....	1
14	<u>1016587</u>	Clamp .....	1
15	<u>1016588</u>	Tube, 7mm X 10mm X 70mm .....	1
16	<u>1017448</u>	Bolt, Flanged .....	3
17	<u>1017455</u>	Plate, Flywheel Fan .....	1
18	<u>1017468</u>	Clamp .....	1
19	<u>101881101</u>	Spark Plug, OHV (Autolite) .....	1
20	<u>101909201</u>	Coil, Ignition .....	1
21	<u>101909301</u>	Lead Wire Assy .....	1
22	101909401	Limiter, RPM .....	1
23	101909501	Clamp, Steel .....	1
24	<u>101915801</u>	Fan, FE290 (cw) .....	1
25	<u>101929301</u>	Flywheel, Complete .....	1
26	<u>AM10724</u>	Spark Plug, OHV (NGK) .....	1

7  
G



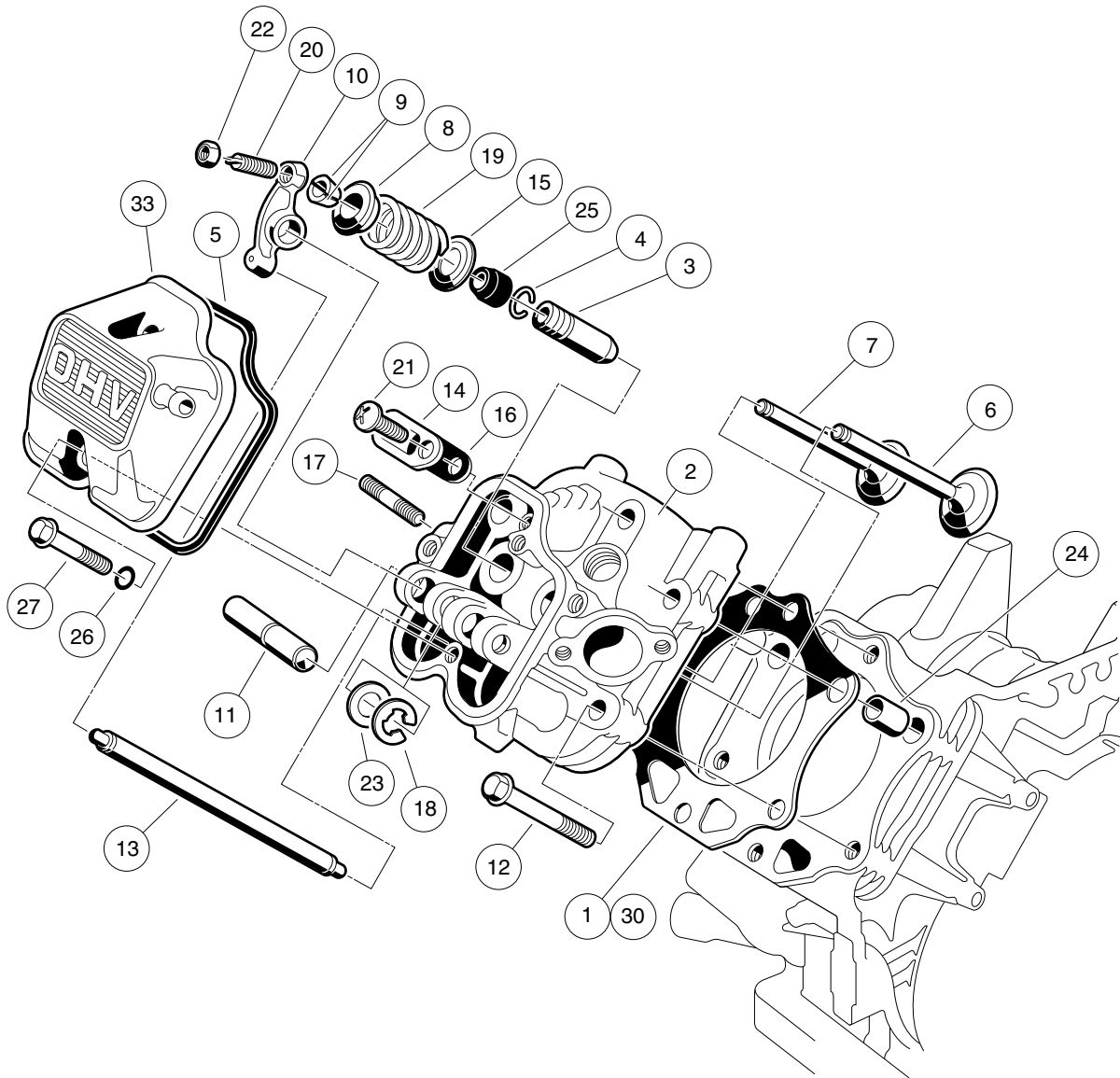
000196-001



## FE290 ENGINE – OIL CIRCULATION

ITEM	PART NO.	DESCRIPTION	QTY
		1 2 3 4	
1	1016429	Seat, Value Oil Press Relief .....	1
2	<u>1016432</u>	Gasket, Drain Plug .....	1
3	<u>1016435</u>	Gasket, Oil Pump .....	1
4	<u>1016457</u>	Bolt, Flange Head .....	2
5	<u>1016467</u>	Filter, Oil .....	1
6	<u>1016473</u>	Plate, Oil Pump .....	1
7	<u>101648203</u>	Oil Pump And Rotor .....	1
8	<u>1016484</u>	Cover, Pump .....	1
9	<u>1016502</u>	Bracket, Oil Filter Mount .....	1
10	<u>1016537</u>	Ball, Steel, Press, Relief .....	1
11	<u>1016570</u>	O-Ring .....	1
12	1016576	Plug, Drain .....	1
13	<u>1016581</u>	Spring .....	1
14	<u>1017456</u>	Bolt, Flanged .....	6
15	<u>1017507</u>	Plug .....	2

7  
G



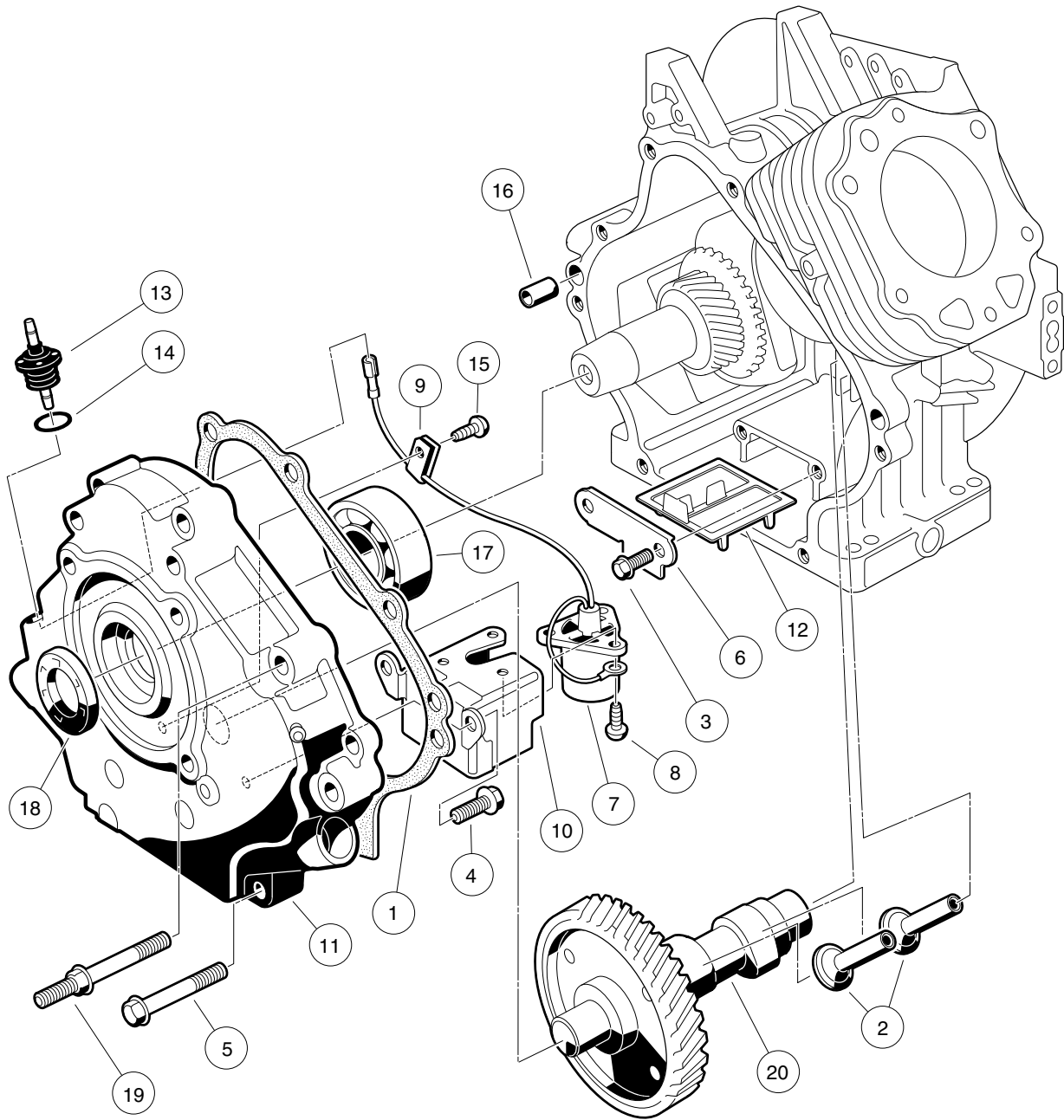
000197-001

## FE290 ENGINE – CYLINDER HEAD

ITEM	PART NO.	DESCRIPTION	QTY
		1 2 3 4	
1	<u>1016430</u>	Gasket, Head, FE290 .....	1
2	<u>1016431</u>	Head Assembly, FE290 Cylinder (includes items 3 and 4) .....	1
3	<u>1016519</u>	Guide, Valve .....	2
4	<u>1016560</u>	Snap Ring .....	2
5	<u>1016436</u>	Gasket, Rocker Case .....	1
6	<u>1016447</u>	Valve, Intake .....	1
7	<u>1016448</u>	Valve, Exhaust .....	1
8	<u>1016449</u>	Retainer, Valve Spring .....	2
9	<u>1016450</u>	Collet .....	4
10	<u>1016451</u>	Arm, Rocker .....	2
11	<u>1016452</u>	Shaft, Rocker .....	1
12	<u>1016458</u>	Bolt, Flange Head, M8 x 1.25 x 45 mm .....	6
13	<u>1016471</u>	Rod, Push .....	2
14	<u>1016474</u>	Plate .....	1
15	<u>1016479</u>	Seat, Spring .....	2
16	<u>1016483</u>	Valve .....	1
17	<u>1016489</u>	Stud, Two-Ended, M8-1.25 .....	2
18	<u>1016517</u>	Circlip, Type-E .....	1
19	<u>1016523</u>	Spring, Engine Valve .....	2
20	<u>1016542</u>	Screw .....	2
21	<u>1016544</u>	Screw .....	1
22	<u>1016545</u>	Nut .....	2
23	<u>1016549</u>	Washer, 12.1x19x1.8 .....	1
24	<u>1016563</u>	Pin .....	2
25	<u>1016566</u>	Seal, Oil .....	2
26	<u>1016569</u>	O-Ring .....	2
27	<u>1016583</u>	Bolt, 6x35 .....	2
28	<u>102304701</u>	Kit, Gasket, FE290 (includes items 29 through 32) .....	1
29	<u>1015330</u>	Gasket, Exhaust .....	1
30	<u>1016430</u>	Gasket, Head, FE290 .....	1
31	<u>1016440</u>	Gasket, Engine to Insulator .....	1
32	<u>1016446</u>	Gasket, Crankcase Cover .....	1
33	<u>102753401</u>	Case, Rocker .....	1

**7**

**G**

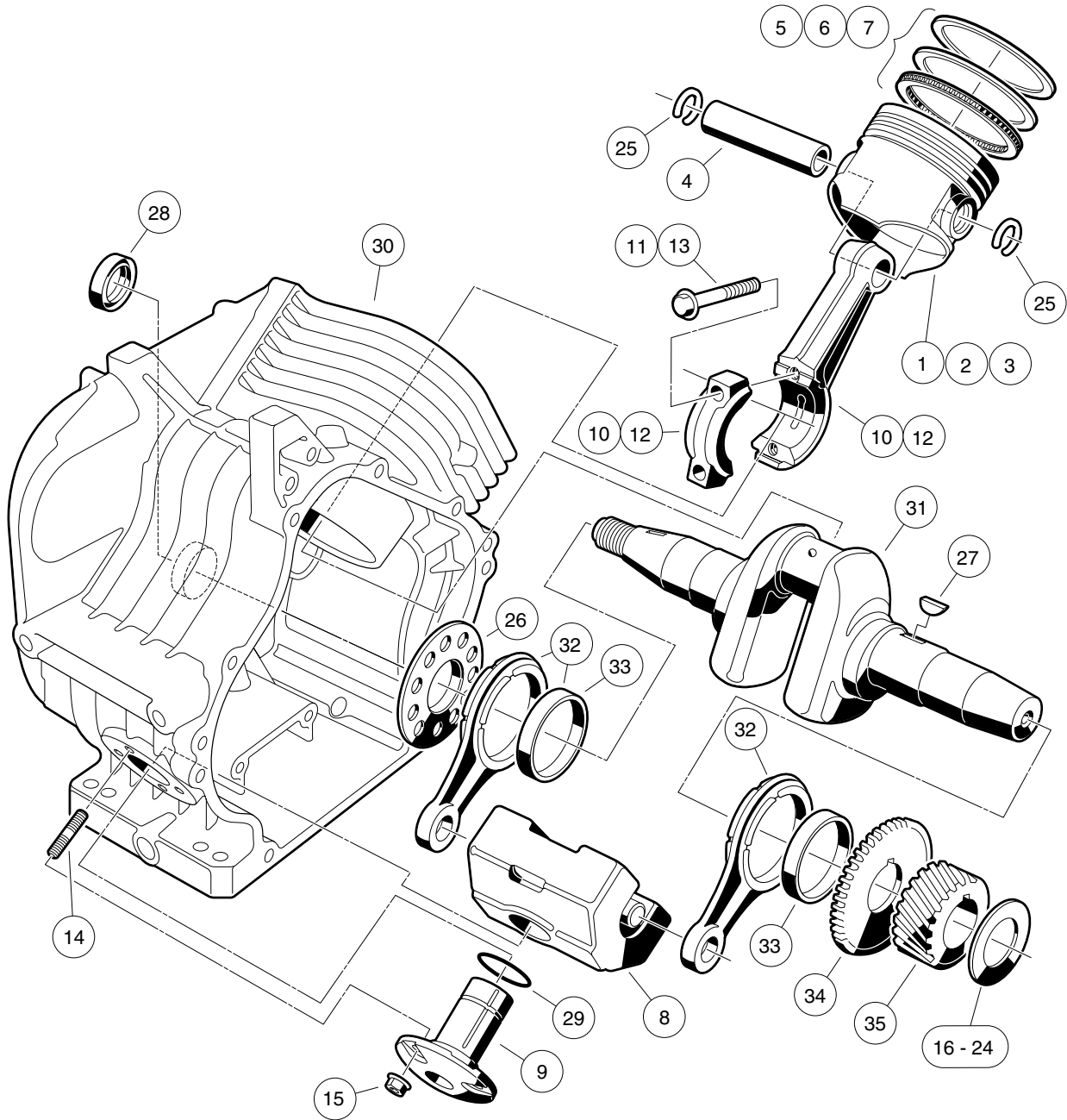


000198-001

# FE290 ENGINE – CRANKCASE, CAMSHAFT, AND OIL SENSOR

ITEM	PART NO.	DESCRIPTION	QTY
		1 2 3 4	
1	<u>1016446</u>	Gasket, Crankcase Cover .....	1
2	<u>1016453</u>	Tappet .....	2
3	<u>1016454</u>	Bolt, Flange Head, M5 x 0.8 x 8 mm .....	2
4	<u>1016456</u>	Bolt, Flange Head, M6 x 1 x 12 mm .....	2
5	<u>1016458</u>	Bolt, Flange Head, M8 x 1.25 x 45 mm .....	6
6	<u>1016472</u>	Plate, Oil Filter Screen .....	1
7	<u>1016494</u>	Sensor, Oil Level .....	1
8	<u>1016496</u>	Screw, Cross Pan-Head, M4 x 0.7 x 8 mm .....	3
9	<u>1016506</u>	Clamp .....	1
10	<u>1016510</u>	Bracket, Switch, Oil Level .....	1
11	<u>1016520</u>	Cover, Crankcase .....	1
12	<u>1016521</u>	Screen, Oil Filter .....	1
13	<u>1016535</u>	Connector, Cord .....	1
14	<u>1016538</u>	O-Ring .....	1
15	<u>1016544</u>	Screw .....	1
16	<u>1016564</u>	Pin .....	2
17	<u>1016565</u>	Bearing, Ball .....	1
18	<u>1016567</u>	Seal, Crankshaft .....	1
19	<u>1016584</u>	Bolt, Two-Ended, M8 x 1.25 x 69 mm .....	2
20	<u>101915401</u>	Camshaft Complete, FE290 .....	1

**7**  
**G**



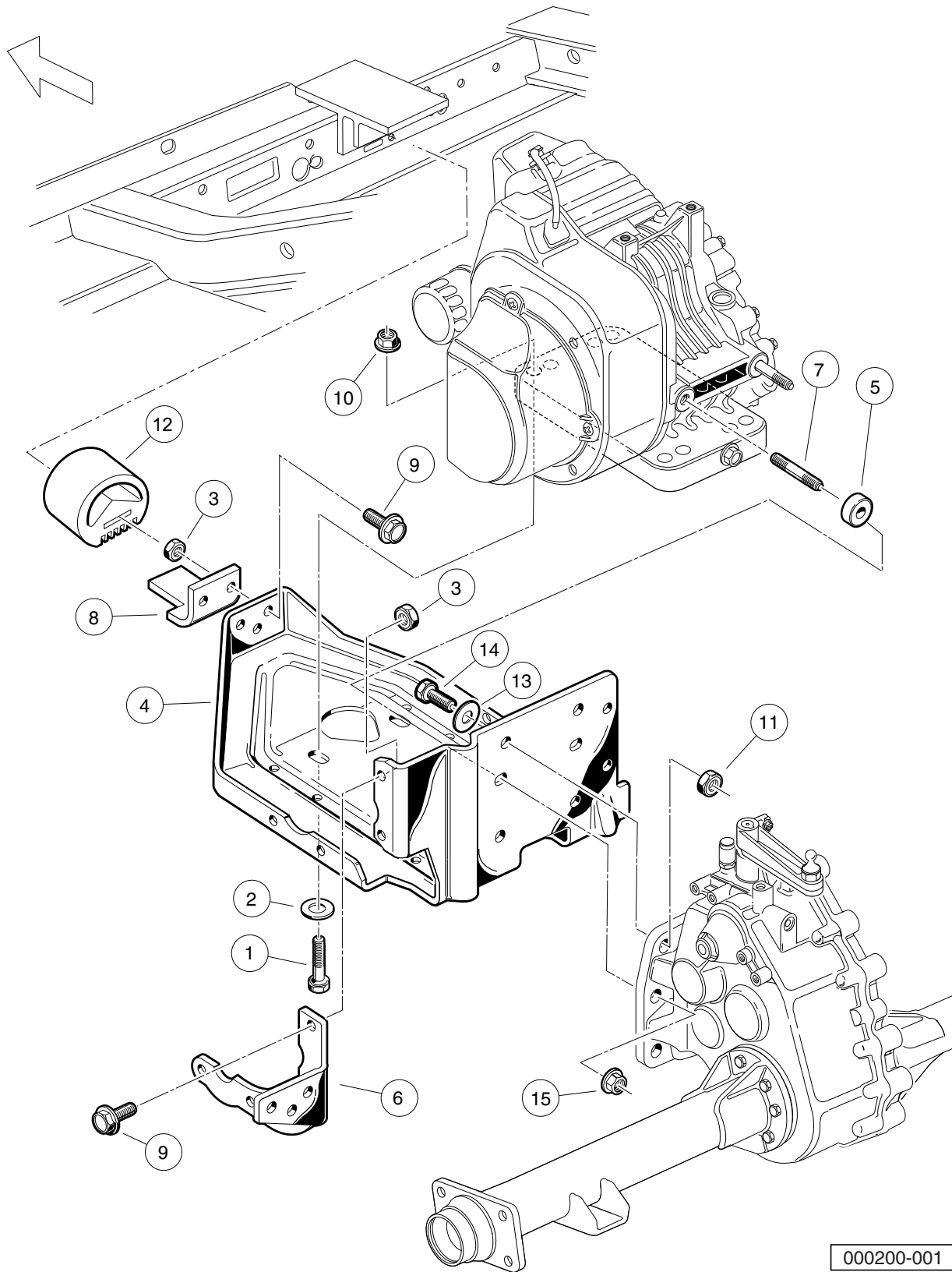
000199-001

## FE290 ENGINE – CRANKCASE AND CRANKSHAFT

ITEM	PART NO.	DESCRIPTION	QTY
		1 2 3 4	
1	<u>101645901</u>	Piston .....	1
2	<u>101645902</u>	Piston, Engine 0.25 mm Over .....	1
3	<u>101645903</u>	Piston, Engine 0.50 mm Over .....	1
4	<u>1016460</u>	Pin, Piston .....	1
5	<u>101646101</u>	Ring Set, Piston .....	1
6	<u>101646102</u>	Ring Set, Piston 0.25 mm Over .....	1
7	<u>101646103</u>	Ring Set, Piston 0.50 mm Over .....	1
8	<u>1016469</u>	Weight, Counterbalance .....	1
9	<u>1016470</u>	Shaft, Guide, Counterbalance .....	1
10	<u>101647501</u>	Rod Assembly (includes item 11) .....	1
11	<u>1016509</u>	Bolt .....	2
12	<u>101647502</u>	Rod Assembly, Connecting 0.50 mm Under (includes item 13) .....	1
13	<u>1016509</u>	Bolt .....	2
14	<u>1016541</u>	Stud, 6x14 .....	4
15	<u>1016547</u>	Nut, M6 Flange .....	4
16	<u>101655001</u>	Shim, Crankshaft T=1.13 .....	1
17	<u>101655002</u>	Shim, Crankshaft T=1.18 .....	1
18	<u>101655003</u>	Shim, Crankshaft T=1.23 .....	1
19	<u>101655004</u>	Shim, Crankshaft T=1.28 .....	1
20	<u>101655005</u>	Shim, Crankshaft T=1.33 .....	1
21	<u>101655006</u>	Shim, Crankshaft T=1.38 .....	1
22	<u>101655007</u>	Shim, Crankshaft T=1.43 .....	1
23	<u>101655008</u>	Shim, Crankshaft T=1.48 .....	1
24	<u>101655009</u>	Shim, Crankshaft T=1.53 .....	1
25	<u>1016558</u>	Ring, Snap .....	2
26	<u>1016559</u>	Spacer .....	1
27	<u>1016562</u>	Key .....	1
28	<u>1016568</u>	Seal, Oil .....	1
29	<u>1016571</u>	O-Ring .....	1
30	<u>101915501</u>	Crankcase Complete, FE290 (cw) .....	1
31	<u>101922301</u>	Crankshaft, FE290 Left-Hand Thread (includes items 32 through 35) .....	1
32	<u>1016516</u>	Rod (includes item 33) .....	2
33	<u>1016580</u>	Bearing, Plane .....	1
34	<u>1016532</u>	Gear, Spur .....	1
35	<u>1016533</u>	Gear, Helical .....	1

**7**  
**G**

**7**  
**G**



000200-001



# FE290 ENGINE MOUNTING

ITEM	PART NO.	DESCRIPTION	QTY
		1 2 3 4	
1	<u>1010577</u>	Bolt, Hex-Head, 5/16-18 X 1.50 .....	4
2	<u>1012571</u>	Washer, 5/16 Extra Thick Flat .....	4
3	<u>1013924</u>	Nut, 5/16-24 Hex Head Cone .....	6
4	<u>101827101</u>	Plate, Engine Mounting .....	1
5	<u>101832101</u>	Spacer, Powdered Metal .....	2
6	<u>101832701</u>	Stiffener (Flywheel Side) .....	1
7	<u>101833201</u>	Stud, M8-1.25 X 60mm Two-Ended .....	2
8	<u>101834601</u>	Snubber Bracket .....	1
9	<u>101884801</u>	Screw, 5/16-24 X 0.875 Grade-8 .....	6
10	<u>101963401</u>	Locknut, 5/16-18 Hex Flange .....	4
11	<u>102065901</u>	Locknut, 3/8-16 Flanged Dimple .....	4
12	<u>102540301</u>	Inner Frame Snubber .....	1
13	<u>334</u>	Washer, 3/8 Type A Flat .....	4
14	<u>705</u>	Screw, Cap-hex Hd 3/8-16x1.25 .....	4
15	<u>96704416</u>	Nut Flg, M8 X 1.25 Serrated .....	2

7

G

7

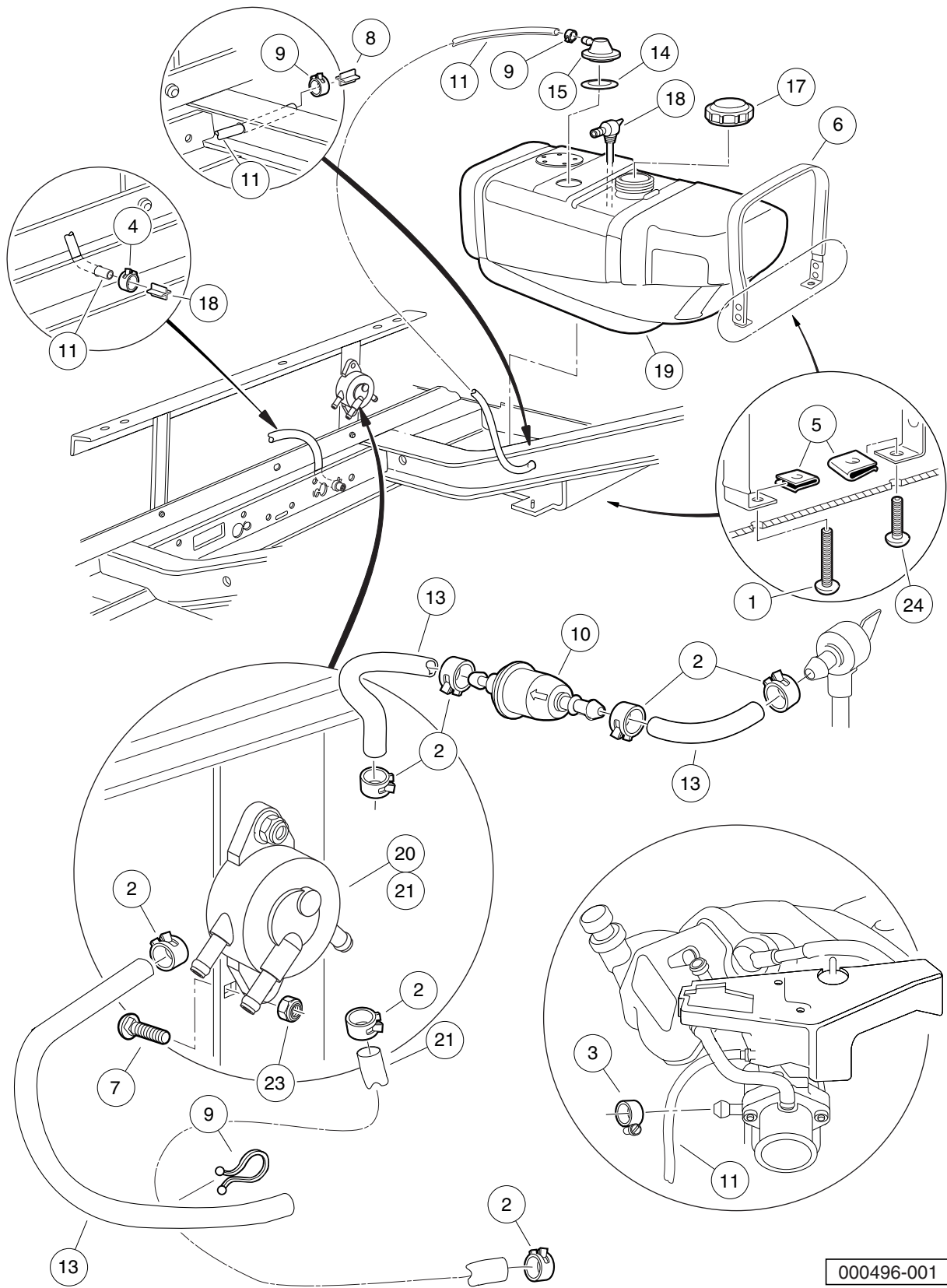
G

# FUEL, INTAKE, AND GOVERNOR SYSTEMS

---

8

G



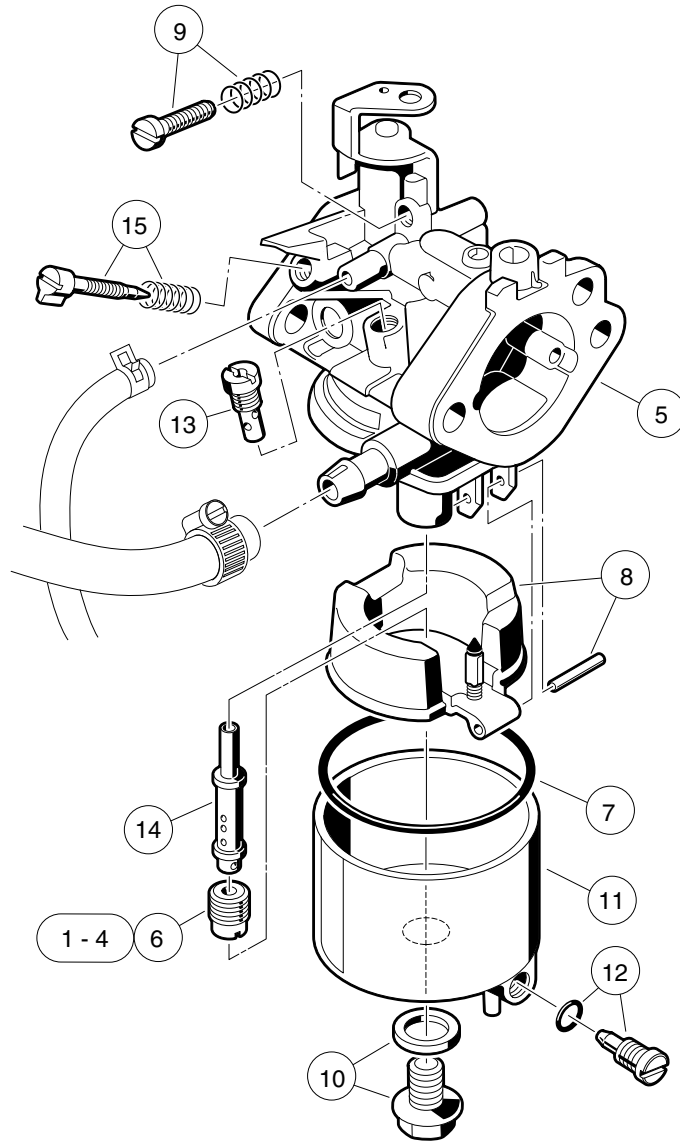
000496-001

# FUEL SYSTEM

**8**

**G**

ITEM	PART NO.	DESCRIPTION	QTY
		<b>1 2 3 4</b>	
1	<u>1011988</u>	Screw, 1/4-20 X 2.00 Phillips Truss-Head .....	1
2	<u>1012649</u>	Clamp, 0.460 Red Hose .....	7
3	<u>1013687</u>	Clamp, 3/8" Hose (screw type) .....	1
4	<u>1013746</u>	Clamp, 0.301 ID Hose .....	2
5	<u>1014116</u>	Nut, 1/4-20 Speed .....	2
6	<u>1014928</u>	Fuel Strap Assembly Rear .....	1
7	<u>1017203</u>	Carriage Bolt .....	2
8	<u>101824401</u>	Vent Barb .....	1
9	<u>101987701</u>	Clamp, Plastic Tie .....	1
10	<u>102003201</u>	Filter, Fuel, 30 Micron .....	1
11	<u>102865101</u>	Fuel Line .....	1
12	<u>103651902</u>	Asm, Tank, Ds Utl Wo/su† Nano (includes items 13 through 19) .....	1
13	<u>1015137</u>	Fuel Line (available by the foot) .....	1
14	<u>1015139</u>	Insulation Grommet .....	1
15	<u>1015143</u>	Vent, Fuel Tank .....	1
16	<u>102406701</u>	Bushing, Line, Return .....	1
17	<u>103372101</u>	Cap, Fuel Tank, Gas, Ratchet .....	1
18	<u>103372302</u>	Fuel Pickup w/Shut-Off Valve, 288mm .....	1
19	<u>103776902</u>	Tank, Fuel, Top, Wo/su Nano .....	1
20	<u>103781101</u>	Kit, Fuel Pump Retrofit (includes items 21 and 22) .....	1
21	<u>103010101</u>	Pump, Fuel, Impulse, Fh .....	1
22	<u>103781201</u>	Instr, Fuel Pump Retrofit .....	1
23	<u>8233</u>	Locknut, 1/4-20 Nylon Insert .....	2
24	<u>8248</u>	Screw, 1/4-20 X 0.75 Truss-Head Machine .....	1
		Note: Total fuel line length: 47 inches (119.4 cm)	



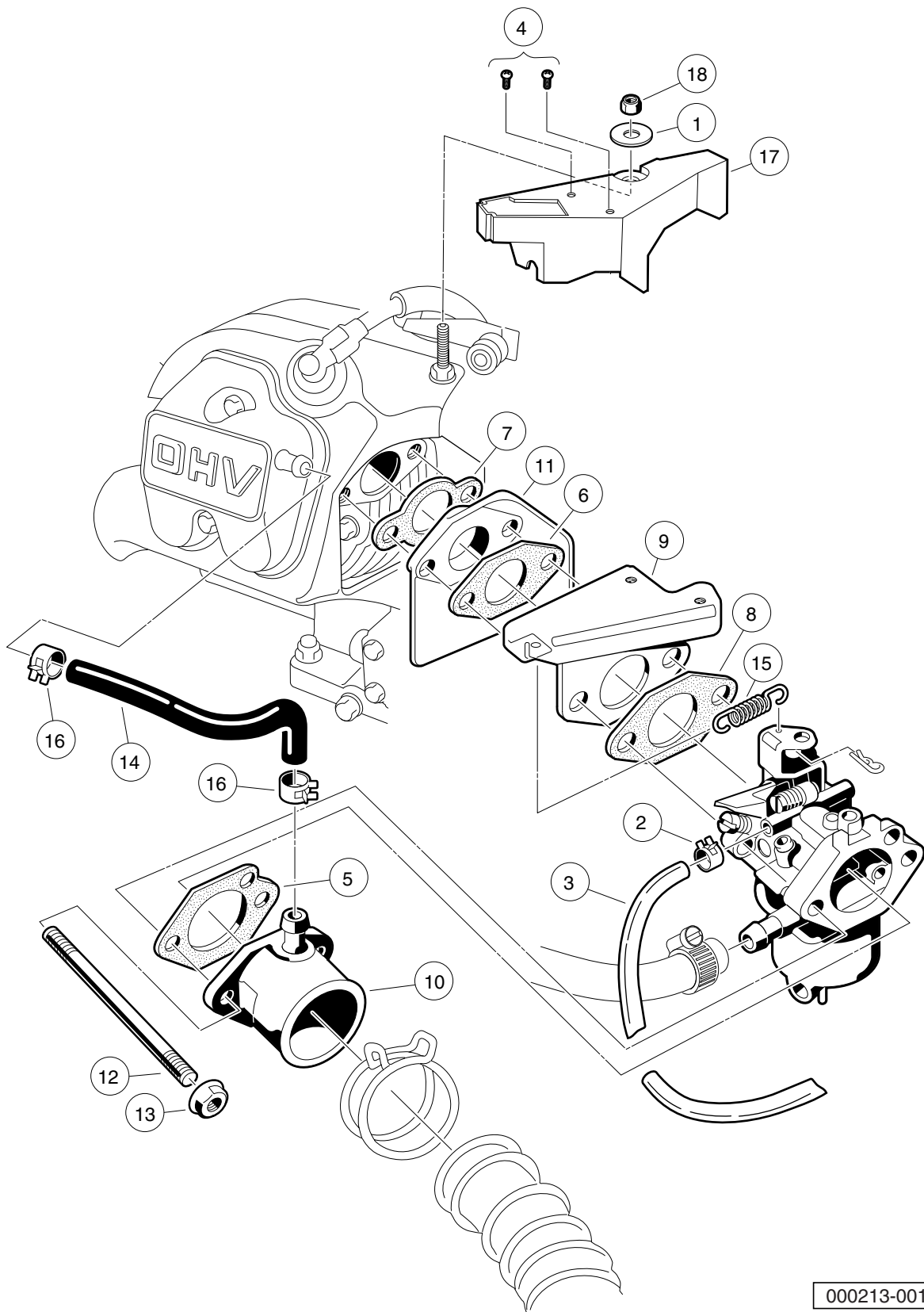
000211-001

# CARBURETOR ASSEMBLY – FE290

ITEM	PART NO.	DESCRIPTION	QTY
		1 2 3 4	
1	<u>101642572</u>	Jet, Altitude, # 72 .....	1
2	<u>101642575</u>	Jet, Altitude, # 75 .....	1
3	<u>101642578</u>	Jet, Altitude, # 78 .....	1
4	<u>101642580</u>	Jet, Altitude, # 80 .....	1
5	<u>101905601</u>	Carburetor Assembly, FE290D (includes items 6 through 15) .....	1
6	<u>101642582</u>	Jet, Altitude, # 82 .....	1
7	<u>1016437</u>	Gasket, Carburetor Bowl OHV .....	1
8	<u>1016486</u>	Float Assembly .....	1
9	<u>1016501</u>	Screw Assembly .....	1
10	<u>1016585</u>	Bolt .....	1
11	<u>1017461</u>	Chamber Assembly, Float (includes item 12) .....	1
12	<u>1016499</u>	Screw Assembly .....	1
13	<u>101973101</u>	Jet, #40 Pilot .....	1
14	<u>101973201</u>	Nozzle, Main .....	1
15	N/A	Assembly, Pilot Air Screw .....	1
<p>Note: <u>101642582</u> for 0 - 3,000 feet; <u>101642580</u> for 3,000 - 5,000 feet;  <u>101642578</u> for 5,000 - 8,000 feet; <u>101642575</u> for 8,000 - 10,000 feet;  <u>101642572</u> for 10,000 feet and higher.</p>			

8

G



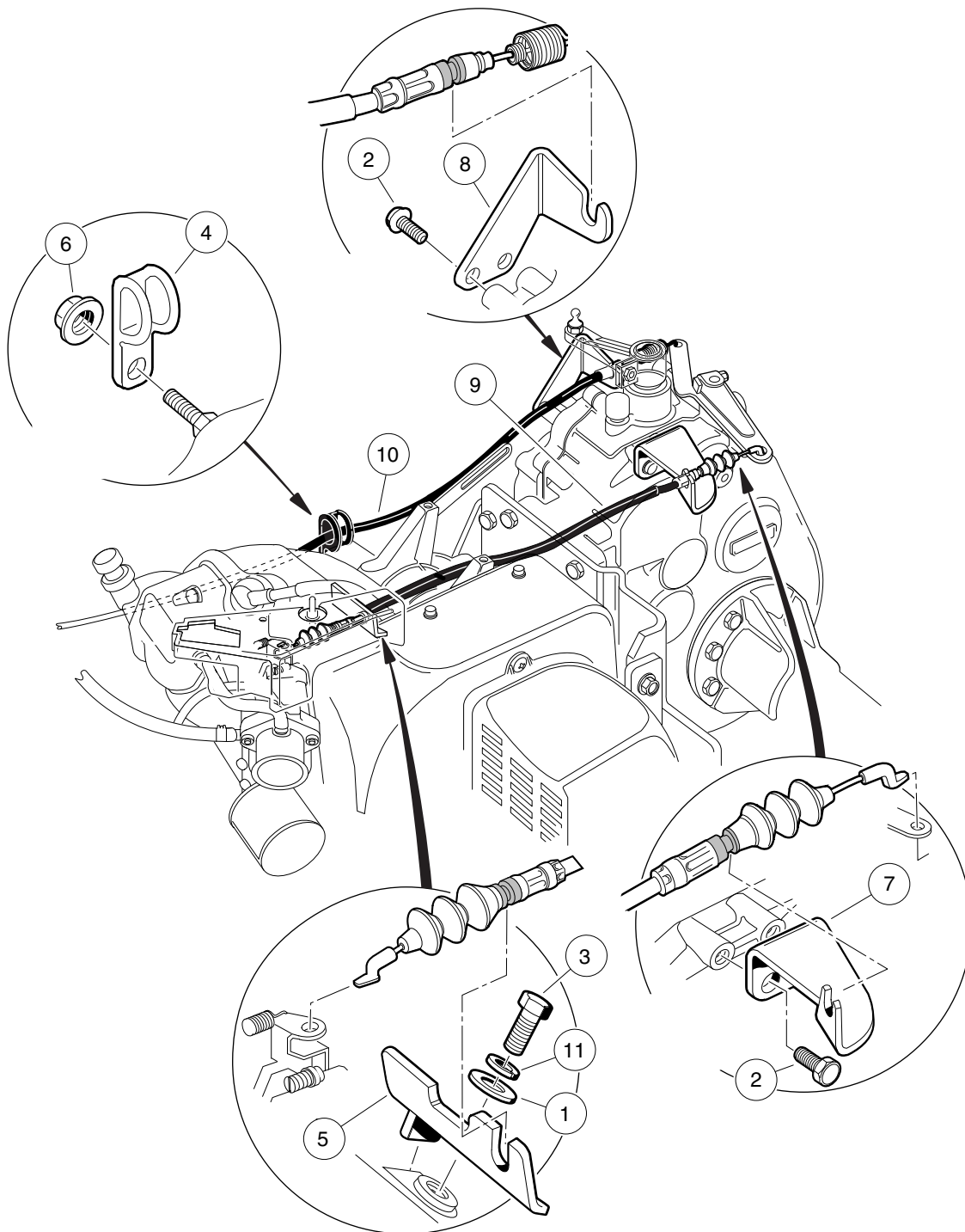
000213-001



# CARBURETOR INSTALLATION – FE290

ITEM	PART NO.	DESCRIPTION	QTY
		1 2 3 4	
1	<u>1011697</u>	Washer, 5/16 Flat .....	1
2	<u>1013746</u>	Clamp, 0.301 ID Hose .....	1
3	<u>1015137</u>	Fuel Line (available by the foot) .....	1
4	<u>1016103</u>	Screw, Pan Hd Tx, Taptite 6-32 .....	2
5	<u>1016438</u>	Gasket, Carb To Intake Manifold .....	1
6	<u>1016439</u>	Gasket, Insulator .....	1
7	<u>1016440</u>	Gasket, Engine to Insulator .....	1
8	<u>1016441</u>	Gasket, Sprg Brkt To Carb OHV .....	1
9	<u>1016444</u>	Bracket, Throttle Spring Return .....	1
10	1016480	Pipe, Intake Manifold .....	1
11	101648102	Insulator, Carburetor .....	1
12	<u>101649002</u>	Stud, M6-1.00 Two-Ended .....	2
13	1016547	Nut, M6 Flange .....	2
14	<u>1016572</u>	Tube, Crankcase Vent .....	1
15	<u>1016582</u>	Spring, Throttle Return .....	1
16	<u>1017466</u>	Clamp .....	2
17	101820201	Shield, Governor .....	1
18	<u>101887601</u>	Locknut, M6-1.00 Nylon Insert .....	1

**8**  
**G**

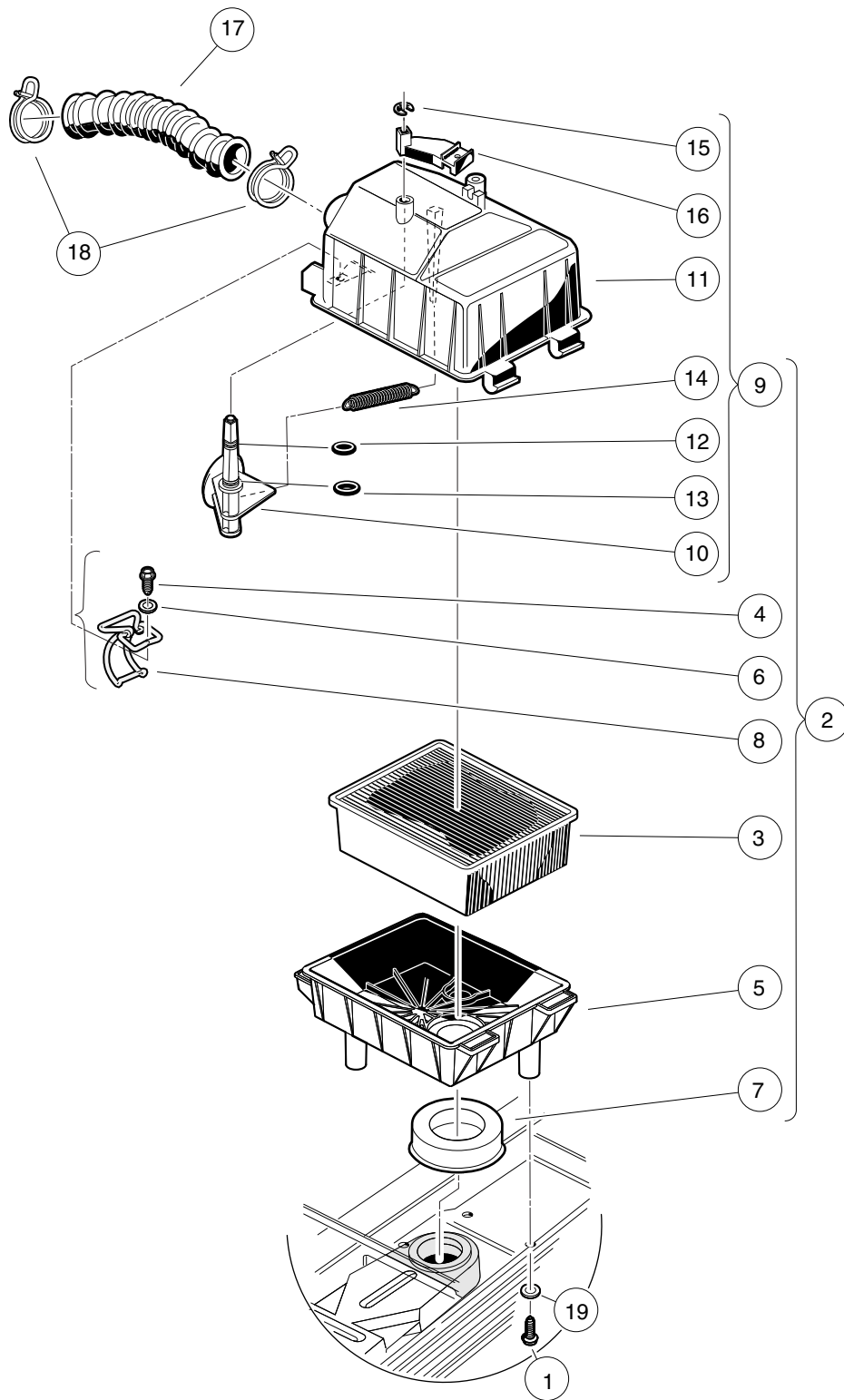


000215-001

## GOVERNOR AND ACCELERATOR CABLES

ITEM	PART NO.	DESCRIPTION	QTY
		1 2 3 4	
1	<u>1011697</u>	Washer, 5/16 Flat .....	1
2	<u>1012285</u>	Screw, 1/4 X 0.625 Hex-Head .....	4
3	<u>1012830</u>	Screw, M8-125 X 22 Hex-Head .....	1
4	<u>1013700</u>	Clamp .....	2
5	<u>101584502</u>	Bracket, Governor Cable Snap-In .....	1
6	<u>1016546</u>	Nut .....	2
7	<u>101832202</u>	Bracket, Rear Governor Cable Snap-In .....	1
8	<u>101832302</u>	Bracket, Rear Accelerator Cable Snap-In .....	1
9	<u>102336001</u>	Cable, Governor, Snap-In .....	1
10	<u>102336101</u>	Cable, Accelerator, Snap-In .....	1
11	<u>7174</u>	Lockwasher, 5/16 Split .....	1

**8**  
**G**



000332-001

# AIR BOX AND INTAKE HOSE

ITEM	PART NO.	DESCRIPTION	QTY
		1 2 3 4	
1	<u>1015752</u>	Screw, #12-16 X 0.625 Hi-Lo .....	3
2	<u>101821501</u>	Assembly, Air Box (includes items 3 through 9) .....	1
3	<u>1015426</u>	Filter, Air .....	1
4	<u>101804301</u>	Screw, #8 X 0.500, Hex-Head Hi-Lo .....	2
5	<u>101811901</u>	Bottom, Air Box .....	1
6	<u>101881701</u>	Washer, #8 Stainless-Steel Flat .....	2
7	<u>101921501</u>	Seal, Intake .....	1
8	<u>101925701</u>	Latch, Wireform .....	2
9	<u>101972801</u>	Top Assy, Air Box (includes items 10 through 16) .....	1
10	N/A	Valve, Choke .....	1
11	101811801	Top, Air Box .....	1
12	N/A	O-Ring, 5/16 .....	1
13	N/A	O-Ring, 3/8 .....	1
14	<u>101812301</u>	Spring, Extension Return .....	1
15	<u>101813001</u>	Retaining Ring 0.25, Shaft .....	1
16	<u>101917601</u>	Lever, Choke .....	1
17	<u>101837101</u>	Hose, Air Intake .....	1
18	<u>101971301</u>	Clamp, 1.58" ID Hose .....	2
19	<u>332</u>	Washer, 1/4 Type A Narrow Flat .....	3

**8**

**G**



# INTAKE SYSTEM

ITEM	PART NO.	DESCRIPTION	QTY
		1 2 3 4	
1	<u>101805701</u>	Button Assembly, Choke (includes items 2 through 4) .....	1
2	<u>101811401</u>	Lever, Choke .....	1
3	<u>101811501</u>	Guide, Choke Lever .....	1
4	<u>101856201</u>	Compression Spring .....	1
5	<u>101850301</u>	Screw, #12-16 X 0.50 Washer-Head Hi-Lo .....	4
6	<u>101917701</u>	Choke Positioner .....	1
7	<u>103520301</u>	Duct, Air Intake, Ds .....	1
8	<u>1606</u>	Rivet, 3/16 X .500 Alum Pop .....	2
9	<u>183</u>	Washer, #10 Type A Flat .....	4

8

G

8

G

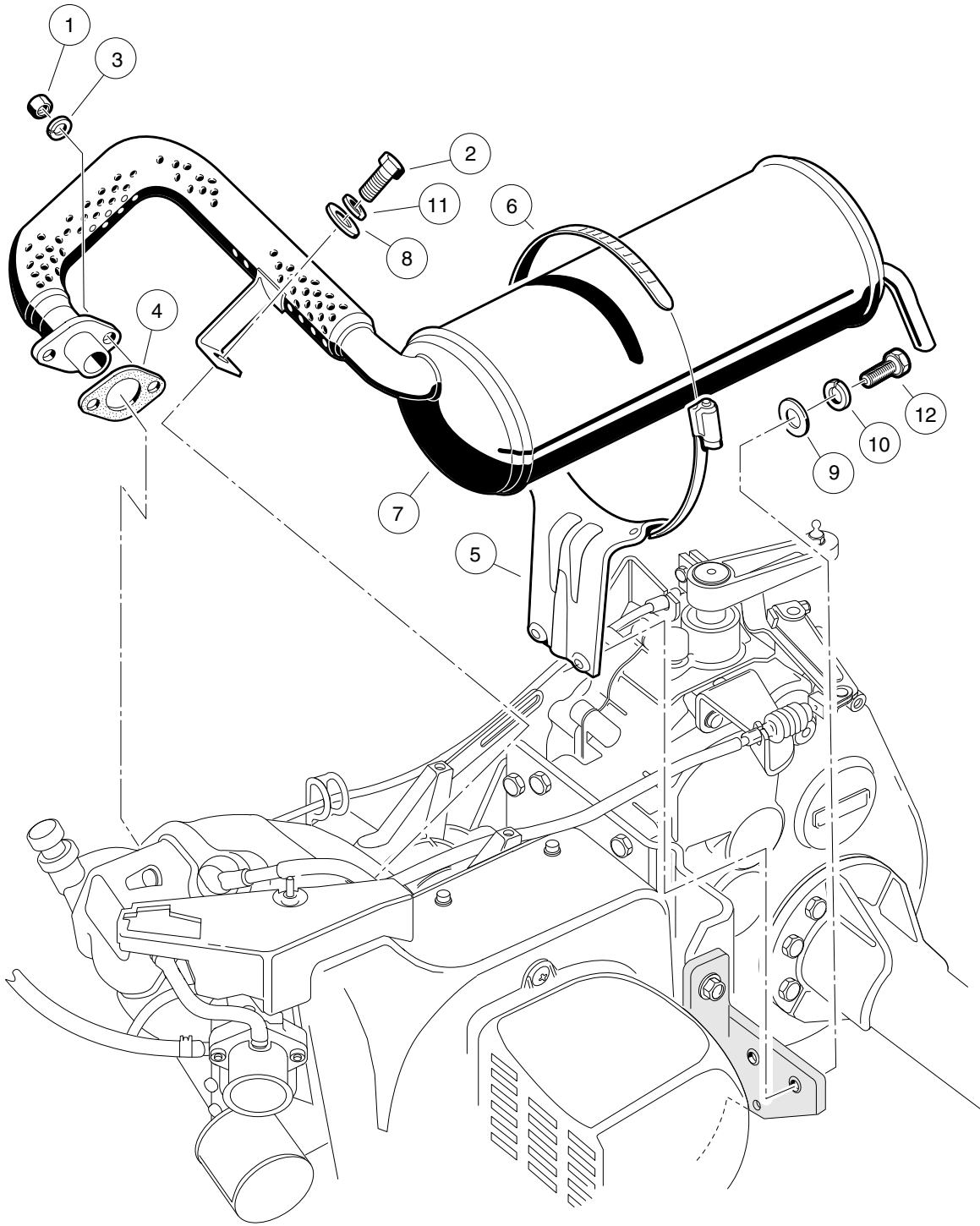


# EXHAUST SYSTEM

---

9

G



000208-001

## EXHAUST SYSTEM – FE290 ENGINE

ITEM	PART NO.	DESCRIPTION	QTY
		1 2 3 4	
1	<u>1012528</u>	Nut, M8-1.25 Hex .....	2
2	<u>1012830</u>	Screw, M8-125 X 22 Hex-Head .....	1
3	<u>1013734</u>	Lockwasher, 8mm Split .....	2
4	<u>1015330</u>	Gasket, Exhaust .....	1
5	<u>1015814</u>	Bracket, Muffler Mounting .....	1
6	1017689	Clamp, 5" Muffler Hose .....	1
7	<u>101859301</u>	Exhaust System, FE290 .....	1
8	<u>1241</u>	Washer, 5/16 Type A Flat .....	1
9	<u>332</u>	Washer, 1/4 Type A Narrow Flat .....	2
10	<u>451</u>	Lockwasher, 1/4 Split .....	2
11	<u>7174</u>	Lockwasher, 5/16 Split .....	1
12	<u>7847</u>	Screw, 1/4-20 X 0.75 Hex-Head Cap .....	2

9

G

9

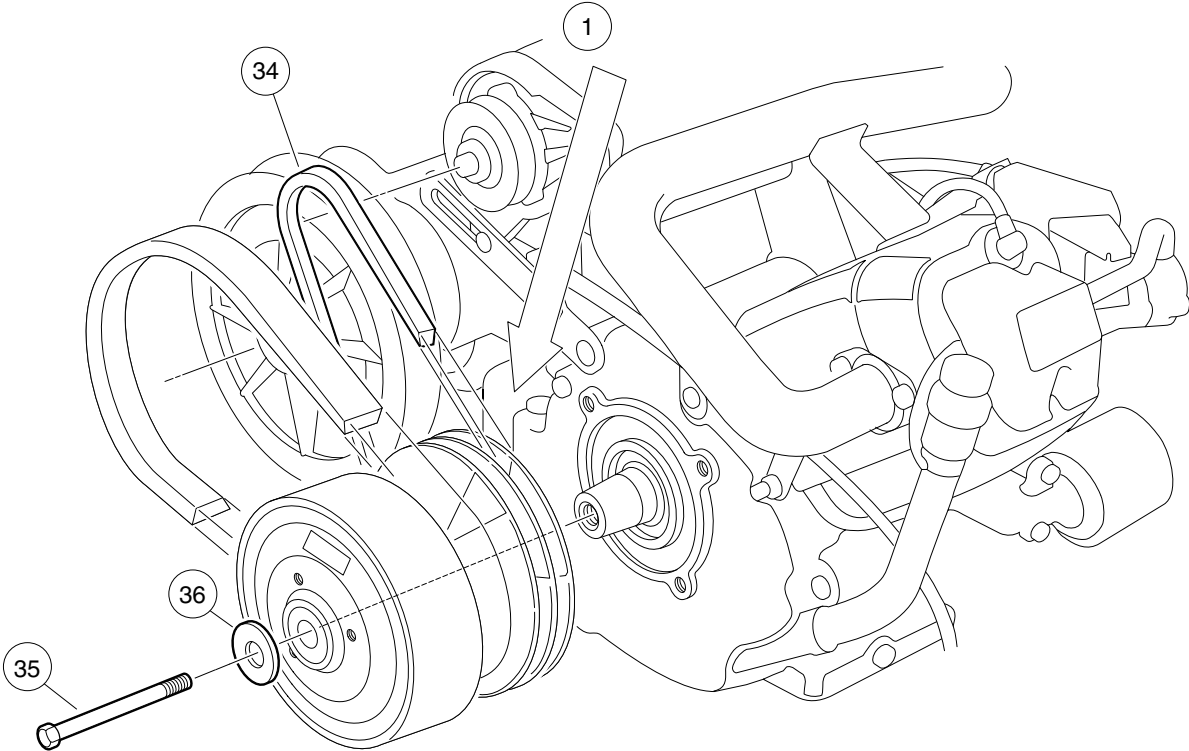
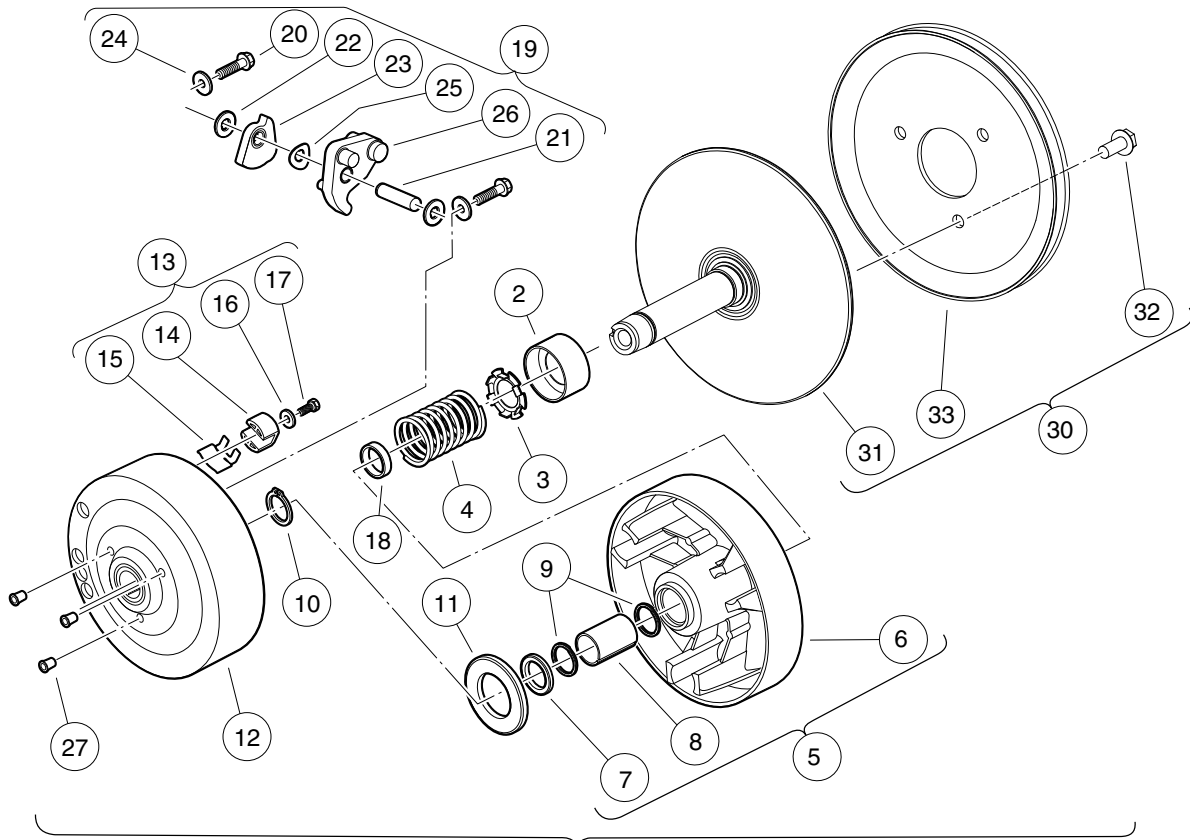
G

# TORQUE CONVERTER

---

10

G



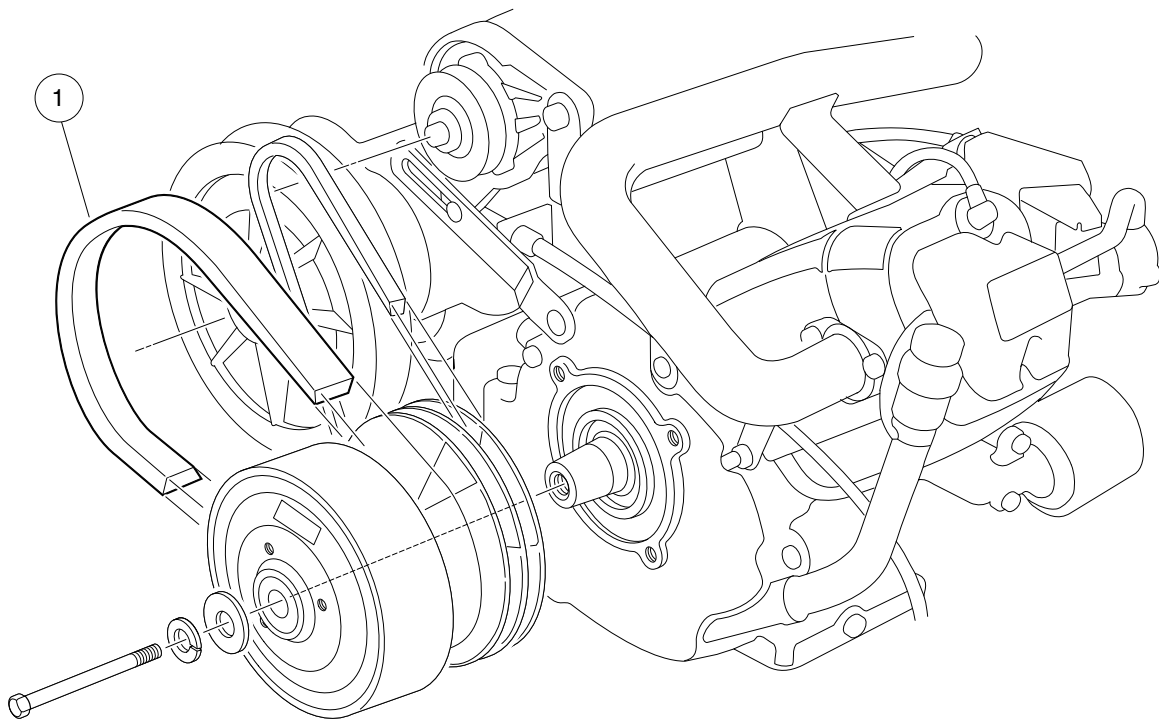
000217-001

# DRIVE CLUTCH

**10**

**G**

ITEM	PART NO.	DESCRIPTION	QTY
		<b>1 2 3 4</b>	
1	<u>101833902</u>	Clutch, Drive (includes items 2 through 28) .....	1
2	1014049	Bearing, Idler .....	1
3	<u>1014050</u>	Retainer, Spring .....	1
4	<u>1014051</u>	Spring, Drive Clutch .....	1
5	1014052	Movable-Face Assembly (includes items 6 through 8) .....	1
6	N/A	Drive Clutch Movable Face .....	1
7	<u>1014055</u>	Retainer .....	1
8	N/A	Bushing, Split, Drive Clutch .....	1
9	<u>1014056</u>	Ring, Spiral Backup .....	2
10	<u>1014057</u>	Ring, 0.810" Internal Retaining .....	1
11	1014058	Thrust Washer .....	1
12	1014059	Drive Hub Assy, Drive Clutch .....	1
13	<u>1014453</u>	Kit, Drive Clutch Button (includes items 14 through 17) .....	1
14	<u>1014062</u>	Driver, Drive Clutch .....	3
15	<u>1014287</u>	Spring, Drive Button .....	3
16	<u>183</u>	Washer, #10 Type A Flat .....	3
17	<u>8450</u>	Screw, #10-24 X 0.50 Hex-Head .....	3
18	<u>1016289</u>	Spacer, Fixed Face Shaft .....	1
19	<u>1016801</u>	Kit, Drive Clutch Weight (includes items 20 through 26) .....	1
20	<u>1014063</u>	Screw, 1/4-20 X 1.00 Hex Head .....	6
21	N/A	Pin, 0.3752 X 1.50 Dowel .....	3
22	<u>1014065</u>	Washer, 0.38" ID Delrin Flat .....	6
23	N/A	Clutch Weight, Secondary .....	3
24	N/A	Washer .....	6
25	<u>1016201</u>	Washer, Wave .....	3
26	N/A	Weight, Primary .....	3
27	<u>101925601</u>	Plug, Drive Clutch .....	3
28	<u>101929802</u>	Kit, Fxd Face Dr Asm Fe290/350 (includes items 29 and 30) .....	1
29	N/A	Desiccant Bag (Not Shown) .....	1
30	101929801	Assembly, Fixed-Face Drive (includes items 31 through 33) .....	1
31	N/A	Fixed Face Assembly, Drive Clutch .....	1
32	<u>1014288</u>	Screw, 5/16-18 X 0.75 Thread-Forming .....	3
33	N/A	Pulley, Clutch .....	1
34	<u>101916701</u>	V-Belt .....	1
35	<u>103345701</u>	Screw 3/8-24x5.5 Hex Loc Ptch .....	1
36	<u>808</u>	Washer, 3/8 Type B Flat .....	1
		Note: Item 29 not shown.	



000218-001

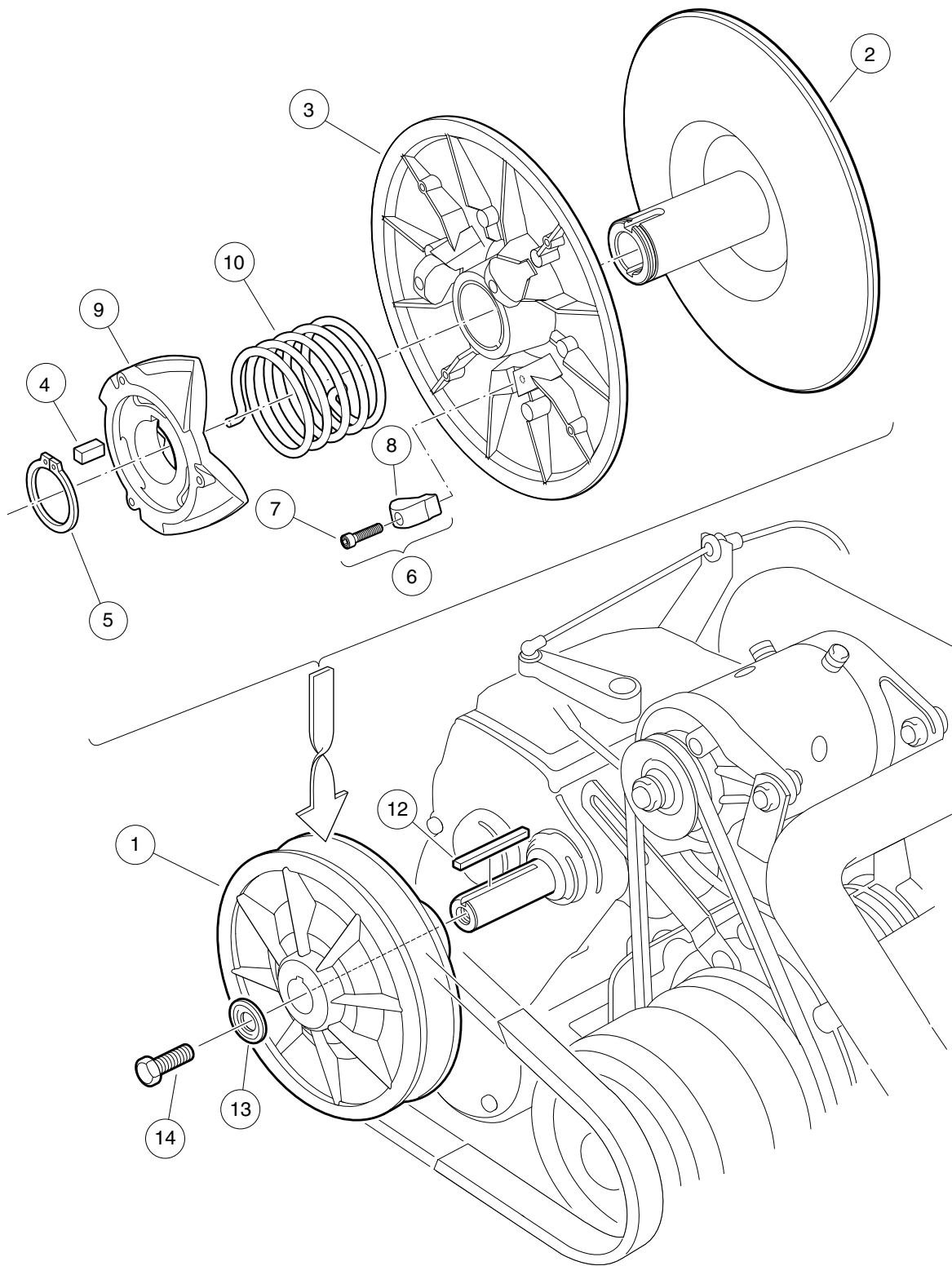


# DRIVE BELT – FE290

ITEM	PART NO.	DESCRIPTION	QTY
1	<u>1016203</u>	<div style="display: flex; justify-content: space-between; margin-bottom: 5px;"> <span>1</span> <span>2</span> <span>3</span> <span>4</span> </div> Belt, Drive .....	1

10

G



000219-001

# DRIVEN CLUTCH

ITEM	PART NO.	DESCRIPTION	QTY
		<b>1 2 3 4</b>	
1	<u>101834001</u>	Assembly, Driven Clutch (includes items 2 through 10) .....	1
2	<u>1014070</u>	Fixed Face Assy, Driven Clutch .....	1
3	<u>1014072</u>	Movable-Face Assembly with Bushing .....	1
4	<u>1014078</u>	Key, Driven Clutch .....	1
5	<u>1014080</u>	Ring, Retaining .....	1
6	<u>1014454</u>	Kit, Driven Clutch Button (includes items 7 and 8) .....	1
7	<u>1012836</u>	Screw, #8-32 X 3/4 Socket-Head Cap .....	3
8	1014076	Button, Drive .....	3
9	<u>1017686</u>	Cam, Driven Clutch .....	1
10	<u>101836201</u>	Spring, Driven Clutch, Reversed .....	1
11	<u>AM10419</u>	Kit, Clutch Repair (includes items 12 through 14) .....	1
12	<u>101833401</u>	Key, 3/16 Sq X 1.50" .....	1
13	<u>102155801</u>	Washer, Driven Clutch .....	1
14	<u>102242101</u>	Screw, 5/16-18 X 3/4 Hex-Head with Patch .....	1

**10**  
**G**

**10**

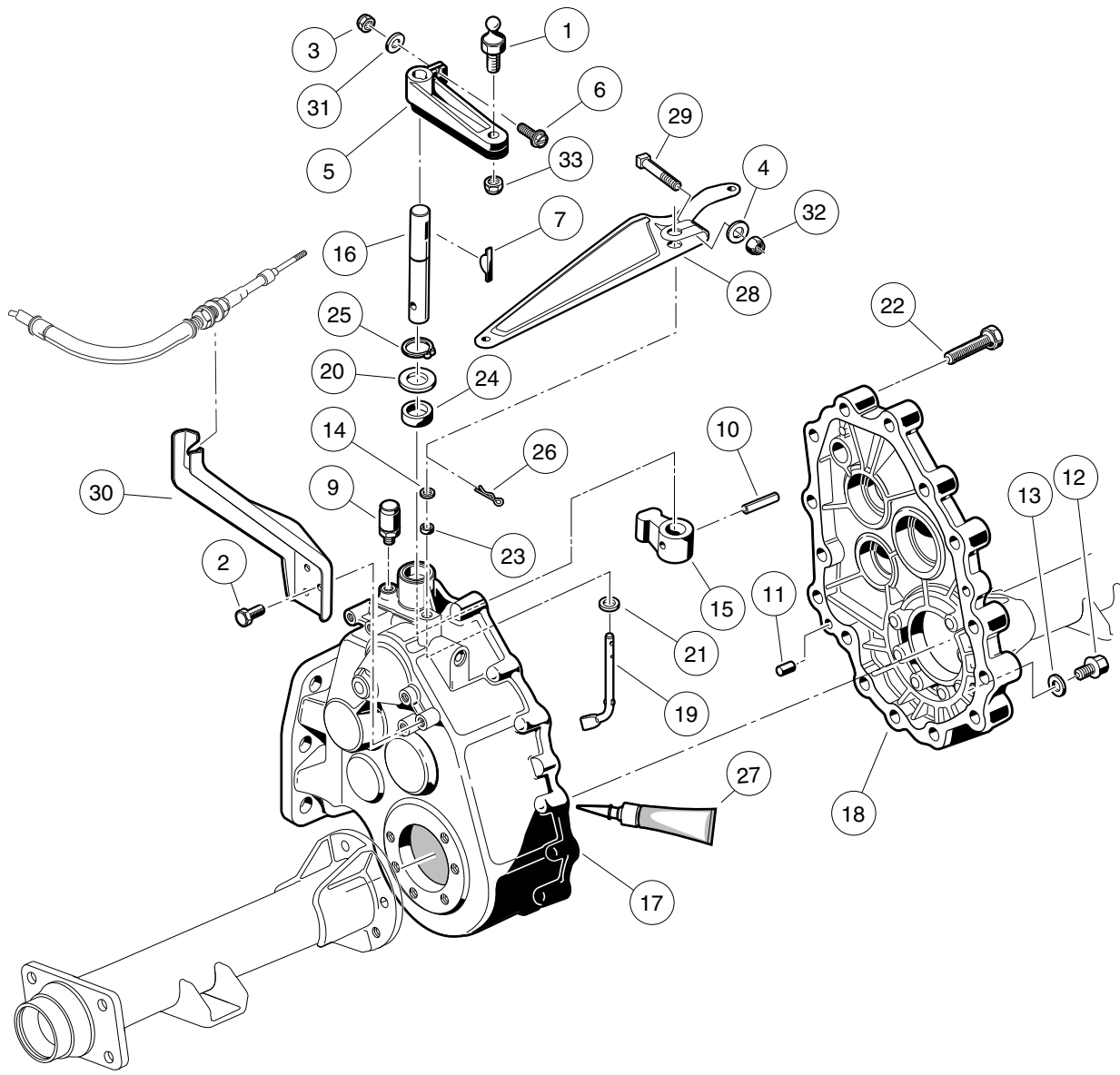
**G**

# TRANSAXLE – GASOLINE VEHICLE

---

11

G



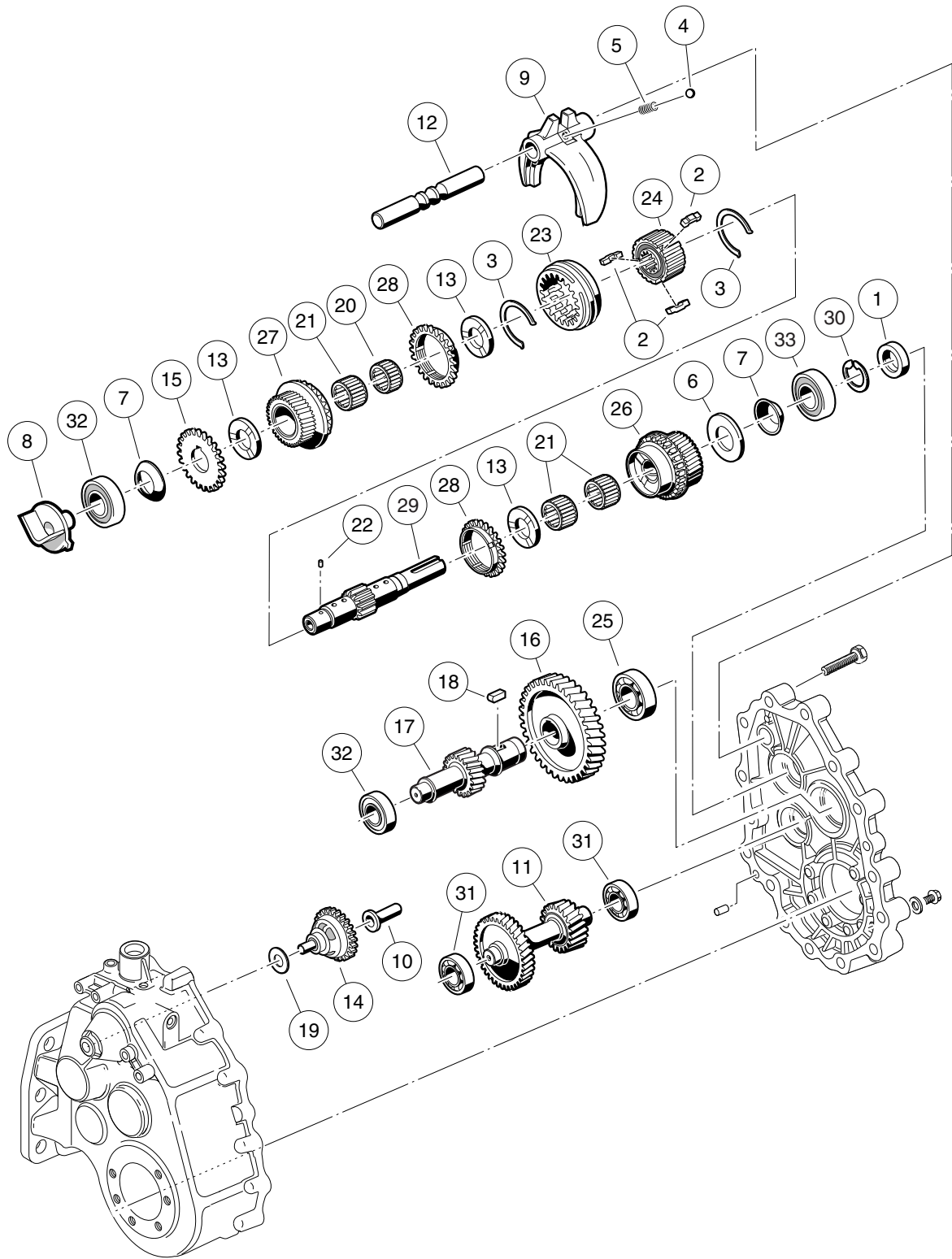
000220-001

# TRANSAXLE – GASOLINE VEHICLES, GEAR CASES AND BRACKETS

ITEM	PART NO.	DESCRIPTION	QTY
		<b>1 2 3 4</b>	
1	<u>1010954</u>	Stud, 1/4-28 X 0.560 Ball .....	1
2	<u>1012285</u>	Screw, 1/4 X 0.625 Hex-Head .....	3
3	<u>1013061</u>	Locknut, #10-32 Nylon Insert .....	1
4	<u>1014007</u>	Washer, 1/4 Flat .....	1
5	<u>1016341</u>	Lever, Transmission Shift .....	1
6	<u>1017082</u>	Screw, #10-32 X 0.75, Hex-Head Machine .....	1
7	<u>1017231</u>	Key, Woodruff .....	1
8	<u>101833601</u>	Transaxle, 11.77 Ratio (includes items 9 through 27) .....	1
9	<u>1012711</u>	Breather .....	1
10	<u>1012752</u>	Roll Pin .....	1
11	<u>1012896</u>	Pin, Dowel .....	2
12	<u>1013760</u>	Fill Plug .....	2
13	<u>1016432</u>	Gasket, Drain Plug .....	1
14	<u>1016513</u>	Washer, M6 Flat .....	1
15	<u>101890101</u>	Lever, Change .....	1
16	<u>101890201</u>	Shaft - Change .....	1
17	<u>101890501</u>	Gear Case (driver side) .....	1
18	<u>101890601</u>	Gear Case (passenger side) .....	1
19	<u>101891301</u>	Arm Pivot .....	1
20	<u>101892901</u>	Washer .....	1
21	<u>101893801</u>	Washer .....	1
22	<u>101926901</u>	Screw, M8-1.25 X 40mm Hex-Head .....	15
23	<u>101927101</u>	Seal, Oil .....	1
24	<u>101927201</u>	Seal, Oil .....	1
25	<u>101927301</u>	Snap Ring .....	1
26	<u>101928601</u>	Pin, Cotter .....	1
27	<u>101928701</u>	Liquid Gasket (Transaxle case) .....	1
28	<u>101834801</u>	Arm, Governor .....	1
29	<u>101886101</u>	Screw, 1/4-20 X 1.00 Square-Head .....	1
30	<u>102045901</u>	Bracket, Shifter .....	1
31	<u>183</u>	Washer, #10 Type A Flat .....	1
32	<u>8233</u>	Locknut, 1/4-20 Nylon Insert .....	1
33	<u>8717</u>	Locknut, 1/4-28 Nylon Insert .....	1

11

G



000221-001

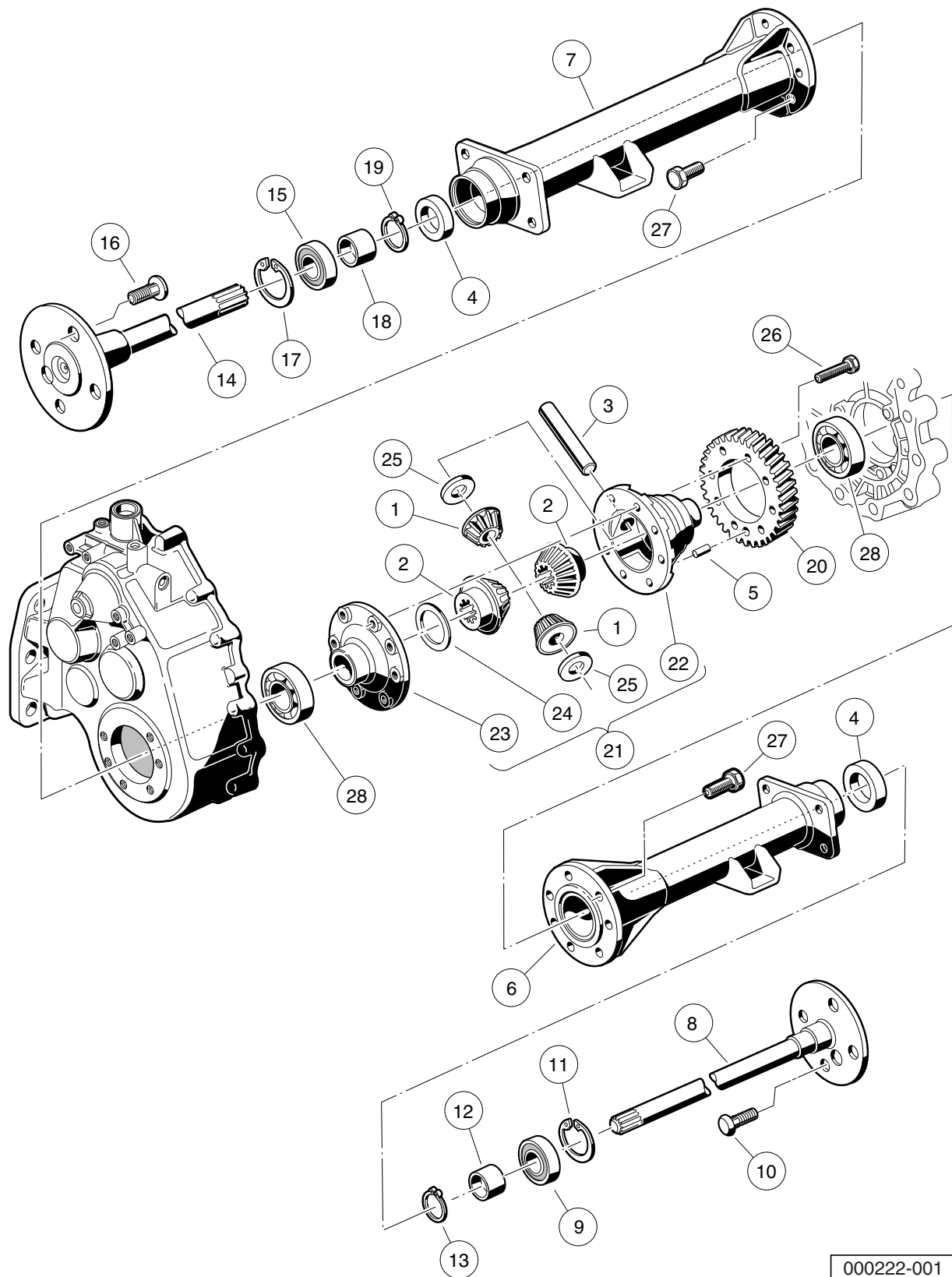


# TRANSAXLE – GASOLINE VEHICLES, TRANSMISSION AND GEAR REDUCTION

11

G

ITEM	PART NO.	DESCRIPTION	QTY
		1 2 3 4	
1	<u>1012714</u>	Oil Seal .....	1
2	<u>1012740</u>	Synchro Insert .....	3
3	<u>1012741</u>	Synchro Spring .....	2
4	<u>1012747</u>	Shifter Ball .....	1
5	<u>1012748</u>	Shifter Spring .....	1
6	<u>1016337</u>	Washer, Thrust .....	1
7	<u>1016338</u>	Washer, Spring .....	2
8	<u>101889401</u>	Guide .....	1
9	<u>101890001</u>	Fork - Shift .....	1
10	<u>101891601</u>	Sleeve, Governor .....	1
11	<u>101891901</u>	Gear, Cluster .....	1
12	<u>101892001</u>	Rod, Shift .....	1
13	<u>101892201</u>	Plate, Thrust .....	3
14	<u>101892301</u>	Governor Assembly .....	1
15	<u>101892401</u>	Gear, Spur .....	1
16	<u>101892501</u>	Gear, Helical (61 Tooth) .....	1
17	<u>101892601</u>	Gear, Helical (17 Tooth) .....	1
18	<u>101893201</u>	Key Sunk .....	1
19	<u>101893901</u>	Washer .....	1
20	<u>101927501</u>	Needle Bearing .....	1
21	<u>101927601</u>	Needle Bearing .....	3
22	<u>101927701</u>	Pin, .116" Dia X 0.264 Dowel .....	1
23	<u>101927901</u>	Sleeve, Synchro .....	1
24	<u>101928001</u>	Hub, Synchro Clutch .....	1
25	<u>101928101</u>	Bearing, Ball .....	1
26	<u>101980801</u>	Gear Assembly, 16-Degree Synchro (25 Tooth) .....	1
27	<u>101980901</u>	Gear Assembly, 16-Degree Rear Synchro (28 Tooth) .....	1
28	<u>101981001</u>	Ring, 16-Degree Synchronizer .....	2
29	<u>102453001</u>	Shaft, Trans, with Circlip .....	1
30	<u>102453101</u>	Circlip .....	1
31	<u>7335</u>	Bearing .....	2
32	<u>AM10080</u>	Bearing, Ball, Sealed .....	2
33	<u>AM10081</u>	Bearing, Ball, Sealed .....	1
Note: Items listed on this page are components of the unitized transaxle.			

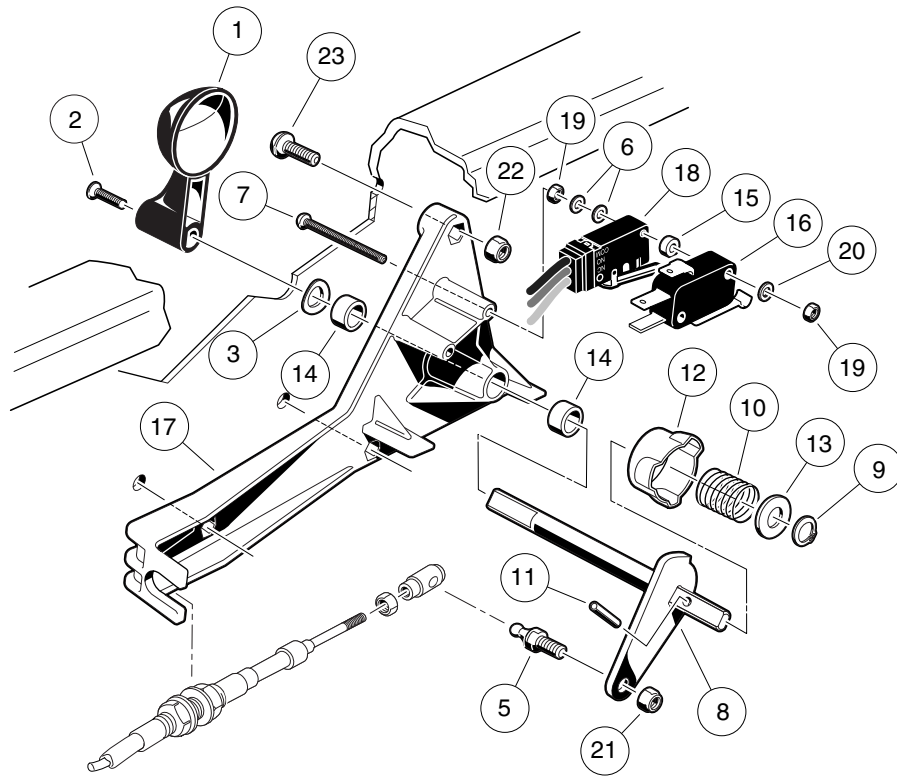


000222-001

# TRANSAXLE – GASOLINE VEHICLES, DIFFERENTIAL AND AXLES

ITEM	PART NO.	DESCRIPTION	QTY
		<b>1 2 3 4</b>	
1	<u>1013770</u>	Differential Idler Gear .....	2
2	<u>1013771</u>	Gear, Differential .....	2
3	<u>1013772</u>	Pin, Differential .....	1
4	<u>1013794</u>	Axle Shaft Oil Seal .....	2
5	<u>1014193</u>	Dowel Pin .....	1
6	<u>101890901</u>	Pipe .....	1
7	<u>101891001</u>	Pipe .....	1
8	<u>101891401</u>	Axle Assembly, Passenger Side (includes items 9 through 13) .....	1
9	<u>1011291</u>	Outer Axle, Tube Bearing .....	1
10	<u>1013787</u>	Lug Stud .....	4
11	<u>1013792</u>	Circlip Type C .....	1
12	<u>1014207</u>	Bushing .....	1
13	<u>1016672</u>	Retaining Ring .....	1
14	<u>101891501</u>	Axle Assembly, Driver-Side (includes items 15 through 19) .....	1
15	<u>1011291</u>	Outer Axle, Tube Bearing .....	1
16	<u>1013787</u>	Lug Stud .....	4
17	<u>1013792</u>	Circlip Type C .....	1
18	<u>1014207</u>	Bushing .....	1
19	<u>1016672</u>	Retaining Ring .....	1
20	<u>101892701</u>	Gear, Helical .....	1
21	<u>101910501</u>	Kit, Differential Gear Case (includes items 22 through 25) .....	1
22	<u>1013768</u>	Differential Gear Case, Left-Hand .....	1
23	<u>1013769</u>	Differential Gear Case, Right-Hand .....	1
24	<u>1013773</u>	Plate, Thrust (Differential Gear) .....	1
25	<u>1013774</u>	Plate, Thrust (Idler Gear) .....	2
26	<u>101928301</u>	Screw, M8-1.25 X 35mm Hex Head .....	8
27	<u>102031901</u>	Bolt, M10 X 1.5 X 30mm .....	14
28	<u>7330</u>	Inner Axle Tube Bearing .....	2

**11**  
**G**

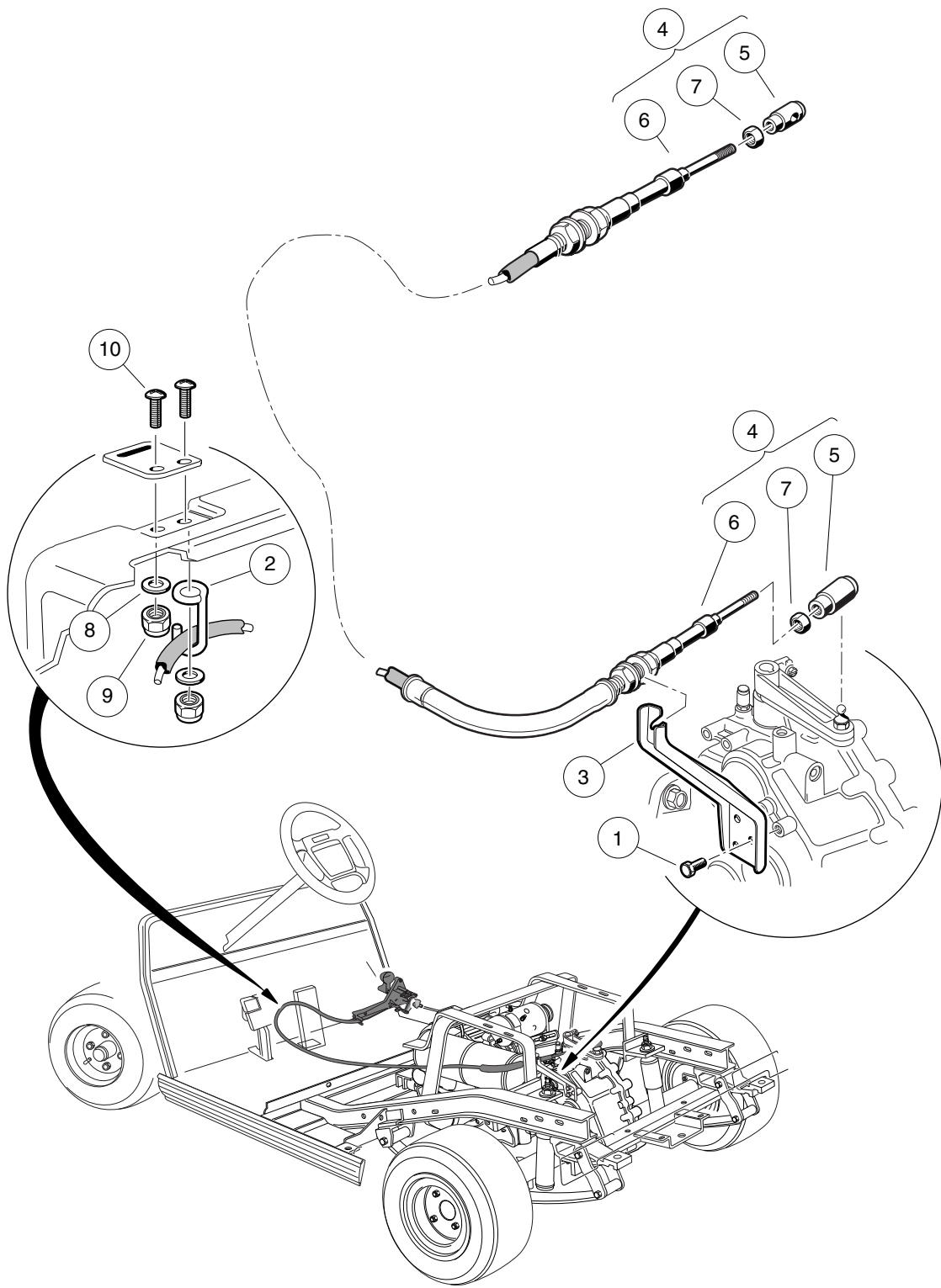


000236-001

# FORWARD/REVERSE SHIFTER ASSEMBLY – GASOLINE VEHICLES

ITEM	PART NO.	DESCRIPTION	QTY
		<b>1 2 3 4</b>	
1	<u>1012987</u>	Handle, FNR .....	1
2	<u>1015064</u>	Screw, #8-32 X 0.63 Machine .....	1
3	<u>1016201</u>	Washer, Wave .....	1
4	1016947	Assembly, FNR Shifter (includes items 5 through 21) .....	1
5	<u>1010954</u>	Stud, 1/4-28 X 0.560 Ball .....	1
6	<u>1012431</u>	Washer, #4 Flat .....	4
7	<u>1012594</u>	Screw, #4-40 Machine .....	2
8	1013587	FNR Bell Crank Weldment .....	1
9	<u>1013589</u>	Ring, 0.338" Internal Retaining .....	1
10	<u>1013590</u>	Spring, FNR Cam .....	1
11	<u>1013591</u>	Pin, 1/8 X 1/2 Roll .....	1
12	1014089	Neutral Lockout Cam Kit (includes item 13) .....	1
13	<u>1014065</u>	Washer, 0.38" ID Delrin Flat .....	1
14	<u>1014145</u>	Bushing, Secondary Weight, Split .....	2
15	<u>1014727</u>	Washer, #4 Nylon Flat .....	2
16	<u>1014807</u>	Switch, Limit .....	1
17	<u>1016342</u>	FNR Shifter Base .....	1
18	<u>101979101</u>	Assembly, Switch, Limit .....	1
19	<u>8057</u>	Nut, #4-40 Hex Machine .....	4
20	<u>8058</u>	Lockwasher, #4 Split .....	2
21	<u>8717</u>	Locknut, 1/4-28 Nylon Insert .....	1
22	<u>8233</u>	Locknut, 1/4-20 Nylon Insert .....	4
23	<u>8248</u>	Screw, 1/4-20 X 0.75 Truss-Head Machine .....	4

**11**  
**G**



000248-001

# FORWARD/REVERSE SHIFTER CABLE – GASOLINE VEHICLES

ITEM	PART NO.	DESCRIPTION	QTY
		1 2 3 4	
1	<u>1012285</u>	Screw, 1/4 X 0.625 Hex-Head .....	3
2	<u>101855801</u>	Cable Retainer .....	1
3	<u>101922601</u>	Bracket, Shifter .....	1
4	<u>101951501</u>	FNR Shifter Cable (includes items 5 through 7) .....	1
5	<u>1012333</u>	Joint, #10-32 Ball .....	2
6	<u>103379501</u>	Cable, Transmission Shifter Ds .....	1
7	<u>7893</u>	Nut, #10-32 Hex .....	2
8	<u>332</u>	Washer, 1/4 Type A Narrow Flat .....	4
9	<u>8233</u>	Locknut, 1/4-20 Nylon Insert .....	4
10	<u>8251</u>	Screw, 1/4-20 X 1.0 Truss-Head Machine .....	4

11

G

11

G

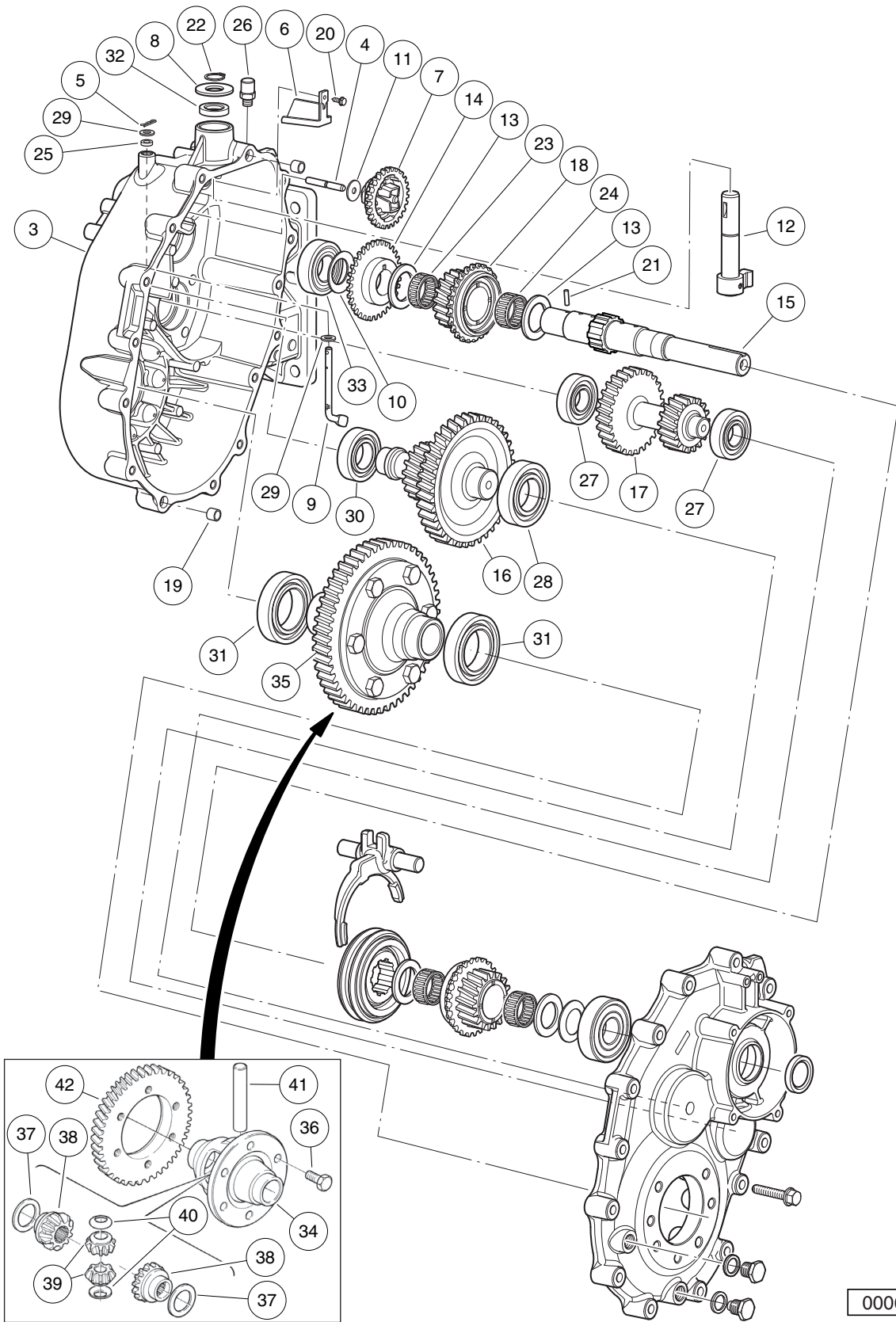


# GRAZIANO TRANSAXLE – GASOLINE VEHICLE

---

12

G

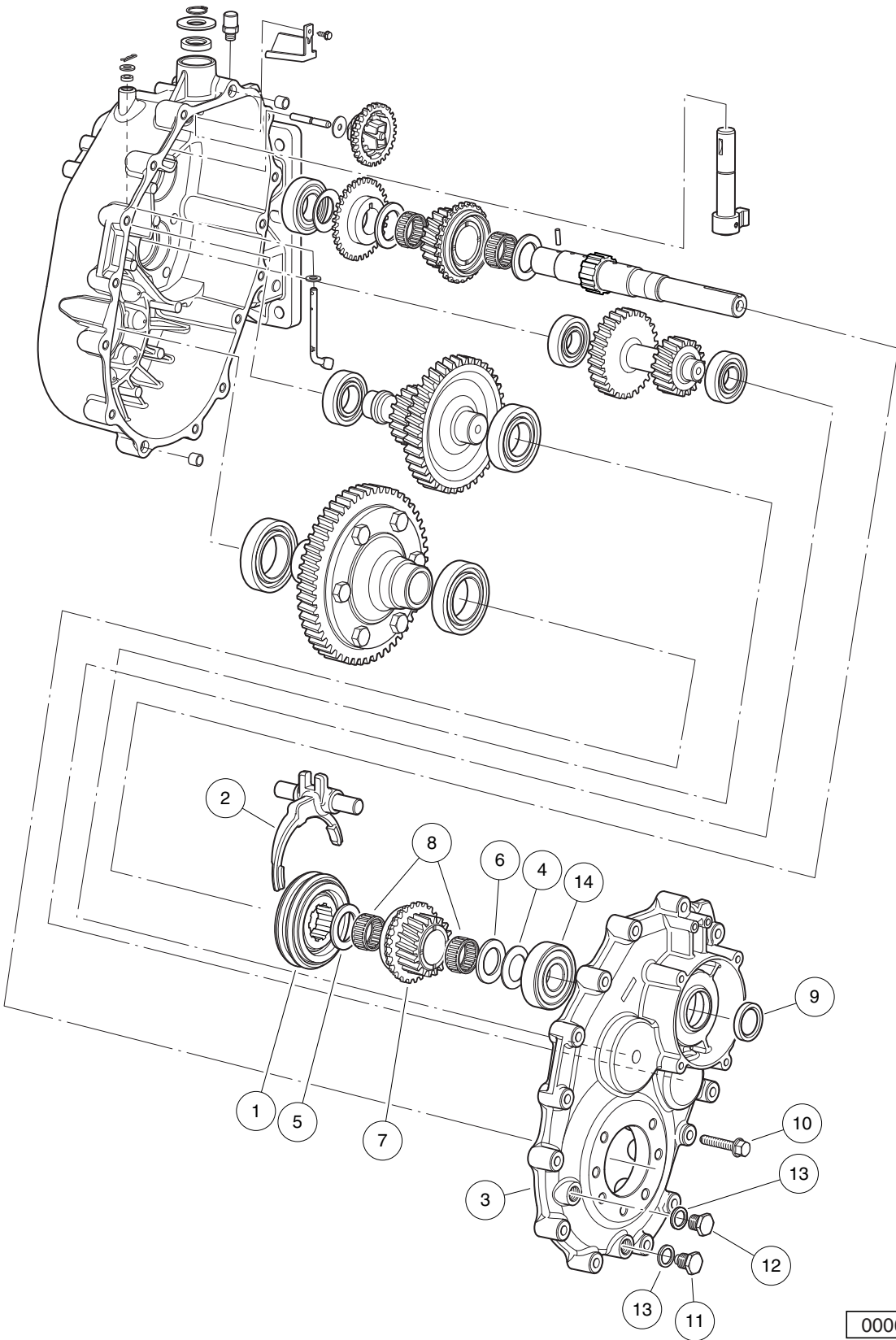


000680-001

# GRAZIANO TRANSAXLE – GASOLINE VEHICLES

ITEM	PART NO.	DESCRIPTION	QTY
		1 2 3 4	
1	<u>102896801</u>	Transaxle, Unitized, Graziano (includes items 2 through 35) .....	1
2	<u>102896901</u>	Gear Box, Complete (includes items 3 and 4) .....	1
3	N/A	Gear Box .....	1
4	N/A	Pin, Speed Governor .....	1
5	<u>102897401</u>	Pin, Split .....	1
6	<u>102897601</u>	Conveyor, Oil .....	1
7	<u>102897701</u>	Assembly, Speed Governor .....	1
8	<u>102897801</u>	Washer, Thrust .....	1
9	<u>102897901</u>	Lever, Speed Governor .....	1
10	<u>102898001</u>	Washer, Belleville .....	1
11	<u>102898101</u>	Bearing, Thrust .....	1
12	<u>102898201</u>	Unit, Drive Selector .....	1
13	<u>102898301</u>	Bearing, Thrust .....	2
14	<u>102898501</u>	Gear, Speed Governor .....	1
15	<u>102898601</u>	Shaft, Main .....	1
16	<u>102898701</u>	Shaft, Secondary .....	1
17	<u>102898801</u>	Shaft, Reverse Gear .....	1
18	<u>102899001</u>	Gear, Complete, 28t .....	1
19	<u>102899101</u>	Dowel .....	2
20	<u>102899201</u>	Screw .....	1
21	<u>102899301</u>	Pin .....	1
22	<u>102899401</u>	Ring, Snap .....	1
23	<u>102899501</u>	Cage, Roller .....	1
24	<u>102899601</u>	Cage, Roller .....	1
25	<u>102899701</u>	Grommet .....	1
26	<u>102899801</u>	Bleeder .....	1
27	<u>102900401</u>	Bearing .....	2
28	<u>102900501</u>	Bearing .....	1
29	<u>102900601</u>	Washer .....	2
30	<u>102900701</u>	Bearing .....	1
31	<u>102900801</u>	Bearing .....	2
32	<u>102900901</u>	Grommet .....	1
33	<u>102901001</u>	Bearing .....	1
34	<u>102901201</u>	Box, Differential .....	1
35	<u>102902001</u>	Assembly, Differential (includes items 36 through 42) .....	1
36	<u>102901301</u>	Screw, M10 X 25 .....	6
37	<u>102901401</u>	Ring, Sleeve .....	2
38	<u>102901501</u>	Gear, Sun .....	2
39	<u>102901601</u>	Gear, Planetary .....	2
40	<u>102901701</u>	Ring, Sleeve .....	2
41	<u>102901801</u>	Pin .....	1
42	<u>102901901</u>	Gear .....	1

**12**  
**G**

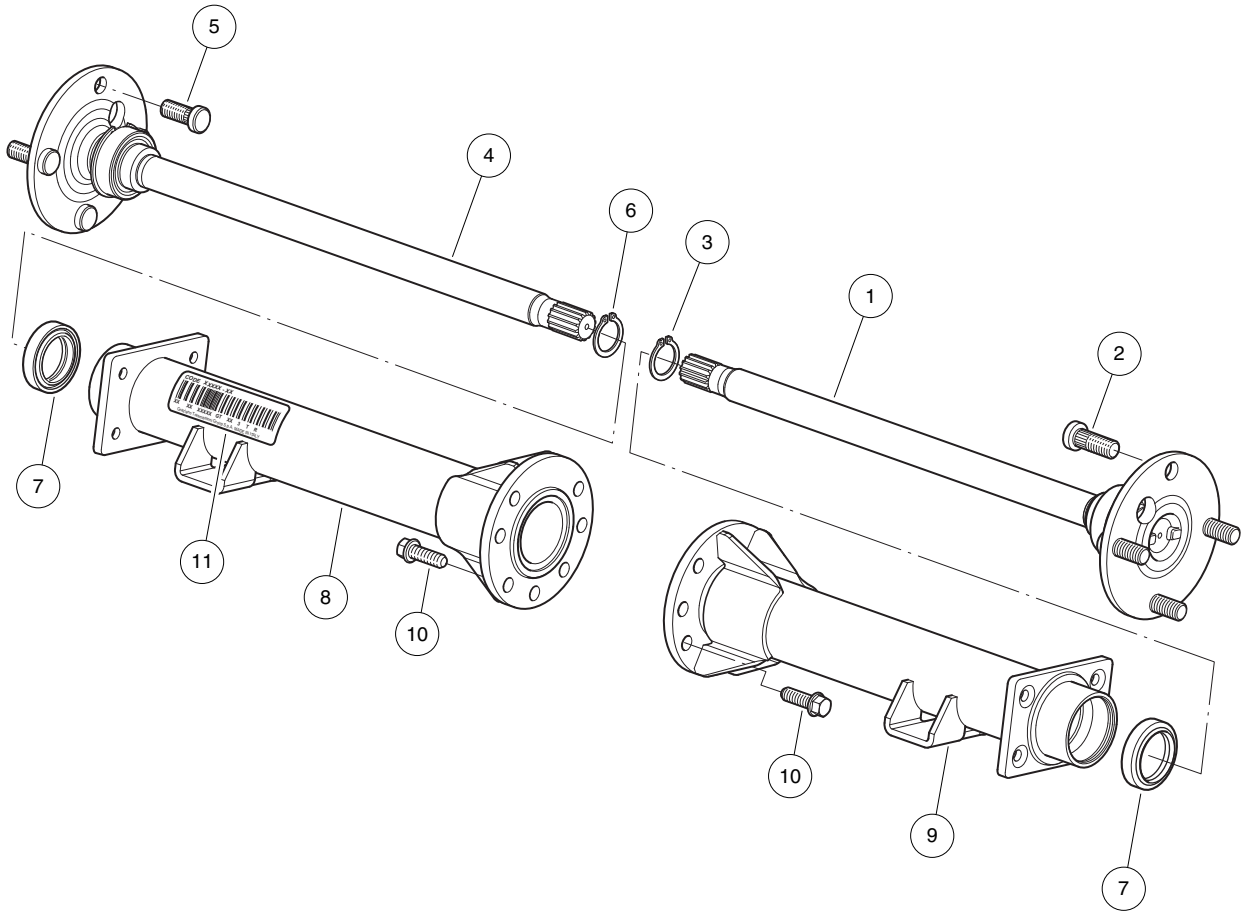


000680-002

## GRAZIANO TRANSAXLE – GASOLINE VEHICLES

ITEM	PART NO.	DESCRIPTION	QTY
		1 2 3 4	
1	<u>102897201</u>	Synchronizer, Complete .....	1
2	<u>102897301</u>	Fork, Complete .....	1
3	<u>102897501</u>	Cover, Box .....	1
4	<u>102898001</u>	Washer, Belleville .....	1
5	<u>102898301</u>	Bearing, Thrust .....	1
6	<u>102898401</u>	Washer, Thrust .....	1
7	<u>102898901</u>	Gear, Complete, 25t .....	1
8	<u>102899601</u>	Cage, Roller .....	2
9	<u>102899901</u>	Grommet .....	1
10	<u>102900001</u>	Screw .....	15
11	<u>102900101</u>	Plug, Magnetic .....	1
12	<u>102900201</u>	Plug .....	1
13	<u>102900301</u>	Seal .....	2
14	<u>102901101</u>	Bearing .....	1
		<p>Note: Items listed on this page are components of the Graziano transaxle assembly.</p>	

**12**  
**G**



000681-001

## GRAZIANO TRANSAXLE – GASOLINE VEHICLES

ITEM	PART NO.	DESCRIPTION	QTY
		1 2 3 4	
1	<u>102902101</u>	Shaft, Short, Complete (includes items 2 and 3) .....	1
2	<u>102902301</u>	Bolt, Stud .....	4
3	<u>102902401</u>	Snap Ring .....	1
4	<u>102902201</u>	Shaft, Long, Complete (includes items 5 and 6) .....	1
5	<u>102902301</u>	Bolt, Stud .....	4
6	<u>102902401</u>	Snap Ring .....	1
7	<u>102902501</u>	Seal, Lip .....	2
8	<u>102902601</u>	Assembly, Tube Extension, Lh .....	1
9	<u>102902701</u>	Assembly, Tube Extension, Rh .....	1
10	<u>102902801</u>	Screw, M10 X 30 .....	14
11	N/A	Tag, Serial .....	1
<p>Note: Items listed on this page are components of the Graziano transaxle assembly.</p>			

12

G

12

G

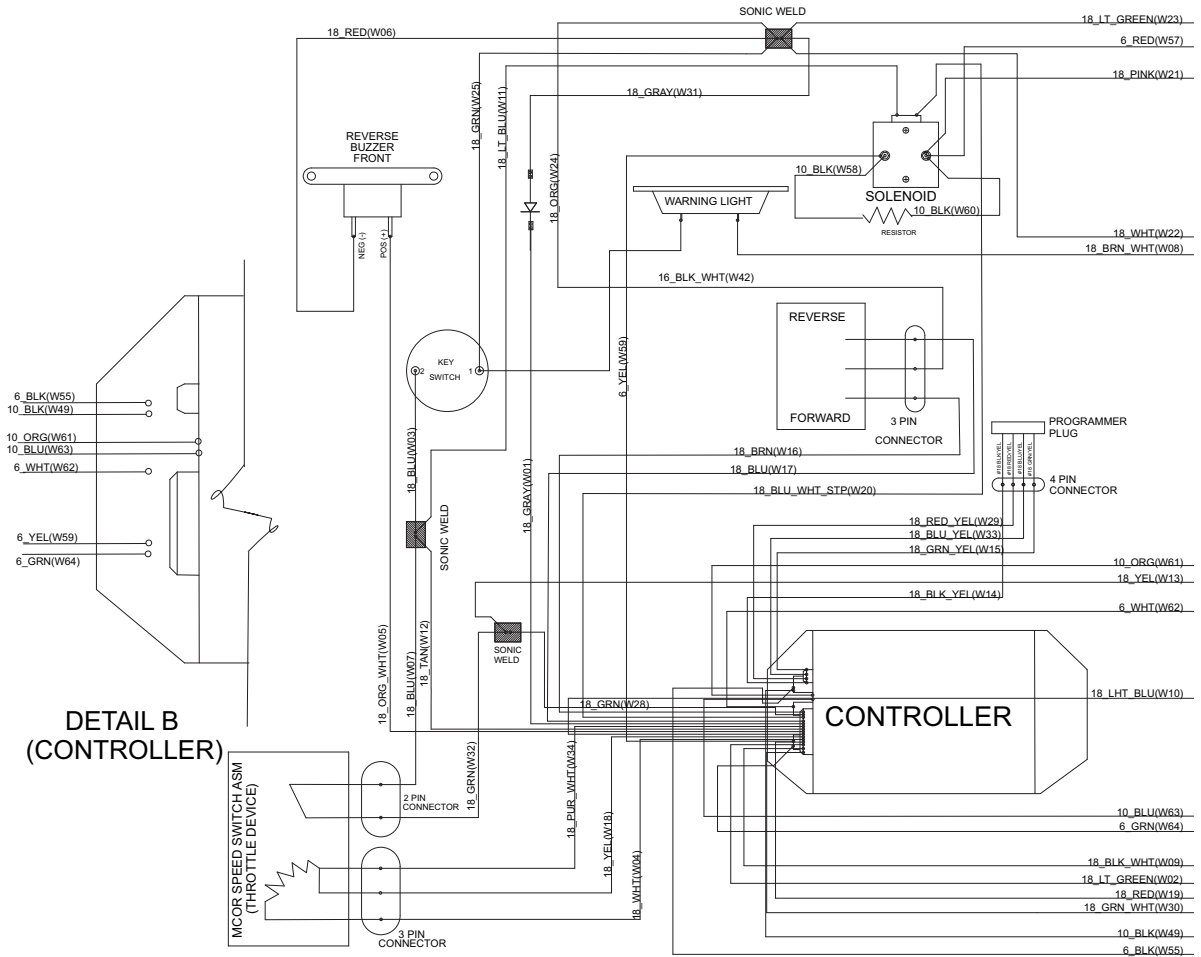


# ELECTRICAL SYSTEM – ELECTRIC VEHICLE

---

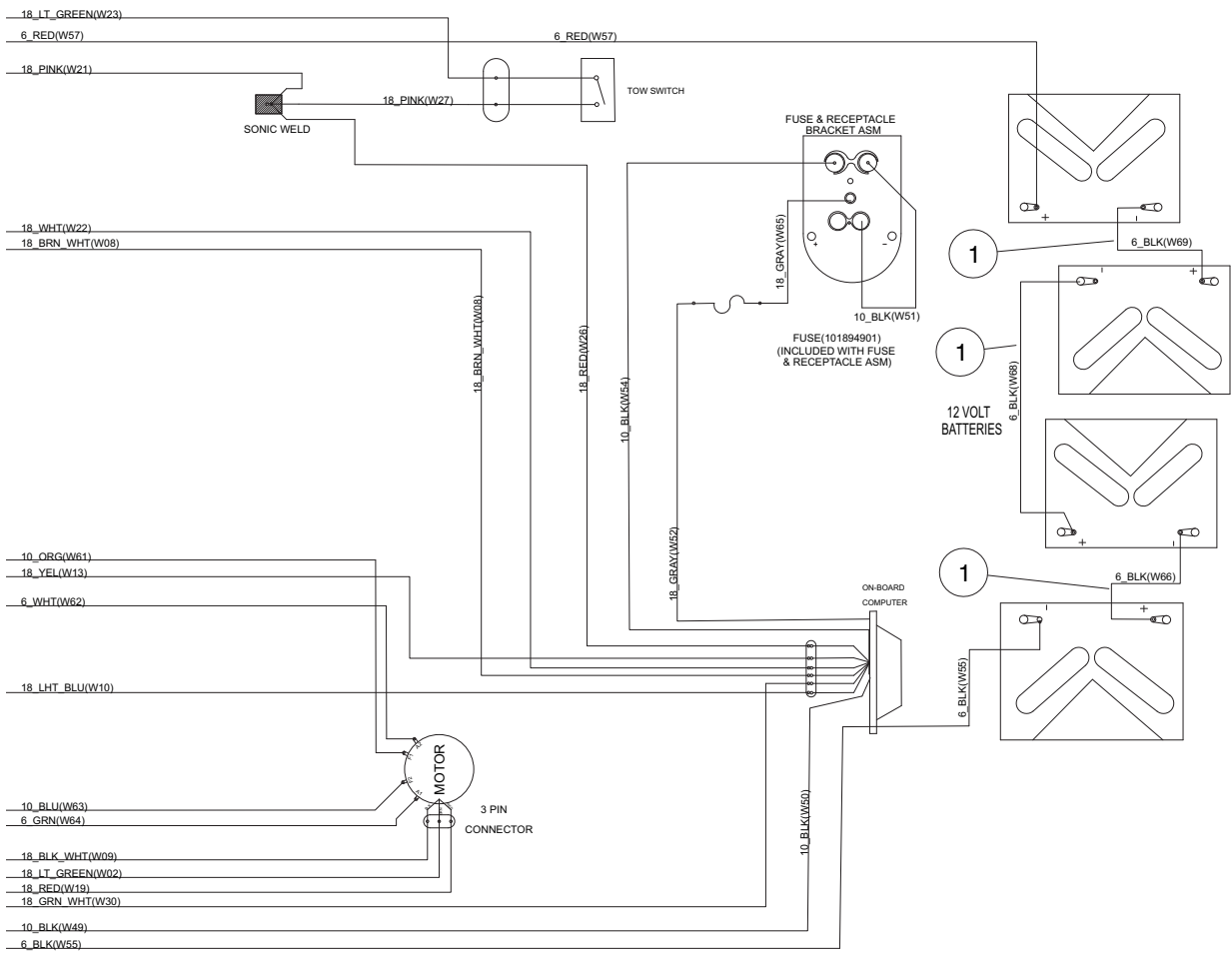
13

*E*



- (PIN 14) LT GREEN: TO MOTOR SPEED SENSOR OUTPUT
- (PIN 15) RED : TO HIGH SPEED OF MOTOR SPEED SENSOR
- (PIN 16) BLUE : TO FNR SWITCH "REV"
- (PIN 13) BLK/WHT : TO LOW SIDE OF MOTOR SPEED SENSOR
- (PIN 12) BLU/WHT : TO LOW SIDE OF SOLENOID COIL
- (PIN 11) : OPEN
- (PIN 10) TAN : TO KEY SWITCH SONIC WELD
- (PIN 9) GRAY : AUX
- (PIN 8) BROWN : TO FNR SWITCH "FOR"
- (PIN 7) ORG/WHT : TO LOW SIDE OF REVERSE BUZZER
- (PIN 6) GREEN : TO ACCELERATOR LIMIT SWITCH
- (PIN 1) WHITE : TO HIGH SIDE OF POTENTIOMETER
- (PIN 2) YELLOW : TO SLIDER OF POTENTIOMETER
- (PIN 3) PUR/WHT : TO LOW SIDE OF POTENTIOMETER
- (PIN 4) GRN/WHT : TO S. O. C
- (PIN 5) LT BLUE : TO OBC "CONTROLLER LOCKOUT"

000412-002



000412-002

**13**

***E***

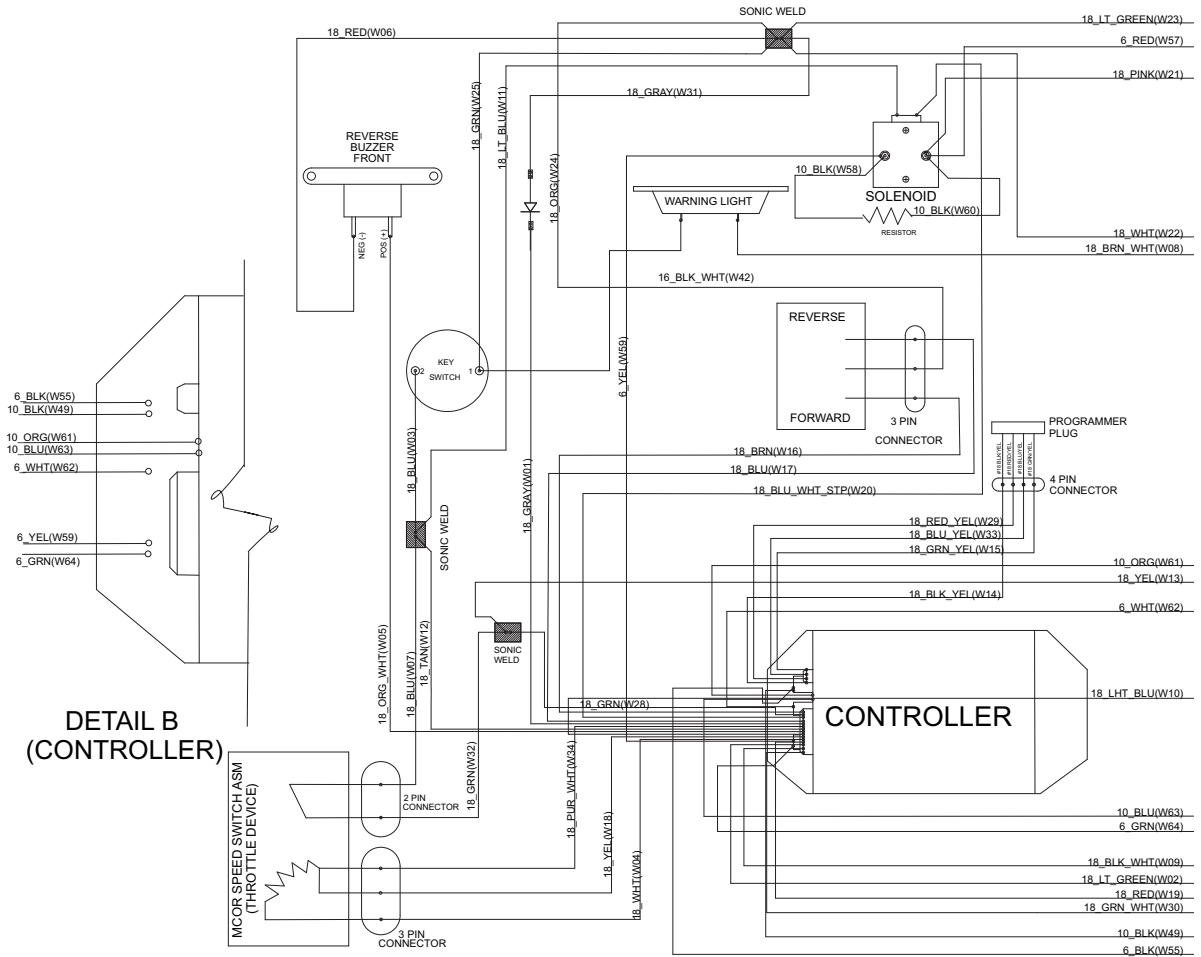
See previous two pages for illustration.

# WIRING

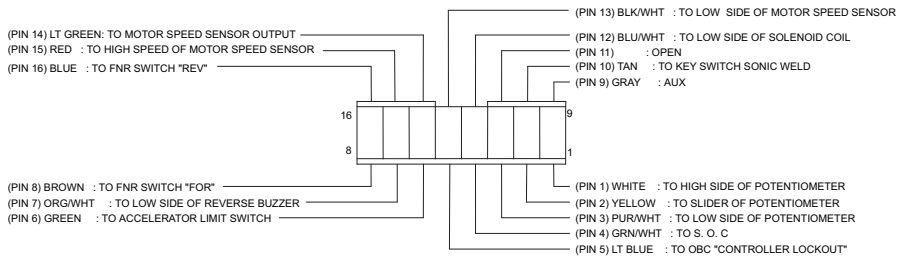
ITEM	PART NO.	DESCRIPTION	QTY
		<b>1 2 3 4</b>	
1	<u>101795701</u>	Asm, Wire, #6blk 13in .....	3
2	<u>102913301</u>	Wire Harness, Electric, DS, Four 12-Volt Batteries .....	1
3	<u>103250701</u>	Wire Harness Ds Iq Data .....	1

**13**

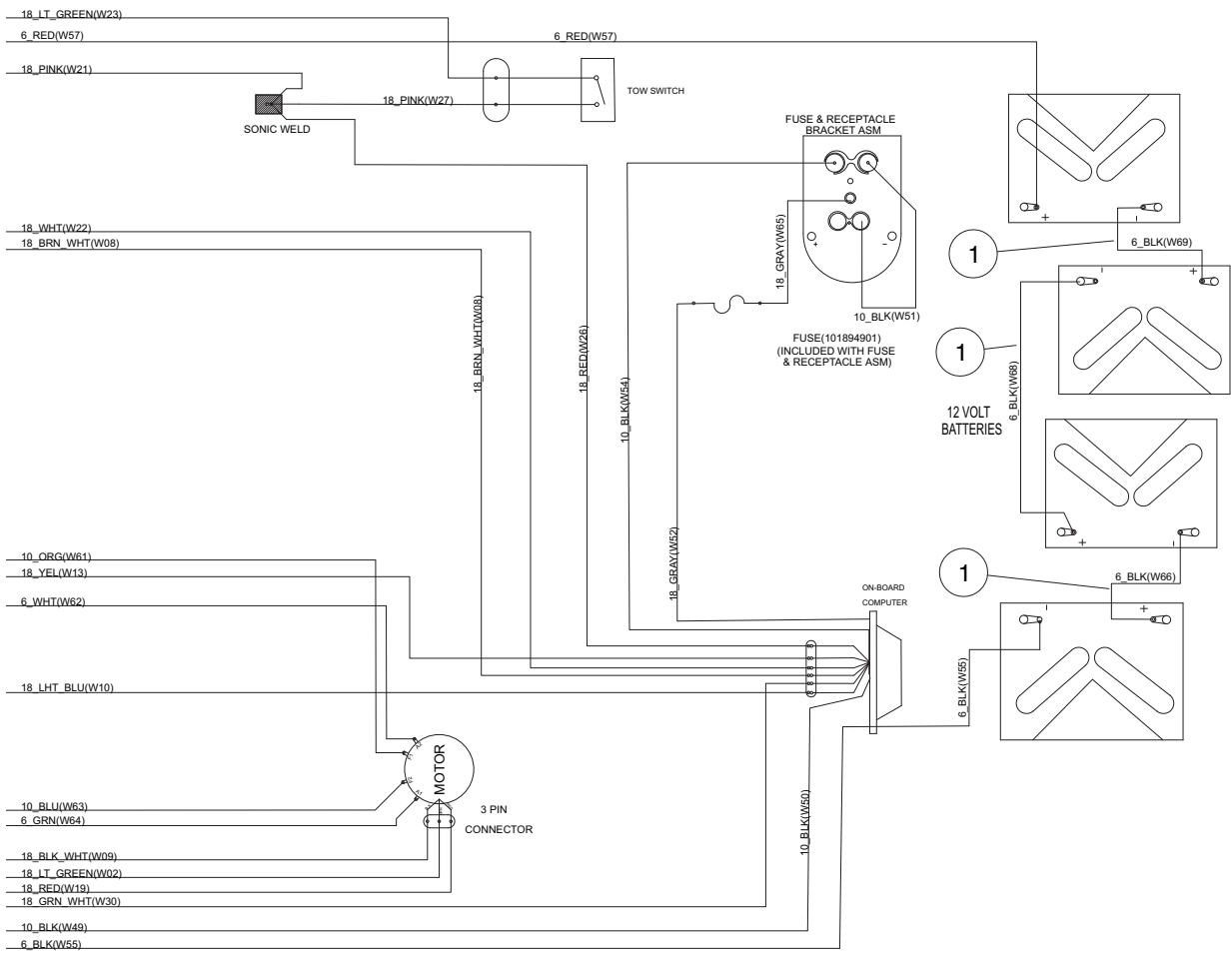
**E**



DETAIL B (CONTROLLER)



000412-002



000412-002

**13**

***E***

See previous two pages for illustration.

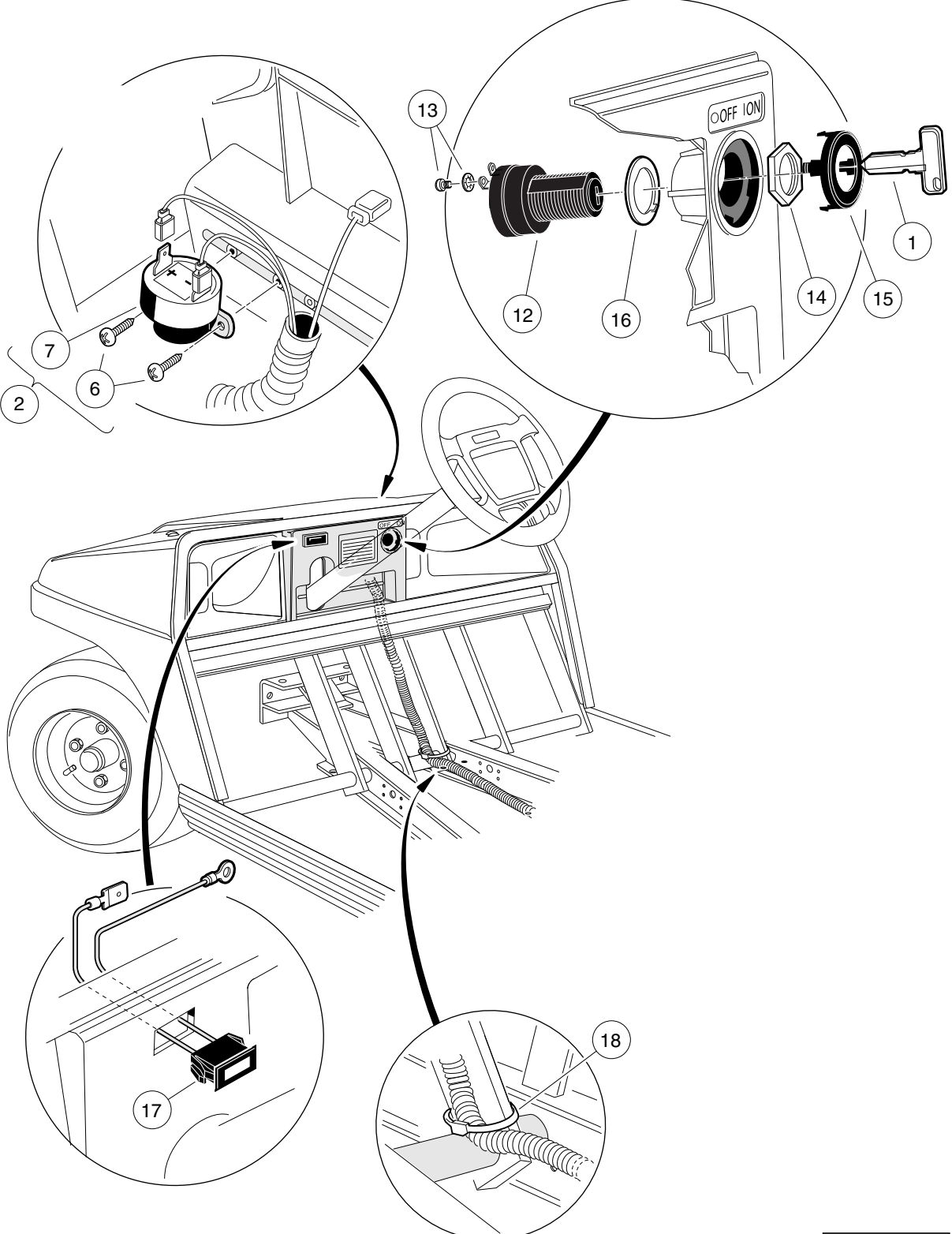


# WIRING

ITEM	PART NO.	DESCRIPTION	QTY
1	<u>103689601</u>	1 2 3 4 Wire Harness Elec Ds 6x8v .....	1

**13**

**E**



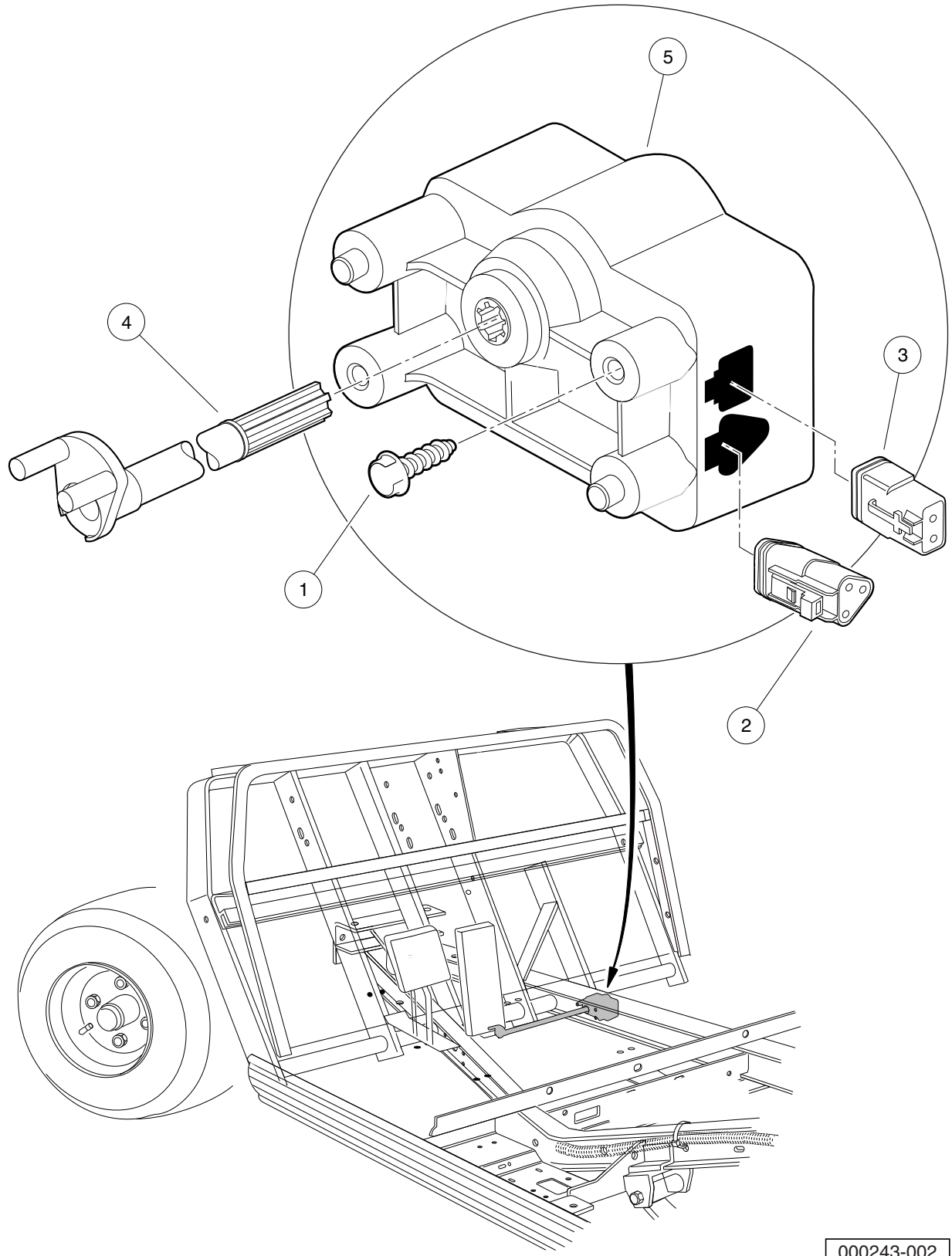
000340-001

# INSTRUMENT PANEL COMPONENTS

13

E

ITEM	PART NO.	DESCRIPTION	QTY
		1 2 3 4	
1	<u>1012505</u>	Keys (set of 2) .....	1
2	<u>1016859</u>	Kit, Reverse Buzzer (includes items 3 through 11) .....	1
3	<u>1011229</u>	Locknut, #6-32 Whiz .....	1
4	<u>1012431</u>	Washer, #4 Flat .....	2
5	<u>1015720</u>	Screw, #6-32 X 1/2 Hex Washer-Head .....	1
6	<u>1016849</u>	Screw, #4-24 X 0.33 Pan-Head Machine .....	2
7	<u>1016851</u>	Buzzer, Reverse (9-48 VDC) .....	1
8	<u>1016857</u>	Wire Assembly Black #18 .....	1
9	<u>8056</u>	Screw, #4-40 X 0.75 Round-Head Machine .....	2
10	<u>8057</u>	Nut, #4-40 Hex Machine .....	2
11	<u>8058</u>	Lockwasher, #4 Split .....	2
12	<u>101826201</u>	Key Switch, On/Off .....	1
13	<u>101830601</u>	Screw and Washer Assembly .....	2
14	<u>101830701</u>	Nut, Key Switch .....	1
15	<u>101834502</u>	Cap, Black Key Switch .....	1
16	<u>101851101</u>	Washer, Key Switch .....	1
17	<u>101935501</u>	Light, Battery (Amber) .....	1
18	<u>8990</u>	Tie Wrap, 8" Nylon .....	2
Note: Item 2, Reverse Buzzer Kit, contains parts not used in this application.			



000243-002

# MOTOR CONTROLLER OUTPUT REGULATOR (MCOR)

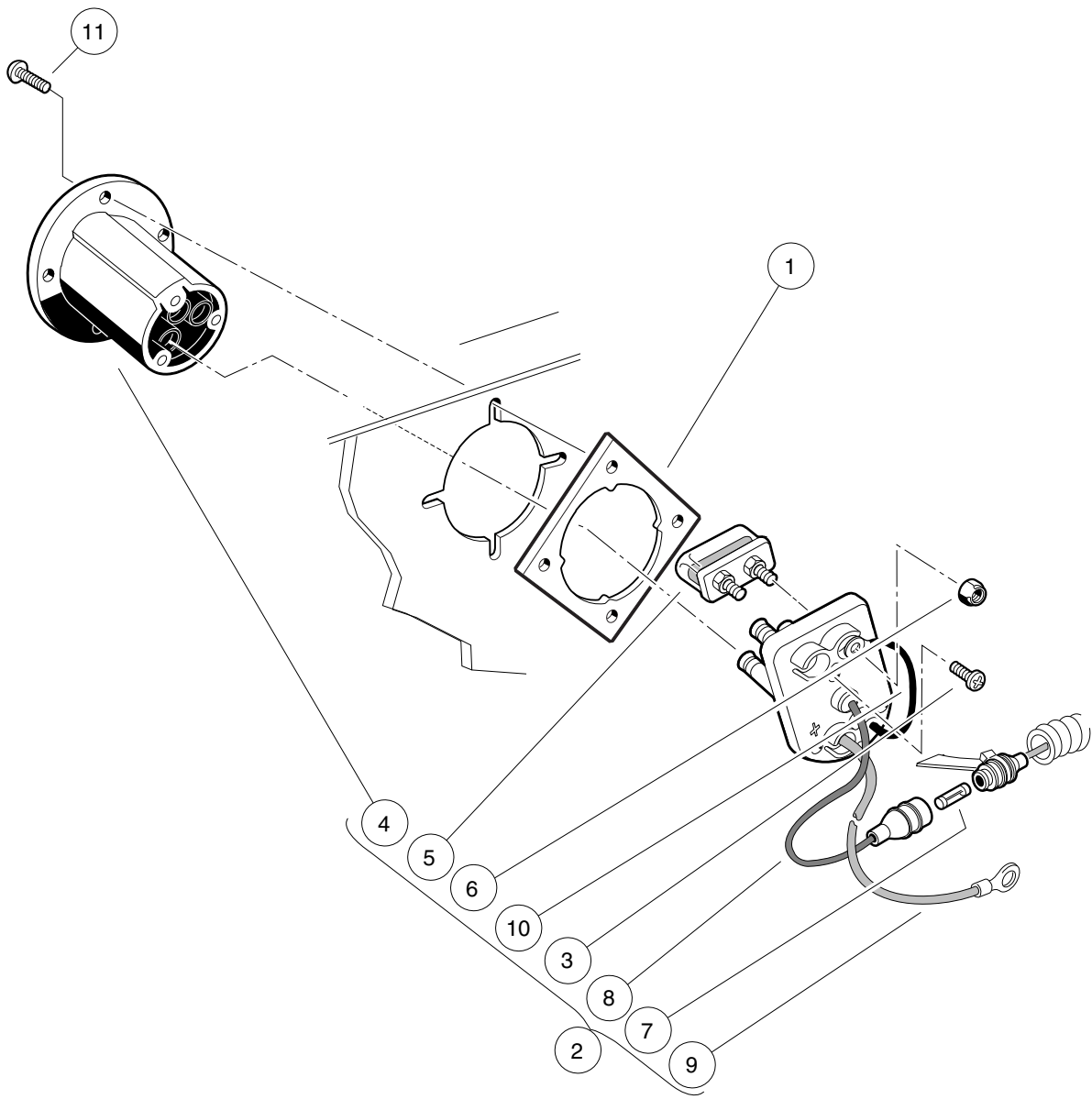
ITEM	PART NO.	DESCRIPTION	QTY
		1 2 3 4	
1	<u>1015752</u>	Screw, #12-16 X 0.625 Hi-Lo .....	2
2	<u>101920101</u>	Kit, 3-Pin Wedge Lock .....	1
3	<u>101936801</u>	Kit, 2-Pin Wedge Lock .....	1
4	102101001	Bar, Drive, Cast .....	1
5	<u>102101101</u>	MCOR .....	1

13

E

13

E



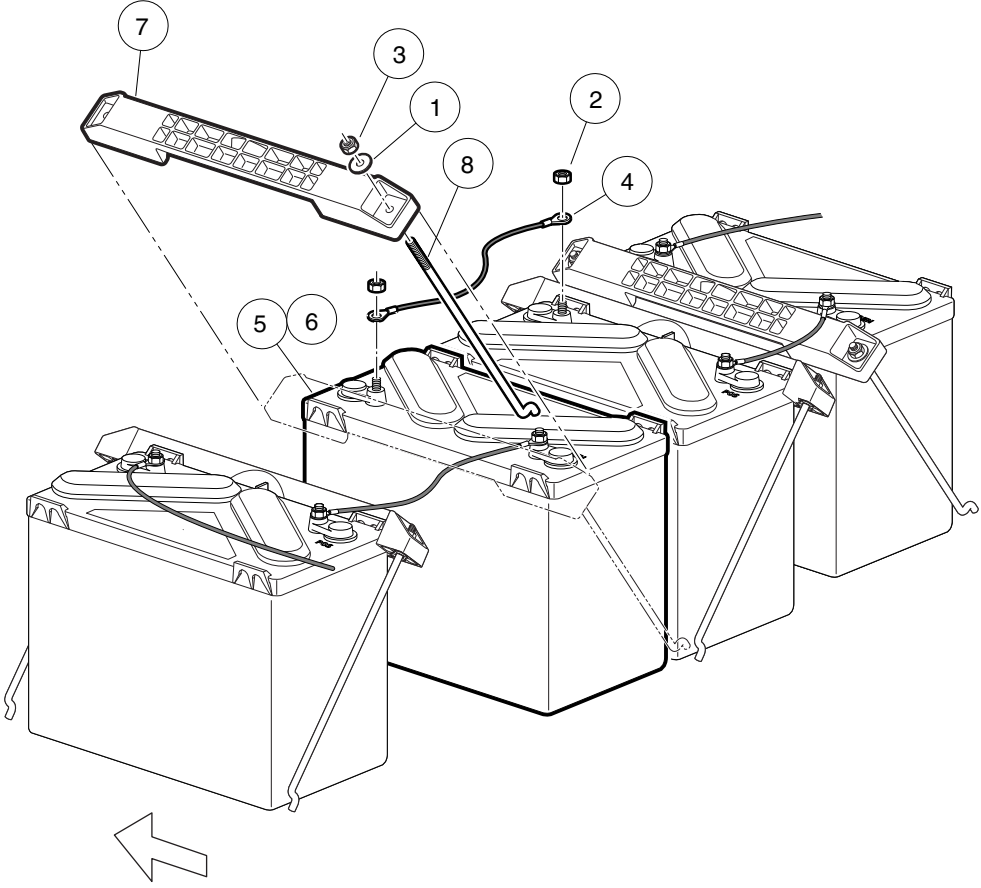
000369-001

# BATTERY CHARGER RECEPTACLE

ITEM	PART NO.	DESCRIPTION	QTY
		1 2 3 4	
1	<u>101801001</u>	Plate, Receptacle Backing .....	1
2	<u>101802101</u>	Fuse and Receptacle Assembly (includes items 3 through 10) .....	1
3	<u>1017705</u>	Screw, #8 X 5/8 Phillips Pan-Head Type AB .....	3
4	<u>101796501</u>	Receptacle .....	1
5	<u>101796801</u>	Fuse Assembly (includes item 6) .....	1
6	<u>1013061</u>	Locknut, #10-32 Nylon Insert .....	2
7	N/A	Fuse, 3/8-Amp .....	1
8	N/A	Wire Assembly, Sense Lead, Gray .....	1
9	N/A	Wire Assembly, #10 Red .....	1
10	N/A	Wire Assembly, #10 Black .....	1
11	<u>101832001</u>	Screw, #7-19 X 0.625 Phillips Pan-Head Tap .....	4

13

E



000241-002



# BATTERIES, ELECTRIC VEHICLE

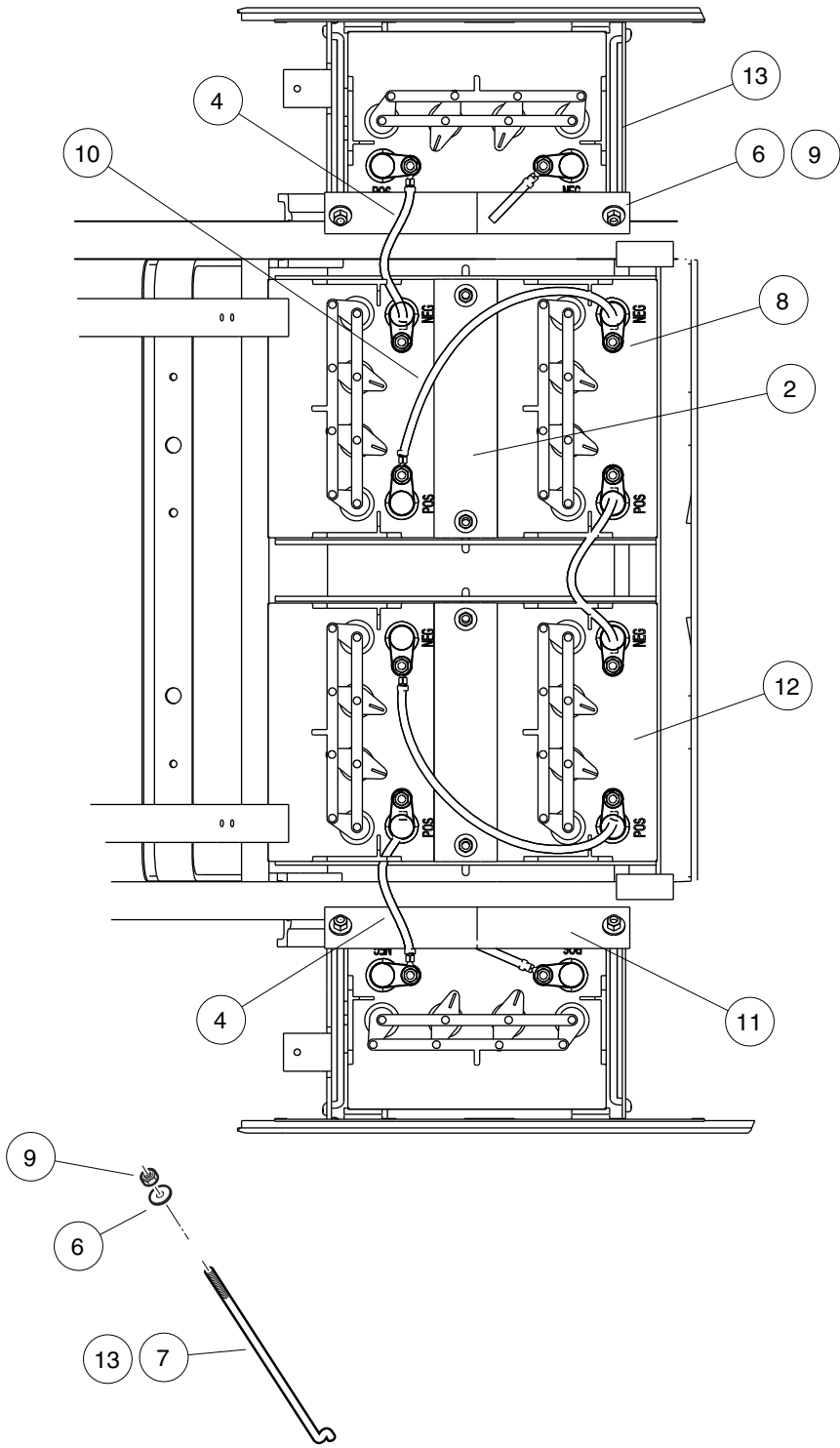
ITEM	PART NO.	DESCRIPTION	QTY
		<b>1 2 3 4</b>	
1	<u>1011697</u>	Washer, 5/16 Flat .....	8
2	<u>1014304</u>	Nut, 5/16-18 Stainless-Steel Hex .....	8
3	1015072	Locknut, 5/16-18 Nylon Insert .....	8
4	<u>101795701</u>	Asm, Wire, #6blk 13in .....	3
5	<u>102511301</u>	Battery, Ventmaster 12-Volt (Wet) .....	4
6	<u>102511302</u>	Battery, Ventmaster 12-Volt (Dry, also known as moist) .....	4
7	<u>102777401</u>	Battery Hold-Down .....	4
8	<u>102832601</u>	Bolt, Battery, J- .....	8

**13**

**E**

13

E



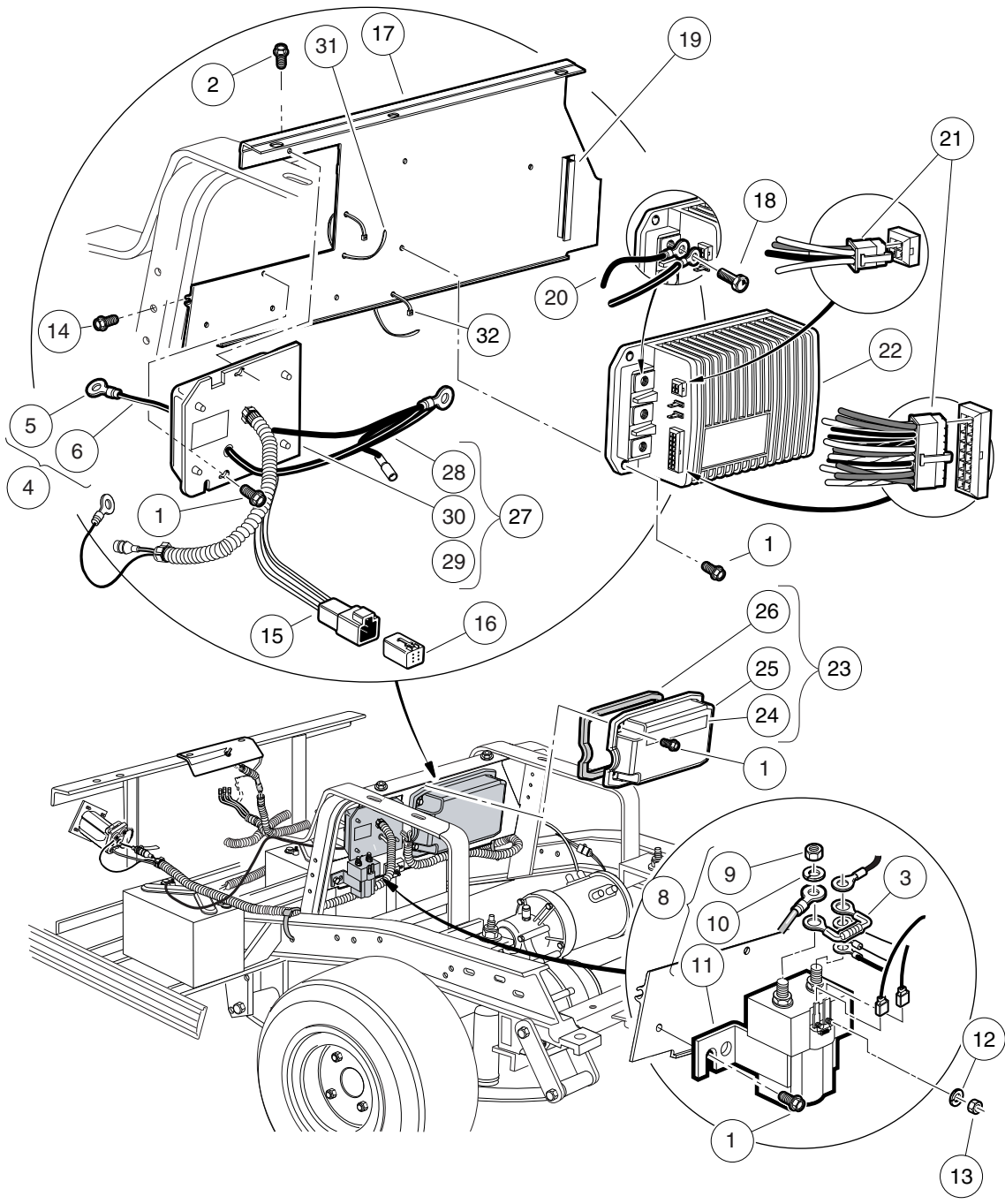
000241-004

## BATTERIES – 6 X 8V, ELECTRIC VEHICLE

ITEM	PART NO.	DESCRIPTION	QTY
		1 2 3 4	
1	N/A	Instl, 8v Batt Us 48v Elec 6ga (includes items 2 through 13) .....	1
2	<u>101090801</u>	Hold-Down, Battery .....	2
3	<u>101090802</u>	Hold-Down, Battery .....	2
4	<u>1010958</u>	Asm, Wire, #6blk 8in .....	3
5	<u>1011578</u>	Washer, 5/16 Type B Flat .....	4
6	<u>1011697</u>	Washer, 5/16 Flat .....	4
7	1013683	J-Bolt .....	4
8	<u>1014304</u>	Nut, 5/16-18 Stainless-Steel Hex .....	12
9	1015072	Locknut, 5/16-18 Nylon Insert .....	8
10	<u>101795701</u>	Asm, Wire, #6blk 13in .....	2
11	<u>103504301</u>	Tee, Batt Ret Ctr Short .....	2
12	N/A	Battery, 8v, 8vgcxc, Wet .....	6
13	<u>103696801</u>	J Bolt, Batt Hold Down 12" .....	4

13

E



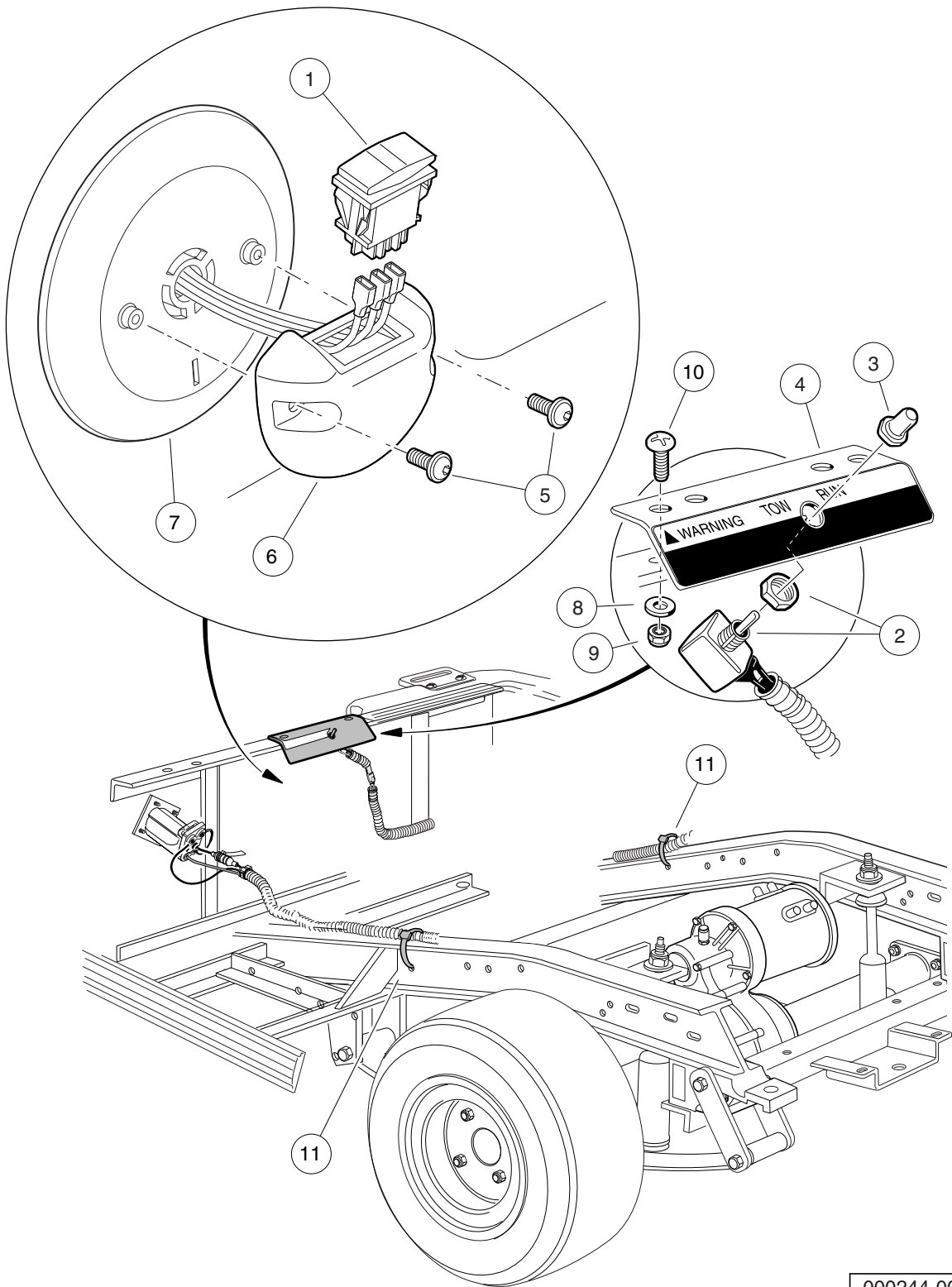
000242-005

# OBC, CONTROLLER, AND SOLENOID – ELECTRIC VEHICLE

13

E

ITEM	PART NO.	DESCRIPTION	QTY
		1 2 3 4	
1	<u>1012285</u>	Screw, 1/4 X 0.625 Hex-Head .....	9
2	<u>1014288</u>	Screw, 5/16-18 X 0.75 Thread-Forming .....	2
3	<u>1014947</u>	Resistor Assembly .....	1
4	101827801	Ground Wire Kit, 48-Volt (includes items 5 through 7) .....	1
5	101826801	Compression Lug .....	1
6	N/A	Wire Assembly, Black .....	1
7	<u>8990</u>	Tie Wrap, 8" Nylon .....	3
8	<u>101908701</u>	Solenoid, 48-Volt (includes items 9 through 13) .....	1
9	<u>1012528</u>	Nut, M8-1.25 Hex .....	2
10	<u>1013734</u>	Lockwasher, 8mm Split .....	2
11	N/A	Solenoid, 48-Volt .....	1
12	N/A	Washer, Lock .....	2
13	N/A	Nut .....	2
14	<u>101910401</u>	Screw, 5/16-18 X 1.25 Thrd Frm .....	2
15	<u>101932601</u>	Kit, 6-Pin Wedge Lock .....	1
16	101932701	Kit, 6-Pin Receptacle and Wedge Lock .....	1
17	<u>101965205</u>	Plate, Component Mounting .....	1
18	<u>102240501</u>	Bolt, Controller, Terminal .....	3
19	****	Extrusion, Cover Support .....	1
20	<u>102263601</u>	Wire Assy, #10 Black .....	1
21	<u>102266501</u>	Kit, Connector, IQ Controller .....	1
22	<u>102806201</u>	Controller, IQ, 48-volt .....	1
23	<u>103316901</u>	Cover Asm - Controller (includes items 24 through 26) .....	1
24	<u>101931501</u>	Decal, Component Cover .....	1
25	<u>103316701</u>	Cover - Controller, Deep .....	1
26	<u>103316801</u>	Gasket - Controller Cover .....	1
27	N/A	Kit, OBC, DS and Util IQ (includes items 28 through 30) .....	1
28	<u>103282601</u>	Wire Assembly Black #10 .....	1
29	N/A	Instr Obc Ds Pre 01-28-2007 .....	1
30	103403101	Asm, Obc, Iq, V3.0 .....	1
31	<u>8639</u>	Tie Wrap, 11" Nylon .....	1
32	<u>8990</u>	Tie Wrap, 8" Nylon .....	1
		**** Special order item available upon request.	



000244-005

## FORWARD/REVERSE SWITCH, TOW/RUN SWITCH

ITEM	PART NO.	DESCRIPTION	QTY
		1 2 3 4	
1	<u>101856002</u>	Switch, Rocker, Single-Pole .....	1
2	<u>101908101</u>	Switch Assembly, Tow/Run .....	1
3	<u>101908401</u>	Boot, Switch .....	1
4	<u>101922501</u>	Bracket, Tow/Run Switch Mounting .....	1
5	<u>102296920</u>	Screw, M6 Torx Btn Hd Sems .....	2
6	<u>102508401</u>	Housing, FNR Electric .....	1
7	<u>103262701</u>	Bezel Adapter Fnr .....	1
8	<u>332</u>	Washer, 1/4 Type A Narrow Flat .....	2
9	<u>8233</u>	Locknut, 1/4-20 Nylon Insert .....	2
10	<u>8248</u>	Screw, 1/4-20 X 0.75 Truss-Head Machine .....	2
11	<u>8990</u>	Tie Wrap, 8" Nylon .....	1

13

E

**13**

***E***

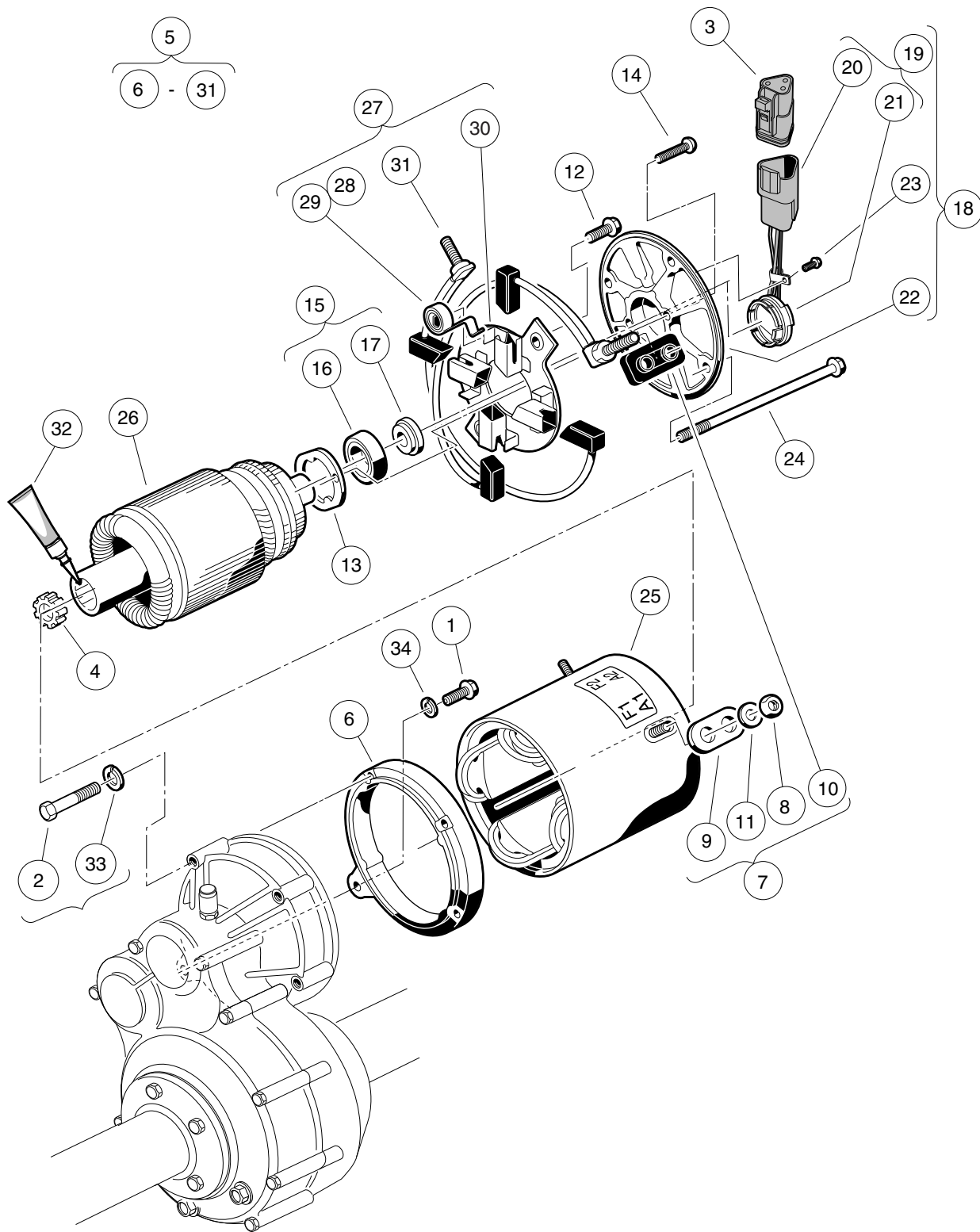


# ELECTRIC MOTOR

---

14

*E*



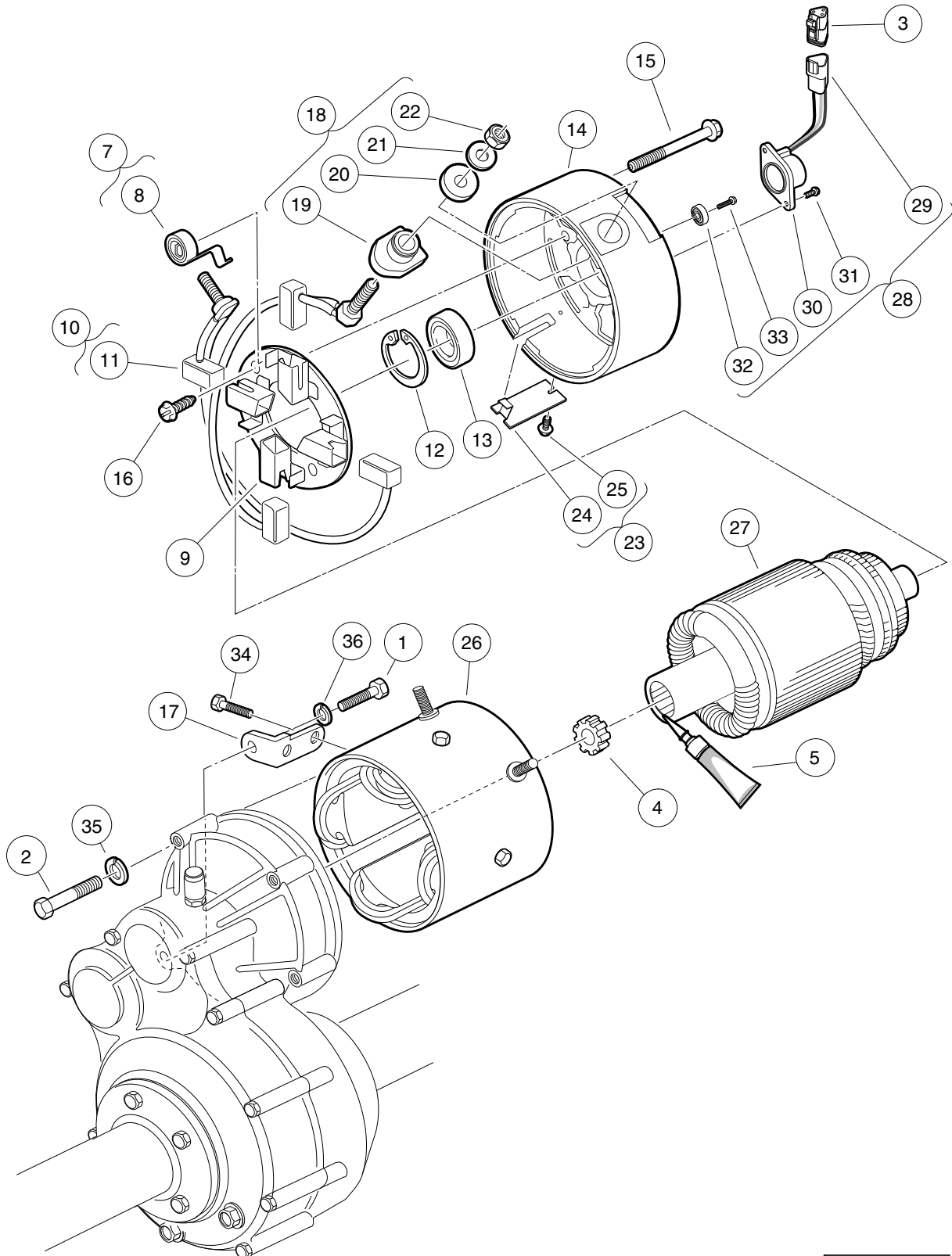
000349-002

# MOTOR (MODEL 5BC59JBS6390) – ELECTRIC VEHICLE

ITEM	PART NO.	DESCRIPTION	QTY
		1 2 3 4	
1	<u>1010934</u>	Screw, 5/16-18 X 1.00 Hex Cap .....	1
2	<u>1014201</u>	Screw, 1/4-20 X 2.25 Hex Cap .....	3
3	<u>101920101</u>	Kit, 3-Pin Wedge Lock .....	1
4	<u>102235201</u>	Bumper, Drive Unit .....	1
5	<u>102240104</u>	Motor, 48-Volt Non-Skew IQ * (includes items 6 through 27) .....	1
6	<u>1017944</u>	End Shield .....	1
7	<u>1017947</u>	Hardware Package (includes items 8 through 11) .....	1
8	<u>1011280</u>	Locknut, 5/16-18 .....	4
9	N/A	Insulator Bushing .....	2
10	N/A	Insulated Bushing .....	2
11	<u>1241</u>	Washer, 5/16 Type A Flat .....	4
12	<u>1017949</u>	Screw, #6-32 X 0.480 Hex-Head .....	2
13	<u>1017950</u>	Bearing Retainer .....	1
14	<u>1017953</u>	Screw, Bearing Retainer .....	2
15	<u>102265701</u>	Kit, Bearing and Magnet (includes items 16 and 17) .....	1
16	<u>1011290</u>	Ball Bearing .....	1
17	<u>102265801</u>	Magnet .....	1
18	<u>102265901</u>	Motor End Shield Asm (includes items 19 through 23) .....	1
19	<u>102265601</u>	Speed Sensor Assembly (includes items 20 and 21) .....	1
20	<u>101942301</u>	Kit, 3-Pin Wedge Lock .....	1
21	N/A	Sensor, Speed, without Connector .....	1
22	<u>102266001</u>	End Shield, Motor .....	1
23	<u>102267001</u>	Screw, #8-32 X 0.375 Hex-Head .....	1
24	<u>102266101</u>	Screw, #10 - 32 X 8.250 .....	4
25	<u>103325701</u>	Stator Shell and Winding .....	1
26	<u>103325801</u>	Non Skew Armature .....	1
27	<u>103337601</u>	Brush Assembly, IQ Motor, Non-Skew (includes items 28 through 31) .....	1
28	<u>1011411</u>	Kit, Brush Spring (ge Motor) (includes item 29) .....	1
29	<u>1011285</u>	Brush Spring .....	4
30	<u>103325501</u>	Brush Rigging, Non-Skew Motor .....	1
31	<u>103325601</u>	Brush Set, Non-Skew .....	1
32	<u>102243403</u>	Lubricant, Moly-Teflon (Single-Use Tube) .....	1
33	<u>451</u>	Lockwasher, 1/4 Split .....	3
34	<u>7174</u>	Lockwasher, 5/16 Split .....	1
* Note: The model 5BC59JBS6390 motor has been discontinued. To replace the motor, use motor model EJ8-4001A.			

14

E



000185-001

# MOTOR (MODEL EJ4-4001) – ELECTRIC VEHICLE

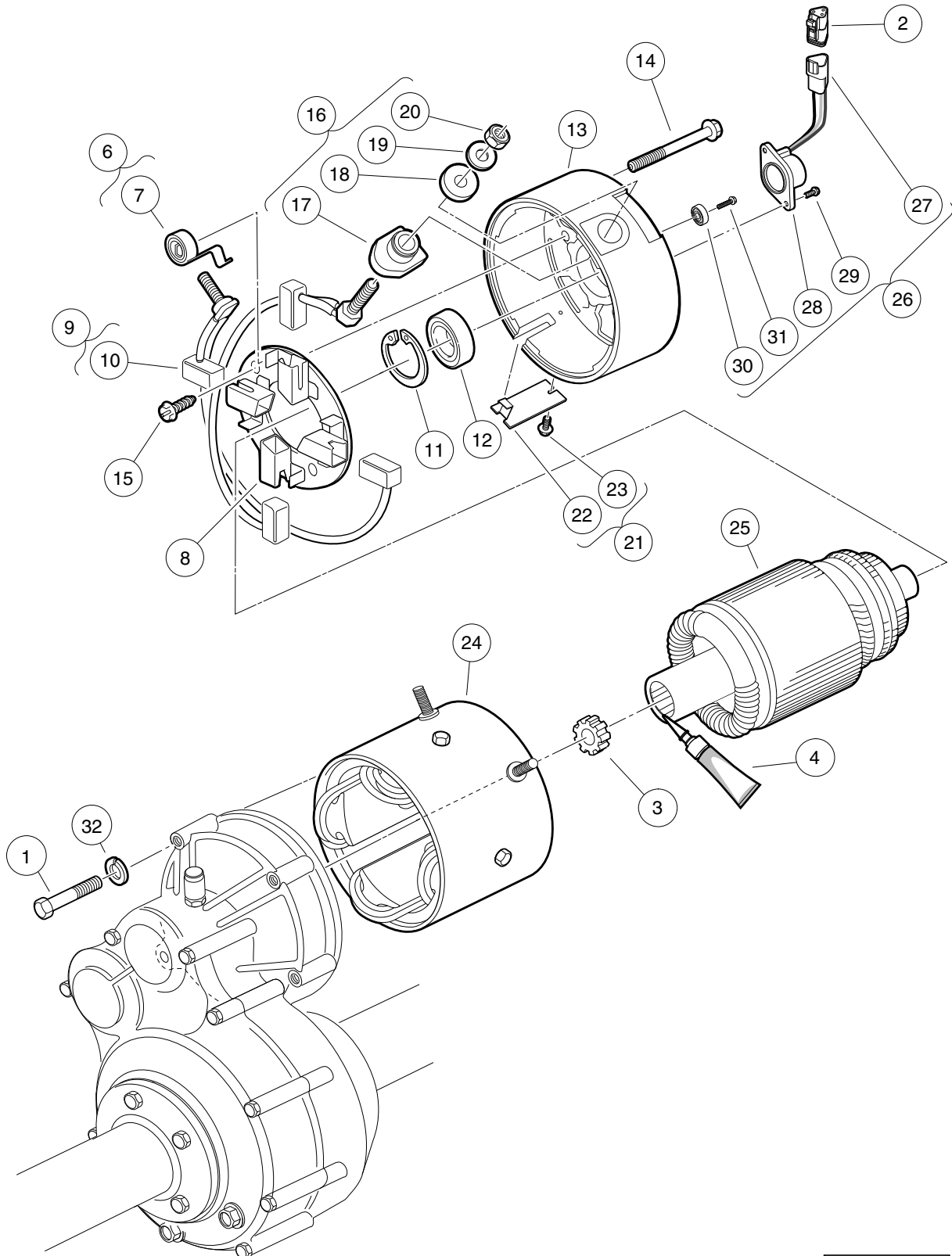
14

E

ITEM	PART NO.	DESCRIPTION	QTY
		<b>1 2 3 4</b>	
1	<u>1010934</u>	Screw, 5/16-18 X 1.00 Hex Cap .....	1
2	1014201	Screw, 1/4-20 X 2.25 Hex Cap .....	3
3	<u>101920101</u>	Kit, 3-Pin Wedge Lock .....	1
4	<u>102235201</u>	Bumper, Drive Unit .....	1
5	<u>102243403</u>	Lubricant, Moly-Teflon (Single-Use Tube) .....	1
6	<u>102705001</u>	IQ Electric Motor, 48-VDC 3.3 hp * (includes items 7 through 34) .....	1
7	<u>102186001</u>	Spring Kit, Motor Brush (includes item 8) .....	1
8	N/A	Spring, Brush, S-g .....	4
9	<u>102186101</u>	Brush Box Assembly .....	1
10	<u>102186201</u>	Brush Kit, Motor (includes item 11) .....	1
11	N/A	Assembly, Brush and Terminal .....	2
12	<u>102186301</u>	Ring, 2.24" Internal Retaining .....	1
13	<u>102186401</u>	Bearing, Ball .....	1
14	<u>102186701</u>	End Cap, Motor .....	1
15	N/A	Screw, 1/4-20 X 2.25 Hex-Head Washer .....	2
16	<u>102186901</u>	Screw, #8-32 X .5 Hex-Head .....	2
17	<u>102187001</u>	L-Bracket, Motor .....	1
18	<u>102187101</u>	Hardware Kit, Motor Terminal (includes items 19 through 22) .....	2
19	N/A	Bushing, Nylon .....	2
20	N/A	Washer, Nylon Flat .....	2
21	N/A	Washer, Flat, 5/16 Steel .....	2
22	N/A	Nut, Brass Hex, 5/16 - 18 .....	2
23	<u>102187201</u>	Plate Kit, Motor Cover (includes items 24 and 25) .....	1
24	N/A	Assembly, Cover Plate .....	1
25	N/A	Screw, #8-32 x 0.375, Taptite Thread .....	1
26	<u>102704701</u>	Frame and Field Assembly .....	1
27	<u>102704801</u>	Armature Assembly .....	1
28	<u>102704901</u>	Kit, Speed Sensor (includes items 29 through 33) .....	1
29	<u>101942301</u>	Kit, 3-Pin Wedge Lock .....	1
30	N/A	Sensor, Motor Speed, ADC .....	1
31	N/A	Screw, #8-32, Taptite Thread .....	2
32	N/A	Magnet, ADC Motor .....	1
33	N/A	Screw, 1/4-20 x 0.5 .....	1
34	N/A	Bolt, 1/4 - 20 x 0.73 Thread-Forming .....	2
35	<u>451</u>	Lockwasher, 1/4 Split .....	3
36	<u>7174</u>	Lockwasher, 5/16 Split .....	1
* Note: The model EJ4-4001 motor has been discontinued. To replace the motor, use motor model EJ8-4001A.			

14

E



000185-002

## MOTOR (MODEL EJ8-4001A) – ELECTRIC VEHICLE

ITEM	PART NO.	DESCRIPTION	QTY
		1 2 3 4	
1	1014201	Screw, 1/4-20 X 2.25 Hex Cap .....	3
2	<u>101920101</u>	Kit, 3-Pin Wedge Lock .....	1
3	<u>102235201</u>	Bumper, Drive Unit .....	1
4	<u>102243403</u>	Lubricant, Moly-Teflon (Single-Use Tube) .....	1
5	N/A	IQ Electric Motor, 48-VDC 3.3 hp (includes items 6 through 26) .....	1
6	<u>102186001</u>	Spring Kit, Motor Brush (includes item 7) .....	1
7	N/A	Spring, Brush, S-g .....	4
8	<u>102186101</u>	Brush Box Assembly .....	1
9	<u>102186201</u>	Brush Kit, Motor (includes item 10) .....	1
10	N/A	Assembly, Brush and Terminal .....	2
11	<u>102186301</u>	Ring, 2.24" Internal Retaining .....	1
12	<u>102186401</u>	Bearing, Ball .....	1
13	<u>102186701</u>	End Cap, Motor .....	1
14	N/A	Screw, 1/4-20 X 2.25 Hex-Head Washer .....	2
15	<u>102186901</u>	Screw, #8-32 X .5 Hex-Head .....	2
16	<u>102187101</u>	Hardware Kit, Motor Terminal (includes items 17 through 20) .....	2
17	N/A	Bushing, Nylon .....	2
18	N/A	Washer, Nylon Flat .....	2
19	N/A	Washer, Flat, 5/16 Steel .....	2
20	N/A	Nut, Brass Hex, 5/16 - 18 .....	2
21	<u>102187201</u>	Plate Kit, Motor Cover (includes items 22 and 23) .....	1
22	N/A	Assembly, Cover Plate .....	1
23	N/A	Screw, #8-32 x 0.375, Taptite Thread .....	1
24	<u>102704701</u>	Frame and Field Assembly .....	1
25	<u>102704801</u>	Armature Assembly .....	1
26	<u>102704901</u>	Kit, Speed Sensor (includes items 27 through 31) .....	1
27	<u>101942301</u>	Kit, 3-Pin Wedge Lock .....	1
28	N/A	Sensor, Motor Speed, ADC .....	1
29	N/A	Screw, #8-32, Taptite Thread .....	2
30	N/A	Magnet, ADC Motor .....	1
31	N/A	Screw, 1/4-20 x 0.5 .....	1
32	<u>451</u>	Lockwasher, 1/4 Split .....	3

14

E

**14**

***E***

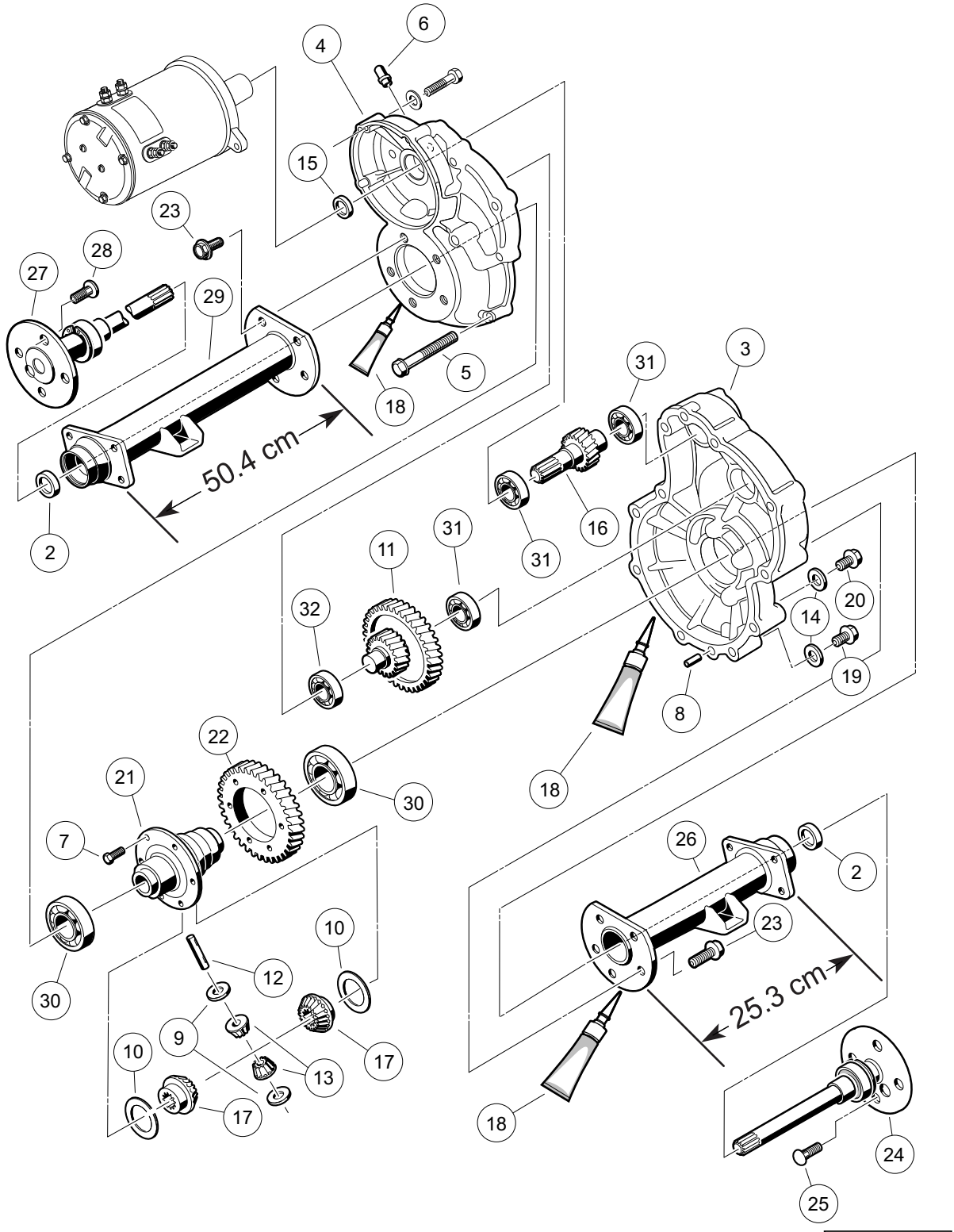


# TRANSAXLE – ELECTRIC VEHICLES

---

15

*E*



000223-002

# TRANSAXLE – ELECTRIC VEHICLES

ITEM	PART NO.	DESCRIPTION	QTY
		<b>1 2 3 4</b>	
1	<u>102771701</u>	Transaxle, Electric (includes items 2 through 32) .....	1
2	<u>1013794</u>	Axle Shaft Oil Seal .....	2
3	<u>101895401</u>	Gear Case, Left-Hand .....	1
4	<u>101895501</u>	Gear Case, Passenger-Side .....	1
5	<u>101897001</u>	Screw, M8-1.25 X 60mm Hex-Head .....	11
6	<u>101897201</u>	Breather .....	1
7	<u>101897401</u>	Screw, M10-1.25 X 25mm .....	6
8	<u>101897601</u>	Pin, 11mm OD X 8.5mm ID X 10mm .....	2
9	<u>101903601</u>	Washer, Thrust .....	2
10	<u>101903701</u>	Washer, Thrust .....	2
11	<u>101906901</u>	Intermediate Shaft Assembly .....	1
12	<u>101922101</u>	Pin, 15.99mm X 88.7mm Dowel .....	1
13	<u>101923001</u>	Gear, Differential Idler .....	2
14	<u>101923201</u>	Gasket .....	2
15	<u>101923501</u>	Seal, Lip .....	1
16	<u>101923701</u>	Shaft, Input .....	1
17	<u>101923901</u>	Gear, Differential .....	2
18	<u>101928701</u>	Liquid Gasket (Transaxle case) .....	1
19	<u>101972101</u>	Plug, M14-1.5 X 12mm Magnetic .....	1
20	<u>101972201</u>	Plug, M14-1.5 X 12mm Hex .....	1
21	<u>102356601</u>	Housing, Differential, 6 Bolt .....	1
22	<u>102356801</u>	Gear, Differential Output, 6-Bolt .....	1
23	<u>102357001</u>	Screw, Flg Hd M10 X 1.5 X 30 .....	10
24	<u>102886301</u>	Axle Assembly, Driver-Side (includes item 25) .....	1
25	<u>101922201</u>	Lug Stud .....	4
26	<u>102886401</u>	Tube, Axle, Driver-Side .....	1
27	<u>102886501</u>	Axle Assembly, Passenger-Side (includes item 28) .....	1
28	<u>101922201</u>	Lug Stud .....	4
29	<u>102886601</u>	Tube, Axle, Passenger-Side .....	1
30	<u>7330</u>	Inner Axle Tube Bearing .....	2
31	<u>7335</u>	Bearing .....	3
32	<u>7336</u>	Bearing .....	1

15

E

**15**

***E***

# BATTERY CHARGER

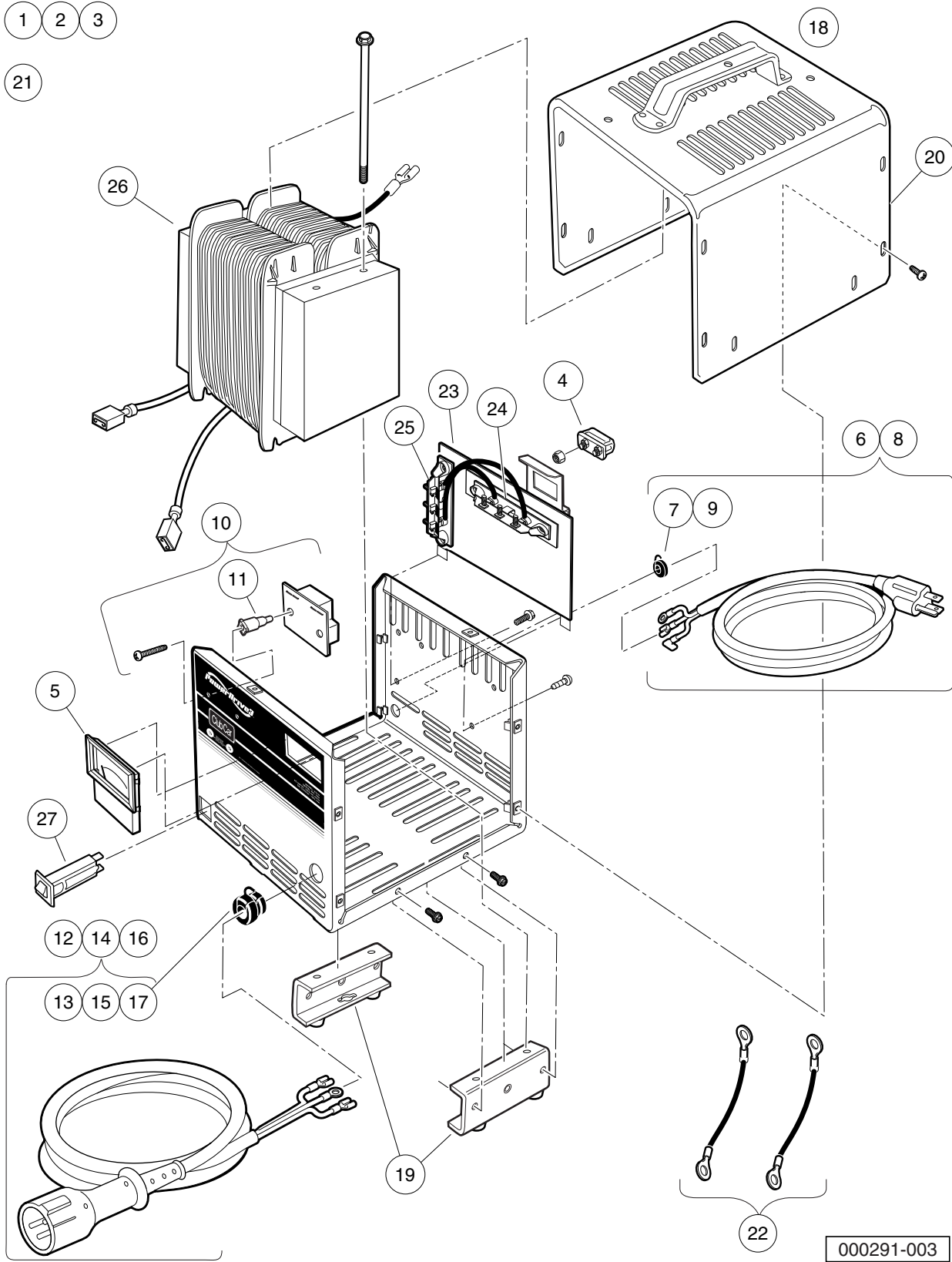
---

16

*E*

1 2 3

21



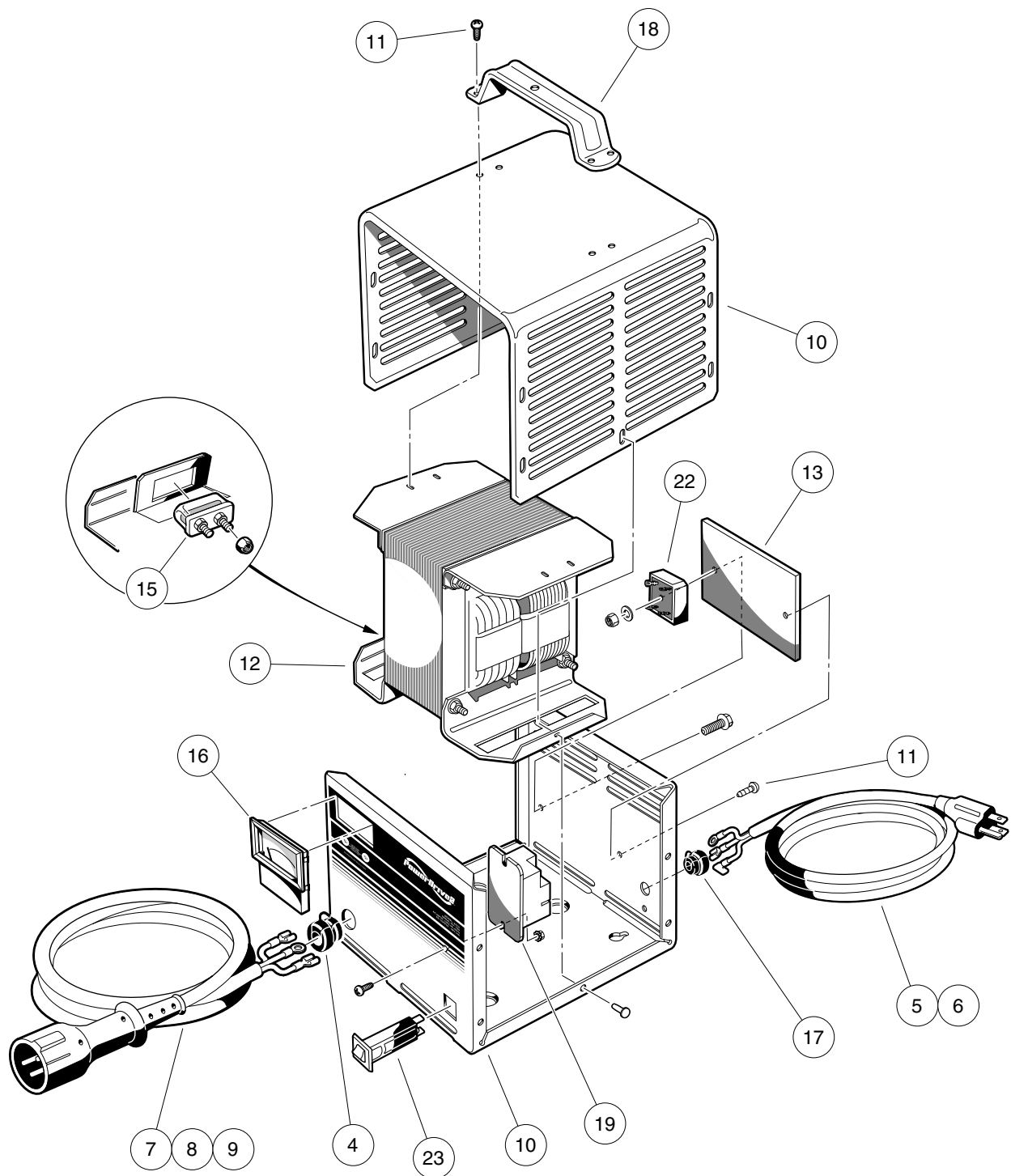
000291-003

# POWERDRIVE 3 BATTERY CHARGER, DOMESTIC

ITEM	PART NO.	DESCRIPTION	QTY
		1 2 3 4	
1	<u>103717001</u>	Chgr, Pd3 Stnry, 9Dc6'Ac' .....	1
2	<u>103717002</u>	Chgr, Pd3 Stnry, 12Dc9'Ac' .....	1
3	<u>103717003</u>	Chgr, Pd3 Stnry, 20Dc9'Ac'(includes items 4 through 27) .....	1
4	<u>102273701</u>	PD2 Fuse Asm .....	1
5	<u>102273801</u>	PD2 Ammeter .....	1
6	<u>103428501</u>	Kit, PD3 Cordset - AC 80" (includes item 7) .....	1
7	<u>102273901</u>	PD2 AC Cord Bushing .....	1
8	<u>103428601</u>	Kit, PD3 Cordset, - AC 114" (includes item 9) .....	1
9	<u>102273901</u>	PD2 AC Cord Bushing .....	1
10	<u>103428701</u>	Asm, PD3 Board Relay (includes item 11) .....	1
11	<u>103429701</u>	PD3 Plastic Stand-Offs .....	2
12	<u>103429001</u>	PD3 Cordset - DC 113" (includes item 13) .....	1
13	<u>1012098</u>	Bushing, DC Cord .....	1
14	<u>103429101</u>	PD3 Cordset - DC 154" (includes item 15) .....	1
15	<u>1012098</u>	Bushing, DC Cord .....	1
16	<u>103429201</u>	PD3 Cordset - DC 205" (includes item 17) .....	1
17	<u>1012098</u>	Bushing, DC Cord .....	1
18	<u>103429301</u>	Asm, PD3 Case (includes items 19 and 20) .....	1
19	<u>103434001</u>	Asm, PD3 Legs .....	1
20	<u>103439901</u>	PD3Case Top (Includes Handle) .....	1
21	<u>103429501</u>	Kit, PD3 Hardware .....	1
22	<u>103513001</u>	Wire Asm Kit Blk Pd3 .....	1
23	<u>103517401</u>	Kit Pd3 Button Diode (includes items 24 and 25) .....	1
24	<u>103512801</u>	Asm Diode Top .....	1
25	<u>103512901</u>	Asm Diode Side .....	1
26	<u>103779601</u>	Transformer, Pd3, Al .....	1
27	<u>CCX8506</u>	Circuit Breaker, 15-Amp/120-Volt .....	1

16

E



000291-001

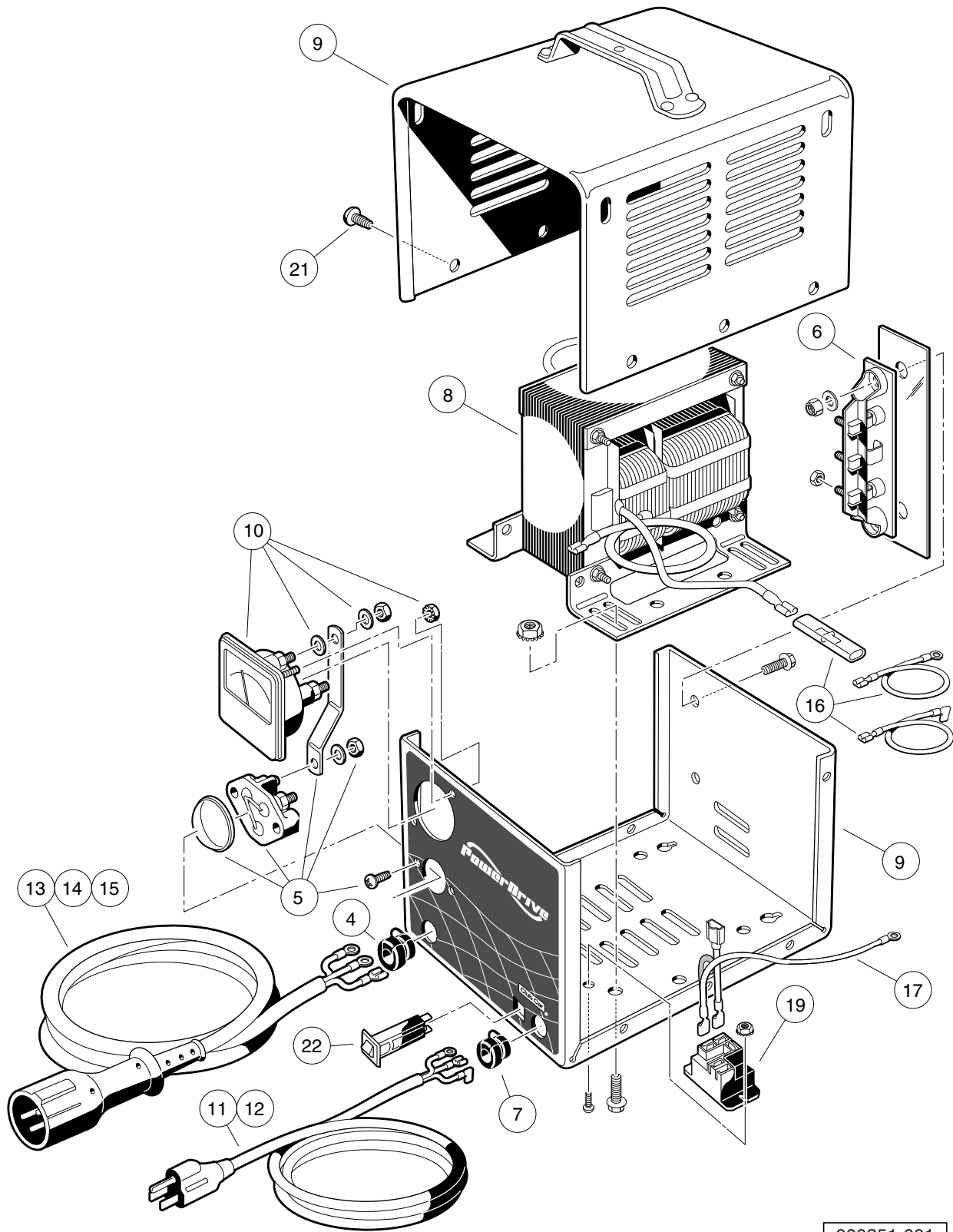


# POWERDRIVE 2 BATTERY CHARGER (MODEL 22110), DOMESTIC

ITEM	PART NO.	DESCRIPTION	QTY
		<b>1 2 3 4</b>	
1	<u>101802204</u>	48-V/13-A PowerDrive 2 (9-ft. DC, 6-ft. AC) .....	1
2	<u>101802205</u>	48-V/13-A PowerDrive 2 (12-ft. DC, 9-ft. AC) .....	1
3	<u>101802206</u>	48-V/13-A PowerDrive 2 (20-ft. DC, 9-ft. AC) (includes items 4 through 23) .....	1
4	<u>1012098</u>	Bushing, DC Cord .....	1
5	<u>101828801</u>	Cord, AC, 80-Inch (203 cm) .....	1
6	<u>101828802</u>	Cord, AC, 108-Inch (274 cm) .....	1
7	<u>101828904</u>	PD2 DC Cordset, 113-inch .....	1
8	<u>101828905</u>	PD2 DC Cordset, 154-inch .....	1
9	<u>101828906</u>	Pd2 Dc Cordset 250 Inch .....	1
10	<u>102273201</u>	PD2 Case (includes item 11) .....	1
11	7577	Screw, #10 X 0.50 Phillips Pan-Head .....	12
12	<u>102273301</u>	PD2 Transformer Asm .....	1
13	<u>102273401</u>	PD2 Heatsink .....	1
14	<u>102273601</u>	PD2 Wire Asm .....	1
15	<u>102273701</u>	PD2 Fuse Asm .....	1
16	<u>102273801</u>	PD2 Ammeter .....	1
17	<u>102273901</u>	PD2 AC Cord Bushing .....	1
18	<u>102274001</u>	PD2 Handle .....	1
19	<u>103414901</u>	Kit, Relay, 48v 30a W/instr (includes items 20 and 21) .....	1
20	<u>103397901</u>	Relay, Spst No, 48v 30a, Pmt .....	1
21	N/A	Kit, Relay, 48v 30a Instrns .....	1
22	<u>103517601</u>	Pd2 Rectifier Kit .....	1
23	<u>CCX8506</u>	Circuit Breaker, 15-Amp/120-Volt .....	1
<p>Note: Item 16 not shown. Level 1 Battery Charger part numbers include one AC and one DC cord. They do not include all of the level 2 cords listed.</p>			

**16**

**E**



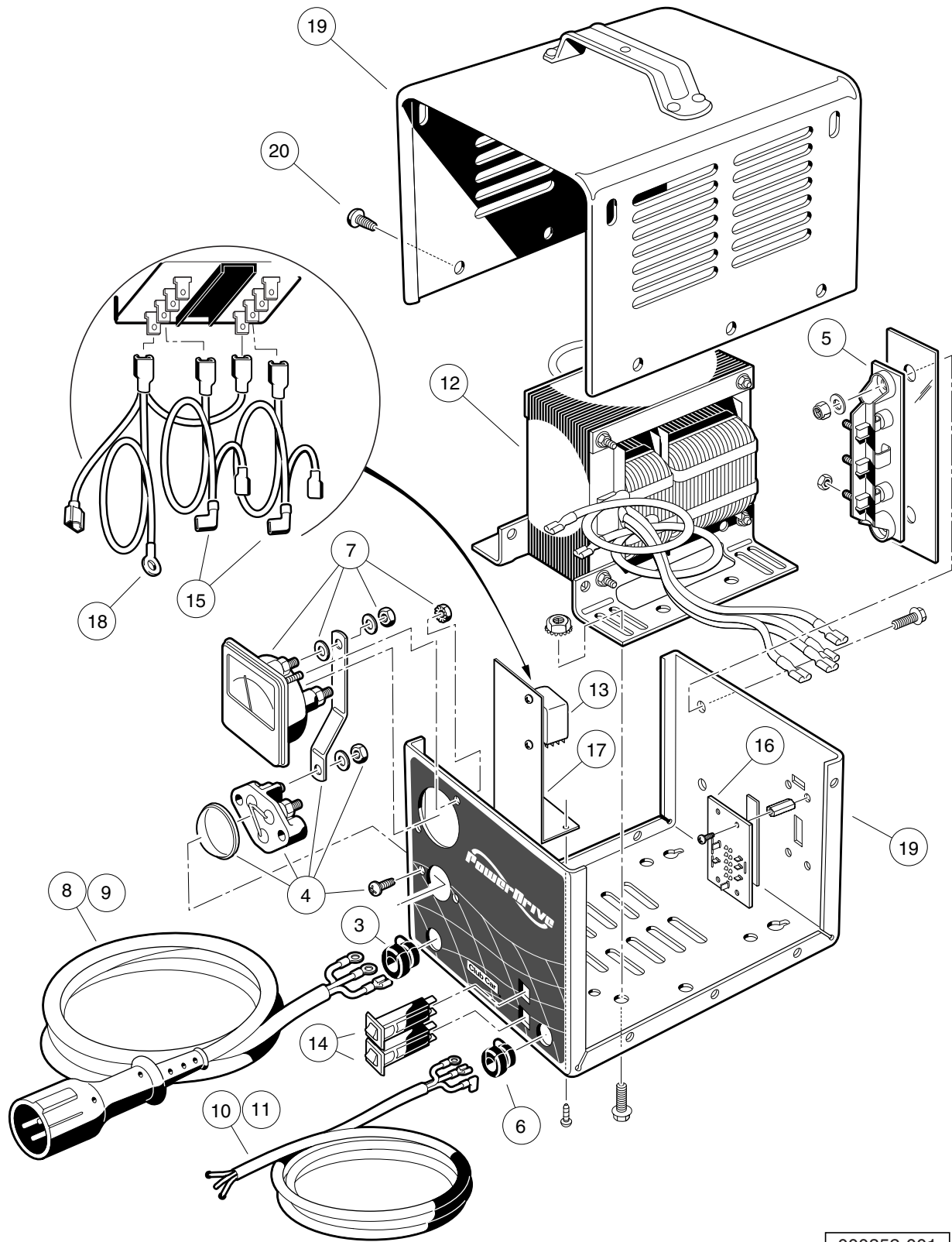
000351-001

# POWERDRIVE BATTERY CHARGER (MODEL 17930), DOMESTIC

ITEM	PART NO.	DESCRIPTION	QTY
		<b>1 2 3 4</b>	
1	<u>101802201</u>	48V/17A PowerDrive (9-ft DC, 6-ft AC Cord) .....	1
2	<u>101802202</u>	48V/17A PowerDrive (12-ft DC, 9-ft AC Cord) .....	1
3	<u>101802203</u>	48V/17A PowerDrive (20-ft DC, 9-ft AC Cord) (includes items 4 through 22) .....	1
4	<u>1012098</u>	Bushing, DC Cord .....	1
5	<u>1012101</u>	Fuse Assembly .....	1
6	<u>1015914</u>	Rectifier with Heatsink Assembly .....	1
7	<u>1015917</u>	Bushing, AC Cord .....	1
8	****	Transformer, Battery Charger .....	1
9	<u>101828301</u>	Case Assembly .....	1
10	<u>101828501</u>	Ammeter .....	1
11	<u>101828801</u>	Cord, AC, 80-Inch (203 cm) .....	1
12	<u>101828802</u>	Cord, AC, 108-Inch (274 cm) .....	1
13	<u>101828901</u>	Cord, DC, 113-Inch (287 cm) .....	1
14	<u>101828902</u>	Cord, DC, 154-Inch (391 cm) .....	1
15	<u>101828903</u>	Cord, DC, 250-Inch (635 cm) .....	1
16	<u>101831101</u>	Wire Assembly Kit .....	1
17	101914401	Assembly, Voltage Suppressor .....	1
18	<u>103414901</u>	Kit, Relay, 48v 30a W/instr (includes items 19 and 20) .....	1
19	<u>103397901</u>	Relay, Spst No, 48v 30a, Pmt .....	1
20	N/A	Kit, Relay, 48v 30a Instrns .....	1
21	7577	Screw, #10 X 0.50 Phillips Pan-Head .....	10
22	<u>CCX8506</u>	Circuit Breaker, 15-Amp/120-Volt .....	1
		**** Special order item available upon request.	
		Note: Level 1 Battery Charger part numbers include one AC and one DC cord. They do not include all of the level 2 cords listed.	

**16**

**E**



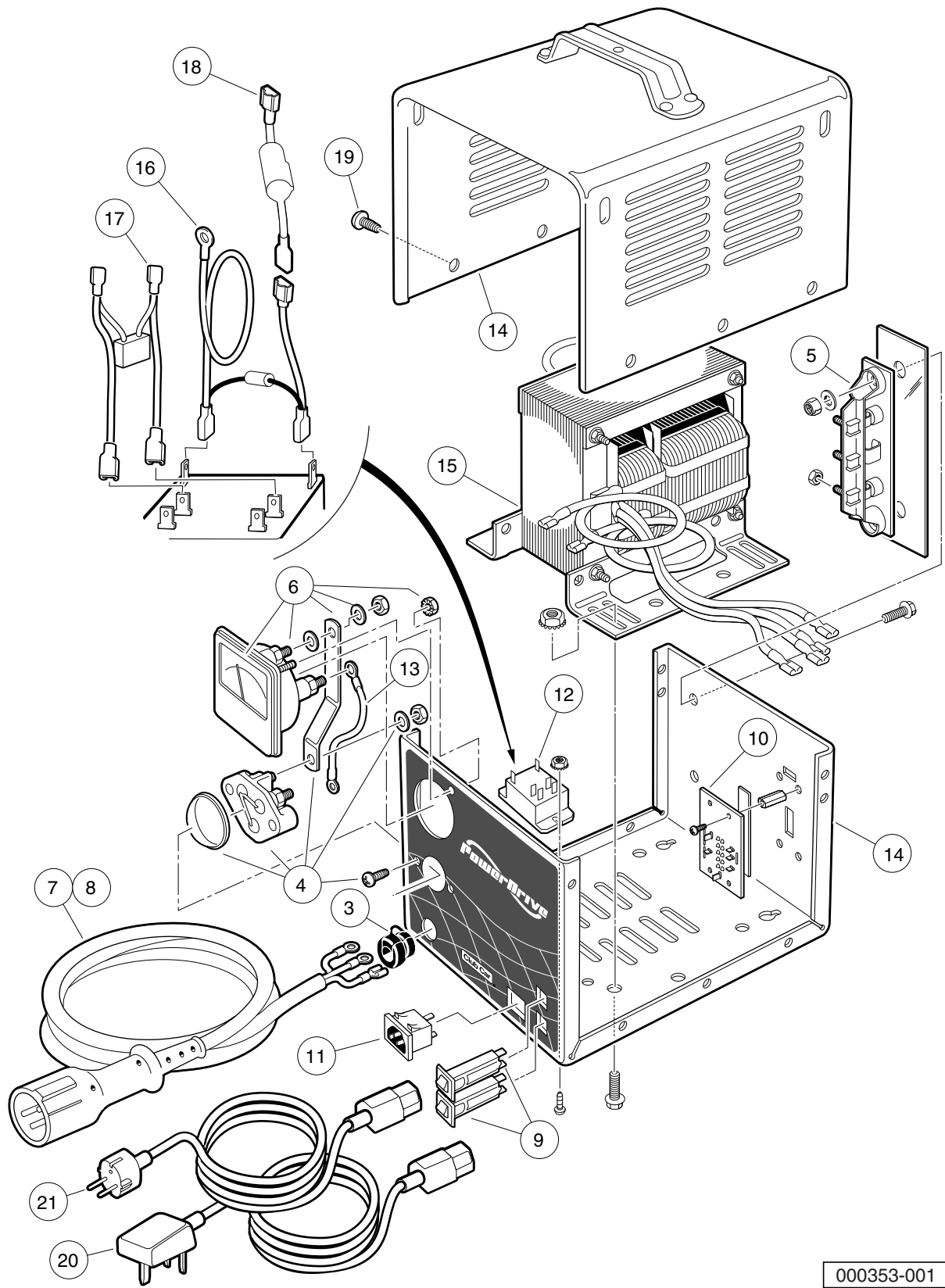
000352-001

# POWERDRIVE BATTERY CHARGER (MODEL 18780), EXPORT

ITEM	PART NO.	DESCRIPTION	QTY
		<b>1 2 3 4</b>	
1	101831503	Battery Charger, 48-Volt DC (8.5-ft DC, 6-ft AC) .....	1
2	101831504	Battery Charger, 48-Volt DC (12-ft DC, 9-ft AC) (includes items 3 through 20) .....	1
3	<u>1012098</u>	Bushing, DC Cord .....	1
4	<u>1012101</u>	Fuse Assembly .....	1
5	<u>1015914</u>	Rectifier with Heatsink Assembly .....	1
6	<u>1015917</u>	Bushing, AC Cord .....	1
7	<u>101828501</u>	Ammeter .....	1
8	<u>101828901</u>	Cord, DC, 113-Inch (287 cm) .....	1
9	<u>101828902</u>	Cord, DC, 154-Inch (391 cm) .....	1
10	<u>101831701</u>	Cord, AC, 80-Inch (203 cm), without Plug .....	1
11	<u>101831702</u>	Cord, AC, 118-Inch (203 cm), without Plug .....	1
12	101838201	Transformer, Export Battery Charger .....	1
13	<u>101838301</u>	Relay, Export Charger .....	1
14	101838401	Circuit Breaker .....	2
15	101838501	Kit, Wire Assembly .....	1
16	101838601	Four-Position Switch .....	1
17	****	Mounting Bracket, Relay .....	1
18	101914401	Assembly, Voltage Suppressor .....	1
19	N/A	Case, Charger .....	1
20	7577	Screw, #10 X 0.50 Phillips Pan-Head .....	10
<p>**** Special order item available upon request.</p> <p>Note: Level 1 Battery Charger part numbers include one AC and one DC cord. They do not include all of the level 2 cords listed.</p>			

16

E



000353-001

# POWERDRIVE BATTERY CHARGER (MODEL 20310), EUROPEAN

**16**

**E**

ITEM	PART NO.	DESCRIPTION	QTY
		<b>1 2 3 4</b>	
1	<u>101956201</u>	Battery Charger, 48-Volt w/ 4-Position Switch (8.5-ft DC) .....	1
2	<u>101956202</u>	Battery Charger, 48-Volt w/ 4-Pos. Switch (12-ft DC) (includes items 3 through 19) .....	1
3	<u>1012098</u>	Bushing, DC Cord .....	1
4	<u>1012101</u>	Fuse Assembly .....	1
5	<u>1015914</u>	Rectifier with Heatsink Assembly .....	1
6	<u>101828501</u>	Ammeter .....	1
7	<u>101828901</u>	Cord, DC, 113-Inch (287 cm) .....	1
8	<u>101828902</u>	Cord, DC, 154-Inch (391 cm) .....	1
9	101838401	Circuit Breaker .....	2
10	101838601	Four-Position Switch .....	1
11	101973501	Receptacle, AC Cord .....	1
12	<u>101987501</u>	Relay .....	1
13	N/A	Wire, Jumper .....	1
14	N/A	Case, Charger .....	1
15	****	Transformer, European Battery Charger .....	1
16	****	Suppressor, AC Voltage .....	1
17	****	Assembly, Wire .....	1
18	****	Limiter, Current .....	1
19	7577	Screw, #10 X 0.50 Phillips Pan-Head .....	10
20	<u>101958201</u>	Cord, UK, AC, Battery Charger .....	1
21	101958301	Cord, European AC, Battery Charger .....	1
		**** Special order item available upon request.	
		Note: Level 1 Battery Charger part numbers include one AC and one DC cord. They do not include all of the level 2 cords listed.	

**16**

***E***



# MAINTENANCE AND SERVICE TOOLS

---

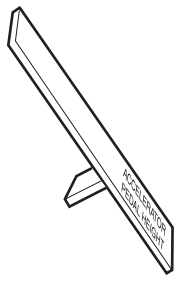
17

G

E

D

**17**  
**G**  
**E**  
**D**



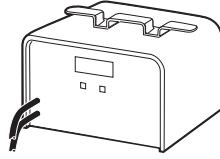
1



2



3



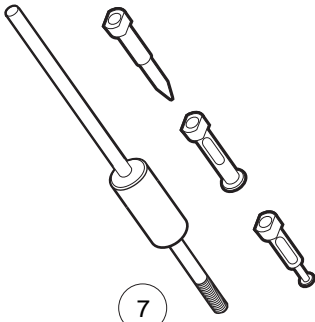
4



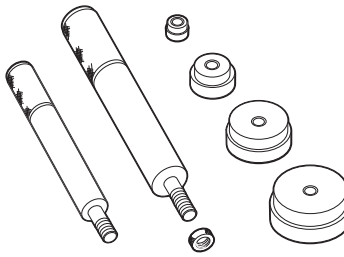
5



6



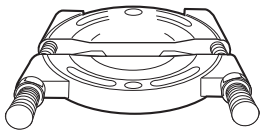
7



8



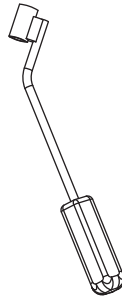
9



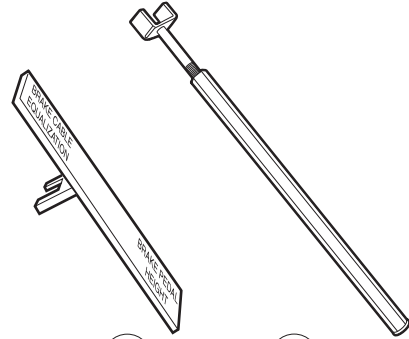
10



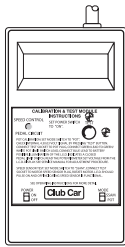
11



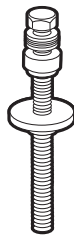
12



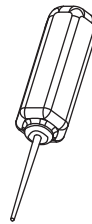
14 15  
13



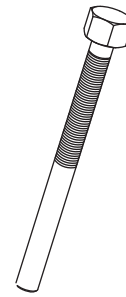
16



17



18



19

# MAINTENANCE AND SERVICE TOOLS

ITEM	PART NO.	DESCRIPTION	QTY DIESEL	QTY GAS	QTY ELEC
		<p style="text-align: center;">1 2 3 4</p> <p>The following tool list includes all tools available from Club Car for maintenance and service procedures for gasoline, electric, and/or diesel vehicles, both past and present models. Be sure to carefully examine the tool list for applicability to your vehicle before ordering.</p>			
1	<u>101871001</u>	Accelerator Pedal Adjustment Tool .....		1	1
2	<u>101813202</u>	Adhesive, Guide Ring, 3-Gram Tube .....			1
3	<u>101641202</u>	Arbor .....		1	
4	<u>101831901</u>	Battery Discharge Machine, 36/48 Volt .....			1
5	<u>1014305</u>	Battery Terminal Protector Spray .....	1	1	1
6	1011767	Battery Thermometer .....	1	1	1
7	<u>1016417</u>	Bearing and Oil Seal Remover Assembly .....	1	1	1
8	<u>1016416</u>	Bearing Driver Set .....	1	1	1
9	<u>1012811</u>	Bearing Puller .....	1	1	1
10	<u>1012812</u>	Bearing Puller Wedge Attachment .....	1	1	1
11	1013582	Brake Adjustment Tool (used only on vehicles with manually adjusted mechanical brakes) .....			
12	<u>102555501</u>	Brake Cable Release Tool .....	1	1	1
13	102249901	Brake Pedal Adjustment Tool Kit (used for the Carryall Electric Industrial Truck only) (includes items 14 and 15).....			1
14	****	Brake Pedal Adjustment Tool .....			1
15	****	Brake Pedal Tension Tool .....			1
16	<u>101887101</u>	Calibration Test Module .....			1
17	<u>101808401</u>	Cam Installation Tool .....		1	
18	<u>102562401</u>	Charger Bezel Tool .....			1
19	<u>102686101</u>	Clutch Removal Tool (for 4x4 vehicles) .....	1	1	
		Please refer to the maintenance and service manual for proper tool application.			
	****	Special order item available upon request			

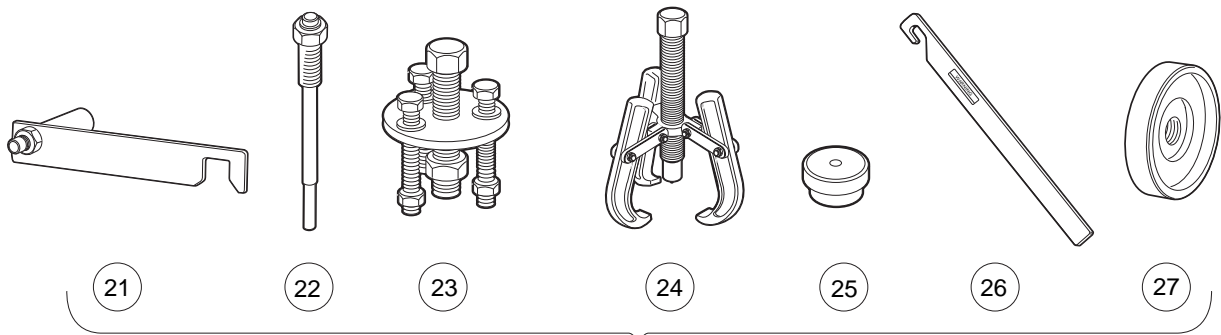
**17**

**G**

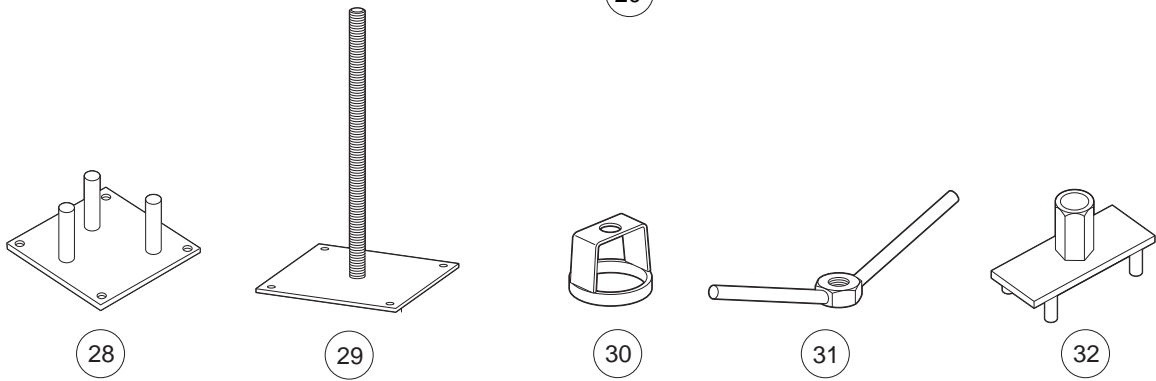
**E**

**D**

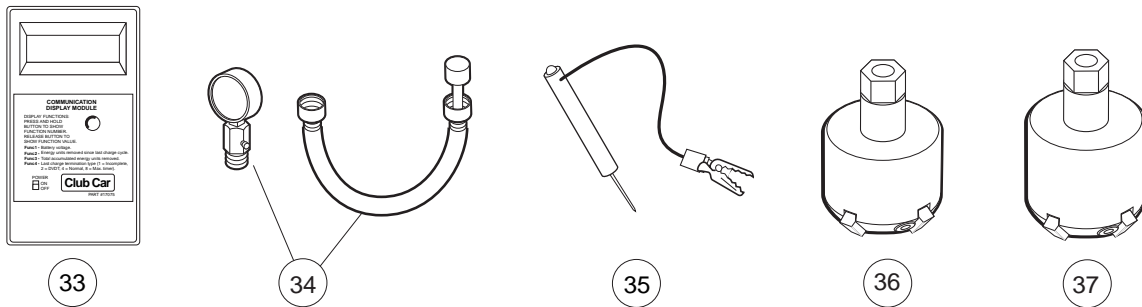
**17**  
**G**  
**E**  
**D**



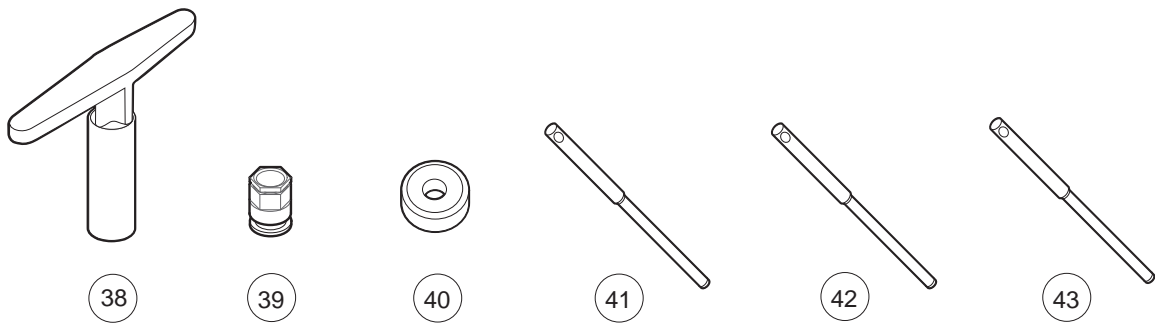
(21) (22) (23) (24) (25) (26) (27)  
20



(28) (29) (30) (31) (32)



(33) (34) (35) (36) (37)



(38) (39) (40) (41) (42) (43)

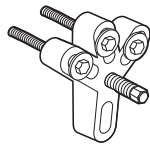
## MAINTENANCE AND SERVICE TOOLS, CONTINUED

ITEM	PART NO.	DESCRIPTION	QTY DIESEL	QTY GAS	QTY ELEC	<b>17</b>
		<b>1 2 3 4</b>				<b>G</b>
20	<u>1014510</u>	Clutch Tool Kit (includes items 21 - 27) .....		1		<b>E</b>
21	<u>1014498</u>	Clutch Alignment Tool (for pre-unitized transaxle vehicles built prior to 1997 model year) .....		1		<b>D</b>
22	<u>1014496</u>	Drive Clutch Puller (for Kawasaki engines only) .....		1		
23	<u>1014497</u>	Drive Clutch Hub Puller (for Kawasaki engines only) .....		1		
24	<u>1014508</u>	Driven Clutch Cam Puller (for Kawasaki engines only) .....		1		
25	<u>1014507</u>	Driven Clutch Puller Plug (for Kawasaki engines only) .....		1		
26	<u>1015524</u>	Drive Clutch Holder Tool Assembly (for Kawasaki engines only) .....		1		
27	<u>101809101</u>	Press Weldment (for Kawasaki engines only) .....		1		
28	<u>102601501</u>	Drive ClutchFixed Sheave Tool (for 4x4 vehicles) .....	1	1		
29	<u>102603501</u>	Driven Clutch Spring Compression Base (for use with items 30 and 31) (for 4x4 vehicles) .....	1	1		
30	<u>102605201</u>	Driven Clutch Spring Compression Collar (for use with items 29 and 31) (for 4x4 vehicles) .....	1	1		
31	<u>102606101</u>	Driven Clutch Spring Compression Nut (for use with items 29 and 30) (for 4x4 vehicles) .....	1	1		
32	<u>102607501</u>	Drive Clutch Spider Removal Tool (for 4x4 vehicles) .....	1	1		
33	101831801	Communication Display Module .....			1	
34	101641002	Compression Gauge and Adapter .....		1		
35	1011273	Continuity Tester .....		1	1	
36	<u>102773801</u>	Cutter, Valve Seat, #122 .....		1		
37	<u>102773901</u>	Cutter, Valve Seat #115 .....		1		
38	<u>102774101</u>	Wrench, T, #505.....		1		
39	<u>102774101</u>	Adapter, T-Wrench .....		1		
40	102675401	Cutter, Valve Seat, 60 Degree (requires item 51) (for Honda GX620 Gasoline Engines) .....		1		
41	<u>102774201</u>	Pilot, 6.6 MM .....		1		
42	<u>102774301</u>	Pilot, 6.62 MM.....		1		
43	<u>102774401</u>	Pilot, 6.65 MM.....		1		
		Please refer to the maintenance and service manual for proper tool application.				

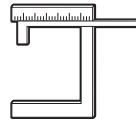
**17**  
**G**  
**E**  
**D**



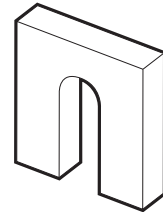
44



45



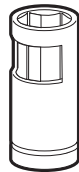
46



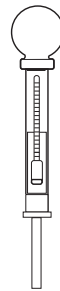
47



48



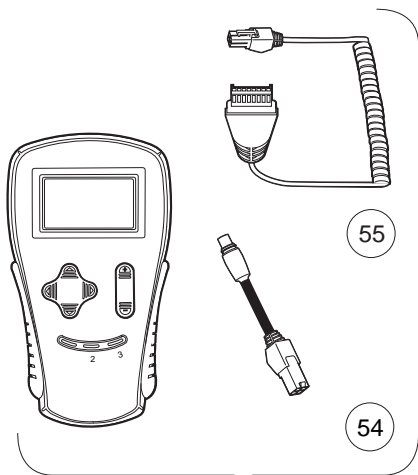
49



50



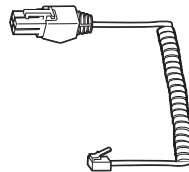
51



52 53

55

54



56



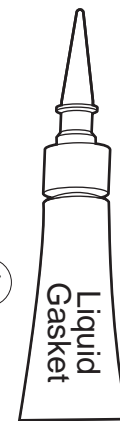
58



59 60



61



57

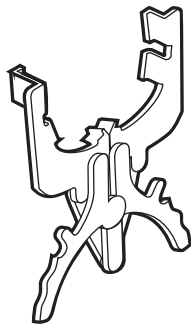
## MAINTENANCE AND SERVICE TOOLS, CONTINUED

ITEM	PART NO.	DESCRIPTION	QTY DIESEL	QTY GAS	QTY ELEC	<b>17</b>
		1 2 3 4				<b>G</b>
44	<u>1012151</u>	Dry Moly Lubricant .....	1	1	1	<b>E</b>
45	<u>1016627</u>	Flywheel Puller Kit (for Kawasaki Engines) .....		1		<b>D</b>
46	<u>102669901</u>	Gauge, Carburetor Float Level (for Honda GX620 Gasoline Engines) .....		1		
47	<u>1016418</u>	Gear Yoke .....	1	1	1	
48	<u>101933101</u>	Governor Shaft Installation Tool (for Kawasaki Engine Vehicles) .....		1		
49	<u>102169401</u>	Hydraulic Brake Adjuster (for Turf/CA 272/472, Pioneer/XRT 1200, Bobcat 2100, HUV 4213) .....			1	
50	<u>1011478</u>	Hydrometer .....	1	1	1	
51	<u>1013593</u>	Internal Retaining Ring Pliers .....	1	1	1	
52	<u>102248803</u>	IQ Display Module (IQDM) Kit (IQ System and IQ Plus vehicles) .....			1	
		(includes items 54 and 55)				
53	<u>102248804</u>	IQ Display Module (IQDM-P) Kit (IQ System and IQ Plus vehicles) .....			1	
		(includes items 54 and 55)				
54	<u>102251501</u>	Adaptor, Cable .....			1	
55	<u>102241502</u>	IQDM Series 2 Cable .....			1	
56	<u>102241501</u>	IQDM Series 1 Cable (replacement) .....			1	
57	<u>101928701</u>	Liquid Gasket (transaxle case) .....	1	1	1	
58	<u>102243402</u>	Moly-Teflon Lubricant (4-oz. (113-gram) tube) .....			1	
59	<u>101997201</u>	Paint, Touch-Up – Beige* .....		1	1	
59	<u>101997207</u>	Paint, Touch-Up – Black* .....		1	1	
59	<u>101997212</u>	Paint, Touch-Up – Burgundy* .....		1	1	
59	<u>101997211</u>	Paint, Touch-Up – Classic Blue (Navy)* .....		1	1	
59	<u>101997205</u>	Paint, Touch-Up – Dark Gray* .....	1	1	1	
59	<u>101997209</u>	Paint, Touch-Up – Dark Green* .....	1	1	1	
59	<u>101997204</u>	Paint, Touch-Up – Gray* .....	1	1	1	
59	<u>101997203</u>	Paint, Touch-Up – Red* .....	1	1	1	
59	<u>101997206</u>	Paint, Touch-Up – Royal Blue (Pacific Blue)* .....		1	1	
59	<u>101997202</u>	Paint, Touch-Up – White* .....	1	1	1	
60	<u>102562301</u>	Paint, Precedent Underbody – Gray .....		1	1	
61	<u>102587201</u>	Paint Pen, Touch-Up, Precedent Underbody – Black .....		1	1	
		Please refer to the maintenance and service manual for proper tool application.				
		* Item 59 is not for use on Surlyn <sup>®</sup> body material, which is used on Precedent vehicles.				

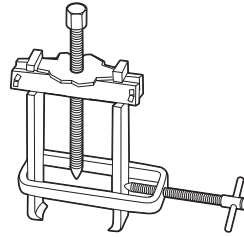
**17**  
**G**  
**E**  
**D**



62



63



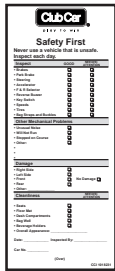
64



65



66



67



68



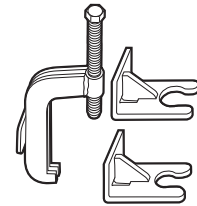
69



70



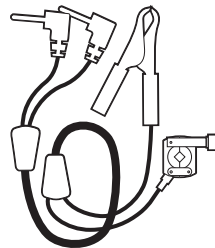
71



72



73



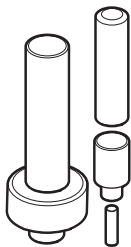
74



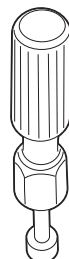
75



76



77



83



84



85



86



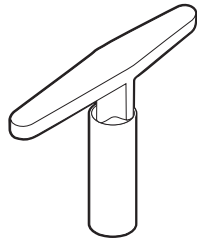
## MAINTENANCE AND SERVICE TOOLS, CONTINUED

ITEM	PART NO.	DESCRIPTION	QTY DIESEL	QTY GAS	QTY ELEC	<b>17</b>
		1 2 3 4				<b>G</b>
62	<u>1016414</u>	Piston Ring Compressor Kit (FE290, FE350 and FE400 engines) .....		1		<b>E</b>
63	<u>1016415</u>	Piston Ring Pliers (for Kawasaki Engines) .....		1		<b>D</b>
64	<u>102668801</u>	Puller, Special Use (for Kubota D722 Diesel Engines) .....	1			
65	<u>1012549</u>	Retaining Ring Pliers, 45° External .....	1	1	1	
66	<u>1012560</u>	Retaining Ring Pliers, 90° Internal .....	1	1	1	
67	<u>101823101</u>	Safety First Card (50 per pack) .....	1	1	1	
68	<u>1012809</u>	Seal Puller .....	1	1	1	
69	<u>102330901</u>	Spanner Wrench (for coil over shock front suspension vehicles only) .....	1	1		
70	<u>1014264</u>	Steering Column Bearing Press Tool .....		1	1	
71	<u>1014259</u>	Steering Column Retaining Ring Tool .....		1	1	
72	<u>102061201</u>	Steering Wheel Puller Tool .....	1	1	1	
73	<u>AM10753</u>	Tachometer (includes gasoline engine pick up lead only) .....	1	1		
74	<u>AM10771</u>	Tachometer Diesel Probe (for use with item 73) .....	1			
75	<u>1014162</u>	Transaxle Axle Seal Tool .....		1		
76	<u>1014161</u>	Transaxle Pinion Seal Tool .....		1		
77	<u>1014115</u>	Transmission Tool Kit .....		1		
78	<u>101611003</u>	Tune-Up Kit, All OHV (for FE290, FE350, FE400 only) (includes air filter, spark plug, oil filter, fuel filters) (not shown) .....		1		
79	<u>AM11804</u>	Tune-Up Kit, Gx620 (for Honda Engines) (includes air filter, spark plug, oil filter, fuel filters) (not shown) .....		1		
80	<u>AM11805</u>	Tune-Up Kit, D722 (for Kubota Engines) (includes air filter, oil filter, fuel filters, water separator filter) (not shown) .....	1			
81	<u>AM1220301</u>	Tune-Up Kit, Precedent (for FE290/350 Engines) (includes air filter, spark plug, oil filter, fuel filters) (not shown) .....		1		
82	<u>AM1232401</u>	Tune-Up Kit, FH680D (for Kawasaki V-Twin Engines) (includes oil filter, fuel filter, air filter, and spark plugs) (not shown) .....		1		
83	<u>1016413</u>	Valve Clearance Adjuster Screw Holder (for FE290 engines only) .....		1		
84	<u>102674601</u>	Valve Guide Driver (for Honda GX620 Gasoline Engines) .....		1		
85	<u>101641201</u>	Valve Guide Reamer (FE290, FE350, and FE400 only) .....		1		
86	<u>102674401</u>	Valve Guide Reamer, 6.6 mm (for Honda GX620 Gasoline Engines) .....		1		

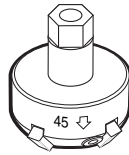
**17**  
**G**  
**E**  
**D**



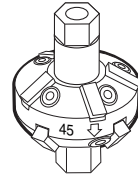
87



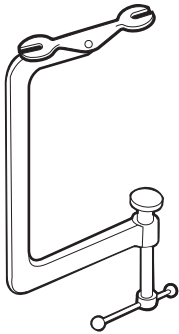
88



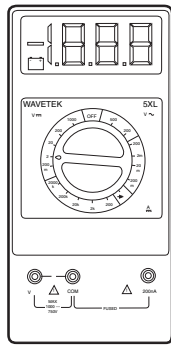
89



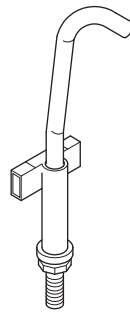
90



91



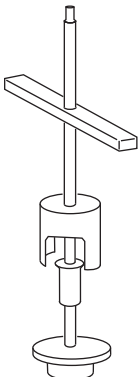
92



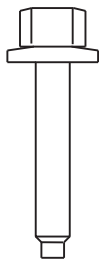
93



94



95



96

## MAINTENANCE AND SERVICE TOOLS, CONTINUED

ITEM	PART NO.	DESCRIPTION	QTY DIESEL	QTY GAS	QTY ELEC
		1 2 3 4			
87	<u>1016552</u>	Valve Seat Cutter Guide .....		1	
88	<u>1016551</u>	Valve Seat Cutter T-Wrench .....		1	
89	<u>1016553</u>	Valve Seat Cutter, 45° (32 mm diameter) (for FE290 engines only) .....		1	
90	<u>1016554</u>	Valve Seat Cutter, 45°/30° (35 mm diameter) .....		1	
91	<u>101641101</u>	Valve Spring Compressor .....		1	
92	1011480	Volt Ohm Meter .....	1	1	1
93	<u>102570401</u>	Tool, Tensioning, Starter Generator (For Precedent vehicles) .....		1	
94	<u>103601401</u>	Puller, Drive Clutch, XRT 950* .....		1	
95	<u>103601701</u>	Tool, Disassembly, Driven Clutch, XRT 950 .....		1	
96	<u>103600501</u>	Screw, Driven Clutch Disassembly, M6, XRT 950 .....		1	
		<p>*Note: The XRT 950 Drive Clutch Puller requires the use of Screw, Driven Clutch Disassembly, CCI Part Number <u>103600501</u>.</p>			

17

G

E

D



# INDEX

## Part Number and Page

AM10753	17-9	8251	1-13, 1-15, 1-21, 1-25, 1-27, 11-11	1011578	13-19
AM10771	17-9	8418	1-17	1011652	1-11
AM10079	6-9	8450	10-3	1011694	4-9, 4-11
AM10080	11-5	8639	13-21	1011697	1-5, 5-3, 8-7, 8-9, 13-17, 13-19
AM10081	11-5	8717	4-9, 4-11, 6-7, 11-3, 11-9	1011700	4-9, 4-11
AM10419	10-7	8754	4-9, 4-11, 5-3, 5-7, 5-9, 5-13, 5-15, 5-17, 6-15	1011734	4-13
AM10682	2-3	8755	5-9, 5-13, 5-15	1011767	17-3
AM10724	7-5	8861	5-7	1011779	4-7
CCX8506	16-3, 16-5, 16-7	8990	5-17, 6-7, 13-11, 13-21, 13-23	101187702	4-5
183	8-13, 10-3, 11-3	1010124	5-9	1011931	4-9, 4-11
324	1-19	1010138	5-7	1011988	8-3
332	1-11, 1-13, 1-15, 1-19, 1-25, 1-27, 8-11, 9-3, 11-11, 13-23	1010142	5-13, 5-15	1012047	1-13, 1-15, 1-25, 1-27
334	4-9, 4-11, 5-3, 5-17, 7-15	1010144	5-13, 5-15	1012098	16-3, 16-5, 16-7, 16-9, 16-11
357	5-9	1010145	5-13, 5-15	1012101	16-7, 16-9, 16-11
451	9-3, 14-3, 14-5, 14-7	1010150	5-9	1012151	17-7
705	6-15, 7-15	1010177	5-9	1012159	1-15, 1-25
706	5-9	1010413	1-17	1012180	5-13, 5-15
808	10-3	1010434	1-17, 1-23	1012181	5-13, 5-15
1028	1-17, 4-5	1010435	1-3	1012182	5-13, 5-15
1032	4-5	1010543	1-11	1012285	8-9, 11-3, 11-11, 13-21
1035	4-7	1010577	7-15	1012295	6-7
1241	1-3, 1-17, 4-5, 4-7, 4-9, 4-11, 6-7, 6-15, 6-17, 9-3, 14-3	1010805	4-5	1012303	5-9, 5-13, 5-15
1242	4-7, 6-7, 6-15	1010829	4-7	1012304	5-13, 5-15
1606	8-13	1010877	4-5	1012333	11-11
1620	1-7	1010878	4-5	1012382	6-5
1624	4-9, 4-11, 5-17	101090801	13-19	1012412	1-13, 1-15, 1-25, 1-27
2402	5-7	101090802	13-19	1012431	6-7, 6-9, 11-9, 13-11
7048	5-11	1010921	1-17, 4-5	1012466	5-3
7173	6-15, 6-17	1010927	4-5	1012505	6-9, 13-11
7174	5-3, 6-15, 8-9, 9-3, 14-3, 14-5	1010932	4-5	1012528	9-3, 13-21
7251	1-3	1010933	4-5	1012549	17-9
727102	2-3	1010934	6-17, 14-3, 14-5	1012560	17-9
7310	2-3	1010953	4-3	1012565	5-5
7330	11-7, 15-3	1010954	6-7, 11-3, 11-9	1012566	5-5
7335	11-5, 15-3	1010958	13-19	1012571	7-15
7336	15-3	1010984	2-3	1012581	1-21
7473	1-3, 1-5, 1-17, 4-5, 4-7, 4-9, 4-11, 6-7, 6-15, 6-17	1010993	1-13, 1-15, 1-25, 1-27	1012594	11-9
7479	1-15, 1-17, 1-25	1011014	1-3	1012604	5-3
7555	5-17	1011017	1-3	1012605	5-3
7577	16-5, 16-7, 16-9, 16-11	1011019	1-7	1012649	8-3
7716	4-5, 4-9, 4-11	1011084	4-13	1012711	11-3
7818	1-17, 6-7	1011229	6-9, 13-11	1012714	11-5
7847	1-9, 1-13, 1-27, 9-3	1011273	17-5	1012740	11-5
7893	6-7, 11-11	1011280	14-3	1012741	11-5
7973	1-7	1011285	14-3	1012747	11-5
8056	6-9, 13-11	1011290	14-3	1012748	11-5
8057	6-7, 6-9, 11-9, 13-11	1011291	11-7	1012752	11-3
8058	6-7, 6-9, 11-9, 13-11	1011382	1-7	1012809	17-9
8067	5-11	1011394	1-3	1012811	17-3
8233	1-13, 1-15, 1-19, 1-25, 1-27, 4-9, 4-11, 8-3, 11-3, 11-9, 11-11, 13-23	1011402	4-5	1012812	17-3
8248	8-3, 11-9, 13-23	1011411	14-3	1012830	6-15, 8-9, 9-3
		1011415	5-13, 5-15	1012836	10-7
		1011418	4-5	1012896	11-3
		1011478	17-7	1012987	11-9
		1011480	17-11	1012991	6-11
				1013001	6-11

# INDEX

1013003	6-11	1014057	10-3	1014928	8-3
1013005	6-11	1014058	10-3	1014947	13-21
101301102	6-11	1014059	10-3	1014948	6-7
1013032	1-21	1014062	10-3	101503202	1-7, 1-13, 1-15, 1-25, 1-27
1013035	5-17	1014063	10-3	1015064	11-9
1013042	5-7, 5-17	1014065	6-7, 10-3, 11-9	1015072	13-17, 13-19
1013044	5-17	1014070	10-7	1015075	1-3, 1-17
1013051	5-17	1014072	10-7	1015137	8-3, 8-7
1013052	5-17	1014076	10-7	1015139	8-3
1013061	11-3, 13-15	1014078	10-7	1015143	8-3
1013164	5-13, 5-15	1014080	10-7	101524001	6-15
1013207	5-15	1014089	11-9	1015330	7-9, 9-3
1013216	1-21	1014115	17-9	1015332	6-5, 7-3
1013218	1-21	1014116	8-3	1015371	6-7
1013343	1-7	1014119	6-7	1015372	6-7
1013344	1-7	1014125	5-3	1015373	6-7
1013494	1-7	1014126	5-3	1015405	6-7
1013531	4-7	1014145	6-7, 11-9	1015426	8-11
1013582	17-3	1014153	4-3	101547601	3-3
1013587	11-9	1014161	17-9	1015524	17-5
1013589	6-7, 11-9	1014162	17-9	1015525	1-21
1013590	11-9	1014193	11-7	1015545	5-3
1013591	11-9	1014198	3-3, 3-5	1015583	5-9, 5-13, 5-15
1013593	17-7	1014201	14-3, 14-5, 14-7	1015597	5-11
1013609	6-7	1014207	11-7	1015649	7-3
1013683	13-19	1014211	5-3	101570501	2-3
1013687	8-3	1014212	5-3	101570507	2-3
1013700	8-9	1014213	5-3	101570512	2-3
1013734	9-3, 13-21	1014214	5-3	101570513	2-3
1013746	8-3, 8-7	1014216	5-3	1015707	2-3
1013754	1-17	1014217	5-3	1015720	6-9, 13-11
1013760	11-3	1014259	17-9	1015737	6-5, 6-7
1013768	11-7	1014264	17-9	1015741	6-7
1013769	11-7	1014276	5-9	1015752	6-7, 8-11, 13-13
1013770	11-7	1014287	10-3	1015814	9-3
1013771	11-7	1014288	5-3, 6-17, 10-3, 13-21	101584502	8-9
1013772	11-7	1014289	6-11	1015878	6-7
1013773	11-7	1014304	13-17, 13-19	1015914	16-7, 16-9, 16-11
1013774	11-7	1014305	17-3	1015917	16-7, 16-9
1013787	11-7	1014306	1-13, 1-15, 1-25, 1-27	1015920	6-5, 6-15
1013792	11-7	1014375	6-17	1015932	6-15
1013794	11-7, 15-3	1014453	10-3	1015969	7-3
1013869	4-5	1014454	10-7	1016074	6-15
1013870	4-5	1014482	1-17	1016103	8-7
1013871	4-9, 4-11	1014496	17-5	101611003	17-9
1013876	4-5	1014497	17-5	1016154	5-5
1013924	4-3, 7-15	1014498	17-5	1016156	5-5
1013935	1-17	1014507	17-5	1016181	5-3
1013983	1-5	1014508	17-5	1016183	5-3
1014007	4-9, 4-11, 11-3	1014510	17-5	1016201	10-3, 11-9
1014049	10-3	1014555	5-13, 5-15	1016203	10-5
1014050	10-3	1014645	1-7	1016219	5-5
1014051	10-3	1014727	11-9	1016263	5-3
1014052	10-3	1014771	2-3	1016269	5-3
1014055	10-3	1014807	6-7, 11-9	1016289	10-3
1014056	10-3	1014808	6-7	1016337	11-5

# INDEX

1016338	11-5	1016458	7-9, 7-11	1016536	7-3
1016341	11-3	101645901	7-13	1016537	7-7
1016342	11-9	101645902	7-13	1016538	7-11
1016346	5-7	101645903	7-13	1016539	7-3
1016349	5-7	1016460	7-13	1016541	7-13
1016350	5-7	101646101	7-13	1016542	7-9
1016351	5-7	101646102	7-13	1016544	7-5, 7-9, 7-11
1016353	5-7	101646103	7-13	1016545	7-9
1016379	1-5	1016467	7-7	1016546	8-9
1016384	5-9	1016469	7-13	1016547	7-3, 7-13, 8-7
1016385	5-7	1016470	7-13	1016548	7-5
1016386	5-9	1016471	7-9	1016549	7-9
1016387	5-7, 5-9	1016472	7-11	101655001	7-13
1016389	5-9	1016473	7-7	101655002	7-13
1016401	6-7	1016474	7-9	101655003	7-13
101641002	17-5	101647501	7-13	101655004	7-13
101641101	17-11	101647502	7-13	101655005	7-13
101641201	17-9	1016479	7-9	101655006	7-13
101641202	17-3	1016480	8-7	101655007	7-13
1016413	17-9	101648102	8-7	101655008	7-13
1016414	17-9	101648203	7-7	101655009	7-13
1016415	17-9	1016483	7-9	1016551	17-11
1016416	17-3	1016484	7-7	1016552	17-11
1016417	17-3	1016486	8-5	1016553	17-11
1016418	17-7	1016489	7-9	1016554	17-11
101642572	8-5	101649002	8-7	1016558	7-13
101642575	8-5	1016493	7-5	1016559	7-13
101642578	8-5	1016494	7-11	1016560	7-9
101642580	8-5	1016496	7-11	1016561	7-5
101642582	8-5	1016497	7-5	1016562	7-5, 7-13
1016429	7-7	1016499	8-5	1016563	7-9
1016430	7-9	1016501	8-5	1016564	7-11
1016431	7-9	1016502	7-7	1016565	7-11
1016432	7-7, 11-3	1016505	7-5	1016566	7-9
1016435	7-7	1016506	7-11	1016567	7-11
1016436	7-9	1016507	7-3	1016568	7-13
1016437	8-5	1016509	7-13	1016569	7-9
1016438	8-7	1016510	7-11	1016570	7-7
1016439	8-7	1016513	11-3	1016571	7-13
1016440	7-9, 8-7	101651401	2-3	1016572	8-7
1016441	8-7	101651407	2-3	1016576	7-7
1016443	7-3	101651412	2-3	1016578	7-5
1016444	8-7	101651413	2-3	1016579	7-5
1016445	7-5	1016516	7-13	1016580	7-13
1016446	7-9, 7-11	1016517	7-9	1016581	7-7
1016447	7-9	1016519	7-9	1016582	8-7
1016448	7-9	1016520	7-11	1016583	7-9
1016449	7-9	1016521	7-11	1016584	7-11
1016450	7-9	1016523	7-9	1016585	8-5
1016451	7-9	1016524	7-3	1016586	7-5
1016452	7-9	1016525	7-3	1016587	7-5
1016453	7-11	1016526	7-3	1016588	7-5
1016454	7-11	1016531	7-3	101660404	1-7
1016455	7-5	1016532	7-13	1016622	5-3
1016456	7-3, 7-5, 7-11	1016533	7-13	1016627	17-7
1016457	7-7	1016535	7-11	1016630	6-9

# INDEX

1016663	5-5	101696201	1-15	1017936	1-13, 1-15, 1-25, 1-27
1016672	11-7	101696202	1-15	1017944	14-3
1016801	10-3	101696204	1-15	1017947	14-3
1016811	1-9	101696208	1-13, 1-27	1017949	14-3
1016849	6-9, 13-11	101696209	1-13, 1-27	1017950	14-3
1016851	6-9, 13-11	101696211	1-13	1017953	14-3
1016857	6-9, 13-11	101696213	1-13	101795701	13-5, 13-17, 13-19
1016859	6-9, 13-11	101696215	1-13	101796201	4-9, 4-11
1016868	1-3	101696216	1-13, 1-27	101796501	13-15
1016874	1-5	101696217	1-15	101796801	13-15
1016875	1-5	101696218	1-15	101801001	13-15
1016876	1-5	101696219	1-13, 1-27	101802101	13-15
1016883	6-15	101696220	1-13	101802201	16-7
1016916	1-11	101696221	1-13	101802202	16-7
101692501	1-3	101696222	1-15	101802203	16-7
101692502	1-3	101696223	1-15	101802204	16-5
101692504	1-3	101696224	1-15	101802205	16-5
101692506	1-3	1016967	1-3	101802206	16-5
101692509	1-3	1017029	4-5	101804301	8-11
101692510	1-3	101706702	1-23	101805701	8-13
101692511	1-3	1017079	1-5	101808401	17-3
101692512	1-3	1017080	1-3	101809101	17-5
101692513	1-3	1017082	11-3	101811401	8-13
101692514	1-3	101708301	1-9	101811501	8-13
101692515	1-3	1017141	1-13, 1-15, 1-25, 1-27	101811801	8-11
101692601	1-13	1017203	8-3	101811901	8-11
101692602	1-13	1017221	7-3	101812301	8-11
101692604	1-13	1017226	5-3	101813001	8-11
101692606	1-13	1017231	11-3	101813202	17-3
101692609	1-13	1017266	5-7	101815501	4-3
101692610	1-13	1017267	1-23	101815502	4-3
101692611	1-13	1017273	5-5	101816401	4-3
101692612	1-13	1017378	4-9, 4-11	101816501	4-3
101692613	1-13	1017380	4-9, 4-11	101816502	4-3
101693301	1-15	1017424	4-9, 4-11	101817401	4-9, 4-11
101693302	1-15	1017448	7-5	101818801	4-9
101693304	1-15	1017455	7-5	101820201	8-7
101693306	1-15	1017456	7-7	101821301	6-7
101693309	1-15	1017461	8-5	101821501	8-11
101693310	1-15	1017466	8-7	101823101	17-9
101693311	1-15	1017468	7-5	101823201	4-3
101693312	1-15	1017507	7-7	101823801	4-3
101693313	1-15	1017653	6-11	101824401	8-3
101693901	1-3	101768202	1-23	101825101	3-3, 3-5
101693902	1-3	101768204	1-23	101826201	13-11
101693904	1-3	1017686	10-7	101826301	6-9
101693906	1-3	1017689	9-3	101826801	13-21
101693908	1-3	1017696	4-9, 4-11	101827101	7-15
101693909	1-3	1017705	13-15	101827601	6-7
101693910	1-3	1017748	1-13, 1-15, 1-25, 1-27	101827801	13-21
101693911	1-3	101776201	1-23	101828301	16-7
101693912	1-3	101776301	1-23	101828501	16-7, 16-9, 16-11
101693913	1-3	1017774	1-17	101828801	16-5, 16-7
101693914	1-3	1017814	1-15, 1-25	101828802	16-5, 16-7
1016947	11-9	1017815	1-15, 1-25	101828901	16-7, 16-9, 16-11
1016952	1-9	101791101	4-3	101828902	16-7, 16-9, 16-11



# INDEX

101828903	16-7	101875601	6-11	101897001	15-3
101828904	16-5	101875701	6-11	101897201	15-3
101828905	16-5	101875802	6-11	101897401	15-3
101828906	16-5	101876001	6-11	101897601	15-3
101830601	6-9, 13-11	101876202	6-11	101898001	6-17
101830701	6-9, 13-11	101876301	6-11	101900801	4-7, 5-13
101831101	16-7	101876402	6-11	101900901	6-9
101831503	16-9	101876501	6-11	101903601	15-3
101831504	16-9	101877601	6-11	101903701	15-3
101831701	16-9	101877701	6-11	101905601	8-5
101831702	16-9	101878101	6-11	101906901	15-3
101831801	17-5	101878201	4-5	101908101	13-23
101831901	17-3	101879001	6-11	101908401	13-23
101832001	13-15	101879401	5-17	101908601	3-5
101832101	7-15	101879501	5-17	101908701	13-21
101832202	8-9	101879601	5-17	101909201	7-5
101832302	8-9	101879701	5-17	101909301	7-5
101832701	7-15	101879801	5-17	101909401	7-5
101833201	7-15	101879901	5-17	101909501	7-5
101833401	10-7	101880001	5-17	101909701	7-3
101833601	11-3	101880101	5-17	101910401	1-17, 13-21
101833701	6-11	101880201	5-17	101910501	11-7
101833902	10-3	101880301	5-17	101912401	4-13
101834001	10-7	101881101	7-5	101914401	16-7, 16-9
101834502	6-9, 13-11	101881701	8-11	101915201	3-3
101834601	7-15	101884801	7-15	101915401	7-11
101834801	11-3	101886101	11-3	101915501	7-13
101835601	1-19	101887101	17-3	101915601	7-3
101836201	10-7	101887601	7-3, 8-7	101915801	7-5
101837101	8-11	101889401	11-5	101916701	6-15, 10-3
101837301	6-5, 6-15	101890001	11-5	101917601	8-11
101838201	16-9	101890101	11-3	101917701	8-13
101838301	16-9	101890201	11-3	101918501	4-5
101838401	16-9, 16-11	101890501	11-3	101919801	4-9, 4-11
101838501	16-9	101890601	11-3	101920101	13-13, 14-3, 14-5, 14-7
101838601	16-9, 16-11	101890901	11-7	101921501	8-11
101850301	8-13	101891001	11-7	101922101	15-3
101851101	6-9, 13-11	101891301	11-3	101922201	15-3
101855801	11-11	101891401	11-7	101922301	7-13
101856002	13-23	101891501	11-7	101922501	13-23
101856102	6-7	101891601	11-5	101922601	11-11
101856201	8-13	101891901	11-5	101923001	15-3
101859301	9-3	101892001	11-5	101923201	15-3
101861901	4-9, 4-11	101892201	11-5	101923501	15-3
101862001	4-11	101892301	11-5	101923701	15-3
101869302	6-11	101892401	11-5	101923901	15-3
101870501	5-9	101892501	11-5	101925601	10-3
101871001	17-3	101892601	11-5	101925701	8-11
101874901	6-11	101892701	11-7	101926901	11-3
101875001	6-11	101892901	11-3	101927101	11-3
101875101	6-11	101893201	11-5	101927201	11-3
101875102	6-11	101893801	11-3	101927301	11-3
101875201	6-11	101893901	11-5	101927501	11-5
101875301	6-11	101895401	15-3	101927601	11-5
101875401	6-11	101895501	15-3	101927701	11-5
101875501	6-11	101896501	6-11	101927901	11-5

# INDEX

101928001	11-5	101998214	1-11	102243402	17-7
101928101	11-5	101998215	1-11	102243403	14-3, 14-5, 14-7
101928301	11-7	101998501	1-11	102248803	17-7
101928601	11-3	102003201	8-3	102249901	17-3
101928701	11-3, 15-3, 17-7	102022101	4-7	102251501	17-7
101929301	7-5	102022601	5-7	102263601	13-21
101929801	10-3	102022602	5-7, 5-17	102265601	14-3
101929802	10-3	102026001	4-9, 4-11	102265701	14-3
101931501	3-5, 13-21	102031901	11-7	102265801	14-3
101932601	13-21	102045901	11-3	102265901	14-3
101932701	13-21	102060511	1-17	102266001	14-3
101933101	17-7	102060512	1-17	102266101	14-3
101935501	13-11	102060514	1-17	102266501	13-21
101936801	13-13	102060515	1-17	102267001	14-3
101939901	6-11	102061201	17-9	102273201	16-5
101942301	14-3, 14-5, 14-7	102063901	1-19	102273301	16-5
101951501	11-11	102064601	1-19	102273401	16-5
101953101	4-7	102065501	1-19	102273601	16-5
101953901	7-3	102065901	7-15	102273701	16-3, 16-5
101954301	1-11	102076701	1-17, 1-19	102273801	16-3, 16-5
101956201	16-11	102099101	1-19	102273901	16-3, 16-5
101956202	16-11	102101001	13-13	102274001	16-5
101958201	16-11	102101101	13-13	102278001	5-3
101958301	16-11	102155501	1-19	102289201	5-7, 5-17
101959902	3-5	102155801	10-7	102296920	13-23
101960501	3-3	102169401	17-7	102304701	7-9
101960601	3-3, 3-5	102174201	1-11	102310701	1-5
101963401	7-15	102174202	1-11	102323101	4-5
101965205	13-21	102174204	1-11	102323201	4-5
101971301	8-11	102174205	1-11	102330901	17-9
101972001	17-7	102186001	14-5, 14-7	102336001	8-9
101972002	17-7	102186101	14-5, 14-7	102336101	8-9
101972003	17-7	102186201	14-5, 14-7	102353201	5-11
101972004	17-7	102186301	14-5, 14-7	102353301	5-11
101972005	17-7	102186401	14-5, 14-7	102355301	6-17
101972006	17-7	102186701	14-5, 14-7	102356601	15-3
101972007	17-7	102186901	14-5, 14-7	102356801	15-3
101972009	17-7	102187001	14-5	102357001	15-3
101972011	17-7	102187101	14-5, 14-7	102406701	8-3
101972012	17-7	102187201	14-5, 14-7	102453001	11-5
101972101	15-3	102198301	1-19	102453101	11-5
101972201	15-3	102221201	1-5, 1-13, 1-15, 1-25, 1-27	102508401	13-23
101972801	8-11	102235201	14-3, 14-5, 14-7	102511301	13-17
101973101	8-5	102236601	1-17	102511302	13-17
101973201	8-5	102236703	1-17	102518001	3-5
101973501	16-11	102237001	1-17	102519201	3-3
101979101	11-9	102238301	1-17	102540301	7-15
101980801	11-5	102238302	1-17	102555501	17-3
101980901	11-5	102238304	1-17	102562401	17-3
101981001	11-5	102238305	1-17	102564002	5-9
101984801	5-3	102240104	14-3	102569304	2-3
101987501	16-11	102240501	13-21	102570401	17-11
101987701	8-3	102241501	17-7	102588501	5-13, 5-15
101990801	4-7	102241502	17-7	102601501	17-5
101998211	1-11	102242101	10-7	102603501	17-5
101998212	1-11	102242401	1-17	102605201	17-5

# INDEX

102606101	17-5	102898201	12-3	103316901	13-21
102607501	17-5	102898301	12-3, 12-5	103325501	14-3
102628201	6-13	102898401	12-5	103325601	14-3
102668801	17-9	102898501	12-3	103325701	14-3
102669901	17-7	102898601	12-3	103325801	14-3
102674001	17-5	102898701	12-3	103332302	6-5, 6-7
102674101	17-5	102898801	12-3	103337601	14-3
102674201	17-5	102898901	12-5	103345701	10-3
102674401	17-9	102899001	12-3	103347101	6-13
102674601	17-9	102899101	12-3	103347301	6-13, 6-19
102675001	17-5	102899201	12-3	103347601	6-13
102675101	17-5	102899301	12-3	103347701	6-13
102675201	17-5	102899401	12-3	103347801	6-13
102675301	17-5	102899501	12-3	103347901	6-13
102675401	17-5	102899601	12-3, 12-5	103351001	5-7
102684501	5-9	102899701	12-3	103354701	5-7
102686101	17-3	102899801	12-3	103372101	8-3
102704701	14-5, 14-7	102899901	12-5	103372302	8-3
102704801	14-5, 14-7	102900001	12-5	103379501	11-11
102704901	14-5, 14-7	102900101	12-5	103380201	4-3
102705001	14-5	102900201	12-5	103380202	4-3
102711001	6-13	102900301	12-5	103397901	16-5, 16-7
102711201	6-7	102900401	12-3	103403101	13-21
102753401	7-9	102900501	12-3	103414901	16-5, 16-7
102766301	5-9	102900601	12-3	103428501	16-3
102771701	15-3	102900701	12-3	103428601	16-3
102777401	13-17	102900801	12-3	103428701	16-3
102806201	13-21	102900901	12-3	103429001	16-3
102832601	13-17	102901001	12-3	103429101	16-3
102838701	6-13	102901101	12-5	103429201	16-3
102838801	6-13	102901201	12-3	103429301	16-3
102838901	6-13	102901301	12-3	103429501	16-3
102839001	6-13	102901401	12-3	103429701	16-3
102839301	6-13	102901501	12-3	103434001	16-3
102841101	6-13	102901601	12-3	103439901	16-3
102844401	6-13	102901701	12-3	103477901	5-11
102844501	6-13	102901801	12-3	103483101	4-3
102844601	6-13	102901901	12-3	103483102	4-3
102844701	6-13	102902001	12-3	103483201	4-3
102865101	8-3	102902101	12-7	103483301	4-3
102886301	15-3	102902201	12-7	103483401	4-3
102886401	15-3	102902301	12-7	103483501	4-3
102886501	15-3	102902401	12-7	103483601	4-3
102886601	15-3	102902501	12-7	103483701	4-3
102896801	12-3	102902601	12-7	103502901	5-13
102896901	12-3	102902701	12-7	103504301	13-19
102897201	12-5	102902801	12-7	103507001	5-9
102897301	12-5	102913301	13-5	103512801	16-3
102897401	12-3	103010101	8-3	103512901	16-3
102897501	12-5	103246701	1-11	103513001	16-3
102897601	12-3	103246801	1-11	103517401	16-3
102897701	12-3	103250701	13-5	103517601	16-5
102897801	12-3	103262701	13-23	103520301	8-13
102897901	12-3	103282601	13-21	103601501	5-17
102898001	12-3, 12-5	103316701	13-21	103601601	5-3
102898101	12-3	103316801	13-21	103629001	5-15

# INDEX

- 103651902 8-3
  - 103653401 5-17
  - 103653501 5-7
  - 103667103 5-11
  - 103667203 5-11
  - 103689601 13-9
  - 103696701 1-27
  - 103696702 1-27
  - 103696703 1-27
  - 103696704 1-27
  - 103696801 13-19
  - 103697401 1-25
  - 103697402 1-25
  - 103697403 1-25
  - 103697404 1-25
  - 103700201 1-25
  - 103700202 1-25
  - 103700203 1-25
  - 103700204 1-25
  - 103708301 1-19
  - 103708302 1-19
  - 103717001 16-3
  - 103717002 16-3
  - 103717003 16-3
  - 103720102 6-19
  - 103776902 8-3
  - 103779601 16-3
  - 103781101 8-3
  - 103781201 8-3
  - 96704416 7-15
- A**
- absorber, rear shock 5-13, 5-15
  - AC cord 16-5, 16-7, 16-9, 16-11
  - AC cord bushing 16-3, 16-5
  - AC cord receptacle 16-11
  - AC cordset 16-3
  - accelerator bracket and bearing assembly 4-9, 4-11
  - accelerator cable 8-9
  - accelerator pedal 4-9, 4-11
  - accelerator pedal adjustment tool 17-3
  - accelerator pivot rod 4-9, 4-11
  - accelerator return spring 4-9, 4-11
  - accelerator rod 4-13
  - access door 1-21
  - adapter
    - cable (IQDM) 17-7
  - adhesive, guide ring 17-3
  - adjuster
    - hydraulic brake 17-7
  - air box 8-11
  - air box top 8-11
  - air filter 8-11
  - air intake hose 8-11
  - ammeter 16-3, 16-5, 16-7, 16-9, 16-11
  - A-plate strap 5-7
  - A-plate, delta 5-7
  - arbor 17-3
  - arm
    - governor 11-3
    - pivot 11-3
    - rocker 7-9
  - armature 6-11, 14-3, 14-5, 14-7
  - armature conversion kit 6-11
  - assembly
    - accelerator bracket and bearing 4-9, 4-11
    - accelerator pivot rod 4-9, 4-11
    - air box 8-11
    - air box top 8-11
    - armature 6-11
    - axle 11-7
    - bearing, steering shaft 5-3
    - brake lever 4-3
    - brush connector 6-11
    - brush holder 6-11
    - carburetor 8-5
    - connecting rod 7-13
    - delta A-plate 5-7
    - delta shock and gear support 5-7
    - drive hub 10-3
    - driven clutch 10-7
    - driven clutch fixed-face 10-7
    - field coil 6-11
    - float 8-5
    - Forward/Reverse shifter 11-9
    - frame and field (motor) 14-5, 14-7
    - fuel tank vent 8-3
    - governor 11-5
    - idle screw 8-5
    - inner ball joint 5-17
    - kingpin 5-9
    - moveable-face 10-3, 10-7
    - pilot air screw 8-5
    - ratchet 4-5
    - score card plate 5-5
    - secondary clutch weight 10-3
    - steering shaft 5-3
    - steering wheel 5-5
  - axle 11-7, 12-3, 15-3
  - axle shaft oil seal 11-7, 15-3
  - axle tube 15-3
- B**
- bag hoop 1-17
  - bag strap assembly 1-17
  - bag strap buckle 1-17
  - bag well protector 1-23
  - bag, desiccant 10-3
  - bagwell protector 1-23
  - ball joint 4-5, 4-13, 11-11
  - ball stud 6-7, 11-3, 11-9
  - ball, bearing 5-11, 6-13
  - ball, shifter 11-5
  - ball, steel pressure relief 7-7
  - band, RPM limiter mount 7-5
  - bar, drive 13-13
  - barb, vent 8-3
  - barrel, plastic 1-17, 1-23
  - basket, sweater 1-17
  - battery 6-17
  - battery charger 16-5, 16-7, 16-9, 16-11
  - battery charger case 16-5, 16-7, 16-9, 16-11
  - battery charger handle 16-5
  - battery charger receptacle 13-15
  - battery charger transformer 16-5, 16-7, 16-9, 16-11
  - battery clamp 6-17
  - battery discharge machine 17-3
  - battery hold-down 13-19
  - battery hold-down, 12-volt 13-17
  - battery terminal protector spray 17-3
  - battery thermometer 17-3
  - battery warning light 13-11
  - battery, 12-volt, Trojan T1275, moist 13-17
  - battery, 12-volt, Trojan T1275, wet 13-17
  - bearing 15-3
    - ball 5-11, 6-13
    - ball (motor) 14-5, 14-7
    - ball (steering pinion) 5-17
    - idler 10-3
    - inner axle tube 11-7, 15-3
    - lower pinion (steering) 5-17
    - needle 11-5
    - outer axle tube 11-7
    - pivot support 4-9, 4-11
    - steering shaft 5-3
    - thrust 5-9
  - bearing and oil seal remover 17-3
  - bearing driver set 17-3
  - bearing puller 17-3
  - bearing puller wedge 17-3
  - bearing retainer 14-3
  - bearing seal 5-3
  - bearing seat 5-3
  - bell crank 6-7, 11-9
  - bellows 5-17
  - belt, drive 10-5
  - belt, starter/generator 6-15, 10-3
  - beverage holder 1-9
  - block, brake-mounting 4-5
  - block, fuse 6-7
  - body kick plate 1-13, 1-15, 1-25, 1-27
  - body, front 1-3
  - body, rear 1-13, 1-15, 1-27
  - bolt, J- 13-17, 13-19
  - boot, steering column 5-3
  - boot, switch 13-23

# INDEX

- bottom, air box 8-11
  - box
    - air 8-11
    - electrical component 6-7
    - steering gear 5-17
  - bracket 7-3
    - accelerator cable 8-9
    - adjustable starter/generator 6-15
    - governor cable 8-9
    - muffler mounting 9-3
    - oil filter mount 7-7
    - oil level switch 7-11
    - relay mounting 16-9
    - RPM limiter 7-5
    - shifter 11-3, 11-11
    - shock absorber 5-13, 5-15
    - shock mounting 5-13, 5-15
    - snubber 7-15
    - starter/generator mounting 6-15
    - steering column 5-3
    - steering column mounting 5-3
    - throttle spring return 8-7
    - Tow/Run switch 13-23
  - brake adjusting mechanism 4-3
  - brake adjustment tool 17-3
  - brake cable 4-7
  - brake cable equalizer 4-7
  - brake cable hanger 4-7, 5-13, 5-15
  - brake cable release tool 17-3
  - brake drum 4-3
  - brake lever 4-3
  - brake mounting block 4-5
  - brake pedal 4-5
  - brake pedal adjustment tool 17-3
  - brake pedal pad 4-5
  - brake pedal tension tool 17-3
  - brake return spring 4-7
  - brake self-adjusting mechanism 4-3
  - brake shoe 4-3
  - brake spring 4-3
  - breaker, circuit 16-3, 16-5, 16-7, 16-9, 16-11
  - breather 11-3, 15-3
  - brush 14-3, 14-5, 14-7
  - brush and screw set 6-11
  - brush box assembly 14-5, 14-7
  - brush connector 6-11
  - brush cover kit, starter/generator 6-13
  - brush holder 6-11
  - brush inspection port cover 6-11
  - brush plate
    - starter/generator 6-13
  - brush port cover 6-11
  - brush rigging 14-3, 14-5, 14-7
  - brush spring 6-13, 14-3, 14-5, 14-7
  - brush spring set 6-11
  - brush spring, starter/generator 6-13
  - brush terminal, starter/generator 6-13, 6-19
  - buckle, bag strap 1-17
  - bumper
    - drive unit (motor) 14-3, 14-5, 14-7
    - front 1-3
    - front, kit 1-3
    - rear 1-5
    - rubber 4-5
    - side trim 1-5
    - spring return 4-9, 4-11
  - bumper mounting 1-5
  - bushing 10-3
    - AC cord 16-3, 16-5
    - bronze 5-11
    - nylon 4-5
    - return line 8-3
    - spindle 5-11
    - steel 5-9, 5-13, 5-15
    - urethane 5-7, 5-9, 5-13, 5-15
  - bushing, insulated 14-3
  - button, choke 8-13
  - button, drive 10-7
  - buzzer, reverse 6-9, 13-11
- ## C
- cable
    - accelerator 8-9
    - brake 4-7
    - governor 8-9
    - IQDM 17-7
    - transmission 11-11
  - cable retainer 11-11
  - calibration test module 17-3
  - cam
    - driven clutch 10-7
    - electrical component box 6-7
    - neutral lockout 11-9
  - cam installation tool 17-3
  - camshaft 7-11
  - canopy support 1-19
  - cap
    - key switch 6-9, 13-11
    - spark plug 7-5
  - carburetor 8-5
  - carburetor float level tool 17-7
  - carburetor insulator 8-7, 14-3
  - carburetor mounting gasket 8-7
  - card, safety first 17-9
  - case
    - battery charger 16-5, 16-7, 16-9, 16-11
    - differential gear 11-7
    - gear 11-3, 15-3
    - rocker 7-9
  - case, charger 16-3
  - charger bezel tool 17-3
  - charger board relay 16-3
  - charger case 16-3
  - charger hardware 16-3
  - charger legs 16-3
  - charger receptacle 13-15
  - charger, battery 16-5, 16-7
  - choke button 8-13
  - choke lever 8-13
  - choke lever guide 8-13
  - choke positioner 8-13
  - choke valve 8-11
  - circuit breaker 16-3, 16-5, 16-7, 16-9, 16-11
  - clamp
    - battery 6-17
    - cable retaining 8-9
    - hose 8-3, 8-7, 8-11
    - muffler hose 9-3
  - clevis, upper delta 5-9
  - clip, score card 5-5
  - cluster idler gear 11-5
  - clutch alignment tool 17-5
  - clutch pulley 10-3
  - clutch removal tool 17-3
  - clutch repair kit 10-7
  - clutch tool kit 17-5
  - clutch weight 10-3
  - clutch, drive 10-3
  - clutch, driven 10-7
  - coil, field 6-11
  - coil, ignition 7-5
  - collet 7-9
  - column, steering 5-3
  - communication display module 17-5
  - component box, electrical 6-7
  - component mounting plate 13-21
  - compression gauge 17-5
  - compression lug 13-21
  - compression spring 8-13
  - compressor, piston ring 17-9
  - compressor, valve spring 17-11
  - computer, onboard 13-21
  - connecting rod 7-13
  - connector, a- 6-11
  - connector, speed controller 13-21
  - continuity tester 17-5
  - controller cover 13-21
  - controller cover gasket 13-21
  - controller, motor speed 13-21
  - cord connector 7-11
  - cord set, DC 16-5
  - cord, AC 16-5, 16-7, 16-9, 16-11
  - cord, DC 16-7, 16-9, 16-11
  - Cordset
    - PD3, AC 114" 16-3
    - PD3, AC 80" 16-3
    - PD3, DC 113" 16-3
    - PD3, DC 154" 16-3

# INDEX

PD3, DC 205" 16-3  
counterbalance guide shaft 7-13  
counterbalance weight 7-13  
cover  
  brush inspection port 6-11  
  brush port 6-11  
  crankcase 7-11  
  dust 5-3  
  electrical box 6-7  
  oil pump 7-7  
  screw head 1-7  
  steering column tube 5-3  
cover gasket, controller 13-21  
cover plate 14-5, 14-7  
cover, controller 13-21  
cover, speed controller 13-21  
cowl 1-3  
crank, bell 11-9  
crankcase 7-13  
crankcase cover gasket 7-9, 7-11  
crankcase vent tube 8-7  
crankshaft 7-13  
crankshaft seal 7-11  
crankshaft shim 7-13  
C-type stop ring 5-17  
cup holder 1-9  
cup, spring 4-9, 4-11  
current limiter 16-11  
cushion, shock absorber 5-13, 5-15  
cutter, valve seat 17-5, 17-11

## D

damper, RPM limiter 7-5  
dash component 1-7  
dash panel 1-7  
DC cord 16-7, 16-9, 16-11  
DC cord set 16-5  
DC cordset 16-3  
decal  
  component cover 3-5, 13-21  
  dash warning 3-3, 3-5  
  driver/passenger 3-3  
  frame ground 3-3  
  motor braking 3-5  
  on/off 3-3, 3-5  
  operating instructions (electric) 3-5  
  operating instructions (gas) 3-3  
  rotating parts 3-3  
  Tow/Run switch warning 3-5  
delta A-plate 5-7  
delta A-plate sub-assembly 5-7  
delta shock and gear support 5-7  
desiccant bag 10-3  
DF-terminal insulator 6-11  
diesel tachometer probe 17-9  
differential

  drive unit 12-3, 15-3  
  differential gear 11-7, 15-3  
  differential gear case 11-7  
  differential housing 15-3  
  differential idler gear 11-7  
  differential pin 11-7  
  diode 6-7  
  dipstick 7-3  
  door, access 1-21  
  drain plug 7-7  
  drain plug gasket 7-7, 11-3  
  drain plug, rubber 6-13  
  drink holder 1-9  
  drive bar 13-13  
  drive belt 10-5  
  drive button 10-7  
  drive clutch 10-3  
  drive clutch button 10-3  
  drive clutch fixed sheave tool 17-5  
  drive clutch fixed-face 10-3  
  drive clutch holder tool 17-5  
  drive clutch hub puller 17-5  
  drive clutch puller 17-5  
  drive clutch spider removal tool 17-5  
  drive clutch spring 10-3  
  drive clutch weight 10-3  
  drive hub 10-3  
  drive unit bumper 14-3, 14-5, 14-7  
  driven clutch 10-7  
  driven clutch button 10-7  
  driven clutch cam 10-7  
  driven clutch cam puller 17-5  
  driven clutch fixed-face assembly 10-7  
  driven clutch puller plug 17-5  
  driven clutch spring compression base tool 17-5  
  driven clutch spring compression collar tool 17-5  
  driven clutch spring compression nut tool 17-5  
  driver, drive clutch 10-3  
  drum, brake 4-3  
  dry moly lubricant 17-7  
  dust cover 5-3

## E

E-clip 4-7  
electrical box cover 6-7  
electrical component box 6-7  
end bell, commutator 6-11  
end bell, output shaft 6-11  
end cap, motor 14-3, 14-5, 14-7  
end shield  
  motor 14-3  
end, tie rod 5-7  
engine 7-3

engine mounting plate 7-15  
engine shroud 7-3  
engine valve spring 7-9  
equalizer rod 4-7  
equalizer, brake cable 4-7  
exhaust system 9-3  
exhaust valve 7-9  
extrusion 13-21

## F

face, moveable 10-3, 10-7  
fan housing 7-3  
fan shroud 7-3  
fan, flywheel 7-5  
fender, inner 1-13, 1-15, 1-25, 1-27  
field coil 6-11  
field coil housing 6-11  
fill plug 11-3  
filter  
  air 8-11  
  fuel 8-3  
  oil 7-7  
fitting, thread-forming grease 5-11  
fixed-face, drive clutch 10-3  
fixed-face, driven clutch 10-7  
float 8-5  
floor mat 1-7, 1-13, 1-15, 1-25, 1-27  
flywheel 7-5  
flywheel fan plate 7-5  
flywheel puller 17-7  
FNR handle 11-9  
FNR housing 13-23  
FNR shifter base 11-9  
foam, seat 1-11  
fork, shift 11-5  
Forward/Reverse shifter 11-9  
frame and field assembly (motor) 14-5, 14-7  
frame and field, starter/generator 6-13  
front body 1-3  
front body support 1-13, 1-15, 1-25, 1-27  
front bumper 1-3  
front bumper kit 1-3  
front spring retainer plate 5-9  
front suspension 5-7  
F-terminal hardware 6-11  
f-terminal insulator 6-11  
fuel filter 8-3  
fuel line 8-3, 8-7  
fuel tank strap 8-3  
fuel tank vent 8-3  
fuse 13-15, 16-7, 16-9, 16-11  
  10-amp 6-7  
  3/8-amp 13-15  
  charger 16-3, 16-5  
fuse block 6-7

# INDEX

## G

gasket 15-3  
carburetor mounting 8-5, 8-7  
crankcase cover 7-9, 7-11  
drain plug 7-7, 11-3  
exhaust 7-9, 9-3  
head 7-9  
insulator 7-9, 8-7  
liquid 11-3, 15-3, 17-7  
oil pump 7-7  
rocker case 7-9  
seat 1-11  
gasket kit, FE290 7-9  
gasket, controller cover 13-21  
gauge, compression 17-5  
gear  
case 11-3, 15-3  
cluster idler 11-5  
differential 11-7, 15-3  
differential idler 11-7, 15-3  
differential output 15-3  
helical 7-13, 11-5, 11-7  
spur 7-13, 11-5  
synchro 11-5  
gear yoke 17-7  
governor 11-5  
governor arm 11-3  
governor cable 8-9  
governor cable bracket 8-9  
governor shaft installation tool 17-7  
governor shield 8-7  
grip, pencil 5-5  
grommet 8-3  
guide  
choke lever 8-13  
intake valve 7-9  
valve seat cutter 17-11  
guide ring adhesive 17-3

## H

handle, battery charger 16-5  
handle, FNR 11-9  
hanger, brake cable 4-7, 5-13, 5-15  
hardware kit, charger 16-3  
hardware, F-terminal 6-11  
harness, wire 6-5, 6-7, 13-5  
head gasket 7-9  
head, FE290 7-9  
heatsink 16-5  
heatsink and rectifier 16-7, 16-9, 16-11  
helical gear 7-13, 11-5, 11-7  
hill brake rod 4-5  
hill brake weld assembly 4-5  
hinge plate 1-11, 1-13, 1-15, 1-25, 1-27  
hold-down, battery 13-19

hold-down, battery, 12-volt 13-17  
holder, cup 1-9  
hoop, bag 1-17  
hose, air intake 8-11  
hose, fuel 8-3  
housing  
2-pin 13-13  
3-pin 13-13, 14-3, 14-5, 14-7  
6-pin 13-21  
differential 15-3  
fan 7-3  
field coil 6-11  
hub 5-11  
hub, synchronizer clutch 11-5  
hubcap 5-11  
hydraulic brake adjuster 17-7  
hydrometer 17-7

## I

idle screw assembly 8-5  
idler bearing 10-3  
idler gear, differential 15-3  
ignition coil 7-5  
inner frame snubber 7-15  
input shaft 15-3  
insert, synchronizer 11-5  
instrument panel 1-7  
insulated bushing 14-3  
insulator gasket 7-9, 8-7  
insulator, carburetor 8-7, 14-3  
intake pipe 8-7  
intake valve 7-9  
intermediate shaft 15-3  
internal retaining ring pliers 17-7  
IQ display module (IQDM) 17-7

## J

J-bolt 13-17, 13-19  
jet, main 8-5  
jet, pilot 8-5  
joint  
ball 4-5, 4-13, 11-11

## K

key  
crankshaft 7-5, 7-13  
driven clutch 10-7  
On/Off 6-9, 13-11  
square 10-7  
starter/generator 6-11  
woodruff 11-3  
key switch 6-9  
key switch cap 6-9, 13-11  
key switch, On/Off 13-11  
kick plate, body 1-13, 1-15, 1-25, 1-27

kingpin 5-9

## kit

2-pin housing 13-13  
3-pin housing 13-13, 14-3, 14-5, 14-7  
6-pin housing 13-21  
accelerator pivot rod 4-9, 4-11  
brake cable 4-7  
brake pedal 4-5  
brake pedal adjustment tool 17-3  
clutch repair 10-7  
differential gear case 11-7  
drive clutch button 10-3  
drive clutch weight 10-3  
driven clutch button 10-7  
front hub replacement 5-11  
IQ display module (IQDM) 17-7  
magnet and bearing 14-3  
motor brush 14-5, 14-7  
motor brush spring 14-5, 14-7  
motor cover plate 14-5, 14-7  
motor speed sensor 14-5, 14-7  
motor terminal hardware 14-5, 14-7  
neutral lockout cam 11-9  
park brake latch 4-5  
park brake pedal 4-5  
PD3 Cordest, AC 114" 16-3  
PD3 Cordest, AC 80" 16-3  
PD3 Cordest, DC 113" 16-3  
PD3 Cordest, DC 154" 16-3  
PD3 Cordest, DC 205" 16-3  
PD3 hardware 16-3  
reverse buzzer 6-9, 13-11  
shock absorber 5-13, 5-15  
shock absorber cushion 5-13, 5-15  
steering column rebuild 5-3  
tune-up 17-9

## L

latch, air box 8-11  
latch, park brake 4-5  
L-bracket, motor 14-5  
legs, charger 16-3  
lever  
change 11-3  
choke 8-11, 8-13  
transmission shifter 11-3  
light  
battery warning 13-11  
oil 6-9  
limit switch 6-7, 11-9  
limiter  
current 16-11  
RPM 7-5  
line, fuel 8-3, 8-7  
liquid gasket 11-3, 15-3, 17-7  
low oil warning light 6-9

# INDEX

lubricant, dry moly 17-7  
lubricant, moly-teflon 14-3, 14-5, 14-7, 17-7  
lug nut 2-3  
lug stud 11-7, 15-3  
lug, compression 13-21

## M

magnet and bearing kit 14-3  
magnet, speed sensor 14-3, 14-5, 14-7  
main jet 8-5  
main nozzle 8-5  
mat, floor 1-7, 1-13, 1-15, 1-25, 1-27  
MCOR 13-13  
mechanism, brake adjusting 4-3  
meter, volt ohm 17-11  
module  
    calibration test 17-3  
    communication display 17-5  
moly-teflon lubricant 17-7  
motor  
    48-volt 14-3  
    48-volt IQ 14-5, 14-7  
motor armature 14-3  
motor brush 14-3  
motor brush kit 14-5, 14-7  
motor brush spring kit 14-5, 14-7  
motor bumper 14-3, 14-5, 14-7  
motor end cap 14-3, 14-5, 14-7  
motor end shield 14-3  
motor L-bracket 14-5  
motor magnet, speed sensor 14-3, 14-5, 14-7  
motor speed controller 13-21  
motor speed sensor 14-3, 14-5, 14-7  
motor speed sensor kit 14-5, 14-7  
motor stator shell and winding 14-3  
motor terminal hardware kit 14-5, 14-7  
mounting block, brake 4-5  
moveable-face 10-3, 10-7  
muffler hose clamp 9-3

## N

nameplate kit, amber 3-3, 3-5  
needle bearing 11-5  
neutral lockout cam 11-9  
nozzle, main 8-5  
nut, lug 2-3

## O

OBC 13-21  
OBC, onboard computer 13-21  
oil filler tube 7-3  
oil filter 7-7  
oil filter mount bracket 7-7  
oil filter screen 7-11  
oil filter screen plate 7-11

oil level sensor 7-11  
oil level switch bracket 7-11  
oil pump and rotor 7-7  
oil pump cover 7-7  
oil pump gasket 7-7  
oil pump plate 7-7  
oil seal 7-9, 7-13, 11-3, 11-5  
oil warning light, low 6-9  
onboard computer 13-21  
O-ring 7-3, 7-9, 7-11, 7-13

## P

pad  
    accelerator pedal 4-9, 4-11  
    brake pedal 4-5  
    park brake 4-5  
    wear 1-5, 1-13, 1-15, 1-25, 1-27  
paint, touch-up 17-7  
park brake latch 4-5  
park brake pedal 4-5  
park brake rod sleeve 4-5  
park brake spacer 4-5  
park brake torsion spring 4-5  
pawl 4-5  
pedal, accelerator 4-9, 4-11  
pedal, brake 4-5  
pedal, park brake 4-5  
pencil grip 5-5  
pilot air screw 8-5  
pilot jet 8-5  
pin, differential 11-7  
pin, piston 7-13  
pinion, steering 5-17  
pipe, intake 8-7  
piston 7-13  
piston ring 7-13  
piston ring compressor 17-9  
piston ring pliers 17-9  
pivot arm 11-3  
pivot support bearing 4-9, 4-11  
plate  
    body kick 1-13, 1-15, 1-25, 1-27  
    bumper mounting 1-5  
    component mounting 13-21  
    cover 14-5, 14-7  
    engine mounting 7-15  
    flywheel fan 7-5  
    front spring retainer 5-9  
    hinge 1-11, 1-13, 1-15, 1-25, 1-27  
    oil filter screen 7-11  
    oil pump 7-7  
    receptacle backing 13-15  
    score card 5-5  
    spring mounting 5-9  
    thrust 11-5, 11-7  
pliers

internal retaining ring 17-7  
piston ring 17-9  
retaining ring 17-9

## plug

6-pin 13-21  
drain 7-7  
driven clutch puller 17-5  
fill 11-3  
rubber drain 6-13  
spark 7-5  
pole set 6-11  
positioner, choke 8-13  
press weldment 17-5  
protector spray, battery terminal 17-3

## puller

bearing 17-3  
clutch 17-3  
drive clutch 17-5  
drive clutch hub 17-5  
driven clutch cam 17-5  
flywheel 17-7  
seal 17-9  
special use tool 17-9

## pulley

clutch 10-3  
starter-generator 6-11

## push rod

## R

rack guide pressure spring 5-17  
rack, steering 5-17  
ratchet, park brake 4-5  
reamer, valve guide 17-9  
rear bumper 1-5  
rear spring shackle 5-13, 5-15  
receptacle 13-15  
receptacle backing plate 13-15  
receptacle, AC cord 16-11  
receptacle, battery charger 13-15  
rectifier with heatsink 16-7, 16-9, 16-11  
regulator, voltage 6-7  
relay 16-9, 16-11  
relay mounting bracket 16-9  
relay, charger board 16-3  
remover, bearing and oil seal 17-3  
resistor assembly 13-21  
retainer  
    accelerator pedal spring 4-9, 4-11  
    bearing 14-3  
    cable 11-11  
    shock absorber cushion 5-13, 5-15  
    spring (drive clutch) 10-3  
    valve spring 7-9  
retaining ring 5-3  
retaining ring pliers 17-9  
return spring bumper 4-9, 4-11



# INDEX

- reverse buzzer 6-9, 13-11
- rigging, brush 14-3
- rim, wheel, white 2-3
- ring
  - piston 7-13
  - retaining 5-3, 6-7, 10-3, 10-7, 11-9
  - snap 5-17, 7-9, 7-13
  - spiral backup 10-3
  - synchronizer 11-5
- ring, C-type stop 5-17
- rivet, blind push 1-3
- rocker arm 7-9
- rocker case 7-9
- rocker case gasket 7-9
- rocker shaft 7-9
- rocker switch 13-23
- rod
  - accelerator 4-13
  - accelerator pivot 4-9, 4-11
  - connecting 7-13
  - crankshaft 7-13
  - equalizer 4-7
  - hill brake 4-5
  - push 7-9
  - shift 11-5
- rotor, oil pump and 7-7
- RPM limiter 7-5
- RPM limiter bracket 7-5
- RPM limiter damper 7-5
- RPM limiter mount band 7-5
- S**
- safety first card 17-9
- score card clip 5-5
- score card plate 5-5
- screen, oil filter 7-11
- screw, valve clearance adjuster 17-9
- scuff guard 1-23
- scuff guard kit, rear body 1-23
- seal
  - bearing 5-3
  - crankshaft 7-11
  - intake 8-11
  - lip 15-3
  - oil 7-9, 7-13, 11-3, 11-5, 11-7, 15-3
  - steering pinion dust 5-17
- seal puller 17-9
- sealant 11-3, 15-3
- seat
  - spring 7-9
  - valve 7-7
- seat back 1-17
- seat back cap 1-17
- seat bottom assembly 1-11
- seat bottom cover 1-11
- seat cover, vinyl 1-11
- seat cover, white 1-11
- seat foam 1-11
- seat gasket 1-11
- seat, bearing 5-3
- sensor, motor speed 14-3, 14-5, 14-7
- sensor, oil level 7-11
- sensor, speed 14-3
- set, brush and screw 6-11
- set, pole 6-11
- shackle, rear spring 5-13, 5-15
- shaft
  - change 11-3
  - counterbalance guide 7-13
  - input 15-3
  - intermediate 15-3
  - rocker 7-9
  - transmission 11-5
- shield, governor 8-7
- shift fork 11-5
- shift rod 11-5
- shifter base, FNR 11-9
- shifter bracket 11-3, 11-11
- shim, crankshaft 7-13
- shock absorber 5-7
- shock absorber (rear) 5-13, 5-15
- shock absorber cushion 5-13, 5-15
- shock absorber cushion retainer 5-13, 5-15
- shock mounting bracket 5-13, 5-15
- shoe, brake 4-3
- shroud, engine 7-3
- shroud, fan 7-3
- sleeve
  - delta A-plate 5-7
  - governor 11-5
  - park brake rod 4-5
  - synchronizer 11-5
- snap ring 5-17, 7-9, 7-13
- snubber bracket 7-15
- snubber, inner frame 7-15
- solenoid, 12-volt 6-7
- solenoid, 48-volt 13-21
- spacer
  - accelerator pivot rod 4-9, 4-11
  - park brake 4-5
- spanner wrench 17-9
- spark plug 7-5
- spark plug cap 7-5
- speed controller 13-21
- speed controller connector 13-21
- speed controller cover 13-21
- speed sensor 14-3, 14-5, 14-7
- speed sensor magnet 14-3, 14-5, 14-7
- speed sensor, motor 14-3, 14-5, 14-7
- spiral backup ring 10-3
- spray, battery terminal protector 17-3
- spring
  - accelerator return 4-9, 4-11
  - brake return 4-7
  - brush 6-11, 6-13, 14-3, 14-5, 14-7
  - compression 5-5, 8-13
  - drive button 10-3
  - drive clutch 10-3
  - driven clutch 10-7
  - engine valve 7-9
  - extension return 8-11
  - forward/reverse cam 11-9
  - park brake torsion 4-5
  - rack guide pressure 5-17
  - shifter 11-5
  - steering shaft compression 5-3
  - synchronizer 11-5
  - throttle return 8-7
- spring cup 4-9, 4-11
- spring mounting plate 5-9
- spur gear 7-13, 11-5
- stand-offs, plastic 16-3
- starter/generator 6-11
- starter/generator (cw) 6-13
- starter/generator belt 6-15, 10-3
- starter/generator brush cover kit 6-13
- starter/generator brush plate 6-13
- starter/generator brush spring 6-13
- starter/generator brush terminal 6-13, 6-19
- starter/generator frame and field 6-13
- starter/generator mounting bracket 6-15
- starter/generator pulley 6-11
- stator shell and winding 14-3
- steel bushing 5-9, 5-13, 5-15
- steel pressure relief ball 7-7
- steering column 5-3
- steering column bearing press tool 17-9
- steering column retaining ring tool 17-9
- steering gear box 5-17
- steering pinion 5-17
- steering pinion dust seal 5-17
- steering rack 5-17
- steering shaft assembly 5-3
- steering shaft column 5-3
- steering shaft compression spring 5-3
- steering wheel 5-5
- steering wheel puller tool 17-9
- stem, valve 2-3
- stiffener, flywheel side 7-15
- strap, A-plate 5-7
- strap, fuel tank 8-3
- stud 7-15
  - lug 11-7, 15-3
- stud, ball 6-7, 11-3, 11-9
- support yoke (steering) 5-17
- support, front body 1-13, 1-15, 1-25, 1-27
- suppressor, voltage 16-7, 16-9, 16-11
- suspension, front 5-7

# INDEX

sweater basket 1-17  
switch  
    four-position 16-9, 16-11  
    key 6-9, 13-11  
    limit 6-7, 11-9  
    rocker 13-23  
    Tow/Run 13-23  
switch rubber boot 13-23  
synchro gear 11-5  
synchronizer clutch hub 11-5  
synchronizer insert 11-5  
synchronizer sleeve 11-5  
synchronizer spring 11-5  
system, exhaust 9-3

**T**

12-volt solenoid 6-7  
tachometer 17-9  
tachometer probe, diesel 17-9  
tappet 7-11  
tester, continuity 17-5  
thermometer, battery 17-3  
thread-forming grease fitting 5-11  
throttle return spring 8-7  
throttle spring return bracket 8-7  
thrust bearing 5-9  
thrust plate 11-5, 11-7  
tie rod end 5-7  
tie wrap 5-17, 6-7, 13-11, 13-21, 13-23  
tire 2-3  
tire and wheel assembly 2-3  
tool  
    accelerator pedal adjustment 17-3  
    belt tensioning, starter/generator 17-11  
    brake adjustment 17-3  
    brake cable release 17-3  
    brake pedal adjustment 17-3  
    brake pedal tension 17-3  
    cam installation 17-3  
    carburetor float level 17-7  
    charger bezel 17-3  
    clutch alignment 17-5  
    cT-wrench 17-5  
    drive clutch fixed sheave 17-5  
    drive clutch holder 17-5  
    drive clutch spider removal 17-5  
    driven clutch spring compression base 17-5  
    driven clutch spring compression collar 17-5  
    driven clutch spring compression nut 17-5  
    governor shaft installation 17-7  
    puller, special use 17-9  
    steering column bearing press 17-9  
    steering column retaining ring 17-9  
    steering wheel puller 17-9

transaxle axle seal 17-9  
transaxle pinion seal 17-9  
transmission 17-9  
valve guide driver 17-9  
valve seat cutter 17-5  
tool kit, clutch 17-5  
touch-up paint 17-7  
Tow/Run switch 13-23  
Tow/Run switch bracket 13-23  
transaxle 12-3, 15-3  
transaxle axle seal tool 17-9  
transaxle housing 15-3  
transaxle pinion seal tool 17-9  
transaxle, unitized 11-3  
transformer, battery charger 16-5, 16-7, 16-9, 16-11  
transmission cable 11-11  
transmission shaft 11-5  
transmission tool 17-9  
trim  
    cowl 1-3  
tube  
    crankcase vent 8-7  
    oil filler 7-3  
tune-up kit 17-9  
T-wrench tool 17-5

## U

u-bolt 5-13, 5-15  
unitized transaxle 11-3  
upper delta clevis 5-9  
urethane bushing 5-7, 5-9, 5-13, 5-15

## V

valve  
    choke 8-11  
    exhaust 7-9  
    intake 7-9  
    reed 7-9  
valve clearance adjuster screw 17-9  
valve guide driver tool 17-9  
valve guide reamer 17-9  
valve guide, intake 7-9  
valve seat 7-7  
valve seat cutter 17-5, 17-11  
valve seat cutter guide 17-11  
valve seat cutter tool 17-5  
valve seat t-wrench 17-11  
valve spring compressor 17-11  
valve spring retainer 7-9  
valve stem 2-3  
vent barb 8-3  
volt ohm meter 17-11  
voltage regulator 6-7  
voltage suppressor 16-7, 16-9, 16-11

## W

warning light, low oil 6-9  
wear pad 1-5, 1-13, 1-15, 1-25, 1-27  
wedge, bearing puller 17-3  
weight  
    clutch 10-3  
    counterbalance 7-13  
    secondary clutch 10-3  
weldment  
    press 17-5  
wheel 2-3  
wheel and tire assembly 2-3  
wheel rim, white 2-3  
wheel, steering 5-5  
windshield frame 1-19  
windshield frame pad 1-19  
wire harness 6-5, 6-7, 13-5  
woodruff key 11-3  
wrap, tie 5-17, 6-7, 13-11, 13-21, 13-23  
wrench, spanner 17-9

## Y

yoke, gear 17-7  
yoke, support (steering) 5-17





**Club Car, Inc.**  
P.O. Box 204658  
Augusta, GA 30917-4658  
USA

**Web** [www.clubcar.com](http://www.clubcar.com)  
**Phone** 1.706.863.3000  
1.800.ClubCar  
**Int'l** +1 706.863.3000  
**Fax** 1.706.863.5808