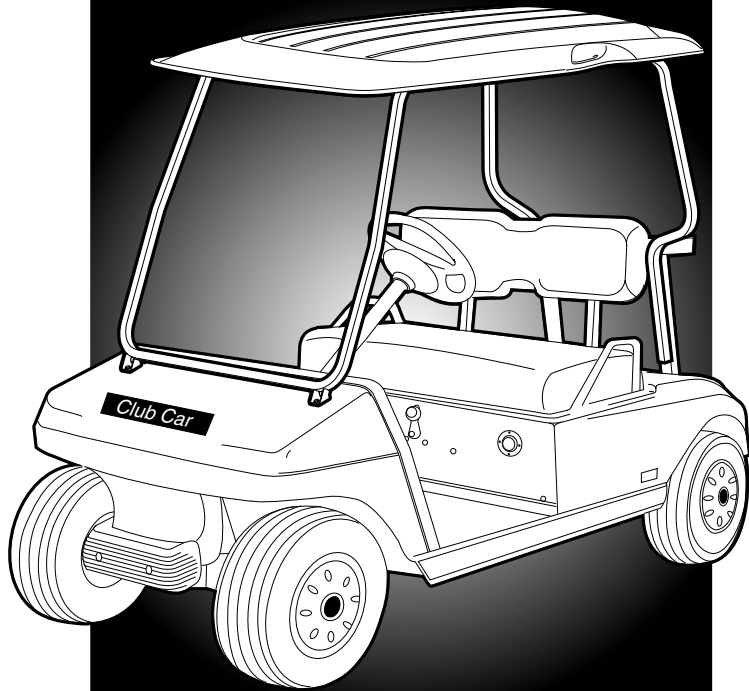


**2004-2005
ILLUSTRATED
PARTS LIST**



**DS GOLF CARS
GASOLINE/ELECTRIC**

MANUAL NUMBER 102397501
EDITION CODE 1004C1205B

USING THE ILLUSTRATED PARTS LIST

WARNING

- **This manual is to be used only for identification and ordering of service parts. Be sure to read and use the maintenance and service manual before attempting any vehicle repairs.**

This manual covers all 2004 and 2005 Club Car® DS Tranquility®, DS V-Glide 36-Volt, DS PowerDrive® System 48™, and IQ System™ vehicles.

The manual is divided into 16 sections. Sections 1 through 5 pertain to both gasoline and electric vehicles, sections 6 through 11 pertain to gasoline vehicles only, sections 12 through 15 pertain to electric vehicles only, and section 16 pertains to tools that are used on all Club Car products. Note that there are two or three flags on the outside edge of each page. The first flag contains the section number of which that page is a part. The other flag (or flags) contains either the letter G, E, or D signifying that the page pertains to either the gasoline, electric, or diesel vehicle only, or to all gasoline, electric and diesel vehicles.

Use the Table of Contents to find the sections and pages that contain the parts and assemblies you seek. The Table of Contents lists section numbers, and under them, the individual page titles and numbers to be found in that section. The index can be used to find specific parts and assemblies. The index is divided into numerical and alphabetical listings with the page numbers in italic text.

There is a two-page spread for each individual page title in the Table of Contents. On the left-hand page is an illustration showing the parts in their relative positions; the parts are each tagged with an item number in a balloon. The right-hand page is the parts list page, and gives the page title at the top, then the item numbers (corresponding to the numbers on the illustration), part descriptions, and quantity of parts used. Some item numbers have more than one part number because several configurations of a component are represented together on one spread.

Note that a part description may be indented. This indention corresponds to a parts assembly level indicated by the numbers 1, 2, 3, and 4 at the top left corner of the parts description area of the parts list page. A part that is indented to *level 2* is a component of the *level 1* part (assembly) that it is listed under. A *level 3* part is a component of the *level 2* part that it is listed under, and a *level 4* part is a component of the *level 3* part preceding it. In each case, the part quantity given for a level 2, 3, or 4 part *is the quantity used per next higher level assembly of which it is a component*. A part that is not indented is a *level 1* part. This means that the quantity given is the quantity used per the portion of the vehicle illustrated on that particular spread.

HOW TO ORDER PARTS

Replacement parts and accessories can be obtained from our network of authorized dealers and distributors. You can obtain the name and phone number of your closest Club Car contact by visiting our web site at www.clubcar.com and clicking on the “*Distributor Search*” link or by calling our toll-free Service Parts and Technical Assistance hotline at (800) 872-2246 or (706) 863-3000, extension 3281 or 3854.



P. O. Box 204658
Augusta, Georgia 30917-4658 USA
Telephone 706-863-3000
Service Parts Fax 706-855-7413
www.clubcar.com

NOTE: *This illustrated parts list represents the most current information at the time of publication. Club Car, Inc. is continually working to further improve its vehicles and other products. These improvements may affect the parts used to service the vehicle. Any modification and/or significant change in specifications will be forwarded to all Club Car and Carryall distributors/dealers and will, when applicable, appear in future editions of this illustrated parts list.*

Club Car, Inc. reserves the right to change specifications and designs at any time without notice and without the obligation of making changes to units previously sold.

Copyright © 2004 Club Car, Inc.
Club Car, ArmorFlex, PowerDrive
and *Tranquility* are registered trademarks of Club Car, inc.
This manual effective July 22, 2003.

CONTENTS

SECTION 1 – BODY AND TRIM

Body Trim	1-3
Front Body	1-5
Rear Body and Fender – Gasoline Vehicle	1-7
Rear Body and Fender – Electric Vehicle	1-9
Seat Bottom and Armrest	1-11
Seat Back and Bag Hoop	1-13
Canopy	1-15

SECTION 2 – WHEELS AND TIRES

Wheels and Tires	2-3
------------------------	-----

SECTION 3 – DECALS

Decals – Gasoline Vehicle	3-3
Decals – Electric Vehicle	3-5

SECTION 4 – BRAKES, PEDAL, AND CABLE ASSEMBLIES

Brake Assembly	4-3
Brake Pedal and Cable Assembly	4-5
Accelerator Pedal Assembly	4-7

SECTION 5 – STEERING, FRONT AND REAR SUSPENSION

Steering Column	5-3
Steering Gear Assembly	5-5
Front Suspension, Upper	5-7
Front Suspension, Lower	5-9
Rear Suspension	5-11

SECTION 6 – ELECTRICAL SYSTEM – GASOLINE VEHICLE

Wiring – Gasoline Vehicle	6-3
Forward/Reverse Shifter Assembly – Gasoline Vehicle	6-5
Electrical Component Box – Gasoline Vehicle	6-7
Electrical Components, Front Body – Gasoline Vehicle	6-9
Starter/Generator Assembly	6-11
Starter/Generator Mounting	6-13
Battery – Gasoline Vehicle	6-15

CONTENTS

SECTION 7 – FE290 ENGINE

FE290 Engine – Shrouds and Brackets	7-3
FE290 Engine – Ignition Components and Flywheel	7-5
FE290 Engine – Oil Circulation	7-7
FE290 Engine – Cylinder Head	7-9
FE290 Engine – Crankcase, Camshaft and Oil Sensor	7-11
FE290 Engine – Crankcase and Crankshaft	7-13
Engine Mounting	7-15

SECTION 8 – FUEL, INTAKE, AND GOVERNOR SYSTEMS

Fuel System	8-3
Carburetor Assembly	8-5
Carburetor Installation	8-7
Governor and Accelerator Cables	8-9
Intake Duct, Choke, and Air Box Assembly	8-11

SECTION 9 – EXHAUST SYSTEM

Exhaust System	9-3
----------------------	-----

SECTION 10 – TORQUE CONVERTER

Drive Clutch	10-3
Driven Clutch	10-5

SECTION 11 – UNITIZED TRANSAXLE

MC008C-ES00 Prior To Serial Number MC008C3H1264 – Gear Cases and Brackets	11-3
MC008C-ES00 Prior To Serial Number MC008C3H1264 – Transmission and Gear Reduction	11-5
MC008C-ES00 Prior To Serial Number MC008C3H1264 – Differential and Axles	11-7
MC008C-ES00 After Serial Number MC008C3H1264 – Gear Cases and Brackets	11-9
MC008C-ES00 After Serial Number MC008C3H1264 – Transmission and Gear Reduction	11-11
MC008C-ES00 After Serial Number MC008C3H1264 – Differential and Axles	11-13

SECTION 12 – ELECTRICAL SYSTEM – ELECTRIC VEHICLE

Electrical Components, Front Body – Electric Vehicle	12-3
Wiring – V-Glide 36-Volt Vehicle	12-5
Forward/Reverse Switch – V-Glide 36-Volt Vehicle	12-7
Wiper Switch – V-Glide 36-Volt Vehicle	12-9
Resistor and Board Assembly – V-Glide 36-Volt Vehicle	12-11
Batteries, Charger Receptacle, Solenoid – V-Glide 36-Volt Vehicle	12-13

CONTENTS

Forward/Reverse Switch – PowerDrive System 48 Vehicle	12-15
Batteries, Charger Receptacle – PowerDrive System 48 Vehicle	12-17
Computer, Controller, and Solenoid – PowerDrive System 48 Vehicle	12-19
Motor Controller Output Regulator (MCOR)	12-21
Wiring – PowerDrive System 48 Vehicle	12-23
Wiring – IQ System Vehicle with Motor Controller Output Regulator (MCOR)	12-25
Forward/Reverse Switch, Tow/Run Switch – IQ System Vehicle	12-27
Batteries, Charger Receptacle – IQ System Vehicle	12-29
Computer, Controller, and Solenoid – IQ System Vehicle	12-31

SECTION 13 – ELECTRIC MOTOR

Motor – V-Glide 36-Volt Vehicle	13-3
Motor – PowerDrive System 48 Vehicle	13-5
Motor (MODEL 5BC59JBS6365) – IQ System Vehicle	13-7
Motor (Model EJ4-4001) – IQ System Vehicle	13-9

SECTION 14 – TRANSAXLE – ELECTRIC VEHICLE

Transaxle, Type G – Electric Vehicle	14-3
Transaxle, Type K – Electric Vehicle	14-5

SECTION 15 – BATTERY CHARGER

Accu-Power Battery Charger, Domestic – V-Glide 36-Volt Vehicle	15-3
Accu-Power Battery Charger, Export, 230-Volt – V-Glide 36-Volt Vehicle	15-5
Accu-Power Battery Charger, Export, 100-Volt – V-Glide 36-Volt Vehicle	15-7
PowerDrive Battery Charger, Domestic	15-9
PowerDrive 2 Battery Charger, Domestic	15-11
GE PowerDrive Battery Charger, Domestic	15-13
PowerDrive Battery Charger, Export	15-15
PowerDrive Battery Charger, European	15-17

SECTION 16 – MAINTENANCE AND SERVICE TOOLS

Maintenance and Service Tools	16-3
Maintenance and Service Tools, Continued	16-5
Maintenance and Service Tools, Continued	16-7
Maintenance and Service Tools, Continued	16-9
Maintenance and Service Tools, Continued	16-11

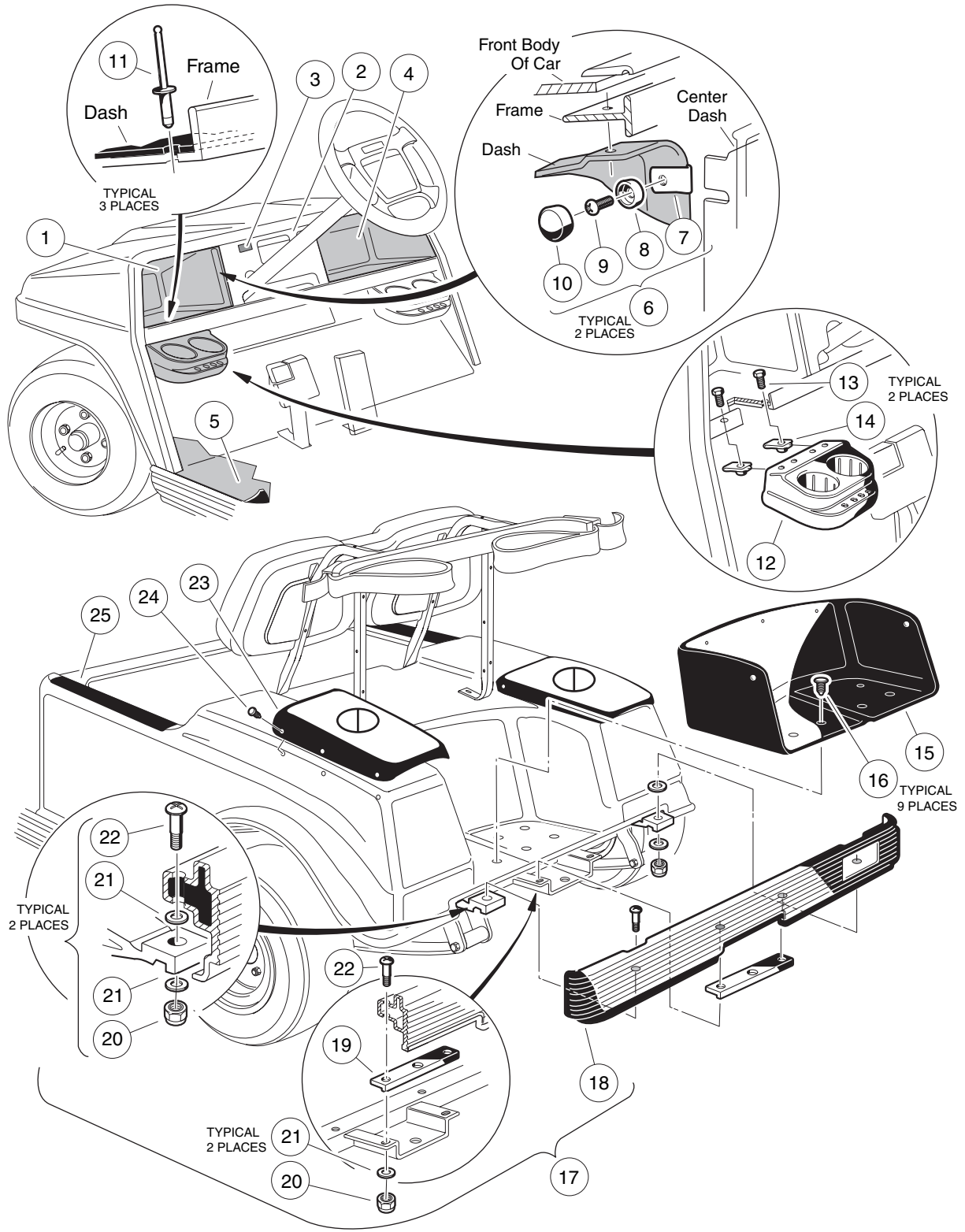
BODY AND TRIM

1

G

E

1
G
E



BODY TRIM

ITEM	PART NO.	DESCRIPTION	QTY GAS	QTY ELEC
		1 2 3 4		
1	1013344	Component, Driver-Side Dash, Black	1	1
2	101660404	Panel, Center Dash, Black	1	1
3	<u>101802601</u>	Plug, Hole (V-Glide 36-Volt vehicle only)		1
4	<u>1013343</u>	Component, Passenger-Side Dash, Black	1	1
5	<u>1015032</u>	Mat, Floor	1	1
6	<u>1014645</u>	Kit, Snap Washer, Black (includes items 7 - 10)	2	2
7	<u>1011019</u>	Nut, Speed	1	1
8	1011382	Washer, #10	1	1
9	1620	Screw, #10 Sheet Metal	1	1
10	<u>1013494</u>	Cover, Screw Head	1	1
11	<u>7973</u>	Rivet, Aluminum Pop, 3/16	3	3
12	<u>101708301</u>	Kit, Drink Holder (includes items 13 and 14)	2	2
13	<u>7847</u>	Screw, Hex-Head Cap, 1/4-20 x 3/4	2	2
14	1016952	U-Nut, 1/4-20	2	2
15	<u>101768202</u>	Kit, Bagwell Protector (includes item 16)	1	1
16	<u>1010434</u>	Fastener, Plastic Barrel	9	9
17	<u>1017079</u>	Kit, Rear Bumper (includes items 18 - 22)	1	1
18	<u>1016379</u>	Bumper, Rear	1	1
19	<u>1016875</u>	Plate, Mounting, Long	1	1
20	<u>7473</u>	Nut, Nylon Lock, 5/16-18	4	4
21	<u>1011697</u>	Washer, Special, 5/16	6	6
22	<u>1016876</u>	Bolt, Phillips Truss-Head Shoulder, 3/8-18 x 2	4	4
23	101706702	Kit, Scuff Guard (includes item 24)	1	1
24	<u>1010434</u>	Fastener, Plastic Barrel	12	12
25	<u>102221201</u>	Pad, Wear	2	2

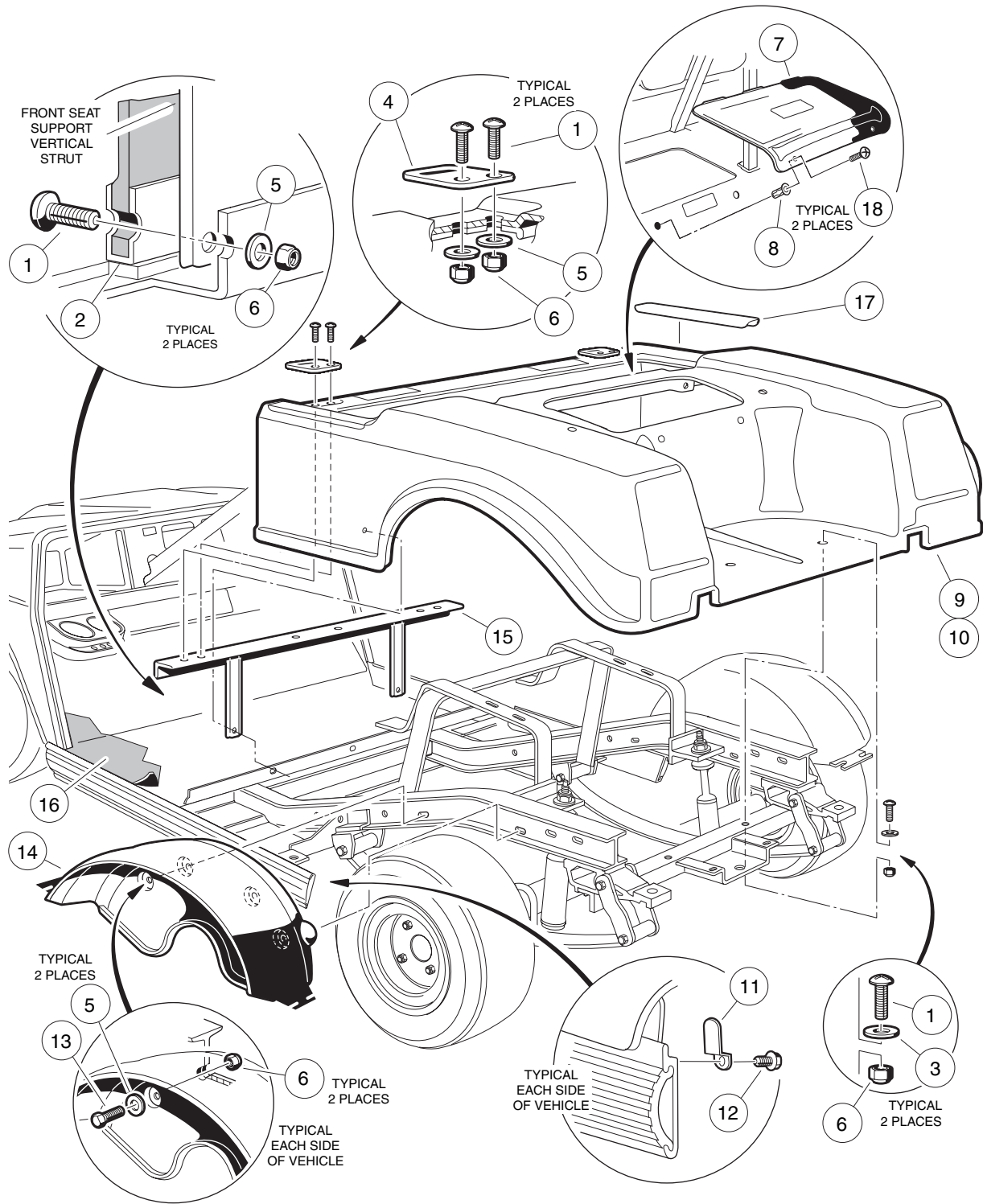
1
G
E

FRONT BODY

ITEM	PART NO.	DESCRIPTION	QTY GAS	QTY ELEC
		1 2 3 4		
1	<u>1017080</u>	Kit, Front Bumper (includes items 2 - 5)	1	1
2	<u>1016868</u>	Bumper, Front	1	1
3	<u>7251</u>	Screw, Phillips Truss-Head, 5/16-18 x 1	2	2
4	<u>7473</u>	Nut, Nylon Lock, 5/16-18	2	2
5	<u>1016967</u>	Rivet, Push Type Blind	2	2
6	<u>1014198</u>	Nameplate – Gold	1	1
7	<u>101692501</u>	Body, Front – Beige	1	1
7	<u>101692502</u>	Body, Front – White	1	1
7	<u>101692504</u>	Body, Front – Gray	1	1
7	<u>101692506</u>	Body, Front – Red	1	1
7	<u>101692509</u>	Body, Front – Pacific Blue (Royal Blue)	1	1
7	<u>101692510</u>	Body, Front – Dark Green	1	1
7	<u>101692511</u>	Body, Front – Black	1	1
7	<u>101692512</u>	Body, Front – Classic Blue (Navy)	1	1
7	<u>101692513</u>	Body, Front – Burgundy	1	1
8	<u>101693901</u>	Body, Front with Headlight Opening – Beige	1	1
8	<u>101693902</u>	Body, Front with Headlight Opening – White	1	1
8	<u>101693904</u>	Body, Front with Headlight Opening – Gray	1	1
8	<u>101693906</u>	Body, Front with Headlight Opening – Red	1	1
8	<u>101693908</u>	Body, Front with Headlight Opening – Pacific Blue (Royal Blue)	1	1
8	<u>101693909</u>	Body, Front with Headlight Opening – Dark Green	1	1
8	<u>101693910</u>	Body, Front with Headlight Opening – Black	1	1
8	<u>101693911</u>	Body, Front with Headlight Opening – Classic Blue (Navy)	1	1
8	<u>101693912</u>	Body, Front with Headlight Opening – Burgundy	1	1
9	<u>1011014</u>	Trim, Front Body	1	1
10	<u>1010435</u>	Bolt, Carriage, 5/16-18 x 1	2	2
11	<u>1241</u>	Washer, Flat, 5/16	2	2
12	<u>1011017</u>	Screw, Flange Lock	6	6
13	1011394	T-Nut, Slab Base (package of 4)	1	1
14	101347501	Bumper, Side Guard Trim	2	2
15	<u>102310701</u>	Screw, Hex Washer-Head, #8-18 x 3/8	8	8
16	<u>1015032</u>	Mat, Floor	1	1
17	<u>7473</u>	Nut, Nylon Lock, 5/16-18	2	2
18	<u>102259001</u>	Emblem, IR, Golf Car	1	1

1
G
E

1
G
E

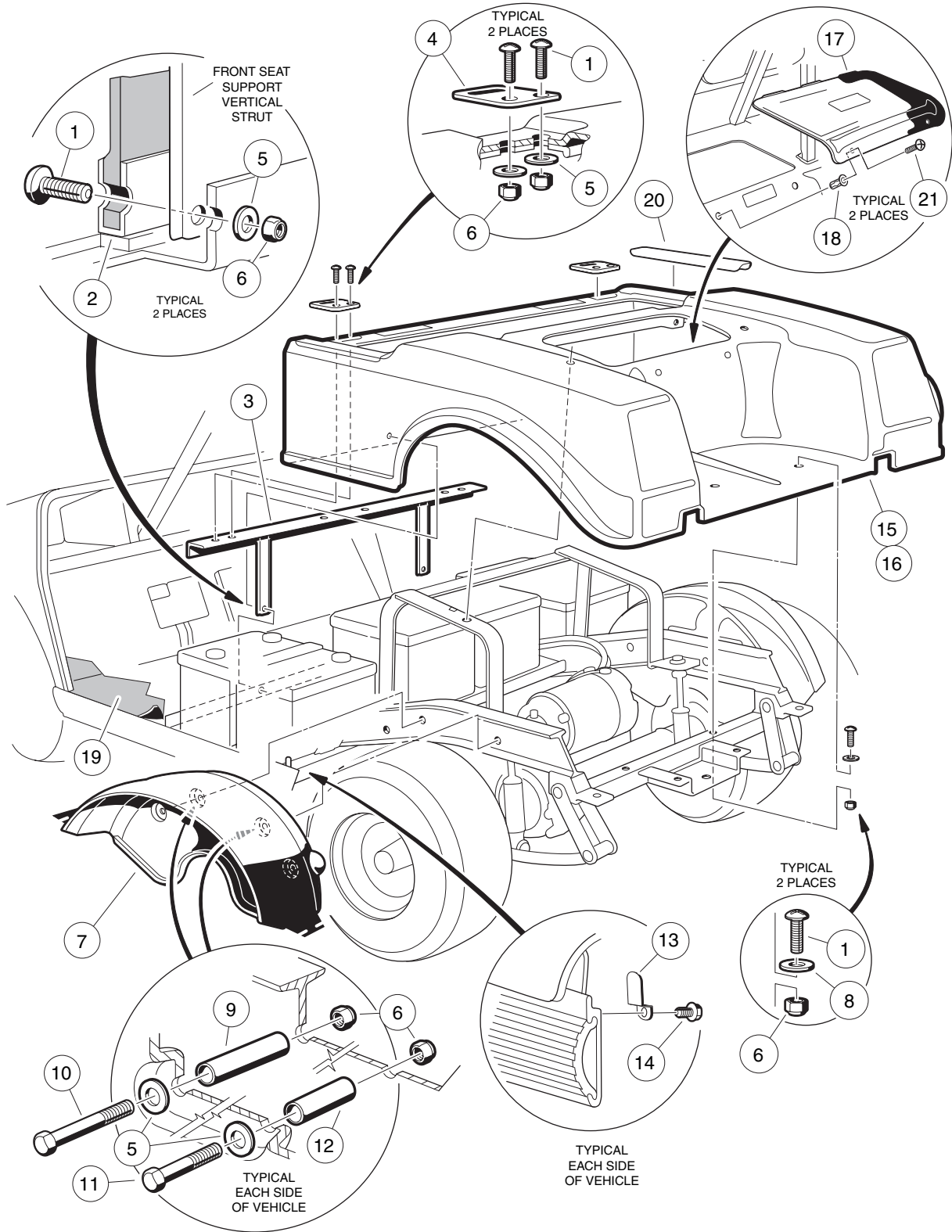


REAR BODY AND FENDER – GASOLINE VEHICLE

ITEM	PART NO.	DESCRIPTION	QTY GAS	QTY ELEC
		1 2 3 4		
1	<u>8251</u>	Screw, Phillips-Head, 1/4-20 x 1	8	
2	<u>101904101</u>	Plate, Body Kick	1	
3	<u>1014306</u>	Washer, Flat, Type B, 1/4	2	
4	<u>1012412</u>	Plate, Body Hinge	2	
5	<u>332</u>	Washer, Flat, 1/4	10	
6	<u>8233</u>	Nut, Nylon Lock, 1/4-20	12	
7	<u>1013032</u>	Door, Access – Black	1	
8	<u>1015525</u>	Nut, Blind, 1/4-20	2	
9	<u>101692601</u>	Body – Beige	1	
9	<u>101692602</u>	Body – White	1	
9	<u>101692604</u>	Body – Gray	1	
9	<u>101692606</u>	Body – Red	1	
9	<u>101692609</u>	Body – Pacific Blue (Royal Blue)	1	
9	<u>101692610</u>	Body – Dark Green	1	
9	<u>101692611</u>	Body – Black	1	
9	<u>101692612</u>	Body – Classic Blue (Navy)	1	
9	<u>101692613</u>	Body – Burgundy	1	
10	<u>101696208</u>	Body with Taillight Opening – Beige	1	
10	<u>101696209</u>	Body with Taillight Opening – White	1	
10	<u>101696211</u>	Body with Taillight Opening – Gray	1	
10	<u>101696213</u>	Body with Taillight Opening – Red	1	
10	<u>101696215</u>	Body with Taillight Opening – Pacific Blue (Royal Blue)	1	
10	<u>101696216</u>	Body with Taillight Opening – Dark Green	1	
10	<u>101696219</u>	Body with Taillight Opening – Black	1	
10	<u>101696220</u>	Body with Taillight Opening – Classic Blue (Navy)	1	
10	<u>101696221</u>	Body with Taillight Opening – Burgundy	1	
11	<u>1017748</u>	Clip, Body Keeper	2	
12	<u>1012047</u>	Screw, Self-Tapping, #8-32 x 3/8	2	
13	<u>7847</u>	Screw, Hex-Head Cap, 1/4-20 x 3/4	4	
14	<u>1017936</u>	Fender, Inner	2	
15	<u>1017141</u>	Support, Front Body	1	
16	<u>1015032</u>	Mat, Floor	1	
17	<u>102221201</u>	Pad, Wear	2	
18	<u>8248</u>	Screw, Phillips Truss-Head, 1/4-20 x 3/4	2	

1
G
E

1
G
E

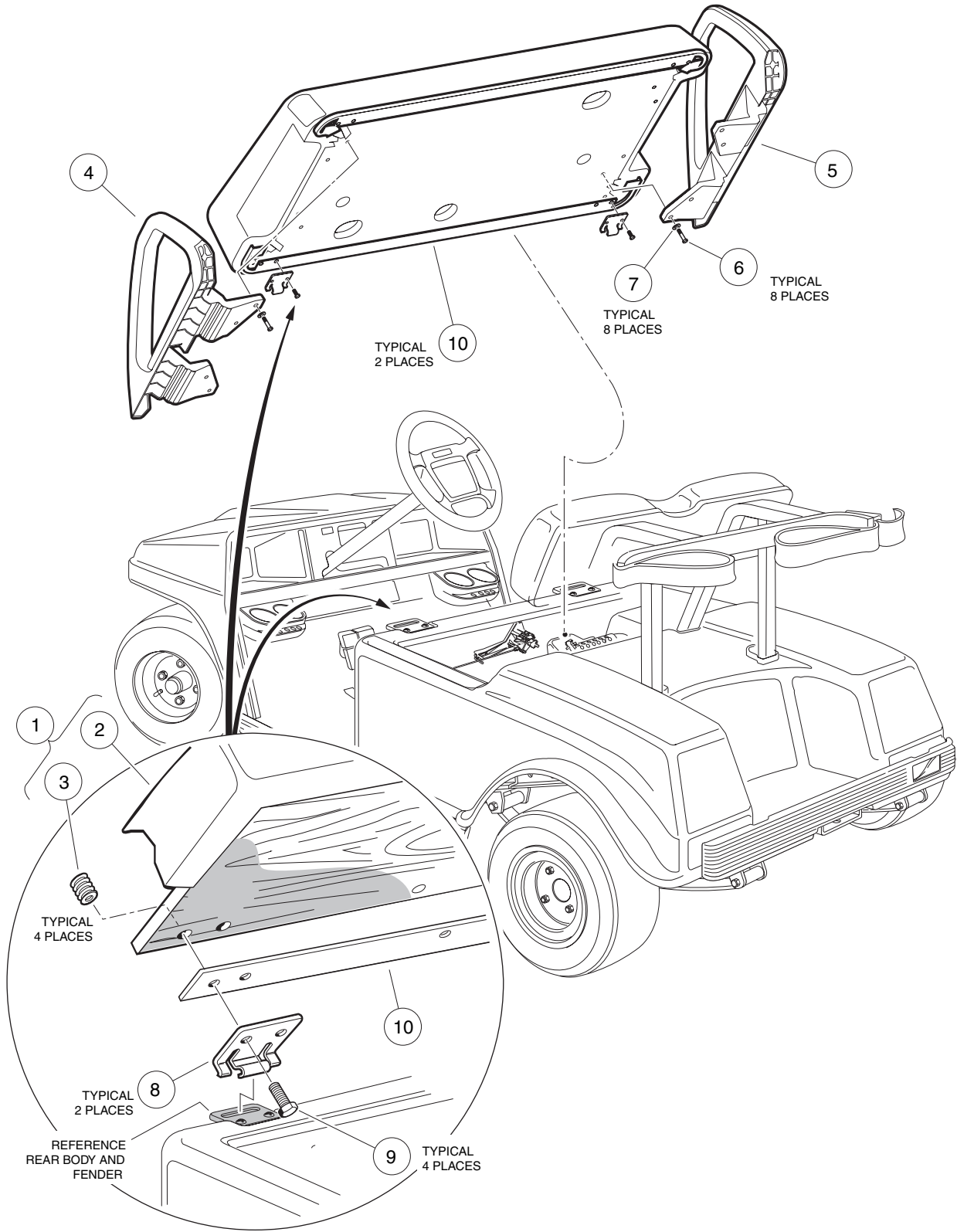


REAR BODY AND FENDER – ELECTRIC VEHICLE

ITEM	PART NO.	DESCRIPTION	QTY GAS	QTY ELEC
		1 2 3 4		
1	<u>8251</u>	Screw, Phillips-Head, 1/4-20 x 1		8
2	<u>101904101</u>	Plate, Body Kick		1
3	<u>1017141</u>	Support, Front Body		1
4	<u>1012412</u>	Plate, Body Hinge		2
5	<u>332</u>	Washer, Flat, 1/4		10
6	<u>8233</u>	Nut, Nylon Lock, 1/4-20		12
7	<u>1017936</u>	Fender, Inner		2
8	<u>1014306</u>	Washer, Flat, Type B, 1/4		2
9	<u>1017814</u>	Spacer, 1-7/8		2
10	<u>1012159</u>	Screw, Hex-Head Cap, 1/4-20 x 2-3/4		2
11	<u>7479</u>	Screw, Hex-Head Cap, 1/4-20 x 1-1/4		2
12	<u>1017815</u>	Spacer, 1/2		2
13	<u>1017748</u>	Clip, Body Keeper		2
14	<u>1012047</u>	Screw, Self-Tapping, #8-32		2
15	<u>101693301</u>	Body – Beige		1
15	<u>101693302</u>	Body – White		1
15	<u>101693304</u>	Body – Gray		1
15	<u>101693306</u>	Body – Red		1
15	<u>101693309</u>	Body – Pacific Blue (Royal Blue)		1
15	<u>101693310</u>	Body – Dark Green		1
15	<u>101693311</u>	Body – Black		1
15	<u>101693312</u>	Body – Classic Blue (Navy)		1
15	<u>101693313</u>	Body – Burgundy		1
16	<u>101696201</u>	Body with Taillight Opening – Beige		1
16	<u>101696202</u>	Body with Taillight Opening – White		1
16	<u>101696204</u>	Body with Taillight Opening – Gray		1
16	<u>101696206</u>	Body with Taillight Opening – Red		1
16	<u>101696217</u>	Body with Taillight Opening – Pacific Blue (Royal Blue)		1
16	<u>101696218</u>	Body with Taillight Opening – Dark Green		1
16	<u>101696222</u>	Body with Taillight Opening – Black		1
16	<u>101696223</u>	Body with Taillight Opening – Classic Blue (Navy)		1
16	<u>101696224</u>	Body with Taillight Opening – Burgundy		1
17	<u>1013032</u>	Door, Access – Black		1
18	<u>1015525</u>	Nut, Blind, 1/4-20		2
19	<u>1015032</u>	Mat, Floor		1
20	<u>102221201</u>	Pad, Wear		2
21	<u>8248</u>	Screw, Phillips Truss-Head, 1/4-20 x 3/4		2

1
G
E

1
G
E

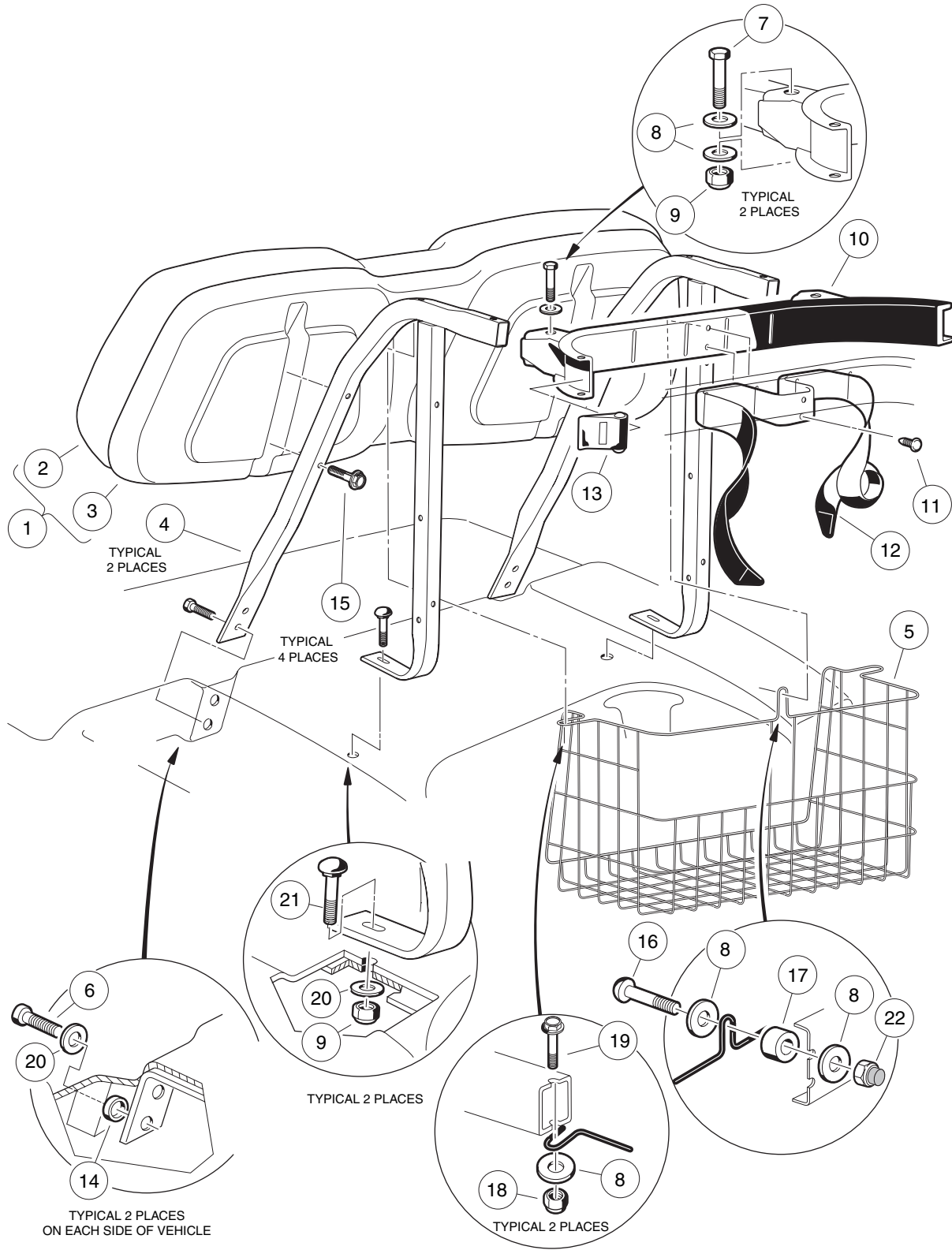


SEAT BOTTOM AND ARMREST

ITEM	PART NO.	DESCRIPTION	QTY GAS	QTY ELEC
		1 2 3 4		
1	<u>102174201</u>	Assembly, Seat Bottom – Buff (includes items 2 and 3)	1	1
2	<u>101998201</u>	Cover, Vinyl Seat Bottom – Buff	1	1
3	1010543	Insert, Wood	12	12
1	<u>102174202</u>	Assembly, Seat Bottom – White (includes items 2 and 3)	1	1
2	<u>101998202</u>	Cover, Vinyl Seat Bottom – White	1	1
3	1010543	Insert, Wood	12	12
1	<u>102174204</u>	Assembly, Seat Bottom – Black (includes items 2 and 3)	1	1
2	<u>101998204</u>	Cover, Vinyl Seat Bottom – Black	1	1
3	1010543	Insert, Wood	12	12
1	<u>102174205</u>	Assembly, Seat Bottom – Gray (includes items 2 and 3)	1	1
2	<u>101998205</u>	Cover, Vinyl Seat Bottom – Gray	1	1
3	1010543	Insert, Wood	12	12
4	<u>101987601</u>	Armrest, Driver-Side	1	1
5	<u>101985501</u>	Armrest, Passenger-Side	1	1
6	1016916	Screw, Hex-Head Cap, 1/4-20 x 1-1/2	8	8
7	<u>332</u>	Washer, Flat, Type A	8	8
8	<u>1011652</u>	Plate, Seat Hinge, Stainless Steel	2	2
9	<u>101954301</u>	Screw, Hex-Head Cap, 1/4-20 x 3/4 (with patch)	4	4
10	<u>101998501</u>	Gasket, Seat	2	2

1
G
E

1
G
E

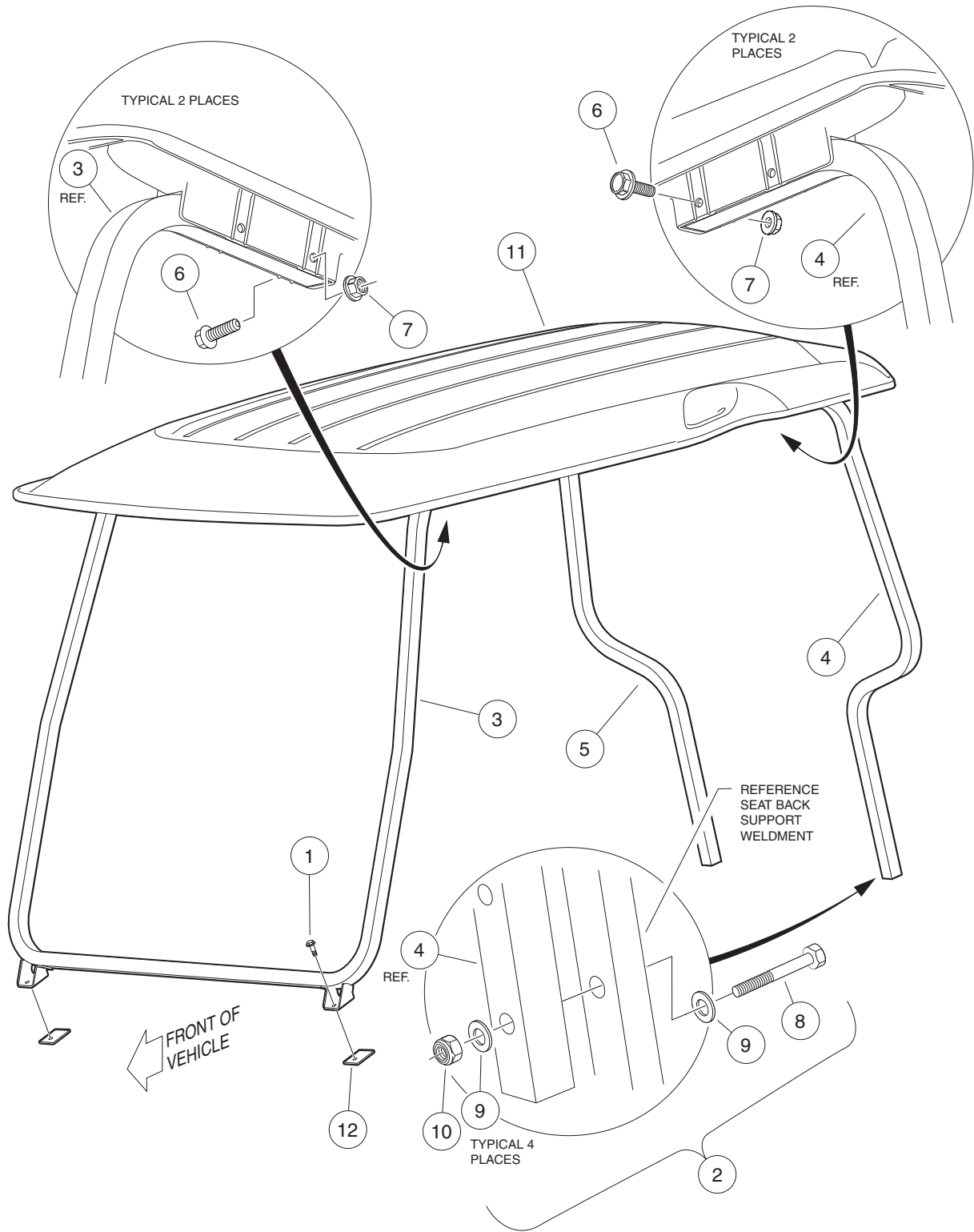


SEAT BACK AND BAG HOOP

ITEM	PART NO.	DESCRIPTION	QTY GAS	QTY ELEC
		1 2 3 4		
1	<u>102238301</u>	Assembly, Seat Back – Buff (includes items 2 and 3)	1	1
2	<u>102060501</u>	Cover, Vinyl, Seat Back – Buff	1	1
3	<u>102237001</u>	Cap, Seat Back – Black	1	1
1	<u>102238302</u>	Assembly, Seat Back – White (includes items 2 and 3)	1	1
2	<u>102060502</u>	Cover, Vinyl, Seat Back – White	1	1
3	<u>102237001</u>	Cap, Seat Back – Black	1	1
1	<u>102238304</u>	Assembly, Seat Back – Black (includes items 2 and 3)	1	1
2	<u>102060504</u>	Cover, Vinyl, Seat Back – Black	1	1
3	<u>102237001</u>	Cap, Seat Back – Black	1	1
1	<u>102238305</u>	Assembly, Seat Back – Gray (includes items 2 and 3)	1	1
2	<u>102060505</u>	Cover, Vinyl, Seat Back – Gray	1	1
3	<u>102237001</u>	Cap, Seat Back – Black	1	1
4	<u>102236601</u>	Weldment, Support, Seat Back	2	2
5	<u>102236703</u>	Basket, Sweater	1	1
6	<u>101910401</u>	Screw, Self-Tapping, 5/16-18 x 1-1/4	4	4
7	<u>1010921</u>	Screw, Hex-Head Cap, 5/16-18 x 2-1/2	2	2
8	<u>1015075</u>	Washer, Flat, 5/16	8	8
9	<u>7473</u>	Nut, Nylon Lock, 5/16-18	4	4
10	<u>1013935</u>	Assembly, Bag Hoop (includes items 11 - 13)	1	1
11	<u>1010434</u>	Fastener, Plastic Barrel	2	2
12	<u>1010413</u>	Strap, Bag	1	1
13	<u>1013754</u>	Buckle, Bag Strap	2	2
14	<u>1017774</u>	Spacer, Body	4	4
15	<u>102076701</u>	Screw, SEMS (with patch) 1/4-20 x 1-3/4	4	4
16	<u>8418</u>	Screw, Phillips Truss-Head, 1/4-20 x 1-1/2	1	1
17	<u>1014482</u>	Spacer, Nylon	1	1
18	<u>1028</u>	Nut, Hex, 1/4-20	2	2
19	<u>7479</u>	Screw, Hex-Head Cap, 1/4-20 x 1-1/4	2	2
20	<u>1241</u>	Washer, Flat, 5/16	6	6
21	<u>7818</u>	Bolt, Carriage, 5/16-18 x 1-1/2	2	2
22	<u>102242401</u>	Nut, Nylon Insert with Cap, 1/4-20	1	1

1
G
E

1
G
E



CANOPY

ITEM	PART NO.	DESCRIPTION	QTY GAS	QTY ELEC
		1 2 3 4		
1	102099101	Screw, SEMS (with patch) 5/16-18 x 1	2	2
2	<u>102155501</u>	Kit, Support (includes items 3 - 10)	1	1
3	<u>102063901</u>	Weldment, Windshield	1	1
4	<u>102065501</u>	Support, Rear Canopy (driver side)	1	1
5	<u>102064601</u>	Support, Rear Canopy (passenger side)	1	1
6	<u>102076701</u>	Screw, SEMS, (with patch) 1/4-20 x 1-3/4	8	8
7	<u>101835601</u>	Nut, Flange, 1/4-20	8	8
8	<u>324</u>	Screw, Hex-Head Cap, 1/4-20 x 2-1/2	4	4
9	<u>332</u>	Washer, Flat, 1/4	8	8
10	<u>8233</u>	Nut, Lock, 1/4-20	4	4
11	<u>102061301</u>	Canopy – White	1	1
11	<u>102061302</u>	Canopy – Beige	1	1
12	102198301	Pad, Mounting (windshield frame)	2	2

1
G
E

1

G

E

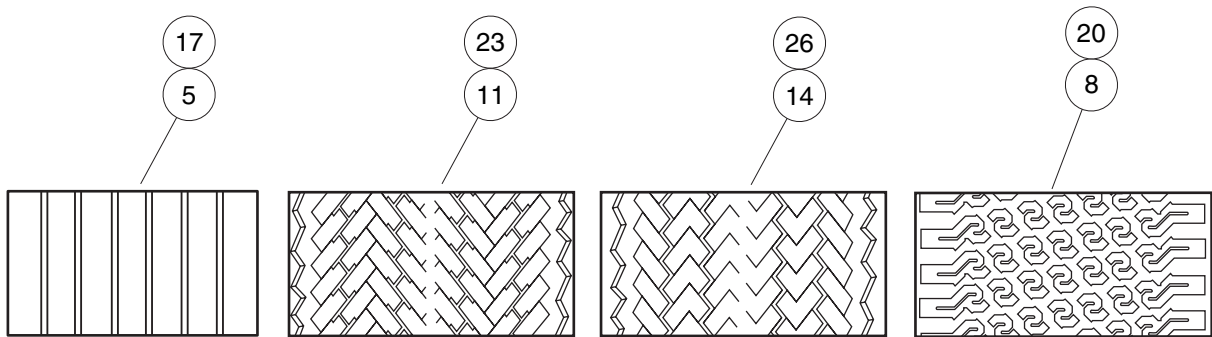
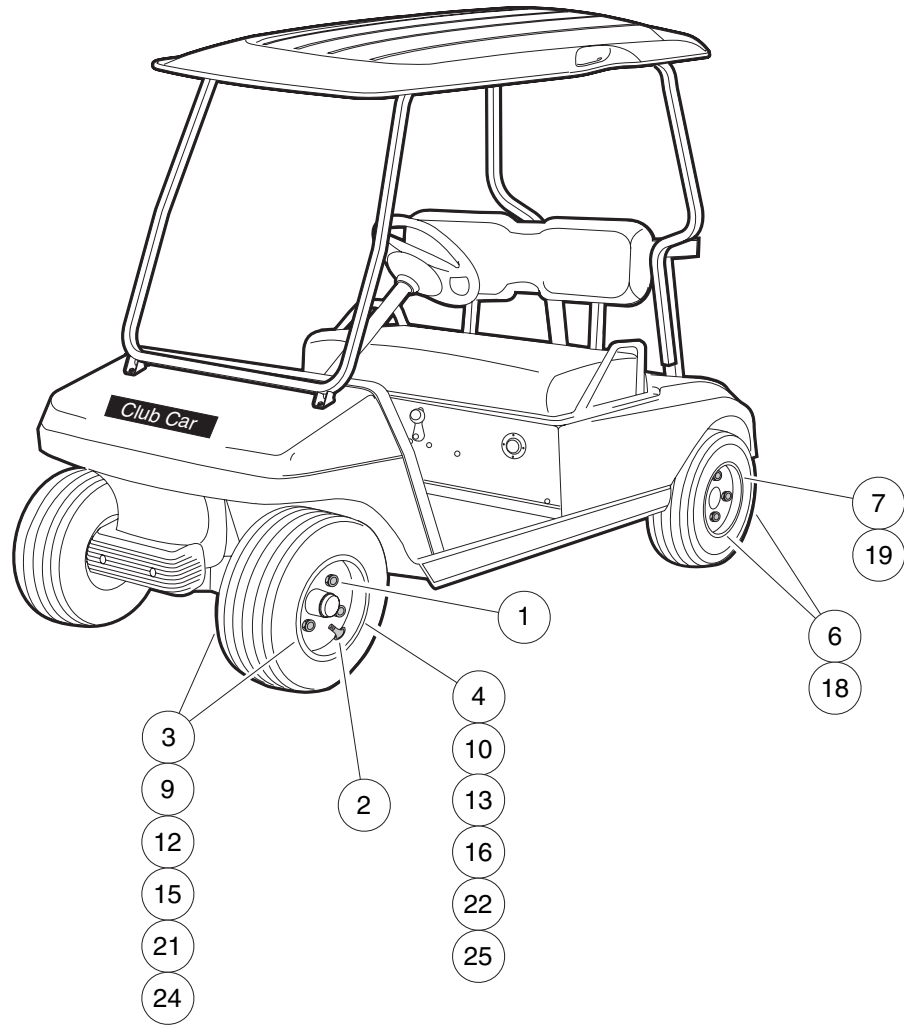
WHEELS AND TIRES

2

G

E

2
G
E



STANDARD TREAD
Carlisle®

PERFORMANCE
GRADE TREAD
Duro®

PREMIUM TREAD
Kenda®

EXTRA TRACTION
Duro

Note: The performance grade tire has the wheel and tire matched and balanced at the Duro tire factory.

WHEELS AND TIRES

ITEM	PART NO.	DESCRIPTION	QTY GAS	QTY ELEC
		1 2 3 4		
1	<u>1010984</u>	Nut, Lug	16	16
2	<u>7310</u>	Stem, Valve *	1	1
3	<u>101570501</u>	Assembly, Wheel and Standard Tire (includes items 4-5)	4	4
4	<u>1015707</u>	Wheel Rim – Beige	1	1
5	<u>727102</u>	Tire, Unmounted, Standard Tread (18 x 8.50 - 8) (Carlisle®)	1	1
6	<u>101570507</u>	Assembly, Wheel and Extra Traction Tire (includes items 7 - 8)	2	2
7	<u>1015707</u>	Wheel Rim – Beige	1	1
8	<u>101769302</u>	Tire, Unmounted, Extra Traction, 6-Ply Rated (18 x 8.50 - 8) (Duro®) ...	1	1
9	<u>101570512</u>	Assembly, Wheel and Performance Grade Tire (includes items 10 - 11) ...	4	4
10	<u>1015707</u>	Wheel Rim – Beige	1	1
11	****	Tire, Unmounted, Performance Grade Tread (18 x 8.50 - 8) (Duro)	1	1
12	<u>101570513</u>	Assembly, Wheel and Premium Grade Tire (includes items 13 - 14)	4	4
13	<u>1015707</u>	Wheel Rim – Beige	1	1
14	****	Tire, Unmounted, Premium Tread (18 x 8.50 - 8) (Kenda®)	1	1
15	<u>101651401</u>	Assembly, Wheel and Standard Tire (includes items 16 - 17)	4	4
16	<u>1014771</u>	Wheel Rim – White	1	1
17	<u>727102</u>	Tire, Unmounted, Standard Tread (18 x 8.50 - 8) (Carlisle)	1	1
18	<u>101651407</u>	Assembly, Wheel and Extra Traction Tire, (includes items 19 - 20)	2	2
19	<u>1014771</u>	Wheel Rim – White	1	1
20	<u>101769302</u>	Tire, Unmounted, Extra Traction, 6-Ply Rated (18 x 8.50 - 8) (Duro)	1	1
21	<u>101651412</u>	Assembly, Wheel and Performance Grade Tire (includes items 22 - 23) ...	4	4
22	<u>1014771</u>	Wheel Rim – White	1	1
23	****	Tire, Unmounted, Performance Grade Tread (18 x 8.50 - 8) (Duro)	1	1
24	<u>101651413</u>	Assembly, Wheel and Premium Grade Tire (includes items 25 - 26)	4	4
25	<u>1014771</u>	Wheel Rim – White	1	1
26	****	Tire, Unmounted, Premium Tread (18 x 8.50 - 8) (Kenda)	1	1
		* Note: Item 2 is a part of all wheel assemblies.		
	****	Special order item available upon request.		

2
G
E

2

G

E

DECALS

3

G

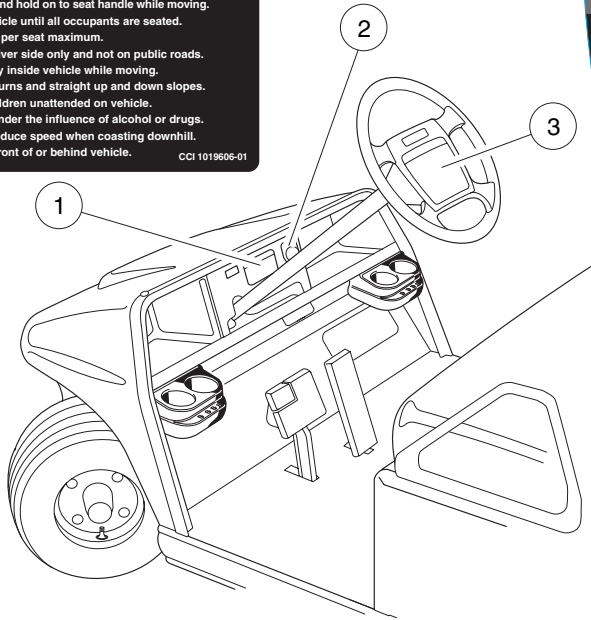
E

⚠ WARNING
ROLLOVER OR FALLING OFF MAY CAUSE DEATH.

- Before using vehicle, read operating instructions.
- Remain seated and hold on to seat handle while moving.
- Do not start vehicle until all occupants are seated.
- Two (2) persons per seat maximum.
- Operate from driver side only and not on public roads.
- Keep entire body inside vehicle while moving.
- Drive slowly in turns and straight up and down slopes.
- Do not leave children unattended on vehicle.
- Never operate under the influence of alcohol or drugs.
- Use brakes to reduce speed when coasting downhill.
- Never stand in front of or behind vehicle.

CCI 1019606-01

OFF | ON



OPERATING INSTRUCTIONS

- Read Owner's Manual and safety warnings located on dash panel prior to driving.
- Study and understand controls.
- Make sure wheels are turned in desired direction.
- Turn key to "ON" position and be sure nothing is in your path.
- While vehicle is stopped, select direction by placing shift lever or switch in desired position:
 F-Forward N-Neutral R-Reverse (Buzzer will sound)
- Vehicle will start moving when accelerator pedal is depressed.
- Slowly depress accelerator pedal to increase speed. Park brake will release when accelerator pedal is depressed.
- To stop, release accelerator pedal and depress brake pedal.
- After stopping the vehicle:
 - Firmly depress park brake until it locks.
 - Place Forward/Reverse switch in "NEUTRAL" position.
 - Turn key "OFF" and remove key when not in use.

CCI 101921601

⚠ WARNING
GASOLINE EXPLOSION / FIRE.

- Can cause severe injury or death.
- No smoking, sparks, or open flame.
- Stop engine, allow to cool before refueling.
- Turn fuel valve (←) on during operation.
 (→) off during storage or transport.

CCI 101547601

(ON VEHICLE FRAME NEAR FUEL TANK)

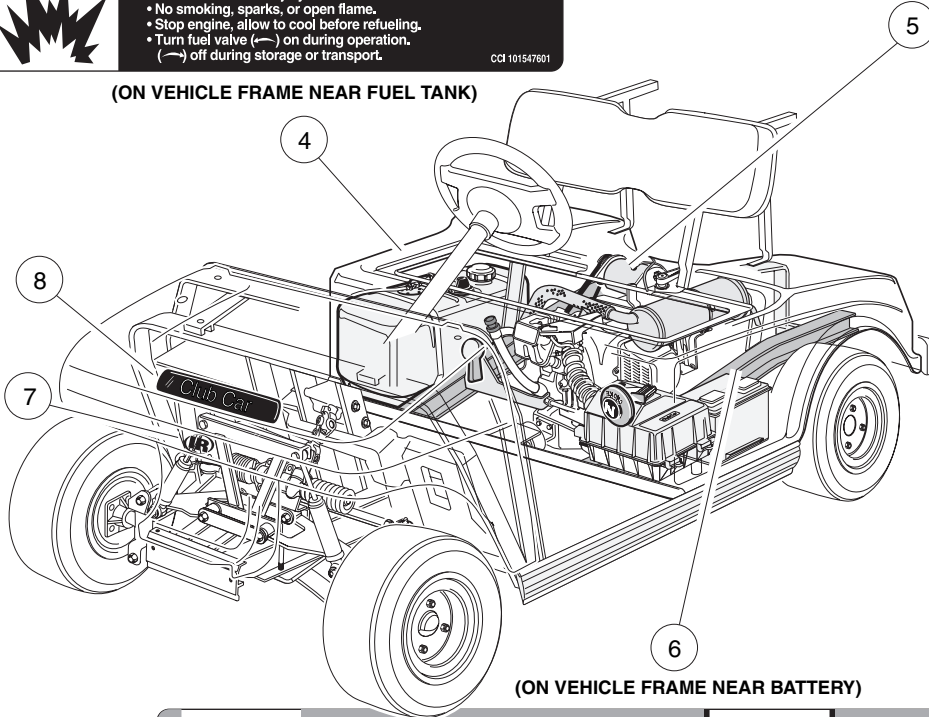
⚠ WARNING
CAN CAUSE SEVERE INJURY

Rotating parts

HOT
manifold & muffler

KEEP CLEAR CCI 1019605-01

(ON STARTER/GENERATOR AND ENGINE)



(ON VEHICLE FRAME NEAR BATTERY)

⚠ WARNING

Negative frame ground. Can cause severe injury. Do not contact positive (+) battery post or cable to frame. Disconnect negative battery cable first.

⚠ WARNING

Excessive speed can cause severe injury or death. Do not tamper with engine governor adjustment.

CCI 101915201

DECALS – GASOLINE VEHICLE

ITEM	PART NO.	DESCRIPTION	QTY GAS	QTY ELEC
		1 2 3 4		
1	101960601	Decal, Driver/Passenger Warning	1	
2	<u>101825101</u>	Decal, Key Switch	1	
3	101621601	Decal, Operating Instructions	1	
4	<u>101547601</u>	Decal, Gasoline Warning	1	
5	<u>101960501</u>	Decal, Rotating Parts and Hot Manifold Warning	2	
6	<u>101915201</u>	Decal, Frame Ground and Governor Warning	1	
7	<u>102259001</u>	Emblem, IR, Gold (on front body)	1	
8	<u>1014198</u>	Nameplate, Gold (on front body).....	1	

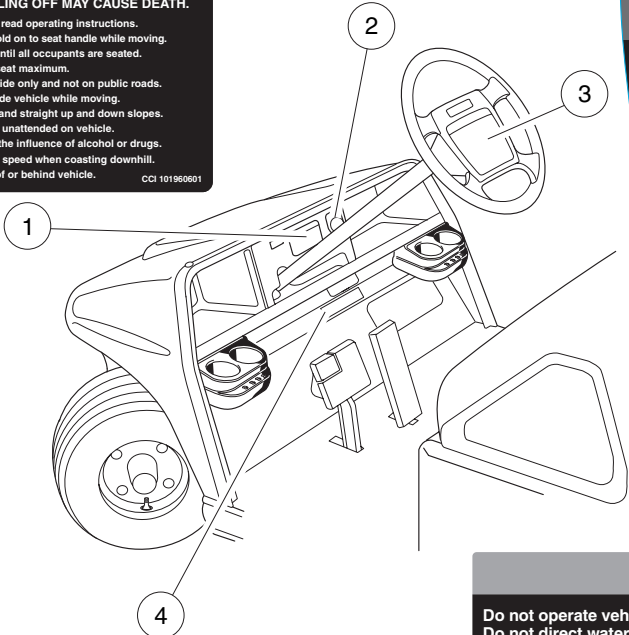
3
G
E

⚠ WARNING
ROLLOVER OR FALLING OFF MAY CAUSE DEATH.

- Before using vehicle, read operating instructions.
- Remain seated and hold on to seat handle while moving.
- Do not start vehicle until all occupants are seated.
- Two (2) persons per seat maximum.
- Operate from driver side only and not on public roads.
- Keep entire body inside vehicle while moving.
- Drive slowly in turns and straight up and down slopes.
- Do not leave children unattended on vehicle.
- Never operate under the influence of alcohol or drugs.
- Use brakes to reduce speed when coasting downhill.
- Never stand in front of or behind vehicle.

CCI 10196001

OFF | ON



OPERATING INSTRUCTIONS

- Read Owner's Manual and safety warnings located on dash panel prior to driving.
 - Study and understand controls.
- Make sure wheels are turned in desired direction.
- Turn key to "ON" position and be sure nothing is in your path.
 - While vehicle is stopped, select direction by placing shift lever or switch in desired position:
 - F - Forward N - Neutral R - Reverse (Buzzer will sound)
- Vehicle will start moving when accelerator pedal is depressed.
- Slowly depress accelerator pedal to increase speed. Park brake will release when accelerator pedal is depressed.
- To stop, release accelerator pedal and depress brake pedal.
 - After stopping the vehicle:
 - Firmly depress park brake until it locks.
 - Place Forward/Reverse switch in "NEUTRAL" position.
 - Turn key "OFF" and remove key when not in use.

CCI 101621001

(ON SPEED CONTROLLER COVER)

NOTICE

Do not operate vehicle without this cover properly installed. Do not direct water stream in this area; will cause damage to components. See vehicle maintenance and service manual before servicing.

CCI 101931501

IMPORTANT NOTICE

- Maximum vehicle speed is limited by motor braking during downhill operation with accelerator pedal depressed.
- If motor brake enabled, vehicle motor will brake when accelerator pedal is released.
- Bleeping alarm indicates reduction in motor braking. Apply brakes to reduce speed.
- System is activated only when tow switch is in the "RUN" position.
- When towing vehicle, tow switch must be in the "TOW" position.

10195902

NOTICE

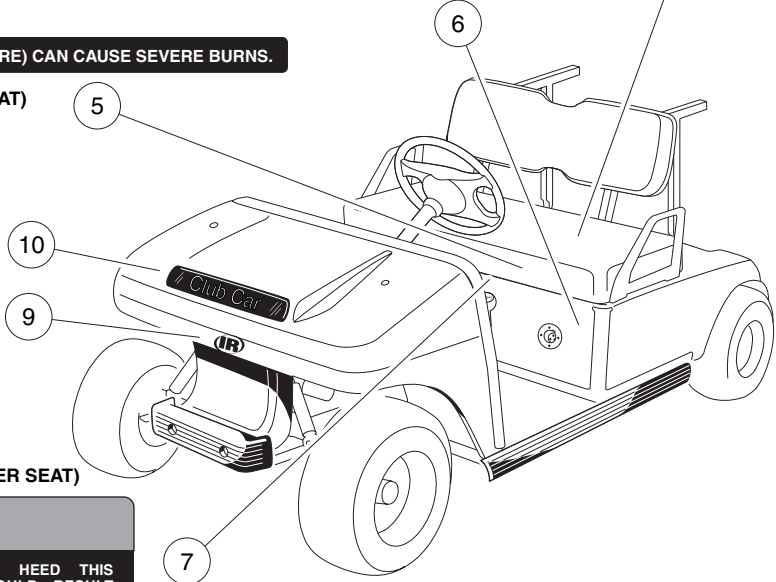
- DO NOT OPERATE VEHICLE WITHOUT COVER IN PLACE.
- DO NOT DIRECT WATER STREAM AT THIS SWITCH.

CCI 1016109-01

(ON WIPER SWITCH COVER INSIDE BATTERY COMPARTMENT)

⚠ WARNING HOT RESISTORS (COILED WIRE) CAN CAUSE SEVERE BURNS.

(ON FRAME UNDER SEAT)



(ON TOW/RUN SWITCH BRACKET UNDER SEAT)

⚠ WARNING **TOW** **RUN**

Place Tow/Run switch in TOW position before:

- Disconnecting or connecting batteries
- Towing
- Extended storage
- Servicing

FAILURE TO HEED THIS WARNING COULD RESULT IN A BATTERY EXPLOSION OR SEVERE PERSONAL INJURY.

CCI 101908001

DECALS – ELECTRIC VEHICLE

ITEM	PART NO.	DESCRIPTION	QTY GAS	QTY ELEC
		1 2 3 4		
1	101960601	Decal, Driver/Passenger Warning		1
2	<u>101825101</u>	Decal, Key Switch		1
3	101621601	Decal, Operating Instructions		1
4	<u>101959902</u>	Decal, Motor Braking (IQ System vehicle)		1
5	<u>1013496</u>	Decal, Resistor Warning (V-Glide 36-Volt vehicles)		1
6	<u>101610901</u>	Decal, Potentiometer Caution (V-Glide 36-Volt vehicles)		1
7	<u>101908601</u>	Decal, Tow/Run Switch (IQ System vehicles)		1
8	<u>101931501</u>	Decal, Electrical Component Cover (IQ System vehicle)		1
9	<u>102259001</u>	Emblem, IR, Gold		1
10	<u>1014198</u>	Nameplate, Gold		1

3
G
E

3

G

E

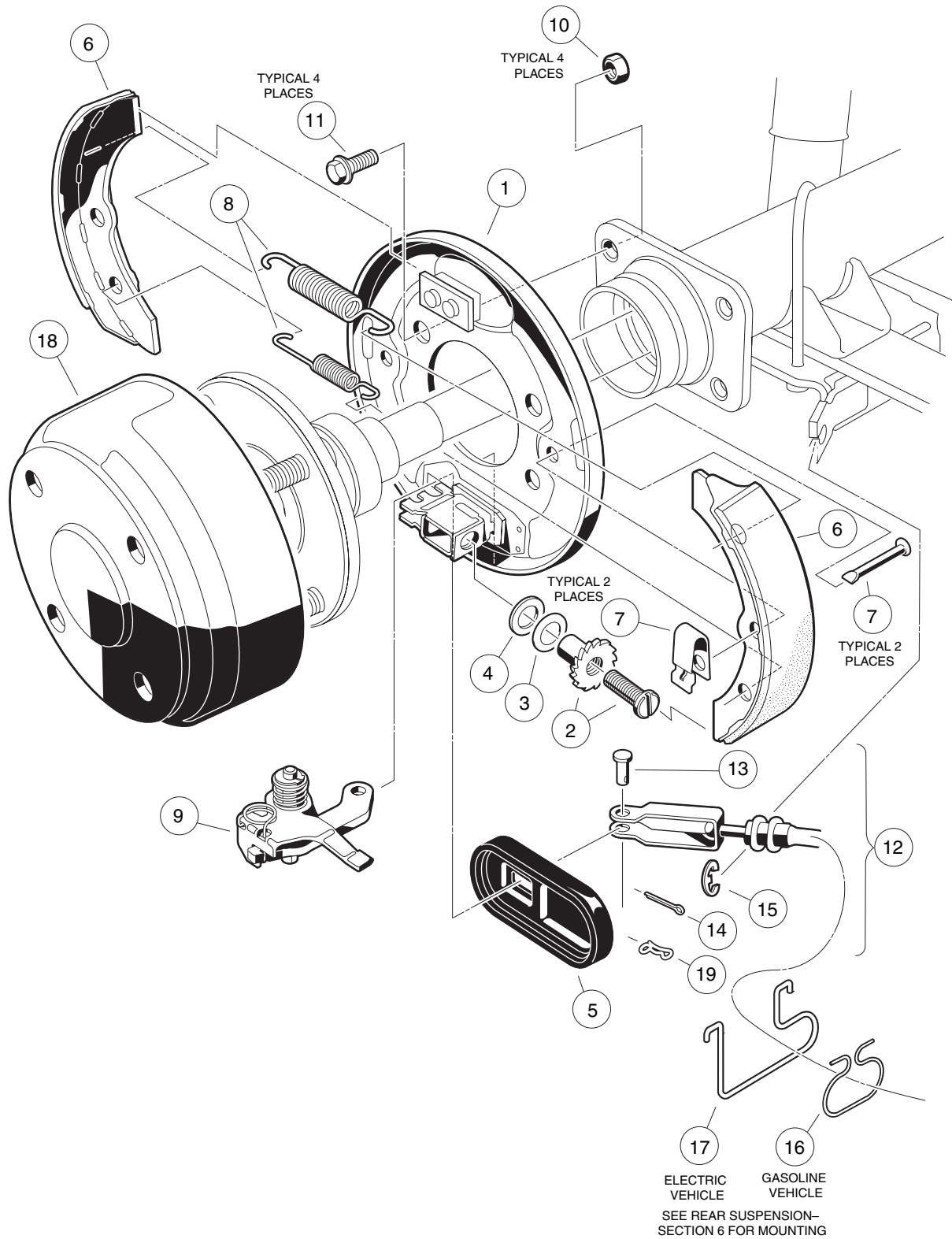
BRAKES, PEDAL, AND CABLE ASSEMBLIES

4

G

E

4
G
E

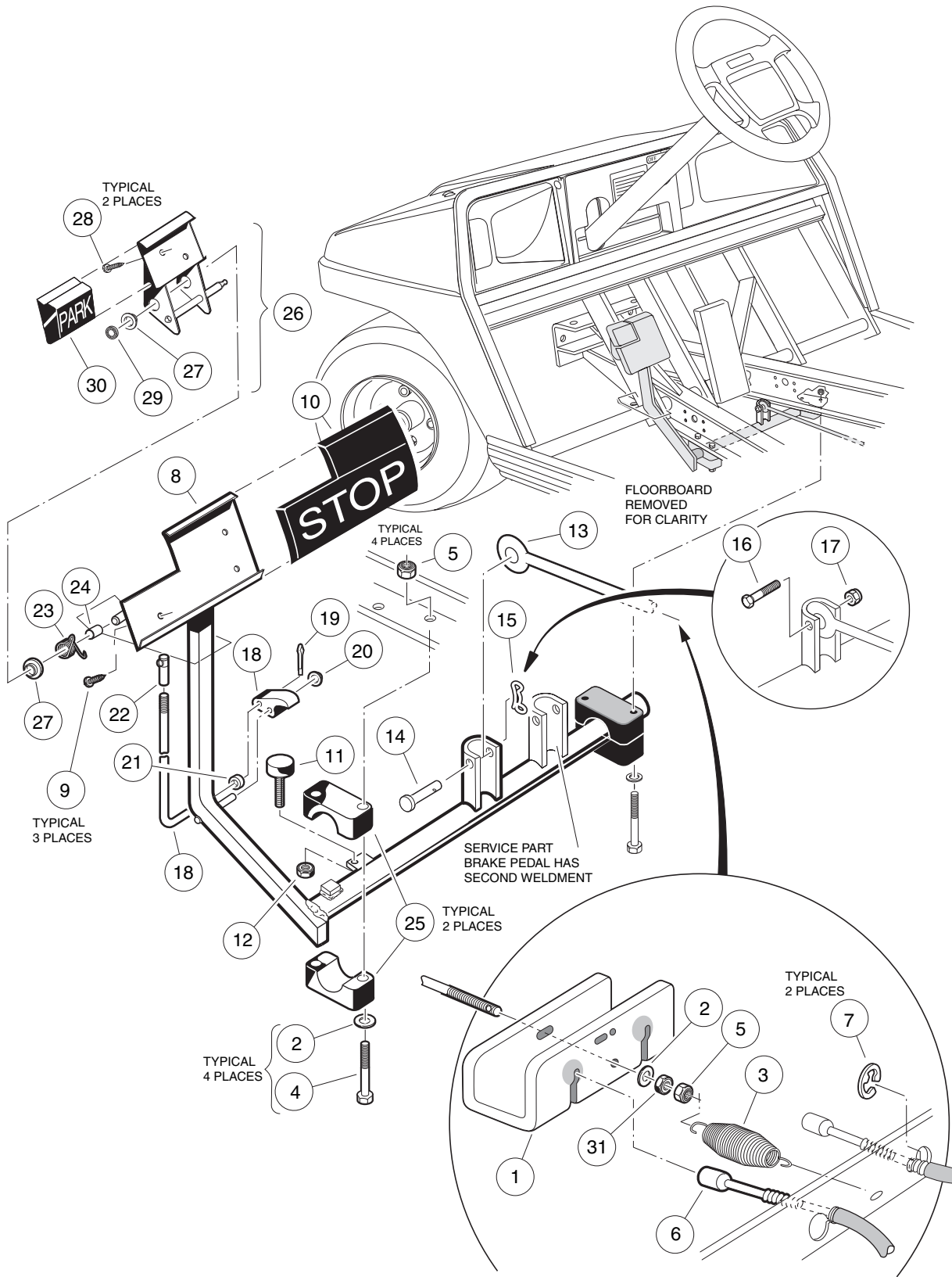


BRAKE ASSEMBLY

ITEM	PART NO.	DESCRIPTION	QTY GAS	QTY ELEC
		1 2 3 4		
	<u>101823301</u>	Cluster, Brake, Passenger-Side (includes items 1 - 9)	1	1
	<u>101823302</u>	Cluster, Brake, Driver-Side (includes items 1 - 9)	1	1
1	<u>101824001</u>	Assembly, Backing Plate, Passenger-Side (includes items 2 - 4)	1	1
1	<u>101824002</u>	Assembly, Backing Plate, Driver-Side (includes items 2 - 4)	1	1
2	<u>101816501</u>	Mechanism, Adjusting, Passenger-Side	1	1
2	<u>101816502</u>	Mechanism, Adjusting, Driver-Side	1	1
3	<u>101823901</u>	Washer	1	1
4	<u>101823801</u>	Washer, Plate	1	1
5	<u>1010850</u>	Cover, Dust	1	1
6	<u>101823201</u>	Package, Brake Shoe (four pieces)	1	1
7	<u>1011466</u>	Kit, Shoe Retainer (four pieces)	1	1
8	<u>101816301</u>	Package, Brake Spring (four pieces)	1	1
9	<u>101815501</u>	Assembly, Lever, Passenger-Side	1	1
9	<u>101815502</u>	Assembly, Lever, Driver-Side	1	1
10	<u>1013924</u>	Nut, Hex Lock, Grade 8, 5/16-24	8	8
11	<u>1014153</u>	Bolt, Brake Cluster Mounting, Grade 8, 5/16-24 x 7/8	8	8
12	<u>102022101</u>	Kit, Brake Cable (includes items 13 -15)	2	2
13	<u>1010829</u>	Pin, Clevis, 5/16	2	2
14	<u>1035</u>	Pin, Cotter	2	2
15	<u>1011779</u>	E-Clip, 1/2	2	2
16	<u>101900801</u>	Hanger, Brake Cable (gasoline vehicle only)	2	
17	<u>1013207</u>	Hanger, Brake Cable (electric vehicle only)		2
18	<u>101791101</u>	Drum, Brake	2	2
19	<u>102292801</u>	Pin, Bow Tie Locking.....		22

4
G
E

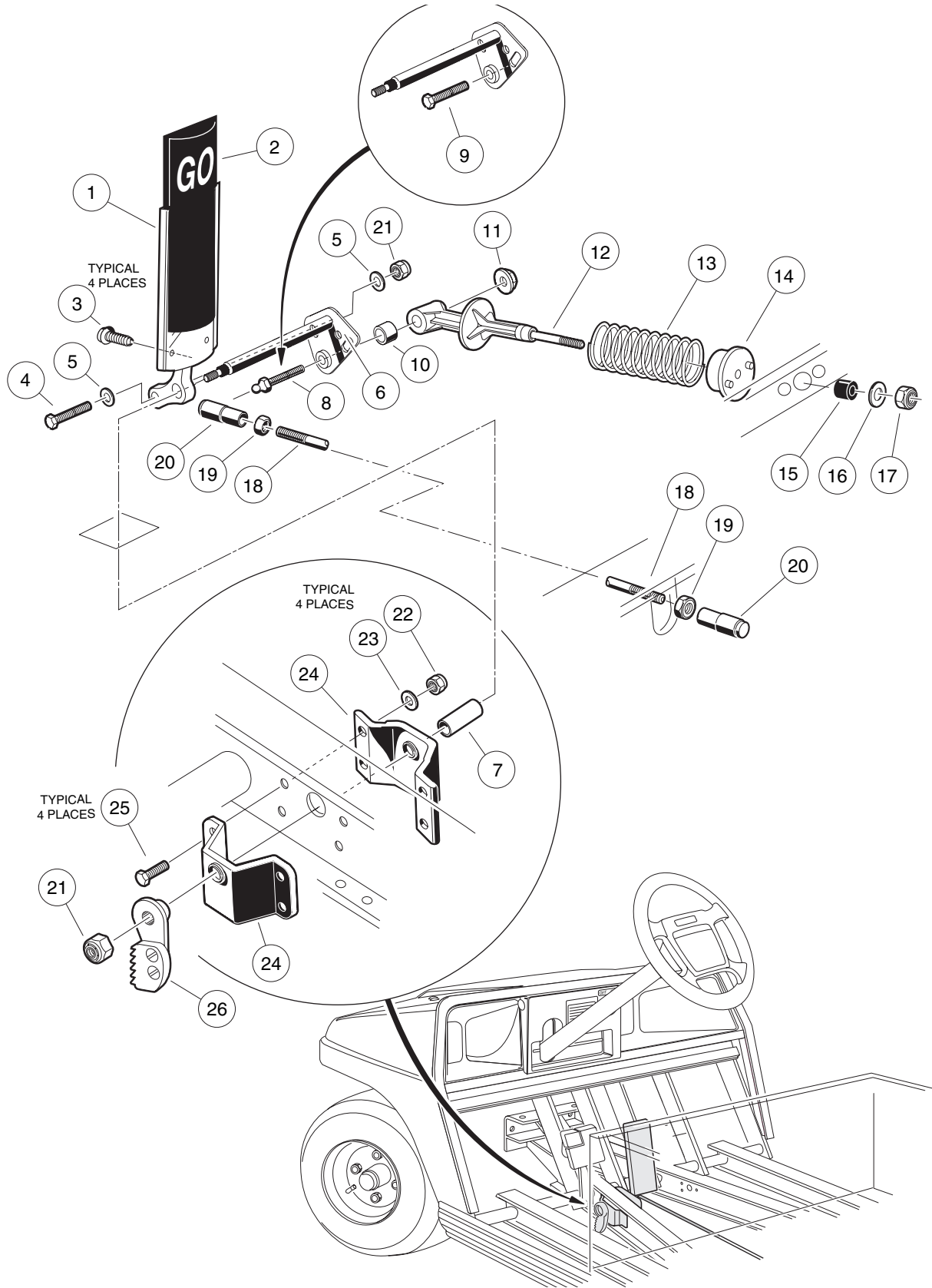
4
G
E



BRAKE PEDAL AND CABLE ASSEMBLY

ITEM	PART NO.	DESCRIPTION	QTY GAS	QTY ELEC	4
		1 2 3 4			G
1	<u>101990801</u>	Equalizer	1	1	E
2	<u>1241</u>	Washer, Flat, 5/16	5	5	
3	<u>1013531</u>	Spring, Brake Return	1	1	
4	<u>1010921</u>	Screw, Hex-Head Cap, 5/16-18 x 2-1/2	4	4	
5	<u>7473</u>	Nut, Nylon Lock, 5/16-18	5	5	
6	<u>102022101</u>	Kit, Brake Cable (includes item 7, and items 13 and 14 on page 4-3)	2	2	
7	<u>1011779</u>	E-Clip, 1/2	2	2	
8	<u>101878201</u>	Kit, Brake Pedal (includes items 9 and 10)	1	1	
9	<u>7716</u>	Screw, Slotted Hex Washer-Head, #10-16 x 1/2	3	3	
10	<u>1013869</u>	Pad, Brake Pedal	1	1	
11	<u>1010878</u>	Bumper, Rubber	1	1	
12	<u>1028</u>	Nut, Hex, 1/4-20	1	1	
13	<u>101953101</u>	Rod, Equalizer	1	1	
14	<u>102323201</u>	Pin, Clevis, 5/16 (later style hardware)	1	1	
15	<u>102323101</u>	Pin, Bow Tie Locking (later style hardware)	1	1	
16	<u>101953001</u>	Bolt, Hex-Head Shoulder, 3/8 x 1 (earlier style hardware)	1	1	
17	<u>7473</u>	Nut, Nylon Lock, 5/16-18 (earlier style hardware)	1	1	
	<u>101187702</u>	Kit, Park Brake Latch (includes items 18 - 22 and item 26 on page 4-7)	1	1	
18	N/A	Rod and Pawl	1	1	
19	<u>1017029</u>	Pin, Cotter, 7/64 x 1/2	1	1	
20	<u>1010877</u>	Nut, Push, 5/16	1	1	
21	<u>1010805</u>	Sleeve, Park Brake Rod	1	1	
22	<u>1010932</u>	Joint, Ball, 1/4-28	1	1	
23	<u>1010933</u>	Spring, Park Brake Torsion	1	1	
24	<u>1010927</u>	Spacer, Park Brake	1	1	
25	<u>1011402</u>	Package, Brake Mounting Block (contains upper and lower for driver and passenger sides)	1	1	
26	<u>1011418</u>	Kit, Park Brake Pedal (includes items 27 - 30)	1	1	
27	<u>1032</u>	Bushing, Nylon	2	2	
28	<u>8626</u>	Screw, Slotted Hex Washer-Head, #10-16 x 5/8	2	2	
29	<u>1013876</u>	Nut, Push, 3/8	1	1	
30	<u>1013870</u>	Pad, Park Brake	1	1	
31	<u>1242</u>	Nut, Hex, 5/16-18	1	1	

4
G
E



ACCELERATOR PEDAL ASSEMBLY

ITEM	PART NO.	DESCRIPTION	QTY GAS	QTY ELEC
		1 2 3 4		
1	<u>1017696</u>	Sub-Assembly, Accelerator Pedal (includes items 2 and 3)	1	1
2	<u>1013871</u>	Pad, Accelerator Pedal	1	1
3	<u>7716</u>	Screw, Slotted Hex Washer-Head, #10-16 x 1/2	4	4
4	<u>1624</u>	Screw, Hex-Head Cap, 3/8-16 x 1-1/2	1	1
5	<u>334</u>	Washer, Flat, 3/8	2	2
6	<u>102026001</u>	Kit, Accelerator Pivot Rod (includes item 7)	1	1
7	<u>1011700</u>	Spacer	1	1
8	<u>101818801</u>	Stud, Ball (for all vehicles except those equipped with MCOR)	1	1
9	<u>101862001</u>	Screw, Hex-Head Cap, 1/4-20 x 1-3/8 (MCOR vehicles)		1
10	<u>1017424</u>	Bearing, Pivot Support	1	1
11	<u>101966901</u>	Nut, Flange, 1/4-28	1	1
12	<u>101817401</u>	Retainer, Spring	1	1
13	<u>101796201</u>	Spring, Return	1	1
14	<u>1017378</u>	Cup, Spring	1	1
15	<u>1017380</u>	Bumper, Return Spring	1	1
16	<u>1241</u>	Washer, Flat, 5/16	1	1
17	<u>7473</u>	Nut, Nylon Lock, 5/16-18	1	1
18	<u>101871901</u>	Assembly, Accelerator Rod (V-Glide 36-Volt vehicle only) (includes items 19 and 20)		1
18	<u>101912401</u>	Assembly, Accelerator Rod (gasoline vehicle only) (includes items 19 and 20)	1	
19	<u>1011084</u>	Nut, UNF Hex Jam, 1/4-28	2	2
20	<u>1011734</u>	Joint, Spring-Loaded Ball	2	2
21	<u>8754</u>	Nut, Nylon Lock, 3/8-16	2	2
22	<u>8233</u>	Nut, Nylon Lock, 1/4-20	4	4
23	<u>1014007</u>	Washer, Flat, Type B, 1/4	4	4
24	<u>1011694</u>	Support, Accelerator Pivot Rod	2	2
25	<u>101861901</u>	Screw, Hex-Head Cap, 1/4-20 x 1-1/8	4	4
	<u>101187702</u>	Kit, Park Brake Latch (includes item 26, and items 18 - 22 on page 4-5) ..	1	1
26	N/A	Ratchet, Park Brake	1	1

4
G
E

4

G

E

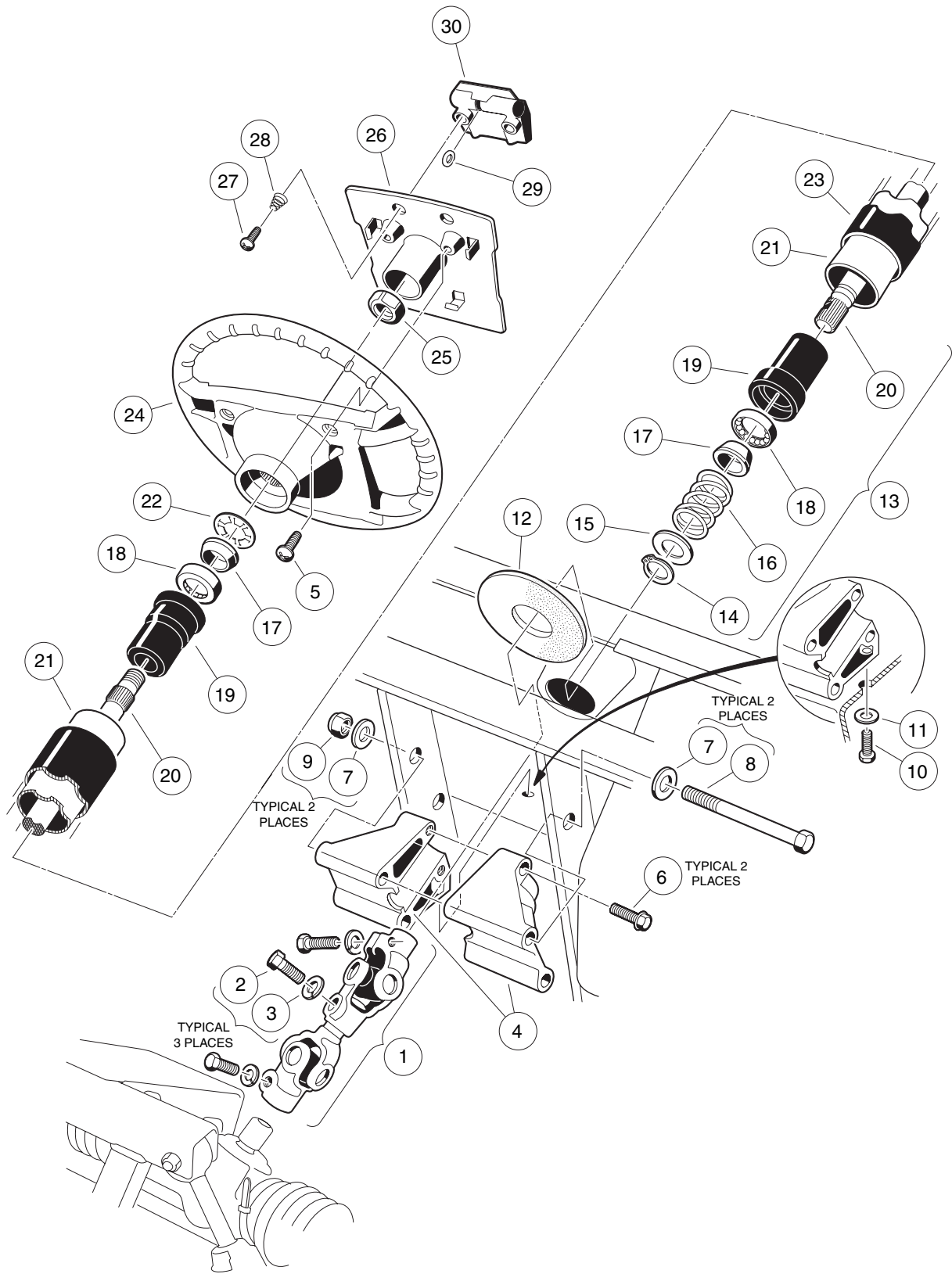
STEERING, FRONT AND REAR SUSPENSION

5

G

E

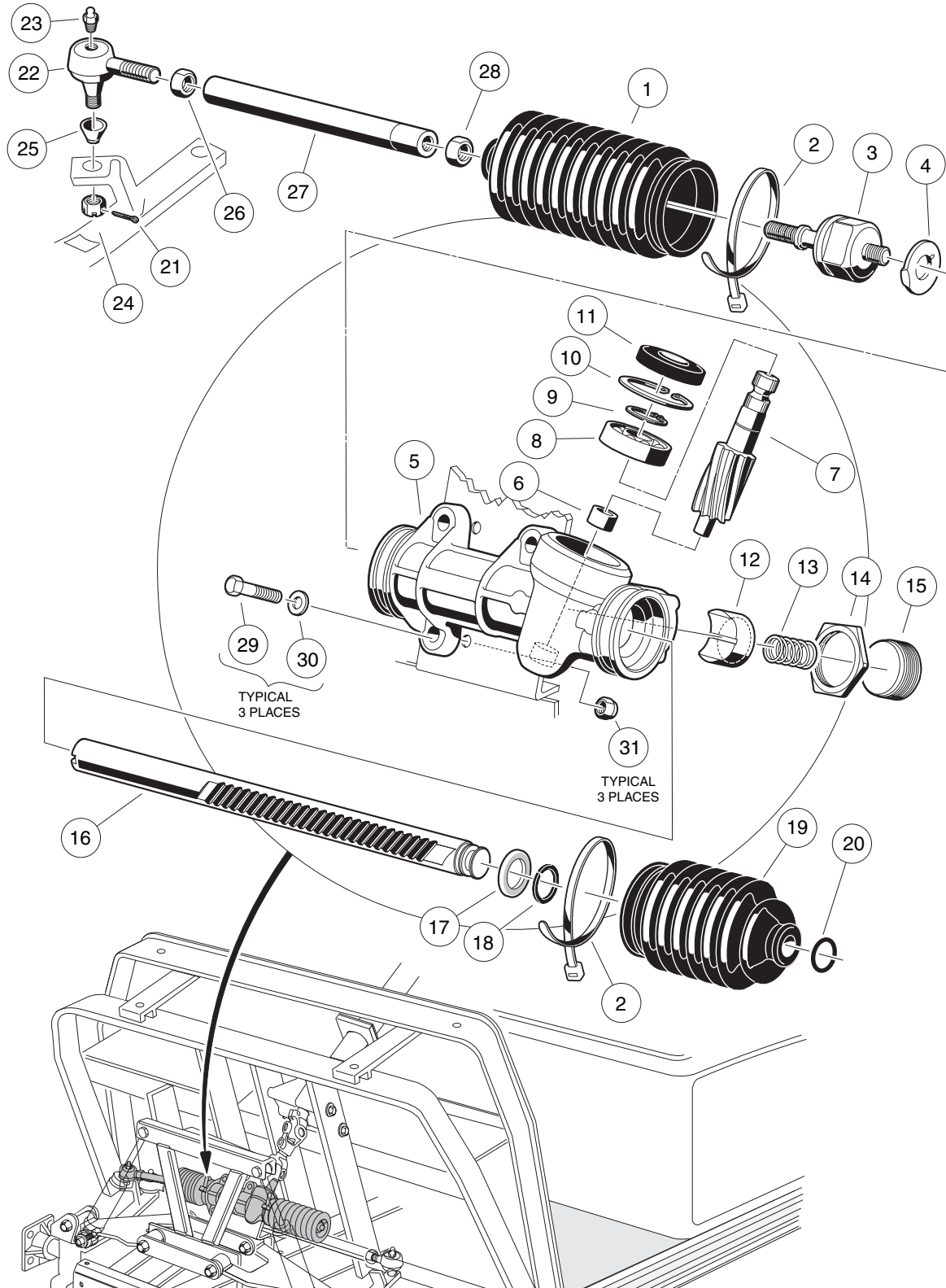
5
G
E



STEERING COLUMN

ITEM	PART NO.	DESCRIPTION	QTY GAS	QTY ELEC
		1 2 3 4		
1	<u>1013861</u>	Joint, Compound Steering (includes items 2 and 3)	1	1
2	<u>1017226</u>	Screw, Hex-Head Cap, M8 x 1.25 x 30 mm	3	3
3	<u>7174</u>	Washer, Lock, 5/16	3	3
4	101984801	Kit, Steering Column Mounting Bracket	1	1
5	<u>1016663</u>	Screw, Phillips, Type A, #12-11 x 5/8	2	2
6	<u>1016269</u>	Screw, Hex Washer-Head Thread-Forming, 5/16-18 x 2	2	2
7	<u>334</u>	Washer, Flat, 3/8	4	4
8	<u>1016183</u>	Screw, Hex-Head Cap, 3/8-16 x 7	2	2
9	<u>8754</u>	Nut, Nylon Lock, 3/8-16	2	2
10	<u>1014288</u>	Screw, Hex Washer-Head Thread-Forming, 5/16-18 x 3/4	1	1
11	<u>1011697</u>	Washer, Flat, 5/16	1	1
12	<u>102278001</u>	Boot, Steering Column	1	1
13	1016181	Assembly, Steering Column (includes items 14 - 22)	1	1
14	<u>1012605</u>	Ring, Retaining	1	1
15	<u>1012604</u>	Washer, Steel, 5/8	1	1
16	<u>1014217</u>	Spring, Compression	1	1
17	1014125	Wedge	2	2
18	<u>1014213</u>	Assembly, Bearing	2	2
19	<u>1014126</u>	Seat, Bearing	2	2
20	<u>1015545</u>	Shaft, Steering Column	1	1
21	1016622	Column, Aluminum Steering	1	1
22	1014214	Ring, Retaining	1	1
23	1016263	Cover, Steering Column	1	1
24	<u>1016156</u>	Wheel, Steering	1	1
25	<u>1017273</u>	Nut, Nylon Lock, 5/8-18	1	1
26	1016219	Assembly, Scorecard Plate (includes items 27 - 30)	1	1
27	<u>1012565</u>	Screw, Round-Head, #12-14 x 1	2	2
28	<u>1012566</u>	Spring, Tapered Compression	2	2
29	<u>1016214</u>	Grip, Pencil	1	1
30	1016154	Clip, Scorecard	1	1
	<u>1014216</u>	Kit, Steering Column Rebuild (not shown)	A/R	A/R

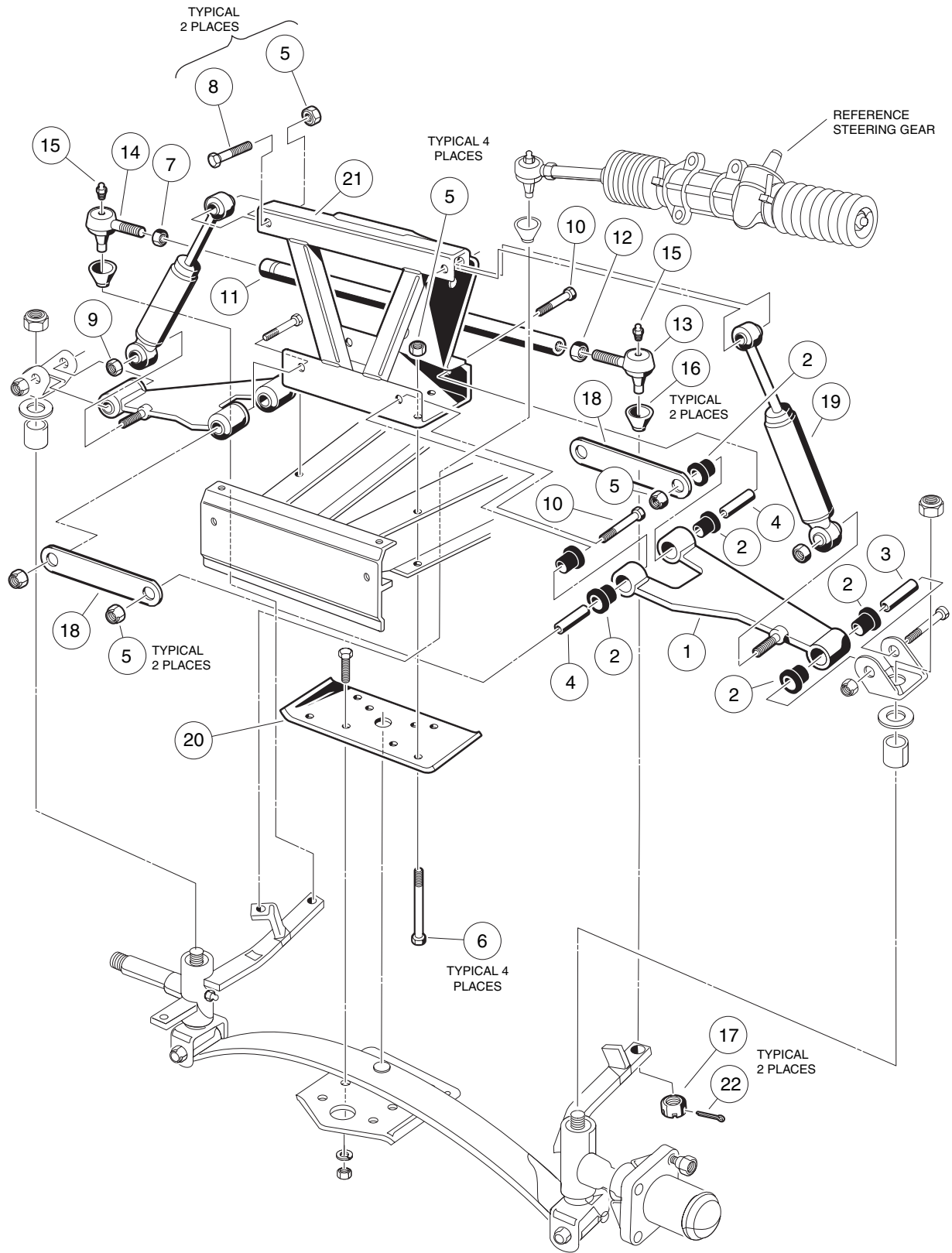
5
G
E



STEERING GEAR ASSEMBLY

ITEM	PART NO.	DESCRIPTION	QTY GAS	QTY ELEC
		1 2 3 4		
	<u>101878302</u>	Assembly, Steering Gear Box (includes items 1 - 20)	1	1
1	<u>1013035</u>	Seal, Dust, Passenger-Side	1	1
2	<u>8990</u>	Tie, Wire	2	2
3	<u>101880201</u>	Assembly, Inner Ball Joint	1	1
4	<u>101880301</u>	Washer, Tab	1	1
5	N/A	Box, Steering Gear	1	1
6	N/A	Bearing, Lower Pinion	1	1
7	N/A	Pinion, Steering	1	1
8	<u>101879401</u>	Bearing, Upper Pinion	1	1
9	<u>101879901</u>	Ring, C-Type Stop	1	1
10	<u>1013051</u>	Ring, Snap	1	1
11	<u>1013052</u>	Seal, Dust, Steering Pinion	1	1
12	<u>101879701</u>	Guide, Steering Rack	1	1
13	<u>101879801</u>	Spring, Yoke	1	1
14	<u>1013044</u>	Nut, Lock, Rack Screw	1	1
15	N/A	Screw, Rack Guide	1	1
16	N/A	Rack, Steering	1	1
17	<u>101879501</u>	Washer, Stop	1	1
18	<u>101879601</u>	Ring, C-Type Stop	1	1
19	<u>101880001</u>	Seal, Dust, Driver-Side	1	1
20	<u>101880101</u>	Ring, Retaining	1	1
21	<u>1035</u>	Pin, Cotter, 3/32 x 1	1	1
22	<u>7540</u>	Ball Joint, Left-Hand Thread (includes items 23, 24 and 25)	1	1
23	<u>1015597</u>	Fitting, Thread-Forming Grease, 1/4-28	1	1
24	<u>7602</u>	Nut, Hex Slotted, 3/8-24	1	1
25	<u>1011930</u>	Boot, Dust	1	1
26	<u>7555</u>	Nut, Hex, Left-Hand Thread, 1/2-20	1	1
27	<u>1012467</u>	Link, Rack and Pinion Drag	1	1
28	<u>1013042</u>	Nut, Hex, M12 x 1.75	1	1
29	<u>1624</u>	Screw, Hex-Head Cap, 3/8-16 x 1-1/2	3	3
30	<u>334</u>	Washer, Flat, 3/8	3	3
31	<u>8754</u>	Nut, Nylon Lock, 3/8-16	3	3

5
G
E

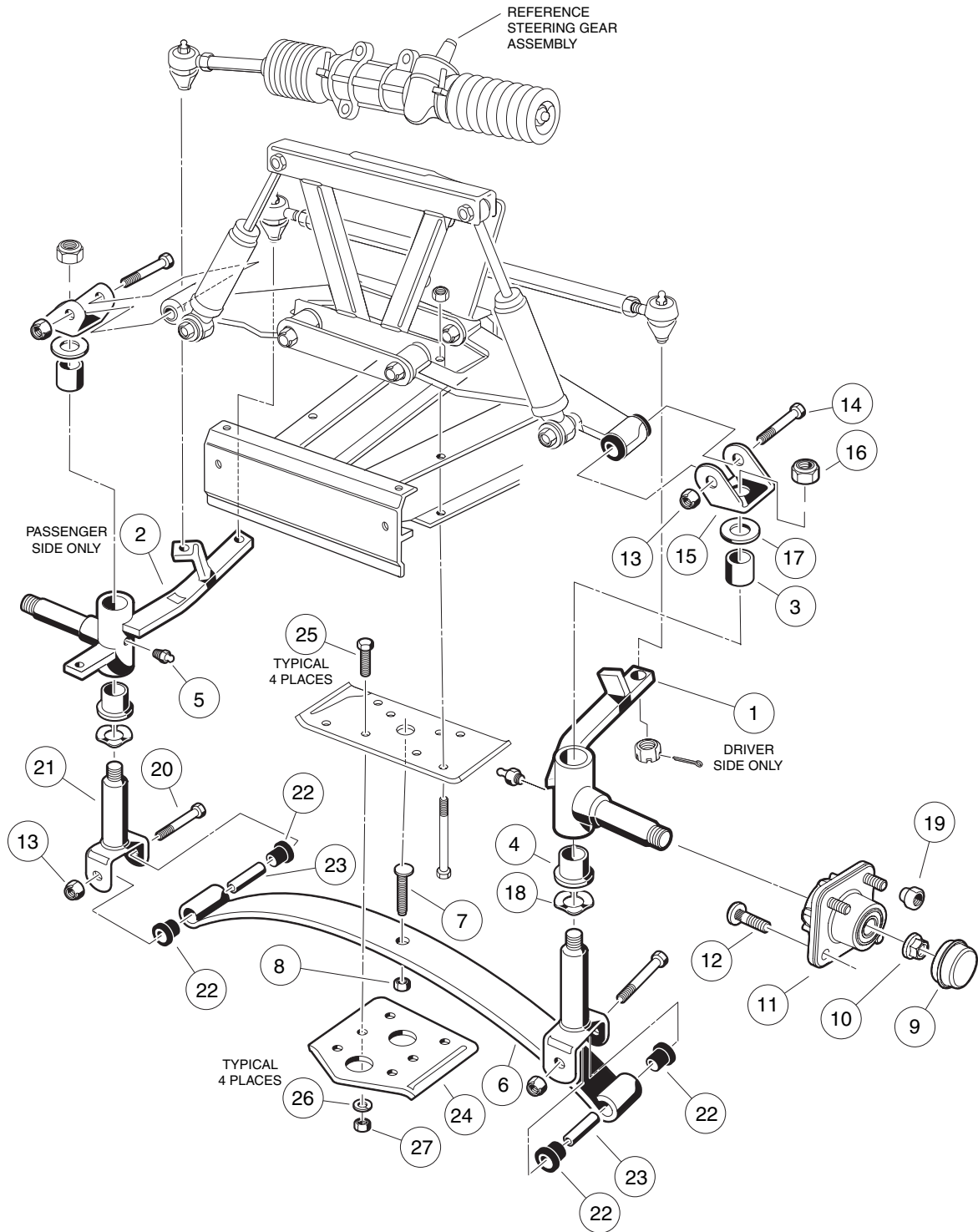


FRONT SUSPENSION, UPPER

ITEM	PART NO.	DESCRIPTION	QTY GAS	QTY ELEC
		1 2 3 4		
1	<u>1016353</u>	Assembly, Delta A-Plate (includes items 2, 3 and 4)	2	2
2	<u>1016346</u>	Bushing, Urethane	6	6
3	<u>1016350</u>	Sleeve, Delta Outer	1	1
4	<u>1016349</u>	Sleeve, Delta Inner	2	2
5	<u>8754</u>	Nut, Nylon Lock, 3/8-16	10	10
6	<u>1010200</u>	Screw, Hex-Head Cap, 3/8-16 x 4-1/4	4	4
7	<u>1308</u>	Nut, Hex, 1/2-20	1	1
8	<u>8861</u>	Screw, Hex-Head Cap, 3/8-16 x 1-3/4	2	2
9	<u>1624</u>	Nut, Dimpled Lock, 3/8-16	2	2
10	<u>2402</u>	Screw, Hex-Head Cap, 3/8-16 x 2-1/4	4	4
11	<u>1010219</u>	Rod, Tie	1	1
12	<u>7555</u>	Nut, Hex, Left-Hand Thread, 1/2-20	1	1
13	<u>7540</u>	Ball Joint, Left-Hand Thread (includes items 15, 16 and 17)	1	1
14	<u>7539</u>	Ball Joint (includes items 15, 16 and 17)	1	1
15	<u>1015597</u>	Fitting, Thread-Forming Grease, 1/4-28	1	1
16	<u>1011930</u>	Boot, Dust	1	1
17	<u>7602</u>	Nut, Slotted Hex, 3/8-24	1	1
18	<u>1017266</u>	Strap, A-Plate	2	2
19	<u>1014235</u>	Shock Absorber, Front	2	2
20	<u>1010124</u>	Plate, Spring Mounting	1	1
21	<u>1016385</u>	Assembly, Delta Shock and Gear Support	1	1
22	<u>1035</u>	Pin, Cotter, 3/32 x 1	3	3

5
G
E

5
G
E

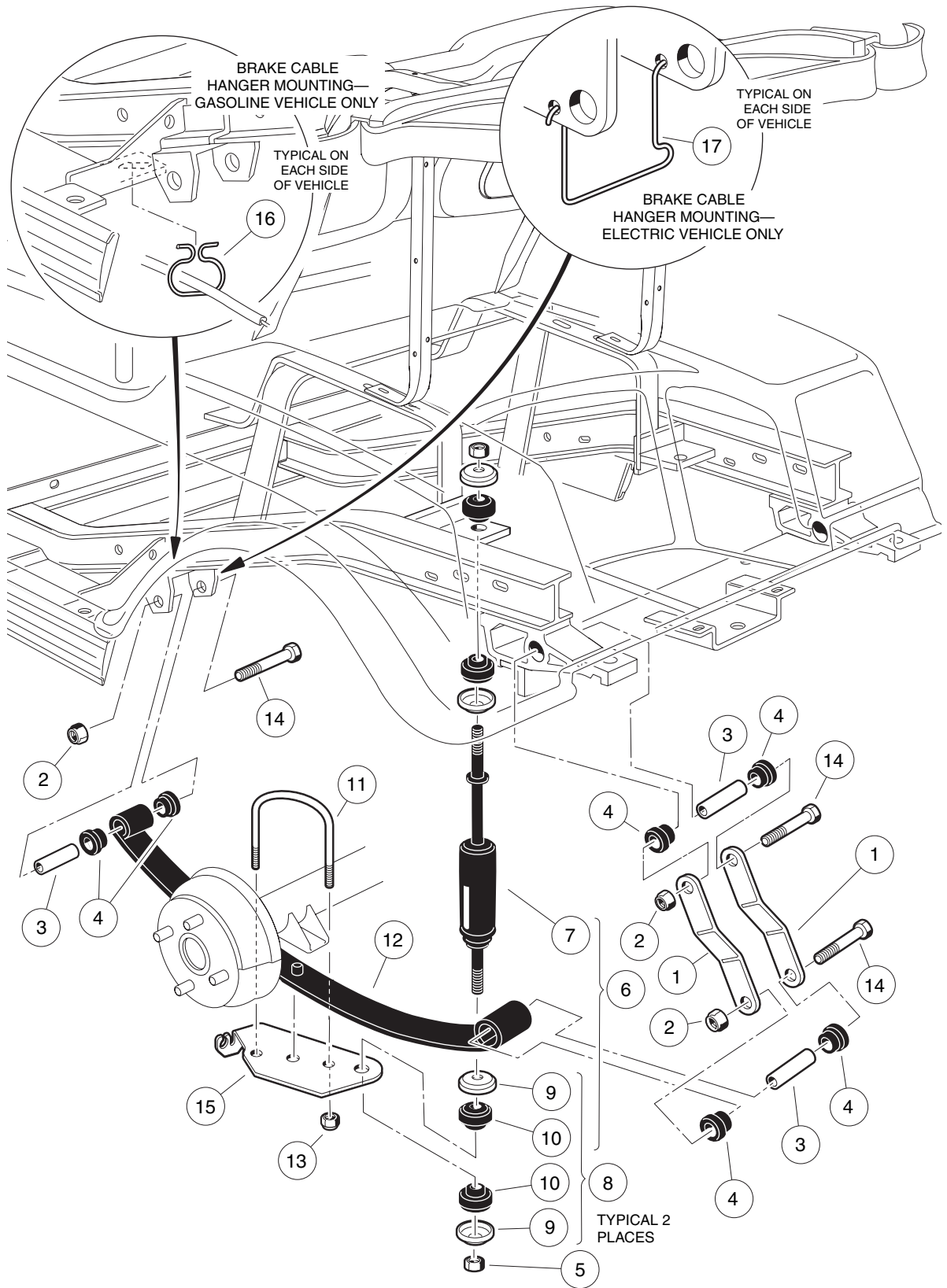


FRONT SUSPENSION, LOWER

ITEM	PART NO.	DESCRIPTION	QTY GAS	QTY ELEC
		1 2 3 4		
1	<u>102354201</u>	Assembly, Spindle, Driver-Side (includes items 3, 4 and 5)	1	1
2	<u>102354101</u>	Assembly, Spindle, Passenger-Side (includes items 3, 4 and 5)	1	1
3	<u>8067</u>	Bushing, Bronze Spindle	1	1
4	<u>7048</u>	Bushing, Bronze	1	1
5	<u>1015597</u>	Fitting, Grease, 1/4-28	1	1
6	<u>1012030</u>	Spring, Tapered Leaf	1	1
7	<u>8745</u>	Assembly, Eccentric	1	1
8	<u>706</u>	Nut, Hex, 3/8-16	1	1
	<u>102357701</u>	Kit, Front Hub Replacement (includes items 9 - 12)	2	2
9	<u>102353201</u>	Cap, Hub	1	1
10	<u>102353301</u>	Nut, Flange Lock M14 x 2	1	1
11	<u>102352801</u>	Assembly, Hub and Ball Bearing (includes item 12)	1	1
12	<u>102353401</u>	Stud, Lug	4	4
13	<u>8754</u>	Nut, Nylon Lock, 3/8-16	4	4
14	<u>1016387</u>	Screw, Hex-Head Cap, 3/8-16 x 2-3/4	2	2
15	<u>1016384</u>	Clevis, Upper Delta	2	2
16	<u>101903101</u>	Nut, Nylon Lock, 1/2-20	2	2
17	<u>1010150</u>	Bearing, Thrust	2	2
18	<u>1016389</u>	Washer, Kingpin Wave	2	2
19	<u>1010984</u>	Nut, Lug	8	8
20	<u>8755</u>	Screw, Hex-Head Cap, 3/8 - 16 x 3-3/8	2	2
21	<u>1016386</u>	Kingpin	2	2
22	<u>1015583</u>	Bushing, Urethane	4	4
23	<u>1012303</u>	Bushing, Steel	2	2
24	<u>1014276</u>	Plate, Front Spring Retainer	1	1
25	<u>1624</u>	Screw, Hex-Head Cap, 3/8-16 x 1-1/2	4	4
26	<u>357</u>	Washer, Lock, 3/8	4	4
27	<u>706</u>	Nut, Hex, 3/8-16	4	4

5
G
E

5
G
E



REAR SUSPENSION

ITEM	PART NO.	DESCRIPTION	QTY GAS	QTY ELEC
		1 2 3 4		
1	<u>1012304</u>	Shackle, Rear Spring (gasoline vehicle)	4	
1	<u>7569</u>	Shackle, Rear Spring (electric vehicle) (not shown)		4
2	<u>8754</u>	Nut, Nylon Lock, 3/8-16	6	6
3	<u>1012303</u>	Bushing, Steel	6	6
4	<u>1015583</u>	Bushing, Urethane	12	12
5	<u>1010145</u>	Nut, UNF Hex, 3/8-24	4	4
6	<u>1013164</u>	Kit, Shock Absorber (includes items 7, 9, and 10)	1	1
7	<u>102706401</u>	Shock Absorber, Rear	2	2
8	<u>1011415</u>	Kit, Shock Absorber Cushion (includes 2 each of items 9 and 10)	4	4
9	N/A	Retainer, Shock Absorber Cushion	8	8
10	N/A	Cushion, Shock Absorber	8	8
11	<u>1012180</u>	U-Bolt	2	2
12	<u>1012324</u>	Spring, Rear Leaf (gasoline vehicle)	2	
12	<u>1010974</u>	Spring, Rear Leaf (electric vehicle)		2
13	<u>1014555</u>	Nut, Nylon Lock, 7/16-24	4	4
14	<u>8755</u>	Screw, Hex-Head Cap, 3/8-16 x 3-3/8	6	6
15	1012182	Pad, Spring, Driver-Side	1	1
15	1012181	Pad, Spring, Passenger-Side	1	1
16	101900801	Hanger, Brake Cable (gasoline vehicle)	2	
17	<u>1013207</u>	Hanger, Brake Cable (electric vehicle)		2

5
G
E

5

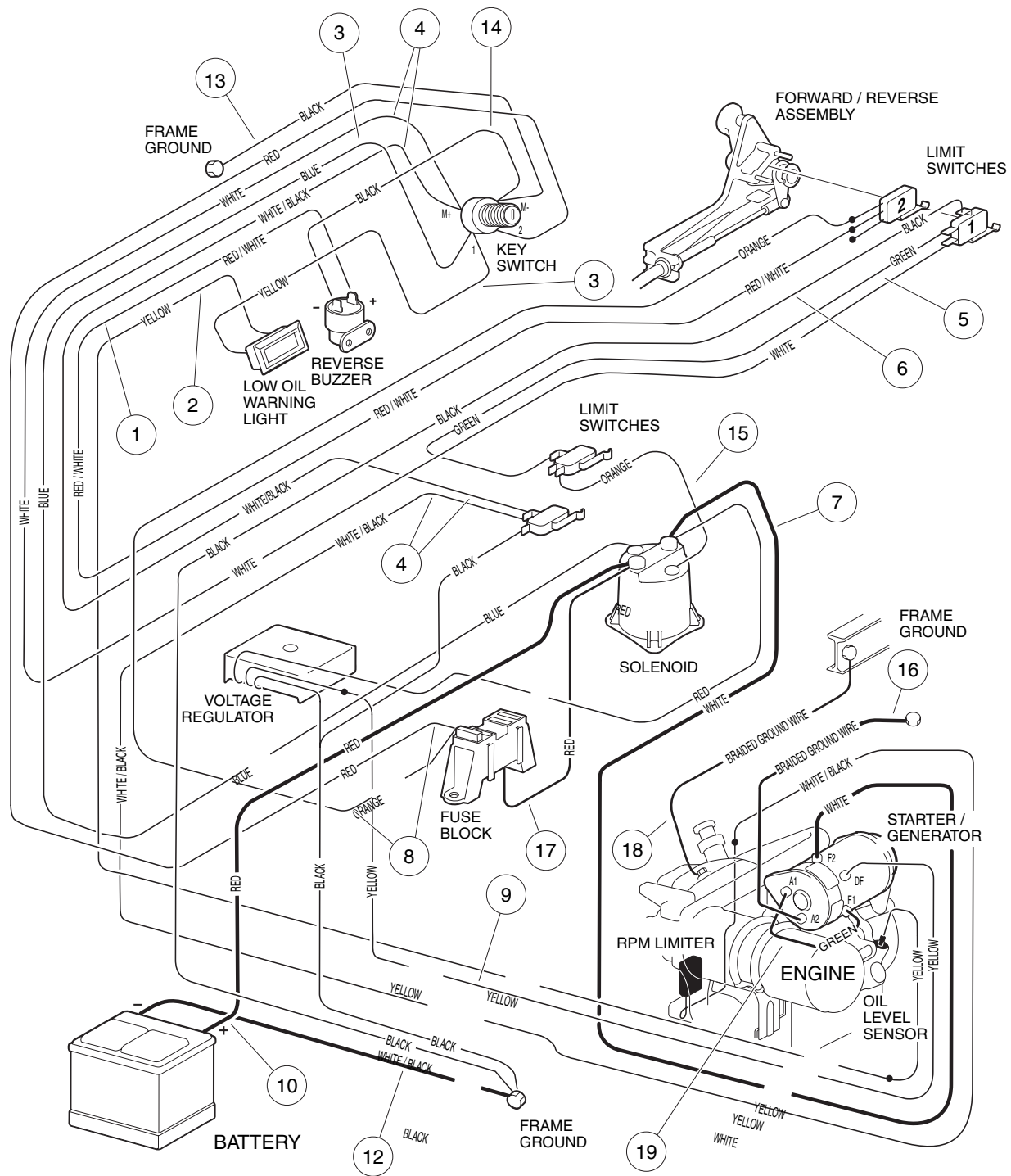
G

E

ELECTRICAL SYSTEM – GASOLINE VEHICLE

6

G

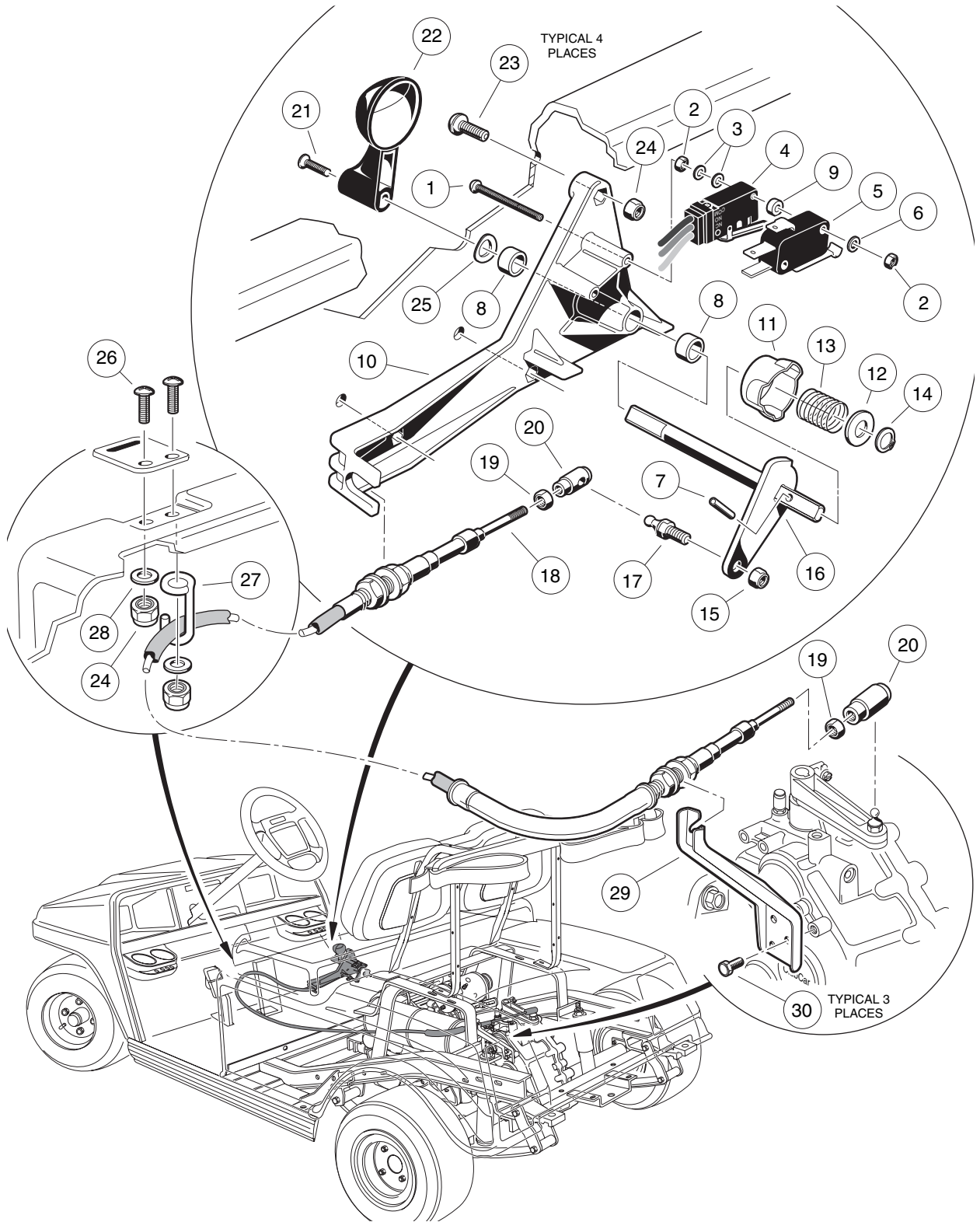


WIRING – GASOLINE VEHICLE

ITEM	PART NO.	DESCRIPTION	QTY
		1 2 3 4	
	101889302	Wire Harness (includes items 1 - 11)	1
1	N/A	Wire Assembly, #18 Red/White	1
2	N/A	Wire Assembly, #18 Yellow	1
3	N/A	Wire Assembly, #18 Yellow and #16 Blue	1
4	N/A	Wire Assembly, #18 White/Black and #18 White	1
5	N/A	Wire Assembly, #18 Green	1
6	N/A	Wire Assembly, #18 Black	1
7	<u>1015769</u>	Wire Assembly, #6 White	1
8	N/A	Wire Assembly, #16 Red and #16 Orange	1
9	N/A	Wire Assembly, #16 Yellow	1
10	<u>1014119</u>	Wire Assembly, #6 Red	1
11	N/A	Wire Assembly, #18 Yellow	1
12	<u>1012382</u>	Wire Assembly, #6 Black	1
13	N/A	Wire Assembly, #18 Black	1
14	N/A	Wire Assembly, #18 Black (part of reverse buzzer kit)	1
15	N/A	Wire Assembly, #16 Orange (part of the electrical component box)	1
16	<u>1015920</u>	Wire Assembly, #6 Braided Ground	1
17	<u>1015737</u>	Wire Assembly, #10 Red (part of the electrical component box)	1
18	<u>1015332</u>	Wire Assembly, #10 Braided Ground	1
19	<u>101837301</u>	Wire Assembly, #6 Green	1

6

G



FORWARD/REVERSE SHIFTER ASSEMBLY – GASOLINE VEHICLE

ITEM	PART NO.	DESCRIPTION	QTY
		1 2 3 4	
	1016947	Assembly, Forward/Reverse Shifter (includes items 1 - 17)	1
1	<u>1012594</u>	Screw, Machine, #4-40 x 1-1/2	2
2	<u>8057</u>	Nut, Hex, #4-40	4
3	1012431	Washer, Flat, #4	4
4	<u>101979101</u>	Switch, Limit	1
5	<u>1014807</u>	Switch, Limit	1
6	<u>8058</u>	Washer, Lock, #4	2
7	<u>1013591</u>	Pin, Roll, 1/8	1
8	<u>1014145</u>	Bushing, Bronze	2
9	<u>1014727</u>	Washer, Nylon Flat, #4	2
10	<u>1016342</u>	Base, Forward/Reverse Shifter	1
11	1014089	Kit, Neutral Lockout Cam (includes item 12)	1
12	<u>1014065</u>	Washer, Flat	1
13	<u>1013590</u>	Spring, Forward/Reverse Cam	1
14	<u>1013589</u>	Ring, Retaining	1
15	<u>8717</u>	Nut, Nylon Lock, 1/4-28	1
16	1013587	Weldment, Forward/Reverse Bell Crank	1
17	<u>1010954</u>	Stud, Ball, 1/4-28 x 1/4	1
18	<u>101951501</u>	Cable, Transmission (includes items 19 and 20)	1
19	<u>7893</u>	Nut, Hex, #10-32	2
20	<u>1012333</u>	Joint, Ball	2
21	<u>1015064</u>	Screw, Phillips Oval Countersunk Machine, #8-32 x 5/8, S.S.	1
22	<u>1012987</u>	Handle, Forward/Reverse Switch	1
23	<u>8248</u>	Screw, Phillips Truss-Head, 1/4-20 x 3/4	4
24	8233	Nut, Nylon Lock, 1/4-20	8
25	<u>1016201</u>	Washer, Wave, 3/8	1
26	<u>8251</u>	Screw, Phillips-Head, 1/4-20 x 1	4
27	<u>101855801</u>	Retainer, Cable	1
28	<u>332</u>	Washer, Flat, 1/4	4
29	101922601	Bracket, Transmission Cable Support	1
30	<u>1012285</u>	Screw, Hex, Type TT, 1/4-20 x 5/8	3

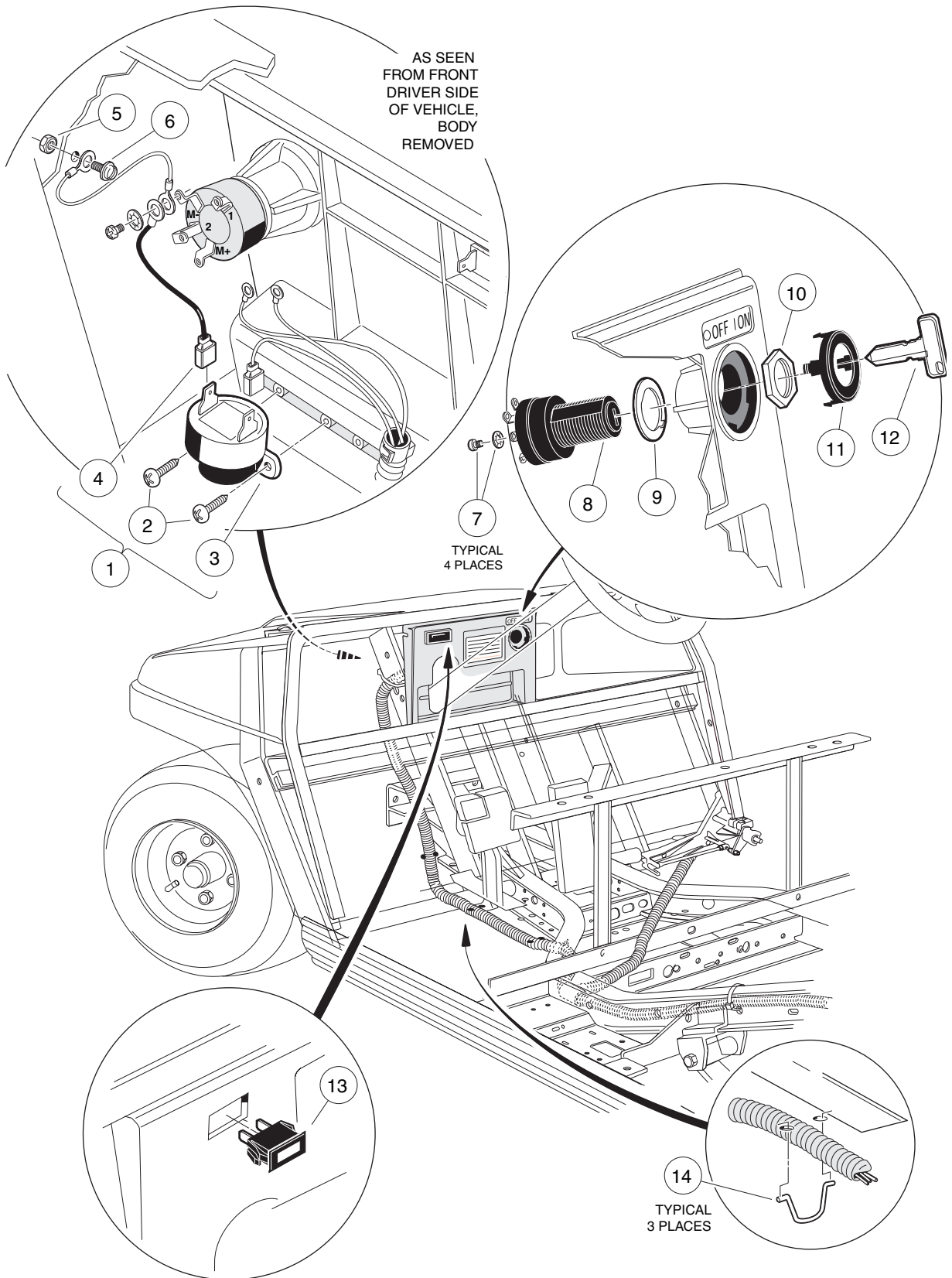
6
G

ELECTRICAL COMPONENT BOX – GASOLINE VEHICLE

ITEM	PART NO.	DESCRIPTION	QTY
		1 2 3 4	
	101992601	Box, Electrical Component, Complete (includes items 1 - 25)	1
1	<u>1015372</u>	Cover, Electrical Component Box	1
2	<u>1015752</u>	Screw, Hex Washer-Head Hi-Lo, #12-16 x 5/8	5
3	<u>1013589</u>	Ring, Retaining	1
4	<u>1015373</u>	Cam, Electrical Box	1
5	<u>1014145</u>	Bushing, Bronze	2
6	<u>1014065</u>	Washer, Flat	1
7	<u>1010954</u>	Stud, Ball, 1/4-28	1
8	1015345	Assembly, Bell Crank and Shaft	1
9	<u>8717</u>	Nut, Nylon Lock, 1/4-28	1
10	<u>8057</u>	Nut, Hex, #4-40	4
11	<u>8058</u>	Washer, Lock, #4	2
12	<u>1014807</u>	Switch, Limit	1
13	<u>1014808</u>	Switch, Limit	1
14	1012431	Washer, Flat, #4	2
15	N/A	Wire Assembly, #16 Orange	1
16	<u>1015878</u>	Screw, Hex-Head Machine, #4-40 x 1-5/8	2
17	<u>101856102</u>	Screw, Hex Washer-Head Hi-Lo, 1/4-15 x 1-1/2	1
18	<u>1015777</u>	Assembly, Voltage Regulator	1
19	<u>7893</u>	Nut, Hex, #10-32	2
20	<u>1242</u>	Nut, Hex, 5/16-18	2
21	<u>1013609</u>	Solenoid, 12-Volt	1
22	<u>1012295</u>	Fuse, 10-Amp	1
23	<u>1015737</u>	Wire Assembly, #10 Red	1
24	<u>1015741</u>	Block, Fuse	1
25	<u>1015371</u>	Box, Electrical Component	1
26	<u>1015405</u>	Bolt, Carriage, 5/16-18 x 2	1
27	<u>1241</u>	Washer, Flat, 5/16	2
28	<u>7473</u>	Nut, Nylon Lock, 5/16-18	2
29	<u>7818</u>	Bolt, Carriage, 5/16-18 x 1-1/2	1

6
G

6
G

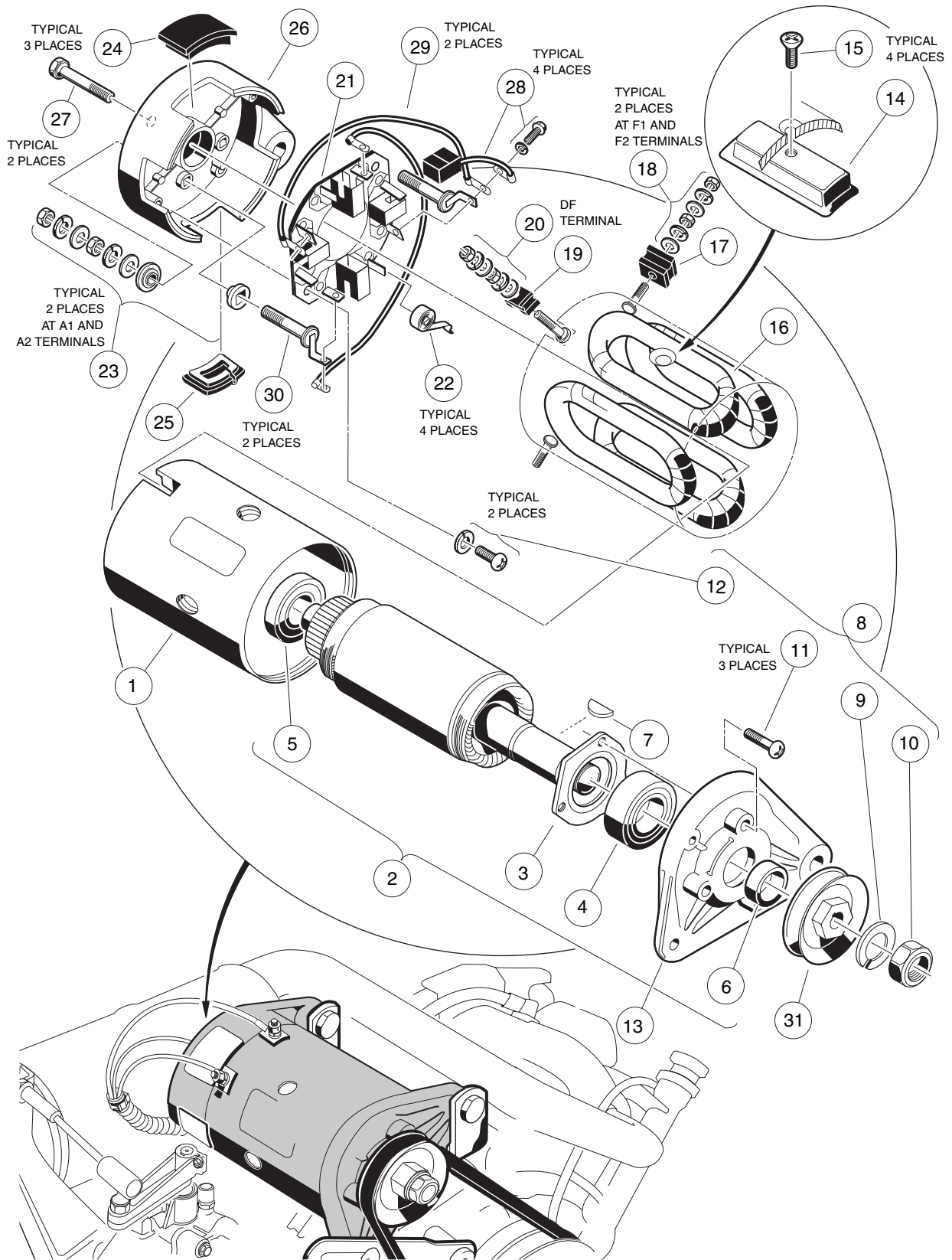


ELECTRICAL COMPONENTS, FRONT BODY – GASOLINE VEHICLE

ITEM	PART NO.	DESCRIPTION	QTY
		1 2 3 4	
1	<u>1016859</u>	Kit, Reverse Buzzer (includes items 2, 3 and 4)	1
2	<u>1016849</u>	Screw, Pan-Head Hi-Lo, #4-24 x 5/16	2
3	<u>1016851</u>	Buzzer, Reverse	1
4	N/A	Wire Assembly, #18 Black	1
5	<u>1011229</u>	Nut, K Lock, #6-32	1
6	<u>1015720</u>	Screw, Hex Washer-Head, #6-32 x 1/2	1
7	101830601	Assembly, Screw and Washer	4
8	<u>101826301</u>	Switch, Key	1
9	<u>101851101</u>	Washer	1
10	<u>101830701</u>	Nut, Key Switch	1
11	<u>101834502</u>	Cap, Key Switch (black)	1
12	<u>1012505</u>	Key (pair)	1
12	<u>AM10079</u>	Key (bag of 50) *	1
13	<u>1016630</u>	Light, Low Oil Warning	1
14	<u>101900901</u>	Retainer, Harness	3
		* Must order in multiples of 50.	

6
G

6
G



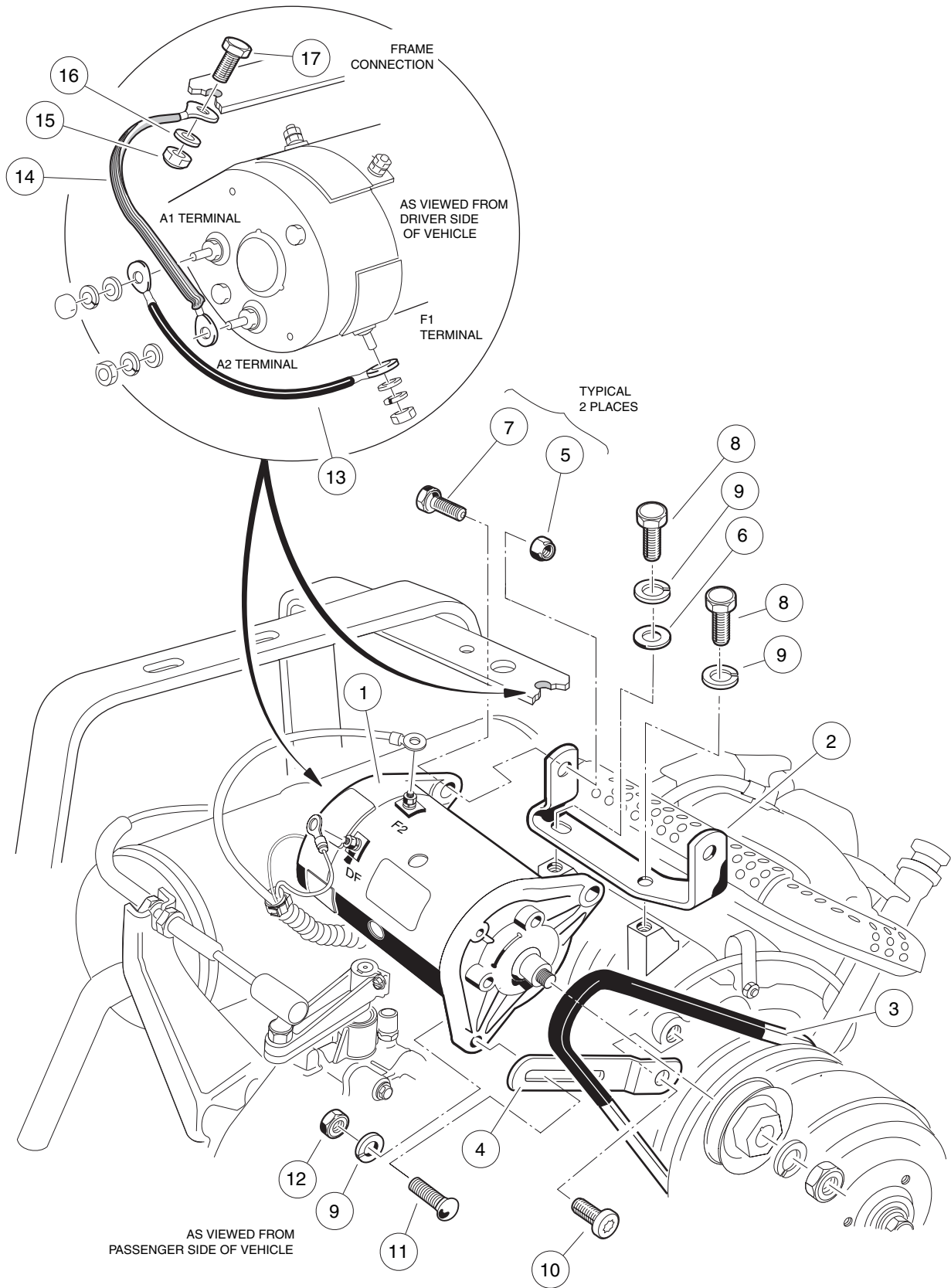
STARTER/GENERATOR ASSEMBLY

ITEM	PART NO.	DESCRIPTION	QTY
		1 2 3 4	
	<u>101833701</u>	Starter/Generator (clockwise rotation) (includes items 1 - 30)	1
1	<u>101875201</u>	Housing, Field Coil	1
2	<u>101875101</u>	Assembly, Armature (includes items 3 - 6)	1
3	<u>101875001</u>	Retainer, Bearing	1
4	<u>1013001</u>	Ball Bearing, Output Shaft	1
5	<u>1013005</u>	Commutator, Ball Bearing	1
6	<u>101939901</u>	Spacer, 5/16	1
7	<u>1013003</u>	Key, Woodruff	1
8	<u>101876501</u>	Kit, Pulley Nut and Screw (includes items 9 - 12)	1
9	N/A	Washer, Lock, M14	1
10	N/A	Nut, Hex, M14 x 2	1
11	N/A	Screw, Cross-Recessed, M5 x .8 x 18 mm	3
12	<u>101896501</u>	Screw, Cross-Recessed, M5 x .8 x 16 mm (with lock washer)	2
13	<u>101874901</u>	End Bell, Output Shaft	1
14	<u>101875301</u>	Set, Pole (set of 4)	1
15	<u>101875401</u>	Screw, Pole Piece (set of 4)	1
16	<u>101875501</u>	Coil, Field	1
17	<u>101875601</u>	Insulator, F Terminal	2
18	<u>101877601</u>	Package, Terminal Hardware (F1 and F2)	2
19	<u>101875701</u>	Insulator, DF Terminal	1
20	<u>101877701</u>	Package, Terminal Hardware (DF)	1
21	<u>101301102</u>	Holder, Brush (includes item 22)	1
22	<u>101878101</u>	Spring, Brush	4
23	<u>101876001</u>	Package, Terminal Hardware (A1 and A2)	2
24	<u>101876301</u>	Cover, Brush Inspection Port (set of 4) (includes item 25)	1
25	<u>1017653</u>	Cover, Brush Inspection Port, with Drain	1
26	<u>101876402</u>	End Bell, Commutator	1
27	<u>101879001</u>	Bolt, Clamp, M6 x 1 x 180 mm	2
28	<u>101869302</u>	Package, Brush (includes 4 brushes, 4 screws, 4 washers)	1
29	<u>101876202</u>	Connector, Brush	2
30	<u>101875802</u>	A Connector (set of 2)	1
31	<u>1014289</u>	Pulley	1

6

G

6
G



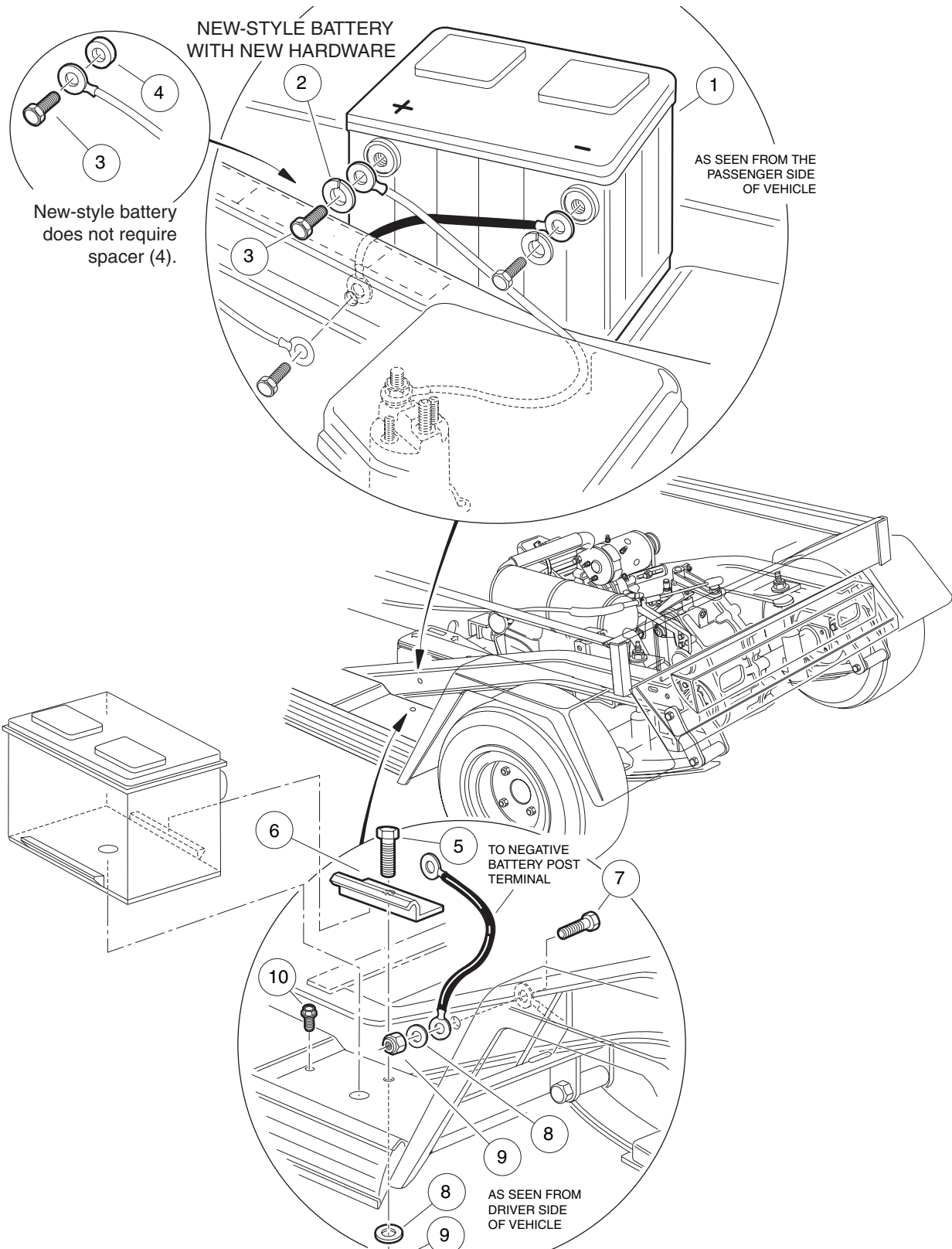
STARTER/GENERATOR MOUNTING

ITEM	PART NO.	DESCRIPTION	QTY
		1 2 3 4	
1	<u>101833701</u>	Starter/Generator (clockwise rotation)	1
2	<u>101524001</u>	Bracket, Mounting, FE290	1
3	<u>101916701</u>	Belt, Starter/Generator	1
4	<u>1016883</u>	Bracket, Adjusting	1
5	<u>8754</u>	Nut, Nylon Lock, 3/8-16	2
6	<u>1241</u>	Washer, Flat, Type A, 5/16	1
7	705	Screw, Hex-Head Cap, 3/8-16 x 1-1/4	2
8	<u>1012830</u>	Screw, Hex-Head Cap, M8 x 1.25 x 22 mm	2
9	<u>7174</u>	Washer, Lock, 5/16	3
10	<u>1016074</u>	Screw, Torx-Head, M8 x 1.25 x 18 mm	1
11	<u>1015932</u>	Bolt, Carriage, 5/16-18 x 1	1
12	<u>1242</u>	Nut, Hex, 5/16-18	1
13	<u>101837301</u>	Wire Assembly, #6 Green	1
14	<u>1015920</u>	Wire Assembly, #6 Braided Ground	1
15	<u>7473</u>	Nut, Nylon Lock, 5/16-18	1
16	<u>1241</u>	Washer, Flat, 5/16	1
17	<u>7173</u>	Screw, Hex-Head Cap, 5/16-18 x 3/4	1

6

G

6
G



BATTERY – GASOLINE VEHICLE

ITEM	PART NO.	DESCRIPTION	QTY
		1 2 3 4	
1	<u>1012328</u>	Battery, 12-Volt	1
2	<u>102355301</u>	Washer, Lock, Stainless Steel, 3/8*	2
3	<u>1014375</u>	Screw, Hex-Head Cap, Stainless Steel, 3/8-16 x 1/2	2
4	<u>1014374</u>	Spacer, Battery Terminal Bolt*	2
5	<u>1010934</u>	Screw, Hex-Head Cap, 5/16-18 x 1	1
6	<u>101898001</u>	Clamp, Battery	1
7	<u>7173</u>	Screw, Hex Cap, 5/16-18 x 3/4	1
8	<u>1241</u>	Washer, Flat, 5/16	2
9	<u>7473</u>	Nut, Nylon Lock, 5/16-18	2
10	<u>1014288</u>	Screw, Thread-Forming, 5/16-16 x 3/4	1
<p>*NOTE: When ordering a new battery, you must order the new stainless steel lockwasher (2). Lockwasher cannot be used if battery terminal spacer (4) is required by battery design.</p>			

6
G

6

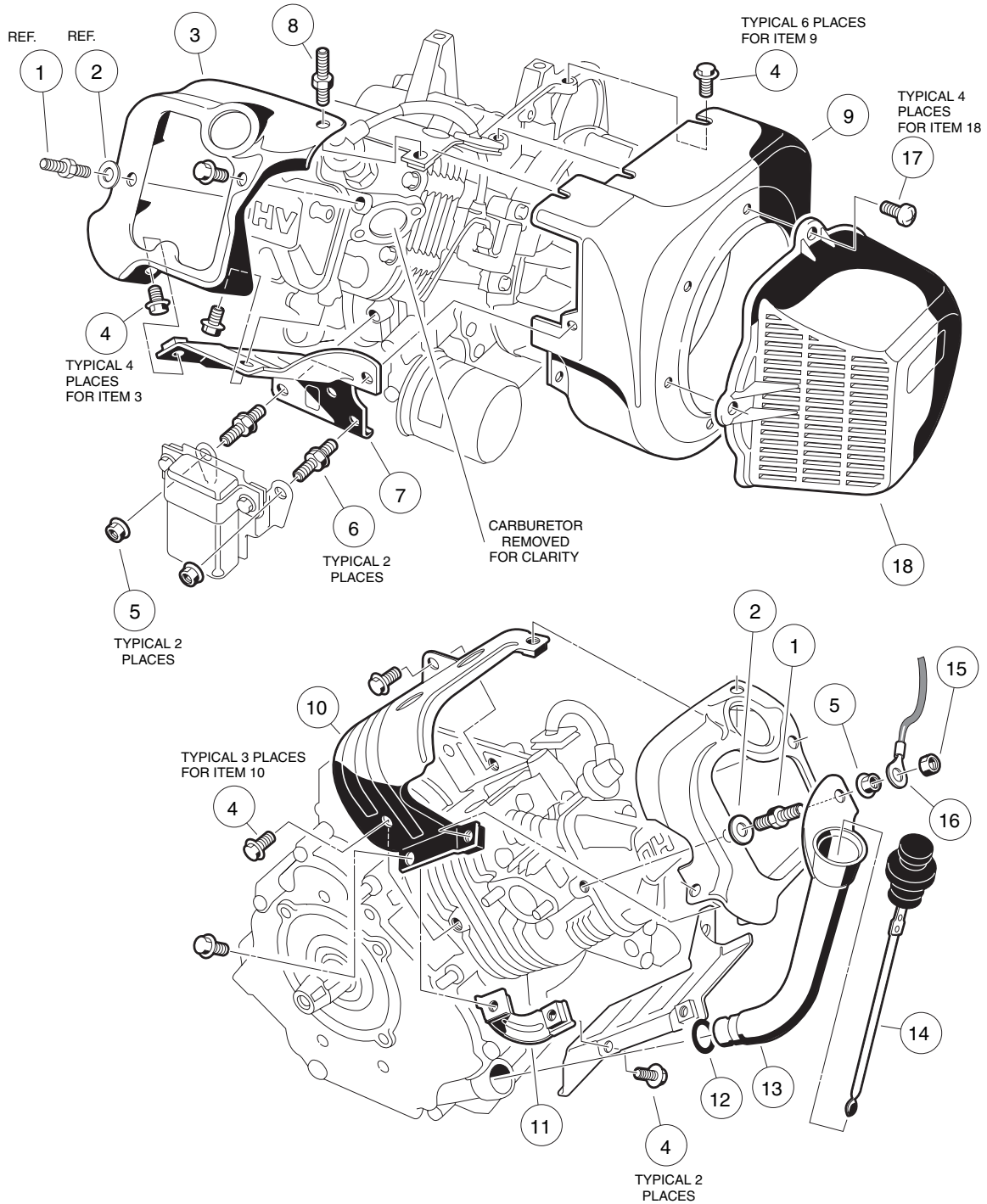
G

FE290 ENGINE

7

G

7
G

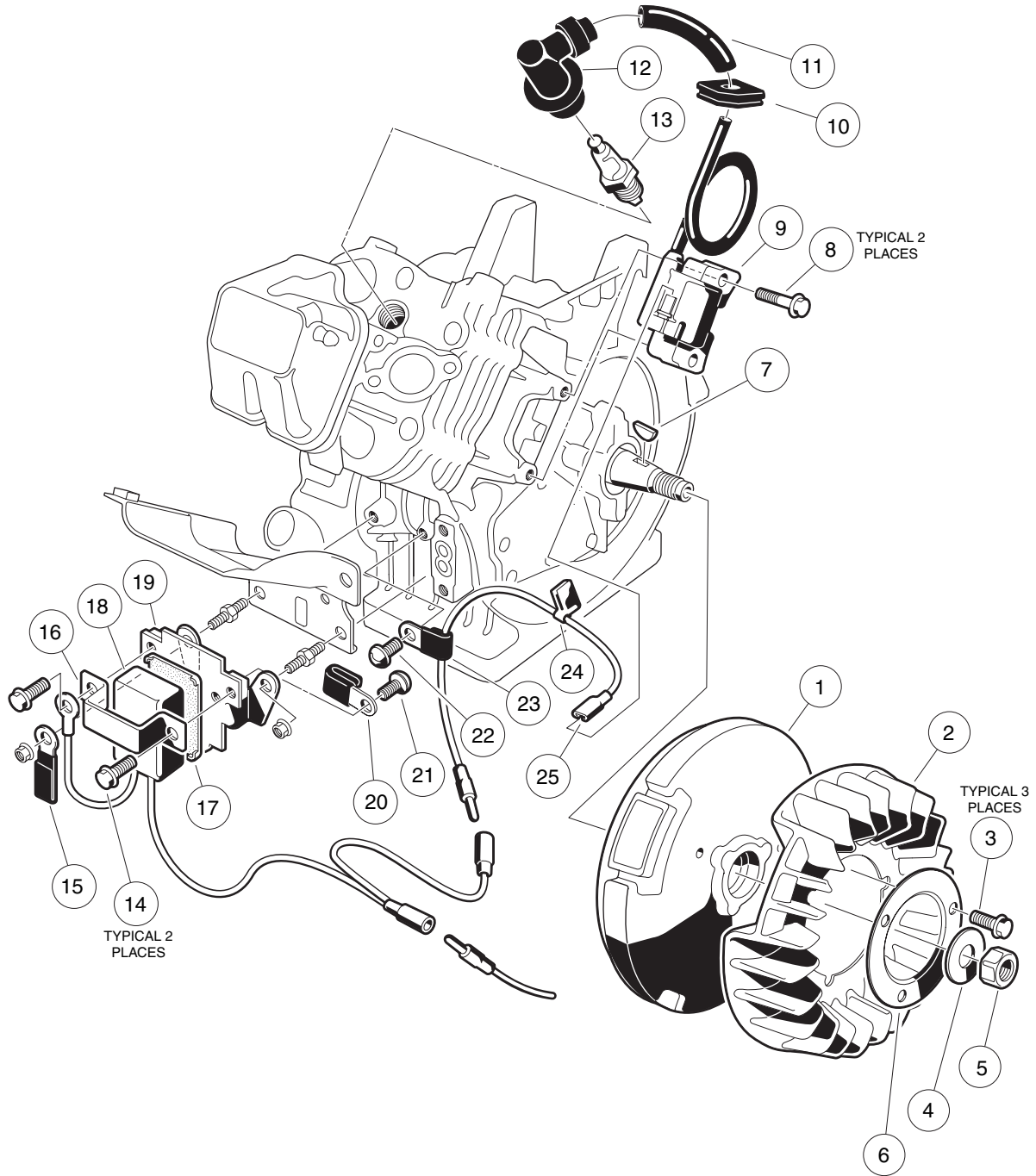


FE290 ENGINE – SHROUDS AND BRACKETS

ITEM	PART NO.	DESCRIPTION	QTY
	<u>101953901</u>	1 2 3 4 FE290 OHV Gasoline Engine (clockwise rotation) Without Automatic Compression Release (w/o ACR) with Carburetor (does not include items 15 - 18)	1
1	<u>1016507</u>	Bolt, 2-Ended, M6 x 1 x 29 mm	1
2	N/A	Washer, Flat, 6 mm	1
3	<u>1016524</u>	Shroud, Engine, FE290	1
4	<u>1016456</u>	Bolt, Flanged, M6 x 1 x 12 mm	15
5	<u>1016547</u>	Nut, Flange, M6 x 1	3
6	<u>101909701</u>	Bolt, 2-Ended, M6 x 1 x 27 mm	2
7	<u>1016526</u>	Shroud, Engine, FE290 (lower)	1
8	<u>1017221</u>	Bolt, 2-Ended, M6 x 1 x 46 mm	1
9	<u>101915601</u>	Housing, Fan	1
10	<u>1016525</u>	Shroud, Engine, FE290 (upper)	1
11	<u>1016443</u>	Bracket	1
12	<u>1016539</u>	O-Ring	1
13	<u>1016536</u>	Tube, Oil Filler, FE290	1
14	<u>1016531</u>	Dipstick	1
15	<u>101887601</u>	Nut, Nylon Lock, M6 x 1	1
16	<u>1015332</u>	Wire Assembly, #10 Braided Ground	1
17	<u>1015969</u>	Screw, Pan-Head, M6 x 1 x 14 mm	4
18	<u>1015649</u>	Shroud, Fan	1

7
G

7
G

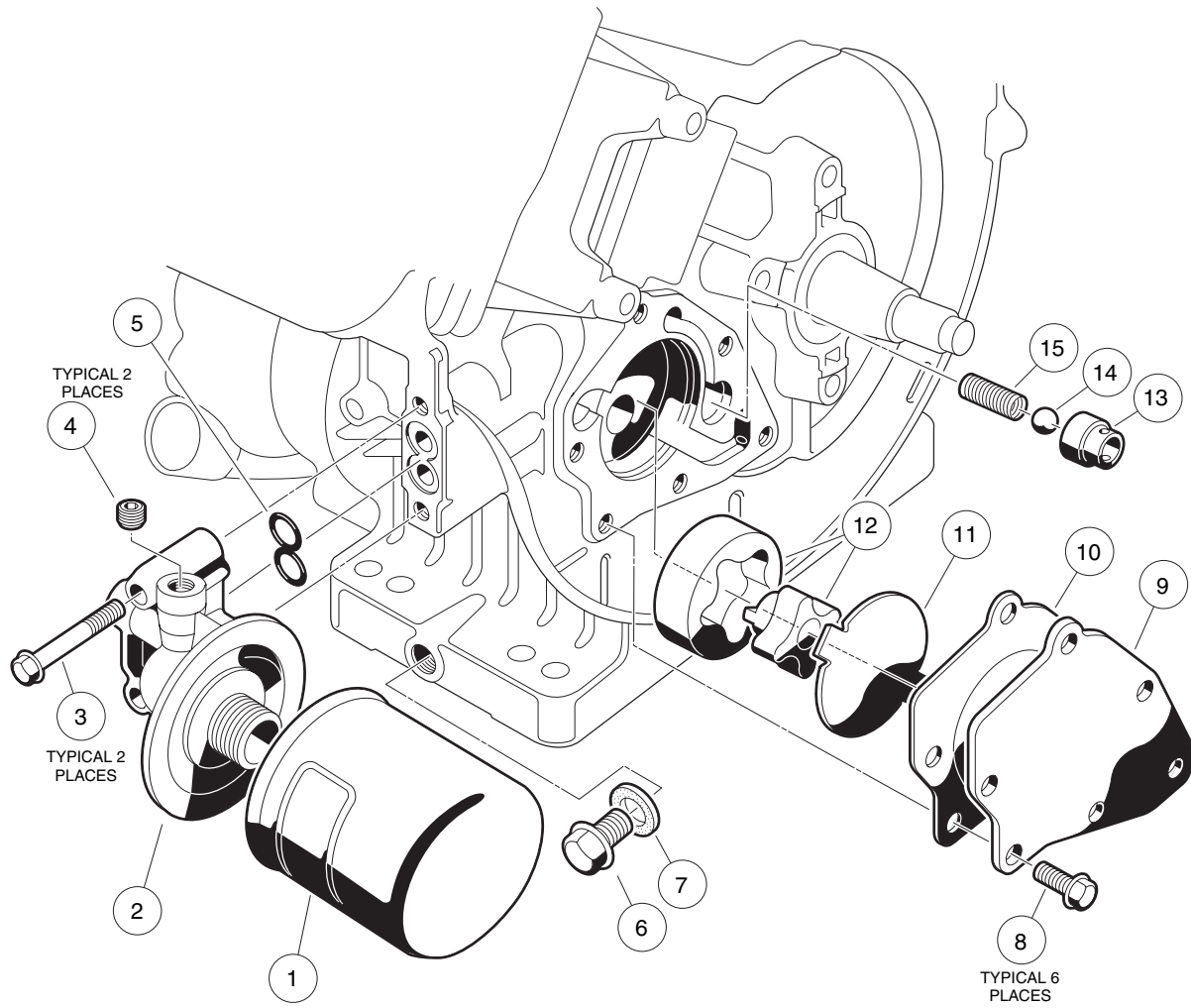


FE290 ENGINE – IGNITION COMPONENTS AND FLYWHEEL

ITEM	PART NO.	DESCRIPTION	QTY
		1 2 3 4	
1	<u>101915701</u>	Flywheel	1
2	<u>101915801</u>	Fan, Flywheel, Gray	1
3	<u>1017448</u>	Screw, Flanged Hex-Head, M6 x 1 x 10 mm	3
4	<u>1016548</u>	Washer, Flat, 16 mm	1
5	<u>1016505</u>	Nut, Hex, M16 x 1.5	1
6	<u>1017455</u>	Plate, Flywheel Fan	1
7	<u>1016562</u>	Key	1
8	<u>1016455</u>	Bolt, Flanged, M5 x .8 x 25 mm	2
9	<u>101909201</u>	Coil, Ignition (with internal igniter)	1
10	<u>1016578</u>	Grommet	1
11	<u>1016588</u>	Tube, 7 mm x 70 mm	1
12	<u>1016493</u>	Assembly, Plug Cap	1
13	<u>AM10724</u>	Plug, Spark, OHV (NGK)	1
13	<u>101881101</u>	Plug, Spark, OHV (Autolite)	1
14	<u>1016456</u>	Bolt, Flanged, M6 x 1 x 12 mm	2
15	<u>1012981</u>	Clamp	1
16	<u>1016579</u>	Band, RPM Limiter Mount	1
17	<u>1016586</u>	Damper, RPM Limiter	1
18	<u>101909401</u>	Limiter, RPM, OHV	1
19	<u>1016445</u>	Bracket, RPM Limiter	1
20	<u>101909501</u>	Clamp	1
21	<u>1016497</u>	Screw, Cross Pan-Head, M5 x .8 x 8 mm	1
22	<u>1016544</u>	Screw, Cross Pan-Head Self-Tapping, M5 x .8 x 12 mm	1
23	<u>1016561</u>	Clamp	1
24	<u>1016587</u>	Clamp	1
25	<u>101909301</u>	Wire, Lead	1

7

G

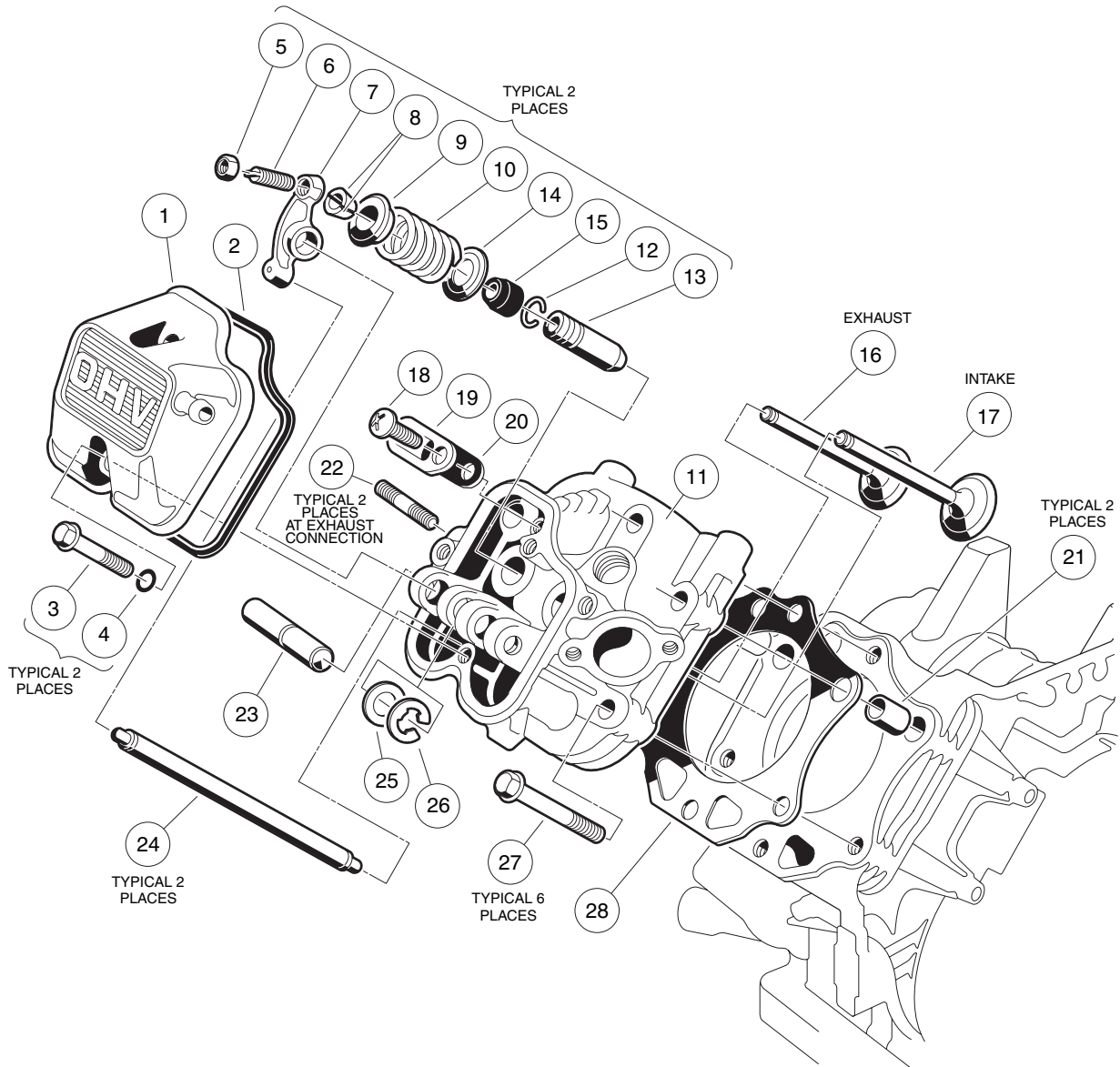


FE290 ENGINE – OIL CIRCULATION

ITEM	PART NO.	DESCRIPTION	QTY
		1 2 3 4	
1	<u>1016467</u>	Oil Filter	1
2	<u>1016502</u>	Bracket, Oil Filter	1
3	<u>1016457</u>	Bolt, Flanged Hex-Head, M6 x 1 x 40 mm	2
4	<u>1017507</u>	Plug	2
5	<u>1016570</u>	O-Ring, Oil Filter Mount	1
6	<u>1016576</u>	Plug, Drain, FE290	1
7	<u>1016432</u>	Gasket, Drain Plug	1
8	<u>1017456</u>	Screw, Flanged Hex-Head, M6 x 1 x 12 mm	6
9	<u>1016484</u>	Cover, Pump	1
10	<u>1016435</u>	Gasket, Oil Pump	1
11	<u>1016473</u>	Plate, Oil Pump	1
12	<u>101648203</u>	Pump, Oil and Rotor	1
13	<u>1016429</u>	Seat, Valve	1
14	<u>1016537</u>	Ball, Steel, Pressure Relief	1
15	<u>1016581</u>	Spring	1

7

G



FE290 ENGINE – CYLINDER HEAD

ITEM	PART NO.	DESCRIPTION	QTY
		1 2 3 4	
1	<u>1016442</u>	Case, Rocker	1
2	<u>1016436</u>	Gasket, Rocker Case	1
3	<u>1016583</u>	Bolt, Flanged, M6 x 1 x 35 mm	2
4	<u>1016569</u>	O-Ring	2
5	<u>1016545</u>	Nut, Hex, M5 x .8	2
6	<u>1016542</u>	Screw, Stud, M5 x .8	2
7	<u>1016451</u>	Arm, Rocker	2
8	<u>1016450</u>	Collet	4
9	<u>1016449</u>	Retainer, Valve Spring	2
10	<u>1016523</u>	Spring, Engine Valve	2
11	<u>1016431</u>	Assembly, Cylinder Head, OHV (includes items 12 and 13)	1
12	<u>1016560</u>	Ring, Snap	2
13	<u>1016519</u>	Guide, Valve	2
14	<u>1016479</u>	Seat, Spring	2
15	<u>1016566</u>	Seal, Valve	2
16	<u>1016448</u>	Valve, Exhaust	1
17	<u>1016447</u>	Valve, Intake	1
18	<u>1016544</u>	Screw, Cross Pan-Head Self-Tapping, M5 x .8 x 12 mm	1
19	<u>1016474</u>	Plate	1
20	<u>1016483</u>	Valve	1
21	<u>1016563</u>	Pin	2
22	<u>1016489</u>	Bolt, Stud, M8 x 1.25 x 29 mm	2
23	<u>1016452</u>	Shaft, Rocker	1
24	<u>1016471</u>	Rod, Push	2
25	<u>1016549</u>	Washer, Flat, M12	1
26	<u>1016517</u>	Circlip, Type E	1
27	<u>1016458</u>	Bolt, Flanged, M8 x 1.25 x 45 mm	6
28	<u>1016430</u>	Gasket, Head	1
	<u>102304701</u>	Kit, Gasket, FE290 (not shown) (contains one each of all internal gaskets for the FE290 engine)	1

7

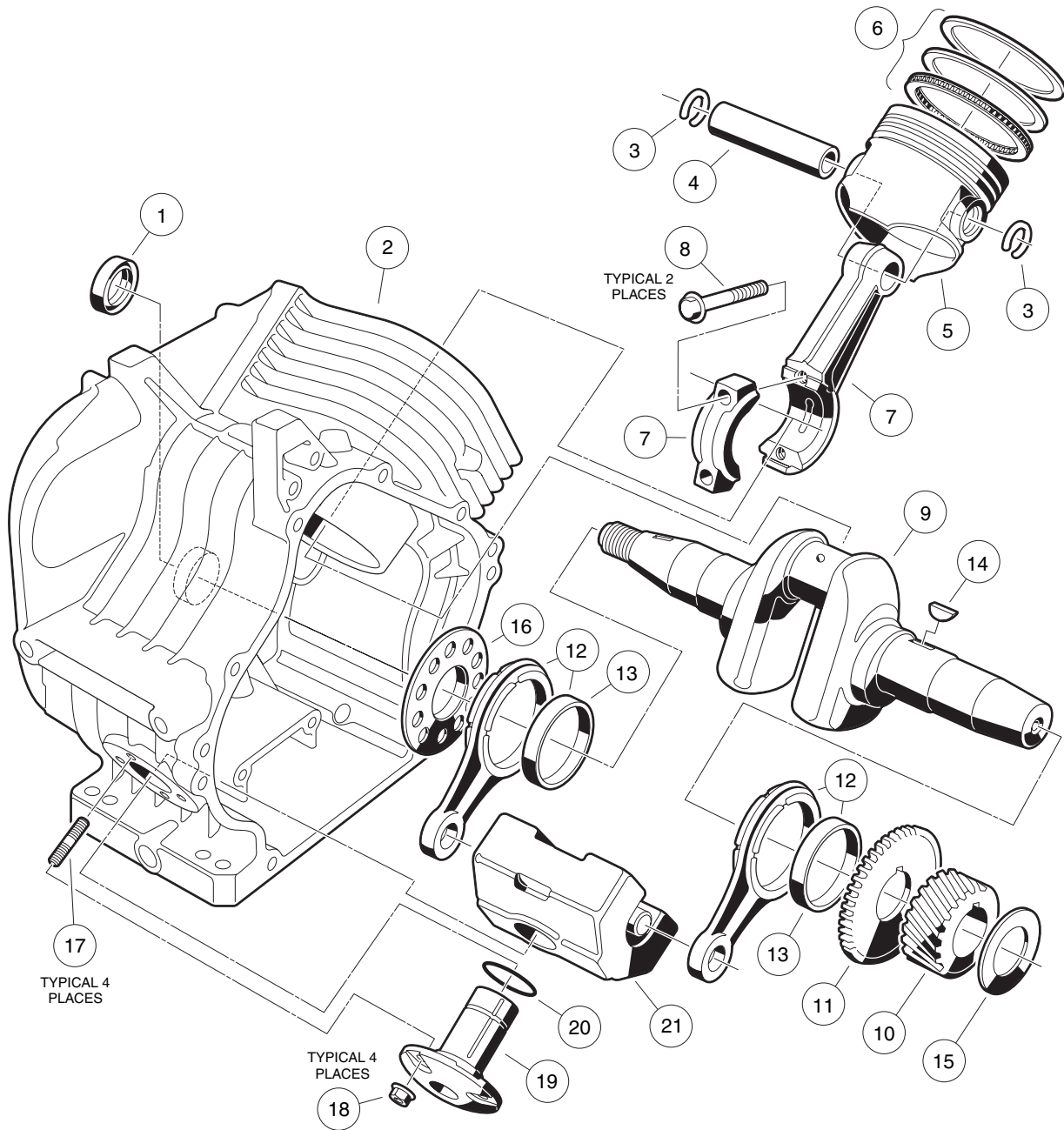
G

FE290 ENGINE – CRANKCASE, CAMSHAFT AND OIL SENSOR

ITEM	PART NO.	DESCRIPTION	QTY
		1 2 3 4	
1	<u>1016535</u>	Connector, Cord	1
2	<u>1016538</u>	O-Ring	1
3	<u>1016506</u>	Clamp	1
4	<u>1016544</u>	Screw, Cross Pan-Head Self-Tapping, M5 x .8 x 12 mm	1
5	<u>1016564</u>	Pin	2
6	<u>1016565</u>	Bearing, Ball	1
7	<u>1016567</u>	Seal, Crankshaft	1
8	<u>1016584</u>	Bolt, 2-Ended, M8 x 1.25 x 69 mm	2
9	<u>1016458</u>	Bolt, Flanged, M8 x 1.25 x 45 mm	6
10	<u>1016520</u>	Cover, Crankcase	1
11	<u>1016446</u>	Gasket, Crankcase Cover	1
12	<u>1016456</u>	Bolt, Flanged, M6 x 1 x 12 mm	2
13	<u>1016510</u>	Bracket, Oil Level Switch	1
14	<u>1016494</u>	Sensor, Oil Level	1
15	<u>1016496</u>	Screw, Cross Pan-Head, M4 x .7 x 8 mm	3
16	<u>1016454</u>	Bolt, Flanged, M5 x .8 x 8 mm	2
17	<u>1016472</u>	Plate, Oil Filter Screen	1
18	<u>1016521</u>	Screen, Oil Filter	1
19	<u>101915401</u>	Camshaft, Complete	1
20	<u>1016453</u>	Tappet	2

7
G

7
G



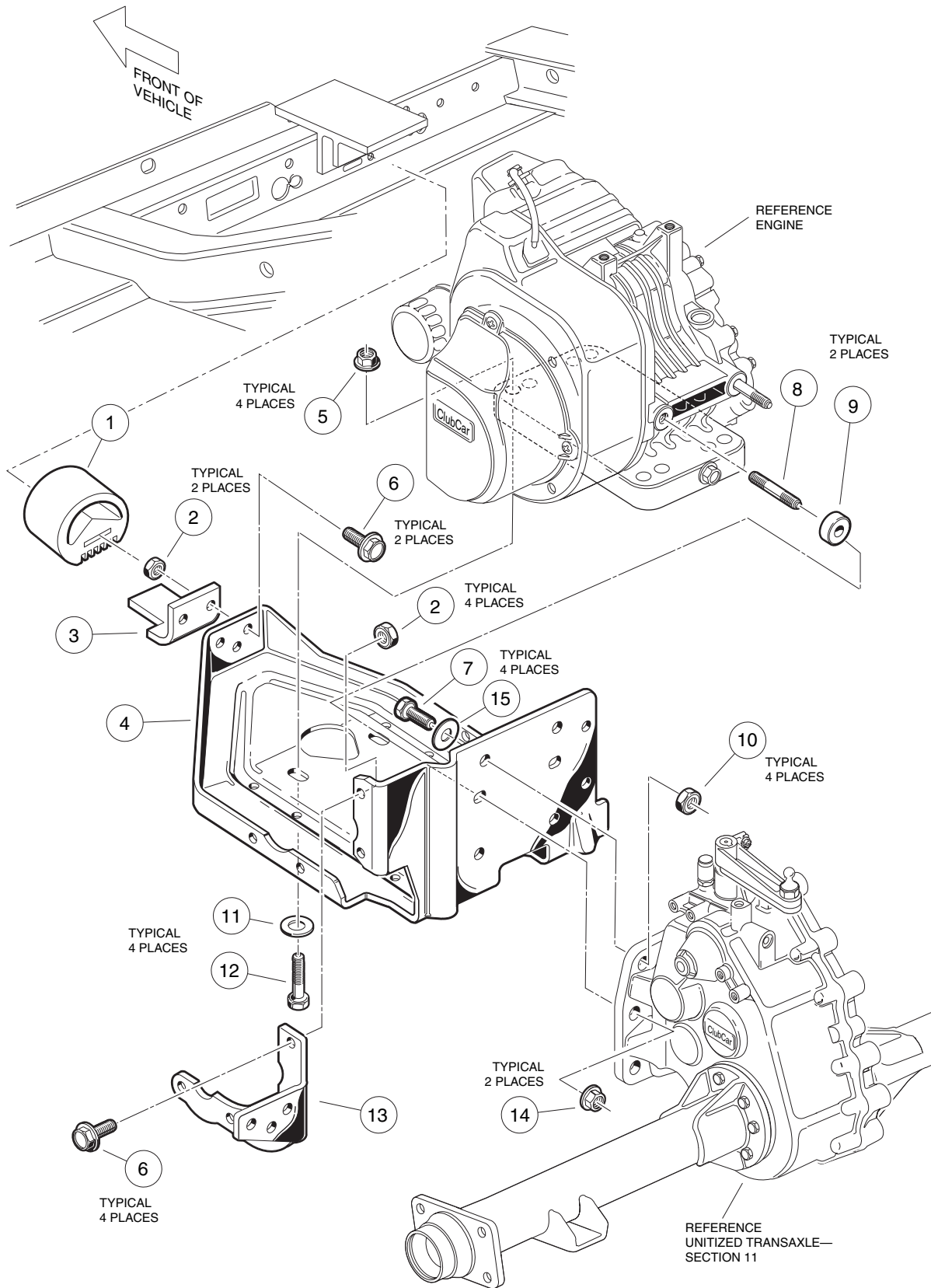
FE290 ENGINE – CRANKCASE AND CRANKSHAFT

ITEM	PART NO.	DESCRIPTION	QTY
		1 2 3 4	
1	<u>1016568</u>	Seal, Oil	1
2	<u>101915501</u>	Crankcase, OHV	1
3	<u>1016558</u>	Ring, Snap	2
4	<u>1016460</u>	Pin, Piston	1
5	<u>101645901</u>	Piston, Standard	1
5	<u>101645902</u>	Piston, .25 mm Oversized	1
5	<u>101645903</u>	Piston, .50 mm Oversized	1
6	<u>101646101</u>	Ring Set, Piston, Standard	1
6	<u>101646102</u>	Ring Set, Piston, .25 mm Oversized	1
6	<u>101646103</u>	Ring Set, Piston, .50 mm Oversized	1
7	<u>101647501</u>	Assembly, Connecting Rod, Standard (includes 2 each of item 8)	1
7	<u>101647502</u>	Assembly, Connecting Rod, .50 mm Undersized (includes 2 each of item 8)	1
8	<u>1016509</u>	Screw, Hex-Head Cap, M7 x 1 x 36 mm	2
9	<u>101922301</u>	Crankshaft, FE290 (left-hand thread) (includes items 10, 11 and one each of item 12)	1
10	<u>1016533</u>	Gear, Helical	1
11	<u>1016532</u>	Gear, Spur	1
12	<u>1016516</u>	Assembly, Rod (includes one each of item 13)	2
13	<u>1016580</u>	Bearing, Plain	2
14	<u>1016562</u>	Key	1
15	<u>101655001</u>	Shim, Crankshaft, 1.13 mm Thick	A/R
15	<u>101655002</u>	Shim, Crankshaft, 1.18 mm Thick	A/R
15	<u>101655003</u>	Shim, Crankshaft, 1.23 mm Thick	A/R
15	<u>101655004</u>	Shim, Crankshaft, 1.28 mm Thick	A/R
15	<u>101655005</u>	Shim, Crankshaft, 1.33 mm Thick	A/R
15	<u>101655006</u>	Shim, Crankshaft, 1.38 mm Thick	A/R
15	<u>101655007</u>	Shim, Crankshaft, 1.43 mm Thick	A/R
15	<u>101655008</u>	Shim, Crankshaft, 1.48 mm Thick	A/R
15	<u>101655009</u>	Shim, Crankshaft, 1.53 mm Thick	A/R
16	<u>1016559</u>	Spacer	1
17	<u>1016541</u>	Bolt, Stud, M6 x 1 x 22 mm	4
18	<u>1016547</u>	Nut, Flanged, M6 x 1	4
19	<u>1016470</u>	Shaft, Counterbalance Guide	1
20	<u>1016571</u>	O-Ring	1
21	<u>1016469</u>	Weight, Counterbalance	1

7

G

7
G



ENGINE MOUNTING

ITEM	PART NO.	DESCRIPTION	QTY
		1 2 3 4	
1	<u>102540301</u>	Snubber	1
2	<u>1013924</u>	Nut, Hex Lock, 5/16-24, UNF	6
3	<u>101834601</u>	Bracket, Snubber	1
4	<u>101827101</u>	Plate, Mounting	1
5	<u>101963401</u>	Nut, Flange, 5/16-18	4
6	<u>101884801</u>	Screw, Hex Washer-Head, 5/16-24 x 7/8	6
7	705	Screw, Hex-Head Cap, 3/8-16 x 1.25	4
8	<u>101833201</u>	Stud, M8 x 1.25 x 60 mm	2
9	<u>101832101</u>	Spacer	2
10	<u>102065901</u>	Nut, Flange, 3/8-16	4
11	1012571	Washer, Heavy Flat, 5/16	4
12	<u>1010577</u>	Screw, Hex-Head Cap, 5/16-18 x 1.50	4
13	<u>101832701</u>	Stiffener, Flywheel Side	1
14	101833001	Nut, Flange, M8 x 1.25	2
15	<u>334</u>	Washer, Flat, 3/8 Type A	4

7

G

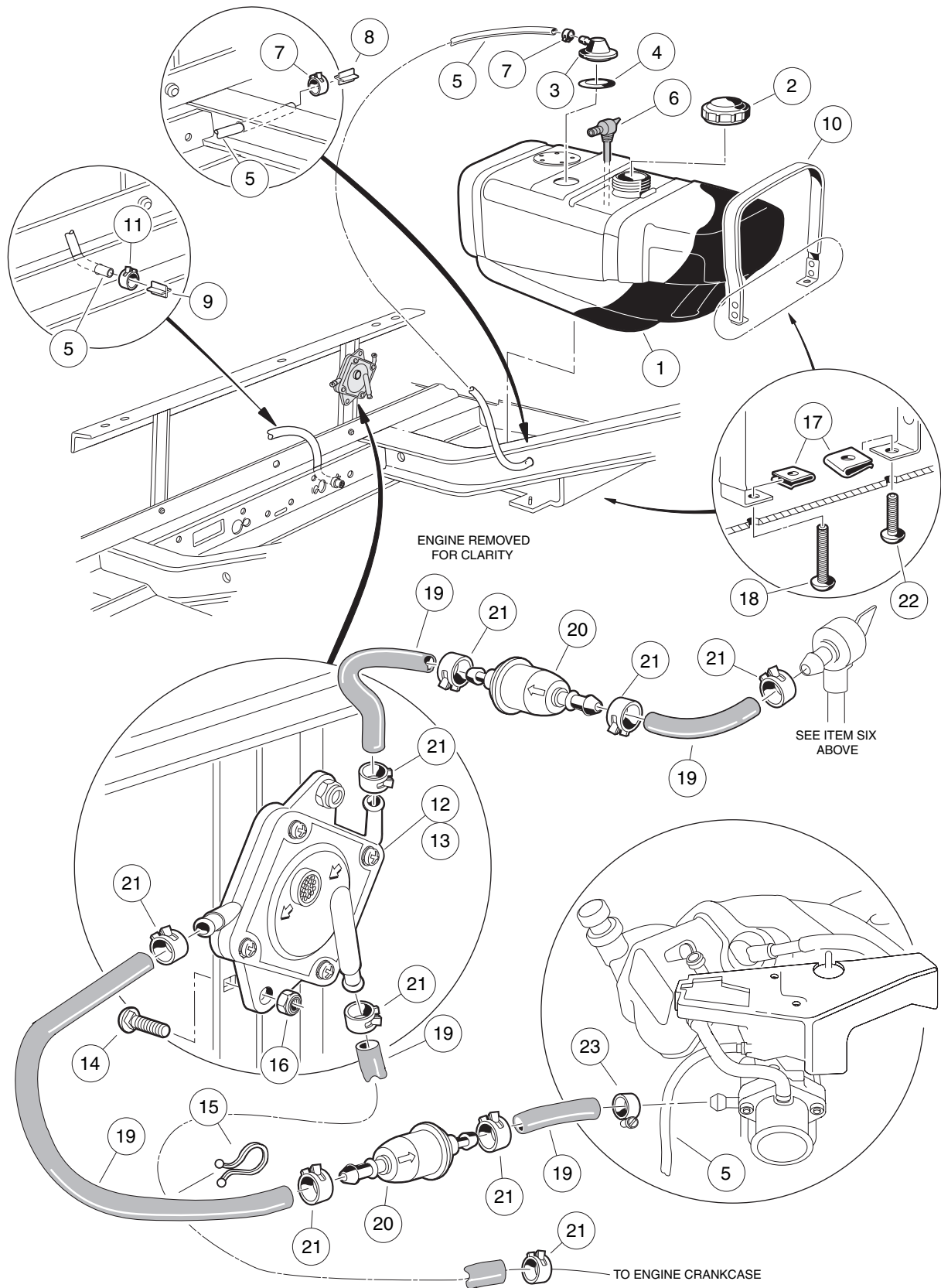
7

G

FUEL, INTAKE, AND GOVERNOR SYSTEMS

8

G

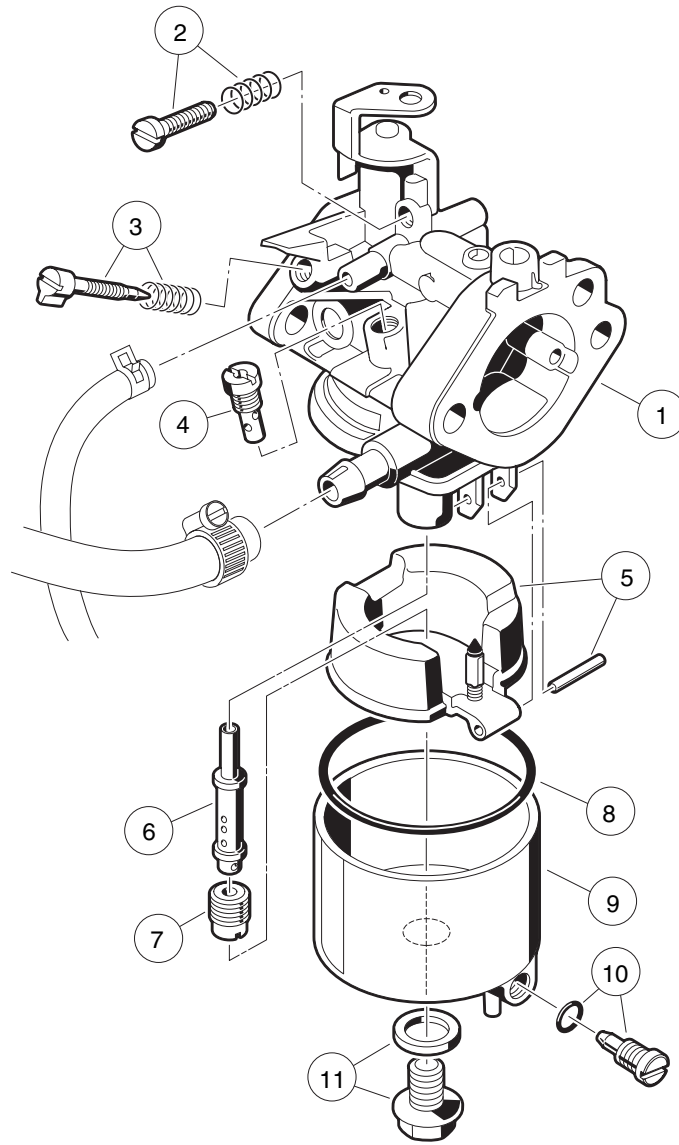


FUEL SYSTEM

8

G

ITEM	PART NO.	DESCRIPTION	QTY
		1 2 3 4	
1	<u>1016003</u>	Kit, Fuel Tank (includes items 2 - 8)	1
2	<u>1015188</u>	Cap, Fuel Tank, Nonvented	1
3	<u>1015143</u>	Assembly, Fuel Tank Vent	1
4	<u>1015139</u>	Grommet, Insulation	1
5	<u>1015137</u>	Line, Bulk Vent (available by the foot)	A/R
6	101896901	Valve, Fuel Pickup Tube with Shut-Off	1
7	<u>1013746</u>	Clamp, Hose	2
8	<u>101824401</u>	Barb, Vent	1
9	<u>101824401</u>	Barb, Vent	1
10	<u>1014928</u>	Assembly, Rear Fuel Strap	1
11	<u>1013746</u>	Clamp, Hose	2
12	<u>1014523</u>	Pump, Fuel Impulse	1
13	<u>1014524</u>	Rebuild Kit, Fuel Impulse Pump	1
14	<u>1017203</u>	Bolt, Carriage, 1/4-20 x 1	2
15	<u>101987701</u>	Clamp, Plastic	1
16	<u>8233</u>	Nut, Nylon Lock, 1/4-20	2
17	<u>1014116</u>	Nut, U-Type Speed, 1/4-20	2
18	<u>1011988</u>	Screw, Phillips Truss-Head, 1/4-20 x 2	1
19	<u>1013692</u>	Line, Bulk Fuel (available by the foot)	A/R*
20	<u>102003201</u>	Filter, Fuel	2
21	<u>1012649</u>	Clamp, Hose (red)	9
22	<u>8248</u>	Screw, Phillips Truss-Head, 1/4-20 x 3/4	1
23	<u>1013687</u>	Clamp, Hose, 3/8	1
<p>* The total fuel line length for the DS Golf Car is 47 inches (119.4 cm).</p>			

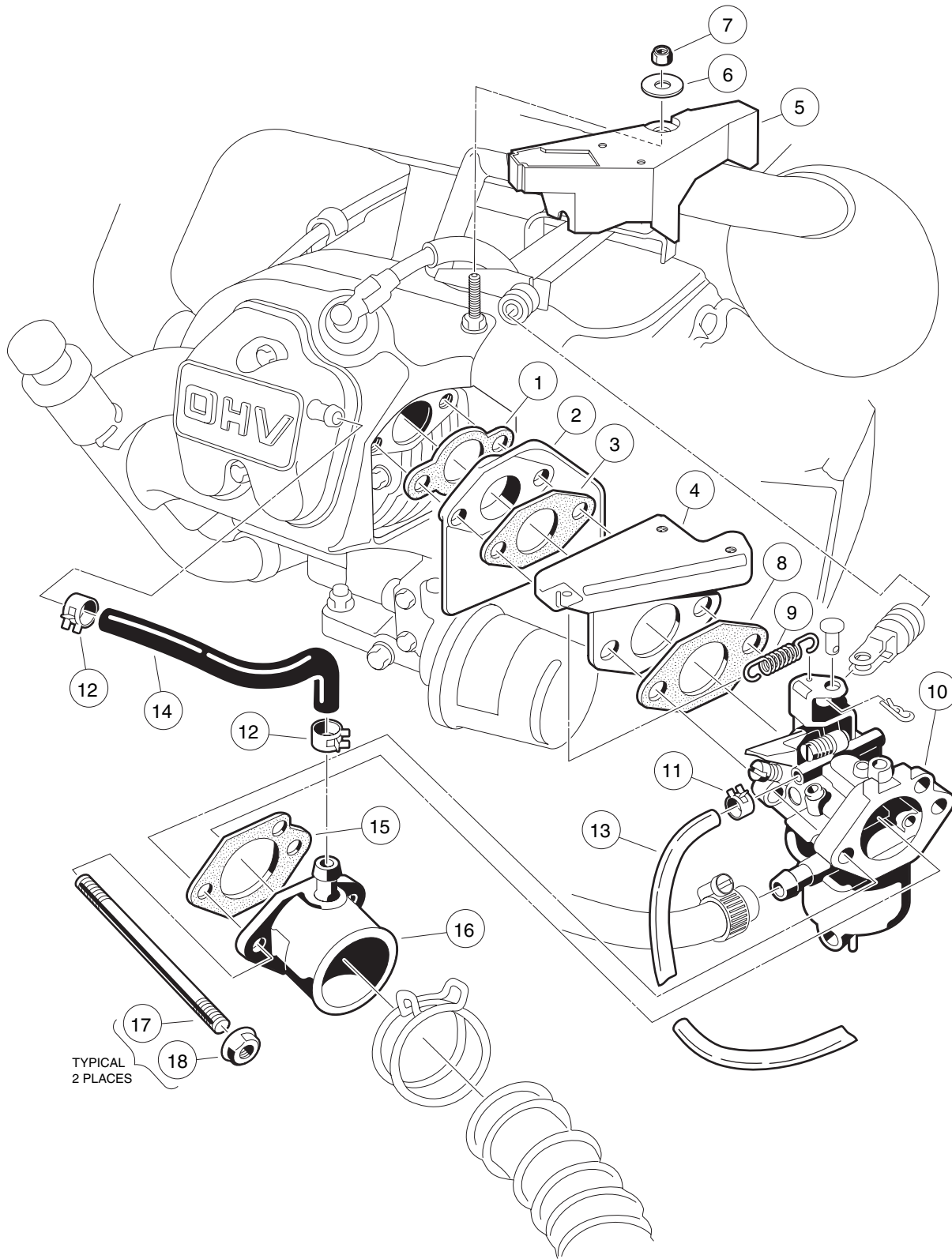


CARBURETOR ASSEMBLY

ITEM	PART NO.	DESCRIPTION	QTY
		1 2 3 4	
1	<u>101905601</u>	Assembly, Carburetor (includes items 2 - 11)	1
2	<u>1016501</u>	Assembly, Idle Screw	1
3	N/A	Assembly, Pilot Air Screw	1
4	<u>101973101</u>	Jet, Pilot, #40	1
5	1016486	Assembly, Float	1
6	<u>101973201</u>	Nozzle, Main	1
		Standard Jetting:	
7	<u>101642582</u>	Jet, Main, 0 - 3,000 feet	1
7	<u>101642580</u>	Jet, Main, 3,000 - 5,000 feet	A/R
7	<u>101642578</u>	Jet, Main, 5,000 - 8,000 feet	A/R
7	<u>101642575</u>	Jet, Main, 8,000 - 10,000 feet	A/R
7	<u>101642572</u>	Jet, Main, 10,000 Feet and Above	A/R
8	<u>1016437</u>	Gasket, Float Chamber	1
9	<u>1017461</u>	Assembly, Float Chamber (includes item 10)	1
10	<u>1016499</u>	Assembly, Screw	1
11	1016585	Assembly, Bolt	1

8

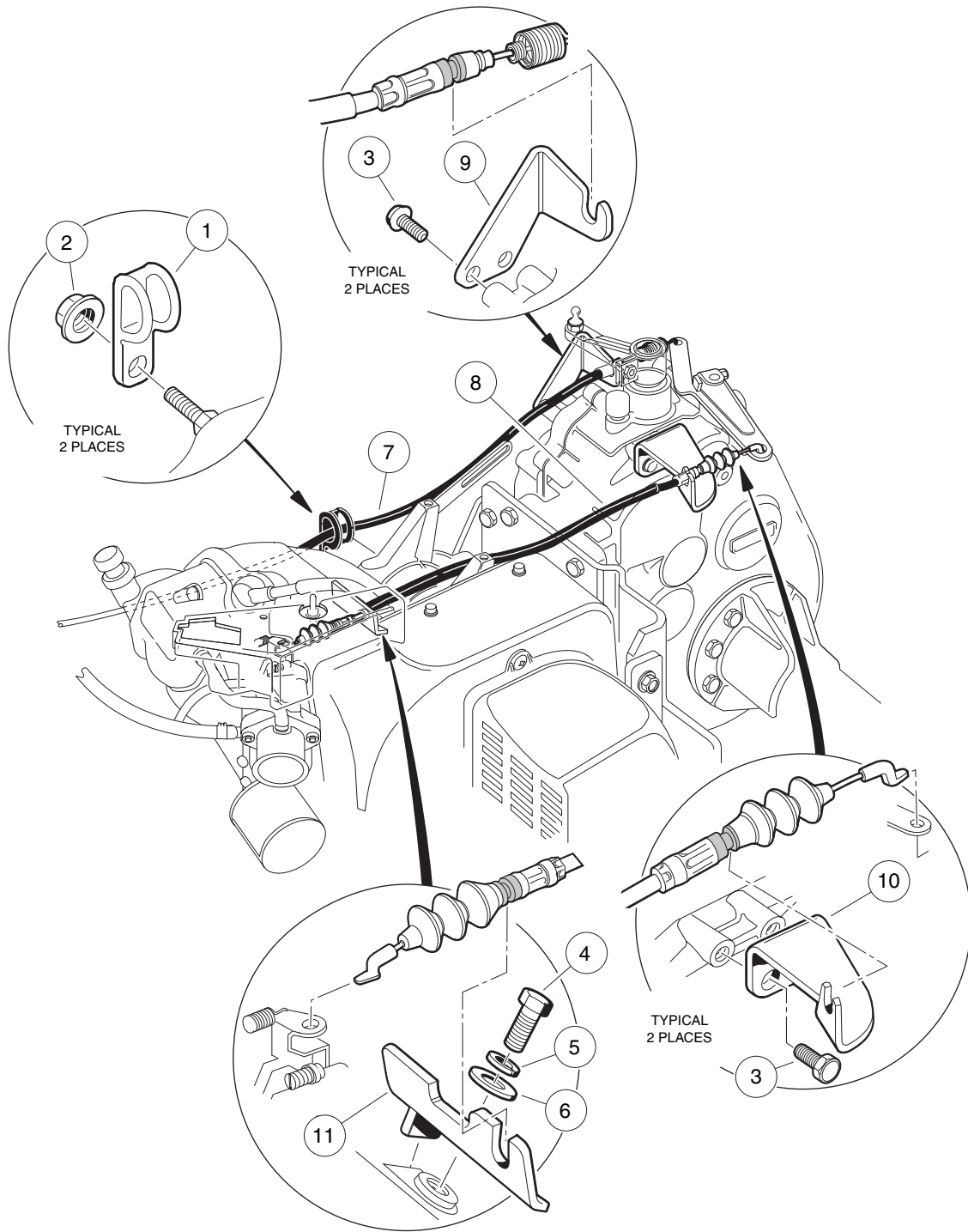
G



CARBURETOR INSTALLATION

ITEM	PART NO.	DESCRIPTION	QTY
		1 2 3 4	
1	<u>1016440</u>	Gasket, Insulator	1
2	101648102	Insulator, Carburetor	1
3	<u>1016439</u>	Gasket, Carburetor Insulator to Throttle Bracket	1
4	<u>1016444</u>	Bracket, Throttle	1
5	101820201	Guard, Governor	1
6	<u>1011697</u>	Washer, Flat, 5/16	1
7	<u>101887601</u>	Nut, Nylon Lock, M6 x 1	1
8	<u>1016441</u>	Gasket, Throttle Bracket to Carburetor	1
9	<u>1016582</u>	Spring, Throttle Return	1
10	<u>101905601</u>	Assembly, Carburetor	1
11	<u>1013746</u>	Clamp, Hose (gray)	1
12	<u>1017466</u>	Clamp, Hose (bronze)	2
13	<u>1015137</u>	Line, Bulk Vent (available by the foot)	A/R
14	<u>1016572</u>	Tube, Crankcase Vent	1
15	<u>1016438</u>	Gasket, Carburetor to Intake Manifold	1
16	1016480	Pipe, Intake	1
17	<u>101649002</u>	Screw, 2-Ended Stud, M6 x 1 x 90 mm	2
18	1016547	Nut, Flanged, M6 x 1	2

8
G

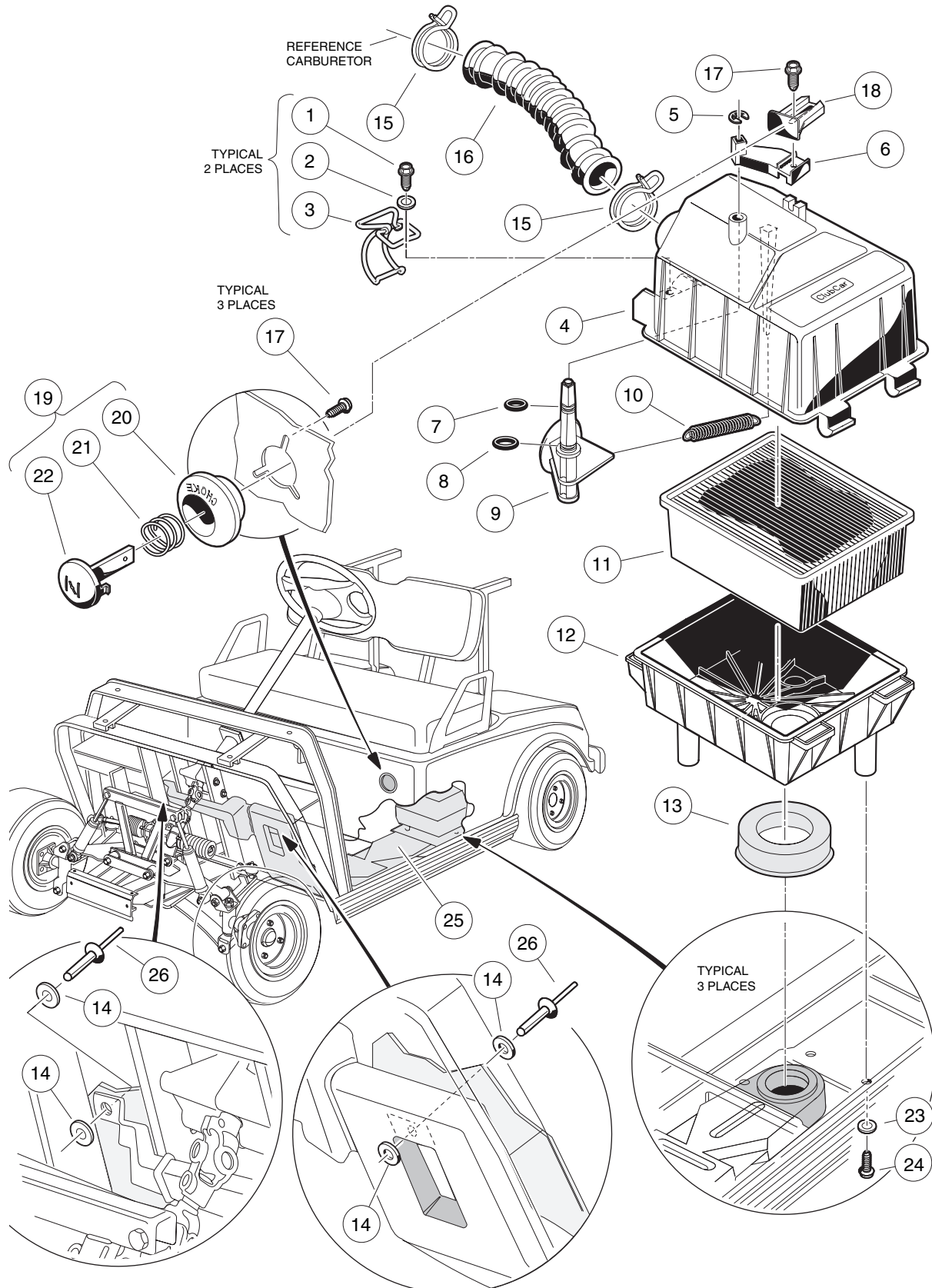


GOVERNOR AND ACCELERATOR CABLES

ITEM	PART NO.	DESCRIPTION	QTY
		1 2 3 4	
1	<u>1013700</u>	Clamp, Cable Retaining	2
2	<u>1016546</u>	Nut, Flanged Hex, M8 x 1.25	2
3	<u>1012285</u>	Screw, Hex, Type TT, 1/4-20 x 5/8	4
4	101903501	Screw, Hex-Head Cap, M8 x 1.25 x 24 mm	1
5	<u>7174</u>	Washer, Lock, 5/16	1
6	<u>1011697</u>	Washer, Flat, 5/16	1
7	<u>102336101</u>	Cable, Accelerator, Snap-in	1
8	<u>102336001</u>	Cable, Governor, Snap-in	1
9	<u>101832302</u>	Bracket, Accelerator Support	1
10	<u>101832202</u>	Bracket, Support	1
11	<u>101584502</u>	Bracket, Governor Cable Engine	1

8

G



INTAKE DUCT, CHOKE, AND AIR BOX ASSEMBLY

ITEM	PART NO.	DESCRIPTION	QTY
		1 2 3 4	
	<u>101821501</u>	Assembly, Air Box (includes items 1 - 13)	1
1	<u>101804301</u>	Screw, Hex-Head Hi-Lo, #8-1/2	2
2	<u>101881701</u>	Washer, Stainless Steel, #8	2
3	<u>101925701</u>	Latch, Wire	2
4	<u>101972801</u>	Assembly, Air Box Top (includes items 5 - 10)	1
5	<u>101813001</u>	E-Clip	1
6	<u>101917601</u>	Lever, Choke	1
7	N/A	O-Ring, 5/16 (red)	1
8	N/A	O-Ring, 3/8 (green)	1
9	N/A	Valve, Choke	1
10	<u>101812301</u>	Spring, Return	1
11	<u>1015426</u>	Filter, Air	1
12	<u>101811901</u>	Bottom, Air Box	1
13	<u>101921501</u>	Seal, Intake	1
14	<u>183</u>	Washer, Flat, #10	4
15	<u>101971301</u>	Clamp, Hose (air Intake)	2
16	<u>101837101</u>	Hose, Intake	1
17	<u>101850301</u>	Screw, Hex Washer-Head Hi-Lo, #12 x 1/2	4
18	<u>101917701</u>	Positioner, Choke	1
19	<u>101805701</u>	Assembly, Choke Button (includes items 20, 21 and 22)	1
20	<u>101811501</u>	Guide, Choke Lever	1
21	<u>101856201</u>	Spring, Compression	1
22	<u>101811401</u>	Lever, Choke	1
23	<u>332</u>	Washer, Flat, 1/4	3
24	<u>1015752</u>	Screw, Hex Washer-Head Hi-Lo, #12-16 x 5/8	3
25	<u>101958101</u>	Assembly, Air Duct	1
26	<u>1606</u>	Rivet, Pop, 3/16	2
	<u>101971001</u>	Air Duct Repair Kit (not shown)	A/R

8

G

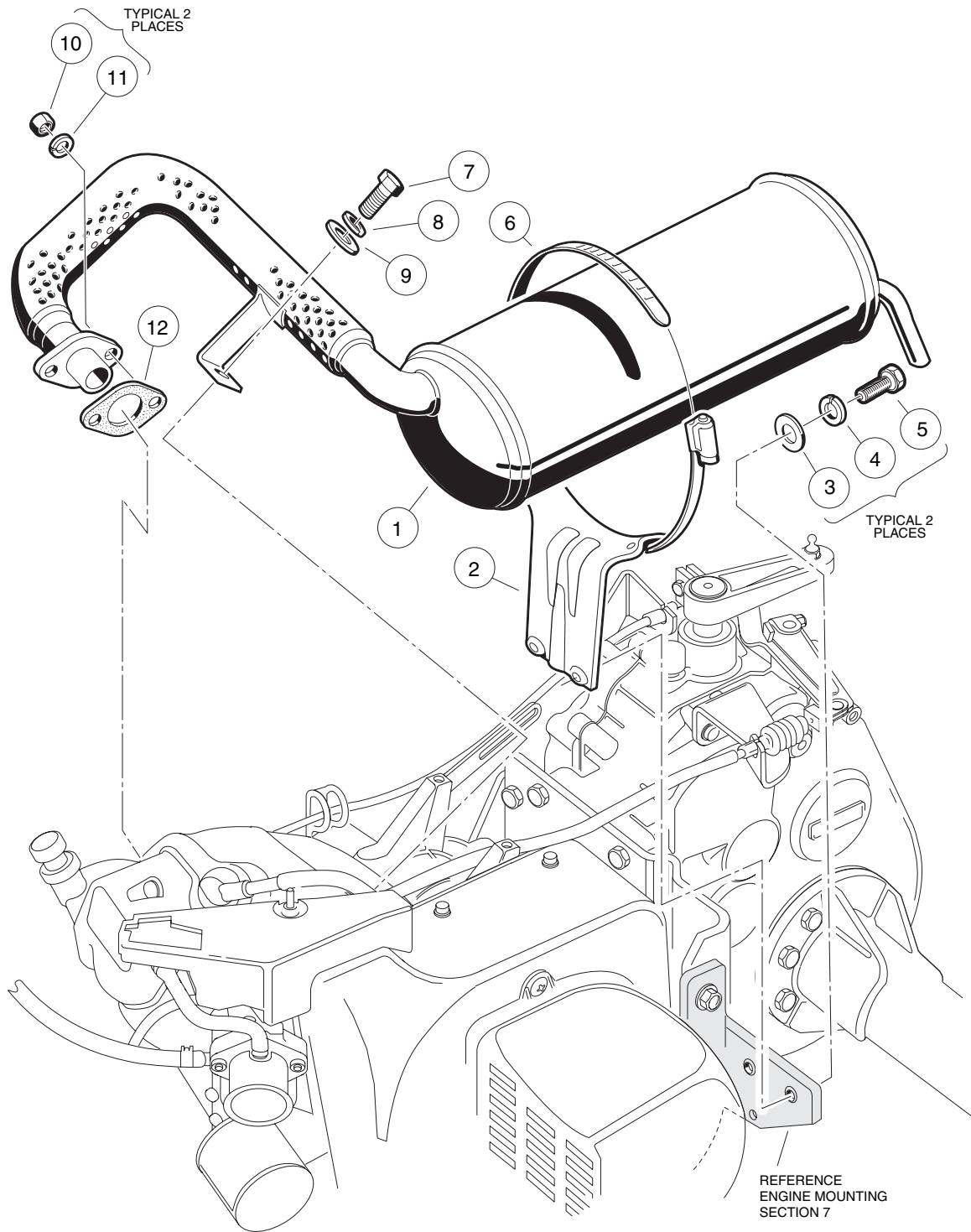
8

G

EXHAUST SYSTEM

9

G



EXHAUST SYSTEM

ITEM	PART NO.	DESCRIPTION	QTY
		1 2 3 4	
1	<u>101859301</u>	System, Exhaust	1
2	<u>1015814</u>	Bracket, Muffler Mounting	1
3	<u>332</u>	Washer, Flat, 1/4	2
4	<u>451</u>	Washer, Lock, 1/4	2
5	<u>7847</u>	Screw, Hex-Head Cap, 1/4-20 x 3/4	2
6	1017689	Clamp, Muffler	1
7	<u>1012830</u>	Screw, Hex-Head Cap, M8 x 1.25 x 22 mm	1
8	<u>7174</u>	Washer, Lock, 5/16	1
9	1015075	Washer, Flat, 5/16	1
10	<u>1012528</u>	Nut, Hex, M8 x 1.25	2
11	<u>1013734</u>	Washer, Lock, 8 mm	2
12	<u>1015330</u>	Gasket, Exhaust	1

9

G

9

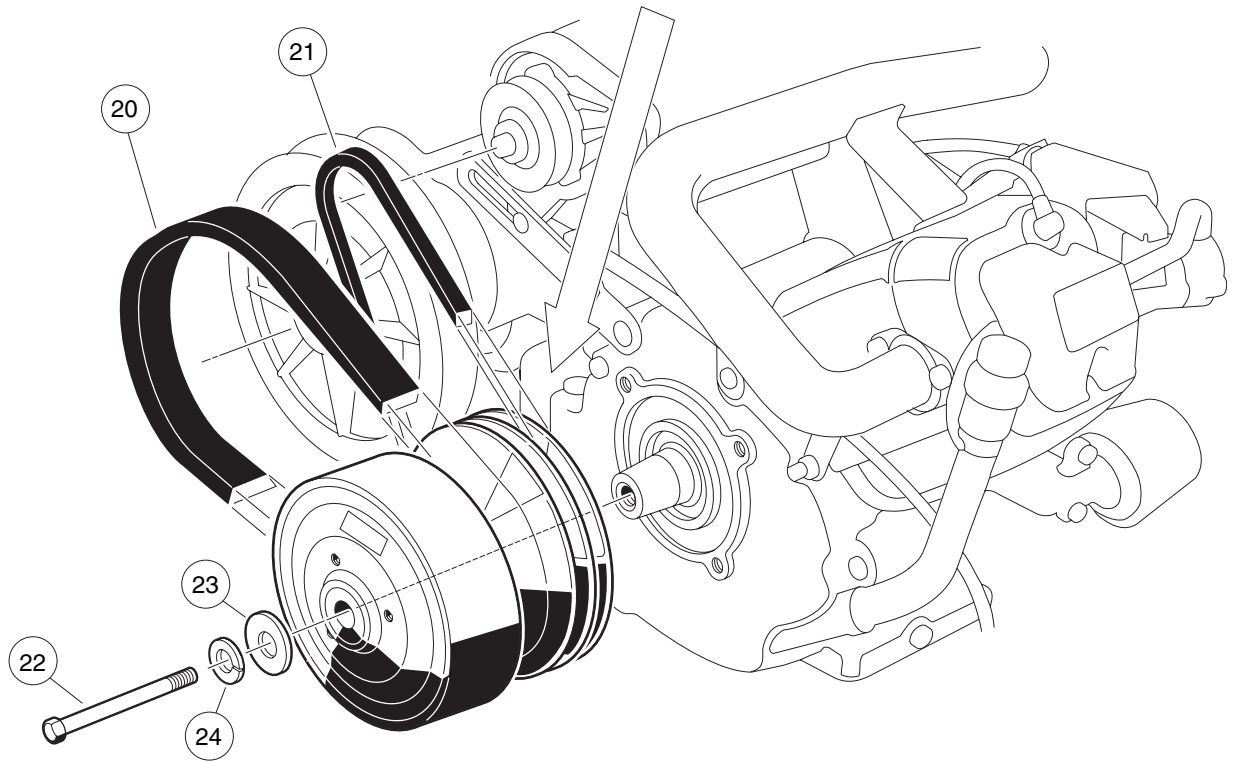
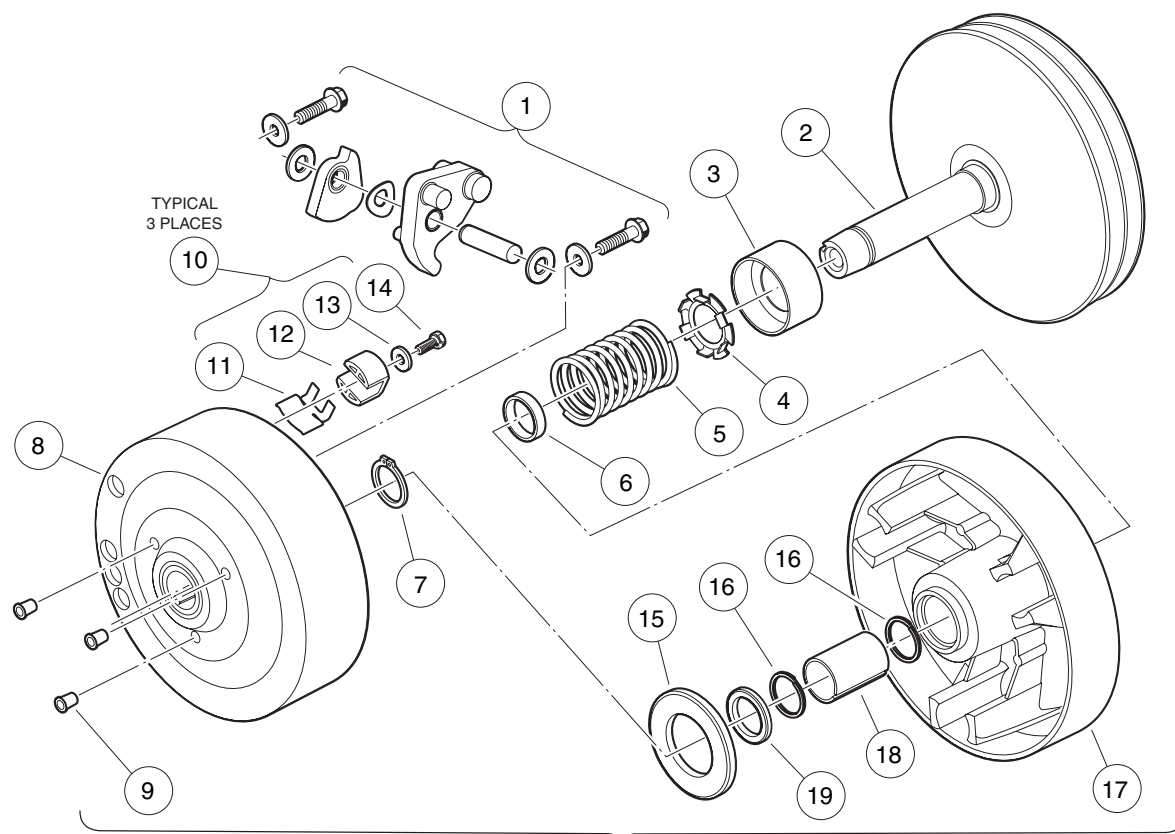
G

TORQUE CONVERTER

10

G

10
G



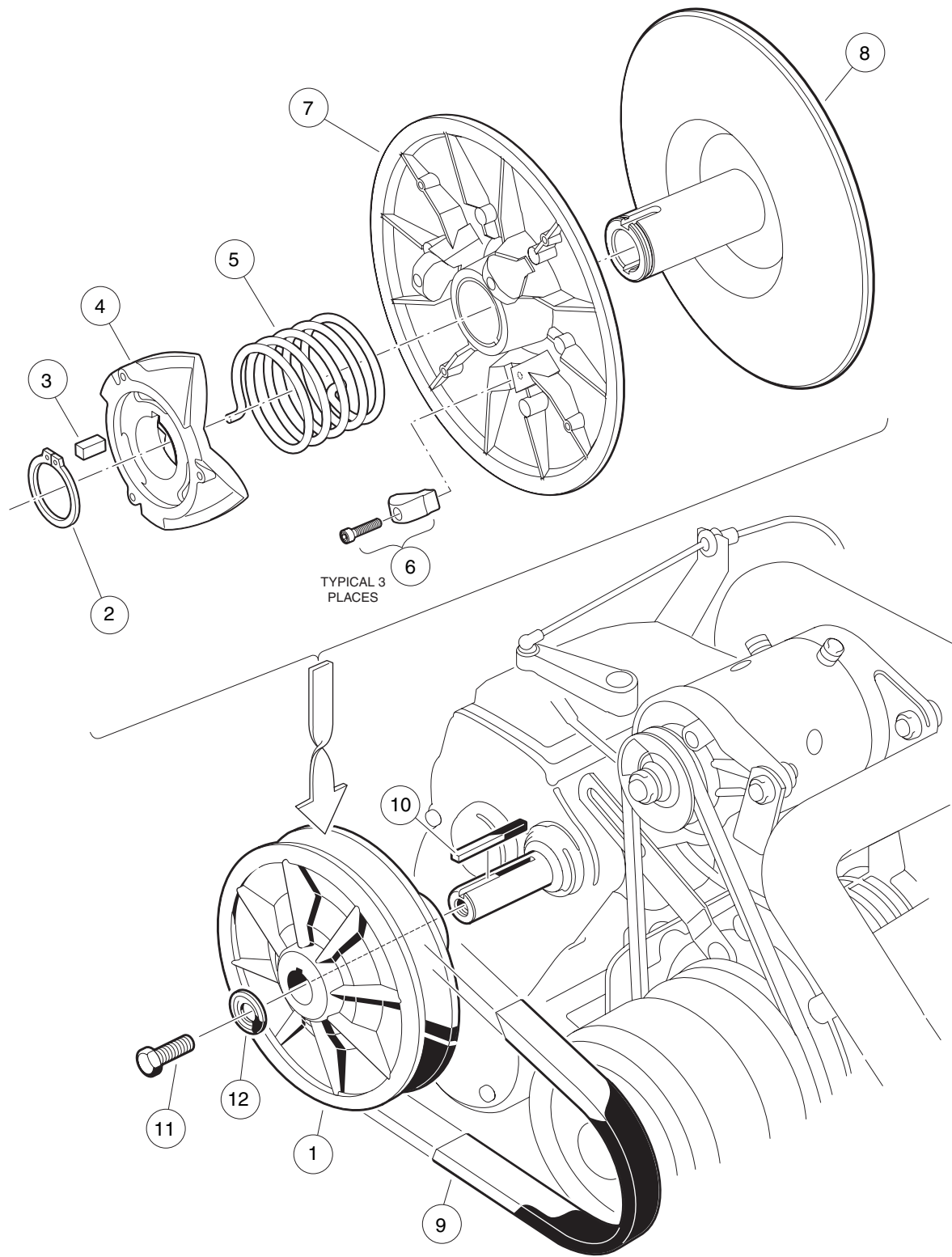
DRIVE CLUTCH

ITEM	PART NO.	DESCRIPTION	QTY
		1 2 3 4	
	<u>101833902</u>	Assembly, Drive Clutch (includes items 1 - 19)	1
1	<u>1016801</u>	Kit, Drive Clutch Weight	1
2	<u>101929801</u>	Assembly, Fixed Face	1
3	<u>1014049</u>	Bearing, Idler	1
4	<u>1014050</u>	Retainer, Spring	1
5	<u>1014051</u>	Spring, Drive Clutch – Black	1
6	<u>1016289</u>	Spacer, Fixed Face Shaft	1
7	<u>1014057</u>	Ring, Retaining	1
8	<u>1014059</u>	Assembly, Drive Hub	1
9	N/A	Plug, Drive Clutch	3
10	<u>1014453</u>	Kit, Drive Clutch Button (includes item 11 - 14)	1
11	<u>1014287</u>	Spring, Drive Button	3
12	<u>1014062</u>	Driver, Drive Clutch	3
13	<u>183</u>	Washer, Flat, #10, Type A	3
14	<u>8450</u>	Screw, Hex-Head, #10-24 x .5	3
15	<u>1014058</u>	Washer, Thrust	1
16	<u>1014056</u>	Ring, Spiral Back-Up	2
17	<u>1014052</u>	Assembly, Movable Face (includes items 18 and 19)	1
18	N/A	Bushing	1
19	<u>1014055</u>	Retainer	1
20	<u>1016203</u>	Belt, Drive	1
21	<u>101916701</u>	Belt, Starter/Generator	1
22	<u>101916501</u>	Screw, Hex-Head Cap, 3/8-24 x 5-1/2 (left-hand threads)	1
23	<u>808</u>	Washer, Flat, 3/8	1
24	<u>357</u>	Washer, Lock, 3/8	1

10

G

10
G



DRIVEN CLUTCH

ITEM	PART NO.	DESCRIPTION	QTY
		1 2 3 4	
1	<u>101834001</u>	Assembly, Driven Clutch (includes items 2 - 8)	1
2	<u>1014080</u>	Ring, Retaining	1
3	<u>1014078</u>	Key	1
4	<u>1017686</u>	Cam	1
5	<u>101836201</u>	Spring – Green	1
6	<u>1014454</u>	Kit, Driven Clutch Button (includes 3 screws and 3 buttons)	1
7	<u>1014072</u>	Assembly, Moveable Face with Bushing	1
8	<u>1014070</u>	Face, Fixed	1
9	<u>1016203</u>	Belt, Drive	1
	<u>AM10419</u>	Kit, Driven Clutch Hardware Repair (includes items 10 - 12)	1
10	<u>101833401</u>	Key, Square Transmission	1
11	<u>102242101</u>	Screw, Hex-Head Cap, Thread-Locking, 5/16-18 x 3/4	1
12	<u>1017327</u>	Washer, Driven Clutch	1

10

G

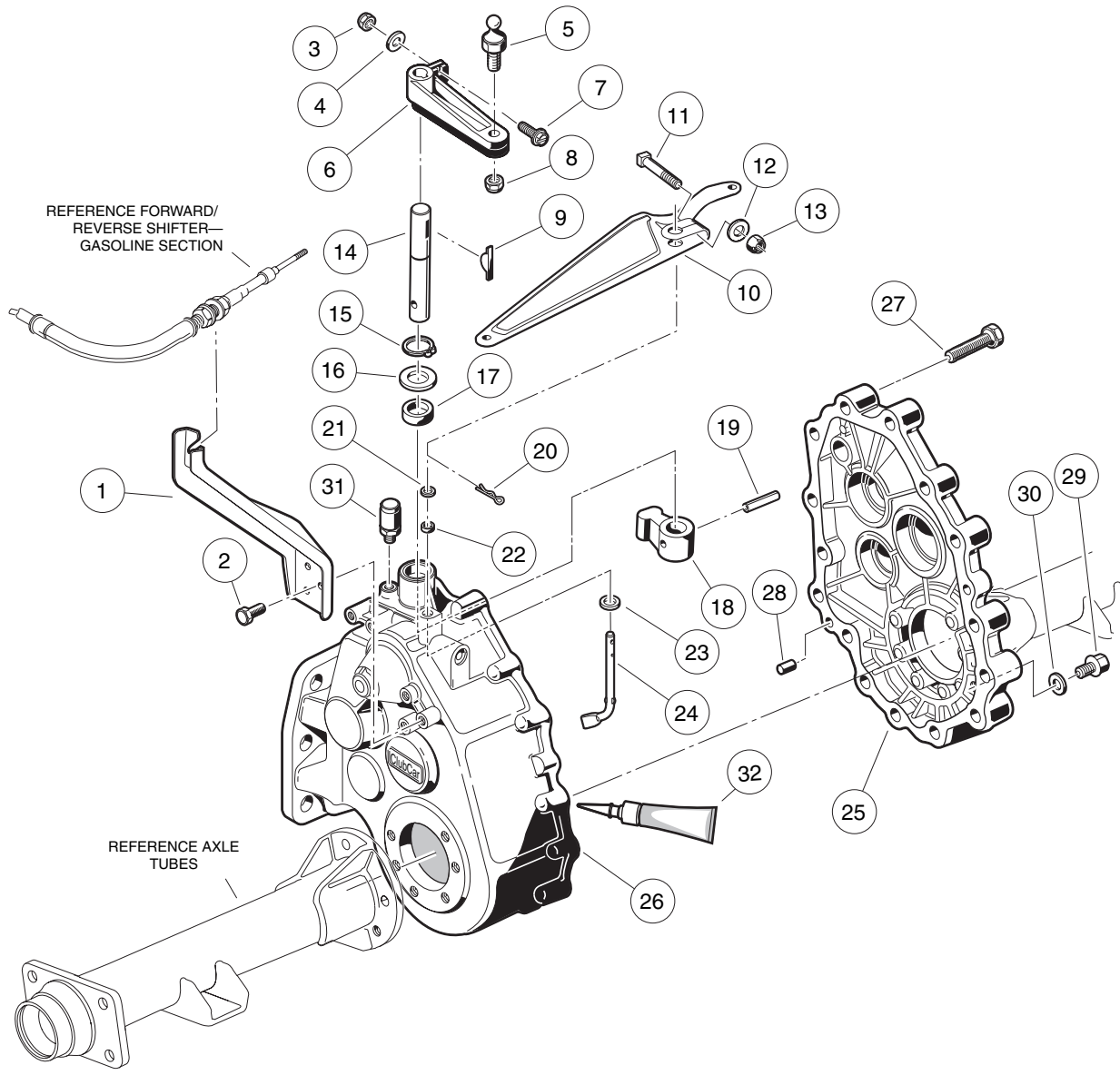
10

G

UNITIZED TRANSAXLE

11

G

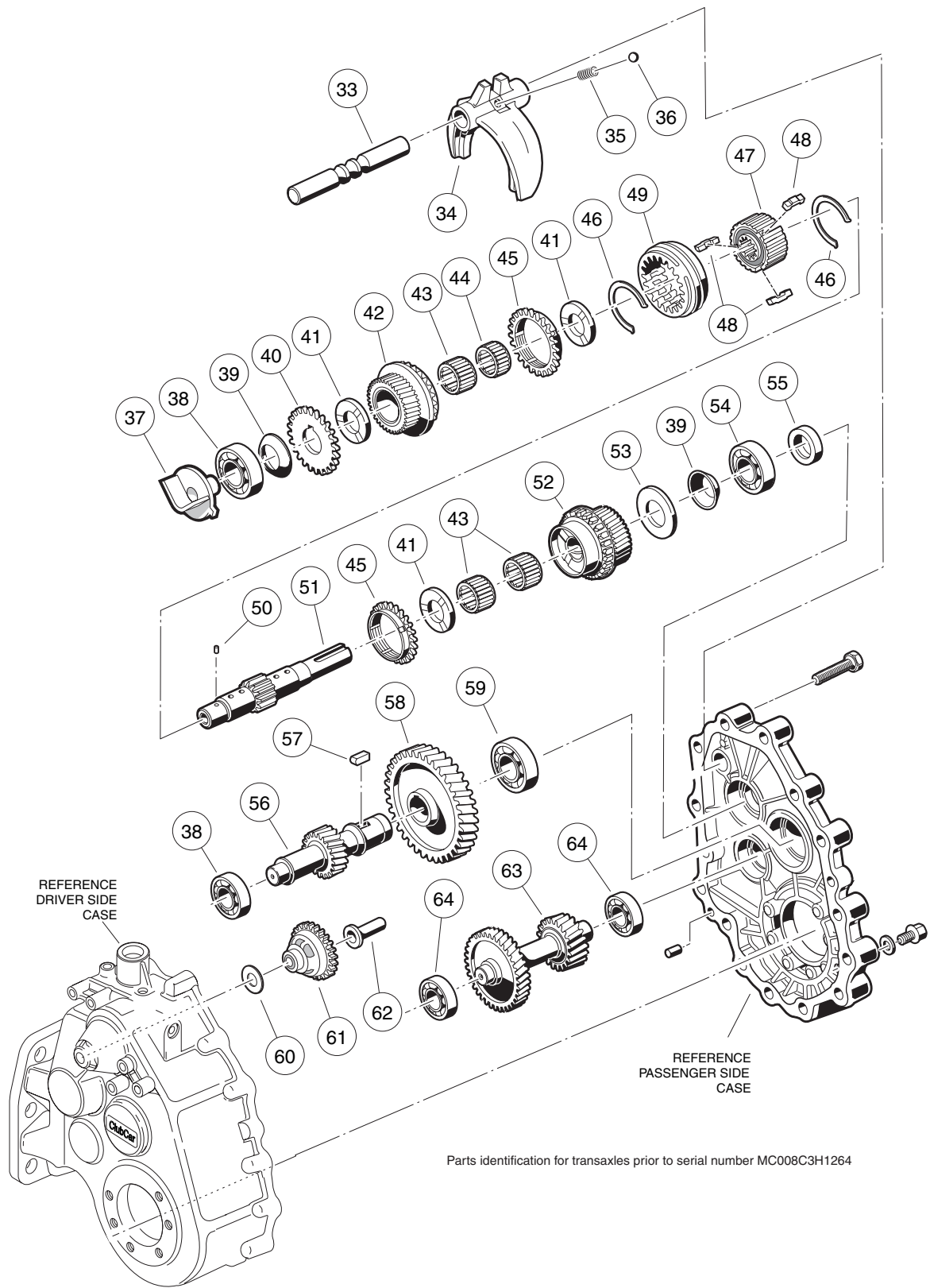


MC008C-ES00 PRIOR TO SERIAL NUMBER MC008C3H1264 – GEAR CASES AND BRACKETS

ITEM	PART NO.	DESCRIPTION	QTY
		1 2 3 4	
1	101922601	Bracket, Transmission Cable Support	1
2	<u>1012285</u>	Screw, Hex, Type TT, 1/4-20 x 5/8	3
3	<u>1013061</u>	Nut, Nylon Lock, #10-32	1
4	<u>183</u>	Washer, Flat, #10	1
5	<u>1010954</u>	Stud, Ball, 1/4-28 x 9/16	1
6	<u>1016341</u>	Lever, Transmission Shifter	1
7	<u>1017082</u>	Screw, Hex Washer-Head, #10-32 x 3/4	1
8	<u>8717</u>	Nut, Nylon Lock, 1/4-28	1
9	<u>1017231</u>	Key, Woodruff	1
10	<u>101834801</u>	Arm, Governor Lever	1
11	<u>101886101</u>	Screw, Square-Head, 1/4-20 x 1	1
12	<u>1014007</u>	Washer, Type B, 1/4	1
13	<u>8233</u>	Nut, Nylon Lock, 1/4-20	1
	<u>101833601</u>	Unitized Transaxle (includes items 14 - 88)	1
14	<u>101890201</u>	Shaft, Shifter	1
15	<u>101927301</u>	Ring, Snap	1
16	<u>101892901</u>	Washer, Flat	1
17	<u>101927201</u>	Seal, Oil	1
18	<u>101890101</u>	Lever, Shifter	1
19	<u>1012752</u>	Pin, Roll	1
20	<u>101928601</u>	Pin, Cotter	1
21	<u>1016513</u>	Washer, Flat	1
22	<u>101927101</u>	Seal, Oil	1
23	<u>101893801</u>	Washer	1
24	<u>101891301</u>	Arm, Pivot	1
25	<u>101890601</u>	Gear Case (passenger side)	1
26	<u>101890501</u>	Gear Case (driver side)	1
27	<u>101926901</u>	Bolt, Flanged, M8 x 1.25 x 40 mm	15
28	<u>1012896</u>	Pin, Dowel	2
29	<u>1013759</u>	Plug, Drain (includes item 30)	2
30	<u>1016432</u>	Gasket	1
31	<u>1012711</u>	Breather	1
32	<u>101928701</u>	Gasket, Liquid, 8.8 oz. (250 grams)	A/R

11

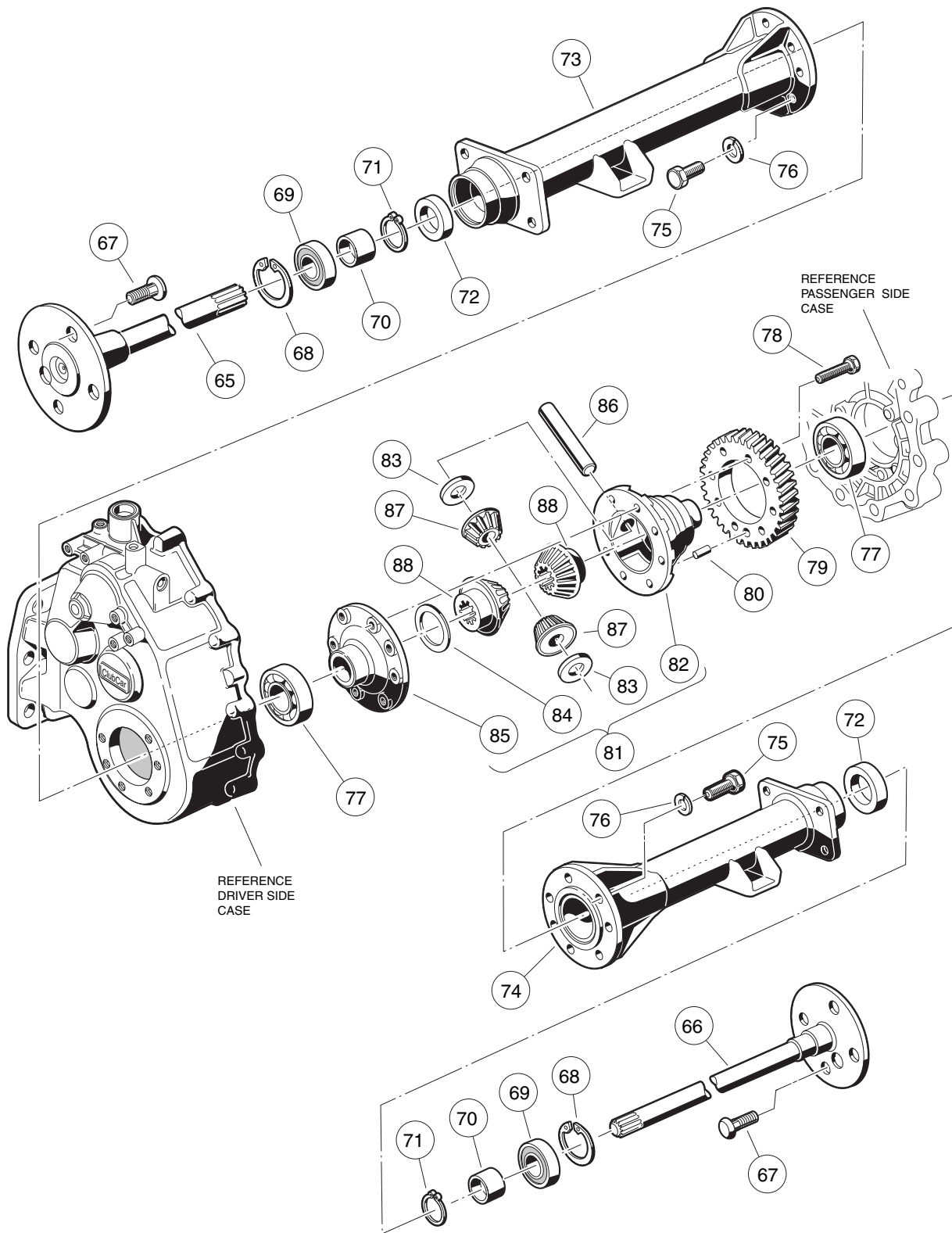
G



MC008C-ES00 PRIOR TO SERIAL NUMBER MC008C3H1264 – TRANSMISSION AND GEAR REDUC-

ITEM	PART NO.	DESCRIPTION	QTY
		1 2 3 4	
33	101892001	Rod, Shift	1
34	<u>101890001</u>	Fork, Shift	1
35	<u>1012748</u>	Spring	1
36	<u>1012747</u>	Ball, Steel	1
37	<u>101889401</u>	Guide	1
38	<u>AM10080</u>	Bearing, Ball, Sealed	2
39	<u>1016338</u>	Washer, Spring	2
40	<u>101892401</u>	Gear, Spur	1
41	<u>101892201</u>	Plate, Thrust	3
42	<u>101980901</u>	Gear Assembly, Input, 28 Tooth (16°)	1
43	<u>101927601</u>	Bearing, Needle	3
44	<u>101927501</u>	Bearing, Needle	1
45	<u>101981001</u>	Ring, Synchronizer (16°)	2
46	<u>1012741</u>	Spring, Synchronizer	2
47	<u>101928001</u>	Hub, Synchronizer Clutch	1
48	<u>1012740</u>	Insert, Synchronizer	3
49	<u>101927901</u>	Sleeve, Synchronizer	1
50	<u>101927701</u>	Pin, Dowel	1
51	<u>101889901</u>	Shaft, Input	1
52	<u>101980801</u>	Gear Assembly, Input, 25 Tooth (16°)	1
53	<u>1016337</u>	Washer, Thrust	1
54	<u>AM10081</u>	Bearing, Ball, C-3 Sealed	1
55	<u>1012714</u>	Seal, Oil, Input Shaft	1
56	<u>101892601</u>	Gear, 17 Tooth	1
57	<u>101893201</u>	Key	1
58	<u>101892501</u>	Gear, 61 Tooth	1
59	<u>101928101</u>	Bearing, Ball	1
60	<u>101893901</u>	Washer	1
61	<u>101892301</u>	Governor Assembly	1
62	<u>101891601</u>	Sleeve	1
63	<u>101891901</u>	Gear, Cluster Idler	1
64	<u>7335</u>	Bearing, Ball	2

11
G

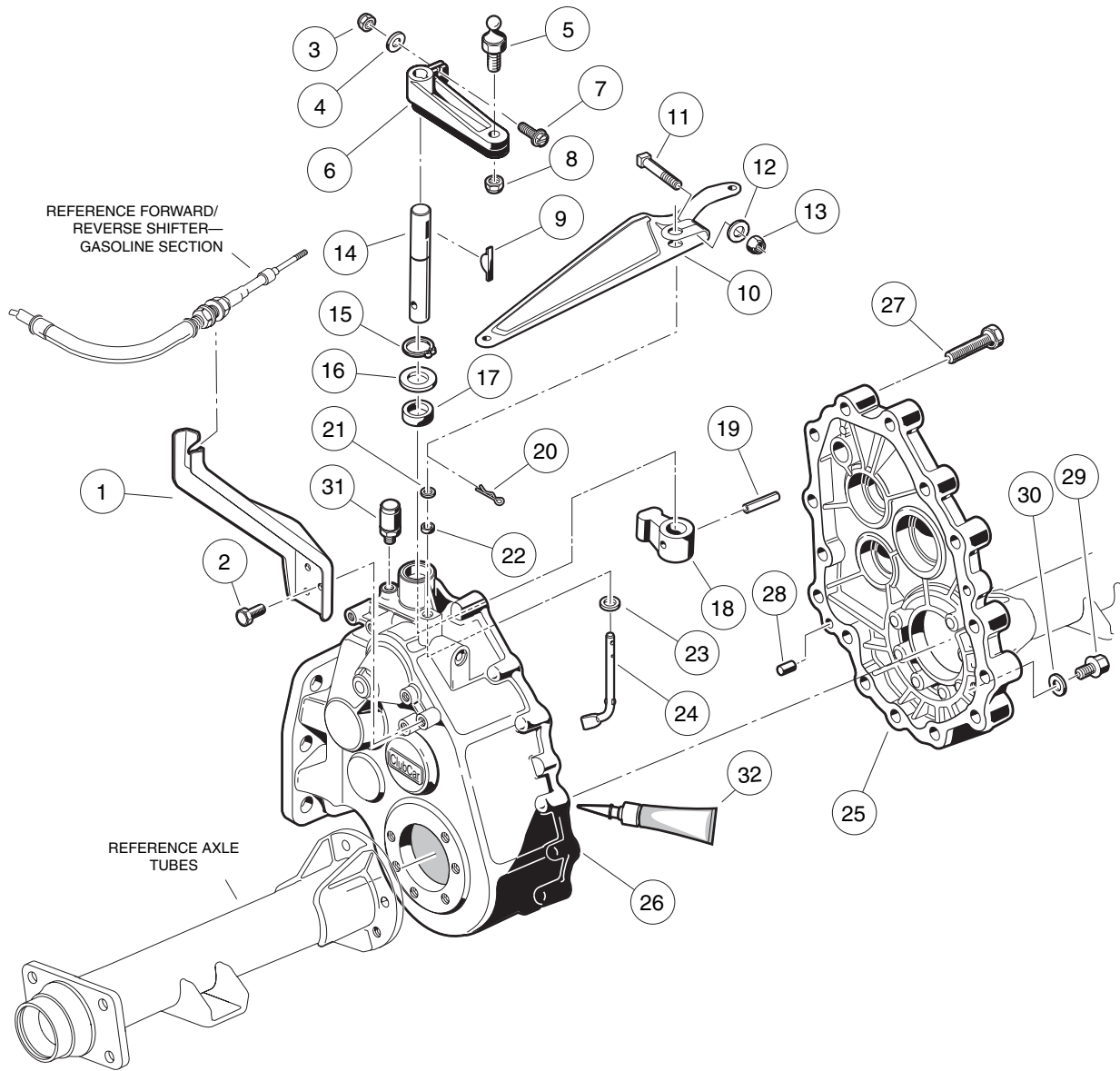


MC008C-ES00 PRIOR TO SERIAL NUMBER MC008C3H1264 – DIFFERENTIAL AND AXLES

ITEM	PART NO.	DESCRIPTION	QTY
		1 2 3 4	
65	<u>101891501</u>	Axle Assembly, Driver-Side (Includes items 67 - 71)	1
66	<u>101891401</u>	Axle Assembly, Passenger-Side (includes items 67 - 71)	1
67	<u>1013787</u>	Stud, Lug	4
68	<u>1013792</u>	Ring, Retaining	1
69	<u>1011291</u>	Bearing, Outer Axle Tube	1
70	1014207	Collar, 25 mm I. D.	1
71	<u>1016672</u>	Ring, Retaining	1
72	<u>1013794</u>	Seal, Oil	2
73	<u>101891001</u>	Assembly, Axle Tube, Driver-Side	1
74	<u>101890901</u>	Assembly, Axle Tube, Passenger-Side	1
75	<u>1013790</u>	Bolt, M10 x 1.5 x 30 mm	14
76	<u>1013791</u>	Washer, Lock, M10	14
77	<u>7330</u>	Bearing, Inner Axle Tube	2
78	<u>101928301</u>	Bolt, M8 x 1.25 x 37 mm	8
79	<u>101892701</u>	Gear, Output	1
80	<u>1014193</u>	Pin, Dowel	1
81	<u>101910501</u>	Kit, Differential Gear Case (includes items 82 - 85)	1
82	1013768	Case, Gear Carrier	1
83	<u>1013774</u>	Plate, Thrust (idler gear)	2
84	<u>1013773</u>	Plate, Thrust (differential gear)	1
85	1013769	Cover, Gear Case	1
86	<u>1013772</u>	Pin, Differential	1
87	<u>1013770</u>	Gear, Differential Idler	2
88	1013771	Gear, Differential	2

11

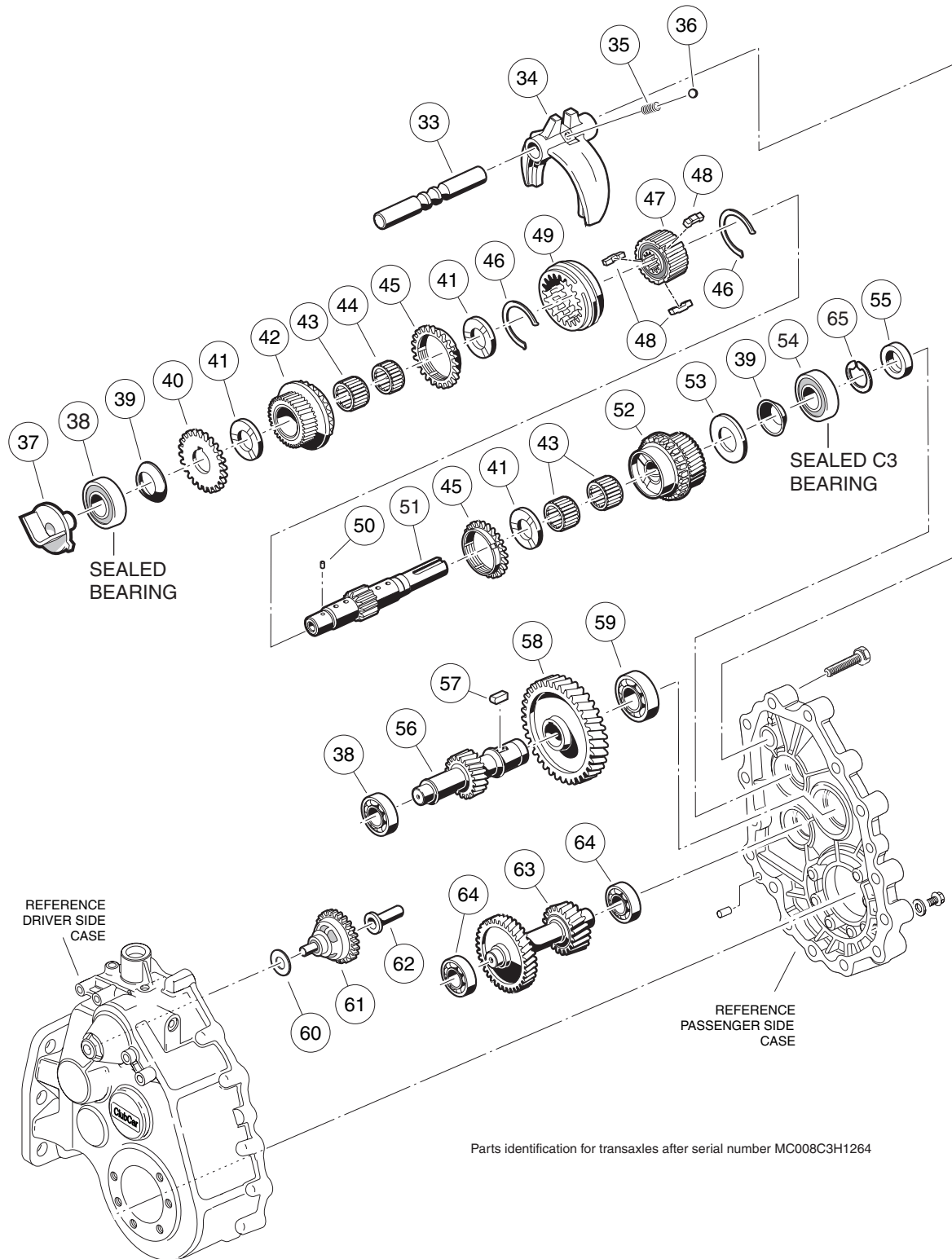
G



MC008C-ES00 AFTER SERIAL NUMBER MC008C3H1264 – GEAR CASES AND BRACKETS

ITEM	PART NO.	DESCRIPTION	QTY
		1 2 3 4	
1	101922601	Bracket, Transmission Cable Support	1
2	<u>1012285</u>	Screw, Hex, Type TT, 1/4-20 x 5/8	3
3	<u>1013061</u>	Nut, Nylon Lock, #10-32	1
4	<u>183</u>	Washer, Flat, #10	1
5	<u>1010954</u>	Stud, Ball, 1/4-28 x 9/16	1
6	<u>1016341</u>	Lever, Transmission Shifter	1
7	<u>1017082</u>	Screw, Hex Washer-Head, #10-32 x 3/4	1
8	<u>8717</u>	Nut, Nylon Lock, 1/4-28	1
9	<u>1017231</u>	Key, Woodruff	1
10	<u>101834801</u>	Arm, Governor Lever	1
11	<u>101886101</u>	Screw, Square-Head, 1/4-20 x 1	1
12	<u>1014007</u>	Washer, Type B, 1/4	1
13	<u>8233</u>	Nut, Nylon Lock, 1/4-20	1
	<u>101833601</u>	Unitized Transaxle (includes items 14 - 89)	1
14	<u>101890201</u>	Shaft, Shifter	1
15	<u>101927301</u>	Ring, Snap	1
16	<u>101892901</u>	Washer, Flat	1
17	<u>101927201</u>	Seal, Oil	1
18	<u>101890101</u>	Lever, Shifter	1
19	<u>1012752</u>	Pin, Roll	1
20	<u>101928601</u>	Pin, Cotter	1
21	<u>1016513</u>	Washer, Flat	1
22	<u>101927101</u>	Seal, Oil	1
23	<u>101893801</u>	Washer	1
24	<u>101891301</u>	Arm, Pivot	1
25	<u>101890601</u>	Gear Case (passenger side)	1
26	<u>101890501</u>	Gear Case (driver side)	1
27	<u>101926901</u>	Bolt, Flanged, M8 x 1.25 x 40 mm	15
28	<u>1012896</u>	Pin, Dowel	2
29	<u>1013759</u>	Plug, Drain (includes item 30)	2
30	<u>1016432</u>	Gasket	1
31	<u>1012711</u>	Breather	1
32	<u>101928701</u>	Gasket, Liquid, 8.8 oz. (250 grams)	A/R

11
G

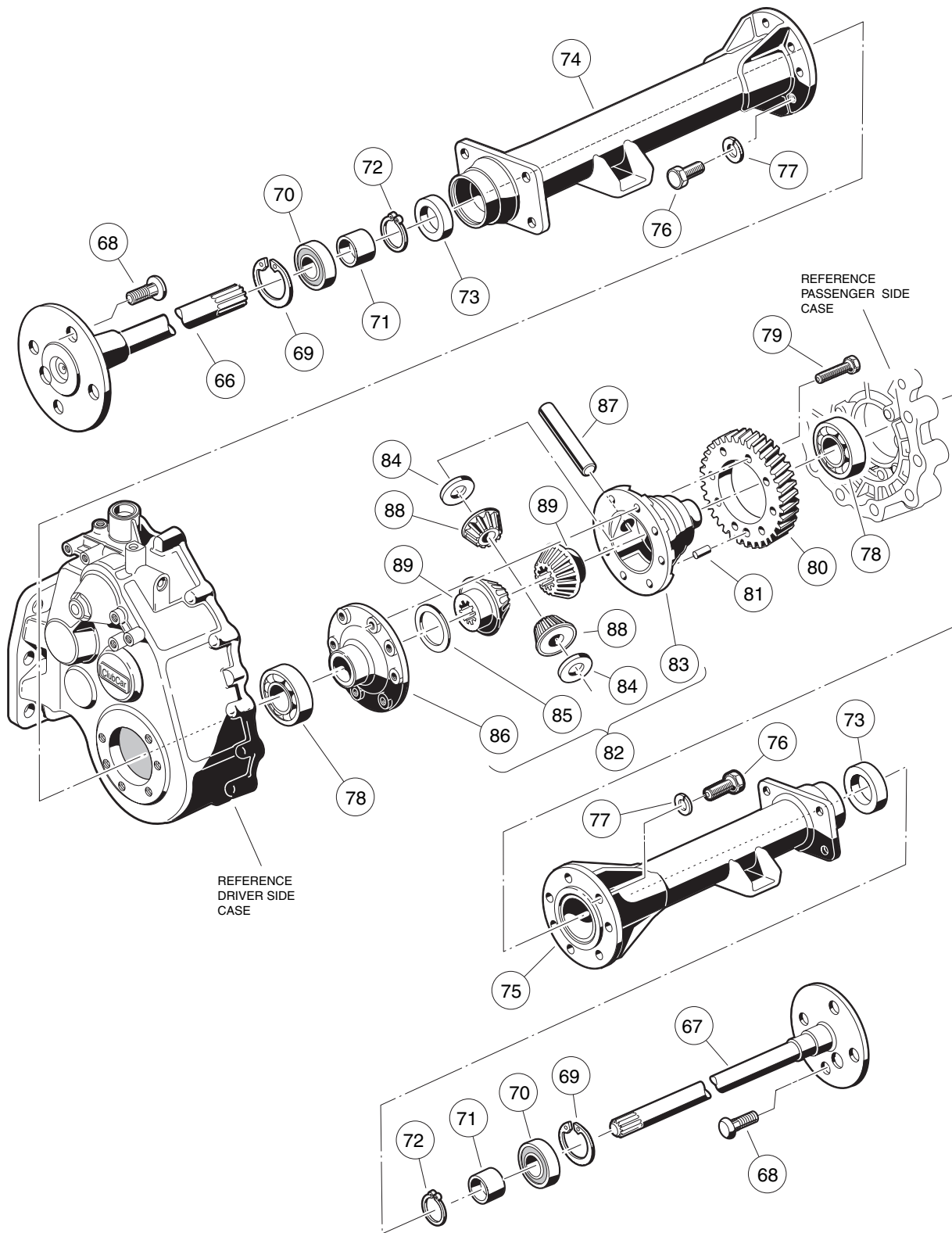


Parts identification for transaxles after serial number MC008C3H1264

MC008C-ES00 AFTER SERIAL NUMBER MC008C3H1264 – TRANSMISSION AND GEAR REDUCTION

11
G

ITEM	PART NO.	DESCRIPTION	QTY
		1 2 3 4	
33	101892001	Rod, Shift	1
34	<u>101890001</u>	Fork, Shift	1
35	<u>1012748</u>	Spring	1
36	<u>1012747</u>	Ball, Steel	1
37	<u>101889401</u>	Guide	1
38	<u>AM10080</u>	Bearing, Ball, Sealed	2
39	<u>1016338</u>	Washer, Spring	2
40	<u>101892401</u>	Gear, Spur	1
41	<u>101892201</u>	Plate, Thrust	3
42	<u>101980901</u>	Gear Assembly, Input, 28 Tooth (16°)	1
43	<u>101927601</u>	Bearing, Needle	3
44	<u>101927501</u>	Bearing, Needle	1
45	<u>101981001</u>	Ring, Synchronizer (16°)	2
46	<u>1012741</u>	Spring, Synchronizer	2
47	<u>101928001</u>	Hub, Synchronizer Clutch	1
48	<u>1012740</u>	Insert, Synchronizer	3
49	<u>101927901</u>	Sleeve, Synchronizer	1
50	<u>101927701</u>	Pin, Dowel	1
51	<u>102453001</u>	Shaft, Input, w/Circlip Groove	1
52	<u>101980801</u>	Gear Assembly, Input, 25 Tooth (16°)	1
53	<u>1016337</u>	Washer, Thrust	1
54	<u>AM10081</u>	Bearing, Ball, C-3 Sealed	1
55	<u>1012714</u>	Seal, Oil, Input Shaft	1
56	<u>101892601</u>	Gear, 17 Tooth	1
57	<u>101893201</u>	Key	1
58	<u>101892501</u>	Gear, 61 Tooth	1
59	<u>101928101</u>	Bearing, Ball	1
60	<u>101893901</u>	Washer	1
61	<u>101892301</u>	Governor Assembly	1
62	<u>101891601</u>	Sleeve	1
63	<u>101891901</u>	Gear, Cluster Idler	1
64	<u>7335</u>	Bearing, Ball	2
65	<u>102453101</u>	Circlip, Input Shaft.....	1



MC008C-ES00 AFTER SERIAL NUMBER MC008C3H1264 – DIFFERENTIAL AND AXLES

ITEM	PART NO.	DESCRIPTION	QTY
		1 2 3 4	
66	<u>101891501</u>	Axle Assembly, Driver-Side (Includes items 68 - 72)	1
67	<u>101891401</u>	Axle Assembly, Passenger-Side (includes items 68 - 72)	1
68	<u>1013787</u>	Stud, Lug	4
69	<u>1013792</u>	Ring, Retaining	1
70	<u>1011291</u>	Bearing, Outer Axle Tube	1
71	1014207	Collar, 25 mm I. D.	1
72	<u>1016672</u>	Ring, Retaining	1
73	<u>1013794</u>	Seal, Oil	2
74	<u>101891001</u>	Assembly, Axle Tube, Driver-Side	1
75	<u>101890901</u>	Assembly, Axle Tube, Passenger-Side	1
76	<u>1013790</u>	Bolt, M10 x 1.5 x 30 mm	14
77	<u>1013791</u>	Washer, Lock, M10	14
78	<u>7330</u>	Bearing, Inner Axle Tube	2
79	<u>101928301</u>	Bolt, M8 x 1.25 x 37 mm	8
80	<u>101892701</u>	Gear, Output	1
81	<u>1014193</u>	Pin, Dowel	1
82	<u>101910501</u>	Kit, Differential Gear Case (includes items 83 - 86)	1
83	1013768	Case, Gear Carrier	1
84	<u>1013774</u>	Plate, Thrust (idler gear)	2
85	<u>1013773</u>	Plate, Thrust (differential gear)	1
86	1013769	Cover, Gear Case	1
87	<u>1013772</u>	Pin, Differential	1
88	<u>1013770</u>	Gear, Differential Idler	2
89	1013771	Gear, Differential	2

11

G

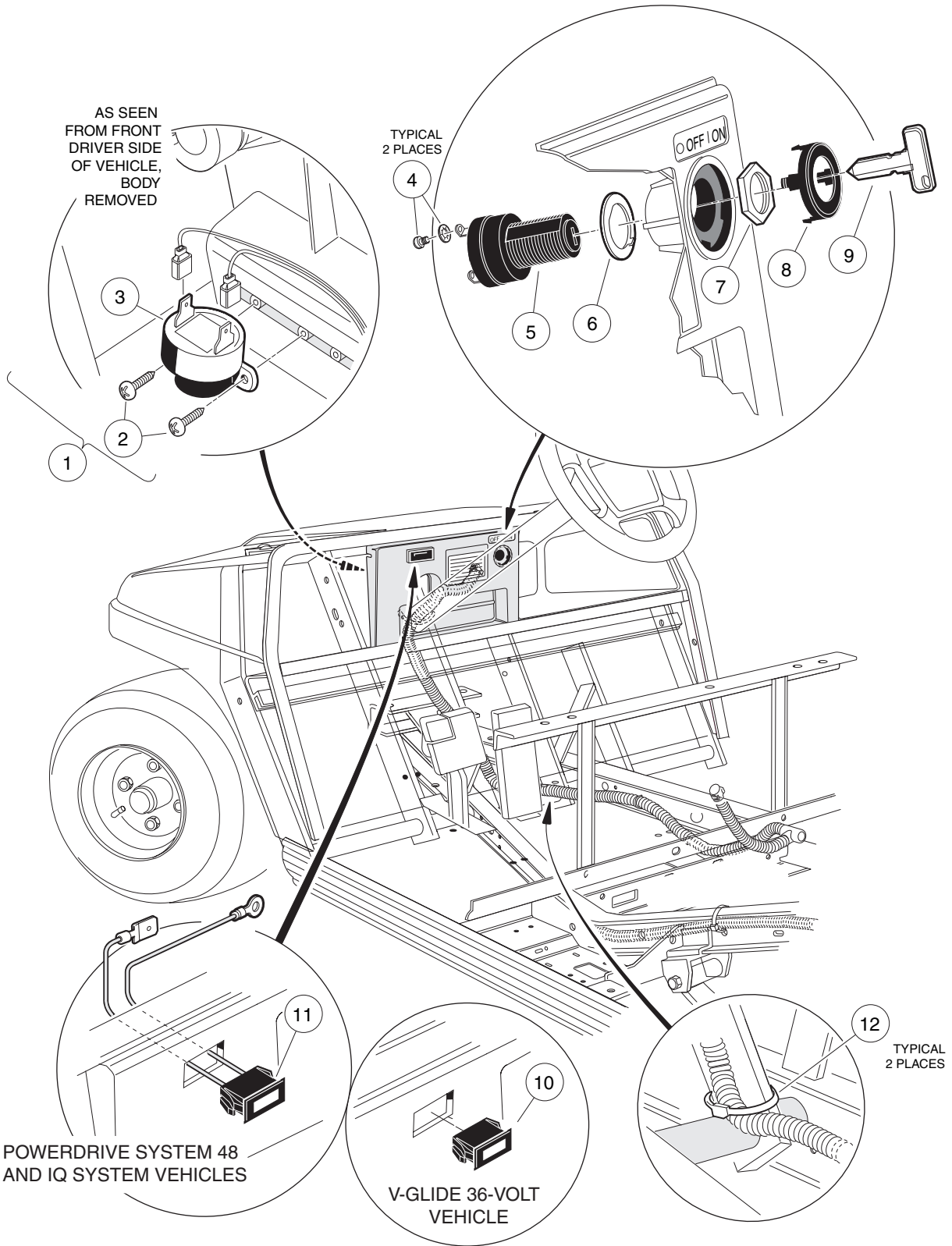
11

G

ELECTRICAL SYSTEM – ELECTRIC VEHICLE

12

E

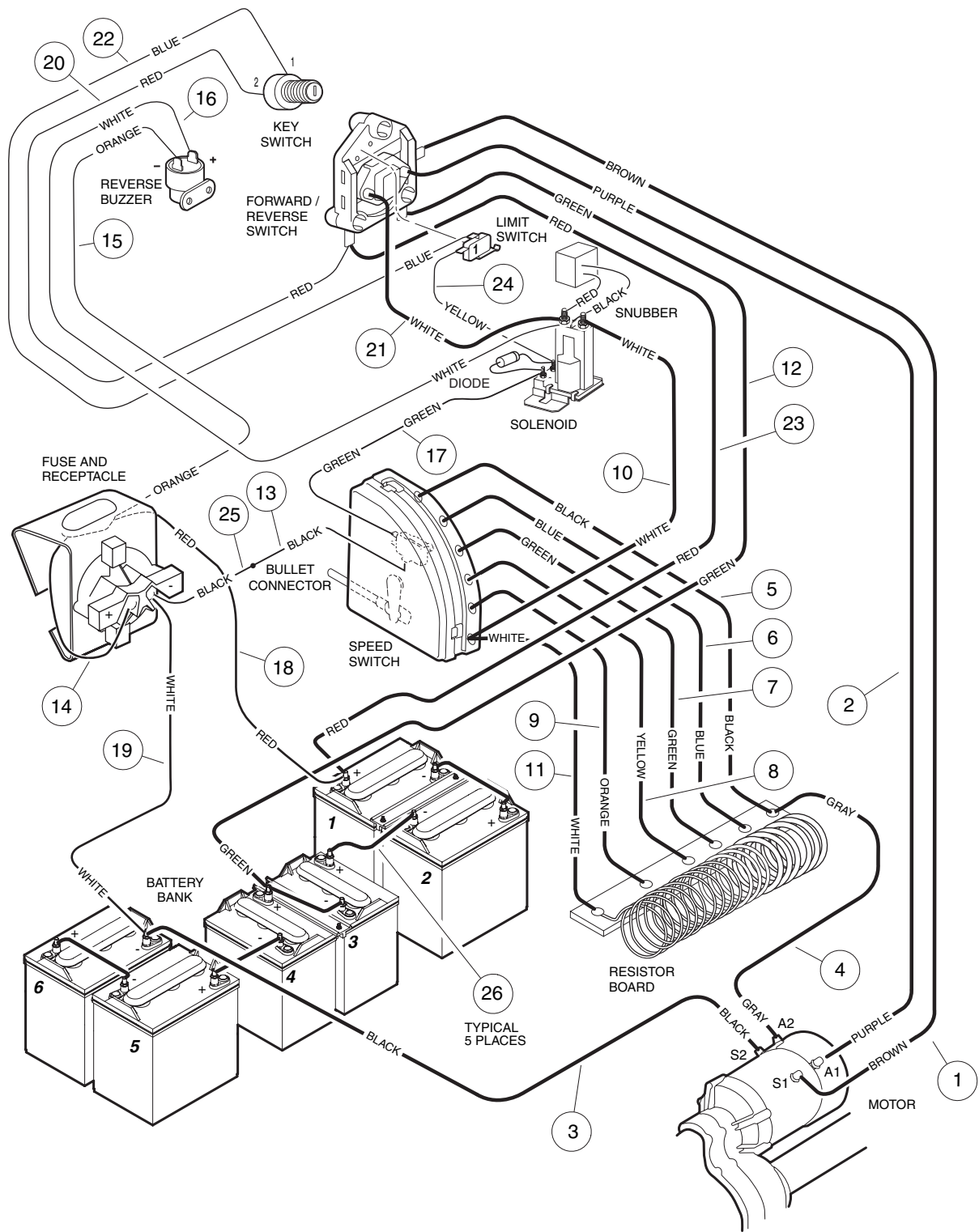


ELECTRICAL COMPONENTS, FRONT BODY – ELECTRIC VEHICLE

ITEM	PART NO.	DESCRIPTION	QTY
		1 2 3 4	
1	<u>1016859</u>	Kit, Reverse Buzzer (includes items 2 and 3)	1
2	<u>1016849</u>	Screw, Pan-Head Hi-Lo, #4-24 x 5/16	2
3	<u>1016851</u>	Buzzer, Reverse	1
4	101830601	Assembly, Screw and Washer	2
5	<u>101826201</u>	Switch, Key	1
6	<u>101851101</u>	Washer, Key Switch	1
7	<u>101830701</u>	Nut, Key Switch	1
8	<u>101834502</u>	Cap, Key Switch	1
9	<u>1012505</u>	Key (pair)	1
9	<u>AM10079</u>	Key (bag of 50) *	1
10	<u>101802601</u>	Plug, Hole (V-Glide 36-Volt vehicle only)	1
11	<u>101935501</u>	Light, Battery Warning (amber) (PowerDrive System 48 and IQ System)	1
12	<u>8990</u>	Tie, Wire	2
		 * Must order in multiples of 50.	

12

E

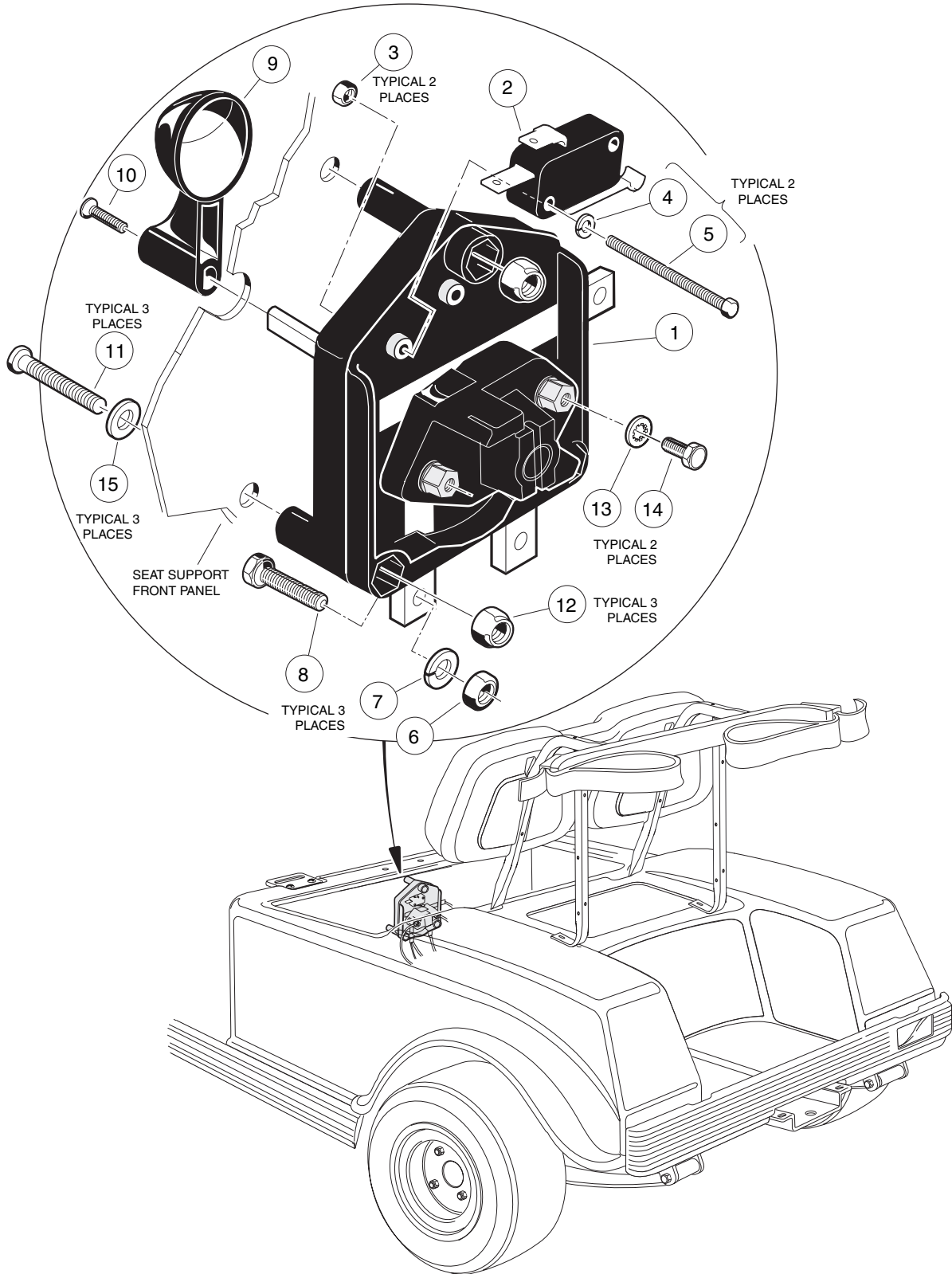


WIRING – V-GLIDE 36-VOLT VEHICLE

ITEM	PART NO.	DESCRIPTION	QTY
		1 2 3 4	
1	<u>1016070</u>	Wire Assembly, #6 Brown	1
2	<u>1016069</u>	Wire Assembly, #6 Purple	1
3	<u>1012651</u>	Wire Assembly, #6 Black	1
4	<u>1016068</u>	Wire Assembly, #6 Gray	1
5	<u>1014036</u>	Wire Assembly, #6 Black, 6th Speed	1
6	<u>1014035</u>	Wire Assembly, #6 Blue, 5th Speed	1
7	<u>1014034</u>	Wire Assembly, #6 Green, 4th Speed	1
8	<u>1014033</u>	Wire Assembly, #6 Yellow, 3rd Speed	1
9	<u>1014032</u>	Wire Assembly, #6 Orange, 2nd Speed	1
10	<u>1014029</u>	Wire Assembly, #6 White	1
11	<u>1014030</u>	Wire Assembly, #6 White, 1st Speed	1
12	<u>1014828</u>	Wire Assembly, #6 Green	1
13	N/A	Wire Assembly, #18 Black	1
14	<u>1013092</u>	Wire Assembly, #10 Red	1
15	N/A	Wire Assembly, #18 Orange	1
16	N/A	Wire Assembly, #18 White	1
17	N/A	Wire Assembly, #18 Green	1
18	<u>102018001</u>	Wire Assembly, #10 Red	1
19	<u>1011010</u>	Wire Assembly, #10 White	1
20	N/A	Wire Assembly, #18 Red	1
21	<u>1014039</u>	Wire Assembly, #6 White	1
22	N/A	Wire Assembly, #18 Blue	1
23	<u>1011069</u>	Wire Assembly, #6 Red	1
24	N/A	Wire Assembly, #18 Yellow	1
25	N/A	Wire Assembly, #18 Black	1
26	<u>1010958</u>	Wire Assembly, #6 Black	5

12

E

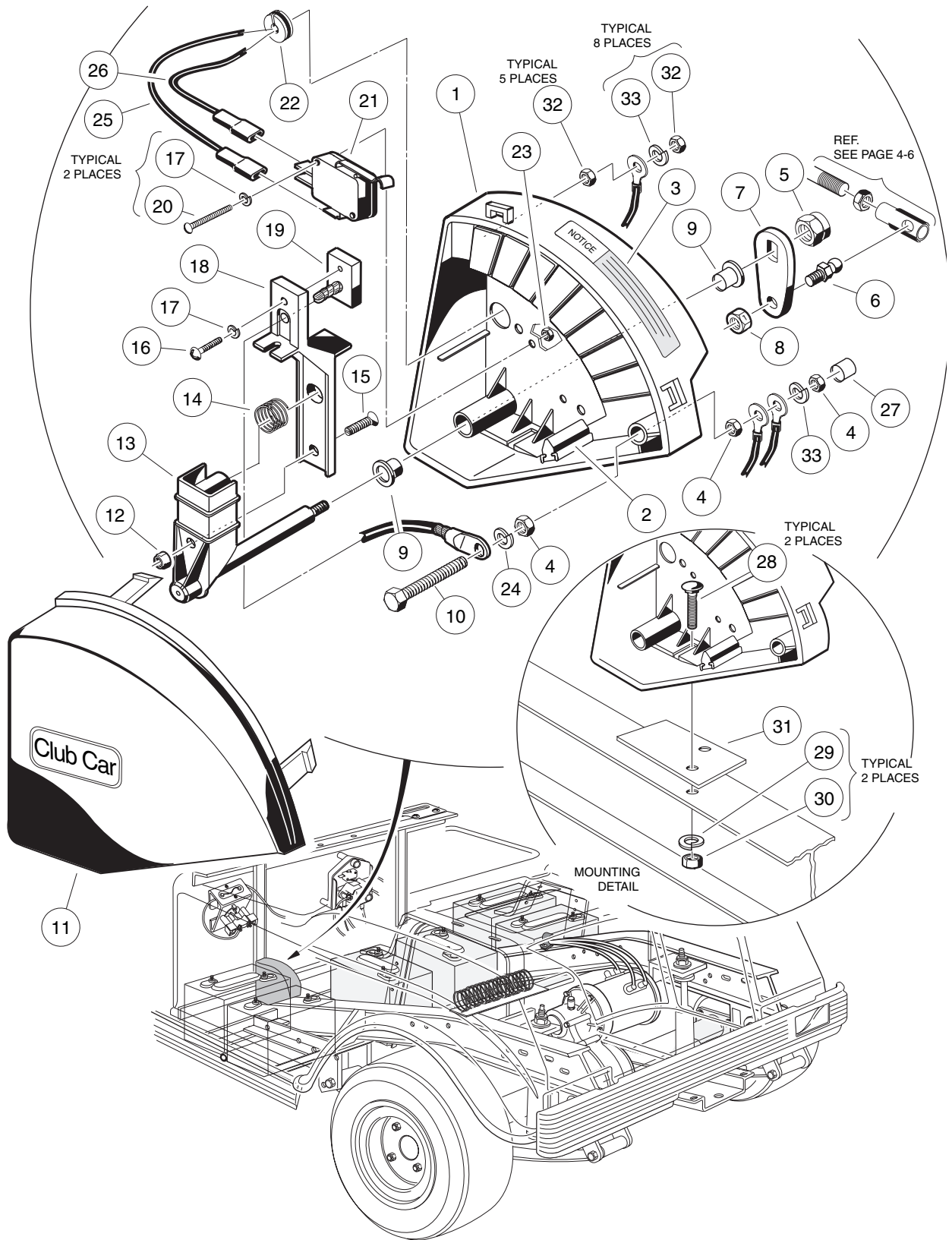


FORWARD/REVERSE SWITCH – V-GLIDE 36-VOLT VEHICLE

ITEM	PART NO.	DESCRIPTION	QTY
		1 2 3 4	
1	<u>1011997</u>	Assembly, Forward/Reverse Switch (includes items 2 - 5)	1
2	<u>1014808</u>	Switch, Limit	1
3	<u>8057</u>	Nut, Hex, #4-40	2
4	<u>8058</u>	Washer, Lock, #4	2
5	<u>1016896</u>	Screw, Hex-Head Machine, #4-40 x 1-1/8	2
6	<u>1028</u>	Nut, Hex, 1/4-20	3
7	<u>451</u>	Washer, Lock, 1/4	3
8	<u>304</u>	Screw, Hex-Head Cap, 1/4-20 x 1	3
9	<u>1012987</u>	Handle, Forward/Reverse Switch	1
10	<u>1015064</u>	Screw, Phillips Oval Countersunk, Machine, SS, #8-32 x 5/8	1
11	<u>1016845</u>	Screw, Phillips Truss-Head, 1/4-20 x 2-1/8	3
12	<u>8233</u>	Nut, Nylon Lock, 1/4-20	3
13	<u>8049</u>	Washer, Internal Tooth Lock, #10	2
14	<u>8450</u>	Screw, Hex-Head Machine, #10-24 x 1/2	2
15	<u>1014528</u>	Washer, Plastic, 1/4	3

12

E



WIPER SWITCH – V-GLIDE 36-VOLT VEHICLE

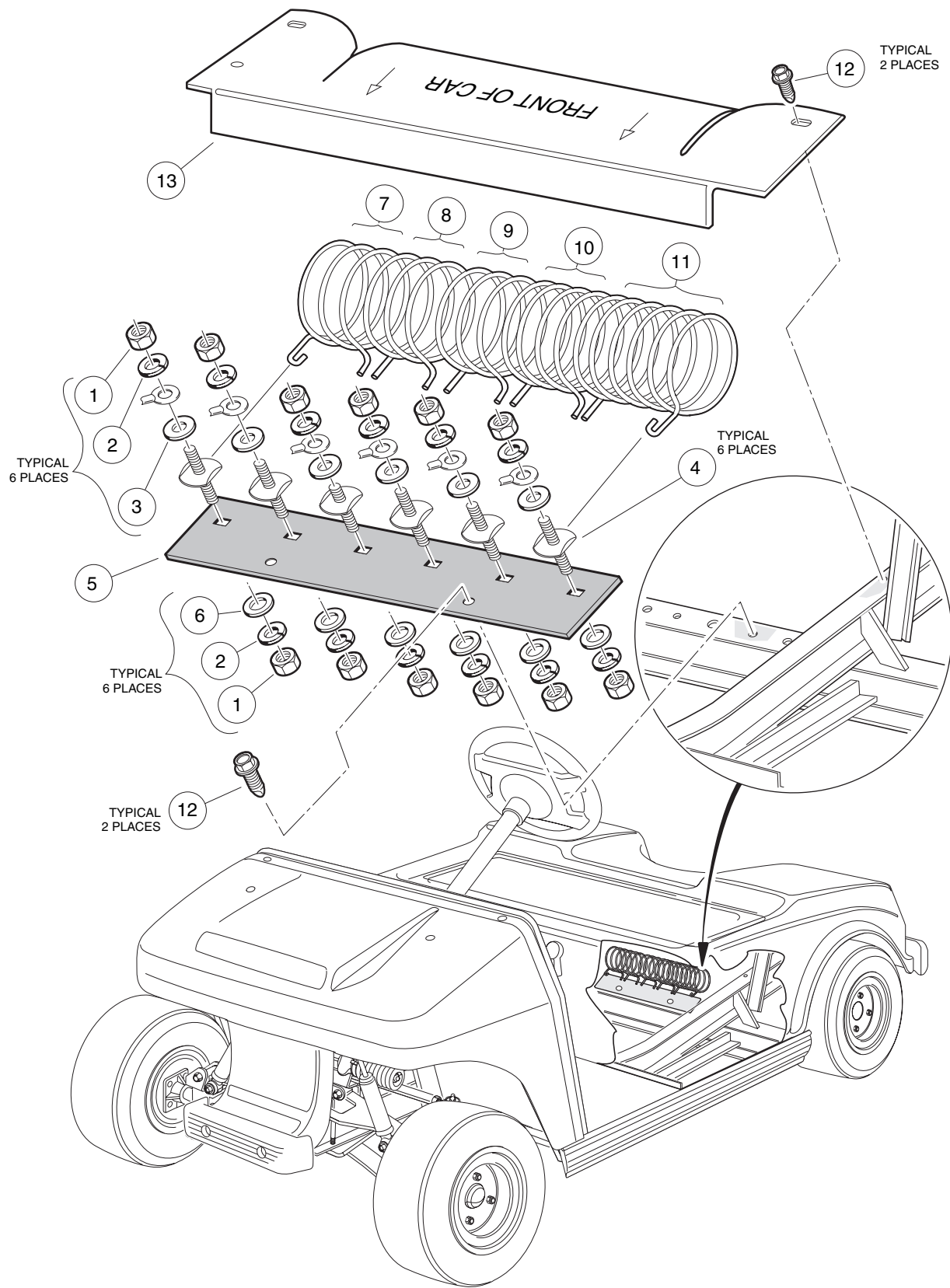
ITEM	PART NO.	DESCRIPTION	QTY
		1 2 3 4	
	<u>1014735</u>	Assembly, V-Glide Wiper Switch and Resistor Group (includes Wiper Switch Assembly listed below, Resistor and Board Assembly – items 1 - 11 on page 12-11, and connecting wires – items 5 - 11 on page 12-5)	1
	<u>1016140</u>	Assembly, V-Glide Wiper Switch (includes items 1 - 27)	1
1	<u>1014999</u>	Assembly, Wiper Switch Case, 6-Speed (includes items 2 and 3)	1
2	<u>1014414</u>	Bumper, Wiper Switch	1
3	<u>101610901</u>	Decal, Wiper Switch Warning	1
4	<u>1014253</u>	Nut, Brass Hex Jam, 1/4-20	3
5	<u>7473</u>	Nut, Nylon Lock, 5/16-18	1
6	<u>1012353</u>	Stud, Short Ball, 1/4-28	1
7	<u>1014003</u>	Crank, Bell	1
8	<u>8449</u>	Nut, Dimpled Lock, 1/4-28	1
9	<u>1012903</u>	Bearing, Bronze, 3/8 x 1/2	2
10	<u>1014189</u>	Screw, Bronze Hex-Head Cap, 1/4-20 x 2	1
11	<u>1013886</u>	Cover, Wiper Switch Case	1
12	<u>1013061</u>	Nut, Nylon Lock, #10-32	1
13	<u>1014017</u>	Carrier, Wiper Switch Arm	1
14	<u>1013998</u>	Spring, Wiper Switch Brush	1
15	<u>1014000</u>	Stud, Wiper Switch Adjusting	1
16	<u>1014019</u>	Screw, Self-Tapping, #4-40 x 3/8	1
17	<u>8058</u>	Washer, Lock, #4	3
18	<u>1013887</u>	Arm, Speed Switch	1
19	<u>1013860</u>	Assembly, Switch Brush	1
20	<u>8056</u>	Screw, Round-Head Machine, #4-40 x 3/4	2
21	<u>1014807</u>	Switch, Limit	1
22	<u>1014010</u>	Grommet, Split	1
23	<u>8057</u>	Nut, Hex, #4-40	2
24	<u>451</u>	Washer, Lock, 1/4	1
25	N/A	Wire Assembly, #18 Black	1
26	N/A	Wire Assembly, #18 Green	1
27	<u>1017692</u>	Cap, Protector	1
28	<u>1014109</u>	Bolt, Carriage, #10-24 x 1	2
29	<u>1016175</u>	Washer, Lock, #10	2
30	<u>1017</u>	Nut, Hex, #10-24	2
31	<u>101949201</u>	Shim, Wiper Switch	1
32	<u>1028</u>	Nut, Hex, 1/4-20	13
33	<u>451</u>	Washer, Lock, 1/4	9

12

E

12

E

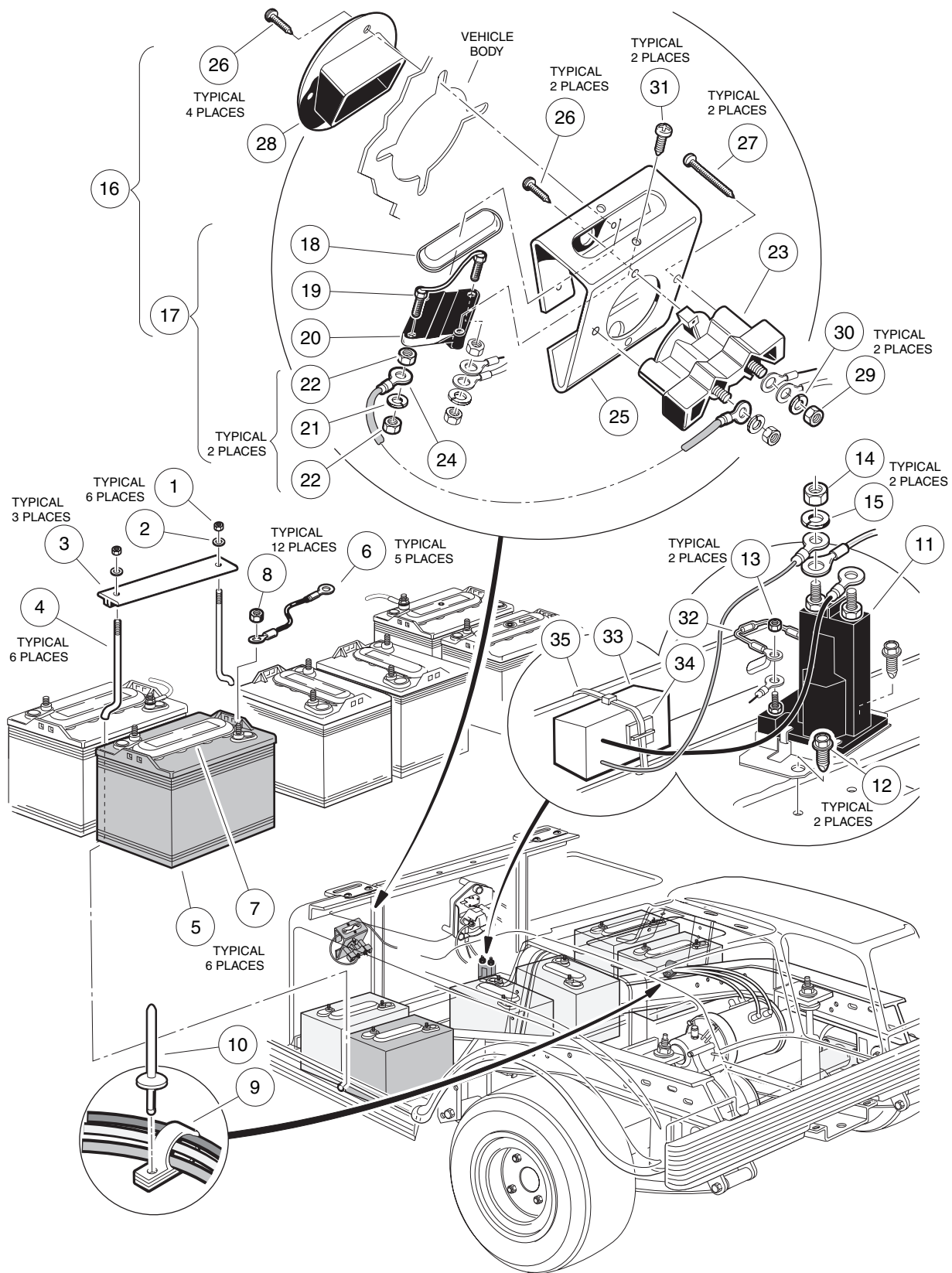


RESISTOR AND BOARD ASSEMBLY – V-GLIDE 36-VOLT VEHICLE

ITEM	PART NO.	DESCRIPTION	QTY
		1 2 3 4	
1	<u>1028</u>	Nut, Hex, 1/4-20	12
2	<u>451</u>	Washer, Lock, 1/4	12
3	<u>1011931</u>	Washer, Flat, 1/4	6
4	1014045	Stand-Off, Resistor Coil	6
5	1014728	Board, Resistor Mounting	1
6	<u>332</u>	Washer, Flat, 1/4	6
7	1014476	Coil, Resistor, 5th Speed, .182 Inch Wire Diameter, 3-Coil	1
8	<u>1014012</u>	Coil, Resistor, 4th Speed, .162 Inch Wire Diameter, 3-Coil	1
9	<u>1014013</u>	Coil, Resistor, 3rd Speed, .144 Inch Wire Diameter, 3-Coil	1
10	<u>1014014</u>	Coil, Resistor, 2nd Speed, .128 Inch Wire Diameter, 4-Coil	1
11	<u>1014729</u>	Coil, Resistor, 1st Speed, .128 Inch Wire Diameter, 6-Coil	1
12	<u>1012285</u>	Screw, Hex, Type TT, 1/4-20 x 5/8	4
13	<u>1013971</u>	Shield, Resistor	1

12

E

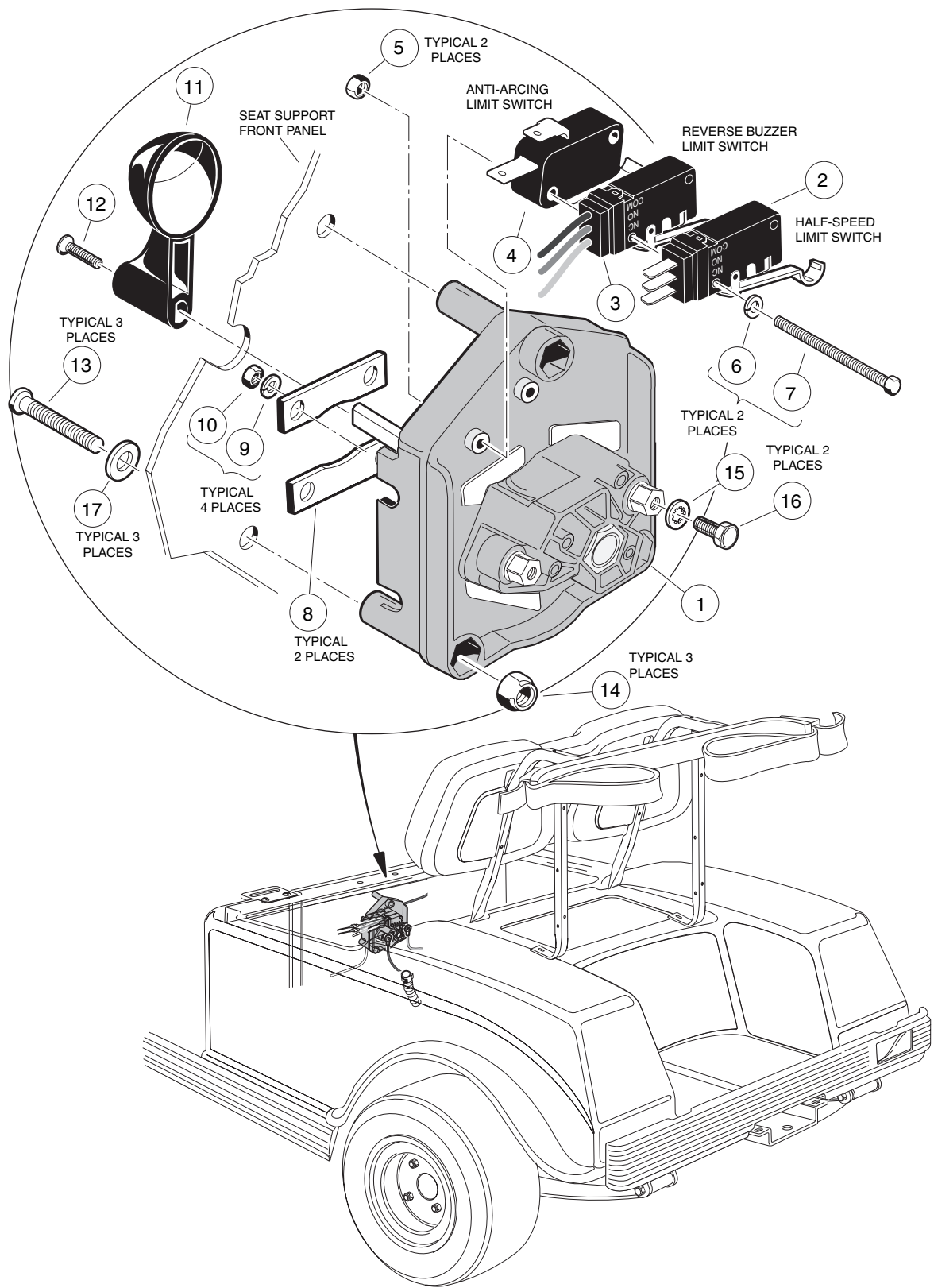


BATTERIES, CHARGER RECEPTACLE, SOLENOID – V-GLIDE 36-VOLT VEHICLE

ITEM	PART NO.	DESCRIPTION	QTY
		1 2 3 4	
1	1015072	Nut, Nylon Lock, Stainless Steel, 5/6-18	6
2	<u>1011578</u>	Washer, Flat, Type B Wide, 5/16	6
3	<u>101090801</u>	Hold-Down, Battery	3
4	1013683	J-Bolt	6
5	<u>101661601</u>	Battery, 6-Volt	6
5	<u>101661602</u>	Battery, 6-Volt, Dry	6
6	<u>1010958</u>	Wire Assembly, #6 Black	5
7	<u>101831401</u>	Cap, 6-Volt Battery	6
8	<u>1014304</u>	Nut, Hex, Stainless Steel, 5/6-18	12
9	<u>1012022</u>	Clamp, Cable	2
10	<u>1606</u>	Rivet, Pop, 3/16	2
11	<u>101975901</u>	Solenoid, 36-Volt	1
12	<u>1012285</u>	Screw, Hex, Type TT, 1/4-20 x 5/8	2
13	<u>7893</u>	Nut, Hex, #10-32	2
14	<u>1010521</u>	Nut, Hex, 5/16-24	2
15	<u>7174</u>	Washer, Lock, 5/16	2
16	<u>101342501</u>	Kit, Fuse and Receptacle (includes items 17 - 31)	1
17	1014516	Kit, Fuse (includes items 18 - 22)	1
18	N/A	Lens, Fuse	1
19	N/A	Fuse, 80-Amp	1
20	N/A	Holder, Fuse	1
21	<u>1016</u>	Washer, Lock, #10	2
22	<u>8797</u>	Nut, Brass, #10-32	4
23	<u>4107</u>	Receptacle, Charger, 2-Prong	1
24	<u>1013092</u>	Wire Assembly, #10 Red	1
25	<u>1013628</u>	Bracket, Fuse and Receptacle Mounting	1
26	<u>8796</u>	Screw, Phillips Pan-Head Self-Tapping, #7-19 x 3/4	6
27	<u>8795</u>	Screw, Phillips Pan-Head Self-Tapping, #7-19 x 1-3/4	2
28	<u>1013649</u>	Bezel, Charger Receptacle	1
29	<u>8797</u>	Nut, Brass, #10-32	2
30	<u>1016</u>	Washer, Lock, #10	2
31	<u>1013266</u>	Screw, Phillips Pan-Head Self-Tapping, #8-18 x 1/2	2
32	1014948	Diode	1
33	<u>102047201</u>	Snubber	1
34	<u>102048301</u>	Base, Mounting	1
35	<u>8639</u>	Tie, Wire	1

12

E

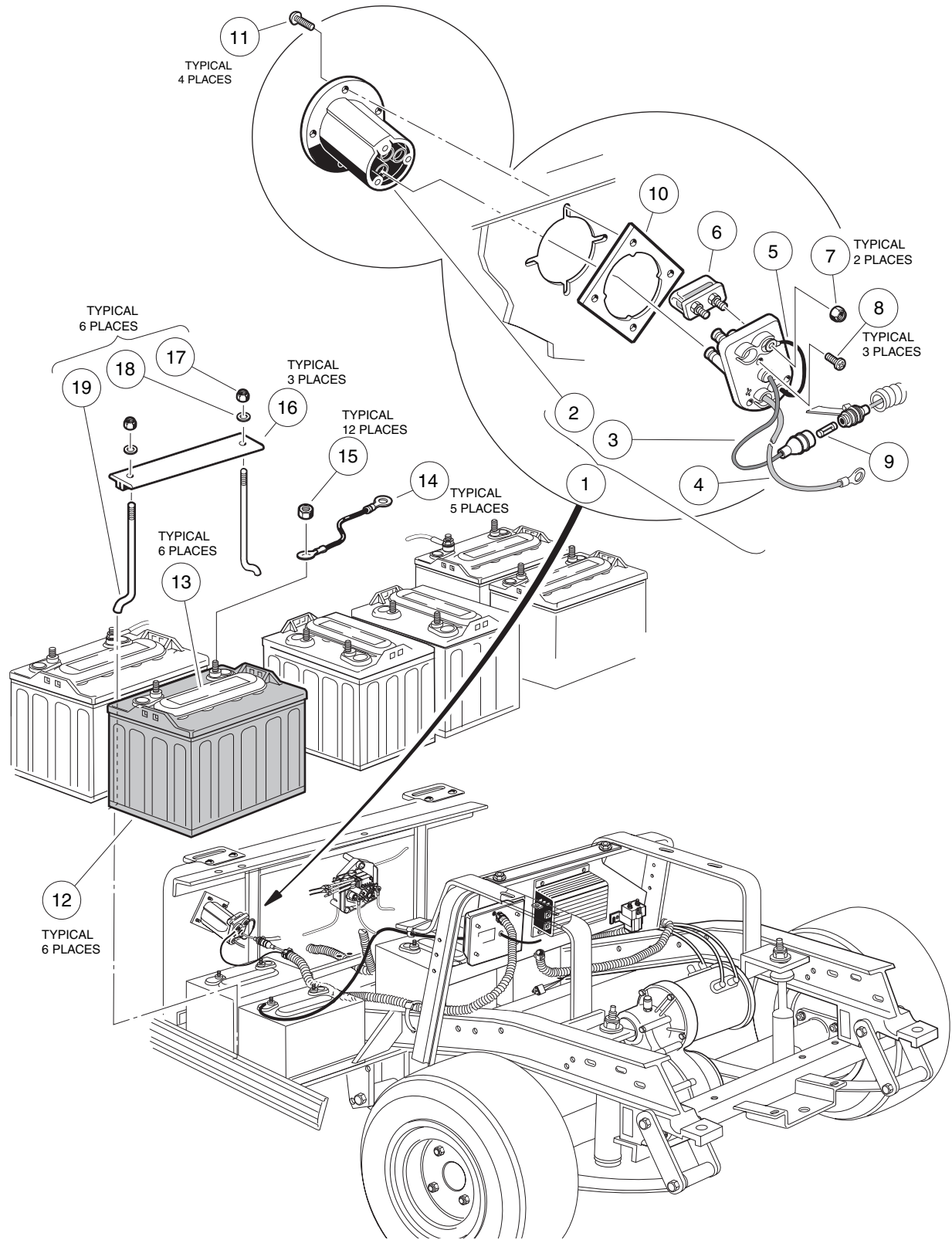


FORWARD/REVERSE SWITCH – POWERDRIVE SYSTEM 48 VEHICLE

ITEM	PART NO.	DESCRIPTION	QTY
		1 2 3 4	
1	<u>101753005</u>	Assembly, Forward/Reverse Switch (includes items 2 - 10)	1
2	<u>102250201</u>	Switch, Limit, Sealed	1
3	<u>101979101</u>	Switch, Limit, Sealed	1
4	<u>1014808</u>	Switch, Limit	1
5	<u>8057</u>	Nut, Hex, #4-40	2
6	<u>8058</u>	Washer, Lock, #4	2
7	<u>1014871</u>	Screw, Hex Washer-Head, #4-40 x 2	2
8	<u>1017799</u>	Bar, Bus	2
9	<u>451</u>	Washer, Lock, 1/4	4
10	<u>1028</u>	Nut, Hex, 1/4-20	4
11	<u>1012987</u>	Handle, Forward/Reverse Switch	1
12	<u>1015064</u>	Screw, Phillips Oval Countersunk, Machine, SS, #8-32 x 5/8	1
13	1016845	Screw, Phillips Truss-Head, 1/4-20 x 2-1/8	3
14	<u>8233</u>	Nut, Nylon Lock, 1/4-20	3
15	<u>8049</u>	Washer, Internal Tooth Lock, #10	2
16	<u>8450</u>	Screw, Hex-Head Machine, #10-24 x 1/2	2
17	<u>1014528</u>	Washer, Plastic, 1/4	3

12

E

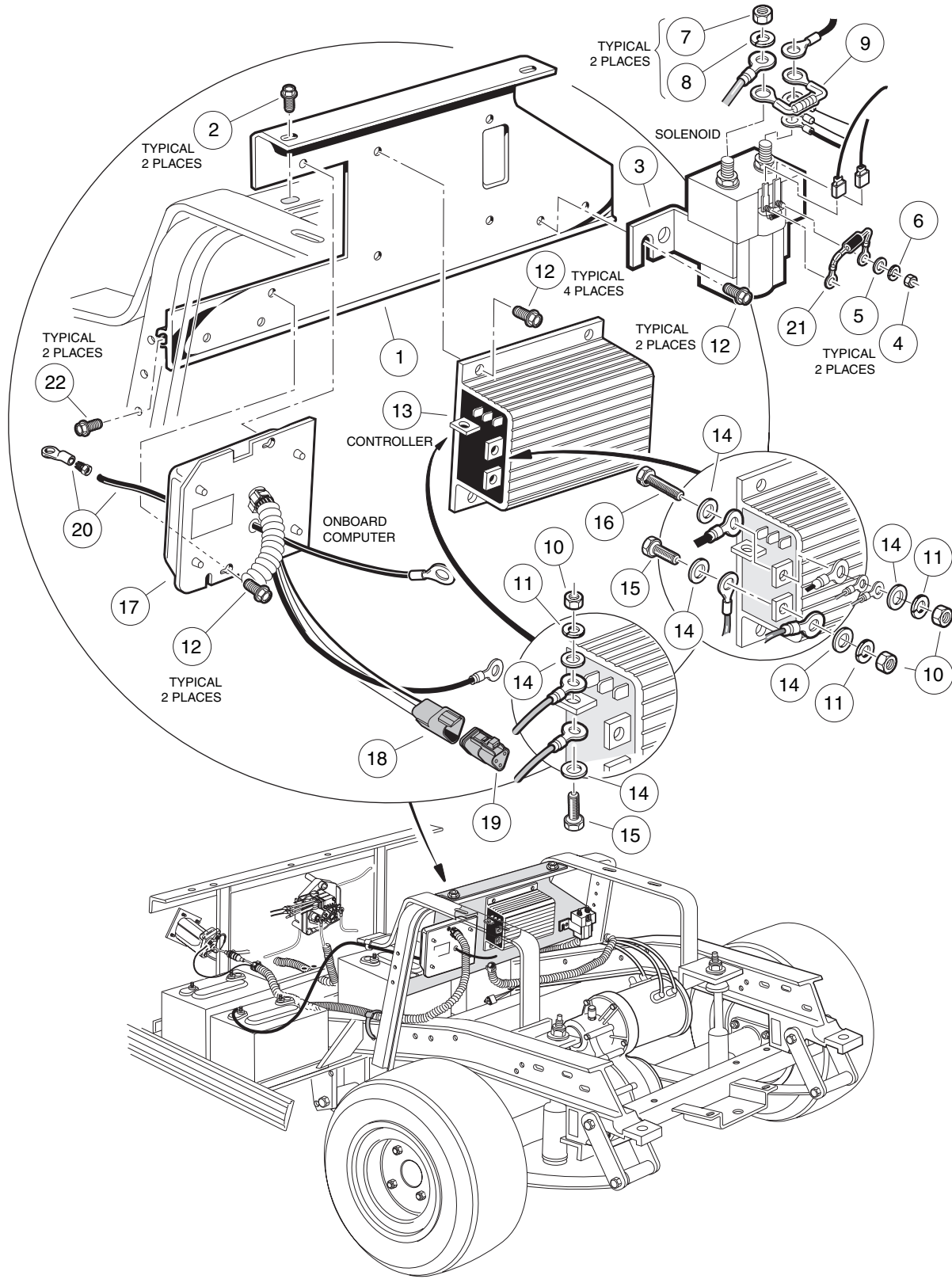


BATTERIES, CHARGER RECEPTACLE – POWERDRIVE SYSTEM 48 VEHICLE

ITEM	PART NO.	DESCRIPTION	QTY
		1 2 3 4	
1	<u>101802101</u>	Kit, Fuse and Receptacle (includes items 2 - 9)	1
2	<u>101796501</u>	Bezel, Receptacle	1
3	N/A	Wire Assembly, Sense Lead, Gray	1
4	N/A	Wire Assembly, #10 Red	1
5	N/A	Wire Assembly, #10 Black	1
6	<u>101796801</u>	Assembly, Fuse, 48-Volt (includes item 7)	1
7	<u>1013061</u>	Nut, Nylon Lock, #10	2
8	<u>1017705</u>	Screw, Phillips Pan-Head, #8 Type AB	3
9	<u>101894901</u>	Fuse, 3/8-Amp	1
10	<u>101801001</u>	Plate, Receptacle Backing	1
11	<u>101832001</u>	Screw, Phillips Pan-Head, #7-18 x 3/4	4
12	<u>101797701</u>	Battery, 8-Volt PowerDrive (includes item 13)	6
12	<u>101797702</u>	Battery, 8-Volt PowerDrive, Dry (includes item 13)	6
13	<u>101797801</u>	Cap, Battery, 4-Port Gang	1
14	<u>101795701</u>	Wire Assembly, #6 Black	5
15	<u>1014304</u>	Nut, Hex, Stainless Steel, 5/16-18	12
16	<u>101090801</u>	Hold-Down, Battery	3
17	1015072	Nut, Nylon Lock, Stainless Steel, 5/16-18	6
18	<u>1011578</u>	Washer, Flat, Type B Wide, 5/16	6
19	1013683	J-Bolt	6

12

E

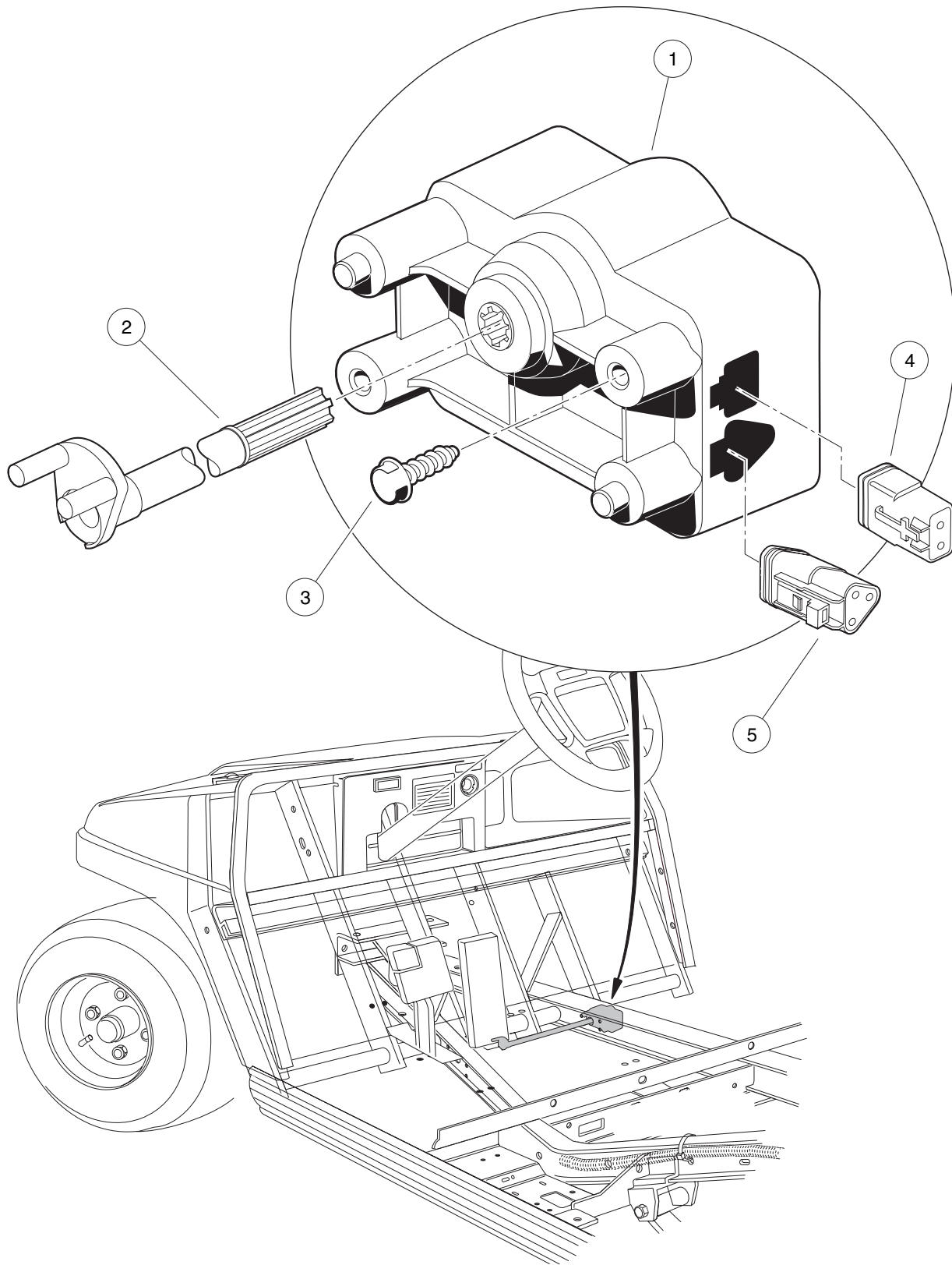


COMPUTER, CONTROLLER, AND SOLENOID – POWERDRIVE SYSTEM 48 VEHICLE

ITEM	PART NO.	DESCRIPTION	QTY
		1 2 3 4	
1	101965201	Plate, Component Mounting	1
2	<u>1014288</u>	Screw, Thread-Forming, 5/16-18 x 3/4	2
3	<u>101908701</u>	Solenoid, 48-Volt (with diode) (includes items 4 - 8)	1
4	<u>1011558</u>	Nut, Hex, #6-32	2
5	N/A	Washer, Flat	2
6	N/A	Washer, Lock	2
7	<u>1012528</u>	Nut, Hex, M8	2
8	<u>7174</u>	Washer, Lock, 5/16	2
9	<u>1014947</u>	Assembly, Resistor	1
10	<u>1242</u>	Nut, Hex, 5/16-18	3
11	<u>7174</u>	Washer, Lock, 5/16	3
12	<u>1012285</u>	Screw, Hex, Type TT, 1/4-20 x 5/8	8
13	<u>101840201</u>	Controller, 48-Volt (225-amp)	1
14	<u>1241</u>	Washer, Flat, 5/16	6
15	<u>7173</u>	Screw, Hex-Head Cap, 5/16-18 x 3/4	2
16	1218	Screw, Hex-Head Cap, 5/16-18 x 1-1/4	1
17	<u>101909901</u>	Computer, Onboard (includes item 18)	1
18	<u>101942301</u>	Kit, 3-Pin Receptacle	1
19	<u>101920101</u>	Kit, 3-Pin Plug and Wedge Lock	1
20	101827801	Kit, Wire and Terminal, #6 Black	1
21	1014948	Assembly, Diode (Service Part replacement for existing diode that comes standard with solenoid)	1
22	<u>101910401</u>	Screw, Thread-Forming, 5/16-18 x 1-1/4	2

12

E

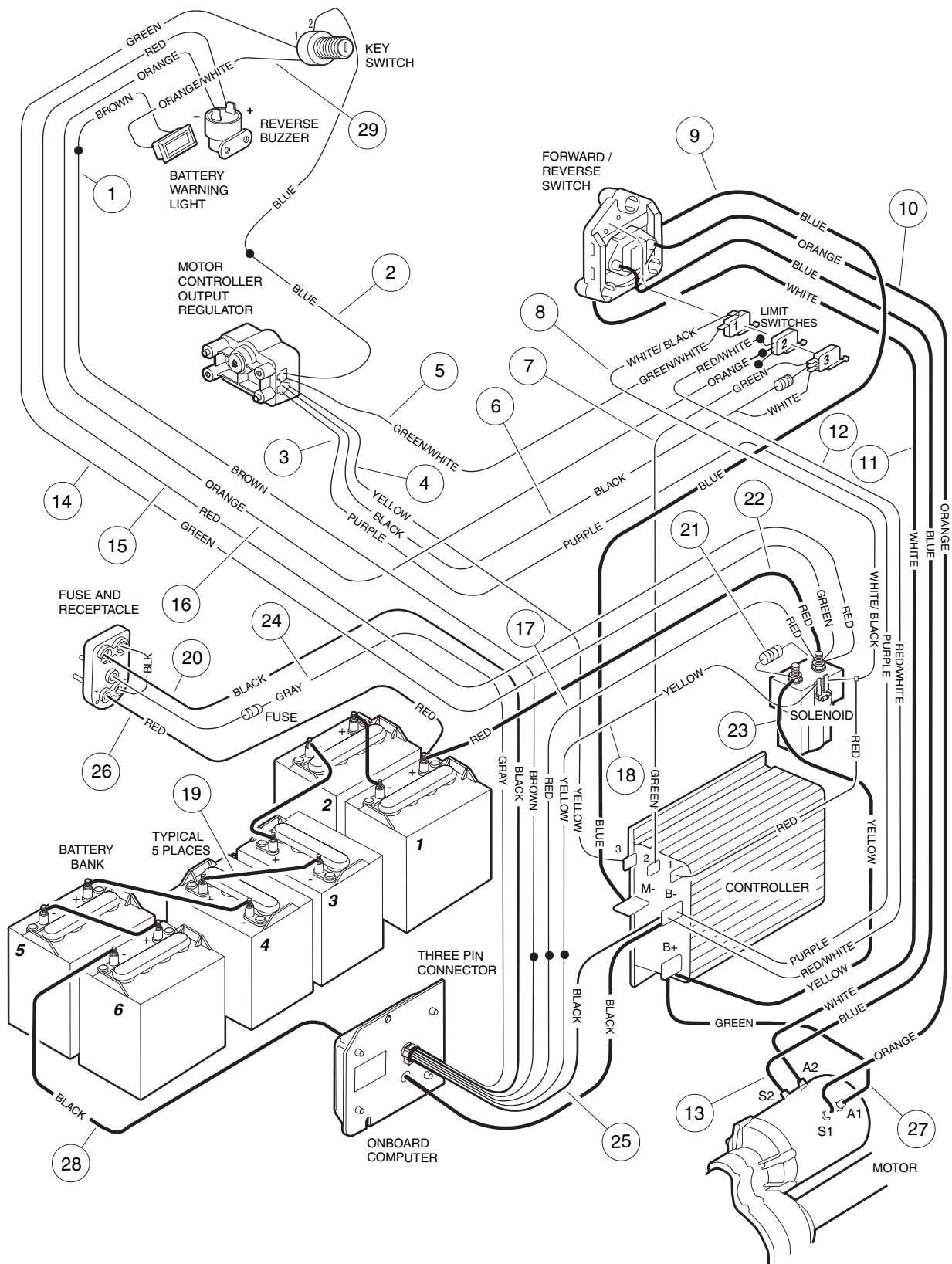


MOTOR CONTROLLER OUTPUT REGULATOR (MCOR)

ITEM	PART NO.	DESCRIPTION	QTY
		1 2 3 4	
1	<u>102101101</u>	Regulator, Motor Controller Output (MCOR)	1
2	102101001	Bar, Drive	1
3	<u>1015752</u>	Screw, Hex Washer-Head Hi-Lo, #12-16 x 5/8	2
4	<u>101936801</u>	Kit, 2-Pin Plug and Wedge Lock	1
5	<u>101920101</u>	Kit, 3-Pin Plug and Wedge Lock	1

12

E

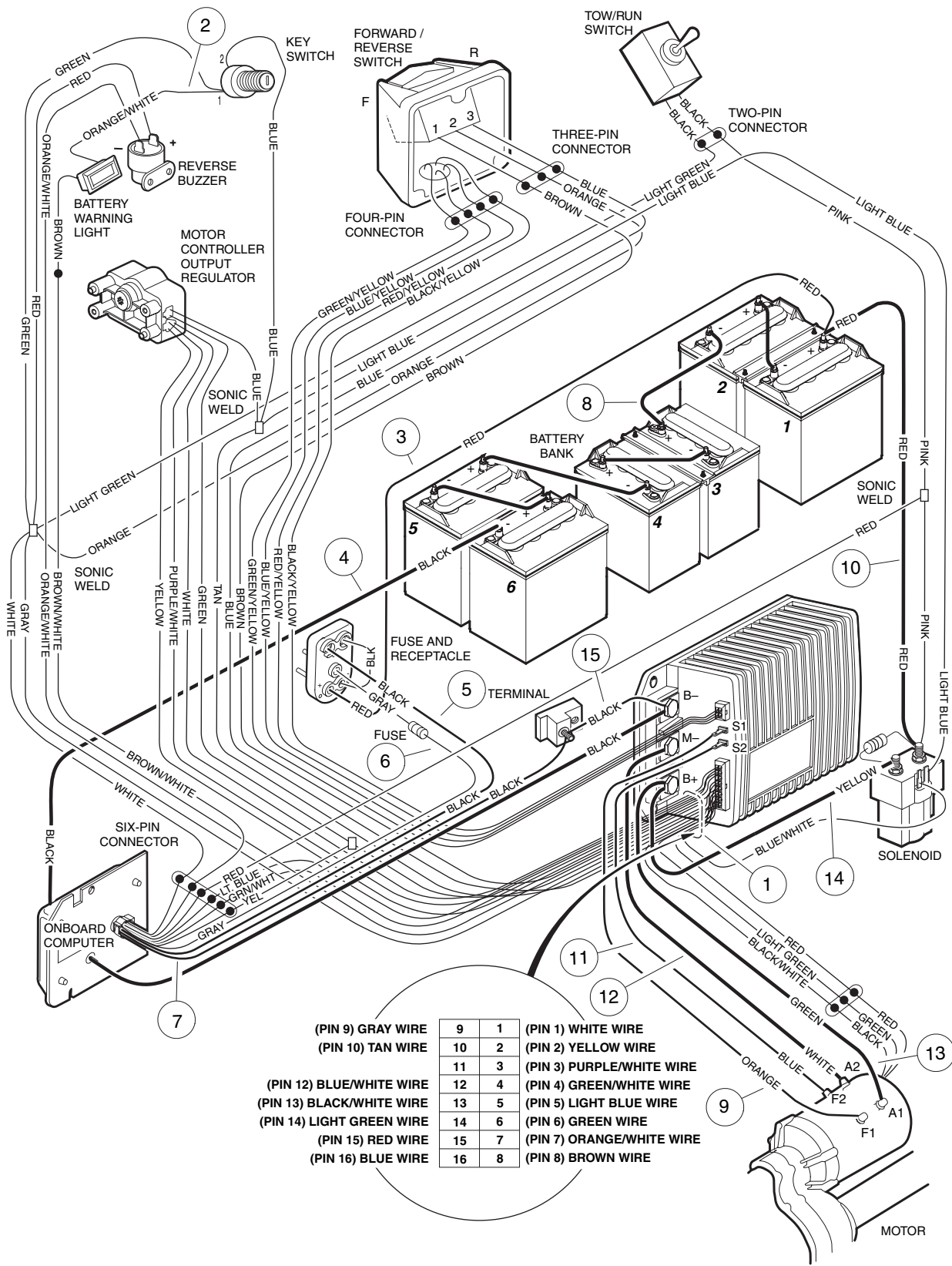


WIRING – POWERDRIVE SYSTEM 48 VEHICLE

ITEM	PART NO.	DESCRIPTION	QTY
		1 2 3 4	
	<u>102162101</u>	Wire Harness (includes items 1 - 18)	1
1	N/A	Wire Assembly, #18 Brown	1
2	N/A	Wire Assembly, #18 Blue	1
3	N/A	Wire Assembly, #18 Purple	1
4	N/A	Wire Assembly, #18 Yellow	1
5	N/A	Wire Assembly, #18 Green/White	1
6	<u>101883002</u>	Wire Assembly, #18 Black (includes resistor and #18 white wire)	1
7	N/A	Wire Assembly, #18 Green	1
8	N/A	Wire Assembly, #18 White/Black and #18 Red	1
9	<u>101901401</u>	Wire Assembly, #6 Blue	1
10	<u>101901201</u>	Wire Assembly, #6 Orange	1
11	<u>101901501</u>	Wire Assembly, #6 White	1
12	N/A	Wire Assembly, #18 Red/White	1
13	<u>101901301</u>	Wire Assembly, #6 Blue	1
14	N/A	Wire Assembly, #18 Green	1
15	N/A	Wire Assembly, #18 Red	1
16	N/A	Wire Assembly, #18 Orange	1
17	N/A	Wire Assembly, #18 Red	1
18	N/A	Wire Assembly, #18 Yellow	1
19	<u>101795701</u>	Wire Assembly, #6 Black	5
20	N/A	Wire Assembly, #10 Black (part of onboard computer assembly)	1
21	<u>1014947</u>	Assembly, Resistor	1
22	<u>101902801</u>	Wire Assembly, #6 Red	1
23	<u>101903001</u>	Wire Assembly, #6 Yellow	1
24	N/A	Wire Assembly, #18 Gray (part of onboard computer assembly)	1
25	N/A	Wire Assembly, #10 Black (part of onboard computer assembly)	1
26	N/A	Wire Assembly, #10 Red (part of fuse and receptacle assembly)	1
27	<u>101902901</u>	Wire Assembly, #6 Green	1
28	N/A	Wire Assembly, #6 Black (part of onboard computer assembly)	1
29	N/A	Wire Assembly, #18 Orange/White (part of battery warning light)	1

12

E

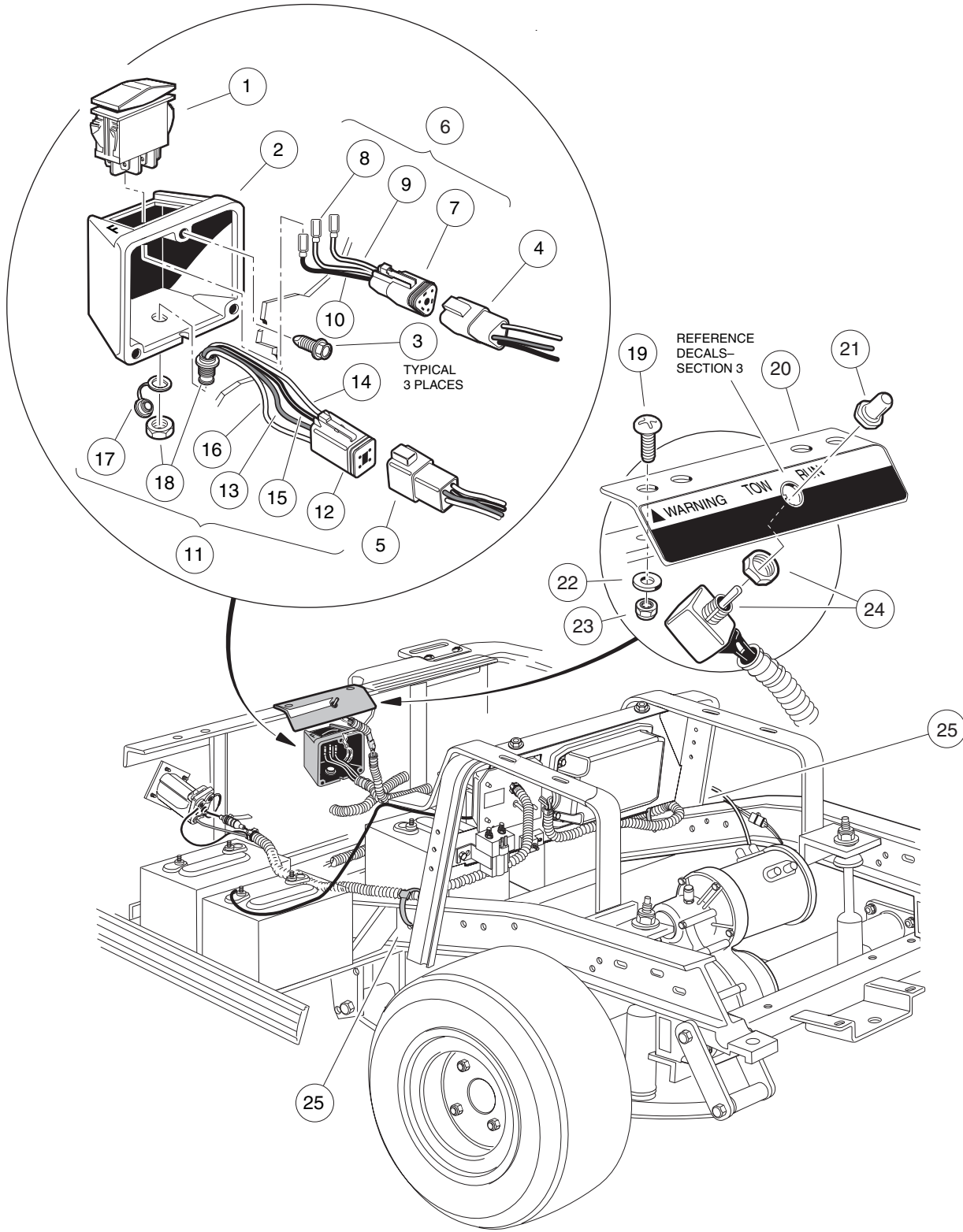


WIRING – IQ SYSTEM VEHICLE WITH MOTOR CONTROLLER OUTPUT REGULATOR (MCOR)

ITEM	PART NO.	DESCRIPTION	QTY
		1 2 3 4	
1	<u>102196601</u>	Wire Harness	1
2	N/A	Wire Assembly, #18 Orange/White (part of battery warning light)	1
3	N/A	Wire Assembly, #10 Red (part of fuse and receptacle assembly)	1
4	N/A	Wire Assembly, #6 Black	1
5	N/A	Wire Assembly, #10 Black (part of onboard computer assembly)	1
6	N/A	Wire Assembly, #18 Gray (part of onboard computer assembly)	1
7	N/A	Wire Assembly, #10 Black (part of onboard computer assembly)	1
8	<u>101795701</u>	Wire Assembly, #6 Black	5
9	<u>101978101</u>	Wire Assembly, #10 Orange	1
10	<u>102199601</u>	Wire Assembly, #6 Red	1
11	<u>101978201</u>	Wire Assembly, #10 Blue	1
12	<u>101968701</u>	Wire Assembly, #6 White	2
13	<u>101978001</u>	Wire Assembly, #6 Green	1
14	<u>101920001</u>	Wire Assembly, #6 Yellow	1
15	<u>102263601</u>	Wire, Assembly, #10 Black	1

12

E

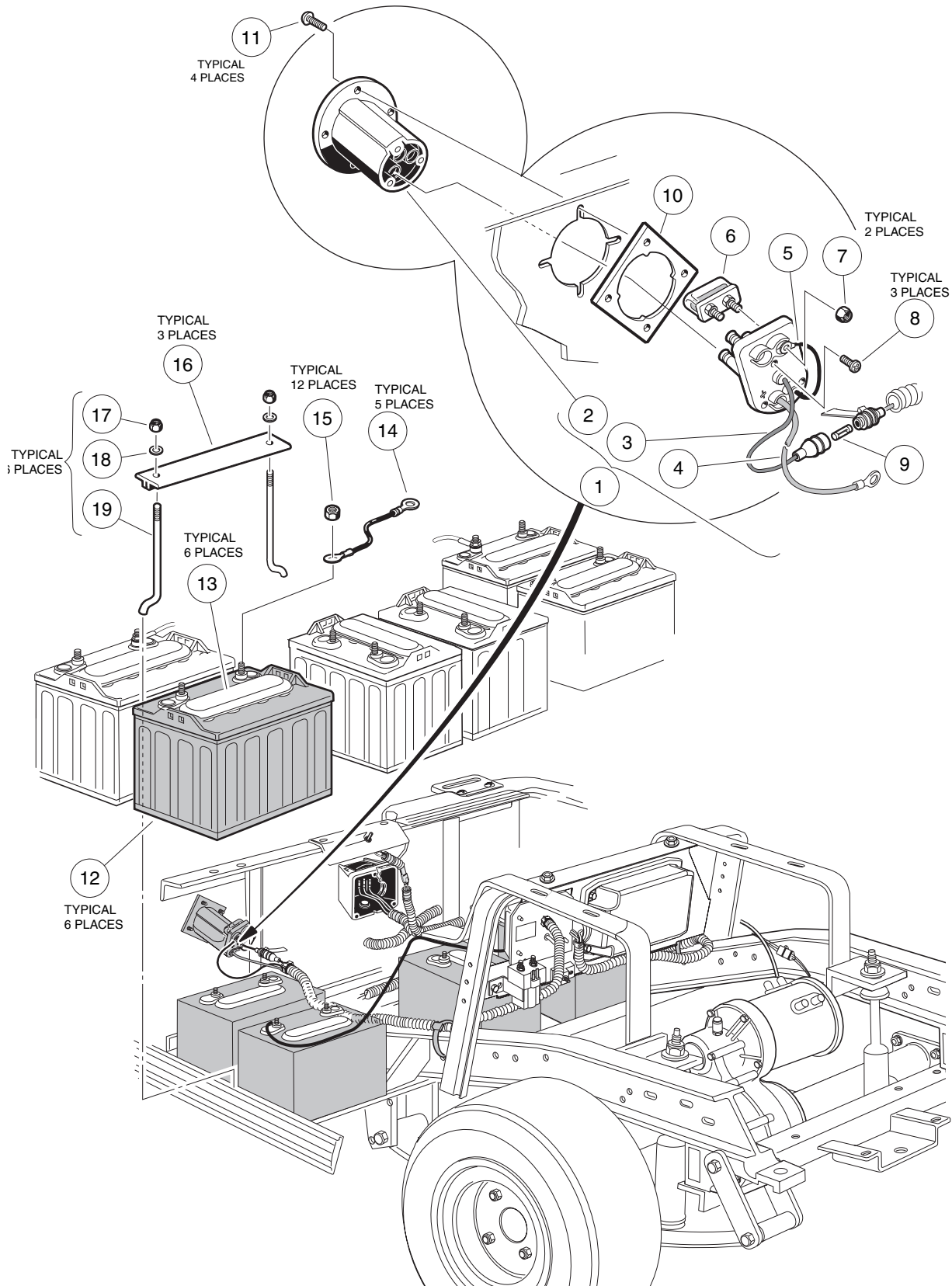


FORWARD/REVERSE SWITCH, TOW/RUN SWITCH – IQ SYSTEM VEHICLE

ITEM	PART NO.	DESCRIPTION	QTY
		1 2 3 4	
1	<u>101856001</u>	Switch, Forward/Reverse	1
2	101855002	Case, Forward/Reverse Switch	1
3	<u>1012285</u>	Screw, Hex, Type TT, 1/4-20 x 5/8	3
4	<u>101942301</u>	Kit, 3-Pin Receptacle and Wedge Lock	1
5	<u>101932401</u>	Kit, 4-Pin Receptacle and Wedge Lock	1
6	<u>102266601</u>	Wire Assembly, Forward/Reverse Switch (includes items 7 - 10)	1
7	<u>101920101</u>	Kit, 3-Pin Plug and Wedge Lock	1
8	N/A	Wire Assembly, #18 Blue	1
9	N/A	Wire Assembly, #18 Orange	1
10	N/A	Wire Assembly, #18 Brown	1
11	102266701	Wire Assembly, IQDM Port (includes items 12 - 18)	1
12	<u>101932501</u>	Kit, 4-Pin Plug and Wedge Lock	1
13	N/A	Wire Assembly, #18 Red/Yellow	1
14	N/A	Wire Assembly, #18 Black/Yellow	1
15	N/A	Wire Assembly, #18 Blue/Yellow	1
16	N/A	Wire Assembly, #18 Green/Yellow	1
17	N/A	Cap, Dust	1
18	N/A	Connector, 4-Pin	1
19	<u>8248</u>	Screw, Phillips Truss-Head, 1/4-20 x 3/4	2
20	<u>101922501</u>	Bracket, Tow/Run Switch (without decal)	1
21	<u>101908401</u>	Boot, Tow/Run Switch (with nut)	1
22	<u>332</u>	Washer, Flat, 1/4	2
23	<u>8233</u>	Nut, Nylon Lock, 1/4-20	2
24	<u>101908101</u>	Switch, Tow/Run	1
25	<u>8990</u>	Tie, Wire	A/R

12

E

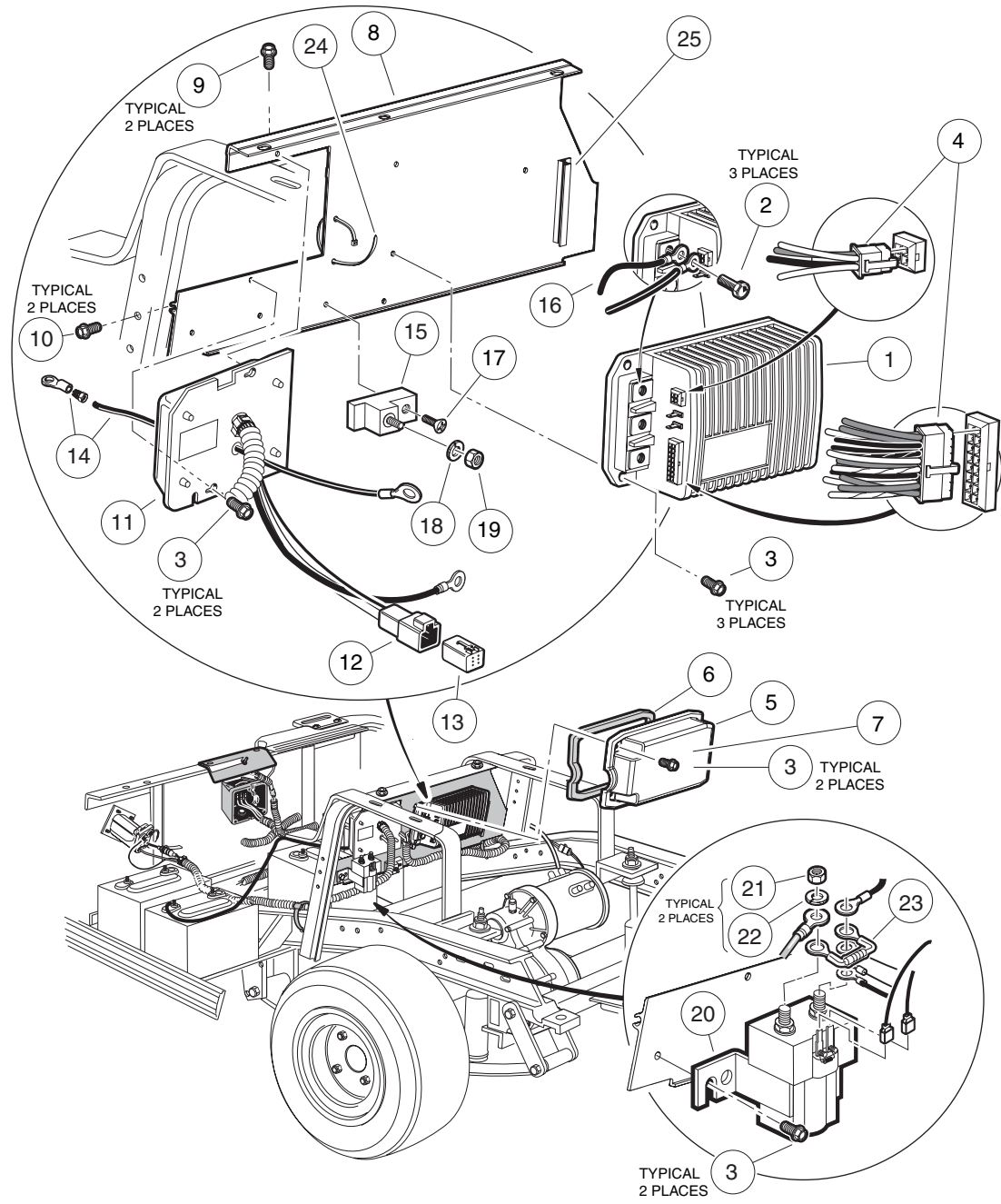


BATTERIES, CHARGER RECEPTACLE – IQ SYSTEM VEHICLE

ITEM	PART NO.	DESCRIPTION	QTY
		1 2 3 4	
1	<u>101802101</u>	Kit, Fuse and Receptacle (includes items 2 - 9)	1
2	<u>101796501</u>	Bezel, Receptacle	1
3	N/A	Wire Assembly, Sense Lead, Gray	1
4	N/A	Wire Assembly, #10 Red	1
5	N/A	Wire Assembly, #10 Black	1
6	<u>101796801</u>	Assembly, Fuse, 48-Volt (includes item 7)	1
7	<u>1013061</u>	Nut, Nylon Lock, #10	2
8	<u>1017705</u>	Screw, Phillips Pan-Head, #8 Type AB	3
9	<u>101894901</u>	Fuse, 3/8-Amp	1
10	<u>101801001</u>	Plate, Receptacle Backing	1
11	<u>101832001</u>	Screw, Phillips Pan-Head, #7-18 x 3/4	4
12	<u>101797701</u>	Battery, 8-Volt PowerDrive (includes item 13)	6
12	<u>101797702</u>	Battery, 8-Volt PowerDrive, Dry (includes item 13)	6
13	<u>101797801</u>	Cap, Battery, 4-Port Gang	1
14	<u>101795701</u>	Wire Assembly, #6 Black	5
15	<u>1014304</u>	Nut, Hex, Stainless Steel, 5/16-18	12
16	<u>101090801</u>	Hold-Down, Battery	3
17	1015072	Nut, Nylon Lock, Stainless Steel, 5/16-18	6
18	<u>1011578</u>	Washer, Flat, Type B Wide, 5/16	6
19	1013683	J-Bolt	6

12

E



COMPUTER, CONTROLLER, AND SOLENOID – IQ SYSTEM VEHICLE

ITEM	PART NO.	DESCRIPTION	QTY
		1 2 3 4	
1	<u>101956501</u>	Controller, 48-Volt (250-amp)	1
1	<u>101956502</u>	Controller, 48-Volt (250-amp) (customized programming)	1
2	<u>102240501</u>	Screw, Hex Washer-Head, M8 x 1-1/4 x 12 mm	3
3	<u>1012285</u>	Screw, Hex, Type TT, 1/4-20 x 5/8	9
4	<u>102266501</u>	Kit, Connector, IQ Controller	1
5	<u>102240601</u>	Cover, Controller (includes items 6 and 7)	1
6	<u>102240801</u>	Gasket, Controller	1
7	<u>101931501</u>	Decal, Electrical Component Cover	1
8	<u>101965202</u>	Plate, Component Mounting	1
9	<u>1014288</u>	Screw, Thread-Forming, 5/16-18 x 3/4	2
10	<u>101910401</u>	Screw, Thread-Forming, 5/16-18 x 1-1/4	2
11	<u>101909902</u>	Computer, Onboard (includes item 12)	1
12	<u>101932601</u>	Kit, 6-Pin Receptacle	1
13	<u>101932701</u>	Kit, 6-Pin Plug and Wedge Lock	1
14	<u>101827801</u>	Kit, Wire and Terminal, #6 Black	1
15	<u>102259801</u>	Block, Terminal (controller)	1
16	<u>102263601</u>	Wire Assembly, #10 Black	1
17	<u>102263701</u>	Screw, Phillips, Thread-Forming, #10-24 x 3/4	1
18	<u>7174</u>	Washer, Lock, 5/16	1
19	<u>1242</u>	Nut, Hex, 5/16-18	1
20	<u>101908701</u>	Solenoid, 48-Volt (with diode) (includes items 21 and 22)	1
21	<u>1012528</u>	Nut, M8 x 1-1/4	2
22	<u>1013734</u>	Washer, Lock, 8 mm	2
23	<u>1014947</u>	Assembly, Resistor	1
24	<u>8639</u>	Tie, Wire	1
25	****	Z-Bracket, Controller Cover	1
	****	Special order item available upon request.	

12

E

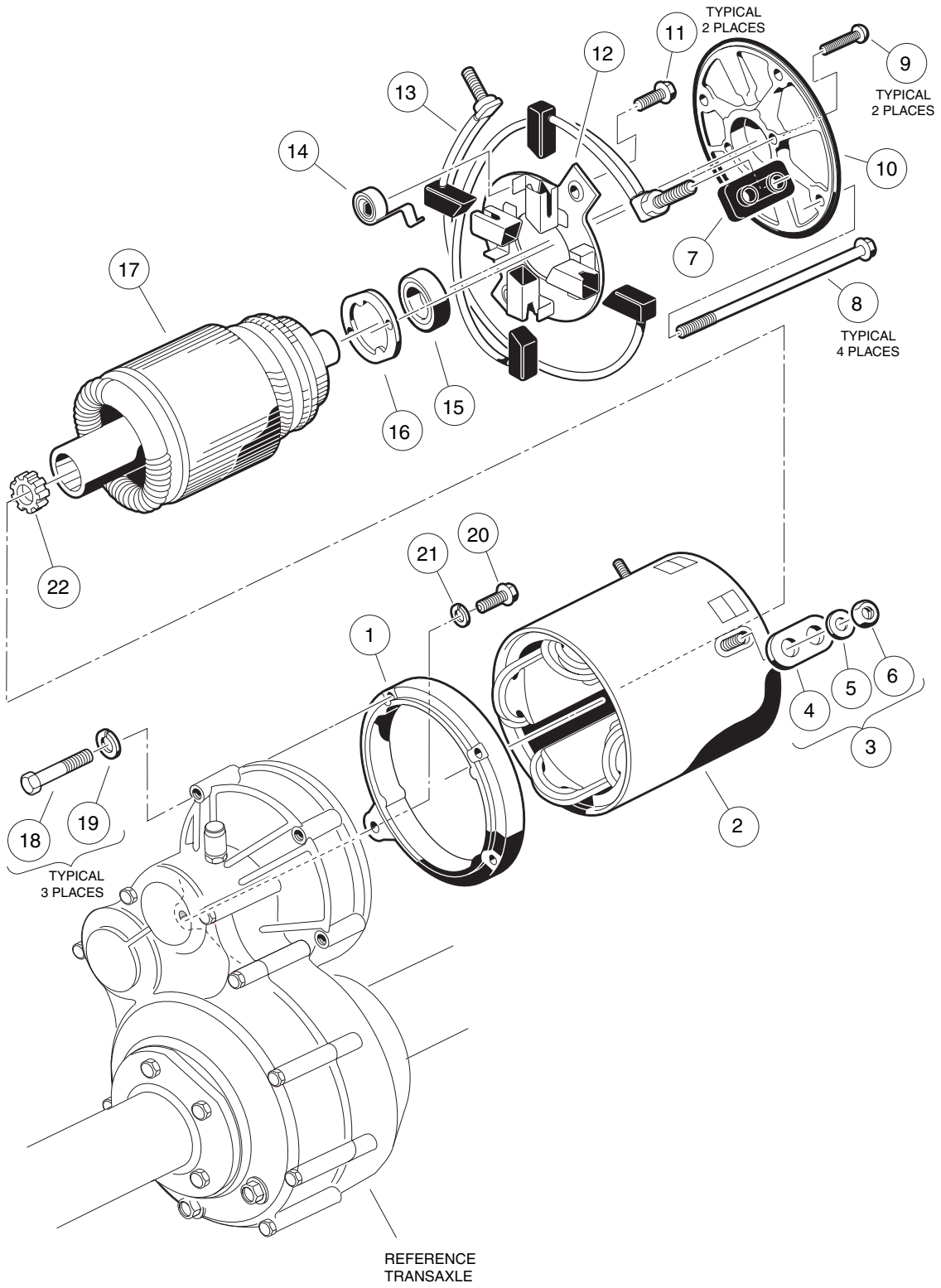
12

E

ELECTRIC MOTOR

13

E

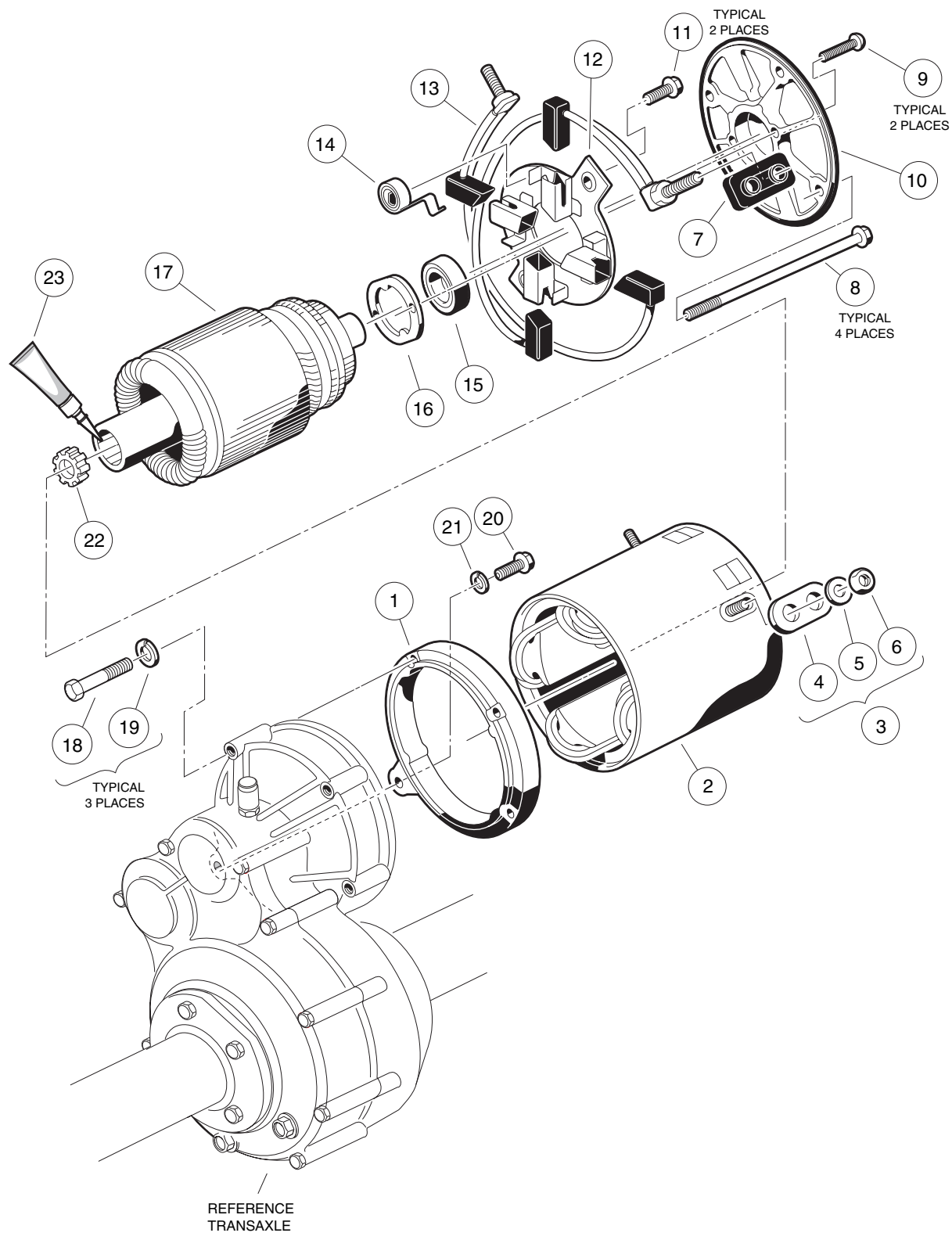


MOTOR – V-GLIDE 36-VOLT VEHICLE

ITEM	PART NO.	DESCRIPTION	QTY
		1 2 3 4	
	<u>102237401</u>	Assembly, 36-Volt Motor, 2.97-hp (includes items 1 - 17)	1
1	<u>1017944</u>	Shield, End	1
2	<u>1017945</u>	Assembly, Stator Shell and Winding	1
3	<u>1017947</u>	Package, Hardware (includes items 4 - 7)	1
4	N/A	Bushing, Insulator	2
5	N/A	Washer, Flat, 5/16	4
6	N/A	Nut, Hex, 5/16-18	4
7	N/A	Bushing, Insulator	2
8	<u>1017952</u>	Screw, Clamp	4
9	<u>1017953</u>	Screw, Bearing Retainer	2
10	<u>1017951</u>	Shield, End	1
11	<u>1017949</u>	Screw, Brush Holder	2
12	<u>1017948</u>	Rigging, Brush	1
13	<u>1017946</u>	Package, Brush (2 pieces) (includes 4 brushes)	1
14	1011411	Package, Brush Spring (4 pieces)	1
15	<u>1011290</u>	Bearing, Ball	1
16	<u>1017950</u>	Retainer, Bearing	1
17	N/A	Armature	1
18	1014201	Screw, Hex-Head Cap, 1/4-20 x 2-1/4	3
19	<u>451</u>	Washer, Lock, 1/4	3
20	<u>1010934</u>	Screw, Hex-Head Cap, 5/16-18 x 1	1
21	<u>7174</u>	Washer, Lock, 5/16	1
22	<u>102235201</u>	Bumper, Motor	1

13

E

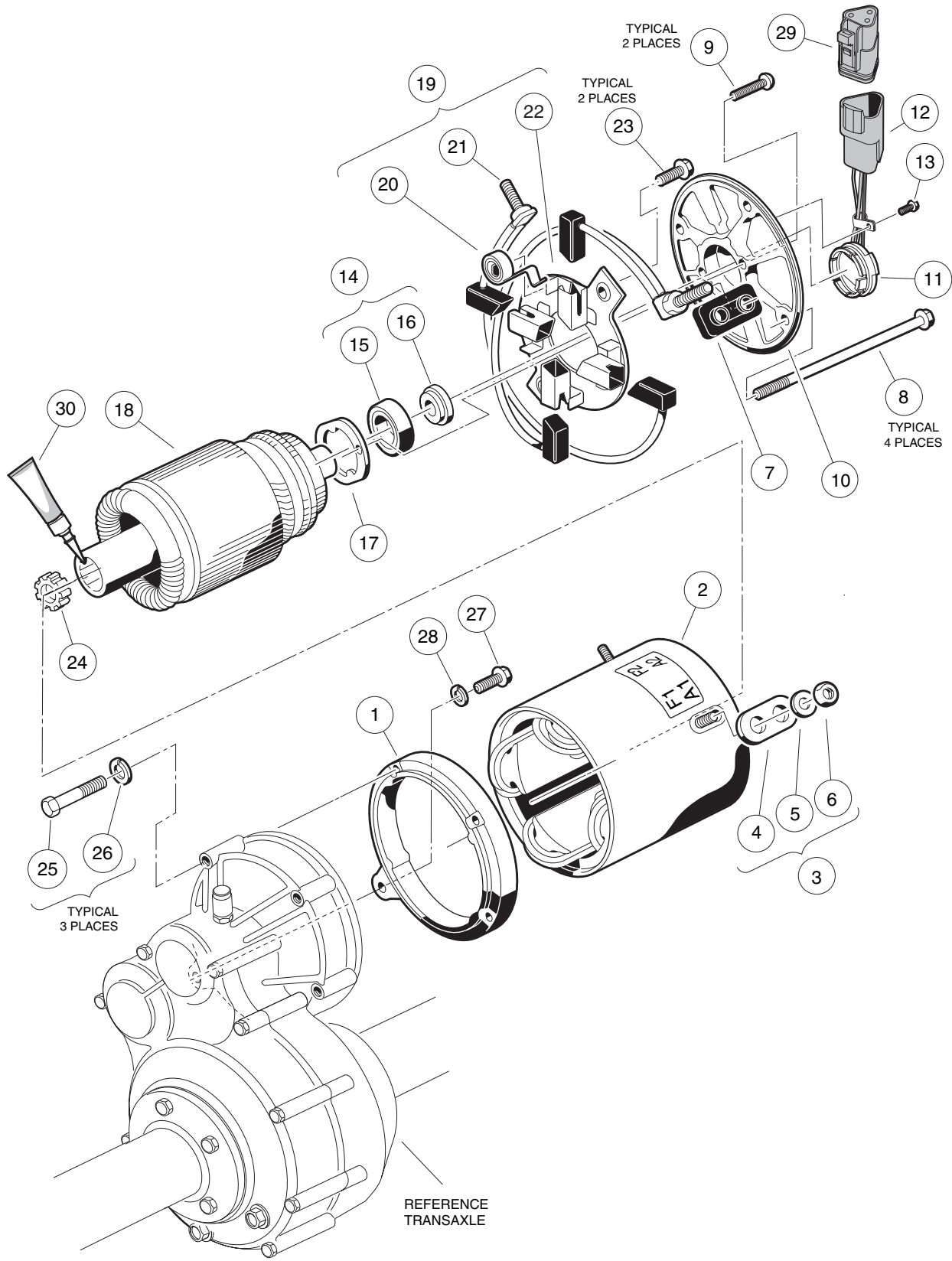


MOTOR – POWERDRIVE SYSTEM 48 VEHICLE

ITEM	PART NO.	DESCRIPTION	QTY
		1 2 3 4	
	102237701	Assembly, 48-Volt Motor, 3.10-hp (includes items 1 - 17)	1
1	<u>1017944</u>	Shield, End	1
2	<u>1017958</u>	Assembly, Stator Shell and Winding	1
3	<u>1017947</u>	Package, Hardware (includes items 4 - 7)	1
4	N/A	Bushing, Insulator	2
5	N/A	Washer, Flat, 5/16	4
6	N/A	Nut, Hex, 5/16-18	4
7	N/A	Bushing, Insulator	2
8	<u>1017961</u>	Screw, Clamp	4
9	<u>1017953</u>	Screw, Bearing Retainer	2
10	<u>1017951</u>	Shield, End	1
11	<u>1017949</u>	Screw, Brush Holder	2
12	<u>1017948</u>	Rigging, Brush	1
13	<u>1017946</u>	Package, Brush (2 pieces) (includes 4 brushes)	1
14	1011411	Package, Brush Spring (4 pieces)	1
15	<u>1011290</u>	Bearing, Ball	1
16	<u>1017950</u>	Retainer, Bearing	1
17	N/A	Armature	1
18	1014201	Screw, Hex-Head Cap, 1/4-20 x 2-1/4	3
19	<u>451</u>	Washer, Lock, 1/4	3
20	<u>1010934</u>	Screw, Hex-Head Cap, 5/16-18 x 1	1
21	<u>7174</u>	Washer, Lock, 5/16	1
22	<u>102235201</u>	Bumper, Motor	1
23	<u>102243403</u>	Lubricant, Moly-Teflon (Single-Use Tube)	1

13

E

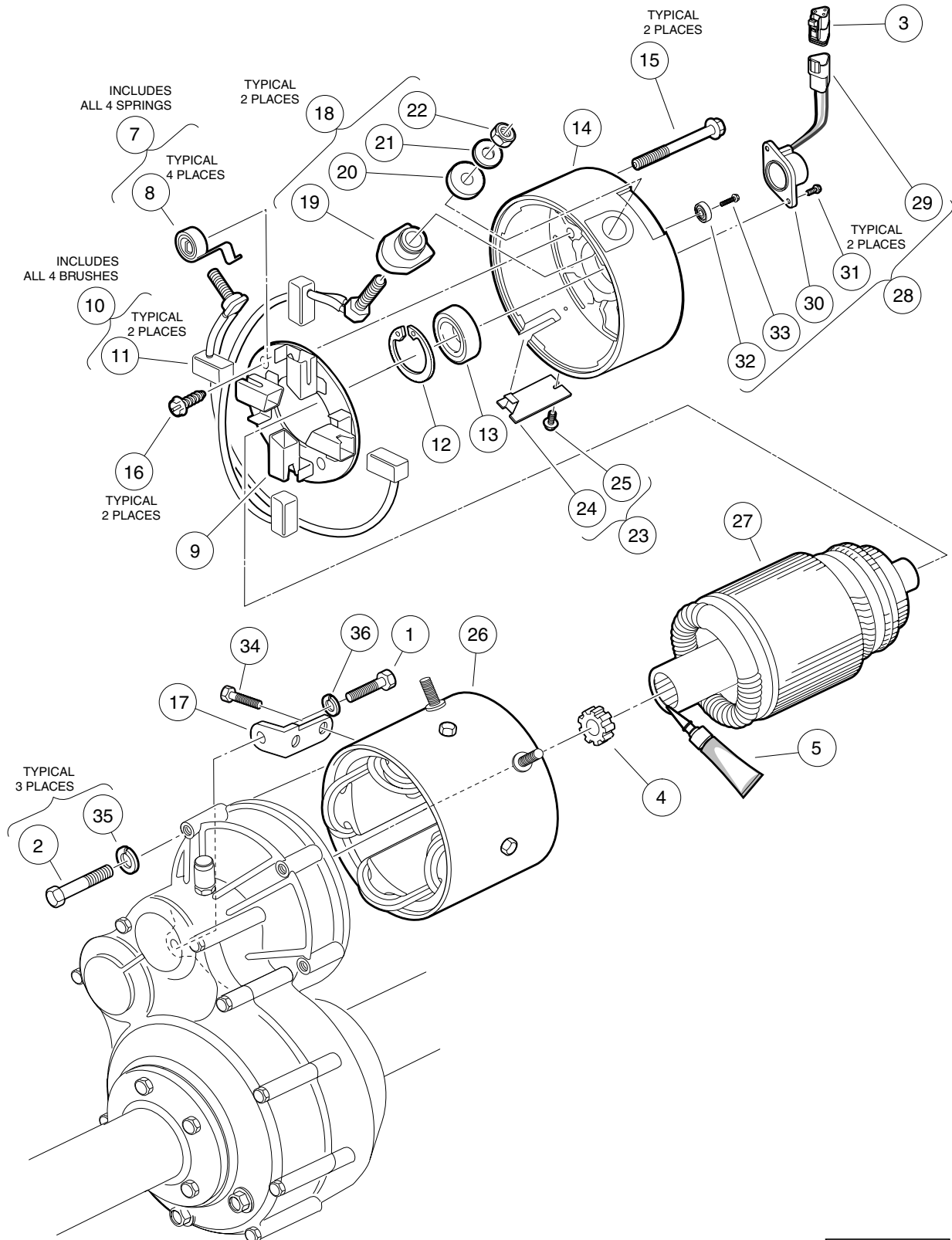


MOTOR (MODEL 5BC59JBS6365) – IQ SYSTEM VEHICLE

ITEM	PART NO.	DESCRIPTION	QTY
		1 2 3 4	
	102240102	Assembly, 48-Volt IQ Motor, 3.20-hp (includes items 1 - 23)	1
1	<u>1017944</u>	Shield, End	1
2	<u>102265501</u>	Assembly, Stator Shell and Winding	1
3	<u>1017947</u>	Package, Hardware (includes items 4 - 7)	1
4	N/A	Bushing, Insulator	2
5	N/A	Washer, Flat, 5/16	4
6	N/A	Nut, Hex, 5/16-18	4
7	N/A	Bushing, Insulator	2
8	<u>102266101</u>	Screw, Clamp, #10-32 x 8-1/4	4
9	<u>1017953</u>	Screw, Bearing Retainer, #8-32 x 7/8	2
	<u>102265901</u>	Assembly, End Shield (includes items 10 - 13)	1
10	<u>102266001</u>	Shield, End	1
11	<u>102265601</u>	Sensor, Motor Speed (includes item 12)	1
12	<u>101942301</u>	Housing, Female 3-Wire, Gray	1
13	<u>102267001</u>	Screw, Steel Hex, Thread-Rolling, #8 x 3/8	1
14	<u>102265701</u>	Kit, Bearing and Magnet (includes items 15 and 16)	1
15	N/A	Bearing, Ball	1
16	N/A	Magnet	1
17	<u>1017950</u>	Retainer, Bearing	1
18	N/A	Armature	1
19	<u>102327801</u>	Assembly, Brush Rigging (includes items 20 - 22)	1
20	1011411	Package, Brush Spring (4 pieces)	1
21	<u>102251901</u>	Package, Brush (2 pieces) (includes 4 brushes)	1
22	<u>1017948</u>	Rigging, Brush	1
23	<u>1017949</u>	Screw, Brush Holder, #6-32 x 1/2	2
24	<u>102235201</u>	Bumper, Motor	1
25	1014201	Screw, Hex-Head Cap, 1/4-20 x 2-1/4	3
26	<u>451</u>	Washer, Lock, 1/4	3
27	<u>1010934</u>	Screw, Hex-Head Cap, 5/16-18 x 1	1
28	<u>7174</u>	Washer, Lock, 5/16	1
29	<u>101920101</u>	Kit, 3-Pin Plug and Wedge Lock	1
30	<u>102243403</u>	Lubricant, Moly-Teflon (Single-Use Tube)	1

13

E



000185-001

MOTOR (MODEL EJ4-4001) – IQ SYSTEM VEHICLE

ITEM	PART NO.	DESCRIPTION	QTY
		1 2 3 4	
1	<u>1010934</u>	Screw, 5/16-18 X 1.00 Hex Cap	1
2	1014201	Screw, 1/4-20 X 2.25 Hex Cap	3
3	<u>101920101</u>	Kit, 3-pin Plug & Wedge Lock	1
4	<u>102235201</u>	Bumper, Drive Unit	1
5	<u>102243403</u>	Lubricant, Moly-Teflon (Single-Use Tube)	1
6	<u>102705001</u>	IQ Electric Motor, 48-VDC 3.3 hp (includes items 7 through 34)	1
7	<u>102186001</u>	Spring Kit, Motor Brush (includes item 8)	1
8	N/A	Spring, Brush	4
9	<u>102186101</u>	Brush Box Assembly	1
10	<u>102186201</u>	Brush Kit, Motor (includes item 11)	1
11	102845701	Assembly, Brush and Terminal	2
12	<u>102186301</u>	Ring, 2.24" Internal Retaining	1
13	<u>102186401</u>	Bearing, Ball	1
14	<u>102186701</u>	End Cap, Motor	1
15	102186801	Screw, 1/4-20 X 2.25 Hx Washer	2
16	<u>102186901</u>	Screw, #8-32 X .5 Hx Hd Tptite	2
17	<u>102187001</u>	L-Bracket, Motor	1
18	<u>102187101</u>	Hardware Kit, Motor Terminal (includes items 19 through 22)	2
19	N/A	Bushing, Nylon	2
20	N/A	Washer, Nylon Flat	2
21	N/A	Washer, Flat, 5/16 Steel	2
22	N/A	Nut, Brass Hex, 5/16 - 18	2
23	<u>102187201</u>	Plate Kit, Motor Cover (includes items 24 and 25)	1
24	N/A	Assembly, Cover Plate	1
25	N/A	Screw, #8-32 x 0.375, Taptite Thread	1
26	<u>102704701</u>	Frame & Field Service Asm.	1
27	<u>102704801</u>	Armature Service Assembly	1
28	<u>102704901</u>	Speed Sensor Service Package (includes items 29 through 33)	1
29	<u>101942301</u>	Kit, 3-pin Recept & Wedge Lock	1
30	N/A	Sensor, Motor Speed, ADC	1
31	N/A	Screw, #8-32, Taptite Thread	2
32	N/A	Magnet, ADC Motor	1
33	N/A	Screw, 1/4-20 x 0.5	1
34	N/A	Bolt, 1/4 - 20 x 0.73 Thread-Forming	2
35	<u>451</u>	Lockwasher, 1/4 Helical Split	3
36	<u>7174</u>	Lockwasher, 5/16 Split	1

13

E

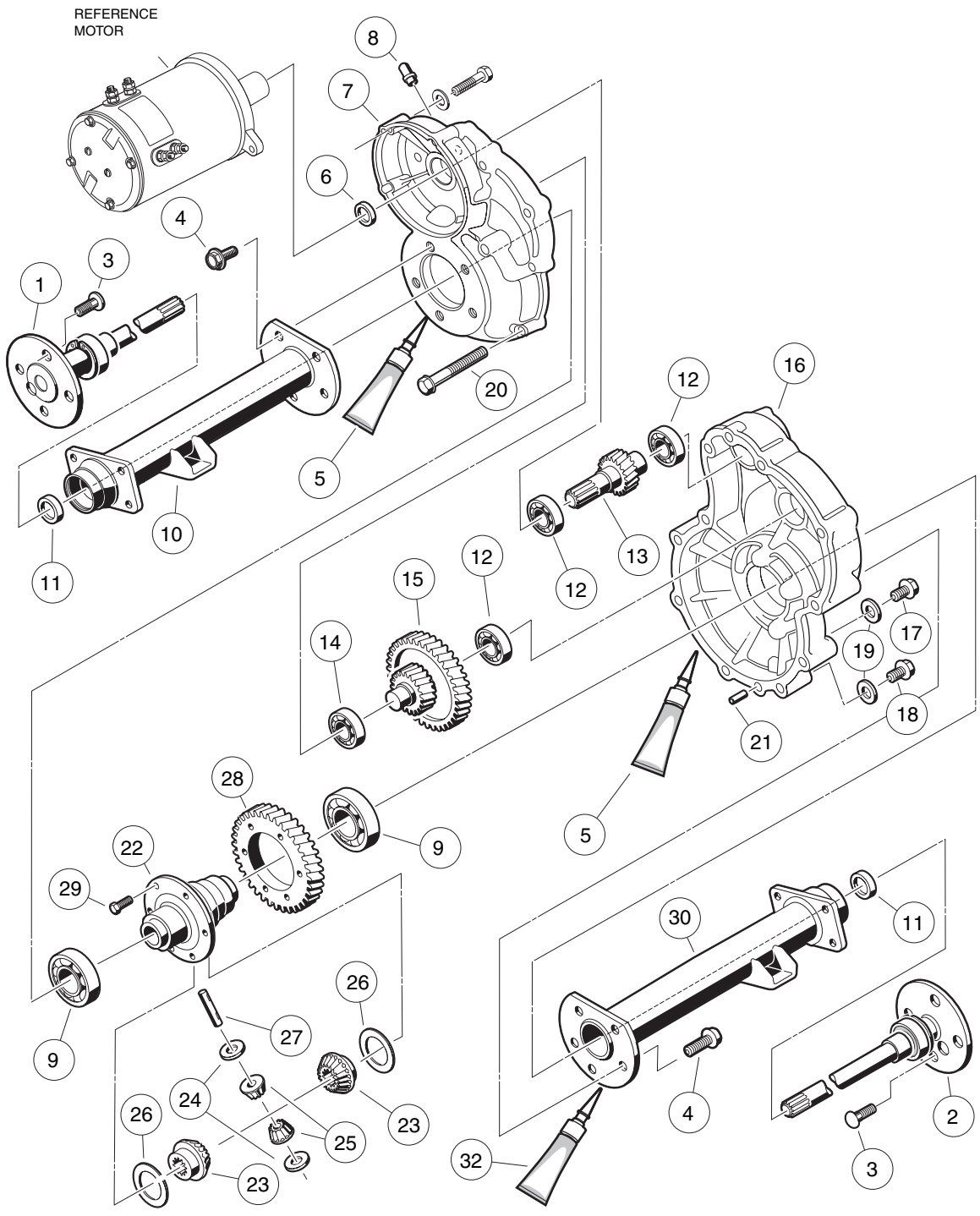
13

E

TRANSAXLE – ELECTRIC VEHICLE

14

E

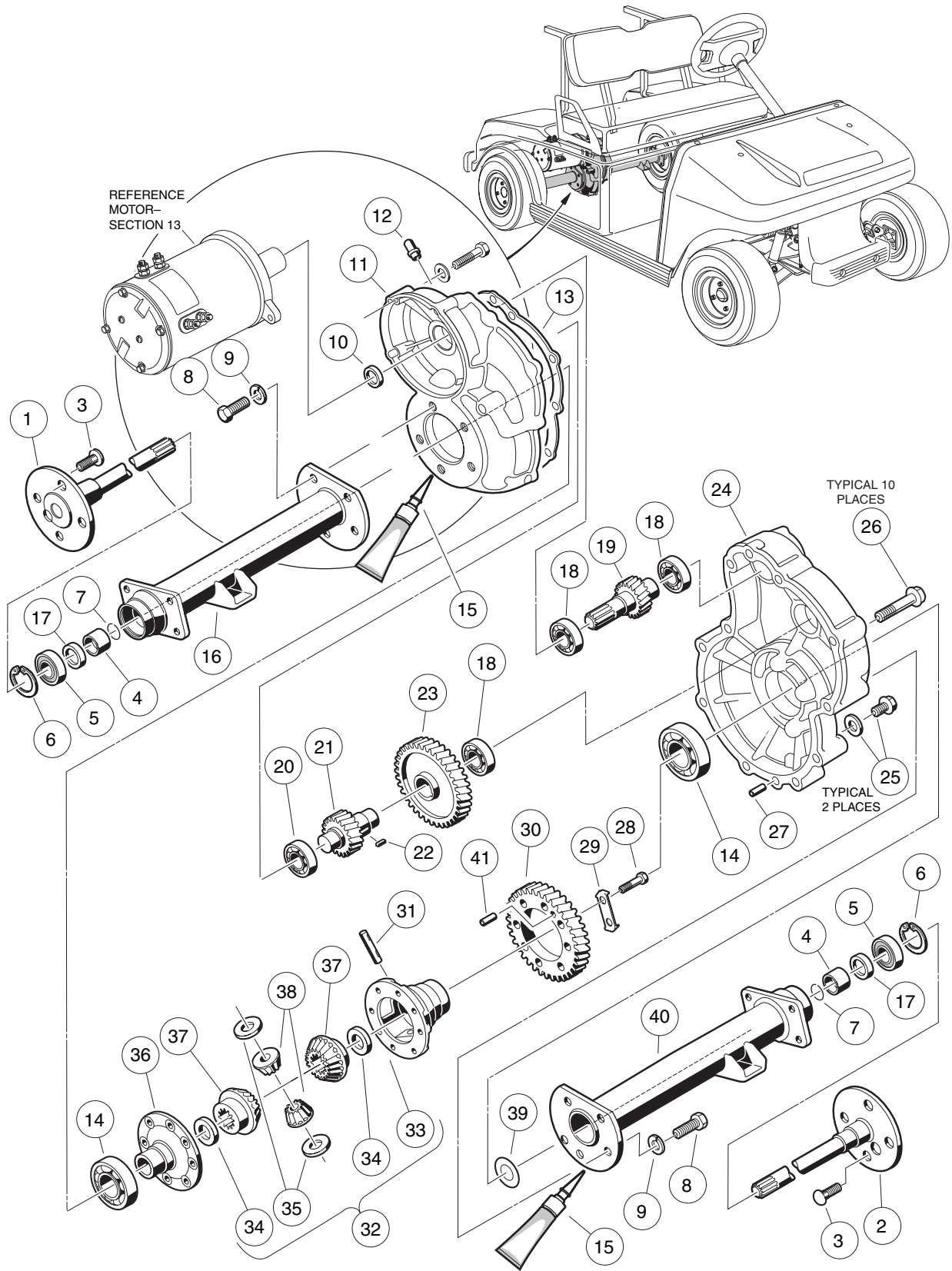


TRANSAXLE, TYPE G – ELECTRIC VEHICLE

14

E

ITEM	PART NO.	DESCRIPTION	QTY
		1 2 3 4	
	<u>101896001</u>	Transaxle, Type G (includes items 1 - 30)	1
1	<u>101895801</u>	Axle Assembly, Passenger-Side (includes item 3)	1
2	<u>101895901</u>	Axle Assembly, Driver-Side (includes item 3)	1
3	<u>101922201</u>	Stud, Lug	4
4	<u>102357001</u>	Screw, Flange-Head, M10 x 1.5 x 30 mm	10
5	<u>101928701</u>	Gasket, Liquid, 8.8 oz. (250 g)	A/R
6	<u>101923501</u>	Seal, Oil, Input Shaft	1
7	<u>101895501</u>	Gear Case, Passenger-Side	1
8	<u>101897201</u>	Breather	1
9	<u>7330</u>	Bearing, Differential	2
10	<u>101895601</u>	Assembly, Axle Tube, Passenger-Side	1
11	<u>1013794</u>	Seal, Oil, Axle Shaft	2
12	<u>7335</u>	Bearing, Input Gear	3
13	<u>101923701</u>	Shaft, Input	1
14	<u>7336</u>	Bearing, Intermediate Gear	1
15	<u>101906901</u>	Assembly, Intermediate Gear	1
16	<u>101895401</u>	Gear Case, Driver-Side	1
17	<u>101972201</u>	Plug, Fill	1
18	<u>101972101</u>	Plug, Magnetic	1
19	<u>101923201</u>	Gasket, Plug	2
20	<u>101897001</u>	Bolt, M8 x 1.25 x 60 mm	11
21	<u>101897601</u>	Pin, Dowel	2
22	<u>101923901</u>	Gear, Differential	2
23	<u>101903601</u>	Plate, Thrust (idler gear)	2
24	<u>101923001</u>	Gear, Differential Idler	2
25	<u>101903701</u>	Plate, Thrust	2
26	<u>101922101</u>	Pin, Differential	1
27	<u>101923601</u>	Housing, Differential *	1
28	<u>101906201</u>	Gear, Output *	1
29	<u>101897401</u>	Bolt, M10 x 1.5 x 25 mm	6
30	<u>101895701</u>	Assembly, Axle Tube, Driver-Side	1
		<p>* If you are replacing the Output Gear, P/N <u>101906201</u>, or Differential Housing, P/N <u>101923601</u>, you must buy both. They are replacements for all gear and differential housing combinations in G type transaxles. (No pin required).</p>	



TRANSAXLE, TYPE K – ELECTRIC VEHICLE

14

E

ITEM	PART NO.	DESCRIPTION	QTY
		1 2 3 4	
	N/A	Transaxle, Type K (includes items 1 - 41)	1
1	1013785	Axle Assembly, Passenger-Side (includes items 3 - 7)	1
2	1013786	Axle Assembly, Driver-Side (includes items 3 - 7)	1
3	<u>1013787</u>	Stud, Lug	4
4	1014207	Bushing, 25 mm I. D.	1
5	<u>1011291</u>	Bearing, Outer Axle Tube	1
6	<u>1013792</u>	Circlip, Type C	1
7	<u>1016672</u>	Ring, Retaining	1
8	<u>1013790</u>	Bolt, M10 x 1.5 x 30 mm	10
9	<u>1013791</u>	Washer, Lock	10
10	<u>1013775</u>	Seal, Input Shaft Oil	1
11	1013756	Gear Case, Passenger-Side	1
12	<u>1012711</u>	Breather	1
13	<u>1013758</u>	Gasket, Case	1
14	<u>7330</u>	Bearing, Inner Axle Tube	2
15	<u>101928701</u>	Gasket, Liquid, 8.8 oz. (250 g)	2
16	1017704	Assembly, Axle Tube, Passenger-Side	1
17	<u>1013794</u>	Seal, Axle Shaft Oil	2
18	<u>7335</u>	Bearing, Input Gear	3
19	<u>1013764</u>	Shaft, Input	1
20	<u>7336</u>	Bearing, Intermediate Gear	1
21	<u>1013766</u>	Gear, Intermediate, Small	1
22	<u>1013780</u>	Key, Sunk	1
23	1013765	Gear, Intermediate, Large	1
24	1013757	Gear Case, Driver-Side	1
25	<u>1013759</u>	Plug, Fill, with Gasket	2
26	<u>1013763</u>	Bolt, M6 x 1 x 50 mm	10
27	<u>1012710</u>	Pin, Dowel	2
28	<u>1013779</u>	Bolt, M8 x 1.25 x 37 mm	8
29	<u>1013782</u>	Plate, Lock	4
30	<u>1013767</u>	Gear, Output	1
31	<u>1013772</u>	Pin, Differential	1
32	<u>101910501</u>	Kit, Differential Gear Case (includes items 33 - 36)	1
33	1013768	Gear Case, Differential (driver side)	1
34	<u>1013773</u>	Plate, Thrust (differential gear)	2
35	<u>1013774</u>	Plate, Thrust (idler gear)	2
36	1013769	Gear Case, Differential (passenger side)	1
37	1013771	Gear, Differential	2
38	<u>1013770</u>	Gear, Differential Idler	2
39	<u>1013781</u>	Shim	1
40	<u>1017703</u>	Assembly, Axle Tube, Driver-Side	1
41	<u>1014193</u>	Pin, Dowel	1
<p>Note: Transaxle type is identified by orientation of gear case bolts (item 26). The Type K Transaxle has gear case bolt heads facing toward the driver side of the vehicle.</p>			

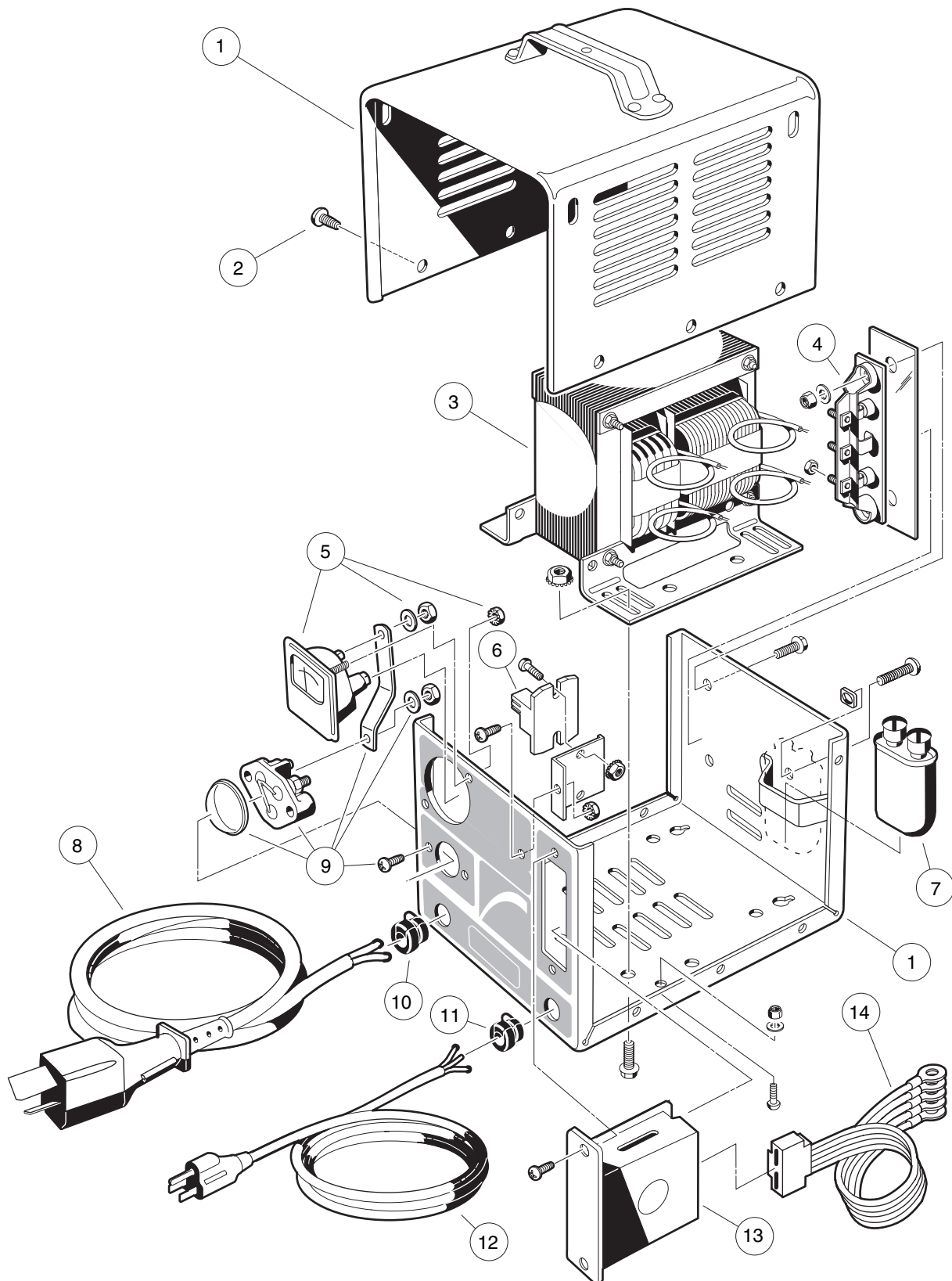
14

E

BATTERY CHARGER

15

E

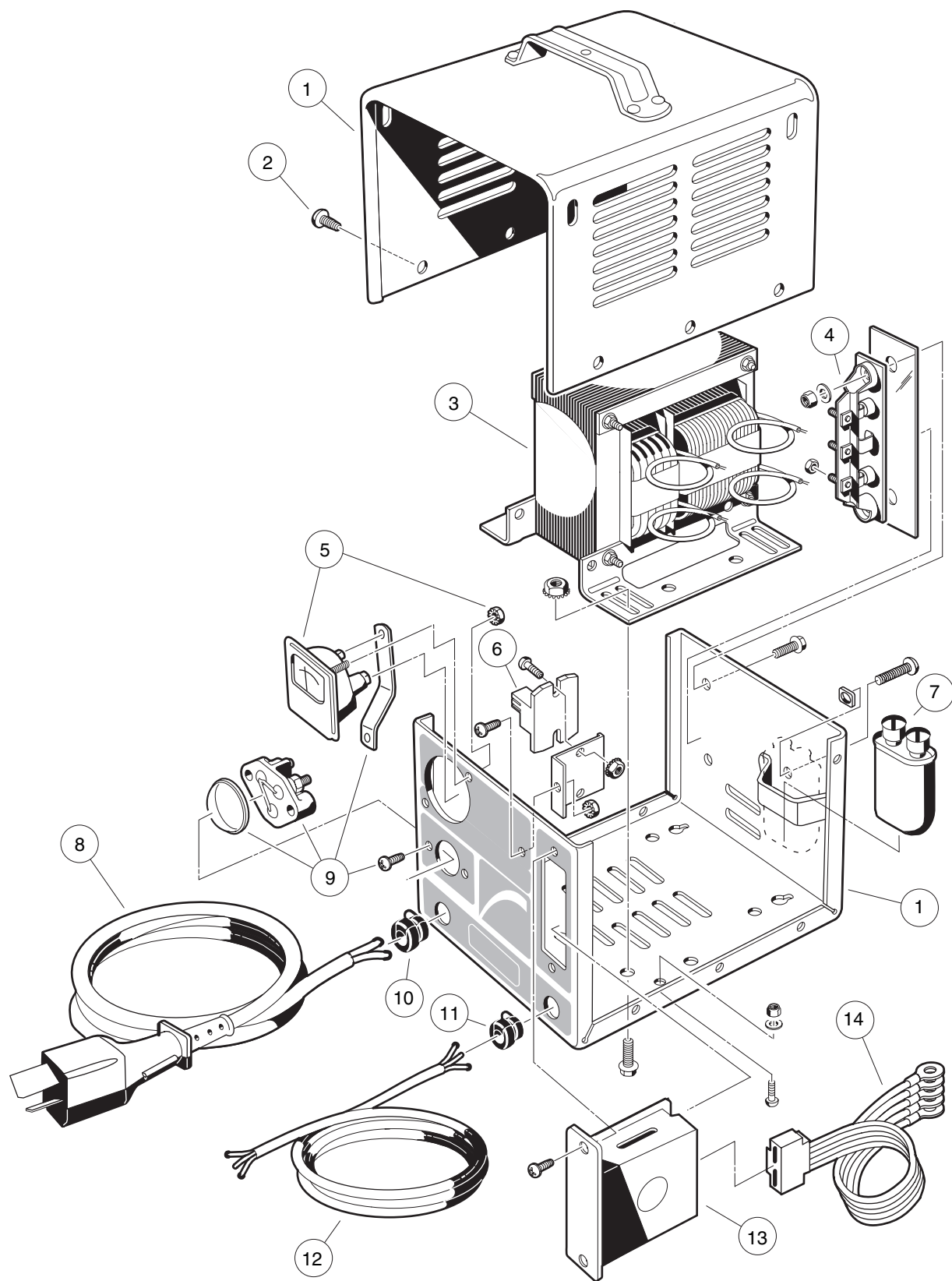


ACCU-POWER BATTERY CHARGER, DOMESTIC – V-GLIDE 36-VOLT VEHICLE

ITEM	PART NO.	DESCRIPTION	QTY
		1 2 3 4	
	101646401	Charger, Accu-Power, Domestic, 120-V AC, 36-V DC, 60-Hz (model number 13800-11) (includes items 1 - 14) 108-inch DC cord, 72-inch AC cord	1
1	1015907	Assembly, Case (includes fasteners)	1
2	7577	Screw, Pan-Head, Self-Tapping, #10-16 x 1/2	10
3	<u>1015912</u>	Assembly, Transformer	1
4	<u>1015914</u>	Assembly, Heatsink, with Diodes (includes mounting hardware)	1
5	<u>1015905</u>	Ammeter (includes mounting hardware)	1
6	<u>1015911</u>	Relay, 36-V DC	1
7	1015910	Capacitor	1
8	<u>101643301</u>	Cordset, DC, 108-Inch Long (standard) 12-AWG	1
8	<u>101643302</u>	Cordset, DC, 146-Inch Long, 10-AWG	1
8	<u>101643303</u>	Cordset, DC, 242-Inch Long, 10-AWG	1
9	<u>1012101</u>	Assembly, Fuse (Includes Hardware)	1
10	<u>1012098</u>	Bushing, Strain Relief, 12-AWG DC Cord	1
10	<u>1012042</u>	Bushing, Strain Relief, 10-AWG DC Cord	1
11	<u>1015917</u>	Bushing, Strain Relief, AC Cord	1
12	<u>101591601</u>	Cordset, AC, 72-Inch Long (standard)	1
12	<u>101591602</u>	Cordset, AC, 108-Inch Long	1
13	<u>1015906</u>	Assembly, Timer Kit (includes mounting hardware)	1
14	<u>1015913</u>	Assembly, Control Cable	1

15

E

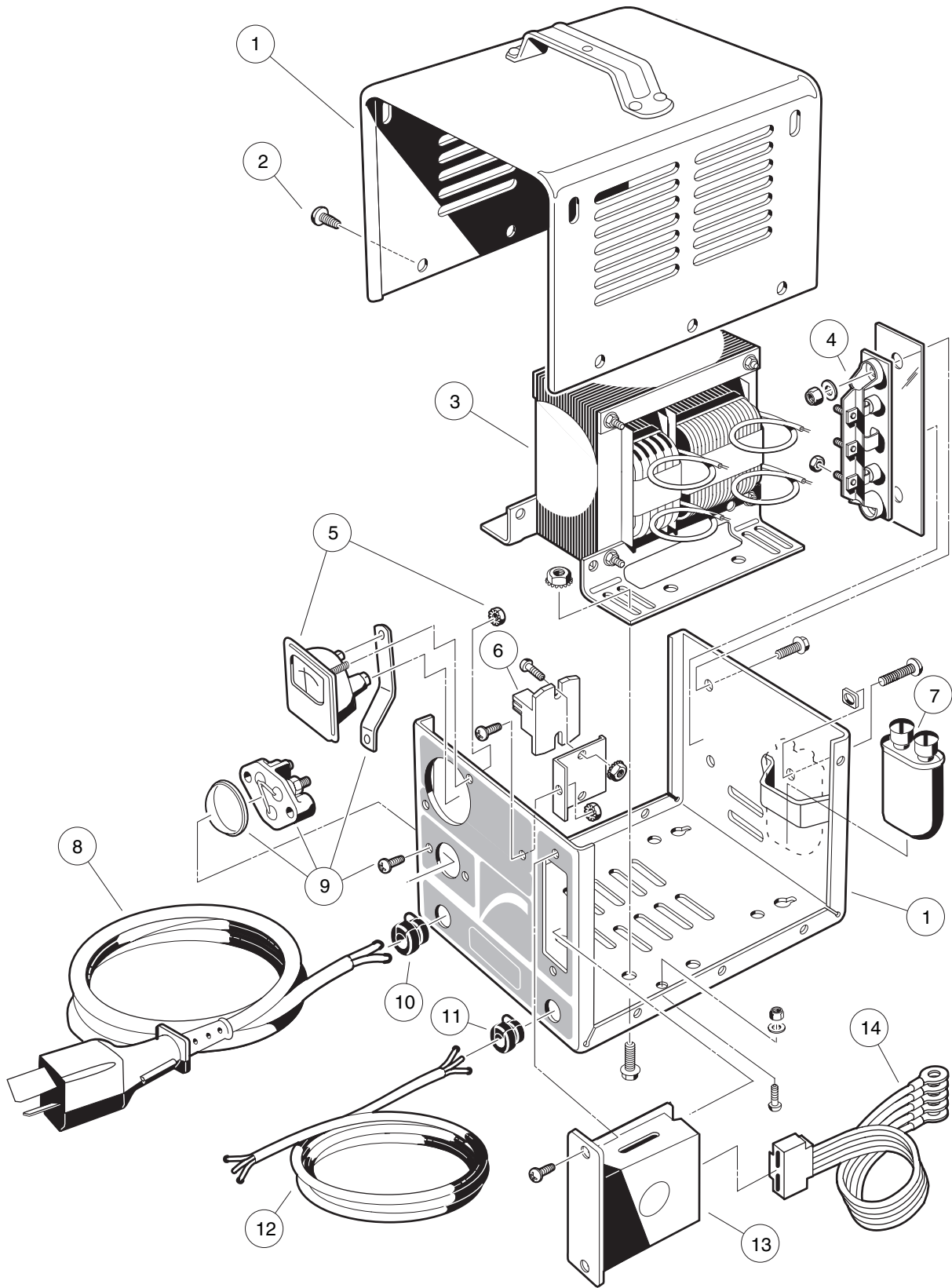


ACCU-POWER BATTERY CHARGER, EXPORT, 230-VOLT – V-GLIDE 36-VOLT VEHICLE

ITEM	PART NO.	DESCRIPTION	QTY
		1 2 3 4	
	<u>101643401</u>	Charger, Accu-Power, Export, 230-V AC, 36-V DC, 50-Hz (model number 14410-11) (includes items 1 - 14) 108-inch DC cord, 108-inch AC cord	1
1	N/A	Assembly, Case	1
2	7577	Screw, Pan-Head, Self-Tapping, #10-16 x 1/2	10
3	<u>1015936</u>	Assembly, Transformer	1
4	<u>1015914</u>	Assembly, Heatsink, with Diodes (includes mounting hardware)	1
5	<u>1015905</u>	Ammeter (includes mounting hardware)	1
6	<u>1015911</u>	Relay, 36-V DC	1
7	1015910	Capacitor	1
8	<u>101643301</u>	Cordset, DC, 108-Inch Long, 12-AWG (standard)	1
8	<u>101643302</u>	Cordset, DC, 146-Inch Long, 10-AWG	1
8	<u>101643303</u>	Cordset, DC, 242-Inch Long, 10-AWG	1
9	<u>1012101</u>	Assembly, Fuse (includes mounting hardware)	1
10	<u>1012098</u>	Bushing, Strain Relief, 12-AWG DC Cord	1
10	<u>1012042</u>	Bushing, Strain Relief, 10-AWG DC Cord	1
11	<u>1015917</u>	Bushing, Strain Relief, AC Cord	1
12	1014696	Cordset, AC, 108-Inch Long (standard)	1
13	<u>1015906</u>	Assembly, Timer Kit (includes mounting hardware)	1
14	<u>1015913</u>	Assembly, Control Cable	1

15

E

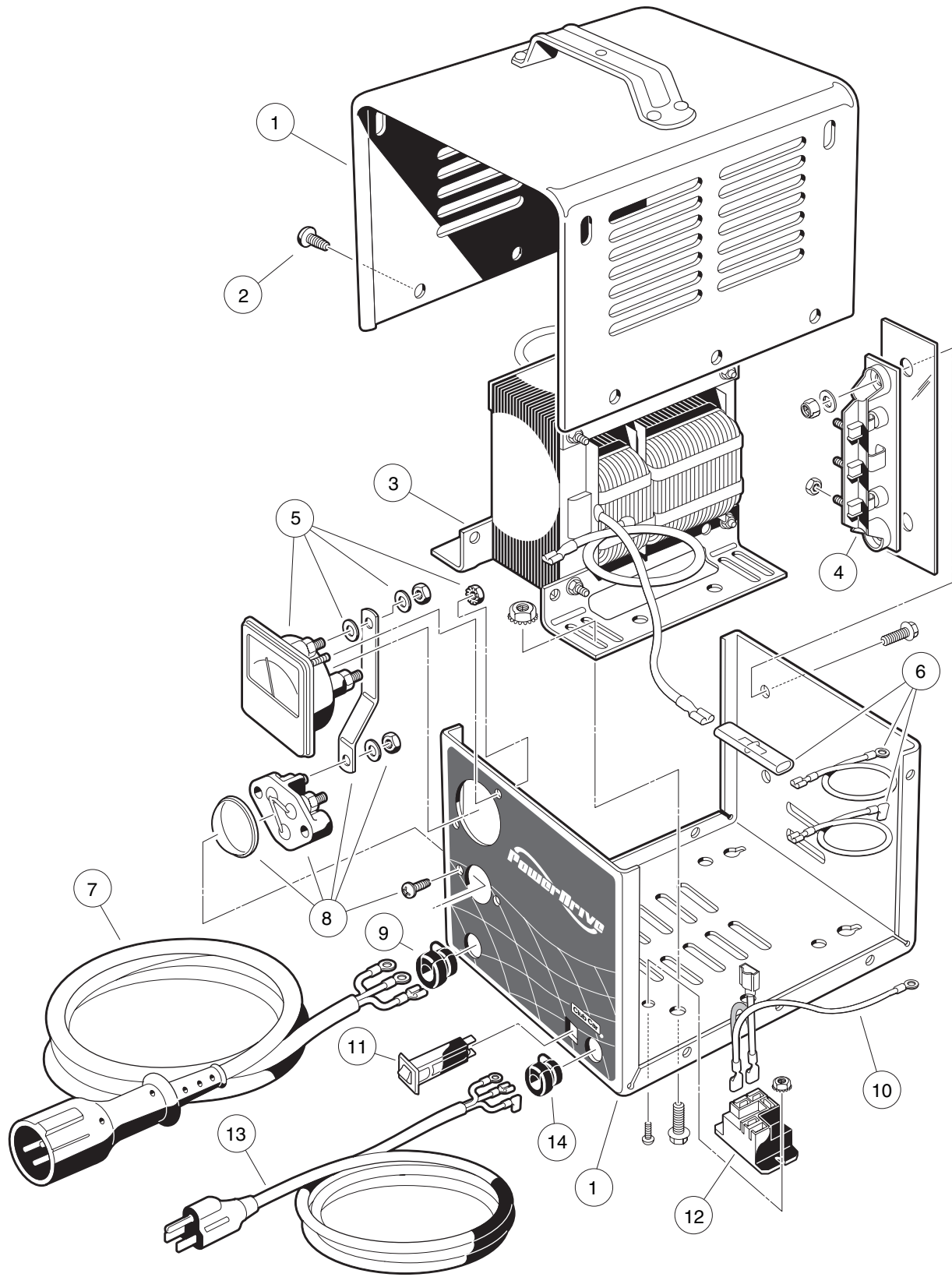


ACCU-POWER BATTERY CHARGER, EXPORT, 100-VOLT – V-GLIDE 36-VOLT VEHICLE

15

E

ITEM	PART NO.	DESCRIPTION	QTY
		1 2 3 4	
	<u>101646201</u>	Charger, Accu-power, Export, 100-V AC, 36-V DC, 50-Hz (model number 14900) (includes items 1 - 14) 108-inch DC cord, 108-inch AC cord	1
1	N/A	Assembly, Case	1
2	7577	Screw, Pan-Head, Self-Tapping, #10-16 x 1/2	10
3	<u>1016336</u>	Assembly, Transformer	1
4	<u>1015914</u>	Assembly, Heatsink, with Diodes (includes mounting hardware)	1
5	<u>1015905</u>	Ammeter (Includes Mounting Hardware)	1
6	<u>1015911</u>	Relay, 36-V DC	1
7	<u>1015939</u>	Capacitor	1
8	<u>101643301</u>	Cordset, DC, 108-Inch Long, 12-AWG (standard)	1
8	<u>101643302</u>	Cordset, DC, 146-Inch Long, 10-AWG	1
8	<u>101643303</u>	Cordset, DC, 242-Inch Long, 10-AWG	1
9	<u>1012101</u>	Assembly, Fuse (includes mounting hardware)	1
10	<u>1012098</u>	Bushing, Strain Relief, 12-AWG DC Cord	1
10	<u>1012042</u>	Bushing, Strain Relief, 10-AWG DC Cord	1
11	<u>1015917</u>	Bushing, Strain Relief, AC Cord	1
12	<u>1016282</u>	Cordset, AC, 108-Inch Long	1
13	<u>1015906</u>	Assembly, Timer Kit (includes mounting hardware)	1
14	<u>1015913</u>	Assembly, Control Cable	1



POWERDRIVE BATTERY CHARGER, DOMESTIC

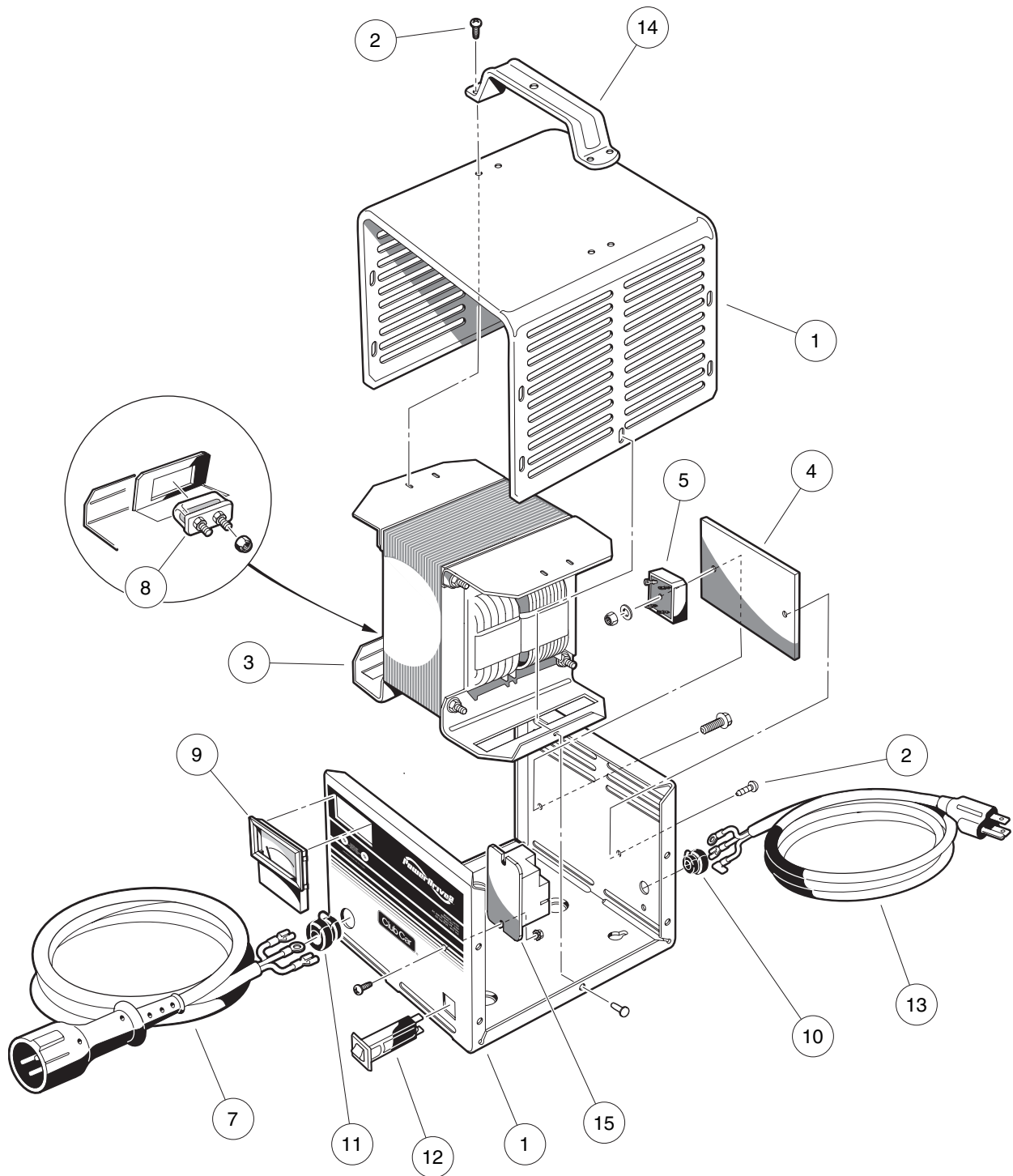
ITEM	PART NO.	DESCRIPTION	QTY
		1 2 3 4 PowerDrive chargers can be used with PowerDrive System 48 and IQ System vehicles.	
	<u>101802201</u>	Charger, Battery, PowerDrive, Domestic 120-V AC 48-V DC 60-Hz (model number 17930-11) (includes items 1 - 14) 103-inch DC cord with male 3-pin plug, 12-AWG 74-inch AC cord with male grounded plug	1
	<u>101802202</u>	Charger, Battery, PowerDrive 120-V AC 48-V DC 60-Hz (model number 17930-18) (includes items 1 - 14) 144-inch DC cord with male 3-pin plug, 12-AWG 108-inch AC cord with male grounded plug	1
	<u>101802203</u>	Charger, Battery, PowerDrive 120-V AC 48-V DC 60-Hz (model number 17930-19) (includes items 1 - 14) 240-inch DC cord with male 3-pin plug, 12-AWG 108-inch AC cord with male grounded plug	1
1	<u>101828301</u>	Assembly, Case (includes fasteners)	1
2	7577	Screw, Pan-Head, Self-Tapping, #10-16 x 1/2	10
3	<u>101819701</u>	Assembly, Transformer	1
4	<u>1015914</u>	Assembly, Heatsink, with Diodes (includes mounting hardware)	1
5	<u>101828501</u>	Ammeter (includes mounting hardware)	1
6	<u>101831101</u>	Kit, Wire Assembly	1
7	<u>101828901</u>	Cordset, DC, 113-Inch Long with Male 3-Pin Plug, 12-AWG	1
7	<u>101828902</u>	Cordset, DC, 154-Inch Long with Male 3-Pin Plug, 12-AWG	1
7	<u>101828903</u>	Cordset, DC, 250-Inch Long with Male 3-Pin Plug, 12-AWG	1
8	<u>1012101</u>	Assembly, Fuse (includes mounting hardware)	1
9	<u>1012098</u>	Bushing, Strain Relief, DC Cord, 12-AWG	1
10	101914401	Assembly, Voltage Suppressor	1
11	<u>CCX8506</u>	Breaker, Circuit, 15-Amp, 120-V AC	1
12	<u>101828601</u>	Relay, Power, 48-V DC	1
13	<u>101828801</u>	Cordset, AC, 80-Inch Long	1
13	<u>101828802</u>	Cordset, AC, 116-Inch Long	1
14	<u>1015917</u>	Bushing, Strain Relief, AC Cord	1

15

E

15

E

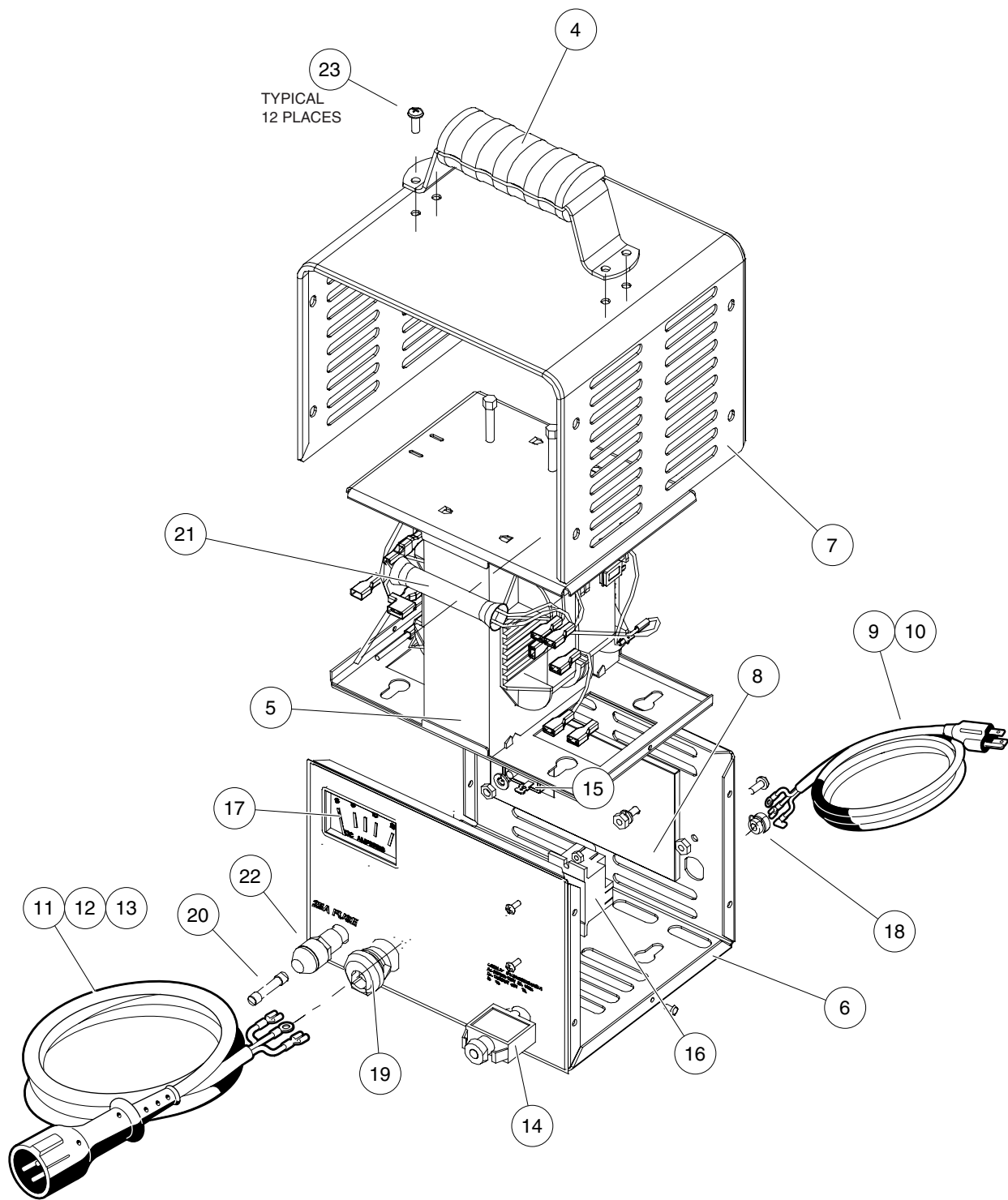


POWERDRIVE 2 BATTERY CHARGER, DOMESTIC

ITEM	PART NO.	DESCRIPTION	QTY
		1 2 3 4 PowerDrive 2 chargers can be used with PowerDrive System 48 and IQ System vehicles.	
	<u>101802204</u>	Charger, Battery, PowerDrive 2, Domestic 120-V AC 48-V DC 60-Hz (model number 22110-11) (includes items 1 - 15) 103-inch DC cord with male 3-pin plug, 12-AWG 74-inch AC cord with male grounded plug	1
	<u>101802205</u>	Charger, Battery, PowerDrive 2 120-V AC 48-V DC 60-Hz (model number 22110-18) (includes items 1 - 15) 144-inch DC cord with male 3-pin plug, 12-AWG 108-inch AC cord with male grounded plug	1
	<u>101802206</u>	Charger, Battery, PowerDrive 2 120-V AC 48-V DC 60-Hz (model number 22110-19) (includes items 1 - 15) 240-inch DC cord with male 3-pin plug, 12-AWG 108-inch AC cord with male grounded plug	1
1	<u>102273201</u>	Assembly, Case (includes item 2)	1
2	7577	Screw, Pan-Head, Self-Tapping, #10-16 x 1/2	12
3	<u>102273301</u>	Assembly, Transformer (includes rivets)	1
4	<u>102273401</u>	Plate, Heatsink	1
5	<u>102273501</u>	Assembly, Diode with Heatsink Film (includes mounting hardware)	1
6	<u>102273601</u>	Kit, Wire Assembly (not shown)	1
7	<u>101828904</u>	Cordset, DC, 113-Inch Long with Male 3-Pin Plug, 12-AWG	1
7	<u>101828905</u>	Cordset, DC, 154-Inch Long with Male 3-Pin Plug, 12-AWG	1
7	<u>101828906</u>	Cordset, DC, 250-Inch Long with Male 3-Pin Plug, 12-AWG	1
8	<u>102273701</u>	Assembly, Fuse, 30-Amp (includes terminal hardware)	1
9	<u>102273801</u>	Ammeter (includes mounting hardware)	1
10	<u>102273901</u>	Bushing, Strain Relief, AC Cord	1
11	<u>1012098</u>	Bushing, Strain Relief, DC Cord, 12-AWG	1
12	<u>CCX8506</u>	Breaker, Circuit, 15-Amp, 120-V AC	1
13	<u>101828801</u>	Cordset, AC, 80-Inch Long	1
13	<u>101828802</u>	Cordset, AC, 116-Inch Long	1
14	<u>102274001</u>	Handle, PowerDrive 2 Charger (with four screws)	1
15	<u>101828601</u>	Relay, Power, 48-V DC	1

15

E



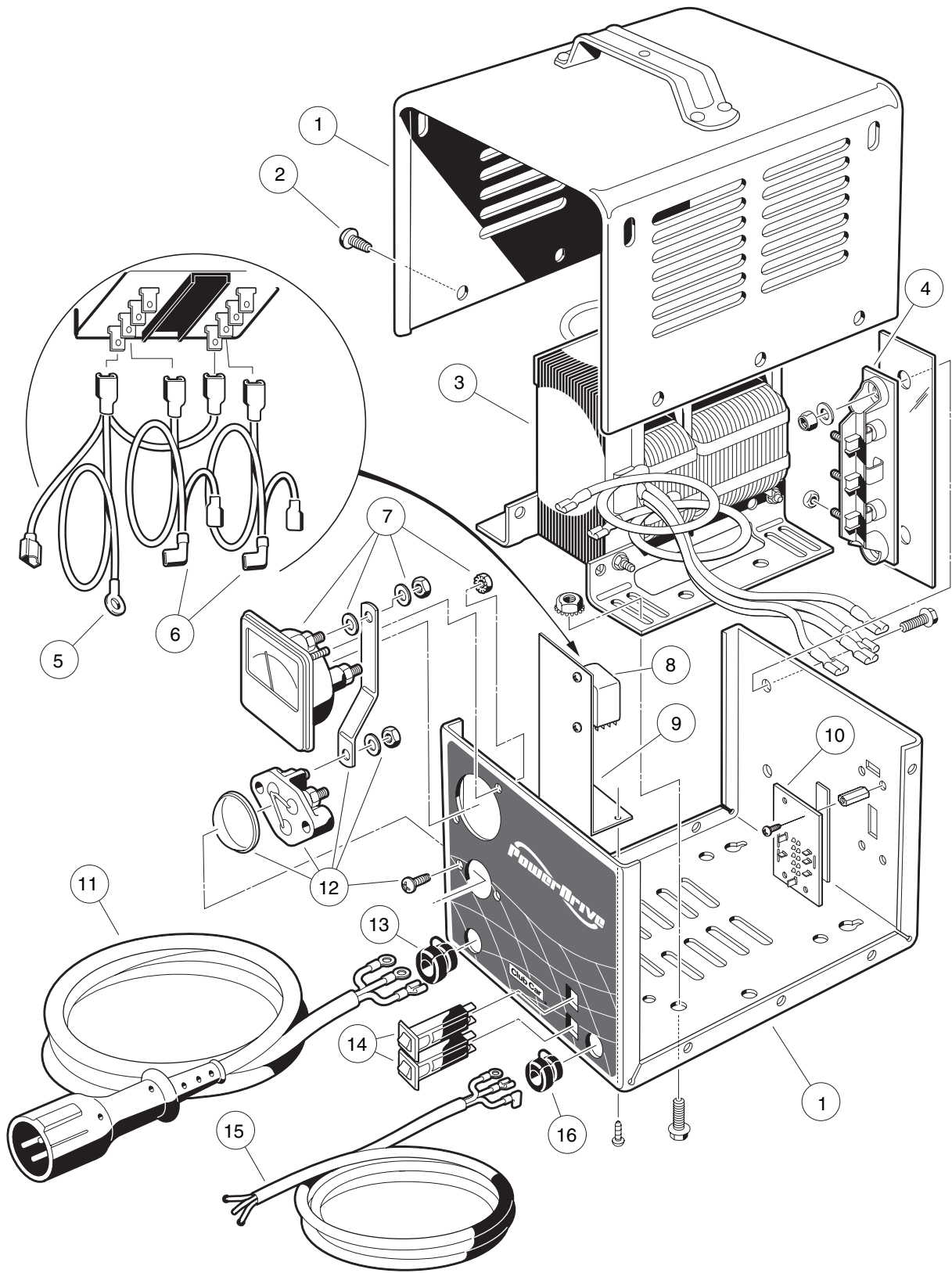
000184-001

GE POWERDRIVE BATTERY CHARGER, DOMESTIC

ITEM	PART NO.	DESCRIPTION	QTY
		1 2 3 4	
1	102496401	Charger, 120VAC/48VDC 103/74in	1
2	102496402	Charger, 120VAC/48VDC 144/108in	1
3	102496403	Charger, 120VAC/48VDC 240/108in (includes items 4 through 23)	1
4	102814201	Handle, PowerDrive Charger	1
5	102814301	Transformer	1
6	102814401	Cover, Base	1
7	102814501	Cover, Top	1
8	102814601	Plate, Heatsink	1
9	102814701	Cordset, AC, 80-Inch Long	1
10	102814702	Cordset, AC, 108-Inch Long	1
11	102814801	Cordset, DC, 113-Inch Long	1
12	102814802	Cordset, DC, 154-Inch Long	1
13	102814803	Cordset, DC, 250-Inch Long	1
14	102814901	Breaker, Circuit, 15-Amp	1
15	102815001	Rectifier	1
16	102815101	Relay, 48-VDC	1
17	102815201	Ammeter	1
18	102815301	Bushing, Strain Relief	1
19	102815401	Bushing, Strain Relief	1
20	102815501	Fuse, 25-Amp, Type ABC	1
21	102815601	Wire Assembly, Voltage Suppressor	1
22	102815701	Holder, Fuse	1
23	7577	Screw, #10 X .50 Phil Pan Head	12

15

E

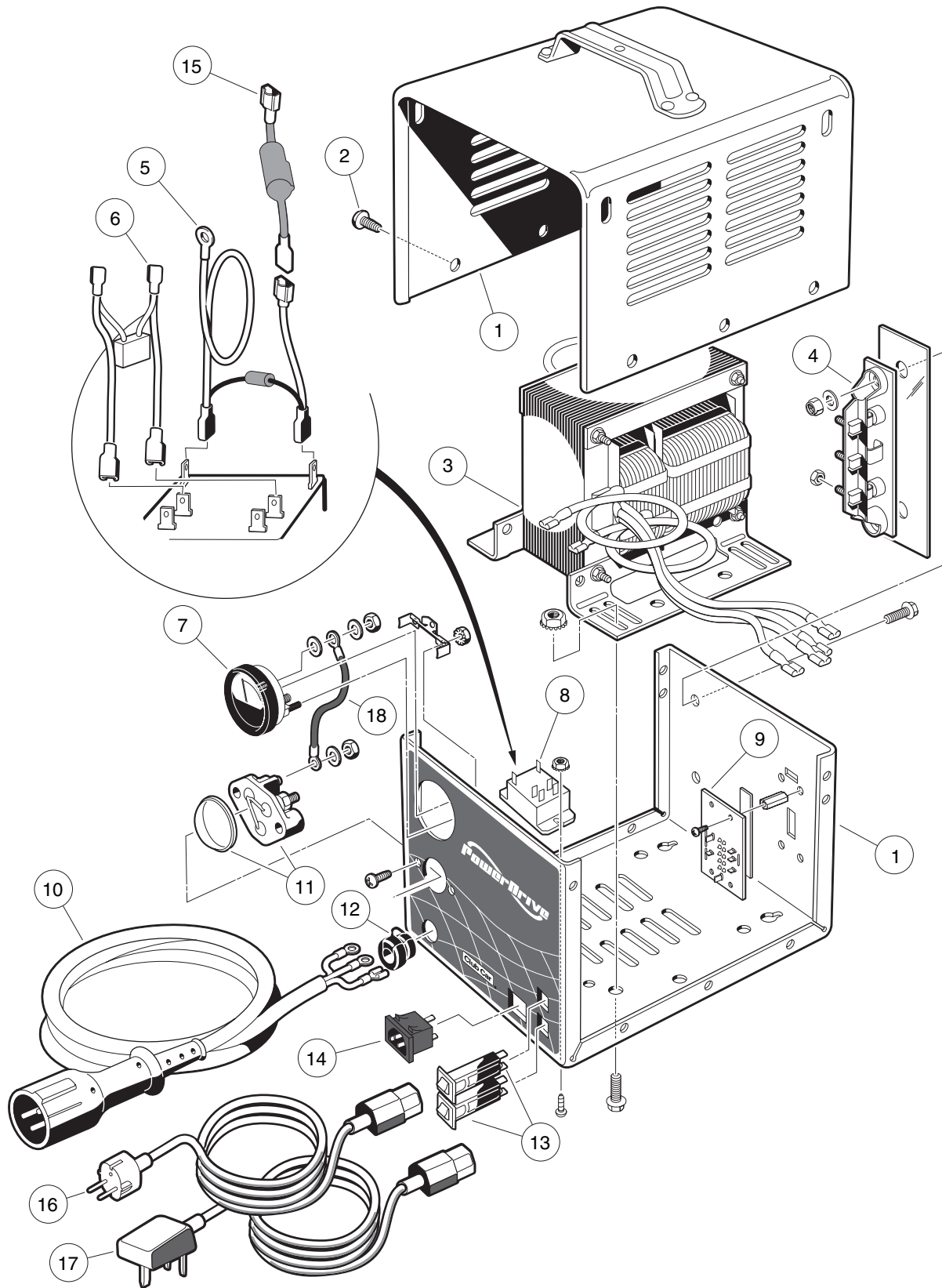


POWERDRIVE BATTERY CHARGER, EXPORT

ITEM	PART NO.	DESCRIPTION	QTY
		1 2 3 4 PowerDrive chargers can be used with PowerDrive System 48 and IQ System vehicles.	
	101831503	Charger, Battery, PowerDrive, Export with 4-Position Switch 100 - 200 - 220 - 240 V AC, 48-V DC 50/60-Hz (model number 18780-11) (includes items 1 - 16) 103-inch DC cord with male 3-pin plug, 12-AWG 74-inch AC cord with no plug	1
	101831504	Charger, Battery, PowerDrive Export with 4-Position Switch 100 - 200 - 220 - 240 V AC, 48-V DC 50/60-Hz (model number 18780-18) (includes items 1 - 16) 144-inch DC cord with male 3-pin plug, 12-AWG 108-inch AC cord with no plug	1
1	N/A	Assembly, Case	1
2	7577	Screw, Pan-Head, Self-Tapping, #10-16 x 1/2	10
3	101838201	Assembly, Transformer	1
4	<u>1015914</u>	Assembly, Heatsink, with Diodes (includes mounting hardware)	1
5	101914401	Assembly, Voltage Suppressor	1
6	101838501	Kit, Wire Assembly	1
7	<u>101828501</u>	Ammeter (includes hardware)	1
8	<u>101838301</u>	Relay, Power, 48-V DC (includes mounting hardware)	1
9	<u>101838701</u>	Bracket, Power Relay Mounting	1
10	101838601	Switch, 4-Position Slide	1
11	<u>101828901</u>	Cordset, DC, 113-Inch Long with Male 3-Pin Plug, 12-AWG	1
11	<u>101828902</u>	Cordset, DC, 154-Inch Long with Male 3-Pin Plug, 12-AWG	1
11	<u>101828903</u>	Cordset, DC, 250-Inch Long with Male 3-Pin Plug, 12-AWG	1
12	<u>1012101</u>	Assembly, Fuse (includes hardware)	1
13	<u>1012098</u>	Bushing, Strain Relief, DC Cord, 12-AWG	1
14	101838401	Breaker, Circuit, 10-Amp	2
15	<u>101831701</u>	Cordset, AC, 80-Inch Long with Leads (no plug)	1
15	<u>101831702</u>	Cordset, AC, 116-Inch Long with Leads (no plug)	1
16	<u>1015917</u>	Bushing, Strain Relief, AC Cord	1

15

E



POWERDRIVE BATTERY CHARGER, EUROPEAN

15

E

ITEM	PART NO.	DESCRIPTION	QTY
		<p style="margin: 0;">1 2 3 4</p> <p style="margin: 0;">PowerDrive chargers can be used with PowerDrive System 48 and IQ System vehicles.</p>	
	<u>101956201</u>	<p style="margin: 0;">Charger, Battery, PowerDrive, European with 4-Position Switch 100 - 200 - 220 - 240 V AC, 48-V DC 50/60-Hz (model number 20300) (includes items 1 - 15) 103-inch (261 cm) DC cord with male 3-pin plug, 12-AWG</p>	1
	<u>101956202</u>	<p style="margin: 0;">Charger, Battery, PowerDrive European with 4-Position Switch 100 - 200 - 220 - 240 V AC, 48-V DC 50/60-Hz (model number 20310) (includes items 1 - 15) 144-inch (366 cm) DC cord with male 3-pin plug, 12-AWG</p>	1
1	N/A	Assembly, Case	1
2	7577	Screw, Pan-Head, Self-Tapping, #10-16 x 1/2	10
3	****	Assembly, Transformer	1
4	<u>1015914</u>	Assembly, Heatsink, with Diodes (includes mounting hardware)	1
5	****	Assembly, AC Voltage Suppressor	1
6	****	Kit, Wire Assembly	1
7	101976601	Ammeter (includes hardware)	1
8	<u>101987501</u>	Relay, Power, 48-V DC (includes mounting hardware)	1
9	101838601	Switch, 4-Position Slide	1
10	<u>101828901</u>	Cordset, DC, 103-Inch (261 cm) Long with Male 3-Pin Plug, 12-AWG	1
10	<u>101828902</u>	Cordset, DC, 144-Inch (366 cm) Long with Male 3-Pin Plug, 12-AWG	1
10	<u>101828903</u>	Cordset, DC, 250-Inch (635 cm) Long with Male 3-Pin Plug, 12-AWG	1
11	<u>1012101</u>	Assembly, Fuse (includes hardware)	1
12	<u>1012098</u>	Bushing, Strain Relief, DC Cord, 12-AWG	1
13	101838401	Breaker, Circuit, 10-Amp	2
14	101973501	Receptacle, AC Cord	1
15	****	Assembly, Current Limiter	1
16	101958301	Cordset, AC, Continental Europe, 96-Inch (244 cm) Long (with male 2-pin plug)	1
17	<u>101958201</u>	Cordset, AC, U.K., 96-Inch (244 cm) Long (with male 3-pin plug)	1
18	N/A	Wire, Jumper.....	1
	****	Special order item available on request	

15

E

MAINTENANCE AND SERVICE TOOLS

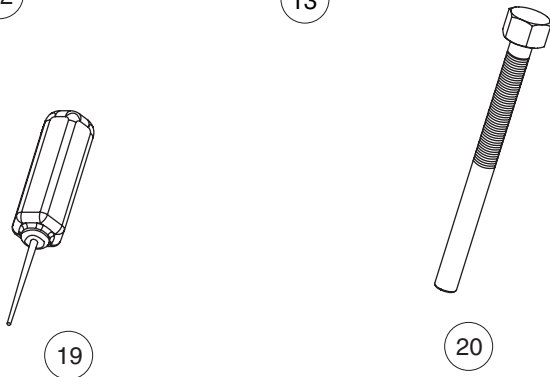
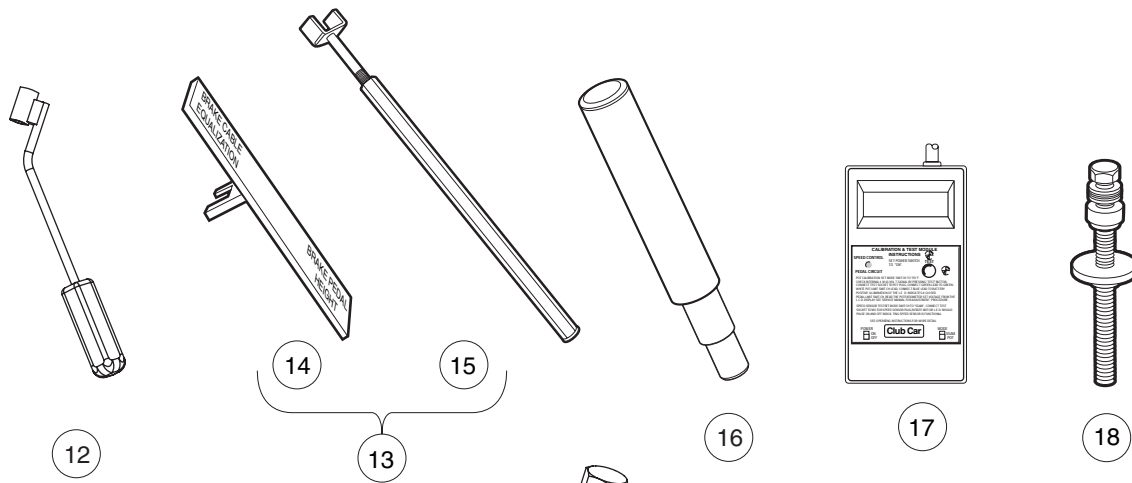
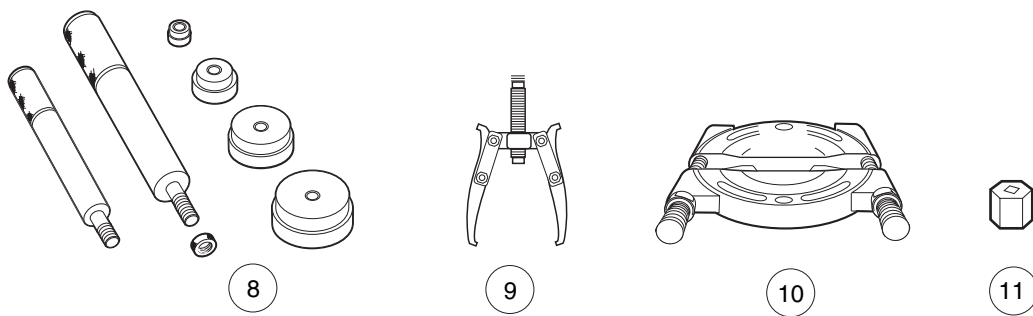
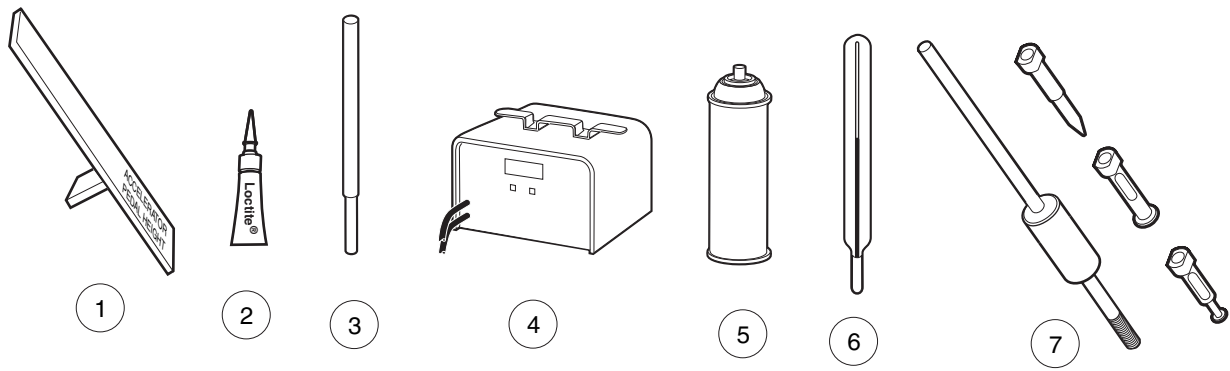
16

G

E

D

16
G
E
D



MAINTENANCE AND SERVICE TOOLS

ITEM	PART NO.	DESCRIPTION	QTY DIESEL	QTY GAS	QTY ELEC
		<p style="text-align: center;">1 2 3 4</p> <p>The following tool list includes all tools available from Club Car for maintenance and service procedures for gasoline, electric, and/or diesel vehicles, both past and present models. Be sure to carefully examine the tool list for applicability to your vehicle before ordering.</p>			
1	<u>101871001</u>	Accelerator Pedal Adjustment Tool		1	1
2	<u>101813202</u>	Adhesive, Guide Ring, 3-Gram Tube			1
3	<u>101641202</u>	Arbor		1	
4	<u>101831901</u>	Battery Discharge Machine, 36/48 Volt			1
5	<u>1014305</u>	Battery Terminal Protector Spray	1	1	1
6	<u>1011767</u>	Battery Thermometer	1	1	1
7	<u>1016417</u>	Bearing and Oil Seal Remover Assembly	1	1	1
8	<u>1016416</u>	Bearing Driver Set	1	1	1
9	<u>1012811</u>	Bearing Puller	1	1	1
10	<u>1012812</u>	Bearing Puller Wedge Attachment	1	1	1
11	<u>1013582</u>	Brake Adjustment Tool (used only on vehicles with manually adjusted mechanical brakes)		1	1
12	<u>102555501</u>	Brake Cable Release Tool	1	1	1
13	<u>102249901</u>	Brake Pedal Adjustment Tool Kit (used for the Carryall Electric Industrial Truck only) (includes items 14 and 15).....			1
14	****	Brake Pedal Adjustment Tool			1
15	****	Brake Pedal Tension Tool			1
16	<u>102669601</u>	Connecting Rod Small End Bushing Tool (for Kubota D722 Diesel Engines)	1		
17	<u>101887101</u>	Calibration Test Module			1
18	<u>101808401</u>	Cam Installation Tool		1	
19	<u>102562401</u>	Charger Bezel Tool			1
20	<u>102686101</u>	Clutch Removal Tool (for XRT 1500, Carryall 294, and Bobcat 2200 Vehicles)	1	1	
		<p>Please refer to the maintenance and service manual for proper tool application.</p> <p>**** Special order item available upon request</p>			

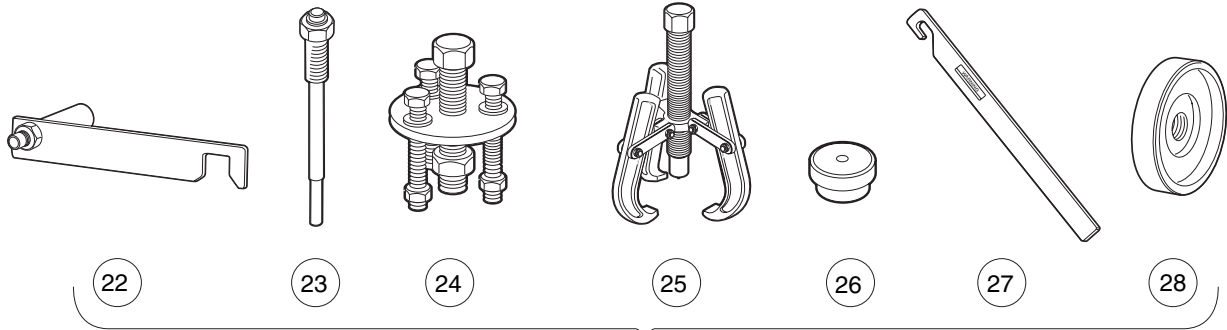
16

G

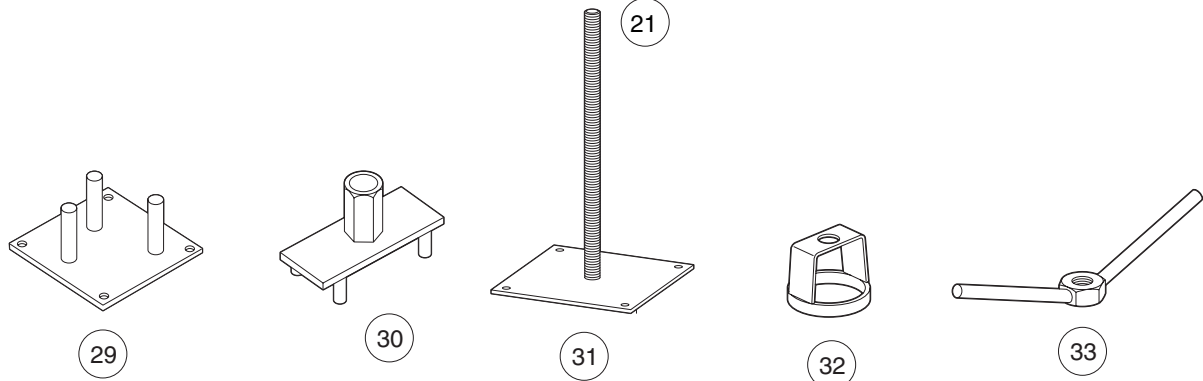
E

D

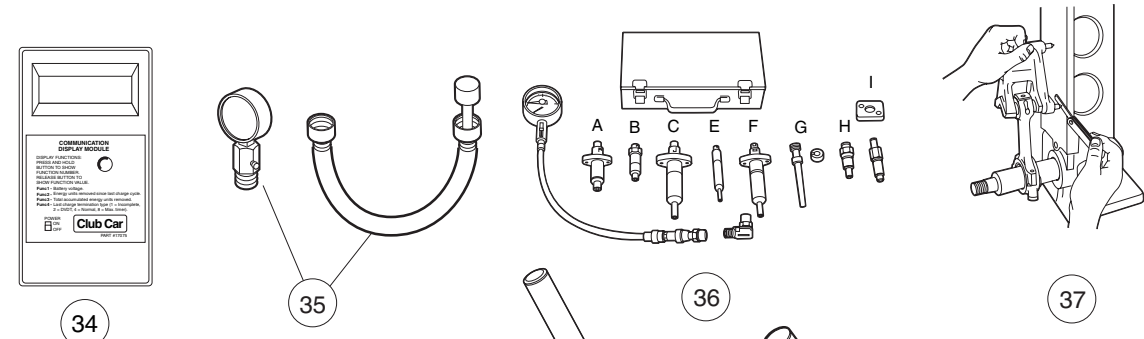
16
G
E
D



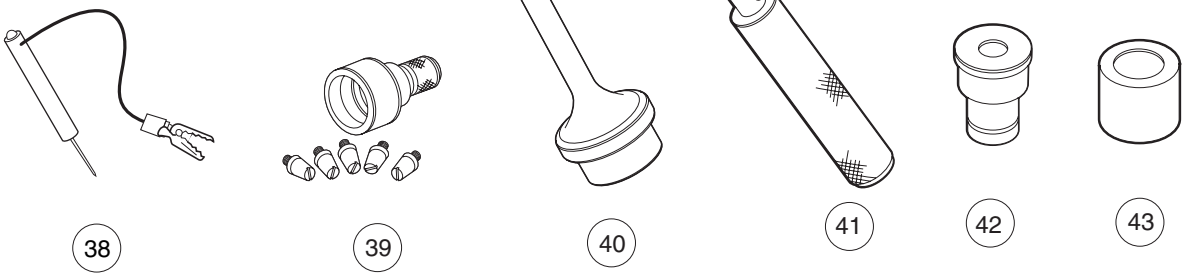
(22) (23) (24) (25) (26) (27) (28)



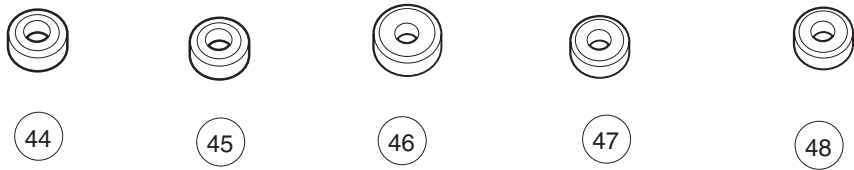
(29) (30) (31) (32) (33)



(34) (35) (36) (37)



(38) (39) (40) (41) (42) (43)

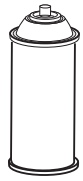


(44) (45) (46) (47) (48)

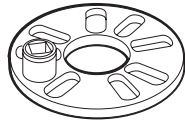
MAINTENANCE AND SERVICE TOOLS, CONTINUED

ITEM	PART NO.	DESCRIPTION	QTY	QTY	QTY	16
			DIESEL	GAS	ELEC	
		1 2 3 4				
21	<u>1014510</u>	Clutch Tool Kit (includes items 22 - 28)		1		G E D
22	<u>1014498</u>	Clutch Alignment Tool (for pre-unitized transaxle vehicles built prior to 1997 model year)		1		
23	<u>1014496</u>	Drive Clutch Puller (for Kawasaki engines only)		1		
24	<u>1014497</u>	Drive Clutch Hub Puller (for Kawasaki engines only)		1		
25	<u>1014508</u>	Driven Clutch Cam Puller (for Kawasaki engines only)		1		
26	<u>1014507</u>	Driven Clutch Puller Plug (for Kawasaki engines only)		1		
27	<u>1015524</u>	Drive Clutch Holder Tool Assembly (for Kawasaki engines only)		1		
28	<u>101809101</u>	Press Weldment (for Kawasaki engines only)		1		
29	<u>102601501</u>	Clutch, Drive, Fixed Sheave Tool (for XRT 1500, Carryall 294, and Bobcat 2200 Vehicles)	1	1		
30	<u>102607501</u>	Clutch, Drive, Spider Removal Tool (for XRT 1500, Carryall 294, and Bobcat 2200 Vehicles)	1	1		
31	<u>102603501</u>	Clutch, Driven, Spring Compression Base (for use with items 32 and 33) (for XRT 1500, Carryall 294, and Bobcat 2200 Vehicles) ...	1	1		
32	<u>102605201</u>	Clutch, Driven, Spring Compression Collar (for use with items 31 and 33) (for XRT 1500, Carryall 294, and Bobcat 2200 Vehicles) ...	1	1		
33	<u>102606101</u>	Clutch, Driven, Spring Compression Nut (for use with items 31 and 32) (for XRT 1500, Carryall 294, and Bobcat 2200 Vehicles) ...	1	1		
34	101831801	Communication Display Module			1	
35	101641002	Compression Gauge and Adapter		1		
36	<u>102669001</u>	Compression Tester (for Kubota D722 Diesel Engines).....	1			
37	102669201	Connecting Rod Alignment Tool (for Kubota D722 Diesel Engines)	1			
38	1011273	Continuity Tester		1	1	
39	102668901	Crank Sleeve Setter (for Kubota D722 Diesel Engines)	1			
40	102669501	Crankshaft Bearing Replacement Tool (for Kubota D722 Diesel Engines)	1			
41	102674001	Crankshaft Main Bearing Driver (for use with items 42 and 43) (for Honda GX620 Gasoline Engines)		1		
42	102674101	Crankshaft Main Bearing Driver Attachment (for use with Honda GX620 Gasoline Engines)		1		
43	102674201	Crankshaft Main Bearing Pilot Attachment (for Honda GX620 Gasoline Engines)		1		
44	102675201	Cutter, Valve Seat Exhaust, 32 Degree (requires item 59) (for Honda GX620 Gasoline Engines)		1		
45	102675301	Cutter, Valve Seat Intake, 32 Degree (requires item 59) (for Honda GX620 Gasoline Engines)		1		
46	102675401	Cutter, Valve Seat, 60 Degree (requires item 59) (for Honda GX620 Gasoline Engines)		1		
47	102675001	Cutter, Valve Seat, Exhaust, 45 Degree (requires item 59) (for Honda GX620 Gasoline Engines)		1		
48	102675101	Cutter, Valve Seat, Intake, 45 Degree (requires item 59) (for Honda GX620 Gasoline Engines)		1		
		Please refer to the maintenance and service manual for proper tool application.				

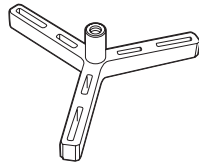
**16
G
E
D**



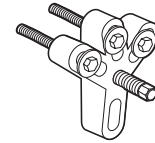
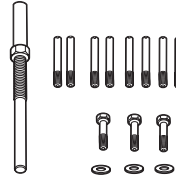
49



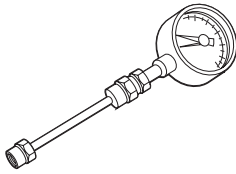
50



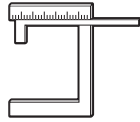
51



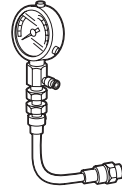
52



53



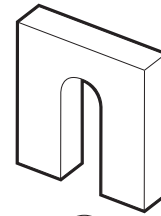
54



55



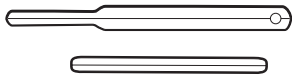
56



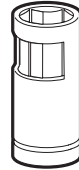
57



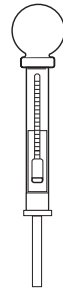
58



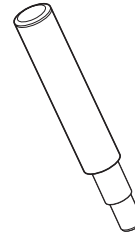
59



60



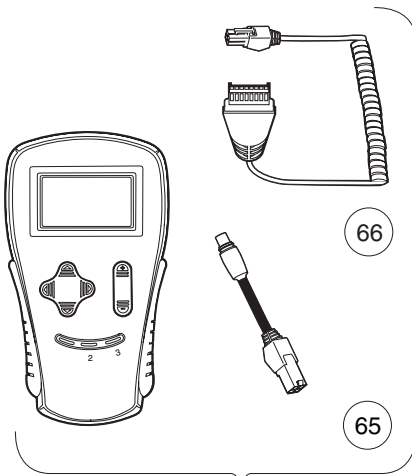
61



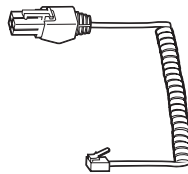
62



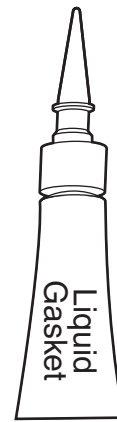
63



64



67



68

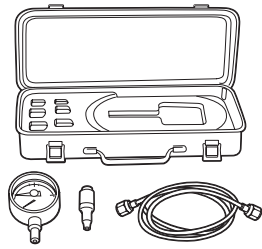


69

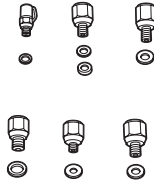
MAINTENANCE AND SERVICE TOOLS, CONTINUED

ITEM	PART NO.	DESCRIPTION	QTY	QTY	QTY	16
			DIESEL	GAS	ELEC	
		1 2 3 4				G E D
49	<u>1012151</u>	Dry Moly Lubricant	1	1	1	
50	102674501	Flywheel Clutch Holder (for Honda GX620 Gasoline Engines)		1		
51	102668601	Flywheel Puller (for Kubota D722 Diesel Engines)	1			
52	<u>1016627</u>	Flywheel Puller Kit (for Kawasaki Engines)		1		
53	102669801	Fuel Injection Pump Pressure Tester (for Kubota D722 Diesel Engines)	1			
54	<u>102669901</u>	Gauge, Carburetor Float Level (for Honda GX620 Gasoline Engines)		1		
55	102674701	Gauge, Oil Pressure (for Honda GX620 Gasoline Engines)		1		
56	102670001	Gauge, Oil Pressure, Attachment (for Honda GX620 Engines)		1		
57	<u>1016418</u>	Gear Yoke	1	1	1	
58	<u>101933101</u>	Governor Shaft Installation Tool (for Kawasaki Engine Vehicles) ...		1		
59	102674901	Holder, Valve Seat Cutter (for use with items 44 through 48) (for Honda GX620 Gasoline Engines)		1		
60	102169401	Hydraulic Brake Adjuster (for gasoline vehicles equipped with hydraulic brakes, except XRT 1500, Carryall 294, and Bobcat 2200)		1		
61	<u>1011478</u>	Hydrometer	1	1	1	
62	102669701	Idle Gear Bushing Replacement Tool (for Kubota D722 Diesel Engines)	1			
63	<u>1013593</u>	Internal Retaining Ring Pliers	1	1	1	
64	<u>102248803</u>	IQ Display Module (IQDM) Kit (for IQ System vehicles only)			1	
		(includes items 65 and 66)				
65	<u>102251501</u>	Adaptor, Cable			1	
66	<u>102241502</u>	IQDM Series 2 Cable			1	
67	<u>102241501</u>	IQDM Series 1 Cable (replacement)			1	
68	<u>101928701</u>	Liquid Gasket (transaxle case)	1	1	1	
69	<u>102243402</u>	Moly-Teflon Lubricant (4-oz. (113-gram) tube)			1	
Please refer to the maintenance and service manual for proper tool application.						

**16
G
E
D**



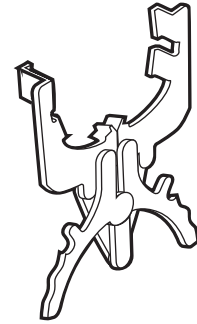
70



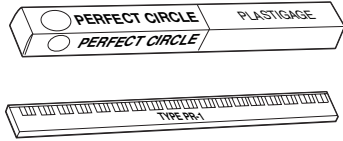
71



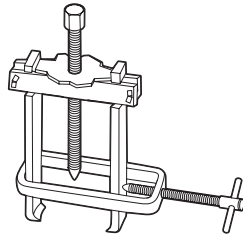
72



73



74



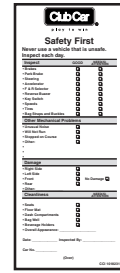
75



76



77



78



79



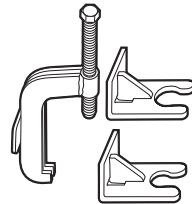
80



81



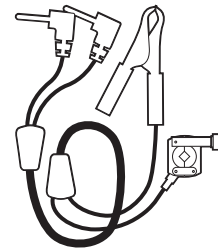
82



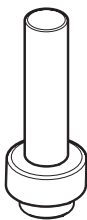
83



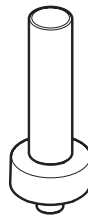
84



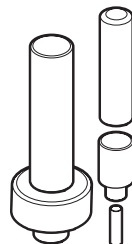
85



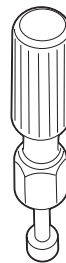
86



87



88



90



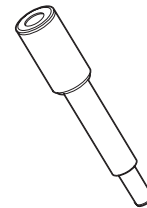
91



92



93



94

MAINTENANCE AND SERVICE TOOLS, CONTINUED

ITEM	PART NO.	DESCRIPTION	QTY DIESEL	QTY GAS	QTY ELEC
		1 2 3 4			
70	102669101	Oil Pressure Tester (for Kubota D722 Diesel Engines)	1		
71	<u>101997201</u>	Paint, Touch-Up – Beige*		1	1
71	<u>101997207</u>	Paint, Touch-Up – Black*		1	1
71	<u>101997212</u>	Paint, Touch-Up – Burgundy*		1	1
71	<u>101997211</u>	Paint, Touch-Up – Classic Blue (Navy)*		1	1
71	<u>101997205</u>	Paint, Touch-Up – Dark Gray*	1	1	1
71	<u>101997209</u>	Paint, Touch-Up – Dark Green*	1	1	1
71	<u>101997204</u>	Paint, Touch-Up – Gray*		1	1
71	<u>101997203</u>	Paint, Touch-Up – Red*	1	1	1
71	<u>101997206</u>	Paint, Touch-Up – Royal Blue (Pacific Blue)*		1	1
71	<u>101997202</u>	Paint, Touch-Up – White*	1	1	1
72	<u>1016414</u>	Piston Ring Compressor Kit (FE290, FE350 and FE400 engines) .		1	
73	<u>1016415</u>	Piston Ring Pliers (for Kawasaki Engines)		1	
74	102669301	Plastigage (for Kubota D722 Diesel Engines)	1		
75	<u>102668801</u>	Puller, Special Use (for Kubota D722 Diesel Engines)	1		
76	<u>1012549</u>	Retaining Ring Pliers, 45° External	1	1	1
77	<u>1012560</u>	Retaining Ring Pliers, 90° Internal	1	1	1
78	<u>101823101</u>	Safety First Card (50 per pack)	1	1	1
79	<u>1012809</u>	Seal Puller	1	1	1
80	<u>102330901</u>	Spanner Wrench (for coil over shock front suspension vehicles only)	1	1	
81	<u>1014264</u>	Steering Column Bearing Press Tool		1	1
82	<u>1014259</u>	Steering Column Retaining Ring Tool		1	1
83	102061201	Steering Wheel Puller Tool	1	1	1
84	<u>AM10753</u>	Tachometer (includes gasoline engine pick up lead only)	1	1	
85	<u>AM10771</u>	Tachometer Diesel Probe (for use with item 84)	1		
86	<u>1014162</u>	Transaxle Axle Seal Tool		1	
87	1014161	Transaxle Pinion Seal Tool		1	
88	<u>1014115</u>	Transmission Tool Kit		1	
89	<u>101611003</u>	Tune-Up Kit, All OHV (for Kawasaki Engines) (includes air filter, spark plug, oil filter, fuel filters) (not shown)		1	
90	<u>1016413</u>	Valve Clearance Adjuster Screw Holder (for FE290 engines only) .		1	
91	<u>102674601</u>	Valve Guide Driver (for Honda GX620 Gasoline Engines)		1	
92	101641201	Valve Guide Reamer (FE290, FE350, and FE400 only)		1	
93	<u>102674401</u>	Valve Guide Reamer, 6.6 mm (for Honda GX620 Gasoline Engines)		1	
94	102669401	Valve Guide Replacement Tool (for Kubota D722 Diesel Engines)	1		

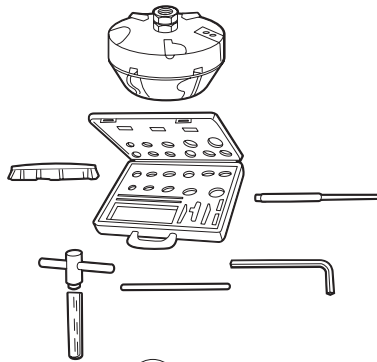
* Item 71 is not for use on vehicles with Surlyn® body material, which is used on Precedent vehicles.

16
G
E
D

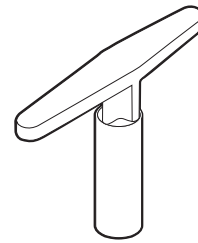
16
G
E
D



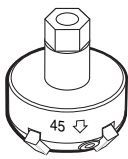
95



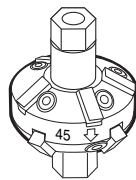
96



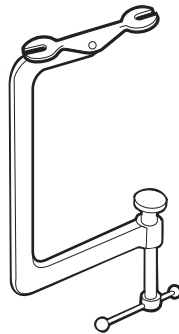
97



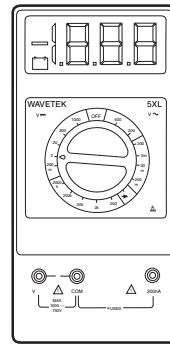
98



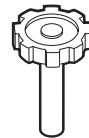
99



100



101



102

MAINTENANCE AND SERVICE TOOLS, CONTINUED

ITEM	PART NO.	DESCRIPTION	QTY DIESEL	QTY GAS	QTY ELEC
		1 2 3 4			
95	<u>1016552</u>	Valve Seat Cutter Guide		1	
96	102668701	Valve Seat Cutter Set (for Kubota D722 Diesel Engines)	1		
97	<u>1016551</u>	Valve Seat Cutter T-Wrench		1	
98	<u>1016553</u>	Valve Seat Cutter, 45° (32 mm diameter) (for FE290 engines only)		1	
99	<u>1016554</u>	Valve Seat Cutter, 45°/30° (35 mm diameter)		1	
100	<u>101641101</u>	Valve Spring Compressor		1	
101	1011480	Volt Ohm Meter	1	1	1
102	102674801	Wrench, Valve Clearance Adjustment (for Honda GX620 Gasoline Engines)		1	

16

G

E

D

16

G

E

D

INDEX

Part Number and Page

AM10079	6-9, 12-3	7893	6-5, 6-7, 12-13	1011084	4-7
AM10080	11-5, 11-11	7973	1-3	1011229	6-9
AM10081	11-5, 11-11	8049	12-7, 12-15	1011273	16-5
AM10419	10-5	8056	12-9	1011290	13-3, 13-5
AM10724	7-5	8057	6-5, 6-7, 12-7, 12-9, 12-15	1011291	11-7, 11-13, 14-5
AM10753	16-9	8058	6-5, 6-7, 12-7, 12-9, 12-15	1011382	1-3
CCX8506	15-9, 15-11	8067	5-9	1011394	1-5
183	8-11, 10-3	8233	1-7, 1-9, 1-15, 4-7, 6-5, 8-3, 12-7, 12-15, 12-27	1011402	4-5
304	12-7	8248	1-7, 1-9, 6-5, 8-3, 12-27	1011411	13-3, 13-5, 13-7
324	1-15	8251	1-7, 1-9, 6-5	1011415	5-11
332	1-7, 1-9, 1-11, 1-15, 6-5, 8-11, 9-3, 12-11, 12-27	8418	1-13	1011418	4-5
334	4-7, 5-3, 5-5, 7-15	8449	12-9	1011466	4-3
357	5-9, 10-3	8450	10-3, 12-7, 12-15	1011478	16-7
451	9-3, 12-7, 12-9, 12-11, 12-15, 13-3, 13-5, 13-7, 13-9	8626	4-5	1011480	16-11
705	6-13, 7-15	8639	12-13, 12-31	1011558	12-19
706	5-9	8717	6-5, 6-7	1011578	12-13, 12-17, 12-29
808	10-3	8745	5-9	1011652	1-11
1016	12-13	8754	4-7, 5-3, 5-5, 5-7, 5-9, 5-11, 6-13	1011694	4-7
1017	12-9	8755	5-9	1011697	1-3, 5-3, 8-7, 8-9
1028	1-13, 4-5, 12-7, 12-9, 12-11, 12-15	8795	12-13	1011700	4-7
1032	4-5	8796	12-13	1011734	4-7
1035	4-3, 5-5, 5-7	8797	12-13	1011767	16-3
1218	12-19	8861	5-7	1011779	4-3, 4-5
1241	1-5, 1-13, 4-5, 4-7, 6-7, 6-13, 6-15, 12-19	8990	5-5, 12-3, 12-27	101187702	4-5, 4-7
1242	4-5, 6-7, 6-13, 12-19, 12-31	8755	5-11	1011930	5-5, 5-7
1308	5-7	1010124	5-7	1011931	12-11
1606	8-11, 12-13	1010145	5-11	1011988	8-3
1620	1-3	1010150	5-9	1011997	12-7
1624	4-7, 5-5, 5-7, 5-9	1010200	5-7	1012022	12-13
2402	5-7	1010219	5-7	1012030	5-9
4107	12-13	1010413	1-13	1012042	15-3, 15-5, 15-7
7048	5-9	1010434	1-3, 1-13	1012047	1-7, 1-9
7173	6-13, 6-15, 12-19	1010435	1-5	1012098	15-3, 15-5, 15-7, 15-9, 15-11, 15-15, 15-17
7174	5-3, 6-13, 8-9, 9-3, 12-13, 12-19, 12-31, 13-3, 13-5, 13-7, 13-9	1010521	12-13	1012101	15-3, 15-5, 15-7, 15-9, 15-15, 15-17
7251	1-5	1010543	1-11	1012151	16-7
7310	2-3	1010577	7-15	1012159	1-9
7330	11-7, 11-13, 14-3, 14-5	1010805	4-5	1012180	5-11
7335	11-5, 11-11, 14-3, 14-5	1010829	4-3	1012181	5-11
7336	14-3, 14-5	1010850	4-3	1012182	5-11
7473	1-3, 1-5, 1-13, 4-5, 4-7, 6-7, 6-13, 6-15, 12-9	1010877	4-5	1012285	6-5, 8-9, 12-11, 12-13, 12-19, 12-27, 12-31
7479	1-9, 1-13	1010878	4-5	1012295	6-7
7539	5-7	101090801	12-13, 12-17, 12-29	1012303	5-9, 5-11
7540	5-5, 5-7	1010921	1-13, 4-5	1012304	5-11
7555	5-5, 5-7	1010927	4-5	1012324	5-11
7569	5-11	1010932	4-5	1012328	6-15
7577	15-3, 15-5, 15-7, 15-9, 15-11, 15-13, 15-15, 15-17	1010933	4-5	1012333	6-5
7602	5-5, 5-7	1010934	6-15, 13-3, 13-5, 13-7, 13-9	1012353	12-9
7716	4-5, 4-7	1010954	6-5, 6-7, 11-3, 11-9	1012382	6-3
7818	1-13, 6-7	1010958	12-5, 12-13	1012412	1-7, 1-9
7847	1-3, 1-7, 9-3	1010974	5-11	1012431	6-5, 6-7
		1010984	2-3, 5-9	1012467	5-5
		1011010	12-5	1012505	6-9, 12-3
		1011014	1-5	1012528	9-3, 12-19, 12-31
		1011017	1-5	1012549	16-9
		1011019	1-3		
		1011069	12-5		

INDEX

1012560	16-9	1013692	8-3	1014033	12-5
1012565	5-3	1013700	8-9	1014034	12-5
1012566	5-3	1013734	9-3, 12-31	1014035	12-5
1012571	7-15	1013746	8-3, 8-7	1014036	12-5
1012594	6-5	1013754	1-13	1014039	12-5
1012604	5-3	1013756	14-5	1014045	12-11
1012605	5-3	1013757	14-5	1014049	10-3
1012649	8-3	1013758	14-5	1014050	10-3
1012651	12-5	1013759	11-3, 11-9, 14-5	1014051	10-3
1012710	14-5	1013763	14-5	1014052	10-3
1012711	11-3, 11-9, 14-5	1013764	14-5	1014055	10-3
1012714	11-5, 11-11	1013765	14-5	1014056	10-3
1012740	11-5, 11-11	1013766	14-5	1014057	10-3
1012741	11-5, 11-11	1013767	14-5	1014058	10-3
1012747	11-5, 11-11	1013768	11-7, 11-13, 14-5	1014059	10-3
1012748	11-5, 11-11	1013769	11-7, 11-13, 14-5	1014062	10-3
1012752	11-3, 11-9	1013770	11-7, 11-13, 14-5	1014065	6-5, 6-7
1012809	16-9	1013771	11-7, 11-13, 14-5	1014070	10-5
1012811	16-3	1013772	11-7, 11-13, 14-5	1014072	10-5
1012812	16-3	1013773	11-7, 11-13, 14-5	1014078	10-5
1012830	6-13, 9-3	1013774	11-7, 11-13, 14-5	1014080	10-5
1012903	12-9	1013775	14-5	1014089	6-5
1012981	7-5	1013779	14-5	1014109	12-9
1012987	6-5, 12-7, 12-15	1013780	14-5	1014115	16-9
1013001	6-11	1013781	14-5	1014116	8-3
1013003	6-11	1013782	14-5	1014119	6-3
1013005	6-11	1013785	14-5	1014125	5-3
101301102	6-11	1013786	14-5	1014126	5-3
1013032	1-7, 1-9	1013787	11-7, 11-13, 14-5	1014145	6-5, 6-7
1013035	5-5	1013790	11-7, 11-13, 14-5	1014153	4-3
1013042	5-5	1013791	11-7, 11-13, 14-5	1014161	16-9
1013044	5-5	1013792	14-5	1014162	16-9
1013051	5-5	1013794	11-7, 11-13, 14-3, 14-5	1014189	12-9
1013052	5-5	1013860	12-9	1014193	11-7, 11-13, 14-5
1013061	12-9, 12-17, 12-29	1013861	5-3	1014198	1-5, 3-3, 3-5
1013092	12-5, 12-13	1013869	4-5	1014201	13-3, 13-5, 13-7, 13-9
1013164	5-11	1013870	4-5	1014207	11-7, 11-13, 14-5
1013207	4-3, 5-11	1013871	4-7	1014213	5-3
1013266	12-13	1013876	4-5	1014214	5-3
1013343	1-3	1013886	12-9	1014216	5-3
1013344	1-3	1013887	12-9	1014217	5-3
101342501	12-13	1013924	4-3, 7-15	1014235	5-7
101347501	1-5	1013935	1-13	1014253	12-9
1013494	1-3	1013971	12-11	1014259	16-9
1013496	3-5	1013998	12-9	1014264	16-9
1013531	4-5	1014000	12-9	1014276	5-9
1013582	16-3	1014003	12-9	1014287	10-3
1013587	6-5	1014007	4-7	1014288	5-3, 6-15, 12-19, 12-31
1013589	6-5, 6-7	1014010	12-9	1014289	6-11
1013590	6-5	1014012	12-11	1014304	12-13, 12-17, 12-29
1013591	6-5	1014013	12-11	1014305	16-3
1013593	16-7	1014014	12-11	1014306	1-7, 1-9
1013609	6-7	1014017	12-9	1014374	6-15
1013628	12-13	1014019	12-9	1014375	6-15
1013649	12-13	1014029	12-5	1014414	12-9
1013683	12-13, 12-17, 12-29	1014030	12-5	1014453	10-3
1013687	8-3	1014032	12-5	1014454	10-5

INDEX

1014476	12-11	1015720	6-9	1016379	1-3
1014482	1-13	1015737	6-3, 6-7	1016384	5-9
1014496	16-5	1015741	6-7	1016385	5-7
1014497	16-5	1015752	6-7, 8-11, 12-21	1016386	5-9
1014498	16-5	1015769	6-3	1016387	5-9
1014507	16-5	1015777	6-7	1016389	5-9
1014508	16-5	1015814	9-3	101641002	16-5
1014510	16-5	101584502	8-9	101641101	16-11
1014516	12-13	1015878	6-7	101641201	16-9
1014523	8-3	1015905	15-3, 15-5, 15-7	101641202	16-3
1014524	8-3	1015906	15-3, 15-5, 15-7	1016413	16-9
1014528	12-7, 12-15	1015907	15-3	1016414	16-9
1014555	5-11	1015910	15-3, 15-5	1016415	16-9
1014645	1-3	1015911	15-3, 15-5, 15-7	1016416	16-3
1014696	15-5	1015912	15-3	1016417	16-3
1014727	6-5	1015913	15-3, 15-5, 15-7	1016418	16-7
1014728	12-11	1015914	15-3, 15-5, 15-7, 15-9, 15-15, 15-17	101642572	8-5
1014729	12-11	101591601	15-3	101642575	8-5
1014735	12-9	101591602	15-3	101642578	8-5
1014771	2-3	1015917	15-3, 15-5, 15-7, 15-9, 15-15	101642580	8-5
1014807	6-5, 6-7, 12-9	1015920	6-3, 6-13	101642582	8-5
1014808	6-7, 12-7, 12-15	1015932	6-13	1016429	7-7
1014828	12-5	1015936	15-5	1016430	7-9
1014871	12-15	1015939	15-7	1016431	7-9
1014928	8-3	1015969	7-3	1016432	7-7, 11-3, 11-9
1014947	12-19, 12-23, 12-31	1016003	8-3	101643301	15-3, 15-5, 15-7
1014948	12-13, 12-19	1016068	12-5	101643302	15-3, 15-5, 15-7
1014999	12-9	1016069	12-5	101643303	15-3, 15-5, 15-7
1015032	1-3, 1-5, 1-7, 1-9	1016070	12-5	101643401	15-5
1015064	6-5, 12-7, 12-15	1016074	6-13	1016435	7-7
1015072	12-13, 12-17, 12-29	101610901	3-5, 12-9	1016436	7-9
1015075	1-13, 9-3	101611003	16-9	1016437	8-5
1015137	8-3, 8-7	1016140	12-9	1016438	8-7
1015139	8-3	1016154	5-3	1016439	8-7
1015143	8-3	1016156	5-3	1016440	8-7
1015188	8-3	1016175	12-9	1016441	8-7
101524001	6-13	1016181	5-3	1016442	7-9
1015330	9-3	1016183	5-3	1016443	7-3
1015332	6-3, 7-3	1016201	6-5	1016444	8-7
1015345	6-7	1016203	10-3, 10-5	1016445	7-5
1015371	6-7	1016214	5-3	1016446	7-11
1015372	6-7	101621601	3-3, 3-5	1016447	7-9
1015373	6-7	1016219	5-3	1016448	7-9
1015405	6-7	1016263	5-3	1016449	7-9
1015426	8-11	1016269	5-3	1016450	7-9
101547601	3-3	1016282	15-7	1016451	7-9
1015524	16-5	1016289	10-3	1016452	7-9
1015525	1-7, 1-9	1016336	15-7	1016453	7-11
1015545	5-3	1016337	11-5, 11-11	1016454	7-11
1015583	5-9, 5-11	1016338	11-5, 11-11	1016455	7-5
1015597	5-5, 5-7, 5-9	1016341	11-3, 11-9	1016456	7-3, 7-5, 7-11
1015649	7-3	1016342	6-5	1016457	7-7
101570501	2-3	1016346	5-7	1016458	7-9, 7-11
101570507	2-3	1016349	5-7	101645901	7-13
101570509	2-3	1016350	5-7	101645902	7-13
101570513	2-3	1016353	5-7	101645903	7-13
1015707	2-3			1016460	7-13

INDEX

101646101	7-13	1016542	7-9	1016849	6-9, 12-3
101646102	7-13	1016544	7-5, 7-9, 7-11	1016851	6-9, 12-3
101646103	7-13	1016545	7-9, 12-19	1016859	6-9, 12-3
101646201	15-7	1016546	8-9	1016868	1-5
101646401	15-3	1016547	7-3, 7-13, 8-7	1016875	1-3
1016467	7-7	1016548	7-5	1016876	1-3
1016469	7-13	1016549	7-9	1016883	6-13
1016470	7-13	101655001	7-13	1016896	12-7
1016471	7-9	101655002	7-13	1016916	1-11
1016472	7-11	101655003	7-13	101692501	1-5
1016473	7-7	101655004	7-13	101692502	1-5
1016474	7-9	101655005	7-13	101692504	1-5
101647501	7-13	101655006	7-13	101692506	1-5
101647502	7-13	101655007	7-13	101692509	1-5
1016479	7-9	101655008	7-13	101692510	1-5
1016480	8-7	101655009	7-13	101692511	1-5
101648102	8-7	1016551	16-11	101692512	1-5
101648203	7-7	1016552	16-11	101692513	1-5
1016483	7-9	1016553	16-11	101692601	1-7
1016484	7-7	1016554	16-11	101692602	1-7
1016486	8-5	1016558	7-13	101692604	1-7
1016489	7-9	1016559	7-13	101692606	1-7
101649002	8-7	1016560	7-9	101692609	1-7
1016493	7-5	1016561	7-5	101692610	1-7
1016494	7-11	1016562	7-5, 7-13	101692611	1-7
1016496	7-11	1016563	7-9	101692612	1-7
1016497	7-5	1016564	7-11	101692613	1-7
1016499	8-5	1016565	7-11	101693301	1-9
1016501	8-5	1016566	7-9	101693302	1-9
1016502	7-7	1016567	7-11	101693304	1-9
1016505	7-5	1016568	7-13	101693306	1-9
1016506	7-11	1016569	7-9	101693309	1-9
1016507	7-3	1016570	7-7	101693310	1-9
1016509	7-13	1016571	7-13	101693311	1-9
1016510	7-11	1016572	8-7	101693312	1-9
101651401	2-3	1016576	7-7	101693313	1-9
101651407	2-3	1016578	7-5	101693901	1-5
101651409	2-3	1016579	7-5	101693902	1-5
101651413	2-3	1016580	7-13	101693904	1-5
1016516	7-13	1016581	7-7	101693906	1-5
1016517	7-9	1016582	8-7	101693908	1-5
1016519	7-9	1016583	7-9	101693909	1-5
1016520	7-11	1016584	7-11	101693910	1-5
1016521	7-11	1016585	8-5	101693911	1-5
1016523	7-9	1016586	7-5	101693912	1-5
1016524	7-3	1016587	7-5	1016947	6-5
1016525	7-3	1016588	7-5	1016952	1-3
1016526	7-3	101660404	1-3	101696201	1-9
1016531	7-3	101661601	12-13	101696202	1-9
1016532	7-13	101661602	12-13	101696204	1-9
1016533	7-13	1016622	5-3	101696206	1-9
1016535	7-11	1016627	16-7	101696208	1-7
1016536	7-3	1016630	6-9	101696209	1-7
1016537	7-7	1016663	5-3	101696211	1-7
1016538	7-11	1016672	11-7, 11-13, 14-5	101696213	1-7
1016539	7-3	1016801	10-3	101696215	1-7
1016541	7-13	1016845	12-7, 12-15	101696216	1-7

INDEX

101696217	1-9	1017952	13-3	101828802	15-9, 15-11
101696218	1-9	1017953	13-3, 13-5, 13-7	101828901	15-9, 15-15, 15-17
101696219	1-7	101795701	12-17, 12-23, 12-25, 12-29	101828902	15-9, 15-15, 15-17
101696220	1-7	1017958	13-5	101828903	15-9, 15-15, 15-17
101696221	1-7	1017961	13-5	101828904	15-11
101696222	1-9	101796201	4-7	101828905	15-11
101696223	1-9	101796501	12-17, 12-29	101828906	15-11
101696224	1-9	101796801	12-17, 12-29	101830601	6-9
1016967	1-5	101797701	12-17, 12-29	101830701	6-9, 12-3
1017029	4-5	101797702	12-17, 12-29	101831101	15-9
101706702	1-3	101797801	12-17, 12-29	101831401	12-13
1017079	1-3	101801001	12-17, 12-29	101831503	15-15
1017080	1-5	101802101	12-17, 12-29	101831504	15-15
101708301	1-3	101802201	15-9	101831701	15-15
1017141	1-7, 1-9	101802202	15-9	101831702	15-15
1017203	8-3	101802203	15-9	101831801	16-5
1017221	7-3	101802204	15-11	101831901	16-3
1017226	5-3	101802205	15-11	101832001	12-17, 12-29
1017231	11-3, 11-9	101802206	15-11	101832101	7-15
1017266	5-7	101802601	1-3, 12-3	101832202	8-9
1017273	5-3	101804301	8-11	101832302	8-9
1017327	10-5	101805701	8-11	101832701	7-15
1017378	4-7	101808401	16-3	101833001	7-15
1017380	4-7	101809101	16-5	101833201	7-15
1017424	4-7	101811401	8-11	101833401	10-5
1017448	7-5	101811501	8-11	101833601	11-3, 11-9
1017455	7-5	101811901	8-11	101833701	6-11, 6-13
1017456	7-7	101812301	8-11	101833902	10-3
1017461	8-5	101813202	16-3	101834001	10-5
1017466	8-7	101815501	4-3	101834502	6-9, 12-3
1017507	7-7	101815502	4-3	101834601	7-15
101753005	12-15	101816301	4-3	101834801	11-3, 11-9
1017653	6-11	101816501	4-3	101835601	1-15
101768202	1-3	101816502	4-3	101836201	10-5
1017686	10-5	101817401	4-7	101837101	8-11
1017689	9-3	101818801	4-7	101837301	6-3, 6-13
1017692	12-9	101819701	15-9	101838201	15-15
101769302	2-3	101820201	8-7	101838301	15-15
1017696	4-7	101821501	8-11	101838401	15-15, 15-17
1017703	14-5	101823101	16-9	101838501	15-15
1017704	14-5	101823201	4-3	101838601	15-15, 15-17
1017705	12-17, 12-29	101823301	4-3	101838701	15-15
1017748	1-7, 1-9	101823302	4-3	101840201	12-19
1017774	1-13	101823801	4-3	101850301	8-11
1017799	12-15	101823901	4-3	101851101	6-9
1017814	1-9	101824001	4-3	101855002	12-27
1017815	1-9	101824002	4-3	101855801	6-5
101791101	4-3	101824401	8-3	101856001	12-27
1017936	1-7, 1-9	101825101	3-3, 3-5	101856102	6-7
1017944	13-3, 13-5, 13-7	101826201	12-3	101856201	8-11
1017945	13-3	101826301	6-9	101859301	9-3
1017946	13-3, 13-5	101827101	7-15	101861901	4-7
1017947	13-3, 13-5, 13-7	101827801	12-19, 12-31	101862001	4-7
1017948	13-3, 13-5, 13-7	101828301	15-9	101869302	6-11
1017949	13-3, 13-5, 13-7	101828501	15-9, 15-15	101871001	16-3
1017950	13-3, 13-5, 13-7	101828601	15-9, 15-11	101871901	4-7
1017951	13-3, 13-5	101828801	15-9, 15-11	101874901	6-11

101875001	6-11	101893201	11-5, 11-11	101917701	8-11
101875101	6-11	101894901	12-17, 12-29	101920001	12-25
101875201	6-11	101895401	14-3	101920101	12-19, 12-21, 12-27, 13-7, 13-9
101875301	6-11	101895501	14-3	101921501	8-11
101875401	6-11	101895601	14-3	101922101	14-3
101875501	6-11	101895701	14-3	101922201	14-3
101875601	6-11	101895801	14-3	101922301	7-13
101875701	6-11	101895901	14-3	101922501	12-27
101875802	6-11	101896001	14-3	101922601	6-5, 11-3, 11-9
101876001	6-11	101896501	6-11	101923001	14-3
101876202	6-11	101896901	8-3	101923201	14-3
101876301	6-11	101897001	14-3	101923501	14-3
101876402	6-11	101897201	14-3	101923601	14-3
101876501	6-11	101897401	14-3	101923701	14-3
101877601	6-11	101897601	14-3	101923901	14-3
101877701	6-11	101898001	6-15	101925701	8-11
101878101	6-11	101900801	4-3, 5-11	101927101	11-3, 11-9
101878201	4-5	101900901	6-9	101927201	11-3, 11-9
101878302	5-5	101901201	12-23	101927501	11-5, 11-11
101879001	6-11	101901301	12-23	101927601	11-5, 11-11
101879401	5-5	101901401	12-23	101927901	11-5, 11-11
101879501	5-5	101901501	12-23	101928001	11-5, 11-11
101879601	5-5	101902801	12-23	101928101	11-5, 11-11
101879701	5-5	101902901	12-23	101928301	11-7, 11-13
101879801	5-5	101903001	12-23	101928701	11-3, 11-9, 14-3, 14-5, 16-7
101879901	5-5	101903101	5-9	101929801	10-3
101880001	5-5	101903501	8-9	101931501	3-5
101880101	5-5	101903601	14-3	101932401	12-27
101880201	5-5	101903701	14-3	101932501	12-27
101880301	5-5	101904101	1-7, 1-9	101932601	12-31
101881701	8-11	101905601	8-5, 8-7	101932701	12-31
101883002	12-23	101906201	14-3	101933101	16-7
101884801	7-15	101906901	14-3	101935501	12-3
101887101	16-3	101908101	12-27	101936801	12-21
101887601	7-3, 8-7	101908401	12-27	101939901	6-11
101887901	12-31	101908601	3-5	101942301	12-19, 12-27, 13-7, 13-9
101889302	6-3	101908701	12-19, 12-31	101949201	12-9
101889401	11-5, 11-11	101909201	7-5	101951501	6-5
101889901	11-5	101909301	7-5	101953001	4-5
101890001	11-5, 11-11	101909401	7-5	101953101	4-5
101890101	11-3, 11-9	101909501	7-5	101953901	7-3
101890201	11-3, 11-9	101909701	7-3	101954301	1-11
101890601	11-3, 11-9	101909901	12-19	101956201	15-17
101890901	11-7, 11-13	101909902	12-31	101956202	15-17
101891001	11-7, 11-13	101910401	1-13, 12-19, 12-31	101956502	12-31
101891301	11-3, 11-9	101910501	11-7, 11-13, 14-5	101958101	8-11
101891401	11-7, 11-13	101912401	4-7	101958201	15-17
101891501	11-7, 11-13	101914401	15-9, 15-15	101958301	15-17
101891601	11-5, 11-11	101915201	3-3	101959902	3-5
101891901	11-5, 11-11	101915401	7-11	101960501	3-3
101892001	11-5, 11-11	101915501	7-13	101960601	3-3, 3-5
101892201	11-5, 11-11	101915601	7-3	101963401	7-15
101892301	11-5, 11-11	101915701	7-5	101965201	12-19, 12-31
101892401	11-5, 11-11	101915801	7-5	101966901	4-7
101892501	11-5, 11-11	101916501	10-3	101968701	12-25
101892601	11-5, 11-11	101916701	6-13, 10-3	101971001	8-11
101892701	11-7, 11-13	101917601	8-11		

INDEX

101971301	8-11	102101001	12-21	102266001	13-7
101972001	16-9	102101101	12-21	102266101	13-7
101972002	16-9	102155501	1-15	102266501	12-31
101972003	16-9	102162101	12-23	102266601	12-27
101972004	16-9	102169401	16-7	102266701	12-27
101972005	16-9	102174201	1-11	102267001	13-7
101972006	16-9	102174202	1-11	102273201	15-11
101972007	16-9	102174204	1-11	102273301	15-11
101972009	16-9	102174205	1-11	102273401	15-11
101972011	16-9	102186001	13-9	102273501	15-11
101972012	16-9	102186101	13-9	102273601	15-11
101972101	14-3	102186201	13-9	102273701	15-11
101972201	14-3	102186301	13-9	102273801	15-11
101972801	8-11	102186401	13-9	102273901	15-11
101973101	8-5	102186701	13-9	102274001	15-11
101973201	8-5	102186801	13-9	102278001	5-3
101973501	15-17	102186901	13-9	102292801	4-3
101975901	12-13	102187001	13-9	102304701	7-9
101976601	15-17	102187101	13-9	102310701	1-5
101978001	12-25	102187201	13-9	102323101	4-5
101978101	12-25	102196601	12-25	102323201	4-5
101978201	12-25	102198301	1-15	102327801	13-7
101979101	6-5, 12-15	102199601	12-25	102330901	16-9
101980801	11-5, 11-11	102221201	1-3, 1-7, 1-9	102336001	8-9
101980901	11-5, 11-11	102235201	13-3, 13-5, 13-7, 13-9	102336101	8-9
101981001	11-5, 11-11	102236601	1-13	102352801	5-9
101984801	5-3	102236703	1-13	102353201	5-9
101985501	1-11	102237001	1-13	102353301	5-9
101987501	15-17	102237401	13-3	102353401	5-9
101987601	1-11	102237701	13-5	102354101	5-9
101987701	8-3	102238301	1-13	102354201	5-9
101990801	4-5	102238302	1-13	102355301	6-15
101992601	6-7	102238304	1-13	102357001	14-3
101998201	1-11	102238305	1-13	102357701	5-9
101998202	1-11	102240102	13-7	102453101	11-11
101998204	1-11	102240501	12-31	102496401	15-13
101998205	1-11	102240601	12-31	102496402	15-13
101998501	1-11	102240801	12-31	102496403	15-13
102003201	8-3	102241501	16-7	102540301	7-15
102018001	12-5	102241502	16-7	102555501	16-3
102022101	4-3, 4-5	102242101	10-5	102562401	16-3
102026001	4-7	102242401	1-13	102601501	16-5
102047201	12-13	102243402	16-7	102603501	16-5
102048301	12-13	102243403	13-5, 13-7, 13-9	102605201	16-5
102060501	1-13	102248801	16-7	102606101	16-5
102060502	1-13	102249901	16-3	102607501	16-5
102060504	1-13	102250201	12-15	102607501	16-7
102060505	1-13	102251501	16-7	102668601	16-7
102061201	16-9	102251901	13-7	102668701	16-11
102061301	1-15	102259001	1-5, 3-3, 3-5	102668801	16-9
102061302	1-15	102259801	12-31	102668901	16-5
102063901	1-15	102263601	12-25, 12-31	102669001	16-5
102064601	1-15	102263701	12-31	102669101	16-9
102065501	1-15	102265501	13-7	102669201	16-5
102065901	7-15	102265601	13-7	102669301	16-9
102076701	1-13, 1-15	102265701	13-7	102669401	16-9
102099101	1-15	102265901	13-7	102669501	16-5
				102669601	16-3

INDEX

- 102669701 16-7
 - 102669801 16-7
 - 102669901 16-7
 - 102670001 16-7
 - 102674001 16-5
 - 102674101 16-5
 - 102674201 16-5
 - 102674401 16-9
 - 102674501 16-7
 - 102674601 16-9
 - 102674701 16-7
 - 102674801 16-11
 - 102674901 16-7
 - 102675001 16-5
 - 102675101 16-5
 - 102675201 16-5
 - 102675301 16-5
 - 102675401 16-5
 - 102686101 16-3
 - 102704701 13-9
 - 102704801 13-9
 - 102704901 13-9
 - 102705001 13-9
 - 102706401 5-11
 - 102814201 15-13
 - 102814301 15-13
 - 102814401 15-13
 - 102814501 15-13
 - 102814601 15-13
 - 102814701 15-13
 - 102814702 15-13
 - 102814801 15-13
 - 102814802 15-13
 - 102814803 15-13
 - 102814901 15-13
 - 102815001 15-13
 - 102815101 15-13
 - 102815201 15-13
 - 102815301 15-13
 - 102815401 15-13
 - 102815501 15-13
 - 102815601 15-13
 - 102815701 15-13
 - 102845701 13-9
 - 727102 2-3
- A**
- ac voltage suppressor 15-17
 - accelerator pedal 4-7
 - accelerator pedal adjustment tool 16-3
 - accelerator pedal return spring cup 4-7
 - accelerator pivot rod 4-7
 - accelerator rod 4-7
 - access door 1-7, 1-9
 - accu-power charger 15-3, 15-5, 15-7
 - a-connector (starter/generator) 6-11
 - adapter
 - cable (IQDM) 16-7
 - adhesive, guide ring 16-3
 - adjuster
 - hydraulic brake 16-7
 - adjusting stud 12-9
 - air box 8-11
 - air duct 8-11
 - air duct repair kit 8-11
 - air filter 8-11
 - ammeter 15-3, 15-5, 15-7, 15-9, 15-11, 15-13, 15-15, 15-17
 - a-plate strap 5-7
 - arbor 16-3
 - arm
 - governor lever 11-3, 11-9
 - pivot 11-3, 11-9
 - rocker 7-9
 - speed switch 12-9
 - armature 6-11, 13-3, 13-5, 13-7, 13-9
 - armrest 1-11
 - assembly
 - 3-pin plug 13-7
 - 6-pin plug 12-31
 - 36-volt motor 13-3
 - 48-volt motor 13-5
 - ac voltage suppressor 15-17
 - accelerator rod 4-7
 - air box top 8-11
 - air duct 8-11
 - armature 6-11
 - axle 11-7, 11-13, 14-3, 14-5
 - axle tube 14-3, 14-5
 - bag hoop 1-13
 - bearing (steering column) 5-3
 - bell crank and shaft 6-7
 - bolt (float chamber) 8-5
 - brush rigging 13-7
 - carburetor 8-5
 - charger case 15-3, 15-5, 15-7, 15-9, 15-11, 15-15, 15-17
 - control cable 15-3, 15-5, 15-7
 - current limiter 15-17
 - cylinder head 7-9
 - delta a-plate 5-7
 - diode 12-19
 - diode with heatsink film 15-11
 - drive hub 10-3
 - driven clutch 10-5
 - eccentric 5-9
 - end shield 13-7
 - float (carburetor) 8-5
 - float chamber 8-5
 - forward/reverse shifter 6-5
 - forward/reverse switch 12-7, 12-15, 12-27
 - fuel strap, rear 8-3
 - heatsink 15-3, 15-5, 15-7, 15-9, 15-15, 15-17
 - hub and ball bearing 5-9
 - idle screw 8-5
 - lever (brake) 4-3
 - moveable face (driven clutch) 10-5
 - pilot air screw 8-5
 - resistor 12-19, 12-23, 12-31
 - rod (counterbalance) 7-13
 - screw (float chamber) 8-5
 - seat back 1-13
 - seat bottom 1-11
 - spindle 5-9
 - stator shell 13-3, 13-5, 13-7
 - steering column 5-3
 - steering gearbox 5-5
 - switch brush 12-9
 - timer 15-3, 15-5, 15-7
 - transformer 15-3, 15-5, 15-7, 15-9, 15-11, 15-15, 15-17
 - v-glide wiper switch 12-9
 - voltage regulator 6-7
 - voltage suppressor 15-9, 15-15
 - wheel and tire 2-3
 - wire 6-3, 6-7, 6-9, 6-13, 7-3, 12-5, 12-9, 12-13, 12-17, 12-23, 12-25, 12-29, 12-31, 15-11, 15-13, 15-15, 15-17
 - wire, sense lead 12-17, 12-29
 - axle 11-7, 11-13, 14-3, 14-5
 - axle shaft seal 14-3
 - axle tube 11-7, 11-13, 14-3, 14-5
 - axle tube oil seal 14-5
- B**
- backing plate (brake) 4-3
 - bag hoop 1-13
 - bag strap 1-13
 - bag strap buckle 1-13
 - bagwell protector 1-3
 - ball bearing, output shaft 6-11
 - ball joint 6-5
 - ball joint (tie rod) 5-7
 - ball joint, inner 5-5
 - ball joint, left-hand thread 5-5, 5-7
 - ball stud 6-5, 6-7
 - ball stud (shifter lever) 11-3, 11-9
 - ball stud, accelerator pedal 4-7
 - ball, steel (shift fork retainer) 11-5, 11-11
 - ball, steel, pressure relief 7-7
 - band, rpm limiter mount 7-5
 - bar, bus 12-15
 - bar, drive 12-21
 - barb, vent 8-3
 - barrel fastener 1-13
 - barrel, plastic 1-3
 - base, forward/reverse shifter 6-5
 - base, mounting 12-13

INDEX

- basket, sweater 1-13
 - battery
 - 6-volt 12-13
 - 8-volt 12-17, 12-29
 - battery cap 12-13, 12-17, 12-29
 - battery charger, PowerDrive 15-9, 15-15, 15-17
 - battery charger, PowerDrive 2 15-11, 15-13
 - battery clamp 6-15
 - battery discharge machine 16-3
 - battery hold-down 12-13, 12-17, 12-29
 - battery terminal protector spray 16-3
 - battery thermometer 16-3
 - battery warning light 12-3
 - battery, 12-volt 6-15
 - bearing
 - ball (crankshaft) 7-11
 - ball (motor) 13-3, 13-5, 13-7, 13-9
 - ball, input shaft 11-5, 11-11
 - ball, output shaft 6-11
 - bronze 12-9
 - differential 14-3
 - idler (drive clutch) 10-3
 - inner axle tube 11-7, 11-13, 14-5
 - input gear 14-3, 14-5
 - intermediate gear 14-3, 14-5
 - lower pinion 5-5
 - needle 11-5, 11-11
 - outer axle tube 11-7, 11-13, 14-5
 - pivot support 4-7
 - plain (counterbalance rod) 7-13
 - thrust 5-9
 - upper pinion 5-5
 - bearing and oil seal remover 16-3
 - bearing driver set 16-3
 - bearing puller 16-3
 - bearing puller wedge 16-3
 - bearing retainer 13-3, 13-5, 13-7
 - bearing retainer (starter/generator) 6-11
 - bearing retainer screw 13-3, 13-5
 - bell crank 12-9
 - bell crank and shaft 6-7
 - bell crank, forward/reverse 6-5
 - belt, drive 10-3, 10-5
 - belt, starter/generator 6-13, 10-3
 - bezel, receptacle 12-13, 12-17, 12-29
 - block
 - brake pedal mounting 4-5
 - fuse 6-7
 - terminal (controller) 12-31
 - board, resistor mounting 12-11
 - body (rear) 1-7, 1-9
 - body hinge plate 1-7, 1-9
 - body keeper clip 1-7, 1-9
 - body kick plate 1-7, 1-9
 - body spacer 1-13
 - body support 1-7, 1-9
 - body, front 1-5
 - bolt, brake cluster mounting 4-3
 - bolt, j- 12-13, 12-17, 12-29
 - boot
 - dust 5-5, 5-7
 - steering column 5-3
 - tow/run switch 12-27
 - box, electrical component 6-7
 - bracket
 - adjusting (starter/generator) 6-13
 - engine shroud 7-3
 - fe290 mounting 6-13
 - fuse and receptacle mounting 12-13
 - muffler mounting 9-3
 - oil filter 7-7
 - oil level switch 7-11
 - power relay mounting 15-15
 - rpm limiter 7-5
 - snubber 7-15
 - steering column mounting 5-3
 - throttle 8-7
 - tow/run switch 12-27
 - transmission cable support 6-5, 11-3, 11-9
 - brake adjusting mechanism 4-3
 - brake adjustment tool 16-3
 - brake cable 4-3, 4-5
 - brake cable equalizer 4-5
 - brake cable hanger 4-3, 5-11
 - brake cable release tool 16-3
 - brake cluster 4-3
 - brake cluster mounting bolt 4-3
 - brake drum 4-3
 - brake pedal 4-5
 - brake pedal adjustment tool 16-3
 - brake pedal mounting block 4-5
 - brake pedal pad 4-5
 - brake pedal stop bumper 4-5
 - brake pedal tension tool 16-3
 - brake shoe 4-3
 - brake spring 4-3
 - breaker, circuit, 10-amp 15-15, 15-17
 - breaker, circuit, 15-amp 15-9, 15-11, 15-13
 - breather 14-3, 14-5
 - breather, transaxle case 11-3, 11-9
 - bronze bushing 6-5, 6-7
 - brush 6-11, 13-3, 13-5, 13-7
 - brush box assembly 13-9
 - brush connector 6-11
 - brush holder 6-11
 - brush holder screw 13-3, 13-5
 - brush inspection port cover 6-11
 - brush rigging 13-3, 13-9
 - brush spring 6-11, 12-9, 13-3, 13-5, 13-7, 13-9
 - brush, switch 12-9
 - buckle, bag strap 1-13
 - bumper
 - brake pedal stop 4-5
 - front 1-5
 - motor 13-3, 13-5, 13-7
 - rear 1-3
 - return spring 4-7
 - side guard trim 1-5
 - wiper switch 12-9
 - bus bar 12-15
 - bushing
 - bronze 5-9, 6-5, 6-7
 - drive clutch 10-3
 - insulator 13-3, 13-5, 13-7
 - stain relief 15-3, 15-15
 - steel 5-9, 5-11
 - strain relief 15-5, 15-7, 15-9, 15-11, 15-13, 15-17
 - urethane 5-7, 5-9, 5-11
 - bushing (axle) 14-5
 - buzzer, reverse 12-3
- ## C
- cable
 - accelerator, snap-in 8-9
 - brake 4-3, 4-5
 - control 15-3, 15-5, 15-7
 - governor, snap-in 8-9
 - IQDM 16-7
 - transmission 6-5
 - cable retainer 6-5
 - calibration test module 16-3
 - cam (driven clutch) 10-5
 - cam installation tool 16-3
 - cam, electrical box 6-7
 - cam, neutral lockout 6-5
 - camshaft 7-11
 - canopy 1-15
 - canopy support kit 1-15
 - cap
 - 6-volt battery 12-13
 - battery (4-port) 12-17, 12-29
 - dust 12-27
 - fuel tank 8-3
 - key switch 6-9, 12-3
 - protector 12-9
 - seat back 1-13
 - cap, hub 5-9
 - capacitor 15-3, 15-5, 15-7
 - carburetor 8-5, 8-7
 - carburetor float level tool 16-7
 - carburetor insulator 8-7
 - card, safety first 16-9
 - carrier, wiper switch arm 12-9
 - case
 - charger 15-3, 15-5, 15-7, 15-9, 15-11, 15-15, 15-17
 - forward/reverse switch 12-27

INDEX

gear carrier 11-7, 11-13
rocker arm 7-9
wiper switch 12-9
case gasket 14-5
charger bezel tool 16-3
charger case 15-3, 15-5, 15-7, 15-9, 15-11, 15-15, 15-17
charger, accu-power, battery 15-3, 15-5, 15-7
charger, PowerDrive 2 battery 15-11, 15-13
charger, PowerDrive battery 15-9, 15-15, 15-17
choke button 8-11
choke valve 8-11
choke valve o-ring 8-11
circuit breaker (15-amp) 15-9, 15-11, 15-13
clamp
battery 6-15
cable 12-13
cable retaining 8-9
hose (air intake) 8-11
hose (bronze) 8-7
hose (fuel) 8-3
hose (gray) 8-3, 8-7
hose (red) 8-3
muffler 9-3
plastic (fuel line) 8-3
clamp (oil sending wire) 7-11
clamp (wire) 7-5
clamp screw 13-3, 13-5, 13-7
clevis, upper delta 5-9
clip 5-3
clip, body keeper 1-7, 1-9
cluster, brake 4-3
clutch alignment tool 16-5
clutch removal tool 16-3
clutch tool kit 16-5
clutch, drive 10-3
clutch, driven 10-5
coil
field 6-11
ignition 7-5
resistor 12-11
collar (axle shaft) 11-7, 11-13
collet 7-9
column, steering 5-3
communication display module 16-5
component mounting plate 12-19, 12-31
compression gauge 16-5
compression tester 16-5
compressor, piston ring 16-9
compressor, valve spring 16-11
computer, onboard 12-19, 12-31
connecting rod 7-13
connecting rod alignment tool (diesel) 16-5
connector
4-pin 12-27

cord 7-11
IQ controller 12-31
continuity tester 16-5
control cable 15-3, 15-5, 15-7
controller, 48-volt (225-amp) 12-19
controller, 48-volt (250-amp) 12-31
cord connector 7-11
cordset, AC 15-13
cordset, ac 15-3, 15-5, 15-7, 15-9, 15-11, 15-15, 15-17
cordset, DC 15-13
cordset, dc 15-3, 15-5, 15-7, 15-9, 15-11, 15-15, 15-17
counterbalance guide shaft 7-13
counterbalance weight 7-13
cover
brush inspection port 6-11
controller 12-31
crankcase 7-11
dust 4-3
electrical component box 6-7
gear case 11-7, 11-13
oil pump 7-7
seat back 1-13
seat bottom 1-11
steering column 5-3
wiper switch case 12-9
cover, base, battery charger 15-13
cover, top, battery charger 15-13
crank sleeve setter tool 16-5
crank, bell 12-9
crankcase 7-13
crankcase cover 7-11
crankshaft 7-13
crankshaft bearing replacement tool 16-5
crankshaft main bearing driver attachment tool 16-5
crankshaft main bearing driver tool 16-5
crankshaft main bearing pilot attachment tool 16-5
crankshaft seal 7-11
crankshaft shim 7-13
cup, accelerator pedal return spring 4-7
current limiter 15-17
cutter, valve seat 16-5, 16-11
cylinder head 7-9

D

damper, rpm limiter 7-5
dash panel, center 1-3
dash, driver side 1-3
dash, passenger side 1-3
decal
driver/passenger warning 3-3, 3-5
electrical component cover 3-5, 12-31
frame ground and governor warning 3-3
gasoline warning 3-3

key switch 3-3, 3-5
motor braking 3-5
operating instructions 3-3, 3-5
potentiometer caution 3-5
resistor warning 3-5
rotating parts and hot manifold warning 3-3
tow/run switch 3-5
wiper switch warning 12-9
delta a-plate 5-7
delta shock and gear support 5-7
delta sleeve 5-7
diesel tachometer probe 16-9
differential bearing 14-3
differential gear 11-7, 11-13, 14-3, 14-5
differential gear case 11-7, 11-13, 14-5
differential housing 14-3
differential idler gear 11-7, 11-13, 14-3, 14-5
differential pin 11-7, 11-13, 14-3
diode 12-13, 12-19
dipstick 7-3
door, access 1-7, 1-9
drag link, rack and pinion 5-5
drain plug (crankcase) 7-7
drink holder 1-3
drive bar 12-21
drive belt 10-3, 10-5
drive clutch 10-3
drive clutch button 10-3
drive clutch fixed sheave tool 16-5
drive clutch holder tool 16-5
drive clutch hub puller 16-5
drive clutch puller 16-5
drive clutch spider removal tool 16-5
drive hub 10-3
driven clutch 10-5
driven clutch cam puller 16-5
driven clutch puller plug 16-5
driven clutch spring compression base tool 16-5
driven clutch spring compression collar tool 16-5
driven clutch spring compression nut tool 16-5
driver, drive clutch 10-3
drum, brake 4-3
dry moly lubricant 16-7
dust boot 5-5, 5-7
dust cap 12-27
dust cover 4-3

E

8-volt battery 12-17, 12-29
80-amp fuse 12-13
eccentric 5-9
e-clip (air box top) 8-11

INDEX

electrical box cam 6-7
electrical component box 6-7
emblem, IR 1-5, 3-3, 3-5
end bell, commutator 6-11
end bell, output shaft 6-11
end cap
 motor 13-9
end shield 13-3, 13-5, 13-7
engine shroud 7-3
engine valve spring 7-9
engine, fe290 ohv gasoline 7-3
equalizer rod 4-5
equalizer, brake cable 4-5
exhaust gasket 9-3
exhaust system 9-3
exhaust valve 7-9

F

4-pin plug and wedge lock 12-27
4-pin receptacle and wedge lock 12-27
48-volt IQ motor 13-9
48-volt motor, 3.10-hp 13-5
48-volt motor, 3.20-hp 13-7
48-volt solenoid 12-19, 12-31
fan housing 7-3
fan shroud 7-3
fan, flywheel 7-5
fastener, barrel 1-13
fe290 ohv gasoline engine 7-3
fender, inner 1-7, 1-9
field coil (starter/generator) 6-11
fill plug 14-3
fill plug with gasket 14-5
filter
 air 8-11
 fuel 8-3
 oil 7-7
fitting, grease 5-9
fitting, thread-forming grease 5-5, 5-7
fixed face (drive clutch) 10-3
fixed face (driven clutch) 10-5
float (carburetor) 8-5
float chamber 8-5
floor mat 1-3, 1-5, 1-7, 1-9
flywheel 7-5
flywheel fan 7-5
flywheel puller 16-7
fork, shift 11-5, 11-11
forward/reverse bell crank 6-5
forward/reverse handle 6-5
forward/reverse shifter 6-5
forward/reverse shifter base 6-5
forward/reverse switch 12-7, 12-15, 12-27
forward/reverse switch case 12-27
forward/reverse switch handle 12-7, 12-15
frame and field, motor 13-9
front body 1-5

front spring retainer plate 5-9
f-terminal insulator 6-11
fuel filter 8-3
fuel impulse pump 8-3
fuel injection pump pressure tester tool 16-7
fuel line 8-3
fuel pickup tube (valve) 8-3
fuel strap, rear 8-3
fuel tank 8-3
fuse
 10-amp 6-7
 3/8-amp 12-17, 12-29
 30-amp 15-11
 80-amp 12-13
 charger 15-3, 15-5, 15-7, 15-9, 15-15,
 15-17
fuse block 6-7
fuse holder 12-13, 15-13
fuse lens 12-13
fuse, 25-amp, type ABC 15-13

G

gasket
 carburetor insulator 8-7
 case 14-5
 controller 12-31
 crankcase cover 7-11
 drain plug 7-7, 11-3, 11-9
 exhaust 9-3
 fe290 7-9
 float chamber 8-5
 head 7-9
 insulator 8-7
 intake pipe 8-7
 liquid 14-3, 14-5, 16-7
 liquid (transaxle case) 11-3, 11-9
 oil pump 7-7
 plug 14-3
 rocker arm case 7-9
 seat 1-11
 throttle bracket 8-7
gauge, compression 16-5
gear
 cluster idler 11-5, 11-11
 differential 11-7, 11-13, 14-3, 14-5
 differential idler 11-7, 11-13, 14-3, 14-5
 helical (crankshaft) 7-13
 input 11-5, 11-11
 intermediate 14-3, 14-5
 intermediate, small 14-5
 output 11-7, 11-13, 14-3, 14-5
 spur (crankshaft) 7-13
 spur (transaxle) 11-5, 11-11
gear case 11-3, 11-9, 14-3, 14-5
gear yoke 16-7
governor 11-5, 11-11
governor guard 8-7

governor lever arm 11-3, 11-9
governor shaft installation tool 16-7
grease fitting 5-5, 5-7, 5-9
grip, pencil 5-3
grommet 7-5
grommet, insulation 8-3
grommet, split 12-9
guard, governor 8-7
guard, scuff 1-3
guide
 choke lever 8-11
 oil (transaxle) 11-5, 11-11
 steering rack 5-5
 valve 7-9
 valve seat cutter 16-11
guide ring adhesive 16-3

H

handle
 forward/reverse 6-5
 forward/reverse switch 12-7, 12-15
 GE PowerDrive battery charger 15-13
 PowerDrive 2 15-11
hanger, brake cable 4-3, 5-11
hardware, terminal (starter/generator) 6-11
harness retainer 6-9
harness, wire 6-3, 12-23, 12-25
head gasket 7-9
heatsink 15-3, 15-5, 15-7, 15-9, 15-11,
 15-13, 15-15, 15-17
helical gear (crankshaft) 7-13
hold-down, battery 12-13, 12-17, 12-29
holder, drink 1-3
holder, fuse 12-13, 15-13
hole plug 12-3
hose clamp 8-3
hose clamp (bronze) 8-7
hose clamp (gray) 8-7
hose clamp (red) 8-3
hose, intake 8-11
housing
 differential 14-3
 fan 7-3
 female 3-wire 13-7
 field coil (starter/generator) 6-11
hub, drive 10-3
hub, synchronizer clutch 11-5, 11-11
hydraulic brake adjuster 16-7
hydrometer 16-7

I

idle gear bushing replacement tool 16-7
idle screw 8-5
ignition coil 7-5
inner axle tube bearing 14-5
inner fender 1-7, 1-9
input gear bearing 14-3, 14-5

INDEX

input shaft 14-3, 14-5
input shaft oil seal 14-3, 14-5
insert, synchronizer 11-5, 11-11
insert, wood 1-11
insulator bushing 13-3, 13-5
insulator gasket 8-7
insulator, carburetor 8-7
insulator, f-terminal 6-11
intake hose 8-11
intake pipe 8-7
intake valve 7-9
intermediate gear 14-3, 14-5
intermediate gear bearing 14-5
internal retaining ring pliers 16-7
IQ display module (IQDM) 16-7
IR emblem 1-5, 3-3, 3-5

J

j-bolt 12-13, 12-17, 12-29
jet, main 8-5
jet, pilot 8-5
joint
 ball 4-5, 6-5
 ball (tie rod) 5-7
 compound steering 5-3
 inner ball 5-5
 left-hand thread ball 5-5, 5-7
 spring-loaded ball 4-7

K

key
 square 10-5
 sunk 14-5
 woodruff 6-11, 11-3, 11-9
key (crankshaft) 7-13
key (driven clutch) 10-5
key (flywheel) 7-5
key (transmission shaft) 11-5, 11-11
key (vehicle) 6-9, 12-3
key switch 6-9, 12-3
key switch cap 6-9
key switch nut 6-9, 12-3
kingpin 5-9
kingpin wave washer 5-9
kit
 2-pin plug 12-21
 3-pin plug 12-19, 12-21, 13-7
 3-pin plug and wedge lock 12-27
 3-pin receptacle 12-19
 3-pin receptacle and wedge lock 12-27
 4-pin plug and wedge lock 12-27
 4-pin receptacle and wedge lock 12-27
 6-pin plug 12-31
 6-pin receptacle 12-31
 accelerator pivot rod 4-7
 air duct repair 8-11

bagwell protector 1-3
bearing and magnet 13-7
brake cable 4-3, 4-5
brake pedal 4-5
brake pedal adjustment tool 16-3
canopy support 1-15
differential gear case 11-7, 11-13
drink holder 1-3
drive clutch weight 10-3
driven clutch button 10-5
front hub replacement 5-9
fuel impulse pump rebuild 8-3
fuse and receptacle 12-13, 12-17,
 12-29
gasket 7-9
IQ controller connector 12-31
IQ display module (IQDM) 16-7
motor terminal hardware 13-9
park brake pedal 4-5
pulley nut and screw 6-11
reverse buzzer 6-9
shock absorber cushion 5-11
shock absorber, rear 5-11
snap washer (dash mounting) 1-3
spring, motor brush 13-9
steering column mounting bracket 5-3
steering column rebuild 5-3
tune-up 16-9
kit, motor brush 13-9
kit, plate, motor cover 13-9

L

latch, park brake 4-5, 4-7
latch, wire (air box) 8-11
L-bracket, motor 13-9
lead wire 7-5
lens, fuse 12-13
lever
 choke 8-11
 shifter 11-3, 11-9
 transmission shifter 11-3, 11-9
lever (brake) 4-3
light, battery warning 12-3
light, low oil warning 6-9
limit switch 6-5, 6-7, 12-7, 12-9, 12-15
limiter, rpm, ohv 7-5
line, fuel 8-3
line, vent (fuel) 8-3, 8-7
link, rack and pinion drag 5-5
liquid gasket 14-3, 14-5, 16-7
lock plate 14-5
low oil warning light 6-9
lower pinion bearing 5-5
lubricant, dry moly 16-7
lubricant, moly-teflon 16-7
lug nut 2-3
lug stud 11-7, 11-13, 14-3, 14-5

M

magnet 13-7
 motor speed sensor 13-9
magnetic plug 14-3
main jet 8-5
mat, floor 1-3, 1-5, 1-7, 1-9
MCOR (motor controller output
 regulator) 12-21
mechanism, brake adjusting 4-3
meter, volt ohm 16-11
module
 calibration test 16-3
 communication display 16-5
moly-teflon lubricant 16-7
motor
 36-volt 13-3
 48-volt 13-5
 48-volt IQ 13-7, 13-9
 brush kit 13-9
 frame and field 13-9
 magnet, speed sensor 13-9
motor brush spring kit 13-9
motor bumper 13-5, 13-7
motor end cap 13-9
motor L-bracket 13-9
motor terminal hardware kit 13-9
mounting base 12-13
mounting block, brake pedal 4-5
mounting bracket, fuse and
 receptacle 12-13
mounting pad (windshield frame) 1-15
mounting plate (engine) 7-15
mounting plate (rear bumper) 1-3
movable face 10-3
moveable face (driven clutch) 10-5
muffler clamp 9-3

N

nameplate 1-5, 3-3, 3-5
neutral lockout cam 6-5
nozzle, main 8-5
nut
 flange lock 5-9
nut, key switch 6-9, 12-3
nut, lug 2-3

O

oil filler tube 7-3
oil filter screen 7-11
oil level sensor 7-11
oil pressure gauge tool 16-7
oil pressure tester (diesel) tool 16-9
oil pump and rotor 7-7
oil seal (crankshaft) 7-13
oil sending wire clamp 7-11
onboard computer 12-19

INDEX

o-ring (counterbalance shaft) 7-13
o-ring (oil sending connector) 7-11
o-ring (rocker case hardware) 7-9
o-ring, choke valve 8-11
o-ring, oil filter mount 7-7
outer axle tube bearing 14-5
output gear 14-3, 14-5

P

package, brush 6-11, 13-3, 13-5
pad
 accelerator pedal 4-7
 brake pedal 4-5
 mounting (windshield frame) 1-15
 park brake 4-5
 spring 5-11
 wear 1-3, 1-7, 1-9
paint, touch-up 16-9
panel, center dash 1-3
park brake latch 4-5, 4-7
park brake pedal 4-5
park brake ratchet 4-7
park brake rod sleeve 4-5
park brake torsion spring 4-5
pawl 4-5
pedal
 accelerator 4-7
 brake 4-5
 park brake 4-5
pencil grip 5-3
pilot air screw 8-5
pilot jet 8-5
pin
 differential 11-7, 11-13, 14-3, 14-5
 head locating 7-9
 piston 7-13
 roll (shifter lever) 11-3, 11-9
pin (crankcase cover locating) 7-11
pin, bow tie locking 4-5
pin, clevis 4-5
pinion, steering 5-5
pipe, intake 8-7
piston 7-13
piston pin 7-13
piston pin retaining ring 7-13
piston ring compressor 16-9
piston ring pliers 16-9
piston ring set 7-13
pivot arm 11-3, 11-9
pivot support bearing 4-7
plastic barrel 1-3
Plastigauge tool 16-9
plate
 backing (brake) 4-3
 body hinge 1-7, 1-9
 body kick 1-7, 1-9
 component mounting 12-19, 12-31

flywheel fan 7-5
front spring retainer 5-9
heatsink 15-11, 15-13
lock 14-5
mounting (engine) 7-15
mounting (rear bumper) 1-3
oil filter screen 7-11
oil pump 7-7
oil valve 7-9
receptacle backing 12-17, 12-29
scorecard 5-3
seat hinge 1-11
spring mounting 5-7
thrust 11-5, 11-7, 11-11, 11-13, 14-5
thrust (idler gear) 14-3
pliers
 internal retaining ring 16-7
 piston ring 16-9
 retaining ring 16-9
plug
 2-pin 12-21
 3-pin 12-19, 12-21, 13-7
 6-pin 12-31
 cap 7-5
 drain (crankcase) 7-7
 drain (transaxle) 11-3, 11-9
 drive clutch 10-3
 driven clutch puller 16-5
 fill 14-3
 fill with gasket 14-5
 filter bracket 7-7
 hole 12-3
 hole (dash board) 1-3
 magnetic 14-3
 spark (ohv) 7-5
plug gasket 14-3
pole set (starter/generator) 6-11
positioner, choke 8-11
power relay 15-9, 15-11, 15-15
PowerDrive 2 battery charger 15-11, 15-13
PowerDrive battery charger 15-9, 15-15, 15-17
press weldment 16-5
pressure relief ball 7-7
protector cap 12-9
protector spray, battery terminal 16-3
protector, bagwell 1-3
puller
 bearing 16-3
 clutch 16-3
 drive clutch 16-5
 drive clutch hub 16-5
 driven clutch cam 16-5
 flywheel 16-7
 seal 16-9
puller, special use tool 16-9
pulley (starter/generator) 6-11

pulley nut and screw (starter/generator) 6-11
pump, fuel impulse 8-3
push rod 7-9

R

rack, steering 5-5
ratchet, park brake 4-7
reamer, valve guide 16-9
rear bumper 1-3
rear leaf spring 5-11
rear spring shackle 5-11
receptacle
 3-pin 12-19
 6-pin 12-31
 ac cord 15-17
 charger, 2-prong 12-13
receptacle (fuse) 12-13, 12-17, 12-29
receptacle backing plate 12-17, 12-29
receptacle bezel 12-13, 12-17, 12-29
rectifier 15-13
regulator, motor controller output (MCOR) 12-21
relay, 36-vdc 15-3, 15-5, 15-7
relay, 48-VDC 15-13
relay, 48-vdc power 15-9, 15-11, 15-15, 15-17
remover, bearing and oil seal 16-3
resistor 12-19, 12-23, 12-31
resistor coil 12-11
resistor coil stand-off 12-11
resistor mounting board 12-11
resistor shield 12-11
retainer
 bearing 13-3, 13-5, 13-7
 bearing (starter/generator) 6-11
 cable 6-5
 harness 6-9
 shock absorber cushion 5-11
 spiral ring 10-3
 spring 4-7, 10-3
 valve spring 7-9
retaining ring (driven clutch) 10-5
retaining ring pliers 16-9
return spring bumper 4-7
reverse buzzer 6-9, 12-3
rigging, brush 13-3, 13-5, 13-7
rim, tire 2-3
ring
 c-type stop 5-5
 piston (set) 7-13
 piston pin retaining 7-13
 retaining (driven clutch) 10-5
 retaining (steering column) 5-3
 retaining (steering gear box) 5-5
 snap 5-5, 11-3, 11-9
 spiral back-up 10-3

INDEX

synchronizer 11-5, 11-11
rivet, blind 1-5
rocker arm 7-9
rocker arm case 7-9
rocker arm shaft 7-9
rod
 accelerator 4-7
 accelerator pivot 4-7
 connecting 7-13
 equalizer 4-5
 push 7-9
 shift 11-5, 11-11
 tie 5-7
rod (counterbalance) 7-13
rod and pawl 4-5
rpm limiter bracket 7-5
rpm limiter damper 7-5
rpm limiter mount band 7-5
rpm, ohv limiter 7-5

S

6-pin plug 12-31
6-pin receptacle 12-31
6-volt battery 12-13
safety first card 16-9
scorecard 5-3
scorecard clip 5-3
scorecard plate 5-3
screen, oil filter 7-11
screw
 bearing retainer 13-3, 13-5, 13-7
 brush holder 13-3, 13-5
 clamp 13-3, 13-5, 13-7
 idle 8-5
 pilot air 8-5
 pole piece (starter/generator) 6-11
screw, valve clearance adjuster 16-9
scuff guard 1-3
seal
 axle tube oil 14-5
 crankshaft 7-11
 dust (steering gear box) 5-5
 dust, steering pinion 5-5
 input shaft oil 14-5
 intake (air box) 8-11
 oil (axle shaft) 11-7, 11-13
 oil (crankshaft) 7-13
 oil (governor pivot) 11-3, 11-9
 oil (shifter shaft) 11-3, 11-9
 oil, axle shaft 14-3
 oil, input shaft 11-5, 11-11, 14-3
 valve 7-9
seal puller 16-9
seat
 bearing 5-3
 spring 7-9
 valve 7-7

seat back 1-13
seat back support 1-13
seat bottom 1-11
seat bottom cover 1-11
seat hinge plate 1-11
sensor, motor speed 13-7, 13-9
sensor, oil level 7-11
set, pole 6-11
shackle, rear spring 5-11
shaft
 counterbalance guide 7-13
 input 11-5, 11-11, 14-3, 14-5
 rocker arm 7-9
 shifter 11-3, 11-9
 steering column 5-3
shield, end 13-3, 13-5, 13-7
shield, resistor 12-11
shift fork 11-5, 11-11
shift rod 11-5, 11-11
shifter lever 11-3, 11-9
shifter shaft 11-3, 11-9
shifter, forward/reverse 6-5
shim (axle) 14-5
shim, crankshaft 7-13
shim, wiper switch 12-9
shock absorber 5-7
shock absorber cushion 5-11
shock absorber cushion retainer 5-11
shock absorber, rear 5-11
shoe retainer 4-3
shoe, brake 4-3
shroud, engine 7-3
shroud, fan 7-3
side guard trim bumper 1-5
sleeve
 delta 5-7
 park brake rod 4-5
 synchronizer 11-5, 11-11
sleeve (transaxle) 11-5, 11-11
slide switch, 4-position 15-15, 15-17
small intermediate gear 14-5
snap ring 5-5
snubber 7-15, 12-13
snubber bracket 7-15
solenoid
 12-volt 6-7
 36-volt 12-13
 48-volt 12-19, 12-31
spacer
 1/2 (fender mounting) 1-9
 1-7/8 (fender mounting) 1-9
 battery terminal bolt 6-15
 body 1-13
 fixed face shaft 10-3
 nylon (sweater basket) 1-13
 park brake 4-5
 spacer (accelerator pivot rod) 4-7

spacer (crankshaft) 7-13
spacer (engine) 7-15
spanner wrench 16-9
spark plug (ohv) 7-5
speed switch arm 12-9
spindle 5-9
spray, battery terminal protector 16-3
spring
 accelerator pedal retainer 4-7
 brake shoe 4-3
 brush 6-11, 13-3, 13-5, 13-7
 compression 5-3
 compression (choke button) 8-11
 drive button 10-3
 drive clutch 10-3
 engine valve 7-9
 forward/reverse cam 6-5
 oil pressure relief 7-7
 park brake torsion 4-5
 rear leaf 5-11
 return 4-7
 return (air box) 8-11
 shift fork retainer 11-5, 11-11
 synchronizer 11-5, 11-11
 tapered compression 5-3
 tapered leaf 5-9
 throttle return 8-7
 wiper switch brush 12-9
 yoke 5-5
spring mounting plate 5-7
spring seat 7-9
spring, brush 13-9
spur gear (crankshaft) 7-13
stain relief bushing 15-3
stand-off, resistor coil 12-11
starter/generator 6-11, 6-13
stator shell 13-3, 13-5, 13-7
steel bushing 5-9, 5-11
steering column 5-3
steering column bearing press tool 16-9
steering column mounting bracket 5-3
steering column retaining ring tool 16-9
steering column shaft 5-3
steering gearbox 5-5
steering wheel 5-3
steering wheel puller tool 16-9
stem, valve 2-3
stiffener, flywheel side 7-15
strap
 a-plate 5-7
 bag 1-13
 rear fuel 8-3
stud
 ball 4-7, 6-5, 6-7, 11-3, 11-9
 lug 11-7, 11-13, 14-3, 14-5
 short ball 12-9
 wiper switch adjusting 12-9

INDEX

stud (engine mounting) 7-15
stud, lug 5-9
sunk key 14-5
support
 accelerator pivot rod 4-7
 body 1-7, 1-9
 canopy 1-15
 delta shock and gear 5-7
 seat back 1-13
sweater basket 1-13
switch
 4-position slide 15-15, 15-17
 brush 12-9
 forward/reverse 12-7, 12-15, 12-27
 key 6-9, 12-3
 limit 6-5, 6-7, 12-7, 12-9, 12-15
 limit sealed 12-15
 tow/run 12-27
 v-glide wiper 12-9
synchronizer clutch hub 11-5, 11-11
synchronizer ring 11-5, 11-11
system, exhaust 9-3

T

12-volt battery 6-15
2-pin plug 12-21
2-prong charger receptacle 12-13
3-pin plug 12-19, 12-21, 13-7
3-pin plug and wedge lock 12-27
3-pin receptacle 12-19
3-pin receptacle and wedge lock 12-27
3/8-amp fuse 12-17, 12-29
30-amp fuse 15-11
36-volt motor, 2.97-hp 13-3
36-volt solenoid 12-13
10-amp fuse 6-7
12-volt solenoid 6-7
tachometer 16-9
tachometer probe, diesel 16-9
tapered compression spring 5-3
tapered leaf spring 5-9
tappet 7-11
terminal block (controller) 12-31
terminal hardware (starter/generator) 6-11
tester, continuity 16-5
thermometer, battery 16-3
throttle bracket 8-7
throttle return spring 8-7
thrust bearing 5-9
thrust plate (differential) 14-5
tie rod 5-7
tie, wire 5-5, 12-3, 12-13, 12-27, 12-31
timer 15-5, 15-7
tire 2-3
t-nut, slab base 1-5
tool
 accelerator pedal adjustment 16-3

brake adjustment 16-3
brake cable release 16-3
brake pedal adjustment 16-3
brake pedal tension 16-3
cam installation 16-3
carburetor float level 16-7
charger bezel 16-3
clutch alignment 16-5
connecting rod alignment 16-5
crank sleeve setter 16-5
crankshaft bearing replacement 16-5
crankshaft main bearing driver 16-5
crankshaft main bearing driver attachment 16-5
crankshaft main bearing pilot attachment 16-5
drive clutch fixed sheave 16-5
drive clutch holder 16-5
drive clutch spider removal 16-5
driven clutch spring compression base 16-5
driven clutch spring compression collar 16-5
driven clutch spring compression nut 16-5
fuel injection pump pressure tester 16-7
governor shaft installation 16-7
idle gear replacement 16-7
oil pressure gauge 16-7
oil pressure tester 16-9
Plastigauge 16-9
puller, special use 16-9
steering column bearing press 16-9
steering column retaining ring 16-9
steering wheel puller 16-9
transaxle axle seal 16-9
transaxle pinion seal 16-9
transmission 16-9
valve clearance adjustment 16-11
valve guide driver 16-9
valve guide replacement 16-9

tool kit, clutch 16-5
top, air box 8-11
touch-up paint 16-9
tow/run switch 12-27
transaxle 14-3, 14-5
transaxle axle seal tool 16-9
transaxle pinion seal tool 16-9
transaxle, unitized 11-3, 11-9
transformer 15-3, 15-5, 15-7, 15-9, 15-11, 15-13, 15-15, 15-17
transmission cable 6-5
transmission tool 16-9
trim, front body 1-5
tube
 axle 11-7, 11-13
 crankcase vent 8-7
 oil filler 7-3

tune-up kit 16-9

U

u-bolt 5-11
unitized transaxle 11-3, 11-9
upper pinion bearing 5-5
urethane bushing 5-7, 5-9, 5-11

V

valve
 choke 8-11
 exhaust 7-9
 fuel pickup tube 8-3
 intake 7-9
 oil 7-9
valve clearance adjuster screw 16-9
valve clearance adjustment wrench 16-11
valve guide 7-9
valve guide driver tool 16-9
valve guide reamer 16-9
valve guide replacement tool 16-9
valve seal 7-9
valve seat 7-7
valve seat cutter 16-5, 16-11
valve seat cutter guide 16-11
valve seat t-wrench 16-11
valve spring compressor 16-11
valve spring retainer 7-9
valve spring, engine 7-9
valve, stem 2-3
vent barb 8-3
vent line (fuel) 8-3, 8-7
vent, fuel tank 8-3
v-glide wiper switch 12-9
volt ohm meter 16-11
voltage regulator 6-7
voltage suppressor 15-9, 15-15

W

warning light, low oil 6-9
washer
 key switch 12-3
 kingpin wave 5-9
 mounting 10-3, 10-5
 snap washer kit (dash mounting) 1-3
 spring 11-5, 11-11
 thrust (transaxle) 11-5, 11-11
 wave 6-5
wear pad 1-3, 1-7, 1-9
wedge (steering column) 5-3
wedge, bearing puller 16-3
weight, counterbalance 7-13
weight, drive clutch 10-3
weldment, press 16-5
wheel 2-3
wheel rim 2-3

INDEX

wheel, steering 5-3
windshield frame 1-15
wiper switch arm carrier 12-9
wiper switch bumper 12-9
wiper switch case 12-9
wiper switch shim 12-9
wiper switch, v-glide 12-9
wire and terminal 12-31
wire assembly 6-3, 6-7, 6-9, 6-13, 7-3,
12-5, 12-9, 12-13, 12-17, 12-23, 12-25,
12-29, 12-31, 15-9, 15-11, 15-13, 15-15,
15-17
wire assembly, forward/reverse
switch 12-27
wire assembly, IQDM port 12-27
wire assembly, sense lead 12-17, 12-29
wire clamp 7-5
wire harness 6-3, 12-23, 12-25
wire terminal 12-19
wire tie 5-5, 12-3, 12-13, 12-27, 12-31
wire, jumper 15-17
wire, lead 7-5
wood insert 1-11
woodruff key 6-11, 11-3, 11-9
wrench, spanner 16-9

Y

yoke spring 5-5
yoke, gear 16-7

Z

z-bracket 12-31

Your Comments Are Appreciated

Please select your category:

- Distributor/Dealer Technician
 Individual Owner Golf Course Superintendent
 Other: _____

In order to help us better serve you, please rate this publication in the following categories:

	Poor	Fair	Average	Good	Excellent
1. Ease of Understanding	<input type="checkbox"/>	<input type="checkbox"/>	<input type="checkbox"/>	<input type="checkbox"/>	<input type="checkbox"/>
2. Ease of Finding Information	<input type="checkbox"/>	<input type="checkbox"/>	<input type="checkbox"/>	<input type="checkbox"/>	<input type="checkbox"/>
3. Clarity of Illustrations	<input type="checkbox"/>	<input type="checkbox"/>	<input type="checkbox"/>	<input type="checkbox"/>	<input type="checkbox"/>
4. Index Usability	<input type="checkbox"/>	<input type="checkbox"/>	<input type="checkbox"/>	<input type="checkbox"/>	<input type="checkbox"/>

Comments/Suggestions:

Please fax a copy of this page to (706) 228-2662.

Thank You!
Club Car Technical Publications Department



Club Car, Inc.
P.O. Box 204658
Augusta, GA 30917-4658
USA

Web www.clubcar.com
Phone 1.706.863.3000
1.800.ClubCar
Int'l +1 706.863.3000
Fax 1.706.863.5808