

Club Car



**2001-2002
ILLUSTRATED
PARTS LIST**



**DS GOLF CARS
GASOLINE/ELECTRIC**

MANUAL NUMBER 102189901
EDITION CODE 0801B0602A

USING THE ILLUSTRATED PARTS LIST

WARNING

- **This manual is to be used only for identification and ordering of service parts. Be sure to read and use the maintenance and service manual before attempting any vehicle repairs.**

This manual covers all 2001 and 2002 Club Car® DS Tranquility®, DS V-Glide 36-Volt, DS PowerDrive® System 48™, DS PowerDrive Plus®, and IQ System™ vehicles.

The manual is divided into 16 sections. Sections 1 through 5 pertain to both gasoline and electric vehicles, sections 6 through 11 pertain to gasoline vehicles only, sections 12 through 15 pertain to electric vehicles only, and section 16 pertains to tools that are used on all Club Car products. Note that there are two or three flags on the outside edge of each page. The first flag contains the section number of which that page is a part. The other flag (or flags) contains either the letter G or E, signifying that the page pertains to either the gasoline or electric vehicle only, or to both the gasoline and electric vehicles.

Use the Table of Contents to find the sections and pages that contain the parts and assemblies you seek. The Table of Contents lists section numbers, and under them, the individual page titles and numbers to be found in that section. The index can be used to find specific parts and assemblies. The index is divided into numerical and alphabetical listings with the page numbers in italic text.

There is a two-page spread for each individual page title in the Table of Contents. On the left-hand page is an illustration showing the parts in their relative positions; the parts are each tagged with an item number in a balloon. The right-hand page is the parts list page, and gives the page title at the top, then the item numbers (corresponding to the numbers on the illustration), part descriptions, and quantity of parts used. Some item numbers have more than one part number because several configurations of a component are represented together on one spread.

Note that a part description may be indented. This indentation corresponds to a parts assembly level indicated by the numbers 1, 2, 3, and 4 at the top left corner of the parts description area of the parts list page. A part that is indented to *level 2* is a component of the *level 1* part (assembly) that it is listed under. A *level 3* part is a component of the *level 2* part that it is listed under, and a *level 4* part is a component of the *level 3* part preceding it. In each case, the part quantity given for a level 2, 3, or 4 part *is the quantity used per next higher level assembly of which it is a component*. A part that is not indented is a *level 1* part. This means that the quantity given is the quantity used per the portion of the vehicle illustrated on that particular spread.

HOW TO ORDER PARTS

Replacement parts and accessories can be obtained from our network of authorized dealers and distributors. You can obtain the name and phone number of your closest Club Car contact by visiting our web site at www.clubcar.com and clicking on the “*Distributor Search*” link or by calling our toll-free Service Parts and Technical Assistance hotline at (800) 872-2246.



P. O. Box 204658
Augusta, Georgia 30917-4658 USA
Telephone 706-863-3000
Service Parts Fax 706-855-7413
www.clubcar.com

NOTE: *This illustrated parts list represents the most current information at the time of publication. Club Car, Inc. is continually working to further improve its vehicles and other products. These improvements may affect the parts used to service the vehicle. Any modification and/or significant change in specifications will be forwarded to all Club Car and Carryall distributors/dealers and will, when applicable, appear in future editions of this illustrated parts list.*

Club Car, Inc. reserves the right to change specifications and designs at any time without notice and without incurring any obligation or liability whatsoever.

©2001 Club Car, Inc.

Club Car, ArmorFlex, PowerDrive, PowerDrive Plus
and *Tranquility* are registered trademarks of Club Car, inc.
This manual effective July 24, 2000.

2001/2002 DS Golf Cars Illustrated Parts List

CONTENTS

SECTION 1 – BODY AND TRIM

Body Trim	1-3
Front Body	1-5
Rear Body and Fender – Gasoline Vehicle	1-7
Rear Body and Fender – Electric Vehicle	1-9
Seat Bottom and Armrest	1-11
Seat Back and Bag Hoop – Earlier Style	1-13
Seat Back and Bag Hoop – Later Style	1-15
Canopy	1-17

SECTION 2 – WHEELS AND TIRES

Wheels and Tires	2-3
------------------------	-----

SECTION 3 – DECALS

Decals – Gasoline Vehicle	3-3
Decals – Electric Vehicle	3-5

SECTION 4 – BRAKES, PEDAL, AND CABLE ASSEMBLIES

Brake Assembly	4-3
Brake Pedal and Cable Assembly	4-5
Accelerator Pedal Assembly	4-7

SECTION 5 – STEERING, FRONT AND REAR SUSPENSION

Steering Column	5-3
Steering Gear Assembly	5-5
Front Suspension, Upper	5-7
Front Suspension, Lower	5-9
Rear Suspension	5-11

SECTION 6 – ELECTRICAL SYSTEM – GASOLINE VEHICLE

Wiring – Gasoline Vehicle	6-3
Forward/Reverse Shifter Assembly – Gasoline Vehicle	6-5
Electrical Component Box – Gasoline Vehicle	6-7
Electrical Components, Front Body – Gasoline Vehicle	6-9
Starter/Generator Assembly	6-11
Starter/Generator Mounting	6-13
Battery – Gasoline Vehicle	6-15

CONTENTS

SECTION 7 – FE290 ENGINE

FE290 Engine – Shrouds and Brackets	7-3
FE290 Engine – Ignition Components and Flywheel	7-5
FE290 Engine – Oil Circulation	7-7
FE290 Engine – Cylinder Head	7-9
FE290 Engine – Crankcase, Camshaft and Oil Sensor	7-11
FE290 Engine – Crankcase and Crankshaft	7-13
Engine Mounting	7-15

SECTION 8 – FUEL, INTAKE, AND GOVERNOR SYSTEMS

Fuel System	8-3
Carburetor Assembly	8-5
Carburetor Installation	8-7
Governor and Accelerator Cables	8-9
Intake Duct, Choke, and Air Box Assembly	8-11

SECTION 9 – EXHAUST SYSTEM

Exhaust System	9-3
----------------------	-----

SECTION 10 – TORQUE CONVERTER

Drive Clutch	10-3
Driven Clutch	10-5

SECTION 11 – UNITIZED TRANSAXLE

Unitized Transaxle – Gear Cases and Brackets	11-3
Unitized Transaxle – F&R Transmission and Gear Reduction	11-5
Unitized Transaxle – Differential and Axles	11-7

SECTION 12 – ELECTRICAL SYSTEM – ELECTRIC VEHICLE

Electrical Components, Front Body – Electric Vehicle	12-3
Wiring – V-Glide 36-Volt Vehicle	12-5
Forward/Reverse Switch – V-Glide 36-Volt Vehicle	12-7
Wiper Switch – V-Glide 36-Volt Vehicle	12-9
Resistor and Board Assembly – V-Glide 36-Volt Vehicle	12-11
Batteries, Charger Receptacle, Solenoid – V-Glide 36-Volt Vehicle	12-13
Forward/Reverse Switch – PowerDrive System 48 Vehicle	12-15
Batteries, Charger Receptacle – PowerDrive System 48 Vehicle	12-17
Computer, Controller, and Solenoid – PowerDrive System 48 Vehicle	12-19
Multi-Step Potentiometer – PowerDrive System 48 and PowerDrive Plus	12-21

CONTENTS

Motor Controller Output Regulator (MCOR)	12-23
Wiring – PowerDrive System 48 Vehicle with Multi-Step Potentiometer	12-25
Wiring – PowerDrive System 48 Vehicle with Motor Controller Output Regulator (MCOR)	12-27
Wiring – PowerDrive Plus Vehicle with Multi-Step Potentiometer	12-29
Wiring – PowerDrive Plus Vehicle with Motor Controller Output Regulator (MCOR)	12-31
Forward/Reverse Switch, Tow/Run Switch – PowerDrive Plus Vehicle	12-33
Batteries, Charger Receptacle – PowerDrive Plus Vehicle	12-35
Solenoids, Energy Displacement Module – PowerDrive Plus Vehicle	12-37
Controller, Onboard Computer – PowerDrive Plus Vehicle	12-39
Wiring – IQ System Vehicle with Motor Controller Output Regulator (MCOR)	12-41
Forward/Reverse Switch, Tow/Run Switch – IQ System Vehicle	12-43
Batteries, Charger Receptacle – IQ System Vehicle	12-45
Computer, Controller, and Solenoid – IQ System Vehicle	12-47

SECTION 13 – BATTERY CHARGER

Accu-Power Charger, Domestic – V-Glide 36-Volt Vehicle	13-3
Accu-Power Charger, Export, 230-Volt – V-Glide 36-Volt Vehicle	13-5
Accu-Power Charger, Export, 100-Volt – V-Glide 36-Volt Vehicle	13-7
PowerDrive Charger, Domestic	13-9
PowerDrive 2 Charger, Domestic	13-11
PowerDrive Charger, Export	13-13
PowerDrive Charger, European	13-15

SECTION 14 – ELECTRIC MOTOR

Motor – V-Glide 36-Volt Vehicle	14-3
Motor – PowerDrive System 48 Vehicle	14-5
Motor – PowerDrive Plus Vehicle	14-7
Motor – IQ System Vehicle	14-9

SECTION 15 – TRANSAXLE – ELECTRIC VEHICLE

Transaxle, Type G – Electric Vehicle	15-3
Transaxle, Type K – Electric Vehicle	15-5

SECTION 16 – MAINTENANCE AND SERVICE TOOLS

Maintenance and Service Tools	16-3
Maintenance and Service Tools, Continued	16-5
Maintenance and Service Tools, Continued	16-7

SECTION i – INDEX

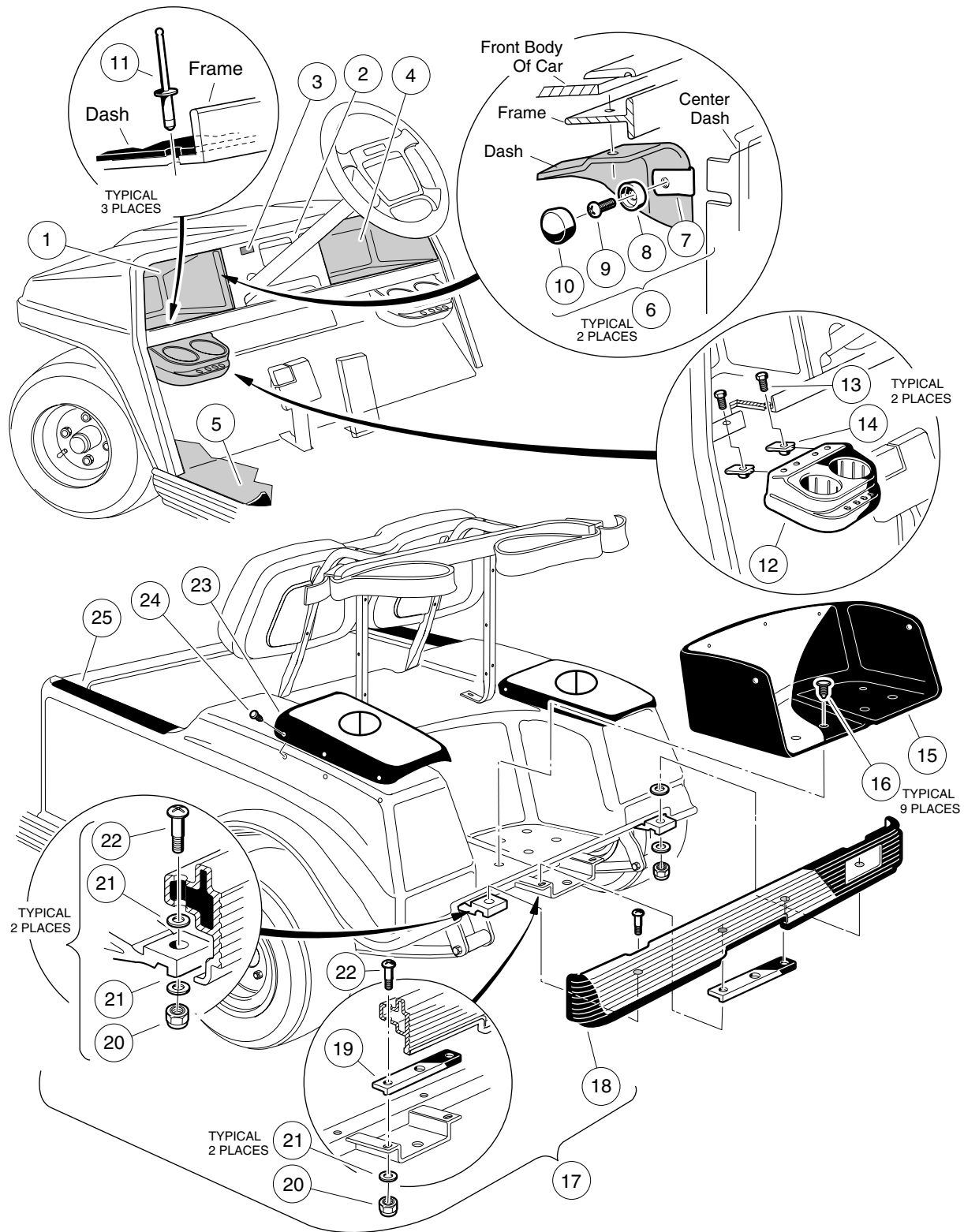
BODY AND TRIM

1

G

E

1
G
E

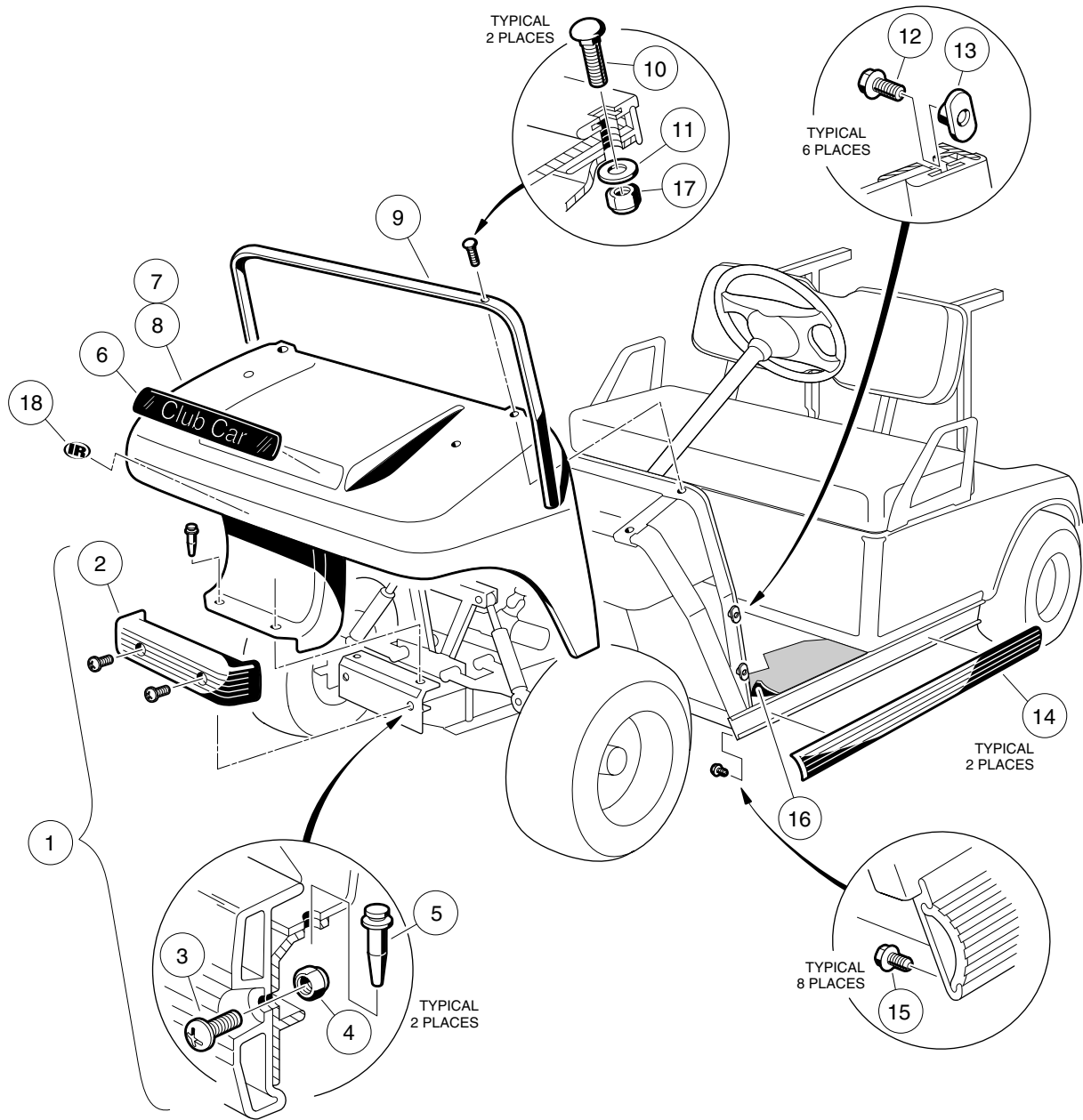


BODY TRIM

ITEM	PART NO.	DESCRIPTION	QTY GAS	QTY ELEC
		1 2 3 4		
1	1013344	Component, Driver Side Dash, Black	1	1
2	101660404	Panel, Center Dash, Black	1	1
3	<u>101802601</u>	Plug, Hole (V-Glide 36-Volt vehicle only)		1
4	<u>1013343</u>	Component, Passenger Side Dash, Black	1	1
5	<u>1015032</u>	Mat, Floor	1	1
6	<u>1014645</u>	Kit, Snap Washer, Black (includes items 7 - 10)	2	2
7	N/A	Nut, Speed	1	1
8	N/A	Washer, #10	1	1
9	N/A	Screw, #10 Sheet Metal	1	1
10	N/A	Cover, Screw Head	1	1
11	<u>7973</u>	Rivet, Aluminum Pop, 3/16	3	3
12	<u>101708301</u>	Kit, Drink Holder (includes items 13 and 14)	2	2
13	<u>7847</u>	Screw, Hex Head Cap, 1/4-20 x 3/4	2	2
14	1016952	U-Nut, 1/4-20	2	2
15	<u>101768202</u>	Kit, Bagwell Protector (includes item 16)	1	1
16	<u>1010434</u>	Fastener, Plastic Barrel	9	9
17	<u>1017079</u>	Kit, Rear Bumper (includes items 18 - 22)	1	1
18	<u>1016379</u>	Bumper, Rear	1	1
19	<u>1016875</u>	Plate, Mounting, Long	1	1
20	<u>7473</u>	Nut, Nylon Lock, 5/16-18	4	4
21	<u>1011697</u>	Washer, Special, 5/16	6	6
22	<u>1016876</u>	Bolt, Phillips Truss Head Shoulder, 3/8-18 x 2	4	4
23	101706702	Kit, Scuff Guard (includes item 24)	1	1
24	<u>1010434</u>	Fastener, Plastic Barrel	12	12
25	<u>102221201</u>	Pad, Wear	2	2

1
G
E

1
G
E



FRONT BODY

ITEM	PART NO.	DESCRIPTION	QTY GAS	QTY ELEC
		1 2 3 4		
1	<u>1017080</u>	Kit, Front Bumper (includes items 2 - 5)	1	1
2	<u>1016868</u>	Bumper, Front	1	1
3	<u>7251</u>	Screw, Phillips Truss Head, 5/16-18 x 1	2	2
4	<u>7473</u>	Nut, Nylon Lock, 5/16-18	2	2
5	<u>1016967</u>	Rivet, Push Type Blind	2	2
6	<u>1014198</u>	Nameplate – Gold	1	1
7	<u>101692501</u>	Body, Front – Beige	1	1
7	<u>101692502</u>	Body, Front – White	1	1
7	<u>101692504</u>	Body, Front – Gray	1	1
7	<u>101692506</u>	Body, Front – Red	1	1
7	<u>101692509</u>	Body, Front – Royal Blue (Pacific Blue).....	1	1
7	<u>101692510</u>	Body, Front – Dark Green	1	1
7	<u>101692511</u>	Body, Front – Black	1	1
7	<u>101692512</u>	Body, Front – Classic Blue (Navy)	1	1
7	<u>101692513</u>	Body, Front – Burgundy	1	1
8	<u>101693901</u>	Body, Front with Headlight Opening – Beige	1	1
8	<u>101693902</u>	Body, Front with Headlight Opening – White	1	1
8	<u>101693904</u>	Body, Front with Headlight Opening – Gray	1	1
8	<u>101693906</u>	Body, Front with Headlight Opening – Red	1	1
8	<u>101693908</u>	Body, Front with Headlight Opening – Royal Blue (Pacific Blue)	1	1
8	<u>101693909</u>	Body, Front with Headlight Opening – Dark Green	1	1
8	<u>101693910</u>	Body, Front with Headlight Opening – Black	1	1
8	<u>101693911</u>	Body, Front with Headlight Opening – Classic Blue (Navy)	1	1
8	<u>101693912</u>	Body, Front with Headlight Opening – Burgundy	1	1
9	<u>1011014</u>	Trim, Front Body	1	1
10	<u>1010435</u>	Screw, Round-Head Square-Neck, 5/16-18 x 1	2	2
11	<u>1241</u>	Washer, Flat, 5/16	2	2
12	<u>1011017</u>	Screw, Flange Lock	6	6
13	1011394	T-Nut, Slab Base (package of 4)	1	1
14	101347501	Bumper, Side Guard Trim	2	2
15	<u>102310701</u>	Screw, Hex Washer-Head, #8-18 x 3/8	8	8
16	<u>1015032</u>	Mat, Floor	1	1
17	<u>7473</u>	Nut, Nylon Lock, 5/16-18	2	2
18	<u>102259001</u>	Emblem, IR, Golf Car (for 2002 vehicles)	1	1

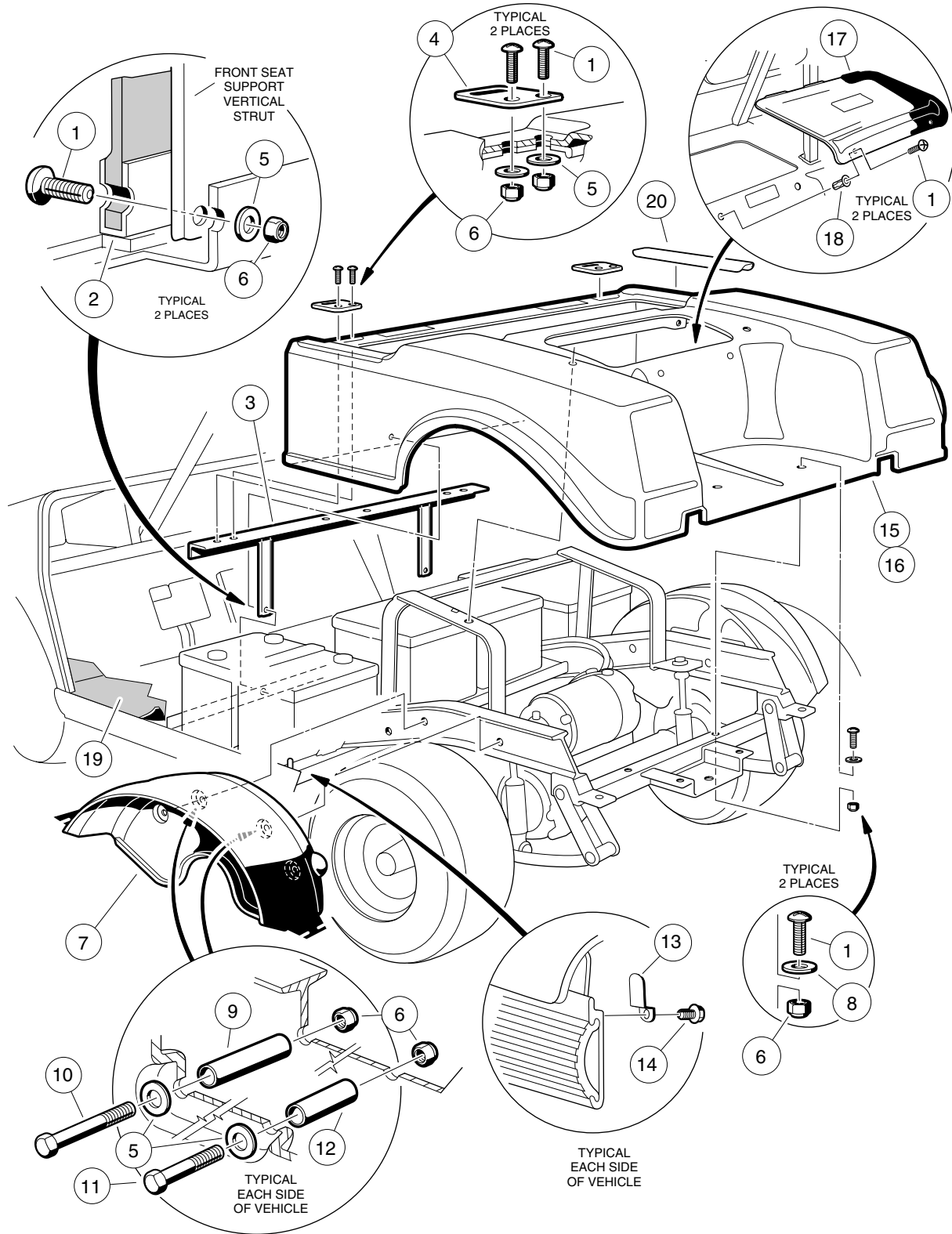
1
G
E

REAR BODY AND FENDER – GASOLINE VEHICLE

ITEM	PART NO.	DESCRIPTION	QTY
		1 2 3 4	
1	<u>8251</u>	Screw, Phillips Head, 1/4-20 x 1	10
2	<u>101904101</u>	Plate, Body Kick	1
3	<u>1014306</u>	Washer, Flat, Type B, 1/4	2
4	<u>1012412</u>	Plate, Body Hinge	2
5	<u>332</u>	Washer, Flat, 1/4	10
6	<u>8233</u>	Nut, Nylon Lock, 1/4-20	12
7	<u>1013032</u>	Door, Access – Black	1
7	<u>1013140</u>	Door, Access – Beige	1
8	<u>1015525</u>	Nut, Blind, 1/4-20	2
9	<u>101692601</u>	Body – Beige	1
9	<u>101692602</u>	Body – White	1
9	<u>101692604</u>	Body – Gray	1
9	<u>101692606</u>	Body – Red	1
9	<u>101692609</u>	Body – Royal Blue (Pacific Blue)	1
9	<u>101692610</u>	Body – Dark Green	1
9	<u>101692611</u>	Body – Black	1
9	<u>101692612</u>	Body – Classic Blue (Navy)	1
9	<u>101692613</u>	Body – Burgundy	1
10	<u>101696208</u>	Body with Taillight Opening – Beige	1
10	<u>101696209</u>	Body with Taillight Opening – White	1
10	<u>101696211</u>	Body with Taillight Opening – Gray	1
10	<u>101696213</u>	Body with Taillight Opening – Red	1
10	<u>101696215</u>	Body with Taillight Opening – Royal Blue (Pacific Blue)	1
10	<u>101696216</u>	Body with Taillight Opening – Dark Green	1
10	<u>101696219</u>	Body with Taillight Opening – Black	1
10	<u>101696220</u>	Body with Taillight Opening – Classic Blue (Navy)	1
10	<u>101696221</u>	Body with Taillight Opening – Burgundy	1
11	<u>1017748</u>	Clip, Body Keeper	2
12	<u>1012047</u>	Screw, Self-Tapping, #8-32 x 3/8	2
13	<u>7847</u>	Screw, Hex Head Cap, 1/4-20 x 3/4	4
14	<u>1017936</u>	Fender, Inner	2
15	<u>1017141</u>	Support, Front Body	1
16	<u>1015032</u>	Mat, Floor	1
17	<u>102221201</u>	Pad, Wear	2

1
G
E

1
G
E

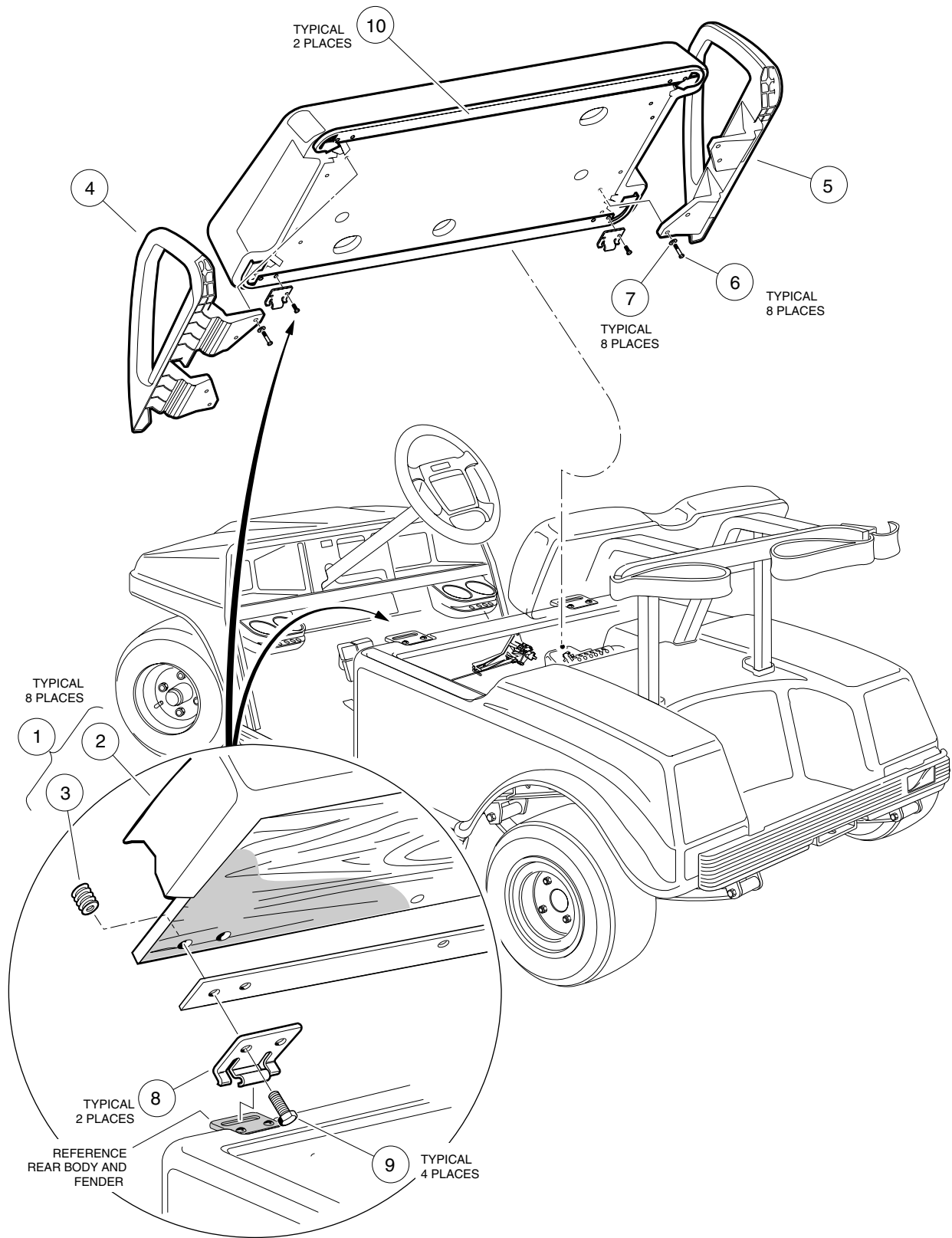


REAR BODY AND FENDER – ELECTRIC VEHICLE

ITEM	PART NO.	DESCRIPTION	QTY
		1 2 3 4	
1	<u>8251</u>	Screw, Phillips Head, 1/4-20 x 1	10
2	<u>101904101</u>	Plate, Body Kick	1
3	<u>1017141</u>	Support, Front Body	1
4	<u>1012412</u>	Plate, Body Hinge	2
5	<u>332</u>	Washer, Flat, 1/4	10
6	<u>8233</u>	Nut, Nylon Lock, 1/4-20	12
7	<u>1017936</u>	Fender, Inner	2
8	<u>1014306</u>	Washer, Flat, Type B, 1/4	2
9	<u>1017814</u>	Spacer, 1-7/8	2
10	<u>1012159</u>	Screw, Hex Head Cap, 1/4-20 x 2-3/4	2
11	<u>7479</u>	Screw, Hex Head Cap, 1/4-20 x 1-1/4	2
12	<u>1017815</u>	Spacer, 1/2	2
13	<u>1017748</u>	Clip, Body Keeper	2
14	<u>1012047</u>	Screw, Self-Tapping, #8-32	2
15	<u>101693301</u>	Body – Beige	1
15	<u>101693302</u>	Body – White	1
15	<u>101693304</u>	Body – Gray	1
15	<u>101693306</u>	Body – Red	1
15	<u>101693309</u>	Body – Royal Blue (Pacific Blue).....	1
15	<u>101693310</u>	Body – Dark Green	1
15	<u>101693311</u>	Body – Black	1
15	<u>101693312</u>	Body – Classic Blue (Navy).....	1
15	<u>101693313</u>	Body – Burgundy	1
16	<u>101696201</u>	Body with Taillight Opening – Beige	1
16	<u>101696202</u>	Body with Taillight Opening – White	1
16	<u>101696204</u>	Body with Taillight Opening – Gray	1
16	<u>101696206</u>	Body with Taillight Opening – Red	1
16	<u>101696217</u>	Body with Taillight Opening – Royal Blue (Pacific Blue)	1
16	<u>101696218</u>	Body with Taillight Opening – Dark Green	1
16	<u>101696222</u>	Body with Taillight Opening – Black	1
16	<u>101696223</u>	Body with Taillight Opening – Classic Blue (Navy)	1
16	<u>101696224</u>	Body with Taillight Opening – Burgundy	1
17	<u>1013032</u>	Door, Access – Black	1
17	<u>1013140</u>	Door, Access – Beige	1
18	<u>1015525</u>	Nut, Blind, 1/4-20	2
19	<u>1015032</u>	Mat, Floor	1
20	<u>102221201</u>	Pad, Wear	2

1
G
E

1
G
E

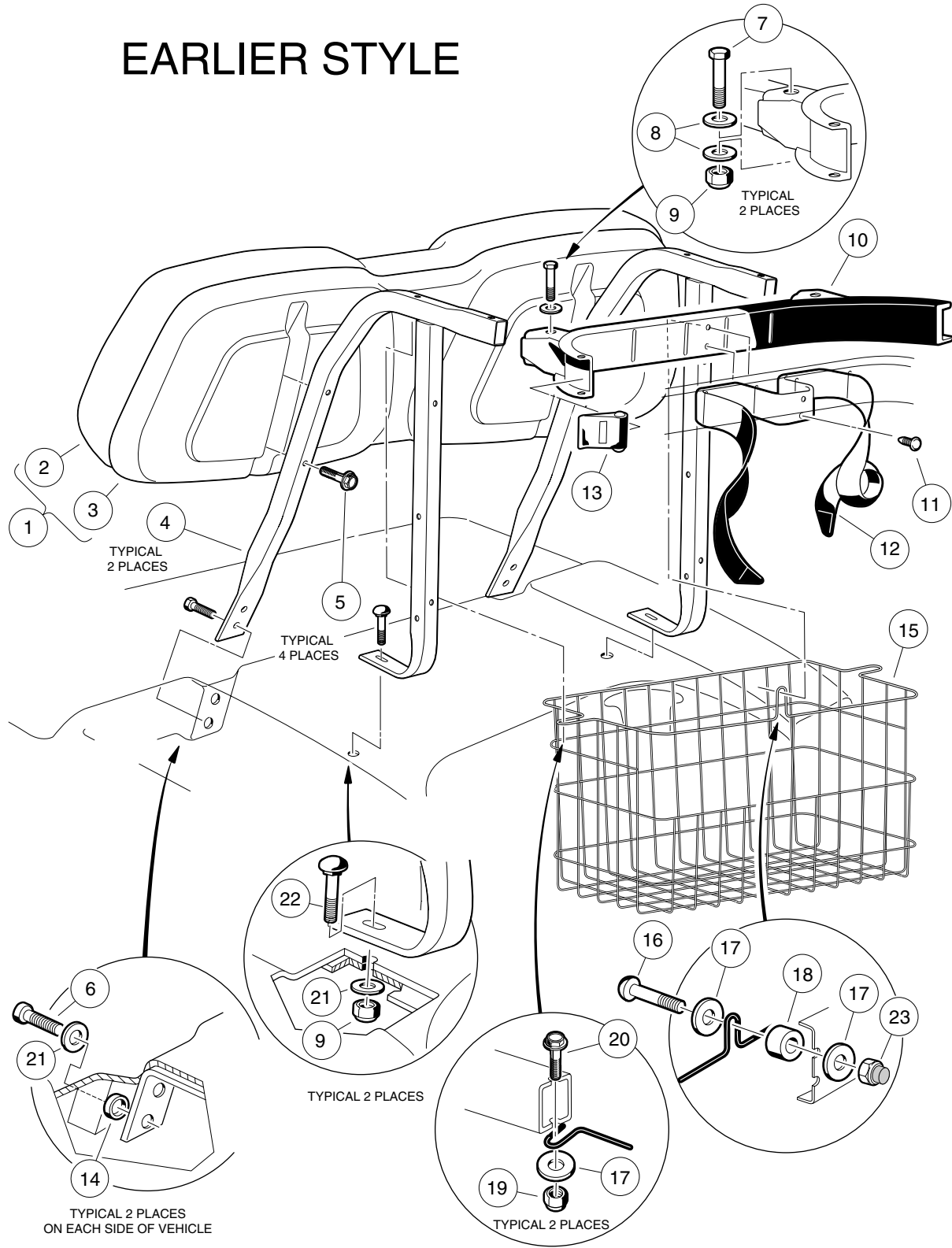


SEAT BOTTOM AND ARMREST

ITEM	PART NO.	DESCRIPTION	QTY GAS	QTY ELEC
		1 2 3 4		
1	<u>102174201</u>	Assembly, Seat Bottom – Buff (includes items 2 and 3)	1	1
1	<u>102174202</u>	Assembly, Seat Bottom – White (includes items 2 and 3)	1	1
1	<u>102174204</u>	Assembly, Seat Bottom – Black (includes items 2 and 3)	1	1
1	<u>102174205</u>	Assembly, Seat Bottom – Gray (includes items 2 and 3)	1	1
2	<u>101998201</u>	Cover, Vinyl Seat Bottom – Buff	1	1
2	<u>101998202</u>	Cover, Vinyl Seat Bottom – White	1	1
2	<u>101998204</u>	Cover, Vinyl Seat Bottom – Black	1	1
2	<u>101998205</u>	Cover, Vinyl Seat Bottom – Gray	1	1
3	1010543	Insert, Wood	12	12
4	<u>101987601</u>	Armrest, Driver Side	1	1
5	<u>101985501</u>	Armrest, Passenger Side	1	1
6	1016916	Screw, Hex Head Cap, 1/4-20 x 1-1/2	8	8
7	<u>332</u>	Washer, Flat, Type A	8	8
8	<u>1011652</u>	Plate, Seat Hinge, Stainless Steel	2	2
9	<u>101954301</u>	Screw, Hex Head Cap, 1/4-20 x 3/4 (with patch)	4	4
10	<u>101998501</u>	Gasket, Seat	2	2

1
G
E

EARLIER STYLE

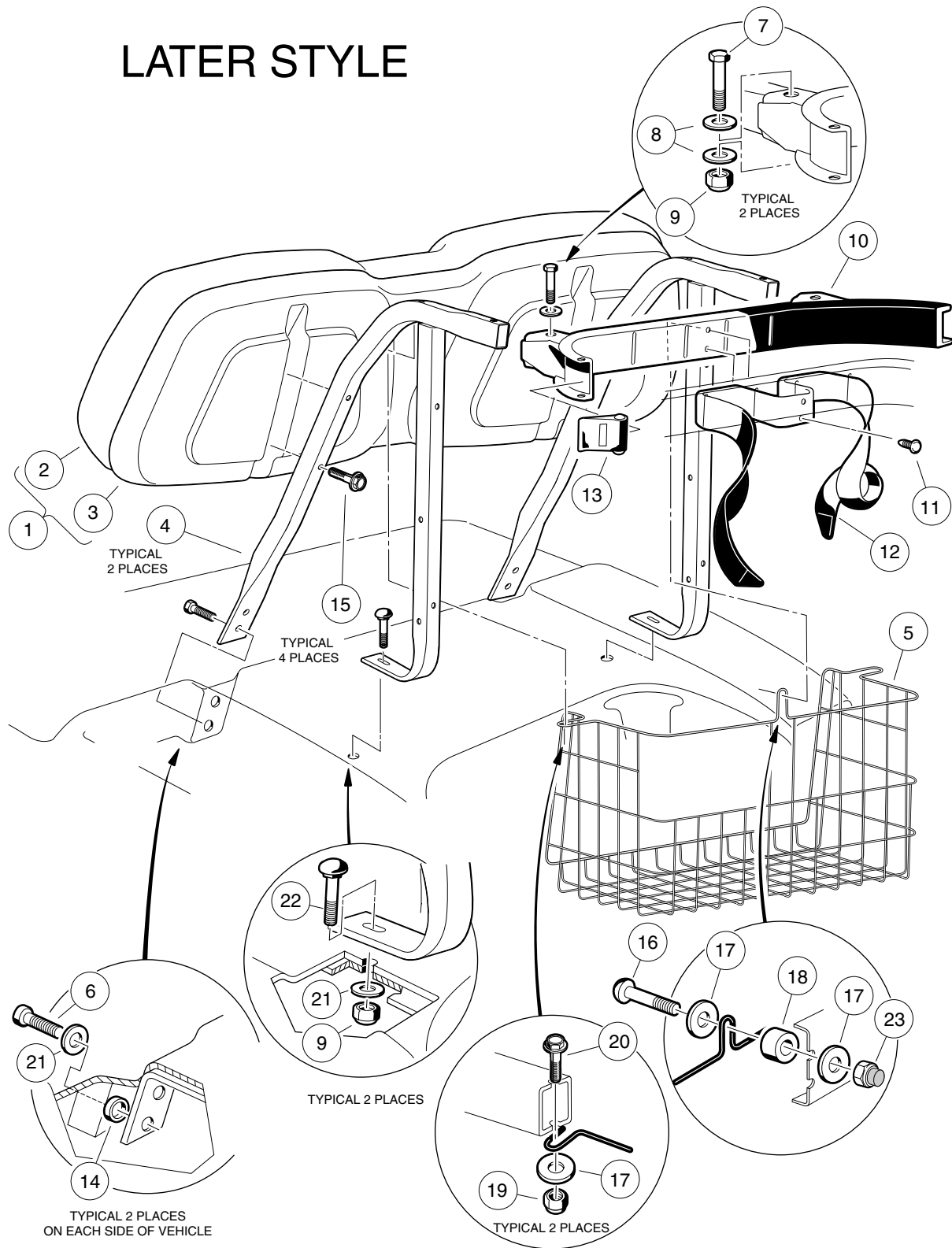


SEAT BACK AND BAG HOOP – EARLIER STYLE

ITEM	PART NO.	DESCRIPTION	QTY GAS	QTY ELEC
		<p style="text-align: center;">1 2 3 4</p> <p>This manual includes two seat back styles. Not all parts are interchangeable, so it is important to identify the correct seat back style for your vehicle.</p> <p>Earlier and later seat back styles can be distinguished most easily by differences in the sweater basket design.</p> <p>Before ordering parts from this page, compare your vehicle's sweater basket to those shown on pages 1-12 and 1-14. Order from the page that corresponds to the sweater basket style of your vehicle.</p>		
1	<u>102076601</u>	Assembly, Seat Back – Buff (includes item 2)	1	1
1	<u>102076602</u>	Assembly, Seat Back – White (includes item 2)	1	1
1	<u>102076604</u>	Assembly, Seat Back – Black (includes item 2)	1	1
1	<u>102076605</u>	Assembly, Seat Back – Gray (includes item 2)	1	1
2	<u>102060501</u>	Cover, Vinyl, Seat Back – Buff	1	1
2	<u>102060502</u>	Cover, Vinyl, Seat Back – White	1	1
2	<u>102060504</u>	Cover, Vinyl, Seat Back – Black	1	1
2	<u>102060505</u>	Cover, Vinyl, Seat Back – Gray	1	1
3	102058901	Cap, Seat Back – Black	1	1
4	102059901	Weldment, Support, Seat Back	2	2
5	<u>102076701</u>	Screw, SEMS (with Patch) 1/4-20 x 1-3/4	4	4
6	<u>101910401</u>	Screw, Self-Tapping, 5/16-18 x 1-1/4	4	4
7	<u>1010921</u>	Screw, Cap Hex Head, 5/16-18 x 2-1/2	2	2
8	1015075	Washer, Flat, 5/16	4	4
9	<u>7473</u>	Nut, Nylon Lock, 5/16-18	4	4
10	1013935	Assembly, Bag Hoop (includes items 11 - 13)	1	1
11	<u>1010434</u>	Fastener, Plastic Barrel	2	2
12	<u>1010413</u>	Strap, Bag	1	1
13	<u>1013754</u>	Buckle, Bag Strap	2	2
14	1017774	Spacer, Body	4	4
15	<u>101707206</u>	Kit, Sweater Basket (includes items 16 - 20)	1	1
16	8418	Screw, Phillips Truss Head, 1/4-20 x 1-1/2	1	1
17	1015075	Washer, Flat, 5/16	4	4
18	<u>1014482</u>	Spacer, Nylon	1	1
19	<u>8233</u>	Nut, Nylon Lock, 1/4-20	2	2
20	<u>7479</u>	Screw, Hex Head Cap, 1/4-20 x 1-1/4.....	2	2
21	<u>1241</u>	Washer, Flat, 5/16	6	6
22	<u>7818</u>	Screw, Round-Head Square-Neck, 5/16-18 x 1-1/2	2	2
23	<u>102242401</u>	Nut, Nylon Insert with Cap, 1/4-20	1	1
	<u>102237903</u>	Kit, Seat Back Retrofit (not shown) converts the earlier style seat back to the later style back (includes items 3, 4, and 5 on page 1-15)	1	1

1
G
E

LATER STYLE

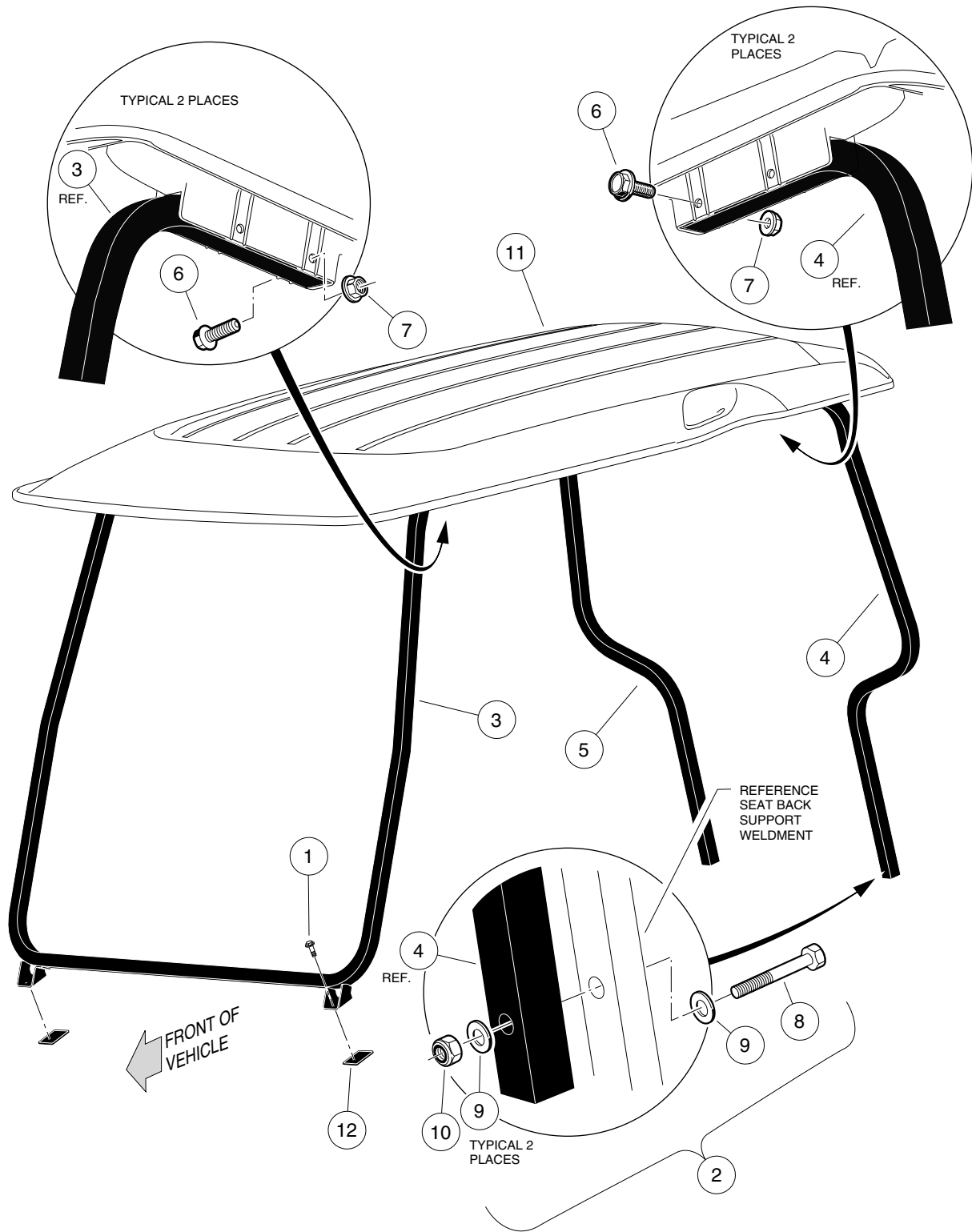


SEAT BACK AND BAG HOOP – LATER STYLE

ITEM	PART NO.	DESCRIPTION	QTY GAS	QTY ELEC
		<p style="text-align: center;">1 2 3 4</p> <p>This manual includes two seat back styles. Not all parts are interchangeable, so it is important to identify the correct seat back style for your vehicle.</p> <p>Earlier and later seat back styles can be distinguished most easily by differences in the sweater basket design.</p> <p>Before ordering parts from this page, compare your vehicle's sweater basket to those shown on pages 1-12 and 1-14. Order from the page that corresponds to the sweater basket style of your vehicle.</p>		
1	<u>102238301</u>	Assembly, Seat Back – Buff (includes items 2 and 3)	1	1
1	<u>102238302</u>	Assembly, Seat Back – White (includes items 2 and 3)	1	1
1	<u>102238304</u>	Assembly, Seat Back – Black (includes items 2 and 3)	1	1
1	<u>102238305</u>	Assembly, Seat Back – Gray (includes items 2 and 3)	1	1
2	<u>102060501</u>	Cover, Vinyl, Seat Back – Buff	1	1
2	<u>102060502</u>	Cover, Vinyl, Seat Back – White	1	1
2	<u>102060504</u>	Cover, Vinyl, Seat Back – Black	1	1
2	<u>102060505</u>	Cover, Vinyl, Seat Back – Gray	1	1
3	<u>102237001</u>	Cap, Seat Back – Black	1	1
4	<u>102236601</u>	Weldment, Support, Seat Back	2	2
5	<u>102236703</u>	Basket, Sweater	1	1
6	<u>101910401</u>	Screw, Self-Tapping, 5/16-18 x 1-1/4	4	4
7	<u>1010921</u>	Screw, Cap Hex Head, 5/16-18 x 2-1/2	2	2
8	<u>1015075</u>	Washer, Flat, 5/16	4	4
9	<u>7473</u>	Nut, Nylon Lock, 5/16-18	4	4
10	<u>1013935</u>	Assembly, Bag Hoop (includes items 11 - 13)	1	1
11	<u>1010434</u>	Fastener, Plastic Barrel	2	2
12	<u>1010413</u>	Strap, Bag	1	1
13	<u>1013754</u>	Buckle, Bag Strap	2	2
14	<u>1017774</u>	Spacer, Body	4	4
15	<u>102076701</u>	Screw, SEMS (with Patch) 1/4-20 x 1-3/4	4	4
16	<u>8418</u>	Screw, Phillips Truss Head, 1/4-20 x 1-1/2	1	1
17	<u>1015075</u>	Washer, Flat, 5/16	4	4
18	<u>1014482</u>	Spacer, Nylon	1	1
19	<u>8233</u>	Nut, Nylon Lock, 1/4-20	2	2
20	<u>7479</u>	Screw, Hex Head Cap, 1/4-20 x 1-1/4	2	2
21	<u>1241</u>	Washer, Flat, 5/16	6	6
22	<u>7818</u>	Screw, Round-Head Square-Neck, 5/16-18 x 1-1/2	2	2
23	<u>102242401</u>	Nut, Nylon Insert with Cap, 1/4-20	1	1
	<u>102237903</u>	Kit, Seat Back Retrofit (not shown) converts the earlier style seat back to the later style back (includes items 3, 4, and 5)	1	1

1
G
E

1
G
E



CANOPY

ITEM	PART NO.	DESCRIPTION	QTY GAS	QTY ELEC
		1 2 3 4		
1	102099101	Screw, SEMS (with patch) 5/16-18 x 1.....	2	2
2	<u>102155501</u>	Kit, Support (includes items 3 - 10)	1	1
3	<u>102063901</u>	Weldment, Windshield	1	1
4	<u>102065501</u>	Support, Rear Canopy (driver side)	1	1
5	<u>102064601</u>	Support, Rear Canopy (passenger side)	1	1
6	<u>102076701</u>	Screw, Sems, (with patch) 1/4-20 x 1-3/4	8	8
7	<u>101835601</u>	Nut, Flange, 1/4-20	8	8
8	<u>324</u>	Screw, Hex Head Cap, 1/4-20 x 2-1/2	2	2
9	<u>332</u>	Washer, Flat, 1/4	4	4
10	<u>8233</u>	Nut, Lock, 1/4-20	2	2
11	<u>102061301</u>	Canopy – White	1	1
11	<u>102061302</u>	Canopy – Beige	1	1
12	102198301	Pad, Mounting (windshield frame).....	2	2

1
G
E

1

G

E

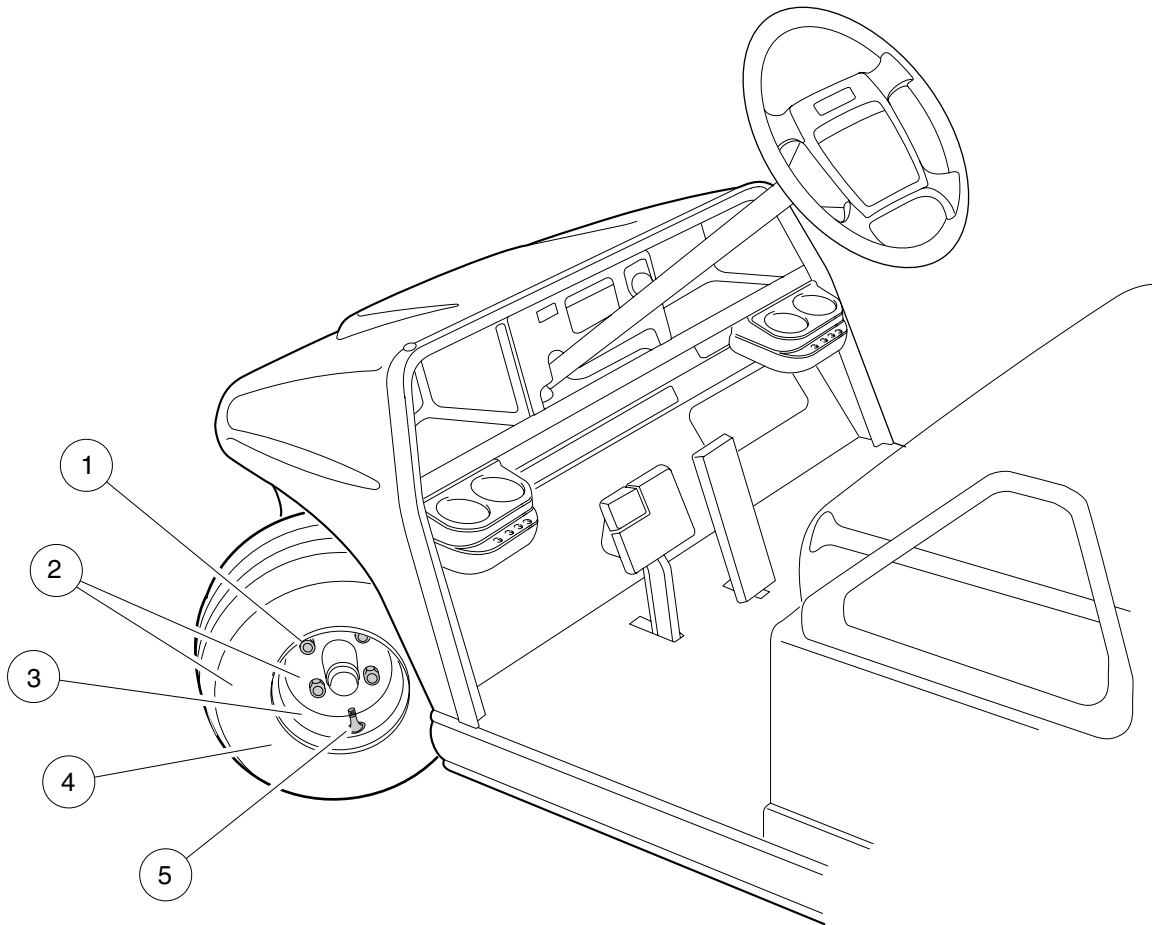
WHEELS AND TIRES

2

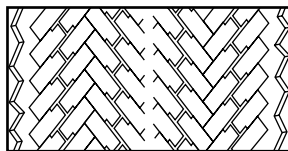
G

E

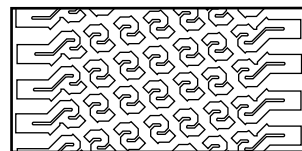
2
G
E



STANDARD
TREAD



PREMIUM
TREAD



EXTRA
TRACTION

WHEELS AND TIRES

ITEM	PART NO.	DESCRIPTION	QTY GAS	QTY ELEC
		1 2 3 4		
1	<u>1010984</u>	Nut, Lug	16	16
2	<u>101570501</u>	Assembly, Wheel (beige) and Standard Tread Tire (18 x 8.50 - 8)	4	4
2	<u>101570502</u>	Assembly, Wheel (beige) and Premium Tread Tire (18 x 8.50 - 8) (Carlisle®)	4	4
2	<u>101570507</u>	Assembly, Wheel (beige) and Extra Traction Tire, 6-Ply Rated (18 x 8.50 - 8)	4	4
2	<u>101570508</u>	Assembly, Wheel (beige) and Performance Grade Tread Tire (18 x 8.50 - 8) (Duro®)	4	4
2	<u>101570513</u>	Assembly, Wheel (beige) and Premium Grade Tire (18 x 8.50 - 8) (Kenda®)	4	4
2	<u>101651401</u>	Assembly, Wheel (white) and Standard Tread Tire (18 x 8.50 - 8)	4	4
2	<u>101651402</u>	Assembly, Wheel (white) and Premium Tread Tire (18 x 8.50 - 8) (Carlisle)	4	4
2	<u>101651407</u>	Assembly, Wheel (white) and Extra Traction Tire, 6-Ply Rated (18 x 8.50 - 8)	4	4
2	<u>101651408</u>	Assembly, Wheel (white) and Performance Grade Tread Tire (18 x 8.50 - 8) (Duro)	4	4
2	<u>101651413</u>	Assembly, Wheel (white) and Premium Grade Tire (18 x 8.50 - 8) (Kenda)	4	4
3	<u>1015707</u>	Wheel Rim – Beige	4	4
3	<u>1014771</u>	Wheel Rim – White	4	4
4	<u>727102</u>	Tire, Unmounted, Standard Tread (18 x 8.50 - 8)	4	4
4	<u>101567201</u>	Tire, Unmounted, Performance Grade Tread (Duro)	4	4
4	<u>101567202</u>	Tire, Unmounted, Premium Tread (18 x 8.50 - 8) (Carlisle)	4	4
4	<u>101769302</u>	Tire, Unmounted, Extra Traction, 6-Ply Rated (18 x 8.50 - 8)	4	4
5	<u>7310</u>	Stem, Valve	4	4

2
G
E

2

G

E

DECALS

3

G

E

⚠ WARNING

ROLLOVER OR FALLING OFF MAY CAUSE DEATH.

- Before using vehicle, read operating instructions.
- Remain seated and hold on to seat handle while moving.
- Do not start vehicle until all occupants are seated.
- Two (2) persons per seat maximum.
- Operate from driver side only and not on public roads.
- Keep entire body inside vehicle while moving.
- Drive slowly in turns and straight up and down slopes.
- Do not leave children unattended on vehicle.
- Never operate under the influence of alcohol or drugs.
- Use brakes to reduce speed when coasting downhill.
- Never stand in front of or behind vehicle.

CCI 1019606-01

**DRIVER / PASSENGER
WARNING DECAL**



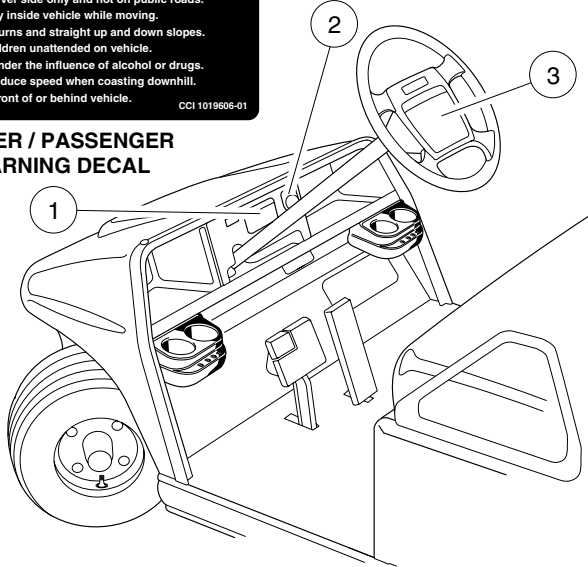
**KEY SWITCH
DECAL**

OPERATING INSTRUCTIONS

- Read Owner's Manual and safety warnings located on dash panel prior to driving.
 - Study and understand controls.
- Make sure wheels are turned in desired direction.
- Turn key to "ON" position and be sure nothing is in your path.
 - While vehicle is stopped, select direction by placing shift lever or switch in desired position:
 - F - Forward N - Neutral R - Reverse (Buzzer will sound)
- Vehicle will start moving when accelerator pedal is depressed.
- Slowly depress accelerator pedal to increase speed. Park brake will release when accelerator pedal is depressed.
- To stop, release accelerator pedal and depress brake pedal.
- After stopping, firmly depress park brake until it locks.
 - Place forward and reverse switch in neutral position.
 - Turn key "OFF" and remove key when not in use.

CCI 1016216-01

**OPERATING INSTRUCTIONS
DECAL**



⚠ WARNING

CAN CAUSE SEVERE INJURY

Rotating parts

HOT manifold & muffler

KEEP CLEAR CCI 1019605-01

**ROTATING PARTS AND
HOT MANIFOLD DECAL
(ON STARTER/GENERATOR
AND ENGINE)**

⚠ WARNING

GASOLINE EXPLOSION / FIRE.

CAN CAUSE SEVERE INJURY OR DEATH.

NO SMOKING, SPARKS, OR OPEN FLAME.

STOP ENGINE. ALLOW TO COOL BEFORE REFUELING.

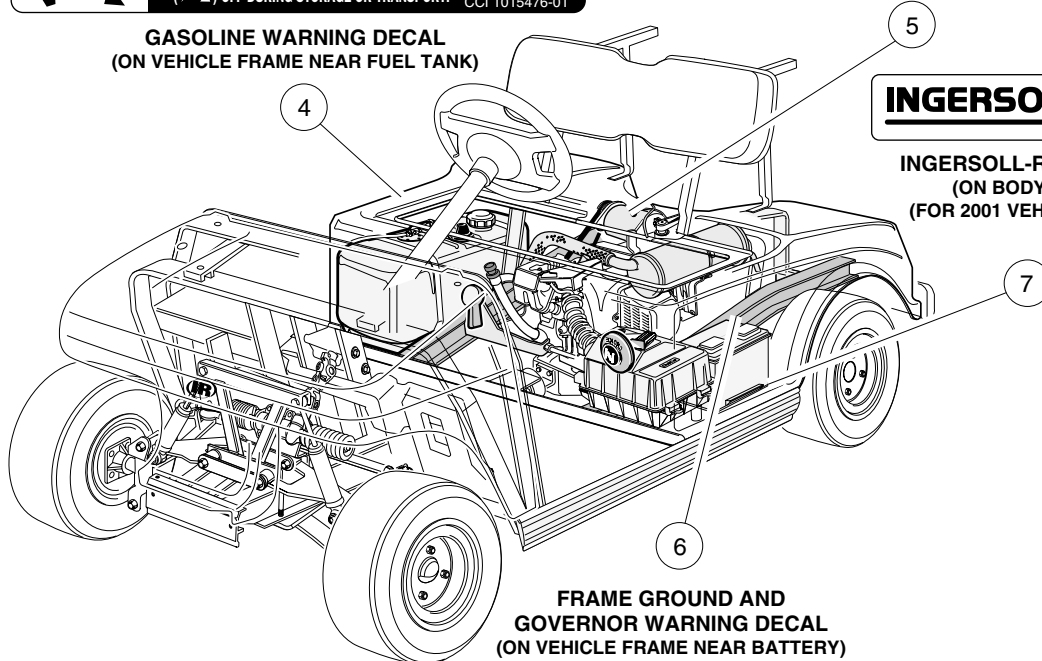
TURN FUEL VALVE () ON DURING OPERATION.

() OFF DURING STORAGE OR TRANSPORT. CCI 1015476-01

**GASOLINE WARNING DECAL
(ON VEHICLE FRAME NEAR FUEL TANK)**



**INGERSOLL-RAND DECAL
(ON BODY PANEL)
(FOR 2001 VEHICLES ONLY)**



**FRAME GROUND AND
GOVERNOR WARNING DECAL
(ON VEHICLE FRAME NEAR BATTERY)**

	<p>⚠ WARNING</p> <p>Negative frame ground. Can cause severe injury. Do not contact positive (+) battery post or cable to frame. Disconnect negative battery lead first.</p>		<p>⚠ WARNING</p> <p>Excessive speed. Can cause severe injury or death. Do not tamper with engine governor adjustment.</p> <p>CCI 1019152-01</p>
--	--	--	--

DECALS – GASOLINE VEHICLE

ITEM	PART NO.	DESCRIPTION	QTY
		1 2 3 4	
1	101960601	Decal, Driver/Passenger Warning	1
2	<u>101825101</u>	Decal, Key Switch	1
3	101621601	Decal, Operating Instructions	1
4	<u>101547601</u>	Decal, Gasoline Warning	1
5	<u>101960501</u>	Decal, Rotating Parts and Hot Manifold Warning	2
6	<u>101915201</u>	Decal, Frame Ground and Governor Warning	1
7	101952401	Decal, Ingersoll-Rand – Gold (for 2001 vehicles only).....	2

3
G
E

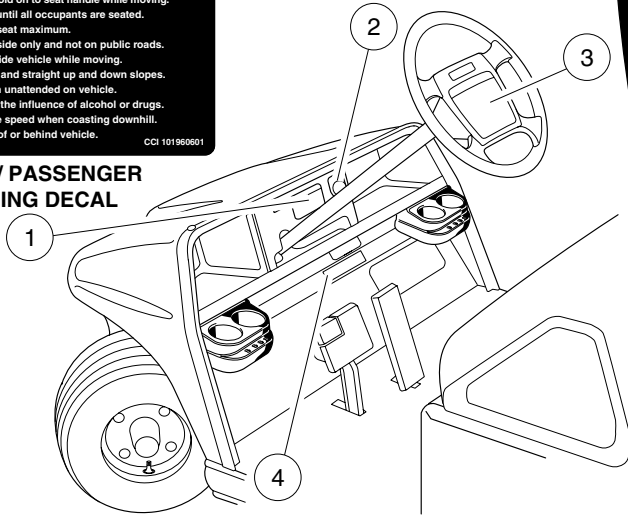
WARNING

ROLLOVER OR FALLING OFF MAY CAUSE DEATH.

- Before using vehicle, read operating instructions.
- Remain seated and hold on to seat handle while moving.
- Do not start vehicle until all occupants are seated.
- Two (2) persons per seat maximum.
- Operate from driver side only and not on public roads.
- Keep entire body inside vehicle while moving.
- Drive slowly in turns and straight up and down slopes.
- Do not leave children unattended on vehicle.
- Never operate under the influence of alcohol or drugs.
- Use brakes to reduce speed when coasting downhill.
- Never stand in front of or behind vehicle.

CCI 101960601

**DRIVER / PASSENGER
WARNING DECAL**



OFF | ON

KEY SWITCH DECAL

OPERATING INSTRUCTIONS

- Read Owner's Manual and safety warnings located on dash panel prior to driving.
 - Study and understand controls.
- Make sure wheels are turned in desired direction.
- Turn key to "ON" position and be sure nothing is in your path.
- While vehicle is stopped, select direction by placing shift lever or switch in desired position:
 - F - Forward N - Neutral R - Reverse (Buzzer will sound)
- Vehicle will start moving when accelerator pedal is depressed.
- Slowly depress accelerator pedal to increase speed. Park brake will release when accelerator pedal is depressed.
- To stop, release accelerator pedal and depress brake pedal.
- After stopping, firmly depress park brake until it locks.
- Place forward and reverse switch in neutral position. Turn key "OFF" and remove key when not in use.

CCI 1016216-01

**OPERATING INSTRUCTIONS
DECAL**

**ELECTRICAL COMPONENT DECAL
(ON SPEED CONTROLLER COVER
IQ SYSTEM VEHICLE ONLY)**

**MOTOR BRAKING DECAL
(POWERDRIVE PLUS VEHICLES ONLY)**

IMPORTANT NOTICE

VEHICLE EQUIPPED TO LIMIT DOWNHILL SPEED

- Maximum vehicle speed is limited during downhill operation with accelerator pedal depressed.
- Vehicle will brake gently when accelerator pedal is released.
- System is activated only when tow switch is in the "RUN" position.
- When towing vehicle, tow switch must be in the "TOW" position.

CCI 1019599-01

(IQ SYSTEM VEHICLES ONLY)

IMPORTANT NOTICE

- Maximum vehicle speed is limited by motor braking during downhill operation with accelerator pedal depressed.
- If motor brake enabled, vehicle motor will brake when accelerator pedal is released.
- Beeping alarm indicates reduction in motor braking. Apply brakes to reduce speed.
- System is activated only when tow switch is in the "RUN" position.
- When towing vehicle, tow switch must be in the "TOW" position.

101959902

NOTICE

Do not operate vehicle without this cover properly installed. Do not direct water stream in this area; will cause damage to components. See vehicle maintenance and service manual before servicing.

CCI 101931501

NOTICE

- DO NOT OPERATE VEHICLE WITHOUT COVER IN PLACE.
- DO NOT DIRECT WATER STREAM AT THIS SWITCH.

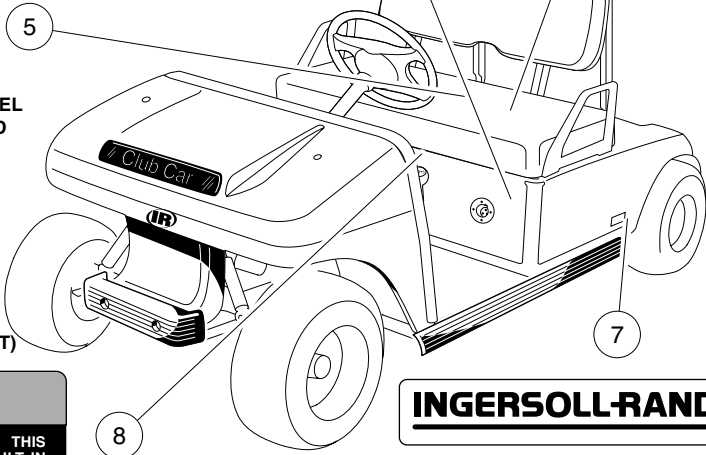
CCI 1016109-01

**POTENTIOMETER CAUTION DECAL
(ON WIPER SWITCH COVER INSIDE
BATTERY COMPARTMENT)**

WARNING HOT RESISTORS (COILED WIRE) CAN CAUSE SEVERE BURNS.

**RESISTOR WARNING DECAL
(ON FRAME UNDER SEAT ON
V-GLIDE 36 VOLT VEHICLE)**

(ON MOUNTING PLATE UNDER ACCESS PANEL
ON POWERDRIVE PLUS VEHICLE EQUIPPED
WITH A DB SOLENOID AND COIL)



**TOW/RUN SWITCH WARNING DECAL
(ON TOW/RUN SWITCH BRACKET UNDER SEAT)**

WARNING TOW RUN

Place Tow/Run switch in TOW position before:

- Disconnecting or connecting batteries
- Towing
- Extended storage
- Servicing

FAILURE TO HEED THIS WARNING COULD RESULT IN A BATTERY EXPLOSION OR SEVERE PERSONAL INJURY.

CCI 101909801

(POWERDRIVE PLUS AND IQ SYSTEM VEHICLES)

INGERSOLL-RAND

**INGERSOLL-RAND DECAL
(ON BODY PANEL)
(FOR 2001 VEHICLES ONLY)**

DECALS – ELECTRIC VEHICLE

ITEM	PART NO.	DESCRIPTION	QTY
		1 2 3 4	
1	101960601	Decal, Driver/Passenger Warning	1
2	<u>101825101</u>	Decal, Key Switch	1
3	101621601	Decal, Operating Instructions	1
4	<u>101959901</u>	Decal, Motor Braking (PowerDrive Plus vehicle)	1
4	<u>101959902</u>	Decal, Motor Braking (IQ System vehicle)	1
5	<u>1013496</u>	Decal, Resistor Warning (V-Glide 36-Volt and PowerDrive Plus vehicles)	1
6	<u>101610901</u>	Decal, Potentiometer Caution	1
7	101952401	Decal, Ingersoll-Rand – Gold (for 2001 vehicles only)	2
8	<u>101908601</u>	Decal, Tow/Run Switch (PowerDrive Plus and IQ System vehicles)	1
9	<u>101931501</u>	Decal, Electrical Component Cover (IQ System vehicle)	1

3
G
E

3

G

E

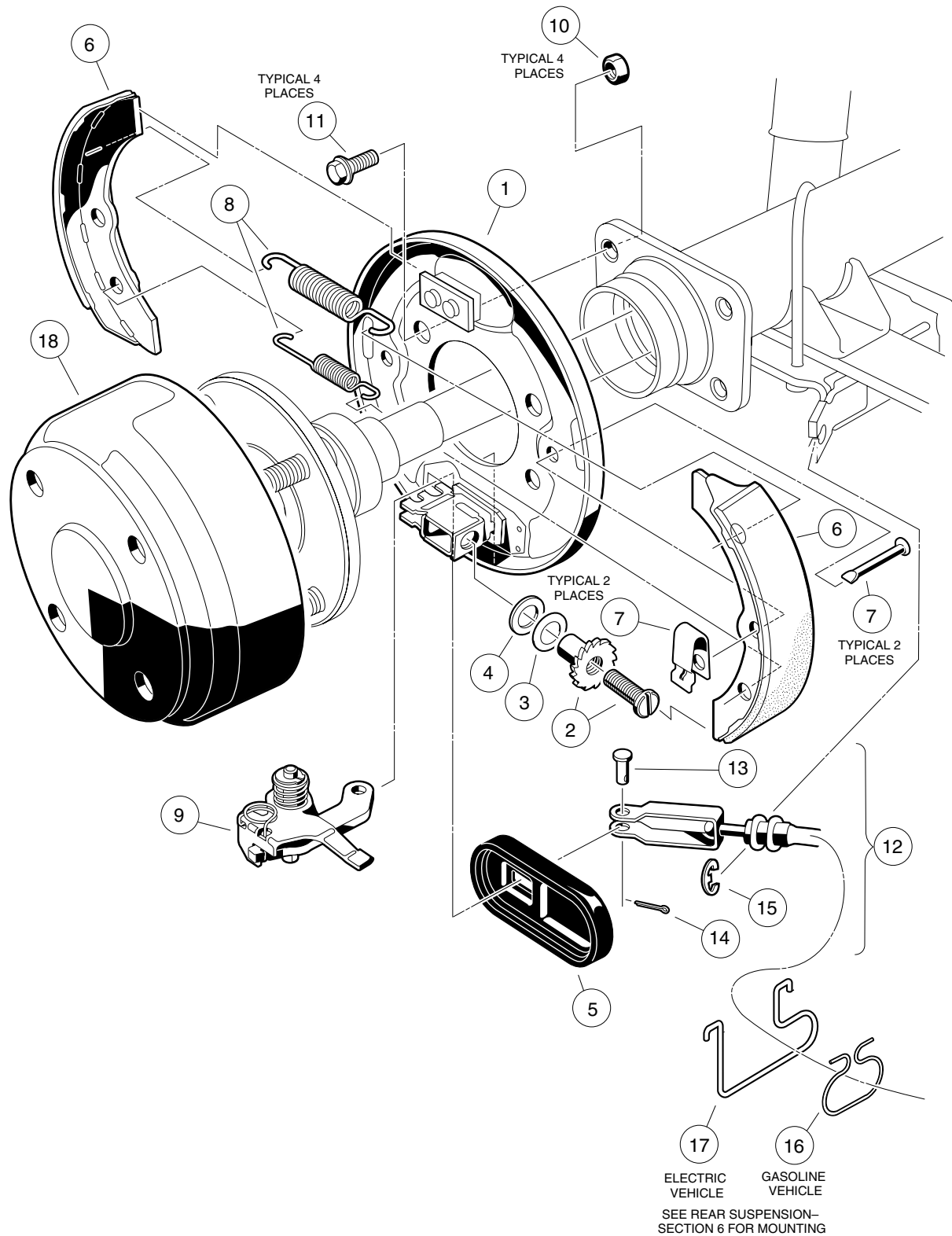
BRAKES, PEDAL, AND CABLE ASSEMBLIES

4

G

E

4
G
E



BRAKE ASSEMBLY

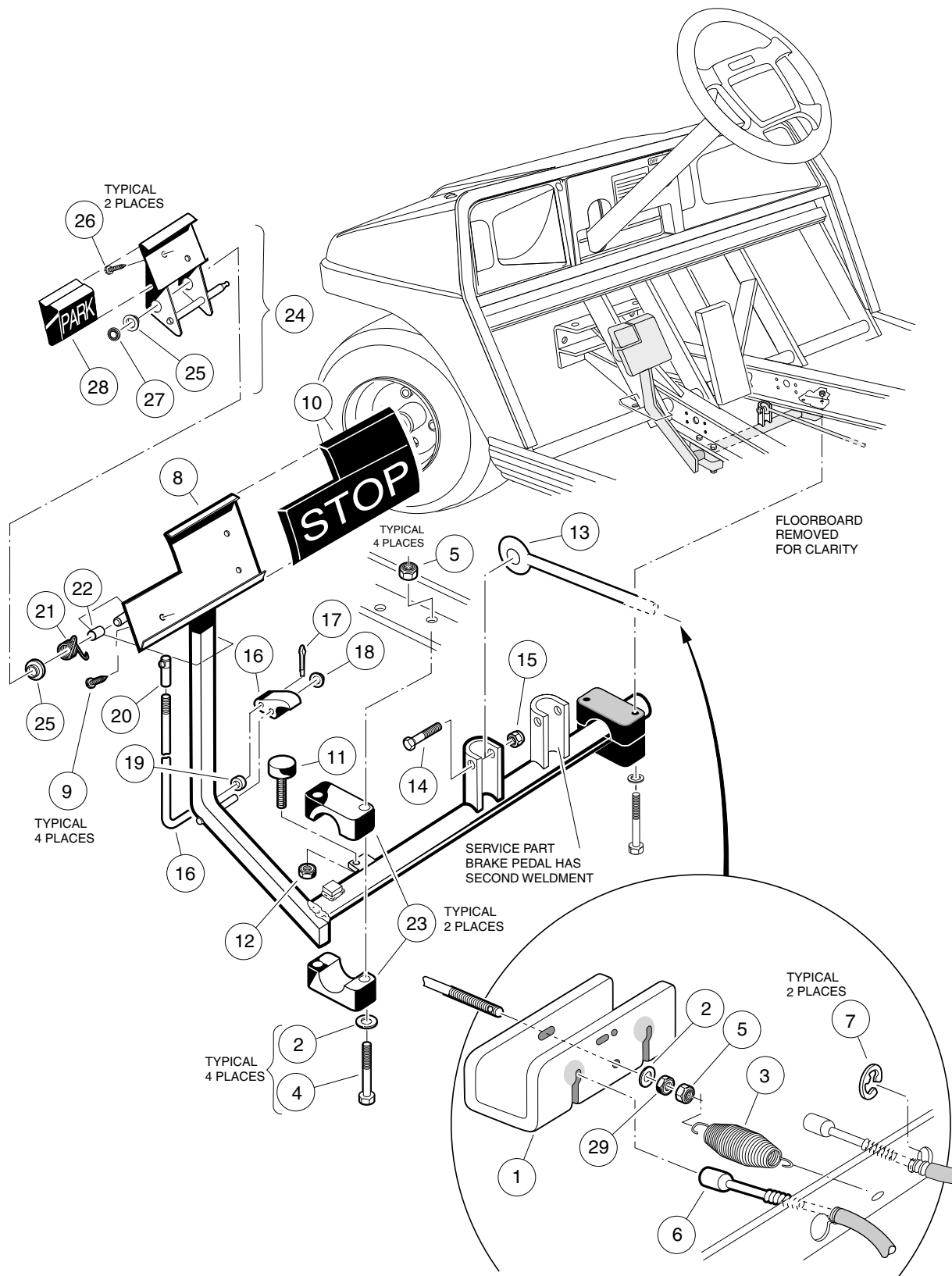
ITEM	PART NO.	DESCRIPTION	QTY GAS	QTY ELEC
		1 2 3 4		
	<u>101823301</u>	Cluster, Brake, Passenger Side (includes items 1 - 9)	1	1
	<u>101823302</u>	Cluster, Brake, Driver Side (includes items 1 - 9)	1	1
1	<u>101824001</u>	Assembly, Backing Plate, Passenger Side (includes items 2 - 4)	1	1
1	<u>101824002</u>	Assembly, Backing Plate, Driver Side (includes items 2 - 4)	1	1
2	<u>101816501</u>	Mechanism, Adjusting, Passenger Side	1	1
2	<u>101816502</u>	Mechanism, Adjusting, Driver Side	1	1
3	<u>101823901</u>	Washer	1	1
4	<u>101823801</u>	Washer, Plate	1	1
5	<u>1010850</u>	Cover, Dust	1	1
6	<u>101823201</u>	Package, Brake Shoe (four pieces)	1	1
7	<u>1011466</u>	Kit, Shoe Retainer (four pieces)	1	1
8	<u>101816301</u>	Package, Brake Spring (four pieces)	1	1
9	<u>101815501</u>	Assembly, Lever, Passenger Side	1	1
9	<u>101815502</u>	Assembly, Lever, Driver Side	1	1
10	<u>1013924</u>	Nut, Hex Head Lock, Grade 8, 5/16-24	8	8
11	<u>1014153</u>	Bolt, Brake Cluster Mounting, Grade 8, 5/16-24 x 7/8	8	8
12	<u>102022101</u>	Kit, Brake Cable (includes items 13 -15)	2	2
13	<u>1010829</u>	Pin, Clevis, 5/16	2	2
14	<u>1035</u>	Pin, Cotter, 3/32 x 1	2	2
15	<u>1011779</u>	E-Clip, 1/2	2	2
16	<u>101900801</u>	Hanger, Brake Cable (gasoline vehicle only)	2	
17	<u>1013207</u>	Hanger, Brake Cable (electric vehicle only)		2
18	<u>101791101</u>	Drum, Brake	2	2

4

G

E

4
G
E

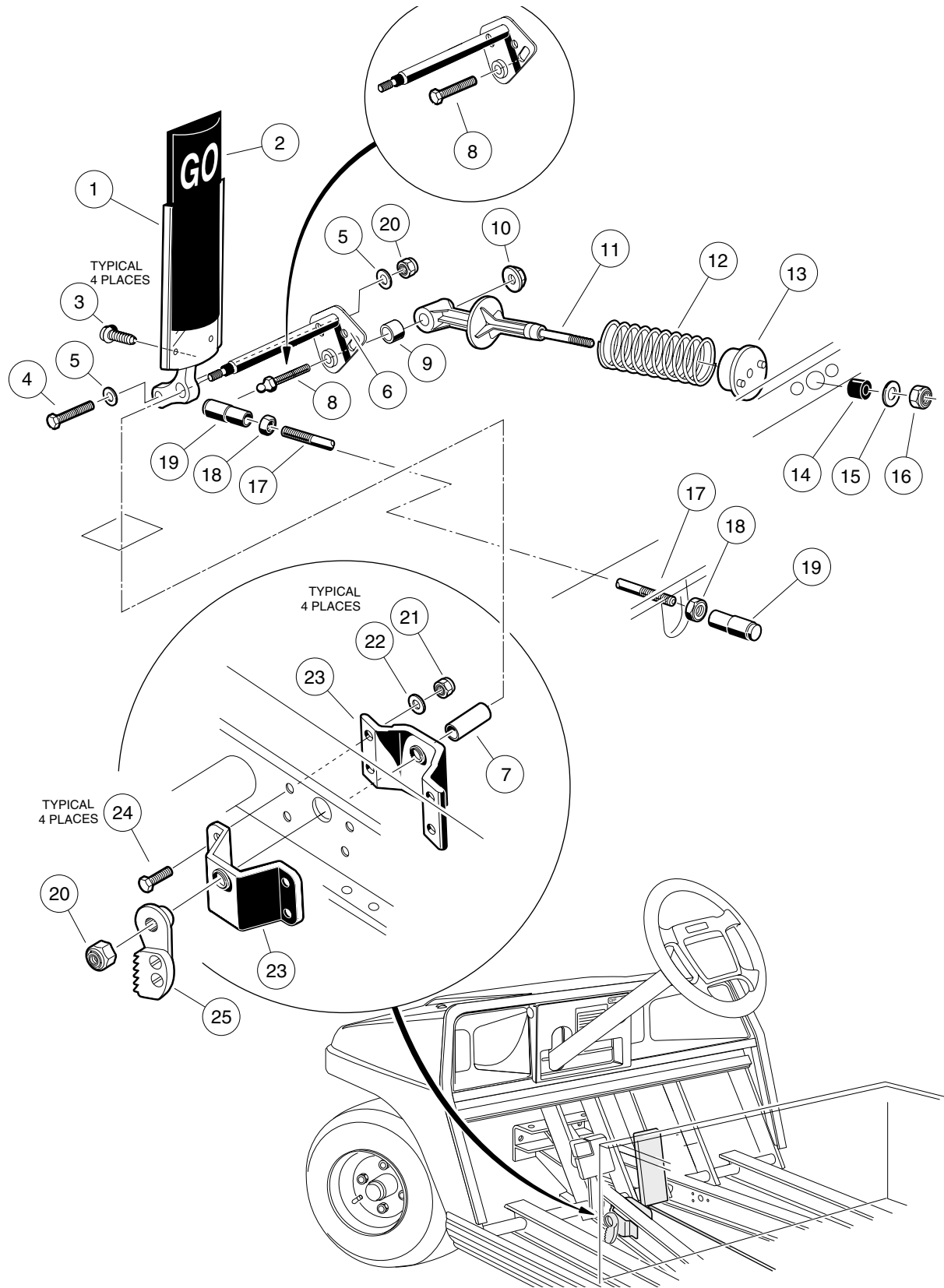


BRAKE PEDAL AND CABLE ASSEMBLY

ITEM	PART NO.	DESCRIPTION	QTY GAS	QTY ELEC
		1 2 3 4		
1	<u>101990801</u>	Equalizer	1	1
2	<u>1241</u>	Washer, Flat, 5/16	5	5
3	<u>1013531</u>	Spring, Brake Return	1	1
4	<u>1010921</u>	Screw, Hex Head Cap, 5/16-18 x 2-1/2	4	4
5	<u>7473</u>	Nut, Nylon Lock, 5/16-18	5	5
6	<u>102022101</u>	Kit, Brake Cable (includes item 7, and Items 13 and 14 on page 4-3)	2	2
7	<u>1011779</u>	E-Clip, 1/2	2	2
8	<u>101878201</u>	Kit, Brake Pedal (includes items 9 and 10)	1	1
9	<u>7716</u>	Screw, Slotted Hex Washer Head, #10-16 x 1/2	4	4
10	<u>1013869</u>	Pad, Brake Pedal	1	1
11	<u>1010878</u>	Bumper, Rubber	1	1
12	<u>1028</u>	Nut, Hex, 1/4-20	1	1
13	<u>101953101</u>	Rod, Equalizer	1	1
14	<u>101953001</u>	Bolt, Hex Head Shoulder, 3/8 x 1	1	1
15	<u>7473</u>	Nut, Nylon Lock, 5/16-18	1	1
	<u>101187702</u>	Kit, Park Brake Latch (includes items 16 - 20 and Item 25 on Page 4-7) ...	1	1
16	<u>N/A</u>	Rod And Pawl	1	1
17	<u>1017029</u>	Pin, Cotter, 7/64 x 1/2	1	1
18	<u>1010877</u>	Nut, Push, 5/16	1	1
19	<u>1010805</u>	Sleeve, Park Brake Rod	1	1
20	<u>1010932</u>	Joint, Ball, 1/4-28	1	1
21	<u>1010933</u>	Spring, Park Brake Torsion	1	1
22	<u>1010927</u>	Spacer, Park Brake	1	1
23	<u>1011402</u>	Package, Brake Mounting Block (contains upper and lower for driver and passenger sides)	1	1
24	<u>1011418</u>	Kit, Park Brake Pedal (includes items 25 - 28)	1	1
25	<u>1032</u>	Bushing, Nylon	2	2
26	<u>8626</u>	Screw, Slotted Hex Washer Head, #10-16 x 1/2	2	2
27	<u>1013876</u>	Nut, Push, 3/8	1	1
28	<u>1013870</u>	Pad, Park Brake	1	1
29	<u>1242</u>	Nut, Hex, 5/16-18	1	1

4
G
E

4
G
E



ACCELERATOR PEDAL ASSEMBLY

ITEM	PART NO.	DESCRIPTION	QTY GAS	QTY ELEC
		1 2 3 4		
1	<u>1017696</u>	Sub-Assembly, Accelerator Pedal (includes Items 2 and 3)	1	1
2	<u>1013871</u>	Pad, Accelerator Pedal	1	1
3	<u>7716</u>	Screw, Slotted Hex Washer Head, #10-16 x 1/2	4	4
4	<u>1624</u>	Screw, Hex Cap, 3/8-16 x 1-1/2	1	1
5	<u>334</u>	Washer, Flat, 3/8	2	2
6	<u>102026001</u>	Kit, Accelerator Pivot Rod (includes Item 7)	1	1
7	<u>1011700</u>	Spacer	1	1
8	<u>101818801</u>	Stud, Ball (for all vehicles except those equipped with MCOR)	1	1
8	<u>101862001</u>	Screw, Hex Head Cap, 1/4-20 x 1-3/8 (MCOR vehicles)	1	1
9	<u>1017424</u>	Bearing, Pivot Support	1	1
10	<u>101966901</u>	Nut, Flange, 1/4-28	1	1
11	<u>101817401</u>	Retainer, Spring	1	1
12	<u>101796201</u>	Spring, Return	1	1
13	<u>1017378</u>	Cup, Spring	1	1
14	<u>1017380</u>	Bumper, Return Spring	1	1
15	<u>1241</u>	Washer, Flat, 5/16	1	1
16	<u>7473</u>	Nut, Nylon Lock, 5/16-18	1	1
17	<u>101871901</u>	Assembly, Accelerator Rod (PowerDrive System 48 vehicles equipped with multi-step potentiometers and all V-Glide 36-Volt vehicles) (includes items 18 and 19).....		1
17	<u>101912401</u>	Assembly, Accelerator Rod (gasoline vehicle only) (includes items 18 and 19)	1	
18	<u>1011084</u>	Nut, UNF Hex Jam, 1/4-28	2	2
19	<u>1011734</u>	Joint, Spring-Loaded Ball	2	2
20	<u>8754</u>	Nut, Nylon Lock, 3/8-16	2	2
21	<u>8233</u>	Nut, Nylon Lock, 1/4-20	4	4
22	<u>1014007</u>	Washer, Flat, Type B, 1/4	4	4
23	<u>1011694</u>	Support, Accelerator Pivot Rod	2	2
24	<u>101861901</u>	Screw, Hex Cap, 1/4-20 x 1-1/8	4	4
	<u>101187702</u>	Kit, Park Brake Latch (includes item 25, and items 16 - 20 on page 4-5) ..	1	1
25	N/A	Ratchet, Park Brake	1	1

4
G
E

4

G

E

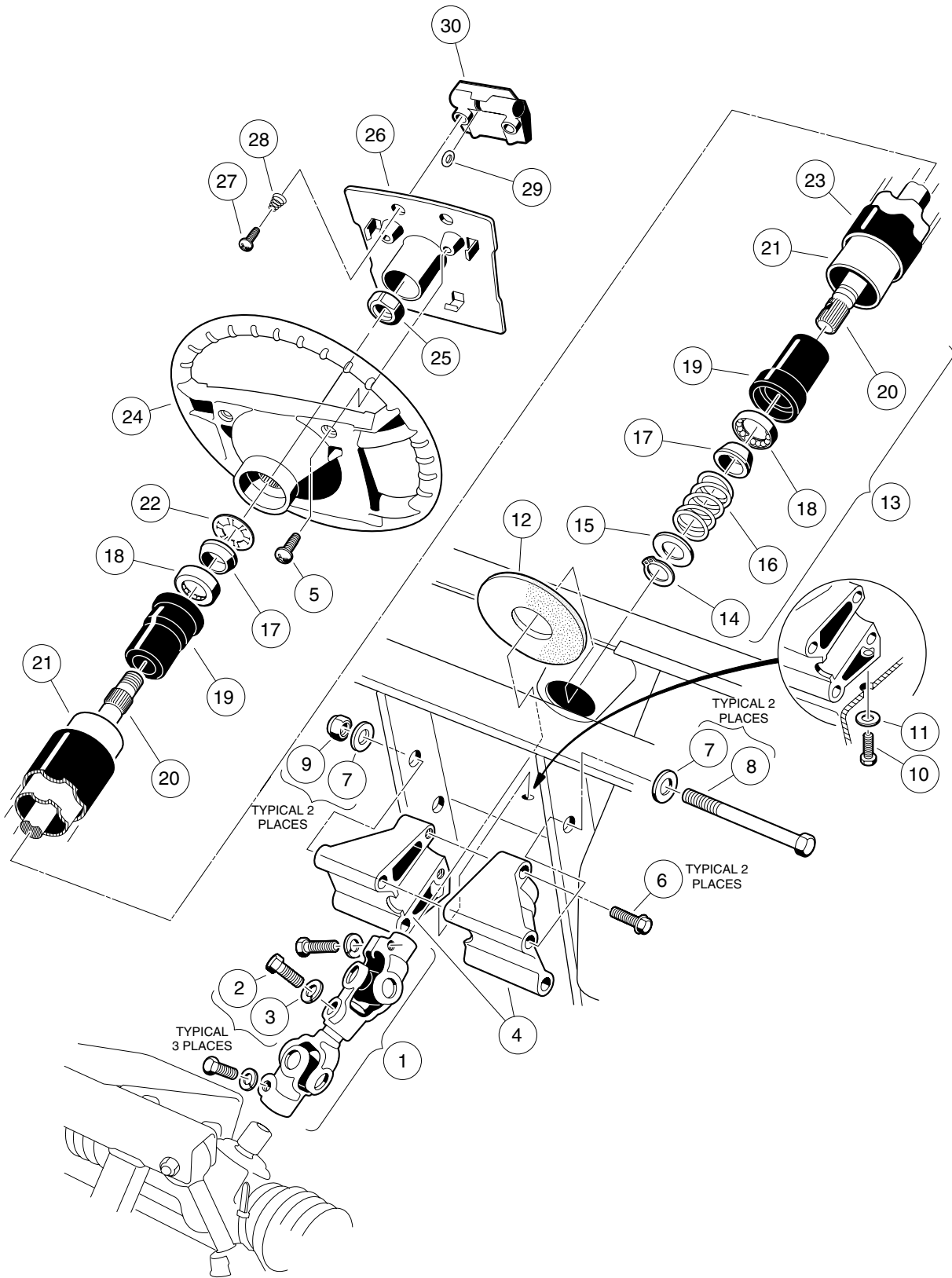
STEERING, FRONT AND REAR SUSPENSION

5

G

E

**5
G
E**

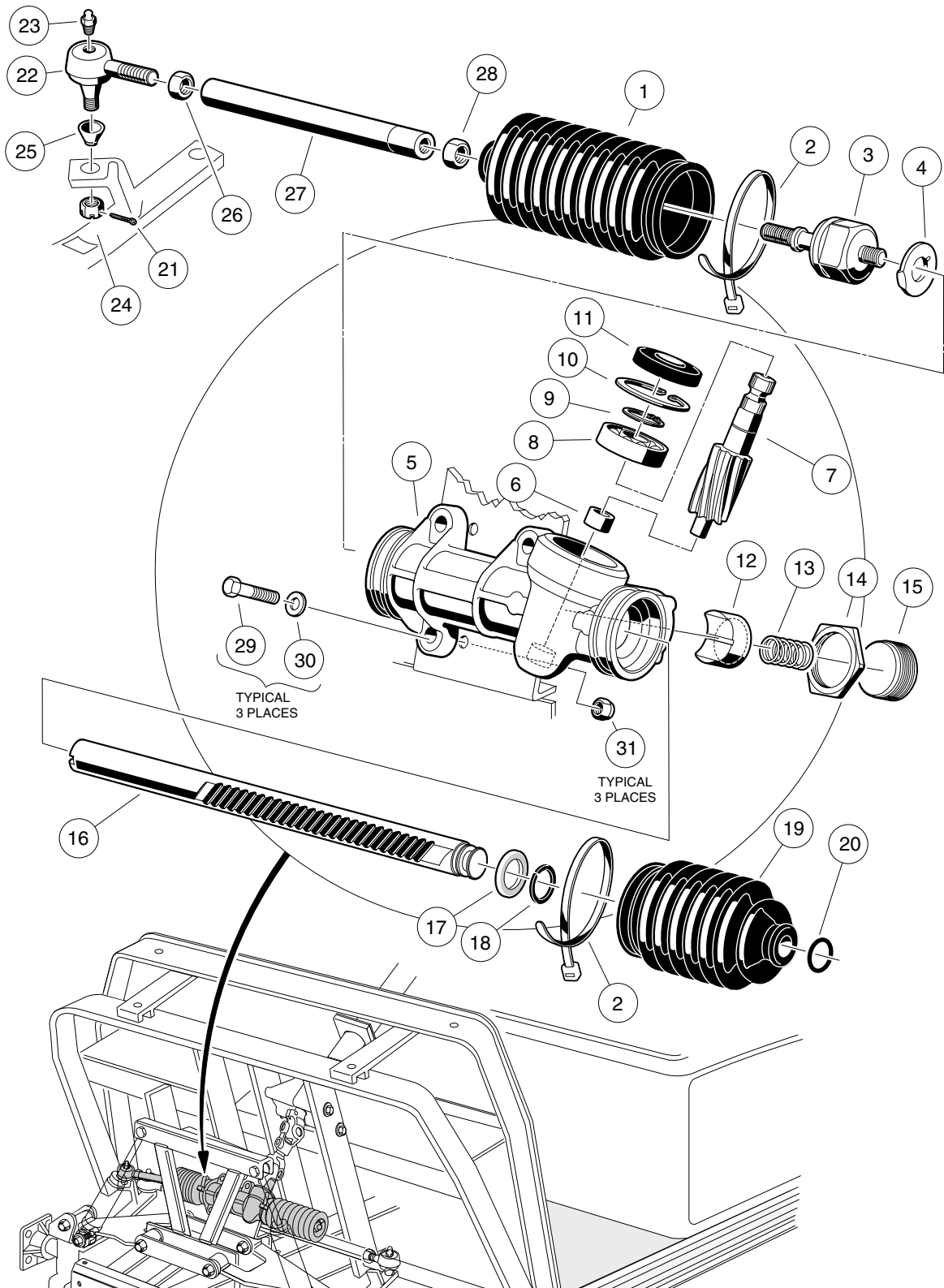


STEERING COLUMN

ITEM	PART NO.	DESCRIPTION	QTY
		1 2 3 4	
1	<u>1013861</u>	Joint, Compound Steering (includes items 2 and 3)	1
2	<u>1017226</u>	Screw, Hex Head Cap, M8 x 1.25 x 30 mm	3
3	<u>7174</u>	Washer, Lock, 5/16	3
4	101984801	Kit, Steering Column Mounting Bracket	1
5	<u>1016663</u>	Screw, Phillips, Type A, #12-11 x 5/8	2
6	<u>1016269</u>	Screw, Hex Washer Head Thread-Forming, 5/16-18 x 2	2
7	<u>334</u>	Washer, Flat, 3/8	4
8	<u>1016183</u>	Screw, Hex Head Cap, 3/8-16 x 7	2
9	<u>8754</u>	Nut, Nylon Lock, 3/8-16	2
10	<u>1014288</u>	Screw, Hex Washer Head Thread-Forming, 5/16-18 x 3/4	1
11	<u>1011697</u>	Washer, Flat, 5/16	1
12	<u>102278001</u>	Boot, Steering Column	1
13	1016181	Assembly, Steering Column (includes items 14 - 22)	1
14	<u>1012605</u>	Ring, Retaining	1
15	<u>1012604</u>	Washer, Steel, 5/8	1
16	<u>1014217</u>	Spring, Compression	1
17	1014125	Wedge	2
18	<u>1014213</u>	Assembly, Bearing	2
19	<u>1014126</u>	Seat, Bearing	2
20	<u>1015545</u>	Shaft, Steering Column	1
21	1016622	Column, Aluminum Steering	1
22	1014214	Ring, Retaining	1
23	1016263	Cover, Steering Column	1
24	<u>1016156</u>	Wheel, Steering	1
25	<u>1017273</u>	Nut, Nylon Lock, 5/8-18	1
26	1016219	Assembly, Scorecard Plate (includes items 27 - 30)	1
27	<u>1012565</u>	Screw, Round Head, #12-14 x 1	2
28	<u>1012566</u>	Spring, Tapered Compression	2
29	<u>1016214</u>	Grip, Pencil	1
30	1016154	Clip, Scorecard	1
	<u>1014216</u>	Kit, Steering Column Rebuild (not shown)	A/R

5
G
E

5
G
E

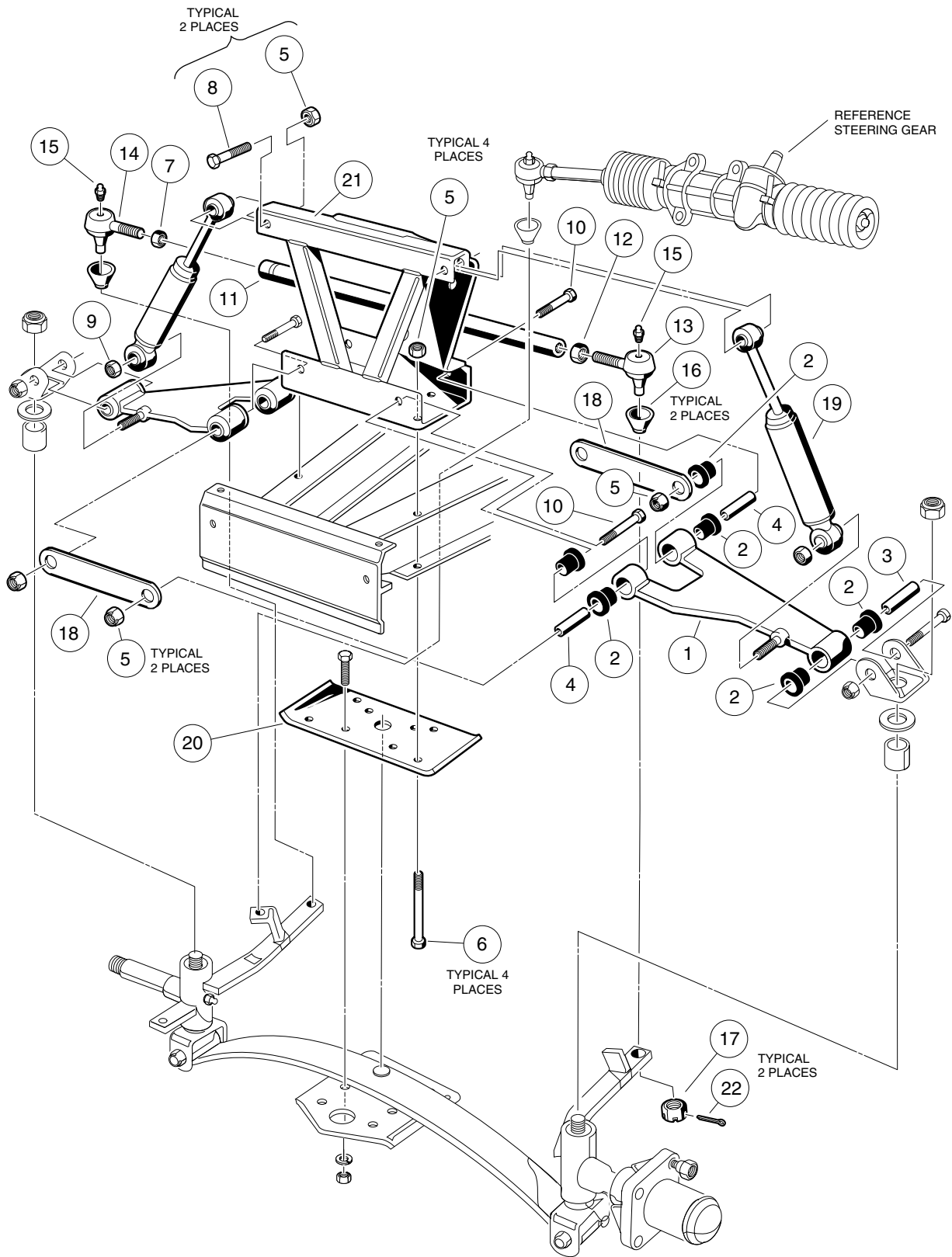


STEERING GEAR ASSEMBLY

ITEM	PART NO.	DESCRIPTION	QTY
		1 2 3 4	
	<u>101878302</u>	Assembly, Steering Gear Box (includes items 1 - 20)	1
1	<u>1013035</u>	Seal, Dust, Passenger Side	1
2	<u>8990</u>	Tie, Wire	2
3	<u>101880201</u>	Assembly, Inner Ball Joint	1
4	<u>101880301</u>	Washer, Tab	1
5	N/A	Box, Steering Gear	1
6	N/A	Bearing, Lower Pinion	1
7	N/A	Pinion, Steering	1
8	<u>101879401</u>	Bearing, Upper Pinion	1
9	<u>101879901</u>	Ring, C-Type Stop	1
10	<u>1013051</u>	Ring, Snap	1
11	<u>1013052</u>	Seal, Dust, Steering Pinion	1
12	<u>101879701</u>	Guide, Steering Rack	1
13	<u>101879801</u>	Spring, Yoke	1
14	<u>1013044</u>	Nut, Lock, Rack Screw	1
15	N/A	Screw, Rack Guide	1
16	N/A	Rack, Steering	1
17	<u>101879501</u>	Washer, Stop	1
18	<u>101879601</u>	Ring, C-Type Stop	1
19	<u>101880001</u>	Seal, Dust, Driver Side	1
20	<u>101880101</u>	Ring, Retaining	1
21	<u>1035</u>	Pin, Cotter, 3/32 x 1	1
22	<u>7540</u>	Ball Joint, Left-Hand Thread (includes items 23, 24 and 25)	1
23	<u>1015597</u>	Fitting, Thread-Forming Grease, 1/4-28	1
24	<u>7602</u>	Nut, Hex Slotted, 3/8-24	1
25	<u>1011930</u>	Boot, Dust	1
26	<u>7555</u>	Nut, Hex, Left-Hand Thread, 1/2-20	1
27	<u>1012467</u>	Link, Rack and Pinion Drag	1
28	<u>1013042</u>	Nut, Hex, M12 x 1.75	1
29	<u>1624</u>	Screw, Hex Head Cap, 3/8-16 x 1-1/2	3
30	<u>334</u>	Washer, Flat, 3/8	3
31	<u>8754</u>	Nut, Nylon Lock, 3/8-16	3

5
G
E

5
G
E

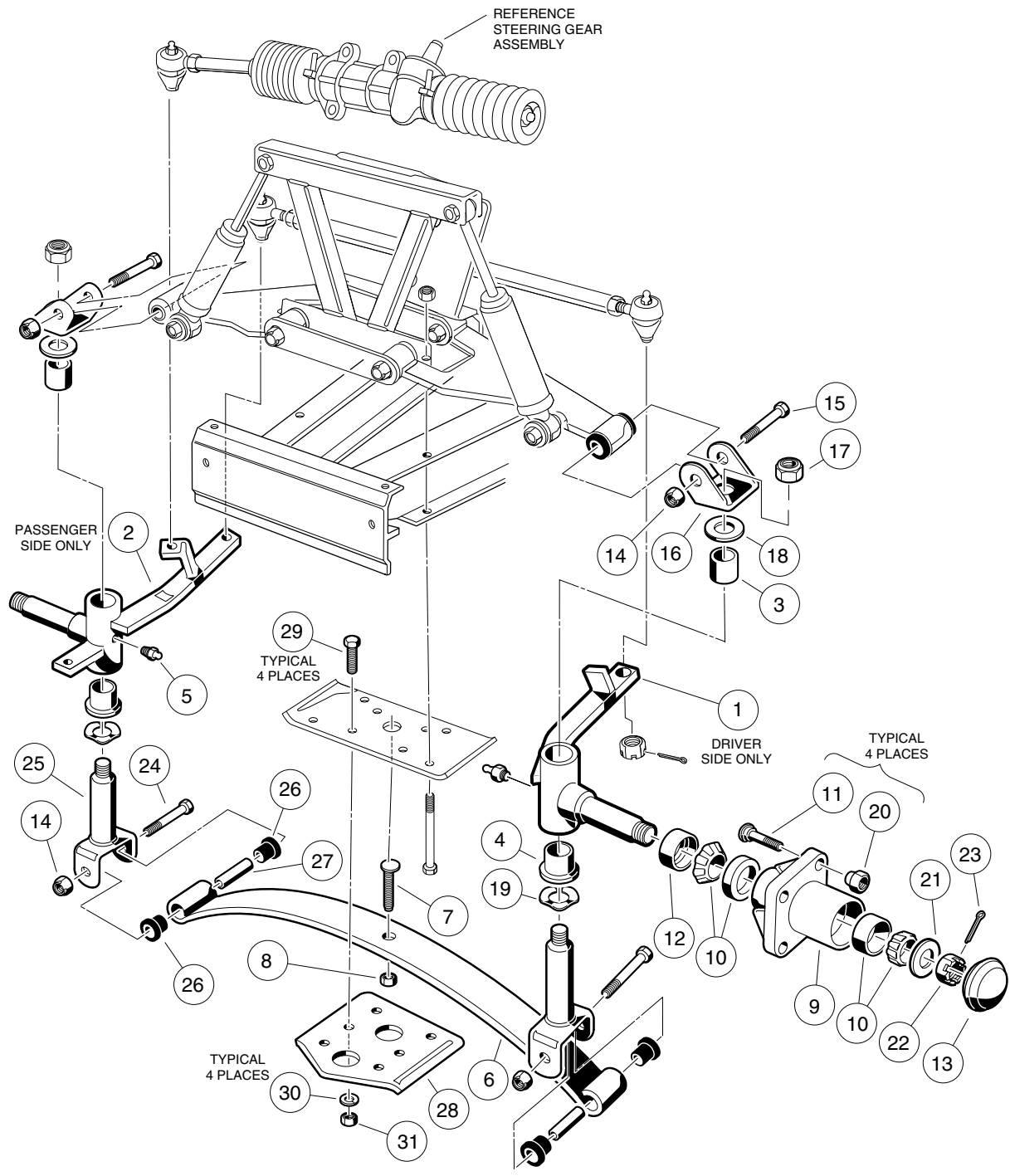


FRONT SUSPENSION, UPPER

ITEM	PART NO.	DESCRIPTION	QTY
		1 2 3 4	
1	<u>1016353</u>	Assembly, Delta A-Plate (includes items 2, 3 and 4)	2
2	<u>1016346</u>	Bushing, Urethane	6
3	<u>1016350</u>	Sleeve, Delta Outer	1
4	<u>1016349</u>	Sleeve, Delta Inner	2
5	<u>8754</u>	Nut, Nylon Lock, 3/8-16	10
6	<u>1010200</u>	Screw, Hex Head Cap, 3/8-16 x 4-1/4	4
7	<u>1308</u>	Nut, Hex, 1/2-20	1
8	<u>8861</u>	Screw, Hex Head Cap, 3/8-16 x 1-3/4	2
9	<u>1010138</u>	Nut, Dimpled Lock, 3/8-16	2
10	<u>2402</u>	Screw, Hex Head Cap, 3/8-16 x 2-1/4	4
11	<u>1010219</u>	Rod, Tie	1
12	<u>7555</u>	Nut, Hex, Left-Hand Thread, 1/2-20	1
13	<u>7540</u>	Ball Joint, Left-Hand Thread (includes items 15, 16 and 17)	1
14	<u>7539</u>	Ball Joint (includes items 15, 16 and 17)	1
15	<u>1015597</u>	Fitting, Thread-Forming Grease, 1/4-28	1
16	<u>1011930</u>	Boot, Dust	1
17	<u>7602</u>	Nut, Slotted Hex, 3/8-24	1
18	<u>1017266</u>	Strap, A-Plate	1
19	<u>1014235</u>	Shock Absorber, Front	2
20	<u>1010124</u>	Plate, Spring Mounting	3
21	<u>1016385</u>	Assembly, Delta Shock and Gear Support	1
22	<u>1035</u>	Pin, Cotter, 3/32 x 1	3

5
G
E

**5
G
E**

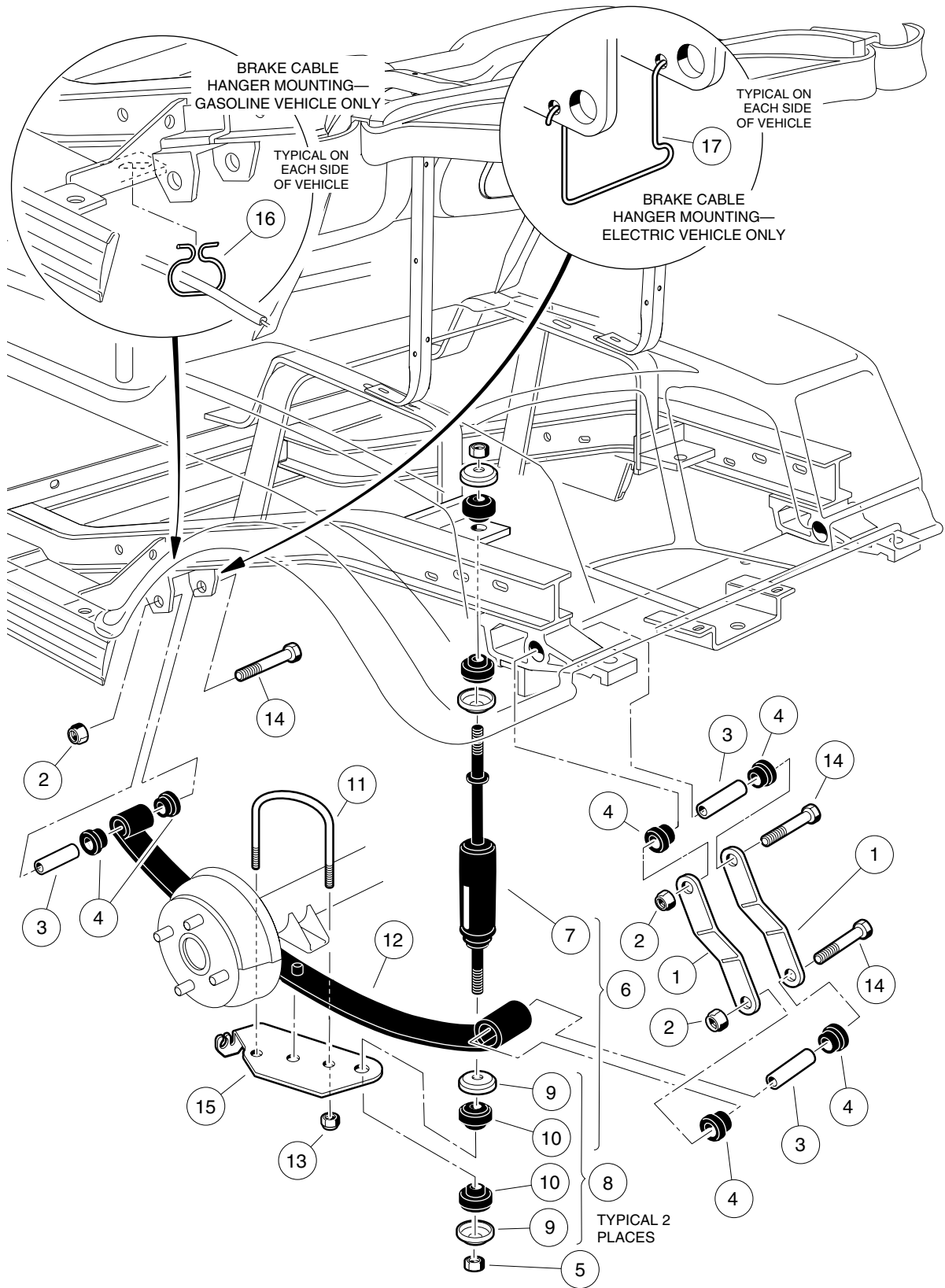


FRONT SUSPENSION, LOWER

ITEM	PART NO.	DESCRIPTION	QTY
		1 2 3 4	
1	<u>1010348</u>	Assembly, Spindle, Driver Side (includes items 3, 4 and 5)	1
2	<u>1010347</u>	Assembly, Spindle, Passenger Side (includes items 3, 4 and 5)	1
3	<u>8067</u>	Bushing, Bronze Spindle	1
4	<u>7048</u>	Bushing, Bronze	1
5	<u>1015597</u>	Fitting, Grease, 1/4-28	1
6	<u>1012030</u>	Spring, Tapered Leaf	1
7	<u>8745</u>	Assembly, Eccentric	1
8	<u>706</u>	Nut, Hex, 3/8-16	1
9	<u>1011892</u>	Assembly, Hub (includes items 10 - 13)	2
10	<u>1011393</u>	Package, Hub Bearing	2
11	<u>1011304</u>	Stud, Lug, 1/2-20	4
12	<u>1013135</u>	Seal, Double Lip	1
13	<u>1011887</u>	Cover, Dust	1
14	<u>8754</u>	Nut, Nylon Lock, 3/8-16	4
15	<u>1016387</u>	Screw, Hex Head Cap, 3/8-16 x 2-3/4	2
16	<u>1016384</u>	Clevis, Upper Delta	2
17	<u>101903101</u>	Nut, Nylon Lock, 1/2-20	2
18	<u>1010150</u>	Bearing, Thrust	2
19	<u>1016389</u>	Washer, Kingpin Wave	2
20	<u>1010984</u>	Nut, Lug	8
21	<u>1010005</u>	Washer, Flat, 3/4	2
22	<u>7840</u>	Nut, Hex Slotted, 3/4-16	2
23	<u>7910</u>	Pin, Cotter, 5/32 x 1	2
24	<u>8755</u>	Screw, Hex Head Cap, 3/8 - 16 x 3-3/8	2
25	<u>1016386</u>	Kingpin	2
26	<u>1015583</u>	Bushing, Urethane	4
27	<u>1012303</u>	Bushing, Steel	2
28	<u>1014276</u>	Plate, Front Spring Retainer	1
29	<u>1624</u>	Screw, Hex Head Cap, 3/8-16 x 1-1/2	4
30	<u>357</u>	Washer, Lock, 3/8	4
31	<u>706</u>	Nut, Hex, 3/8-16	4

5
G
E

5
G
E



REAR SUSPENSION

ITEM	PART NO.	DESCRIPTION	QTY GAS	QTY ELEC
		1 2 3 4		
1	<u>1012304</u>	Shackle, Rear Spring (gasoline vehicle)	4	
1	<u>7569</u>	Shackle, Rear Spring (electric vehicle) (not shown)		4
2	<u>8754</u>	Nut, Nylon Lock, 3/8-16	6	6
3	<u>1012303</u>	Bushing, Steel	6	6
4	<u>1015583</u>	Bushing, Urethane	12	12
5	<u>1010145</u>	Nut, UNF Hex, 3/8-24	4	4
6	<u>1013164</u>	Kit, Shock Absorber (includes items 7, 9, and 10)	1	1
7	<u>1014236</u>	Shock Absorber, Rear	2	2
8	<u>1011415</u>	Kit, Shock Absorber Cushion (includes 2 each of items 9 and 10)	4	4
9	N/A	Retainer, Shock Absorber Cushion	8	8
10	N/A	Cushion, Shock Absorber	8	8
11	<u>1012180</u>	U-Bolt	2	2
12	<u>1012324</u>	Spring, Rear Leaf (gasoline vehicle)	2	
12	<u>1010974</u>	Spring, Rear Leaf (electric vehicle)		2
13	<u>1014555</u>	Nut, Nylon Lock, 7/16-24	4	4
14	<u>8755</u>	Screw, Hex Head Cap, 3/8-16 x 3-3/8	6	6
15	1012182	Pad, Spring, Driver Side	1	1
15	1012181	Pad, Spring, Passenger Side	1	1
16	101900801	Hanger, Brake Cable (gasoline vehicle)	2	
17	<u>1013207</u>	Hanger, Brake Cable (electric vehicle)		2

5
G
E

5

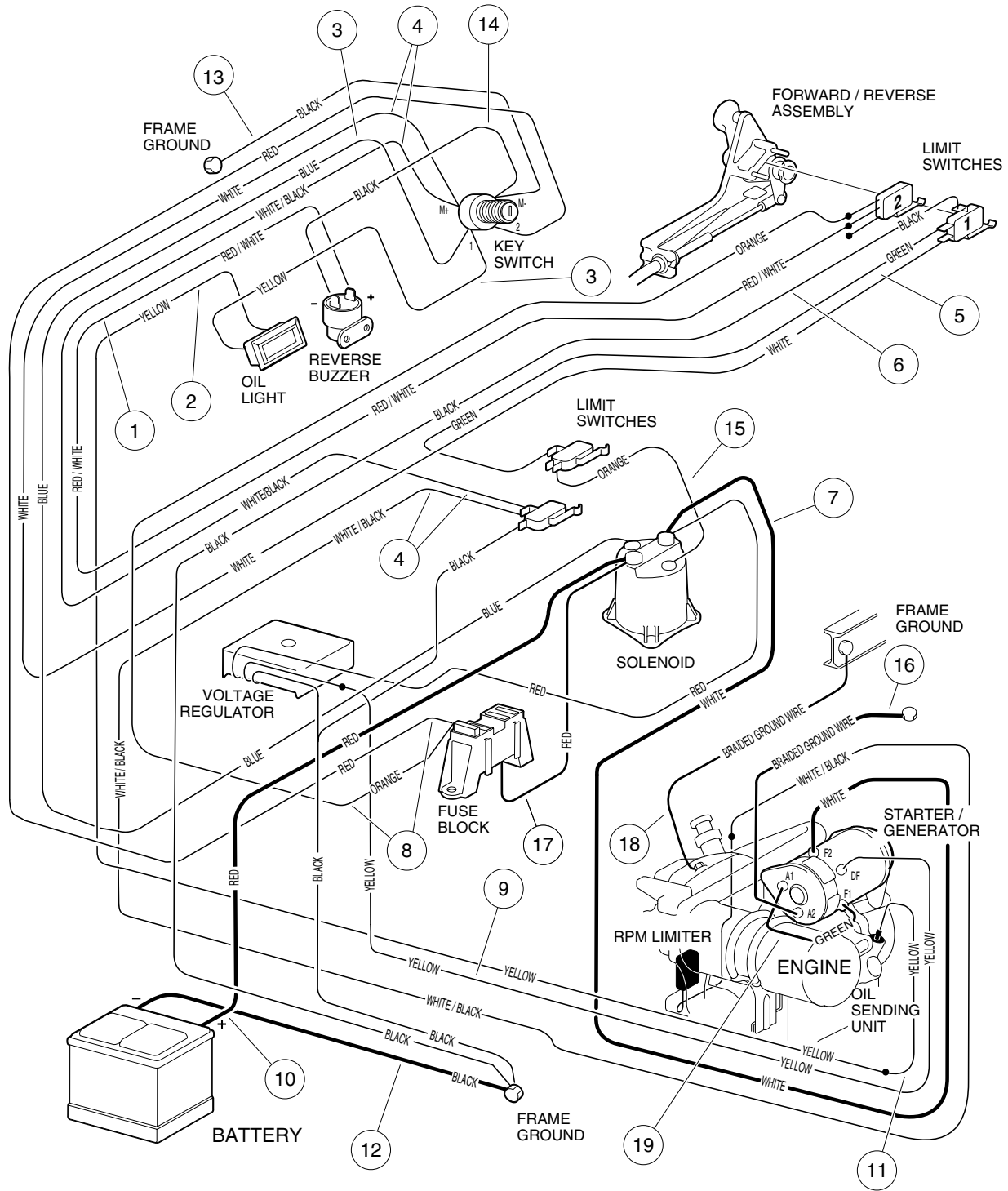
G

E

ELECTRICAL SYSTEM – GASOLINE VEHICLE

6

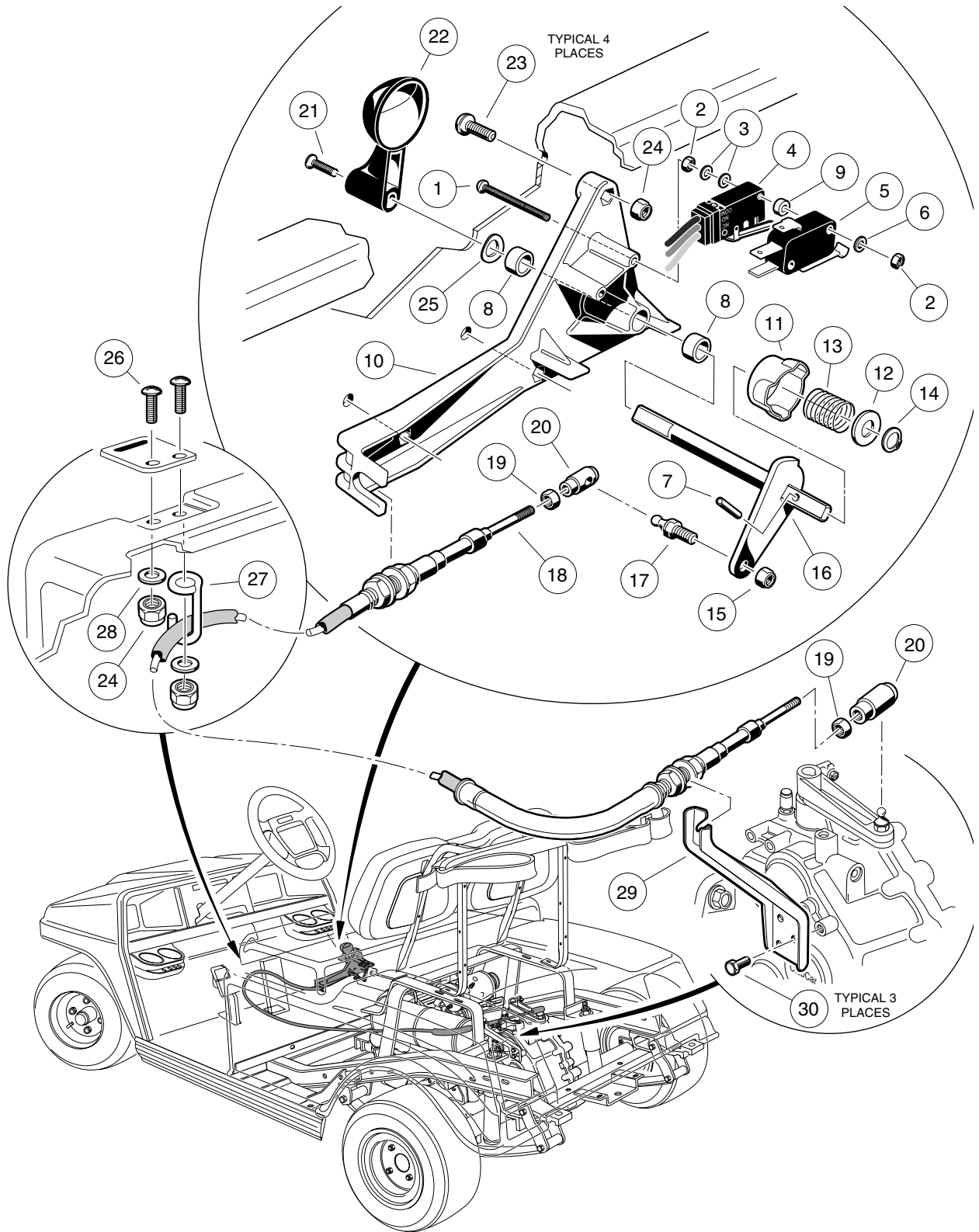
G



WIRING – GASOLINE VEHICLE

ITEM	PART NO.	DESCRIPTION	QTY
		1 2 3 4	
	101889302	Wire Harness (includes items 1 - 11)	1
1	N/A	Wire Assembly, #18 Red/White	1
2	N/A	Wire Assembly, #18 Yellow	1
3	N/A	Wire Assembly, #18 Yellow and #16 Blue	1
4	N/A	Wire Assembly, #18 White/Black and #18 White	1
5	N/A	Wire Assembly, #18 Green	1
6	N/A	Wire Assembly, #18 Black	1
7	<u>1015769</u>	Wire Assembly, #6 White	1
8	N/A	Wire Assembly, #16 Red and #16 Orange	1
9	N/A	Wire Assembly, #16 Yellow	1
10	<u>1014119</u>	Wire Assembly, #6 Red	1
11	N/A	Wire Assembly, #18 Yellow	1
12	<u>1012382</u>	Wire Assembly, #6 Black	1
13	N/A	Wire Assembly, #18 Black	1
14	N/A	Wire Assembly, #18 Black (part of reverse buzzer kit)	1
15	N/A	Wire Assembly, #16 Orange (part of the electrical component box)	1
16	<u>1015920</u>	Wire Assembly, #6 Braided Ground	1
17	<u>1015737</u>	Wire Assembly, #10 Red (part of the electrical component box)	1
18	<u>1015332</u>	Wire Assembly, #10 Braided Ground	1
19	<u>101837301</u>	Wire Assembly, #6 Green	1

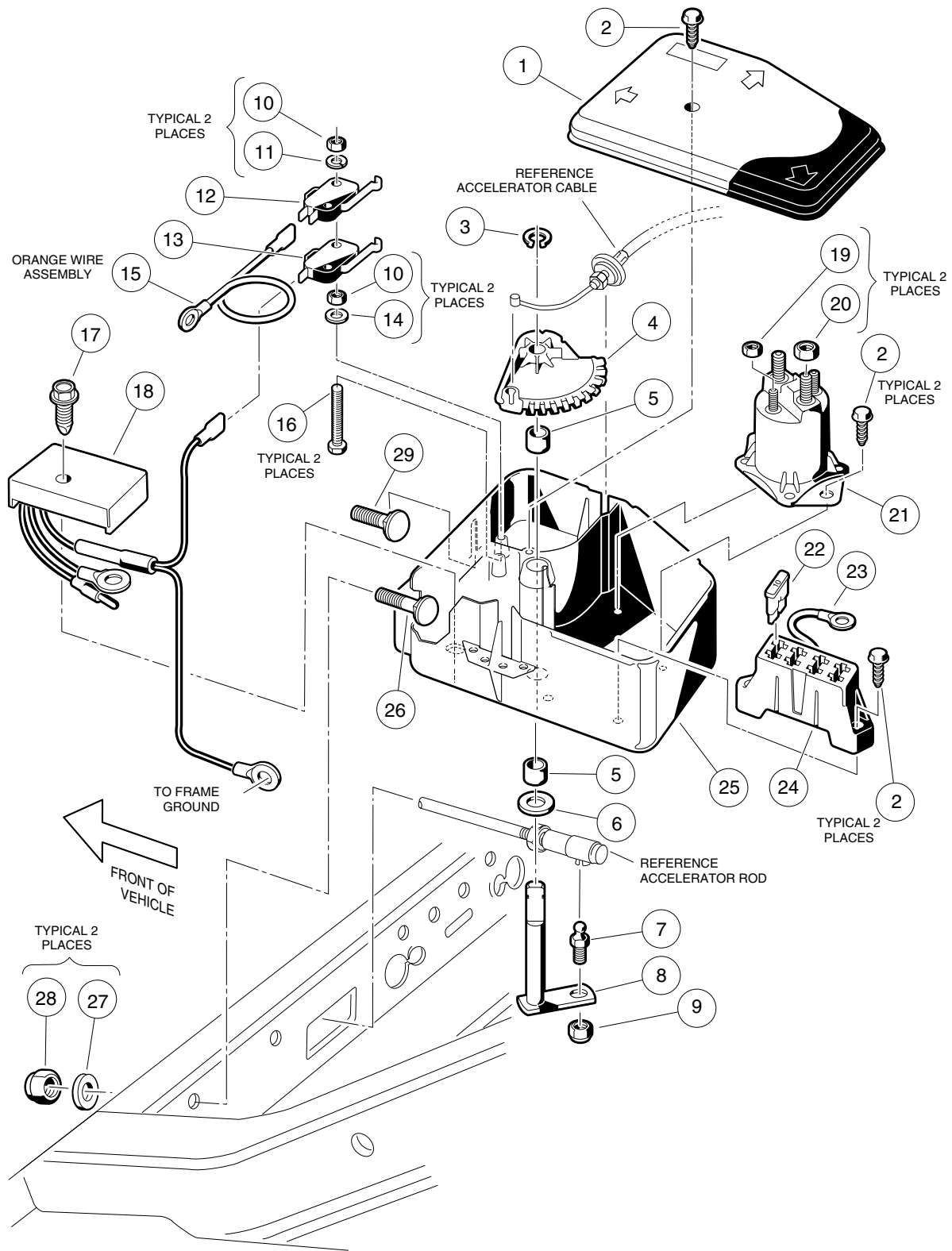
6
G



FORWARD/REVERSE SHIFTER ASSEMBLY – GASOLINE VEHICLE

ITEM	PART NO.	DESCRIPTION	QTY
		1 2 3 4	
	1016947	Assembly, Forward/Reverse Shifter (includes items 1 - 17)	1
1	<u>1012594</u>	Screw, Machine, #4-40 x 1-1/2	2
2	<u>8057</u>	Nut, Hex Head, #4-40	4
3	1012431	Washer, Flat, #4	4
4	<u>101979101</u>	Switch, Limit	1
5	<u>1014807</u>	Switch, Limit	1
6	<u>8058</u>	Washer, Lock, #4	2
7	<u>1013591</u>	Pin, Roll, 1/8	1
8	<u>1014145</u>	Bushing, Bronze	2
9	<u>1014727</u>	Washer, Nylon Flat, #4	2
10	<u>1016342</u>	Base, Forward/Reverse Shifter	1
11	1014089	Kit, Neutral Lockout Cam (includes item 12)	1
12	<u>1014065</u>	Washer, Flat	1
13	<u>1013590</u>	Spring, Forward/Reverse Cam	1
14	<u>1013589</u>	Ring, Retaining	1
15	<u>8717</u>	Nut, Nylon Lock, 1/4-28	1
16	1013587	Weldment, Forward/Reverse Bell Crank	1
17	<u>1010954</u>	Stud, Ball, 1/4-28 x 1/4	1
18	<u>101951501</u>	Cable, Transmission (includes items 19 and 20)	1
19	<u>7893</u>	Nut, Hex, #10-32	2
20	<u>1012333</u>	Joint, Ball	2
21	<u>1013198</u>	Screw, Phillips Oval Countersunk Machine, #8-32 x 5/8	1
22	<u>1012987</u>	Handle, Forward/Reverse Switch	1
23	<u>8248</u>	Screw, Phillips Truss Head, 1/4-20 x 3/4	4
24	8233	Nut, Nylon Lock, 1/4-20	8
25	<u>1016201</u>	Washer, Wave, 3/8	1
26	<u>8251</u>	Screw, Phillips Head, 1/4-20 x 1	4
27	<u>101855801</u>	Retainer, Cable	1
28	<u>332</u>	Washer, Flat, 1/4	4
29	101922601	Bracket, Transmission Cable Support	1
30	<u>1012285</u>	Screw, Thread Rolling, 1/4-20 x 5/8	3

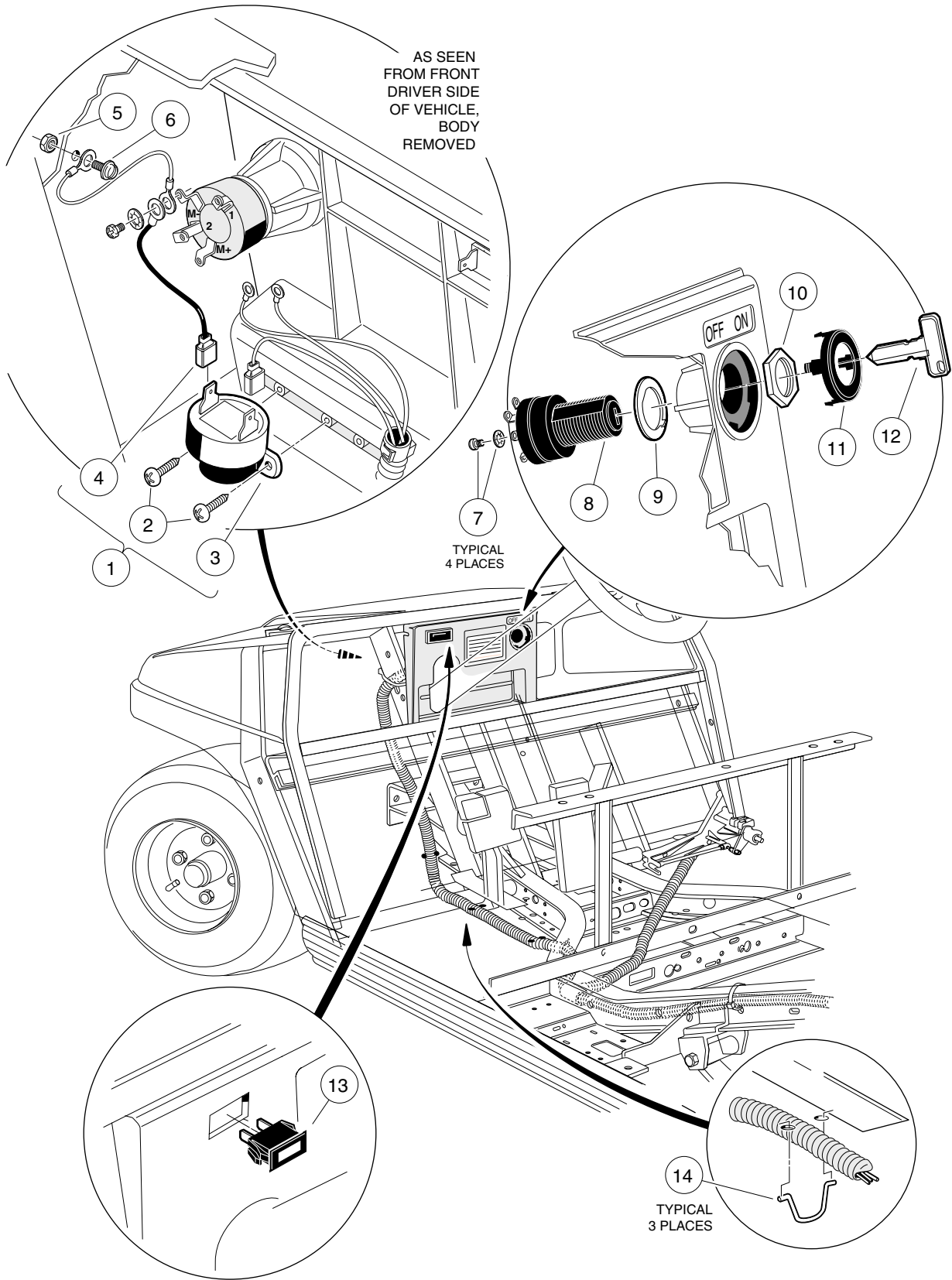
6
G



ELECTRICAL COMPONENT BOX – GASOLINE VEHICLE

ITEM	PART NO.	DESCRIPTION	QTY
		1 2 3 4	
	101992601	Box, Electrical Component, Complete (includes items 1 - 25)	1
1	<u>1015372</u>	Cover, Electrical Component Box	1
2	<u>1015752</u>	Screw, Hi-Lo, #12-16 x 5/8	5
3	<u>1013589</u>	Ring, Retaining	1
4	<u>1015373</u>	Cam, Electrical Box	1
5	<u>1014145</u>	Bushing, Bronze	2
6	<u>1014065</u>	Washer, Flat	1
7	<u>1010954</u>	Stud, Ball, 1/4-28	1
8	<u>101821301</u>	Assembly, Bell Crank and Shaft	1
9	<u>8717</u>	Nut, Nylon Lock, 1/4-28	1
10	<u>8057</u>	Nut, Hex, #4-40	4
11	<u>8058</u>	Washer, Lock, #4	2
12	<u>1014807</u>	Switch, Limit	1
13	<u>1014808</u>	Switch, Limit	1
14	<u>1012431</u>	Washer, Flat, #4	2
15	N/A	Wire Assembly, #16 Orange	1
16	<u>1015878</u>	Screw, Hex Head Machine, #4-40 x 1-5/8	2
17	<u>101856102</u>	Screw, Hex Washer Head Hi-Lo, 1/4-15 x 1-1/2	1
18	<u>1015777</u>	Assembly, Voltage Regulator	1
19	<u>7893</u>	Nut, Hex, #10-32	2
20	<u>1242</u>	Nut, Hex, 5/16-18	2
21	<u>1013609</u>	Solenoid, 12-Volt	1
22	<u>1012295</u>	Fuse, 10-Amp	1
23	<u>1015737</u>	Wire Assembly, #10 Red	1
24	<u>1015741</u>	Block, Fuse	1
25	<u>1015371</u>	Box, Electrical Component	1
26	<u>1015405</u>	Screw, Round-Head Square-Neck, 5/16-18 x 2	1
27	<u>1241</u>	Washer, Flat, 5/16	2
28	<u>7473</u>	Nut, Nylon Lock, 5/16-18	2
29	<u>7818</u>	Screw, Round-Head Square-Neck, 5/16-18 x 1-1/2	1

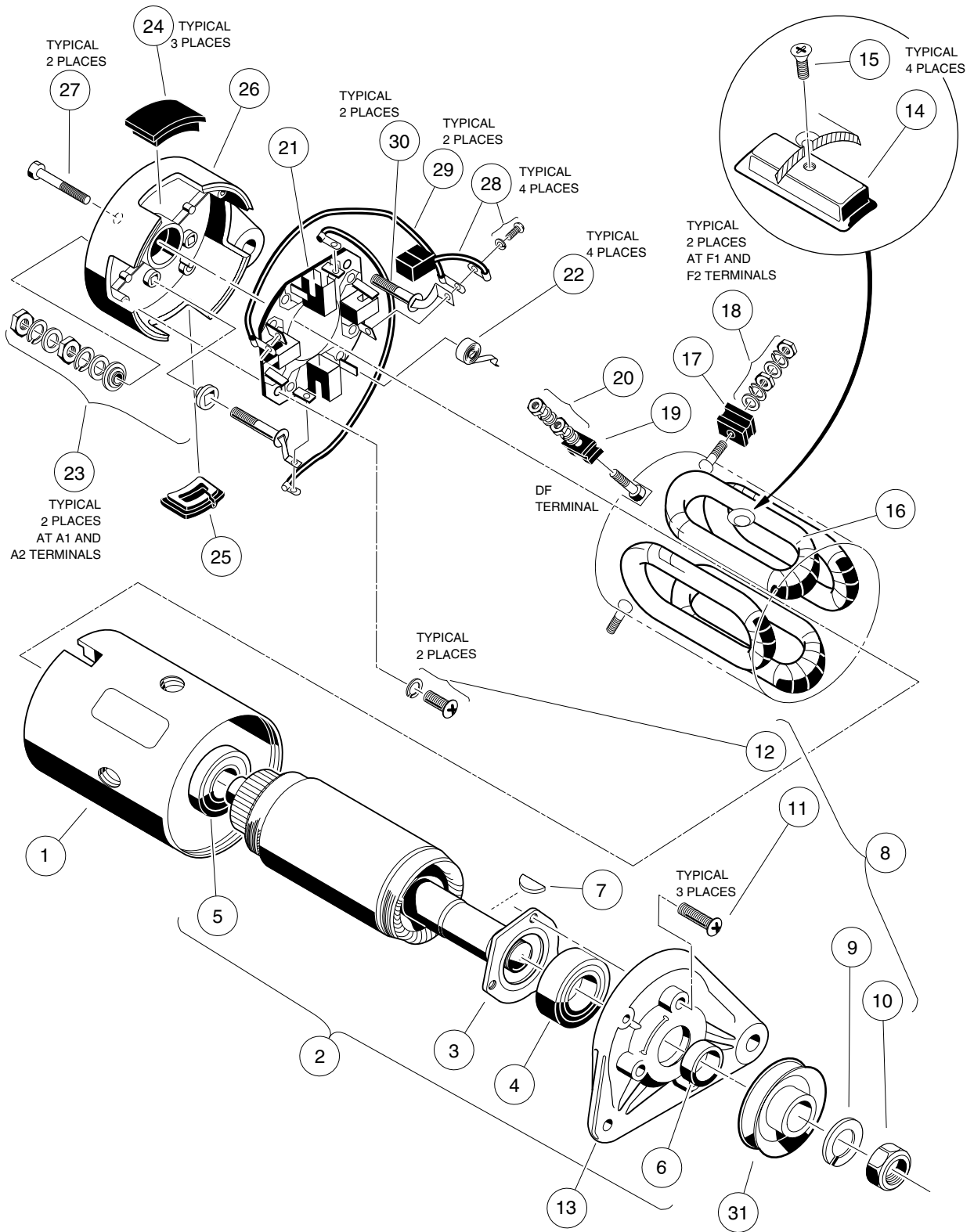
6
G



ELECTRICAL COMPONENTS, FRONT BODY – GASOLINE VEHICLE

ITEM	PART NO.	DESCRIPTION	QTY
		1 2 3 4	
1	<u>1016859</u>	Kit, Reverse Buzzer (includes items 2, 3 and 4)	1
2	<u>1016849</u>	Screw, Pan Head Hi-Lo, #4-24 x 5/16	2
3	<u>1016851</u>	Buzzer, Reverse	1
4	N/A	Wire Assembly, #18 Black	1
5	<u>1011229</u>	Nut, K Lock, #6-32	1
6	<u>1015720</u>	Screw, Hex Washer Head, #6-32 x 1/2	1
7	101830601	Assembly, Screw and Washer	4
8	<u>101826301</u>	Switch, Key	1
9	<u>101851101</u>	Washer	1
10	<u>101830701</u>	Nut, Key Switch	1
11	<u>101834502</u>	Cap, Key Switch (black)	1
12	<u>1012505</u>	Key (pair)	1
13	<u>1016630</u>	Light, Oil Warning	1
14	<u>101900901</u>	Retainer, Harness	3

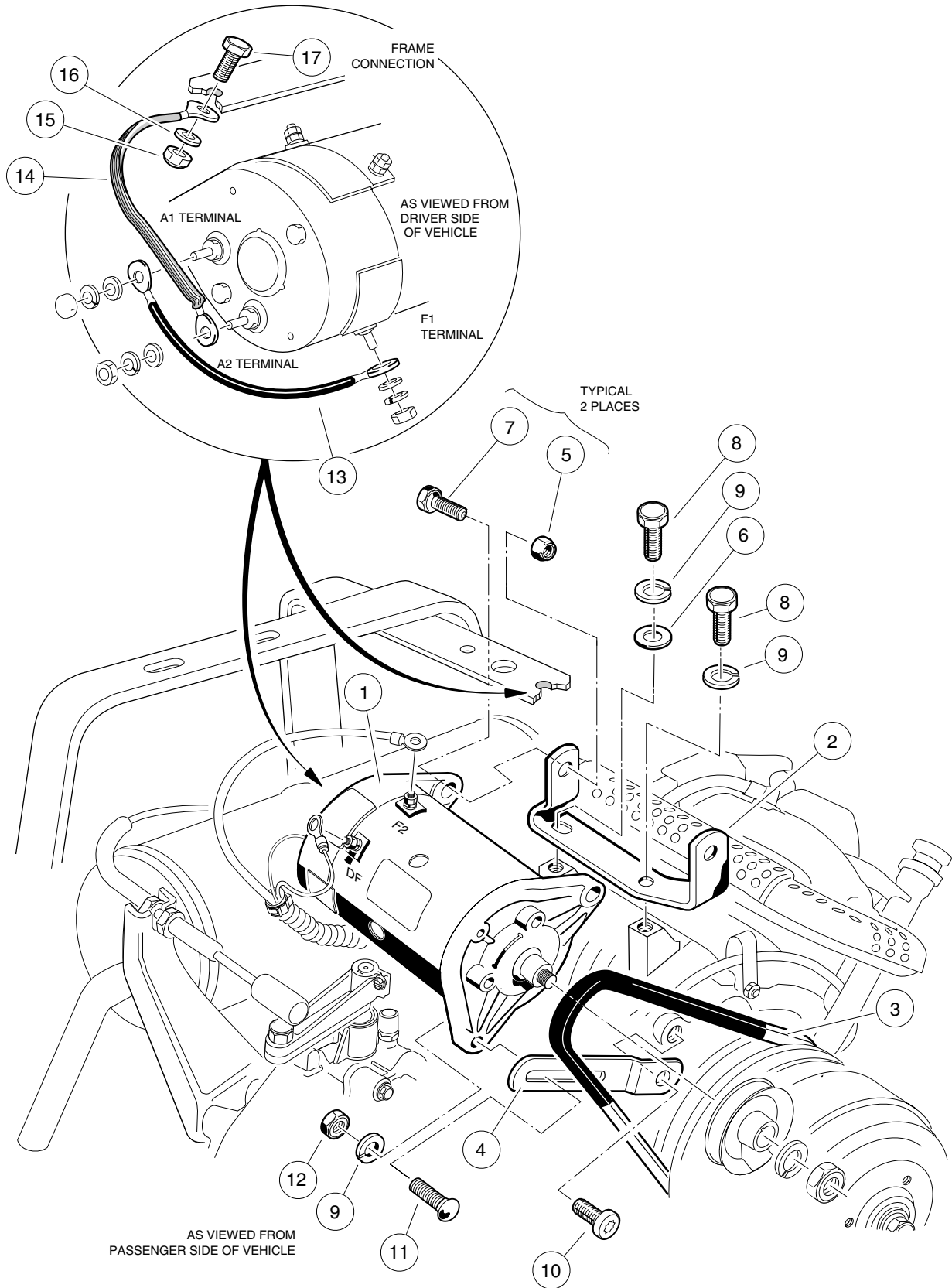
6
G



STARTER/GENERATOR ASSEMBLY

ITEM	PART NO.	DESCRIPTION	QTY
		1 2 3 4	
	<u>101833701</u>	Starter/Generator (clockwise rotation) (includes items 1 - 30)	1
1	<u>101875201</u>	Housing, Field Coil	1
2	<u>101875101</u>	Assembly, Armature (includes items 3 - 6)	1
3	<u>101875001</u>	Retainer, Bearing	1
4	<u>1013001</u>	Ball Bearing, Output Shaft	1
5	<u>1013005</u>	Commutator, Ball Bearing	1
6	<u>101939901</u>	Spacer, 5/16	1
7	<u>1013003</u>	Key, Woodruff	1
8	<u>101876501</u>	Kit, Pulley Nut and Screw (includes items 9 - 12)	1
9	N/A	Washer, Lock, M14	1
10	N/A	Nut, Hex, M14 x 2	1
11	N/A	Screw, Cross-Recessed, M5 x .8 x 18 mm	3
12	<u>101896501</u>	Screw, Cross-Recessed, M5 x .8 x 16 mm (with lock washer)	2
13	<u>101874901</u>	End Bell, Output Shaft	1
14	<u>101875301</u>	Set, Pole (set of 4)	1
15	<u>101875401</u>	Screw, Pole Piece (set of 4)	1
16	<u>101875501</u>	Coil, Field	1
17	<u>101875601</u>	Insulator, F Terminal	2
18	<u>101877601</u>	Package, Terminal Hardware (F1 and F2)	2
19	<u>101875701</u>	Insulator, DF Terminal	1
20	<u>101877701</u>	Package, Terminal Hardware (DF)	1
21	<u>101301102</u>	Holder, Brush (includes item 22)	1
22	<u>101878101</u>	Spring, Brush	4
23	<u>101876001</u>	Package, Terminal Hardware (A1 and A2)	2
24	<u>101876301</u>	Cover, Brush Inspection Port (Set of 4) (includes item 25)	1
25	<u>1017653</u>	Cover, Brush Inspection Port, with Drain	1
26	<u>101876402</u>	End Bell, Commutator	1
27	<u>101879001</u>	Bolt, Clamp, M6 x 1 x 180 mm	2
28	<u>101869302</u>	Package, Brush (includes 4 brushes, 4 screws, 4 washers)	1
29	<u>101876202</u>	Connector, Brush	2
30	<u>101875802</u>	A Connector (set of 2)	1
31	<u>1014289</u>	Pulley	1

6
G

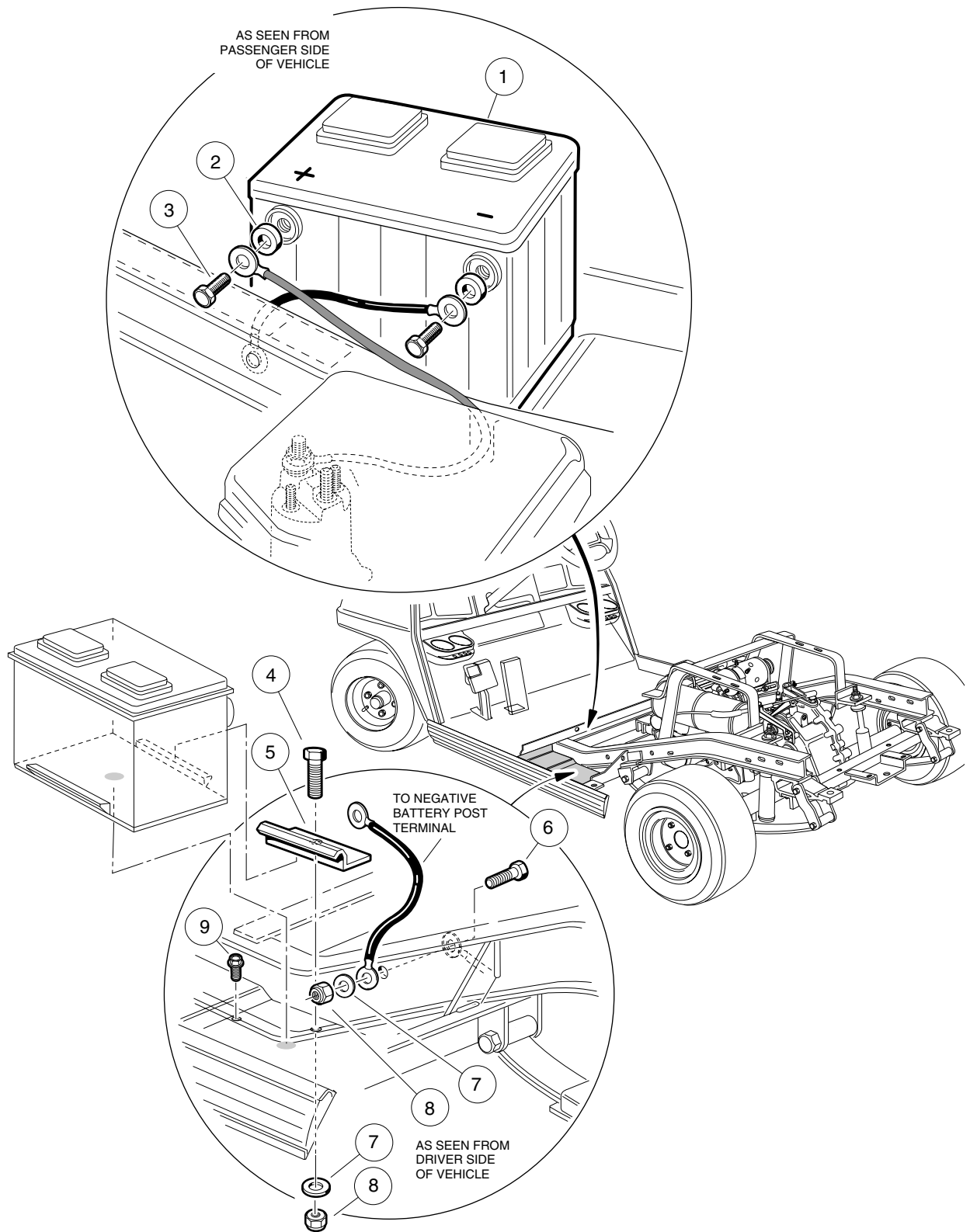


STARTER/GENERATOR MOUNTING

ITEM	PART NO.	DESCRIPTION	QTY
		1 2 3 4	
1	<u>101833701</u>	Starter/Generator (clockwise rotation)	1
2	<u>101524001</u>	Bracket, Mounting, FE290	1
3	<u>101916701</u>	Belt, Starter/Generator	1
4	<u>1016883</u>	Bracket, Adjusting	1
5	<u>8754</u>	Nut, Nylon Lock, 3/8-16	2
6	<u>1015075</u>	Washer, Flat, 5/16	1
7	<u>705</u>	Screw, Hex Head Cap, 3/8-16 x 1-1/4	2
8	<u>1012830</u>	Screw, Hex Head Cap, M8 x 1.25 x 22 mm	2
9	<u>7174</u>	Washer, Lock, 5/16	3
10	<u>1016074</u>	Screw, Torx Head, M8 x 1.25 x 18 mm	1
11	<u>1015932</u>	Screw, Round-Head Square-Neck, 5/16-18 x 1	1
12	<u>1242</u>	Nut, Hex, 5/16-18	1
13	<u>101837301</u>	Wire Assembly, #6 Green	1
14	<u>1015920</u>	Wire Assembly, #6 Braided Ground	1
15	<u>7473</u>	Nut, Nylon Lock, 5/16-18	1
16	<u>1241</u>	Washer, Flat, 5/16	1
17	<u>7173</u>	Screw, Hex Head Cap, 5/16-18 x 3/4	1

6

G



BATTERY – GASOLINE VEHICLE

ITEM	PART NO.	DESCRIPTION	QTY
		1 2 3 4	
1	<u>1012328</u>	Battery, 12-Volt	1
2	<u>1014374</u>	Spacer, Battery Terminal Bolt	2
3	<u>1014375</u>	Screw, Hex Head Cap, Stainless Steel, 3/8-16 x 1/2	2
4	<u>1010934</u>	Screw, Hex Head Cap, 5/16-18 x 1	1
5	<u>101898001</u>	Clamp, Battery	1
6	<u>7173</u>	Screw, Hex Head Cap, 5/16-18 x 3/4	1
7	<u>1241</u>	Washer, Flat, 5/16	2
8	<u>7473</u>	Nut, Nylon Lock, 5/16-18	2
9	<u>1014288</u>	Screw, Thread-Forming, 5/16-18 x 3/4	1

6
G

6

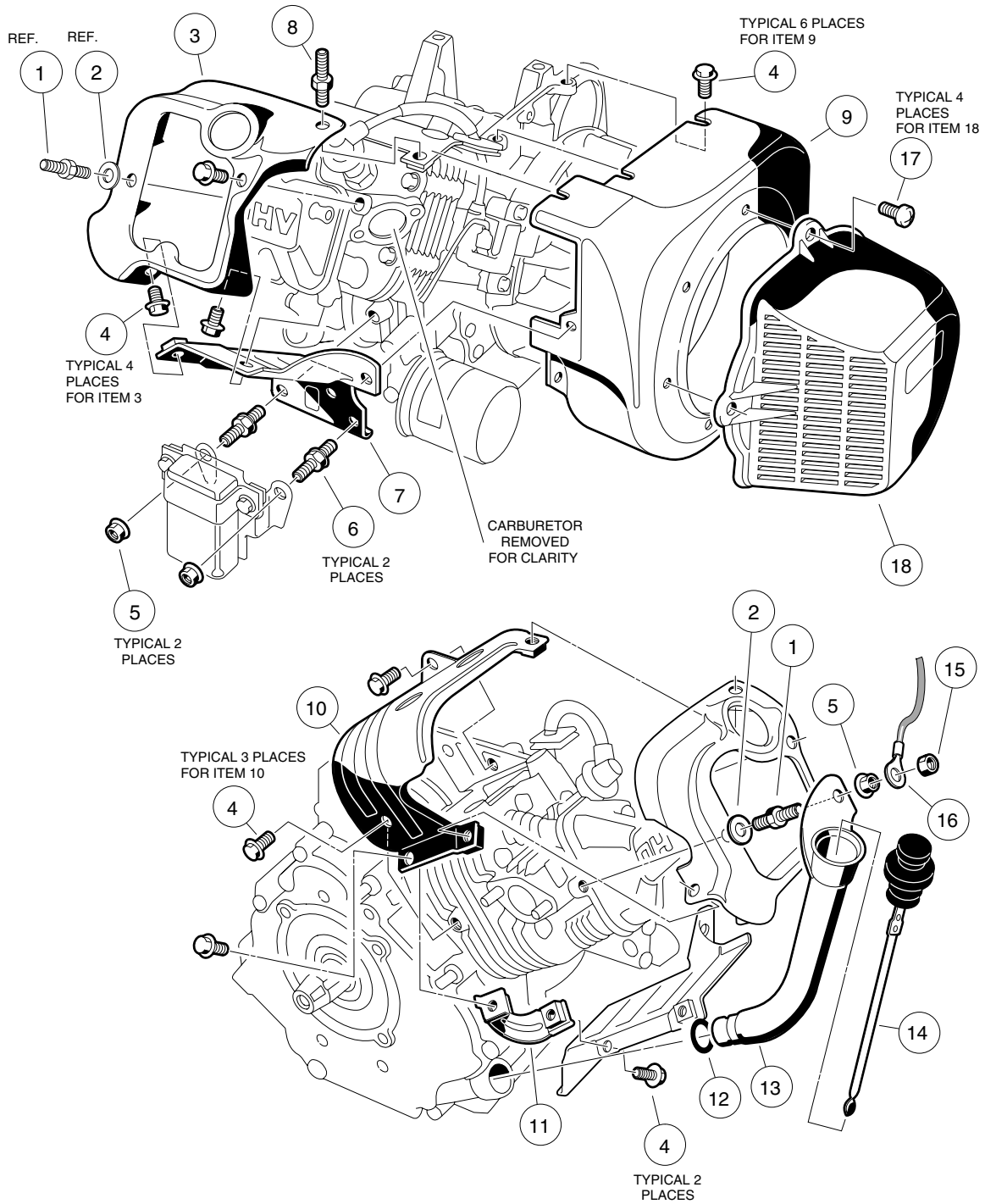
G

FE290 ENGINE

7

G

7
G



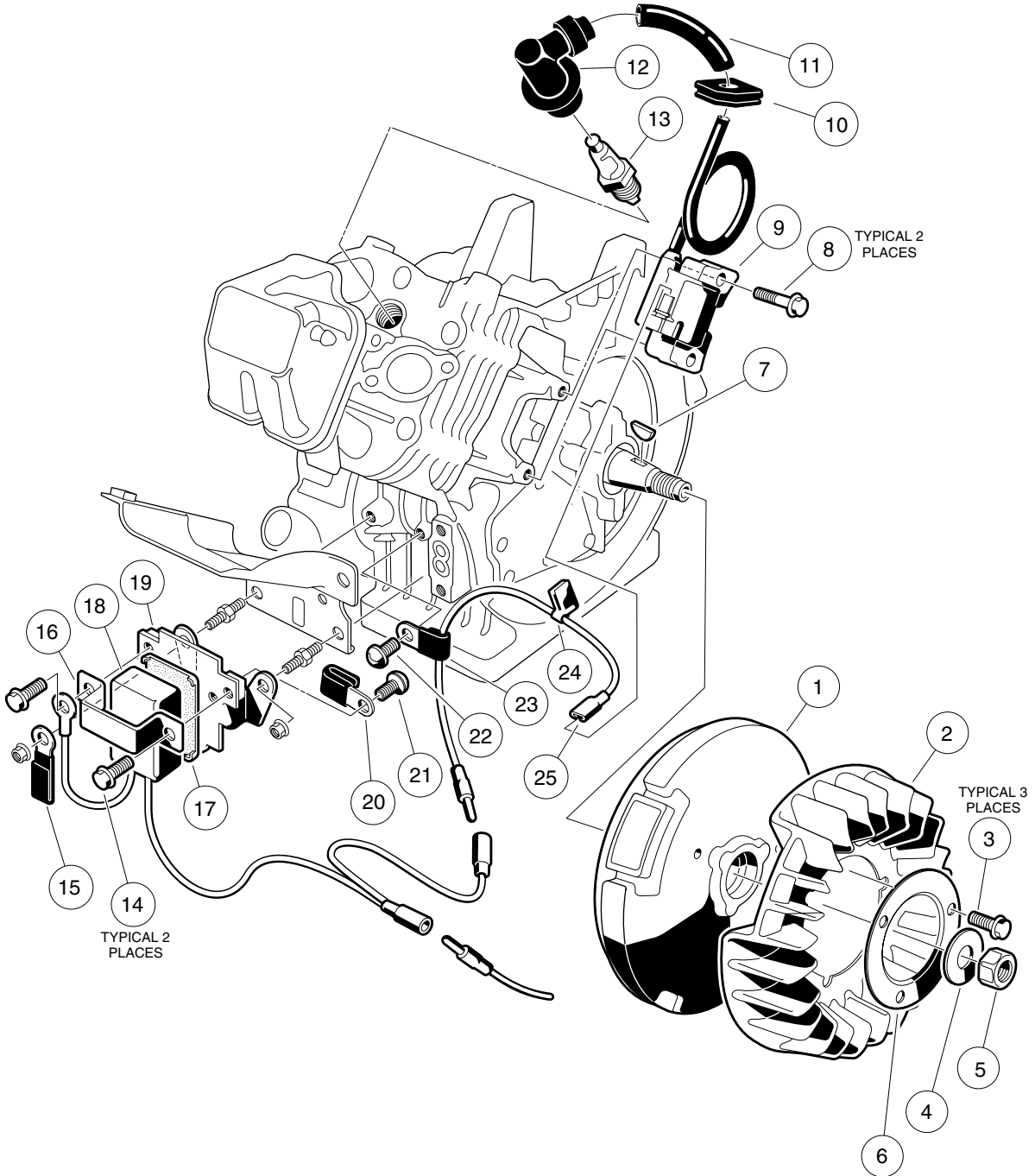
FE290 ENGINE – SHROUDS AND BRACKETS

ITEM	PART NO.	DESCRIPTION	QTY
		1 2 3 4	
	<u>101953901</u>	FE290 OHV Gasoline Engine (clockwise rotation) with Carburetor (does not include items 15 through 18)	1
1	<u>1016507</u>	Bolt, 2-Ended, M6 x 1 x 29 mm	1
2	<u>1016512</u>	Washer, Flat, 6 mm	1
3	<u>1016524</u>	Shroud, Engine, FE290	1
4	<u>1016456</u>	Bolt, Flanged, M6 x 1 x 12 mm	15
5	<u>1016547</u>	Nut, Flange, M6 x 1	3
6	<u>101909701</u>	Bolt, 2-Ended, M6 x 1 x 27 mm	2
7	<u>1016526</u>	Shroud, Engine, FE290 (lower)	1
8	<u>1017221</u>	Bolt, 2-Ended, M6 x 1 x 46 mm	1
9	<u>101915601</u>	Housing, Fan	1
10	<u>1016525</u>	Shroud, Engine, FE290 (Upper)	1
11	<u>1016443</u>	Bracket.....	1
12	<u>1016539</u>	O-Ring	1
13	<u>1016536</u>	Tube, Oil Filler, FE290	1
14	<u>1016531</u>	Dipstick	1
15	<u>101887601</u>	Nut, Nylon Lock, M6 x 1	1
16	<u>1015332</u>	Wire Assembly, #10 Braided Ground	1
17	<u>1015969</u>	Screw, Pan Head, M6 x 1 x 14 mm	4
18	<u>1015649</u>	Shroud, Fan	1

7

G

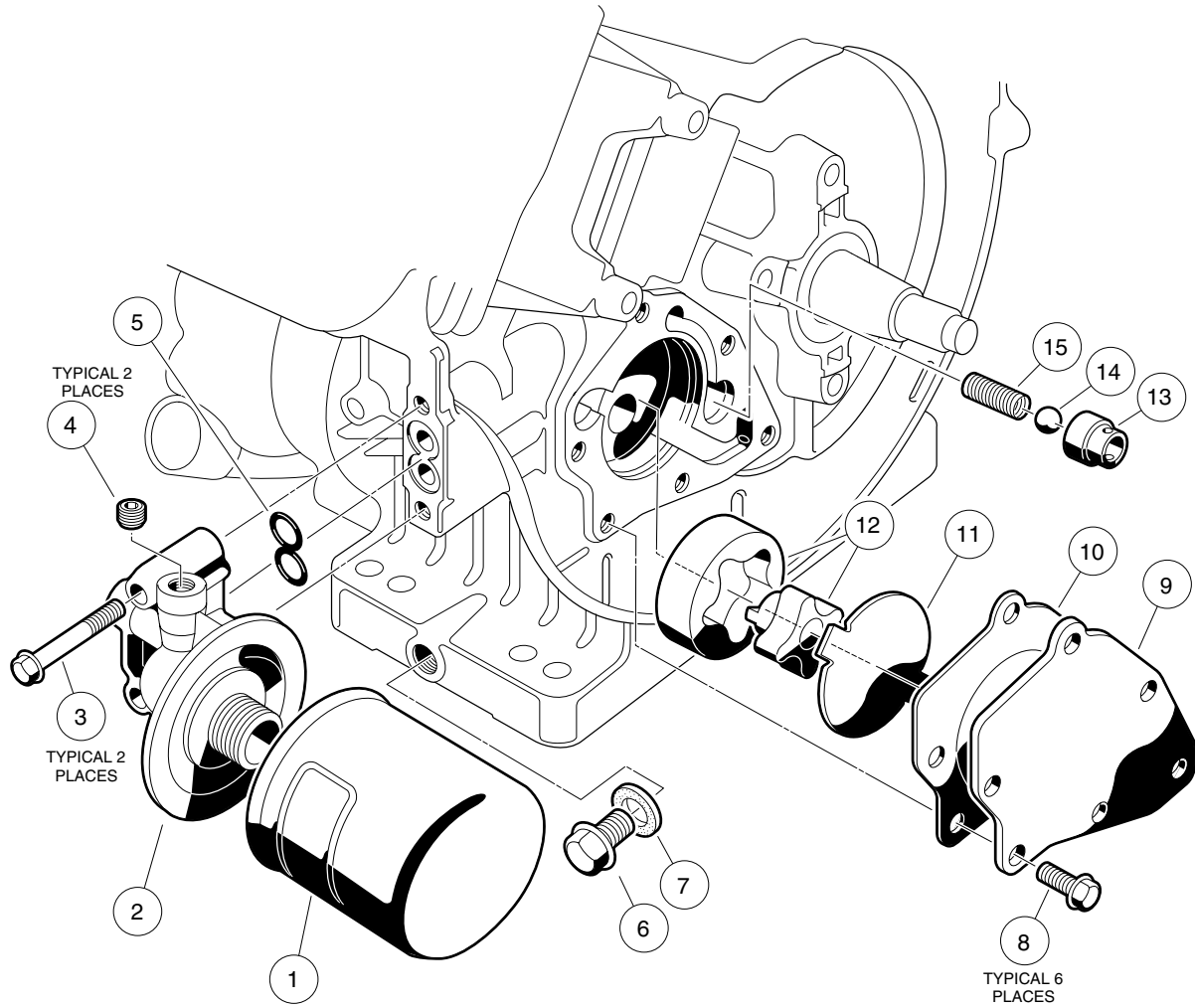
7
G



FE290 ENGINE – IGNITION COMPONENTS AND FLYWHEEL

ITEM	PART NO.	DESCRIPTION	QTY
		1 2 3 4	
1	<u>101915701</u>	Flywheel	1
2	<u>101915801</u>	Fan, Flywheel, Gray	1
3	<u>1017448</u>	Screw, Flanged Hex Head, M6 x 1 x 10 mm	3
4	<u>1016548</u>	Washer, Flat, 16 mm	1
5	<u>1016505</u>	Nut, Hex, M16 x 1.5	1
6	<u>1017455</u>	Plate, Flywheel Fan	1
7	<u>1016562</u>	Key	1
8	<u>1016455</u>	Bolt, Flanged, M5 x.8 x 25 mm	2
9	<u>101909201</u>	Coil, Ignition (with internal igniter)	1
10	<u>1016578</u>	Grommet	1
11	<u>1016588</u>	Tube, 7 mm x 70 mm	1
12	<u>1016493</u>	Assembly, Plug Cap	1
13	<u>101881101</u>	Plug, Spark, OHV	1
14	<u>1016456</u>	Bolt, Flanged, M6 x 1 x 12 mm	2
15	<u>1012981</u>	Clamp	1
16	<u>1016579</u>	Band, RPM Limiter Mount	1
17	<u>1016586</u>	Damper, RPM Limiter	1
18	<u>101909401</u>	Limiter, RPM, OHV	1
19	<u>1016445</u>	Bracket, RPM Limiter	1
20	<u>101909501</u>	Clamp	1
21	<u>1016497</u>	Screw, Cross Pan Head, M5 x.8 x 8 mm	1
22	<u>1016544</u>	Screw, Cross Pan Head Self-Tapping, M5 x.8 x 12 mm	1
23	<u>1016561</u>	Clamp	1
24	<u>1016587</u>	Clamp	1
25	<u>101909301</u>	Wire, Lead	1

7
G

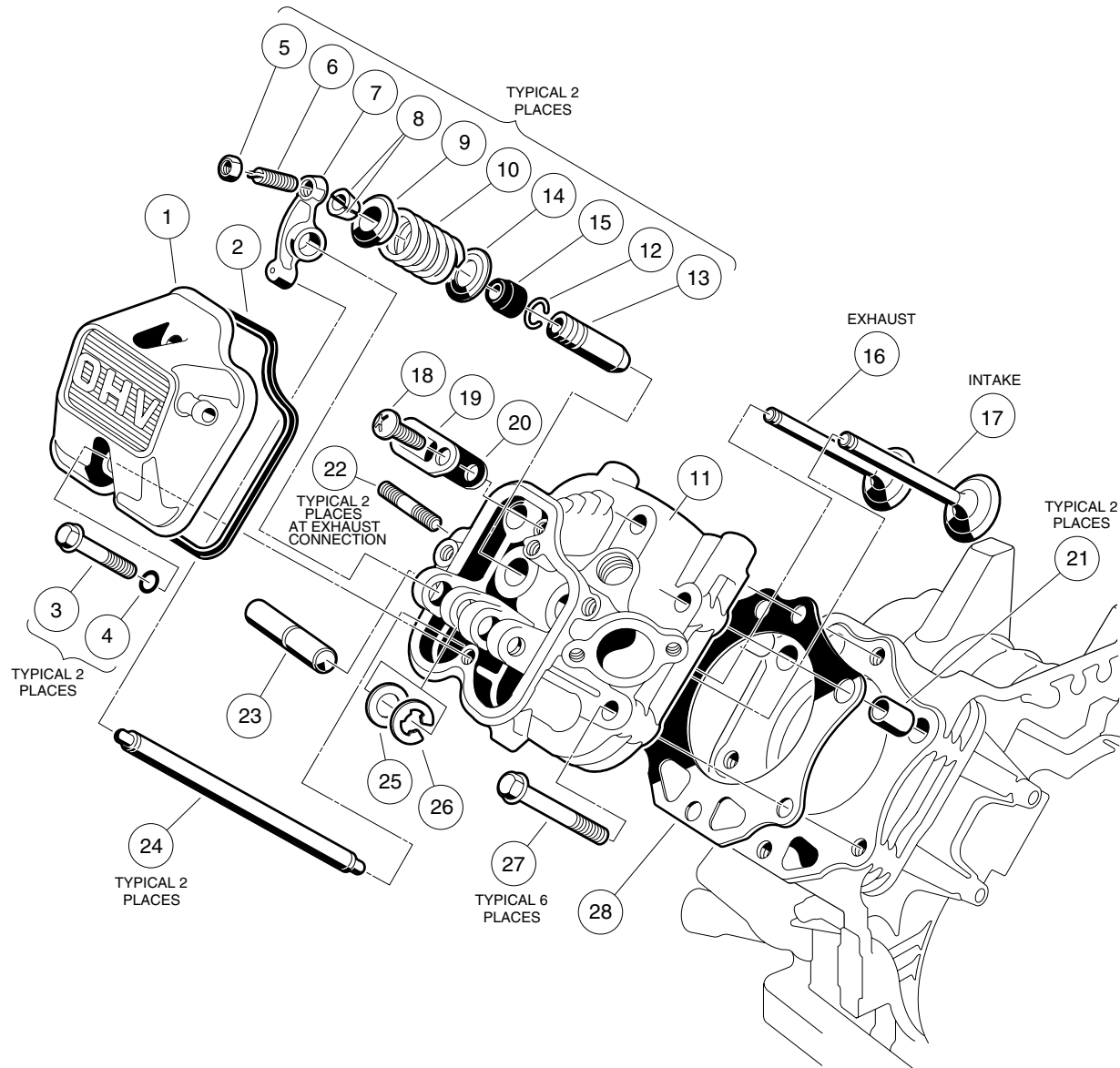


FE290 ENGINE – OIL CIRCULATION

ITEM	PART NO.	DESCRIPTION	QTY
		1 2 3 4	
1	<u>1016467</u>	Oil Filter	1
2	<u>1016502</u>	Bracket, Oil Filter	1
3	<u>1016457</u>	Bolt, Flanged Hex Head, M6 x 1 x 40 mm	2
4	<u>1017507</u>	Plug	2
5	<u>1016570</u>	O-Ring, Oil Filter Mount	1
6	<u>1016576</u>	Plug, Drain, FE290	1
7	<u>1016432</u>	Gasket, Drain Plug	1
8	<u>1017456</u>	Screw, Flanged Hex Head, M6 x 1 x 12 mm	6
9	<u>1016484</u>	Cover, Pump	1
10	<u>1016435</u>	Gasket, Oil Pump	1
11	<u>1016473</u>	Plate, Oil Pump	1
12	<u>101648203</u>	Pump, Oil and Rotor	1
13	<u>1016429</u>	Seat, Valve	1
14	<u>1016537</u>	Ball, Steel, Pressure Relief	1
15	<u>1016581</u>	Spring	1

7

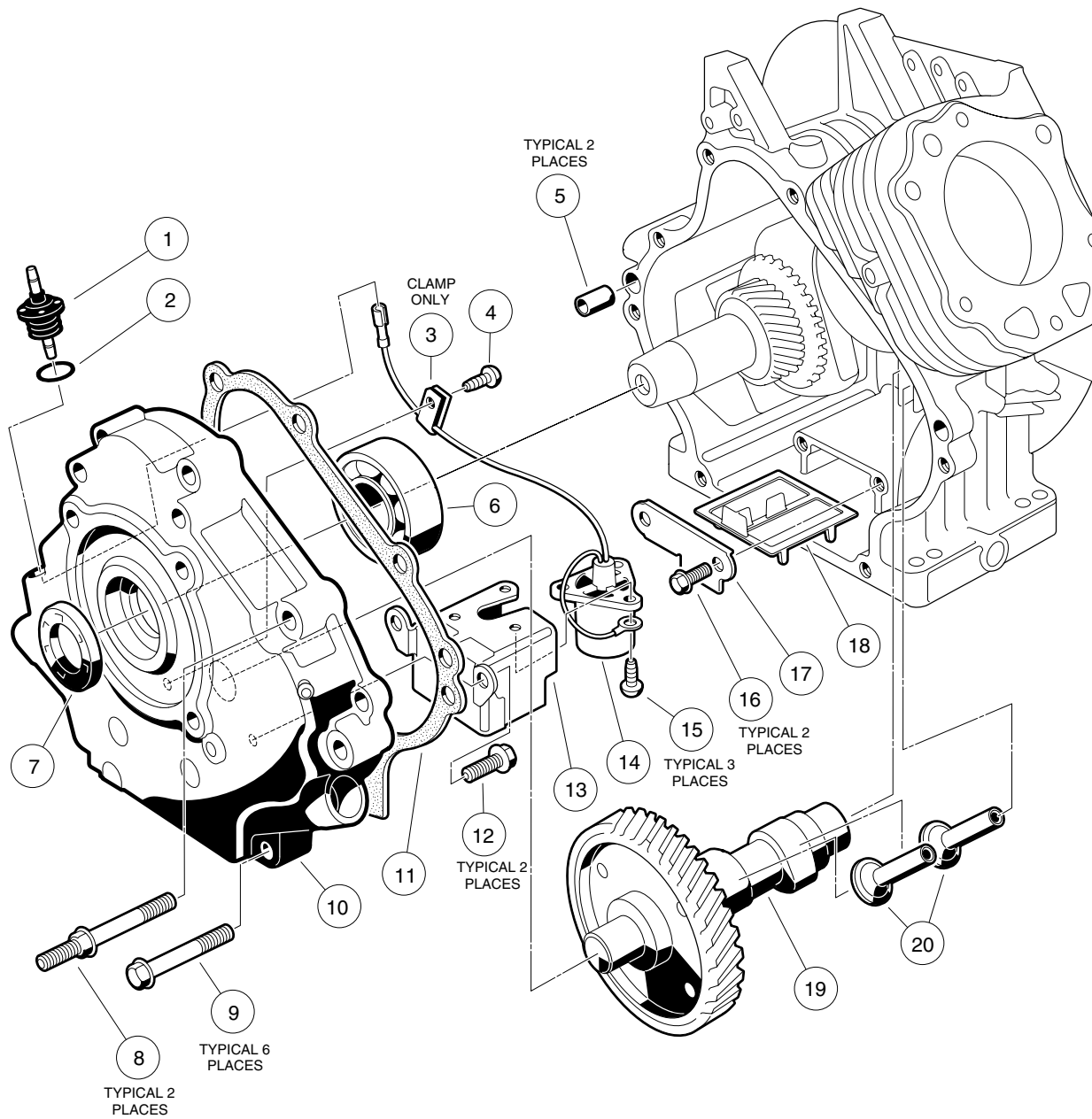
G



FE290 ENGINE – CYLINDER HEAD

ITEM	PART NO.	DESCRIPTION	QTY
		1 2 3 4	
1	<u>1016442</u>	Case, Rocker	1
2	<u>1016436</u>	Gasket, Rocker Case	1
3	<u>1016583</u>	Bolt, Flanged, M6 x 1 x 35 mm	2
4	<u>1016569</u>	O-Ring	2
5	<u>1016545</u>	Nut, Hex, M5 x .8	2
6	<u>1016542</u>	Screw, Stud, M5 x .8	2
7	<u>1016451</u>	Arm, Rocker	2
8	<u>1016450</u>	Collet.....	4
9	<u>1016449</u>	Retainer, Valve Spring	2
10	<u>1016523</u>	Spring, Engine Valve	2
11	<u>1016431</u>	Assembly, Cylinder Head, OHV (includes items 12 and 13)	1
12	<u>1016560</u>	Ring, Snap	2
13	<u>1016519</u>	Guide, Valve	2
14	<u>1016479</u>	Seat, Spring	2
15	<u>1016566</u>	Seal, Valve	2
16	<u>1016448</u>	Valve, Exhaust	1
17	<u>1016447</u>	Valve, Intake	1
18	<u>1016544</u>	Screw, Cross Pan Head Self-Tapping, M5 x .8 x 12 mm	1
19	<u>1016474</u>	Plate	1
20	<u>1016483</u>	Valve	1
21	<u>1016563</u>	Pin	2
22	<u>1016489</u>	Bolt, Stud, M8 x 1.25 x 29 mm	2
23	<u>1016452</u>	Shaft, Rocker	1
24	<u>1016471</u>	Rod, Push	2
25	<u>1016549</u>	Washer, Flat, M12	1
26	<u>1016517</u>	Circlip, Type E	1
27	<u>1016458</u>	Bolt, Flanged, M8 x 1.25 x 45 mm	6
28	<u>1016430</u>	Gasket, Head	1
	<u>102304701</u>	Kit, Gasket, FE290 (not shown)(contains one each of all internal gaskets for the FE290 engine)	1

7
G

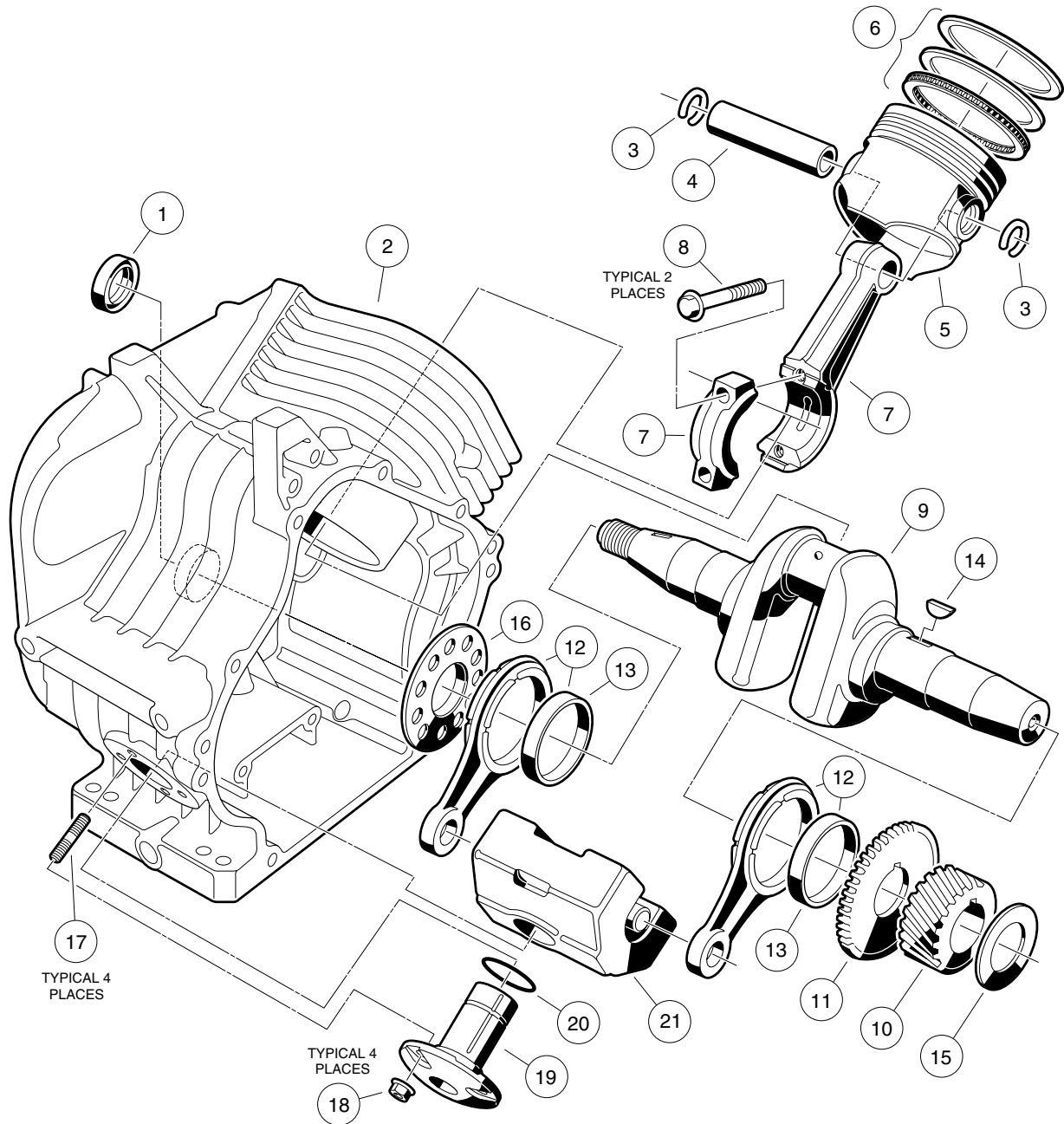


FE290 ENGINE – CRANKCASE, CAMSHAFT AND OIL SENSOR

ITEM	PART NO.	DESCRIPTION	QTY
		1 2 3 4	
1	<u>1016535</u>	Connector, Cord	1
2	<u>1016538</u>	O-Ring	1
3	<u>1016506</u>	Clamp	1
4	<u>1016544</u>	Screw, Cross Pan Head Self-Tapping, M5 x.8 x 12 mm	1
5	<u>1016564</u>	Pin	2
6	1016565	Bearing, Ball	1
7	<u>1016567</u>	Seal, Crankshaft	1
8	<u>1016584</u>	Bolt, 2-Ended, M8 x 1.25 x 69 mm	2
9	<u>1016458</u>	Bolt, Flanged, M8 x 1.25 x 45 mm	6
10	<u>1016520</u>	Cover, Crankcase	1
11	<u>1016446</u>	Gasket, Crankcase Cover	1
12	1016456	Bolt, Flanged, M6 x 1 x 12 mm	2
13	<u>1016510</u>	Bracket, Oil Level Switch	1
14	1016494	Sensor, Oil Level	1
15	<u>1016496</u>	Screw, Cross Pan Head, M4 x.7 x 8 mm	3
16	<u>1016454</u>	Bolt, Flanged, M5 x.8 x 8 mm	2
17	<u>1016472</u>	Plate, Oil Filter Screen	1
18	<u>1016521</u>	Screen, Oil Filter	1
19	<u>101915401</u>	Camshaft, Complete	1
20	1016453	Tappet	2

7
G

7
G

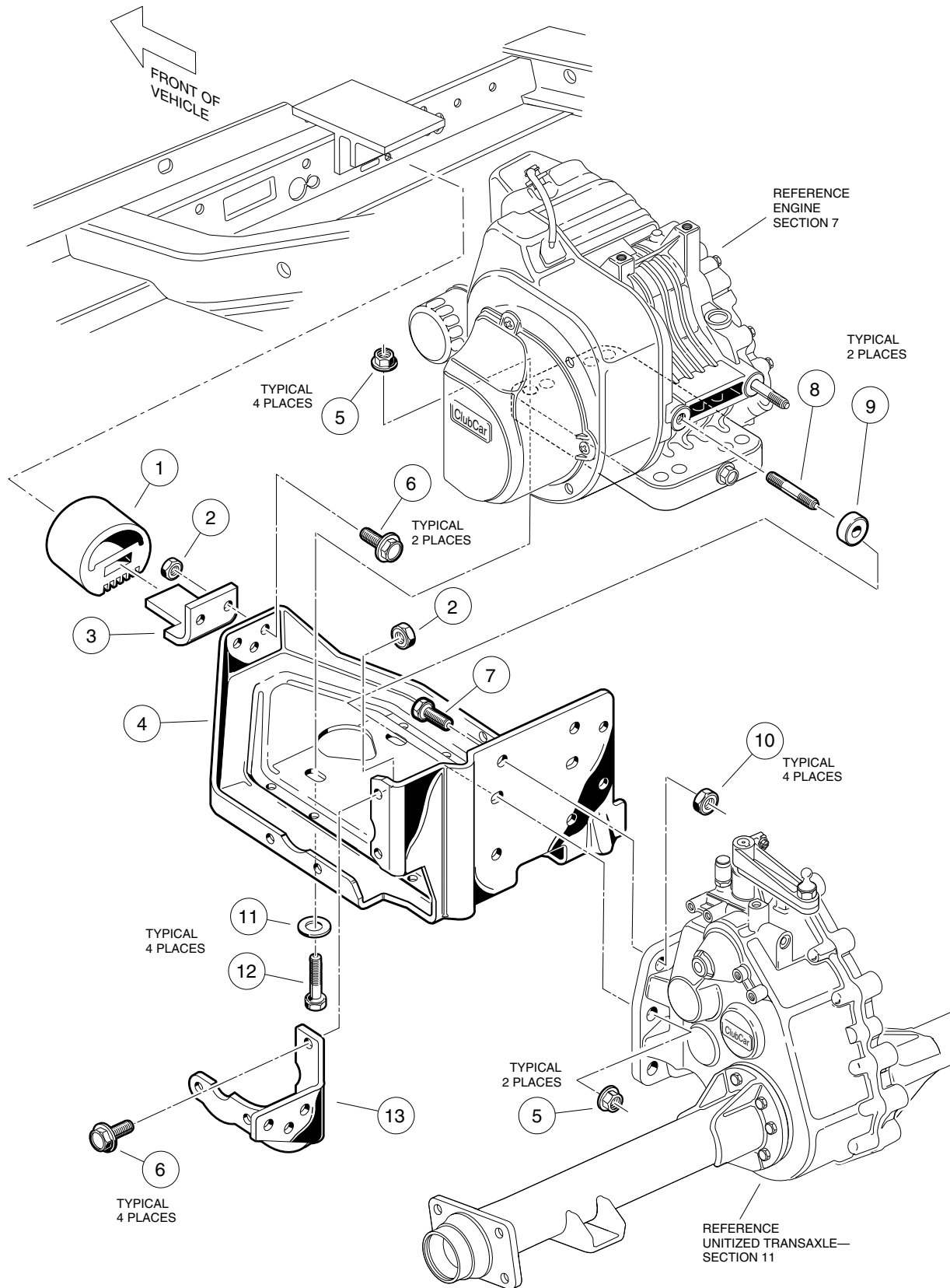


FE290 ENGINE – CRANKCASE AND CRANKSHAFT

ITEM	PART NO.	DESCRIPTION	QTY
		1 2 3 4	
1	<u>1016568</u>	Seal, Oil	1
2	<u>101915501</u>	Crankcase, OHV	1
3	<u>1016558</u>	Ring, Snap	2
4	1016460	Pin, Piston	1
5	<u>101645901</u>	Piston, Standard	1
5	<u>101645902</u>	Piston, .25 mm Oversized	1
5	<u>101645903</u>	Piston, .50 mm Oversized	1
6	<u>101646101</u>	Ring Set, Piston, Standard	1
6	<u>101646102</u>	Ring Set, Piston, .25 mm Oversized	1
6	<u>101646103</u>	Ring Set, Piston, .50 mm Oversized	1
7	<u>101647501</u>	Assembly, Connecting Rod, Standard (includes 2 each of item 8)	1
7	<u>101647502</u>	Assembly, Connecting Rod, .50 mm Undersized (includes 2 each of item 8)	1
8	<u>1016509</u>	Screw, Hex Head Cap, M7 x 1 x 36 mm	2
9	101922301	Crankshaft, FE290 (left-hand thread) (includes items 10, 11 and one each of item 12)	1
10	<u>1016533</u>	Gear, Helical	1
11	<u>1016532</u>	Gear, Spur	1
12	<u>1016516</u>	Assembly, Rod (includes one each of item 13)	2
13	1016580	Bearing, Plain	2
14	<u>1016562</u>	Key	1
15	<u>101655001</u>	Shim, Crankshaft, 1.13 mm Thick	A/R
15	<u>101655002</u>	Shim, Crankshaft, 1.18 mm Thick	A/R
15	<u>101655003</u>	Shim, Crankshaft, 1.23 mm Thick	A/R
15	<u>101655004</u>	Shim, Crankshaft, 1.28 mm Thick	A/R
15	<u>101655005</u>	Shim, Crankshaft, 1.33 mm Thick	A/R
15	<u>101655006</u>	Shim, Crankshaft, 1.38 mm Thick	A/R
15	<u>101655007</u>	Shim, Crankshaft, 1.43 mm Thick	A/R
15	<u>101655008</u>	Shim, Crankshaft, 1.48 mm Thick	A/R
15	<u>101655009</u>	Shim, Crankshaft, 1.53 mm Thick	A/R
16	1016559	Spacer	1
17	<u>1016541</u>	Bolt, Stud, M6 x 1 x 22 mm	4
18	1016547	Nut, Flanged, M6 x 1	4
19	1016470	Shaft, Counterbalance Guide	1
20	<u>1016571</u>	O-Ring	1
21	<u>1016469</u>	Weight, Counterbalance	1

7
G

7
G



ENGINE MOUNTING

ITEM	PART NO.	DESCRIPTION	QTY
		1 2 3 4	
1	1012164	Snubber	1
2	<u>1013924</u>	Nut, Hex Lock, 5/16-24, UNF	6
3	<u>101834601</u>	Bracket, Snubber	1
4	<u>101827101</u>	Plate, Mounting	1
5	101833001	Nut, Flange, M8 x 1.25	6
6	<u>101884801</u>	Screw, Hex Washer, 5/16-24 x 7/8	6
7	<u>101833301</u>	Screw, Hex Head Cap, M10 x 1.25 x 30 mm	4
8	<u>101833201</u>	Stud, M8 x 1.25 x 60 mm	2
9	<u>101832101</u>	Spacer	2
10	<u>101832901</u>	Nut, Flange, M10 x 1.25	4
11	1012571	Washer, Heavy Flat, 5/16	4
12	<u>101855901</u>	Screw, Hex Head Cap, M8 x 1.25 x 43 mm	4
13	<u>101832701</u>	Stiffener, Flywheel Side	1

7
G

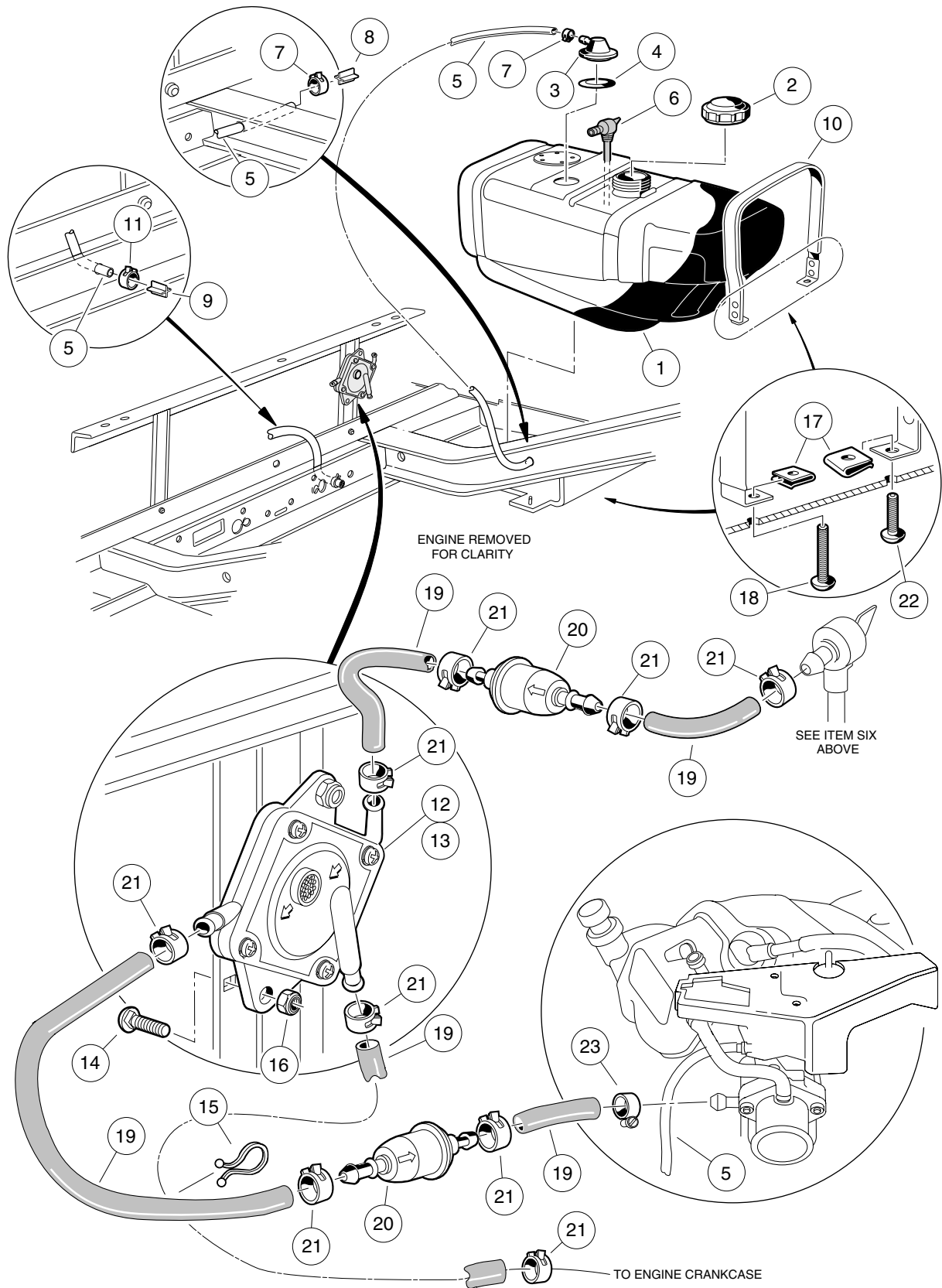
7

G

FUEL, INTAKE, AND GOVERNOR SYSTEMS

8

G

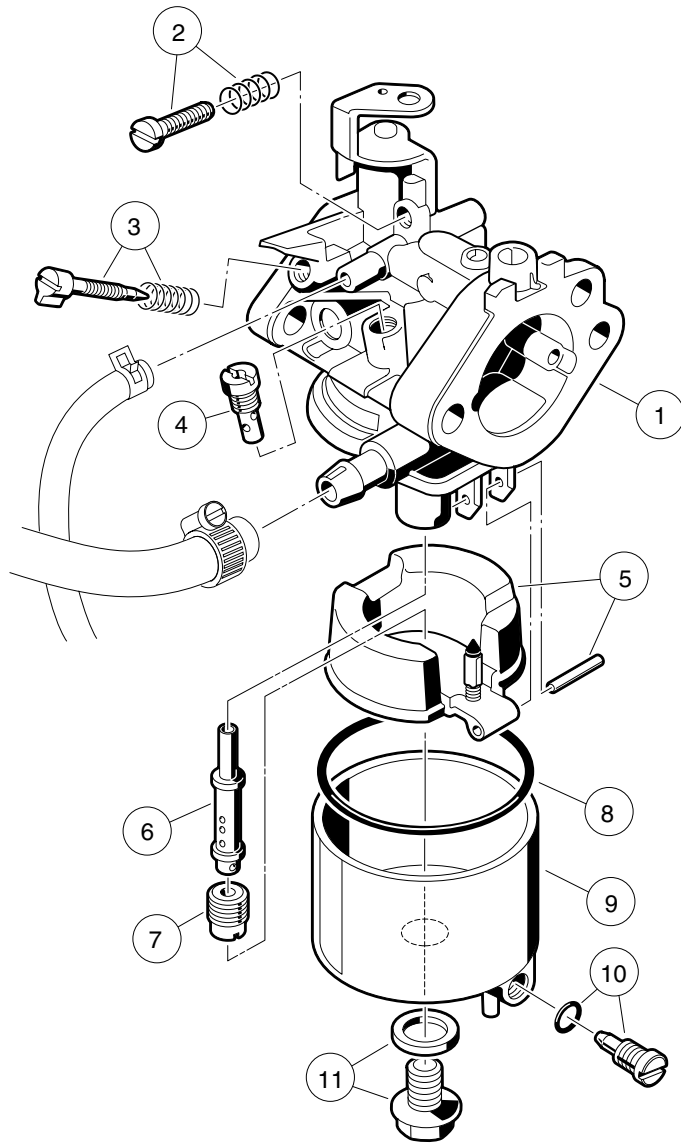


FUEL SYSTEM

ITEM	PART NO.	DESCRIPTION	QTY
		1 2 3 4	
1	<u>1016003</u>	Kit, Fuel Tank (includes items 2 - 8)	1
2	<u>1015188</u>	Cap, Fuel Tank, Nonvented	1
3	<u>1015143</u>	Assembly, Fuel Tank Vent	1
4	<u>1015139</u>	Grommet, Insulation	1
5	<u>1015137</u>	Line, Bulk Vent (available by the foot)	A/R
6	101896901	Valve, Fuel Pickup Tube with Shut-Off	1
7	<u>1013746</u>	Clamp, Hose	2
8	<u>101824401</u>	Barb, Vent	1
9	<u>101824401</u>	Barb, Vent	1
10	<u>1014928</u>	Assembly, Rear Fuel Strap	1
11	<u>1013746</u>	Clamp, Hose	2
12	<u>1014523</u>	Pump, Fuel Impulse	1
13	<u>1014524</u>	Rebuild Kit, Fuel Impulse Pump	1
14	<u>1017203</u>	Screw, Round-Head Square-Neck, 1/4-20 x 1	2
15	<u>101987701</u>	Clamp, Plastic	1
16	<u>8233</u>	Nut, Nylon Lock, 1/4-20	2
17	<u>1014116</u>	Nut, U-Type Speed, 1/4-20	2
18	<u>1011988</u>	Screw, Phillips Truss Head, 1/4-20 x 2	1
19	<u>1013692</u>	Line, Bulk Fuel (available by the foot)	A/R*
20	<u>102003201</u>	Filter, Fuel	2
21	<u>1012649</u>	Clamp, Hose (red)	9
22	<u>8248</u>	Screw, Phillips Truss Head, 1/4-20 x 3/4	1
23	<u>1013687</u>	Clamp, Hose, 3/8	1
* The total fuel line length for the DS Golf Car is 47 inches (119.4 cm).			

8

G

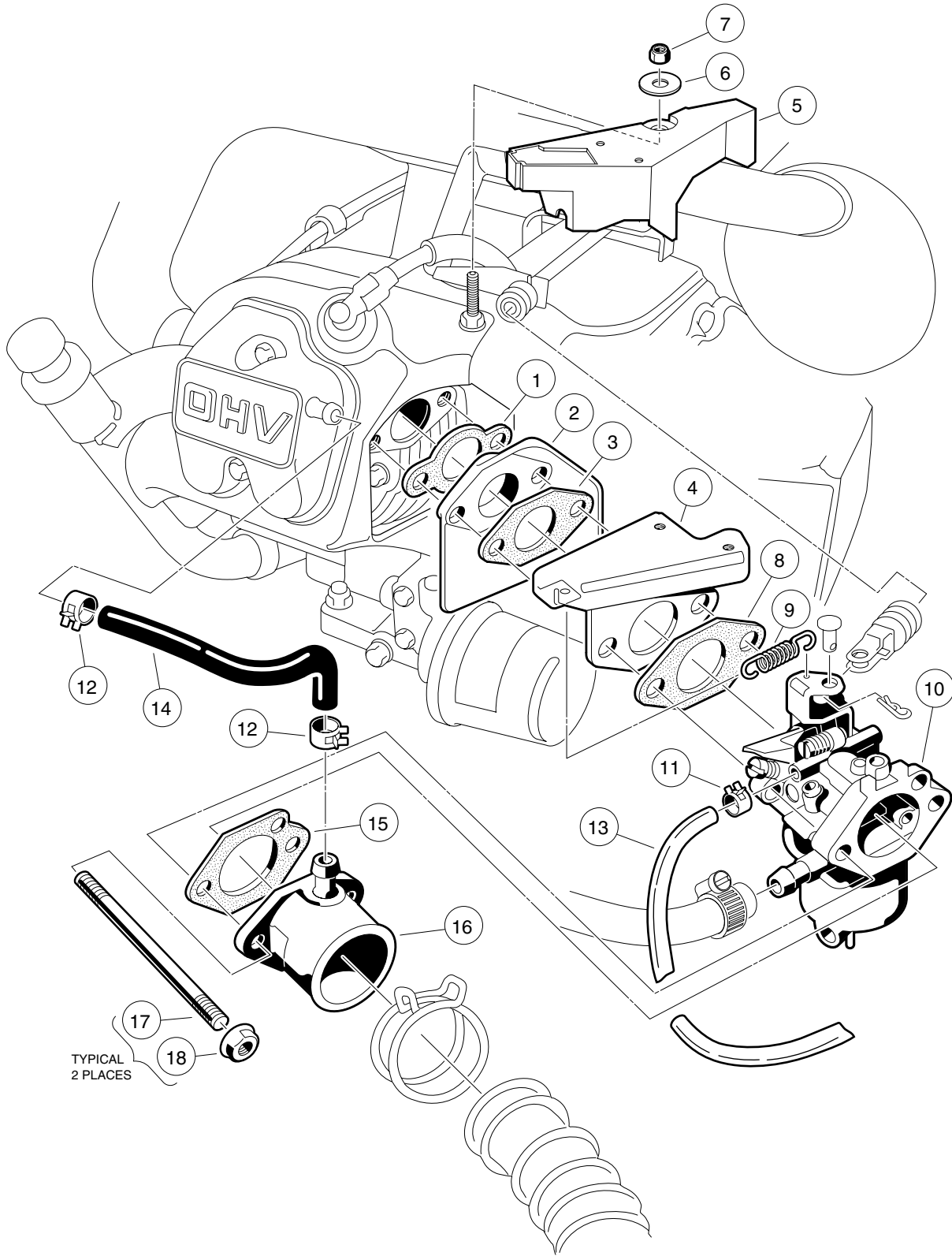


CARBURETOR ASSEMBLY

ITEM	PART NO.	DESCRIPTION	QTY
		1 2 3 4	
1	<u>101905601</u>	Assembly, Carburetor (includes items 2 - 11)	1
2	<u>1016501</u>	Assembly, Idle Screw	1
3	N/A	Assembly, Pilot Air Screw	1
4	<u>101973101</u>	Jet, Pilot, #40	1
5	1016486	Assembly, Float	1
6	<u>101973201</u>	Nozzle, Main	1
		Standard Jetting:	
7	<u>101642582</u>	Jet, Main, 0 - 3,000 feet	1
7	<u>101642580</u>	Jet, Main, 3,000 - 5,000 feet	A/R
7	<u>101642578</u>	Jet, Main, 5,000 - 8,000 feet	A/R
7	<u>101642575</u>	Jet, Main, 8,000 - 10,000 feet	A/R
7	<u>101642572</u>	Jet, Main, 10,000 Feet and Above	A/R
8	<u>1016437</u>	Gasket, Float Chamber	1
9	<u>1017461</u>	Assembly, Float Chamber (includes item 10)	1
10	<u>1016499</u>	Assembly, Screw	1
11	1016585	Assembly, Bolt	1

8

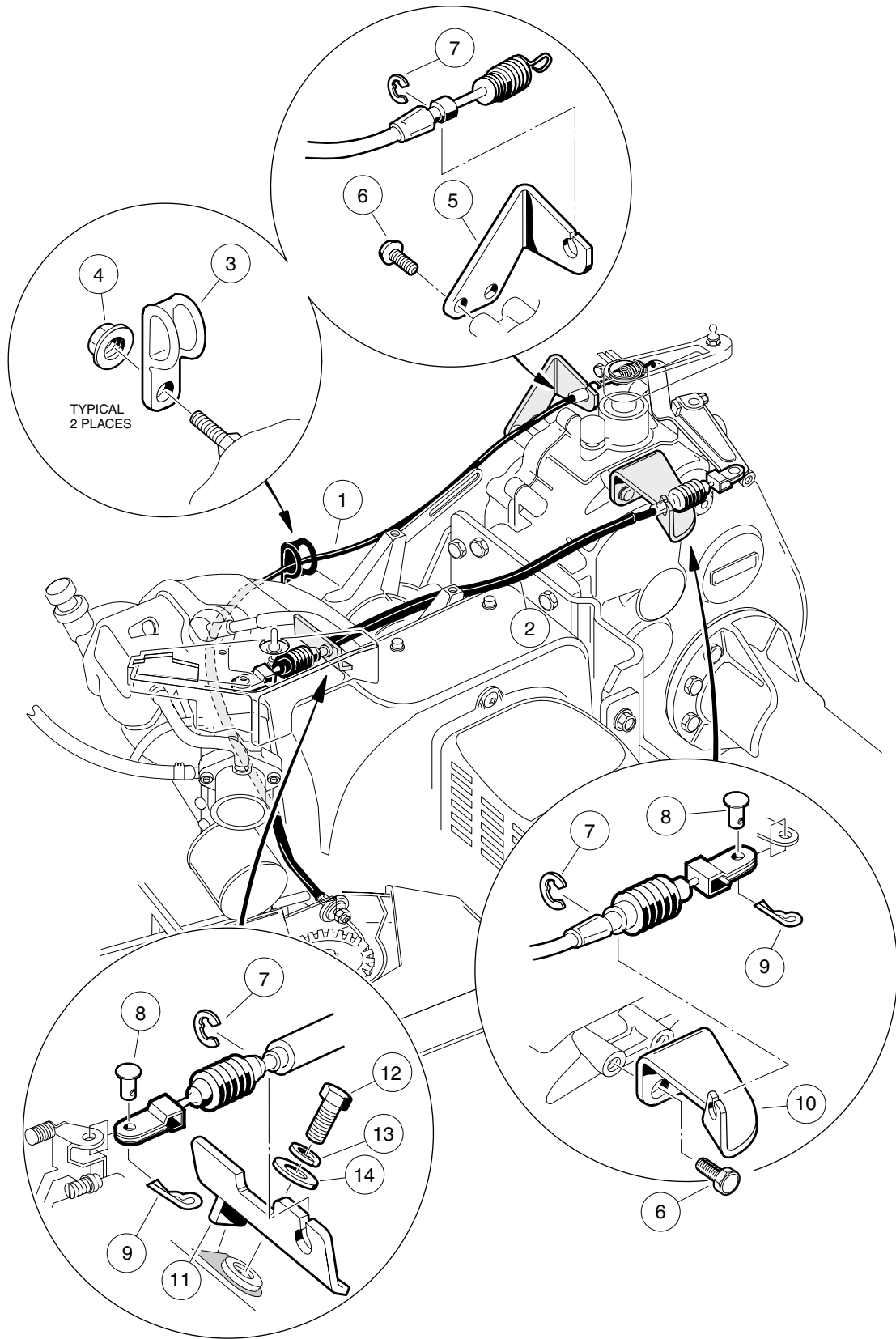
G



CARBURETOR INSTALLATION

ITEM	PART NO.	DESCRIPTION	QTY
		1 2 3 4	
1	<u>1016440</u>	Gasket, Insulator	1
2	101648102	Insulator, Carburetor	1
3	<u>1016439</u>	Gasket, Carburetor Insulator to Throttle Bracket	1
4	<u>1016444</u>	Bracket, Throttle	1
5	101820201	Guard, Governor	1
6	<u>1011697</u>	Washer, Flat, 5/16	1
7	<u>101887601</u>	Nut, Nylon Lock, M6 x 1	1
8	<u>1016441</u>	Gasket, Throttle Bracket to Carburetor	1
9	<u>1016582</u>	Spring, Throttle Return	1
10	<u>101905601</u>	Assembly, Carburetor	1
11	<u>1013746</u>	Clamp, Hose (gray)	1
12	<u>1017466</u>	Clamp, Hose (bronze)	2
13	<u>1015137</u>	Line, Bulk Vent (available by the foot)	A/R
14	<u>1016572</u>	Tube, Crankcase Vent	1
15	<u>1016438</u>	Gasket, Carburetor to Intake Manifold	1
16	1016480	Pipe, Intake	1
17	<u>101649002</u>	Screw, 2-Ended Stud, M6 x 1 x 90 mm	2
18	1016547	Nut, Flanged, M6 x 1	2

8
G

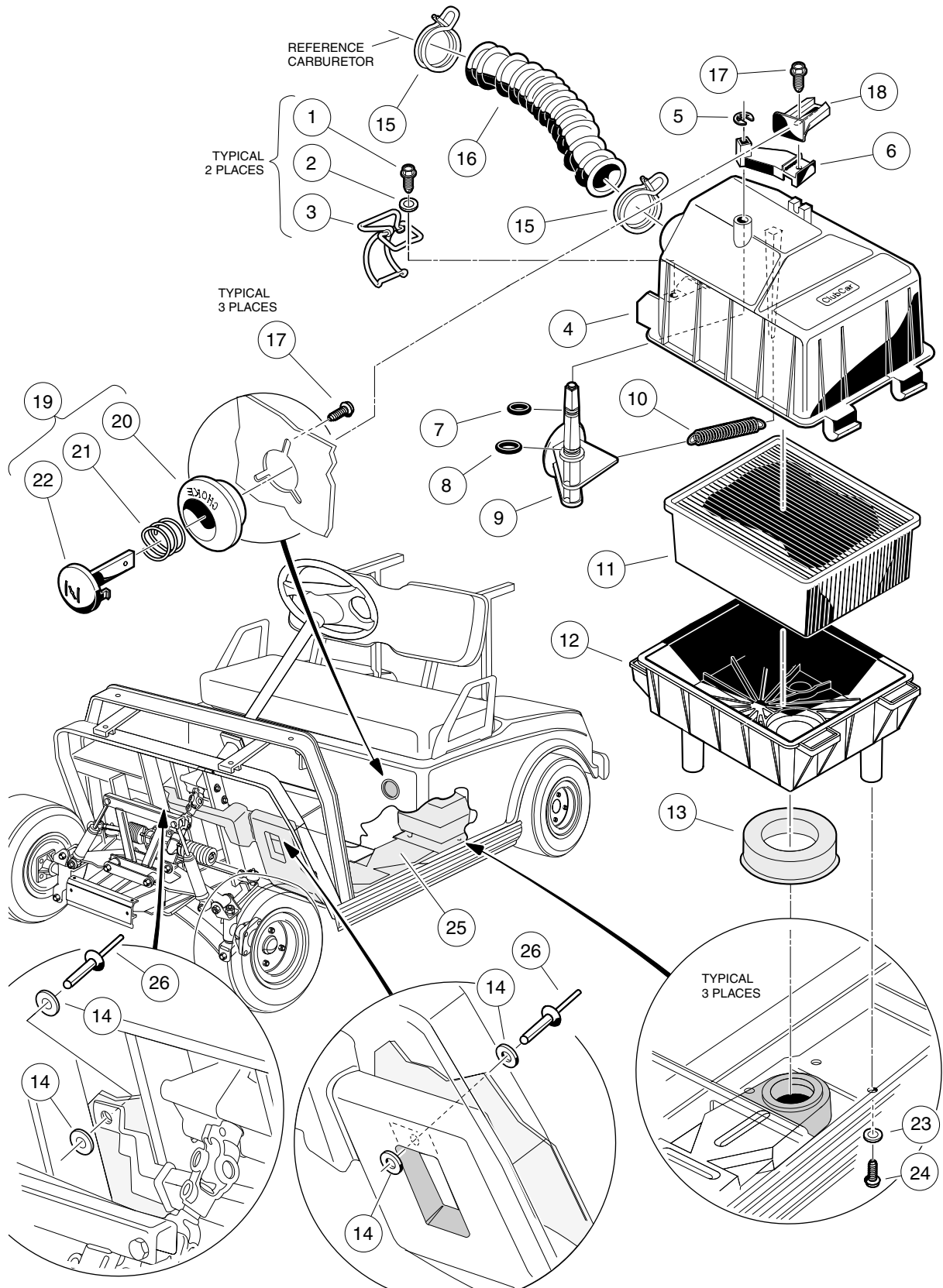


GOVERNOR AND ACCELERATOR CABLES

ITEM	PART NO.	DESCRIPTION	QTY
		1 2 3 4	
1	<u>101832501</u>	Cable, Accelerator	1
2	<u>101832401</u>	Cable, Governor	1
3	<u>1013700</u>	Clamp, Cable Retaining	2
4	<u>1016546</u>	Nut, Flanged Hex, M8 x 1.25	2
5	101832301	Bracket, Accelerator Support	1
6	<u>1012285</u>	Screw, Thread-Rolling, 1/4-20 x 5/8	4
7	<u>1016202</u>	E-Ring	3
8	<u>1015408</u>	Pin, Governor Cable Clevis	2
9	<u>1014413</u>	Pin, Hair Spring Cotter, 1/8 I.D. x 5/8	2
10	101832201	Bracket, Support	1
11	<u>1015845</u>	Bracket, Governor Cable Engine	1
12	101903501	Screw, Hex Head Cap, M8 x 1.25 x 24 mm	1
13	<u>7174</u>	Washer, Lock, 5/16	1
14	<u>1011697</u>	Washer, Flat, 5/16	1

8

G



INTAKE DUCT, CHOKE, AND AIR BOX ASSEMBLY

ITEM	PART NO.	DESCRIPTION	QTY
		1 2 3 4	
	<u>101821501</u>	Assembly, Air Box (includes items 1 - 13)	1
1	<u>101804301</u>	Screw, Hi-Lo Hex Head, #8-1/2	2
2	<u>101881701</u>	Washer, Stainless Steel, #8	2
3	<u>101925701</u>	Latch, Wire	2
4	<u>101972801</u>	Assembly, Air Box Top (includes items 5 - 10)	1
5	<u>101813001</u>	E-Clip	1
6	<u>101917601</u>	Lever, Choke	1
7	N/A	O-Ring, 5/16 (red)	1
8	N/A	O-Ring, 3/8 (green)	1
9	N/A	Valve, Choke	1
10	<u>101812301</u>	Spring, Return	1
11	<u>1015426</u>	Filter, Air	1
12	<u>101811901</u>	Bottom, Air Box	1
13	<u>101921501</u>	Seal, Intake	1
14	<u>183</u>	Washer, Flat, #10	4
15	<u>101971301</u>	Clamp, Hose (air Intake)	2
16	<u>101837101</u>	Hose, Intake	1
17	<u>101850301</u>	Screw, Hi-Lo, #12 x 1/2	4
18	<u>101917701</u>	Positioner, Choke	1
19	<u>101805701</u>	Assembly, Choke Button (includes items 20, 21 and 22)	1
20	<u>101811501</u>	Guide, Choke Lever	1
21	<u>101856201</u>	Spring, Compression	1
22	<u>101811401</u>	Lever, Choke	1
23	<u>332</u>	Washer, Flat, 1/4	3
24	<u>1015752</u>	Screw, Hi-Lo, #12-16 x 5/8	3
25	<u>101958101</u>	Assembly, Air Duct	1
26	<u>1606</u>	Rivet, Pop, 3/16	2
	<u>101971001</u>	Air Duct Repair Kit (not shown)	A/R

8

G

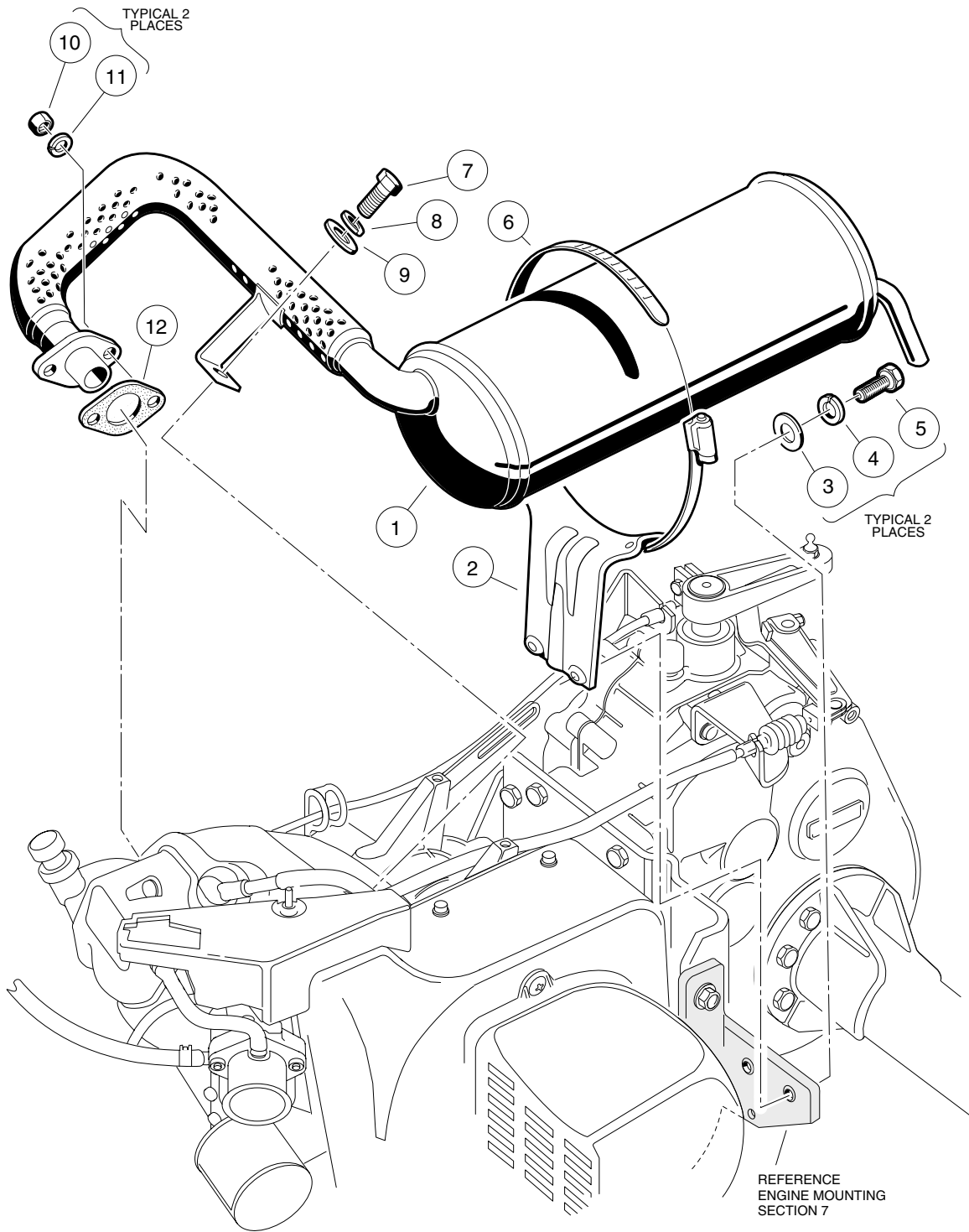
8

G

EXHAUST SYSTEM

9

G



EXHAUST SYSTEM

ITEM	PART NO.	DESCRIPTION	QTY
		1 2 3 4	
1	<u>101859301</u>	System, Exhaust	1
2	<u>1015814</u>	Bracket, Muffler Mounting	1
3	<u>332</u>	Washer, Flat, 1/4	2
4	<u>451</u>	Washer, Lock, 1/4	2
5	<u>7847</u>	Screw, Hex Head, 1/4-20 x 3/4	2
6	1017689	Clamp, Muffler	1
7	<u>1012830</u>	Screw, Hex Head Cap, M8 x 1.25 x 22 mm	1
8	<u>7174</u>	Washer, Lock, 5/16	1
9	1015075	Washer, Flat, 5/16	1
10	<u>1012528</u>	Nut, Hex, M8 x 1.25	2
11	<u>1013734</u>	Washer, Lock, 8 mm	2
12	<u>1015330</u>	Gasket, Exhaust	1

9
G

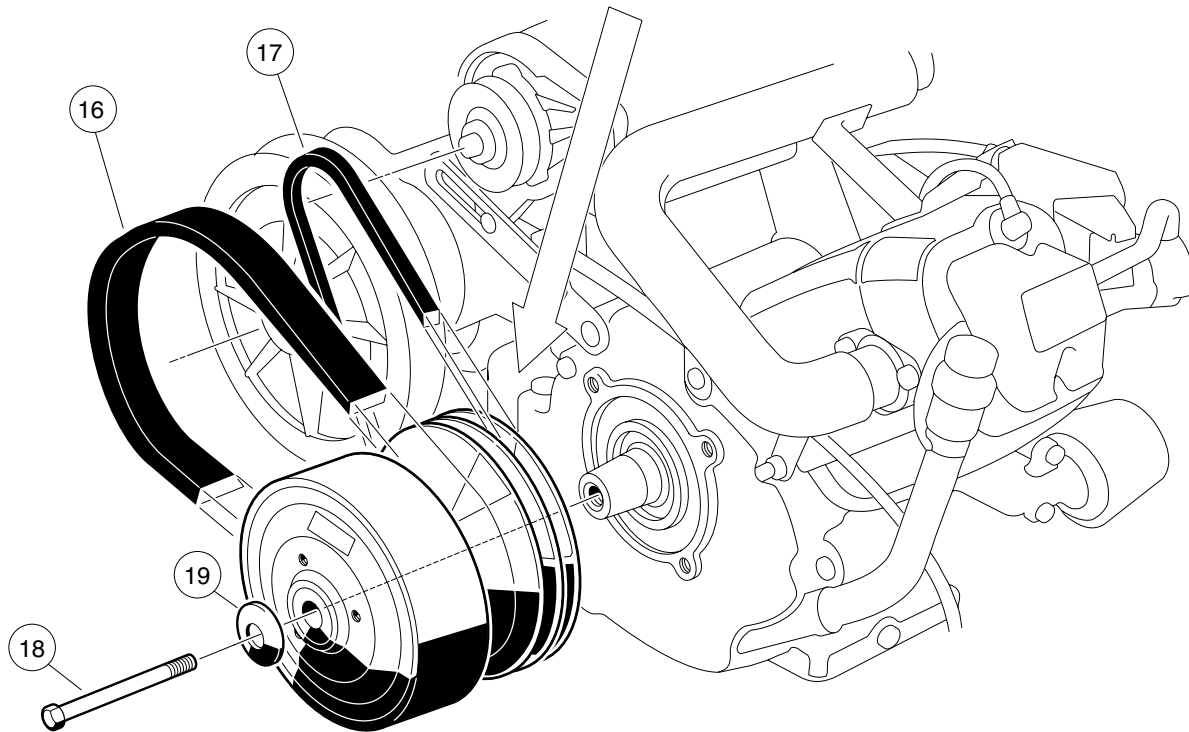
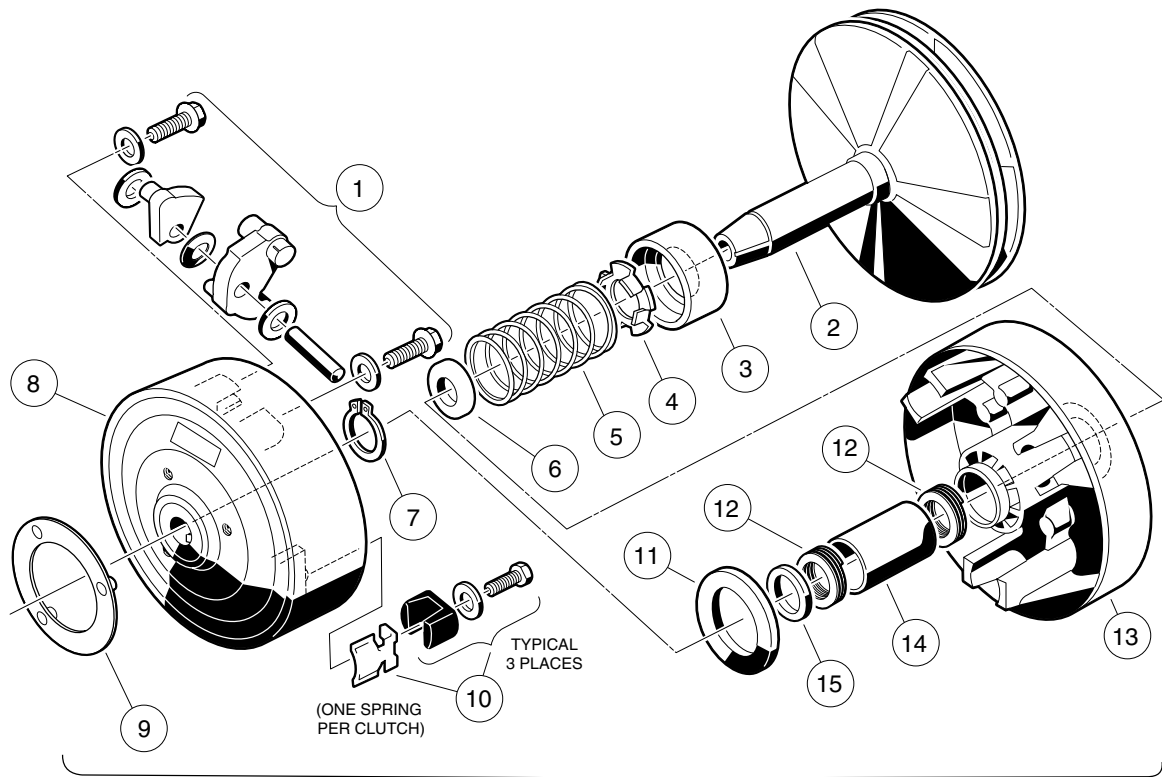
9

G

TORQUE CONVERTER

10

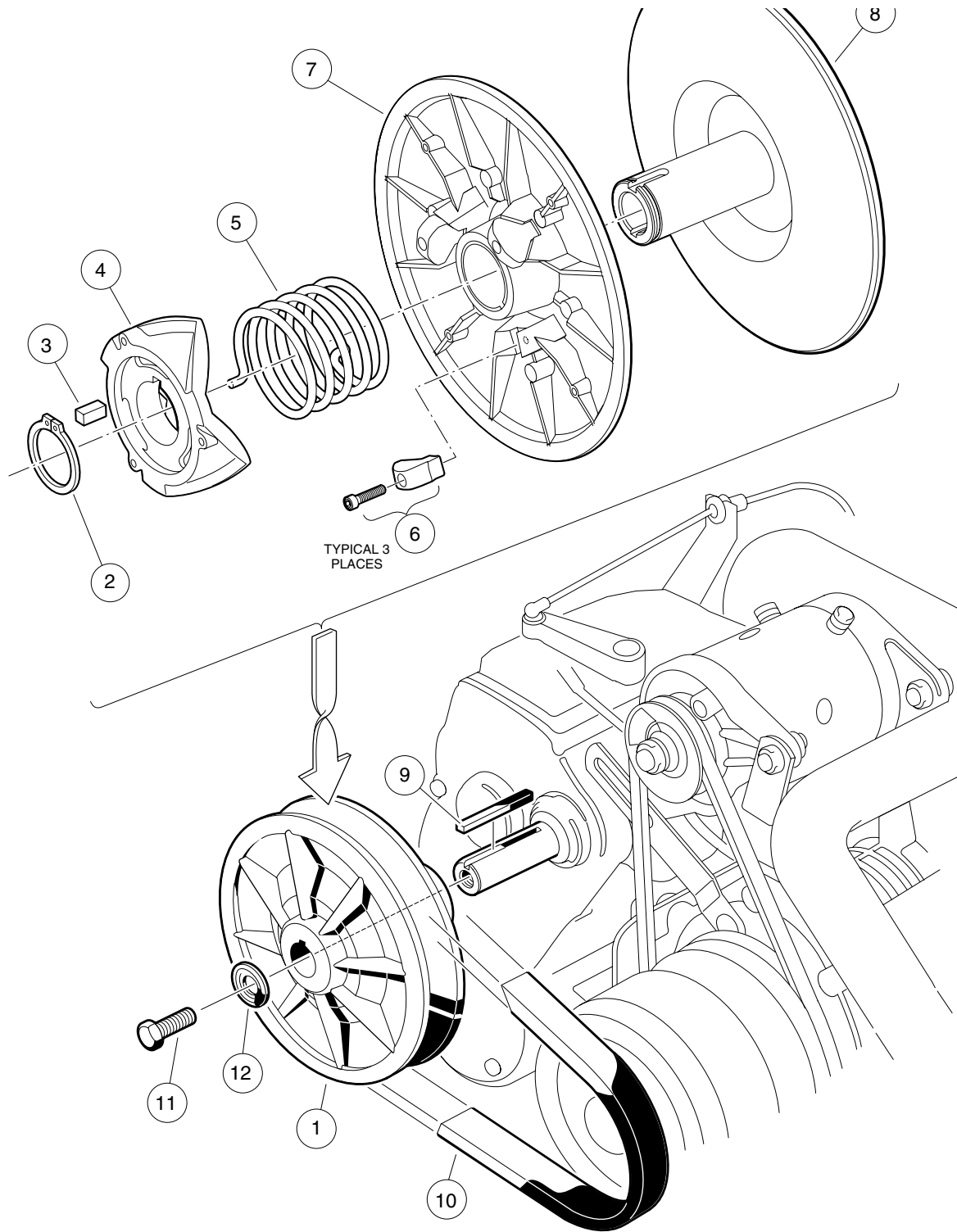
G



DRIVE CLUTCH

ITEM	PART NO.	DESCRIPTION	QTY
		1 2 3 4	
	<u>101833902</u>	Assembly, Drive Clutch (includes items 1 - 15)	1
1	<u>1016801</u>	Kit, Drive Clutch Weight	1
2	<u>101929801</u>	Assembly, Fixed Face	1
3	<u>1014049</u>	Bearing, Idler	1
4	<u>1014050</u>	Retainer, Spring	1
5	<u>1014051</u>	Spring, Drive Clutch – Black	1
6	<u>1016289</u>	Spacer, Fixed Face Shaft	1
7	<u>1014057</u>	Ring, Retaining	1
8	<u>1014059</u>	Assembly, Drive Hub	1
9	<u>101925601</u>	Plug, Drive Clutch	1
10	<u>1014453</u>	Kit, Drive Clutch Button (includes one spring and three each of the screw, washer, and button)	1
11	<u>1014058</u>	Washer, Thrust	1
12	<u>1014056</u>	Ring, Spiral Back-Up	2
13	<u>1014052</u>	Assembly, Moveable Face (includes items 14 and 15)	1
14	N/A	Bushing	1
15	<u>1014055</u>	Retainer	1
16	<u>1016203</u>	Belt, Drive	1
17	<u>101916701</u>	Belt, Starter/Generator	1
18	<u>101916501</u>	Screw, Hex Head Cap, 3/8-24 x 5-1/2 (left-hand threads)	1
19	<u>1017328</u>	Washer, Drive Clutch – Green	1

10
G



DRIVEN CLUTCH

ITEM	PART NO.	DESCRIPTION	QTY
		1 2 3 4	
1	<u>101834001</u>	Assembly, Driven Clutch (includes items 2 - 8)	1
2	<u>1014080</u>	Ring, Retaining	1
3	<u>1014078</u>	Key	1
4	<u>1017686</u>	Cam	1
5	<u>101836201</u>	Spring – Green	1
6	<u>1014454</u>	Kit, Driven Clutch Button (includes 3 screws and 3 buttons)	1
7	<u>1014072</u>	Assembly, Moveable Face with Bushing	1
8	<u>1014070</u>	Face, Fixed	1
9	<u>101833401</u>	Key, Square Transmission	1
10	<u>1016203</u>	Belt, Drive	1
11	<u>102242101</u>	Screw, Hex Head Cap, Thread-Locking Patch, 5/16-18 x 3/4	1
12	<u>102155801</u>	Washer, Driven Clutch	1

10
G

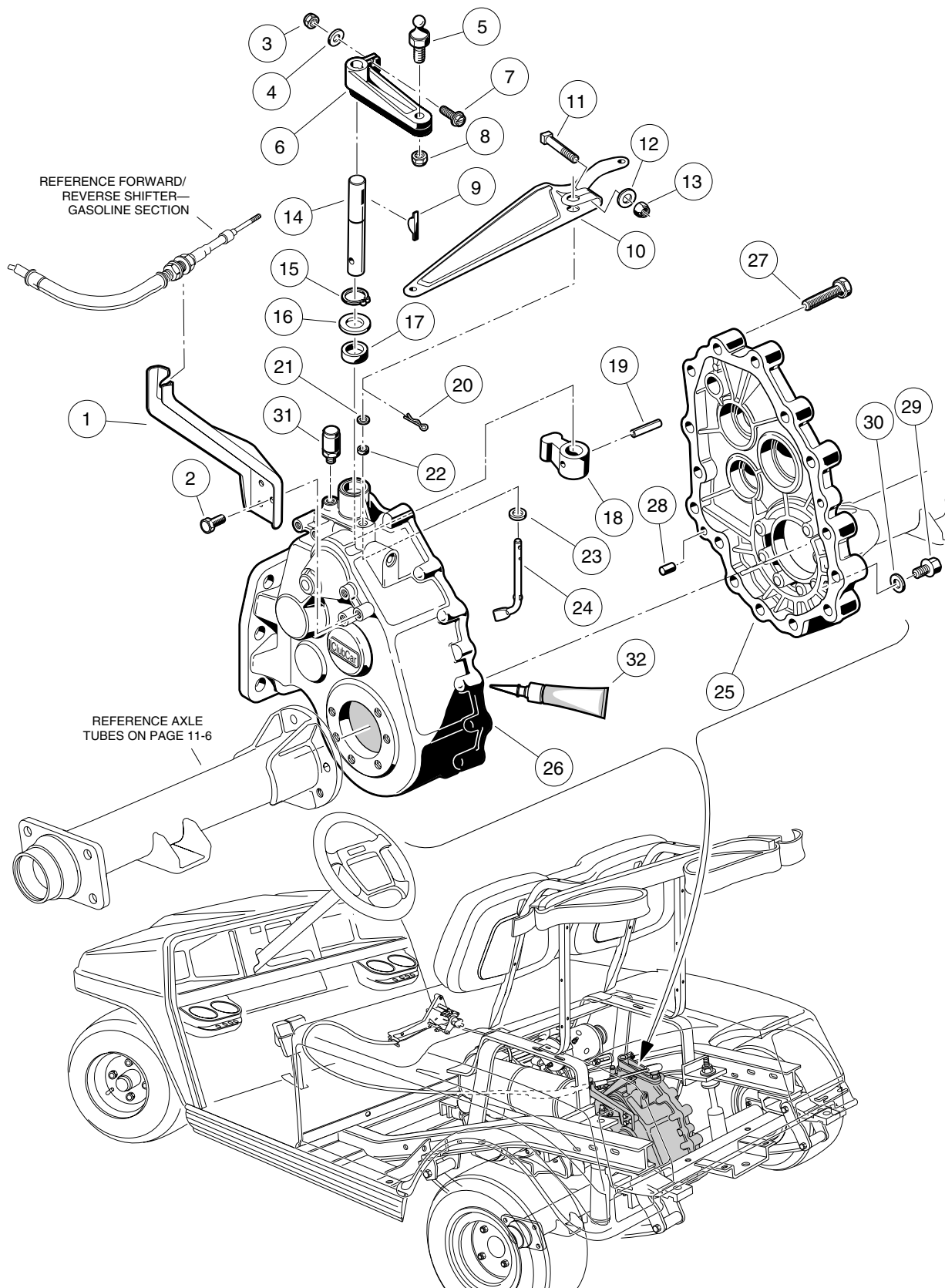
10

G

UNITIZED TRANSAXLE

11

G

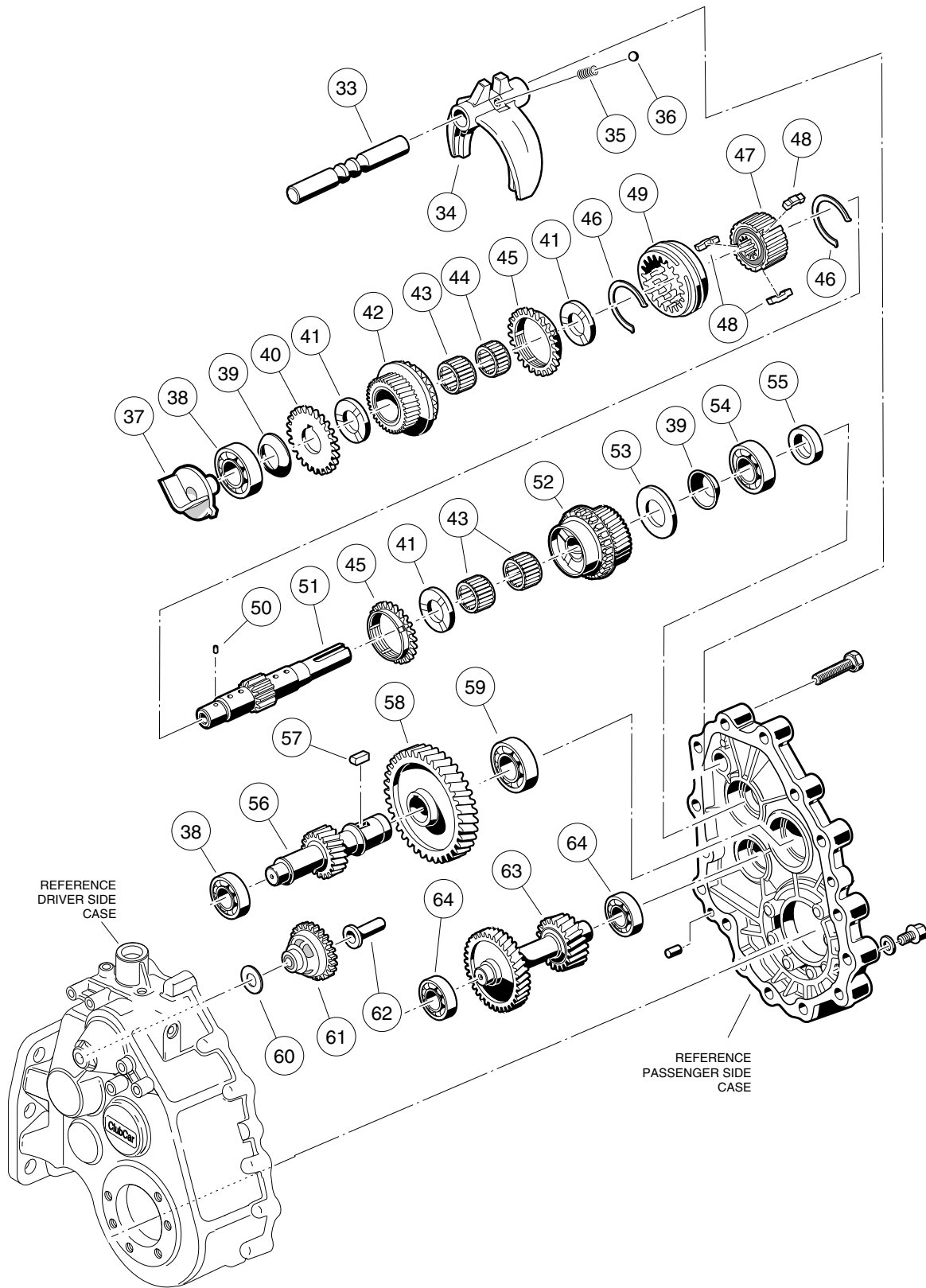


UNITIZED TRANSAXLE – GEAR CASES AND BRACKETS

ITEM	PART NO.	DESCRIPTION	QTY
		1 2 3 4	
1	101922601	Bracket, Transmission Cable Support	1
2	<u>1012285</u>	Screw, Thread-Rolling, 1/4-20 x 5/8	3
3	<u>1013061</u>	Nut, Nylon Lock, #10-32	1
4	<u>183</u>	Washer, Flat, #10	1
5	<u>1010954</u>	Stud, Ball, 1/4-28 x 9/16	1
6	<u>1016341</u>	Lever, Transmission Shifter	1
7	<u>1017082</u>	Screw, Hex Washer Head, #10-32 x 3/4	1
8	<u>8717</u>	Nut, Nylon Lock, 1/4-28	1
9	<u>1017231</u>	Key, Woodruff	1
10	<u>101834801</u>	Arm, Governor Lever	1
11	<u>101886101</u>	Screw, Square Head, 1/4-20 x 1	1
12	<u>1014007</u>	Washer, Type B, 1/4	1
13	<u>8233</u>	Nut, Nylon Lock, 1/4-20	1
	<u>101833601</u>	Unitized Transaxle (includes items 14 - 88)	1
14	<u>101890201</u>	Shaft, Shifter	1
15	<u>101927301</u>	Ring, Snap	1
16	<u>101892901</u>	Washer, Flat	1
17	<u>101927201</u>	Seal, Oil	1
18	<u>101890101</u>	Lever, Shifter	1
19	<u>1012752</u>	Pin, Roll	1
20	<u>101928601</u>	Pin, Cotter	1
21	<u>1016513</u>	Washer, Flat	1
22	<u>101927101</u>	Seal, Oil	1
23	<u>101893801</u>	Washer	1
24	<u>101891301</u>	Arm, Pivot	1
25	<u>101890601</u>	Gear Case (passenger side)	1
26	<u>101890501</u>	Gear Case (driver side)	1
27	<u>101926901</u>	Bolt, Flanged, M8 x 1.25 x 40 mm	15
28	<u>1012896</u>	Pin, Dowel	2
29	<u>1013759</u>	Plug, Drain (includes item 30)	2
30	<u>1016432</u>	Gasket	1
31	<u>1012711</u>	Breather	1
32	<u>101928701</u>	Gasket, Liquid, 8.8 oz. (250 grams)	A/R

11

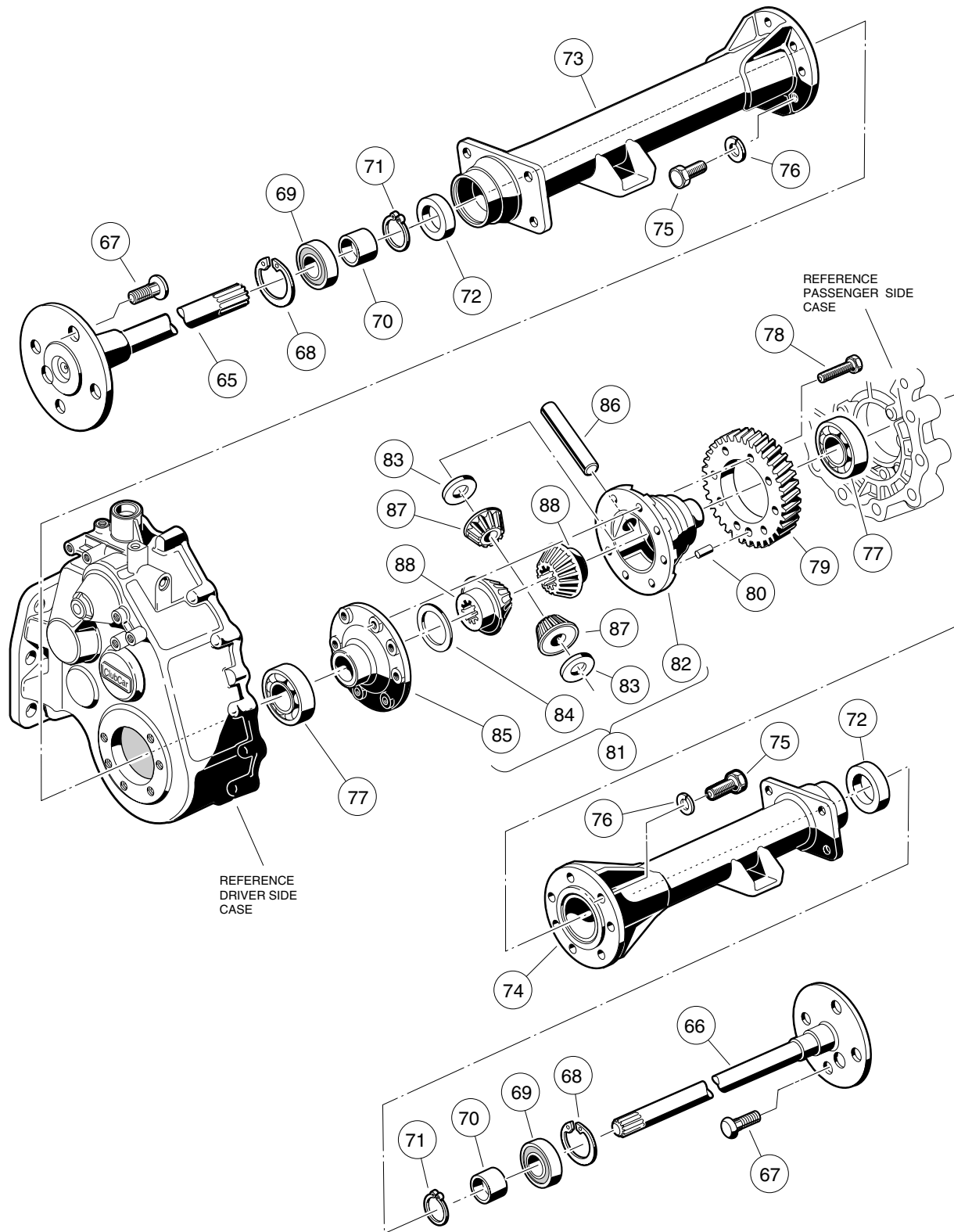
G



UNITIZED TRANSAXLE – F&R TRANSMISSION AND GEAR REDUCTION

11
G

ITEM	PART NO.	DESCRIPTION	QTY
		1 2 3 4	
33	101892001	Rod, Shift	1
34	<u>101890001</u>	Fork, Shift	1
35	<u>1012748</u>	Spring	1
36	<u>1012747</u>	Ball, Steel	1
37	<u>101889401</u>	Guide	1
38	<u>7336</u>	Bearing, Ball	2
39	<u>1016338</u>	Washer, Spring	2
40	<u>101892401</u>	Gear, Spur	1
41	<u>101892201</u>	Plate, Thrust	3
42	<u>101980901</u>	Gear Assembly, Input, 28 Tooth (16°)	1
43	<u>101927601</u>	Bearing, Needle	3
44	<u>101927501</u>	Bearing, Needle	1
45	<u>101981001</u>	Ring, Synchronizer (16°)	2
46	<u>1012741</u>	Spring, Synchronizer	2
47	<u>101928001</u>	Hub, Synchronizer Clutch	1
48	<u>1012740</u>	Insert, Synchronizer	3
49	<u>101927901</u>	Sleeve, Synchronizer	1
50	<u>101927701</u>	Pin, Dowel	1
51	<u>101889901</u>	Shaft, Input	1
52	<u>101980801</u>	Gear Assembly, Input, 25 Tooth (16°)	1
53	<u>1016337</u>	Washer, Thrust	1
54	<u>101927801</u>	Bearing, Ball	1
55	<u>1012714</u>	Seal, Oil, Input Shaft	1
56	<u>101892601</u>	Gear, 17 Tooth	1
57	<u>101893201</u>	Key	1
58	<u>101892501</u>	Gear, 61 Tooth	1
59	<u>101928101</u>	Bearing, Ball	1
60	<u>101893901</u>	Washer.....	1
61	<u>101892301</u>	Governor Assembly	1
62	<u>101891601</u>	Sleeve	1
63	<u>101891901</u>	Gear, Cluster Idler	1
64	<u>7335</u>	Bearing, Ball	2



UNITIZED TRANSAXLE – DIFFERENTIAL AND AXLES

ITEM	PART NO.	DESCRIPTION	QTY
		1 2 3 4	
65	<u>101891501</u>	Axle Assembly, Driver Side (Includes items 67 - 71)	1
66	<u>101891401</u>	Axle Assembly, Passenger Side (includes items 67 - 71)	1
67	<u>1013787</u>	Stud, Lug	4
68	<u>1013792</u>	Ring, Retaining	1
69	<u>1011291</u>	Bearing, Outer Axle Tube	1
70	<u>1014207</u>	Collar, 25 mm I. D.	1
71	<u>1016672</u>	Ring, Retaining	1
72	<u>1013794</u>	Seal, Oil	2
73	<u>101891001</u>	Assembly, Axle Tube, Driver Side	1
74	<u>101890901</u>	Assembly, Axle Tube, Passenger Side	1
75	<u>1013790</u>	Bolt, M10 x 1.5 x 30 mm	14
76	<u>1013791</u>	Washer, Lock, M10	14
77	<u>7330</u>	Bearing, Inner Axle Tube	2
78	<u>101928301</u>	Bolt, M8 x 1.25 x 37 mm	8
79	<u>101892701</u>	Gear, Output	1
80	<u>1014193</u>	Pin, Dowel	1
81	<u>101910501</u>	Kit, Differential Gear Case (includes items 82 - 85)	1
82	<u>1013768</u>	Case, Gear Carrier	1
83	<u>1013774</u>	Plate, Thrust (idler gear)	2
84	<u>1013773</u>	Plate, Thrust (differential gear)	1
85	<u>1013769</u>	Cover, Gear Case	1
86	<u>1013772</u>	Pin, Differential	1
87	<u>1013770</u>	Gear, Differential Idler	2
88	<u>1013771</u>	Gear, Differential	2

11
G

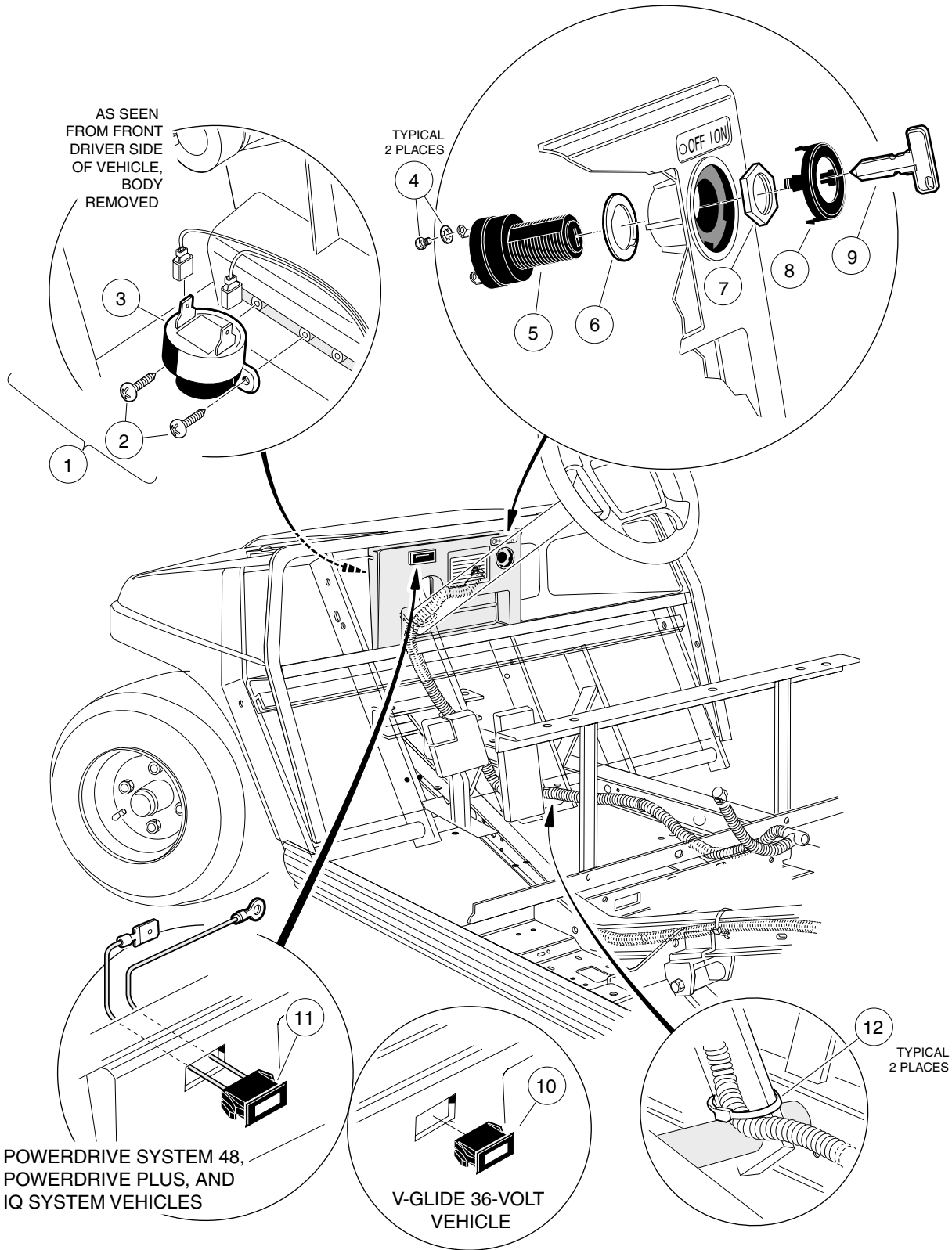
11

G

ELECTRICAL SYSTEM – ELECTRIC VEHICLE

12

E

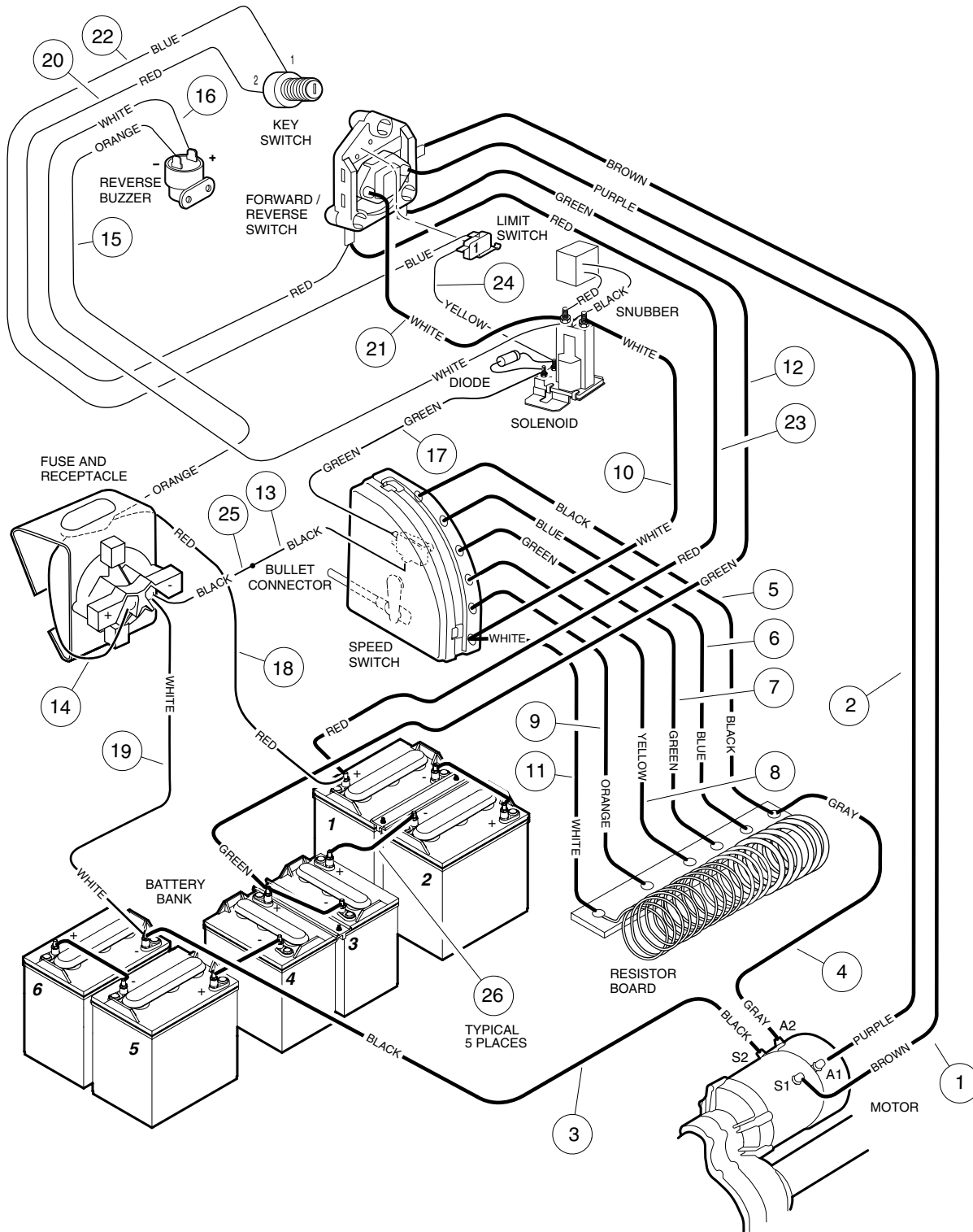


ELECTRICAL COMPONENTS, FRONT BODY – ELECTRIC VEHICLE

ITEM	PART NO.	DESCRIPTION	QTY
		1 2 3 4	
1	<u>1016859</u>	Kit, Reverse Buzzer (includes items 2 and 3)	1
2	<u>1016849</u>	Screw, Pan Head Hi-Lo, #4-24 x 5/16	2
3	<u>1016851</u>	Buzzer, Reverse	1
4	101830601	Assembly, Screw and Washer	2
5	<u>101826201</u>	Switch, Key	1
6	<u>101851101</u>	Washer, Key Switch	1
7	<u>101830701</u>	Nut, Key Switch	1
8	<u>101834502</u>	Cap, Key Switch	1
9	<u>1012505</u>	Key (pair)	1
10	<u>101802601</u>	Plug, Hole (V-Glide 36-Volt vehicle only)	1
11	<u>101935501</u>	Light, Battery Warning (amber) (PowerDrive System 48, PowerDrive Plus, and IQ System)	1
12	<u>8990</u>	Tie, Wire	2

12

E

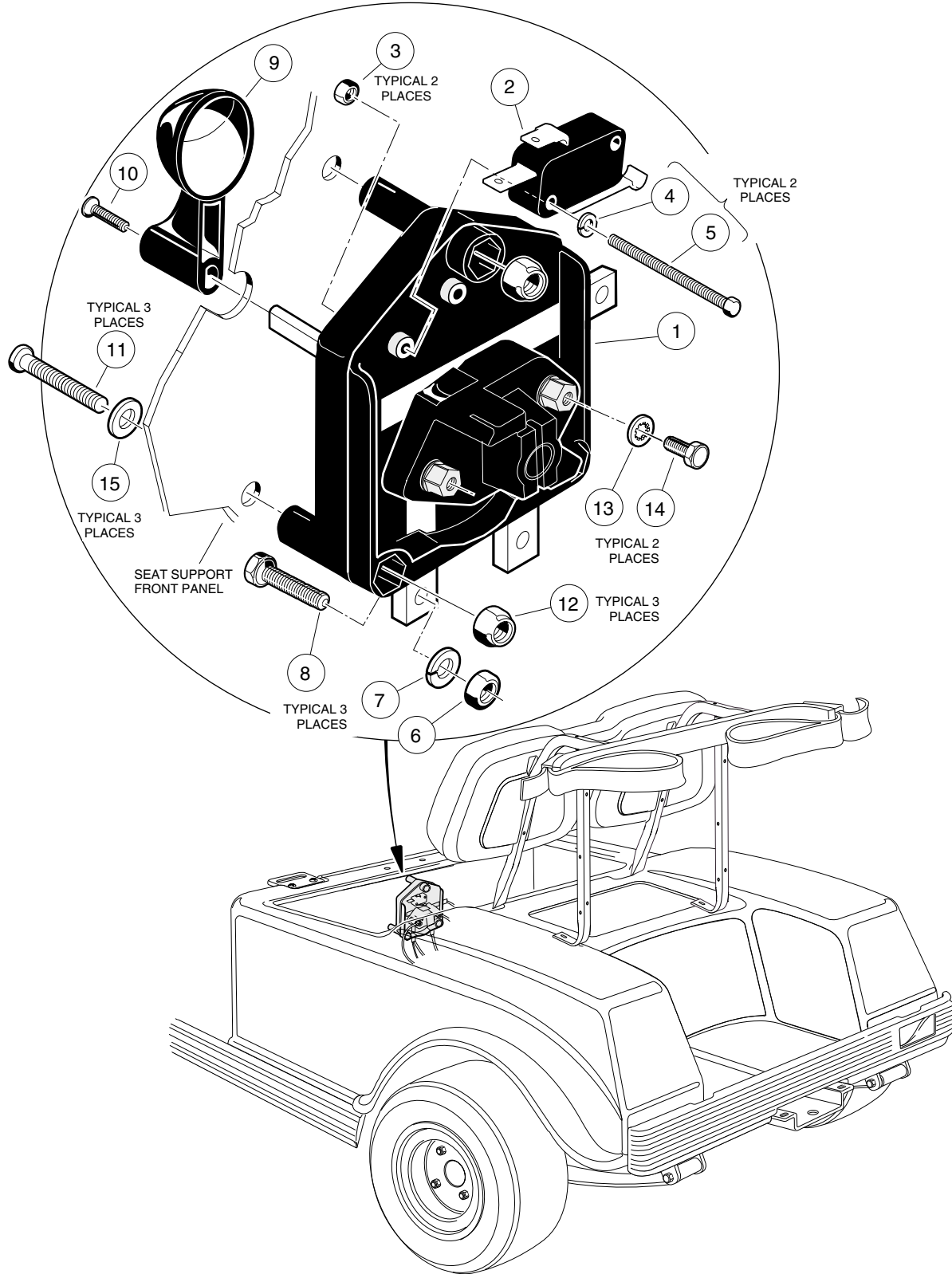


WIRING – V-GLIDE 36-VOLT VEHICLE

ITEM	PART NO.	DESCRIPTION	QTY
		1 2 3 4	
1	<u>1016070</u>	Wire Assembly, #6 Brown	1
2	<u>1016069</u>	Wire Assembly, #6 Purple	1
3	<u>1012651</u>	Wire Assembly, #6 Black	1
4	<u>1016068</u>	Wire Assembly, #6 Gray	1
5	<u>1014036</u>	Wire Assembly, #6 Black, 6th Speed	1
6	<u>1014035</u>	Wire Assembly, #6 Blue, 5th Speed	1
7	<u>1014034</u>	Wire Assembly, #6 Green, 4th Speed	1
8	<u>1014033</u>	Wire Assembly, #6 Yellow, 3rd Speed	1
9	<u>1014032</u>	Wire Assembly, #6 Orange, 2nd Speed	1
10	<u>1014029</u>	Wire Assembly, #6 White	1
11	<u>1014030</u>	Wire Assembly, #6 White, 1st Speed	1
12	<u>1014828</u>	Wire Assembly, #6 Green	1
13	N/A	Wire Assembly, #18 Black	1
14	<u>1013092</u>	Wire Assembly, #10 Red	1
15	N/A	Wire Assembly, #18 Orange	1
16	N/A	Wire Assembly, #18 White	1
17	N/A	Wire Assembly, #18 Green	1
18	<u>102018001</u>	Wire Assembly, #10 Red	1
19	<u>1011010</u>	Wire Assembly, #10 White	1
20	N/A	Wire Assembly, #18 Red	1
21	<u>1014039</u>	Wire Assembly, #6 White	1
22	N/A	Wire Assembly, #18 Blue	1
23	<u>1011069</u>	Wire Assembly, #6 Red	1
24	N/A	Wire Assembly, #18 Yellow	1
25	N/A	Wire Assembly, #18 Black	1
26	<u>1010958</u>	Wire Assembly, #6 Black	5

12

E

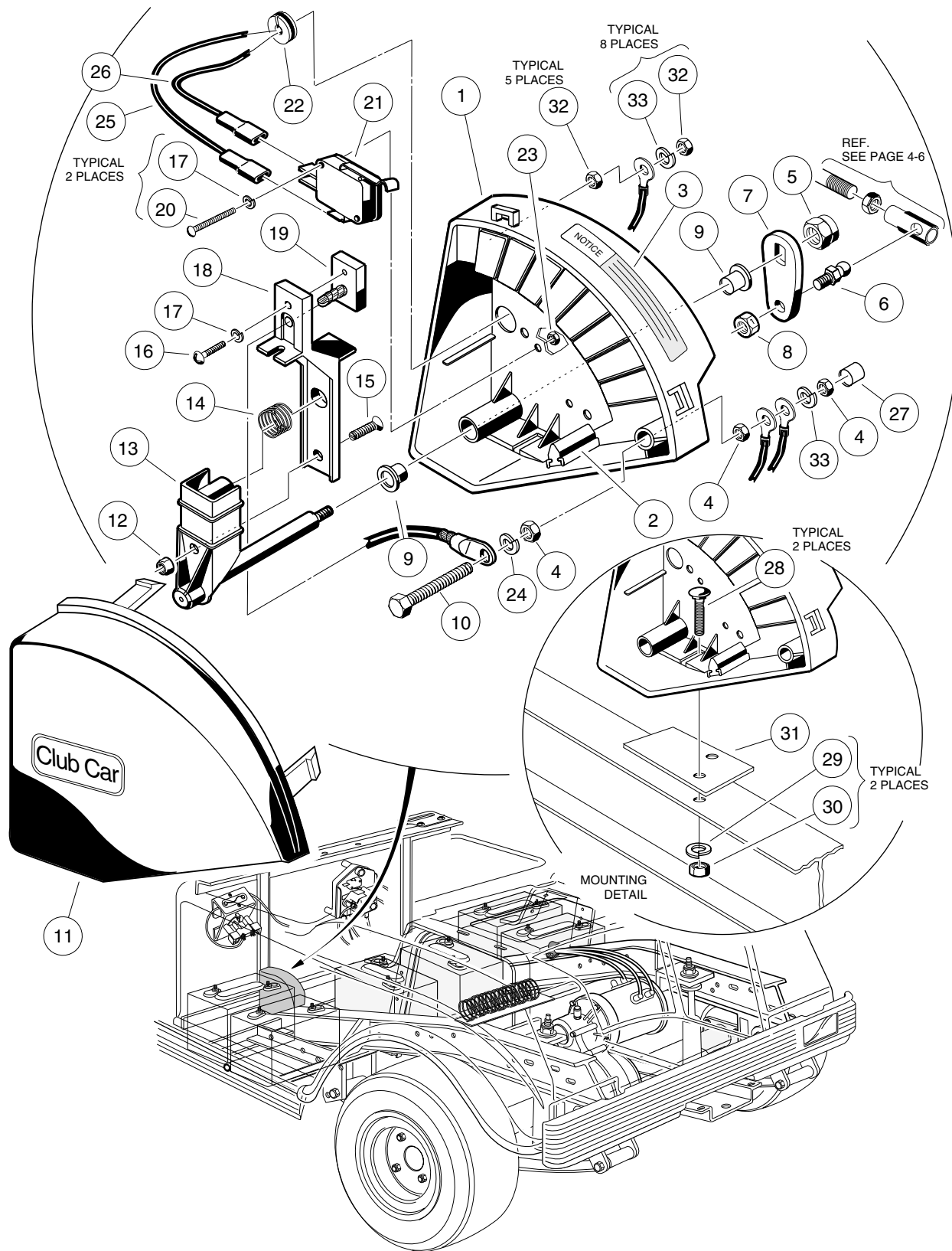


FORWARD/REVERSE SWITCH – V-GLIDE 36-VOLT VEHICLE

ITEM	PART NO.	DESCRIPTION	QTY
		1 2 3 4	
1	<u>1011997</u>	Assembly, Forward/Reverse Switch (includes items 2 - 5)	1
2	<u>1014808</u>	Switch, Limit	1
3	<u>8057</u>	Nut, Hex, #4-40	2
4	<u>8058</u>	Washer, Lock, #4	2
5	<u>1016896</u>	Screw, Hex Head Machine, #4-40 x 1-1/8	2
6	<u>1028</u>	Nut, Hex, 1/4-20	3
7	<u>451</u>	Washer, Lock, 1/4	3
8	304	Screw, Hex Head Cap, 1/4-20 x 1	3
9	<u>1012987</u>	Handle, Forward/Reverse Switch	1
10	<u>1013198</u>	Screw, Phillips Head Machine, #8-32 x 5/8	1
11	1016845	Screw, Phillips Truss Head, 1/4-20 x 2-1/8	3
12	<u>8233</u>	Nut, Nylon Lock, 1/4-20	3
13	<u>8049</u>	Washer, Internal Tooth Lock, #10	2
14	<u>8450</u>	Screw, Hex Head Machine, #10-24 x 1/2	2
15	<u>1014528</u>	Washer, Plastic, 1/4	3

12

E



WIPER SWITCH – V-GLIDE 36-VOLT VEHICLE

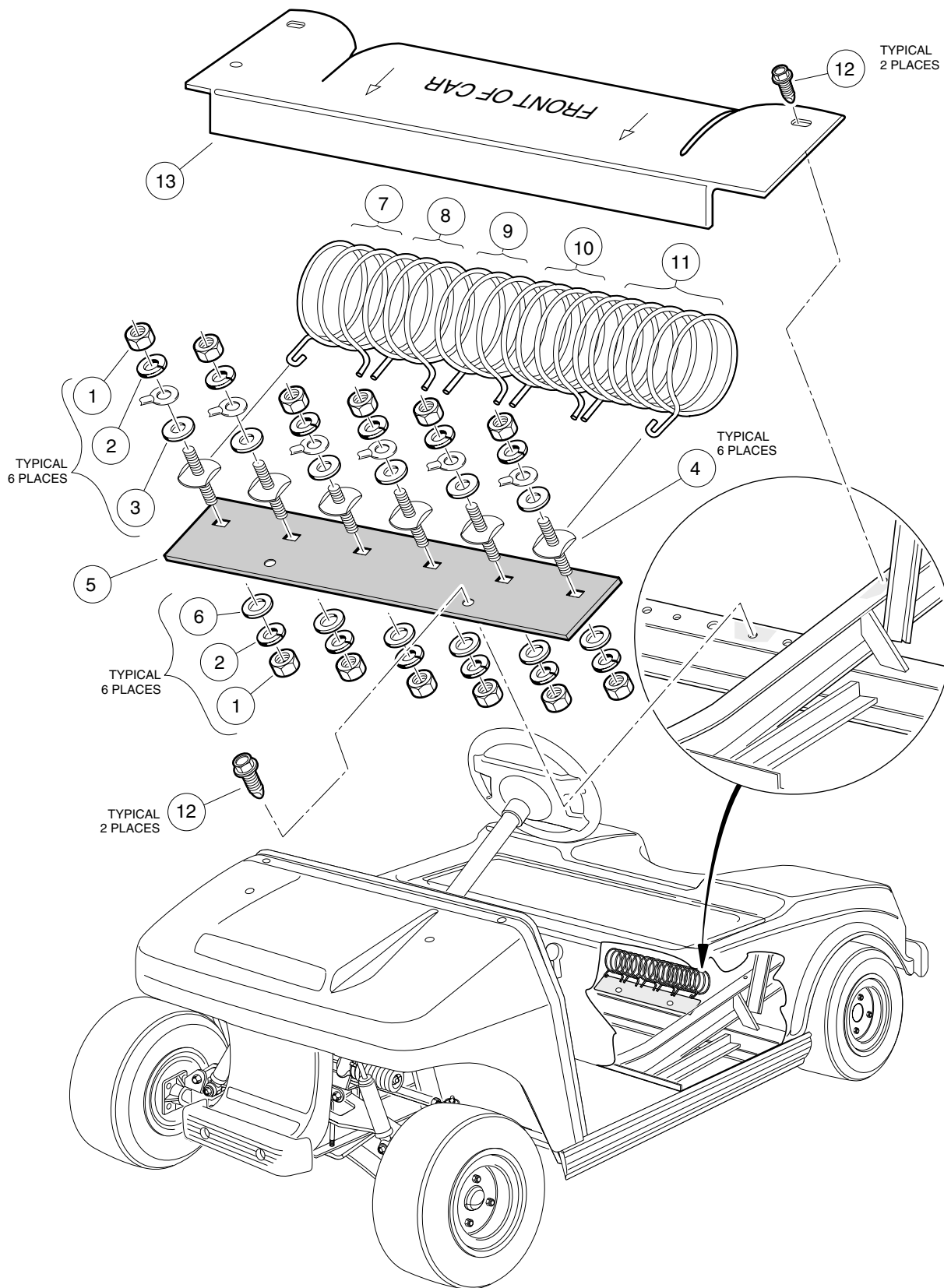
12

E

ITEM	PART NO.	DESCRIPTION	QTY
		1 2 3 4	
	<u>1014735</u>	Assembly, V-Glide Wiper Switch and Resistor Group (includes Wiper Switch Assembly listed below, Resistor and Board Assembly – items 1 - 11 on page 12-11, and connecting wires – items 5 - 11 on page 12-5)	1
	<u>1016140</u>	Assembly, V-Glide Wiper Switch (includes items 1 - 27)	1
1	<u>1014999</u>	Assembly, Wiper Switch Case, 6-Speed (includes items 2 and 3)	1
2	<u>1014414</u>	Bumper, Wiper Switch	1
3	<u>101610901</u>	Decal, Wiper Switch Warning	1
4	<u>1014253</u>	Nut, Brass Hex Jam, 1/4-20	3
5	<u>7473</u>	Nut, Nylon Lock, 5/16-18	1
6	<u>1012353</u>	Stud, Short Ball, 1/4-28	1
7	<u>1014003</u>	Crank, Bell	1
8	<u>8449</u>	Nut, Dimpled Lock, 1/4-28	1
9	<u>1012903</u>	Bearing, Bronze, 3/8 x 1/2	2
10	<u>1014189</u>	Screw, Bronze Hex Head Cap, 1/4-20 x 2	1
11	<u>1013886</u>	Cover, Wiper Switch Case	1
12	<u>1013061</u>	Nut, Nylon Lock, #10-32	1
13	<u>1014017</u>	Carrier, Wiper Switch Arm	1
14	<u>1013998</u>	Spring, Wiper Switch Brush	1
15	<u>1014000</u>	Stud, Wiper Switch Adjusting	1
16	<u>1014019</u>	Screw, Self-Tapping, #4-40 x 3/8	1
17	<u>8058</u>	Washer, Lock, #4	3
18	<u>1013887</u>	Arm, Speed Switch	1
19	<u>1013860</u>	Assembly, Switch Brush	1
20	<u>8056</u>	Screw, Round-Head Machine, #4-40 x 3/4	2
21	<u>1014807</u>	Switch, Limit	1
22	<u>1014010</u>	Grommet, Split	1
23	<u>8057</u>	Nut, Hex, #4-40	2
24	<u>451</u>	Washer, Lock, 1/4	1
25	N/A	Wire Assembly, #18 Black	1
26	N/A	Wire Assembly, #18 Green	1
27	<u>1017692</u>	Cap, Protector	1
28	<u>1014109</u>	Bolt, Round-Head Square-Neck, #10-24 x 1	2
29	<u>1016175</u>	Washer, Lock, #10	2
30	<u>1017</u>	Nut, Hex, #10-24	2
31	<u>101949201</u>	Shim, Wiper Switch	1
32	<u>1028</u>	Nut, Hex, 1/4-20	13
33	<u>451</u>	Washer, Lock, 1/4	9

12

E

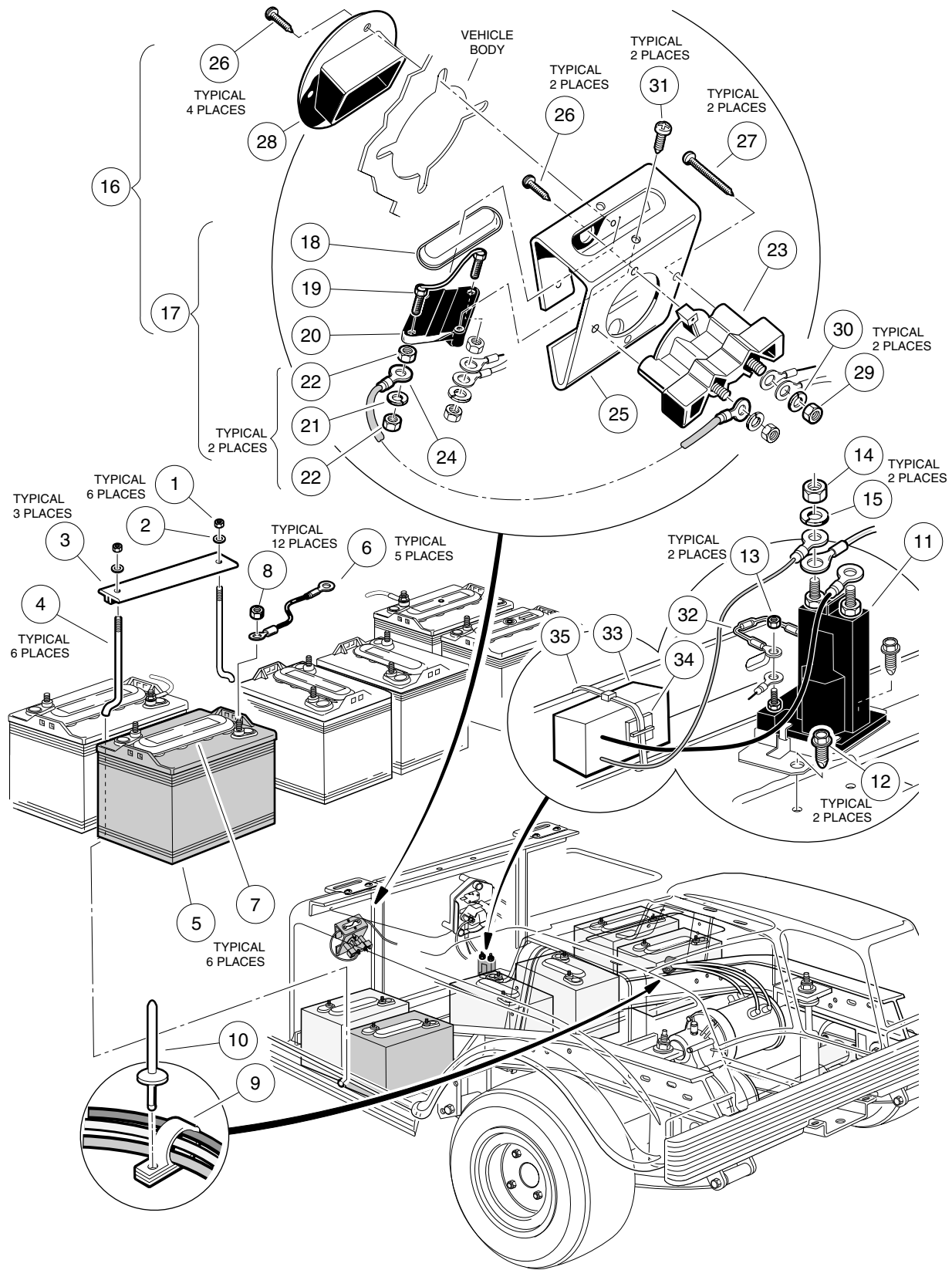


RESISTOR AND BOARD ASSEMBLY – V-GLIDE 36-VOLT VEHICLE

ITEM	PART NO.	DESCRIPTION	QTY
		1 2 3 4	
1	<u>1028</u>	Nut, Hex, 1/4-20	12
2	<u>451</u>	Washer, Lock, 1/4	12
3	<u>1011931</u>	Washer, Flat, 1/4	6
4	1014045	Stand-Off, Resistor Coil	6
5	1014728	Board, Resistor Mounting	1
6	<u>332</u>	Washer, Flat, 1/4	6
7	1014476	Coil, Resistor, 5th Speed, .182" Wire Diameter, 3-Coil	1
8	<u>1014012</u>	Coil, Resistor, 4th Speed, .162" Wire Diameter, 3-Coil	1
9	<u>1014013</u>	Coil, Resistor, 3rd Speed, .144" Wire Diameter, 3-Coil	1
10	<u>1014014</u>	Coil, Resistor, 2nd Speed, .128" Wire Diameter, 4-Coil	1
11	<u>1014729</u>	Coil, Resistor, 1st Speed, .128" Wire Diameter, 6-Coil	1
12	<u>1012285</u>	Screw, Thread-Rolling, 1/4-20 x 5/8	4
13	<u>1013971</u>	Shield, Resistor	1

12

E

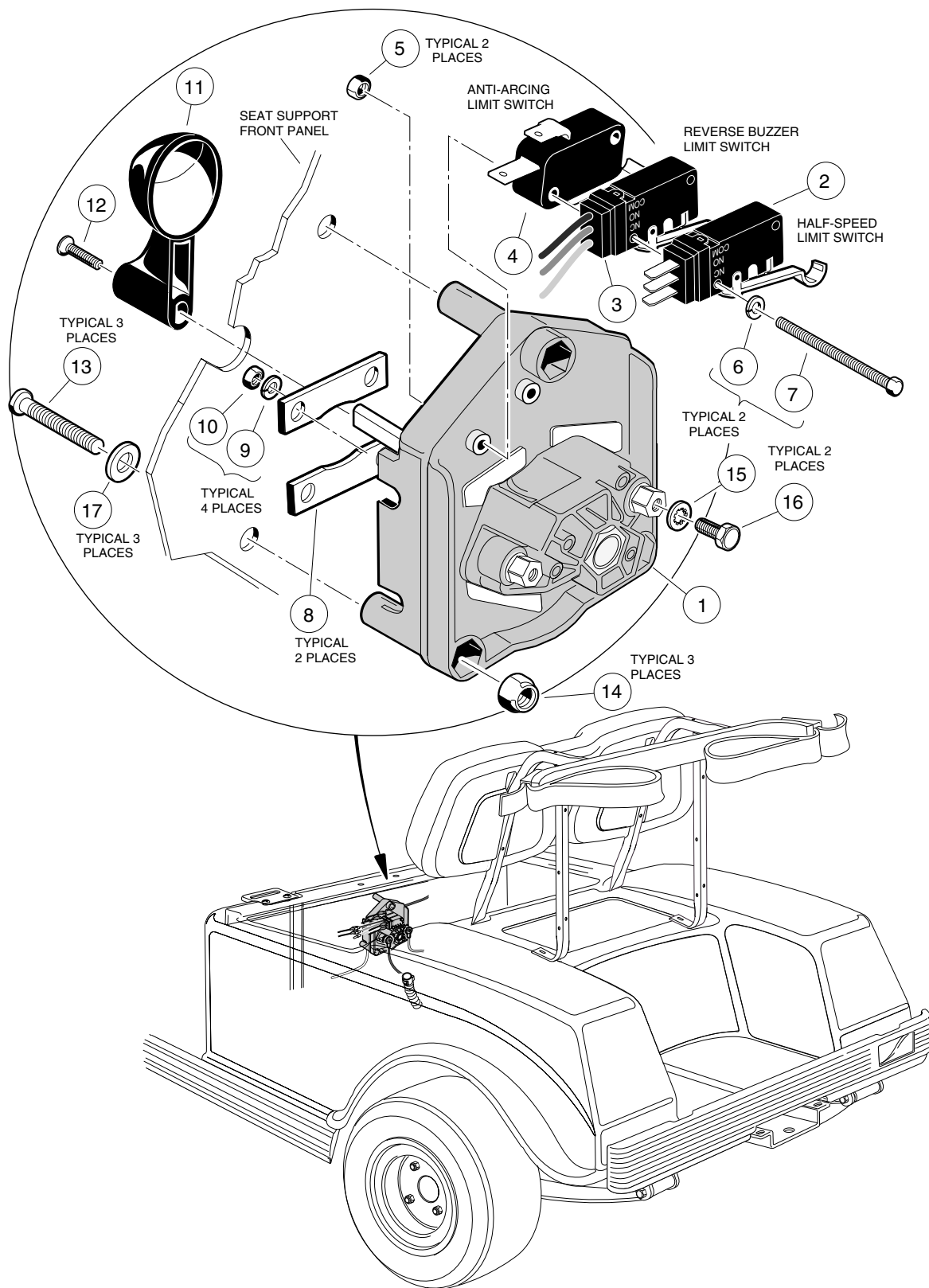


BATTERIES, CHARGER RECEPTACLE, SOLENOID – V-GLIDE 36-VOLT VEHICLE

12

E

ITEM	PART NO.	DESCRIPTION	QTY
		1 2 3 4	
1	1015072	Nut, Nylon Lock, Stainless Steel, 5/6-18	6
2	<u>1011578</u>	Washer, Flat, Type B Wide, 5/16	6
3	<u>101090801</u>	Hold-Down, Battery	3
4	1013683	J-Bolt	6
5	<u>101661601</u>	Battery, 6-Volt	6
5	<u>101661602</u>	Battery, 6-Volt, Dry	6
6	<u>1010958</u>	Wire Assembly, #6 Black	5
7	<u>101831401</u>	Cap, 6-Volt Battery	6
8	<u>1014304</u>	Nut, Hex, Stainless Steel, 5/6-18	12
9	<u>1012022</u>	Clamp, Cable	2
10	<u>1606</u>	Rivet, Pop, 3/16	2
11	<u>101975901</u>	Solenoid, 36-Volt	1
12	<u>1012285</u>	Screw, Thread-Rolling, 1/4-20 x 5/8	2
13	<u>7893</u>	Nut, Hex, #10-32	2
14	<u>1010521</u>	Nut, Hex, 5/16-24	2
15	<u>7174</u>	Washer, Lock, 5/16	2
16	<u>101342501</u>	Kit, Fuse and Receptacle (includes items 17 - 31)	1
17	1014516	Kit, Fuse (includes items 18 - 22)	1
18	N/A	Lens, Fuse	1
19	N/A	Fuse, 80-Amp	1
20	N/A	Holder, Fuse	1
21	<u>1016</u>	Washer, Lock, #10	2
22	<u>8797</u>	Nut, Brass, #10-32	4
23	<u>4107</u>	Receptacle, Charger, 2-Prong	1
24	<u>1013092</u>	Wire Assembly, #10 Red	1
25	<u>1013628</u>	Bracket, Fuse and Receptacle Mounting	1
26	<u>8796</u>	Screw, Phillips Pan Head Self-Tapping, #7-19 x 3/4	6
27	<u>8795</u>	Screw, Phillips Pan Head Self-Tapping, #7-19 x 1-3/4	2
28	<u>1013649</u>	Bezel, Charger Receptacle	1
29	<u>8797</u>	Nut, Brass, #10-32	2
30	<u>1016</u>	Washer, Lock, #10	2
31	<u>1013266</u>	Screw, Phillips Pan Head Self-Tapping, #8-18 x 1/2	2
32	1014948	Diode	1
33	<u>102047201</u>	Snubber	1
34	<u>102048301</u>	Base, Mounting	1
35	<u>8639</u>	Tie, Wire	1

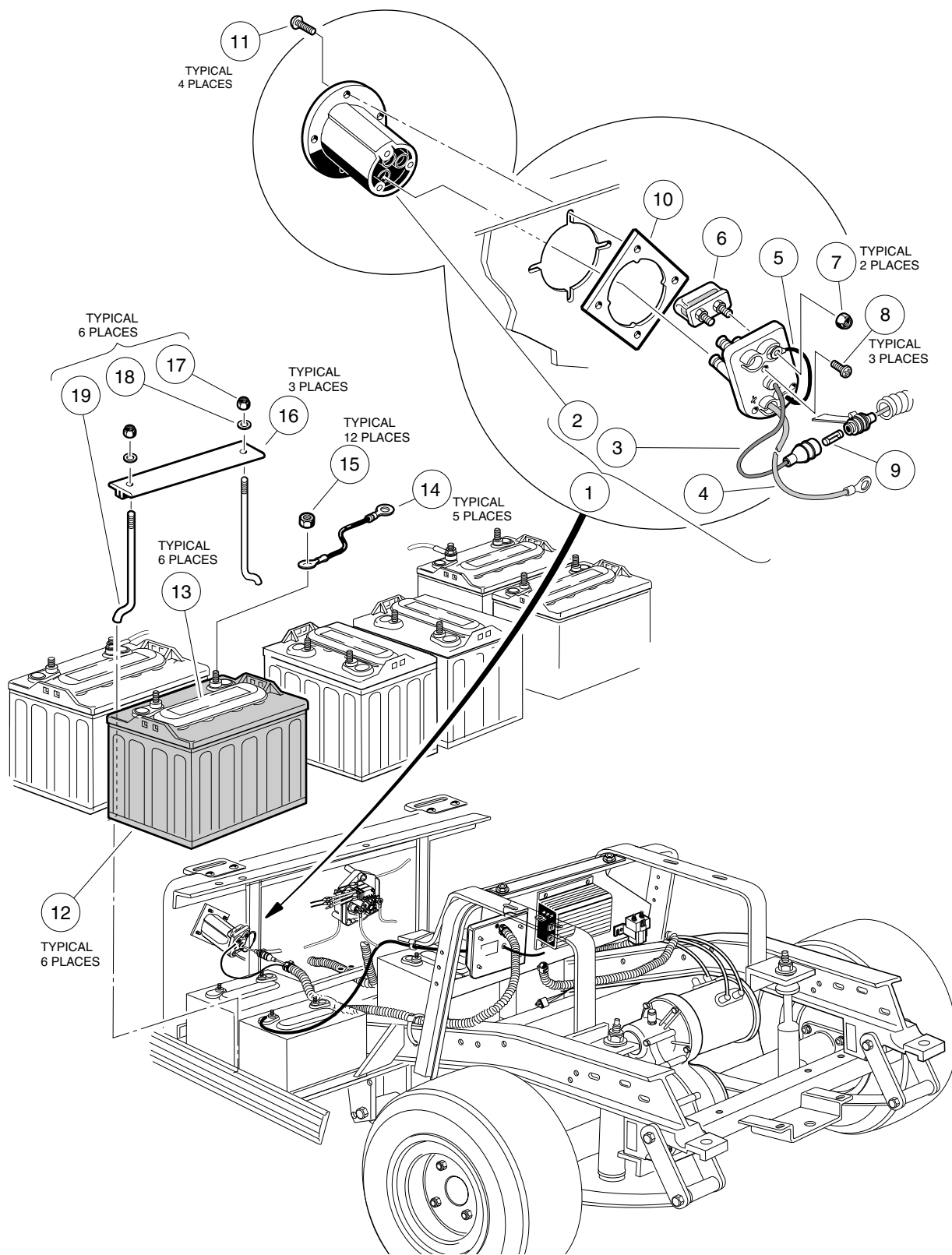


FORWARD/REVERSE SWITCH – POWERDRIVE SYSTEM 48 VEHICLE

ITEM	PART NO.	DESCRIPTION	QTY
		1 2 3 4	
1	<u>101753005</u>	Assembly, Forward/Reverse Switch (includes items 2 - 10)	1
2	<u>101977101</u>	Switch, Limit, Sealed	1
3	<u>101979101</u>	Switch, Limit, Sealed	1
4	<u>1014808</u>	Switch, Limit	1
5	<u>8057</u>	Nut, Hex, #4-40	2
6	<u>8058</u>	Washer, Lock, #4	2
7	<u>1014871</u>	Screw, Hex Washer Head, #4-40 x 2	2
8	<u>1017799</u>	Bar, Bus	2
9	<u>451</u>	Washer, Lock, 1/4	4
10	<u>1028</u>	Nut, Hex, 1/4-20	4
11	<u>1012987</u>	Handle, Forward/Reverse Switch	1
12	<u>1013198</u>	Screw, Phillips Head Machine, #8-32 x 5/8	1
13	1016845	Screw, Phillips Truss Head, 1/4-20 x 2-1/8	3
14	<u>8233</u>	Nut, Nylon Lock, 1/4-20	3
15	<u>8049</u>	Washer, Internal Tooth Lock, #10	2
16	<u>8450</u>	Screw, Hex Head Machine, #10-24 x 1/2	2
17	<u>1014528</u>	Washer, Plastic, 1/4	3

12

E

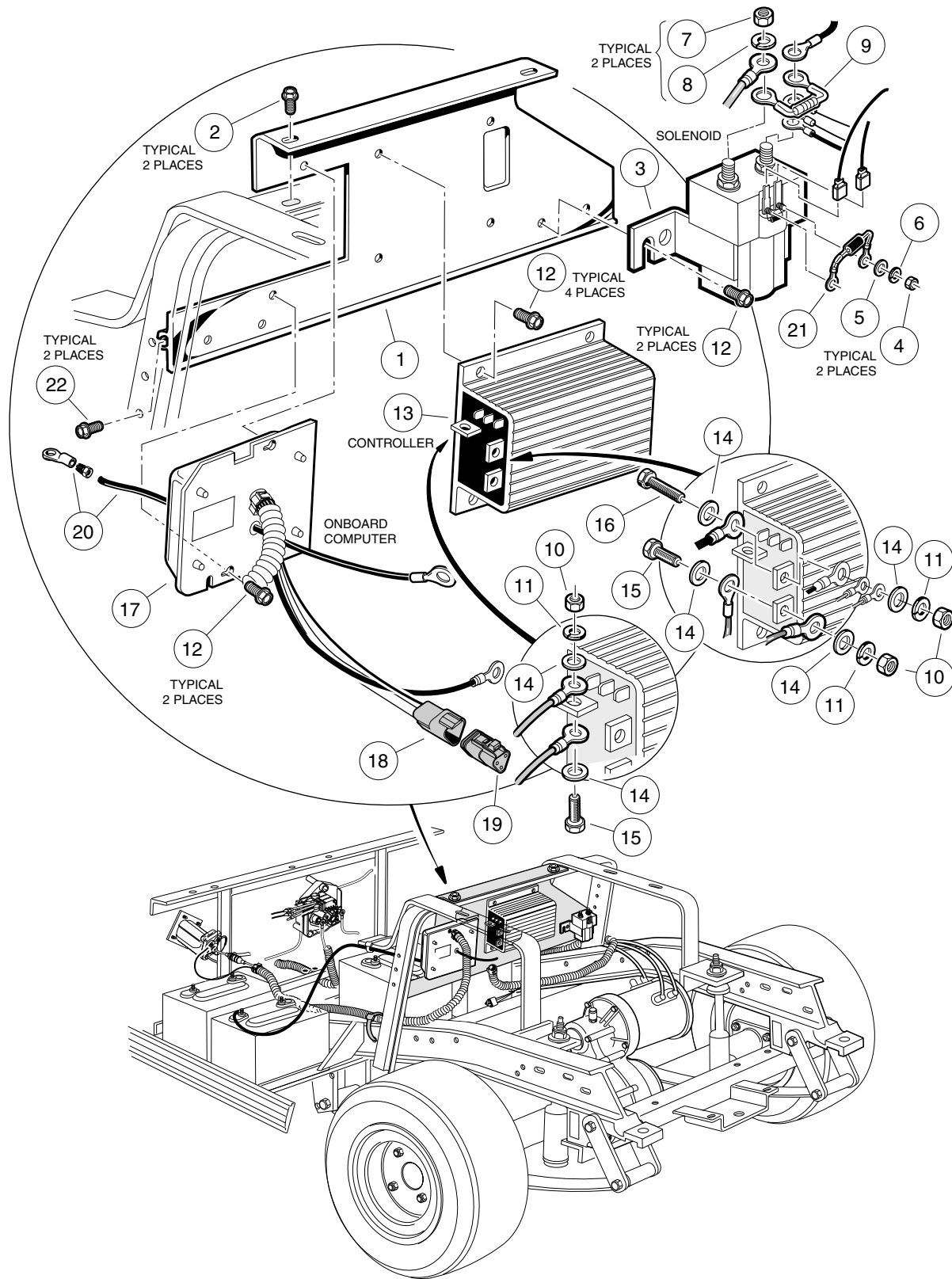


BATTERIES, CHARGER RECEPTACLE – POWERDRIVE SYSTEM 48 VEHICLE

ITEM	PART NO.	DESCRIPTION	QTY
		1 2 3 4	
1	<u>101802101</u>	Kit, Fuse and Receptacle (includes items 2 - 9)	1
2	<u>101796501</u>	Bezel, Receptacle	1
3	N/A	Wire Assembly, Sense Lead, Gray	1
4	N/A	Wire Assembly, #10 Red	1
5	N/A	Wire Assembly, #10 Black	1
6	<u>101796801</u>	Assembly, Fuse, 48-Volt (includes item 7)	1
7	<u>1013061</u>	Nut, Nylon Lock, #10	2
8	<u>1017705</u>	Screw, Phillips Pan Head, #8 Type AB	3
9	<u>101894901</u>	Fuse, 3/8-Amp	1
10	<u>101801001</u>	Plate, Receptacle Backing	1
11	<u>101832001</u>	Screw, Phillips Pan Head, #7-18 x 3/4	4
12	<u>101797701</u>	Battery, 8-Volt PowerDrive (includes item 13)	6
12	<u>101797702</u>	Battery, 8-Volt PowerDrive, Dry (includes item 13)	6
13	<u>101797801</u>	Cap, Battery, 4-Port Gang	1
14	<u>101795701</u>	Wire Assembly, #6 Black	5
15	<u>1014304</u>	Nut, Hex, Stainless Steel, 5/16-18	12
16	<u>101090801</u>	Hold-Down, Battery	3
17	1015072	Nut, Nylon Lock, Stainless Steel, 5/16-18	6
18	<u>1011578</u>	Washer, Flat, Type B Wide, 5/16	6
19	1013683	J-Bolt	6

12

E

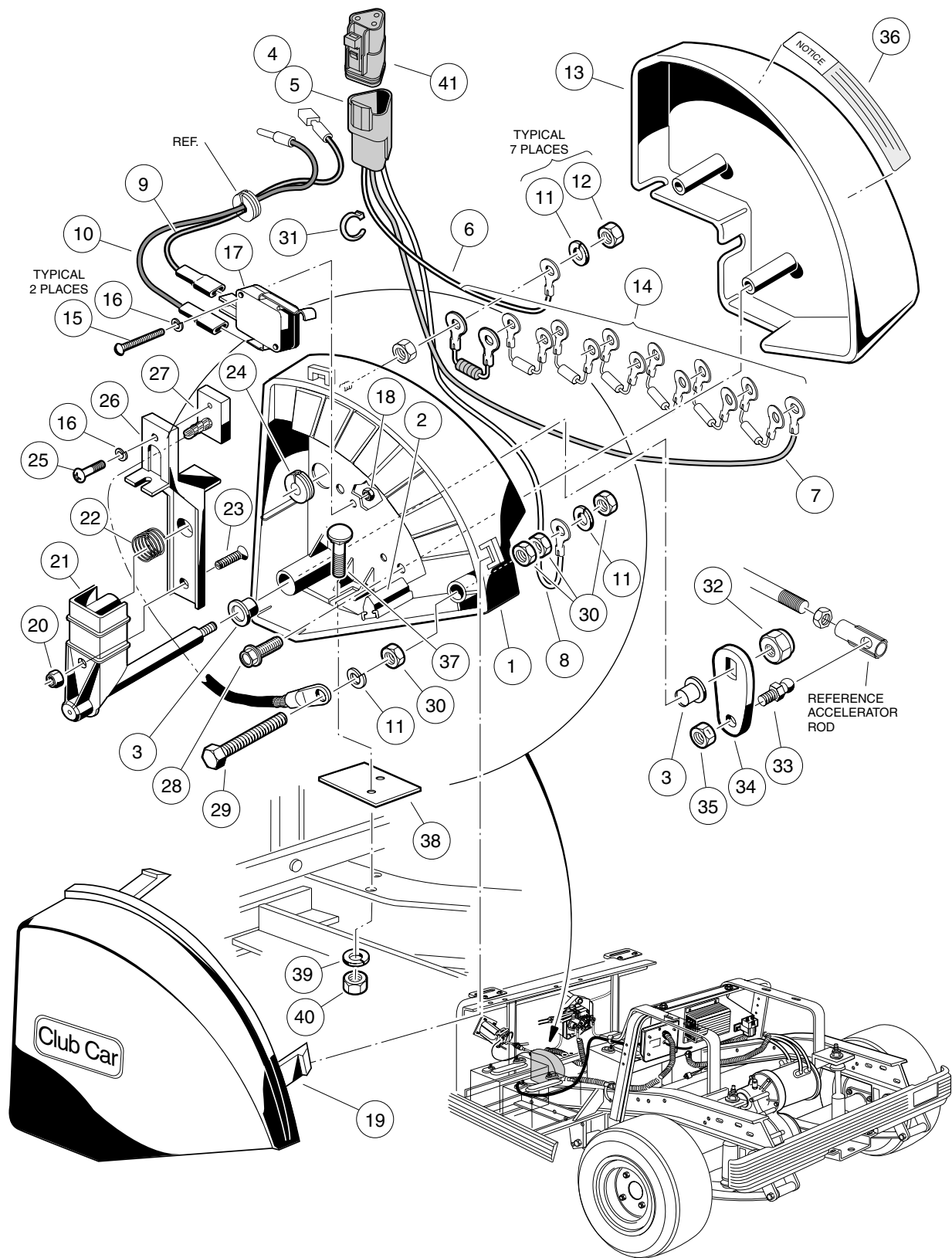


COMPUTER, CONTROLLER, AND SOLENOID – POWERDRIVE SYSTEM 48 VEHICLE

ITEM	PART NO.	DESCRIPTION	QTY
		1 2 3 4	
1	101965201	Plate, Component Mounting	1
2	<u>1014288</u>	Screw, Thread-Forming, 5/16-18 x 3/4	2
3	<u>101908701</u>	Solenoid, 48-Volt (with diode) (includes items 4 - 8)	1
4	<u>1011558</u>	Nut, Hex, #6-32	2
5	N/A	Washer, Flat	2
6	N/A	Washer, Lock	2
7	<u>1012528</u>	Nut, Hex, M8	2
8	<u>7174</u>	Washer, Lock, 5/16	2
9	<u>1014947</u>	Assembly, Resistor	1
10	<u>1242</u>	Nut, Hex, 5/16-18	3
11	<u>7174</u>	Washer, Lock, 5/16	3
12	<u>1012285</u>	Screw, Thread-Rolling, 1/4-20 x 5/8	10
13	<u>101840201</u>	Controller, 48-Volt (225-amp)	1
14	<u>1241</u>	Washer, Flat, 5/16	6
15	<u>7173</u>	Screw, Hex Head Cap, 5/16-18 x 3/4	2
16	1218	Screw, Hex Head Cap, 5/16-18 x 1-1/4	1
17	<u>101909901</u>	Computer, Onboard (includes item 18)	1
18	<u>101942301</u>	Kit, 3-Pin Receptacle	1
19	<u>101920101</u>	Kit, 3-Pin Plug Assembly	1
20	101827801	Kit, Wire and Terminal, #6 Black	1
21	1014948	Assembly, Diode (Service Part replacement for existing diode that comes standard with solenoid)	1
22	<u>101910401</u>	Screw, Thread-Forming, 5/16-18 x 1-1/4	2

12

E

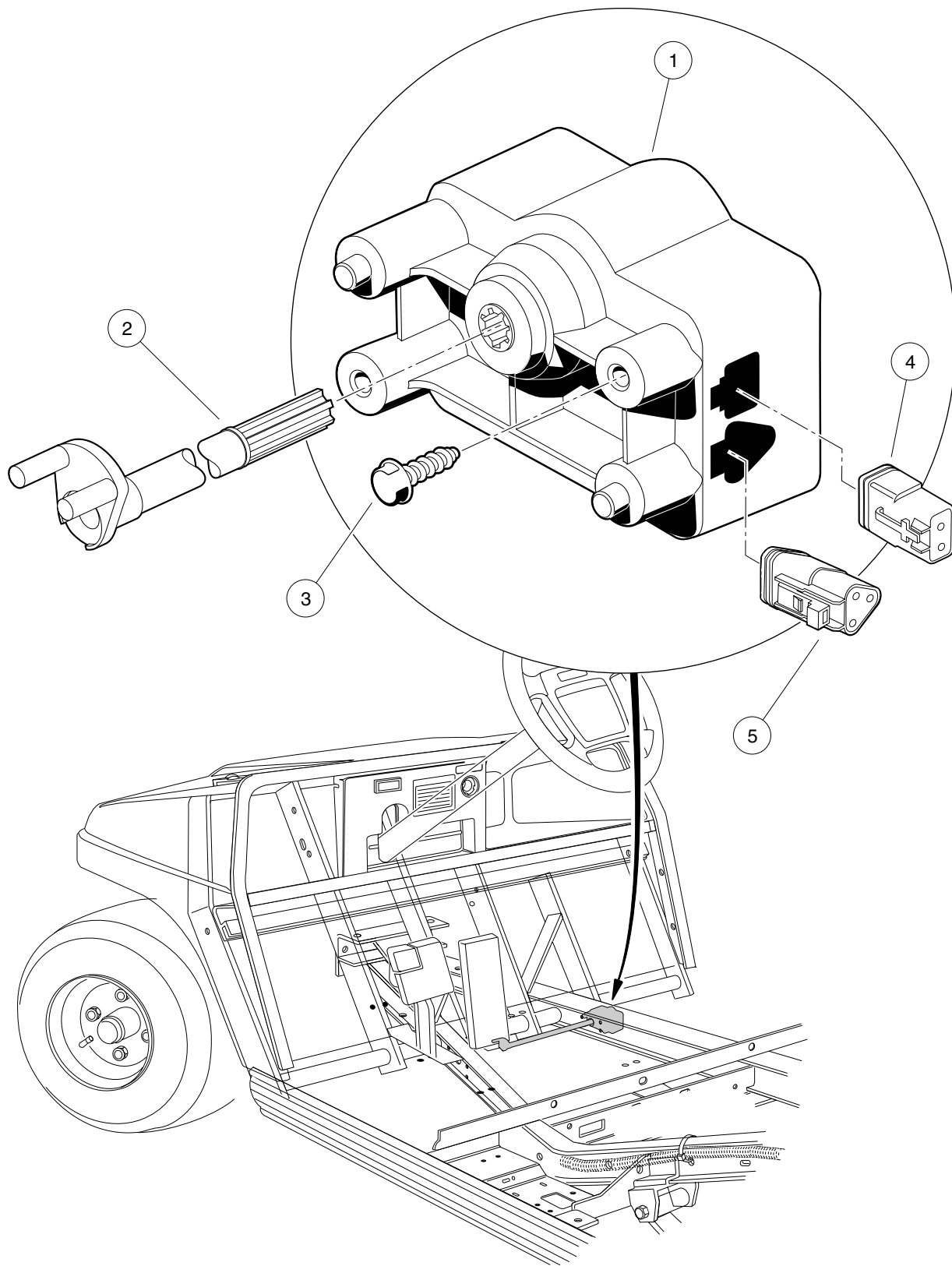


MULTI-STEP POTENTIOMETER – POWERDRIVE SYSTEM 48 AND POWERDRIVE PLUS

12

E

ITEM	PART NO.	DESCRIPTION	QTY
		1 2 3 4 2001 DS PowerDrive System 48 and PowerDrive Plus vehicles with serial numbers prior to AA0112-001470 use a multi-step potentiometer (shown here). For vehicles with serial numbers greater than AA0112-001470, see page 23.	
	<u>101932001</u>	Assembly, Wiper Switch (includes items 1 - 36)	1
1	<u>1014999</u>	Assembly, Wiper Switch Case, 6-Speed (includes items 2 and 3)	1
2	<u>1014414</u>	Bumper, Wiper Switch	1
3	<u>1012903</u>	Bearing, Bronze	2
4	<u>101932801</u>	Assembly, 3-Wire and Receptacle (includes items 5 - 8)	1
5	<u>101942301</u>	Kit, 3-Pin Receptacle	1
6	N/A	Wire Assembly, #18 White/Black	1
7	N/A	Wire Assembly, #18 Purple	1
8	N/A	Wire Assembly, #18 Yellow	1
9	N/A	Wire Assembly, #18 Green/White	1
10	N/A	Wire Assembly, #18 Blue	1
11	<u>451</u>	Washer, Lock, 1/4	9
12	<u>1028</u>	Nut, Hex, 1/4-20	7
13	<u>101946901</u>	Protector, Wiper Switch Resistor	1
14	<u>101971101</u>	Kit, Resistor Assembly	1
15	<u>8056</u>	Screw, Round Head Machine, #4-40 x 3/4	2
16	<u>8058</u>	Washer, Lock, #4	3
17	<u>1014807</u>	Switch, Limit.....	1
18	<u>8057</u>	Nut, Hex, #4-40	2
19	<u>1013886</u>	Cover, Wiper Switch	1
20	<u>1013061</u>	Nut, Nylon Lock, #10-32	1
21	<u>1014017</u>	Carrier, Wiper Switch Arm	1
22	<u>1013998</u>	Spring, Wiper Switch Brush	1
23	<u>1014000</u>	Stud, Wiper Switch Adjusting	1
24	<u>1014010</u>	Grommet, Split	1
25	<u>1014019</u>	Screw, Self-Tapping, #4-40 x 3/8	1
26	<u>1013887</u>	Arm, Speed Switch	1
27	<u>1013860</u>	Assembly, Switch Brush	1
28	<u>1013461</u>	Screw, Hex Head Hi-Lo, #10-16 x 1/2	2
29	<u>1014189</u>	Screw, Hex Head Cap, 1/4-20 x 2	1
30	<u>1014253</u>	Nut, Brass Hex Jam, 1/4-20	4
31	<u>8990</u>	Tie, Wire	1
32	<u>7473</u>	Nut, Nylon Lock, 5/16-18	1
33	<u>1012353</u>	Stud, Short Ball, 1/4-28	1
34	<u>1014003</u>	Crank, Bell	1
35	<u>8449</u>	Nut, Dimpled Lock, 1/4-28	1
36	<u>101610901</u>	Decal, Wiper Switch Warning	1
37	<u>1014109</u>	Bolt, Round-Head Square-Neck, #10-24 x 1.....	2
38	<u>101949201</u>	Shim, Wiper Switch	1
39	<u>1016175</u>	Washer, Lock, #10	2
40	<u>1017</u>	Nut, Hex, #10-24	2
41	<u>101920101</u>	Kit, 3-Pin Plug Assembly	1

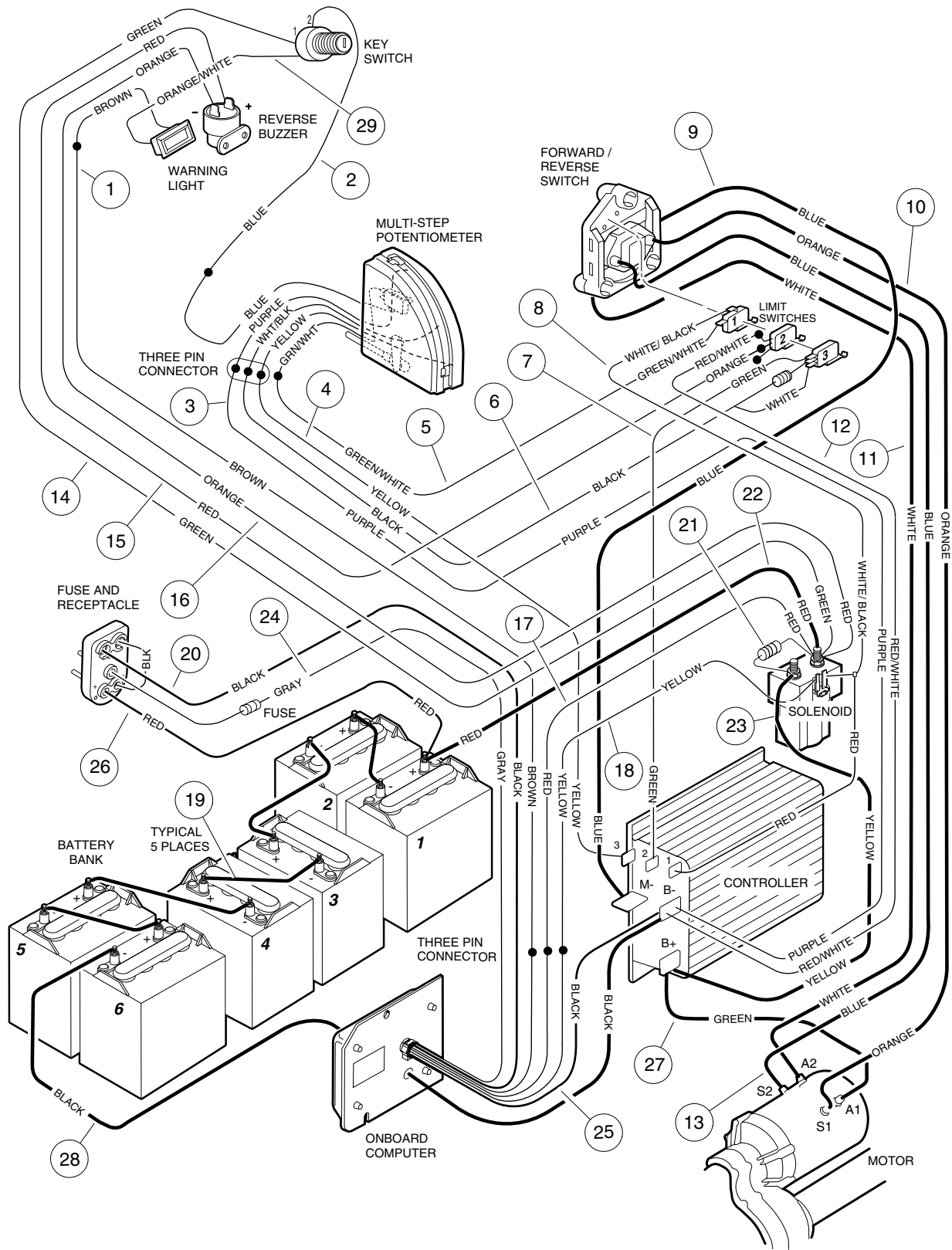


MOTOR CONTROLLER OUTPUT REGULATOR (MCOR)

ITEM	PART NO.	DESCRIPTION	QTY
		<p>1 2 3 4</p> <p>The 2001 DS PowerDrive System 48 and PowerDrive Plus vehicles with serial numbers AA0112-001470 and greater use a motor controller output regulator (MCOR) (shown here). For vehicles with serial numbers lower than AA0112-001470, see page 21.</p> <p>All 2002 DS PowerDrive System 48 and IQ System vehicles are equipped with a motor controller output regulator (MCOR) (shown here).</p>	
1	<u>102101101</u>	Regulator, Motor Controller Output (MCOR)	1
2	<u>102101001</u>	Bar, Drive	1
3	<u>1015752</u>	Screw, Hex Head, Hi-Lo, #12-16 x 5/8	2
4	<u>101936801</u>	Kit, 2-Pin Plug Assembly	1
5	<u>101920101</u>	Kit, 3-Pin Plug Assembly	1

12

E

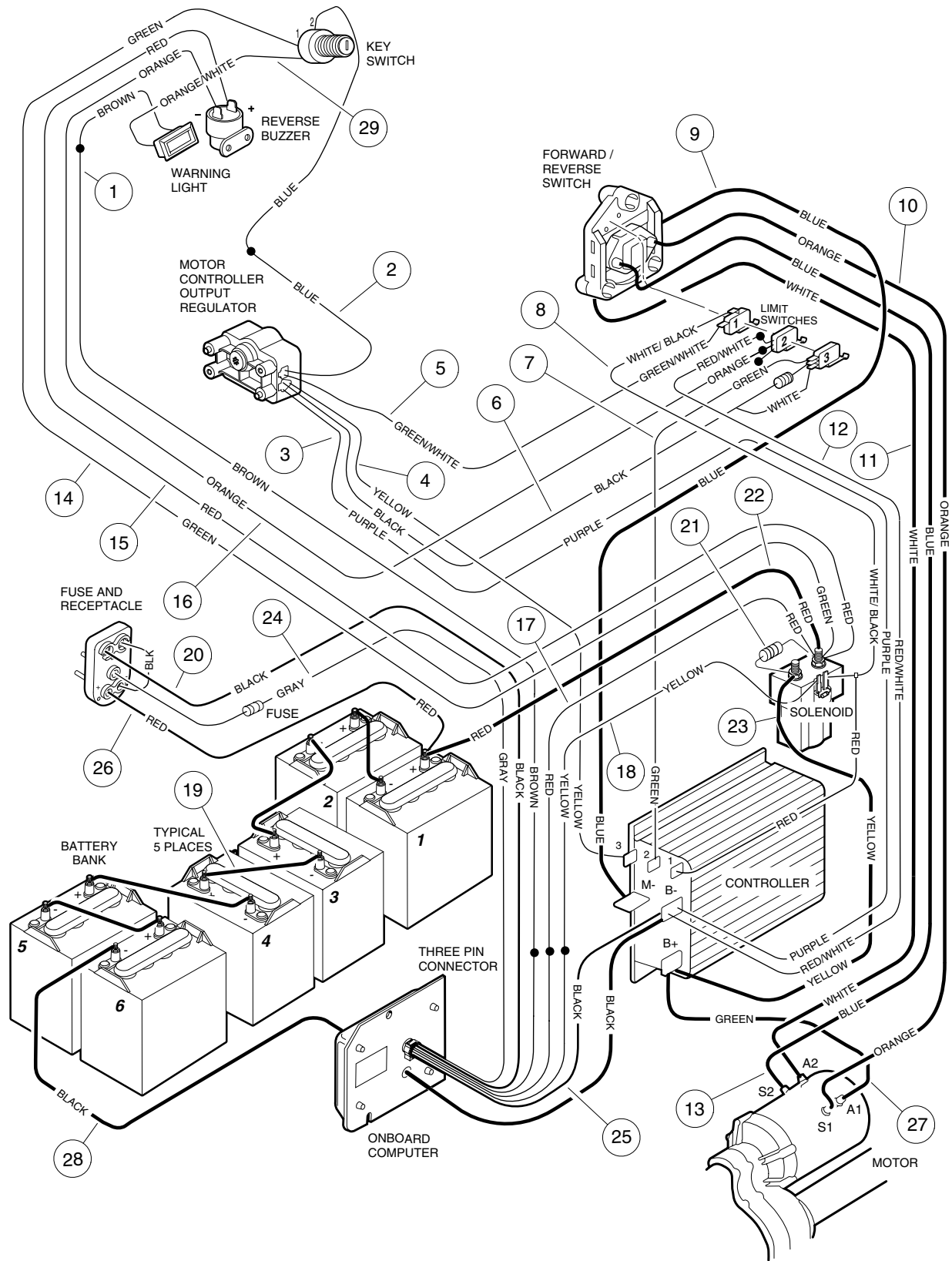


WIRING – POWERDRIVE SYSTEM 48 VEHICLE WITH MULTI-STEP POTENTIOMETER

12

E

ITEM	PART NO.	DESCRIPTION	QTY
		1 2 3 4	
	<u>102052503</u>	Wire Harness (includes items 1 - 18)	1
1	N/A	Wire Assembly, #18 Brown	1
2	N/A	Wire Assembly, #18 Blue	1
3	N/A	Wire Assembly, #18 Purple	1
4	N/A	Wire Assembly, #18 Yellow	1
5	N/A	Wire Assembly, #18 Green/White	1
6	<u>101883002</u>	Wire Assembly, #18 Black (includes resistor and #18 white wire)	1
7	N/A	Wire Assembly, #18 Green	1
8	N/A	Wire Assembly, #18 White/Black and #18 Red	1
9	<u>101901401</u>	Wire Assembly, #6 Blue	1
10	<u>101901201</u>	Wire Assembly, #6 Orange	1
11	<u>101901501</u>	Wire Assembly, #6 White	1
12	N/A	Wire Assembly, #18 Red/White	1
13	<u>101901301</u>	Wire Assembly, #6 Blue	1
14	N/A	Wire Assembly, #18 Green	1
15	N/A	Wire Assembly, #18 Red	1
16	N/A	Wire Assembly, #18 Orange	1
17	N/A	Wire Assembly, #18 Red	1
18	N/A	Wire Assembly, #18 Yellow	1
19	<u>101795701</u>	Wire Assembly, #6 Black	5
20	N/A	Wire Assembly, #10 Black (part of onboard computer assembly)	1
21	<u>1014947</u>	Assembly, Resistor	1
22	<u>101902801</u>	Wire Assembly, #6 Red	1
23	<u>101903001</u>	Wire Assembly, #6 Yellow	1
24	N/A	Wire Assembly, #18 Gray (part of onboard computer assembly)	1
25	N/A	Wire Assembly, #10 Black (part of onboard computer assembly)	1
26	N/A	Wire Assembly, #10 Red (part of fuse and receptacle assembly)	1
27	<u>101902901</u>	Wire Assembly, #6 Green	1
28	N/A	Wire Assembly, #6 Black (part of onboard computer assembly)	1
29	N/A	Wire Assembly, #18 Orange/White (part of battery warning light)	1

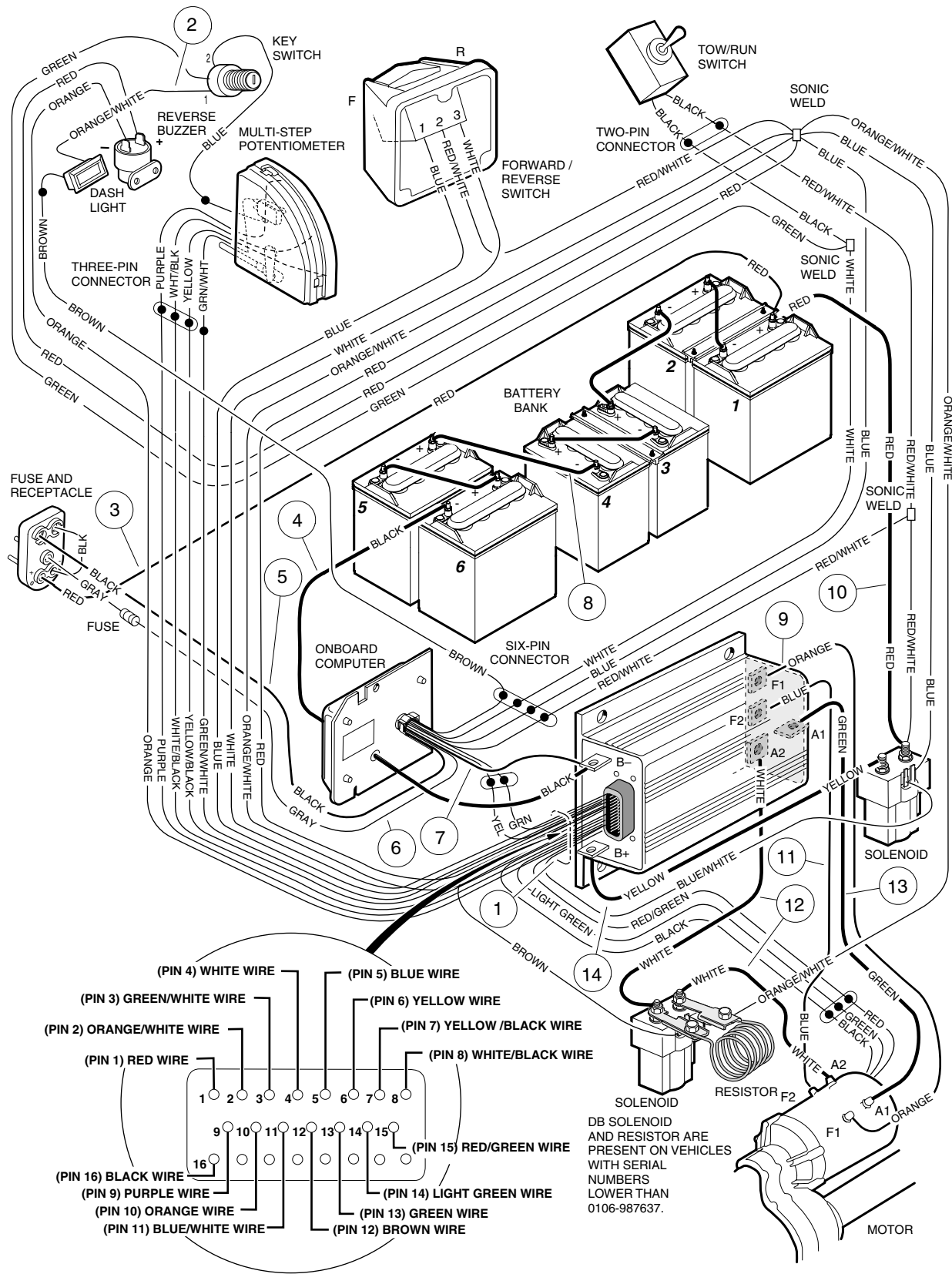


WIRING – POWERDRIVE SYSTEM 48 VEHICLE WITH MOTOR CONTROLLER OUTPUT REGULATOR (MCOR)

ITEM	PART NO.	DESCRIPTION	QTY
		1 2 3 4	
	<u>102162101</u>	Wire Harness (includes items 1 - 18)	1
1	N/A	Wire Assembly, #18 Brown	1
2	N/A	Wire Assembly, #18 Blue	1
3	N/A	Wire Assembly, #18 Purple	1
4	N/A	Wire Assembly, #18 Yellow	1
5	N/A	Wire Assembly, #18 Green/White	1
6	<u>101883002</u>	Wire Assembly, #18 Black (includes resistor and #18 white wire)	1
7	N/A	Wire Assembly, #18 Green	1
8	N/A	Wire Assembly, #18 White/Black and #18 Red	1
9	<u>101901401</u>	Wire Assembly, #6 Blue	1
10	<u>101901201</u>	Wire Assembly, #6 Orange	1
11	<u>101901501</u>	Wire Assembly, #6 White	1
12	N/A	Wire Assembly, #18 Red/White	1
13	<u>101901301</u>	Wire Assembly, #6 Blue	1
14	N/A	Wire Assembly, #18 Green	1
15	N/A	Wire Assembly, #18 Red	1
16	N/A	Wire Assembly, #18 Orange	1
17	N/A	Wire Assembly, #18 Red	1
18	N/A	Wire Assembly, #18 Yellow	1
19	<u>101795701</u>	Wire Assembly, #6 Black	5
20	N/A	Wire Assembly, #10 Black (part of onboard computer assembly)	1
21	<u>1014947</u>	Assembly, Resistor	1
22	<u>101902801</u>	Wire Assembly, #6 Red	1
23	<u>101903001</u>	Wire Assembly, #6 Yellow	1
24	N/A	Wire Assembly, #18 Gray (part of onboard computer assembly)	1
25	N/A	Wire Assembly, #10 Black (part of onboard computer assembly)	1
26	N/A	Wire Assembly, #10 Red (part of fuse and receptacle assembly)	1
27	<u>101902901</u>	Wire Assembly, #6 Green	1
28	N/A	Wire Assembly, #6 Black (part of onboard computer assembly)	1
29	N/A	Wire Assembly, #18 Orange/White (part of battery warning light)	1

12

E

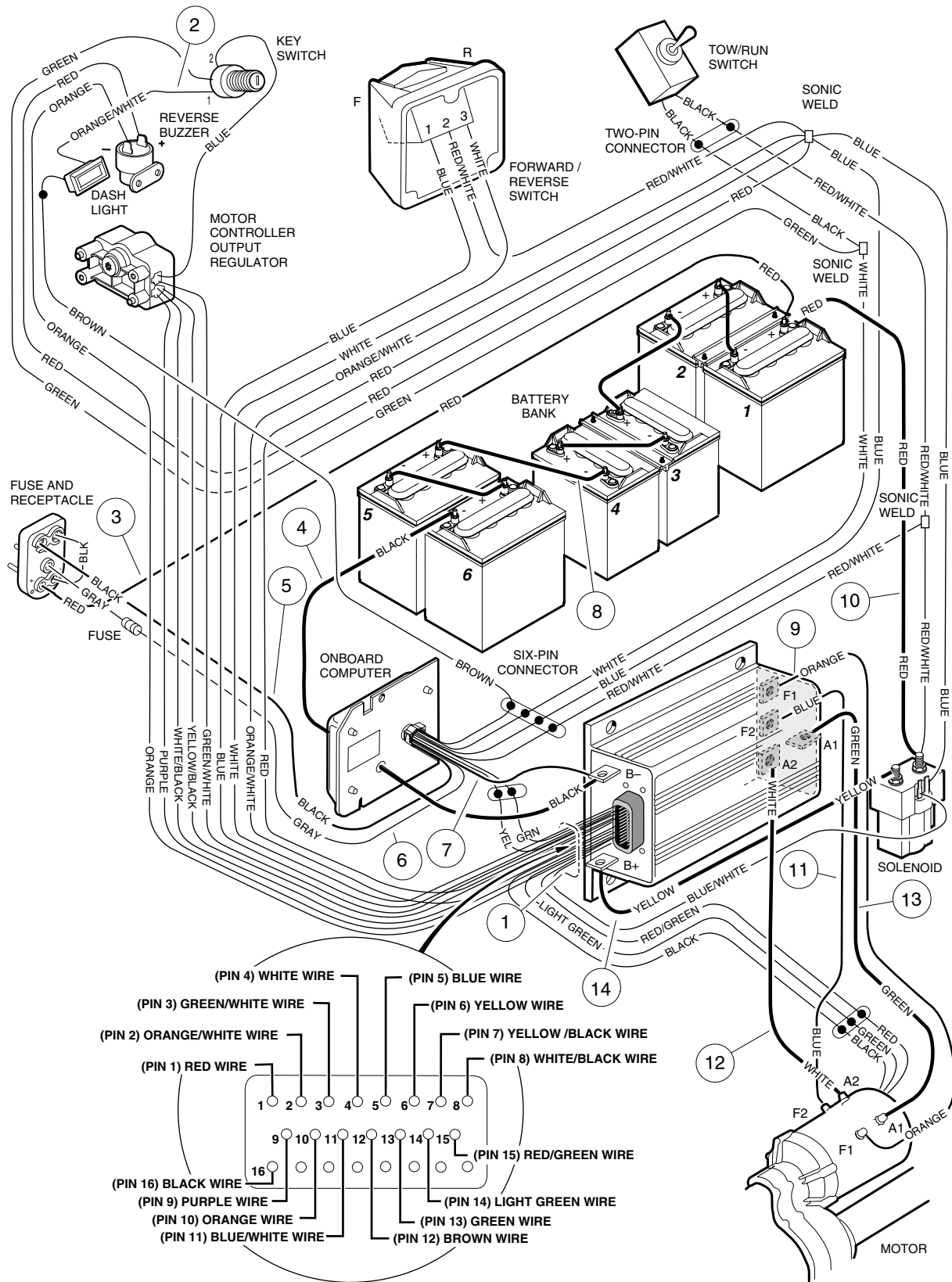


WIRING – POWERDRIVE PLUS VEHICLE WITH MULTI-STEP POTENTIOMETER

ITEM	PART NO.	DESCRIPTION	QTY
		1 2 3 4	
1	<u>101964802</u>	Wire Harness	1
2	N/A	Wire Assembly, #18 Orange/White (part of battery light)	1
3	N/A	Wire Assembly, #10 Red (part of fuse and receptacle assembly)	1
4	N/A	Wire Assembly, #6 Black	1
5	N/A	Wire Assembly, #10 Black (part of onboard computer assembly)	1
6	N/A	Wire Assembly, #18 Gray (part of onboard computer assembly)	1
7	N/A	Wire Assembly, #10 Black (part of onboard computer assembly)	1
8	<u>101795701</u>	Wire Assembly, #6 Black	5
9	<u>101853502</u>	Wire Assembly, #10 Orange	1
10	<u>101902801</u>	Wire Assembly, #6 Red	1
11	<u>101853602</u>	Wire Assembly, #10 Blue	1
12	<u>101968701</u>	Wire Assembly, #6 White	2
13	<u>101902901</u>	Wire Assembly, #6 Green	1
14	<u>101920001</u>	Wire Assembly, #6 Yellow	1

12

E

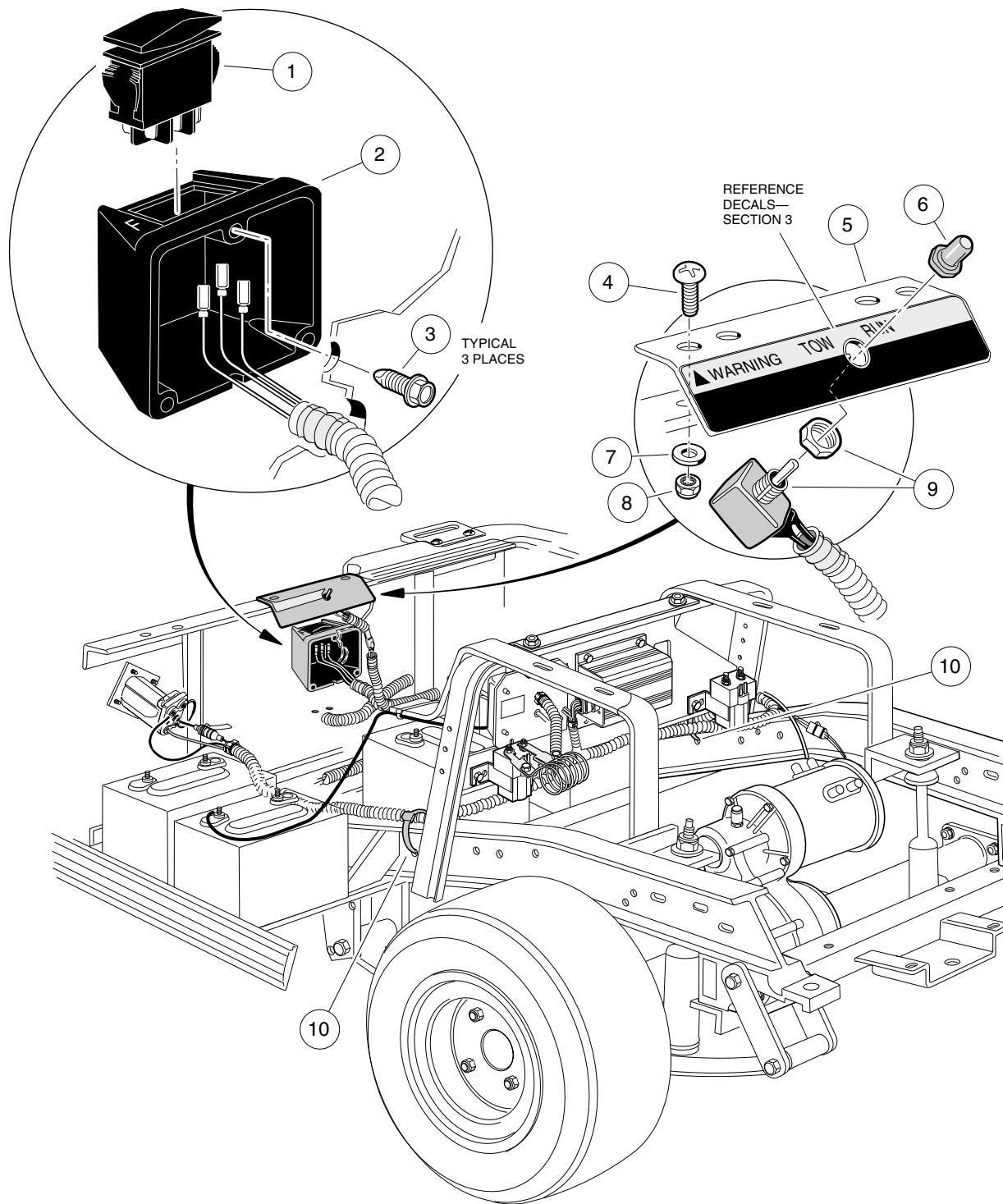


WIRING – POWERDRIVE PLUS VEHICLE WITH MOTOR CONTROLLER OUTPUT REGULATOR (MCOR)

ITEM	PART NO.	DESCRIPTION	QTY
		1 2 3 4	
1	<u>102161801</u>	Wire Harness	1
2	N/A	Wire Assembly, #18 Orange/White (part of battery light)	1
3	N/A	Wire Assembly, #10 Red (part of fuse and receptacle assembly)	1
4	N/A	Wire Assembly, #6 Black	1
5	N/A	Wire Assembly, #10 Black (part of onboard computer assembly)	1
6	N/A	Wire Assembly, #18 Gray (part of onboard computer assembly)	1
7	N/A	Wire Assembly, #10 Black (part of onboard computer assembly)	1
8	<u>101795701</u>	Wire Assembly, #6 Black	5
9	<u>101853502</u>	Wire Assembly, #10 Orange	1
10	<u>101902801</u>	Wire Assembly, #6 Red	1
11	<u>101853602</u>	Wire Assembly, #10 Blue	1
12	<u>101968701</u>	Wire Assembly, #6 White	2
13	<u>101902901</u>	Wire Assembly, #6 Green	1
14	<u>101920001</u>	Wire Assembly, #6 Yellow	1

12

E

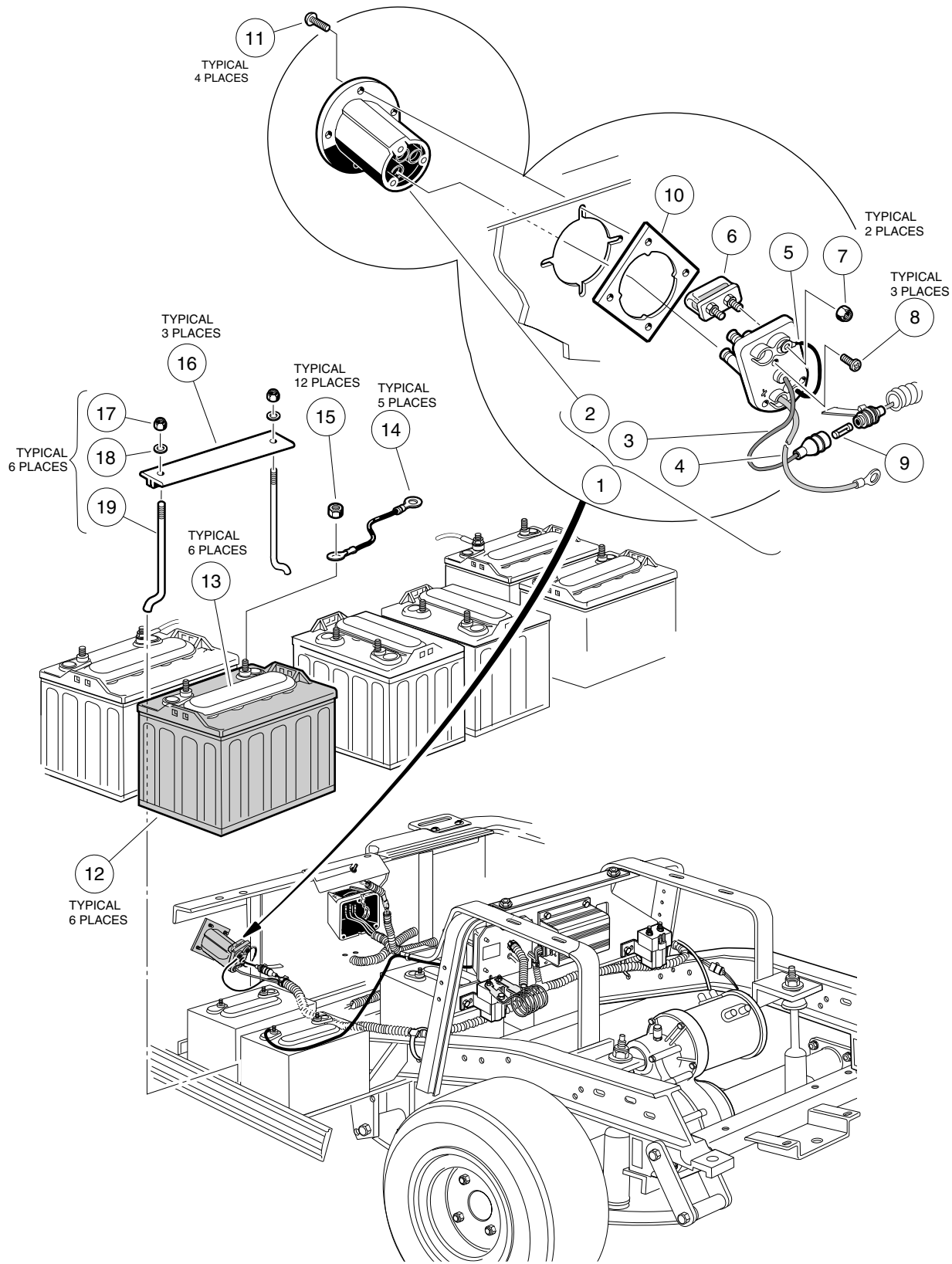


FORWARD/REVERSE SWITCH, TOW/RUN SWITCH – POWERDRIVE PLUS VEHICLE

ITEM	PART NO.	DESCRIPTION	QTY
		1 2 3 4	
1	<u>101856001</u>	Switch, Forward/Reverse	1
2	<u>101855001</u>	Case, Forward/Reverse Switch	1
3	<u>101856101</u>	Screw, Hi-Lo Hex Head, 1/4-15 x 1/2	3
4	<u>8248</u>	Screw, Truss Phillips Machine, 1/4-20 x 3/4	2
5	<u>101922501</u>	Bracket, Tow/Run Switch (without decal)	1
6	<u>101908401</u>	Boot, Tow/Run Switch (with nut).....	1
7	<u>332</u>	Washer, Flat, 1/4	2
8	<u>8233</u>	Nut, Nylon Lock, 1/4-20	2
9	<u>101908101</u>	Switch, Tow/Run	1
10	<u>8990</u>	Tie, Wire	A/R

12

E



BATTERIES, CHARGER RECEPTACLE – POWERDRIVE PLUS VEHICLE

ITEM	PART NO.	DESCRIPTION	QTY
		1 2 3 4	
1	<u>101802101</u>	Kit, Fuse and Receptacle (includes items 2 - 9)	1
2	<u>101796501</u>	Bezel, Receptacle	1
3	N/A	Wire Assembly, Sense Lead, Gray	1
4	N/A	Wire Assembly, #10 Red	1
5	N/A	Wire Assembly, #10 Black	1
6	<u>101796801</u>	Assembly, Fuse, 48-Volt (includes item 7)	1
7	<u>1013061</u>	Nut, Nylon Lock, #10	2
8	<u>1017705</u>	Screw, Phillips Pan Head, #8 Type AB	3
9	<u>101894901</u>	Fuse, 3/8-Amp	1
10	<u>101801001</u>	Plate, Receptacle Backing	1
11	<u>101832001</u>	Screw, Phillips Pan Head, #7-18 x 3/4	4
12	<u>101797701</u>	Battery, 8-Volt PowerDrive (includes item 13)	6
12	<u>101797702</u>	Battery, 8-Volt PowerDrive, Dry (includes item 13)	6
13	<u>101797801</u>	Cap, Battery, 4-Port Gang	1
14	<u>101795701</u>	Wire Assembly, #6 Black	5
15	<u>1014304</u>	Nut, Hex, Stainless Steel, 5/16-18	12
16	<u>101090801</u>	Hold-Down, Battery	3
17	1015072	Nut, Nylon Lock, Stainless Steel, 5/16-18	6
18	<u>1011578</u>	Washer, Flat, Type B Wide, 5/16	6
19	1013683	J-Bolt	6

12

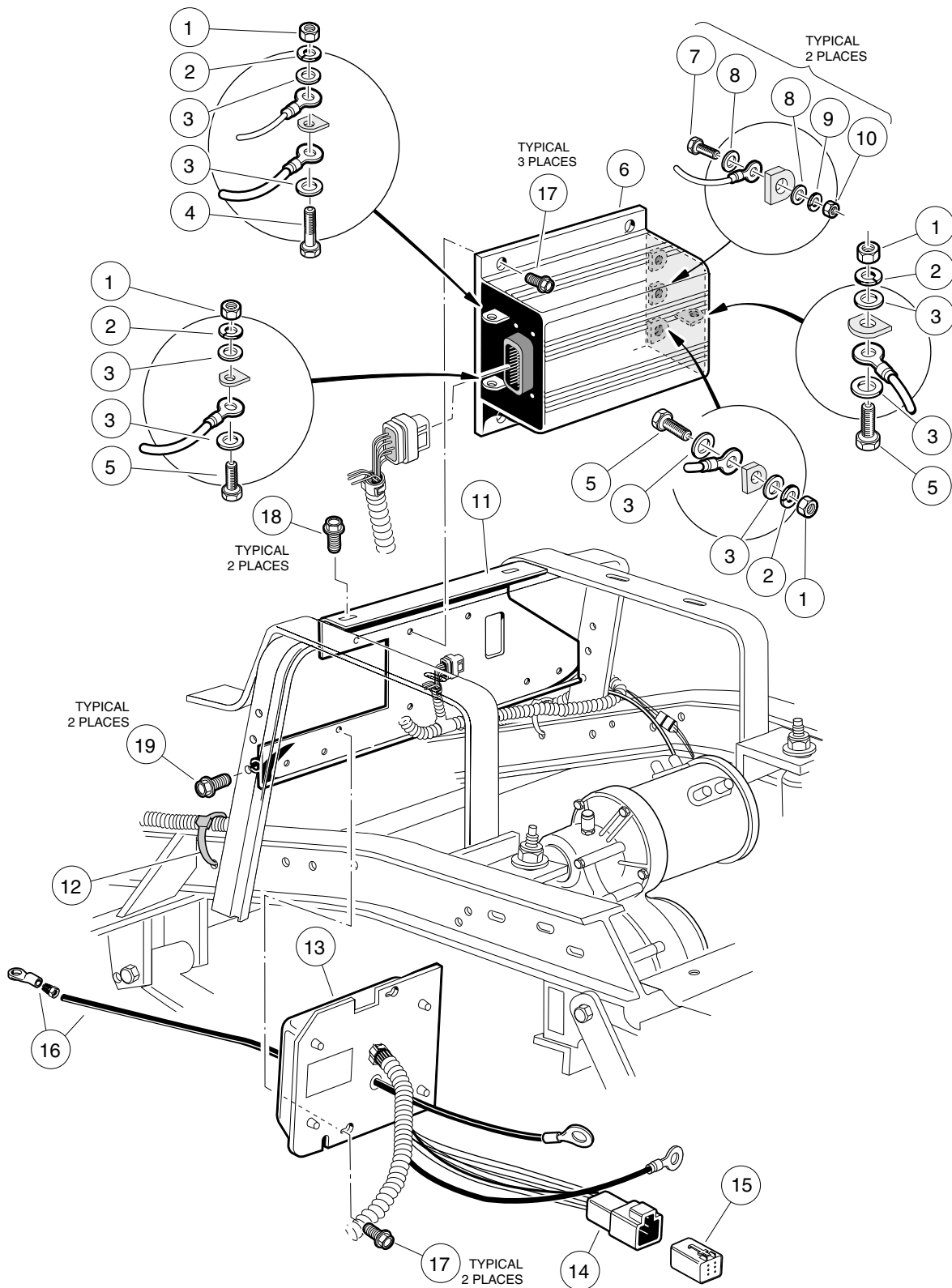
E

SOLENOIDS, ENERGY DISPLACEMENT MODULE – POWERDRIVE PLUS VEHICLE

ITEM	PART NO.	DESCRIPTION	QTY
		1 2 3 4	
1	<u>1017237</u>	Nut, Hex Flanged Lock, 5/16-24	4
2	<u>1018028</u>	Nut, Serrated, #10-32	4
3	<u>1012285</u>	Screw, Thread-Rolling, 1/4-20 x 5/8	4
4	<u>101883601</u>	Solenoid, 48-Volt (with mounting bracket)	2
5	<u>101957901</u>	Bracket, Mounting	2
6	<u>101888201</u>	Tab, Mounting	2
7	<u>1015069</u>	Screw, Hex Head Cap, 1/4-20 x 3/4	2
8	<u>1011931</u>	Washer, Flat, 1/4	2
9	<u>451</u>	Washer, Lock, 1/4	2
10	<u>1028</u>	Nut, Hex, 1/4-20	2
11	<u>101964401</u>	Coil, Energy Displacement	1
12	<u>101908701</u>	Solenoid, 48-Volt (with diode) (includes items 13 - 17)	1
13	<u>1016545</u>	Nut, Hex, M5 x .8	2
14	N/A	Washer, Flat	2
15	N/A	Washer, Lock	2
16	<u>1012528</u>	Nut, Hex, M8	2
17	<u>7174</u>	Washer, Lock, 5/16	2
18	1014948	Assembly, Diode (Service Part replacement for existing diode that comes standard with solenoid)	1
		Note: Vehicles with serial numbers 0106-987637 and greater do not include items 1, 2, and 4 through 11. The quantity of item 3 is half of the number listed above.	

12

E

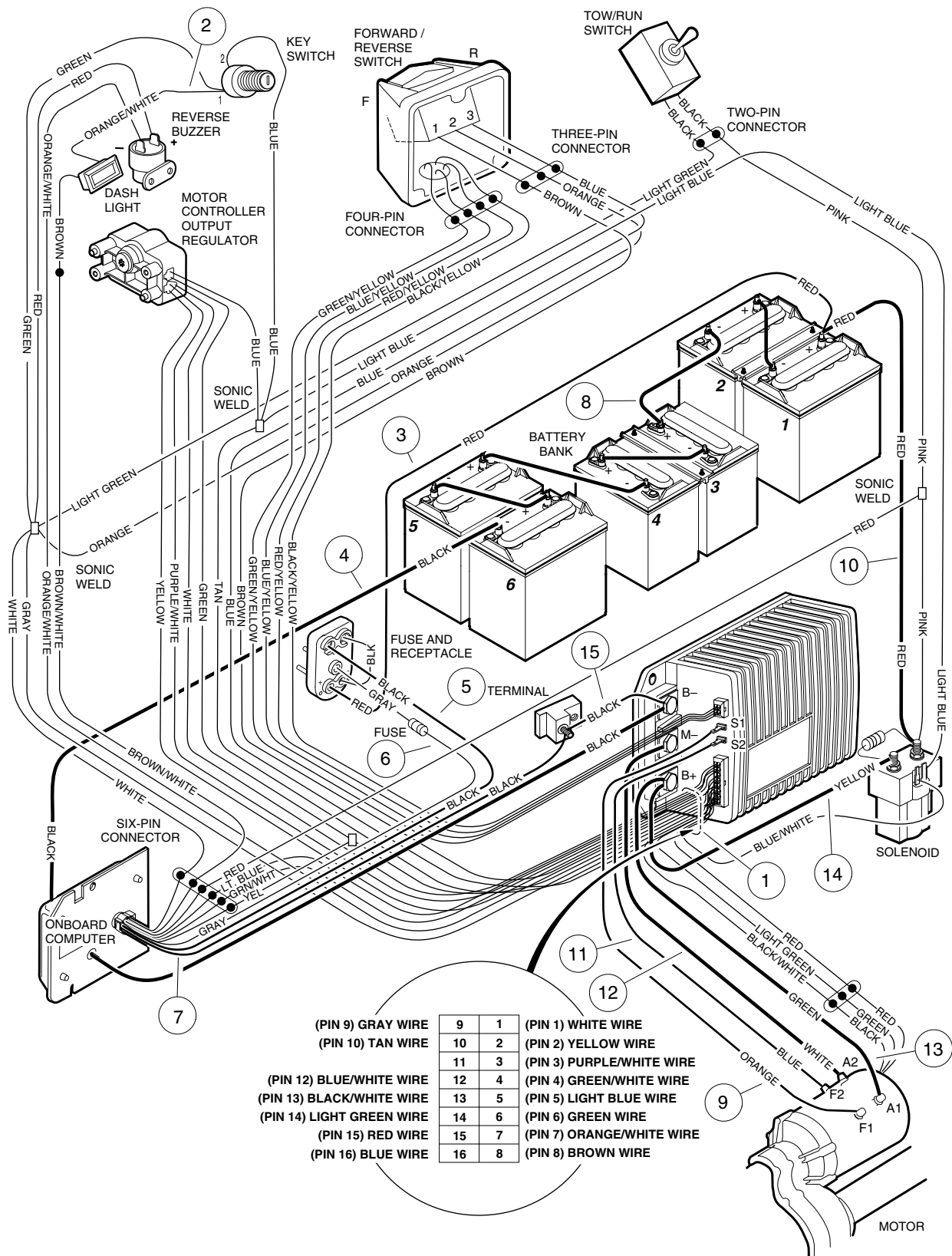


CONTROLLER, ONBOARD COMPUTER – POWERDRIVE PLUS VEHICLE

ITEM	PART NO.	DESCRIPTION	QTY
		1 2 3 4	
1	<u>1242</u>	Nut, Hex, 5/16-18	4
2	<u>7174</u>	Washer, Lock, 5/16	4
3	<u>1241</u>	Washer, Flat, 5/16	8
4	1218	Screw, Hex Head Cap, 5/16-18 x 1-1/4	1
5	<u>7173</u>	Screw, Hex Head Cap, 5/16-18 x 3/4	3
6	<u>101887901</u>	Controller, 48-Volt (220-amp)	1
7	<u>8450</u>	Screw, Hex Head Machine, #10-24 x 1/2	2
8	<u>1018038</u>	Washer, #10	4
9	<u>1016175</u>	Washer, Lock, #10	2
10	<u>1017</u>	Nut, Hex, #10-24	2
11	101965201	Plate, Component Mounting	1
12	<u>8990</u>	Tie, Wire	A/R
13	<u>101909902</u>	Computer, Onboard (includes item 14)	1
14	<u>101932601</u>	Kit, 6-Pin Receptacle	1
15	101932701	Kit, 6-Pin Plug Assembly	1
16	101827801	Kit, Wire and Terminal, #6 Black	1
17	<u>1012285</u>	Screw, Thread-Rolling, 1/4-20 x 5/8	5
18	<u>1014288</u>	Screw, Thread-Forming, 5/16-18 x 3/4	2
19	<u>101910401</u>	Screw, Thread-Forming, 5/16-18 x 1-1/4	2

12

E



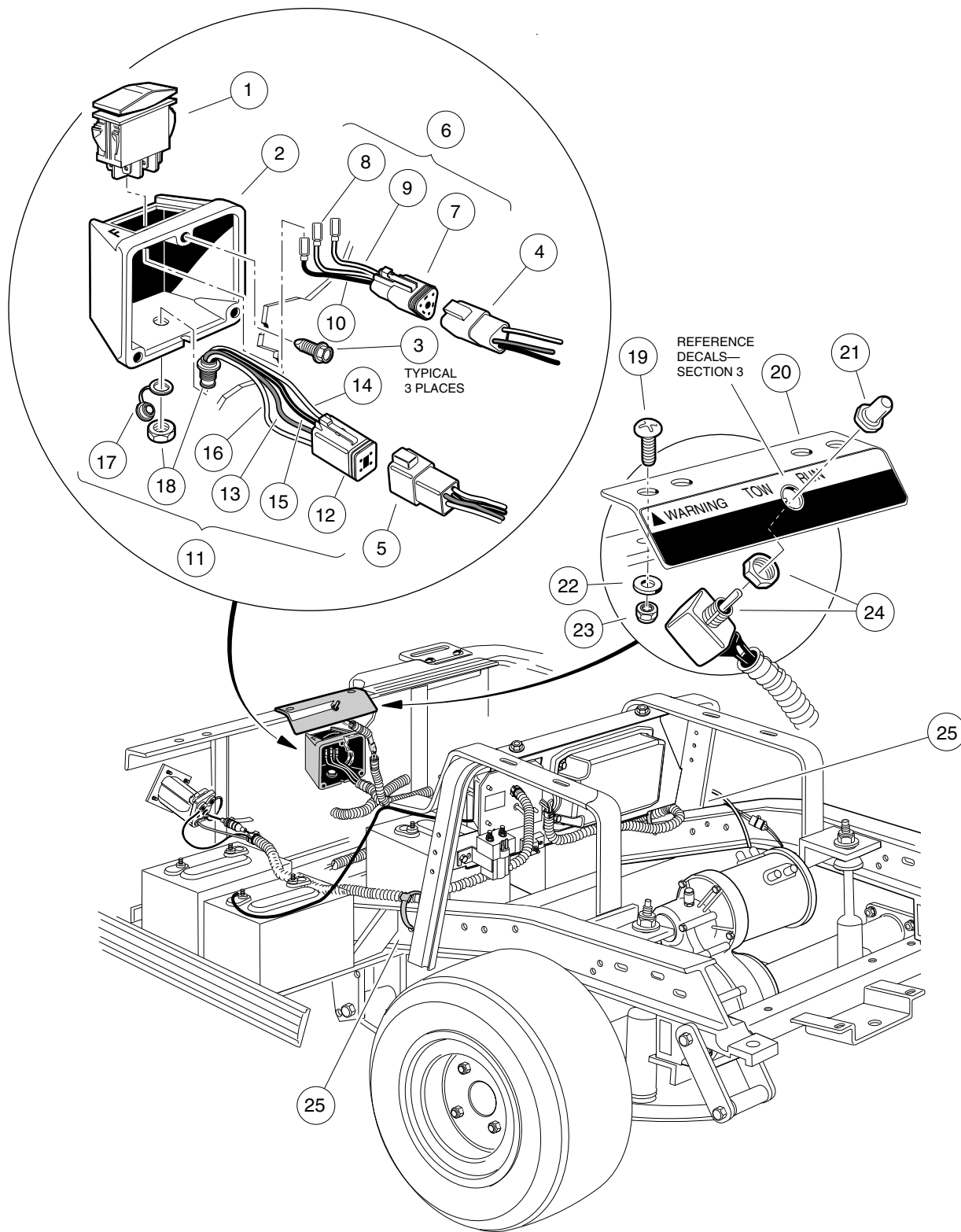
- | | | | |
|---------------------------|----|---|---------------------------|
| (PIN 9) GRAY WIRE | 9 | 1 | (PIN 1) WHITE WIRE |
| (PIN 10) TAN WIRE | 10 | 2 | (PIN 2) YELLOW WIRE |
| (PIN 12) BLUE/WHITE WIRE | 11 | 3 | (PIN 3) PURPLE/WHITE WIRE |
| (PIN 13) BLACK/WHITE WIRE | 12 | 4 | (PIN 4) GREEN/WHITE WIRE |
| (PIN 14) LIGHT GREEN WIRE | 13 | 5 | (PIN 5) LIGHT BLUE WIRE |
| (PIN 15) RED WIRE | 14 | 6 | (PIN 6) GREEN WIRE |
| (PIN 16) BLUE WIRE | 15 | 7 | (PIN 7) ORANGE/WHITE WIRE |
| | 16 | 8 | (PIN 8) BROWN WIRE |

WIRING – IQ SYSTEM VEHICLE WITH MOTOR CONTROLLER OUTPUT REGULATOR (MCOR)

ITEM	PART NO.	DESCRIPTION	QTY
		1 2 3 4	
1	<u>102196601</u>	Wire Harness	1
2	N/A	Wire Assembly, #18 Orange/White (part of battery light)	1
3	N/A	Wire Assembly, #10 Red (part of fuse and receptacle assembly)	1
4	N/A	Wire Assembly, #6 Black	1
5	N/A	Wire Assembly, #10 Black (part of onboard computer assembly)	1
6	N/A	Wire Assembly, #18 Gray (part of onboard computer assembly)	1
7	N/A	Wire Assembly, #10 Black (part of onboard computer assembly)	1
8	<u>101795701</u>	Wire Assembly, #6 Black	5
9	<u>101978101</u>	Wire Assembly, #10 Orange	1
10	<u>102199601</u>	Wire Assembly, #6 Red	1
11	<u>101978201</u>	Wire Assembly, #10 Blue	1
12	<u>101968701</u>	Wire Assembly, #6 White	2
13	<u>101978001</u>	Wire Assembly, #6 Green	1
14	<u>101920001</u>	Wire Assembly, #6 Yellow	1
15	<u>102263601</u>	Wire, Assembly, #10 Black	1

12

E

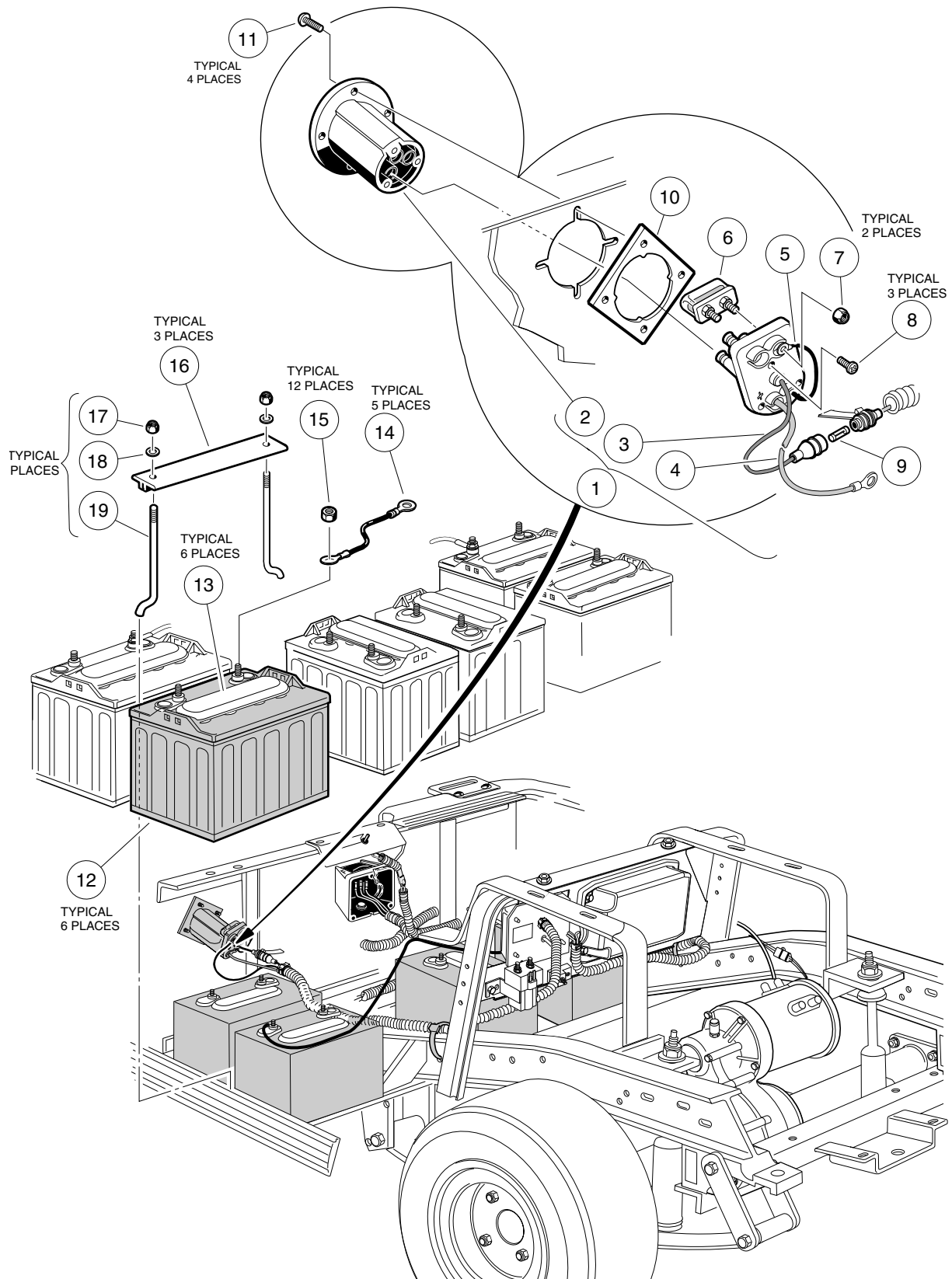


FORWARD/REVERSE SWITCH, TOW/RUN SWITCH – IQ SYSTEM VEHICLE

ITEM	PART NO.	DESCRIPTION	QTY
		1 2 3 4	
1	<u>101856001</u>	Switch, Forward/Reverse	1
2	<u>101855002</u>	Case, Forward/Reverse Switch	1
3	<u>101856101</u>	Screw, Hi-Lo Hex Head, 1/4-15 x 1/2	3
4	<u>101942301</u>	Kit, 3-Pin Receptacle and Wedge Lock	1
5	<u>101932401</u>	Kit, 4-Pin Receptacle and Wedge Lock	1
6	<u>102266601</u>	Wire Assembly, Forward/Reverse Switch (includes items 7-10)	1
7	<u>101920101</u>	Kit, 3-Pin Plug and Wedge Lock	1
8	N/A	Wire Assembly, #18 Blue	1
9	N/A	Wire Assembly, #18 Orange	1
10	N/A	Wire Assembly, #18 Brown	1
11	<u>102266701</u>	Wire Assembly, IQDM Port (includes items 12-18)	
12	<u>101932501</u>	Kit, 4-Pin Plug and Wedge Lock	1
13	N/A	Wire Assembly, #18 Red/Yellow	1
14	N/A	Wire Assembly, #18 Black/Yellow	1
15	N/A	Wire Assembly, #18 Blue/Yellow	1
16	N/A	Wire Assembly, #18 Green/Yellow	1
17	<u>102196901</u>	Cap, Dust	1
18	N/A	Connector, 4-Pin	1
19	<u>8248</u>	Screw, Truss Phillips Machine, 1/4-20 x 3/4	2
20	<u>101922501</u>	Bracket, Tow/Run Switch (without decal)	1
21	<u>101908401</u>	Boot, Tow/Run Switch (with nut).....	1
22	<u>332</u>	Washer, Flat, 1/4	2
23	<u>8233</u>	Nut, Nylon Lock, 1/4-20	2
24	<u>101908101</u>	Switch, Tow/Run	1
25	<u>8990</u>	Tie, Wire	A/R

12

E

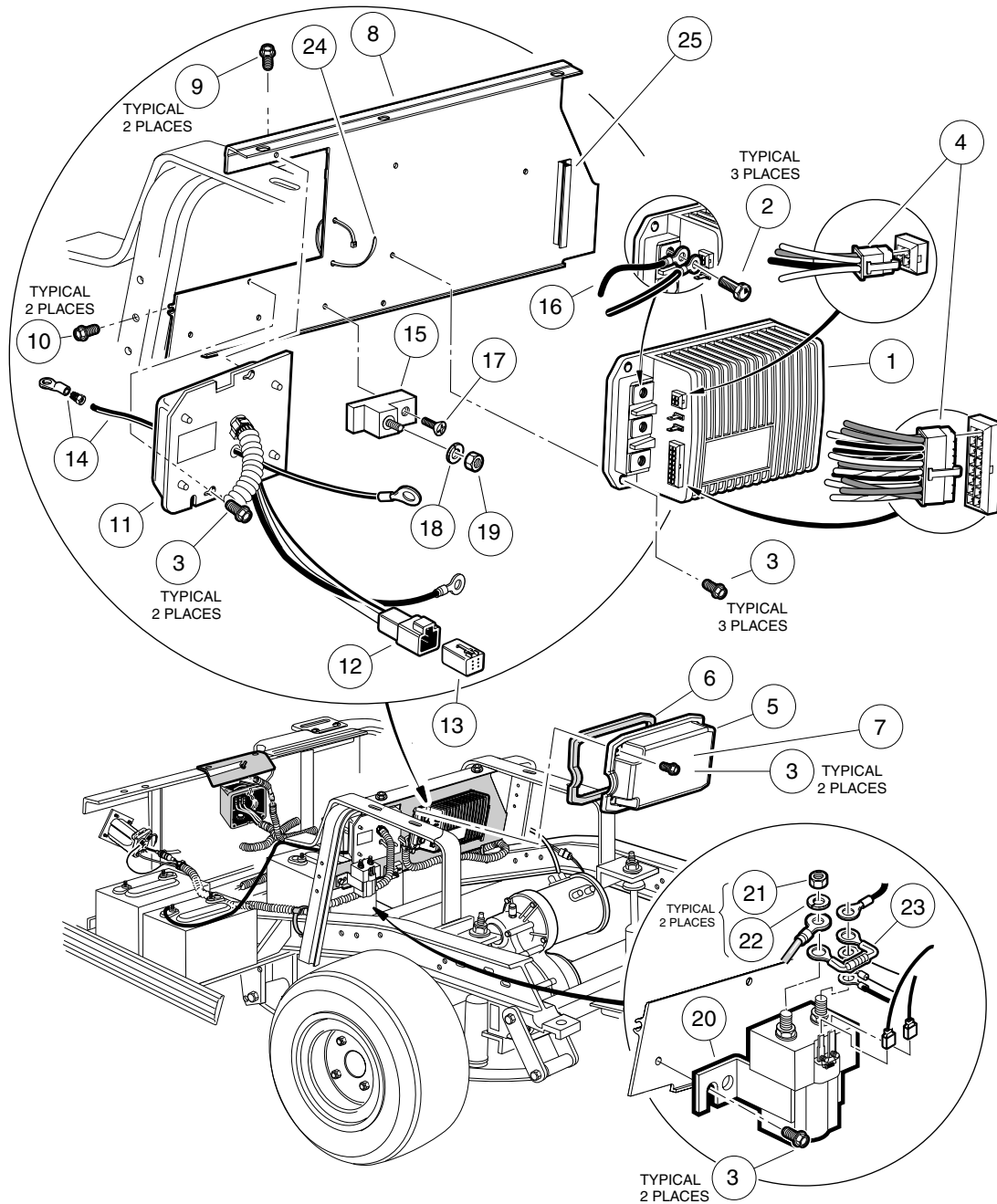


BATTERIES, CHARGER RECEPTACLE – IQ SYSTEM VEHICLE

12

E

ITEM	PART NO.	DESCRIPTION	QTY
		1 2 3 4	
1	<u>101802101</u>	Kit, Fuse and Receptacle (includes items 2 - 9)	1
2	<u>101796501</u>	Bezel, Receptacle	1
3	N/A	Wire Assembly, Sense Lead, Gray	1
4	N/A	Wire Assembly, #10 Red	1
5	N/A	Wire Assembly, #10 Black	1
6	<u>101796801</u>	Assembly, Fuse, 48-Volt (includes item 7)	1
7	<u>1013061</u>	Nut, Nylon Lock, #10	2
8	<u>1017705</u>	Screw, Phillips Pan Head, #8 Type AB	3
9	<u>101894901</u>	Fuse, 3/8-Amp	1
10	<u>101801001</u>	Plate, Receptacle Backing	1
11	<u>101832001</u>	Screw, Phillips Pan Head, #7-18 x 3/4	4
12	<u>101797701</u>	Battery, 8-Volt PowerDrive (includes item 13)	6
12	<u>101797702</u>	Battery, 8-Volt PowerDrive, Dry (includes item 13)	6
13	<u>101797801</u>	Cap, Battery, 4-Port Gang	1
14	<u>101795701</u>	Wire Assembly, #6 Black	5
15	<u>1014304</u>	Nut, Hex, Stainless Steel, 5/16-18	12
16	<u>101090801</u>	Hold-Down, Battery	3
17	1015072	Nut, Nylon Lock, Stainless Steel, 5/16-18	6
18	<u>1011578</u>	Washer, Flat, Type B Wide, 5/16	6
19	1013683	J-Bolt	6



COMPUTER, CONTROLLER, AND SOLENOID – IQ SYSTEM VEHICLE

ITEM	PART NO.	DESCRIPTION	QTY
		1 2 3 4	
1	<u>101956501</u>	Controller, 48-Volt (250-amp)	1
1	****	Controller, 48-Volt (250-amp) (customized programming)	1
2	<u>102240501</u>	Screw, Hex Wash, M8 x 1-1/4 x 12 mm	3
3	<u>1012285</u>	Screw, Thread-Rolling, 1/4-20 x 5/8	8
4	<u>102266501</u>	Kit, Connector, IQ Controller	1
5	<u>102240701</u>	Cover, Controller (includes items 6 and 7)	1
6	<u>102240801</u>	Gasket, Controller	1
7	<u>101931501</u>	Decal, Electrical Component Cover	1
8	<u>101965202</u>	Plate, Component Mounting	1
9	<u>1014288</u>	Screw, Thread-Forming, 5/16-18 x 3/4	2
10	<u>101910401</u>	Screw, Thread-Forming, 5/16-18 x 1-1/4	2
11	<u>101909902</u>	Computer, Onboard (includes item 12)	1
12	<u>101932601</u>	Kit, 6-Pin Receptacle	1
13	<u>101932701</u>	Kit, 6-Pin Plug Assembly	1
14	<u>101827801</u>	Kit, Wire and Terminal, #6 Black	1
15	<u>102259801</u>	Block, Terminal (controller).....	1
16	<u>102263601</u>	Wire Assembly, #10 Black	1
17	<u>102263701</u>	Screw, Phillips, Thread-Forming, #10-24 x 3/4	1
18	<u>7174</u>	Washer, Lock, 5/16	1
19	<u>1242</u>	Nut, Hex, 5/16-18	1
20	<u>101908701</u>	Solenoid, 48-Volt (with diode) (includes items 21 and 22)	1
21	<u>1012528</u>	Nut, M8 x 1-1/4	2
22	<u>1013734</u>	Washer, Lock, 8 mm	2
23	<u>1014947</u>	Assembly, Resistor	1
24	<u>8639</u>	Tie, Wire	1
25	****	Z-Bracket, Controller Cover	1
	****	Special order item available upon request.	

12

E

12

E

BATTERY CHARGER

13

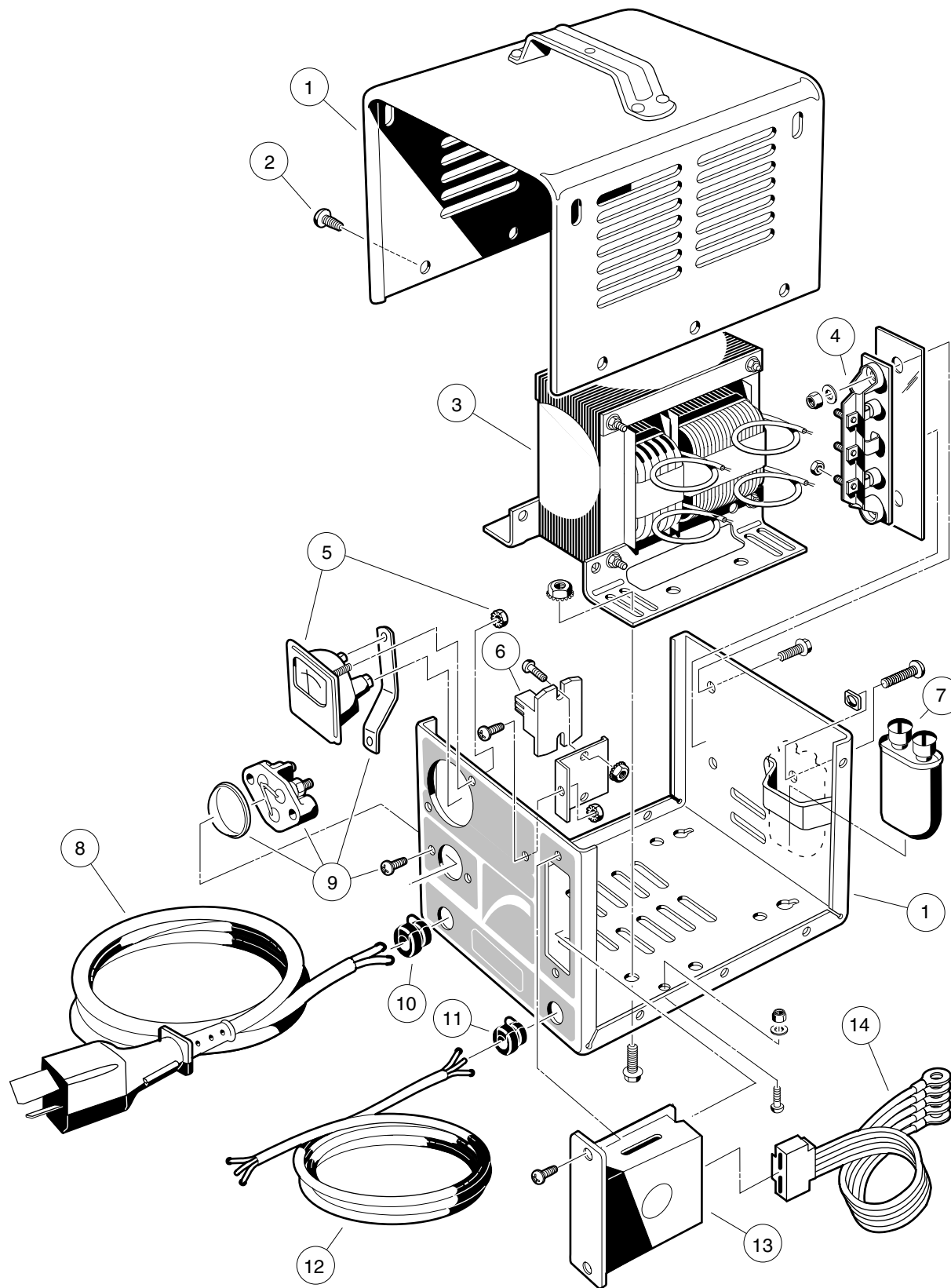
E

ACCU-POWER CHARGER, DOMESTIC – V-GLIDE 36-VOLT VEHICLE

ITEM	PART NO.	DESCRIPTION	QTY
		1 2 3 4	
	101646401	Charger, Accu-Power, Domestic, 120-V AC, 36-V DC, 60-Hz (model number 13800-11) (includes items 1 - 14) 108-inch DC cord, 72-inch AC cord	1
1	1015907	Assembly, Case (includes fasteners)	1
2	7577	Screw, Pan Head, Self-Tapping, #10-16 x 1/2	10
3	<u>1015912</u>	Assembly, Transformer	1
4	<u>1015914</u>	Assembly, Heatsink, with Diodes (includes mounting hardware)	1
5	<u>1015905</u>	Ammeter (includes mounting hardware)	1
6	<u>1015911</u>	Relay, 36-V DC	1
7	1015910	Capacitor	1
8	<u>101643301</u>	Cordset, DC, 108-Inch Long (standard) 12-AWG	1
8	<u>101643302</u>	Cordset, DC, 146-Inch Long, 10-AWG	1
8	<u>101643303</u>	Cordset, DC, 242-Inch Long, 10-AWG	1
9	<u>1012101</u>	Assembly, Fuse (Includes Hardware)	1
10	<u>1012098</u>	Bushing, Strain Relief, 12-AWG DC Cord	1
10	<u>1012042</u>	Bushing, Strain Relief, 10-AWG DC Cord	1
11	<u>1015917</u>	Bushing, Strain Relief, AC Cord	1
12	<u>101591601</u>	Cordset, AC, 72-Inch Long (standard)	1
12	<u>101591602</u>	Cordset, AC, 108-Inch Long	1
13	<u>1015906</u>	Assembly, Timer Kit (includes mounting hardware)	1
14	<u>1015913</u>	Assembly, Control Cable	1

13

E

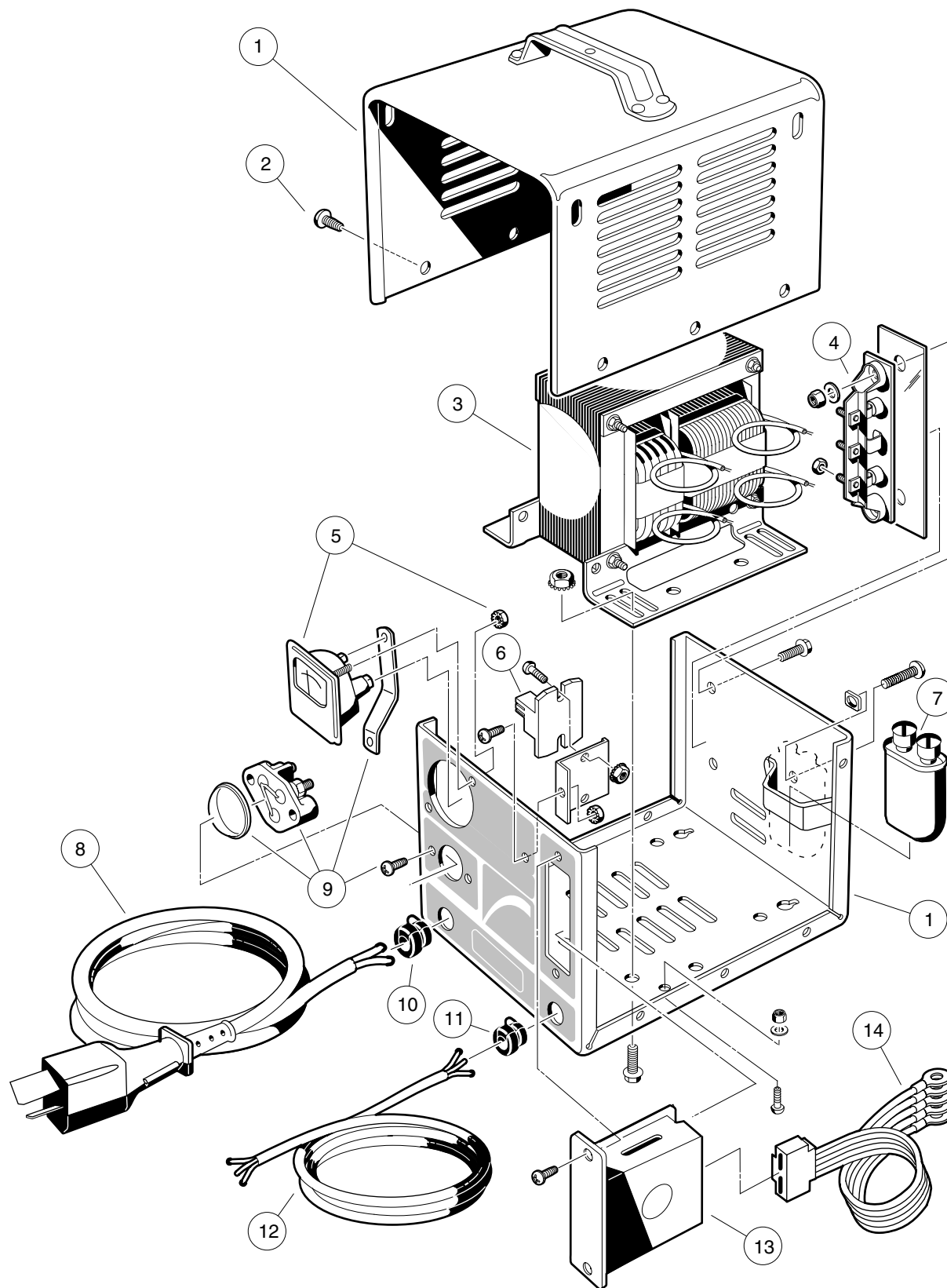


ACCU-POWER CHARGER, EXPORT, 230-VOLT – V-GLIDE 36-VOLT VEHICLE

ITEM	PART NO.	DESCRIPTION	QTY
		1 2 3 4	
	<u>101643401</u>	Charger, Accu-Power, Export, 230-V AC, 36-V DC, 50-Hz (model number 14410-11) (includes items 1 - 14) 108-inch DC cord, 108-inch AC cord	1
1	N/A	Assembly, Case	1
2	7577	Screw, Pan Head, Self-Tapping, #10-16 x 1/2	10
3	<u>1015936</u>	Assembly, Transformer	1
4	<u>1015914</u>	Assembly, Heatsink, with Diodes (includes mounting hardware)	1
5	<u>1015905</u>	Ammeter (includes mounting hardware)	1
6	<u>1015911</u>	Relay, 36-V DC	1
7	1015910	Capacitor	1
8	<u>101643301</u>	Cordset, DC, 108-Inch Long, 12-AWG (standard)	1
8	<u>101643302</u>	Cordset, DC, 146-Inch Long, 10-AWG	1
8	<u>101643303</u>	Cordset, DC, 242-Inch Long, 10-AWG	1
9	<u>1012101</u>	Assembly, Fuse (includes mounting hardware)	1
10	<u>1012098</u>	Bushing, Strain Relief, 12-AWG DC Cord	1
10	<u>1012042</u>	Bushing, Strain Relief, 10-AWG DC Cord	1
11	<u>1015917</u>	Bushing, Strain Relief, AC Cord	1
12	1014696	Cordset, AC, 108-Inch Long (standard)	1
13	<u>1015906</u>	Assembly, Timer Kit (includes mounting hardware)	1
14	<u>1015913</u>	Assembly, Control Cable	1

13

E

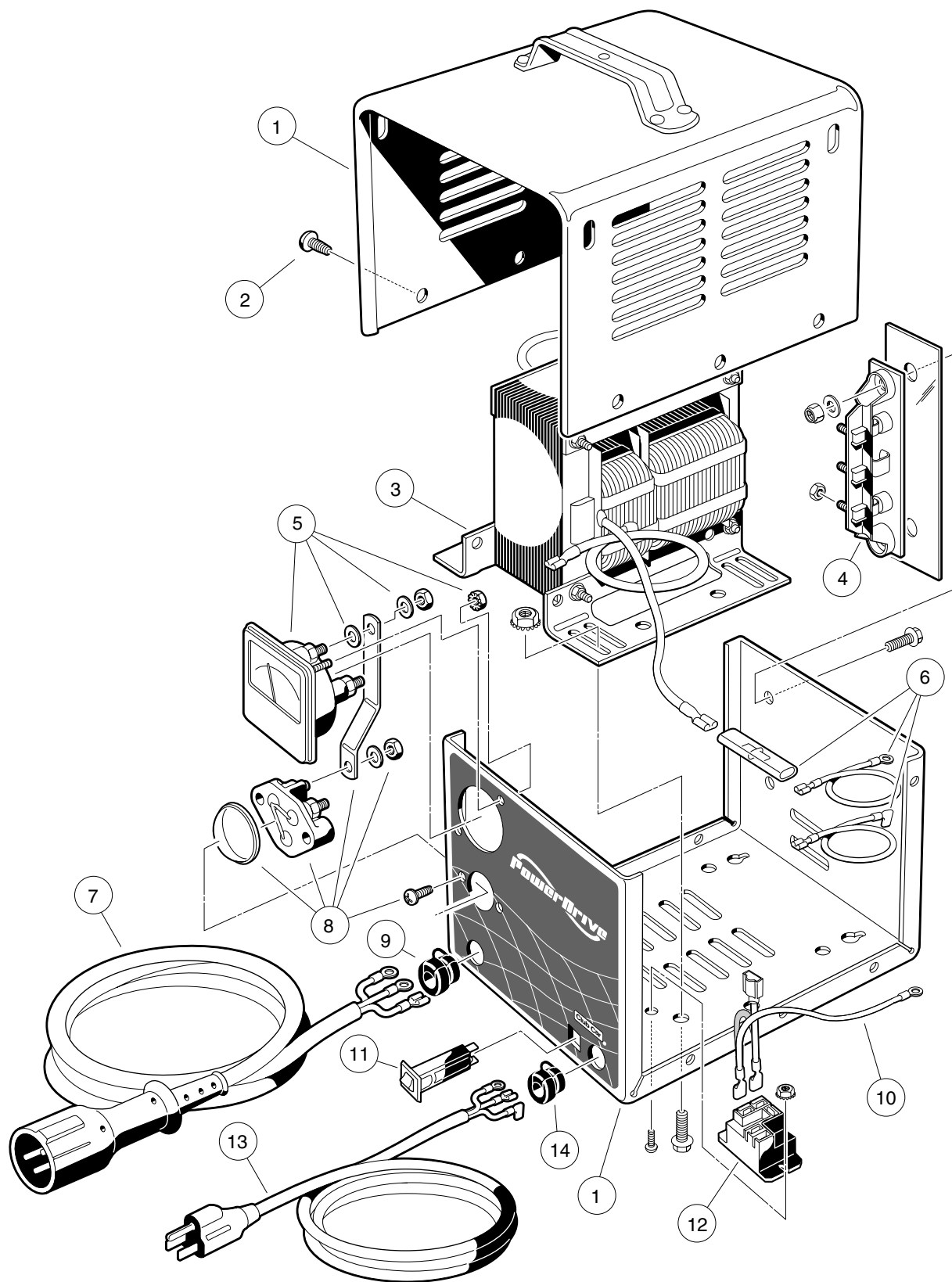


ACCU-POWER CHARGER, EXPORT, 100-VOLT – V-GLIDE 36-VOLT VEHICLE

13

E

ITEM	PART NO.	DESCRIPTION	QTY
		1 2 3 4	
	<u>101646201</u>	Charger, Accu-power, Export, 100-V AC, 36-V DC, 50-Hz (model number 14900) (includes items 1 - 14) 108-inch DC cord, 108-inch AC cord	1
1	N/A	Assembly, Case	1
2	7577	Screw, Pan Head, Self-Tapping, #10-16 x 1/2	10
3	<u>1016336</u>	Assembly, Transformer	1
4	<u>1015914</u>	Assembly, Heatsink, with Diodes (includes mounting hardware)	1
5	<u>1015905</u>	Ammeter (Includes Mounting Hardware)	1
6	<u>1015911</u>	Relay, 36-V DC	1
7	<u>1015939</u>	Capacitor	1
8	<u>101643301</u>	Cordset, DC, 108-Inch Long, 12-AWG (standard)	1
8	<u>101643302</u>	Cordset, DC, 146-Inch Long, 10-AWG	1
8	<u>101643303</u>	Cordset, DC, 242-Inch Long, 10-AWG	1
9	<u>1012101</u>	Assembly, Fuse (includes mounting hardware)	1
10	<u>1012098</u>	Bushing, Strain Relief, 12-AWG DC Cord	1
10	<u>1012042</u>	Bushing, Strain Relief, 10-AWG DC Cord	1
11	<u>1015917</u>	Bushing, Strain Relief, AC Cord	1
12	<u>1016282</u>	Cordset, AC, 108-Inch Long	1
13	<u>1015906</u>	Assembly, Timer Kit (includes mounting hardware)	1
14	<u>1015913</u>	Assembly, Control Cable	1



POWERDRIVE CHARGER, DOMESTIC

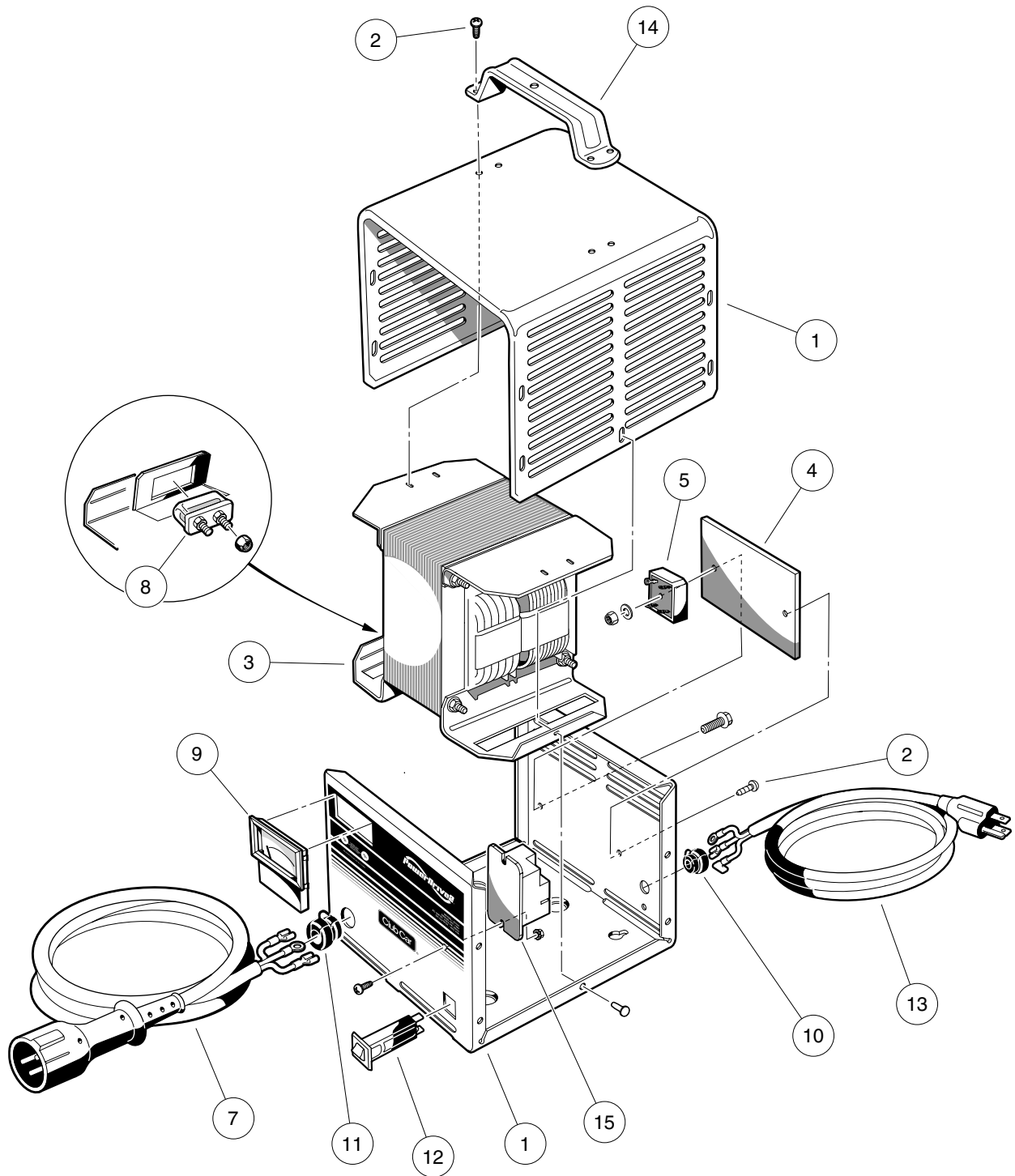
ITEM	PART NO.	DESCRIPTION	QTY
		1 2 3 4 PowerDrive chargers can be used with PowerDrive System 48, PowerDrive Plus, and IQ System vehicles.	
	<u>101802201</u>	Charger, Battery, PowerDrive, Domestic 120-V AC 48-V DC 60-Hz (model number 17930-11) (includes items 1 - 14) 103-inch DC cord with male 3-pin plug, 12-AWG 74-inch AC cord with male grounded plug	1
	<u>101802202</u>	Charger, Battery, PowerDrive 120-V AC 48-V DC 60-Hz (model number 17930-18) (includes items 1 - 14) 144-inch DC cord with male 3-pin plug, 12-AWG 108-inch AC cord with male grounded plug	1
	<u>101802203</u>	Charger, Battery, PowerDrive 120-V AC 48-V DC 60-Hz (model number 17930-19) (includes items 1 - 14) 240-inch DC cord with male 3-pin plug, 12-AWG 108-inch AC cord with male grounded plug	1
1	<u>101828301</u>	Assembly, Case (includes fasteners)	1
2	7577	Screw, Pan Head, Self-Tapping, #10-16 x 1/2	10
3	<u>101819701</u>	Assembly, Transformer	1
4	<u>1015914</u>	Assembly, Heatsink, with Diodes (includes mounting hardware)	1
5	<u>101828501</u>	Ammeter (includes mounting hardware)	1
6	<u>101831101</u>	Kit, Wire Assembly	1
7	<u>101828901</u>	Cordset, DC, 113-Inch Long with Male 3-Pin Plug, 12-AWG	1
7	<u>101828902</u>	Cordset, DC, 154-Inch Long with Male 3-Pin Plug, 12-AWG	1
7	<u>101828903</u>	Cordset, DC, 250-Inch Long with Male 3-Pin Plug, 12-AWG	1
8	<u>1012101</u>	Assembly, Fuse (includes mounting hardware)	1
9	<u>1012098</u>	Bushing, Strain Relief, DC Cord, 12-AWG	1
10	101914401	Assembly, Voltage Suppressor	1
11	101828701	Breaker, Circuit, 15-Amp	1
12	<u>101828601</u>	Relay, Power, 48-V DC	1
13	<u>101828801</u>	Cordset, AC, 80-Inch Long	1
13	<u>101828802</u>	Cordset, AC, 116-Inch Long	1
14	<u>1015917</u>	Bushing, Strain Relief, AC Cord	1

13

E

13

E

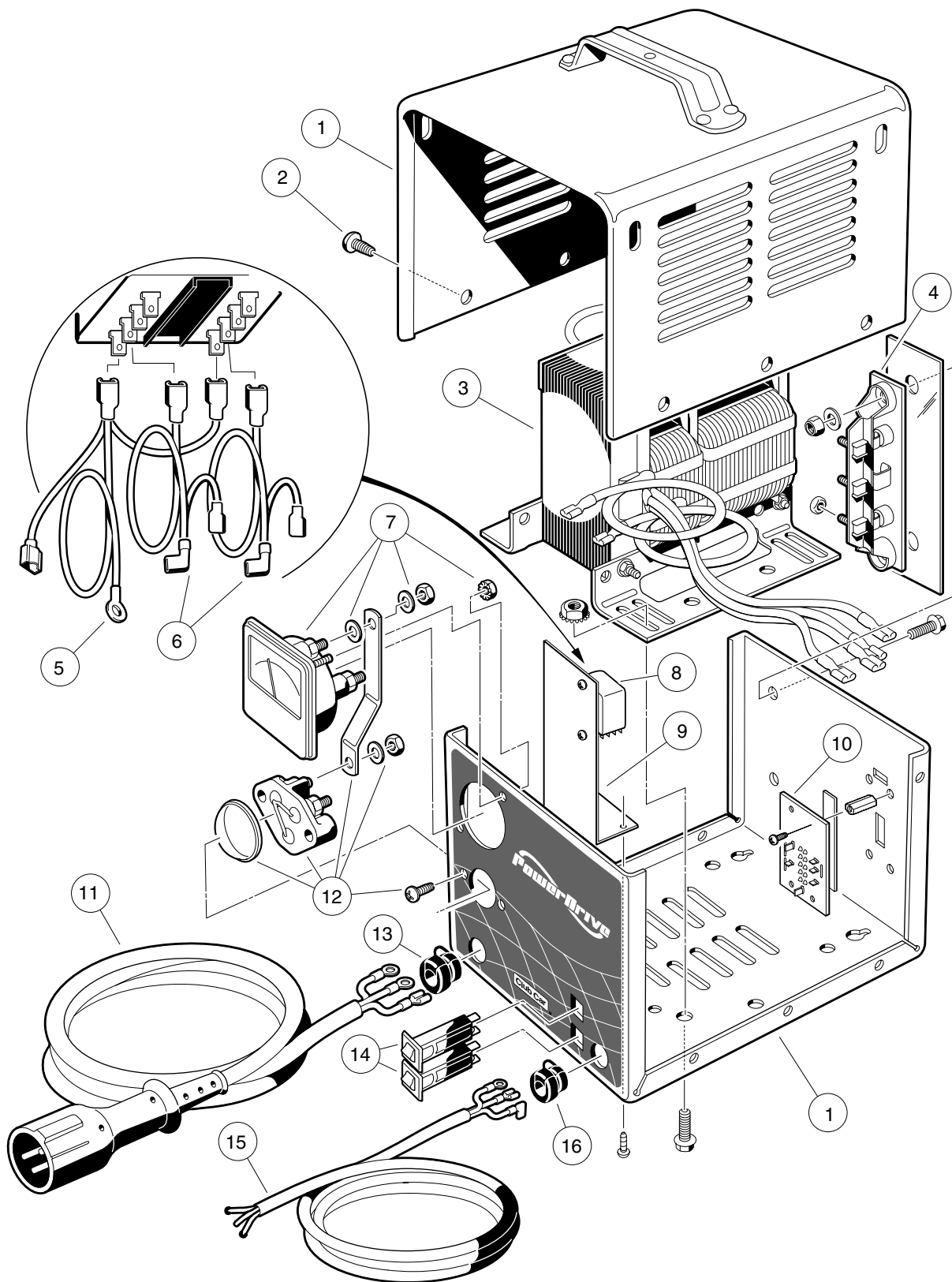


POWERDRIVE 2 CHARGER, DOMESTIC

ITEM	PART NO.	DESCRIPTION	QTY
		1 2 3 4	
	<u>101802204</u>	Charger, Battery, PowerDrive, Domestic 120-V AC 48-V DC 60-Hz (model number 22110-11) (includes items 1 - 15) 103-inch DC cord with male 3-pin plug, 12-AWG 74-inch AC cord with male grounded plug	1
	<u>101802205</u>	Charger, Battery, PowerDrive 120-V AC 48-V DC 60-Hz (model number 22110-18) (includes items 1 - 15) 144-inch DC cord with male 3-pin plug, 12-AWG 108-inch AC cord with male grounded plug	1
	<u>101802206</u>	Charger, Battery, PowerDrive 120-V AC 48-V DC 60-Hz (model number 22110-19) (includes items 1 - 15) 240-inch DC cord with male 3-pin plug, 12-AWG 108-inch AC cord with male grounded plug	1
1	<u>102273201</u>	Assembly, Case (includes item 2)	1
2	7577	Screw, Pan Head, Self-Tapping, #10-16 x 1/2	12
3	<u>102273301</u>	Assembly, Transformer (includes rivets)	1
4	<u>102273401</u>	Plate, Heatsink	1
5	<u>102273501</u>	Assembly, Diode with Heatsink Film (includes mounting hardware)	1
6	<u>102273601</u>	Kit, Wire Assembly (not shown)	1
7	<u>101828904</u>	Cordset, DC, 113-Inch Long with Male 3-Pin Plug, 12-AWG	1
7	<u>101828905</u>	Cordset, DC, 154-Inch Long with Male 3-Pin Plug, 12-AWG	1
7	<u>101828906</u>	Cordset, DC, 250-Inch Long with Male 3-Pin Plug, 12-AWG	1
8	<u>102273701</u>	Assembly, Fuse, 30-Amp (includes terminal hardware)	1
9	<u>102273801</u>	Ammeter (includes mounting hardware)	1
10	<u>102273901</u>	Bushing, Strain Relief, AC Cord	1
11	<u>1012098</u>	Bushing, Strain Relief, DC Cord, 12-AWG	1
12	<u>101828701</u>	Breaker, Circuit, 15-Amp	1
13	<u>101828801</u>	Cordset, AC, 80-Inch Long	1
13	<u>101828802</u>	Cordset, AC, 116-Inch Long	1
14	<u>102274001</u>	Handle, PowerDrive 2 Charger (with four screws)	1
15	<u>101828601</u>	Relay, Power, 48-V DC	1

13

E

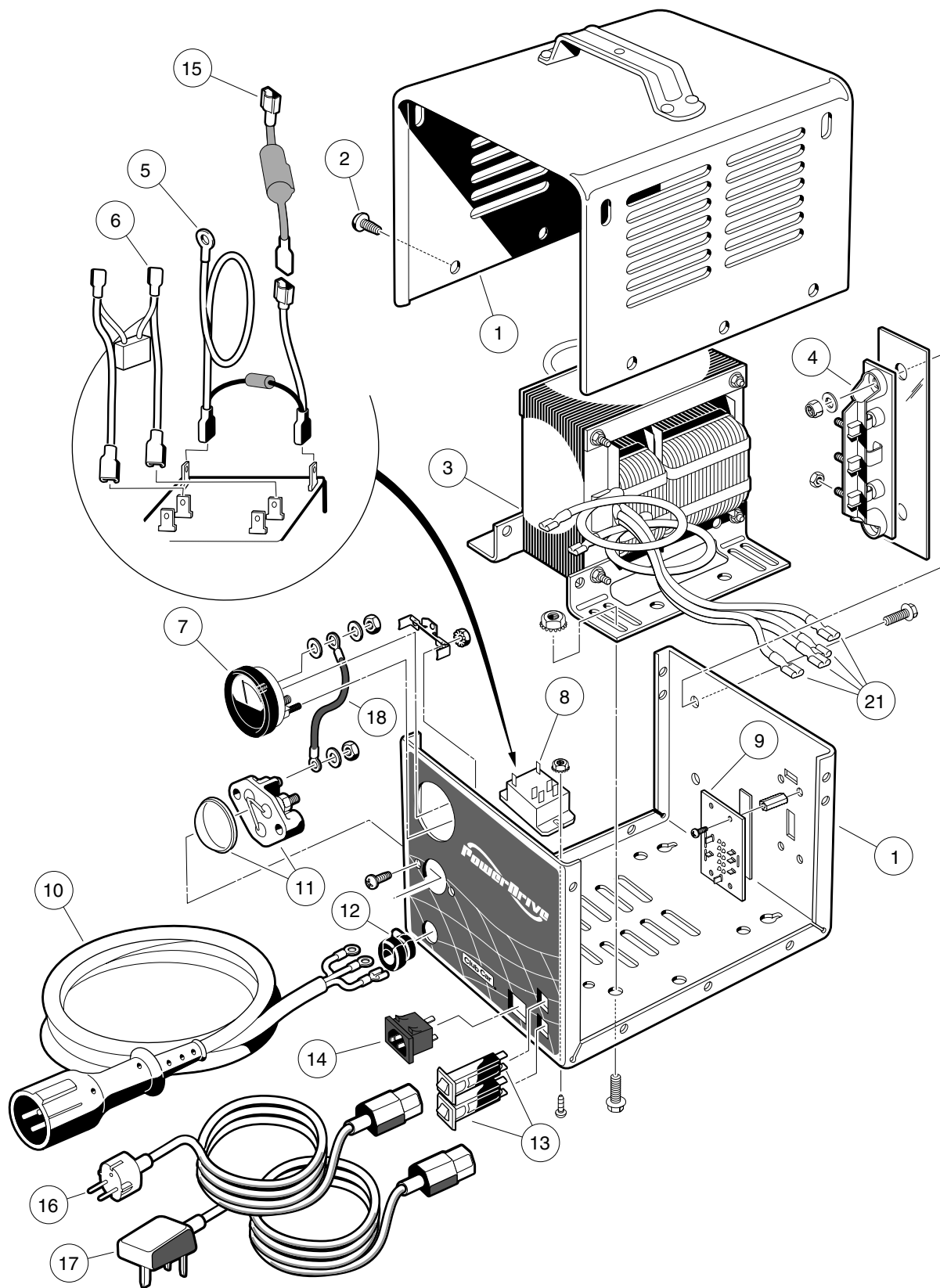


POWERDRIVE CHARGER, EXPORT

13

E

ITEM	PART NO.	DESCRIPTION	QTY
		1 2 3 4 PowerDrive chargers can be used with PowerDrive System 48, PowerDrive Plus, and IQ System vehicles.	
	101831503	Charger, Battery, PowerDrive, Export with 4-Position Switch 100 - 200 - 220 - 240 V AC, 48-V DC 50/60-Hz (model number 18780-11) (includes items 1 - 16) 103-inch DC cord with male 3-pin plug, 12-AWG 74-inch AC cord with no plug	1
	101831504	Charger, Battery, PowerDrive Export with 4-Position Switch 100 - 200 - 220 - 240 V AC, 48-V DC 50/60-Hz (model number 18780-18) (includes items 1 - 16) 144-inch DC cord with male 3-pin plug, 12-AWG 108-inch AC cord with no plug	1
1	N/A	Assembly, Case	1
2	7577	Screw, Pan Head, Self-Tapping, #10-16 x 1/2	10
3	101838201	Assembly, Transformer	1
4	<u>1015914</u>	Assembly, Heatsink, with Diodes (includes mounting hardware)	1
5	101914401	Assembly, Voltage Suppressor	1
6	101838501	Kit, Wire Assembly	1
7	<u>101828501</u>	Ammeter (includes hardware)	1
8	<u>101838301</u>	Relay, Power, 48-V DC (includes mounting hardware)	1
9	<u>101838701</u>	Bracket, Power Relay Mounting	1
10	101838601	Switch, 4-Position Slide	1
11	<u>101828901</u>	Cordset, DC, 113-Inch Long with Male 3-Pin Plug, 12-AWG	1
11	<u>101828902</u>	Cordset, DC, 154-Inch Long with Male 3-Pin Plug, 12-AWG	1
11	<u>101828903</u>	Cordset, DC, 250-Inch Long with Male 3-Pin Plug, 12-AWG	1
12	<u>1012101</u>	Assembly, Fuse (includes hardware)	1
13	<u>1012098</u>	Bushing, Strain Relief, DC Cord, 12-AWG	1
14	101838401	Breaker, Circuit, 10-Amp	2
15	<u>101831701</u>	Cordset, AC, 80-Inch Long with Leads (no plug)	1
15	<u>101831702</u>	Cordset, AC, 116-Inch Long with Leads (no plug)	1
16	<u>1015917</u>	Bushing, Strain Relief, AC Cord	1



POWERDRIVE CHARGER, EUROPEAN

13

E

ITEM	PART NO.	DESCRIPTION	QTY
		<p>1 2 3 4</p> <p>PowerDrive chargers can be used with PowerDrive System 48, PowerDrive Plus, and IQ System vehicles.</p>	
	<u>101956201</u>	<p>Charger, Battery, PowerDrive, European with 4-Position Switch 100 - 200 - 220 - 240 V AC, 48-V DC 50/60-Hz (model number 20300) (includes items 1 - 15) 103-inch (261 cm) DC cord with male 3-pin plug, 12-AWG</p>	1
	<u>101956202</u>	<p>Charger, Battery, PowerDrive European with 4-Position Switch 100 - 200 - 220 - 240 V AC, 48-V DC 50/60-Hz (model number 20310) (includes items 1 - 15) 144-inch (366 cm) DC cord with male 3-pin plug, 12-AWG</p>	1
1	N/A	Assembly, Case	1
2	7577	Screw, Pan Head, Self-Tapping, #10-16 x 1/2	10
3	****	Assembly, Transformer	1
4	<u>1015914</u>	Assembly, Heatsink, with Diodes (includes mounting hardware)	1
5	****	Assembly, AC Voltage Suppressor.....	1
6	****	Kit, Wire Assembly	1
7	101976601	Ammeter (includes hardware)	1
8	<u>101987501</u>	Relay, Power, 48-V DC (includes mounting hardware)	1
9	101838601	Switch, 4-Position Slide	1
10	<u>101828901</u>	Cordset, DC, 103-Inch (261 cm) Long with Male 3-Pin Plug, 12-AWG	1
10	<u>101828902</u>	Cordset, DC, 144-Inch (366 cm) Long with Male 3-Pin Plug, 12-AWG	1
11	<u>1012101</u>	Assembly, Fuse (includes hardware)	1
12	<u>1012098</u>	Bushing, Strain Relief, DC Cord, 12-AWG	1
13	101838401	Breaker, Circuit, 10-Amp	2
14	101973501	Receptacle, AC Cord	1
15	****	Assembly, Current Limiter	1
16	101958301	<p>Cordset, AC, Continental Europe, 96-Inch (244 cm) Long (with male 2-pin plug)</p>	1
17	<u>101958201</u>	Cordset, AC, U.K., 96-Inch (244 cm) Long (with male 3-pin plug)	1
18	N/A	Wire, Jumper.....	1
	****	Special order item available on request	

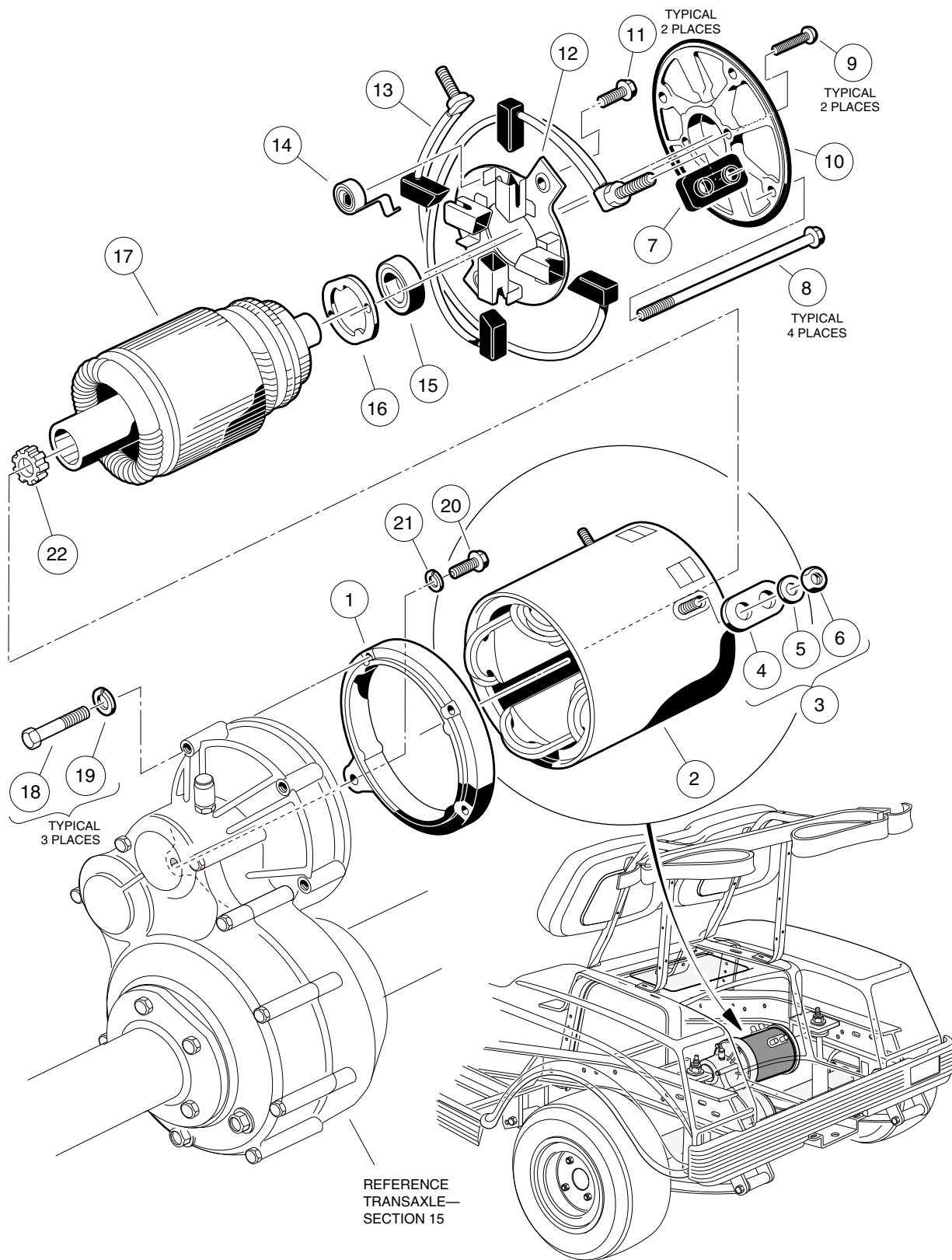
13

E

ELECTRIC MOTOR

14

E

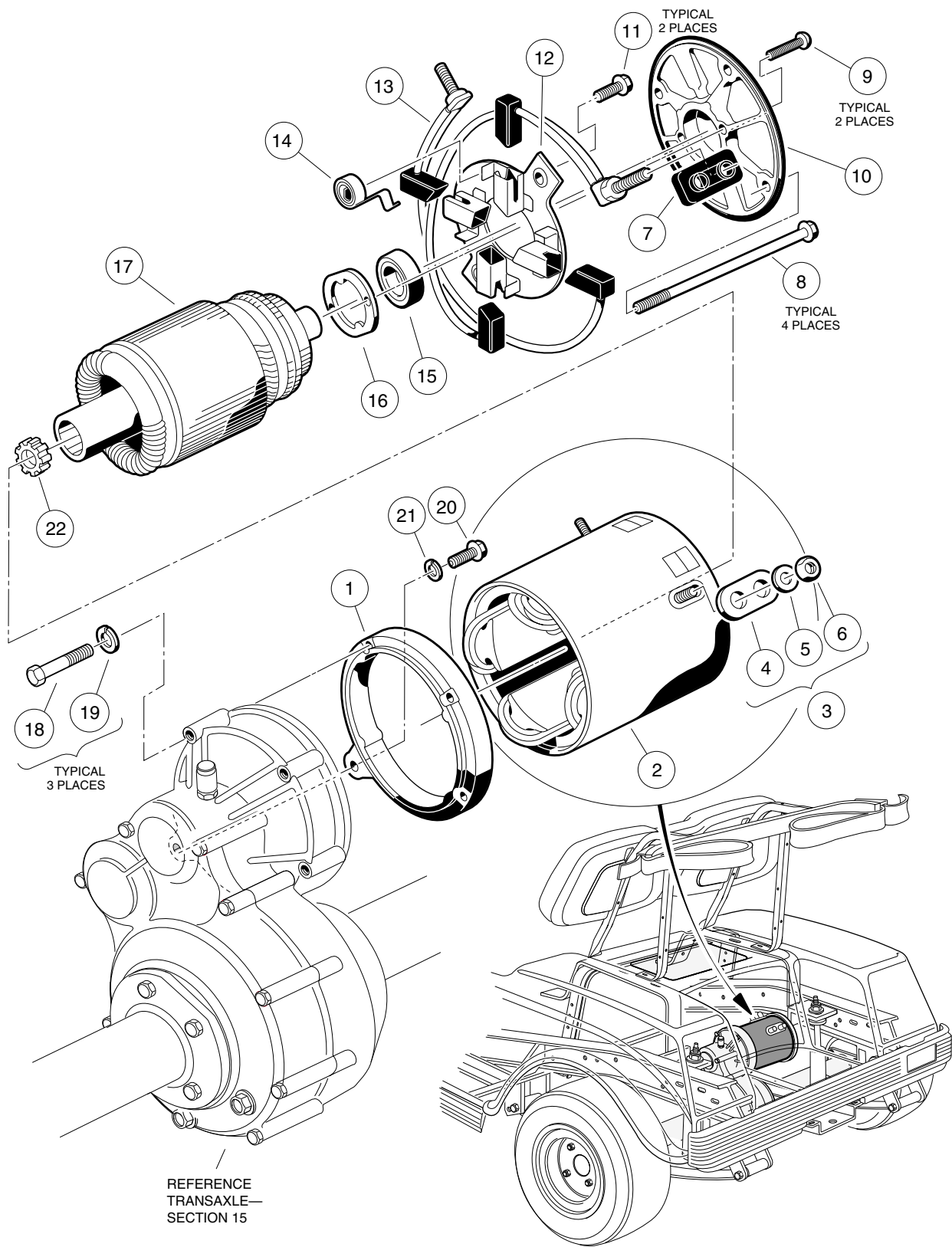


MOTOR – V-GLIDE 36-VOLT VEHICLE

ITEM	PART NO.	DESCRIPTION	QTY
		1 2 3 4	
	<u>102237401</u>	Assembly, 36-Volt Motor, 2.97-hp (includes items 1 - 17)	1
1	<u>1017944</u>	Shield, End	1
2	<u>1017945</u>	Assembly, Stator Shell and Winding	1
3	<u>1017947</u>	Package, Hardware (includes items 4 - 7)	1
4	N/A	Bushing, Insulator	2
5	N/A	Washer, Flat, 5/16	4
6	N/A	Nut, Hex, 5/16-18	4
7	N/A	Bushing, Insulator	2
8	<u>1017952</u>	Screw, Clamp	4
9	<u>1017953</u>	Screw, Bearing Retainer	2
10	<u>1017951</u>	Shield, End	1
11	<u>1017949</u>	Screw, Brush Holder	2
12	<u>1017948</u>	Rigging, Brush	1
13	<u>1017946</u>	Package, Brush (2 pieces) (includes 4 brushes).....	1
14	1011411	Package, Brush Spring (4 pieces)	1
15	<u>1011290</u>	Bearing, Ball	1
16	<u>1017950</u>	Retainer, Bearing	1
17	N/A	Armature	1
18	1014201	Screw, Hex Head Cap, 1/4-20 x 2-1/4	3
19	<u>451</u>	Washer, Lock, 1/4	3
20	<u>1010934</u>	Screw, Hex Head Cap, 5/16-18 x 1	1
21	<u>7174</u>	Washer, Lock, 5/16	1
22	<u>102235201</u>	Bumper, Motor	1

14

E

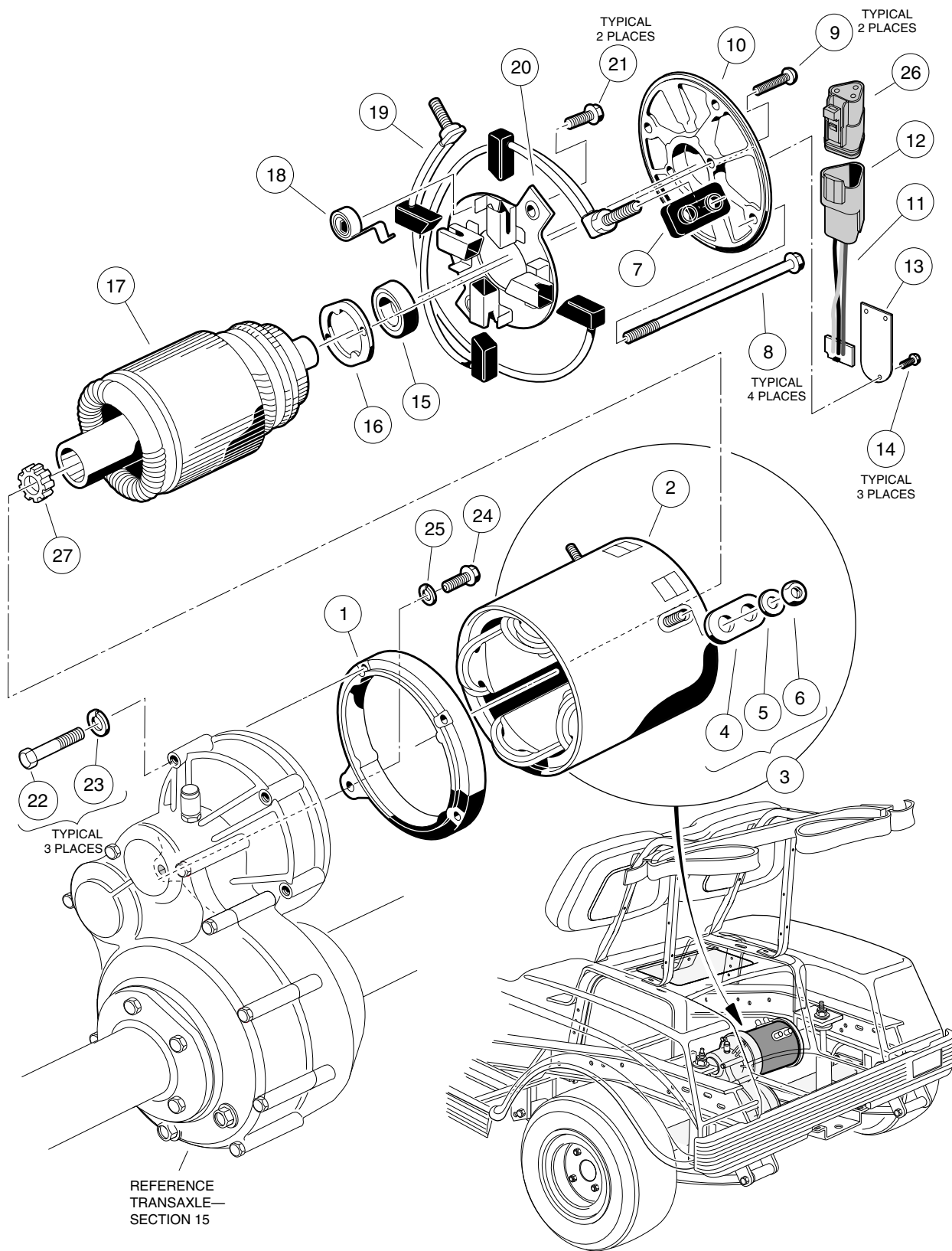


MOTOR – POWERDRIVE SYSTEM 48 VEHICLE

ITEM	PART NO.	DESCRIPTION	QTY
		1 2 3 4	
	102237701	Assembly, 48-Volt Motor, 3.10-hp (includes items 1 - 17)	1
1	<u>1017944</u>	Shield, End	1
2	<u>1017958</u>	Assembly, Stator Shell and Winding	1
3	<u>1017947</u>	Package, Hardware (includes items 4 - 7)	1
4	N/A	Bushing, Insulator	2
5	N/A	Washer, Flat, 5/16	4
6	N/A	Nut, Hex, 5/16-18	4
7	N/A	Bushing, Insulator	2
8	<u>1017961</u>	Screw, Clamp	4
9	<u>1017953</u>	Screw, Bearing Retainer	2
10	<u>1017951</u>	Shield, End	1
11	<u>1017949</u>	Screw, Brush Holder	2
12	<u>1017948</u>	Rigging, Brush	1
13	<u>1017946</u>	Package, Brush (2 pieces) (includes 4 brushes).....	1
14	1011411	Package, Brush Spring (4 pieces)	1
15	<u>1011290</u>	Bearing, Ball	1
16	<u>1017950</u>	Retainer, Bearing	1
17	N/A	Armature	1
18	1014201	Screw, Hex Head Cap, 1/4-20 x 2-1/4	3
19	<u>451</u>	Washer, Lock, 1/4	3
20	<u>1010934</u>	Screw, Hex Head Cap, 5/16-18 x 1	1
21	<u>7174</u>	Washer, Lock, 5/16	1
22	<u>102235201</u>	Bumper, Motor	1

14

E



MOTOR – POWERDRIVE PLUS VEHICLE

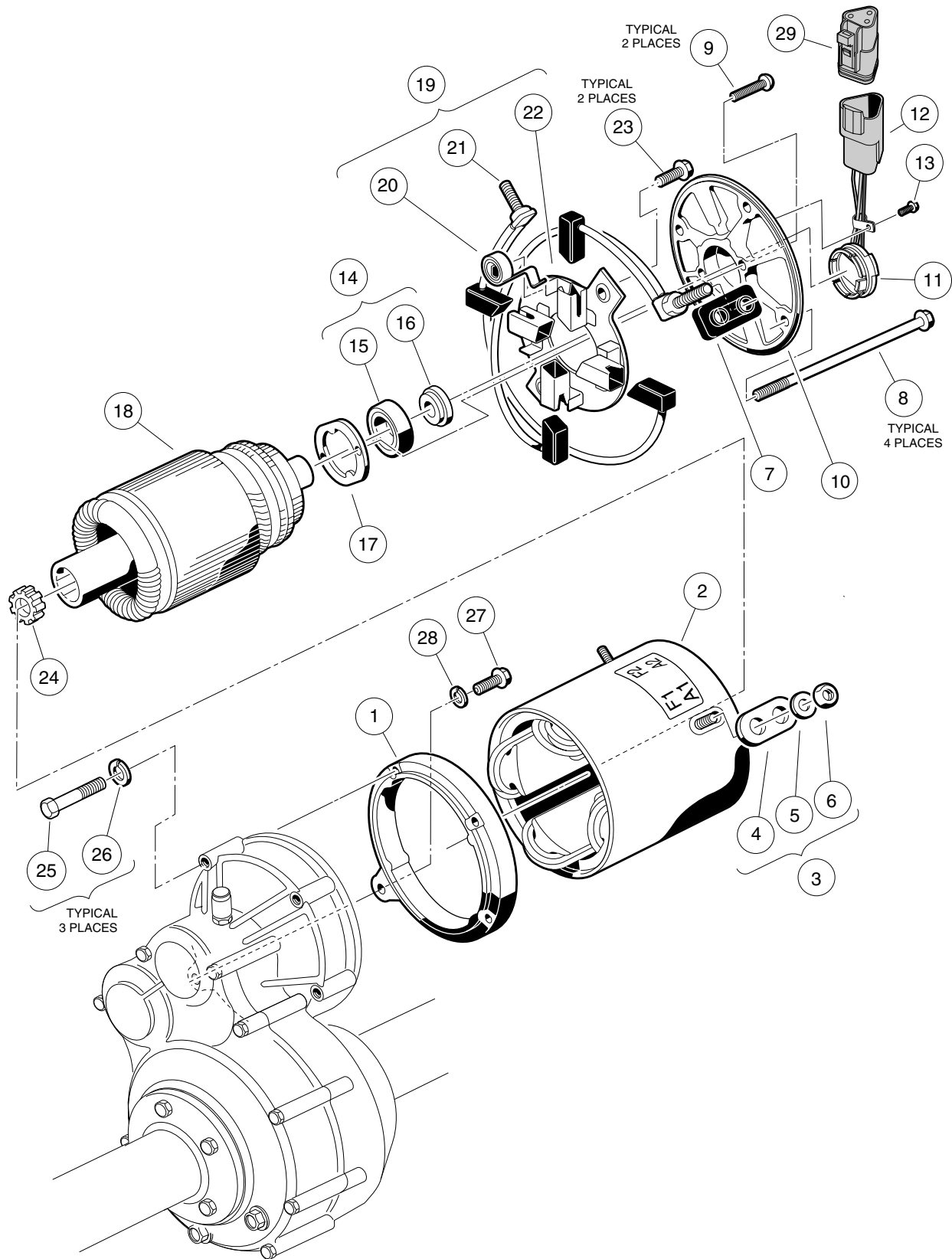
ITEM	PART NO.	DESCRIPTION	QTY
		1 2 3 4	
	101854501	Assembly, 48-Volt Motor, 3.20-hp (includes items 1 - 21)	1
1	<u>1017944</u>	Shield, End	1
2	<u>101879201</u>	Assembly, Stator Shell and Winding	1
3	<u>1017947</u>	Package, Hardware (includes items 4 - 7)	1
4	N/A	Bushing, Insulator	2
5	N/A	Washer, Flat, 5/16	4
6	N/A	Nut, Hex, 5/16-18	4
7	N/A	Bushing, Insulator	2
8	<u>1017961</u>	Screw, Clamp, #10-32 x 8-5/8	4
9	<u>1017953</u>	Screw, Bearing Retainer, #8-32 x 7/8	2
10	101879301	Shield, End (includes items 11 - 14)	1
11	<u>101925801</u>	Sensor, Hall Effect (includes item 12)	1
12	<u>101895101</u>	Housing, Female 3-Wire, Gray	1
13	N/A	Plate, Retaining	1
14	N/A	Screw, Retaining	3
15	<u>1011290</u>	Bearing, Ball	1
16	<u>1017950</u>	Retainer, Bearing	1
17	N/A	Armature	1
18	1011411	Package, Brush Spring (4 pieces)	1
19	<u>1017946</u>	Package, Brush (2 pieces) (includes 4 brushes)	1
20	<u>1017948</u>	Rigging, Brush	1
21	<u>1017949</u>	Screw, Brush Holder, #6-32 x 1/2	2
22	1014201	Screw, Hex Head Cap, 1/4-20 x 2-1/4	3
23	<u>451</u>	Washer, Lock, 1/4	3
24	<u>1010934</u>	Screw, Hex Head Cap, 5/16-18 x 1	1
25	<u>7174</u>	Washer, Lock, 5/16	1
26	<u>101920101</u>	Kit, 3-Pin Plug Assembly, Gray	1
27	<u>102235201</u>	Bumper, Motor	1

14

E

14

E



MOTOR – IQ SYSTEM VEHICLE

ITEM	PART NO.	DESCRIPTION	QTY
		1 2 3 4	
	102240102	Assembly, 48-Volt IQ Motor, 3.20-hp (includes items 1 - 23)	1
1	<u>1017944</u>	Shield, End	1
2	<u>102265501</u>	Assembly, Stator Shell and Winding	1
3	<u>1017947</u>	Package, Hardware (includes items 4 - 7)	1
4	N/A	Bushing, Insulator	2
5	N/A	Washer, Flat, 5/16	4
6	N/A	Nut, Hex, 5/16-18	4
7	N/A	Bushing, Insulator	2
8	<u>102266101</u>	Screw, Clamp, #10-32 x 8-1/4	4
9	<u>1017953</u>	Screw, Bearing Retainer, #8-32 x 7/8	2
	<u>102265901</u>	Assembly, End Shield (includes items 10 - 13)	1
10	<u>102266001</u>	Shield, End	1
11	<u>102265601</u>	Sensor, Motor Speed (includes item 12)	1
12	<u>101942301</u>	Housing, Female 3-Wire, Gray	1
13	<u>102267001</u>	Screw, Steel Hex, Thread-Rolling, #8 x 3/8	
14	<u>102265701</u>	Kit, Bearing and Magnet (includes items 15 and 16)	1
15	N/A	Bearing, Ball	1
16	N/A	Magnet	1
17	<u>1017950</u>	Retainer, Bearing	1
18	N/A	Armature	1
19	<u>102327801</u>	Assembly, Brush Rigging (includes items 20 - 22)	1
20	1011411	Package, Brush Spring (4 pieces)	1
21	<u>102251901</u>	Package, Brush (2 pieces) (includes 4 brushes)	1
22	<u>1017948</u>	Rigging, Brush	1
23	<u>1017949</u>	Screw, Brush Holder, #6-32 x 1/2	2
24	<u>102235201</u>	Bumper, Motor	1
25	1014201	Screw, Hex Head Cap, 1/4-20 x 2-1/4	3
26	<u>451</u>	Washer, Lock, 1/4	3
27	<u>1010934</u>	Screw, Hex Head Cap, 5/16-18 x 1	1
28	<u>7174</u>	Washer, Lock, 5/16	1
29	<u>101920101</u>	Kit, 3-Pin Plug Assembly, Gray	1

14

E

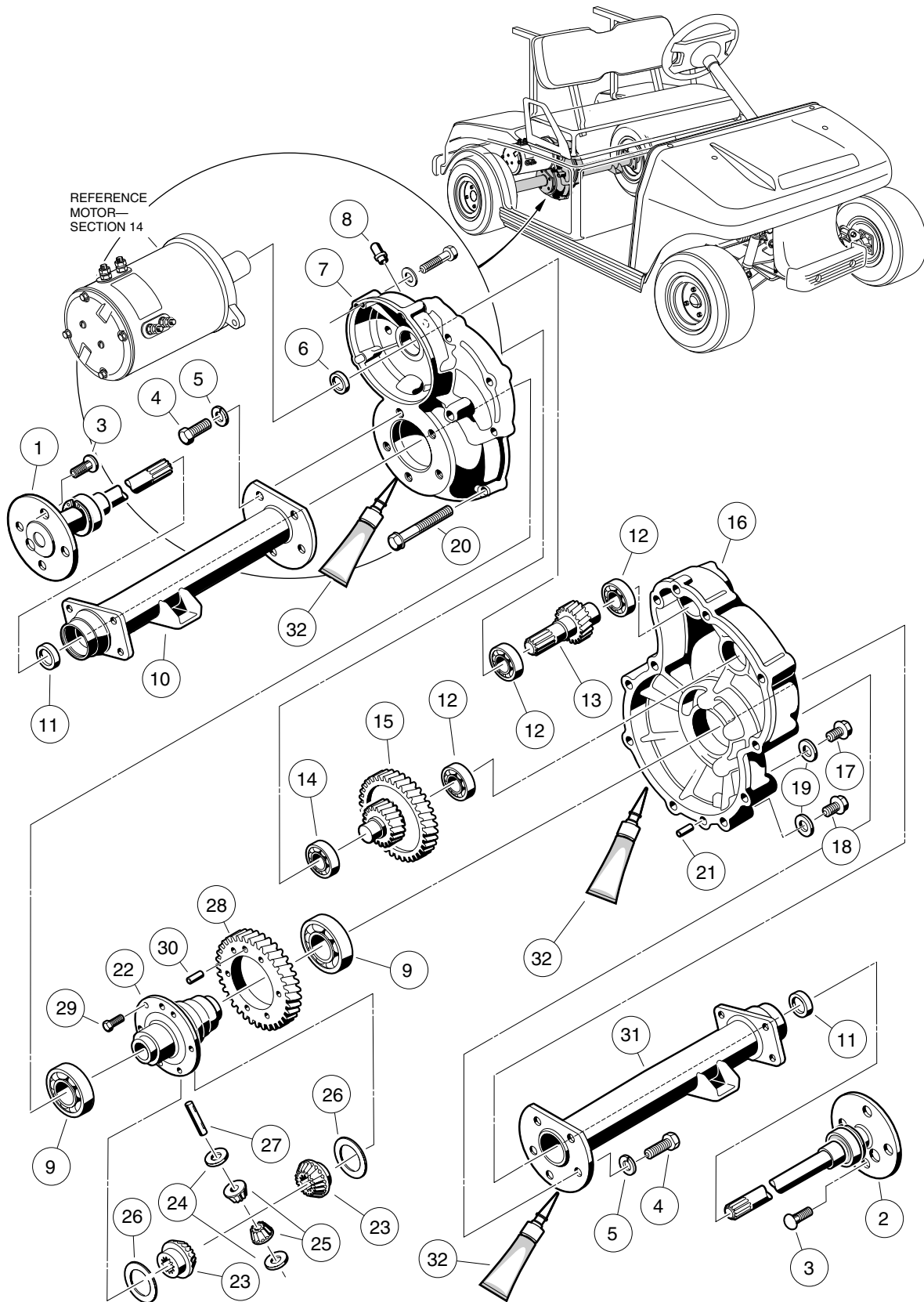
14

E

TRANSAXLE – ELECTRIC VEHICLE

15

E

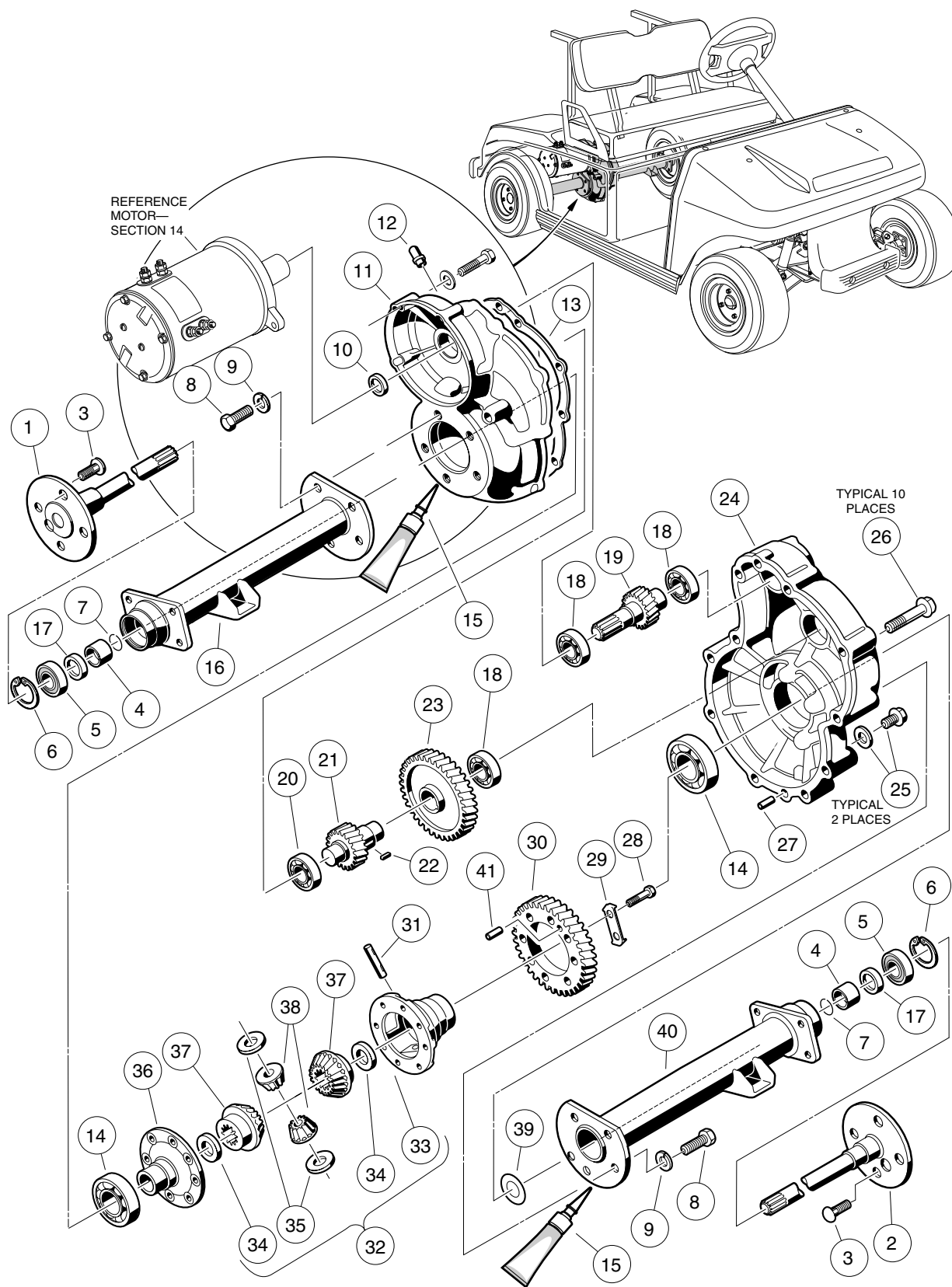


TRANSAXLE, TYPE G – ELECTRIC VEHICLE

ITEM	PART NO.	DESCRIPTION	QTY
		1 2 3 4	
	<u>101896001</u>	Transaxle, Type G (includes items 1 - 32)	1
1	<u>101895801</u>	Axle Assembly, Passenger Side (includes item 3)	1
2	<u>101895901</u>	Axle Assembly, Driver Side (includes item 3)	1
3	<u>101922201</u>	Stud, Lug	4
4	<u>101976001</u>	Bolt, M10 x 1.5 x 35 mm	10
5	<u>101897901</u>	Washer, Lock	10
6	<u>101923501</u>	Seal, Oil, Input Shaft	1
7	<u>101895501</u>	Gear Case, Passenger Side	1
8	<u>101897201</u>	Breather	1
9	<u>7330</u>	Bearing, Differential	2
10	<u>101895601</u>	Assembly, Axle Tube, Passenger Side	1
11	<u>1013794</u>	Seal, Oil, Axle Shaft	2
12	<u>7335</u>	Bearing, Input Gear.....	3
13	<u>101923701</u>	Shaft, Input	1
14	<u>7336</u>	Bearing, Intermediate Gear	1
15	<u>101906901</u>	Assembly, Intermediate Gear	1
16	<u>101895401</u>	Gear Case, Driver Side	1
17	<u>101972201</u>	Plug, Fill	1
18	<u>101972101</u>	Plug, Magnetic	1
19	<u>101923201</u>	Gasket, Plug	2
20	<u>101897001</u>	Bolt, M8 x 1.25 x 60 mm	11
21	<u>101897601</u>	Pin, Dowel	2
22	<u>101923601</u>	Housing, Differential	1
23	<u>101923901</u>	Gear, Differential	2
24	<u>101903601</u>	Plate, Thrust (idler gear)	2
25	<u>101923001</u>	Gear, Differential Idler	2
26	<u>101903701</u>	Plate, Thrust	2
27	<u>101922101</u>	Pin, Differential	1
28	<u>101906201</u>	Gear, Output	1
29	<u>101897401</u>	Bolt, M10 x 1.5 x 25 mm	4
30	<u>101972401</u>	Pin, Dowel	1
31	<u>101895701</u>	Assembly, Axle Tube, Driver Side	1
32	<u>101928701</u>	Gasket, Liquid, 8.8 oz. (250 g)	A/R
		<p>Note: Transaxle type is identified by orientation of Gear Case Bolts (Item 20). The Type G Transaxle has Gear Case Bolt heads facing toward the passenger side of the vehicle.</p>	

15

E



TRANSAXLE, TYPE K – ELECTRIC VEHICLE

ITEM	PART NO.	DESCRIPTION	QTY
		1 2 3 4	
	N/A	Transaxle, Type K (includes items 1 - 41)	1
1	1013785	Axle Assembly, Passenger Side (includes items 3 - 7)	1
2	1013786	Axle Assembly, Driver Side (includes items 3 - 7)	1
3	<u>1013787</u>	Stud, Lug	4
4	1014207	Bushing, 25 mm I. D.	1
5	<u>1011291</u>	Bearing, Outer Axle Tube	1
6	<u>1013792</u>	Circlip, Type C	1
7	<u>1016672</u>	Ring, Retaining	1
8	<u>1013790</u>	Bolt, M10 x 1.5 x 30 mm	10
9	<u>1013791</u>	Washer, Lock	10
10	<u>1013775</u>	Seal, Input Shaft Oil	1
11	1013756	Gear Case, Passenger Side	1
12	<u>1012711</u>	Breather	1
13	<u>1013758</u>	Gasket, Case	1
14	<u>7330</u>	Bearing, Inner Axle Tube	2
15	<u>101928701</u>	Gasket, Liquid, 8.8 oz. (250 g)	2
16	1017704	Assembly, Axle Tube, Passenger Side	1
17	<u>1013794</u>	Seal, Axle Shaft Oil	2
18	<u>7335</u>	Bearing, Input Gear	3
19	<u>1013764</u>	Shaft, Input	1
20	<u>7336</u>	Bearing, Intermediate Gear	1
21	<u>1013766</u>	Gear, Intermediate, Small	1
22	<u>1013780</u>	Key, Sunk	1
23	1013765	Gear, Intermediate, Large	1
24	1013757	Gear Case, Driver Side	1
25	<u>1013759</u>	Plug, Fill, with Gasket	2
26	<u>1013763</u>	Bolt, M6 x 1 x 50 mm	10
27	<u>1012710</u>	Pin, Dowel	2
28	<u>1013779</u>	Bolt, M8 x 1.25 x 37 mm	8
29	<u>1013782</u>	Plate, Lock	4
30	<u>1013767</u>	Gear, Output	1
31	<u>1013772</u>	Pin, Differential	1
32	<u>101910501</u>	Kit, Differential Gear Case (includes items 33 - 36)	1
33	1013768	Gear Case, Differential (driver side)	1
34	<u>1013773</u>	Plate, Thrust (differential gear)	2
35	<u>1013774</u>	Plate, Thrust (idler gear)	2
36	1013769	Gear Case, Differential (passenger side)	1
37	1013771	Gear, Differential	2
38	<u>1013770</u>	Gear, Differential Idler	2
39	<u>1013781</u>	Shim	1
40	<u>1017703</u>	Assembly, Axle Tube, Driver Side	1
41	<u>1014193</u>	Pin, Dowel	1
<p>Note: Transaxle type is identified by orientation of Gear Case Bolts (item 26). The Type K Transaxle has Gear Case Bolt heads facing toward the driver side of the vehicle.</p>			

15

E

15

G

E

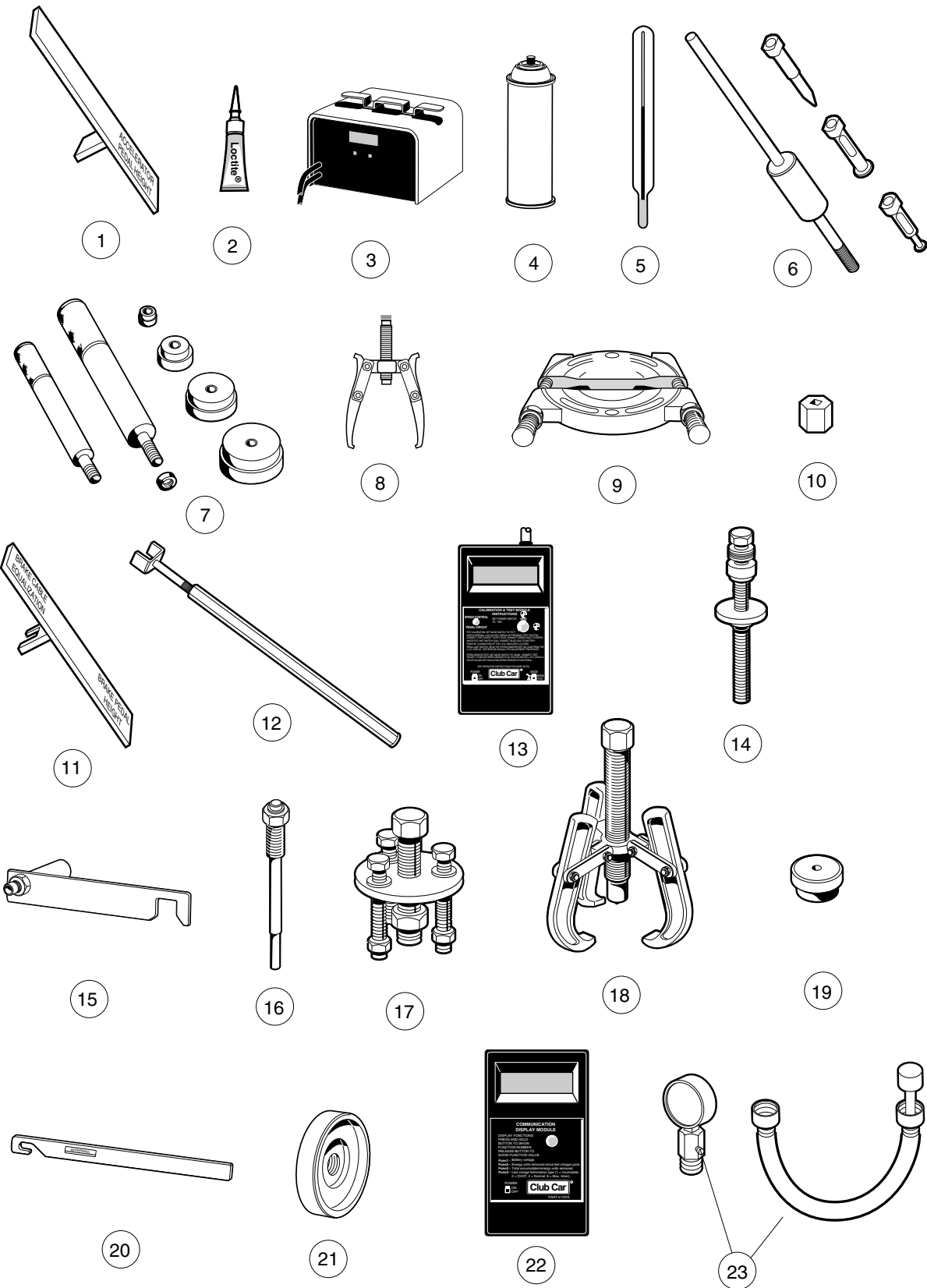
MAINTENANCE AND SERVICE TOOLS

16

G

E

16
G
E



MAINTENANCE AND SERVICE TOOLS

ITEM	PART NO.	DESCRIPTION	QTY GAS	QTY ELEC
		<p style="text-align: center;">1 2 3 4</p> <p>The following tool list includes all tools available from Club Car for maintenance and service procedures for gasoline and/or electric vehicles, both past and present models. Be sure to carefully examine the tool list for applicability to your vehicle before ordering.</p>		
1	<u>101871001</u>	Accelerator Pedal Adjustment Tool	1	1
2	<u>101813202</u>	Adhesive, Guide Ring, 3-Gram Tube	1	1
3	<u>101831901</u>	Battery Discharge Machine, 36/48 Volt		1
4	<u>1014305</u>	Battery Terminal Protector Spray	1	1
5	<u>1011767</u>	Battery Thermometer		1
6	<u>1016417</u>	Bearing and Oil Seal Remover Assembly	1	1
7	<u>1016416</u>	Bearing Driver Set	1	1
8	<u>1012811</u>	Bearing Puller	1	1
9	<u>1012812</u>	Bearing Puller Wedge Attachment	1	1
10	<u>1013582</u>	Brake Adjustment Tool (used only on vehicles with manually adjusted mechanical brakes)	1	1
	<u>102249901</u>	Brake Pedal Adjustment Tool Kit (used for the Carryall electric industrial truck only) (includes items 11 and 12)		1
11	****	Brake Pedal Tension Tool		1
12	****	Brake Pedal Adjustment Tool		1
13	<u>101887101</u>	Calibration Test Module		1
14	<u>101808401</u>	Cam Installation Tool	1	
	<u>1014510</u>	Clutch Tool Kit (includes items 15 - 21)	1	
15	<u>1014498</u>	Clutch Alignment Tool (for pre-unitized transaxle vehicles built prior to 1997 model year)	1	
16	<u>1014496</u>	Drive Clutch Puller	1	
17	<u>1014497</u>	Drive Clutch Hub Puller	1	
18	<u>1014508</u>	Driven Clutch Cam Puller	1	
19	<u>1014507</u>	Driven Clutch Puller Plug	1	
20	<u>1015524</u>	Drive Clutch Holder Tool Assembly	1	
21	<u>101809101</u>	Press Weldment	1	
22	<u>101831801</u>	Communication Display Module		1
23	<u>101641002</u>	Compression Gauge And Adapter	1	
		Please refer to the maintenance and service manual for proper tool application.		
	****	Special order item available upon request		

16

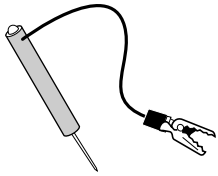
G

E

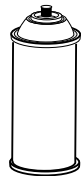
16

G

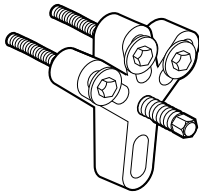
E



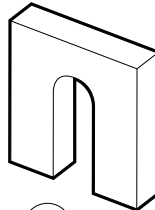
24



25



26



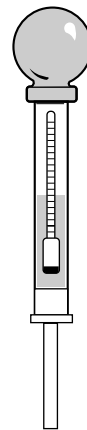
27



28



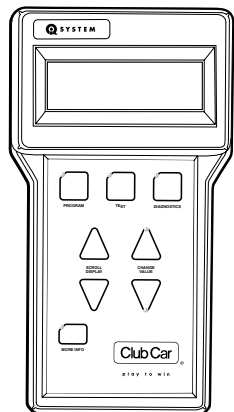
29



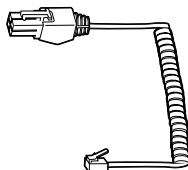
30



31



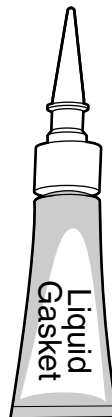
32



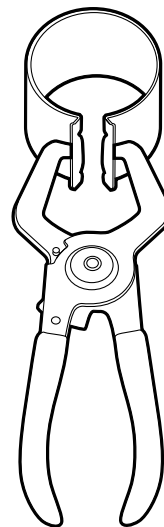
33



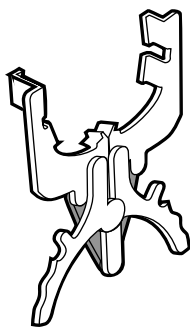
34



35



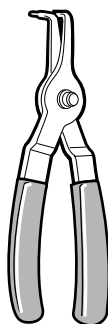
36



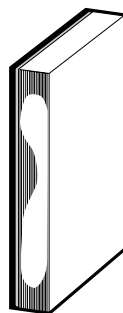
37



38



39



40



41



42



43

MAINTENANCE AND SERVICE TOOLS, CONTINUED

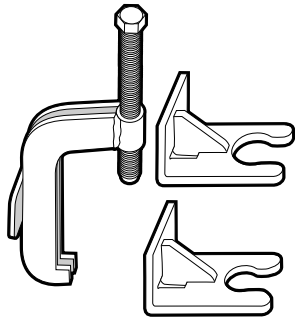
ITEM	PART NO.	DESCRIPTION	QTY GAS	QTY ELEC
		1 2 3 4		
24	1011273	Continuity Tester	1	1
25	<u>1012151</u>	Dry Moly Lubricant	1	1
26	<u>1016627</u>	Flywheel Puller Kit	1	
27	<u>1016418</u>	Gear Yoke	1	1
28	<u>101933101</u>	Governor Shaft Installation Tool	1	
29	102169401	Hydraulic Brake Adjuster (for vehicles equipped with hydraulic brakes)	1	
30	<u>1011478</u>	Hydrometer	1	1
31	<u>1013593</u>	Internal Retaining Ring Pliers	1	1
32	102248801	IQ System Display Module (IQDM) Kit (for IQ System vehicles only)		1
		(includes items 33 and 34)		
33	<u>102241501</u>	Cable, IQDM		1
34	<u>102251501</u>	Adaptor, Cable		1
35	<u>101928701</u>	Liquid Gasket (transaxle case)	1	1
36	<u>1016414</u>	Piston Ring Compressor Kit (FE290, FE350 and FE400).....	1	
37	<u>1016415</u>	Piston Ring Pliers	1	
38	<u>1012549</u>	Retaining Ring Pliers, 45° External	1	1
39	<u>1012560</u>	Retaining Ring Pliers, 90° Internal	1	1
40	<u>101823101</u>	Safety First Card (50 per pack)	1	1
41	<u>1012809</u>	Seal Puller	1	1
42	<u>1014264</u>	Steering Column Bearing Press Tool	1	1
43	<u>1014259</u>	Steering Column Retaining Ring Tool	1	1
Please refer to the maintenance and service manual for proper tool application.				

16

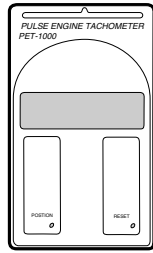
G

E

16
G
E



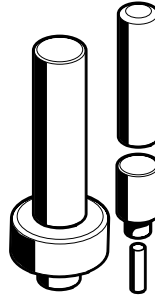
44



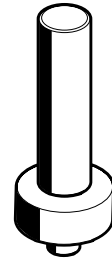
45



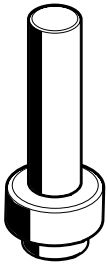
46



47



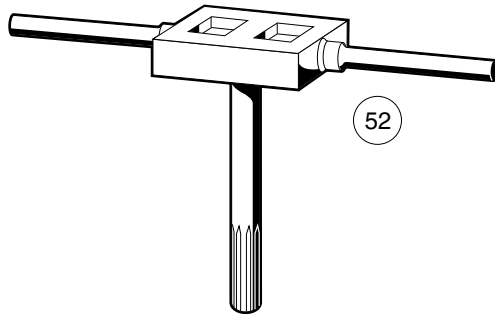
48



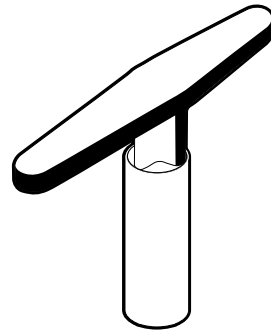
49



50

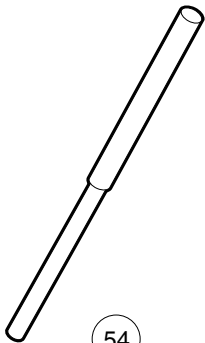


52

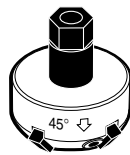


53

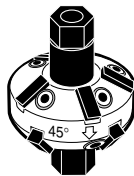
51



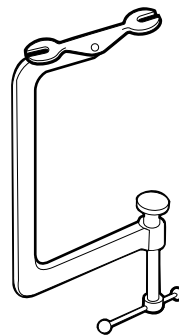
54



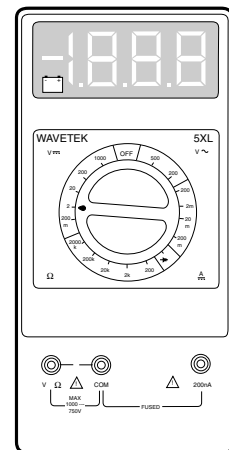
55



56



57



58

MAINTENANCE AND SERVICE TOOLS, CONTINUED

ITEM	PART NO.	DESCRIPTION	QTY GAS	QTY ELEC
		1 2 3 4		
44	102061201	Steering Wheel Puller Tool	1	1
45	1016112	Tachometer	1	
46	<u>101997201</u>	Paint, Touch-Up – Beige	1	1
46	<u>101997202</u>	Paint, Touch-Up – White	1	1
46	<u>101997203</u>	Paint, Touch-Up – Red	1	1
46	<u>101997204</u>	Paint, Touch-Up – Gray	1	1
46	<u>101997205</u>	Paint, Touch-Up – Dark Gray	1	1
46	<u>101997206</u>	Paint, Touch-Up – Royal Blue (Pacific Blue)	1	1
46	<u>101997207</u>	Paint, Touch-Up – Black	1	1
46	<u>101997209</u>	Paint, Touch-Up – Dark Green	1	1
46	<u>101997211</u>	Paint, Touch-Up – Classic Blue (Navy)	1	1
46	<u>101997212</u>	Paint, Touch-Up – Burgundy	1	1
47	<u>1014115</u>	Transmission Tool Kit	1	
48	1014161	Transaxle Pinion Seal Tool	1	
49	<u>1014162</u>	Transaxle Axle Seal Tool	1	
50	<u>1016413</u>	Valve Clearance Adjuster Screw Holder (for FE290 engines only)	1	
51	101641201	Valve Guide Reamer	1	
52	<u>101641202</u>	Arbor	1	
53	<u>1016551</u>	Valve Seat Cutter T-Wrench	1	
54	<u>1016552</u>	Valve Seat Cutter Guide	1	
55	<u>1016553</u>	Valve Seat Cutter, 45° (32 mm diameter) (for FE290 engines only)	1	
56	<u>1016554</u>	Valve Seat Cutter, 45°/30° (35 mm diameter)	1	
57	<u>101641101</u>	Valve Spring Compressor	1	
58	1011480	Volt Ohm Meter	1	1
59	<u>101611003</u>	Tune-Up Kit, All OHV (includes air filter, spark plug, oil filter, fuel filters) (not shown)	1	
		Please refer to the maintenance and service manual for proper tool application.		

16
G
E

16

G

E

INDEX

Part Number and Page

183	8-11	8233	1-7, 1-9, 1-13, 1-15, 1-17, 4-7, 6-5, 8-3, 12-7, 12-15, 12-33, 12-43	1011304	5-9
304	12-7	8248	6-5, 8-3, 12-33, 12-43	1011393	5-9
324	1-17	8251	1-7, 1-9, 6-5	1011394	1-5
332	1-7, 1-9, 1-11, 1-17, 6-5, 8-11, 9-3, 12-11, 12-33, 12-43	8418	1-13, 1-15	1011402	4-5
334	4-7, 5-3, 5-5	8449	12-9, 12-21	1011411	14-3, 14-5, 14-7, 14-9
357	5-9	8450	12-7, 12-15, 12-39	1011415	5-11
451	9-3, 12-7, 12-9, 12-11, 12-15, 12-21, 12-37, 14-3, 14-5, 14-7, 14-9	8626	4-5	1011418	4-5
705	6-13	8639	12-13, 12-47	1011466	4-3
706	5-9	8717	6-5, 6-7	1011478	16-5
1016	12-13	8745	5-9	1011480	16-7
1017	12-9, 12-21, 12-39	8754	4-7, 5-3, 5-5, 5-7, 5-9, 5-11, 6-13	1011558	12-19
1028	4-5, 12-7, 12-9, 12-11, 12-15, 12-21, 12-37	8755	5-9	1011578	12-13, 12-17, 12-35, 12-45
1032	4-5	8795	12-13	1011652	1-11
1035	4-3, 5-5, 5-7	8796	12-13	1011694	4-7
1218	12-19, 12-39	8797	12-13	1011697	1-3, 5-3, 8-7, 8-9
1241	1-5, 1-13, 1-15, 4-5, 4-7, 6-7, 6-13, 6-15, 12-19, 12-39	8861	5-7	1011700	4-7
1242	4-5, 6-7, 6-13, 12-19, 12-39, 12-47	8990	5-5, 12-3, 12-21, 12-33, 12-39, 12-43	1011734	4-7
1308	5-7	8755	5-11	1011767	16-3
1606	8-11, 12-13	1010005	5-9	1011779	4-3, 4-5
1624	4-7, 5-5, 5-9	1010124	5-7	101187702	4-5, 4-7
2402	5-7	1010138	5-7	1011887	5-9
4107	12-13	1010145	5-11	1011892	5-9
7048	5-9	1010150	5-9	1011930	5-5, 5-7
7173	6-13, 6-15, 10-5, 12-19, 12-39	1010200	5-7	1011931	12-11, 12-37
7174	5-3, 6-13, 8-9, 9-3, 12-13, 12-19, 12-37, 12-39, 12-47, 14-3, 14-5, 14-7, 14-9	1010219	5-7	1011988	8-3
7251	1-5	1010347	5-9	1011997	12-7
7310	2-3	1010348	5-9	1012022	12-13
7330	11-7, 15-3, 15-5	1010413	1-13, 1-15	1012030	5-9
7335	11-5, 15-3, 15-5	1010434	1-3, 1-13, 1-15	1012042	13-3, 13-5, 13-7
7336	11-5, 15-3, 15-5	1010435	1-5	1012047	1-7, 1-9
7473	1-3, 1-5, 1-13, 1-15, 4-5, 4-7, 6-7, 6-13, 6-15, 12-9, 12-21	1010521	12-13	1012098	13-3, 13-5, 13-7, 13-9, 13-11, 13-13, 13-15
7479	1-9, 1-13, 1-15	1010543	1-11	1012101	13-3, 13-5, 13-7, 13-9, 13-13, 13-15
7539	5-7	1010805	4-5	1012151	16-5
7540	5-5, 5-7	1010829	4-3	1012159	1-9
7555	5-5, 5-7	1010850	4-3	1012164	7-15
7569	5-11	1010877	4-5	1012180	5-11
7577	13-3, 13-5, 13-7, 13-9, 13-11, 13-13, 13-15	1010878	4-5	1012181	5-11
7602	5-5, 5-7	101090801	12-13, 12-17, 12-35, 12-45	1012182	5-11
7716	4-5, 4-7	1010921	1-13, 1-15, 4-5	1012285	6-5, 8-9, 12-11, 12-13, 12-19, 12-37, 12-39, 12-47
7818	1-13, 1-15, 6-7	1010927	4-5	1012295	6-7
7840	5-9	1010932	4-5	1012303	5-9, 5-11
7847	1-3, 1-7, 9-3	1010933	4-5	1012304	5-11
7893	6-5, 6-7, 12-13	1010934	6-15, 14-3, 14-5, 14-7, 14-9	1012324	5-11
7910	5-9	1010954	6-5, 6-7, 11-3	1012328	6-15
7973	1-3	1010958	12-5, 12-13	1012333	6-5
8049	12-7, 12-15	1010974	5-11	1012353	12-9, 12-21
8056	12-9, 12-21	1010984	2-3, 5-9	1012382	6-3
8057	6-5, 6-7, 12-7, 12-9, 12-15, 12-21	1011010	12-5	1012412	1-7, 1-9
8058	6-5, 6-7, 12-7, 12-9, 12-15, 12-21	1011014	1-5	1012431	6-5, 6-7
8067	5-9	1011017	1-5	1012467	5-5
		1011069	12-5	1012505	6-9, 12-3
		1011084	4-7	1012528	9-3, 12-19, 12-37, 12-47
		1011229	6-9	1012549	16-5
		1011273	16-5	1012560	16-5
		1011290	14-3, 14-5, 14-7		
		1011291	11-7, 15-5		

INDEX

1012565	5-3	1013683	12-13, 12-17, 12-35, 12-45	1014030	12-5
1012566	5-3	1013687	8-3	1014032	12-5
1012571	7-15	1013692	8-3	1014033	12-5
1012594	6-5	1013700	8-9	1014034	12-5
1012604	5-3	1013734	9-3, 12-47	1014035	12-5
1012605	5-3	1013746	8-3, 8-7	1014036	12-5
1012649	8-3	1013754	1-13, 1-15	1014039	12-5
1012651	12-5	1013756	15-5	1014045	12-11
1012710	15-5	1013757	15-5	1014049	10-3
1012711	11-3, 15-5	1013758	15-5	1014050	10-3
1012714	11-5	1013759	11-3, 15-5	1014051	10-3
1012740	11-5	1013763	15-5	1014052	10-3
1012741	11-5	1013764	15-5	1014055	10-3
1012747	11-5	1013765	15-5	1014056	10-3
1012748	11-5	1013766	15-5	1014057	10-3
1012752	11-3	1013767	15-5	1014058	10-3
1012809	16-5	1013768	11-7, 15-5	1014059	10-3
1012811	16-3	1013769	11-7, 15-5	1014065	6-5, 6-7
1012812	16-3	1013770	11-7, 15-5	1014070	10-5
1012830	6-13, 9-3	1013771	11-7, 15-5	1014072	10-5
1012903	12-9, 12-21	1013772	11-7, 15-5	1014078	10-5
1012981	7-5	1013773	11-7, 15-5	1014080	10-5
1012987	6-5, 12-7, 12-15	1013774	11-7, 15-5	1014089	6-5
1013001	6-11	1013775	15-5	1014109	12-9, 12-21
1013003	6-11	1013779	15-5	1014115	16-7
1013005	6-11	1013780	15-5	1014116	8-3
101301102	6-11	1013781	15-5	1014119	6-3
1013032	1-7, 1-9	1013782	15-5	1014125	5-3
1013035	5-5	1013785	15-5	1014126	5-3
1013042	5-5	1013786	15-5	1014145	6-5, 6-7
1013044	5-5	1013787	11-7, 15-5	1014153	4-3
1013051	5-5	1013790	11-7, 15-5	1014161	16-7
1013052	5-5	1013791	11-7, 15-5	1014162	16-7
1013061	12-9, 12-17, 12-21, 12-35, 12-45	1013792	15-5	1014189	12-9, 12-21
1013092	12-5, 12-13	1013794	11-7, 15-3, 15-5	1014193	11-7, 15-5
1013135	5-9	1013860	12-9, 12-21	1014198	1-5
1013140	1-7, 1-9	1013861	5-3	1014201	14-3, 14-5, 14-7, 14-9
1013164	5-11	1013869	4-5	1014207	11-7, 15-5
1013198	6-5, 12-7, 12-15	1013870	4-5	1014213	5-3
1013207	4-3, 5-11	1013871	4-7	1014214	5-3
1013266	12-13	1013876	4-5	1014216	5-3
1013343	1-3	1013886	12-9, 12-21	1014217	5-3
1013344	1-3	1013887	12-9, 12-21	1014235	5-7
101342501	12-13	1013924	4-3, 7-15	1014236	5-11
1013461	12-21	1013935	1-13, 1-15	1014253	12-9, 12-21
101347501	1-5	1013971	12-11	1014259	16-5
1013496	3-5	1013998	12-9, 12-21	1014264	16-5
1013531	4-5	1014000	12-9, 12-21	1014276	5-9
1013582	16-3	1014003	12-9, 12-21	1014288	5-3, 6-15, 12-19, 12-39, 12-47
1013587	6-5	1014007	4-7	1014289	6-11
1013589	6-5, 6-7	1014010	12-9, 12-21	1014304	12-13, 12-17, 12-35, 12-45
1013590	6-5	1014012	12-11	1014305	16-3
1013591	6-5	1014013	12-11	1014306	1-7, 1-9
1013593	16-5	1014014	12-11	1014374	6-15
1013609	6-7	1014017	12-9, 12-21	1014375	6-15
1013628	12-13	1014019	12-9, 12-21	1014413	8-9
1013649	12-13	1014029	12-5	1014414	12-9, 12-21

INDEX

1014453	10-3	101570507	2-3	1016342	6-5
1014454	10-5	101570513	2-3	1016346	5-7
1014476	12-11	1015707	2-3	1016349	5-7
1014482	1-13, 1-15	1015720	6-9	1016350	5-7
1014496	16-3	1015737	6-3, 6-7	1016353	5-7
1014497	16-3	1015741	6-7	1016379	1-3
1014498	16-3	1015752	6-7, 8-11, 12-23	1016384	5-9
1014507	16-3	1015769	6-3	1016385	5-7
1014508	16-3	1015777	6-7	1016386	5-9
1014510	16-3	1015814	9-3	1016387	5-9
1014516	12-13	1015845	8-9	1016389	5-9
1014523	8-3	1015878	6-7	101641002	16-3
1014524	8-3	1015905	13-3, 13-5, 13-7	101641101	16-7
1014528	12-7, 12-15	1015906	13-3, 13-5, 13-7	101641201	16-7
1014555	5-11	1015907	13-3	101641202	16-7
1014645	1-3	1015910	13-3, 13-5	1016413	16-7
1014696	13-5	1015911	13-3, 13-5, 13-7	1016414	16-5
1014727	6-5	1015912	13-3	1016415	16-5
1014728	12-11	1015913	13-3, 13-5, 13-7	1016416	16-3
1014729	12-11	1015914	13-3, 13-5, 13-7, 13-9, 13-13, 13-15	1016417	16-3
1014735	12-9	101591601	13-3	1016418	16-5
1014771	2-3	101591602	13-3	101642572	8-5
1014807	6-5, 6-7, 12-9, 12-21	1015917	13-3, 13-5, 13-7, 13-9, 13-13	101642575	8-5
1014808	6-7, 12-7, 12-15	1015920	6-3, 6-13	101642578	8-5
1014828	12-5	1015932	6-13	101642580	8-5
1014871	12-15	1015936	13-5	101642582	8-5
1014928	8-3	1015939	13-7	1016429	7-7
1014947	12-19, 12-25, 12-27, 12-47	1015969	7-3	1016430	7-9
1014948	12-13, 12-19, 12-37	1016003	8-3	1016431	7-9
1014999	12-9, 12-21	1016068	12-5	1016432	7-7, 11-3
1015032	1-3, 1-5, 1-7, 1-9	1016069	12-5	101643301	13-3, 13-5, 13-7
1015069	12-37	1016070	12-5	101643302	13-3, 13-5, 13-7
1015072	12-13, 12-17, 12-35, 12-45	1016074	6-13	101643303	13-3, 13-5, 13-7
1015075	1-13, 1-15, 6-13, 9-3	101610901	3-5, 12-9, 12-21	101643401	13-5
1015137	8-3, 8-7	101611003	16-7	1016435	7-7
1015139	8-3	1016112	16-7	1016436	7-9
1015143	8-3	1016140	12-9	1016437	8-5
1015188	8-3	1016154	5-3	1016438	8-7
101524001	6-13	1016156	5-3	1016439	8-7
1015330	9-3	1016175	12-9, 12-21, 12-39	1016440	8-7
1015332	6-3, 7-3	1016181	5-3	1016441	8-7
1015371	6-7	1016183	5-3	1016442	7-9
1015372	6-7	1016201	6-5	1016443	7-3
1015373	6-7	1016202	8-9	1016444	8-7
1015405	6-7	1016203	10-3, 10-5	1016445	7-5
1015408	8-9	1016214	5-3	1016446	7-11
1015426	8-11	101621601	3-3, 3-5	1016447	7-9
101547601	3-3	1016219	5-3	1016448	7-9
1015524	16-3	1016263	5-3	1016449	7-9
1015525	1-7, 1-9	1016269	5-3	1016450	7-9
1015545	5-3	1016282	13-7	1016451	7-9
1015583	5-9, 5-11	1016289	10-3	1016452	7-9
1015597	5-5, 5-7, 5-9	1016336	13-7	1016453	7-11
1015649	7-3	1016337	11-5	1016454	7-11
101567202	2-3	1016338	11-5	1016455	7-5
101570501	2-3	1016341	11-3	1016456	7-3, 7-5, 7-11
101570502	2-3			1016457	7-7

INDEX

1016458	7-9, 7-11	1016533	7-13	1016622	5-3
101645901	7-13	1016535	7-11	1016627	16-5
101645902	7-13	1016536	7-3	1016630	6-9
101645903	7-13	1016537	7-7	1016663	5-3
1016460	7-13	1016538	7-11	1016672	11-7, 15-5
101646101	7-13	1016539	7-3	1016801	10-3
101646102	7-13	1016541	7-13	1016845	12-7, 12-15
101646103	7-13	1016542	7-9	1016849	6-9, 12-3
101646201	13-7	1016544	7-5, 7-9, 7-11	1016851	6-9, 12-3
101646401	13-3	1016545	7-9, 12-19, 12-37	1016859	6-9, 12-3
1016467	7-7	1016546	8-9	1016868	1-5
1016469	7-13	1016547	7-3, 7-13, 8-7	1016875	1-3
1016470	7-13	1016548	7-5	1016876	1-3
1016471	7-9	1016549	7-9	1016883	6-13
1016472	7-11	101655001	7-13	1016896	12-7
1016473	7-7	101655002	7-13	1016916	1-11
1016474	7-9	101655003	7-13	101692501	1-5
101647501	7-13	101655004	7-13	101692502	1-5
101647502	7-13	101655005	7-13	101692504	1-5
1016479	7-9	101655006	7-13	101692506	1-5
1016480	8-7	101655007	7-13	101692509	1-5
101648102	8-7	101655008	7-13	101692510	1-5
101648203	7-7	101655009	7-13	101692511	1-5
1016483	7-9	1016551	16-7	101692512	1-5
1016484	7-7	1016552	16-7	101692513	1-5
1016486	8-5	1016553	16-7	101692601	1-7
1016489	7-9	1016554	16-7	101692602	1-7
101649002	8-7	1016558	7-13	101692604	1-7
1016493	7-5	1016559	7-13	101692606	1-7
1016494	7-11	1016560	7-9	101692609	1-7
1016496	7-11	1016561	7-5	101692610	1-7
1016497	7-5	1016562	7-5, 7-13	101692611	1-7
1016499	8-5	1016563	7-9	101692612	1-7
1016501	8-5	1016564	7-11	101692613	1-7
1016502	7-7	1016565	7-11	101693301	1-9
1016505	7-5	1016566	7-9	101693302	1-9
1016506	7-11	1016567	7-11	101693304	1-9
1016507	7-3	1016568	7-13	101693306	1-9
1016509	7-13	1016569	7-9	101693309	1-9
1016510	7-11	1016570	7-7	101693310	1-9
1016512	7-3	1016571	7-13	101693311	1-9
101651401	2-3	1016572	8-7	101693312	1-9
101651402	2-3	1016576	7-7	101693313	1-9
101651407	2-3	1016578	7-5	101693901	1-5
101651408	2-3	1016579	7-5	101693902	1-5
101651413	2-3	1016580	7-13	101693904	1-5
1016516	7-13	1016581	7-7	101693906	1-5
1016517	7-9	1016582	8-7	101693908	1-5
1016519	7-9	1016583	7-9	101693909	1-5
1016520	7-11	1016584	7-11	101693910	1-5
1016521	7-11	1016585	8-5	101693911	1-5
1016523	7-9	1016586	7-5	101693912	1-5
1016524	7-3	1016587	7-5	1016947	6-5
1016525	7-3	1016588	7-5	1016952	1-3
1016526	7-3	101660404	1-3	101696201	1-9
1016531	7-3	101661601	12-13	101696202	1-9
1016532	7-13	101661602	12-13	101696204	1-9

INDEX

101696206	1-9	1017936	1-7, 1-9	101823901	4-3
101696208	1-7	1017944	14-3, 14-5, 14-7, 14-9	101824001	4-3
101696209	1-7	1017945	14-3	101824002	4-3
101696211	1-7	1017946	14-3, 14-5, 14-7	101824401	8-3
101696213	1-7	1017947	14-3, 14-5, 14-7, 14-9	101825101	3-3, 3-5
101696215	1-7	1017948	14-3, 14-5, 14-7, 14-9	101826201	12-3
101696216	1-7	1017949	14-3, 14-5, 14-7, 14-9	101826301	6-9
101696217	1-9	1017950	14-3, 14-5, 14-7, 14-9	101827101	7-15
101696218	1-9	1017951	14-3, 14-5	101827801	12-19, 12-39, 12-47
101696219	1-7	1017952	14-3	101828301	13-9
101696220	1-7	1017953	14-3, 14-5, 14-7, 14-9	101828501	13-9, 13-13
101696221	1-7	101795701	12-17, 12-25, 12-27, 12-29, 12-31, 12-35, 12-41, 12-45	101828601	13-9, 13-11
101696222	1-9	1017958	14-5	101828701	13-9, 13-11
101696223	1-9	1017961	14-5, 14-7	101828801	13-9, 13-11
101696224	1-9	101796201	4-7	101828802	13-9, 13-11
1016967	1-5	101796501	12-17, 12-35, 12-45	101828901	13-9, 13-13, 13-15
1017029	4-5	101796801	12-17, 12-35, 12-45	101828902	13-9, 13-13, 13-15
101706702	1-3	101797701	12-17, 12-35, 12-45	101828903	13-9, 13-13
101707206	1-13	101797702	12-17, 12-35, 12-45	101828904	13-11
1017079	1-3	101797801	12-17, 12-35, 12-45	101828905	13-11
1017080	1-5	101801001	12-17, 12-35, 12-45	101828906	13-11
101708301	1-3	101802101	12-17, 12-35, 12-45	101830601	6-9
1017141	1-7, 1-9	101802201	13-9	101830701	6-9, 12-3
1017203	8-3	101802202	13-9	101831101	13-9
1017221	7-3	101802203	13-9	101831401	12-13
1017226	5-3	101802204	13-11	101831503	13-13
1017231	11-3	101802205	13-11	101831504	13-13
1017237	12-37	101802206	13-11	101831701	13-13
1017266	5-7	101802601	1-3, 12-3	101831702	13-13
1017273	5-3	1018028	12-37	101831801	16-3
1017328	10-3	1018038	12-39	101831901	16-3
1017378	4-7	101804301	8-11	101832001	12-17, 12-35, 12-45
1017380	4-7	101805701	8-11	101832101	7-15
1017424	4-7	101808401	16-3	101832201	8-9
1017448	7-5	101809101	16-3	101832301	8-9
1017455	7-5	101811401	8-11	101832401	8-9
1017456	7-7	101811501	8-11	101832501	8-9
1017461	8-5	101811901	8-11	101832701	7-15
1017466	8-7	101812301	8-11	101832901	7-15
1017507	7-7	101813202	16-3	101833001	7-15
101753005	12-15	101813202	16-3	101833201	7-15
1017653	6-11	101815501	4-3	101833301	7-15
101768202	1-3	101815502	4-3	101833401	10-5
1017686	10-5	101816301	4-3	101833601	11-3
1017689	9-3	101816501	4-3	101833701	6-11, 6-13
1017692	12-9	101816502	4-3	101833902	10-3
101769302	2-3	101817401	4-7	101834001	10-5
1017696	4-7	101818801	4-7	101834502	6-9, 12-3
1017703	15-5	101819701	13-9	101834601	7-15
1017704	15-5	101820201	8-7	101834801	11-3
1017705	12-17, 12-35, 12-45	101821301	6-7	101835601	1-17
1017748	1-7, 1-9	101821501	8-11	101836201	10-5
1017774	1-13, 1-15	101823101	16-5	101837101	8-11
1017799	12-15	101823201	4-3	101837301	6-3, 6-13
1017814	1-9	101823301	4-3	101838201	13-13
1017815	1-9	101823302	4-3	101838301	13-13
101791101	4-3	101823801	4-3	101838401	13-13, 13-15

INDEX

101838501	13-13	101881701	8-11	101903501	8-9
101838601	13-13, 13-15	101883002	12-25, 12-27	101903601	15-3
101838701	13-13	101883601	12-37	101903701	15-3
101840201	12-19	101884801	7-15	101904101	1-7, 1-9
101850301	8-11	101887101	16-3	101905601	8-5, 8-7
101851101	6-9	101887601	7-3, 8-7	101906201	15-3
101853502	12-29, 12-31	101887901	12-39, 12-47	101906901	15-3
101853602	12-29, 12-31	101888201	12-37	101908101	12-33, 12-43
101854501	14-7	101889302	6-3	101908401	12-33, 12-43
101855001	12-33	101889401	11-5	101908601	3-5
101855002	12-43	101889901	11-5	101908701	12-19, 12-37, 12-47
101855801	6-5	101890001	11-5	101909201	7-5
101855901	7-15	101890101	11-3	101909301	7-5
101856001	12-33, 12-43	101890201	11-3	101909401	7-5
101856101	12-33, 12-43	101890601	11-3	101909501	7-5
101856102	6-7	101890901	11-7	101909701	7-3
101856201	8-11	101891001	11-7	101909901	12-19
101859301	9-3	101891301	11-3	101909902	12-39, 12-47
101861901	4-7	101891401	11-7	101910401	1-13, 1-15, 12-19, 12-39, 12-47
101862001	4-7	101891501	11-7	101910501	11-7, 15-5
101869302	6-11	101891601	11-5	101912401	4-7
101871001	16-3	101891901	11-5	101914401	13-9, 13-13
101871901	4-7	101892001	11-5	101915201	3-3
101874901	6-11	101892201	11-5	101915401	7-11
101875001	6-11	101892301	11-5	101915501	7-13
101875101	6-11	101892401	11-5	101915601	7-3
101875201	6-11	101892501	11-5	101915701	7-5
101875301	6-11	101892601	11-5	101915801	7-5
101875401	6-11	101892701	11-7	101916501	10-3
101875501	6-11	101893201	11-5	101916701	6-13, 10-3
101875601	6-11	101894901	12-17, 12-35, 12-45	101917601	8-11
101875701	6-11	101895101	14-7	101917701	8-11
101875802	6-11	101895401	15-3	101920001	12-29, 12-31, 12-41
101876001	6-11	101895501	15-3	101920101	12-19, 12-21, 12-23, 12-43, 14-7, 14-9
101876202	6-11	101895601	15-3	101921501	8-11
101876301	6-11	101895701	15-3	101922101	15-3
101876402	6-11	101895801	15-3	101922201	15-3
101876501	6-11	101895901	15-3	101922301	7-13
101877601	6-11	101896001	15-3	101922501	12-33, 12-43
101877701	6-11	101896501	6-11	101922601	6-5, 11-3
101878101	6-11	101896901	8-3	101923001	15-3
101878201	4-5	101897001	15-3	101923201	15-3
101878302	5-5	101897201	15-3	101923501	15-3
101879001	6-11	101897401	15-3	101923601	15-3
101879201	14-7	101897601	15-3	101923701	15-3
101879301	14-7	101897901	15-3	101923901	15-3
101879401	5-5	101898001	6-15	101925601	10-3
101879501	5-5	101900801	4-3, 5-11	101925701	8-11
101879601	5-5	101900901	6-9	101925801	14-7
101879701	5-5	101901201	12-25, 12-27	101927101	11-3
101879801	5-5	101901301	12-25, 12-27	101927201	11-3
101879901	5-5	101901401	12-25, 12-27	101927501	11-5
101880001	5-5	101901501	12-25, 12-27	101927601	11-5
101880101	5-5	101902801	12-25, 12-27, 12-29, 12-31	101927801	11-5
101880201	5-5	101902901	12-25, 12-27, 12-29, 12-31	101927901	11-5
101880301	5-5	101903001	12-25, 12-27		
101881101	7-5	101903101	5-9		

INDEX

101928001	11-5	101979101	6-5, 12-15	102169401	16-5
101928101	11-5	101980801	11-5	102174201	1-11
101928301	11-7	101980901	11-5	102174202	1-11
101928701	11-3, 15-3, 15-5, 16-5	101981001	11-5	102174204	1-11
101929801	10-3	101984801	5-3	102174205	1-11
101931501	3-5	101985501	1-11	102196601	12-41
101932001	12-21	101987501	13-15	102196901	12-43
101932401	12-43	101987601	1-11	102198301	1-17
101932501	12-43	101987701	8-3	102198601	12-43
101932601	12-39, 12-47	101990801	4-5	102199601	12-41
101932701	12-39, 12-47	101992601	6-7	102221201	1-3, 1-7, 1-9
101932801	12-21	101997201	16-7	102235201	14-3, 14-5, 14-7, 14-9
101933101	16-5	101997202	16-7	102236601	1-15
101935501	12-3	101997203	16-7	102236703	1-15
101936801	12-23	101997204	16-7	102237001	1-15
101939901	6-11	101997205	16-7	102237401	14-3
101942301	12-19, 12-21, 12-43, 14-9	101997206	16-7	102237701	14-5
101946901	12-21	101997207	16-7	102237903	1-13
101949201	12-9, 12-21	101997209	16-7	102238301	1-15
101951501	6-5	101997211	16-7	102238302	1-15
101952401	3-3, 3-5	101997212	16-7	102238304	1-15
101953001	4-5	101998201	1-11	102238305	1-15
101953101	4-5	101998202	1-11	102240102	14-9
101953901	7-3	101998204	1-11	102240501	12-47
101954301	1-11	101998205	1-11	102240701	12-47
101956201	13-15	101998501	1-11	102240801	12-47
101956202	13-15	102003201	8-3	102241501	16-5
101957901	12-37	102018001	12-5	102242401	1-13, 1-15
101958101	8-11	102022101	4-3, 4-5	102248801	16-5
101958201	13-15	102026001	4-7	102249901	16-3
101958301	13-15	102047201	12-13	102251501	16-5
101959901	3-5	102048301	12-13	102251901	14-9
101959902	3-5	102052503	12-25	102259001	1-5
101960501	3-3	102058901	1-13	102259801	12-47
101960601	3-3, 3-5	102059901	1-13	102263601	12-41, 12-47
101964401	12-37	102060501	1-13, 1-15	102263701	12-47
101964801	12-29	102060502	1-13, 1-15	102265501	14-9
101965201	12-19, 12-39, 12-47	102060504	1-13, 1-15	102265601	14-9
101966901	4-7	102060505	1-13, 1-15	102265701	14-9
101968701	12-29, 12-31, 12-41	102061201	16-7	102265901	14-9
101971001	8-11	102061301	1-17	102266001	14-9
101971101	12-21	102061302	1-17	102266101	14-9
101971301	8-11	102063901	1-17	102266501	12-47
101972101	15-3	102064601	1-17	102266601	12-43
101972201	15-3	102065501	1-17	102266701	12-43
101972401	15-3	102076601	1-13	102267001	14-9
101972801	8-11	102076602	1-13	102273201	13-11
101973101	8-5	102076604	1-13	102273301	13-11
101973201	8-5	102076605	1-13	102273401	13-11
101973501	13-15	102076701	1-13, 1-15, 1-17	102273501	13-11
101975901	12-13	102099101	1-17	102273601	13-11
101976001	15-3	102101001	12-23	102273701	13-11
101976601	13-15	102101101	12-23	102273801	13-11
101977101	12-15	102155501	1-17	102273901	13-11
101978001	12-41	102155801	10-5	102274001	13-11
101978101	12-41	102161801	12-31	102278001	5-3
101978201	12-41	102162101	12-27	102304701	7-9

INDEX

102310701 1-5
102327801 14-9
727102 2-3

A

ac voltage suppressor 13-15
accelerator cable 8-9
accelerator pedal 4-7
accelerator pedal adjustment tool 16-3
accelerator pedal return spring cup 4-7
accelerator pivot rod 4-7
accelerator rod 4-7
access door 1-7, 1-9
accu-power charger 13-3, 13-5, 13-7
a-connector (starter/generator) 6-11
adaptor, cable (iqdm) 16-5
adhesive, guide ring 16-3
adjuster, hydraulic brake 16-5
adjusting stud 12-9, 12-21
air box 8-11
air duct 8-11
air duct repair kit 8-11
air filter 8-11
ammeter 13-3, 13-5, 13-7, 13-9, 13-11, 13-13, 13-15
a-plate strap 5-7
arbor 16-7
arm
 governor lever 11-3
 pivot 11-3
 rocker 7-9
 speed switch 12-9, 12-21
armature 6-11, 14-3, 14-5, 14-7, 14-9
armrest 1-11
assembly
 3-pin plug 14-7, 14-9
 3-wire and receptacle 12-21
 6-pin plug 12-39, 12-47
 36-volt motor 14-3
 48-volt motor 14-5
 ac voltage suppressor 13-15
 accelerator rod 4-7
 air box top 8-11
 air duct 8-11
 armature 6-11
 axle 11-7, 15-3, 15-5
 axle tube 15-3, 15-5
 bag hoop 1-13, 1-15
 bearing (steering column) 5-3
 bell crank and shaft 6-7
 bolt (float chamber) 8-5
 brush rigging 14-9
 carburetor 8-5
 charger case 13-3, 13-5, 13-7, 13-9, 13-11, 13-13, 13-15
 control cable 13-3, 13-5, 13-7
 current limiter 13-15

cylinder head 7-9
delta a-plate 5-7
diode 12-19, 12-37
diode with heatsink film 13-11
drive hub 10-3
driven clutch 10-5
eccentric 5-9
end shield 14-9
float (carburetor) 8-5
float chamber 8-5
forward/reverse shifter 6-5
forward/reverse switch 12-7, 12-15, 12-33, 12-43
fuel strap, rear 8-3
heatsink 13-3, 13-5, 13-7, 13-9, 13-13, 13-15
hub 5-9
idle screw 8-5
lever (brake) 4-3
moveable face (drive clutch) 10-3
moveable face (driven clutch) 10-5
pilot air screw 8-5
resistor 12-19, 12-25, 12-27, 12-47
rod (counterbalance) 7-13
screw (float chamber) 8-5
seat back 1-13, 1-15
spindle 5-9
stator shell 14-3, 14-5, 14-7, 14-9
steering column 5-3
switch brush 12-9, 12-21
timer 13-3, 13-5, 13-7
transformer 13-3, 13-5, 13-7, 13-9, 13-11, 13-13, 13-15
v-glide wiper switch 12-9
voltage regulator 6-7
voltage suppressor 13-9, 13-13
wheel and tire 2-3
wiper switch 12-21
wire 6-3, 6-7, 6-9, 6-13, 7-3, 12-5, 12-9, 12-13, 12-17, 12-21, 12-25, 12-27, 12-29, 12-31, 12-35, 12-41, 12-45, 12-47
 wire, sense lead 12-17, 12-35, 12-45
axle 11-7, 15-3, 15-5
axle shaft seal 15-3
axle tube 11-7, 15-3, 15-5
axle tube oil seal 15-5

B

backing plate (brake) 4-3
bag hoop 1-13, 1-15
bag strap 1-13, 1-15
bag strap buckle 1-13, 1-15
bagwell protector 1-3
ball bearing, output shaft 6-11
ball joint 6-5
ball joint (tie rod) 5-7
ball joint, inner 5-5

ball joint, left-hand thread 5-5, 5-7
ball stud 6-5, 6-7
ball stud (shifter lever) 11-3
ball stud, accelerator pedal 4-7
ball, steel (shift fork retainer) 11-5
ball, steel, pressure relief 7-7
band, rpm limiter mount 7-5
bar, bus 12-15
bar, drive 12-23
barb, vent 8-3
barrel fastener 1-13, 1-15
barrel, plastic 1-3
base, forward/reverse shifter 6-5
base, mounting 12-13
basket, sweater 1-13, 1-15
battery
 6-volt 12-13
 8-volt 12-17, 12-35, 12-45
 12-volt 6-15
battery cap 12-13, 12-17, 12-35, 12-45
battery charger, powerdrive 13-9, 13-11, 13-13, 13-15
battery clamp 6-15
battery discharge machine 16-3
battery hold-down 12-13, 12-17, 12-35, 12-45
battery terminal protector spray 16-3
battery thermometer 16-3
battery warning light 12-3
bearing
 ball (crankshaft) 7-11
 ball (motor) 14-3, 14-5, 14-7, 14-9
 ball, input shaft 11-5
 ball, output shaft 6-11
 bronze 12-9, 12-21
 differential 15-3
 idler (drive clutch) 10-3
 inner axle tube 11-7, 15-5
 input gear 15-3, 15-5
 intermediate gear 15-3, 15-5
 lower pinion 5-5
 needle 11-5
 outer axle tube 11-7, 15-5
 pivot support 4-7
 plain (counterbalance rod) 7-13
 thrust 5-9
 upper pinion 5-5
bearing and oil seal remover 16-3
bearing driver set 16-3
bearing puller 16-3
bearing puller wedge 16-3
bearing retainer 14-3, 14-5, 14-7, 14-9
bearing retainer (starter/generator) 6-11
bearing retainer screw 14-3, 14-5
bell crank 12-9, 12-21
bell crank and shaft 6-7
bell crank, forward/reverse 6-5

INDEX

- belt, drive 10-3, 10-5
- belt, starter/generator 6-13, 10-3
- bezel, receptacle 12-13, 12-17, 12-35, 12-45
- block
 - brake pedal mounting 4-5
 - fuse 6-7
 - terminal (controller) 12-47
- board, resistor mounting 12-11
- body (rear) 1-7, 1-9
- body hinge plate 1-7, 1-9
- body keeper clip 1-7, 1-9
- body kick plate 1-7, 1-9
- body spacer 1-13, 1-15
- body support 1-7, 1-9
- body, front 1-5
- bolt, brake cluster mounting 4-3
- bolt, j- 12-13, 12-17, 12-35, 12-45
- boot
 - dust 5-5, 5-7
 - steering column 5-3
 - tow/run switch 12-33, 12-43
- box, electrical component 6-7
- bracket
 - accelerator support 8-9
 - adjusting (starter/generator) 6-13
 - engine shroud 7-3
 - fe290 mounting 6-13
 - fuse and receptacle mounting 12-13
 - governor cable engine 8-9
 - mounting (solenoid) 12-37
 - muffler mounting 9-3
 - oil filter 7-7
 - oil level switch 7-11
 - power relay mounting 13-13
 - rpm limiter 7-5
 - snubber 7-15
 - throttle 8-7
 - throttle cable 8-9
 - tow/run switch 12-33, 12-43
 - transmission cable support 6-5, 11-3
- brake adjusting mechanism 4-3
- brake adjustment tool 16-3
- brake cable 4-3, 4-5
- brake cable equalizer 4-5
- brake cable hanger 4-3, 5-11
- brake cluster 4-3
- brake cluster mounting bolt 4-3
- brake drum 4-3
- brake pedal 4-5
- brake pedal adjustment tool 16-3
- brake pedal mounting block 4-5
- brake pedal pad 4-5
- brake pedal stop bumper 4-5
- brake pedal tension tool 16-3
- brake shoe 4-3
- brake spring 4-3
- breaker, circuit, 10-amp 13-13, 13-15
- breaker, circuit, 15-amp 13-9, 13-11
- breather 15-3, 15-5
- breather, transaxle case 11-3
- bronze bushing 6-5, 6-7
- brush 6-11, 14-3, 14-5, 14-7, 14-9
- brush connector 6-11
- brush holder 6-11
- brush holder screw 14-3, 14-5
- brush inspection port cover 6-11
- brush rigging 14-3
- brush spring 6-11, 12-9, 12-21, 14-3, 14-5, 14-7, 14-9
- brush, switch 12-9
- buckle, bag strap 1-13, 1-15
- bumper
 - brake pedal stop 4-5
 - front 1-5
 - motor 14-3, 14-5, 14-7, 14-9
 - rear 1-3
 - return spring 4-7
 - side guard trim 1-5
 - wiper switch 12-9, 12-21
- bus bar 12-15
- bushing
 - bronze 5-9, 6-5, 6-7
 - insulator 14-3, 14-5, 14-7, 14-9
 - steel 5-9, 5-11
 - strain relief 13-3, 13-5, 13-7, 13-9, 13-11, 13-13, 13-15
 - urethane 5-7, 5-9, 5-11
- bushing (axle) 15-5
- buzzer, reverse 12-3
- C**
- cable
 - accelerator 8-9
 - brake 4-3, 4-5
 - control 13-3, 13-5, 13-7
 - governor 8-9
 - iqdm 16-5
 - transmission 6-5
- cable retainer 6-5
- calibration test module 16-3
- cam (driven clutch) 10-5
- cam installation tool 16-3
- cam, electrical box 6-7
- cam, neutral lockout 6-5
- camshaft 7-11
- canopy 1-17
- canopy support kit 1-17
- cap
 - 6-volt battery 12-13
 - battery (4-port) 12-17, 12-35, 12-45
 - dust 12-43
 - fuel tank 8-3
 - key switch 6-9, 12-3
 - protector 12-9
 - seat back 1-13, 1-15
- capacitor 13-3, 13-5, 13-7
- carburetor 8-5, 8-7
- carburetor insulator 8-7
- card, safety first 16-5
- carrier, wiper switch arm 12-9, 12-21
- case
 - charger 13-3, 13-5, 13-7, 13-9, 13-11, 13-13, 13-15
 - forward/reverse switch 12-33, 12-43
 - gear carrier 11-7
 - rocker arm 7-9
 - wiper switch 12-9, 12-21
- case gasket 15-5
- charger case 13-3, 13-5, 13-7, 13-9, 13-11, 13-13, 13-15
- charger, accu-power, battery 13-3, 13-5, 13-7
- charger, powerdrive battery 13-9, 13-11, 13-13, 13-15
- choke button 8-11
- choke valve 8-11
- choke valve o-ring 8-11
- circuit breaker (15-amp) 13-9, 13-11
- clamp
 - battery 6-15
 - cable 12-13
 - cable retaining 8-9
 - hose (air intake) 8-11
 - hose (bronze) 8-7
 - hose (fuel) 8-3
 - hose (gray) 8-3, 8-7
 - hose (red) 8-3
 - muffler 9-3
 - plastic (fuel line) 8-3
- clamp (oil sending wire) 7-11
- clamp (wire) 7-5
- clamp screw 14-3, 14-5, 14-7, 14-9
- clevis, upper delta 5-9
- clip 5-3
- clip, body keeper 1-7, 1-9
- cluster, brake 4-3
- clutch alignment tool 16-3
- clutch tool kit 16-3
- clutch, drive 10-3
- clutch, driven 10-5
- coil
 - energy displacement 12-37
 - field 6-11
 - ignition 7-5
 - resistor 12-11
- collar (axle shaft) 11-7
- collet 7-9
- column, steering 5-3
- communication display module 16-3
- component mounting plate 12-19, 12-39, 12-47

INDEX

compression gauge 16-3
compressor, piston ring 16-5
compressor, valve spring 16-7
computer, onboard 12-19, 12-39, 12-47
connecting rod 7-13
connector, 4-pin 12-43
connector, cord 7-11
connector, iq controller 12-47
continuity tester 16-5
control cable 13-3, 13-5, 13-7
controller, 48-volt (220-amp) 12-39
controller, 48-volt (225-amp) 12-19
controller, 48-volt (250-amp) 12-47
cord connector 7-11
cordset, ac 13-3, 13-5, 13-7, 13-9, 13-11, 13-13, 13-15
cordset, dc 13-3, 13-5, 13-7, 13-9, 13-11, 13-13, 13-15
counterbalance guide shaft 7-13
counterbalance weight 7-13
cover
brush inspection port 6-11
controller 12-47
crankcase 7-11
dust 4-3, 5-9
electrical component box 6-7
gear case 11-7
oil pump 7-7
seat back 1-13, 1-15
seat bottom 1-11
steering column 5-3
wiper switch 12-21
wiper switch case 12-9
crank, bell 12-9, 12-21
crankcase 7-13
crankcase cover 7-11
crankshaft 7-13
crankshaft seal 7-11
crankshaft shim 7-13
cup, accelerator pedal return spring 4-7
current limiter 13-15
cutter, valve seat 16-7
cylinder head 7-9

D

damper, rpm limiter 7-5
dash panel, center 1-3
dash, driver side 1-3
dash, passenger side 1-3
decal
driver/passenger warning 3-3, 3-5
electrical component cover 3-5, 12-47
frame ground and governor warning 3-3
gasoline warning 3-3
ingersoll-rand 3-3, 3-5
key switch 3-3, 3-5
motor braking 3-5

operating instructions 3-3, 3-5
potentiometer 3-5
resistor warning 3-5
rotating parts and hot manifold warning 3-3
tow/run switch 3-5
wiper switch warning 12-9, 12-21
delta a-plate 5-7
delta shock and gear support 5-7
delta sleeve 5-7
differential bearing 15-3
differential gear 11-7, 15-3, 15-5
differential gear case 11-7, 15-5
differential housing 15-3
differential idler gear 11-7, 15-3, 15-5
differential pin 11-7, 15-3
diode 12-13, 12-19, 12-37
dipstick 7-3
door, access 1-7, 1-9
double lip seal 5-9
drag link, rack and pinion 5-5
drain plug (crankcase) 7-7
drink holder 1-3
drive bar 12-23
drive belt 10-3, 10-5
drive clutch 10-3
drive clutch holder tool 16-3
drive clutch hub puller 16-3
drive clutch puller 16-3
drive hub 10-3
driven clutch 10-5
driven clutch cam puller 16-3
driven clutch puller plug 16-3
drum, brake 4-3
dry moly lubricant 16-5
dust boot 5-5, 5-7
dust cap 12-43
dust cover 4-3, 5-9

E

8-volt battery 12-17, 12-35, 12-45
80-amp fuse 12-13
eccentric 5-9
e-clip (air box top) 8-11
electrical box cam 6-7
electrical component box 6-7
end bell, commutator 6-11
end bell, output shaft 6-11
end shield 14-3, 14-5, 14-7, 14-9
energy displacement coil 12-37
engine shroud 7-3
engine valve spring 7-9
engine, fe290 ohv gasoline 7-3
equalizer rod 4-5
equalizer, brake cable 4-5
e-ring (governor cable) 8-9
exhaust gasket 9-3

exhaust system 9-3
exhaust valve 7-9

F

4-pin plug and wedge lock 12-43
4-pin receptacle and wedge lock 12-43
48-volt motor, 3.10-hp 14-5
48-volt motor, 3.20-hp 14-7, 14-9
48-volt solenoid 12-19, 12-37, 12-47
fan housing 7-3
fan shroud 7-3
fan, flywheel 7-5
fastener, barrel 1-13, 1-15
fe290 ohv gasoline engine 7-3
fender, inner 1-7, 1-9
field coil (starter/generator) 6-11
fill plug 15-3
fill plug with gasket 15-5
filter, air 8-11
filter, fuel 8-3
filter, oil 7-7
fitting, grease 5-9
fitting, thread-forming grease 5-5, 5-7
fixed face (drive clutch) 10-3
fixed face (driven clutch) 10-5
float (carburetor) 8-5
float chamber 8-5
floor mat 1-3, 1-5, 1-7, 1-9
flywheel 7-5
flywheel fan 7-5
flywheel puller 16-5
fork, shift 11-5
forward/reverse bell crank 6-5
forward/reverse handle 6-5
forward/reverse shifter 6-5
forward/reverse shifter base 6-5
forward/reverse switch 12-7, 12-15, 12-33, 12-43
forward/reverse switch case 12-33, 12-43
forward/reverse switch handle 12-7, 12-15
front body 1-5
front spring retainer plate 5-9
f-terminal insulator 6-11
fuel filter 8-3
fuel impulse pump 8-3
fuel line 8-3
fuel pickup tube (valve) 8-3
fuel strap, rear 8-3
fuel tank 8-3
fuse 13-3, 13-5, 13-7, 13-9, 13-11, 13-13, 13-15
fuse block 6-7
fuse holder 12-13
fuse lens 12-13
fuse, 10-amp 6-7
fuse, 3/8-amp 12-17, 12-35, 12-45
fuse, 80-amp 12-13

INDEX

G

gasket
carburetor insulator 8-7
case 15-5
controller 12-47
crankcase cover 7-11
drain plug 7-7, 11-3
exhaust 9-3
fe290 7-9
float chamber 8-5
head 7-9
insulator 8-7
intake pipe 8-7
liquid 15-3, 15-5, 16-5
liquid (transaxle case) 11-3
oil pump 7-7
plug 15-3
rocker arm case 7-9
seat 1-11
throttle bracket 8-7
gauge, compression 16-3
gear
cluster idler 11-5
differential 11-7, 15-3, 15-5
differential idler 11-7, 15-3, 15-5
helical (crankshaft) 7-13
input 11-5
intermediate 15-3, 15-5
intermediate, small 15-5
output 11-7, 15-3, 15-5
spur (crankshaft) 7-13
spur (transaxle) 11-5
gear case 11-3, 15-3, 15-5
gear yoke 16-5
governor 11-5
governor cable 8-9
governor guard 8-7
governor lever arm 11-3
governor shaft installation tool 16-5
grease fitting 5-5, 5-7, 5-9
grip, pencil 5-3
grommet 7-5
grommet, insulation 8-3
grommet, split 12-9, 12-21
guard, governor 8-7
guard, scuff 1-3
guide
choke lever 8-11
oil (transaxle) 11-5
valve 7-9
guide ring adhesive 16-3
guide, steering rack 5-5
guide, valve seat cutter 16-7

H

hall effect sensor 14-7

handle, forward/reverse 6-5
handle, forward/reverse switch 12-7, 12-15
handle, powerdrive 2 13-11
hanger, brake cable 4-3, 5-11
hardware, terminal (starter/generator) 6-11
harness retainer 6-9
harness, wire 6-3, 12-25, 12-27, 12-29, 12-31, 12-41
head gasket 7-9
heatsink 13-3, 13-5, 13-7, 13-9, 13-11, 13-13, 13-15
helical gear (crankshaft) 7-13
hold-down, battery 12-13, 12-17, 12-35, 12-45
holder, drink 1-3
holder, fuse 12-13
hole plug 12-3
hose clamp 8-3
hose clamp (bronze) 8-7
hose clamp (gray) 8-7
hose clamp (red) 8-3
hose, intake 8-11
housing
differential 15-3
fan 7-3
female 3-wire 14-7, 14-9
field coil (starter/generator) 6-11
hub 5-9
hub, drive 10-3
hub, synchronizer clutch 11-5
hydraulic brake adjuster 16-5
hydrometer 16-5

I

idle screw 8-5
ignition coil 7-5
inner axle tube bearing 15-5
inner fender 1-7, 1-9
input gear bearing 15-3, 15-5
input shaft 15-3, 15-5
input shaft oil seal 15-3, 15-5
insert, synchronizer 11-5
insert, wood 1-11
insulator bushing 14-3, 14-5
insulator gasket 8-7
insulator, carburetor 8-7
insulator, f-terminal 6-11
intake hose 8-11
intake pipe 8-7
intake valve 7-9
intermediate gear 15-3, 15-5
intermediate gear bearing 15-5
internal retaining ring pliers 16-5
iq system display module (iqdm) 16-5

J

j-bolt 12-13, 12-17, 12-35, 12-45

jet, main 8-5
jet, pilot 8-5
joint
ball 4-5, 6-5
ball (tie rod) 5-7
compound steering 5-3
inner ball 5-5
left-hand thread ball 5-5, 5-7
spring-loaded ball 4-7

K

key
square transmission 10-5
sunk 15-5
woodruff 6-11, 11-3
key (crankshaft) 7-13
key (driven clutch) 10-5
key (flywheel) 7-5
key (pair) 6-9
key (transmission shaft) 11-5
key (vehicle) 12-3
key switch 6-9, 12-3
key switch cap 6-9
key switch nut 6-9, 12-3
kingpin 5-9
kingpin wave washer 5-9
kit
3-pin plug 12-19, 12-21, 12-23, 14-7, 14-9
3-pin plug and wedge lock 12-43
3-pin receptacle 12-19, 12-21
3-pin receptacle and wedge lock 12-43
4-pin plug and wedge lock 12-43
4-pin receptacle and wedge lock 12-43
6-pin plug 12-39, 12-47
6-pin receptacle 12-39, 12-47
accelerator pivot rod 4-7
air duct repair 8-11
bagwell protector 1-3
bearing and magnet 14-9
brake cable 4-3, 4-5
brake pedal 4-5
brake pedal adjustment tool 16-3
canopy support 1-17
differential gear case 11-7
drink holder 1-3
drive clutch button 10-3
drive clutch weight 10-3
driven clutch button 10-5
fuel impulse pump rebuild 8-3
fuse and receptacle 12-13, 12-17, 12-35, 12-45
gasket 7-9
iq controller connector 12-47
iq system display module (iqdm) 16-5
park brake pedal 4-5
pulley nut and screw 6-11

INDEX

resistor assembly 12-21
reverse buzzer 6-9
seat back retrofit 1-13
shock absorber cushion 5-11
shock absorber, rear 5-11
snap washer (dash mounting) 1-3
steering column rebuild 5-3
sweater basket 1-13
tune-up 16-7

L

latch, park brake 4-5, 4-7
latch, wire (air box) 8-11
lead wire 7-5
lens, fuse 12-13
lever
choke 8-11
shifter 11-3
transmission shifter 11-3
lever (brake) 4-3
light, battery warning 12-3
light, oil warning 6-9
limit switch 6-5, 6-7, 12-7, 12-9, 12-15, 12-21
limiter, rpm, ohv 7-5
line, fuel 8-3
line, vent (fuel) 8-3, 8-7
link, rack and pinion drag 5-5
liquid gasket 15-3, 15-5, 16-5
lock plate 15-5
lower pinion bearing 5-5
lubricant, dry moly 16-5
lug nut 2-3
lug stud 5-9, 11-7, 15-3, 15-5

M

magnet 14-9
magnetic plug 15-3
main jet 8-5
mat, floor 1-3, 1-5, 1-7, 1-9
mcor (motor controller output regulator) 12-23
mechanism, brake adjusting 4-3
meter, volt ohm 16-7
module, calibration test 16-3
module, communication display 16-3
motor bumper 14-5, 14-7, 14-9
motor, 36-volt 14-3
motor, 48-volt 14-5, 14-7
motor, 48-volt iq 14-9
mounting base 12-13
mounting block, brake pedal 4-5
mounting bracket, fuse and receptacle 12-13
mounting pad (windshield frame) 1-17
mounting plate (engine) 7-15
mounting plate (rear bumper) 1-3

mounting tab 12-37
moveable face (drive clutch) 10-3
moveable face (driven clutch) 10-5
muffler clamp 9-3

N

nameplate 1-5
neutral lockout cam 6-5
nozzle, main 8-5
nut, key switch 6-9, 12-3
nut, lug 2-3

O

oil filler tube 7-3
oil filter screen 7-11
oil level sensor 7-11
oil pump and rotor 7-7
oil seal (crankshaft) 7-13
oil sending wire clamp 7-11
oil warning light 6-9
onboard computer 12-19
o-ring (counterbalance shaft) 7-13
o-ring (oil sending connector) 7-11
o-ring (rocker case hardware) 7-9
o-ring, choke valve 8-11
o-ring, oil filter mount 7-7
outer axle tube bearing 15-5
output gear 15-3, 15-5

P

package, brush 6-11, 14-3, 14-5, 14-7, 14-9
package, hub bearing 5-9
pad
accelerator pedal 4-7
brake pedal 4-5
mounting (windshield frame) 1-17
park brake 4-5
spring 5-11
wear 1-3, 1-7, 1-9
paint, touch-up 16-7
panel, center dash 1-3
park brake latch 4-5, 4-7
park brake pedal 4-5
park brake ratchet 4-7
park brake rod sleeve 4-5
park brake torsion spring 4-5
pawl 4-5
pedal
accelerator 4-7
brake 4-5
park brake 4-5
pencil grip 5-3
pilot air screw 8-5
pilot jet 8-5
pin

differential 11-7, 15-3, 15-5
governor cable clevis 8-9
hair spring cotter 8-9
head locating 7-9
piston 7-13
roll (shifter lever) 11-3
pin (crankcase cover locating) 7-11
pinion, steering 5-5
pipe, intake 8-7
piston 7-13
piston pin 7-13
piston pin retaining ring 7-13
piston ring compressor 16-5
piston ring pliers 16-5
piston ring set 7-13
pivot arm 11-3
pivot support bearing 4-7
plastic barrel 1-3
plate
backing (brake) 4-3
body hinge 1-7, 1-9
body kick 1-7, 1-9
component mounting 12-19, 12-39, 12-47
flywheel fan 7-5
front spring retainer 5-9
heatsink 13-11
lock 15-5
mounting (engine) 7-15
mounting (rear bumper) 1-3
oil filter screen 7-11
oil pump 7-7
oil valve 7-9
receptacle backing 12-17, 12-35, 12-45
retaining 14-7
scorecard 5-3
seat hinge 1-11
spring mounting 5-7
thrust 11-5, 11-7, 15-5
thrust (idler gear) 15-3
pliers
internal retaining ring 16-5
piston ring 16-5
retaining ring 16-5
plug
3-pin 12-19, 12-21, 12-23, 14-7, 14-9
6-pin 12-39, 12-47
cap 7-5
drain (crankcase) 7-7
drain (transaxle) 11-3
drive clutch 10-3
driven clutch puller 16-3
fill 15-3
fill with gasket 15-5
filter bracket 7-7
hole 12-3
pin
hole (dash board) 1-3

INDEX

magnetic 15-3
spark 7-5
plug gasket 15-3
pole set (starter/generator) 6-11
positioner, choke 8-11
power relay 13-9, 13-11, 13-13
powerdrive battery charger 13-9, 13-11, 13-13, 13-15
press weldment 16-3
pressure relief ball 7-7
protector cap 12-9
protector spray, battery terminal 16-3
protector, bagwell 1-3
protector, wiper switch resistor 12-21
puller
bearing 16-3
drive clutch 16-3
drive clutch hub 16-3
driven clutch cam 16-3
flywheel 16-5
seal 16-5
pulley (starter/generator) 6-11
pulley nut and screw (starter/generator) 6-11
pump, fuel impulse 8-3
push rod 7-9

R

rack, steering 5-5
ratchet, park brake 4-7
reamer, valve guide 16-7
rear bumper 1-3
rear leaf spring 5-11
rear spring shackle 5-11
receptacle
3-pin 12-19, 12-21
3-wire 12-21
6-pin 12-39, 12-47
ac cord 13-15
charger, 2-prong 12-13
receptacle (fuse) 12-13, 12-17, 12-35, 12-45
receptacle backing plate 12-17, 12-35, 12-45
receptacle bezel 12-13, 12-17, 12-35, 12-45
regulator, motor controller output (mcor) 12-23
relay
36-vdc 13-3, 13-5, 13-7
48-vdc power 13-9, 13-11, 13-13, 13-15
remover, bearing and oil seal 16-3
resistor 12-19, 12-25, 12-27, 12-47
resistor coil 12-11
resistor coil stand-off 12-11
resistor mounting board 12-11
resistor shield 12-11
retainer

bearing 14-3, 14-5, 14-7, 14-9
bearing (starter/generator) 6-11
cable 6-5
harness 6-9
shock absorber cushion 5-11
spring 4-7, 10-3
valve spring 7-9
retaining plate 14-7
retaining ring (driven clutch) 10-5
retaining ring pliers 16-5
retaining screw 14-7
return spring bumper 4-7
reverse buzzer 6-9, 12-3
rigging, brush 14-3, 14-5, 14-7, 14-9
rim, tire 2-3
ring
c-type stop 5-5
piston (set) 7-13
piston pin retaining 7-13
retaining (driven clutch) 10-5
retaining (steering gear box) 5-5
snap 5-5, 11-3
spiral back-up 10-3
synchronizer 11-5

ring, retaining (steering column) 5-3
rivet, blind 1-5
rocker arm 7-9
rocker arm case 7-9
rocker arm shaft 7-9
rod
accelerator 4-7
accelerator pivot 4-7
connecting 7-13
equalizer 4-5
push 7-9
shift 11-5
tie 5-7
rod (counterbalance) 7-13
rod and pawl 4-5
rpm limiter bracket 7-5
rpm limiter damper 7-5
rpm limiter mount band 7-5
rpm, ohv limiter 7-5

S

6-pin plug 12-39, 12-47
6-pin receptacle 12-39, 12-47
6-volt battery 12-13
safety first card 16-5
scorecard 5-3
scorecard clip 5-3
scorecard plate 5-3
screen, oil filter 7-11
screw
bearing retainer 14-3, 14-5, 14-7, 14-9
brush holder 14-3, 14-5
clamp 14-3, 14-5, 14-7, 14-9

idle 8-5
pilot air 8-5
pole piece (starter/generator) 6-11
retaining 14-7
valve clearance adjuster 16-7
scuff guard 1-3
seal
axle shaft oil 15-5
crankshaft 7-11
double lip 5-9
dust (steering gear box) 5-5
dust, steering pinion 5-5
input shaft oil 15-5
intake (air box) 8-11
oil (axle shaft) 11-7
oil (crankshaft) 7-13
oil (governor pivot) 11-3
oil (shifter shaft) 11-3
oil, axle shaft 15-3
oil, input shaft 11-5, 15-3
valve 7-9
seal puller 16-5
seat
bearing 5-3
spring 7-9
valve 7-7
seat back 1-13, 1-15
seat back support 1-13, 1-15
seat bottom 16-5
seat bottom cover 1-11
seat hinge plate 1-11
sensor
motor speed 14-9
sensor, hall effect 14-7
sensor, oil level 7-11
set, pole 6-11
shackle, rear spring 5-11
shaft
counterbalance guide 7-13
input 11-5, 15-3, 15-5
rocker arm 7-9
shifter 11-3
steering column 5-3
shield, end 14-3, 14-5, 14-7, 14-9
shield, resistor 12-11
shift fork 11-5
shift rod 11-5
shifter lever 11-3
shifter shaft 11-3
shifter, forward/reverse 6-5
shim (axle) 15-5
shim, crankshaft 7-13
shim, wiper switch 12-9, 12-21
shock absorber 5-7
shock absorber cushion 5-11
shock absorber cushion retainer 5-11
shock absorber, rear 5-11

INDEX

- shoe retainer 4-3
 - shoe, brake 4-3
 - shroud, engine 7-3
 - shroud, fan 7-3
 - side guard trim bumper 1-5
 - sleeve
 - delta 5-7
 - park brake rod 4-5
 - synchronizer 11-5
 - sleeve (transaxle) 11-5
 - slide switch, 4-position 13-13, 13-15
 - small intermediate gear 15-5
 - snap ring 5-5
 - snubber 7-15, 12-13
 - snubber bracket 7-15
 - solenoid
 - 12-volt 6-7
 - 36-volt 12-13
 - 48-volt 12-19, 12-37, 12-47
 - spacer
 - 1/2 (fender mounting) 1-9
 - 1-7/8 (fender mounting) 1-9
 - battery terminal bolt 6-15
 - body 1-13, 1-15
 - fixed face shaft 10-3
 - nylon (sweater basket) 1-13, 1-15
 - park brake 4-5
 - spacer (accelerator pivot rod) 4-7
 - spacer (crankshaft) 7-13
 - spacer (engine) 7-15
 - speed switch arm 12-9, 12-21
 - spindle 5-9
 - spray, battery terminal protector 16-3
 - spring
 - accelerator pedal retainer 4-7
 - brake shoe 4-3
 - brush 6-11, 14-3, 14-5, 14-7, 14-9
 - compression 5-3
 - compression (choke button) 8-11
 - drive clutch 10-3
 - engine valve 7-9
 - forward/reverse cam 6-5
 - oil pressure relief 7-7
 - park brake torsion 4-5
 - rear leaf 5-11
 - return 4-7
 - return (air box) 8-11
 - shift fork retainer 11-5
 - synchronizer 11-5
 - tapered compression 5-3
 - tapered leaf 5-9
 - throttle return 8-7
 - wiper switch brush 12-9, 12-21
 - yoke 5-5
 - spring mounting plate 5-7
 - spring seat 7-9
 - spur gear (crankshaft) 7-13
 - stain relief bushing 13-3
 - stand-off, resistor coil 12-11
 - starter/generator 6-11, 6-13
 - stator shell 14-3, 14-5, 14-7, 14-9
 - steel bushing 5-9, 5-11
 - steering column 5-3
 - steering column bearing press tool 16-5
 - steering column mounting bracket 5-3
 - steering column retaining ring tool 16-5
 - steering column shaft 5-3
 - steering gear box 5-5
 - steering wheel 5-3
 - steering wheel puller tool 16-7
 - stem, valve 2-3
 - stiffener, flywheel side 7-15
 - strap
 - a-plate 5-7
 - bag 1-13, 1-15
 - rear fuel 8-3
 - stud
 - ball 4-7, 6-5, 6-7, 11-3
 - lug 5-9, 11-7, 15-3, 15-5
 - short ball 12-9, 12-21
 - wiper switch adjusting 12-9, 12-21
 - stud (engine mounting) 7-15
 - sunk key 15-5
 - support
 - accelerator pivot rod 4-7
 - body 1-7, 1-9
 - canopy 1-17
 - delta shock and gear 5-7
 - seat back 1-13, 1-15
 - sweater basket 1-13, 1-15
 - switch
 - 4-position slide 13-13, 13-15
 - brush 12-9
 - forward/reverse 12-7, 12-15, 12-33, 12-43
 - key 6-9, 12-3
 - limit 6-5, 6-7, 12-7, 12-9, 12-15, 12-21
 - limit, sealed 12-15
 - tow/run 12-33, 12-43
 - v-glide wiper 12-9
 - switch brush 12-21
 - synchronizer clutch hub 11-5
 - synchronizer ring 11-5
 - system, exhaust 9-3
- ## T
- 2-prong charger receptacle 12-13
 - 3-pin plug 12-19, 12-21, 12-23, 14-7, 14-9
 - 3-pin plug and wedge lock 12-43
 - 3-pin receptacle 12-19, 12-21
 - 3-pin receptacle and wedge lock 12-43
 - 3-wire and receptacle 12-21
 - 3/8-amp fuse 12-17, 12-35, 12-45
 - 36-volt motor, 2.97-hp 14-3
 - 36-volt solenoid 12-13
 - 10-amp fuse 6-7
 - 12-volt battery 6-15
 - 12-volt solenoid 6-7
 - tab, mounting 12-37
 - tachometer 16-7
 - tapered compression spring 5-3
 - tapered leaf spring 5-9
 - tappet 7-11
 - terminal block (controller) 12-47
 - terminal hardware (starter/generator) 6-11
 - tester, continuity 16-5
 - thermometer, battery 16-3
 - throttle bracket 8-7
 - throttle return spring 8-7
 - thrust bearing 5-9
 - thrust plate (differential) 15-5
 - tie rod 5-7
 - tie, wire 5-5, 12-3, 12-13, 12-21, 12-33, 12-39, 12-43, 12-47
 - timer 13-5, 13-7
 - tire 2-3
 - t-nut, slab base 1-5
 - tool
 - accelerator pedal adjustment 16-3
 - brake adjustment 16-3
 - brake pedal adjustment 16-3
 - brake pedal tension 16-3
 - cam installation 16-3
 - clutch alignment 16-3
 - drive clutch holder 16-3
 - governor shaft installation 16-5
 - steering column bearing press 16-5
 - steering column retaining ring 16-5
 - steering wheel puller 16-7
 - transaxle axle seal 16-7
 - transaxle pinion seal 16-7
 - transmission 16-7
 - tool kit, clutch 16-3
 - top, air box 8-11
 - touch-up paint 16-7
 - tow/run switch 12-33, 12-43
 - transaxle 15-3, 15-5
 - transaxle axle seal tool 16-7
 - transaxle pinion seal tool 16-7
 - transaxle, unitized 11-3
 - transformer 13-3, 13-5, 13-7, 13-9, 13-11, 13-13, 13-15
 - transmission cable 6-5
 - transmission tool 16-7
 - trim, front body 1-5
 - tube
 - axle 11-7
 - crankcase vent 8-7
 - oil filler 7-3
 - tune-up kit 16-7

INDEX

U

u-bolt 5-11
unitized transaxle 11-3
upper pinion bearing 5-5
urethane bushing 5-7, 5-9, 5-11

V

valve
choke 8-11
exhaust 7-9
fuel pickup tube 8-3
intake 7-9
oil 7-9
valve clearance adjuster screw 16-7
valve guide 7-9
valve guide reamer 16-7
valve seal 7-9
valve seat 7-7
valve seat cutter 16-7
valve seat cutter guide 16-7
valve seat cutter t-wrench 16-7
valve spring compressor 16-7
valve spring retainer 7-9
valve spring, engine 7-9
valve, stem 2-3
vent barb 8-3
vent line (fuel) 8-3, 8-7
vent, fuel tank 8-3
v-glide wiper switch 12-9
volt ohm meter 16-7
voltage regulator 6-7
voltage suppressor 13-9, 13-13

W

washer
drive clutch (green) 10-3
driven clutch (yellow) 10-5
key switch 12-3
kingpin wave 5-9
snap washer kit (dash mounting) 1-3
spring 11-5
thrust (transaxle) 11-5
wave 6-5
wear pad 1-3, 1-7, 1-9
wedge (steering column) 5-3
wedge, bearing puller 16-3
weight, counterbalance 7-13
weight, drive clutch 10-3
weldment, press 16-3
wheel 2-3
wheel rim 2-3
wheel, steering 5-3
windshield frame 1-17
wiper switch 12-21
wiper switch arm carrier 12-21
wiper switch bumper 12-9, 12-21

wiper switch carrier 12-9
wiper switch case 12-9, 12-21
wiper switch resistor protector 12-21
wiper switch shim 12-9, 12-21
wiper switch, v-glide 12-9
wire
jumper 13-15
wire and terminal 12-19, 12-39, 12-47
wire assembly 6-3, 6-7, 6-9, 6-13, 7-3, 12-5, 12-9, 12-13, 12-17, 12-21, 12-25, 12-27, 12-29, 12-31, 12-35, 12-41, 12-45, 12-47, 13-9, 13-11, 13-13, 13-15
wire assembly, forward/reverse switch 12-43
wire assembly, iqdm port 12-43
wire assembly, sense lead 12-17, 12-35, 12-45
wire clamp 7-5
wire harness 6-3, 12-25, 12-27, 12-29, 12-31, 12-41
wire tie 5-5, 12-3, 12-13, 12-21, 12-33, 12-39, 12-43, 12-47
wire, lead 7-5
wood insert 1-11
woodruff key 6-11, 11-3

Y

yoke spring 5-5
yoke, gear 16-5

Z

z-bracket 12-47

Your Comments Are Appreciated

Please select your category:

- | | |
|---|---|
| <input type="checkbox"/> Distributor/Dealer | <input type="checkbox"/> Technician |
| <input type="checkbox"/> Individual Owner | <input type="checkbox"/> Golf Course Superintendent |
| <input type="checkbox"/> Other: _____ | |

In order to help us better serve you, please rate this publication in the following categories:

	Poor	Fair	Average	Good	Excellent
1. Ease of Understanding	<input type="checkbox"/>	<input type="checkbox"/>	<input type="checkbox"/>	<input type="checkbox"/>	<input type="checkbox"/>
2. Ease of Finding Information	<input type="checkbox"/>	<input type="checkbox"/>	<input type="checkbox"/>	<input type="checkbox"/>	<input type="checkbox"/>
3. Clarity of Illustrations	<input type="checkbox"/>	<input type="checkbox"/>	<input type="checkbox"/>	<input type="checkbox"/>	<input type="checkbox"/>
4. Index Usability	<input type="checkbox"/>	<input type="checkbox"/>	<input type="checkbox"/>	<input type="checkbox"/>	<input type="checkbox"/>
5. Troubleshooting Chart Usability	<input type="checkbox"/>	<input type="checkbox"/>	<input type="checkbox"/>	<input type="checkbox"/>	<input type="checkbox"/>

Comments/Suggestions:

Please fax a copy of this page to (706) 228-2662.

Thank You!
Club Car Technical Publications Department



Golf Cars

Club Car Inc.

P.O. Box 204658

Augusta, GA 30917-4658