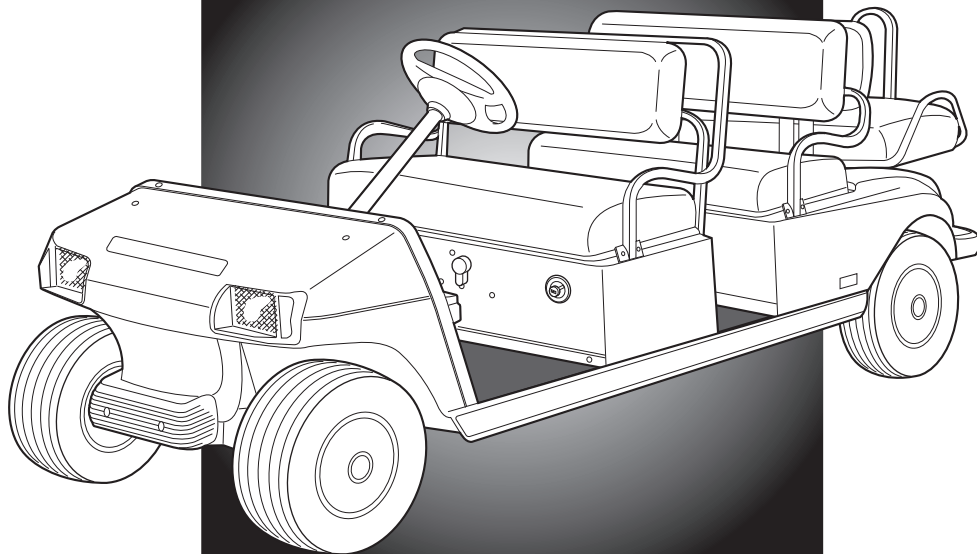


Club Car

®

1998 ILLUSTRATED PARTS LIST



**TOURALL, RESORT VILLAGER,
TRANS-PORTER/TRANS-SENDER**

MANUAL NUMBER 101968303
EDITION CODE 1297B1203A

USING THE ILLUSTRATED PARTS LIST

WARNING

- THIS MANUAL IS TO BE USED ONLY FOR IDENTIFICATION AND ORDERING OF SERVICE PARTS. BE SURE TO READ AND USE THE MAINTENANCE AND SERVICE MANUAL BEFORE ATTEMPTING ANY VEHICLE REPAIRS.

This manual covers all 1998 Transportation vehicles.

The manual is divided into 16 sections. Sections 1 through 6 pertain to both gasoline and electric vehicles, sections 7 through 12 pertain to gasoline vehicles only, and sections 13 through 16 pertain to electric vehicles only. Note that there are two or three tags on the outside edge of each page. The first tag contains the section number of which that page is a part. The other tag (or tags) contains either the letter G or E, signifying that the page pertains to either the gasoline or electric vehicle only, or to both the gasoline and electric vehicles.

Use the Table of Contents to find the sections and pages that contain the parts and assemblies you seek. The Table of Contents lists section titles and numbers, and under them, the individual page titles and numbers to be found in that section. Unless a page title specifies a particular vehicle(s), the page applies to all Transportation vehicles.

Typically, there is a two-page spread for each individual page title in the Table of Contents (however, some titles require several spreads). On the left-hand page is an illustration showing the parts in their relative positions; the parts are each tagged with an item number in a balloon. The right-hand page is the parts list page, and gives the page title at the top, then the item numbers (corresponding to the numbers on the illustration), part descriptions, and quantity of parts used. Some item numbers have more than one part number because several models and/or configurations of a component are represented together on one spread.

Note that a part description may be indented. This indentation corresponds to a parts assembly level indicated by the numbers 1, 2, 3, and 4 at the top left corner of the parts description area of the parts list page. A part that is indented to *level 2* is a component of the *level 1* part (assembly) that it is listed under. A *level 3* part is a component of the *level 2* part that it is listed under, and a *level 4* part is a component of the *level 3* part preceding it. In each case, the part quantity given for a level 2, 3, or 4 part is the quantity used per next higher level assembly of which it is a component. A part that is not indented is a *level 1* part. This means that the quantity given is the quantity used per the portion of the vehicle illustrated on that particular spread.



P. O. Box 204658
Augusta, Georgia 30917-4658 USA
Telephone 706-863-3000
Service Parts Fax 706-855-7413

© 1997, CLUB CAR, INC.

All rights reserved.

This manual effective August 18, 1997

CONTENTS

MAINTENANCE AND SERVICE TOOLS

SECTION

1

MAINTENANCE AND SERVICE TOOLS 1-3 - 1-5

BODY AND TRIM

SECTION

2

FRONT BODY 2-3
REAR BODY AND FENDER—TOURALL 2-5
FRONT SEAT BOTTOM AND ARMRESTS—TOURALL 2-7
SEAT BACKS, REAR SEAT BOTTOM AND SUPPORT STRUCTURE—TOURALL 2-9
REAR FOOTREST AND HANDRAILS—TOURALL 2-11
CENTER BODY AND TRIM—RESORT VILLAGER 2-13
REAR BODY AND FENDER—RESORT VILLAGER 2-15
SEATS AND SUPPORT STRUCTURES—RESORT VILLAGER 2-17
FIRST SEAT AND SUPPORT STRUCTURE—TRANS-PORTER/TRANS-SENDER 2-19
SECOND SEAT AND SUPPORT STRUCTURE—TRANS-PORTER/TRANS-SENDER 2-21
THIRD SEAT AND COMPONENTS—TRANS-SENDER 2-23
REAR FOOTREST AND HANDRAILS—TRANS-SENDER 2-25
REAR COVER—TRANS-PORTER/TRANS-SENDER 2-27
REAR CARGO BED—TRANS-PORTER 2-29

WHEELS AND TIRES

SECTION

3

WHEELS AND TIRES 3-3

SAFETY DECALS

SECTION

4

SAFETY DECALS—TOURALL 4-3 - 4-5
SAFETY DECALS—RESORT VILLAGER 4-7 - 4-9
SAFETY DECALS—TRANS-PORTER/TRANS-SENDER 4-11 - 4-15

BRAKES, PEDAL, AND CABLE ASSEMBLIES

SECTION

5

REAR BRAKE ASSEMBLY, SELF-ADJUSTING—TOURALL 5-3
REAR BRAKE ASSEMBLY, MANUALLY ADJUSTED—RESORT VILLAGER,
TRANS-PORTER/TRANS-SENDER 5-5
BRAKE PEDAL AND CABLE ASSEMBLY—TOURALL 5-7
BRAKE PEDAL AND CABLE ASSEMBLY—RESORT VILLAGER, TRANS-PORTER/TRANS-SENDER 5-9
FRONT BRAKE ASSEMBLY—RESORT VILLAGER, TRANS-PORTER/TRANS-SENDER 5-11
ACCELERATOR PEDAL ASSEMBLY—ELECTRIC TOURALL AND ALL GASOLINE VEHICLES 5-13
ACCELERATOR PEDAL ASSEMBLY—ELECTRIC RESORT VILLAGER, TRANS-PORTER/TRANS-SENDER 5-15

STEERING, FRONT AND REAR SUSPENSION

SECTION

6

STEERING COLUMN 6-3
STEERING GEAR ASSEMBLY 6-5
FRONT SUSPENSION, UPPER—TOURALL 6-7
FRONT SUSPENSION, LOWER—TOURALL 6-9

CONTENTS

STEERING, FRONT AND REAR SUSPENSION, CONTINUED:

FRONT SUSPENSION, UPPER— RESORT VILLAGER, TRANS-PORTER/TRANS-SENDER	6-11
FRONT SUSPENSION, LOWER—RESORT VILLAGER, TRANS-PORTER/TRANS-SENDER	6-13
REAR SUSPENSION	6-15
STABILIZER BAR, GASOLINE VEHICLE—RESORT VILLAGER, TRANS-PORTER/TRANS-SENDER	6-17

ELECTRICAL SYSTEM—GASOLINE VEHICLE

SECTION

7

FORWARD AND REVERSE SHIFTER ASSEMBLY—GASOLINE VEHICLE	7-3
WIRING—GASOLINE TOURALL	7-5
ELECTRICAL COMPONENT BOX, FE 290—TOURALL	7-7
ELECTRICAL COMPONENTS, FRONT BODY—GASOLINE TOURALL	7-9
WIRING—GASOLINE RESORT VILLAGER, TRANS-PORTER/TRANS-SENDER	7-11
ELECTRICAL COMPONENT BOX, FE 350—RESORT VILLAGER, TRANS-PORTER/TRANS-SENDER	7-13
ELECTRICAL COMPONENTS, FRONT BODY—RESORT VILLAGER, TRANS-PORTER/TRANS-SENDER	7-15
SWITCHES AND GAUGES—GASOLINE RESORT VILLAGER, TRANS-PORTER/TRANS-SENDER	7-17
ELECTRICAL COMPONENTS, REAR BODY—GASOLINE RESORT VILLAGER	7-19
ELECTRICAL COMPONENTS, REAR BODY—GASOLINE TRANS-PORTER/TRANS-SENDER	7-21
STARTER/GENERATOR ASSEMBLY	7-23
STARTER/GENERATOR MOUNTING	7-25
BATTERY—GASOLINE VEHICLE	7-27

ENGINE

SECTION

8

FE 290 ENGINE—TOURALL	8-3 - 8-13
FE 350 ENGINE—RESORT VILLAGER, TRANS-PORTER/TRANS-SENDER	8-14 - 8-25
ENGINE MOUNTING	8-27

FUEL, INTAKE, AND GOVERNOR SYSTEMS

SECTION

9

FUEL SYSTEM	9-3
CARBURETOR ASSEMBLY, FE 290—TOURALL	9-5
CARBURETOR ASSEMBLY, FE 350—RESORT VILLAGER, TRANS-PORTER/TRANS-SENDER	9-7
CARBURETOR INSTALLATION	9-9
GOVERNOR AND ACCELERATOR CABLES	9-11
INTAKE DUCT, CHOKE, AND AIR BOX ASSEMBLY—TOURALL	9-13
INTAKE DUCT, CHOKE, AND AIR BOX ASSEMBLY—RESORT VILLAGER, TRANS-PORTER/TRANS-SENDER	9-15

EXHAUST SYSTEM

SECTION

10

EXHAUST SYSTEM, FE 290—TOURALL	10-3
EXHAUST SYSTEM, FE 350—RESORT VILLAGER, TRANS-PORTER/TRANS-SENDER	10-5

TORQUE CONVERTER

SECTION

11

DRIVE CLUTCH	11-3
DRIVEN CLUTCH	11-5

CONTENTS

UNITIZED TRANSAXLE—GASOLINE VEHICLE

SECTION

12

UNITIZED TRANSAXLE—GASOLINE VEHICLE 12-3 - 12-7

ELECTRICAL SYSTEM—ELECTRIC VEHICLE

SECTION

13

FORWARD AND REVERSE SWITCH—POWERDRIVE ELECTRIC VEHICLE 13-3

MULTI-STEP POTENTIOMETER—TOURALL POWERDRIVE ELECTRIC VEHICLE 13-5

WIRING—TOURALL POWERDRIVE ELECTRIC VEHICLE 13-7

ELECTRICAL COMPONENTS, FRONT BODY—TOURALL POWERDRIVE ELECTRIC VEHICLE 13-9

BATTERIES, CHARGER RECEPTACLE—TOURALL POWERDRIVE ELECTRIC VEHICLE 13-11

COMPUTER, CONTROLLER, AND SOLENOID—TOURALL POWERDRIVE ELECTRIC VEHICLE 13-13

CONTINUOUSLY VARIABLE POTENTIOMETER—RESORT VILLAGER,
TRANS-PORTER/TRANS-SENDER 13-15

WIRING—RESORT VILLAGER POWERDRIVE ELECTRIC VEHICLE 13-17

ELECTRICAL COMPONENTS, FRONT BODY—RESORT VILLAGER, TRANS-PORTER/TRANS-SENDER 13-19

SWITCHES AND GAUGES—RESORT VILLAGER, TRANS-PORTER/TRANS-SENDER 13-21

COMPUTER, CONTROLLER, AND SOLENOID—RESORT VILLAGER POWERDRIVE VEHICLE 13-23

ELECTRICAL COMPONENTS, CENTER BODY—RESORT VILLAGER POWERDRIVE VEHICLE 13-25

ELECTRICAL COMPONENTS, REAR BODY—RESORT VILLAGER POWERDRIVE VEHICLE 13-27

WIRING—TRANS-PORTER/TRANS-SENDER ELECTRIC VEHICLES 13-29

ELECTRICAL COMPONENTS, CENTER BODY—TRANS-PORTER/TRANS-SENDER
ELECTRIC VEHICLES 13-31 - 13-33

ELECTRICAL COMPONENTS, REAR BODY—TRANS-PORTER/TRANS-SENDER
ELECTRIC VEHICLES 13-35

BATTERY CHARGER

SECTION

14

POWERDRIVE BATTERY CHARGER, DOMESTIC—TOURALL AND RESORT VILLAGER 14-3

POWERDRIVE BATTERY CHARGER, EXPORT—TOURALL AND RESORT VILLAGER 14-5

POWERDRIVE BATTERY CHARGER, EUROPEAN—TOURALL AND RESORT VILLAGER 14-7

ON-BOARD POWERDRIVE BATTERY CHARGER, DOMESTIC—TRANS-PORTER/TRANS-SENDER 14-9

ON-BOARD POWERDRIVE BATTERY CHARGER, EXPORT—TRANS-PORTER/TRANS-SENDER 14-11

ELECTRIC MOTOR

SECTION

15

MOTOR—POWERDRIVE ELECTRIC VEHICLE 15-3

TRANSAXLE—ELECTRIC VEHICLE

SECTION

16

TRANSAXLE, TYPE G—POWERDRIVE ELECTRIC VEHICLE 16-3

TRANSAXLE, TYPE K—POWERDRIVE ELECTRIC VEHICLE 16-5

1
G
E

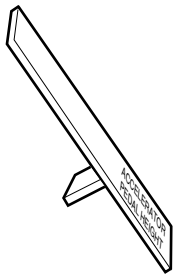
MAINTENANCE AND SERVICE TOOLS

1

G

E

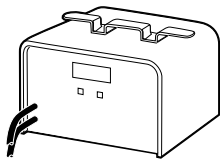
1
G
E



1



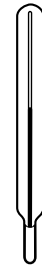
2



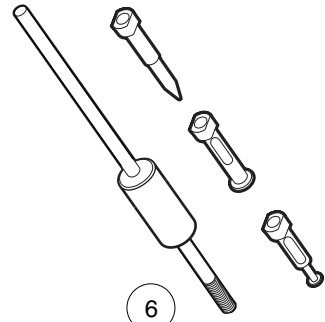
3



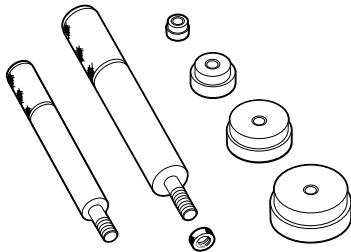
4



5



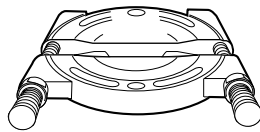
6



7



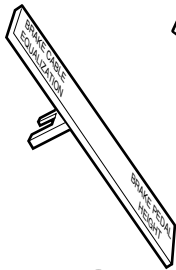
8



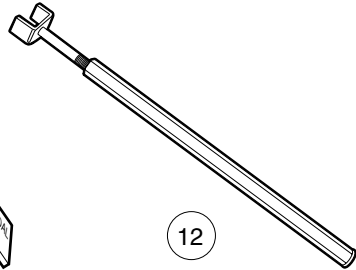
9



10



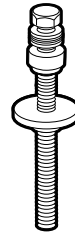
11



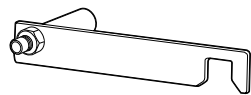
12



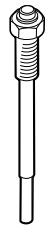
13



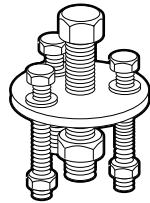
14



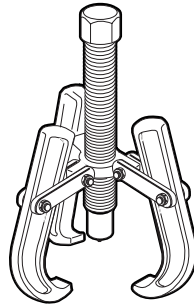
15



16



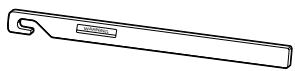
17



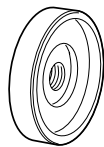
18



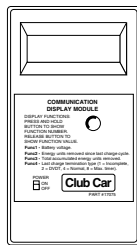
19



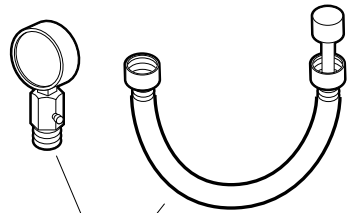
20



21



22



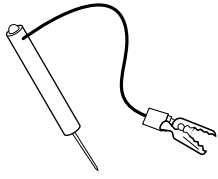
23

MAINTENANCE AND SERVICE TOOLS

ITEM	PART NO.	DESCRIPTION	QTY GAS	QTY ELEC
		<p style="text-align: center;">1 2 3 4</p> <p>The following tool list includes all tools available from Club Car for maintenance and service procedures for gasoline and/or electric vehicles, both past and present models. Be sure to carefully examine the tool list for applicability to your vehicle before ordering.</p>		
1	<u>101871001</u>	Accelerator Pedal Adjustment Tool	1	1
2	<u>101813202</u>	Adhesive, Guide Ring, 3-Gram Tube	1	1
3	<u>101831901</u>	Battery Discharge Machine, 36/48 Volt		1
4	<u>1014305</u>	Battery Terminal Protector Spray	1	1
5	<u>1011767</u>	Battery Thermometer		1
6	<u>1016417</u>	Bearing and Oil Seal Remover Assembly	1	1
7	<u>1016416</u>	Bearing Driver Set	1	1
8	<u>1012811</u>	Bearing Puller	1	1
9	<u>1012812</u>	Bearing Puller Wedge Attachment	1	1
10	<u>1013582</u>	Brake Adjustment Tool (used only on vehicles with manually adjusted mechanical brakes)	1	1
	102249901	Brake Pedal Adjustment Tool Kit (used for the Carryall Electric Industrial Truck only) (includes items 11 and 12)		1
11	****	Brake Pedal Adjustment Tool		1
12	****	Brake Pedal Tension Tool		1
13	<u>101887101</u>	Calibration Test Module		1
14	<u>101808401</u>	Cam Installation Tool	1	
	<u>1014510</u>	Clutch Tool Kit (includes items 15 - 21)	1	
15	<u>1014498</u>	Clutch Alignment Tool (for pre-unitized transaxle vehicles built prior to 1997 model year)	1	
16	<u>1014496</u>	Drive Clutch Puller	1	
17	<u>1014497</u>	Drive Clutch Hub Puller	1	
18	<u>1014508</u>	Driven Clutch Cam Puller	1	
19	<u>1014507</u>	Driven Clutch Puller Plug	1	
20	<u>1015524</u>	Drive Clutch Holder Tool Assembly	1	
21	<u>101809101</u>	Press Weldment	1	
22	101831801	Communication Display Module		1
23	101641002	Compression Gauge and Adapter	1	
		<p>Please refer to the maintenance and service manual for proper tool application.</p> <p>**** Special order item available upon request</p>		



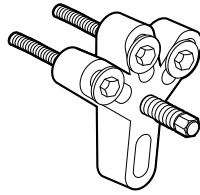
1
G
E



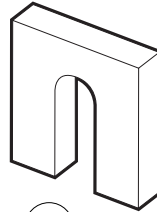
24



25



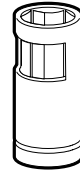
26



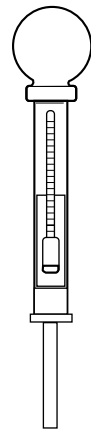
27



28



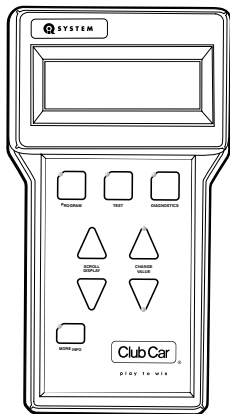
29



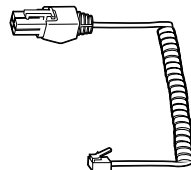
30



31



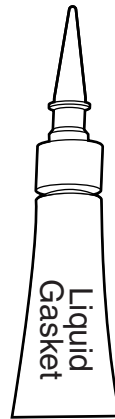
32



33



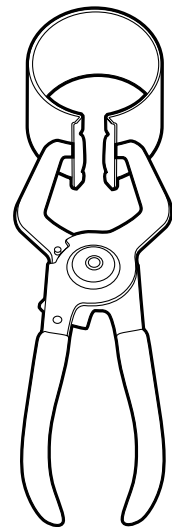
34



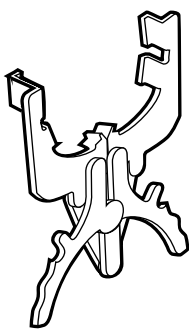
35



36



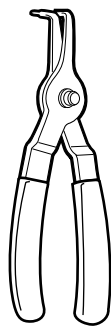
37



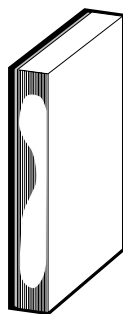
38



39



40



41



42



43



44



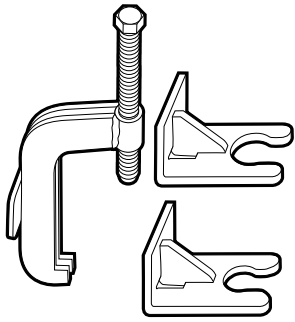
45

MAINTENANCE AND SERVICE TOOLS, CONTINUED

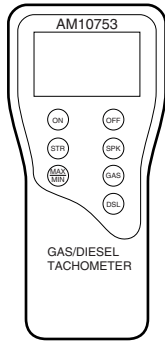
ITEM	PART NO.	DESCRIPTION	QTY GAS	QTY ELEC
		1 2 3 4		
24	1011273	Continuity Tester	1	1
25	<u>1012151</u>	Dry Moly Lubricant	1	1
26	<u>1016627</u>	Flywheel Puller Kit	1	
27	<u>1016418</u>	Gear Yoke	1	1
28	<u>101933101</u>	Governor Shaft Installation Tool	1	
29	<u>102169401</u>	Hydraulic Brake Adjuster (for vehicles equipped with hydraulic brakes)	1	
30	<u>1011478</u>	Hydrometer	1	1
31	<u>1013593</u>	Internal Retaining Ring Pliers	1	1
32	102248801	IQ Display Module (IQDM) Kit (for IQ System vehicles only)		1
		(includes items 33 and 34)		
33	<u>102241501</u>	Cable, IQDM		1
34	<u>102251501</u>	Adaptor, Cable		1
35	<u>101928701</u>	Liquid Gasket (transaxle case)	1	1
36	<u>102243402</u>	Moly-Te on Lubricant (4-oz. (113-gram) tube)		1
37	<u>1016414</u>	Piston Ring Compressor Kit (FE290, FE350 and FE400 engines)	1	
38	<u>1016415</u>	Piston Ring Pliers	1	
39	<u>1012549</u>	Retaining Ring Pliers, 45° External	1	1
40	<u>1012560</u>	Retaining Ring Pliers, 90° Internal	1	1
41	<u>101823101</u>	Safety First Card (50 per pack)	1	1
42	<u>1012809</u>	Seal Puller	1	1
43	<u>102330901</u>	Spanner Wrench (for coil over shock front suspension vehicles only)	1	1
44	<u>1014264</u>	Steering Column Bearing Press Tool	1	1
45	<u>1014259</u>	Steering Column Retaining Ring Tool	1	1
		Please refer to the maintenance and service manual for proper tool application.		

1
G
E

1
G
E



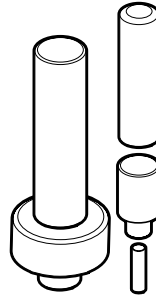
46



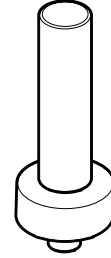
47



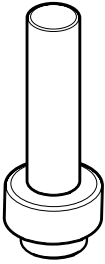
48



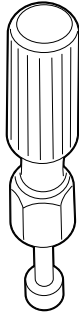
49



50



51



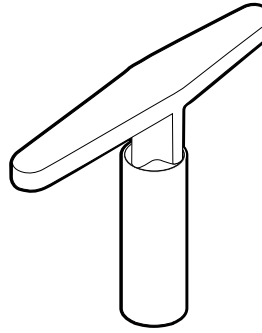
52



53



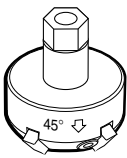
54



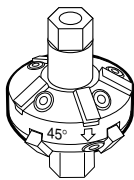
55



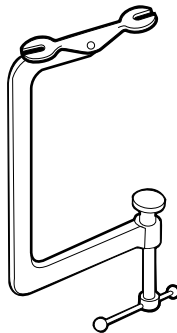
56



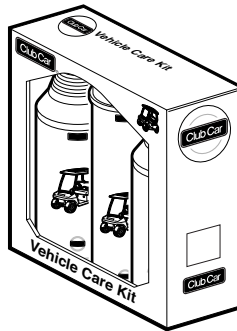
57



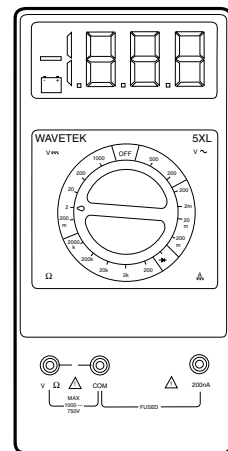
58



59



60



61

MAINTENANCE AND SERVICE TOOLS, CONTINUED

ITEM	PART NO.	DESCRIPTION	QTY GAS	QTY ELEC
		1 2 3 4		
46	102061201	Steering Wheel Puller Tool	1	1
47	<u>AM10753</u>	Tachometer	1	
48	<u>101972001</u>	Paint, Touch-Up – Beige	1	1
48	101972002	Paint, Touch-Up – White	1	1
48	101972003	Paint, Touch-Up – Red	1	1
48	101972004	Paint, Touch-Up – Gray	1	1
48	101972005	Paint, Touch-Up – Dark Gray	1	1
48	101972006	Paint, Touch-Up – Royal Blue (Pacific Blue)	1	1
48	101972007	Paint, Touch-Up – Black	1	1
48	101972009	Paint, Touch-Up – Dark Green	1	1
48	101972011	Paint, Touch-Up – Classic Blue (Navy)	1	1
48	101972012	Paint, Touch-Up – Burgundy	1	1
49	<u>1014115</u>	Transmission Tool Kit	1	
50	1014161	Transaxle Pinion Seal Tool	1	
51	<u>1014162</u>	Transaxle Axle Seal Tool	1	
52	<u>1016413</u>	Valve Clearance Adjuster Screw Holder (for FE290 engines only)	1	
53	101641201	Valve Guide Reamer	1	
54	<u>101641202</u>	Arbor	1	
55	<u>1016551</u>	Valve Seat Cutter T-Wrench	1	
56	<u>1016552</u>	Valve Seat Cutter Guide	1	
57	<u>1016553</u>	Valve Seat Cutter, 45° (32 mm diameter) (for FE290 engines only)	1	
58	<u>1016554</u>	Valve Seat Cutter, 45°/30° (35 mm diameter)	1	
59	<u>101641101</u>	Valve Spring Compressor	1	
60	AM10021	Vehicle Care Kit	1	1
61	1011480	Volt Ohm Meter	1	1
62	<u>101611003</u>	Tune-Up Kit, All OHV (includes air filter, spark plug, oil filter, fuel filters) (not shown)	1	
<p>Please refer to the maintenance and service manual for proper tool application.</p>				

1
G
E

1

G

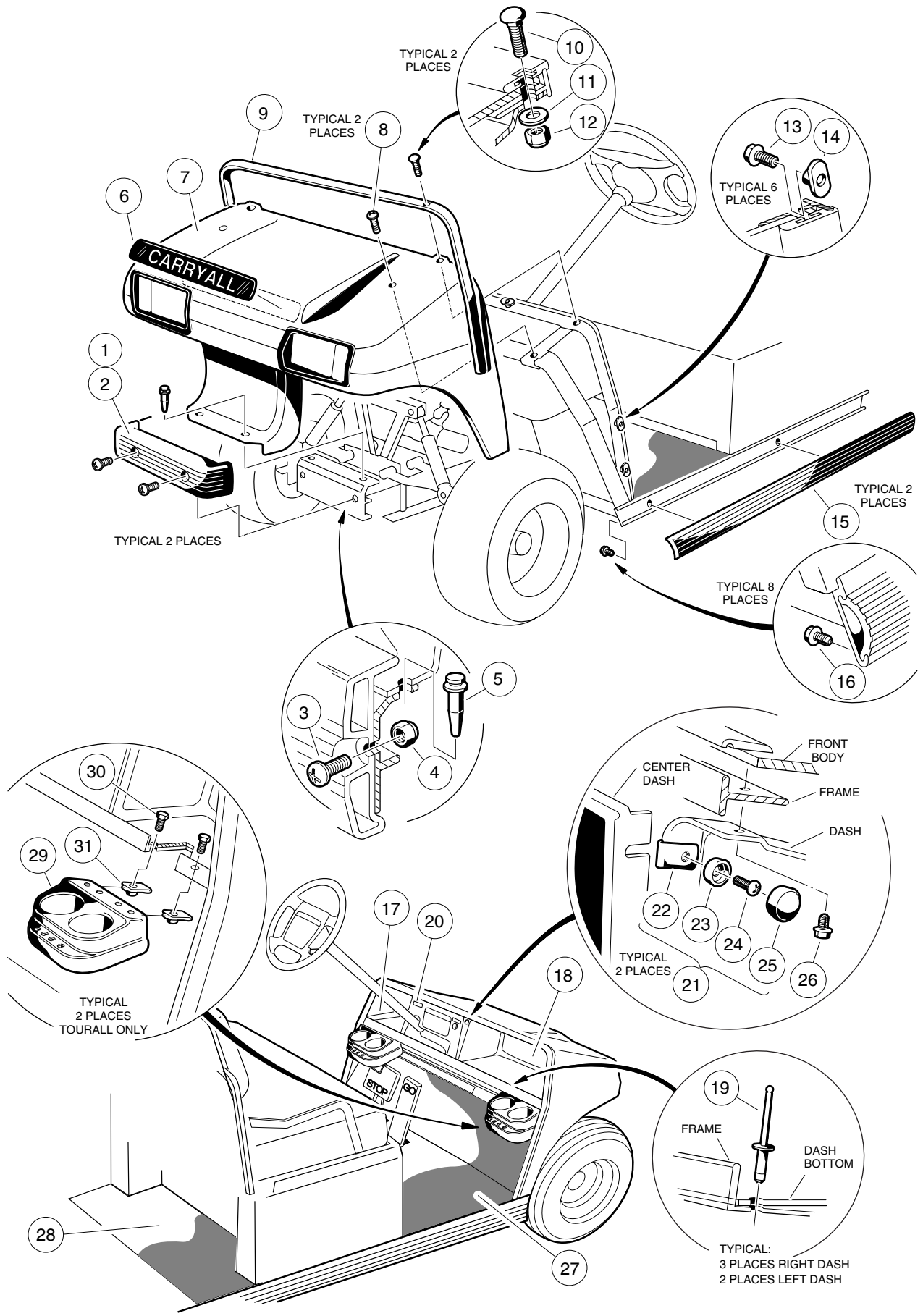
E

BODY AND TRIM

2

G

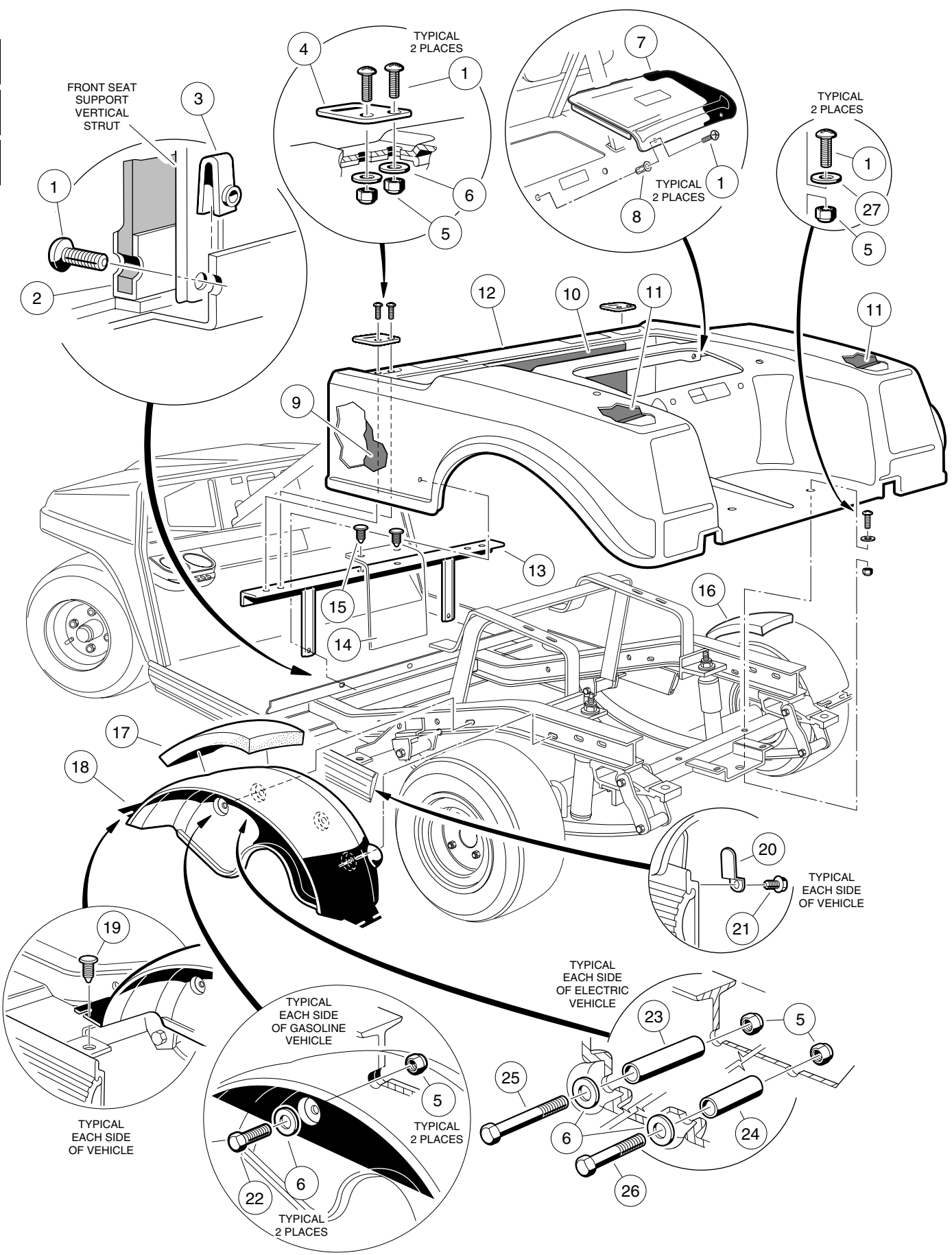
E



FRONT BODY

2
G
E

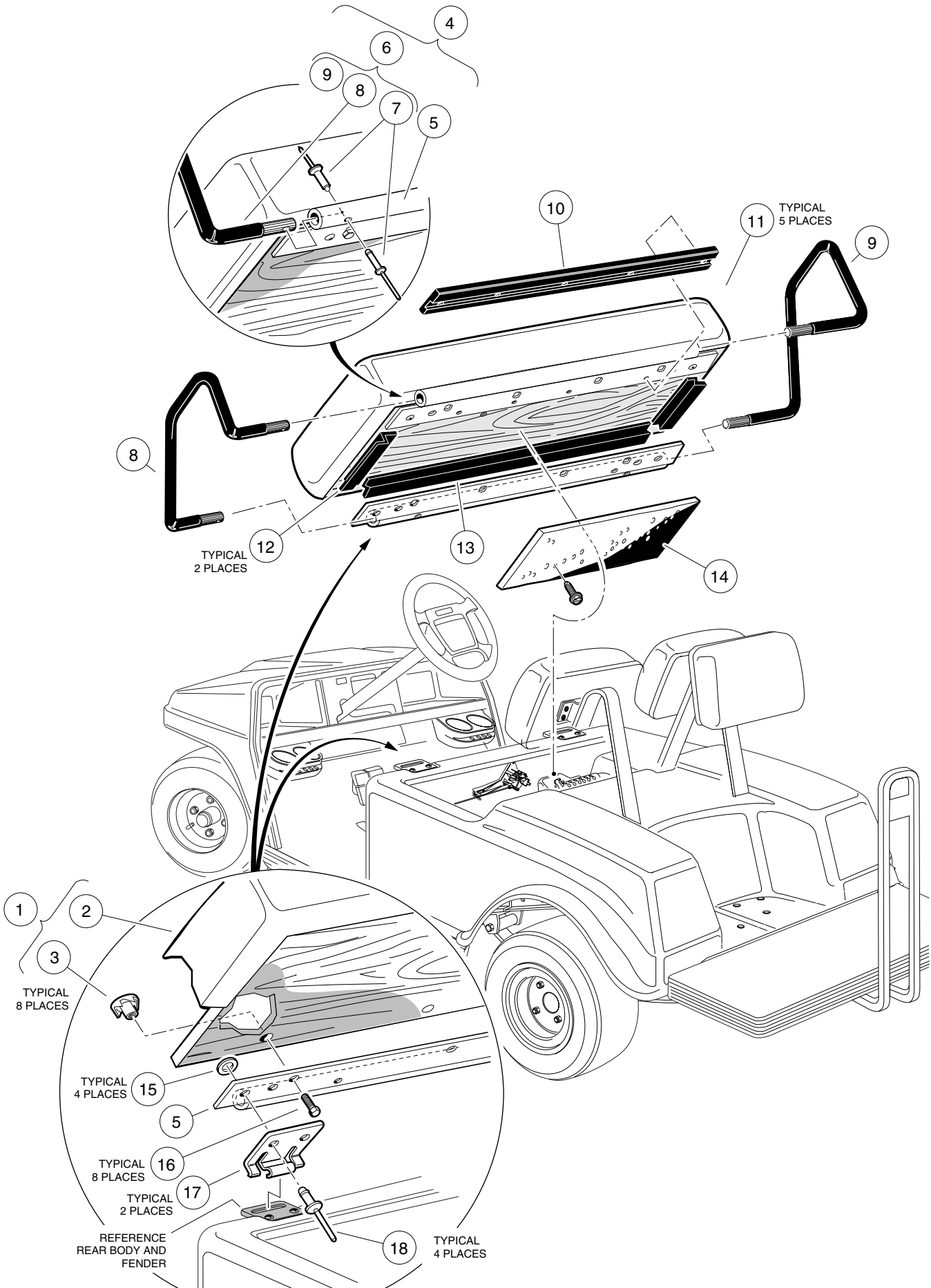
ITEM	PART NO.	DESCRIPTION	QTY GAS	QTY ELEC
		1 2 3 4		
1	<u>1017080</u>	KIT, FRONT BUMPER (INCLUDES ITEMS 2 - 5)	1	1
2	<u>1016868</u>	BUMPER, FRONT	1	1
3	0007251	SCREW, PHILLIPS TRUSS HEAD, 5/16 - 18 x 1	2	2
4	0007473	NUT, NYLON LOCK, 5/16 - 18	2	2
5	<u>1016967</u>	RIVET, BLIND PUSH TYPE	2	2
6	<u>1016702-01</u>	NAMEPLATE, CLUB CAR (SILVER)	1	1
6	<u>1014198</u>	NAMEPLATE, CLUB CAR (GOLD) (RESORT VILLAGER ONLY)	1	1
6	1019784-01	NAMEPLATE, CARRYALL (SILVER)	1	1
7	<u>1016925-04</u>	BODY, FRONT - GRAY (TOURALL ONLY)	1	1
7	<u>1016939-01</u>	BODY, FRONT WITH HEADLIGHT OPENING (BEIGE)	1	1
7	<u>1016939-02</u>	BODY, FRONT WITH HEADLIGHT OPENING (WHITE)	1	1
7	<u>1016939-04</u>	BODY, FRONT WITH HEADLIGHT OPENING (GRAY)	1	1
7	<u>1016939-06</u>	BODY, FRONT WITH HEADLIGHT OPENING (RED)	1	1
7	<u>1016939-08</u>	BODY, FRONT WITH HEADLIGHT OPENING (DARK BLUE)	1	1
7	<u>1016939-09</u>	BODY, FRONT WITH HEADLIGHT OPENING (DARK GREEN)	1	1
8	0007251	SCREW, PHILLIPS TRUSS HEAD, 5/16 - 18 x 1	2	2
9	<u>1011014</u>	TRIM, FRONT BODY	1	1
10	<u>1010435</u>	BOLT, CARRIAGE, 5/16 - 18 x 1	2	2
11	0001241	WASHER, FLAT, 5/16	2	2
12	0007473	NUT, NYLON LOCK, 5/16 - 18	2	2
13	<u>1011017</u>	SCREW, FLANGE LOCK, 8 - 32 x 3/8	6	6
14	1011394	NUT, SLAB BASE "T" (PACKAGE OF 4 PIECES)	1	1
15	1013475-01	TRIM, SIDE BUMPER GUARD (TOURALL ONLY)	2	2
15	<u>1013475-03</u>	TRIM, SIDE BUMPER GUARD (RESORT VILLAGER, TRANS-PORTER/TRANS-SENDER)	2	2
16	<u>1012047</u>	SCREW, SELF-TAPPING, #8 - 32 x 3/8	8	8
17	1013344	COMPONENT, LEFT DASH (BLACK)	1	1
18	<u>1013343</u>	COMPONENT, RIGHT DASH (BLACK)	1	1
19	0007973	RIVET, ALUMINUM POP, 3/16	5	5
20	1016604-04	PANEL, CENTER DASH	1	1
21	<u>1014645</u>	KIT, SNAP WASHER (BLACK) (INCLUDES ITEMS 22 - 26)	1	1
22	N/A	NUT, SPEED, #10 - 32	1	1
23	N/A	WASHER, CUP, #10	1	1
24	N/A	SCREW, SHEET METAL, #10 x 3/4	1	1
25	N/A	COVER, SCREW HEAD	1	1
26	<u>1011017</u>	SCREW, FLANGE LOCK	2	2
27	<u>1015032</u>	MAT, FLOOR, FRONT	1	1
28	<u>1017289</u>	MAT, FLOOR, REAR (RESORT VILLAGER ONLY)	1	1
28	<u>1016718</u>	MAT, FLOOR, REAR (TRANS-PORTER/TRANS-SENDER ONLY)	1	1
29	<u>1017083-01</u>	KIT, DRINK HOLDER (INCLUDES ITEMS 30 AND 31) (TOURALL ONLY)	2	2
30	0007847	BOLT, HEX HEAD, 1/4 - 20 x 3/4	2	2
31	1016952	U-NUT, 1/4 - 20	2	2



REAR BODY AND FENDER— TOURALL

ITEM	PART NO.	DESCRIPTION	QTY GAS	QTY ELEC
		1 2 3 4		
1	0008251	SCREW, PHILLIPS HEAD, 1/4 - 20 x 1	10	10
2	<u>1019041-01</u>	PLATE, BODY KICK	1	1
3	1016952	NUT, "U", 1/4 - 20	2	2
4	1012412	PLATE, BODY HINGE	2	2
5	0008233	NUT, NYLON LOCK, 1/4 - 20	10	10
6	0000332	WASHER, FLAT, 1/4	8	8
7	<u>1015829-02</u>	ASSEMBLY, ACCESS DOOR - BLACK (GASOLINE VEHICLE ONLY)	1	
7	<u>1013032</u>	DOOR, ACCESS - BLACK (ELECTRIC VEHICLE ONLY)		1
8	<u>1015525</u>	NUT, BLIND, 1/4 - 20	2	2
9	1018236-01	INSULATION, SOUND, DRIVER SIDE BODY	1	
10	1016963	INSULATION, SOUND, FRONT	1	
11	1015420	INSULATION, SOUND, BODY LEFT / RIGHT FENDER	2	
12	<u>1016926-04</u>	BODY - GRAY (GASOLINE VEHICLE ONLY)	1	
12	<u>1016933-04</u>	BODY - GRAY (ELECTRIC VEHICLE ONLY)		1
13	<u>1017141</u>	SUPPORT, FRONT BODY	1	1
14	1018962-01	KIT, FORWARD AND REVERSE SWITCH COVER (INCLUDES 2 OF ITEM 15)	1	1
15	<u>1010434</u>	BARREL, PLASTIC	2	2
16	1015422	INSULATION, SOUND, PASSENGER SIDE FENDER - SHORT	1	
17	1015421	INSULATION, SOUND, DRIVER SIDE FENDER - LONG	1	
18	<u>1017936</u>	FENDER, INNER	2	2
19	<u>1010434</u>	BARREL, PLASTIC	4	4
20	<u>1017748</u>	CLIP, BODY KEEPER	2	2
21	<u>1012047</u>	SCREW, SELF-TAPPING, #8 - 32 x 3/8	2	2
22	0000304	SCREW, HEX HEAD CAP, 1/4 - 20 x 1	4	
23	<u>1017814</u>	SPACER, 1 7/8		2
24	<u>1017815</u>	SPACER, 1/2		2
25	<u>1012159</u>	BOLT, HEX HEAD, 1/4 - 20 x 2 3/4		2
26	0007479	BOLT, HEX HEAD, 1/4 - 20 x 1 1/4		2
27	<u>1014306</u>	WASHER, FLAT, TYPE B, 1/4	2	2

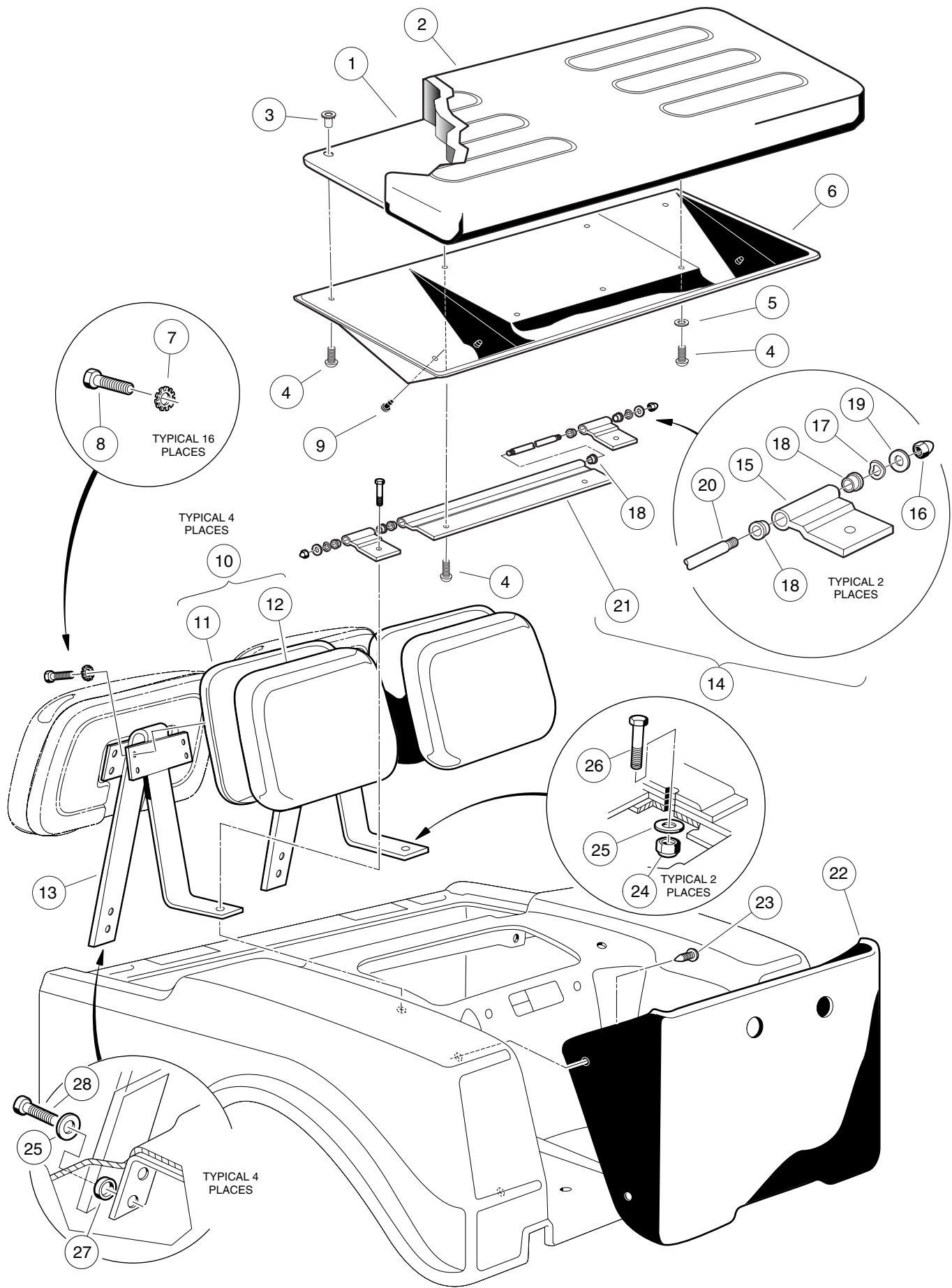
2
G
E



FRONT SEAT BOTTOM AND ARMRESTS— TOURALL

ITEM	PART NO.	DESCRIPTION	QTY GAS	QTY ELEC
		1 2 3 4		
1	<u>1015648-05</u>	ASSEMBLY, SEAT BOTTOM - WHITE (INCLUDES ITEMS 2 AND 3)	1	1
1	<u>1015648-07</u>	ASSEMBLY, SEAT BOTTOM - GRAY (INCLUDES ITEMS 2 AND 3)	1	1
1	<u>1015648-08</u>	ASSEMBLY, SEAT BOTTOM - BLACK (INCLUDES ITEMS 2 AND 3)	1	1
2	<u>1015627-02</u>	COVER, VINYL SEAT BOTTOM - WHITE	1	1
2	<u>1015627-04</u>	COVER, VINYL SEAT BOTTOM - BLACK	1	1
2	<u>1015627-10</u>	COVER, VINYL SEAT BOTTOM - GRAY	1	1
3	1010543	INSERT, WOOD	8	8
4	1015670	ASSEMBLY, SEAT BOTTOM AND ARMREST (INCLUDES ITEMS 5 - 9)	1	1
5	<u>1015625</u>	BRACKET, SEAT SUPPORT	2	2
6	<u>1019511-01</u>	KIT, ARMREST (INCLUDES ITEMS 7 - 9)	1	1
7	<u>1018809-01</u>	RIVET, MATING, 3/16	8	8
8	N/A	ASSEMBLY, ARMREST, DRIVER SIDE	1	1
9	N/A	ASSEMBLY, ARMREST, PASSENGER SIDE	1	1
10	<u>1012597</u>	BUMPER, SEAT	1	1
11	<u>1017384</u>	SCREW, WASHER HEAD TAP, #12	5	5
12	<u>1012656</u>	GASKET, SEAT, SHORT (GASOLINE VEHICLE ONLY)	2	
13	<u>1012657</u>	GASKET, SEAT, LONG (GASOLINE VEHICLE ONLY)	1	
14	1017283	INSULATION, SOUND (GASOLINE VEHICLE ONLY)	1	
15	<u>1018817-01</u>	WASHER, FLAT, STAINLESS STEEL, #8	4	4
16	<u>1019543-01</u>	SCREW, HEX HEAD CAP (WITH ADHESIVE PATCH), 1/4 - 20 x 3/4	8	8
17	<u>1011652</u>	PLATE, SEAT HINGE, STAINLESS STEEL	2	2
18	<u>1018809-01</u>	RIVET, POP, STAINLESS STEEL, 3/16	4	4

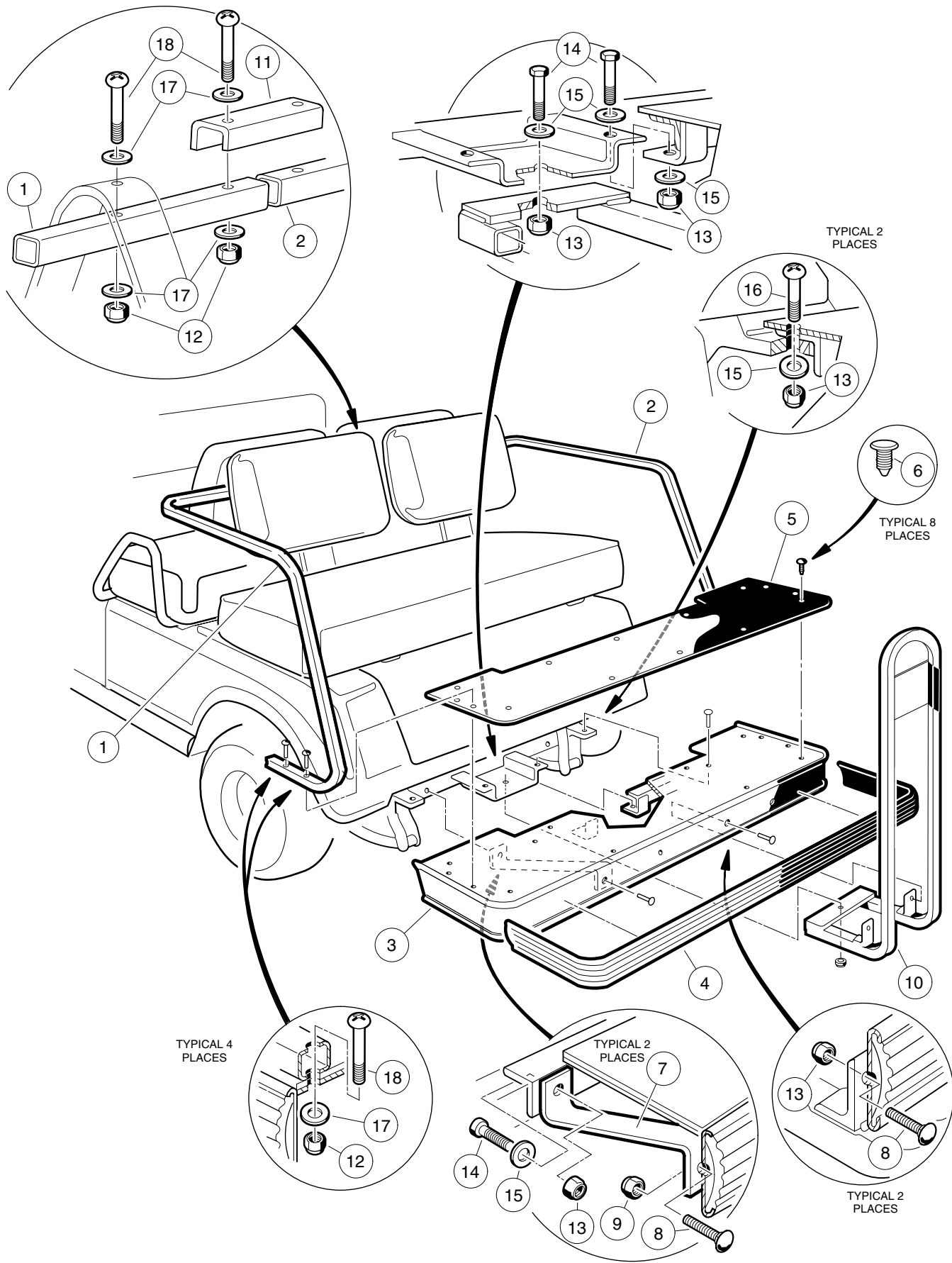
2
G
E



SEAT BACKS, REAR SEAT BOTTOM AND SUPPORT STRUCTURE—TOURALL

ITEM	PART NO.	DESCRIPTION	QTY GAS	QTY ELEC
		1 2 3 4		
1	<u>1015648-05</u>	ASSEMBLY, SEAT BOTTOM - WHITE (INCLUDES ITEMS 2 AND 3)	1	1
1	<u>1015648-07</u>	ASSEMBLY, SEAT BOTTOM - GRAY (INCLUDES ITEMS 2 AND 3)	1	1
1	<u>1015648-08</u>	ASSEMBLY, SEAT BOTTOM - BLACK (INCLUDES ITEMS 2 AND 3)	1	1
2	<u>1015627-02</u>	COVER, VINYL SEAT BOTTOM - WHITE	1	1
2	<u>1015627-04</u>	COVER, VINYL SEAT BOTTOM - BLACK	1	1
2	<u>1015627-10</u>	COVER, VINYL SEAT BOTTOM - GRAY	1	1
3	1010543	INSERT, WOOD	7	7
4	0008251	SCREW, PHILLIPS TRUSS HEAD, 1/4 - 20 x 1	7	7
5	<u>1011578</u>	WASHER, FLAT, 5/16	3	3
6	<u>1011210</u>	SUPPORT, SEAT	1	1
7	<u>1019462-01</u>	WASHER, LOCK, EXTERNAL TOOTH, 1/4	8	8
8	0007847	SCREW, HEX HEAD, 1/4 - 20 x 3/4	8	8
9	<u>1011389</u>	BUMPER, RUBBER (PACKAGE OF 5)	1	1
10	<u>1015652-02</u>	ASSEMBLY, SEAT BACK, THIN - WHITE (INCLUDES ITEMS 11 AND 12)	4	4
10	<u>1015652-05</u>	ASSEMBLY, SEAT BACK, THIN - BLACK (INCLUDES ITEMS 11 AND 12)	4	4
10	<u>1015652-06</u>	ASSEMBLY, SEAT BACK, THIN - GRAY (INCLUDES ITEMS 11 AND 12)	4	4
11	<u>1013335</u>	CAP, SEAT BACK - BLACK	1	1
12	<u>1015626-02</u>	COVER, VINYL SEAT BACK - WHITE	1	1
12	<u>1015626-04</u>	COVER, VINYL SEAT BACK - BLACK	1	1
12	<u>1015626-05</u>	COVER, VINYL SEAT BACK - GRAY	1	1
13	<u>1011182</u>	SUPPORT, SEAT BACK	2	2
14	1011219	ASSEMBLY, HINGE (INCLUDES ITEMS 15 - 21)	1	1
15	<u>1011221</u>	HINGE - SHORT	2	2
16	<u>1015091</u>	NUT, CENTERLOCK CAP, 1/4 - 20 x 1/4	2	2
17	1010695	WASHER, CURVED SPRING, 1/4	2	2
18	0008028	BUSHING, NYLON	6	6
19	0000332	WASHER, FLAT, 1/4	2	2
20	<u>1011222</u>	PIN, HINGE - LONG	1	1
21	<u>1011220</u>	HINGE - LONG	1	1
22	1011348	PANEL, REAR	1	1
23	<u>1010434</u>	BARREL, PLASTIC	4	4
24	0007473	NUT, NYLON LOCK, 5/16 - 18	2	2
25	0001241	WASHER, FLAT, 5/16	6	6
26	<u>1010577</u>	BOLT, HEX HEAD, 5/16 - 18 x 1 1/2	2	2
27	1017774	SPACER, BODY	4	4
28	<u>1019104-01</u>	SCREW, THREAD-FORMING, 5/16 - 18 x 1 1/4	4	4

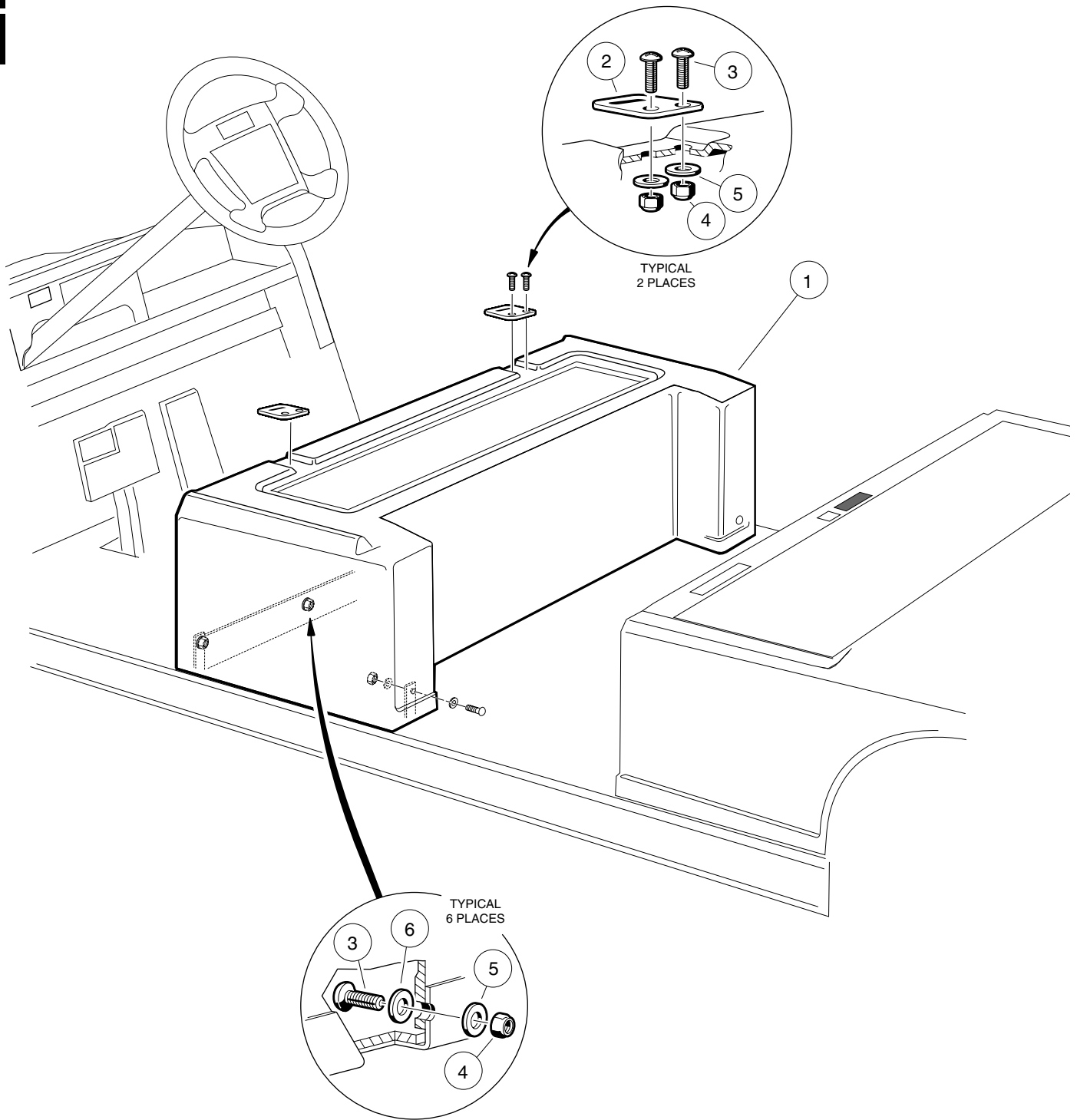
2
G
E



REAR FOOTREST AND HANDRAILS—TOURALL

ITEM	PART NO.	DESCRIPTION	QTY GAS	QTY ELEC
		1 2 3 4		
1	<u>1018412-02</u>	ARMREST, REAR SEAT, DRIVER SIDE	1	1
2	<u>1018412-01</u>	ARMREST, REAR SEAT, PASSENGER SIDE	1	1
3	<u>1018411-01</u>	ASSEMBLY, REAR FOOTREST (INCLUDES ITEMS 4 - 9)	1	1
4	1013475-05	GUARD, BUMPER	1	1
5	<u>1018409-01</u>	MAT, FOOTREST	1	1
6	<u>1010434</u>	FASTENER, PLASTIC BARREL	8	8
7	<u>1016668</u>	BAR, CONNECTING	2	2
8	<u>1010435</u>	BOLT, CARRIAGE, 5/16 - 18 x 1	4	4
9	0007473	NUT, NYLON LOCK, 5/16 - 18	2	2
10	<u>1016842</u>	HANDRAIL, REAR SEAT	1	1
11	<u>1018413-01</u>	BRACKET, ARMREST	1	1
12	0008233	NUT, NYLON LOCK, 1/4 - 20	8	8
13	0007473	NUT, NYLON LOCK, 5/16 - 18	9	9
14	0001218	SCREW, HEX HEAD CAP, 5/16 - 18 x 1 1/4	5	5
15	0001241	WASHER, FLAT, 5/16	9	9
16	0007818	SCREW, TRUSS HEAD, 5/16 - 18 x 1 1/2	2	2
17	0000332	WASHER, FLAT, 1/4	8	8
18	<u>1011988</u>	SCREW, PHILLIPS TRUSS HEAD, 1/4 - 20 x 2	8	8

2
G
E



CENTER BODY AND TRIM—RESORT VILLAGER

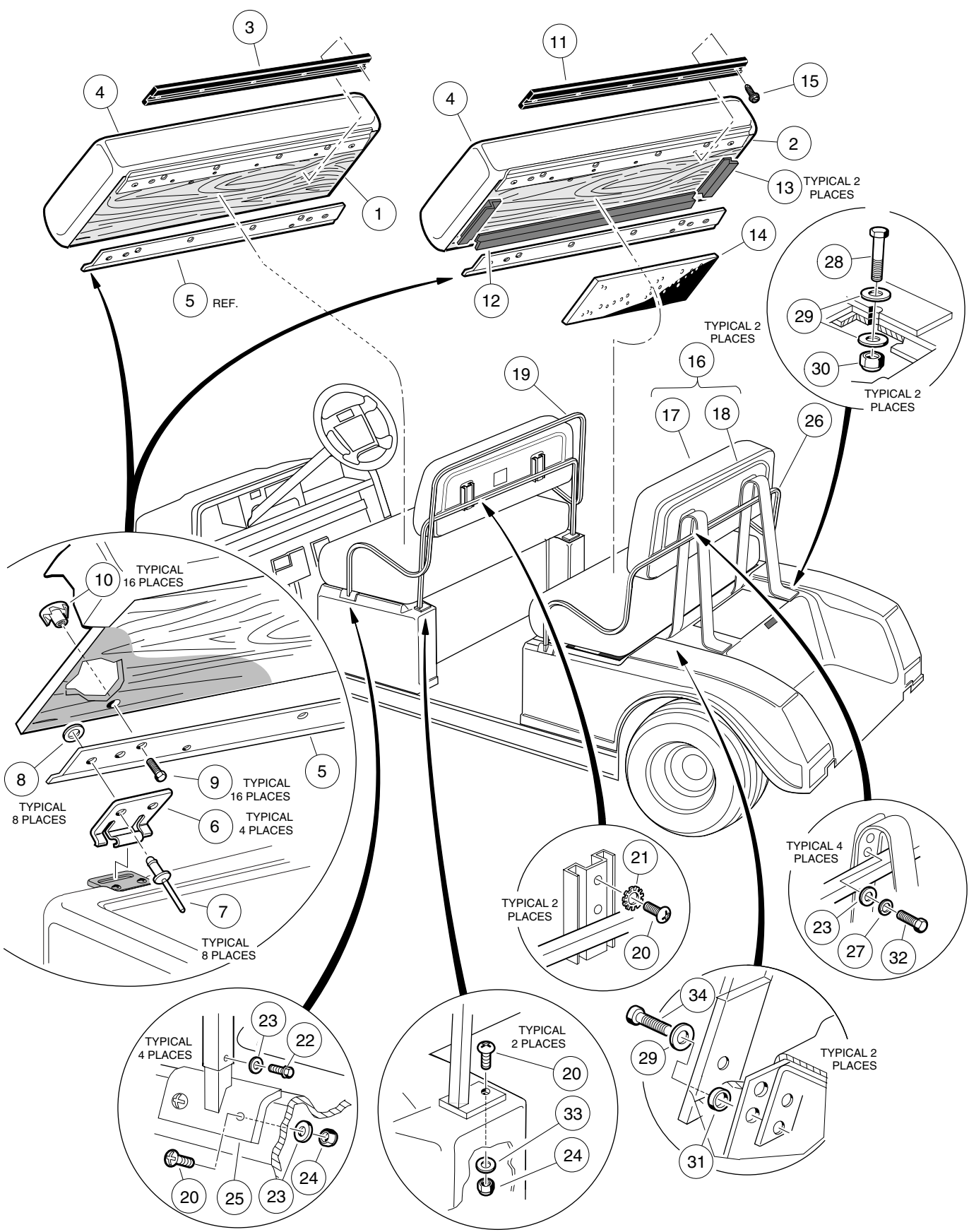
ITEM	PART NO.	DESCRIPTION	QTY GAS	QTY ELEC
		1 2 3 4		
1	<u>1017316-01</u>	BODY, CENTER - BEIGE	1	1
1	<u>1017316-02</u>	BODY, CENTER - WHITE	1	1
1	<u>1017316-04</u>	BODY, CENTER - GRAY	1	1
1	<u>1017316-06</u>	BODY, CENTER - RED	1	1
1	<u>1017316-08</u>	BODY, CENTER - DARK BLUE	1	1
1	<u>1017316-09</u>	BODY, CENTER - DARK GREEN	1	1
2	1012412	PLATE, SEAT HINGE	2	2
3	0008251	SCREW, PHILLIPS TRUSS HEAD, 1/4 - 20 x 1	10	10
4	0008233	NUT, NYLON LOCK, 1/4 - 20	10	10
5	0000332	WASHER, FLAT, 1/4	10	10
6	<u>1012581</u>	WASHER, NYLON CUP, 1/4	6	6

2
G
E

REAR BODY AND FENDER—RESORT VILLAGER

ITEM	PART NO.	DESCRIPTION	QTY GAS	QTY ELEC
		1 2 3 4		
1	0008251	SCREW, PHILLIPS TRUSS HEAD, 1/4 - 20 x 1	10	10
2	<u>1019041-01</u>	PLATE, BODY KICK	1	1
3	1016952	U-NUT, 1/4 - 20	2	2
4	1012412	PLATE, BODY HINGE	2	2
5	0000332	WASHER, FLAT, 1/4	8	8
6	0008233	NUT, NYLON LOCK, 1/4 - 20	10	10
7	<u>1015829-02</u>	ASSEMBLY, ACCESS DOOR - BLACK (GASOLINE VEHICLE ONLY)	1	
7	<u>1013032</u>	DOOR, ACCESS - BLACK (ELECTRIC VEHICLE ONLY)		1
8	<u>1015525</u>	NUT, BLIND, 1/4 - 20	2	2
9	<u>1010434</u>	BARREL, PLASTIC	10	10
10	<u>1014392</u>	MAT, BAG REST	2	2
11	1015420	INSULATION, SOUND, BODY LEFT/RIGHT FENDER (GASOLINE VEHICLE ONLY)	2	
12	1016963	INSULATION, SOUND, FRONT (GASOLINE VEHICLE ONLY)	1	
13	1017113	INSULATION, SOUND, LEFT SIDE BODY (GASOLINE VEHICLE ONLY)	1	
14	1015422	INSULATION, SOUND, RIGHT SIDE FENDER - SHORT (GASOLINE VEHICLE ONLY)	1	
15	1015421	INSULATION, SOUND, LEFT SIDE FENDER - LONG (GASOLINE VEHICLE ONLY)	1	
16	<u>1017287-01</u>	BODY - BEIGE	1	1
16	<u>1017287-02</u>	BODY - WHITE	1	1
16	<u>1017287-04</u>	BODY - GRAY	1	1
16	<u>1017287-06</u>	BODY - RED	1	1
16	<u>1017287-08</u>	BODY - DARK BLUE	1	1
16	<u>1017287-09</u>	BODY - DARK GREEN	1	1
17	<u>1017141</u>	SUPPORT, FRONT BODY	1	1
18	<u>1018069-01</u>	SHIELD, HEAT (GASOLINE VEHICLE ONLY)	1	
19	<u>1017936</u>	FENDER, INNER	2	2
20	0007847	SCREW, HEX WASHER HEAD, 1/4 - 20 x 3/4	4	4
21	<u>1013357</u>	RIVET, POP (ELECTRIC VEHICLE ONLY)		2
22	<u>1018370-01</u>	INSULATOR, BATTERY (ELECTRIC VEHICLE ONLY)		1
23	<u>1017748</u>	CLIP, BODY KEEPER	2	2
24	<u>1012047</u>	SCREW, SELF-TAPPING, #8 - 32 x 3/8	2	2
25	<u>1014306</u>	WASHER, FLAT, TYPE B, 1/4	2	2

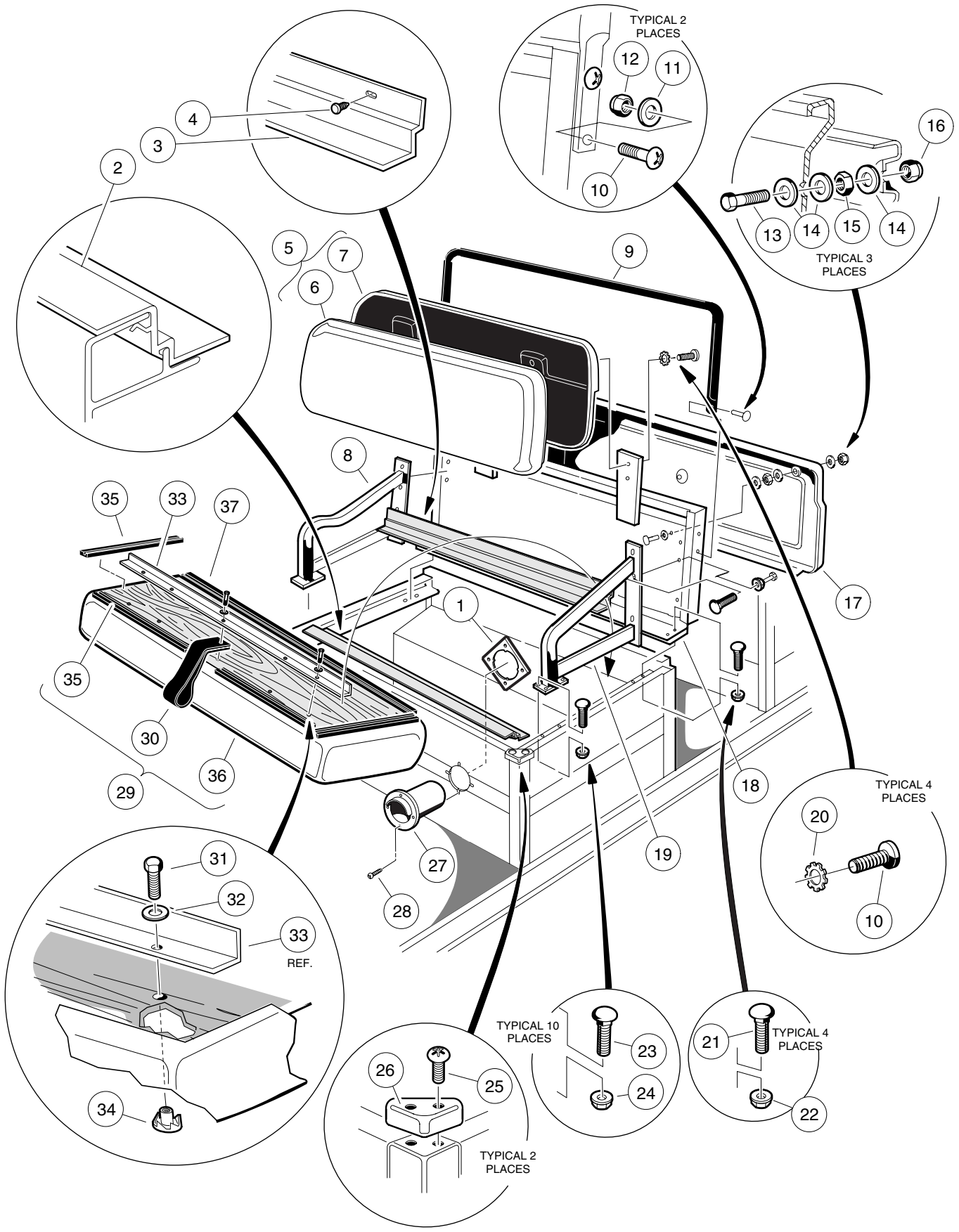
2
G
E



SEATS AND SUPPORT STRUCTURES— RESORT VILLAGER

ITEM	PART NO.	DESCRIPTION	QTY GAS	QTY ELEC
		1 2 3 4		
1	<u>1017282-01</u>	ASSEMBLY, FIRST SEAT BOTTOM - WHITE (INCLUDES ITEMS 3 - 10)	1	1
1	<u>1017282-03</u>	ASSEMBLY, FIRST SEAT BOTTOM - BUFF (INCLUDES ITEMS 3 - 10)	1	1
1	<u>1017282-10</u>	ASSEMBLY, FIRST SEAT BOTTOM - BLACK (INCLUDES ITEMS 3 - 10)	1	1
1	<u>1017282-13</u>	ASSEMBLY, FIRST SEAT BOTTOM - GRAY (INCLUDES ITEMS 3 - 10)	1	1
2	<u>1017282-02</u>	ASSEMBLY, SECOND SEAT BOTTOM - WHITE (INCLUDES ITEMS 4 - 15)	1	1
2	<u>1017282-04</u>	ASSEMBLY, SECOND SEAT BOTTOM - BUFF (INCLUDES ITEMS 4 - 15)	1	1
2	<u>1017282-11</u>	ASSEMBLY, SECOND SEAT BOTTOM - BLACK (INCLUDES ITEMS 4 - 15)	1	1
2	<u>1017282-14</u>	ASSEMBLY, SECOND SEAT BOTTOM - GRAY (INCLUDES ITEMS 4 - 15)	1	1
3	<u>1013312</u>	BUMPER, SEAT - LONG (FIRST SEAT ONLY)	1	1
4	<u>1015627-01</u>	COVER, VINYL SEAT BOTTOM - BUFF	1	1
4	<u>1015627-02</u>	COVER, VINYL SEAT BOTTOM - WHITE	1	1
4	<u>1015627-04</u>	COVER, VINYL SEAT BOTTOM - BLACK	1	1
4	<u>1015627-10</u>	COVER, VINYL SEAT BOTTOM - GRAY	1	1
5	<u>1017695</u>	BRACKET, SEAT SUPPORT	2	2
6	<u>1011652</u>	PLATE, SEAT HINGE	2	2
7	<u>1018809-01</u>	RIVET, POP, STAINLESS STEEL, 3/16	4	4
8	<u>1018817-01</u>	WASHER, FLAT, STAINLESS STEEL, #8	4	4
9	<u>1019543-01</u>	SCREW, HEX HEAD CAP (WITH ADHESIVE PATCH), 1/4 - 20 x 3/4	8	8
10	1010543	INSERT, WOOD	8	8
11	<u>1012597</u>	BUMPER, SEAT (SECOND SEAT ONLY)	1	1
12	<u>1012657</u>	GASKET, SEAT - LONG (SECOND SEAT ONLY)	1	1
13	<u>1012656</u>	GASKET, SEAT - SHORT (SECOND SEAT ONLY)	2	2
14	<u>1017283</u>	INSULATION, SOUND (SECOND SEAT ONLY)	1	1
15	<u>1017384</u>	SCREW, WASHER HEAD TAP, #12 (SECOND SEAT ONLY)	5	5
16	<u>1016777-01</u>	ASSEMBLY, SEAT BACK - WHITE (INCLUDES ITEMS 17 AND 18)	2	2
16	<u>1016777-02</u>	ASSEMBLY, SEAT BACK - BLACK (INCLUDES ITEMS 17 AND 18)	2	2
16	<u>1016777-03</u>	ASSEMBLY, SEAT BACK - BUFF (INCLUDES ITEMS 17 AND 18)	2	2
16	<u>1016777-05</u>	ASSEMBLY, SEAT BACK - GRAY (INCLUDES ITEMS 17 AND 18)	2	2
17	<u>1016755-01</u>	COVER, VINYL SEAT BACK - BUFF	2	2
17	<u>1016755-02</u>	COVER, VINYL SEAT BACK - WHITE	2	2
17	<u>1016755-04</u>	COVER, VINYL SEAT BACK - BLACK	2	2
17	<u>1016755-06</u>	COVER, VINYL SEAT BACK - GRAY	2	2
18	1016751	CAP, SEAT BACK - BLACK	2	2
19	<u>1017259</u>	WELDMENT, FRONT ARMREST	1	1
20	<u>1015902</u>	SCREW, PHILLIPS TRUSS HEAD, 1/4 - 20 x 1 1/4	14	14
21	<u>1019462-01</u>	WASHER, EXTERNAL TOOTH LOCK, 1/4	4	4
22	<u>1012285</u>	SCREW, THREAD ROLLING, 1/4 - 20 x 5/8	4	4
23	0000332	WASHER, FLAT, 1/4	16	16
24	0008233	NUT, NYLON LOCK, 1/4 - 20	10	10
25	<u>1017310</u>	WELDMENT, ARMREST MOUNTING	4	4
26	<u>1017992-01</u>	WELDMENT, REAR ARMREST	1	1
27	0000451	WASHER, LOCK, 1/4	4	4
28	0001218	SCREW, HEX HEAD CAP, 5/16 - 18 x 1 1/4	2	2
29	0001241	WASHER, FLAT, 5/16	8	8
30	0007473	NUT, NYLON LOCK, 5/16 - 18	2	2
31	1017774	SPACER, BODY	4	4
32	<u>1019543-01</u>	SCREW, HEX HEAD CAP, 1/4 - 20 x 3/4	4	4
33	<u>1014306</u>	WASHER, FLAT, TYPE B, 1/4	2	2
34	<u>1019104-01</u>	SCREW, THREAD-FORMING, 5/16 - 18 x 1 1/4	4	4

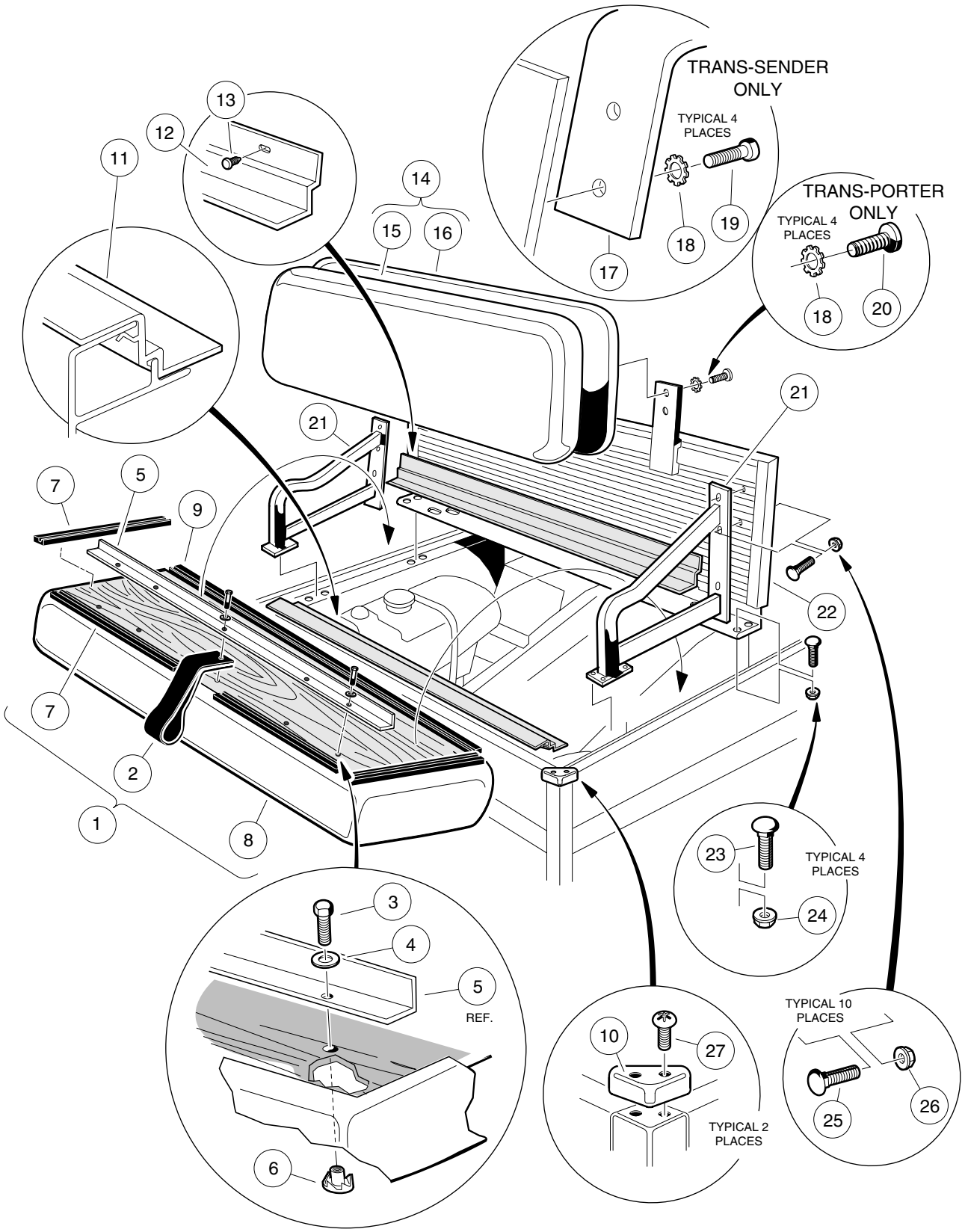
2
G
E



FIRST SEAT AND SUPPORT STRUCTURE— TRANS-PORTER/TRANS-SENDER

ITEM	PART NO.	DESCRIPTION	QTY GAS	QTY ELEC
		1 2 3 4		
1	1018010-01	PLATE, RECEPTACLE BACKING (ELECTRIC VEHICLE ONLY)		1
2	1019640-01	TRIM, SEAT BOTTOM, FRONT	1	1
3	1019639-01	TRIM, SEAT BOTTOM, REAR	1	1
4	1010434	BARREL, PLASTIC	5	5
5	1016777-01	ASSEMBLY, SEAT BACK - WHITE (INCLUDES ITEMS 6 AND 7)	1	1
5	1016777-02	ASSEMBLY, SEAT BACK - BLACK (INCLUDES ITEMS 6 AND 7)	1	1
5	1016777-05	ASSEMBLY, SEAT BACK - GREY (INCLUDES ITEMS 6 AND 7)	1	1
6	1016755-02	COVER, VINYL SEAT BACK - WHITE	1	1
6	1016755-04	COVER, VINYL SEAT BACK - BLACK	1	1
6	1016755-06	COVER, VINYL SEAT BACK - GREY	1	1
7	1016751	CAP, SEAT BACK	1	1
8	1018885-01	ASSEMBLY, PASSENGER ARMREST	1	1
9	1016670	HANDRAIL	1	1
10	0008248	SCREW, PHILLIPS TRUSS HEAD, 1/4 - 20 x 3/4	8	8
11	0000332	WASHER, FLAT, 1/4	9	9
12	0008233	NUT, NYLON LOCK, 1/4 - 20	4	4
13	1010934	BOLT, HEX HEAD CAP, 5/16 - 18 x 1	7	7
14	0001241	WASHER, FLAT, 5/16	9	9
15	0001242	NUT, HEX, 5/16 - 18	3	3
16	0007473	NUT, NYLON LOCK, 5/16 - 18	7	7
17	1016970	COVER, SEAT BACK SUPPORT	1	1
18	1016723	ASSEMBLY, SEAT SUPPORT PANEL	1	1
19	1018885-02	ARMREST, DRIVER	1	1
20	1019462-01	WASHER, EXTERNAL TOOTH LOCK, 1/4	4	4
21	1019633-01	BOLT, CARRIAGE, 5/16 - 18 x 3/4	4	4
22	1019634-01	NUT, FLANGE, 5/16 - 18	4	4
23	1019586-01	BOLT, CARRIAGE, 1/4 - 20 x 3/4	10	10
24	1018356-01	NUT, FLANGE, 1/4 - 20	10	10
25	1014321	SCREW, TORX TRUSS HEAD, #10 - 24 x 3/8	4	4
26	1014387	CAP, CORNER	2	2
27	1016673	HOUSING, CORD (ELECTRIC VEHICLE ONLY)		1
28	0008796	SCREW, PHILLIPS HEAD, #7 - 19 x 3/4 (ELECTRIC VEHICLE ONLY)		4
29	1015645-02	ASSEMBLY, SEAT BOTTOM - WHITE (INCLUDES ITEMS 30 - 37)	1	1
29	1015645-03	ASSEMBLY, SEAT BOTTOM - BLACK (INCLUDES ITEMS 30 - 37)	1	1
29	1015645-05	ASSEMBLY, SEAT BOTTOM - GREY (INCLUDES ITEMS 30 - 37)	1	1
30	1013309	STRAP, SEAT BOTTOM	1	1
31	1019543-01	SCREW, HEX HEAD CAP (WITH ADHESIVE PATCH), 1/4 - 20 x 3/4	5	5
32	0000332	WASHER, FLAT, 1/4	9	9
33	1018943-03	STIFFENER, SEAT	1	1
34	1010543	INSERT, WOOD	5	5
35	1013311	BUMPER, SEAT, SHORT	4	4
36	1015627-02	COVER, VINYL SEAT BOTTOM - WHITE	1	1
36	1015627-04	COVER, VINYL SEAT BOTTOM - BLACK	1	1
36	1015627-10	COVER, VINYL SEAT BOTTOM - GRAY	1	1
37	1013312	BUMPER, SEAT, LONG	1	1

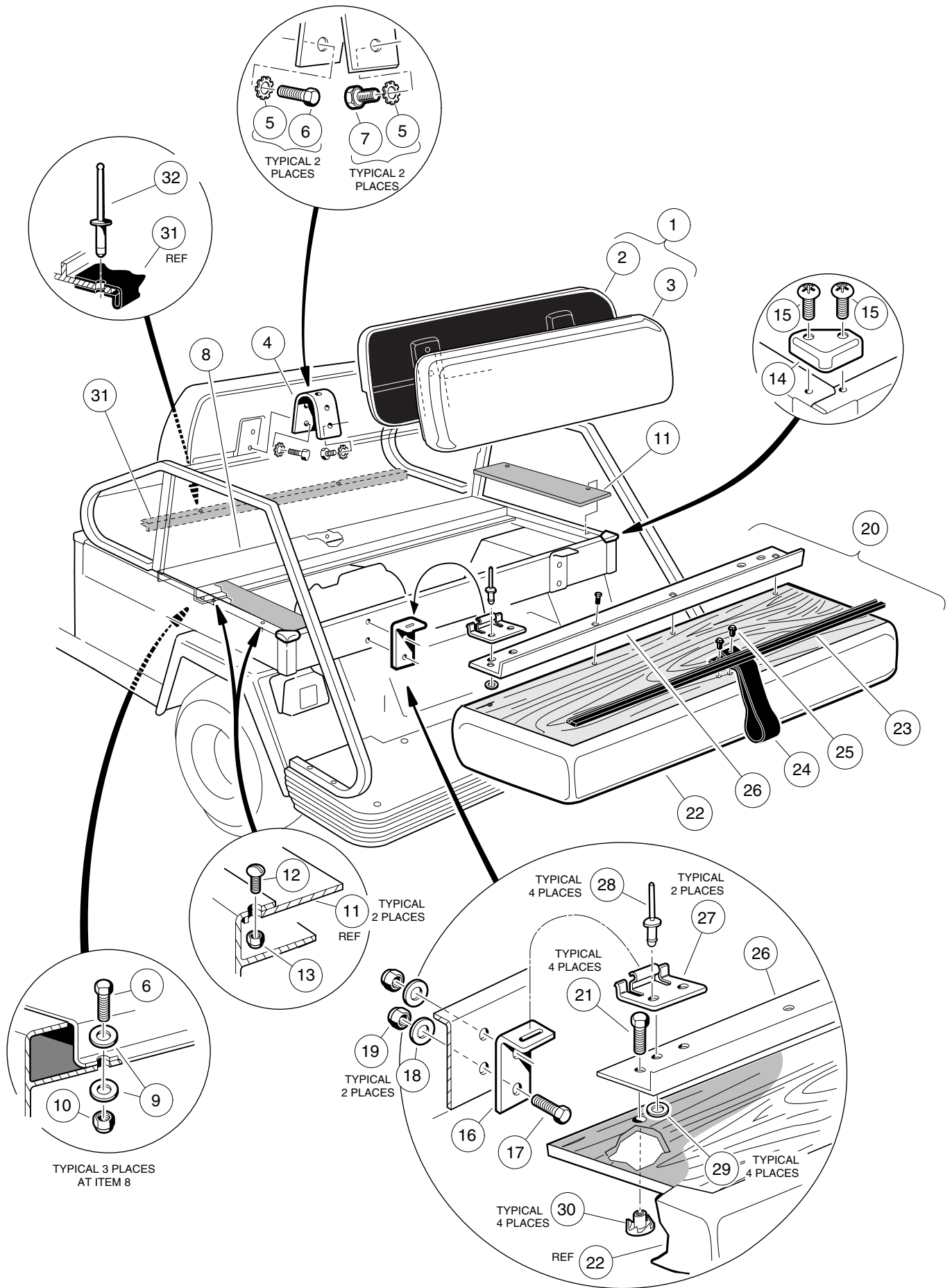
2
G
E



SECOND SEAT AND SUPPORT STRUCTURE— TRANS-PORTER/TRANS-SENDER

ITEM	PART NO.	DESCRIPTION	QTY GAS	QTY ELEC
		1 2 3 4		
1	<u>1015645-02</u>	ASSEMBLY, SEAT BOTTOM - WHITE (INCLUDES ITEMS 2 - 9)	1	1
1	<u>1015645-03</u>	ASSEMBLY, SEAT BOTTOM - BLACK (INCLUDES ITEMS 2 - 9)	1	1
1	<u>1015645-05</u>	ASSEMBLY, SEAT BOTTOM - GREY (INCLUDES ITEMS 2 - 9)	1	1
2	<u>1013309</u>	STRAP, SEAT BOTTOM	1	1
3	<u>1019543-01</u>	SCREW, HEX HEAD CAP (WITH ADHESIVE PATCH), 1/4 - 20 x 3/4	5	5
4	0000332	WASHER, FLAT, 1/4	5	5
5	<u>1018943-03</u>	STIFFENER, SEAT	1	1
6	1010543	INSERT, WOOD	5	5
7	<u>1013311</u>	BUMPER, SEAT, SHORT	4	4
8	<u>1015627-02</u>	COVER, VINYL SEAT BOTTOM - WHITE	1	1
8	<u>1015627-04</u>	COVER, VINYL SEAT BOTTOM - BLACK	1	1
8	<u>1015627-10</u>	COVER, VINYL SEAT BOTTOM - GREY	1	1
9	<u>1013312</u>	BUMPER, SEAT, LONG	1	1
10	<u>1014387</u>	CAP, CORNER	2	2
11	<u>1019640-01</u>	TRIM, SEAT BOTTOM, FRONT	1	1
12	<u>1019639-01</u>	TRIM, SEAT BOTTOM, REAR	1	1
13	<u>1010434</u>	BARREL, PLASTIC	5	5
14	<u>1016777-01</u>	ASSEMBLY, SEAT BACK - WHITE (INCLUDES ITEMS 15 AND 16)	1	1
14	<u>1016777-02</u>	ASSEMBLY, SEAT BACK - BLACK (INCLUDES ITEMS 15 AND 16)	1	1
14	<u>1016777-05</u>	ASSEMBLY, SEAT BACK - GREY (INCLUDES ITEMS 15 AND 16)	1	1
15	<u>1016755-02</u>	COVER, VINYL SEAT BACK - WHITE	1	1
15	<u>1016755-04</u>	COVER, VINYL SEAT BACK - BLACK	1	1
15	<u>1016755-06</u>	COVER, VINYL SEAT BACK - GREY	1	1
16	1016751	CAP, SEAT BACK	1	1
17	<u>1016839</u>	MOUNT, SEAT BACK BRACKET (TRANS-SENDER ONLY)	2	2
18	<u>1019462-01</u>	WASHER, EXTERNAL TOOTH LOCK, 1/4	4	4
19	0007479	SCREW, HEX HEAD CAP, 1/4 - 20 x 1 1/4 (TRANS-SENDER ONLY)	4	4
20	0008248	SCREW, PHILLIPS TRUSS HEAD, 1/4 - 20 x 3/4 (TRANS-PORTER ONLY)	4	4
21	<u>1018885-01</u>	ASSEMBLY, ARMREST, PASSENGER (TRANS-PORTER ONLY)	2	2
22	1016723	ASSEMBLY, SEAT SUPPORT PANEL	1	1
23	<u>1019633-01</u>	BOLT, CARRIAGE, 5/16 - 18 x 3/4	4	4
24	<u>1019634-01</u>	NUT, FLANGE, 5/16 - 18	4	4
25	<u>1019586-01</u>	BOLT, CARRIAGE, 1/4 - 20 x 3/4 (TRANS-PORTER ONLY)	10	10
26	<u>1018356-01</u>	NUT, FLANGE, 1/4 - 20 (TRANS-PORTER ONLY)	10	10
27	<u>1014321</u>	SCREW, TORX TRUSS HEAD, #10 - 24 x 3/8	4	4

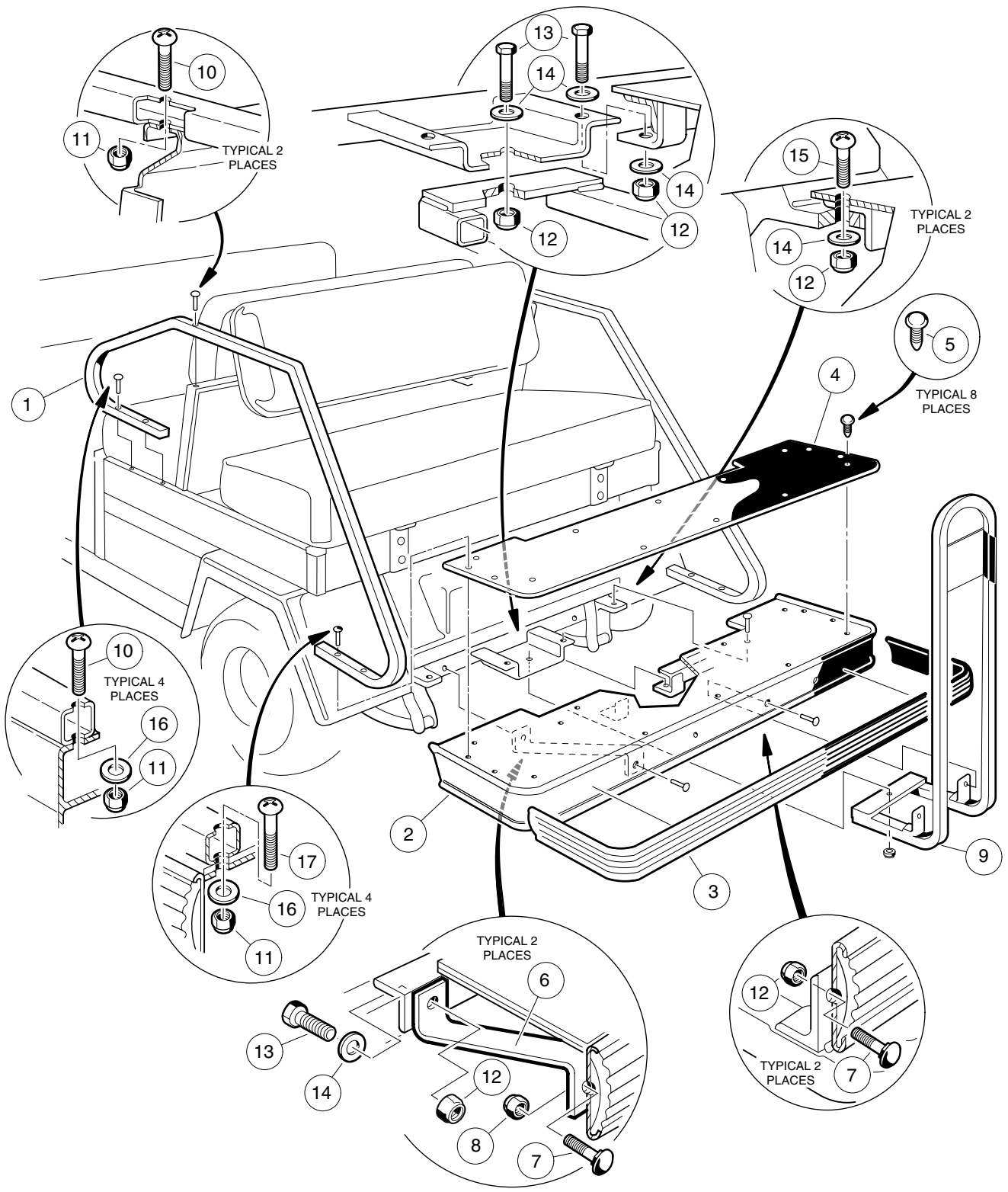
2
G
E



THIRD SEAT AND COMPONENTS— TRANS-SENDER

ITEM	PART NO.	DESCRIPTION	QTY GAS	QTY ELEC
		1 2 3 4		
1	<u>1016777-01</u>	ASSEMBLY, SEAT BACK - WHITE (INCLUDES ITEMS 2 AND 3)	1	1
1	<u>1016777-02</u>	ASSEMBLY, SEAT BACK - BLACK (INCLUDES ITEMS 2 AND 3)	1	1
1	<u>1016777-05</u>	ASSEMBLY, SEAT BACK - GREY (INCLUDES ITEMS 2 AND 3)	1	1
2	<u>1016751</u>	CAP, SEAT BACK	1	1
3	<u>1016755-02</u>	COVER, VINYL SEAT BACK - WHITE	1	1
3	<u>1016755-04</u>	COVER, VINYL SEAT BACK - BLACK	1	1
3	<u>1016755-05</u>	COVER, VINYL SEAT BACK - GREY	1	1
4	<u>1016839</u>	BRACKET, SEAT BACK MOUNTING	2	2
5	<u>1019462-01</u>	WASHER, EXTERNAL TOOTH LOCK, 1/4	8	8
6	<u>0007847</u>	SCREW, HEX HEAD CAP, 1/4 - 20 x 3/4	7	7
7	<u>0007479</u>	SCREW, HEX HEAD CAP, 1/4 - 20 x 1 1/4	4	4
8	<u>1016816</u>	SUPPORT, REAR SEAT	1	1
9	<u>0000332</u>	WASHER, FLAT, 1/4	6	6
10	<u>0008233</u>	NUT, NYLON LOCK, 1/4 - 20	3	3
11	<u>1016930</u>	PANEL, REAR SEAT FRAME	2	2
12	<u>1013169</u>	SCREW, ROUND HEAD SLOTTED MACHINE, #10 - 32 x 1/2	4	4
13	<u>1013061</u>	NUT, NYLON LOCK, #10 - 32	4	4
14	<u>1014387</u>	CAP, CORNER	2	2
15	<u>1014321</u>	SCREW, TORX TRUSS HEAD, #10 - 24 x 3/8	4	4
16	<u>1016819</u>	HINGE, SEAT	2	2
17	<u>0008861</u>	SCREW, HEX HEAD CAP, 3/8 - 16 x 1 3/4	4	4
18	<u>1011990</u>	WASHER, FLAT, 3/8	4	4
19	<u>0008754</u>	NUT, NYLON LOCK, 3/8 - 16	4	4
20	<u>1016841-02</u>	ASSEMBLY, SEAT BOTTOM, WHITE (INCLUDES ITEMS 21 - 30)	1	1
20	<u>1016841-03</u>	ASSEMBLY, SEAT BOTTOM, BLACK (INCLUDES ITEMS 21 - 30)	1	1
20	<u>1016841-05</u>	ASSEMBLY, SEAT BOTTOM, GREY (INCLUDES ITEMS 21 - 30)	1	1
21	<u>1019543-01</u>	SCREW, HEX HEAD CAP (WITH ADHESIVE PATCH), 1/4 - 20 x 3/4	4	4
22	<u>1015627-02</u>	COVER, VINYL SEAT BOTTOM - WHITE	1	1
22	<u>1015627-04</u>	COVER, VINYL SEAT BOTTOM - BLACK	1	1
22	<u>1015627-10</u>	COVER, VINYL SEAT BOTTOM - GREY	1	1
23	<u>1013312</u>	BUMPER, LONG SEAT	1	1
24	<u>1013309</u>	STRAP, SEAT BOTTOM	1	1
25	<u>1010545</u>	SCREW, HEX WASHER HEAD, 1/4 - 14 x 3/4	2	2
26	<u>1016824</u>	ANGLE, SEAT HINGE	1	1
27	<u>1011652</u>	PLATE, SEAT HINGE	2	2
28	<u>1018809-01</u>	RIVET, POP, STAINLESS STEEL, 3/16	4	4
29	<u>1018817-01</u>	WASHER, FLAT, STAINLESS STEEL, #8	4	4
30	<u>1010543</u>	INSERT, WOOD	4	4
31	<u>1018370-01</u>	INSULATOR, BATTERY (ELECTRIC VEHICLE ONLY)		1
32	<u>1013357</u>	RIVET, POP (ELECTRIC VEHICLE ONLY)		2

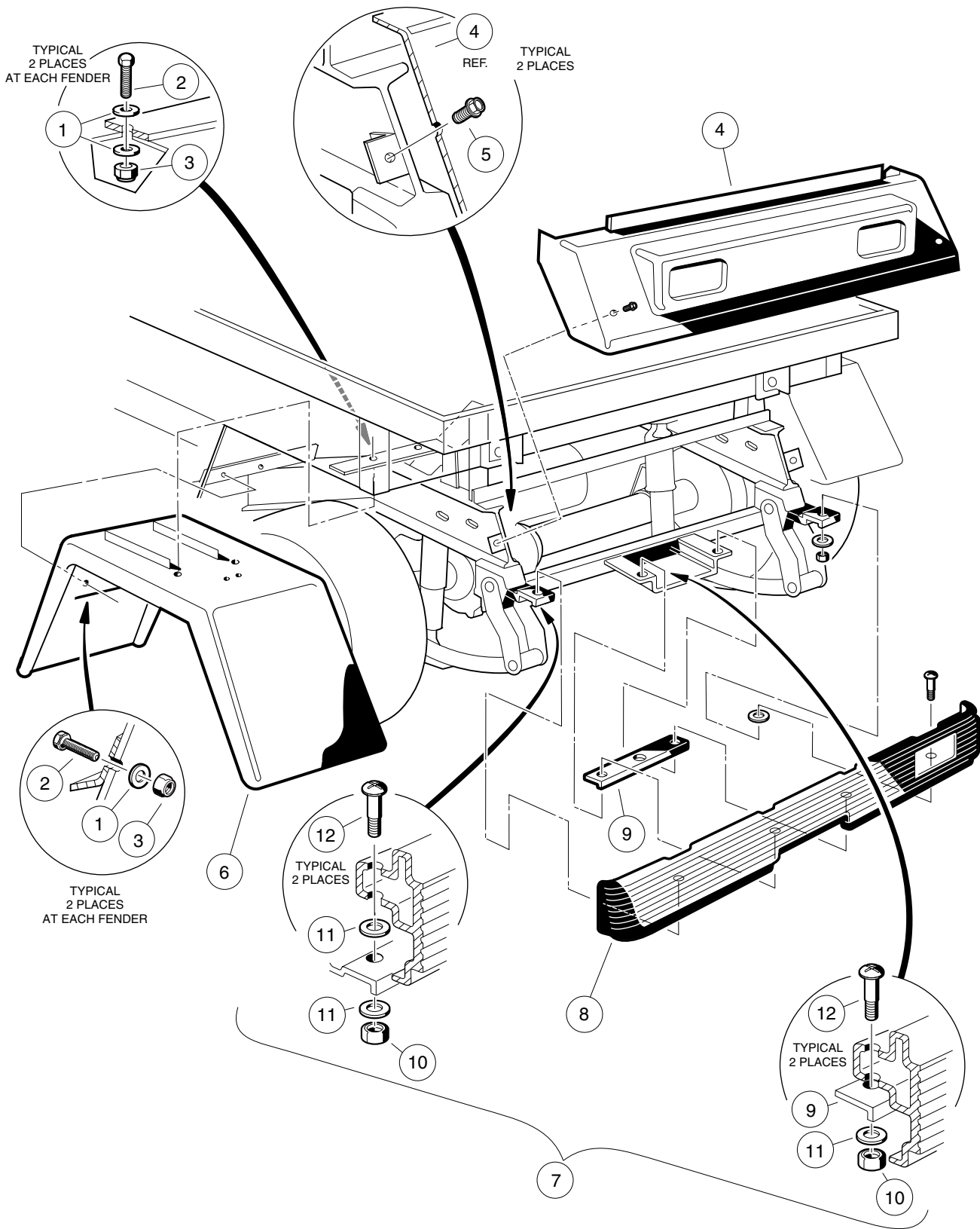
2
G
E



REAR FOOTREST AND HANDRAILS— TRANS-SENDER

ITEM	PART NO.	DESCRIPTION	QTY GAS	QTY ELEC
		1 2 3 4		
1	<u>1018463-01</u>	ARMREST, REAR SEAT	2	2
2	<u>1016843</u>	ASSEMBLY, REAR FOOTREST (INCLUDES ITEMS 3 - 8)	1	1
3	1013475-05	GUARD, BUMPER	1	1
4	1016838	MAT, FOOTREST	1	1
5	<u>1010434</u>	FASTENER, PLASTIC BARREL	8	8
6	<u>1016668</u>	BAR, CONNECTING	2	2
7	<u>1010435</u>	BOLT, CARRIAGE, 5/16 - 18 x 1	4	4
8	0007473	NUT, NYLON LOCK, 5/16 - 18	2	2
9	<u>1016842</u>	HANDRAIL, REAR SEAT	1	1
10	0008418	SCREW, PHILLIPS TRUSS HEAD, 1/4 - 20 x 1 1/2	6	6
11	0008233	NUT, NYLON LOCK, 1/4 - 20	10	10
12	0007473	NUT, NYLON LOCK, 5/16 - 18	9	9
13	0001218	SCREW, HEX HEAD CAP, 5/16 - 18 x 1 1/4	5	5
14	0001241	WASHER, FLAT, 5/16	9	9
15	0007410	SCREW, PHILLIPS TRUSS HEAD, 5/16 - 18 x 1 1/4	2	2
16	0000332	WASHER, FLAT, 1/4	8	8
17	<u>1011988</u>	SCREW, PHILLIPS TRUSS HEAD, 1/4 - 20 x 2	4	4

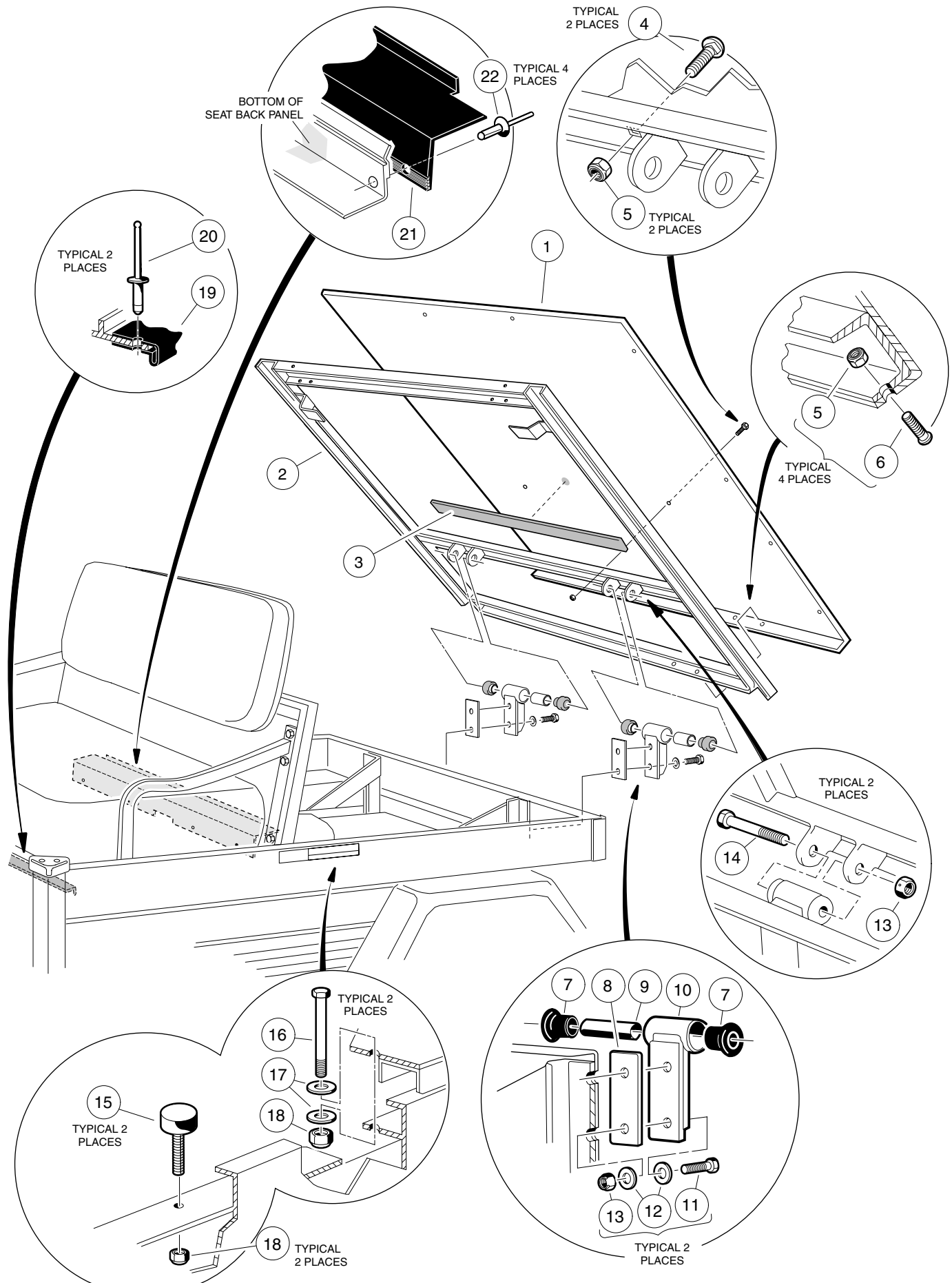
2
G
E



REAR COVER— TRANS-PORTER/TRANS-SENDER

ITEM	PART NO.	DESCRIPTION	QTY GAS	QTY ELEC
		1 2 3 4		
1	<u>1014306</u>	WASHER, FLAT, 1/4	12	12
2	0000304	SCREW, HEX HEAD CAP, 1/4 - 20 x 1	8	8
3	0008233	NUT, NYLON LOCK, 1/4 - 20	8	8
4	<u>1015530</u>	TAILSKIRT	1	1
5	<u>1012285</u>	SCREW, THREAD-ROLLING, 1/4 - 20 x 5/8	2	2
6	<u>1016679</u>	FENDER, REAR	2	2
7	<u>1017079</u>	KIT, REAR BUMPER (INCLUDES ITEMS 8 - 12) (TRANS-PORTER ONLY)	1	1
8	<u>1016379</u>	BUMPER, REAR	1	1
9	<u>1016875</u>	PLATE, MOUNTING, LONG	1	1
10	0007473	NUT, NYLON LOCK, 5/16 - 18	4	4
11	<u>1011697</u>	WASHER, FLAT, 5/16	6	6
12	<u>1016876</u>	BOLT, PHILLIPS TRUSS HEAD SHOULDER, 3/8 - 18 x 2	4	4

2
G
E



REAR CARGO BED—TRANS-PORTER

ITEM	PART NO.	DESCRIPTION	QTY GAS	QTY ELEC
		1 2 3 4		
1	<u>1016724</u>	ASSEMBLY, TILT BED (INCLUDES ITEMS 2 - 6)	1	1
2	N/A	WELDMENT, TILT BED	1	1
3	<u>1014471</u>	INSULATION	A/R	A/R
4	<u>1010435</u>	BOLT, CARRIAGE, 5/16 - 18 x 1	2	2
5	0007473	NUT, NYLON LOCK, 5/16 - 18	6	6
6	1015399	SCREW, TORX TRUSS HEAD, 5/16 - 18 x 3/4	4	4
7	<u>1015583</u>	BUSHING, URETHANE	4	4
8	<u>1015507</u>	SHIM, TILT BED PIVOT	A/R	A/R
9	<u>1012303</u>	BUSHING, STEEL	2	2
10	<u>1015356</u>	WELDMENT, TILT BED HINGE	2	2
11	0000705	SCREW, HEX HEAD CAP, 3/8 - 16 x 1 1/4	4	4
12	<u>1011990</u>	WASHER, FLAT, 3/8	8	8
13	0008754	NUT, NYLON LOCK, 3/8 - 16	6	6
14	0008755	SCREW, HEX HEAD CAP, 3/8 - 16 x 3 3/8	2	2
15	<u>1010878</u>	BUMPER, RUBBER	2	2
16	<u>1013872</u>	SCREW, HEX HEAD CAP, 1/4 - 20 x 4	2	2
17	0000332	WASHER, FLAT, 1/4	4	4
18	0008233	NUT, NYLON LOCK, 1/4 - 20	3	3
19	<u>1018370-01</u>	INSULATOR, BATTERY (ELECTRIC VEHICLE ONLY)		1
20	<u>1013357</u>	RIVET, ALUMINUM POP, 5/32 (ELECTRIC VEHICLE ONLY)		2
21	<u>1017976</u>	SEAL, BED	1	1
22	0007532	RIVET, POP, 3/16	4	4

2
G
E

2

G

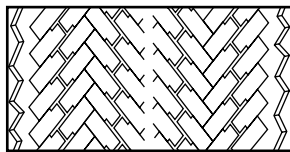
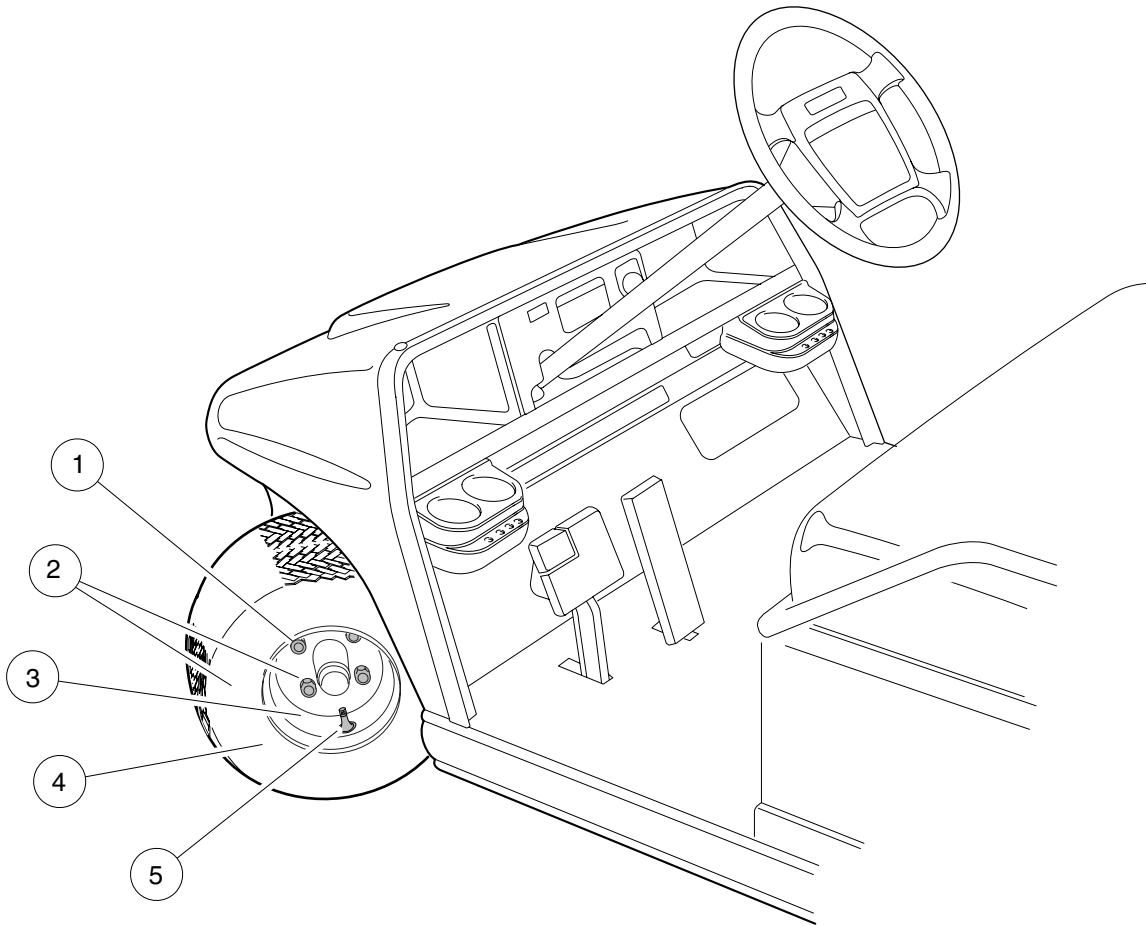
E

WHEELS AND TIRES

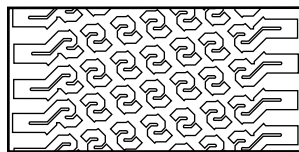
3

G

E



**PREMIUM
TREAD**



**EXTRA
TRACTION**

WHEELS AND TIRES

ITEM	PART NO.	DESCRIPTION	QTY GAS	QTY ELEC
		1 2 3 4		
1	<u>1010984</u>	NUT, LUG	16	16
2	<u>1016514-02</u>	ASSEMBLY, WHITE WHEEL AND TIRE, PREMIUM TREAD, 4-PLY (18 x 8.5 - 8) (TOURALL ONLY)	2	2
2	<u>1015705-06</u>	ASSEMBLY, BEIGE WHEEL AND TIRE, PREMIUM TREAD, 6-PLY (18 x 8.5 - 8) (RESORT VILLAGER ONLY)	2	2
2	<u>1015705-07</u>	ASSEMBLY, BEIGE WHEEL AND TIRE, EXTRA TRACTION, 6-PLY (18 x 8.5 - 8) (RESORT VILLAGER ONLY)	2	2
2	<u>1015705-09</u>	ASSEMBLY, BEIGE WHEEL AND TIRE, EXTRA TRACTION, 6-PLY (18 x 6.5 - 8) (RESORT VILLAGER ONLY)	2	2
2	<u>1016514-06</u>	ASSEMBLY, WHITE WHEEL AND TIRE, PREMIUM TREAD, 6-PLY (18 x 8.5 - 8).....	2	2
2	<u>1016514-07</u>	ASSEMBLY, WHITE WHEEL AND TIRE, EXTRA TRACTION, 6-PLY (18 x 8.5 - 8) ...	2	2
2	<u>1016514-09</u>	ASSEMBLY, WHITE WHEEL AND TIRE, PREMIUM TREAD (18.5 x 6.5 - 8)	2	2
3	1015707	WHEEL RIM, BEIGE (8 INCHES WIDE)	4	4
3	<u>1014771</u>	WHEEL RIM, WHITE (8 INCHES WIDE)	4	4
4	<u>1015672-02</u>	TIRE, UNMOUNTED, PREMIUM TREAD, 4-PLY (18 x 8.5 - 8) (TOURALL ONLY) ...	2	2
4	<u>1017370-02</u>	TIRE, UNMOUNTED, PREMIUM TREAD, 6-PLY (18 x 8.5 - 8)	2	2
4	<u>1017693-02</u>	TIRE, UNMOUNTED, EXTRA TRACTION, 6-PLY (18 x 8.5 - 8)	2	2
4	<u>1018849-01</u>	TIRE, UNMOUNTED, PREMIUM TREAD, 6-PLY (18 x 6.5 - 8)	2	2
5	0007310	STEM, VALVE	4	4

3
G
E

3
G
E

SAFETY DECALS

4

G

E

**OPERATING
INSTRUCTIONS
DECAL**

OPERATING INSTRUCTIONS

- Read Owner's Manual and safety warnings located on dash panel prior to driving.
 - Study and understand controls.
 - Make sure wheels are turned in desired direction.
- Turn key to "ON" position and be sure nothing is in your path.
- While vehicle is stopped, select direction by placing shift lever or switch in desired position:
F – Forward N – Neutral R – Reverse (Buzzer will sound)
- Vehicle will start moving when accelerator pedal is depressed.
- Slowly depress accelerator pedal to increase speed. Park brake will release when accelerator pedal is depressed.
- To stop, release accelerator pedal and depress brake pedal.
- After stopping, firmly depress park brake until it locks.
 - Place forward and reverse switch in neutral position.
 - Turn key "OFF" and remove key when not in use.

CCI 1016216-01

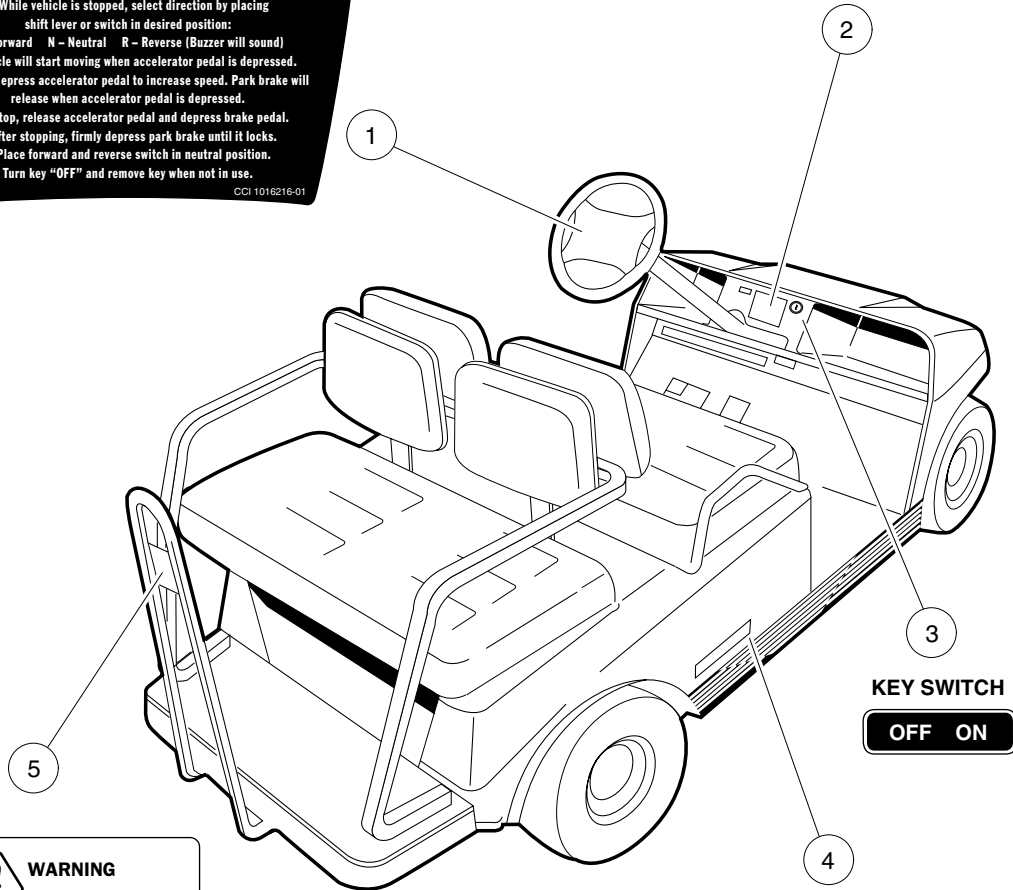
**DRIVER/PASSENGER
WARNING DECAL**

⚠ WARNING

READ AND FOLLOW THESE WARNINGS AND THE OPERATING INSTRUCTIONS BEFORE USING VEHICLE. FAILURE TO DO SO CAN CAUSE SEVERE INJURY OR DEATH.

- Operation from driver side by authorized persons only and only in designated areas - not on public roads.
- **DO NOT** start vehicle until all occupants (two (2) per seat maximum) are seated.
- Remain seated with entire body inside vehicle and hold on to seat handle or handrail at all times.
- Drive slowly in turns and straight up and down slopes.
- Never stand in front of or behind vehicle.
- **DO NOT** operate while under the influence of alcohol or drugs.
- **DO NOT** leave children unattended on vehicle at any time.

CCI 1019606-01



⚠ WARNING

Failure to follow these instructions can cause severe injury or death.

- Remain seated with entire body inside vehicle and hold on to seat handle or handrail at all times.
- No more than two persons per seat.
- Do not leave children unattended on vehicle at anytime.
- Never stand in front of or behind vehicle.

CCI 1017057-01

**INGERSOLL-RAND
DECAL**

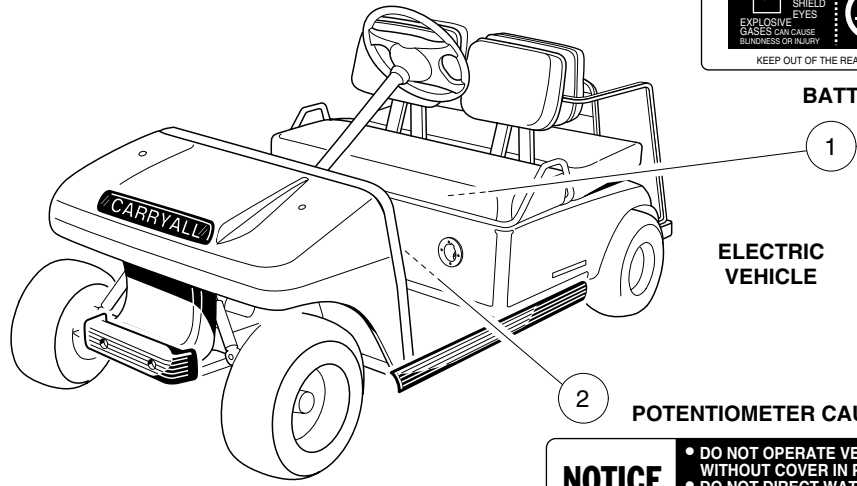
SAFETY DECALS— TOURALL

ITEM	PART NO.	DESCRIPTION	QTY GAS	QTY ELEC
		1 2 3 4		
1	1016216-01	DECAL, OPERATING INSTRUCTIONS	1	1
2	1019606-01	DECAL, DRIVER/PASSENGER WARNING	1	1
3	<u>1018251-01</u>	DECAL, KEY SWITCH	1	1
4	<u>1019219-01</u>	DECAL, INGERSOLL-RAND	2	2
5	<u>1017057-01</u>	DECAL, PASSENGER WARNING	1	1

4
G
E

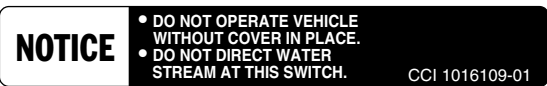


BATTERY DANGER DECAL



ELECTRIC VEHICLE

POTENTIOMETER CAUTION DECAL



(ON WIPER SWITCH COVER INSIDE BATTERY COMPARTMENT)

HOT MANIFOLD AND MUFFLER DECAL



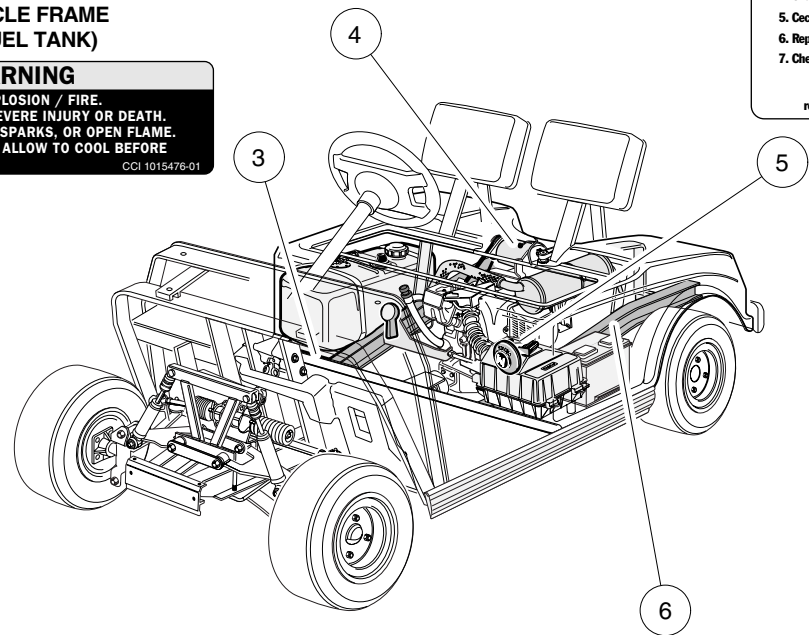
(ON STARTER/GENERATOR AND ENGINE)

PERIODIC SERVICE SCHEDULE DECAL (ON INTAKE BOX)

Periodic Service Schedule	
Service	Regular Interval
1. Check Engine Oil Level	Monthly
2. Change Engine Oil and Filter	First 100 Hours - * Then One Year or 200 hours.
3. Check and Clean Air Filter Element [†]	One Year Under Normal Use Six Months Under Dusty Conditions
4. Change Air Filter [†]	* Two Years or 300 Hours
5. Check Tire Pressure	Monthly (See Manual)
6. Replace Fuel Filters	* Two Years or 300 Hours
7. Check/Fill Transaxle	* One Year or 150 Hours

* Whichever comes first
[†] For easy access to air filter housing, remove the intake hose from the front of the housing.

GASOLINE WARNING DECAL (ON VEHICLE FRAME NEAR FUEL TANK)



GASOLINE VEHICLE

FRAME GROUND WARNING DECAL



SAFETY DECALS— TOURALL, CONTINUED

ITEM	PART NO.	DESCRIPTION	QTY GAS	QTY ELEC
		1 2 3 4		
1	<u>1013677</u>	DECAL, BATTERY DANGER/POISON		1
2	<u>1016109-01</u>	DECAL, POTENTIOMETER CAUTION		1
3	<u>1015476-01</u>	DECAL, GASOLINE DANGER	1	
4	<u>1019605-01</u>	DECAL, HOT MANIFOLD AND MUFFLER	2	
5	<u>1019443-01</u>	DECAL, PERIODIC SERVICE SCHEDULE	1	
6	<u>1019152-01</u>	DECAL, FRAME GROUND WARNING	1	

4
G
E

**OPERATING INSTRUCTIONS
GASOLINE VEHICLE**

OPERATING INSTRUCTIONS

- Read Owner's Manual and safety warnings located on dash panel prior to driving.
- Study and understand controls.
- To start engine:
 - Place shift lever in "N" - Neutral position.
 - Depress brake pedal.
 - Turn key switch to "START" position and release.
- To operate vehicle:
 - Make sure wheels are turned in desired direction.
 - Be sure nothing is in your path.
 - While vehicle is stopped, select vehicle direction by placing shift lever or switch in desired position.
 - F - Forward N - Neutral R - Reverse (Buzzer will sound)
 - Park brake will release when accelerator pedal is pushed.
 - Slowly push accelerator pedal to increase speed.
 - Accelerator pedal must be released to shift vehicle to neutral.
- To stop vehicle:
 - Release accelerator pedal and push brake pedal.
 - After stopping, firmly push park brake until it locks.
 - Turn key to "OFF" position, remove key and place shift lever in straight up neutral position when not in use.

CCI 1016932-01

**OPERATING INSTRUCTIONS
ELECTRIC VEHICLE**

OPERATING INSTRUCTIONS

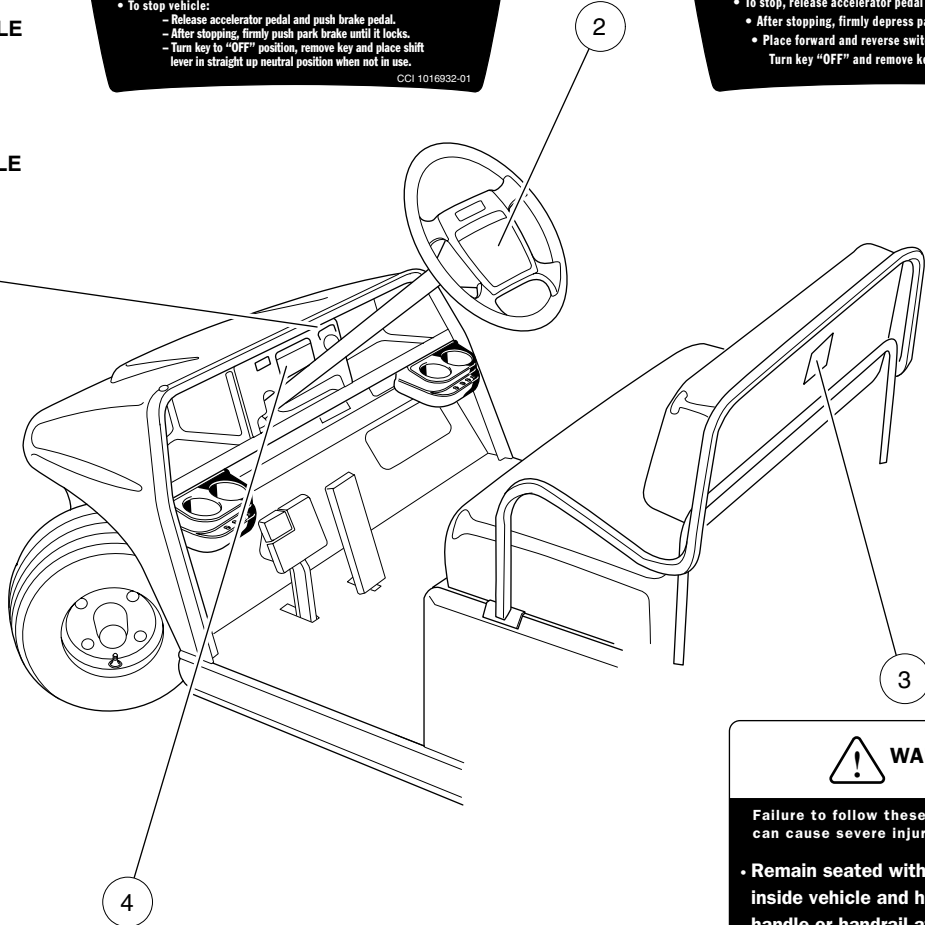
- Read Owner's Manual and safety warnings located on dash panel prior to driving.
- Study and understand controls.
- Make sure wheels are turned in desired direction.
- Turn key to "ON" position and be sure nothing is in your path.
- While vehicle is stopped, select direction by placing shift lever or switch in desired position:
 - F - Forward N - Neutral R - Reverse (Buzzer will sound)
- Vehicle will start moving when accelerator pedal is depressed.
- Slowly depress accelerator pedal to increase speed. Park brake will release when accelerator pedal is depressed.
- To stop, release accelerator pedal and depress brake pedal.
- After stopping, firmly depress park brake until it locks.
- Place forward and reverse switch in neutral position. Turn key "OFF" and remove key when not in use.

CCI 1016216-01

**KEY SWITCH
GASOLINE VEHICLE**



**KEY SWITCH
ELECTRIC VEHICLE**



⚠ WARNING

READ AND FOLLOW THESE WARNINGS AND THE OPERATING INSTRUCTIONS BEFORE USING VEHICLE. FAILURE TO DO SO CAN CAUSE SEVERE INJURY OR DEATH.

- Operation from driver side by authorized persons only and only in designated areas - not on public roads.
- DO NOT start vehicle until all occupants (two (2) per seat maximum) are seated.
- Remain seated with entire body inside vehicle and hold on to seat handle or handrail at all times.
- Drive slowly in turns and straight up and down slopes.
- Never stand in front of or behind vehicle.
- DO NOT operate while under the influence of alcohol or drugs.
- DO NOT leave children unattended on vehicle at any time.

CCI 1019606-01

**DRIVER/PASSENGER
WARNING DECAL**

⚠ WARNING

Failure to follow these instructions can cause severe injury or death.

- Remain seated with entire body inside vehicle and hold on to seat handle or handrail at all times.
- No more than two persons per seat.
- Do not leave children unattended on vehicle at anytime.
- Never stand in front of or behind vehicle.

CCI 1017057-01

**PASSENGER
WARNING DECAL**

SAFETY DECALS— RESORT VILLAGER

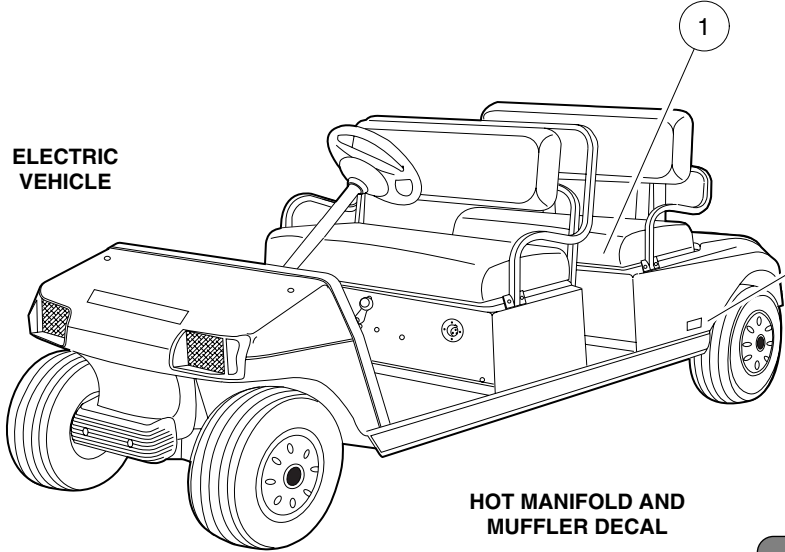
ITEM	PART NO.	DESCRIPTION	QTY GAS	QTY ELEC
		1 2 3 4		
1	<u>1018251-02</u>	DECAL, KEY SWITCH (GASOLINE VEHICLE)	1	
1	<u>1018251-01</u>	DECAL, KEY SWITCH (ELECTRIC VEHICLE)		1
2	<u>1016932-01</u>	DECAL, OPERATING INSTRUCTIONS (GASOLINE VEHICLE)	1	
2	1016216-01	DECAL, OPERATING INSTRUCTIONS (ELECTRIC VEHICLE)		1
3	<u>1017057-01</u>	DECAL, PASSENGER WARNING	1	1
4	1019606-01	DECAL, DRIVER/PASSENGER WARNING	1	1

4
G
E

**DANGER DECAL
(ON BODY UNDER SEAT)**



ELECTRIC VEHICLE



INGERSOLL-RAND DECAL

**PERIODIC SERVICE SCHEDULE DECAL
(ON AIR INTAKE BOX)**

Periodic Service Schedule	
Service	Regular Interval
1. Check Engine Oil Level	Monthly
2. Change Engine Oil and Filter	First 100 Hours - * Then One Year or 200 hours.
3. Check and Clean Air Filter Element†	One Year Under Normal Use Six Months Under Dusty Conditions
4. Change Air Filter†	* Two Years or 300 Hours
5. Check Tire Pressure	Monthly (See Manual)
6. Replace Fuel Filters	* Two Years or 300 Hours
7. Check/Fill Transaxle	* One Year or 150 Hours
* Whichever comes first	
† For easy access to air filter housing, remove the intake hose from the front of the housing.	

**GASOLINE WARNING DECAL
(ON FRAME NEAR FUEL TANK)**

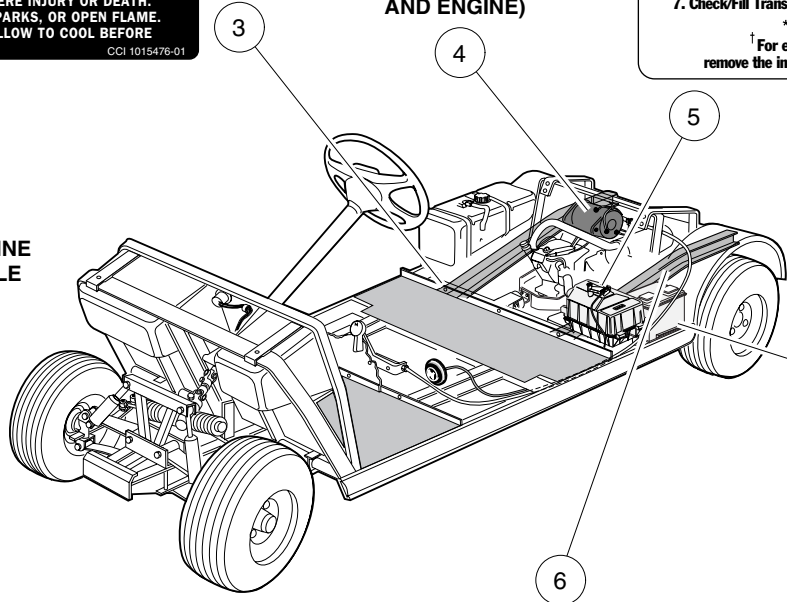


HOT MANIFOLD AND MUFFLER DECAL



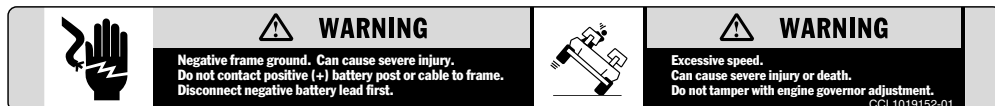
(ON STARTER/GENERATOR AND ENGINE)

GASOLINE VEHICLE



INGERSOLL-RAND DECAL (ON BODY PANEL)

FRAME GROUND WARNING DECAL



SAFETY DECALS— RESORT VILLAGER, CONTINUED

ITEM	PART NO.	DESCRIPTION	QTY GAS	QTY ELEC
		1 2 3 4		
1	<u>1013677</u>	DECAL, BATTERY DANGER/POISON		1
2	<u>1019219-01</u>	DECAL, INGERSOLL-RAND	2	2
3	<u>1015476-01</u>	DECAL, GASOLINE DANGER	1	
4	<u>1019605-01</u>	DECAL, HOT MANIFOLD AND MUFFLER	2	
5	<u>1019443-01</u>	DECAL, PERIODIC SERVICE SCHEDULE	1	
6	<u>1019152-01</u>	DECAL, FRAME GROUND WARNING	1	

4
G
E

**OPERATING INSTRUCTIONS
GASOLINE VEHICLE**

OPERATING INSTRUCTIONS

- Read Owner's Manual and safety warnings located on dash panel prior to driving.
- Study and understand controls.
- To start engine:
 - Place shift lever in "N" - Neutral position.
 - Depress brake pedal.
 - Turn key switch to "START" position and release.
- To operate vehicle:
 - Make sure wheels are turned in desired direction.
 - Be sure nothing is in your path.
 - While vehicle is stopped, select vehicle direction by placing shift lever or switch in desired position.
 - F - Forward N - Neutral R - Reverse (Buzzer will sound)
 - Park brake will release when accelerator pedal is pushed.
 - Slowly push accelerator pedal to increase speed.
 - Accelerator pedal must be released to shift vehicle to neutral.
- To stop vehicle:
 - Release accelerator pedal and push brake pedal.
 - After stopping, firmly push park brake until it locks.
 - Turn key to "OFF" position, remove key and place shift lever in straight up neutral position when not in use.

CCI 1016932-01

**KEY SWITCH
GASOLINE VEHICLE**



**KEY SWITCH
ELECTRIC VEHICLE**



**OPERATING INSTRUCTIONS
ELECTRIC VEHICLE**

OPERATING INSTRUCTIONS

- Read Owner's Manual and safety warnings located on dash panel prior to driving.
- Study and understand controls.
- Make sure wheels are turned in desired direction.
- Turn key to "ON" position and be sure nothing is in your path.
- While vehicle is stopped, select direction by placing shift lever or switch in desired position:
 - F - Forward N - Neutral R - Reverse (Buzzer will sound)
- Vehicle will start moving when accelerator pedal is depressed.
- Slowly depress accelerator pedal to increase speed. Park brake will release when accelerator pedal is depressed.
- To stop, release accelerator pedal and depress brake pedal.
- After stopping, firmly depress park brake until it locks.
- Place forward and reverse switch in neutral position. Turn key "OFF" and remove key when not in use.

CCI 1016216-01

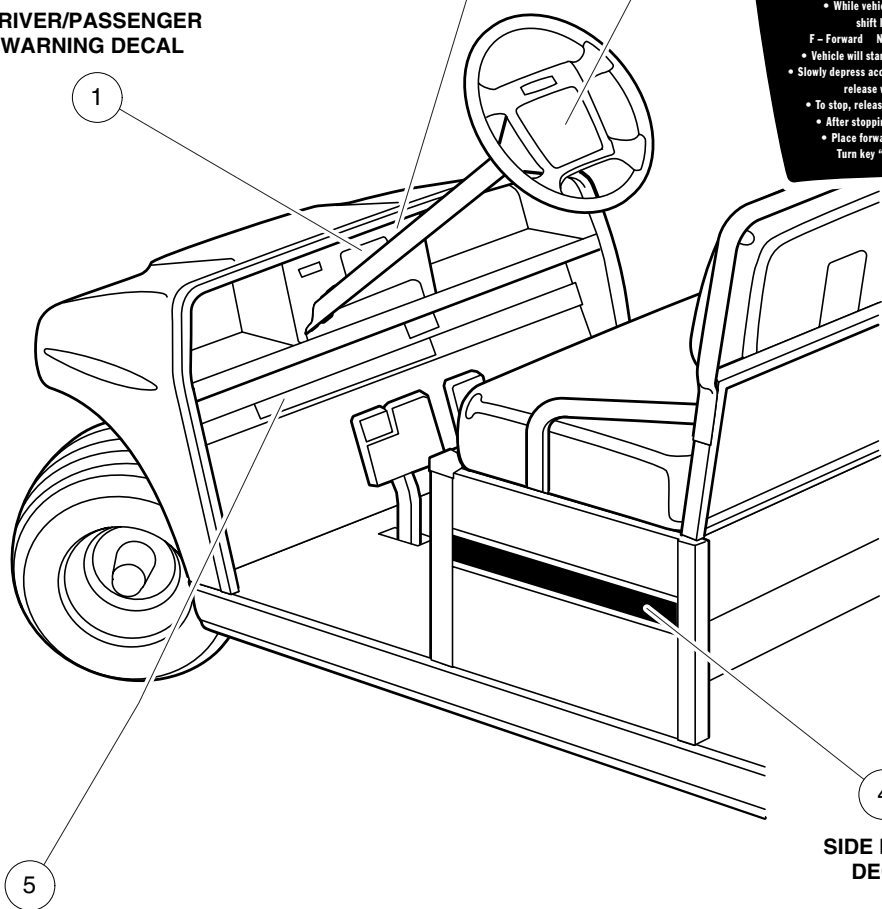
WARNING

READ AND FOLLOW THESE WARNINGS AND THE OPERATING INSTRUCTIONS BEFORE USING VEHICLE. FAILURE TO DO SO CAN CAUSE SEVERE INJURY OR DEATH.

- Operation from driver side by authorized persons only and only in designated areas - not on public roads.
- DO NOT start vehicle until all occupants (two (2) per seat maximum) are seated.
- Remain seated with entire body inside vehicle and hold on to seat handle or handrail at all times.
- Drive slowly in turns and straight up and down slopes.
- Never stand in front of or behind vehicle.
- DO NOT operate while under the influence of alcohol or drugs.
- DO NOT leave children unattended on vehicle at any time.

CCI 1019606-01

**DRIVER/PASSENGER
WARNING DECAL**



**SIDE FRONT
DECAL**

VEHICLE LOADING DECAL

<p>VEHICLE LOADING</p> <p>Read Owner's Manual and warnings on dash.</p>	<ul style="list-style-type: none"> • Vehicle rated capacity - 1500 lbs. on level surface only. Weight to include passengers, cargo bed load, and gross trailer weight. See Owner's Manual. • Maximum cargo load - 1000 lbs. Weight to include cargo bed load (500 lbs. MAX) and gross trailer weight. • Maximum trailer hitch tongue weight - 150 lbs. 	<ul style="list-style-type: none"> • Cargo should be evenly spread over the floor of the cargo bed as far forward as possible and secured. • For vehicle stability, when fully loaded, drive slowly and avoid stopping on or backing down steep hills. • Avoid top heavy loads. See Owner's Manual. • When driving on uneven terrain or down steep hills, reduce speed and load. <p>CCI 1019600-01</p>
--	---	--

SAFETY DECALS— TRANS-PORTER/TRANS-SENDER

ITEM	PART NO.	DESCRIPTION	QTY GAS	QTY ELEC
		1 2 3 4		
1	1019606-01	DECAL, DRIVER/PASSENGER WARNING	1	1
2	<u>1018251-02</u>	DECAL, KEY SWITCH (GASOLINE VEHICLE ONLY)	1	
2	<u>1018251-01</u>	DECAL, KEY SWITCH (ELECTRIC VEHICLE ONLY)		1
3	<u>1016932-01</u>	DECAL, OPERATING INSTRUCTIONS (GASOLINE VEHICLE ONLY)	1	
3	1016216-01	DECAL, OPERATING INSTRUCTIONS (ELECTRIC VEHICLE ONLY)		1
4	<u>1016757</u>	DECAL, SIDE FRONT	2	2
5	<u>1019600-01</u>	DECAL, VEHICLE LOADING	1	1

4
G
E

**BATTERY DANGER DECAL
(ON FRAME)**



**ELECTRICAL COMPONENT
COVER CAUTION DECAL**

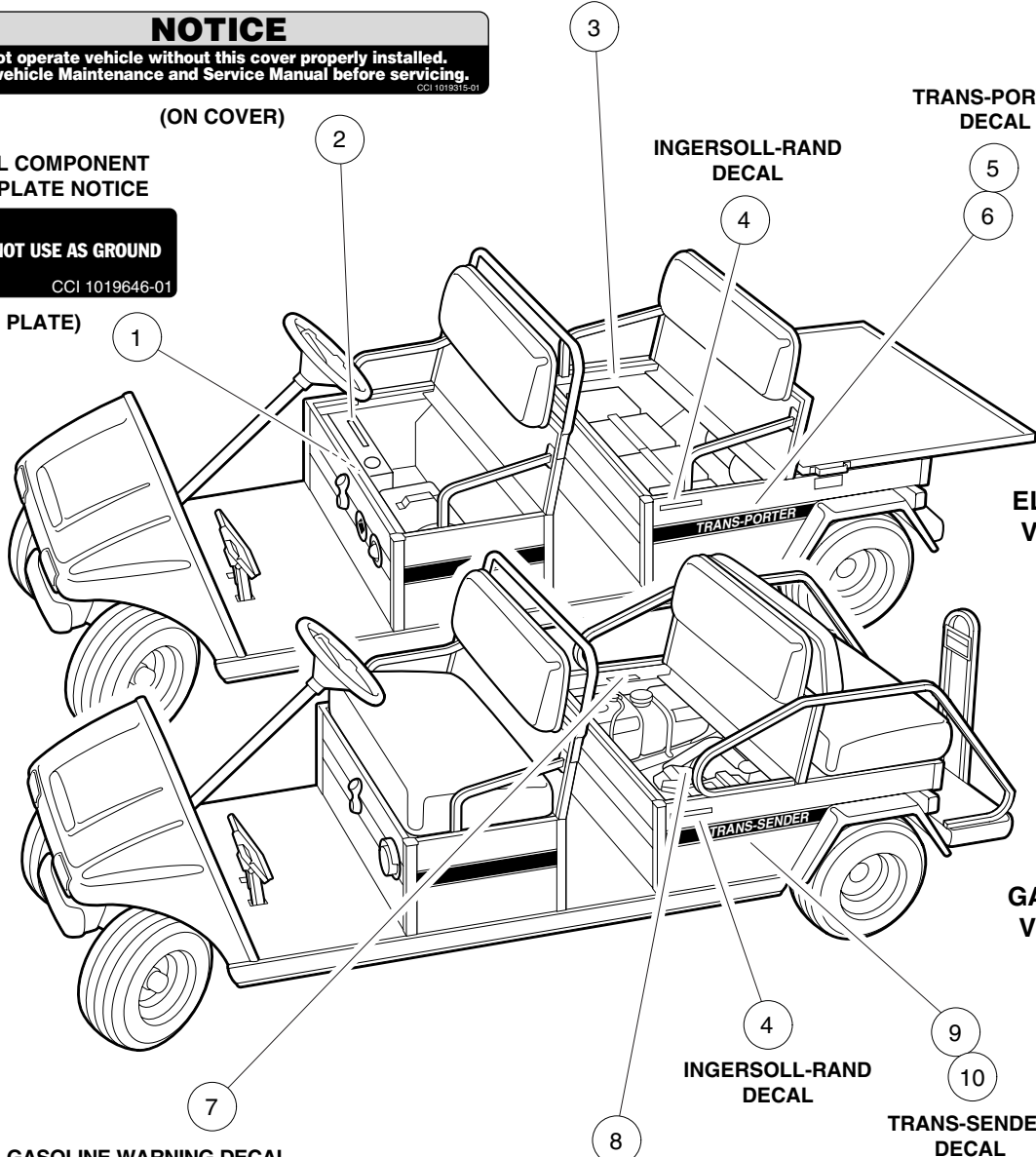
NOTICE
Do not operate vehicle without this cover properly installed.
See vehicle Maintenance and Service Manual before servicing.
CCI 1019315-01

(ON COVER)

**ELECTRICAL COMPONENT
MOUNTING PLATE NOTICE**

NOTICE DO NOT USE AS GROUND
CCI 1019646-01

(ON PLATE)



**TRANSPORTER
DECAL**

**INGERSOLL-RAND
DECAL**

**ELECTRIC
VEHICLE**

**GASOLINE
VEHICLE**

GASOLINE WARNING DECAL



(ON FRAME
NEAR FUEL TANK)

**HOT MANIFOLD AND
MUFFLER DECAL**



(ON
STARTER/GENERATOR
AND ENGINE)

SAFETY DECALS— TRANS-PORTER/TRANS-SENDER, CONTINUED

ITEM	PART NO.	DESCRIPTION	QTY GAS	QTY ELEC
		1 2 3 4		
1	<u>1019646-01</u>	DECAL, NO GROUND		1
2	<u>1019315-01</u>	DECAL, ELECTRIC COVER CAUTION		1
3	<u>1013677</u>	DECAL, BATTERY DANGER/POISON		1
4	<u>1019219-01</u>	DECAL, INGERSOLL-RAND	2	2
5	<u>1016725-01</u>	DECAL, TRANS-PORTER (PASSENGER SIDE).....	1	1
6	<u>1016725-02</u>	DECAL, TRANS-PORTER (DRIVER SIDE)	1	1
7	<u>1015476-01</u>	DECAL, GASOLINE DANGER	1	
8	<u>1019605-01</u>	DECAL, HOT MANIFOLD AND MUFFLER WARNING	1	
9	<u>1016726-01</u>	DECAL, TRANS-SENDER (PASSENGER SIDE).....	1	1
10	<u>1016726-02</u>	DECAL, TRANS-SENDER (DRIVER SIDE)	1	1

4
G
E

**PASSENGER
WARNING DECAL
(FACES SEAT)**

WARNING

Failure to follow these instructions can cause severe injury or death.

- Remain seated with entire body inside vehicle and hold on to seat handle or handrail at all times.
- No more than two persons per seat.
- Do not leave children unattended on vehicle at anytime.
- Never stand in front of or behind vehicle.

CCI 1017057-01

**BED BOLT
WARNING DECAL**

WARNING

Bed can tip up unexpectedly. Can cause severe injury. Bed hold down bolts must be fastened.

CCI 1017078-01

**BED LOAD
WARNING DECAL**

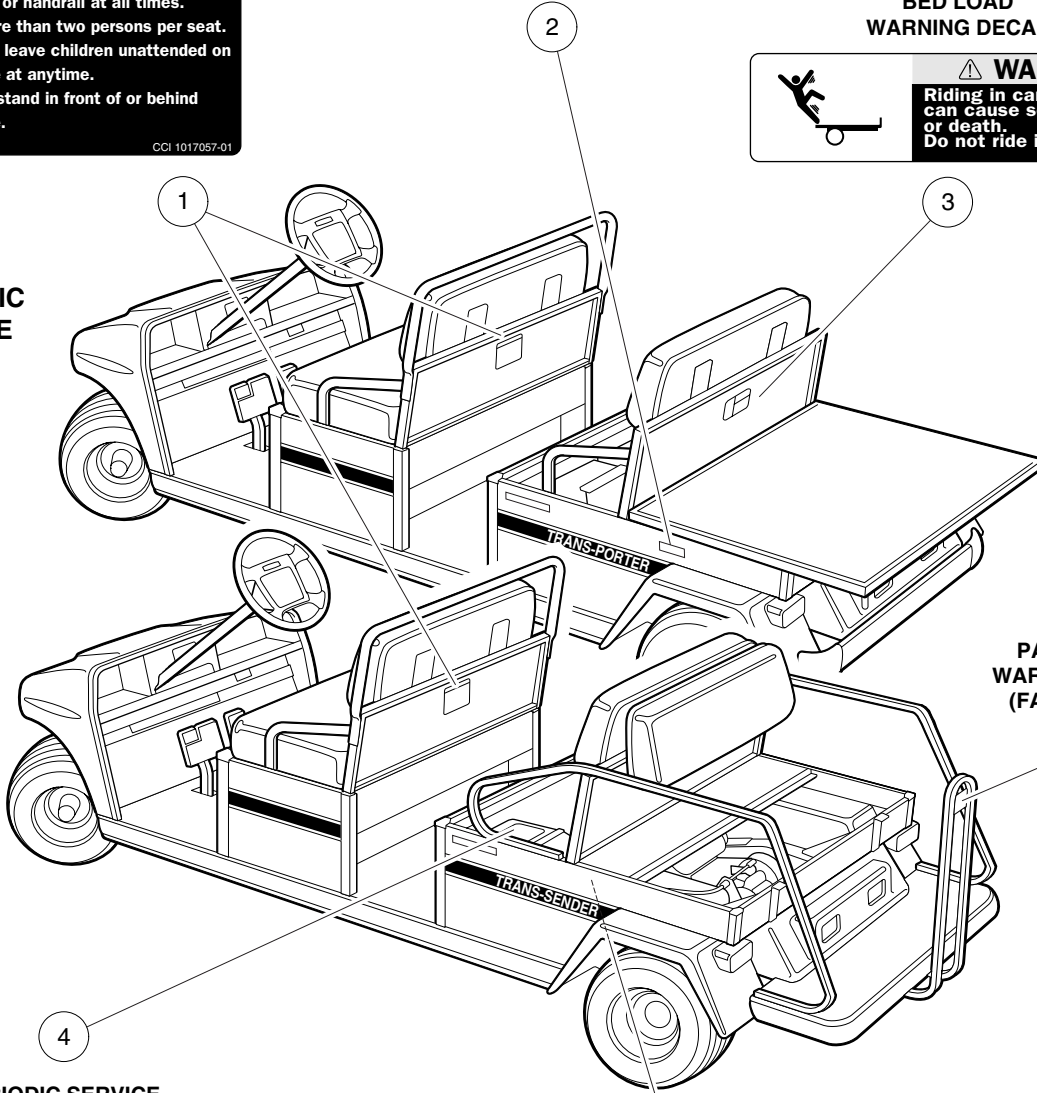
WARNING

Riding in cargo bed can cause severe injury or death. Do not ride in cargo bed.

CCI 1015539-01

**ELECTRIC
VEHICLE**

**GASOLINE
VEHICLE**



**PASSENGER
WARNING DECAL
(FACES SEAT)**

**PERIODIC SERVICE
SCHEDULE DECAL**

Service	Regular Interval
1. Check Engine Oil Level	Monthly
2. Change Engine Oil and Filter	First 100 Hours -* Then One Year or 200 hours.
3. Check and Clean Air Filter Element†	One Year Under Normal Use Six Months Under Dusty Conditions
4. Change Air Filter†	* Two Years or 300 Hours
5. Check Tire Pressure	Monthly (See Manual)
6. Replace Fuel Filters	* Two Years or 300 Hours
7. Check/Fill Transaxle	* One Year or 150 Hours

* Whichever comes first
† For easy access to air filter housing, remove the intake hose from the front of the housing.

(ON INTAKE BOX)

FRAME GROUND WARNING DECAL

WARNING

Negative frame ground. Can cause severe injury. Do not contact positive (+) battery post or cable to frame. Disconnect negative battery lead first.

WARNING

Excessive speed. Can cause severe injury or death. Do not tamper with engine governor adjustment.

CCI 1019152-01

SAFETY DECALS— TRANS-PORTER/TRANS-SENDER, CONTINUED

ITEM	PART NO.	DESCRIPTION	QTY GAS	QTY ELEC
		1 2 3 4		
1	<u>1017057-01</u>	DECAL, PASSENGER WARNING (QUANTITY 1 FOR TRANS-PORTER)	2	2
2	1017078-01	DECAL, BED BOLT WARNING (TRANS-PORTER ONLY)	1	1
3	<u>1015539-01</u>	DECAL, BED LOAD WARNING (TRANS-PORTER ONLY)	1	1
4	1019443-01	DECAL, PERIODIC SERVICE SCHEDULE	1	
5	<u>1019152-01</u>	DECAL, NEGATIVE FRAME GROUND WARNING	1	

4
G
E

4
G
E

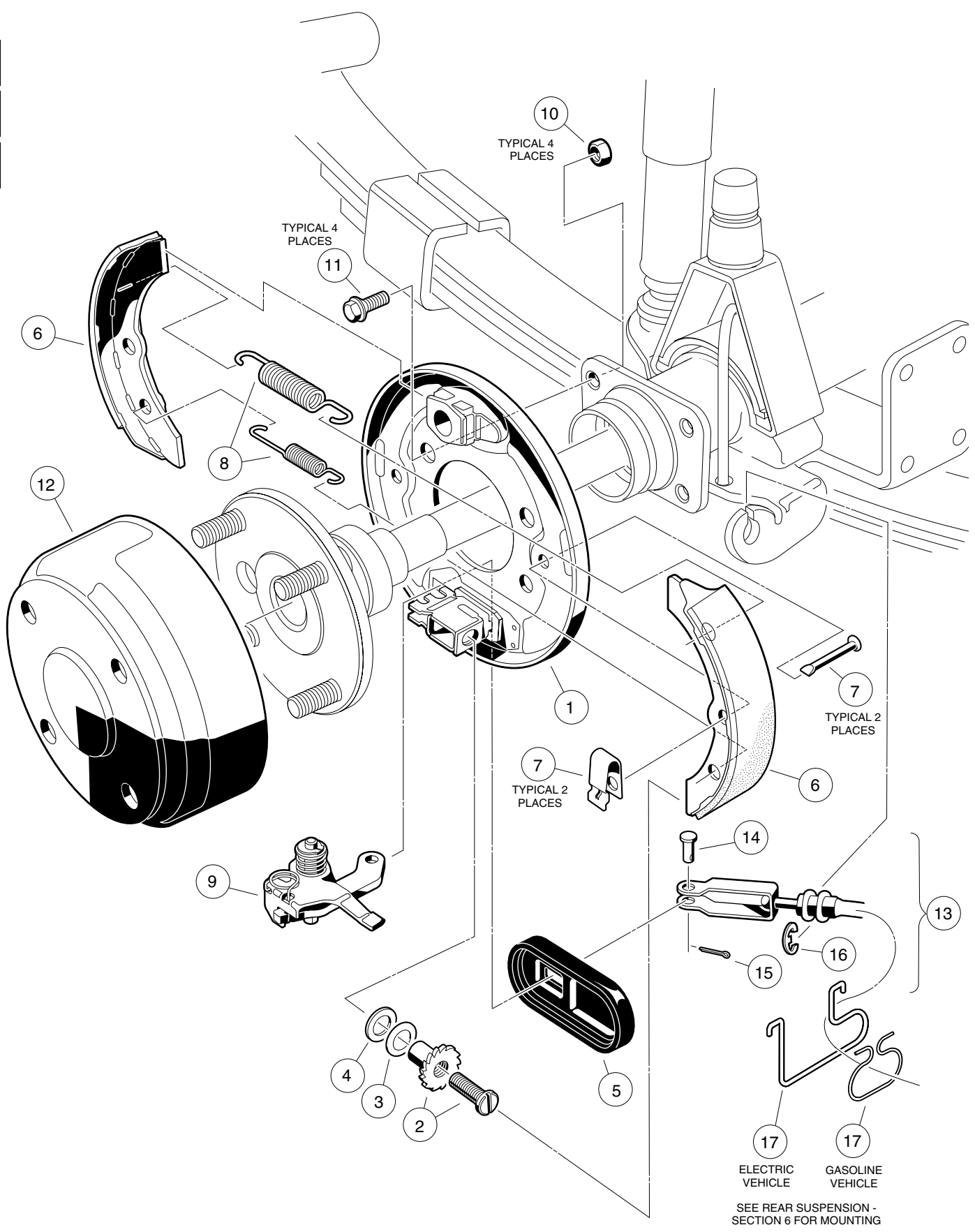
BRAKES, PEDAL, AND CABLE ASSEMBLIES

5

G

E

**5
G
E**

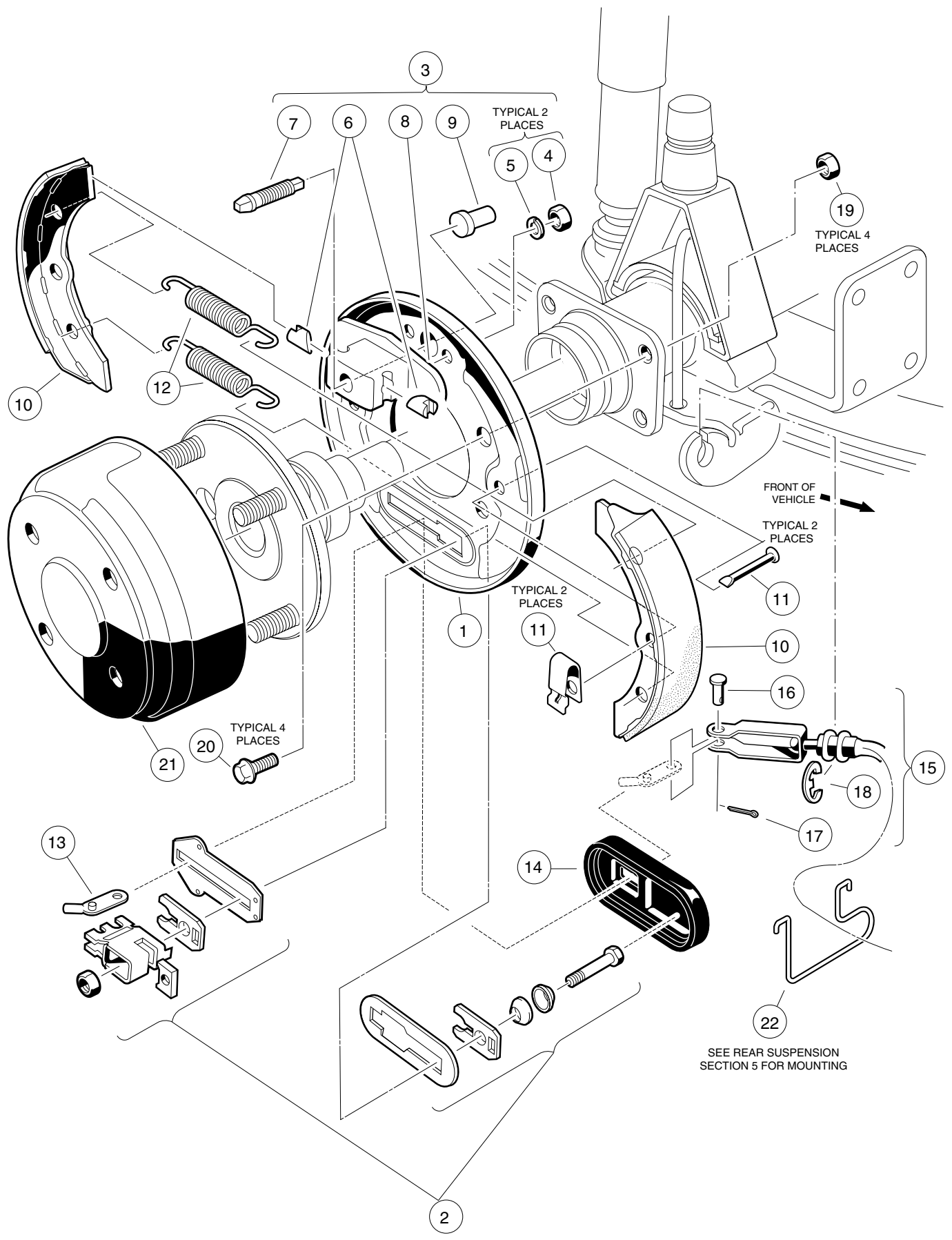


REAR BRAKE ASSEMBLY, SELF-ADJUSTING— TOURALL

ITEM	PART NO.	DESCRIPTION	QTY GAS	QTY ELEC
		1 2 3 4		
	<u>1018233-01</u>	CLUSTER, PASSENGER SIDE BRAKE (INCLUDES ITEMS 1 - 9)	1	1
	<u>1018233-02</u>	CLUSTER, DRIVER SIDE BRAKE (INCLUDES ITEMS 1 - 9)	1	1
1	<u>1018240-01</u>	ASSEMBLY, BACKING PLATE, PASSENGER SIDE (INCLUDES ITEMS 2, 3 AND 4)	1	1
1	<u>1018240-02</u>	ASSEMBLY, BACKING PLATE, DRIVER SIDE (INCLUDES ITEMS 2, 3 AND 4) ..	1	1
2	<u>1018165-01</u>	MECHANISM, ADJUSTING, PASSENGER SIDE	1	1
2	<u>1018165-02</u>	MECHANISM, ADJUSTING, DRIVER SIDE	1	1
3	<u>1018239-01</u>	WASHER	1	1
4	<u>1018238-01</u>	WASHER, PLATE	1	1
5	<u>1010850</u>	COVER, DUST	1	1
6	<u>1018232-01</u>	PACKAGE, BRAKE SHOE (FOUR PIECES)	1	1
7	<u>1011466</u>	KIT, SHOE RETAINER (FOUR PIECES)	1	1
8	<u>1018163-01</u>	PACKAGE, BRAKE SPRING (FOUR PIECES)	1	1
9	<u>1018155-01</u>	ASSEMBLY, LEVER, PASSENGER SIDE	1	1
9	<u>1018155-02</u>	ASSEMBLY, LEVER, DRIVER SIDE	1	1
10	<u>1013924</u>	NUT, HEX HEAD LOCK, GRADE 8, 5/16 - 24	8	8
11	<u>1014153</u>	BOLT, BRAKE CLUSTER MOUNTING, GRADE 8, 5/16 - 24 x 7/8	8	8
12	<u>1017911-01</u>	DRUM, BRAKE	2	2
13	<u>1011403</u>	KIT, BRAKE CABLE (INCLUDES ITEMS 14, 15 AND 16)	2	2
14	<u>1010829</u>	PIN, CLEVIS, 5/16	2	2
15	<u>0001035</u>	PIN, COTTER, 3/32 x 1	2	2
16	<u>1011779</u>	E-CLIP, 1/2	2	2
17	<u>1019008-01</u>	HANGER, BRAKE CABLE (GASOLINE VEHICLE ONLY)	2	
17	<u>1013207</u>	HANGER, BRAKE CABLE (ELECTRIC VEHICLE ONLY)		2

5
G
E

5
G
E



REAR BRAKE ASSEMBLY, MANUALLY ADJUSTED— RESORT VILLAGER, TRANS-PORTER/TRANS-SENDER

ITEM	PART NO.	DESCRIPTION	QTY GAS	QTY ELEC
		1 2 3 4		
	<u>1016573</u>	CLUSTER, PASSENGER SIDE BRAKE, WITHOUT BRAKE DRUM (INCLUDES ITEMS 1 - 14)	1	1
	<u>1016557</u>	CLUSTER, DRIVER SIDE BRAKE, WITHOUT BRAKE DRUM (INCLUDES ITEMS 1 - 14)	1	1
1	1011494	PLATE, BACKING, DRIVER SIDE	1	1
1	<u>1011154</u>	PLATE, BACKING, PASSENGER SIDE	1	1
2	<u>1011465</u>	KIT, BRAKE ACTUATOR	1	1
3	<u>1011467</u>	KIT, ANCHOR BODY (INCLUDES ITEMS 4 - 9)	1	1
4	<u>1011114</u>	NUT, M6 x 1	2	2
5	0000451	WASHER, LOCK, 1/4	2	2
6	N/A	PISTON, ANCHOR	2	2
7	N/A	BOLT, ADJUSTMENT	1	1
8	N/A	BODY, ANCHOR	1	1
9	<u>1011303</u>	CAP, ADJUSTMENT BOLT	1	1
10	<u>1011463-02</u>	PACKAGE, BRAKE SHOE (FOUR PIECES)	1	1
11	<u>1011466</u>	KIT, SHOE RETAINER (FOUR PIECES)	1	1
12	<u>1011464</u>	PACKAGE, BRAKE SPRING (FOUR PIECES)	1	1
13	N/A	ARM, BRAKE LEVER	1	1
14	<u>1010850</u>	COVER, DUST	1	1
15	<u>1011403</u>	KIT, BRAKE CABLE (INCLUDES ITEMS 16, 17 AND 18)	2	2
16	<u>1010829</u>	PIN, CLEVIS, 5/16	2	2
17	<u>0001035</u>	PIN, COTTER, 3/32 x 1	2	2
18	<u>1011779</u>	E-CLIP, 1/2	2	2
19	<u>1013924</u>	NUT, CONE LOCK, GRADE 8, 5/16 - 24	8	8
20	<u>1014153</u>	BOLT, BRAKE CLUSTER MOUNTING	8	8
21	<u>1017911-01</u>	DRUM, BRAKE	2	2
22	<u>1013207</u>	HANGER, BRAKE CABLE	2	2

5
G
E

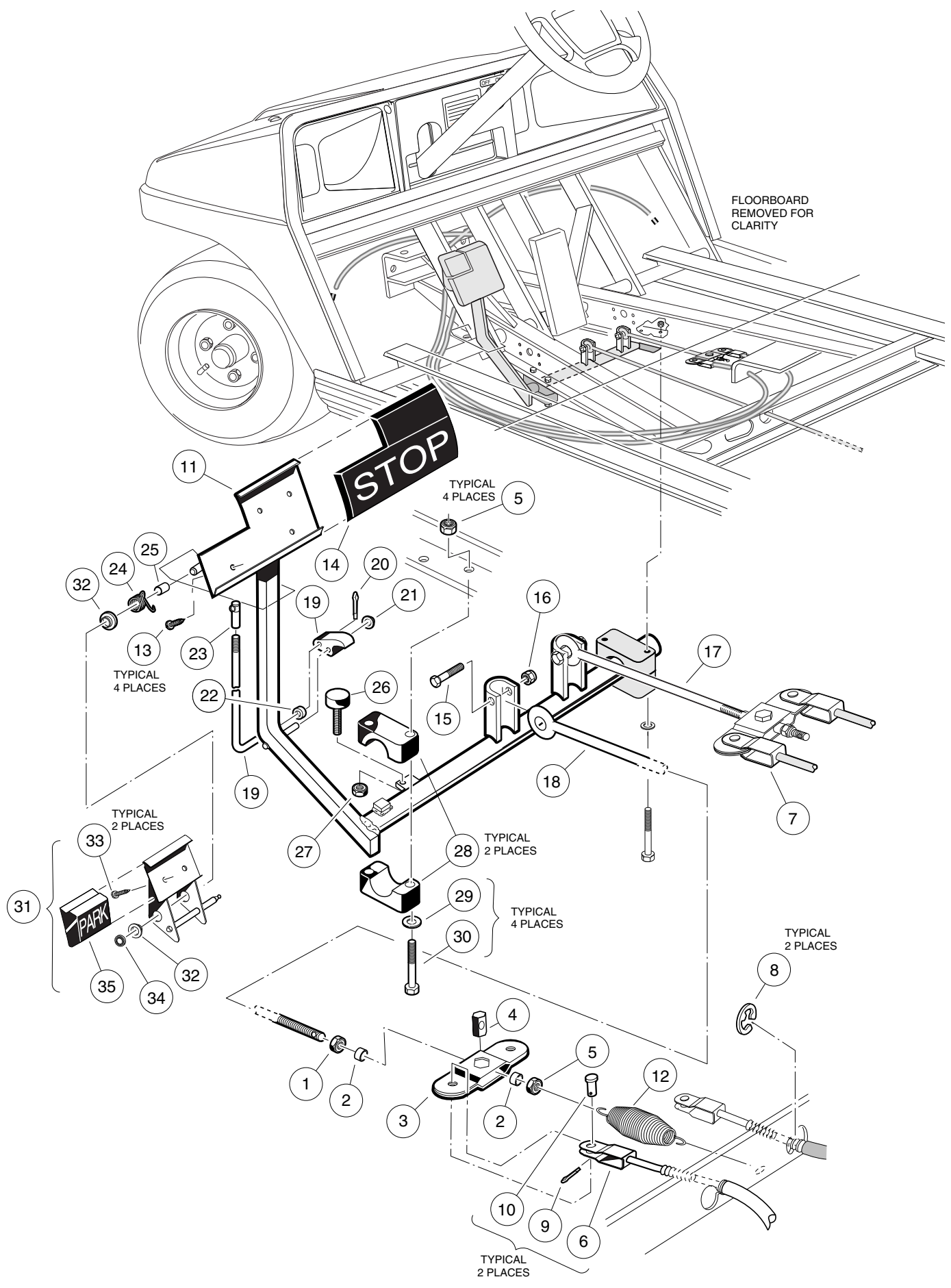
BRAKE PEDAL AND CABLE ASSEMBLY— TOURALL

**5
G
E**

ITEM	PART NO.	DESCRIPTION	QTY GAS	QTY ELEC
		1 2 3 4		
1	0001242	NUT, HEX, 5/16 - 18	1	1
2	<u>1018653-01</u>	SPACER, EQUALIZER	2	2
3	<u>1017211</u>	KIT, EQUALIZER AND PIVOT LIMITER (INCLUDES ITEM 4)	1	1
4	N/A	PIN, EQUALIZER PIVOT	1	1
5	0007473	NUT, NYLON LOCK, 5/16 - 18	5	5
6	<u>1011403</u>	KIT, BRAKE CABLE (INCLUDES ITEMS 7 - 9)	2	2
7	<u>1011779</u>	E-CLIP, 1/2	2	2
8	<u>0001035</u>	PIN, COTTER, 3/32 x 1	2	2
9	<u>1010829</u>	PIN, CLEVIS, 5/16	2	2
10	<u>1019540-01</u>	KIT, BRAKE PEDAL (INCLUDES ITEMS 11 - 16, 19 AND 32)	1	1
11	<u>1013531</u>	SPRING, BRAKE RETURN	1	1
12	0007716	SCREW, SLOTTED HEX WASHER HEAD, #10 - 16 x 1/2	4	4
13	<u>1013869</u>	PAD, BRAKE PEDAL	1	1
14	<u>1019531-01</u>	ROD, EQUALIZER	1	1
15	<u>1019530-01</u>	BOLT, HEX HEAD SHOULDER, 3/8 x 1	1	1
16	0007473	NUT, NYLON LOCK, 5/16 - 18	1	1
	<u>1011877-02</u>	KIT, PARK BRAKE LATCH (INCLUDES ITEMS 17 - 21 AND ITEM 25 ON PAGE 5-13)	1	1
17	N/A	ROD AND PAWL	1	1
18	<u>1017029</u>	PIN, COTTER, 7/64 x 1/2	1	1
19	<u>1010877</u>	NUT, PUSH, 5/16	1	1
20	<u>1010805</u>	SLEEVE, PARK BRAKE ROD	1	1
21	<u>1010932</u>	JOINT, BALL, 1/4 - 28	1	1
22	<u>1010933</u>	SPRING, PARK BRAKE TORSION	1	1
23	<u>1010927</u>	SPACER, PARK BRAKE	1	1
24	<u>1010878</u>	BUMPER, RUBBER	1	1
25	0001028	NUT, HEX, 1/4 - 20	1	1
26	<u>1011402</u>	PACKAGE, BRAKE MOUNTING BLOCK (CONTAINS UPPER AND LOWER FOR LEFT AND RIGHT SIDES) *	1	1
27	0001241	WASHER, FLAT, 5/16	4	4
28	<u>1010921</u>	SCREW, HEX HEAD CAP, 5/16 - 18 x 2 1/2	4	4
29	<u>1011418</u>	KIT, PARK BRAKE PEDAL (INCLUDES ITEMS 30 - 33)	1	1
30	<u>0001032</u>	BUSHING, NYLON	2	2
31	0007716	SCREW, SLOTTED HEX WASHER HEAD, #10 - 16 x 1/2	2	2
32	<u>1013876</u>	NUT, PUSH, 3/8	1	1
33	<u>1013870</u>	PAD, PARK BRAKE	1	1
		*NOTE: REPLACEMENT FOR ITEM 26 HAS CHANGED MATERIAL.		

5
G
E

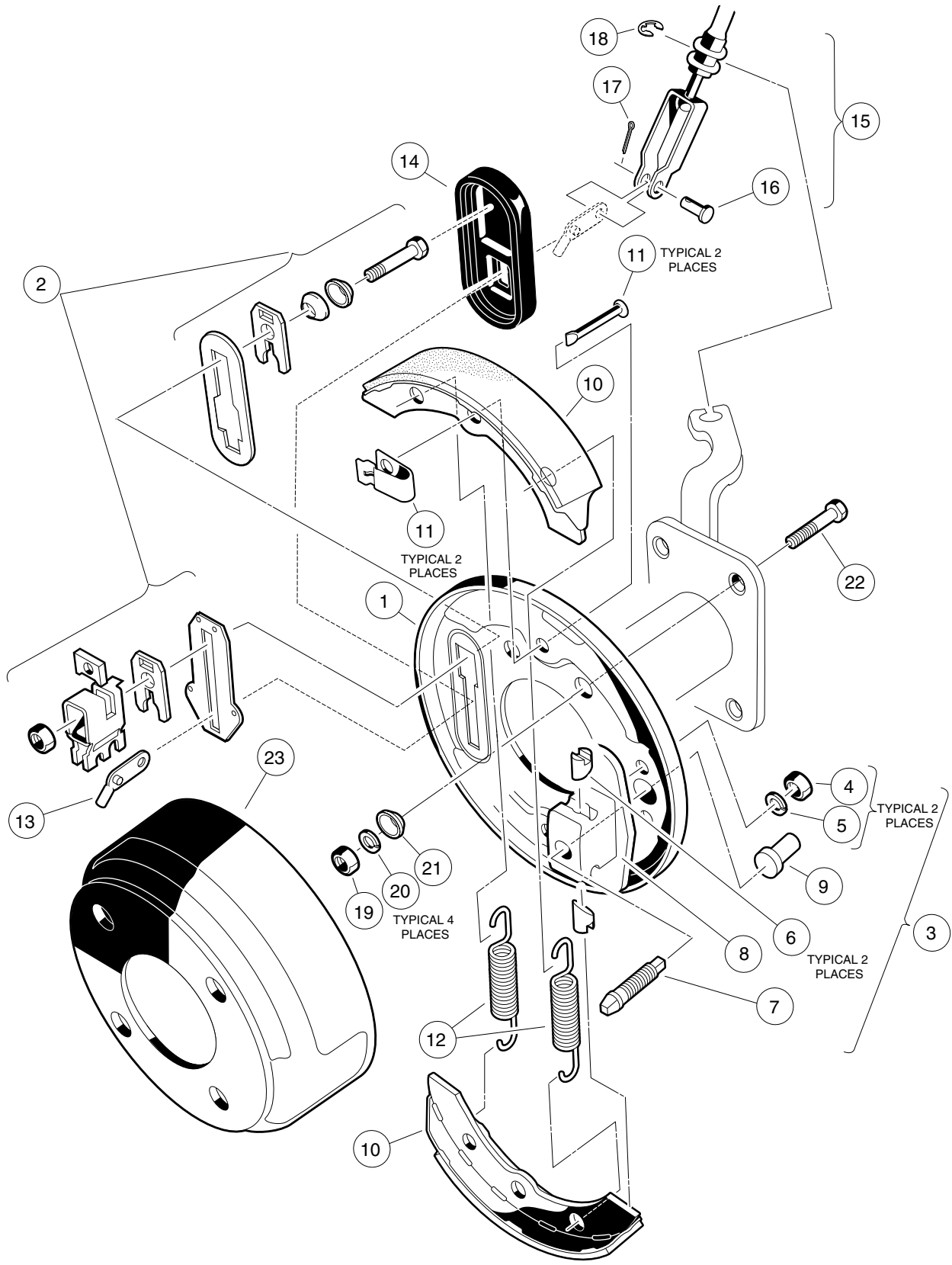
FLOORBOARD
REMOVED FOR
CLARITY



BRAKE PEDAL AND CABLE ASSEMBLY— RESORT VILLAGER, TRANS-PORTER/TRANS-SENDER

ITEM	PART NO.	DESCRIPTION	QTY GAS	QTY ELEC
		1 2 3 4		
1	0001242	NUT, HEX, 5/16 - 18	2	2
2	<u>1018653-01</u>	SPACER, EQUALIZER	4	4
3	<u>1017211</u>	KIT, EQUALIZER AND PIVOT LIMITER (INCLUDES ITEM 4)	2	2
4	N/A	PIN, EQUALIZER PIVOT	1	1
5	0007473	NUT, NYLON LOCK, 5/16 - 18	6	6
6	<u>1011403</u>	KIT, BRAKE CABLE, REAR (INCLUDES ITEMS 8 - 10)	2	2
7	<u>1018746-01</u>	KIT, BRAKE CABLE, FRONT (INCLUDES ITEMS 8 - 10)	2	2
8	<u>1011779</u>	E-CLIP, 1/2	2	2
9	<u>0001035</u>	PIN, COTTER, 3/32 x 1	2	2
10	<u>1010829</u>	PIN, CLEVIS, 5/16	2	2
11	<u>1019540-01</u>	KIT, BRAKE PEDAL (INCLUDES ITEMS 12 - 17, 21 AND 34)	1	1
12	<u>1013531</u>	SPRING, BRAKE RETURN	1	1
13	0007716	SCREW, SLOTTED HEX WASHER HEAD, #10 - 16 x 1/2	4	4
14	<u>1013869</u>	PAD, BRAKE PEDAL	1	1
15	1019530-01	BOLT, HEX HEAD SHOULDER, 3/8 x 1	2	2
16	0007473	NUT, NYLON LOCK, 5/16 - 18	2	2
17	<u>1019531-06</u>	ROD, EQUALIZER, FRONT	1	1
18	<u>1019531-03</u>	ROD, EQUALIZER, REAR	1	1
	<u>1011877-02</u>	KIT, PARK BRAKE LATCH (INCLUDES ITEMS 19 - 23 AND ITEM 25 ON PAGE 5-13 OR ITEM 25 ON PAGE 5-15)	1	1
19	N/A	ROD AND PAWL	1	1
20	<u>1017029</u>	PIN, COTTER, 7/64 x 1/2	1	1
21	<u>1010877</u>	NUT, PUSH, 5/16	1	1
22	<u>1010805</u>	SLEEVE, PARK BRAKE ROD	1	1
23	1010932	JOINT, BALL, 1/4 - 28	1	1
24	<u>1010933</u>	SPRING, PARK BRAKE TORSION	1	1
25	<u>1010927</u>	SPACER, PARK BRAKE	1	1
26	<u>1010878</u>	BUMPER, RUBBER	1	1
27	0001028	NUT, HEX, 1/4 - 20	1	1
28	<u>1011402</u>	PACKAGE, BRAKE MOUNTING BLOCK (CONTAINS UPPER AND LOWER FOR LEFT AND RIGHT SIDES) *	1	1
29	0001241	WASHER, FLAT, 5/16	4	4
30	<u>1010921</u>	SCREW, HEX HEAD CAP, 5/16 - 18 x 2 1/2	4	4
31	<u>1011418</u>	KIT, PARK BRAKE PEDAL (INCLUDES ITEMS 32 - 35)	1	1
32	<u>0001032</u>	BUSHING, NYLON	2	2
33	0007716	SCREW, SLOTTED HEX WASHER HEAD, #10 - 16 x 1/2	2	2
34	<u>1013876</u>	NUT, PUSH, 3/8	1	1
35	<u>1013870</u>	PAD, PARK BRAKE	1	1
		*NOTE: REPLACEMENT FOR ITEM 28 HAS CHANGED MATERIAL .		

5
G
E

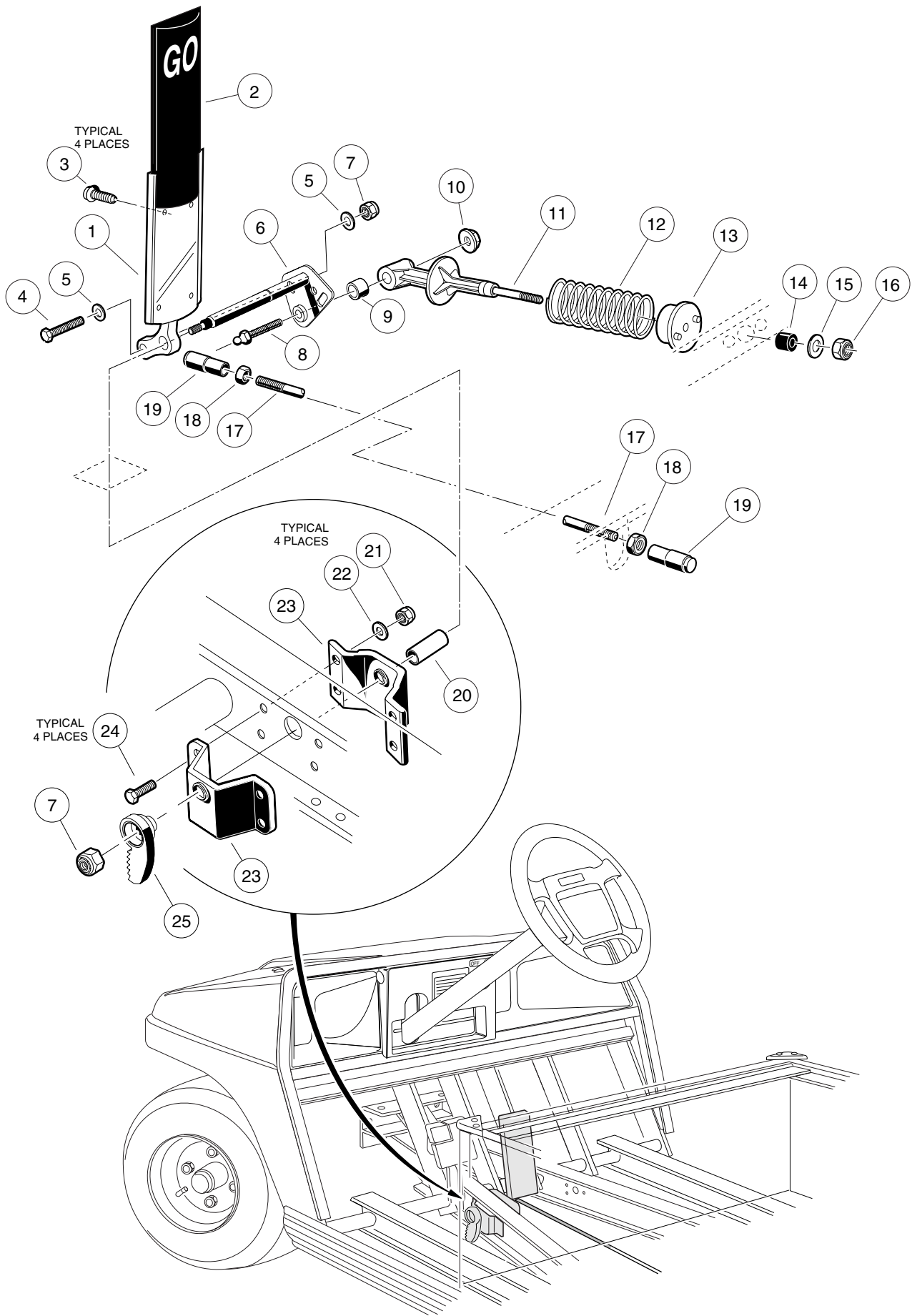


FRONT BRAKE ASSEMBLY— RESORT VILLAGER, TRANS-PORTER/TRANS-SENDER

ITEM	PART NO.	DESCRIPTION	QTY GAS	QTY ELEC
		1 2 3 4		
	<u>1016573</u>	CLUSTER, PASSENGER SIDE BRAKE, WITHOUT BRAKE DRUM (INCLUDES ITEMS 1 - 14)	1	1
	<u>1016557</u>	CLUSTER, DRIVER SIDE BRAKE, WITHOUT BRAKE DRUM (INCLUDES ITEMS 1 - 14)	1	1
1	<u>1011154</u>	PLATE, BACKING, PASSENGER SIDE	1	1
1	<u>1011494</u>	PLATE, BACKING, DRIVER SIDE	1	1
2	<u>1011465</u>	KIT, BRAKE ACTUATOR	1	1
3	<u>1011467</u>	KIT, ANCHOR BODY (INCLUDES ITEMS 4 - 9)	1	1
4	<u>1011114</u>	NUT, M6 x 1	2	2
5	<u>0000451</u>	WASHER, LOCK, 1/4	2	2
6	N/A	PISTON, ANCHOR	2	2
7	N/A	BOLT, ADJUSTMENT	1	1
8	N/A	BODY, ANCHOR	1	1
9	<u>1011303</u>	CAP, ADJUSTMENT BOLT	1	1
10	<u>1011463-02</u>	PACKAGE, BRAKE SHOE (FOUR PIECES)	1	1
11	<u>1011466</u>	KIT, SHOE RETAINER (FOUR PIECES)	1	1
12	<u>1011464</u>	PACKAGE, BRAKE SPRING (FOUR PIECES)	1	1
13	N/A	ARM, BRAKE LEVER	1	1
14	<u>1010850</u>	COVER, DUST	1	1
15	<u>1018746-01</u>	KIT, BRAKE CABLE, FRONT (INCLUDES ITEMS 16, 17 AND 18)	2	2
16	<u>1010829</u>	PIN, CLEVIS, 5/16	2	2
17	<u>0001035</u>	PIN, COTTER, 3/32 x 1	2	2
18	<u>1011779</u>	E-CLIP, 1/2	2	2
19	<u>1018727-01</u>	NUT, HEX, 5/16 - 24	8	8
20	<u>0007174</u>	WASHER, LOCK, 5/16	8	8
21	<u>1018690-01</u>	WASHER, CONE, 5/16	8	8
22	<u>1017232</u>	BOLT, HEX HEAD, 5/16 - 24 x 1	8	8
23	<u>1011137</u>	DRUM, BRAKE	2	2

5
G
E

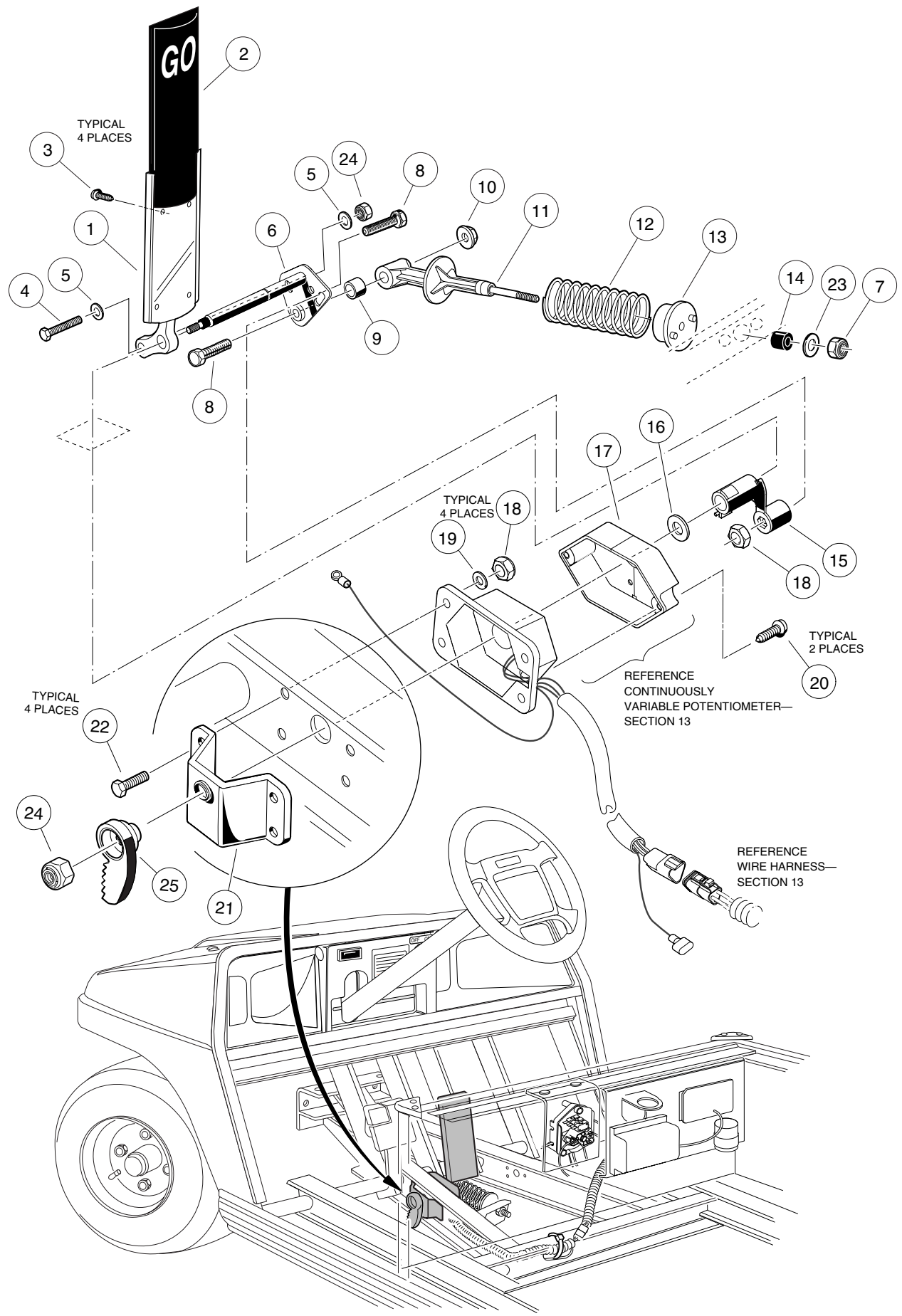
5
G
E



ACCELERATOR PEDAL ASSEMBLY— ELECTRIC TOURALL AND ALL GASOLINE VEHICLES

ITEM	PART NO.	DESCRIPTION	QTY GAS	QTY ELEC
		1 2 3 4		
1	<u>1017696</u>	SUB-ASSEMBLY, ACCELERATOR PEDAL (INCLUDES ITEMS 2 AND 3)	1	1
2	1013871	PAD, ACCELERATOR PEDAL	1	1
3	0007716	SCREW, SLOTTED HEX WASHER HEAD, #10 - 16 x 1/2	4	4
4	0001624	SCREW, HEX CAP, 3/8 - 16 x 1 1/2	1	1
5	0000334	WASHER, FLAT, 3/8	2	2
6	1017325	ASSEMBLY, ACCELERATOR PIVOT ROD	1	1
7	0008754	NUT, NYLON LOCK, 3/8 - 16	2	2
8	1018188-01	STUD, BALL	1	1
9	<u>1017424</u>	BEARING, PIVOT SUPPORT	1	1
10	<u>1019669-01</u>	NUT, FLANGE, 1/4 - 28	1	1
11	<u>1018174-01</u>	RETAINER, SPRING	1	1
12	1017962-01	SPRING, RETURN	1	1
13	<u>1017378</u>	CUP, SPRING	1	1
14	<u>1017380</u>	BUMPER, RETURN SPRING	1	1
15	0001241	WASHER, FLAT, 5/16	1	1
16	0007473	NUT, NYLON LOCK, 5/16 - 18	1	1
17	1018719-01	ASSEMBLY, ACCELERATOR ROD (ELECTRIC TOURALL ONLY) (INCLUDES ITEMS 18 AND 19)		1
17	1019124-01	ASSEMBLY, ACCELERATOR ROD (GASOLINE TOURALL ONLY) (INCLUDES ITEMS 18 AND 19)	1	
17	<u>1016747-02</u>	ASSEMBLY, ACCELERATOR ROD (GASOLINE RESORT VILLAGER, TRANS-PORTER/TRANS-SENDER ONLY) (INCLUDES ITEMS 18 AND 19)	1	
18	<u>1011084</u>	NUT, UNF HEX JAM, 1/4 - 28	2	2
19	<u>1011734</u>	JOINT, SPRING-LOADED BALL	2	2
20	<u>1011700</u>	SPACER	1	1
21	0008233	NUT, NYLON LOCK, 1/4 - 20	4	4
22	<u>1014007</u>	WASHER, FLAT, TYPE B, 1/4	4	4
23	<u>1011694</u>	SUPPORT, ACCELERATOR PIVOT ROD	2	2
24	<u>1018619-01</u>	SCREW, HEX CAP, 1/4 - 20 x 1 1/8	4	4
	<u>1011877-02</u>	KIT, PARK BRAKE (INCLUDES ITEM 25 AND ITEMS 17 - 21 ON PAGE 5-7 OR ITEMS 19 - 23 ON PAGE 5-9)	1	1
25	N/A	RATCHET, PARK BRAKE	1	1

5
G
E



ACCELERATOR PEDAL ASSEMBLY—ELECTRIC RESORT VILLAGER, TRANS-PORTER/TRANS-SENDER

ITEM	PART NO.	DESCRIPTION	QTY GAS	QTY ELEC
		1 2 3 4		
1	<u>1017696</u>	SUB-ASSEMBLY, ACCELERATOR PEDAL (INCLUDES ITEMS 2 AND 3)		1
2	1013871	PAD, ACCELERATOR PEDAL		1
3	0007716	SCREW, SLOTTED HEX WASHER HEAD, #10 - 16 x 1/2		4
4	0001624	SCREW, HEX CAP, 3/8 - 16 x 1 1/2		1
5	0000334	WASHER, FLAT, 3/8		2
6	1017325	ASSEMBLY, ACCELERATOR PIVOT ROD		1
7	0007473	NUT, NYLON LOCK, 5/16 - 18		1
8	<u>1018620-01</u>	SCREW, HEX HEAD CAP, 1/4 - 20 x 1 3/8		2
9	<u>1017424</u>	BEARING, PIVOT SUPPORT		1
10	<u>1015661</u>	NUT, FLANGE LOCK, 1/4 - 20		1
11	<u>1018174-01</u>	RETAINER, SPRING		1
12	1017962-01	SPRING, RETURN		1
13	<u>1017378</u>	CUP, SPRING		1
14	<u>1017380</u>	BUMPER, RETURN SPRING		1
15	<u>1017400</u>	LEVER, ACTUATOR		1
16	<u>1018042-01</u>	WASHER, PLASTIC, 1/2		1
17	<u>1017743</u>	COVER, ACCELERATOR		1
18	0008233	NUT, NYLON LOCK, 1/4 - 20		5
19	<u>1014007</u>	WASHER, FLAT, TYPE B, 1/4		4
20	<u>1018043-01</u>	SCREW, HI-LO HEX HEAD, #8 - 18 x 1/2		2
21	<u>1011694</u>	SUPPORT, ACCELERATOR PIVOT ROD		1
22	<u>1018619-01</u>	SCREW, HEX CAP, 1/4 - 20 x 1 1/8		4
23	0001241	WASHER, FLAT, 5/16		1
24	0008754	NUT, NYLON LOCK, 3/8 x 16		2
	<u>1011877-02</u>	KIT, PARK BRAKE (INCLUDES ITEM 25 AND ITEMS 19 - 23 ON PAGE 5-9)		1
25	N/A	RATCHET, PARK BRAKE		1

5
G
E

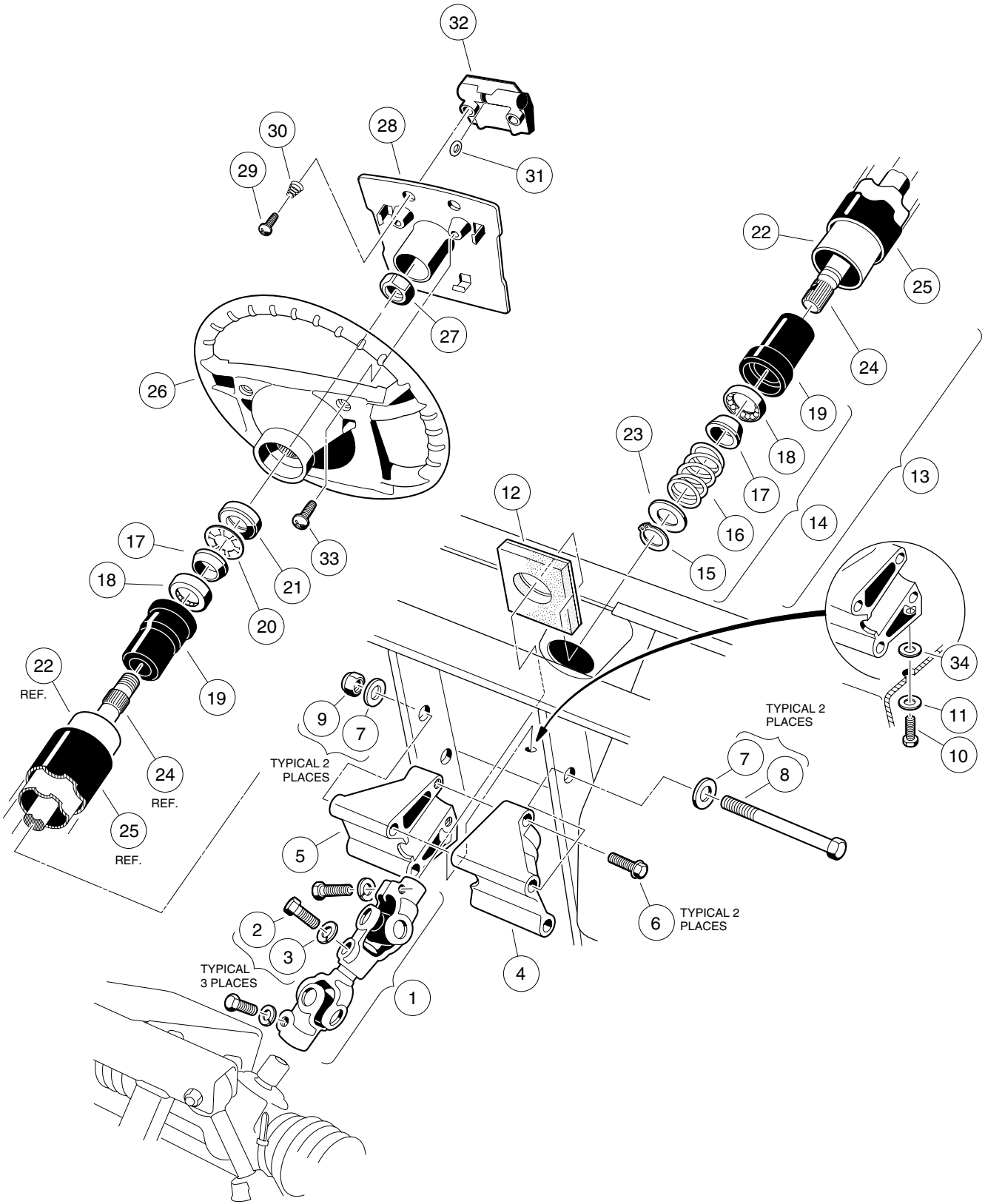
5
G
E

STEERING, FRONT AND REAR SUSPENSION

6

G

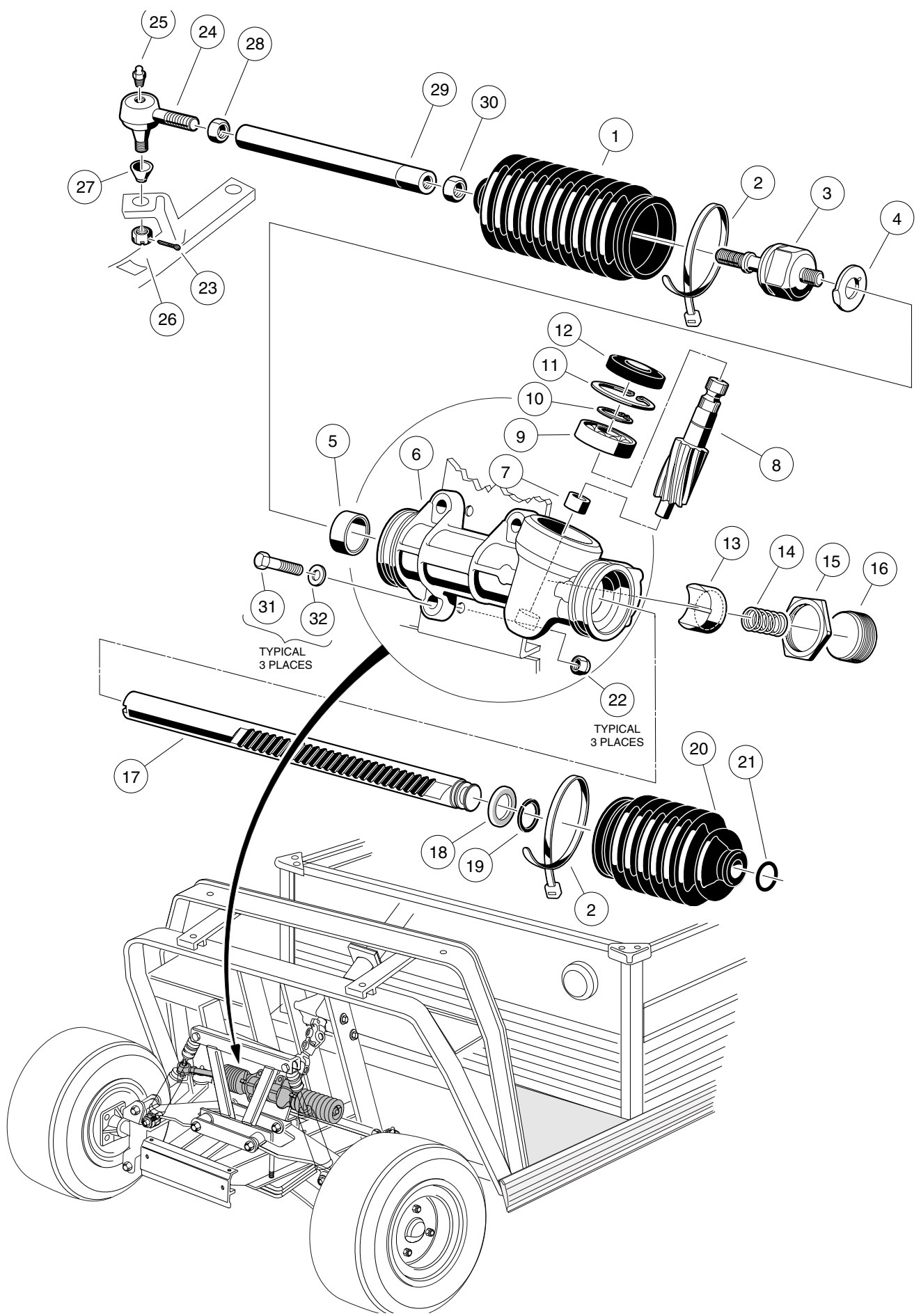
E



STEERING COLUMN

ITEM	PART NO.	DESCRIPTION	QTY GAS	QTY ELEC
		1 2 3 4		
1	<u>1013861</u>	JOINT, COMPOUND STEERING (INCLUDES ITEMS 2 AND 3)	1	1
2	<u>1017226</u>	SCREW, HEX HEAD CAP, M8 x 1.25 x 30MM	3	3
3	0007174	WASHER, LOCK, 5/16	3	3
4	1016185	MOUNT, STEERING COLUMN, DRIVER SIDE	1	1
5	1016184	MOUNT, STEERING COLUMN, PASSENGER SIDE	1	1
6	<u>1016269</u>	SCREW, HEX WASHER HEAD THREAD-FORMING, 5/16 - 18 x 2	2	2
7	0000334	WASHER, FLAT, 3/8	4	4
8	<u>1016183</u>	SCREW, HEX HEAD CAP, 3/8 - 16 x 7	2	2
9	0008754	NUT, NYLON LOCK, 3/8 - 16	2	2
10	<u>1014288</u>	SCREW, HEX WASHER HEAD THREAD-FORMING, 5/16 - 18 x 3/4	1	1
11	<u>1011697</u>	WASHER, FLAT, 5/16	1	1
12	<u>1012499</u>	BOOT, STEERING COLUMN	1	1
13	1016181	ASSEMBLY, STEERING COLUMN (TOURALL AND TRANS-PORTER/TRANS-SENDER) (INCLUDES ITEMS 14 - 24)	1	1
13	<u>1017313</u>	ASSEMBLY, STEERING COLUMN (RESORT VILLAGER ONLY) (INCLUDES ITEMS 14 - 24)	1	1
14	<u>1014216</u>	KIT, STEERING COLUMN REBUILD (INCLUDES ITEMS 15 - 21)	A/R	A/R
15	<u>1012605</u>	RING, RETAINING	1	1
16	<u>1014217</u>	SPRING, COMPRESSION	1	1
17	1014125	WEDGE	2	2
18	<u>1014213</u>	ASSEMBLY, BEARING	2	2
19	<u>1014126</u>	SEAT, BEARING	2	2
20	1014214	RING, RETAINING	1	1
21	<u>1014211</u>	SEAL, BEARING	1	1
22	1016622	COLUMN, ALUMINUM STEERING (TOURALL AND TRANS-PORTER/TRANS-SENDER)	1	1
22	<u>1017314</u>	COLUMN, ALUMINUM STEERING (RESORT VILLAGER ONLY)	1	1
23	<u>1012604</u>	WASHER, STEEL, 5/8	1	1
24	<u>1015545</u>	SHAFT, STEERING COLUMN (TOURALL AND TRANS-PORTER/TRANS-SENDER)	1	1
24	<u>1017315</u>	SHAFT, STEERING COLUMN (RESORT VILLAGER ONLY)	1	1
25	1016263	COVER, STEERING COLUMN	1	1
26	<u>1016156</u>	WHEEL, STEERING	1	1
27	<u>1017273</u>	NUT, NYLON LOCK, 5/8 - 18	1	1
28	1016219	ASSEMBLY, SCORECARD PLATE (INCLUDES ITEMS 29 - 32)	1	1
29	<u>1012565</u>	SCREW, ROUND HEAD, #12 - 14 x 1	2	2
30	<u>1012566</u>	SPRING, TAPERED COMPRESSION	2	2
31	<u>1016214</u>	GRIP, PENCIL	2	2
32	1016154	CLIP, SCORE CARD	1	1
33	<u>1016663</u>	SCREW, TYPE A PHILLIPS, #12 - 11 x 5/8	2	2
34	<u>1011578</u>	WASHER, TYPE B FLAT, 5/16 (RESORT VILLAGER ONLY)	1	1





STEERING GEAR ASSEMBLY

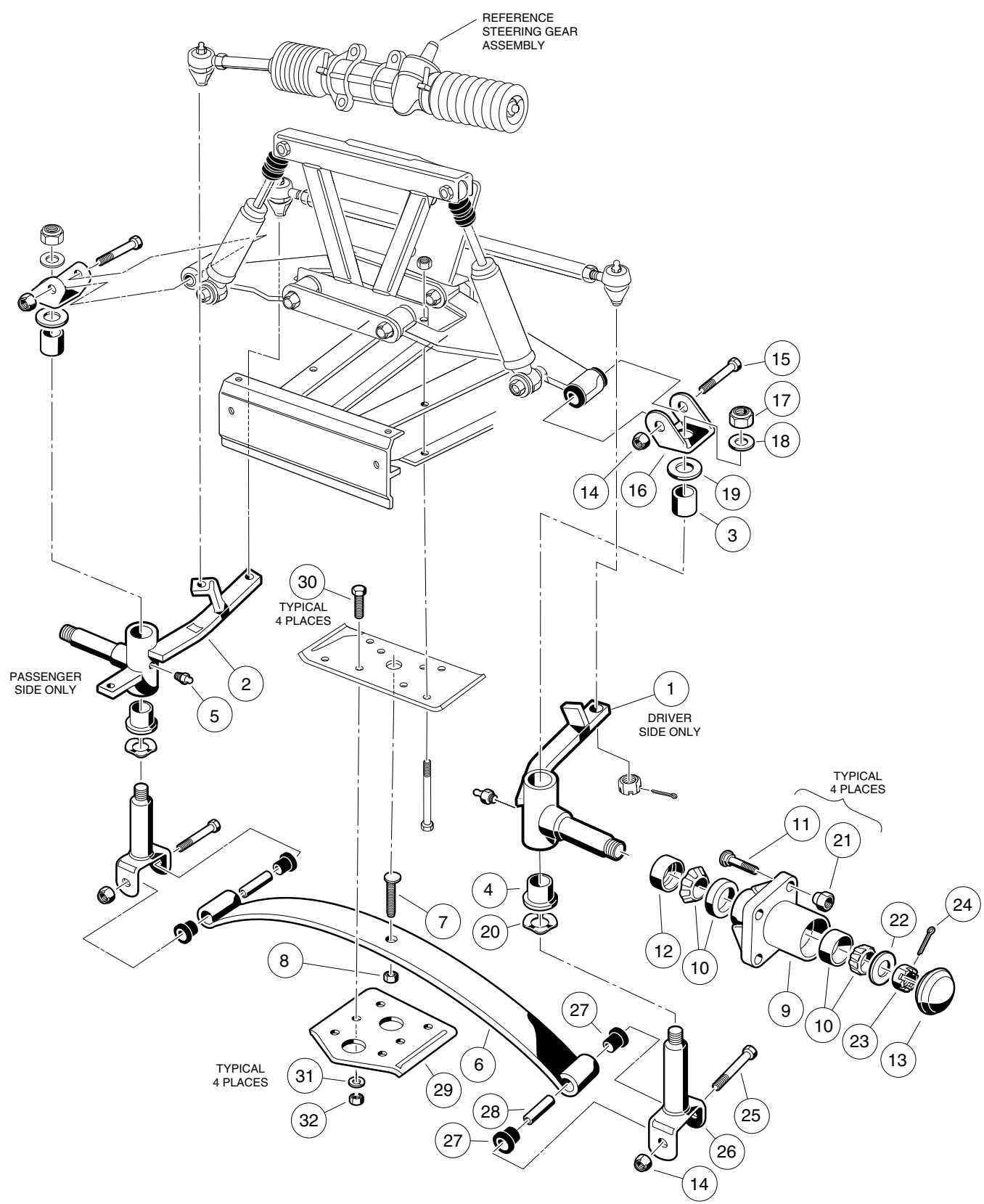
ITEM	PART NO.	DESCRIPTION	QTY GAS	QTY ELEC
		1 2 3 4		
	<u>1018783-02</u>	ASSEMBLY, STEERING GEAR BOX (INCLUDES ITEMS 1 - 21)	1	1
1	<u>1013035</u>	SEAL, DUST, PASSENGER SIDE	1	1
2	0008990	WRAP, TIE	2	2
3	<u>1018802-01</u>	ASSEMBLY, INNER BALL JOINT	1	1
4	<u>1018803-01</u>	WASHER, TAB	2	2
5	N/A	BUSHING, RACK	1	1
6	N/A	BOX, STEERING GEAR	1	1
7	N/A	BEARING, LOWER PINION	1	1
8	N/A	PINION, STEERING	1	1
9	<u>1018794-01</u>	BEARING, UPPER PINION	1	1
10	<u>1018799-01</u>	RING, C-TYPE STOP	1	1
11	1013051	RING, SNAP	1	1
12	<u>1013052</u>	SEAL, DUST, STEERING PINION	1	1
13	<u>1018797-01</u>	GUIDE, STEERING RACK	1	1
14	<u>1018798-01</u>	SPRING, YOKE	1	1
15	<u>1013044</u>	NUT, LOCK, RACK SCREW	1	1
16	N/A	SCREW, RACK GUIDE	1	1
17	N/A	RACK, STEERING	1	1
18	<u>1018795-01</u>	WASHER, STOP	2	2
19	1018796-01	RING, C-TYPE STOP	1	1
20	<u>1018800-01</u>	SEAL, DUST, DRIVER SIDE	1	1
21	1018801-01	RING, RETAINING	1	1
22	<u>1010138</u>	NUT, DIMPLED LOCK, 3/8 - 16	3	3
23	<u>0001035</u>	PIN, COTTER, 3/32 x 1	1	1
24	0007540	BALL JOINT, LEFT HAND THREAD (INCLUDES ITEMS 25, 26 AND 27)	1	1
25	<u>1015597</u>	FITTING, THREAD FORMING GREASE, 1/4 - 28	1	1
26	<u>0007602</u>	NUT, HEX SLOTTED, 3/8 - 24	1	1
27	<u>1011930</u>	BOOT, DUST.....	1	1
28	0007555	NUT, HEX, LEFT HAND THREAD, 1/2 - 20	1	1
29	<u>1012467</u>	LINK, RACK AND PINION DRAG	1	1
30	1013042	NUT, HEX, M12 x 1.75	1	1
31	0001624	BOLT, HEX HEAD, 3/8 - 16 x 1 1/2	3	3
32	0000334	WASHER, FLAT, 3/8	3	3

6
G
E

FRONT SUSPENSION, UPPER— TOURALL

ITEM	PART NO.	DESCRIPTION	QTY GAS	QTY ELEC
		1 2 3 4		
1	<u>1016353</u>	ASSEMBLY, DELTA A-PLATE (INCLUDES ITEMS 2, 3 AND 4)	2	2
2	<u>1016346</u>	BUSHING, URETHANE	6	6
3	<u>1016350</u>	SLEEVE, DELTA OUTER	1	1
4	<u>1016349</u>	SLEEVE, DELTA INNER	2	2
5	0008754	NUT, NYLON LOCK, 3/8 - 16	8	8
6	<u>1016385</u>	ASSEMBLY, DELTA SHOCK AND GEAR SUPPORT	1	1
7	0001308	NUT, HEX, 1/2 - 20	1	1
8	0001624	BOLT, HEX HEAD, 3/8 - 16 x 1 1/2	2	2
9	<u>1010138</u>	NUT, DIMPLED LOCK, 3/8 - 16	4	4
10	0002402	SCREW, HEX CAP, 3/8 - 16 x 2 1/4	4	4
11	<u>1010219</u>	ROD, TIE	1	1
12	0007555	NUT, HEX, LEFT HAND THREAD, 1/2 - 20	1	1
13	0007540	BALL JOINT, LEFT HAND THREAD (INCLUDES ITEMS 19, 20 AND 21)	1	1
14	<u>1017266</u>	STRAP, A-PLATE	2	2
15	<u>1014235</u>	SHOCK ABSORBER, FRONT	2	2
16	<u>1010124</u>	PLATE, SPRING MOUNTING	1	1
17	<u>1010200</u>	BOLT, HEX HEAD, 3/8 - 16 x 4 1/4	4	4
18	0007539	BALL JOINT, RIGHT HAND THREAD (INCLUDES ITEMS 19, 20 AND 21)	1	1
19	<u>1015597</u>	FITTING, THREAD FORMING GREASE, 1/4 - 28	1	1
20	<u>1011930</u>	SEAL, DUST	1	1
21	<u>0007602</u>	NUT, SLOTTED HEX, 3/8 - 24	1	1
22	<u>0001035</u>	PIN, COTTER, 3/32 x 1	3	3

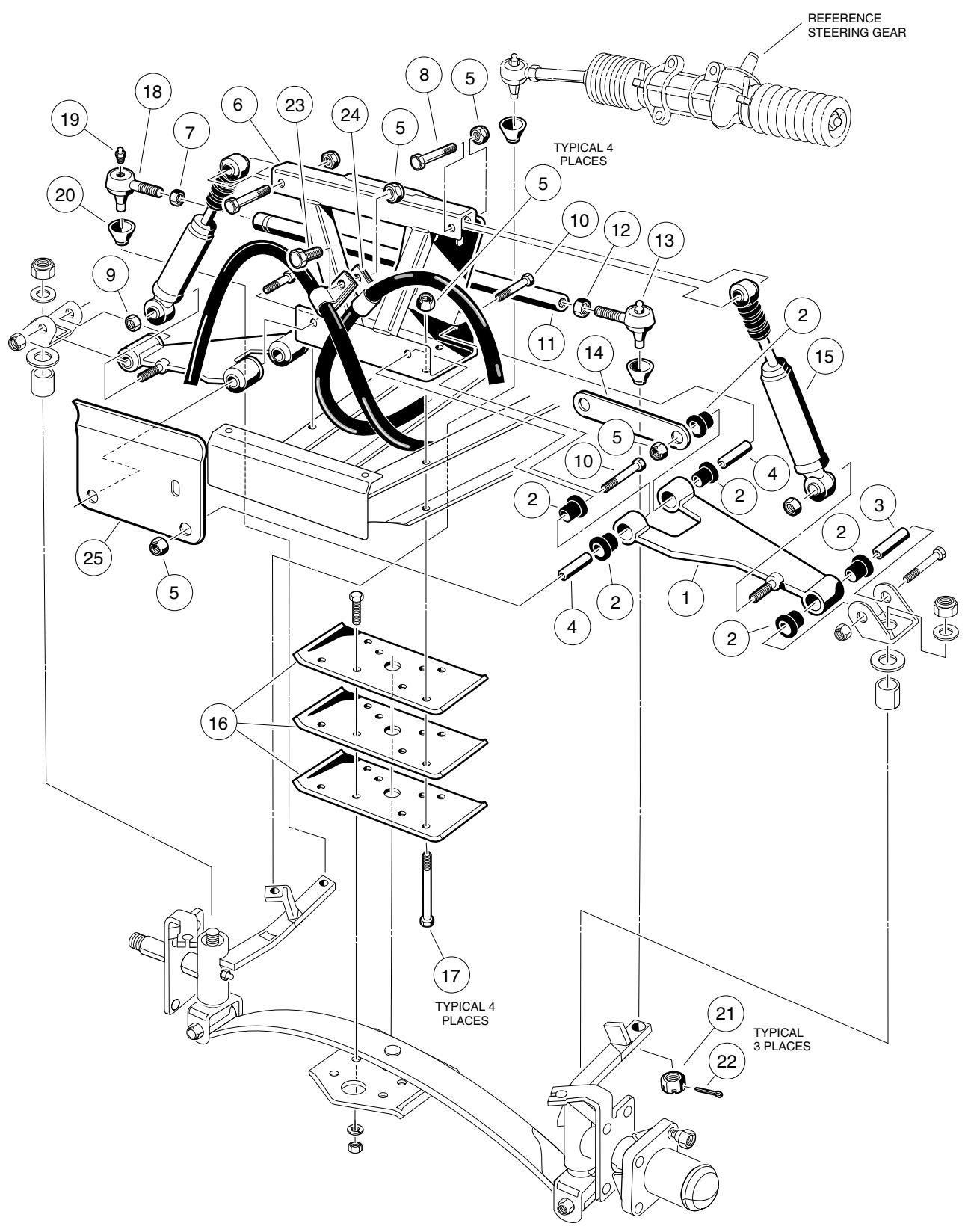
6
G
E



FRONT SUSPENSION, LOWER— TOURALL

ITEM	PART NO.	DESCRIPTION	QTY GAS	QTY ELEC
		1 2 3 4		
1	<u>1010348</u>	ASSEMBLY, SPINDLE, DRIVER SIDE (INCLUDES ITEMS 3, 4 AND 5)	1	1
2	<u>1010347</u>	ASSEMBLY, SPINDLE, PASSENGER SIDE (INCLUDES ITEMS 3, 4 AND 5)	1	1
3	0008067	BUSHING, BRONZE SPINDLE	1	1
4	0007048	BUSHING, BRONZE	1	1
5	<u>1015597</u>	FITTING, GREASE, 1/4 - 28	1	1
6	<u>1012030</u>	SPRING, TAPERED LEAF	1	1
7	0008745	ECCENTRIC	1	1
8	0000706	NUT, HEX, 3/8 - 16	1	1
9	<u>1011892</u>	KIT, HUB ASSEMBLY (INCLUDES ITEMS 10 - 13)	2	2
10	<u>1011393</u>	PACKAGE, HUB BEARING	2	2
11	<u>1011304</u>	STUD, LUG, 1/2 - 20	4	4
12	<u>1013135</u>	SEAL, DOUBLE LIP	1	1
13	<u>1011887</u>	COVER, DUST	1	1
14	0008754	NUT, NYLON LOCK, 3/8 - 16	4	4
15	<u>1016387</u>	SCREW, HEX HEAD CAP, 3/8 - 16 x 2 3/4	2	2
16	<u>1016384</u>	CLEVIS, UPPER DELTA	2	2
17	<u>1019031-01</u>	NUT, NYLON LOCK, 1/2 - 20	2	2
18	<u>1010028</u>	WASHER, FLAT, 1/2	2	2
19	<u>1010150</u>	BEARING, THRUST	2	2
20	<u>1016389</u>	WASHER, KINGPIN WAVE	2	2
21	<u>1010984</u>	NUT, LUG	8	8
22	<u>1010005</u>	WASHER, FLAT, 3/4	2	2
23	0007840	NUT, HEX SLOTTED, 3/4 - 16	2	2
24	0007910	PIN, COTTER, 5/32 x 1	2	2
25	0008755	SCREW, HEX HEAD CAP, 3/8 - 16 x 3 3/8	2	2
26	<u>1016386</u>	KINGPIN	2	2
27	<u>1015583</u>	BUSHING, URETHANE	4	4
28	<u>1012303</u>	BUSHING, STEEL	2	2
29	<u>1014276</u>	PLATE, FRONT SPRING RETAINER	1	1
30	0001624	SCREW, HEX HEAD CAP, 3/8 - 16 x 1 1/2	4	4
31	0000357	WASHER, LOCK, 3/8	4	4
32	0000706	NUT, HEX, 3/8 - 16	4	4

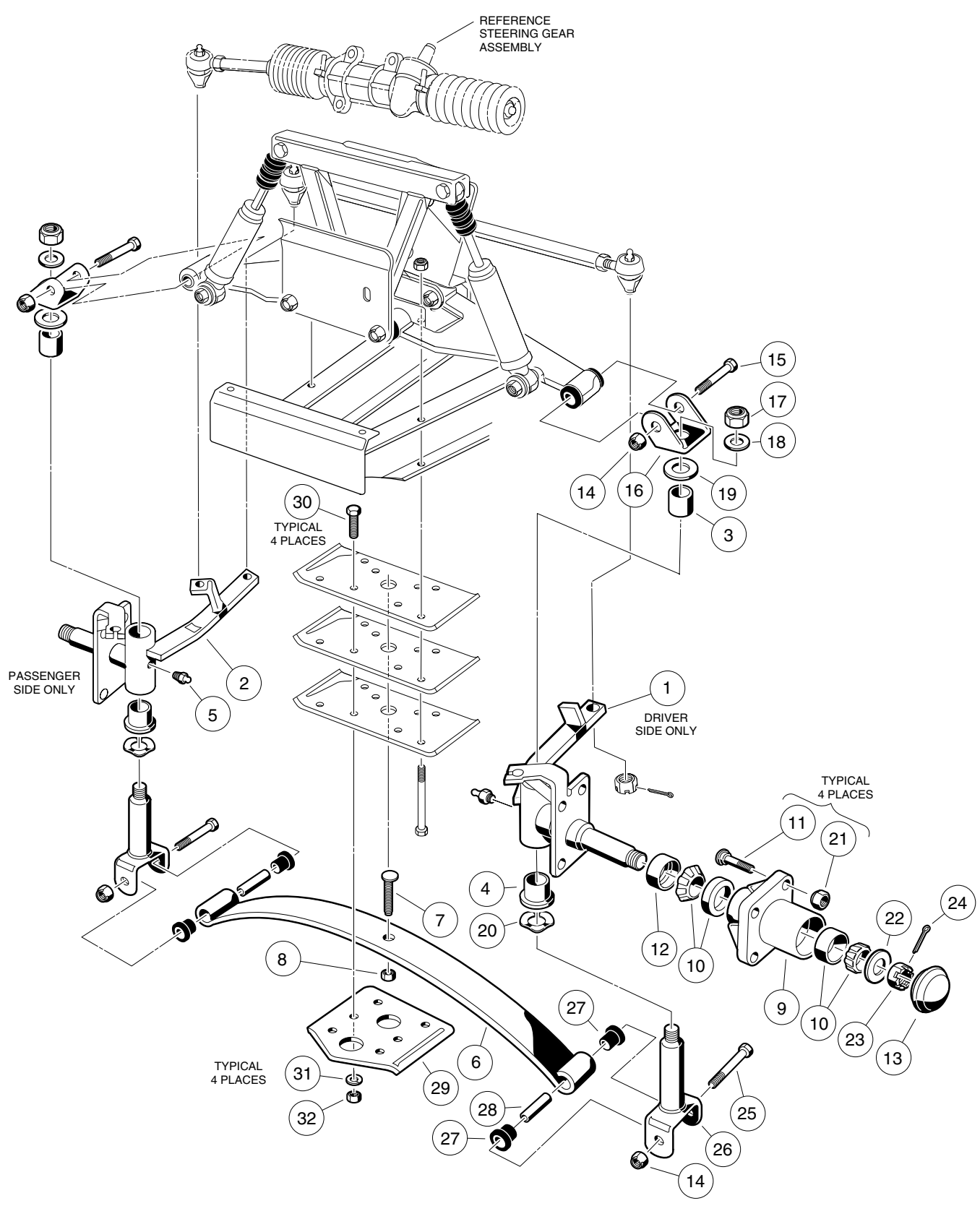
6
G
E



FRONT SUSPENSION, UPPER— RESORT VILLAGER, TRANS-PORTER/TRANS-SENDER

ITEM	PART NO.	DESCRIPTION	QTY GAS	QTY ELEC
		1 2 3 4		
1	<u>1016353</u>	ASSEMBLY, DELTA A-PLATE (INCLUDES ITEMS 2, 3 AND 4)	2	2
2	<u>1016346</u>	BUSHING, URETHANE	6	6
3	<u>1016350</u>	SLEEVE, DELTA OUTER	1	1
4	<u>1016349</u>	SLEEVE, DELTA INNER	2	2
5	0008754	NUT, NYLON LOCK, 3/8 - 16	11	11
6	<u>1016385</u>	ASSEMBLY, DELTA SHOCK AND GEAR SUPPORT	1	1
7	0001308	NUT, HEX, 1/2 - 20	1	1
8	0008861	BOLT, HEX HEAD, 3/8 - 16 x 2 3/4	2	2
9	<u>1010138</u>	NUT, DIMPLED LOCK, 3/8 - 16	2	2
10	0002402	BOLT, HEX HEAD, 3/8 - 16 x 2 1/4	4	4
11	<u>1010219</u>	ROD, TIE	1	1
12	0007555	NUT, HEX, LEFT HAND THREAD, 1/2 - 20	1	1
13	0007540	BALL JOINT, LEFT HAND THREAD (INCLUDES ITEMS 19, 20 AND 21)	1	1
14	<u>1017266</u>	STRAP, A-PLATE	1	1
15	<u>1018706-01</u>	SHOCK ABSORBER, FRONT	2	2
16	<u>1010124</u>	PLATE, SPRING MOUNTING	3	3
17	<u>1018705-01</u>	BOLT, HEX HEAD, 3/8 - 16 x 4 3/4	4	4
18	0007539	BALL JOINT, RIGHT HAND THREAD (INCLUDES ITEMS 19, 20 AND 21)	1	1
19	<u>1015597</u>	FITTING, THREAD FORMING GREASE, 1/4 - 28	1	1
20	<u>1011930</u>	SEAL, DUST	1	1
21	<u>0007602</u>	NUT, SLOTTED HEX, 3/8 - 24	1	1
22	<u>0001035</u>	PIN, COTTER, 3/32 x 1	3	3
23	0000320	BOLT, HEX HEAD, 3/8 - 16 x 1	1	1
24	<u>1019353-01</u>	CLAMP, BRAKE CABLE (PART OF BRAKE CABLE ASSEMBLY)	2	2
25	<u>1019550-01</u>	BRACKET, BRAKE CABLE GUIDE	1	1

6
G
E



FRONT SUSPENSION, LOWER— RESORT VILLAGER, TRANS-PORTER/TRANS-SENDER

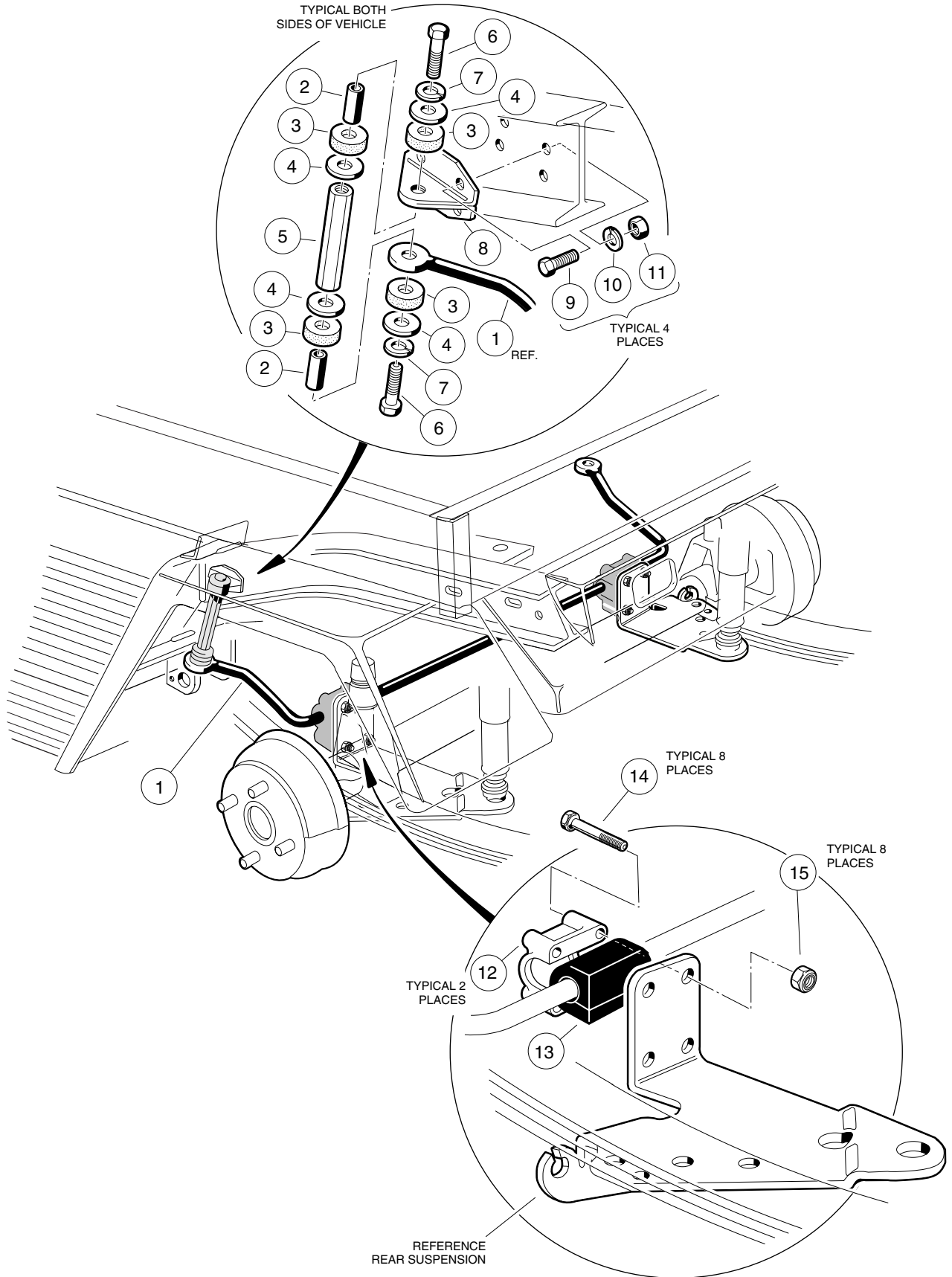
ITEM	PART NO.	DESCRIPTION	QTY GAS	QTY ELEC
		1 2 3 4		
1	1018769-01	ASSEMBLY, SPINDLE, DRIVER SIDE (INCLUDES ITEMS 3, 4 AND 5)	1	1
2	<u>1018770-01</u>	ASSEMBLY, SPINDLE, PASSENGER SIDE (INCLUDES ITEMS 3, 4 AND 5)	1	1
3	0008067	BUSHING, BRONZE SPINDLE	1	1
4	0007048	BUSHING, BRONZE	1	1
5	<u>1015597</u>	FITTING, GREASE, 1/4 - 28	1	1
6	<u>1012030</u>	SPRING, TAPERED LEAF	1	1
7	0008745	ASSEMBLY, ECCENTRIC	1	1
8	0000706	NUT, HEX, 3/8 - 16	1	1
9	<u>1011892</u>	KIT, HUB ASSEMBLY (INCLUDES ITEMS 10 - 13)	2	2
10	<u>1011393</u>	PACKAGE, HUB BEARING	2	2
11	<u>1011304</u>	STUD, LUG, 1/2 - 20	4	4
12	<u>1013135</u>	SEAL, DOUBLE LIP	1	1
13	<u>1011887</u>	COVER, DUST	1	1
14	0008754	NUT, NYLON LOCK, 3/8 - 16	4	4
15	<u>1016387</u>	SCREW, HEX HEAD CAP, 3/8 - 16 x 2 3/4	2	2
16	<u>1016384</u>	CLEVIS, UPPER DELTA	2	2
17	<u>1019031-01</u>	NUT, NYLON LOCK, 1/2 - 20	2	2
18	<u>1010028</u>	WASHER, FLAT, 1/2	2	2
19	<u>1010150</u>	BEARING, THRUST	2	2
20	<u>1016389</u>	WASHER, KINGPIN WAVE	2	2
21	<u>1010984</u>	NUT, LUG	8	8
22	<u>1010005</u>	WASHER, FLAT, 3/4	2	2
23	0007840	NUT, HEX SLOTTED, 3/4 - 16	2	2
24	0007910	PIN, COTTER, 5/32 x 1	2	2
25	0008755	SCREW, HEX HEAD CAP, 3/8 - 16 x 3 3/8	2	2
26	<u>1016386</u>	KINGPIN	2	2
27	<u>1015583</u>	BUSHING, URETHANE	4	4
28	<u>1012303</u>	BUSHING, STEEL	2	2
29	<u>1014276</u>	PLATE, FRONT SPRING RETAINER	1	1
30	<u>1010177</u>	SCREW, HEX HEAD CAP, 3/8 - 16 x 2	4	4
31	0000357	WASHER, LOCK, 3/8	4	4
32	0000706	NUT, HEX, 3/8 - 16	4	4

6
G
E

REAR SUSPENSION

ITEM	PART NO.	DESCRIPTION	QTY GAS	QTY ELEC
		1 2 3 4		
1	0007569	SHACKLE, REAR SPRING (ELECTRIC VEHICLE)		4
1	<u>1012304</u>	SHACKLE, REAR SPRING (GASOLINE VEHICLE)	4	
2	0008754	NUT, NYLON LOCK, 3/8 - 16	6	6
3	<u>1012303</u>	BUSHING, STEEL	4	4
4	<u>1015583</u>	BUSHING, URETHANE	12	12
5	<u>1010145</u>	NUT, UNF HEX, 3/8 - 24	4	4
6	<u>1013164</u>	KIT, SHOCK ABSORBER (INCLUDES ITEMS 7, 9 AND 10)	1	1
7	<u>1014236</u>	SHOCK ABSORBER, REAR	2	2
8	<u>1011415</u>	KIT, SHOCK ABSORBER CUSHION (INCLUDES ITEMS 9 AND 10)	4	4
9	N/A	RETAINER, SHOCK ABSORBER CUSHION	8	8
10	N/A	CUSHION, SHOCK ABSORBER	8	8
11	<u>1014902</u>	U-BOLT	2	2
12	<u>1014675</u>	SPRING, REAR LEAF	2	2
13	<u>1014557</u>	WASHER, FLAT, 7/16	4	4
14	<u>1014555</u>	NUT, NYLON LOCK, 7/16 - 24	4	4
15	0008755	SCREW, HEX HEAD CAP, 3/8 - 16 x 3 3/8	6	6
16	<u>1019265-01</u>	PAD, SPRING, DRIVER SIDE	1	1
16	1019294-01	PAD, SPRING, PASSENGER SIDE	1	1
17	1019008-01	HANGER, BRAKE CABLE (GASOLINE TOURALL ONLY)	2	
18	<u>1013207</u>	HANGER, BRAKE CABLE (ALL OTHER VEHICLES)	2	2
19	<u>1017235</u>	BUMPER, JOUNCE	2	2
20	1014546-02	MOUNT, BUMPER (GASOLINE VEHICLE ONLY)	2	
20	<u>1014549-02</u>	MOUNT, BUMPER (ELECTRIC VEHICLE ONLY)		2
21	<u>1014901</u>	SPACER, OVERLOAD BUMPER	2	2
22	1014573	RETAINER, SPRING	2	2

6
G
E



STABILIZER BAR, GASOLINE VEHICLE— RESORT VILLAGER, TRANS-PORTER/TRANS-SENDER

ITEM	PART NO.	DESCRIPTION	QTY GAS	QTY ELEC
		1 2 3 4		
1	<u>1015760</u>	BAR, STABILIZER, 3/4 DIAMETER	1	1
2	<u>1015457</u>	SPACER	4	4
3	<u>1015453</u>	MOUNT, COMPRESSION	8	8
4	0000808	WASHER, FLAT, 3/8	8	8
5	<u>1016814</u>	LINK, STABILIZER BAR	2	2
6	0008861	SCREW, HEX HEAD CAP, 3/8 - 16 x 1 3/4	4	4
7	0000357	WASHER, LOCK, 3/8	4	4
8	<u>1016813</u>	BRACKET, STABILIZER BAR MOUNTING	2	2
9	0007173	SCREW, HEX HEAD CAP, 5/16 - 18 x 3/4	8	8
10	0007174	WASHER, LOCK, 5/16	8	8
11	0001242	NUT, HEX, 5/16 - 18	8	8
12	<u>1015614</u>	SUPPORT, STABILIZER BAR BUSHING	2	2
13	<u>1015613</u>	BUSHING, STABILIZER BAR	2	2
14	0007311	SCREW, HEX HEAD CAP, 1/4 - 20 x 2	8	8
15	0008233	NUT, NYLON LOCK, 1/4 - 20	8	8

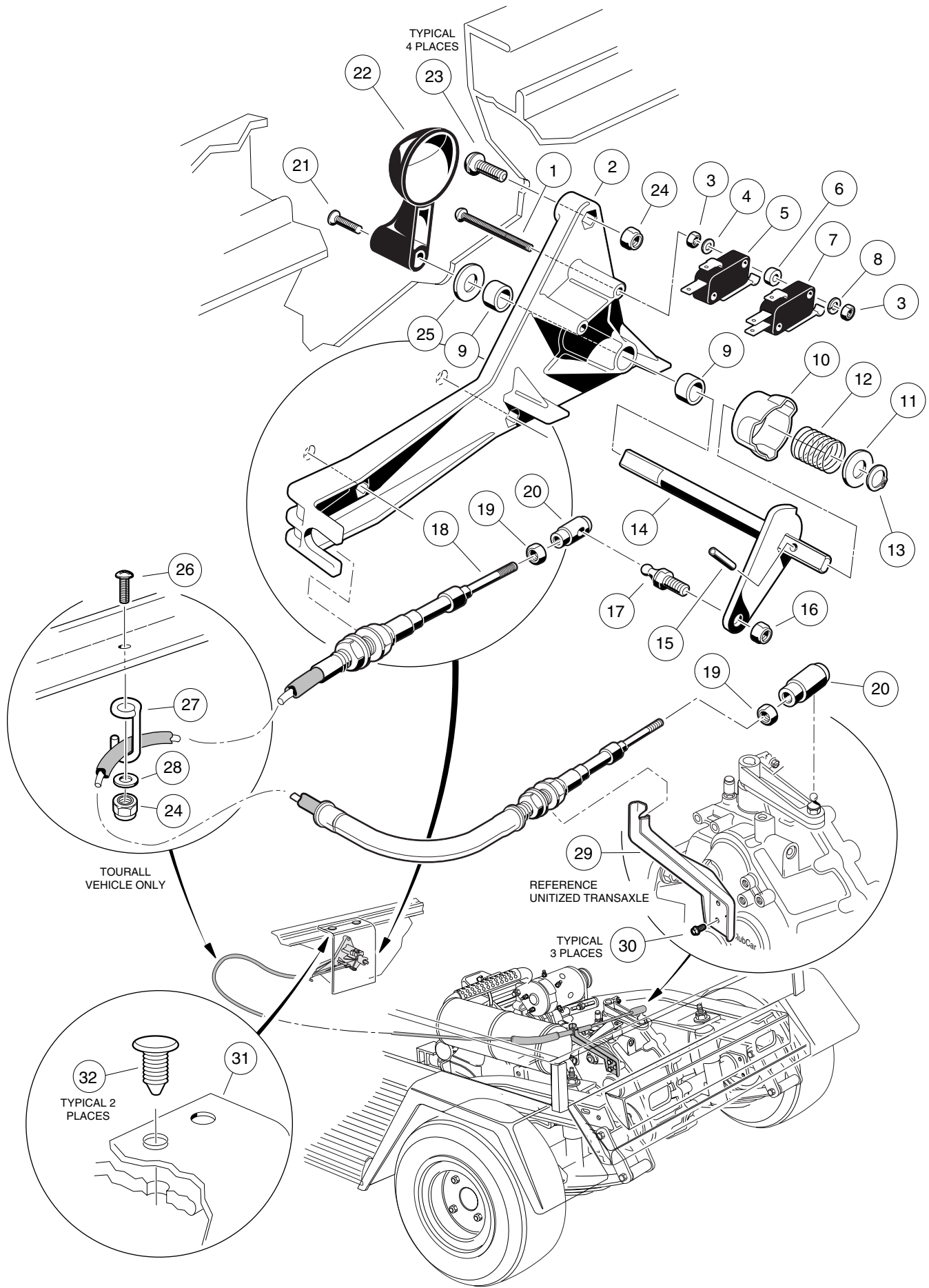
6
G
E

6
G
E

ELECTRICAL SYSTEM— GASOLINE VEHICLE

7

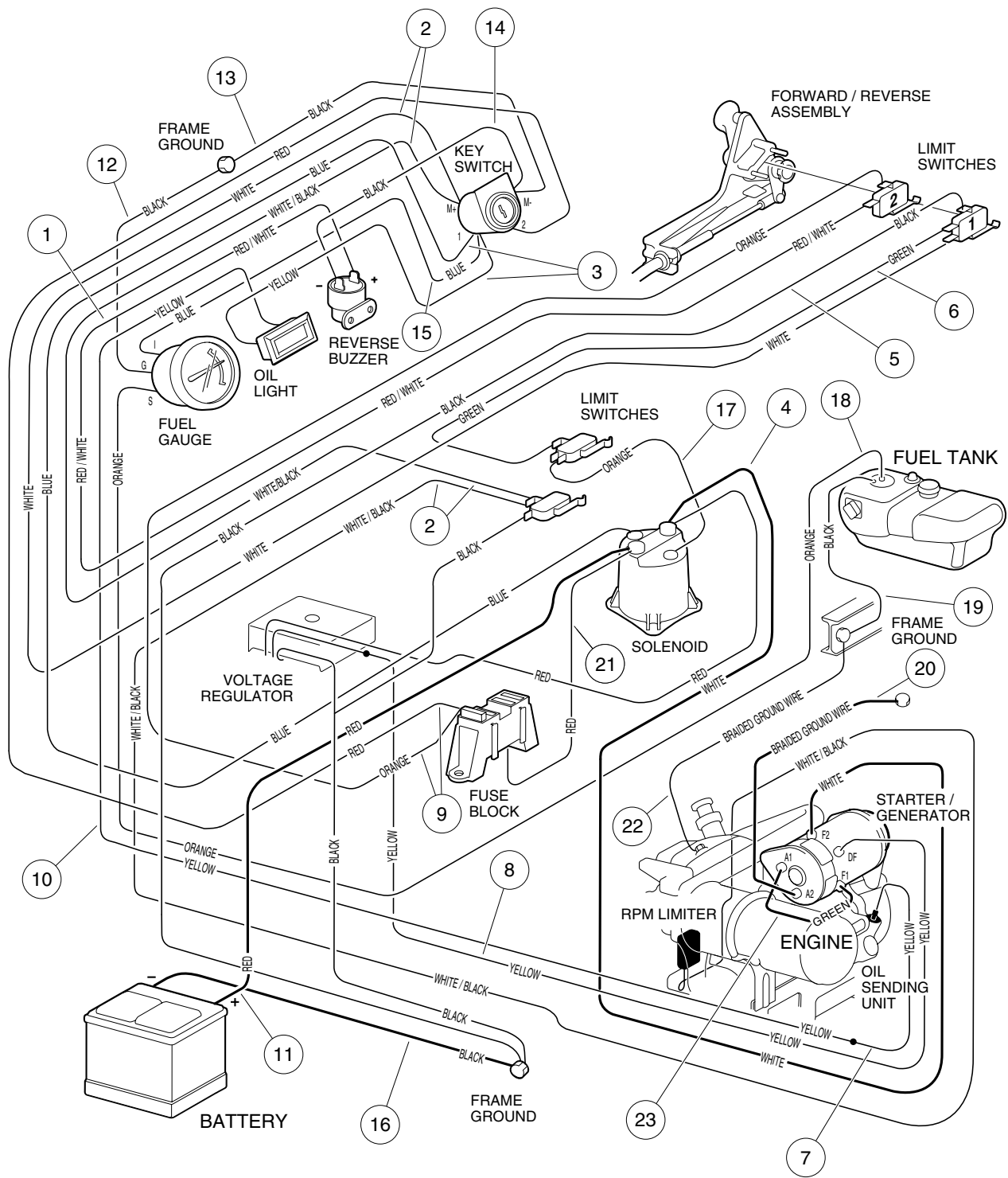
G



FORWARD AND REVERSE SHIFTER ASSEMBLY— GASOLINE VEHICLE

ITEM	PART NO.	DESCRIPTION	QTY
		1 2 3 4	
	1016947	ASSEMBLY, FORWARD AND REVERSE SHIFTER (INCLUDES ITEMS 1 - 17)	1
1	<u>1012594</u>	SCREW, MACHINE, #4 - 40 x 1 1/2	2
2	<u>1016342</u>	BASE, FORWARD AND REVERSE SHIFTER	1
3	0008057	NUT, HEX HEAD, #4 - 40	4
4	1012431	WASHER, FLAT, #4	2
5	<u>1014808</u>	SWITCH, LIMIT	1
6	<u>1014727</u>	WASHER, NYLON FLAT, #4	2
7	<u>1014807</u>	SWITCH, LIMIT	1
8	0008058	WASHER, LOCK, #4	2
9	<u>1014145</u>	BUSHING, BRONZE	2
10	1014089	KIT, NEUTRAL LOCK-OUT CAM (INCLUDES ITEM 11)	1
11	<u>1014065</u>	WASHER, FLAT	1
12	<u>1013590</u>	SPRING, FORWARD AND REVERSE CAM	1
13	<u>1013589</u>	RING, RETAINING	1
14	1013587	WELDMENT, FORWARD AND REVERSE BELL CRANK	1
15	<u>1013591</u>	PIN, ROLL, 1/8	1
16	0008717	NUT, NYLON LOCK, 1/4 - 28	1
17	<u>1010954</u>	STUD, BALL, 1/4 - 28 x 1/4	1
18	<u>1019515-01</u>	CABLE, TRANSMISSION (INCLUDES ITEMS 19 AND 20) (TOURALL ONLY)	1
18	<u>1016727-01</u>	CABLE, TRANSMISSION (INCLUDES ITEMS 19 AND 20) (RESORT VILLAGER TRANS-PORTER/TRANS-SENDER)	1
19	0007893	NUT, HEX, #10 - 32	2
20	<u>1012333</u>	JOINT, BALL	2
21	<u>1013198</u>	SCREW, PHILLIPS OVAL COUNTERSUNK MACHINE, #8 - 32 x 5/8	1
22	<u>1012987</u>	HANDLE, FORWARD AND REVERSE SWITCH	1
23	0008248	SCREW, PHILLIPS TRUSS HEAD, 1/4 - 20 x 3/4	4
24	0008233	NUT, NYLON LOCK, 1/4 - 20	5
25	<u>1014065</u>	WASHER, FLAT, 3/8	1
26	0008251	SCREW, PHILLIPS HEAD, 1/4 - 20 x 1 (TOURALL ONLY)	1
27	<u>1018558-01</u>	RETAINER, CABLE (TOURALL ONLY)	1
28	0000332	WASHER, FLAT, 1/4 (TOURALL ONLY)	1
29	<u>1019226-01</u>	BRACKET, TRANSMISSION CABLE SUPPORT	1
30	<u>1012285</u>	SCREW, THREAD ROLLING, 1/4 - 20 x 5/8	3
31	1018962-01	KIT, FORWARD AND REVERSE SWITCH COVER (INCLUDES ITEM 32) (TOURALL ONLY)	1
32	<u>1010434</u>	BARREL, PLASTIC	2

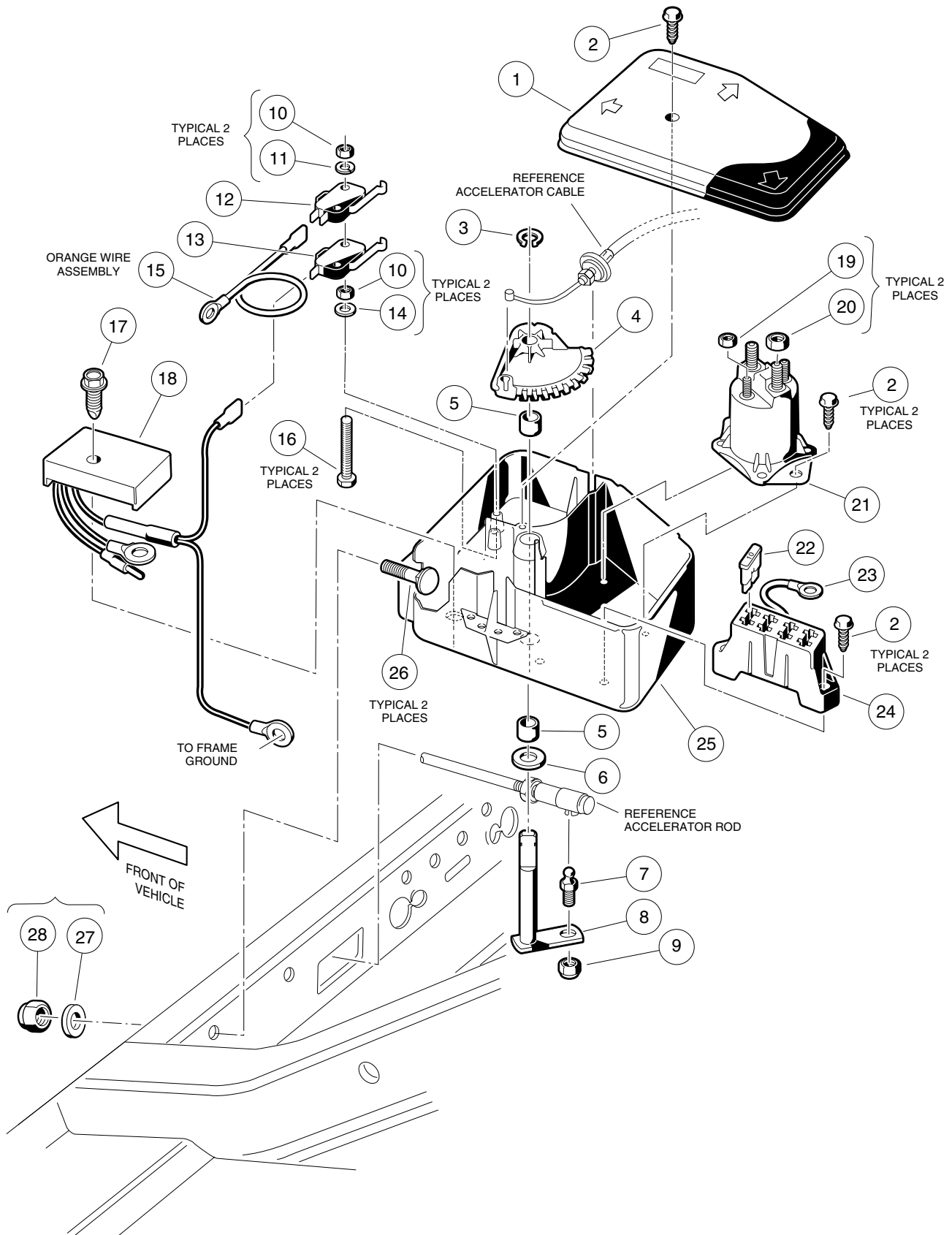




WIRING—GASOLINE TOURALL

ITEM	PART NO.	DESCRIPTION	QTY
		1 2 3 4	
	1018893-02	WIRE HARNESS ASSEMBLY (INCLUDES ITEMS 1 - 10)	1
1	N/A	WIRE ASSEMBLY, #18 RED/WHITE	1
2	N/A	WIRE ASSEMBLY, #18 WHITE, #18 WHITE/BLACK	1
3	N/A	WIRE ASSEMBLY, #18 YELLOW, #16 BLUE	1
4	<u>1015769</u>	WIRE ASSEMBLY, #6 WHITE	1
5	N/A	WIRE ASSEMBLY, #18 BLACK	1
6	N/A	WIRE ASSEMBLY, #18 GREEN	1
7	N/A	WIRE ASSEMBLY, #18 YELLOW	1
8	N/A	WIRE ASSEMBLY, #16 YELLOW	1
9	N/A	WIRE ASSEMBLY, #16 RED, #16 ORANGE	1
10	N/A	WIRE ASSEMBLY, #18 YELLOW	1
11	<u>1014119</u>	WIRE ASSEMBLY, #6 RED	1
12	N/A	WIRE ASSEMBLY, #18 BLACK	1
13	N/A	WIRE ASSEMBLY, #18 BLACK	1
14	N/A	WIRE ASSEMBLY, #18 BLACK (PART OF REVERSE BUZZER KIT)	1
15	N/A	WIRE ASSEMBLY, #18 BLUE	1
16	<u>1012382</u>	WIRE ASSEMBLY, #6 BLACK	1
17	N/A	WIRE ASSEMBLY, #18 ORANGE (PART OF ELECTRICAL COMPONENT BOX)	1
18	N/A	WIRE ASSEMBLY, #18 ORANGE	1
19	N/A	WIRE ASSEMBLY, #18 BLACK	1
20	<u>1015920</u>	WIRE ASSEMBLY, #6 BRAIDED GROUND	1
21	<u>1015737</u>	WIRE ASSEMBLY, #10 RED (PART OF ELECTRICAL COMPONENT BOX)	1
22	<u>1015332</u>	WIRE ASSEMBLY, #10 BRAIDED GROUND	1
23	<u>1018373-01</u>	WIRE ASSEMBLY, #6 GREEN	1



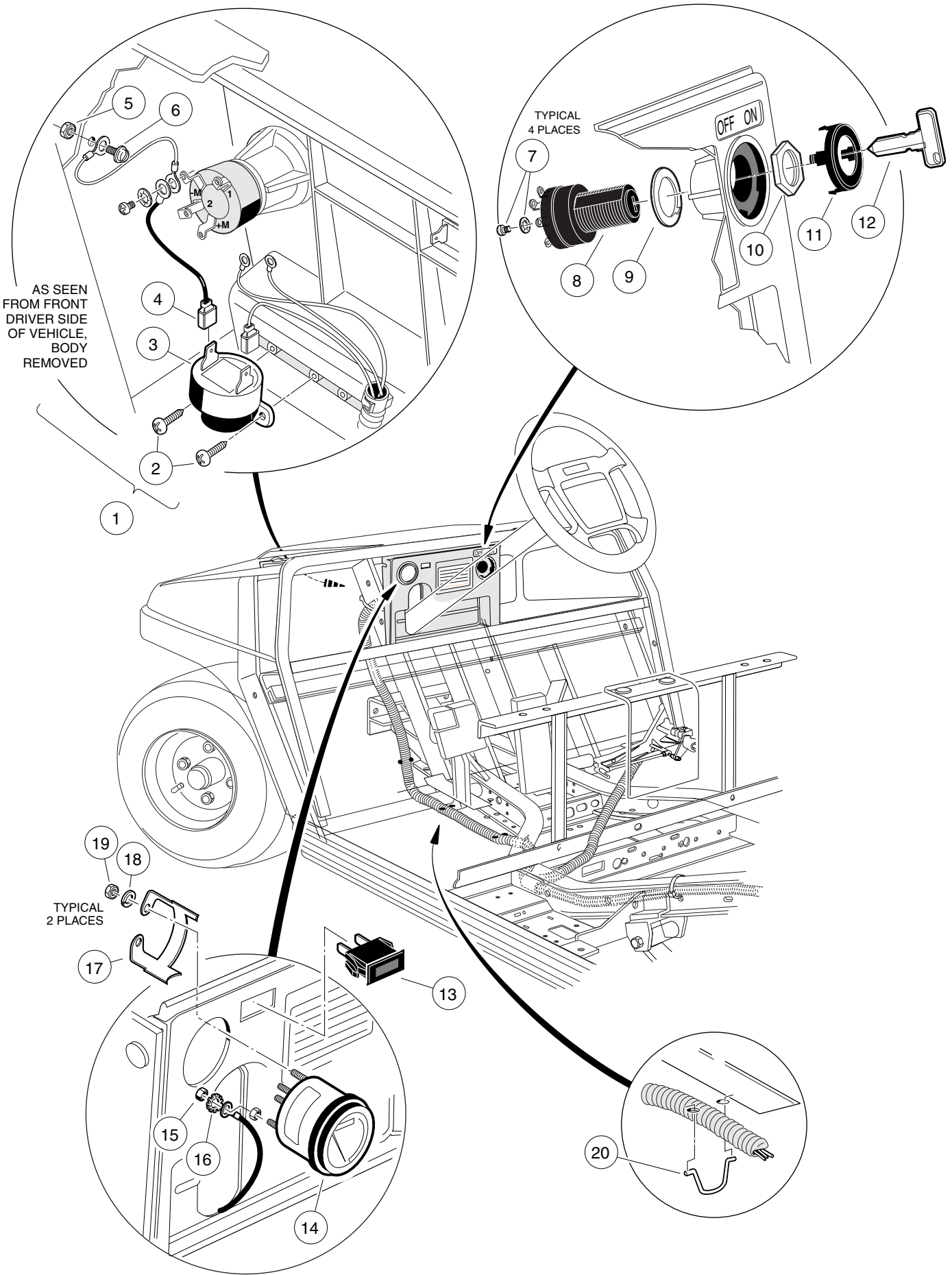


ELECTRICAL COMPONENT BOX, FE 290—TOURALL

ITEM	PART NO.	DESCRIPTION	QTY
		1 2 3 4	
	<u>1018276-01</u>	BOX, ELECTRICAL COMPONENT, COMPLETE (INCLUDES ITEMS 1 - 25 AND 1018893-02 - SEE PAGE 7-5) (TOURALL ONLY)	1
1	<u>1015372</u>	COVER, ELECTRICAL COMPONENT BOX	1
2	<u>1015752</u>	SCREW, HI-LO, #12 - 16 x 5/8	5
3	<u>1013589</u>	RING, RETAINING	1
4	<u>1015373</u>	CAM, ELECTRICAL BOX	1
5	<u>1014145</u>	BUSHING, BRONZE	2
6	<u>1014065</u>	WASHER, FLAT	1
7	<u>1010954</u>	STUD, BALL, 1/4 - 28	1
8	<u>1018213-01</u>	ASSEMBLY, BELL CRANK SHAFT	1
9	0008717	NUT, NYLON LOCK, 1/4 - 28	1
10	0008057	NUT, HEX, #4 - 40	4
11	0008058	WASHER, LOCK, #4	2
12	<u>1014807</u>	SWITCH, LIMIT	1
13	<u>1014808</u>	SWITCH, LIMIT	1
14	1012431	WASHER, FLAT, #4	2
15	N/A	WIRE ASSEMBLY, #16 ORANGE	1
16	<u>1015878</u>	SCREW, HEX HEAD MACHINE, #4 - 40 x 1 5/8	2
17	<u>1018561-02</u>	SCREW, HEX WASHER HEAD HI-LO, 1/4 - 15 x 1 1/2	1
18	<u>1015777</u>	ASSEMBLY, VOLTAGE REGULATOR	1
19	0007893	NUT, HEX, #10 - 32	2
20	0001242	NUT, HEX, 5/16 - 18	2
21	<u>1013609</u>	SOLENOID, 12 VOLT	1
22	<u>1012295</u>	FUSE, 10 AMP	1
23	<u>1015737</u>	WIRE ASSEMBLY, #10 RED	1
24	<u>1015741</u>	BLOCK, FUSE	1
25	<u>1015371</u>	BOX, ELECTRICAL COMPONENT	1
26	<u>1015405</u>	BOLT, CARRIAGE, 5/16 - 18 x 2	2
27	0001241	WASHER, FLAT, 5/16	2
28	0007473	NUT, NYLON LOCK, 5/16 - 18	2

7
G

7
G



ELECTRICAL COMPONENTS, FRONT BODY— GASOLINE TOURALL

ITEM	PART NO.	DESCRIPTION	QTY
		1 2 3 4	
1	<u>1016859</u>	KIT, REVERSE BUZZER (INCLUDES ITEMS 2, 3 AND 4)	1
2	<u>1016849</u>	SCREW, PAN HEAD HILO, #4 - 24 x 5/16	2
3	<u>1016851</u>	BUZZER, REVERSE	1
4	N/A	WIRE ASSEMBLY, #18 BLACK	1
5	<u>1011229</u>	NUT, K LOCK, #6 - 32	1
6	<u>1015720</u>	BOLT, HEX WASHER HEAD, # 6 - 32 x 1/2	1
7	1018306-01	ASSEMBLY, SCREW AND WASHER	4
8	<u>1018263-01</u>	SWITCH, KEY	1
9	<u>1018511-01</u>	WASHER	1
10	<u>1018307-01</u>	NUT, KEY SWITCH	1
11	<u>1018345-02</u>	CAP, KEY SWITCH	1
12	<u>1012505</u>	KEY (PAIR)	1
13	<u>1016630</u>	LIGHT, OIL WARNING	1
14	<u>1015103</u>	GAUGE, FUEL (INCLUDES ITEMS 15 AND 16)	1
15	N/A	NUT, BRASS	6
16	N/A	WASHER, EXTERNAL TOOTH LOCK	3
17	<u>1015104</u>	BRACKET, FUEL GAUGE	1
18	<u>1011610</u>	WASHER, LOCK, #8	2
19	<u>1011571</u>	NUT, HEX, #8 - 32	2
20	<u>1019009-01</u>	RETAINER, HARNESS	3

7
G

7

G

**WIRING DIAGRAM 7-10
GOES HERE**

WIRING—GASOLINE RESORT VILLAGER, TRANS-PORTER/TRANS-SENDER

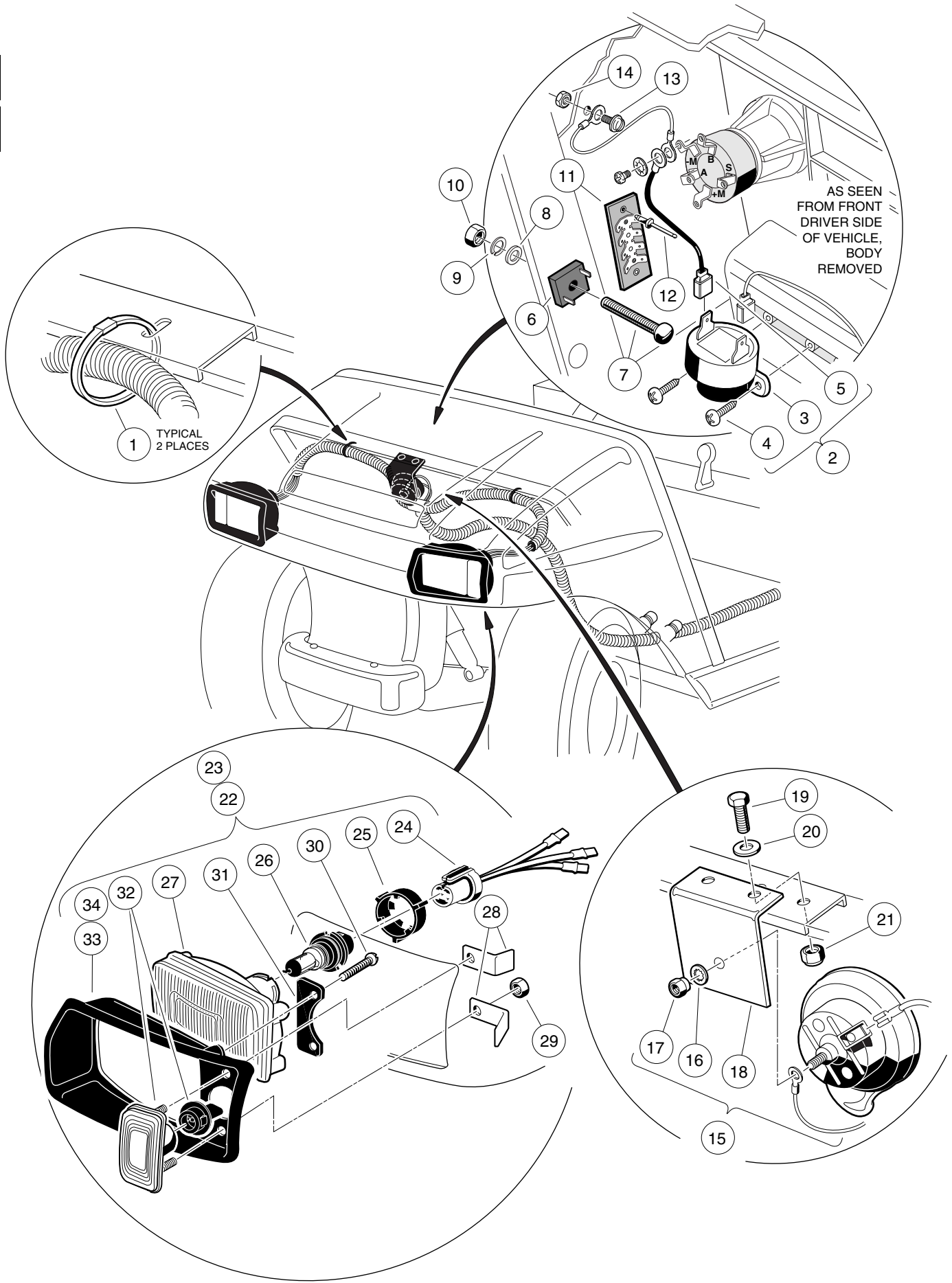
ITEM	PART NO.	DESCRIPTION	QTY
		1 2 3 4	
	<u>1019695-02</u>	HARNESS, WIRE (INCLUDES ITEMS 1 - 29)	1
1	N/A	WIRE ASSEMBLY, #16 WHITE	1
2	N/A	WIRE ASSEMBLY, #18 BLUE	1
3	N/A	WIRE ASSEMBLY, #18 YELLOW	1
4	N/A	WIRE ASSEMBLY, #18 BLUE	1
5	N/A	WIRE ASSEMBLY, #16 BLACK	1
6	N/A	WIRE ASSEMBLY, #16 BLACK	1
7	N/A	WIRE ASSEMBLY, #14 BLACK, #18 BLACK	1
8	N/A	WIRE ASSEMBLY, #18 RED	1
9	N/A	WIRE ASSEMBLY, #18 BROWN	1
10	N/A	WIRE ASSEMBLY, #14 YELLOW	1
11	N/A	WIRE ASSEMBLY, #18 BROWN	1
12	N/A	WIRE ASSEMBLY, #18 GREEN AND #18 YELLOW	1
13	N/A	WIRE ASSEMBLY, #16 RED AND #16 ORANGE	1
14	N/A	WIRE ASSEMBLY, #18 RED/WHITE	1
15	N/A	WIRE ASSEMBLY, #18 ORANGE	1
16	N/A	WIRE ASSEMBLY, #16 YELLOW	1
17	<u>1016380</u>	WIRE ASSEMBLY, # 6 BLACK	1
18	<u>1015769</u>	WIRE ASSEMBLY, # 6 WHITE	1
19	N/A	WIRE ASSEMBLY, #18 YELLOW	1
20	N/A	WIRE ASSEMBLY, #18 WHITE/BLACK	1
21	N/A	WIRE ASSEMBLY, #18 GREEN/WHITE AND #18 BLUE	1
22	N/A	WIRE ASSEMBLY, #18 YELLOW	1
23	N/A	WIRE ASSEMBLY, #18 WHITE	1
24	N/A	WIRE ASSEMBLY, #16 ORANGE/WHITE	1
25	N/A	WIRE ASSEMBLY, #16 BROWN	1
26	N/A	WIRE ASSEMBLY, #18 RED	1
27	N/A	WIRE ASSEMBLY, #16 RED/WHITE	1
28	N/A	WIRE ASSEMBLY, #16 ORANGE	1
29	N/A	WIRE ASSEMBLY, #16 ORANGE/WHITE	1
30	<u>1014119</u>	WIRE ASSEMBLY, #6 RED	1
31	N/A	WIRE ASSEMBLY, #18 BLACK	1
32	N/A	WIRE ASSEMBLY, #18 BLACK	1
33	N/A	WIRE ASSEMBLY, #18 BLACK (PART OF REVERSE BUZZER KIT)	2
34	N/A	WIRE ASSEMBLY, #18 BLUE	1
35	N/A	WIRE ASSEMBLY, #18 ORANGE (PART OF ELECTRICAL COMPONENT BOX)	1
36	N/A	WIRE ASSEMBLY, #18 BLACK	1
37	<u>1015332</u>	WIRE ASSEMBLY, #10 BRAIDED GROUND WIRE	1
38	<u>1015737</u>	WIRE ASSEMBLY, #10 RED (PART OF ELECTRICAL COMPONENT BOX)	1
39	<u>1018373-01</u>	WIRE ASSEMBLY, #6 GREEN	1
40	<u>1012382</u>	WIRE ASSEMBLY, #6 BLACK	1

7
G

ELECTRICAL COMPONENT BOX, FE 350— RESORT VILLAGER, TRANS-PORTER/TRANS-SENDER

7
G

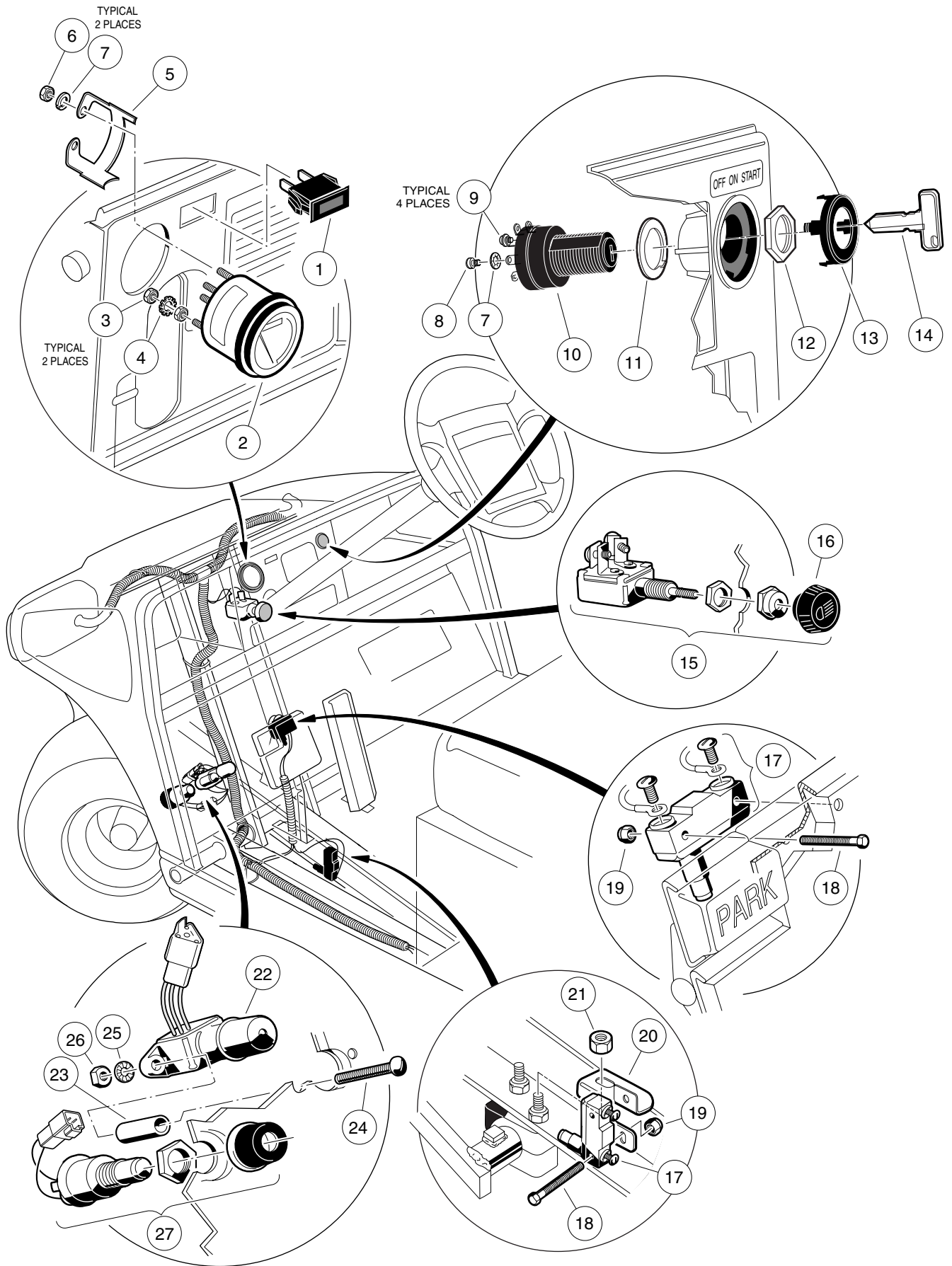
ITEM	PART NO.	DESCRIPTION	QTY
		1 2 3 4	
	<u>1018277-02</u>	BOX, ELECTRICAL COMPONENT, COMPLETE (INCLUDES ITEMS 1 - 31 AND WIRE HARNESS 1019695-02 - SEE PAGE 7-11)	1
1	<u>1017239</u>	RELAY	1
2	0008450	SCREW, HEX HEAD MACHINE, #10 - 24 x 1/2	1
3	0000183	WASHER, FLAT, #10	1
4	<u>1017243</u>	BRACKET, RELAY MOUNTING	1
5	0001016	WASHER, LOCK, #10	1
6	0001017	NUT, HEX, #10 - 24	1
7	<u>1015372</u>	COVER, ELECTRICAL COMPONENT BOX	1
8	<u>1015752</u>	SCREW, HI-LO, #12 - 16 x 5/8	5
9	0001242	NUT, HEX, 5/16 - 18	2
10	0007893	NUT, HEX, #10 - 32	2
11	1014948	ASSEMBLY, DIODE	1
12	N/A	WIRE ASSEMBLY, #18 ORANGE	1
13	<u>1013609</u>	SOLENOID	1
14	<u>1014807</u>	SWITCH, LIMIT	1
15	<u>1013589</u>	RING, RETAINING	1
16	<u>1015373</u>	CAM, ELECTRICAL BOX	1
17	<u>1014145</u>	BUSHING, BRONZE	2
18	<u>1014065</u>	WASHER, FLAT	1
19	1015345	ASSEMBLY, BELL CRANK SHAFT	1
20	<u>1010954</u>	STUD, BALL, 1/4 - 28	1
21	0008717	NUT, NYLON LOCK, 1/4 - 28	1
22	<u>1016997</u>	BOX, ELECTRICAL COMPONENT	1
23	<u>1012295</u>	FUSE, 10 AMP	1
24	<u>1015737</u>	WIRE ASSEMBLY, #10 RED	1
25	<u>1015741</u>	BLOCK, FUSE	1
26	<u>1015405</u>	BOLT, CARRIAGE, 5/16 - 18 x 2	1
27	<u>1017238</u>	REGULATOR, VOLTAGE	1
28	<u>1015878</u>	SCREW, HEX HEAD MACHINE, #4 - 40 x 1 5/8	2
29	1012431	WASHER, FLAT, #4	2
30	0008057	NUT, HEX, #4 - 40	4
31	0008058	WASHER, LOCK, #4	2
32	<u>1016423</u>	FUSE, 20 AMP	3
33	<u>1018561-02</u>	SCREW, HEX WASHER HEAD HI-LO, 1/4 - 15 x 1 1/2	1
34	0001241	WASHER, FLAT, 5/16	2
35	0007473	NUT, NYLON LOCK, 5/16 - 18	2



ELECTRICAL COMPONENTS, FRONT BODY— RESORT VILLAGER, TRANS-PORTER/TRANS-SENDER

ITEM	PART NO.	DESCRIPTION	QTY
		1 2 3 4	
1	0008639	WRAP, TIE	4
2	<u>1016859</u>	KIT, REVERSE BUZZER (INCLUDES ITEMS 3, 4 AND 5)	1
3	<u>1016851</u>	BUZZER, REVERSE	1
4	<u>1016849</u>	SCREW, PAN HEAD HILO, #4 - 24 x 5/16	2
5	N/A	WIRE ASSEMBLY, #18 BLACK	1
6	<u>1017721</u>	LIMITER, VOLTAGE (FOR GASOLINE VEHICLE LIGHTING INSTALLATION)	1
7	<u>1010909</u>	SCREW, MACHINE, #10 - 32 x 1 1/4	1
8	0000183	WASHER, FLAT, #10	1
9	0001016	WASHER, LOCK, #10	1
10	0007893	NUT, HEX, #10 - 32	1
11	<u>1016356</u>	BLOCK, TERMINAL	1
12	<u>1013357</u>	RIVET, ALUMINUM POP, 5/32	2
13	<u>1015720</u>	BOLT, HEX WASHER HEAD, #6 - 32 x 1/2	1
14	<u>1011229</u>	NUT, "K" LOCK, #6 - 32	1
15	0004029	ASSEMBLY, HORN (INCLUDES ITEMS 16, 17 AND 18)	1
16	0007820	WASHER, INTERNAL TOOTH, 5/16	1
17	<u>1019551-01</u>	NUT, M6 x 1.25	1
18	<u>1011825</u>	BRACKET, HORN	1
19	0000304	BOLT, HEX HEAD, 1/4 - 20 x 1	2
20	0000332	WASHER, FLAT, 1/4	2
21	0008233	NUT, NYLON LOCK, 1/4 - 20	2
22	<u>1016897-01</u>	ASSEMBLY, HEADLIGHT, DRIVER SIDE (INCLUDES ITEMS 24 - 33)	1
23	<u>1016897-02</u>	ASSEMBLY, HEADLIGHT, PASSENGER SIDE (INCLUDES ITEMS 24 - 32 AND 34)	1
24	<u>1017066</u>	HARNESS, HEADLIGHT WIRE	1
25	1017059	LOCK, BULB COLLAR	1
26	<u>1017060</u>	BULB, HALOGEN	1
27	1017061	LENS, HEADLIGHT	1
28	<u>1017064</u>	BRACKET, MOUNTING	2
29	0007893	NUT, HEX, #10 - 32	2
30	<u>1013461</u>	SCREW, HI-LO, #10 - 16 x 7/16	2
31	<u>1017065</u>	RETAINER, HEADLIGHT	1
32	<u>1017062</u>	ASSEMBLY, TURN SIGNAL LENS	1
33	<u>1016880</u>	BEZEL, HEADLIGHT, DRIVER SIDE	1
34	<u>1016879</u>	BEZEL, HEADLIGHT, PASSENGER SIDE	1

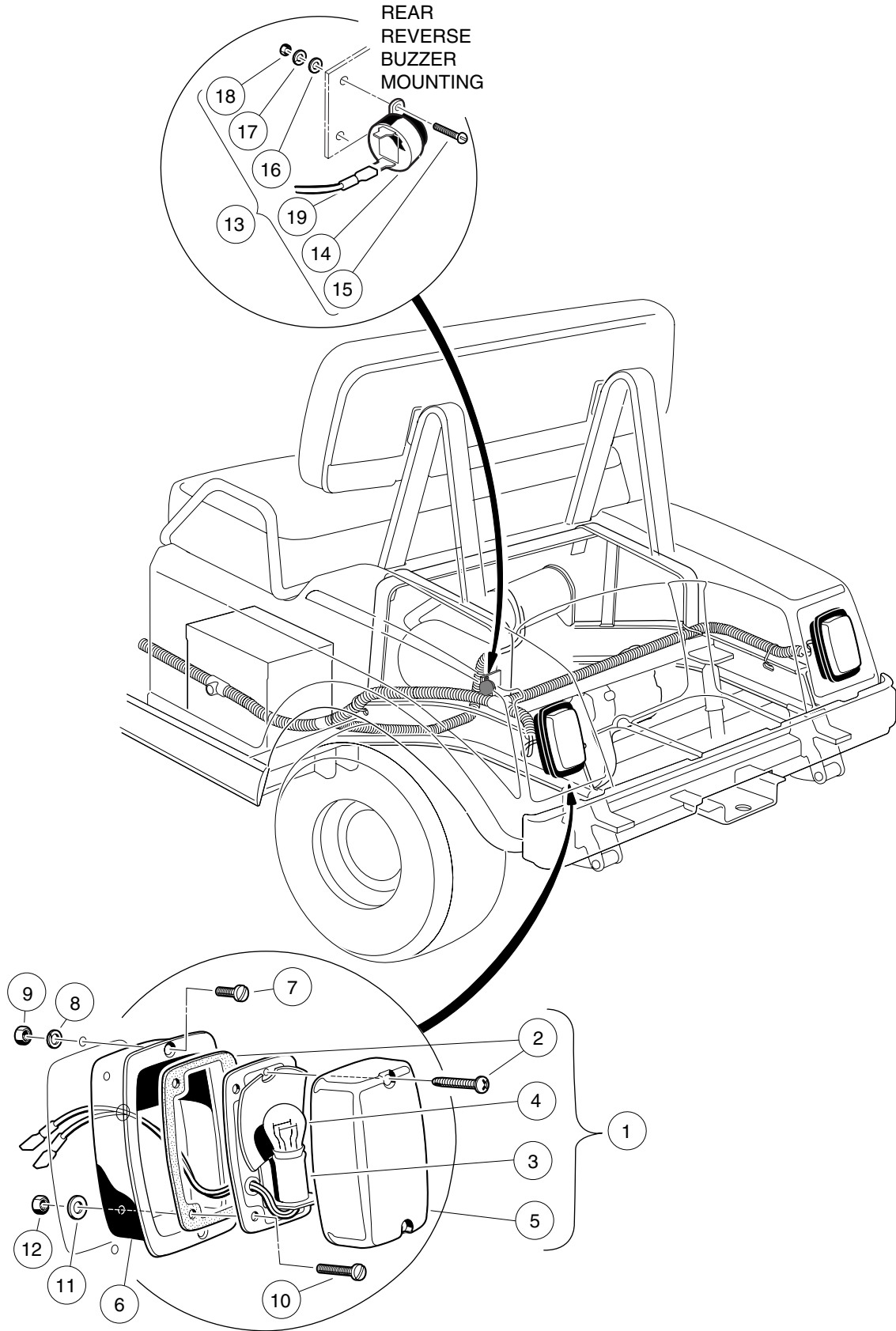
7
G



SWITCHES AND GAUGES—GASOLINE RESORT VILLAGER, TRANS-PORTER/TRANS-SENDER

ITEM	PART NO.	DESCRIPTION	QTY
		1 2 3 4	
1	<u>1016630</u>	LIGHT, OIL WARNING	1
2	<u>1015103</u>	GAUGE, FUEL (INCLUDES ITEMS 3 AND 4)	1
3	N/A	NUT, BRASS	6
4	N/A	WASHER, EXTERNAL TOOTH LOCK	3
5	<u>1015104</u>	BRACKET, FUEL GAUGE	1
6	<u>1011571</u>	NUT, HEX, #8 - 32	2
7	<u>1011610</u>	WASHER, LOCK, #8	3
8	<u>1016092</u>	SCREW, PAN HEAD MACHINE, #8 - 32 x 7/16	1
9	1018306-01	ASSEMBLY, SCREW AND WASHER	4
10	1018264-01	SWITCH, KEY	1
11	<u>1018511-01</u>	WASHER	1
12	<u>1018307-01</u>	NUT, KEY SWITCH	1
13	<u>1018345-02</u>	CAP, KEY SWITCH	1
14	<u>1012505</u>	KEY (PAIR)	1
15	0004034	SWITCH, LIGHT (INCLUDES ITEM 16)	1
16	<u>1013857</u>	KNOB, LIGHT SWITCH	1
17	<u>1011439</u>	SWITCH, LIMIT	2
18	<u>1011557</u>	SCREW, HEX HEAD MACHINE, #6 - 32 x 1	4
19	<u>1019322-01</u>	NUT, NYLON LOCK, #6 - 32	4
20	<u>1019571-01</u>	BRACKET, BRAKE LIGHT SWITCH	1
21	<u>1011280</u>	NUT, LOCK, 5/16 - 18	1
22	<u>1019698-01</u>	SWITCH, DIMMER	1
23	<u>1018713-01</u>	STAND-OFF, DIMMER SWITCH	2
24	<u>1018712-01</u>	SCREW, MACHINE, #10 - 32 x 1	2
25	0008049	WASHER, INTERNAL TOOTH LOCK, #10	2
26	0007893	NUT, HEX, #10 - 32	2
27	<u>1019697-01</u>	BUTTON, HORN	1

7
G

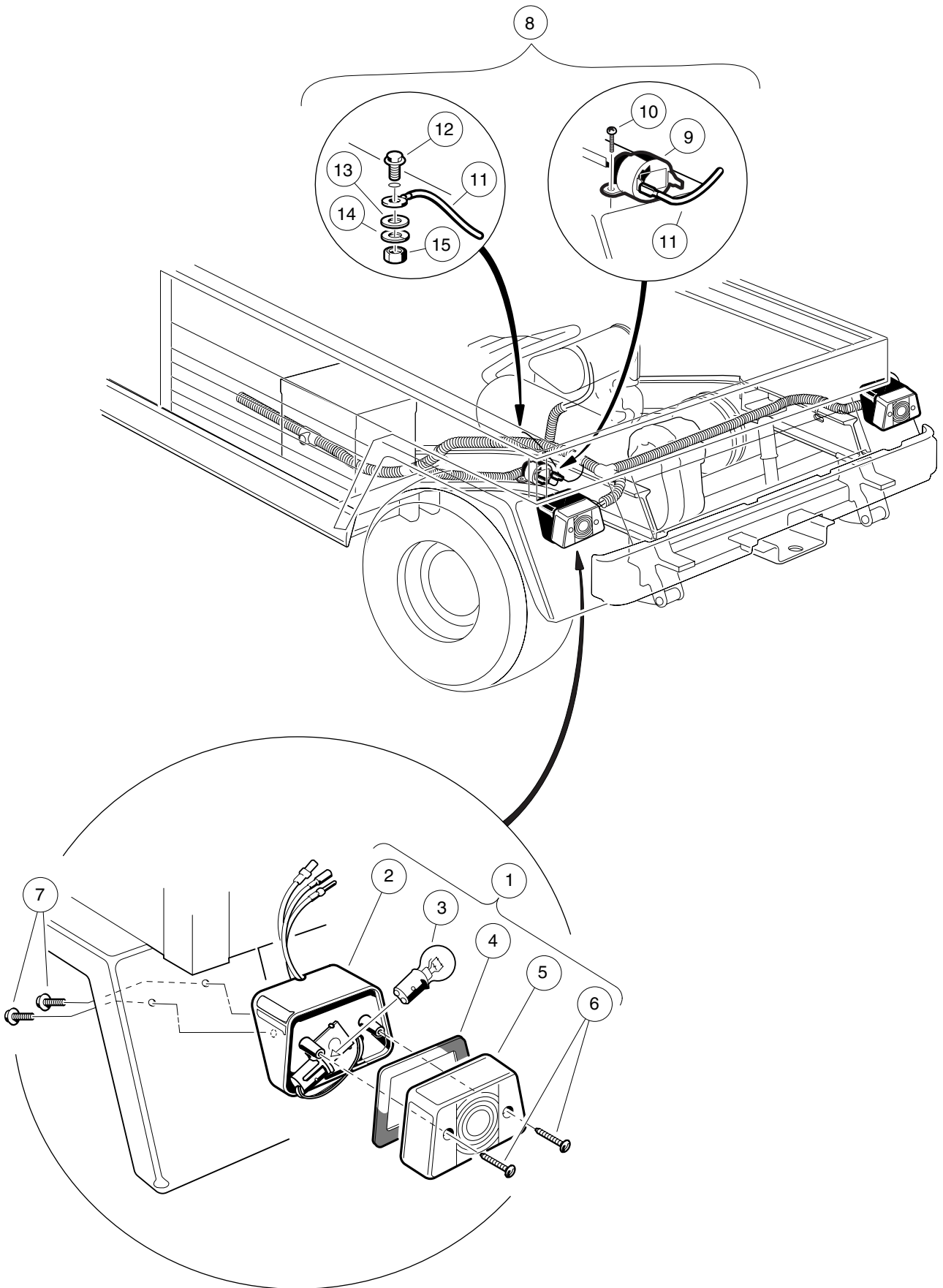


ELECTRICAL COMPONENTS, REAR BODY— GASOLINE RESORT VILLAGER

ITEM	PART NO.	DESCRIPTION	QTY
		1 2 3 4	
1	1017035	ASSEMBLY, TAILLIGHT (INCLUDES ITEMS 2 - 5)	2
2	<u>1017699</u>	KIT, HARDWARE	1
3	N/A	BASE, TAILLIGHT	1
4	<u>1011582</u>	BULB	1
5	<u>1011843</u>	LENS	1
6	<u>1011497</u>	BEZEL, TAILLIGHT	2
7	<u>1011498</u>	SCREW, MACHINE, #8 - 32 x 1/2	4
8	<u>1011610</u>	WASHER, LOCK, #8	4
9	<u>1011571</u>	NUT, HEX, #8 - 32	4
10	<u>1011557</u>	SCREW, MACHINE, #6 - 32 x 1	4
11	0007591	WASHER, FLAT, #6	4
12	<u>1011558</u>	NUT, HEX, #6	6
13	<u>1016859</u>	KIT, REVERSE BUZZER (INCLUDES ITEMS 14 - 19)	1
14	<u>1016851</u>	BUZZER, REVERSE	1
15	0008056	SCREW, ROUND HEAD, #4 - 40 x 3/4	2
16	1012431	WASHER, FLAT, #4	2
17	0008058	WASHER, LOCK, #4	2
18	0008057	NUT, HEX, #4 - 40	2
19	N/A	WIRE ASSEMBLY, #18 BLACK	1

7
G

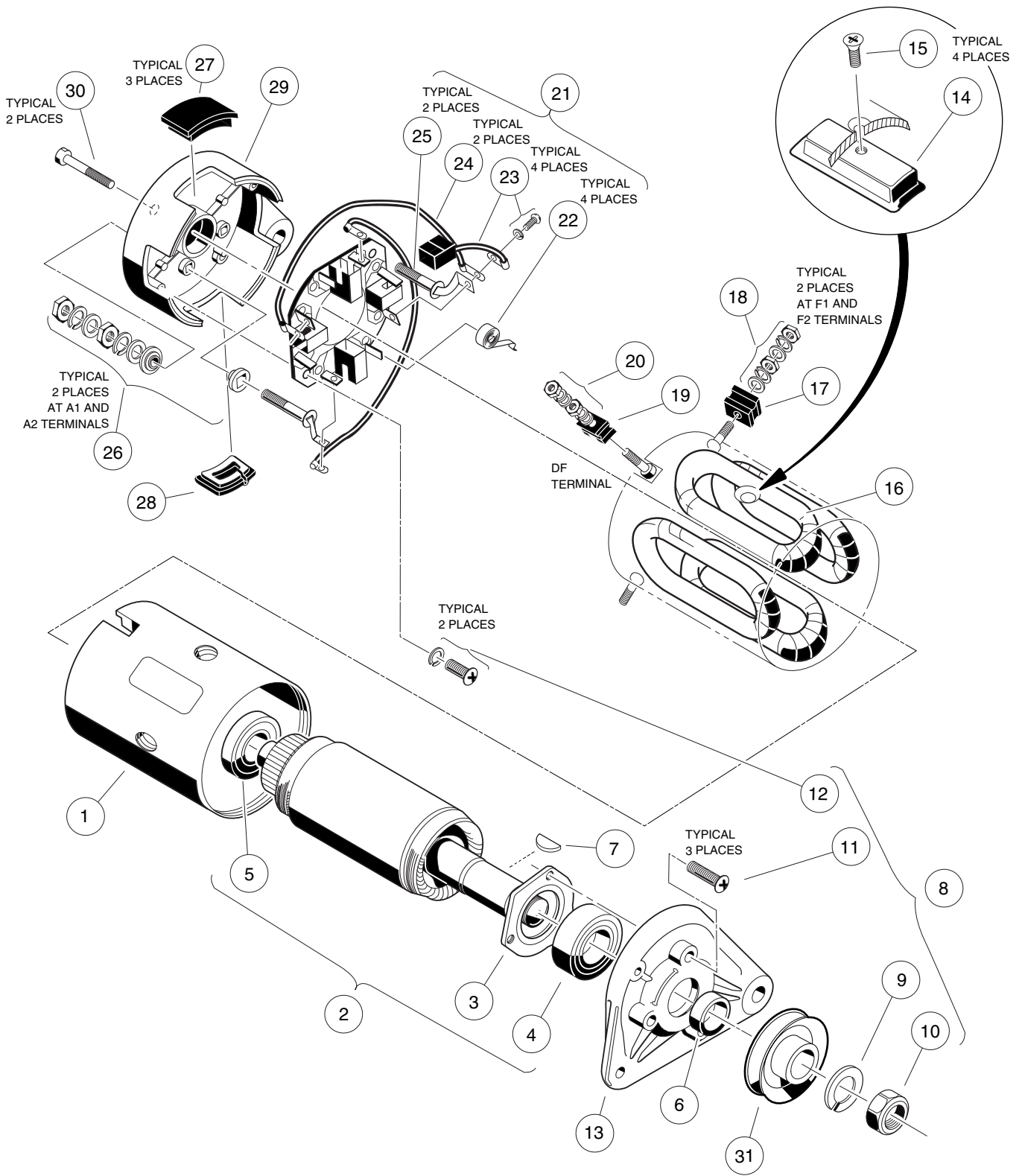
7
G



ELECTRICAL COMPONENTS, REAR BODY— GASOLINE TRANS-PORTER/TRANS-SENDER

ITEM	PART NO.	DESCRIPTION	QTY
		1 2 3 4	
1	<u>1016717</u>	ASSEMBLY, TAILLIGHT (INCLUDES ITEMS 2 - 6)	2
2	N/A	HOUSING, TAILLIGHT	1
3	<u>1011582</u>	BULB	1
4	N/A	GASKET	1
5	N/A	LENS	1
6	N/A	SCREW, LENS	2
7	<u>1015752</u>	SCREW, HEX WASHER HEAD, #12 - 16 x 1/2	4
8	<u>1016859</u>	KIT, REVERSE BUZZER (INCLUDES ITEMS 9 - 15)	1
9	<u>1016851</u>	BUZZER, REVERSE	1
10	<u>1016849</u>	SCREW, PAN HEAD HILO, #4 - 24 x 5/16	2
11	N/A	WIRE ASSEMBLY, #18 BLACK	1
12	<u>1015720</u>	SCREW, HEX WASHER HEAD, #6 - 32 x 1/2	1
13	0007591	WASHER, FLAT	1
14	<u>1011622</u>	WASHER, LOCK, #6	1
15	<u>1011558</u>	NUT, HEX, #6 - 32	1

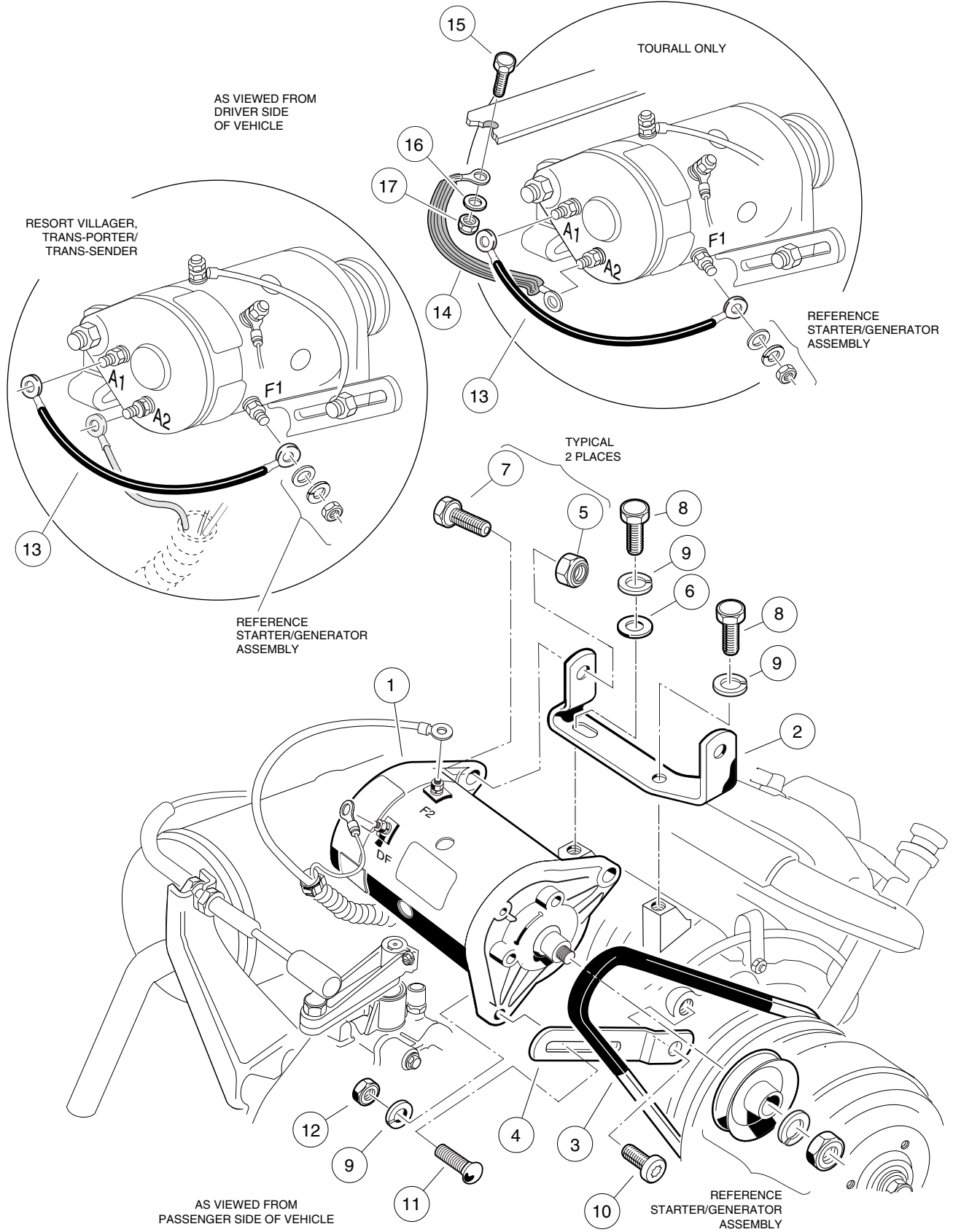
7
G



STARTER/GENERATOR ASSEMBLY

ITEM	PART NO.	DESCRIPTION	QTY
		1 2 3 4	
	<u>1018337-01</u>	STARTER/GENERATOR (CLOCKWISE ROTATION) (INCLUDES ITEMS 1 - 30)	1
1	<u>1018752-01</u>	HOUSING, FIELD COIL	1
2	<u>1018751-01</u>	ASSEMBLY, ARMATURE (INCLUDES ITEMS 3 -6)	1
3	<u>1018750-01</u>	RETAINER, BEARING	1
4	<u>1013001</u>	BALL BEARING, OUTPUT SHAFT	1
5	<u>1013005</u>	COMMUTATOR, BALL BEARING	1
6	<u>1019399-01</u>	SPACER, 5/16	1
7	<u>1013003</u>	KEY, WOODRUFF	1
8	<u>1018765-01</u>	KIT, PULLEY NUT AND SCREW (INCLUDES ITEMS 9 - 12)	1
9	N/A	WASHER, LOCK, M14	1
10	N/A	NUT, HEX, M14 x 2	1
11	N/A	SCREW, CROSS - RECESSED, M5 x .8 x 18MM	3
12	<u>1018965-01</u>	SCREW, CROSS - RECESSED, M5 x .8 x 16MM (WITH LOCK WASHER)	2
13	<u>1018749-01</u>	END BELL, OUTPUT SHAFT	1
14	<u>1018753-01</u>	SET, POLE (SET OF 4)	1
15	<u>1018754-01</u>	SCREW, POLE PIECE (SET OF 4)	1
16	<u>1018755-01</u>	ASSEMBLY, FIELD COIL	1
17	<u>1018756-01</u>	SET, F INSULATOR	2
18	<u>1018776-01</u>	PACKAGE, TERMINAL HARDWARE (F1 AND F2)	2
19	<u>1018757-01</u>	SET, DF INSULATOR	1
20	<u>1018777-01</u>	PACKAGE, TERMINAL HARDWARE (DF)	1
21	<u>1013011-02</u>	HOLDER, BRUSH (INCLUDES ITEMS 22 - 25)	1
22	<u>1018781-01</u>	SPRING, BRUSH	4
23	<u>1018693-02</u>	PACKAGE, BRUSH (INCLUDES 4 BRUSHES, 4 SCREWS, 4 WASHERS)	1
24	<u>1018762-02</u>	ASSEMBLY, BRUSH CONNECTOR	2
25	<u>1018758-02</u>	A CONNECTOR (SET OF 2)	1
26	<u>1018760-01</u>	PACKAGE, TERMINAL HARDWARE (A1 AND A2)	2
27	<u>1018763-01</u>	COVER, BRUSH INSPECTION PORT (SET OF 4) (INCLUDES ITEM 28)	1
28	<u>1017653</u>	COVER, BRUSH INSPECTION PORT, WITH DRAIN	1
29	<u>1018764-02</u>	END BELL, COMMUTATOR	1
30	<u>1018790-01</u>	BOLT, CLAMP, M6 x 1 x 180MM	2
31	<u>1014289</u>	PULLEY (SILVER COLOR)	1



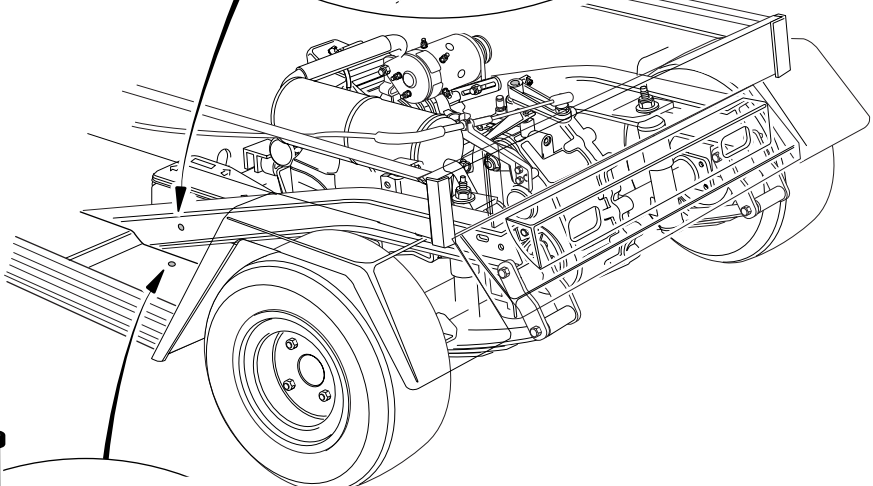
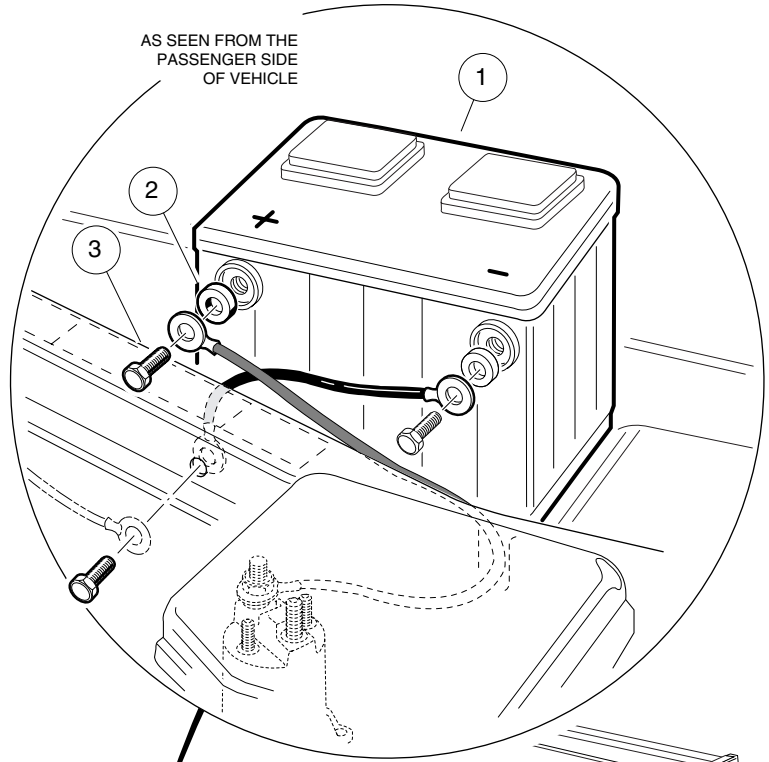


STARTER/GENERATOR MOUNTING

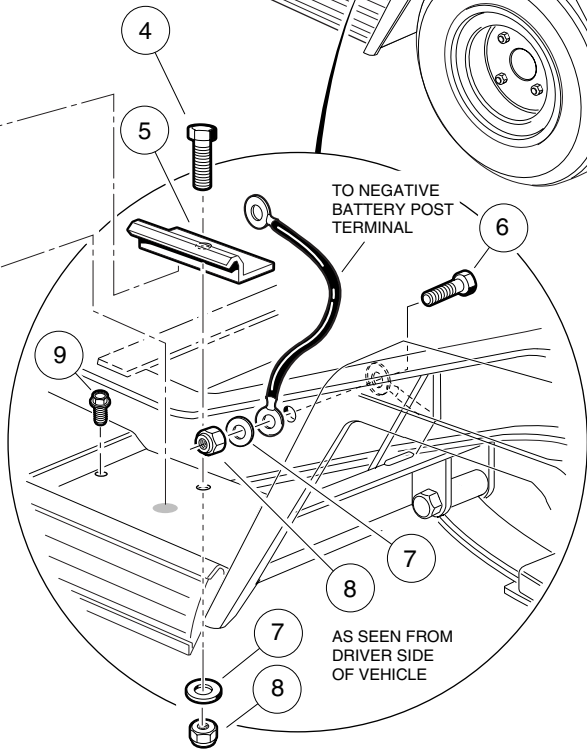
ITEM	PART NO.	DESCRIPTION	QTY
		1 2 3 4	
1	<u>1018337-01</u>	STARTER/GENERATOR	1
2	<u>1015240-01</u>	BRACKET, MOUNTING, FE 290 (TOURALL ONLY).....	1
2	<u>1015240-02</u>	BRACKET, MOUNTING, FE 350 (RESORT VILLAGER, TRANS-PORTER/TRANS-SENDER)	1
3	<u>1019167-01</u>	BELT	1
4	<u>1016883</u>	BRACKET, ADJUSTING	1
5	0008754	NUT, NYLON LOCK, 3/8 - 16	2
6	1015075	WASHER, FLAT, 5/16	1
7	0000705	BOLT, HEX HEAD, 3/8 - 16 x 1 1/4	2
8	1019035-01	SCREW, HEX HEAD CAP, M8 x 1.25 x 24MM	2
9	0007174	WASHER, LOCK, 5/16	3
10	<u>1016074</u>	SCREW, TORX HEAD, M8 x 1.25 x 18MM	1
11	<u>1015932</u>	BOLT, CARRIAGE, 5/16 - 18 x 1	1
12	0001242	NUT, HEX, 5/16 - 18	1
13	<u>1018373-01</u>	WIRE ASSEMBLY, #6 GREEN	1
14	<u>1015920</u>	WIRE ASSEMBLY, #6 BRAIDED GROUND (TOURALL ONLY)	1
15	0007173	SCREW, HEX HEAD CAP, 5/16 - 18 x 3/4 (TOURALL ONLY)	1
16	0001241	WASHER, FLAT, 5/16 (TOURALL ONLY)	1
17	0007473	NUT, NYLON LOCK, 5/16 - 18 (TOURALL ONLY)	1



AS SEEN FROM THE PASSENGER SIDE OF VEHICLE



TO NEGATIVE BATTERY POST TERMINAL



AS SEEN FROM DRIVER SIDE OF VEHICLE

BATTERY—GASOLINE VEHICLE

ITEM	PART NO.	DESCRIPTION	QTY
		1 2 3 4	
1	<u>1012328</u>	BATTERY, 12 VOLT	1
2	<u>1014374</u>	SPACER, BATTERY TERMINAL BOLT	2
3	<u>1014375</u>	SCREW, HEX HEAD CAP, STAINLESS STEEL, 3/8 - 16 x 1/2	2
4	<u>1010934</u>	BOLT, HEX HEAD, 5/16 - 18 x 1	1
5	<u>1018980-01</u>	CLAMP, BATTERY	1
6	0007173	SCREW, HEX CAP, 5/16 - 18 x 3/4	1
7	0001241	WASHER, FLAT, 5/16	2
8	0007473	NUT, NYLON LOCK, 5/16 - 18	2
9	<u>1014288</u>	SCREW, THREAD-FORMING, 5/16 - 16 x 3/4	1

7
G

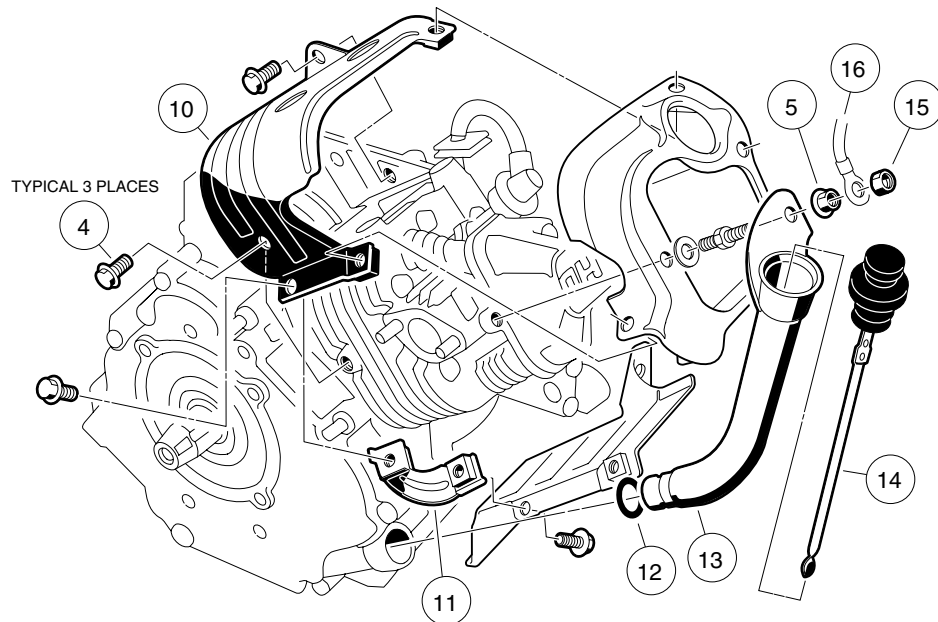
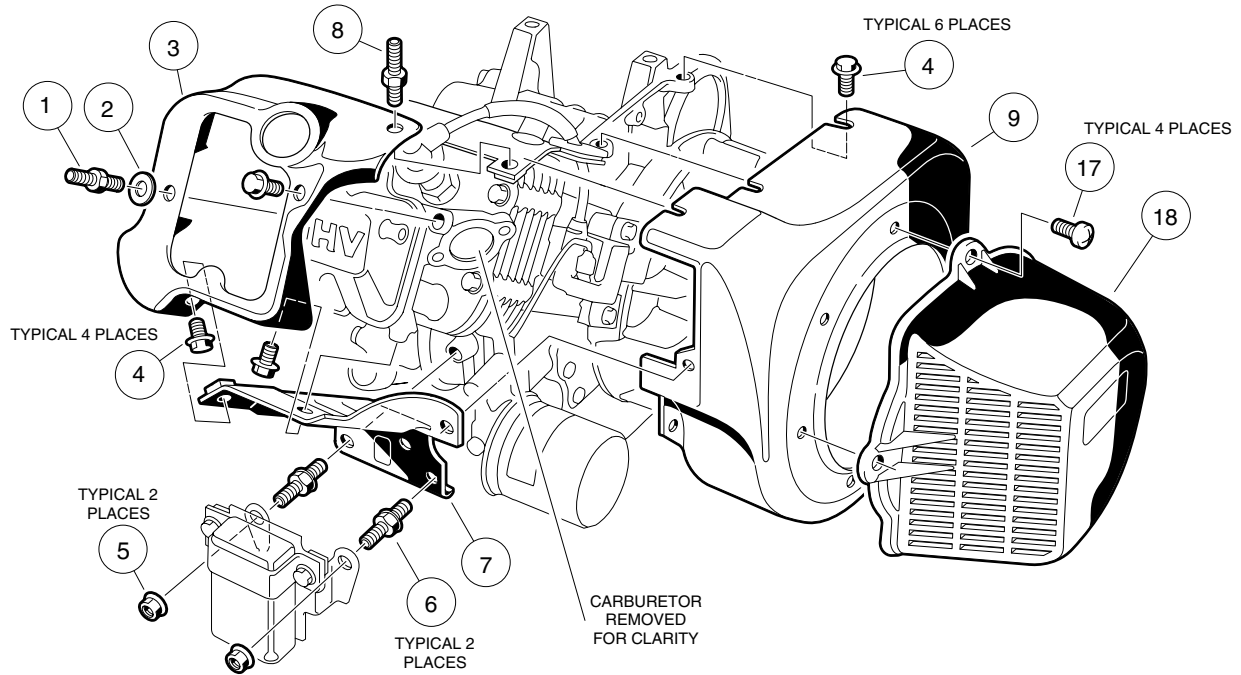
7

G

ENGINE

8

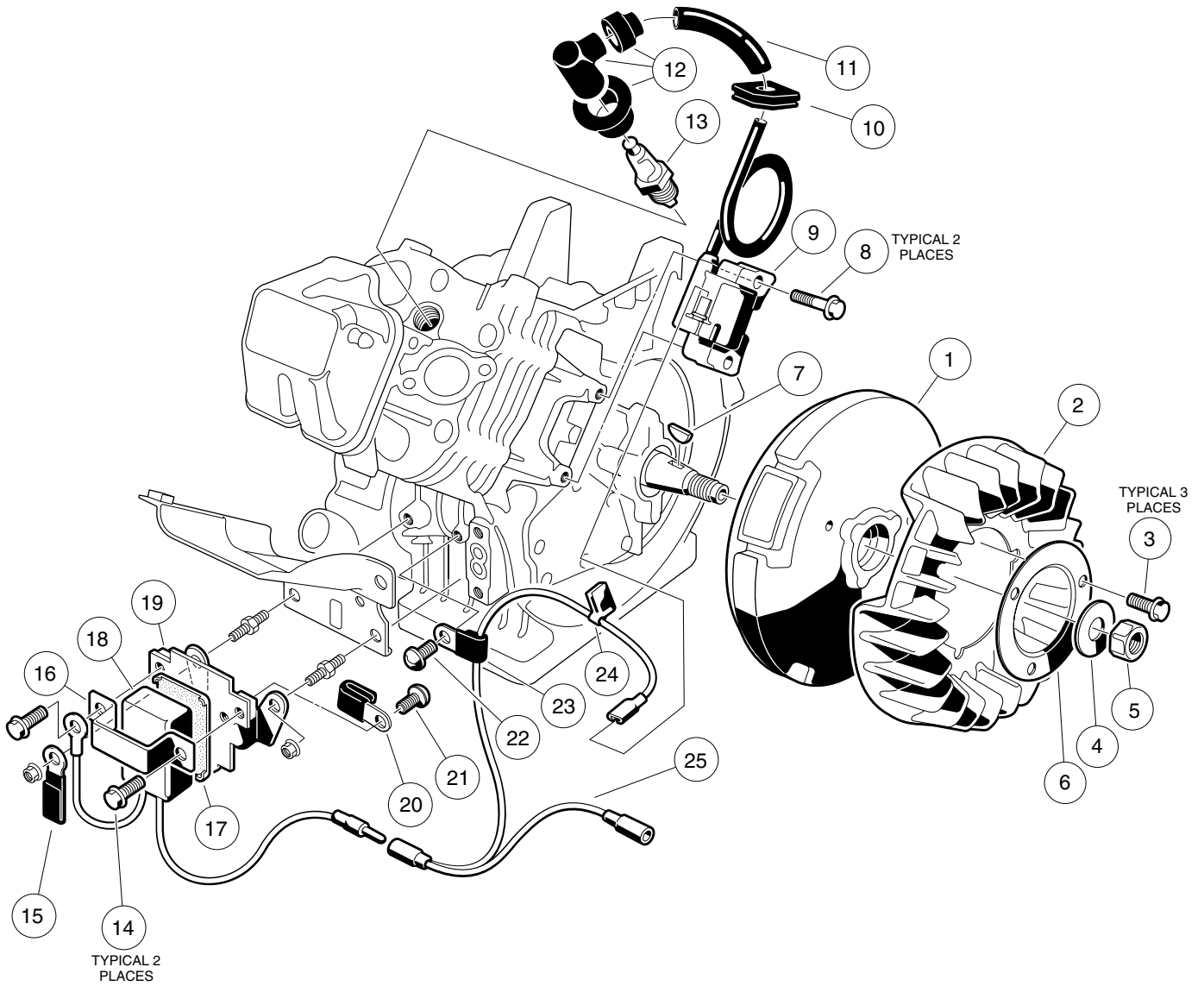
G



FE 290 ENGINE— TOURALL

8
G

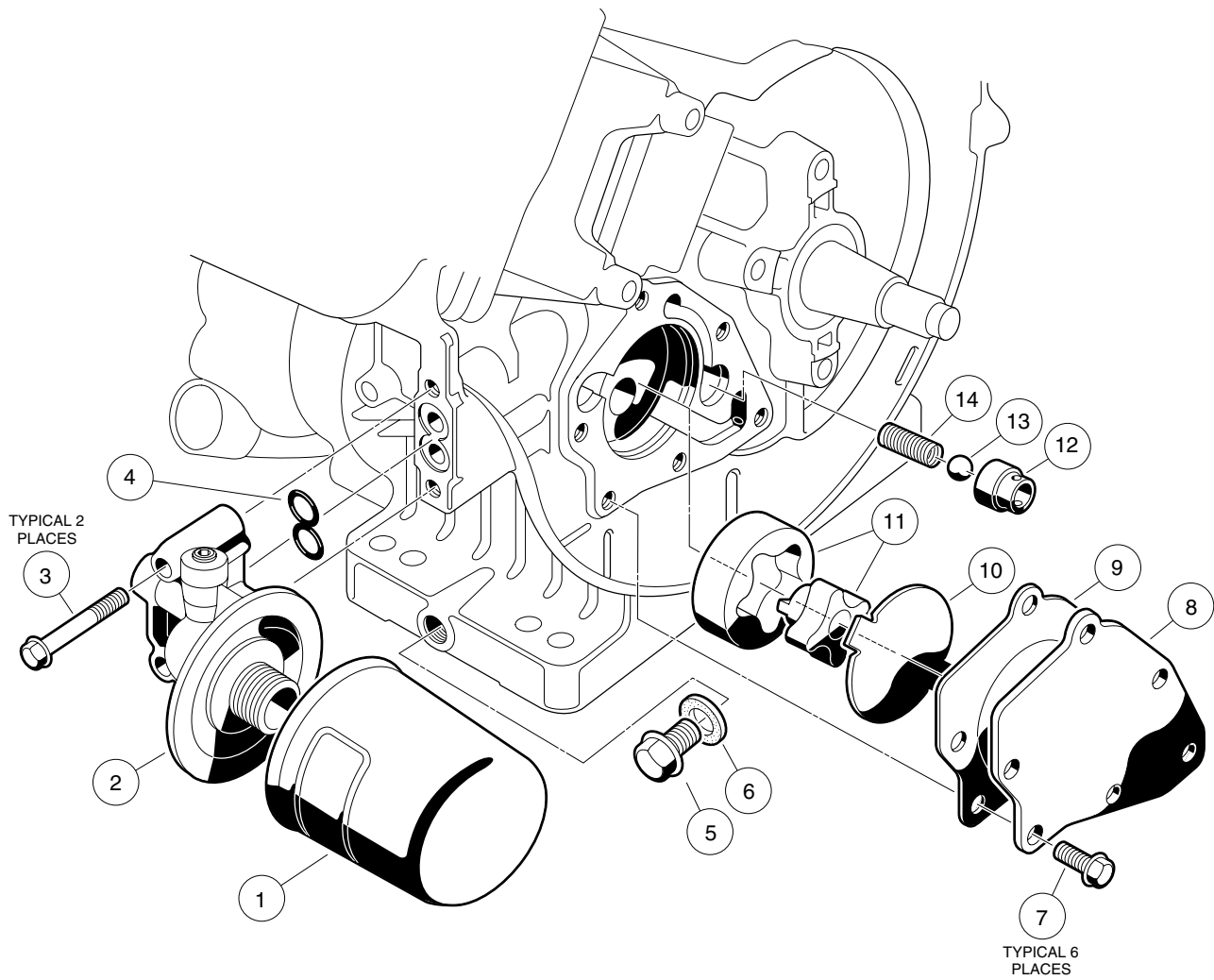
ITEM	PART NO.	DESCRIPTION	QTY
		1 2 3 4	
	<u>1019539-01</u>	FE 290 OHV GASOLINE ENGINE (CLOCKWISE ROTATION) WITH CARBURETOR (DOES NOT INCLUDE ITEMS 15 THROUGH 18)	1
1	<u>1016507</u>	BOLT, 2-ENDED, M6 x 1 x 29MM	1
2	<u>1016512</u>	WASHER, FLAT, 6MM	1
3	<u>1016524</u>	SHROUD, ENGINE, FE 290	1
4	<u>1016456</u>	BOLT, FLANGED, M6 x 1 x 12MM	15
5	<u>1016547</u>	NUT, FLANGE, M6 x 1	3
6	<u>1019097-01</u>	BOLT, 2-ENDED, M6 x 1 x 27MM	1
7	<u>1016526</u>	SHROUD, ENGINE, FE 290 (LOWER)	1
8	<u>1017221</u>	BOLT, 2-ENDED, M6 x 1 x 46MM	1
9	<u>1019156-01</u>	HOUSING, FAN	1
10	<u>1016525</u>	SHROUD, ENGINE, FE 290 (UPPER)	1
11	<u>1016443</u>	BRACKET	1
12	<u>1016539</u>	O-RING	1
13	<u>1016536</u>	TUBE, OIL FILLER, FE 290	1
14	<u>1016531</u>	DIPSTICK	1
15	<u>1011114</u>	NUT, M6 x1	1
16	<u>1015332</u>	WIRE ASSEMBLY, #10 BRAIDED GROUND	1
17	<u>1015969</u>	SCREW, PAN HEAD, M6 x 1 x 14MM	4
18	<u>1015649</u>	SHROUD, FAN	1



FE 290 ENGINE— TOURALL

8
G

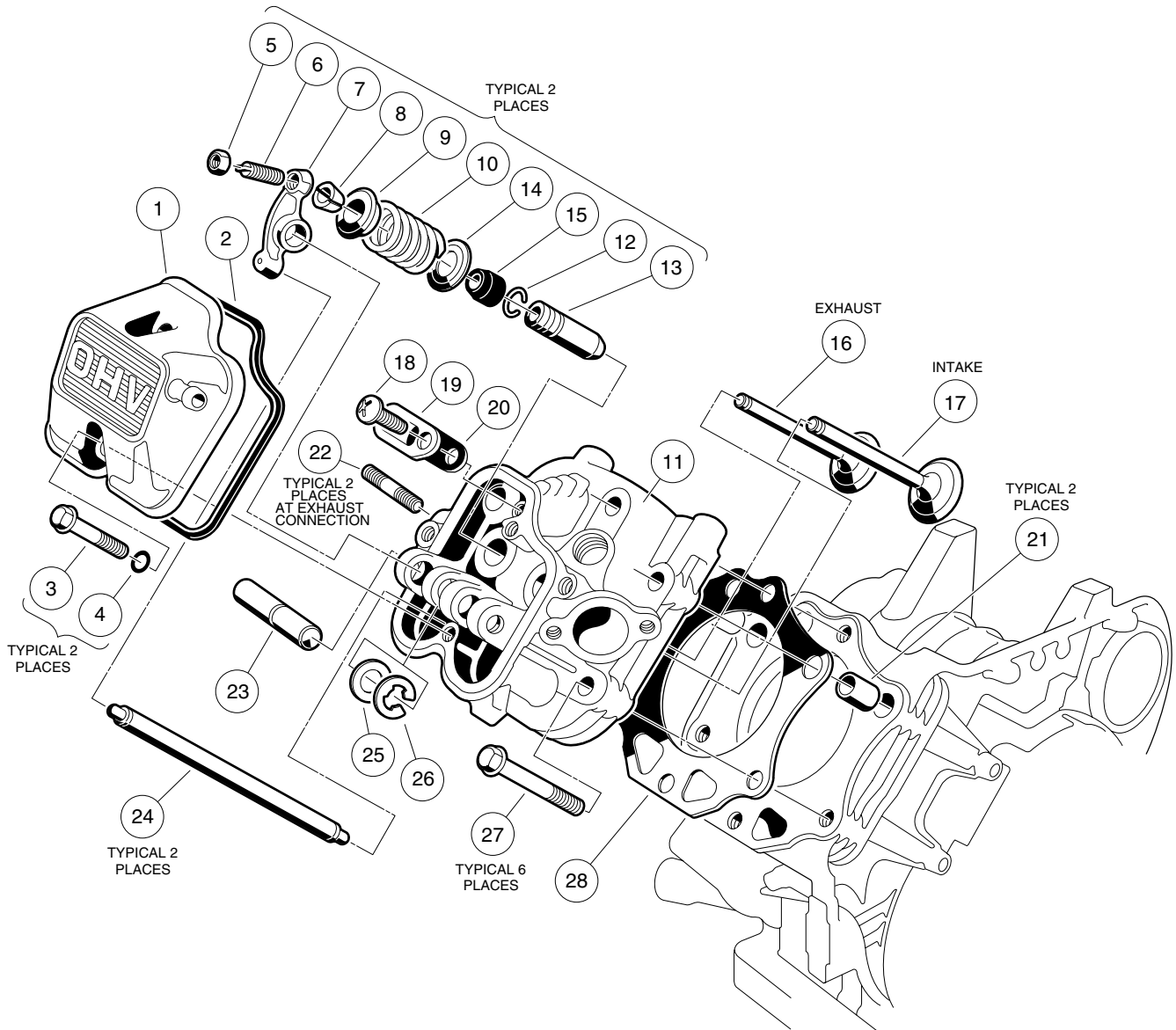
ITEM	PART NO.	DESCRIPTION	QTY
		1 2 3 4	
1	<u>1019157-01</u>	FLYWHEEL	1
2	<u>1019158-01</u>	FAN, FLYWHEEL, GREY	1
3	<u>1017448</u>	SCREW, FLANGED HEX HEAD, M6 x 1 x 10MM	3
4	<u>1016548</u>	WASHER, FLAT, 16MM	1
5	<u>1016505</u>	NUT, HEX, M16 x 2	1
6	<u>1017455</u>	PLATE, FLYWHEEL FAN	1
7	<u>1016562</u>	KEY	1
8	<u>1016455</u>	BOLT, FLANGED, M5 x .8 x 25MM	2
9	<u>1019092-01</u>	COIL, IGNITION (WITH INTERNAL IGNITER)	1
10	<u>1016578</u>	GROMMET	1
11	<u>1016588</u>	TUBE, 7MM x 70MM	1
12	<u>1016493</u>	ASSEMBLY, PLUG CAP	1
13	<u>AM10724</u>	SPARK PLUG - OHV	1
14	<u>1016456</u>	BOLT, FLANGED, M6 x 1 x 12MM	2
15	<u>1012981</u>	CLAMP	1
16	<u>1016579</u>	MOUNT, RPM LIMITER	1
17	<u>1016586</u>	DAMPER, RPM LIMITER	1
18	<u>1019094-01</u>	LIMITER, RPM - OHV	1
19	<u>1016445</u>	BRACKET, RPM LIMITER	1
20	<u>1019095-01</u>	CLAMP	1
21	<u>1016497</u>	SCREW, CROSS PAN HEAD, M5 x .8 x 8MM	1
22	<u>1016544</u>	SCREW, CROSS PAN HEAD SELF-TAPPING, M5 x .8 x 12MM	1
23	<u>1016561</u>	CLAMP	1
24	<u>1016587</u>	CLAMP	1
25	<u>1019093-01</u>	WIRE, LEAD	1



FE 290 ENGINE— TOURALL

ITEM	PART NO.	DESCRIPTION	QTY
		1 2 3 4	
1	<u>1016467</u>	ASSEMBLY, OIL FILTER, OHV	1
2	<u>1016502</u>	BRACKET, OIL FILTER	1
3	<u>1016457</u>	BOLT, FLANGED HEX HEAD, M6 x 1 x 40MM	2
4	<u>1016570</u>	O-RING, OIL FILTER MOUNT	1
5	<u>1016576</u>	PLUG, DRAIN, FE 290	1
6	<u>1016432</u>	GASKET, DRAIN PLUG	1
7	<u>1017456</u>	SCREW, FLANGED HEX HEAD, M6 x 1 x 12MM	6
8	<u>1016484</u>	COVER, PUMP	1
9	<u>1016435</u>	GASKET, OIL PUMP	1
10	<u>1016473</u>	PLATE, OIL PUMP	1
11	<u>1016482-03</u>	PUMP, OIL, AND ROTOR	1
12	<u>1016429</u>	SEAT, VALVE	1
13	<u>1016537</u>	BALL, STEEL, PRESSURE RELIEF	1
14	<u>1016581</u>	SPRING	1

8
G

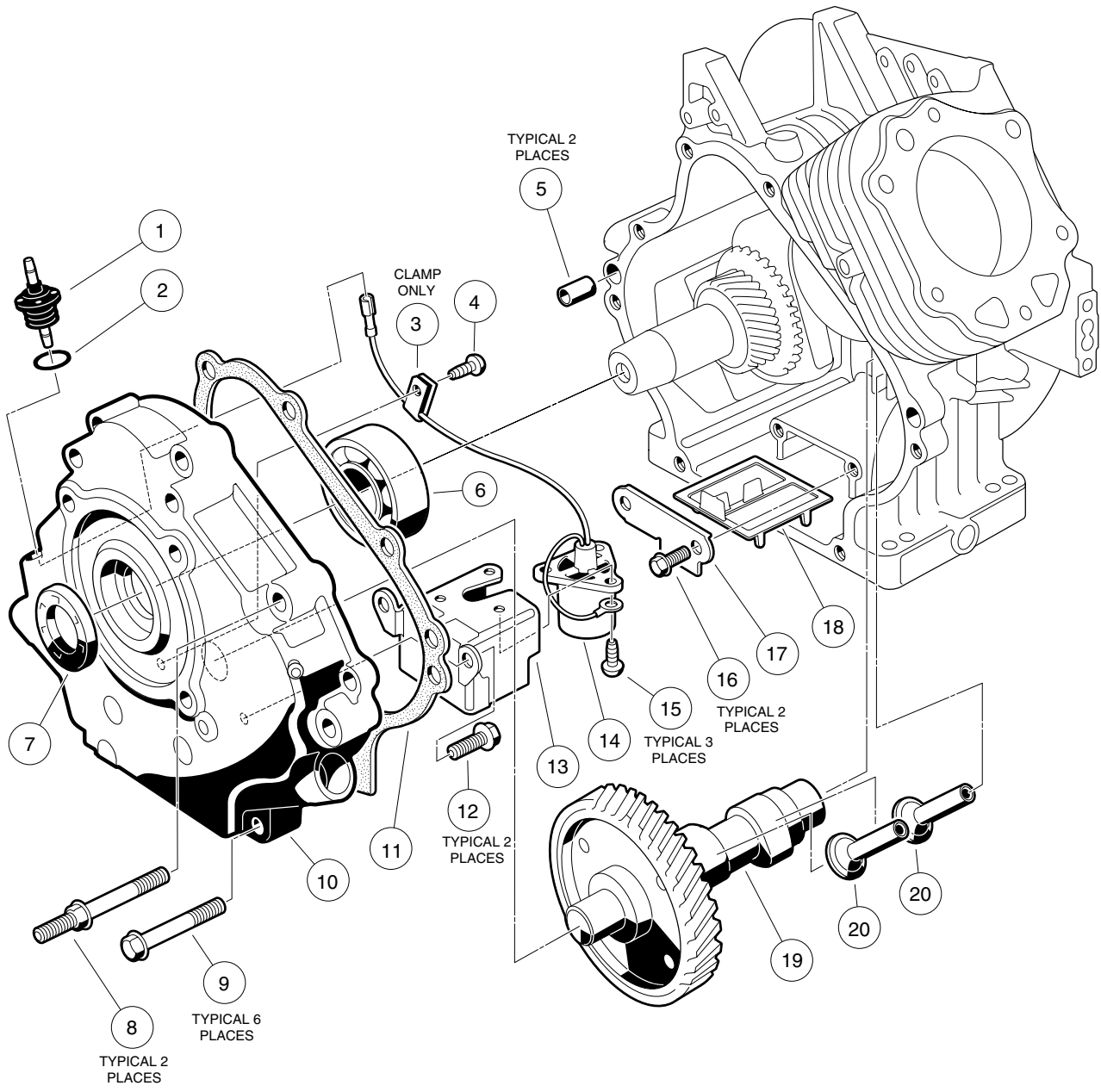


FE 290 ENGINE— TOURALL

8
G

ITEM	PART NO.	DESCRIPTION	QTY
		1 2 3 4	
1	<u>1016442</u>	CASE, ROCKER	1
2	<u>1016436</u>	GASKET, ROCKER CASE	1
3	<u>1016583</u>	BOLT, FLANGED, M6 x 1 x 35MM	2
4	<u>1016569</u>	O-RING	2
5	<u>1016545</u>	NUT, HEX, M5 x .8	2
6	<u>1016542</u>	SCREW, STUD, M5 x .8	2
7	<u>1016451</u>	ARM, ROCKER	2
8	<u>1016450</u>	COLLET	2
9	<u>1016449</u>	RETAINER, VALVE SPRING	2
10	<u>1016523</u>	SPRING, ENGINE VALVE	2
11	<u>1016431</u>	ASSEMBLY, CYLINDER HEAD, OHV (INCLUDES ITEMS 12 AND 13)	1
12	<u>1016560</u>	RING, SNAP	2
13	<u>1016519</u>	GUIDE, VALVE	2
14	<u>1016479</u>	SEAT, SPRING	2
15	<u>1016566</u>	SEAL, VALVE	2
16	<u>1016448</u>	VALVE, EXHAUST	1
17	<u>1016447</u>	VALVE, INTAKE	1
18	<u>1016544</u>	SCREW, CROSS PAN HEAD SELF-TAPPING, M5 x .8 x 12MM	1
19	<u>1016474</u>	PLATE	1
20	<u>1016483</u>	VALVE	1
21	<u>1016563</u>	PIN	2
22	<u>1016489</u>	BOLT, STUD, M8 x 1.25 x 29MM	2
23	<u>1016452</u>	SHAFT, ROCKER	1
24	<u>1016471</u>	ROD, PUSH	2
25	<u>1016549</u>	WASHER, FLAT, M12	1
26	<u>1016517</u>	CIRCLIP, TYPE E	1
27	<u>1016458</u>	BOLT, FLANGED, M8 x 1.25 x 45MM	6
28	<u>1016430</u>	GASKET, HEAD	1

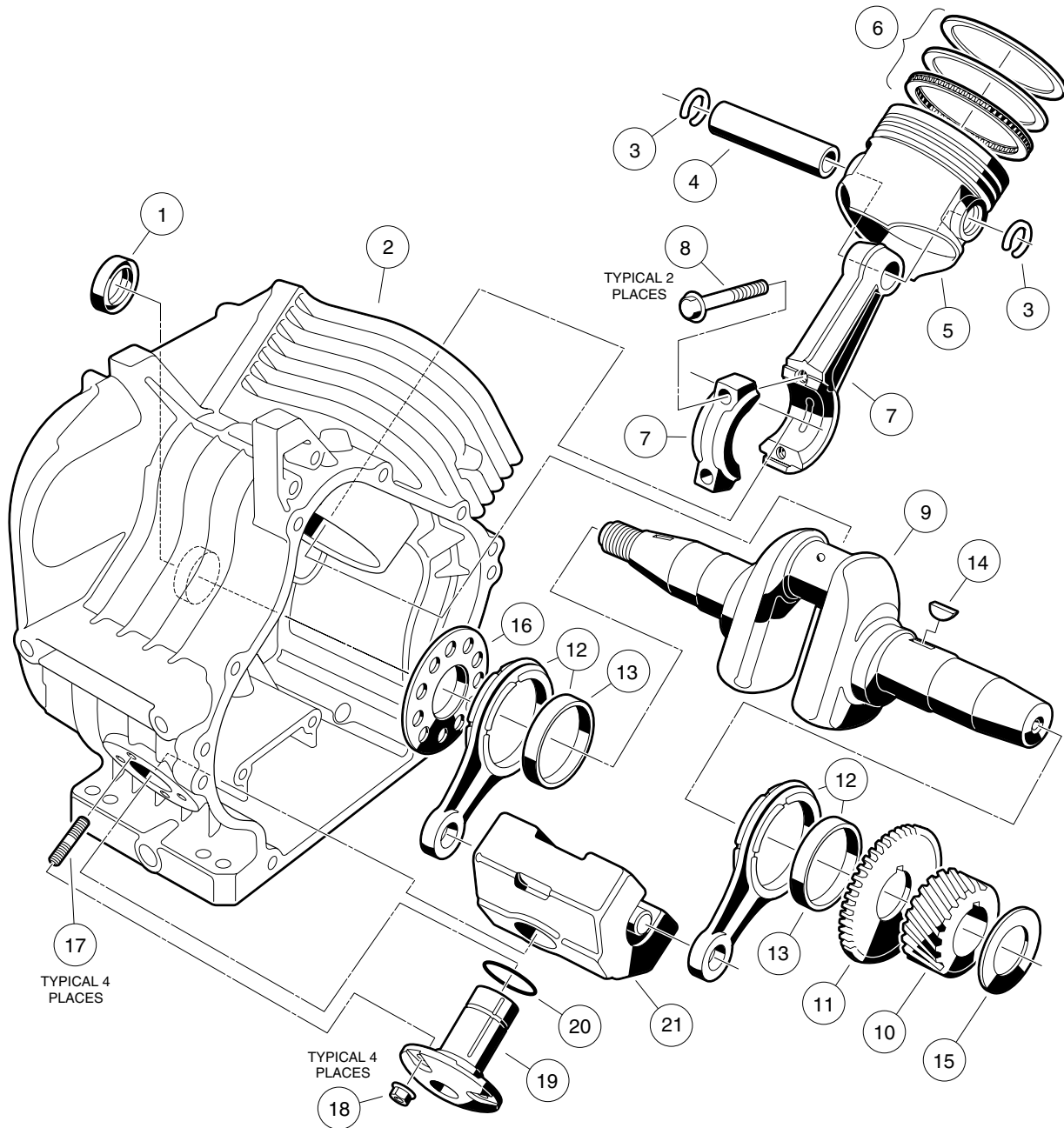
FE 290 ENGINE



FE 290 ENGINE— TOURALL

8
G

ITEM	PART NO.	DESCRIPTION	QTY
		1 2 3 4	
1	<u>1016535</u>	CONNECTOR, CORD	1
2	<u>1016538</u>	O-RING	1
3	<u>1016506</u>	CLAMP	1
4	<u>1016544</u>	SCREW, CROSS PAN HEAD SELF-TAPPING, M5 x .8 x 12MM	1
5	<u>1016564</u>	PIN	2
6	<u>1016565</u>	BEARING, BALL	1
7	<u>1016567</u>	SEAL, CRANKSHAFT	1
8	<u>1016584</u>	BOLT, 2-ENDED, M8 x 1.25 x 69MM	2
9	<u>1016458</u>	BOLT, FLANGED, M8 x 1.25 x 45MM	6
10	<u>1016520</u>	COVER, CRANKCASE	1
11	<u>1016446</u>	GASKET, CRANKCASE COVER	1
12	<u>1016456</u>	BOLT, FLANGED, M6 x 1 x 12MM	2
13	<u>1016510</u>	BRACKET, OIL LEVEL SWITCH	1
14	<u>1016494</u>	SENSOR, OIL LEVEL	1
15	<u>1016496</u>	SCREW, CROSS PAN HEAD, M4 x .7 x 8MM	3
16	<u>1016454</u>	BOLT, FLANGED, M5 x .8 x 8MM	2
17	<u>1016472</u>	PLATE, OIL FILTER SCREEN	1
18	<u>1016521</u>	SCREEN, OIL FILTER	1
19	<u>1019154-01</u>	CAMSHAFT, COMPLETE	1
20	<u>1016453</u>	TAPPET	2

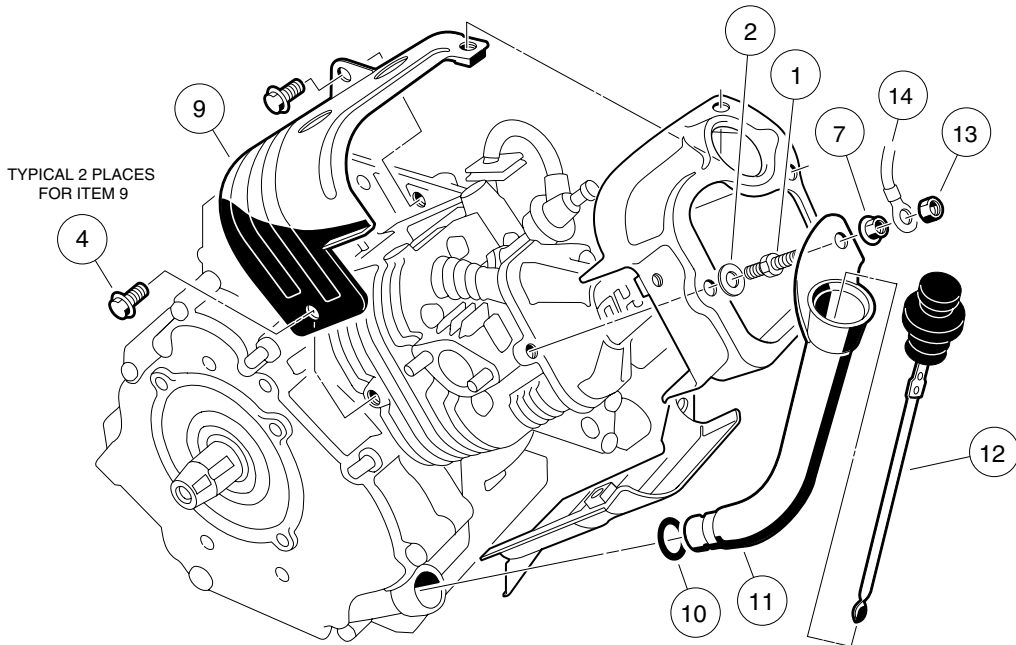
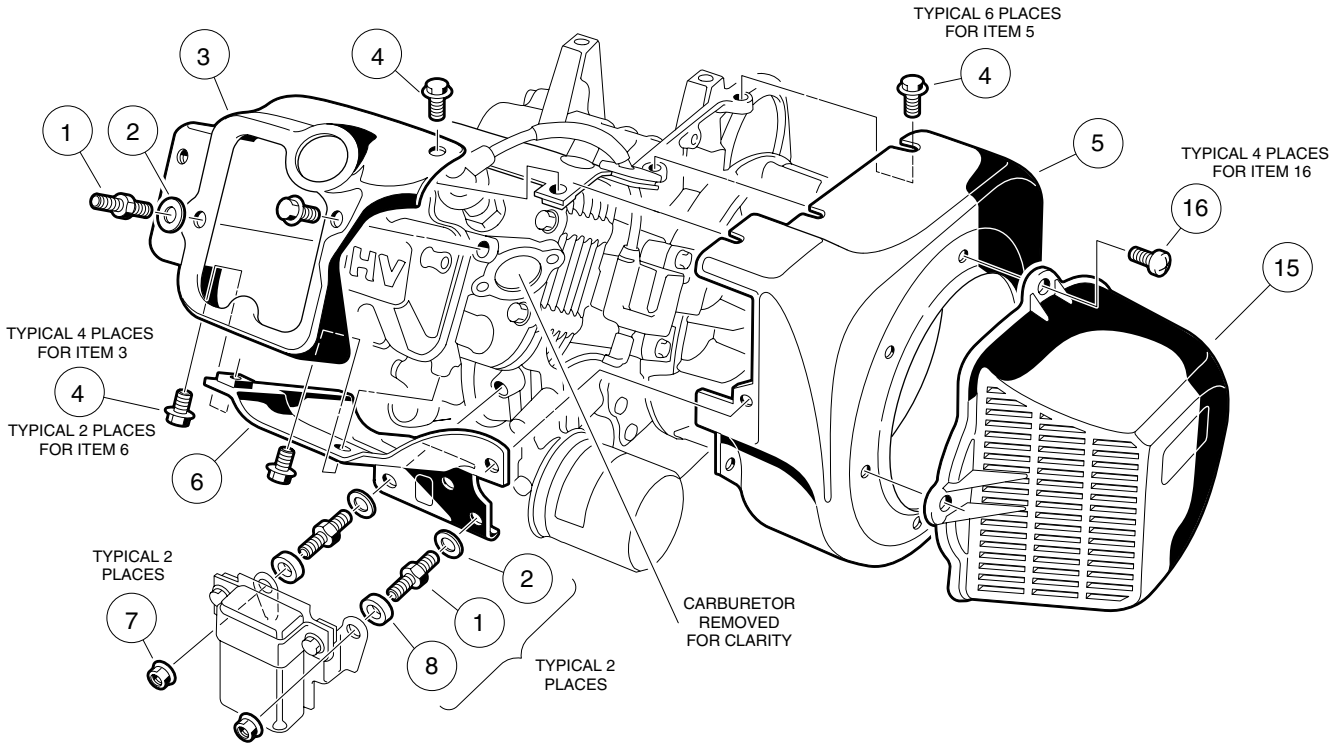


FE 290 ENGINE— TOURALL

8
G

ITEM	PART NO.	DESCRIPTION	QTY
		1 2 3 4	
1	<u>1016568</u>	SEAL, OIL	1
2	<u>1019155-01</u>	CRANKCASE, COMPLETE, OHV	1
3	<u>1016558</u>	RING, SNAP	2
4	<u>1016460</u>	PIN, PISTON	1
5	<u>1016459-01</u>	PISTON, STANDARD	1
5	<u>1016459-02</u>	PISTON, .25MM OVERSIZED	1
5	<u>1016459-03</u>	PISTON, .50MM OVERSIZED	1
6	<u>1016461-01</u>	RING SET, PISTON, STANDARD	1
6	<u>1016461-02</u>	RING SET, PISTON, .25MM OVERSIZED	1
6	<u>1016461-03</u>	RING SET, PISTON, .50MM OVERSIZED	1
7	<u>1016475-01</u>	ASSEMBLY, CONNECTING ROD, STANDARD (INCLUDES 2 EACH OF ITEM 8)	1
7	<u>1016475-02</u>	ASSEMBLY, CONNECTING ROD, .50MM UNDERSIZED (INCLUDES 2 EACH OF ITEM 8)	1
8	<u>1016509</u>	BOLT, HEX HEAD, M7 x 1 x 36MM	2
9	<u>1019223-01</u>	CRANKSHAFT, OHV (INCLUDES ITEMS 10, 11 AND 12)	1
10	<u>1016533</u>	GEAR, HELICAL	1
11	<u>1016532</u>	GEAR, SPUR	1
12	<u>1016516</u>	ASSEMBLY, CONNECTING ROD (INCLUDES ITEM 13)	2
13	<u>1016580</u>	BEARING, PLAIN	2
14	<u>1016562</u>	KEY	1
15	<u>1016550-01</u>	SHIM, CRANKSHAFT, 1.13MM THICK	A/R
15	<u>1016550-02</u>	SHIM, CRANKSHAFT, 1.18MM THICK	A/R
15	<u>1016550-03</u>	SHIM, CRANKSHAFT, 1.23MM THICK	A/R
15	<u>1016550-04</u>	SHIM, CRANKSHAFT, 1.28MM THICK	A/R
15	<u>1016550-05</u>	SHIM, CRANKSHAFT, 1.33MM THICK	A/R
15	<u>1016550-06</u>	SHIM, CRANKSHAFT, 1.38MM THICK	A/R
15	<u>1016550-07</u>	SHIM, CRANKSHAFT, 1.43MM THICK	A/R
15	<u>1016550-08</u>	SHIM, CRANKSHAFT, 1.48MM THICK	A/R
15	<u>1016550-09</u>	SHIM, CRANKSHAFT, 1.53MM THICK	A/R
16	<u>1016559</u>	SPACER	1
17	<u>1016541</u>	BOLT, STUD, M6 x 1 x 22MM	4
18	<u>1016547</u>	NUT, FLANGED, M6 x 1	4
19	<u>1016470</u>	SHAFT, GUIDE COUNTERBALANCE	1
20	<u>1016571</u>	O-RING	1
21	<u>1016469</u>	WEIGHT, COUNTERBALANCE	1

FE 350 ENGINE



FE 350 ENGINE—

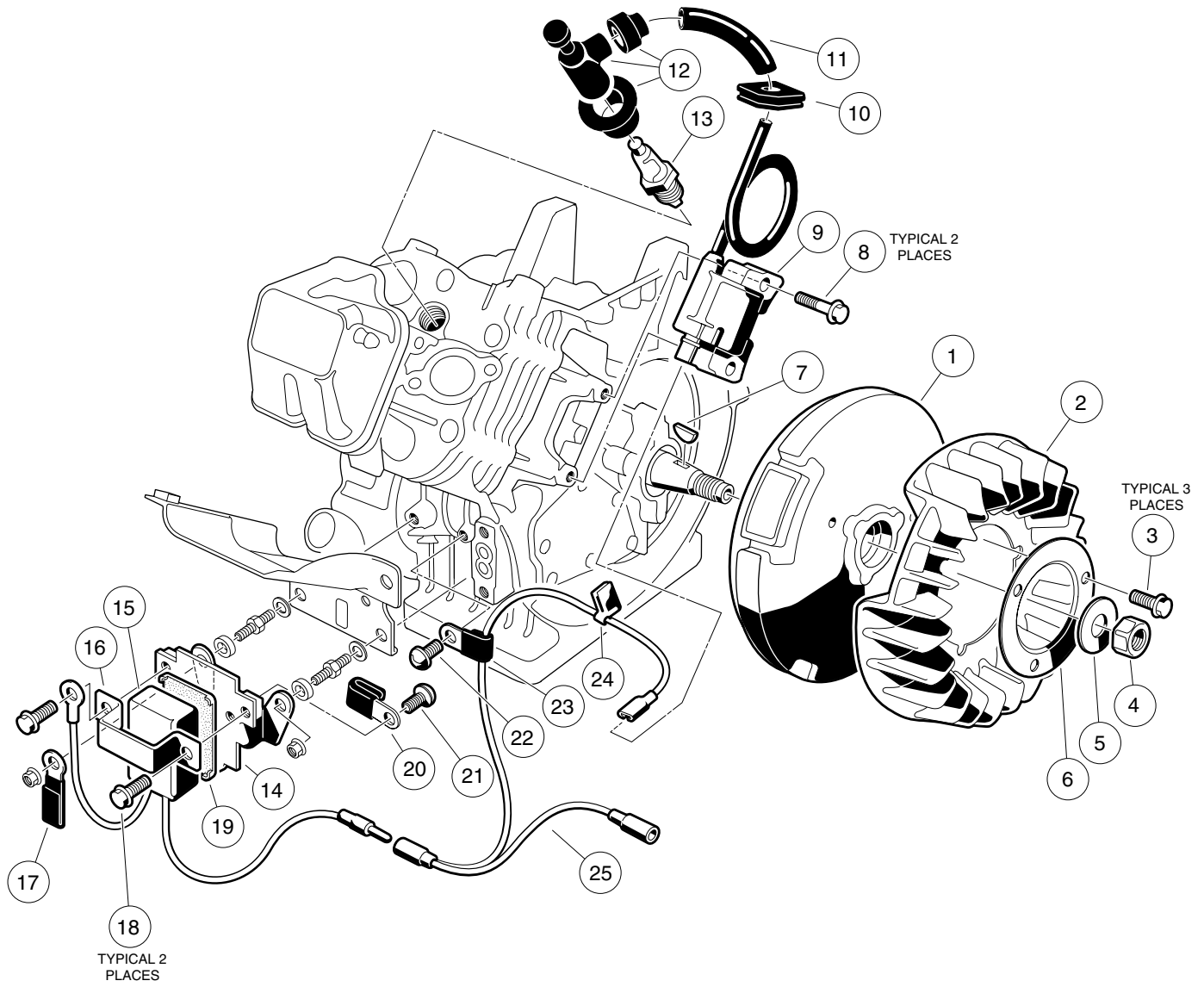
RESORT VILLAGER, TRANS-PORTER/TRANS-SENDER

ITEM	PART NO.	DESCRIPTION	QTY
		1 2 3 4	
	<u>1019538-01</u>	FE 350 OHV GASOLINE ENGINE, COMPLETE (CLOCKWISE ROTATION) WITH CARBURETOR (WITH COMPRESSION RELEASE) (DOES NOT INCLUDE ITEMS 13 - 16)	1
1	<u>1016507</u>	BOLT, 2-ENDED, M6 x 1 x 29MM	3
2	<u>1016512</u>	WASHER, FLAT, 6 MM	3
3	<u>1017474</u>	SHROUD, CYLINDER HEAD	1
4	<u>1016456</u>	BOLT, FLANGED, M6 x 1 x 12MM	14
5	<u>1019161-01</u>	HOUSING, FAN	1
6	<u>1017476</u>	SHROUD, LOWER CYLINDER	1
7	<u>1016547</u>	NUT, FLANGE, M6 x 1	3
8	<u>1017500</u>	SPACER	2
9	<u>1017475</u>	SHROUD, UPPER CYLINDER	1
10	<u>1016539</u>	O-RING	1
11	<u>1017486</u>	TUBE, OIL FILLER	1
12	<u>1016531</u>	DIPSTICK	1
13	<u>1011114</u>	NUT, M6 x 1	1
14	<u>1015332</u>	WIRE ASSEMBLY, #10 BLACK	1
15	<u>1015649</u>	SHROUD, FAN	1
16	<u>1015969</u>	SCREW, PAN HEAD, M6 x 1 x 14 MM	4

8

G

FE 350 ENGINE



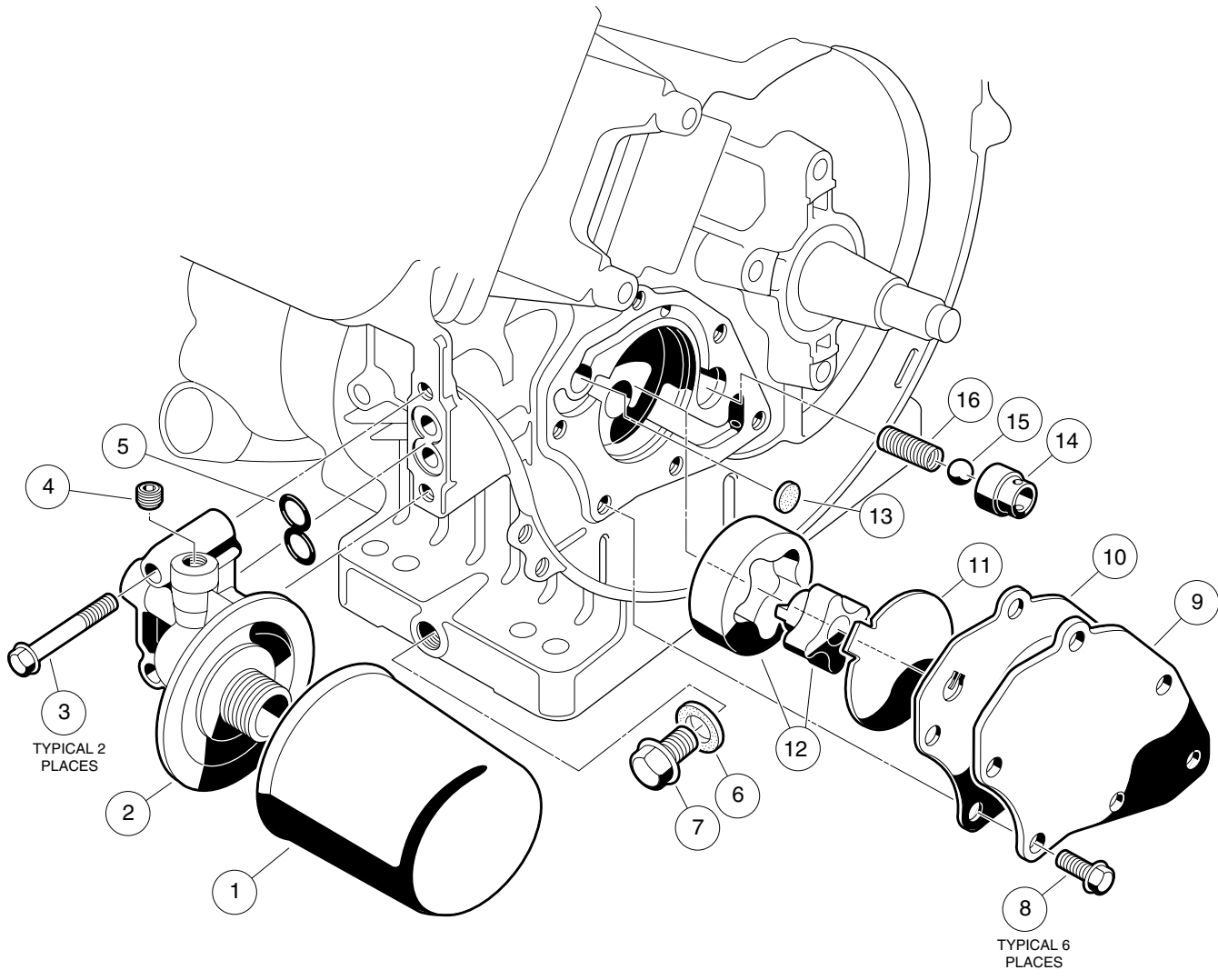
FE 350 ENGINE—

RESORT VILLAGER, TRANS-PORTER/TRANS-SENDER

ITEM	PART NO.	DESCRIPTION	QTY
		1 2 3 4	
1	<u>1019162-01</u>	FLYWHEEL	1
2	<u>1019163-01</u>	FAN, FLYWHEEL—GREY	1
3	<u>1017448</u>	SCREW, FLANGED HEX HEAD, M6 x 1 x 10MM	3
4	<u>1017467</u>	NUT, HEX, 18MM FINE	1
5	<u>1017490</u>	WASHER, FLAT, 18MM	1
6	<u>1017455</u>	PLATE, FLYWHEEL FAN	1
7	<u>1016562</u>	KEY	1
8	<u>1016455</u>	SCREW, HEX HEAD FLANGED, M5 x 0.8 x 25MM	2
9	<u>1019092-01</u>	COIL, IGNITION (WITH INTERNAL IGNITER)	1
10	<u>1016578</u>	GROMMET	1
11	<u>1016588</u>	TUBE, 7MM I.D. x 10MM O.D. x 70MM	1
12	<u>1017463</u>	ASSEMBLY, PLUG CAP	1
13	<u>1018811-01</u>	PLUG, SPARK (AUTOLITE)	1
13	<u>AM10724</u>	PLUG, SPARK (NGK)	1
14	<u>1016445</u>	BRACKET, RPM LIMITER	1
15	<u>1019094-01</u>	LIMITER, RPM	1
16	<u>1016579</u>	BAND, RPM LIMITER MOUNT	1
17	<u>1012981</u>	CLAMP	1
18	<u>1016456</u>	SCREW, FLANGED HEX HEAD, M6 x 1 x 12MM	2
19	<u>1016586</u>	DAMPER	1
20	<u>1019095-01</u>	CLAMP	1
21	<u>1016497</u>	SCREW, CROSS PAN HEAD, M5 x .08 x 8MM	1
22	<u>1016544</u>	SCREW, CROSS PAN HEAD SELF-TAPPING, M5 x 12MM	1
23	<u>1016561</u>	CLAMP	1
24	<u>1016587</u>	CLAMP	1
25	<u>1019093-01</u>	WIRE, LEAD	1



FE 350 ENGINE



FE 350 ENGINE—

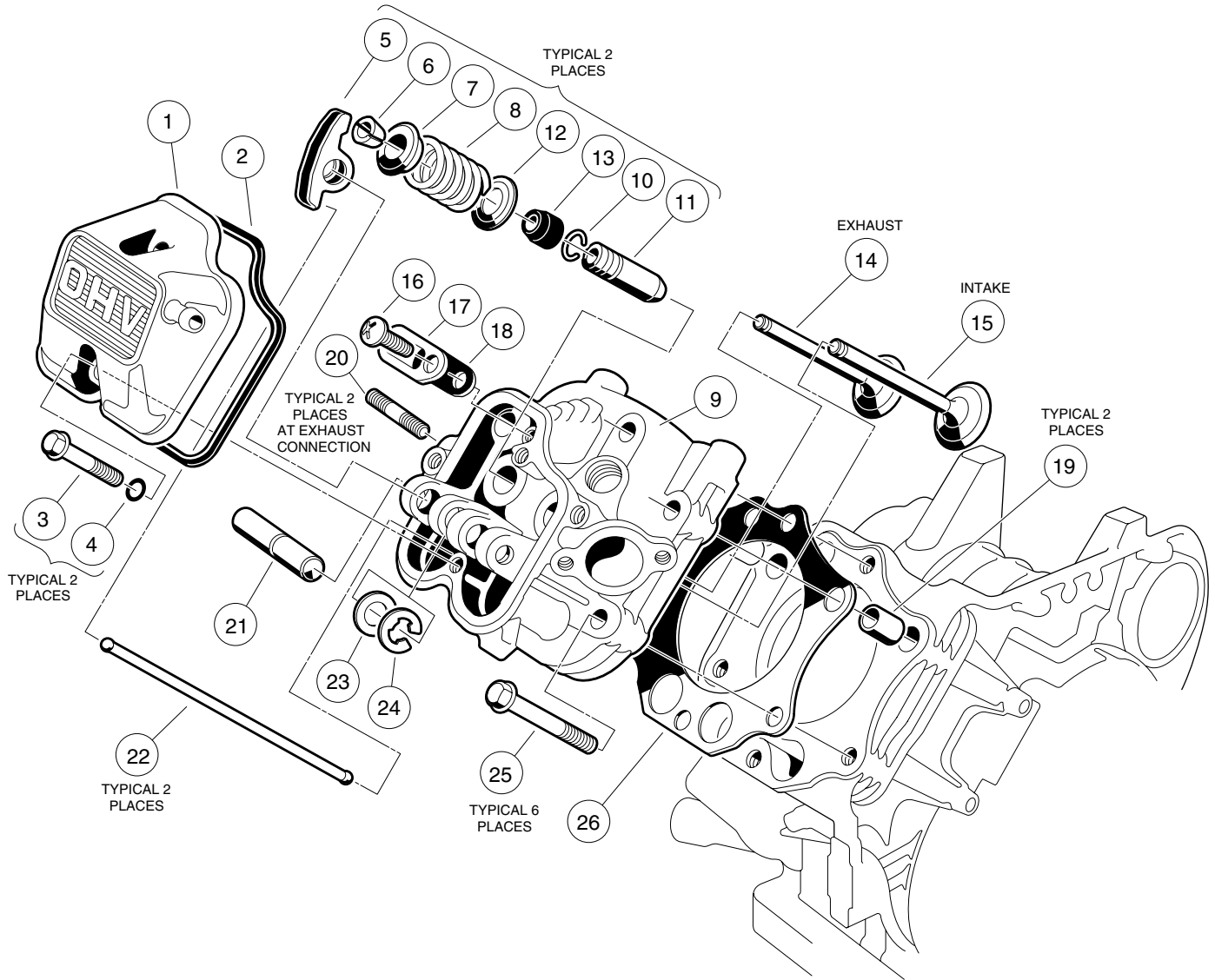
RESORT VILLAGER, TRANS-PORTER/TRANS-SENDER

ITEM	PART NO.	DESCRIPTION	QTY
		1 2 3 4	
1	<u>1016467</u>	OIL FILTER	1
2	<u>1016502</u>	BRACKET, OIL FILTER	1
3	<u>1016457</u>	BOLT, FLANGED HEX HEAD, M6 x 1 x 40MM	2
4	<u>1017507</u>	PLUG	1
5	<u>1016570</u>	O-RING	1
6	<u>1016432</u>	GASKET, DRAIN PLUG	1
7	<u>1016576</u>	PLUG, DRAIN	1
8	<u>1017456</u>	SCREW, FLANGED HEX HEAD, M6 x 1 x 12MM	6
9	<u>1017460</u>	COVER, PUMP	1
10	<u>1017442</u>	GASKET, OIL PUMP	1
11	<u>1016473</u>	PLATE, OIL PUMP	1
12	<u>1016482-03</u>	PUMP, OIL, AND ROTOR	1
13	<u>1017458</u>	FILTER	1
14	<u>1016429</u>	SEAT, VALVE	1
15	<u>1016537</u>	BALL, STEEL, PRESSURE RELIEF	1
16	<u>1016581</u>	SPRING	1

8

G

FE 350 ENGINE



FE 350 ENGINE—

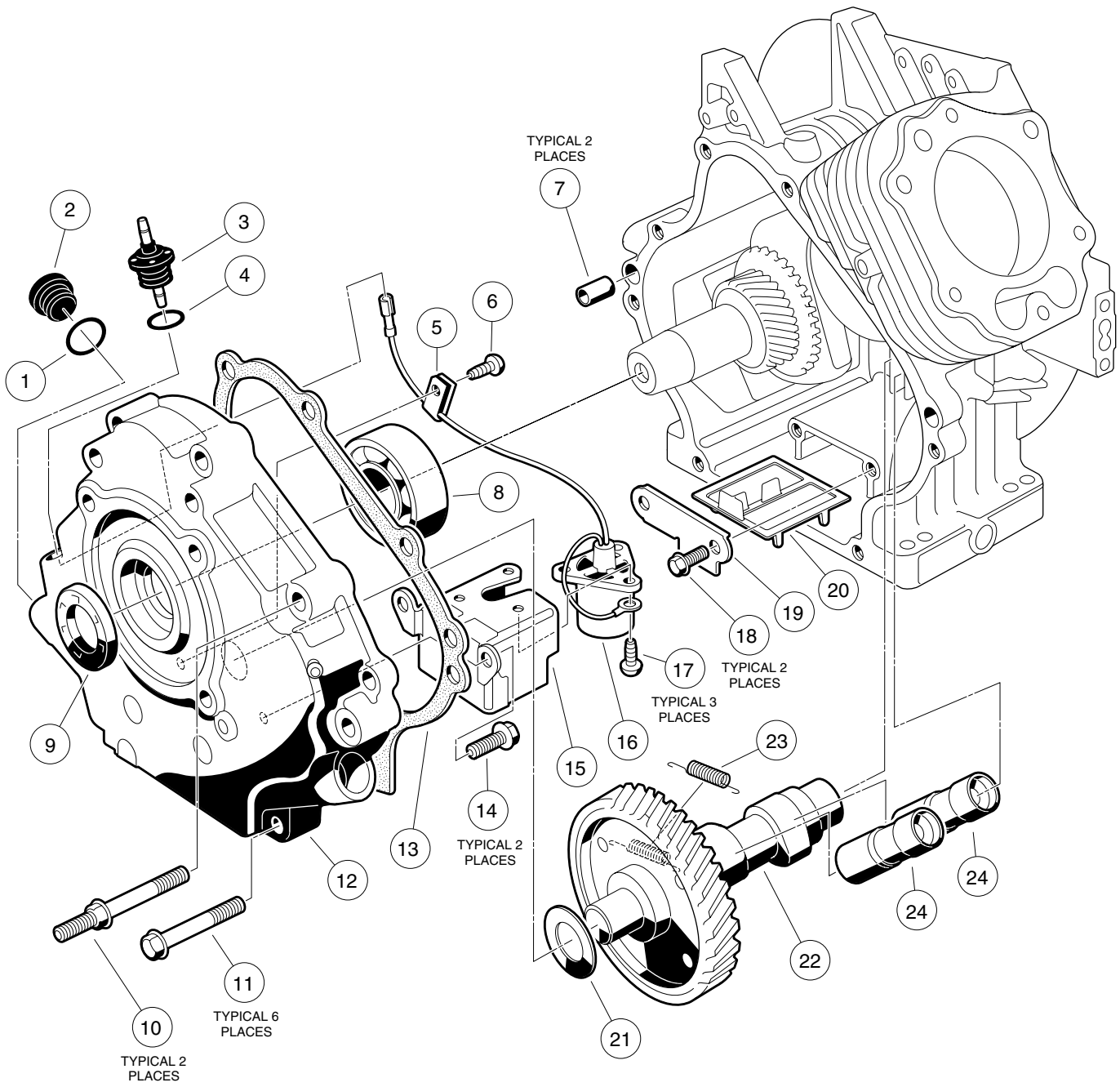
RESORT VILLAGER, TRANS-PORTER/TRANS-SENDER

ITEM	PART NO.	DESCRIPTION	QTY
		1 2 3 4	
1	<u>1016442</u>	CASE, ROCKER	1
2	<u>1016436</u>	GASKET, ROCKER CASE	1
3	<u>1016583</u>	BOLT, FLANGED, M6 x 1 x 35MM	2
4	<u>1016569</u>	O-RING	2
5	<u>1017446</u>	ARM, ROCKER	2
6	<u>1016450</u>	COLLET	4
7	<u>1016449</u>	RETAINER, VALVE SPRING	2
8	<u>1017473</u>	SPRING, ENGINE VALVE	2
9	<u>1017435</u>	ASSEMBLY, CYLINDER HEAD, FE 350 (INCLUDES ITEMS 10 AND 11)	1
10	<u>1016560</u>	RING, SNAP	2
11	<u>1016519</u>	GUIDE, VALVE	2
12	<u>1016479</u>	SEAT, SPRING	2
13	<u>1016566</u>	SEAL, VALVE	2
14	<u>1017445</u>	VALVE, EXHAUST	1
15	<u>1017444</u>	VALVE, INTAKE	1
16	<u>1016544</u>	SCREW, CROSS PAN HEAD SELF-TAPPING, M5 x .8 x 12MM	1
17	<u>1016474</u>	PLATE	1
18	<u>1016483</u>	VALVE	1
19	<u>1016563</u>	PIN	2
20	<u>1016489</u>	BOLT, STUD, M8 x 1.25 x 29MM	2
21	<u>1016452</u>	SHAFT, ROCKER	1
22	<u>1017454</u>	ROD, PUSH	2
23	<u>1016549</u>	WASHER, FLAT, M12	1
24	<u>1016517</u>	CIRCLIP, TYPE E	1
25	<u>1016458</u>	BOLT, FLANGED, M8 x 1.25 x 45MM	6
26	<u>1017434</u>	GASKET, HEAD	1

8

G

FE 350 ENGINE



FE 350 ENGINE—

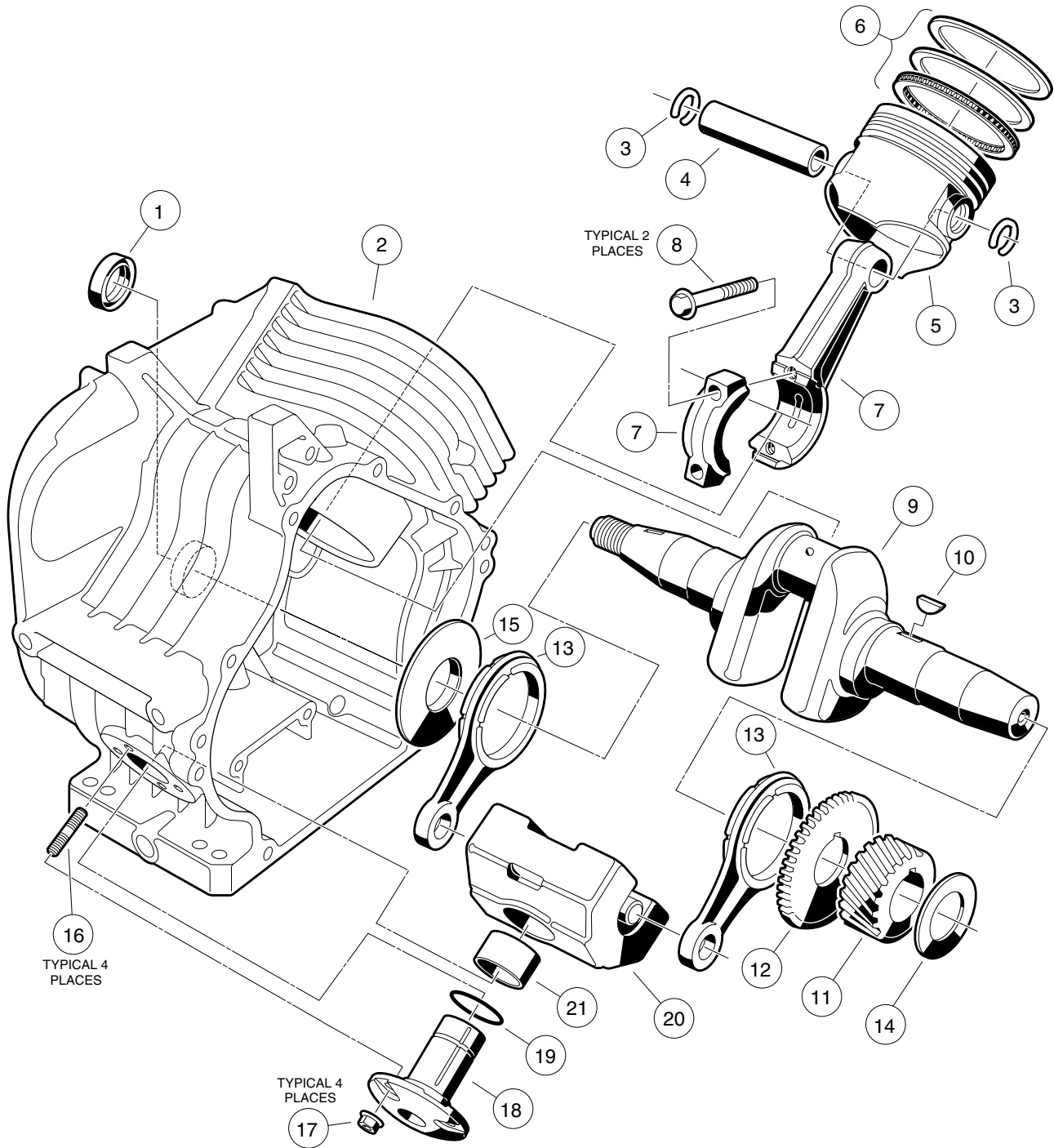
RESORT VILLAGER, TRANS-PORTER/TRANS-SENDER

8

G

ITEM	PART NO.	DESCRIPTION	QTY
		1 2 3 4	
1	<u>1016538</u>	O-RING	1
2	<u>1017508</u>	PLUG	1
3	<u>1016535</u>	CONNECTOR, OIL SENDING UNIT	1
4	<u>1016538</u>	O-RING	1
5	<u>1016506</u>	CLAMP	1
6	<u>1016544</u>	SCREW, CROSS PAN HEAD SELF-TAPPING, M5 x .8 x 12MM	1
7	<u>1016564</u>	PIN	2
8	<u>1017487</u>	BEARING, CRANKSHAFT	1
9	<u>1017504</u>	SEAL, CRANKSHAFT	1
10	<u>1016584</u>	BOLT, 2-ENDED FLANGED, M8 x 1.25 x 69MM	2
11	<u>1017514</u>	BOLT, FLANGED, M8 x 1.25 x 45MM	6
12	<u>1017472</u>	COVER, CRANKCASE	1
13	<u>1017443</u>	GASKET, CRANKCASE COVER	1
14	<u>1017513</u>	BOLT, FLANGED, M6 x 1 x 12MM	2
15	<u>1016510</u>	BRACKET, OIL LEVEL SWITCH	1
16	<u>1016494</u>	SENSOR, OIL LEVEL	1
17	<u>1016496</u>	SCREW, CROSS PAN HEAD, M4 x .7 x 8MM	3
18	<u>1016454</u>	BOLT, FLANGED, M5 x .8 x 8MM	2
19	<u>1016472</u>	PLATE, OIL FILTER SCREEN	1
20	<u>1016521</u>	SCREEN, OIL FILTER	1
21	<u>1017518-01</u>	SHIM, 0.3MM THICK	A/R
21	<u>1017518-02</u>	SHIM, 0.4MM THICK	A/R
21	<u>1017518-03</u>	SHIM, 0.5MM THICK	A/R
22	<u>1019159-01</u>	CAMSHAFT (WITH AUTOMATIC COMPRESSION RELEASE) (FOR ENGINES WITH SERIAL NUMBERS LOWER THAN 094171) (INCLUDES ITEM 23)	1
22	<u>102271601</u>	CAMSHAFT (WITH AUTOMATIC COMPRESSION RELEASE) (FOR ENGINES WITH SERIAL NUMBERS 094171 AND GREATER) (INCLUDES ITEM 23)	1
23	<u>1017511</u>	SPRING	1
24	<u>1017447</u>	LIFTER, HYDRAULIC	2

FE 350 ENGINE



FE 350 ENGINE—

RESORT VILLAGER, TRANS-PORTER/TRANS-SENDER

ITEM	PART NO.	DESCRIPTION	QTY
		1 2 3 4	
1	<u>1017503</u>	SEAL, OIL	1
2	<u>1019160-01</u>	CRANKCASE, COMPLETE, FE 350 (CLOCKWISE ROTATION)	1
3	<u>1017502</u>	RING, SNAP	2
4	1017450	PIN, PISTON	1
5	<u>1017449-01</u>	PISTON, STANDARD.....	1
5	<u>1017449-02</u>	PISTON, .50MM OVERSIZED	1
6	<u>1017451-01</u>	RING SET, PISTON, STANDARD	1
6	<u>1017451-02</u>	RING SET, PISTON, .50MM OVERSIZED	1
7	1017457-01	ASSEMBLY, CONNECTING ROD, STANDARD (INCLUDES 2 EACH OF ITEM 8)	1
7	<u>1017457-02</u>	ASSEMBLY, CONNECTING ROD, .50MM UNDERSIZED) (INCLUDES 2 EACH OF ITEM 8)	1
8	<u>1017512</u>	BOLT, HEX HEAD, M7 x 1 x 36MM	2
9	1019223-02	CRANKSHAFT, FE350 (LEFT-HAND THREADS) (FOR ENGINES WITH SERIAL NUMBERS LOWER THAN 094171) (INCLUDES ITEMS 10 - 12 AND ONE EACH OF ITEM 13)	1
9	<u>1024309-01</u>	CRANKSHAFT, FE350 (LEFT-HAND THREADS) (FOR ENGINES WITH SERIAL NUMBERS 094171 AND GREATER) (INCLUDES ITEMS 10 - 12 AND ONE EACH OF ITEM 13)	1
10	<u>1016562</u>	KEY	1
11	N/A	GEAR, HELICAL	1
12	N/A	GEAR, SPUR	1
13	<u>1017471</u>	ROD	2
14	<u>1017733-01</u>	SHIM, CRANKSHAFT, 1.18MM THICK	A/R
14	<u>1017733-02</u>	SHIM, CRANKSHAFT, 1.25MM THICK	A/R
14	<u>1017733-03</u>	SHIM, CRANKSHAFT, 1.32MM THICK	A/R
14	<u>1017733-04</u>	SHIM, CRANKSHAFT, 1.39MM THICK	A/R
14	<u>1017733-05</u>	SHIM, CRANKSHAFT, 1.46MM THICK	A/R
14	<u>1017733-06</u>	SHIM, CRANKSHAFT, 1.53MM THICK	A/R
14	<u>1017733-07</u>	SHIM, CRANKSHAFT, 1.60MM THICK	A/R
14	<u>1017733-08</u>	SHIM, CRANKSHAFT, 1.67MM THICK	A/R
14	<u>1017733-09</u>	SHIM, CRANKSHAFT, 1.74MM THICK	A/R
14	<u>1017733-10</u>	SHIM, CRANKSHAFT, 1.11MM THICK	A/R
14	<u>1017733-11</u>	SHIM, CRANKSHAFT, 1.81MM THICK	A/R
15	<u>1017502</u>	SPACER	1
16	<u>1016541</u>	BOLT, STUD, M6 x 1 x 22MM	4
17	1016547	NUT, FLANGED, M6 x 1	4
18	1016470	SHAFT, GUIDE COUNTERBALANCE	1
19	<u>1016571</u>	O-RING	1
20	<u>1017453</u>	WEIGHT, COUNTERBALANCE (INCLUDES ITEM 21)	1
21	1017510	BEARING	1

8

G

ENGINE MOUNTING

8

G

ITEM	PART NO.	DESCRIPTION	QTY
		1 2 3 4	
1	0007473	NUT, NYLON LOCK, 5/16 - 18 (TOURALL ONLY)	2
2	0001241	WASHER, FLAT, 5/16 - 18 (TOURALL ONLY)	2
3	<u>1018646-01</u>	RETAINER, SNUBBER (TOURALL ONLY)	1
4	0007818	BOLT, CARRIAGE, 5/16 - 18 x 1 1/2 (TOURALL ONLY)	2
5	1012164	SNUBBER	1
6	<u>1013924</u>	NUT, HEX LOCK, 5/16 - 24, UNF	10
7	<u>1018346-01</u>	BRACKET, SNUBBER	1
8	<u>1018271-01</u>	PLATE, MOUNTING	1
9	1018330-01	NUT, FLANGE, M8 x 1.25	6
10	<u>1018848-01</u>	SCREW, HEX WASHER, 5/16 -24 x 7/8	10
11	<u>1018333-01</u>	SCREW, HEX HEAD CAP, M10 x 1.25 x 30MM	4
12	<u>1018332-01</u>	STUD, M8 x 1.25 x 60MM (TOURALL ONLY)	2
12	<u>1018331-01</u>	STUD, M8 x 1.25 x 50MM (RESORT VILLAGER, TRANS-PORTER/TRANS-SENDER)	2
13	<u>1018321-01</u>	SPACER (TOURALL ONLY)	2
13	<u>1011697</u>	WASHER, FLAT, 5/16 (RESORT VILLAGER, TRANS-PORTER/TRANS-SENDER)	2
14	<u>1018326-01</u>	STIFFENER, DRIVE CLUTCH SIDE	1
15	<u>1018329-01</u>	NUT, FLANGE, M10 x 1.25	4
16	1012571	WASHER, HEAVY FLAT, 5/16	4
17	<u>1018559-01</u>	SCREW, HEX HEAD CAP, M8 x 1.25 x 43MM	4
18	<u>1018327-01</u>	STIFFENER, FLYWHEEL SIDE	1

8

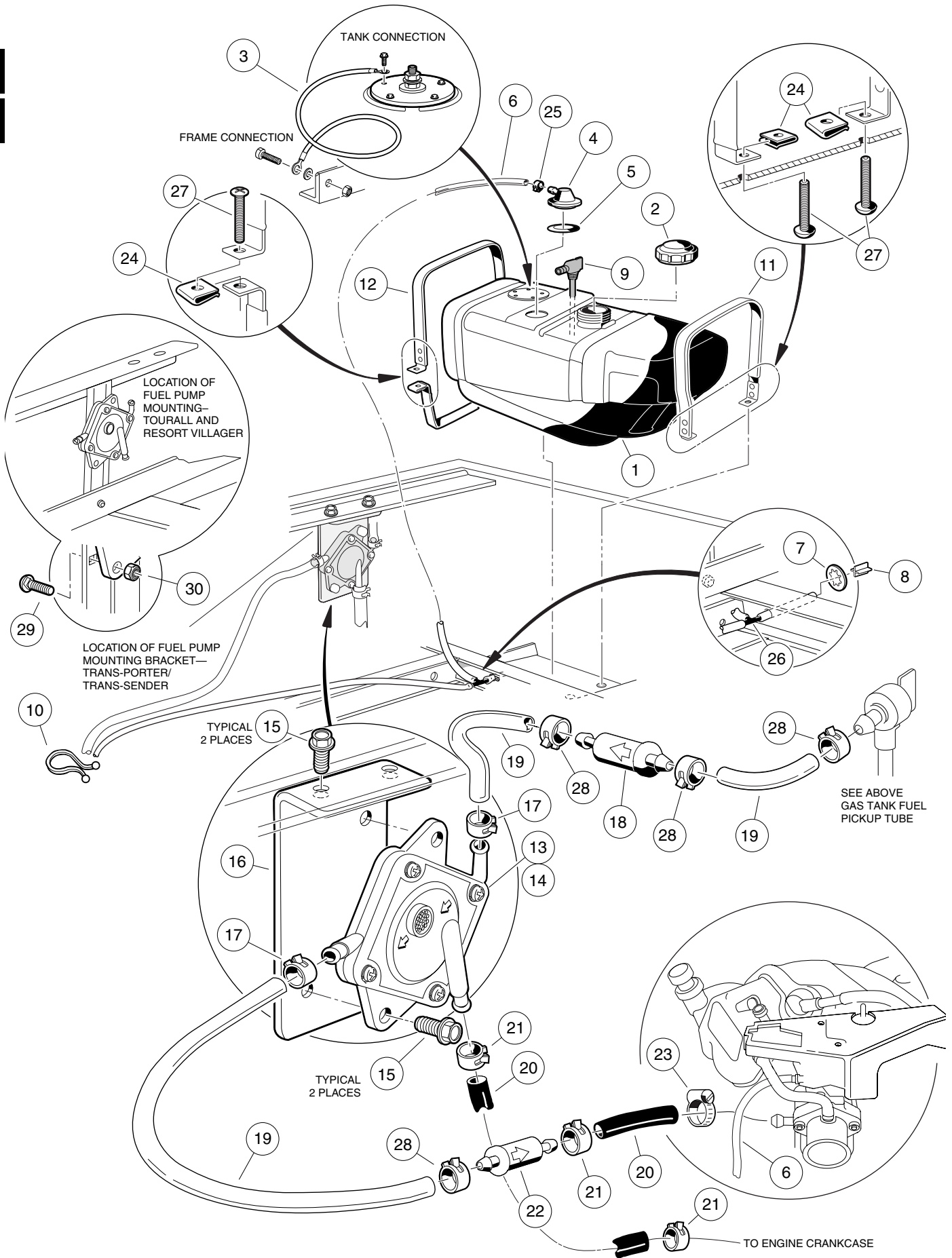
FE 290 ENGINE

G

FUEL, INTAKE, AND GOVERNOR SYSTEMS

9

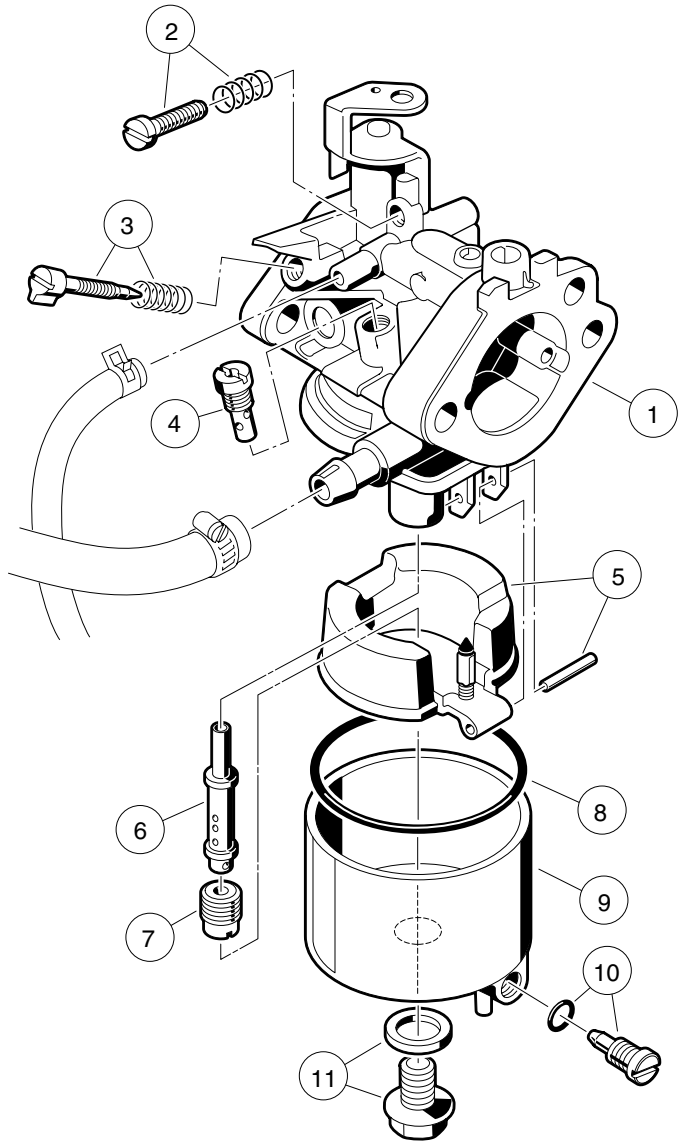
G



FUEL SYSTEM

9
G

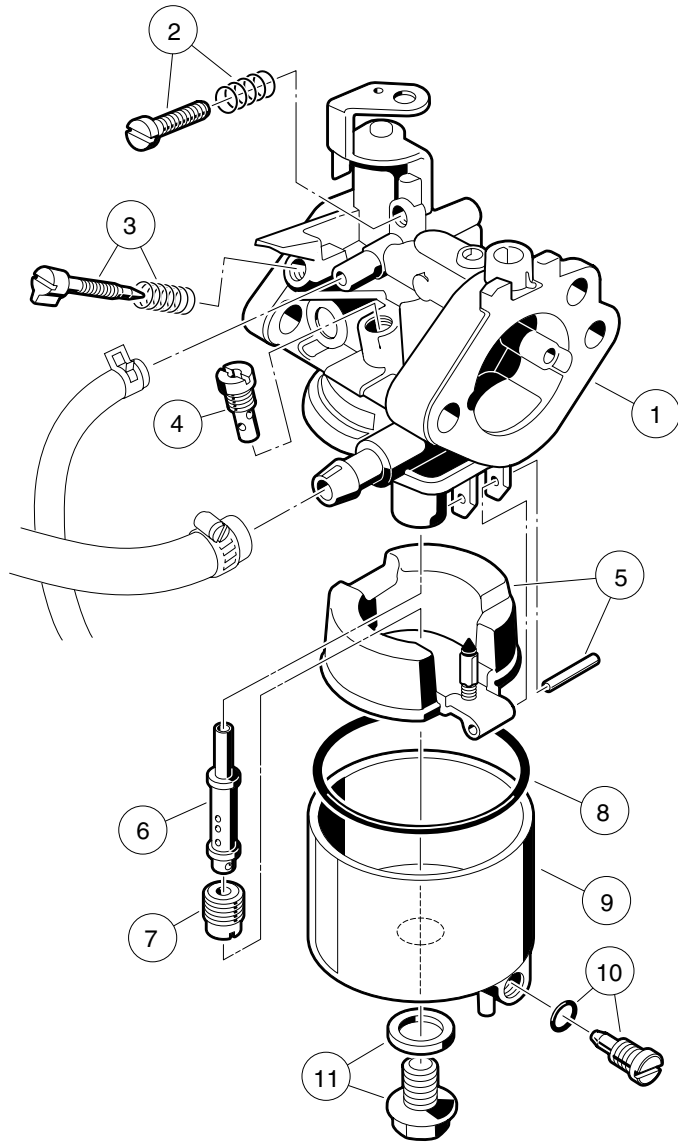
ITEM	PART NO.	DESCRIPTION	QTY
		1 2 3 4	
1	1016004	KIT, FUEL TANK, WITH SENDING UNIT (INCLUDES ITEMS 2 - 9)	1
2	<u>1015188</u>	CAP, FUEL TANK, NONVENTED	1
3	N/A	WIRE ASSEMBLY, #16 BLACK	1
4	<u>1015143</u>	ASSEMBLY, FUEL TANK VENT	1
5	<u>1015139</u>	GROMMET, INSULATION	1
6	<u>1015137</u>	LINE, BULK VENT	A/R
7	<u>1016059</u>	CLIP, STUD	1
8	<u>1018244-01</u>	BARB, VENT	1
9	1018969-01	VALVE, FUEL PICKUP TUBE WITH SHUT-OFF	1
10	1019877-01	CLAMP, WIRE.....	1
11	<u>1014928</u>	ASSEMBLY, REAR FUEL STRAP	1
12	<u>1019553-01</u>	ASSEMBLY, FRONT FUEL STRAP	1
13	<u>1014523</u>	PUMP, FUEL IMPULSE.....	1
14	<u>1014524</u>	KIT, REBUILD, FUEL IMPULSE PUMP.....	1
15	<u>1012285</u>	SCREW, THREAD-ROLLING, 1/4 - 20 x 5/8	4
16	<u>1019295-01</u>	BRACKET, FUEL PUMP MOUNTING	1
17	<u>1013134-01</u>	CLAMP, HOSE (BLACK)	2
18	1013684	FILTER , PRIMARY FUEL (WHITE)	1
19	<u>1012293</u>	LINE, BULK FUEL (YELLOW)	A/R
20	<u>1013692</u>	LINE, BULK FUEL (BLACK)	A/R
21	<u>1012649</u>	CLAMP, HOSE (RED)	3
22	1014522	FILTER, SECONDARY FUEL (BLUE)	1
23	<u>1013687</u>	CLAMP, HOSE, 3/8	1
24	<u>1014116</u>	NUT, U-TYPE SPEED, 1/4 - 20	3
25	<u>1013746</u>	CLAMP, HOSE (GREY)	1
26	<u>1019556-01</u>	T-FITTING	1
27	<u>1011988</u>	SCREW, PHILLIPS TRUSS HEAD, 1/4 - 20 x 2	3
28	<u>1013134-02</u>	CLAMP, HOSE (GREEN)	4
29	<u>1017203</u>	BOLT, CARRIAGE, 1/4-20 X 1	2
30	<u>8233</u>	NUT, NYLON LOCK, 1/4-20	2



CARBURETOR ASSEMBLY, FE 290— TOURALL

9
G

ITEM	PART NO.	DESCRIPTION	QTY
		1 2 3 4	
1	<u>1019056-01</u>	ASSEMBLY, CARBURETOR (INCLUDES ITEMS 2 - 11)	1
2	<u>1016501</u>	ASSEMBLY, IDLE SCREW	1
3	N/A	ASSEMBLY, PILOT AIR SCREW	1
4	<u>1019731-01</u>	JET, PILOT, #40	1
5	<u>1016486</u>	ASSEMBLY, FLOAT	1
6	<u>1019732-01</u>	NOZZLE, MAIN	1
		STANDARD JETTING:	
7	<u>1016425-82</u>	JET, MAIN, 0 - 3,000 FEET	A/R
7	<u>1016425-80</u>	JET, MAIN, 3,000 - 5,000 FEET	A/R
7	<u>1016425-78</u>	JET, MAIN, 5,000 - 8,000 FEET	A/R
7	<u>1016425-75</u>	JET, MAIN, 8,000 - 10,000 FEET	A/R
7	<u>1016425-72</u>	JET, MAIN, 10,000 FEET AND ABOVE	A/R
8	<u>1016437</u>	GASKET, FLOAT CHAMBER	1
9	<u>1017461</u>	ASSEMBLY, FLOAT CHAMBER (INCLUDES ITEM 10)	1
10	<u>1016499</u>	ASSEMBLY, SCREW	1
11	<u>1016585</u>	ASSEMBLY, BOLT	1



CARBURETOR ASSEMBLY, FE 350— RESORT VILLAGER, TRANS-PORTER/TRANS-SENDER

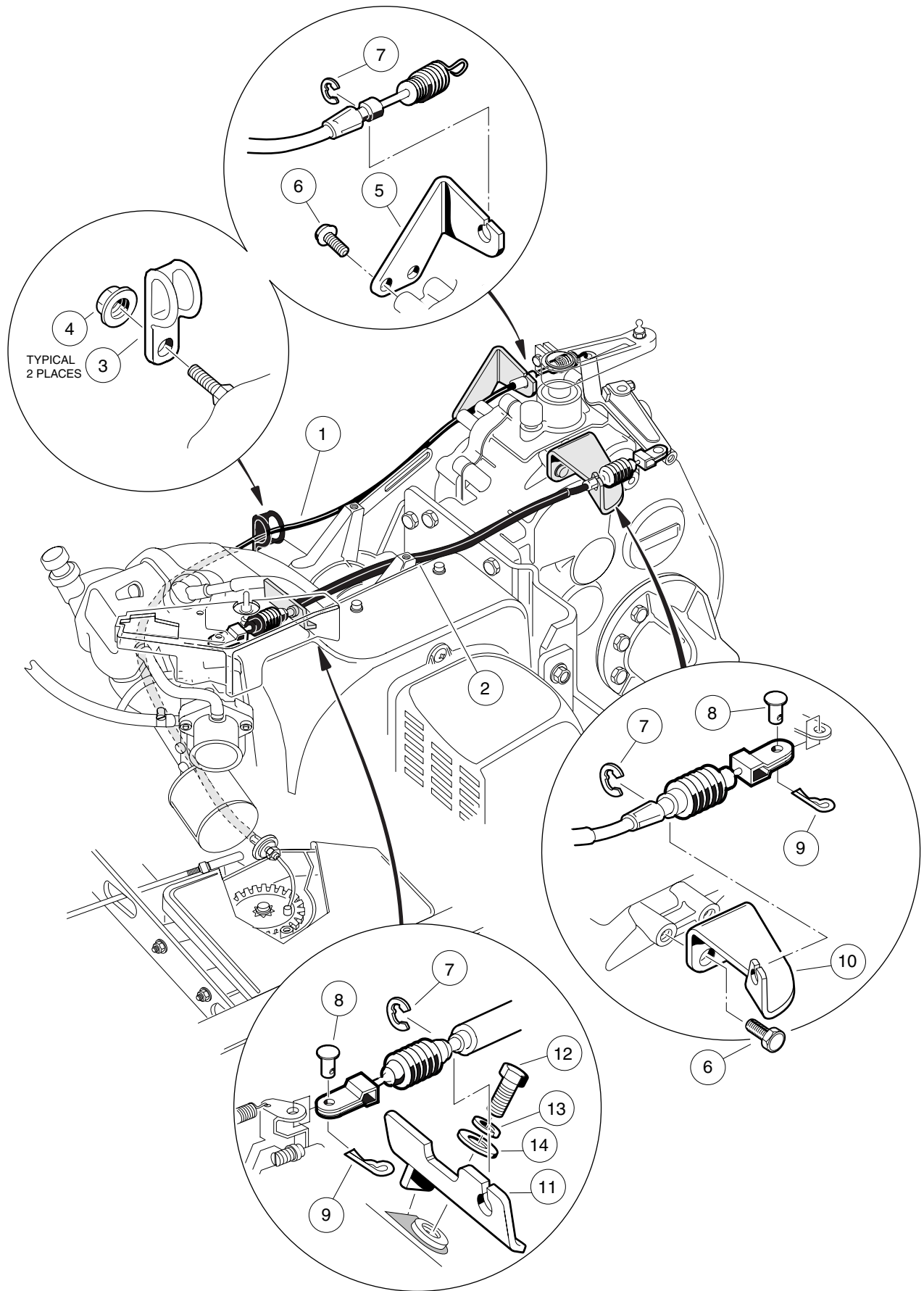
ITEM	PART NO.	DESCRIPTION	QTY
		1 2 3 4	
1	<u>1019059-01</u>	ASSEMBLY, CARBURETOR (INCLUDES ITEMS 2 - 11)	1
2	<u>1016501</u>	ASSEMBLY, IDLE SCREW	1
3	N/A	ASSEMBLY, PILOT AIR SCREW	1
4	<u>1019731-01</u>	JET, PILOT, #40	1
5	<u>1016486</u>	ASSEMBLY, FLOAT	1
6	<u>1019733-01</u>	NOZZLE, MAIN	1
		STANDARD JETTING:	
7	<u>1016425-85</u>	JET, MAIN, 0 - 3,000 FEET	A/R
7	<u>1016425-82</u>	JET, MAIN, 3,000 - 5,000 FEET	A/R
7	<u>1016425-80</u>	JET, MAIN, 5,000 - 8,000 FEET	A/R
7	<u>1016425-78</u>	JET, MAIN, 8,000 - 10,000 FEET	A/R
7	<u>1016425-75</u>	JET, MAIN, 10,000 FEET AND ABOVE	A/R
8	<u>1016437</u>	GASKET, FLOAT CHAMBER	1
9	<u>1017461</u>	ASSEMBLY, FLOAT CHAMBER (INCLUDES ITEM 10)	1
10	<u>1016499</u>	ASSEMBLY, SCREW	1
11	<u>1016585</u>	ASSEMBLY, BOLT	1

9
G

CARBURETOR INSTALLATION

ITEM	PART NO.	DESCRIPTION	QTY
		1 2 3 4	
1	<u>1016440</u>	GASKET, INSULATOR	1
2	1016481-02	INSULATOR, CARBURETOR	1
3	<u>1016439</u>	GASKET, CARBURETOR INSULATOR TO THROTTLE BRACKET (TOURALL ONLY)	1
3	<u>1019734-01</u>	GASKET, CARBURETOR INSULATOR TO THROTTLE BRACKET (RESORT VILLAGER, TRANS-PORTER/TRANS-SENDER)	1
4	<u>1016444</u>	BRACKET, THROTTLE	1
5	1018202-01	GUARD, GOVERNOR (TOURALL ONLY)	1
6	<u>1016103</u>	SCREW, PAN/TORX HEAD SELF-TAPPING, #6 - 32 x 1/4 (TOURALL ONLY)	2
7	<u>1011697</u>	WASHER, FLAT, 5/16 (TOURALL ONLY)	1
8	<u>1018876-01</u>	NUT, NYLON LOCK, M6 x 1 (TOURALL ONLY)	1
9	<u>1013746</u>	CLAMP, HOSE	1
10	<u>1016441</u>	GASKET, THROTTLE BRACKET TO CARBURETOR	1
11	<u>1016582</u>	SPRING, THROTTLE RETURN	1
12	<u>1019056-01</u>	ASSEMBLY, CARBURETOR (TOURALL ONLY)	1
12	<u>1019059-01</u>	ASSEMBLY, CARBURETOR (RESORT VILLAGER, TRANS-PORTER/TRANS-SENDER)	1
13	<u>1017466</u>	CLAMP, HOSE	2
14	<u>1015137</u>	LINE, BULK VENT	A/R
15	<u>1016572</u>	TUBE, CRANKCASE VENT	1
16	<u>1016438</u>	GASKET, CARBURETOR TO INTAKE MANIFOLD	1
17	1016480	PIPE, INTAKE	1
18	<u>1016490-02</u>	SCREW, 2-ENDED STUD, M6 x 1 x 90MM	2
19	1016547	NUT, FLANGED, M6 x 1	2





GOVERNOR AND ACCELERATOR CABLES

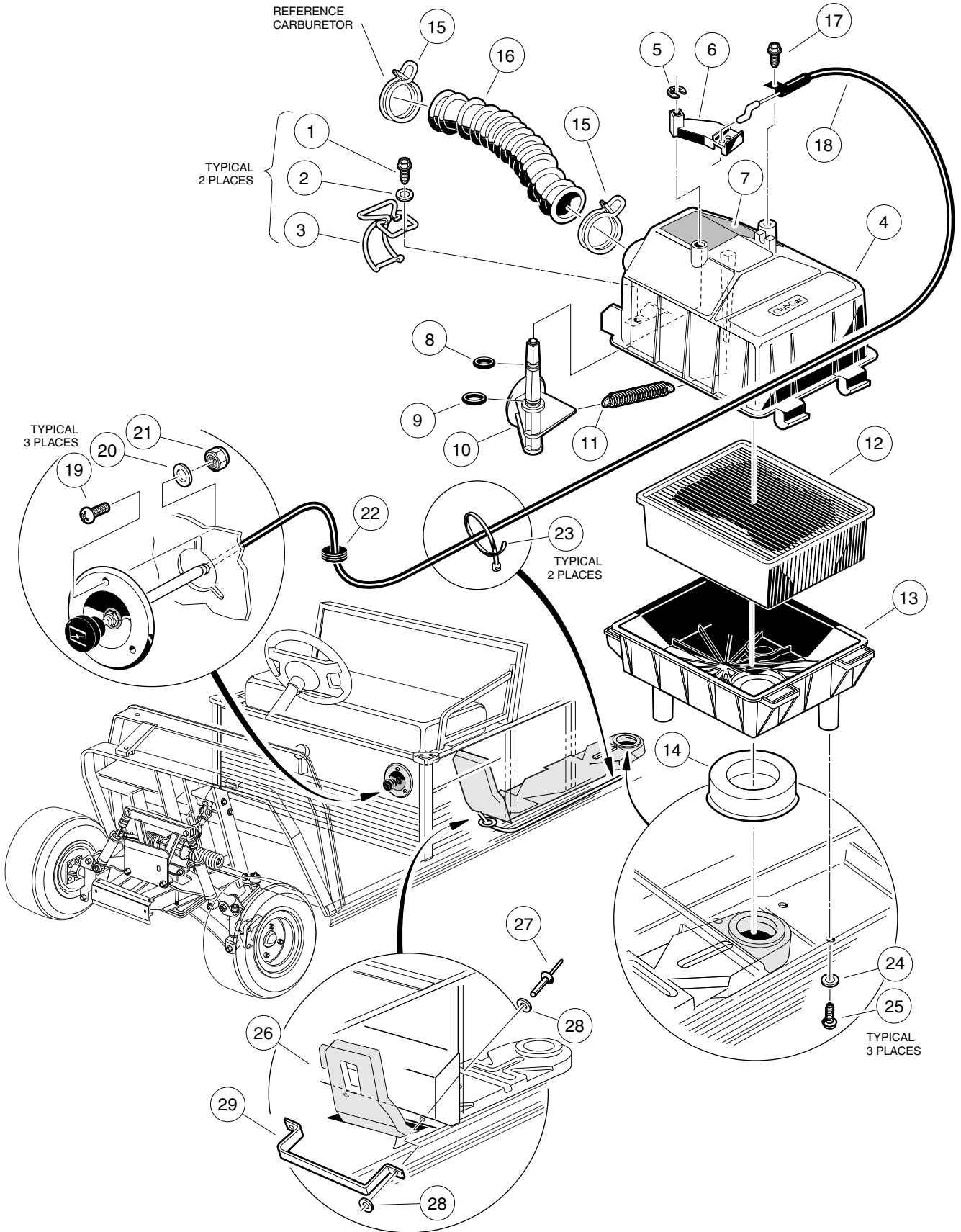
ITEM	PART NO.	DESCRIPTION	QTY
		1 2 3 4	
1	<u>1018325-01</u>	CABLE, ACCELERATOR*	1
2	<u>1018324-01</u>	CABLE, GOVERNOR (TOURALL)*	1
2	<u>1018324-02</u>	CABLE, GOVERNOR (RESORT VILLAGER, TRANS-PORTER/TRANS-SENDER)*	1
3	<u>1013700</u>	CLAMP, CABLE RETAINING	2
4	<u>1016546</u>	NUT, FLANGED HEX, M8 x 1.25	2
5	<u>1018323-01</u>	BRACKET, ACCELERATOR SUPPORT	1
6	<u>1012285</u>	SCREW, THREAD ROLLING, 1/4 - 20 x 5/8	4
7	<u>1016202</u>	E-RING	3
8	<u>1015408</u>	PIN, GOVERNOR CABLE CLEVIS	2
9	<u>1014413</u>	PIN, HAIR SPRING COTTER, 1/8 I.D. x 5/8	2
10	<u>1018322-01</u>	BRACKET, SUPPORT	1
11	<u>1015845</u>	BRACKET, GOVERNOR CABLE ENGINE	1
12	<u>1019035-01</u>	SCREW, HEX HEAD CAP, M8 x 1.25 x 24 MM	1
13	<u>0007174</u>	WASHER, LOCK, 5/16	1
14	<u>1011697</u>	WASHER, FLAT, 5/16	1
		* ITEMS 1 AND 2 ARE NO LONGER AVAILABLE. WHEN ORDERING REPLACEMENT PARTS FOR THESE ITEMS, ORDER THE FOLLOWING CONVERSION KITS:	
15	<u>102437801</u>	KIT, ACCELERATOR CABLE	1
16	<u>102437901</u>	KIT, GOVERNOR CABLE	1



INTAKE DUCT, CHOKE, AND AIR BOX ASSEMBLY— TOURALL

9
G

ITEM	PART NO.	DESCRIPTION	QTY
		1 2 3 4	
	<u>1018215-01</u>	ASSEMBLY, AIR BOX (INCLUDES ITEMS 1 - 14)	1
1	<u>1018043-01</u>	SCREW, HI-LO HEX HEAD, #8 - 1/2	2
2	<u>1018817-01</u>	WASHER, STAINLESS STEEL, #8	2
3	<u>1019257-01</u>	LATCH, WIRE	2
4	<u>1019728-01</u>	ASSEMBLY, AIR BOX TOP (INCLUDES ITEMS 5 - 11)	1
5	<u>1018130-01</u>	E-CLIP	1
6	<u>1019176-01</u>	LEVER, CHOKE	1
7	<u>1019443-01</u>	DECAL, SERVICE	1
8	N/A	O-RING, 5/16 (RED)	1
9	N/A	O-RING, 3/8 (GREEN)	1
10	N/A	VALVE, CHOKE	1
11	<u>1018123-01</u>	SPRING, RETURN	1
12	<u>1015426</u>	FILTER, AIR	1
13	<u>1018119-01</u>	BOTTOM, AIR BOX	1
14	<u>1019215-01</u>	SEAL, INTAKE	1
15	<u>1019713-01</u>	CLAMP, HOSE (AIR INTAKE)	2
16	<u>1018371-01</u>	HOSE, INTAKE	1
17	<u>1018503-01</u>	SCREW, HI-LO, #12 x 1/2	4
18	<u>1019177-01</u>	POSITIONER, CHOKE	1
19	<u>1018057-01</u>	ASSEMBLY, CHOKE BUTTON (INCLUDES ITEMS 20, 21 AND 22)	1
20	<u>1018115-01</u>	GUIDE, CHOKE LEVER	1
21	<u>1018562-01</u>	SPRING, COMPRESSION	1
22	<u>1018114-01</u>	LEVER, CHOKE	1
23	0000332	WASHER, FLAT, 1/4	3
24	1015752	SCREW, HI-LO, #12 - 16 x 5/8	3
25	<u>1019581-01</u>	ASSEMBLY, AIR DUCT	1
26	0001606	RIVET, POP, 3/16	2
27	0000183	WASHER, FLAT, #10	4
	1019710-01	AIR DUCT REPAIR KIT (NOT SHOWN)	A/R



INTAKE DUCT, CHOKE, AND AIR BOX ASSEMBLY— RESORT VILLAGER, TRANS-PORTER/TRANS-SENDER

9
G

ITEM	PART NO.	DESCRIPTION	QTY
		1 2 3 4	
	<u>1018215-01</u>	ASSEMBLY, AIR BOX (INCLUDES ITEMS 1 - 14)	1
1	<u>1018043-01</u>	SCREW, HI-LO HEX HEAD, #8 - 1/2	2
2	<u>1018817-01</u>	WASHER, STAINLESS STEEL, #8	2
3	<u>1019257-01</u>	LATCH, WIRE	2
4	<u>1019728-01</u>	ASSEMBLY, AIR BOX TOP (INCLUDES ITEMS 5 - 11)	1
5	<u>1018130-01</u>	E-CLIP	1
6	<u>1019176-01</u>	LEVER, CHOKE	1
7	<u>1019443-01</u>	DECAL, SERVICE	1
8	N/A	O-RING, 5/16 (RED)	1
9	N/A	O-RING, 3/8 (GREEN)	1
10	N/A	VALVE, CHOKE	1
11	<u>1018123-01</u>	SPRING, RETURN	1
12	<u>1015426</u>	FILTER, AIR	1
13	<u>1018119-01</u>	BOTTOM, AIR BOX	1
14	<u>1019215-01</u>	SEAL, INTAKE	1
15	<u>1019713-01</u>	CLAMP, HOSE (AIR INTAKE)	2
16	<u>1018371-01</u>	HOSE, INTAKE	1
17	<u>1018043-01</u>	SCREW, HEX HEAD HI-LO, #8 x 1/2	1
18	<u>1019268-02</u>	CABLE, CHOKE	1
19	0001631	SCREW, PAN HEAD, 10 - 24 x 3/4	3
20	0000183	WASHER, #10	3
21	<u>1012438</u>	NUT, NYLON LOCK, #10 - 24	3
22	<u>1015139</u>	GROMMET	1
23	0008168	TIE, WIRE	2
24	0000332	WASHER, FLAT, 1/4	3
25	<u>1015752</u>	SCREW, HI-LO, #12 - 16 x 5/8	3
26	<u>1018113-01</u>	DUCT, AIR	1
27	0007973	RIVET, POP, 3/16 x .19 (TRANS-PORTER/TRANS-SENDER)	2
27	0001606	RIVET, POP, 3/16 x .44 (RESORT VILLAGER)	2
28	0000183	WASHER, FLAT, #10	4
29	<u>1018257-01</u>	BRACKET, RETAINING	1
	<u>1019710-01</u>	AIR DUCT REPAIR KIT (NOT SHOWN)	A/R

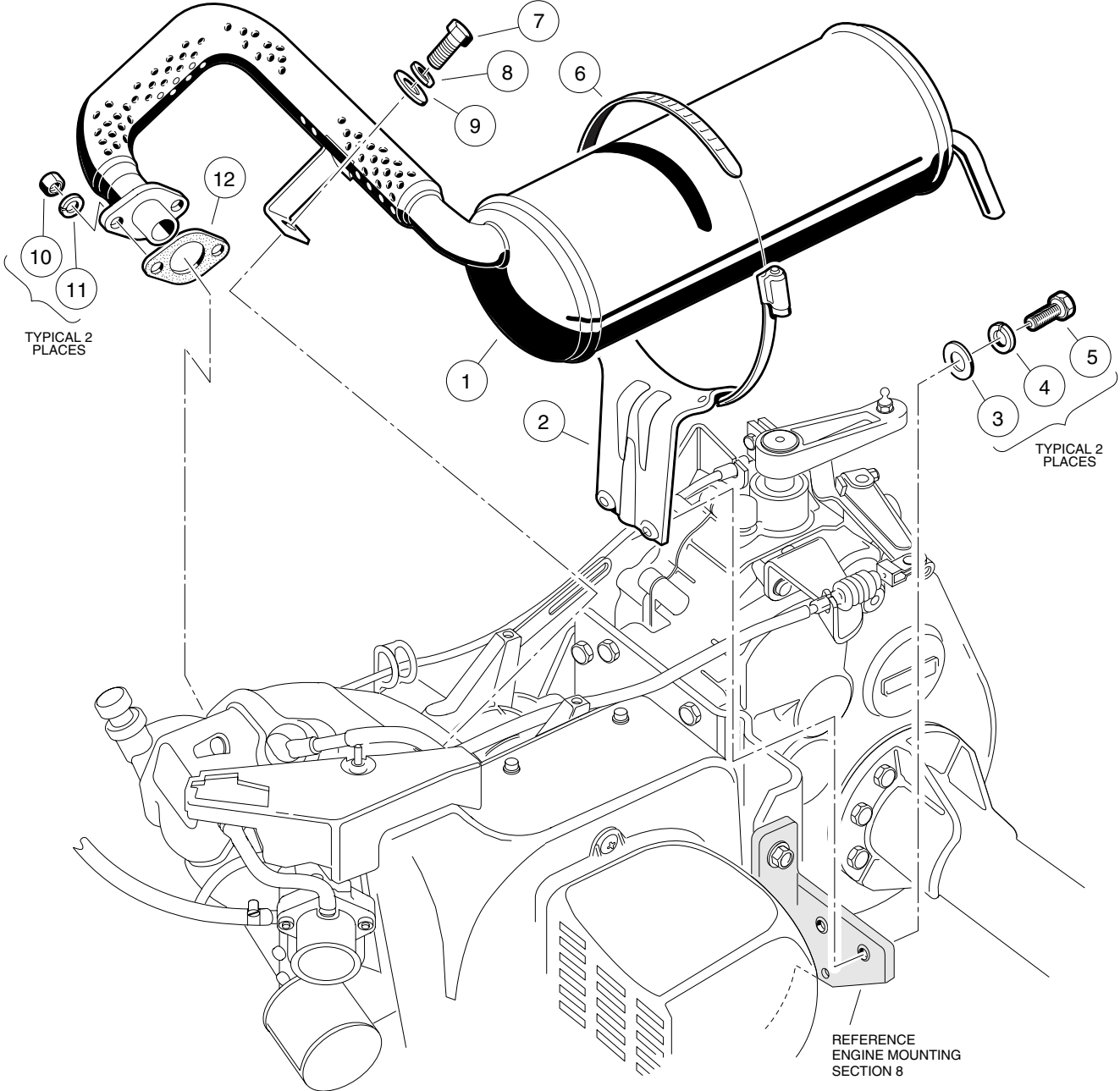
9

G

EXHAUST SYSTEM

10

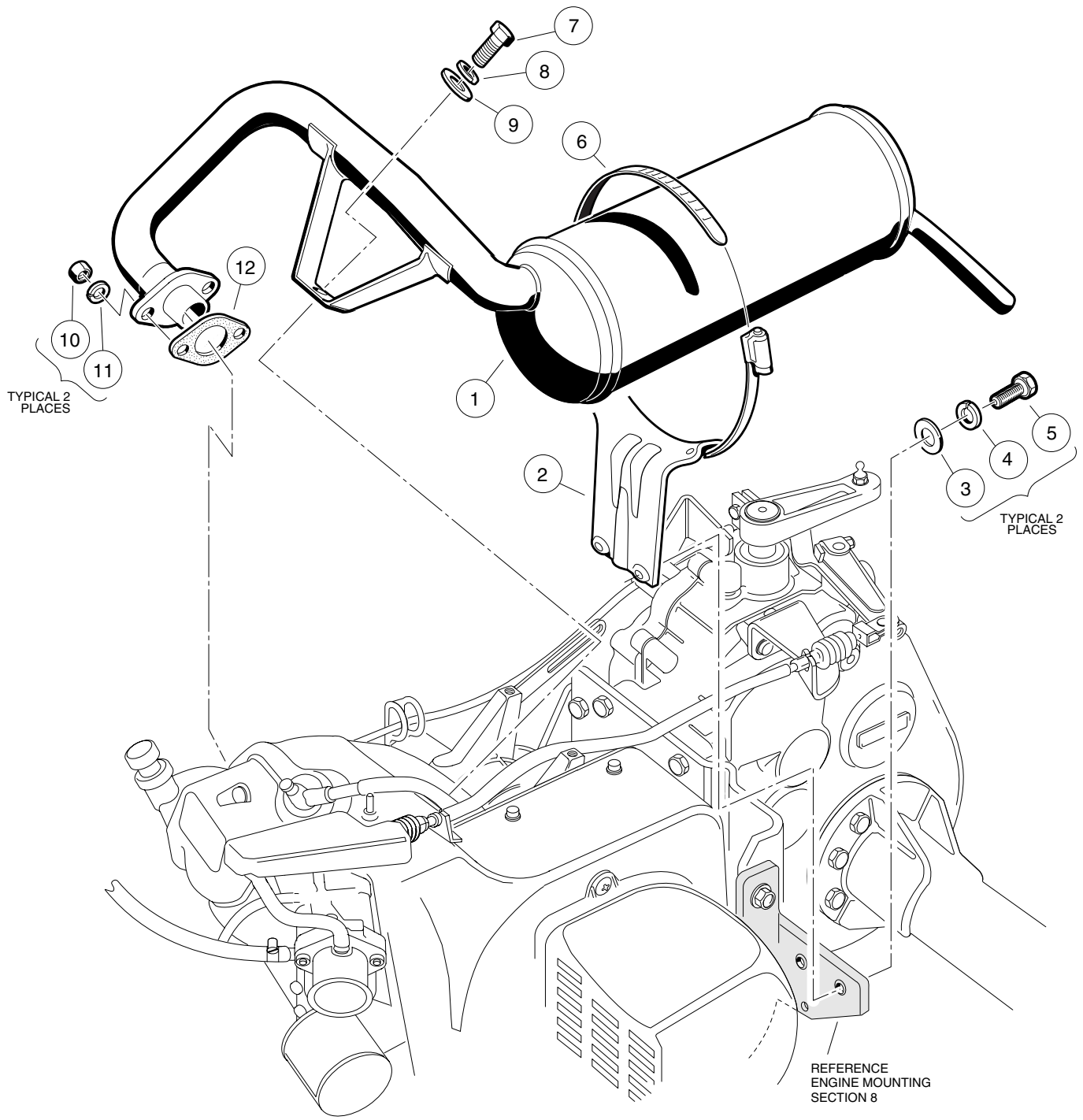
G



EXHAUST SYSTEM, FE 290— TOURALL

ITEM	PART NO.	DESCRIPTION	QTY
		1 2 3 4	
1	<u>1018593-01</u>	SYSTEM, EXHAUST	1
2	<u>1015814</u>	BRACKET, MUFFLER MOUNTING	1
3	0000332	WASHER, FLAT, 1/4	2
4	0000451	WASHER, LOCK, 1/4	2
5	0007847	SCREW, HEX HEAD, 1/4 - 20 x 3/4	2
6	1017689	CLAMP, MUFFLER	1
7	1019035-01	SCREW, HEX HEAD CAP, M8 x 1.25 x 24MM	1
8	0007174	WASHER, LOCK, 5/16	1
9	1015075	WASHER, FLAT, 5/16	1
10	<u>1012528</u>	NUT, HEX, M8 x 1.25	2
11	<u>1013734</u>	WASHER, LOCK, 8MM	2
12	<u>1015330</u>	GASKET, EXHAUST	1

10
G



EXHAUST SYSTEM, FE 350— RESORT VILLAGER, TRANS-SENDER/TRANS-PORTER

ITEM	PART NO.	DESCRIPTION	QTY
		1 2 3 4	
1	<u>1018594-01</u>	SYSTEM, EXHAUST	1
2	<u>1015814</u>	BRACKET, MUFFLER MOUNTING	1
3	0000332	WASHER, FLAT, 1/4	2
4	0000451	WASHER, LOCK, 1/4	2
5	0007847	SCREW, HEX HEAD, 1/4 - 20 x 3/4	2
6	1017689	CLAMP, MUFFLER	1
7	1019035-01	SCREW, HEX HEAD CAP, M8 x 1.25 x 24MM	1
8	0007174	WASHER, LOCK, 5/16	1
9	1015075	WASHER, FLAT, 5/16	1
10	<u>1012528</u>	NUT, HEX, M8 x 1.25	2
11	<u>1013734</u>	WASHER, LOCK, 8MM	2
12	<u>1016904</u>	GASKET, EXHAUST	1

10
G

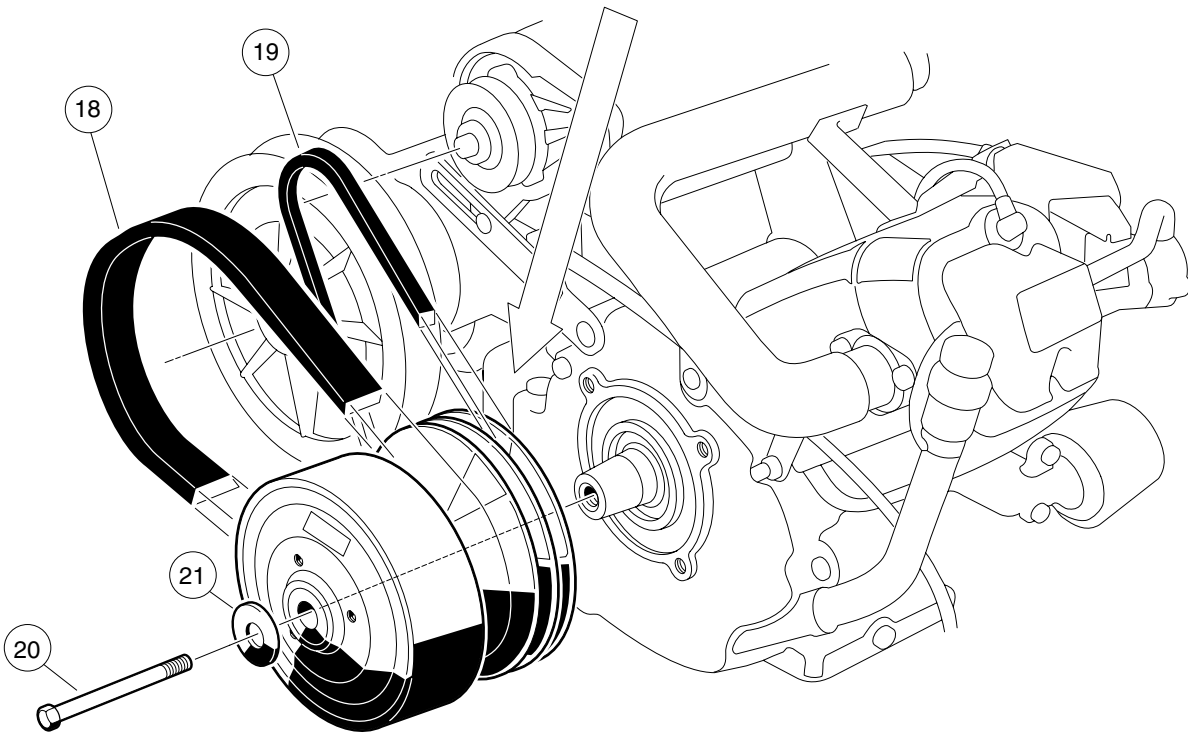
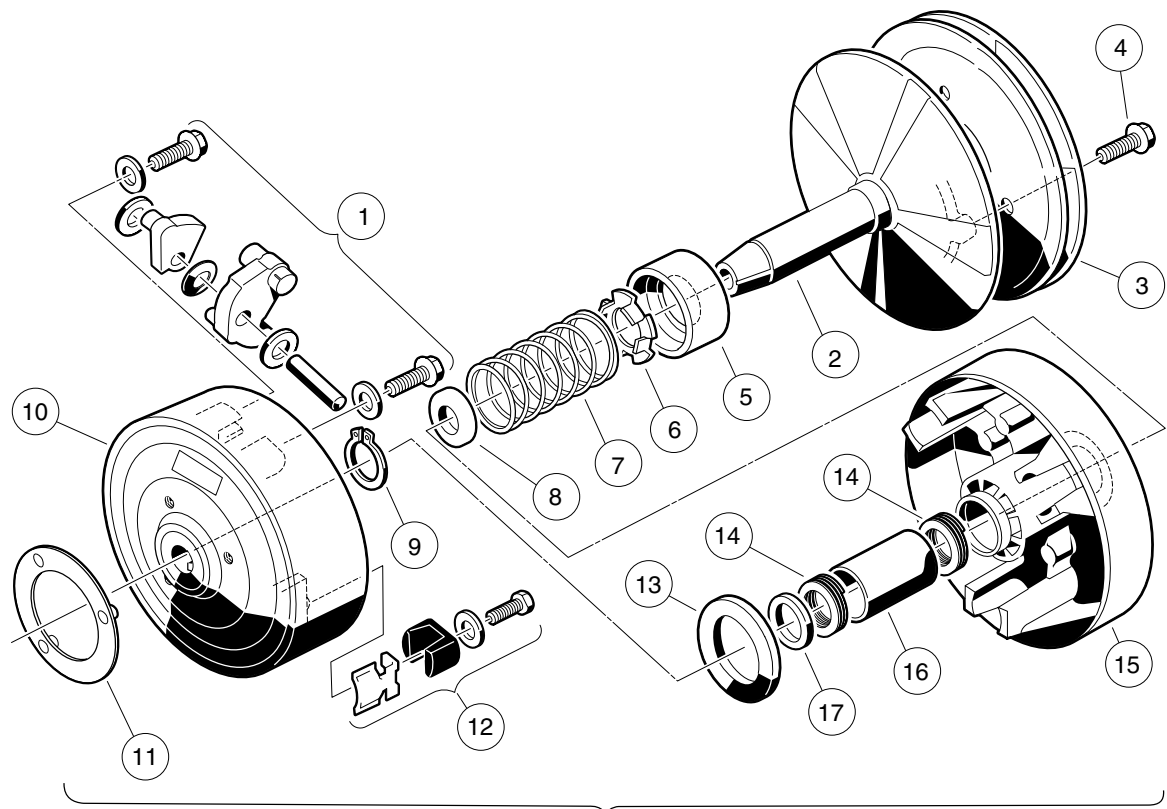
10

G

TORQUE CONVERTER

11

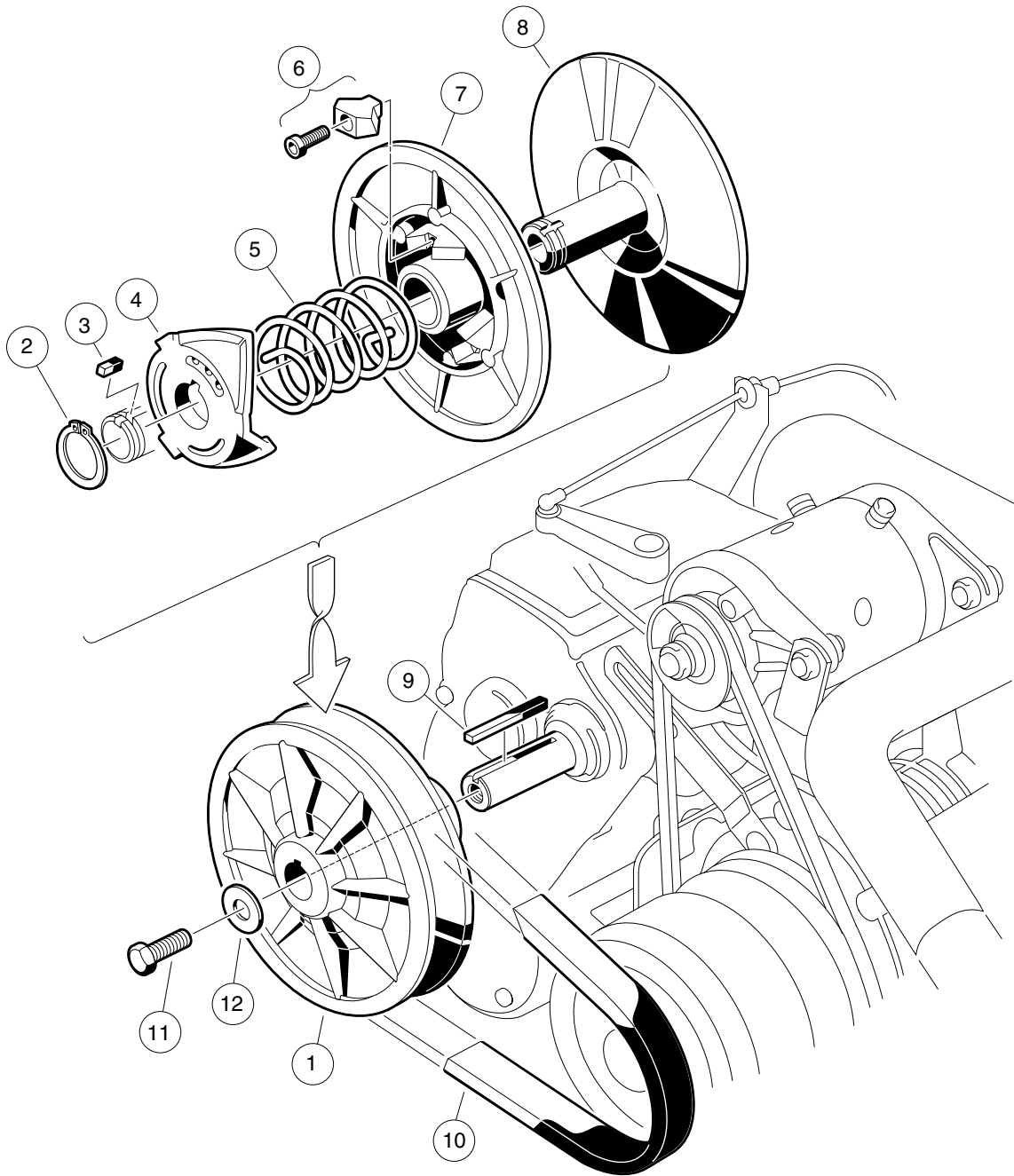
G



DRIVE CLUTCH

11
G

ITEM	PART NO.	DESCRIPTION	QTY
		1 2 3 4	
	<u>1018339-02</u>	ASSEMBLY, DRIVE CLUTCH (TOURALL ONLY) (INCLUDES ITEMS 1 - 17)	1
	<u>1018339-04</u>	ASSEMBLY, DRIVE CLUTCH (RESORT VILLAGER, TRANS-PORTER/TRANS-SENDER) (INCLUDES ITEMS 1 - 17)	1
1	<u>1016801</u>	KIT, DRIVE CLUTCH WEIGHT	1
2	<u>1019298-01</u>	ASSEMBLY, FIXED FACE (TOURALL ONLY) (INCLUDES ITEMS 3 AND 4)	1
2	<u>1017383-01</u>	ASSEMBLY, FIXED FACE (RESORT VILLAGER, TRANS-PORTER/TRANS-SENDER) (INCLUDES ITEMS 3 AND 4)	1
3	N/A	PULLEY	1
4	N/A	SCREW, WASHER HEAD HEX MACHINE	3
5	1014049	BEARING, IDLER	1
6	<u>1014050</u>	SPRING, RETAINER	1
7	<u>1014051</u>	SPRING, DRIVE CLUTCH—BLACK (TOURALL ONLY)	1
7	<u>1016901</u>	SPRING, DRIVE CLUTCH—DARK GREEN (RESORT VILLAGER, TRANS-PORTER/TRANS-SENDER)	1
8	<u>1016289</u>	SPACER, FIXED FACE SHAFT	1
9	<u>1014057</u>	RING, RETAINING	1
10	1014059	ASSEMBLY, DRIVE HUB	1
11	<u>1019256-01</u>	PLUG, DRIVE CLUTCH	1
12	<u>1014453</u>	KIT, DRIVE CLUTCH BUTTON	1
13	1014058	WASHER, THRUST	1
14	<u>1014056</u>	RING, SPIRAL BACK-UP	2
15	1014052	ASSEMBLY, MOVEABLE FACE (INCLUDES ITEMS 16 AND 17)	1
16	N/A	BUSHING	1
17	<u>1014055</u>	RETAINER	1
18	<u>1016203</u>	BELT, DRIVE (TOURALL ONLY)	1
18	<u>1017188</u>	BELT, DRIVE (RESORT VILLAGER, TRANS-PORTER/TRANS-SENDER)	1
19	<u>1019167-01</u>	BELT, STARTER/GENERATOR	1
20	<u>1019165-01</u>	SCREW, HEX HEAD CAP (LEFT HAND THREADS), 3/8 - 24 x 5 1/2	1
21	<u>1017328</u>	WASHER, MOUNTING—GREEN	1



DRIVEN CLUTCH

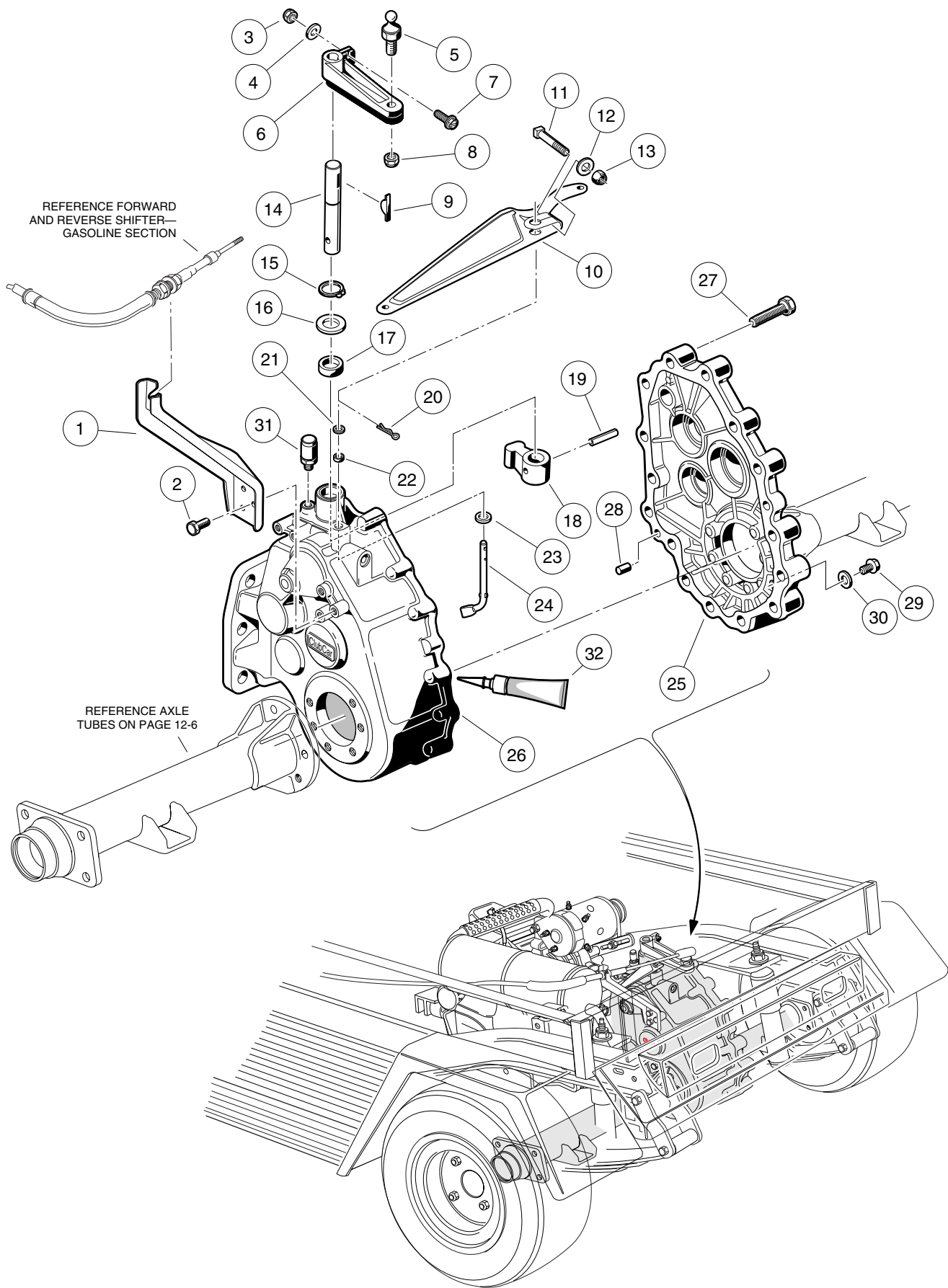
ITEM	PART NO.	DESCRIPTION	QTY
		1 2 3 4	
1	<u>1018340-01</u>	ASSEMBLY, DRIVEN CLUTCH (INCLUDES ITEMS 2 - 8)	1
2	<u>1014080</u>	RING, RETAINING	1
3	<u>1014078</u>	KEY	1
4	<u>1017686</u>	CAM	1
5	<u>1018362-01</u>	SPRING—GREEN	1
6	<u>1014454</u>	KIT, BUTTON (INCLUDES 3 BUTTONS AND 3 SCREWS)	1
7	<u>1014072</u>	ASSEMBLY, MOVEABLE FACE, WITH BUSHING	1
8	<u>1014070</u>	ASSEMBLY, FIXED FACE	1
9	<u>1018334-01</u>	KEY, SQUARE TRANSMISSION	1
10	<u>1016203</u>	BELT, DRIVE (TOURALL ONLY)	1
10	<u>1017188</u>	BELT, DRIVE (RESORT VILLAGER, TRANS-PORTER/TRANS-SENDER)	1
11	0007173	SCREW, HEX HEAD CAP, 5/16 - 18 x 3/4	1
12	<u>1017327</u>	WASHER, MOUNTING—YELLOW	1

11
G

UNITIZED TRANSAXLE— GASOLINE VEHICLE

12

G

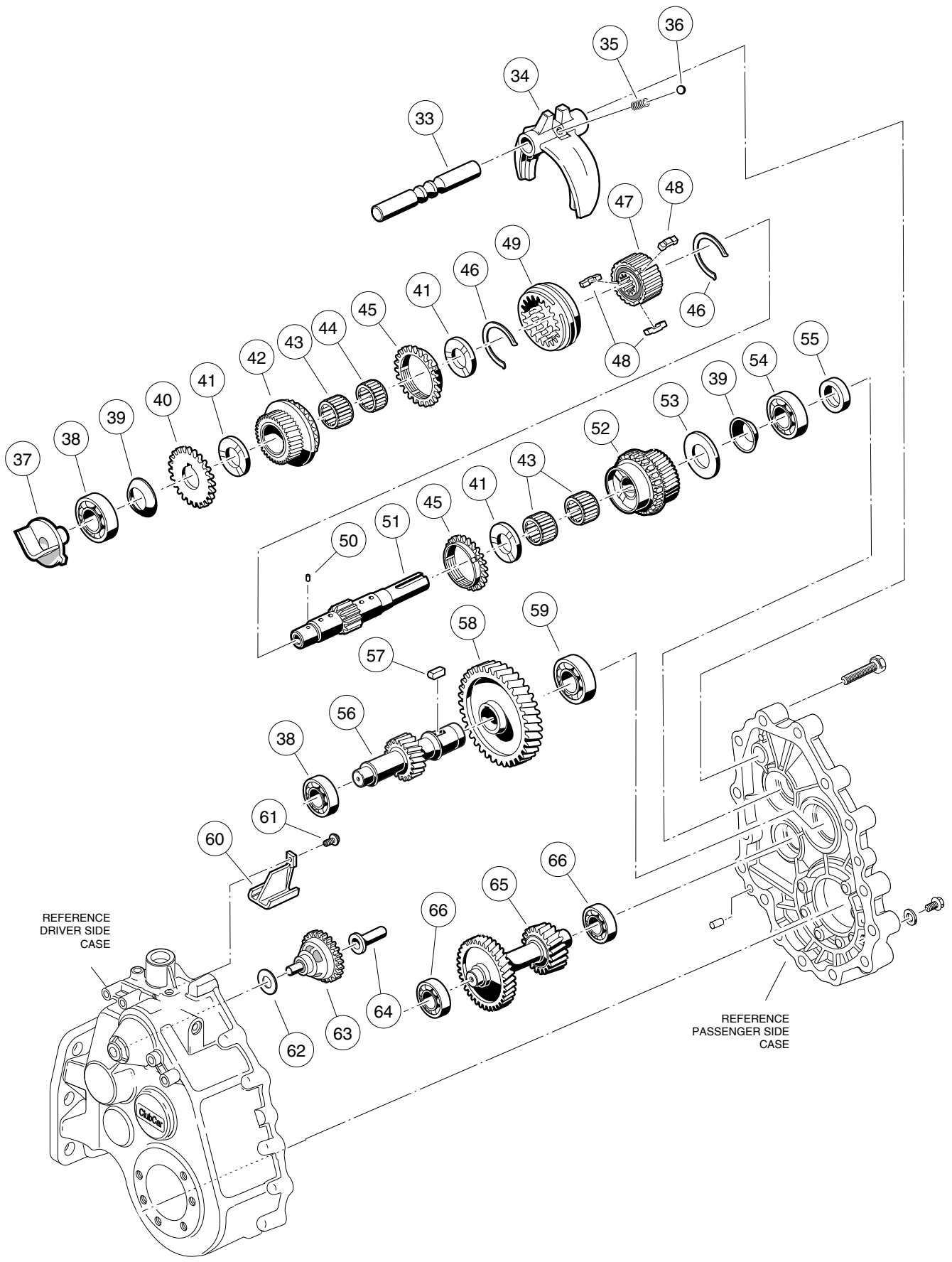


UNITIZED TRANSAXLE—GASOLINE VEHICLE

ITEM	PART NO.	DESCRIPTION	QTY
		1 2 3 4	
1	<u>1019226-01</u>	BRACKET, TRANSMISSION CABLE SUPPORT	1
2	<u>1012285</u>	SCREW, THREAD ROLLING, 1/4 - 20 x 5/8	3
3	<u>1013061</u>	NUT, NYLON LOCK, #10 - 32	1
4	0000183	WASHER, FLAT, #10	1
5	<u>1010954</u>	STUD, BALL, 1/4 - 28 x 9/16	1
6	<u>1016341</u>	LEVER, TRANSMISSION SHIFTER	1
7	<u>1017082</u>	SCREW, HEX WASHER HEAD, #10 - 32 x 3/4	1
8	0008717	NUT, NYLON LOCK, 1/4 - 28	1
9	<u>1017231</u>	KEY, WOODRUFF	1
10	<u>1018348-01</u>	ARM, GOVERNOR LEVER	1
11	<u>1018861-01</u>	SCREW, SQUARE HEAD, 1/4 - 20 x 1	1
12	<u>1014007</u>	WASHER, FLAT, TYPE B, 1/4	1
13	0008233	NUT, NYLON LOCK, 1/4 - 20	1
	<u>1018336-01</u>	UNITIZED TRANSAXLE (INCLUDES ITEMS 14 - 90)	1
14	<u>1018902-01</u>	SHAFT, SHIFTER	1
15	<u>1019273-01</u>	RING, SNAP	1
16	<u>1018929-01</u>	WASHER, FLAT	1
17	<u>1019272-01</u>	SEAL, OIL	1
18	<u>1018901-01</u>	LEVER, SHIFTER	1
19	<u>1012752</u>	PIN, ROLL	1
20	<u>1019286-01</u>	PIN, HAIR SPRING COTTER	1
21	<u>1016513</u>	WASHER, FLAT	1
22	<u>1019271-01</u>	SEAL, OIL	1
23	<u>1018938-01</u>	WASHER	1
24	<u>1018913-01</u>	ARM, PIVOT	1
25	<u>1018906-01</u>	GEAR CASE (PASSENGER SIDE)	1
26	<u>1018905-01</u>	GEAR CASE (DRIVER SIDE)	1
27	<u>1019269-01</u>	BOLT, FLANGED, M8 x 1.25 x 40MM	15
28	<u>1012896</u>	PIN, DOWEL	2
29	<u>1013759</u>	PLUG, DRAIN (INCLUDES ITEM 30)	2
30	<u>1016432</u>	GASKET	1
31	<u>1012711</u>	BREATHER	1
32	<u>1019287-01</u>	GASKET, LIQUID, 8.8 OZ. (250 GRAMS)	A/R

12

G

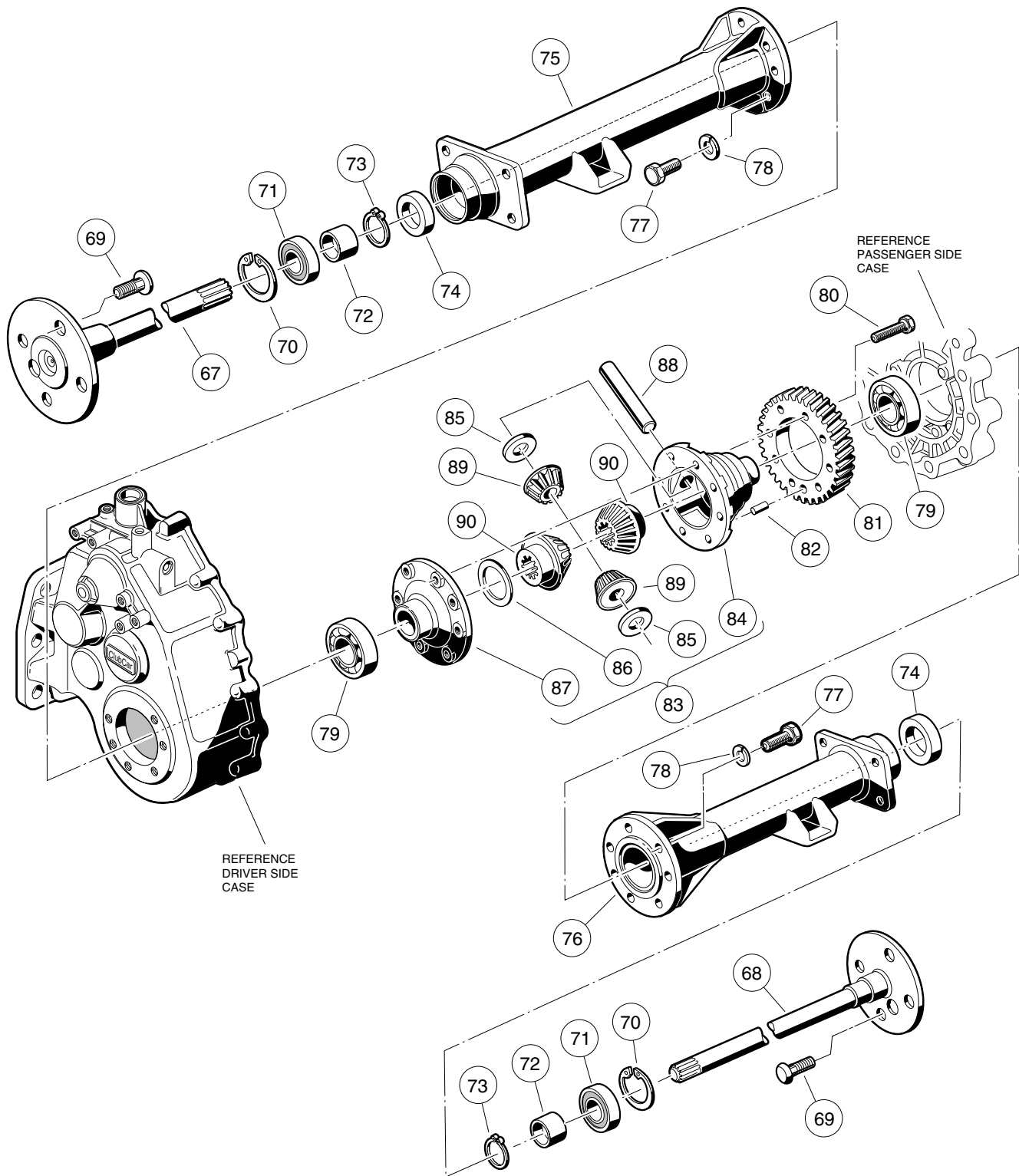


UNITIZED TRANSAXLE—GASOLINE VEHICLE

ITEM	PART NO.	DESCRIPTION	QTY
		1 2 3 4	
33	1018920-01	ROD, SHIFT	1
34	<u>1018900-01</u>	FORK, SHIFT	1
35	<u>1012748</u>	SPRING	1
36	<u>1012747</u>	BALL, STEEL	1
37	<u>1018894-01</u>	GUIDE	1
38	<u>AM10080</u>	BEARING, BALL	4
39	<u>1016338</u>	WASHER, SPRING	2
40	<u>1018924-01</u>	GEAR, SPUR	1
41	<u>1018922-01</u>	PLATE, THRUST	3
42	<u>1019809-01</u>	GEAR ASSEMBLY, 28 TOOTH, INPUT (16°).....	1
43	<u>1019276-01</u>	BEARING, NEEDLE	3
44	<u>1019275-01</u>	BEARING, NEEDLE	1
45	<u>1019810-01</u>	RING, SYNCHRONIZER (16°).....	2
46	<u>1012741</u>	SPRING, SYNCHRONIZER	2
47	<u>1019280-01</u>	HUB, SYNCHRONIZER CLUTCH	1
48	<u>1012740</u>	INSERT, SYNCHRONIZER	3
49	<u>1019279-01</u>	SLEEVE, SYNCHRONIZER	1
50	<u>1019277-01</u>	PIN, DOWEL	1
51	<u>1018899-01</u>	SHAFT, INPUT	1
52	<u>1019808-01</u>	GEAR ASSEMBLY, 25 TOOTH, INPUT (16°)	1
53	<u>1016337</u>	WASHER, THRUST	1
54	<u>AM10081</u>	BEARING, BALL	1
55	<u>1012714</u>	SEAL, OIL, INPUT SHAFT	1
56	<u>1018926-01</u>	GEAR, 17 TOOTH	1
57	<u>1018932-01</u>	KEY	1
58	<u>1018925-01</u>	GEAR, 61 TOOTH	1
59	<u>1019281-01</u>	BEARING, BALL	1
60	<u>1018895-01</u>	GUIDE, OIL FLOW.....	1
61	<u>1019282-01</u>	SCREW, M8 x 1.25 x 10 MM	1
62	<u>1018939-01</u>	WASHER	1
63	<u>1018923-01</u>	GOVERNOR ASSEMBLY	1
64	<u>1018916-01</u>	SLEEVE	1
65	<u>1018919-01</u>	GEAR, CLUSTER IDLER	1
66	0007335	BEARING, BALL	2

12

G



UNITIZED TRANSAXLE—GASOLINE VEHICLE

ITEM	PART NO.	DESCRIPTION	QTY
		1 2 3 4	
67	<u>1018915-01</u>	AXLE ASSEMBLY, DRIVER SIDE (INCLUDES ITEMS 69 - 73)	1
68	<u>1018914-01</u>	AXLE ASSEMBLY, PASSENGER SIDE (INCLUDES ITEMS 69 - 73)	1
69	<u>1013787</u>	STUD, LUG	4
70	<u>1013792</u>	RING, RETAINING	1
71	<u>1011291</u>	BEARING, OUTER AXLE TUBE	1
72	<u>1014207</u>	BUSHING, 25 MM I. D.	1
73	<u>1016672</u>	RING, RETAINING	1
74	<u>1013794</u>	SEAL, OIL	2
75	<u>1018910-01</u>	ASSEMBLY, AXLE TUBE, DRIVER SIDE	1
76	<u>1018909-01</u>	ASSEMBLY, AXLE TUBE, PASSENGER SIDE	1
77	<u>1013790</u>	BOLT, M10 x 1.5 x 30MM	14
78	<u>1013791</u>	WASHER, LOCK, M10	14
79	0007330	BEARING, INNER AXLE TUBE	2
80	<u>1019283-01</u>	BOLT, M8 x 1.25 x 37MM	8
81	<u>1018927-01</u>	GEAR, OUTPUT	1
82	<u>1014193</u>	PIN, DOWEL	1
83	<u>1019105-01</u>	KIT, DIFFERENTIAL GEAR CASE (INCLUDES ITEMS 84 - 87)	1
84	<u>1013768</u>	CASE, GEAR CARRIER	1
85	<u>1013774</u>	PLATE, THRUST (IDLER GEAR)	2
86	<u>1013773</u>	PLATE, THRUST (DIFFERENTIAL GEAR)	1
87	<u>1013769</u>	COVER, GEAR CASE	1
88	<u>1013772</u>	PIN, DIFFERENTIAL	1
89	<u>1013770</u>	GEAR, DIFFERENTIAL IDLER	2
90	<u>1013771</u>	GEAR, DIFFERENTIAL	2

12
G

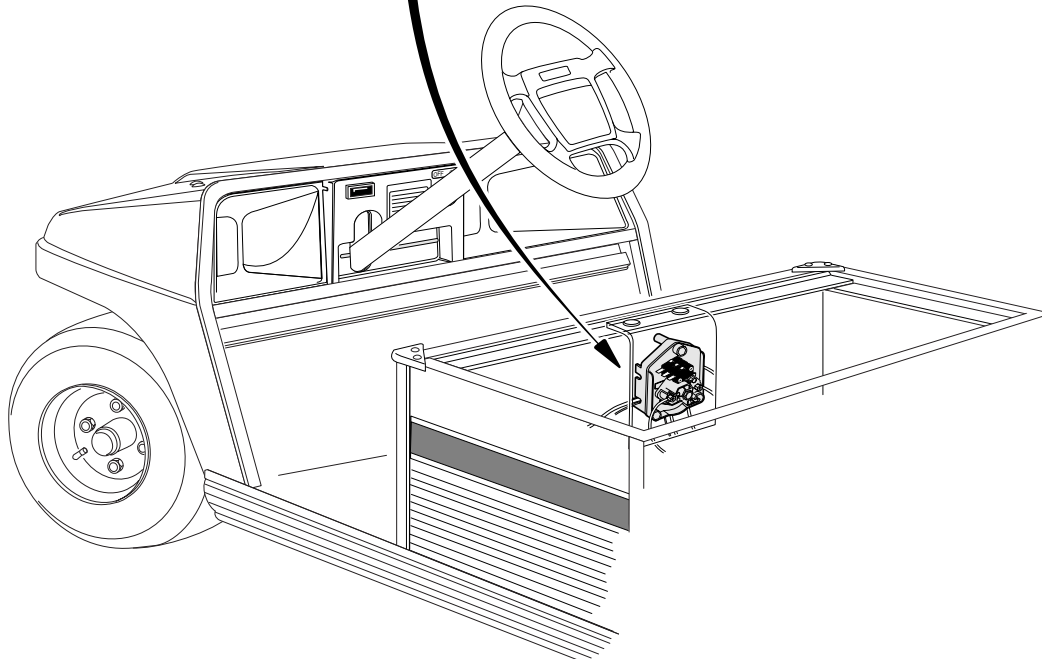
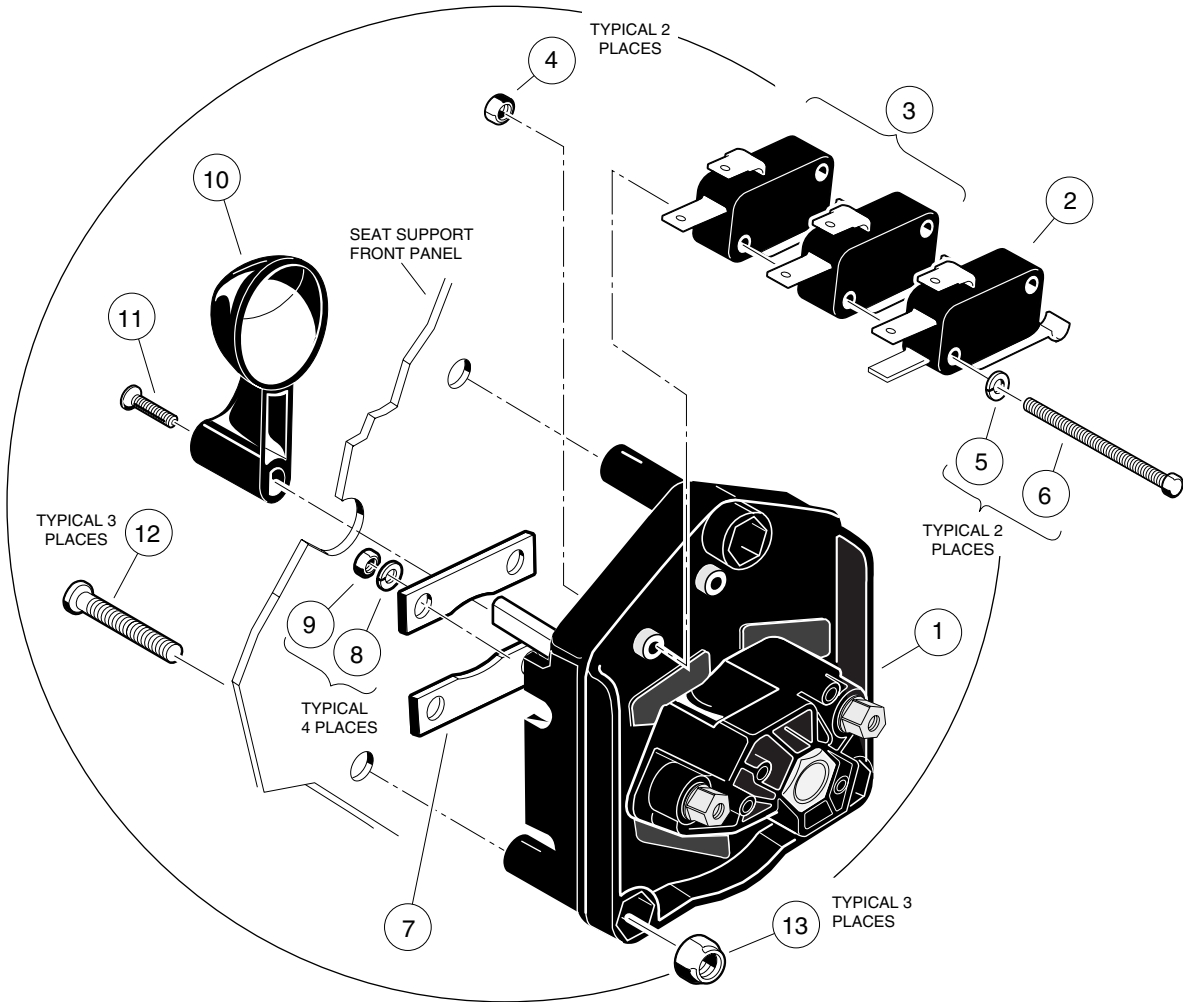
12

G

ELECTRICAL SYSTEM— ELECTRIC VEHICLE

13

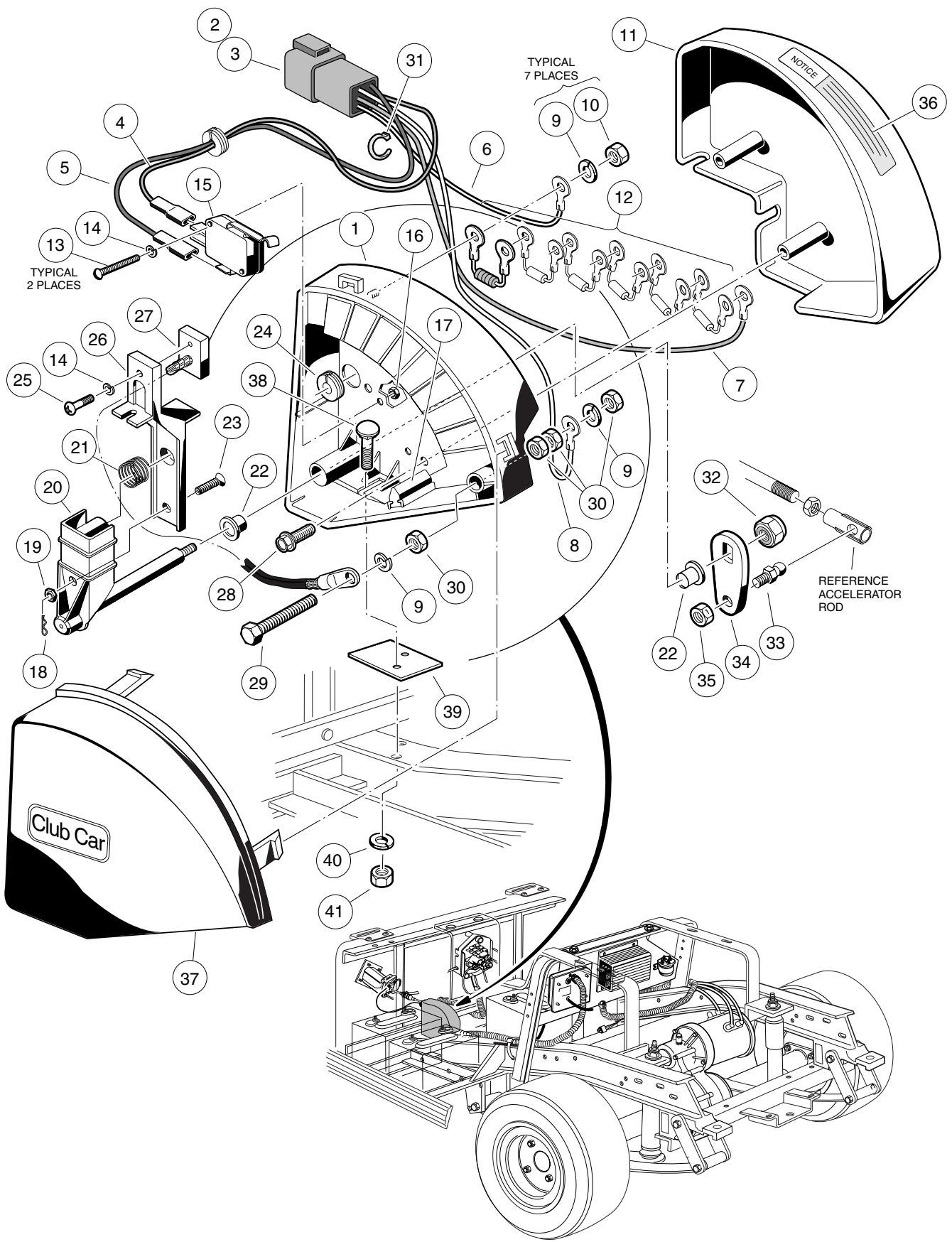
E



FORWARD AND REVERSE SWITCH— POWERDRIVE ELECTRIC VEHICLE

ITEM	PART NO.	DESCRIPTION	QTY
		1 2 3 4	
1	<u>1017530-05</u>	ASSEMBLY, FORWARD AND REVERSE SWITCH (INCLUDES ITEMS 2 - 9)	1
2	<u>1014807</u>	SWITCH, LIMIT	1
3	<u>1014808</u>	SWITCH, LIMIT	2
4	0008057	NUT, HEX, #4 - 40	2
5	0008058	WASHER, LOCK, #4	2
6	<u>1014871</u>	SCREW, HEX WASHER HEAD, #4 - 40 x 2	2
7	<u>1017799</u>	BAR, BUS	2
8	0000451	WASHER, LOCK, 1/4	4
9	0001028	NUT, HEX, 1/4 - 20	4
10	<u>1012987</u>	HANDLE, FORWARD AND REVERSE SWITCH	1
11	<u>1013198</u>	SCREW, PHILLIPS HEAD MACHINE, #8 - 32 x 5/8	1
12	1016845	SCREW, PHILLIPS TRUSS HEAD, 1/4 - 20 x 2 1/8	3
13	0008233	NUT, NYLON LOCK, 1/4 - 20	3

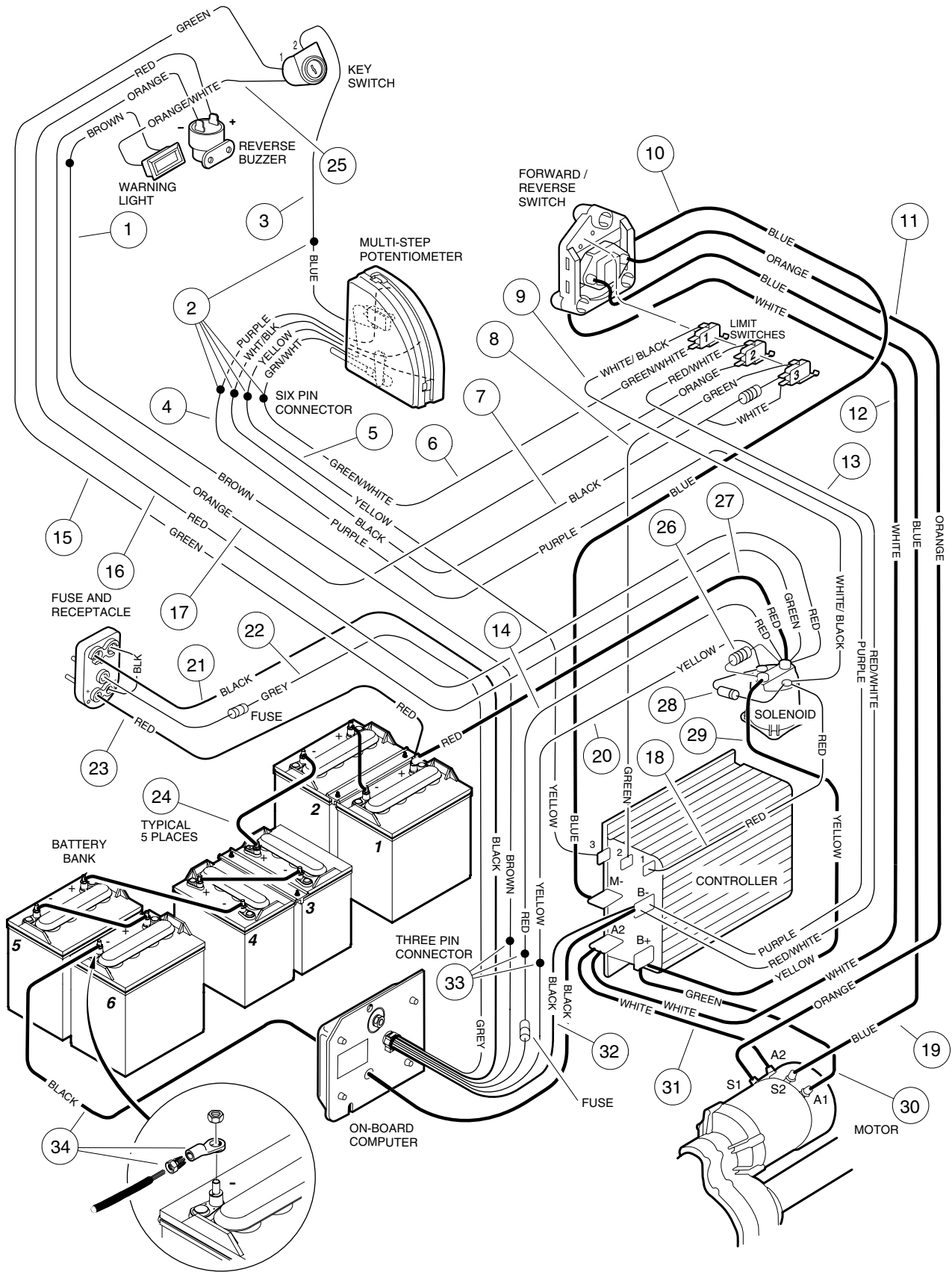
13
E



MULTI-STEP POTENTIOMETER— TOURALL POWERDRIVE ELECTRIC VEHICLE

13
E

ITEM	PART NO.	DESCRIPTION	QTY
		1 2 3 4	
	1019320-03	ASSEMBLY, WIPER SWITCH (INCLUDES ITEMS 1 - 37)	1
1	<u>1014999</u>	ASSEMBLY, WIPER SWITCH CASE, 6 SPEED	1
2	1019580-02	ASSEMBLY, 5-WIRE AND RECEPTACLE (INCLUDES ITEMS 3 - 8)	1
3	<u>1019326-01</u>	KIT, 6-PIN RECEPTACLE	1
4	N/A	WIRE ASSEMBLY, #18 GREEN/WHITE	1
5	N/A	WIRE ASSEMBLY, #18 BLUE	1
6	N/A	WIRE ASSEMBLY, #18 BLACK/WHITE	1
7	N/A	WIRE ASSEMBLY, #18 PURPLE.....	1
8	N/A	WIRE ASSEMBLY, #18 YELLOW.....	1
9	0000451	WASHER, LOCK, 1/4	17
10	0001014	NUT, BRASS HEX, 1/4 - 20	15
11	<u>1019469-01</u>	PROTECTOR, WIPER SWITCH RESISTOR	1
12	<u>1019711-01</u>	KIT, RESISTOR ASSEMBLY	1
13	0008056	SCREW, ROUND HEAD MACHINE, #4 - 40 x 3/4	2
14	0008058	WASHER, LOCK, #4	3
15	<u>1014807</u>	SWITCH, LIMIT.....	1
16	0008057	NUT, HEX, #4 - 40	2
17	1014414	BUMPER, WIPER SWITCH	1
18	<u>1014413</u>	PIN, HAIR SPRING COTTER	1
19	0007893	NUT, HEX, #10 - 32	1
20	<u>1014017</u>	CARRIER, WIPER SWITCH ARM	1
21	<u>1013998</u>	SPRING, WIPER SWITCH BRUSH	1
22	<u>1012903</u>	BEARING, BRONZE	2
23	<u>1014000</u>	STUD, WIPER SWITCH ADJUSTING	1
24	<u>1014010</u>	GROMMET, SPLIT	1
25	<u>1014019</u>	SCREW, SELF-TAPPING, #4 - 40 x 3/8	1
26	<u>1013887</u>	ARM, SPEED SWITCH	1
27	<u>1013860</u>	ASSEMBLY, SWITCH BRUSH	1
28	<u>1013461</u>	SCREW, HEX HEAD HI-LO, #10 - 16 x 1/2	2
29	<u>1014189</u>	SCREW, HEX HEAD CAP, 1/4 - 20 x 2	1
30	<u>1014253</u>	NUT, BRASS HEX JAM, 1/4 - 20	3
31	0008990	WRAP, TIE	1
32	0007473	NUT, NYLON LOCK, 5/16 - 18	1
33	<u>1012353</u>	STUD, SHORT BALL, 1/4 - 28	1
34	<u>1014003</u>	CRANK, BELL	1
35	0008449	NUT, DIMPLED LOCK, 1/4 - 28	1
36	<u>1016109-01</u>	DECAL, WIPER SWITCH WARNING	1
37	<u>1013886</u>	COVER, WIPER SWITCH	1
38	<u>1014109</u>	BOLT, CARRIAGE, #10 - 24 x 1	2
39	<u>1019492-01</u>	SHIM, WIPER SWITCH	1
40	<u>1016175</u>	WASHER, LOCK, #10	2
41	0001017	NUT, HEX, #10 - 24	2



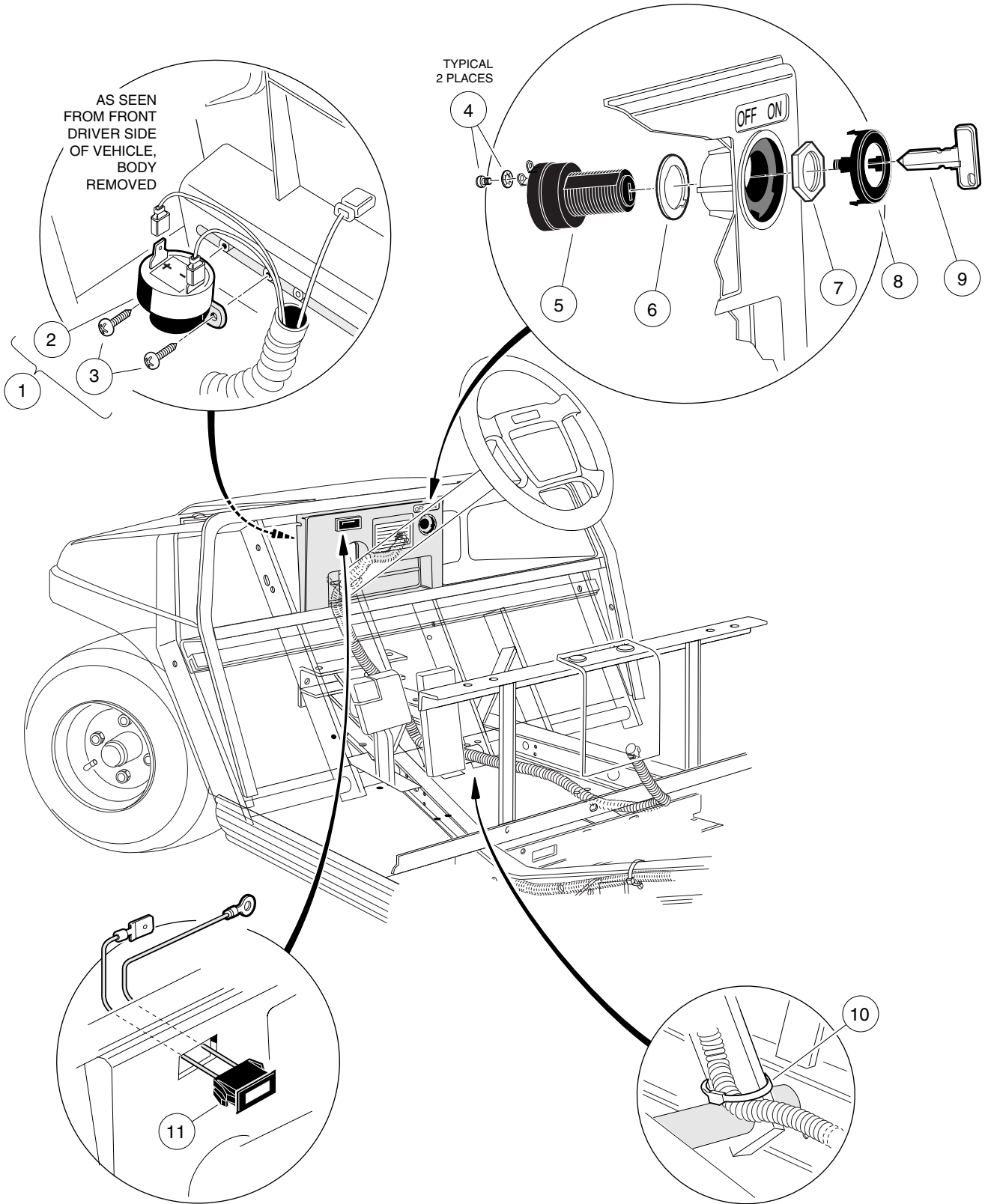
WIRING—

TOURALL POWERDRIVE ELECTRIC VEHICLE

ITEM	PART NO.	DESCRIPTION	QTY
		1 2 3 4	
	<u>1019110-02</u>	WIRE HARNESS (INCLUDES ITEMS 1 - 20)	1
1	N/A	WIRE ASSEMBLY, #18 BROWN	1
2	1019327-01	KIT, 6-PIN PLUG ASSEMBLY	1
3	N/A	WIRE ASSEMBLY, #18 BLUE	1
4	N/A	WIRE ASSEMBLY, #18 PURPLE	1
5	N/A	WIRE ASSEMBLY, #18 YELLOW	1
6	N/A	WIRE ASSEMBLY, #18 GREEN/WHITE	1
7	N/A	WIRE ASSEMBLY, #18 BLACK (INCLUDES RESISTOR AND #18 WHITE WIRE)	1
8	N/A	WIRE ASSEMBLY, #18 GREEN	1
9	N/A	WIRE ASSEMBLY, #18 WHITE/BLACK	1
10	<u>1019014-01</u>	WIRE ASSEMBLY, #6 BLUE	1
11	<u>1019012-01</u>	WIRE ASSEMBLY, #6 ORANGE	1
12	1019111-01	WIRE ASSEMBLY, #6 WHITE	1
13	N/A	WIRE ASSEMBLY, #18 RED/WHITE	1
14	N/A	WIRE ASSEMBLY, #18 RED	1
15	N/A	WIRE ASSEMBLY, #18 GREEN	1
16	N/A	WIRE ASSEMBLY, #18 RED	1
17	N/A	WIRE ASSEMBLY, #18 ORANGE	1
18	N/A	WIRE ASSEMBLY, #18 RED	1
19	<u>1019013-01</u>	WIRE ASSEMBLY, #6 BLUE	1
20	N/A	WIRE ASSEMBLY, #18 YELLOW	1
21	N/A	WIRE ASSEMBLY, #10 BLACK (PART OF ON-BOARD COMPUTER ASSEMBLY)	1
22	N/A	WIRE ASSEMBLY, #18 GREY (PART OF ON-BOARD COMPUTER ASSEMBLY)	1
23	N/A	WIRE ASSEMBLY, #10 RED (PART OF FUSE AND RECEPTACLE ASSEMBLY)	1
24	<u>1017957-01</u>	WIRE ASSEMBLY, #6 BLACK	5
25	N/A	WIRE ASSEMBLY, #18 ORANGE/WHITE (PART OF BATTERY LIGHT)	1
26	<u>1014947</u>	ASSEMBLY, RESISTOR	1
27	<u>1019028-01</u>	WIRE ASSEMBLY, #6 RED	1
28	1014948	ASSEMBLY, DIODE	1
29	<u>1019030-01</u>	WIRE ASSEMBLY, #6 YELLOW	1
30	<u>1019029-01</u>	WIRE ASSEMBLY, #6 GREEN	1
31	<u>1014856</u>	WIRE ASSEMBLY, #6 WHITE	1
32	N/A	WIRE ASSEMBLY, #10 BLACK (PART OF ON-BOARD COMPUTER ASSEMBLY)	1
33	<u>1019201-01</u>	KIT, 3-PIN PLUG ASSEMBLY	1
34	1018278-01	KIT, WIRE AND TERMINAL, #6 BLACK	1

13

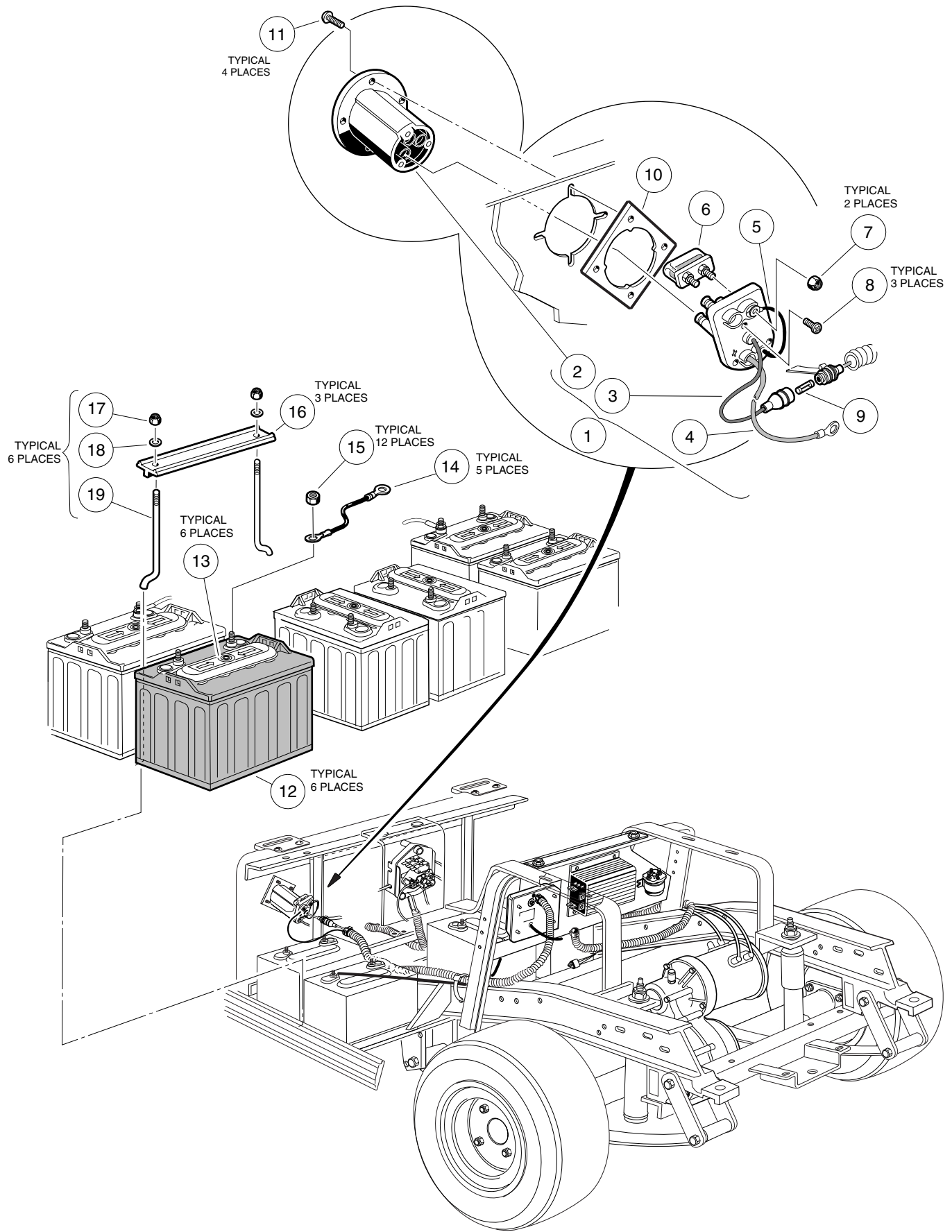
E



ELECTRICAL COMPONENTS, FRONT BODY— TOURALL POWERDRIVE ELECTRIC VEHICLE

ITEM	PART NO.	DESCRIPTION	QTY
		1 2 3 4	
1	<u>1016859</u>	KIT, REVERSE BUZZER (INCLUDES ITEMS 2 AND 3)	1
2	<u>1016851</u>	BUZZER, REVERSE	1
3	<u>1016849</u>	SCREW, PAN HEAD HI-LO, #4 - 24 x 5/16	2
4	1018306-01	ASSEMBLY, SCREW AND WASHER	2
5	<u>1018262-01</u>	SWITCH, KEY	1
6	<u>1018511-01</u>	WASHER	1
7	<u>1018307-01</u>	NUT, KEY SWITCH	1
8	<u>1018345-02</u>	CAP, KEY SWITCH (BLACK)	1
9	<u>1012505</u>	KEY (PAIR)	1
10	0008990	TIE, WIRE	2
11	<u>1019355-01</u>	LIGHT, BATTERY WARNING (AMBER)	1

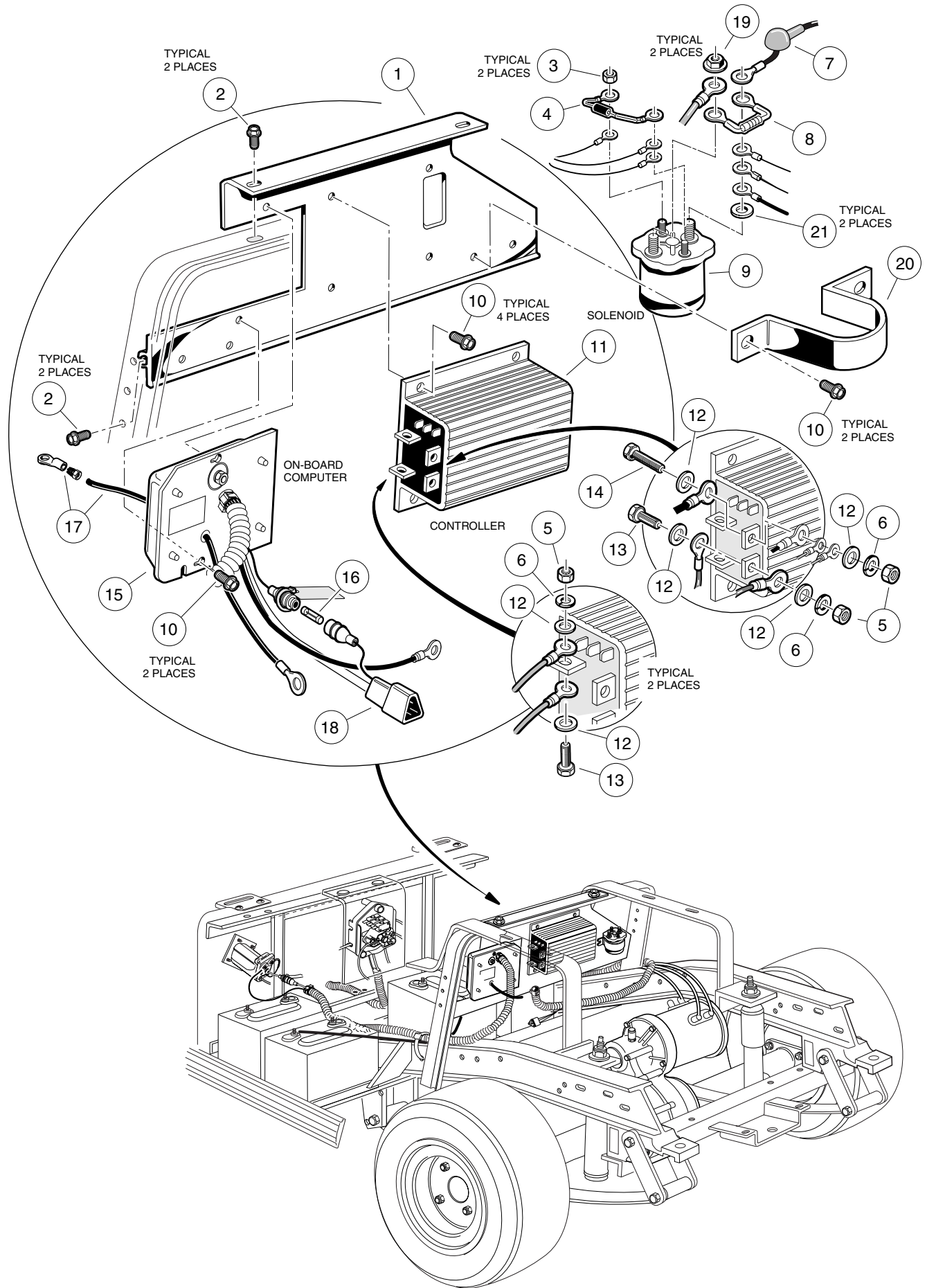
13
E



BATTERIES, CHARGER RECEPTACLE— TOURALL POWERDRIVE ELECTRIC VEHICLE

ITEM	PART NO.	DESCRIPTION	QTY
		1 2 3 4	
1	<u>1018021-01</u>	KIT, FUSE AND RECEPTACLE (INCLUDES ITEMS 2 - 9)	1
2	<u>1017965-01</u>	BEZEL, RECEPTACLE	1
3	N/A	WIRE ASSEMBLY, SENSE LEAD, GRAY	1
4	N/A	WIRE ASSEMBLY, #10 RED	1
5	N/A	WIRE ASSEMBLY, #10 BLACK	1
6	<u>1017968-01</u>	ASSEMBLY, FUSE, 48 VOLT (INCLUDES ITEM 7)	1
7	<u>1013061</u>	NUT, NYLON LOCK, #10	2
8	<u>1017705</u>	SCREW, PHILLIPS PAN HEAD, #8 TYPE AB	3
9	<u>1018949-01</u>	FUSE, 3/8 AMP	1
10	<u>1018010-01</u>	PLATE, RECEPTACLE BACKING	1
11	<u>1018320-01</u>	SCREW, PHILLIPS PAN HEAD, #7 - 18 x 3/4	4
12	<u>1017977-01</u>	BATTERY, 8 VOLT POWERDRIVE	6
12	<u>1017977-02</u>	BATTERY, 8 VOLT POWERDRIVE, DRY	6
13	<u>1017978-01</u>	CAP, BATTERY, 4 PORT GANG	6
14	<u>1017957-01</u>	WIRE ASSEMBLY, #6 BLACK	5
15	<u>1014304</u>	NUT, HEX, STAINLESS STEEL, 5/16 - 18	12
16	<u>1018030-01</u>	HOLD-DOWN, BATTERY	3
17	1015072	NUT, NYLON LOCK, STAINLESS STEEL, 5/16 - 18	6
18	<u>1011578</u>	WASHER, FLAT, TYPE B WIDE, 5/16	6
19	1013683	J-BOLT	6

13
E

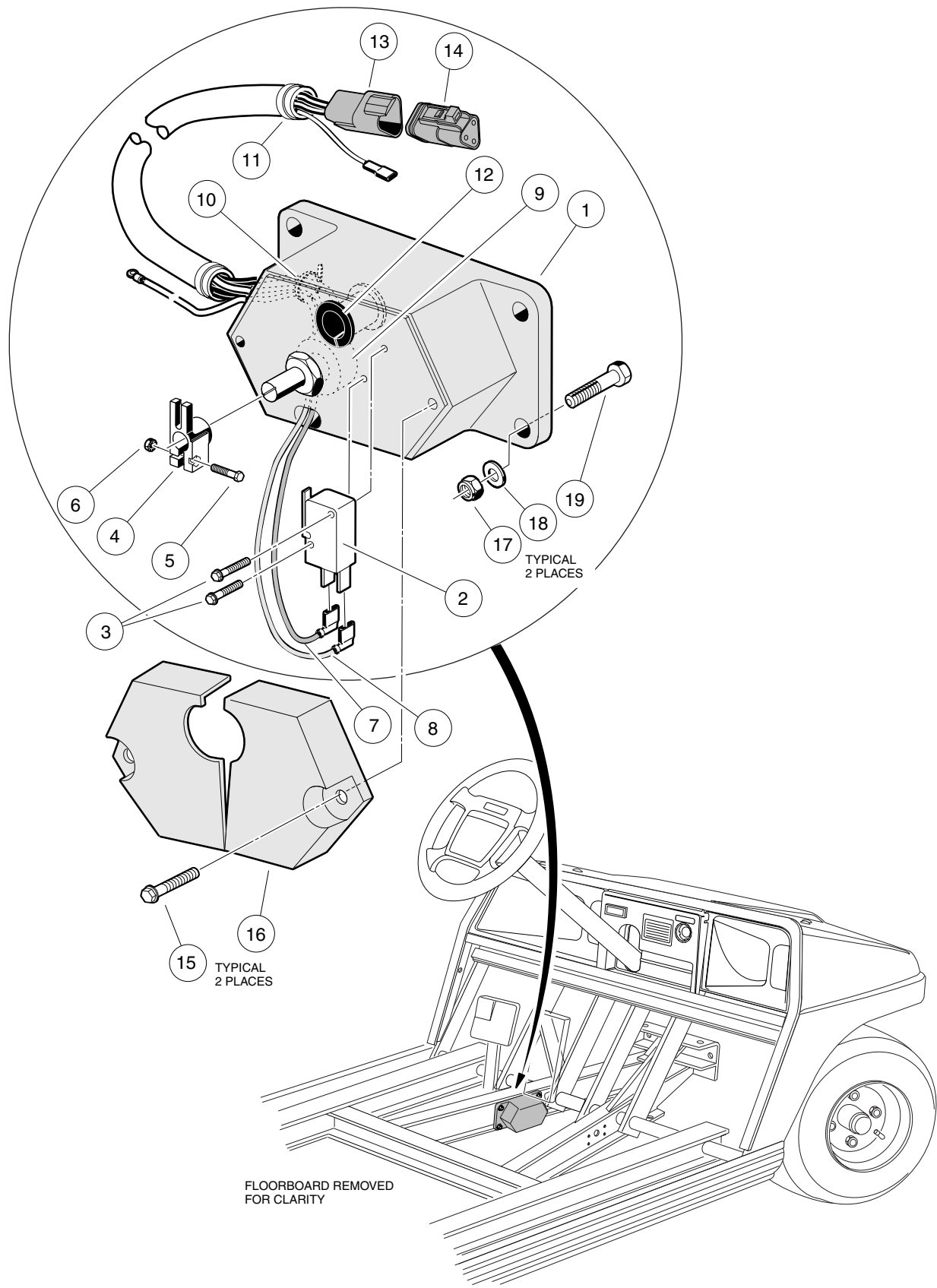


COMPUTER, CONTROLLER, AND SOLENOID— TOURALL POWERDRIVE ELECTRIC VEHICLE

ITEM	PART NO.	DESCRIPTION	QTY
		1 2 3 4	
1	1019652-01	PLATE, COMPONENT MOUNTING	1
2	<u>1014288</u>	SCREW, THREAD-FORMING, 5/16 - 18 x 3/4	4
3	0007893	NUT, HEX, #10 - 32	2
4	1014948	ASSEMBLY, DIODE	1
5	0001242	NUT, HEX, 5/16 - 18	5
6	0007174	WASHER, LOCK, 5/16	5
7	<u>1019026-01</u>	BOOT, WIRE	1
8	<u>1014947</u>	ASSEMBLY, RESISTOR	1
9	<u>1018836-01</u>	SOLENOID, 48 VOLT	1
10	<u>1012285</u>	SCREW, THREAD-ROLLING, 1/4 - 20 x 5/8	8
11	<u>1018402-03</u>	CONTROLLER, 48 VOLT (300 AMP)	1
12	0001241	WASHER, FLAT, 5/16	6
13	0007173	BOLT, HEX HEAD, 5/16 - 18 x 3/4	3
14	0001218	BOLT, HEX HEAD, 5/16 - 18 x 1 1/4	1
15	<u>1019099-01</u>	COMPUTER, ON-BOARD (INCLUDES ITEMS 16, 17 AND 18)	1
16	<u>1018949-01</u>	FUSE, 3/8 AMP	2
17	1018278-01	KIT, WIRE AND TERMINAL, #6 BLACK	1
18	<u>1019423-01</u>	KIT, 3-PIN RECEPTACLE	1
19	<u>1017237</u>	NUT, FLANGE, 5/16 - 24	2
20	<u>1019579-01</u>	BRACKET, MOUNTING	1
21	<u>1019344-01</u>	WASHER, FLAT, 5/16	2

13
E

13
E



FLOORBOARD REMOVED FOR CLARITY

CONTINUOUSLY VARIABLE POTENTIOMETER— RESORT VILLAGER, TRANS-PORTER/TRANS-SENDER

ITEM	PART NO.	DESCRIPTION	QTY
		1 2 3 4	
	<u>1017392-01</u>	ASSEMBLY, POTENTIOMETER HOUSING WITH GREY PLUG (INCLUDES ITEMS 1 - 13)	1
1	N/A	HOUSING, POTENTIOMETER	1
2	<u>1017830</u>	SWITCH, LIMIT	1
3	<u>1018226-01</u>	SCREW, HEX HEAD, #4 - 24	2
4	<u>1018090-01</u>	LEVER, POTENTIOMETER	1
5	<u>1017853</u>	SCREW, HEX HEAD, #6 - 32 x 3/4	1
6	<u>1011229</u>	NUT, LOCK, "K", #6 - 32	1
7	N/A	WIRE ASSEMBLY, #18 BLUE	1
8	N/A	WIRE ASSEMBLY, #18 GREEN/WHITE	1
9	N/A	POTENTIOMETER	1
10	0008990	WRAP, TIE	3
11	N/A	CONDUIT, ELECTRICAL	1
12	<u>1017424</u>	BEARING, PIVOT SUPPORT	1
13	<u>1018951-01</u>	RECEPTACLE, 3-PIN	1
14	<u>1019201-01</u>	KIT, 3-PIN PLUG	1
15	<u>1018043-01</u>	SCREW, HI-LO HEX HEAD, #8 - 18 x 1/2	2
16	<u>1017743</u>	COVER, ACCELERATOR	1
17	0008233	NUT, NYLON LOCK, 1/4 - 20	4
18	0000332	WASHER, FLAT, 1/4	4
19	<u>1018619-01</u>	SCREW, HEX HEAD CAP, 1/4 - 20 x 1 1/8	4

13
E

13

E

WIRING—

RESORT VILLAGER POWERDRIVE ELECTRIC VEHICLE

13

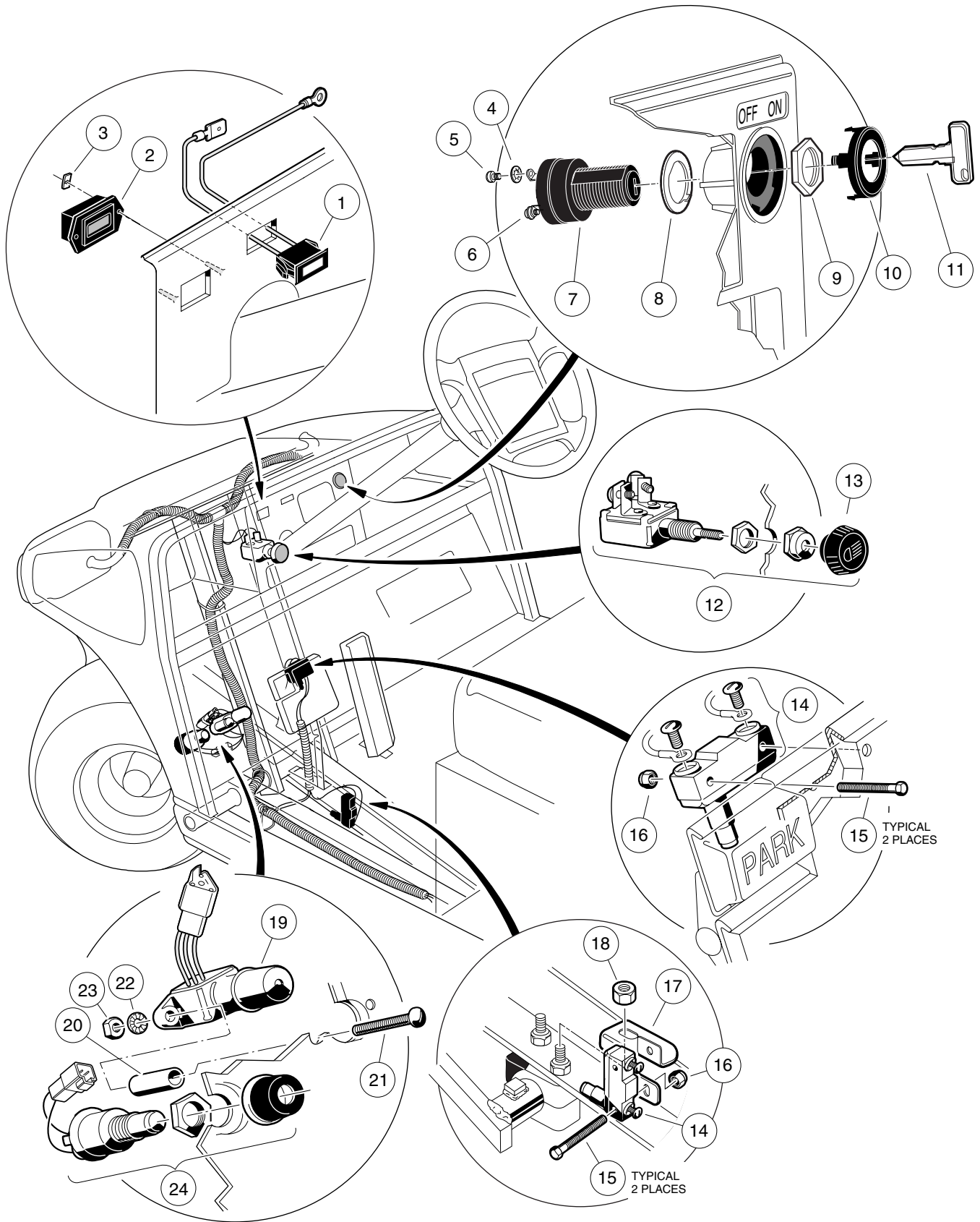
E

ITEM	PART NO.	DESCRIPTION	QTY
		1 2 3 4	
	<u>1019693-01</u>	WIRE HARNESS, LIGHTING (CONTAINS ITEMS 1 - 22)	1
1	N/A	WIRE ASSEMBLY, #16 BLACK	1
2	N/A	WIRE ASSEMBLY, #16 BLACK	1
3	N/A	WIRE ASSEMBLY, #14 BLACK	1
4	N/A	WIRE ASSEMBLY, #16 WHITE	1
5	N/A	WIRE ASSEMBLY, #18 BLUE	1
6	N/A	WIRE ASSEMBLY, #16 BROWN	1
7	N/A	WIRE ASSEMBLY, #16 ORANGE/WHITE	1
8	N/A	WIRE ASSEMBLY, #16 ORANGE	1
9	N/A	WIRE ASSEMBLY, #18 BLACK	1
10	N/A	WIRE ASSEMBLY, #16 BROWN	1
11	N/A	WIRE ASSEMBLY, #18 RED	1
12	N/A	WIRE ASSEMBLY, #16 RED/WHITE	1
13	N/A	WIRE ASSEMBLY, #16 ORANGE/WHITE	1
14	N/A	WIRE ASSEMBLY, #16 GREEN/WHITE	1
15	N/A	WIRE ASSEMBLY, #14 YELLOW	1
16	1016698	WIRE ASSEMBLY, #10 RED	1
17	N/A	WIRE ASSEMBLY, #18 YELLOW	1
18	N/A	WIRE ASSEMBLY, #18 WHITE	1
19	N/A	WIRE ASSEMBLY, #18 RED	1
20	N/A	WIRE ASSEMBLY, #18 ORANGE	1
21	N/A	WIRE ASSEMBLY, #16 BLACK	1
22	N/A	WIRE ASSEMBLY, #16 BLACK	2
	<u>1019116-01</u>	WIRE HARNESS, POWER (INCLUDES ITEMS 23 - 32)	1
23	N/A	WIRE ASSEMBLY, #18 GREEN	1
24	<u>1018651-06</u>	ASSEMBLY, 3-WIRE PLUG (INCLUDES #18 PURPLE, #18 YELLOW AND ITEM 25)	1
25	N/A	WIRE ASSEMBLY, #18 BLACK (INCLUDES RESISTOR AND #18 WHITE WIRE)	1
26	N/A	WIRE ASSEMBLY, #18 ORANGE	1
27	N/A	WIRE ASSEMBLY, #18 WHITE/BLACK	1
28	N/A	WIRE ASSEMBLY, #18 RED	1
29	N/A	WIRE ASSEMBLY, #18 GREEN	1
30	N/A	WIRE ASSEMBLY, #18 RED/WHITE	1
31	<u>1019308-01</u>	ASSEMBLY, 3-PIN PLUG (INCLUDES #18 BROWN, #18 YELLOW AND #18 RED)	1
32	N/A	WIRE ASSEMBLY, #18 GREEN/WHITE	1
	<u>1019101-02</u>	WIRE HARNESS, POWER (INCLUDES ITEMS 33 - 39)	1
33	<u>1019099-03</u>	COMPUTER, ON-BOARD (SEE PAGE 12-25) (INCLUDES ITEM 34)	1
34	<u>1018278-02</u>	KIT, WIRE AND TERMINAL, #6 BLACK	1
35	<u>1019045-02</u>	WIRE ASSEMBLY, #6 RED	1
36	<u>1019089-02</u>	WIRE ASSEMBLY, #6 WHITE	1
37	<u>1019044-02</u>	WIRE ASSEMBLY, #6 GREEN	1
38	<u>1019046-02</u>	WIRE ASSEMBLY, #6 BLUE	1
39	<u>1019047-02</u>	WIRE ASSEMBLY, #6 ORANGE	1
40	N/A	WIRE ASSEMBLY, #10 RED (PART OF FUSE AND RECEPTACLE ASSEMBLY)	1
41	N/A	WIRE ASSEMBLY, #10 BLACK (PART OF ON-BOARD COMPUTER ASSEMBLY)	1
42	N/A	WIRE ASSEMBLY, #18 GREY (PART OF ON-BOARD COMPUTER ASSEMBLY)	1
43	N/A	WIRE ASSEMBLY, #18 RED	1
44	N/A	WIRE ASSEMBLY, #18 BLUE (PART OF POTENTIOMETER ASSEMBLY)	1
45	N/A	WIRE ASSEMBLY, #18 ORANGE/WHITE	1
46	N/A	WIRE ASSEMBLY, #18 RED	1
47	N/A	WIRE ASSEMBLY, #10 BLACK (PART OF VOLTAGE LIMITER ASSEMBLY)	1
48	<u>1019088-01</u>	WIRE ASSEMBLY, #6 BLUE	1
49	<u>1016729</u>	WIRE ASSEMBLY, #6 WHITE	1
50	N/A	WIRE ASSEMBLY, #10 BLACK (PART OF ON-BOARD COMPUTER ASSEMBLY)	1
51	<u>1016732</u>	WIRE ASSEMBLY, #6 YELLOW	1
52	<u>1014948</u>	ASSEMBLY, DIODE	1
53	<u>1014947</u>	ASSEMBLY, RESISTOR	1
54	<u>1017957-01</u>	WIRE ASSEMBLY, #6 BLACK	5

ELECTRICAL COMPONENTS, FRONT BODY— RESORT VILLAGER, TRANS-PORTER/TRANS-SENDER

ITEM	PART NO.	DESCRIPTION	QTY
		1 2 3 4	
1	0008639	WRAP, TIE	2
2	<u>1016859</u>	KIT, REVERSE BUZZER (INCLUDES ITEMS 3 AND 4)	1
3	<u>1016851</u>	BUZZER, REVERSE	1
4	<u>1016849</u>	SCREW, PAN HEAD HI-LO, #4 - 24 x 5/16	2
5	<u>1016356</u>	BLOCK, TERMINAL	1
6	<u>1013357</u>	RIVET, ALUMINUM POP, 5/32	2
7	0004029	ASSEMBLY, HORN (INCLUDES ITEMS 8, 9 AND 10)	1
8	0007820	WASHER, INTERNAL TOOTH, 5/16	1
9	<u>1019551-01</u>	NUT, M6 x 1 1/4	1
10	<u>1011825</u>	BRACKET, HORN	1
11	0000304	BOLT, HEX HEAD, 1/4 - 20 x 1	2
12	0000332	WASHER, FLAT, 1/4	2
13	0008233	NUT, NYLON LOCK, 1/4 - 20	2
14	<u>1016897-01</u>	ASSEMBLY, HEADLIGHT, DRIVER SIDE (INCLUDES ITEMS 16 - 25)	1
15	<u>1016897-02</u>	ASSEMBLY, HEADLIGHT, PASSENGER SIDE (INCLUDES ITEMS 16 - 24 AND 26)	1
16	<u>1017066</u>	HARNES, HEADLIGHT WIRE	1
17	1017059	LOCK, BULB COLLAR	1
18	<u>1017060</u>	BULB, HALOGEN	1
19	1017061	LENS, HEADLIGHT	1
20	<u>1017064</u>	BRACKET, MOUNTING	2
21	0007893	NUT, HEX, #10 - 32	2
22	<u>1013461</u>	SCREW, HI-LO, #10 - 16	2
23	<u>1017065</u>	RETAINER, HEADLIGHT	1
24	<u>1017062</u>	ASSEMBLY, TURN SIGNAL LENS	1
25	<u>1016880</u>	BEZEL, HEADLIGHT, DRIVER SIDE	1
26	<u>1016879</u>	BEZEL, HEADLIGHT, PASSENGER SIDE	1

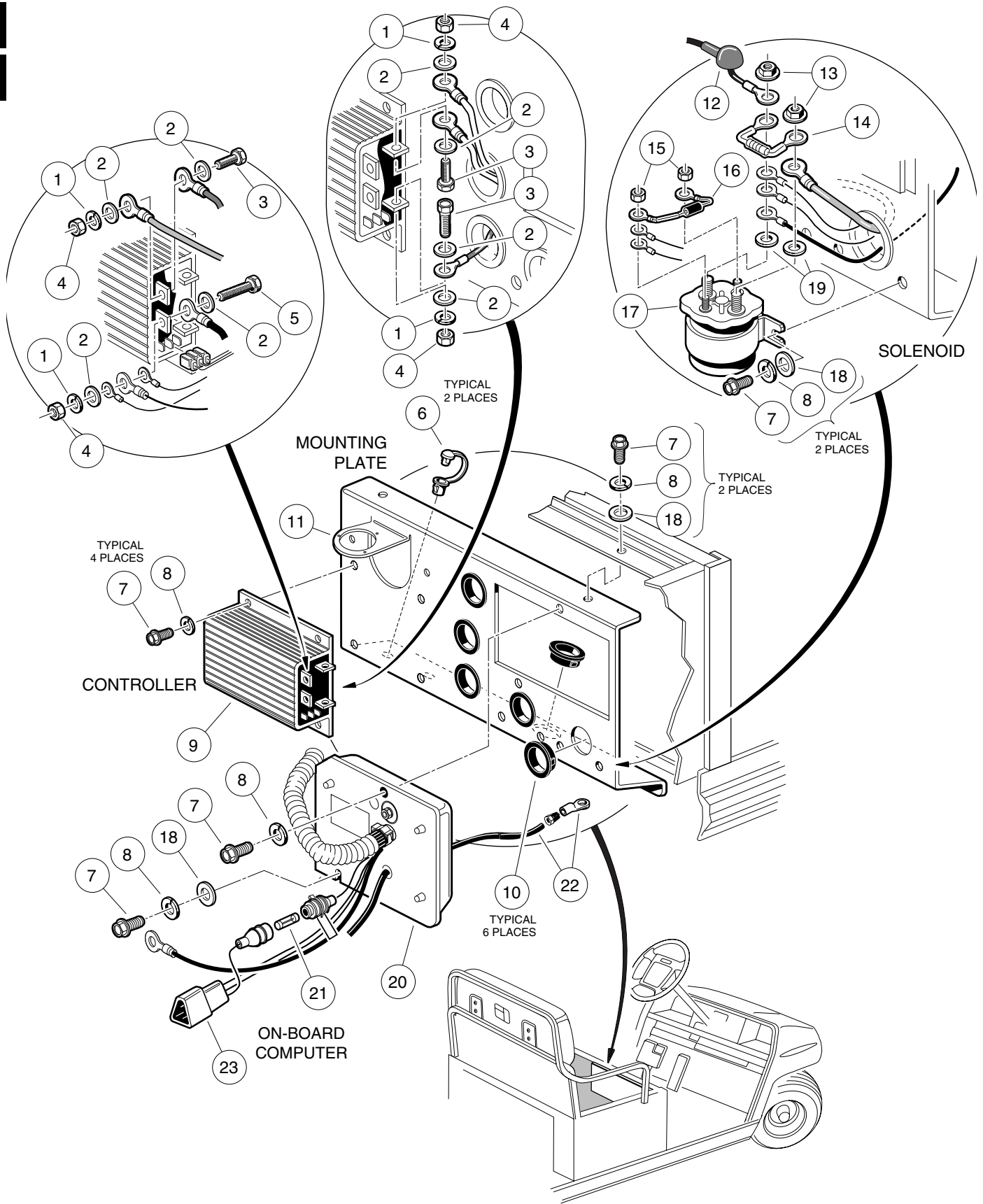
13
E



SWITCHES AND GAUGES— RESORT VILLAGER, TRANS-PORTER/TRANS-SENDER

ITEM	PART NO.	DESCRIPTION	QTY
		1 2 3 4	
1	<u>1019355-01</u>	LIGHT, BATTERY WARNING (AMBER)	1
2	<u>1018142-01</u>	INDICATOR, BATTERY	1
3	<u>1018147-01</u>	RETAINER, PUSH ON	2
4	<u>1011610</u>	WASHER, LOCK, #8	1
5	<u>1016092</u>	SCREW, PAN HEAD MACHINE, #8 - 32 x 7/16	1
6	<u>1018306-01</u>	ASSEMBLY, SCREW AND WASHER	1
7	<u>1018262-01</u>	SWITCH, KEY	1
8	<u>1018511-01</u>	WASHER	1
9	<u>1018307-01</u>	NUT, KEY SWITCH	1
10	<u>1018345-02</u>	CAP, KEY SWITCH	1
11	<u>1012505</u>	KEY (PAIR)	1
12	0004034	SWITCH, LIGHT (INCLUDES ITEM 13)	1
13	<u>1013857</u>	KNOB, LIGHT SWITCH	1
14	<u>1011439</u>	SWITCH, LIMIT	2
15	<u>1011557</u>	SCREW, HEX HEAD MACHINE, #6 - 32 x 1	4
16	<u>1019322-01</u>	NUT, NYLON LOCK, #6 - 32	4
17	<u>1019571-01</u>	BRACKET, BRAKE LIGHT SWITCH	1
18	<u>1011280</u>	NUT, LOCK, 5/16 - 18	1
19	<u>1019698-01</u>	SWITCH, DIMMER	1
20	<u>1018713-01</u>	STAND-OFF, DIMMER SWITCH	2
21	<u>1018712-01</u>	SCREW, MACHINE, #10 - 32 x 1	2
22	0008049	WASHER, INTERNAL TOOTH LOCK, #10	2
23	0007893	NUT, HEX, #10 - 32	2
24	<u>1019697-01</u>	BUTTON, HORN	1

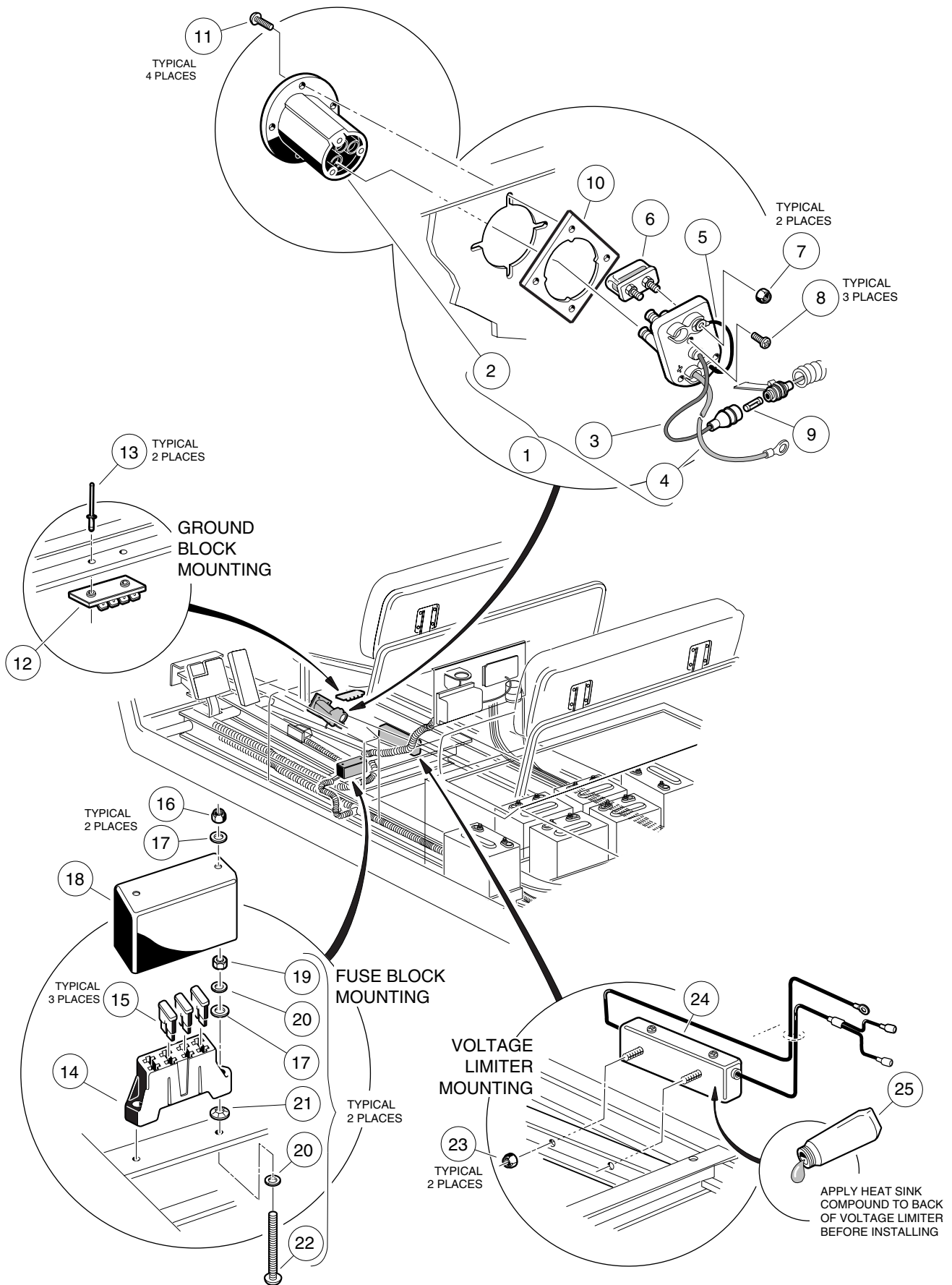
13
E



COMPUTER, CONTROLLER, AND SOLENOID— RESORT VILLAGER POWERDRIVE ELECTRIC VEHICLE

ITEM	PART NO.	DESCRIPTION	QTY
		1 2 3 4	
1	0007174	WASHER, LOCK, 5/16	4
2	0001241	WASHER, FLAT, 5/16	8
3	0007173	BOLT, HEX HEAD, 5/16 - 18 x 3/4	3
4	0001242	NUT, HEX, 5/16 - 18	4
5	0001218	BOLT, HEX HEAD, 5/16 - 18 x 1 1/4	1
6	<u>1019183-01</u>	CLAMP, WIRE	2
7	<u>1012285</u>	SCREW, HEX HEAD THREAD ROLLING, 1/4 - 20 x 5/8	10
8	0000451	WASHER, LOCK, 1/4	10
9	<u>1018402-03</u>	CONTROLLER, 48 VOLT (300 AMP)	1
10	<u>1019243-01</u>	BUSHING, SNAP	6
11	<u>1019117-01</u>	PLATE, MOUNTING	1
12	<u>1019026-01</u>	BOOT, WIRE	1
13	<u>1017237</u>	NUT, FLANGE, 5/16 - 24	2
14	<u>1014947</u>	ASSEMBLY, RESISTOR	1
15	0007893	NUT, HEX, #10 - 32	2
16	1014948	ASSEMBLY, DIODE	1
17	<u>1018836-01</u>	SOLENOID, 48 VOLT	1
18	0000332	WASHER, FLAT, 1/4	5
19	<u>1019344-01</u>	WASHER, FLAT, 5/16	2
20	<u>1019099-03</u>	COMPUTER, ON-BOARD (INCLUDES ITEMS 21, 22 AND 23)	1
21	<u>1018949-01</u>	FUSE ASSEMBLY, 3/8 AMP	1
22	<u>1018278-02</u>	KIT, WIRE AND TERMINAL, #6 BLACK	1
23	<u>1019423-01</u>	KIT, 3-PIN RECEPTACLE	1

13
E

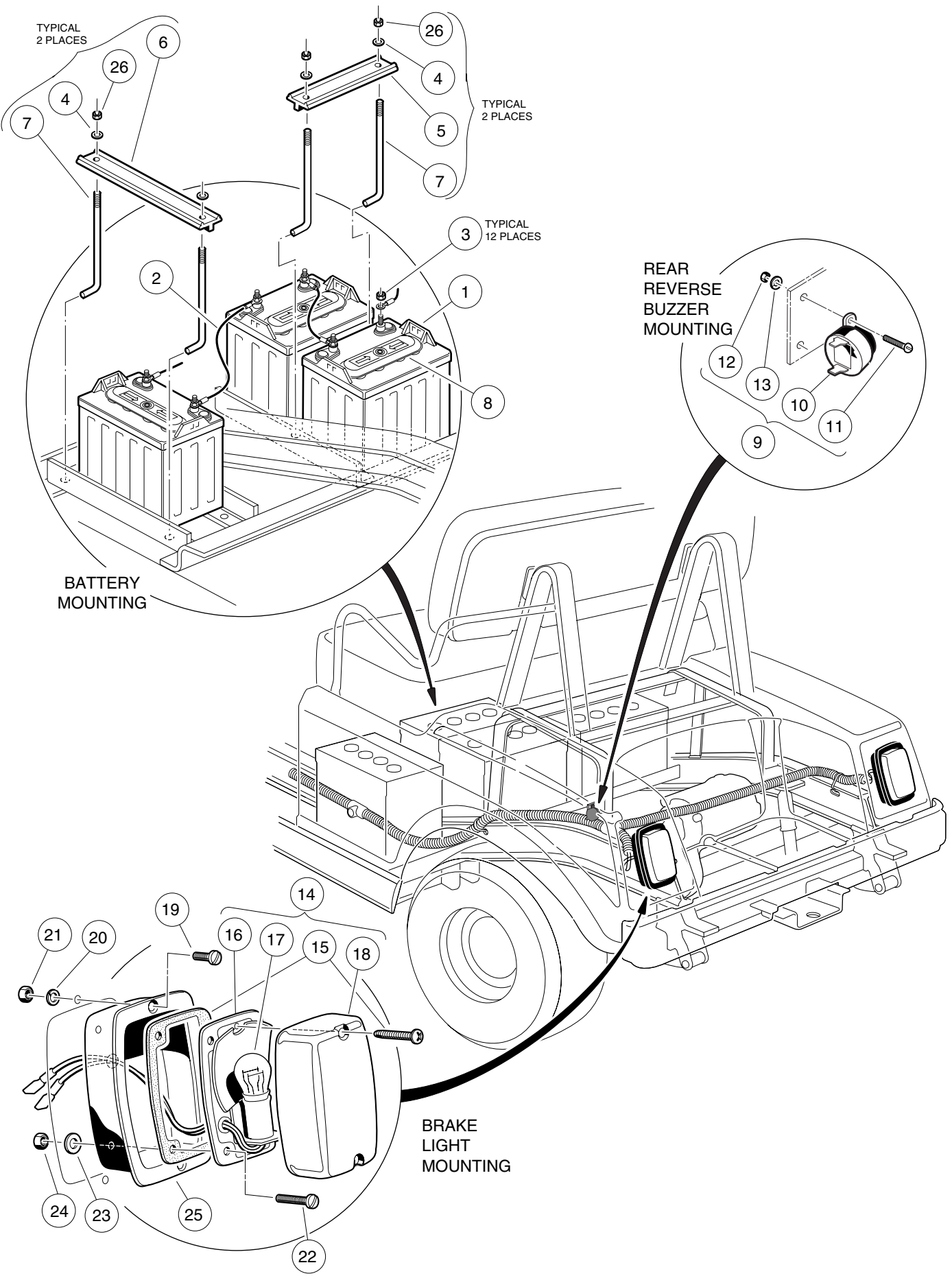


ELECTRICAL COMPONENTS, CENTER BODY— RESORT VILLAGER POWERDRIVE ELECTRIC VEHICLE

13

E

ITEM	PART NO.	DESCRIPTION	QTY
		1 2 3 4	
1	<u>1018021-01</u>	KIT, FUSE AND RECEPTACLE (INCLUDES ITEMS 2 - 9)	1
2	<u>1017965-01</u>	BEZEL, RECEPTACLE	1
3	N/A	WIRE ASSEMBLY, SENSE LEAD, GRAY	1
4	N/A	WIRE ASSEMBLY, #10 RED	1
5	N/A	WIRE ASSEMBLY, #10 BLACK	1
6	<u>1017968-01</u>	ASSEMBLY, FUSE, 48 VOLT (INCLUDES ITEM 7)	1
7	<u>1013061</u>	NUT, NYLON LOCK, #10	2
8	<u>1017705</u>	SCREW, PHILLIPS PAN HEAD, #8 TYPE AB	3
9	<u>1018949-01</u>	FUSE, 3/8 AMP	1
10	<u>1018010-01</u>	PLATE, RECEPTACLE BACKING	1
11	<u>1018320-01</u>	SCREW, PHILLIPS PAN HEAD, #7 - 18 x 3/4	4
12	<u>1016356</u>	BLOCK, TERMINAL	1
13	<u>1013357</u>	RIVET, ALUMINUM POP, 5/32 x 1/4	2
14	<u>1015741</u>	BLOCK, FUSE	1
15	<u>1016423</u>	FUSE, 20 AMP	3
16	<u>1012438</u>	NUT, NYLON LOCK, #10 - 24	2
17	0000183	WASHER, FLAT, #10	4
18	1016363	COVER, FUSE BLOCK	1
19	0001017	NUT, HEX, #10 - 24	2
20	0001016	WASHER, LOCK, #10	4
21	<u>1016631</u>	NUT, PUSH	2
22	<u>1016366</u>	SCREW, ROUND HEAD, #10 - 24 x 3	2
23	0008233	NUT, NYLON LOCK, 1/4 - 20	2
24	<u>1018108-01</u>	LIMITER, VOLTAGE (INCLUDES ITEM 25)	1
25	<u>1018367-02</u>	COMPOUND, HEAT SINK	A/R



ELECTRICAL COMPONENTS, REAR BODY— RESORT VILLAGER POWERDRIVE ELECTRIC VEHICLE

ITEM	PART NO.	DESCRIPTION	QTY
		1 2 3 4	
1	<u>1017977-01</u>	BATTERY, 8-VOLT POWERDRIVE	6
1	<u>1017977-02</u>	BATTERY, 8-VOLT POWERDRIVE, DRY	6
2	<u>1017957-01</u>	WIRE ASSEMBLY, #6 BLACK	5
3	<u>1014304</u>	NUT, HEX, STAINLESS STEEL, 5/16 - 18	12
4	<u>1011578</u>	WASHER, FLAT, TYPE B WIDE, 5/16	8
5	<u>1018030-01</u>	HOLD-DOWN, BATTERY, SHORT	2
6	<u>1018030-02</u>	HOLD-DOWN, BATTERY, LONG	2
7	<u>1016682-01</u>	ROD, BATTERY HOLD-DOWN	8
8	<u>1017978-01</u>	CAP, BATTERY, 4 PORT GANG	6
9	<u>1016859</u>	KIT, REVERSE BUZZER (INCLUDES ITEMS 10 - 13)	1
10	<u>1016851</u>	BUZZER, REVERSE	1
11	0008056	SCREW, MACHINE, #4 - 40 x 3/4	2
12	0008057	NUT, HEX, #4 - 40	2
13	0008058	WASHER, LOCK, #4	2
14	1017035	ASSEMBLY, TAILLIGHT (INCLUDES ITEMS 15 - 18)	2
15	<u>1017699</u>	KIT, HARDWARE	1
16	N/A	BASE, TAILLIGHT	1
17	<u>1011582</u>	BULB	1
18	<u>1011843</u>	LENS	1
19	<u>1011498</u>	SCREW, MACHINE, #8 - 32 x 1/2	4
20	<u>1011610</u>	WASHER, LOCK, #8	4
21	<u>1011571</u>	NUT, HEX, #8 - 32	4
22	<u>1011557</u>	SCREW, MACHINE, #6 - 32 x 1	4
23	0007591	WASHER, FLAT, #6	4
24	<u>1011558</u>	NUT, HEX, #6	6
25	<u>1011497</u>	BEZEL, TAILLIGHT	2
26	1015072	NUT, NYLON LOCK, STAINLESS STEEL, 5/16 - 18	8

13
E

13

E

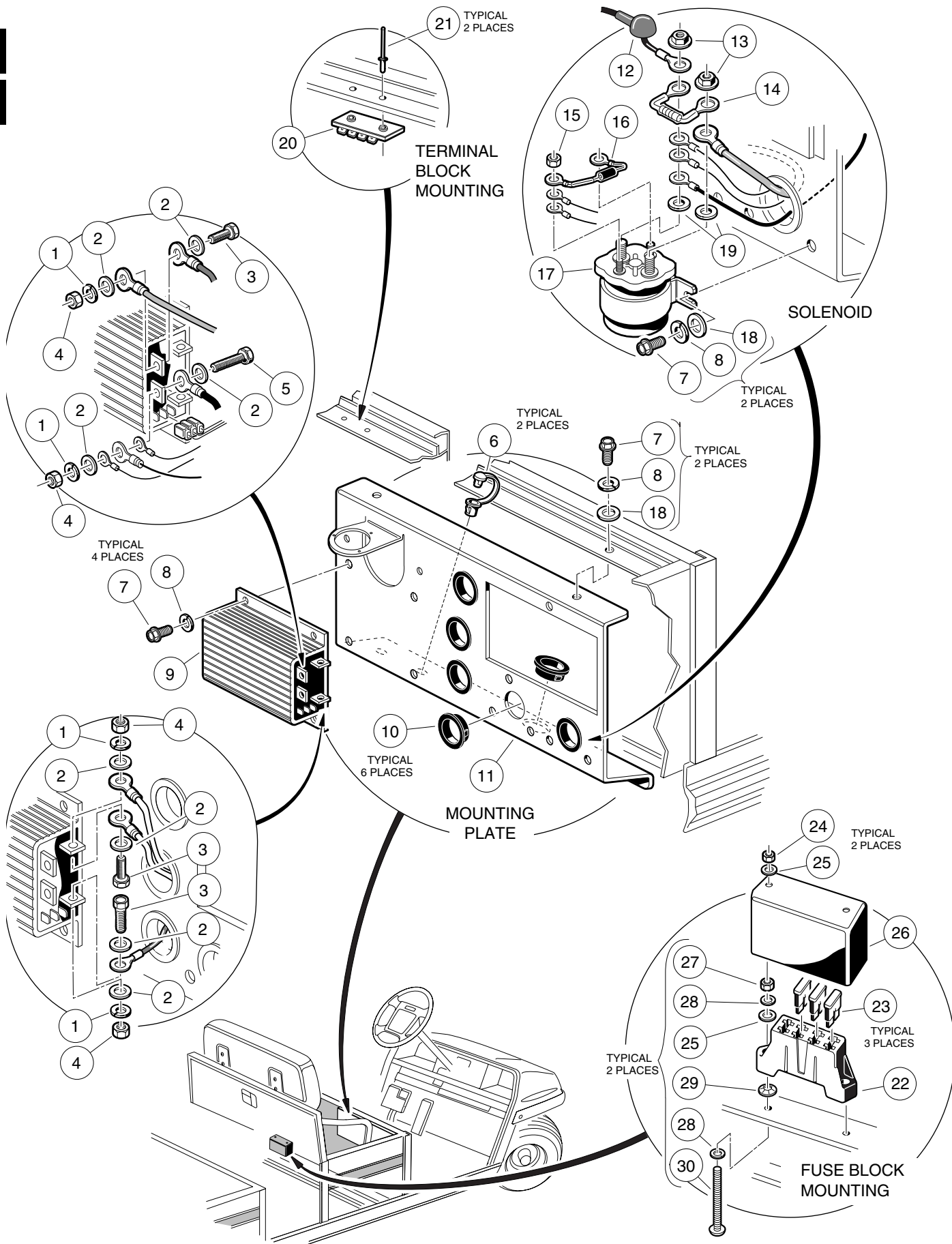
WIRING—

TRANS-PORTER/TRANS-SENDER ELECTRIC VEHICLES

ITEM	PART NO.	DESCRIPTION	QTY
		1 2 3 4	
	<u>1019693-01</u>	WIRE HARNESS, LIGHTING (CONTAINS ITEMS 1 - 21)	1
1	N/A	WIRE ASSEMBLY, #16 BLACK	1
2	N/A	WIRE ASSEMBLY, #16 BLACK	1
3	N/A	WIRE ASSEMBLY, #14 BLACK	1
4	N/A	WIRE ASSEMBLY, #16 WHITE	1
5	N/A	WIRE ASSEMBLY, #18 BLUE	1
6	N/A	WIRE ASSEMBLY, #16 BROWN	1
7	N/A	WIRE ASSEMBLY, #16 ORANGE/WHITE	1
8	N/A	WIRE ASSEMBLY, #16 ORANGE	1
9	N/A	WIRE ASSEMBLY, #18 BLACK	1
10	N/A	WIRE ASSEMBLY, #16 BROWN	1
11	N/A	WIRE ASSEMBLY, #18 RED	1
12	N/A	WIRE ASSEMBLY, #16 RED/WHITE	1
13	N/A	WIRE ASSEMBLY, #16 ORANGE/WHITE	1
14	N/A	WIRE ASSEMBLY, #16 GREEN/WHITE	1
15	N/A	WIRE ASSEMBLY, #14 YELLOW	1
16	1016698	WIRE ASSEMBLY, #10 RED	1
17	N/A	WIRE ASSEMBLY, #18 YELLOW	1
18	N/A	WIRE ASSEMBLY, #18 WHITE	1
19	N/A	WIRE ASSEMBLY, #18 RED	1
20	N/A	WIRE ASSEMBLY, #18 ORANGE	1
21	N/A	WIRE ASSEMBLY, #16 BLACK	1
	<u>1019116-01</u>	WIRE HARNESS, POWER (INCLUDES ITEMS 22 - 31)	1
22	N/A	WIRE ASSEMBLY, #18 GREEN	1
23	<u>1018651-06</u>	ASSEMBLY, 3-WIRE PLUG (INCLUDES #18 PURPLE, #18 YELLOW AND ITEM 24)	1
24	N/A	WIRE ASSEMBLY, #18 BLACK (INCLUDES RESISTOR AND #18 WHITE WIRE)	1
25	N/A	WIRE ASSEMBLY, #18 ORANGE	1
26	N/A	WIRE ASSEMBLY, #18 WHITE/BLACK	1
27	N/A	WIRE ASSEMBLY, #18 RED	1
28	N/A	WIRE ASSEMBLY, #18 GREEN	1
29	N/A	WIRE ASSEMBLY, #18 RED/WHITE	1
30	<u>1019308-01</u>	ASSEMBLY, 3-PIN PLUG (INCLUDES #18 BROWN, #18 YELLOW, AND #18 RED)	1
31	N/A	WIRE ASSEMBLY, #18 GREEN/WHITE	1
	<u>1019101-02</u>	WIRE HARNESS, POWER (INCLUDES ITEMS 32 - 38)	1
32	<u>1019099-03</u>	COMPUTER, ON-BOARD (SEE PAGE 12-30) (INCLUDES ITEM 33)	1
33	<u>1018278-02</u>	KIT, WIRE AND TERMINAL, #6 BLACK	1
34	<u>1019045-02</u>	WIRE ASSEMBLY, #6 RED	1
35	<u>1019089-02</u>	WIRE ASSEMBLY, #6 WHITE	1
36	<u>1019044-02</u>	WIRE ASSEMBLY, #6 GREEN	1
37	<u>1019046-02</u>	WIRE ASSEMBLY, #6 BLUE	1
38	<u>1019047-02</u>	WIRE ASSEMBLY, #6 ORANGE	1
39	<u>1018291-01</u>	DC CORD, #10 BLUE, #10 RED, #10 BLACK (PART OF CHARGER)	1
40	<u>1014947</u>	ASSEMBLY, RESISTOR	1
41	<u>1017957-01</u>	WIRE ASSEMBLY, #6 BLACK	5
42	N/A	WIRE ASSEMBLY, #10 BLACK (PART OF ON-BOARD COMPUTER ASSEMBLY)	1
43	N/A	WIRE ASSEMBLY, #18 GREY (PART OF ON-BOARD COMPUTER ASSEMBLY)	1
44	N/A	WIRE ASSEMBLY, #18 RED	1
45	N/A	WIRE ASSEMBLY, #18 BLUE (PART OF POTENTIOMETER ASSEMBLY)	1
46	N/A	WIRE ASSEMBLY, #18 ORANGE/WHITE	1
47	N/A	WIRE ASSEMBLY, #18 RED	1
48	N/A	WIRE ASSEMBLY, #10 BLACK (PART OF VOLTAGE LIMITER ASSEMBLY)	1
49	<u>1019088-01</u>	WIRE ASSEMBLY, #6 BLUE	1
50	<u>1016729</u>	WIRE ASSEMBLY, #6 WHITE	1
51	N/A	WIRE ASSEMBLY, #10 BLACK (PART OF ON-BOARD COMPUTER ASSEMBLY)	1
52	<u>1016732</u>	WIRE ASSEMBLY, #6 YELLOW	1
53	<u>1014948</u>	ASSEMBLY, DIODE	1

13

E

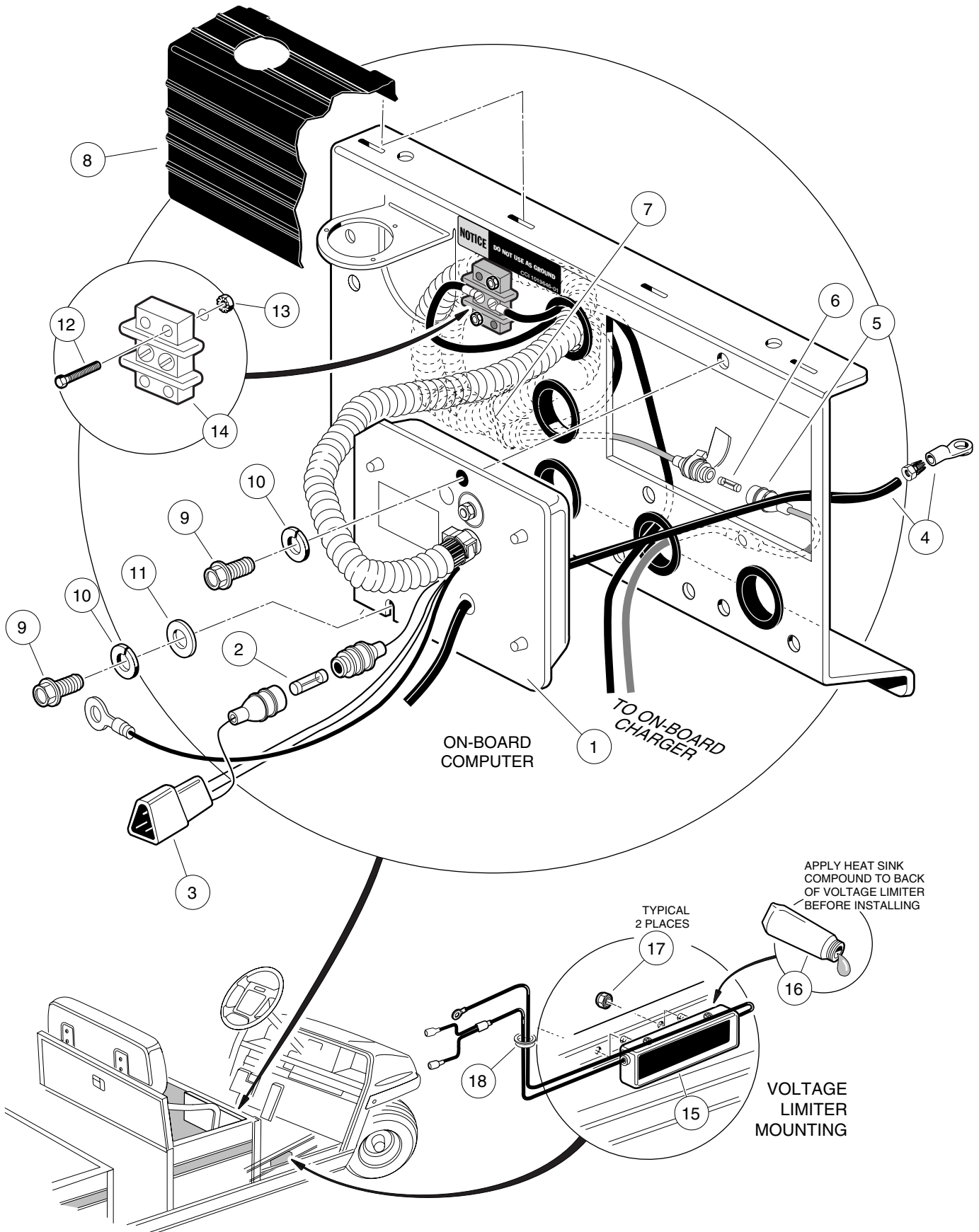


ELECTRICAL COMPONENTS, CENTER BODY— TRANS-PORTER/TRANS-SENDER ELECTRIC VEHICLES

ITEM	PART NO.	DESCRIPTION	QTY
		1 2 3 4	
1	0007174	WASHER, LOCK, 5/16	4
2	0001241	WASHER, FLAT, 5/16	8
3	0007173	BOLT, HEX HEAD, 5/16 - 18 x 3/4	3
4	0001242	NUT, HEX, 5/16 - 18	4
5	0001218	BOLT, HEX HEAD, 5/16 - 18 x 1 1/4	1
6	<u>1019183-01</u>	CLAMP, WIRE	2
7	<u>1012285</u>	SCREW, HEX HEAD THREAD ROLLING, 1/4 - 20 x 5/8	8
8	0000451	WASHER, LOCK, 1/4	8
9	<u>1018402-03</u>	CONTROLLER, 48 VOLT (300 AMP)	1
10	<u>1019243-01</u>	BUSHING, SNAP	6
11	<u>1019117-01</u>	PLATE, MOUNTING	1
12	<u>1019026-01</u>	BOOT, WIRE	1
13	<u>1017237</u>	NUT, FLANGE, 5/16 - 24	2
14	<u>1014947</u>	ASSEMBLY, RESISTOR	1
15	0007893	NUT, HEX, #10 - 32	2
16	1014948	ASSEMBLY, DIODE	1
17	<u>1018836-01</u>	SOLENOID, 48 VOLT	1
18	0000332	WASHER, FLAT, 1/4	4
19	<u>1019344-01</u>	WASHER, FLAT, 5/16	2
20	<u>1016356</u>	BLOCK, TERMINAL	1
21	<u>1013357</u>	RIVET, ALUMINUM POP, 5/32 x 1/4	2
22	<u>1015741</u>	BLOCK, FUSE	1
23	<u>1016423</u>	FUSE, 20 AMP	3
24	<u>1012438</u>	NUT, NYLON LOCK, #10 - 24	2
25	0000183	WASHER, FLAT, #10	4
26	1016363	COVER, FUSE BLOCK	1
27	0001017	NUT, HEX, #10 - 24	2
28	0001016	WASHER, LOCK, #10	4
29	<u>1016631</u>	NUT, PUSH	2
30	<u>1016366</u>	SCREW, ROUND HEAD, #10 - 24 x 3	2

13
E

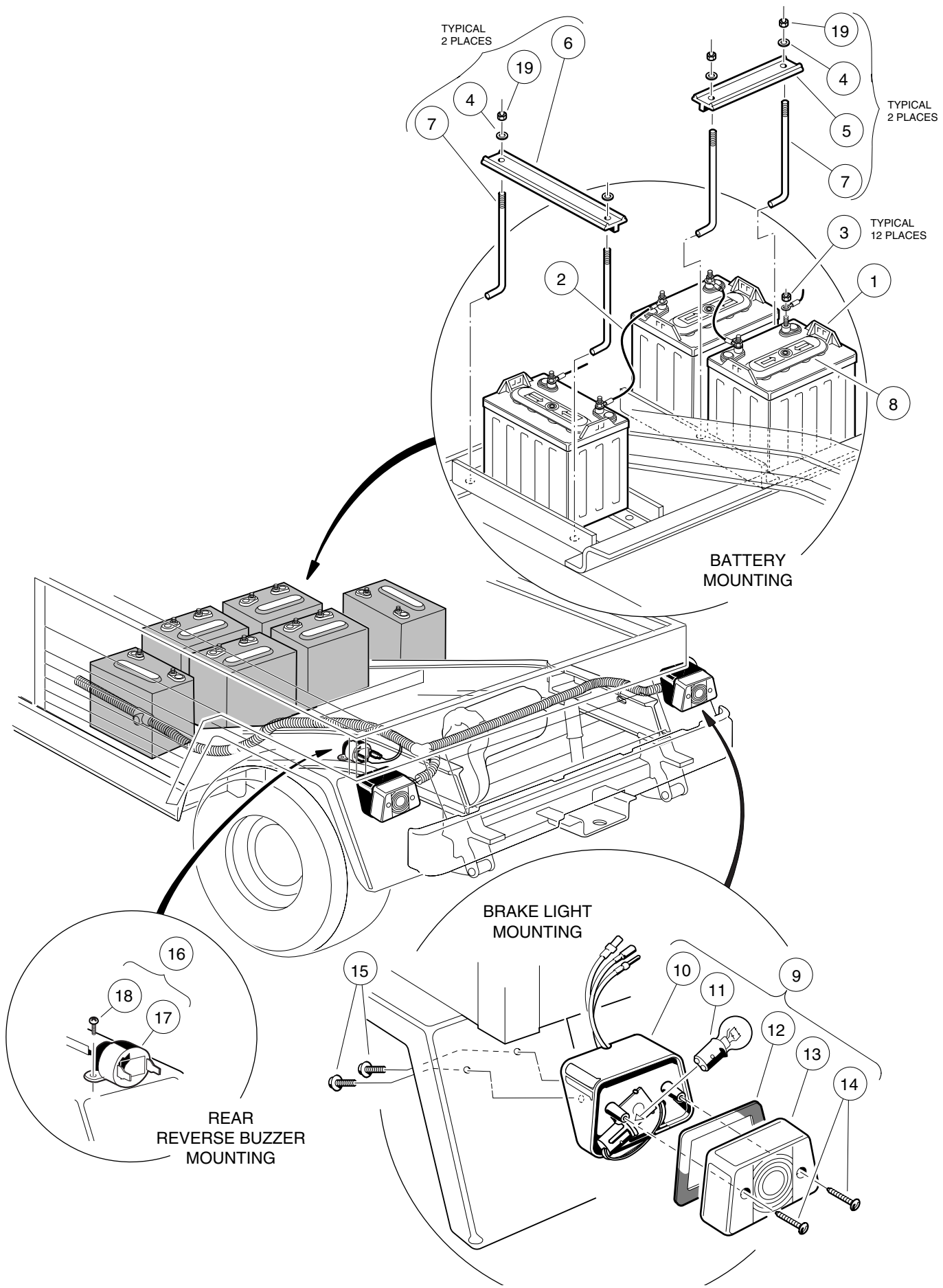
13
E



ELECTRICAL COMPONENTS, CENTER BODY, CONTINUED— TRANS-PORTER/TRANS-SENDER ELECTRIC VEHICLES

ITEM	PART NO.	DESCRIPTION	QTY
		1 2 3 4	
1	<u>1019099-03</u>	COMPUTER, ON-BOARD (INCLUDES ITEMS 2 - 4)	1
2	<u>1018949-01</u>	FUSE, 3/8 AMP	1
3	<u>1019423-01</u>	CONNECTOR, 3-PIN	1
4	<u>1018278-02</u>	KIT, WIRE AND TERMINAL, #6 BLACK	1
5	<u>1019575-01</u>	ADAPTER, TWO-WAY (INCLUDES ITEM 6).....	1
6	<u>1018949-01</u>	FUSE, 3/8 AMP	1
7	0008990	TIE, WIRE	1
8	<u>1019316-01</u>	ASSEMBLY, COMPONENT COVER	1
9	<u>1012285</u>	SCREW, HEX HEAD THREAD-ROLLING, 1/4 - 20 x 5/8	2
10	0000451	WASHER, LOCK, 1/4	2
11	0000332	WASHER, FLAT, 1/4	1
12	<u>1017853</u>	SCREW, HEX HEAD MACHINE, #6 - 32 x 3/4	2
13	<u>1011229</u>	NUT, K LOCK, #6 - 32	2
14	<u>1019668-01</u>	BLOCK, TERMINAL	1
15	<u>1018108-01</u>	LIMITER, VOLTAGE (INCLUDES ITEM 16)	1
16	1018367-02	COMPOUND, HEAT SINK	A/R
17	0008233	NUT, NYLON LOCK, 1/4 - 20	2
18	<u>1018024-01</u>	GROMMET, 5/8	1

13
E



ELECTRICAL COMPONENTS, REAR BODY— TRANS-PORTER/TRANS-SENDER ELECTRIC VEHICLES

ITEM	PART NO.	DESCRIPTION	QTY
		1 2 3 4	
1	<u>1017977-01</u>	BATTERY, 8-VOLT POWERDRIVE	6
1	<u>1017977-02</u>	BATTERY, 8-VOLT POWERDRIVE, DRY	6
2	<u>1017957-01</u>	WIRE ASSEMBLY, #6 BLACK	5
3	<u>1014304</u>	NUT, HEX, STAINLESS STEEL, 5/16 -18	12
4	<u>1011578</u>	WASHER, FLAT, TYPE B WIDE, 5/16	8
5	<u>1018030-01</u>	HOLD-DOWN, BATTERY, SHORT	2
6	<u>1018030-02</u>	HOLD-DOWN, BATTERY, LONG	2
7	<u>1016682-01</u>	ROD, BATTERY HOLD-DOWN	8
8	<u>1017978-01</u>	CAP, BATTERY, 4 PORT GANG	6
9	<u>1016717</u>	ASSEMBLY, TAILLIGHT (INCLUDES ITEMS 10 - 14)	2
10	N/A	HOUSING, TAILLIGHT	1
11	<u>1011582</u>	BULB	1
12	N/A	GASKET	1
13	N/A	LENS	1
14	N/A	SCREW, LENS	2
15	<u>1015752</u>	SCREW, HI-LO, #12 - 16 x 5/8	4
16	<u>1016859</u>	KIT, REVERSE BUZZER (INCLUDES ITEMS 17 AND 18)	1
17	<u>1016851</u>	BUZZER, REVERSE	1
18	<u>1016849</u>	SCREW, PAN HEAD HI-LO, #4 - 24 x 5/16	2
19	<u>1015072</u>	NUT, NYLON LOCK, STAINLESS STEEL, 5/16 - 18	8

13
E

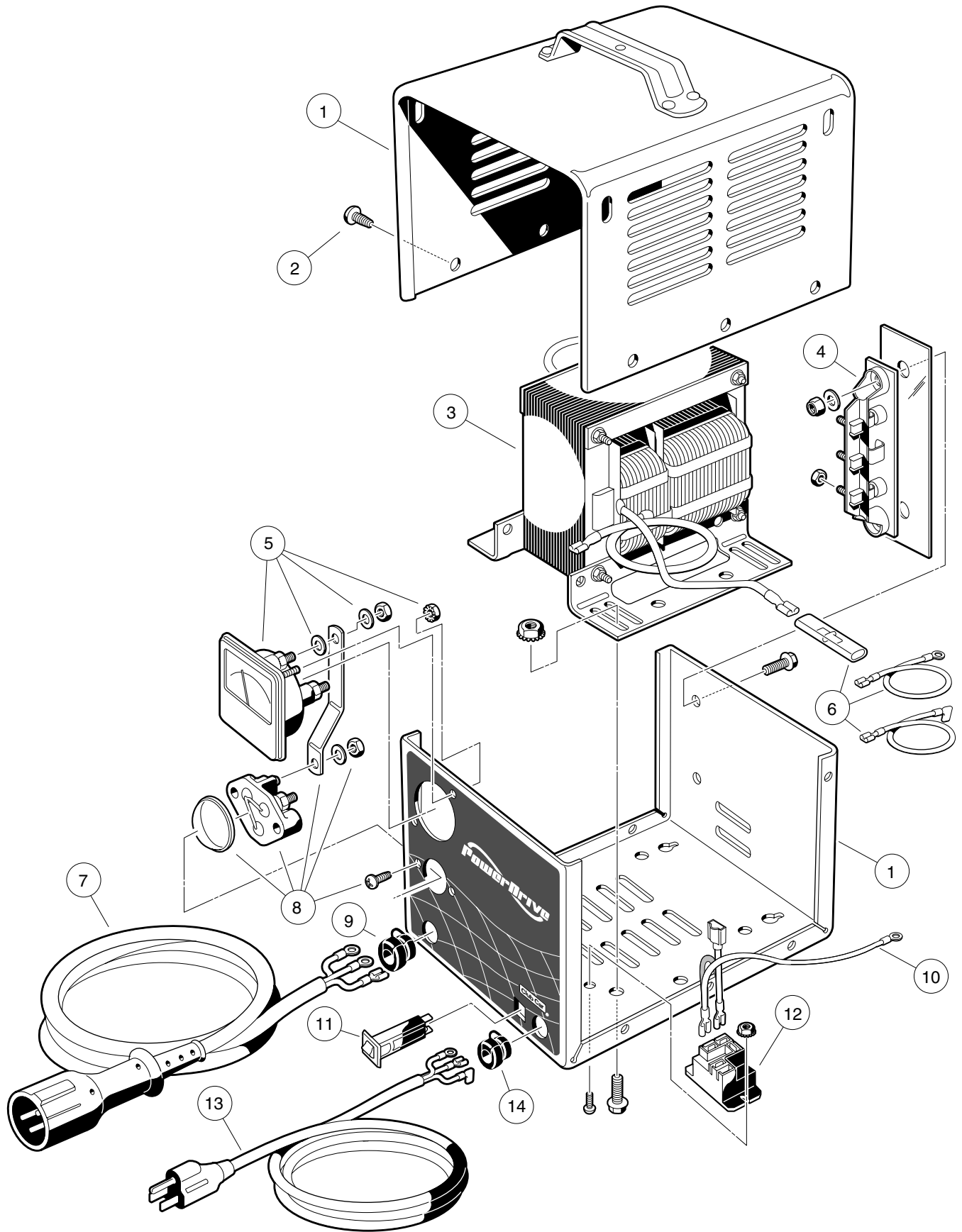
13

E

BATTERY CHARGER

14

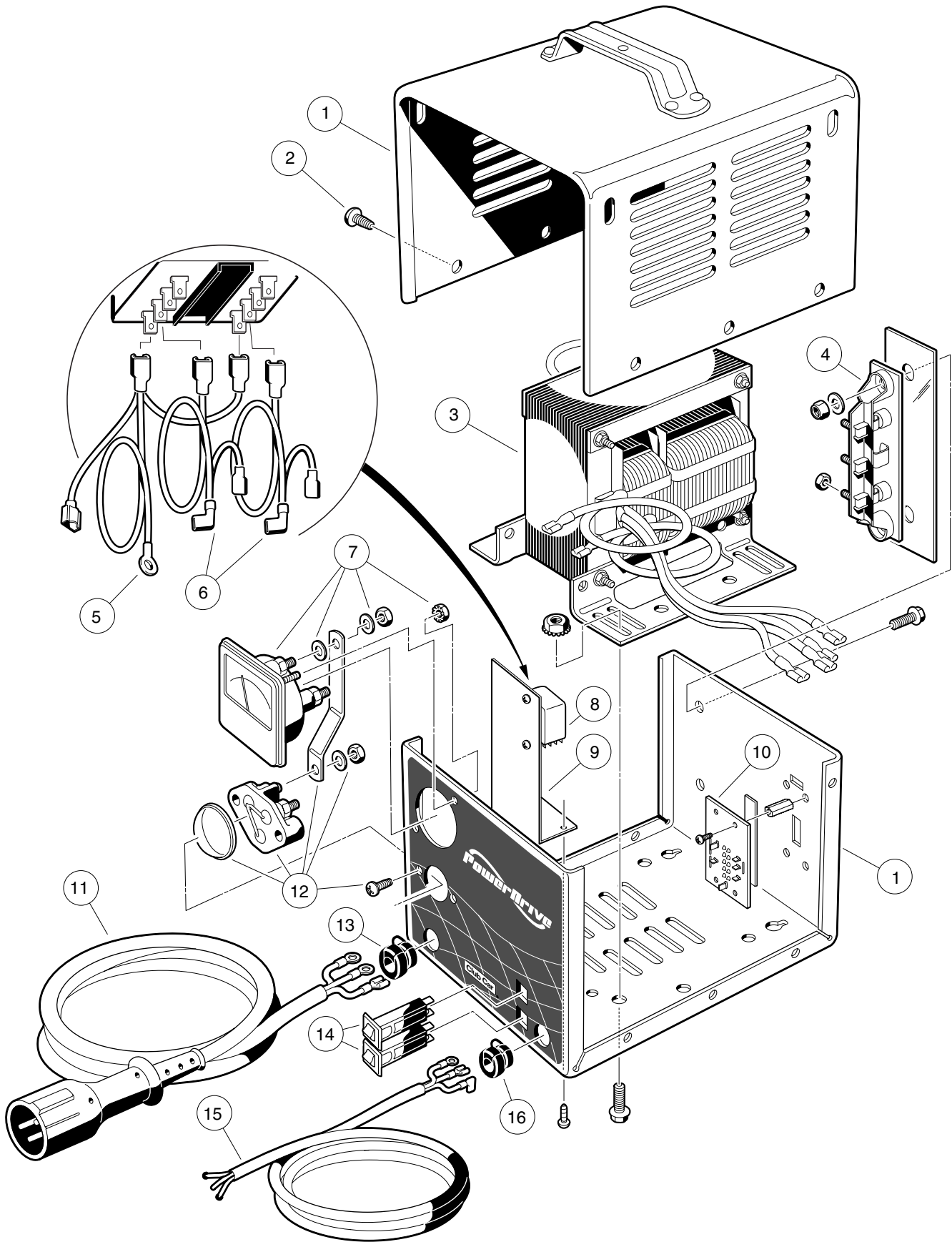
E



POWERDRIVE BATTERY CHARGER, DOMESTIC—TOURALL AND RESORT VILLAGER

14
E

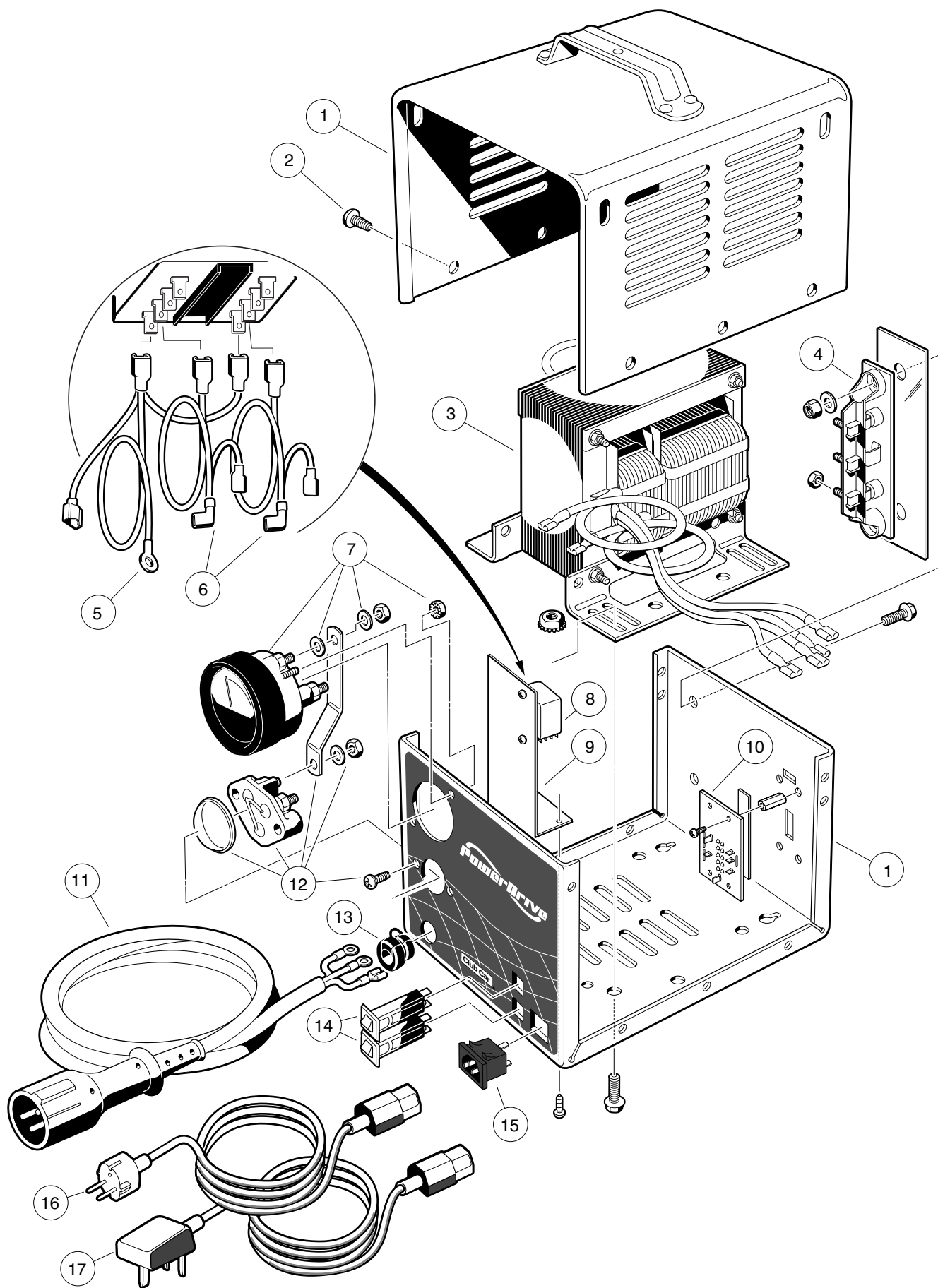
ITEM	PART NO.	DESCRIPTION	QTY
		1 2 3 4	
	<u>1018022-01</u>	CHARGER, BATTERY, POWERDRIVE, DOMESTIC 120VAC 48VDC 60 HZ (MODEL NUMBER 17930-11) (INCLUDES ITEMS 1 - 14) 103 IN. DC CORD WITH MALE 3-PIN PLUG, 12 AWG 74 IN. AC CORD WITH MALE GROUNDED PLUG	1
	<u>1018022-02</u>	CHARGER, BATTERY, POWERDRIVE 120VAC 48VDC 60 HZ (MODEL NUMBER 17930-18) (INCLUDES ITEMS 1 - 14) 144 IN. DC CORD WITH MALE 3-PIN PLUG, 12 AWG 108 IN. AC CORD WITH MALE GROUNDED PLUG	1
	<u>1018022-03</u>	CHARGER, BATTERY, POWERDRIVE 120VAC 48VDC 60 HZ (MODEL NUMBER 17930-19) (INCLUDES ITEMS 1 - 14) 240 IN. DC CORD WITH MALE 3-PIN PLUG, 12 AWG 108 IN. AC CORD WITH MALE GROUNDED PLUG	1
1	<u>1018283-01</u>	ASSEMBLY, CASE (INCLUDES ITEM 2)	1
2	0007577	SCREW, PAN HEAD, SELF-TAPPING, #10 - 16 x 1/2	10
3	<u>1018197-01</u>	ASSEMBLY, TRANSFORMER	1
4	<u>1015914</u>	ASSEMBLY, HEATSINK, WITH DIODES (INCLUDES MOUNTING HARDWARE)	1
5	<u>1018285-01</u>	AMMETER (INCLUDES MOUNTING HARDWARE)	1
6	<u>1018311-01</u>	KIT, WIRE ASSEMBLY	1
7	<u>1018289-01</u>	CORDSET, DC, 113 INCHES LONG WITH MALE 3-PIN PLUG, 12 AWG	1
7	<u>1018289-02</u>	CORDSET, DC, 154 INCHES LONG WITH MALE 3-PIN PLUG, 12 AWG	1
7	<u>1018289-03</u>	CORDSET, DC, 250 INCHES LONG WITH MALE 3-PIN PLUG, 12 AWG	1
8	<u>1012101</u>	ASSEMBLY, FUSE (INCLUDES MOUNTING HARDWARE)	1
9	<u>1012098</u>	BUSHING, STRAIN RELIEF, DC CORD, 12 AWG	1
10	<u>1019144-01</u>	ASSEMBLY, VOLTAGE SUPPRESSOR	1
11	<u>1018287-01</u>	BREAKER, CIRCUIT, 15 AMP	1
12	<u>1018286-01</u>	RELAY, POWER, 48 VDC	1
13	<u>1018288-01</u>	CORDSET, AC, 80 INCHES LONG	1
13	<u>1018288-02</u>	CORDSET, AC, 116 INCHES LONG	1
14	<u>1015917</u>	BUSHING, STRAIN RELIEF, AC CORD	1



POWERDRIVE BATTERY CHARGER, EXPORT—TOURALL AND RESORT VILLAGER

14
E

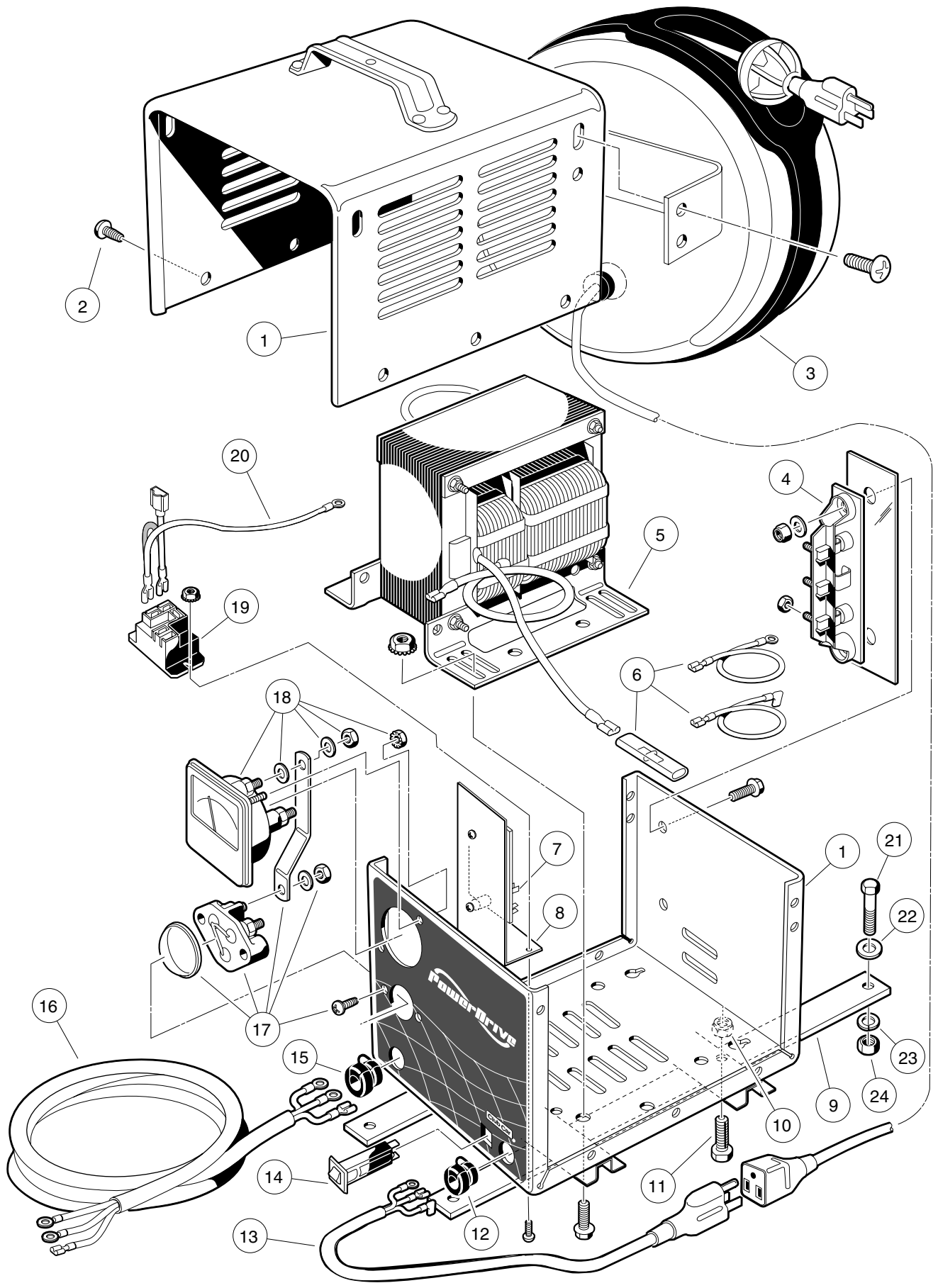
ITEM	PART NO.	DESCRIPTION	QTY
		1 2 3 4	
	<u>1018315-03</u>	CHARGER, BATTERY, POWERDRIVE, EXPORT WITH 4-POSITION SWITCH 100 - 200 - 220 - 240 VAC, 48 VDC 50/60 HZ (MODEL NUMBER 18780-11) (INCLUDES ITEMS 1 - 16) 103 IN. DC CORD WITH MALE 3-PIN PLUG, 12 AWG 74 IN. AC CORD WITH NO PLUG	1
	1018315-04	CHARGER, BATTERY, POWERDRIVE EXPORT WITH 4-POSITION SWITCH 100 - 200 - 220 - 240 VAC, 48 VDC 50/60 HZ (MODEL NUMBER 18780-18) (INCLUDES ITEMS 1 - 16) 144 IN. DC CORD WITH MALE 3-PIN PLUG, 12 AWG 108 IN. AC CORD WITH NO PLUG	1
1	<u>1018381-01</u>	ASSEMBLY, CASE (INCLUDES ITEM 2)	1
2	0007577	SCREW, PAN HEAD, SELF-TAPPING, #10 - 16 x 1/2	10
3	1018382-01	ASSEMBLY, TRANSFORMER	1
4	<u>1015914</u>	ASSEMBLY, HEATSINK, WITH DIODES (INCLUDES MOUNTING HARDWARE)	1
5	1019144-01	ASSEMBLY, VOLTAGE SUPPRESSOR	1
6	1018385-01	KIT, WIRE ASSEMBLY	1
7	<u>1018285-01</u>	AMMETER (INCLUDES HARDWARE)	1
8	<u>1018383-01</u>	RELAY, POWER, 48 VDC (INCLUDES MOUNTING HARDWARE)	1
9	<u>1018387-01</u>	BRACKET, POWER RELAY MOUNTING	1
10	1018386-01	SWITCH, 4-POSITION, SLIDE	1
11	<u>1018289-01</u>	CORDSET, DC, 113 INCHES LONG WITH MALE 3-PIN PLUG, 12 AWG	1
11	<u>1018289-02</u>	CORDSET, DC, 154 INCHES LONG WITH MALE 3-PIN PLUG, 12 AWG	1
11	<u>1018289-03</u>	CORDSET, DC, 250 INCHES LONG WITH MALE 3-PIN PLUG, 12 AWG	1
12	<u>1012101</u>	ASSEMBLY, FUSE (INCLUDES HARDWARE)	1
13	<u>1012098</u>	BUSHING, STRAIN RELIEF, DC CORD, 12 AWG	1
14	1018384-01	BREAKER, CIRCUIT, 10 AMP	2
15	<u>1018317-01</u>	CORDSET, AC, 80 INCHES LONG, WITH LEADS (NO PLUG)	1
15	<u>1018317-02</u>	CORDSET, AC, 116 INCHES LONG, WITH LEADS (NO PLUG)	1
16	<u>1015917</u>	BUSHING, STRAIN RELIEF, AC CORD	1



POWERDRIVE BATTERY CHARGER, EUROPEAN—TOURALL AND RESORT VILLAGER

14
E

ITEM	PART NO.	DESCRIPTION	QTY
		1 2 3 4	
	<u>1019562-01</u>	CHARGER, BATTERY, POWERDRIVE, EUROPEAN WITH 4-POSITION SWITCH 100 - 200 - 220 - 240 VAC, 48 VDC 50/60 HZ (MODEL NUMBER 20300) (INCLUDES ITEMS 1 - 15) 103" DC CORD WITH MALE 3-PIN PLUG, 12 AWG	1
	<u>1019562-02</u>	CHARGER, BATTERY, POWERDRIVE EUROPEAN WITH 4-POSITION SWITCH 100 - 200 - 220 - 240 VAC, 48 VDC 50/60 HZ (MODEL NUMBER 20310) (INCLUDES ITEMS 1 - 15) 144" DC CORD WITH MALE 3-PIN PLUG, 12 AWG	1
1	<u>1018381-01</u>	ASSEMBLY, CASE (INCLUDES ITEM 2)	1
2	0007577	SCREW, PAN HEAD, SELF-TAPPING, #10 - 16 x 1/2	10
3	1018382-01	ASSEMBLY, TRANSFORMER	1
4	<u>1015914</u>	ASSEMBLY, HEATSINK, WITH DIODES (INCLUDES MOUNTING HARDWARE)	1
5	1019144-01	ASSEMBLY, VOLTAGE SUPPRESSOR	1
6	1018385-01	KIT, WIRE ASSEMBLY	1
7	1019766-01	AMMETER (INCLUDES HARDWARE)	1
8	<u>1019875-01</u>	RELAY, POWER, 48 VDC (INCLUDES MOUNTING HARDWARE)	1
9	<u>1018387-01</u>	BRACKET, POWER RELAY MOUNTING	1
10	1018386-01	SWITCH, 4-POSITION, SLIDE	1
11	<u>1018289-01</u>	CORDSET, DC, 103" LONG WITH MALE 3-PIN PLUG, 12 AWG	1
11	<u>1018289-02</u>	CORDSET, DC, 144" LONG WITH MALE 3-PIN PLUG, 12 AWG	1
11	<u>1018289-03</u>	CORDSET, DC, 250" LONG WITH MALE 3-PIN PLUG, 12 AWG	1
12	<u>1012101</u>	ASSEMBLY, FUSE (INCLUDES HARDWARE)	1
13	<u>1012098</u>	BUSHING, STRAIN RELIEF, DC CORD, 12 AWG	1
14	1018384-01	BREAKER, CIRCUIT, 10 AMP	2
15	1019735-01	RECEPTACLE, AC CORD	1
16	1019583-01	CORDSET, AC, CONTINENTAL EUROPE, 96" LONG (WITH MALE 2-PIN PLUG)	1
17	<u>1019582-01</u>	CORDSET, AC, U.K., 96" LONG (WITH MALE 3-PIN PLUG)	1

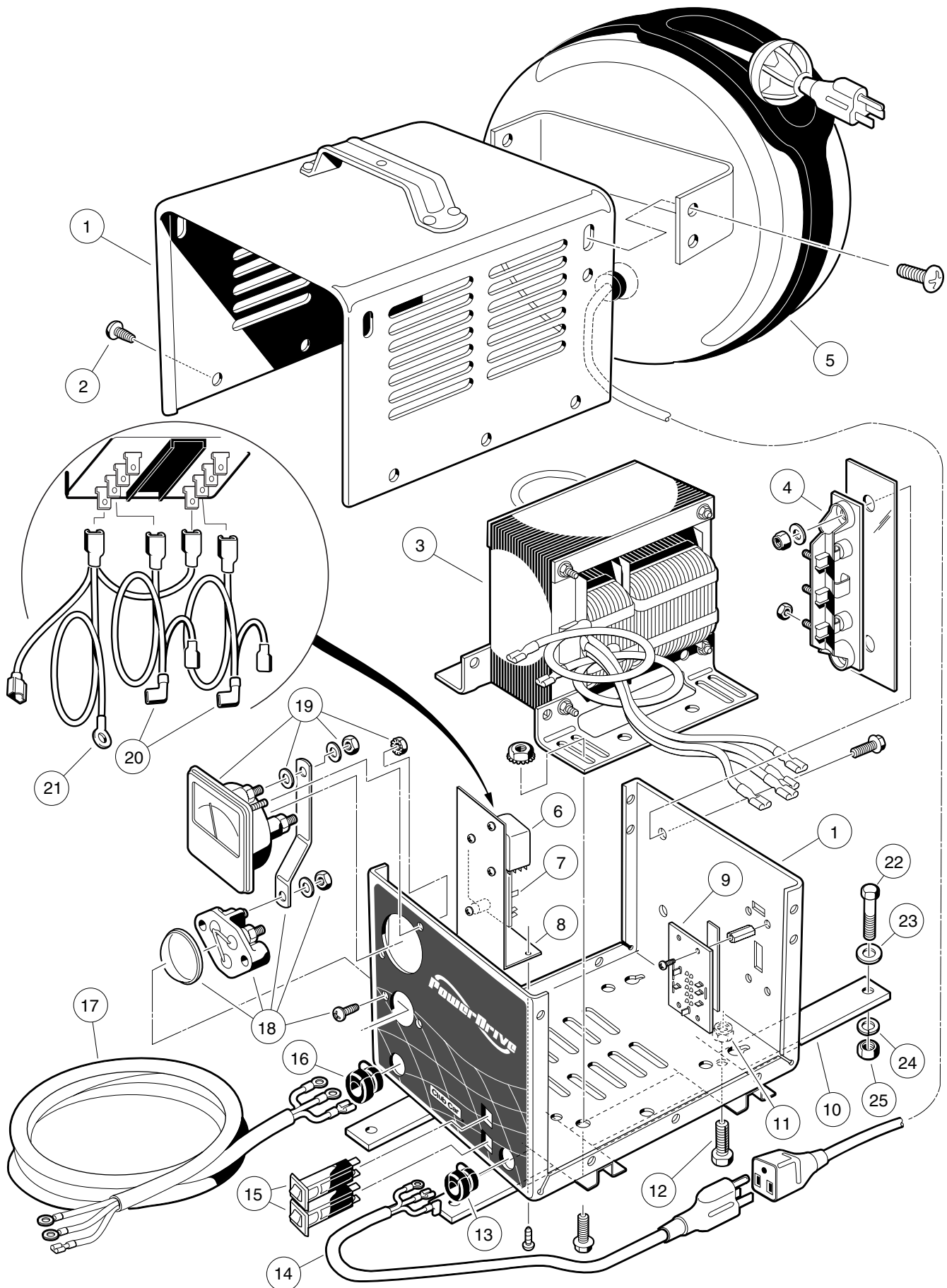


ON-BOARD POWERDRIVE BATTERY CHARGER, DOMESTIC—TRANS-PORTER/TRANS-SENDER

14

E

ITEM	PART NO.	DESCRIPTION	QTY
		1 2 3 4	
	<u>1018143-01</u>	ASSEMBLY, POWERDRIVE BATTERY CHARGER WITH REEL, ON-BOARD 120VAC 48VDC 60 HZ (INCLUDES ITEMS 1 - 20)	1
1	1018161-01	ASSEMBLY, CASE (INCLUDES ITEM 2)	1
2	0007577	SCREW, PAN HEAD, SELF-TAPPING, #10 - 16 x 1/2	12
3	<u>1017187</u>	ASSEMBLY, RETRACTABLE CORD REEL	1
4	<u>1015914</u>	ASSEMBLY, HEATSINK, WITH DIODES (INCLUDES HARDWARE)	1
5	<u>1018197-01</u>	ASSEMBLY, TRANSFORMER	1
6	<u>1018417-01</u>	KIT, WIRE ASSEMBLY	1
7	<u>1018419-01</u>	BOARD, CONTROL	1
8	<u>1018387-01</u>	BRACKET, RELAY AND RESET BOARD MOUNTING	1
9	<u>1011707</u>	BRACKET, MOUNTING	2
10	0008233	NUT, LOCK, 1/4 - 20	4
11	0007847	BOLT, HEX HEAD, 1/4 - 20 x 3/4	4
12	<u>1015917</u>	BUSHING, STRAIN RELIEF, AC CORD	1
13	<u>1018290-01</u>	CORDSET, AC, 24 INCHES WITH GROUNDED PLUG	1
14	1018287-01	BREAKER, CIRCUIT, 15 AMP	1
15	<u>1012098</u>	BUSHING, STRAIN RELIEF, DC CORD, 12 AWG	1
16	<u>1018291-01</u>	CORDSET, DC, 90 INCHES LONG WITH LEADS, 12 AWG	1
17	<u>1012101</u>	ASSEMBLY, FUSE (INCLUDES HARDWARE)	1
18	<u>1018285-01</u>	AMMETER (INCLUDES HARDWARE)	1
19	<u>1018286-01</u>	RELAY, POWER, 48 VDC	1
20	1019144-01	ASSEMBLY, VOLTAGE SUPPRESSOR	1
21	0007479	BOLT, HEX HEAD, 1/4 - 20 x 1 1/4	4
22	<u>1014306</u>	WASHER, FLAT, 1/4	4
23	0000451	WASHER, LOCK, 1/4	4
24	0001028	NUT, HEX, 1/4 - 20	4



ON-BOARD POWERDRIVE BATTERY CHARGER, EXPORT—TRANS-PORTER/TRANS-SENDER

ITEM	PART NO.	DESCRIPTION	QTY
		1 2 3 4	
	<u>1018143-02</u>	ASSEMBLY, POWERDRIVE BATTERY CHARGER AND REEL, ON-BOARD WITH 4-POSITION SWITCH, 100 - 200 - 220 - 240 VAC, 48 VDC 50/60 HZ (INCLUDES ITEMS 1 - 21)	1
1	1018416-01	ASSEMBLY, CASE (INCLUDES ITEM 2)	1
2	0007577	SCREW, PAN HEAD, SELF-TAPPING, #10 - 16 x 1/2	12
3	1018382-01	ASSEMBLY, TRANSFORMER	1
4	<u>1015914</u>	ASSEMBLY, HEATSINK, WITH DIODES (INCLUDES MOUNTING HARDWARE)	1
5	<u>1017187</u>	ASSEMBLY, RETRACTABLE CORD REEL	1
6	<u>1018383-01</u>	RELAY, POWER (INCLUDES MOUNTING HARDWARE)	1
7	<u>1018419-01</u>	BOARD, CONTROL	1
8	<u>1018387-01</u>	BRACKET, MOUNTING, RELAY AND RESET BOARD	1
9	1018386-01	SWITCH, 4-POSITION, SLIDE	1
10	<u>1011707</u>	BRACKET, MOUNTING	2
11	0008233	NUT, LOCK, 1/4 - 20	4
12	0007847	BOLT, HEX HEAD, 1/4 - 20 x 3/4	4
13	<u>1015917</u>	BUSHING, STRAIN RELIEF, AC CORD	1
14	<u>1018290-01</u>	CORDSET, AC, 3 x 1.5MM x 24 INCHES LONG, WITH GROUNDED PLUG	1
15	1018384-01	BREAKER, CIRCUIT, 10-AMP	2
16	<u>1012098</u>	BUSHING, STRAIN RELIEF, DC CORD, 12 AWG	1
17	<u>1018291-01</u>	CORDSET, DC, 90.5 INCHES LONG WITH LEADS, 12 AWG	1
18	<u>1012101</u>	ASSEMBLY, FUSE (INCLUDES HARDWARE).....	1
19	<u>1018285-01</u>	AMMETER (INCLUDES HARDWARE)	1
20	1018418-01	KIT, WIRE ASSEMBLY	1
21	1019144-01	ASSEMBLY, VOLTAGE SUPPRESSOR	1
22	0007479	BOLT, HEX HEAD, 1/4 - 20 x 1 1/4	4
23	<u>1014306</u>	WASHER, FLAT, 1/4	4
24	0000451	WASHER, LOCK, 1/4	4
25	0001028	NUT, HEX, 1/4 - 20	4

14
E

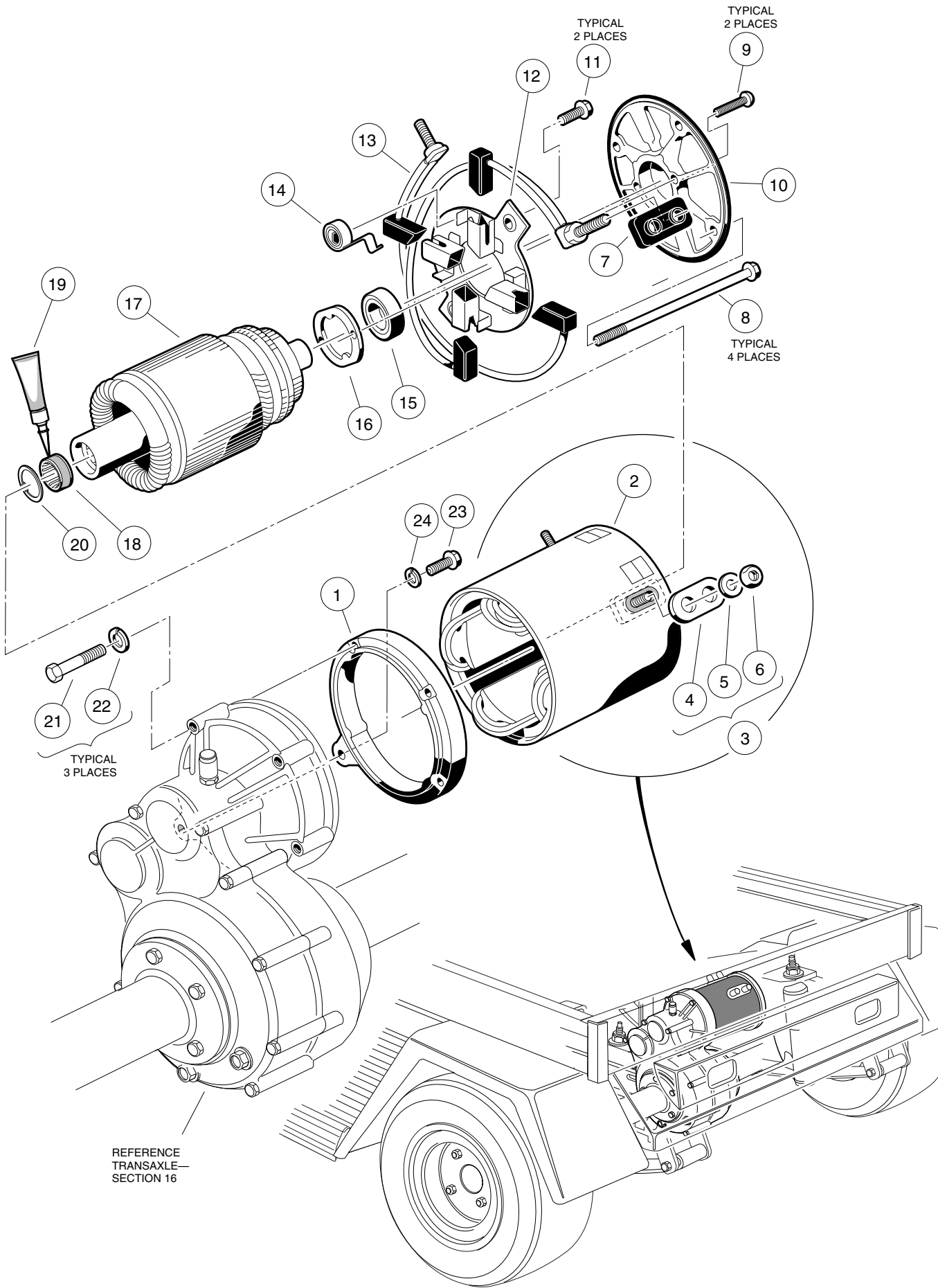
14

E

ELECTRIC MOTOR

15

E



MOTOR—POWERDRIVE ELECTRIC VEHICLE

15
E

ITEM	PART NO.	DESCRIPTION	QTY
		1 2 3 4	
	1018133-01	ASSEMBLY, 48 VOLT MOTOR, 3.10 HP (INCLUDES ITEMS 1 - 20)	1
1	<u>1017944</u>	SHIELD, END	1
2	<u>1017958</u>	ASSEMBLY, STATOR SHELL AND WINDING	1
3	<u>1017947</u>	PACKAGE, HARDWARE (INCLUDES ITEMS 4 - 7)	1
4	N/A	BUSHING, INSULATOR	2
5	N/A	WASHER, FLAT, 5/16	4
6	N/A	NUT, HEX, 5/16 - 18	4
7	N/A	BUSHING, INSULATOR	2
8	<u>1017961</u>	SCREW, CLAMP, UNF, #10 - 32 x 8 5/8	4
9	<u>1017953</u>	SCREW, BEARING RETAINER, #8 - 32 x 7/8	2
10	<u>1017951</u>	SHIELD, END	1
11	<u>1017949</u>	SCREW, BRUSH HOLDER, #6 - 32 x 1/2	2
12	<u>1017948</u>	RIGGING, BRUSH	1
13	<u>1017946</u>	PACKAGE, BRUSH (2 PIECES)	1
14	1011411	PACKAGE, BRUSH SPRING (4 PIECES)	1
15	<u>1011290</u>	BEARING, BALL	1
16	<u>1017950</u>	RETAINER, BEARING	1
17	N/A	ARMATURE	1
18	<u>1017891-01</u>	RING, GUIDE	1
19	<u>1018132-02</u>	ADHESIVE, GUIDE RING, 3 GRAM TUBE	A/R
20	<u>1018228-01</u>	RING, INTERNAL RETAINING	1
21	1014201	BOLT, HEX HEAD, 1/4 - 20 x 2 1/4	3
22	0000451	WASHER, LOCK, 1/4	3
23	<u>1010934</u>	BOLT, HEX HEAD, 5/16 - 18 x 1	1
24	0007174	WASHER, LOCK, 5/16	1

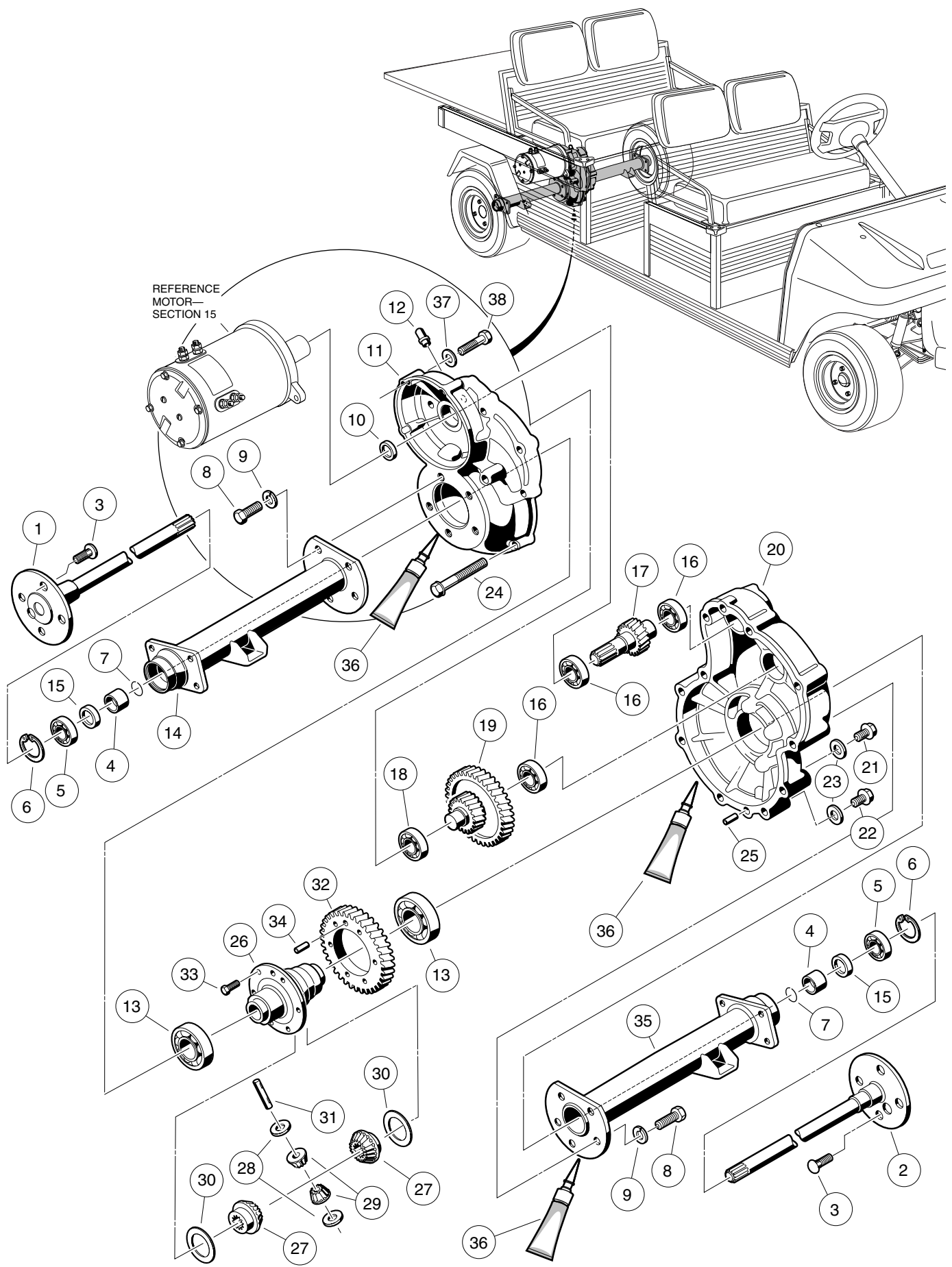
15

E

TRANSAXLE— ELECTRIC VEHICLE

16

E

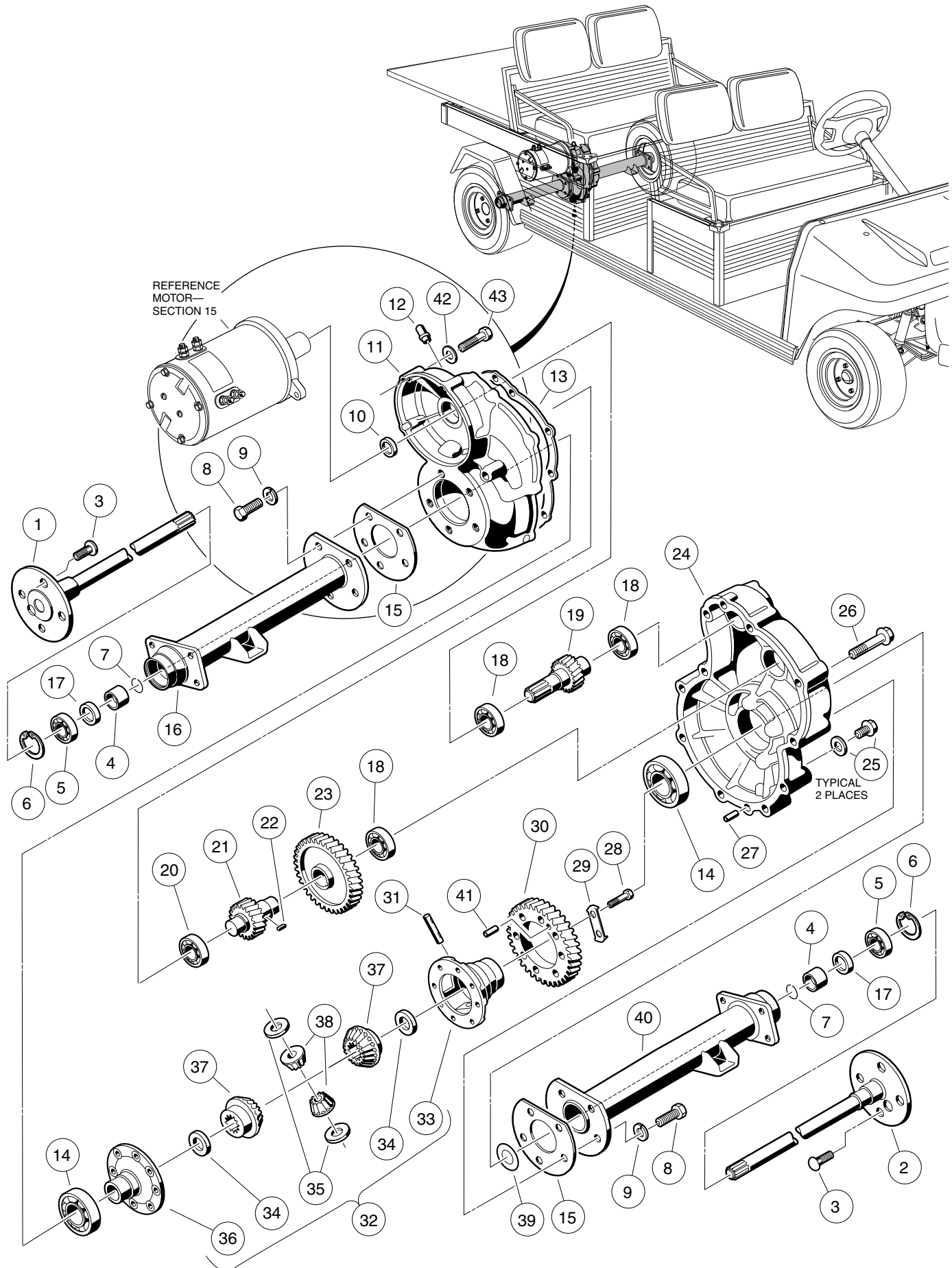


TRANSAXLE, TYPE G— POWERDRIVE ELECTRIC VEHICLE

16

E

ITEM	PART NO.	DESCRIPTION	QTY
		1 2 3 4	
	<u>1018960-01</u>	TRANSAXLE, TYPE G (INCLUDES ITEMS 1 - 36)	1
1	<u>1018958-01</u>	AXLE ASSEMBLY, PASSENGER SIDE (INCLUDES ITEMS 3 - 7)	1
2	<u>1018959-01</u>	AXLE ASSEMBLY, DRIVER SIDE (INCLUDES ITEMS 3 - 7)	1
3	<u>1019222-01</u>	STUD, LUG	8
4	<u>1019723-01</u>	SLEEVE	1
5	<u>1011291</u>	BEARING, OUTER AXLE TUBE	2
6	<u>1018971-01</u>	RING, RETAINING	2
7	<u>1019754-01</u>	RING, RETAINING	2
8	<u>1019760-01</u>	BOLT, M10 x 1.5 x 35MM	10
9	<u>1018979-01</u>	WASHER, LOCK, 20MM	10
10	<u>1019235-01</u>	SEAL, OIL, INPUT SHAFT	1
11	<u>1018955-01</u>	GEAR CASE, PASSENGER SIDE	1
12	<u>1018972-01</u>	BREATHER	1
13	<u>0007330</u>	BEARING, DIFFERENTIAL	2
14	<u>1018956-01</u>	ASSEMBLY, AXLE TUBE, PASSENGER SIDE	1
15	<u>1013794</u>	SEAL, OIL, AXLE SHAFT	2
16	<u>0007335</u>	BEARING, INPUT GEAR.....	3
17	<u>1019237-01</u>	SHAFT, INPUT	1
18	<u>0007336</u>	BEARING, INTERMEDIATE GEAR	1
19	<u>1019069-01</u>	ASSEMBLY, INTERMEDIATE GEAR	1
20	<u>1018954-01</u>	GEAR CASE, DRIVER SIDE	1
21	<u>1019722-01</u>	PLUG, FILL	1
22	<u>1019721-01</u>	PLUG, MAGNETIC	1
23	<u>1019232-01</u>	GASKET, PLUG	2
24	<u>1018970-01</u>	BOLT, M8 x 1.25 x 60MM	11
25	<u>1018976-01</u>	PIN, DOWEL	2
26	<u>1019236-01</u>	HOUSING, DIFFERENTIAL	1
27	<u>1019239-01</u>	GEAR, DIFFERENTIAL	2
28	<u>1019036-01</u>	PLATE, THRUST (IDLER GEAR)	2
29	<u>1019230-01</u>	GEAR, DIFFERENTIAL IDLER	2
30	<u>1019037-01</u>	PLATE, THRUST	2
31	<u>1019221-01</u>	PIN, DIFFERENTIAL	1
32	<u>1019062-01</u>	GEAR, OUTPUT	1
33	<u>1018974-01</u>	BOLT, M10 x 1.5 x 25MM	4
34	<u>1019724-01</u>	PIN, DOWEL	1
35	<u>1018957-01</u>	ASSEMBLY, AXLE TUBE, DRIVER SIDE	1
36	<u>1019287-01</u>	GASKET, LIQUID, 8.8 OZ. (250 GRAM)	A/R
37	<u>0000451</u>	WASHER, LOCK, 1/4	3
38	<u>1014201</u>	BOLT, HEX HEAD, 1/4 - 20 x 2 1/4	3
<p>NOTE: TRANSAXLE TYPE IS IDENTIFIED BY ORIENTATION OF GEAR CASE BOLTS. THE TYPE G TRANSAXLE HAS GEAR CASE BOLT HEADS FACING TOWARD THE PASSENGER SIDE OF THE VEHICLE.</p>			



TRANSAXLE, TYPE K— POWERDRIVE ELECTRIC VEHICLE

16
E

ITEM	PART NO.	DESCRIPTION	QTY
		1 2 3 4	
	N/A	TRANSAXLE, TYPE K (INCLUDES ITEMS 1 - 41)	1
1	1013785	AXLE ASSEMBLY, PASSENGER SIDE (INCLUDES ITEMS 3 - 7)	1
2	1013786	AXLE ASSEMBLY, DRIVER SIDE (INCLUDES ITEMS 3 - 7)	1
3	<u>1013787</u>	STUD, LUG	8
4	1014207	BUSHING, 25 MM I. D.	1
5	<u>1011291</u>	BEARING, OUTER AXLE TUBE	2
6	<u>1013792</u>	CIRCLIP, TYPE C	2
7	<u>1016672</u>	RING, RETAINING	2
8	<u>1013790</u>	BOLT, M10 x 1.5 x 30MM	10
9	<u>1013791</u>	WASHER, LOCK, 13/32	10
10	<u>1013775</u>	SEAL, INPUT SHAFT OIL	1
11	1013756	GEAR CASE, PASSENGER SIDE	1
12	<u>1012711</u>	BREATHER	1
13	<u>1013758</u>	GASKET, CASE	1
14	0007330	BEARING, INNER AXLE TUBE	2
15	<u>1013789</u>	GASKET, AXLE TUBE	2
16	1017704	ASSEMBLY, AXLE TUBE, PASSENGER SIDE	1
17	<u>1013794</u>	SEAL, AXLE SHAFT OIL	2
18	0007335	BEARING, INPUT GEAR	3
19	<u>1013764</u>	SHAFT, INPUT	1
20	0007336	BEARING, INTERMEDIATE GEAR	1
21	<u>1013766</u>	GEAR, INTERMEDIATE, SMALL	1
22	<u>1013780</u>	KEY, SUNK	1
23	1013765	GEAR, INTERMEDIATE, LARGE	1
24	1013757	GEAR CASE, DRIVER SIDE	1
25	<u>1013759</u>	PLUG, FILL, WITH GASKET	2
26	<u>1013763</u>	BOLT, M6 x 1 x 50MM	10
27	<u>1012710</u>	PIN, DOWEL	2
28	<u>1013779</u>	BOLT, M8 x 1.25 x 37MM	8
29	<u>1013782</u>	PLATE, LOCK	4
30	<u>1013767</u>	GEAR, OUTPUT	1
31	<u>1013772</u>	PIN, DIFFERENTIAL	1
32	<u>1019105-01</u>	KIT, DIFFERENTIAL GEAR CASE (INCLUDES ITEMS 33 - 36)	1
33	1013768	GEAR CASE, DIFFERENTIAL (DRIVER SIDE)	1
34	<u>1013773</u>	PLATE, THRUST (DIFFERENTIAL GEAR)	2
35	<u>1013774</u>	PLATE, THRUST (IDLER GEAR)	2
36	1013769	GEAR CASE, DIFFERENTIAL (PASSENGER SIDE).....	1
37	1013771	GEAR, DIFFERENTIAL	2
38	<u>1013770</u>	GEAR, DIFFERENTIAL IDLER	2
39	<u>1013781</u>	SHIM	1
40	<u>1017703</u>	ASSEMBLY, AXLE TUBE, DRIVER SIDE	1
41	<u>1014193</u>	PIN, DOWEL	1
42	1014201	BOLT, HEX HEAD, 1/4 - 20 x 2 1/4	3
43	0000451	WASHER, LOCK, 1/4	3
NOTE: TRANSAXLE TYPE IS IDENTIFIED BY ORIENTATION OF GEAR CASE BOLTS. THE TYPE K TRANSAXLE HAS GEAR CASE BOLT HEADS FACING TOWARD THE DRIVER SIDE OF THE VEHICLE.			

16

E



Transportation and Utility Vehicles

Club Car Inc.

P.O. Box 204658

Augusta, GA 30917-4658