

1999/2000
ILLUSTRATED
PARTS LIST



**TOURALL, RESORT VILLAGER,
TRANS-PORTER/TRANS-SENDER**

MANUAL NUMBER 102067403
EDITION CODE 0300C1008B

USING THE ILLUSTRATED PARTS LIST

WARNING

- THIS MANUAL IS TO BE USED ONLY FOR IDENTIFICATION AND ORDERING OF SERVICE PARTS. BE SURE TO READ AND USE THE MAINTENANCE AND SERVICE MANUAL BEFORE ATTEMPTING ANY VEHICLE REPAIRS.

This manual covers all 1999/2000 Transportation vehicles.

The manual is divided into 16 sections. Sections 1 through 5 pertain to both gasoline and electric vehicles, sections 6 through 11 pertain to gasoline vehicles only, sections 12 through 15 pertain to electric vehicles only, and section 16 pertains to tools that are used on Club Car products. Note that there are two or three flags on the outside edge of each page. The first flag contains the section number of which that page is a part. The other flag (or flags) contains either the letter G or E, signifying that the page pertains to either the gasoline or electric vehicle only, or to both the gasoline and electric vehicles.

Use the Table of Contents to find the sections and pages that contain the parts and assemblies you seek. The Table of Contents lists section titles and numbers, and under them, the individual page titles and numbers to be found in that section. Unless a page title specifies a particular vehicle(s), the page applies to all Transportation vehicles.

Typically, there is a two-page spread for each individual page title in the Table of Contents (however, some titles require several spreads). On the left-hand page is an illustration showing the parts in their relative positions; the parts are each tagged with an item number in a balloon. The right-hand page is the parts list page, and gives the page title at the top, then the item numbers (corresponding to the numbers on the illustration), part descriptions, and quantity of parts used. Some item numbers have more than one part number because several models and/or configurations of a component are represented together on one spread.

Note that a part description may be indented. This indentation corresponds to a parts assembly level indicated by the numbers 1, 2, 3, and 4 at the top left corner of the parts description area of the parts list page. A part that is indented to *level 2* is a component of the *level 1* part (assembly) that it is listed under. A *level 3* part is a component of the *level 2* part that it is listed under, and a *level 4* part is a component of the *level 3* part preceding it. In each case, the part quantity given for a level 2, 3, or 4 part *is the quantity used per next higher level assembly of which it is a component*. A part that is not indented is a *level 1* part. This means that the quantity given is the quantity used per the portion of the vehicle illustrated on that particular spread.



P. O. Box 204658
Augusta, Georgia 30917-4658 USA
Telephone 706-863-3000
Service Parts Fax 706-855-7413
www.clubcar.com

© 2000, CLUB CAR, INC.
All rights reserved.

This manual effective July 27, 1998

CONTENTS

BODY AND TRIM	SECTION	1
FRONT BODY	1-3	
REAR BODY AND FENDER— TOURALL	1-5	
FRONT SEAT BOTTOM AND ARMRESTS— TOURALL	1-7	
SEAT BACKS, REAR SEAT BOTTOM AND SUPPORT STRUCTURE—TOURALL	1-9	
REAR FOOTREST AND HANDRAILS—TOURALL	1-11	
CENTER BODY AND TRIM—RESORT VILLAGER	1-13	
REAR BODY AND FENDER—RESORT VILLAGER	1-15	
SEATS AND SUPPORT STRUCTURES— RESORT VILLAGER	1-17	
FIRST SEAT AND SUPPORT STRUCTURE— TRANS-PORTER/TRANS-SENDER	1-19	
SECOND SEAT AND SUPPORT STRUCTURE— TRANS-PORTER/TRANS-SENDER	1-21	
THIRD SEAT AND COMPONENTS— TRANS-SENDER	1-23	
REAR FOOTREST AND HANDRAILS— TRANS-SENDER	1-25	
REAR BODY TRIM— TRANS-PORTER/TRANS-SENDER	1-27	
REAR CARGO BED—TRANS-PORTER	1-29	
STAKE-SIDES — TRANS-PORTER	1-31	
WHEELS AND TIRES	SECTION	2
WHEELS AND TIRES	2-3	
DECALS	SECTION	3
DECALS—TOURALL	3-3	
DECALS—TOURALL, CONTINUED	3-5	
DECALS—RESORT VILLAGER	3-7	
DECALS—RESORT VILLAGER, CONTINUED	3-9	
DECALS— TRANS-PORTER/TRANS-SENDER	3-11	
DECALS—TRANS-PORTER/TRANS-SENDER, CONTINUED	3-13	
DECALS—TRANS-PORTER/TRANS-SENDER, CONTINUED	3-15	
BRAKES, PEDAL, AND CABLE ASSEMBLIES	SECTION	4
REAR BRAKE ASSEMBLY, SELF-ADJUSTING— TOURALL	4-3	
REAR BRAKE ASSEMBLY, MANUALLY ADJUSTED— RESORT VILLAGER, TRANS-PORTER/TRANS-SENDER	4-5	
BRAKE PEDAL AND CABLE ASSEMBLY— TOURALL	4-7	
BRAKE PEDAL AND CABLE ASSEMBLY— RESORT VILLAGER, TRANS-PORTER/TRANS-SENDER	4-9	
FRONT BRAKE ASSEMBLY— RESORT VILLAGER, TRANS-PORTER/TRANS-SENDER	4-11	
ACCELERATOR PEDAL ASSEMBLY— ELECTRIC TOURALL AND ALL GASOLINE VEHICLES	4-13	
ACCELERATOR PEDAL ASSEMBLY— ELECTRIC RESORT VILLAGER, TRANS-PORTER/TRANS-SENDER	4-15	
STEERING, FRONT AND REAR SUSPENSION	SECTION	5
STEERING COLUMN	5-3	
STEERING GEAR ASSEMBLY	5-5	
FRONT SUSPENSION, UPPER— TOURALL	5-7	
FRONT SUSPENSION, LOWER— TOURALL	5-9	
FRONT SUSPENSION, UPPER— RESORT VILLAGER, TRANS-PORTER/TRANS-SENDER	5-11	

CONTENTS

STEERING, FRONT AND REAR SUSPENSION, CONTINUED:

FRONT SUSPENSION, LOWER– RESORT VILLAGER, TRANS-PORTER/TRANS-SENDER	5-13
REAR SUSPENSION–TOURALL	5-15
REAR SUSPENSION– RESORT VILLAGER, TRANS-PORTER/TRANS-SENDER	5-17
STABILIZER BAR–GASOLINE RESORT VILLAGER, TRANS-PORTER/TRANS-SENDER	5-19

ELECTRICAL SYSTEM– GASOLINE VEHICLE

SECTION

6

FORWARD/REVERSE SHIFTER ASSEMBLY– GASOLINE VEHICLE	6-3
WIRING–GASOLINE TOURALL	6-5
ELECTRICAL COMPONENT BOX, GASOLINE VEHICLE– TOURALL	6-7
ELECTRICAL COMPONENTS, FRONT BODY– GASOLINE TOURALL	6-9
WIRING–GASOLINE RESORT VILLAGER, TRANS-PORTER/TRANS-SENDER	6-11
ELECTRICAL COMPONENT BOX, GASOLINE VEHICLE– RESORT VILLAGER, TRANS-PORTER/TRANS-SENDER	6-13
ELECTRICAL COMPONENTS, FRONT BODY–GASOLINE RESORT VILLAGER, TRANS-PORTER/TRANS-SENDER	6-15
CONTROLS AND GAUGES–GASOLINE RESORT VILLAGER, TRANS-PORTER/TRANS-SENDER	6-17
ELECTRICAL COMPONENTS, REAR BODY–GASOLINE RESORT VILLAGER	6-19
ELECTRICAL COMPONENTS, REAR BODY–GASOLINE TRANS-PORTER/ TRANS-SENDER	6-21
STARTER/GENERATOR ASSEMBLY	6-23
STARTER/GENERATOR MOUNTING	6-25
BATTERY–GASOLINE VEHICLE	6-27

ENGINE

SECTION

7

FE290 ENGINE– SHROUDS AND BRACKETS	7-3
FE290 ENGINE– IGNITION COMPONENTS AND FLYWHEEL	7-5
FE290 ENGINE– OIL CIRCULATION	7-7
FE290 ENGINE– CYLINDER HEAD	7-9
FE290 ENGINE– CRANKCASE, CAMSHAFT AND OIL SENSOR	7-11
FE290 ENGINE– CRANKCASE AND CRANKSHAFT	7-13
FE350 ENGINE– SHROUDS AND BRACKETS	7-15
FE350 ENGINE– IGNITION COMPONENTS AND FLYWHEEL	7-17
FE350 ENGINE– OIL CIRCULATION	7-19
FE350 ENGINE– CYLINDER HEAD	7-21
FE350 ENGINE– CRANKCASE, CAMSHAFT AND OIL SENSOR	7-23
FE350 ENGINE– CRANKCASE AND CRANKSHAFT	7-25
ENGINE MOUNTING	7-27

FUEL, INTAKE, AND GOVERNOR SYSTEMS

SECTION

8

FUEL SYSTEM	8-3
CARBURETOR ASSEMBLY, FE290 ENGINE– TOURALL	8-5
CARBURETOR ASSEMBLY, FE350 ENGINE– RESORT VILLAGER, TRANS-PORTER/TRANS-SENDER	8-7
CARBURETOR INSTALLATION	8-9
GOVERNOR AND ACCELERATOR CABLES	8-11
INTAKE DUCT, CHOKE, AND AIR BOX ASSEMBLY– TOURALL	8-13

CONTENTS

INTAKE DUCT, CHOKE, AND AIR BOX ASSEMBLY— RESORT VILLAGER, TRANS-PORTER/TRANS-SENDER	8-15
---	------

EXHAUST SYSTEM **SECTION 9**

EXHAUST SYSTEM, FE290— TOURALL	9-3
EXHAUST SYSTEM, FE350— RESORT VILLAGER, TRANS-PORTER/TRANS-SENDER	9-5

TORQUE CONVERTER **SECTION 10**

DRIVE CLUTCH	10-3
DRIVEN CLUTCH	10-5

UNITIZED TRANSAXLE— GASOLINE VEHICLE **SECTION 11**

UNITIZED TRANSAXLE, GASOLINE VEHICLE—	11-3
F&R TRANSMISSION AND GEAR REDUCTION	11-5
DIFFERENTIAL AND AXLES	11-7

ELECTRICAL SYSTEM— ELECTRIC VEHICLE **SECTION 12**

FORWARD/REVERSE SWITCH— POWERDRIVE ELECTRIC VEHICLE	12-3
MULTI-STEP POTENTIOMETER— TOURALL POWERDRIVE ELECTRIC VEHICLE	12-5
WIRING— TOURALL POWERDRIVE ELECTRIC VEHICLE	12-7
ELECTRICAL COMPONENTS, FRONT BODY— TOURALL POWERDRIVE ELECTRIC VEHICLE	12-9
BATTERIES, CHARGER RECEPTACLE— TOURALL POWERDRIVE ELECTRIC VEHICLE	12-11
COMPUTER, CONTROLLER, AND SOLENOID— TOURALL POWERDRIVE ELECTRIC VEHICLE	12-13
CONTINUOUSLY VARIABLE POTENTIOMETER— RESORT VILLAGER, TRANS-PORTER/TRANS-SENDER	12-15
WIRING— RESORT VILLAGER POWERDRIVE ELECTRIC VEHICLE	12-17
ELECTRICAL COMPONENTS, FRONT BODY— RESORT VILLAGER, TRANS-PORTER/TRANS-SENDER	12-19
SWITCHES AND GAUGES— RESORT VILLAGER, TRANS-PORTER/TRANS-SENDER	12-21
COMPUTER, CONTROLLER, AND SOLENOID— RESORT VILLAGER POWERDRIVE ELECTRIC VEHICLE	12-23
ELECTRICAL COMPONENTS, CENTER BODY— RESORT VILLAGER POWERDRIVE ELECTRIC VEHICLE	12-25
ELECTRICAL COMPONENTS, REAR BODY— RESORT VILLAGER POWERDRIVE ELECTRIC VEHICLE	12-27
WIRING— TRANS-PORTER/TRANS-SENDER ELECTRIC VEHICLES	12-29
ELECTRICAL COMPONENTS, CENTER BODY— TRANS-PORTER/TRANS-SENDER ELECTRIC VEHICLES	12-31
ELECTRICAL COMPONENTS, CENTER BODY—TRANS-PORTER/TRANS-SENDER ELECTRIC VEHICLES, CONTINUED	12-33
ELECTRICAL COMPONENTS, REAR BODY— TRANS-PORTER/TRANS-SENDER ELECTRIC VEHICLES	12-35

BATTERY CHARGER **SECTION 13**

POWERDRIVE BATTERY CHARGER, DOMESTIC—TOURALL AND RESORT VILLAGER	13-3
POWERDRIVE BATTERY CHARGER, EXPORT—TOURALL AND RESORT VILLAGER	13-5
POWERDRIVE BATTERY CHARGER, EUROPEAN—TOURALL AND RESORT VILLAGER	13-7
ONBOARD POWERDRIVE BATTERY CHARGER, DOMESTIC—TRANS-PORTER/TRANS-SENDER	13-9
ONBOARD POWERDRIVE BATTERY CHARGER, EXPORT—TRANS-PORTER/TRANS-SENDER	13-11

CONTENTS

ELECTRIC MOTOR

SECTION **14**

MOTOR-POWERDRIVE ELECTRIC VEHICLE 14-3

TRANSAXLE- ELECTRIC VEHICLE

SECTION **15**

TRANSAXLE, TYPE G- POWERDRIVE ELECTRIC VEHICLE 15-3

MAINTENANCE AND SERVICE TOOLS

SECTION **16**

MAINTENANCE AND SERVICE TOOLS 16-3

MAINTENANCE AND SERVICE TOOLS, CONTINUED 16-5

INDEX

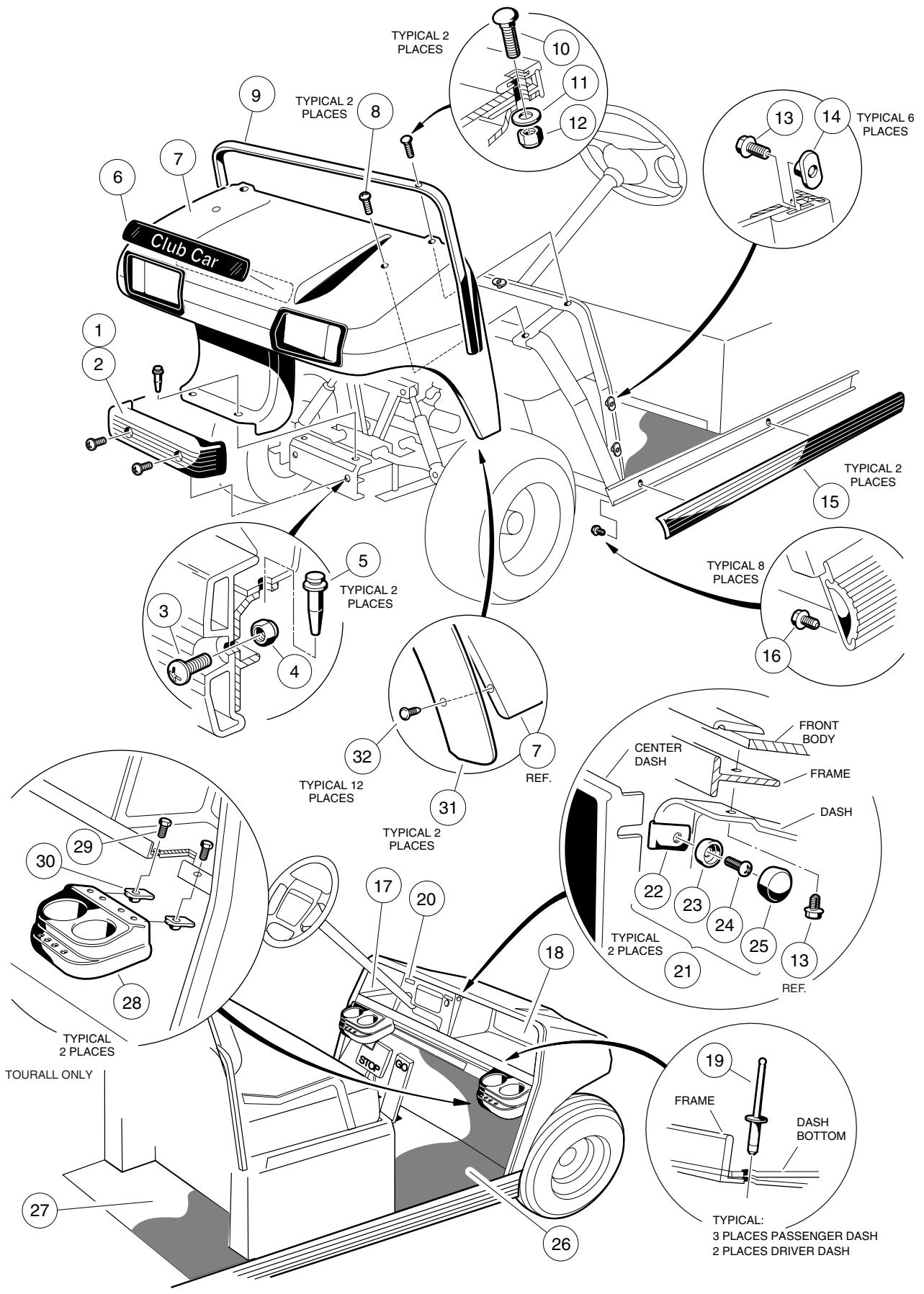
SECTION **i**

BODY AND TRIM

1

G

E

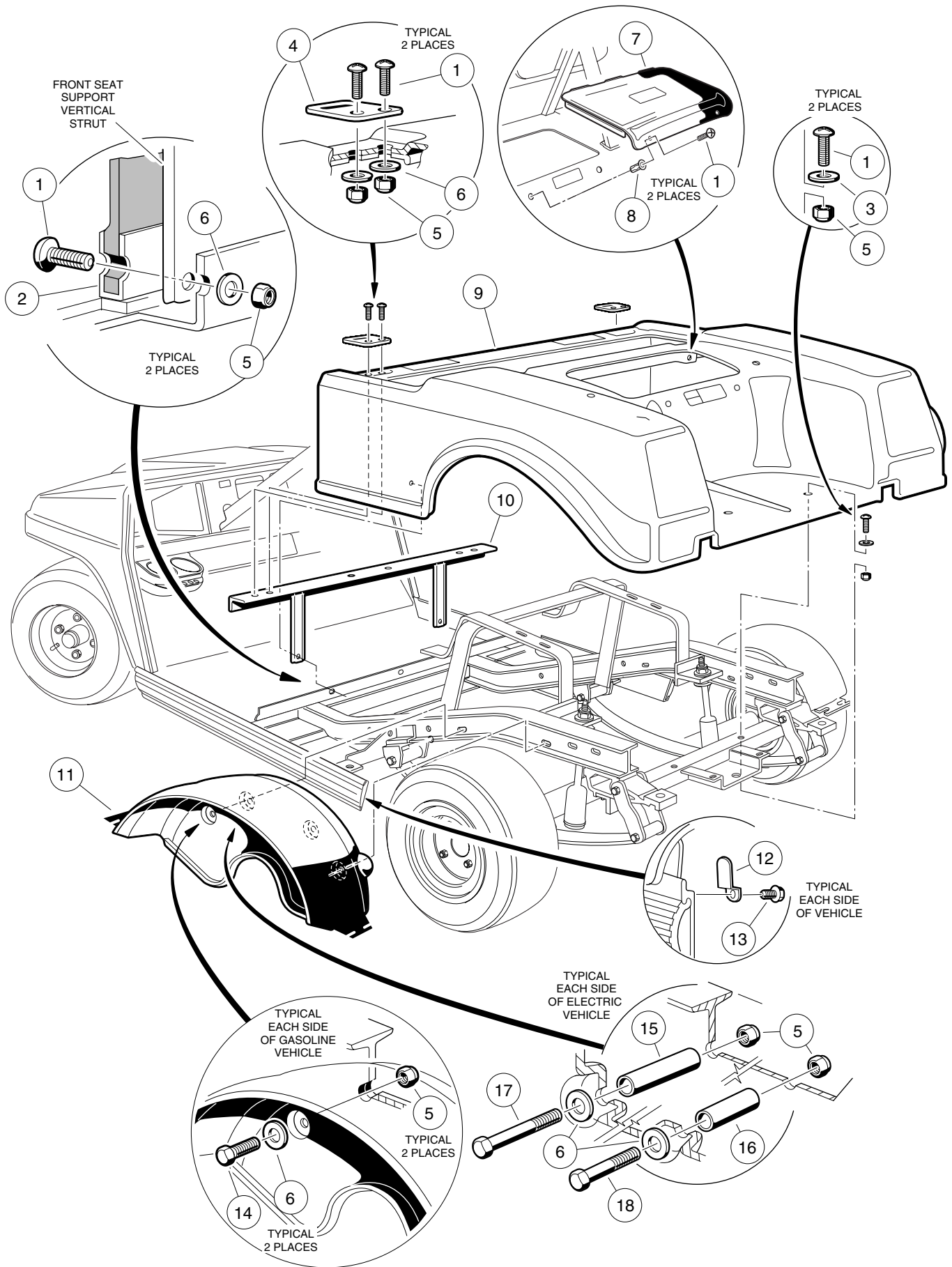


FRONT BODY

ITEM	PART NO.	DESCRIPTION	QTY GAS	QTY ELEC
		1 2 3 4		
1	<u>1017080</u>	KIT, FRONT BUMPER (INCLUDES ITEMS 2 - 5)	1	1
2	<u>1016868</u>	BUMPER, FRONT	1	1
3	<u>7251</u>	SCREW, PHILLIPS TRUSS HEAD, 5/16 - 18 x 1	2	2
4	<u>7473</u>	NUT, NYLON LOCK, 5/16 - 18	2	2
5	<u>1016967</u>	RIVET, BLIND PUSH TYPE	2	2
6	<u>101670201</u>	NAMEPLATE, CLUB CAR (SILVER)	1	1
6	<u>1014198</u>	NAMEPLATE, CLUB CAR (GOLD) (RESORT VILLAGER ONLY)	1	1
7	<u>101692504</u>	BODY, FRONT - GRAY (TOURALL ONLY)	1	1
7	<u>101693901</u>	BODY, FRONT WITH HEADLIGHT OPENING (BEIGE)	1	1
7	<u>101693902</u>	BODY, FRONT WITH HEADLIGHT OPENING (WHITE)	1	1
7	<u>101693904</u>	BODY, FRONT WITH HEADLIGHT OPENING (GRAY)	1	1
7	<u>101692508</u>	BODY, FRONT WITH HEADLIGHT OPENING (PACIFIC BLUE)	1	1
7	<u>101693909</u>	BODY, FRONT WITH HEADLIGHT OPENING (DARK GREEN)	1	1
7	<u>101693911</u>	BODY, FRONT WITH HEADLIGHT OPENING (CLASSIC BLUE)	1	1
7	<u>101693912</u>	BODY, FRONT WITH HEADLIGHT OPENING (BURGUNDY)	1	1
8	<u>7251</u>	SCREW, PHILLIPS TRUSS HEAD, 5/16 - 18 x 1	2	2
9	<u>1011014</u>	TRIM, FRONT BODY	1	1
10	<u>1010435</u>	SCREW, ROUND-HEAD SQUARE-NECK, 5/16 - 18 x 1	2	2
11	<u>1241</u>	WASHER, FLAT, 5/16	2	2
12	<u>7473</u>	NUT, NYLON LOCK, 5/16 - 18	2	2
13	<u>1011017</u>	SCREW, FLANGE LOCK, #8 - 32 x 3/8	6	6
14	<u>1011394</u>	NUT, SLAB BASE "T" (PACKAGE OF 4 PIECES)	1	1
15	<u>101347501</u>	TRIM, SIDE BUMPER GUARD (TOURALL ONLY)	2	2
15	<u>101347503</u>	TRIM, SIDE BUMPER GUARD (RESORT VILLAGER, TRANS-PORTER/TRANS-SENDER)	2	2
16	<u>1012047</u>	SCREW, SELF-TAPPING, #8 - 32 x 3/8	8	8
17	<u>1013344</u>	COMPONENT, DASH, DRIVER SIDE (BLACK)	1	1
18	<u>1013343</u>	COMPONENT, DASH, PASSENGER SIDE (BLACK)	1	1
19	<u>7973</u>	RIVET, ALUMINUM POP, 3/16	5	5
20	<u>101660404</u>	PANEL, CENTER DASH	1	1
21	<u>1014645</u>	KIT, SNAP WASHER (BLACK) (INCLUDES ITEMS 22 - 25)	2	2
22	N/A	NUT, SPEED, #10 - 32	1	1
23	N/A	WASHER, CUP, #10	1	1
24	N/A	SCREW, SHEET METAL, #10 x 3/4	1	1
25	N/A	COVER, SCREW HEAD	1	1
26	<u>1015032</u>	MAT, FLOOR, FRONT	1	1
27	<u>1017289</u>	MAT, FLOOR, REAR (RESORT VILLAGER ONLY)	1	1
27	<u>1016718</u>	MAT, FLOOR, REAR (TRANS-PORTER/TRANS-SENDER ONLY)	1	1
28	<u>101708301</u>	KIT, DRINK HOLDER (INCLUDES ITEMS 29 AND 30) (TOURALL ONLY)	2	2
29	<u>7847</u>	SCREW, HEX HEAD CAP, 1/4 - 20 x 3/4	2	2
30	<u>1016952</u>	U-NUT, 1/4 - 20	2	2
31	<u>101870401</u>	FENDER (VEHICLES WITH 4-WHEEL BRAKES)	2	2
32	<u>1010434</u>	BARREL, PLASTIC (VEHICLES WITH 4-WHEEL BRAKES)	12	12

1
G
E

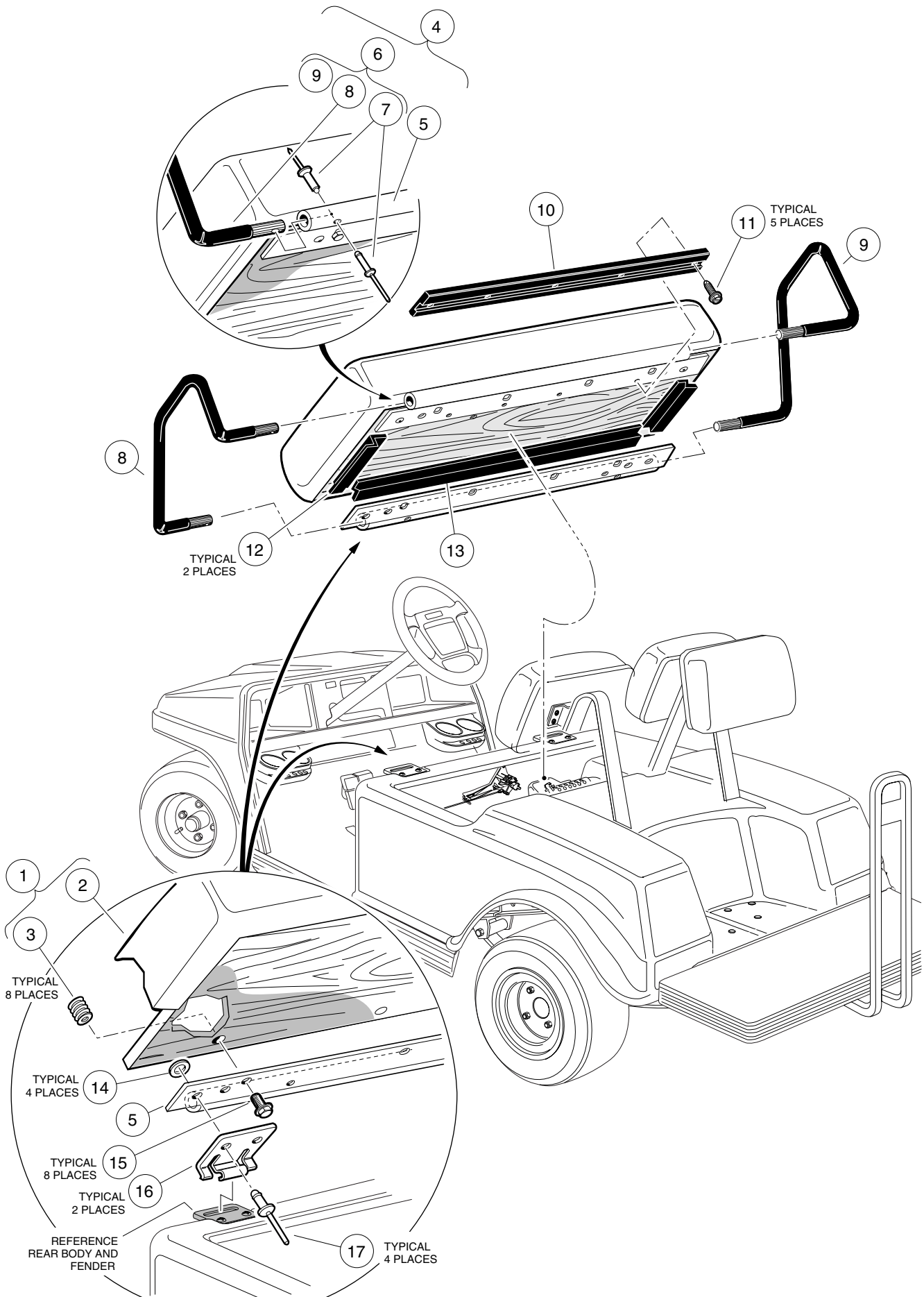
1
G
E



REAR BODY AND FENDER— TOURALL

ITEM	PART NO.	DESCRIPTION	QTY GAS	QTY ELEC
		1 2 3 4		
1	<u>8251</u>	SCREW, PHILLIPS HEAD, 1/4 - 20 x 1	10	10
2	<u>101904101</u>	PLATE, BODY KICK	1	1
3	<u>1014306</u>	WASHER, FLAT, TYPE B, 1/4	2	2
4	<u>1012412</u>	PLATE, BODY HINGE	2	2
5	<u>8233</u>	NUT, NYLON LOCK, 1/4 - 20	12	12
6	<u>332</u>	WASHER, FLAT, 1/4	10	10
7	<u>1013032</u>	DOOR, ACCESS - BLACK	1	1
8	<u>1015525</u>	NUT, BLIND, 1/4 - 20	2	2
9	<u>101692604</u>	BODY - GRAY	1	1
10	<u>1017141</u>	SUPPORT, FRONT BODY	1	1
11	<u>1017936</u>	FENDER, INNER	2	2
12	<u>1017748</u>	CLIP, BODY KEEPER	2	2
13	<u>1012047</u>	SCREW, SELF-TAPPING, #8 - 32 x 3/8	2	2
14	<u>304</u>	SCREW, HEX HEAD CAP, 1/4 - 20 x 1	4	
15	<u>1017814</u>	SPACER, 1-7/8		2
16	<u>1017815</u>	SPACER, 1/2		2
17	<u>1012159</u>	SCREW, HEX HEAD CAP, 1/4 - 20 x 2-3/4		2
18	<u>7479</u>	SCREW, HEX HEAD CAP, 1/4 - 20 x 1-1/4		2

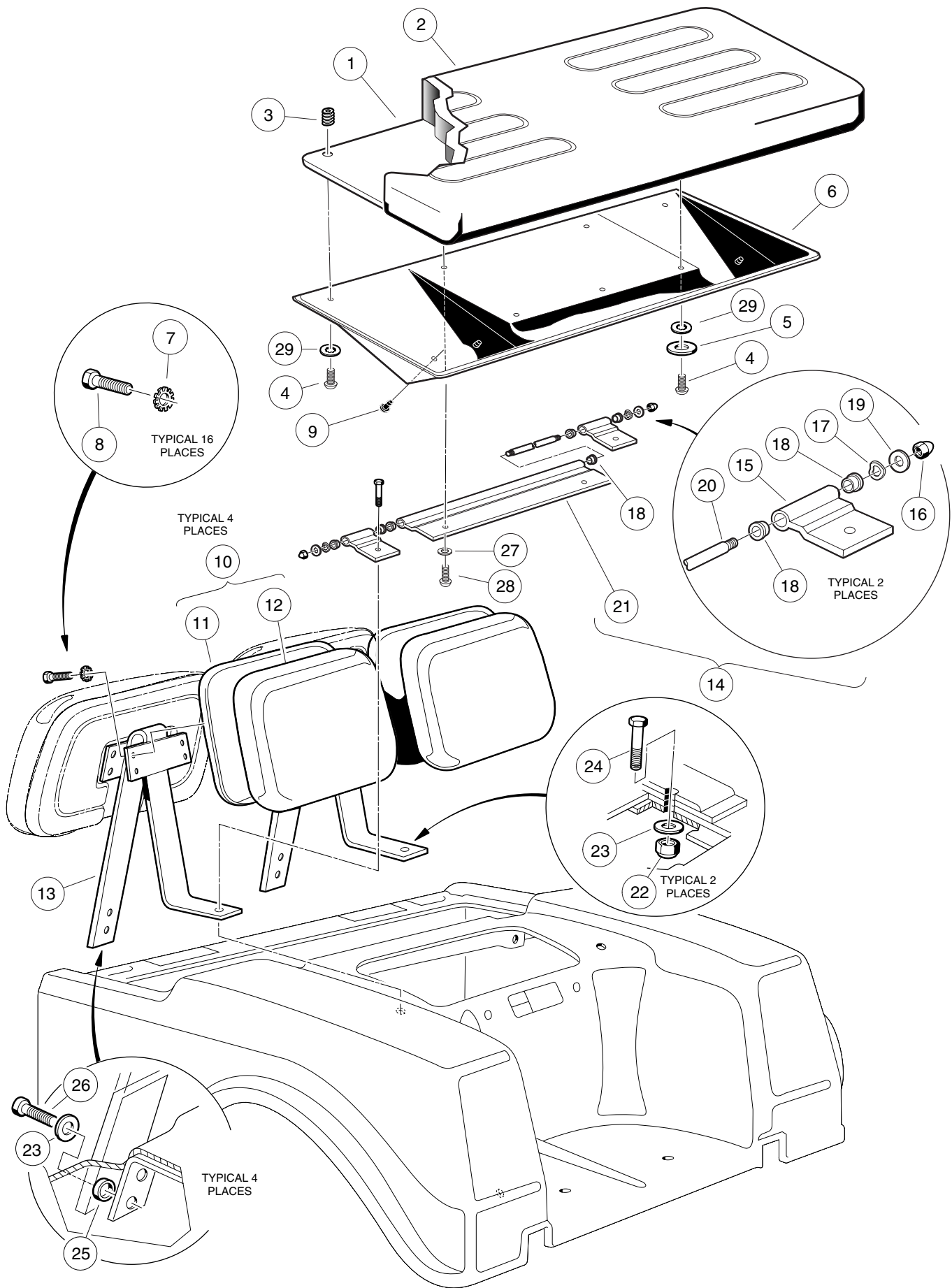
1
G
E



FRONT SEAT BOTTOM AND ARMRESTS— TOURALL

ITEM	PART NO.	DESCRIPTION	QTY GAS	QTY ELEC
		1 2 3 4		
1	<u>101564805</u>	ASSEMBLY, SEAT BOTTOM - WHITE (INCLUDES ITEMS 2 AND 3)	1	1
1	<u>101564807</u>	ASSEMBLY, SEAT BOTTOM - GRAY (INCLUDES ITEMS 2 AND 3)	1	1
1	<u>101564808</u>	ASSEMBLY, SEAT BOTTOM - BLACK (INCLUDES ITEMS 2 AND 3)	1	1
2	<u>101562702</u>	COVER, VINYL SEAT BOTTOM - WHITE	1	1
2	<u>101562704</u>	COVER, VINYL SEAT BOTTOM - BLACK	1	1
2	<u>101562710</u>	COVER, VINYL SEAT BOTTOM - GRAY	1	1
3	1010543	INSERT, WOOD	8	8
4	1015670	ASSEMBLY, SEAT SUPPORT AND ARMREST (INCLUDES ITEMS 5 - 9)	1	1
5	<u>1015625</u>	BRACKET, SEAT SUPPORT	2	2
6	<u>101951101</u>	KIT, ARMREST (INCLUDES ITEMS 7 - 9)	1	1
7	<u>101880901</u>	RIVET, MATING, 3/16	8	8
8	N/A	ASSEMBLY, ARMREST, DRIVER SIDE	1	1
9	N/A	ASSEMBLY, ARMREST, PASSENGER SIDE	1	1
10	<u>1012597</u>	BUMPER, SEAT	1	1
11	<u>1017384</u>	SCREW, WASHER HEAD TAP, #12	5	5
12	<u>1012656</u>	GASKET, SEAT-SHORT (GASOLINE VEHICLE ONLY)	2	
13	<u>1012657</u>	GASKET, SEAT-LONG (GASOLINE VEHICLE ONLY)	1	
14	<u>101881701</u>	WASHER, FLAT, STAINLESS STEEL, #8	4	4
15	<u>101954301</u>	SCREW, HEX HEAD CAP (WITH ADHESIVE PATCH), 1/4 - 20 x 3/4	8	8
16	<u>1011652</u>	PLATE, SEAT HINGE, STAINLESS STEEL	2	2
17	<u>101880901</u>	RIVET, POP, STAINLESS STEEL, 3/16	4	4

1
G
E

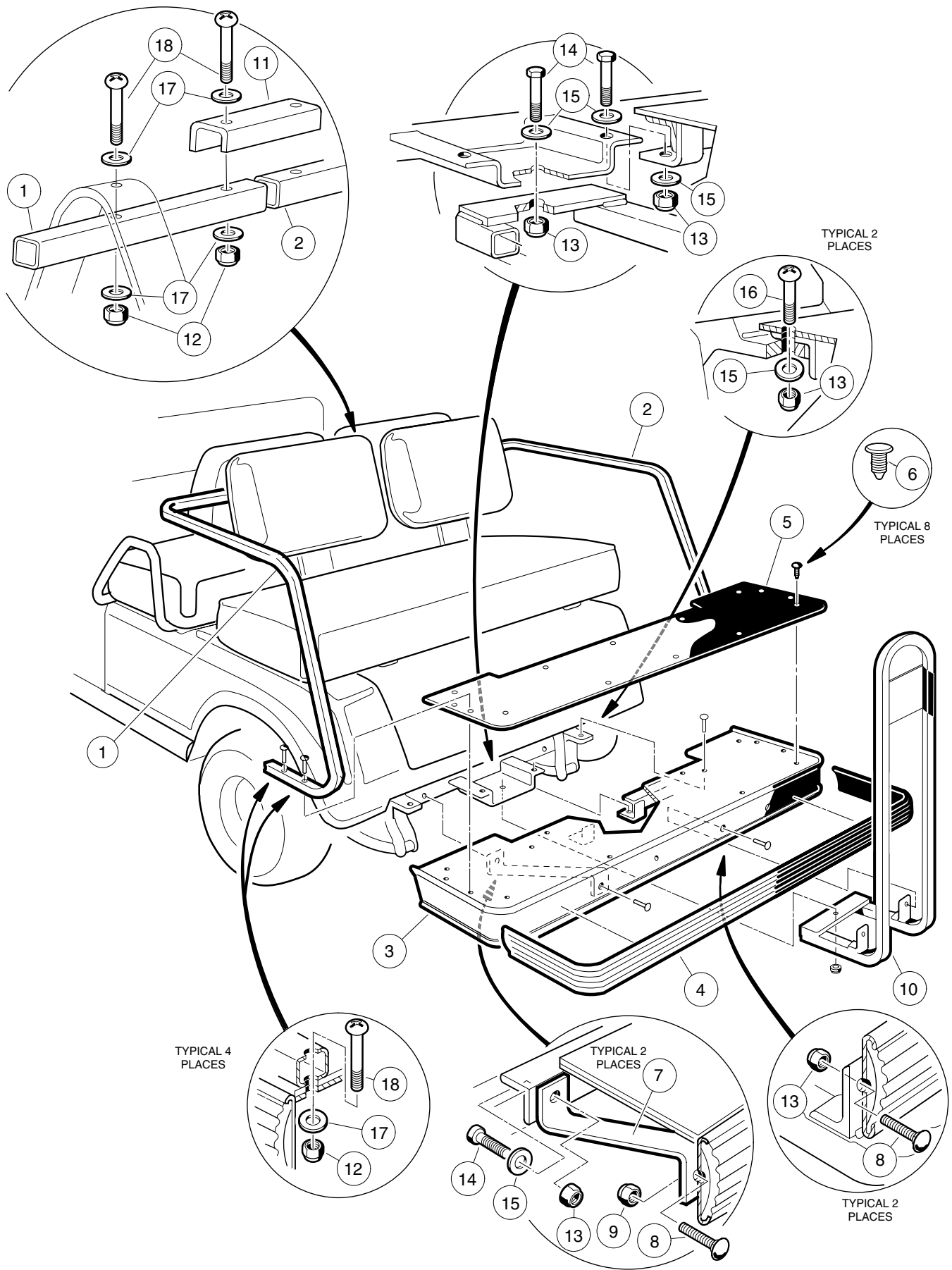


SEAT BACKS, REAR SEAT BOTTOM AND SUPPORT STRUCTURE—TOURALL

ITEM	PART NO.	DESCRIPTION	QTY GAS	QTY ELEC
		1 2 3 4		
1	<u>101564805</u>	ASSEMBLY, SEAT BOTTOM - WHITE (INCLUDES ITEMS 2 AND 3)	1	1
1	<u>101564807</u>	ASSEMBLY, SEAT BOTTOM - GRAY (INCLUDES ITEMS 2 AND 3)	1	1
1	<u>101564808</u>	ASSEMBLY, SEAT BOTTOM - BLACK (INCLUDES ITEMS 2 AND 3)	1	1
2	<u>101562702</u>	COVER, VINYL SEAT BOTTOM - WHITE	1	1
2	<u>101562704</u>	COVER, VINYL SEAT BOTTOM - BLACK	1	1
2	<u>101562710</u>	COVER, VINYL SEAT BOTTOM - GRAY	1	1
3	1010543	INSERT, WOOD	7	7
4	<u>8251</u>	SCREW, PHILLIPS TRUSS HEAD, 1/4 - 20 x 1	5	5
5	<u>1011578</u>	WASHER, FLAT, 5/16	3	3
6	<u>1011210</u>	SUPPORT, SEAT	1	1
7	<u>101946201</u>	WASHER, EXTERNAL TOOTH LOCK, 1/4	16	16
8	<u>7847</u>	SCREW, HEX HEAD CAP, 1/4 - 20 x 3/4	16	16
9	<u>1011389</u>	BUMPER, RUBBER (PACKAGE OF 5)	1	1
10	<u>101565202</u>	ASSEMBLY, SEAT BACK, THIN - WHITE (INCLUDES ITEMS 11 AND 12)	4	4
10	<u>101565205</u>	ASSEMBLY, SEAT BACK, THIN - BLACK (INCLUDES ITEMS 11 AND 12)	4	4
10	101565206	ASSEMBLY, SEAT BACK, THIN - GRAY (INCLUDES ITEMS 11 AND 12)	4	4
11	<u>1013335</u>	CAP, SEAT BACK - BLACK	1	1
12	<u>101562602</u>	COVER, VINYL SEAT BACK - WHITE	1	1
12	<u>101562604</u>	COVER, VINYL SEAT BACK - BLACK	1	1
12	<u>101562605</u>	COVER, VINYL SEAT BACK - GRAY	1	1
13	<u>1011182</u>	SUPPORT, SEAT BACK	2	2
14	1011219	ASSEMBLY, HINGE (INCLUDES ITEMS 15 - 21)	1	1
15	<u>1011221</u>	HINGE, SHORT	2	2
16	<u>1015091</u>	NUT, CENTERLOCK CAP, 1/4 - 20 x 1/4	2	2
17	1010695	WASHER, CURVED SPRING, 1/4	2	2
18	8028	BUSHING, NYLON	6	6
19	<u>332</u>	WASHER, FLAT, 1/4	2	2
20	<u>1011222</u>	PIN, HINGE, LONG	1	1
21	<u>1011220</u>	HINGE, LONG	1	1
22	<u>7473</u>	NUT, NYLON LOCK, 5/16 - 18	2	2
23	<u>1241</u>	WASHER, FLAT, 5/16	6	6
24	<u>1010577</u>	SCREW, HEX HEAD CAP, 5/16 - 18 x 1-1/2	2	2
25	1017774	SPACER, BODY	4	4
26	<u>101910401</u>	SCREW, THREAD-FORMING, 5/16 - 18 x 1-1/4	4	4
27	<u>1014007</u>	WASHER, LOCK, 1/4	2	2
28	1016916	SCREW, HEX HEAD CAP, WITH NYLON PATCH, 1/4 - 20 x 1-1/2	2	2
29	<u>8304</u>	WASHER, INTERNAL TOOTH LOCK, 1/4	5	5

1
G
E

1
G
E

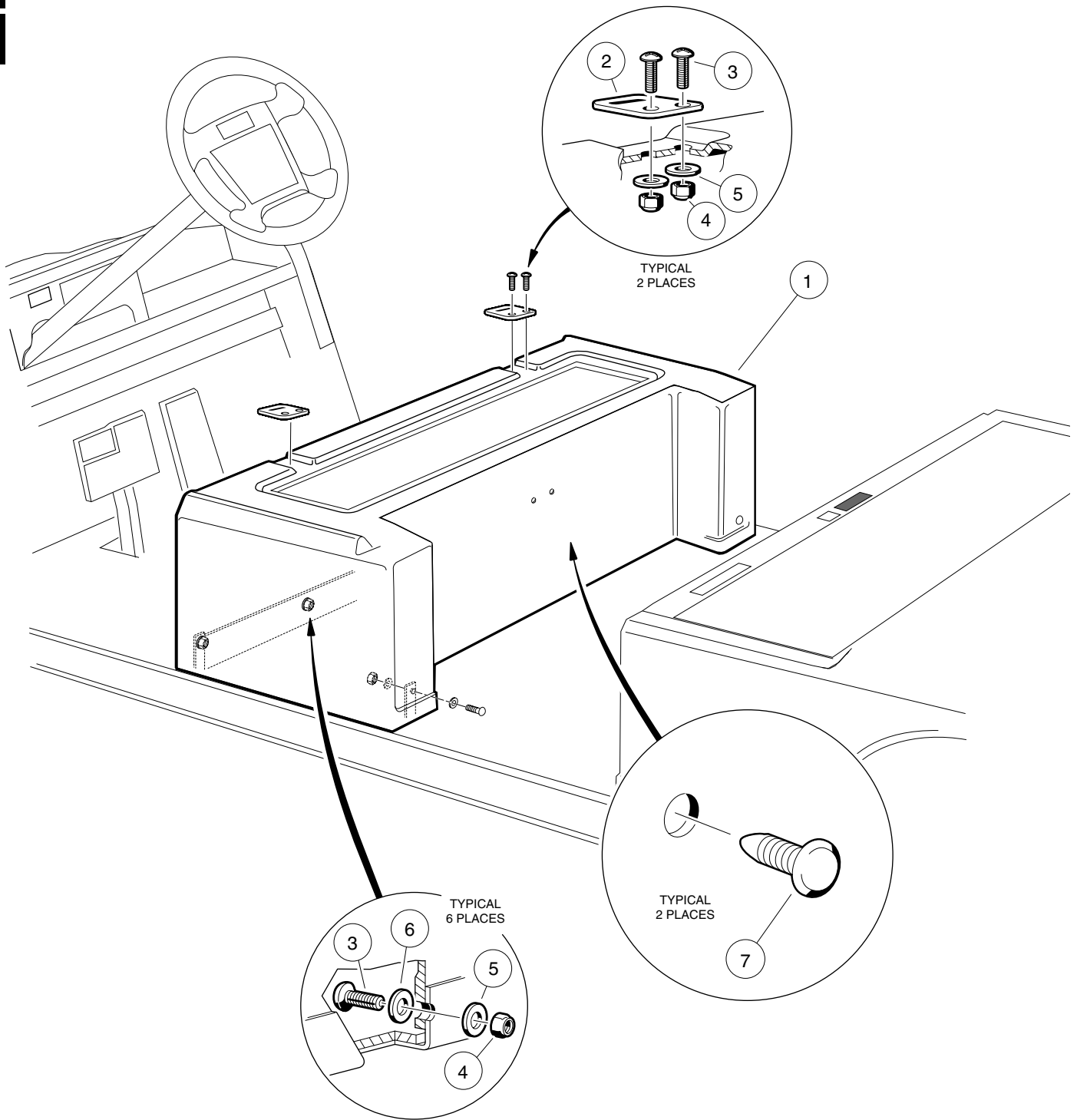


REAR FOOTREST AND HANDRAILS—TOURALL

ITEM	PART NO.	DESCRIPTION	QTY GAS	QTY ELEC
		1 2 3 4		
1	<u>101841202</u>	ARMREST, REAR SEAT, DRIVER SIDE	1	1
2	<u>101841201</u>	ARMREST, REAR SEAT, PASSENGER SIDE	1	1
3	<u>101841101</u>	ASSEMBLY, REAR FOOTREST (INCLUDES ITEMS 4 - 9)	1	1
4	<u>101347505</u>	GUARD, BUMPER	1	1
5	<u>101840901</u>	MAT, FOOTREST	1	1
6	<u>1010434</u>	FASTENER, PLASTIC BARREL	8	8
7	<u>1016668</u>	BAR, CONNECTING	2	2
8	<u>1010435</u>	SCREW, ROUND-HEAD SQUARE-NECK, 5/16 - 18 x 1	4	4
9	<u>7473</u>	NUT, NYLON LOCK, 5/16 - 18	2	2
10	<u>1016842</u>	HANDRAIL, REAR SEAT	1	1
11	<u>101841301</u>	BRACKET, ARMREST	1	1
12	<u>8233</u>	NUT, NYLON LOCK, 1/4 - 20	8	8
13	<u>7473</u>	NUT, NYLON LOCK, 5/16 - 18	9	9
14	<u>1218</u>	SCREW, HEX HEAD CAP, 5/16 - 18 x 1-1/4	5	5
15	<u>1241</u>	WASHER, FLAT, 5/16	9	9
16	<u>7410</u>	SCREW, TRUSS HEAD, 5/16 - 18 x 1-1/4	2	2
17	<u>332</u>	WASHER, FLAT, 1/4	8	8
18	<u>1011988</u>	SCREW, PHILLIPS TRUSS HEAD, 1/4 - 20 x 2	8	8

1
G
E

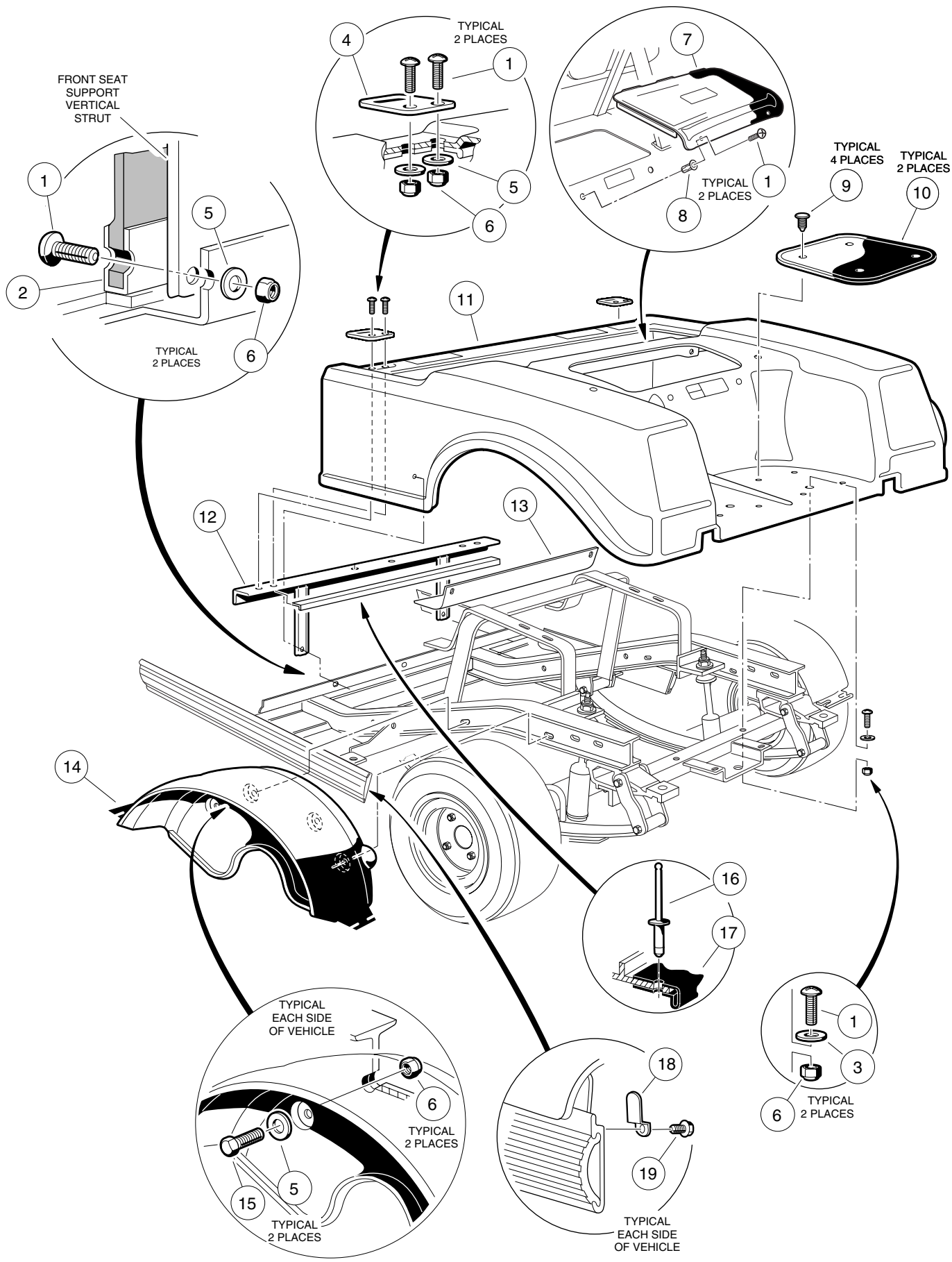
1
G
E



CENTER BODY AND TRIM—RESORT VILLAGER

ITEM	PART NO.	DESCRIPTION	QTY GAS	QTY ELEC
		1 2 3 4		
1	<u>101731601</u>	BODY, CENTER - BEIGE	1	1
1	<u>101731602</u>	BODY, CENTER - WHITE	1	1
1	<u>101731604</u>	BODY, CENTER - GRAY	1	1
1	<u>101731608</u>	BODY, CENTER - PACIFIC BLUE	1	1
1	<u>101731609</u>	BODY, CENTER - DARK GREEN	1	1
1	<u>101731611</u>	BODY, CENTER - CLASSIC BLUE	1	1
1	<u>101731612</u>	BODY, CENTER - BURGUNDY	1	1
2	1012412	PLATE, SEAT HINGE	2	2
3	<u>8251</u>	SCREW, PHILLIPS TRUSS HEAD, 1/4 - 20 x 1	10	10
4	<u>8233</u>	NUT, NYLON LOCK, 1/4 - 20	10	10
5	<u>332</u>	WASHER, FLAT, 1/4	10	10
6	<u>1012581</u>	WASHER, NYLON CUP, 1/4	6	6
7	<u>1010434</u>	BARREL, PLASTIC	2	2

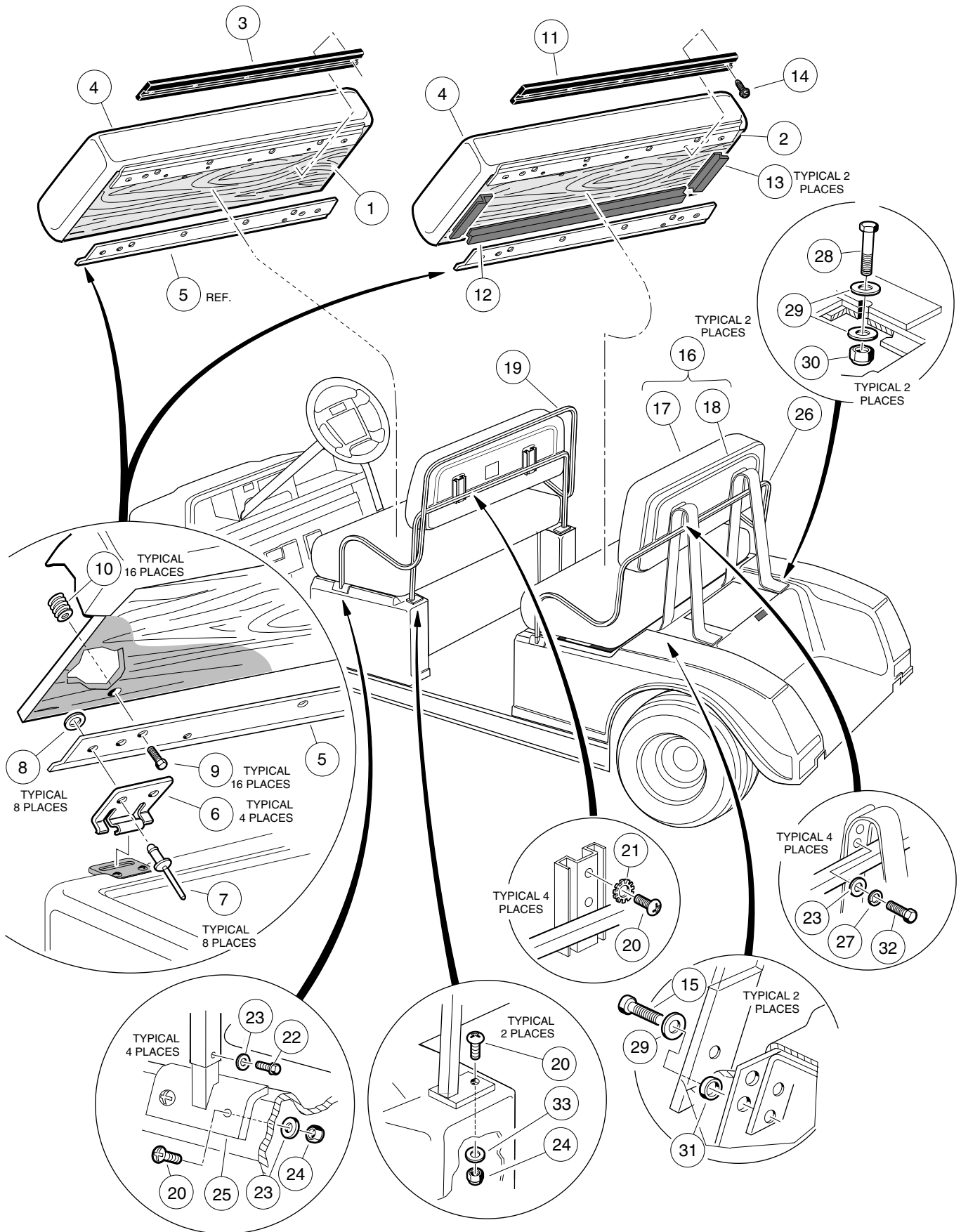
1
G
E



REAR BODY AND FENDER—RESORT VILLAGER

ITEM	PART NO.	DESCRIPTION	QTY GAS	QTY ELEC
		1 2 3 4		
1	<u>8251</u>	SCREW, PHILLIPS TRUSS HEAD, 1/4 - 20 x 1	10	10
2	<u>101904101</u>	PLATE, BODY KICK	1	1
3	<u>1014306</u>	WASHER, FLAT, TYPE B, 1/4	2	2
4	<u>1012412</u>	PLATE, BODY HINGE	2	2
5	<u>332</u>	WASHER, FLAT, 1/4	10	10
6	<u>8233</u>	NUT, NYLON LOCK, 1/4 - 20	12	12
7	<u>1013032</u>	DOOR, ACCESS - BLACK	1	1
8	<u>1015525</u>	NUT, BLIND, 1/4 - 20	2	2
9	<u>1010434</u>	BARREL, PLASTIC	8	8
10	<u>1014392</u>	MAT, BAG REST	2	2
11	<u>101728701</u>	BODY - BEIGE	1	1
11	<u>101728702</u>	BODY - WHITE	1	1
11	<u>101728704</u>	BODY - GRAY	1	1
11	<u>101728708</u>	BODY - PACIFIC BLUE	1	1
11	<u>101728709</u>	BODY - DARK GREEN	1	1
11	<u>101728711</u>	BODY - CLASSIC BLUE	1	1
11	<u>101728712</u>	BODY - BURGUNDY	1	1
12	<u>1017141</u>	SUPPORT, FRONT BODY	1	1
13	<u>101806901</u>	SHIELD, HEAT (GASOLINE VEHICLES ONLY)	1	
14	<u>1017936</u>	FENDER, INNER	2	2
15	<u>7847</u>	SCREW, HEX WASHER HEAD, 1/4 - 20 x 3/4	4	4
16	<u>1013357</u>	RIVET, POP (ELECTRIC VEHICLE ONLY)		2
17	<u>101837001</u>	INSULATOR, BATTERY (ELECTRIC VEHICLE ONLY)		1
18	<u>1017748</u>	CLIP, BODY KEEPER	2	2
19	<u>1012047</u>	SCREW, SELF-TAPPING, #8 - 32 x 3/8	2	2

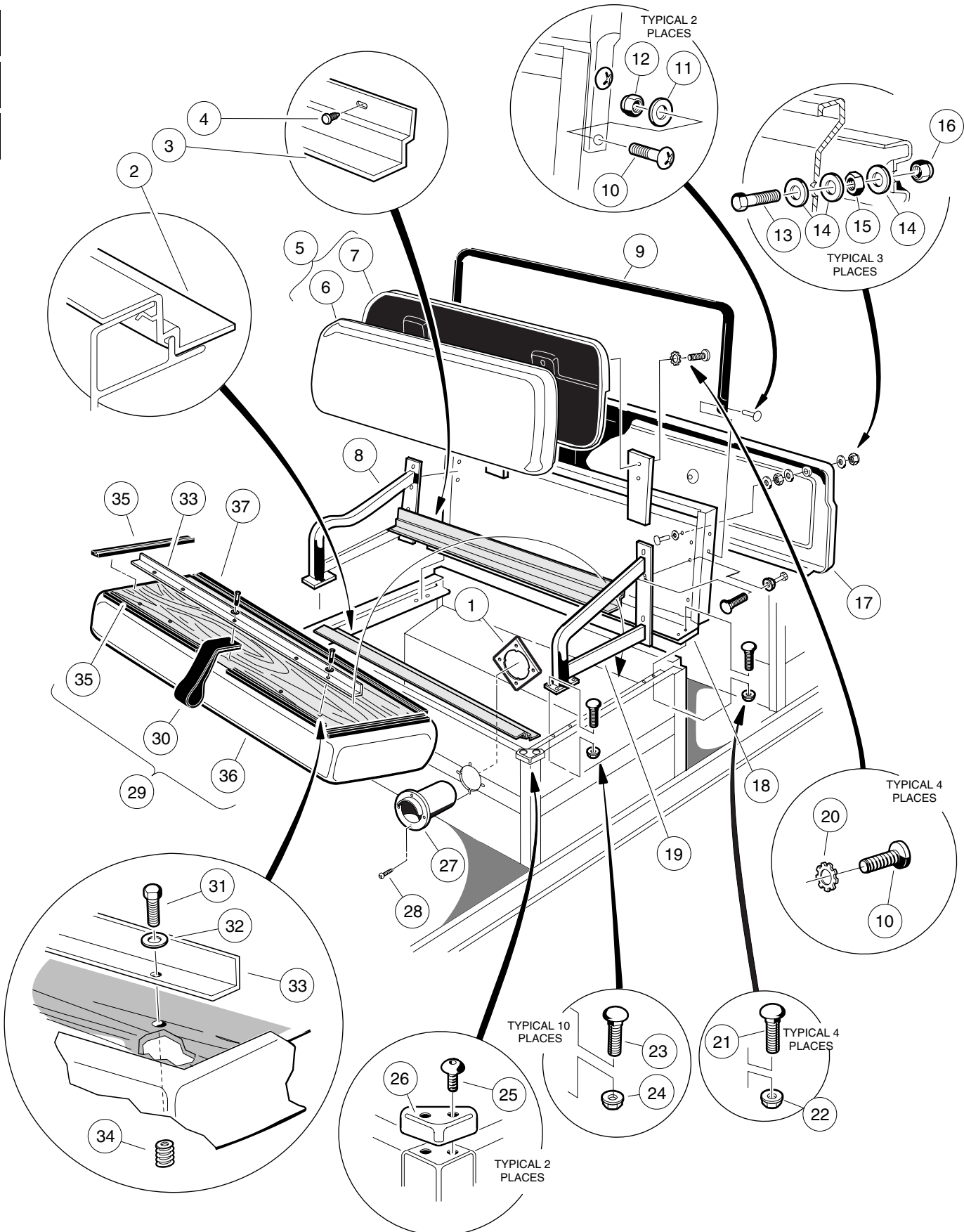
1
G
E



SEATS AND SUPPORT STRUCTURES— RESORT VILLAGER

ITEM	PART NO.	DESCRIPTION	QTY GAS	QTY ELEC
		1 2 3 4		
1	<u>101728201</u>	ASSEMBLY, FIRST SEAT BOTTOM - WHITE (INCLUDES ITEMS 3 - 10)	1	1
1	<u>101728203</u>	ASSEMBLY, FIRST SEAT BOTTOM - BUFF (INCLUDES ITEMS 3 - 10)	1	1
1	<u>101728210</u>	ASSEMBLY, FIRST SEAT BOTTOM - BLACK (INCLUDES ITEMS 3 - 10)	1	1
1	<u>101728213</u>	ASSEMBLY, FIRST SEAT BOTTOM - GRAY (INCLUDES ITEMS 3 - 10)	1	1
2	<u>101728202</u>	ASSEMBLY, SECOND SEAT BOTTOM - WHITE (INCLUDES ITEMS 4 - 14)	1	1
2	<u>101728204</u>	ASSEMBLY, SECOND SEAT BOTTOM - BUFF (INCLUDES ITEMS 4 - 14)	1	1
2	<u>101728211</u>	ASSEMBLY, SECOND SEAT BOTTOM - BLACK (INCLUDES ITEMS 4 - 14)	1	1
2	<u>101728214</u>	ASSEMBLY, SECOND SEAT BOTTOM - GRAY (INCLUDES ITEMS 4 - 14)	1	1
3	<u>1013312</u>	BUMPER, SEAT - LONG (FIRST SEAT ONLY)	1	1
4	<u>101562701</u>	COVER, VINYL SEAT BOTTOM - BUFF	1	1
4	<u>101562702</u>	COVER, VINYL SEAT BOTTOM - WHITE	1	1
4	<u>101562704</u>	COVER, VINYL SEAT BOTTOM - BLACK	1	1
4	<u>101562710</u>	COVER, VINYL SEAT BOTTOM - GRAY	1	1
5	<u>1017695</u>	BRACKET, SEAT SUPPORT	2	2
6	<u>1011652</u>	PLATE, SEAT HINGE	2	2
7	<u>101880901</u>	RIVET, POP, STAINLESS STEEL, 3/16	4	4
8	<u>101881701</u>	WASHER, FLAT, STAINLESS STEEL, #8	4	4
9	<u>101954301</u>	SCREW, HEX HEAD CAP (WITH ADHESIVE PATCH), 1/4 - 20 x 3/4	8	8
10	<u>1010543</u>	INSERT, WOOD	8	8
11	<u>1012597</u>	BUMPER, SEAT (SECOND SEAT ONLY)	1	1
12	<u>1012657</u>	GASKET, SEAT-LONG (SECOND SEAT ONLY)	1	1
13	<u>1012656</u>	GASKET, SEAT-SHORT (SECOND SEAT ONLY)	2	2
14	<u>1017384</u>	SCREW, WASHER HEAD TAP, #12 (SECOND SEAT ONLY)	5	5
15	<u>101910401</u>	SCREW, THREAD-FORMING, 5/16 - 18 x 1-1/4	4	4
16	<u>101677701</u>	ASSEMBLY, SEAT BACK - WHITE (INCLUDES ITEMS 17 AND 18)	2	2
16	<u>101677702</u>	ASSEMBLY, SEAT BACK - BLACK (INCLUDES ITEMS 17 AND 18)	2	2
16	<u>101677703</u>	ASSEMBLY, SEAT BACK - BUFF (INCLUDES ITEMS 17 AND 18)	2	2
16	<u>101677705</u>	ASSEMBLY, SEAT BACK - GRAY (INCLUDES ITEMS 17 AND 18)	2	2
17	<u>101675501</u>	COVER, VINYL SEAT BACK - BUFF	2	2
17	<u>101675502</u>	COVER, VINYL SEAT BACK - WHITE	2	2
17	<u>101675504</u>	COVER, VINYL SEAT BACK - BLACK	2	2
17	<u>101675506</u>	COVER, VINYL SEAT BACK - GRAY	2	2
18	<u>1016751</u>	CAP, SEAT BACK - BLACK	2	2
19	<u>1017259</u>	WELDMENT, FRONT ARMREST	1	1
20	<u>1015902</u>	SCREW, PHILLIPS TRUSS HEAD, 1/4 - 20 x 1-1/4	14	14
21	<u>101946201</u>	WASHER, EXTERNAL TOOTH LOCK, 1/4	4	4
22	<u>1012285</u>	SCREW, THREAD ROLLING, 1/4 - 20 x 5/8	4	4
23	<u>332</u>	WASHER, FLAT, 1/4	16	16
24	<u>8233</u>	NUT, NYLON LOCK, 1/4 - 20	10	10
25	<u>1017310</u>	WELDMENT, ARMREST MOUNTING	4	4
26	<u>101799201</u>	WELDMENT, REAR ARMREST	1	1
27	<u>451</u>	WASHER, LOCK, 1/4	4	4
28	<u>1218</u>	SCREW, HEX HEAD CAP, 5/16 - 18 x 1-1/4	2	2
29	<u>1241</u>	WASHER, FLAT, 5/16	8	8
30	<u>7473</u>	NUT, NYLON LOCK, 5/16 - 18	2	2
31	<u>1017774</u>	SPACER, BODY	4	4
32	<u>101954301</u>	SCREW, HEX HEAD CAP, 1/4 - 20 x 3/4	4	4
33	<u>1014306</u>	WASHER, FLAT, TYPE B, 1/4	2	2

1
G
E

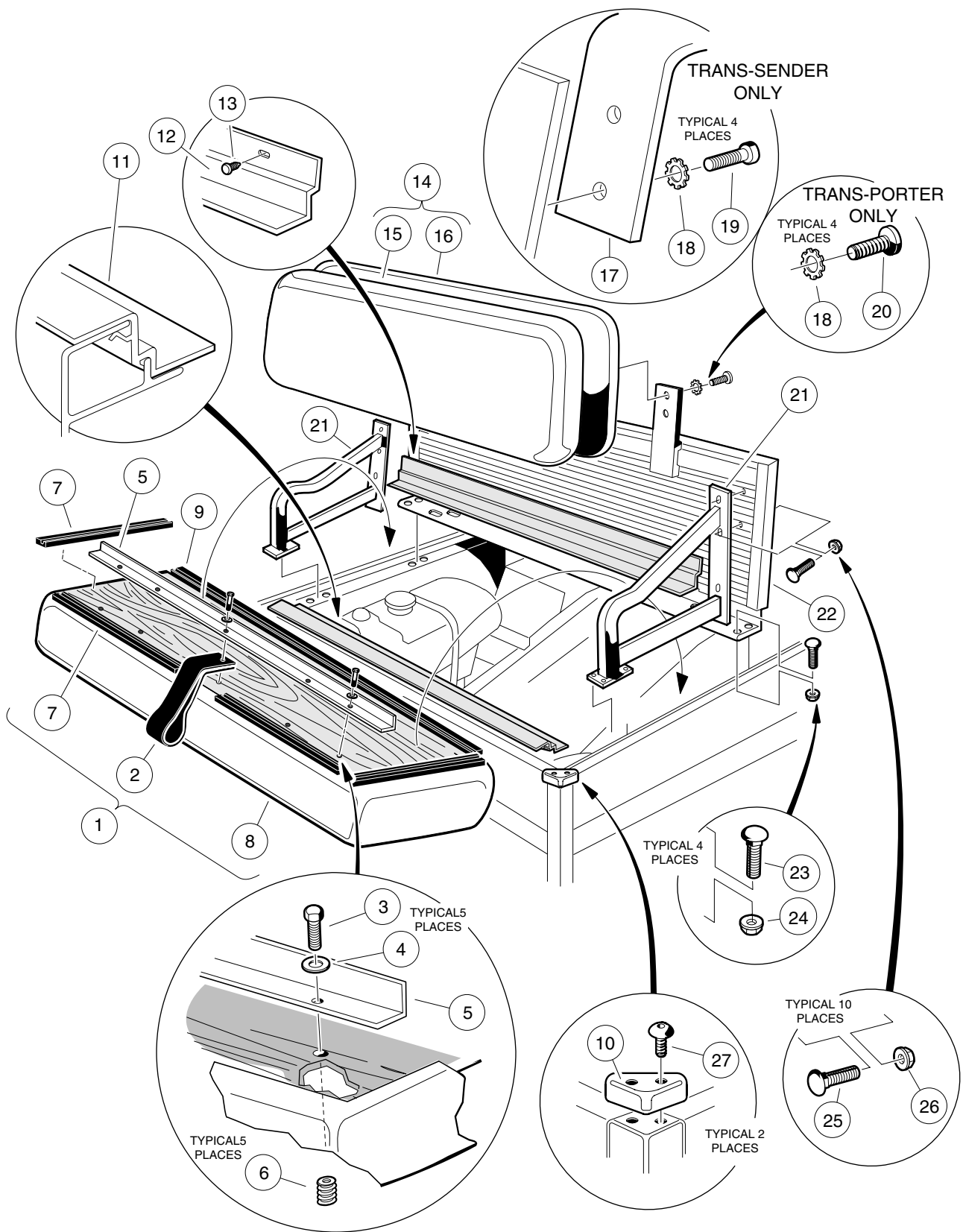


FIRST SEAT AND SUPPORT STRUCTURE— TRANS-PORTER/TRANS-SENDER

ITEM	PART NO.	DESCRIPTION	QTY GAS	QTY ELEC
		1 2 3 4		
1	<u>101801001</u>	PLATE, RECEPTACLE BACKING (ELECTRIC VEHICLE ONLY)		1
2	<u>101964001</u>	TRIM, SEAT BOTTOM, FRONT	1	1
3	<u>101963901</u>	TRIM, SEAT BOTTOM, REAR	1	1
4	<u>1010434</u>	BARREL, PLASTIC	5	5
5	<u>101677701</u>	ASSEMBLY, SEAT BACK - WHITE (INCLUDES ITEMS 6 AND 7)	1	1
5	<u>101677702</u>	ASSEMBLY, SEAT BACK - BLACK (INCLUDES ITEMS 6 AND 7)	1	1
5	<u>101677705</u>	ASSEMBLY, SEAT BACK - GRAY (INCLUDES ITEMS 6 AND 7)	1	1
6	<u>101675502</u>	COVER, VINYL SEAT BACK - WHITE	1	1
6	<u>101675504</u>	COVER, VINYL SEAT BACK - BLACK	1	1
6	<u>101675506</u>	COVER, VINYL SEAT BACK - GRAY	1	1
7	<u>1016751</u>	CAP, SEAT BACK	1	1
8	<u>101888501</u>	ASSEMBLY, PASSENGER ARMREST	1	1
9	<u>1016670</u>	HANDRAIL	1	1
10	<u>8251</u>	SCREW, PHILLIPS TRUSS HEAD, 1/4 - 20 x 1	8	8
11	<u>332</u>	WASHER, FLAT, 1/4	4	4
12	<u>8233</u>	NUT, NYLON LOCK, 1/4 - 20	4	4
13	<u>1010934</u>	SCREW, HEX HEAD CAP, 5/16 - 18 x 1	3	3
14	<u>1241</u>	WASHER, FLAT, 5/16	9	9
15	<u>1242</u>	NUT, HEX, 5/16 - 18	3	3
16	<u>7473</u>	NUT, NYLON LOCK, 5/16 - 18	3	3
17	<u>1016970</u>	COVER, SEAT BACK SUPPORT	1	1
18	<u>1016723</u>	ASSEMBLY, SEAT SUPPORT PANEL	1	1
19	<u>101888502</u>	ARMREST, DRIVER	1	1
20	<u>101946201</u>	WASHER, EXTERNAL TOOTH LOCK, 1/4	4	4
21	<u>101963301</u>	SCREW, ROUND-HEAD SQUARE-NECK, 5/16 - 18 x 3/4	4	4
22	<u>101963401</u>	NUT, FLANGE, 5/16 - 18	4	4
23	<u>101958601</u>	SCREW, ROUND-HEAD SQUARE-NECK, 1/4 - 20 x 3/4	10	10
24	<u>101835601</u>	NUT, FLANGE, 1/4 - 20	10	10
25	<u>1014321</u>	SCREW, TORX TRUSS HEAD, #10 - 24 x 3/8	4	4
26	<u>1014387</u>	CAP, CORNER	2	2
27	<u>1016673</u>	HOUSING, CORD (ELECTRIC VEHICLE ONLY)		1
28	<u>8796</u>	SCREW, PHILLIPS HEAD, #7 - 19 x 3/4 (ELECTRIC VEHICLE ONLY)		4
29	<u>101564502</u>	ASSEMBLY, SEAT BOTTOM - WHITE (INCLUDES ITEMS 30 - 37)	1	1
29	<u>101564503</u>	ASSEMBLY, SEAT BOTTOM - BLACK (INCLUDES ITEMS 30 - 37)	1	1
29	<u>101564505</u>	ASSEMBLY, SEAT BOTTOM - GRAY (INCLUDES ITEMS 30 - 37)	1	1
30	<u>1013309</u>	STRAP, SEAT BOTTOM	1	1
31	<u>101954301</u>	SCREW, HEX HEAD CAP (WITH ADHESIVE PATCH), 1/4 - 20 x 3/4	5	5
32	<u>332</u>	WASHER, FLAT, 1/4	9	9
33	<u>101894303</u>	STIFFENER, SEAT	1	1
34	<u>1010543</u>	INSERT, WOOD	5	5
35	<u>1013311</u>	BUMPER, SEAT, SHORT	4	4
36	<u>101562702</u>	COVER, VINYL SEAT BOTTOM - WHITE	1	1
36	<u>101562704</u>	COVER, VINYL SEAT BOTTOM - BLACK	1	1
36	<u>101562710</u>	COVER, VINYL SEAT BOTTOM - GRAY	1	1
37	<u>1013312</u>	BUMPER, SEAT, LONG	1	1

1
G
E

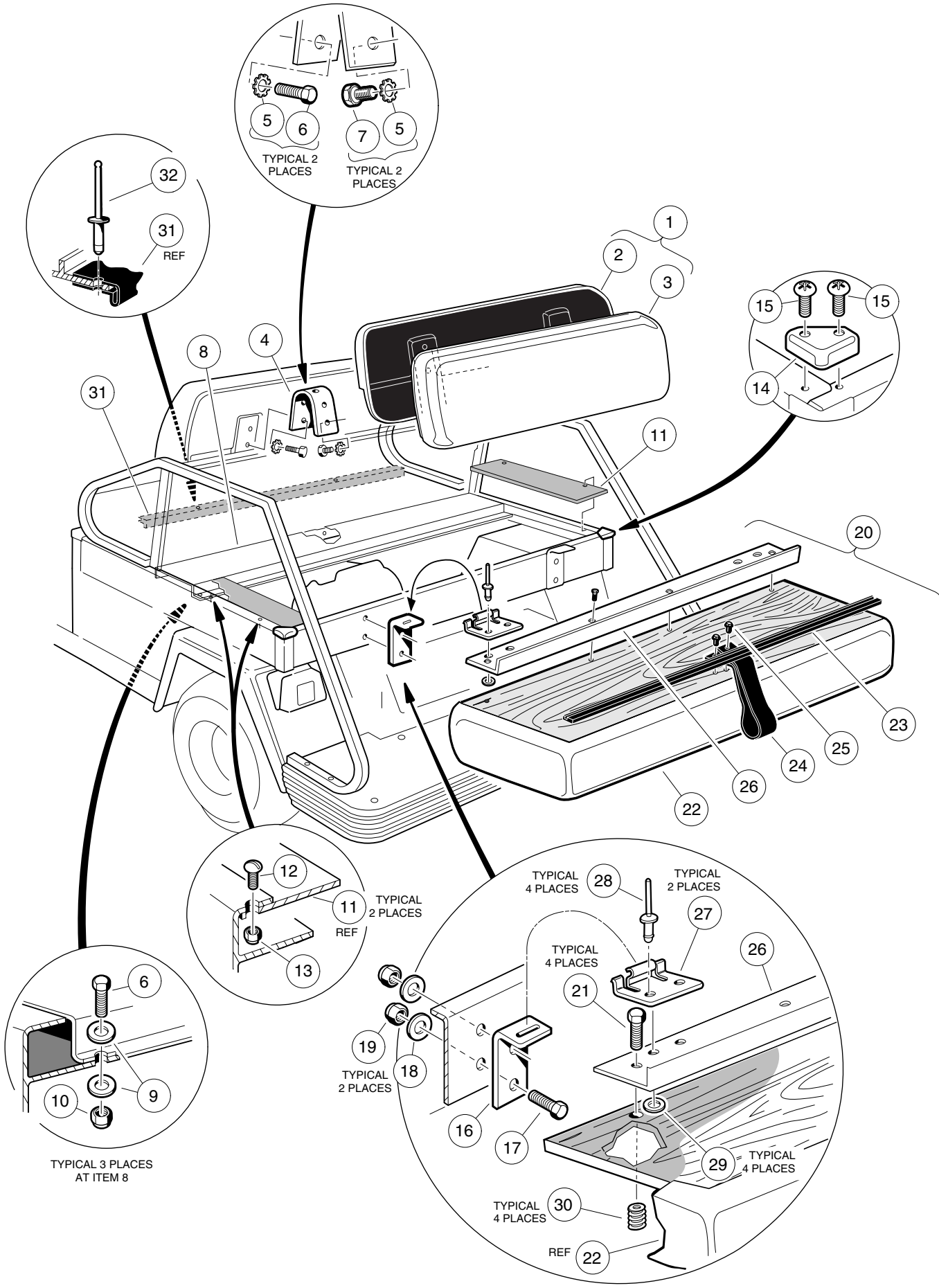
**1
G
E**



SECOND SEAT AND SUPPORT STRUCTURE— TRANS-PORTER/TRANS-SENDER

ITEM	PART NO.	DESCRIPTION	QTY GAS	QTY ELEC
		1 2 3 4		
1	<u>101564502</u>	ASSEMBLY, SEAT BOTTOM - WHITE (INCLUDES ITEMS 2 - 9)	1	1
1	<u>101564503</u>	ASSEMBLY, SEAT BOTTOM - BLACK (INCLUDES ITEMS 2 - 9)	1	1
1	<u>101564505</u>	ASSEMBLY, SEAT BOTTOM - GRAY (INCLUDES ITEMS 2 - 9)	1	1
2	<u>1013309</u>	STRAP, SEAT BOTTOM	1	1
3	<u>101954301</u>	SCREW, HEX HEAD CAP (WITH ADHESIVE PATCH), 1/4 - 20 x 3/4	5	5
4	<u>332</u>	WASHER, FLAT, 1/4	5	5
5	<u>101894303</u>	STIFFENER, SEAT	1	1
6	<u>1010543</u>	INSERT, WOOD	5	5
7	<u>1013311</u>	BUMPER, SEAT-SHORT	4	4
8	<u>101562702</u>	COVER, VINYL SEAT BOTTOM - WHITE	1	1
8	<u>101562704</u>	COVER, VINYL SEAT BOTTOM - BLACK	1	1
8	<u>101562710</u>	COVER, VINYL SEAT BOTTOM - GRAY	1	1
9	<u>1013312</u>	BUMPER, SEAT, LONG	1	1
10	<u>1014387</u>	CAP, CORNER	2	2
11	<u>101964001</u>	TRIM, SEAT BOTTOM, FRONT	1	1
12	<u>101963901</u>	TRIM, SEAT BOTTOM, REAR	1	1
13	<u>1010434</u>	BARREL, PLASTIC	5	5
14	<u>101677701</u>	ASSEMBLY, SEAT BACK - WHITE (INCLUDES ITEMS 15 AND 16)	1	1
14	<u>101677702</u>	ASSEMBLY, SEAT BACK - BLACK (INCLUDES ITEMS 15 AND 16)	1	1
14	<u>101677705</u>	ASSEMBLY, SEAT BACK - GRAY (INCLUDES ITEMS 15 AND 16)	1	1
15	<u>101675502</u>	COVER, VINYL SEAT BACK - WHITE	1	1
15	<u>101675504</u>	COVER, VINYL SEAT BACK - BLACK	1	1
15	<u>101675506</u>	COVER, VINYL SEAT BACK - GRAY	1	1
16	<u>1016751</u>	CAP, SEAT BACK	1	1
17	<u>1016839</u>	MOUNT, SEAT BACK BRACKET (TRANS-SENDER ONLY)	2	2
18	<u>101946201</u>	WASHER, EXTERNAL TOOTH LOCK, 1/4	4	4
19	<u>7479</u>	SCREW, HEX HEAD CAP, 1/4 - 20 x 1-1/4 (TRANS-SENDER ONLY)	4	4
20	<u>8251</u>	SCREW, PHILLIPS TRUSS HEAD, 1/4 - 20 x 1 (TRANS-PORTER ONLY)	4	4
21	<u>101888501</u>	ASSEMBLY, ARMREST, PASSENGER (TRANS-PORTER ONLY)	2	2
22	<u>1016723</u>	ASSEMBLY, SEAT SUPPORT PANEL	1	1
23	<u>101963301</u>	SCREW, ROUND-HEAD SQUARE-NECK, 5/16 - 18 x 3/4	4	4
24	<u>101963401</u>	NUT, FLANGE, 5/16 - 18	4	4
25	<u>101958601</u>	SCREW, ROUND-HEAD SQUARE-NECK, 1/4 - 20 x 3/4 (TRANS-PORTER ONLY)	10	10
26	<u>101835601</u>	NUT, FLANGE, 1/4 - 20 (TRANS-PORTER ONLY)	10	10
27	<u>1014321</u>	SCREW, TORX TRUSS HEAD, #10 - 24 x 3/8	4	4

1
G
E

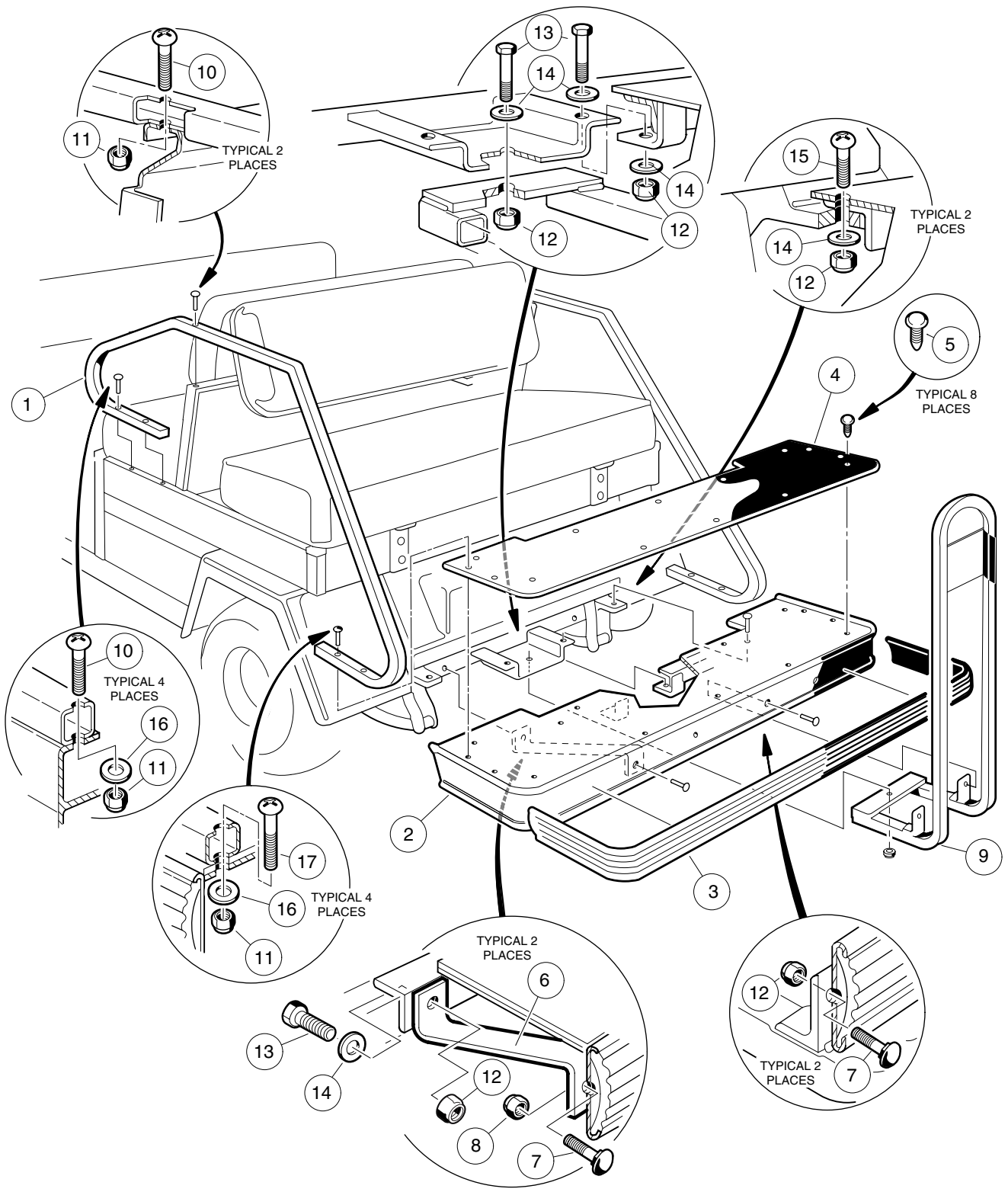


THIRD SEAT AND COMPONENTS— TRANS-SENDER

ITEM	PART NO.	DESCRIPTION	QTY GAS	QTY ELEC
		1 2 3 4		
1	<u>101677701</u>	ASSEMBLY, SEAT BACK - WHITE (INCLUDES ITEMS 2 AND 3)	1	1
1	<u>101677702</u>	ASSEMBLY, SEAT BACK - BLACK (INCLUDES ITEMS 2 AND 3)	1	1
1	<u>101677705</u>	ASSEMBLY, SEAT BACK - GRAY (INCLUDES ITEMS 2 AND 3)	1	1
2	<u>1016751</u>	CAP, SEAT BACK	1	1
3	<u>101675502</u>	COVER, VINYL SEAT BACK - WHITE	1	1
3	<u>101675504</u>	COVER, VINYL SEAT BACK - BLACK	1	1
3	<u>101675505</u>	COVER, VINYL SEAT BACK - GRAY	1	1
4	<u>1016839</u>	BRACKET, SEAT BACK MOUNTING	2	2
5	<u>101946201</u>	WASHER, EXTERNAL TOOTH LOCK, 1/4	8	8
6	<u>7847</u>	SCREW, HEX HEAD CAP, 1/4 - 20 x 3/4	7	7
7	<u>7479</u>	SCREW, HEX HEAD CAP, 1/4 - 20 x 1-1/4	4	4
8	<u>1016816</u>	SUPPORT, REAR SEAT	1	1
9	<u>332</u>	WASHER, FLAT, 1/4	6	6
10	<u>8233</u>	NUT, NYLON LOCK, 1/4 - 20	3	3
11	<u>1016930</u>	PANEL, REAR SEAT FRAME	2	2
12	<u>1013169</u>	SCREW, ROUND HEAD SLOTTED MACHINE, #10 - 32 x 1/2	4	4
13	<u>1013061</u>	NUT, NYLON LOCK, #10 - 32	4	4
14	<u>1014387</u>	CAP, CORNER	2	2
15	<u>1014321</u>	SCREW, TORX TRUSS HEAD, #10 - 24 x 3/8	4	4
16	<u>1016819</u>	HINGE, SEAT	2	2
17	<u>8861</u>	SCREW, HEX HEAD CAP, 3/8 - 16 x 1-3/4	4	4
18	<u>1011990</u>	WASHER, FLAT, 3/8	4	4
19	<u>8754</u>	NUT, NYLON LOCK, 3/8 - 16	4	4
20	<u>101684102</u>	ASSEMBLY, SEAT BOTTOM, WHITE (INCLUDES ITEMS 21 - 30)	1	1
20	<u>101684103</u>	ASSEMBLY, SEAT BOTTOM, BLACK (INCLUDES ITEMS 21 - 30)	1	1
20	<u>101684105</u>	ASSEMBLY, SEAT BOTTOM, GRAY (INCLUDES ITEMS 21 - 30)	1	1
21	<u>101954301</u>	SCREW, HEX HEAD CAP (WITH ADHESIVE PATCH), 1/4 - 20 x 3/4	4	4
22	<u>101562702</u>	COVER, VINYL SEAT BOTTOM - WHITE	1	1
22	<u>101562704</u>	COVER, VINYL SEAT BOTTOM - BLACK	1	1
22	<u>101562710</u>	COVER, VINYL SEAT BOTTOM - GRAY	1	1
23	<u>1013312</u>	BUMPER, LONG SEAT	1	1
24	<u>1013309</u>	STRAP, SEAT BOTTOM	1	1
25	<u>1010545</u>	SCREW, HEX WASHER HEAD, 1/4 - 14 x 3/4	2	2
26	<u>1016824</u>	ANGLE, SEAT HINGE	1	1
27	<u>1011652</u>	PLATE, SEAT HINGE	2	2
28	<u>101880901</u>	RIVET, POP, STAINLESS STEEL, 3/16	4	4
29	<u>101881701</u>	WASHER, FLAT, STAINLESS STEEL, #8	4	4
30	<u>1010543</u>	INSERT, WOOD	4	4
31	<u>101837001</u>	INSULATOR, BATTERY (ELECTRIC VEHICLE ONLY)		1
32	<u>1013357</u>	RIVET, POP (ELECTRIC VEHICLE ONLY)		2

1
G
E

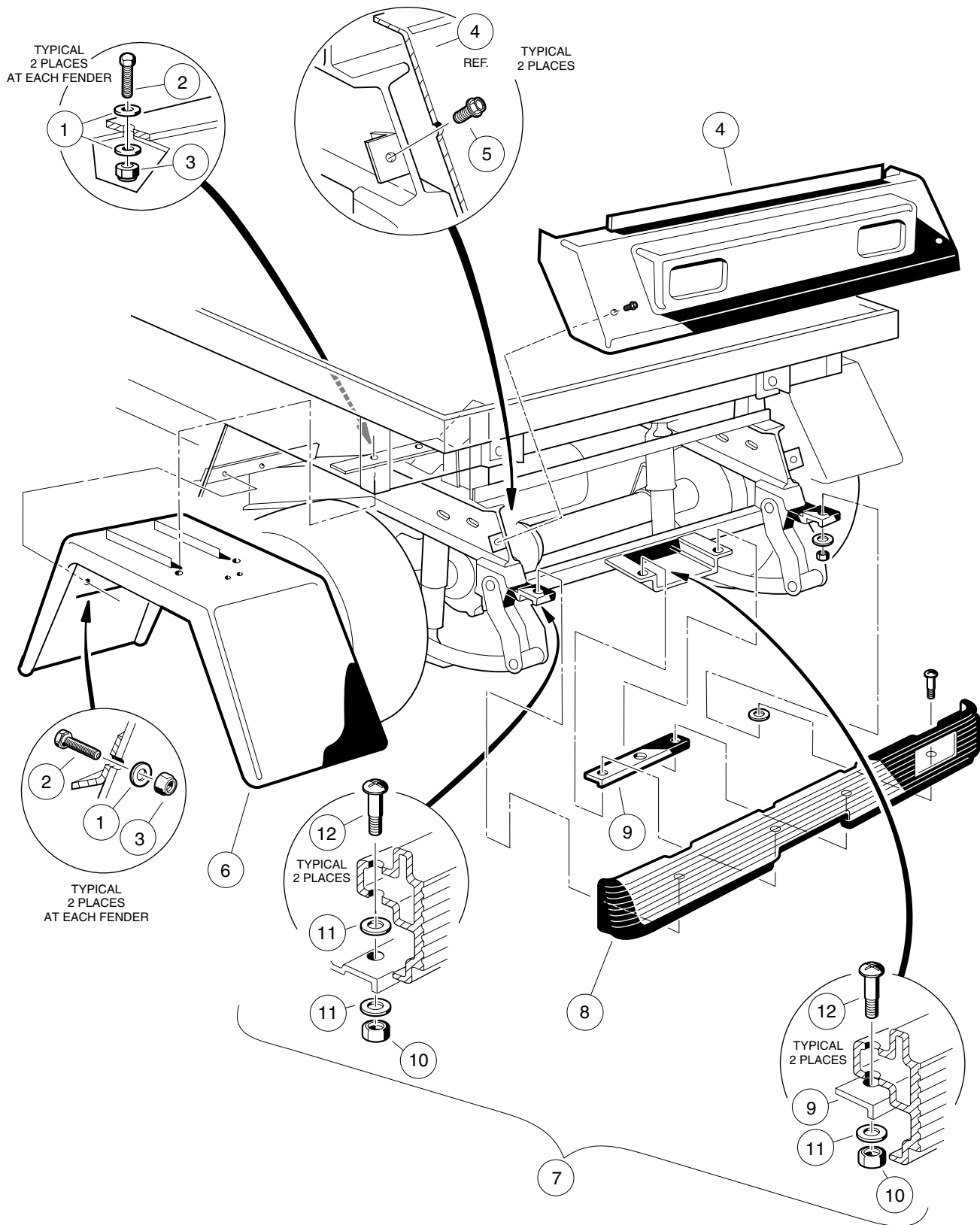
**1
G
E**



REAR FOOTREST AND HANDRAILS— TRANS-SENDER

ITEM	PART NO.	DESCRIPTION	QTY GAS	QTY ELEC
		1 2 3 4		
1	<u>101846301</u>	ARMREST, REAR SEAT	2	2
2	<u>1016843</u>	ASSEMBLY, REAR FOOTREST (INCLUDES ITEMS 3 - 8)	1	1
3	101347505	GUARD, BUMPER	1	1
4	1016838	MAT, FOOTREST	1	1
5	<u>1010434</u>	FASTENER, PLASTIC BARREL	8	8
6	<u>1016668</u>	BAR, CONNECTING	2	2
7	<u>1010435</u>	SCREW, ROUND-HEAD SQUARE-NECK, 5/16 - 18 x 1	4	4
8	<u>7473</u>	NUT, NYLON LOCK, 5/16 - 18	2	2
9	<u>1016842</u>	HANDRAIL, REAR SEAT	1	1
10	8418	SCREW, PHILLIPS TRUSS HEAD, 1/4 - 20 x 1-1/2	6	6
11	<u>8233</u>	NUT, NYLON LOCK, 1/4 - 20	10	10
12	<u>7473</u>	NUT, NYLON LOCK, 5/16 - 18	9	9
13	1218	SCREW, HEX HEAD CAP, 5/16 - 18 x 1-1/4	5	5
14	<u>1241</u>	WASHER, FLAT, 5/16	9	9
15	<u>7410</u>	SCREW, PHILLIPS TRUSS HEAD, 5/16 - 18 x 1-1/4	2	2
16	<u>332</u>	WASHER, FLAT, 1/4	8	8
17	<u>1011988</u>	SCREW, PHILLIPS TRUSS HEAD, 1/4 - 20 x 2	4	4

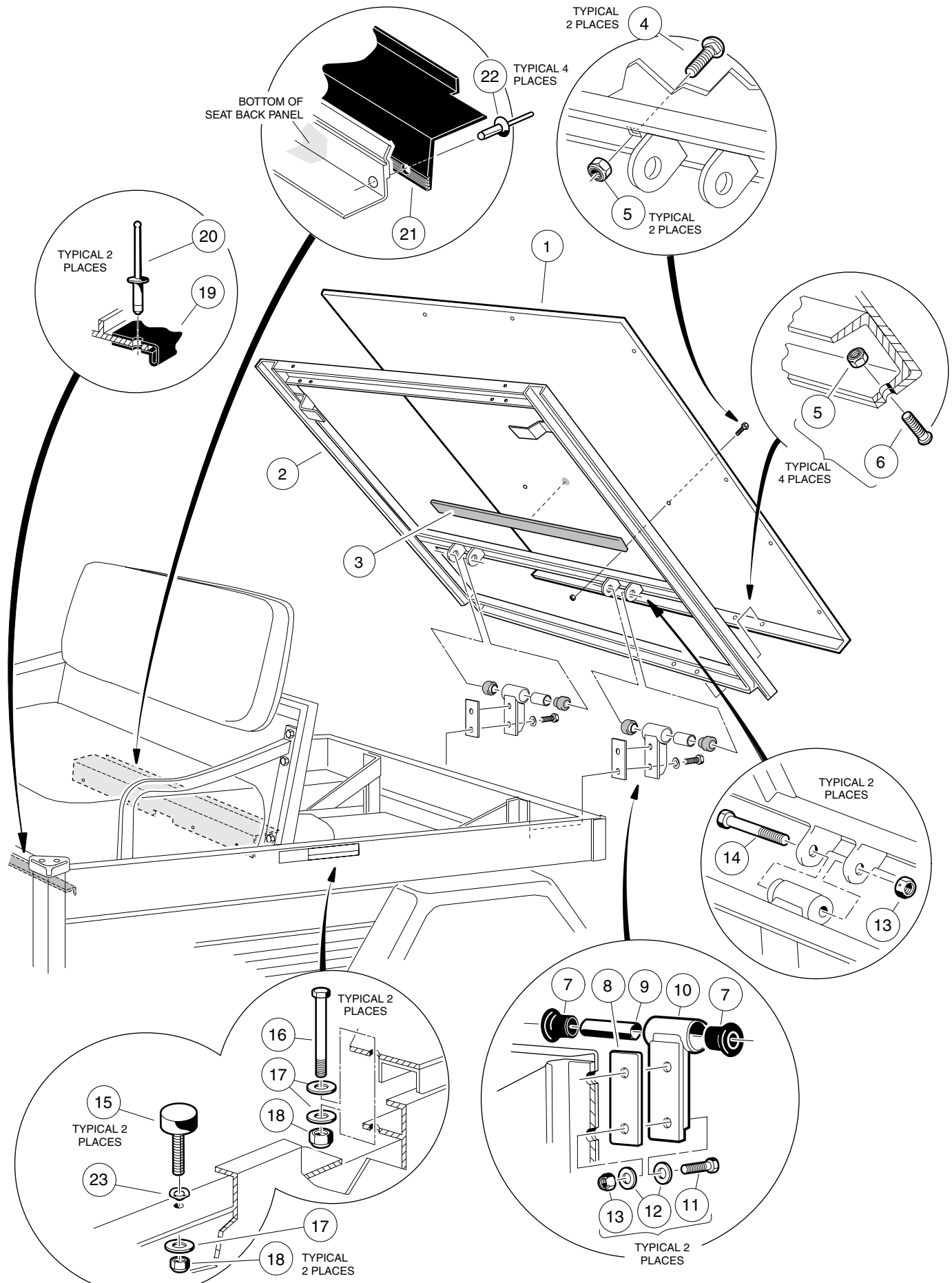
1
G
E



REAR BODY TRIM— TRANS-PORTER/TRANS-SENDER

ITEM	PART NO.	DESCRIPTION	QTY GAS	QTY ELEC
		1 2 3 4		
1	<u>1014306</u>	WASHER, FLAT, 1/4	12	12
2	304	SCREW, HEX HEAD CAP, 1/4 - 20 x 1	8	8
3	<u>8233</u>	NUT, NYLON LOCK, 1/4 - 20	8	8
4	<u>1015530</u>	TAILSKIRT	1	1
5	<u>1012285</u>	SCREW, THREAD-ROLLING, 1/4 - 20 x 5/8	2	2
6	<u>1016679</u>	FENDER, REAR	2	2
7	<u>1017079</u>	KIT, REAR BUMPER (INCLUDES ITEMS 8 - 12) (TRANS-PORTER ONLY)	1	1
8	<u>1016379</u>	BUMPER, REAR	1	1
9	<u>1016875</u>	PLATE, MOUNTING, LONG	1	1
10	<u>7473</u>	NUT, NYLON LOCK, 5/16 - 18	4	4
11	<u>1011697</u>	WASHER, FLAT, 5/16	6	6
12	<u>1016876</u>	BOLT, PHILLIPS TRUSS HEAD SHOULDER, 3/8 - 18 x 2	4	4

1
G
E

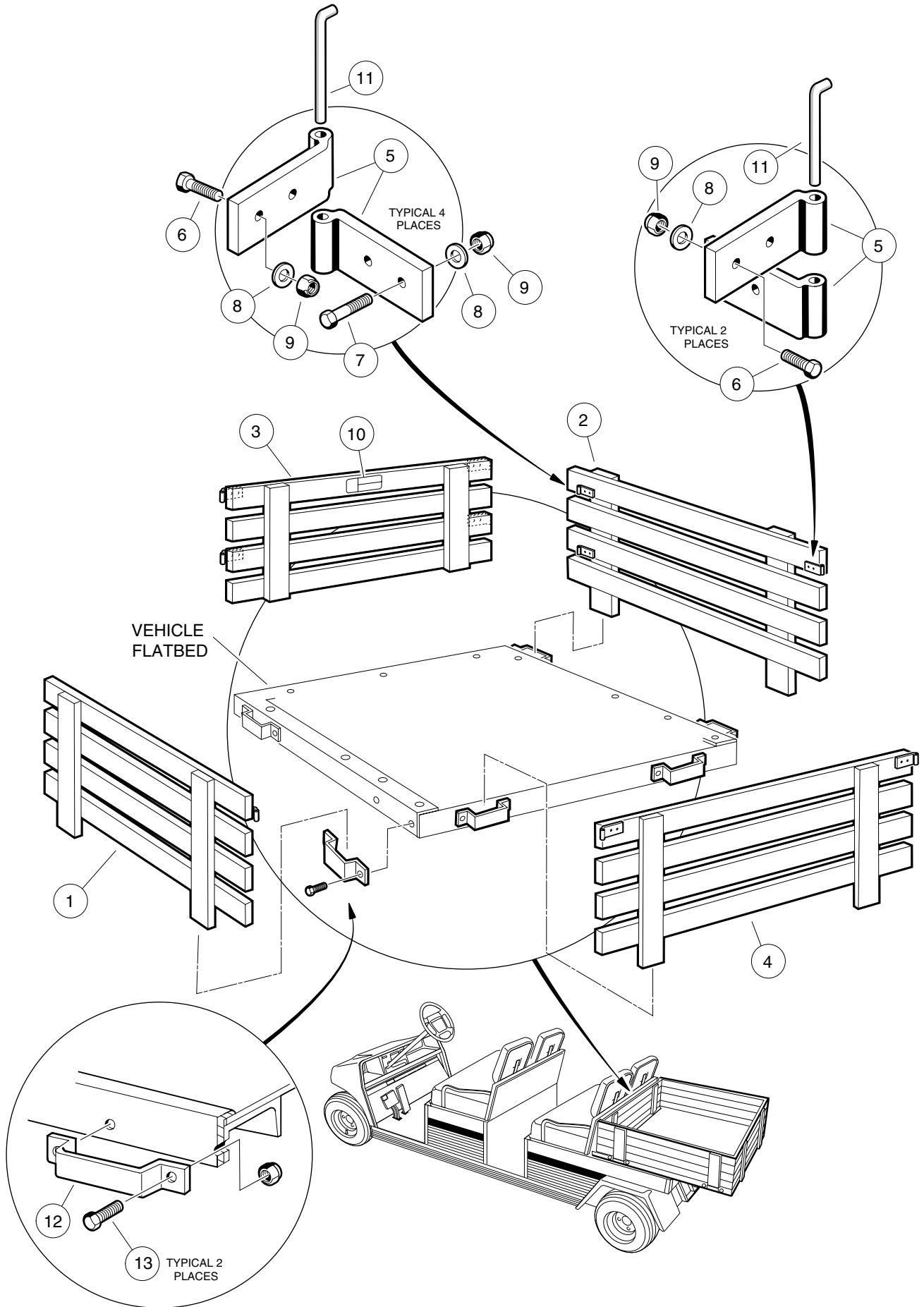


REAR CARGO BED—TRANS-PORTER

ITEM	PART NO.	DESCRIPTION	QTY GAS	QTY ELEC
		1 2 3 4		
1	<u>1016724</u>	ASSEMBLY, TILT BED (INCLUDES ITEMS 2 - 6)	1	1
2	N/A	WELDMENT, TILT BED	1	1
3	<u>1014471</u>	INSULATION	A/R	A/R
4	<u>1010435</u>	SCREW, ROUND-HEAD SQUARE-NECK, 5/16 - 18 x 1	2	2
5	<u>7473</u>	NUT, NYLON LOCK, 5/16 - 18	6	6
6	1015399	SCREW, TORX TRUSS HEAD, 5/16 - 18 x 3/4	4	4
7	<u>1015583</u>	BUSHING, URETHANE	4	4
8	<u>1015507</u>	SHIM, TILT BED PIVOT	A/R	A/R
9	<u>1012303</u>	BUSHING, STEEL	2	2
10	<u>1015356</u>	WELDMENT, TILT BED HINGE	2	2
11	705	SCREW, HEX HEAD CAP, 3/8 - 16 x 1-1/4	4	4
12	<u>1011990</u>	WASHER, FLAT, 3/8	8	8
13	<u>8754</u>	NUT, NYLON LOCK, 3/8 - 16	6	6
14	<u>8755</u>	SCREW, HEX HEAD CAP, 3/8 - 16 x 3-3/8	2	2
15	<u>1010878</u>	BUMPER, RUBBER	2	2
16	<u>1013872</u>	SCREW, HEX HEAD CAP, 1/4 - 20 x 4	2	2
17	<u>332</u>	WASHER, FLAT, 1/4	6	6
18	<u>8233</u>	NUT, NYLON LOCK, 1/4 - 20	4	4
19	<u>101837001</u>	INSULATOR, BATTERY (ELECTRIC VEHICLE ONLY)		1
20	<u>1013357</u>	RIVET, ALUMINUM POP, 5/32 (ELECTRIC VEHICLE ONLY)		2
21	<u>1017976</u>	SEAL, BED	1	1
22	7532	RIVET, POP, 3/16	4	4
23	<u>1016201</u>	WASHER, WAVE	2	2

1
G
E

1
G
E



STAKE-SIDES — TRANS-PORTER

ITEM	PART NO.	DESCRIPTION	QTY GAS	QTY ELEC
		1 2 3 4		
	<u>1015660</u>	KIT, STAKE SIDE (INCLUDES ITEMS 1 - 13)	1	1
1	N/A	STAKE SIDE ASSEMBLY, DRIVER SIDE (INCLUDES ITEMS 5 - 9)	1	1
2	N/A	STAKE SIDE ASSEMBLY, PASSENGER SIDE (INCLUDES ITEMS 5 - 9).....	1	1
3	N/A	STAKE SIDE ASSEMBLY, FRONT (INCLUDES ITEMS 5 - 9).....	1	1
4	N/A	STAKE SIDE ASSEMBLY, REAR (INCLUDES ITEMS 5 - 10)	1	1
5	<u>1015654</u>	HINGE, STAKE SIDE	12	12
6	<u>0007479</u>	SCREW, HEX HEAD CAP, 1/4 - 20 x 1 1/4	18	18
7	<u>0007311</u>	SCREW, HEX HEAD CAP, 1/4 - 20 x 2	6	6
8	<u>0000332</u>	WASHER, FLAT, 1/4	24	24
9	<u>0001108</u>	NUT, DIMPED LOCK, 1/4 - 20	24	24
10	<u>1015539</u>	DECAL, BED LOAD	1	1
11	<u>1015656</u>	PIN, STAKE SIDE HINGE	6	6
12	<u>1016077</u>	BRACKET, STAKE SIDE	5	5
13	<u>1010934</u>	SCREW, HEX HEAD CAP, 5/16 - 18 x 1	10	10

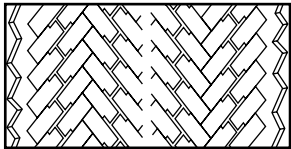
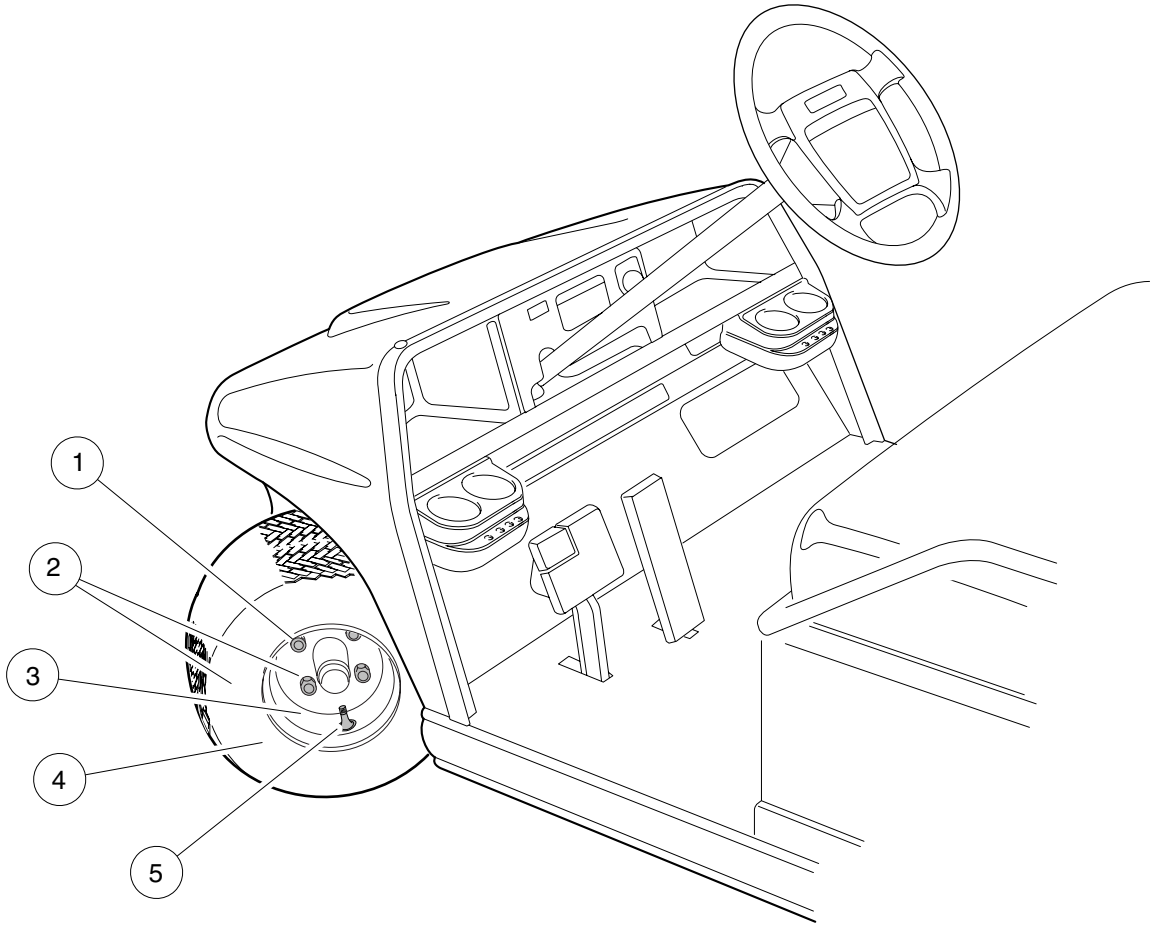
1
G
E

WHEELS AND TIRES

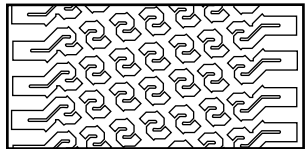
2

G

E



PREMIUM
TREAD



EXTRA
TRACTION

WHEELS AND TIRES

ITEM	PART NO.	DESCRIPTION	QTY GAS	QTY ELEC
		1 2 3 4		
1	<u>1010984</u>	NUT, LUG	16	16
2	<u>101651402</u>	ASSEMBLY, WHEEL (WHITE) AND TIRE, PREMIUM TREAD, 4-PLY RATED (18 x 8.50 - 8) (TOURALL ONLY)	2	2
2	<u>101570506</u>	ASSEMBLY, WHEEL (BEIGE) AND TIRE, PREMIUM TREAD, 6-PLY RATED (18 x 8.50 - 8) (RESORT VILLAGER ONLY)	2	2
2	<u>101570507</u>	ASSEMBLY, WHEEL (BEIGE) AND TIRE, EXTRA TRACTION, 6-PLY RATED (18 x 8.50 - 8) (RESORT VILLAGER ONLY)	2	2
2	<u>101570509</u>	ASSEMBLY, WHEEL (BEIGE) AND TIRE, EXTRA TRACTION, 6-PLY RATED (18 x 6.50 - 8) (RESORT VILLAGER ONLY)	2	2
2	<u>101651406</u>	ASSEMBLY, WHEEL (WHITE) AND TIRE, PREMIUM TREAD, 6-PLY RATED (18 x 8.50 - 8)	2	2
2	<u>101651407</u>	ASSEMBLY, WHEEL (WHITE) AND TIRE, EXTRA TRACTION, 6-PLY RATED (18 x 8.50 - 8)	2	2
2	<u>101651409</u>	ASSEMBLY, WHEEL (WHITE) AND TIRE, PREMIUM TREAD, 6-PLY RATED (18.5 x 6.50 - 8) (RESORT VILLAGER ONLY)	2	2
3	1015707	WHEEL RIM, BEIGE (8 INCHES WIDE)	4	4
3	<u>1014771</u>	WHEEL RIM, WHITE (8 INCHES WIDE)	4	4
3	<u>101918401</u>	WHEEL RIM, BEIGE (6 INCHES WIDE) FRONT ONLY (RESORT VILLAGER ONLY)	2	2
3	<u>101918402</u>	WHEEL RIM, WHITE (6 INCHES WIDE) FRONT ONLY (RESORT VILLAGER ONLY)	2	2
4	<u>101567202</u>	TIRE, UNMOUNTED, PREMIUM TREAD, 4-PLY RATED (18 x 8.50 - 8) (TOURALL ONLY)	2	2
4	<u>101737002</u>	TIRE, UNMOUNTED, PREMIUM TREAD, 6-PLY RATED (18 x 8.50 - 8)	2	2
4	<u>101769302</u>	TIRE, UNMOUNTED, EXTRA TRACTION, 6-PLY RATED (18 x 8.50 - 8)	2	2
4	<u>101884901</u>	TIRE, UNMOUNTED, PREMIUM TREAD, 6-PLY RATED (18 x 6.50 - 8)	2	2
5	<u>7310</u>	STEM, VALVE	4	4

2
G
E

DECALS

3

G

E

OPERATING INSTRUCTIONS

- Read Owner's Manual and safety warnings located on dash panel prior to driving.
 - Study and understand controls.
 - Make sure wheels are turned in desired direction.
 - Turn key to "ON" position and be sure nothing is in your path.
 - While vehicle is stopped, select direction by placing shift lever or switch in desired position:
 - F - Forward N - Neutral R - Reverse (Buzzer will sound)
 - Vehicle will start moving when accelerator pedal is depressed.
 - Slowly depress accelerator pedal to increase speed. Park brake will release when accelerator pedal is depressed.
 - To stop, release accelerator pedal and depress brake pedal.
 - After stopping, firmly depress park brake until it locks.
 - Place forward and reverse switch in neutral position.
 - Turn key "OFF" and remove key when not in use.

CCI 1016216-01

**OPERATING INSTRUCTIONS
DECAL**

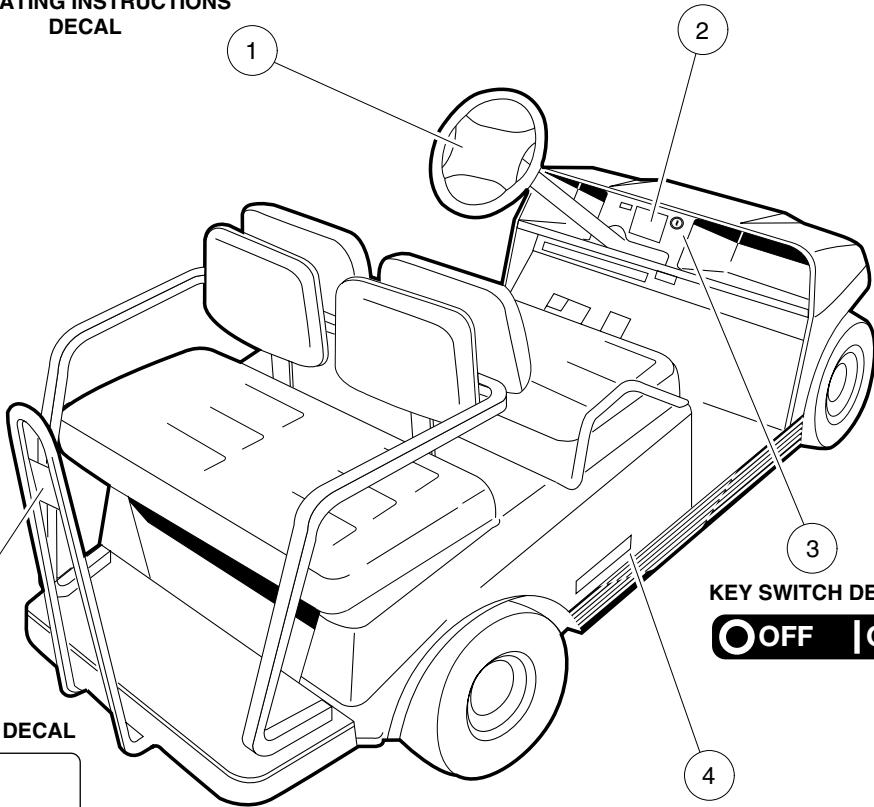
WARNING

READ AND FOLLOW THESE WARNINGS AND THE OPERATING INSTRUCTIONS BEFORE USING VEHICLE. FAILURE TO DO SO CAN CAUSE SEVERE INJURY OR DEATH.

- Operation from driver side by authorized persons only and only in designated areas - not on public roads.
- DO NOT start vehicle until all occupants (two (2) per seat maximum) are seated.
- Remain seated with entire body inside vehicle and hold on to seat handle or handrail at all times.
- Drive slowly in turns and straight up and down slopes.
- Never stand in front of or behind vehicle.
- DO NOT operate while under the influence of alcohol or drugs.
- DO NOT leave children unattended on vehicle at any time.

CCI 1019606-01

**DRIVER / PASSENGER
WARNING DECAL**



KEY SWITCH DECAL

OFF | ON

PASSENGER WARNING DECAL

WARNING

Failure to follow these instructions can cause severe injury or death.

- Remain seated with entire body inside vehicle and hold on to seat handle or handrail at all times.
- No more than two persons per seat.
- Do not leave children unattended on vehicle at anytime.
- Never stand in front of or behind vehicle.

CCI 1017057-01

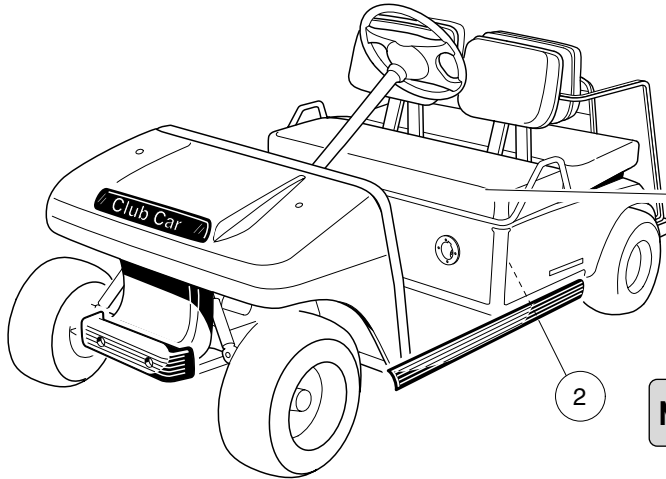
**INGERSOLL-RAND DECAL
(ON BODY PANEL)**

INGERSOLL-RAND

DECALS—TOURALL

ITEM	PART NO.	DESCRIPTION	QTY GAS	QTY ELEC
		1 2 3 4		
1	101621601	DECAL, OPERATING INSTRUCTIONS	1	1
2	101960601	DECAL, DRIVER/PASSENGER WARNING	1	1
3	<u>101825101</u>	DECAL, KEY SWITCH	1	1
4	<u>101921901</u>	DECAL, INGERSOLL-RAND	2	2
5	<u>101705701</u>	DECAL, PASSENGER WARNING	1	1

3
G
E



⚠ DANGER / POISON

EXPLOSIVE GASES CAN CAUSE BLINDNESS OR INJURY	SHIELD EYES	NO SPARKS, FLAMES, SMOKING	SULFURIC ACID CAN CAUSE BLINDNESS OR SEVERE BURNS	FLUSH EYES IMMEDIATELY WITH WATER. GET MEDICAL HELP FAST.
---	-------------	----------------------------	---	---

KEEP OUT OF THE REACH OF CHILDREN – DO NOT TIP – KEEP VENT CAPS TIGHT AND LEVEL.

BATTERY DANGER/POISON DECAL (ON BODY UNDER SEAT)

ELECTRIC VEHICLE

NOTICE

- DO NOT OPERATE VEHICLE WITHOUT COVER IN PLACE.
- DO NOT DIRECT WATER STREAM AT THIS SWITCH.

CCI 1016109-01

POTENTIOMETER CAUTION DECAL (ON WIPER SWITCH COVER INSIDE BATTERY COMPARTMENT)

⚠ WARNING

- GASOLINE EXPLOSION / FIRE.
- CAN CAUSE SEVERE INJURY OR DEATH.
- NO SMOKING, SPARKS, OR OPEN FLAME.
- STOP ENGINE. ALLOW TO COOL BEFORE REFUELING.
- TURN FUEL VALVE () ON DURING OPERATION. () OFF DURING STORAGE OR TRANSPORT.

CCI 1015476-01

GASOLINE WARNING DECAL (ON VEHICLE FRAME NEAR FUEL TANK)

⚠ WARNING

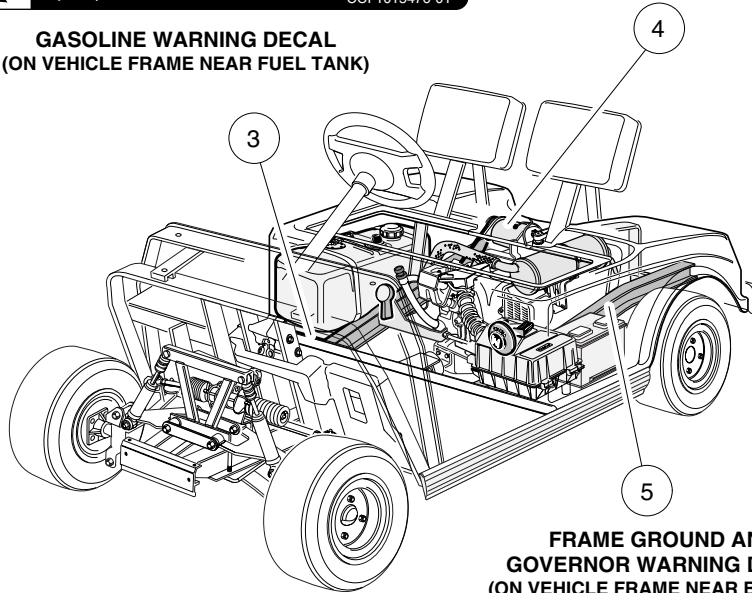
CAN CAUSE SEVERE INJURY

Rotating parts

HOT manifold & muffler

KEEP CLEAR CCI 1019605-01

ROTATING PARTS AND HOT MANIFOLD DECAL (ON STARTER/GENERATOR AND ENGINE)



GASOLINE VEHICLE

FRAME GROUND AND GOVERNOR WARNING DECAL (ON VEHICLE FRAME NEAR BATTERY)

⚠ WARNING Negative frame ground. Can cause severe injury. Do not contact positive (+) battery post or cable to frame. Disconnect negative battery lead first.	⚠ WARNING Excessive speed. Can cause severe injury or death. Do not tamper with engine governor adjustment. CCI 1019152-01
---	---

DECALS—TOURALL, CONTINUED

ITEM	PART NO.	DESCRIPTION	QTY GAS	QTY ELEC
		1 2 3 4		
1	<u>1013677</u>	DECAL, BATTERY DANGER		1
2	<u>101610901</u>	DECAL, POTENTIOMETER CAUTION		1
3	<u>101547601</u>	DECAL, GASOLINE WARNING	1	
4	<u>101960501</u>	DECAL, ROTATING PARTS AND HOT MANIFOLD WARNING	2	
5	<u>101915201</u>	DECAL, FRAME GROUND AND GOVERNOR WARNING.....	1	

3
G
E

OPERATING INSTRUCTIONS

- Read Owner's Manual and safety warnings located on dash panel prior to driving.
- Study and understand controls.
- To start engine:
 - Place shift lever in "N" - Neutral position.
 - Depress brake pedal.
 - Turn key switch to "START" position and release.
- To operate vehicle:
 - Make sure wheels are turned in desired direction.
 - Be sure nothing is in your path.
 - While vehicle is stopped, select vehicle direction by placing shift lever or switch in desired position.
 - F - Forward N - Neutral R - Reverse (Buzzer will sound)
 - Park brake will release when accelerator pedal is pushed.
 - Slowly push accelerator pedal to increase speed.
 - Accelerator pedal must be released to shift vehicle to neutral.
- To stop vehicle:
 - Release accelerator pedal and push brake pedal.
 - After stopping, firmly push park brake until it locks.
 - Turn key to "OFF" position, remove key and place shift lever in straight up neutral position when not in use.

CCI 1016932-01

**OPERATING INSTRUCTIONS
DECAL**

OPERATING INSTRUCTIONS

- Read Owner's Manual and safety warnings located on dash panel prior to driving.
 - Study and understand controls.
- Make sure wheels are turned in desired direction.
- Turn key to "ON" position and be sure nothing is in your path.
- While vehicle is stopped, select direction by placing shift lever or switch in desired position:
 - F - Forward N - Neutral R - Reverse (Buzzer will sound)
- Vehicle will start moving when accelerator pedal is depressed.
- Slowly depress accelerator pedal to increase speed. Park brake will release when accelerator pedal is depressed.
- To stop, release accelerator pedal and depress brake pedal.
 - After stopping, firmly depress park brake until it locks.
 - Place forward and reverse switch in neutral position. Turn key "OFF" and remove key when not in use.

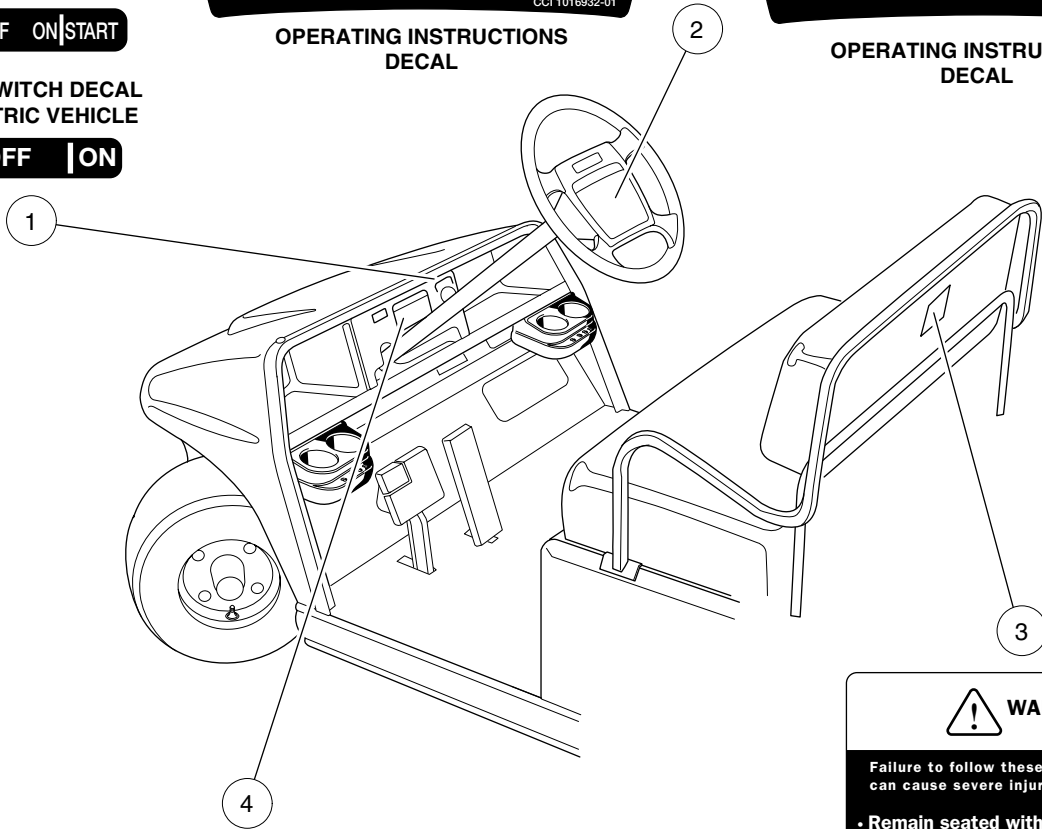
CCI 1016216-01

**OPERATING INSTRUCTIONS
DECAL**

**KEY SWITCH DECAL
GASOLINE VEHICLE**



**KEY SWITCH DECAL
ELECTRIC VEHICLE**



**DRIVER / PASSENGER
WARNING DECAL**

⚠ WARNING

READ AND FOLLOW THESE WARNINGS AND THE OPERATING INSTRUCTIONS BEFORE USING VEHICLE. FAILURE TO DO SO CAN CAUSE SEVERE INJURY OR DEATH.

- Operation from driver side by authorized persons only and only in designated areas - not on public roads.
- DO NOT start vehicle until all occupants (two (2) per seat maximum) are seated.
- Remain seated with entire body inside vehicle and hold on to seat handle or handrail at all times.
- Drive slowly in turns and straight up and down slopes.
- Never stand in front of or behind vehicle.
- DO NOT operate while under the influence of alcohol or drugs.
- DO NOT leave children unattended on vehicle at any time.

CCI 1019606-01

⚠ WARNING

Failure to follow these instructions can cause severe injury or death.

- Remain seated with entire body inside vehicle and hold on to seat handle or handrail at all times.
- No more than two persons per seat.
- Do not leave children unattended on vehicle at anytime.
- Never stand in front of or behind vehicle.

CCI 1017057-01

**PASSENGER
WARNING DECAL**

DECALS—RESORT VILLAGER

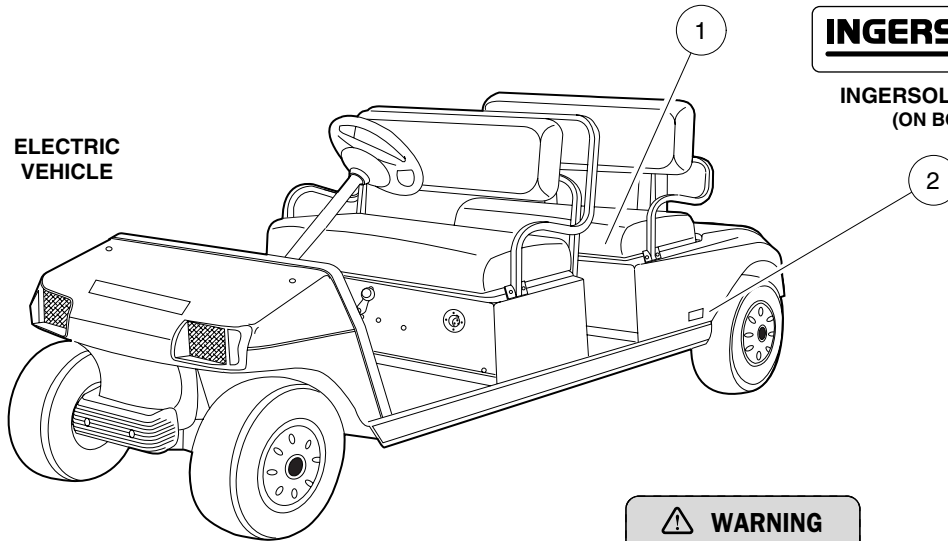
ITEM	PART NO.	DESCRIPTION	QTY GAS	QTY ELEC
		1 2 3 4		
1	<u>101825102</u>	DECAL, KEY SWITCH (GASOLINE VEHICLE)	1	
1	<u>101825101</u>	DECAL, KEY SWITCH (ELECTRIC VEHICLE)		1
2	<u>101693201</u>	DECAL, OPERATING INSTRUCTIONS (GASOLINE VEHICLE)	1	
2	101621601	DECAL, OPERATING INSTRUCTIONS (ELECTRIC VEHICLE)		1
3	<u>101705701</u>	DECAL, PASSENGER WARNING	1	1
4	101960601	DECAL, DRIVER/PASSENGER WARNING	1	1

3
G
E



**BATTERY DANGER/POISON DECAL
(ON BODY UNDER SEAT)**

**ELECTRIC
VEHICLE**



**INGERSOLL-RAND DECAL
(ON BODY PANEL)**

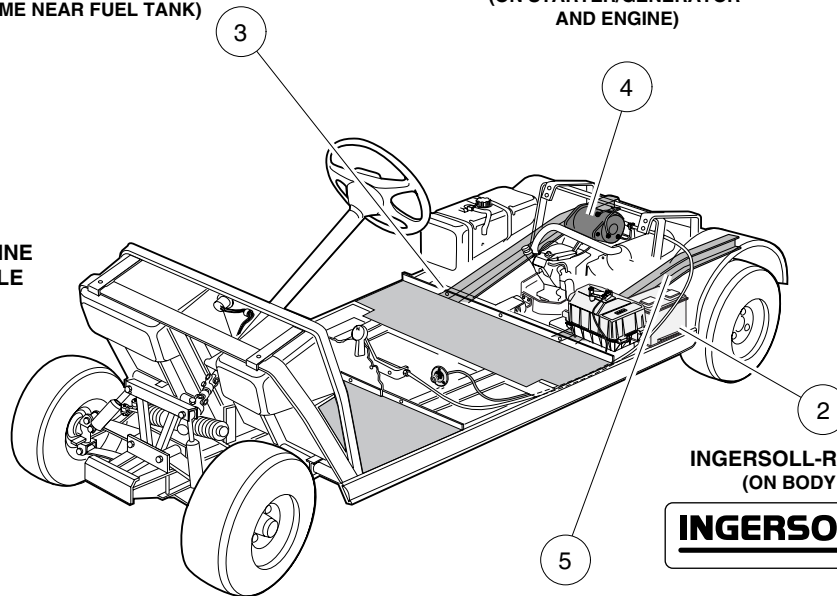


**GASOLINE WARNING DECAL
(ON VEHICLE FRAME NEAR FUEL TANK)**



**ROTATING PARTS AND
HOT MANIFOLD DECAL
(ON STARTER/GENERATOR
AND ENGINE)**

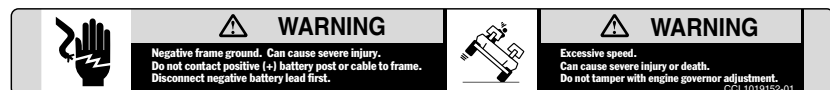
**GASOLINE
VEHICLE**



**INGERSOLL-RAND DECAL
(ON BODY PANEL)**



**FRAME GROUND AND
GOVERNOR WARNING DECAL
(ON VEHICLE FRAME NEAR BATTERY)**



DECALS— RESORT VILLAGER, CONTINUED

ITEM	PART NO.	DESCRIPTION	QTY GAS	QTY ELEC
		1 2 3 4		
1	<u>1013677</u>	DECAL, BATTERY DANGER		1
2	<u>101921901</u>	DECAL, INGERSOLL-RAND	2	2
3	<u>101547601</u>	DECAL, GASOLINE WARNING	1	
4	<u>101960501</u>	DECAL, ROTATING PARTS AND HOT MANIFOLD WARNING	2	
5	<u>101915201</u>	DECAL, FRAME GROUND AND GOVERNOR WARNING	1	

3
G
E

OPERATING INSTRUCTIONS DECAL

OPERATING INSTRUCTIONS

- Read Owner's Manual and safety warnings located on dash panel prior to driving.
- Study and understand controls.
- To start engine:
 - Place shift lever in "N" - Neutral position.
 - Depress brake pedal.
 - Turn key switch to "START" position and release.
- To operate vehicle:
 - Make sure wheels are turned in desired direction.
 - Be sure nothing is in your path.
 - While vehicle is stopped, select vehicle direction by placing shift lever or switch in desired position.
 - F - Forward N - Neutral R - Reverse (Buzzer will sound)
 - Park brake will release when accelerator pedal is pushed.
 - Slowly push accelerator pedal to increase speed.
 - Accelerator pedal must be released to shift vehicle to neutral.
- To stop vehicle:
 - Release accelerator pedal and push brake pedal.
 - After stopping, firmly push park brake until it locks.
 - Turn key to "OFF" position, remove key and place shift lever in straight up neutral position when not in use.

CCI 1016932-01

GASOLINE VEHICLE

KEY SWITCH DECAL



GASOLINE VEHICLE



ELECTRIC VEHICLE

WARNING

READ AND FOLLOW THESE WARNINGS AND THE OPERATING INSTRUCTIONS BEFORE USING VEHICLE. FAILURE TO DO SO CAN CAUSE SEVERE INJURY OR DEATH.

- Operation from driver side by authorized persons only and only in designated areas - not on public roads.
- DO NOT start vehicle until all occupants (two (2) per seat maximum) are seated.
- Remain seated with entire body inside vehicle and hold on to seat handle or handrail at all times.
- Drive slowly in turns and straight up and down slopes.
- Never stand in front of or behind vehicle.
- DO NOT operate while under the influence of alcohol or drugs.
- DO NOT leave children unattended on vehicle at any time.

CCI 1019606-01

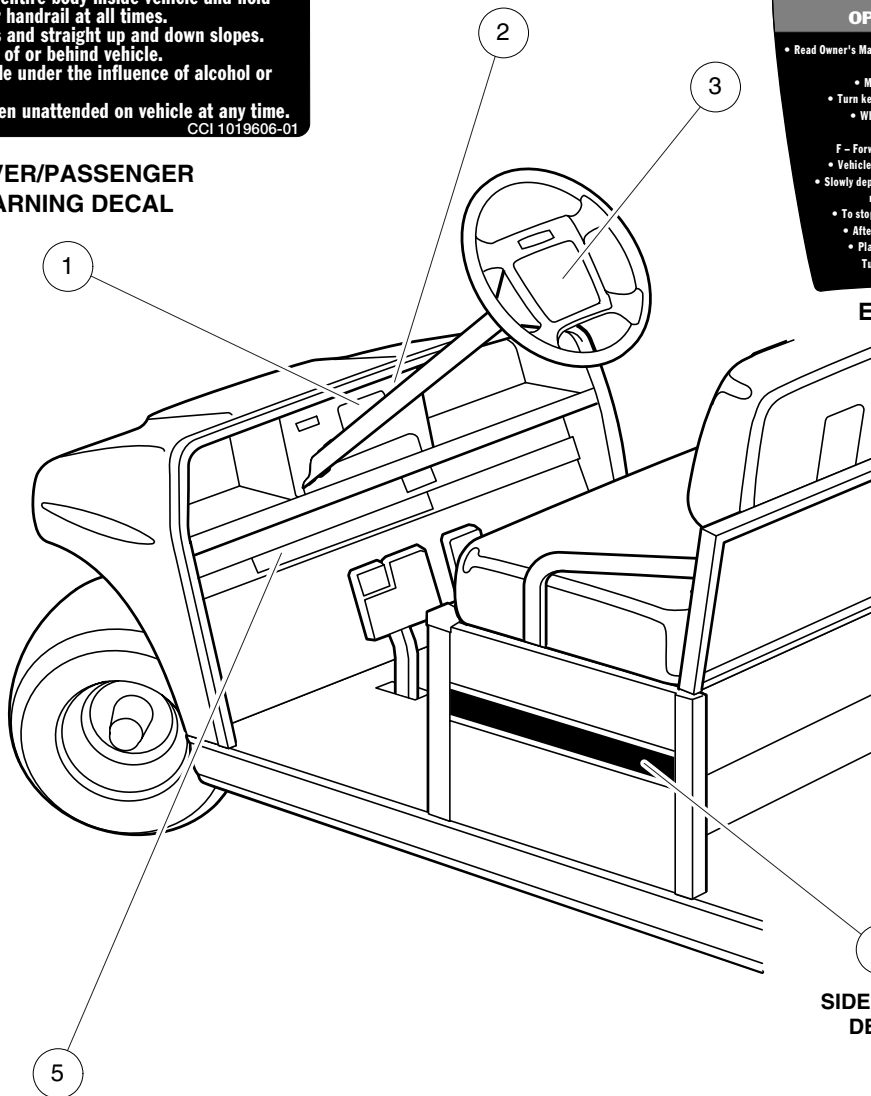
DRIVER/PASSENGER WARNING DECAL

OPERATING INSTRUCTIONS

- Read Owner's Manual and safety warnings located on dash panel prior to driving.
- Study and understand controls.
- Make sure wheels are turned in desired direction.
- Turn key to "ON" position and be sure nothing is in your path.
- While vehicle is stopped, select direction by placing shift lever or switch in desired position:
 - F - Forward N - Neutral R - Reverse (Buzzer will sound)
- Vehicle will start moving when accelerator pedal is depressed.
- Slowly depress accelerator pedal to increase speed. Park brake will release when accelerator pedal is depressed.
- To stop, release accelerator pedal and depress brake pedal.
- After stopping, firmly depress park brake until it locks.
- Place forward and reverse switch in neutral position. Turn key "OFF" and remove key when not in use.

CCI 1016216-01

ELECTRIC VEHICLE



SIDE FRONT DECAL

VEHICLE LOADING DECAL

<p>VEHICLE LOADING</p> <p>Read Owner's Manual and warnings on dash.</p>	<ul style="list-style-type: none"> • Vehicle rated capacity - 1500 lbs. on level surface only. Weight to include passengers, cargo bed load, and gross trailer weight. See Owner's Manual. • Maximum cargo load CARRYALL VI - 1000 lbs., TRANSPORTER - 300 LBS. Weight to include cargo bed load and gross trailer weight. • Maximum trailer hitch tongue weight - 150 lbs. 	<ul style="list-style-type: none"> • Cargo should be evenly spread over the floor of the cargo bed as far forward as possible and secured. • For vehicle stability, when fully loaded, drive slowly and avoid stopping on or backing down steep hills. • Avoid top heavy loads. See Owner's Manual. • When driving on uneven terrain or down steep hills, reduce speed and load. <p>CCI 1019600-01</p>
--	--	--

DECALS— TRANS-PORTER/TRANS-SENDER

ITEM	PART NO.	DESCRIPTION	QTY GAS	QTY ELEC
		1 2 3 4		
1	101960601	DECAL, DRIVER/PASSENGER WARNING	1	1
2	<u>101825102</u>	DECAL, KEY SWITCH (GASOLINE VEHICLE ONLY)	1	
2	<u>101825101</u>	DECAL, KEY SWITCH (ELECTRIC VEHICLE ONLY)		1
3	<u>101693201</u>	DECAL, OPERATING INSTRUCTIONS (GASOLINE VEHICLE ONLY)	1	
3	101621601	DECAL, OPERATING INSTRUCTIONS (ELECTRIC VEHICLE ONLY)		1
4	<u>1016757</u>	DECAL, SIDE FRONT	2	2
5	<u>101960001</u>	DECAL, VEHICLE LOADING	1	1

3
G
E

NOTICE
Do not operate vehicle without this cover properly installed.
See vehicle Maintenance and Service Manual before servicing.
CCI 1019615-01

**ELECTRICAL COMPONENT
COVER CAUTION DECAL
(ON COVER)**

⚠ DANGER / POISON

EXPLOSIVE GASES CAN CAUSE BLINDNESS OR INJURY	SHIELD EYES	NO SPARKS NO FLAMES NO SMOKING	SULFURIC ACID CAN CAUSE BLINDNESS OR SEVERE BURNS	FLUSH EYES IMMEDIATELY WITH WATER GET MEDICAL HELP FAST
---	-------------	--------------------------------------	--	--

KEEP OUT OF THE REACH OF CHILDREN — DO NOT TIP — KEEP VENT CAPS TIGHT AND LEVEL

**BATTERY DANGER DECAL
(ON BODY UNDER SEAT)**

**ELECTRICAL COMPONENT
MOUNTING PLATE NOTICE**

NOTICE DO NOT USE AS GROUND

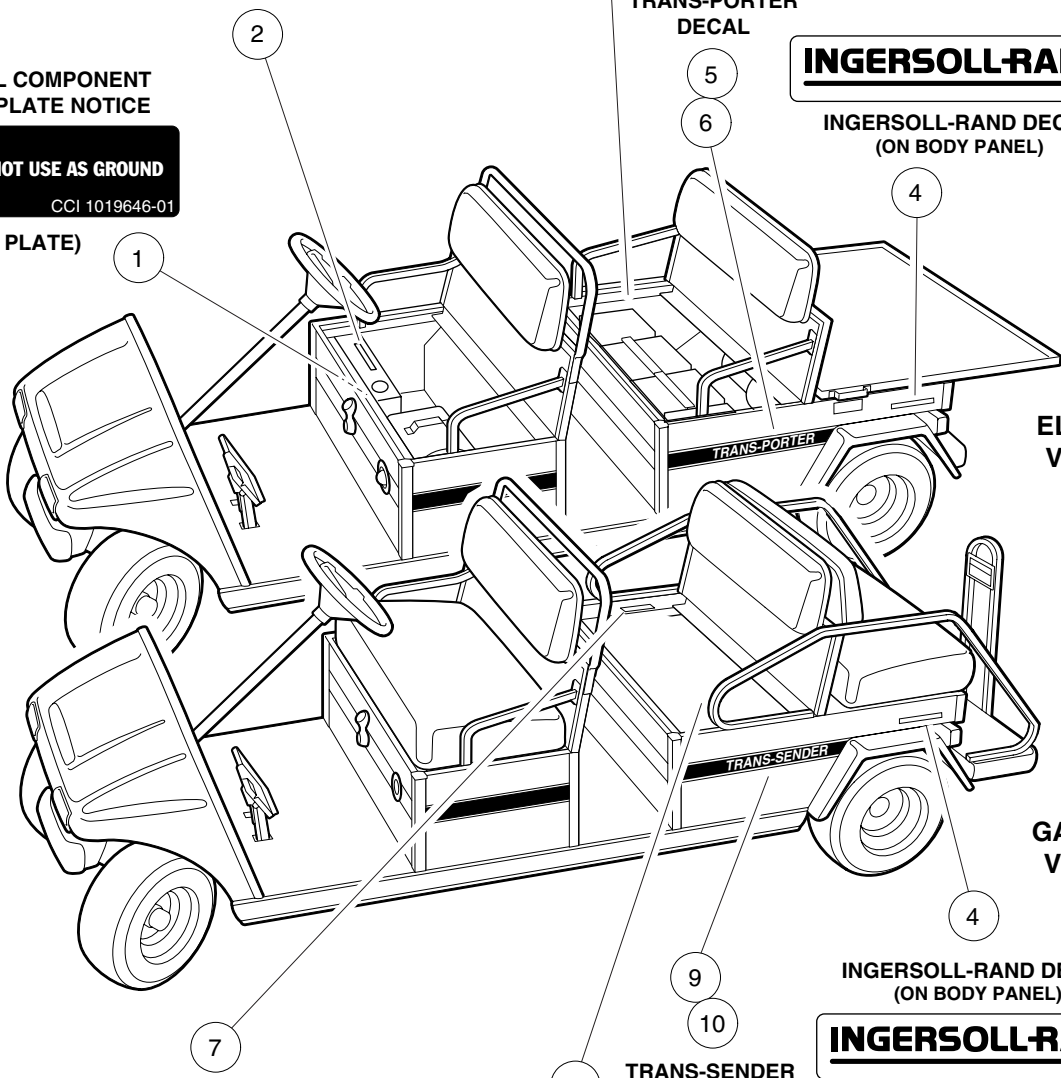
CCI 1019646-01

(ON PLATE)

**TRANS-PORTER
DECAL**

INGERSOLL-RAND

**INGERSOLL-RAND DECAL
(ON BODY PANEL)**



**ELECTRIC
VEHICLE**

**GASOLINE
VEHICLE**

**INGERSOLL-RAND DECAL
(ON BODY PANEL)**

INGERSOLL-RAND

**TRANS-SENDER
DECAL**

⚠ WARNING

- GASOLINE EXPLOSION / FIRE.
- CAN CAUSE SEVERE INJURY OR DEATH.
- NO SMOKING, SPARKS, OR OPEN FLAME.
- STOP ENGINE, ALLOW TO COOL BEFORE REFUELING.
- TURN FUEL VALVE () ON DURING OPERATION.
- () OFF DURING STORAGE OR TRANSPORT.

CCI 1015476-01

**GASOLINE WARNING DECAL
(ON VEHICLE FRAME NEAR FUEL TANK)**

⚠ WARNING

CAN CAUSE SEVERE INJURY

Rotating parts

HOT manifold & muffler

KEEP CLEAR CCI 1019605-01

**ROTATING PARTS AND
HOT MANIFOLD DECAL
(ON STARTER/GENERATOR
AND ENGINE)**

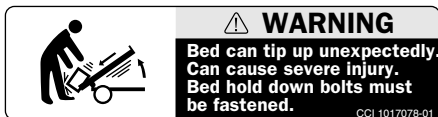
DECALS—

TRANS-PORTER/TRANS-SENDER, CONTINUED

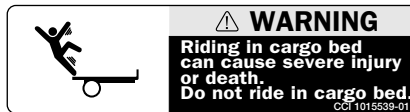
ITEM	PART NO.	DESCRIPTION	QTY GAS	QTY ELEC
		1 2 3 4		
1	<u>101964601</u>	DECAL, NO GROUND		1
2	<u>101931501</u>	DECAL, COMPONENT COVER CAUTION		1
3	<u>1013677</u>	DECAL, BATTERY DANGER		1
4	<u>101921901</u>	DECAL, INGERSOLL-RAND	2	2
5	<u>101672501</u>	DECAL, TRANS-PORTER (PASSENGER SIDE).....	1	1
6	<u>101672502</u>	DECAL, TRANS-PORTER (DRIVER SIDE)	1	1
7	<u>101547601</u>	DECAL, GASOLINE WARNING	1	
8	<u>101960501</u>	DECAL, ROTATING PARTS AND HOT MANIFOLD WARNING	1	
9	<u>101672601</u>	DECAL, TRANS-SENDER (PASSENGER SIDE).....	1	1
10	<u>101672602</u>	DECAL, TRANS-SENDER (DRIVER SIDE)	1	1

3
G
E

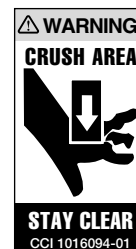
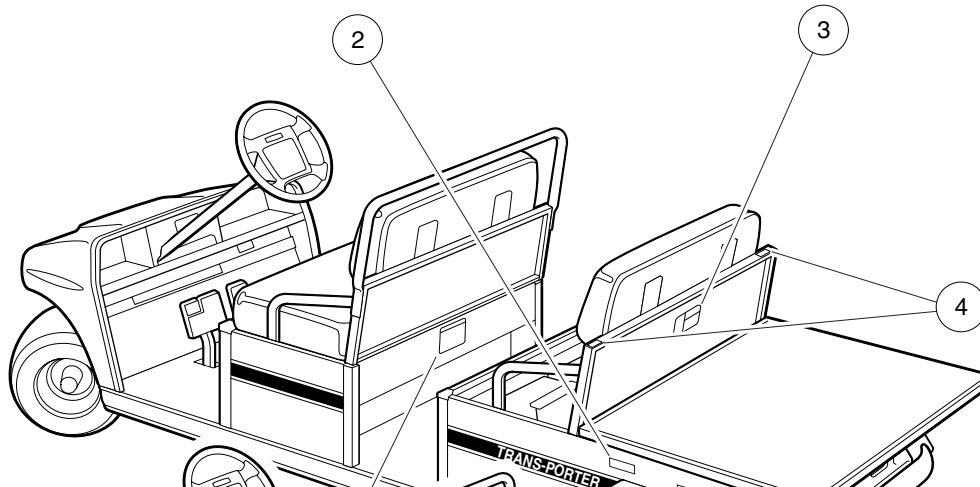
**BED BOLT
WARNING DECAL**



**BED LOAD
WARNING DECAL**

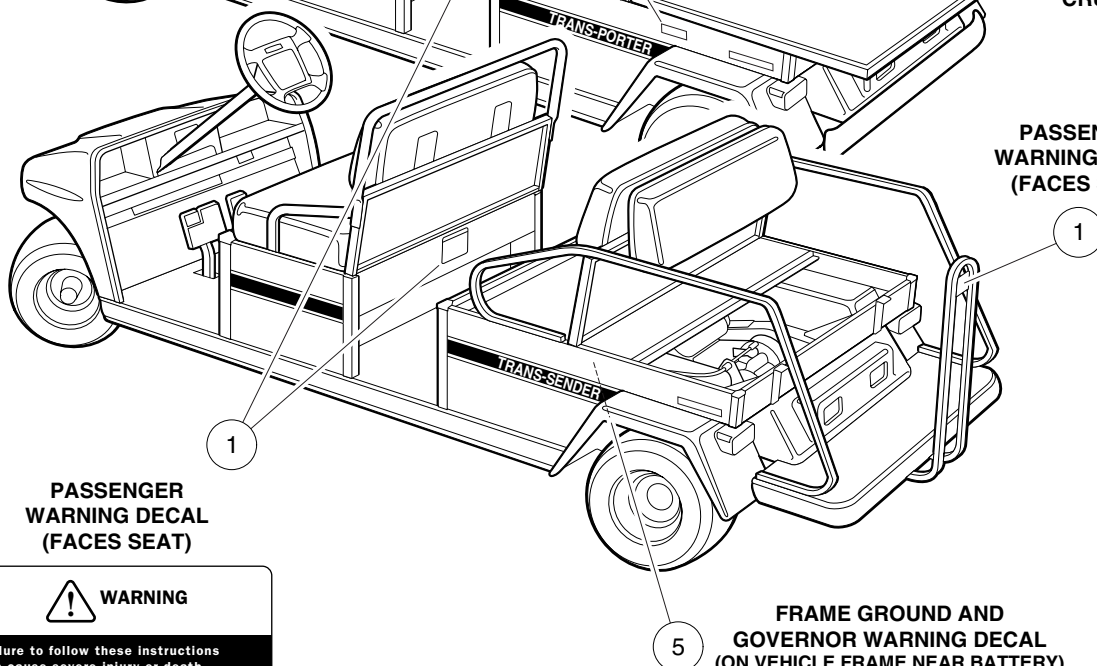


**ELECTRIC
VEHICLE**



**CRUSH AREA
DECAL**

**GASOLINE
VEHICLE**

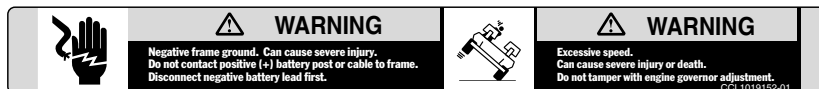


**PASSENGER
WARNING DECAL
(FACES SEAT)**

**PASSENGER
WARNING DECAL
(FACES SEAT)**



**FRAME GROUND AND
GOVERNOR WARNING DECAL
(ON VEHICLE FRAME NEAR BATTERY)**



DECALS—

TRANS-PORTER/TRANS-SENDER, CONTINUED

ITEM	PART NO.	DESCRIPTION	QTY GAS	QTY ELEC
		1 2 3 4		
1	<u>101705701</u>	DECAL, PASSENGER WARNING (QUANTITY 1 FOR TRANS-PORTER)	2	2
2	<u>101707801</u>	DECAL, BED BOLT WARNING (TRANS-PORTER ONLY)	1	1
3	<u>101553901</u>	DECAL, BED LOAD WARNING (TRANS-PORTER ONLY)	1	1
4	<u>101609401</u>	DECAL, CRUSH AREA (TRANS-PORTER ONLY)	2	2
5	<u>101915201</u>	DECAL, FRAME GROUND AND GOVERNOR WARNING	1	

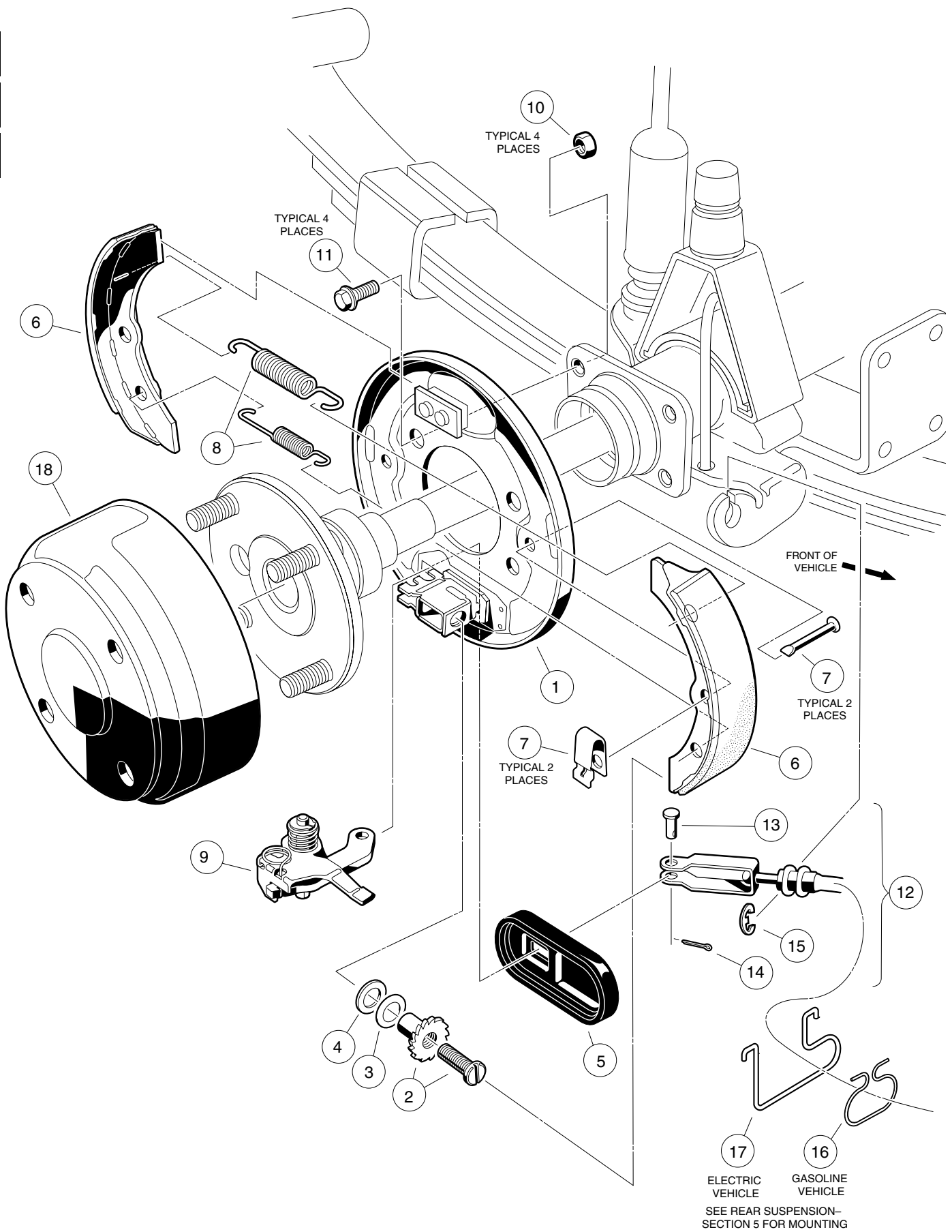
3
G
E

BRAKES, PEDAL, AND CABLE ASSEMBLIES

4

G

E

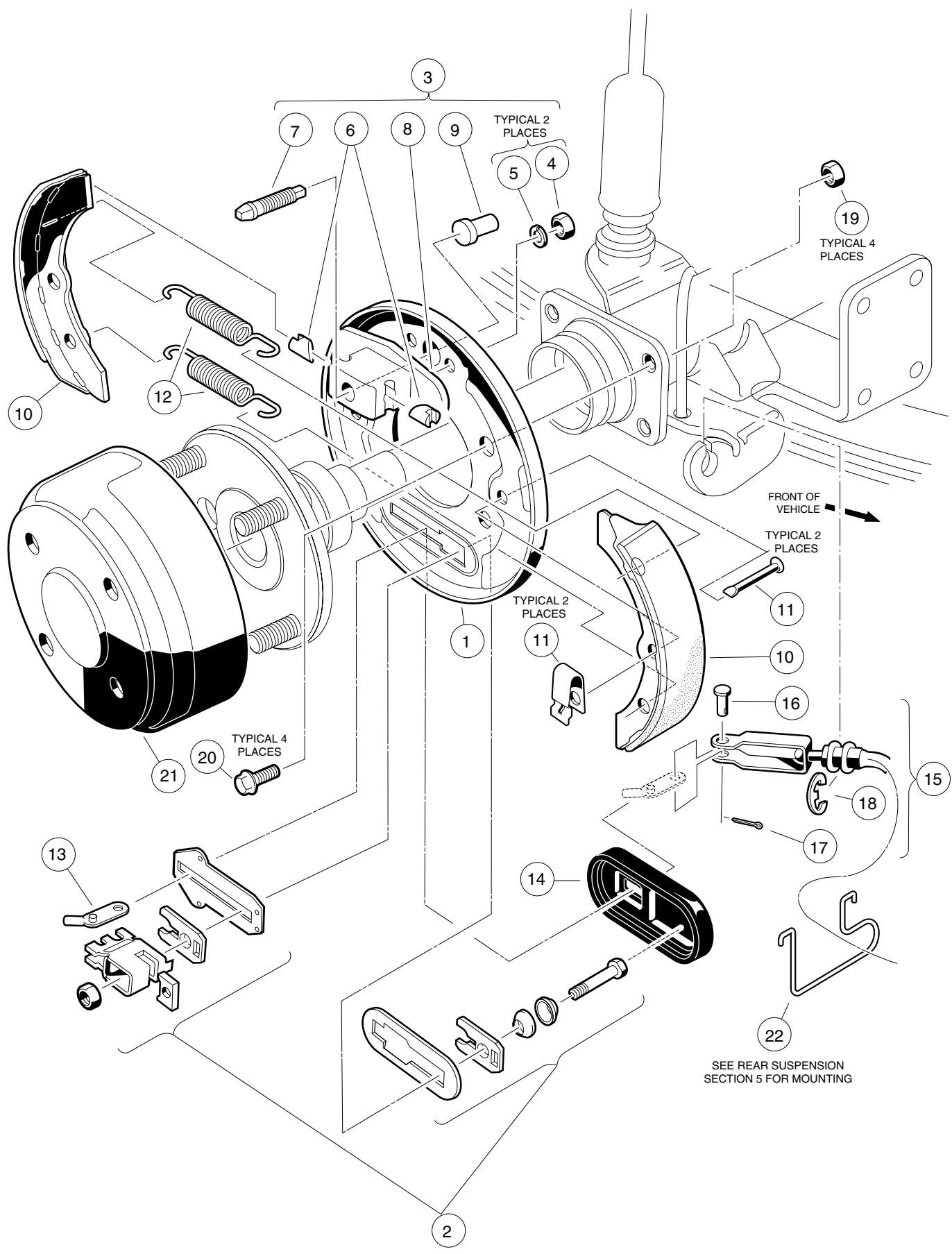


REAR BRAKE ASSEMBLY, SELF-ADJUSTING— TOURALL

ITEM	PART NO.	DESCRIPTION	QTY GAS	QTY ELEC
		1 2 3 4		
	<u>101823301</u>	CLUSTER, BRAKE, PASSENGER SIDE (INCLUDES ITEMS 1 - 9)	1	1
	<u>101823302</u>	CLUSTER, BRAKE, DRIVER SIDE (INCLUDES ITEMS 1 - 9)	1	1
1	<u>101824001</u>	ASSEMBLY, BACKING PLATE, PASSENGER SIDE (INCLUDES ITEMS 2, 3 AND 4)	1	1
1	<u>101824002</u>	ASSEMBLY, BACKING PLATE, DRIVER SIDE (INCLUDES ITEMS 2, 3 AND 4) ..	1	1
2	<u>101816501</u>	MECHANISM, ADJUSTING, PASSENGER SIDE	1	1
2	<u>101816502</u>	MECHANISM, ADJUSTING, DRIVER SIDE	1	1
3	<u>101823901</u>	WASHER	1	1
4	<u>101823801</u>	WASHER, PLATE	1	1
5	<u>1010850</u>	COVER, DUST	1	1
6	<u>101823201</u>	PACKAGE, BRAKE SHOE (FOUR PIECES)	1	1
7	<u>1011466</u>	KIT, SHOE RETAINER (FOUR PIECES)	1	1
8	<u>101816301</u>	PACKAGE, BRAKE SPRING (FOUR PIECES)	1	1
9	<u>101815501</u>	ASSEMBLY, LEVER, PASSENGER SIDE	1	1
9	<u>101815502</u>	ASSEMBLY, LEVER, DRIVER SIDE	1	1
10	<u>1013924</u>	NUT, HEX HEAD LOCK, GRADE 8, 5/16 - 24	8	8
11	<u>1014153</u>	BOLT, BRAKE CLUSTER MOUNTING, GRADE 8, 5/16 - 24 x 7/8	8	8
12	<u>1011403</u>	KIT, BRAKE CABLE (FOR VEHICLES WITH SERIAL NUMBERS LOWER THAN 9907-746860 —EQUALIZER DESIGN SHOWN IN DETAIL A ON PAGE 4-6) (INCLUDES ITEMS 13-15)	2	2
12	<u>102022101</u>	KIT, BRAKE CABLE (FOR VEHICLES WITH SERIAL NUMBER 9907-746860 AND GREATER—EQUALIZER DESIGN SHOWN IN DETAIL B ON PAGE 4-6) (INCLUDES ONE EACH OF ITEMS 13 AND 14 AND TWO EACH OF ITEM 15)	2	2
13	<u>1010829</u>	PIN, CLEVIS, 5/16	2	2
14	<u>1035</u>	PIN, COTTER, 3/32 x 1	2	2
15	<u>1011779</u>	E-CLIP, 1/2	2	2
16	<u>101900801</u>	HANGER, BRAKE CABLE (GASOLINE VEHICLE ONLY)	2	
17	<u>1013207</u>	HANGER, BRAKE CABLE (ELECTRIC VEHICLE ONLY)		2
18	<u>101791101</u>	DRUM, BRAKE	2	2

4
G
E

**4
G
E**



REAR BRAKE ASSEMBLY, MANUALLY ADJUSTED— RESORT VILLAGER, TRANS-PORTER/TRANS-SENDER

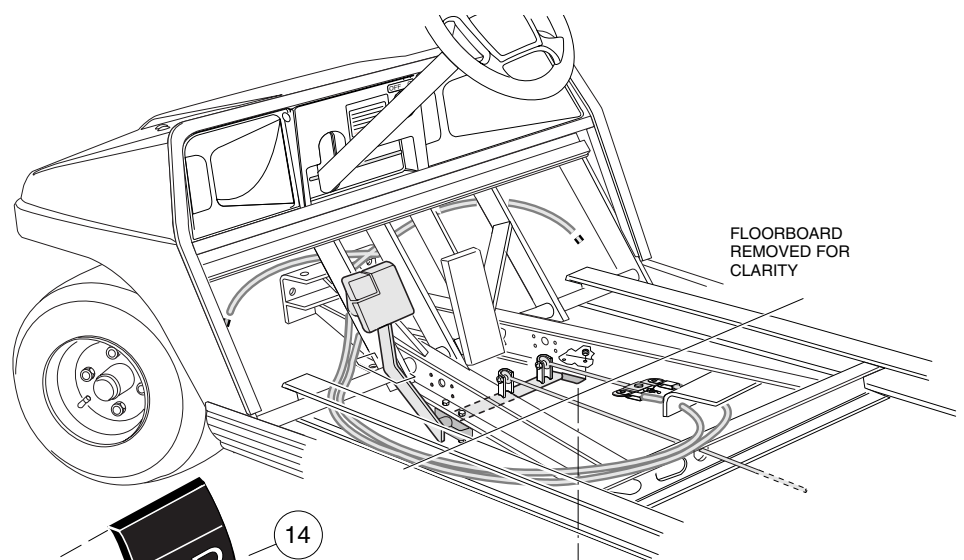
ITEM	PART NO.	DESCRIPTION	QTY GAS	QTY ELEC
		1 2 3 4		
	<u>1016573</u>	CLUSTER, BRAKE, PASSENGER SIDE, WITHOUT BRAKE DRUM (INCLUDES ITEMS 1 - 14)	1	1
	<u>1016557</u>	CLUSTER, BRAKE, DRIVER SIDE, WITHOUT BRAKE DRUM (INCLUDES ITEMS 1 - 14)	1	1
1	1011494	PLATE, BACKING, DRIVER SIDE	1	1
1	<u>1011154</u>	PLATE, BACKING, PASSENGER SIDE	1	1
2	<u>1011465</u>	KIT, BRAKE ACTUATOR	1	1
3	<u>1011467</u>	KIT, ANCHOR BODY (INCLUDES ITEMS 4 - 9)	1	1
4	<u>1011114</u>	NUT, M6 x 1	2	2
5	<u>451</u>	WASHER, LOCK, 1/4	2	2
6	N/A	PISTON, ANCHOR	2	2
7	N/A	BOLT, ADJUSTMENT	1	1
8	N/A	BODY, ANCHOR	1	1
9	<u>1011303</u>	CAP, ADJUSTMENT BOLT	1	1
10	<u>101146302</u>	PACKAGE, BRAKE SHOE (FOUR PIECES)	1	1
11	<u>1011466</u>	KIT, SHOE RETAINER (FOUR PIECES)	1	1
12	<u>1011464</u>	PACKAGE, BRAKE SPRING (FOUR PIECES)	1	1
13	N/A	ARM, BRAKE LEVER	1	1
14	<u>1010850</u>	COVER, DUST	1	1
15	<u>1011403</u>	KIT, BRAKE CABLE (FOR VEHICLES WITH SERIAL NUMBERS LOWER THAN 9907-746860 —EQUALIZER DESIGN SHOWN IN DETAIL A ON PAGE 4-8) (INCLUDES ITEMS 16 - 18)	2	2
15	<u>102166901</u>	KIT, BRAKE CABLE (FOR VEHICLES WITH SERIAL NUMBER 9907-746860 AND GREATER—EQUALIZER DESIGN SHOWN IN DETAIL B ON PAGE 4-8) (INCLUDES TWO EACH OF ITEMS 16 AND 17 AND FOUR EACH OF ITEM 18) ...	1	1
16	<u>1010829</u>	PIN, CLEVIS, 5/16	2	2
17	<u>1035</u>	PIN, COTTER, 3/32 x 1	2	2
18	<u>1011779</u>	E-CLIP, 1/2	4	4
19	<u>1013924</u>	NUT, CONE LOCK, GRADE 8, 5/16 - 24	8	8
20	<u>1014153</u>	BOLT, BRAKE CLUSTER MOUNTING, GRADE 8, 5/16 - 24 x 7/8	8	8
21	<u>101791101</u>	DRUM, BRAKE	2	2
22	<u>1013207</u>	HANGER, BRAKE CABLE	2	2

4
G
E

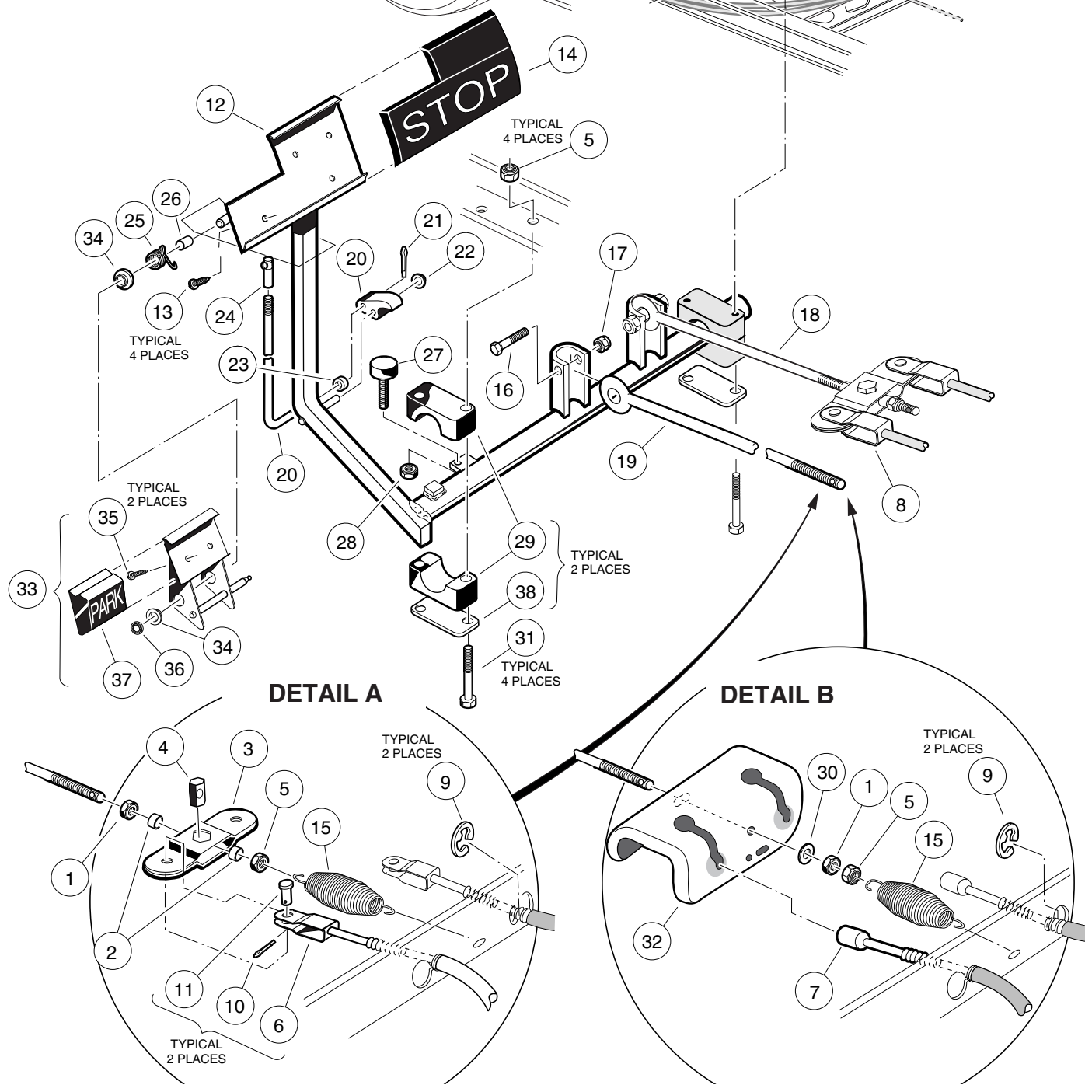
BRAKE PEDAL AND CABLE ASSEMBLY— TOURALL

ITEM	PART NO.	DESCRIPTION	QTY GAS	QTY ELEC
		1 2 3 4		
1	<u>101990801</u>	KIT, EQUALIZER AND PIVOT LIMITER (INCLUDES ITEM 2)	1	1
2	N/A	PIN, EQUALIZER PIVOT	1	1
3	<u>101865301</u>	SPACER, EQUALIZER	2	2
4	<u>1242</u>	NUT, HEX, 5/16 - 18	1	1
5	<u>7473</u>	NUT, NYLON LOCK, 5/16 - 18	5	5
6	<u>1011403</u>	KIT, BRAKE CABLE (FOR VEHICLES WITH SERIAL NUMBERS LOWER THAN 9907-746860 —EQUALIZER DESIGN SHOWN IN DETAIL A) (INCLUDES ITEMS 8 - 10)	2	2
7	<u>102022101</u>	KIT, BRAKE CABLE (FOR VEHICLES WITH SERIAL NUMBER 9907-746860 AND GREATER—EQUALIZER DESIGN SHOWN IN DETAIL B) (INCLUDES 2 EACH OF ITEM 8 AND ONE EACH OF ITEMS 9 AND 10)	2	2
8	<u>1011779</u>	E-CLIP, 1/2	2	2
9	<u>1035</u>	PIN, COTTER, 3/32 x 1	2	2
10	<u>1010829</u>	PIN, CLEVIS, 5/16	2	2
11	<u>101878201</u>	KIT, BRAKE PEDAL (INCLUDES ITEMS 12 AND 13)	1	1
12	7716	SCREW, SLOTTED HEX WASHER HEAD, #10 - 16 x 1/2	4	4
13	<u>1013869</u>	PAD, BRAKE PEDAL	1	1
14	<u>1013531</u>	SPRING, BRAKE RETURN	1	1
15	<u>101953101</u>	ROD, EQUALIZER	1	1
16	101953001	BOLT, HEX HEAD SHOULDER, 3/8 x 1	1	1
17	<u>7473</u>	NUT, NYLON LOCK, 5/16 - 18	1	1
	<u>101187702</u>	KIT, PARK BRAKE LATCH (INCLUDES ITEMS 18 - 22, AND ITEM 25 ON PAGE 4-13 OR 4-15)	1	1
18	N/A	ROD AND PAWL	1	1
19	<u>1017029</u>	PIN, COTTER, 7/64 x 1/2	1	1
20	<u>1010877</u>	NUT, PUSH, 5/16	1	1
21	<u>1010805</u>	SLEEVE, PARK BRAKE ROD	1	1
22	1010932	JOINT, BALL, 1/4 - 28	1	1
23	<u>1010933</u>	SPRING, PARK BRAKE TORSION	1	1
24	<u>1010927</u>	SPACER, PARK BRAKE	1	1
25	<u>1010878</u>	BUMPER, RUBBER	1	1
26	<u>1028</u>	NUT, HEX, 1/4 - 20	1	1
27	<u>1011402</u>	PACKAGE, BRAKE MOUNTING BLOCK (CONTAINS UPPER AND LOWER FOR LEFT AND RIGHT SIDES)	1	1
28	<u>1241</u>	WASHER, FLAT, 5/16	5	5
29	<u>1010921</u>	SCREW, HEX HEAD CAP, 5/16 - 18 x 2-1/2	4	4
30	<u>101990801</u>	EQUALIZER (FOR VEHICLES WITH EQUALIZER DESIGN SHOWN IN DETAIL B)	1	1
31	<u>1011418</u>	KIT, PARK BRAKE PEDAL (INCLUDES ITEMS 32 - 35)	1	1
32	<u>1032</u>	BUSHING, NYLON	2	2
33	7716	SCREW, SLOTTED HEX WASHER HEAD, #10 -16 x 1/2	2	2
34	<u>1013876</u>	NUT, PUSH, 3/8	1	1
35	<u>1013870</u>	PAD, PARK BRAKE	1	1

4
G
E



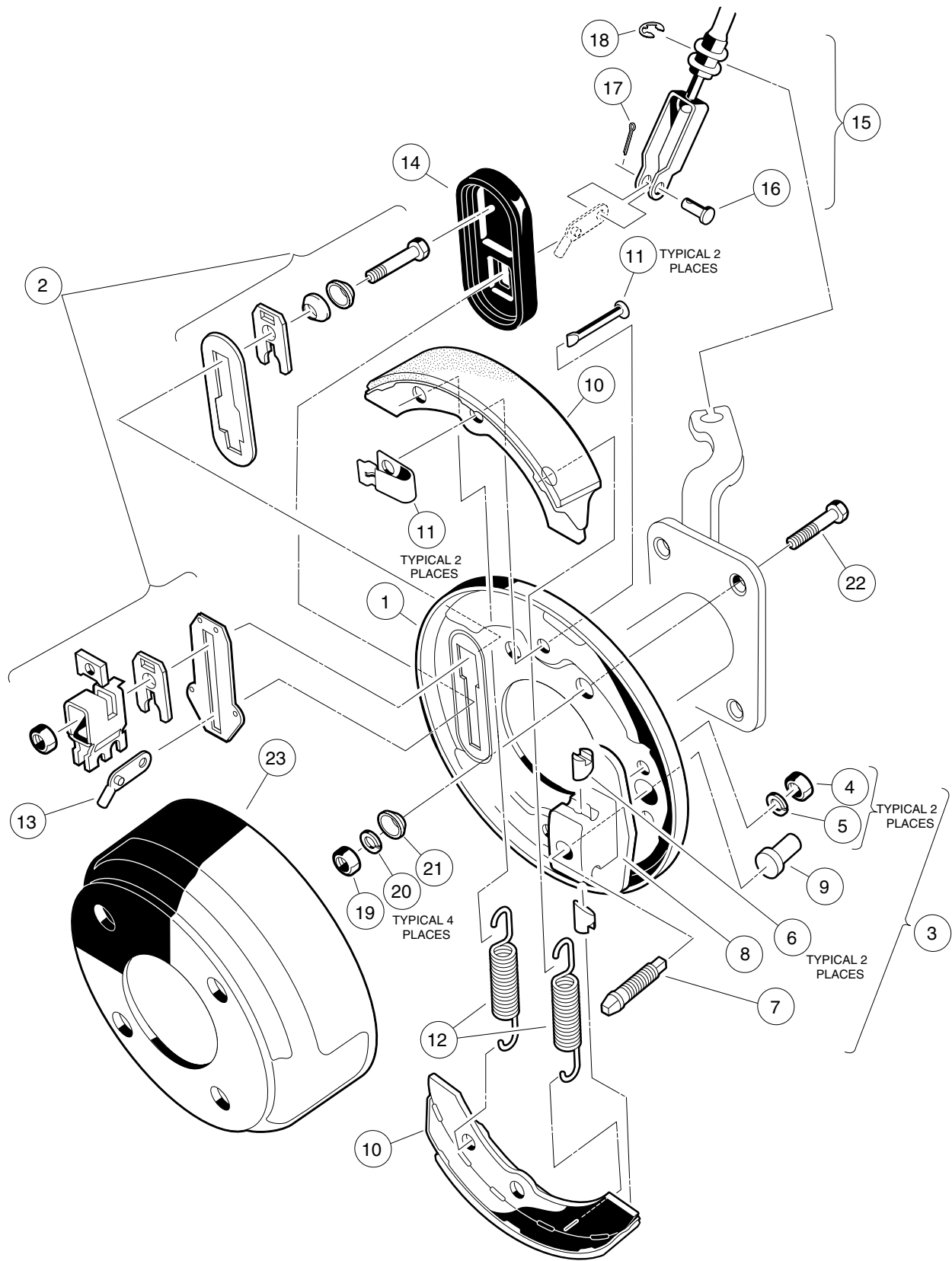
FLOORBOARD
REMOVED FOR
CLARITY



BRAKE PEDAL AND CABLE ASSEMBLY— RESORT VILLAGER, TRANS-PORTER/TRANS-SENDER

ITEM	PART NO.	DESCRIPTION	QTY GAS	QTY ELEC
		1 2 3 4		
1	<u>1242</u>	NUT, HEX, 5/16 - 18	1	1
2	<u>101865301</u>	SPACER, EQUALIZER	2	2
3	<u>1017211</u>	KIT, EQUALIZER AND PIVOT LIMITER (INCLUDES ITEM 4)	1	1
4	N/A	PIN, EQUALIZER PIVOT	1	1
5	<u>7473</u>	NUT, NYLON LOCK, 5/16 - 18	5	5
6	<u>1011403</u>	KIT, BRAKE CABLE, REAR (FOR VEHICLES WITH SERIAL NUMBERS LOWER THAN 9907-746860 —EQUALIZER DESIGN SHOWN IN DETAIL A) (INCLUDES FOUR EACH OF ITEM 9 AND TWO EACH OF ITEMS 10 AND 11) ...	1	1
7	<u>102166901</u>	KIT, BRAKE CABLE, REAR (FOR VEHICLES WITH SERIAL NUMBERS 9907-746860 AND GREATER—EQUALIZER DESIGN SHOWN IN DETAIL B) (INCLUDES TWO EACH OF ITEM 9 AND ONE EACH OF ITEMS 10 AND 11)	1	1
8	<u>101874601</u>	KIT, BRAKE CABLE, FRONT (INCLUDES ITEMS 9 - 11)	1	1
9	<u>1011779</u>	E-CLIP, 1/2	4	4
10	<u>1035</u>	PIN, COTTER, 3/32 x 1	4	4
11	<u>1010829</u>	PIN, CLEVIS, 5/16	4	4
12	<u>101878201</u>	KIT, BRAKE PEDAL (INCLUDES ITEMS 13 AND 14)	1	1
13	7716	SCREW, SLOTTED HEX WASHER HEAD, #10 - 16 x 1/2	4	4
14	<u>1013869</u>	PAD, BRAKE PEDAL	1	1
15	<u>1013531</u>	SPRING, BRAKE RETURN	1	1
16	101953001	BOLT, HEX HEAD SHOULDER, 3/8 x 1	2	2
17	<u>7473</u>	NUT, NYLON LOCK, 5/16 - 18	2	2
18	<u>101953101</u>	ROD, EQUALIZER, FRONT	1	1
19	101953103	ROD, EQUALIZER, REAR	1	1
	<u>101187702</u>	KIT, PARK BRAKE LATCH (INCLUDES ITEMS 20 - 24 AND ITEM 25 ON PAGE 4-13 OR 4-15)	1	1
20	N/A	ROD AND PAWL	1	1
21	<u>1017029</u>	PIN, COTTER, 7/64 x 1/2	1	1
22	<u>1010877</u>	NUT, PUSH, 5/16	1	1
23	<u>1010805</u>	SLEEVE, PARK BRAKE ROD	1	1
24	1010932	JOINT, BALL, 1/4 - 28	1	1
25	<u>1010933</u>	SPRING, PARK BRAKE TORSION	1	1
26	<u>1010927</u>	SPACER, PARK BRAKE	1	1
27	<u>1010878</u>	BUMPER, RUBBER	1	1
28	<u>1028</u>	NUT, HEX, 1/4 - 20	1	1
29	<u>1011402</u>	PACKAGE, BRAKE MOUNTING BLOCK (CONTAINS UPPER AND LOWER FOR LEFT AND RIGHT SIDES)	1	1
30	<u>1241</u>	WASHER, FLAT, 5/16	1	1
31	<u>1010921</u>	SCREW, HEX HEAD CAP, 5/16 - 18 x 2-1/2	4	4
32	<u>101990801</u>	EQUALIZER (FOR VEHICLES WITH EQUALIZER DESIGN SHOWN IN DETAIL B)	1	1
33	<u>1011418</u>	KIT, PARK BRAKE PEDAL (INCLUDES ITEMS 34 - 37)	1	1
34	<u>1032</u>	BUSHING, NYLON	2	2
35	7716	SCREW, SLOTTED HEX WASHER HEAD, #10 -16 x 1/2	2	2
36	<u>1013876</u>	NUT, PUSH, 3/8	1	1
37	<u>1013870</u>	PAD, PARK BRAKE	1	1
38	101976301	PLATE, RETAINER	2	2

4
G
E

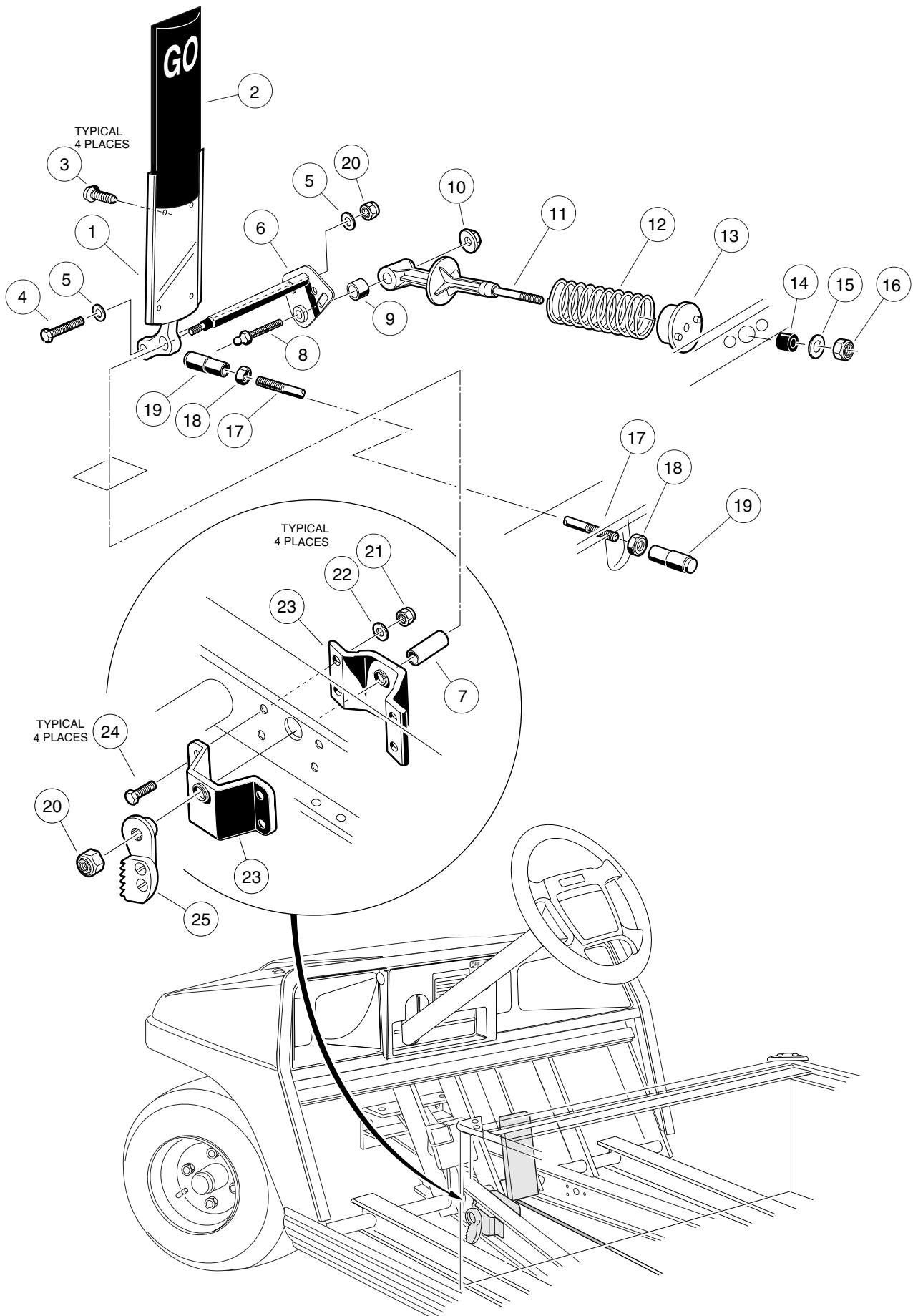


FRONT BRAKE ASSEMBLY-- RESORT VILLAGER, TRANS-PORTER/TRANS-SENDER

ITEM	PART NO.	DESCRIPTION	QTY GAS	QTY ELEC
		1 2 3 4		
	<u>1016573</u>	CLUSTER, BRAKE, PASSENGER SIDE, WITHOUT BRAKE DRUM (INCLUDES ITEMS 1 - 14)	1	1
	<u>1016557</u>	CLUSTER, BRAKE, DRIVER SIDE, WITHOUT BRAKE DRUM (INCLUDES ITEMS 1 - 14)	1	1
1	<u>1011154</u>	PLATE, BACKING, PASSENGER SIDE	1	1
1	1011494	PLATE, BACKING, DRIVER SIDE	1	1
2	<u>1011465</u>	KIT, BRAKE ACTUATOR	1	1
3	<u>1011467</u>	KIT, ANCHOR BODY (INCLUDES ITEMS 4 - 9)	1	1
4	<u>1011114</u>	NUT, M6 x 1	2	2
5	<u>451</u>	WASHER, LOCK, 1/4	2	2
6	N/A	PISTON, ANCHOR	2	2
7	N/A	BOLT, ADJUSTMENT	1	1
8	N/A	BODY, ANCHOR	1	1
9	<u>1011303</u>	CAP, ADJUSTMENT BOLT	1	1
10	<u>101146302</u>	PACKAGE, BRAKE SHOE (FOUR PIECES)	1	1
11	<u>1011466</u>	KIT, SHOE RETAINER (FOUR PIECES)	1	1
12	<u>1011464</u>	PACKAGE, BRAKE SPRING (FOUR PIECES)	1	1
13	N/A	ARM, BRAKE LEVER	1	1
14	<u>1010850</u>	COVER, DUST	1	1
15	<u>101874601</u>	KIT, BRAKE CABLE, FRONT (INCLUDES ITEMS 16, 17 AND 18)	1	1
16	<u>1010829</u>	PIN, CLEVIS, 5/16	4	4
17	<u>1035</u>	PIN, COTTER, 3/32 x 1	4	4
18	<u>1011779</u>	E-CLIP, 1/2	4	4
19	101872701	NUT, HEX, 5/16 - 24	8	8
20	<u>7174</u>	WASHER, LOCK, 5/16 x 24	8	8
21	101869001	WASHER, CONE, 5/16	8	8
22	1017232	SCREW, HEX HEAD CAP, 5/16 - 24 x 1	8	8
23	<u>1011137</u>	DRUM, BRAKE	2	2
		NOTE: SEE PAGE 5-11 FOR FRONT BRAKE CABLE CLAMP AND BRACKET.		

4
G
E

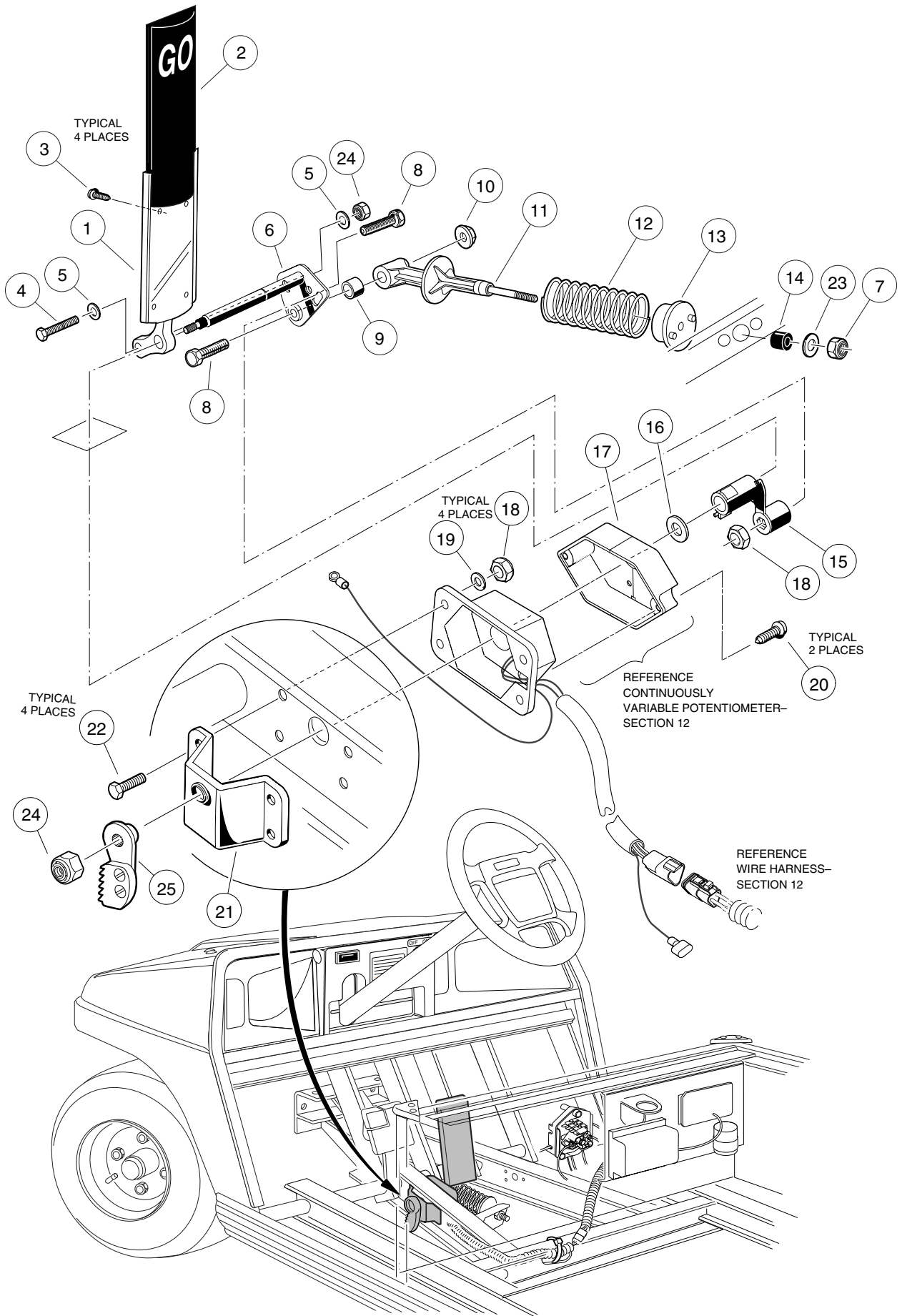
**4
G
E**



ACCELERATOR PEDAL ASSEMBLY— ELECTRIC TOURALL AND ALL GASOLINE VEHICLES

ITEM	PART NO.	DESCRIPTION	QTY GAS	QTY ELEC
		1 2 3 4		
1	<u>1017696</u>	SUB-ASSEMBLY, ACCELERATOR PEDAL (INCLUDES ITEMS 2 AND 3)	1	1
2	<u>1013871</u>	PAD, ACCELERATOR PEDAL	1	1
3	<u>7716</u>	SCREW, SLOTTED HEX WASHER HEAD, #10 - 16 x 1/2	4	4
4	<u>1624</u>	SCREW, HEX HEAD CAP, 3/8 - 16 x 1-1/2	1	1
5	<u>334</u>	WASHER, FLAT, 3/8	2	2
6	<u>102026001</u>	KIT, ACCELERATOR PIVOT ROD (INCLUDES ITEM 7)	1	1
7	<u>1011700</u>	SPACER	1	1
8	<u>101818801</u>	STUD, BALL	1	1
9	<u>1017424</u>	BEARING, PIVOT SUPPORT	1	1
10	<u>101966901</u>	NUT, FLANGE, 1/4 - 28	1	1
11	<u>101817401</u>	RETAINER, SPRING	1	1
12	<u>101796201</u>	SPRING, RETURN	1	1
13	<u>1017378</u>	CUP, SPRING	1	1
14	<u>1017380</u>	BUMPER, RETURN SPRING	1	1
15	<u>1241</u>	WASHER, FLAT, 5/16	1	1
16	<u>7473</u>	NUT, NYLON LOCK, 5/16 - 18	1	1
17	<u>101871901</u>	(ASSEMBLY, ACCELERATOR ROD (ELECTRIC TOURALL ONLY) (INCLUDES ITEMS 18 AND 19)		1
17	<u>101912401</u>	ASSEMBLY, ACCELERATOR ROD (GASOLINE TOURALL ONLY) (INCLUDES ITEMS 18 AND 19)	1	
17	<u>101674702</u>	ASSEMBLY, ACCELERATOR ROD (GASOLINE RESORT VILLAGER, TRANS-PORTER/TRANS-SENDER ONLY) (INCLUDES ITEMS 18 AND 19)	1	
18	<u>1011084</u>	NUT, UNF HEX JAM, 1/4 - 28	2	2
19	<u>1011734</u>	JOINT, SPRING-LOADED BALL	2	2
20	<u>8754</u>	NUT, NYLON LOCK, 3/8 - 16	2	2
21	<u>8233</u>	NUT, NYLON LOCK, 1/4 - 20	4	4
22	<u>1014007</u>	WASHER, FLAT, TYPE B, 1/4	4	4
23	<u>1011694</u>	SUPPORT, ACCELERATOR PIVOT ROD	2	2
24	<u>101861901</u>	SCREW, HEX HEAD CAP, 1/4 - 20 x 1-1/8	4	4
	<u>101187702</u>	KIT, PARK BRAKE LATCH (INCLUDES ITEM 25 BELOW, AND ITEMS 18 - 22 ON PAGE 4-7 OR ITEMS 20-24 ON PAGE 4-9)	1	1
25	N/A	RACHET, PARK BRAKE	1	1

4
G
E



ACCELERATOR PEDAL ASSEMBLY- ELECTRIC RESORT VILLAGER, TRANS-PORTER/TRANS-SENDER

ITEM	PART NO.	DESCRIPTION	QTY
		1 2 3 4	
1	<u>1017696</u>	SUB-ASSEMBLY, ACCELERATOR PEDAL (INCLUDES ITEMS 2 AND 3)	1
2	<u>1013871</u>	PAD, ACCELERATOR PEDAL	1
3	<u>7716</u>	SCREW, SLOTTED HEX WASHER HEAD, #10 - 16 x 1/2	4
4	<u>1624</u>	SCREW, HEX HEAD CAP, 3/8 - 16 x 1-1/2	1
5	<u>334</u>	WASHER, FLAT, 3/8	2
6	<u>102026001</u>	KIT, ACCELERATOR PIVOT ROD	1
7	<u>7473</u>	NUT, NYLON LOCK, 5/16 - 18	1
8	<u>101862001</u>	SCREW, HEX HEAD CAP, 1/4 - 20 x 1-3/8	2
9	<u>1017424</u>	BEARING, PIVOT SUPPORT	1
10	<u>1015661</u>	NUT, FLANGE LOCK, 1/4 - 20	1
11	<u>101817401</u>	RETAINER, SPRING	1
12	<u>101796201</u>	SPRING, RETURN	1
13	<u>1017378</u>	CUP, SPRING	1
14	<u>1017380</u>	BUMPER, RETURN SPRING	1
15	<u>1017400</u>	LEVER, ACTUATOR	1
16	<u>101804201</u>	WASHER, PLASTIC, 1/2	1
17	<u>1017743</u>	COVER, ACCELERATOR	1
18	<u>8233</u>	NUT, NYLON LOCK, 1/4 - 20	5
19	<u>1014007</u>	WASHER, FLAT, TYPE B, 1/4	4
20	<u>101804301</u>	SCREW, HI-LO HEX HEAD, #8 - 18 x 1/2	2
21	<u>1011694</u>	SUPPORT, ACCELERATOR PIVOT ROD	1
22	<u>101861901</u>	SCREW, HEX HEAD CAP, 1/4 - 20 x 1-1/8	4
23	<u>1241</u>	WASHER, FLAT, 5/16	1
24	<u>8754</u>	NUT, NYLON LOCK, 3/8 x 16	2
	<u>101187702</u>	KIT, PARK BRAKE LATCH (INCLUDES ITEM 25, AND ITEMS 18 - 22 ON PAGE 4-7 OR ITEMS 20-24 ON PAGE 4-9)	1
25	N/A	RACHET, PARK BRAKE	1

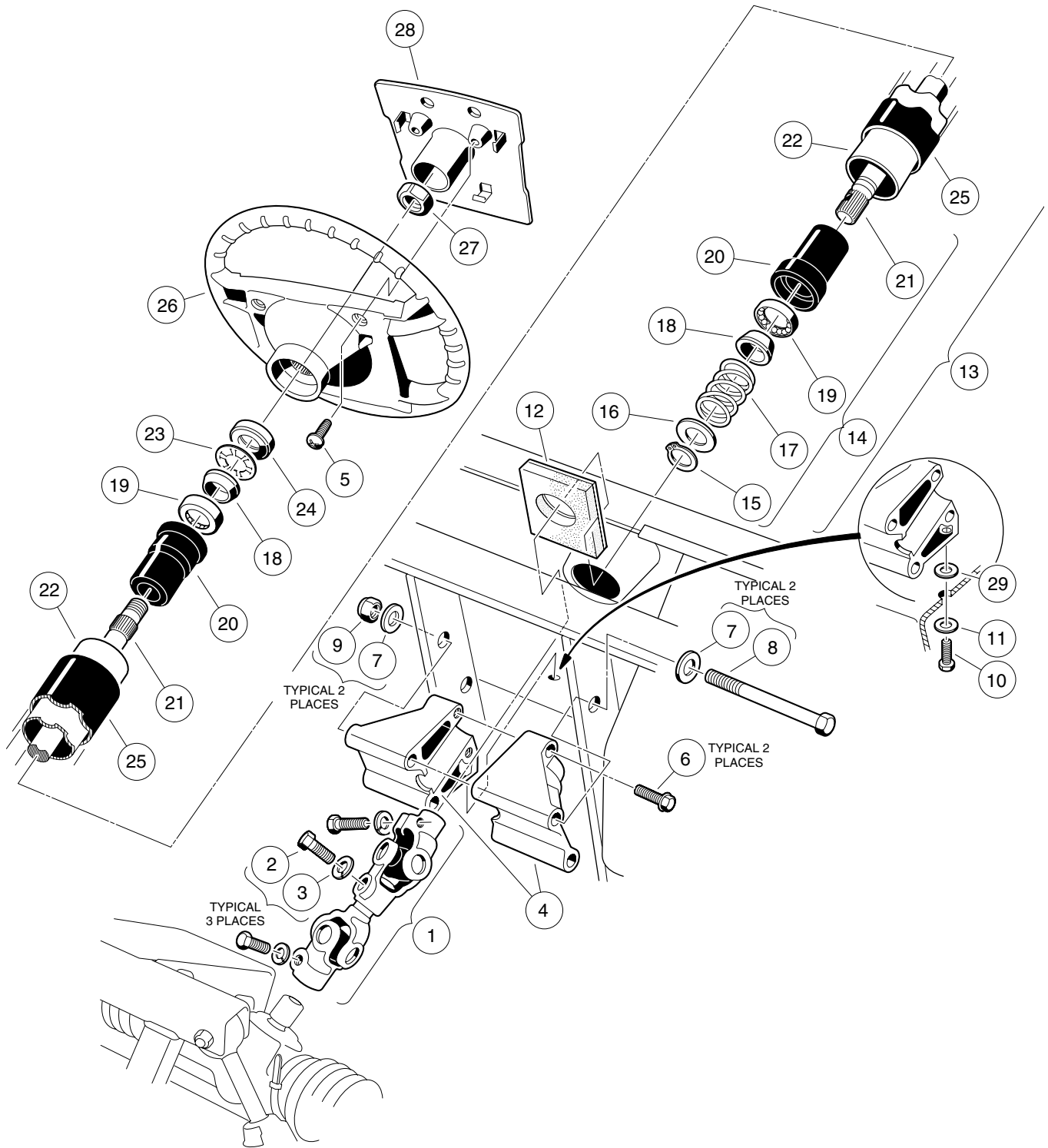
4
G
E

STEERING, FRONT AND REAR SUSPENSION

5

G

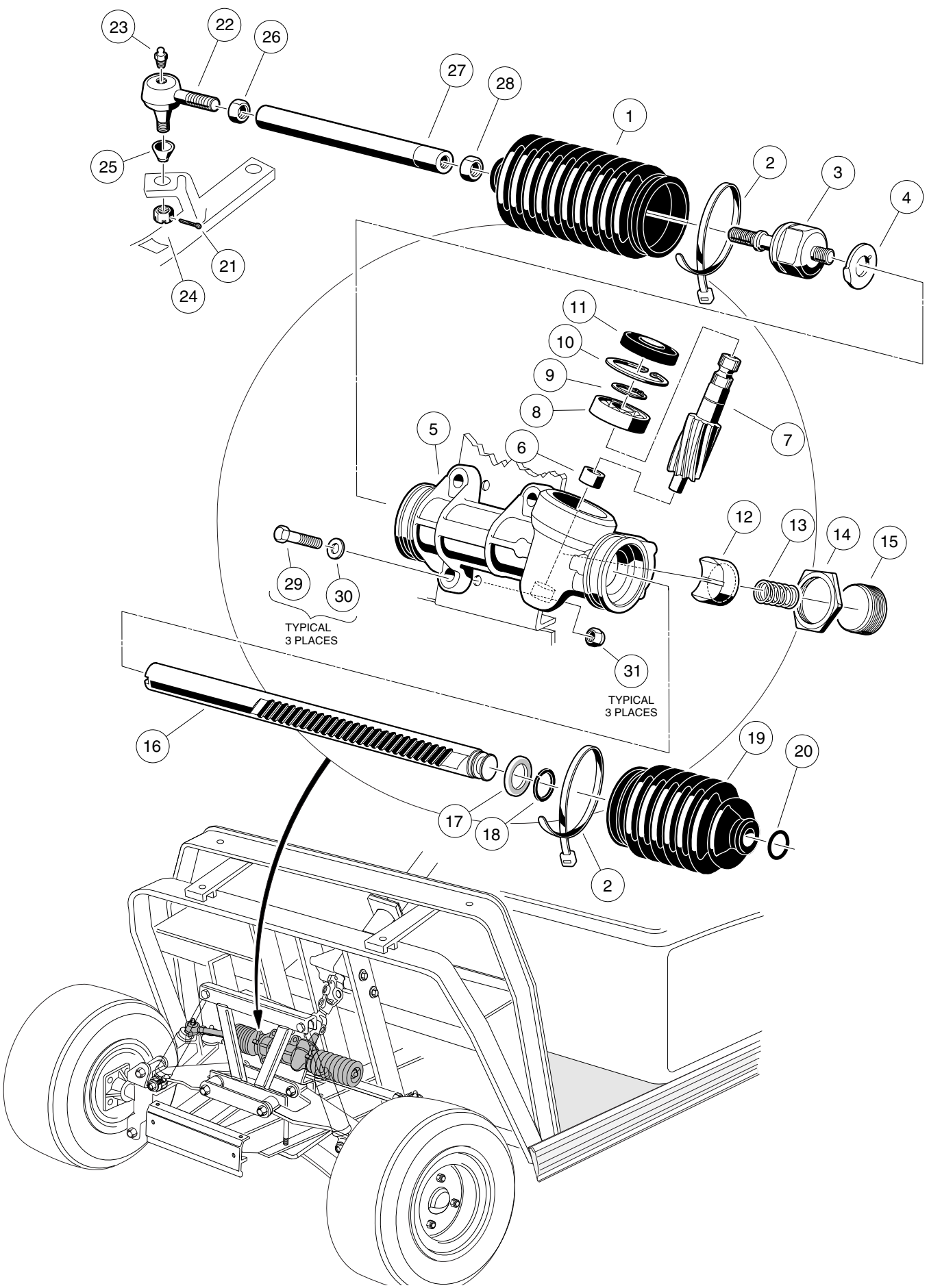
E



STEERING COLUMN

ITEM	PART NO.	DESCRIPTION	QTY GAS	QTY ELEC
		1 2 3 4		
1	<u>1013861</u>	JOINT, COMPOUND STEERING (INCLUDES ITEMS 2 AND 3)	1	1
2	<u>1017226</u>	SCREW, HEX HEAD CAP, M8 x 1.25 x 30MM	3	3
3	<u>7174</u>	WASHER, LOCK, 5/16	3	3
4	101984801	KIT, STEERING COLUMN MOUNTING BRACKET	1	1
5	<u>1016663</u>	SCREW, PHILLIPS, TYPE A, #12 - 11 x 5/8	2	2
6	<u>1016269</u>	SCREW, HEX WASHER HEAD THREAD-FORMING, 5/16 - 18 x 2	2	2
7	<u>334</u>	WASHER, FLAT, 3/8	4	4
8	<u>1016183</u>	SCREW, HEX HEAD CAP, 3/8 - 16 x 7	2	2
9	<u>8754</u>	NUT, NYLON LOCK, 3/8 - 16	2	2
10	<u>1014288</u>	SCREW, HEX WASHER HEAD THREAD-FORMING, 5/16 - 18 x 3/4	1	1
11	<u>1011697</u>	WASHER, FLAT, 5/16 x	1	1
12	<u>1012499</u>	BOOT, STEERING COLUMN	1	1
13	1016181	ASSEMBLY, STEERING COLUMN (TOURALL, TRANS-PORTER/TRANS-SENDER) (INCLUDES ITEMS 14 - 24)	1	1
13	<u>1017313</u>	ASSEMBLY, STEERING COLUMN (RESORT VILLAGER ONLY) (INCLUDES ITEMS 14 - 24)	1	1
14	<u>1014216</u>	KIT, STEERING COLUMN REBUILD (INCLUDES ITEMS 15 - 24)	A/R	A/R
15	<u>1012605</u>	RING, RETAINING	1	1
16	<u>1012604</u>	WASHER, STEEL, 5/8	1	1
17	<u>1014217</u>	SPRING, COMPRESSION	1	1
18	1014125	WEDGE	2	2
19	<u>1014213</u>	ASSEMBLY, BEARING	2	2
20	<u>1014126</u>	SEAT, BEARING	2	2
21	<u>1015545</u>	SHAFT, STEERING COLUMN	1	1
22	1016622	COLUMN, ALUMINUM STEERING	1	1
23	1014214	RING, RETAINING	1	1
24	<u>1014211</u>	SEAL, BEARING	1	1
25	1016263	COVER, STEERING COLUMN	1	1
26	<u>1016156</u>	WHEEL, STEERING	1	1
27	<u>1017273</u>	NUT, NYLON LOCK, 5/8 - 18	1	1
28	101615502	PLATE, SCORECARD	1	1
29	<u>1011578</u>	WASHER, FLAT, TYPE B, 5/16 (RESORT VILLAGER ONLY)	1	1

5
G
E



STEERING GEAR ASSEMBLY

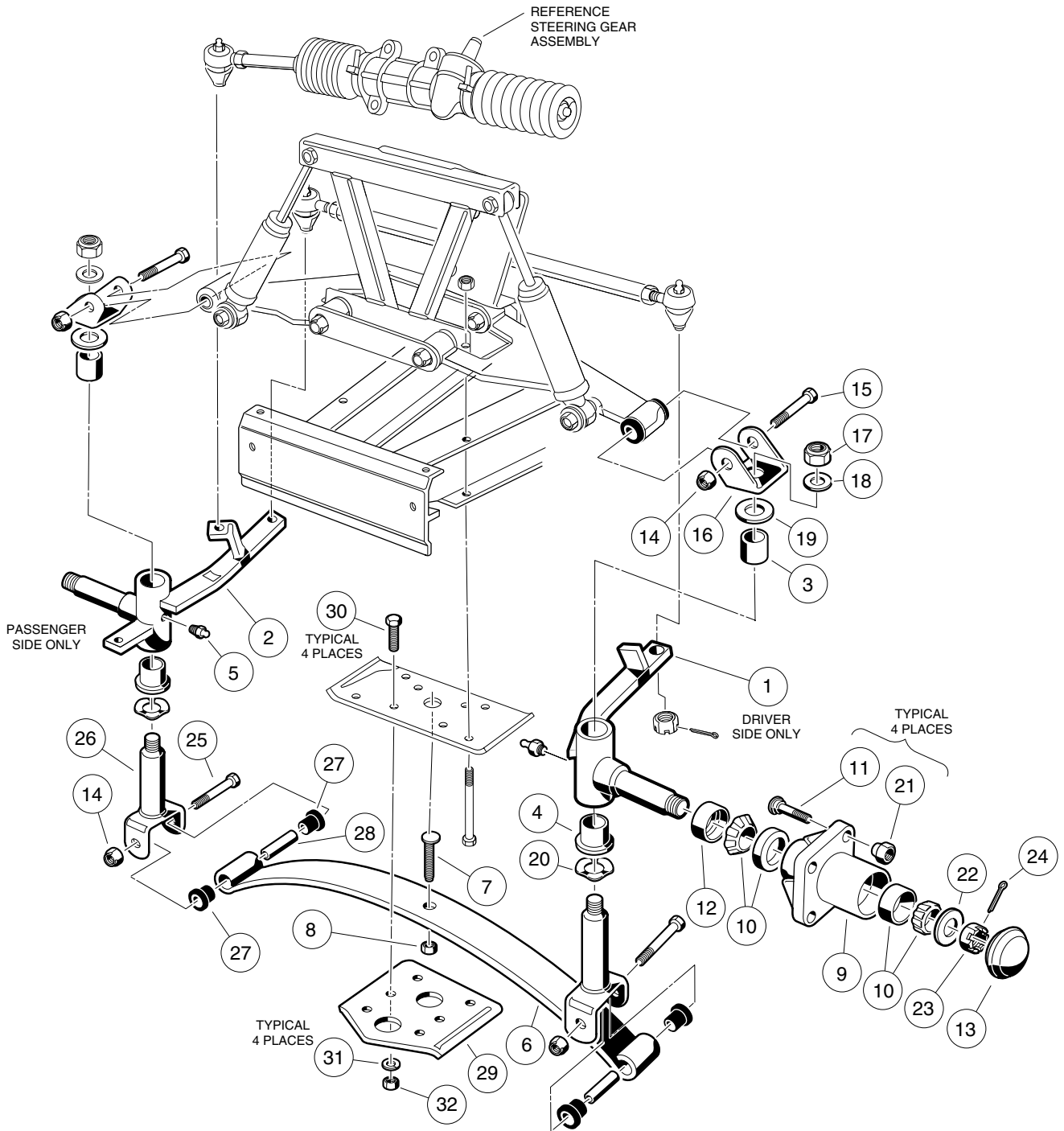
ITEM	PART NO.	DESCRIPTION	QTY GAS	QTY ELEC
		1 2 3 4		
	<u>101878302</u>	ASSEMBLY, STEERING GEAR BOX (INCLUDES ITEMS 1 - 20)	1	1
1	<u>1013035</u>	SEAL, DUST, PASSENGER SIDE	1	1
2	<u>8990</u>	TIE, WIRE	2	2
3	<u>101880201</u>	ASSEMBLY, INNER BALL JOINT	1	1
4	<u>101880301</u>	WASHER, TAB	1	1
5	N/A	BOX, STEERING GEAR	1	1
6	N/A	BEARING, LOWER PINION	1	1
7	N/A	PINION, STEERING	1	1
8	<u>101879401</u>	BEARING, UPPER PINION	1	1
9	<u>101879901</u>	RING, C-TYPE STOP	1	1
10	<u>1013051</u>	RING, SNAP	1	1
11	<u>1013052</u>	SEAL, DUST, STEERING PINION	1	1
12	<u>101879701</u>	GUIDE, STEERING RACK	1	1
13	<u>101879801</u>	SPRING, YOKE	1	1
14	<u>1013044</u>	NUT, LOCK, RACK SCREW	1	1
15	N/A	SCREW, RACK GUIDE	1	1
16	N/A	RACK, STEERING	1	1
17	<u>101879501</u>	WASHER, STOP	1	1
18	<u>101879601</u>	RING, C-TYPE STOP	1	1
19	<u>101880001</u>	SEAL, DUST, DRIVER SIDE	1	1
20	<u>101880101</u>	RING, RETAINING	1	1
21	<u>1035</u>	PIN, COTTER, 3/32 x 1	1	1
22	<u>7540</u>	BALL JOINT, LEFT-HAND THREAD (INCLUDES ITEMS 23, 24 AND 25)	1	1
23	<u>1015597</u>	FITTING, THREAD-FORMING GREASE, 1/4 - 28	1	1
24	<u>7602</u>	NUT, HEX SLOTTED, 3/8 - 24	1	1
25	<u>1011930</u>	BOOT, DUST.....	1	1
26	<u>7555</u>	NUT, HEX, LEFT-HAND THREAD, 1/2 - 20	1	1
27	<u>1012467</u>	LINK, RACK AND PINION DRAG	1	1
28	<u>1013042</u>	NUT, HEX, M12 x 1.75	1	1
29	<u>1624</u>	SCREW, HEX HEAD CAP, 3/8 - 16 x 1-1/2	3	3
30	<u>334</u>	WASHER, FLAT, 3/8	3	3
31	<u>8754</u>	NUT, NYLON LOCK, 3/8 - 16	3	3

5
G
E

FRONT SUSPENSION, UPPER- TOURALL

ITEM	PART NO.	DESCRIPTION	QTY GAS	QTY ELEC
		1 2 3 4		
1	<u>1016353</u>	ASSEMBLY, DELTA A-PLATE (INCLUDES ITEMS 2, 3 AND 4)	2	2
2	<u>1016346</u>	BUSHING, URETHANE	6	6
3	<u>1016350</u>	SLEEVE, DELTA OUTER	1	1
4	<u>1016349</u>	SLEEVE, DELTA INNER	2	2
5	<u>8754</u>	NUT, NYLON LOCK, 3/8 - 16	8	8
6	<u>1010200</u>	SCREW, HEX HEAD CAP, 3/8 - 16 x 4-1/4	4	4
7	<u>1308</u>	NUT, HEX, 1/2 - 20	1	1
8	<u>1624</u>	SCREW, HEX HEAD CAP, 3/8 - 16 x 1-1/2	2	2
9	<u>1010138</u>	NUT, DIMPLED LOCK, 3/8 - 16	4	4
10	<u>2402</u>	SCREW, HEX HEAD CAP, 3/8 - 16 x 2-1/4	4	4
11	<u>1010219</u>	ROD, TIE	1	1
12	<u>7555</u>	NUT, HEX, LEFT-HAND THREAD, 1/2 - 20	1	1
13	<u>7540</u>	BALL JOINT, LEFT-HAND THREAD (INCLUDES ITEMS 19, 20 AND 21)	1	1
14	<u>1017266</u>	STRAP, A-PLATE	2	2
15	<u>1014235</u>	SHOCK ABSORBER, FRONT	2	2
16	<u>1010124</u>	PLATE, SPRING MOUNTING	1	1
17	<u>1016385</u>	ASSEMBLY, DELTA SHOCK AND GEAR SUPPORT	1	1
18	<u>7539</u>	BALL JOINT (INCLUDES ITEMS 19, 20 AND 21)	1	1
19	<u>1015597</u>	FITTING, THREAD-FORMING GREASE, 1/4 - 28	1	1
20	<u>1011930</u>	SEAL, DUST	1	1
21	<u>7602</u>	NUT, SLOTTED HEX, 3/8 - 24	1	1
22	<u>1035</u>	PIN, COTTER, 3/32 x 1	2	2

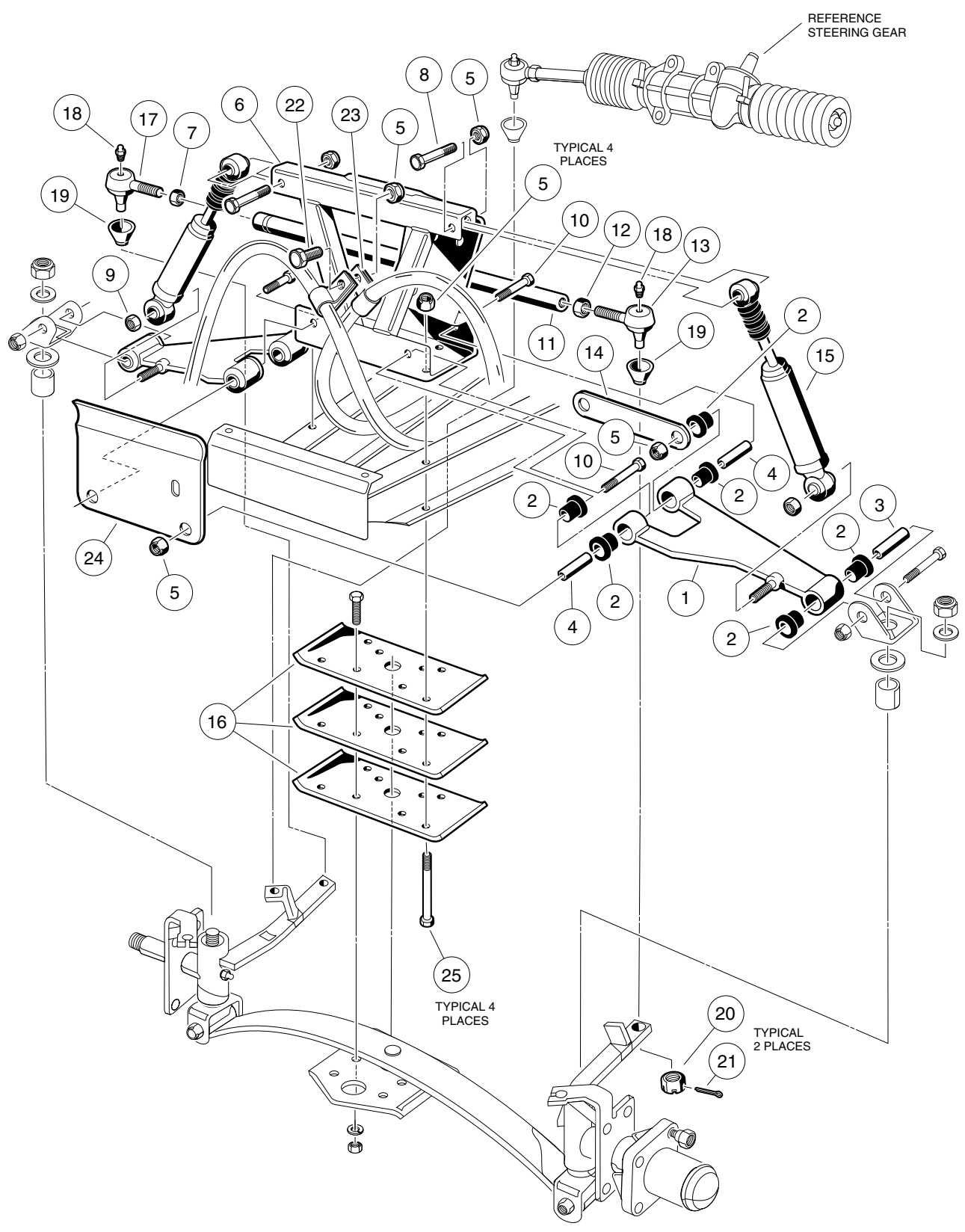
5
G
E



FRONT SUSPENSION, LOWER- TOURALL

ITEM	PART NO.	DESCRIPTION	QTY GAS	QTY ELEC
		1 2 3 4		
1	<u>1010348</u>	ASSEMBLY, SPINDLE, DRIVER SIDE (INCLUDES ITEMS 3, 4 AND 5)	1	1
2	<u>1010347</u>	ASSEMBLY, SPINDLE, PASSENGER SIDE (INCLUDES ITEMS 3, 4 AND 5)	1	1
3	<u>8067</u>	BUSHING, BRONZE SPINDLE	1	1
4	<u>7048</u>	BUSHING, BRONZE	1	1
5	<u>1015597</u>	FITTING, GREASE, 1/4 - 28	1	1
6	<u>1012030</u>	SPRING, TAPERED LEAF	1	1
7	<u>8745</u>	ECCENTRIC	1	1
8	<u>706</u>	NUT, HEX, 3/8 - 16	1	1
9	<u>1011892</u>	KIT, HUB ASSEMBLY (INCLUDES ITEMS 10 - 13)	2	2
10	<u>1011393</u>	PACKAGE, HUB BEARING	2	2
11	<u>1011304</u>	STUD, LUG, 1/2 - 20	4	4
12	<u>1013135</u>	SEAL, DOUBLE LIP	1	1
13	<u>1011887</u>	COVER, DUST	1	1
14	<u>8754</u>	NUT, NYLON LOCK, 3/8 - 16	4	4
15	<u>1016387</u>	SCREW, HEX HEAD CAP, 3/8 - 16 x 2-3/4	2	2
16	<u>1016384</u>	CLEVIS, UPPER DELTA	2	2
17	<u>101903101</u>	NUT, NYLON LOCK, 1/2 - 20	2	2
18	<u>1010028</u>	WASHER, FLAT, 1/2	2	2
19	<u>1010150</u>	BEARING, THRUST	2	2
20	<u>1016389</u>	WASHER, KINGPIN WAVE	2	2
21	<u>1010984</u>	NUT, LUG	8	8
22	<u>1010005</u>	WASHER, FLAT, 3/4	2	2
23	<u>7840</u>	NUT, HEX SLOTTED, 3/4 - 16	2	2
24	<u>7910</u>	PIN, COTTER, 5/32 x 1	2	2
25	<u>8755</u>	SCREW, HEX HEAD CAP, 3/8 - 16 x 3-3/8	2	2
26	<u>1016386</u>	KINGPIN	2	2
27	<u>1015583</u>	BUSHING, URETHANE	4	4
28	<u>1012303</u>	BUSHING, STEEL	2	2
29	<u>1014276</u>	PLATE, FRONT SPRING RETAINER	1	1
30	<u>1624</u>	SCREW, HEX HEAD CAP, 3/8 - 16 x 1-1/2	4	4
31	<u>357</u>	WASHER, LOCK, 3/8	4	4
32	<u>706</u>	NUT, HEX, 3/8 - 16	4	4

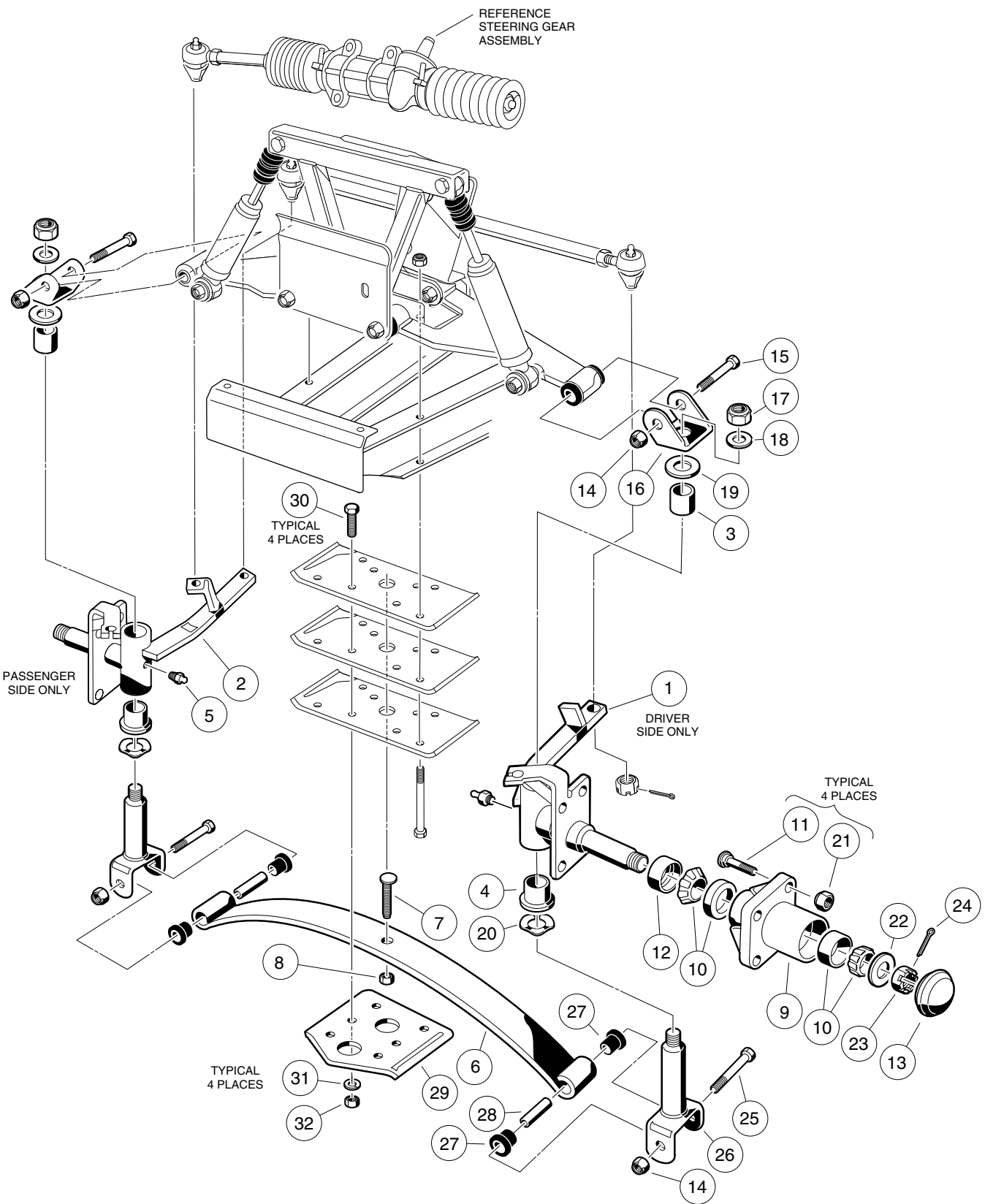
5
G
E



FRONT SUSPENSION, UPPER- RESORT VILLAGER, TRANS-PORTER/TRANS-SENDER

ITEM	PART NO.	DESCRIPTION	QTY GAS	QTY ELEC
		1 2 3 4		
1	<u>1016353</u>	ASSEMBLY, DELTA A-PLATE (INCLUDES ITEMS 2, 3 AND 4)	2	2
2	<u>1016346</u>	BUSHING, URETHANE	6	6
3	<u>1016350</u>	SLEEVE, DELTA OUTER	1	1
4	<u>1016349</u>	SLEEVE, DELTA INNER	2	2
5	<u>8754</u>	NUT, NYLON LOCK, 3/8 - 16	11	11
6	<u>1016385</u>	ASSEMBLY, DELTA SHOCK AND GEAR SUPPORT	1	1
7	<u>1308</u>	NUT, HEX, 1/2 - 20	1	1
8	<u>8861</u>	SCREW, HEX HEAD CAP, 3/8 - 16 x 2-3/4	2	2
9	<u>1010138</u>	NUT, DIMPLED LOCK, 3/8 - 16	2	2
10	<u>2402</u>	SCREW, HEX HEAD CAP, 3/8 - 16 x 2-1/4	4	4
11	<u>1010219</u>	ROD, TIE	1	1
12	<u>7555</u>	NUT, HEX, LEFT-HAND THREAD, 1/2 - 20	1	1
13	<u>7540</u>	BALL JOINT, LEFT-HAND THREAD (INCLUDES ITEMS 18, 19 AND 20)	1	1
14	<u>1017266</u>	STRAP, A-PLATE	1	1
15	<u>101870601</u>	SHOCK ABSORBER, FRONT	2	2
16	<u>1010124</u>	PLATE, SPRING MOUNTING	3	3
17	<u>7539</u>	BALL JOINT (INCLUDES ITEMS 18, 19 AND 20)	1	1
18	<u>1015597</u>	FITTING, THREAD-FORMING GREASE, 1/4 - 28	1	1
19	<u>1011930</u>	SEAL, DUST	1	1
20	<u>7602</u>	NUT, SLOTTED HEX, 3/8 - 24	1	1
21	<u>1035</u>	PIN, COTTER, 3/32 x 1	2	2
22	<u>320</u>	SCREW, HEX HEAD CAP, 3/8 - 16 x 1	1	1
23	<u>101935301</u>	CLAMP, BRAKE CABLE (PART OF BRAKE CABLE ASSEMBLY)	2	2
24	<u>101955001</u>	BRACKET, BRAKE CABLE GUIDE	1	1
25	<u>101870501</u>	SCREW, HEX HEAD CAP, 3/8 - 16 x 4-3/4	4	4

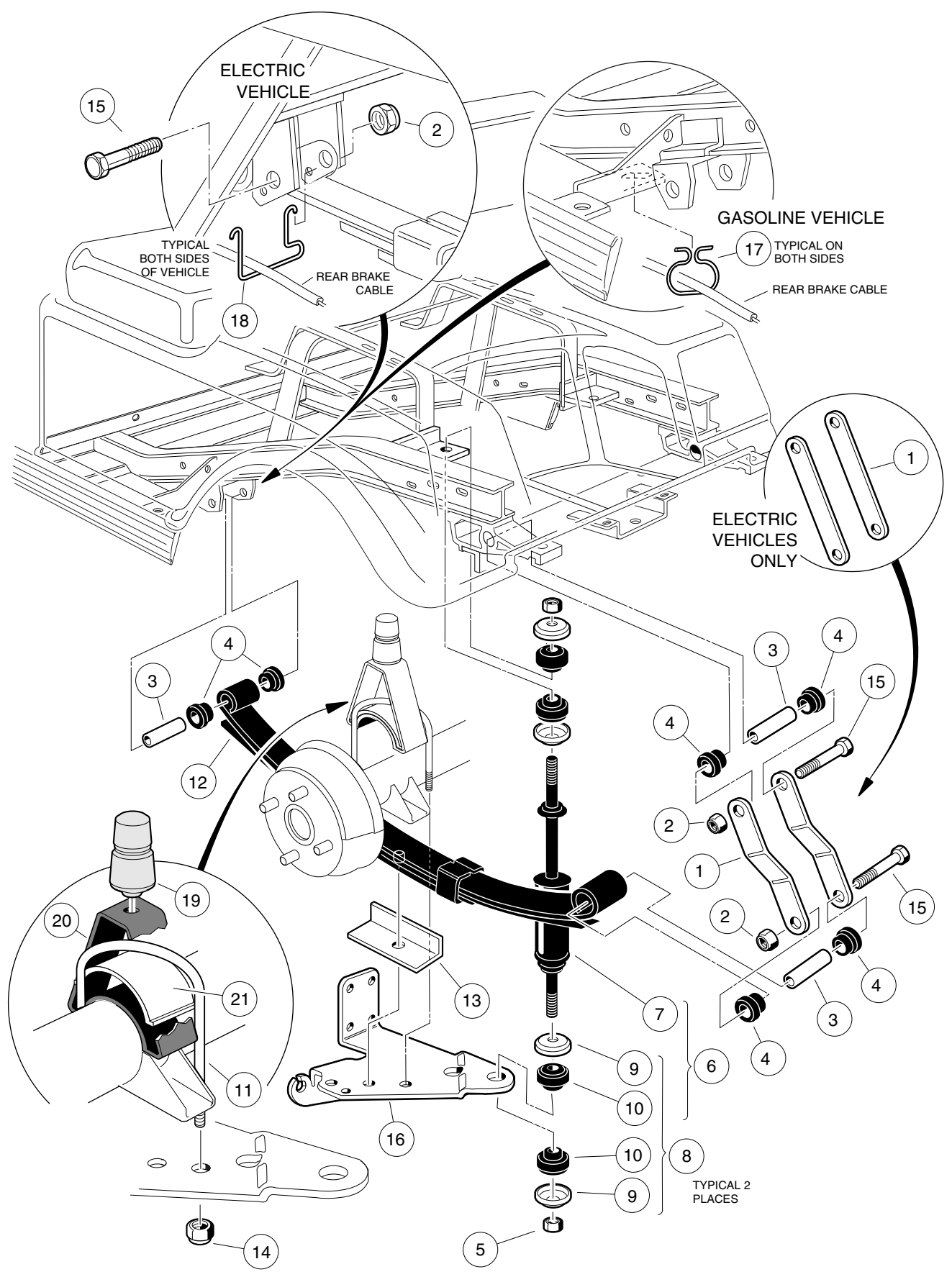
5
G
E



FRONT SUSPENSION, LOWER- RESORT VILLAGER, TRANS-PORTER/TRANS-SENDER

ITEM	PART NO.	DESCRIPTION	QTY GAS	QTY ELEC
		1 2 3 4		
1	101876901	ASSEMBLY, SPINDLE, DRIVER SIDE (INCLUDES ITEMS 3, 4 AND 5)	1	1
2	<u>101877001</u>	ASSEMBLY, SPINDLE, PASSENGER SIDE (INCLUDES ITEMS 3, 4 AND 5)	1	1
3	<u>8067</u>	BUSHING, BRONZE SPINDLE	1	1
4	<u>7048</u>	BUSHING, BRONZE	1	1
5	<u>1015597</u>	FITTING, GREASE, 1/4 - 28	1	1
6	<u>1012030</u>	SPRING, TAPERED LEAF	1	1
7	<u>8745</u>	ASSEMBLY, ECCENTRIC	1	1
8	<u>706</u>	NUT, HEX, 3/8 - 16	1	1
9	<u>1011892</u>	ASSEMBLY, HUB (INCLUDES ITEMS 10 - 13)	2	2
10	<u>1011393</u>	PACKAGE, HUB BEARING	2	2
11	<u>1011304</u>	STUD, LUG, 1/2 - 20	4	4
12	<u>1013135</u>	SEAL, DOUBLE LIP	1	1
13	<u>1011887</u>	COVER, DUST	1	1
14	<u>8754</u>	NUT, NYLON LOCK, 3/8 - 16	4	4
15	<u>1016387</u>	SCREW, HEX HEAD CAP, 3/8 - 16 x 2-3/4	2	2
16	<u>1016384</u>	CLEVIS, UPPER DELTA	2	2
17	<u>101903101</u>	NUT, NYLON LOCK, 1/2 - 20	2	2
18	<u>1010028</u>	WASHER, FLAT, 1/2	2	2
19	<u>1010150</u>	BEARING, THRUST	2	2
20	<u>1016389</u>	WASHER, KINGPIN WAVE	2	2
21	<u>1010984</u>	NUT, LUG	8	8
22	<u>1010005</u>	WASHER, FLAT, 3/4	2	2
23	<u>7840</u>	NUT, HEX SLOTTED, 3/4 - 16	2	2
24	<u>7910</u>	PIN, COTTER, 5/32 x 1	2	2
25	<u>8755</u>	SCREW, HEX HEAD CAP, 3/8 - 16 x 3-3/8	2	2
26	<u>1016386</u>	KINGPIN	2	2
27	<u>1015583</u>	BUSHING, URETHANE	4	4
28	<u>1012303</u>	BUSHING, STEEL	2	2
29	<u>1014276</u>	PLATE, FRONT SPRING RETAINER	1	1
30	<u>1010177</u>	SCREW, HEX HEAD CAP, 3/8 - 16 x 2	4	4
31	<u>357</u>	WASHER, LOCK, 3/8	4	4
32	<u>706</u>	NUT, HEX, 3/8 - 16	4	4

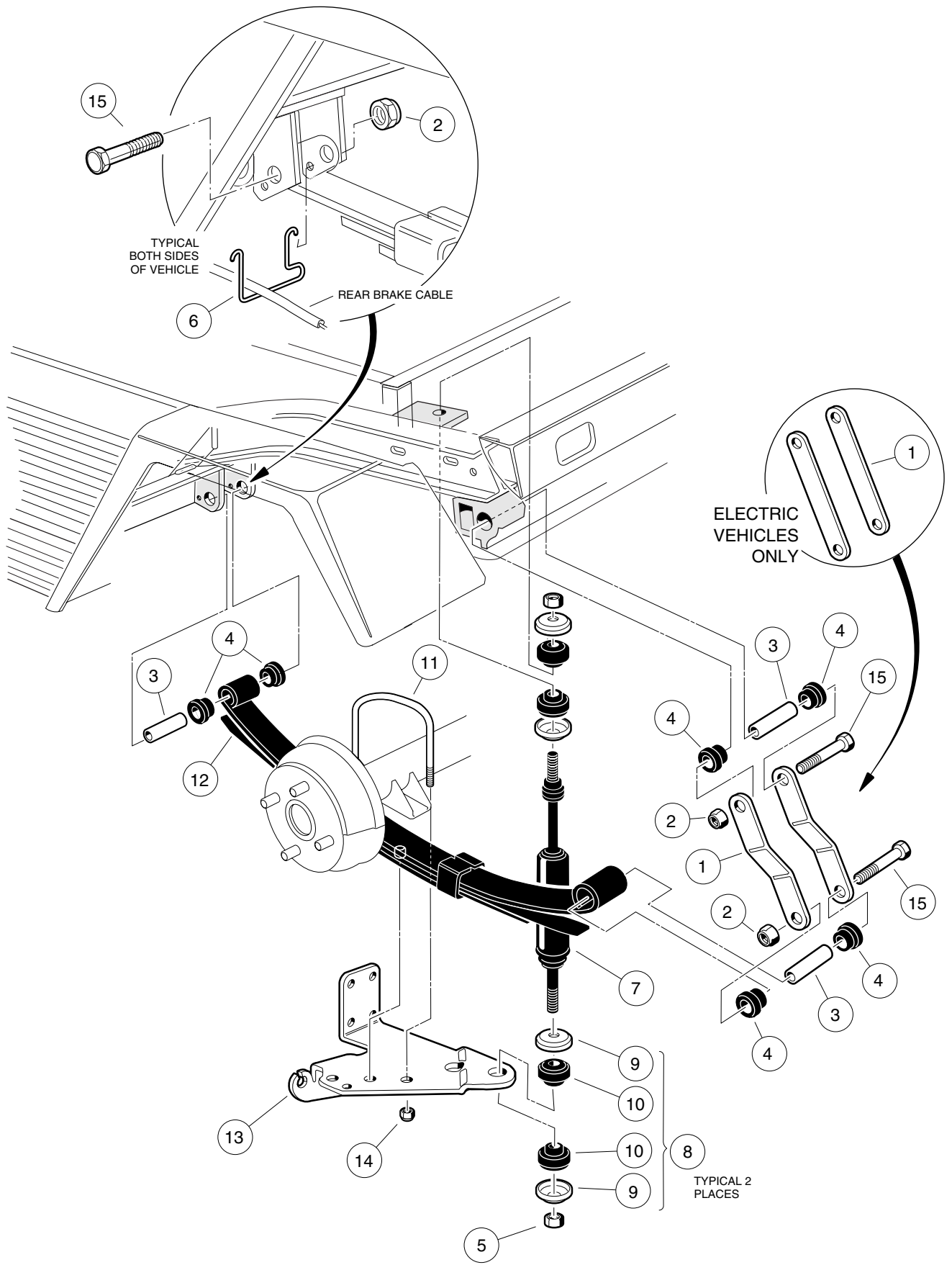
5
G
E



REAR SUSPENSION-TOURALL

ITEM	PART NO.	DESCRIPTION	QTY GAS	QTY ELEC
		1 2 3 4		
1	<u>7569</u>	SHACKLE, REAR SPRING (ELECTRIC VEHICLE)		4
1	<u>1012304</u>	SHACKLE, REAR SPRING (GASOLINE VEHICLE)	4	
2	<u>8754</u>	NUT, NYLON LOCK, 3/8 - 16	6	6
3	<u>1012303</u>	BUSHING, STEEL	6	6
4	<u>1015583</u>	BUSHING, URETHANE	12	12
5	<u>1010145</u>	NUT, UNF HEX, 3/8 - 24	4	4
6	<u>1013164</u>	KIT, SHOCK ABSORBER (INCLUDES ITEMS 7, 9 AND 10)	1	1
7	<u>1014236</u>	SHOCK ABSORBER, REAR	2	2
8	<u>1011415</u>	KIT, SHOCK ABSORBER CUSHION (INCLUDES 2 EACH OF ITEMS 9 AND 10) ...	4	4
9	N/A	RETAINER, SHOCK ABSORBER CUSHION	8	8
10	N/A	CUSHION, SHOCK ABSORBER	8	8
11	<u>1014902</u>	U-BOLT	2	2
12	<u>1014675</u>	SPRING, REAR LEAF	2	2
13	<u>1014573</u>	RETAINER, SPRING	2	2
14	<u>1014555</u>	NUT, NYLON LOCK, 7/16 - 24	4	4
15	<u>8755</u>	SCREW, HEX HEAD CAP, 3/8 - 16 x 3-3/8	6	6
16	<u>101926501</u>	PAD, SPRING, DRIVER SIDE	1	1
16	<u>101929401</u>	PAD, SPRING, PASSENGER SIDE	1	1
17	<u>101900801</u>	HANGER, BRAKE CABLE (GASOLINE TOURALL)	2	
18	<u>1013207</u>	HANGER, BRAKE CABLE (ELECTRIC TOURALL)		2
19	<u>1017235</u>	BUMPER, JOUNCE	2	2
20	<u>101454602</u>	MOUNT, BUMPER (GASOLINE VEHICLE ONLY)	2	
20	<u>101454902</u>	MOUNT, BUMPER (ELECTRIC VEHICLE ONLY)		2
21	<u>1014901</u>	SPACER, OVERLOAD BUMPER	2	2

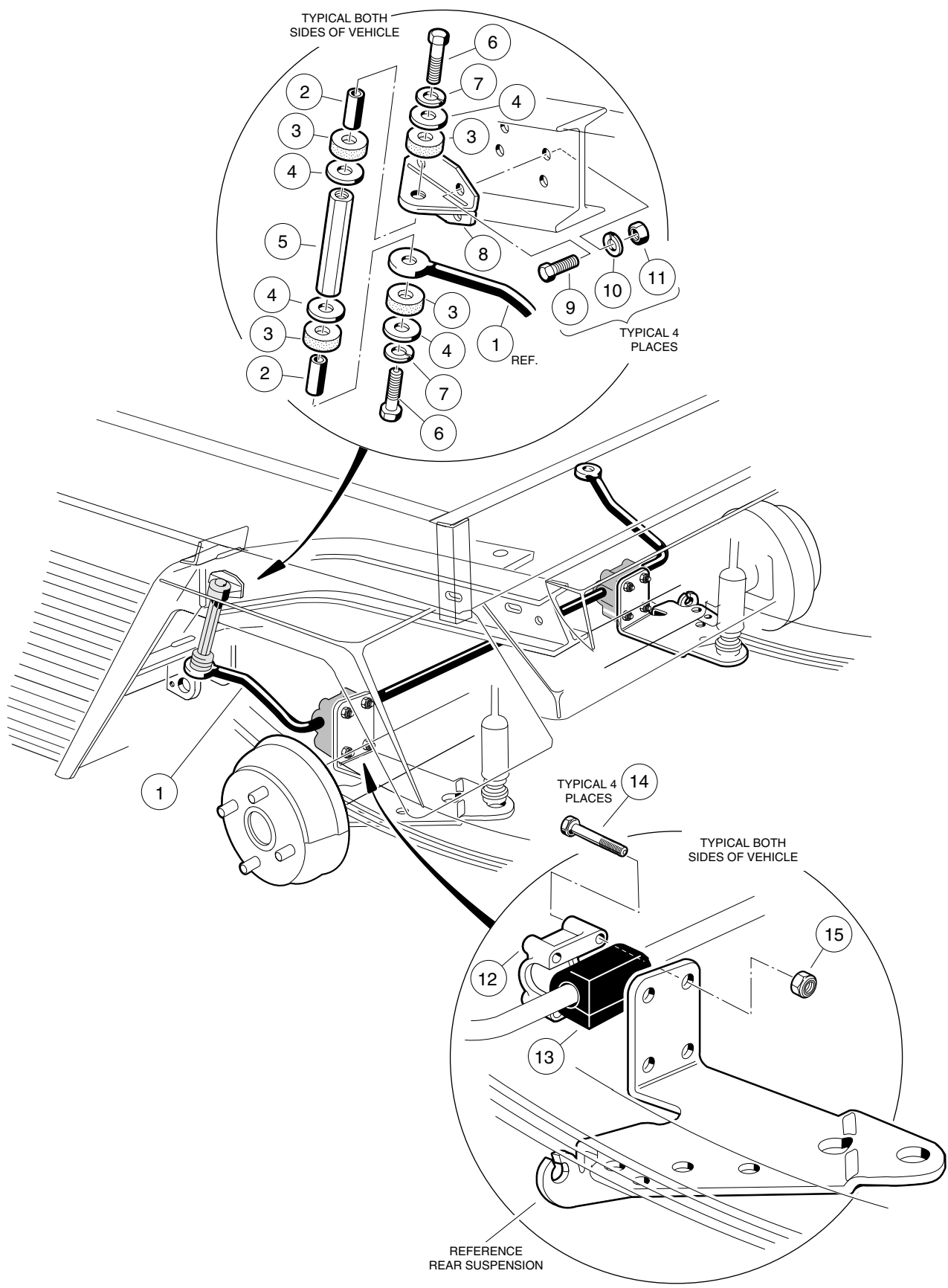
5
G
E



REAR SUSPENSION- RESORT VILLAGER, TRANS-PORTER/TRANS-SENDER

ITEM	PART NO.	DESCRIPTION	QTY GAS	QTY ELEC
		1 2 3 4		
1	<u>7569</u>	SHACKLE, REAR SPRING (ELECTRIC VEHICLE)		4
1	<u>1012304</u>	SHACKLE, REAR SPRING (GASOLINE VEHICLE)	4	
2	<u>8754</u>	NUT, NYLON LOCK, 3/8 - 16	6	6
3	<u>1012303</u>	BUSHING, STEEL	6	6
4	<u>1015583</u>	BUSHING, URETHANE	12	12
5	<u>1010145</u>	NUT, UNF HEX, 3/8 - 24	4	4
6	<u>1013207</u>	HANGER, BRAKE CABLE	2	2
7	<u>101975101</u>	SHOCK ABSORBER, REAR	2	2
8	<u>1011415</u>	KIT, SHOCK ABSORBER CUSHION (INCLUDES 2 EACH OF ITEMS 9 AND 10).....	4	4
9	N/A	RETAINER, SHOCK ABSORBER CUSHION	8	8
10	N/A	CUSHION, SHOCK ABSORBER	8	8
11	<u>1014902</u>	U-BOLT	2	2
12	<u>101975201</u>	SPRING, REAR LEAF	2	2
13	<u>101926501</u>	PAD, SPRING, DRIVER SIDE	1	1
13	<u>101929401</u>	PAD, SPRING, PASSENGER SIDE	1	1
14	<u>1014555</u>	NUT, NYLON LOCK, 7/16 - 24	4	4
15	<u>8755</u>	SCREW, HEX HEAD CAP, 3/8 - 16 x 3-3/8	6	6

5
G
E



STABILIZER BAR-GASOLINE RESORT VILLAGER, TRANS-PORTER/TRANS-SENDER

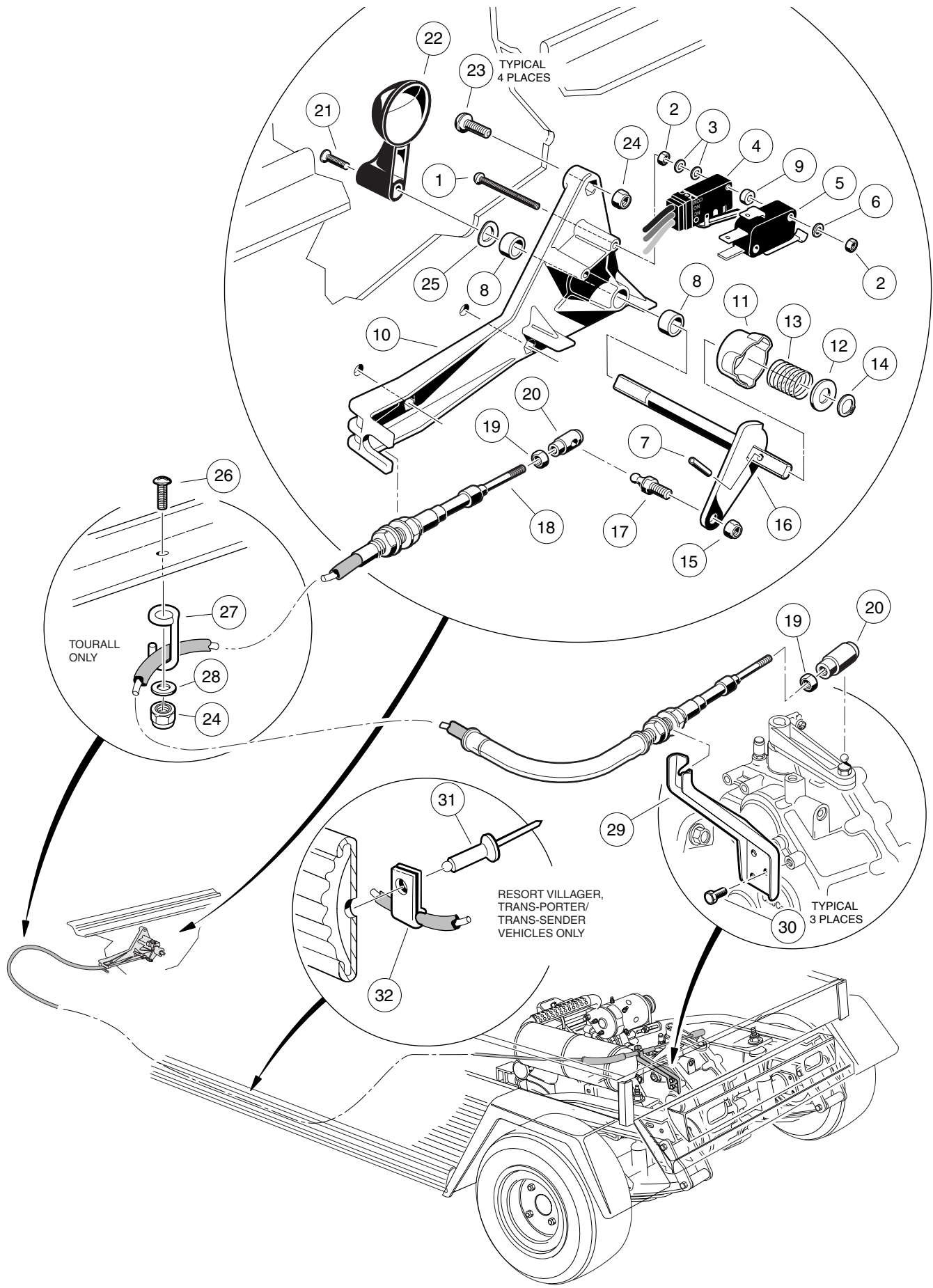
ITEM	PART NO.	DESCRIPTION	QTY
		1 2 3 4	
1	<u>1015760</u>	BAR, STABILIZER, 3/4 DIAMETER	1
2	<u>1015457</u>	SPACER	4
3	<u>1015453</u>	MOUNT, COMPRESSION	8
4	<u>808</u>	WASHER, FLAT, 3/8	8
5	<u>1016814</u>	LINK, STABILIZER BAR	2
6	<u>8861</u>	SCREW, HEX HEAD CAP, 3/8 - 16 x 1-3/4	4
7	<u>357</u>	WASHER, LOCK, 3/8	4
8	<u>1016813</u>	BRACKET, STABILIZER BAR MOUNTING	2
9	<u>7173</u>	SCREW, HEX HEAD CAP, 5/16 - 18 x 3/4	8
10	<u>7174</u>	WASHER, LOCK, 5/16	8
11	<u>1242</u>	NUT, HEX, 5/16 - 18	8
12	<u>1015614</u>	SUPPORT, STABILIZER BAR BUSHING	2
13	<u>1015613</u>	BUSHING, STABILIZER BAR	2
14	<u>7311</u>	SCREW, HEX HEAD CAP, 1/4 - 20 x 2	8
15	<u>8233</u>	NUT, NYLON LOCK, 1/4 - 20	8

**5
G
E**

ELECTRICAL SYSTEM- GASOLINE VEHICLE

6

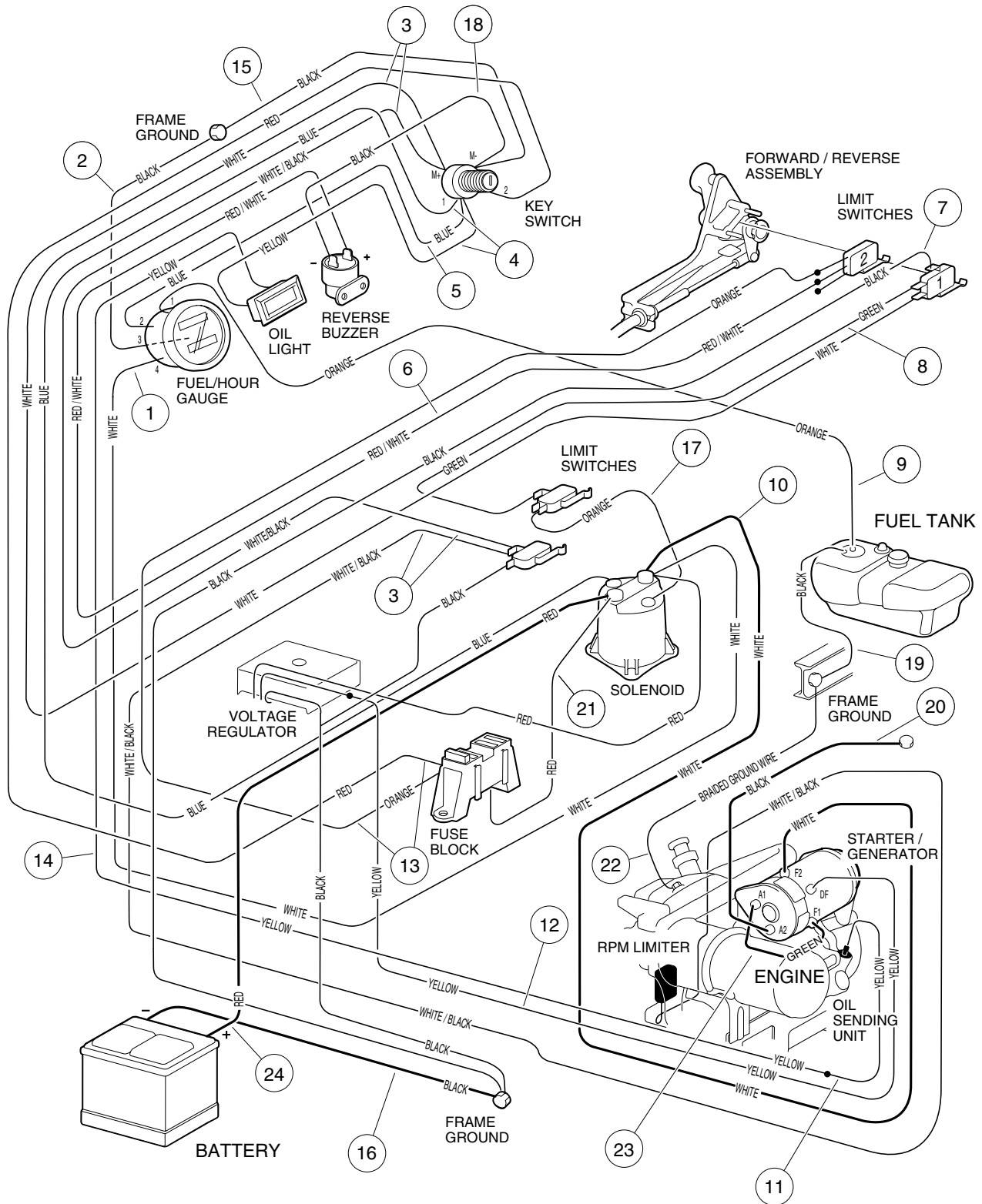
G



FORWARD/REVERSE SHIFTER ASSEMBLY— GASOLINE VEHICLE

ITEM	PART NO.	DESCRIPTION	QTY
		1 2 3 4	
	1016947	ASSEMBLY, FORWARD/REVERSE SHIFTER (INCLUDES ITEMS 1 - 17)	1
1	<u>1012594</u>	SCREW, MACHINE, #4 - 40 x 1-1/2	2
2	<u>8057</u>	NUT, HEX HEAD, #4 - 40	4
3	1012431	WASHER, FLAT, #4	4
4	<u>101979101</u>	SWITCH, LIMIT	1
5	<u>1014807</u>	SWITCH, LIMIT	1
6	<u>8058</u>	WASHER, LOCK, #4	2
7	<u>1013591</u>	PIN, ROLL, 1/8	1
8	<u>1014145</u>	BUSHING, BRONZE	2
9	<u>1014727</u>	WASHER, NYLON FLAT, #4	2
10	<u>1016342</u>	BASE, FORWARD/REVERSE SHIFTER	1
11	1014089	KIT, NEUTRAL LOCK-OUT CAM (INCLUDES ITEM 12)	1
12	<u>1014065</u>	WASHER, FLAT	1
13	<u>1013590</u>	SPRING, FORWARD/REVERSE CAM	1
14	<u>1013589</u>	RING, RETAINING	1
15	<u>8717</u>	NUT, NYLON LOCK, 1/4 - 28	1
16	1013587	WELDMENT, FORWARD/REVERSE BELL CRANK	1
17	<u>1010954</u>	STUD, BALL, 1/4 - 28 x 1/4	1
18	<u>101951501</u>	CABLE, TRANSMISSION (INCLUDES ITEMS 19 AND 20) (TOURALL ONLY)	1
18	<u>101672701</u>	CABLE, TRANSMISSION (INCLUDES ITEMS 19 AND 20) (RESORT VILLAGER AND TRANS-PORTER/TRANS-SENDER ONLY)	1
19	<u>7893</u>	NUT, HEX, #10 - 32	2
20	<u>1012333</u>	JOINT, BALL	2
21	<u>1013198</u>	SCREW, PHILLIPS OVAL COUNTERSUNK MACHINE, #8 - 32 x 5/8	1
22	<u>1012987</u>	HANDLE, FORWARD/REVERSE SWITCH	1
23	<u>8248</u>	SCREW, PHILLIPS TRUSS HEAD, 1/4 - 20 x 3/4	4
24	8233	NUT, NYLON LOCK, 1/4 - 20	5
25	<u>1016201</u>	WASHER, WAVE, 3/8	1
26	<u>8251</u>	SCREW, PHILLIPS HEAD, 1/4 - 20 x 1 (TOURALL ONLY)	1
27	<u>101855801</u>	RETAINER, CABLE (TOURALL ONLY)	1
28	<u>332</u>	WASHER, FLAT, 1/4 (TOURALL ONLY)	1
29	101922601	BRACKET, TRANSMISSION CABLE SUPPORT	1
30	<u>1012285</u>	SCREW, THREAD-ROLLING, 1/4 - 20 x 5/8	3
31	<u>7973</u>	RIVET, POP, 3/16 (RESORT VILLAGER AND TRANS-PORTER/TRANS-SENDER ONLY) ...	1
32	8455	CLAMP (RESORT VILLAGER AND TRANS-PORTER/TRANS-SENDER ONLY)	1



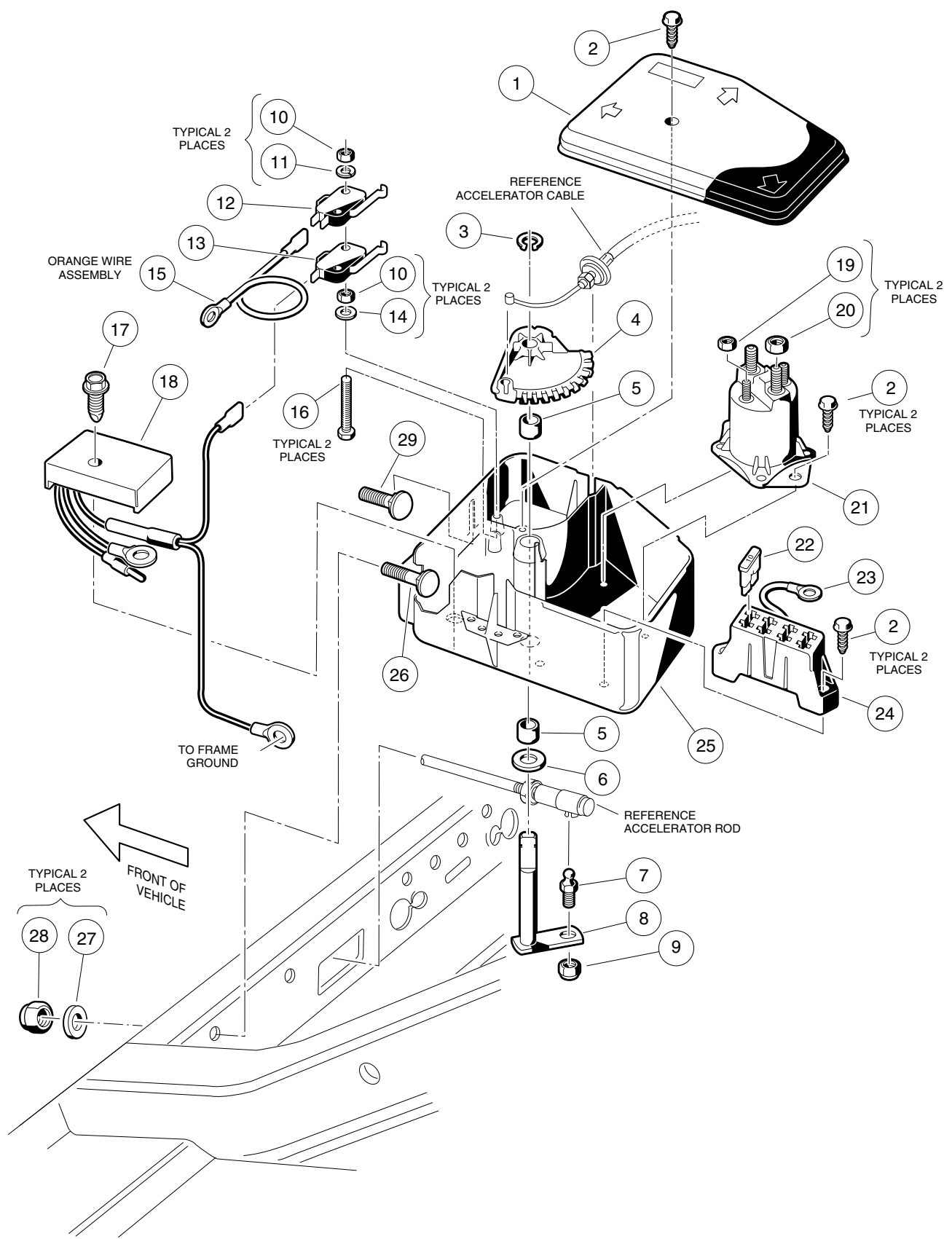


WIRING-GASOLINE TOURALL

6

G

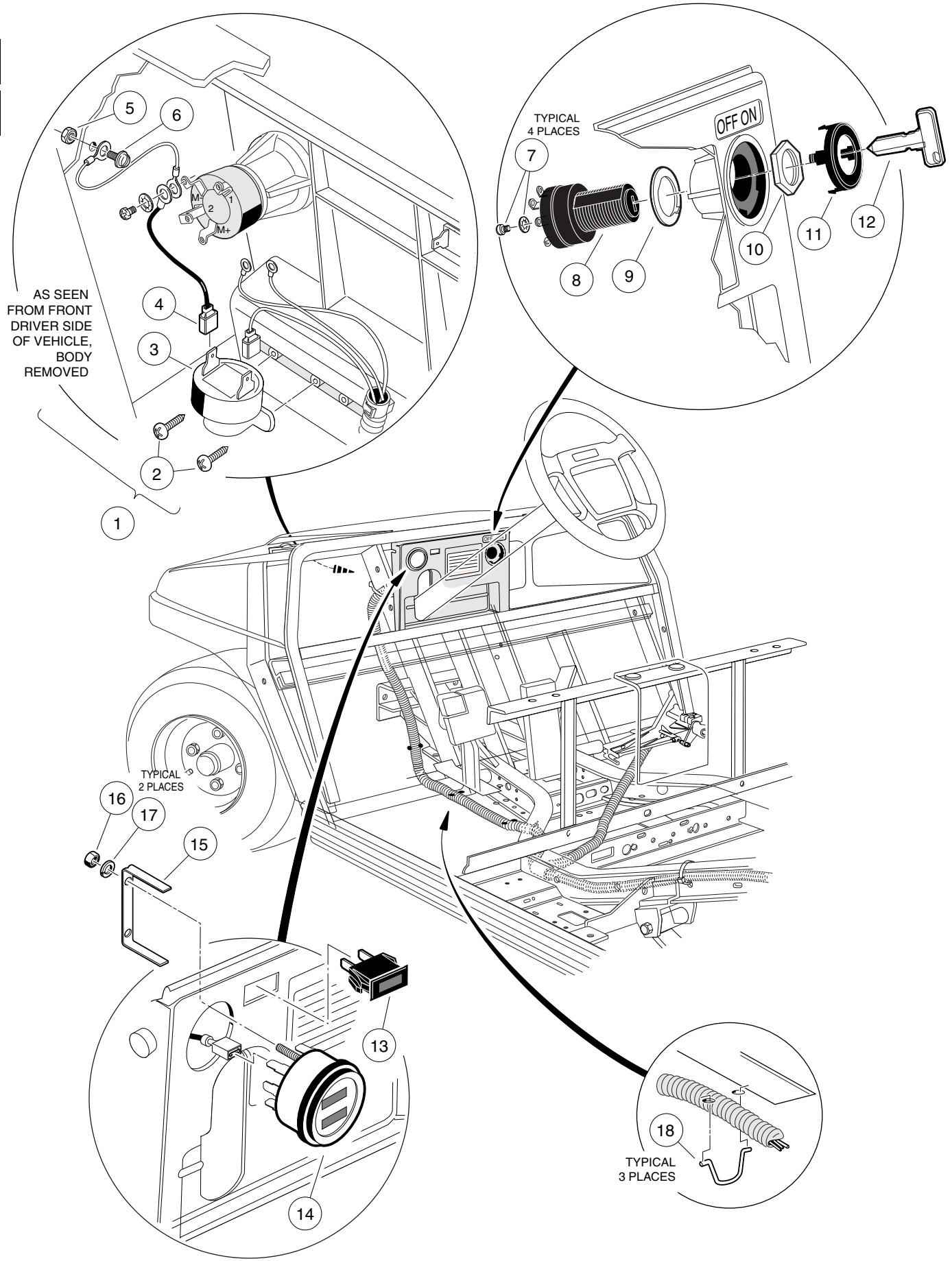
ITEM	PART NO.	DESCRIPTION	QTY
		1 2 3 4	
	<u>101987402</u>	WIRE HARNESS ASSEMBLY (INCLUDES ITEMS 1 - 14)	1
1	N/A	WIRE ASSEMBLY, #18 WHITE	1
2	N/A	WIRE ASSEMBLY, #18 BLACK	1
3	N/A	WIRE ASSEMBLY, #18 WHITE, #18 WHITE/BLACK, #18 WHITE/BLACK	1
4	N/A	WIRE ASSEMBLY, #18 YELLOW, #16 BLUE	1
5	N/A	WIRE ASSEMBLY, #18 BLUE	1
6	N/A	WIRE ASSEMBLY, #18 RED/WHITE	1
7	N/A	WIRE ASSEMBLY, #18 BLACK	1
8	N/A	WIRE ASSEMBLY, #18 GREEN	1
9	N/A	WIRE ASSEMBLY, #18 ORANGE	1
10	<u>1015769</u>	WIRE ASSEMBLY, #6 WHITE	1
11	N/A	WIRE ASSEMBLY, #18 YELLOW	1
12	N/A	WIRE ASSEMBLY, #16 YELLOW	1
13	N/A	WIRE ASSEMBLY, #16 RED, #16 ORANGE	1
14	N/A	WIRE ASSEMBLY, #18 YELLOW	1
15	N/A	WIRE ASSEMBLY, #18 BLACK	1
16	<u>1012382</u>	WIRE ASSEMBLY, #6 BLACK	1
17	N/A	WIRE ASSEMBLY, #18 ORANGE (PART OF ELECTRICAL COMPONENT BOX)	1
18	N/A	WIRE ASSEMBLY, #18 BLACK (PART OF REVERSE BUZZER KIT)	1
19	N/A	WIRE ASSEMBLY, #18 BLACK	1
20	<u>1015920</u>	WIRE ASSEMBLY, #6 BRAIDED GROUND	1
21	<u>1015737</u>	WIRE ASSEMBLY, #10 RED (PART OF ELECTRICAL COMPONENT BOX)	1
22	<u>1015332</u>	WIRE ASSEMBLY, #10 BRAIDED GROUND	1
23	<u>101837301</u>	WIRE ASSEMBLY, #6 GREEN	1
24	<u>1014119</u>	WIRE ASSEMBLY, #6 RED	1



ELECTRICAL COMPONENT BOX, GASOLINE VEHICLE— TOURALL

ITEM	PART NO.	DESCRIPTION	QTY
		1 2 3 4	
	101992601	BOX, ELECTRICAL COMPONENT, COMPLETE (INCLUDES ITEMS 1 - 25)	1
1	<u>1015372</u>	COVER, ELECTRICAL COMPONENT BOX	1
2	<u>1015752</u>	SCREW, HI-LO, #12 - 16 x 5/8	5
3	<u>1013589</u>	RING, RETAINING	1
4	<u>1015373</u>	CAM, ELECTRICAL BOX	1
5	<u>1014145</u>	BUSHING, BRONZE	2
6	<u>1014065</u>	WASHER, FLAT	1
7	<u>1010954</u>	STUD, BALL, 1/4 - 28	1
8	<u>101821301</u>	ASSEMBLY, BELL CRANK AND SHAFT	1
9	<u>8717</u>	NUT, NYLON LOCK, 1/4 - 28	1
10	<u>8057</u>	NUT, HEX, #4 - 40	4
11	<u>8058</u>	WASHER, LOCK, #4	2
12	<u>1014807</u>	SWITCH, LIMIT	1
13	<u>1014808</u>	SWITCH, LIMIT	1
14	<u>1012431</u>	WASHER, FLAT, #4	2
15	N/A	WIRE ASSEMBLY, #16 ORANGE	1
16	<u>1015878</u>	SCREW, HEX HEAD MACHINE, #4 - 40 x 1-5/8	2
17	<u>101856102</u>	SCREW, HEX WASHER HEAD HI-LO, 1/4 - 15 x 1-1/2	1
18	<u>1015777</u>	ASSEMBLY, VOLTAGE REGULATOR	1
19	<u>7893</u>	NUT, HEX, #10 - 32	2
20	<u>1242</u>	NUT, HEX, 5/16 - 18	2
21	<u>1013609</u>	SOLENOID, 12-VOLT	1
22	<u>1012295</u>	FUSE, 10-AMP	1
23	<u>1015737</u>	WIRE ASSEMBLY, #10 RED	1
24	<u>1015741</u>	BLOCK, FUSE	1
25	<u>1015371</u>	BOX, ELECTRICAL COMPONENT	1
26	<u>1015405</u>	SCREW, ROUND-HEAD SQUARE-NECK, 5/16 - 18 x 2	1
27	<u>1241</u>	WASHER, FLAT, 5/16	2
28	<u>7473</u>	NUT, NYLON LOCK, 5/16 - 18	2
29	<u>7818</u>	SCREW, ROUND-HEAD SQUARE-NECK, 5/16 - 18 x 1-1/2	1

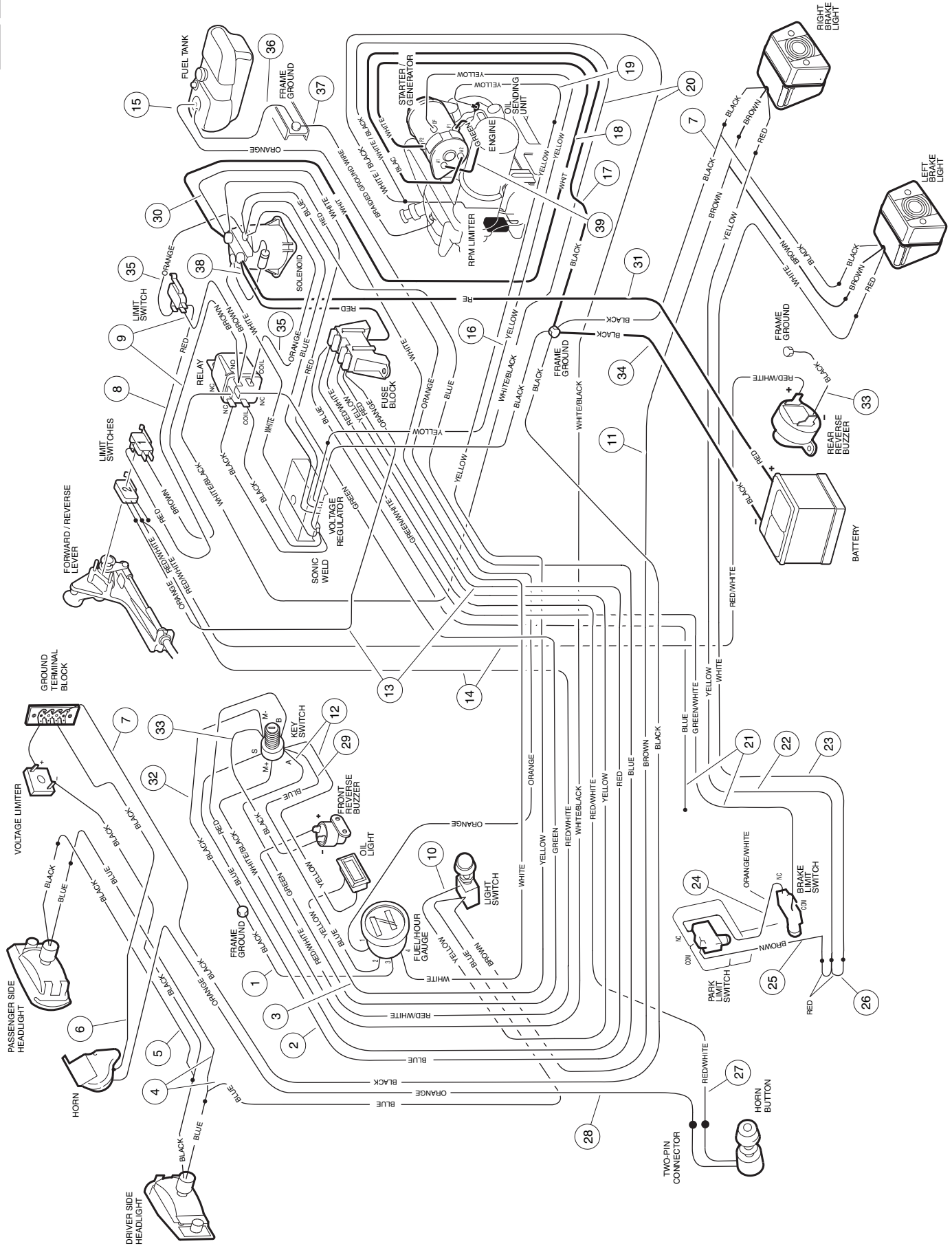




ELECTRICAL COMPONENTS, FRONT BODY- GASOLINE TOURALL

ITEM	PART NO.	DESCRIPTION	QTY
		1 2 3 4	
1	<u>1016859</u>	KIT, REVERSE BUZZER (INCLUDES ITEMS 2, 3 AND 4)	1
2	<u>1016849</u>	SCREW, PAN HEAD HILO, #4 - 24 x 5/16	2
3	<u>1016851</u>	BUZZER, REVERSE	1
4	N/A	WIRE ASSEMBLY, #18 BLACK	1
5	<u>1011229</u>	NUT, K-LOCK, #6 - 32	1
6	<u>1015720</u>	SCREW, HEX WASHER HEAD, # 6 - 32 x 1/2	1
7	101830601	ASSEMBLY, SCREW AND WASHER	4
8	<u>101826301</u>	SWITCH, KEY	1
9	<u>101851101</u>	WASHER, KEY SWITCH	1
10	<u>101830701</u>	NUT, KEY SWITCH	1
11	<u>101834502</u>	CAP, KEY SWITCH	1
12	<u>1012505</u>	KEY (PAIR)	1
13	<u>1016630</u>	LIGHT, OIL WARNING	1
14	<u>101990701</u>	GAUGE, FUEL/HOUR	1
15	102025901	BRACKET	1
16	<u>101991101</u>	NUT, M4 x .7	2
17	<u>1012986</u>	WASHER, LOCK, M4	2
18	<u>101900901</u>	RETAINER, HARNESS	3

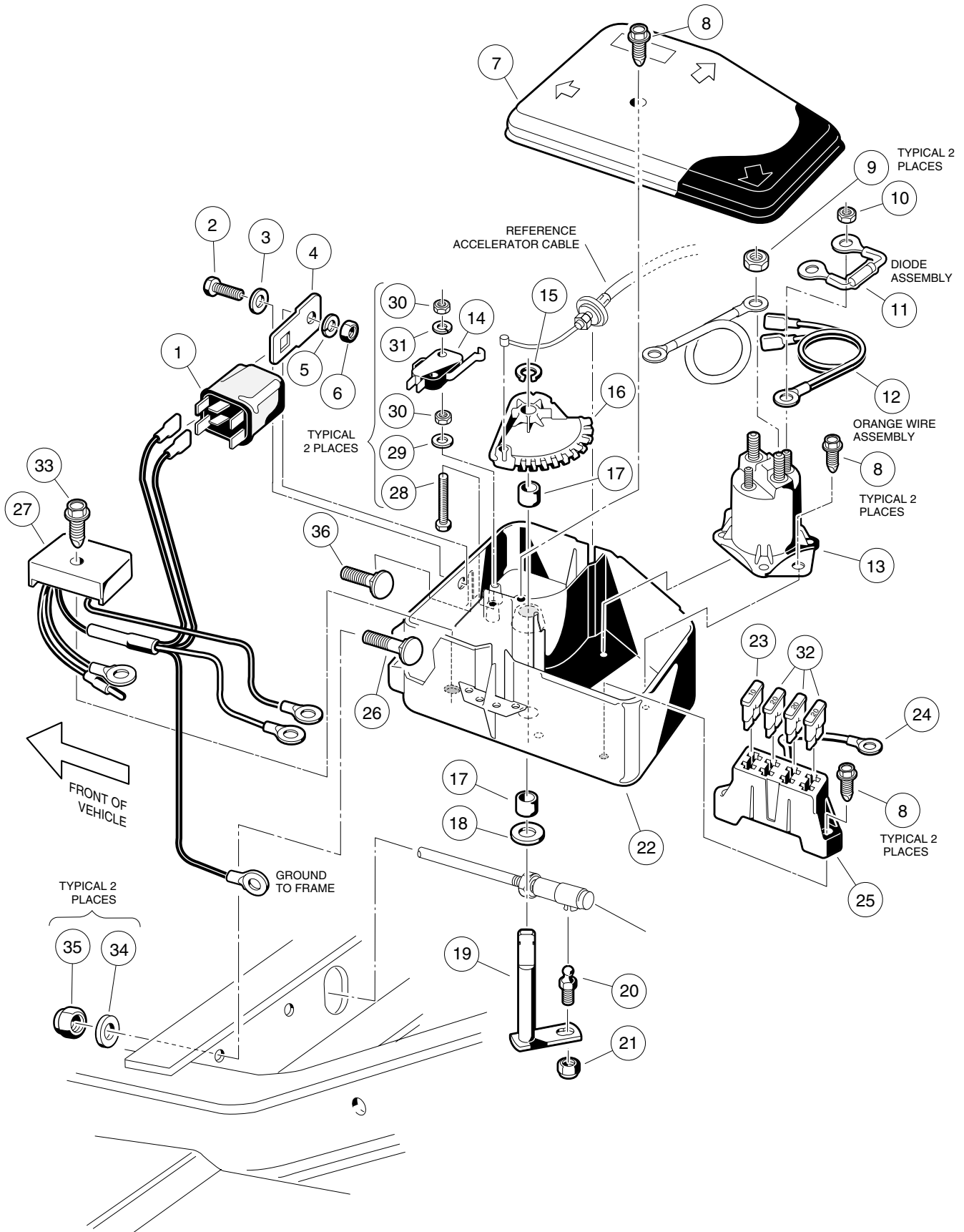
6
G



WIRING-GASOLINE RESORT VILLAGER, TRANS-PORTER/TRANS-SENDER

ITEM	PART NO.	DESCRIPTION	QTY
		1 2 3 4	
	<u>101990402</u>	HARNESS, WIRE (INCLUDES ITEMS 1 - 30)	1
1	N/A	WIRE ASSEMBLY, #18 BLACK	1
2	N/A	WIRE ASSEMBLY, #18 BLUE	1
3	N/A	WIRE ASSEMBLY, #18 YELLOW	1
4	N/A	WIRE ASSEMBLY, #18 BLUE	1
5	N/A	WIRE ASSEMBLY, #16 BLACK	1
6	N/A	WIRE ASSEMBLY, #16 BLACK	1
7	N/A	WIRE ASSEMBLY, #14 BLACK, #18 BLACK	1
8	N/A	WIRE ASSEMBLY, #18 RED	1
9	N/A	WIRE ASSEMBLY, #18 BROWN	1
10	N/A	WIRE ASSEMBLY, #14 YELLOW	1
11	N/A	WIRE ASSEMBLY, #18 BROWN	1
12	N/A	WIRE ASSEMBLY, #18 GREEN AND #18 YELLOW	1
13	N/A	WIRE ASSEMBLY, #16 RED AND #16 ORANGE	1
14	N/A	WIRE ASSEMBLY, #18 RED/WHITE	1
15	N/A	WIRE ASSEMBLY, #18 ORANGE	1
16	N/A	WIRE ASSEMBLY, #16 YELLOW	1
17	<u>1016380</u>	WIRE ASSEMBLY, # 6 BLACK	1
18	<u>1015769</u>	WIRE ASSEMBLY, # 6 WHITE	1
19	N/A	WIRE ASSEMBLY, #18 YELLOW	1
20	N/A	WIRE ASSEMBLY, #18 WHITE/BLACK	1
21	N/A	WIRE ASSEMBLY, #18 GREEN/WHITE AND #18 BLUE	1
22	N/A	WIRE ASSEMBLY, #18 YELLOW	1
23	N/A	WIRE ASSEMBLY, #18 WHITE	1
24	N/A	WIRE ASSEMBLY, #16 ORANGE/WHITE	1
25	N/A	WIRE ASSEMBLY, #16 BROWN	1
26	N/A	WIRE ASSEMBLY, #18 RED	1
27	N/A	WIRE ASSEMBLY, #16 RED/WHITE	1
28	N/A	WIRE ASSEMBLY, #16 ORANGE	1
29	N/A	WIRE ASSEMBLY, #18 BLUE	1
30	N/A	WIRE ASSEMBLY, #18 WHITE	1
31	<u>1014119</u>	WIRE ASSEMBLY, #6 RED	1
32	N/A	WIRE ASSEMBLY, #18 BLACK	1
33	N/A	WIRE ASSEMBLY, #18 BLACK (PART OF REVERSE BUZZER KIT)	2
34	<u>1012382</u>	WIRE ASSEMBLY, #6 BLACK	1
35	N/A	WIRE ASSEMBLY, #18 ORANGE (PART OF ELECTRICAL COMPONENT BOX)	1
36	N/A	WIRE ASSEMBLY, #18 BLACK	1
37	<u>1015332</u>	WIRE ASSEMBLY, #10 BRAIDED GROUND WIRE	1
38	<u>1015737</u>	WIRE ASSEMBLY, #10 RED (PART OF ELECTRICAL COMPONENT BOX)	1
39	<u>101837301</u>	WIRE ASSEMBLY, #6 GREEN	1

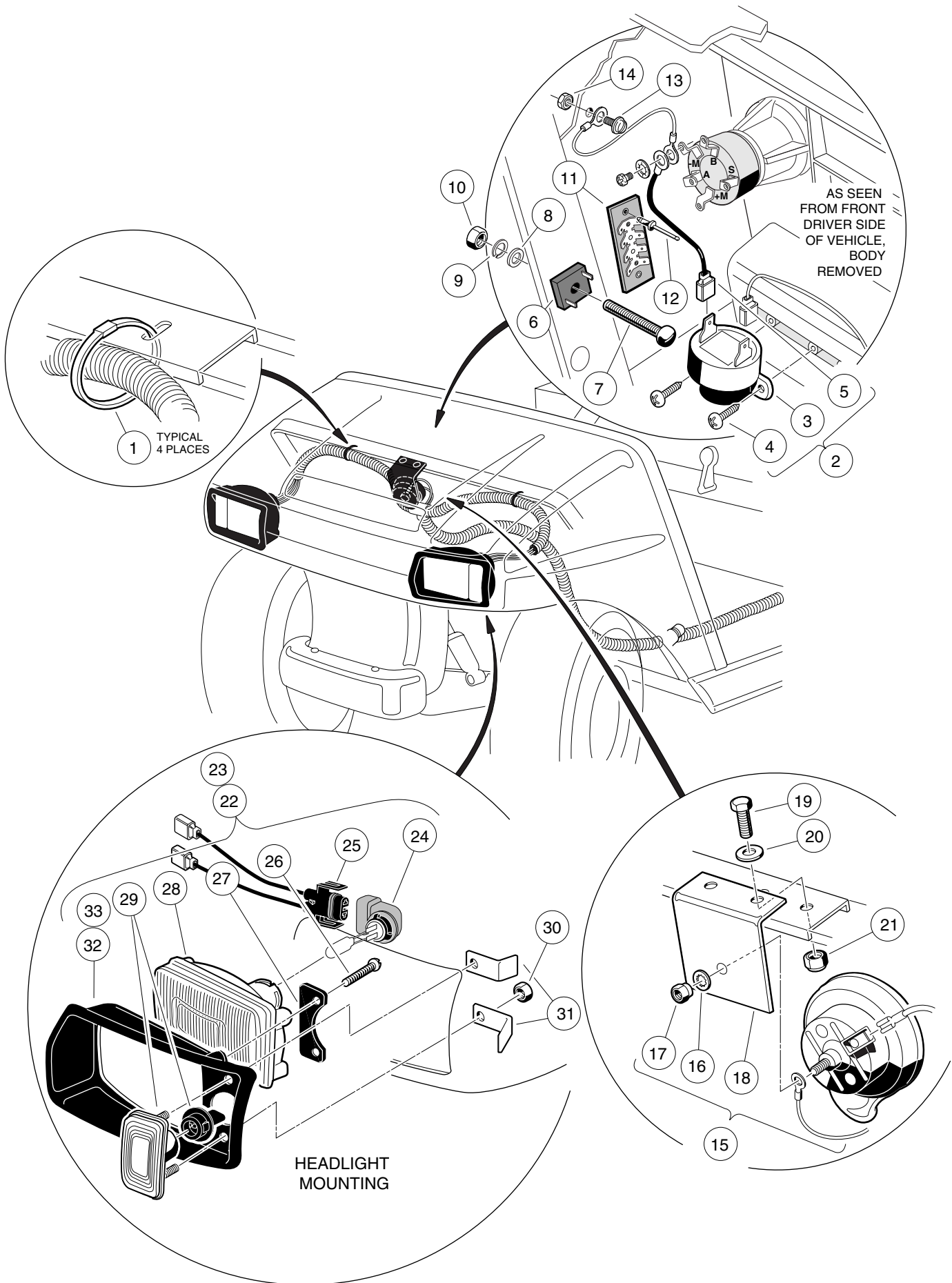




ELECTRICAL COMPONENT BOX, GASOLINE VEHICLE- RESORT VILLAGER, TRANS-PORTER/TRANS-SENDER

ITEM	PART NO.	DESCRIPTION	QTY
		1 2 3 4	
	<u>101992701</u>	BOX, ELECTRICAL COMPONENT, COMPLETE (INCLUDES ITEMS 1 - 31)	1
1	<u>1017239</u>	RELAY	1
2	<u>8450</u>	SCREW, HEX HEAD MACHINE, #10 - 24 x 1/2	1
3	<u>183</u>	WASHER, FLAT, #10	1
4	<u>1017243</u>	BRACKET, RELAY MOUNTING	1
5	<u>1016</u>	WASHER, LOCK, #10	1
6	<u>1017</u>	NUT, HEX, #10 - 24	1
7	<u>1015372</u>	COVER, ELECTRICAL COMPONENT BOX	1
8	<u>1015752</u>	SCREW, HI-LO, #12 - 16 x 5/8	5
9	<u>1242</u>	NUT, HEX, 5/16 - 18	2
10	<u>7893</u>	NUT, HEX, #10 - 32	2
11	1014948	ASSEMBLY, DIODE	1
12	N/A	WIRE ASSEMBLY, #18 ORANGE	1
13	<u>1013609</u>	SOLENOID	1
14	<u>1014807</u>	SWITCH, LIMIT	1
15	<u>1013589</u>	RING, RETAINING	1
16	<u>1015373</u>	CAM, ELECTRICAL BOX	1
17	<u>1014145</u>	BUSHING, BRONZE	2
18	<u>1014065</u>	WASHER, FLAT	1
19	1015345	ASSEMBLY, BELL CRANK AND SHAFT	1
20	<u>1010954</u>	STUD, BALL, 1/4 - 28	1
21	<u>8717</u>	NUT, NYLON LOCK, 1/4 - 28	1
22	<u>1016997</u>	BOX, ELECTRICAL COMPONENT	1
23	<u>1012295</u>	FUSE, 10-AMP	1
24	<u>1015737</u>	WIRE ASSEMBLY, #10 RED	1
25	<u>1015741</u>	BLOCK, FUSE	1
26	<u>1015405</u>	SCREW, ROUND-HEAD SQUARE-NECK, 5/16 - 18 x 2	1
27	<u>1017238</u>	REGULATOR, VOLTAGE	1
28	<u>1015878</u>	SCREW, HEX HEAD MACHINE, #4 - 40 x 1-5/8	2
29	1012431	WASHER, FLAT, #4	2
30	<u>8057</u>	NUT, HEX, #4 - 40	4
31	<u>8058</u>	WASHER, LOCK, #4	2
32	<u>1016423</u>	FUSE, 20-AMP	3
33	<u>101856102</u>	SCREW, HEX WASHER HEAD HI-LO, 1/4 - 15 x 1-1/2	1
34	<u>1241</u>	WASHER, FLAT, 5/16	2
35	<u>7473</u>	NUT, NYLON LOCK, 5/16 - 18	2
36	<u>7818</u>	SCREW, ROUND-HEAD SQUARE-NECK, 5/16 - 18 x 1-1/2	1





ELECTRICAL COMPONENTS, FRONT BODY-GASOLINE RESORT VILLAGER, TRANS-PORTER/TRANS-SENDER

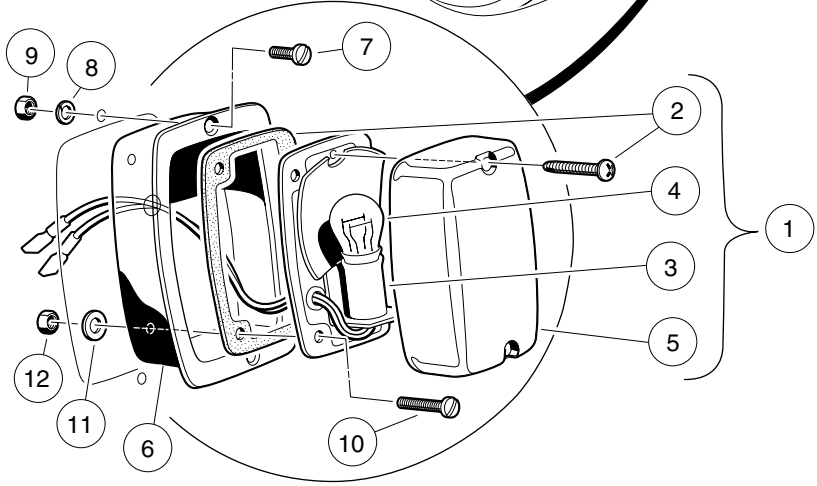
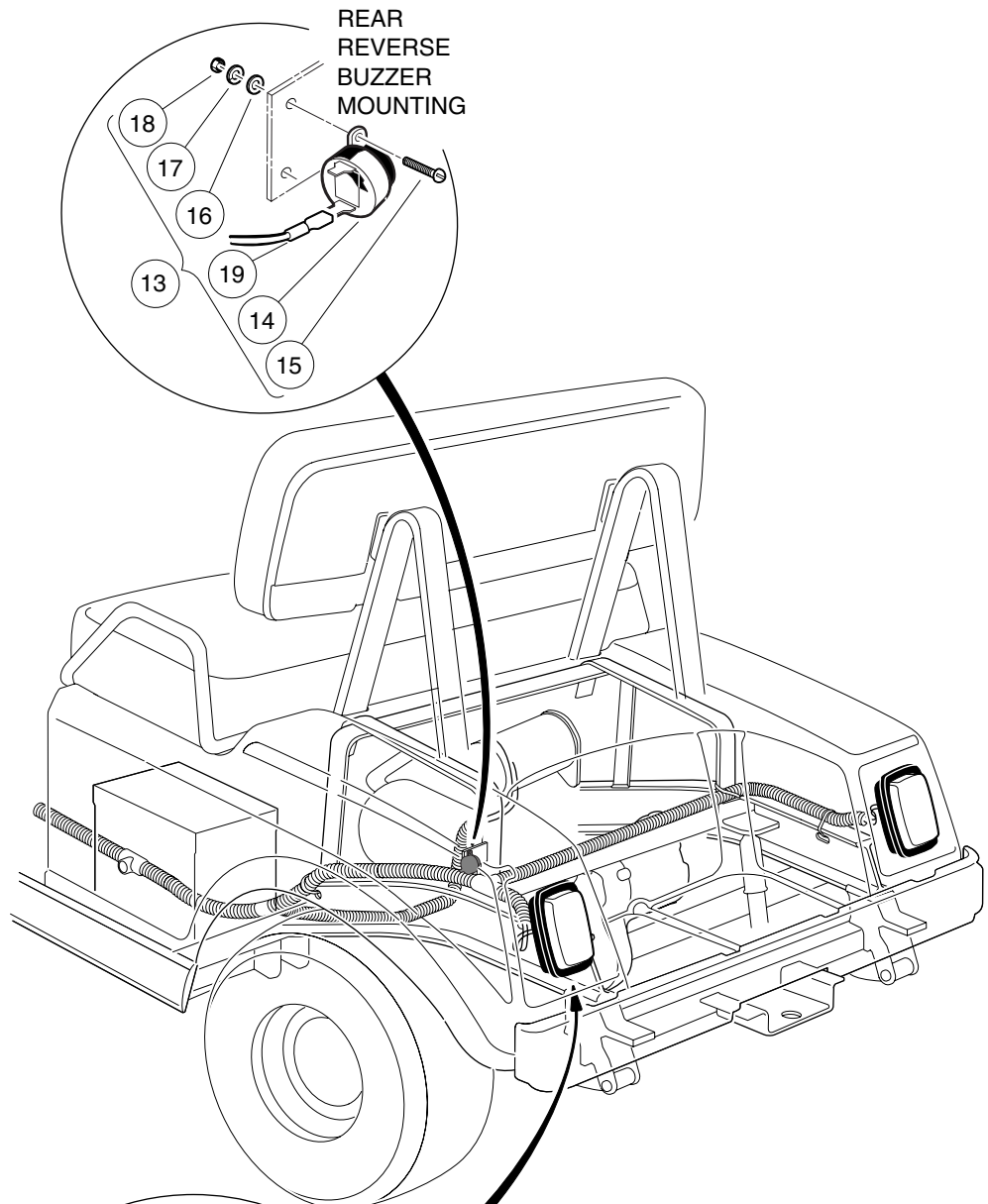
ITEM	PART NO.	DESCRIPTION	QTY
		1 2 3 4	
1	<u>8639</u>	TIE, WIRE	4
2	<u>1016859</u>	KIT, REVERSE BUZZER (INCLUDES ITEMS 3, 4 AND 5)	1
3	<u>1016851</u>	BUZZER, REVERSE	1
4	<u>1016849</u>	SCREW, PAN HEAD HILO, #4 - 24 x 5/16	2
5	N/A	WIRE ASSEMBLY, #18 BLACK	1
6	<u>1017721</u>	LIMITER, VOLTAGE (FOR GASOLINE VEHICLE LIGHTING INSTALLATION)	1
7	<u>1010909</u>	SCREW, MACHINE, #10 - 32 x 1-1/4	1
8	<u>183</u>	WASHER, FLAT, #10	1
9	<u>1016</u>	WASHER, LOCK, #10	1
10	<u>7893</u>	NUT, HEX, #10 - 32	1
11	<u>1016356</u>	BLOCK, TERMINAL	1
12	<u>1013357</u>	RIVET, ALUMINUM POP, 5/32	2
13	<u>1015720</u>	SCREW, HEX WASHER HEAD, #6 - 32 x 1/2	1
14	<u>1011229</u>	NUT, K-LOCK, #6 - 32	1
15	<u>4029</u>	ASSEMBLY, HORN (INCLUDES ITEMS 16, 17 AND 18)	1
16	<u>7820</u>	WASHER, INTERNAL TOOTH, 5/16	1
17	<u>101955101</u>	NUT, M6 x 1.25	1
18	<u>1011825</u>	BRACKET, HORN	1
19	304	SCREW, HEX HEAD CAP, 1/4 - 20 x 1	2
20	<u>332</u>	WASHER, FLAT, 1/4	2
21	<u>8233</u>	NUT, NYLON LOCK, 1/4 - 20	2
22	<u>101988001</u>	ASSEMBLY, HEADLIGHT, DRIVER SIDE (INCLUDES ITEMS 24 - 32)	1
23	<u>101988002</u>	ASSEMBLY, HEADLIGHT, PASSENGER SIDE (INCLUDES ITEMS 24 - 31 AND 33)	1
24	<u>101988101</u>	BULB, HALOGEN	1
25	<u>101987901</u>	HARNES, HEADLIGHT WIRE	1
26	<u>1013461</u>	SCREW, HI-LO, #10 - 16 x 7/16	2
27	<u>1017065</u>	RETAINER, HEADLIGHT	1
28	<u>101988201</u>	LENS, HEADLIGHT	1
29	<u>1017062</u>	ASSEMBLY, TURN SIGNAL LENS	1
30	<u>7893</u>	NUT, HEX, #10 - 32	2
31	<u>1017064</u>	BRACKET, MOUNTING	2
32	<u>1016880</u>	BEZEL, HEADLIGHT, DRIVER SIDE	1
33	<u>1016879</u>	BEZEL, HEADLIGHT, PASSENGER SIDE	1



CONTROLS AND GAUGES—GASOLINE RESORT VILLAGER, TRANS-PORTER/TRANS-SENDER

ITEM	PART NO.	DESCRIPTION	QTY
		1 2 3 4	
1	<u>1016630</u>	LIGHT, OIL WARNING	1
2	<u>101990701</u>	GAUGE, FUEL/HOUR	1
3	102025901	BRACKET	1
4	<u>101991101</u>	NUT, M4 X .7	2
5	<u>1012986</u>	WASHER, LOCK, M4	2
6	<u>101969701</u>	BUTTON, HORN	1
7	101830601	ASSEMBLY, SCREW AND WASHER	5
8	101826401	SWITCH, KEY	1
9	<u>101851101</u>	WASHER, KEY SWITCH	1
10	<u>101830701</u>	NUT, KEY SWITCH	1
11	<u>101834502</u>	CAP, KEY SWITCH	1
12	<u>1012505</u>	KEY (PAIR)	1
13	<u>4034</u>	SWITCH, LIGHT (INCLUDES ITEM 14)	1
14	<u>1013857</u>	KNOB, LIGHT SWITCH	1
15	<u>1011439</u>	SWITCH, LIMIT	2
16	<u>1011557</u>	SCREW, HEX HEAD MACHINE, #6 - 32 x 1	4
17	<u>101932201</u>	NUT, NYLON LOCK, #6 - 32	4
18	<u>101957101</u>	BRACKET, BRAKE LIGHT SWITCH	1
19	<u>1011280</u>	NUT, LOCK, 5/16 - 18	1

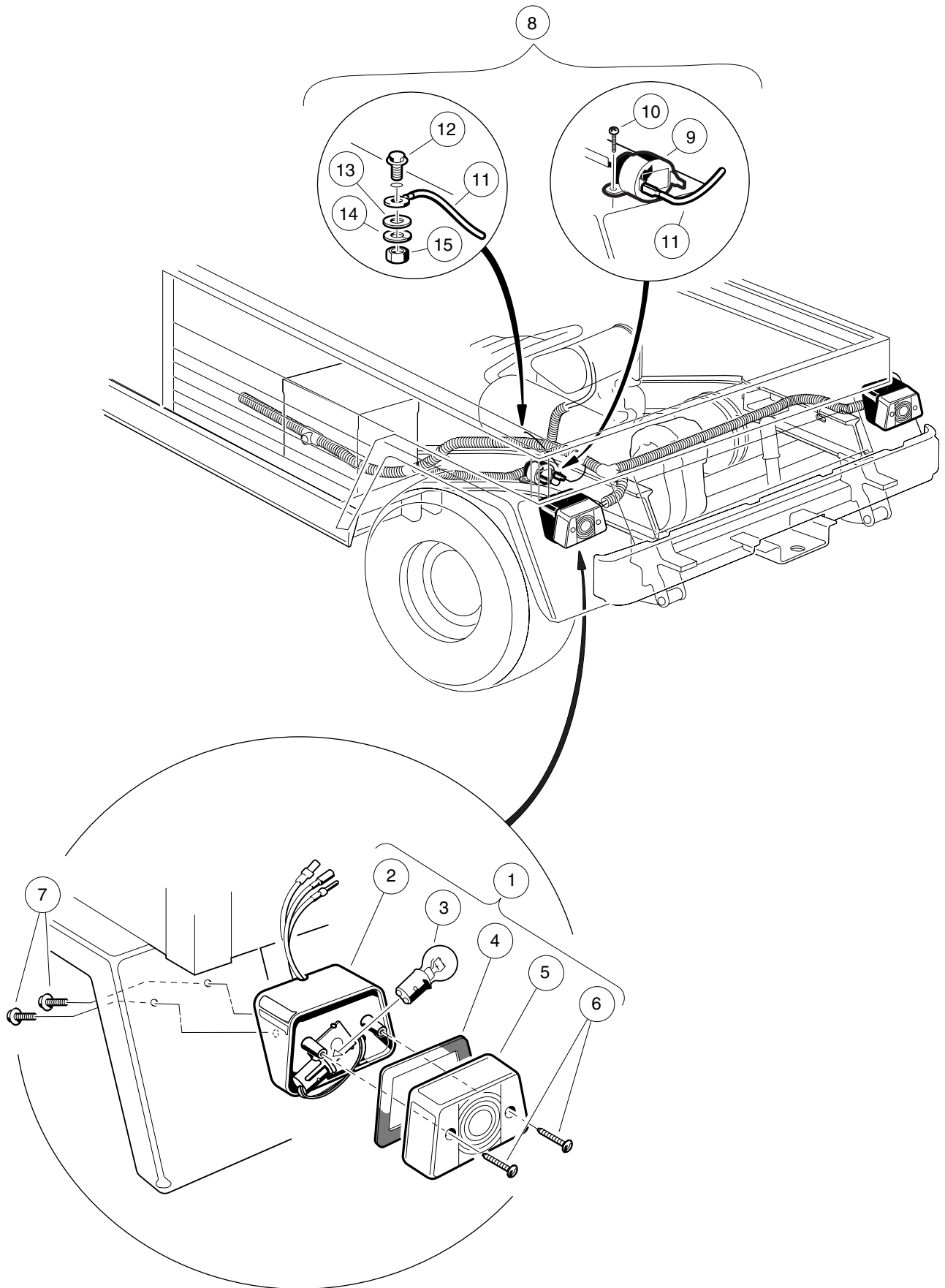
6
G



ELECTRICAL COMPONENTS, REAR BODY-GASOLINE RESORT VILLAGER

6
G

ITEM	PART NO.	DESCRIPTION	QTY
		1 2 3 4	
1	1017035	ASSEMBLY, TAILLIGHT (INCLUDES ITEMS 2 - 5)	2
2	<u>1017699</u>	KIT, HARDWARE	1
3	N/A	BASE, TAILLIGHT	1
4	<u>1011582</u>	BULB	1
5	<u>1011843</u>	LENS	1
6	<u>1011497</u>	BEZEL, TAILLIGHT	2
7	<u>1011498</u>	SCREW, MACHINE, #8 - 32 x 1/2	4
8	<u>1011610</u>	WASHER, LOCK, #8	4
9	<u>1011571</u>	NUT, HEX, #8 - 32	4
10	<u>1011557</u>	SCREW, MACHINE, #6 - 32 x 1	4
11	<u>7591</u>	WASHER, FLAT, #6	4
12	<u>1011558</u>	NUT, HEX, #6	6
13	<u>1016859</u>	KIT, REVERSE BUZZER (INCLUDES ITEMS 14 - 19)	1
14	<u>1016851</u>	BUZZER, REVERSE	1
15	<u>8056</u>	SCREW, ROUND HEAD, #4 - 40 x 3/4	2
16	1012431	WASHER, FLAT, #4	2
17	<u>8058</u>	WASHER, LOCK, #4	2
18	<u>8057</u>	NUT, HEX, #4-40	2
19	N/A	WIRE ASSEMBLY, #18 BLACK	1

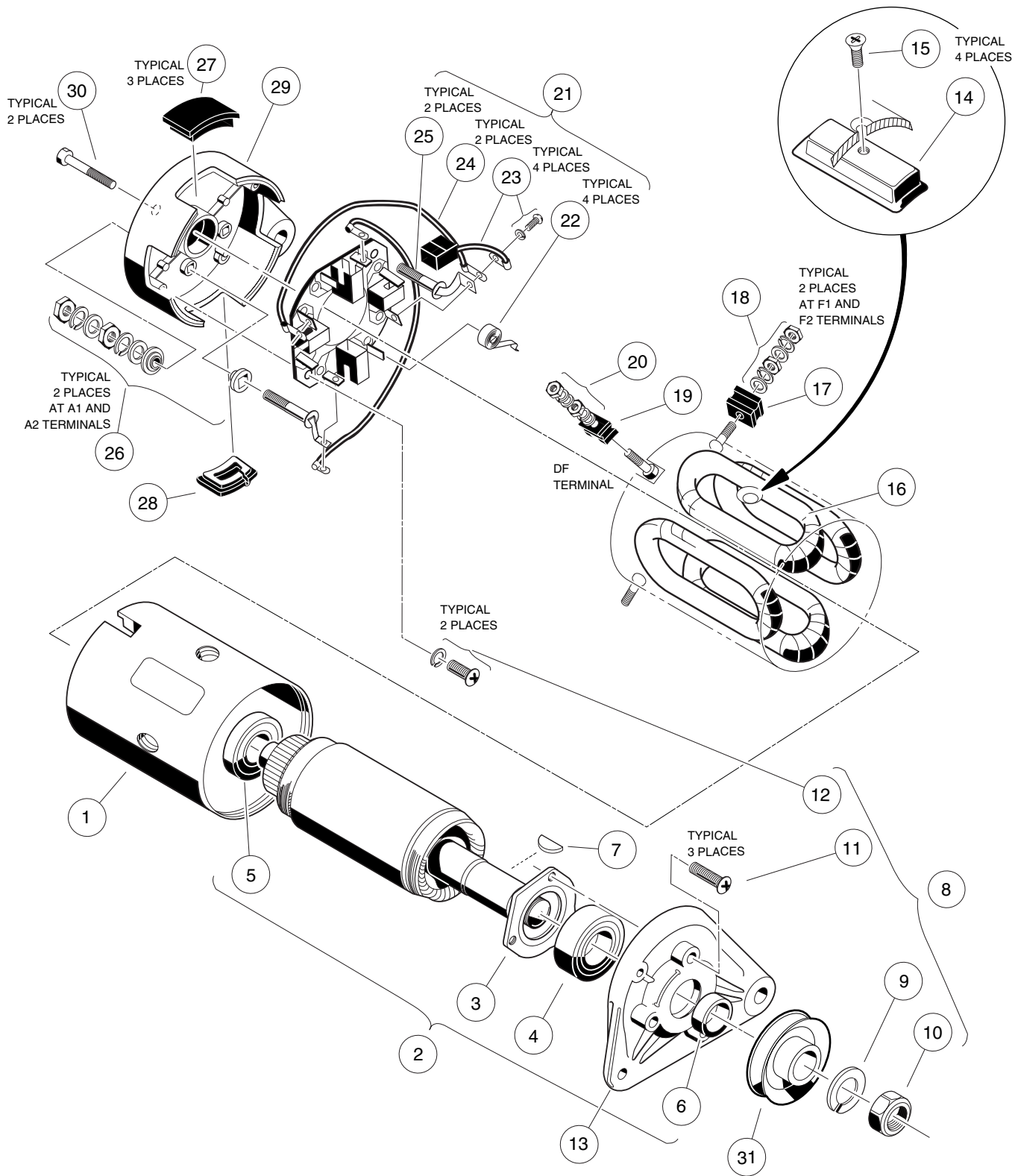


ELECTRICAL COMPONENTS, REAR BODY-GASOLINE TRANS-PORTER/ TRANS-SENDER

6
G

ITEM	PART NO.	DESCRIPTION	QTY
		1 2 3 4	
1	<u>1016717</u>	ASSEMBLY, TAILLIGHT (INCLUDES ITEMS 2 - 6)	2
2	N/A	HOUSING, TAILLIGHT	1
3	<u>1011582</u>	BULB	1
4	N/A	GASKET	1
5	N/A	LENS	1
6	N/A	SCREW, LENS	2
7	<u>1015752</u>	SCREW, HEX WASHER HEAD, #12 - 16 x 1/2	4
8	<u>1016859</u>	KIT, REVERSE BUZZER (INCLUDES ITEMS 9 - 15)	1
9	<u>1016851</u>	BUZZER, REVERSE	1
10	<u>1016849</u>	SCREW, PAN HEAD HILO, #4 - 24 x 5/16	2
11	N/A	WIRE ASSEMBLY, #18 BLACK	1
12	<u>1015720</u>	SCREW, HEX WASHER HEAD, #6 - 32 x 1/2	1
13	<u>7591</u>	WASHER, FLAT	1
14	<u>1011622</u>	WASHER, LOCK, #6	1
15	<u>1011558</u>	NUT, HEX, #6 - 32	1

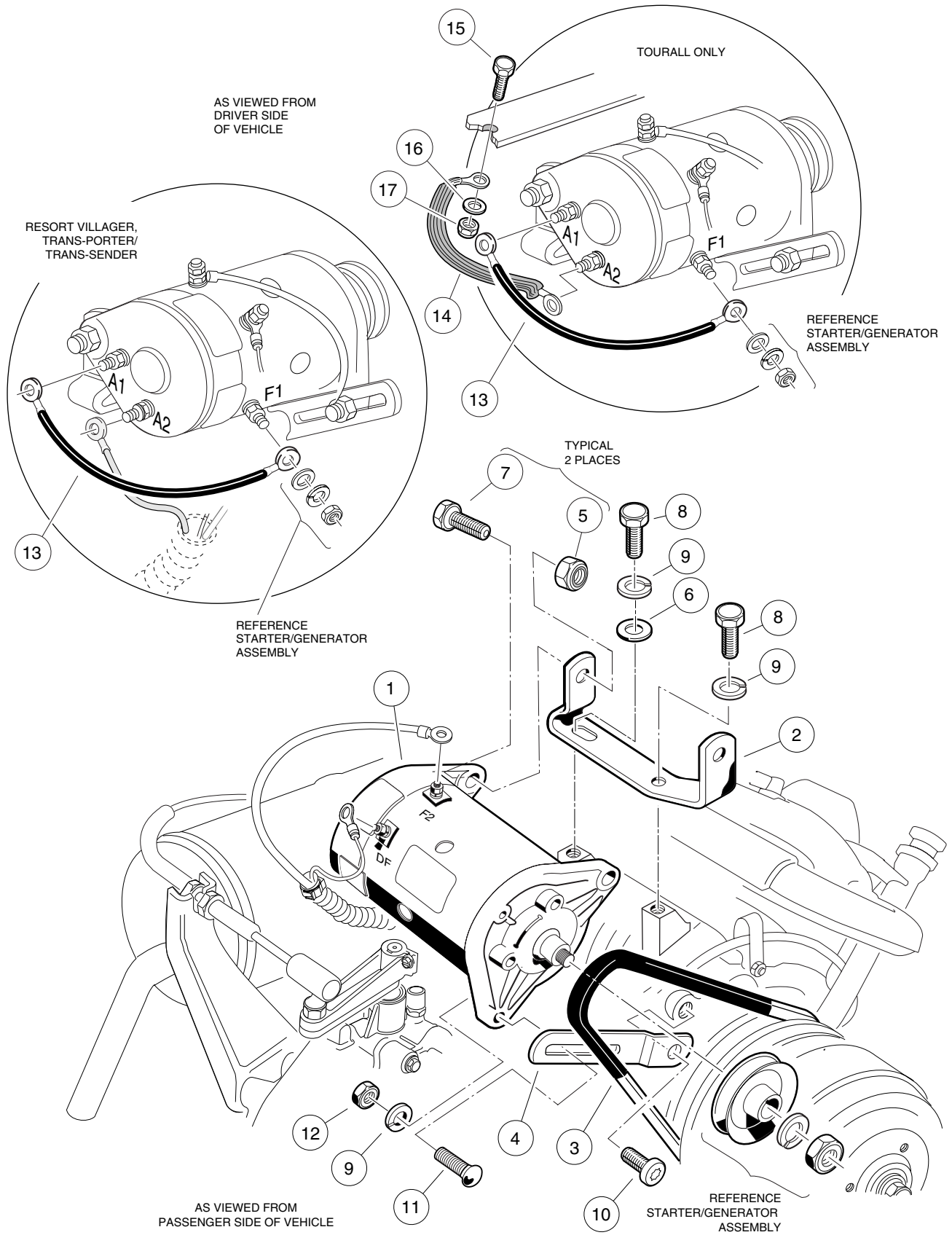
6
G



STARTER/GENERATOR ASSEMBLY

6
G

ITEM	PART NO.	DESCRIPTION	QTY
		1 2 3 4	
	<u>101833701</u>	STARTER/GENERATOR (CLOCKWISE ROTATION) (INCLUDES ITEMS 1 - 30)	1
1	<u>101875201</u>	HOUSING, FIELD COIL	1
2	<u>101875101</u>	ASSEMBLY, ARMATURE (INCLUDES ITEMS 3 - 6)	1
3	<u>101875001</u>	RETAINER, BEARING	1
4	<u>1013001</u>	BALL BEARING (OUTPUT SHAFT END)	1
5	<u>1013005</u>	BALL BEARING (COMMUTATOR END)	1
6	<u>101939901</u>	SPACER, 5/16	1
7	<u>1013003</u>	KEY, WOODRUFF	1
8	<u>101876501</u>	KIT, PULLEY NUT AND SCREW (INCLUDES ITEMS 9 - 12)	1
9	N/A	WASHER, LOCK, M14	1
10	N/A	NUT, HEX, M14 x 2	1
11	N/A	SCREW, CROSS - RECESSED, M5 x .8 x 18MM	3
12	<u>101896501</u>	SCREW, CROSS - RECESSED, M5 x .8 x 16MM (WITH LOCK WASHER)	2
13	<u>101874901</u>	END BELL (OUTPUT SHAFT END)	1
14	<u>101875301</u>	SET, POLE (SET OF 4)	1
15	<u>101875401</u>	SCREW, POLE PIECE (SET OF 4)	1
16	<u>101875501</u>	ASSEMBLY, FIELD COIL	1
17	<u>101875601</u>	INSULATOR, F TERMINAL	2
18	<u>101877601</u>	PACKAGE, TERMINAL HARDWARE (F1 AND F2)	2
19	<u>101875701</u>	INSULATOR, DF TERMINAL	1
20	<u>101877701</u>	PACKAGE, TERMINAL HARDWARE (DF)	1
21	<u>101301102</u>	HOLDER, BRUSH (INCLUDES ITEMS 22 - 25)	1
22	<u>101878101</u>	SPRING, BRUSH	4
23	<u>101869302</u>	PACKAGE, BRUSH (INCLUDES 4 BRUSHES, 4 SCREWS, 4 WASHERS)	1
24	<u>101876202</u>	ASSEMBLY, BRUSH CONNECTOR	2
25	<u>101875802</u>	A CONNECTOR (SET OF 2)	1
26	<u>101876001</u>	PACKAGE, TERMINAL HARDWARE (A1 AND A2)	2
27	<u>101876301</u>	COVER, BRUSH INSPECTION PORT (SET OF 4) (INCLUDES ITEM 28)	1
28	<u>1017653</u>	COVER, BRUSH INSPECTION PORT, WITH DRAIN	1
29	<u>101876402</u>	END BELL (COMMUTATOR END)	1
30	<u>101879001</u>	BOLT, CLAMP, M6 x 1 x 180MM	2
31	<u>1014289</u>	PULLEY	1

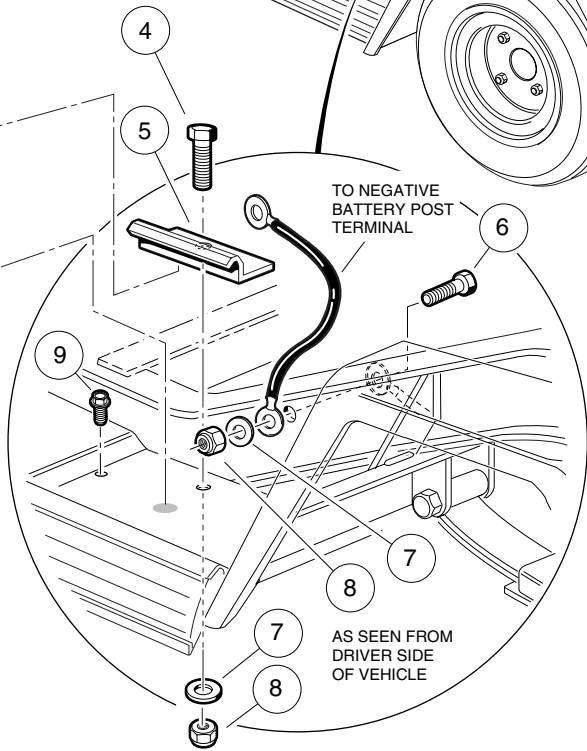
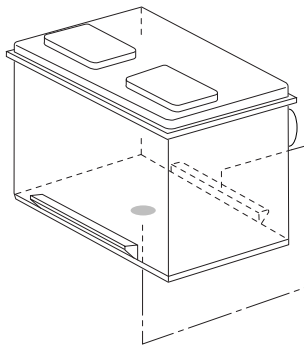
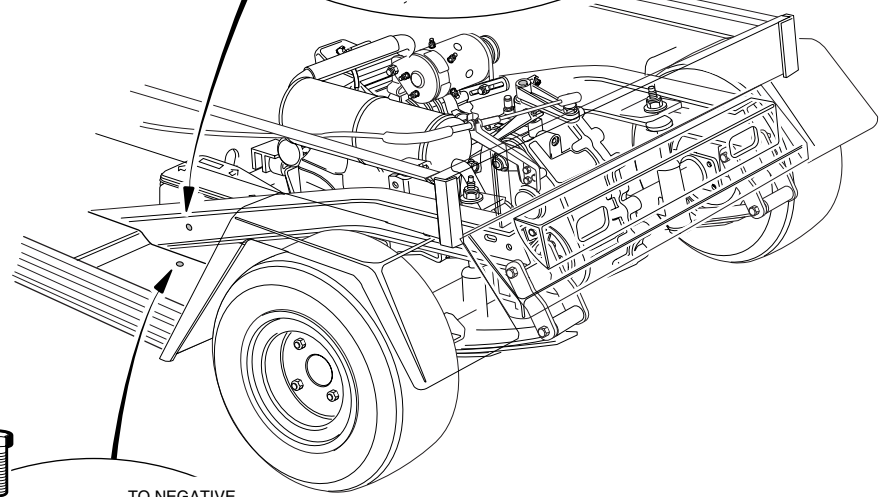
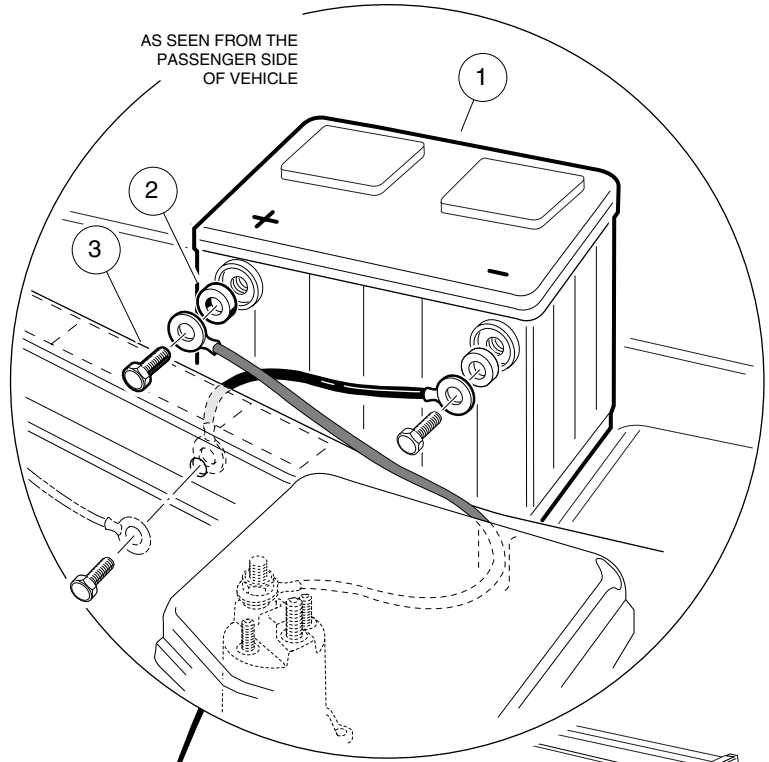


STARTER/GENERATOR MOUNTING

ITEM	PART NO.	DESCRIPTION	QTY
		1 2 3 4	
1	<u>101833701</u>	STARTER/GENERATOR	1
2	<u>101524001</u>	BRACKET, MOUNTING, FE 290 (TOURALL ONLY)	1
2	<u>101524002</u>	BRACKET, MOUNTING, FE 350 (RESORT VILLAGER AND TRANS-PORTER/TRANS-SENDER ONLY)	1
3	<u>101916701</u>	BELT, STARTER/GENERATOR	1
4	<u>1016883</u>	BRACKET, ADJUSTING	1
5	<u>8754</u>	NUT, NYLON LOCK, 3/8 - 16	2
6	1015075	WASHER, FLAT, 5/16	1
7	705	SCREW, HEX HEAD CAP, 3/8 - 16 x 1-1/4	2
8	<u>1012830</u>	SCREW, HEX HEAD CAP, M8 x 1.25 x 22MM	2
9	<u>7174</u>	WASHER, LOCK, 5/16	3
10	<u>1016074</u>	SCREW, TORX HEAD, M8 x 1.25 x 18MM	1
11	<u>1015932</u>	SCREW, ROUND-HEAD SQUARE-NECK, 5/16 - 18 x 1	1
12	<u>1242</u>	NUT, HEX, 5/16 - 18	1
13	<u>101837301</u>	WIRE ASSEMBLY, #6 GREEN	1
14	<u>1015920</u>	WIRE ASSEMBLY, #6 BRAIDED GROUND (TOURALL ONLY)	1
15	<u>7173</u>	SCREW, HEX HEAD CAP, 5/16 - 18 x 3/4 (TOURALL ONLY)	1
16	<u>7473</u>	NUT, NYLON LOCK, 5/16 - 18 (TOURALL ONLY)	1
17	<u>1241</u>	WASHER, FLAT, 5/16 (TOURALL ONLY)	1



AS SEEN FROM THE PASSENGER SIDE OF VEHICLE



TO NEGATIVE BATTERY POST TERMINAL

AS SEEN FROM DRIVER SIDE OF VEHICLE

BATTERY-GASOLINE VEHICLE

ITEM	PART NO.	DESCRIPTION	QTY
		1 2 3 4	
1	<u>1012328</u>	BATTERY, 12-VOLT	1
2	<u>1014374</u>	SPACER, BATTERY TERMINAL BOLT	2
3	<u>1014375</u>	SCREW, HEX HEAD CAP, STAINLESS STEEL, 3/8 - 16 x 1/2	2
4	<u>1010934</u>	SCREW, HEX HEAD CAP, 5/16 - 18 x 1	1
5	<u>101898001</u>	CLAMP, BATTERY	1
6	<u>7173</u>	SCREW, HEX HEAD CAP, 5/16 - 18 x 3/4	1
7	<u>241</u>	WASHER, FLAT, 5/16	2
8	<u>7473</u>	NUT, NYLON LOCK, 5/16 - 18	2
9	<u>1014288</u>	SCREW, THREAD-FORMING, 5/16 - 16 x 3/4	1

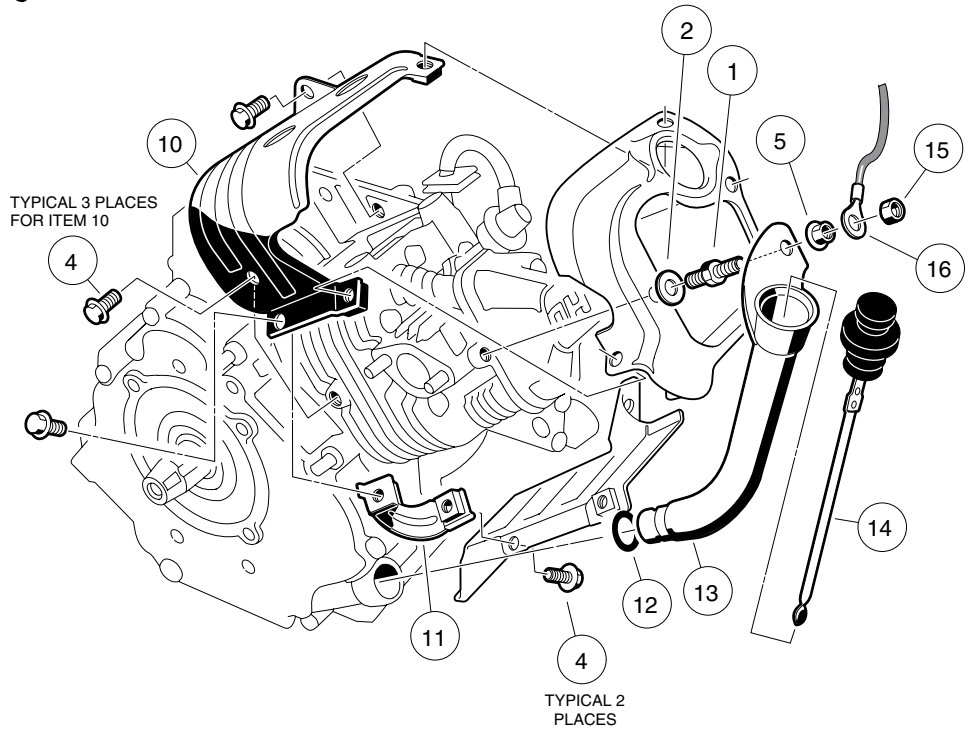
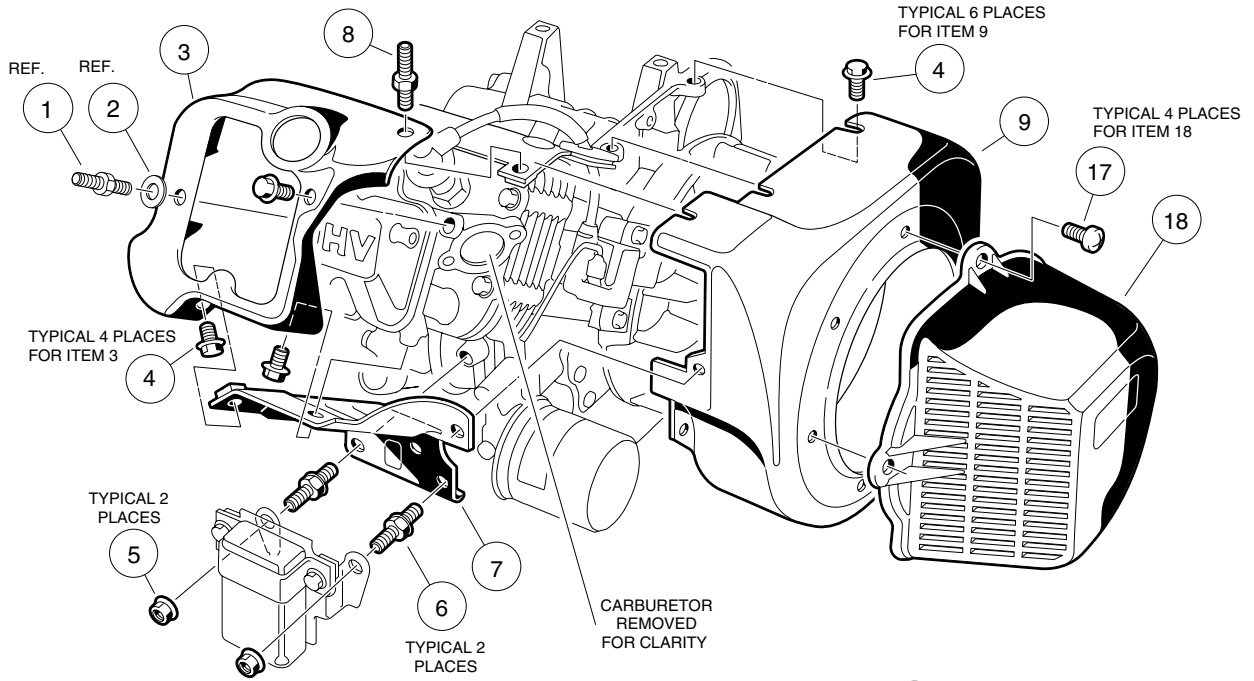


ENGINE

7

G

FE290 ENGINE



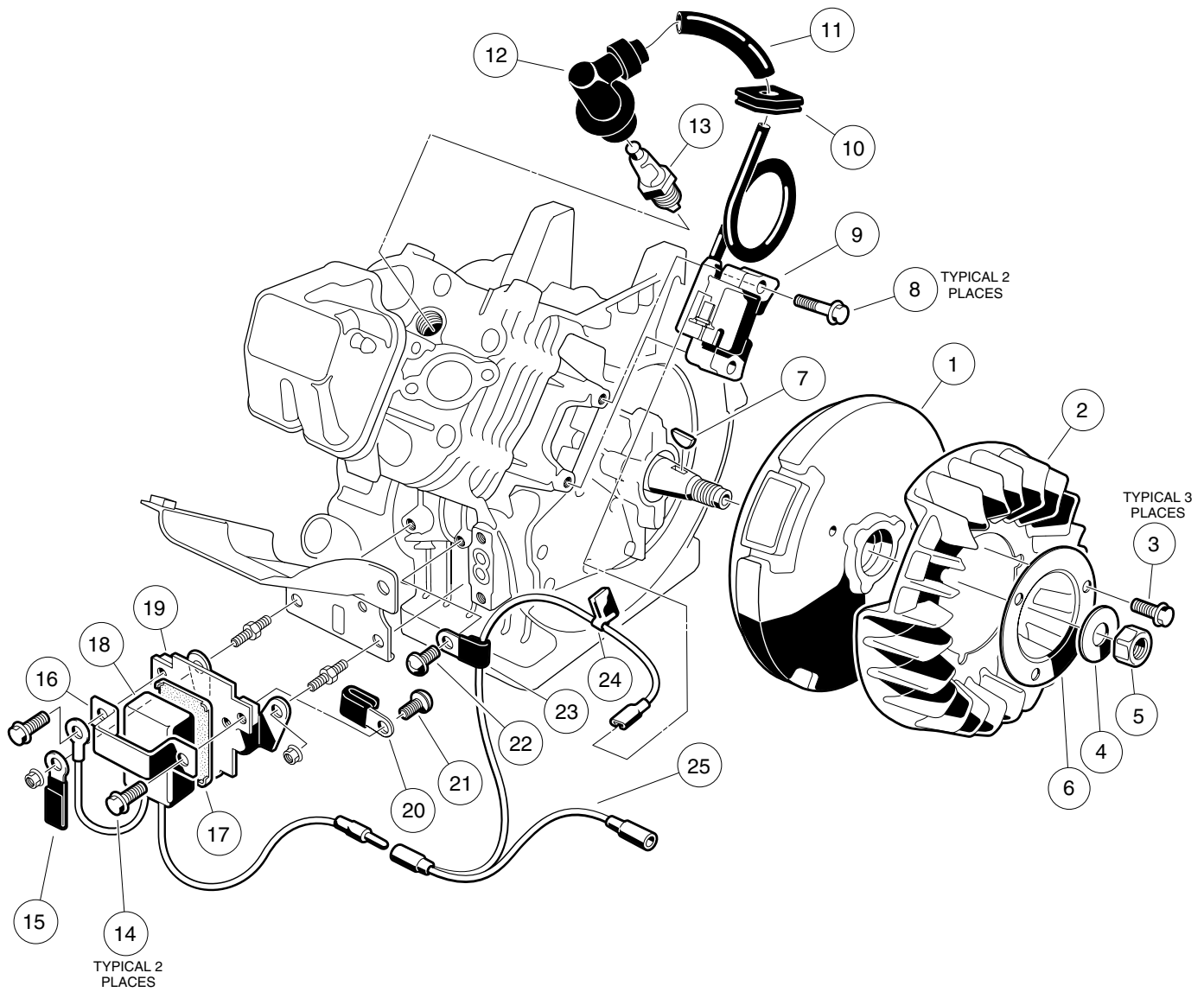
FE290 ENGINE— SHROUDS AND BRACKETS

ITEM	PART NO.	DESCRIPTION	QTY
		1 2 3 4	
	<u>101953901</u>	FE290 OHV GASOLINE ENGINE (CLOCKWISE ROTATION) WITH CARBURETOR (DOES NOT INCLUDE ITEMS 15 THROUGH 18)	1
1	<u>1016507</u>	BOLT, 2-ENDED, M6 x 1 x 29MM	1
2	<u>1016512</u>	WASHER, FLAT, 6MM	1
3	<u>1016524</u>	SHROUD, ENGINE, FE290	1
4	<u>1016456</u>	BOLT, FLANGED, M6 x 1 x 12MM	15
5	<u>1016547</u>	NUT, FLANGE, M6 x 1	3
6	<u>101909701</u>	BOLT, 2-ENDED, M6 x 1 x 27MM	2
7	<u>1016526</u>	SHROUD, ENGINE, FE290 (LOWER)	1
8	<u>1017221</u>	BOLT, 2-ENDED, M6 x 1 x 46MM	1
9	<u>101915601</u>	HOUSING, FAN	1
10	<u>1016525</u>	SHROUD, ENGINE, FE290 (UPPER)	1
11	<u>1016443</u>	BRACKET	1
12	<u>1016539</u>	O-RING	1
13	<u>1016536</u>	TUBE, OIL FILLER, FE290	1
14	<u>1016531</u>	DIPSTICK	1
15	<u>101887601</u>	NUT, NYLON LOCK, M6 x1	1
16	<u>1015332</u>	WIRE ASSEMBLY, #10 BRAIDED GROUND	1
17	<u>1015969</u>	SCREW, PAN HEAD, M6 x 1 x 14MM	4
18	<u>1015649</u>	SHROUD, FAN	1



7
G

FE290 ENGINE

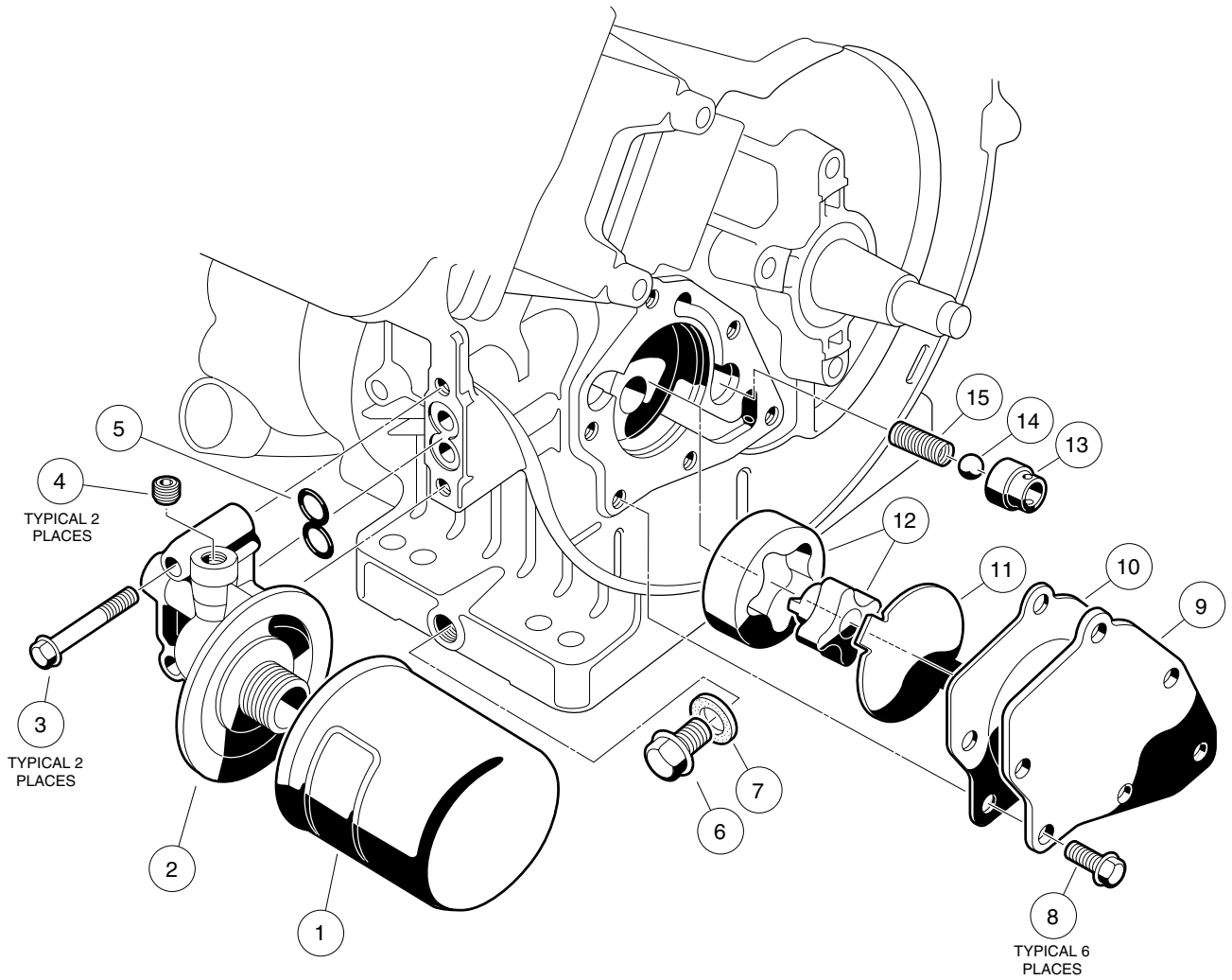


FE290 ENGINE— IGNITION COMPONENTS AND FLYWHEEL

7
G

ITEM	PART NO.	DESCRIPTION	QTY
		1 2 3 4	
1	<u>101915701</u>	FLYWHEEL	1
2	<u>101915801</u>	FAN, FLYWHEEL, GRAY	1
3	<u>1017448</u>	SCREW, FLANGED HEX HEAD, M6 x 1 x 10MM	3
4	<u>1016548</u>	WASHER, FLAT, 16MM	1
5	<u>1016505</u>	NUT, HEX, M16 x 1.5	1
6	<u>1017455</u>	PLATE, FLYWHEEL FAN	1
7	<u>1016562</u>	KEY	1
8	<u>1016455</u>	BOLT, FLANGED, M5 x .8 x 25MM	2
9	<u>101909201</u>	COIL, IGNITION (WITH INTERNAL IGNITER)	1
10	<u>1016578</u>	GROMMET	1
11	<u>1016588</u>	TUBE, 7MM x 70MM	1
12	<u>1016493</u>	ASSEMBLY, PLUG CAP	1
13	<u>101881101</u>	PLUG, SPARK, OHV	1
14	<u>1016456</u>	BOLT, FLANGED, M6 x 1 x 12MM	2
15	<u>1012981</u>	CLAMP	1
16	<u>1016579</u>	BAND, RPM LIMITER MOUNT	1
17	<u>1016586</u>	DAMPER, RPM LIMITER	1
18	<u>101909401</u>	LIMITER, RPM	1
19	<u>1016445</u>	BRACKET, RPM LIMITER	1
20	<u>101909501</u>	CLAMP	1
21	<u>1016497</u>	SCREW, CROSS PAN HEAD, M5 x .8 x 8MM	1
22	<u>1016544</u>	SCREW, CROSS PAN HEAD SELF-TAPPING, M5 x .8 x 12MM	1
23	<u>1016561</u>	CLAMP	1
24	<u>1016587</u>	CLAMP	1
25	<u>101909301</u>	WIRE, LEAD	1

FE290 ENGINE

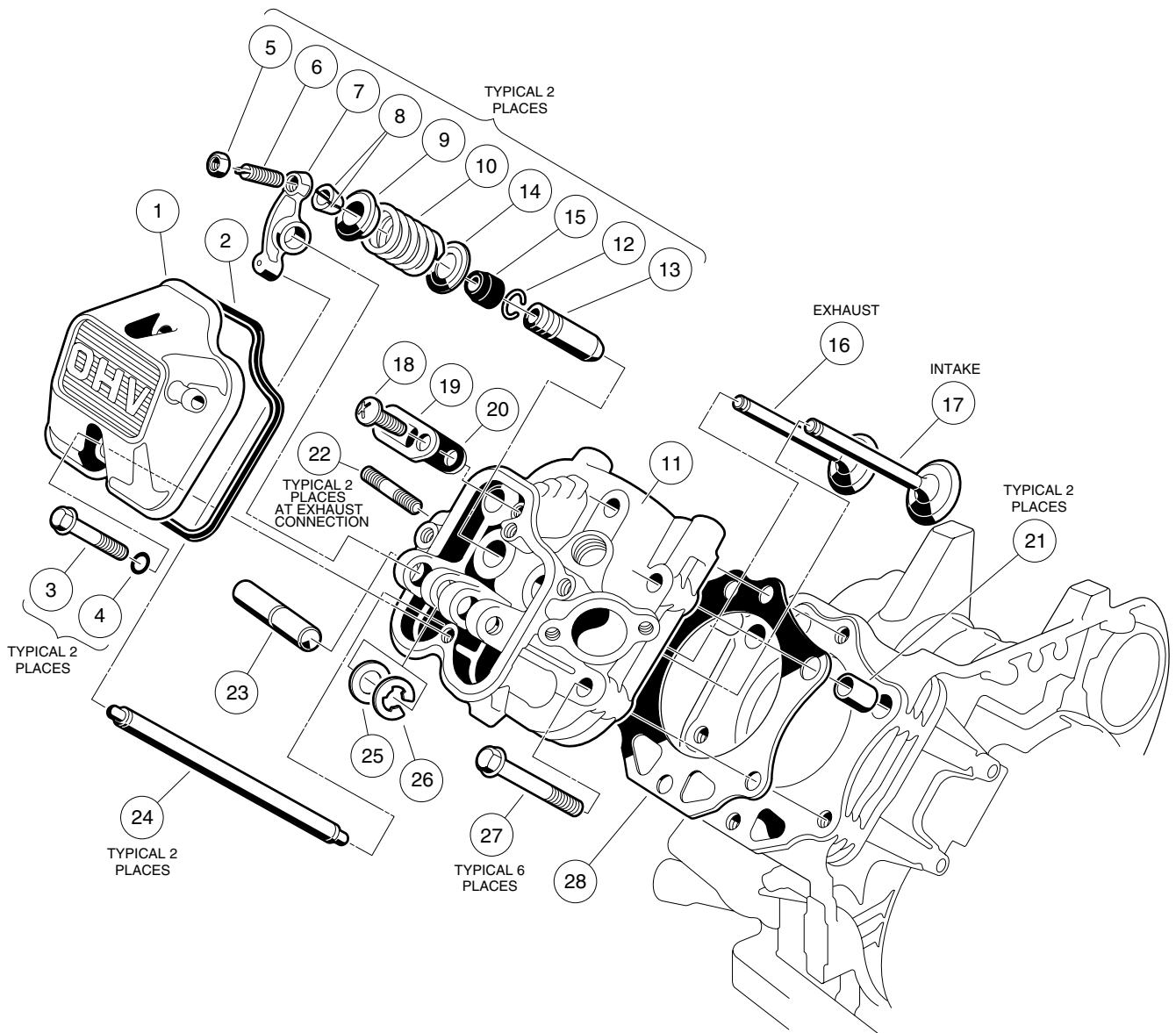


FE290 ENGINE— OIL CIRCULATION

7
G

ITEM	PART NO.	DESCRIPTION	QTY
		1 2 3 4	
1	<u>1016467</u>	ASSEMBLY, OIL FILTER, OHV	1
2	<u>1016502</u>	BRACKET, OIL FILTER	1
3	<u>1016457</u>	BOLT, FLANGED HEX HEAD, M6 x 1 x 40MM	2
4	<u>1017507</u>	PLUG	2
5	<u>1016570</u>	O-RING, OIL FILTER MOUNT	1
6	<u>1016576</u>	PLUG, DRAIN, FE290	1
7	<u>1016432</u>	GASKET, DRAIN PLUG	1
8	<u>1017456</u>	SCREW, FLANGED HEX HEAD, M6 x 1 x 12MM	6
9	<u>1016484</u>	COVER, PUMP	1
10	<u>1016435</u>	GASKET, OIL PUMP	1
11	<u>1016473</u>	PLATE, OIL PUMP	1
12	<u>101648203</u>	PUMP, OIL, AND ROTOR	1
13	<u>1016429</u>	SEAT, VALVE	1
14	<u>1016537</u>	BALL, STEEL, PRESSURE RELIEF	1
15	<u>1016581</u>	SPRING	1

FE290 ENGINE

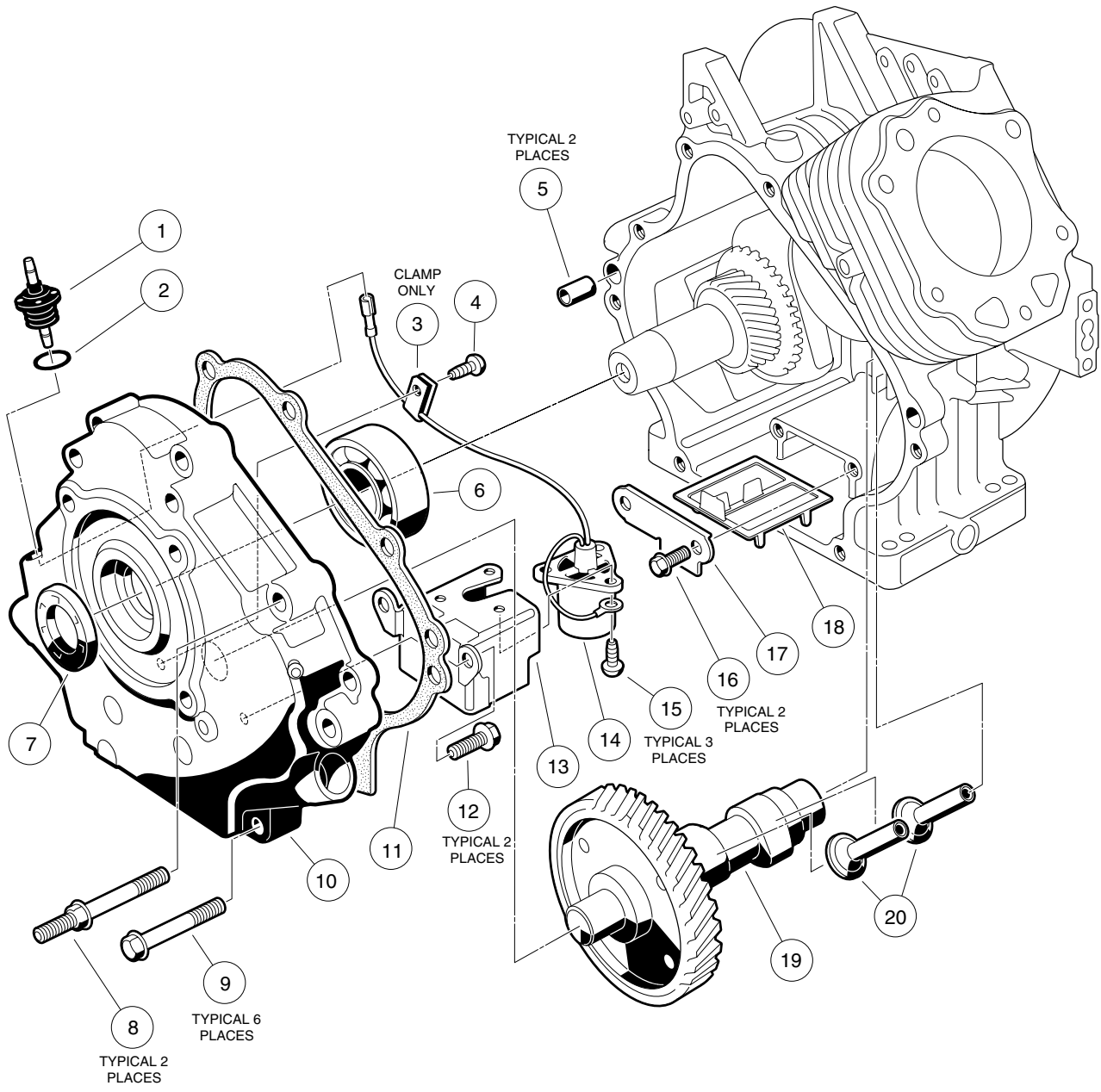


FE290 ENGINE— CYLINDER HEAD

7
G

ITEM	PART NO.	DESCRIPTION	QTY
		1 2 3 4	
1	<u>1016442</u>	CASE, ROCKER	1
2	<u>1016436</u>	GASKET, ROCKER CASE	1
3	<u>1016583</u>	BOLT, FLANGED, M6 x 1 x 35MM	2
4	<u>1016569</u>	O-RING	2
5	<u>1016545</u>	NUT, HEX, M5 x .8	2
6	<u>1016542</u>	SCREW, STUD, M5 x .8	2
7	<u>1016451</u>	ARM, ROCKER	2
8	<u>1016450</u>	COLLET	4
9	<u>1016449</u>	RETAINER, VALVE SPRING	2
10	<u>1016523</u>	SPRING, ENGINE VALVE	2
11	<u>1016431</u>	ASSEMBLY, CYLINDER HEAD, OHV (INCLUDES ITEMS 12 AND 13)	1
12	<u>1016560</u>	RING, SNAP	2
13	<u>1016519</u>	GUIDE, VALVE	2
14	<u>1016479</u>	SEAT, SPRING	2
15	<u>1016566</u>	SEAL, VALVE	2
16	<u>1016448</u>	VALVE, EXHAUST	1
17	<u>1016447</u>	VALVE, INTAKE	1
18	<u>1016544</u>	SCREW, CROSS PAN HEAD SELF-TAPPING, M5 x .8 x 12MM	1
19	<u>1016474</u>	PLATE	1
20	<u>1016483</u>	VALVE	1
21	<u>1016563</u>	PIN	2
22	<u>1016489</u>	BOLT, STUD, M8 x 1.25 x 29MM	2
23	<u>1016452</u>	SHAFT, ROCKER	1
24	<u>1016471</u>	ROD, PUSH	2
25	<u>1016549</u>	WASHER, FLAT, M12	1
26	<u>1016517</u>	CIRCLIP, TYPE E	1
27	<u>1016458</u>	BOLT, FLANGED, M8 x 1.25 x 45MM	6
28	<u>1016430</u>	GASKET, HEAD	1

FE290 ENGINE

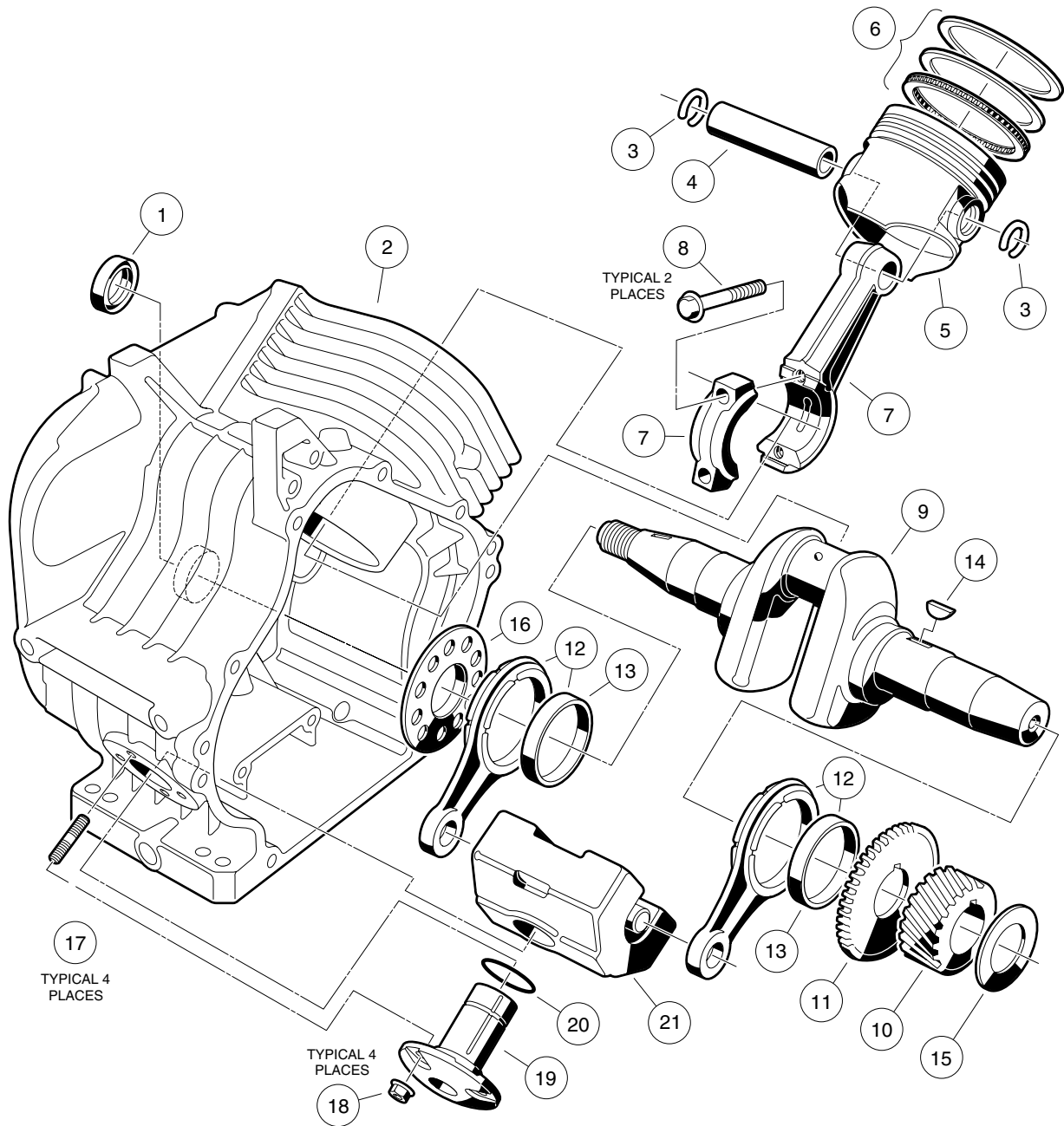


FE290 ENGINE— CRANKCASE, CAMSHAFT AND OIL SENSOR

ITEM	PART NO.	DESCRIPTION	QTY
		1 2 3 4	
1	<u>1016535</u>	CONNECTOR, CORD	1
2	<u>1016538</u>	O-RING	1
3	<u>1016506</u>	CLAMP	1
4	<u>1016544</u>	SCREW, CROSS PAN HEAD SELF-TAPPING, M5 x .8 x 12MM	1
5	<u>1016564</u>	PIN	2
6	1016565	BEARING, BALL	1
7	<u>1016567</u>	SEAL, CRANKSHAFT	1
8	<u>1016584</u>	BOLT, 2-ENDED, M8 x 1.25 x 69MM	2
9	<u>1016458</u>	BOLT, FLANGED, M8 x 1.25 x 45MM	6
10	<u>1016520</u>	COVER, CRANKCASE	1
11	<u>1016446</u>	GASKET, CRANKCASE COVER	1
12	1016456	BOLT, FLANGED, M6 x 1 x 12MM	2
13	<u>1016510</u>	BRACKET, OIL LEVEL SWITCH	1
14	1016494	SENSOR, OIL LEVEL	1
15	<u>1016496</u>	SCREW, CROSS PAN HEAD, M4 x .7 x 8MM	3
16	<u>1016454</u>	BOLT, FLANGED, M5 x .8 x 8MM	2
17	<u>1016472</u>	PLATE, OIL FILTER SCREEN	1
18	<u>1016521</u>	SCREEN, OIL FILTER	1
19	<u>101915401</u>	CAMSHAFT, COMPLETE	1
20	1016453	TAPPET	2



FE290 ENGINE

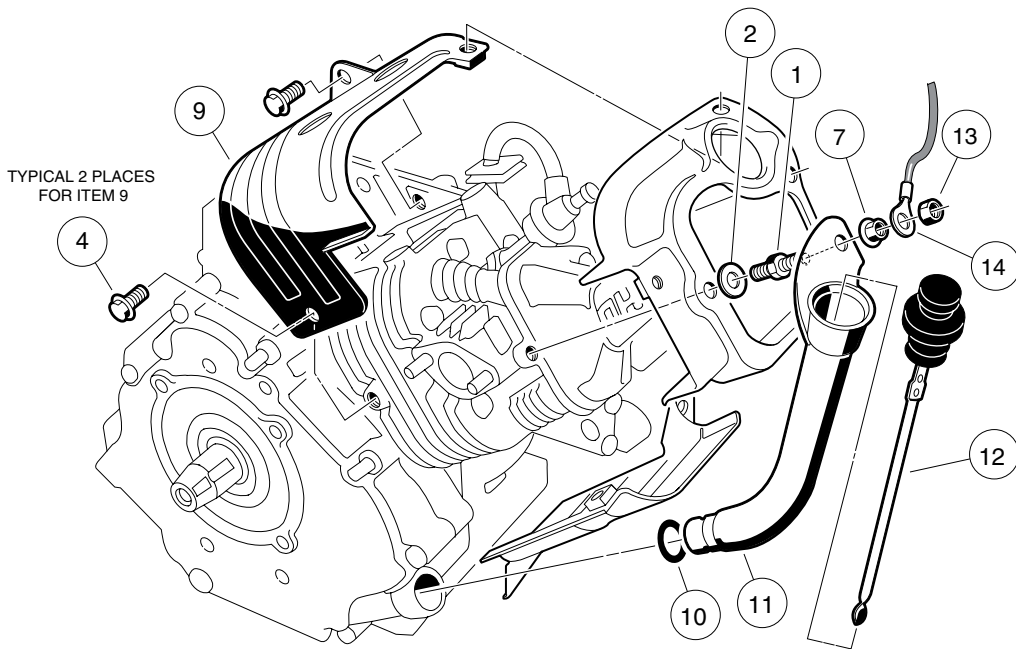
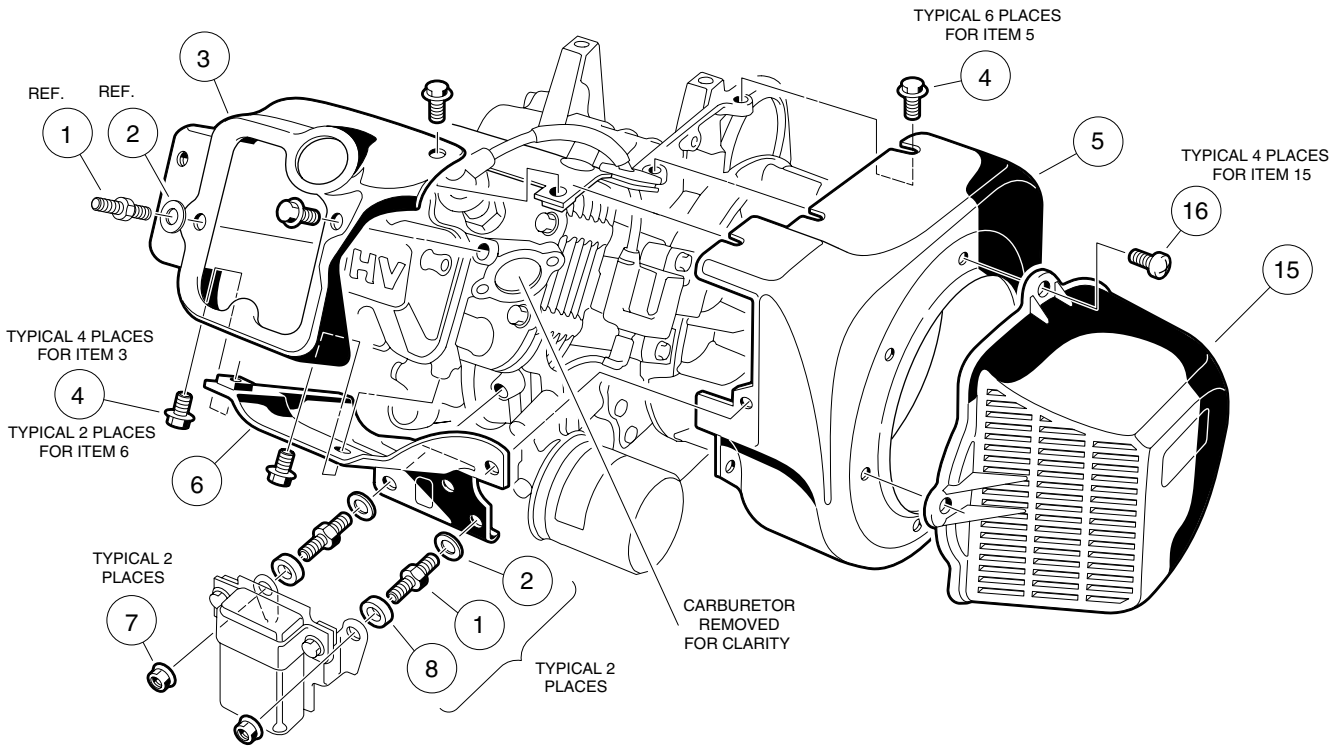


FE290 ENGINE— CRANKCASE AND CRANKSHAFT

7
G

ITEM	PART NO.	DESCRIPTION	QTY
		1 2 3 4	
1	<u>1016568</u>	SEAL, OIL	1
2	<u>101915501</u>	CRANKCASE, COMPLETE, OHV	1
3	<u>1016558</u>	RING, SNAP	2
4	1016460	PIN, PISTON	1
5	<u>101645901</u>	PISTON, STANDARD	1
5	101645902	PISTON, .25MM OVERSIZED	1
5	<u>101645903</u>	PISTON, .50MM OVERSIZED	1
6	<u>101646101</u>	RING SET, PISTON, STANDARD	1
6	101646102	RING SET, PISTON, .25MM OVERSIZED	1
6	<u>101646103</u>	RING SET, PISTON, .50MM OVERSIZED	1
7	<u>101647501</u>	ASSEMBLY, CONNECTING ROD, STANDARD (INCLUDES 2 EACH OF ITEM 8)	1
7	101647502	ASSEMBLY, CONNECTING ROD, .50MM UNDERSIZED (INCLUDES 2 EACH OF ITEM 8)	1
8	<u>1016509</u>	BOLT, HEX HEAD, M7 x 1 x 36MM	2
9	101922301	CRANKSHAFT, FE290 (LEFT-HAND THREAD) (INCLUDES ITEMS 10, 11 AND ONE EACH OF ITEM 12)	1
10	<u>1016533</u>	GEAR, HELICAL	1
11	<u>1016532</u>	GEAR, SPUR	1
12	<u>1016516</u>	ASSEMBLY, ROD (INCLUDES ONE EACH OF ITEM 13)	2
13	1016580	BEARING, PLAIN	2
14	<u>1016562</u>	KEY	1
15	<u>101655001</u>	SHIM, CRANKSHAFT, 1.13MM THICK	A/R
15	<u>101655002</u>	SHIM, CRANKSHAFT, 1.18MM THICK	A/R
15	<u>101655003</u>	SHIM, CRANKSHAFT, 1.23MM THICK	A/R
15	<u>101655004</u>	SHIM, CRANKSHAFT, 1.28MM THICK	A/R
15	<u>101655005</u>	SHIM, CRANKSHAFT, 1.33MM THICK	A/R
15	<u>101655006</u>	SHIM, CRANKSHAFT, 1.38MM THICK	A/R
15	<u>101655007</u>	SHIM, CRANKSHAFT, 1.43MM THICK	A/R
15	<u>101655008</u>	SHIM, CRANKSHAFT, 1.48MM THICK	A/R
15	<u>101655009</u>	SHIM, CRANKSHAFT, 1.53MM THICK	A/R
16	1016559	SPACER	1
17	<u>1016541</u>	BOLT, STUD, M6 x 1 x 22MM	4
18	1016547	NUT, FLANGED, M6 x 1	4
19	1016470	SHAFT, GUIDE COUNTERBALANCE	1
20	<u>1016571</u>	O-RING	1
21	<u>1016469</u>	WEIGHT, COUNTERBALANCE	1

FE350 ENGINE



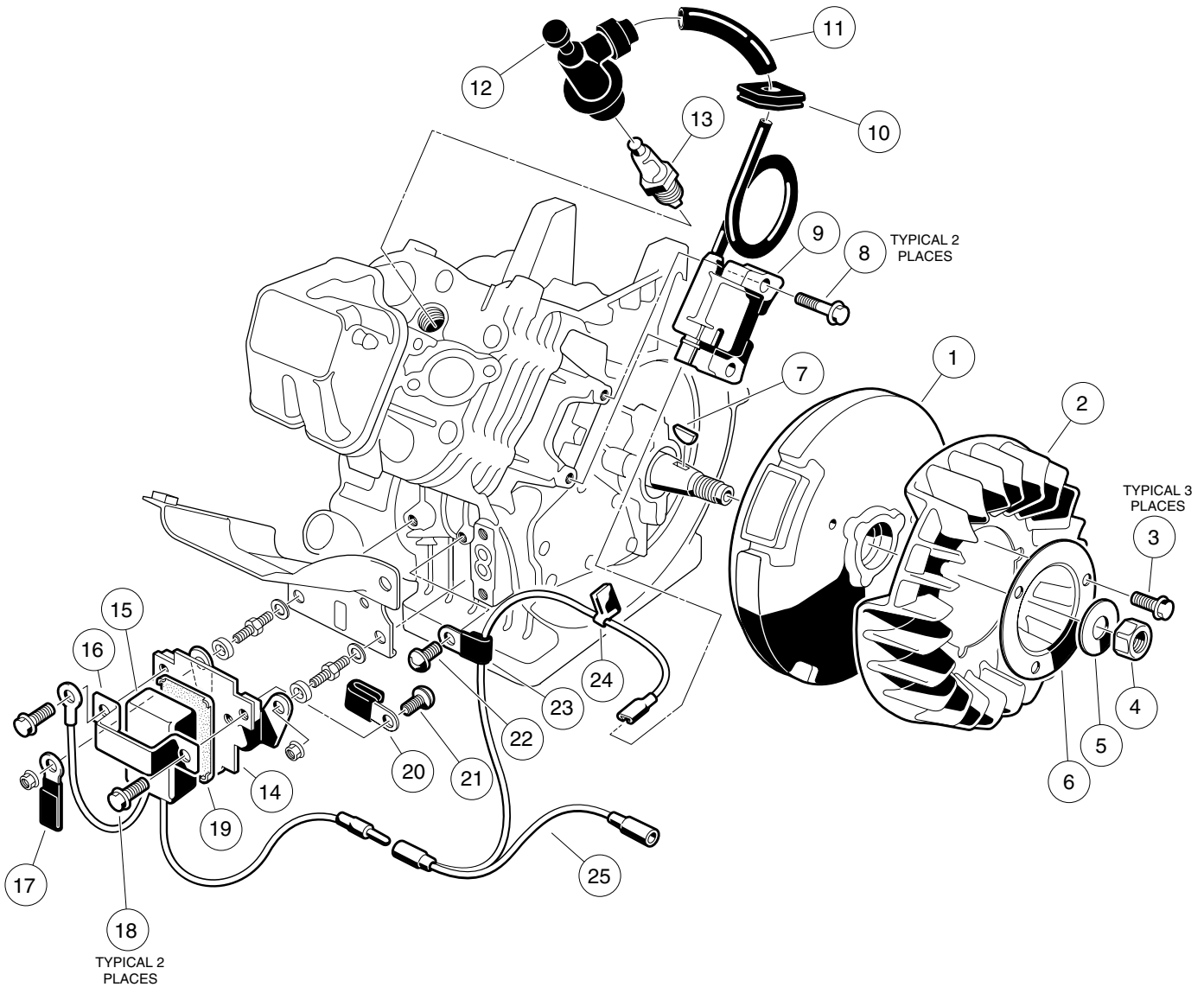
FE350 ENGINE— SHROUDS AND BRACKETS

7
G

ITEM	PART NO.	DESCRIPTION	QTY
		1 2 3 4	
	<u>101953801</u>	FE350 OHV GASOLINE ENGINE, COMPLETE (CLOCKWISE ROTATION) WITH CARBURETOR (WITH COMPRESSION RELEASE) (KEY-START VEHICLES) (DOES NOT INCLUDE ITEMS 13 - 16)	1
1	<u>1016507</u>	BOLT, 2-ENDED, M6 x 1 x 29MM	3
2	<u>1016512</u>	WASHER, FLAT, 6 MM	3
3	<u>1017474</u>	SHROUD, CYLINDER HEAD	1
4	<u>1016456</u>	BOLT, FLANGED, M6 x 1 x 12MM	14
5	<u>101916101</u>	HOUSING, FAN	1
6	<u>1017476</u>	SHROUD, LOWER CYLINDER	1
7	<u>1016547</u>	NUT, FLANGE, M6 x 1	3
8	<u>1017500</u>	SPACER	2
9	<u>1017475</u>	SHROUD, UPPER CYLINDER	1
10	<u>1016539</u>	O-RING	1
11	<u>1017486</u>	TUBE, OIL FILLER	1
12	<u>1016531</u>	DIPSTICK	1
13	<u>101887601</u>	NUT, NYLON LOCK, M6 x 1	1
14	<u>1015332</u>	WIRE ASSEMBLY, #10 BLACK	1
15	<u>1015649</u>	SHROUD, FAN	1
16	<u>1015969</u>	SCREW, PAN HEAD, M6 x 1 x 14 MM	4

7
G

FE350 ENGINE

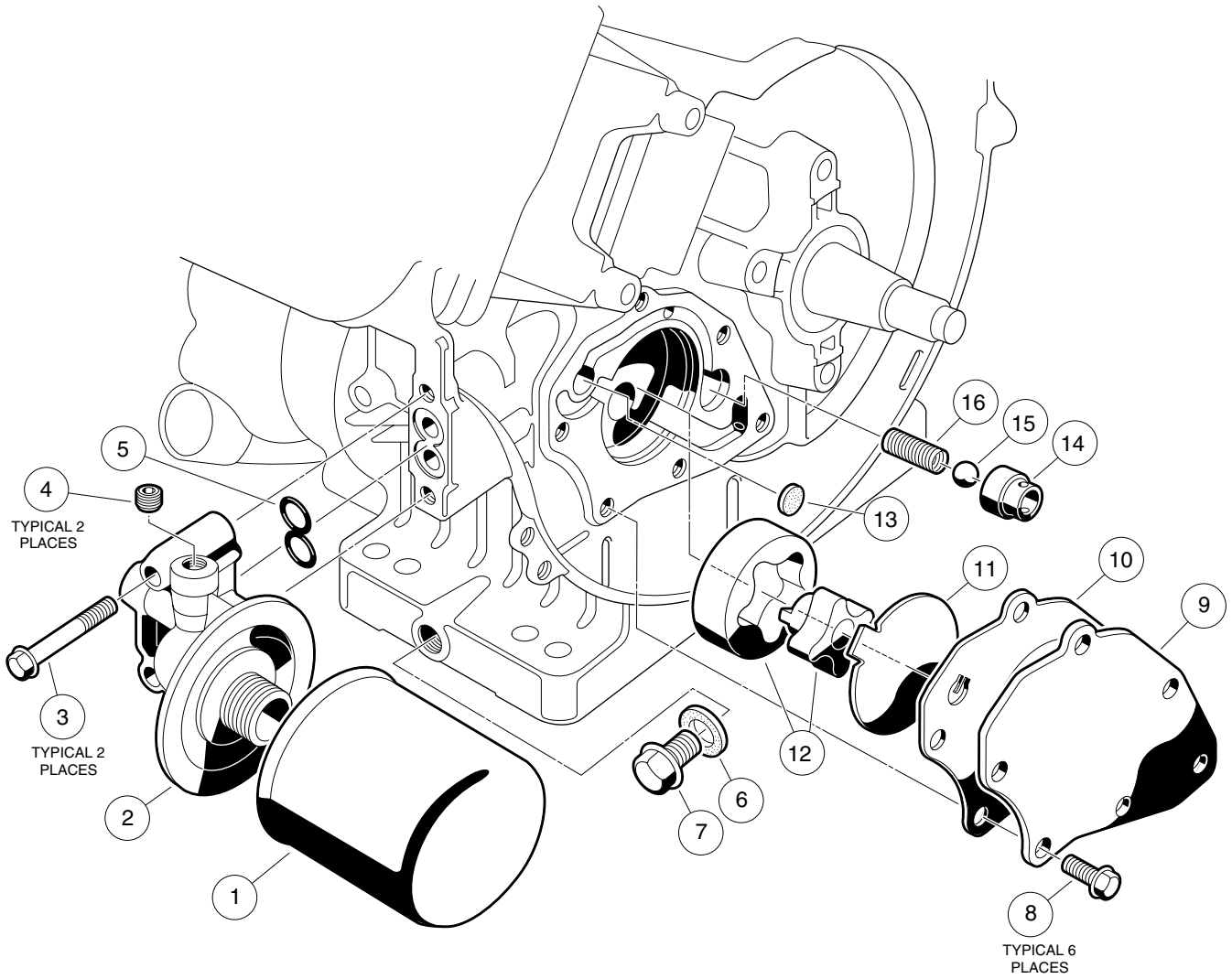


FE350 ENGINE— IGNITION COMPONENTS AND FLYWHEEL

7
G

ITEM	PART NO.	DESCRIPTION	QTY
		1 2 3 4	
1	<u>101916201</u>	FLYWHEEL	1
2	<u>101916301</u>	FAN, FLYWHEEL-GRAY	1
3	<u>1017448</u>	SCREW, FLANGED HEX HEAD, M6 x 1 x 10MM	3
4	<u>1017467</u>	NUT, HEX, 18MM FINE	1
5	<u>1017490</u>	WASHER, FLAT, 18MM	1
6	<u>1017455</u>	PLATE, FLYWHEEL FAN	1
7	<u>1016562</u>	KEY	1
8	<u>1016455</u>	SCREW, HEX HEAD FLANGED, M5 x 0.8 x 25MM	2
9	<u>101909201</u>	COIL, IGNITION (WITH INTERNAL IGNITER)	1
10	<u>1016578</u>	GROMMET	1
11	<u>1016588</u>	TUBE, 7MM I.D. x 10MM O.D. x 70MM LONG	1
12	<u>1017463</u>	ASSEMBLY, PLUG CAP	1
13	<u>101881101</u>	PLUG, SPARK, OHV	1
14	1016445	BRACKET, RPM LIMITER	1
15	101909401	LIMITER, RPM	1
16	<u>1016579</u>	BAND, RPM LIMITER MOUNT	1
17	<u>1012981</u>	CLAMP	1
18	1016456	SCREW, FLANGED HEX HEAD, M6 x 1 x 12MM	2
19	1016586	DAMPER	1
20	101909501	CLAMP	1
21	<u>1016497</u>	SCREW, CROSS PAN HEAD, M5 x .08 x 8MM	1
22	<u>1016544</u>	SCREW, CROSS PAN HEAD SELF-TAPPING, M5 x 12MM	1
23	<u>1016561</u>	CLAMP	1
24	<u>1016587</u>	CLAMP	1
25	<u>101909301</u>	WIRE, LEAD	1

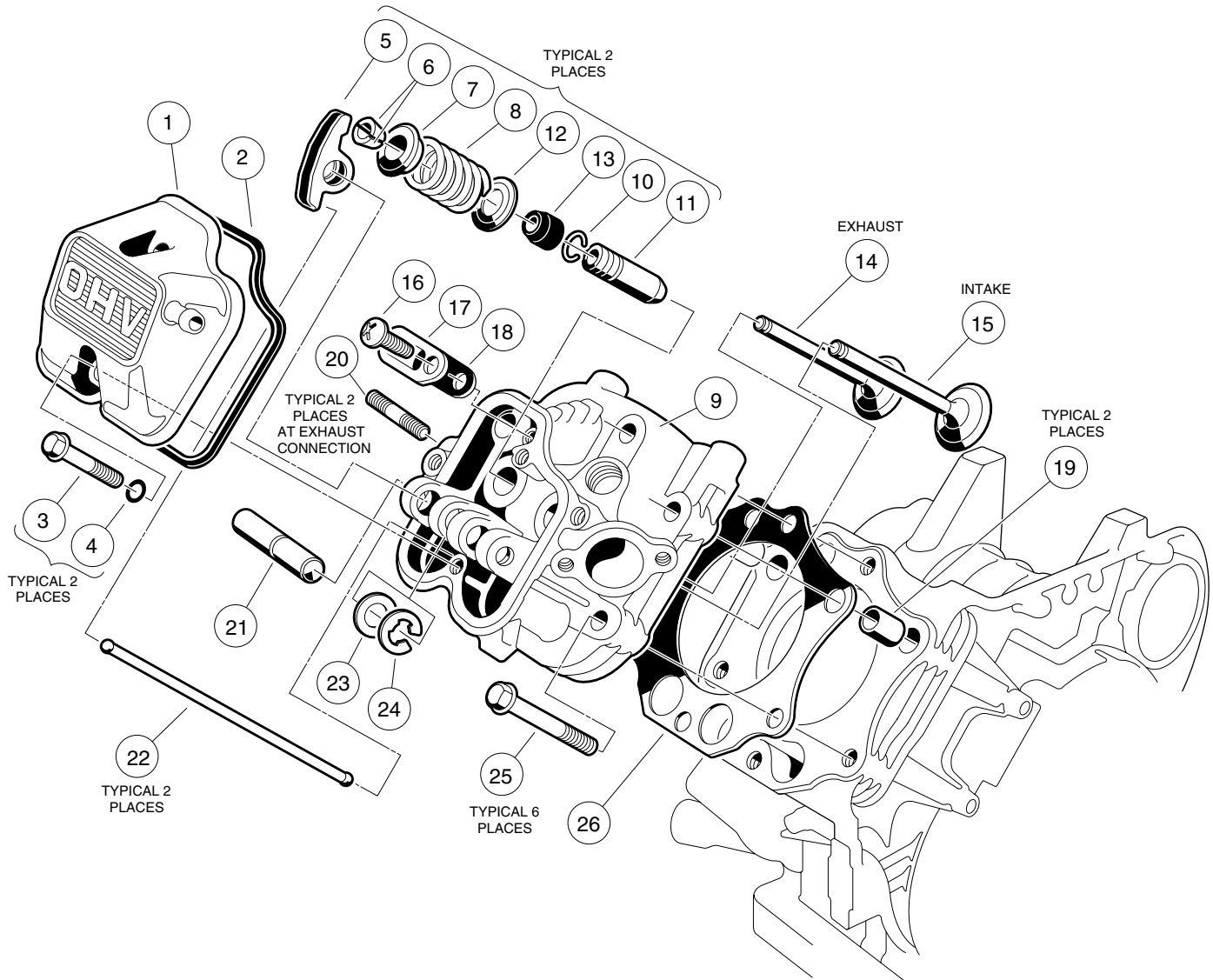
FE350 ENGINE



FE350 ENGINE— OIL CIRCULATION

7
G

ITEM	PART NO.	DESCRIPTION	QTY
		1 2 3 4	
1	<u>1016467</u>	OIL FILTER	1
2	<u>1016502</u>	BRACKET, OIL FILTER	1
3	<u>1016457</u>	BOLT, FLANGED HEX HEAD, M6 x 1 x 40MM	2
4	<u>1017507</u>	PLUG	2
5	<u>1016570</u>	O-RING	1
6	<u>1016432</u>	GASKET, DRAIN PLUG	1
7	1016576	PLUG, DRAIN	1
8	<u>1017456</u>	SCREW, FLANGED HEX HEAD, M6 x 1 x 12MM	6
9	<u>1017460</u>	COVER, PUMP	1
10	<u>1017442</u>	GASKET, OIL PUMP	1
11	<u>1016473</u>	PLATE, OIL PUMP	1
12	<u>101648203</u>	PUMP, OIL, AND ROTOR	1
13	<u>1017458</u>	FILTER	1
14	1016429	SEAT, VALVE	1
15	<u>1016537</u>	BALL, STEEL, PRESSURE RELIEF	1
16	<u>1016581</u>	SPRING	1

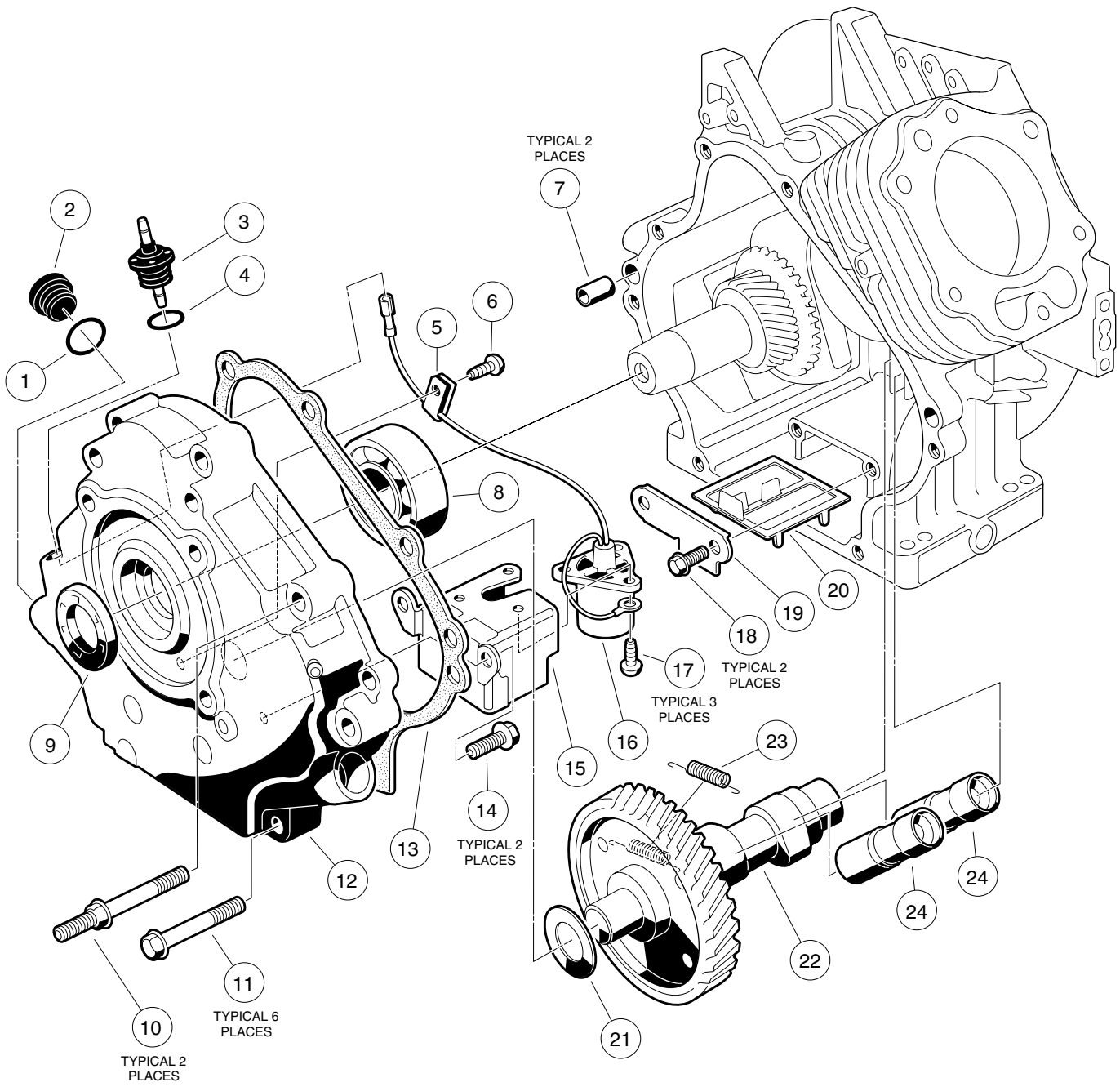


FE350 ENGINE— CYLINDER HEAD

ITEM	PART NO.	DESCRIPTION	QTY
		1 2 3 4	
1	<u>1016442</u>	CASE, ROCKER	1
2	<u>1016436</u>	GASKET, ROCKER CASE	1
3	<u>1016583</u>	BOLT, FLANGED, M6 x 1 x 35MM	2
4	<u>1016569</u>	O-RING	2
5	<u>1017446</u>	ARM, ROCKER	2
6	<u>1016450</u>	COLLET	4
7	<u>1016449</u>	RETAINER, VALVE SPRING	2
8	<u>1017473</u>	SPRING, ENGINE VALVE	2
9	<u>1017435</u>	ASSEMBLY, CYLINDER HEAD, FE350 (INCLUDES ITEMS 10 AND 11)	1
10	<u>1016560</u>	RING, SNAP	2
11	<u>1016519</u>	GUIDE, VALVE	2
12	<u>1016479</u>	SEAT, SPRING	2
13	<u>1016566</u>	SEAL, VALVE	2
14	<u>1017445</u>	VALVE, EXHAUST	1
15	<u>1017444</u>	VALVE, INTAKE	1
16	<u>1016544</u>	SCREW, CROSS PAN HEAD SELF-TAPPING, M5 x .8 x 12MM	1
17	<u>1016474</u>	PLATE	1
18	<u>1016483</u>	VALVE	1
19	<u>1016563</u>	PIN	2
20	<u>1016489</u>	BOLT, STUD, M8 x 1.25 x 29MM	2
21	<u>1016452</u>	SHAFT, ROCKER	1
22	<u>1017454</u>	ROD, PUSH	2
23	<u>1016549</u>	WASHER, FLAT, M12	1
24	<u>1016517</u>	CIRCLIP, TYPE-E	1
25	<u>1016458</u>	BOLT, FLANGED, M8 x 1.25 x 45MM	6
26	<u>1017434</u>	GASKET, HEAD	1



FE350 ENGINE

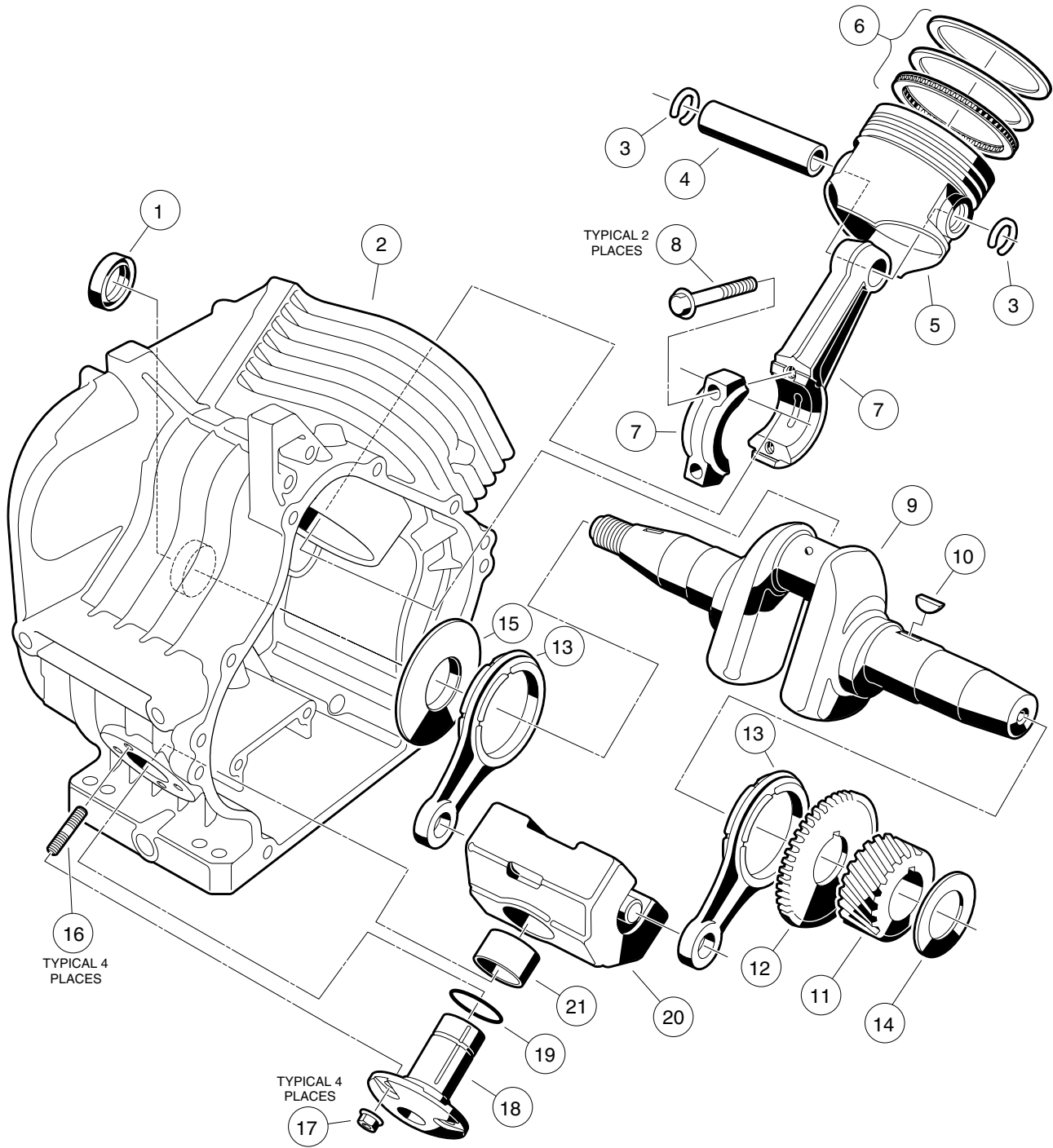


FE350 ENGINE— CRANKCASE, CAMSHAFT AND OIL SENSOR

ITEM	PART NO.	DESCRIPTION	QTY
		1 2 3 4	
1	<u>1016538</u>	O-RING	1
2	<u>1017508</u>	PLUG	1
3	<u>1016535</u>	CONNECTOR, OIL SENDING UNIT	1
4	<u>1016538</u>	O-RING	1
5	<u>1016506</u>	CLAMP	1
6	<u>1016544</u>	SCREW, CROSS PAN HEAD SELF-TAPPING, M5 x .8 x 12MM	1
7	<u>1016564</u>	PIN	2
8	<u>1017487</u>	BEARING, CRANKSHAFT	1
9	<u>1017504</u>	SEAL, CRANKSHAFT	1
10	<u>1016584</u>	BOLT, 2-ENDED FLANGED, M8 x 1.25 x 69MM	2
11	<u>1017514</u>	BOLT, FLANGED, M8 x 1.25 x 45MM	6
12	<u>1017472</u>	COVER, CRANKCASE	1
13	<u>1017443</u>	GASKET, CRANKCASE COVER	1
14	<u>1017513</u>	BOLT, FLANGED, M6 x 1 x 12MM	2
15	<u>1016510</u>	BRACKET, OIL LEVEL SWITCH	1
16	<u>1016494</u>	SENSOR, OIL LEVEL	1
17	<u>1016496</u>	SCREW, CROSS PAN HEAD, M4 x .7 x 8MM	3
18	<u>1016454</u>	BOLT, FLANGED, M5 x .8 x 8MM	2
19	<u>1016472</u>	PLATE, OIL FILTER SCREEN	1
20	<u>1016521</u>	SCREEN, OIL FILTER	1
21	<u>101751801</u>	SHIM, 0.3MM THICK	A/R
21	<u>101751802</u>	SHIM, 0.4MM THICK	A/R
21	<u>101751803</u>	SHIM, 0.5MM THICK	A/R
22	<u>101915901</u>	CAMSHAFT (INCLUDES ITEM 23)	1
23	<u>1017511</u>	SPRING	1
24	<u>1017447</u>	LIFTER, HYDRAULIC	2

7
G

FE350 ENGINE



FE350 ENGINE— CRANKCASE AND CRANKSHAFT

7
G

ITEM	PART NO.	DESCRIPTION	QTY
		1 2 3 4	
1	<u>1017503</u>	SEAL, OIL	1
2	<u>101916001</u>	CRANKCASE, COMPLETE, FE350 (CLOCKWISE ROTATION)	1
3	<u>1017502</u>	RING, SNAP	2
4	1017450	PIN, PISTON	1
5	<u>101744901</u>	PISTON, STANDARD.....	1
5	<u>101744902</u>	PISTON, .50MM OVERSIZED	1
6	<u>101745101</u>	RING SET, PISTON, STANDARD	1
6	<u>101745102</u>	RING SET, PISTON, .50MM OVERSIZED	1
7	101745701	ASSEMBLY, CONNECTING ROD, STANDARD (INCLUDES 2 EACH OF ITEM 8)	1
7	<u>101745702</u>	ASSEMBLY, CONNECTING ROD, .50MM UNDERSIZED (INCLUDES 2 EACH OF ITEM 8)	1
8	<u>1017512</u>	BOLT, HEX HEAD, M7 x 1 x 36MM	2
9	101922302	CRANKSHAFT, FE350 (LEFT-HAND THREADS) (INCLUDES ITEMS 10 - 12 AND ONE EACH OF ITEM 13)	1
10	<u>1016562</u>	KEY	1
11	<u>1017484</u>	GEAR, HELICAL	1
12	<u>1017483</u>	GEAR, SPUR	1
13	<u>1017471</u>	ROD	2
14	<u>101773301</u>	SHIM, CRANKSHAFT, 1.18MM THICK	A/R
14	<u>101773302</u>	SHIM, CRANKSHAFT, 1.25MM THICK	A/R
14	<u>101773303</u>	SHIM, CRANKSHAFT, 1.32MM THICK	A/R
14	<u>101773304</u>	SHIM, CRANKSHAFT, 1.39MM THICK	A/R
14	<u>101773305</u>	SHIM, CRANKSHAFT, 1.46MM THICK	A/R
14	<u>101773306</u>	SHIM, CRANKSHAFT, 1.53MM THICK	A/R
14	<u>101773307</u>	SHIM, CRANKSHAFT, 1.60MM THICK	A/R
14	<u>101773308</u>	SHIM, CRANKSHAFT, 1.67MM THICK	A/R
14	<u>101773309</u>	SHIM, CRANKSHAFT, 1.74MM THICK	A/R
14	<u>101773310</u>	SHIM, CRANKSHAFT, 1.11MM THICK	A/R
14	<u>101773311</u>	SHIM, CRANKSHAFT, 1.81MM THICK	A/R
15	1017501	SPACER	1
16	<u>1016541</u>	BOLT, STUD, M6 x 1 x 22MM	4
17	1016547	NUT, FLANGED, M6 x 1	4
18	1016470	SHAFT, GUIDE COUNTERBALANCE	1
19	<u>1016571</u>	O-RING	1
20	<u>1017453</u>	WEIGHT, COUNTERBALANCE (INCLUDES ITEM 21)	1
21	1017510	BEARING	1

ENGINE MOUNTING

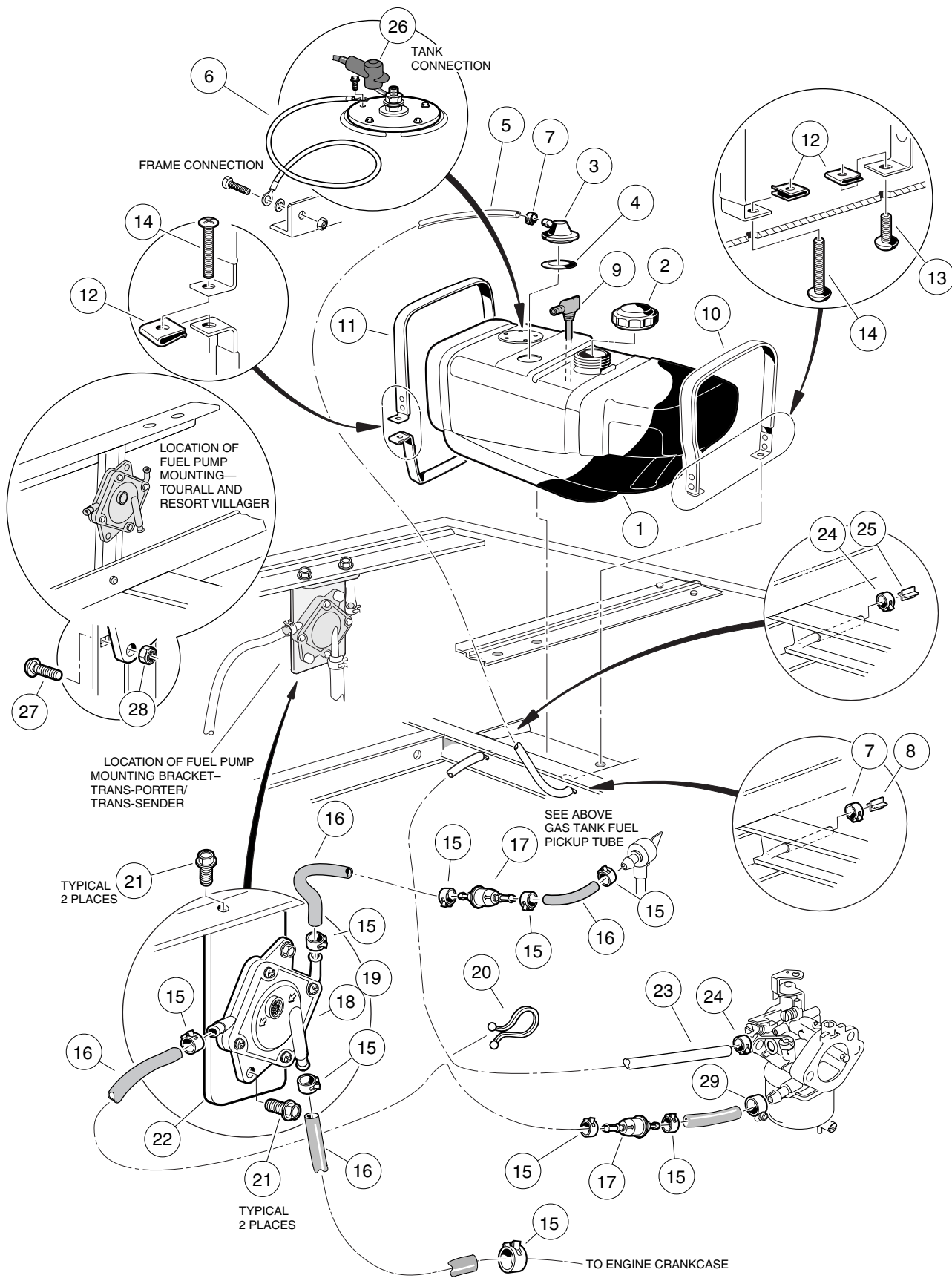
7
G

ITEM	PART NO.	DESCRIPTION	QTY
		1 2 3 4	
1	<u>7473</u>	NUT, NYLON LOCK, 5/16 - 18 (1999 TOURALL ONLY)	2
2	<u>1241</u>	WASHER, FLAT, 5/16 - 18 (1999 TOURALL ONLY)	2
3	<u>101864601</u>	RETAINER, SNUBBER (1999 TOURALL ONLY)	1
4	<u>7818</u>	BOLT, ROUND-HEAD SQUARE-NECK, 5/16 - 18 x 1-1/2 (1999 TOURALL ONLY)	2
5	1012164	SNUBBER	1
6	<u>1013924</u>	NUT, HEX LOCK, 5/16 - 24, UNF	10
7	<u>101834601</u>	BRACKET, SNUBBER	1
8	<u>101827101</u>	PLATE, MOUNTING	1
9	101833001	NUT, FLANGE, M8 x 1.25	6
10	<u>101884801</u>	SCREW, HEX WASHER, 5/16 -24 x 7/8	10
11	<u>101833301</u>	SCREW, HEX HEAD CAP, M10 x 1.25 x 30MM	4
12	<u>101833201</u>	STUD, M8 x 1.25 x 60MM (TOURALL ONLY)	2
12	<u>101833101</u>	STUD, M8 x 1.25 x 50MM (RESORT VILLAGER, TRANS-PORTER/TRANS-SENDER)	2
13	<u>101832101</u>	SPACER (TOURALL ONLY)	2
13	<u>1011697</u>	WASHER, FLAT, 5/16 (RESORT VILLAGER, TRANS-PORTER/TRANS-SENDER)	2
14	<u>101832901</u>	NUT, FLANGE, M10 x 1.25	4
15	1012571	WASHER, HEAVY FLAT, 5/16	4
16	<u>101855901</u>	SCREW, HEX HEAD CAP, M8 x 1.25 x 43MM	4
17	<u>101832701</u>	STIFFENER, FLYWHEEL SIDE	1

FUEL, INTAKE, AND GOVERNOR SYSTEMS

8

G

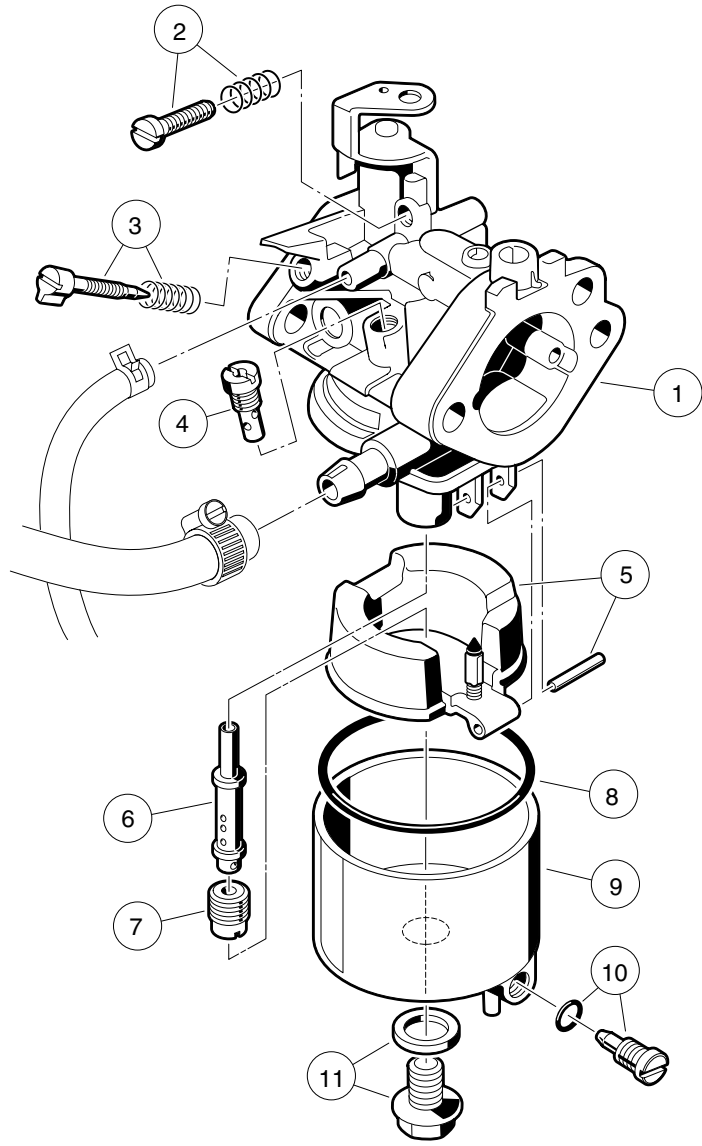


FUEL SYSTEM

8

G

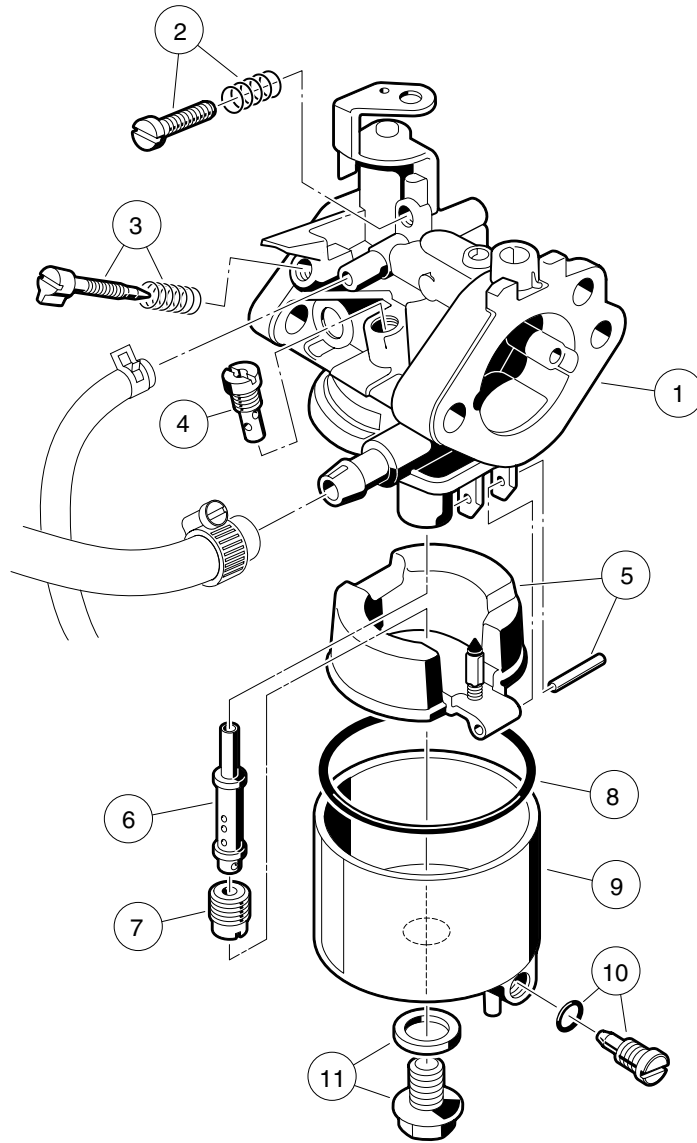
ITEM	PART NO.	DESCRIPTION	QTY
		1 2 3 4	
1	1016004	KIT, FUEL TANK, WITH SENDING UNIT (INCLUDES ITEMS 2 - 9)	1
2	<u>1015188</u>	CAP, FUEL TANK, NONVENTED	1
3	<u>1015143</u>	ASSEMBLY, FUEL TANK VENT	1
4	<u>1015139</u>	GROMMET, INSULATION	1
5	<u>1015137</u>	LINE, BULK VENT (AVAILABLE BY THE FOOT)	A/R
6	N/A	WIRE ASSEMBLY, #16 BLACK	1
7	<u>1013746</u>	CLAMP, HOSE (GRAY)	2
8	<u>101824401</u>	BARB, VENT	1
9	101896901	VALVE, FUEL PICKUP TUBE WITH SHUT-OFF	1
10	<u>1014928</u>	ASSEMBLY, REAR FUEL STRAP	1
11	<u>101955301</u>	ASSEMBLY, FRONT FUEL STRAP	1
12	<u>1014116</u>	NUT, U-TYPE SPEED, 1/4 - 20	3
13	<u>8248</u>	SCREW, PHILLIPS TRUSS HEAD, 1/4 - 20 x 3/4	1
14	<u>1011988</u>	SCREW, PHILLIPS TRUSS HEAD, 1/4 - 20 x 2	2
15	<u>1012649</u>	CLAMP, HOSE (RED)	9
16	<u>1013692</u>	LINE, BULK FUEL (GRAY)	A/R
17	<u>102003201</u>	FILTER, FUEL	2
18	<u>1014523</u>	PUMP, FUEL IMPULSE	1
19	<u>1014524</u>	KIT, REBUILD, FUEL IMPULSE PUMP	A/R
20	<u>101987701</u>	CLAMP, PLASTIC	1
21	<u>1012285</u>	SCREW, THREAD-ROLLING, 1/4 - 20 x 5/8	4
22	<u>101929501</u>	BRACKET, FUEL PUMP MOUNTING (TRANS-PORTER/TRANS-SENDER ONLY)	1
23	<u>1015137</u>	LINE, BULK VENT (AVAILABLE BY THE FOOT)	A/R
24	<u>1013746</u>	CLAMP, HOSE (GRAY)	2
25	<u>101824401</u>	BARB, VENT	1
26	102048501	BOOT, RUBBER	1
27	<u>1017203</u>	SCREW, ROUND-HEAD SQUARE-NECK, 1/4-20 x 1	2
28	<u>8233</u>	NUT, NYLON LOCK, 1/4-20	2
29	<u>1013687</u>	CLAMP, HOSE, 3/8	1



CARBURETOR ASSEMBLY, FE290 ENGINE— TOURALL

ITEM	PART NO.	DESCRIPTION	QTY
		1 2 3 4	
1	<u>101905601</u>	ASSEMBLY, CARBURETOR (INCLUDES ITEMS 2 - 11)	1
2	<u>1016501</u>	ASSEMBLY, IDLE SCREW	1
3	N/A	ASSEMBLY, PILOT AIR SCREW	1
4	<u>101973101</u>	JET, PILOT, #40	1
5	1016486	ASSEMBLY, FLOAT	1
6	<u>101973201</u>	NOZZLE, MAIN	1
		STANDARD JETTING:	
7	<u>101642582</u>	JET, MAIN, 0 - 3,000 FEET	1
7	<u>101642580</u>	JET, MAIN, 3,000 - 5,000 FEET	A/R
7	<u>101642578</u>	JET, MAIN, 5,000 - 8,000 FEET	A/R
7	<u>101642575</u>	JET, MAIN, 8,000 - 10,000 FEET	A/R
7	<u>101642572</u>	JET, MAIN, 10,000 FEET AND ABOVE	A/R
8	<u>1016437</u>	GASKET, FLOAT CHAMBER	1
9	<u>1017461</u>	ASSEMBLY, FLOAT CHAMBER (INCLUDES ITEM 10)	1
10	<u>1016499</u>	ASSEMBLY, SCREW	1
11	1016585	ASSEMBLY, BOLT	1

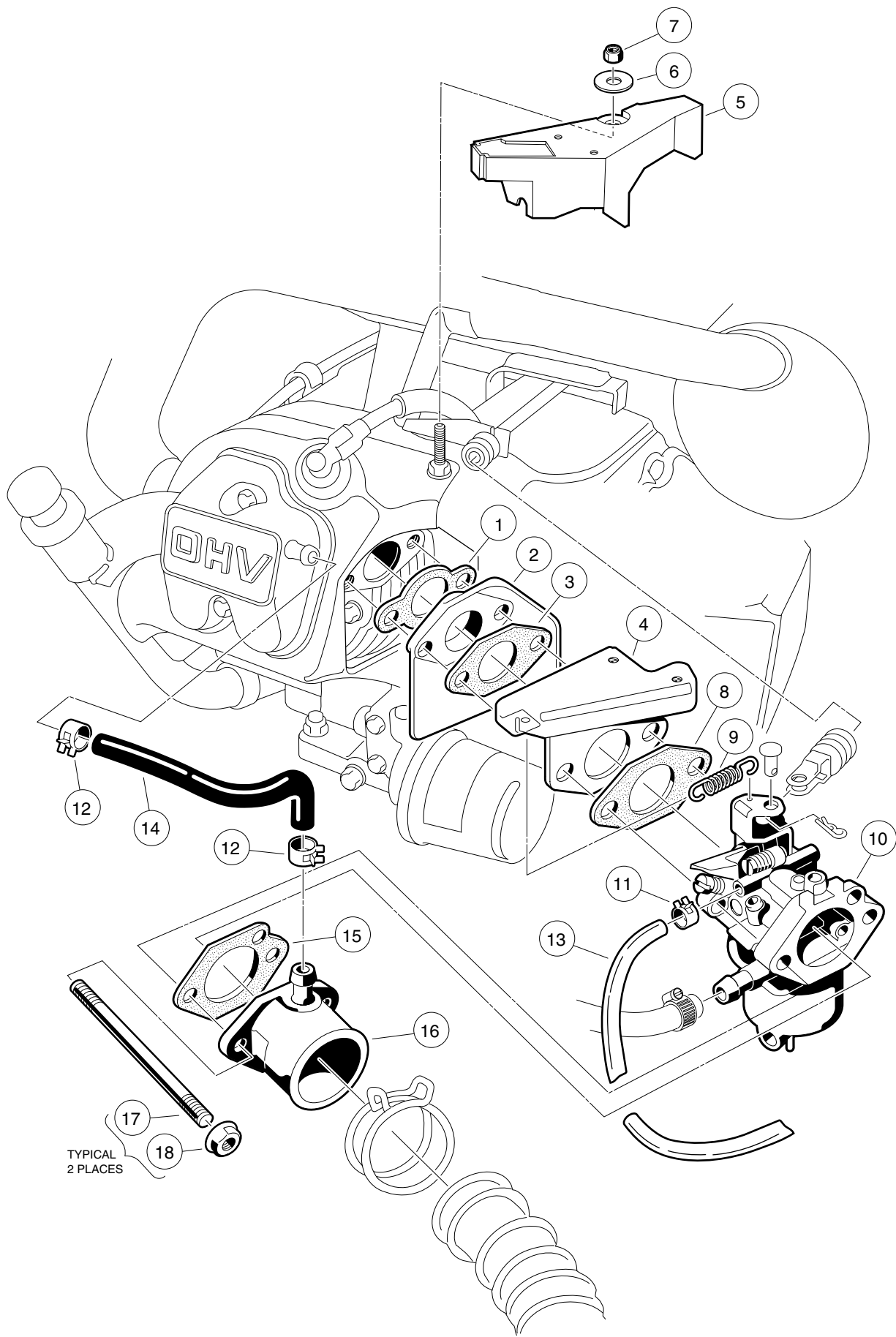
8
G



CARBURETOR ASSEMBLY, FE350 ENGINE— RESORT VILLAGER, TRANS-PORTER/TRANS-SENDER

ITEM	PART NO.	DESCRIPTION	QTY
		1 2 3 4	
1	<u>101905901</u>	ASSEMBLY, CARBURETOR (INCLUDES ITEMS 2 - 11)	1
2	<u>1016501</u>	ASSEMBLY, IDLE SCREW	1
3	N/A	ASSEMBLY, PILOT AIR SCREW	1
4	<u>101973101</u>	JET, PILOT, #40	1
5	1016486	ASSEMBLY, FLOAT	1
6	<u>101973301</u>	NOZZLE, MAIN	1
		STANDARD JETTING:	
7	<u>101642585</u>	JET, MAIN, 0 - 3,000 FEET	1
7	<u>101642582</u>	JET, MAIN, 3,000 - 5,000 FEET	A/R
7	<u>101642580</u>	JET, MAIN, 5,000 - 8,000 FEET	A/R
7	<u>101642578</u>	JET, MAIN, 8,000 - 10,000 FEET	A/R
7	<u>101642575</u>	JET, MAIN, 10,000 FEET AND ABOVE	A/R
8	<u>1016437</u>	GASKET, FLOAT CHAMBER	1
9	<u>1017461</u>	ASSEMBLY, FLOAT CHAMBER (INCLUDES ITEM 10)	1
10	<u>1016499</u>	ASSEMBLY, SCREW	1
11	1016585	ASSEMBLY, BOLT	1





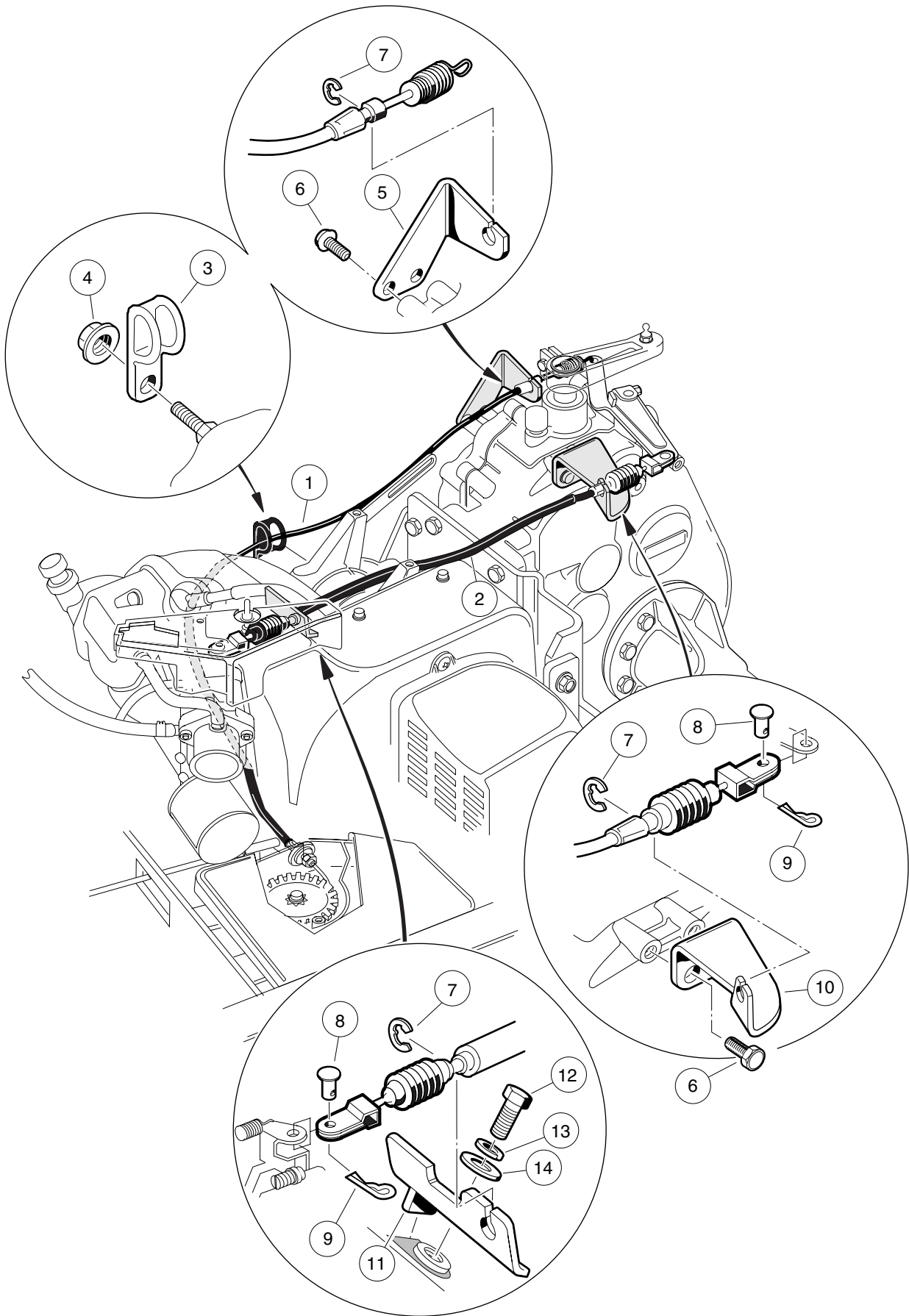
TYPICAL
2 PLACES

CARBURETOR INSTALLATION

8

G

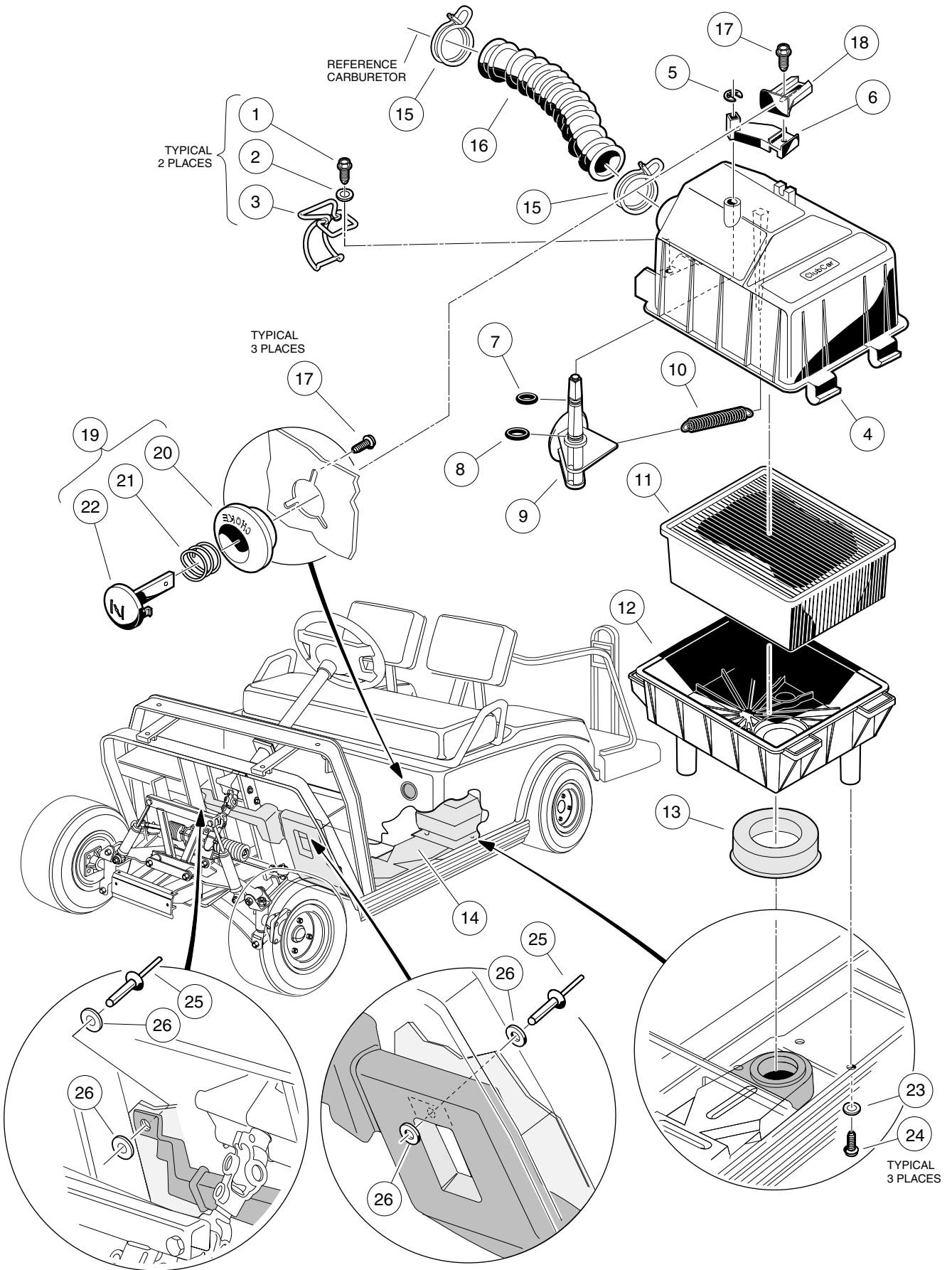
ITEM	PART NO.	DESCRIPTION	QTY
		1 2 3 4	
1	<u>1016440</u>	GASKET, INSULATOR	1
2	101648102	INSULATOR, CARBURETOR	1
3	<u>1016439</u>	GASKET, CARBURETOR INSULATOR TO THROTTLE BRACKET (TOURALL ONLY)	1
3	<u>101973401</u>	GASKET, CARBURETOR INSULATOR TO THROTTLE BRACKET (RESORT VILLAGER, TRANS-PORTER/TRANS-SENDER)	1
4	<u>1016444</u>	BRACKET, THROTTLE	1
5	101820201	GUARD, GOVERNOR (TOURALL ONLY)	1
6	<u>1011697</u>	WASHER, FLAT, 5/16 (TOURALL ONLY)	1
7	<u>101887601</u>	NUT, NYLON LOCK, M6 x 1 (TOURALL ONLY)	1
8	<u>1016441</u>	GASKET, THROTTLE BRACKET TO CARBURETOR	1
9	<u>1016582</u>	SPRING, THROTTLE RETURN	1
10	<u>101905601</u>	ASSEMBLY, CARBURETOR (TOURALL ONLY)	1
10	<u>101905901</u>	ASSEMBLY, CARBURETOR (RESORT VILLAGER, TRANS-PORTER/TRANS-SENDER) ...	1
11	<u>1013746</u>	CLAMP, HOSE (GRAY)	1
12	<u>1017466</u>	CLAMP, HOSE (BRONZE)	2
13	<u>1015137</u>	LINE, BULK VENT	A/R
14	<u>1016572</u>	TUBE, CRANKCASE VENT	1
15	<u>1016438</u>	GASKET, CARBURETOR TO INTAKE MANIFOLD	1
16	1016480	PIPE, INTAKE	1
17	<u>101649002</u>	SCREW, 2-ENDED STUD, M6 x 1 x 90MM	2
18	1016547	NUT, FLANGED, M6 x 1	2



GOVERNOR AND ACCELERATOR CABLES

ITEM	PART NO.	DESCRIPTION	QTY
		1 2 3 4	
1	<u>101832501</u>	CABLE, ACCELERATOR	1
2	<u>101832401</u>	CABLE, GOVERNOR (TOURALL ONLY)	1
2	<u>101832402</u>	CABLE, GOVERNOR (RESORT VILLAGER AND TRANS-PORTER/TRANS-SENDER)	1
3	<u>1013700</u>	CLAMP, CABLE RETAINING	2
4	<u>1016546</u>	NUT, FLANGED HEX, M8 x 1.25	2
5	101832301	BRACKET, ACCELERATOR SUPPORT	1
6	<u>1012285</u>	SCREW, THREAD ROLLING, 1/4 - 20 x 5/8	4
7	<u>1016202</u>	E-RING	3
8	<u>1015408</u>	PIN, GOVERNOR CABLE CLEVIS	2
9	<u>1014413</u>	PIN, HAIR SPRING COTTER, 1/8 I.D. x 5/8	2
10	101832201	BRACKET, SUPPORT	1
11	<u>1015845</u>	BRACKET, GOVERNOR CABLE ENGINE	1
12	101903501	SCREW, HEX HEAD CAP, M8 x 1.25 x 24 MM	1
13	<u>7174</u>	WASHER, LOCK, 5/16	1
14	<u>1011697</u>	WASHER, FLAT, 5/16	1

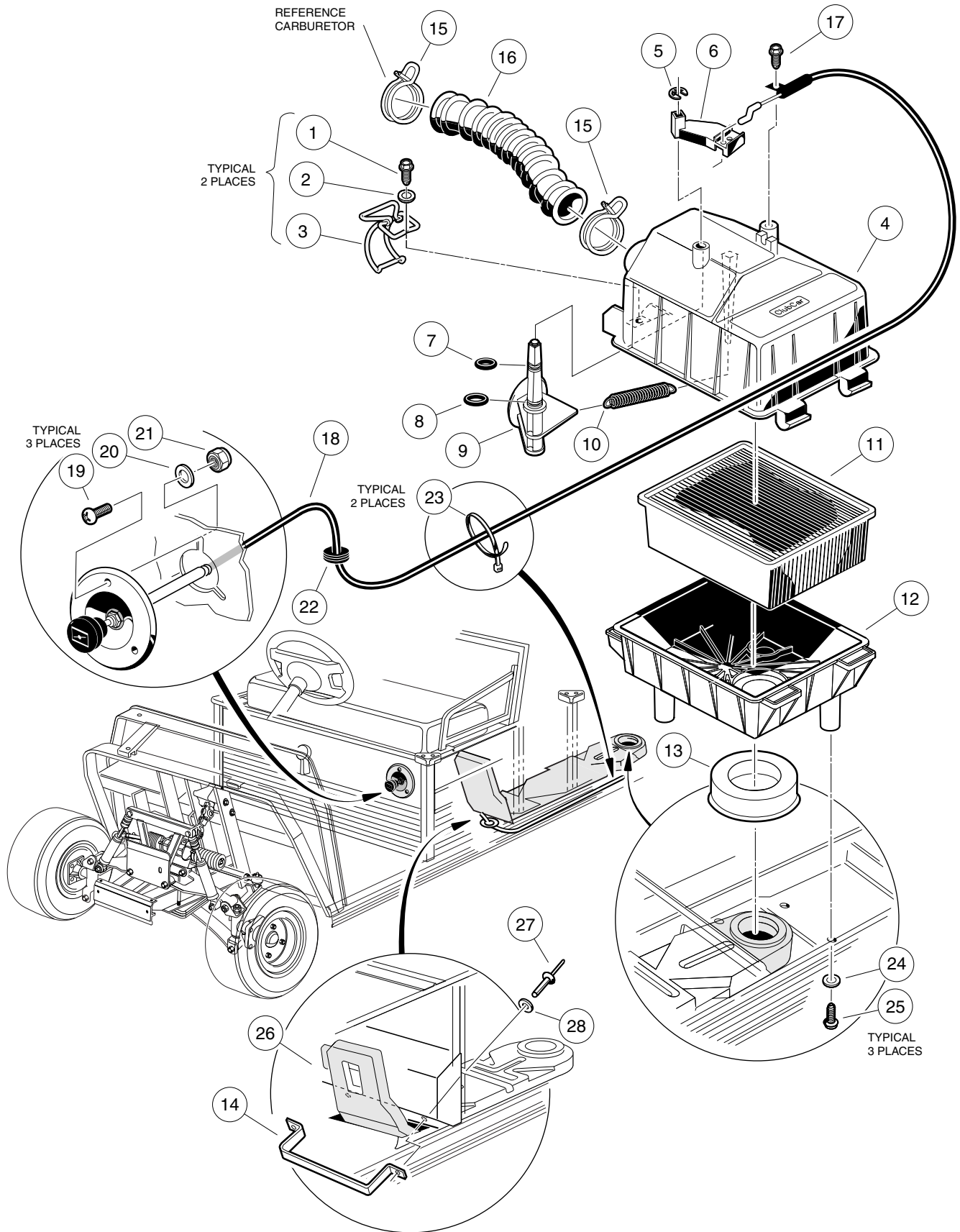




INTAKE DUCT, CHOKE, AND AIR BOX ASSEMBLY— TOURALL

8
G

ITEM	PART NO.	DESCRIPTION	QTY
		1 2 3 4	
	<u>101821501</u>	ASSEMBLY, AIR BOX (INCLUDES ITEMS 1 - 13)	1
1	<u>101804301</u>	SCREW, HI-LO HEX HEAD, #8 - 1/2	2
2	<u>101881701</u>	WASHER, STAINLESS STEEL, #8	2
3	<u>101925701</u>	LATCH, WIRE	2
4	<u>101972801</u>	ASSEMBLY, AIR BOX TOP (INCLUDES ITEMS 5 - 10)	1
5	<u>101813001</u>	E-CLIP	1
6	<u>101917601</u>	LEVER, CHOKE	1
7	N/A	O-RING, 5/16 (RED)	1
8	N/A	O-RING, 3/8 (GREEN)	1
9	N/A	VALVE, CHOKE	1
10	<u>101812301</u>	SPRING, RETURN	1
11	<u>1015426</u>	FILTER, AIR	1
12	<u>101811901</u>	BOTTOM, AIR BOX	1
13	<u>101921501</u>	SEAL, INTAKE	1
14	<u>101958101</u>	ASSEMBLY, AIR DUCT	1
15	<u>101971301</u>	CLAMP, HOSE (AIR INTAKE)	2
16	<u>101837101</u>	HOSE, INTAKE	1
17	<u>101850301</u>	SCREW, HI-LO, #12 x 1/2	4
18	<u>101917701</u>	POSITIONER, CHOKE	1
19	<u>101805701</u>	ASSEMBLY, CHOKE BUTTON (INCLUDES ITEMS 20, 21 AND 22)	1
20	<u>101811501</u>	GUIDE, CHOKE LEVER	1
21	<u>101856201</u>	SPRING, COMPRESSION	1
22	<u>101811401</u>	LEVER, CHOKE	1
23	<u>332</u>	WASHER, FLAT, 1/4	3
24	<u>1015752</u>	SCREW, HI-LO, #12 - 16 x 5/8	3
25	<u>1606</u>	RIVET, POP, 3/16	2
26	<u>183</u>	WASHER, FLAT, #10	4
	<u>101971001</u>	KIT, AIR DUCT REPAIR (NOT SHOWN)	A/R



INTAKE DUCT, CHOKE, AND AIR BOX ASSEMBLY— RESORT VILLAGER, TRANS-PORTER/TRANS-SENDER

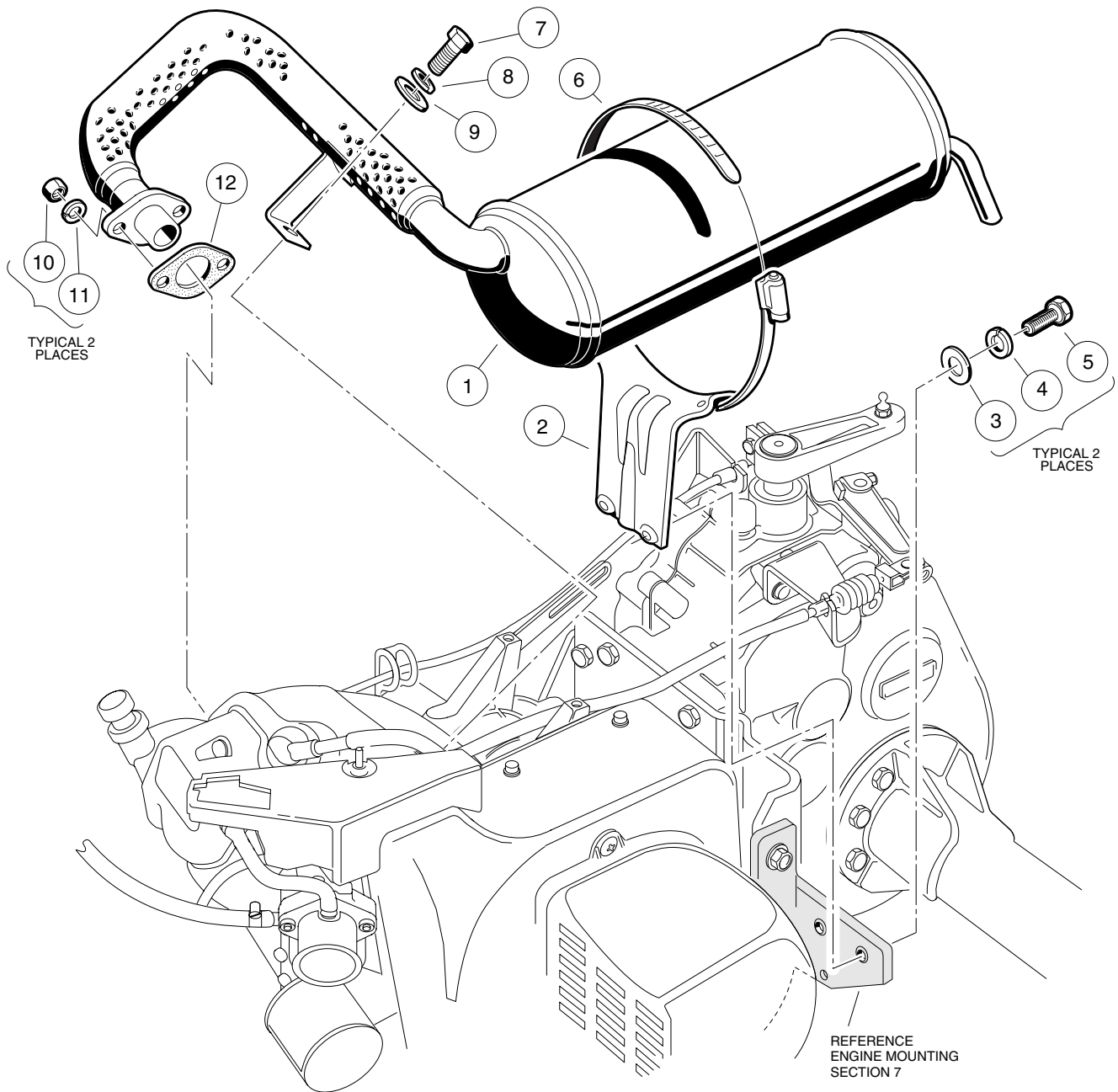
ITEM	PART NO.	DESCRIPTION	QTY
		1 2 3 4	
	<u>101821501</u>	ASSEMBLY, AIR BOX (INCLUDES ITEMS 1 - 13)	1
1	<u>101804301</u>	SCREW, HI-LO HEX HEAD, #8 - 1/2	2
2	<u>101881701</u>	WASHER, STAINLESS STEEL, #8	2
3	<u>101925701</u>	LATCH, WIRE	2
4	<u>101972801</u>	ASSEMBLY, AIR BOX TOP (INCLUDES ITEMS 5 - 10)	1
5	<u>101813001</u>	E-CLIP	1
6	<u>101917601</u>	LEVER, CHOKE	1
7	N/A	O-RING, 5/16 (RED)	1
8	N/A	O-RING, 3/8 (GREEN)	1
9	N/A	VALVE, CHOKE	1
10	<u>101812301</u>	SPRING, RETURN	1
11	<u>1015426</u>	FILTER, AIR	1
12	<u>101811901</u>	BOTTOM, AIR BOX	1
13	<u>101921501</u>	SEAL, INTAKE	1
14	<u>101825701</u>	BRACKET, RETAINING	1
15	<u>101971301</u>	CLAMP, HOSE (AIR INTAKE)	2
16	<u>101837101</u>	HOSE, INTAKE	1
17	<u>101804301</u>	SCREW, HEX HEAD HI-LO, #8 x 1/2	1
18	<u>101926802</u>	CABLE, CHOKE	1
19	<u>1631</u>	SCREW, PAN HEAD, #10 - 24 x 3/4	3
20	<u>183</u>	WASHER, #10	3
21	<u>1012438</u>	NUT, NYLON LOCK, #10 - 24	3
22	<u>1015139</u>	GROMMET (TRANS-PORTER/TRANS-SENDER ONLY).....	1
23	8168	TIE, WIRE	2
24	<u>332</u>	WASHER, FLAT, 1/4	3
25	1015752	SCREW, HI-LO, #12 - 16 x 5/8	3
26	<u>101811301</u>	DUCT, AIR	1
27	7973	RIVET, POP, 3/16	2
28	<u>183</u>	WASHER, FLAT, #10	2
	101971001	KIT, AIR DUCT REPAIR (NOT SHOWN)	A/R



EXHAUST SYSTEM

9

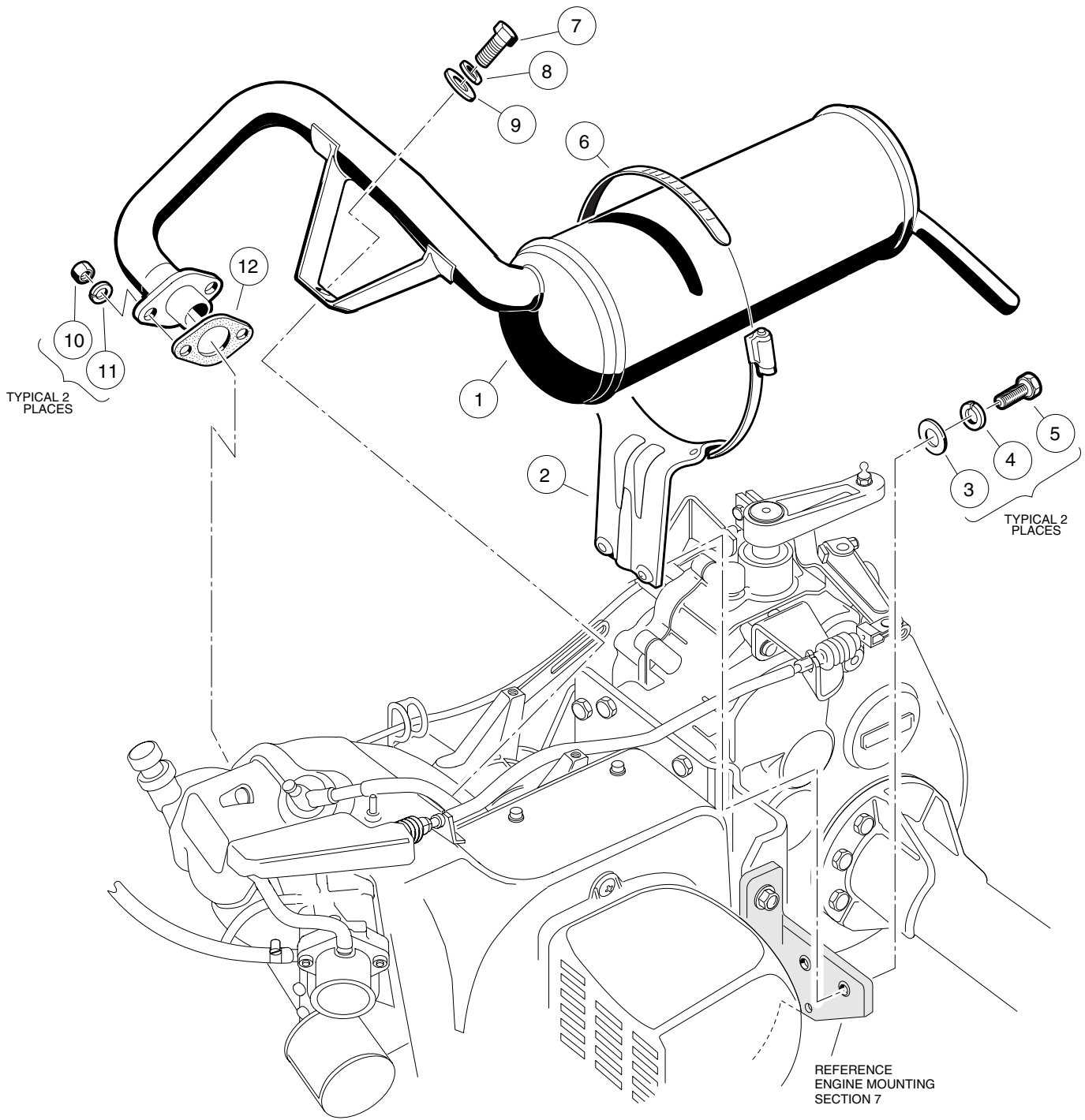
G



EXHAUST SYSTEM, FE290- TOURALL

ITEM	PART NO.	DESCRIPTION	QTY
		1 2 3 4	
1	<u>101859301</u>	SYSTEM, EXHAUST	1
2	<u>1015814</u>	BRACKET, MUFFLER MOUNTING	1
3	<u>332</u>	WASHER, FLAT, 1/4	2
4	<u>451</u>	WASHER, LOCK, 1/4	2
5	<u>7847</u>	SCREW, HEX HEAD CAP, 1/4 - 20 x 3/4	2
6	1017689	CLAMP, MUFFLER	1
7	<u>1012830</u>	SCREW, HEX HEAD CAP, M8 x 1.25 x 22MM	1
8	<u>7174</u>	WASHER, LOCK, 5/16	1
9	1015075	WASHER, FLAT, 5/16	1
10	<u>1012528</u>	NUT, HEX, M8 x 1.25	2
11	<u>1013734</u>	WASHER, LOCK, 8MM	2
12	<u>1015330</u>	GASKET, EXHAUST	1





EXHAUST SYSTEM, FE350- RESORT VILLAGER, TRANS-PORTER/TRANS-SENDER

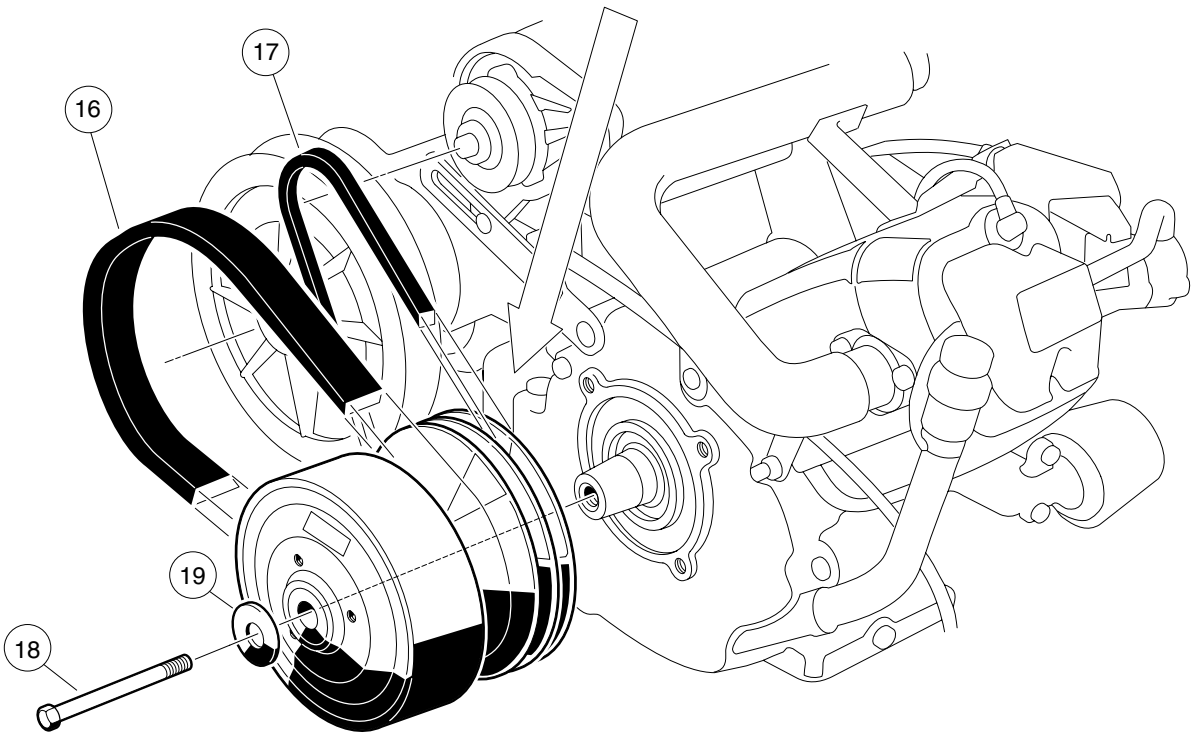
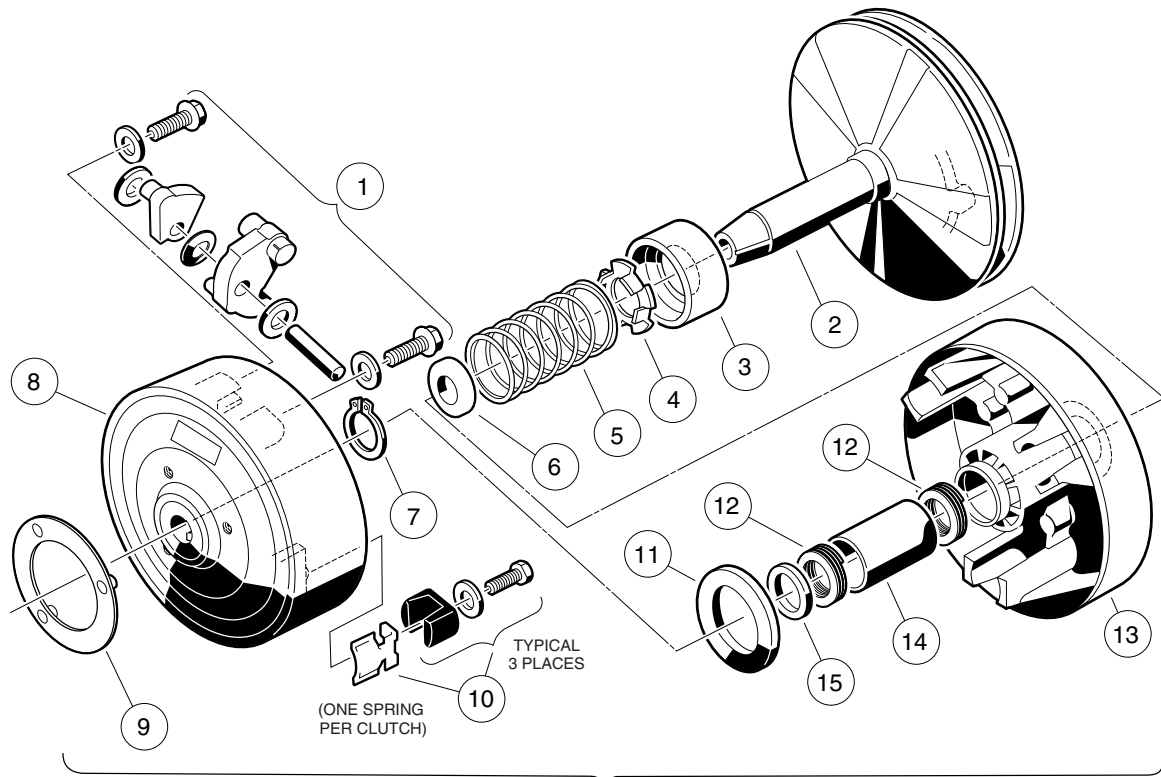
ITEM	PART NO.	DESCRIPTION	QTY
		1 2 3 4	
1	<u>101859401</u>	SYSTEM, EXHAUST	1
2	<u>1015814</u>	BRACKET, MUFFLER MOUNTING	1
3	<u>332</u>	WASHER, FLAT, 1/4	2
4	<u>451</u>	WASHER, LOCK, 1/4	2
5	<u>7847</u>	SCREW, HEX HEAD CAP, 1/4 - 20 x 3/4	2
6	1017689	CLAMP, MUFFLER	1
7	<u>1012830</u>	SCREW, HEX HEAD CAP, M8 x 1.25 x 22MM	1
8	<u>7174</u>	WASHER, LOCK, 5/16	1
9	1015075	WASHER, FLAT, 5/16	1
10	<u>1012528</u>	NUT, HEX, M8 x 1.25	2
11	<u>1013734</u>	WASHER, LOCK, 8MM	2
12	<u>1016904</u>	GASKET, EXHAUST	1



TORQUE CONVERTER

10

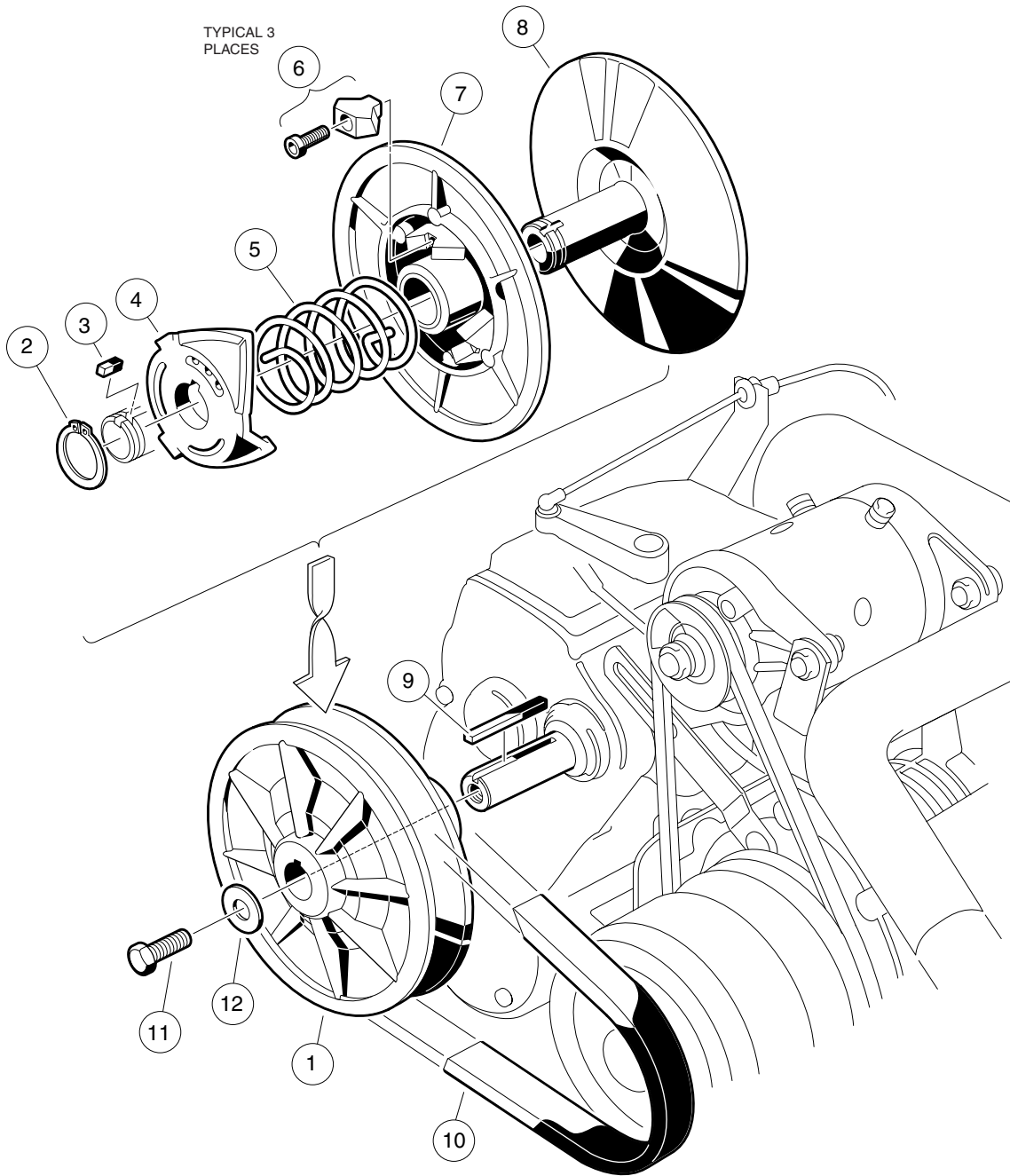
G



DRIVE CLUTCH

10
G

ITEM	PART NO.	DESCRIPTION	QTY
		1 2 3 4	
	<u>101833902</u>	ASSEMBLY, DRIVE CLUTCH (TOURALL ONLY) (INCLUDES ITEMS 1 - 15)	1
	<u>101833904</u>	ASSEMBLY, DRIVE CLUTCH (RESORT VILLAGER, TRANS-PORTER/TRANS-SENDER) (INCLUDES ITEMS 1 - 15)	1
1	<u>1016801</u>	KIT, DRIVE CLUTCH WEIGHT	1
2	<u>101929801</u>	ASSEMBLY, FIXED FACE (TOURALL ONLY)	1
2	<u>101738301</u>	ASSEMBLY, FIXED FACE (RESORT VILLAGER, TRANS-PORTER/TRANS-SENDER) ...	1
3	<u>1014049</u>	BEARING, IDLER	1
4	<u>1014050</u>	SPRING, RETAINER	1
5	<u>1014051</u>	SPRING, DRIVE CLUTCH—BLACK (TOURALL ONLY)	1
5	<u>1016901</u>	SPRING, DRIVE CLUTCH—DARK GREEN (RESORT VILLAGER, TRANS-PORTER/TRANS-SENDER)	1
6	<u>1016289</u>	SPACER, FIXED FACE SHAFT	1
7	<u>1014057</u>	RING, RETAINING	1
8	<u>1014059</u>	ASSEMBLY, DRIVE HUB	1
9	<u>101925601</u>	PLUG, DRIVE CLUTCH	1
10	<u>1014453</u>	KIT, DRIVE CLUTCH BUTTON (INCLUDES ONE SPRING AND THREE EACH OF THE SCREW, WASHER, AND BUTTON)	1
11	<u>1014058</u>	WASHER, THRUST	1
12	<u>1014056</u>	RING, SPIRAL BACK-UP	2
13	<u>1014052</u>	ASSEMBLY, MOVEABLE FACE (INCLUDES ITEMS 14 AND 15)	1
14	N/A	BUSHING	1
15	<u>1014055</u>	RETAINER	1
16	<u>1016203</u>	BELT, DRIVE (TOURALL ONLY)	1
16	<u>1017188</u>	BELT, DRIVE (RESORT VILLAGER, TRANS-PORTER/TRANS-SENDER)	1
17	<u>101916701</u>	BELT, STARTER/GENERATOR	1
18	<u>101916501</u>	SCREW, HEX HEAD CAP (LEFT HAND THREADS), 3/8 - 24 x 5-1/2	1
19	<u>1017328</u>	WASHER, MOUNTING—GREEN	1



DRIVEN CLUTCH

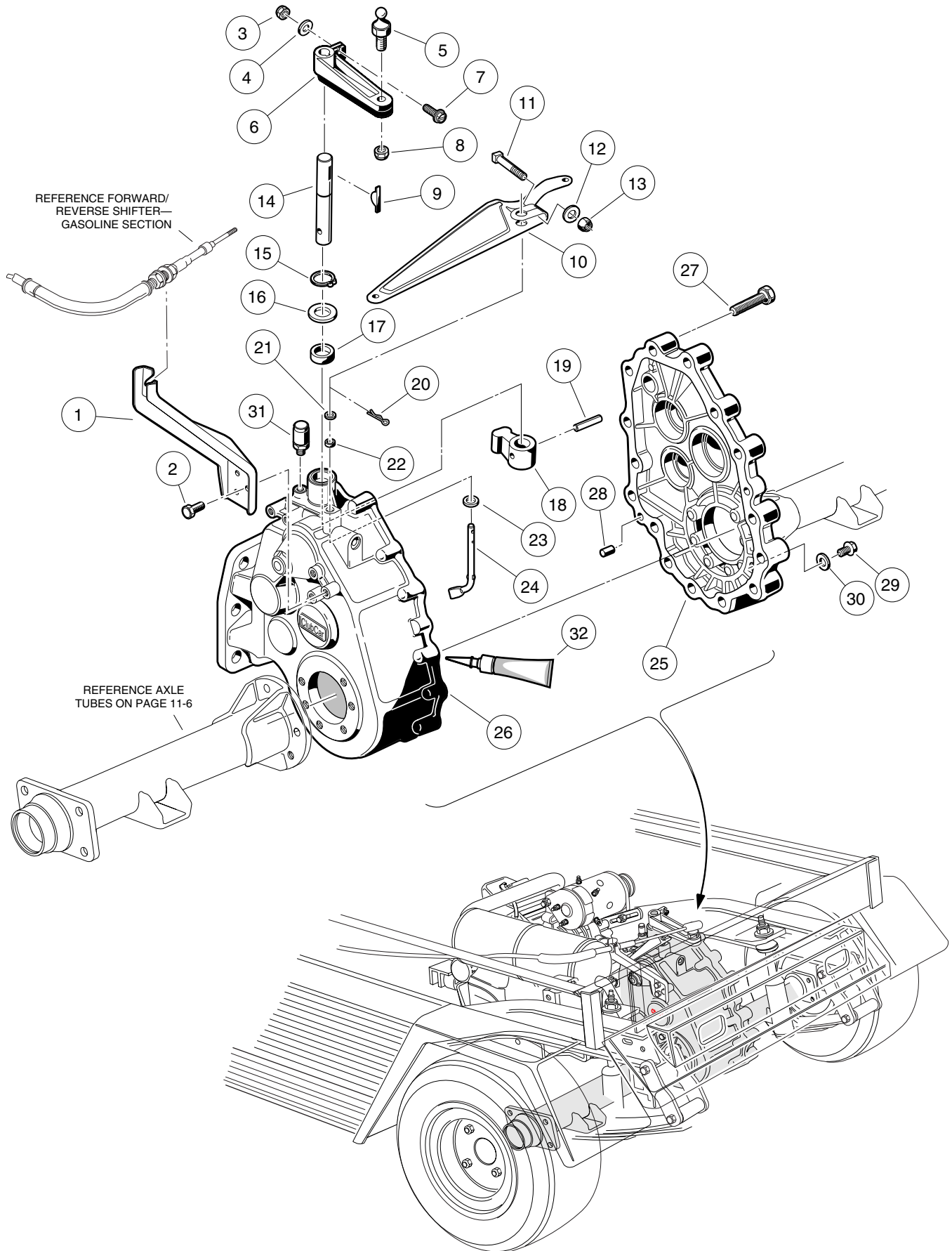
10
G

ITEM	PART NO.	DESCRIPTION	QTY
		1 2 3 4	
1	<u>101834001</u>	ASSEMBLY, DRIVEN CLUTCH (INCLUDES ITEMS 2 - 8)	1
2	<u>1014080</u>	RING, RETAINING	1
3	<u>1014078</u>	KEY	1
4	<u>1017686</u>	CAM	1
5	<u>101836201</u>	SPRING—GREEN	1
6	<u>1014454</u>	KIT, BUTTON (INCLUDES 3 BUTTONS AND 3 SCREWS)	1
7	<u>1014072</u>	ASSEMBLY, MOVEABLE FACE, WITH BUSHING	1
8	<u>1014070</u>	ASSEMBLY, FIXED FACE	1
9	<u>101833401</u>	KEY, SQUARE TRANSMISSION	1
10	<u>1016203</u>	BELT, DRIVE (TOURALL ONLY)	1
10	<u>1017188</u>	BELT, DRIVE (RESORT VILLAGER, TRANS-PORTER/TRANS-SENDER)	1
11	<u>7173</u>	SCREW, HEX HEAD CAP, 5/16 - 18 x 3/4	1
12	<u>1017327</u>	WASHER, MOUNTING—YELLOW	1

UNITIZED TRANSAXLE- GASOLINE VEHICLE

11

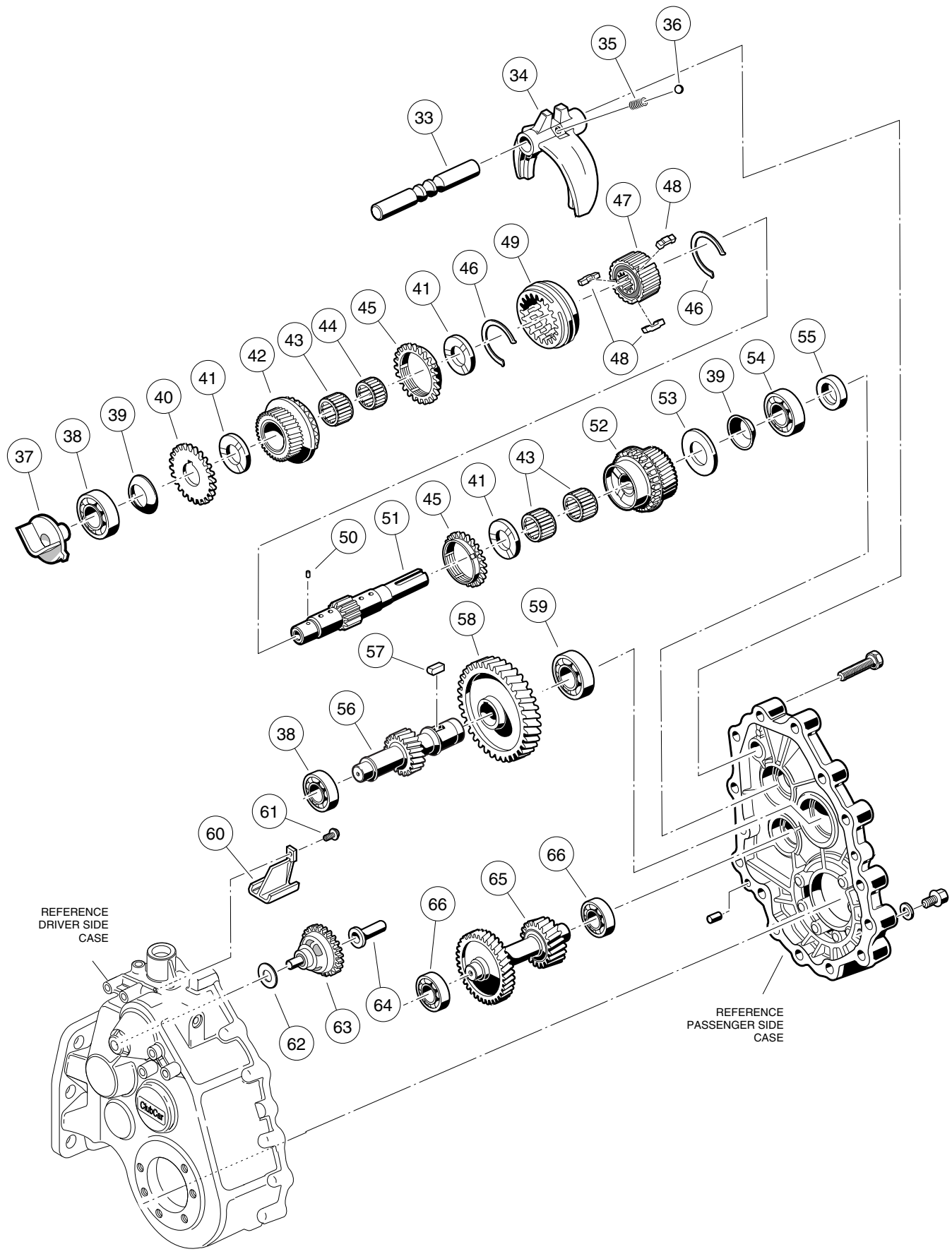
G



UNITIZED TRANSAXLE, GASOLINE VEHICLE— GEAR CASES AND BRACKETS

ITEM	PART NO.	DESCRIPTION	QTY
		1 2 3 4	
1	101922601	BRACKET, TRANSMISSION CABLE SUPPORT	1
2	<u>1012285</u>	SCREW, THREAD ROLLING, 1/4 - 20 x 5/8	3
3	<u>1013061</u>	NUT, NYLON LOCK, #10 - 32	1
4	<u>183</u>	WASHER, FLAT, #10	1
5	<u>1010954</u>	STUD, BALL, 1/4 - 28 x 9/16	1
6	<u>1016341</u>	LEVER, TRANSMISSION SHIFTER	1
7	<u>1017082</u>	SCREW, HEX WASHER HEAD, #10 - 32 x 3/4	1
8	<u>8717</u>	NUT, NYLON LOCK, 1/4 - 28	1
9	<u>1017231</u>	KEY, WOODRUFF	1
10	<u>101834801</u>	ARM, GOVERNOR LEVER	1
11	<u>101886101</u>	SCREW, SQUARE HEAD, 1/4 - 20 x 1	1
12	<u>1014007</u>	WASHER, TYPE B, 1/4	1
13	<u>8233</u>	NUT, NYLON LOCK, 1/4 - 20	1
	<u>101833601</u>	TRANSAXLE, UNITIZED (INCLUDES ITEMS 14 - 90)	1
14	<u>101890201</u>	SHAFT, SHIFTER	1
15	<u>101927301</u>	RING, SNAP	1
16	<u>101892901</u>	WASHER, FLAT	1
17	<u>101927201</u>	SEAL, OIL	1
18	<u>101890101</u>	LEVER, SHIFTER	1
19	<u>1012752</u>	PIN, ROLL	1
20	<u>101928601</u>	PIN, COTTER	1
21	<u>1016513</u>	WASHER, FLAT	1
22	<u>101927101</u>	SEAL, OIL	1
23	<u>101893801</u>	WASHER	1
24	<u>101891301</u>	ARM, PIVOT	1
25	<u>101890601</u>	GEAR CASE (PASSENGER SIDE)	1
26	<u>101890501</u>	GEAR CASE (DRIVER SIDE)	1
27	<u>101926901</u>	BOLT, FLANGED, M8 x 1.25 x 40MM	15
28	<u>1012896</u>	PIN, DOWEL	2
29	<u>1013759</u>	PLUG, DRAIN (INCLUDES ITEM 30)	2
30	<u>1016432</u>	GASKET	1
31	<u>1012711</u>	BREATHER	1
32	<u>101928701</u>	GASKET, LIQUID, 8.8 OZ. (250 GRAMS)	A/R

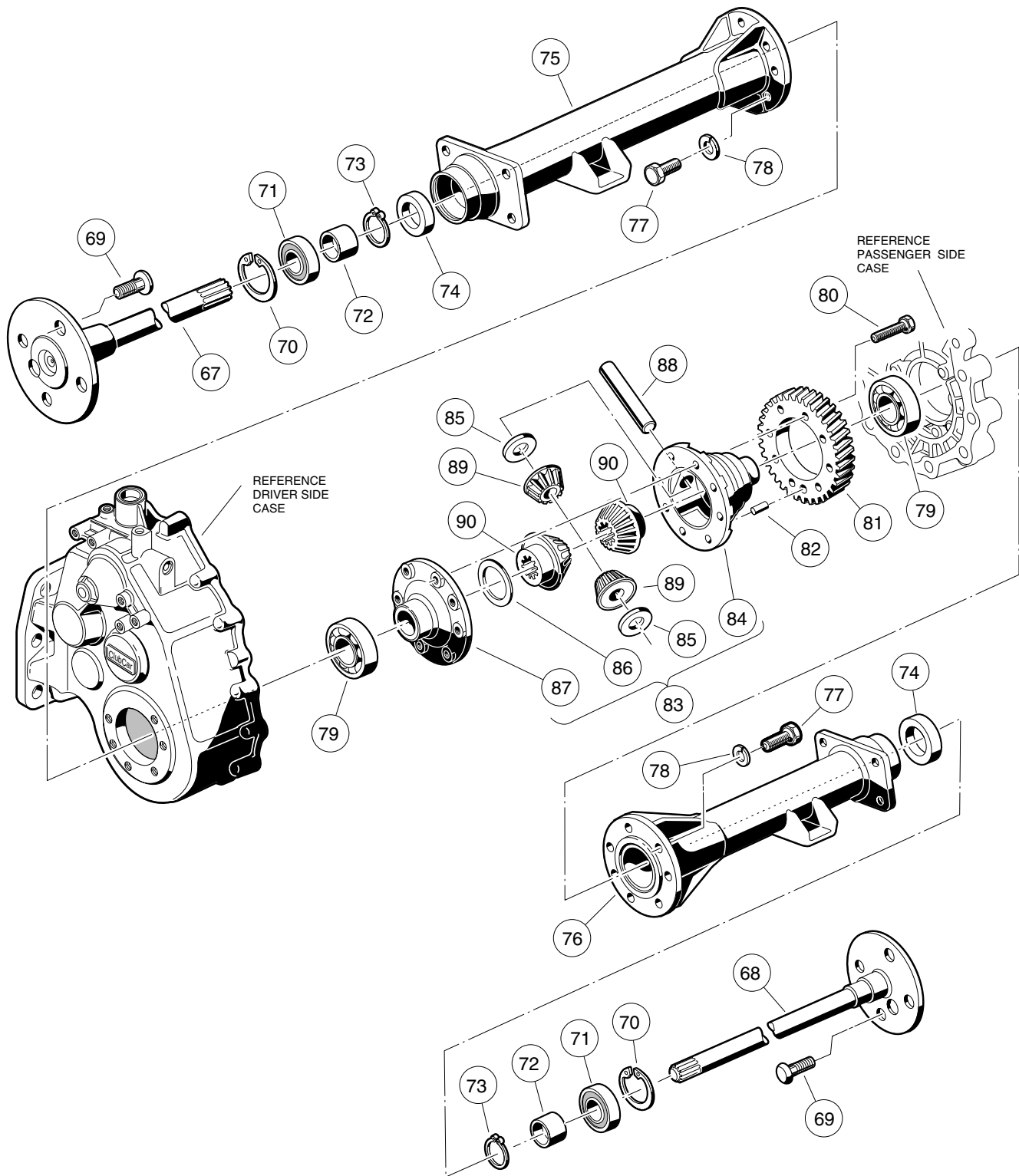
11
G



UNITIZED TRANSAXLE, GASOLINE VEHICLE— F&R TRANSMISSION AND GEAR REDUCTION

ITEM	PART NO.	DESCRIPTION	QTY
		1 2 3 4	
33	101892001	ROD, SHIFT	1
34	<u>101890001</u>	FORK, SHIFT	1
35	<u>1012748</u>	SPRING	1
36	<u>1012747</u>	BALL, STEEL	1
37	<u>101889401</u>	GUIDE	1
38	<u>7336</u>	BEARING, BALL	2
39	<u>1016338</u>	WASHER, SPRING	2
40	<u>101892401</u>	GEAR, SPUR	1
41	<u>101892201</u>	PLATE, THRUST	3
42	<u>101980901</u>	GEAR ASSEMBLY, INPUT, 28 TOOTH (16°)	1
43	101927601	BEARING, NEEDLE	3
44	<u>101927501</u>	BEARING, NEEDLE	1
45	<u>101981001</u>	RING, SYNCHRONIZER (16°)	2
46	<u>1012741</u>	SPRING, SYNCHRONIZER	2
47	<u>101928001</u>	HUB, SYNCHRONIZER CLUTCH	1
48	<u>1012740</u>	INSERT, SYNCHRONIZER	3
49	<u>101927901</u>	SLEEVE, SYNCHRONIZER	1
50	<u>101927701</u>	PIN, DOWEL	1
51	<u>101889901</u>	SHAFT, INPUT	1
52	<u>101980801</u>	GEAR ASSEMBLY, INPUT, 25 TOOTH (16°)	1
53	<u>1016337</u>	WASHER, THRUST	1
54	<u>101927801</u>	BEARING, BALL	1
55	<u>1012714</u>	SEAL, OIL, INPUT SHAFT	1
56	<u>101892601</u>	GEAR, 17-TOOTH	1
57	<u>101893201</u>	KEY	1
58	<u>101892501</u>	GEAR, 61-TOOTH	1
59	101928101	BEARING, BALL	1
60	<u>101889501</u>	GUIDE, OIL	1
61	<u>101928201</u>	SCREW, M8 x 1.25 x 10 MM	1
62	<u>101893901</u>	WASHER	1
63	<u>101892301</u>	GOVERNOR ASSEMBLY	1
64	<u>101891601</u>	SLEEVE	1
65	<u>101891901</u>	GEAR, CLUSTER IDLER	1
66	<u>7335</u>	BEARING, BALL	2

11
G



UNITIZED TRANSAXLE, GASOLINE VEHICLE— DIFFERENTIAL AND AXLES

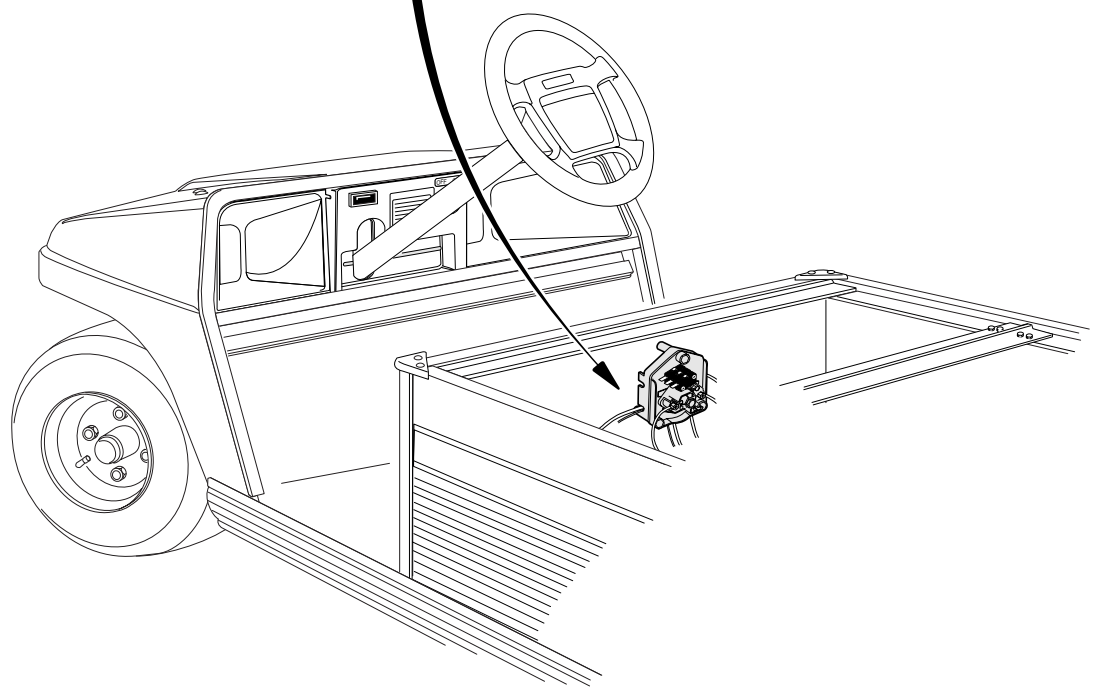
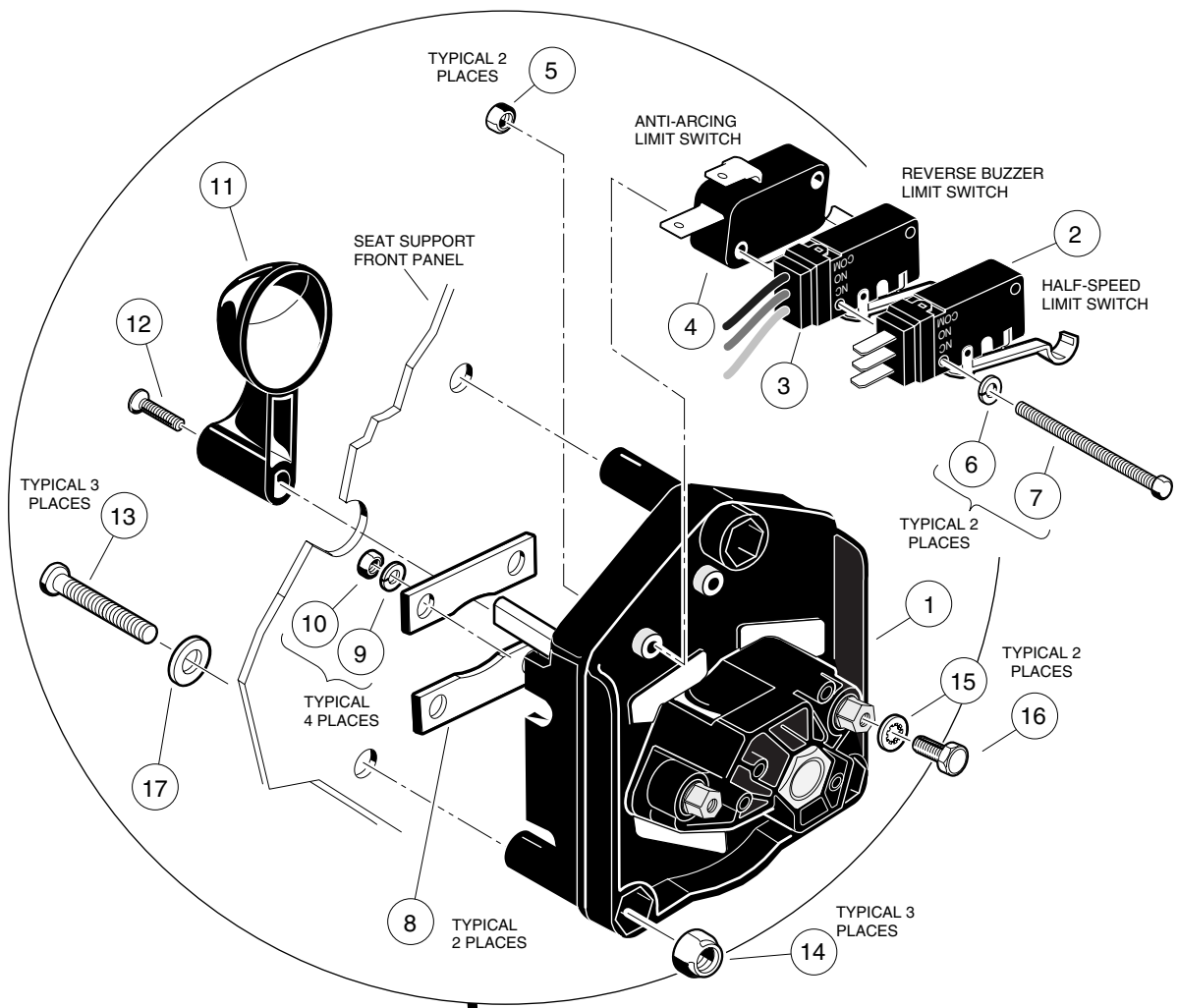
ITEM	PART NO.	DESCRIPTION	QTY
		1 2 3 4	
67	<u>101891501</u>	AXLE ASSEMBLY, DRIVER SIDE (INCLUDES ITEMS 69 - 73)	1
68	<u>101891401</u>	AXLE ASSEMBLY, PASSENGER SIDE (INCLUDES ITEMS 69 - 73)	1
69	<u>1013787</u>	STUD, LUG	4
70	<u>1013792</u>	RING, RETAINING	1
71	<u>1011291</u>	BEARING, OUTER AXLE TUBE	1
72	<u>1014207</u>	COLLAR, 25 MM I. D.	1
73	<u>1016672</u>	RING, RETAINING	1
74	<u>1013794</u>	SEAL, OIL	2
75	<u>101891001</u>	ASSEMBLY, AXLE TUBE, DRIVER SIDE	1
76	<u>101890901</u>	ASSEMBLY, AXLE TUBE, PASSENGER SIDE	1
77	<u>1013790</u>	BOLT, M10 x 1.5 x 30MM	14
78	<u>1013791</u>	WASHER, LOCK, M10	14
79	<u>7330</u>	BEARING, INNER AXLE TUBE	2
80	<u>101928301</u>	BOLT, M8 x 1.25 x 37MM	8
81	<u>101892701</u>	GEAR, OUTPUT	1
82	<u>1014193</u>	PIN, DOWEL	1
83	<u>101910501</u>	KIT, DIFFERENTIAL GEAR CASE (INCLUDES ITEMS 84 - 87)	1
84	<u>1013768</u>	CASE, GEAR CARRIER	1
85	<u>1013774</u>	PLATE, THRUST (IDLER GEAR)	2
86	<u>1013773</u>	PLATE, THRUST (DIFFERENTIAL GEAR)	1
87	<u>1013769</u>	COVER, GEAR CASE	1
88	<u>1013772</u>	PIN, DIFFERENTIAL	1
89	<u>1013770</u>	GEAR, DIFFERENTIAL IDLER	2
90	<u>1013771</u>	GEAR, DIFFERENTIAL	2

11
G

ELECTRICAL SYSTEM— ELECTRIC VEHICLE

12

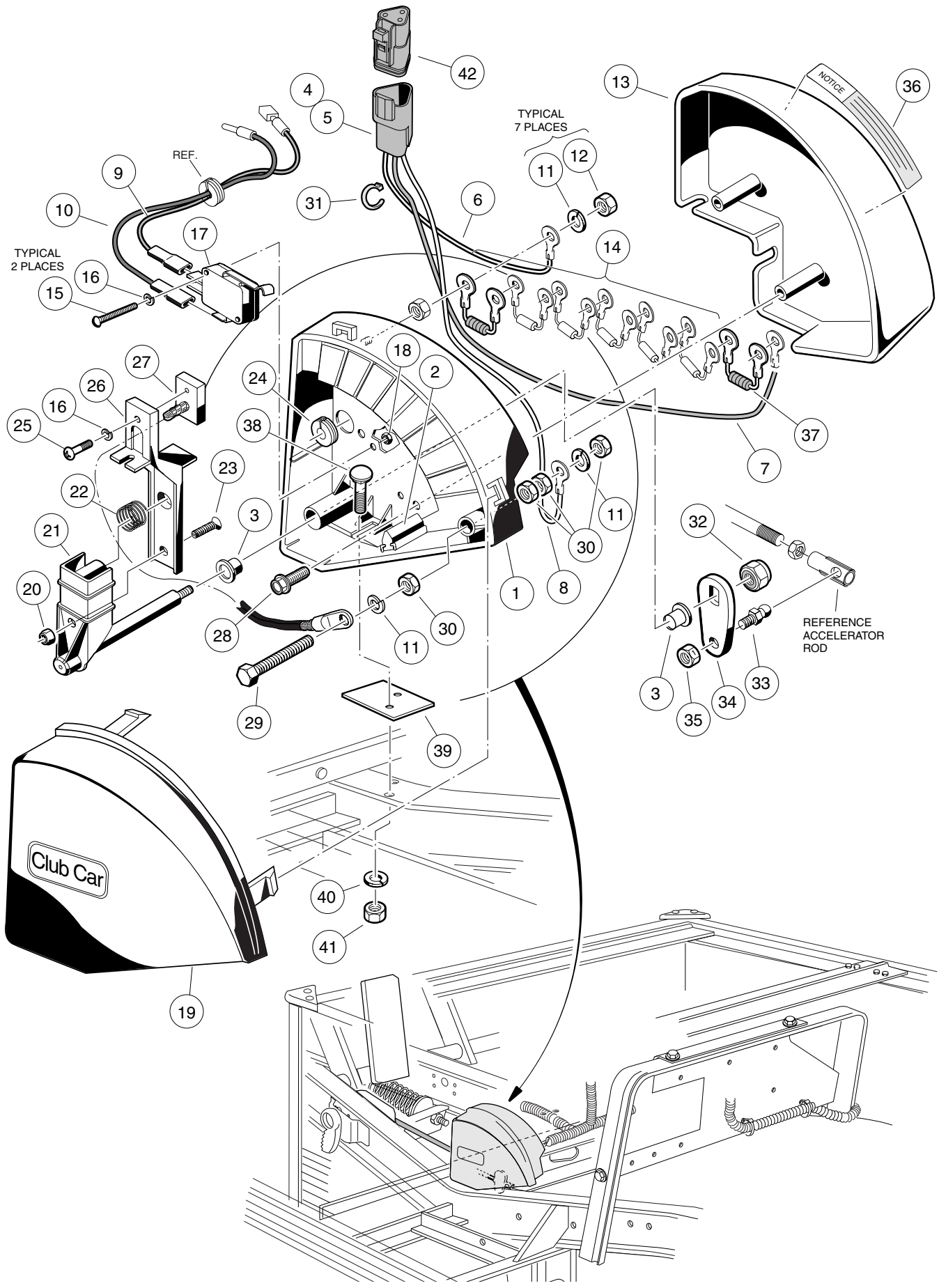
E



FORWARD/REVERSE SWITCH— POWERDRIVE ELECTRIC VEHICLE

12
E

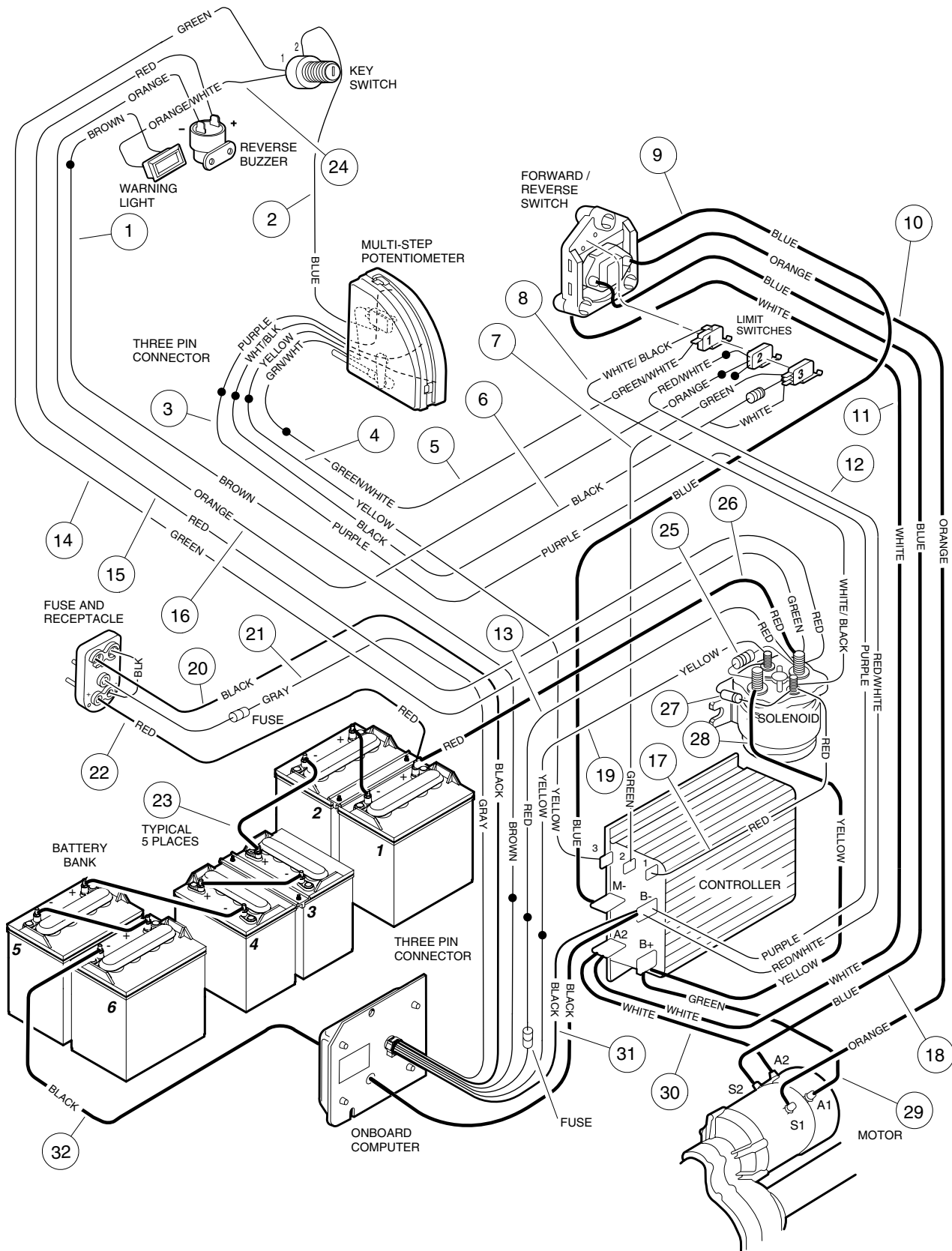
ITEM	PART NO.	DESCRIPTION	QTY
		1 2 3 4	
1	<u>101753005</u>	ASSEMBLY, FORWARD/REVERSE SWITCH (INCLUDES ITEMS 2 - 10)	1
2	<u>101977101</u>	SWITCH, LIMIT, SEALED	1
3	<u>101979101</u>	SWITCH, LIMIT, SEALED	1
4	<u>1014808</u>	SWITCH, LIMIT	1
5	<u>8057</u>	NUT, HEX, #4 - 40	2
6	<u>8058</u>	WASHER, LOCK, #4	2
7	<u>1014871</u>	SCREW, HEX WASHER HEAD, #4 - 40 x 2	2
8	<u>1017799</u>	BAR, BUS	2
9	<u>451</u>	WASHER, LOCK, 1/4	4
10	<u>1028</u>	NUT, HEX, 1/4 - 20	4
11	<u>1012987</u>	HANDLE, FORWARD/REVERSE SWITCH	1
12	<u>1013198</u>	SCREW, PHILLIPS HEAD MACHINE, #8 - 32 x 5/8	1
13	1016845	SCREW, PHILLIPS TRUSS HEAD, 1/4 - 20 x 2-1/8	3
14	<u>8233</u>	NUT, NYLON LOCK, 1/4 - 20	3
15	<u>8049</u>	WASHER, INTERNAL TOOTH LOCK, #10	2
16	<u>8450</u>	SCREW, HEX HEAD CAP, #10 - 24 x 1/2	2
17	<u>1014528</u>	WASHER, PLASTIC, 1/4 (TOURALL AND RESORT VILLAGER ONLY)	3



MULTI-STEP POTENTIOMETER— TOURALL POWERDRIVE ELECTRIC VEHICLE

12
E

ITEM	PART NO.	DESCRIPTION	QTY
		1 2 3 4	
	<u>101932001</u>	ASSEMBLY, WIPER SWITCH (INCLUDES ITEMS 1 - 37)	1
1	<u>1014999</u>	ASSEMBLY, WIPER SWITCH CASE, 6-SPEED (INCLUDES ITEMS 2 AND 3)	1
2	<u>1014414</u>	BUMPER, WIPER SWITCH	1
3	<u>1012903</u>	BEARING, BRONZE	2
4	<u>101932801</u>	ASSEMBLY, 3-WIRE AND RECEPTACLE (INCLUDES ITEMS 5 - 8)	1
5	<u>101942301</u>	KIT, 3-PIN RECEPTACLE	1
6	N/A	WIRE ASSEMBLY, #18 WHITE/BLACK	1
7	N/A	WIRE ASSEMBLY, #18 PURPLE	1
8	N/A	WIRE ASSEMBLY, #18 YELLOW	1
9	N/A	WIRE ASSEMBLY, #18 GREEN/WHITE	1
10	N/A	WIRE ASSEMBLY, #18 BLUE	1
11	<u>451</u>	WASHER, LOCK, 1/4	9
12	<u>1028</u>	NUT, HEX, STEEL, 1/4 - 20	7
13	<u>101946901</u>	PROTECTOR, WIPER SWITCH RESISTOR	1
14	<u>101971101</u>	KIT, RESISTOR ASSEMBLY	1
15	<u>8056</u>	SCREW, ROUND-HEAD MACHINE, #4 - 40 x 3/4	2
16	<u>8058</u>	WASHER, LOCK, #4	3
17	<u>1014807</u>	SWITCH, LIMIT	1
18	<u>8057</u>	NUT, HEX, #4 - 40	2
19	<u>1013886</u>	COVER, WIPER SWITCH	1
20	<u>1013061</u>	NUT, NYLON LOCK, #10 - 32	1
21	<u>1014017</u>	CARRIER, WIPER SWITCH ARM	1
22	<u>1013998</u>	SPRING, WIPER SWITCH BRUSH	1
23	<u>1014</u>	STUD, WIPER SWITCH ADJUSTING	1
24	<u>1014010</u>	GROMMET, SPLIT	1
25	<u>1014019</u>	SCREW, SELF-TAPPING, #4 - 40 x 3/8	1
26	<u>1013887</u>	ARM, SPEED SWITCH	1
27	<u>1013860</u>	ASSEMBLY, SWITCH BRUSH	1
28	<u>1013461</u>	SCREW, HEX HEAD HI-LO, #10 - 16 x 1/2	2
29	<u>1014189</u>	SCREW, HEX HEAD CAP, 1/4 - 20 x 2	1
30	<u>1014253</u>	NUT, BRASS HEX JAM, 1/4 - 20	4
31	<u>8990</u>	TIE, WIRE	1
32	<u>7473</u>	NUT, NYLON LOCK, 5/16 - 18	1
33	<u>1012353</u>	STUD, SHORT BALL, 1/4 - 28	1
34	<u>1014003</u>	CRANK, BELL	1
35	<u>8449</u>	NUT, DIMPLED LOCK, 1/4 - 28	1
36	<u>101610901</u>	DECAL, WIPER SWITCH WARNING	1
37	<u>102058701</u>	RESISTOR, ZERO OHM	1
38	<u>1014109</u>	SCREW, ROUND-HEAD SQUARE-NECK, #10 - 24 x 1	2
39	<u>101949201</u>	SHIM, WIPER SWITCH	1
40	<u>1016175</u>	WASHER, LOCK, #10	2
41	<u>1017</u>	NUT, HEX, #10 - 24	2
42	<u>101920101</u>	KIT, 3-PIN PLUG ASSEMBLY	1

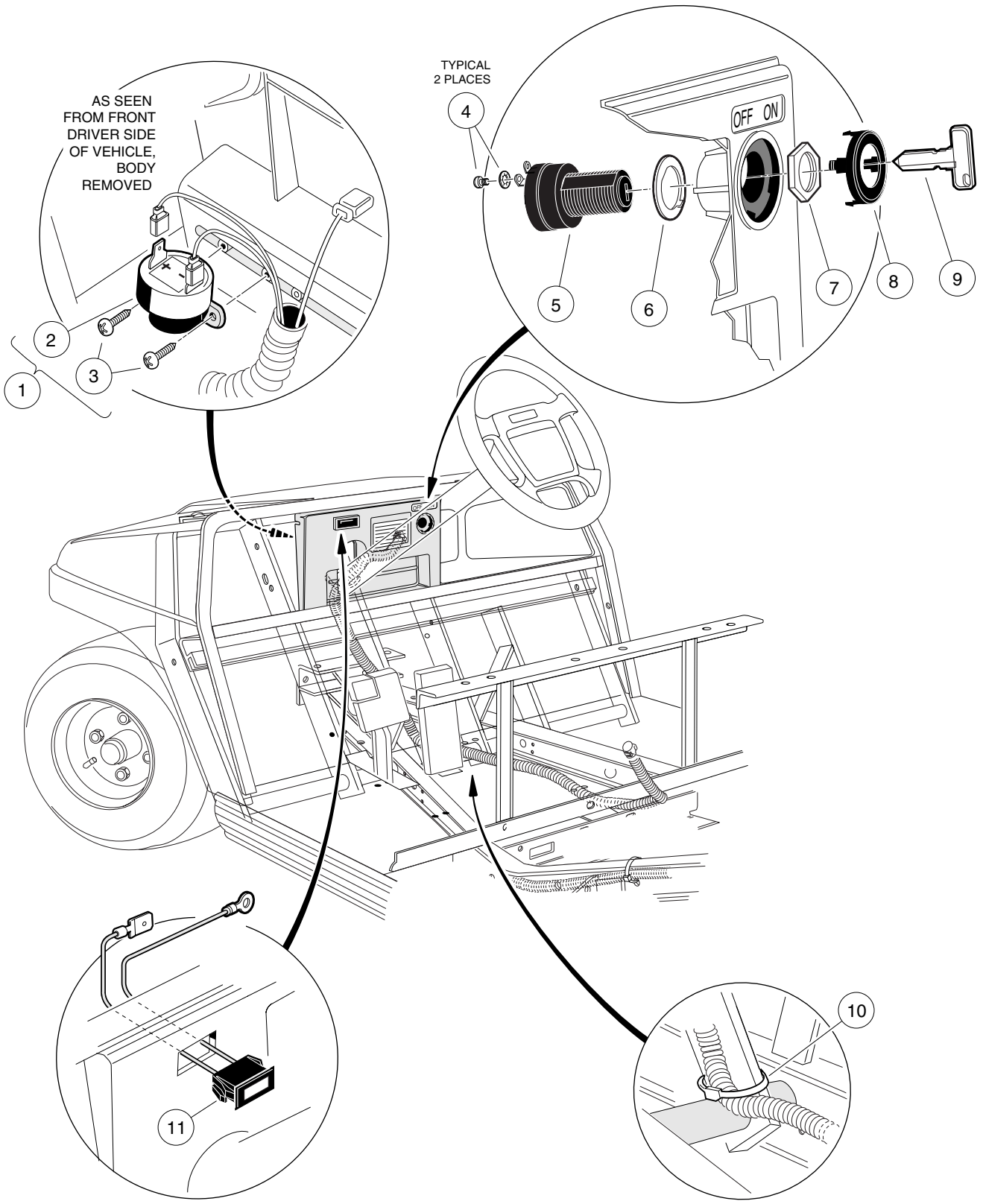


WIRING—

TOURALL POWERDRIVE ELECTRIC VEHICLE

12
E

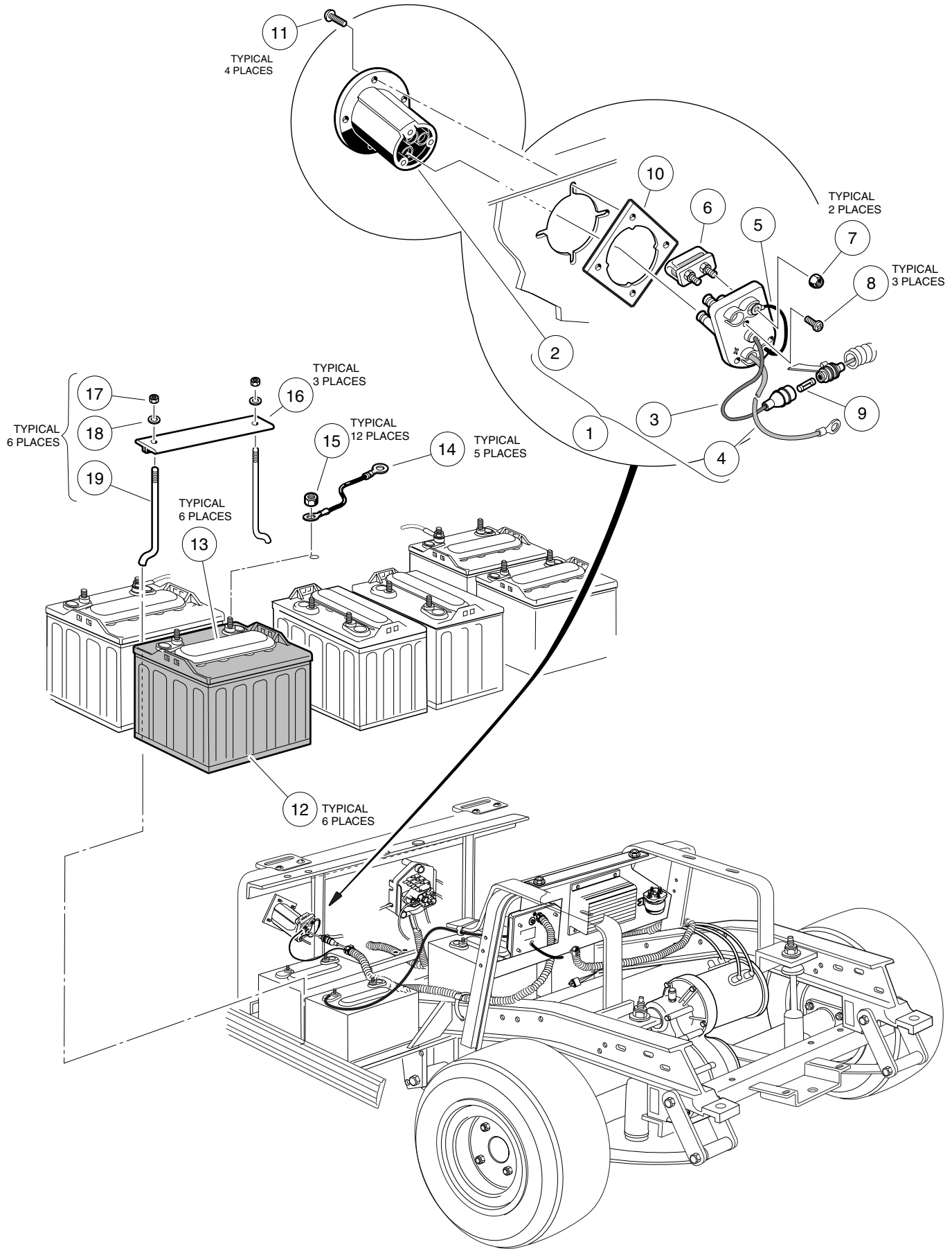
ITEM	PART NO.	DESCRIPTION	QTY
		1 2 3 4	
	<u>101911004</u>	WIRE HARNESS (INCLUDES ITEMS 1 - 20)	1
1	N/A	WIRE ASSEMBLY, #18 BROWN	1
2	N/A	WIRE ASSEMBLY, #18 BLUE	1
3	N/A	WIRE ASSEMBLY, #18 PURPLE	1
4	N/A	WIRE ASSEMBLY, #18 YELLOW	1
5	N/A	WIRE ASSEMBLY, #18 GREEN/WHITE	1
6	<u>101883002</u>	WIRE ASSEMBLY, #18 BLACK (INCLUDES RESISTOR AND #18 WHITE WIRE)	1
7	N/A	WIRE ASSEMBLY, #18 GREEN	1
8	N/A	WIRE ASSEMBLY, #18 WHITE/BLACK	1
9	<u>101901401</u>	WIRE ASSEMBLY, #6 BLUE	1
10	<u>101901201</u>	WIRE ASSEMBLY, #6 ORANGE	1
11	101911101	WIRE ASSEMBLY, #6 WHITE	1
12	N/A	WIRE ASSEMBLY, #18 RED/WHITE	1
13	N/A	WIRE ASSEMBLY, #18 RED	1
14	N/A	WIRE ASSEMBLY, #18 GREEN	1
15	N/A	WIRE ASSEMBLY, #18 RED	1
16	N/A	WIRE ASSEMBLY, #18 ORANGE	1
17	N/A	WIRE ASSEMBLY, #18 RED	1
18	<u>101901301</u>	WIRE ASSEMBLY, #6 BLUE	1
19	N/A	WIRE ASSEMBLY, #18 YELLOW	1
20	N/A	WIRE ASSEMBLY, #10 BLACK (PART OF ONBOARD COMPUTER ASSEMBLY)	1
21	N/A	WIRE ASSEMBLY, #18 GRAY (PART OF ONBOARD COMPUTER ASSEMBLY)	1
22	N/A	WIRE ASSEMBLY, #10 RED (PART OF FUSE AND RECEPTACLE ASSEMBLY)	1
23	<u>101795701</u>	WIRE ASSEMBLY, #6 BLACK	5
24	N/A	WIRE ASSEMBLY, #18 ORANGE/WHITE (PART OF BATTERY LIGHT)	1
25	<u>1014947</u>	ASSEMBLY, RESISTOR	1
26	<u>101902801</u>	WIRE ASSEMBLY, #6 RED	1
27	1014948	ASSEMBLY, DIODE	1
28	<u>101903001</u>	WIRE ASSEMBLY, #6 YELLOW	1
29	<u>101902901</u>	WIRE ASSEMBLY, #6 GREEN	1
30	<u>1014856</u>	WIRE ASSEMBLY, #6 WHITE	1
31	N/A	WIRE ASSEMBLY, #10 BLACK (PART OF ONBOARD COMPUTER ASSEMBLY)	1
32	N/A	WIRE ASSEMBLY, #6 BLACK	1



ELECTRICAL COMPONENTS, FRONT BODY— TOURALL POWERDRIVE ELECTRIC VEHICLE

ITEM	PART NO.	DESCRIPTION	QTY
		1 2 3 4	
1	<u>1016859</u>	KIT, REVERSE BUZZER (INCLUDES ITEMS 2 AND 3)	1
2	<u>1016851</u>	BUZZER, REVERSE	1
3	<u>1016849</u>	SCREW, PAN HEAD HI-LO, #4 - 24 x 5/16	2
4	101830601	ASSEMBLY, SCREW AND WASHER	2
5	<u>101826201</u>	SWITCH, KEY	1
6	<u>101851101</u>	WASHER, KEY SWITCH	1
7	<u>101830701</u>	NUT, KEY SWITCH	1
8	<u>101834502</u>	CAP, KEY SWITCH	1
9	<u>1012505</u>	KEY (PAIR)	1
10	<u>8990</u>	TIE, WIRE	2
11	<u>101935501</u>	LIGHT, BATTERY WARNING (AMBER)	1

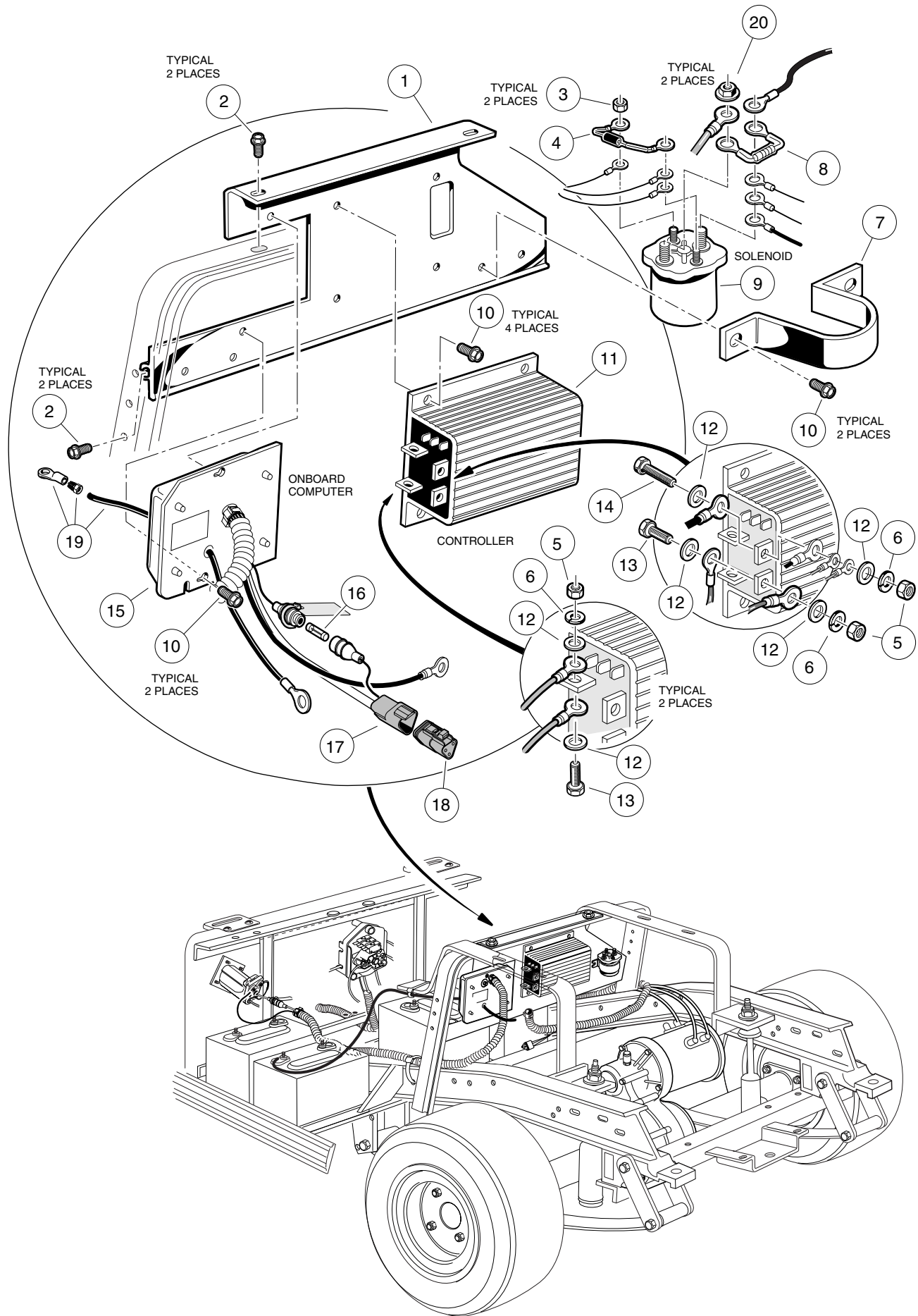
12
E



BATTERIES, CHARGER RECEPTACLE— TOURALL POWERDRIVE ELECTRIC VEHICLE

12
E

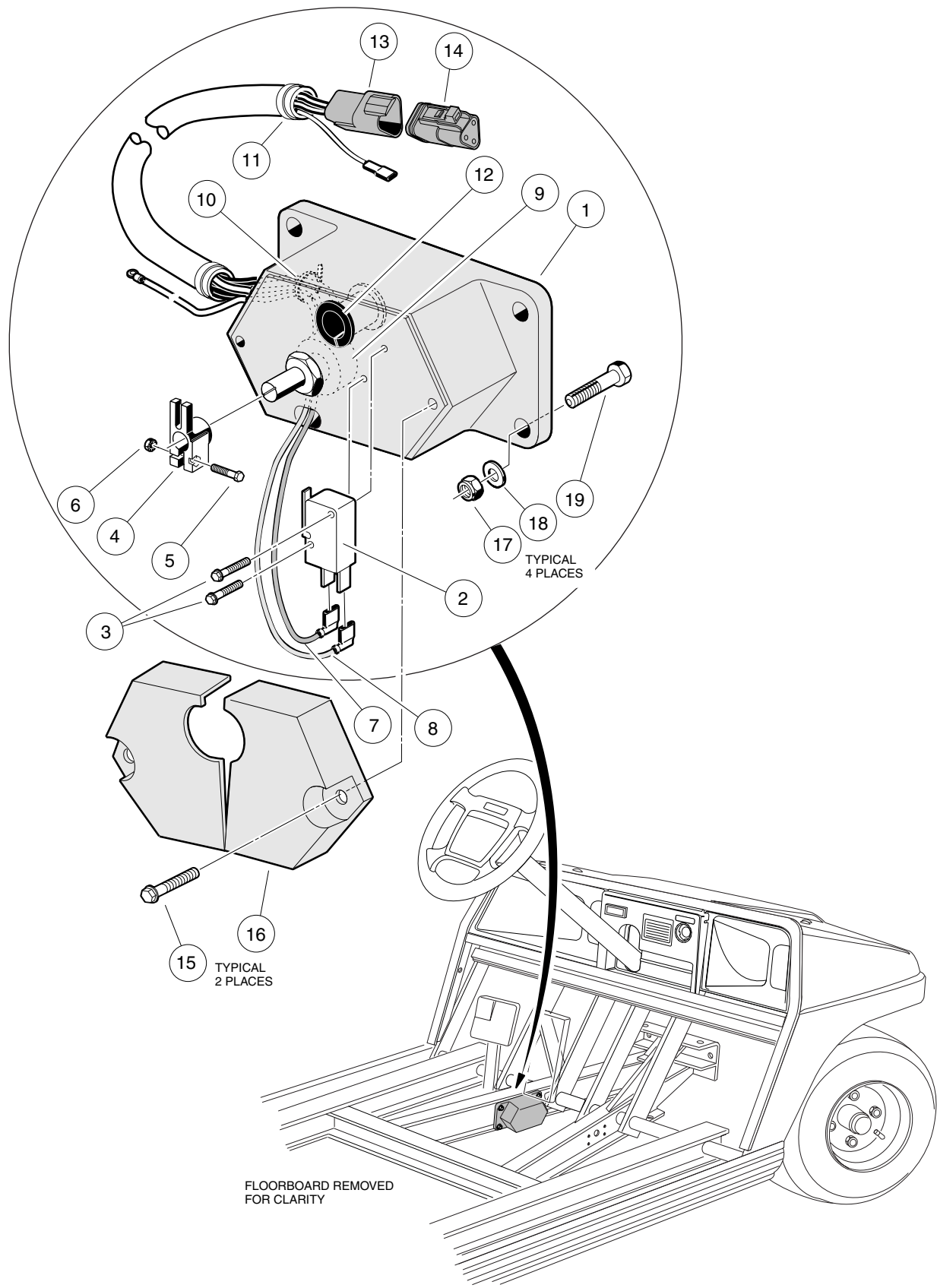
ITEM	PART NO.	DESCRIPTION	QTY
		1 2 3 4	
1	<u>101802101</u>	KIT, FUSE AND RECEPTACLE (INCLUDES ITEMS 2 - 9)	1
2	<u>101796501</u>	BEZEL, RECEPTACLE	1
3	N/A	WIRE ASSEMBLY, SENSE LEAD, GRAY	1
4	N/A	WIRE ASSEMBLY, #10 RED	1
5	N/A	WIRE ASSEMBLY, #10 BLACK	1
6	<u>101796801</u>	ASSEMBLY, FUSE, 48 VOLT (INCLUDES ITEM 7)	1
7	<u>1013061</u>	NUT, NYLON LOCK, #10	2
8	<u>1017705</u>	SCREW, PHILLIPS PAN HEAD, #8 TYPE AB	3
9	<u>101894901</u>	FUSE, 3/8-AMP	1
10	<u>101801001</u>	PLATE, RECEPTACLE BACKING	1
11	<u>101832001</u>	SCREW, PHILLIPS PAN HEAD, #7 - 18 x 3/4	4
12	<u>101797701</u>	BATTERY, 8-VOLT POWERDRIVE (INCLUDES ITEM 13)	6
12	<u>101797702</u>	BATTERY, 8-VOLT POWERDRIVE, DRY (INCLUDES ITEM 13)	6
13	<u>101797801</u>	CAP, BATTERY, 4 PORT GANG	1
14	<u>101795701</u>	WIRE ASSEMBLY, #6 BLACK	5
15	<u>1014304</u>	NUT, HEX, STAINLESS STEEL, 5/16 - 18	12
16	<u>101090801</u>	HOLD-DOWN, BATTERY	3
17	<u>1015072</u>	NUT, NYLON LOCK, STAINLESS STEEL, 5/16 - 18	6
18	<u>1011578</u>	WASHER, FLAT, TYPE B WIDE, 5/16	6
19	<u>1013683</u>	J-BOLT	6



COMPUTER, CONTROLLER, AND SOLENOID— TOURALL POWERDRIVE ELECTRIC VEHICLE

12
E

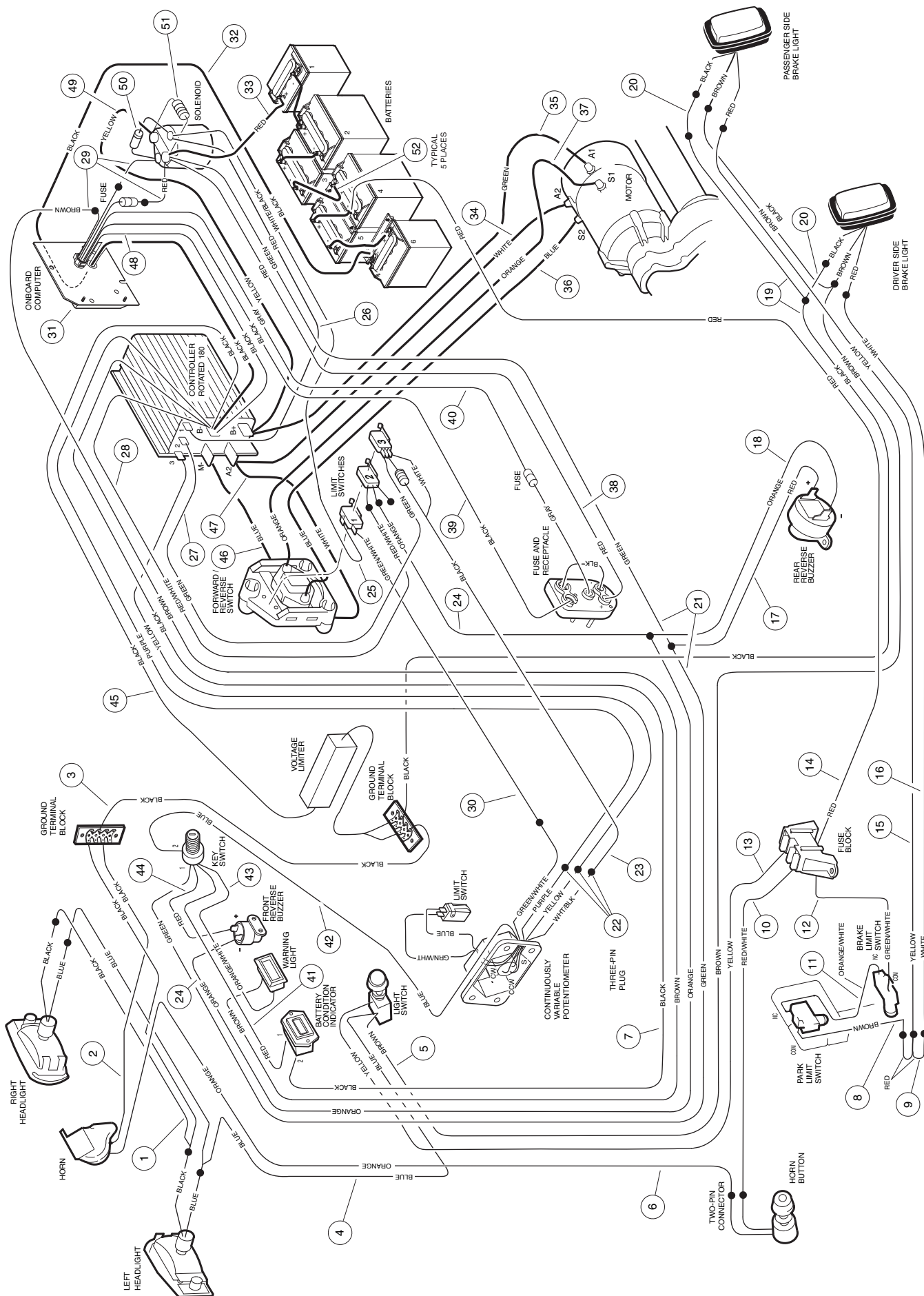
ITEM	PART NO.	DESCRIPTION	QTY
		1 2 3 4	
1	101965201	PLATE, COMPONENT MOUNTING	1
2	<u>1014288</u>	SCREW, THREAD-FORMING, 5/16 - 18 x 3/4	4
3	<u>7893</u>	NUT, HEX, #10 - 32	2
4	1014948	ASSEMBLY, DIODE	1
5	<u>1242</u>	NUT, HEX, 5/16 - 18	4
6	<u>7174</u>	WASHER, LOCK, 5/16	4
7	<u>101957901</u>	BRACKET, MOUNTING	1
8	<u>1014947</u>	ASSEMBLY, RESISTOR	1
9	<u>101883601</u>	SOLENOID, 48-VOLT (WITH MOUNTING BRACKET)	1
10	<u>1012285</u>	SCREW, THREAD-ROLLING, 1/4 - 20 x 5/8	8
11	<u>101840203</u>	CONTROLLER, 48-VOLT (300-AMP)	1
12	<u>1241</u>	WASHER, FLAT, 5/16	8
13	<u>7173</u>	SCREW, HEX HEAD CAP, 5/16 - 18 x 3/4	3
14	1218	SCREW, HEX HEAD CAP, 5/16 - 18 x 1-1/4	1
15	<u>101909901</u>	COMPUTER, ONBOARD (INCLUDES ITEMS 16 AND 17)	1
16	<u>101894901</u>	FUSE, 3/8-AMP	1
17	<u>101942301</u>	KIT, 3-PIN RECEPTACLE	1
18	<u>101920101</u>	KIT, 3-PIN PLUG ASSEMBLY	1
19	101827801	KIT, WIRE AND TERMINAL, #6 BLACK	1
20	<u>1017237</u>	NUT, FLANGE, 5/16 - 24	2



CONTINUOUSLY VARIABLE POTENTIOMETER— RESORT VILLAGER, TRANS-PORTER/TRANS-SENDER

ITEM	PART NO.	DESCRIPTION	QTY
		1 2 3 4	
	<u>101739201</u>	ASSEMBLY, POTENTIOMETER HOUSING WITH GRAY PLUG (INCLUDES ITEMS 1 - 13)	1
1	N/A	HOUSING, POTENTIOMETER	1
2	<u>1017830</u>	SWITCH, LIMIT	1
3	<u>101822601</u>	SCREW, HEX HEAD, #4 - 24	2
4	<u>101809001</u>	LEVER, POTENTIOMETER	1
5	<u>1017853</u>	SCREW, HEX HEAD, #6 - 32 x 3/4	1
6	<u>1011229</u>	NUT, LOCK, "K", #6 - 32	1
7	N/A	WIRE ASSEMBLY, #18 BLUE	1
8	N/A	WIRE ASSEMBLY, #18 GREEN/WHITE	1
9	N/A	POTENTIOMETER	1
10	<u>8990</u>	TIE, WIRE	3
11	N/A	CONDUIT, ELECTRICAL	1
12	<u>1017424</u>	BEARING, PIVOT SUPPORT	1
13	<u>101895101</u>	RECEPTACLE, 3-PIN	1
14	<u>101920101</u>	KIT, 3-PIN PLUG	1
15	<u>101804301</u>	SCREW, HI-LO HEX HEAD, #8 - 18 x 1/2	2
16	<u>1017743</u>	COVER, ACCELERATOR	1
17	<u>8233</u>	NUT, NYLON LOCK, 1/4 - 20	4
18	<u>332</u>	WASHER, FLAT, 1/4	4
19	<u>101861901</u>	SCREW, HEX HEAD CAP, 1/4 - 20 x 1-1/8	4

12
E



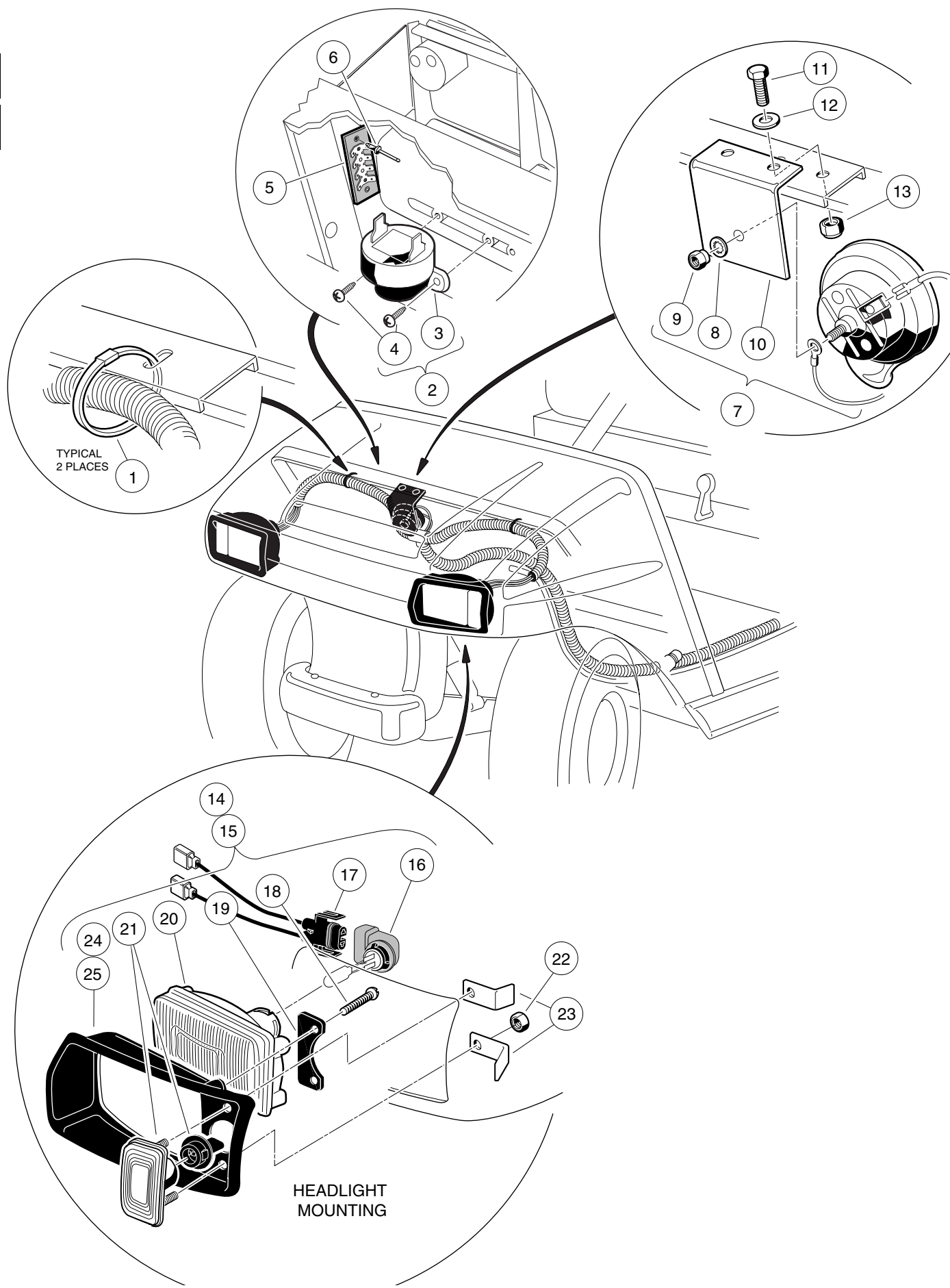
WIRING—

RESORT VILLAGER POWERDRIVE ELECTRIC VEHICLE

12

E

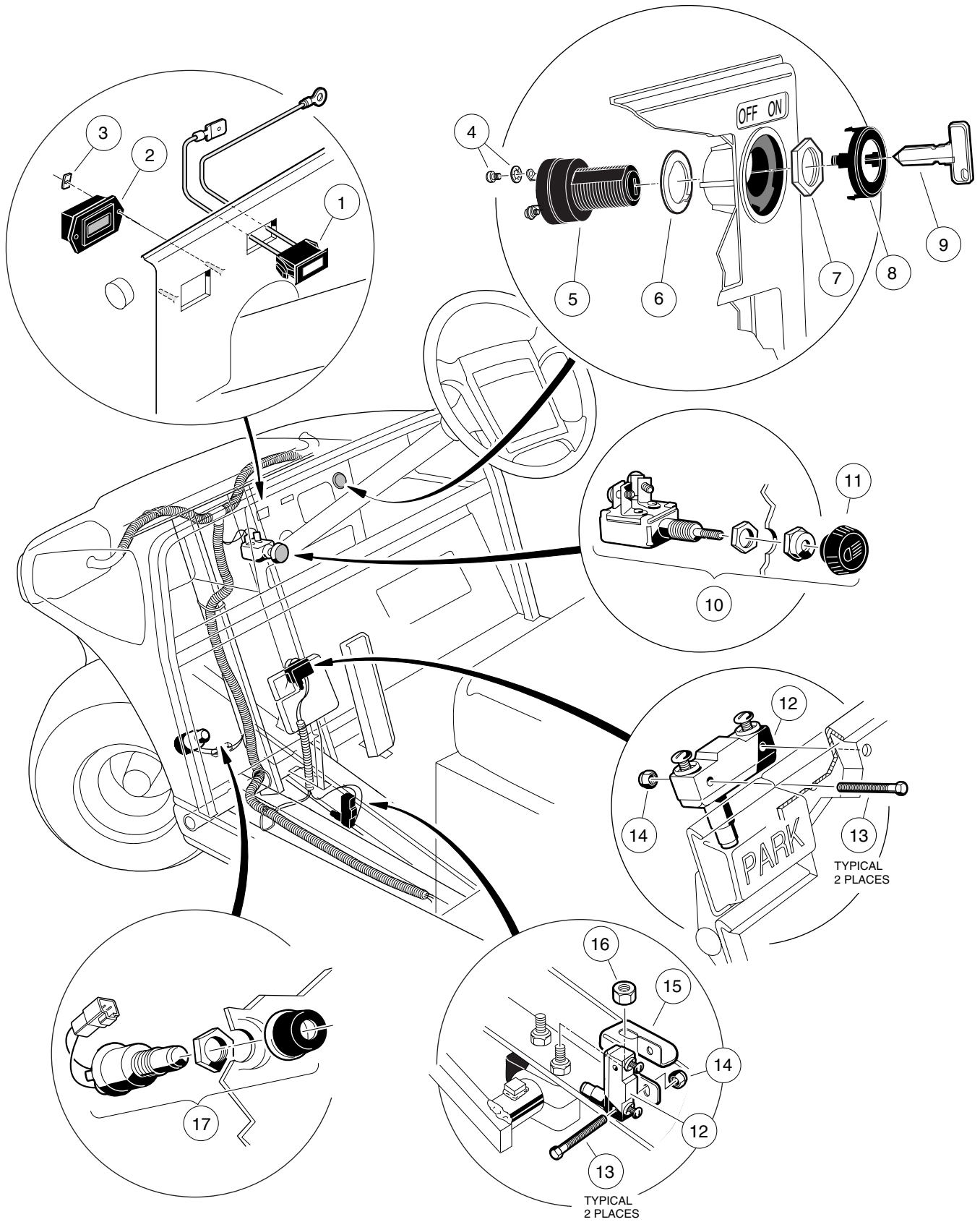
ITEM	PART NO.	DESCRIPTION	QTY
		1 2 3 4	
	<u>101969301</u>	WIRE HARNESS, LIGHTING (CONTAINS ITEMS 1 - 20)	1
1	N/A	WIRE ASSEMBLY, #16 BLACK	1
2	N/A	WIRE ASSEMBLY, #16 BLACK	1
3	N/A	WIRE ASSEMBLY, #14 BLACK	1
4	N/A	WIRE ASSEMBLY, #18 BLUE	1
5	N/A	WIRE ASSEMBLY, #16 BROWN	1
6	N/A	WIRE ASSEMBLY, #16 ORANGE	1
7	N/A	WIRE ASSEMBLY, #18 BLACK	1
8	N/A	WIRE ASSEMBLY, #16 BROWN	1
9	N/A	WIRE ASSEMBLY, #18 RED	1
10	N/A	WIRE ASSEMBLY, #16 RED/WHITE	1
11	N/A	WIRE ASSEMBLY, #16 ORANGE/WHITE	1
12	N/A	WIRE ASSEMBLY, #16 GREEN/WHITE	1
13	N/A	WIRE ASSEMBLY, #14 YELLOW	1
14	1016698	WIRE ASSEMBLY, #10 RED	1
15	N/A	WIRE ASSEMBLY, #18 YELLOW	1
16	N/A	WIRE ASSEMBLY, #18 WHITE	1
17	N/A	WIRE ASSEMBLY, #18 RED	1
18	N/A	WIRE ASSEMBLY, #18 ORANGE	1
19	N/A	WIRE ASSEMBLY, #18 BLACK	1
20	N/A	WIRE ASSEMBLY, #18 BLACK	1
	<u>101911601</u>	WIRE HARNESS, POWER (INCLUDES ITEMS 21 - 30)	1
21	N/A	WIRE ASSEMBLY, #18 GREEN	1
22	<u>101865106</u>	ASSEMBLY, 3-WIRE PLUG (INCLUDES #18 PURPLE, #18 YELLOW AND ITEM 23)	1
23	<u>101883002</u>	WIRE ASSEMBLY, #18 BLACK (INCLUDES RESISTOR AND #18 WHITE WIRE)	1
24	N/A	WIRE ASSEMBLY, #18 ORANGE	1
25	N/A	WIRE ASSEMBLY, #18 WHITE/BLACK	1
26	N/A	WIRE ASSEMBLY, #18 RED	1
27	N/A	WIRE ASSEMBLY, #18 GREEN	1
28	N/A	WIRE ASSEMBLY, #18 RED/WHITE	1
29	<u>101930801</u>	ASSEMBLY, 3-PIN PLUG (INCLUDES #18 BROWN, #18 YELLOW, AND #18 RED)	1
30	N/A	WIRE ASSEMBLY, #18 GREEN/WHITE	1
31	<u>101909903</u>	COMPUTER, ONBOARD (SEE PAGE 12-22)	1
32	N/A	WIRE ASSEMBLY, #6 BLACK	1
33	<u>101904502</u>	WIRE ASSEMBLY, #6 RED	1
34	<u>101908902</u>	WIRE ASSEMBLY, #6 WHITE	1
35	<u>101904402</u>	WIRE ASSEMBLY, #6 GREEN	1
36	<u>101904602</u>	WIRE ASSEMBLY, #6 BLUE	1
37	<u>101904702</u>	WIRE ASSEMBLY, #6 ORANGE	1
38	N/A	WIRE ASSEMBLY, #10 RED (PART OF FUSE AND RECEPTACLE ASSEMBLY)	1
39	N/A	WIRE ASSEMBLY, #10 BLACK (PART OF ONBOARD COMPUTER ASSEMBLY)	1
40	N/A	WIRE ASSEMBLY, #18 GRAY (PART OF ONBOARD COMPUTER ASSEMBLY)	1
41	N/A	WIRE ASSEMBLY, #16 RED	1
42	N/A	WIRE ASSEMBLY, #18 BLUE (PART OF POTENTIOMETER ASSEMBLY)	1
43	N/A	WIRE ASSEMBLY, #18 ORANGE/WHITE	1
44	N/A	WIRE ASSEMBLY, #18 RED	1
45	N/A	WIRE ASSEMBLY, #10 BLACK (PART OF VOLTAGE LIMITER ASSEMBLY)	1
46	<u>101908801</u>	WIRE ASSEMBLY, #6 BLUE	1
47	<u>1016729</u>	WIRE ASSEMBLY, #6 WHITE	1
48	N/A	WIRE ASSEMBLY, #10 BLACK (PART OF ONBOARD COMPUTER ASSEMBLY)	1
49	<u>1016732</u>	WIRE ASSEMBLY, #6 YELLOW	1
50	1014948	ASSEMBLY, DIODE	1
51	<u>1014947</u>	ASSEMBLY, RESISTOR	1
52	<u>101795701</u>	WIRE ASSEMBLY, #6 BLACK	5



ELECTRICAL COMPONENTS, FRONT BODY— RESORT VILLAGER, TRANS-PORTER/TRANS-SENDER

ITEM	PART NO.	DESCRIPTION	QTY
		1 2 3 4	
1	<u>8639</u>	TIE, WIRE	2
2	<u>1016859</u>	KIT, REVERSE BUZZER (INCLUDES ITEMS 3 AND 4)	1
3	<u>1016851</u>	BUZZER, REVERSE	1
4	<u>1016849</u>	SCREW, PAN HEAD HI-LO, #4 - 24 x 5/16	2
5	<u>1016356</u>	BLOCK, TERMINAL	1
6	<u>1013357</u>	RIVET, ALUMINUM POP, 5/32 x 3/8	2
7	<u>4029</u>	ASSEMBLY, HORN (INCLUDES ITEMS 8, 9 AND 10)	1
8	<u>7820</u>	WASHER, INTERNAL TOOTH, 5/16	1
9	<u>101955101</u>	NUT, M6 x 1-1/4	1
10	<u>1011825</u>	BRACKET, HORN	1
11	304	SCREW, HEX HEAD CAP, 1/4 - 20 x 1	2
12	<u>332</u>	WASHER, FLAT, 1/4	2
13	<u>8233</u>	NUT, NYLON LOCK, 1/4 - 20	2
14	<u>101988001</u>	ASSEMBLY, HEADLIGHT, DRIVER SIDE (INCLUDES ITEMS 16 - 24)	1
15	<u>101988002</u>	ASSEMBLY, HEADLIGHT, PASSENGER SIDE (INCLUDES ITEMS 16 - 23 AND 25)	1
16	<u>101988101</u>	BULB, HALOGEN	1
17	<u>101987901</u>	HARNES, HEADLIGHT WIRE	1
18	<u>1013461</u>	SCREW, HI-LO, #10 - 16	2
19	<u>1017065</u>	RETAINER, HEADLIGHT	1
20	<u>101988201</u>	LENS, HEADLIGHT	1
21	<u>1017062</u>	ASSEMBLY, TURN SIGNAL LENS	1
22	<u>7893</u>	NUT, HEX, #10 - 32	2
23	<u>1017064</u>	BRACKET, MOUNTING	2
24	<u>1016880</u>	BEZEL, HEADLIGHT, DRIVER SIDE	1
25	<u>1016879</u>	BEZEL, HEADLIGHT, PASSENGER SIDE	1

12
E

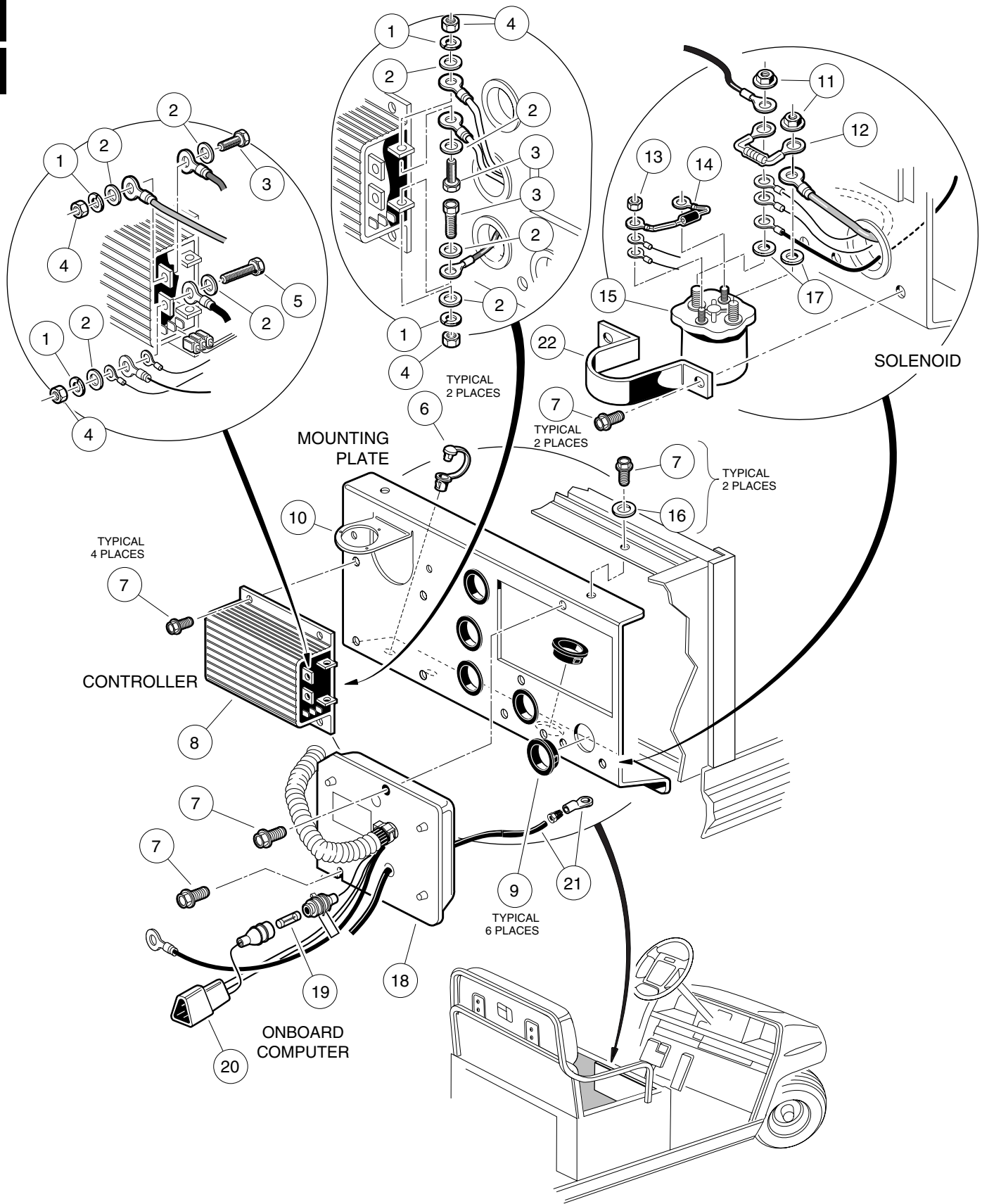


SWITCHES AND GAUGES— RESORT VILLAGER, TRANS-PORTER/TRANS-SENDER

12

E

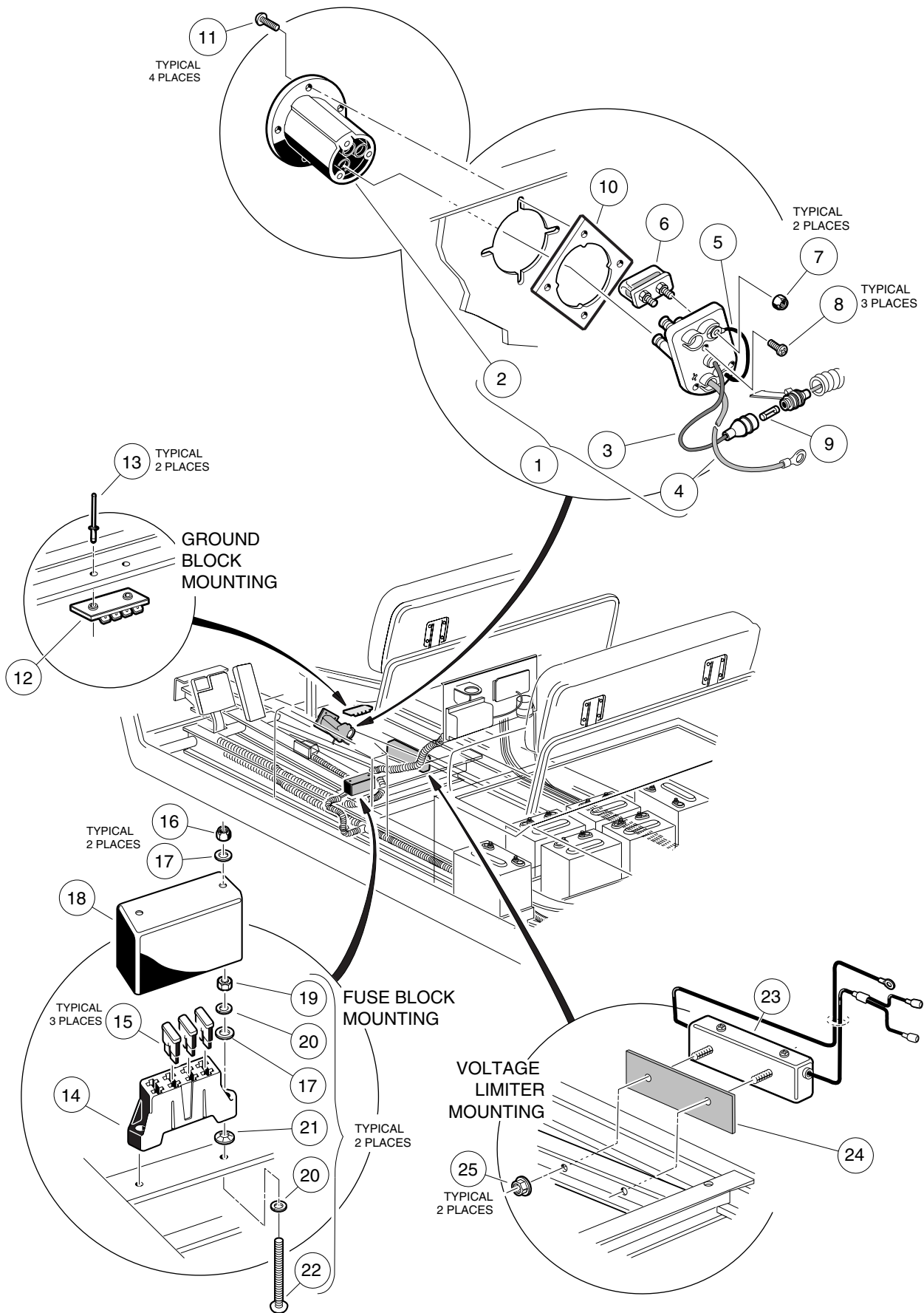
ITEM	PART NO.	DESCRIPTION	QTY
		1 2 3 4	
1	<u>101935501</u>	LIGHT, BATTERY WARNING (AMBER)	1
2	<u>101814201</u>	INDICATOR, BATTERY	1
3	<u>101814701</u>	RETAINER, PUSH ON	2
4	<u>101830601</u>	ASSEMBLY, SCREW AND WASHER	2
5	<u>101826201</u>	SWITCH, KEY	1
6	<u>101851101</u>	WASHER, KEY SWITCH	1
7	<u>101830701</u>	NUT, KEY SWITCH	1
8	<u>101834502</u>	CAP, KEY SWITCH	1
9	<u>1012505</u>	KEY (PAIR)	1
10	<u>4034</u>	SWITCH, LIGHT (INCLUDES ITEM 13)	1
11	<u>1013857</u>	KNOB, LIGHT SWITCH	1
12	<u>1011439</u>	SWITCH, LIMIT	2
13	<u>1011557</u>	SCREW, HEX HEAD MACHINE, #6 - 32 x 1	4
14	<u>101932201</u>	NUT, NYLON LOCK, #6 - 32	4
15	<u>101957101</u>	BRACKET, BRAKE LIGHT SWITCH	1
16	<u>1011280</u>	NUT, LOCK, 5/16 - 18	1
17	<u>101969701</u>	BUTTON, HORN	1



COMPUTER, CONTROLLER, AND SOLENOID— RESORT VILLAGER POWERDRIVE ELECTRIC VEHICLE

ITEM	PART NO.	DESCRIPTION	QTY
		1 2 3 4	
1	<u>7174</u>	WASHER, LOCK, 5/16	4
2	<u>1241</u>	WASHER, FLAT, 5/16	8
3	<u>7173</u>	SCREW, HEX HEAD CAP, 5/16 - 18 x 3/4	3
4	<u>1242</u>	NUT, HEX, 5/16 - 18	4
5	1218	SCREW, HEX HEAD CAP, 5/16 - 18 x 1 1/4	1
6	<u>101918301</u>	CLAMP, WIRE	2
7	<u>1012285</u>	SCREW, HEX HEAD THREAD ROLLING, 1/4 - 20 x 5/8	10
8	<u>101840203</u>	CONTROLLER, 48-VOLT (300 AMP)	1
9	<u>101924301</u>	BUSHING, SNAP	6
10	<u>101911701</u>	PLATE, MOUNTING	1
11	<u>1017237</u>	NUT, FLANGE, 5/16 - 24	2
12	<u>1014947</u>	ASSEMBLY, RESISTOR	1
13	<u>7893</u>	NUT, HEX, #10 - 32	2
14	1014948	ASSEMBLY, DIODE	1
15	<u>101883601</u>	SOLENOID, 48-VOLT (WITH MOUNTING BRACKET)	1
16	<u>332</u>	WASHER, FLAT, 1/4	2
17	<u>101934401</u>	WASHER, FLAT, 5/16	2
18	<u>101909903</u>	COMPUTER, ONBOARD (INCLUDES ITEMS 19 AND 20)	1
19	<u>101894901</u>	FUSE, 3/8-AMP	1
20	<u>101942301</u>	KIT, 3-PIN RECEPTACLE	1
21	<u>101827802</u>	KIT, WIRE AND TERMINAL, #6 BLACK	1
22	<u>101957901</u>	BRACKET, MOUNTING	1

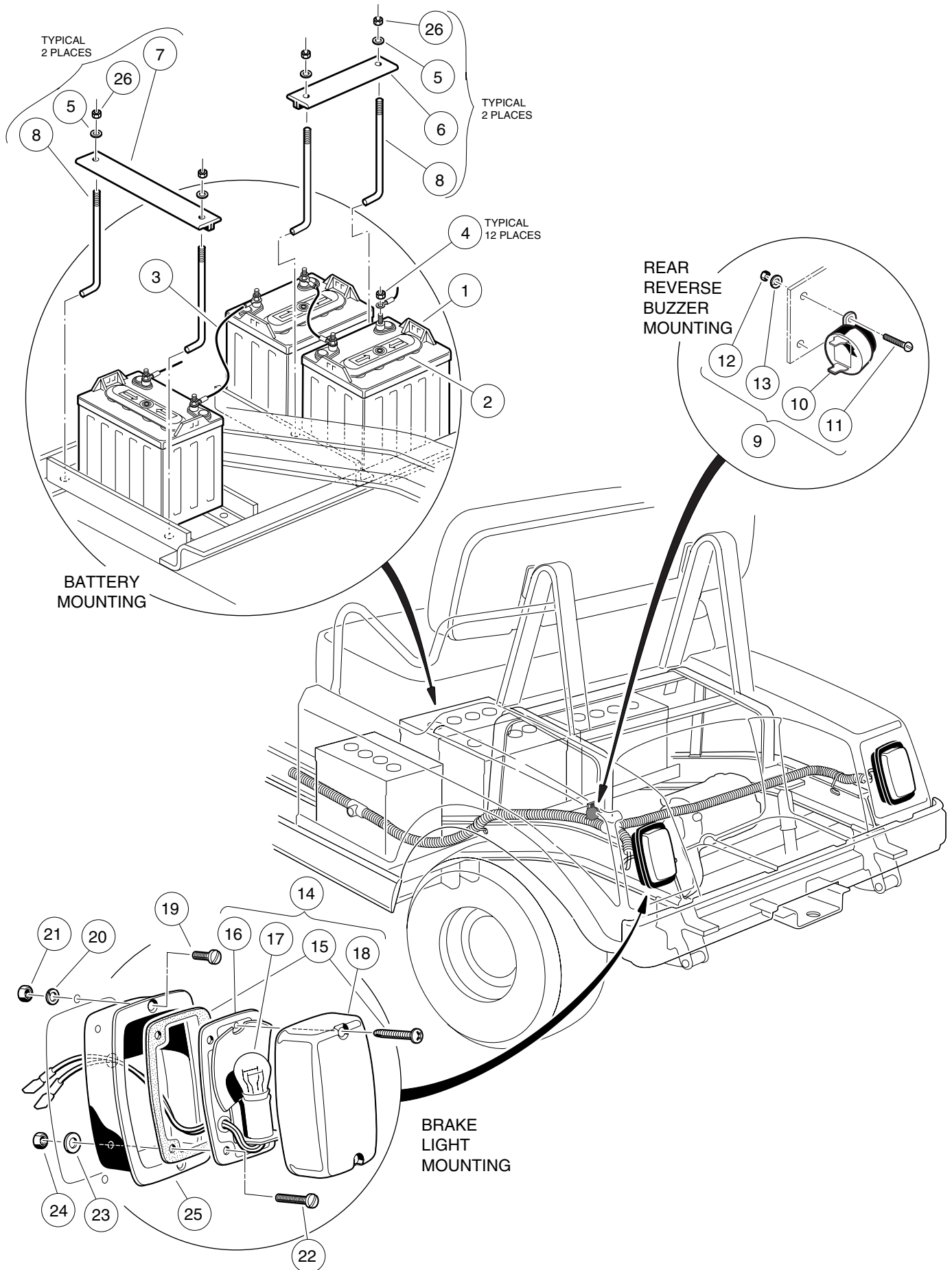
12
E



ELECTRICAL COMPONENTS, CENTER BODY— RESORT VILLAGER POWERDRIVE ELECTRIC VEHICLE

ITEM	PART NO.	DESCRIPTION	QTY
		1 2 3 4	
1	<u>101802101</u>	KIT, FUSE AND RECEPTACLE (INCLUDES ITEMS 2 - 9)	1
2	<u>101796501</u>	BEZEL, RECEPTACLE	1
3	N/A	WIRE ASSEMBLY, SENSE LEAD, GRAY	1
4	N/A	WIRE ASSEMBLY, #10 RED	1
5	N/A	WIRE ASSEMBLY, #10 BLACK	1
6	<u>101796801</u>	ASSEMBLY, FUSE, 48-VOLT (INCLUDES ITEM 7)	1
7	<u>1013061</u>	NUT, NYLON LOCK, #10	2
8	<u>1017705</u>	SCREW, PHILLIPS PAN HEAD, #8 TYPE AB	3
9	<u>101894901</u>	FUSE, 3/8-AMP	1
10	<u>101801001</u>	PLATE, RECEPTACLE BACKING	1
11	<u>101832001</u>	SCREW, PHILLIPS PAN HEAD, #7 - 18 x 3/4	4
12	<u>1016356</u>	BLOCK, TERMINAL	1
13	<u>1013357</u>	RIVET, ALUMINUM POP, 5/32 x 1/4	2
14	<u>1015741</u>	BLOCK, FUSE	1
15	<u>1016423</u>	FUSE, 20-AMP	3
16	<u>1012438</u>	NUT, NYLON LOCK, #10 - 24	2
17	<u>183</u>	WASHER, FLAT, #10	4
18	<u>1016363</u>	COVER, FUSE BLOCK	1
19	<u>1017</u>	NUT, HEX, #10 - 24	2
20	<u>1016</u>	WASHER, LOCK, #10	4
21	<u>1016631</u>	NUT, PUSH	2
22	<u>1016366</u>	SCREW, ROUND HEAD, #10 - 24 x 3	2
23	<u>101810801</u>	LIMITER, VOLTAGE (INCLUDES ITEMS 24 AND 25)	1
24	<u>101962601</u>	GASKET	1
25	<u>101835601</u>	NUT, FLANGED LOCK, 1/4 - 20	2

12
E



ELECTRICAL COMPONENTS, REAR BODY— RESORT VILLAGER POWERDRIVE ELECTRIC VEHICLE

12

E

ITEM	PART NO.	DESCRIPTION	QTY
		1 2 3 4	
1	<u>101797701</u>	BATTERY, 8-VOLT POWERDRIVE (INCLUDES ITEM 2)	6
1	<u>101797702</u>	BATTERY, 8-VOLT POWERDRIVE, DRY (INCLUDES ITEM 2)	6
2	<u>101797801</u>	CAP, BATTERY, 4 PORT GANG	1
3	<u>101795701</u>	WIRE ASSEMBLY, #6 BLACK	5
4	<u>1014304</u>	NUT, HEX, STAINLESS STEEL, 5/16 - 18	12
5	<u>1011578</u>	WASHER, FLAT, TYPE B WIDE, 5/16	8
6	<u>101090801</u>	HOLD-DOWN, BATTERY, SHORT	2
7	<u>101090802</u>	HOLD-DOWN, BATTERY, LONG	2
8	<u>101668201</u>	ROD, BATTERY HOLD-DOWN	8
9	<u>1016859</u>	KIT, REVERSE BUZZER (INCLUDES ITEMS 10 - 13)	1
10	<u>1016851</u>	BUZZER, REVERSE	1
11	<u>8056</u>	SCREW, MACHINE, #4 - 40 x 3/4	2
12	<u>8057</u>	NUT, HEX, #4 - 40	2
13	<u>8058</u>	WASHER, LOCK, #4	2
14	<u>1017035</u>	ASSEMBLY, TAILLIGHT (INCLUDES ITEMS 15 - 18)	2
15	<u>1017699</u>	KIT, HARDWARE	1
16	N/A	BASE, TAILLIGHT	1
17	<u>1011582</u>	BULB	1
18	<u>1011843</u>	LENS	1
19	<u>1011498</u>	SCREW, MACHINE, #8 - 32 x 1/2	4
20	<u>1011610</u>	WASHER, LOCK, #8	4
21	<u>1011571</u>	NUT, HEX, #8 - 32	4
22	<u>1011557</u>	SCREW, MACHINE, #6 - 32 x 1	4
23	<u>7591</u>	WASHER, FLAT, #6	4
24	<u>1011558</u>	NUT, HEX, #6	6
25	<u>1011497</u>	BEZEL, TAILLIGHT	2
26	<u>1015072</u>	NUT, NYLON LOCK, STAINLESS STEEL, 5/16 - 18	8

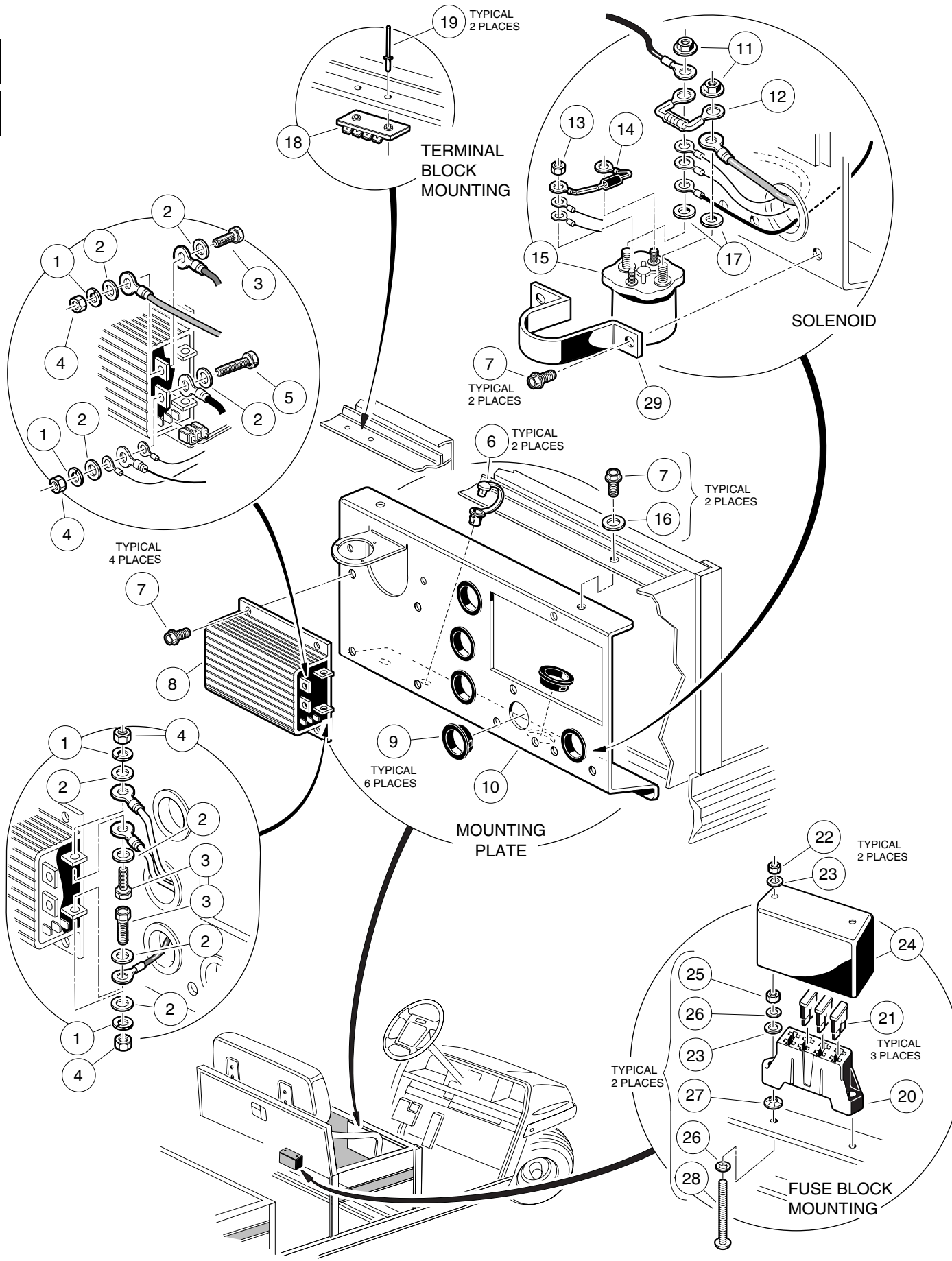
WIRING—

TRANS-PORTER/TRANS-SENDER ELECTRIC VEHICLES

12

E

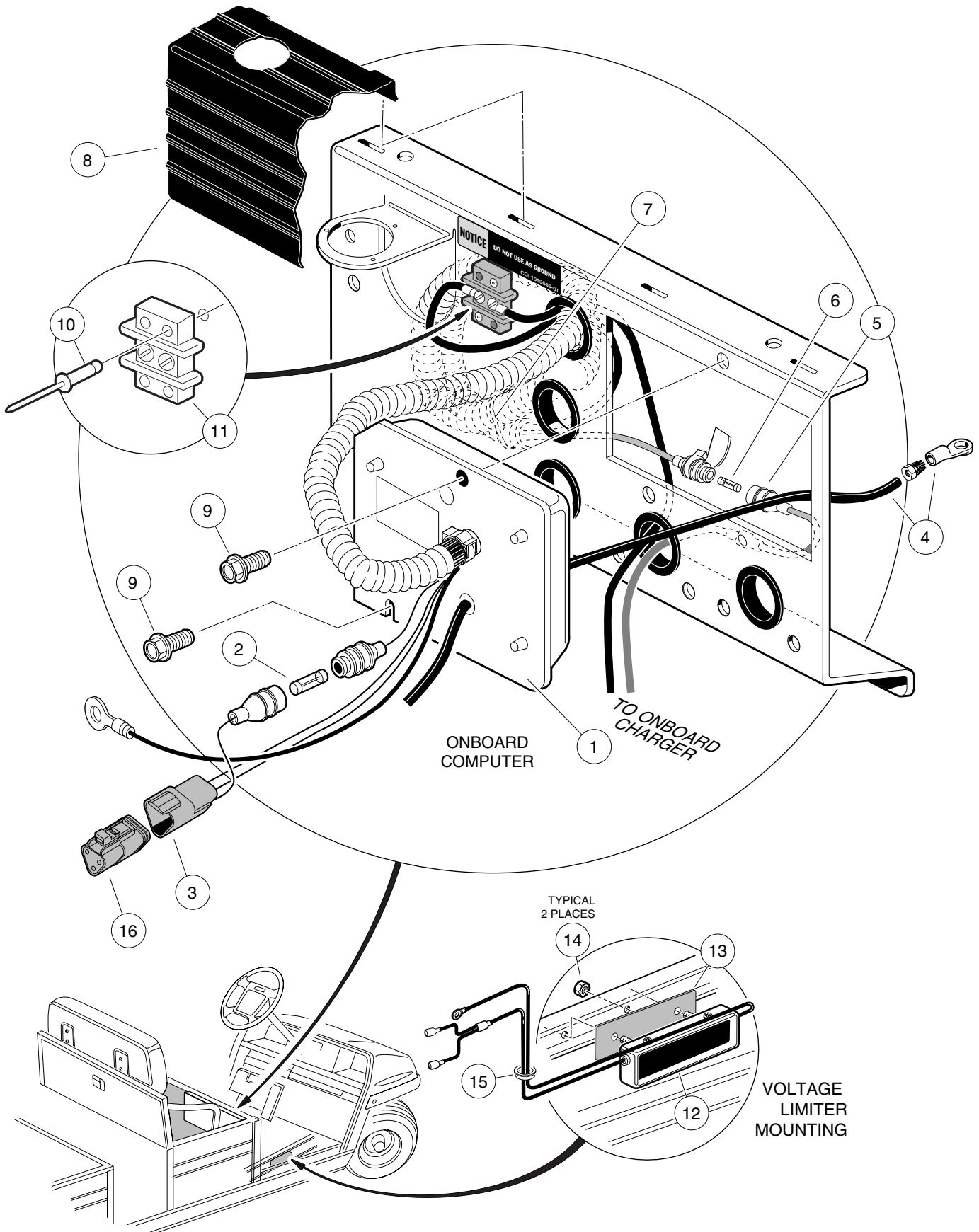
ITEM	PART NO.	DESCRIPTION	QTY
		1 2 3 4	
	<u>101989901</u>	WIRE HARNESS, LIGHTING (CONTAINS ITEMS 1 - 19)	1
1	N/A	WIRE ASSEMBLY, #16 BLACK	1
2	N/A	WIRE ASSEMBLY, #16 BLACK	1
3	N/A	WIRE ASSEMBLY, #14 BLACK	1
4	N/A	WIRE ASSEMBLY, #18 BLUE	1
5	N/A	WIRE ASSEMBLY, #16 BROWN	1
6	N/A	WIRE ASSEMBLY, #16 ORANGE	1
7	N/A	WIRE ASSEMBLY, #18 BLACK	1
8	N/A	WIRE ASSEMBLY, #16 BROWN	1
9	N/A	WIRE ASSEMBLY, #18 RED	1
10	N/A	WIRE ASSEMBLY, #16 RED/WHITE	1
11	N/A	WIRE ASSEMBLY, #16 ORANGE/WHITE	1
12	N/A	WIRE ASSEMBLY, #16 GREEN/WHITE	1
13	N/A	WIRE ASSEMBLY, #14 YELLOW	1
14	1016698	WIRE ASSEMBLY, #10 RED	1
15	N/A	WIRE ASSEMBLY, #18 YELLOW	1
16	N/A	WIRE ASSEMBLY, #18 WHITE	1
17	N/A	WIRE ASSEMBLY, #18 RED	1
18	N/A	WIRE ASSEMBLY, #18 ORANGE	1
19	N/A	WIRE ASSEMBLY, #16 BLACK	1
20	<u>1016732</u>	WIRE ASSEMBLY, #6 YELLOW	1
21	1014948	ASSEMBLY, DIODE	1
	<u>101911601</u>	WIRE HARNESS, POWER (INCLUDES ITEMS 22 - 31)	1
22	N/A	WIRE ASSEMBLY, #18 GREEN	1
23	<u>101865106</u>	ASSEMBLY, 3-WIRE PLUG (INCLUDES #18 PURPLE, #18 YELLOW AND ITEM 24)	1
24	<u>101883002</u>	WIRE ASSEMBLY, #18 BLACK (INCLUDES RESISTOR AND #18 WHITE WIRE)	1
25	N/A	WIRE ASSEMBLY, #18 ORANGE	1
26	N/A	WIRE ASSEMBLY, #18 WHITE/BLACK	1
27	N/A	WIRE ASSEMBLY, #18 RED	1
28	N/A	WIRE ASSEMBLY, #18 GREEN	1
29	N/A	WIRE ASSEMBLY, #18 RED/WHITE	1
30	<u>101930801</u>	ASSEMBLY, 3-PIN PLUG (INCLUDES #18 BROWN, #18 YELLOW, AND #18 RED)	1
31	N/A	WIRE ASSEMBLY, #18 GREEN/WHITE	1
32	<u>101909903</u>	COMPUTER, ONBOARD (SEE PAGE 12-32)	1
33	N/A	WIRE ASSEMBLY, #6 BLACK	1
34	<u>101904502</u>	WIRE ASSEMBLY, #6 RED	1
35	<u>101908902</u>	WIRE ASSEMBLY, #6 WHITE	1
36	<u>101904402</u>	WIRE ASSEMBLY, #6 GREEN	1
37	<u>101904602</u>	WIRE ASSEMBLY, #6 BLUE	1
38	<u>101904702</u>	WIRE ASSEMBLY, #6 ORANGE	1
39	<u>101829101</u>	DC CORD, #10 BLUE, #10 RED, #10 BLACK (PART OF CHARGER)	1
40	<u>1014947</u>	ASSEMBLY, RESISTOR	1
41	<u>101795701</u>	WIRE ASSEMBLY, #6 BLACK	5
42	N/A	WIRE ASSEMBLY, #10 BLACK (PART OF ONBOARD COMPUTER ASSEMBLY)	1
43	N/A	WIRE ASSEMBLY, #18 GRAY (PART OF ONBOARD COMPUTER ASSEMBLY)	1
44	N/A	WIRE ASSEMBLY, #18 RED	1
45	N/A	WIRE ASSEMBLY, #18 BLUE (PART OF POTENTIOMETER ASSEMBLY)	1
46	N/A	WIRE ASSEMBLY, #18 ORANGE/WHITE	1
47	N/A	WIRE ASSEMBLY, #18 RED	1
48	N/A	WIRE ASSEMBLY, #10 BLACK (PART OF VOLTAGE LIMITER ASSEMBLY)	1
49	<u>101908801</u>	WIRE ASSEMBLY, #6 BLUE	1
50	<u>1016729</u>	WIRE ASSEMBLY, #6 WHITE	1
51	N/A	WIRE ASSEMBLY, #10 BLACK (PART OF ONBOARD COMPUTER ASSEMBLY)	1
52	<u>101957501</u>	PLUG, 2-WAY (INCLUDES ITEM 53)	1
53	<u>101894901</u>	FUSE, 3/8-AMP (NOT SHOWN)	1



ELECTRICAL COMPONENTS, CENTER BODY— TRANS-PORTER/TRANS-SENDER ELECTRIC VEHICLES

ITEM	PART NO.	DESCRIPTION	QTY
		1 2 3 4	
1	<u>7174</u>	WASHER, LOCK, 5/16	4
2	<u>1241</u>	WASHER, FLAT, 5/16	8
3	<u>7173</u>	SCREW, HEX HEAD CAP, 5/16 - 18 x 3/4	3
4	<u>1242</u>	NUT, HEX, 5/16 - 18	4
5	1218	SCREW, HEX HEAD CAP, 5/16 - 18 x 1 1/4	1
6	<u>101918301</u>	CLAMP, WIRE	2
7	<u>1012285</u>	SCREW, HEX HEAD THREAD ROLLING, 1/4 - 20 x 5/8	8
8	<u>101840203</u>	CONTROLLER, 48-VOLT (300 AMP)	1
9	<u>101924301</u>	BUSHING, SNAP	6
10	<u>101911701</u>	PLATE, MOUNTING	1
11	<u>1017237</u>	NUT, FLANGE, 5/16 - 24	2
12	<u>1014947</u>	ASSEMBLY, RESISTOR	1
13	<u>7893</u>	NUT, HEX, #10 - 32	2
14	1014948	ASSEMBLY, DIODE	1
15	<u>101883601</u>	SOLENOID, 48-VOLT (WITH MOUNTING BRACKET)	1
16	<u>332</u>	WASHER, FLAT, 1/4	2
17	<u>101934401</u>	WASHER, FLAT, 5/16	2
18	<u>1016356</u>	BLOCK, TERMINAL	1
19	<u>1013357</u>	RIVET, ALUMINUM POP, 5/32 x 1/4	2
20	<u>1015741</u>	BLOCK, FUSE	1
21	<u>1016423</u>	FUSE, 20-AMP	3
22	<u>1012438</u>	NUT, NYLON LOCK, #10 - 24	2
23	<u>183</u>	WASHER, FLAT, #10	4
24	<u>1016363</u>	COVER, FUSE BLOCK	1
25	<u>1017</u>	NUT, HEX, #10 - 24	2
26	<u>1016</u>	WASHER, LOCK, #10	4
27	<u>1016631</u>	NUT, PUSH	2
28	<u>1016366</u>	SCREW, ROUND HEAD, #10 - 24 x 3	2
29	<u>101957901</u>	BRACKET, MOUNTING.....	1

12
E

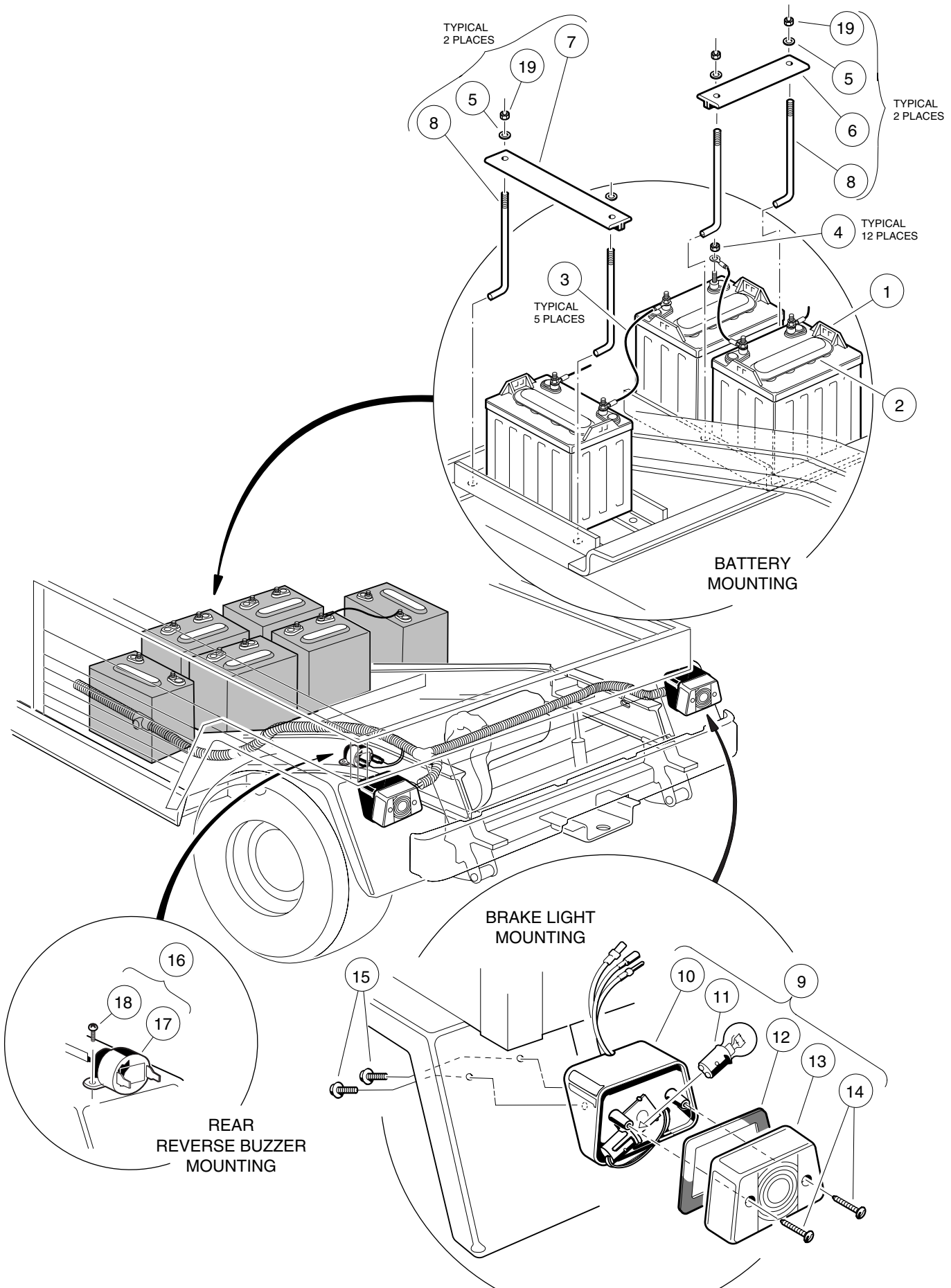


ELECTRICAL COMPONENTS, CENTER BODY, CONTINUED— TRANS-PORTER/TRANS-SENDER ELECTRIC VEHICLES

12

E

ITEM	PART NO.	DESCRIPTION	QTY
		1 2 3 4	
1	<u>101909903</u>	COMPUTER, ONBOARD (INCLUDES ITEMS 2 AND 3)	1
2	<u>101894901</u>	FUSE, 3/8-AMP	1
3	<u>101942301</u>	CONNECTOR, 3-PIN	1
4	<u>101827802</u>	KIT, WIRE AND TERMINAL, #6 BLACK	1
5	<u>101957501</u>	ADAPTER, TWO-WAY (INCLUDES ITEM 6).....	1
6	<u>101894901</u>	FUSE, 3/8-AMP	1
7	<u>8990</u>	TIE, WIRE	1
8	<u>101931601</u>	COVER, COMPONENT	1
9	<u>1012285</u>	SCREW, HEX HEAD THREAD-ROLLING, 1/4 - 20 x 5/8	2
10	<u>101968801</u>	RIVET, POP, 3/16 x 13/16	2
11	<u>101966801</u>	BLOCK, TERMINAL	1
12	<u>101810801</u>	LIMITER, VOLTAGE (INCLUDES ITEM 13 AND 14)	1
13	<u>101962601</u>	GASKET	1
14	<u>101835601</u>	NUT, FLANGED LOCK, 1/4 - 20	2
15	<u>101802401</u>	GROMMET, 5/8	1
16	<u>101920101</u>	KIT, 3-PIN PLUG ASSEMBLY	1



ELECTRICAL COMPONENTS, REAR BODY— TRANS-PORTER/TRANS-SENDER ELECTRIC VEHICLES

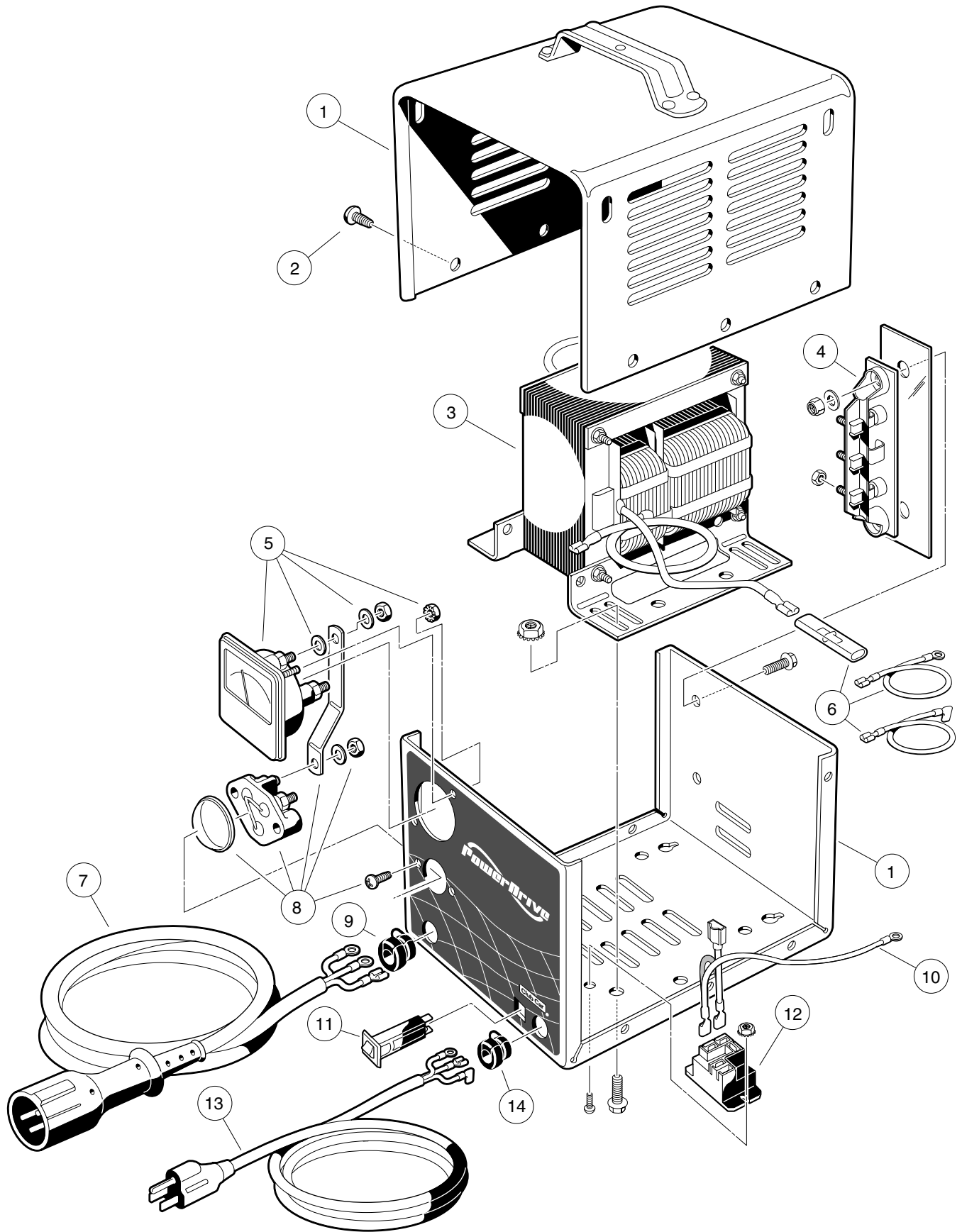
ITEM	PART NO.	DESCRIPTION	QTY
		1 2 3 4	
1	<u>101797701</u>	BATTERY, 8-VOLT POWERDRIVE (INCLUDES ITEM 2)	6
1	<u>101797702</u>	BATTERY, 8-VOLT POWERDRIVE, DRY (INCLUDES ITEM 2)	6
2	<u>101797801</u>	CAP, BATTERY, 4 PORT GANG	6
3	<u>101795701</u>	WIRE ASSEMBLY, #6 BLACK	5
4	<u>1014304</u>	NUT, HEX, STAINLESS STEEL, 5/16 -18	12
5	<u>1011578</u>	WASHER, FLAT, TYPE B WIDE, 5/16	8
6	<u>101090801</u>	HOLD-DOWN, BATTERY, SHORT	2
7	<u>101090802</u>	HOLD-DOWN, BATTERY, LONG	2
8	<u>101668201</u>	ROD, BATTERY HOLD-DOWN	8
9	<u>1016717</u>	ASSEMBLY, TAILLIGHT (INCLUDES ITEMS 10 - 14)	2
10	N/A	HOUSING, TAILLIGHT	1
11	<u>1011582</u>	BULB	1
12	N/A	GASKET	1
13	N/A	LENS	1
14	N/A	SCREW, LENS	2
15	<u>1015752</u>	SCREW, HI-LO, #12 - 16 x 5/8	4
16	<u>1016859</u>	KIT, REVERSE BUZZER (INCLUDES ITEMS 17 AND 18)	1
17	<u>1016851</u>	BUZZER, REVERSE	1
18	<u>1016849</u>	SCREW, PAN HEAD HI-LO, #4 - 24 x 5/16	2
19	<u>1015072</u>	NUT, NYLON LOCK, STAINLESS STEEL, 5/16 - 18	8

12
E

BATTERY CHARGER

13

E

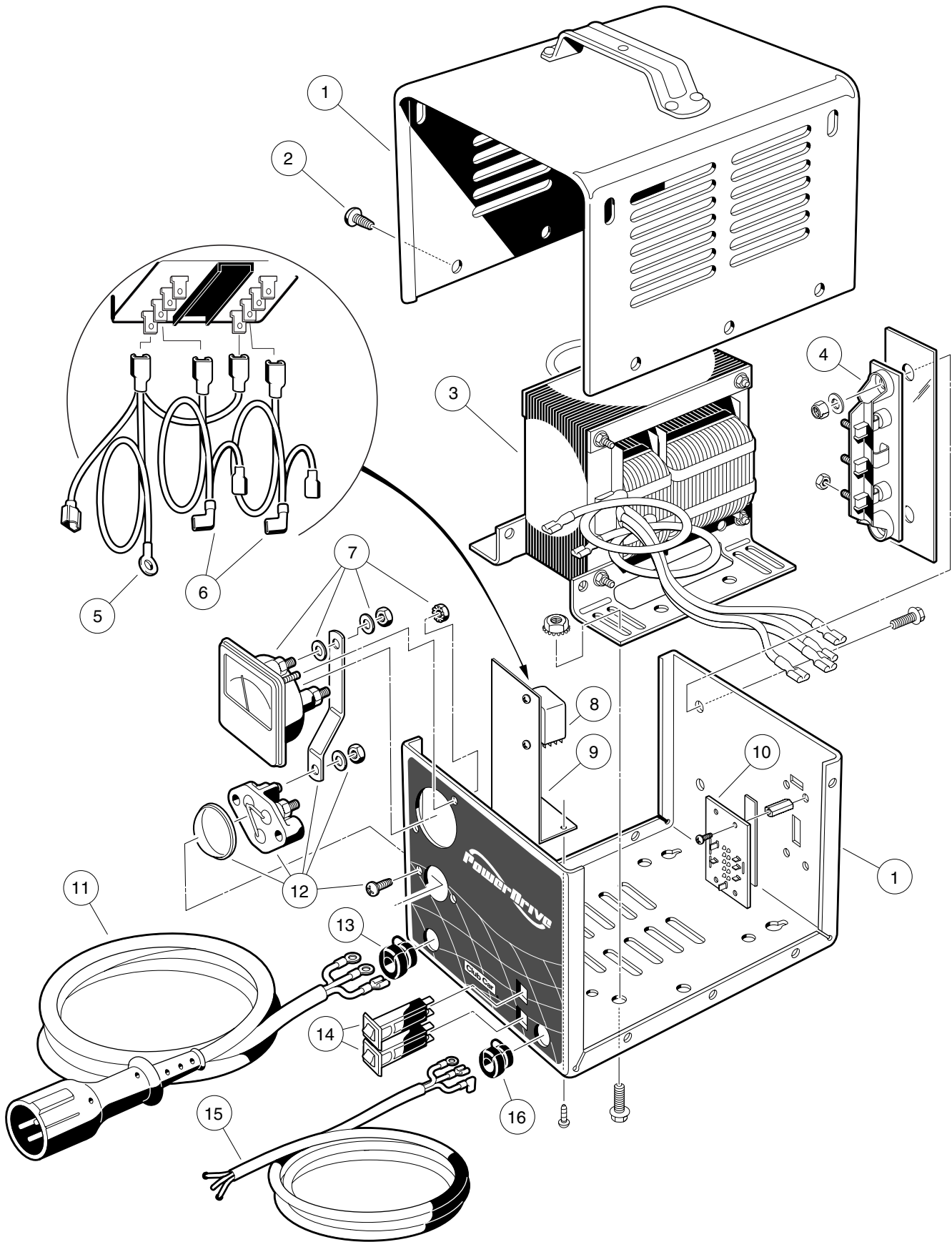


POWERDRIVE BATTERY CHARGER, DOMESTIC-TOURALL AND RESORT VILLAGER

13

E

ITEM	PART NO.	DESCRIPTION	QTY
		1 2 3 4	
	<u>101802201</u>	CHARGER, BATTERY, POWERDRIVE, DOMESTIC, 120 VAC 48 VDC 60 HZ (MODEL NUMBER 17930-11) (INCLUDES ITEMS 1 - 14) 103 INCHES DC CORD WITH MALE 3-PIN PLUG, 12 AWG 74 INCHES AC CORD WITH MALE GROUNDED PLUG	1
	<u>101802202</u>	CHARGER, BATTERY, POWERDRIVE 120VAC 48VDC 60 HZ (MODEL NUMBER 17930-18) (INCLUDES ITEMS 1 - 14) 144 INCHES DC CORD WITH MALE 3-PIN PLUG, 12 AWG 108 INCHES AC CORD WITH MALE GROUNDED PLUG	1
	<u>101802203</u>	CHARGER, BATTERY, POWERDRIVE 120 VAC 48 VDC 60 HZ (MODEL NUMBER 17930-19) (INCLUDES ITEMS 1 - 14) 240 INCHES DC CORD WITH MALE 3-PIN PLUG, 12 AWG 108 INCHES AC CORD WITH MALE GROUNDED PLUG	1
1	<u>101828301</u>	ASSEMBLY, CASE (INCLUDES ITEM 2)	1
2	7577	SCREW, PAN HEAD, SELF-TAPPING, #10 - 16 x 1/2	10
3	<u>101819701</u>	ASSEMBLY, TRANSFORMER	1
4	<u>1015914</u>	ASSEMBLY, HEATSINK, WITH DIODES (INCLUDES MOUNTING HARDWARE)	1
5	<u>101828501</u>	AMMETER (INCLUDES MOUNTING HARDWARE)	1
6	<u>101831101</u>	KIT, WIRE ASSEMBLY	1
7	<u>101828901</u>	CORDSET, DC, 113 INCHES LONG WITH MALE 3-PIN PLUG, 12 AWG	1
7	<u>101828902</u>	CORDSET, DC, 154 INCHES LONG WITH MALE 3-PIN PLUG, 12 AWG	1
7	<u>101828903</u>	CORDSET, DC, 250 INCHES LONG WITH MALE 3-PIN PLUG, 12 AWG	1
8	<u>1012101</u>	ASSEMBLY, FUSE (INCLUDES MOUNTING HARDWARE)	1
9	<u>1012098</u>	BUSHING, STRAIN RELIEF, DC CORD, 12 AWG	1
10	<u>101914401</u>	ASSEMBLY, VOLTAGE SUPPRESSOR	1
11	<u>101828701</u>	BREAKER, CIRCUIT, 15-AMP	1
12	<u>101828601</u>	RELAY, POWER, 48 VDC	1
13	<u>101828801</u>	CORDSET, AC, 80 INCHES LONG	1
13	<u>101828802</u>	CORDSET, AC, 116 INCHES LONG	1
14	<u>1015917</u>	BUSHING, STRAIN RELIEF, AC CORD	1

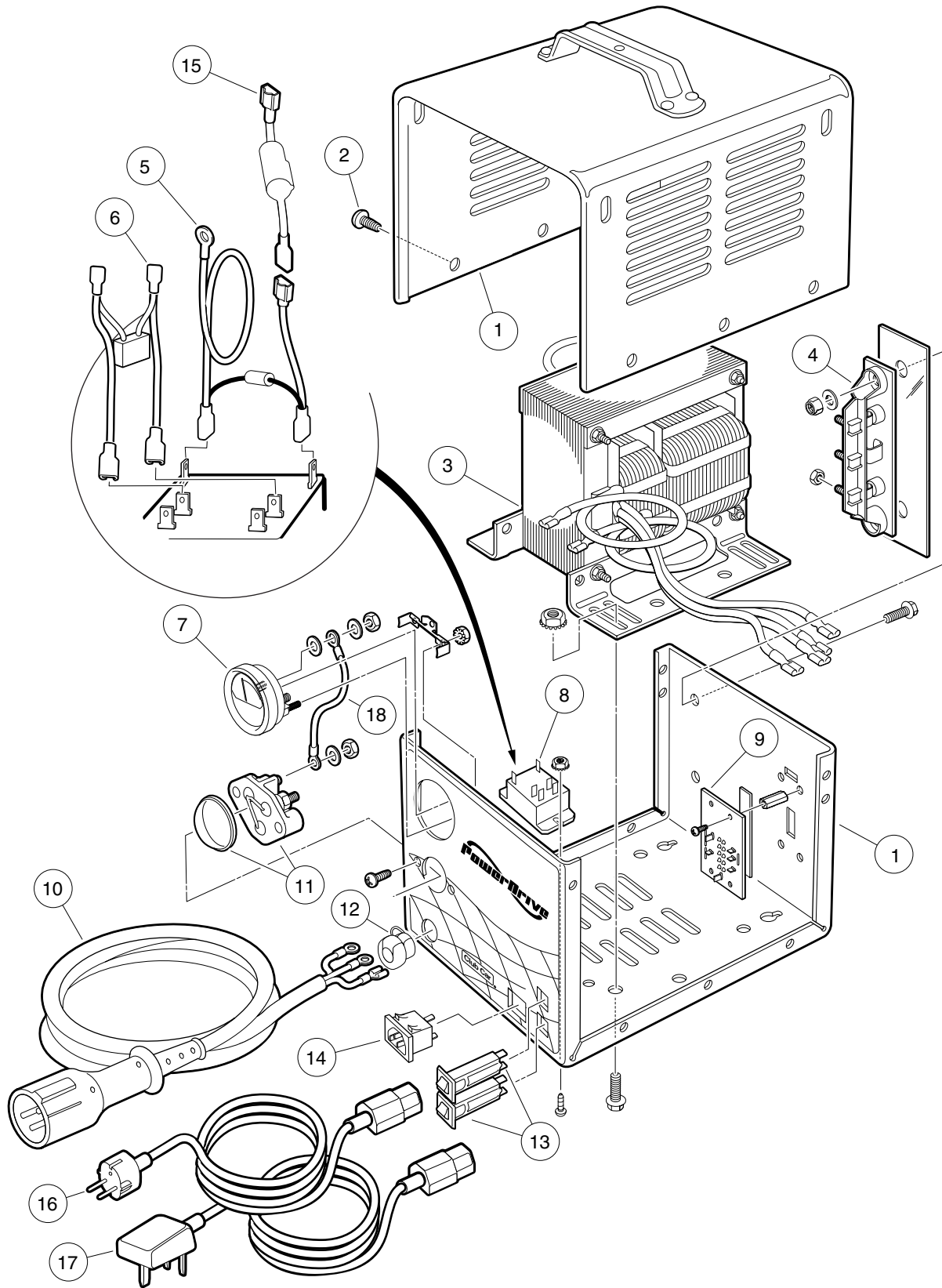


POWERDRIVE BATTERY CHARGER, EXPORT-TOURALL AND RESORT VILLAGER

13

E

ITEM	PART NO.	DESCRIPTION	QTY
		1 2 3 4	
	101831503	CHARGER, BATTERY, POWERDRIVE, EXPORT WITH 4-POSITION SWITCH 100 - 200 - 220 - 240 VAC, 48 VDC 50/60 HZ (MODEL NUMBER 18780-11) (INCLUDES ITEMS 1 - 16) 103 INCHES DC CORD WITH MALE 3-PIN PLUG, 12 AWG 74 INCHES AC CORD WITH NO PLUG	1
	101831504	CHARGER, BATTERY, POWERDRIVE EXPORT WITH 4-POSITION SWITCH 100 - 200 - 220 - 240 VAC, 48 VDC 50/60 HZ (MODEL NUMBER 18780-18) (INCLUDES ITEMS 1 - 16) 144 INCHES DC CORD WITH MALE 3-PIN PLUG, 12 AWG 108 INCHES AC CORD WITH NO PLUG	1
1	N/A	ASSEMBLY, CASE (INCLUDES ITEM 2)	1
2	7577	SCREW, PAN HEAD, SELF-TAPPING, #10 - 16 x 1/2	10
3	101838201	ASSEMBLY, TRANSFORMER	1
4	<u>1015914</u>	ASSEMBLY, HEATSINK, WITH DIODES (INCLUDES MOUNTING HARDWARE)	1
5	101914401	ASSEMBLY, VOLTAGE SUPPRESSOR	1
6	101838501	KIT, WIRE ASSEMBLY	1
7	<u>101828501</u>	AMMETER (INCLUDES HARDWARE)	1
8	<u>101838301</u>	RELAY, POWER, 48 VDC (INCLUDES MOUNTING HARDWARE)	1
9	<u>101838701</u>	BRACKET, POWER RELAY MOUNTING	1
10	101838601	SWITCH, 4-POSITION, SLIDE	1
11	<u>101828901</u>	CORDSET, DC, 113 INCHES LONG WITH MALE 3-PIN PLUG, 12 AWG	1
11	<u>101828902</u>	CORDSET, DC, 154 INCHES LONG WITH MALE 3-PIN PLUG, 12 AWG	1
11	<u>101828903</u>	CORDSET, DC, 250 INCHES LONG WITH MALE 3-PIN PLUG, 12 AWG	1
12	<u>1012101</u>	ASSEMBLY, FUSE (INCLUDES HARDWARE)	1
13	<u>1012098</u>	BUSHING, STRAIN RELIEF, DC CORD, 12 AWG	1
14	101838401	BREAKER, CIRCUIT, 15-AMP	2
15	<u>101831701</u>	CORDSET, AC, 80 INCHES LONG, WITH LEADS (NO PLUG)	1
15	<u>101831702</u>	CORDSET, AC, 116 INCHES LONG, WITH LEADS (NO PLUG)	1
16	<u>1015917</u>	BUSHING, STRAIN RELIEF, AC CORD	1

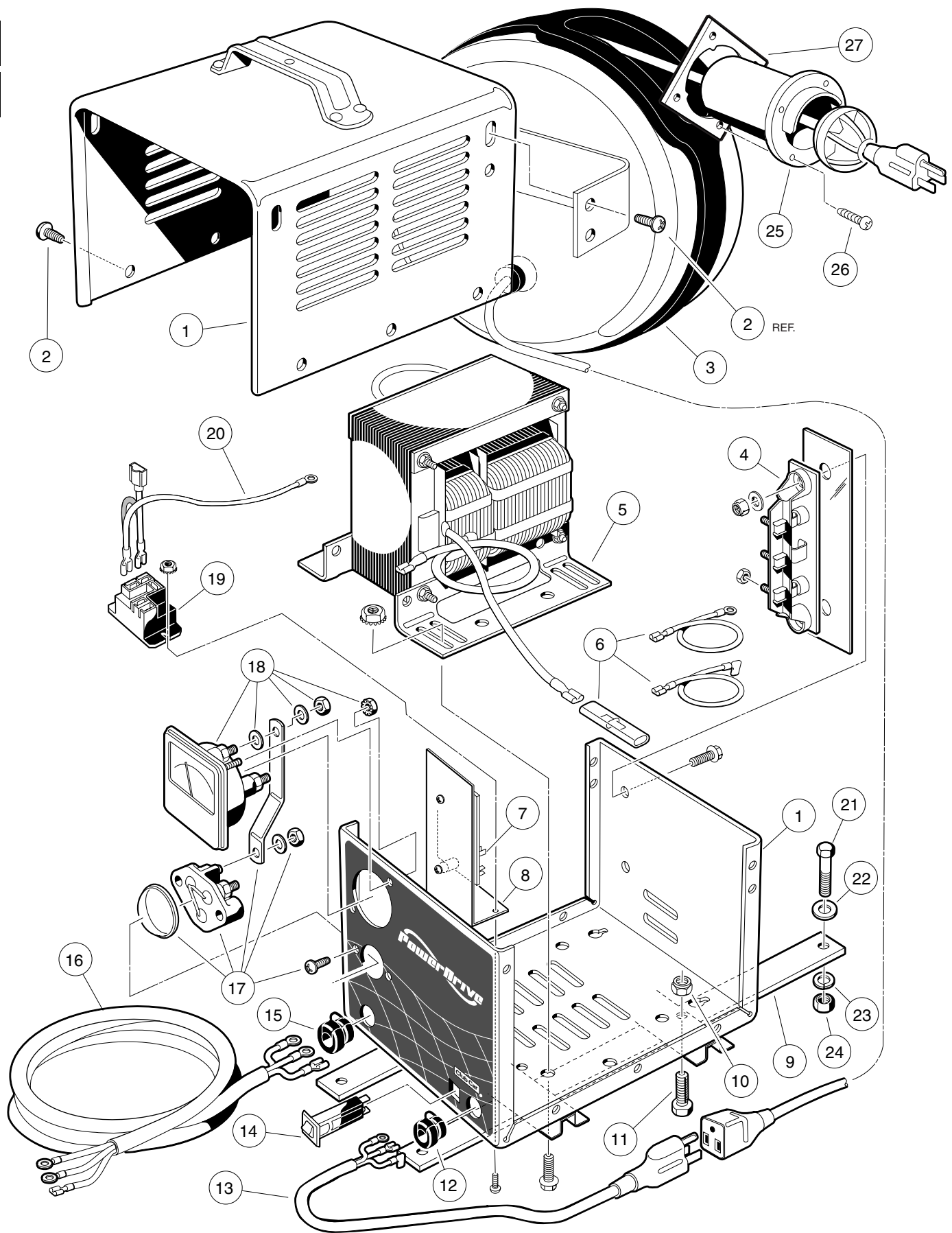


POWERDRIVE BATTERY CHARGER, EUROPEAN-TOURALL AND RESORT VILLAGER

13

E

ITEM	PART NO.	DESCRIPTION	QTY
		1 2 3 4	
	<u>101956201</u>	CHARGER, BATTERY, POWERDRIVE, EUROPEAN WITH 4-POSITION SWITCH 100 - 200 - 220 - 240 VAC, 48 VDC 50/60 HZ (MODEL NUMBER 20300) (INCLUDES ITEMS 1 - 15) 103 INCHES DC CORD WITH MALE 3-PIN PLUG, 12 AWG	1
	<u>101956202</u>	CHARGER, BATTERY, POWERDRIVE EUROPEAN WITH 4-POSITION SWITCH 100 - 200 - 220 - 240 VAC, 48 VDC 50/60 HZ (MODEL NUMBER 20310) (INCLUDES ITEMS 1 - 15) 144 INCHES DC CORD WITH MALE 3-PIN PLUG, 12 AWG	1
1	N/A	ASSEMBLY, CASE (INCLUDES ITEM 2)	1
2	7577	SCREW, PAN HEAD, SELF-TAPPING, #10 - 16 x 1/2	10
3	****	ASSEMBLY, TRANSFORMER	1
4	<u>1015914</u>	ASSEMBLY, HEATSINK, WITH DIODES (INCLUDES MOUNTING HARDWARE)	1
5	****	ASSEMBLY, AC VOLTAGE SUPPRESSOR	1
6	****	KIT, WIRE ASSEMBLY	1
7	101976601	AMMETER (INCLUDES HARDWARE)	1
8	<u>101987501</u>	RELAY, POWER, 48 VDC (INCLUDES MOUNTING HARDWARE)	1
9	101838601	SWITCH, 4-POSITION, SLIDE	1
10	<u>101828901</u>	CORDSET, DC, 103 INCHES LONG WITH MALE 3-PIN PLUG, 12 AWG	1
10	<u>101828902</u>	CORDSET, DC, 144 INCHES LONG WITH MALE 3-PIN PLUG, 12 AWG	1
10	<u>101828903</u>	CORDSET, DC, 250 INCHES LONG WITH MALE 3-PIN PLUG, 12 AWG	1
11	<u>1012101</u>	ASSEMBLY, FUSE (INCLUDES HARDWARE)	1
12	<u>1012098</u>	BUSHING, STRAIN RELIEF, DC CORD, 12 AWG	1
13	101838401	BREAKER, CIRCUIT, 15-AMP	2
14	101973501	RECEPTACLE, AC CORD	1
15	****	ASSEMBLY, CURRENT LIMITER	1
16	101958301	CORDSET, AC, CONTINENTAL EUROPE, 96 INCHES LONG (WITH MALE 2-PIN PLUG) .	1
17	<u>101958201</u>	CORDSET, AC, U.K., 96 INCHES LONG (WITH MALE 3-PIN PLUG)	1
18	N/A	WIRE, JUMPER	1
	****	Special order item available on request.	



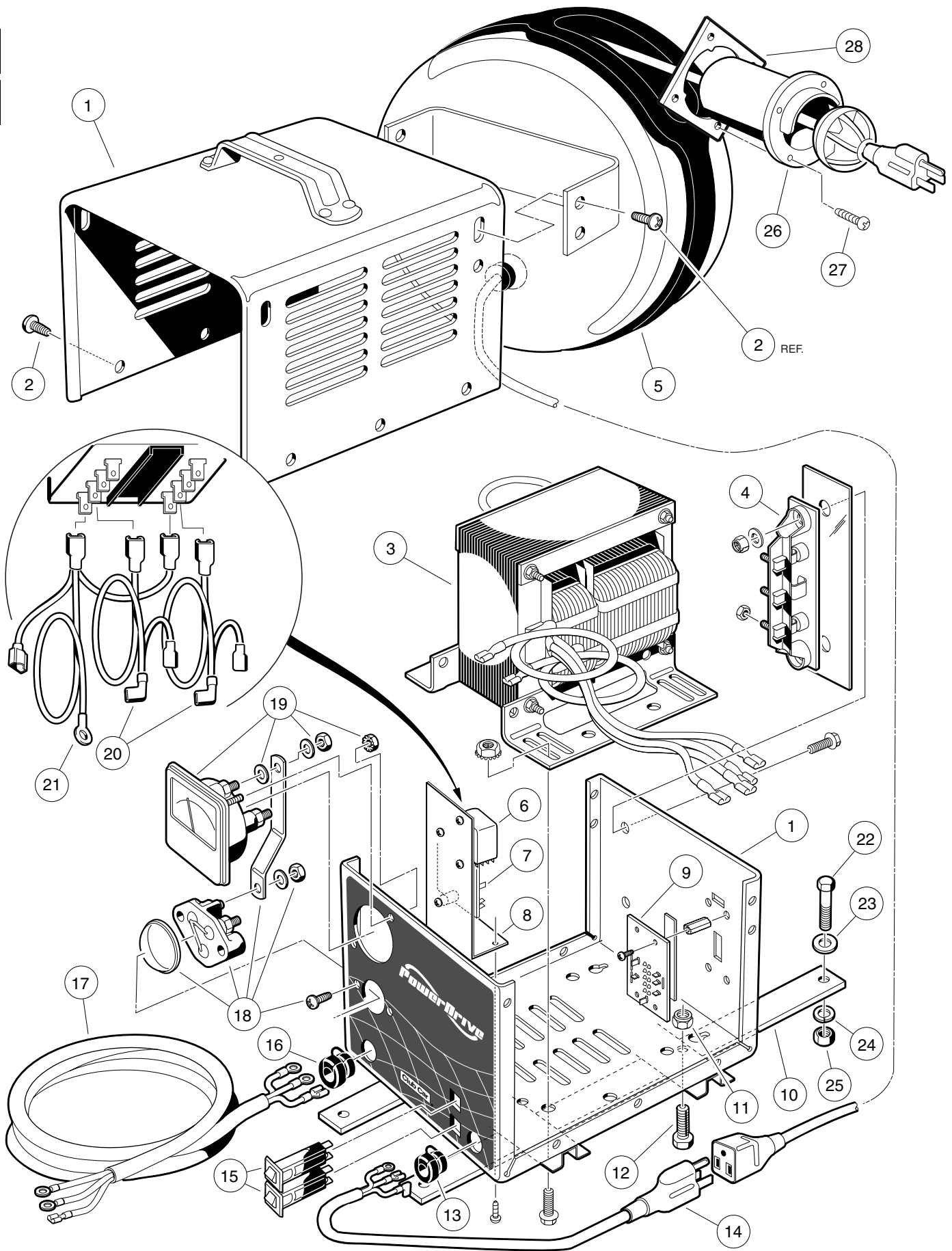
ONBOARD POWERDRIVE BATTERY CHARGER, DOMESTIC-TRANS-PORTER/TRANS-SENDER

13

E

ITEM	PART NO.	DESCRIPTION	QTY
		1 2 3 4	
	<u>101814301</u>	ASSEMBLY, POWERDRIVE BATTERY CHARGER WITH REEL, ONBOARD 120 VAC 48 VDC 60 HZ (INCLUDES ITEMS 1 - 20)	1
	<u>101802301</u>	ASSEMBLY, POWERDRIVE BATTERY CHARGER, ONBOARD 120 VAC 48 VDC 60 HZ (INCLUDES ITEMS 1 - 2 AND 4 - 20)	1
1	<u>101816101</u>	ASSEMBLY, CASE (INCLUDES ITEM 2)	1
2	<u>7577</u>	SCREW, PAN HEAD, SELF-TAPPING, #10 - 16 x 1/2	12
3	<u>1017187</u>	ASSEMBLY, RETRACTABLE CORD REEL	1
4	<u>1015914</u>	ASSEMBLY, HEATSINK, WITH DIODES (INCLUDES HARDWARE)	1
5	<u>101819701</u>	ASSEMBLY, TRANSFORMER	1
6	<u>101841701</u>	KIT, WIRE ASSEMBLY	1
7	<u>101841901</u>	BOARD, CONTROL	1
8	<u>101838701</u>	BRACKET, RELAY AND RESET BOARD MOUNTING	1
9	<u>1011707</u>	BRACKET, MOUNTING	2
10	<u>8233</u>	NUT, LOCK, 1/4 - 20	4
11	<u>7847</u>	SCREW, HEX HEAD CAP, 1/4 - 20 x 3/4	4
12	<u>1015917</u>	BUSHING, STRAIN RELIEF, AC CORD	1
13	<u>101829001</u>	CORDSET, AC, 3 x 1.5 MM x 24 INCHES LONG, WITH GROUNDED PLUG	1
14	<u>101828701</u>	BREAKER, CIRCUIT, 15-AMP	1
15	<u>1012098</u>	BUSHING, STRAIN RELIEF, DC CORD, 12 AWG	1
16	<u>101829101</u>	CORDSET, DC, 90.5 INCHES LONG, WITH LEADS, 12 AWG	1
17	<u>1012101</u>	ASSEMBLY, FUSE (INCLUDES HARDWARE)	1
18	<u>101828501</u>	AMMETER (INCLUDES HARDWARE)	1
19	<u>101828601</u>	RELAY, POWER, 48 VDC	1
20	<u>101914401</u>	ASSEMBLY, VOLTAGE SUPPRESSOR	1
21	<u>7479</u>	SCREW, HEX HEAD CAP, 1/4 - 20 x 1-1/4	4
22	<u>1014306</u>	WASHER, FLAT, 1/4	4
23	<u>451</u>	WASHER, LOCK, 1/4	4
24	<u>1028</u>	NUT, HEX, 1/4 - 20	4
25	<u>1016673</u>	HOUSING, CORD	1
26	<u>8796</u>	SCREW, PHILLIPS HEAD, #7 - 19 x 3/4	4
27	<u>101801001</u>	PLATE, RECEPTACLE BACKING	1
	<u>1017189</u>	SHRINK, HEAT (1-1/2 INCH x 4 FEET) (NOT SHOWN)	A/R
		(HEAT SHRINK IS AVAILABLE IN 3-INCH LENGTHS, NONSTANDARD)	

13
E



ONBOARD POWERDRIVE BATTERY CHARGER, EXPORT-TRANSPORTER/TRANS-SENDER

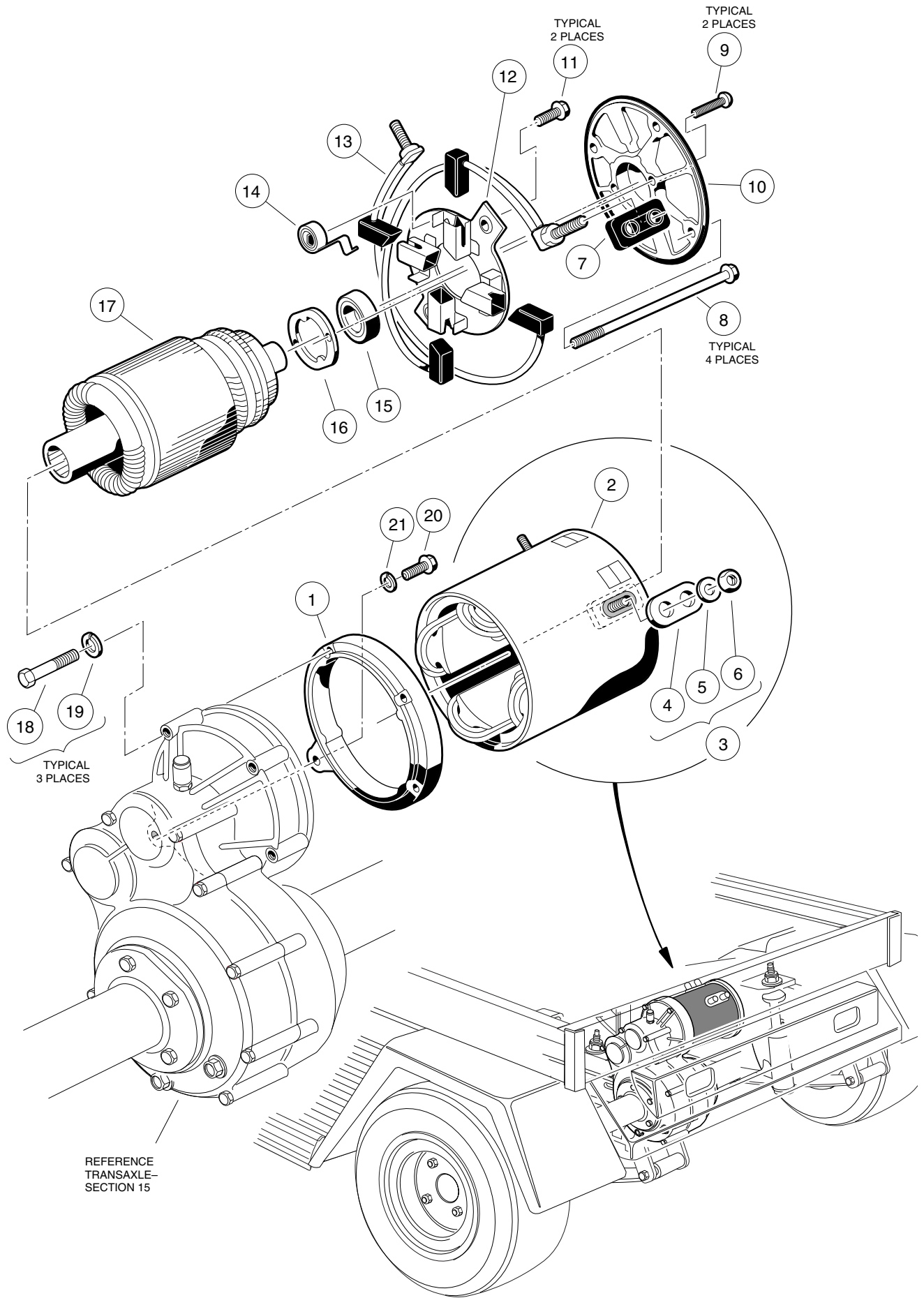
13
E

ITEM	PART NO.	DESCRIPTION	QTY
		1 2 3 4	
	<u>101814302</u>	ASSEMBLY, POWERDRIVE BATTERY CHARGER AND REEL, ONBOARD WITH 4-POSITION SWITCH, 100 - 200 - 220 - 240 VAC, 48 VDC 50/60 HZ (INCLUDES ITEMS 1 - 21)	1
	<u>101831601</u>	ASSEMBLY, POWERDRIVE BATTERY CHARGER, ONBOARD WITH 4-POSITION SWITCH, 100 - 200 - 220 - 240 VAC, 48 VDC 50/60 HZ (INCLUDES ITEMS 1 - 4 AND 6 - 21)	1
1	101841601	ASSEMBLY, CASE (INCLUDES ITEM 2)	1
2	7577	SCREW, PAN HEAD, SELF-TAPPING, #10 - 16 x 1/2	12
3	101838201	ASSEMBLY, TRANSFORMER	1
4	<u>1015914</u>	ASSEMBLY, HEATSINK, WITH DIODES (INCLUDES MOUNTING HARDWARE)	1
5	<u>1017187</u>	ASSEMBLY, RETRACTABLE CORD REEL	1
6	<u>101838301</u>	RELAY, POWER (INCLUDES MOUNTING HARDWARE)	1
7	<u>101841901</u>	BOARD, CONTROL	1
8	<u>101838701</u>	BRACKET, MOUNTING, RELAY AND RESET BOARD	1
9	101838601	SWITCH, 4-POSITION, SLIDE	1
10	<u>1011707</u>	BRACKET, MOUNTING	2
11	<u>8233</u>	NUT, LOCK, 1/4 - 20	4
12	<u>7847</u>	SCREW, HEX HEAD CAP, 1/4 - 20 x 3/4	4
13	<u>1015917</u>	BUSHING, STRAIN RELIEF, AC CORD	1
14	<u>101829001</u>	CORDSET, AC, 3 x 1.5 MM x 24 INCHES LONG, WITH GROUNDED PLUG	1
15	101838401	BREAKER, CIRCUIT	2
16	<u>1012098</u>	BUSHING, STRAIN RELIEF, DC CORD, 12 AWG	1
17	<u>101829101</u>	CORDSET, DC, 90.5 INCHES LONG, WITH LEADS, 12 AWG	1
18	<u>1012101</u>	ASSEMBLY, FUSE (INCLUDES HARDWARE).....	1
19	<u>101828501</u>	AMMETER (INCLUDES HARDWARE)	1
20	101841801	KIT, WIRE ASSEMBLY	1
21	101914401	ASSEMBLY, VOLTAGE SUPPRESSOR	1
22	<u>7479</u>	SCREW, HEX HEAD CAP SCREW, HEX HEAD CAP, 1/4 - 20 x 1-1/4	4
23	<u>1014306</u>	WASHER, FLAT, 1/4	4
24	<u>451</u>	WASHER, LOCK, 1/4	4
25	<u>1028</u>	NUT, HEX, 1/4 - 20	4
26	<u>1016673</u>	HOUSING, CORD	1
27	<u>8796</u>	SCREW, PHILLIPS HEAD, #7 - 19 x 3/4	4
28	<u>101801001</u>	PLATE, RECEPTACLE BACKING	1
	<u>1017189</u>	SHRINK, HEAT (1-1/2 INCH x 4 FEET) (NOT SHOWN)	A/R
		(HEAT SHRINK IS AVAILABLE IN 3-INCH LENGTHS, NONSTANDARD)	

ELECTRIC MOTOR

14

E



MOTOR-POWERDRIVE ELECTRIC VEHICLE

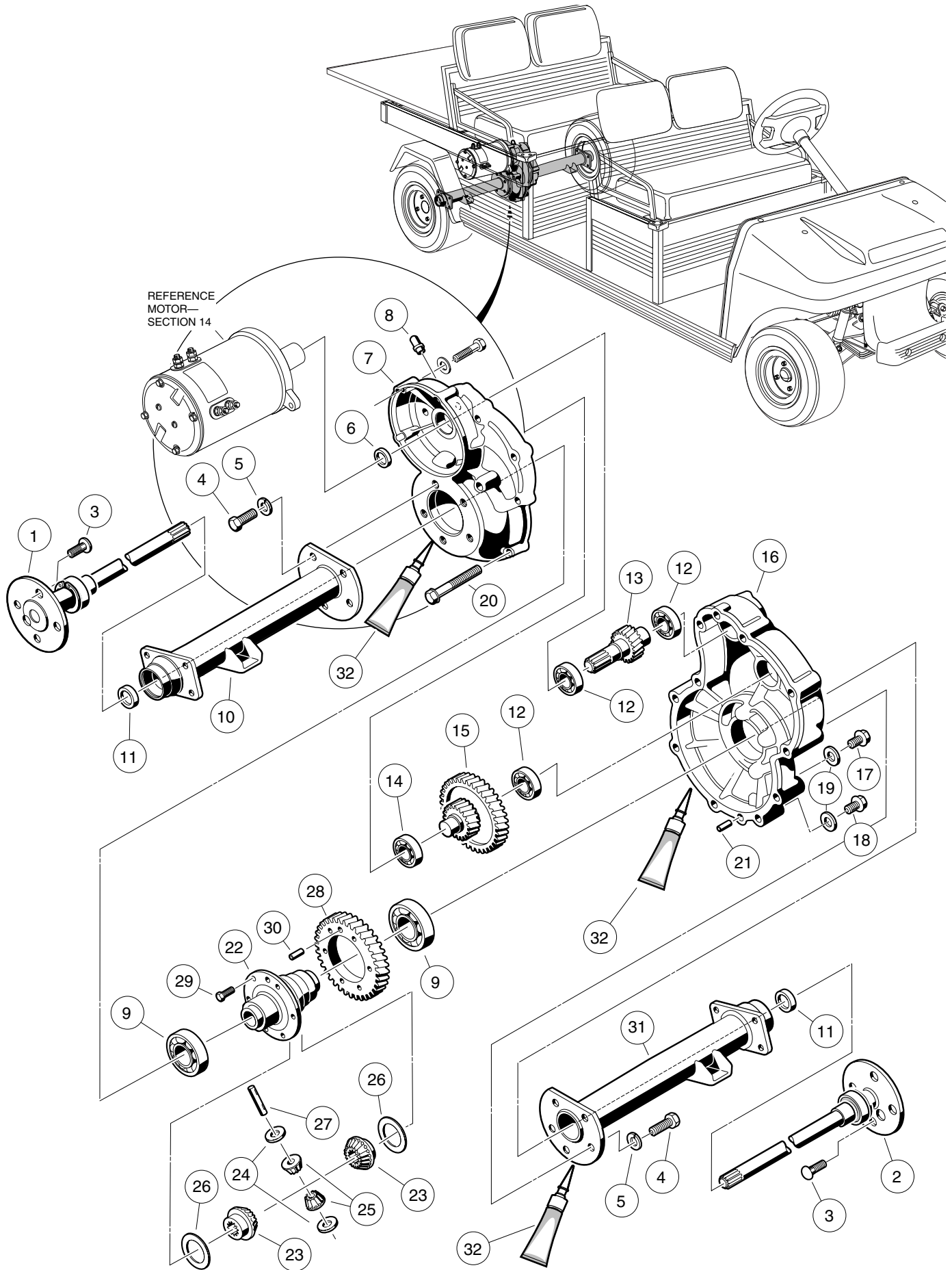
ITEM	PART NO.	DESCRIPTION	QTY
		1 2 3 4	
	<u>101785701</u>	ASSEMBLY, 48 VOLT MOTOR, 3.10 HP (INCLUDES ITEMS 1 - 17)	1
1	<u>1017944</u>	SHIELD, END	1
2	<u>1017958</u>	ASSEMBLY, STATOR SHELL AND WINDING	1
3	<u>1017947</u>	PACKAGE, HARDWARE (INCLUDES ITEMS 4 - 7)	1
4	N/A	BUSHING, INSULATOR	2
5	N/A	WASHER, FLAT, 5/16	4
6	N/A	NUT, HEX, 5/16 - 18	4
7	N/A	BUSHING, INSULATOR	2
8	<u>1017961</u>	SCREW, CLAMP, UNF, #10 - 32 x 8-5/8	4
9	<u>1017953</u>	SCREW, BEARING RETAINER, #8 - 32 x 7/8	2
10	<u>1017951</u>	SHIELD, END	1
11	<u>1017949</u>	SCREW, BRUSH HOLDER, #6 - 32 x 1/2	2
12	<u>1017948</u>	RIGGING, BRUSH	1
13	<u>1017946</u>	PACKAGE, BRUSH (2 PIECES) (INCLUDES 4 BRUSHES)	1
14	1011411	PACKAGE, BRUSH SPRING (4 PIECES)	1
15	<u>1011290</u>	BEARING, BALL	1
16	<u>1017950</u>	RETAINER, BEARING	1
17	N/A	ARMATURE	1
18	1014201	SCREW, HEX HEAD CAP, 1/4 - 20 x 2-1/4	3
19	<u>451</u>	WASHER, LOCK, 1/4	3
20	<u>1010934</u>	SCREW, HEX HEAD CAP, 5/16 - 18 x 1	1
21	<u>7174</u>	WASHER, LOCK, 5/16	1

14
E

TRANSAXLE- ELECTRIC VEHICLE

15

E



TRANSAXLE, TYPE G— POWERDRIVE ELECTRIC VEHICLE

15
E

ITEM	PART NO.	DESCRIPTION	QTY
		1 2 3 4	
	<u>101896001</u>	TRANSAXLE, TYPE G (INCLUDES ITEMS 1 - 32)	1
1	<u>101895801</u>	AXLE ASSEMBLY, PASSENGER SIDE (INCLUDES ITEM 3)	1
2	<u>101895901</u>	AXLE ASSEMBLY, DRIVER SIDE (INCLUDES ITEM 3)	1
3	<u>101922201</u>	STUD, LUG	4
4	<u>101976001</u>	BOLT, M10 x 1.5 x 35MM	10
5	<u>101897901</u>	WASHER, LOCK, 20MM	10
6	<u>101923501</u>	SEAL, OIL, INPUT SHAFT	1
7	<u>101895501</u>	GEAR CASE, PASSENGER SIDE	1
8	<u>101897201</u>	BREATHER	1
9	<u>7330</u>	BEARING, DIFFERENTIAL	2
10	<u>101895601</u>	ASSEMBLY, AXLE TUBE, PASSENGER SIDE	1
11	<u>1013794</u>	SEAL, OIL, AXLE SHAFT	2
12	<u>7335</u>	BEARING, INPUT GEAR.....	3
13	<u>101923701</u>	SHAFT, INPUT	1
14	<u>7336</u>	BEARING, INTERMEDIATE GEAR	1
15	<u>101906901</u>	ASSEMBLY, INTERMEDIATE GEAR	1
16	<u>101895401</u>	GEAR CASE, DRIVER SIDE	1
17	<u>101972201</u>	PLUG, FILL	1
18	<u>101972101</u>	PLUG, MAGNETIC	1
19	<u>101923201</u>	GASKET, PLUG	2
20	<u>101897001</u>	BOLT, M8 x 1.25 x 60MM	11
21	<u>101897601</u>	PIN, DOWEL	2
22	<u>101923601</u>	HOUSING, DIFFERENTIAL	1
23	<u>101923901</u>	GEAR, DIFFERENTIAL	2
24	<u>101903601</u>	PLATE, THRUST (IDLER GEAR)	2
25	<u>101923001</u>	GEAR, DIFFERENTIAL IDLER	2
26	<u>101903701</u>	PLATE, THRUST	2
27	<u>101922101</u>	PIN, DIFFERENTIAL	1
28	<u>101906201</u>	GEAR, OUTPUT	1
29	<u>101897401</u>	BOLT, M10 x 1.5 x 25MM	4
30	<u>101972401</u>	PIN, DOWEL	1
31	<u>101895701</u>	ASSEMBLY, AXLE TUBE, DRIVER SIDE	1
32	<u>101928701</u>	GASKET, LIQUID, 8.8 OZ. (250 GRAM)	A/R
<p>NOTE: TRANSAXLE TYPE IS IDENTIFIED BY ORIENTATION OF GEAR CASE BOLTS (ITEM 20). THE TYPE G TRANSAXLE HAS GEAR CASE BOLT HEADS FACING TOWARD THE PASSENGER SIDE OF THE VEHICLE.</p>			

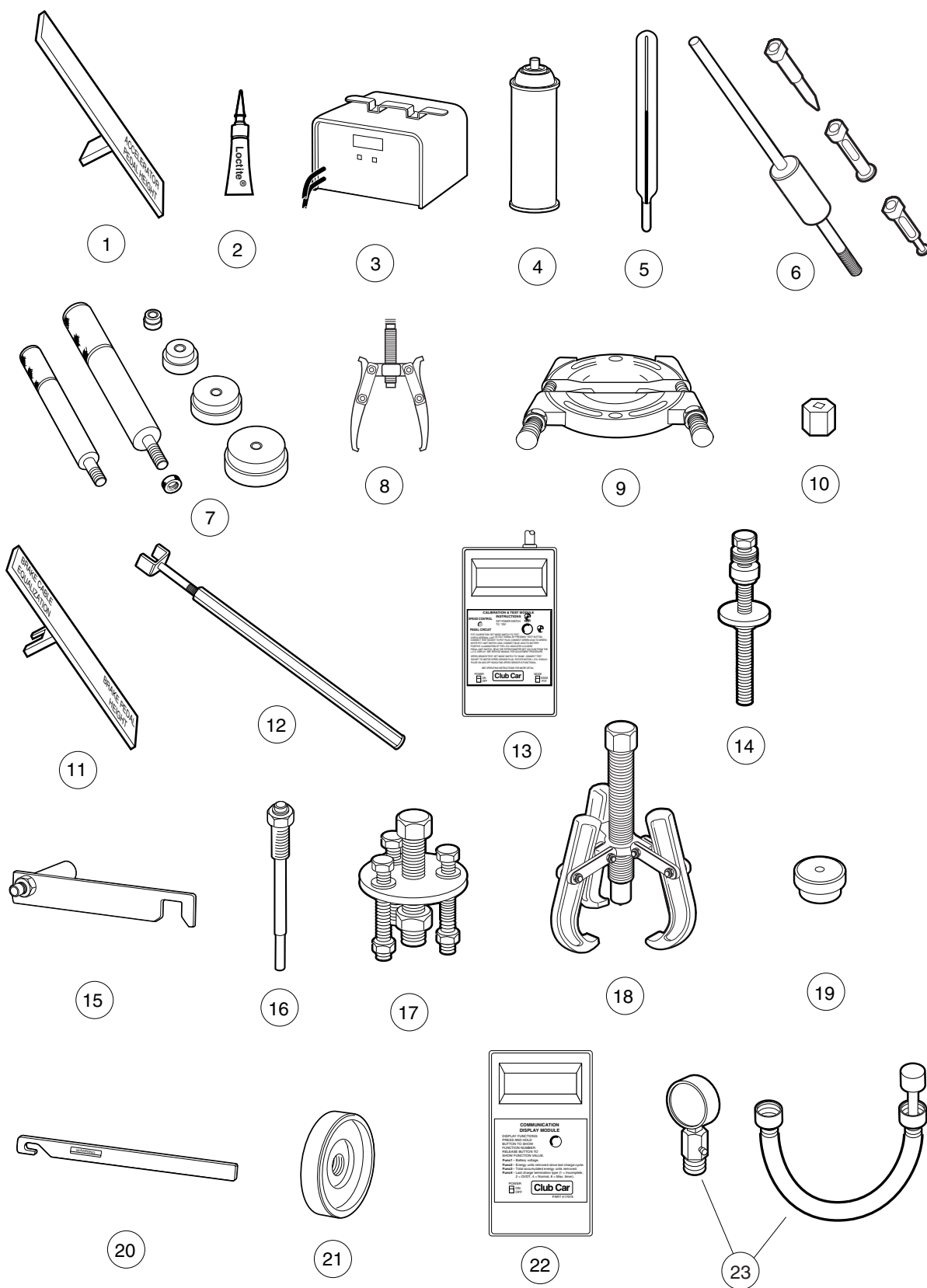
MAINTENANCE AND SERVICE TOOLS

16

G

E

16
G
E



MAINTENANCE AND SERVICE TOOLS

ITEM	PART NO.	DESCRIPTION	QTY GAS	QTY ELEC
		<p style="text-align: center;">1 2 3 4</p> <p>The following tool list includes all tools available from Club Car for maintenance and service procedures for gasoline and/or electric vehicles, both past and present models. Be sure to carefully examine the tool list for applicability to your vehicle before ordering.</p>		
1	<u>101871001</u>	Accelerator Pedal Adjustment Tool	1	1
2	<u>101813202</u>	Adhesive, Guide Ring, 3-Gram Tube	1	1
3	<u>101831901</u>	Battery Discharge Machine, 36/48 Volt		1
4	<u>1014305</u>	Battery Terminal Protector Spray	1	1
5	<u>1011767</u>	Battery Thermometer		1
6	<u>1016417</u>	Bearing and Oil Seal Remover Assembly	1	1
7	<u>1016416</u>	Bearing Driver Set	1	1
8	<u>1012811</u>	Bearing Puller	1	1
9	<u>1012812</u>	Bearing Puller Wedge Attachment	1	1
10	<u>1013582</u>	Brake Adjustment Tool (used only on vehicles with manually adjusted mechanical brakes)	1	1
	<u>102249901</u>	Brake Pedal Adjustment Tool Kit (used for the Carryall electric industrial truck only) (includes items 11 and 12)		1
11	****	Brake Pedal Adjustment Tool		1
12	****	Brake Pedal Tension Tool		1
13	<u>101887101</u>	Calibration Test Module		1
14	<u>101808401</u>	Cam Installation Tool	1	
	<u>1014510</u>	Clutch Tool Kit (includes items 15 - 21)	1	
15	<u>1014498</u>	Clutch Alignment Tool (for pre-unitized transaxle vehicles built prior to 1997 model year)	1	
16	<u>1014496</u>	Drive Clutch Puller	1	
17	<u>1014497</u>	Drive Clutch Hub Puller	1	
18	<u>1014508</u>	Driven Clutch Cam Puller	1	
19	<u>1014507</u>	Driven Clutch Puller Plug	1	
20	<u>1015524</u>	Drive Clutch Holder Tool Assembly	1	
21	<u>101809101</u>	Press Weldment	1	
22	<u>101831801</u>	Communication Display Module		1
23	<u>101641002</u>	Compression Gauge and Adapter	1	
		<p>Please refer to the maintenance and service manual for proper tool application.</p> <p>**** Special order item available upon request</p>		

16

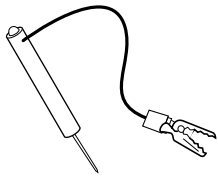
G

E

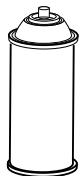
16

G

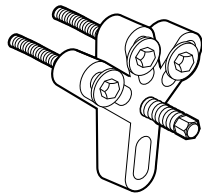
E



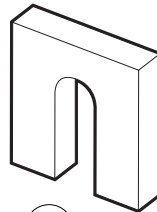
24



25



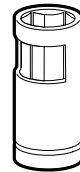
26



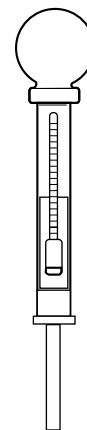
27



28



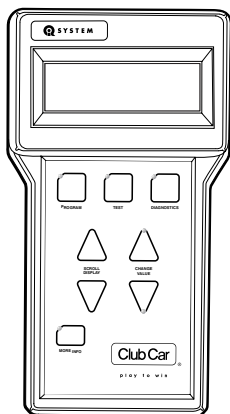
29



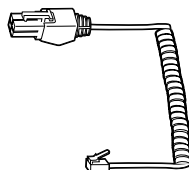
30



31



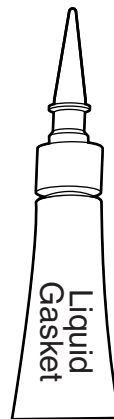
32



33



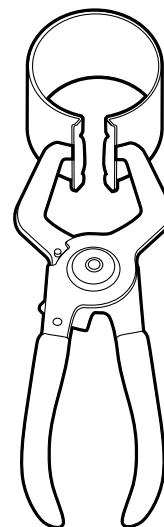
34



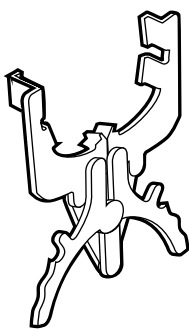
35



36



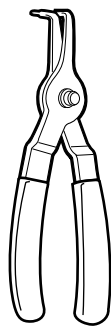
37



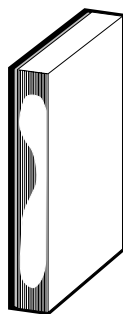
38



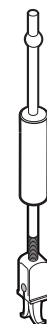
39



40



41



42



43



44



45

MAINTENANCE AND SERVICE TOOLS, CONTINUED

ITEM	PART NO.	DESCRIPTION	QTY GAS	QTY ELEC
		1 2 3 4		
24	1011273	Continuity Tester	1	1
25	<u>1012151</u>	Dry Moly Lubricant	1	1
26	<u>1016627</u>	Flywheel Puller Kit	1	
27	<u>1016418</u>	Gear Yoke	1	1
28	<u>101933101</u>	Governor Shaft Installation Tool	1	
29	102169401	Hydraulic Brake Adjuster (for vehicles equipped with hydraulic brakes)	1	
30	<u>1011478</u>	Hydrometer	1	1
31	<u>1013593</u>	Internal Retaining Ring Pliers	1	1
32	102248801	IQ Display Module (IQDM) Kit (for IQ System vehicles only)		1
		(includes items 33 and 34)		
33	<u>102241501</u>	Cable, IQDM		1
34	<u>102251501</u>	Adaptor, Cable		1
35	<u>101928701</u>	Liquid Gasket (transaxle case)	1	1
36	<u>102243402</u>	Moly-Teflon Lubricant (4-oz. (113-gram) tube)		1
37	<u>1016414</u>	Piston Ring Compressor Kit (FE290, FE350 and FE400 engines)	1	
38	<u>1016415</u>	Piston Ring Pliers	1	
39	<u>1012549</u>	Retaining Ring Pliers, 45° External	1	1
40	<u>1012560</u>	Retaining Ring Pliers, 90° Internal	1	1
41	<u>101823101</u>	Safety First Card (50 per pack)	1	1
42	<u>1012809</u>	Seal Puller	1	1
43	<u>102330901</u>	Spanner Wrench (for coil over shock front suspension vehicles only)	1	1
44	<u>1014264</u>	Steering Column Bearing Press Tool	1	1
45	<u>1014259</u>	Steering Column Retaining Ring Tool	1	1
		Please refer to the maintenance and service manual for proper tool application.		

16

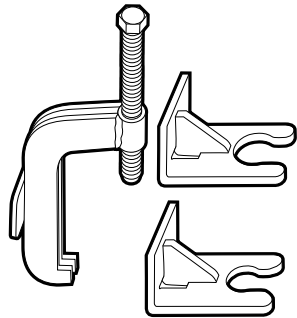
G

E

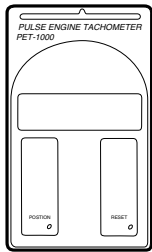
16

G

E



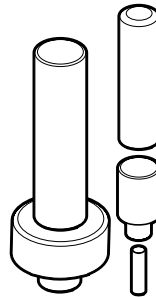
46



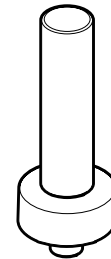
47



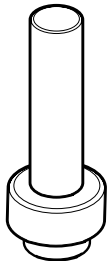
48



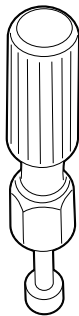
49



50



51



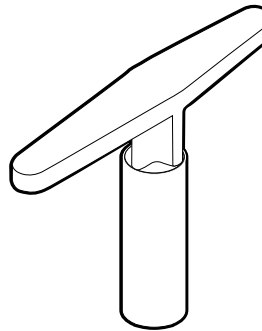
52



53



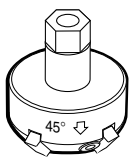
54



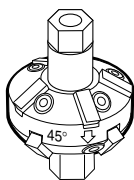
55



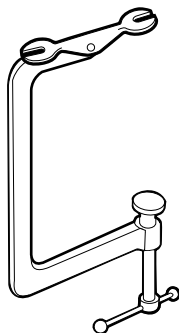
56



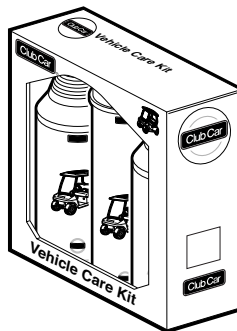
57



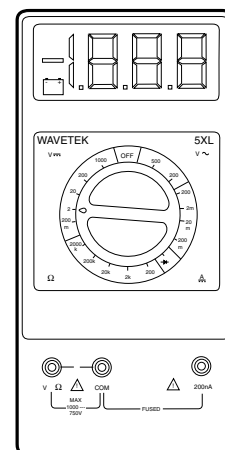
58



59



60



61

MAINTENANCE AND SERVICE TOOLS, CONTINUED

ITEM	PART NO.	DESCRIPTION	QTY GAS	QTY ELEC
		1 2 3 4		
46	102061201	Steering Wheel Puller Tool	1	1
47	1016112	Tachometer	1	
48	<u>101972001</u>	Paint, Touch-Up – Beige	1	1
48	101972002	Paint, Touch-Up – White	1	1
48	101972003	Paint, Touch-Up – Red	1	1
48	101972004	Paint, Touch-Up – Gray	1	1
48	101972005	Paint, Touch-Up – Dark Gray	1	1
48	101972006	Paint, Touch-Up – Royal Blue (Pacific Blue)	1	1
48	101972007	Paint, Touch-Up – Black	1	1
48	101972009	Paint, Touch-Up – Dark Green	1	1
48	101972011	Paint, Touch-Up – Classic Blue (Navy)	1	1
48	101972012	Paint, Touch-Up – Burgundy	1	1
49	<u>1014115</u>	Transmission Tool Kit	1	
50	1014161	Transaxle Pinion Seal Tool	1	
51	<u>1014162</u>	Transaxle Axle Seal Tool	1	
52	<u>1016413</u>	Valve Clearance Adjuster Screw Holder (for FE290 engines only)	1	
53	101641201	Valve Guide Reamer	1	
54	<u>101641202</u>	Arbor	1	
55	<u>1016551</u>	Valve Seat Cutter T-Wrench	1	
56	<u>1016552</u>	Valve Seat Cutter Guide	1	
57	<u>1016553</u>	Valve Seat Cutter, 45° (32 mm diameter) (for FE290 engines only)	1	
58	<u>1016554</u>	Valve Seat Cutter, 45°/30° (35 mm diameter)	1	
59	<u>101641101</u>	Valve Spring Compressor	1	
60	AM10021	Vehicle Care Kit	1	1
61	1011480	Volt Ohm Meter	1	1
62	<u>101611003</u>	Tune-Up Kit, All OHV (includes air filter, spark plug, oil filter, fuel filters) (not shown)	1	
Please refer to the maintenance and service manual for proper tool application.				

16

G

E

INDEX

Part Number and Page

183	1-13, 1-3	1010177	5-13	1011466	4-3, 4-5, 4-11
332	1-13, 1-3, 1-5, 1-31	1010219	5-7, 5-11	1011467	4-5, 4-11
451	1-17, 1-3, 1-5, 1-3	1010347	5-9	1011478	16-5
am10021	16-7	1010348	5-9	1011480	16-7
1014	1-5	1010434	1-3, 1-11, 1-13, 1-15, 1-19, 1-21, 1-25	1011494	4-5, 4-11
1032	4-7	1010435	1-3, 1-11, 1-25, 1-29	1011497	6-19, 1-27
1035	4-3, 4-5, 4-7, 4-9, 5-5	1010543	1-7, 1-9, 1-17, 1-19, 1-21, 1-23	1011498	6-19, 1-27
1241	1-27	1010545	1-23	1011557	6-17, 6-19, 1-21, 1-27
1242	6-7	1010695	1-9	1011558	6-19, 6-21, 1-27
1606	1-13	1010805	4-7, 4-9	1011571	6-19, 1-27
1631	1-15	1010829	4-3, 4-5, 4-7, 4-9, 4-11	1011578	5-3, 1-11, 1-27, 1-35
4029	6-15	1010850	4-3, 4-5, 4-11	1011582	6-19, 6-21, 1-27, 1-35
4034	6-17, 1-21	1010877	4-7, 4-9	1011610	6-19, 1-27
7048	5-9, 5-13	1010878	1-29, 4-7, 4-9	1011622	6-21
7173	1-5	101090801	1-11, 1-27, 1-35	1011652	1-7, 1-17, 1-23
7174	1-11, 1-3, 1-5, 1-3	101090802	1-27, 1-35	1011694	4-13, 4-15
7310	2-3	1010909	6-15	1011697	1-27, 1-9, 1-11
7330	1-7, 1-3	1010921	4-7, 4-9	1011700	4-13
7335	1-5, 1-3	1010927	4-7, 4-9	1011707	1-9, 1-11
7336	1-5, 1-3	1010932	4-7, 4-9	1011734	4-13
7473	1-11, 4-9, 1-27	1010933	4-7, 4-9	1011767	16-3
7532	1-29	1010934	1-19, 6-27, 1-3	1011779	4-3, 4-5, 4-7, 4-9, 4-11
7539	5-7, 5-11	1010954	6-3, 6-7, 6-13, 1-3	1011825	6-15, 1-19
7540	5-5, 5-7, 5-11	1010984	5-13	1011843	6-19, 1-27
7555	5-5	1011014	1-3	101187702	4-7, 4-9, 4-13, 4-15
7569	5-15, 5-17	1011017	1-3	1011887	5-9, 5-13
7591	6-21	1011084	4-13	1011892	5-9, 5-13
7602	5-5	1011114	4-11	1011930	5-5, 5-7, 5-11
7716	4-7	1011137	4-11	1011988	1-11, 1-25, 1-3
7818	1-27	1011154	4-5, 4-11	1011990	1-23, 1-29
7847	1-3, 1-5	1011182	1-9	1012030	5-9, 5-13
7893	6-7, 1-19, 1-31	1011210	1-9	1012047	1-3, 1-5, 1-15
7973	1-3, 6-3, 1-15	1011219	1-9	1012098	1-3, 1-5, 1-7, 1-9
8028	1-9	1011220	1-9	1012101	1-3, 1-5, 1-7, 1-9, 1-11
8056	1-5, 1-27	1011221	1-9	1012151	16-5
8057	1-5	1011222	1-9	1012164	1-27
8058	1-5	1011229	6-9, 6-15, 1-15	1012285	1-17, 1-27, 6-3, 1-3, 1-11, 1-3, 1-13, 1-23, 1-31, 1-33
8067	5-9, 5-13	1011273	16-5	1012295	6-7, 6-13
8168	1-15	1011280	6-17, 1-21	1012303	1-29, 5-9, 5-13, 5-15, 5-17
8233	1-3	1011290	1-3	1012304	5-15, 5-17
8248	1-3	1011291	1-7	1012328	6-27
8450	6-13	1011303	4-5, 4-11	1012333	6-3
8455	6-3	1011304	5-9, 5-13	1012353	1-5
8639	6-15, 1-19	1011389	1-9	1012382	6-5, 6-11
8717	1-3	1011393	5-9, 5-13	1012412	1-5, 1-13, 1-15
8745	5-9, 5-13	1011394	1-3	1012431	6-13, 6-19
8754	6-25	1011402	4-7, 4-9	1012438	1-15, 1-25, 1-31
8990	5-5, 1-5, 1-9, 1-15, 1-33	1011403	4-3, 4-5, 4-7, 4-9	1012467	5-5
1010005	5-13	1011411	1-3	1012499	5-3
1010028	5-9, 5-13	1011415	5-15, 5-17	1012505	6-9, 6-17, 1-9, 1-21
1010124	5-7, 5-11	1011418	4-7, 4-9	1012528	1-3, 1-5
1010138	5-7, 5-11	1011439	6-17, 1-21	1012549	16-5
1010145	5-15, 5-17	101146302	4-5, 4-11	1012560	16-5
1010150	5-9, 5-13	1011464	4-5, 4-11	1012571	1-27
		1011465	4-5, 4-11	1012581	1-13

INDEX

1012594	6-3	1013593	16-5	1014125	5-3
1012597	1-7, 1-17	1013609	6-7, 6-13	1014126	5-3
1012604	5-3	1013677	3-5, 3-9, 3-13	1014145	6-3, 6-7, 6-13
1012605	5-3	1013683	1-11	1014153	4-3, 4-5
1012649	1-3	1013687	1-3	1014161	16-7
1012656	1-7, 1-17	1013692	1-3	1014162	16-7
1012657	1-7, 1-17	1013700	1-11	1014189	1-5
1012711	1-3	1013734	1-3, 1-5	1014193	1-7
1012714	1-5	1013746	1-3, 1-9	1014198	1-3
1012740	1-5	1013759	1-3	1014201	1-3
1012741	1-5	1013768	1-7	1014207	1-7
1012747	1-5	1013769	1-7	1014211	5-3
1012748	1-5	1013770	1-7	1014213	5-3
1012752	1-3	1013771	1-7	1014214	5-3
1012809	16-5	1013772	1-7	1014216	5-3
1012811	16-3	1013773	1-7	1014217	5-3
1012812	16-3	1013774	1-7	1014235	5-7
1012830	6-25, 1-3, 1-5	1013787	1-7	1014236	5-15
1012896	1-3	1013790	1-7	1014253	1-5
1012903	1-5	1013791	1-7	1014259	16-5
1012981	1-5, 1-17	1013792	1-7	1014264	16-5
1012986	6-17	1013794	1-7, 1-3	1014276	5-9, 5-13
1012987	6-3, 1-3	1013857	6-17, 1-21	1014288	5-3, 6-27, 1-13
1013001	6-23	1013860	1-5	1014289	6-23
1013003	6-23	1013861	5-3	1014304	1-11, 1-27, 1-35
1013005	6-23	1013869	4-7, 4-9	1014305	16-3
101301102	6-23	1013870	4-7, 4-9	1014321	1-19, 1-21, 1-23
1013032	1-5, 1-15	1013871	4-13, 4-15	1014374	6-27
1013035	5-5	1013872	1-29	1014375	6-27
1013044	5-5	1013876	4-9	1014387	1-19, 1-21, 1-23
1013051	5-5	1013886	1-5	1014392	1-15
1013052	5-5	1013887	1-5	1014413	1-11
1013061	1-23, 1-3, 1-5, 1-11, 1-25	1013924	4-3, 4-5, 1-27	1014414	1-5
1013135	5-9, 5-13	1013998	1-5	1014453	1-3
1013164	5-15	1014003	1-5	1014454	1-5
1013169	1-23	1014007	1-3	1014471	1-29
1013198	6-3, 1-3	1014010	1-5	1014496	16-3
1013207	4-3, 4-5, 5-15, 5-17	1014017	1-5	1014497	16-3
1013309	1-19, 1-21, 1-23	1014049	1-3	1014498	16-3
1013311	1-19, 1-21	1014050	1-3	1014507	16-3
1013312	1-17, 1-19, 1-21, 1-23	1014051	1-3	1014508	16-3
1013335	1-9	1014052	1-3	1014510	16-3
1013343	1-3	1014055	1-3	1014523	1-3
1013344	1-3	1014056	1-3	1014524	1-3
1013357	1-15, 1-23, 1-29, 6-15, 1-19, 1-25, 1-31	1014057	1-3	1014528	1-3
1013461	6-15, 1-5, 1-19	1014058	1-3	101454602	5-15
101347501	1-3	1014059	1-3	101454902	5-15
101347503	1-3	1014065	6-3	1014555	5-15, 5-17
101347505	1-11, 1-25	1014070	1-5	1014573	5-15
1013531	4-7, 4-9	1014072	1-5	1014645	1-3
1013582	16-3	1014078	1-5	1014675	5-15
1013587	6-3	1014080	1-5	1014727	6-3
1013589	6-3, 6-7, 6-13	1014089	6-3	1014771	2-3
1013590	6-3	1014115	16-7	1014807	6-3, 6-7, 6-13, 1-5
1013591	6-3	1014116	1-3	1014808	6-7, 1-3
		1014119	6-5, 6-11	1014856	1-7

INDEX

1014871	1-3	101564808	1-7, 1-9	1016356	6-15, 1-19, 1-25, 1-31
1014901	5-15	1015649	1-3, 1-15	1016363	1-25, 1-31
1014902	5-15, 5-17	101565202	1-9	1016366	1-25, 1-31
1014928	1-3	101565205	1-9	1016379	1-27
1014947	1-7, 1-13, 1-17, 1-23, 1-29, 1-31	101565206	1-9	1016380	6-11
1014948	6-13, 1-7, 1-13, 1-17, 1-23, 1-29, 1-31	1015654	1-31	1016384	5-9, 5-13
1014999	1-5	1015656	1-31	1016385	5-7, 5-11
1015032	1-3	1015660	1-31	1016386	5-9, 5-13
1015072	1-11, 1-27, 1-35	1015661	4-15	1016387	5-9, 5-13
1015075	1-3, 1-5	1015670	1-7	1016389	5-9, 5-13
1015091	1-9	101567202	2-3	101641002	16-3
1015137	1-3, 1-9	101570506	2-3	101641101	16-7
1015139	1-3, 1-15	101570507	2-3	101641201	16-7
1015143	1-3	101570509	2-3	101641202	16-7
1015188	1-3	1015707	2-3	1016413	16-7
101524001	6-25	1015720	6-9, 6-15, 6-21	1016414	16-5
101524002	6-25	1015737	6-5, 6-7, 6-11, 6-13	1016415	16-5
1015330	1-3	1015741	6-7, 6-13, 1-25, 1-31	1016416	16-3
1015332	6-5, 6-11, 1-3, 1-15	1015752	6-7, 6-13, 6-21, 1-13, 1-15, 1-35	1016417	16-3
1015345	6-13	1015760	5-19	1016418	16-5
1015356	1-29	1015769	6-5, 6-11	1016423	6-13, 1-25, 1-31
1015371	6-7	1015777	6-7	101642572	1-5
1015372	6-7, 6-13	1015814	1-3, 1-5	101642575	1-5, 1-7
1015373	6-7, 6-13	1015845	1-11	101642578	1-5, 1-7
1015399	1-29	1015878	6-7, 6-13	101642580	1-5, 1-7
1015405	6-7, 6-13	1015914	1-3, 1-5, 1-7, 1-9, 1-11	101642582	1-5, 1-7
1015408	1-11	1015917	1-3, 1-5, 1-9, 1-11	101642585	1-7
1015426	1-13, 1-15	1015920	6-5, 6-25	1016429	1-7, 1-19
1015453	5-19	1015932	6-25	1016430	1-9
1015457	5-19	1015969	1-3, 1-15	1016431	1-9
101547601	3-5, 3-9, 3-13	1016004	1-3	1016432	1-7, 1-19, 1-3
1015507	1-29	1016074	6-25	1016435	1-7
1015524	16-3	1016077	1-31	1016436	1-9, 1-21
1015525	1-5, 1-15	101609401	3-15	1016437	1-5, 1-7
1015530	1-27	101610901	3-5, 1-5	1016438	1-9
1015539	1-31	101611003	16-7	1016439	1-9
101553901	3-15	1016112	16-7	1016440	1-9
1015545	5-3	101615502	5-3	1016441	1-9
1015583	1-29, 5-9, 5-13, 5-15, 5-17	1016156	5-3	1016442	1-9, 1-21
1015597	5-5, 5-7, 5-9, 5-11, 5-13	1016175	1-5	1016443	1-3
1015613	5-19	1016181	5-3	1016444	1-9
1015614	5-19	1016183	5-3	1016445	1-5, 1-17
1015625	1-7	1016202	1-11	1016446	1-11
101562602	1-9	1016203	1-3, 1-5	1016447	1-9
101562604	1-9	101621601	3-3, 3-7, 3-11	1016448	1-9
101562605	1-9	1016263	5-3	1016449	1-9, 1-21
101562701	1-17	1016269	5-3	1016450	1-9, 1-21
101562702	1-7, 1-9, 1-17, 1-19, 1-21, 1-23	1016289	1-3	1016451	1-9
101562704	1-7, 1-9, 1-17, 1-19, 1-21, 1-23	1016337	1-5	1016452	1-9, 1-21
101562710	1-7, 1-9, 1-17, 1-19, 1-21, 1-23	1016338	1-5	1016453	1-11
101564502	1-19, 1-21	1016341	1-3	1016454	1-11, 1-23
101564503	1-19, 1-21	1016342	6-3	1016455	1-5, 1-17
101564505	1-19, 1-21	1016346	5-7, 5-11	1016456	1-3, 1-5, 1-11, 1-15, 1-17
101564805	1-7, 1-9	1016349	5-7, 5-11	1016457	1-7, 1-19
101564807	1-7, 1-9	1016350	5-7, 5-11	1016458	1-9, 1-11, 1-21
		1016353	5-7, 5-11	101645901	1-13

INDEX

101645902	1-13	1016537	1-7, 1-19	1016630	6-9, 6-17
101645903	1-13	1016538	1-11, 1-23	1016631	1-25, 1-31
1016460	1-13	1016539	1-3, 1-15	1016663	5-3
101646101	1-13	1016541	1-13, 1-25	1016668	1-11, 1-25
101646102	1-13	1016542	1-9	1016670	1-19
101646103	1-13	1016544	1-5, 1-9, 1-11, 1-17, 1-21, 1-23	1016672	1-7
1016467	1-7, 1-19	1016545	1-9	1016673	1-19, 1-9, 1-11
1016469	1-13	1016546	1-11	1016679	1-27
1016470	1-13, 1-25	1016547	1-3, 1-13, 1-15, 1-25, 1-9	101668201	1-27, 1-35
1016471	1-9	1016548	1-5	1016698	1-17, 1-29
1016472	1-11, 1-23	1016549	1-9, 1-21	101670201	1-3
1016473	1-7, 1-19	101655001	1-13	1016717	6-21, 1-35
1016474	1-9, 1-21	101655002	1-13	1016718	1-3
101647501	1-13	101655003	1-13	1016723	1-19, 1-21
101647502	1-13	101655004	1-13	1016724	1-29
1016479	1-9, 1-21	101655005	1-13	101672501	3-13
1016480	1-9	101655006	1-13	101672502	3-13
101648102	1-9	101655007	1-13	101672601	3-13
101648203	1-7, 1-19	101655008	1-13	101672602	3-13
1016483	1-9, 1-21	101655009	1-13	101672701	6-3
1016484	1-7	1016551	16-7	1016729	1-17, 1-29
1016486	1-5, 1-7	1016552	16-7	1016732	1-17, 1-29
1016489	1-9, 1-21	1016553	16-7	101674702	4-13
101649002	1-9	1016554	16-7	1016751	1-17, 1-19, 1-21, 1-23
1016493	1-5	1016557	4-5, 4-11	101675501	1-17
1016494	1-11, 1-23	1016558	1-13	101675502	1-17, 1-19, 1-21, 1-23
1016496	1-11, 1-23	1016559	1-13	101675504	1-17, 1-19, 1-21, 1-23
1016497	1-5, 1-17	1016560	1-9, 1-21	101675505	1-23
1016499	1-5, 1-7	1016561	1-5, 1-17	101675506	1-17, 1-19, 1-21
1016501	1-5, 1-7	1016562	1-5, 1-13, 1-17, 1-25	1016757	3-11
1016502	1-7, 1-19	1016563	1-9, 1-21	101677701	1-17, 1-19, 1-21, 1-23
1016505	1-5	1016564	1-11, 1-23	101677702	1-17, 1-19, 1-21, 1-23
1016506	1-11, 1-23	1016565	1-11	101677703	1-17
1016507	1-3, 1-15	1016566	1-9, 1-21	101677705	1-17, 1-19, 1-21, 1-23
1016509	1-13	1016567	1-11	1016801	1-3
1016510	1-11, 1-23	1016568	1-13	1016813	5-19
1016512	1-3, 1-15	1016569	1-9, 1-21	1016814	5-19
1016513	1-3	1016570	1-7, 1-19	1016816	1-23
101651402	2-3	1016571	1-13, 1-25	1016819	1-23
101651406	2-3	1016572	1-9	1016824	1-23
101651407	2-3	1016573	4-5, 4-11	1016838	1-25
101651409	2-3	1016576	1-7, 1-19	1016839	1-21, 1-23
1016516	1-13	1016578	1-5, 1-17	101684102	1-23
1016517	1-9, 1-21	1016579	1-5, 1-17	101684103	1-23
1016519	1-9, 1-21	1016580	1-13	101684105	1-23
1016520	1-11	1016581	1-7, 1-19	1016842	1-11, 1-25
1016521	1-11, 1-23	1016582	1-9	1016843	1-25
1016523	1-9	1016583	1-9, 1-21	1016845	1-3
1016524	1-3	1016584	1-11, 1-23	1016849	6-9, 6-15, 6-21, 1-9, 1-19, 1-35
1016525	1-3	1016585	1-5, 1-7	1016851	6-9, 6-15, 6-19, 6-21, 1-9, 1-19, 1-27, 1-35
1016526	1-3	1016586	1-5, 1-17	1016859	6-9, 6-15, 6-19, 6-21, 1-9, 1-19, 1-27, 1-35
1016531	1-3, 1-15	1016587	1-5, 1-17	1016868	1-3
1016532	1-13	1016588	1-5, 1-17	1016875	1-27
1016533	1-13	101660404	1-3	1016876	1-27
1016535	1-11, 1-23	1016622	5-3		
1016536	1-3	1016627	16-5		

INDEX

1016879	6-15, 1-19	101728701	1-15	1017474	1-15
1016880	6-15, 1-19	101728702	1-15	1017475	1-15
1016883	6-25	101728704	1-15	1017476	1-15
1016901	1-3	101728708	1-15	1017483	1-25
1016904	1-5	101728709	1-15	1017484	1-25
101692504	1-3	101728711	1-15	1017486	1-15
101692508	1-3	101728712	1-15	1017487	1-23
101692604	1-5	1017289	1-3	1017490	1-17
1016930	1-23	1017310	1-17	1017500	1-15
101693201	3-7, 3-11	1017313	5-3	1017501	1-25
101693901	1-3	101731601	1-13	1017502	1-25
101693902	1-3	101731602	1-13	1017503	1-25
101693904	1-3	101731604	1-13	1017504	1-23
101693909	1-3	101731608	1-13	1017507	1-7, 1-19
101693911	1-3	101731609	1-13	1017508	1-23
101693912	1-3	101731611	1-13	1017510	1-25
1016947	6-3	101731612	1-13	1017511	1-23
1016952	1-3	1017327	1-5	1017512	1-25
1016967	1-3	1017328	1-3	1017513	1-23
1016970	1-19	101737002	2-3	1017514	1-23
1016997	6-13	1017378	4-13, 4-15	101751801	1-23
1017029	4-7, 4-9	1017380	4-13, 4-15	101751802	1-23
1017035	6-19, 1-27	101738301	1-3	101751803	1-23
101705701	3-3, 3-7, 3-15	1017384	1-7, 1-17	101753005	1-3
1017062	6-15, 1-19	101739201	1-15	1017653	6-23
1017064	6-15, 1-19	1017400	4-15	1017686	1-5
1017065	6-15, 1-19	1017424	4-13, 4-15, 1-15	1017689	1-3, 1-5
101707801	3-15	1017434	1-21	101769302	2-3
1017079	1-27	1017435	1-21	1017695	1-17
1017080	1-3	1017442	1-19	1017696	4-13, 4-15
1017082	1-3	1017443	1-23	1017699	6-19, 1-27
101708301	1-3	1017444	1-21	1017705	1-11, 1-25
1017141	1-5, 1-15	1017445	1-21	1017721	6-15
1017187	1-9, 1-11	1017446	1-21	101773301	1-25
1017188	1-3, 1-5	1017447	1-23	101773302	1-25
1017189	1-9, 1-11	1017448	1-5, 1-17	101773303	1-25
1017203	1-3	101744901	1-25	101773304	1-25
1017211	4-9	101744902	1-25	101773305	1-25
1017221	1-3	1017450	1-25	101773306	1-25
1017226	5-3	101745101	1-25	101773307	1-25
1017231	1-3	101745102	1-25	101773308	1-25
1017235	5-15	1017453	1-25	101773309	1-25
1017237	1-13, 1-23, 1-31	1017454	1-21	101773310	1-25
1017238	6-13	1017455	1-5, 1-17	101773311	1-25
1017239	6-13	1017456	1-7, 1-19	1017743	4-15, 1-15
1017243	6-13	101745701	1-25	1017748	1-5, 1-15
1017259	1-17	101745702	1-25	1017774	1-9, 1-17
1017266	5-7, 5-11	1017458	1-19	1017799	1-3
101728201	1-17	1017460	1-19	1017814	1-5
101728202	1-17	1017461	1-5, 1-7	1017815	1-5
101728203	1-17	1017463	1-17	1017830	1-15
101728204	1-17	1017466	1-9	1017853	1-15
101728210	1-17	1017467	1-17	101785701	1-3
101728211	1-17	1017471	1-25	101791101	4-3, 4-5
101728213	1-17	1017472	1-23	1017936	1-5, 1-15
101728214	1-17	1017473	1-21	1017944	1-3

INDEX

1017946	1-3	101822601	1-15	101833904	1-3
1017947	1-3	101823101	16-5	101834001	1-5
1017948	1-3	101823201	4-3	101834502	6-9, 6-17, 1-9, 1-21
1017949	1-3	101823301	4-3	101834601	1-27
1017950	1-3	101823302	4-3	101834801	1-3
1017951	1-3	101823801	4-3	101835601	1-19, 1-21, 1-25
1017953	1-3	101823901	4-3	101836201	1-5
101795701	1-7, 1-11, 1-17, 1-27, 1-29, 1-35	101824001	4-3	101837001	1-15, 1-23, 1-29
1017958	1-3	101824002	4-3	101837101	1-13, 1-15
1017961	1-3	101824401	1-3	101837301	6-5, 6-11, 6-25
101796201	4-13, 4-15	101825101	3-3, 3-7, 3-11	101838201	1-5, 1-11
101796501	1-11, 1-25	101825102	3-7, 3-11	101838301	1-5, 1-11
101796801	1-11, 1-25	101825701	1-15	101838401	1-5, 1-7, 1-11
1017976	1-29	101826201	1-9, 1-21	101838501	1-5
101797701	1-11, 1-27, 1-35	101826301	6-9	101838601	1-5, 1-7, 1-11
101797702	1-11, 1-27, 1-35	101826401	6-17	101838701	1-5, 1-9, 1-11
101797801	1-11, 1-27, 1-35	101827101	1-27	101840203	1-13, 1-23, 1-31
101799201	1-17	101827801	1-13	101840901	1-11
101801001	1-19, 1-11, 1-25, 1-9, 1-11	101827802	1-23, 1-33	101841101	1-11
101802101	1-11, 1-25	101828301	1-3	101841201	1-11
101802201	1-3	101828501	1-3, 1-5, 1-9, 1-11	101841202	1-11
101802202	1-3	101828601	1-3, 1-9	101841301	1-11
101802203	1-3	101828701	1-3, 1-9	101841601	1-11
101802401	1-33	101828801	1-3	101841701	1-9
101804201	4-15	101828802	1-3	101841801	1-11
101804301	4-15, 1-13, 1-15	101828901	1-3, 1-5, 1-7	101841901	1-9, 1-11
101805701	1-13	101828902	1-3, 1-5, 1-7	101846301	1-25
101806901	1-15	101828903	1-3, 1-5, 1-7	101850301	1-13
101808401	16-3	101829001	1-9, 1-11	101851101	6-9, 6-17, 1-21
101809001	1-15	101829101	1-29, 1-9, 1-11	101855801	6-3
101809101	16-3	101830601	6-9, 6-17, 1-9, 1-21	101855901	1-27
101810801	1-25, 1-33	101830701	6-9, 6-17, 1-9, 1-21	101856102	6-7, 6-13
101811301	1-15	101831101	1-3	101856201	1-13
101811401	1-13	101831503	1-5	101859301	1-3
101811501	1-13	101831504	1-5	101859401	1-5
101811901	1-13, 1-15	101831701	1-5	101861901	4-13, 4-15, 1-15
101812301	1-13, 1-15	101831702	1-5	101862001	4-15
101813001	1-13, 1-15	101831801	16-3	101864601	1-27
101813202	16-3	101831901	16-3	101865106	1-17, 1-29
101814201	1-21	101832001	1-11, 1-25	101865301	4-7, 4-9
101814301	1-9	101832101	1-27	101869001	4-11
101814302	1-11	101832201	1-11	101869302	6-23
101814701	1-21	101832301	1-11	101870401	1-3
101815501	4-3	101832401	1-11	101870501	5-11
101815502	4-3	101832402	1-11	101870601	5-11
101816101	1-9	101832501	1-11	101871001	16-3
101816301	4-3	101832701	1-27	101871901	4-13
101816501	4-3	101832901	1-27	101874601	4-9, 4-11
101816502	4-3	101833001	1-27	101874901	6-23
101817401	4-13, 4-15	101833101	1-27	101875001	6-23
101818801	4-13	101833201	1-27	101875101	6-23
101819701	1-3, 1-9	101833301	1-27	101875201	6-23
101820201	1-9	101833401	1-5	101875301	6-23
101821301	6-7	101833601	1-3	101875401	6-23
101821501	1-13, 1-15	101833701	6-23, 6-25	101875501	6-23
		101833902	1-3	101875601	6-23

INDEX

101875701	6-23	101892501	1-5	101910401	1-9, 1-17
101875802	6-23	101892601	1-5	101910501	1-7
101876001	6-23	101892701	1-7	101911003	1-7
101876202	6-23	101892901	1-3	101911101	1-7
101876301	6-23	101893201	1-5	101911601	1-17, 1-29
101876402	6-23	101893801	1-3	101911701	1-23, 1-31
101876501	6-23	101893901	1-5	101912401	4-13
101876901	5-13	101894303	1-19, 1-21	101914401	1-3, 1-5, 1-9, 1-11
101877001	5-13	101894901	1-11, 1-13, 1-23, 1-25, 1-29, 1-33	101915201	3-5, 3-9, 3-15
101877601	6-23	101895101	1-15	101915401	1-11
101877701	6-23	101895401	1-3	101915501	1-13
101878101	6-23	101895501	1-3	101915601	1-3
101878201	4-7, 4-9	101895601	1-3	101915701	1-5
101878302	5-5	101895701	1-3	101915801	1-5
101879001	6-23	101895801	1-3	101915901	1-23
101879401	5-5	101895901	1-3	101916001	1-25
101879501	5-5	101896001	1-3	101916101	1-15
101879601	5-5	101896501	6-23	101916201	1-17
101879701	5-5	101896901	1-3	101916301	1-17
101879801	5-5	101897001	1-3	101916501	1-3
101879901	5-5	101897201	1-3	101916701	6-25, 1-3
101880001	5-5	101897401	1-3	101917601	1-13, 1-15
101880101	5-5	101897601	1-3	101917701	1-13
101880201	5-5	101897901	1-3	101918301	1-23, 1-31
101880301	5-5	101898001	6-27	101918401	2-3
101880901	1-7, 1-17, 1-23	101900801	4-3, 5-15	101918402	2-3
101881101	1-5, 1-17	101900901	6-9	101920101	1-5, 1-13, 1-15, 1-33
101881701	1-17, 1-23, 1-13, 1-15	101901201	1-7	101921501	1-13, 1-15
101883002	1-7, 1-17, 1-29	101901301	1-7	101921901	3-3, 3-9, 3-13
101883601	1-13, 1-23, 1-31	101901401	1-7	101922101	1-3
101884801	1-27	101902801	1-7	101922201	1-3
101884901	2-3	101902901	1-7	101922301	1-13
101886101	1-3	101903001	1-7	101922302	1-25
101887101	16-3	101903101	5-9, 5-13	101922601	6-3, 1-3
101887601	1-3, 1-15, 1-9	101903501	1-11	101923001	1-3
101888501	1-19, 1-21	101903601	1-3	101923201	1-3
101888502	1-19	101903701	1-3	101923501	1-3
101889401	1-5	101904101	1-5, 1-15	101923601	1-3
101889501	1-5	101904402	1-17, 1-29	101923701	1-3
101889901	1-5	101904502	1-17, 1-29	101923901	1-3
101890001	1-5	101904602	1-17, 1-29	101924301	1-23, 1-31
101890101	1-3	101904702	1-17, 1-29	101925601	1-3
101890201	1-3	101905601	1-5, 1-9	101925701	1-13, 1-15
101890501	1-3	101905901	1-7, 1-9	101926501	5-15, 5-17
101890601	1-3	101906201	1-3	101926802	1-15
101890901	1-7	101906901	1-3	101926901	1-3
101891001	1-7	101908801	1-17, 1-29	101927101	1-3
101891301	1-3	101908902	1-17, 1-29	101927201	1-3
101891401	1-7	101909201	1-5, 1-17	101927301	1-3
101891501	1-7	101909301	1-5, 1-17	101927501	1-5
101891601	1-5	101909401	1-5, 1-17	101927601	1-5
101891901	1-5	101909501	1-5, 1-17	101927701	1-5
101892001	1-5	101909701	1-3	101927801	1-5
101892201	1-5	101909901	1-13	101927901	1-5
101892301	1-5	101909903	1-17, 1-23, 1-29, 1-33	101928001	1-5
101892401	1-5			101928101	1-5

INDEX

- 101928201 1-5
101928301 1-7
101928601 1-3
101928701 1-3, 16-5
101929401 5-15, 5-17
101929501 1-3
101929801 1-3
101930801 1-17, 1-29
101931501 3-13
101931601 1-33
101932004 1-5
101932201 6-17, 1-21
101932801 1-5
101933101 16-5
101934401 1-23, 1-31
101935301 5-11
101935501 1-9, 1-21
101939901 6-23
101942301 1-5, 1-13, 1-23, 1-33
101946201 1-19, 1-21, 1-23
101946901 1-5
101949201 1-5
101951101 1-7
101951501 6-3
101953001 4-7, 4-9
101953101 4-7, 4-9
101953103 4-9
101953801 1-15
101953901 1-3
101954301 1-17, 1-19, 1-21, 1-23
101955001 5-11
101955101 6-15, 1-19
101955301 1-3
101956201 1-7
101956202 1-7
101957101 6-17, 1-21
101957501 1-29, 1-33
101957901 1-13, 1-23, 1-31
101958101 1-13
101958201 1-7
101958301 1-7
101958601 1-19, 1-21
101960001 3-11
101960501 3-5, 3-9, 3-13
101960601 3-3, 3-7, 3-11
101962601 1-25, 1-33
101963301 1-19, 1-21
101963401 1-19, 1-21
101963901 1-19, 1-21
101964001 1-19, 1-21
101964601 3-13
101965201 1-13
101966801 1-33
101966901 4-13
101968801 1-33
101969701 6-17, 1-21
101971001 1-13, 1-15
101971101 1-5
101971301 1-13, 1-15
101972001 16-7
101972002 16-7
101972003 16-7
101972004 16-7
101972005 16-7
101972006 16-7
101972007 16-7
101972009 16-7
101972011 16-7
101972012 16-7
101972101 1-3
101972201 1-3
101972401 1-3
101972801 1-13, 1-15
101973101 1-5, 1-7
101973201 1-5
101973301 1-7
101973401 1-9
101973501 1-7
101975101 5-17
101975201 5-17
101976001 1-3
101976301 4-9
101976601 1-7
101977101 1-3
101979101 6-3, 1-3
101980801 1-5
101980901 1-5
101981001 1-5
101984801 5-3
101987402 6-5
101987501 1-7
101987701 1-3
101987901 6-15, 1-19
101988001 6-15, 1-19
101988002 6-15, 1-19
101988101 6-15, 1-19
101988201 6-15, 1-19
101989901 1-17, 1-29
101990402 6-11
101990701 6-9, 6-17
101990801 4-7, 4-9
101991101 6-9, 6-17
101992601 6-7
101992701 6-13
102003201 1-3
102022101 4-3, 4-7
102025901 6-9, 6-17
102026001 4-13, 4-15
102048501 1-3
102058701 1-5
102061201 16-7
102166901 4-5, 4-9
102169401 16-5
102241501 16-5
102243402 16-5
102248801 16-5
102249901 16-3
102251501 16-5
102330901 16-5
3-pin receptacle 1-5
- ## A
- accelerator cable 1-11
accelerator cover 4-15, 1-15
accelerator pedal 4-13, 4-15
accelerator pedal adjustment tool 16-3
accelerator pedal pad 4-13, 4-15
accelerator pivot rod 4-13, 4-15
accelerator pivot rod support 4-13, 4-15
accelerator rod 4-13
actuator lever 4-15
adapter, cable (iqdm) 16-5
adapter, two-way 1-33
adhesive, guide ring 16-3
adjuster, hydraulic brake 16-5
air box 1-13, 1-15
air box bottom 1-13, 1-15
air box top 1-13, 1-15
air duct 1-13, 1-15
air duct repair 1-13, 1-15
air filter 1-13, 1-15
ammeter 1-3, 1-5, 1-7, 1-9, 1-11
anchor body, brake 4-5, 4-11
anchor piston 4-5
angle, seat hinge 1-23
arbor 16-7
arm, brake lever 4-11
arm, governor lever 1-3
arm, pivot 1-3
arm, rocker 1-9, 1-21
arm, speed switch 1-5
armature 1-3
armature assembly, starter/generator 6-23
armrest mounting 1-17
armrest, driver 1-19
armrest, front 1-7, 1-17
armrest, passenger 1-21
armrest, rear 1-11
armrest, rear seat 1-25
assembly
 current limiter 1-7
axle assembly 1-7, 1-3
axle tube 1-3
axle tube assembly 1-7
- ## B
- backing plate, brake 4-3, 4-5, 4-11

INDEX

- bag rest mat 1-15
- ball bearing, starter/generator 6-23
- ball joint 4-7, 4-9, 5-7, 5-11
- ball joint, inner 5-5
- ball joint, left-hand thread 5-5, 5-7, 5-11
- ball stud 4-13
- ball, steel 1-5
- ball, steel, pressure relief 1-7, 1-19
- bar, bus 1-3
- bar, connecting, footrest 1-11, 1-25
- bar, stabilizer 5-19
- barb, vent 1-3
- barrel, plastic 1-3, 1-13, 1-15, 1-19, 1-21
- base, forward/reverse shifter 6-3
- base, taillight 6-19, 1-27
- battery cap 1-11, 1-27, 1-35
- battery charger 1-3, 1-5, 1-7
- battery charger and reel, onboard 1-11
- battery charger with reel, onboard 1-9
- battery charger, onboard 1-9, 1-11
- battery clamp 6-27
- battery discharge machine 16-3
- battery hold-down 1-11, 1-27, 1-35
- battery hold-down rod 1-27, 1-35
- battery indicator 1-21
- battery insulator 1-15, 1-23
- battery terminal protector spray 16-3
- battery thermometer 16-3
- battery warning light 1-9, 1-21
- battery, 12-volt 6-27
- battery, 8-volt 1-11, 1-27, 1-35
- bearing and oil seal remover 16-3
- bearing assembly, steering column 5-3
- bearing driver set 16-3
- bearing puller 16-3
- bearing puller wedge 16-3
- bearing seal 5-3
- bearing, ball 1-11, 1-5, 1-3
- bearing, bronze 1-5
- bearing, counterbalance 1-25
- bearing, crankshaft 1-23
- bearing, differential 1-3
- bearing, idler 1-3
- bearing, inner axle tube 1-7
- bearing, input gear 1-3
- bearing, intermediate gear 1-3
- bearing, lower pinion 5-5
- bearing, needle 1-5
- bearing, outer axle tube 1-7
- bearing, pivot support 4-13, 4-15, 1-15
- bearing, plain, crankshaft 1-13
- bearing, thrust 5-9, 5-13
- bearing, upper pinion 5-5
- bell crank 1-5
- bell crank and shaft 6-7, 6-13
- belt, drive 1-3, 1-5
- belt, starter/generator 6-25, 1-3
- bezel, headlight 6-15, 1-19
- bezel, receptacle 1-11, 1-25
- bezel, taillight 6-19, 1-27
- block, fuse 6-7, 6-13, 1-25, 1-31
- block, terminal 6-15, 1-19, 1-25, 1-31, 1-33
- board, control 1-9, 1-11
- body, center 1-13
- body, front 1-3
- body, rear 1-5, 1-15
- bolt, clamp 6-23
- boot, dust 5-5
- boot, rubber 1-3
- boot, steering column 5-3
- box, electrical component 6-7, 6-13
- bracket, accelerator support 1-11
- bracket, adjusting 6-25
- bracket, armrest 1-11
- bracket, brake cable guide 5-11
- bracket, brake light switch 6-17, 1-21
- bracket, fuel pump mounting 1-3
- bracket, fuel/hour gauge 6-9, 6-17
- bracket, governor cable 1-11
- bracket, horn 6-15, 1-19
- bracket, mounting 6-15, 6-25, 1-13, 1-19, 1-23, 1-31, 1-9, 1-11
- bracket, mounting, relay 1-11
- bracket, muffler mounting 1-3, 1-5
- bracket, oil filter 1-7, 1-19
- bracket, oil level switch 1-11, 1-23
- bracket, power relay mounting 1-5
- bracket, relay 1-9
- bracket, relay mounting 6-13
- bracket, retaining 1-15
- bracket, rpm limiter 1-5, 1-17
- bracket, seat back 1-21
- bracket, seat back mounting 1-23
- bracket, seat support 1-7, 1-17
- bracket, shroud 1-3
- bracket, snubber 1-27
- bracket, stabilizer bar mounting 5-19
- bracket, stake side 1-31
- bracket, support, governor cable 1-11
- bracket, throttle 1-9
- bracket, transmission cable support 6-3, 1-3
- brake actuator 4-5, 4-11
- brake adjustment bolt 4-11
- brake adjustment tool 16-3
- brake anchor body 4-11
- brake anchor piston 4-11
- brake cable 4-5, 4-7, 4-9, 4-11
- brake cable clamp 5-11
- brake cable guide bracket 5-11
- brake cable hanger 4-5, 5-15, 5-17
- brake cluster 4-3, 4-5, 4-11
- brake drum 4-3, 4-5, 4-11
- brake dust cover 4-11
- brake equalizer 4-7, 4-9
- brake equalizer rod 4-7, 4-9
- brake lever arm 4-5, 4-11
- brake mounting block 4-7, 4-9
- brake pedal 4-7, 4-9
- brake pedal adjustment tool 16-3
- brake pedal pad 4-7
- brake pedal tension tool 16-3
- brake return spring 4-7, 4-9
- brake shoe 4-3, 4-5, 4-11
- brake shoe retainer 4-3, 4-5
- brake spring 4-3, 4-5, 4-11
- brake, adjusting mechanism 4-3
- breaker, circuit 1-11
- breaker, circuit, 15-amp 1-3, 1-5, 1-7, 1-9
- breather, drain plug 1-3
- breather, transaxle 1-3
- brush connector 6-23
- brush holder 6-23
- brush inspection port cover 6-23
- brush spring, motor 1-3
- brush, motor 1-3
- bulb, halogen 6-15, 1-19
- bulb, taillight 6-19, 6-21, 1-27, 1-35
- bumper guard 1-11, 1-25
- bumper, front 1-3
- bumper, jounce 5-15
- bumper, long seat 1-23
- bumper, rear 1-27
- bumper, return spring 4-13, 4-15
- bumper, rubber 1-9, 1-29, 4-7, 4-9
- bumper, seat 1-7, 1-17
- bumper, seat-long 1-19
- bumper, seat-short 1-21
- bumper, wiper switch 1-5
- bushing, bronze 5-9, 5-13, 6-3, 6-7, 6-13
- bushing, bronze spindle 5-9, 5-13
- bushing, insulator 1-3
- bushing, moveable face 1-3
- bushing, nylon 1-9, 4-7, 4-9
- bushing, snap 1-23, 1-31
- bushing, stabilizer bar 5-19
- bushing, steel 1-29, 5-9, 5-13, 5-15, 5-17
- bushing, strain relief 1-3, 1-5, 1-7, 1-9, 1-11
- bushing, urethane 1-29, 5-7, 5-9, 5-11, 5-13, 5-15, 5-17
- button, horn 6-17, 1-21

C

- cable
 - IQDM 16-5
- cable, accelerator 1-11
- cable, choke 1-15
- cable, governor 1-11

INDEX

- cable, transmission 6-3
calibration test module 16-3
cam installation tool 16-3
cam, driven clutch 1-5
cam, electrical box 6-7, 6-13
cam, neutral lock-out 6-3
camshaft, complete 1-11
cap, adjustment bolt 4-5, 4-11
cap, battery 1-11, 1-27, 1-35
cap, corner 1-19, 1-21, 1-23
cap, fuel tank 1-3
cap, key switch 6-9, 6-17, 1-9, 1-21
cap, seat back 1-9, 1-17, 1-21, 1-23
carburetor 1-5, 1-7, 1-9
carburetor insulator 1-9
card, safety first 16-5
carrier, wiper switch arm 1-5
case assembly, battery charger 1-3, 1-5, 1-7, 1-9, 1-11
case, gear carrier 1-7
case, rocker 1-9, 1-21
charger, battery 1-3, 1-5, 1-7
choke button 1-13
choke cable 1-15
choke lever 1-13, 1-15
choke lever guide 1-13
choke positioner 1-13
choke valve 1-13, 1-15
clamp, battery 6-27
clamp, brake cable 5-11
clamp, cable retaining 1-11
clamp, crankcase 1-11, 1-23
clamp, forward/reverse shifter 6-3
clamp, hose 1-3, 1-9
clamp, hose (air intake) 1-13, 1-15
clamp, ignition 1-5
clamp, muffler 1-3, 1-5
clamp, plastic 1-3
clamp, rpm limiter 1-17
clamp, wire 1-23, 1-31
clevis, upper delta 5-9, 5-13
clip, body keeper 1-5, 1-15
clutch alignment tool 16-3
clutch tool kit 16-3
coil, ignition 1-5, 1-17
collar, 25 mm 1-7
collet, cylinder head 1-9, 1-21
communication display module 16-3
component cover 1-33
component mounting plate 1-13
compression gauge 16-3
compression mount 5-19
compressor, piston ring 16-5
compressor, valve spring 16-7
computer, onboard 1-13, 1-17, 1-23, 1-29, 1-33
conduit, potentiometer 1-15
connecting bar, footrest 1-25
connecting rod, crankcase 1-13, 1-25
connector, 3-pin 1-33
connector, brush holder 6-23
connector, cord, crankcase 1-11
connector, oil sending unit 1-23
continuity tester 16-5
control board 1-9, 1-11
controller, 48-volt 1-13, 1-23, 1-31
cord housing, front seat 1-19
cordset, ac, battery charger 1-3, 1-5, 1-7, 1-9, 1-11
cordset, dc, battery charger 1-3, 1-5, 1-7, 1-9, 1-11
cover, accelerator 4-15, 1-15
cover, brush inspection port 6-23
cover, component 1-33
cover, crankcase 1-11, 1-23
cover, dust 4-11, 5-9, 5-13
cover, electrical component box 6-7, 6-13
cover, fuse block 1-25, 1-31
cover, gear case 1-7
cover, pump 1-7, 1-19
cover, screw head 1-3
cover, seat back support 1-19
cover, steering column 5-3
cover, vinyl seat back 1-9, 1-17, 1-19, 1-21, 1-23
cover, vinyl seat bottom 1-7, 1-9, 1-17, 1-19, 1-21, 1-23
cover, wiper switch 1-5
crank, bell 1-5
crankcase cover 1-11, 1-23
crankcase cover gasket 1-11
crankcase vent tube 1-9
crankcase, complete, fe350 1-25
crankcase, complete, ohv 1-13
crankshaft bearing 1-23
crankshaft seal 1-11, 1-23
crankshaft, fe290 1-13
crankshaft, fe350 1-25
cup, spring 4-13, 4-15
current limiter 1-7
cushion, shock absorber 5-15, 5-17
cutter, valve seat 16-7
cylinder head 1-21
cylinder head assembly, fe290 1-9
cylinder head shroud 1-15
cylinder plate head 1-9
- ## D
- damper, rpm limiter 1-5, 1-17
dash, driver side 1-3
dash, passenger side 1-3
dc cord, computer 1-29
decal, battery danger 3-5, 3-9, 3-13
decal, bed bolt warning 3-15
decal, bed load 1-31
decal, bed load warning 3-15
decal, component cover caution 3-13
decal, crush area 3-15
decal, driver/passenger warning 3-3, 3-7, 3-11
decal, frame ground and governor warning 3-5, 3-9, 3-15
decal, gasoline warning 3-5, 3-9, 3-13
decal, ingersoll-rand 3-3, 3-9, 3-13
decal, key switch 3-3, 3-7, 3-11
decal, no ground 3-13
decal, operating instructions 3-3, 3-7, 3-11
decal, passenger warning 3-3, 3-7, 3-15
decal, potentiometer caution 3-5
decal, rotating parts and hot manifold warning 3-5, 3-9, 3-13
decal, side front 3-11
decal, trans-porter 3-13
decal, trans-sender 3-13
decal, vehicle loading 3-11
decal, wiper switch warning 1-5
delta a-plate 5-7, 5-11
delta shock and gear support 5-7, 5-11
differential bearing 1-3
differential gear 1-7, 1-3
differential gear case 1-7
differential housing 1-3
differential idler gear 1-7, 1-3
differential pin 1-7, 1-3
diode assembly 6-13, 1-7, 1-13, 1-17, 1-23, 1-29, 1-31
dipstick 1-3
dipstick, fe350 1-15
door, access 1-5, 1-15
dowel pin 1-7
drink holder 1-3
drive belt 1-3, 1-5
drive clutch 1-3
drive clutch button 1-3
drive clutch holder tool 16-3
drive clutch puller 16-3
drive clutch weight 1-3
drive hub assembly 1-3
driven clutch assembly 1-5
driven clutch cam puller 16-3
driven clutch puller plug 16-3
drum, brake 4-3, 4-5, 4-11
dry moly lubricant 16-5
duct, air 1-15
dust boot 5-5
dust cover 5-13
dust cover, brake 4-3, 4-5

INDEX

dust seal 5-5, 5-7, 5-9, 5-11

E

eccentric assembly 5-13
eccentric, front suspension 5-9
electrical box cam 6-7, 6-13
electrical component box 6-7, 6-13
electrical component box cover 6-7, 6-13
end bell 6-23
end shield, motor 1-3
equalizer 4-7, 4-9
equalizer and pivot limiter 4-7, 4-9
equalizer pivot pin 4-9
equalizer spacer 4-9
exhaust gasket 1-3, 1-5
exhaust system 1-3, 1-5

F

fan housing 1-3, 1-15
fan, flywheel 1-17
fastener, plastic barrel 1-11, 1-25
fe290 ohv gasoline engine 1-3
fe350 ohv gasoline engine 1-15
fender 1-3
fender, inner 1-5, 1-15
fender, rear 1-27
field coil 6-23
field coil housing 6-23
fill plug 1-3
filter, air 1-13, 1-15
filter, fe350 1-19
filter, fuel 1-3
fitting, grease 5-9, 5-13
fitting, thread-forming grease 5-5, 5-7, 5-11
fixed face assembly 1-3, 1-5
float assembly, carburetor 1-5, 1-7
float chamber 1-5, 1-7
flywheel 1-5
flywheel fan 1-5
flywheel fan plate 1-5
flywheel puller 16-5
flywheel, fe350 1-17
footrest mat 1-11
footrest, rear 1-11, 1-25
fork, shift 1-5
forward/reverse bell crank 6-3
forward/reverse cam spring 6-3
forward/reverse shifter 6-3
forward/reverse shifter base 6-3
forward/reverse shifter clamp 6-3
forward/reverse switch 1-3
forward/reverse switch handle 6-3
fuel filter 1-3
fuel impulse pump 1-3
fuel line 1-3

fuel strap assembly 1-3
fuel strap, front 1-3
fuel tank 1-3
fuel tank vent 1-3
fuel/hour gauge 6-17
fuse and receptacle 1-11, 1-25
fuse assembly, battery charger 1-3, 1-5, 1-7, 1-9, 1-11
fuse block 6-7, 6-13, 1-25, 1-31
fuse block cover 1-25, 1-31
fuse, 10-amp 6-7, 6-13
fuse, 20-amp 6-13, 1-25, 1-31
fuse, 3/8-amp 1-11, 1-13, 1-23, 1-25, 1-29, 1-33

G

gasket
liquid 16-5
gasket, carburetor 1-9
gasket, crankcase cover 1-11, 1-23
gasket, drain plug 1-7, 1-19, 1-3
gasket, exhaust 1-3, 1-5
gasket, float chamber 1-5, 1-7
gasket, head 1-9, 1-21
gasket, insulator 1-9
gasket, liquid 1-3
gasket, oil pump 1-7, 1-19
gasket, plug 1-3
gasket, rocker case 1-9, 1-21
gasket, seat-long 1-7, 1-17
gasket, seat-short 1-7, 1-17
gasket, taillight 6-21, 1-35
gasket, throttle bracket 1-9
gasket, voltage limiter 1-25, 1-33
gauge, compression 16-3
gauge, fuel/hour 6-9, 6-17
gear carrier case 1-7
gear case 1-3
gear yoke 16-5
gear, 17-tooth 1-5
gear, 61-tooth 1-5
gear, cluster idler 1-5
gear, differential 1-7, 1-3
gear, differential idler 1-7, 1-3
gear, helical 1-13
gear, helical, crankshaft 1-25
gear, input 1-5
gear, intermediate 1-3
gear, output 1-7, 1-3
gear, spur 1-13, 1-25, 1-5
governor assembly 1-5
governor cable 1-11
governor guard 1-9
governor lever arm 1-3
governor shaft installation tool 16-5
grommet, 5/8 1-33

grommet, choke cable 1-15
grommet, fe350 1-17
grommet, ignition 1-5
grommet, insulation 1-3
grommet, split 1-5
guard, governor 1-9
guide
valve seat cutter 16-7
guide ring adhesive 16-3
guide, choke lever 1-13
guide, f&r transmission 1-5
guide, oil 1-5
guide, steering rack 5-5
guide, valve 1-21
guide, valve, fe290 1-9

H

handle, forward/reverse switch 6-3, 1-3
handrail, first seat 1-19
handrail, rear seat 1-11, 1-25
hanger, brake cable 4-3, 4-5, 5-15, 5-17
harness, headlight wire 6-15, 1-19
harness, wire 6-11
headlight assembly 6-15, 1-19
headlight bezel 6-15, 1-19
headlight lens 6-15, 1-19
headlight retainer 6-15, 1-19
headlight wire harness 6-15
heatsink, with diodes 1-3, 1-5, 1-7, 1-9, 1-11
helical gear 1-13
hinge, long 1-9
hinge, seat 1-23
hinge, short 1-9
hold-down, battery 1-11, 1-27, 1-35
holder, brush 6-23
horn assembly 6-15, 1-19
horn bracket 6-15, 1-19
horn button 6-17, 1-21
hose clamp 1-3, 1-9
hose clamp (air intake) 1-13, 1-15
hose, intake 1-13, 1-15
housing, cord 1-11
housing, cord, battery charger 1-9
housing, cord, front seat 1-19
housing, differential 1-3
housing, fan 1-3, 1-15
housing, field coil 6-23
housing, potentiometer 1-15
housing, taillight 6-21, 1-35
hub assembly 5-9, 5-13
hub bearing 5-9
hub bearing package 5-13
hub, synchronizer clutch 1-5
hydraulic brake adjuster 16-5
hydrometer 16-5

INDEX

- I**
- idle screw 1-5, 1-7
 - ignition clamp 1-5
 - ignition coil 1-5, 1-17
 - indicator, battery 1-21
 - insert, synchronizer 1-5
 - insert, wood 1-7, 1-9, 1-17, 1-21, 1-23
 - insulation, rear cargo bed 1-29
 - insulator gasket 1-9
 - insulator, battery 1-15, 1-23, 1-29
 - insulator, carburetor 1-9
 - insulator, df terminal 6-23
 - insulator, f terminal 6-23
 - intake hose 1-13, 1-15
 - intake seal 1-13, 1-15
 - intermediate gear assembly 1-3
 - internal retaining ring pliers 16-5
 - iq display module (iqdm) 16-5
- J**
- j-bolt 1-11
 - jet, main 1-5, 1-7
 - jet, pilot 1-5, 1-7
 - joint, ball 4-7, 4-9, 6-3
 - joint, compound steering 5-3
 - joint, inner ball 5-5
 - joint, spring-loaded ball 4-13
 - jumper wire 1-7
- K**
- key (pair) 6-9, 6-17, 1-21
 - key switch 6-17, 1-9, 1-21
 - key switch cap 6-17
 - key switch nut 6-17
 - key switch washer 6-17
 - key, crankshaft 1-13, 1-25
 - key, fe350 1-17
 - key, flywheel 1-5
 - key, gear assembly 1-5
 - key, key switch 1-9
 - key, square transmission 1-5
 - key, woodruff 6-23, 1-3
 - kingpin, front suspension 5-9, 5-13
 - kit
 - brake pedal adjustment tool 16-3
 - IQ display module (IQDM) 16-5
 - tune-up 16-7
 - kit, 3-pin plug 1-5, 1-15, 1-33
 - kit, 3-pin receptacle 1-5, 1-13, 1-23
 - kit, air duct repair 1-13, 1-15
 - kit, button 1-5
 - kit, drink holder 1-3
 - kit, equalizer and pivot limiter 4-9
 - kit, front armrest 1-7
 - kit, hardware, taillight 6-19, 1-27
 - kit, pulley nut and screw 6-23
 - kit, rebuild, fuel impulse pump 1-3
 - kit, resistor 1-5
 - kit, reverse buzzer 6-9, 6-15, 6-19, 6-21
 - kit, shock absorber 5-15
 - kit, shock absorber cushion 5-17
 - kit, snap washer 1-3
 - kit, stake side 1-31
 - kit, steering column rebuild 5-3
 - kit, wire and terminal 1-13, 1-23, 1-33
 - knob, light switch 1-21
- L**
- latch, wire 1-13, 1-15
 - lens, headlight 6-15, 1-19
 - lens, taillight 6-19, 6-21, 1-27, 1-35
 - lens, turn signal 1-19
 - lever arm, brake 4-5
 - lever, actuator 4-15
 - lever, brake 4-3
 - lever, choke 1-13, 1-15
 - lever, potentiometer 1-15
 - lever, shifter 1-3
 - lever, transmission shifter 1-3
 - lifter, hydraulic 1-23
 - light switch 1-21
 - light switch knob 6-17, 1-21
 - light, battery warning 1-9, 1-21
 - light, oil warning 6-9, 6-17
 - limit switch 6-3
 - limiter, rpm 1-5, 1-17
 - limiter, voltage 6-15, 1-25, 1-33
 - line, fuel 1-3
 - line, vent 1-3, 1-9
 - link, rack and pinion drag 5-5
 - link, stabilizer bar 5-19
 - liquid gasket 1-3
 - liquid gasket 16-5
 - lubricant, dry moly 16-5
 - lubricant, moly-teflon 16-5
- M**
- magnetic plug 1-3
 - mat, bag rest 1-15
 - mat, floor, front 1-3
 - mat, floor, rear 1-3
 - mat, footrest 1-11, 1-25
 - meter, volt ohm 16-7
 - module, calibration test 16-3
 - module, communication display 16-3
 - moly-teflon lubricant 16-5
 - motor, 48-volt, 3.10 hp 1-3
 - mount, bumper 5-15
 - mount, compression 5-19
 - mount, seat back bracket 1-21
 - mounting bracket 1-13, 1-19, 1-23, 1-31, 1-9, 1-11
 - mounting plate 1-27, 1-23, 1-31
 - moveable face assembly 1-3, 1-5
 - muffler clamp 1-3, 1-5
 - muffler mounting bracket 1-3, 1-5
- N**
- nameplate, club car 1-3
 - needle bearing 1-5
 - neutral lock-out cam 6-3
 - nozzle, main 1-5, 1-7
 - nut, key switch 6-9, 6-17, 1-9, 1-21
 - nut, lug 5-9, 5-13
 - nut, push 1-25, 1-31
 - nut, slab base "t" 1-3
- O**
- oil filler tube 1-15
 - oil filter 1-7, 1-19
 - oil filter bracket 1-7, 1-19
 - oil filter screen 1-11
 - oil filter screen plate 1-11
 - oil guide 1-5
 - oil pump gasket 1-7, 1-19
 - oil pump plate 1-7, 1-19
 - oil seal 1-13, 1-25, 1-3, 1-7
 - oil seal, axle shaft 1-3
 - oil seal, input shaft 1-3
 - oil warning light 6-17
 - o-ring, crankcase 1-11, 1-23
 - o-ring, crankshaft 1-13, 1-25
 - o-ring, oil filter 1-19
 - o-ring, oil filter mount 1-7
 - o-ring, rocker case 1-9, 1-21
 - o-ring, shroud 1-3
 - o-ring, upper cylinder 1-15
 - output gear 1-3
- P**
- pad, accelerator pedal 4-13, 4-15
 - pad, brake pedal 4-7, 4-9
 - pad, park brake 4-7, 4-9
 - pad, spring 5-15, 5-17
 - paint, touch-up 16-7
 - panel, center dash 1-3
 - panel, rear seat frame 1-23
 - park brake latch 4-7, 4-9, 4-13, 4-15
 - park brake pad 4-7, 4-9
 - park brake pedal 4-7, 4-9
 - park brake ratchet 4-13, 4-15
 - park brake rod and pawl 4-7
 - park brake rod sleeve 4-7, 4-9
 - park brake spacer 4-9
 - park brake torsion spring 4-9

INDEX

pedal, park brake 4-7, 4-9
pilot air screw 1-5, 1-7
pin, cylinder head 1-9
pin, differential 1-7, 1-3
pin, dowel 1-7
pin, equalizer pivot 4-7, 4-9
pin, governor cable clevis 1-11
pin, hair spring cotter 1-11
pin, hinge—long 1-9
pin, piston 1-13, 1-25
pinion, steering 5-5
pipe, intake 1-9
piston pin 1-13, 1-25
piston ring compressor 16-5
piston ring pliers 16-5
piston ring set 1-13
piston, anchor 4-5, 4-11
piston, crankcase 1-13
piston, standard 1-25
pivot arm 1-3
pivot support bearing 4-13, 4-15
plate, backing, brake 4-11
plate, body hinge 1-5, 1-15
plate, body kick 1-5, 1-15
plate, component mounting 1-13
plate, cylinder head 1-9, 1-21
plate, flywheel fan 1-5
plate, flywheel fan, fe350 1-17
plate, front spring retainer 5-9, 5-13
plate, mounting 1-27, 1-23, 1-31
plate, oil filter screen 1-11, 1-23
plate, oil pump 1-7, 1-19
plate, receptacle backing 1-19, 1-11, 1-25, 1-9, 1-11
plate, retainer 4-9
plate, scorecard 5-3
plate, seat hinge 1-7, 1-13, 1-17, 1-23
plate, spring mounting 5-7, 5-11
plate, thrust 1-5, 1-7, 1-3
pliers
 internal retaining ring 16-5
 piston ring 16-5
 retaining ring 16-5
plug
 driven clutch puller 16-3
plug cap assembly 1-5
plug cap assembly, fe350 1-17
plug gasket 1-3
plug, 2-way 1-29
plug, 3-pin 1-5, 1-13, 1-33
plug, 3-wire 1-17, 1-29
plug, crankcase 1-23
plug, drain 1-19, 1-3
plug, drain, fe290 1-7
plug, drive clutch 1-3
plug, fill 1-3

plug, magnetic 1-3
plug, oil filter 1-7, 1-19
plug, spark 1-5, 1-17
pole set 6-23
positioner, choke 1-13
potentiometer housing 1-15
potentiometer lever 1-15
power relay 1-3, 1-5, 1-9, 1-11
press weldment 16-3
pressure relief steel ball 1-7
protector spray, battery terminal 16-3
protector, wiper switch resistor 1-5
puller
 bearing 16-3
 drive clutch 16-3
 drive clutch hub 16-3
 driven clutch cam 16-3
 flywheel 16-5
 seal 16-5
pulley, starter/generator 6-23
pully nut and screw 6-23
pump cover 1-7, 1-19
pump, fuel impulse 1-3
pump, oil, and rotor 1-7, 1-19
push nut 1-25, 1-31
push on retainer 1-21
push rod 1-9, 1-21

R

ratchet, park brake 4-13, 4-15
rack and pinion drag link 5-5
rack, steering 5-5
reamer, valve guide 16-7
rear seat frame panel 1-23
receptacle backing plate 1-11, 1-25
receptacle bezel 1-25
receptacle, 3-pin 1-13, 1-15
receptacle, ac cord 1-7
regulator, voltage 6-13
relay, electrical component box 6-13
relay, power 1-3, 1-5, 1-7, 1-9, 1-11
remover, bearing and oil seal 16-3
resistor assembly 1-5, 1-7, 1-13, 1-17, 1-23, 1-29, 1-31
resistor, zero ohm 1-5
retainer 4-15
retainer plate 4-9
retainer, bearing 6-23, 1-3
retainer, brake shoe 4-3, 4-5
retainer, cable 6-3
retainer, harness 6-9
retainer, headlight 6-15, 1-19
retainer, moveable face 1-3
retainer, push on 1-21
retainer, shock absorber cushion 5-15, 5-17

retainer, snubber 1-27
retainer, spring 4-13, 4-15, 5-15
retainer, valve spring 1-9, 1-21
retaining ring pliers 16-5
retractable cord reel 1-9, 1-11
reverse buzzer 6-9, 6-15, 6-19, 6-21, 1-9, 1-19, 1-27, 1-35
rigging, brush 1-3
ring set, piston 1-13, 1-25
ring, snap 1-9, 1-13, 1-21, 1-25
ring, spiral back-up 1-3
ring, synchronizer 1-5
rocker arm 1-9, 1-21
rocker case 1-9, 1-21
rod and pawl, park brake 4-7, 4-9
rod assembly, crankshaft 1-13
rod, battery hold-down 1-27, 1-35
rod, crankshaft 1-25
rod, equalizer 4-7, 4-9
rod, push 1-9, 1-21
rod, shift 1-5
rod, tie 5-7, 5-11
rpm limiter 1-5, 1-17
rpm limiter bracket 1-5, 1-17
rpm limiter damper 1-5
rpm limiter mount 1-5, 1-17

S

safety first card 16-5
scorecard plate 5-3
screen, oil filter 1-11, 1-23
screw
 valve clearance adjuster 16-7
screw, lens 6-21
screw, pole piece 6-23
screw, rack guide 5-5
screw, stud 1-9
seal puller 16-5
seal, bearing 5-3
seal, bed 1-29
seal, crankshaft 1-11, 1-23
seal, double lip 5-9, 5-13
seal, dust 5-5, 5-7, 5-11
seal, intake 1-13, 1-15
seal, oil 1-13, 1-25, 1-3, 1-7
seal, oil, axle shaft 1-3
seal, oil, input shaft 1-5, 1-3
seal, valve 1-9, 1-21
seat back 1-9, 1-17, 1-19, 1-21, 1-23
seat back cap 1-9
seat back support 1-9
seat bottom 1-7, 1-9, 1-17, 1-19, 1-21, 1-23
seat hinge plate 1-23
seat support 1-9
seat support and armrest 1-7
seat support panel 1-19, 1-21

INDEX

- seat, bearing 5-3
- seat, spring 1-9, 1-21
- seat, valve 1-7, 1-19
- sensor, oil level 1-11, 1-23
- set, pole 6-23
- shackle, rear spring 5-15
- shackle, rear suspension 5-17
- shaft, guide counterbalance 1-13, 1-25
- shaft, input 1-5, 1-3
- shaft, rocker 1-9, 1-21
- shaft, shifter 1-3
- shaft, steering column 5-3
- shield, end 1-3
- shield, heat 1-15
- shift fork 1-5
- shift rod 1-5
- shifter lever 1-3
- shifter shaft 1-3
- shim, crankshaft 1-13, 1-25
- shim, oil filter 1-23
- shim, tilt bed pivot 1-29
- shim, wiper switch 1-5
- shock absorber 5-15
- shock absorber cushion 5-15, 5-17
- shock absorber, front 5-7, 5-11
- shock absorber, rear 5-17
- shoe retainer 4-11
- shrink, heat 1-9, 1-11
- shroud, cylinder head 1-15
- shroud, engine, fe290 1-3
- shroud, fan 1-3, 1-15
- shroud, lower cylinder 1-3, 1-15
- shroud, upper cylinder 1-3, 1-15
- sleeve, delta 5-7, 5-11
- sleeve, governor assembly 1-5
- sleeve, park brake rod 4-7, 4-9
- sleeve, synchronizer 1-5
- snap ring 1-9, 1-13, 1-21, 1-25
- snubber 1-27
- snubber bracket 1-27
- snubber retainer 1-27
- solenoid 6-13
- solenoid, 12-volt 6-7
- solenoid, 48-volt 1-13, 1-23, 1-31
- spacer 4-13
- spacer, 1/2 1-5
- spacer, 1-7/8 1-5
- spacer, 5/16, starter/generator 6-23
- spacer, battery terminal bolt 6-27
- spacer, body 1-9, 1-17
- spacer, crankshaft 1-13, 1-25
- spacer, equalizer 4-7, 4-9
- spacer, fixed face shaft 1-3
- spacer, overload bumper 5-15
- spacer, park brake 4-7, 4-9
- spacer, stabilizer bar 5-19
- spacer, transaxle 1-27
- spanner wrench 16-5
- spindle assembly 5-9
- spindle, front suspension 5-13
- spray, battery terminal protector 16-3
- spring brush 6-23
- spring cup 4-13, 4-15
- spring mounting plate 5-7, 5-11
- spring retainer 4-13, 4-15
- spring, brake return 4-7, 4-9
- spring, brush 6-23
- spring, compression 5-3, 1-13
- spring, compression release 1-23
- spring, drive clutch 1-3
- spring, driven clutch 1-5
- spring, engine valve 1-9, 1-21
- spring, f&r transmission 1-5
- spring, forward/reverse cam 6-3
- spring, park brake torsion 4-7, 4-9
- spring, pressure relief 1-7, 1-19
- spring, rear leaf 5-15, 5-17
- spring, retainer 1-3
- spring, return 4-13, 4-15, 1-13, 1-15
- spring, synchronizer 1-5
- spring, tapered leaf 5-9, 5-13
- spring, throttle return 1-9
- spring, wiper switch brush 1-5
- spring, yoke 5-5
- spring-loaded ball joint 4-13
- spur gear 1-13
- stabilizer bar 5-19
- stabilizer bar bushing 5-19
- stabilizer bar bushing support 5-19
- stabilizer bar link 5-19
- stabilizer bar mounting bracket 5-19
- starter/generator 6-23, 6-25
- stator shell and winding 1-3
- steering column 5-3
- steering column bearing assembly 5-3
- steering column bearing press tool 16-5
- steering column bearing seat 5-3
- steering column boot 5-3
- steering column compression spring 5-3
- steering column cover 5-3
- steering column mounting bracket 5-3
- steering column retaining ring tool 16-5
- steering column shaft 5-3
- steering column wedge 5-3
- steering column, aluminum 5-3
- steering gear box 5-5
- steering pinion 5-5
- steering rack 5-5
- steering rack guide 5-5
- steering wheel 5-3
- steering wheel puller tool 16-7
- steering, compound joint 5-3
- stem, valve 2-3
- stiffener, flywheel side 1-27
- stiffener, seat 1-19, 1-21
- strap, a-plate 5-7, 5-11
- strap, seat bottom 1-19, 1-21, 1-23
- stud, ball 4-13, 6-3, 6-7, 6-13, 1-3
- stud, lug 5-9, 5-13, 1-7, 1-3
- stud, m8 1-27
- stud, short ball 1-5
- stud, wiper switch adjusting 1-5
- support, accelerator pivot rod 4-13, 4-15
- support, front body 1-5, 1-15
- support, rear seat 1-23
- support, seat 1-9
- support, seat back 1-9
- support, stabilizer bar bushing 5-19
- switch brush 1-5
- switch, 4-position, slide 1-5, 1-7, 1-11
- switch, key 6-9, 6-17, 1-9, 1-21
- switch, light 6-17, 1-21
- switch, limit 6-3, 6-7, 6-13, 6-17, 1-3, 1-5, 1-15, 1-21
- switch, limit, sealed 1-3
- synchronizer clutch hub 1-5
- synchronizer insert 1-5
- synchronizer ring 1-5
- synchronizer sleeve 1-5
- synchronizer spring 1-5

T

- tachometer 16-7
- taillight assembly 6-19, 6-21, 1-27, 1-35
- taillight base 6-19, 1-27
- taillight bulb 1-35
- taillight housing 1-35
- tailskirt 1-27
- tappet, camshaft 1-11
- terminal block 6-15, 1-19, 1-25, 1-31, 1-33
- terminal hardware 6-23
- tester, continuity 16-5
- thermometer, battery 16-3
- thrust plate 1-5, 1-7, 1-3
- tie, wire 6-15, 1-15, 1-19, 1-33
- tilt bed 1-29
- tilt bed hinge 1-29
- tire, unmounted 2-3
- tool
 - accelerator pedal adjustment 16-3
 - brake adjustment 16-3
 - brake pedal adjustment 16-3
 - brake pedal tension 16-3
 - cam installation 16-3
 - clutch alignment 16-3
 - drive clutch holder 16-3
 - governor shaft installation 16-5
 - steering column bearing press 16-5

INDEX

steering column retaining ring 16-5
steering wheel puller 16-7
transaxle axle seal 16-7
transaxle pinion seal 16-7
transmission 16-7
tool kit, clutch 16-3
touch-up paint 16-7
transaxle axle seal tool 16-7
transaxle pinion seal tool 16-7
transaxle, type g 1-3
transaxle, unitized 1-3
transformer assembly 1-3, 1-5, 1-7, 1-9, 1-11
transmission cable 6-3
transmission cable support bracket 6-3, 1-3
transmission shifter lever 1-3
transmission tool 16-7
trim, seat bottom 1-19, 1-21
trim, side bumper guard 1-3
tube, crankcase vent 1-9
tube, fe350 1-17
tube, ignition coil 1-5
tube, oil filler 1-3, 1-15
tune-up kit 16-7
turn signal lens 6-15, 1-19

V

valve clearance adjuster screw 16-7
valve guide 1-9, 1-21
valve guide reamer 16-7
valve seat 1-7, 1-19
valve seat cutter 16-7
valve seat cutter guide 16-7
valve seat t-wrench 16-7
valve spring compressor 16-7
valve spring retainer 1-21
valve, choke 1-13, 1-15
valve, cylinder head 1-9, 1-21
valve, exhaust 1-9, 1-21
valve, fuel pickup tube 1-3
valve, intake 1-9, 1-21
vehicle care kit 16-7
vent barb 1-3
vent line 1-3, 1-9
volt ohm meter 16-7
voltage limiter 6-15, 1-25, 1-33
voltage regulator 6-7, 6-13
voltage suppressor 1-3, 1-5, 1-7, 1-9, 1-11

W

washer, key switch 6-9, 6-17, 1-21
washer, kingpin wave 5-9, 5-13
washer, mounting 1-5
washer, nylon flat 6-3
washer, plastic, 1/4 1-3
washer, tab 5-5

wedge, bearing puller 16-3
wedge, steering column 5-3
weight, counterbalance 1-13, 1-25
weldment, armrest mounting 1-17
weldment, press 16-3
wheel and tire 2-3
wheel rim 2-3
wheel, steering 5-3
wheels and tires 2-3
wiper switch 1-5
wiper switch bumper 1-5
wiper switch case 1-5
wire and terminal 1-13, 1-33
wire assembly 6-5, 6-11, 1-7
wire assembly, battery charger 1-3, 1-5, 1-7, 1-9, 1-11
wire assembly, computer 1-17
wire assembly, lighting 1-17, 1-29
wire assembly, sense lead 1-25
wire assembly, wiper switch 1-5
wire harness 6-5, 6-11, 1-7
wire harness, lighting 1-17, 1-29
wire harness, power 1-17, 1-29
wire, jumper 1-7
wire, lead 1-5, 1-17
wrench, spanner 16-5

Y

yoke spring 5-5
yoke, gear 16-5

Z

zero ohm resistor 1-5

CLUB CAR

INGERSOLL-RAND

Transportation and Utility Vehicles
Club Car Inc.
P.O. Box 204658
Augusta, GA 30917-4658