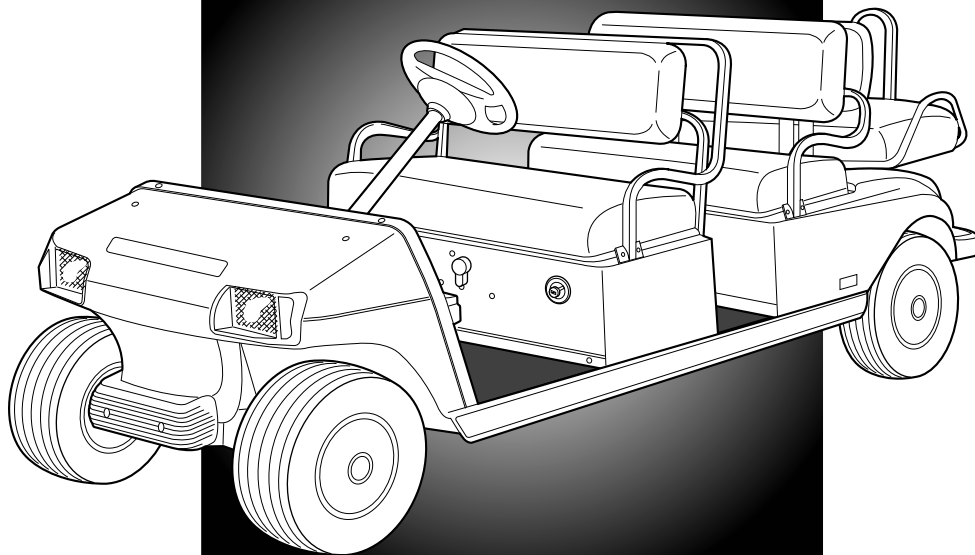


Club Car

®

2001-2003 ILLUSTRATED PARTS LIST



**VILLAGER 4, VILLAGER 6,
VILLAGER 8, TRANSPORTER 4,
TRANSPORTER 6
GASOLINE/ELECTRIC
TRANSPORTATION VEHICLES**

MANUAL NUMBER 102189903
EDITION CODE 0903B1004A

USING THE ILLUSTRATED PARTS LIST

WARNING

- **This manual is to be used only for identification and ordering of service parts. Be sure to read and use the maintenance and service manual before attempting any vehicle repairs.**

This manual covers all Villager 4, Villager 6, Villager 8, TransPorter 4, and TransPorter 6 vehicles built during 2001, 2002, and 2003 model years.

The manual is divided into 16 sections. Sections 1 through 15 pertain to the transportation vehicles, and Section 16 pertains to tools that are used on all Club Car products. Note that there are two flags on the outside edge of each page. The first flag contains the section number of which that page is a part. The other flag contains the letter G, signifying that the page pertains to the gasoline vehicle only.

Use the Table of Contents to find the sections and pages that contain the parts and assemblies you seek. The Table of Contents lists section numbers, and under them, the individual page titles and numbers to be found in that section. The index can be used to find specific parts and assemblies. The index is divided into numerical and alphabetical listings with the page numbers in italic text.

There is a two-page spread for each individual page title in the Table of Contents. On the left-hand page is an illustration showing the parts in their relative positions; the parts are each tagged with an item number in a balloon. The right-hand page is the parts list page, and gives the page title at the top, then the item numbers (corresponding to the numbers on the illustration), part descriptions, and quantity of parts used. Some item numbers have more than one part number because several configurations of a component are represented together on one spread.

There are some wiring diagrams in this manual that cover two pages. For these diagrams the parts list page will be on the next two-page spread.

Note that a part description may be indented. This indentation corresponds to a parts assembly level indicated by the numbers 1, 2, 3, and 4 at the top left corner of the parts description area of the parts list page. A part that is indented to *level 2* is a component of the *level 1* part (assembly) that it is listed under. A *level 3* part is a component of the *level 2* part that it is listed under, and a *level 4* part is a component of the *level 3* part preceding it. In each case, the part quantity given for a level 2, 3, or 4 part is *the quantity used per next higher level assembly of which it is a component*. A part that is not indented is a *level 1* part. This means that the quantity given is the quantity used per the portion of the vehicle illustrated on that particular spread.

HOW TO ORDER PARTS

Replacement parts and accessories can be obtained from our network of authorized dealers and distributors. You can obtain the name and phone number of your closest Club Car contact by visiting our web site at www.clubcar.com and clicking on the "Find a Dealer" link or by calling our toll-free Service Parts and Technical Assistance hotline at (800) 872-2246 or (706) 863-3000, extension 3281 or 3854.



P. O. Box 204658
Augusta, Georgia 30917-4658 USA
Telephone 706-863-3000
Service Parts Fax 706-855-7413
www.clubcar.com

NOTE: *This illustrated parts list represents the most current information at the time of publication. Club Car, Inc. is continually working to further improve its vehicles and other products. These improvements may affect the parts used to service the vehicle. Any modification and/or significant change in specifications will be forwarded to all Club Car distributors/dealers and will, when applicable, appear in future editions of this illustrated parts list.*

Club Car, Inc. reserves the right to change specifications and designs at any time without notice and without the obligation of making changes to units previously sold.

Copyright © 2003 Club Car, Inc.
Club Car, PowerDrive, and ArmorFlex
are registered trademarks of Club Car, Inc.
This manual effective July 24, 2000.

2001 / 2002 / 2003 Transportation Vehicles Illustrated Parts List

The tables below highlight the differences between Villager and TransPorter vehicles. Use these tables as a guide when ordering parts for your vehicle.

For a complete list of vehicle specifications, refer to the vehicle's owner's manual or maintenance and service manual.

SPECIFICATIONS	Villager 4 Gasoline	Villager 4 Electric	Villager 6 Gasoline	Villager 6 Electric	Villager 8 Gasoline	Villager 8 Electric
Engine: FE290	•					
Engine: FE350			•		•	
Key switch: key-start			•		•	
Key switch: pedal-start	•	•		•		•
Electrical System: PowerDrive System 48				•		•
Electrical System: IQ System		see note				
Brakes: 2-wheel, self-adjusting	•	•				
Brakes: 4-wheel, manually-adjusting			•	•	•	•
Suspension: Front mono-leaf and rear multi-leaf springs	•	•				
Suspension: Front and rear multi-leaf springs			•	•	•	•
Standard light package			•	•	•	•

SPECIFICATIONS	TransPorter 4 Gasoline	TransPorter 4 Electric	TransPorter 6 Gasoline	TransPorter 6 Electric
Engine: FE350	•	•	•	•
Key switch: key-start	•		•	
Key switch: pedal-start		•		•
Brakes: 2-wheel, self-adjusting				
Brakes: 4-wheel, manually-adjusting	•	•	•	•
Suspension: Front mono-leaf and rear multi-leaf springs		•		•
Suspension: Front and rear multi-leaf springs	•		•	
Standard light package	•	•	•	•

NOTE: 2001 model-year Villager 4 electric vehicles used the PowerDrive System 48 electrical system. Beginning 2002 model-year, all Villager 4 electric vehicles use the IQ System.

CONTENTS

SECTION 1 – BODY AND TRIM

Front Body	1-3
Dash and Floor Components	1-5
Rear Body and Fender – Villager 4	1-7
Front Seat Bottom and Armrests – Villager 4	1-9
Seat Backs, Rear Seat Bottom and Support Structure – Villager 4	1-11
Rear Footrest and Handrails – Villager 4, Villager 6, and Villager 8	1-13
Center Body and Trim – Villager 6 and Villager 8	1-15
Rear Body and Fender – Villager 6 and Villager 8	1-17
Seat Bottoms – Villager 6 and Villager 8	1-19
Seat Backs and ArmRests – Villager 6 and Villager 8	1-21
Rear-Facing Seat and Support – Villager 6 and Villager 8	1-23
First Seat and Support Structure –TransPorter 4 and TransPorter 6	1-25
Second Seat and Support Structure –TransPorter 4 and TransPorter 6	1-27
Third Seat and Components – TransPorter 6	1-29
Rear Footrest and Handrails – TransPorter 6	1-31
Rear Body Trim – TransPorter 4 and TransPorter 6	1-33
Rear Cargo Bed – TransPorter 4	1-35
Stake Side – TransPorter 4	1-37

SECTION 2 – WHEELS AND TIRES

Wheels and Tires – Villager 4	2-3
Wheels and Tires – Villager 6, Villager 8, TransPorter 4, and TransPorter 6	2-5

SECTION 3 – DECALS

Decals – Villager 4	3-3
Decals – Villager 4, Continued	3-5
Decals, Front Body – Villager 6 and Villager 8	3-7
Decals, Rear Body – Villager 6	3-9
Decals, Center and Rear Body – Villager 8	3-11
Decals – TransPorter 4 and TransPorter 6	3-13
Decals – TransPorter 4 and TransPorter 6, Continued	3-15
Decals – TransPorter 4 and TransPorter 6, Continued	3-17

SECTION 4 – BRAKES, PEDAL, AND CABLE ASSEMBLIES

Rear Brake Assembly, Self-Adjusting – Villager 4	4-3
Rear Brake Assembly, Manually Adjusted – Villager 6 and 8, TransPorter 4 and 6	4-5
Brake Pedal and Cable Assembly – Vehicle with Two-Wheel Brakes	4-7
Brake Pedal and Cable Assembly – Vehicle with Four-Wheel Brakes	4-9

CONTENTS

Front Brake Assembly – Vehicle with Four-Wheel Brakes	4-11
Accelerator Pedal Assembly – Villager 4, all Electric with MCOR, and Gasoline Vehicles	4-13
Accelerator Pedal Assembly – Electric Vehicles with Potentiometer	4-15

SECTION 5 – STEERING, FRONT AND REAR SUSPENSION

Steering Column	5-3
Steering Gear Assembly	5-5
Front Suspension, Upper – Villager 4	5-7
Front Suspension, Lower – Villager 4	5-9
Front Suspension, Upper – Villager 6, Villager 8, TransPorter 4, and TransPorter 6	5-11
Front Suspension, Lower – Villager 6, Villager 8, TransPorter 4, and TransPorter 6	5-13
Rear Suspension – Villager 4	5-15
Rear Suspension – Villager 6, Villager 8, TransPorter 4, and TransPorter 6	5-17
Stabilizer Bar – Gasoline Villager 6, Villager 8, TransPorter 4, and TransPorter 6	5-19

SECTION 6 – ELECTRICAL SYSTEM – GASOLINE VEHICLE

Forward/Reverse Shifter Assembly – Gasoline Vehicle	6-3
Wiring – Gasoline Villager 4	6-5
Electrical Component Box – Gasoline Villager 4	6-7
Electrical Components, Front Body – Gasoline Villager 4	6-9
Wiring – Gasoline Villager 6, Villager 8, TransPorter 4, and TransPorter 6	6-13
Electrical Component Box – Gasoline Villager 6 and 8, TransPorter 4 and 6	6-15
Electrical Components, Front Body – Gasoline Villager 6 and 8, TransPorter 4 and 6	6-17
Controls and Indicators – Gasoline Villager 6, Villager 8, TransPorter 4, and TransPorter 6	6-19
Electrical Components, Rear Body – Gasoline Villager 6 and Villager 8	6-21
Electrical Components, Rear Body – Gasoline TransPorter 4 and TransPorter 6	6-23
Starter/Generator Assembly	6-25
Starter/Generator Mounting	6-27
Battery – Gasoline Vehicle	6-29

SECTION 7 – ENGINE

FE290 Engine – Shrouds and Brackets	7-3
FE290 Engine – Ignition Components and Flywheel	7-5
FE290 Engine – Oil Circulation	7-7
FE290 Engine – Cylinder Head	7-9
FE290 Engine – Crankcase, Camshaft and Oil Sensor	7-11
FE290 Engine – Crankcase and Crankshaft	7-13
FE350 Engine – Shrouds and Brackets	7-15
FE350 Engine – Ignition Components and Flywheel	7-17
FE350 Engine – Oil Circulation	7-19

CONTENTS

FE350 Engine – Cylinder Head	7-21
FE350 Engine – Crankcase, Camshaft and Oil Sensor	7-23
FE350 Engine – Crankcase and Crankshaft	7-25
Engine Mounting	7-27

SECTION 8 – FUEL, INTAKE, AND GOVERNOR SYSTEMS

Fuel System	8-3
Carburetor Assembly, FE290 Engine – Villager 4	8-5
Carburetor Assembly, FE350 Engine – Villager 6, Villager 8, TransPorter 4, and TransPorter 6	8-7
Carburetor Installation	8-9
Governor and Accelerator Cables	8-11
Intake Duct, Choke, and Air Box Assembly – Villager 4	8-13
Intake Duct, Choke, and Air Box Assembly – Villager 6 and 8, TransPorter 4 and 6	8-15

SECTION 9 – EXHAUST SYSTEM

Exhaust System, FE290 – Villager 4	9-3
Exhaust System, FE350 – Villager 6, Villager 8, TransPorter 4, and TransPorter 6	9-5

SECTION 10 – TORQUE CONVERTER

Drive Clutch	10-3
Driven Clutch	10-5

SECTION 11 – UNITIZED TRANSAXLE – GASOLINE VEHICLE

Unitized Transaxle, Gasoline Vehicle – Gear Cases and Brackets	11-3
Unitized Transaxle, Gasoline Vehicle – F&R Transmission and Gear Reduction	11-5
Unitized Transaxle, Gasoline Vehicle – Differential and Axles	11-7

SECTION 12 – ELECTRICAL SYSTEM – ELECTRIC VEHICLE

Electrical Components, Front Body – Villager 4 Vehicle	12-3
Multi-Step Potentiometer – Villager 4 PowerDrive System 48 Vehicle	12-5
Wiring – Villager 4 PowerDrive System 48 Vehicle with Multi-Step Potentiometer	12-7
Motor Controller Output Regulator (MCOR) – PowerDrive System 48 and IQ System Vehicles	12-9
Wiring – Villager 4 PowerDrive System 48 Vehicle with MCOR	12-11
Forward/Reverse Switch – PowerDrive System 48 Vehicle	12-13
Batteries, Charger Receptacle – Villager 4 PowerDrive System 48 Vehicle	12-15
Computer, Controller, and Solenoid – Villager 4 PowerDrive System 48 Vehicle	12-17
Wiring – Villager 4 IQ System Vehicle	12-19
Forward/Reverse Switch, Tow/Run Switch – Villager 4 IQ System Vehicle	12-21
Batteries, Charger Receptacle – Villager 4 IQ System Vehicle	12-23

CONTENTS

Computer, Controller, and Solenoid – Villager 4 IQ System Vehicle	12-25
Continuously Variable Potentiometer – Villager 6 and 8, TransPorter 4 and 6 Vehicles	12-27
Wiring – PowerDrive System 48 Villager 6 and 8 with Continuously Variable Potentiometer	12-31
Wiring – PowerDrive System 48 Villager 6 and 8 Vehicles with MCOR	12-35
Electrical Components, Front Body –Villager 6 and 8, TransPorter 4 and 6 Vehicles	12-37
Controls and Indicators –Villager 6 and 8, TransPorter 4 and 6 Vehicles	12-39
Electrical Components, Center Body – Villager 6 and 8, TransPorter 4 and 6 Vehicles	12-41
Electrical Components, Center Body, Continued –Villager 6 and 8, TransPorter 4 and 6 Vehicles	12-43
Charger Receptacle – Villager 6 and Villager 8 Vehicles	12-45
Electrical Components, Rear Body –Villager 6 and Villager 8 Vehicles	12-47
Wiring – TransPorter 4 and TransPorter 6 with Continuously Variable Potentiometer	12-51
Wiring – TransPorter 4 and TransPorter 6 with Motor Controller Output Regulator (MCOR)	12-55
Electrical Components, Rear Body – TransPorter 4 and TransPorter 6 Vehicles	12-57

SECTION 13 – ELECTRIC MOTOR

Motor – PowerDrive System 48 Vehicle	13-3
Motor – IQ System Vehicle	13-5

SECTION 14 – TRANSAXLE – ELECTRIC VEHICLE

Transaxle, Type G – Electric Vehicle	14-3
--	------

SECTION 15 – BATTERY CHARGER

PowerDrive Battery Charger, Domestic – Villager 4, Villager 6, and Villager 8	15-3
PowerDrive 2 Charger, Domestic – Villager 4	15-5
PowerDrive Battery Charger, Export – Villager 4, Villager 6, and Villager 8	15-7
PowerDrive Battery Charger, European – Villager 4, Villager 6, and Villager 8	15-9
Onboard PowerDrive Battery Charger, Domestic – TransPorter 4 and TransPorter 6	15-11
Onboard PowerDrive Battery Charger, Export – TransPorter 4 and TransPorter 6	15-13

SECTION 16 – MAINTENANCE AND SERVICE TOOLS

Maintenance and Service Tools	16-3
Maintenance and Service Tools, Continued	16-5
Maintenance and Service Tools, Continued	16-7

SECTION i – INDEX

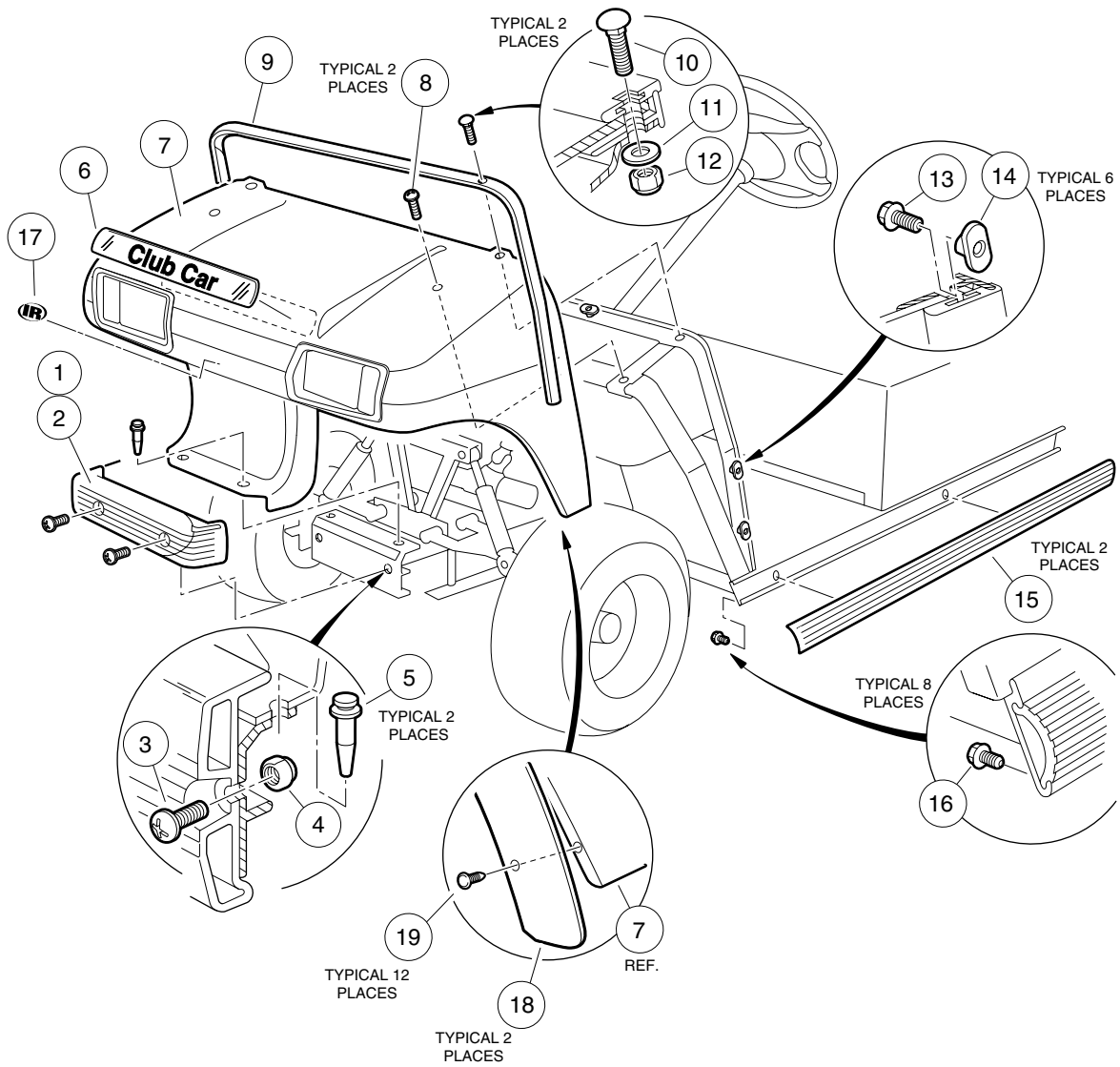
BODY AND TRIM

1

G

E

1
G
E

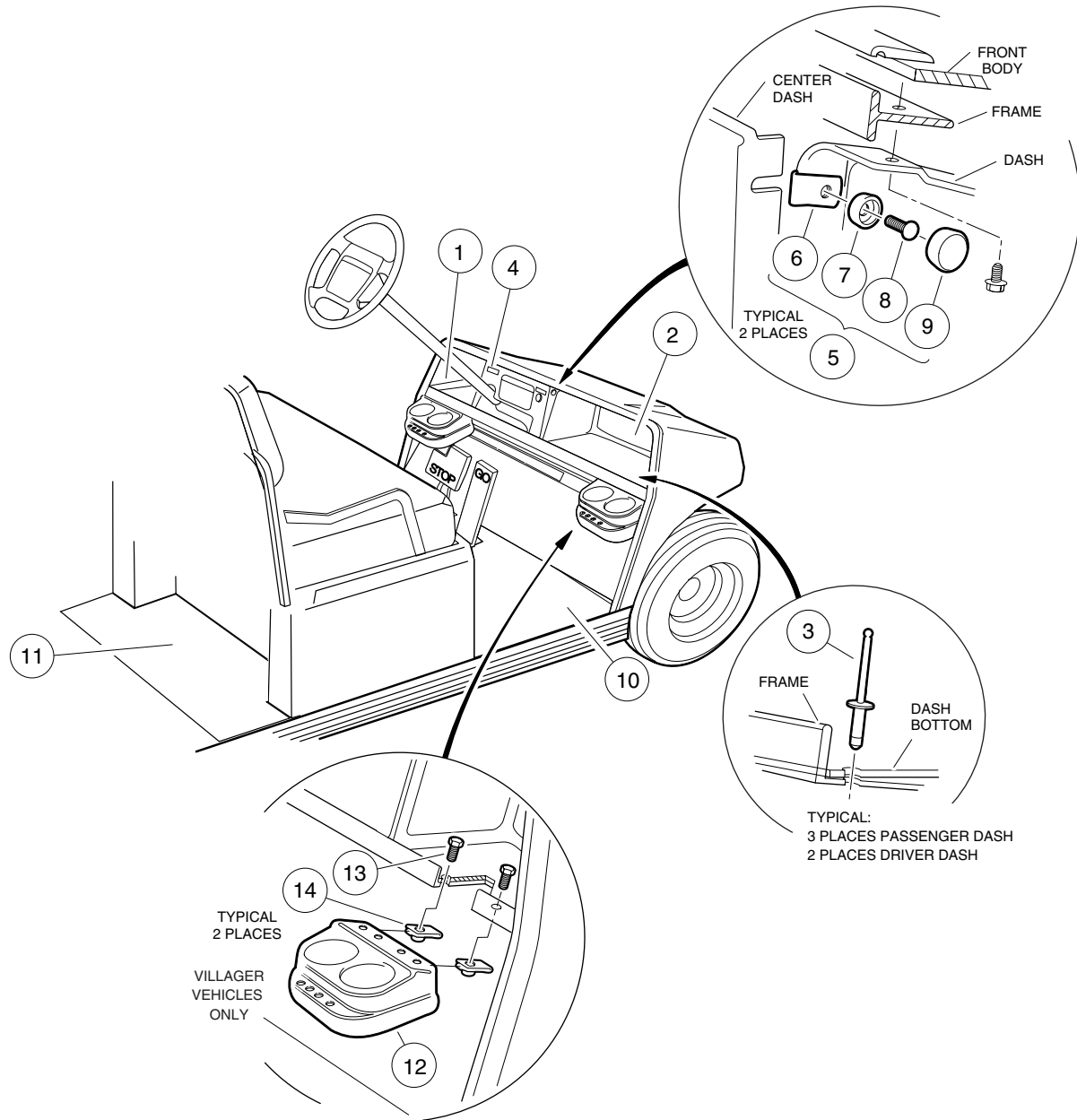


FRONT BODY

ITEM	PART NO.	DESCRIPTION	QTY GAS	QTY ELEC
		1 2 3 4		
1	<u>1017080</u>	Kit, Front Bumper (includes items 2 - 5)	1	1
2	<u>1016868</u>	Bumper, Front	1	1
3	<u>7251</u>	Screw, Phillips Truss-Head, 5/16-18 x 1	2	2
4	<u>7473</u>	Nut, Nylon Lock, 5/16-18	2	2
5	<u>1016967</u>	Rivet, Blind Push Type	2	2
6	<u>101670201</u>	Nameplate, Club Car (silver)	1	1
6	<u>1014198</u>	Nameplate, Club Car (gold)	1	1
7	<u>101692501</u>	Body, Front – Beige (Villager 4 only without headlights)	1	1
7	<u>101692502</u>	Body, Front – White	1	1
7	<u>101692504</u>	Body, Front – Gray	1	1
7	<u>101692506</u>	Body, Front – Red	1	1
7	<u>101692509</u>	Body, Front – Pacific Blue (royal blue)	1	1
7	<u>101692510</u>	Body, Front – Dark Green	1	1
7	<u>101692511</u>	Body, Front – Black	1	1
7	<u>101692512</u>	Body, Front – Classic Blue (Navy)	1	1
7	<u>101692513</u>	Body, Front – Burgundy	1	1
7	<u>101692514</u>	Body, Front – Dark Gray (TransPorter vehicles only)	1	1
7	<u>101692515</u>	Body, Front – Safety Yellow (TransPorter vehicles only)	1	1
7	<u>101693901</u>	Body, Front with Headlight Opening – Beige	1	1
7	<u>101693902</u>	Body, Front with Headlight Opening – White	1	1
7	<u>101693904</u>	Body, Front with Headlight Opening – Gray	1	1
7	<u>101693906</u>	Body, Front with Headlight Opening – Red	1	1
7	<u>101693908</u>	Body, Front with Headlight Opening – Pacific Blue (royal blue)	1	1
7	<u>101693909</u>	Body, Front with Headlight Opening – Dark Green	1	1
7	<u>101693910</u>	Body, Front with Headlight Opening – Black	1	1
7	<u>101693911</u>	Body, Front with Headlight Opening – Classic Blue (navy)	1	1
7	<u>101693912</u>	Body, Front with Headlight Opening – Burgundy	1	1
7	<u>101693913</u>	Body, Front with Headlight Opening – Dark Gray (TransPorters only)	1	1
7	<u>101693914</u>	Body, Front with Headlight Opening – Safety Yellow (TransPorters only) ...	1	1
8	<u>7251</u>	Screw, Phillips Truss-Head, 5/16-18 x 1	2	2
9	<u>1011014</u>	Trim, Front Body	1	1
10	<u>1010435</u>	Bolt, Carriage, 5/16-18 x 1	2	2
11	<u>1241</u>	Washer, Flat, 5/16	2	2
12	<u>7473</u>	Nut, Nylon Lock, 5/16-18	2	2
13	<u>1011017</u>	Screw, Flange Lock, #8-32 x 3/8	6	6
14	<u>1011394</u>	Nut, Slab Base "T" (package of 4 pieces)	1	1
15	<u>101347501</u>	Trim, Side Bumper Guard (Villager 4)	2	2
15	<u>1016711</u>	Trim, Side Bumper Guard (Villager 6)	2	2
15	<u>101791901</u>	Trim, Side Bumper Guard (Villager 8)	2	2
15	<u>101347503</u>	Trim, Side Bumper Guard (TransPorter 4 and TransPorter 6)	2	2
16	<u>102310701</u>	Screw, Hex Washer-Head, #8-18 x 3/8	8	8
17	<u>102259001</u>	Decal, IR (gold)	1	1
17	<u>102259101</u>	Decal, IR (silver)	1	1
18	<u>101870401</u>	Extrusion, Front Fender (vehicles with 4-wheel brakes)	2	2
19	<u>1010434</u>	Barrel, Plastic (vehicles with 4-wheel brakes)	12	12

1
G
E

1
G
E

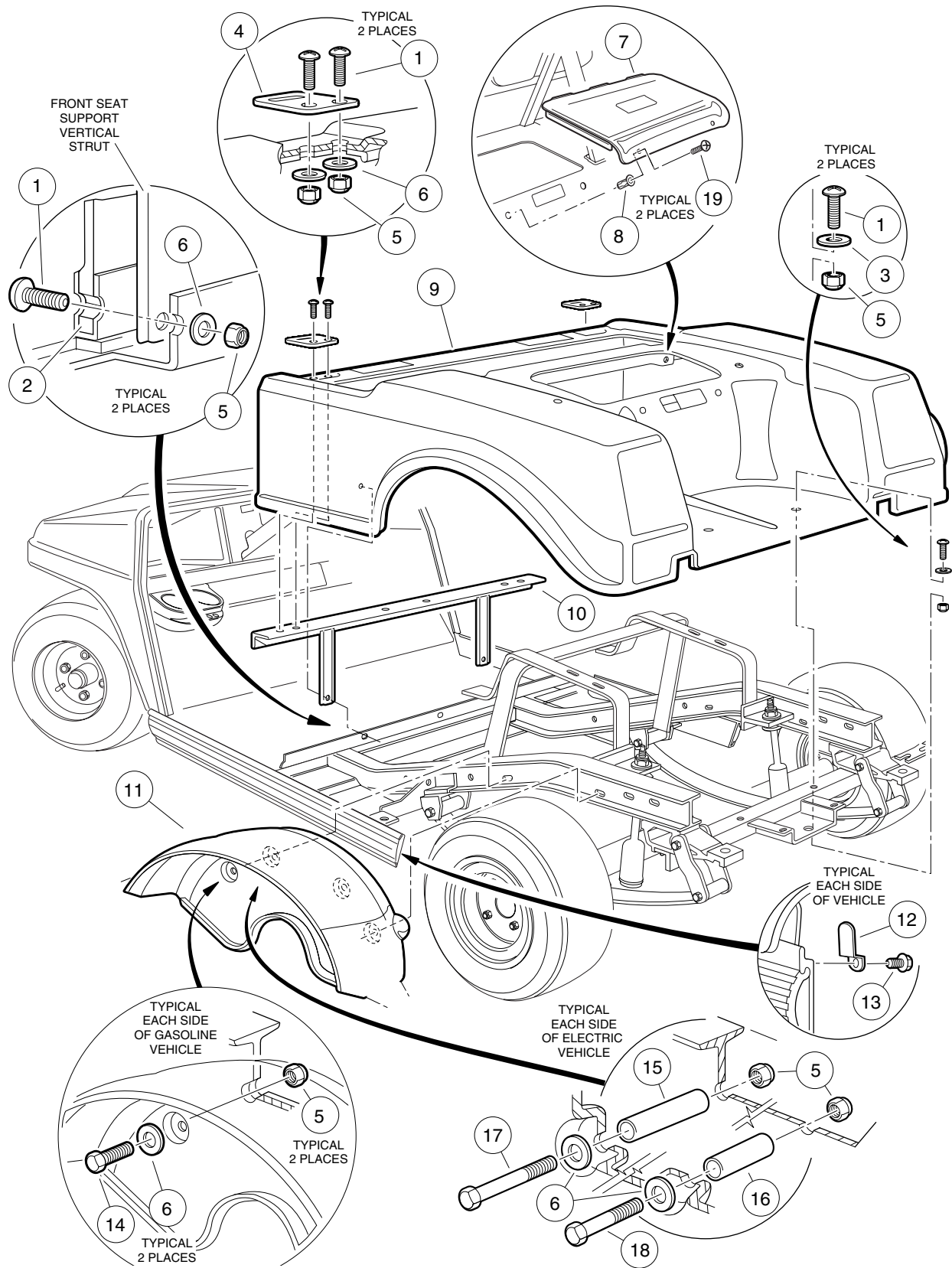


DASH AND FLOOR COMPONENTS

ITEM	PART NO.	DESCRIPTION	QTY GAS	QTY ELEC
		1 2 3 4		
1	1013344	Component, Dash, Driver-Side (black)	1	1
2	<u>1013343</u>	Component, Dash, Passenger-Side (black)	1	1
3	<u>7973</u>	Rivet, Aluminum Pop, 3/16	5	5
4	101660404	Panel, Center Dash	1	1
5	<u>1014645</u>	Kit, Snap Washer (black) (includes items 6 - 9)	2	2
6	<u>1011019</u>	Nut, Speed, #10-32	1	1
7	1011382	Washer, Cup, #10	1	1
8	1620	Screw, Sheet Metal, #10 x 3/4	1	1
9	<u>1013494</u>	Cover, Screw-Head	1	1
10	<u>1015032</u>	Mat, Floor, Front	1	1
11	<u>1017289</u>	Mat, Floor, Rear (Villager 6 and Villager 8 only; Villager 8 requires quantity of 2)	1	1
11	<u>1016718</u>	Mat, Floor, Rear (TransPorter 4 and TransPorter 6 only)	1	1
12	<u>101708301</u>	Kit, Drink Holder (includes items 13 and 14) (Villager vehicles only).....	2	2
13	<u>7847</u>	Screw, Hex-Head Cap, 1/4-20 x 3/4	2	2
14	1016952	U-Nut, 1/4-20	2	2

1
G
E

1
G
E

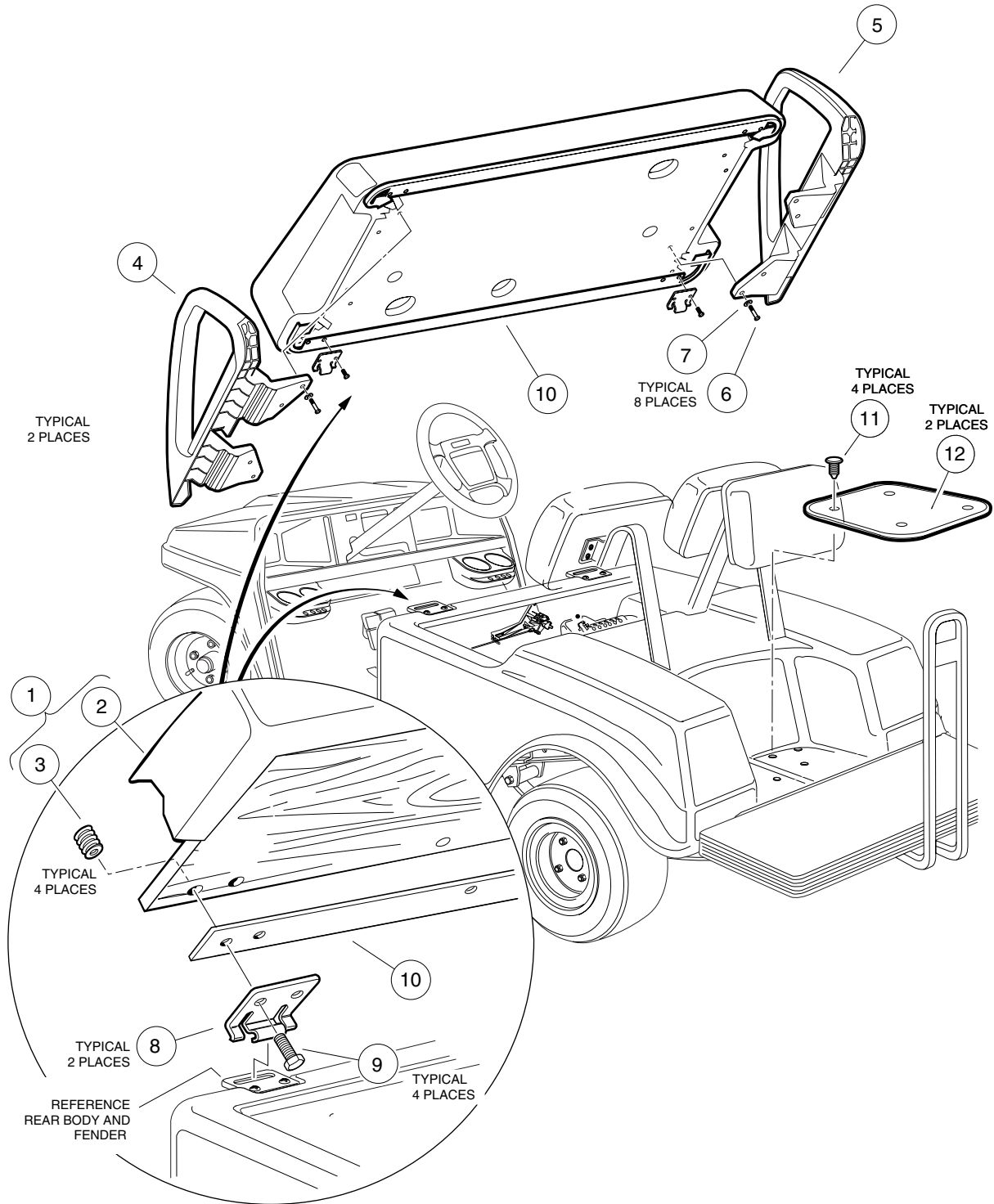


REAR BODY AND FENDER – VILLAGER 4

ITEM	PART NO.	DESCRIPTION	QTY GAS	QTY ELEC
		1 2 3 4		
1	<u>8251</u>	Screw, Phillips-Head, 1/4-20 x 1	8	8
2	<u>101904101</u>	Plate, Body Kick	1	1
3	<u>1014306</u>	Washer, Flat, Type B, 1/4	2	2
4	<u>1012412</u>	Plate, Body Hinge	2	2
5	<u>8233</u>	Nut, Nylon Lock, 1/4-20	12	12
6	<u>332</u>	Washer, Flat, 1/4	10	10
7	<u>1013032</u>	Door, Access – Black	1	1
8	<u>1015525</u>	Nut, Blind, 1/4-20	2	2
9	<u>101692601</u>	Body, Rear – Beige	1	
9	<u>101692602</u>	Body, Rear – White	1	
9	<u>101692604</u>	Body, Rear – Gray	1	
9	<u>101692606</u>	Body, Rear – Red	1	
9	<u>101692609</u>	Body, Rear – Pacific Blue (royal blue)	1	
9	<u>101692610</u>	Body, Rear – Dark Green.....	1	
9	<u>101692611</u>	Body, Rear – Black	1	
9	<u>101692612</u>	Body, Rear – Classic Blue (navy)	1	
9	<u>101692613</u>	Body, Rear – Burgundy	1	
9	<u>101693301</u>	Body, Rear – Beige		1
9	<u>101693302</u>	Body, Rear – White		1
9	<u>101693304</u>	Body, Rear – Gray		1
9	<u>101693306</u>	Body, Rear – Red		1
9	<u>101693309</u>	Body, Rear – Pacific Blue (royal blue)		1
9	<u>101693310</u>	Body, Rear – Dark Green		1
9	<u>101693311</u>	Body, Rear – Black		1
9	<u>101693312</u>	Body, Rear – Classic Blue (navy)		1
9	<u>101693313</u>	Body, Rear – Burgundy		1
10	<u>1017141</u>	Support, Front Body	1	1
11	<u>1017936</u>	Fender, Inner	2	2
12	<u>1017748</u>	Clip, Body Keeper	2	2
13	<u>102310701</u>	Screw, Hex Washer-Head, #8-18 x 3/8	2	2
14	<u>304</u>	Screw, Hex-Head Cap, 1/4-20 x 1	4	
15	<u>1017814</u>	Spacer, 1-7/8		2
16	<u>1017815</u>	Spacer, 1/2		2
17	<u>1012159</u>	Screw, Hex-Head Cap, 1/4-20 x 2-3/4		2
18	<u>7479</u>	Screw, Hex-Head Cap, 1/4-20 x 1-1/4		2
19	<u>8248</u>	Screw, Phillips Truss-Head, 1/4-20 x 3/4	2	2

1
G
E

1
G
E

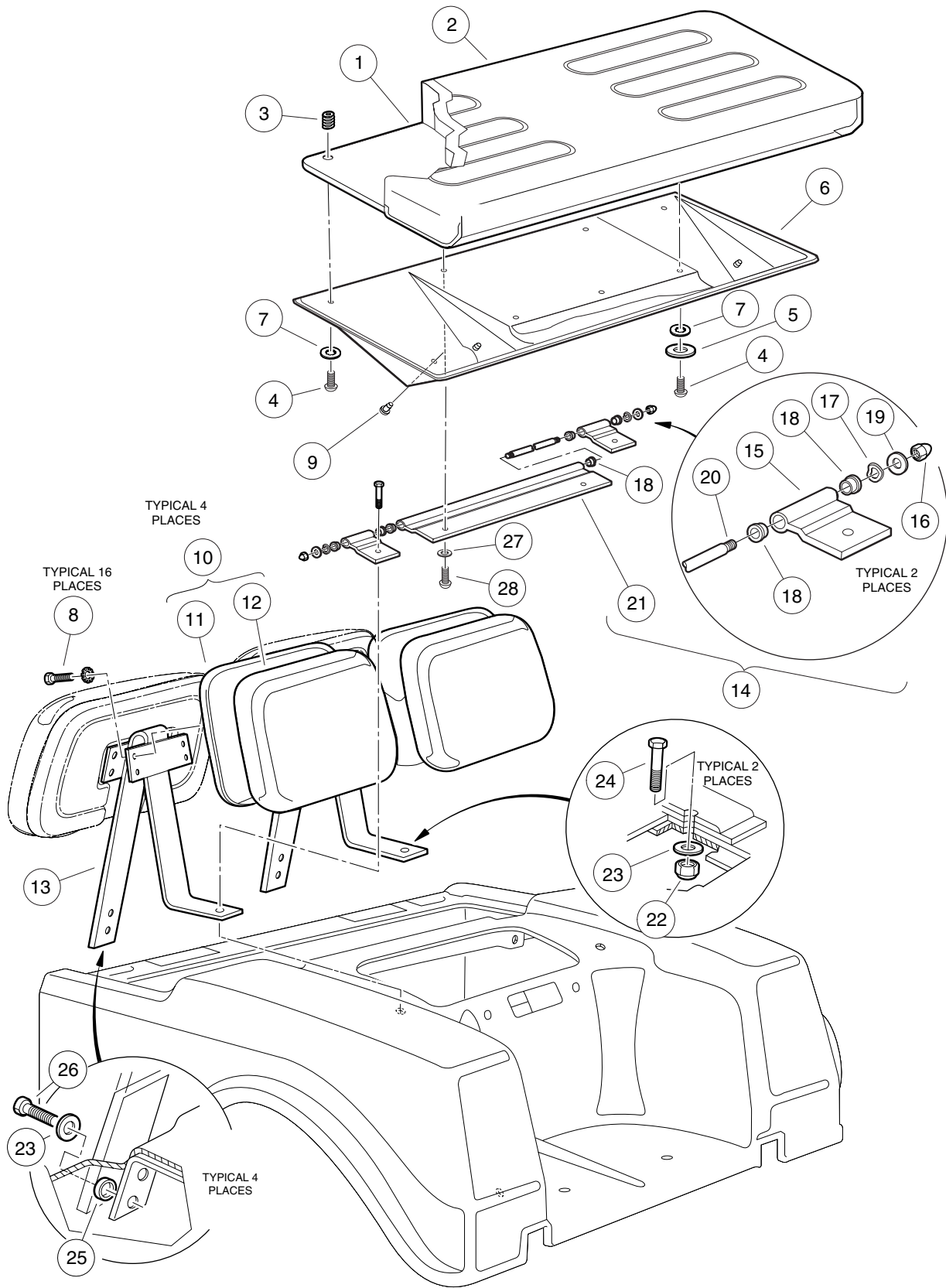


FRONT SEAT BOTTOM AND ARMRESTS – VILLAGER 4

ITEM	PART NO.	DESCRIPTION	QTY GAS	QTY ELEC
		1 2 3 4		
1	<u>102174201</u>	Assembly, Seat Bottom – Buff (includes items 2 and 3)	1	1
1	<u>102174202</u>	Assembly, Seat Bottom – White (includes items 2 and 3)	1	1
1	<u>102174204</u>	Assembly, Seat Bottom – Black (includes items 2 and 3)	1	1
1	<u>102174205</u>	Assembly, Seat Bottom – Gray (includes items 2 and 3)	1	1
2	<u>101998201</u>	Cover, Vinyl Seat Bottom – Buff	1	1
2	<u>101998202</u>	Cover, Vinyl Seat Bottom – White	1	1
2	<u>101998204</u>	Cover, Vinyl Seat Bottom – Black	1	1
2	<u>101998205</u>	Cover, Vinyl Seat Bottom – Gray	1	1
3	1010543	Insert, Wood	4	4
4	<u>101987601</u>	Armrest, Driver-Side	1	1
5	<u>101985501</u>	Armrest, Passenger-Side	1	1
6	1016916	Screw, Hex-Head Cap, 1/4-20 x 1-1/2	8	8
7	<u>332</u>	Washer, Flat, Type A	8	8
8	<u>1011652</u>	Plate, Seat Hinge, Stainless Steel	2	2
9	<u>101954301</u>	Screw, Hex-Head Cap, 1/4-20 x 3/4 (with patch)	4	4
10	<u>101998501</u>	Gasket, Seat	2	2
11	<u>1014392</u>	Mat, Bag Rest	2	2
12	<u>1010434</u>	Barrel, Plastic	8	8

1
G
E

1
G
E

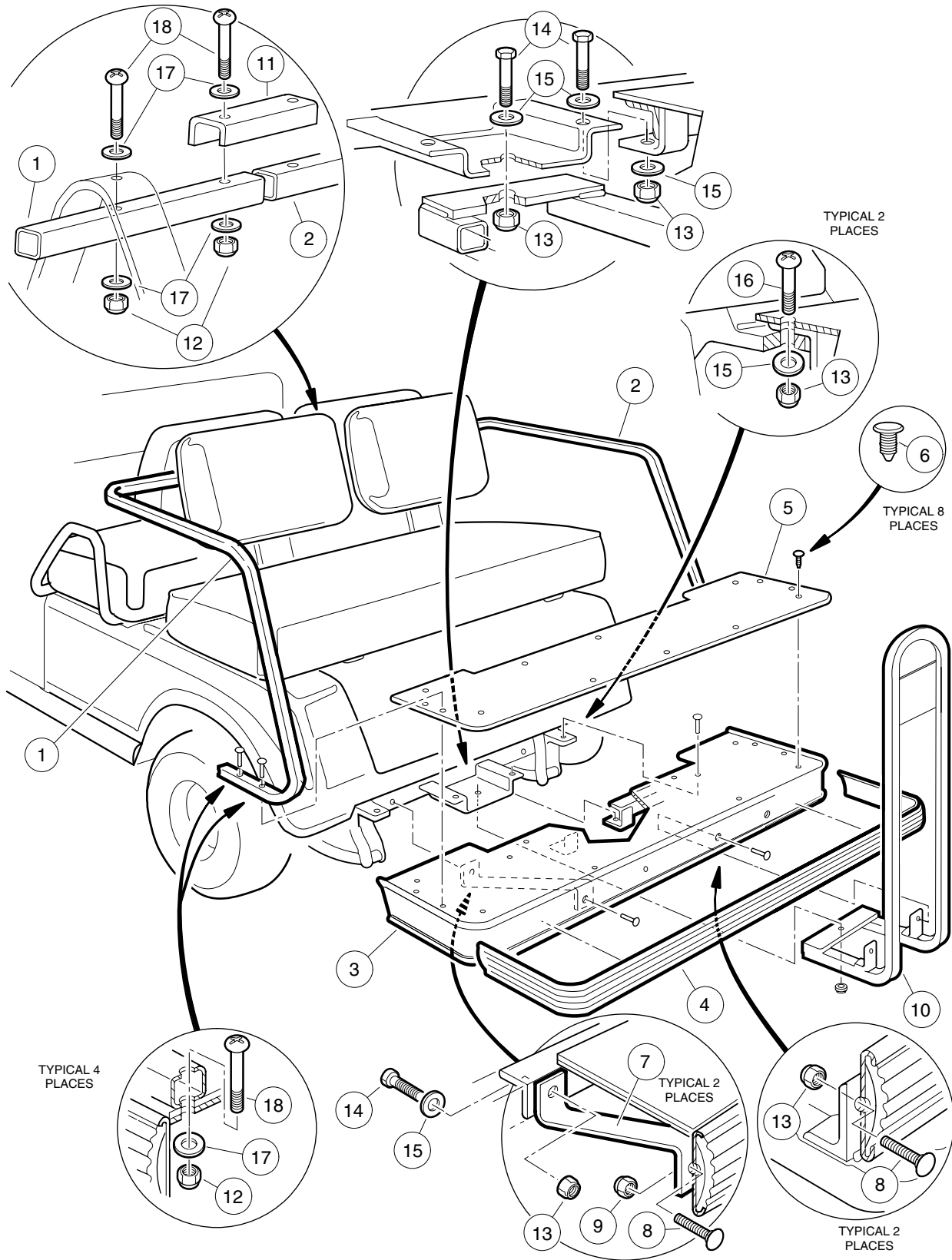


SEAT BACKS, REAR SEAT BOTTOM AND SUPPORT STRUCTURE – VILLAGER 4

ITEM	PART NO.	DESCRIPTION	QTY GAS	QTY ELEC
		1 2 3 4		
1	<u>101564805</u>	Assembly, Seat Bottom – White (includes items 2 and 3)	1	1
1	<u>101564807</u>	Assembly, Seat Bottom – Gray (includes items 2 and 3)	1	1
1	<u>101564808</u>	Assembly, Seat Bottom – Black (includes items 2 and 3)	1	1
2	<u>101562702</u>	Cover, Vinyl Seat Bottom – White	1	1
2	<u>101562704</u>	Cover, Vinyl Seat Bottom – Black	1	1
2	<u>101562710</u>	Cover, Vinyl Seat Bottom – Gray	1	1
3	1010543	Insert, Wood	7	7
4	<u>8251</u>	Screw, Phillips Truss-Head, 1/4-20 x 1	5	5
5	<u>1011578</u>	Washer, Flat, 5/16	3	3
6	<u>1011210</u>	Support, Seat	1	1
7	<u>8304</u>	Washer, Internal Tooth Lock, 1/4	5	5
8	<u>101954301</u>	Screw, Hex-Head Cap (with adhesive patch), 1/4-20 x 3/4	16	16
9	<u>1011389</u>	Bumper, Rubber (package of 5)	1	1
10	<u>101565202</u>	Assembly, Seat Back, Thin – White (includes items 11 and 12)	4	4
10	<u>101565205</u>	Assembly, Seat Back, Thin – Black (includes items 11 and 12)	4	4
10	<u>101565206</u>	Assembly, Seat Back, Thin – Gray (includes items 11 and 12)	4	4
11	<u>1013335</u>	Cap, Seat Back – Black	1	1
12	<u>101562602</u>	Cover, Vinyl Seat Back – White	1	1
12	<u>101562604</u>	Cover, Vinyl Seat Back – Black	1	1
12	<u>101562605</u>	Cover, Vinyl Seat Back – Gray	1	1
13	<u>1011182</u>	Support, Seat Back	2	2
14	1011219	Assembly, Hinge (includes items 15 - 21)	1	1
15	<u>1011221</u>	Hinge, Short	2	2
16	<u>1015091</u>	Nut, Centerlock Cap, 1/4-20 x 1/4	2	2
17	1010695	Washer, Curved Spring, 1/4	2	2
18	8028	Bushing, Nylon	6	6
19	<u>332</u>	Washer, Flat, 1/4	2	2
20	<u>1011222</u>	Pin, Hinge, Long	1	1
21	<u>1011220</u>	Hinge, Long	1	1
22	<u>7473</u>	Nut, Nylon Lock, 5/16-18	2	2
23	<u>1241</u>	Washer, Flat, 5/16	6	6
24	<u>1010577</u>	Screw, Hex-Head Cap, 5/16-18 x 1-1/2	2	2
25	1017774	Spacer, Body	4	4
26	<u>101910401</u>	Screw, Thread-Forming, 5/16-18 x 1-1/4	4	4
27	<u>1014007</u>	Washer, Lock, 1/4	2	2
28	1016916	Screw, Hex-Head Cap, With Nylon Patch, 1/4-20 x 1-1/2	2	2

1
G
E

1
G
E

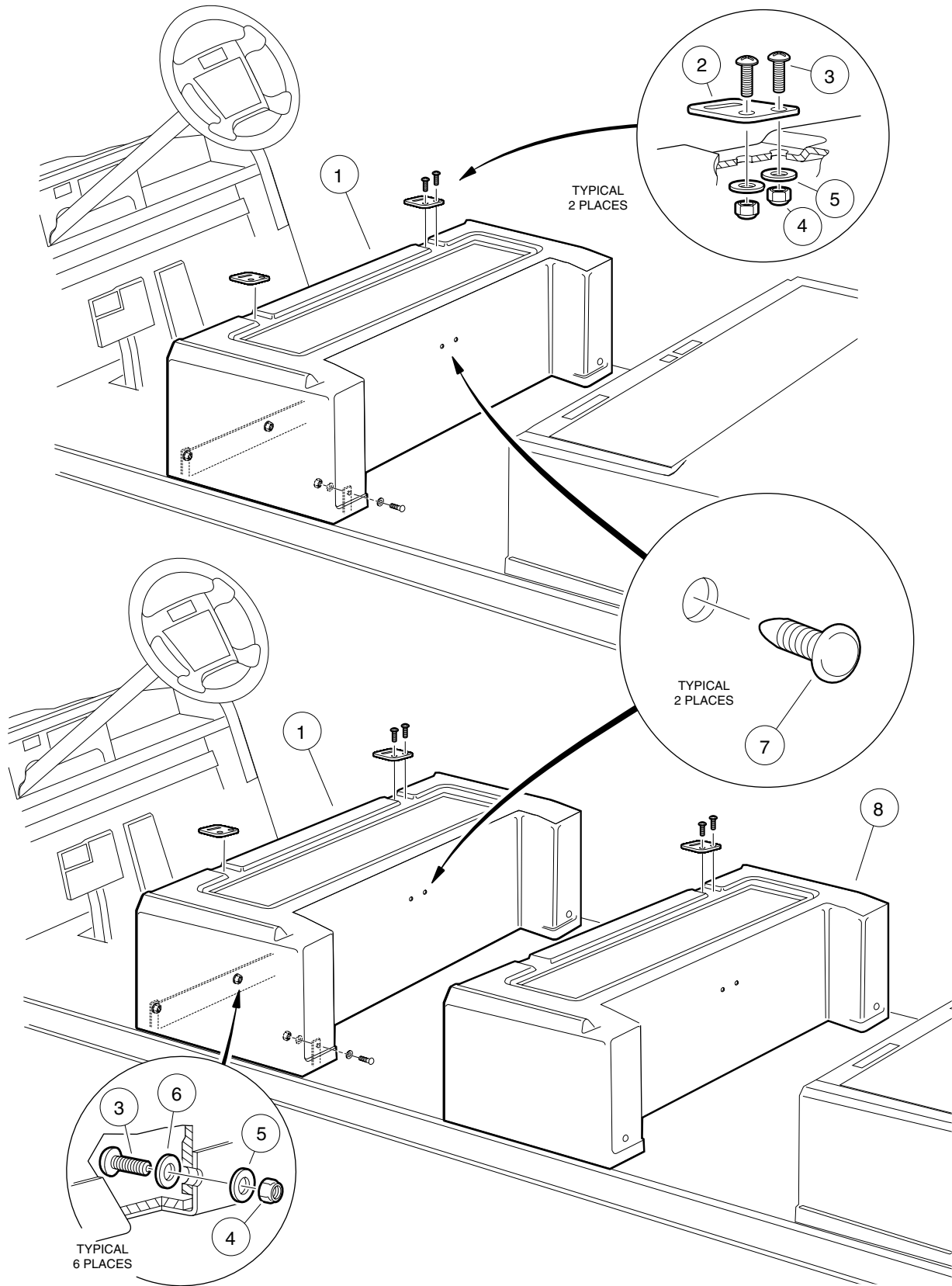


REAR FOOTREST AND HANDRAILS – VILLAGER 4, VILLAGER 6, AND VILLAGER 8

ITEM	PART NO.	DESCRIPTION	QTY GAS	QTY ELEC
		1 2 3 4		
1	<u>101841202</u>	Armrest, Rear Seat, Driver-Side	1	1
2	<u>101841201</u>	Armrest, Rear Seat, Passenger-Side	1	1
3	<u>101841101</u>	Assembly, Rear Footrest (includes items 4 - 9)	1	1
4	101347505	Guard, Bumper	1	1
5	<u>101840901</u>	Mat, Footrest	1	1
6	<u>1010434</u>	Fastener, Plastic Barrel	8	8
7	<u>1016668</u>	Bar, Connecting	2	2
8	<u>1010435</u>	Bolt, Carriage, 5/16-18 x 1	4	4
9	<u>7473</u>	Nut, Nylon Lock, 5/16-18	2	2
10	<u>1016842</u>	Handrail, Rear Seat	1	1
11	<u>101841301</u>	Bracket, Armrest	1	1
12	<u>8233</u>	Nut, Nylon Lock, 1/4-20	8	8
13	<u>7473</u>	Nut, Nylon Lock, 5/16-18	9	9
14	1218	Screw, Hex-Head Cap, 5/16-18 x 1-1/4	5	5
15	<u>1241</u>	Washer, Flat, 5/16	9	9
16	<u>7410</u>	Screw, Truss-Head, 5/16-18 x 1-1/4	2	2
17	<u>332</u>	Washer, Flat, 1/4	8	8
18	<u>1011988</u>	Screw, Phillips Truss-Head, 1/4-20 x 2	8	8

1
G
E

1
G
E

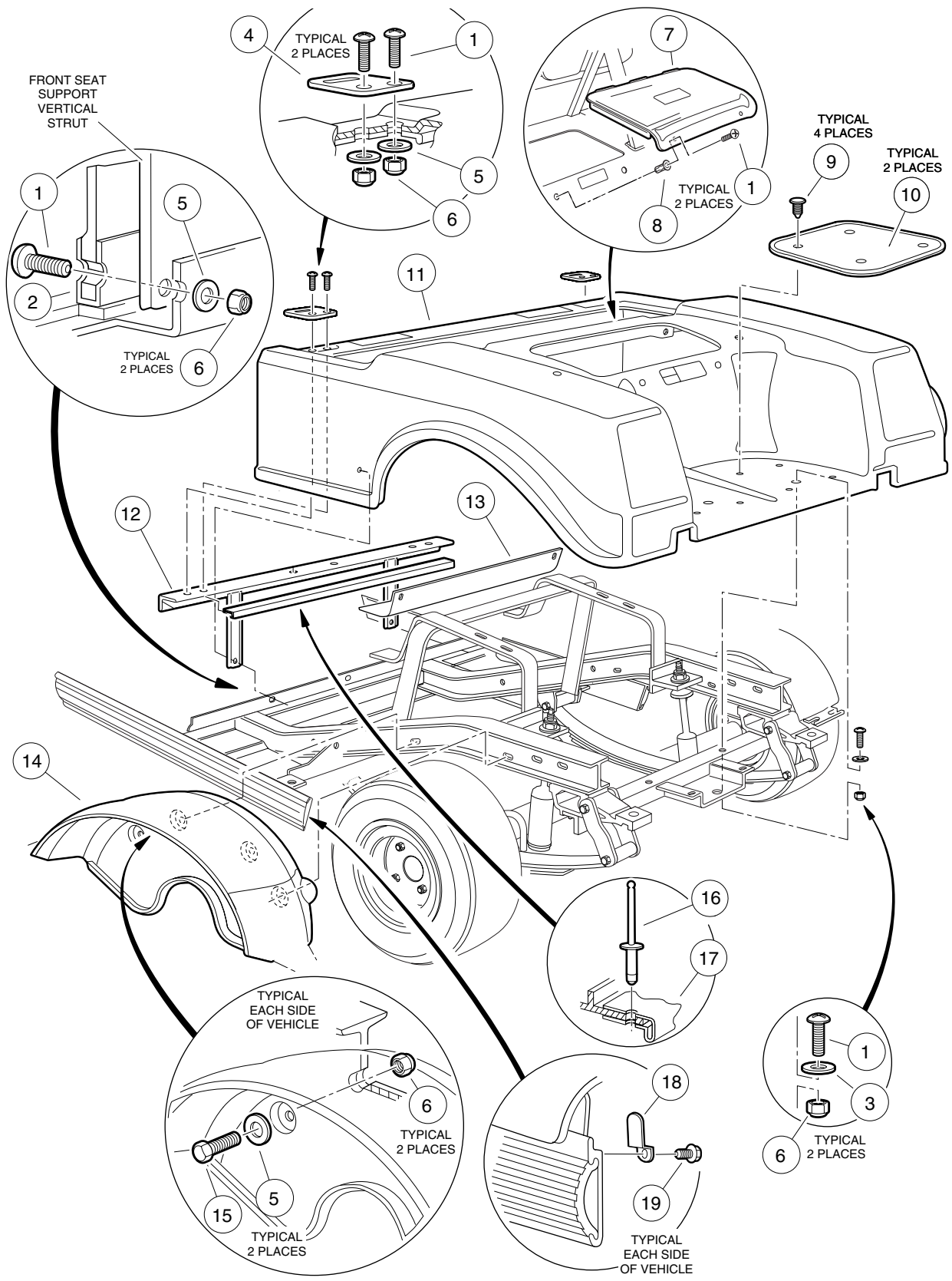


CENTER BODY AND TRIM – VILLAGER 6 AND VILLAGER 8

ITEM	PART NO.	DESCRIPTION	QTY GAS	QTY ELEC
		1 2 3 4		
1	<u>101731601</u>	Body, Center – Beige	1	1
1	<u>101731602</u>	Body, Center – White	1	1
1	<u>101731604</u>	Body, Center – Gray	1	1
1	<u>101731606</u>	Body, Center – Red	1	1
1	<u>101731608</u>	Body, Center – Pacific Blue (royal blue)	1	1
1	<u>101731609</u>	Body, Center – Dark Green	1	1
1	<u>101731610</u>	Body, Center – Black	1	1
1	<u>101731611</u>	Body, Center – Classic Blue (navy)	1	1
1	<u>101731612</u>	Body, Center – Burgundy	1	1
2	1012412	Plate, Seat Hinge	2	2
3	<u>8251</u>	Screw, Phillips Truss-Head, 1/4-20 x 1	10	10
4	<u>8233</u>	Nut, Nylon Lock, 1/4-20	10	10
5	<u>332</u>	Washer, Flat, 1/4	10	10
6	<u>1012581</u>	Washer, Nylon Cup, 1/4	6	6
7	<u>1010434</u>	Barrel, Plastic	2	2
		Villager 8 vehicles only*:		
8	<u>101788201</u>	Body, Mid-Center – Beige	1	1
8	<u>101788202</u>	Body, Mid-Center – White	1	1
8	<u>101788204</u>	Body, Mid-Center – Gray	1	1
8	<u>101788206</u>	Body, Mid-Center – Red	1	1
8	<u>101788208</u>	Body, Mid-Center – Pacific Blue (royal blue)	1	1
8	<u>101788209</u>	Body, Mid-Center – Dark Green	1	1
8	<u>101788210</u>	Body, Mid-Center – Black	1	1
8	<u>101788211</u>	Body, Mid-Center – Classic Blue (navy)	1	1
8	<u>101788212</u>	Body, Mid-Center – Burgundy	1	1
		*NOTE: The mid-center body uses the same hardware (items 2 - 7) as the center body (item 1).		

1
G
E

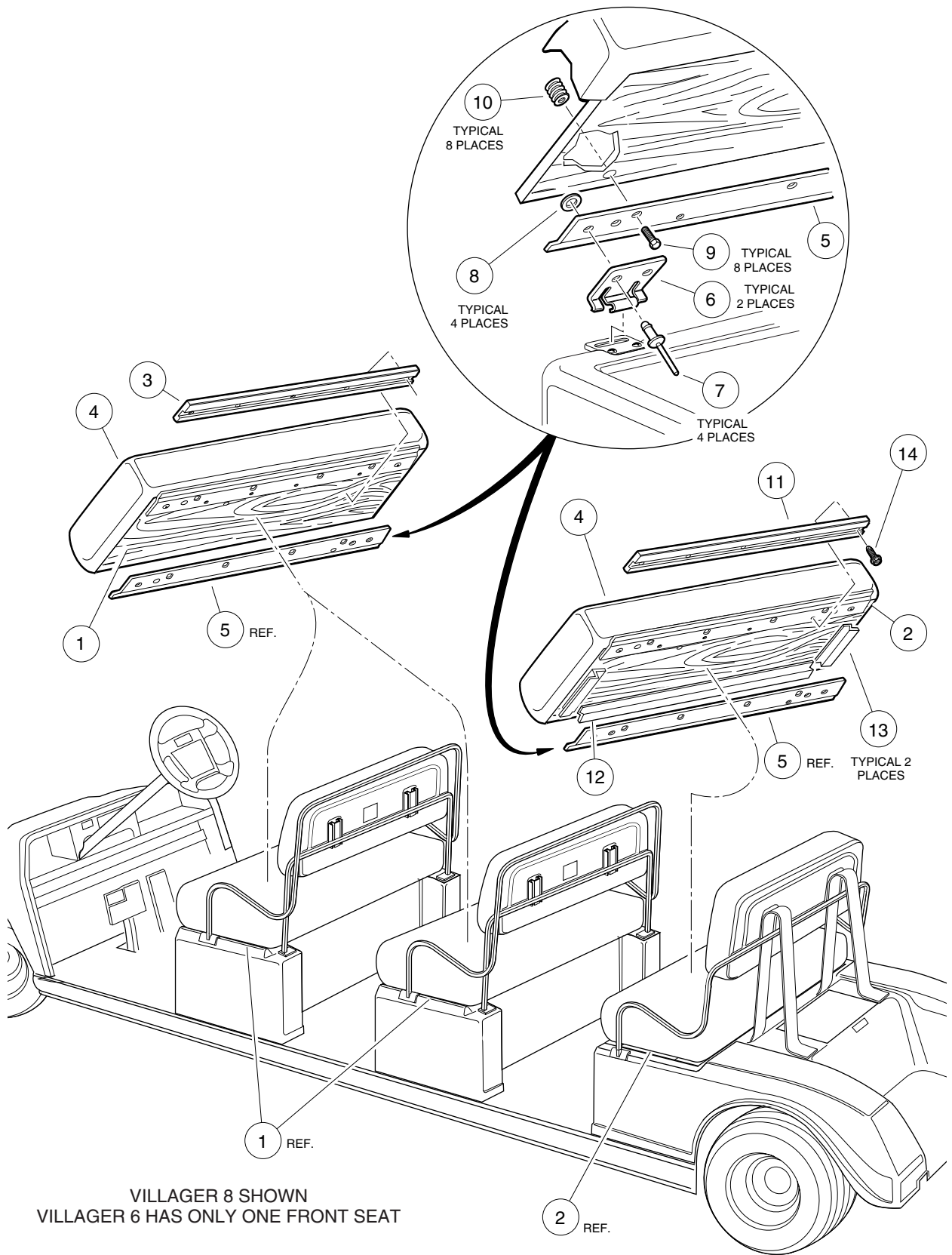
1
G
E



REAR BODY AND FENDER – VILLAGER 6 AND VILLAGER 8

ITEM	PART NO.	DESCRIPTION	QTY GAS	QTY ELEC
		1 2 3 4		
1	<u>8251</u>	Screw, Phillips Truss-Head, 1/4-20 x 1	10	10
2	<u>101904101</u>	Plate, Body Kick	1	1
3	<u>1014306</u>	Washer, Flat, Type B, 1/4	2	2
4	<u>1012412</u>	Plate, Body Hinge	2	2
5	<u>332</u>	Washer, Flat, 1/4	10	10
6	<u>8233</u>	Nut, Nylon Lock, 1/4-20	12	12
7	<u>1013032</u>	Door, Access – Black	1	1
8	<u>1015525</u>	Nut, Blind, 1/4-20	2	2
9	<u>1010434</u>	Barrel, Plastic	8	8
10	<u>1014392</u>	Mat, Bag Rest	2	2
11	<u>101728701</u>	Body – Beige	1	1
11	<u>101728702</u>	Body – White	1	1
11	<u>101728704</u>	Body – Gray	1	1
11	<u>101728706</u>	Body – Red	1	1
11	<u>101728708</u>	Body – Pacific Blue (royal blue)	1	1
11	<u>101728709</u>	Body – Dark Green	1	1
11	<u>101728710</u>	Body – Black	1	1
11	<u>101728711</u>	Body – Classic Blue (navy)	1	1
11	<u>101728712</u>	Body – Burgundy	1	1
12	<u>1017141</u>	Support, Front Body	1	1
13	<u>101806901</u>	Shield, Heat (gasoline vehicles only)	1	
14	<u>1017936</u>	Fender, Inner	2	2
15	<u>7847</u>	Screw, Hex Washer-Head, 1/4-20 x 3/4	4	4
16	<u>1013357</u>	Rivet, Pop (electric vehicle only)		2
17	<u>101837001</u>	Insulator, Battery (electric vehicle only)		1
18	<u>1017748</u>	Clip, Body Keeper	2	2
19	<u>102310701</u>	Screw, Hex Washer-Head, #8-18 x 3/8	2	2

1
G
E

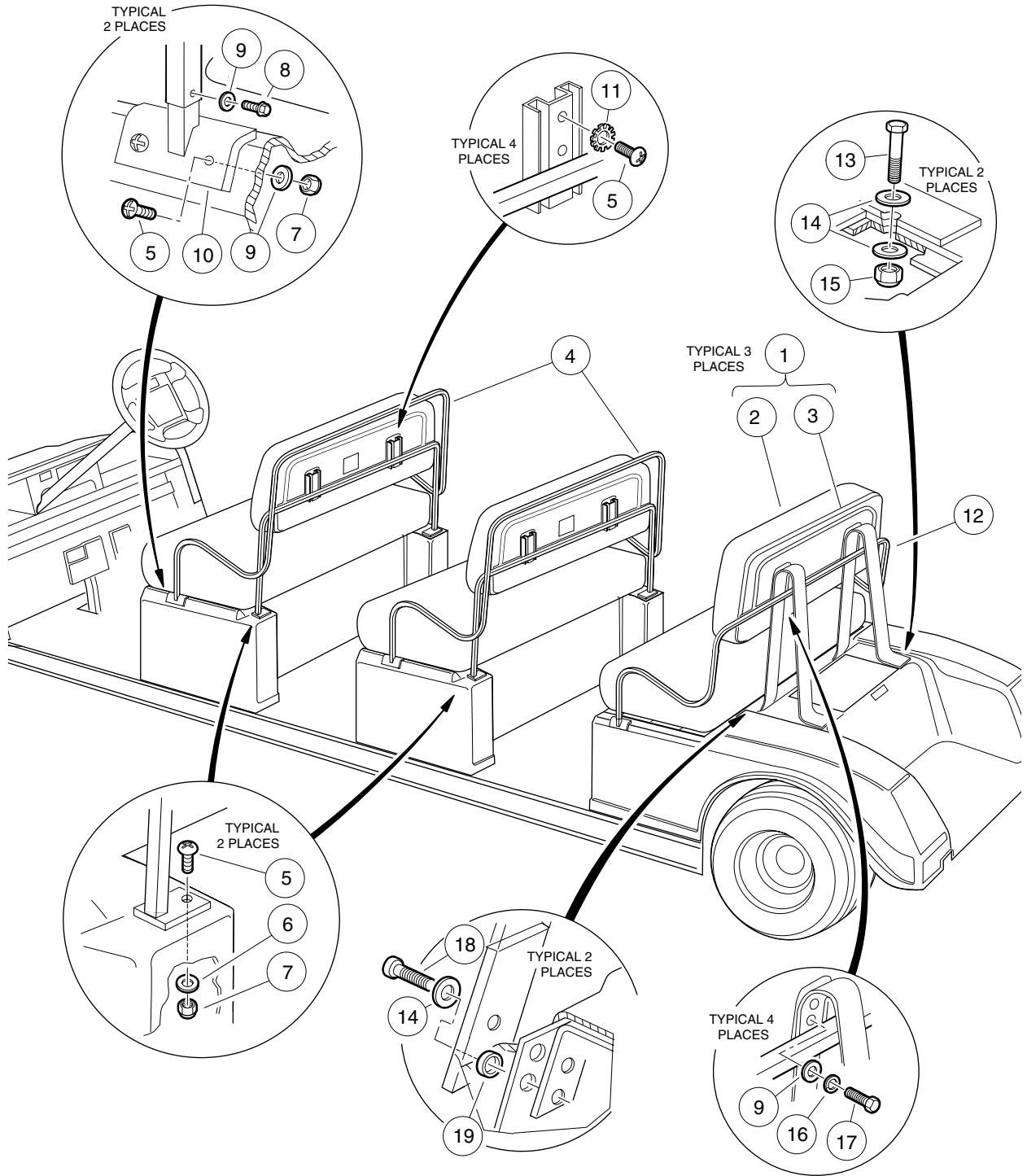


SEAT BOTTOMS – VILLAGER 6 AND VILLAGER 8

ITEM	PART NO.	DESCRIPTION	QTY GAS	QTY ELEC
		1 2 3 4		
1	<u>101728201</u>	Assembly, Front Seat Bottom – White (includes items 3 - 10)	1	1
1	<u>101728203</u>	Assembly, Front Seat Bottom – Buff (includes items 3 - 10)	1	1
1	<u>101728210</u>	Assembly, Front Seat Bottom – Black (includes items 3 - 10)	1	1
1	<u>101728213</u>	Assembly, Front Seat Bottom – Gray (includes items 3 - 10).....	1	1
2	<u>101728202</u>	Assembly, Rear Seat Bottom – White (includes items 4 - 14)	1	1
2	<u>101728204</u>	Assembly, Rear Seat Bottom – Buff (includes items 4 - 14)	1	1
2	<u>101728211</u>	Assembly, Rear Seat Bottom – Black (includes items 4 - 14)	1	1
2	<u>101728214</u>	Assembly, Rear Seat Bottom – Gray (includes items 4 - 14)	1	1
3	<u>1013312</u>	Bumper, Seat – Long (first seat only)	1	1
4	<u>101562701</u>	Cover, Vinyl Seat Bottom – Buff	1	1
4	<u>101562702</u>	Cover, Vinyl Seat Bottom – White	1	1
4	<u>101562704</u>	Cover, Vinyl Seat Bottom – Black	1	1
4	<u>101562710</u>	Cover, Vinyl Seat Bottom – Gray	1	1
5	<u>1017695</u>	Bracket, Seat Support	2	2
6	<u>1011652</u>	Plate, Seat Hinge	2	2
7	<u>101880901</u>	Rivet, Pop, Stainless Steel, 3/16	4	4
8	<u>101881701</u>	Washer, Flat, Stainless Steel, #8	4	4
9	<u>101954301</u>	Screw, Hex-Head Cap (with adhesive patch), 1/4-20 x 3/4	8	8
10	1010543	Insert, Wood	8	8
11	<u>1012597</u>	Bumper, Seat (rear seat only)	1	1
12	<u>1012657</u>	Gasket, Seat – Long (rear seat only)	1	1
13	<u>1012656</u>	Gasket, Seat – Short (rear seat only)	2	2
14	<u>1017384</u>	Screw, Washer-Head Tap, #12 (rear seat only)	5	5

1
G
E

1
G
E



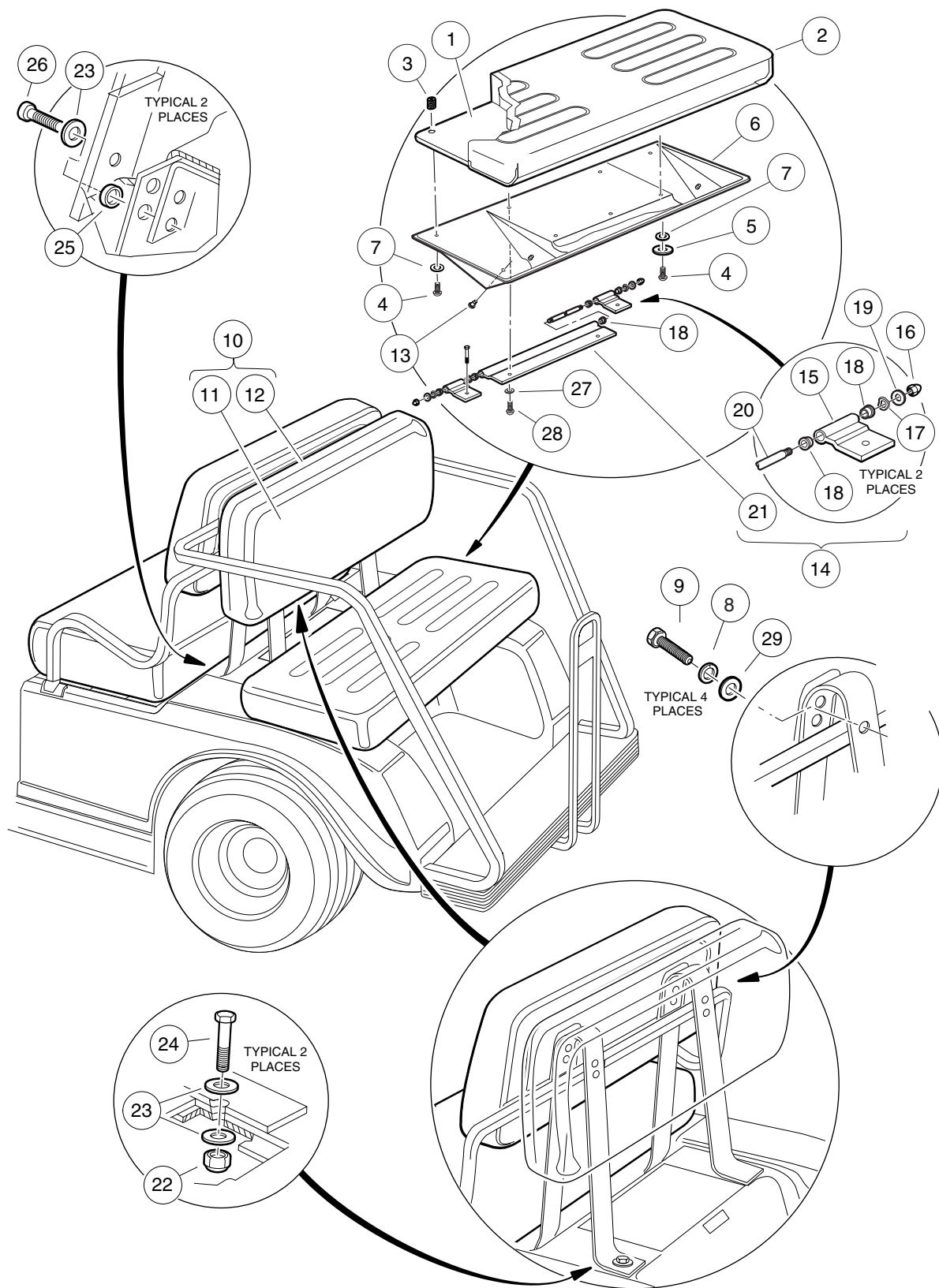
VILLAGER 8 SHOWN
VILLAGER 6 HAS ONLY ONE FRONT SEAT

SEAT BACKS AND ARMRESTS – VILLAGER 6 AND VILLAGER 8

ITEM	PART NO.	DESCRIPTION	QTY GAS	QTY ELEC
		1 2 3 4		
1	<u>101677701</u>	Assembly, Seat Back – White (includes items 2 and 3)	1	1
1	<u>101677702</u>	Assembly, Seat Back – Black (includes items 2 and 3)	1	1
1	<u>101677703</u>	Assembly, Seat Back – Buff (includes items 2 and 3)	1	1
1	<u>101677705</u>	Assembly, Seat Back – Gray (includes items 2 and 3)	1	1
2	<u>101675501</u>	Cover, Vinyl Seat Back – Buff	1	1
2	<u>101675502</u>	Cover, Vinyl Seat Back – White	1	1
2	<u>101675504</u>	Cover, Vinyl Seat Back – Black	1	1
2	<u>101675506</u>	Cover, Vinyl Seat Back – Gray	1	1
3	<u>1016751</u>	Cap, Seat Back – Black	1	1
4	<u>1017259</u>	Weldment, Front Armrest (quantity 2 for Villager 8)	1	1
5	<u>1015902</u>	Screw, Phillips Truss-Head, 1/4-20 x 1-1/4 (quantity 20 for Villager 8)	10	10
6	<u>1014306</u>	Washer, Flat, Type B, 1/4 (quantity 4 for Villager 8)	2	2
7	<u>8233</u>	Nut, Nylon Lock, 1/4-20 (quantity 12 for Villager 8)	6	6
8	<u>1012285</u>	Screw, Thread-Rolling, 1/4-20 x 5/8 (quantity 4 for Villager 8)	2	2
9	<u>332</u>	Washer, Flat, 1/4 (quantity 16 for Villager 8)	10	10
10	<u>1017310</u>	Weldment, Armrest Mounting (quantity 4 for Villager 8)	2	2
11	<u>101946201</u>	Washer, External Tooth Lock, 1/4 (quantity 8 for Villager 8)	4	4
12	<u>101799201</u>	Weldment, Rear Armrest	1	1
13	<u>1218</u>	Screw, Hex-Head Cap, 5/16-18 x 1-1/4	2	2
14	<u>1241</u>	Washer, Flat, 5/16	8	8
15	<u>7473</u>	Nut, Nylon Lock, 5/16-18	2	2
16	<u>451</u>	Washer, Lock, 1/4	4	4
17	<u>101954301</u>	Screw, Hex-Head Cap (with adhesive patch), 1/4-20 x 3/4	4	4
18	<u>101910401</u>	Screw, Thread-Forming, 5/16-18 x 1-1/4	4	4
19	<u>1017774</u>	Spacer, Body	4	4

1
G
E

1
G
E

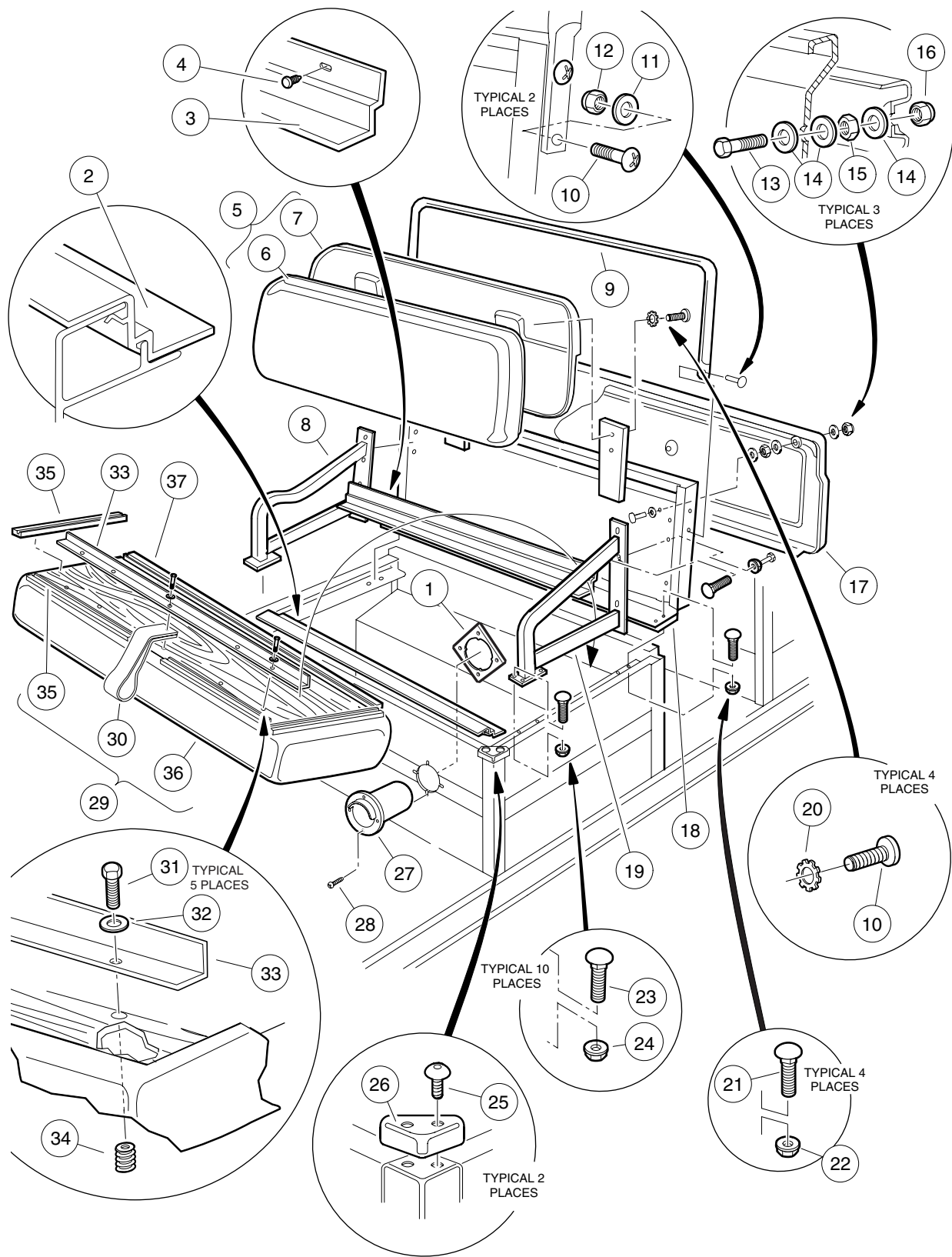


REAR-FACING SEAT AND SUPPORT – VILLAGER 6 AND VILLAGER 8

ITEM	PART NO.	DESCRIPTION	QTY GAS	QTY ELEC
		1 2 3 4		
1	<u>101564804</u>	Assembly, Seat Bottom – Buff (includes items 2 and 3)	1	1
1	<u>101564805</u>	Assembly, Seat Bottom – White (includes items 2 and 3)	1	1
1	<u>101564807</u>	Assembly, Seat Bottom – Gray (includes items 2 and 3)	1	1
1	<u>101564808</u>	Assembly, Seat Bottom – Black (includes items 2 and 3)	1	1
2	<u>101562701</u>	Cover, Vinyl Seat Bottom – Buff	1	1
2	<u>101562702</u>	Cover, Vinyl Seat Bottom – White	1	1
2	<u>101562704</u>	Cover, Vinyl Seat Bottom – Black	1	1
2	<u>101562710</u>	Cover, Vinyl Seat Bottom – Gray	1	1
3	1010543	Insert, Wood	7	7
4	<u>8251</u>	Screw, Phillips Truss-Head, 1/4-20 x 1	5	5
5	<u>1011578</u>	Washer, Flat, 5/16	3	3
6	<u>1011210</u>	Support, Seat	1	1
7	<u>8304</u>	Washer, Internal Tooth Lock, 1/4	5	5
8	<u>451</u>	Washer, Lock, 1/4	4	4
9	304	Screw, Hex-Head Cap, 1/4-20 x 3/4	4	4
10	<u>101677701</u>	Assembly, Seat Back – White	1	1
10	<u>101677702</u>	Assembly, Seat Back – Black.....	1	1
10	<u>101677703</u>	Assembly, Seat Back – Buff	1	1
10	<u>101677705</u>	Assembly, Seat Back – Gray	1	1
11	<u>101675501</u>	Cover, Vinyl Seat Back – Buff	1	1
11	<u>101675502</u>	Cover, Vinyl Seat Back – White	1	1
11	101675504	Cover, Vinyl Seat Back – Black	1	1
11	<u>101675506</u>	Cover, Vinyl Seat Back – Gray	1	1
12	1016751	Cap, Seat Back	1	1
13	<u>1011389</u>	Bumper, Rubber (package of 5)	1	1
14	1011219	Assembly, Hinge (includes items 15 - 21)	1	1
15	<u>1011221</u>	Hinge, Short	2	2
16	<u>1015091</u>	Nut, Centerlock Cap, 1/4-20 x 1/4	2	2
17	1010695	Washer, Curved Spring, 1/4	2	2
18	8028	Bushing, Nylon	6	6
19	<u>332</u>	Washer, Flat, 1/4	2	2
20	<u>1011222</u>	Pin, Hinge, Long	1	1
21	<u>1011220</u>	Hinge, Long	1	1
22	<u>7473</u>	Nut, Nylon Lock, 5/16-18	2	2
23	<u>1241</u>	Washer, Flat, 5/16	6	6
24	1218	Screw, Hex-Head Cap, 5/16-18 x 1-1/4	2	2
25	1017774	Spacer, Body	4	4
26	<u>101910401</u>	Screw, Thread-Forming, 5/16-18 x 1-1/4	4	4
27	<u>1014007</u>	Washer, Lock, 1/4	2	2
28	1016916	Screw, Hex-Head Cap with Nylon Patch, 1/4-20 x 1-1/2	2	2
29	<u>332</u>	Washer, Flat, 1/4	4	4

1
G
E

1
G
E

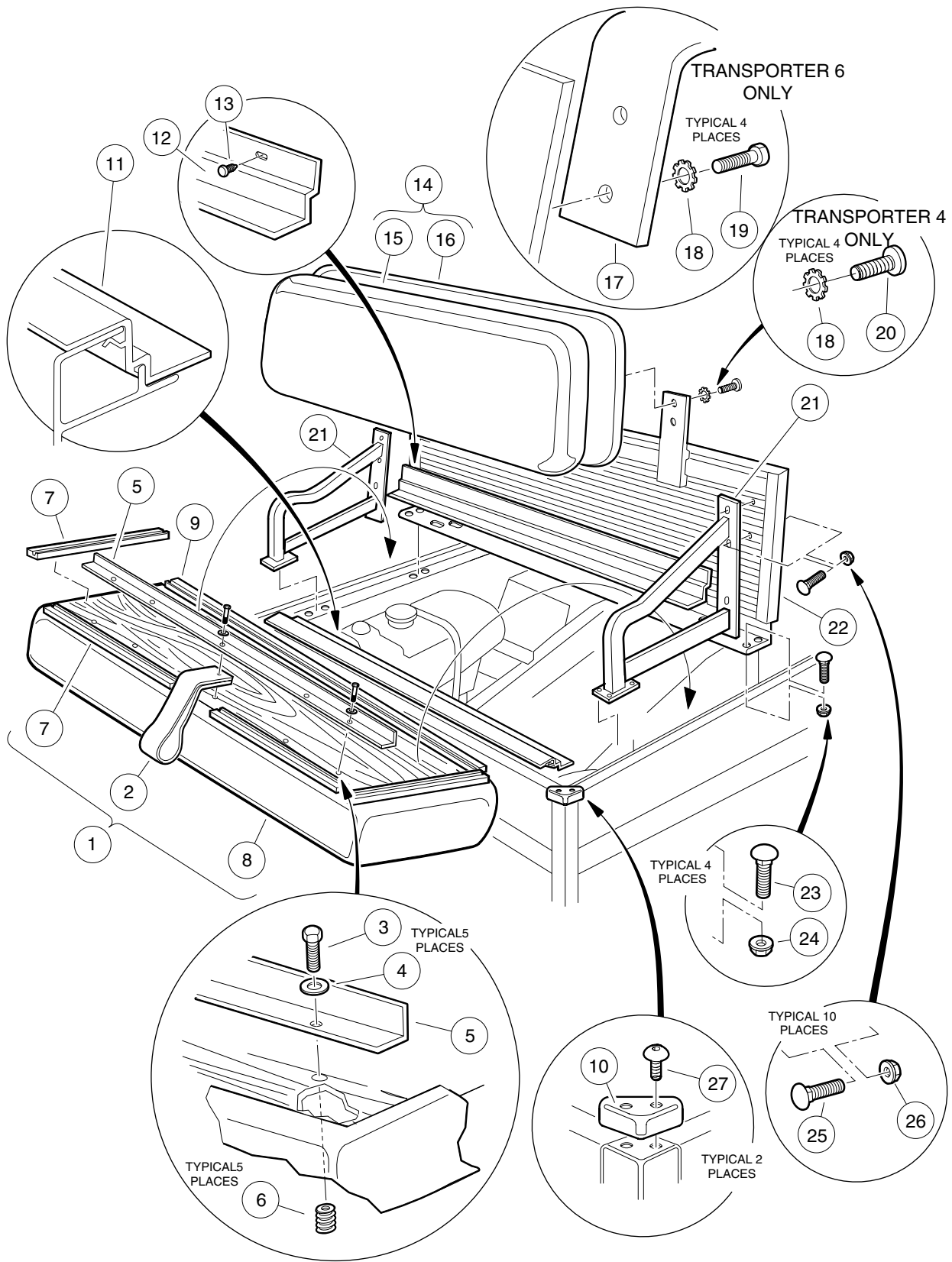


FIRST SEAT AND SUPPORT STRUCTURE – TRANSPORTER 4 AND TRANSPORTER 6

ITEM	PART NO.	DESCRIPTION	QTY GAS	QTY ELEC
		1 2 3 4		
1	<u>101801001</u>	Plate, Receptacle Backing (electric vehicle only)		1
2	<u>101964001</u>	Trim, Seat Bottom, Front	1	1
3	<u>101963901</u>	Trim, Seat Bottom, Rear	1	1
4	<u>1010434</u>	Barrel, Plastic	5	5
5	<u>101677701</u>	Assembly, Seat Back – White (includes items 6 and 7)	1	1
5	<u>101677702</u>	Assembly, Seat Back – Black (includes items 6 and 7)	1	1
5	<u>101677705</u>	Assembly, Seat Back – Gray (includes items 6 and 7)	1	1
6	<u>101675502</u>	Cover, Vinyl Seat Back – White	1	1
6	<u>101675504</u>	Cover, Vinyl Seat Back – Black	1	1
6	<u>101675506</u>	Cover, Vinyl Seat Back – Gray	1	1
7	<u>1016751</u>	Cap, Seat Back	1	1
8	<u>101888501</u>	Assembly, Passenger Armrest	1	1
9	<u>1016670</u>	Handrail	1	1
10	<u>8251</u>	Screw, Phillips Truss-Head, 1/4-20 x 1	8	8
11	<u>332</u>	Washer, Flat, 1/4	4	4
12	<u>8233</u>	Nut, Nylon Lock, 1/4-20	4	4
13	<u>1010934</u>	Screw, Hex-Head Cap, 5/16-18 x 1	3	3
14	<u>1241</u>	Washer, Flat, 5/16	9	9
15	<u>1242</u>	Nut, Hex, 5/16-18	3	3
16	<u>7473</u>	Nut, Nylon Lock, 5/16-18	3	3
17	<u>1016970</u>	Cover, Seat Back Support	1	1
18	<u>1016723</u>	Assembly, Seat Support Panel	1	1
19	<u>101888502</u>	Armrest, Driver	1	1
20	<u>101946201</u>	Washer, External Tooth Lock, 1/4	4	4
21	<u>101963301</u>	Bolt, Carriage, 5/16-18 x 3/4	4	4
22	<u>101963401</u>	Nut, Flange, 5/16-18	4	4
23	<u>101958601</u>	Bolt, Carriage, 1/4-20 x 3/4	10	10
24	<u>101835601</u>	Nut, Flange, 1/4-20	10	10
25	<u>1014321</u>	Screw, Torx Truss-Head, #10-24 x 3/8	4	4
26	<u>1014387</u>	Cap, Corner	2	2
27	<u>1016673</u>	Housing, Cord (electric vehicle only)		1
28	<u>8796</u>	Screw, Phillips-Head, #7-19 x 3/4 (electric vehicle only)		4
29	<u>101564502</u>	Assembly, Seat Bottom – White (includes items 30 - 37)	1	1
29	<u>101564503</u>	Assembly, Seat Bottom – Black (includes items 30 - 37)	1	1
29	<u>101564505</u>	Assembly, Seat Bottom – Gray (includes items 30 - 37)	1	1
30	<u>1013309</u>	Strap, Seat Bottom	1	1
31	<u>101954301</u>	Screw, Hex-Head Cap (with adhesive patch), 1/4-20 x 3/4	5	5
32	<u>332</u>	Washer, Flat, 1/4	5	5
33	<u>101894303</u>	Stiffener, Seat	1	1
34	<u>1010543</u>	Insert, Wood	5	5
35	<u>1013311</u>	Bumper, Seat, Short	4	4
36	<u>101562702</u>	Cover, Vinyl Seat Bottom – White	1	1
36	<u>101562704</u>	Cover, Vinyl Seat Bottom – Black	1	1
36	<u>101562710</u>	Cover, Vinyl Seat Bottom – Gray	1	1
37	<u>1013312</u>	Bumper, Seat, Long	1	1

1
G
E

1
G
E

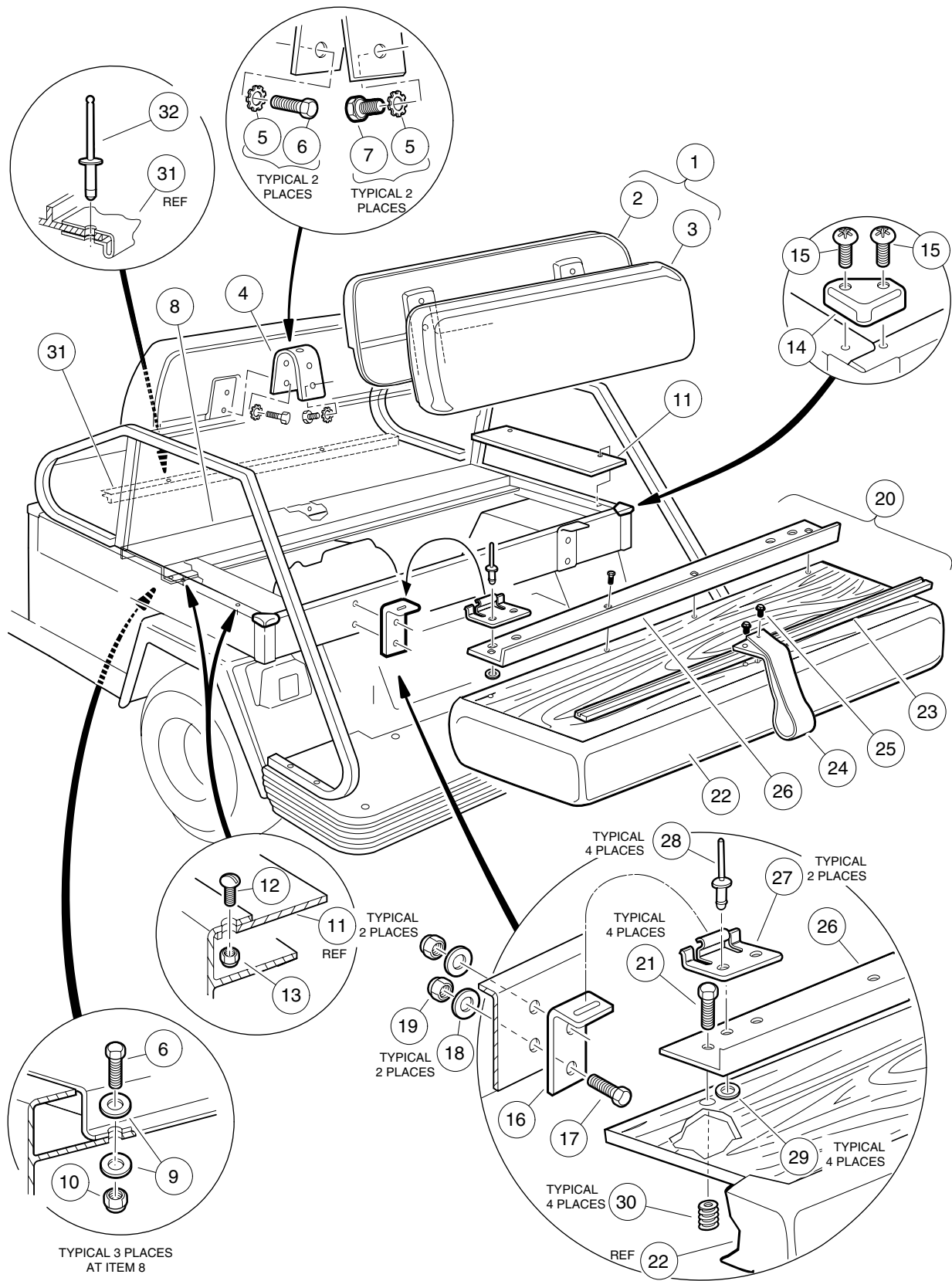


SECOND SEAT AND SUPPORT STRUCTURE – TRANSPORTER 4 AND TRANSPORTER 6

ITEM	PART NO.	DESCRIPTION	QTY GAS	QTY ELEC
		1 2 3 4		
1	<u>101564502</u>	Assembly, Seat Bottom – White (includes items 2 - 9)	1	1
1	<u>101564503</u>	Assembly, Seat Bottom – Black (includes items 2 - 9)	1	1
1	<u>101564505</u>	Assembly, Seat Bottom – Gray (includes items 2 - 9)	1	1
2	<u>1013309</u>	Strap, Seat Bottom	1	1
3	<u>101954301</u>	Screw, Hex-Head Cap (with adhesive patch), 1/4-20 x 3/4	5	5
4	<u>332</u>	Washer, Flat, 1/4	5	5
5	<u>101894303</u>	Stiffener, Seat	1	1
6	<u>1010543</u>	Insert, Wood	5	5
7	<u>1013311</u>	Bumper, Seat – Short	4	4
8	<u>101562702</u>	Cover, Vinyl Seat Bottom – White	1	1
8	<u>101562704</u>	Cover, Vinyl Seat Bottom – Black	1	1
8	<u>101562710</u>	Cover, Vinyl Seat Bottom – Gray	1	1
9	<u>1013312</u>	Bumper, Seat, Long	1	1
10	<u>1014387</u>	Cap, Corner	2	2
11	<u>101964001</u>	Trim, Seat Bottom, Front	1	1
12	<u>101963901</u>	Trim, Seat Bottom, Rear	1	1
13	<u>1010434</u>	Barrel, Plastic.....	5	5
14	<u>101677701</u>	Assembly, Seat Back – White (includes items 15 and 16)	1	1
14	<u>101677702</u>	Assembly, Seat Back – Black (includes items 15 and 16)	1	1
14	<u>101677705</u>	Assembly, Seat Back – Gray (includes items 15 and 16)	1	1
15	<u>101675502</u>	Cover, Vinyl Seat Back – White	1	1
15	<u>101675504</u>	Cover, Vinyl Seat Back – Black	1	1
15	<u>101675506</u>	Cover, Vinyl Seat Back – Gray	1	1
16	<u>1016751</u>	Cap, Seat Back	1	1
17	<u>1016839</u>	Mount, Seat Back Bracket (TransPorter 6 only)	2	2
18	<u>101946201</u>	Washer, External Tooth Lock, 1/4	4	4
19	<u>7479</u>	Screw, Hex-Head Cap, 1/4-20 x 1-1/4 (TransPorter 6 only)	4	4
20	<u>8251</u>	Screw, Phillips Truss-Head, 1/4-20 x 1 (TransPorter 4 only)	4	4
21	<u>101888501</u>	Assembly, Armrest, Passenger (TransPorter 4 only)	2	2
22	<u>1016723</u>	Assembly, Seat Support Panel	1	1
23	<u>101963301</u>	Bolt, Carriage, 5/16-18 x 3/4	4	4
24	<u>101963401</u>	Nut, Flange, 5/16-18	4	4
25	<u>101958601</u>	Bolt, Carriage, 1/4-20 x 3/4 (TransPorter 4 only)	10	10
26	<u>101835601</u>	Nut, Flange, 1/4-20 (TransPorter 4 only)	10	10
27	<u>1014321</u>	Screw, Torx Truss-Head, #10-24 x 3/8	4	4

1
G
E

1
G
E

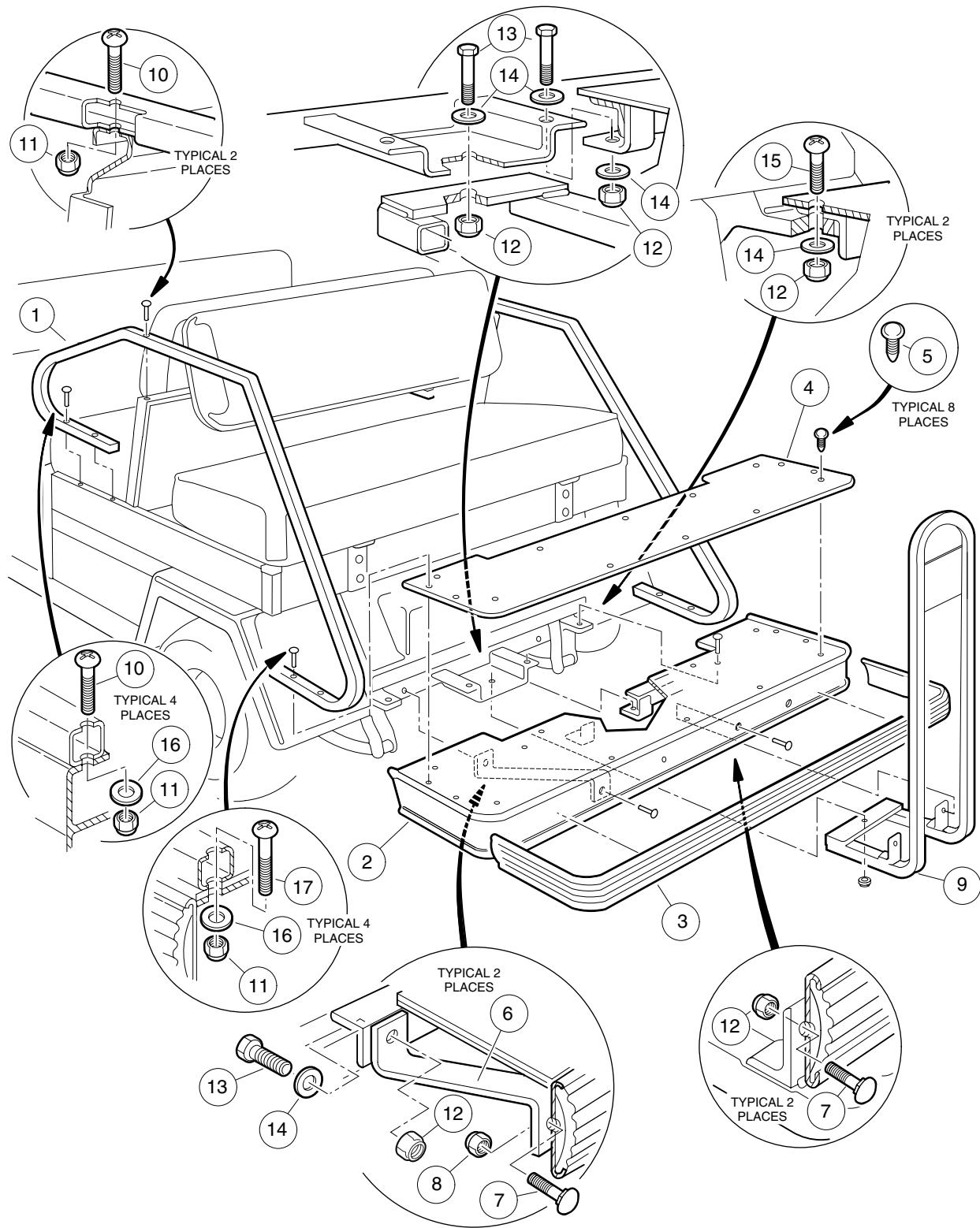


THIRD SEAT AND COMPONENTS – TRANSPORTER 6

ITEM	PART NO.	DESCRIPTION	QTY GAS	QTY ELEC
		1 2 3 4		
1	<u>101677701</u>	Assembly, Seat Back – White (includes items 2 and 3)	1	1
1	<u>101677702</u>	Assembly, Seat Back – Black (includes items 2 and 3)	1	1
1	<u>101677705</u>	Assembly, Seat Back – Gray (includes items 2 and 3)	1	1
2	<u>1016751</u>	Cap, Seat Back	1	1
3	<u>101675502</u>	Cover, Vinyl Seat Back – White	1	1
3	<u>101675504</u>	Cover, Vinyl Seat Back – Black	1	1
3	<u>101675505</u>	Cover, Vinyl Seat Back – Gray	1	1
4	<u>1016839</u>	Bracket, Seat Back Mounting	2	2
5	<u>101946201</u>	Washer, External Tooth Lock, 1/4	8	8
6	<u>7847</u>	Screw, Hex-Head Cap, 1/4-20 x 3/4	7	7
7	<u>7479</u>	Screw, Hex-Head Cap, 1/4-20 x 1-1/4	4	4
8	<u>1016816</u>	Support, Rear Seat	1	1
9	<u>332</u>	Washer, Flat, 1/4	6	6
10	<u>8233</u>	Nut, Nylon Lock, 1/4-20	3	3
11	<u>1016930</u>	Panel, Rear Seat Frame	2	2
12	<u>1013169</u>	Screw, Round-Head Slotted Machine, #10-32 x 1/2	4	4
13	<u>1013061</u>	Nut, Nylon Lock, #10-32	4	4
14	<u>1014387</u>	Cap, Corner	2	2
15	<u>1014321</u>	Screw, Torx Truss-Head, #10-24 x 3/8	4	4
16	<u>1016819</u>	Hinge, Seat	2	2
17	<u>8861</u>	Screw, Hex-Head Cap, 3/8-16 x 1-3/4	4	4
18	<u>1011990</u>	Washer, Flat, 3/8	4	4
19	<u>8754</u>	Nut, Nylon Lock, 3/8-16	4	4
20	<u>101684102</u>	Assembly, Seat Bottom, White (includes items 21 - 30)	1	1
20	<u>101684103</u>	Assembly, Seat Bottom, Black (includes items 21 - 30)	1	1
20	<u>101684105</u>	Assembly, Seat Bottom, Gray (includes items 21 - 30)	1	1
21	<u>101954301</u>	Screw, Hex-Head Cap (with adhesive patch), 1/4-20 x 3/4	4	4
22	<u>101562702</u>	Cover, Vinyl Seat Bottom – White	1	1
22	<u>101562704</u>	Cover, Vinyl Seat Bottom – Black	1	1
22	<u>101562710</u>	Cover, Vinyl Seat Bottom – Gray	1	1
23	<u>1013312</u>	Bumper, Long Seat	1	1
24	<u>1013309</u>	Strap, Seat Bottom	1	1
25	<u>1010545</u>	Screw, Hex-Washer-Head, 1/4-14 x 3/4	2	2
26	<u>1016824</u>	Angle, Seat Hinge	1	1
27	<u>1011652</u>	Plate, Seat Hinge	2	2
28	<u>101880901</u>	Rivet, Pop, Stainless Steel, 3/16	4	4
29	<u>101881701</u>	Washer, Flat, Stainless Steel, #8	4	4
30	<u>1010543</u>	Insert, Wood	4	4
31	<u>101837001</u>	Insulator, Battery (electric vehicle only)		1
32	<u>1013357</u>	Rivet, Pop (electric vehicle only)		2

1
G
E

1
G
E

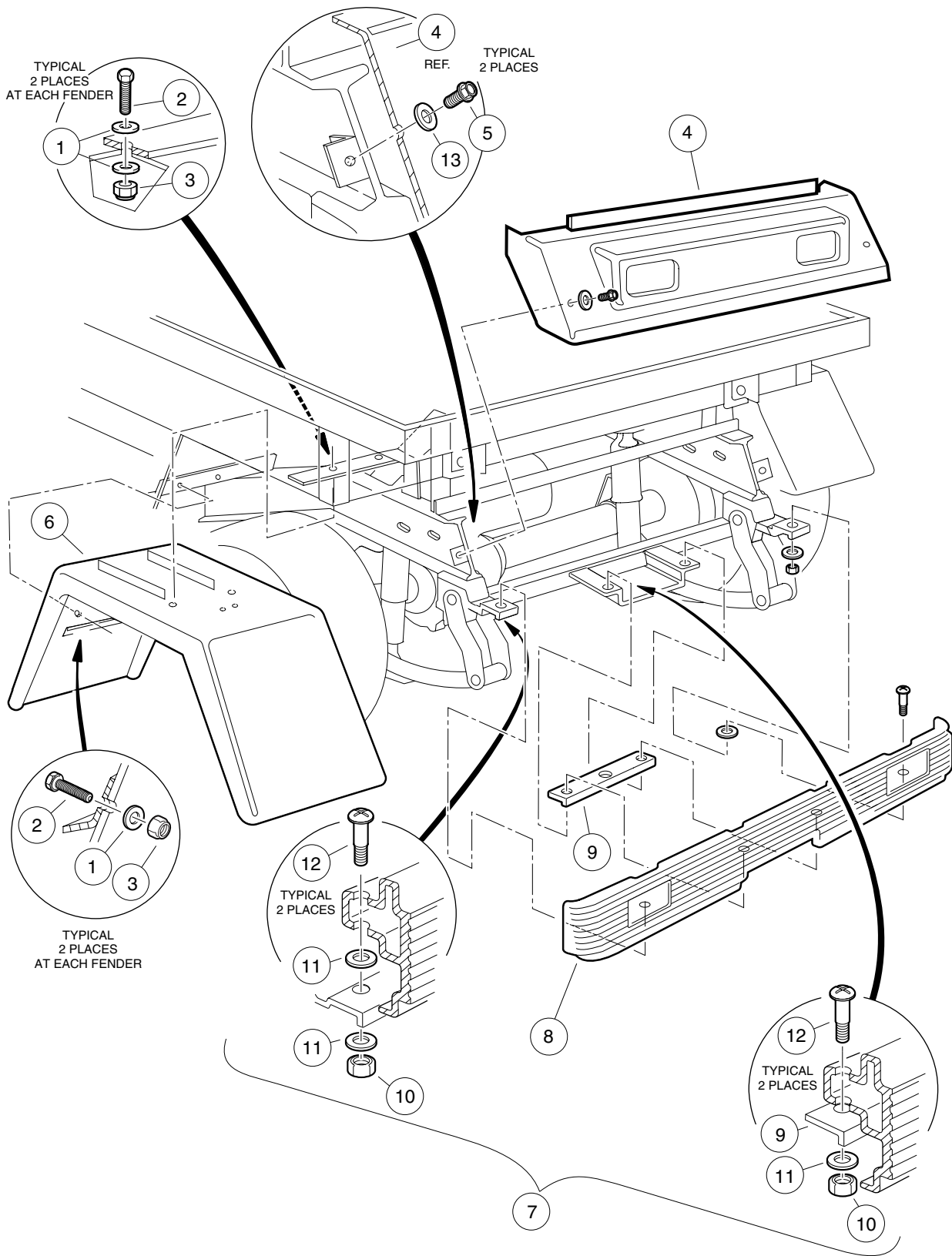


REAR FOOTREST AND HANDRAILS – TRANSPORTER 6

ITEM	PART NO.	DESCRIPTION	QTY GAS	QTY ELEC
		1 2 3 4		
1	<u>101846301</u>	Armrest, Rear Seat	2	2
2	<u>1016843</u>	Assembly, Rear Footrest (includes items 3 - 8)	1	1
3	101347505	Guard, Bumper	1	1
4	1016838	Mat, Footrest	1	1
5	<u>1010434</u>	Fastener, Plastic Barrel	8	8
6	<u>1016668</u>	Bar, Connecting	2	2
7	<u>1010435</u>	Bolt, Carriage, 5/16-18 x 1	4	4
8	<u>7473</u>	Nut, Nylon Lock, 5/16-18	2	2
9	<u>1016842</u>	Handrail, Rear Seat	1	1
10	8418	Screw, Phillips Truss-Head, 1/4-20 x 1-1/2	6	6
11	<u>8233</u>	Nut, Nylon Lock, 1/4-20	10	10
12	<u>7473</u>	Nut, Nylon Lock, 5/16-18	8	8
13	1218	Screw, Hex-Head Cap, 5/16-18 x 1-1/4	7	7
14	<u>1241</u>	Washer, Flat, 5/16	9	9
15	<u>7410</u>	Screw, Phillips Truss-Head, 5/16-18 x 1-1/4	2	2
16	<u>332</u>	Washer, Flat, 1/4	8	8
17	<u>1011988</u>	Screw, Phillips Truss-Head, 1/4-20 x 2	4	4

1
G
E

1
G
E

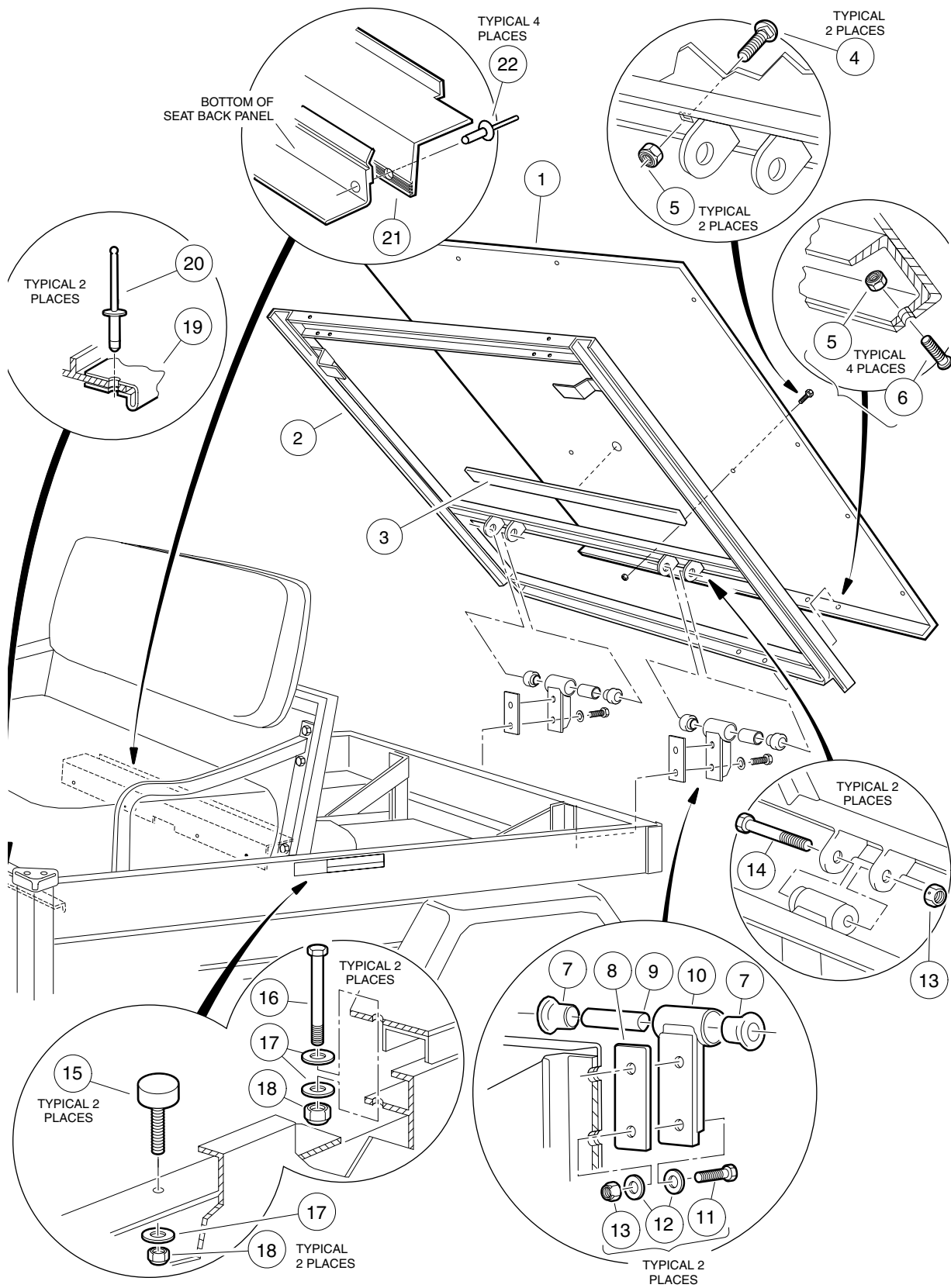


REAR BODY TRIM – TRANSPORTER 4 AND TRANSPORTER 6

ITEM	PART NO.	DESCRIPTION	QTY GAS	QTY ELEC
		1 2 3 4		
1	<u>1014306</u>	Washer, Flat, 1/4	12	12
2	304	Screw, Hex-Head Cap, 1/4-20 x 1	8	8
3	<u>8233</u>	Nut, Nylon Lock, 1/4-20	8	8
4	<u>1015530</u>	Tailskirt	1	1
5	<u>1012285</u>	Screw, Thread-Rolling, 1/4-20 x 5/8	2	2
6	<u>1016679</u>	Fender, Rear	2	2
7	<u>1017079</u>	Kit, Rear Bumper (includes items 8 - 12) (TransPorter 4 only)	1	1
8	<u>1016379</u>	Bumper, Rear	1	1
9	<u>1016875</u>	Plate, Mounting, Long	1	1
10	<u>7473</u>	Nut, Nylon Lock, 5/16-18	4	4
11	<u>1011697</u>	Washer, Flat, 5/16	6	6
12	<u>1016876</u>	Bolt, Phillips Truss-Head Shoulder, 3/8-18 x 2	4	4
13	<u>332</u>	Washer, Flat, 1/4	2	2

1
G
E

1
G
E

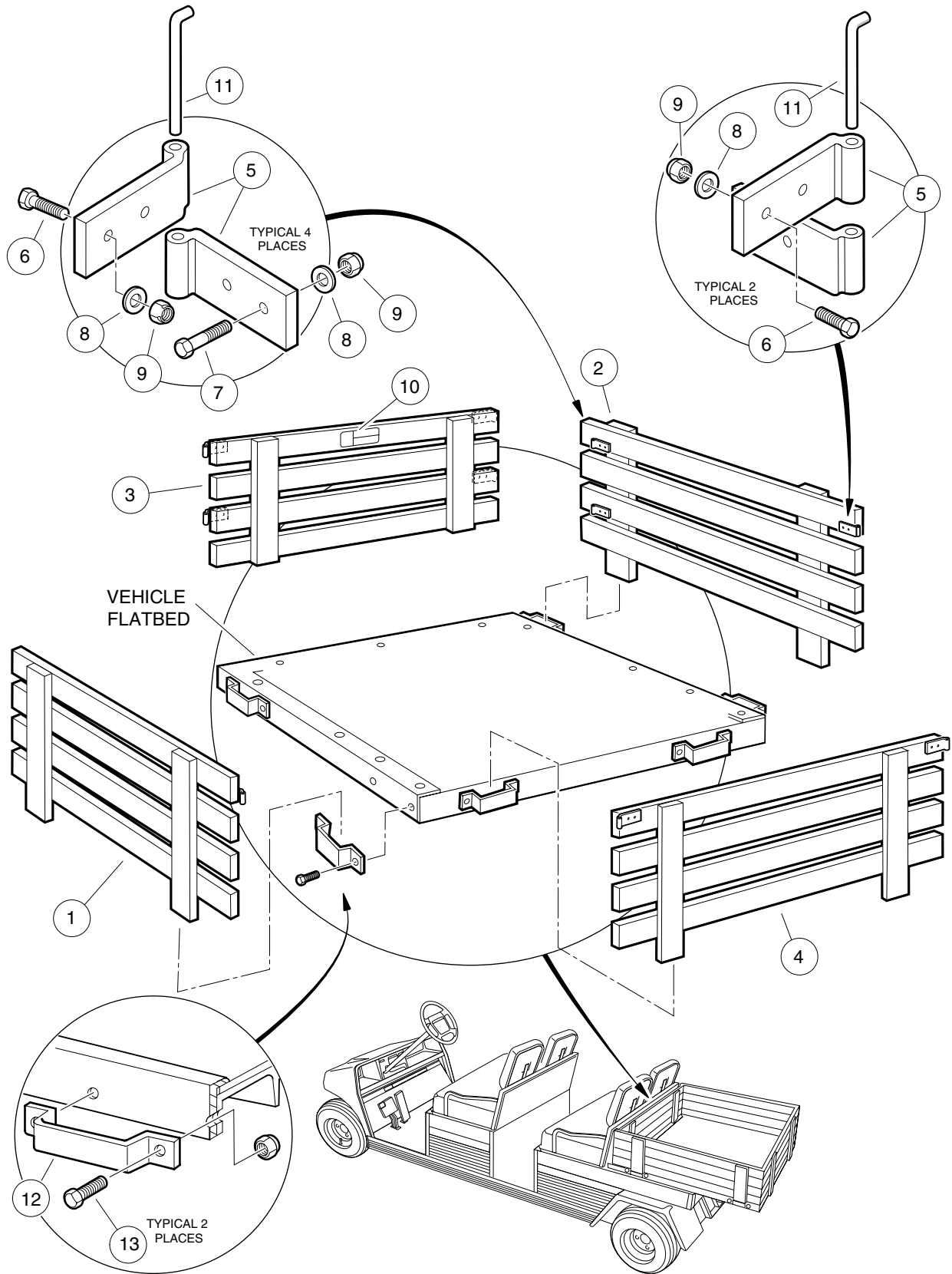


REAR CARGO BED – TRANSPORTER 4

ITEM	PART NO.	DESCRIPTION	QTY GAS	QTY ELEC
		1 2 3 4		
1	<u>1016724</u>	Assembly, Tilt Bed (includes items 2 - 6)	1	1
2	N/A	Weldment, Tilt Bed	1	1
3	<u>1014471</u>	Insulation	A/R	A/R
4	<u>1010435</u>	Bolt, Carriage, 5/16-18 x 1	2	2
5	<u>7473</u>	Nut, Nylon Lock, 5/16-18	6	6
6	1015399	Screw, Torx Truss-Head, 5/16-18 x 3/4	4	4
7	<u>1015583</u>	Bushing, Urethane	4	4
8	<u>1015507</u>	Shim, Tilt Bed Pivot.....	A/R	A/R
9	<u>1012303</u>	Bushing, Steel	2	2
10	<u>1015356</u>	Weldment, Tilt Bed Hinge	2	2
11	705	Screw, Hex-Head Cap, 3/8-16 x 1-1/4	4	4
12	<u>1011990</u>	Washer, Flat, 3/8	8	8
13	<u>8754</u>	Nut, Nylon Lock, 3/8-16	6	6
14	<u>8755</u>	Screw, Hex-Head Cap, 3/8-16 x 3-3/8	2	2
15	<u>1010878</u>	Bumper, Rubber	2	2
16	<u>1013872</u>	Screw, Hex-Head Cap, 1/4-20 x 4	2	2
17	<u>332</u>	Washer, Flat, 1/4	6	6
18	<u>8233</u>	Nut, Nylon Lock, 1/4-20	4	4
19	<u>101837001</u>	Insulator, Battery (electric vehicle only)		1
20	<u>1013357</u>	Rivet, Aluminum Pop, 5/32 (electric vehicle only)		2
21	<u>1017976</u>	Seal, Bed	1	1
22	7532	Rivet, Pop, 3/16	4	4

1
G
E

1
G
E



STAKE SIDE – TRANSPORTER 4

ITEM	PART NO.	DESCRIPTION	QTY GAS	QTY ELEC
		1 2 3 4		
	<u>1015660</u>	Kit, Stake Side (includes items 1 - 13)	1	1
1	N/A	Stake Side Assembly, Driver-Side (includes items 5 - 9)	1	1
2	N/A	Stake Side Assembly, Passenger-Side (includes items 5 - 9)	1	1
3	N/A	Stake Side Assembly, Front (includes items 5 - 9)	1	1
4	N/A	Stake Side Assembly, Rear (includes items 5 - 10)	1	1
5	<u>1015654</u>	Hinge, Stake Side	12	12
6	<u>7479</u>	Screw, Hex-Head Cap, 1/4-20 x 1-1/4	18	18
7	<u>7311</u>	Screw, Hex-Head Cap, 1/4-20 x 2	6	6
8	<u>332</u>	Washer, Flat, 1/4	24	24
9	<u>1108</u>	Nut, Dimped Lock, 1/4-20	24	24
10	1015539	Decal, Bed Load	1	1
11	<u>1015656</u>	Pin, Stake Side Hinge	6	6
12	<u>1016077</u>	Bracket, Stake Side	5	5
13	<u>1010934</u>	Screw, Hex-Head Cap, 5/16-18 x 1	10	10

1
G
E

1

G

E

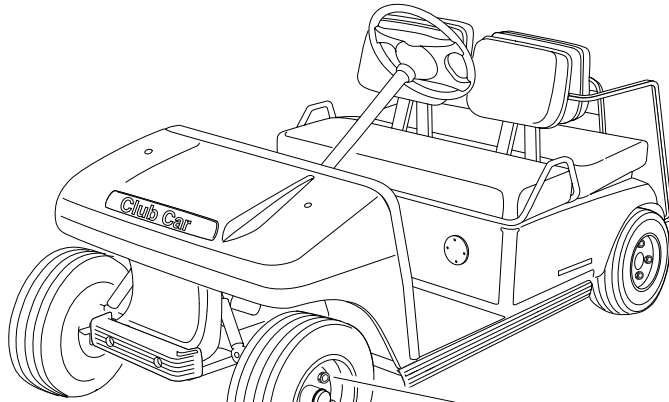
WHEELS AND TIRES

2

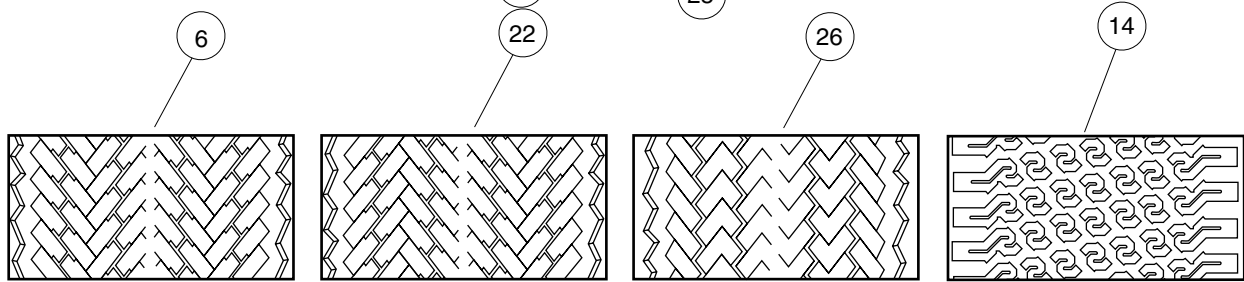
G

E

2
G
E



- 1
- 2
- 3
- 4
- 5
- 6
- 7
- 8
- 9
- 10
- 11
- 12
- 13
- 14
- 15
- 16
- 17
- 18
- 19
- 20
- 21
- 22
- 23
- 24
- 25
- 26



PREMIUM TREAD
Carisle®

PREMIUM TREAD
Duro®

PREMIUM TREAD
Kenda®

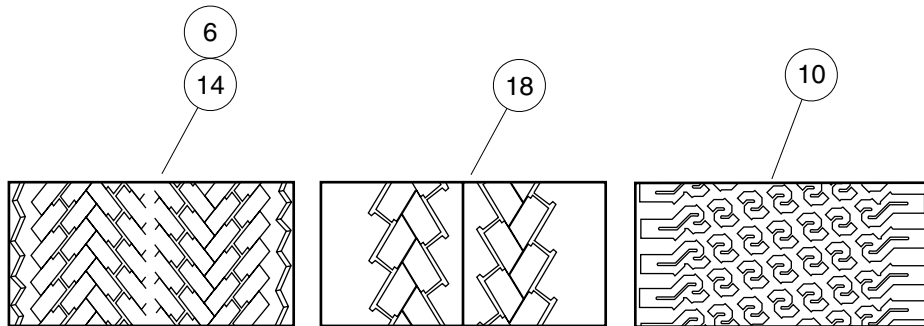
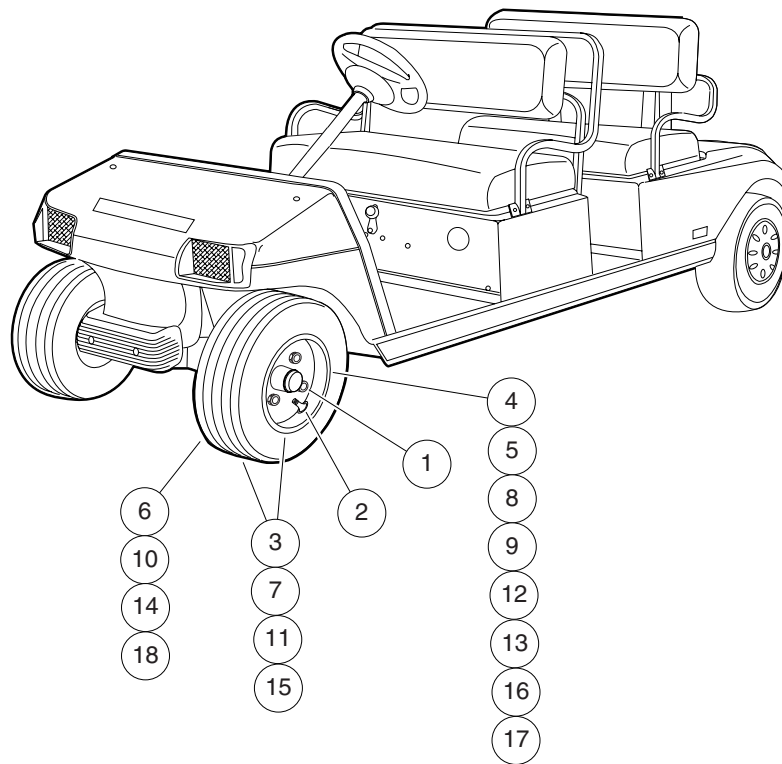
EXTRA TRACTION
Duro

WHEELS AND TIRES – VILLAGER 4

ITEM	PART NO.	DESCRIPTION	QTY GAS	QTY ELEC
		1 2 3 4		
1	<u>1010984</u>	Nut, Lug	16	16
2	<u>7310</u>	Stem, Valve*	4	4
3	<u>101570502</u>	Assembly, Beige Wheel and Premium Tire (includes items 4 and 6)	4	4
3	<u>101651402</u>	Assembly, White Wheel and Premium Tire (includes items 5 and 6)	4	4
4	<u>1015707</u>	Wheel Rim – Beige	1	1
5	<u>1014771</u>	Wheel Rim – White	1	1
6	<u>101567202</u>	Tire, Unmounted, Premium Tread, 4-Ply Rated (18 x 8.50 - 8) (Carlisle®)	1	
7	<u>101570506</u>	Assembly, Beige Wheel and Premium Tire (includes items 8 and 10)	4	
7	<u>101651406</u>	Assembly, White Wheel and Premium Tire (includes items 9 and 10)	4	
8	<u>1015707</u>	Wheel Rim – Beige	1	
9	<u>1014771</u>	Wheel Rim – White	1	
10	<u>101737002</u>	Tire, Unmounted, Premium Tread, 6-Ply Rated (18.5 x 8.50 - 8) (Duro®)	1	
11	<u>101570507</u>	Assembly, Beige Wheel and Extra Traction Tire (includes items 12 and 14)	4	
11	<u>101651407</u>	Assembly, White Wheel and Extra Traction Tire (includes items 13 and 14)	4	
12	<u>1015707</u>	Wheel Rim – Beige	1	
13	<u>1014771</u>	Wheel Rim – White	1	
14	<u>101769302</u>	Tire, Unmounted, Extra Traction Tread, 6-Ply Rated (18.5 x 8.50 - 8) (Duro)	1	
15	<u>101570509</u>	Assembly, Beige Wheel and Premium Tire (includes items 16 and 18)	4	
15	<u>101651409</u>	Assembly, White Wheel and Premium Tire (includes items 17 and 18)	4	
16	<u>101918401</u>	Wheel Rim – Beige	1	
17	<u>101918402</u>	Wheel Rim – White	1	
18	<u>101884901</u>	Tire, Unmounted, Premium Tread, 6-Ply Rated (18.5 x 6.50 - 8) (Duro)	1	
19	<u>101570512</u>	Assembly, Beige Wheel and Premium Tire (includes items 20 and 22)	4	4
19	<u>101651412</u>	Assembly, White Wheel and Premium Tire (includes items 21 and 22)	4	4
20	<u>1015707</u>	Wheel Rim – Beige	1	1
21	<u>1014771</u>	Wheel Rim – White	1	1
22	****	Tire, Unmounted, Premium Tread, 4-Ply Rated (18 x 8.50 - 8) (Duro)	1	1
23	<u>101570513</u>	Assembly, Beige Wheel and Premium Tire (includes items 24 and 26)	4	4
23	<u>101651413</u>	Assembly, White Wheel and Premium Tire (includes items 25 and 26)	4	4
24	<u>1015707</u>	Wheel Rim – Beige	1	1
25	<u>1014771</u>	Wheel Rim – White	1	1
26	<u>AM10682</u>	Tire, Unmounted, Premium Tread, 4-Ply Rated (18 x 8.50 - 8) (Kenda®)	1	1
	****	Special order item available upon request. * Item 2 is part of all wheel assemblies.		

2
G
E

2
G
E



PREMIUM TREAD
Duro®

HF 232
Duro

EXTRA TRACTION
Duro

WHEELS AND TIRES – VILLAGER 6, VILLAGER 8, TRANSPORTER 4, AND TRANSPORTER 6

ITEM	PART NO.	DESCRIPTION	QTY GAS	QTY ELEC
		1 2 3 4		
1	<u>1010984</u>	Nut, Lug	16	16
2	<u>7310</u>	Stem, Valve*	4	4
3	<u>101570506</u>	Assembly, Beige Wheel and Premium Tire (includes items 4 and 6)	4	4
3	<u>101651406</u>	Assembly, White Wheel and Premium Tire (includes items 5 and 6)	4	4
4	<u>1015707</u>	Wheel Rim – Beige	1	1
5	<u>1014771</u>	Wheel Rim – White	1	1
6	<u>101737002</u>	Tire, Unmounted, Premium Tread, 6-Ply Rated (18 x 8.50 - 8) (Duro) ...	1	1
7	<u>101570507</u>	Assembly, Beige Wheel and Extra Traction Tire (includes items 8 and 10)	4	4
7	<u>101651407</u>	Assembly, White Wheel and Extra Traction Tire (includes items 9 and 10)	4	4
8	<u>1015707</u>	Wheel Rim – Beige	1	1
9	<u>1014771</u>	Wheel Rim – White	1	1
10	<u>101769302</u>	Tire, Unmounted, Extra Traction, 6-Ply Rated (18 x 8.50 - 8) (Duro)	1	1
11	<u>101570509</u>	Assembly, Beige Wheel and Premium Tire (Villager vehicles – front only) (includes items 12 and 14)	4	4
11	<u>101651409</u>	Assembly, White Wheel and Premium Tire (Villager vehicles – front only) (includes items 13 and 14)	4	4
12	<u>101918401</u>	Wheel Rim – Beige	1	1
13	<u>101918402</u>	Wheel Rim – White	1	1
14	<u>101884901</u>	Tire, Unmounted, Premium Tread, 6-Ply Rated (18 x 6.50 - 8) (Duro) ...	1	1
15	<u>101570514</u>	Assembly, Beige Wheel and Tire, HF232 (includes items 16 and 18)	4	4
15	<u>101651414</u>	Assembly, White Wheel and Tire, HF232 (includes items 17 and 18)	4	4
16	<u>1015707</u>	Wheel Rim – Beige	1	1
17	<u>1014771</u>	Wheel Rim – White	1	1
18	****	Tire, Unmounted, HF232, 6-Ply Rated (18.5 x 8.5 - 8) (Duro)	1	1
	****	Special order item available upon request. * Item 2 is part of all wheel assemblies.		

2
G
E

2

G

E

DECALS

3

G

E

OPERATING INSTRUCTIONS

- Read Owner's Manual and safety warnings located on dash panel prior to driving.
 - Study and understand controls.
 - Make sure wheels are turned in desired direction.
- Turn key to "ON" position and be sure nothing is in your path.
 - While vehicle is stopped, select direction by placing shift lever or switch in desired position:
F – Forward N – Neutral R – Reverse (Buzzer will sound)
- Vehicle will start moving when accelerator pedal is depressed.
- Slowly depress accelerator pedal to increase speed. Park brake will release when accelerator pedal is depressed.
- To stop, release accelerator pedal and depress brake pedal.
- After stopping the vehicle:
 - Firmly depress park brake until it locks.
 - Place Forward/Reverse switch in "NEUTRAL" position.
 - Turn key "OFF" and remove key when not in use.

CCI 101621601

⚠ WARNING

ROLLOVER OR FALLING OFF MAY CAUSE DEATH.

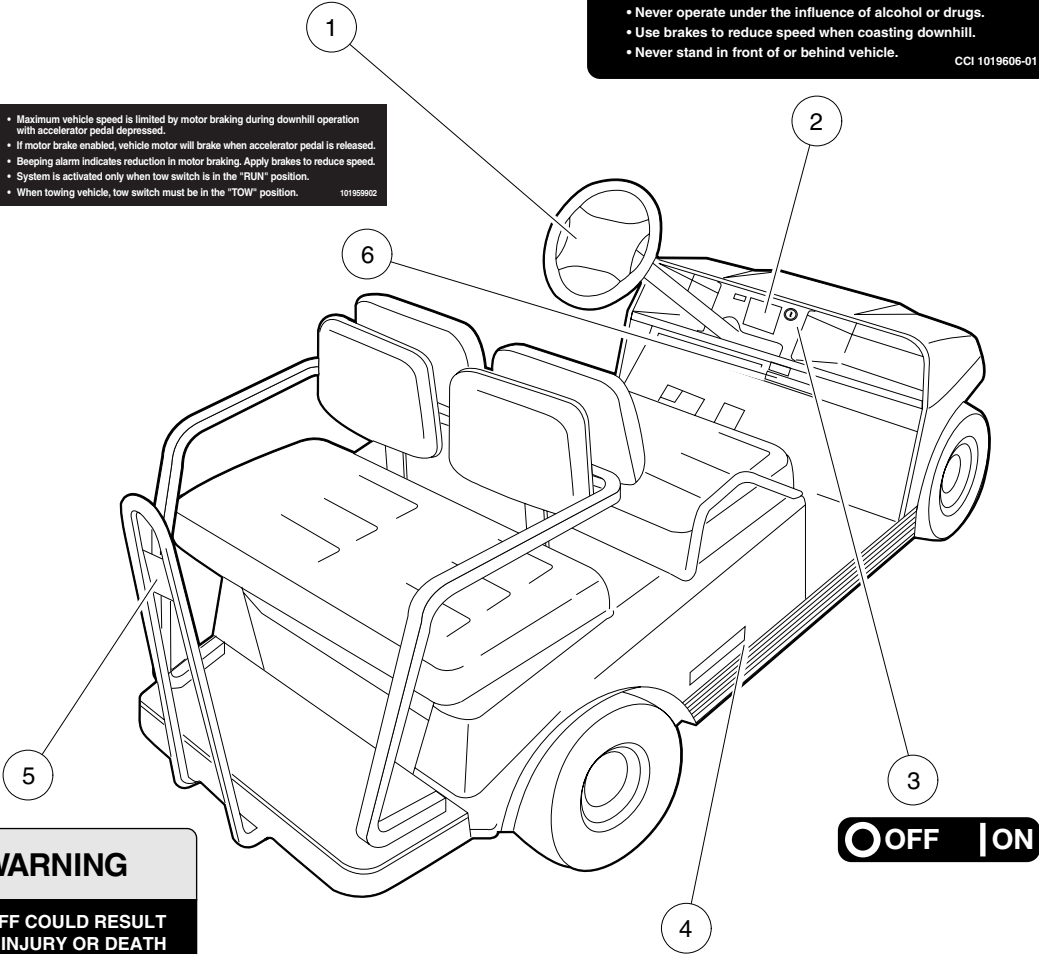
- Before using vehicle, read operating instructions.
- Remain seated and hold on to seat handle while moving.
- Do not start vehicle until all occupants are seated.
- Two (2) persons per seat maximum.
- Operate from driver side only and not on public roads.
- Keep entire body inside vehicle while moving.
- Drive slowly in turns and straight up and down slopes.
- Do not leave children unattended on vehicle.
- Never operate under the influence of alcohol or drugs.
- Use brakes to reduce speed when coasting downhill.
- Never stand in front of or behind vehicle.

CCI 1019606-01

IMPORTANT NOTICE

- Maximum vehicle speed is limited by motor braking during downhill operation with accelerator pedal depressed.
- If motor brake enabled, vehicle motor will brake when accelerator pedal is released.
- Bleeping alarm indicates reduction in motor braking. Apply brakes to reduce speed.
- System is activated only when tow switch is in the "RUN" position.
- When towing vehicle, tow switch must be in the "TOW" position.

101959902



⚠ WARNING

FALLING OFF COULD RESULT IN SEVERE INJURY OR DEATH

- Remain seated with entire body inside vehicle and hold on to seat handle or handrail at all times.
- Two (2) persons per bench seat maximum.
- One (1) person per bucket seat maximum.
- Do not leave children unattended on vehicle at anytime.
- Never stand in front of or behind vehicle.

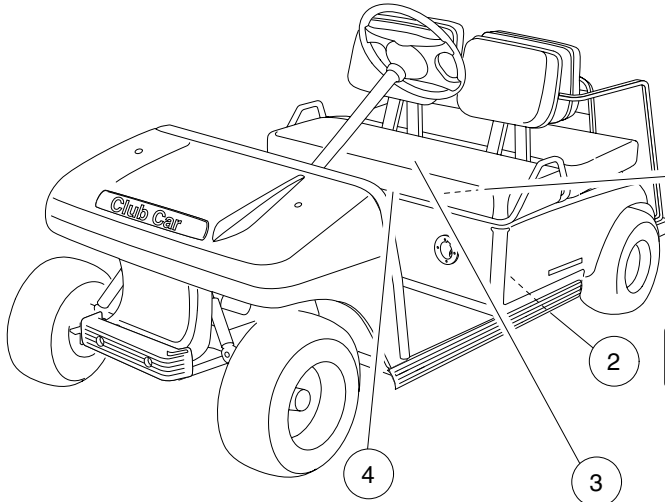
CCI 101705701

INGERSOLL-RAND

DECALS – VILLAGER 4

ITEM	PART NO.	DESCRIPTION	QTY GAS	QTY ELEC
		1 2 3 4		
1	101621601	Decal, Operating Instructions	1	1
2	101960601	Decal, Driver/Passenger Warning	1	1
3	<u>101825101</u>	Decal, Key Switch	1	1
4	<u>101921901</u>	Decal, Ingersoll-Rand (for 2001 vehicles only)	2	2
5	<u>101705701</u>	Decal, Passenger Warning	1	1
6	<u>101959902</u>	Decal, Motor Braking (IQ System vehicle only)		1

3
G
E



⚠ DANGER / POISON

EXPLOSIVE GASES CAN CAUSE BLINDNESS OR INJURY	SHIELD EYES	NO SPARKS, FLAMES, SMOKING	SULFURIC ACID CAN CAUSE BLINDNESS OR SEVERE BURNS	FLUSH EYES IMMEDIATELY WITH WATER. GET MEDICAL HELP FAST.
---	-------------	----------------------------	---	---

KEEP OUT OF THE REACH OF CHILDREN - DO NOT TIP - KEEP VENT CAPS TIGHT AND LEVEL

(MOLDED ON BATTERY CAPS)

ELECTRIC VEHICLE

NOTICE

- DO NOT OPERATE VEHICLE WITHOUT COVER IN PLACE.
- DO NOT DIRECT WATER STREAM AT THIS SWITCH.

CCI 1016109-01

(ON WIPER SWITCH COVER INSIDE BATTERY COMPARTMENT)

⚠ WARNING TOW RUN

Place Tow/Run switch in TOW position before:

- Disconnecting or connecting batteries
- Towing
- Extended storage
- Servicing

FAILURE TO HEED THIS WARNING COULD RESULT IN A BATTERY EXPLOSION OR SEVERE PERSONAL INJURY.

CCI 101908601

(ON TOW SWITCH BRACKET UNDER SEAT)

NOTICE

Do not operate vehicle without this cover properly installed. Do not direct water stream in this area; will cause damage to components. See vehicle maintenance and service manual before servicing.

CCI 101931501

(ON SPEED CONTROLLER COVER)

⚠ WARNING

- GASOLINE EXPLOSION / FIRE.
- CAN CAUSE SEVERE INJURY OR DEATH.
- NO SMOKING, SPARKS, OR OPEN FLAME.
- STOP ENGINE, ALLOW TO COOL BEFORE REFUELING.
- TURN FUEL VALVE () ON DURING OPERATION. () OFF DURING STORAGE OR TRANSPORT.

CCI 1015476-01

(ON VEHICLE FRAME NEAR FUEL TANK)

⚠ WARNING

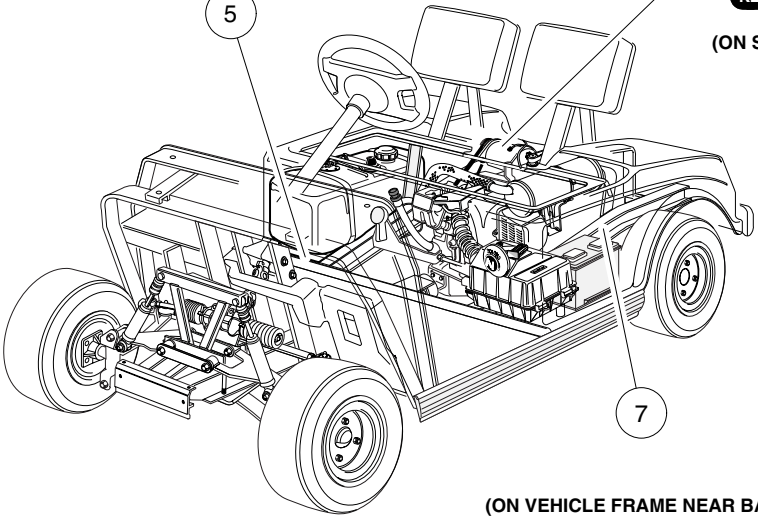
CAN CAUSE SEVERE INJURY

Rotating parts

HOT manifold & muffler

KEEP CLEAR CCI 1019605-01

(ON STARTER/GENERATOR AND ENGINE)



GASOLINE VEHICLE

(ON VEHICLE FRAME NEAR BATTERY)

⚠ WARNING Negative frame ground. Can cause severe injury. Do not contact positive (+) battery post or cable to frame. Disconnect negative battery lead first.	⚠ WARNING Excessive speed. Can cause severe injury or death. Do not tamper with engine governor adjustment. CCI 1019152-01
---	---

DECALS – VILLAGER 4, CONTINUED

ITEM	PART NO.	DESCRIPTION	QTY GAS	QTY ELEC
		1 2 3 4		
1	<u>1013677</u>	Decal, Battery Danger		1
2	<u>101610901</u>	Decal, Potentiometer Caution (vehicles with serial numbers lower than 0112-001470)		1
3	<u>101931501</u>	Decal, Electrical Component Cover (IQ System vehicle only)		1
4	<u>101908601</u>	Decal, Tow/Run Switch (IQ System vehicle only)		1
5	<u>101547601</u>	Decal, Gasoline Warning	1	
6	<u>101960501</u>	Decal, Rotating Parts and Hot Manifold Warning	2	
7	<u>101915201</u>	Decal, Frame Ground and Governor Warning.....	1	

3
G
E

OPERATING INSTRUCTIONS

- Read Owner's Manual and safety warnings located on dash panel prior to driving.
- Study and understand controls.

TO START ENGINE

- Place shift lever in "N" - Neutral position.
- Depress brake pedal.
- Turn key switch to "START" position and release.

TO OPERATE VEHICLE

- Make sure wheels are turned in desired direction.
- Be sure nothing is in your path.

• While vehicle is stopped, and engine is at idle, select vehicle direction by placing shift lever or switch in desired position.

F - Forward N - Neutral R - Reverse (Buzzer will sound)

- Park brake will release when accelerator pedal is pushed.
- Slowly push accelerator pedal to increase speed.
- Engine must be at idle before moving shift lever.

TO STOP VEHICLE

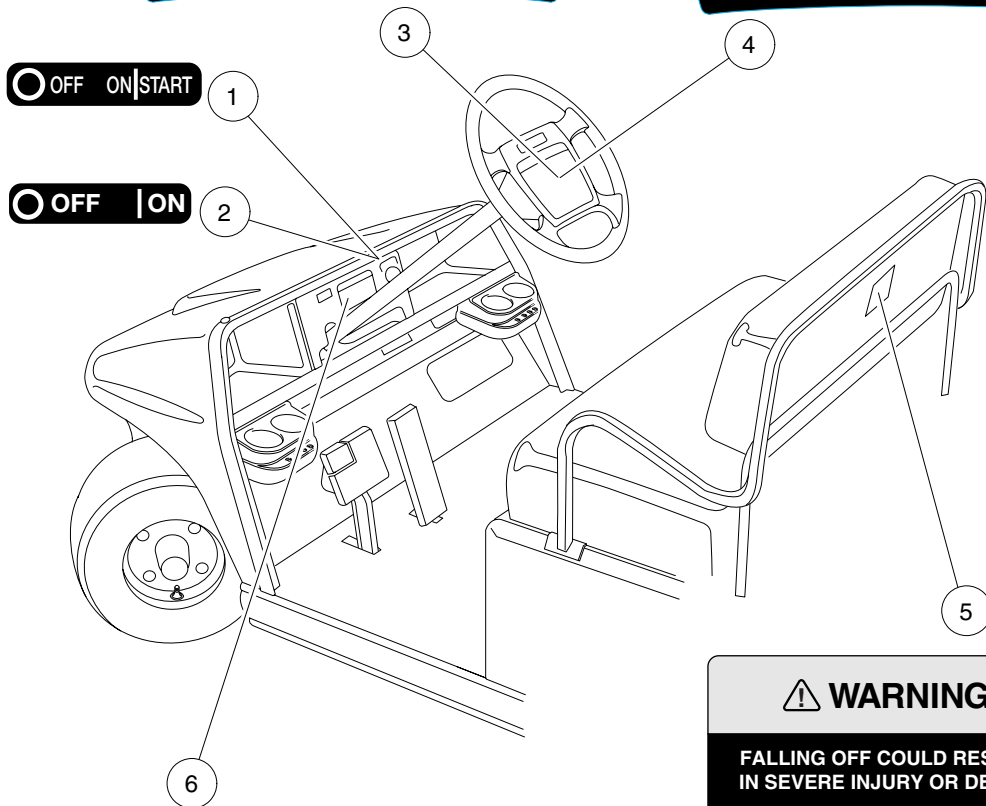
- Release accelerator pedal and push brake pedal.
- After stopping, firmly push park brake until it locks.
- Turn key to "OFF" position, remove key and place shift lever in straight up neutral position when not in use.

CCI 10193201

OPERATING INSTRUCTIONS

- Read Owner's Manual and safety warnings located on dash panel prior to driving.
- Study and understand controls.
- Make sure wheels are turned in desired direction.
- Turn key to "ON" position and be sure nothing is in your path.
- While vehicle is stopped, select direction by placing shift lever or switch in desired position:
F - Forward N - Neutral R - Reverse (Buzzer will sound)
- Vehicle will start moving when accelerator pedal is depressed.
- Slowly depress accelerator pedal to increase speed. Park brake will release when accelerator pedal is depressed.
- To stop, release accelerator pedal and depress brake pedal.
- After stopping the vehicle:
 - Firmly depress park brake until it locks.
 - Place Forward/Reverse switch in "NEUTRAL" position.
 - Turn key "OFF" and remove key when not in use.

CCI 101621601



⚠ WARNING

ROLLOVER OR FALLING OFF MAY CAUSE DEATH.

- Before using vehicle, read operating instructions.
- Remain seated and hold on to seat handle while moving.
- Do not start vehicle until all occupants are seated.
- Two (2) persons per seat maximum.
- Operate from driver side only and not on public roads.
- Keep entire body inside vehicle while moving.
- Drive slowly in turns and straight up and down slopes.
- Do not leave children unattended on vehicle.
- Never operate under the influence of alcohol or drugs.
- Use brakes to reduce speed when coasting downhill.
- Never stand in front of or behind vehicle.

CCI 1019606-01

⚠ WARNING

FALLING OFF COULD RESULT IN SEVERE INJURY OR DEATH

- Remain seated with entire body inside vehicle and hold on to seat handle or handrail at all times.
- Two (2) persons per bench seat maximum.
- One (1) person per bucket seat maximum.
- Do not leave children unattended on vehicle at anytime.
- Never stand in front of or behind vehicle.

CCI 101705701

DECALS, FRONT BODY – VILLAGER 6 AND VILLAGER 8

ITEM	PART NO.	DESCRIPTION	QTY GAS	QTY ELEC
		1 2 3 4		
1	<u>101825102</u>	Decal, Key Switch (gasoline vehicle)	1	
2	<u>101825101</u>	Decal, Key Switch (electric vehicle)		1
3	<u>101693201</u>	Decal, Operating Instructions (gasoline vehicle)	1	
4	101621601	Decal, Operating Instructions (electric vehicle)		1
5	<u>101705701</u>	Decal, Passenger Warning	1	1
6	101960601	Decal, Driver/Passenger Warning	1	1

3
G
E

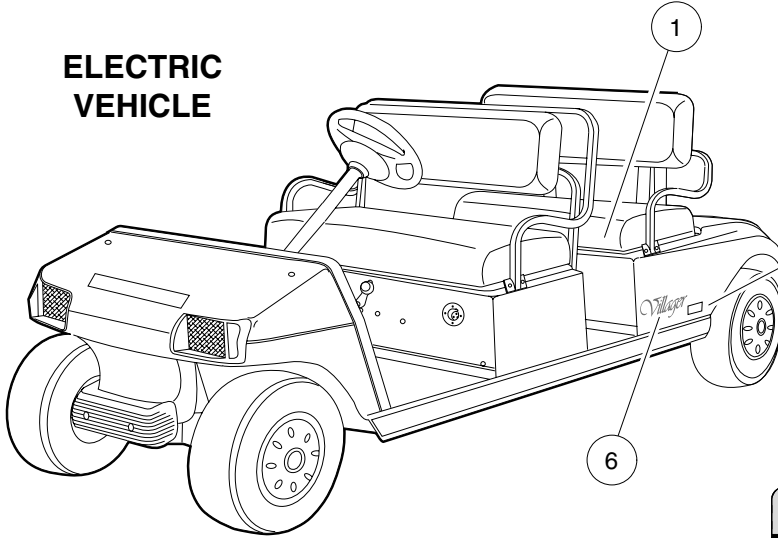
⚠ DANGER / POISON

EXPLOSIVE GASES CAN CAUSE BLINDNESS OR INJURY	SHIELD EYES	NO SPARKS • FLAMES • SMOKING	SULFURIC ACID CAN CAUSE BLINDNESS OR SEVERE BURNS	FLUSH EYES IMMEDIATELY WITH WATER GET MEDICAL HELP FAST
---	-------------	------------------------------------	--	--

KEEP OUT OF THE REACH OF CHILDREN - DO NOT TIP - KEEP VENT CAPS TIGHT AND LEVEL

(MOLDED ON BATTERY CAPS)

ELECTRIC VEHICLE



INGERSOLL-RAND

(ON BODY PANEL)

⚠ WARNING

- GASOLINE EXPLOSION / FIRE.
- CAN CAUSE SEVERE INJURY OR DEATH.
- NO SMOKING, SPARKS, OR OPEN FLAME.
- STOP ENGINE, ALLOW TO COOL BEFORE REFUELING.
- TURN FUEL VALVE () ON DURING OPERATION.
- () OFF DURING STORAGE OR TRANSPORT. CCI 1015476-01

(ON VEHICLE FRAME NEAR FUEL TANK)

⚠ WARNING

CAN CAUSE SEVERE INJURY

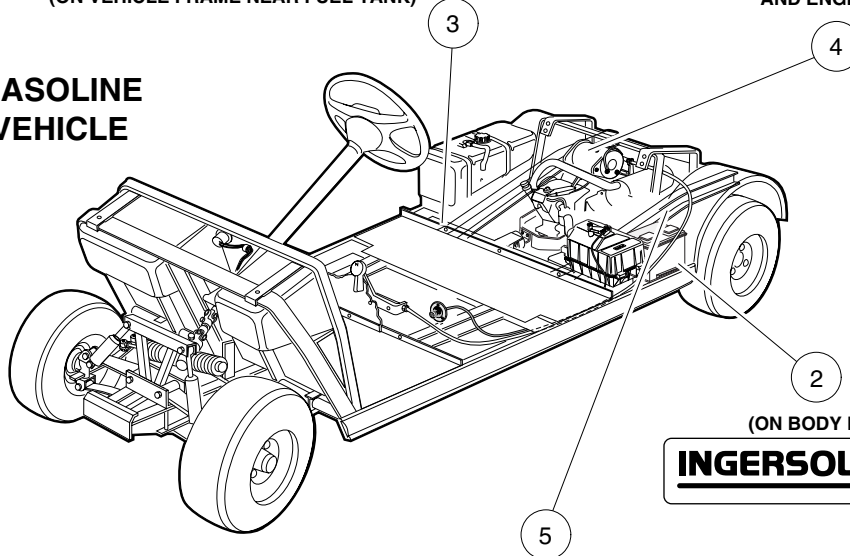
Rotating parts

HOT
manifold & muffler

KEEP CLEAR CCI 1019605-01

(ON STARTER/GENERATOR AND ENGINE)

GASOLINE VEHICLE



(ON BODY PANEL)

INGERSOLL-RAND

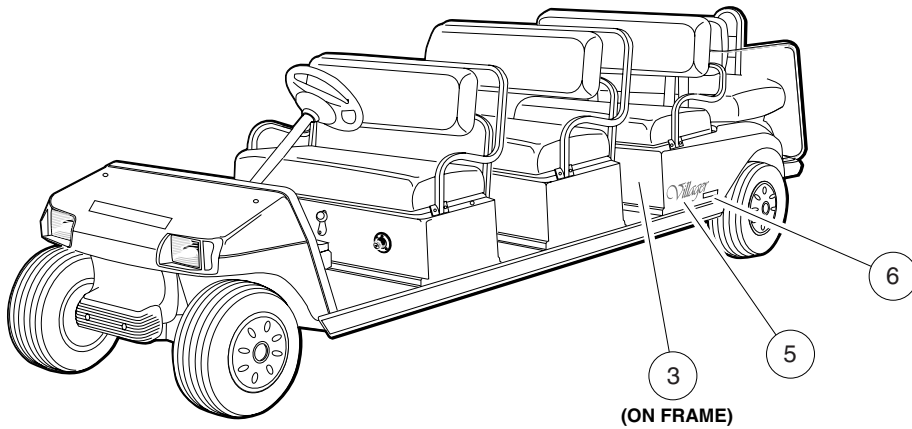
(ON VEHICLE FRAME NEAR BATTERY)

	⚠ WARNING Negative frame ground. Can cause severe injury. Do not contact positive (+) battery post or cable to frame. Disconnect negative battery lead first.		⚠ WARNING Excessive speed. Can cause severe injury or death. Do not tamper with engine governor adjustment. CCI 1019152-01
--	---	--	--

DECALS, REAR BODY – VILLAGER 6

ITEM	PART NO.	DESCRIPTION	QTY GAS	QTY ELEC
		1 2 3 4		
1	<u>1013677</u>	Decal, Battery Danger		1
2	<u>101921901</u>	Decal, Ingersoll-Rand (for 2001 vehicles only)	2	2
3	<u>101547601</u>	Decal, Gasoline Warning	1	
4	<u>101960501</u>	Decal, Rotating Parts and Hot Manifold Warning.....	2	
5	<u>101915201</u>	Decal, Frame Ground and Governor Warning	1	
6	102168701	Decal, Villager	2	2

3
G
E



(ON FRAME)

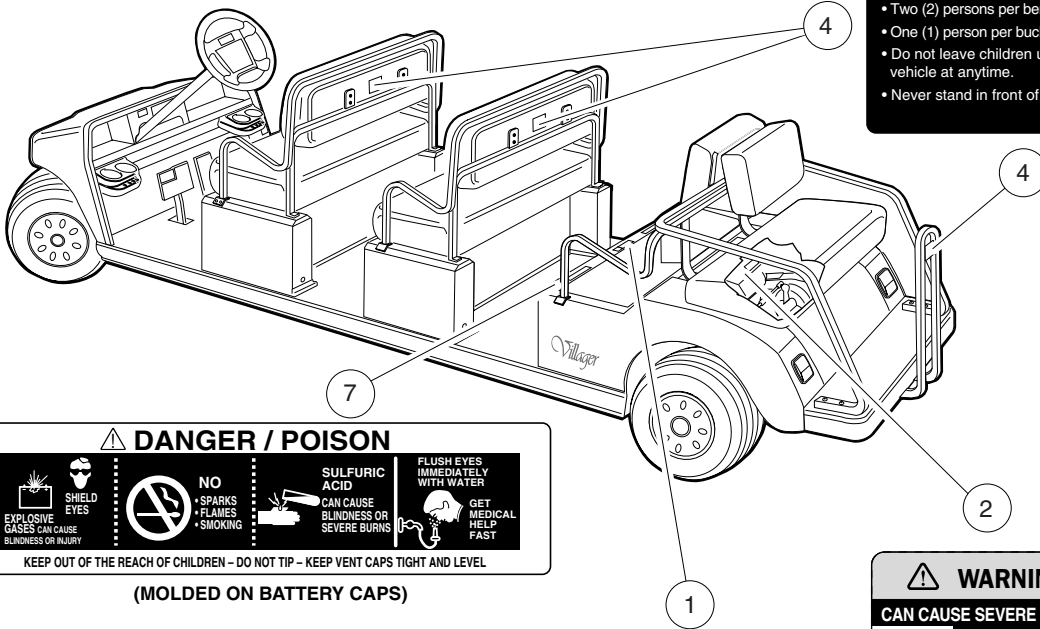
	<p>WARNING</p> <p>Negative frame ground. Can cause severe injury. Do not contact positive (+) battery post or cable to frame. Disconnect negative battery lead first.</p>		<p>WARNING</p> <p>Excessive speed. Can cause severe injury or death. Do not tamper with engine governor adjustment. CCI 1019152-01</p>
--	--	--	---

WARNING

FALLING OFF COULD RESULT IN SEVERE INJURY OR DEATH

- Remain seated with entire body inside vehicle and hold on to seat handle or handrail at all times.
- Two (2) persons per bench seat maximum.
- One (1) person per bucket seat maximum.
- Do not leave children unattended on vehicle at anytime.
- Never stand in front of or behind vehicle.

CCI 101705701



DANGER / POISON

<p>EXPLOSIVE GASES CAN CAUSE BLINDNESS OR INJURY</p>	<p>SHIELD EYES</p>	<p>NO SPARKS • FLAMES • SMOKING</p>	<p>SULFURIC ACID CAN CAUSE BLINDNESS OR SEVERE BURNS</p>	<p>FLUSH EYES IMMEDIATELY WITH WATER</p>	<p>GET MEDICAL HELP FAST</p>
--	--------------------	-------------------------------------	--	--	------------------------------

KEEP OUT OF THE REACH OF CHILDREN - DO NOT TIP - KEEP VENT CAPS TIGHT AND LEVEL

(MOLDED ON BATTERY CAPS)

WARNING

- GASOLINE EXPLOSION / FIRE.
- CAN CAUSE SEVERE INJURY OR DEATH.
- NO SMOKING, SPARKS, OR OPEN FLAME.
- STOP ENGINE, ALLOW TO COOL BEFORE REFUELING.
- TURN FUEL VALVE () ON DURING OPERATION.
- () OFF DURING STORAGE OR TRANSPORT.

CCI 1015476-01

(ON FRAME)

WARNING

CAN CAUSE SEVERE INJURY

Rotating parts

HOT manifold & muffler

KEEP CLEAR CCI 1019605-01

(ON STARTER/GENERATOR AND ENGINE)

DECALS, CENTER AND REAR BODY – VILLAGER 8

ITEM	PART NO.	DESCRIPTION	QTY GAS	QTY ELEC
		1 2 3 4		
1	<u>101547601</u>	Decal, Gasoline Warning	1	
2	<u>101960501</u>	Decal, Rotating Parts and Hot Manifold Warning.....	2	
3	<u>101915201</u>	Decal, Frame Ground and Governor Warning	1	
4	<u>101705701</u>	Decal, Passenger Warning	3	3
5	102168701	Decal, Villager	2	2
6	<u>101921901</u>	Decal, Ingersoll-Rand (for 2001 vehicles only)	2	2
7	<u>1013677</u>	Decal, Battery Danger.....		1

3
G
E

OPERATING INSTRUCTIONS

- Read Owner's Manual and safety warnings located on dash panel prior to driving.
- Study and understand controls.

TO START ENGINE

- Place shift lever in "N" - Neutral position.
- Depress brake pedal.
- Turn key switch to "START" position and release.

TO OPERATE VEHICLE

- Make sure wheels are turned in desired direction.
- Be sure nothing is in your path.
- While vehicle is stopped, and engine is at idle, select vehicle direction by placing shift lever or switch in desired position.
- F - Forward N - Neutral R - Reverse (Buzzer will sound)
- Park brake will release when accelerator pedal is pushed.
- Slowly push accelerator pedal to increase speed.
- Engine must be at idle before moving shift lever.

TO STOP VEHICLE

- Release accelerator pedal and push brake pedal.
- After stopping, firmly push park brake until it locks.
- Turn key to "OFF" position, remove key and place shift lever in straight up neutral position when not in use.

CCI 101693201

OPERATING INSTRUCTIONS

- Read Owner's Manual and safety warnings located on dash panel prior to driving.
- Study and understand controls.
- Make sure wheels are turned in desired direction.
- Turn key to "ON" position and be sure nothing is in your path.
- While vehicle is stopped, select direction by placing shift lever or switch in desired position:
- F - Forward N - Neutral R - Reverse (Buzzer will sound)
- Vehicle will start moving when accelerator pedal is depressed.
- Slowly depress accelerator pedal to increase speed. Park brake will release when accelerator pedal is depressed.
- To stop, release accelerator pedal and depress brake pedal.
- After stopping the vehicle:
 - Firmly depress park brake until it locks.
 - Place Forward/Reverse switch in "NEUTRAL" position.
 - Turn key "OFF" and remove key when not in use.

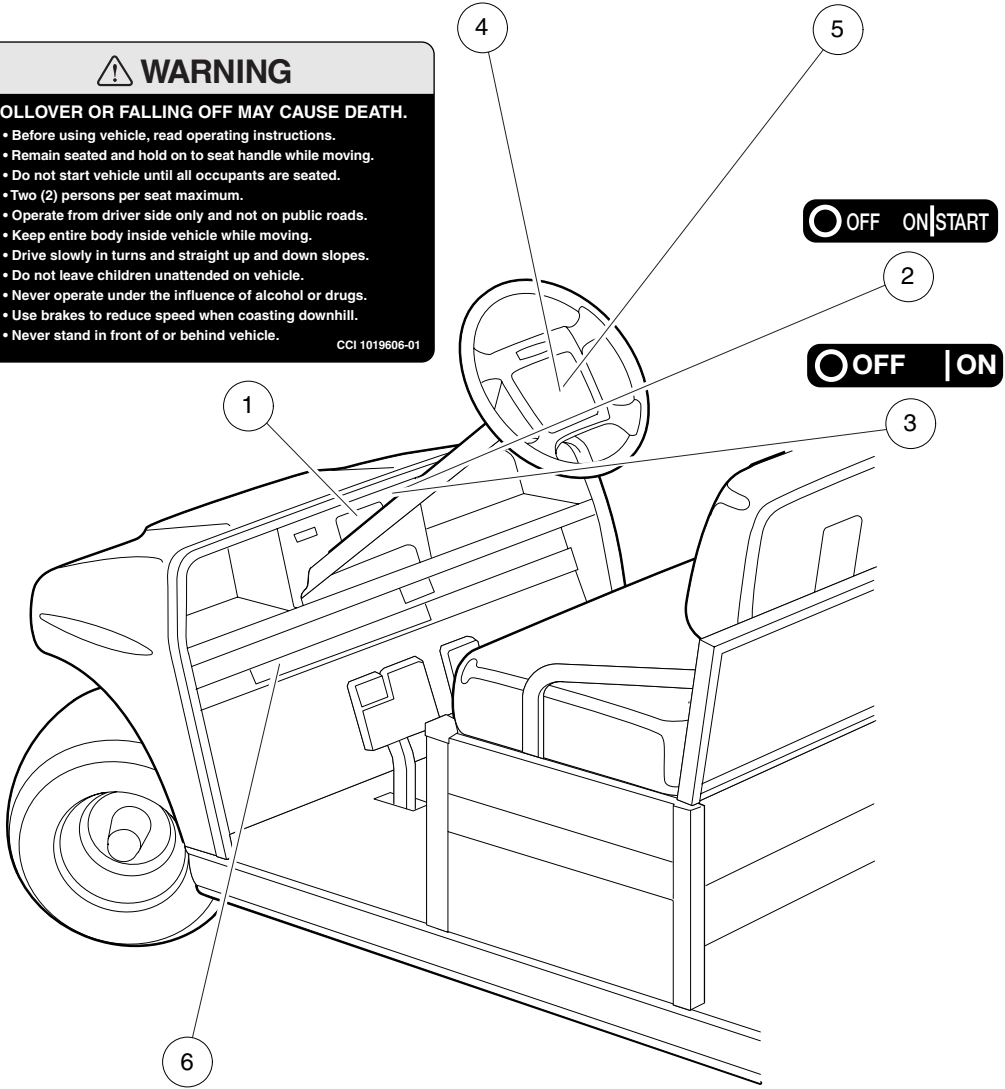
CCI 101621901

WARNING

ROLLOVER OR FALLING OFF MAY CAUSE DEATH.

- Before using vehicle, read operating instructions.
- Remain seated and hold on to seat handle while moving.
- Do not start vehicle until all occupants are seated.
- Two (2) persons per seat maximum.
- Operate from driver side only and not on public roads.
- Keep entire body inside vehicle while moving.
- Drive slowly in turns and straight up and down slopes.
- Do not leave children unattended on vehicle.
- Never operate under the influence of alcohol or drugs.
- Use brakes to reduce speed when coasting downhill.
- Never stand in front of or behind vehicle.

CCI 1019606-01



VEHICLE LOADING

Read Owner's Manual and warnings on dash.

- Vehicle rated capacity - 1500 lbs. on level surface only. Weight to include passengers, cargo bed load, and gross trailer weight. See Owner's Manual.
- Maximum cargo load CARRYALL 6 or TURF 6 - 1000 lbs., TRANSPORTER - 300 lbs. Weight to include cargo bed load and gross trailer weight.
- Maximum trailer hitch tongue weight - 150 lbs.

- Cargo should be evenly spread over the floor of the cargo bed as far forward as possible and secured.
 - For vehicle stability, when fully loaded, drive slowly and avoid stopping on or backing down steep hills.
 - Avoid top heavy loads. See Owner's Manual.
 - When driving on uneven terrain or down steep hills, reduce speed and load.
- CCI 101960001

DECALS – TRANSPORTER 4 AND TRANSPORTER 6

ITEM	PART NO.	DESCRIPTION	QTY GAS	QTY ELEC
		1 2 3 4		
1	101960601	Decal, Driver/Passenger Warning	1	1
2	<u>101825102</u>	Decal, Key Switch (gasoline vehicle only)	1	
3	<u>101825101</u>	Decal, Key Switch (electric vehicle only)		1
4	<u>101693201</u>	Decal, Operating Instructions (gasoline vehicle only)	1	
5	101621601	Decal, Operating Instructions (electric vehicle only)		1
6	<u>101960001</u>	Decal, Vehicle Loading	1	1

3
G
E

NOTICE
Do not operate vehicle without this cover properly installed.
Do not direct water stream in this area; will cause damage to components.
See vehicle maintenance and service manual before servicing. CCI 101931501

(ON COVER)

⚠ DANGER / POISON
EXPLOSIVE GASES CAN CAUSE BLINDNESS OR INJURY. SHIELD EYES.
NO SPARKS, FLAMES, SMOKING.
SULFURIC ACID CAN CAUSE BLINDNESS OR SEVERE BURNS.
FLUSH EYES IMMEDIATELY WITH WATER. GET MEDICAL HELP FAST.
KEEP OUT OF THE REACH OF CHILDREN - DO NOT TIP - KEEP VENT CAPS TIGHT AND LEVEL.

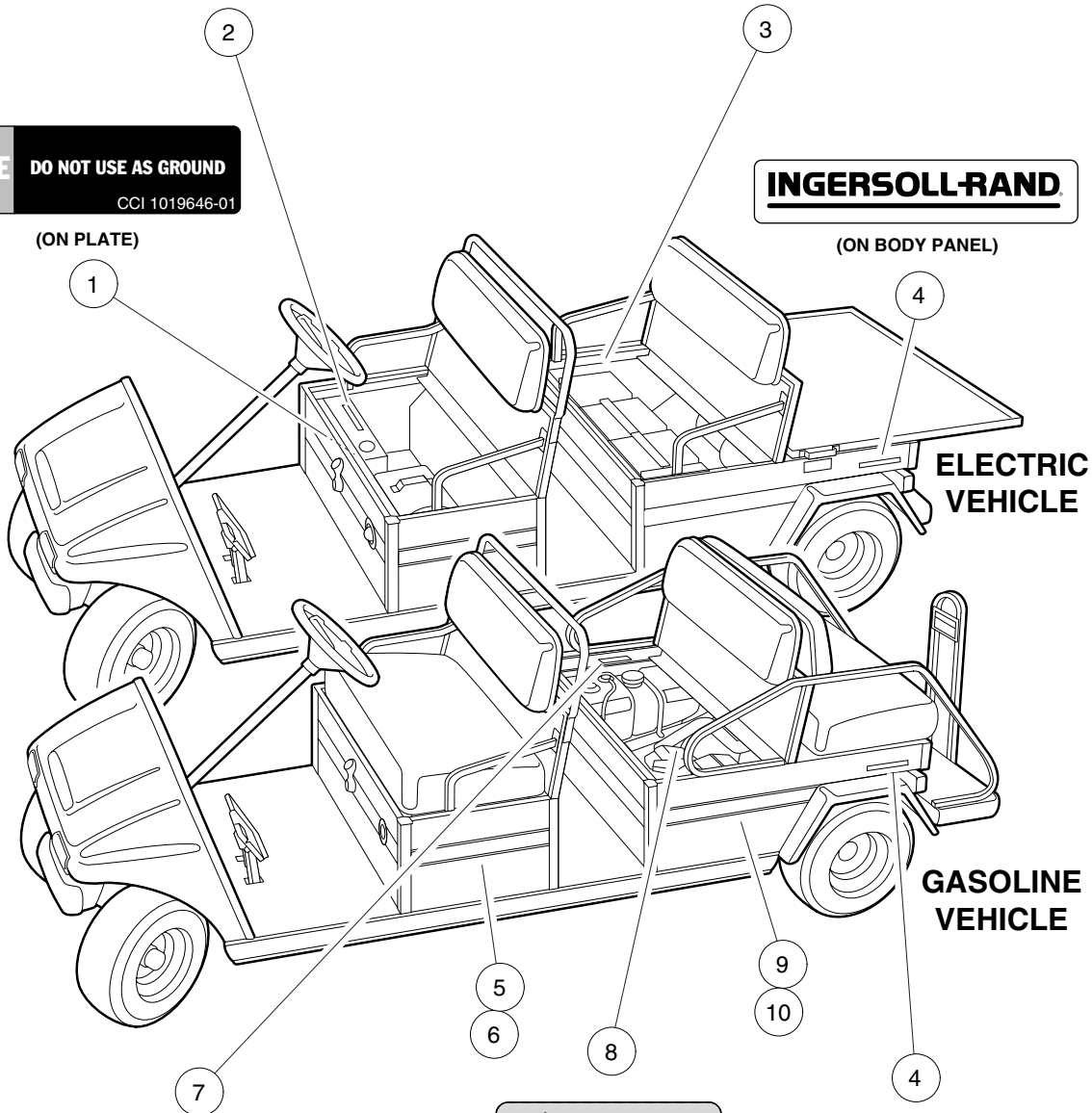
(MOLDED ON BATTERY CAPS)

NOTICE DO NOT USE AS GROUND
CCI 1019646-01

(ON PLATE)

INGERSOLL-RAND

(ON BODY PANEL)



⚠ WARNING
• GASOLINE EXPLOSION / FIRE.
• CAN CAUSE SEVERE INJURY OR DEATH.
• NO SMOKING, SPARKS, OR OPEN FLAME.
• STOP ENGINE, ALLOW TO COOL BEFORE REFUELING.
• TURN FUEL VALVE () ON DURING OPERATION.
() OFF DURING STORAGE OR TRANSPORT. CCI 1015476-01

(ON VEHICLE FRAME NEAR FUEL TANK)

⚠ WARNING
CAN CAUSE SEVERE INJURY
 Rotating parts
 HOT manifold & muffler
KEEP CLEAR CCI 1019605-01

(ON STARTER/GENERATOR AND ENGINE)


INGERSOLL-RAND

(ON BODY PANEL)


DECALS – TRANSPORTER 4 AND TRANSPORTER 6, CONTINUED

ITEM	PART NO.	DESCRIPTION	QTY GAS	QTY ELEC
		1 2 3 4		
1	<u>101964601</u>	Decal, No Ground		1
2	<u>101931501</u>	Decal, Component Cover Caution		1
3	<u>1013677</u>	Decal, Battery Danger		1
4	<u>101921901</u>	Decal, Ingersoll-Rand (for 2001 vehicles only)	2	2
5	<u>102249901</u>	Decal, TransPorter 4 (passenger side).....	1	1
6	<u>102244501</u>	Decal, TransPorter 4 (driver side)	1	1
7	<u>101547601</u>	Decal, Gasoline Warning	1	
8	<u>101960501</u>	Decal, Rotating Parts and Hot Manifold Warning	1	
9	<u>102244801</u>	Decal, TransPorter 6 (passenger side).....	1	1
10	<u>102244701</u>	Decal, TransPorter 6 (driver side)	1	1

3
G
E



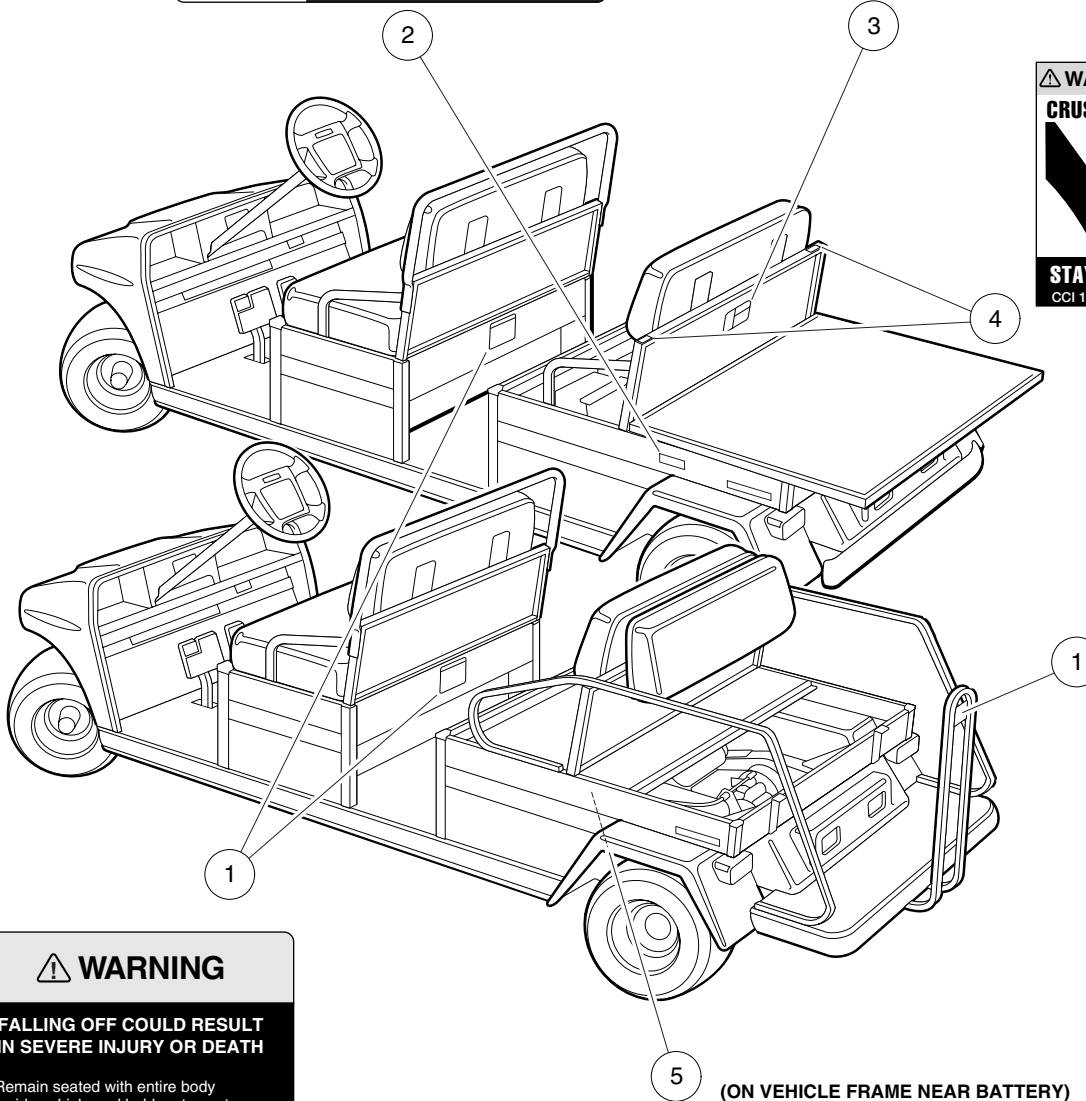
WARNING
FAILURE TO FOLLOW THESE INSTRUCTIONS CAN CAUSE SEVERE INJURY OR DEATH. Bed can tip up unexpectedly. Bed hold down bolts must be fastened.
CCI 101707801



WARNING
Riding in cargo bed can cause severe injury or death. Do not ride in cargo bed.
CCI 1015639-01

WARNING
CRUSH AREA

STAY CLEAR
CCI 1016094-01



WARNING
FALLING OFF COULD RESULT IN SEVERE INJURY OR DEATH

- Remain seated with entire body inside vehicle and hold on to seat handle or handrail at all times.
- Two (2) persons per bench seat maximum.
- One (1) person per bucket seat maximum.
- Do not leave children unattended on vehicle at anytime.
- Never stand in front of or behind vehicle.

CCI 101705781

	<p>WARNING Negative frame ground. Can cause severe injury. Do not contact positive (+) battery post or cable to frame. Disconnect negative battery lead first.</p>		<p>WARNING Excessive speed. Can cause severe injury or death. Do not tamper with engine governor adjustment. CCI 1019152-01</p>
--	---	--	--

DECALS – TRANSPORTER 4 AND TRANSPORTER 6, CONTINUED

ITEM	PART NO.	DESCRIPTION	QTY GAS	QTY ELEC
		1 2 3 4		
1	<u>101705701</u>	Decal, Passenger Warning (quantity 1 for TransPorter 4)	2	2
2	<u>101707801</u>	Decal, Bed Bolt Warning (TransPorter 4 only)	1	1
3	<u>101553901</u>	Decal, Bed Load Warning (TransPorter 4 only)	1	1
4	<u>101609401</u>	Decal, Crush Area (TransPorter 4 only)	2	2
5	<u>101915201</u>	Decal, Frame Ground and Governor Warning	1	

3
G
E

3

G

E

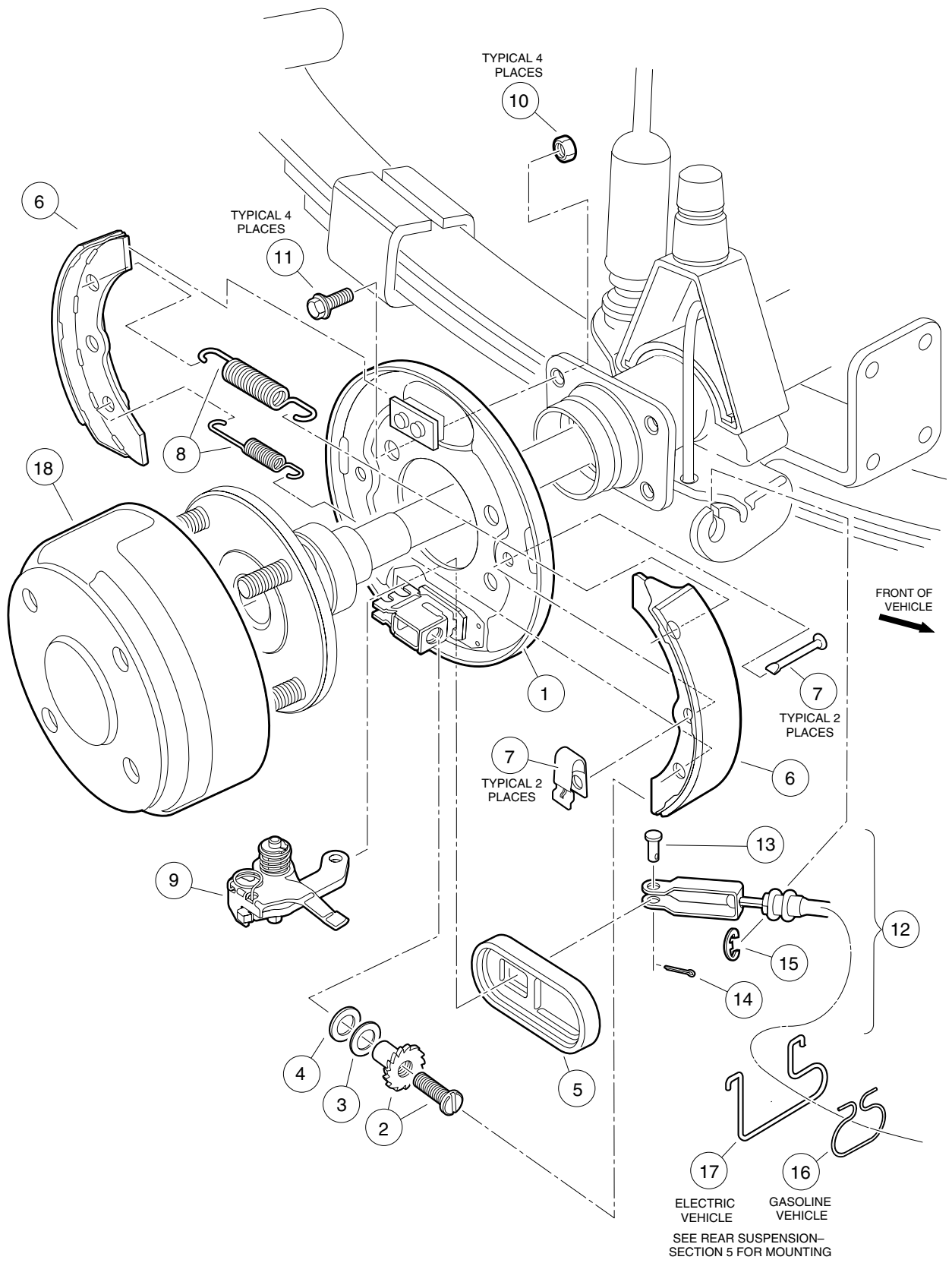
BRAKES, PEDAL, AND CABLE ASSEMBLIES

4

G

E

4
G
E

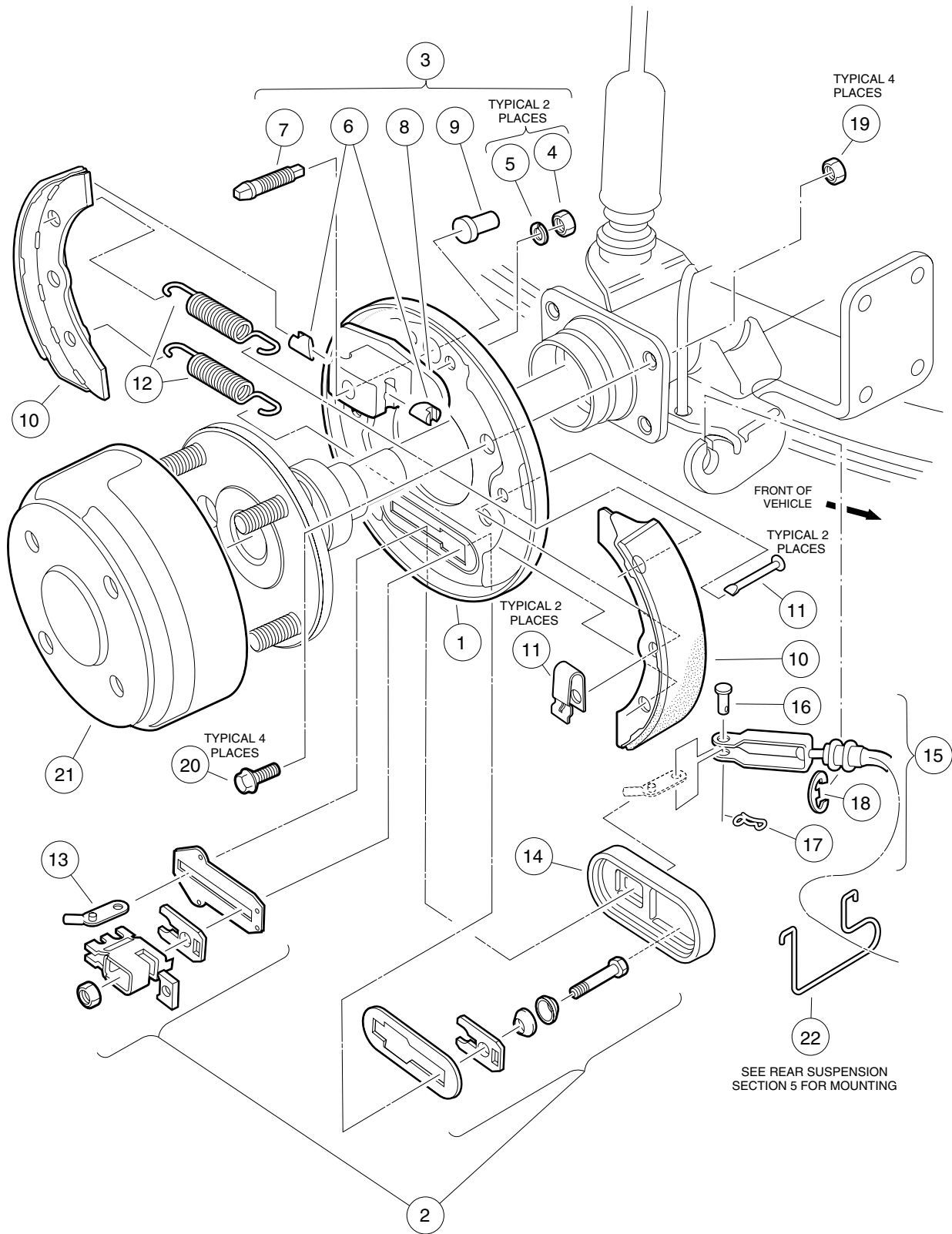


REAR BRAKE ASSEMBLY, SELF-ADJUSTING – VILLAGER 4

ITEM	PART NO.	DESCRIPTION	QTY GAS	QTY ELEC
		1 2 3 4		
	<u>101823301</u>	Cluster, Passenger-Side Brake (includes items 1 - 9)	1	1
	<u>101823302</u>	Cluster, Driver-Side Brake (includes items 1 - 9)	1	1
1	<u>101824001</u>	Assembly, Backing Plate, Passenger-Side (includes items 2 - 4)	1	1
1	<u>101824002</u>	Assembly, Backing Plate, Driver-Side (includes items 2 - 4)	1	1
2	<u>101816501</u>	Mechanism, Adjusting, Passenger-Side	1	1
2	<u>101816502</u>	Mechanism, Adjusting, Driver-Side	1	1
3	<u>101823901</u>	Washer	1	1
4	<u>101823801</u>	Washer, Plate	1	1
5	<u>1010850</u>	Cover, Dust	1	1
6	<u>101823201</u>	Package, Brake Shoe (four pieces)	1	1
7	<u>1011466</u>	Kit, Shoe Retainer (four pieces)	1	1
8	<u>101816301</u>	Package, Brake Spring (four pieces)	1	1
9	101815501	Assembly, Lever, Passenger-Side	1	1
9	101815502	Assembly, Lever, Driver-Side	1	1
10	<u>1013924</u>	Nut, Hex-Head Lock, Grade 8, 5/16-24	8	8
11	<u>1014153</u>	Bolt, Brake Cluster Mounting, Grade 8, 5/16-24 x 7/8	8	8
12	<u>102022101</u>	Kit, Brake Cable (includes items 13 -15)	2	2
13	<u>1010829</u>	Pin, Clevis, 5/16	1	1
14	<u>1035</u>	Pin, Cotter, 3/32 x 1	1	1
15	<u>1011779</u>	E-Clip, 1/2	2	2
16	101900801	Hanger, Brake Cable (gasoline vehicle only)	2	
17	<u>1013207</u>	Hanger, Brake Cable (electric vehicle only)		2
18	<u>101791101</u>	Drum, Brake	2	2

4
G
E

4
G
E



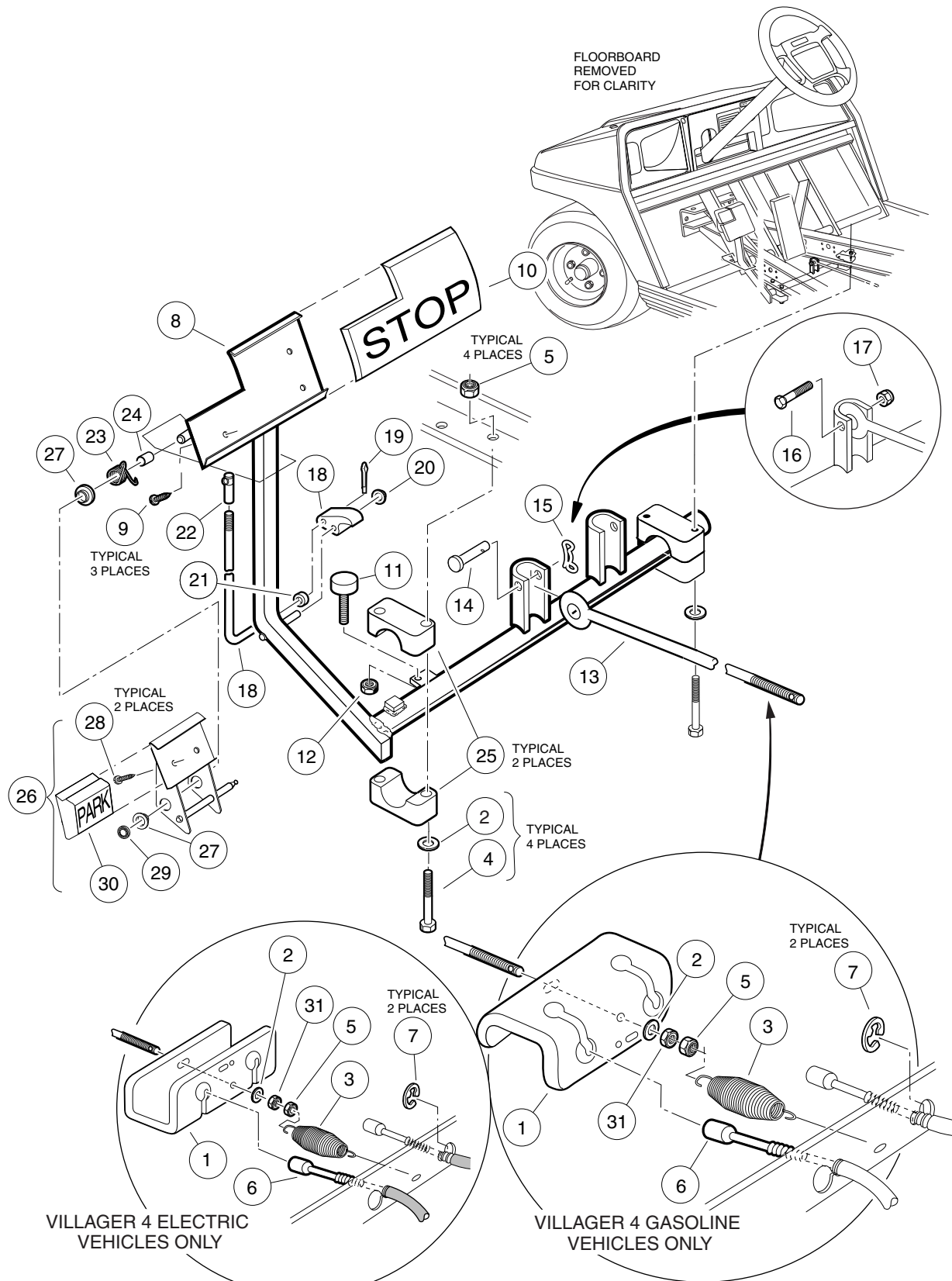
SEE REAR SUSPENSION SECTION 5 FOR MOUNTING

REAR BRAKE ASSEMBLY, MANUALLY ADJUSTED – VILLAGER 6 AND 8, TRANSPORTER 4 AND 6

ITEM	PART NO.	DESCRIPTION	QTY GAS	QTY ELEC
		1 2 3 4		
	<u>1016573</u>	Cluster, Passenger-Side Brake Without Brake Drum (includes items 1 - 14)	1	1
	<u>1016557</u>	Cluster, Driver-Side Brake Without Brake Drum (includes items 1 - 14)	1	1
1	N/A	Plate, Backing, Driver-Side	1	1
1	N/A	Plate, Backing, Passenger-Side	1	1
2	<u>1011465</u>	Kit, Brake Actuator	1	1
3	<u>1011467</u>	Kit, Anchor Body (includes items 4 - 9)	1	1
4	<u>1011114</u>	Nut, M6 x 1	2	2
5	<u>451</u>	Washer, Lock, 1/4	2	2
6	N/A	Piston, Anchor	2	2
7	N/A	Bolt, Adjustment	1	1
8	N/A	Body, Anchor	1	1
9	<u>1011303</u>	Cap, Adjustment Bolt	1	1
10	<u>101146302</u>	Package, Brake Shoe (four pieces)	1	1
11	<u>1011466</u>	Kit, Shoe Retainer (four pieces)	1	1
12	<u>1011464</u>	Package, Brake Spring (four pieces)	1	1
13	N/A	Arm, Brake Lever	1	1
14	<u>1010850</u>	Cover, Dust	1	1
15	<u>102166901</u>	Kit, Brake Cable (includes two each of items 16 and 17 and four each of item 18)	1	1
16	<u>1010829</u>	Pin, Clevis, 5/16	2	2
17	<u>102292801</u>	Pin, Bow Tie Locking	2	2
18	<u>1011779</u>	E-Clip, 1/2	4	4
19	<u>1013924</u>	Nut, Cone Lock, Grade 8, 5/16-24	8	8
20	<u>1014153</u>	Bolt, Brake Cluster Mounting, Grade 8, 5/16-24 x 7/8	8	8
21	<u>101791101</u>	Drum, Brake	2	2
22	<u>1013207</u>	Hanger, Brake Cable	2	2

4
G
E

**4
G
E**

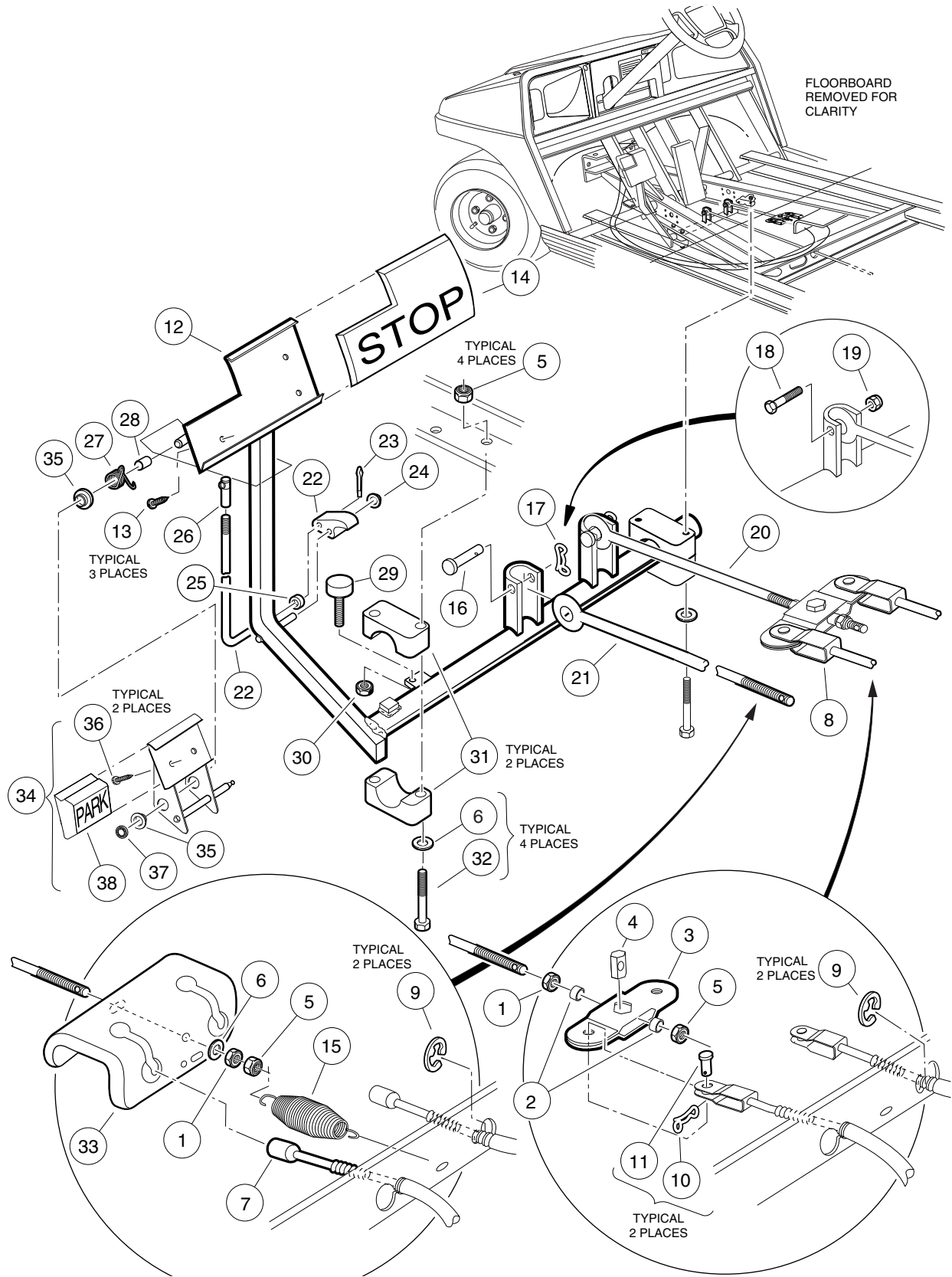


BRAKE PEDAL AND CABLE ASSEMBLY – VEHICLE WITH TWO-WHEEL BRAKES

ITEM	PART NO.	DESCRIPTION	QTY GAS	QTY ELEC
		1 2 3 4		
1	<u>101990801</u>	Equalizer	1	1
2	<u>1241</u>	Washer, Flat, 5/16	5	5
3	<u>1013531</u>	Spring, Brake Return	1	1
4	<u>1010921</u>	Screw, Hex-Head Cap, 5/16-18 x 2-1/2	4	4
5	<u>7473</u>	Nut, Nylon Lock, 5/16-18	5	5
6	<u>102022101</u>	Kit, Brake Cable (includes item 7, and items 13 and 14 on page 4-3)	2	2
7	<u>1011779</u>	E-Clip, 1/2	2	2
8	<u>101878201</u>	Kit, Brake Pedal (includes items 9 and 10)	1	1
9	<u>7716</u>	Screw, Slotted Hex Washer-Head, #10-16 x 1/2	3	3
10	<u>1013869</u>	Pad, Brake Pedal	1	1
11	<u>1010878</u>	Bumper, Rubber	1	1
12	<u>1028</u>	Nut, Hex, 1/4-20	1	1
13	<u>101953101</u>	Rod, Equalizer	1	1
14	<u>102323201</u>	Pin, Clevis, 5/16 (later style hardware used with item 15)	1	1
15	<u>102323101</u>	Pin, Bow Tie Locking	1	1
16	<u>101953001</u>	Bolt, Hex-Head Shoulder, 3/8 x 1 (earlier style hardware used with item 17)	1	1
17	<u>7473</u>	Nut, Nylon Lock, 5/16-18	1	1
	<u>101187702</u>	Kit, Park Brake Latch (includes items 18 - 22 and item 26 on page 4-13) .	1	1
18	<u>N/A</u>	Rod and Pawl	1	1
19	<u>1017029</u>	Pin, Cotter, 7/64 x 1/2	1	1
20	<u>1010877</u>	Nut, Push, 5/16	1	1
21	<u>1010805</u>	Sleeve, Park Brake Rod	1	1
22	<u>1010932</u>	Joint, Ball, 1/4-28	1	1
23	<u>1010933</u>	Spring, Park Brake Torsion	1	1
24	<u>1010927</u>	Spacer, Park Brake	1	1
25	<u>1011402</u>	Package, Brake Mounting Block (contains upper and lower for driver and passenger sides)	1	1
26	<u>1011418</u>	Kit, Park Brake Pedal (includes items 27 - 30)	1	1
27	<u>1032</u>	Bushing, Nylon	2	2
28	<u>8626</u>	Screw, Slotted Hex Washer-Head, #10-16 x 5/8	2	2
29	<u>1013876</u>	Nut, Push, 3/8	1	1
30	<u>1013870</u>	Pad, Park Brake	1	1
31	<u>1242</u>	Nut, Hex, 5/16-18	1	1

4
G
E

**4
G
E**

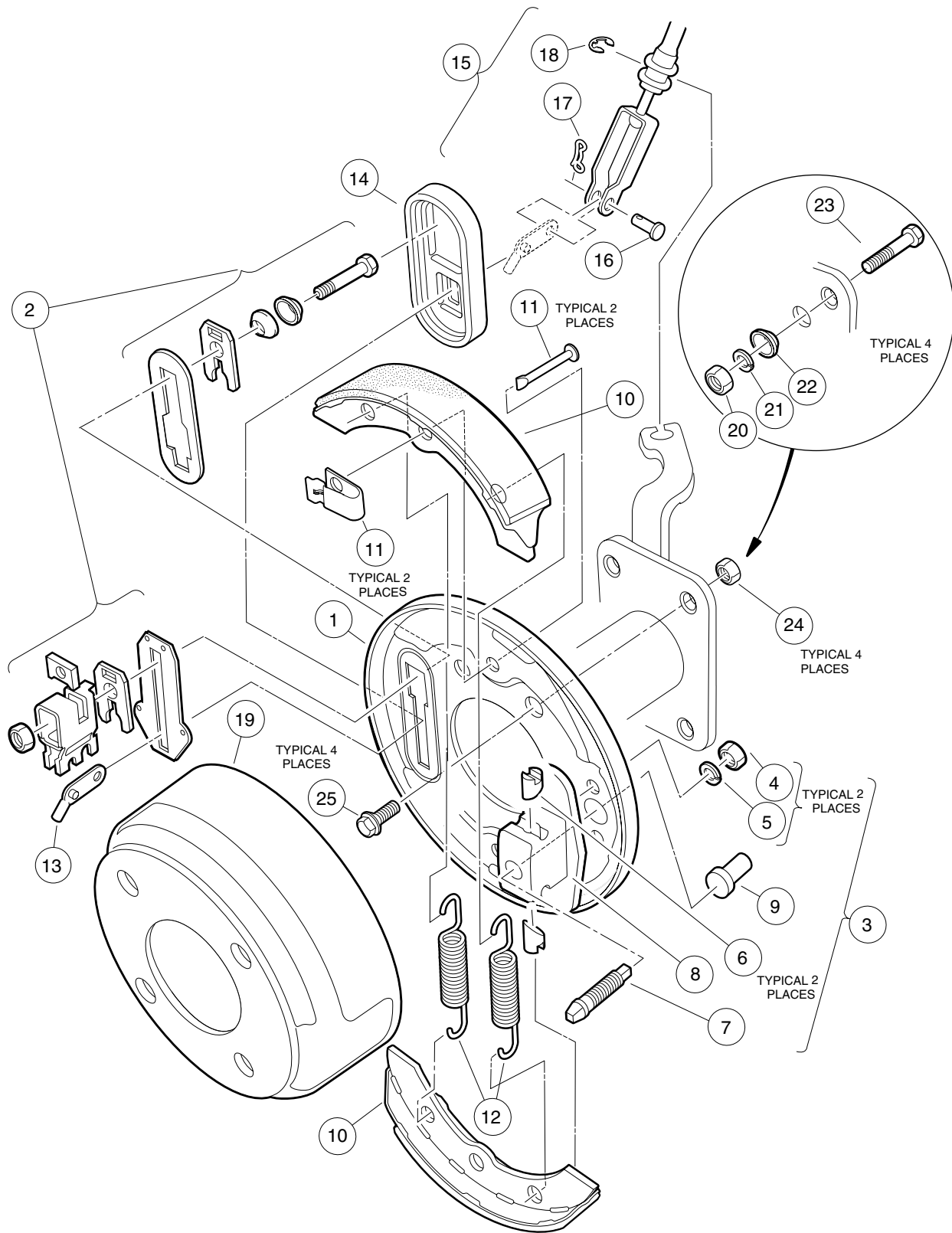


BRAKE PEDAL AND CABLE ASSEMBLY – VEHICLE WITH FOUR-WHEEL BRAKES

ITEM	PART NO.	DESCRIPTION	QTY GAS	QTY ELEC
		1 2 3 4		
1	<u>1242</u>	Nut, Hex, 5/16-18	1	1
2	<u>101865301</u>	Spacer, Equalizer	2	2
3	<u>1017211</u>	Kit, Equalizer and Pivot Limiter (includes item 4)	1	1
4	N/A	Pin, Equalizer Pivot	1	1
5	<u>7473</u>	Nut, Nylon Lock, 5/16-18	5	5
6	<u>1241</u>	Washer, Flat, 5/16	5	5
7	<u>102166901</u>	Kit, Brake Cable, Rear (includes four each of item 9 and two each of items 10 and 11)	1	1
8	<u>101874601</u>	Kit, Brake Cable, Front (includes items 9 - 11)	1	1
9	<u>1011779</u>	E-Clip, 1/2	4	4
10	<u>102292801</u>	Pin, Bow Tie Locking	4	4
11	<u>1010829</u>	Pin, Clevis, 5/16	4	4
12	<u>101878201</u>	Kit, Brake Pedal (includes items 13 and 14)	1	1
13	7716	Screw, Slotted Hex Washer-Head, #10-16 x 1/2	3	3
14	<u>1013869</u>	Pad, Brake Pedal	1	1
15	<u>1013531</u>	Spring, Brake Return	1	1
16	<u>102323201</u>	Pin, Clevis, 5/16 (newer style hardware used with item 17)	2	2
17	<u>102323101</u>	Pin, Bow Tie Locking	2	2
18	101953001	Bolt, Hex-Head Shoulder, 3/8 x 1 (older style hardware used with item 19).....	2	2
19	<u>7473</u>	Nut, Nylon Lock, 5/16-18	2	2
20	<u>101953106</u>	Rod, Equalizer, Front	1	1
21	101953103	Rod, Equalizer, Rear (Villager 6, TransPorter 4, and TransPorter 6)	1	1
21	<u>101953104</u>	Rod, Equalizer, Rear (Villager 8 only)	1	1
	<u>101187702</u>	Kit, Park Brake Latch (includes items 22 - 26 and item 26 on page 4-13 or item 25 on page 4-15)	1	1
22	N/A	Rod and Pawl	1	1
23	<u>1017029</u>	Pin, Cotter, 7/64 x 1/2	1	1
24	<u>1010877</u>	Nut, Push, 5/16	1	1
25	<u>1010805</u>	Sleeve, Park Brake Rod	1	1
26	1010932	Joint, Ball, 1/4-28	1	1
27	<u>1010933</u>	Spring, Park Brake Torsion	1	1
28	<u>1010927</u>	Spacer, Park Brake	1	1
29	<u>1010878</u>	Bumper, Rubber	1	1
30	<u>1028</u>	Nut, Hex, 1/4-20	1	1
31	<u>1011402</u>	Package, Brake Mounting Block (contains upper and lower for left and right sides).....	1	1
32	<u>1010921</u>	Screw, Hex-Head Cap, 5/16-18 x 2-1/2	4	4
33	<u>101990801</u>	Equalizer	1	1
34	<u>1011418</u>	Kit, Park Brake Pedal (includes items 35 - 38)	1	1
35	<u>1032</u>	Bushing, Nylon	2	2
36	<u>8626</u>	Screw, Slotted Hex Washer-Head, #10-16 x 5/8	2	2
37	<u>1013876</u>	Nut, Push, 3/8	1	1
38	<u>1013870</u>	Pad, Park Brake	1	1

4
G
E

4
G
E

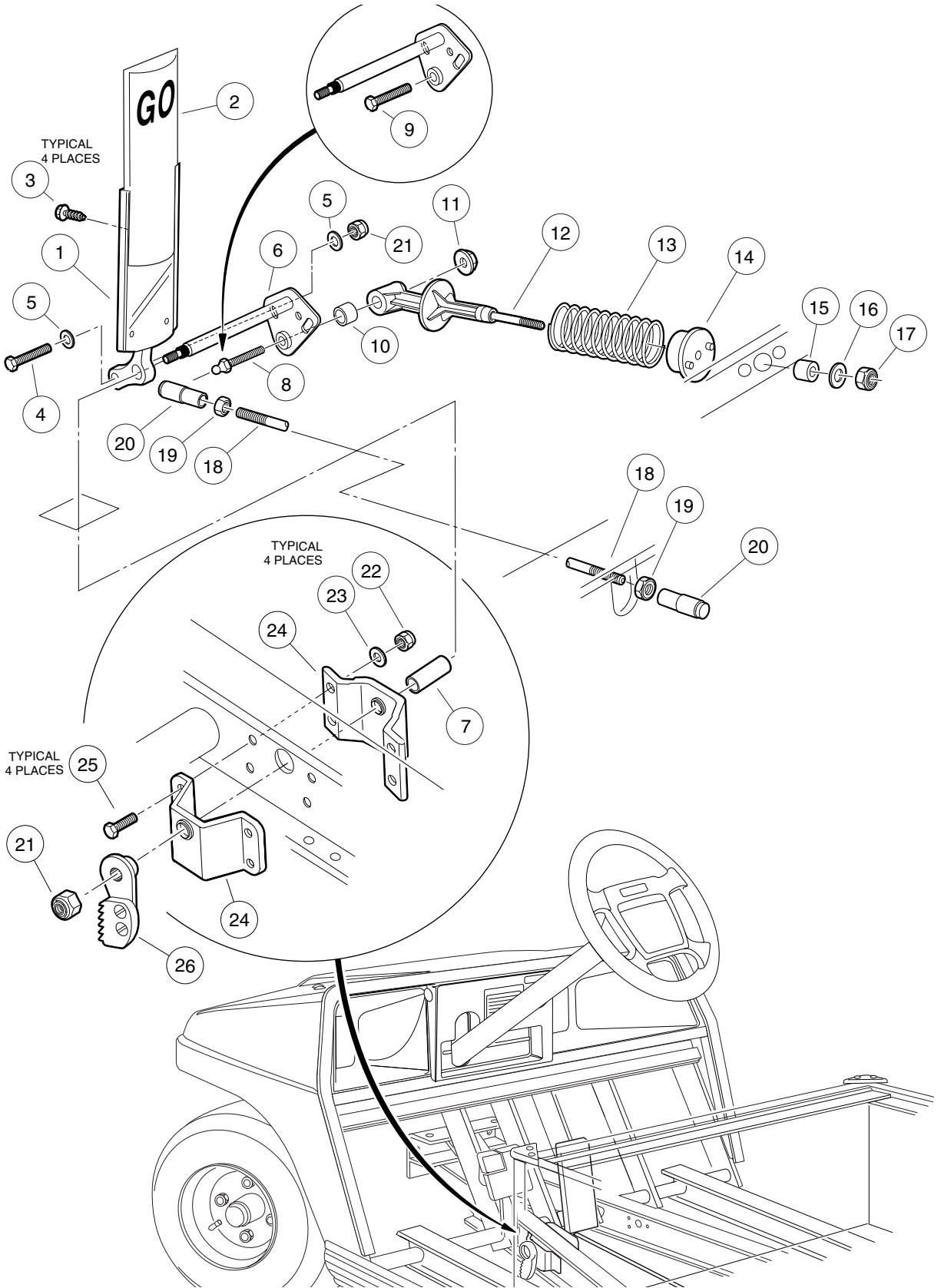


FRONT BRAKE ASSEMBLY – VEHICLE WITH FOUR-WHEEL BRAKES

ITEM	PART NO.	DESCRIPTION	QTY GAS	QTY ELEC
		1 2 3 4		
	<u>1016573</u>	Cluster, Passenger-Side Brake, Without Brake Drum (includes items 1 - 14)	1	1
	<u>1016557</u>	Cluster, Driver-Side Brake, Without Brake Drum (includes items 1 - 14)	1	1
1	N/A	Plate, Backing, Passenger-Side	1	1
1	N/A	Plate, Backing, Driver-Side	1	1
2	<u>1011465</u>	Kit, Brake Actuator	1	1
3	<u>1011467</u>	Kit, Anchor Body (includes items 4 - 9)	1	1
4	<u>1011114</u>	Nut, M6 x 1	2	2
5	<u>451</u>	Washer, Lock, 1/4	2	2
6	N/A	Piston, Anchor	2	2
7	N/A	Bolt, Adjustment	1	1
8	N/A	Body, Anchor	1	1
9	<u>1011303</u>	Cap, Adjustment Bolt	1	1
10	<u>101146302</u>	Package, Brake Shoe (four pieces)	1	1
11	<u>1011466</u>	Kit, Shoe Retainer (four pieces)	1	1
12	<u>1011464</u>	Package, Brake Spring (four pieces)	1	1
13	N/A	Arm, Brake Lever	1	1
14	<u>1010850</u>	Cover, Dust	1	1
15	<u>101874601</u>	Kit, Brake Cable Front (includes items 16 - 18)	1	1
16	<u>1010829</u>	Pin, Clevis, 5/16	4	4
17	<u>102292801</u>	Pin, Bow Tie Locking	4	4
18	<u>1011779</u>	E-Clip, 1/2	4	4
19	<u>1011137</u>	Drum, Brake	4	4
		Items 20 - 23 are for 2001, 2002, and early 2003 vehicles:		
20	101872701	Nut, Hex, 5/16-24	8	8
21	<u>7174</u>	Washer, Lock, 5/16	8	8
22	101869001	Washer, Cone, 5/16	8	8
23	1017232	Screw, Hex-Head Cap, 5/16-24 x 1	8	8
		Items 24 and 25 are for later 2003 vehicles:		
24	<u>1013924</u>	Nut, Cone Lock, Grade 8, 5/16-24	8	8
25	<u>1014153</u>	Bolt, Brake Cluster Mounting, Grade 8, 5/16-24 x 7/8	8	8
		Note: See page 5-11 for front brake cable clamp and bracket.		

4
G
E

4
G
E

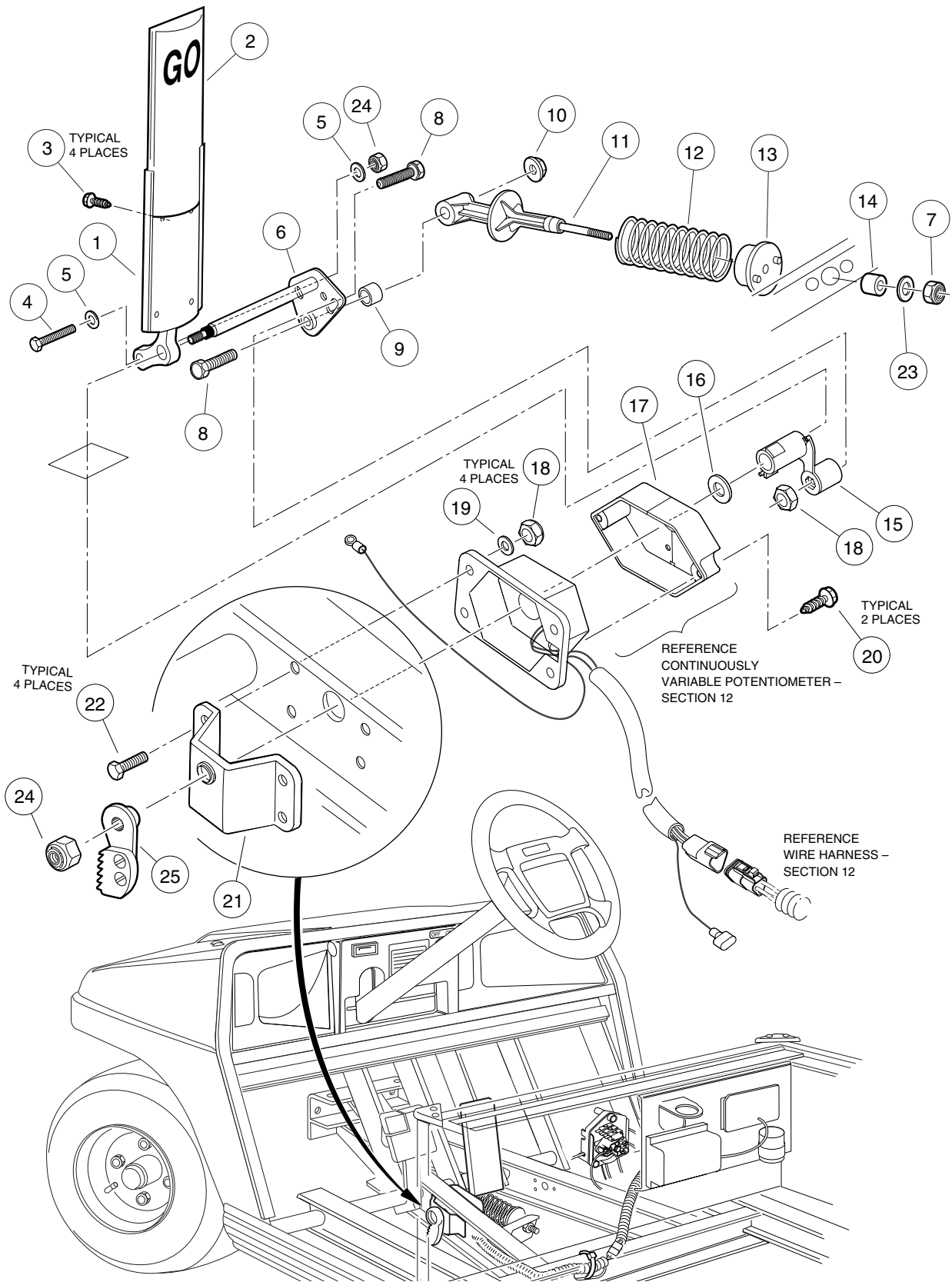


ACCELERATOR PEDAL ASSEMBLY – VILLAGER 4, ALL ELECTRIC WITH MCOR, AND GASOLINE VEHICLES

ITEM	PART NO.	DESCRIPTION	QTY GAS	QTY ELEC
		<p style="text-align: center;">1 2 3 4</p> <p>The information on this page pertains to the following vehicles within the scope of this manual:</p> <ul style="list-style-type: none"> • All gasoline vehicles • Villager 4 electric vehicles • The following electric vehicles with serial numbers 0112-001470 and greater (vehicles with the MCOR device): Villager 6, Villager 8, TransPorter 4, and TransPorter 6 		
1	<u>1017696</u>	Sub-Assembly, Accelerator Pedal (includes items 2 and 3)	1	1
2	<u>1013871</u>	Pad, Accelerator Pedal	1	1
3	<u>7716</u>	Screw, Slotted Hex Washer-Head, #10-16 x 1/2	4	4
4	<u>1624</u>	Screw, Hex Cap, 3/8-16 x 1-1/2	1	1
5	<u>334</u>	Washer, Flat, 3/8	2	2
6	<u>102026001</u>	Kit, Accelerator Pivot Rod (includes item 7)	1	1
7	<u>1011700</u>	Spacer	1	1
8	<u>101818801</u>	Stud, Ball (for all vehicles listed above except those equipped with MCOR)	1	1
9	<u>101862001</u>	Screw, Hex-Head Cap, 1/4-20 x 1-3/8 (MCOR vehicles)		1
10	<u>1017424</u>	Bearing, Pivot Support	1	1
11	<u>101966901</u>	Nut, Flange, 1/4-28	1	1
12	<u>101817401</u>	Retainer, Spring	1	1
13	<u>101796201</u>	Spring, Return	1	1
14	<u>1017378</u>	Cup, Spring	1	1
15	<u>1017380</u>	Bumper, Return Spring	1	1
16	<u>1241</u>	Washer, Flat, 5/16	1	1
17	<u>7473</u>	Nut, Nylon Lock, 5/16-18	1	1
18	<u>101871901</u>	Assembly, Accelerator Rod (electric Villager 4 vehicles with serial numbers lower than 0112-001470 only) (includes items 19 and 20)		1
18	<u>101912401</u>	Assembly, Accelerator Rod (gasoline Villager 4 vehicles only) (includes items 19 and 20)	1	
18	<u>101674702</u>	Assembly, Accelerator Rod (gasoline Villager 6, TransPorter 4, TransPorter 6 vehicles) (includes items 19 and 20)	1	
18	<u>101674704</u>	Assembly, Accelerator Rod (gasoline Villager 8 vehicles only) (includes items 19 and 20)	1	
19	<u>1011084</u>	Nut, UNF Hex Jam, 1/4-28	2	2
20	<u>1011734</u>	Joint, Spring-Loaded Ball	2	2
21	<u>8754</u>	Nut, Nylon Lock, 3/8-16	2	2
22	<u>8233</u>	Nut, Nylon Lock, 1/4-20	4	4
23	<u>1014007</u>	Washer, Flat, Type B, 1/4	4	4
24	<u>1011694</u>	Support, Accelerator Pivot Rod	2	2
25	<u>101861901</u>	Screw, Hex Cap, 1/4-20 x 1-1/8	4	4
	<u>101187702</u>	Kit, Park Brake Latch (includes item 26, and items 18 - 22 on page 4-7 or items 22 - 26 on page 4-9)	1	1
26	N/A	Ratchet, Park Brake	1	1

4
G
E

4
G
E



ACCELERATOR PEDAL ASSEMBLY – ELECTRIC VEHICLES WITH POTENTIOMETER

ITEM	PART NO.	DESCRIPTION	QTY GAS	QTY ELEC
		<p style="margin: 0;">1 2 3 4</p> <p style="margin: 0;">The information on this page pertains to the following electric vehicles with serial numbers lower than 0112-001470: Villager 6, Villager 8, TransPorter 4, and TransPorter 6</p>		
1	<u>1017696</u>	Sub-Assembly, Accelerator Pedal (includes items 2 and 3)		1
2	<u>1013871</u>	Pad, Accelerator Pedal		1
3	<u>7716</u>	Screw, Slotted Hex Washer-Head, #10-16 x 1/2		4
4	<u>1624</u>	Screw, Hex-Head Cap, 3/8-16 x 1-1/2		1
5	<u>334</u>	Washer, Flat, 3/8		2
6	<u>102026001</u>	Kit, Accelerator Pivot Rod		1
7	<u>7473</u>	Nut, Nylon Lock, 5/16-18		1
8	<u>101862001</u>	Screw, Hex-Head Cap, 1/4-20 x 1-3/8		2
9	<u>1017424</u>	Bearing, Pivot Support		1
10	<u>1015661</u>	Nut, Flange Lock, 1/4-20		1
11	<u>101817401</u>	Retainer, Spring		1
12	<u>101796201</u>	Spring, Return		1
13	<u>1017378</u>	Cup, Spring		1
14	<u>1017380</u>	Bumper, Return Spring		1
15	<u>1017400</u>	Lever, Actuator		1
16	<u>101804201</u>	Washer, Plastic, 1/2		1
17	<u>1017743</u>	Cover, Accelerator		1
18	<u>8233</u>	Nut, Nylon Lock, 1/4-20		5
19	<u>1014007</u>	Washer, Flat, Type B, 1/4		4
20	<u>101804301</u>	Screw, Hi-Lo Hex-Head, #8-18 x 1/2		2
21	<u>1011694</u>	Support, Accelerator Pivot Rod		1
22	<u>101861901</u>	Screw, Hex-Head Cap, 1/4-20 x 1-1/8		4
23	<u>1241</u>	Washer, Flat, 5/16		1
24	<u>8754</u>	Nut, Nylon Lock, 3/8 x 16		2
	<u>101187702</u>	Kit, Park Brake Latch (includes item 25, and items 22 - 26 on page 4-9)		1
25	N/A	Ratchet, Park Brake		1

4
G
E

4

G

E

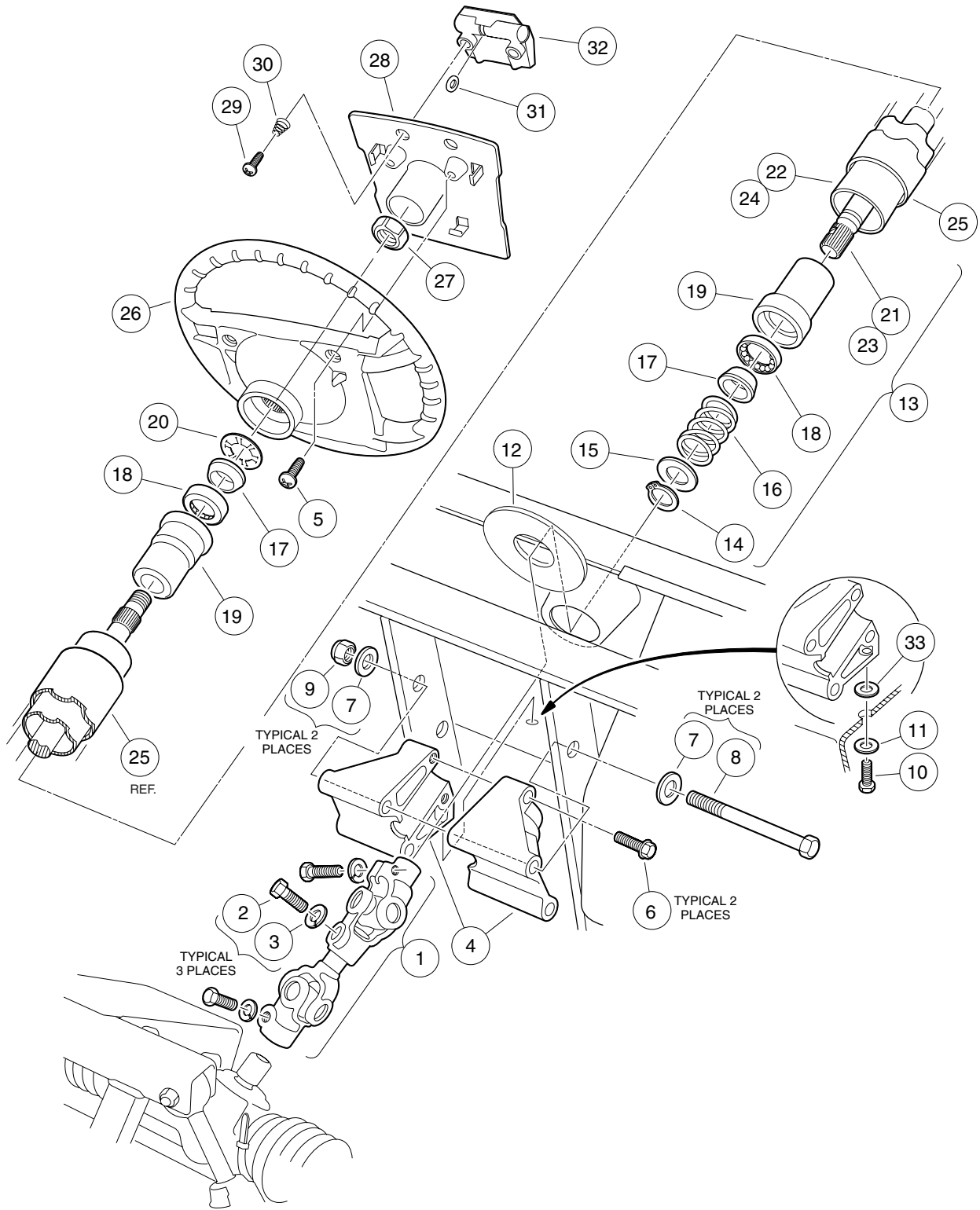
STEERING, FRONT AND REAR SUSPENSION

5

G

E

5
G
E

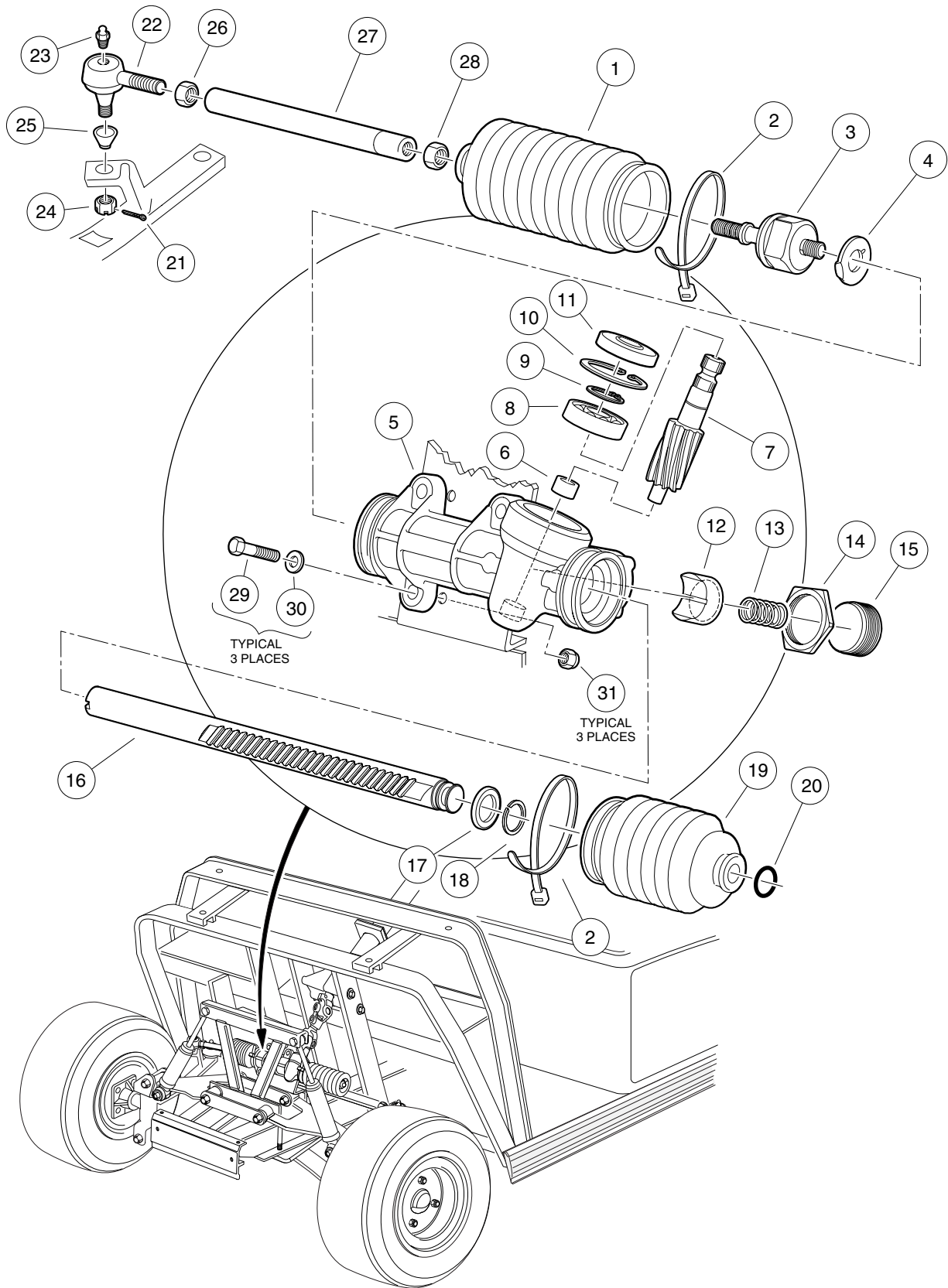


STEERING COLUMN

ITEM	PART NO.	DESCRIPTION	QTY GAS	QTY ELEC
		1 2 3 4		
1	<u>1013861</u>	Joint, Compound Steering (includes items 2 and 3)	1	1
2	<u>1017226</u>	Screw, Hex-Head Cap, M8 x 1.25 x 30 mm	3	3
3	<u>7174</u>	Washer, Lock, 5/16	3	3
4	101984801	Kit, Steering Column Mounting Bracket	1	1
5	<u>1016663</u>	Screw, Phillips, Type A, #12-11 x 5/8	2	2
6	<u>1016269</u>	Screw, Hex Washer-Head Thread-Forming, 5/16-18 x 2	2	2
7	<u>334</u>	Washer, Flat, 3/8	4	4
8	<u>1016183</u>	Screw, Hex-Head Cap, 3/8-16 x 7	2	2
9	<u>8754</u>	Nut, Nylon Lock, 3/8-16	2	2
10	<u>1014288</u>	Screw, Hex Washer-Head Thread-Forming, 5/16-18 x 3/4	1	1
11	<u>1011697</u>	Washer, Flat, 5/16	1	1
12	<u>102278001</u>	Boot, Steering Column	1	1
13	1016181	Assembly, Steering Column (Villager 4, TransPorter 4, and TransPorter 6 vehicles) (includes items 14 - 22)	1	1
13	<u>1017313</u>	Assembly, Steering Column (Villager 6 and Villager 8 vehicles) (includes items 14 - 20, 23, and 24)	1	1
14	<u>1012605</u>	Ring, Retaining	1	1
15	<u>1012604</u>	Washer, Steel, 5/8	1	1
16	<u>1014217</u>	Spring, Compression	1	1
17	1014125	Wedge	2	2
18	<u>1014213</u>	Assembly, Bearing	2	2
19	<u>1014126</u>	Seat, Bearing	2	2
20	1014214	Ring, Retaining	1	1
21	<u>1015545</u>	Shaft, Steering Column (Villager 4, TransPorter 4, and TransPorter 6 vehicles)	1	1
22	1016622	Column, Aluminum Steering (Villager 4, TransPorter 4, and TransPorter 6 vehicles)	1	1
23	<u>1017315</u>	Shaft, Steering Column (Villager 6 and Villager 8 vehicles)	1	1
24	<u>1017314</u>	Column, Aluminum Steering (Villager 6 and Villager 8 vehicles)	1	1
25	<u>1017317</u>	Cover, Steering Column	1	1
26	<u>1016156</u>	Wheel, Steering	1	1
27	<u>1017273</u>	Nut, Nylon Lock, 5/8-18	1	1
28	1016219	Assembly, Scorecard Plate (includes items 29 - 32)	1	1
29	<u>1012565</u>	Screw, Round-Head, #12-14 x 1	2	2
30	<u>1012566</u>	Spring, Tapered Compression	2	2
31	<u>1016214</u>	Grip, Pencil	1	1
32	1016154	Clip, Scorecard	1	1
33	<u>1011578</u>	Washer, Flat, Type B, 5/16 (Villager 6 and Villager 8 vehicles)	1	1
	<u>1014216</u>	Kit, Steering Column Rebuild (not shown)	A/R	A/R

5
G
E

5
G
E

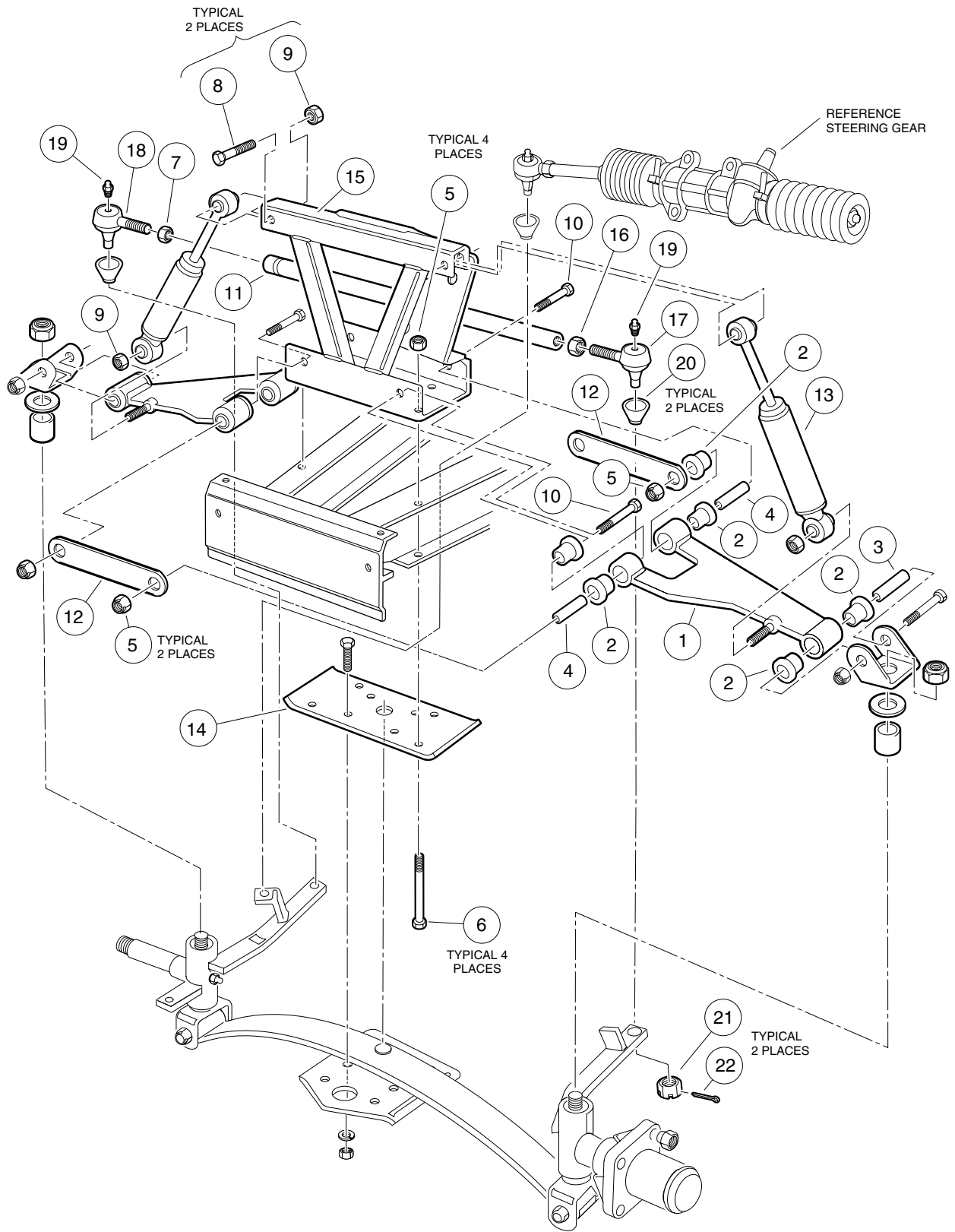


STEERING GEAR ASSEMBLY

ITEM	PART NO.	DESCRIPTION	QTY GAS	QTY ELEC
		1 2 3 4		
	<u>101878302</u>	Assembly, Steering Gear Box (includes items 1 - 20)	1	1
1	<u>1013035</u>	Seal, Dust, Passenger-Side	1	1
2	<u>8990</u>	Tie, Wire	2	2
3	<u>101880201</u>	Assembly, Inner Ball Joint	1	1
4	<u>101880301</u>	Washer, Tab	1	1
5	N/A	Box, Steering Gear	1	1
6	N/A	Bearing, Lower Pinion	1	1
7	N/A	Pinion, Steering	1	1
8	<u>101879401</u>	Bearing, Upper Pinion	1	1
9	<u>101879901</u>	Ring, C-Type Stop	1	1
10	<u>1013051</u>	Ring, Snap	1	1
11	<u>1013052</u>	Seal, Dust, Steering Pinion	1	1
12	<u>101879701</u>	Guide, Steering Rack	1	1
13	<u>101879801</u>	Spring, Yoke	1	1
14	<u>1013044</u>	Nut, Lock, Rack Screw	1	1
15	N/A	Screw, Rack Guide	1	1
16	N/A	Rack, Steering	1	1
17	<u>101879501</u>	Washer, Stop	1	1
18	<u>101879601</u>	Ring, C-Type Stop	1	1
19	<u>101880001</u>	Seal, Dust, Driver-Side	1	1
20	<u>101880101</u>	Ring, Retaining	1	1
21	<u>1035</u>	Pin, Cotter, 3/32 x 1	1	1
22	<u>7540</u>	Ball Joint, Left-Hand Thread (includes items 23, 24 and 25)	1	1
23	<u>1015597</u>	Fitting, Thread-Forming Grease, 1/4-28	1	1
24	<u>7602</u>	Nut, Hex Slotted, 3/8-24	1	1
25	<u>1011930</u>	Boot, Dust	1	1
26	<u>7555</u>	Nut, Hex, Left-Hand Thread, 1/2-20	1	1
27	<u>1012467</u>	Link, Rack and Pinion Drag	1	1
28	<u>1013042</u>	Nut, Hex, M12 x 1.75	1	1
29	<u>1624</u>	Screw, Hex-Head Cap, 3/8-16 x 1-1/2	3	3
30	<u>334</u>	Washer, Flat, 3/8	3	3
31	<u>8754</u>	Nut, Nylon Lock, 3/8-16	3	3

5
G
E

5
G
E

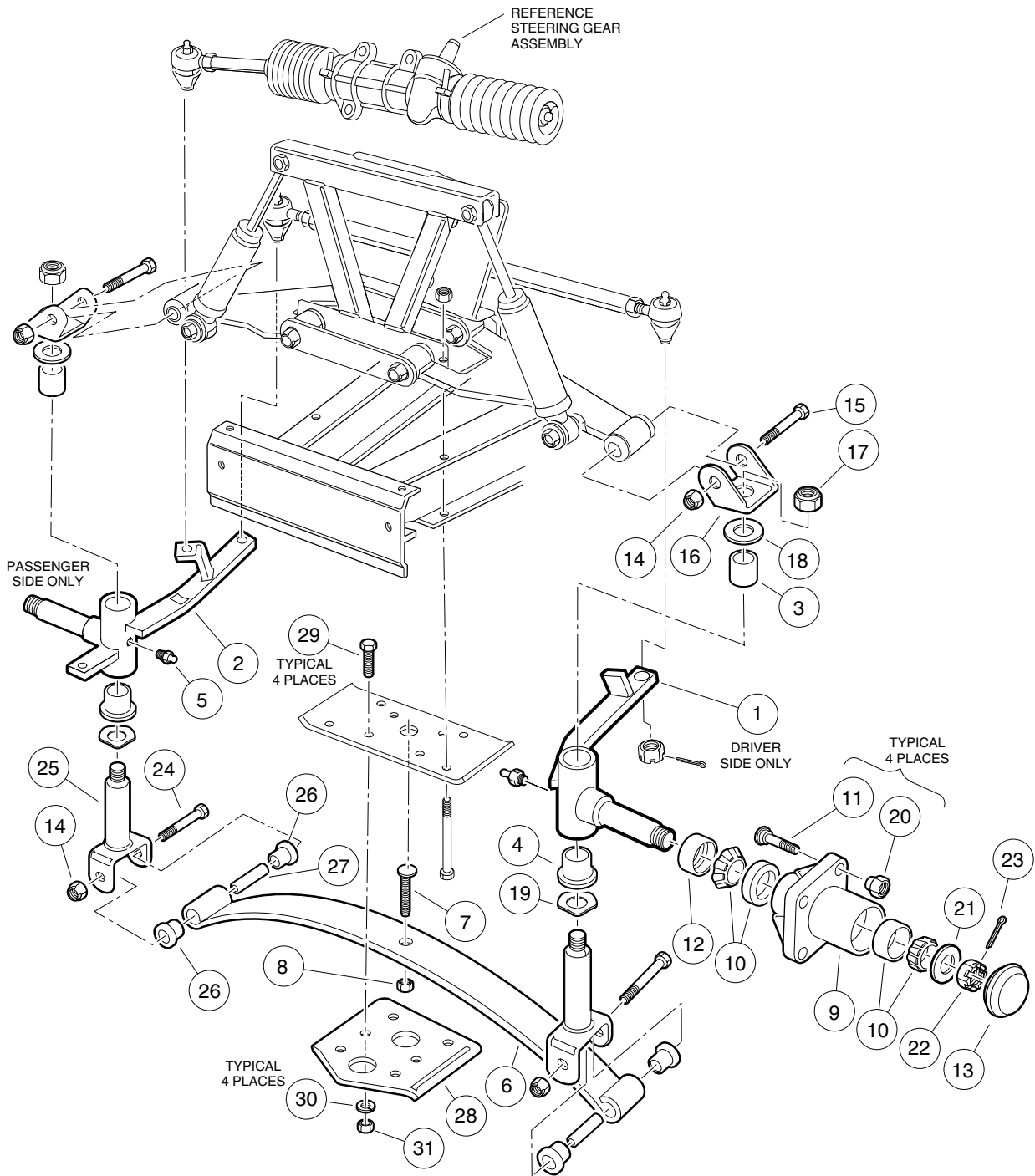


FRONT SUSPENSION, UPPER – VILLAGER 4

ITEM	PART NO.	DESCRIPTION	QTY GAS	QTY ELEC
		1 2 3 4		
1	<u>1016353</u>	Assembly, Delta A-Plate (includes items 2, 3 and 4)	2	2
2	<u>1016346</u>	Bushing, Urethane	6	6
3	<u>1016350</u>	Sleeve, Delta Outer	1	1
4	<u>1016349</u>	Sleeve, Delta Inner	2	2
5	<u>8754</u>	Nut, Nylon Lock, 3/8-16	11	11
6	<u>101870501</u>	Screw, Hex-Head Cap, 3/8-16 x 4-3/4	4	4
7	<u>1308</u>	Nut, Hex, 1/2-20	1	1
8	<u>8861</u>	Screw, Hex-Head Cap, 3/8-16 x 1-3/4	2	2
9	<u>1010138</u>	Nut, Dimpled Lock, 3/8-16	4	4
10	<u>2402</u>	Screw, Hex-Head Cap, 3/8-16 x 2-1/4	4	4
11	<u>1010219</u>	Rod, Tie	1	1
12	<u>1017266</u>	Strap, A-Plate	2	2
13	<u>101870601</u>	Shock Absorber, Front	2	2
14	<u>1010124</u>	Plate, Spring Mounting	1	1
15	<u>1016385</u>	Assembly, Delta Shock and Gear Support	1	1
16	<u>7555</u>	Nut, Hex, Left-Hand Thread, 1/2-20	1	1
17	<u>7540</u>	Ball Joint, Left-Hand Thread (includes items 19 - 21)	1	1
18	<u>7539</u>	Ball Joint (includes items 19 - 21)	1	1
19	<u>1015597</u>	Fitting, Thread-Forming Grease, 1/4-28	1	1
20	<u>1011930</u>	Seal, Dust	1	1
21	<u>7602</u>	Nut, Slotted Hex, 3/8-24	1	1
22	<u>1035</u>	Pin, Cotter, 3/32 x 1	2	2

5
G
E

5
G
E

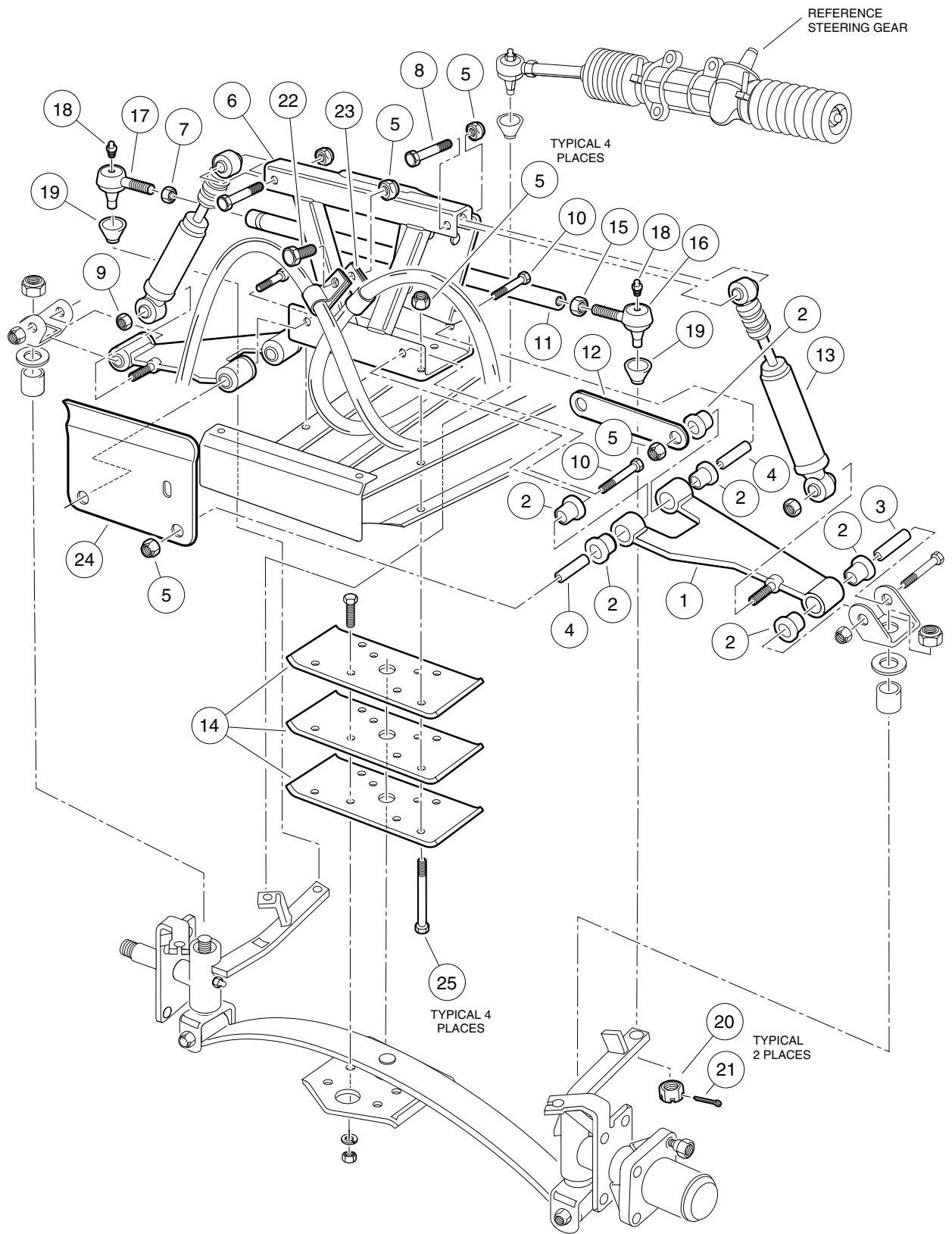


FRONT SUSPENSION, LOWER – VILLAGER 4

ITEM	PART NO.	DESCRIPTION	QTY GAS	QTY ELEC
		1 2 3 4		
1	101876901	Assembly, Spindle, Driver-Side (includes items 3, 4 and 5)	1	1
2	<u>101877001</u>	Assembly, Spindle, Passenger-Side (includes items 3, 4 and 5)	1	1
3	<u>8067</u>	Bushing, Bronze Spindle	1	1
4	<u>7048</u>	Bushing, Bronze	1	1
5	<u>1015597</u>	Fitting, Grease, 1/4-28	1	1
6	<u>1012030</u>	Spring, Tapered Leaf	1	1
7	<u>8745</u>	Screw, Eccentric Adjustment	1	1
8	<u>706</u>	Nut, Hex, 3/8-16	1	1
9	<u>1011892</u>	Assembly, Hub (includes items 10 - 13)	2	2
10	<u>1011393</u>	Package, Hub Bearing	2	2
11	<u>1011304</u>	Stud, Lug, 1/2-20	4	4
12	<u>1013135</u>	Seal, Double Lip	1	1
13	<u>1011887</u>	Cover, Dust	1	1
14	<u>8754</u>	Nut, Nylon Lock, 3/8-16	4	4
15	<u>1016387</u>	Screw, Hex-Head Cap, 3/8-16 x 2-3/4	2	2
16	<u>1016384</u>	Clevis, Upper Delta	2	2
17	<u>101903101</u>	Nut, Nylon Lock, 1/2-20	2	2
18	<u>1010150</u>	Bearing, Thrust	2	2
19	<u>1016389</u>	Washer, Kingpin Wave	2	2
20	<u>1010984</u>	Nut, Lug	8	8
21	<u>1010005</u>	Washer, Flat, 3/4	2	2
22	<u>7840</u>	Nut, Hex Slotted, 3/4-16	2	2
23	<u>7910</u>	Pin, Cotter, 5/32 x 1	2	2
24	<u>8755</u>	Screw, Hex-Head Cap, 3/8-16 x 3-3/8	2	2
25	<u>1016386</u>	Kingpin	2	2
26	<u>1015583</u>	Bushing, Urethane	4	4
27	<u>1012303</u>	Bushing, Steel	2	2
28	<u>1014276</u>	Plate, Front Spring Retainer	1	1
29	<u>1010177</u>	Screw, Hex-Head Cap, 3/8-16 x 2	4	4
30	<u>357</u>	Washer, Lock, 3/8	4	4
31	<u>706</u>	Nut, Hex, 3/8-16	4	4

5
G
E

5
G
E

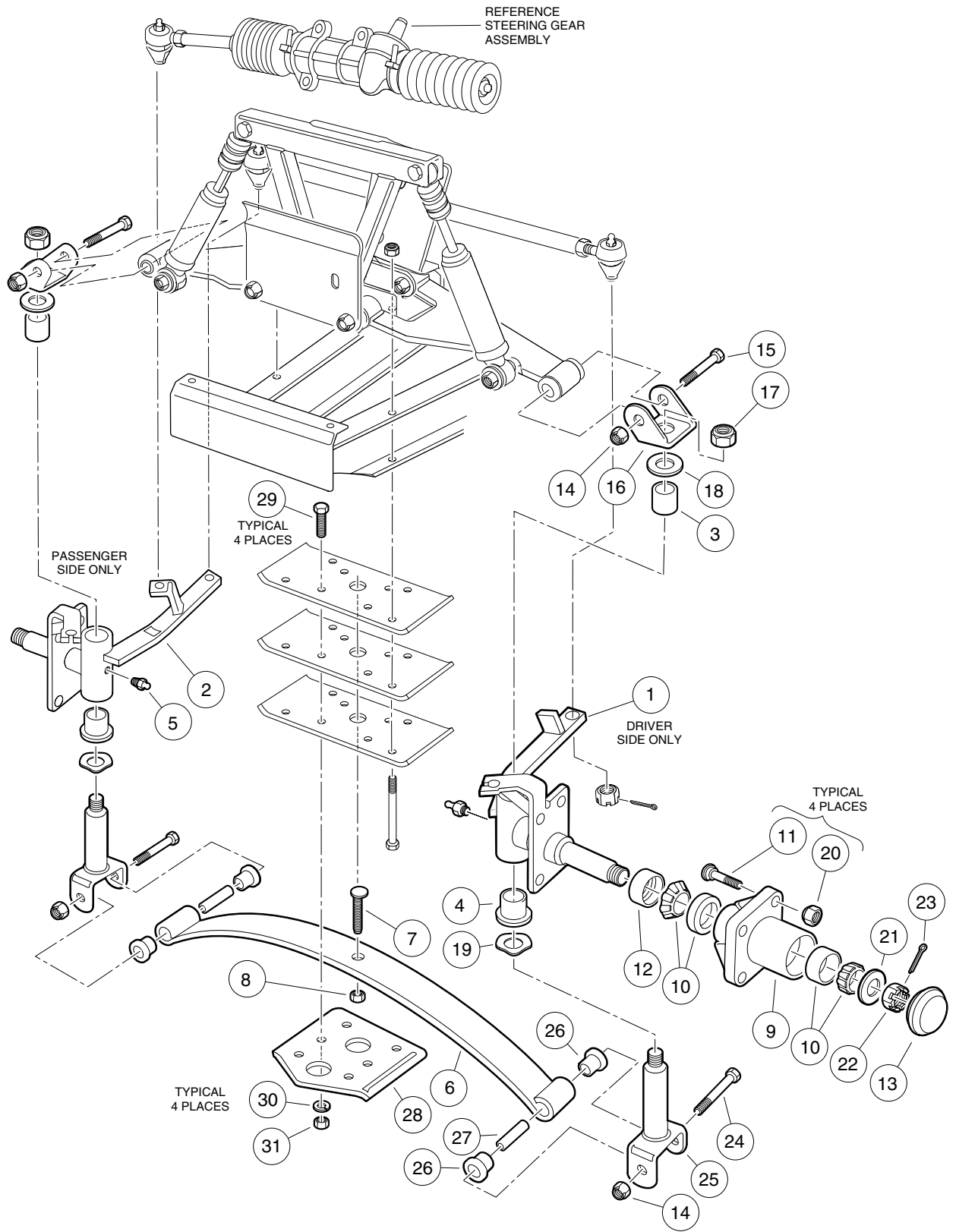


FRONT SUSPENSION, UPPER – VILLAGER 6, VILLAGER 8, TRANSPORTER 4, AND TRANSPORTER 6

ITEM	PART NO.	DESCRIPTION	QTY GAS	QTY ELEC
		1 2 3 4		
1	<u>1016353</u>	Assembly, Delta A-Plate (includes items 2, 3 and 4)	2	2
2	<u>1016346</u>	Bushing, Urethane	6	6
3	<u>1016350</u>	Sleeve, Delta Outer	1	1
4	<u>1016349</u>	Sleeve, Delta Inner	2	2
5	<u>8754</u>	Nut, Nylon Lock, 3/8-16	13	13
6	<u>1016385</u>	Assembly, Delta Shock and Gear Support	1	1
7	<u>1308</u>	Nut, Hex, 1/2-20	1	1
8	<u>8861</u>	Screw, Hex-Head Cap, 3/8-16 x 1-3/4	2	2
9	<u>1010138</u>	Nut, Dimpled Lock, 3/8-16	2	2
10	<u>2402</u>	Screw, Hex-Head Cap, 3/8-16 x 2-1/4	4	4
11	<u>1010219</u>	Rod, Tie	1	1
12	<u>1017266</u>	Strap, A-Plate	2	2
13	<u>101870601</u>	Shock Absorber, Front	2	2
14	1010124*	Plate, Spring Mounting	1	*
15	<u>7555</u>	Nut, Hex, Left-Hand Thread, 1/2-20	1	1
16	<u>7540</u>	Ball Joint, Left-Hand Thread (includes items 18 - 20)	1	1
17	<u>7539</u>	Ball Joint (includes items 18 - 20)	1	1
18	<u>1015597</u>	Fitting, Thread-Forming Grease, 1/4-28	1	1
19	<u>1011930</u>	Seal, Dust	1	1
20	7602	Nut, Slotted Hex, 3/8-24	1	1
21	<u>1035</u>	Pin, Cotter, 3/32 x 1	2	2
22	320	Screw, Hex-Head Cap, 3/8-16 x 1	1	1
23	<u>101935301</u>	Clamp, Brake Cable (part of brake cable assembly)	2	2
24	<u>101955001</u>	Bracket, Brake Cable Guide	1	1
25	<u>101870501</u>	Screw, Hex-Head Cap, 3/8-16 x 4-3/4	4	4
		* Villager electric vehicles use a quantity of 1. TransPorter electric vehicles use a quantity of 3.		

5
G
E

5
G
E

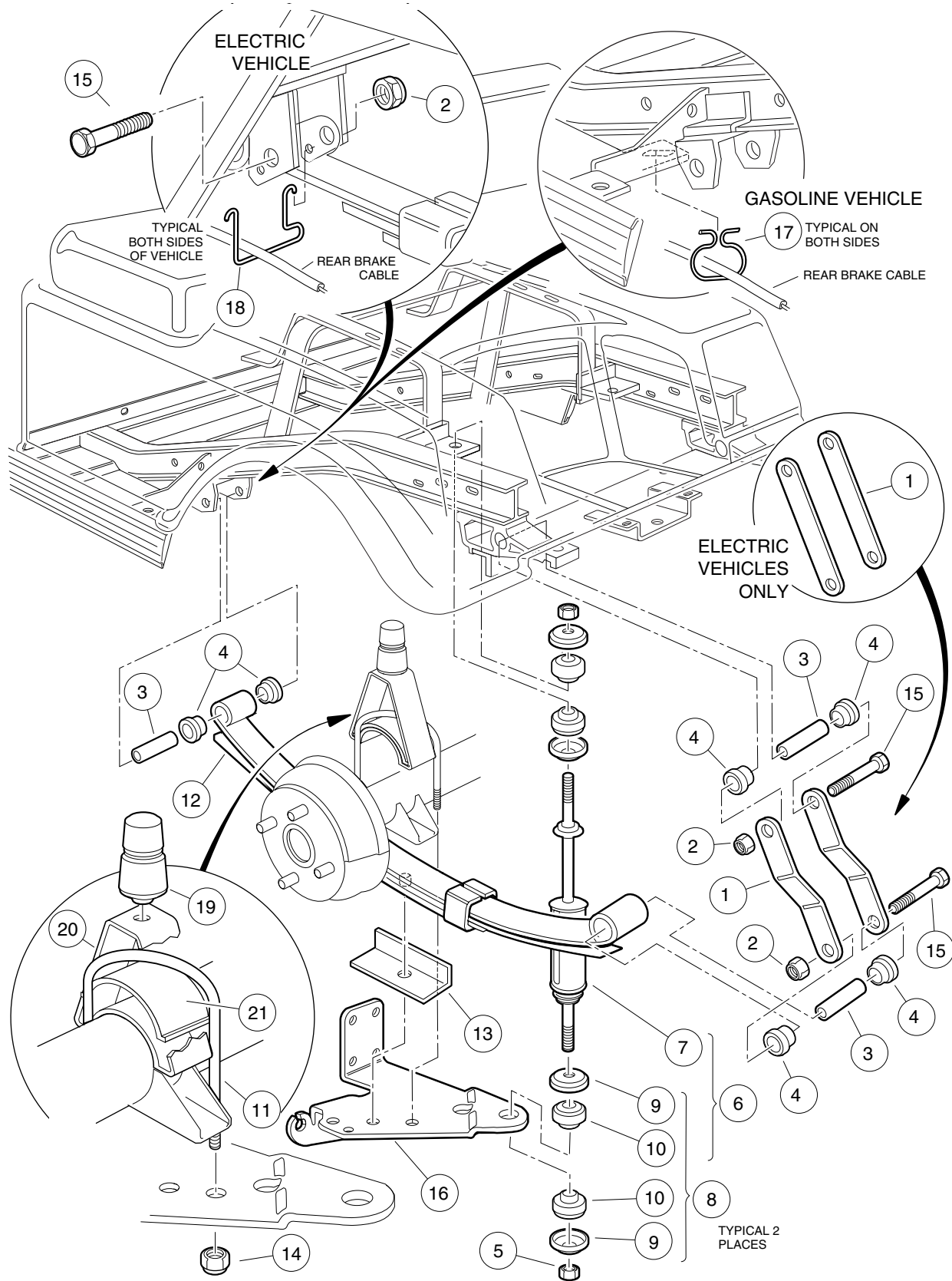


FRONT SUSPENSION, LOWER – VILLAGER 6, VILLAGER 8, TRANSPORTER 4, AND TRANSPORTER 6

ITEM	PART NO.	DESCRIPTION	QTY GAS	QTY ELEC
		1 2 3 4		
1	101876901	Assembly, Spindle, Driver-Side (includes items 3, 4 and 5)	1	1
2	101877001	Assembly, Spindle, Passenger-Side (includes items 3, 4 and 5)	1	1
3	8067	Bushing, Bronze Spindle	1	1
4	7048	Bushing, Bronze	1	1
5	1015597	Fitting, Grease, 1/4-28	1	1
6	1012030	Spring, Tapered Leaf (1-leaf) (TransPorter electric vehicles)		1
6	102004001	Spring, Tapered Leaf (2-leaf) (all Villager 6 vehicles and TransPorter gasoline vehicles)	1	1
6	102197901	Spring, Tapered Leaf (3-leaf) (all Villager 8 vehicles)	1	1
7	8745	Screw, Eccentric Adjustment	1	1
8	706	Nut, Hex, 3/8-16	1	1
9	1011892	Assembly, Hub (includes items 10 - 13)	2	2
10	1011393	Package, Hub Bearing	2	2
11	1011304	Stud, Lug, 1/2-20	4	4
12	1013135	Seal, Double Lip	1	1
13	1011887	Cover, Dust	1	1
14	8754	Nut, Nylon Lock, 3/8-16	4	4
15	1016387	Screw, Hex-Head Cap, 3/8-16 x 2-3/4	2	2
16	1016384	Clevis, Upper Delta	2	2
17	101903101	Nut, Nylon Lock, 1/2-20	2	2
18	1010150	Bearing, Thrust	2	2
19	1016389	Washer, Kingpin Wave	2	2
20	1010984	Nut, Lug	8	8
21	1010005	Washer, Flat, 3/4	2	2
22	7840	Nut, Hex Slotted, 3/4-16	2	2
23	7910	Pin, Cotter, 5/32 x 1	2	2
24	8755	Screw, Hex-Head Cap, 3/8-16 x 3-3/8	2	2
25	1016386	Kingpin	2	2
26	1015583	Bushing, Urethane	4	4
27	1012303	Bushing, Steel	2	2
28	1014276	Plate, Front Spring Retainer	1	1
29	1010177	Screw, Hex-Head Cap, 3/8-16 x 2	4	4
30	357	Washer, Lock, 3/8	4	4
31	706	Nut, Hex, 3/8-16	4	4

5
G
E

**5
G
E**

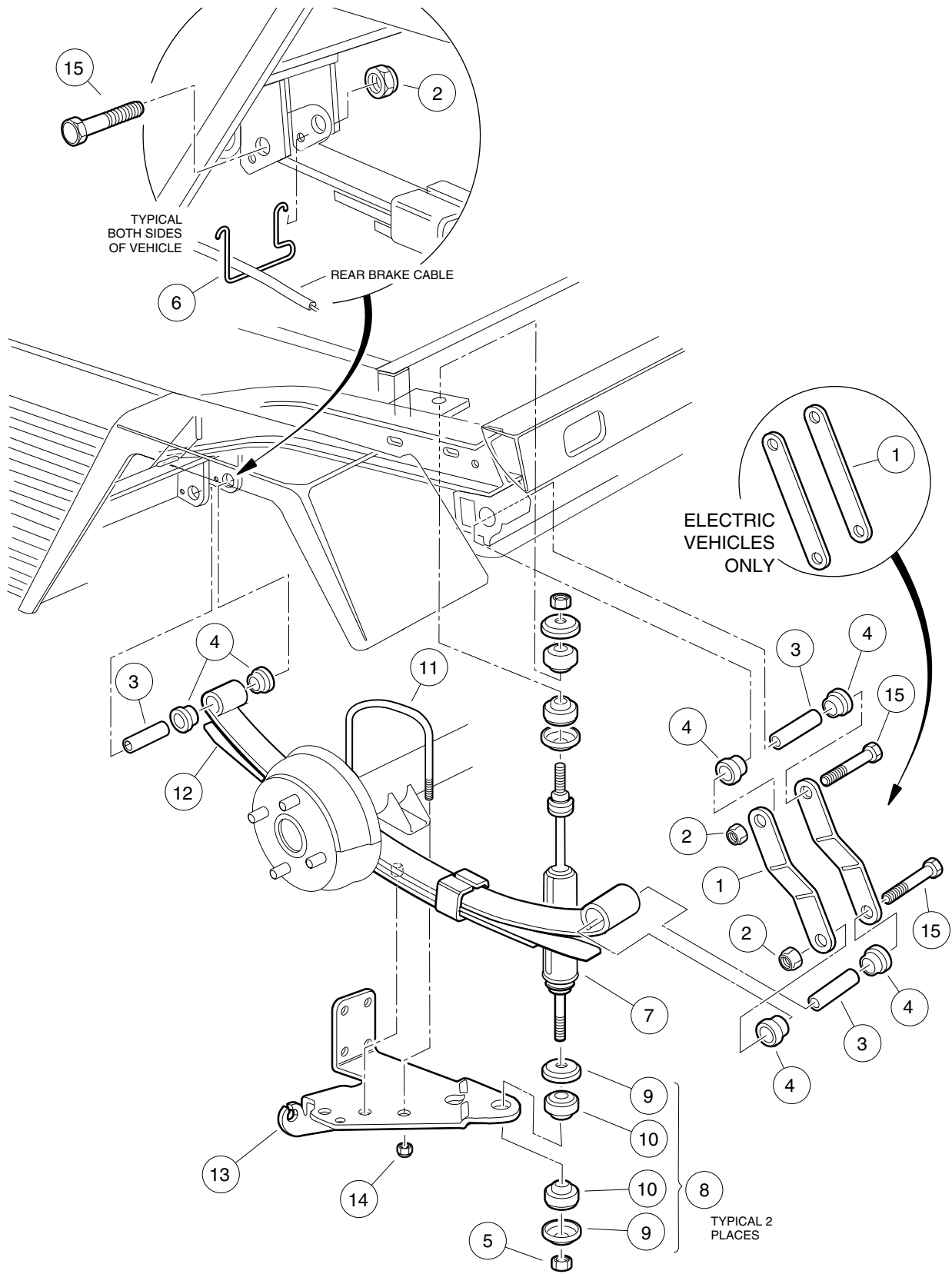


REAR SUSPENSION – VILLAGER 4

ITEM	PART NO.	DESCRIPTION	QTY GAS	QTY ELEC
		1 2 3 4		
1	<u>7569</u>	Shackle, Rear Spring (electric vehicle only)		4
1	<u>1012304</u>	Shackle, Rear Spring (gasoline vehicle only)	4	
2	<u>8754</u>	Nut, Nylon Lock, 3/8-16	6	6
3	<u>1012303</u>	Bushing, Steel	6	6
4	<u>1015583</u>	Bushing, Urethane	12	12
5	<u>1010145</u>	Nut, UNF Hex, 3/8-24	4	4
6	<u>1013164</u>	Kit, Shock Absorber (includes items 7, 9 and 10)	1	1
7	<u>1014236</u>	Shock Absorber, Rear	2	2
8	<u>1011415</u>	Kit, Shock Absorber Cushion (includes 2 each of items 9 and 10)	4	4
9	N/A	Retainer, Shock Absorber Cushion	8	8
10	N/A	Cushion, Shock Absorber	8	8
11	<u>1014902</u>	U-Bolt	2	2
12	<u>1014675</u>	Spring, Rear Leaf	2	2
13	<u>1014573</u>	Retainer, Spring	2	2
14	<u>1014555</u>	Nut, Nylon Lock, 7/16-24	4	4
15	<u>8755</u>	Screw, Hex-Head Cap, 3/8-16 x 3-3/8	6	6
16	<u>1012182</u>	Pad, Spring, Driver-Side	1	1
16	<u>1012181</u>	Pad, Spring, Passenger-Side	1	1
17	<u>101900801</u>	Hanger, Brake Cable (gasoline vehicle only)	2	
18	<u>1013207</u>	Hanger, Brake Cable (electric vehicle only)		2
19	<u>1017235</u>	Bumper, Jounce	2	2
20	<u>101454602</u>	Mount, Bumper (gasoline vehicle only)	2	
20	<u>101454902</u>	Mount, Bumper (electric vehicle only)		2
21	<u>1014901</u>	Spacer, Overload Bumper	2	2

5
G
E

5
G
E

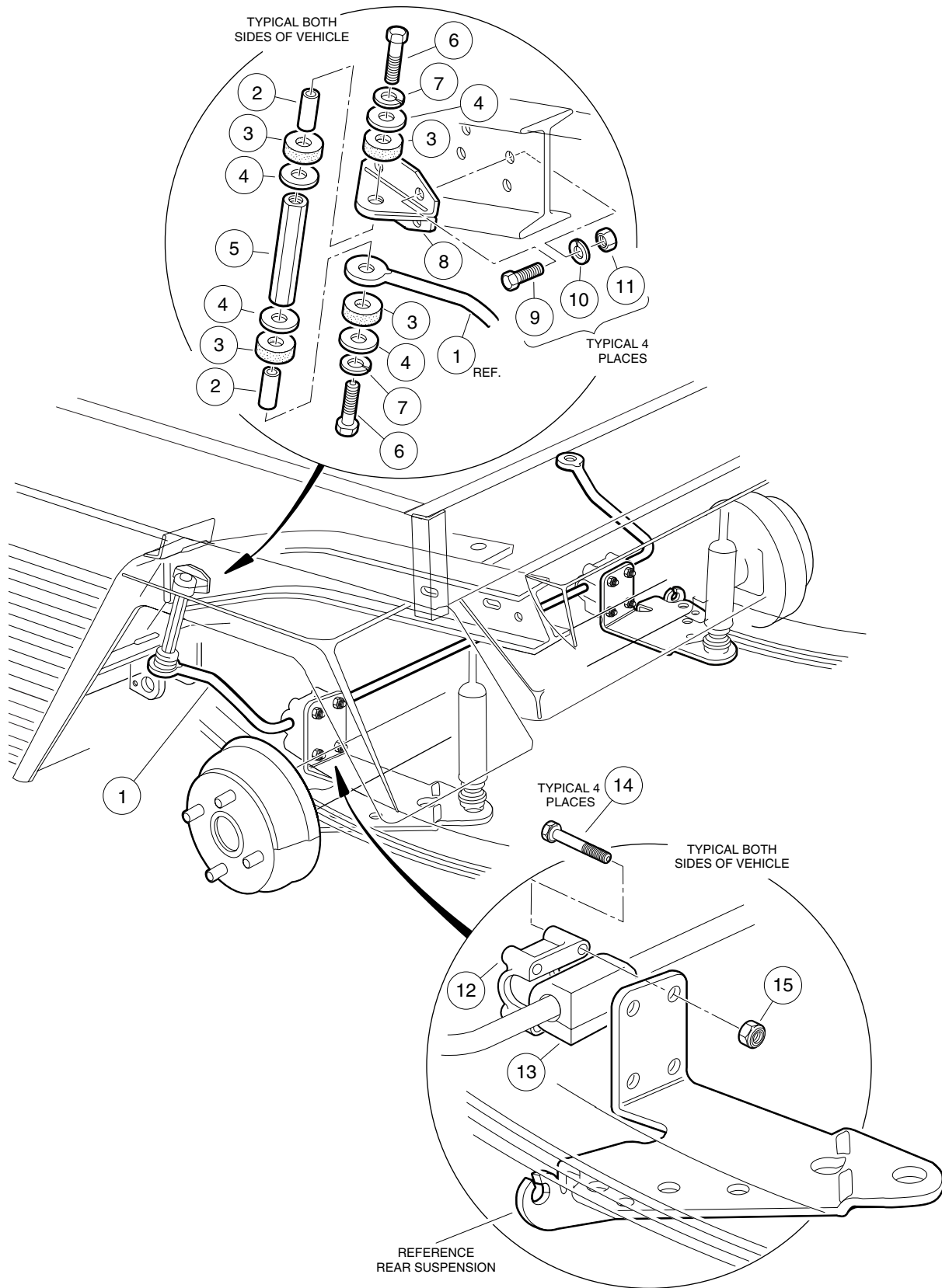


REAR SUSPENSION – VILLAGER 6, VILLAGER 8, TRANSPORTER 4, AND TRANSPORTER 6

ITEM	PART NO.	DESCRIPTION	QTY GAS	QTY ELEC
		1 2 3 4		
1	<u>7569</u>	Shackle, Rear Spring (electric vehicle only)		4
1	<u>1012304</u>	Shackle, Rear Spring (gasoline vehicle only)	4	
2	<u>8754</u>	Nut, Nylon Lock, 3/8-16	6	6
3	<u>1012303</u>	Bushing, Steel	6	6
4	<u>1015583</u>	Bushing, Urethane	12	12
5	<u>1010145</u>	Nut, UNF Hex, 3/8-24	4	4
6	<u>1013207</u>	Hanger, Brake Cable	2	2
7	<u>101975101</u>	Shock Absorber, Rear	2	2
8	<u>1011415</u>	Kit, Shock Absorber Cushion (includes 2 each of items 9 and 10)	4	4
9	N/A	Retainer, Shock Absorber Cushion	8	8
10	N/A	Cushion, Shock Absorber	8	8
11	<u>1014902</u>	U-Bolt	2	2
12	<u>101975201</u>	Spring, Rear Leaf	2	2
13	<u>101926501</u>	Pad, Spring, Driver-Side	1	1
13	<u>101929401</u>	Pad, Spring, Passenger-Side	1	1
14	<u>1014555</u>	Nut, Nylon Lock, 7/16-24	4	4
15	<u>8755</u>	Screw, Hex-Head Cap, 3/8-16 x 3-3/8	6	6

5
G
E

5
G
E



STABILIZER BAR – GASOLINE VILLAGER 6, VILLAGER 8, TRANSPORTER 4, AND TRANSPORTER 6

ITEM	PART NO.	DESCRIPTION	QTY GAS	QTY ELEC
		1 2 3 4		
1	<u>1015760</u>	Bar, Stabilizer, 3/4 Diameter	1	
2	<u>1015457</u>	Spacer	4	
3	<u>1015453</u>	Mount, Compression	8	
4	<u>808</u>	Washer, Flat, 3/8	8	
5	<u>1016814</u>	Link, Stabilizer Bar	2	
6	<u>8861</u>	Screw, Hex-Head Cap, 3/8-16 x 1-3/4	4	
7	<u>357</u>	Washer, Lock, 3/8	4	
8	<u>1016813</u>	Bracket, Stabilizer Bar Mounting	2	
9	<u>7173</u>	Screw, Hex-Head Cap, 5/16-18 x 3/4	8	
10	<u>7174</u>	Washer, Lock, 5/16	8	
11	<u>1242</u>	Nut, Hex, 5/16-18	8	
12	<u>1015614</u>	Support, Stabilizer Bar Bushing	2	
13	<u>1015613</u>	Bushing, Stabilizer Bar	2	
14	<u>7311</u>	Screw, Hex-Head Cap, 1/4-20 x 2	8	
15	<u>8233</u>	Nut, Nylon Lock, 1/4-20	8	

5
G
E

5

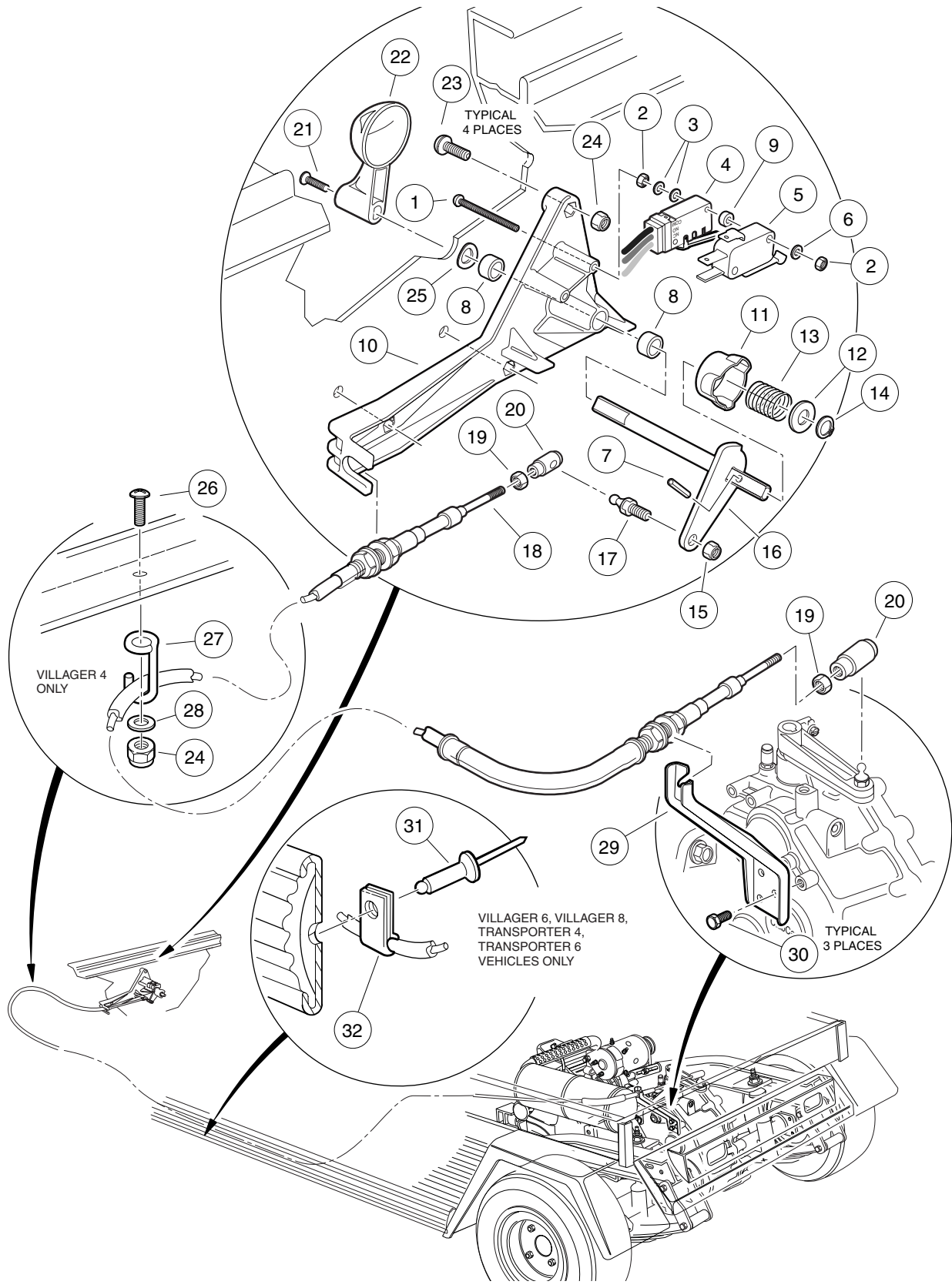
G

E

ELECTRICAL SYSTEM – GASOLINE VEHICLE

6

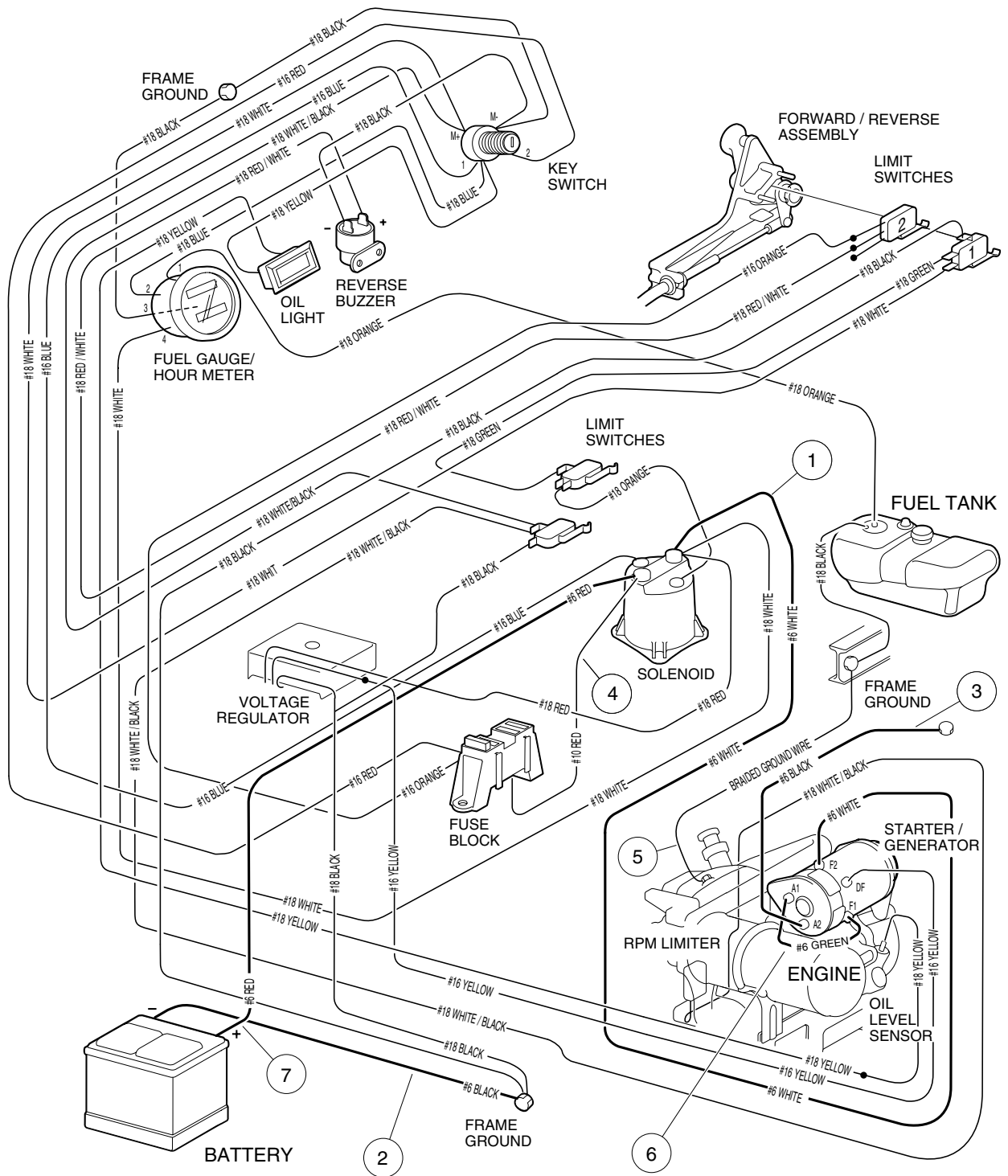
G



FORWARD/REVERSE SHIFTER ASSEMBLY – GASOLINE VEHICLE

ITEM	PART NO.	DESCRIPTION	QTY
		1 2 3 4	
	1016947	Assembly, Forward/Reverse Shifter (includes items 1 - 17)	1
1	<u>1012594</u>	Screw, Machine, #4-40 x 1-1/2	2
2	<u>8057</u>	Nut, Hex-Head, #4-40	4
3	1012431	Washer, Flat, #4	4
4	<u>101979101</u>	Switch, Limit	1
5	<u>1014807</u>	Switch, Limit	1
6	<u>8058</u>	Washer, Lock, #4	2
7	<u>1013591</u>	Pin, Roll, 1/8	1
8	<u>1014145</u>	Bushing, Bronze	2
9	<u>1014727</u>	Washer, Nylon Flat, #4	2
10	<u>1016342</u>	Base, Forward/Reverse Shifter	1
11	1014089	Kit, Neutral Lock-Out Cam (includes item 12)	1
12	<u>1014065</u>	Washer, Flat	1
13	<u>1013590</u>	Spring, Forward/Reverse Cam	1
14	<u>1013589</u>	Ring, Retaining	1
15	<u>8717</u>	Nut, Nylon Lock, 1/4-28	1
16	1013587	Weldment, Forward/Reverse Bell Crank	1
17	<u>1010954</u>	Stud, Ball, 1/4-28 x 1/4	1
18	<u>101951501</u>	Cable, Transmission (includes items 19 and 20) (Villager 4)	1
18	<u>101672701</u>	Cable, Transmission (includes items 19 and 20) (Villager 6, TransPorter 4, and TransPorter 6)	1
18	<u>101672702</u>	Cable, Transmission (includes items 19 and 20) (Villager 8)	1
19	<u>7893</u>	Nut, Hex, #10-32	2
20	<u>1012333</u>	Joint, Ball	2
21	<u>1015064</u>	Screw, Oval Countersunk Machine, #8-32 x 5/8	1
22	<u>1012987</u>	Handle, Forward/Reverse Switch	1
23	<u>8248</u>	Screw, Phillips Truss-Head, 1/4-20 x 3/4	4
24	<u>8233</u>	Nut, Nylon Lock, 1/4-20	5
25	<u>1016201</u>	Washer, Wave, 3/8	1
26	<u>8251</u>	Screw, Phillips Head, 1/4-20 x 1 (Villager 4 only)	1
27	<u>101855801</u>	Retainer, Cable (Villager 4 only)	1
28	<u>332</u>	Washer, Flat, 1/4 (Villager 4 only)	1
29	<u>102045901</u>	Bracket, Transmission Cable Support	1
30	<u>1012285</u>	Screw, Thread-Rolling, 1/4-20 x 5/8	3
31	<u>7973</u>	Rivet, Pop, 3/16 (Villager 6, Villager 8, TransPorter 4, and TransPorter 6)	1
32	<u>8455</u>	Clamp (Villager 6, Villager 8, TransPorter 4, and TransPorter 6)	1

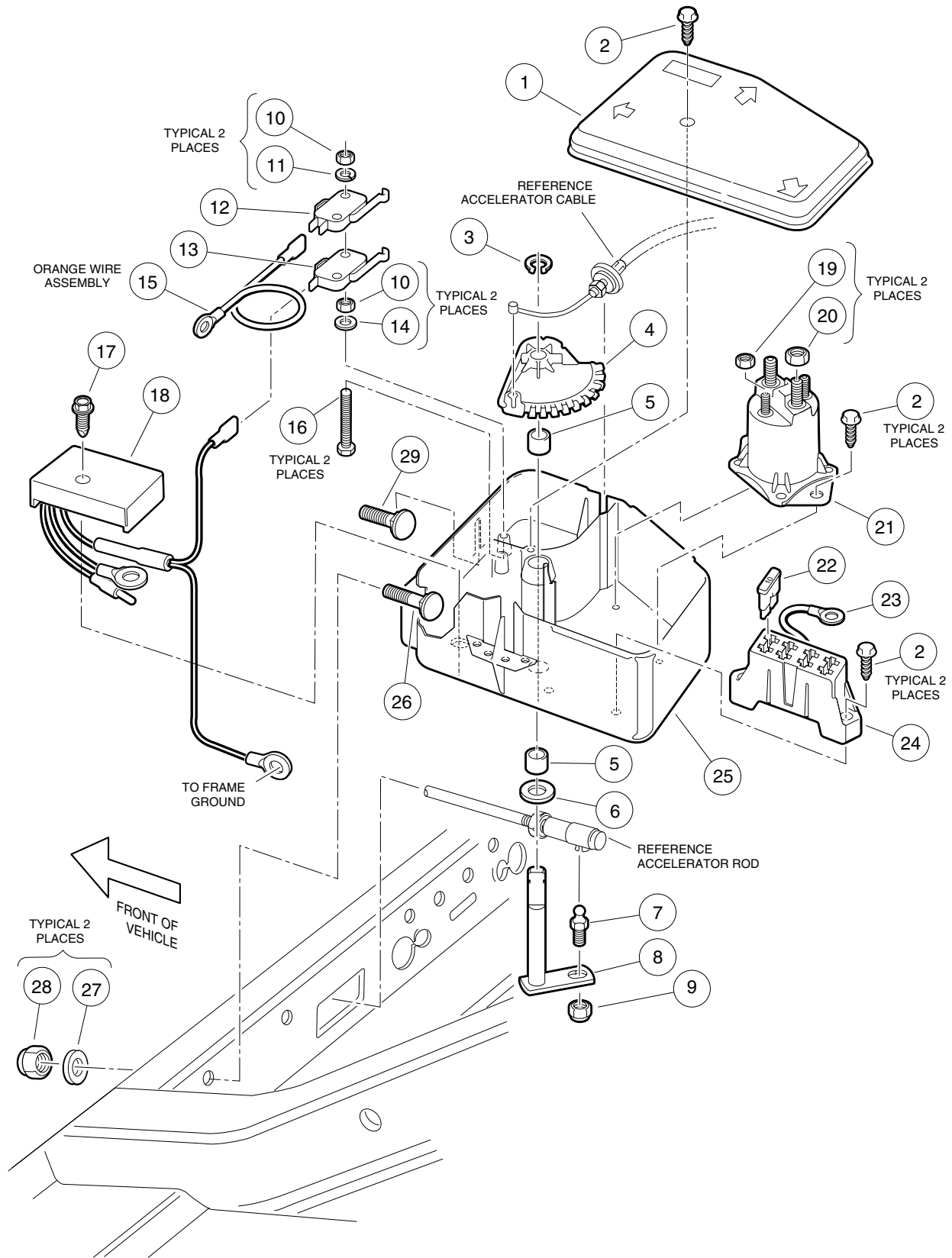
6
G



WIRING – GASOLINE VILLAGER 4

ITEM	PART NO.	DESCRIPTION	QTY
		1 2 3 4	
	<u>101987402</u>	Wire Harness Assembly (includes item 1)	1
1	<u>1015769</u>	Wire Assembly, #6 White	1
2	<u>1012382</u>	Wire Assembly, #6 Black	1
3	<u>1015920</u>	Wire Assembly, #6 Braided Ground	1
4	<u>1015737</u>	Wire Assembly, #10 Red (part of electrical component box)	1
5	<u>1015332</u>	Wire Assembly, #10 Braided Ground	1
6	<u>101837301</u>	Wire Assembly, #6 Green	1
7	<u>1014119</u>	Wire Assembly, #6 Red	1

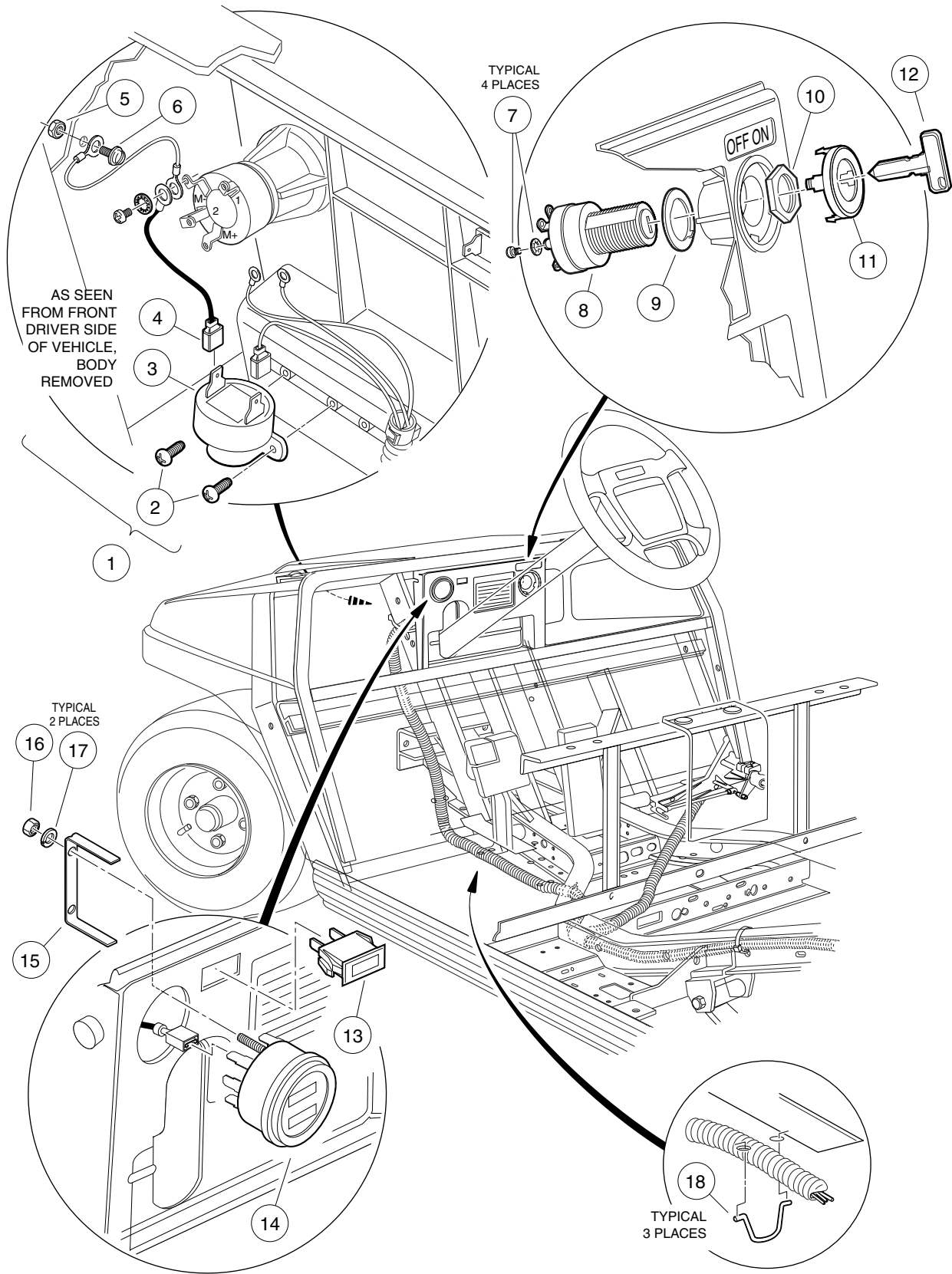
6
G



ELECTRICAL COMPONENT BOX – GASOLINE VILLAGER 4

ITEM	PART NO.	DESCRIPTION	QTY
		1 2 3 4	
	101992601	Box, Electrical Component, Complete (includes items 1 - 25)	1
1	<u>1015372</u>	Cover, Electrical Component Box	1
2	<u>1015752</u>	Screw, Hi-Lo, #12-16 x 5/8	5
3	<u>1013589</u>	Ring, Retaining	1
4	<u>1015373</u>	Cam, Electrical Box	1
5	<u>1014145</u>	Bushing, Bronze	2
6	<u>1014065</u>	Washer, Flat	1
7	<u>1010954</u>	Stud, Ball, 1/4-28	1
8	1015345	Assembly, Bell Crank and Shaft	1
9	<u>8717</u>	Nut, Nylon Lock, 1/4-28	1
10	<u>8057</u>	Nut, Hex, #4-40	4
11	<u>8058</u>	Washer, Lock, #4	2
12	<u>1014807</u>	Switch, Limit	1
13	<u>1014808</u>	Switch, Limit	1
14	1012431	Washer, Flat, #4	2
15	N/A	Wire Assembly, #16 Orange	1
16	<u>1015878</u>	Screw, Hex-Head Machine, #4-40 x 1-5/8	2
17	<u>101856102</u>	Screw, Hex Washer-Head Hi-Lo, 1/4-15 x 1-1/2	1
18	<u>1015777</u>	Assembly, Voltage Regulator	1
19	<u>7893</u>	Nut, Hex, #10-32	2
20	<u>1242</u>	Nut, Hex, 5/16-18	2
21	<u>1013609</u>	Solenoid, 12-Volt	1
22	<u>1012295</u>	Fuse, 10-Amp	1
23	<u>1015737</u>	Wire Assembly, #10 Red	1
24	<u>1015741</u>	Block, Fuse	1
25	<u>1015371</u>	Box, Electrical Component	1
26	<u>1015405</u>	Bolt, Carriage, 5/16-18 x 2	1
27	<u>1241</u>	Washer, Flat, 5/16	2
28	<u>7473</u>	Nut, Nylon Lock, 5/16-18	2
29	<u>7818</u>	Bolt, Carriage, 5/16-18 x 1-1/2	1

6
G



ELECTRICAL COMPONENTS, FRONT BODY – GASOLINE VILLAGER 4

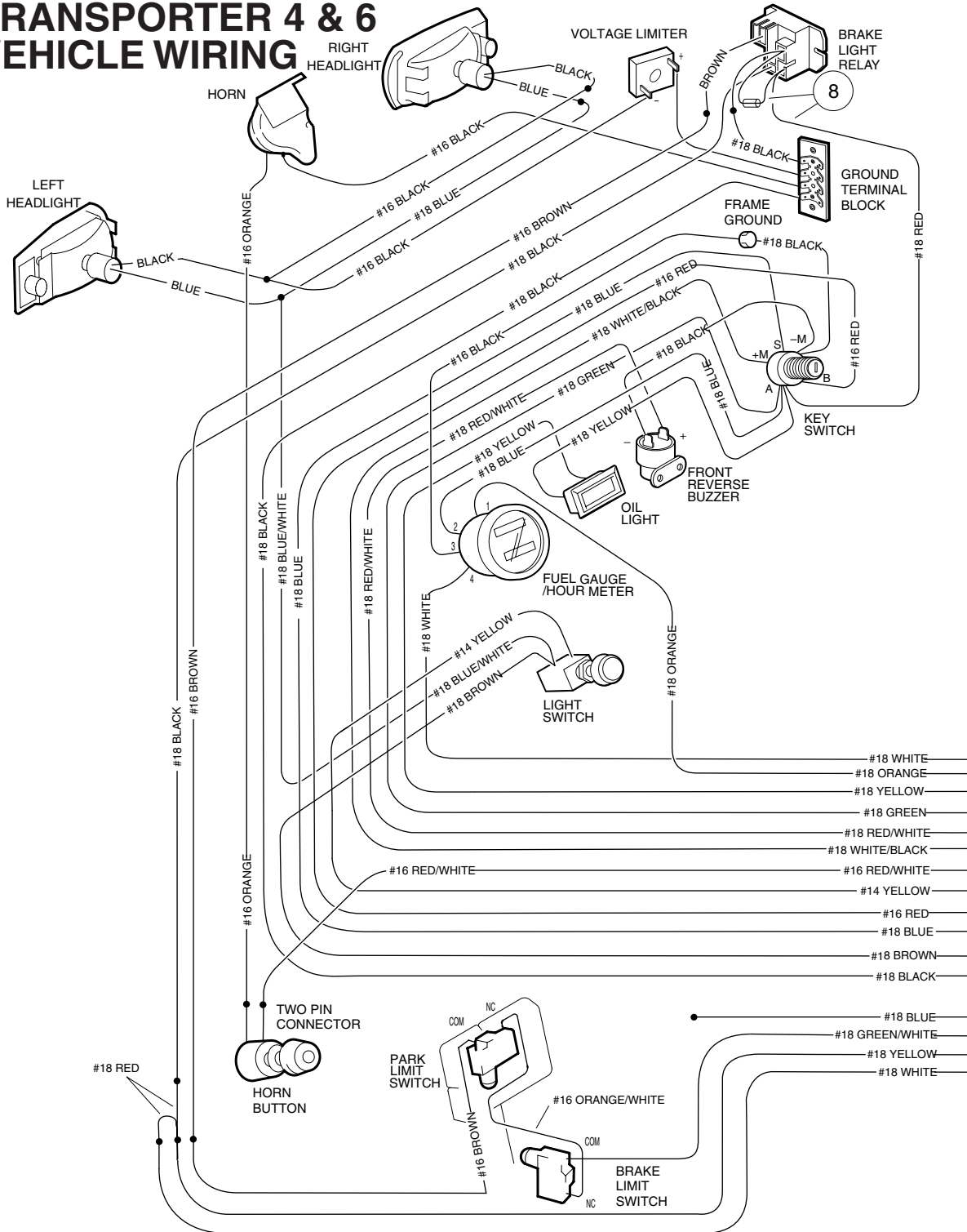
ITEM	PART NO.	DESCRIPTION	QTY
		1 2 3 4	
1	<u>1016859</u>	Kit, Reverse Buzzer (includes items 2 - 4)	1
2	<u>1016849</u>	Screw, Pan-Head Hi-Lo, #4-24 x 5/16	2
3	<u>1016851</u>	Buzzer, Reverse	1
4	N/A	Wire Assembly, #18 Black	1
5	<u>1011229</u>	Nut, K-Lock, #6-32	1
6	<u>1015720</u>	Screw, Hex Washer-Head, # 6-32 x 1/2	1
7	101830601	Assembly, Screw and Washer	4
8	<u>101826301</u>	Switch, Key	1
9	<u>101851101</u>	Washer, Key Switch	1
10	<u>101830701</u>	Nut, Key Switch	1
11	<u>101834502</u>	Cap, Key Switch	1
12	<u>1012505</u>	Key (pair)	1
13	<u>1016630</u>	Light, Low Oil Warning	1
14	<u>101990701</u>	Fuel Gauge/Hour Meter (includes item 15)	1
15	N/A	Bracket	1
16	<u>101991101</u>	Nut, M4 x .7	2
17	<u>1012986</u>	Washer, Lock, M4	2
18	<u>101900901</u>	Retainer, Harness	3

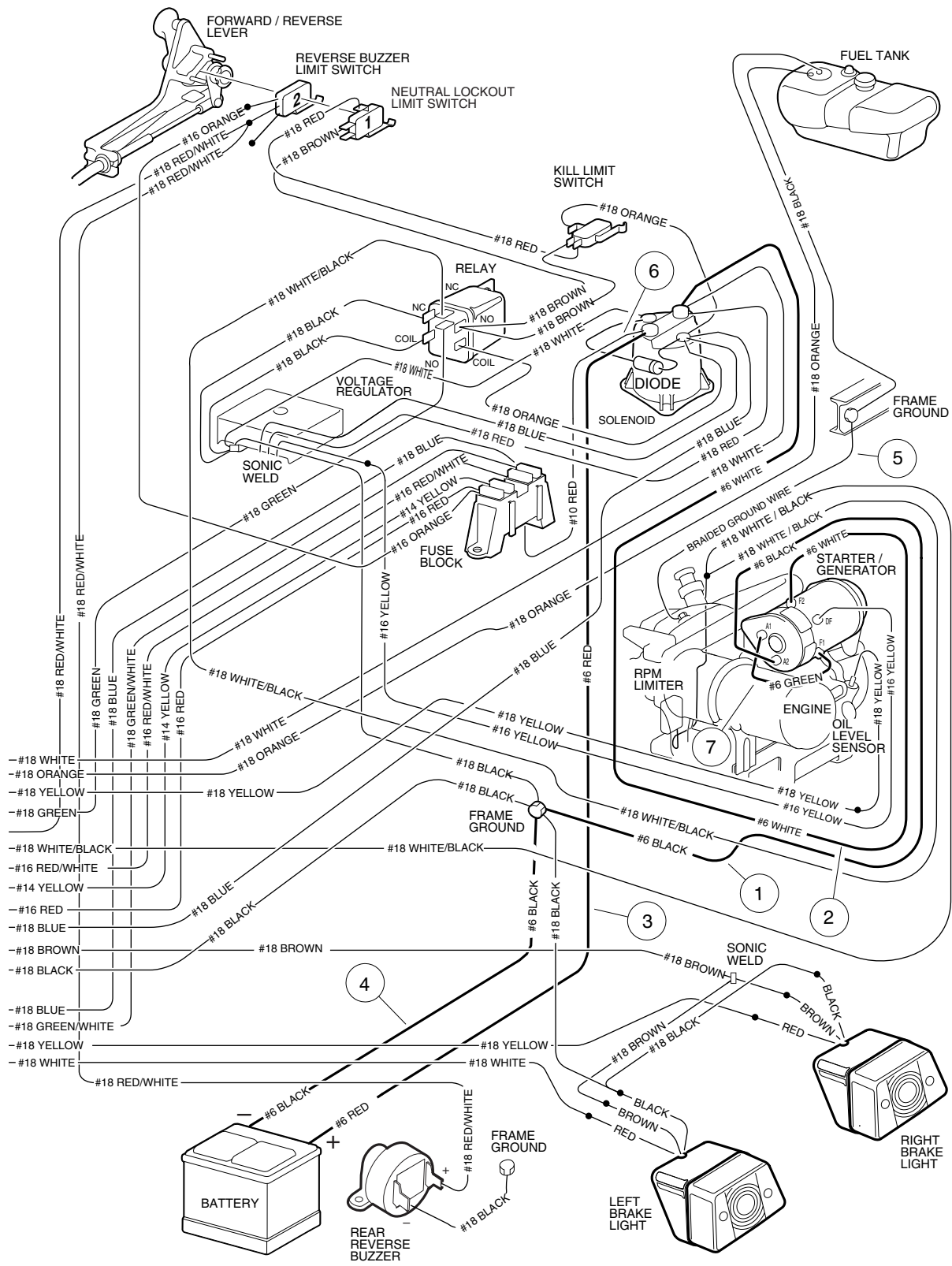
6
G

6

G

GASOLINE VILLAGER 6 & 8 TRANSPORTER 4 & 6 VEHICLE WIRING





6

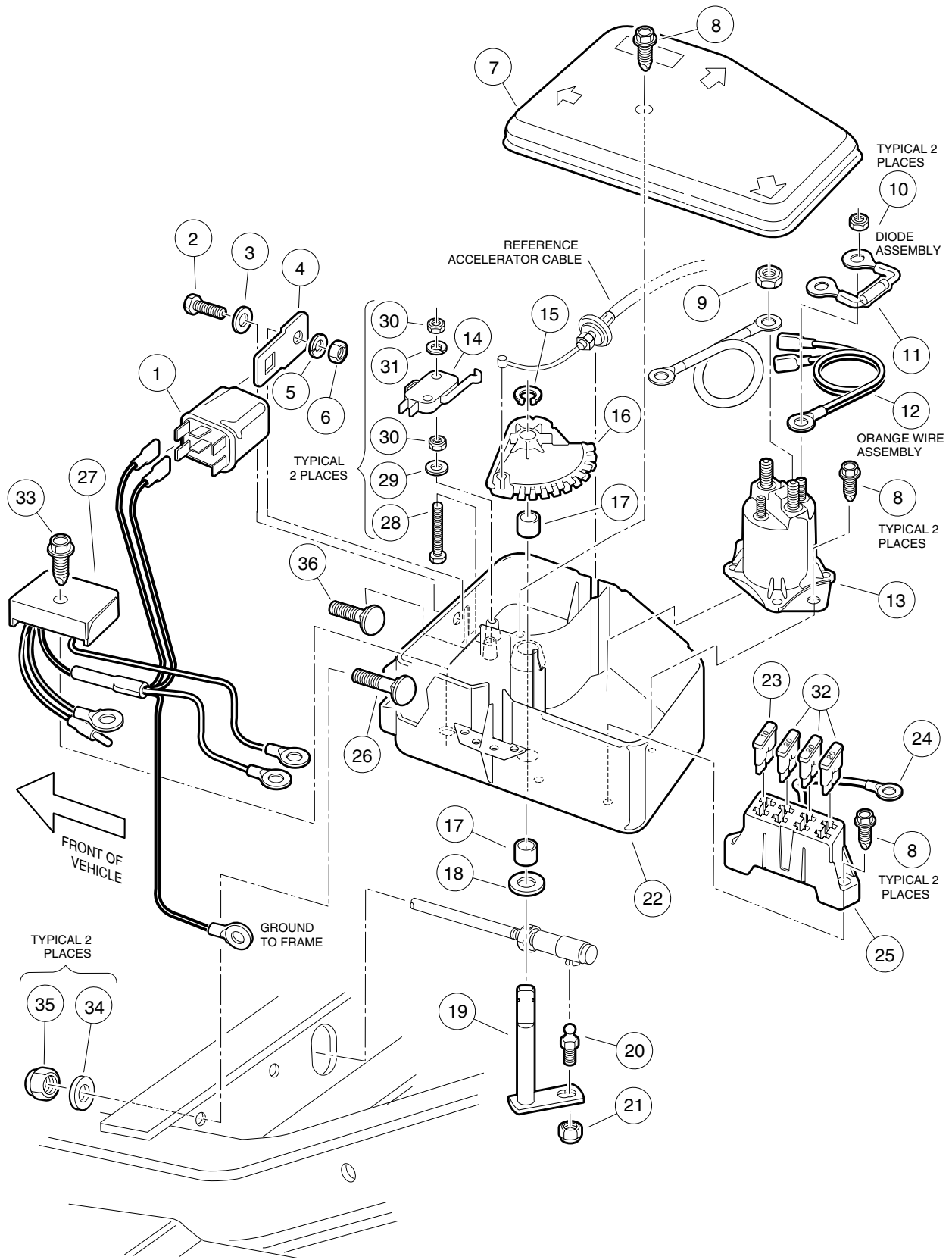
G

See previous two pages for wiring diagram.

WIRING – GASOLINE VILLAGER 6, VILLAGER 8, TRANSPORTER 4, AND TRANSPORTER 6

ITEM	PART NO.	DESCRIPTION	QTY
		1 2 3 4	
	<u>101990402</u>	Harness, Wire (Villager 6, TransPorter 4, and TransPorter 6 vehicles) (includes items 1 - 2)	1
	101990203	Harness, Wire (Villager 8 vehicles) (includes items 1 and 2)	1
1	<u>1016380</u>	Wire Assembly, #6 Black	1
2	<u>1015769</u>	Wire Assembly, #6 White	1
3	<u>1014119</u>	Wire Assembly, #6 Red	1
4	<u>1012382</u>	Wire Assembly, #6 Black	1
5	<u>1015332</u>	Wire Assembly, #10 Braided Ground Wire	1
6	<u>1015737</u>	Wire Assembly, #10 Red (part of electrical component box)	1
7	<u>101837301</u>	Wire Assembly, #6 Green	1
8	101914401	Assembly, Voltage Suppressor (includes #18 red and #18 blue)	1

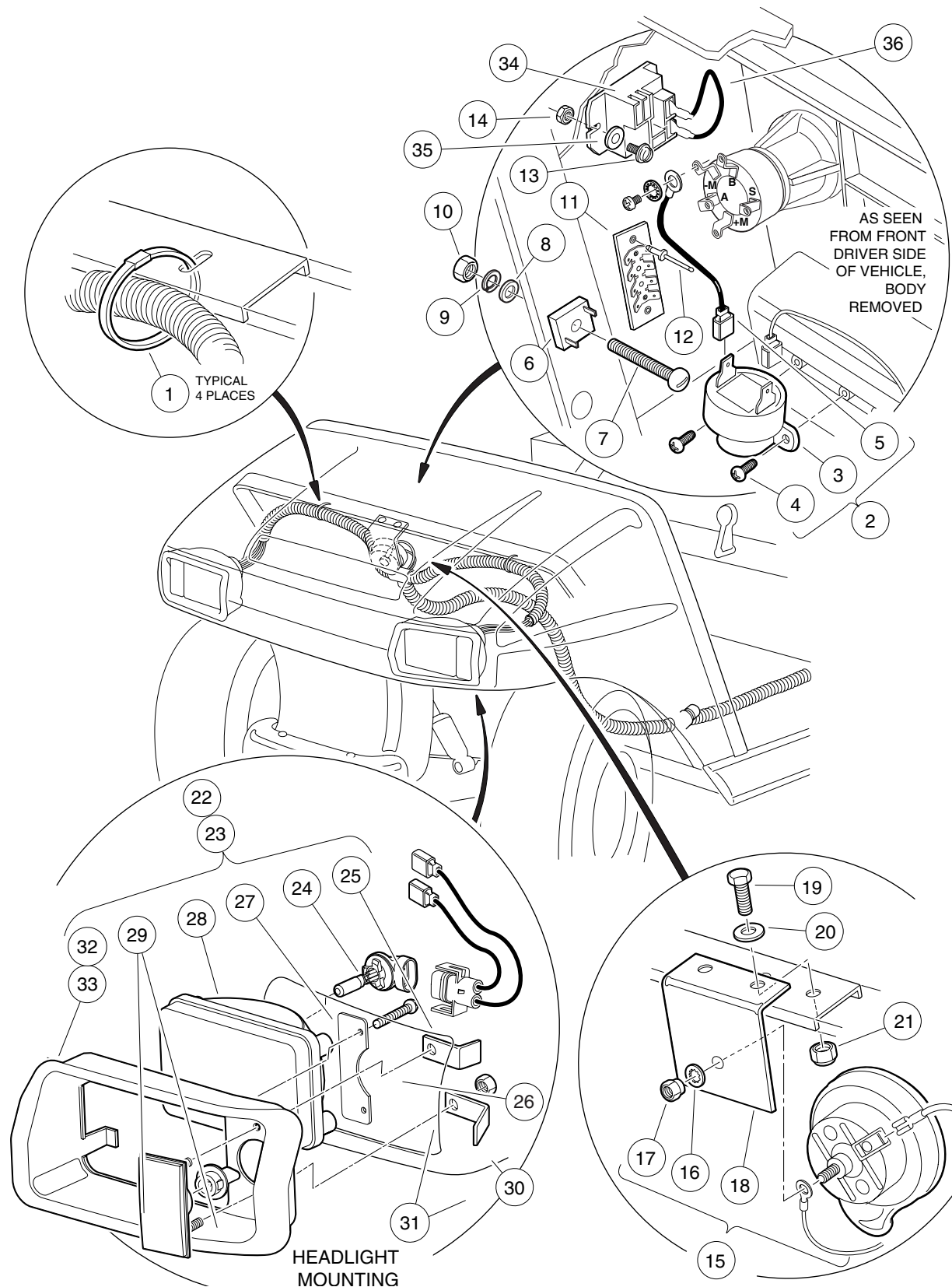
6
G



ELECTRICAL COMPONENT BOX – GASOLINE VILLAGER 6 AND 8, TRANSPORTER 4 AND 6

ITEM	PART NO.	DESCRIPTION	QTY
		1 2 3 4	
	<u>101992701</u>	Box, Electrical Component, Complete (includes items 1 - 31)	1
1	<u>1017239</u>	Relay	1
2	<u>8450</u>	Screw, Hex-Head Machine, #10-24 x 1/2	1
3	<u>183</u>	Washer, Flat, #10	1
4	<u>1017243</u>	Bracket, Relay Mounting	1
5	<u>1016</u>	Washer, Lock, #10	1
6	<u>1017</u>	Nut, Hex, #10-24	1
7	<u>1015372</u>	Cover, Electrical Component Box	1
8	<u>1015752</u>	Screw, Hi-Lo, #12-16 x 5/8	5
9	<u>1242</u>	Nut, Hex, 5/16-18	2
10	<u>7893</u>	Nut, Hex, #10-32	2
11	1014948	Assembly, Diode	1
12	N/A	Wire Assembly, #18 Orange	1
13	<u>1013609</u>	Solenoid	1
14	<u>1014807</u>	Switch, Limit	1
15	<u>1013589</u>	Ring, Retaining	1
16	<u>1015373</u>	Cam, Electrical Box	1
17	<u>1014145</u>	Bushing, Bronze	2
18	<u>1014065</u>	Washer, Flat	1
19	1015345	Assembly, Bell Crank and Shaft	1
20	<u>1010954</u>	Stud, Ball, 1/4-28	1
21	<u>8717</u>	Nut, Nylon Lock, 1/4-28	1
22	<u>1016997</u>	Box, Electrical Component	1
23	<u>1012295</u>	Fuse, 10-Amp	1
24	<u>1015737</u>	Wire Assembly, #10 Red	1
25	<u>1015741</u>	Block, Fuse	1
26	<u>1015405</u>	Bolt, Carriage, 5/16-18 x 2	1
27	<u>1017238</u>	Regulator, Voltage	1
28	<u>1015878</u>	Screw, Hex-Head Machine, #4-40 x 1-5/8	2
29	1012431	Washer, Flat, #4	2
30	<u>8057</u>	Nut, Hex, #4-40	4
31	<u>8058</u>	Washer, Lock, #4	2
32	<u>1016423</u>	Fuse, 20-Amp	3
33	<u>101856102</u>	Screw, Hex Washer-Head Hi-Lo, 1/4-15 x 1-1/2	1
34	<u>1241</u>	Washer, Flat, 5/16	2
35	<u>7473</u>	Nut, Nylon Lock, 5/16-18	2
36	<u>7818</u>	Bolt, Carriage, 5/16-18 x 1-1/2	1

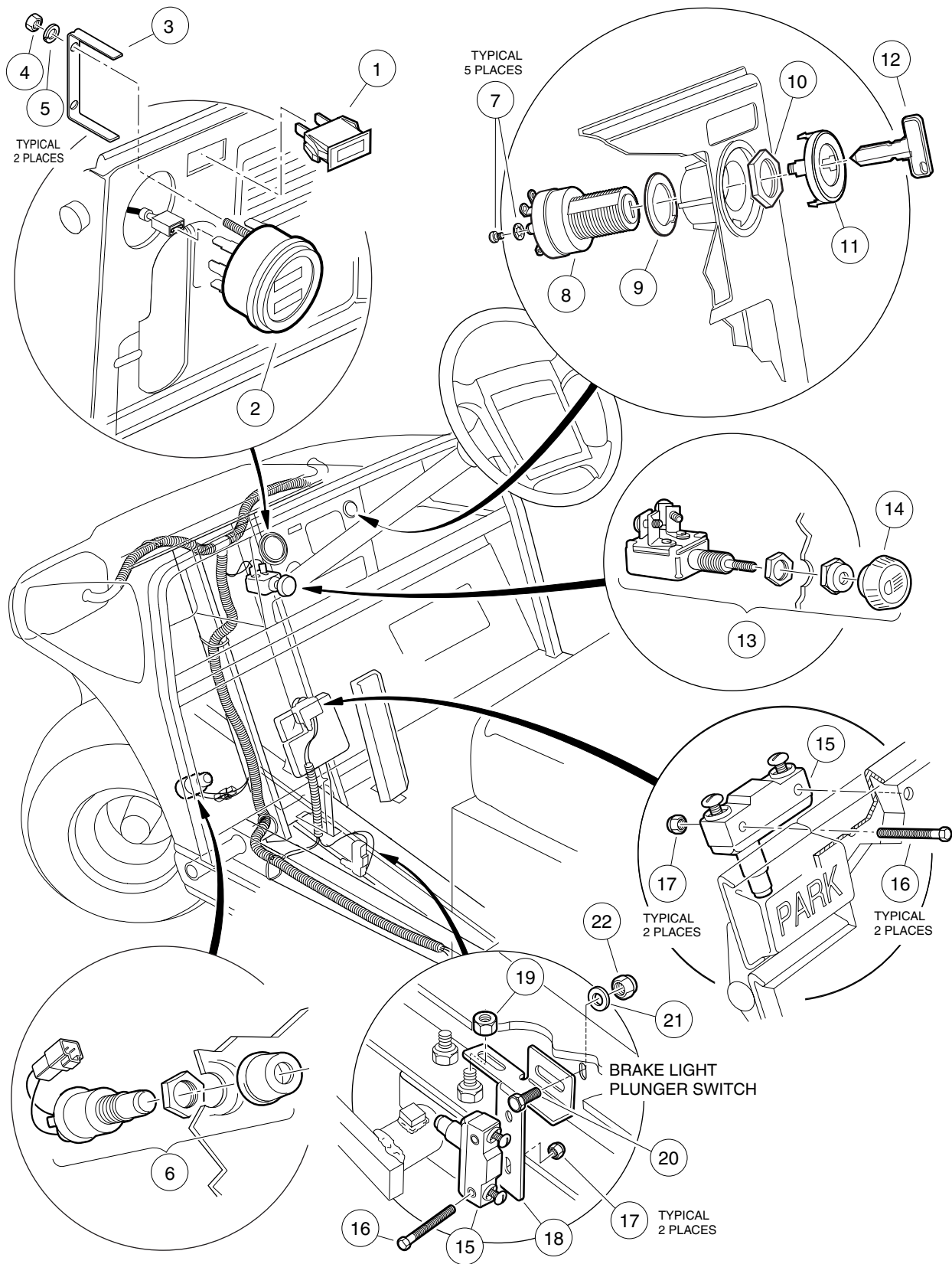
6
G



ELECTRICAL COMPONENTS, FRONT BODY – GASOLINE VILLAGER 6 AND 8, TRANSPORTER 4 AND 6

ITEM	PART NO.	DESCRIPTION	QTY
		1 2 3 4	
1	<u>8639</u>	Tie, Wire	4
2	<u>1016859</u>	Kit, Reverse Buzzer (includes items 3 - 5)	1
3	<u>1016851</u>	Buzzer, Reverse	1
4	<u>1016849</u>	Screw, Pan-Head Hi-Lo, #4-24 x 5/16	2
5	N/A	Wire Assembly, #18 Black	1
6	<u>1017721</u>	Limiter, Voltage (for gasoline vehicle lighting installation)	1
7	<u>1010909</u>	Screw, Machine, #10-32 x 1-1/4	1
8	<u>183</u>	Washer, Flat, #10	1
9	<u>1016</u>	Washer, Lock, #10	1
10	<u>7893</u>	Nut, Hex, #10-32	1
11	<u>1016356</u>	Block, Terminal	1
12	<u>1013357</u>	Rivet, Aluminum Pop, 5/32	2
13	<u>1017853</u>	Bolt, Hex-Head Machine, #6-32 x 3/4	2
14	<u>1011229</u>	Nut, K-Lock, #6-32	2
15	<u>4029</u>	Assembly, Horn (includes items 16, 17 and 18)	1
16	<u>7820</u>	Washer, Internal Tooth, 5/16	1
17	<u>101955101</u>	Nut, M6 x 1.25	1
18	<u>1011825</u>	Bracket, Horn	1
19	<u>304</u>	Screw, Hex-Head Cap, 1/4-20 x 1	2
20	<u>332</u>	Washer, Flat, 1/4	2
21	<u>8233</u>	Nut, Nylon Lock, 1/4-20	2
22	<u>101988001</u>	Assembly, Headlight, Driver-Side (includes items 24 - 32)	1
23	<u>101988002</u>	Assembly, Headlight, Passenger-Side (includes items 24 - 31 and 33)	1
24	<u>101988101</u>	Bulb, Halogen	1
25	<u>101987901</u>	Harness, Headlight Wire	1
26	<u>1013461</u>	Screw, Hi-Lo, #10-16 x 7/16	2
27	<u>1017065</u>	Retainer, Headlight	1
28	<u>101988201</u>	Lens, Headlight	1
29	<u>1017062</u>	Assembly, Turn Signal Lens	1
30	<u>7893</u>	Nut, Hex, #10-32	2
31	<u>1017064</u>	Bracket, Mounting	2
32	<u>1016880</u>	Bezel, Headlight, Driver-Side	1
33	<u>1016879</u>	Bezel, Headlight, Passenger-Side	1
34	<u>102199001</u>	Relay, Brake Light, 12-Volt	1
35	<u>7591</u>	Washer, Flat	2
36	<u>101914401</u>	Assembly, Voltage Suppressor	1

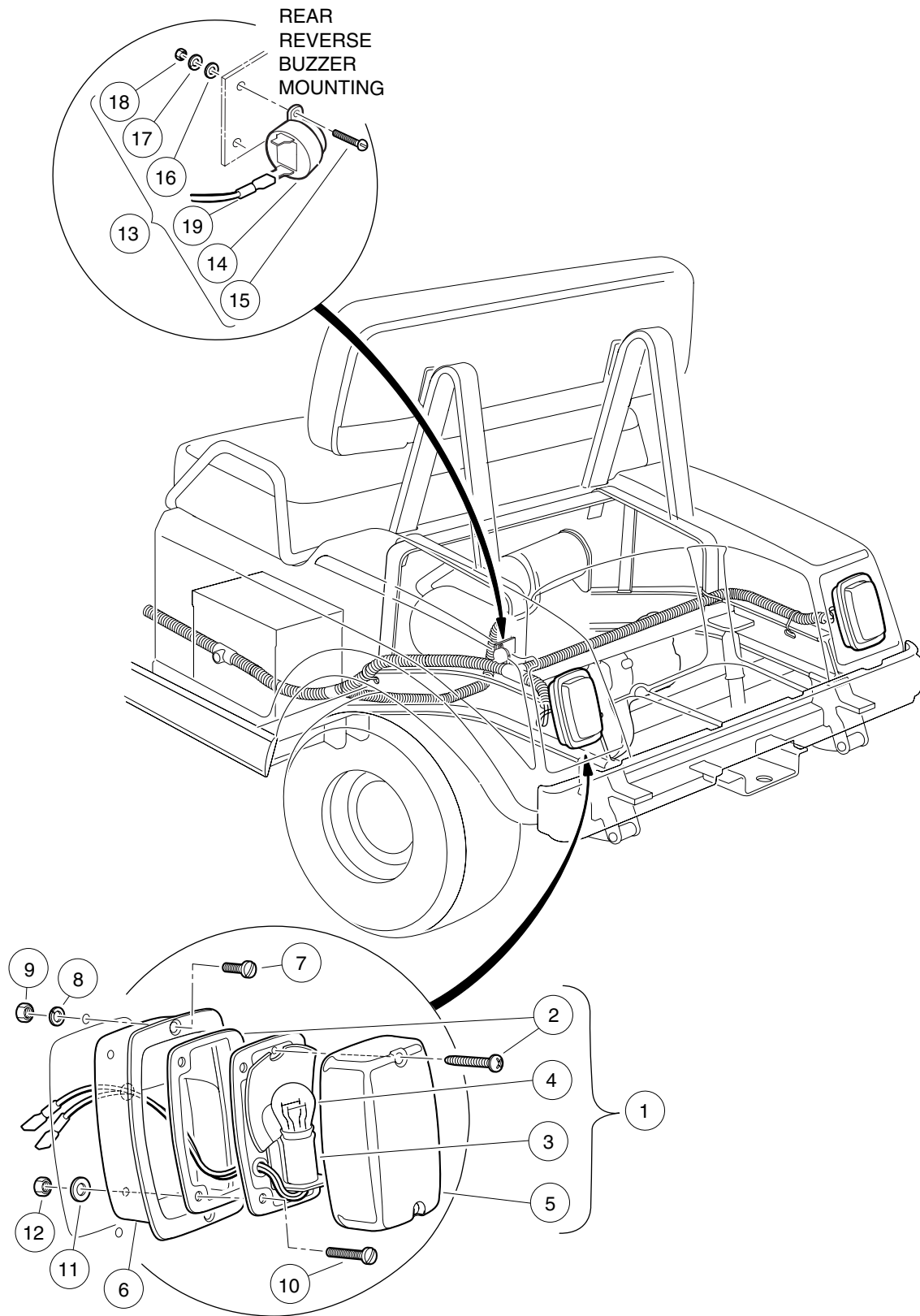
6
G



CONTROLS AND INDICATORS – GASOLINE VILLAGER 6, VILLAGER 8, TRANSPORTER 4, AND TRANSPORTER 6

ITEM	PART NO.	DESCRIPTION	QTY
		1 2 3 4	
1	<u>1016630</u>	Light, Low Oil Warning	1
2	<u>101990701</u>	Fuel Gauge/Hour Meter (includes item 3)	1
3	N/A	Bracket	1
4	<u>101991101</u>	Nut, M4 X .7	2
5	<u>1012986</u>	Washer, Lock, M4	2
6	<u>101969701</u>	Button, Horn	1
7	101830601	Assembly, Screw and Washer	5
8	101826401	Switch, Key	1
9	<u>101851101</u>	Washer, Key Switch	1
10	<u>101830701</u>	Nut, Key Switch	1
11	<u>101834502</u>	Cap, Key Switch	1
12	<u>1012505</u>	Key (pair)	1
13	<u>4034</u>	Switch, Light (includes item 14)	1
14	<u>1013857</u>	Knob, Light Switch	1
15	<u>1011439</u>	Switch, Limit	2
16	<u>1011557</u>	Screw, Hex-Head Machine, #6-32 x 1	4
17	<u>101932201</u>	Nut, Nylon Lock, #6-32	4
18	<u>101957101</u>	Bracket, Brake Light Switch	1
19	<u>1011280</u>	Nut, Lock, 5/16-18	1
20	<u>7173</u>	Bolt, Hex-Head, Cap, 5/16-18 x 3/4	1
21	<u>1241</u>	Washer, Flat, 5/16-18	1
22	<u>7473</u>	Nut, Nylon Lock, 5/16-18	1

6
G

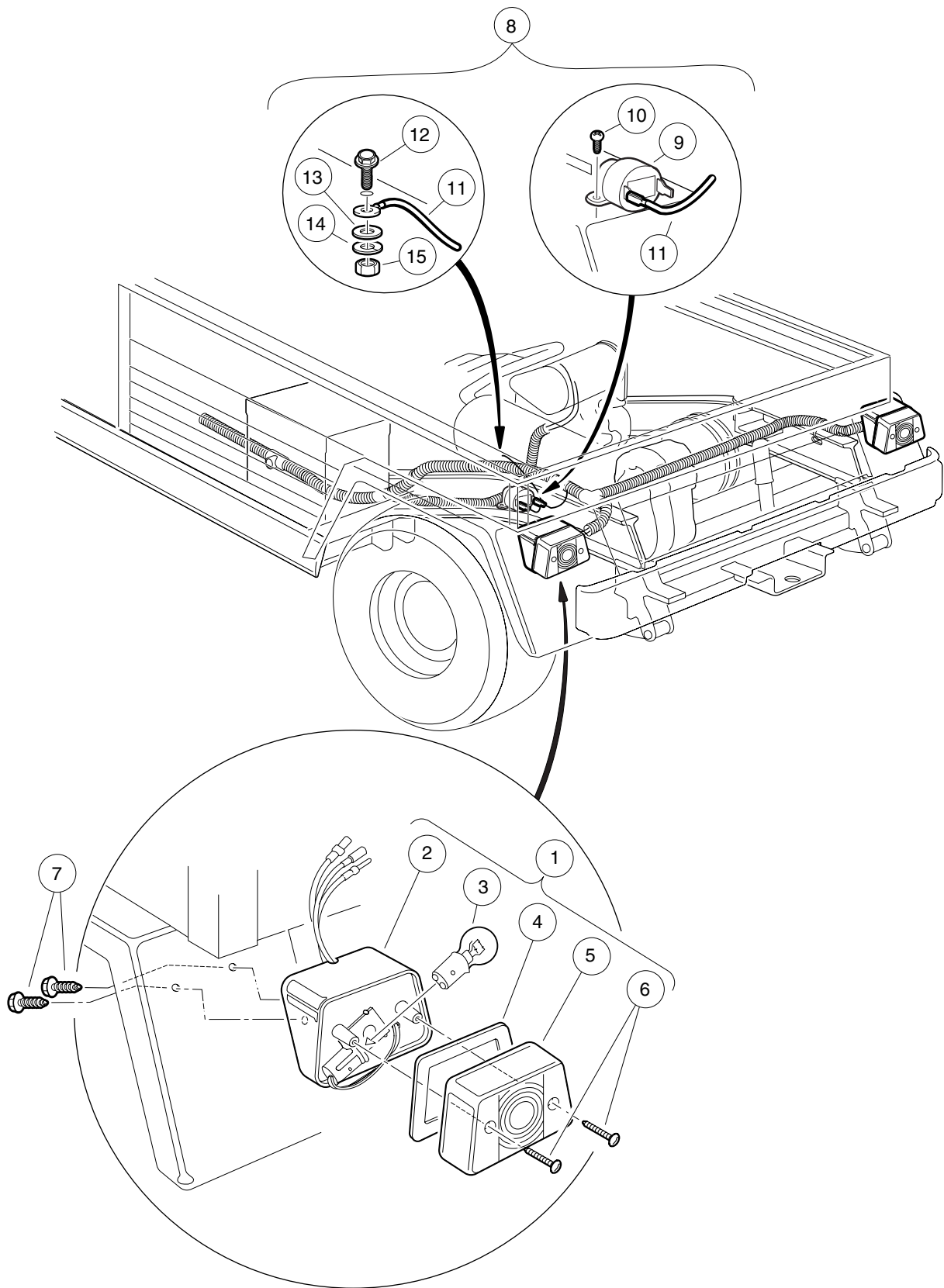


ELECTRICAL COMPONENTS, REAR BODY – GASOLINE VILLAGER 6 AND VILLAGER 8

ITEM	PART NO.	DESCRIPTION	QTY
		1 2 3 4	
1	1017035	Assembly, Taillight (includes items 2 - 5)	2
2	<u>1017699</u>	Kit, Hardware	1
3	N/A	Base, Taillight	1
4	<u>1011582</u>	Bulb	1
5	<u>1011843</u>	Lens	1
6	<u>1011497</u>	Bezel, Taillight	2
7	<u>1011498</u>	Screw, Machine, #8-32 x 1/2	4
8	<u>1011610</u>	Washer, Lock, #8	4
9	<u>1011571</u>	Nut, Hex, #8-32	4
10	<u>1011557</u>	Screw, Machine, #6-32 x 1	4
11	<u>7591</u>	Washer, Flat, #6	4
12	<u>1011558</u>	Nut, Hex, #6	4
13	<u>1016859</u>	Kit, Reverse Buzzer (includes items 14 - 19)	1
14	<u>1016851</u>	Buzzer, Reverse	1
15	<u>8056</u>	Screw, Round Head, #4-40 x 3/4	2
16	1012431	Washer, Flat, #4	2
17	<u>8058</u>	Washer, Lock, #4	2
18	<u>8057</u>	Nut, Hex, #4-40	2
19	N/A	Wire Assembly, #18 Black	1

6
G

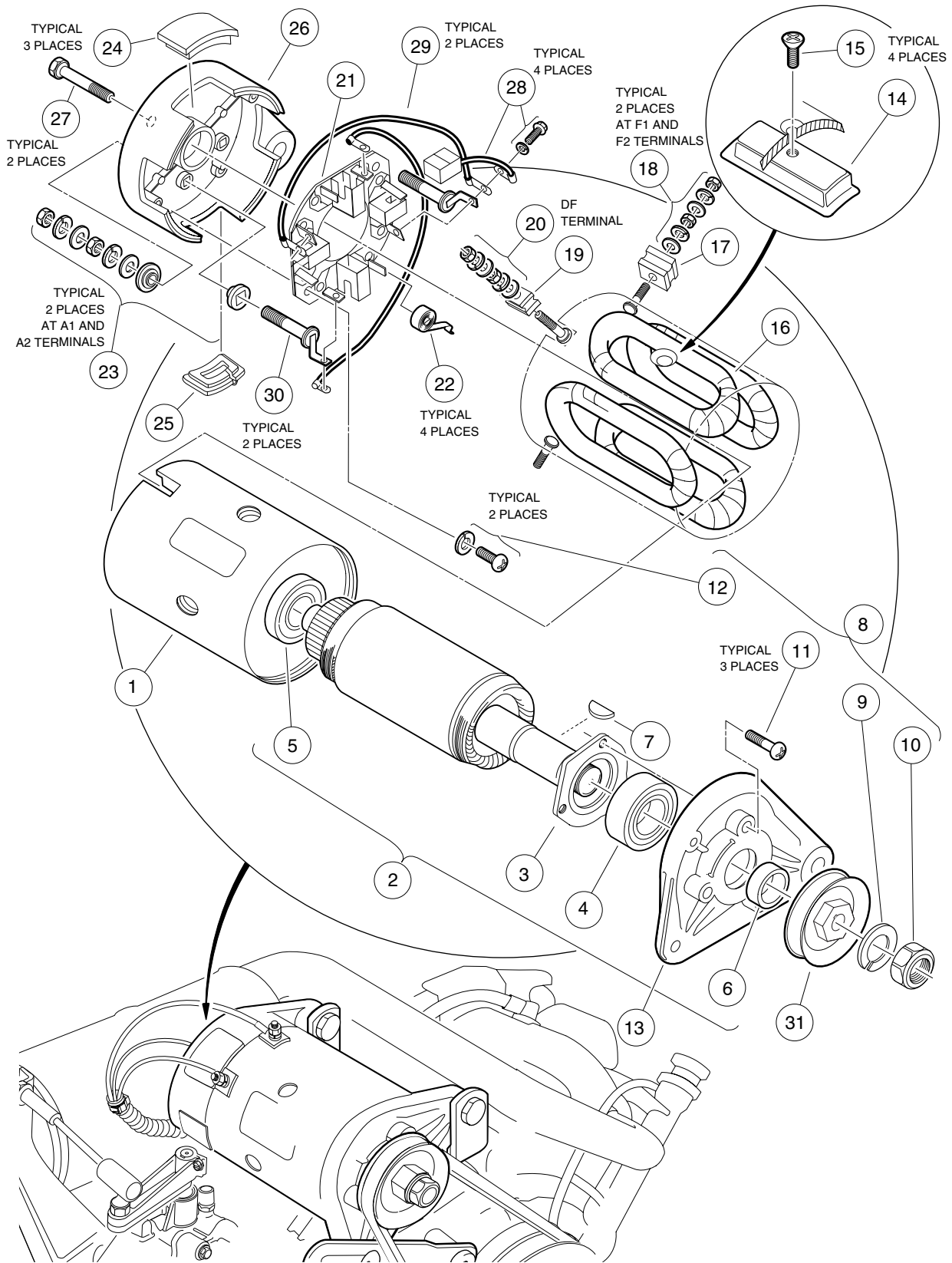
6
G



ELECTRICAL COMPONENTS, REAR BODY – GASOLINE TRANSPORTER 4 AND TRANSPORTER 6

ITEM	PART NO.	DESCRIPTION	QTY
		1 2 3 4	
1	<u>1016717</u>	Assembly, Taillight (includes items 2 - 6)	2
2	N/A	Housing, Taillight	1
3	<u>1011582</u>	Bulb	1
4	N/A	Gasket	1
5	N/A	Lens	1
6	N/A	Screw, Lens	2
7	<u>1015752</u>	Screw, Hex Washer-Head, #12-16 x 1/2	4
8	<u>1016859</u>	Kit, Reverse Buzzer (includes items 9 - 15)	1
9	<u>1016851</u>	Buzzer, Reverse	1
10	<u>1016849</u>	Screw, Pan-Head, Hi-Lo, #4-24 x 5/16	2
11	N/A	Wire Assembly, #18 Black	1
12	<u>1015720</u>	Screw, Hex Washer-Head, #6-32 x 1/2	1
13	<u>7591</u>	Washer, Flat	1
14	<u>1011622</u>	Washer, Lock, #6	1
15	<u>1011558</u>	Nut, Hex, #6-32	1

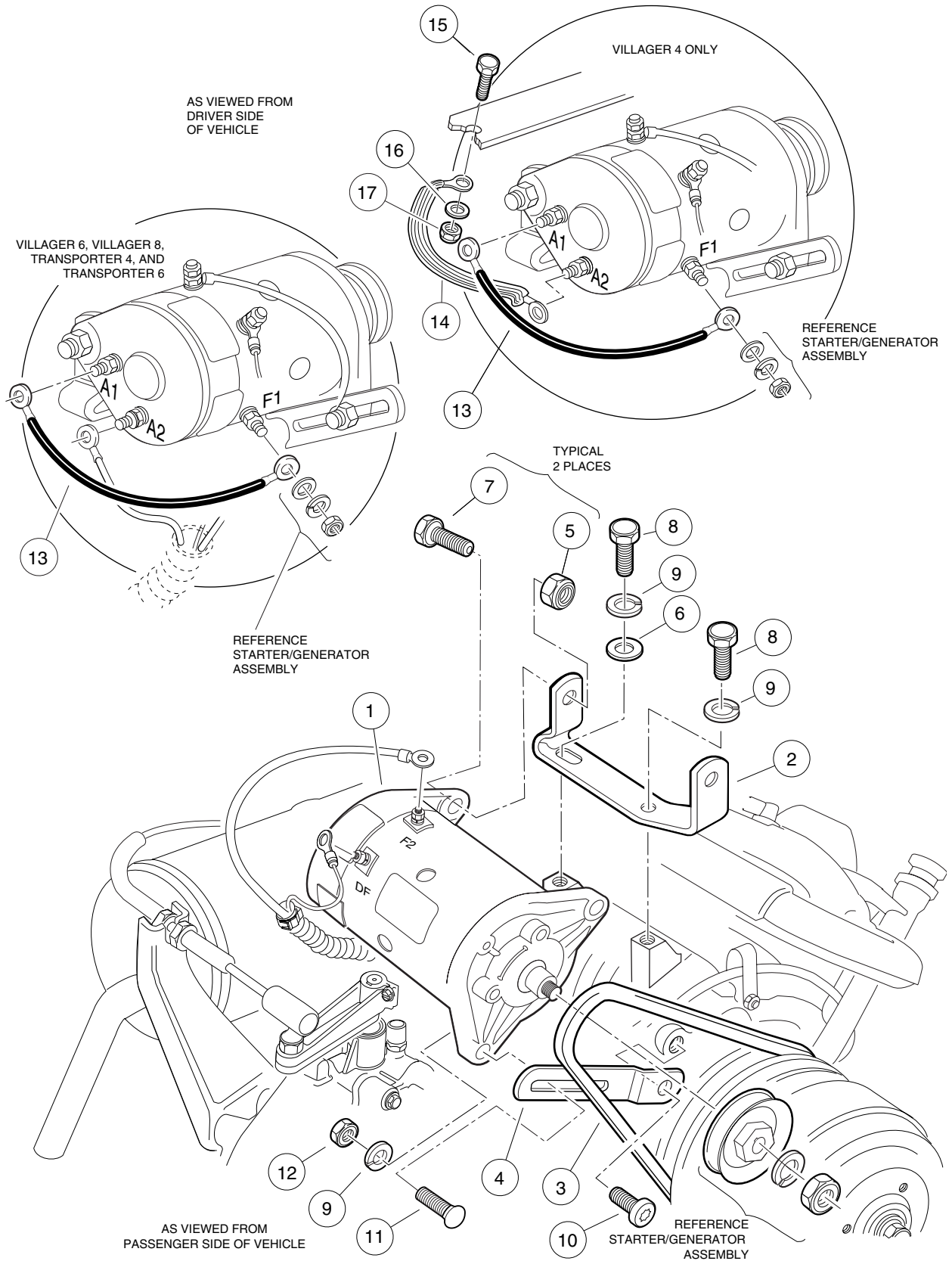
6
G



STARTER/GENERATOR ASSEMBLY

ITEM	PART NO.	DESCRIPTION	QTY
		1 2 3 4	
	<u>101833701</u>	Starter/Generator (clockwise rotation) (includes items 1 - 30)	1
1	<u>101875201</u>	Housing, Field Coil	1
2	<u>101875101</u>	Assembly, Armature (includes items 3 - 6)	1
3	<u>101875001</u>	Retainer, Bearing	1
4	<u>1013001</u>	Ball Bearing, Output Shaft	1
5	<u>1013005</u>	Commutator, Ball Bearing	1
6	<u>101939901</u>	Spacer, 5/16	1
7	<u>1013003</u>	Key, Woodruff	1
8	<u>101876501</u>	Kit, Pulley Nut and Screw (includes items 9 - 12)	1
9	N/A	Washer, Lock, M14	1
10	N/A	Nut, Hex, M14 x 2	1
11	N/A	Screw, Cross-Recessed, M5 x 0.8 x 18 mm	3
12	<u>101896501</u>	Screw, Cross-Recessed, M5 x 0.8 x 16 mm (with lock washer)	2
13	<u>101874901</u>	End Bell, Output Shaft	1
14	<u>101875301</u>	Set, Pole (set of 4)	1
15	<u>101875401</u>	Screw, Pole Piece (set of 4)	1
16	<u>101875501</u>	Coil, Field	1
17	<u>101875601</u>	Insulator, F Terminal	2
18	<u>101877601</u>	Package, Terminal Hardware (F1 and F2)	2
19	<u>101875701</u>	Insulator, DF Terminal	1
20	<u>101877701</u>	Package, Terminal Hardware (DF)	1
21	<u>101301102</u>	Holder, Brush (includes item 22)	1
22	<u>101878101</u>	Spring, Brush	4
23	<u>101876001</u>	Package, Terminal Hardware (A1 and A2)	2
24	<u>101876301</u>	Cover, Brush Inspection Port (Set of 4) (includes item 25)	1
25	<u>1017653</u>	Cover, Brush Inspection Port, with Drain	1
26	<u>101876402</u>	End Bell, Commutator	1
27	<u>101879001</u>	Bolt, Clamp, M6 x 1 x 180 mm	2
28	<u>101869302</u>	Package, Brush (includes 4 brushes, 4 screws, 4 washers)	1
29	<u>101876202</u>	Connector, Brush	2
30	<u>101875802</u>	A Connector (set of 2)	1
31	<u>1014289</u>	Pulley	1

6
G

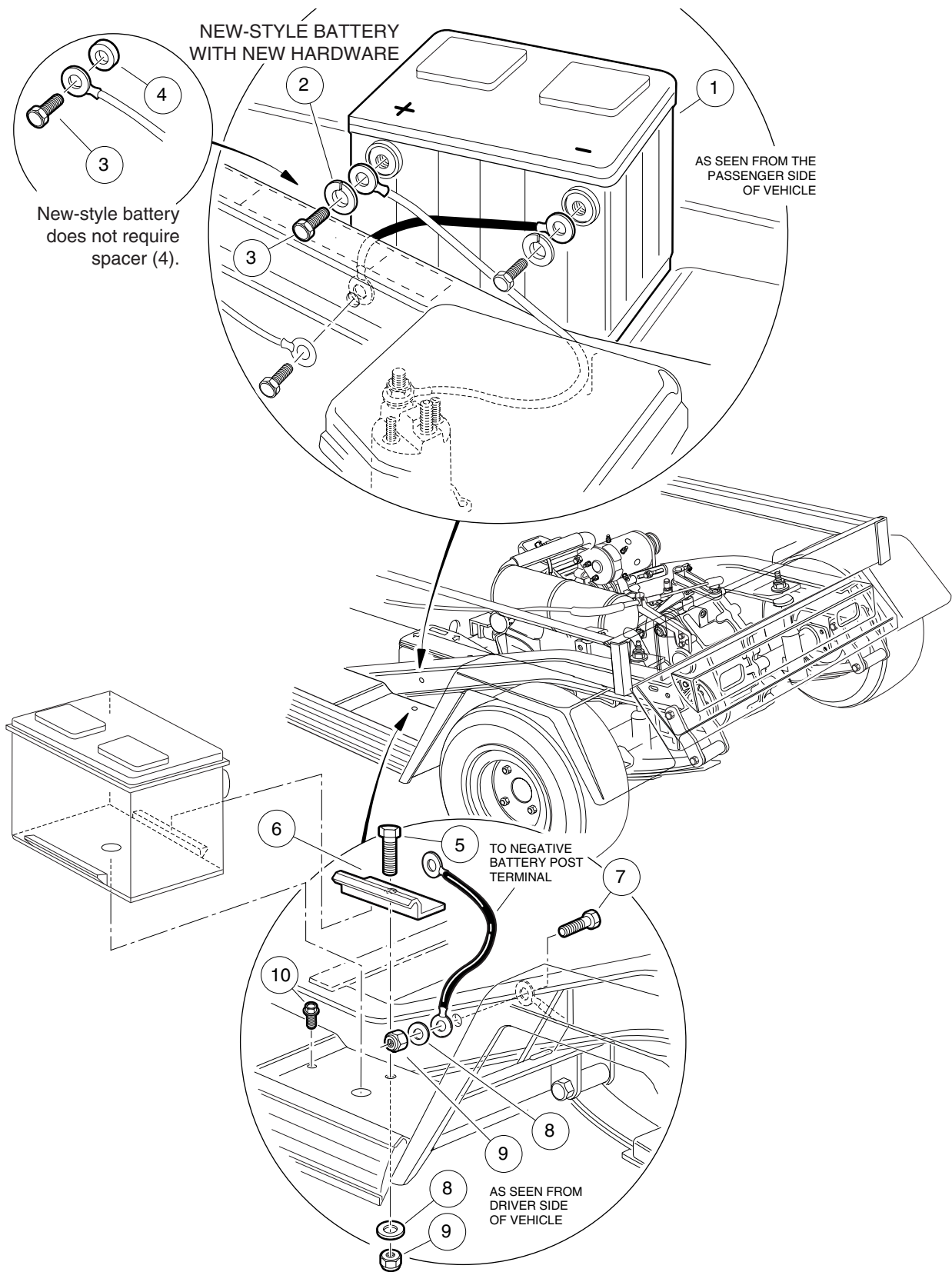


STARTER/GENERATOR MOUNTING

ITEM	PART NO.	DESCRIPTION	QTY
		1 2 3 4	
1	<u>101833701</u>	Starter/Generator	1
2	<u>101524002</u>	Bracket, Mounting	1
3	<u>101916701</u>	Belt, Starter/Generator	1
4	<u>1016883</u>	Bracket, Adjusting	1
5	<u>8754</u>	Nut, Nylon Lock, 3/8-16	2
6	<u>1241</u>	Washer, Flat, 5/16	1
7	705	Screw, Hex-Head Cap, 3/8-16 x 1-1/4	2
8	<u>1012830</u>	Screw, Hex-Head Cap, M8 x 1.25 x 22 mm	2
9	<u>7174</u>	Washer, Lock, 5/16	3
10	<u>1016074</u>	Screw, Torx-Head, M8 x 1.25 x 18 mm	1
11	<u>1015932</u>	Bolt, Carriage, 5/16-18 x 1	1
12	<u>1242</u>	Nut, Hex, 5/16-18	1
13	<u>101837301</u>	Wire Assembly, #6 Green	1
14	<u>1015920</u>	Wire Assembly, #6 Braided Ground (Villager 4 only)	1
15	<u>7173</u>	Screw, Hex-Head Cap, 5/16-18 x 3/4 (Villager 4 only)	1
16	<u>1241</u>	Washer, Flat, 5/16 (Villager 4 only)	1
17	<u>7473</u>	Nut, Nylon Lock, 5/16-18 (Villager 4 only)	1

6
G

6
G



BATTERY – GASOLINE VEHICLE

ITEM	PART NO.	DESCRIPTION	QTY
		1 2 3 4	
1	<u>1012328</u>	Battery, 12-Volt	1
2	<u>102355301</u>	Washer, Lock, Stainless Steel, 3/8*	2
3	<u>1014375</u>	Screw, Hex-Head Cap, Stainless Steel, 3/8-16 x 1/2	2
4	<u>1014374</u>	Spacer, Battery Terminal Bolt*	2
5	<u>1010934</u>	Screw, Hex-Head Cap, 5/16-18 x 1	1
6	<u>101898001</u>	Clamp, Battery	1
7	<u>7173</u>	Screw, Hex Cap, 5/16-18 x 3/4	1
8	<u>1241</u>	Washer, Flat, 5/16	2
9	<u>7473</u>	Nut, Nylon Lock, 5/16-18	2
10	<u>1014288</u>	Screw, Thread-Forming, 5/16-16 x 3/4	1
<p>*NOTE: When ordering a new battery, you must order the new stainless steel lockwasher (2); however, the lockwasher cannot be used in conjunction with the older battery terminal design that requires a spacer (4).</p>			

6
G

6

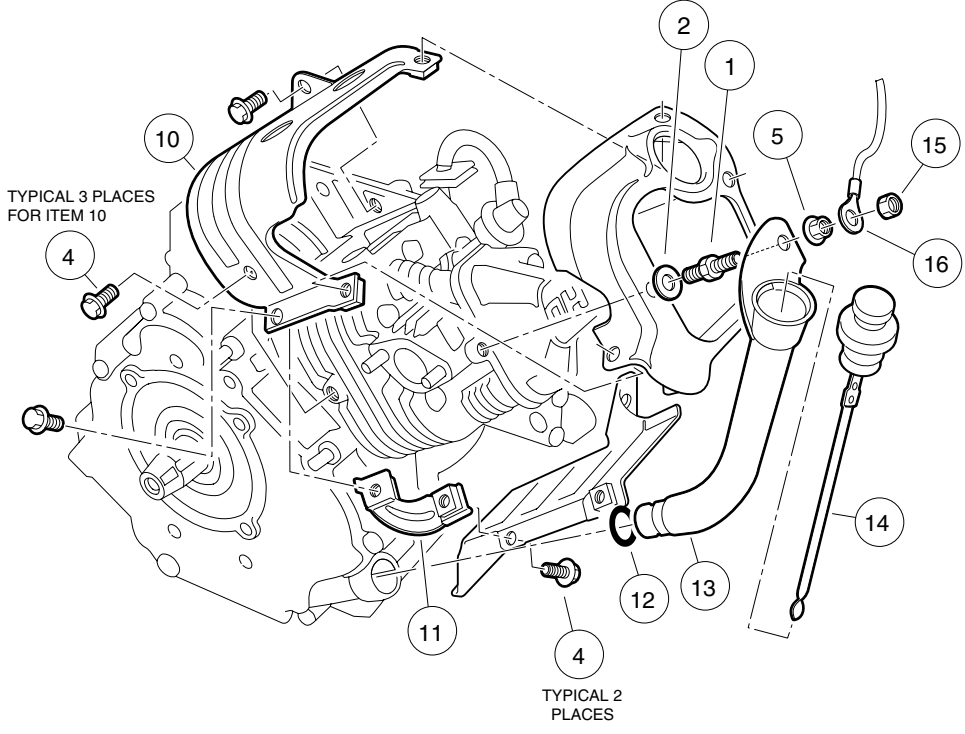
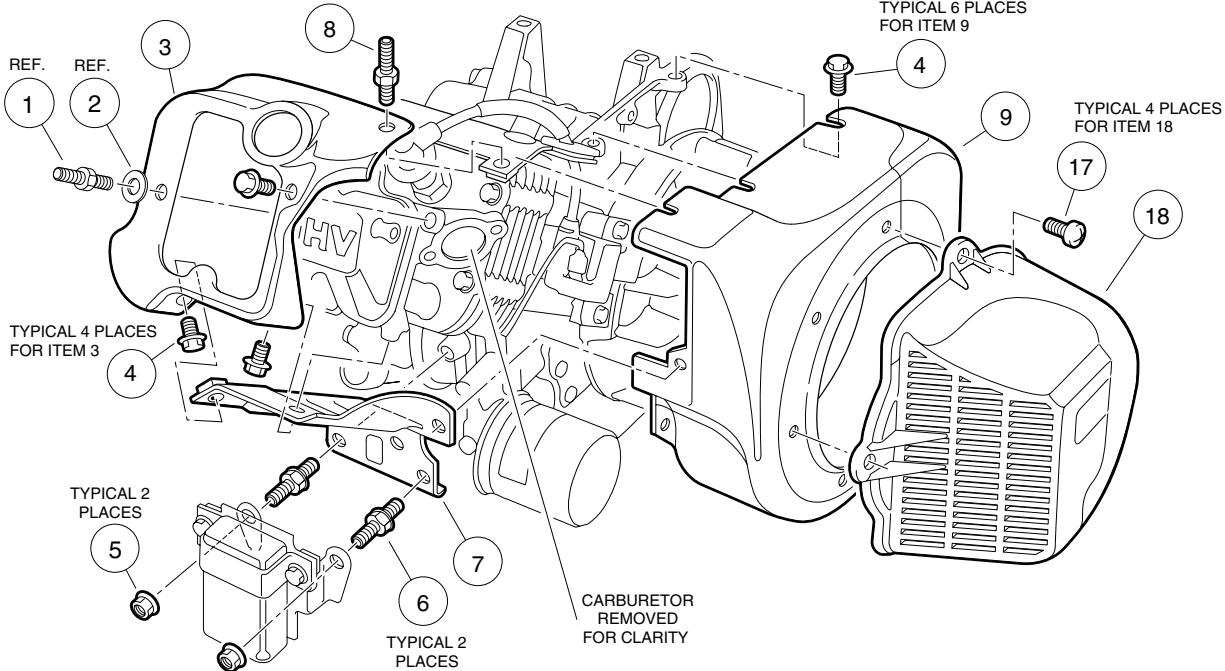
G

ENGINE

7

G

FE290 ENGINE



FE290 ENGINE – SHROUDS AND BRACKETS

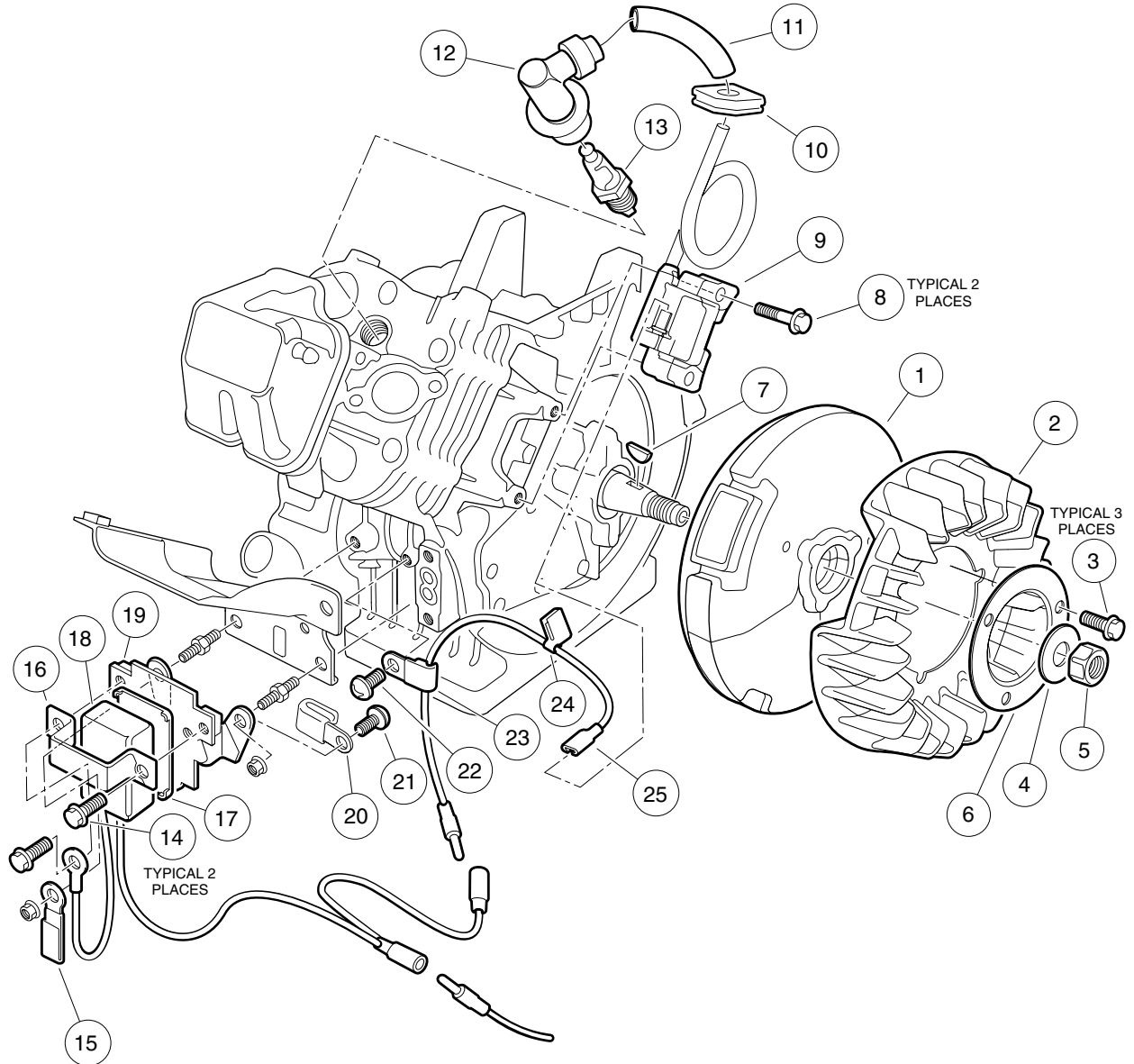
ITEM	PART NO.	DESCRIPTION	QTY
		1 2 3 4	
	<u>101953901</u>	FE290 OHV Gasoline Engine (clockwise rotation) with Carburetor (does not include items 15 through 18)	1
1	<u>1016507</u>	Bolt, 2-Ended, M6 x 1 x 29 mm	1
2	N/A	Washer, Flat, 6 mm	1
3	<u>1016524</u>	Shroud, Engine, FE290	1
4	<u>1016456</u>	Bolt, Flanged, M6 x 1 x 12 mm	15
5	<u>1016547</u>	Nut, Flange, M6 x 1	3
6	<u>101909701</u>	Bolt, 2-Ended, M6 x 1 x 27 mm	2
7	<u>1016526</u>	Shroud, Engine, FE290 (lower)	1
8	<u>1017221</u>	Bolt, 2-Ended, M6 x 1 x 46 mm	1
9	<u>101915601</u>	Housing, Fan	1
10	<u>1016525</u>	Shroud, Engine, FE290 (upper)	1
11	<u>1016443</u>	Bracket.....	1
12	<u>1016539</u>	O-Ring	1
13	<u>1016536</u>	Tube, Oil Filler, FE290	1
14	<u>1016531</u>	Dipstick	1
15	<u>101887601</u>	Nut, Nylon Lock, M6 x 1	1
16	<u>1015332</u>	Wire Assembly, #10 Braided Ground	1
17	<u>1015969</u>	Screw, Pan Head, M6 x 1 x 14 mm	4
18	<u>1015649</u>	Shroud, Fan	1

7
G

7

G

FE290 ENGINE



FE290 ENGINE – IGNITION COMPONENTS AND FLYWHEEL

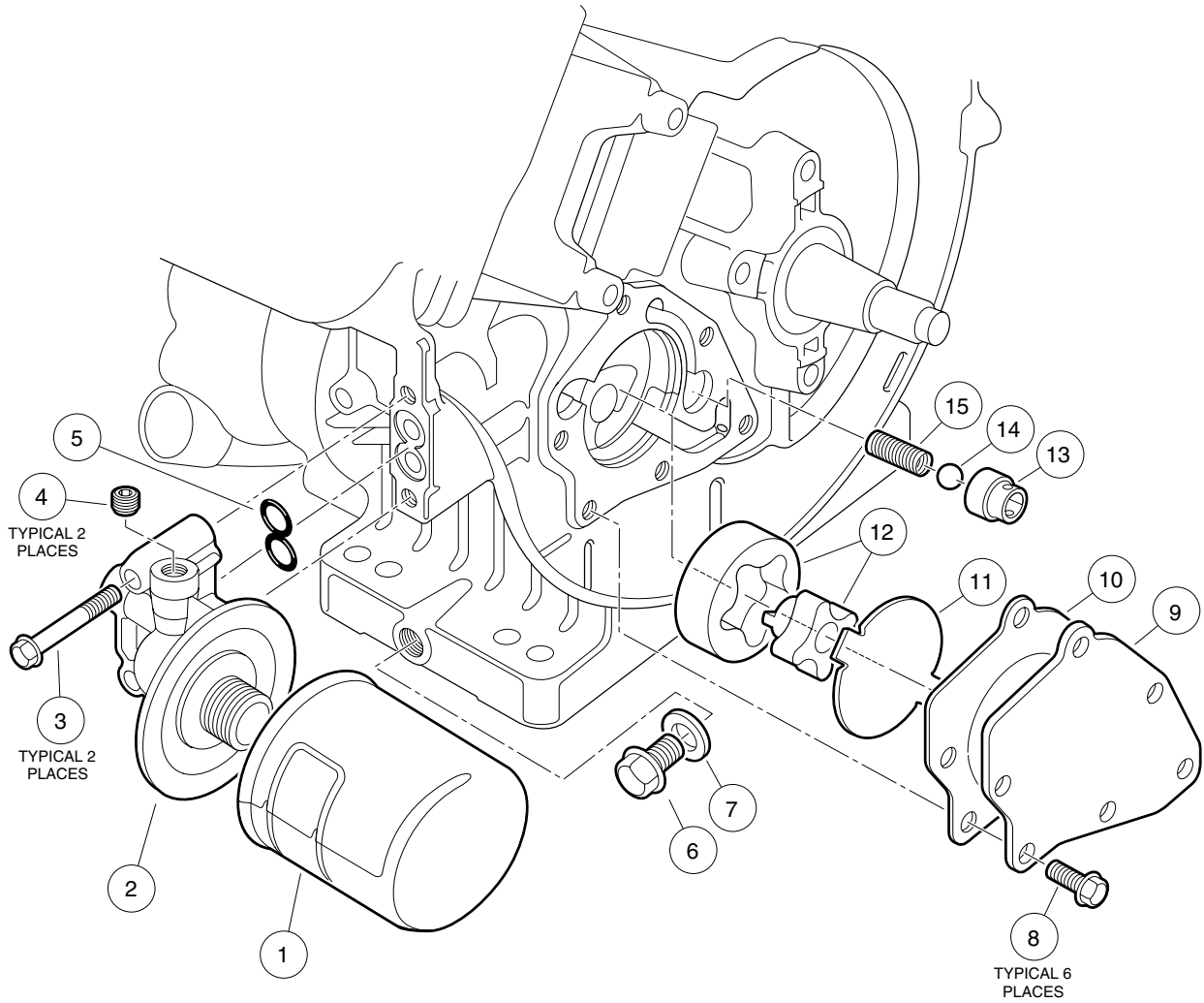
ITEM	PART NO.	DESCRIPTION	QTY
		1 2 3 4	
1	<u>101915701</u>	Flywheel	1
2	<u>101915801</u>	Fan, Flywheel, Gray	1
3	<u>1017448</u>	Screw, Flanged Hex-Head, M6 x 1 x 10 mm	3
4	<u>1016548</u>	Washer, Flat, 16 mm	1
5	<u>1016505</u>	Nut, Hex, M16 x 1.5	1
6	<u>1017455</u>	Plate, Flywheel Fan	1
7	<u>1016562</u>	Key	1
8	<u>1016455</u>	Bolt, Flanged, M5 x 0.8 x 25 mm	2
9	<u>101909201</u>	Coil, Ignition (with internal igniter)	1
10	<u>1016578</u>	Grommet	1
11	<u>1016588</u>	Tube, 7 mm x 70 mm	1
12	<u>1016493</u>	Assembly, Plug Cap	1
13	<u>101881101</u>	Plug, Spark, OHV (Autolite®)	1
13	<u>AM10724</u>	Plug, Spark, OHV (NGK®)	1
14	<u>1016456</u>	Bolt, Flanged, M6 x 1 x 12 mm	2
15	<u>1012981</u>	Clamp	1
16	<u>1016579</u>	Band, RPM Limiter Mount	1
17	<u>1016586</u>	Damper, RPM Limiter	1
18	<u>101909401</u>	Limiter, RPM, OHV	1
19	<u>1016445</u>	Bracket, RPM Limiter	1
20	<u>101909501</u>	Clamp	1
21	<u>1016497</u>	Screw, Cross Pan-Head, M5 x 0.8 x 8 mm	1
22	<u>1016544</u>	Screw, Cross Pan-Head Self-Tapping, M5 x 0.8 x 12 mm	1
23	<u>1016561</u>	Clamp	1
24	<u>1016587</u>	Clamp	1
25	<u>101909301</u>	Wire, Lead	1

7
G

7

G

FE290 ENGINE



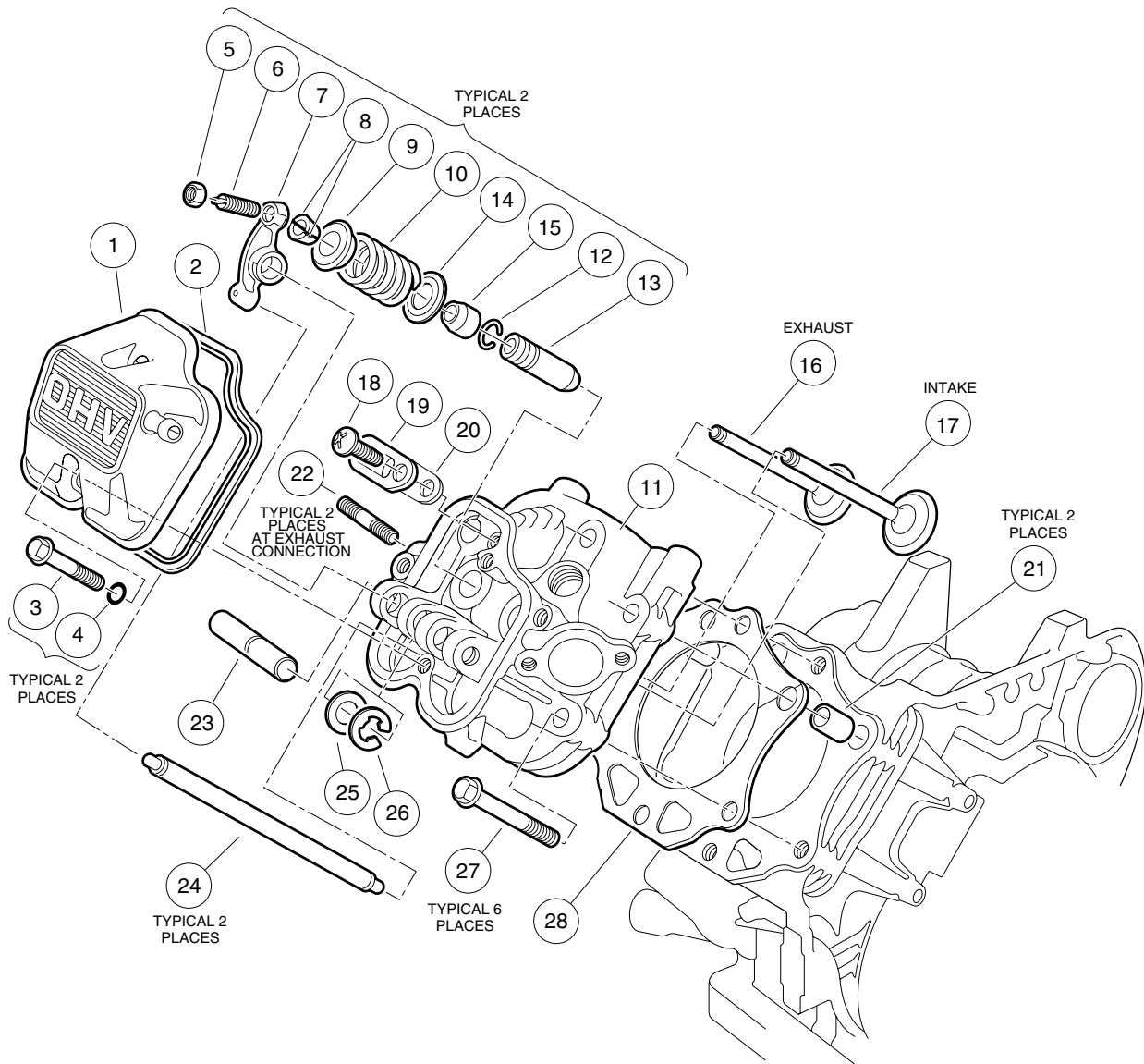
FE290 ENGINE – OIL CIRCULATION

ITEM	PART NO.	DESCRIPTION	QTY
		1 2 3 4	
1	<u>1016467</u>	Oil Filter	1
2	<u>1016502</u>	Bracket, Oil Filter	1
3	<u>1016457</u>	Bolt, Flanged Hex-Head, M6 x 1 x 40 mm	2
4	<u>1017507</u>	Plug	2
5	<u>1016570</u>	O-Ring, Oil Filter Mount	1
6	1016576	Plug, Drain, FE290	1
7	<u>1016432</u>	Gasket, Drain Plug	1
8	<u>1017456</u>	Screw, Flanged Hex-Head, M6 x 1 x 12 mm	6
9	<u>1016484</u>	Cover, Pump	1
10	<u>1016435</u>	Gasket, Oil Pump	1
11	<u>1016473</u>	Plate, Oil Pump	1
12	<u>101648203</u>	Pump, Oil and Rotor	1
13	1016429	Seat, Valve	1
14	<u>1016537</u>	Ball, Steel, Pressure Relief	1
15	<u>1016581</u>	Spring	1

7

G

FE290 ENGINE



FE290 ENGINE – CYLINDER HEAD

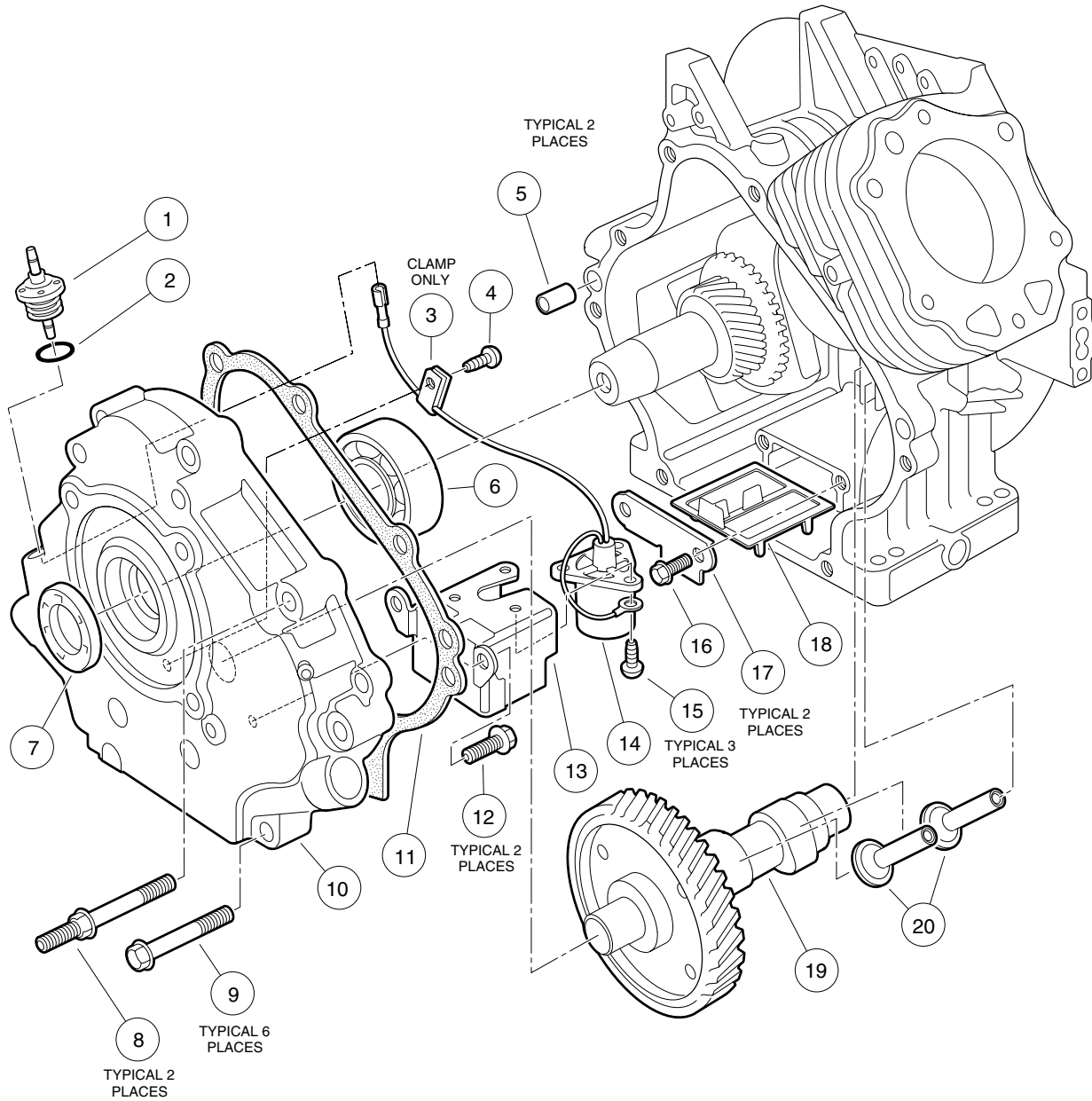
ITEM	PART NO.	DESCRIPTION	QTY
		1 2 3 4	
1	<u>1016442</u>	Case, Rocker	1
2	<u>1016436</u>	Gasket, Rocker Case	1
3	<u>1016583</u>	Bolt, Flanged, M6 x 1 x 35 mm	2
4	<u>1016569</u>	O-Ring	2
5	<u>1016545</u>	Nut, Hex, M5 x 0.8	2
6	<u>1016542</u>	Screw, Stud, M5 x 0.8	2
7	<u>1016451</u>	Arm, Rocker	2
8	<u>1016450</u>	Collet.....	4
9	<u>1016449</u>	Retainer, Valve Spring	2
10	<u>1016523</u>	Spring, Engine Valve	2
11	<u>1016431</u>	Assembly, Cylinder Head, OHV (includes items 12 and 13)	1
12	<u>1016560</u>	Ring, Snap	2
13	<u>1016519</u>	Guide, Valve	2
14	<u>1016479</u>	Seat, Spring	2
15	<u>1016566</u>	Seal, Valve	2
16	<u>1016448</u>	Valve, Exhaust	1
17	<u>1016447</u>	Valve, Intake	1
18	<u>1016544</u>	Screw, Cross Pan-Head Self-Tapping, M5 x 0.8 x 12 mm	1
19	<u>1016474</u>	Plate	1
20	<u>1016483</u>	Valve	1
21	<u>1016563</u>	Pin	2
22	<u>1016489</u>	Bolt, Stud, M8 x 1.25 x 29 mm	2
23	<u>1016452</u>	Shaft, Rocker	1
24	<u>1016471</u>	Rod, Push	2
25	<u>1016549</u>	Washer, Flat, M12	1
26	<u>1016517</u>	Circlip, Type E	1
27	<u>1016458</u>	Bolt, Flanged, M8 x 1.25 x 45 mm	6
28	<u>1016430</u>	Gasket, Head	1
	<u>102304701</u>	Kit, Gasket, FE290 (contains one each of all internal gaskets for the FE290 engine) (not shown).....	1

7

G

7
G

FE290 ENGINE

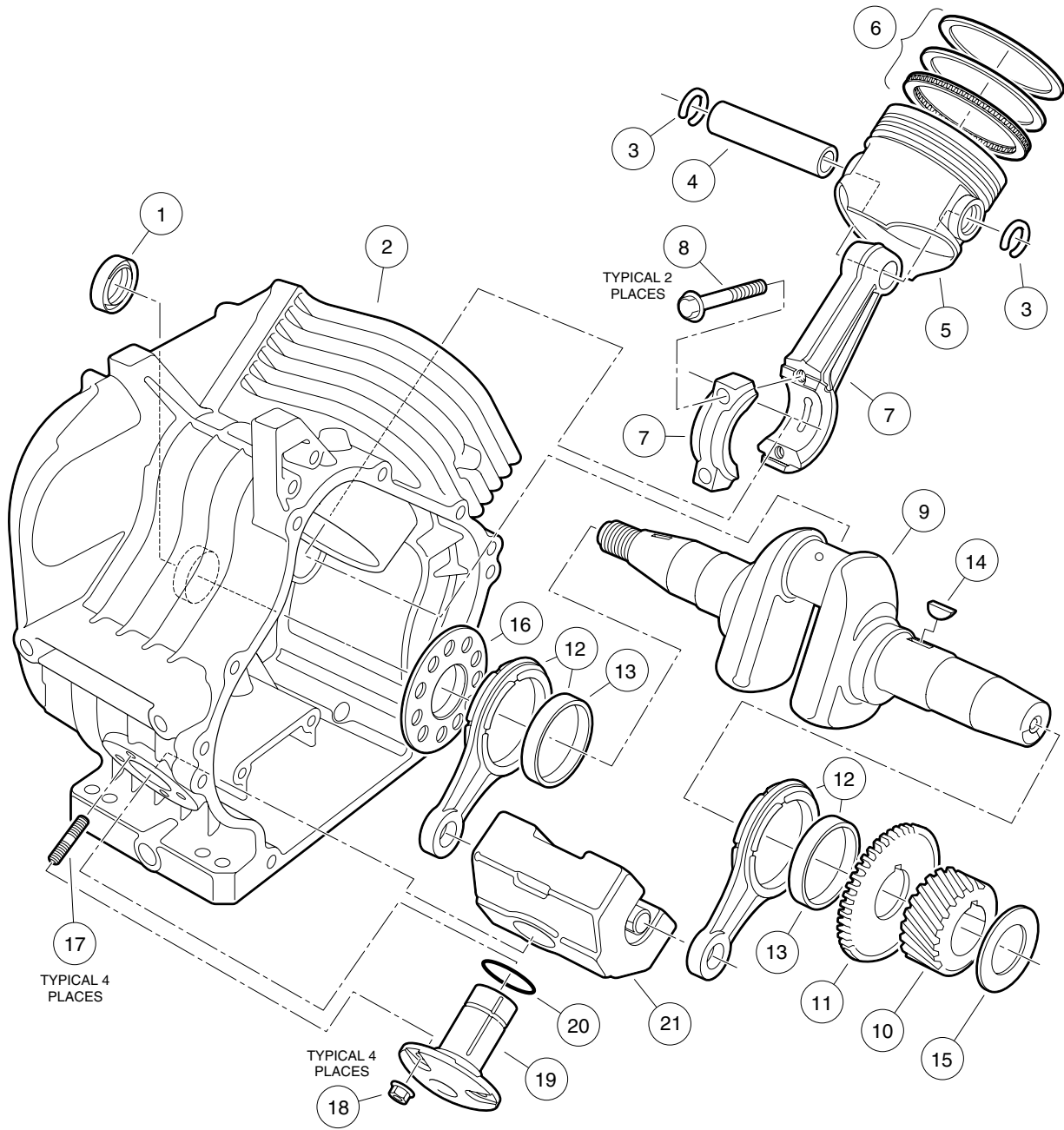


FE290 ENGINE – CRANKCASE, CAMSHAFT AND OIL SENSOR

ITEM	PART NO.	DESCRIPTION	QTY
		1 2 3 4	
1	<u>1016535</u>	Connector, Cord	1
2	<u>1016538</u>	O-Ring	1
3	<u>1016506</u>	Clamp	1
4	<u>1016544</u>	Screw, Cross Pan-Head Self-Tapping, M5 x 0.8 x 12 mm	1
5	<u>1016564</u>	Pin	2
6	<u>1016565</u>	Bearing, Ball	1
7	<u>1016567</u>	Seal, Crankshaft	1
8	<u>1016584</u>	Bolt, 2-Ended, M8 x 1.25 x 69 mm	2
9	<u>1016458</u>	Bolt, Flanged, M8 x 1.25 x 45 mm	6
10	<u>1016520</u>	Cover, Crankcase	1
11	<u>1016446</u>	Gasket, Crankcase Cover	1
12	<u>1016456</u>	Bolt, Flanged, M6 x 1 x 12 mm	2
13	<u>1016510</u>	Bracket, Oil Level Switch	1
14	<u>1016494</u>	Sensor, Oil Level	1
15	<u>1016496</u>	Screw, Cross Pan Head, M4 x 0.7 x 8 mm	3
16	<u>1016454</u>	Bolt, Flanged, M5 x 0.8 x 8 mm	2
17	<u>1016472</u>	Plate, Oil Filter Screen	1
18	<u>1016521</u>	Screen, Oil Filter	1
19	<u>101915401</u>	Camshaft, Complete	1
20	<u>1016453</u>	Tappet	2

7
G

FE290 ENGINE

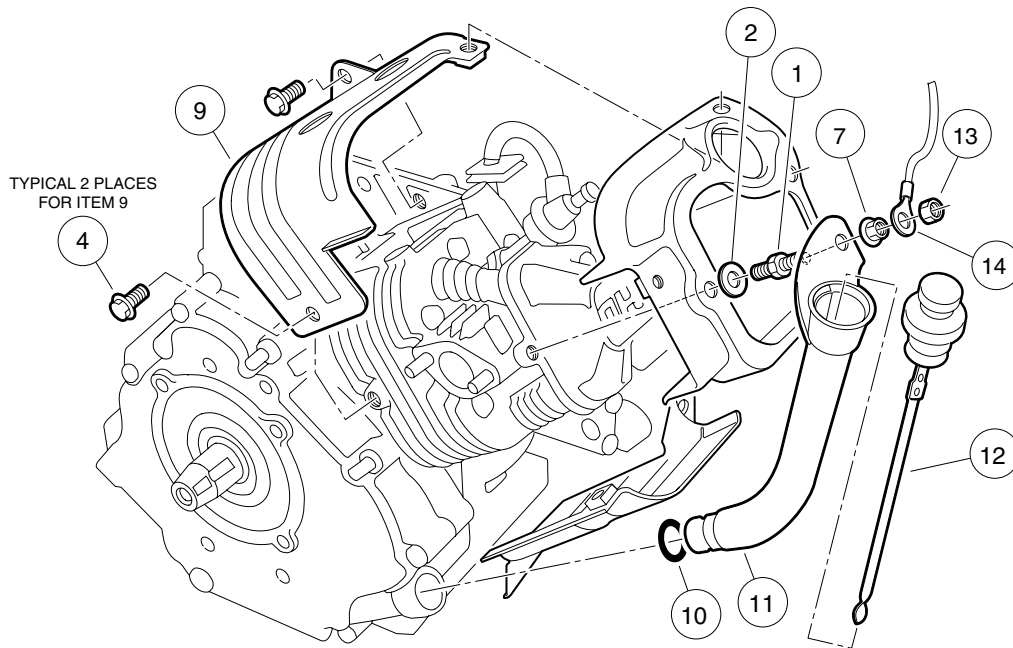
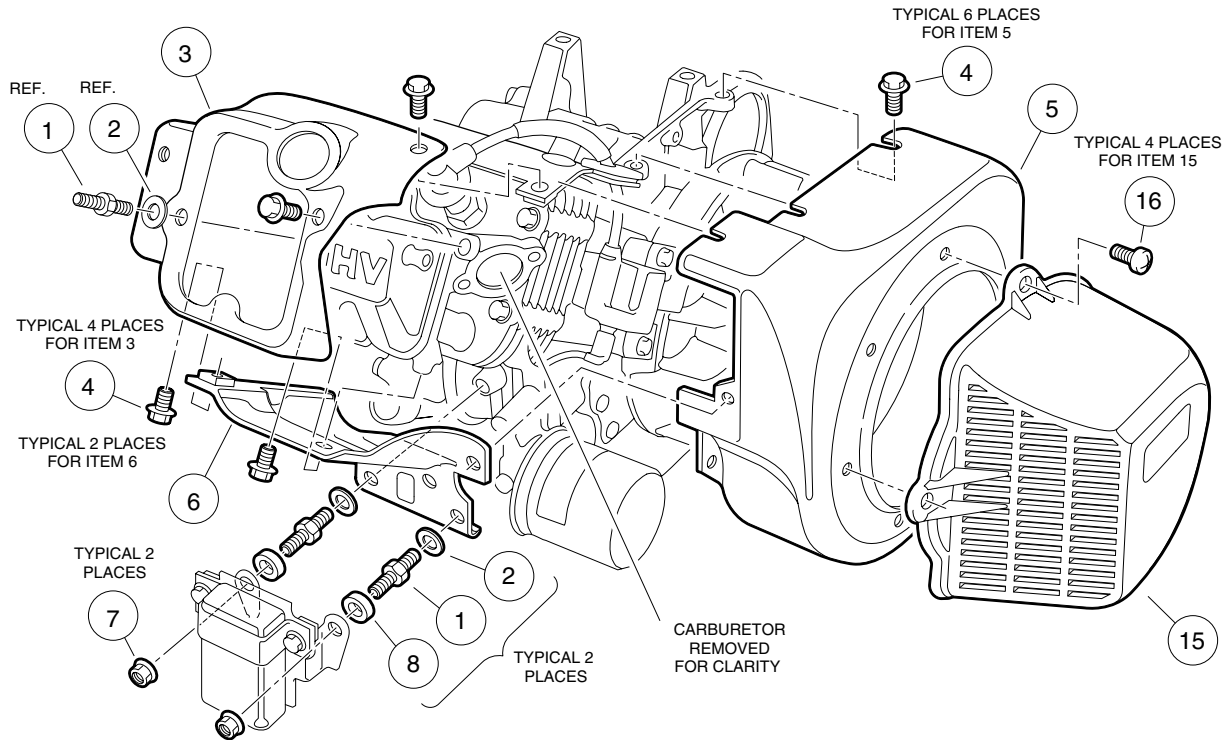


FE290 ENGINE – CRANKCASE AND CRANKSHAFT

ITEM	PART NO.	DESCRIPTION	QTY
		1 2 3 4	
1	<u>1016568</u>	Seal, Oil	1
2	<u>101915501</u>	Crankcase, OHV	1
3	<u>1016558</u>	Ring, Snap	2
4	1016460	Pin, Piston	1
5	<u>101645901</u>	Piston, Standard	1
5	<u>101645902</u>	Piston, .25 mm Oversized	1
5	<u>101645903</u>	Piston, .50 mm Oversized	1
6	<u>101646101</u>	Ring Set, Piston, Standard	1
6	<u>101646102</u>	Ring Set, Piston, .25 mm Oversized	1
6	<u>101646103</u>	Ring Set, Piston, .50 mm Oversized	1
7	<u>101647501</u>	Assembly, Connecting Rod, Standard (includes 2 each of item 8)	1
7	<u>101647502</u>	Assembly, Connecting Rod, .50 mm Undersized (includes 2 each of item 8)	1
8	<u>1016509</u>	Screw, Hex-Head Cap, M7 x 1 x 36 mm	2
9	101922301	Crankshaft, FE290 (left-hand thread) (includes items 10, 11 and one each of item 12)	1
10	<u>1016533</u>	Gear, Helical	1
11	<u>1016532</u>	Gear, Spur	1
12	<u>1016516</u>	Assembly, Rod (includes one each of item 13)	2
13	1016580	Bearing, Plain	2
14	<u>1016562</u>	Key	1
15	<u>101655001</u>	Shim, Crankshaft, 1.13 mm Thick	A/R
15	<u>101655002</u>	Shim, Crankshaft, 1.18 mm Thick	A/R
15	<u>101655003</u>	Shim, Crankshaft, 1.23 mm Thick	A/R
15	<u>101655004</u>	Shim, Crankshaft, 1.28 mm Thick	A/R
15	<u>101655005</u>	Shim, Crankshaft, 1.33 mm Thick	A/R
15	<u>101655006</u>	Shim, Crankshaft, 1.38 mm Thick	A/R
15	<u>101655007</u>	Shim, Crankshaft, 1.43 mm Thick	A/R
15	<u>101655008</u>	Shim, Crankshaft, 1.48 mm Thick	A/R
15	<u>101655009</u>	Shim, Crankshaft, 1.53 mm Thick	A/R
16	1016559	Spacer	1
17	<u>1016541</u>	Bolt, Stud, M6 x 1 x 22 mm	4
18	1016547	Nut, Flanged, M6 x 1	4
19	1016470	Shaft, Counterbalance Guide	1
20	<u>1016571</u>	O-Ring	1
21	<u>1016469</u>	Weight, Counterbalance	1

7
G

FE350 ENGINE

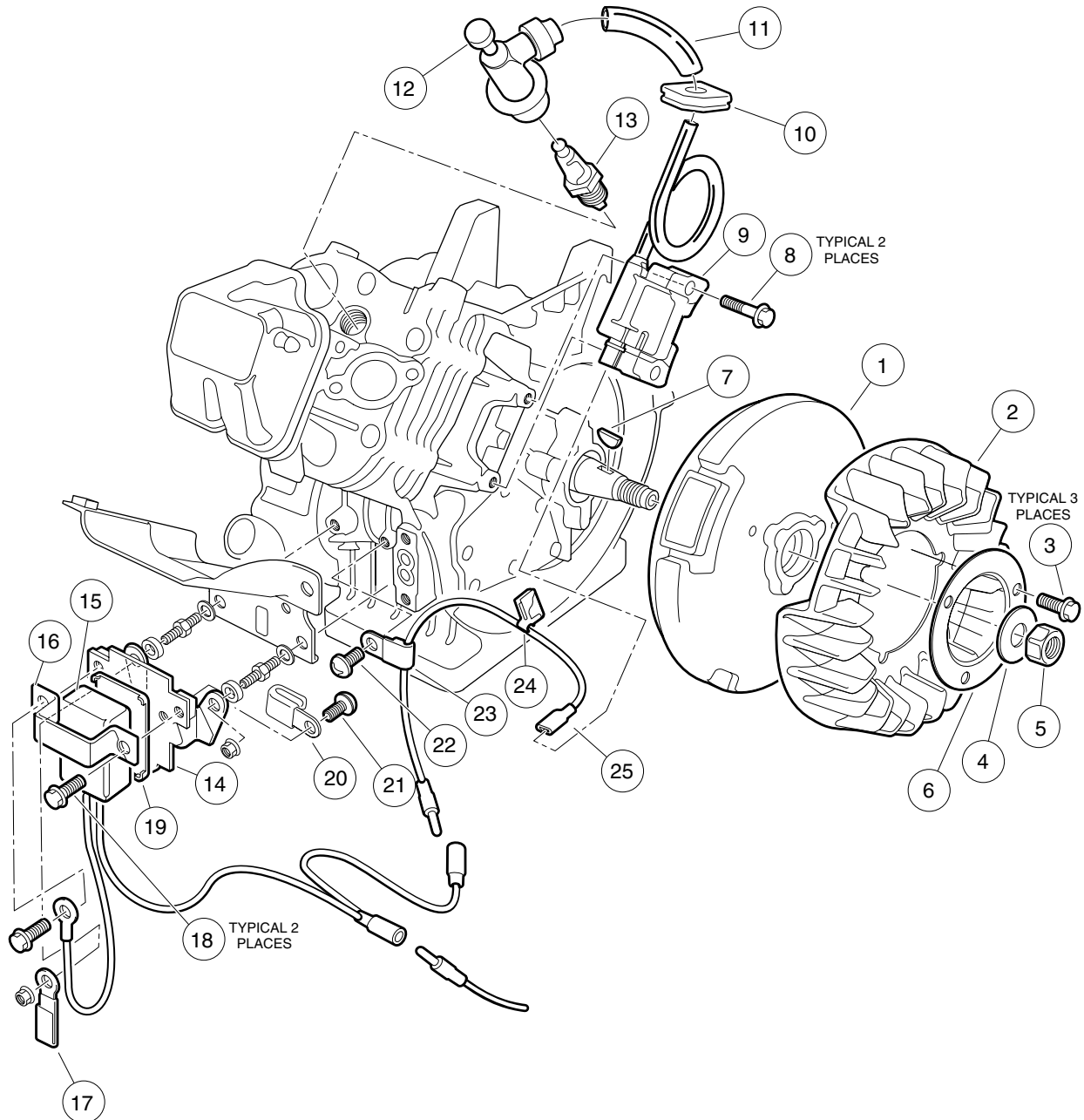


FE350 ENGINE – SHROUDS AND BRACKETS

ITEM	PART NO.	DESCRIPTION	QTY
	<u>101953802</u>	1 2 3 4 FE350 OHV Gasoline Engine, Complete (clockwise rotation) with Automatic Compression Release (ACR) and with Carburetor (key-start vehicles) (does not include items 13 - 16)	1
1	<u>1016507</u>	Bolt, 2-Ended, M6 x 1 x 29 mm	3
2	N/A	Washer, Flat, 6 mm	3
3	<u>1017474</u>	Shroud, Cylinder Head	1
4	<u>1016456</u>	Bolt, Flanged, M6 x 1 x 12 mm	14
5	<u>101916101</u>	Housing, Fan	1
6	<u>1017476</u>	Shroud, Lower Cylinder	1
7	<u>1016547</u>	Nut, Flanged, M6 x 1	3
8	<u>1017500</u>	Spacer	2
9	<u>1017475</u>	Shroud, Upper Cylinder	1
10	<u>1016539</u>	O-Ring	1
11	<u>1017486</u>	Tube, Oil Filler	1
12	<u>1016531</u>	Dipstick	1
13	<u>101887601</u>	Nut, Nylon Lock, M6 x 1	1
14	<u>1015332</u>	Wire Assembly, #10 Braided Ground	1
15	<u>1015649</u>	Shroud, Fan	1
16	<u>1015969</u>	Screw, Pan-Head, M6 x 1 x 14 mm	4

7
G

FE350 ENGINE



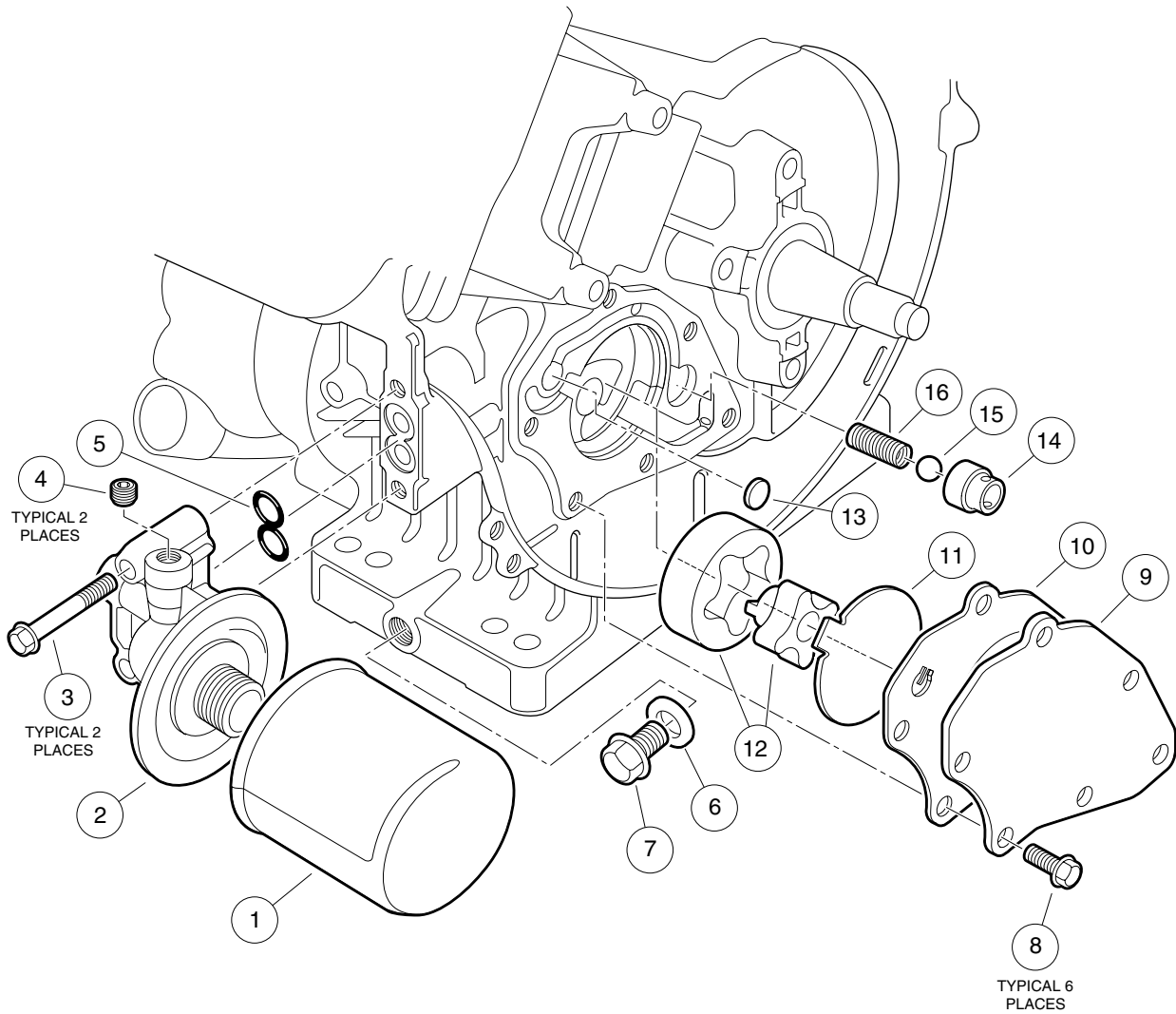
FE350 ENGINE – IGNITION COMPONENTS AND FLYWHEEL

ITEM	PART NO.	DESCRIPTION	QTY
		1 2 3 4	
1	<u>101916201</u>	Flywheel	1
2	<u>101916301</u>	Fan, Flywheel – Gray	1
3	<u>1017448</u>	Screw, Flanged Hex-Head, M6 x 1 x 10 mm	3
4	<u>1017490</u>	Washer, Flat, 18 mm	1
5	N/A	Nut, Hex, Fine, 18 mm	1
6	<u>1017455</u>	Plate, Flywheel Fan	1
7	<u>1016562</u>	Key	1
8	<u>1016455</u>	Screw, Hex-Head Flanged, M5 x 0.8 x 25 mm	2
9	<u>101909201</u>	Coil, Ignition (with internal igniter)	1
10	<u>1016578</u>	Grommet	1
11	<u>1016588</u>	Tube, 7 mm I.D. x 10 mm O.D. x 70 mm Long	1
12	<u>1017463</u>	Assembly, Plug Cap	1
13	<u>101881101</u>	Plug, Spark, OHV (Autolite)	1
13	<u>AM10724</u>	Plug, Spark, OHV (NGK)	1
14	1016445	Bracket, RPM Limiter	1
15	101909401	Limiter, RPM	1
16	<u>1016579</u>	Band, RPM Limiter Mount	1
17	<u>1012981</u>	Clamp	1
18	1016456	Screw, Flanged Hex-Head, M6 x 1 x 12 mm	2
19	1016586	Damper	1
20	101909501	Clamp	1
21	<u>1016497</u>	Screw, Cross Pan-Head, M5 x 0.8 x 8 mm	1
22	<u>1016544</u>	Screw, Cross Pan-Head Self-Tapping, M5 x 12 mm	1
23	<u>1016561</u>	Clamp	1
24	<u>1016587</u>	Clamp	1
25	<u>101909301</u>	Wire, Lead	1

7
G

7
G

FE350 ENGINE

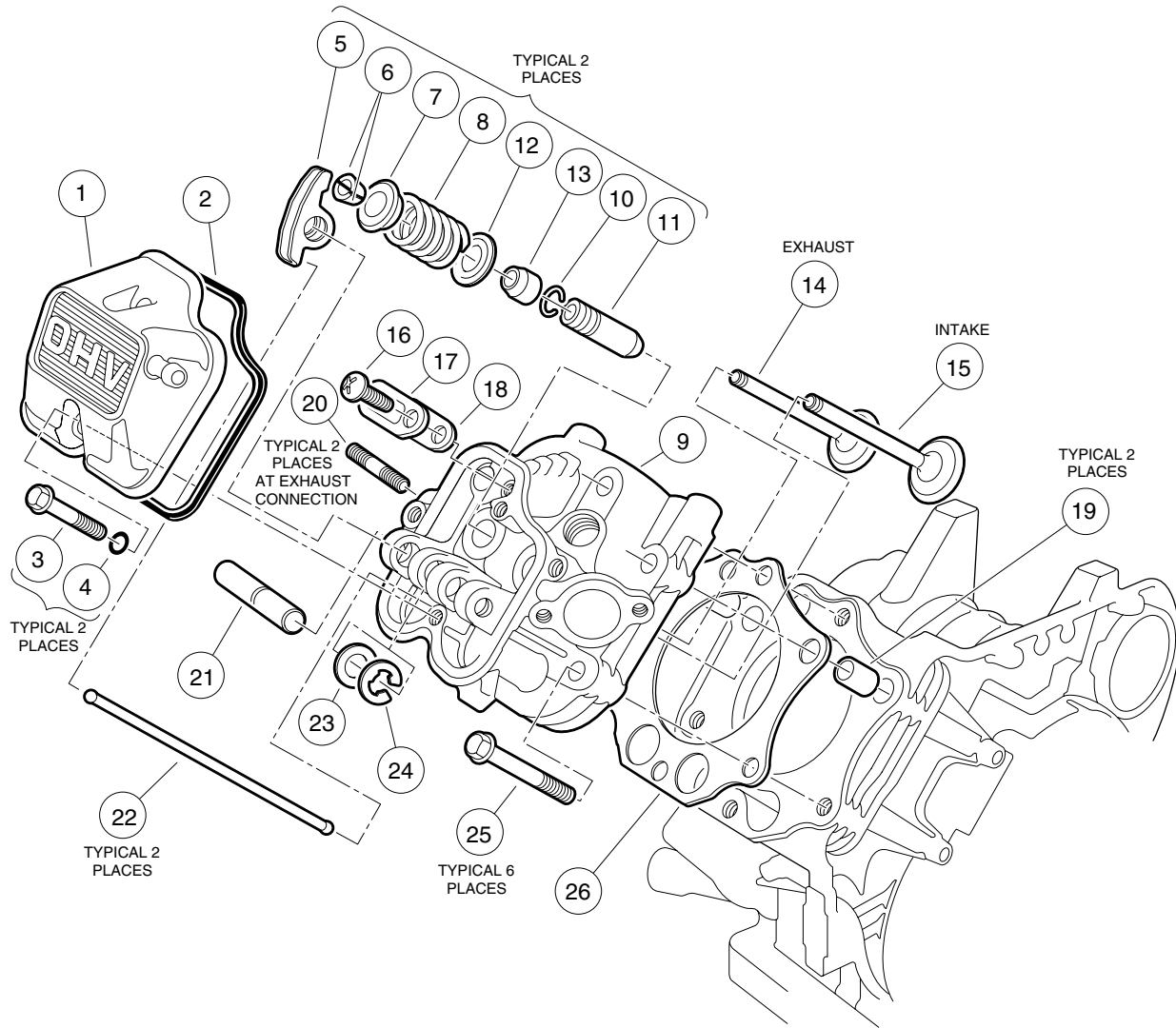


FE350 ENGINE – OIL CIRCULATION

ITEM	PART NO.	DESCRIPTION	QTY
		1 2 3 4	
1	<u>1016467</u>	Oil Filter	1
2	<u>1016502</u>	Bracket, Oil Filter	1
3	<u>1016457</u>	Bolt, Flanged Hex-Head, M6 x 1 x 40 mm	2
4	<u>1017507</u>	Plug	2
5	<u>1016570</u>	O-Ring, Oil Filter Mount	1
6	<u>1016432</u>	Gasket, Drain Plug	1
7	<u>1016576</u>	Plug, Drain	1
8	<u>1017456</u>	Screw, Flanged Hex-Head, M6 x 1 x 12 mm	6
9	<u>1017460</u>	Cover, Pump	1
10	<u>1017442</u>	Gasket, Oil Pump	1
11	<u>1016473</u>	Plate, Oil Pump	1
12	<u>101648203</u>	Pump, Oil and Rotor	1
13	<u>1017458</u>	Filter	1
14	<u>1016429</u>	Seat, Valve	1
15	<u>1016537</u>	Ball, Steel Pressure Relief	1
16	<u>1016581</u>	Spring	1

7
G

FE350 ENGINE



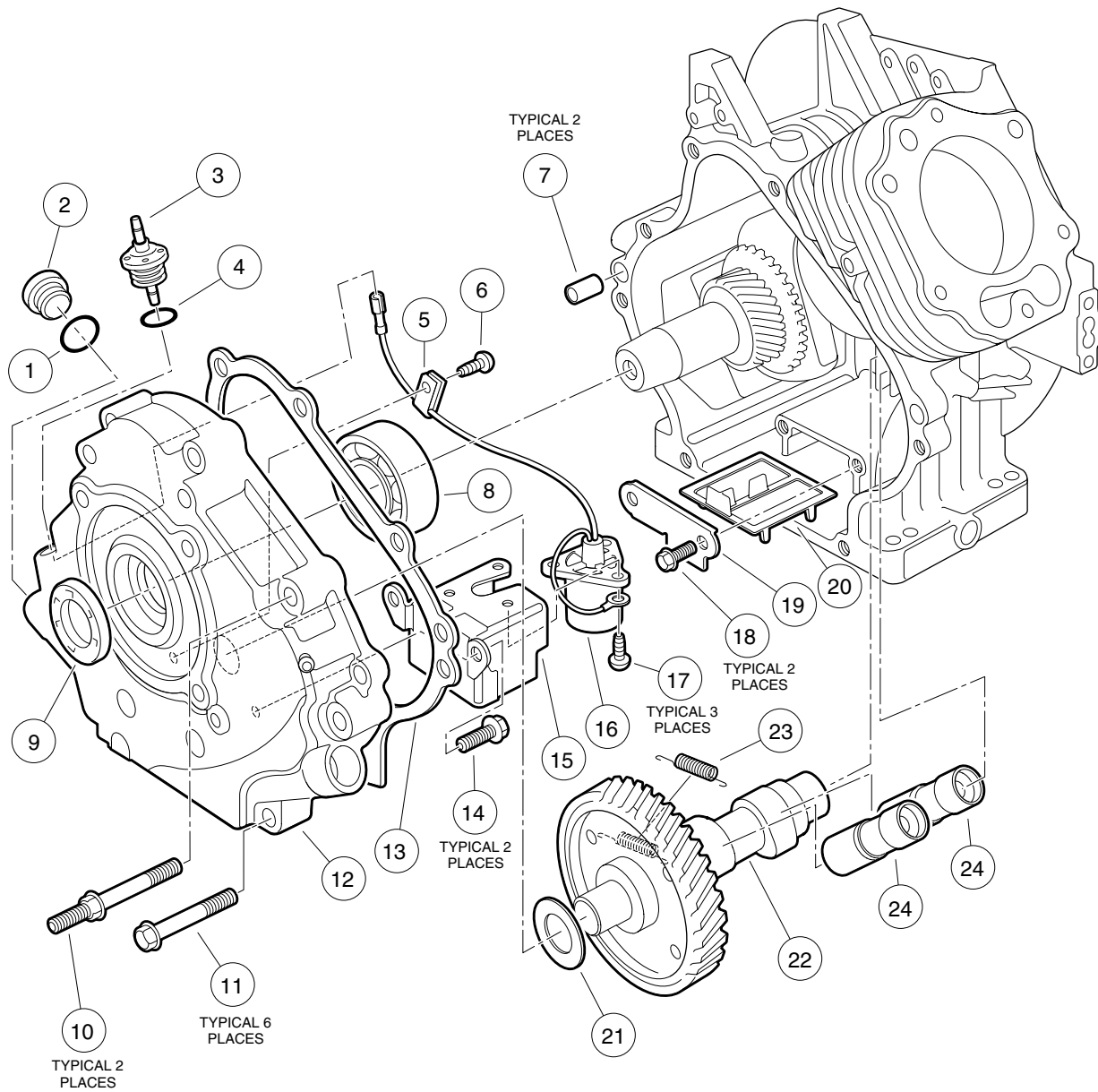
FE350 ENGINE – CYLINDER HEAD

ITEM	PART NO.	DESCRIPTION	QTY
		1 2 3 4	
1	<u>1016442</u>	Case, Rocker	1
2	<u>1016436</u>	Gasket, Rocker Case	1
3	<u>1016583</u>	Bolt, Flanged, M6 x 1 x 35 mm	2
4	<u>1016569</u>	O-Ring	2
5	<u>1017446</u>	Arm, Rocker	2
6	<u>1016450</u>	Collet	4
7	<u>1016449</u>	Retainer, Valve Spring	2
8	<u>1017473</u>	Spring, Engine Valve	2
9	<u>1017435</u>	Assembly, Cylinder Head, FE350 (includes items 10 and 11)	1
10	<u>1016560</u>	Ring, Snap	2
11	<u>1016519</u>	Guide, Intake Valve	1
11	<u>1016518</u>	Guide, Exhaust Valve	1
12	<u>1016479</u>	Seat, Spring	2
13	<u>1016566</u>	Seal, Valve	2
14	<u>1017445</u>	Valve, Exhaust	1
15	<u>1017444</u>	Valve, Intake	1
16	<u>1016544</u>	Screw, Cross Pan-Head Self-Tapping, M5 x 0.8 x 12 mm	1
17	<u>1016474</u>	Plate	1
18	<u>1016483</u>	Valve	1
19	<u>1016563</u>	Pin, Hollow	2
20	<u>1016489</u>	Bolt, Stud, M8 x 1.25 x 29 mm	2
21	<u>1016452</u>	Shaft, Rocker	1
22	<u>1017454</u>	Rod, Push	2
23	<u>1016549</u>	Washer, Flat, M12	1
24	<u>1016517</u>	Circlip, Type-E	1
25	<u>1016458</u>	Bolt, Flanged, M8 x 1.25 x 45 mm	6
26	<u>1017434</u>	Gasket, Head	1
27	<u>102304801</u>	Kit, Gasket, FE350 (contains one each of all internal gaskets for FE350 engine) (not shown)	1

7

G

FE350 ENGINE

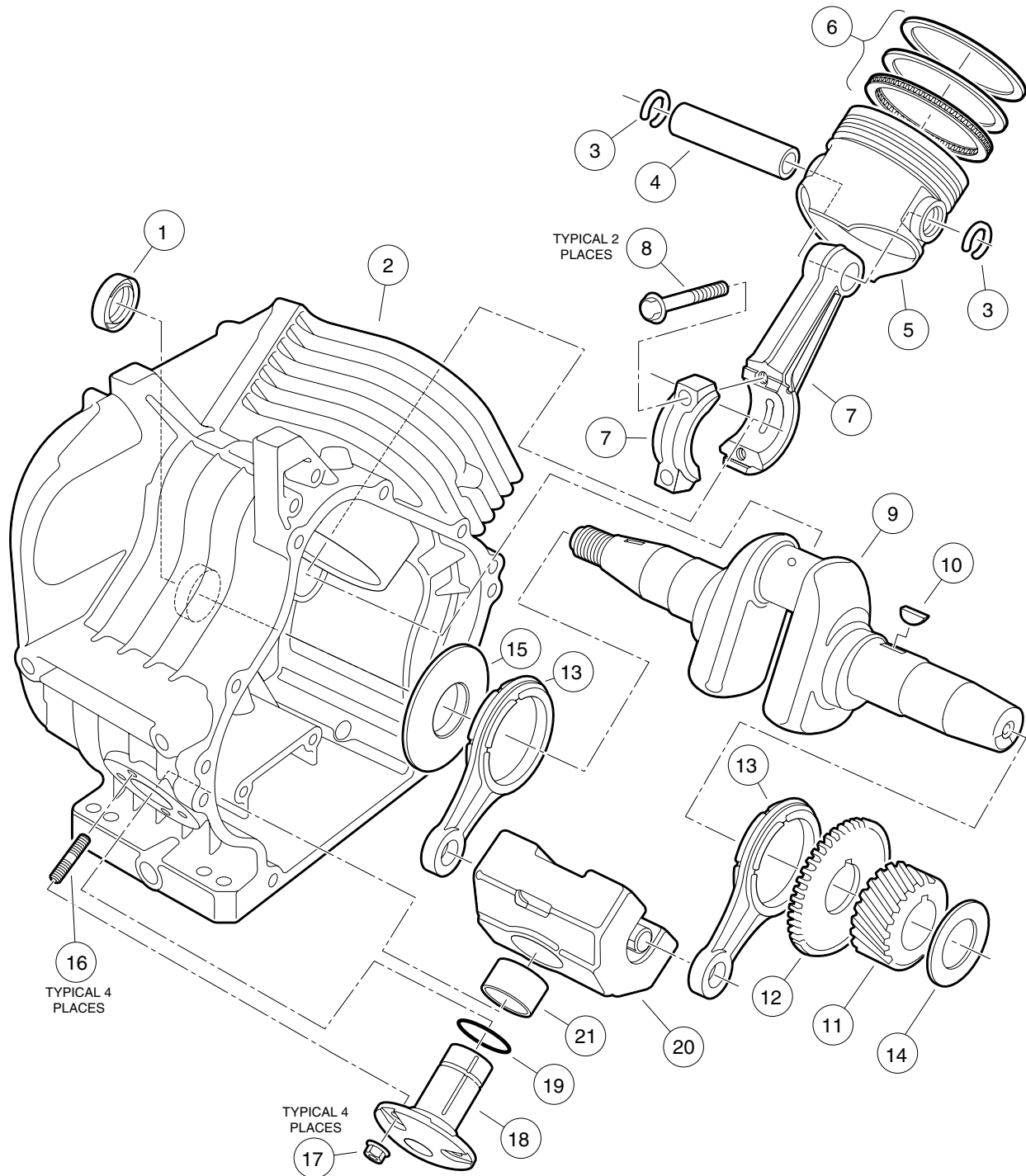


FE350 ENGINE – CRANKCASE, CAMSHAFT AND OIL SENSOR

ITEM	PART NO.	DESCRIPTION	QTY
		1 2 3 4	
1	<u>1016538</u>	O-Ring	1
2	<u>1017508</u>	Plug	1
3	<u>1016535</u>	Connector, Cord	1
4	<u>1016538</u>	O-Ring	1
5	<u>1016506</u>	Clamp	1
6	<u>1016544</u>	Screw, Cross Pan-Head Self-Tapping, M5 x 0.8 x 12 mm	1
7	<u>1016564</u>	Pin, Hollow	2
8	<u>1017487</u>	Bearing, Crankshaft	1
9	<u>1017504</u>	Seal, Crankshaft	1
10	<u>1016584</u>	Bolt, 2-Ended Flanged, M8 x 1.25 x 69 mm	2
11	<u>1017514</u>	Bolt, Flanged, M8 x 1.25 x 45 mm	6
12	<u>1017472</u>	Cover, Crankcase	1
13	<u>1017443</u>	Gasket, Crankcase Cover	1
14	<u>1017513</u>	Bolt, Flanged, M6 x 1 x 12 mm	2
15	<u>1016510</u>	Bracket, Oil Level Switch	1
16	<u>1016494</u>	Sensor, Oil Level	1
17	<u>1016496</u>	Screw, Cross Pan-Head, M4 x 0.7 x 8 mm	3
18	<u>1016454</u>	Bolt, Flanged, M5 x 0.8 x 8 mm	2
19	<u>1016472</u>	Plate, Oil Filter Screen	1
20	<u>1016521</u>	Screen, Oil Filter	1
21	<u>101751801</u>	Shim, 0.3 mm Thick	A/R
21	<u>101751802</u>	Shim, 0.4 mm Thick	A/R
21	<u>101751803</u>	Shim, 0.5 mm Thick	A/R
22	<u>101915901</u>	Camshaft (with automatic compression release) (for engines with serial numbers lower than 094171) (includes item 23)	1
22	<u>102271601</u>	Camshaft (with automatic compression release) (for engines with serial numbers 094171 and greater) (includes item 23)	1
23	<u>1017511</u>	Spring	1
24	<u>1017447</u>	Lifter, Hydraulic	2
25	<u>102304801</u>	Kit, Gasket, FE350 (contains one each of all internal gaskets for FE350 engine) (not shown)	1

7
G

FE350 ENGINE



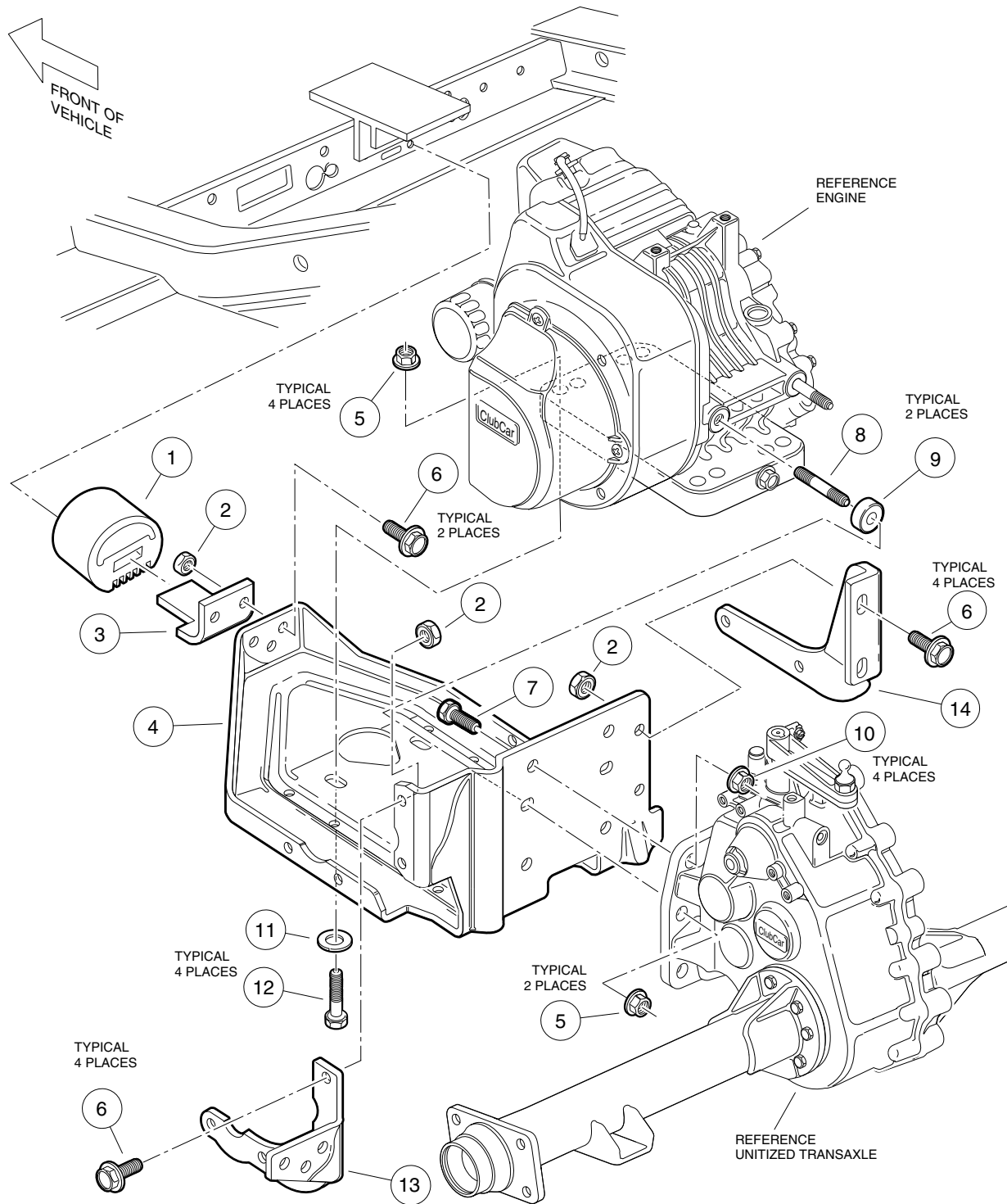
FE350 ENGINE – CRANKCASE AND CRANKSHAFT

ITEM	PART NO.	DESCRIPTION	QTY
		1 2 3 4	
1	<u>1017503</u>	Seal, Oil	1
2	<u>101916001</u>	Crankcase, FE350 (clockwise rotation)	1
3	<u>1017502</u>	Ring, Snap	2
4	1017450	Pin, Piston	1
5	<u>101744901</u>	Piston, Standard	1
5	<u>101744902</u>	Piston, .50 mm Oversized	1
6	<u>101745101</u>	Ring Set, Piston, Standard	1
6	<u>101745102</u>	Ring Set, Piston, .50 mm Oversized	1
7	101745701	Assembly, Connecting Rod, Standard (includes 2 each of item 8)	1
7	<u>101745702</u>	Assembly, Connecting Rod, .50 mm Undersized (includes 2 each of item 8)	1
8	<u>102272201</u>	Bolt, Hex-Head, M8 x 1.25 x 42 mm	2
9	101922302	Crankshaft, FE350 (left-hand threads) (for engines with serial numbers lower than 094171) (includes items 10 - 12 and one each of item 13)	1
9	<u>102430901</u>	Crankshaft, FE350 (left-hand threads) (for engines with serial numbers 094171 and greater (includes items 10 - 12 and one each of item 13)	1
10	<u>1016562</u>	Key	1
11	N/A	Gear, Helical	1
12	N/A	Gear, Spur	1
13	<u>1017471</u>	Rod, Connecting	2
14	<u>101773301</u>	Shim, Crankshaft, 1.18 mm Thick	A/R
14	<u>101773302</u>	Shim, Crankshaft, 1.25 mm Thick	A/R
14	<u>101773303</u>	Shim, Crankshaft, 1.32 mm Thick	A/R
14	<u>101773304</u>	Shim, Crankshaft, 1.39 mm Thick	A/R
14	<u>101773305</u>	Shim, Crankshaft, 1.46 mm Thick	A/R
14	<u>101773306</u>	Shim, Crankshaft, 1.53 mm Thick	A/R
14	<u>101773307</u>	Shim, Crankshaft, 1.60 mm Thick	A/R
14	<u>101773308</u>	Shim, Crankshaft, 1.67 mm Thick	A/R
14	<u>101773309</u>	Shim, Crankshaft, 1.74 mm Thick	A/R
14	<u>101773310</u>	Shim, Crankshaft, 1.11 mm Thick	A/R
14	<u>101773311</u>	Shim, Crankshaft, 1.81 mm Thick	A/R
15	1017501	Spacer	1
16	<u>1016541</u>	Bolt, Stud, M6 x 1 x 22 mm	4
17	1016547	Nut, Flanged, M6 x 1	4
18	1016470	Shaft, Guide Counterbalance	1
19	<u>1016571</u>	O-Ring	1
20	<u>1017453</u>	Weight, Counterbalance (includes item 21)	1
21	1017510	Bearing	1

7
G

7

G



ENGINE MOUNTING

ITEM	PART NO.	DESCRIPTION	QTY
		1 2 3 4	
1	1012164	Snubber	1
2	<u>1013924</u>	Nut, Hex Lock, 5/16-24, UNF	6
3	<u>101834601</u>	Bracket, Snubber	1
4	<u>101827101</u>	Plate, Mounting	1
5	101833001	Nut, Flange, M8 x 1.25	6
6	<u>101884801</u>	Screw, Hex Washer, 5/16-24 x 7/8	10
7	<u>101833301</u>	Screw, Hex-Head Cap, M10 x 1.25 x 30 mm	4
8	<u>101833201</u>	Stud, M8 x 1.25 x 60 mm (Villager 4)	2
8	<u>101833101</u>	Stud, M8 x 1.25 x 50 mm (Villager 6, Villager 8, TransPorter 4, and TransPorter 6 vehicles)	2
9	<u>101832101</u>	Spacer (Villager 4 only)	2
9	<u>1011697</u>	Washer, Flat, 5/16 (Villager 6, Villager 8, TransPorter 4, and TransPorter 6)	2
10	<u>101832901</u>	Nut, Flange, M10 x 1.25	4
11	1012571	Washer, Heavy Flat, 5/16	4
12	<u>101855901</u>	Screw, Hex-Head Cap, M8 x 1.25 x 43 mm	4
13	<u>101832701</u>	Stiffener, Flywheel Side	1
14	<u>101832601</u>	Stiffener, PTO Side (Villager 6, Villager 8, TransPorter 4, and TransPorter 6)	1

7
G

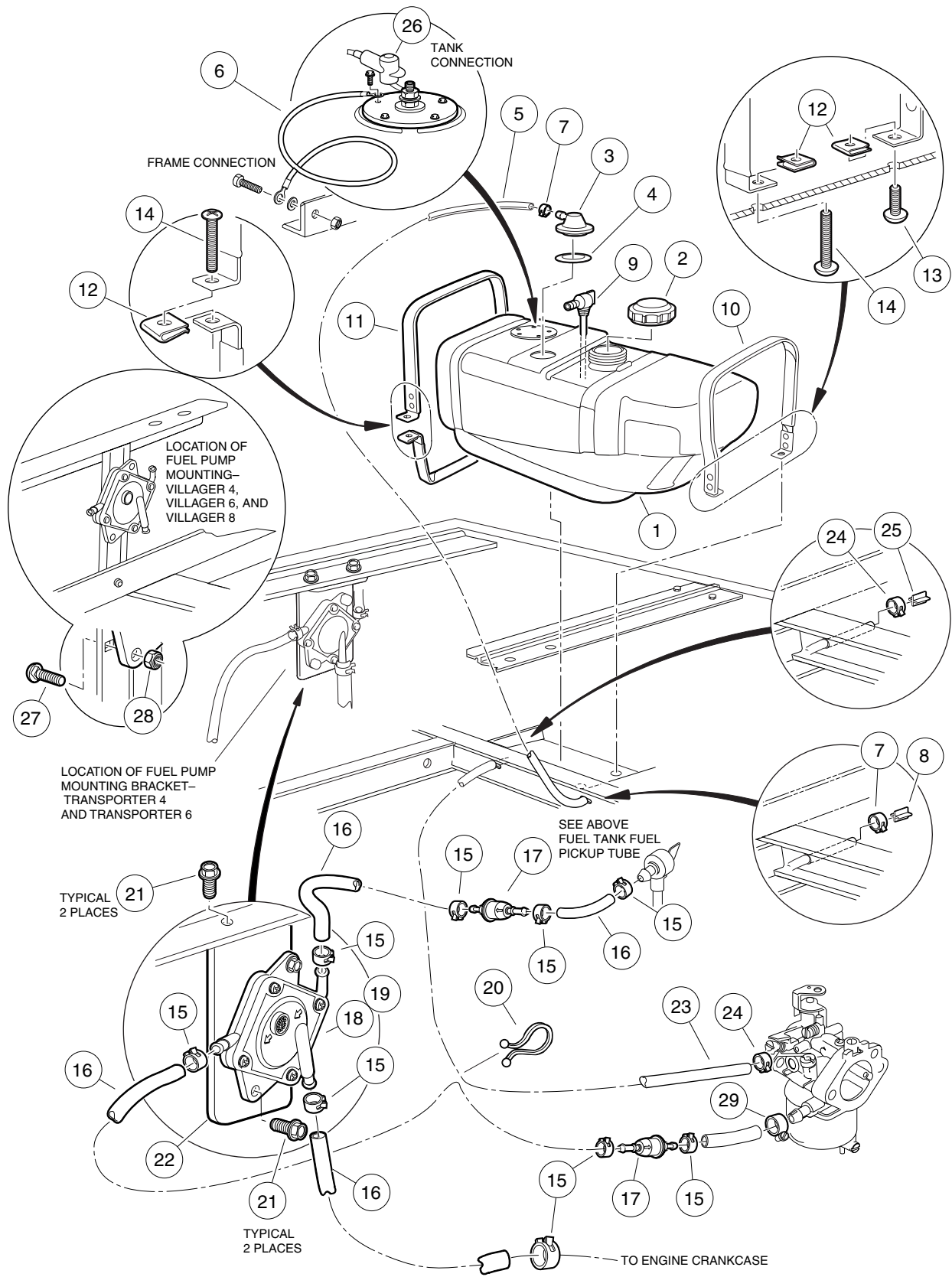
7

G

FUEL, INTAKE, AND GOVERNOR SYSTEMS

8

G

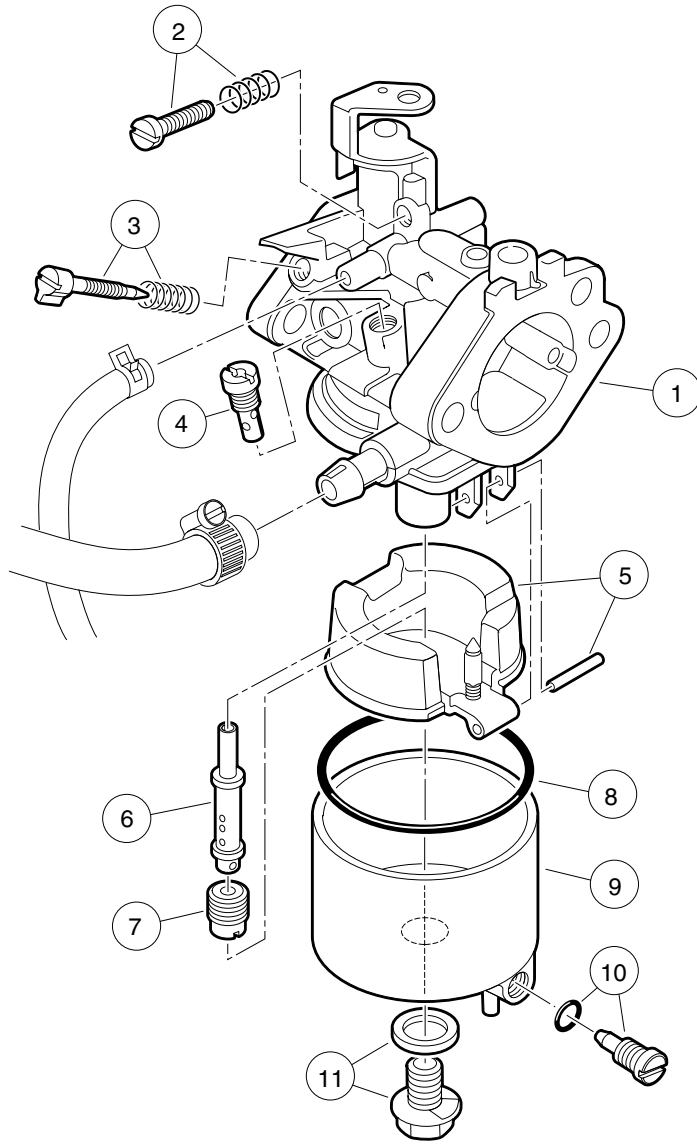


FUEL SYSTEM

ITEM	PART NO.	DESCRIPTION	QTY
		1 2 3 4	
1	1016004	Kit, Fuel Tank, with Sending Unit (includes items 2 - 9)	1
2	<u>1015188</u>	Cap, Fuel Tank, Nonvented	1
3	<u>1015143</u>	Assembly, Fuel Tank Vent	1
4	<u>1015139</u>	Grommet, Insulation	1
5	<u>1015137</u>	Line, Bulk Vent (available by the foot)	A/R
6	N/A	Wire Assembly, #16 Black	1
7	<u>1013746</u>	Clamp, Hose – Gray	2
8	<u>101824401</u>	Barb, Vent	1
9	101896901	Valve, Fuel Pickup Tube with Shut-off	1
10	<u>1014928</u>	Assembly, Rear Fuel Strap	1
11	<u>101955301</u>	Assembly, Front Fuel Strap	1
12	<u>1014116</u>	Nut, U-Type Speed, 1/4-20	3
13	<u>8248</u>	Screw, Phillips Truss-Head, 1/4-20 x 3/4	1
14	<u>1011988</u>	Screw, Phillips Truss-Head, 1/4-20 x 2	2
15	<u>1012649</u>	Clamp, Hose – Red	9
16	<u>1013692</u>	Line, Bulk Fuel (available by the foot*)	A/R
17	<u>102003201</u>	Filter, Fuel	2
18	<u>1014523</u>	Pump, Fuel Impulse	1
19	<u>1014524</u>	Kit, Rebuild, Fuel Impulse Pump	A/R
20	<u>101987701</u>	Clamp, Plastic	1
21	<u>1012285</u>	Screw, Thread-Rolling, 1/4-20 x 5/8	4
22	<u>101929501</u>	Bracket, Fuel Pump Mounting (TransPorter 4 and TransPorter 6 only)	1
23	<u>1015137</u>	Line, Bulk Vent (available by the foot)	A/R
24	<u>1013746</u>	Clamp, Hose – Gray	2
25	<u>101824401</u>	Barb, Vent	1
26	N/A	Boot, Rubber	1
27	<u>1017203</u>	Bolt, Carriage, 1/4-20 x 1 (Villager 4, Villager 6, and Villager 8 only)	2
28	<u>8233</u>	Nut, Nylon Lock, 1/4-20 (Villager 4, Villager 6, and Villager 8 only)	2
29	<u>1013687</u>	Clamp, Hose, 3/8	1
		* Total fuel line lengths: Villager 4, Villager 6, and Villager 8 – 47 inches (119.4 cm) TransPorter 4 and TransPorter 6 – 43 inches (109.2 cm)	

8

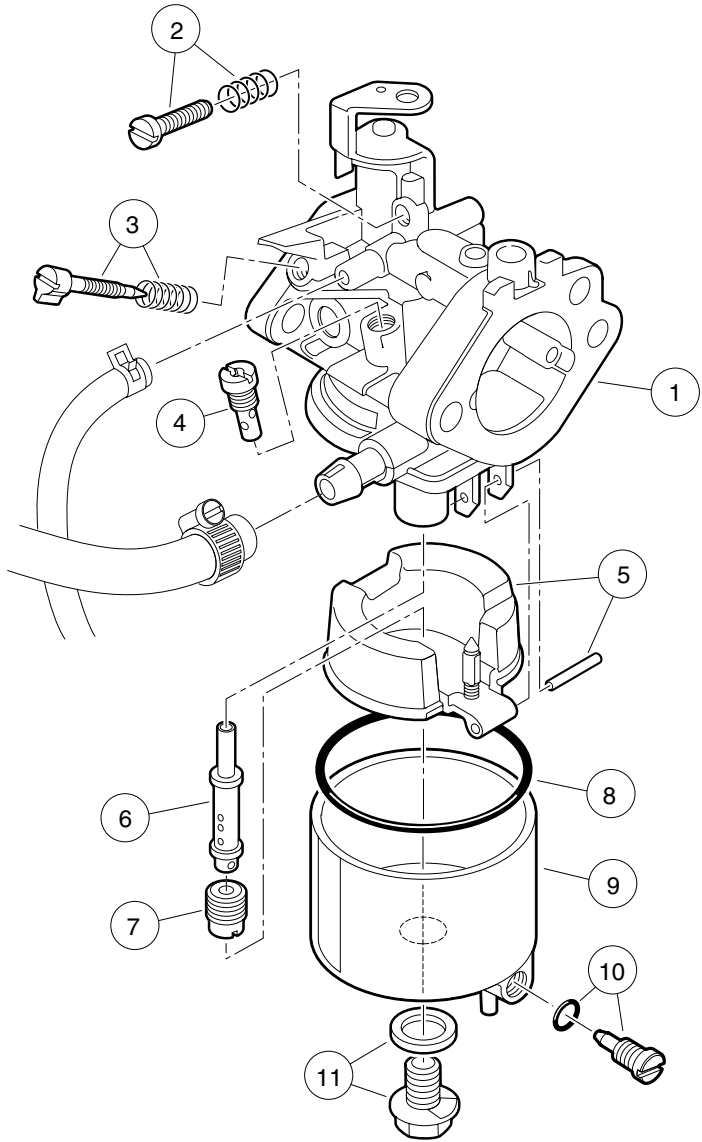
G



CARBURETOR ASSEMBLY, FE290 ENGINE – VILLAGER 4

ITEM	PART NO.	DESCRIPTION	QTY
		1 2 3 4	
1	<u>101905601</u>	Assembly, Carburetor (FE290 engine) (includes items 2 - 11)	1
2	<u>1016501</u>	Assembly, Idle Screw	1
3	N/A	Assembly, Pilot Air Screw	1
4	<u>101973101</u>	Jet, Pilot, #40	1
5	1016486	Assembly, Float	1
6	<u>101973201</u>	Nozzle, Main (FE290 engine)	1
		Standard Jetting:	
7	<u>101642582</u>	Jet, Main, 0 - 3,000 Feet (0 - 914.4 m)	1
7	<u>101642580</u>	Jet, Main, 3,000 - 5,000 Feet (914.4 - 1524 m)	A/R
7	<u>101642578</u>	Jet, Main, 5,000 - 8,000 Feet (1524 - 2438.4 m)	A/R
7	<u>101642575</u>	Jet, Main, 8,000 - 10,000 Feet (2438.4 - 3048 m)	A/R
7	<u>101642572</u>	Jet, Main, 10,000 Feet and Above (3048 m and above)	A/R
8	<u>1016437</u>	Gasket, Float Chamber	1
9	<u>1017461</u>	Assembly, Float Chamber (includes item 10)	1
10	<u>1016499</u>	Assembly, Screw	1
11	1016585	Assembly, Bolt	1

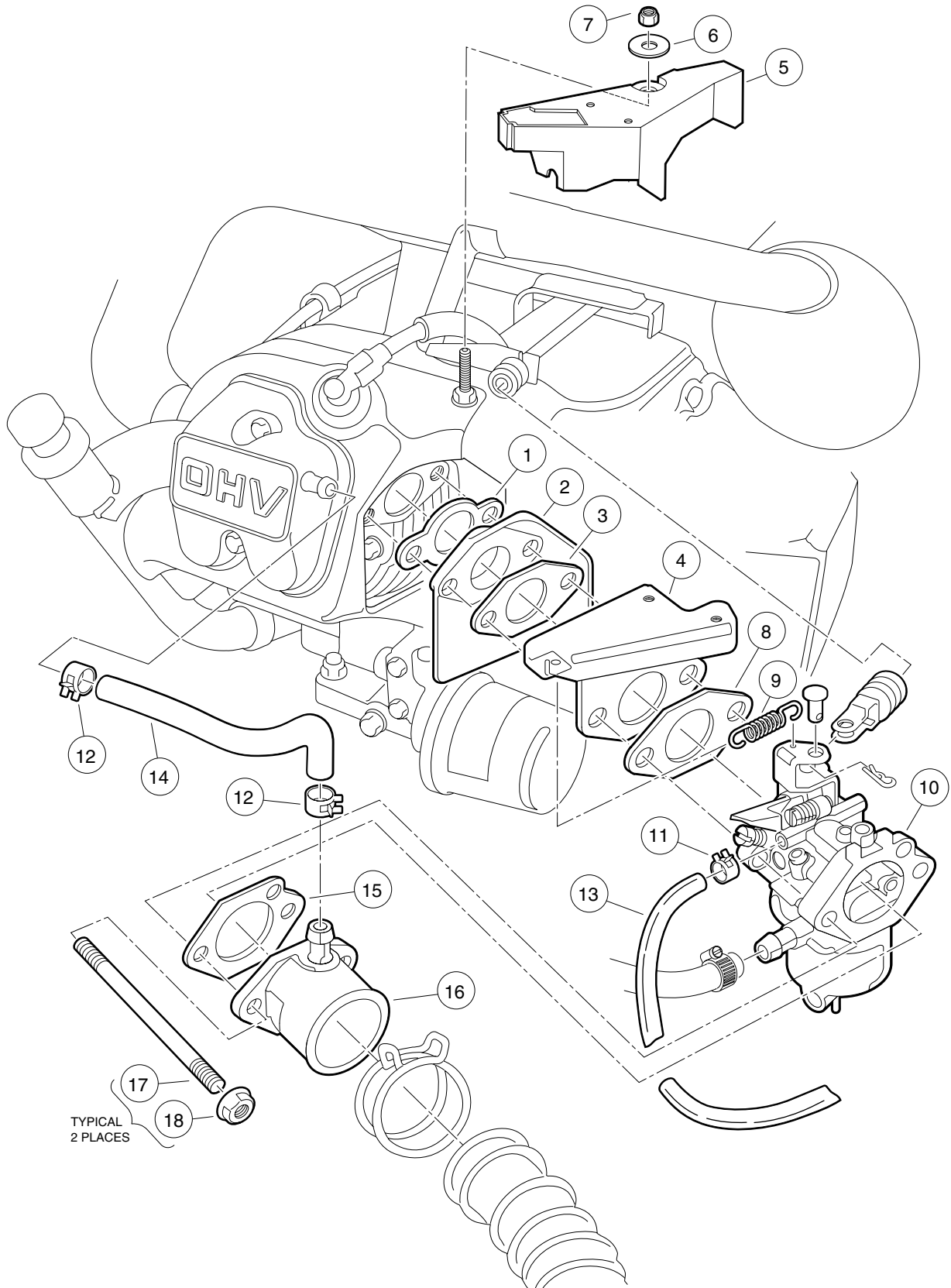
8
G



CARBURETOR ASSEMBLY, FE350 ENGINE – VILLAGER 6, VILLAGER 8, TRANSPORTER 4, AND TRANSPORTER 6

ITEM	PART NO.	DESCRIPTION	QTY
		1 2 3 4	
1	<u>101905901</u>	Assembly, Carburetor (FE350 engine) (includes items 2 - 11)	1
2	<u>1016501</u>	Assembly, Idle Screw	1
3	N/A	Assembly, Pilot Air Screw	1
4	<u>101973101</u>	Jet, Pilot, #40	1
5	1016486	Assembly, Float	1
6	<u>101973301</u>	Nozzle, Main (FE350 engine)	1
		Standard Jetting:	
7	<u>101642585</u>	Jet, Main, 0 - 3,000 Feet (0 - 914.4 m)	1
7	<u>101642582</u>	Jet, Main, 3,000 - 5,000 Feet (914.4 - 1524 m)	A/R
7	<u>101642580</u>	Jet, Main, 5,000 - 8,000 Feet (1524 - 2438.4 m)	A/R
7	<u>101642578</u>	Jet, Main, 8,000 - 10,000 Feet (2438.4 - 3048 m)	A/R
7	<u>101642575</u>	Jet, Main, 10,000 Feet and Above (3048 m and above)	A/R
8	<u>1016437</u>	Gasket, Float Chamber	1
9	<u>1017461</u>	Assembly, Float Chamber (includes item 10)	1
10	<u>1016499</u>	Assembly, Screw	1
11	1016585	Assembly, Bolt	1

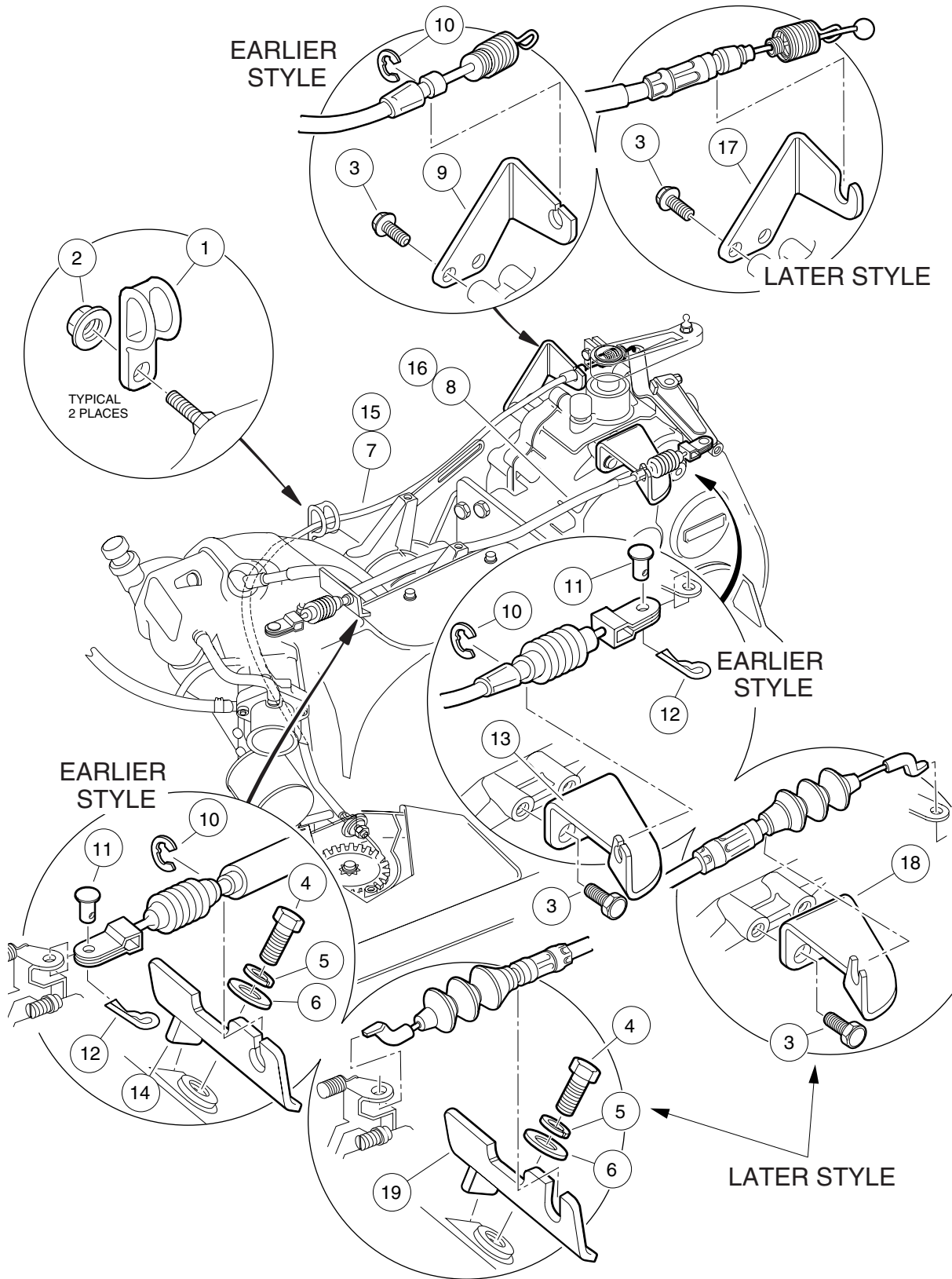
8
G



CARBURETOR INSTALLATION

ITEM	PART NO.	DESCRIPTION	QTY
		1 2 3 4	
1	<u>1016440</u>	Gasket, Insulator	1
2	101648102	Insulator, Carburetor	1
3	<u>1016439</u>	Gasket, Carburetor Insulator to Throttle Bracket (Villager 4)	1
3	<u>101973401</u>	Gasket, Carburetor Insulator to Throttle Bracket (Villager 6, Villager 8, TransPorter 4, and TransPorter 6)	1
4	<u>1016444</u>	Bracket, Throttle	1
5	101820201	Guard, Governor (Villager 4 only)	1
6	<u>1011697</u>	Washer, Flat, 5/16 (Villager 4 only)	1
7	<u>101887601</u>	Nut, Nylon Lock, M6 x 1 (Villager 4 only)	1
8	<u>1016441</u>	Gasket, Throttle Bracket to Carburetor	1
9	<u>1016582</u>	Spring, Throttle Return	1
10	<u>101905601</u>	Assembly, Carburetor (Villager 4)	1
10	<u>101905901</u>	Assembly, Carburetor (Villager 6, Villager 8, TransPorter 4, and TransPorter 6)	1
11	<u>1013746</u>	Clamp, Hose – Gray	1
12	<u>1017466</u>	Clamp, Hose – Bronze	2
13	<u>1015137</u>	Line, Bulk Vent	A/R
14	<u>1016572</u>	Tube, Crankcase Vent	1
15	<u>1016438</u>	Gasket, Carburetor to Intake Manifold	1
16	1016480	Pipe, Intake	1
17	<u>101649002</u>	Screw, 2-Ended Stud, M6 x 1 x 90mm	2
18	1016547	Nut, Flanged, M6 x 1	2

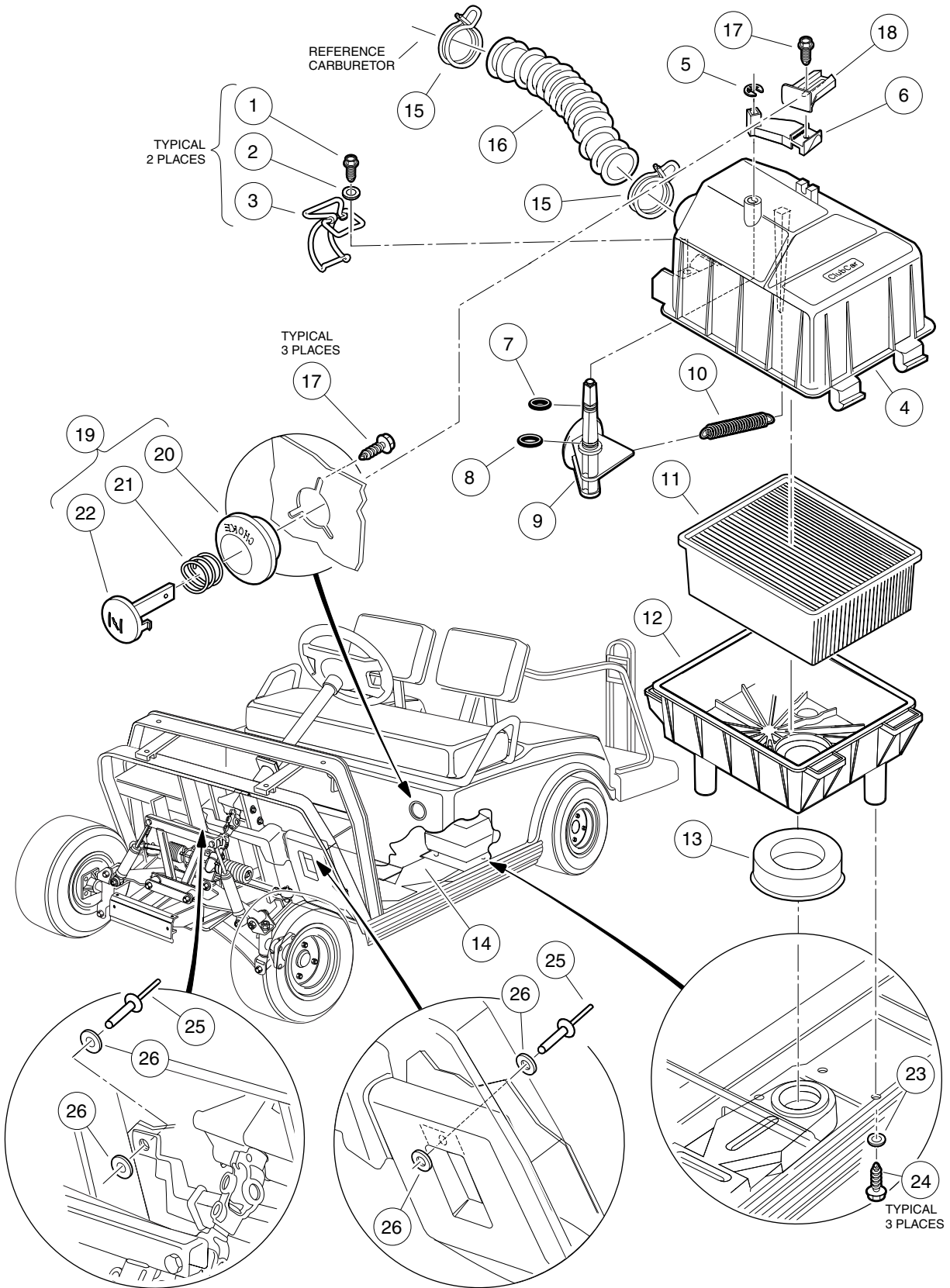
8
G



GOVERNOR AND ACCELERATOR CABLES

ITEM	PART NO.	DESCRIPTION	QTY
		1 2 3 4	
1	<u>1013700</u>	Clamp, Cable Retaining	2
2	<u>1016546</u>	Nut, Flanged Hex, M8 x 1.25	2
3	<u>1012285</u>	Screw, Thread Rolling, 1/4-20 x 5/8	4
4	101903501	Screw, Hex-Head Cap, M8 x 1.25 x 24 mm	1
5	<u>7174</u>	Washer, Lock, 5/16	1
6	<u>1011697</u>	Washer, Flat, 5/16	1
		Earlier style cables (2001, 2002, and early 2003 models)*:	
7	<u>101832501</u>	Cable, Accelerator	1
8	<u>101832401</u>	Cable, Governor (Villager 4 only)	1
8	<u>101832402</u>	Cable, Governor (Villager 6, Villager 8, TransPorter 4, and TransPorter 6)	1
9	101832301	Bracket, Accelerator Support	1
10	<u>1016202</u>	E-Ring	3
11	<u>1015408</u>	Pin, Governor Cable Clevis	2
12	<u>1014413</u>	Pin, Hair Spring Cotter, 1/8 I.D. x 5/8	2
13	101832201	Bracket, Support	1
14	<u>1015845</u>	Bracket, Governor Cable Engine	1
		Later style cables (beginning mid-model year 2003)*:	
15	<u>102336101</u>	Cable, Accelerator, Snap-in	1
16	<u>102336001</u>	Cable, Governor, Snap-in	1
17	<u>101832302</u>	Bracket, Accelerator Support	1
18	<u>101832202</u>	Bracket, Support	1
19	<u>101584502</u>	Bracket, Governor Cable Engine.....	1
		* Brackets and cables must be of the same style.	

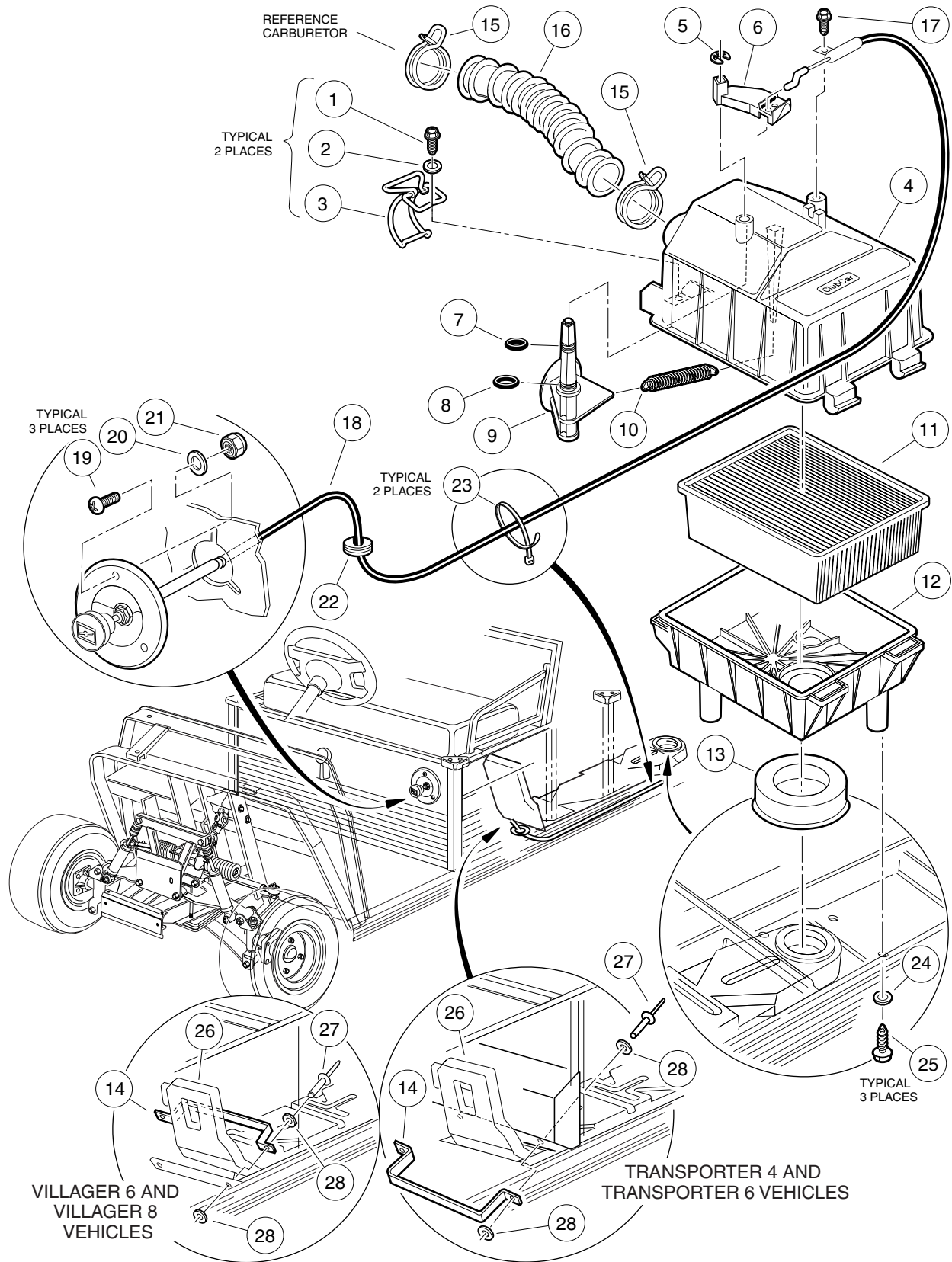




INTAKE DUCT, CHOKE, AND AIR BOX ASSEMBLY – VILLAGER 4

ITEM	PART NO.	DESCRIPTION	QTY
		1 2 3 4	
	<u>101821501</u>	Assembly, Air Box (includes items 1 - 13)	1
1	<u>101804301</u>	Screw, Hi-Lo Hex-Head, #8-1/2	2
2	<u>101881701</u>	Washer, Stainless Steel, #8	2
3	<u>101925701</u>	Latch, Wire	2
4	<u>101972801</u>	Assembly, Air Box Top (includes items 5 - 10)	1
5	<u>101813001</u>	E-Clip	1
6	<u>101917601</u>	Lever, Choke	1
7	N/A	O-Ring, 5/16 (red)	1
8	N/A	O-Ring, 3/8 (green)	1
9	N/A	Valve, Choke	1
10	<u>101812301</u>	Spring, Return	1
11	<u>1015426</u>	Filter, Air	1
12	<u>101811901</u>	Bottom, Air Box	1
13	<u>101921501</u>	Seal, Intake	1
14	<u>101958101</u>	Assembly, Air Duct	1
15	<u>101971301</u>	Clamp, Hose (air intake)	2
16	<u>101837101</u>	Hose, Intake	1
17	<u>101850301</u>	Screw, Hi-Lo, #12 x 1/2	4
18	<u>101917701</u>	Positioner, Choke	1
19	<u>101805701</u>	Assembly, Choke Button (includes items 20, 21 and 22)	1
20	<u>101811501</u>	Guide, Choke Lever	1
21	<u>101856201</u>	Spring, Compression	1
22	<u>101811401</u>	Lever, Choke	1
23	<u>332</u>	Washer, Flat, 1/4	3
24	1015752	Screw, Hi-Lo, #12-16 x 5/8	3
25	1606	Rivet, Pop, 3/16	2
26	183	Washer, Flat, #10	4

8
G



INTAKE DUCT, CHOKE, AND AIR BOX ASSEMBLY – VILLAGER 6 AND 8, TRANSPORTER 4 AND 6

ITEM	PART NO.	DESCRIPTION	QTY
		1 2 3 4	
	<u>101821501</u>	Assembly, Air Box (includes items 1 - 13)	1
1	<u>101804301</u>	Screw, Hex-Head Hi-Lo, #8-1/2	2
2	<u>101881701</u>	Washer, Stainless Steel, #8	2
3	<u>101925701</u>	Latch, Wire	2
4	<u>101972801</u>	Assembly, Air Box Top (includes items 5 - 10)	1
5	<u>101813001</u>	E-Clip	1
6	<u>101917601</u>	Lever, Choke	1
7	N/A	O-Ring, 5/16 (red)	1
8	N/A	O-Ring, 3/8 (green)	1
9	N/A	Valve, Choke	1
10	<u>101812301</u>	Spring, Return	1
11	<u>1015426</u>	Filter, Air	1
12	<u>101811901</u>	Bottom, Air Box	1
13	<u>101921501</u>	Seal, Intake	1
14	<u>101825701</u>	Bracket, Retaining	1
15	<u>101971301</u>	Clamp, Hose (air intake)	2
16	<u>101837101</u>	Hose, Intake	1
17	<u>101804301</u>	Screw, Hex-Head Hi-Lo, #8 x 1/2	1
18	<u>101926802</u>	Cable, Choke (Villager 6, TransPorter 4, and TransPorter 6)	1
18	<u>101926803</u>	Cable, Choke (Villager 8)	1
19	<u>1631</u>	Screw, Pan-Head, #10-24 x 3/4	3
20	<u>183</u>	Washer, #10	3
21	<u>1012438</u>	Nut, Nylon Lock, #10-24	3
22	<u>1015139</u>	Grommet (TransPorter 4 and TransPorter 6 only)	1
23	8168	Tie, Wire	2
24	<u>332</u>	Washer, Flat, 1/4	3
25	1015752	Screw, Hi-Lo, #12-16 x 5/8	3
26	<u>101811301</u>	Duct, Air	1
27	7973	Rivet, Pop, 3/16	2
28	<u>183</u>	Washer, Flat, #10	4

8
G

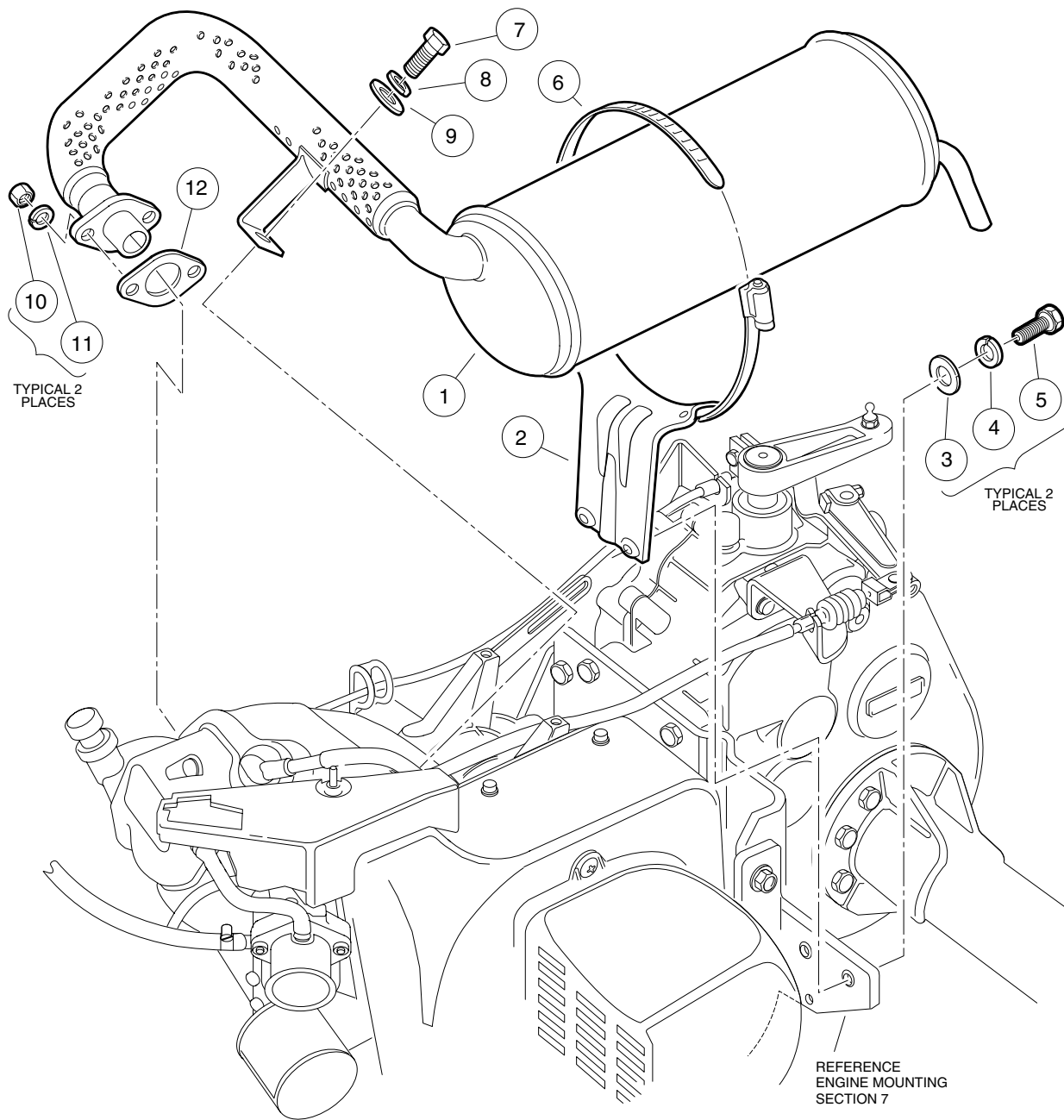
8

G

EXHAUST SYSTEM

9

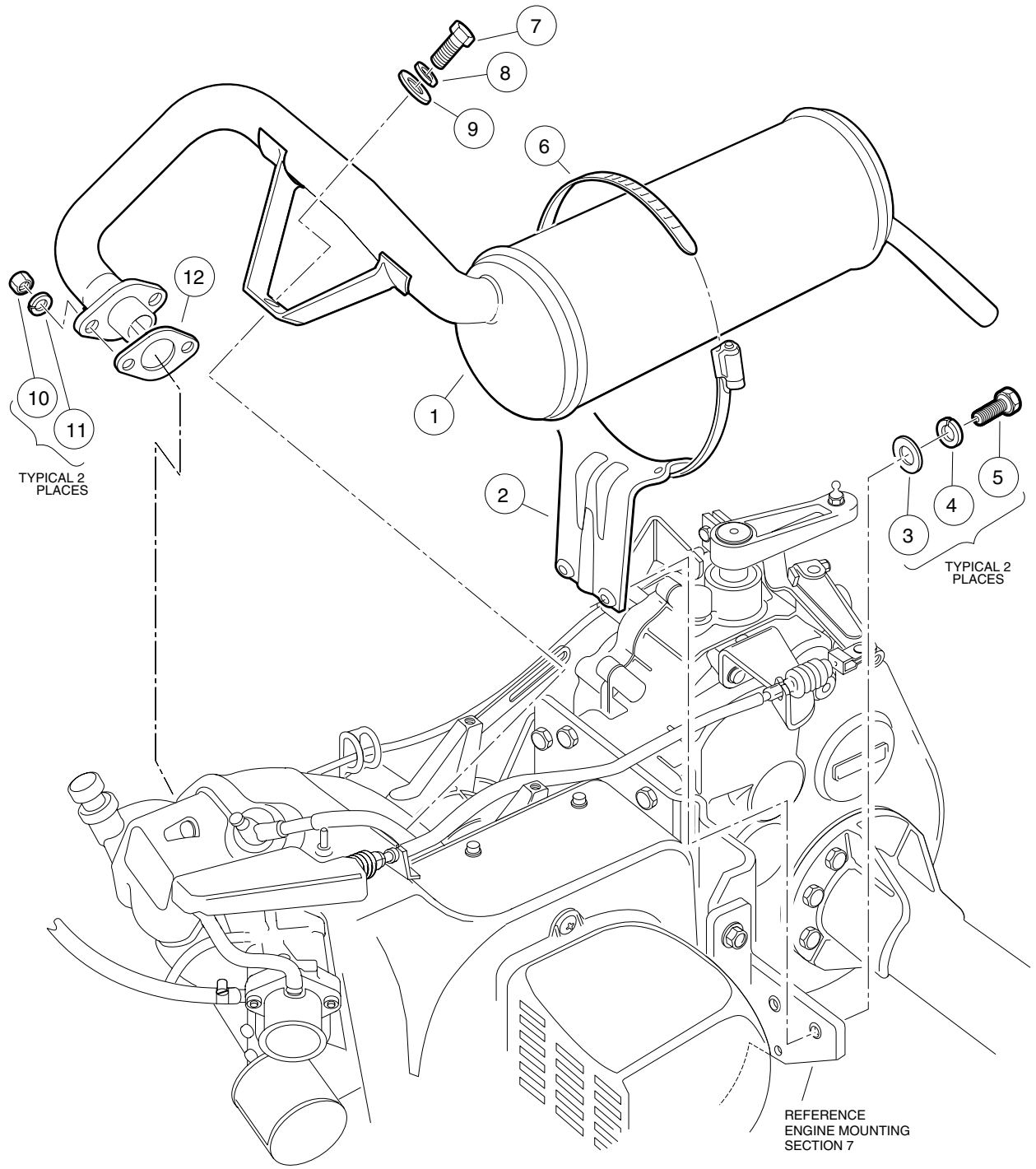
G



EXHAUST SYSTEM, FE290 – VILLAGER 4

ITEM	PART NO.	DESCRIPTION	QTY
		1 2 3 4	
1	<u>101859301</u>	System, Exhaust	1
2	<u>1015814</u>	Bracket, Muffler Mounting	1
3	<u>332</u>	Washer, Flat, 1/4	2
4	<u>451</u>	Washer, Lock, 1/4	2
5	<u>7847</u>	Screw, Hex-Head, 1/4-20 x 3/4	2
6	1017689	Clamp, Muffler	1
7	<u>1012830</u>	Screw, Hex-Head Cap, M8 x 1.25 x 22 mm	1
8	<u>7174</u>	Washer, Lock, 5/16	1
9	<u>1241</u>	Washer, Flat, 5/16	1
10	<u>1012528</u>	Nut, Hex, M8 x 1.25	2
11	<u>1013734</u>	Washer, Lock, 8 mm	2
12	<u>1015330</u>	Gasket, Exhaust	1

9
G



EXHAUST SYSTEM, FE350 – VILLAGER 6, VILLAGER 8, TRANSPORTER 4, AND TRANSPORTER 6

ITEM	PART NO.	DESCRIPTION	QTY
		1 2 3 4	
1	<u>101859401</u>	System, Exhaust	1
2	<u>1015814</u>	Bracket, Muffler Mounting	1
3	<u>332</u>	Washer, Flat, 1/4	2
4	<u>451</u>	Washer, Lock, 1/4	2
5	<u>7847</u>	Screw, Hex-Head Cap, 1/4-20 x 3/4	2
6	1017689	Clamp, Muffler	1
7	<u>1012830</u>	Screw, Hex-Head Cap, M8 x 1.25 x 22mm	1
8	<u>7174</u>	Washer, Lock, 5/16	1
9	<u>1011697</u>	Washer, Flat, 5/16	1
10	<u>1012528</u>	Nut, Hex, M8 X 1.25	2
11	<u>1013734</u>	Washer, Lock, 8mm	2
12	<u>1016904</u>	Gasket, Exhaust	1

9
G

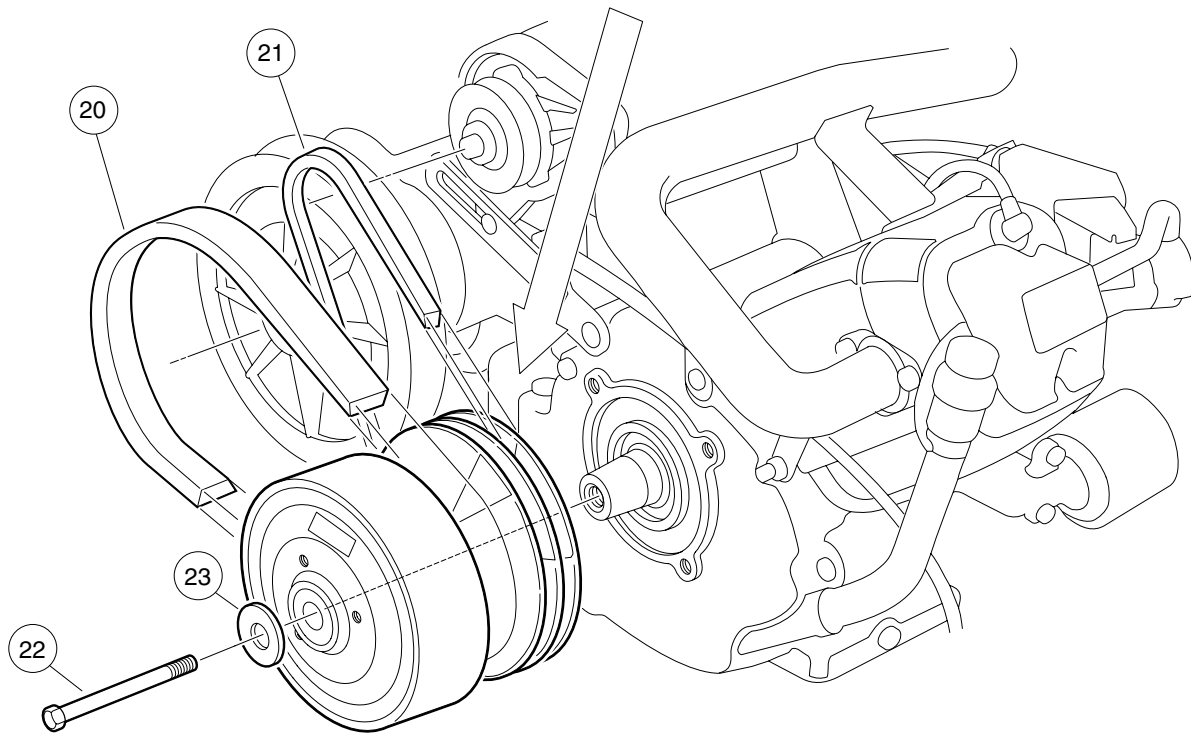
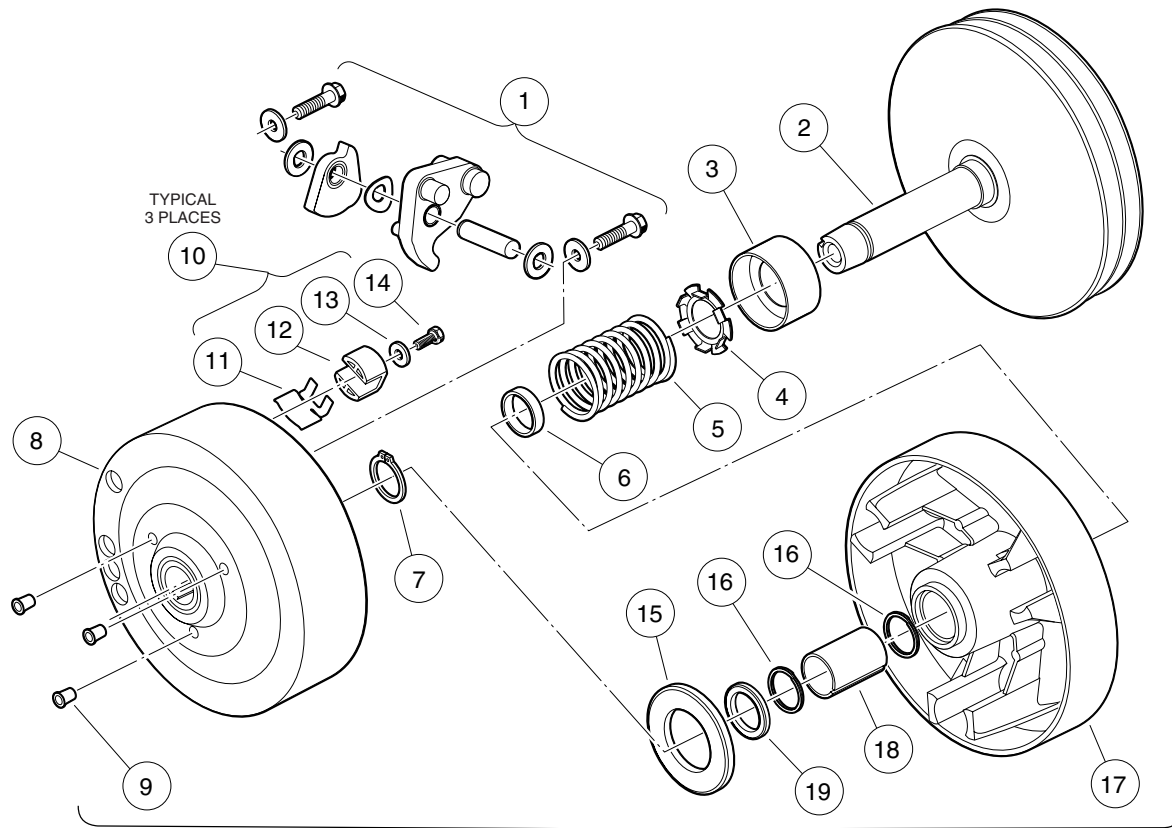
9

G

TORQUE CONVERTER

10

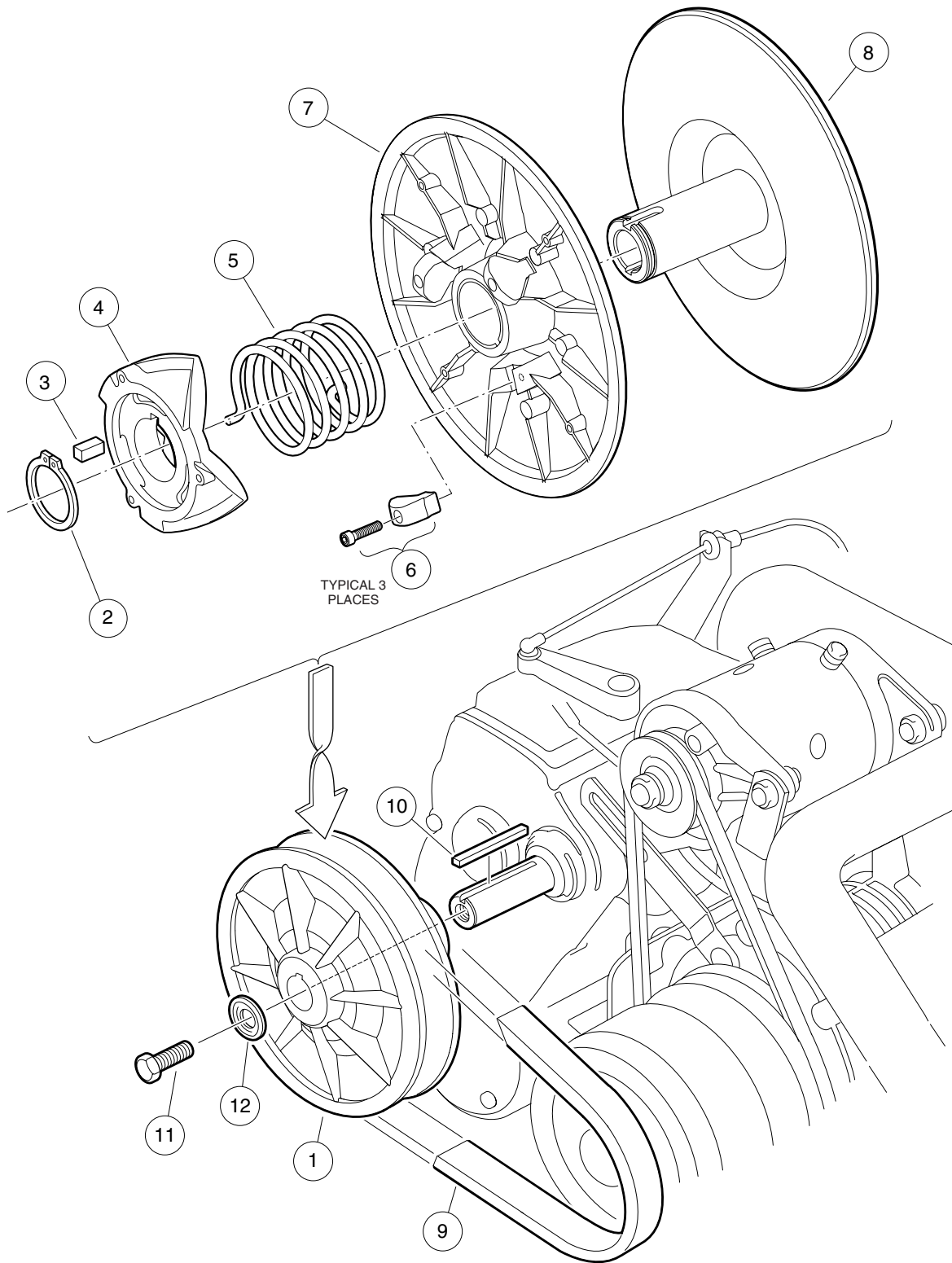
G



DRIVE CLUTCH

ITEM	PART NO.	DESCRIPTION	QTY
		1 2 3 4	
	<u>101833902</u>	Assembly, Drive Clutch (Villager 4) (includes items 1 - 19)	1
	<u>101833904</u>	Assembly, Drive Clutch (Villager 6, Villager 8, TransPorter 4, and TransPorter 6) (includes items 1 - 19)	1
1	<u>1016801</u>	Kit, Drive Clutch Weight	1
2	<u>101929801</u>	Assembly, Fixed Face (Villager 4)	1
2	<u>101738301</u>	Assembly, Fixed Face (Villager 6, Villager 8, TransPorter 4, and TransPorter 6)	1
3	<u>1014049</u>	Bearing, Idler	1
4	<u>1014050</u>	Retainer, Spring	1
5	<u>1014051</u>	Spring, Drive Clutch – Black (Villager 4)	1
5	<u>1016901</u>	Spring, Drive Clutch – Green (Villager 6, Villager 8, TransPorter 4, and TransPorter 6)	1
6	<u>1016289</u>	Spacer, Fixed Face Shaft	1
7	<u>1014057</u>	Ring, Retaining	1
8	<u>1014059</u>	Assembly, Drive Hub	1
9	N/A	Plug, Drive Clutch	3
10	<u>1014453</u>	Kit, Drive Clutch Button (includes item 11 - 14)	1
11	<u>1014287</u>	Spring, Drive Button	3
12	<u>1014062</u>	Driver, Drive Clutch	3
13	<u>183</u>	Washer, Flat, #10, Type A	3
14	<u>8450</u>	Screw, Hex-Head, #10-24 x .5	3
15	<u>1014058</u>	Washer, Thrust	1
16	<u>1014056</u>	Ring, Spiral Back-Up	2
17	<u>1014052</u>	Assembly, Movable Face (includes items 18 and 19)	1
18	N/A	Bushing	1
19	<u>1014055</u>	Retainer	1
20	<u>1016203</u>	Belt, Drive (Villager 4)	1
20	<u>1017188</u>	Belt, Drive (Villager 6, Villager 8, TransPorter 4, and TransPorter 6)	1
21	<u>101916701</u>	Belt, Starter/Generator	1
22	<u>101916501</u>	Screw, Hex-Head Cap, 3/8-24 x 5-1/2 (left-hand threads)	1
23	<u>1017328</u>	Washer, Drive Clutch – Green	1

10
G



DRIVEN CLUTCH

ITEM	PART NO.	DESCRIPTION	QTY
		1 2 3 4	
1	<u>101834001</u>	Assembly, Driven Clutch (includes items 2 - 8)	1
2	<u>1014080</u>	Ring, Retaining	1
3	<u>1014078</u>	Key	1
4	<u>1017686</u>	Cam	1
5	<u>101836201</u>	Spring (green)	1
6	<u>1014454</u>	Kit, Driven Clutch Button (includes 3 screws and 3 buttons)	1
7	<u>1014072</u>	Assembly, Moveable Face with Bushing	1
8	<u>1014070</u>	Face, Fixed	1
9	<u>1016203</u>	Belt, Drive (Villager 4)	1
9	<u>1017188</u>	Belt, Drive (Villager 6, Villager 8, TransPorter 4, and TransPorter 6)	1
	<u>AM10419</u>	Kit, Driven Clutch Hardware Repair (includes items 10 - 12)	1
10	<u>101833401</u>	Key, Square Transmission	1
11	<u>102242101</u>	Screw, Hex-Head Cap, Thread-Locking, 5/16-18 x 3/4	1
12	<u>1017327</u>	Washer, Driven Clutch	1

10
G

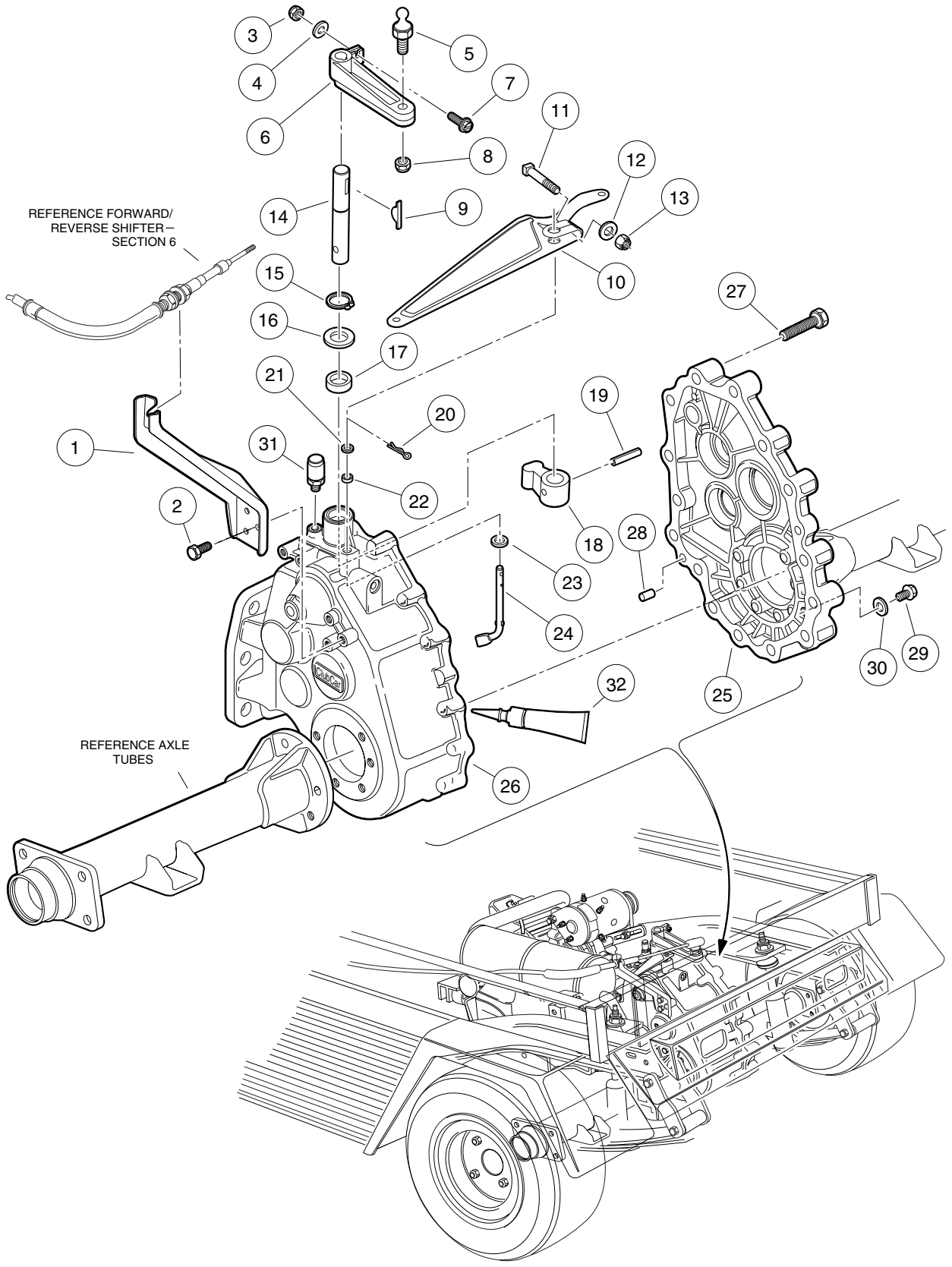
10

G

UNITIZED TRANSAXLE – GASOLINE VEHICLE

11

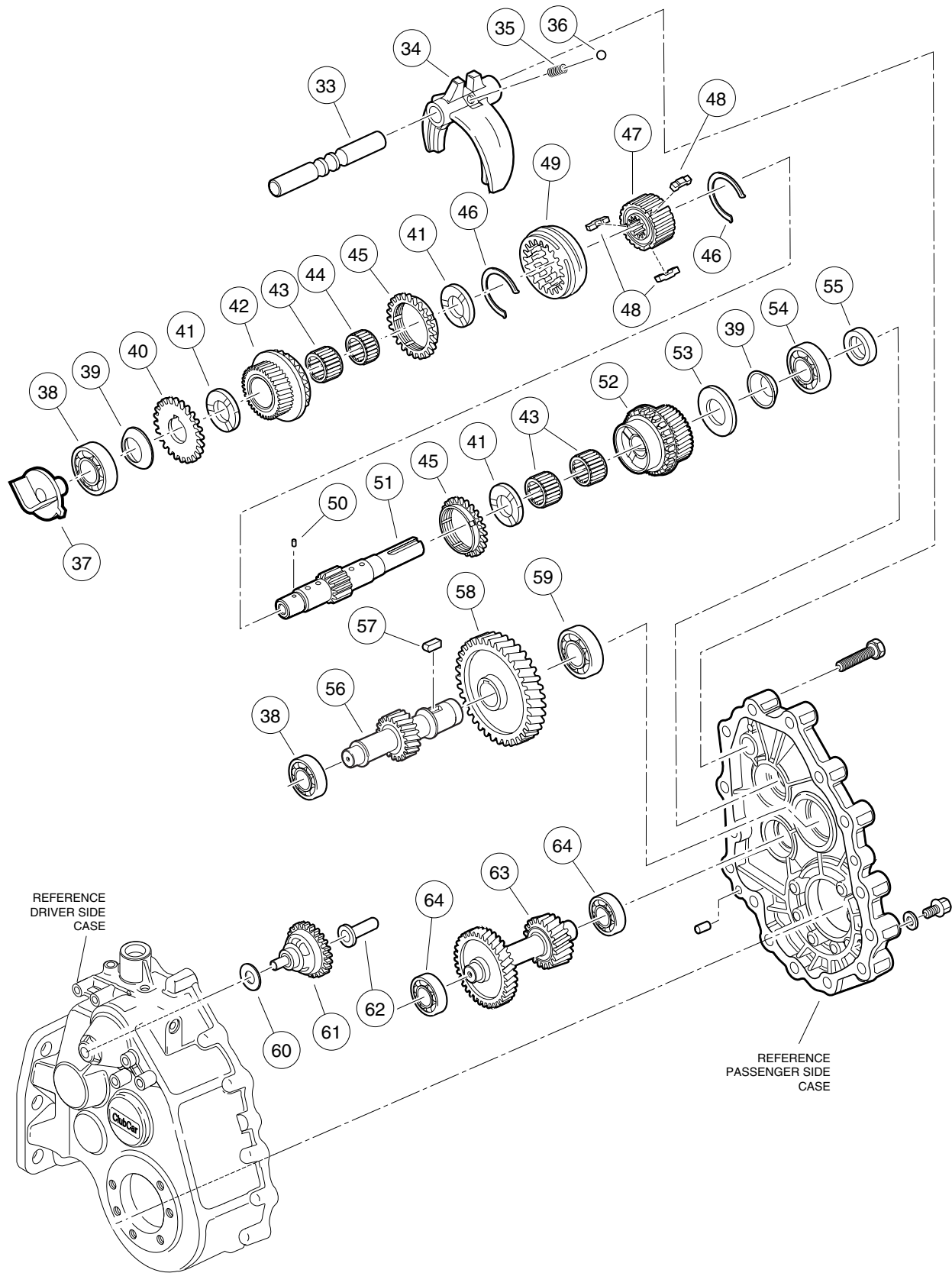
G



UNITIZED TRANSAXLE, GASOLINE VEHICLE – GEAR CASES AND BRACKETS

ITEM	PART NO.	DESCRIPTION	QTY
		1 2 3 4	
1	<u>102045901</u>	Bracket, Transmission Cable Support	1
2	<u>1012285</u>	Screw, Thread-Rolling, 1/4-20 x 5/8	3
3	<u>1013061</u>	Nut, Nylon Lock, #10-32	1
4	<u>183</u>	Washer, Flat, #10	1
5	<u>1010954</u>	Stud, Ball, 1/4-28 x 9/16	1
6	<u>1016341</u>	Lever, Transmission Shifter	1
7	<u>1017082</u>	Screw, Hex Washer-Head, #10-32 x 3/4	1
8	<u>8717</u>	Nut, Nylon Lock, 1/4-28	1
9	<u>1017231</u>	Key, Woodruff	1
10	<u>101834801</u>	Arm, Governor Lever	1
11	<u>101886101</u>	Screw, Square Head, 1/4-20 x 1	1
12	<u>1014007</u>	Washer, Type B, 1/4	1
13	<u>8233</u>	Nut, Nylon Lock, 1/4-20	1
	<u>101833601</u>	Unitized Transaxle (includes items 14 - 88)	1
14	<u>101890201</u>	Shaft, Shifter	1
15	<u>101927301</u>	Ring, Snap	1
16	<u>101892901</u>	Washer, Flat	1
17	<u>101927201</u>	Seal, Oil	1
18	<u>101890101</u>	Lever, Shifter	1
19	<u>1012752</u>	Pin, Roll	1
20	<u>101928601</u>	Pin, Cotter	1
21	<u>1016513</u>	Washer, Flat	1
22	<u>101927101</u>	Seal, Oil	1
23	<u>101893801</u>	Washer	1
24	<u>101891301</u>	Arm, Pivot	1
25	<u>101890601</u>	Gear Case (passenger side)	1
26	<u>101890501</u>	Gear Case (driver side)	1
27	<u>101926901</u>	Bolt, Flanged, M8 x 1.25 x 40 mm	15
28	<u>1012896</u>	Pin, Dowel	2
29	<u>1013759</u>	Plug, Drain (includes item 30)	2
30	<u>1016432</u>	Gasket	1
31	<u>1012711</u>	Breather	1
32	<u>101928701</u>	Gasket, Liquid, 8.8 oz. (250 grams)	A/R

11
G

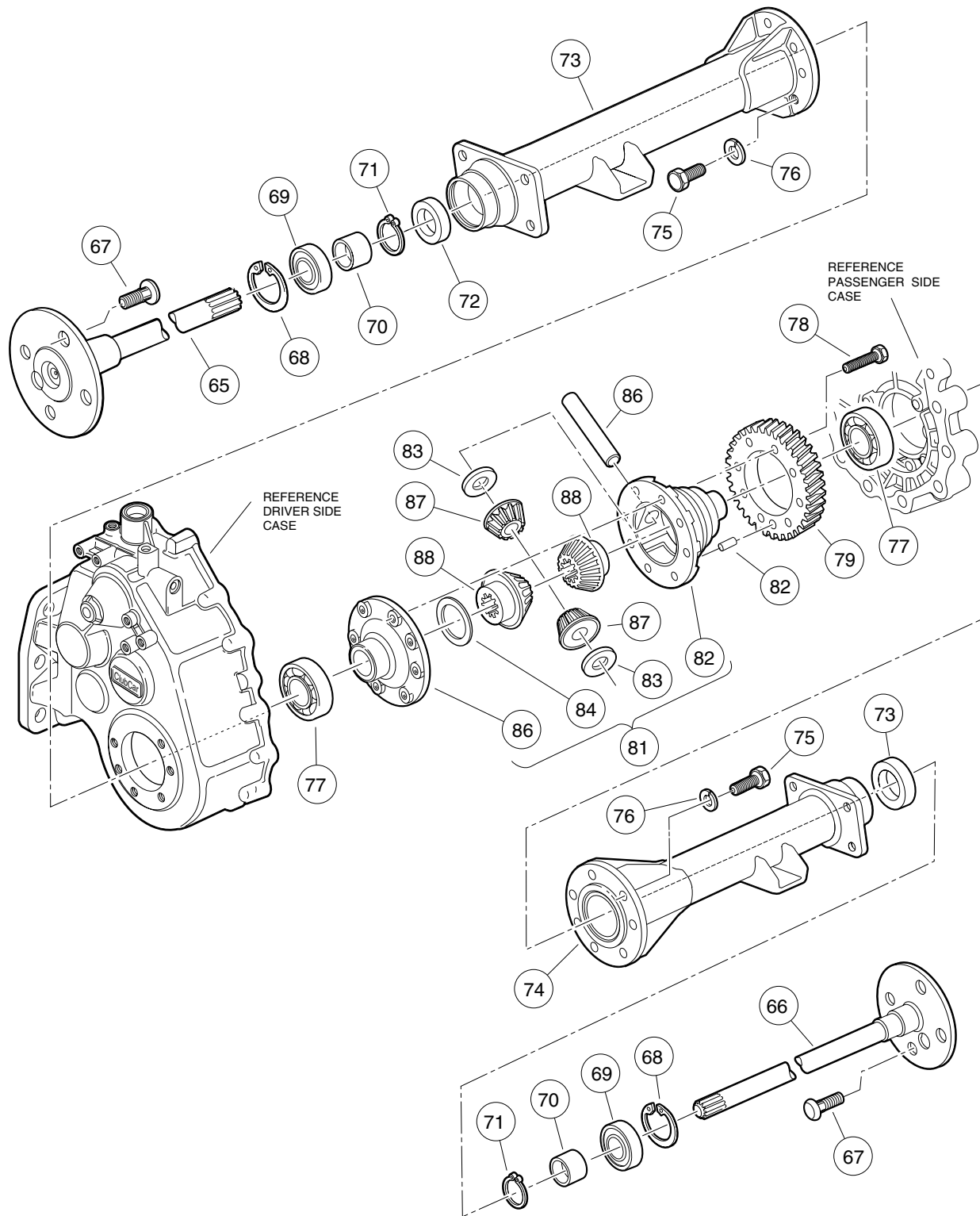


UNITIZED TRANSAXLE, GASOLINE VEHICLE – F&R TRANSMISSION AND GEAR REDUCTION

11

G

ITEM	PART NO.	DESCRIPTION	QTY
		1 2 3 4	
33	101892001	Rod, Shift	1
34	<u>101890001</u>	Fork, Shift	1
35	<u>1012748</u>	Spring	1
36	<u>1012747</u>	Ball, Steel	1
37	<u>101889401</u>	Guide	1
38	<u>AM10080</u>	Bearing, Ball	2
39	<u>1016338</u>	Washer, Spring	2
40	<u>101892401</u>	Gear, Spur	1
41	<u>101892201</u>	Plate, Thrust	3
42	<u>101980901</u>	Gear Assembly, Input, 28 Tooth (16°)	1
43	<u>101927601</u>	Bearing, Needle	3
44	<u>101927501</u>	Bearing, Needle	1
45	<u>101981001</u>	Ring, Synchronizer (16°)	2
46	<u>1012741</u>	Spring, Synchronizer	2
47	<u>101928001</u>	Hub, Synchronizer Clutch	1
48	<u>1012740</u>	Insert, Synchronizer	3
49	<u>101927901</u>	Sleeve, Synchronizer	1
50	<u>101927701</u>	Pin, Dowel	1
51	<u>101889901</u>	Shaft, Input	1
52	<u>101980801</u>	Gear Assembly, Input, 25 Tooth (16°)	1
53	<u>1016337</u>	Washer, Thrust	1
54	<u>AM10081</u>	Bearing, Ball	1
55	<u>1012714</u>	Seal, Oil, Input Shaft	1
56	<u>101892601</u>	Gear, 17 Tooth	1
57	<u>101893201</u>	Key	1
58	<u>101892501</u>	Gear, 61 Tooth	1
59	<u>101928101</u>	Bearing, Ball	1
60	<u>101893901</u>	Washer.....	1
61	<u>101892301</u>	Governor Assembly	1
62	<u>101891601</u>	Sleeve	1
63	<u>101891901</u>	Gear, Cluster Idler	1
64	<u>7335</u>	Bearing, Ball	2



UNITIZED TRANSAXLE, GASOLINE VEHICLE – DIFFERENTIAL AND AXLES

ITEM	PART NO.	DESCRIPTION	QTY
		1 2 3 4	
65	<u>101891501</u>	Axle Assembly, Driver-Side (Includes items 67 - 71)	1
66	<u>101891401</u>	Axle Assembly, Passenger-Side (includes items 67 - 71)	1
67	<u>1013787</u>	Stud, Lug	4
68	<u>1013792</u>	Ring, Retaining	1
69	<u>1011291</u>	Bearing, Outer Axle Tube	1
70	<u>1014207</u>	Collar, 25 mm I. D.	1
71	<u>1016672</u>	Ring, Retaining	1
72	<u>1013794</u>	Seal, Oil	2
73	<u>101891001</u>	Assembly, Axle Tube, Driver-Side	1
74	<u>101890901</u>	Assembly, Axle Tube, Passenger-Side	1
75	<u>1013790</u>	Bolt, M10 x 1.5 x 30 mm	14
76	<u>1013791</u>	Washer, Lock, M10	14
77	<u>7330</u>	Bearing, Inner Axle Tube	2
78	<u>101928301</u>	Bolt, M8 x 1.25 x 37 mm	8
79	<u>101892701</u>	Gear, Output	1
80	<u>1014193</u>	Pin, Dowel	1
81	<u>101910501</u>	Kit, Differential Gear Case (includes items 82 - 85)	1
82	<u>1013768</u>	Case, Gear Carrier	1
83	<u>1013774</u>	Plate, Thrust (idler gear)	2
84	<u>1013773</u>	Plate, Thrust (differential gear)	1
85	<u>1013769</u>	Cover, Gear Case	1
86	<u>1013772</u>	Pin, Differential	1
87	<u>1013770</u>	Gear, Differential Idler	2
88	<u>1013771</u>	Gear, Differential	2

11

G

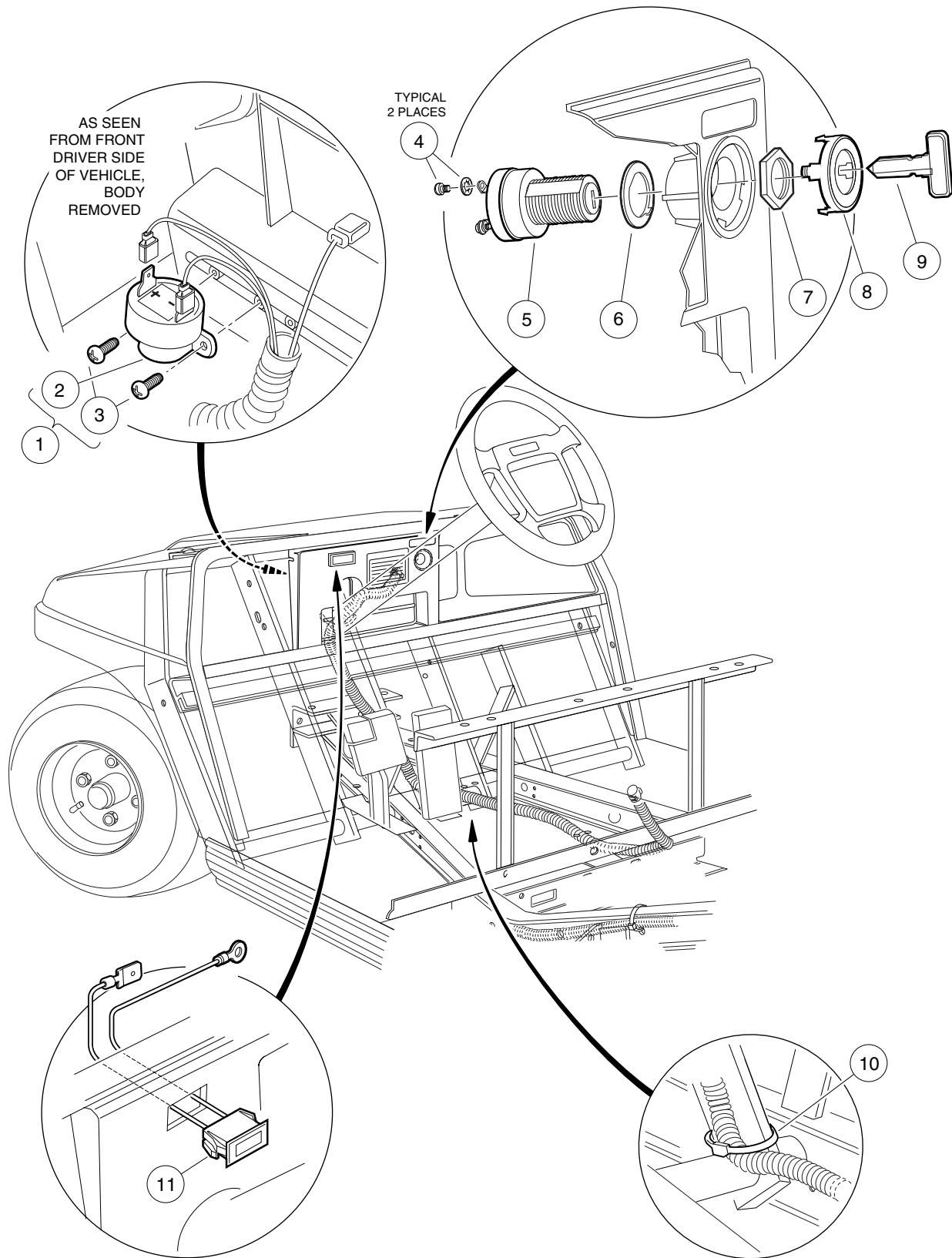
11

G

ELECTRICAL SYSTEM – ELECTRIC VEHICLE

12

E

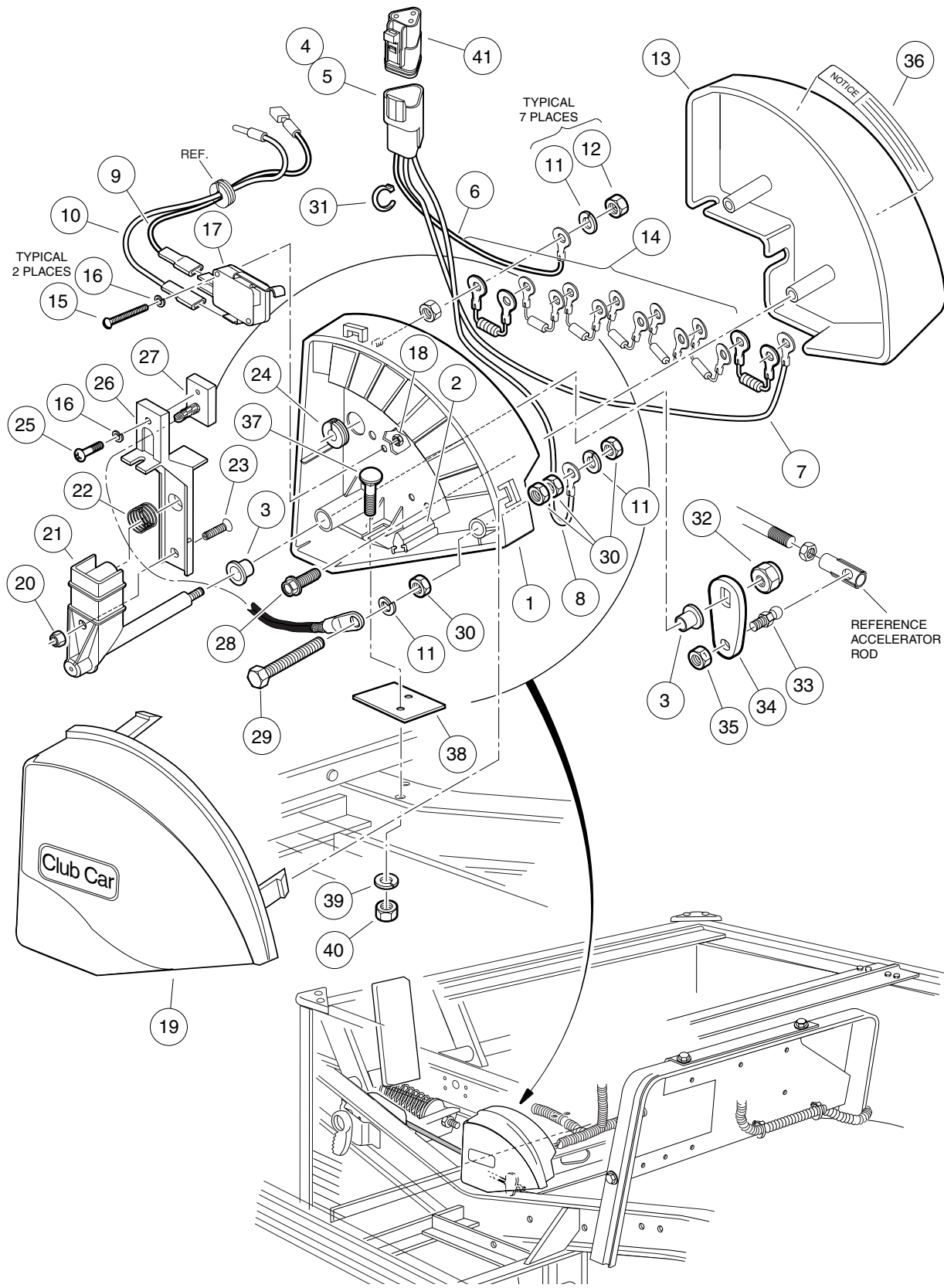


ELECTRICAL COMPONENTS, FRONT BODY – VILLAGER 4 VEHICLE

ITEM	PART NO.	DESCRIPTION	QTY
		1 2 3 4	
1	<u>1016859</u>	Kit, Reverse Buzzer (includes items 2 and 3)	1
2	<u>1016851</u>	Buzzer, Reverse	1
3	<u>1016849</u>	Screw, Pan-Head Hi-Lo, #4-24 x 5/16	2
4	101830601	Assembly, Screw and Washer	2
5	<u>101826201</u>	Switch, Key	1
6	<u>101851101</u>	Washer, Key Switch	1
7	<u>101830701</u>	Nut, Key Switch	1
8	<u>101834502</u>	Cap, Key Switch	1
9	<u>1012505</u>	Key (pair)	1
10	<u>8990</u>	Tie, Wire	2
11	<u>101935501</u>	Light, Battery Warning (amber)	1

12

E



MULTI-STEP POTENTIOMETER – VILLAGER 4 POWERDRIVE SYSTEM 48 VEHICLE

12

E

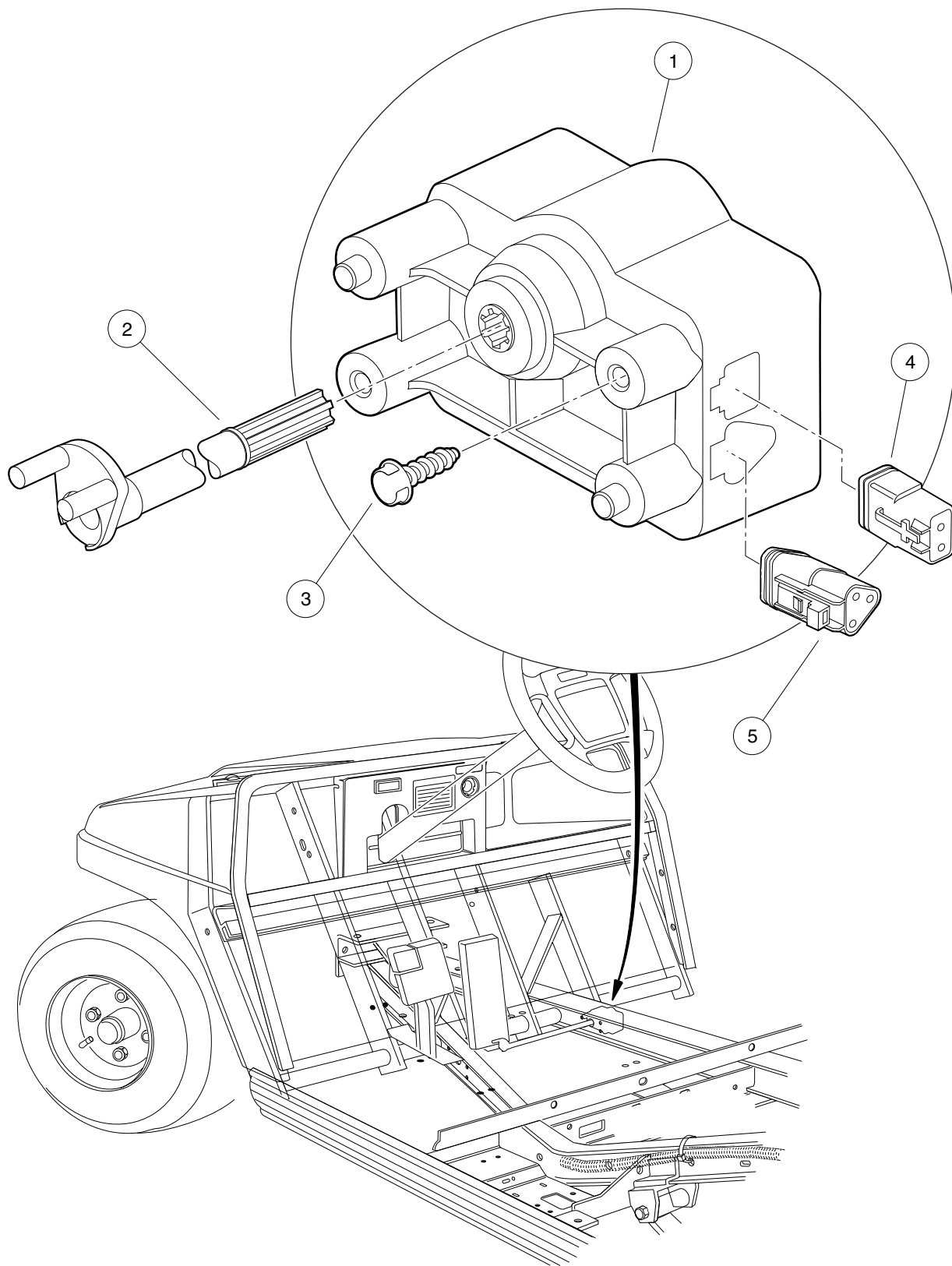
ITEM	PART NO.	DESCRIPTION	QTY
		1 2 3 4	
		NOTE: See page 12-9 for the MCOR Conversion Kit.	
		This page pertains to vehicles with serial numbers lower than 0112-001470.	
	<u>101932001</u>	Assembly, Wiper Switch (includes items 1 - 36)	1
1	<u>1014999</u>	Assembly, Wiper Switch Case, 6-Speed (includes items 2 and 3)	1
2	<u>1014414</u>	Bumper, Wiper Switch	1
3	<u>1012903</u>	Bearing, Bronze	2
4	<u>101932801</u>	Assembly, 3-Wire and Receptacle (includes items 5 - 8)	1
5	<u>101942301</u>	Kit, 3-Pin Receptacle	1
6	N/A	Wire Assembly, #18 White/Black	1
7	N/A	Wire Assembly, #18 Purple	1
8	N/A	Wire Assembly, #18 Yellow	1
9	N/A	Wire Assembly, #18 Green/White	1
10	N/A	Wire Assembly, #18 Blue	1
11	<u>451</u>	Washer, Lock, 1/4	9
12	<u>1028</u>	Nut, Hex, 1/4-20	7
13	<u>101946901</u>	Protector, Wiper Switch Resistor	1
14	<u>101971101</u>	Kit, Resistor Assembly	1
15	<u>8056</u>	Screw, Round-Head Machine, #4-40 x 3/4	2
16	<u>8058</u>	Washer, Lock, #4	3
17	<u>1014807</u>	Switch, Limit.....	1
18	<u>8057</u>	Nut, Hex, #4-40	2
19	<u>1013886</u>	Cover, Wiper Switch	1
20	<u>1013061</u>	Nut, Nylon Lock, #10-32	1
21	<u>1014017</u>	Carrier, Wiper Switch Arm	1
22	<u>1013998</u>	Spring, Wiper Switch Brush	1
23	<u>1014000</u>	Stud, Wiper Switch Adjusting	1
24	<u>1014010</u>	Grommet, Split	1
25	<u>1014019</u>	Screw, Self-Tapping, #4-40 x 3/8	1
26	<u>1013887</u>	Arm, Speed Switch	1
27	<u>1013860</u>	Assembly, Switch Brush	1
28	<u>1013461</u>	Screw, Hex-Head Hi-Lo, #10-16 x 1/2	2
29	<u>1014189</u>	Screw, Hex-Head Cap, 1/4-20 x 2	1
30	<u>1014253</u>	Nut, Brass Hex Jam, 1/4-20	4
31	<u>8990</u>	Tie, Wire	1
32	<u>7473</u>	Nut, Nylon Lock, 5/16-18	1
33	<u>1012353</u>	Stud, Short Ball, 1/4-28	1
34	<u>1014003</u>	Crank, Bell	1
35	<u>8449</u>	Nut, Dimpled Lock, 1/4-28	1
36	<u>101610901</u>	Decal, Wiper Switch Warning	1
37	<u>1014109</u>	Bolt, Carriage, #10-24 x 1	2
38	<u>101949201</u>	Shim, Wiper Switch	1
39	<u>1016175</u>	Washer, Lock, #10	2
40	<u>1017</u>	Nut, Hex, #10-24	2
41	<u>101920101</u>	Kit, 3-Pin Plug Assembly	1

WIRING – VILLAGER 4 POWERDRIVE SYSTEM 48 VEHICLE WITH MULTI-STEP POTENTIOMETER

ITEM	PART NO.	DESCRIPTION	QTY
		1 2 3 4 For vehicles with serial numbers lower than 0112-001470.	
	<u>101911004</u>	Wire Harness (includes items 1 - 5)	1
1	<u>101883002</u>	Wire Assembly, #18 Black (includes resistor and #18 white wire)	1
2	<u>101901401</u>	Wire Assembly, #6 Blue	1
3	<u>101901201</u>	Wire Assembly, #6 Orange	1
4	<u>101911101</u>	Wire Assembly, #6 White	1
5	<u>101901301</u>	Wire Assembly, #6 Blue	1
6	N/A	Wire Assembly, #10 Black (part of onboard computer assembly)	1
7	N/A	Wire Assembly, #10 Red (part of fuse and receptacle assembly)	1
8	<u>101795701</u>	Wire Assembly, #6 Black	5
9	<u>101902801</u>	Wire Assembly, #6 Red	1
10	<u>101903001</u>	Wire Assembly, #6 Yellow	1
11	<u>101902901</u>	Wire Assembly, #6 Green	1
12	<u>1014856</u>	Wire Assembly, #6 White	1
13	N/A	Wire Assembly, #10 Black (part of onboard computer assembly)	1
14	N/A	Wire Assembly, #6 Black (part of onboard computer assembly)	1

12

E

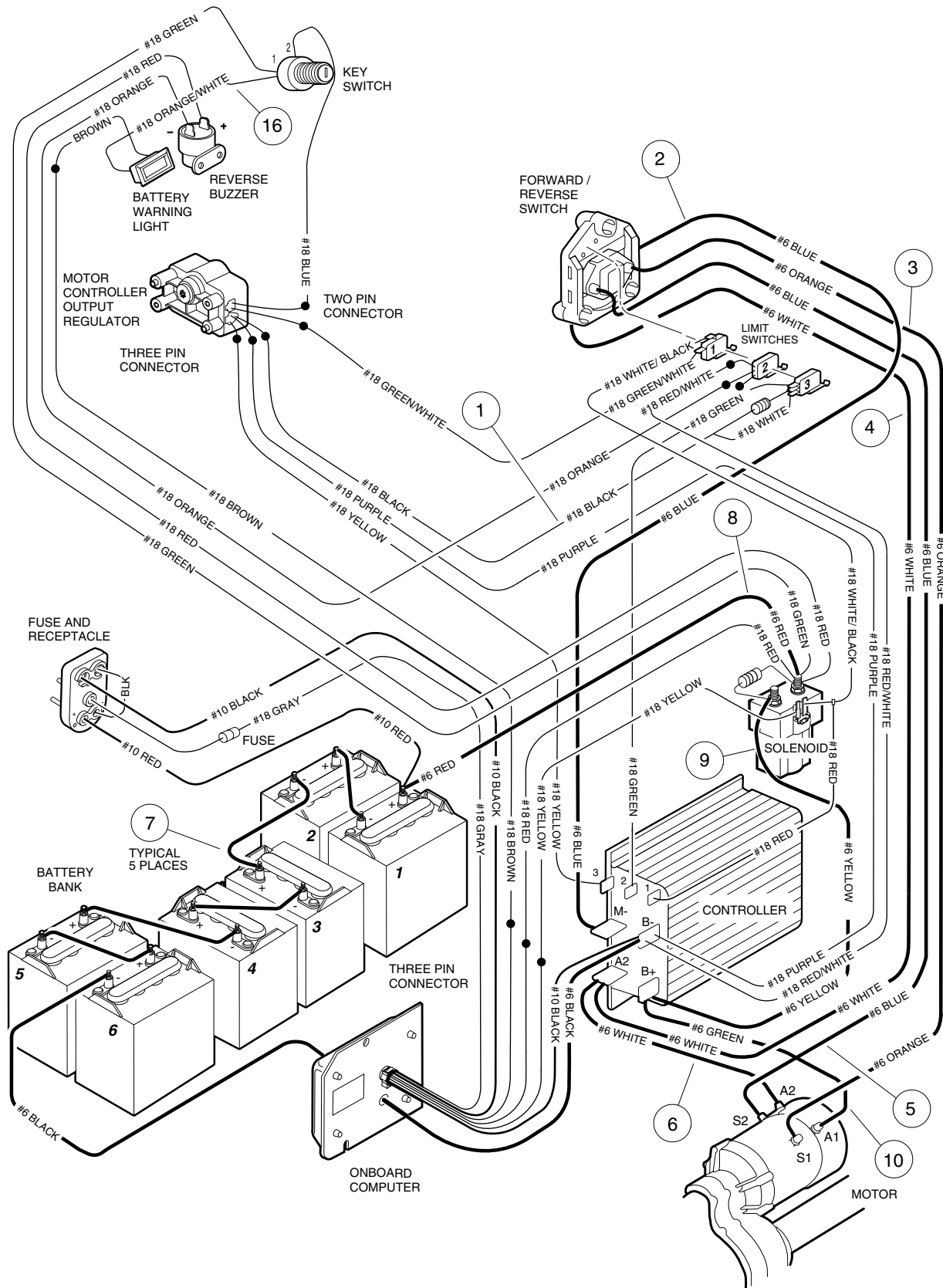


MOTOR CONTROLLER OUTPUT REGULATOR (MCOR) – POWERDRIVE SYSTEM 48 AND IQ SYSTEM VEHICLES

ITEM	PART NO.	DESCRIPTION	QTY
		<p>1 2 3 4</p> <p>For vehicles with serial numbers 0112-001470 and greater.</p>	
1	<u>102101101</u>	Regulator, Motor Controller Output (MCOR)	1
2	102101001	Bar, Drive	1
3	<u>1015752</u>	Screw, Hex-Head, Hi-Lo, #12-16 x 5/8	2
4	<u>101936801</u>	Kit, 2-Pin Plug Assembly	1
5	<u>101920101</u>	Kit, 3-Pin Plug Assembly	1
6	<u>102248301</u>	Kit, MCOR Conversion (not shown)*	1
		<p>*For vehicles with serial numbers lower than 0112-001470.</p>	

12

E

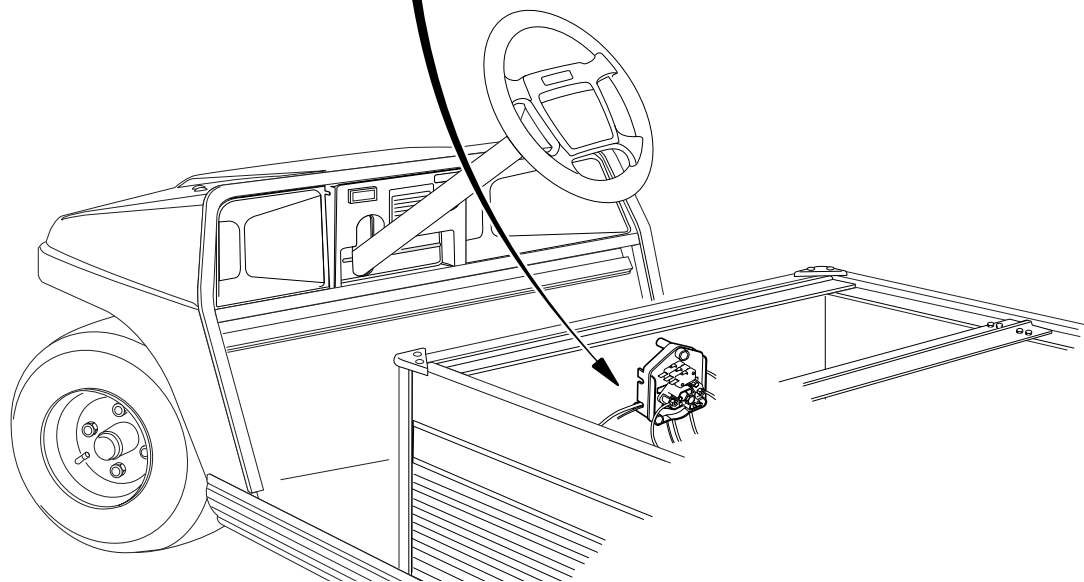
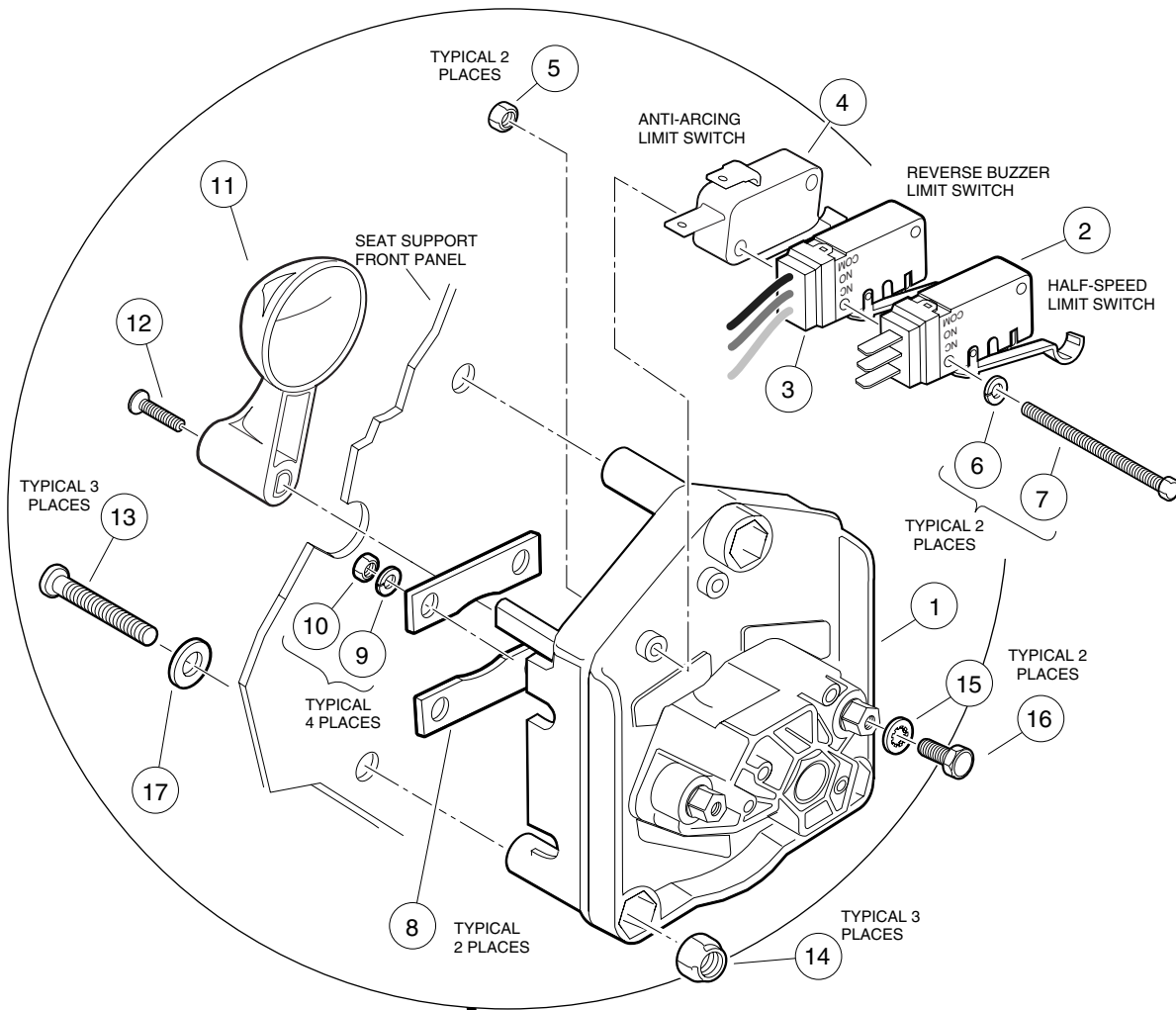


WIRING – VILLAGER 4 POWERDRIVE SYSTEM 48 VEHICLE WITH MCOR

ITEM	PART NO.	DESCRIPTION	QTY
		1 2 3 4 For Villager 4 vehicles with serial numbers 0112-001470 and greater.	
	<u>102162102</u>	Wire Harness (includes items 1 - 6)	1
1	<u>101883002</u>	Wire Assembly, #18 Black (includes resistor and #18 white wire)	1
2	<u>101901401</u>	Wire Assembly, #6 Blue	1
3	<u>101901201</u>	Wire Assembly, #6 Orange	1
4	<u>101901501</u>	Wire Assembly, #6 White	1
5	<u>101901301</u>	Wire Assembly, #6 Blue	1
6	<u>101911101</u>	Wire Assembly, #6 White	1
7	<u>101795701</u>	Wire Assembly, #6 Black	5
8	<u>101902801</u>	Wire Assembly, #6 Red	1
9	<u>101903001</u>	Wire Assembly, #6 Yellow	1
10	<u>101902901</u>	Wire Assembly, #6 Green	1

12

E

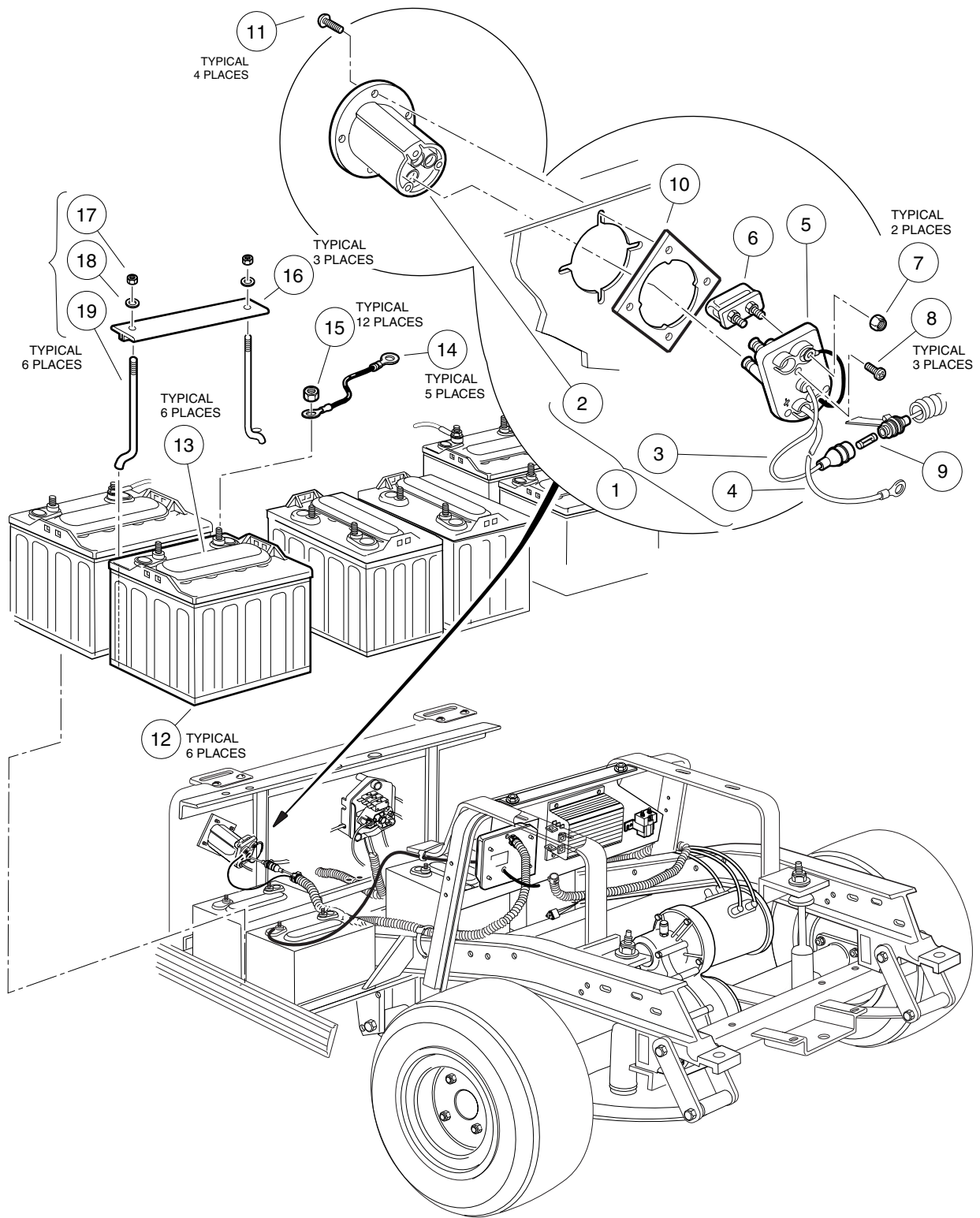


FORWARD/REVERSE SWITCH – POWERDRIVE SYSTEM 48 VEHICLE

ITEM	PART NO.	DESCRIPTION	QTY
		1 2 3 4	
1	<u>101753005</u>	Assembly, Forward/Reverse Switch (includes items 2 - 10)	1
2	<u>102250201</u>	Switch, Limit, Sealed	1
3	<u>101979101</u>	Switch, Limit, Sealed	1
4	<u>1014808</u>	Switch, Limit	1
5	<u>8057</u>	Nut, Hex, #4-40	2
6	<u>8058</u>	Washer, Lock, #4	2
7	<u>1014871</u>	Screw, Hex Washer-Head, #4-40 x 2	2
8	<u>1017799</u>	Bar, Bus	2
9	<u>451</u>	Washer, Lock, 1/4	4
10	<u>1028</u>	Nut, Hex, 1/4-20	4
11	<u>1012987</u>	Handle, Forward/Reverse Switch	1
12	<u>1015064</u>	Screw, Oval Countersunk Machine, #8-32 x 5/8	1
13	1016845	Screw, Phillips Truss-Head, 1/4-20 x 2-1/8	3
14	<u>8233</u>	Nut, Nylon Lock, 1/4-20	3
15	<u>8049</u>	Washer, Internal Tooth Lock, #10	2
16	<u>8450</u>	Screw, Hex-Head Machine, #10-24 x 1/2	2
17	<u>1014528</u>	Washer, Plastic, 1/4 (Villager vehicles only)	3

12

E

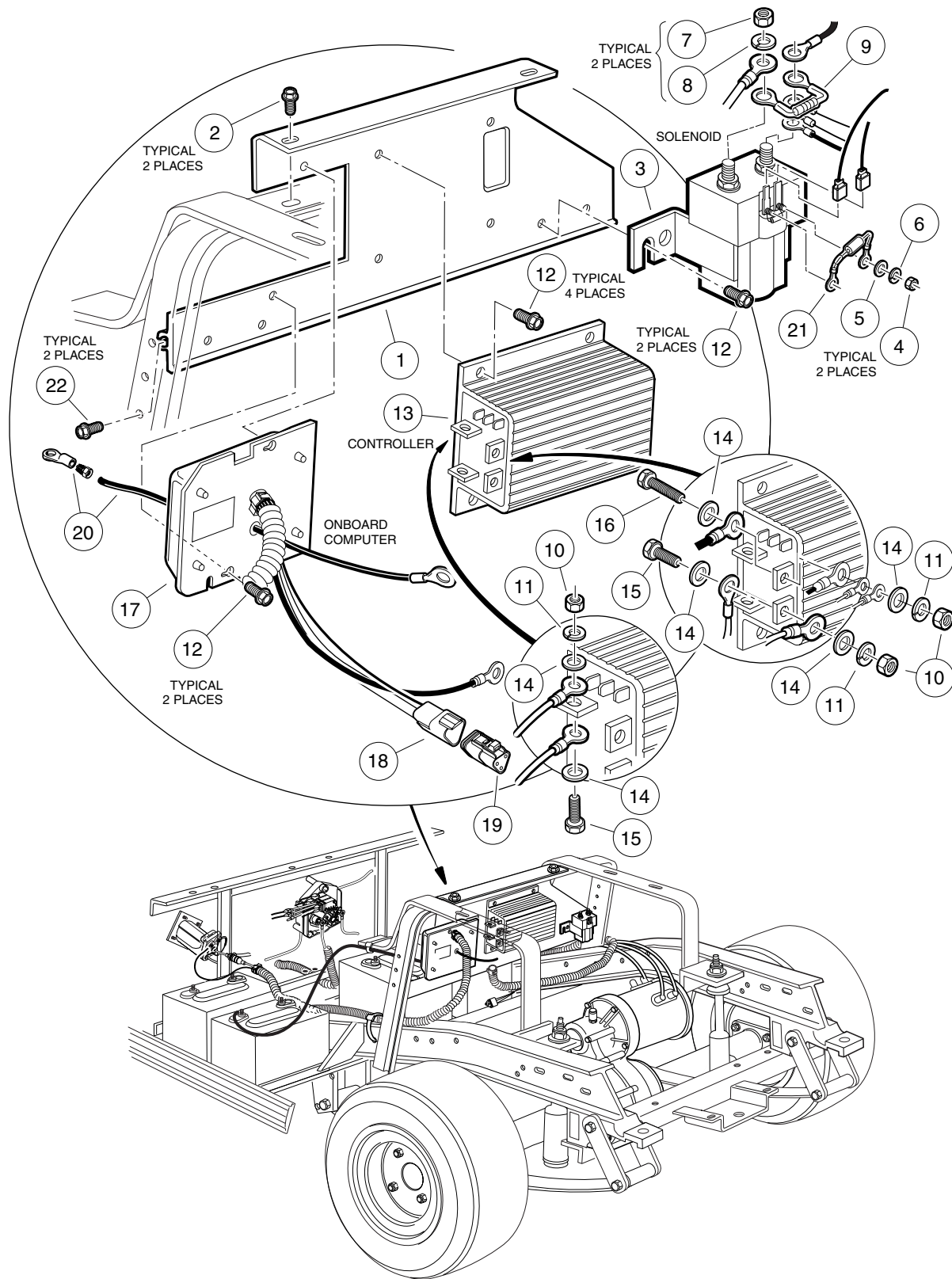


BATTERIES, CHARGER RECEPTACLE – VILLAGER 4 POWERDRIVE SYSTEM 48 VEHICLE

ITEM	PART NO.	DESCRIPTION	QTY
		1 2 3 4	
1	<u>101802101</u>	Kit, Fuse And Receptacle (includes items 2 - 9)	1
2	<u>101796501</u>	Bezel, Receptacle	1
3	N/A	Wire Assembly, Sense Lead, Gray	1
4	N/A	Wire Assembly, #10 Red	1
5	N/A	Wire Assembly, #10 Black	1
6	<u>101796801</u>	Assembly, Fuse, 48-Volt (includes item 7)	1
7	<u>1013061</u>	Nut, Nylon Lock, #10	2
8	<u>1017705</u>	Screw, Phillips Pan-Head, #8 Type AB	3
9	<u>101894901</u>	Fuse, 3/8-Amp	1
10	<u>101801001</u>	Plate, Receptacle Backing	1
11	<u>101832001</u>	Screw, Phillips Pan-Head, #7-18 x 3/4	4
12	<u>101797701</u>	Battery, 8-Volt PowerDrive (includes item 13)	6
12	<u>101797702</u>	Battery, 8-Volt PowerDrive, Dry (includes item 13)	6
13	<u>101797801</u>	Cap, Battery, 4 Port Gang	1
14	<u>101795701</u>	Wire Assembly, #6 Black	5
15	<u>1014304</u>	Nut, Hex, Stainless Steel, 5/16-18	12
16	<u>101090801</u>	Hold-Down, Battery	3
17	1015072	Nut, Nylon Lock, Stainless Steel, 5/16-18	6
18	<u>1011578</u>	Washer, Flat, Type B Wide, 5/16	6
19	1013683	J-Bolt	6

12

E

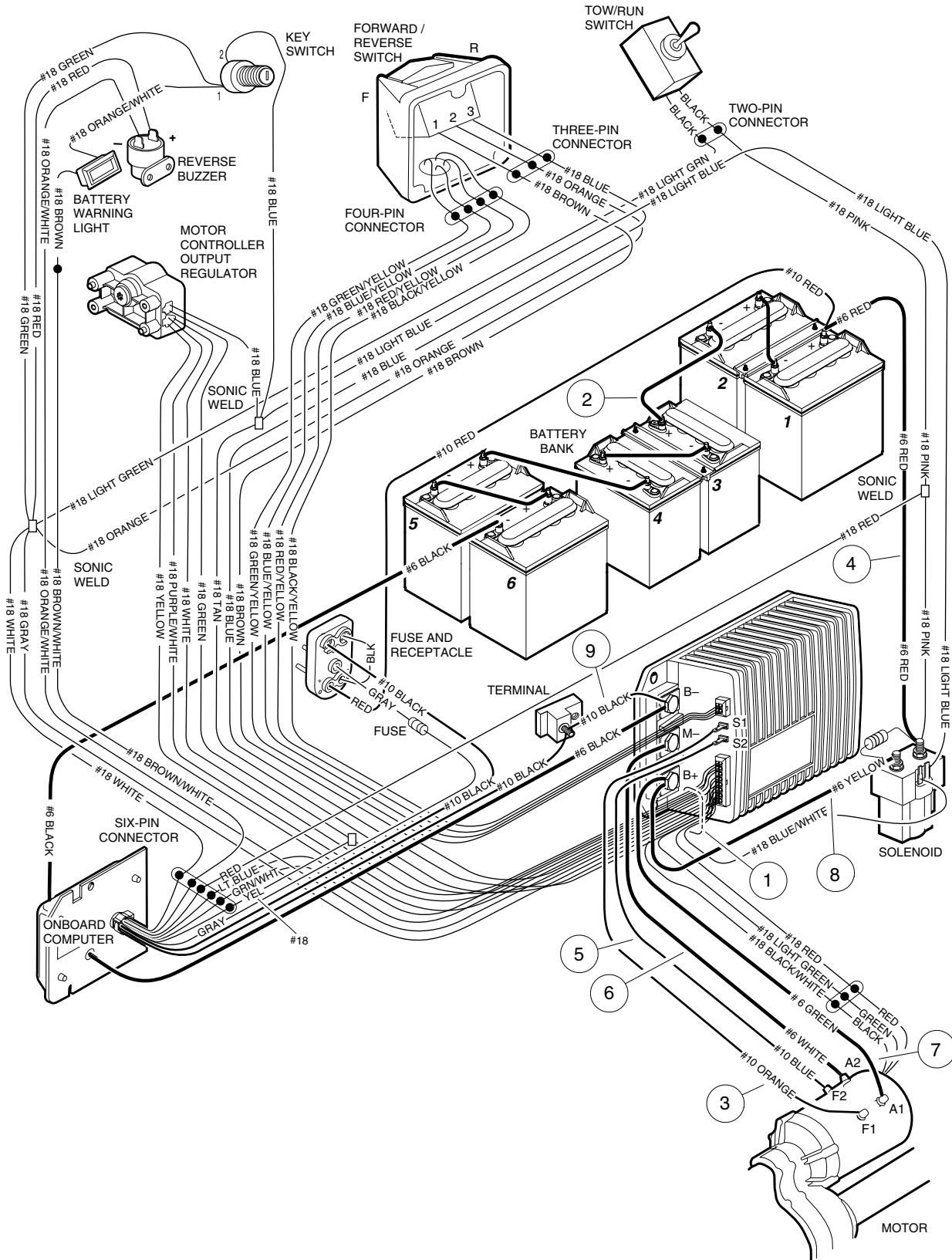


COMPUTER, CONTROLLER, AND SOLENOID – VILLAGER 4 POWERDRIVE SYSTEM 48 VEHICLE

ITEM	PART NO.	DESCRIPTION	QTY
		1 2 3 4	
1	101965201	Plate, Component Mounting	1
2	<u>1014288</u>	Screw, Thread-Forming, 5/16-18 x 3/4	2
3	<u>101908701</u>	Solenoid, 48-Volt (with diode) (includes items 4 - 8)	1
4	<u>1011558</u>	Nut, Hex, #6-32	2
5	N/A	Washer, Flat	2
6	N/A	Washer, Lock	2
7	<u>1012528</u>	Nut, Hex, M8	2
8	<u>7174</u>	Washer, Lock, 5/16	2
9	<u>1014947</u>	Assembly, Resistor	1
10	<u>1242</u>	Nut, Hex, 5/16-18	3
11	<u>7174</u>	Washer, Lock, 5/16	3
12	<u>1012285</u>	Screw, Hex, Type TT, 1/4-20 x 5/8	8
13	<u>101840203</u>	Controller, 48-Volt (300-Amp)	1
14	<u>1241</u>	Washer, Flat, 5/16	6
15	<u>7173</u>	Screw, Hex-Head Cap, 5/16-18 x 3/4	2
16	1218	Screw, Hex-Head Cap, 5/16-18 x 1-1/4	1
17	<u>101909901</u>	Computer, Onboard (includes item 18)	1
18	<u>101942301</u>	Kit, 3-Pin Receptacle	1
19	<u>101920101</u>	Kit, 3-Pin Plug Assembly	1
20	101827801	Kit, Wire and Terminal, #6 Black	1
21	1014948	Assembly, Diode (Service Part replacement for existing diode that comes standard with solenoid)	1
22	<u>101910401</u>	Screw, Thread-Forming, 5/16-18 x 1-1/4	2

12

E

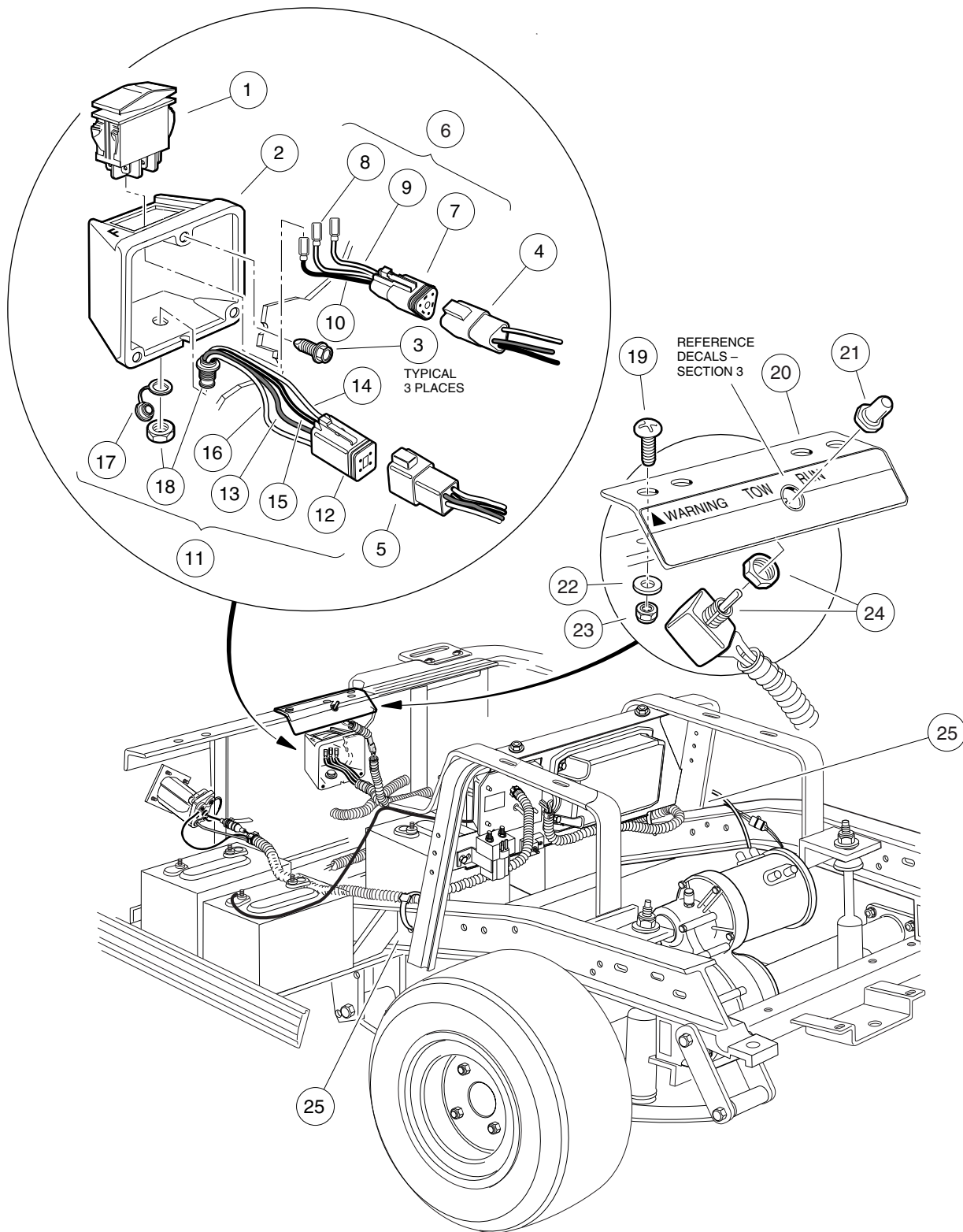


WIRING – VILLAGER 4 IQ SYSTEM VEHICLE

ITEM	PART NO.	DESCRIPTION	QTY
		1 2 3 4	
1	<u>102196601</u>	Wire Harness	1
2	<u>101795701</u>	Wire Assembly, #6 Black	5
3	<u>101978101</u>	Wire Assembly, #10 Orange	1
4	<u>102199601</u>	Wire Assembly, #6 Red	1
5	<u>101978201</u>	Wire Assembly, #10 Blue	1
6	<u>101968701</u>	Wire Assembly, #6 White	2
7	<u>101978001</u>	Wire Assembly, #6 Green	1
8	<u>101920001</u>	Wire Assembly, #6 Yellow	1
9	<u>102263601</u>	Wire Assembly, #10 Black	1

12

E

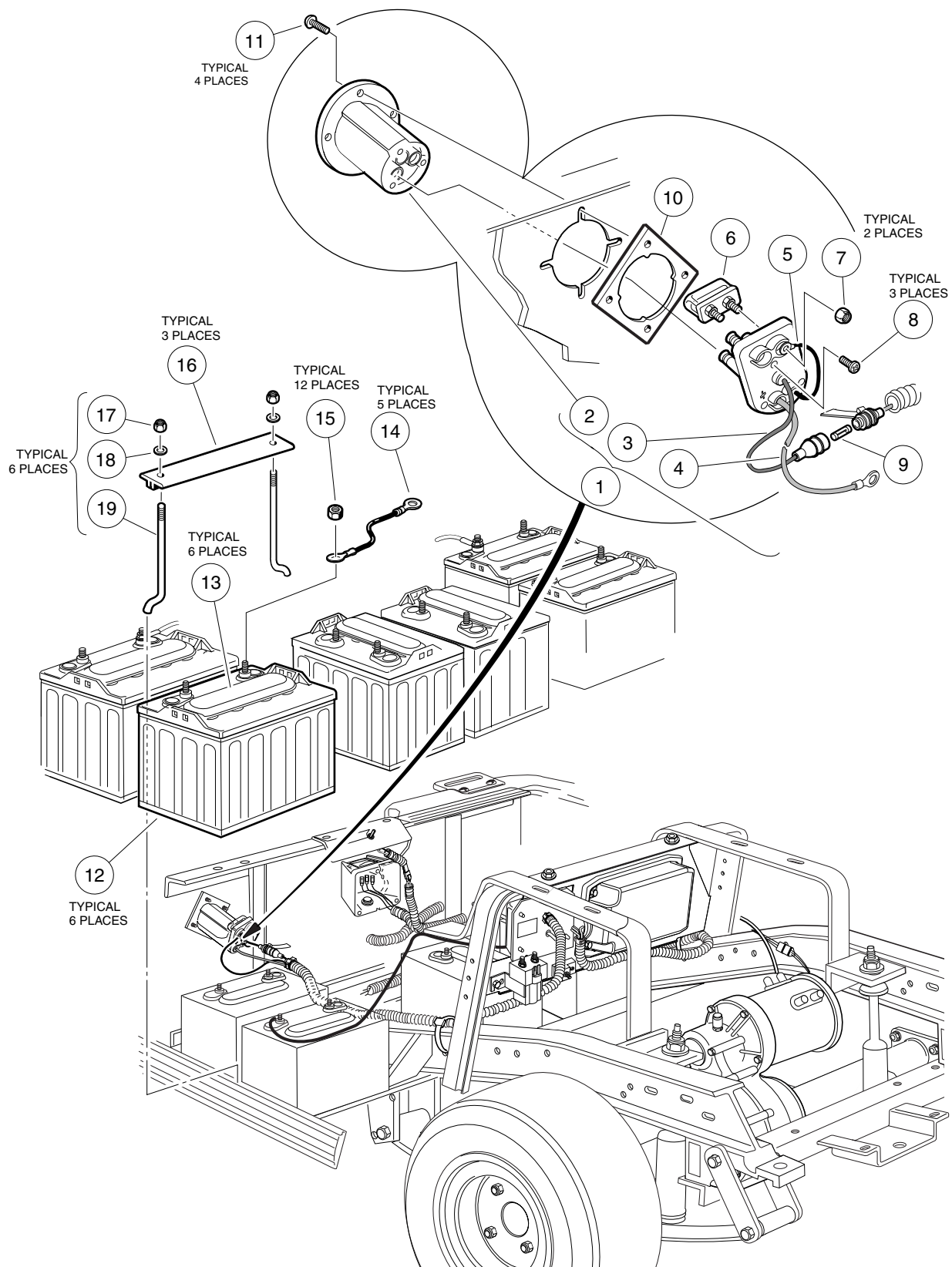


FORWARD/REVERSE SWITCH, TOW/RUN SWITCH – VILLAGER 4 IQ SYSTEM VEHICLE

ITEM	PART NO.	DESCRIPTION	QTY
		1 2 3 4	
1	<u>101856001</u>	Switch, Forward/Reverse	1
2	<u>101855002</u>	Case, Forward/Reverse Switch	1
3	<u>101856101</u>	Screw, Hex Washer-Head Hi-Lo, 1/4-15 x 1/2	3
4	<u>101942301</u>	Kit, 3-Pin Receptacle and Wedge Lock	1
5	<u>101932401</u>	Kit, 4-Pin Receptacle and Wedge Lock	1
6	<u>102266601</u>	Wire Assembly, Forward/Reverse Switch (includes items 7 - 10)	1
7	<u>101920101</u>	Kit, 3-Pin Plug and Wedge Lock	1
8	N/A	Wire Assembly, #18 Blue	1
9	N/A	Wire Assembly, #18 Orange	1
10	N/A	Wire Assembly, #18 Brown	1
11	<u>102266701</u>	Wire Assembly, IQDM Port (includes items 12 - 18)	1
12	<u>101932501</u>	Kit, 4-Pin Plug and Wedge Lock	1
13	N/A	Wire Assembly, #18 Red/Yellow	1
14	N/A	Wire Assembly, #18 Black/Yellow	1
15	N/A	Wire Assembly, #18 Blue/Yellow	1
16	N/A	Wire Assembly, #18 Green/Yellow	1
17	N/A	Cap, Dust	1
18	N/A	Connector, 4-Pin	1
19	<u>8248</u>	Screw, Phillips Truss-Head, 1/4-20 x 3/4	2
20	<u>101922501</u>	Bracket, Tow/Run Switch (without decal)	1
21	<u>101908401</u>	Boot, Tow/Run Switch (with nut)	1
22	<u>332</u>	Washer, Flat, 1/4	2
23	<u>8233</u>	Nut, Nylon Lock, 1/4-20	2
24	<u>101908101</u>	Switch, Tow/Run	1
25	<u>8990</u>	Tie, Wire	A/R

12

E

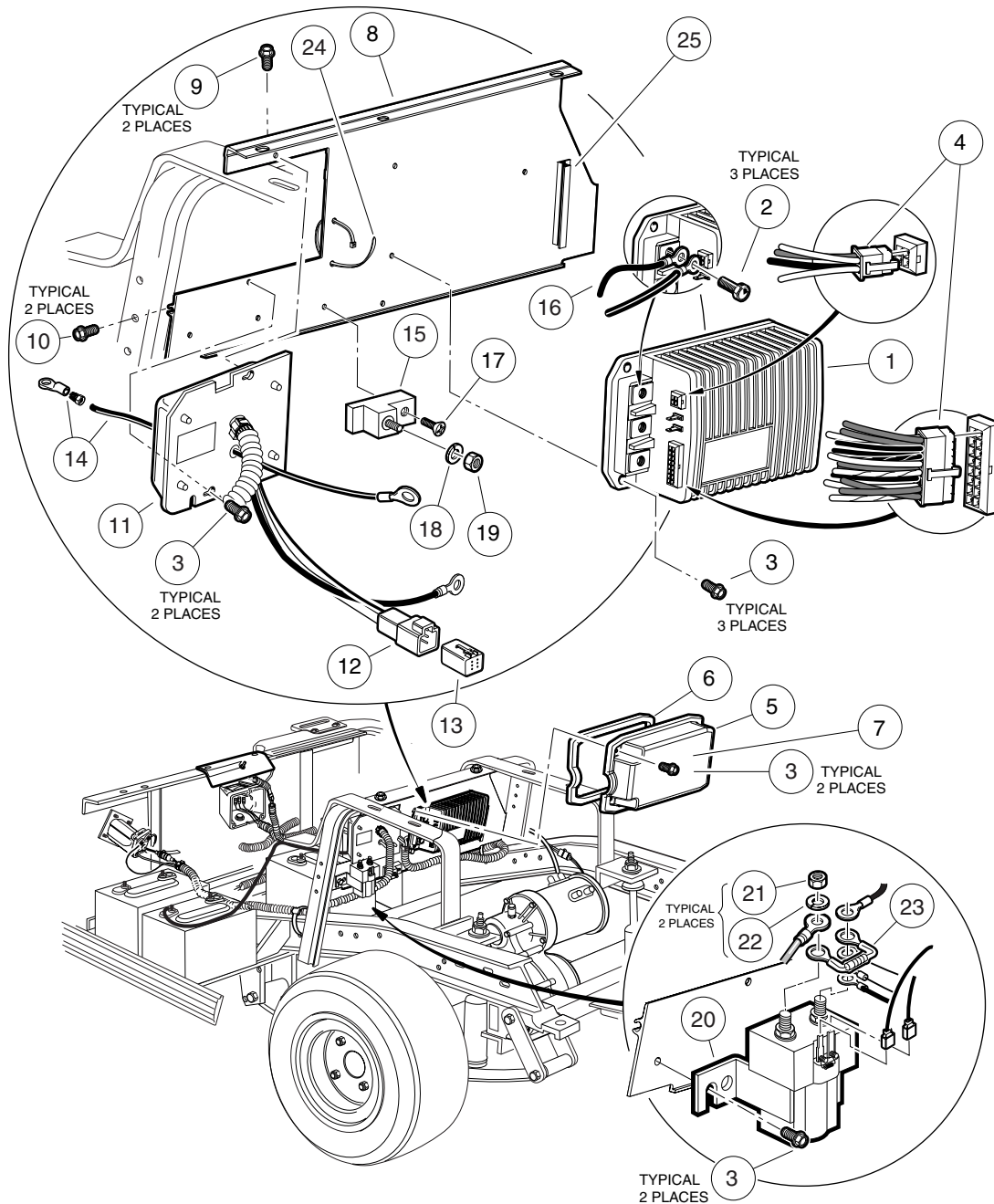


BATTERIES, CHARGER RECEPTACLE – VILLAGER 4 IQ SYSTEM VEHICLE

ITEM	PART NO.	DESCRIPTION	QTY
		1 2 3 4	
1	<u>101802101</u>	Kit, Fuse and Receptacle (includes items 2 - 9)	1
2	<u>101796501</u>	Bezel, Receptacle	1
3	N/A	Wire Assembly, Sense Lead, Gray	1
4	N/A	Wire Assembly, #10 Red	1
5	N/A	Wire Assembly, #10 Black	1
6	<u>101796801</u>	Assembly, Fuse, 48-Volt (includes item 7)	1
7	<u>1013061</u>	Nut, Nylon Lock, #10	2
8	<u>1017705</u>	Screw, Phillips Pan-Head, #8 Type AB	3
9	<u>101894901</u>	Fuse, 3/8-Amp	1
10	<u>101801001</u>	Plate, Receptacle Backing	1
11	<u>101832001</u>	Screw, Phillips Pan-Head, #7-18 x 3/4	4
12	<u>101797701</u>	Battery, 8-Volt PowerDrive (includes item 13)	6
12	<u>101797702</u>	Battery, 8-Volt PowerDrive, Dry (includes item 13)	6
13	<u>101797801</u>	Cap, Battery, 4-Port Gang	1
14	<u>101795701</u>	Wire Assembly, #6 Black	5
15	<u>1014304</u>	Nut, Hex, Stainless Steel, 5/16-18	12
16	<u>101090801</u>	Hold-Down, Battery	3
17	1015072	Nut, Nylon Lock, Stainless Steel, 5/16-18	6
18	<u>1011578</u>	Washer, Flat, Type B Wide, 5/16	6
19	1013683	J-Bolt	6

12

E



COMPUTER, CONTROLLER, AND SOLENOID – VILLAGER 4 IQ SYSTEM VEHICLE

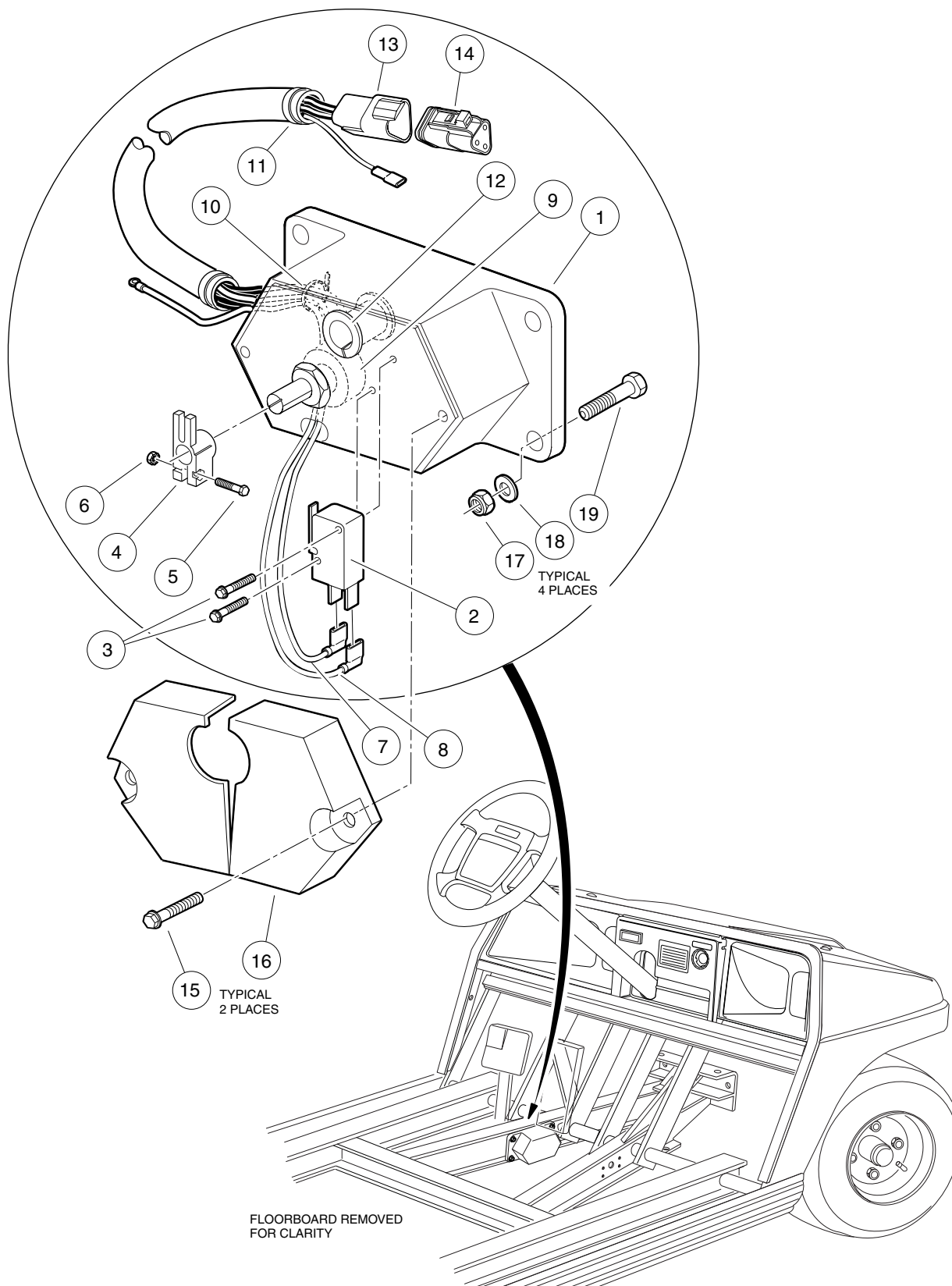
12

E

ITEM	PART NO.	DESCRIPTION	QTY
		1 2 3 4	
1	<u>101956501</u>	Controller, 48-Volt (250-amp)	1
1	<u>101956502</u>	Controller, 48-Volt (250-amp) (customized programming)	1
2	<u>102240501</u>	Screw, Hex Washer-Head, M8 x 1-1/4 x 12 mm	3
3	<u>1012285</u>	Screw, Hex, Type TT, 1/4-20 x 5/8	9
4	<u>102266501</u>	Kit, Connector, IQ Controller	1
5	<u>102240601</u>	Cover, Controller (includes items 6 and 7)	1
6	<u>102240801</u>	Gasket, Controller	1
7	<u>101931501</u>	Decal, Electrical Component Cover	1
8	<u>101965202</u>	Plate, Component Mounting	1
9	<u>1014288</u>	Screw, Thread-Forming, 5/16-18 x 3/4	2
10	<u>101910401</u>	Screw, Thread-Forming, 5/16-18 x 1-1/4	2
11	<u>101909902</u>	Computer, Onboard (includes item 12)	1
12	<u>101932601</u>	Kit, 6-Pin Receptacle	1
13	<u>101932701</u>	Kit, 6-Pin Plug Assembly	1
14	<u>101827801</u>	Kit, Wire and Terminal, #6 Black	1
15	<u>102259801</u>	Block, Terminal (controller)	1
16	<u>102263601</u>	Wire Assembly, #10 Black	1
17	<u>102263701</u>	Screw, Phillips, Thread-Forming, #10-24 x 3/4	1
18	<u>7174</u>	Washer, Lock, 5/16	1
19	<u>1242</u>	Nut, Hex, 5/16-18	1
20	<u>101908701</u>	Solenoid, 48-Volt (with diode) (includes items 21 and 22)	1
21	<u>1012528</u>	Nut, M8 x 1-1/4	2
22	<u>1013734</u>	Washer, Lock, 8 mm	2
23	<u>1014947</u>	Assembly, Resistor	1
24	<u>8639</u>	Tie, Wire	1
25	****	Z-Bracket, Controller Cover	1
	****	Special order item available upon request.	

12

E



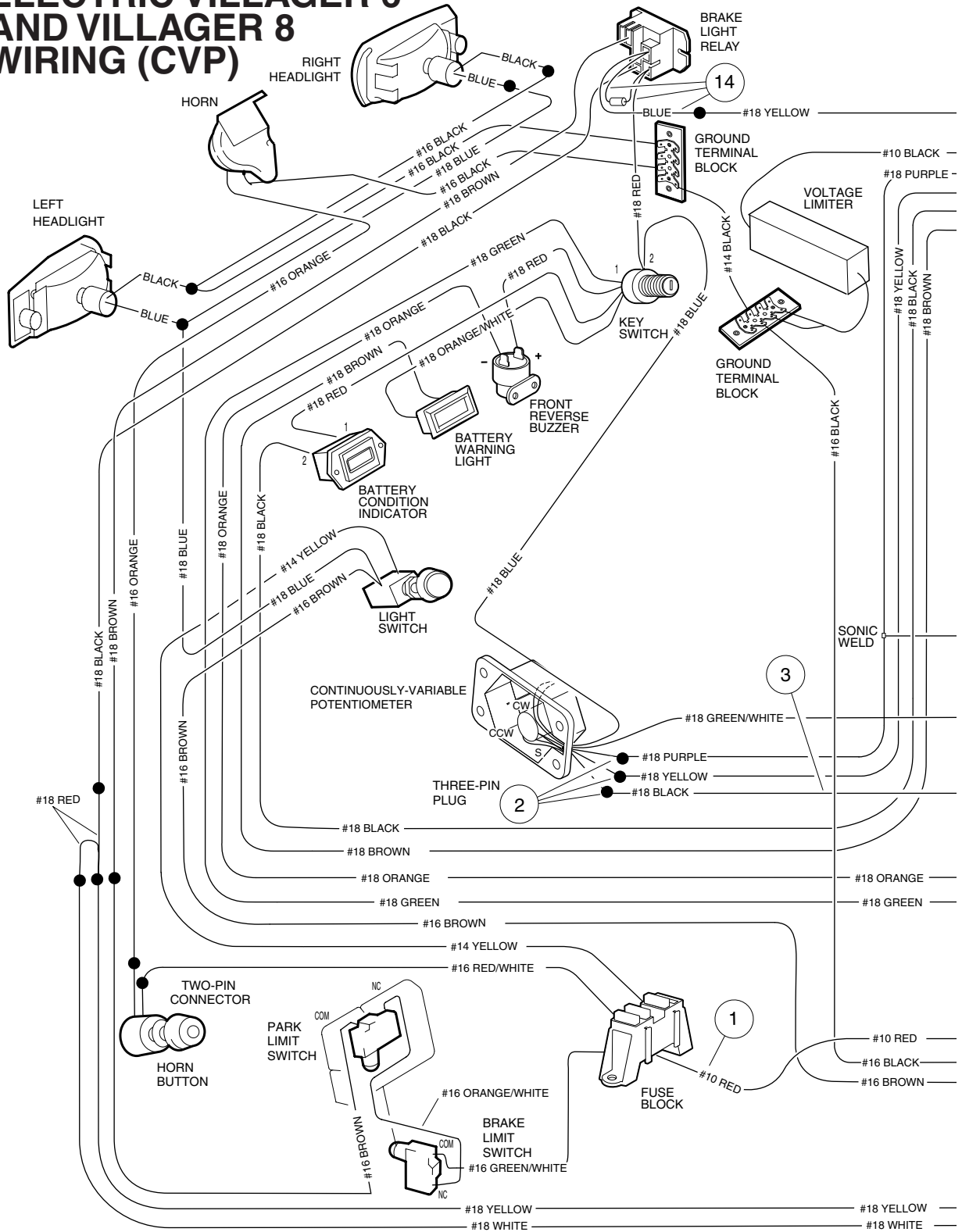
CONTINUOUSLY VARIABLE POTENTIOMETER – VILLAGER 6 AND 8, TRANSPORTER 4 AND 6 VEHICLES

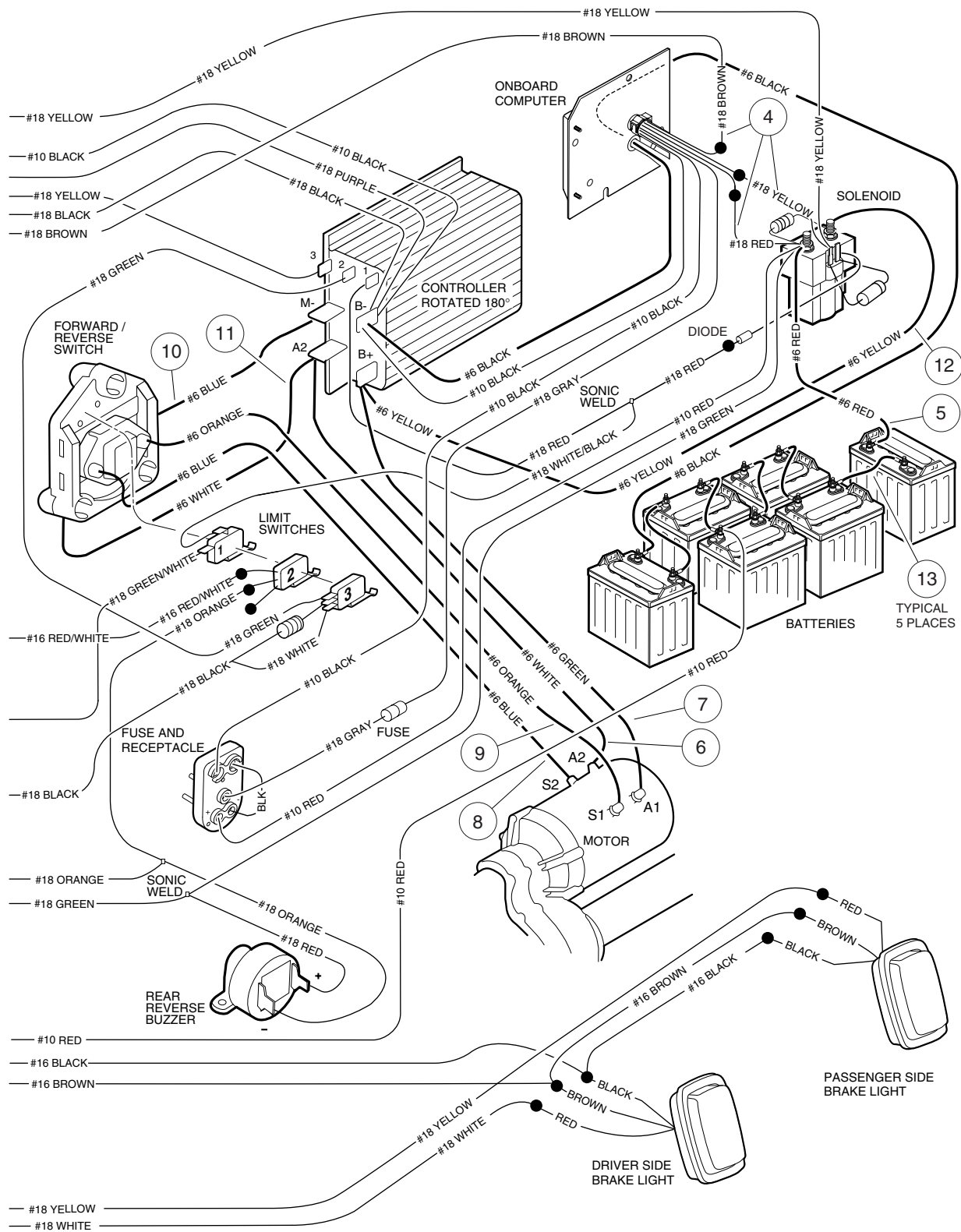
12

E

ITEM	PART NO.	DESCRIPTION	QTY
		<p style="margin: 0;">1 2 3 4</p> <p style="margin: 0;">NOTE: See page 12-9 for the MCOR Conversion Kit.</p> <p style="margin: 10px 0 0 20px;">This page pertains to vehicles with serial numbers lower than 0112-001470.</p>	
	<u>101739201</u>	Assembly, Potentiometer Housing with Gray Plug (includes items 1 - 13)	1
1	N/A	Housing, Potentiometer	1
2	<u>1017830</u>	Switch, Limit	1
3	<u>101822601</u>	Screw, Hex-Head, #4-24	2
4	<u>101809001</u>	Lever, Potentiometer	1
5	<u>1017853</u>	Screw, Hex-Head, #6-32 x 3/4	1
6	<u>1011229</u>	Nut, Lock, "K", #6-32	1
7	N/A	Wire Assembly, #18 Blue	1
8	N/A	Wire Assembly, #18 Green/White	1
9	N/A	Potentiometer	1
10	<u>8990</u>	Tie, Wire	3
11	N/A	Conduit, Electrical	1
12	<u>1017424</u>	Bearing, Pivot Support	1
13	<u>101895101</u>	Receptacle, 3-Pin	1
14	<u>101920101</u>	Kit, 3-Pin Plug	1
15	<u>101804301</u>	Screw, Hex-Head Hi-Lo, #8-18 x 1/2	2
16	<u>1017743</u>	Cover, Accelerator	1
17	<u>8233</u>	Nut, Nylon Lock, 1/4-20	4
18	<u>332</u>	Washer, Flat, 1/4	4
19	<u>101861901</u>	Screw, Hex-Head Cap, 1/4-20 x 1-1/8	4

ELECTRIC VILLAGER 6 AND VILLAGER 8 WIRING (CVP)





12

E

See previous two pages for wiring diagram.

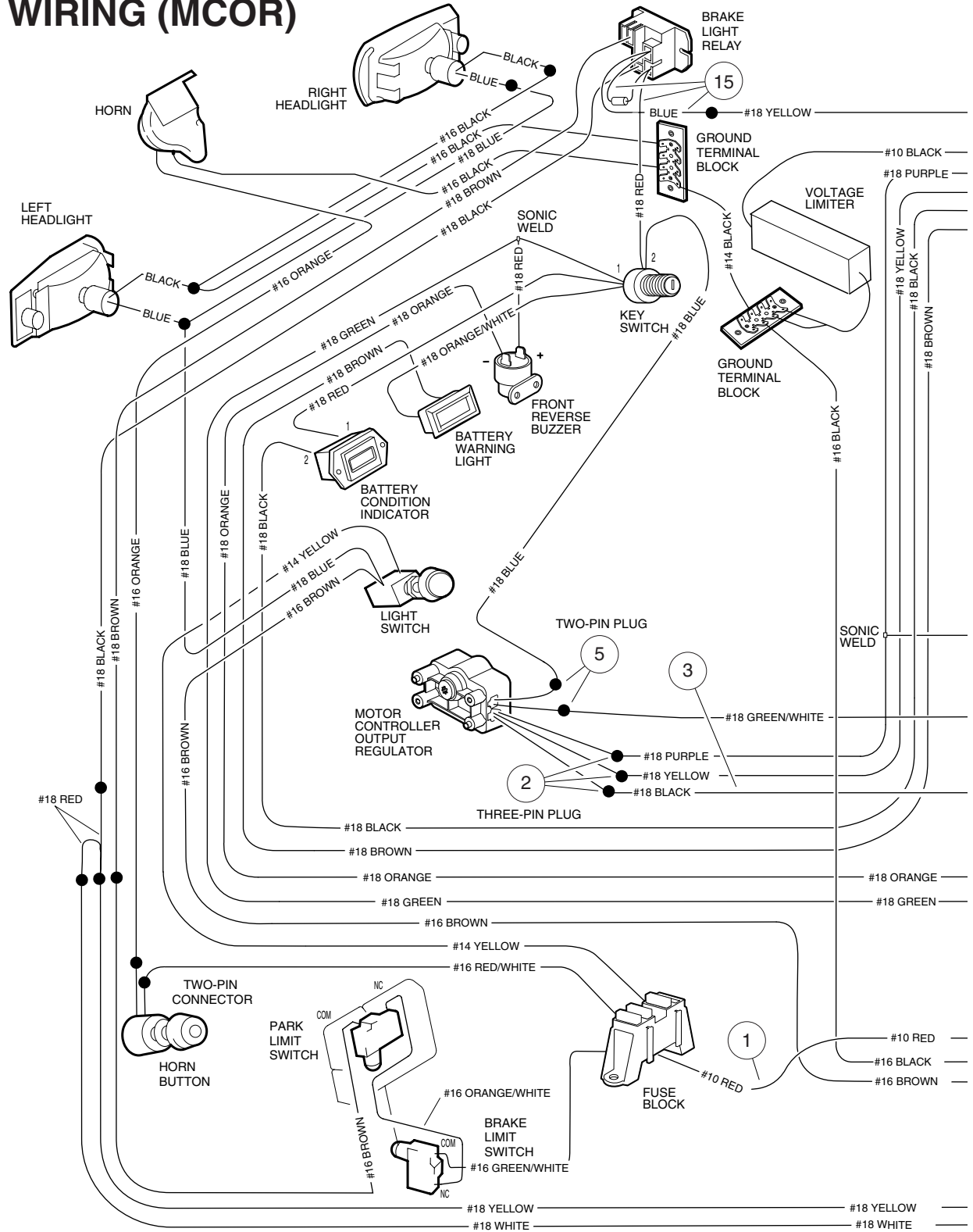
WIRING – POWERDRIVE SYSTEM 48 VILLAGER 6 AND 8 WITH CONTINUOUSLY VARIABLE POTENTIOMETER

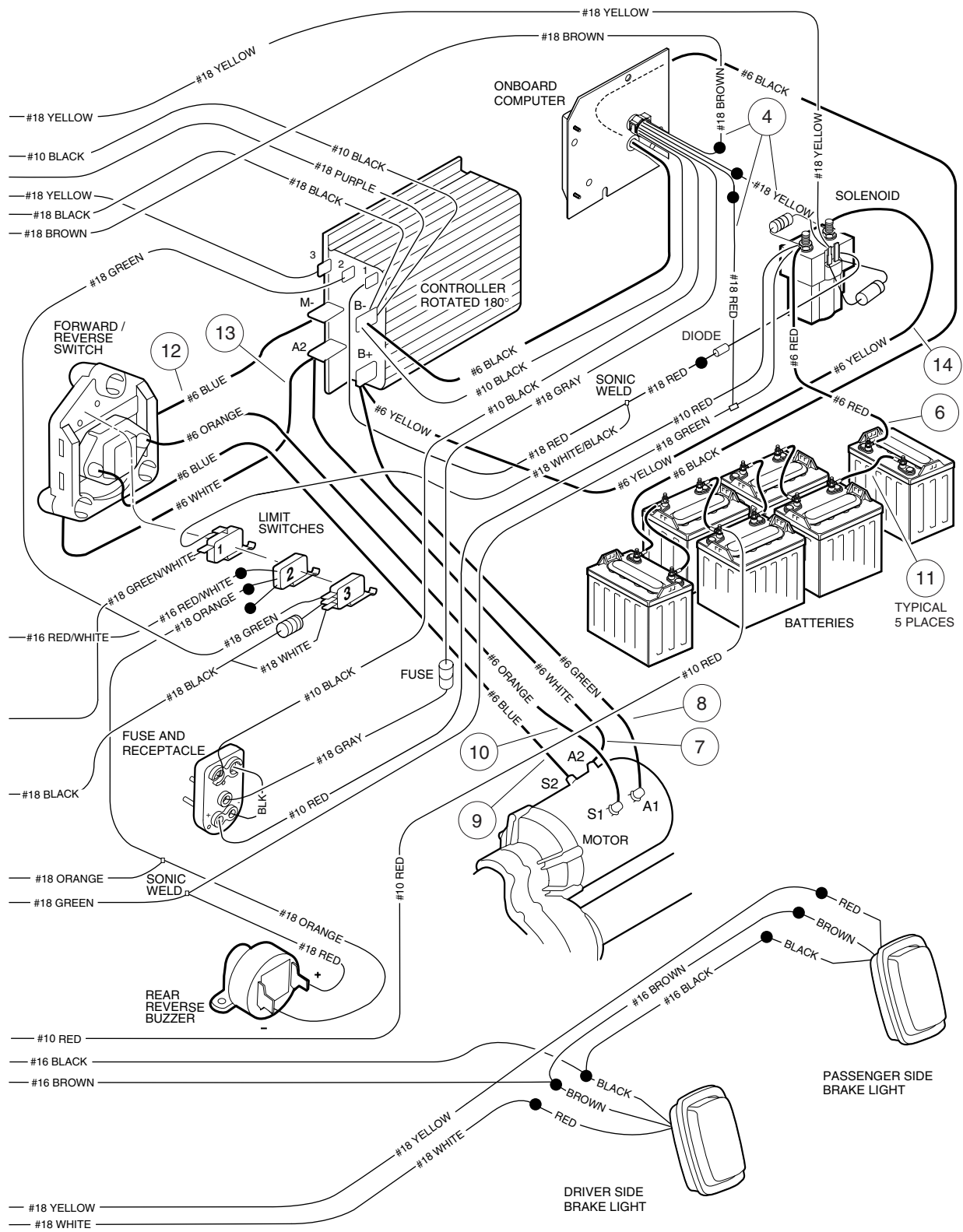
12

E

ITEM	PART NO.	DESCRIPTION	QTY
		1 2 3 4 For Villager 6 and 8 vehicles with serial numbers lower than 0112-001470.	
1	<u>101969301</u>	Wire Harness, Lighting (includes item 1)	1
	1016698	Wire Assembly, #10 Red	1
	<u>101911601</u>	Wire Harness, Power (includes item 2 - 4)	1
2	<u>101865106</u>	Assembly, 3-Wire Plug (includes item 3)	1
3	<u>101883002</u>	Wire Assembly, #18 Black (includes resistor and #18 white wire)	1
4	<u>101930801</u>	Assembly, 3-Pin Plug	1
5	<u>101904502</u>	Wire Assembly, #6 Red (Villager 6 only)	1
5	<u>101904503</u>	Wire Assembly, #6 Red (Villager 8 only)	1
6	<u>101908902</u>	Wire Assembly, #6 White (Villager 6 only)	1
6	<u>101908903</u>	Wire Assembly, #6 White (Villager 8 only)	1
7	<u>101904402</u>	Wire Assembly, #6 Green (Villager 6 only)	1
7	<u>101904403</u>	Wire Assembly, #6 Green (Villager 8 only)	1
8	<u>101904602</u>	Wire Assembly, #6 Blue (Villager 6 only)	1
8	<u>101904603</u>	Wire Assembly, #6 Blue (Villager 8 only)	1
9	<u>101904702</u>	Wire Assembly, #6 Orange (Villager 6 only)	1
9	<u>101904703</u>	Wire Assembly, #6 Orange (Villager 8 only)	1
10	<u>101908801</u>	Wire Assembly, #6 Blue	1
11	<u>1016729</u>	Wire Assembly, #6 White	1
12	<u>1016732</u>	Wire Assembly, #6 Yellow	1
13	<u>101795701</u>	Wire Assembly, #6 Black	5
14	101914401	Assembly, Voltage Suppressor (includes #18 red and #18 blue)	1

ELECTRIC VILLAGER 6 AND VILLAGER 8 WIRING (MCOR)





12

E

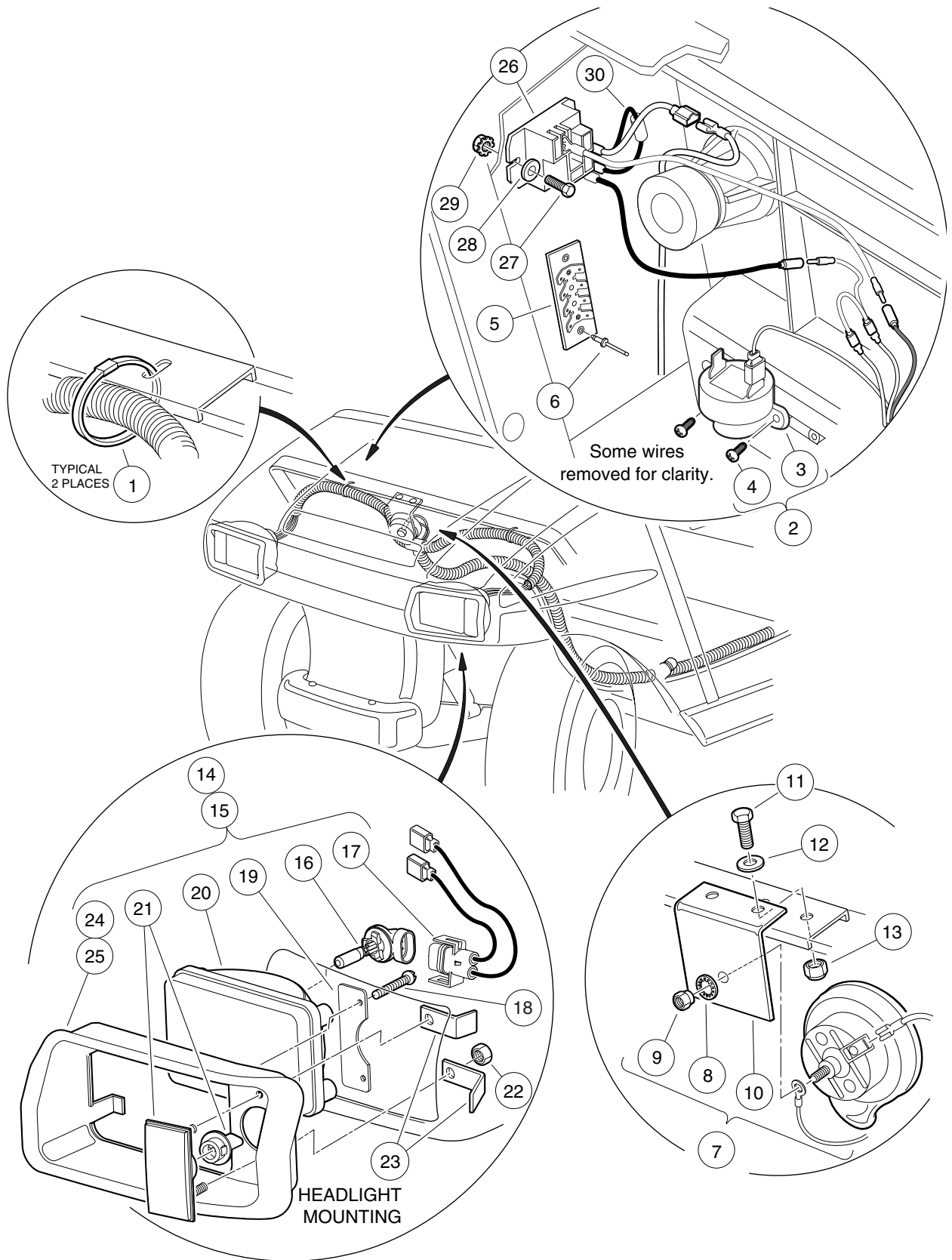
See previous two pages for wiring diagram.

WIRING – POWERDRIVE SYSTEM 48 VILLAGER 6 AND 8 VEHICLES WITH MCOR

12

E

ITEM	PART NO.	DESCRIPTION	QTY
		1 2 3 4 For Villager 6 and 8 vehicles with serial numbers 0112-001470 and greater.	
1	<u>101969301</u> 1016698	Wire Harness, Lighting (includes item 1) Wire Assembly, #10 Red	1 1
2	<u>101911601</u> <u>101865106</u>	Wire Harness, Power (includes item 2 - 5) Assembly, 3-Wire Plug (includes item 3)	1 1
3	<u>101883002</u>	Wire Assembly, #18 Black (includes resistor and #18 white wire)	1
4	<u>101930801</u>	Assembly, 3-Pin Plug	1
5	<u>101936801</u>	Assembly, 2-Pin Plug	1
6	<u>101904502</u>	Wire Assembly, #6 Red (Villager 6 only)	1
6	<u>101904503</u>	Wire Assembly, #6 Red (Villager 8 only)	1
7	<u>101908902</u>	Wire Assembly, #6 White (Villager 6 only)	1
7	<u>101908903</u>	Wire Assembly, #6 White (Villager 8 only)	1
8	<u>101904402</u>	Wire Assembly, #6 Green (Villager 6 only)	1
8	<u>101904403</u>	Wire Assembly, #6 Green (Villager 8 only)	1
9	<u>101904602</u>	Wire Assembly, #6 Blue (Villager 6 only)	1
9	<u>101904603</u>	Wire Assembly, #6 Blue (Villager 8 only)	1
10	<u>101904702</u>	Wire Assembly, #6 Orange (Villager 6 only)	1
10	<u>101904703</u>	Wire Assembly, #6 Orange (Villager 8 only)	1
11	<u>101795701</u>	Wire Assembly, #6 Black	5
12	<u>101908801</u>	Wire Assembly, #6 Blue	1
13	<u>1016729</u>	Wire Assembly, #6 White	1
14	<u>1016732</u>	Wire Assembly, #6 Yellow	1
15	101914401	Assembly, Voltage Suppressor (includes #18 red and #18 blue)	1

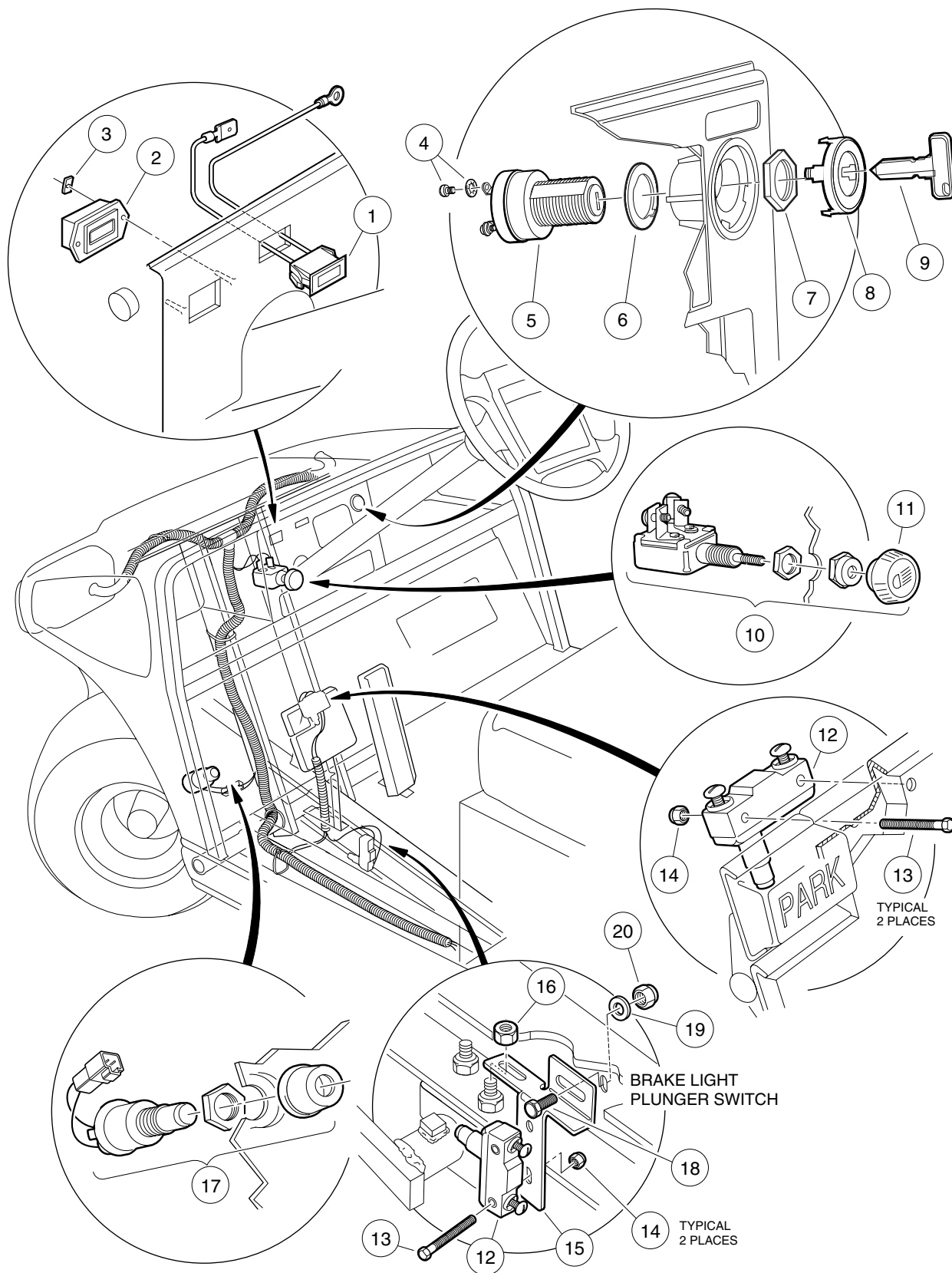


ELECTRICAL COMPONENTS, FRONT BODY – VILLAGER 6 AND 8, TRANSPORTER 4 AND 6 VEHICLES

ITEM	PART NO.	DESCRIPTION	QTY
		1 2 3 4	
1	<u>8639</u>	Tie, Wire	2
2	<u>1016859</u>	Kit, Reverse Buzzer (includes items 3 and 4)	1
3	<u>1016851</u>	Buzzer, Reverse	1
4	<u>1016849</u>	Screw, Pan-Head Hi-Lo, #4-24 x 5/16	2
5	<u>1016356</u>	Block, Terminal	1
6	<u>1013357</u>	Rivet, Aluminum Pop, 5/32 x 3/8	2
7	<u>4029</u>	Assembly, Horn (includes items 8 - 10)	1
8	<u>7820</u>	Washer, Internal Tooth, 5/16	1
9	<u>101955101</u>	Nut, M6 x 1.25	1
10	<u>1011825</u>	Bracket, Horn	1
11	<u>304</u>	Screw, Hex-Head Cap, 1/4-20 x 1	2
12	<u>332</u>	Washer, Flat, 1/4	2
13	<u>8233</u>	Nut, Nylon Lock, 1/4-20	2
14	<u>101988001</u>	Assembly, Headlight, Driver-Side (includes items 16 - 24)	1
15	<u>101988002</u>	Assembly, Headlight, Passenger-Side (includes items 16 - 23 and 25)	1
16	<u>101988101</u>	Bulb, Halogen	1
17	<u>101987901</u>	Harness, Headlight Wire	1
18	<u>1013461</u>	Screw, Hi-Lo, #10-16	2
19	<u>1017065</u>	Retainer, Headlight	1
20	<u>101988201</u>	Lens, Headlight	1
21	<u>1017062</u>	Assembly, Turn Signal Lens	1
22	<u>7893</u>	Nut, Hex, #10-32	2
23	<u>1017064</u>	Bracket, Mounting	2
24	<u>1016880</u>	Bezel, Headlight, Driver-Side	1
25	<u>1016879</u>	Bezel, Headlight, Passenger-Side	1
26	<u>101828601</u>	Relay, Brake Light, 48-volt	1
27	<u>1017853</u>	Bolt, Hex-Head Machine, 6-32 x 3/4	2
28	<u>7591</u>	Washer, Flat,	2
29	<u>1011229</u>	Nut, Lock, Hex, 6-32	2
30	<u>101914401</u>	Assembly, Voltage Suppressor	

12

E

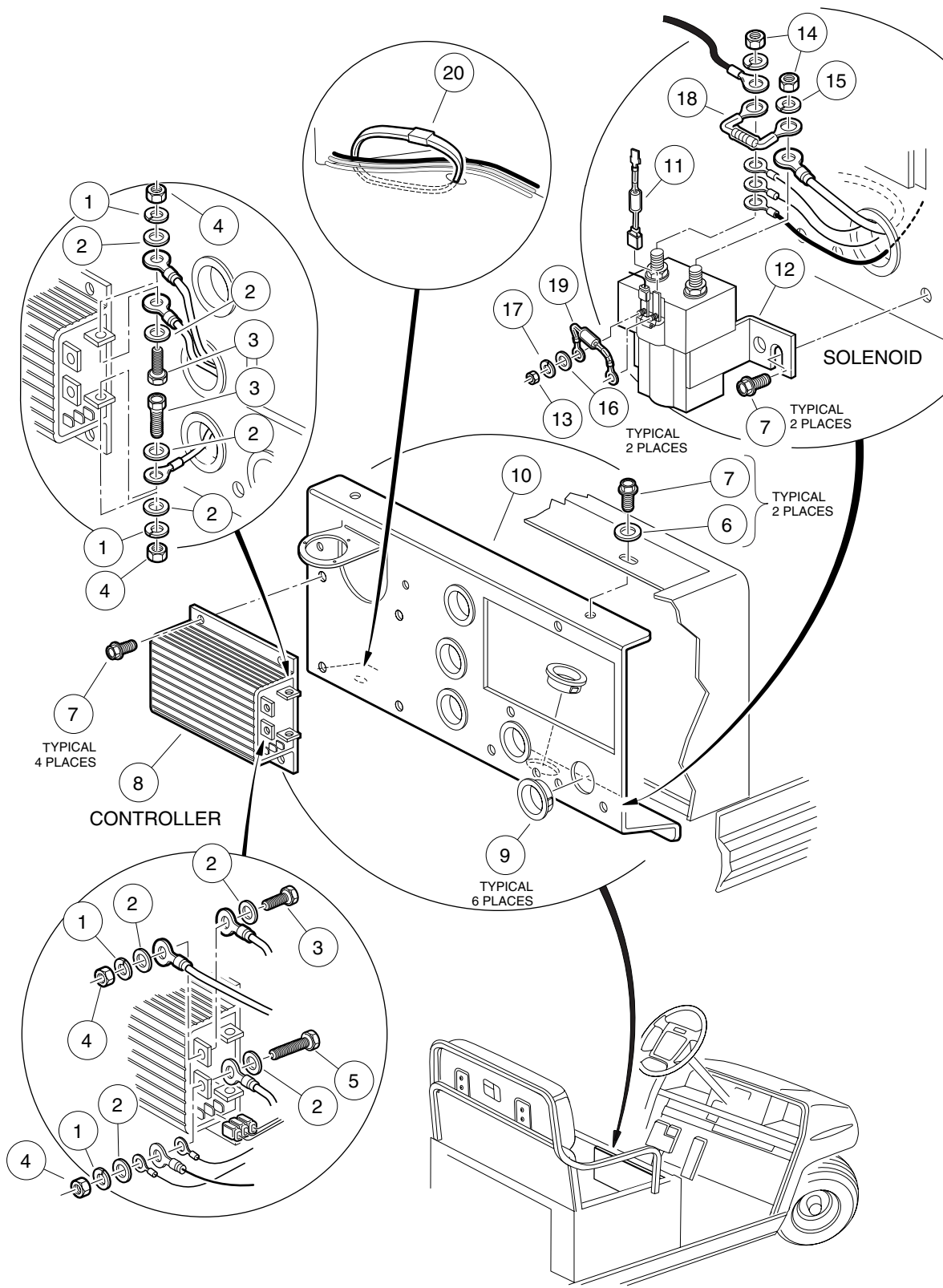


CONTROLS AND INDICATORS – VILLAGER 6 AND 8, TRANSPORTER 4 AND 6 VEHICLES

ITEM	PART NO.	DESCRIPTION	QTY
		1 2 3 4	
1	<u>101935501</u>	Light, Battery Warning (amber)	1
2	<u>101814201</u>	Indicator, Battery Condition	1
3	<u>101814701</u>	Retainer, Push On	2
4	<u>101830601</u>	Assembly, Screw and Washer	2
5	<u>101826201</u>	Switch, Key	1
6	<u>101851101</u>	Washer	1
7	<u>101830701</u>	Nut, Key Switch	1
8	<u>101834502</u>	Cap, Key Switch	1
9	<u>1012505</u>	Key (Pair)	1
10	<u>4034</u>	Switch, Light (includes item 11)	1
11	<u>1013857</u>	Knob, Light Switch	1
12	<u>1011439</u>	Switch, Limit	2
13	<u>1011557</u>	Screw, Hex-Head Machine, #6-32 x 1	4
14	<u>101932201</u>	Nut, Nylon Lock, #6-32	4
15	<u>101957101</u>	Bracket, Brake Light Switch	1
16	<u>1011280</u>	Nut, Lock, 5/16-18	1
17	<u>101969701</u>	Button, Horn	1
18	<u>7173</u>	Bolt, Hex-Head, Cap, 5/16-18 x 3/4	1
19	<u>1241</u>	Washer, Flat, 5/16-18	1
20	<u>7473</u>	Nut, Nylon Lock, 5/16-18	1

12

E

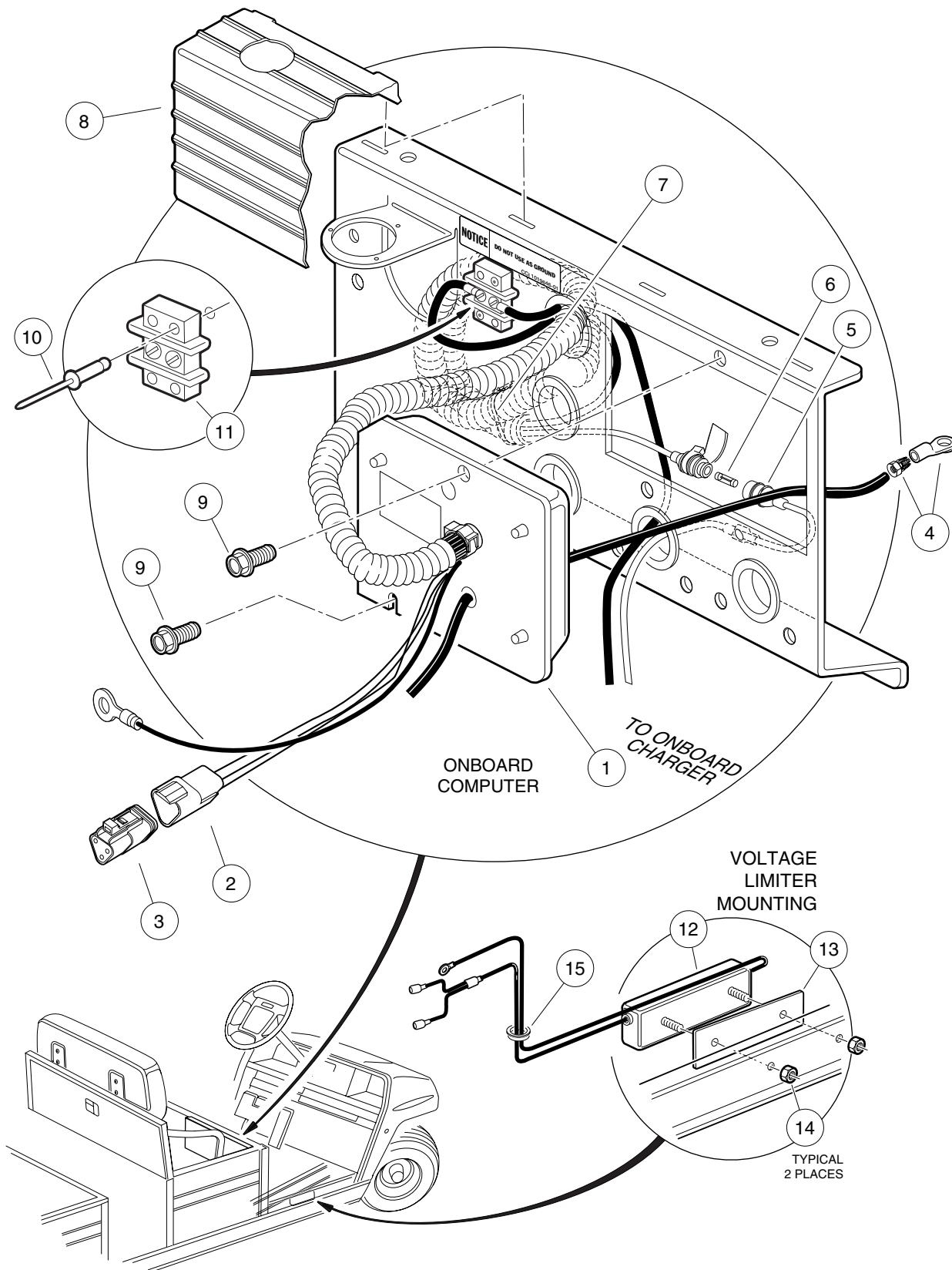


ELECTRICAL COMPONENTS, CENTER BODY – VILLAGER 6 AND 8, TRANSPORTER 4 AND 6 VEHICLES

ITEM	PART NO.	DESCRIPTION	QTY
		1 2 3 4	
1	<u>7174</u>	Washer, Lock, 5/16	4
2	<u>1241</u>	Washer, Flat, 5/16	8
3	<u>7173</u>	Screw, Hex-Head Cap, 5/16-18 x 3/4	3
4	<u>1242</u>	Nut, Hex, 5/16-18	4
5	1218	Screw, Hex-Head Cap, 5/16-18 x 1-1/4	1
6	<u>332</u>	Washer, Flat, 1/4 (Villager 6 and Villager 8 only)	2
7	<u>1012285</u>	Screw, Hex-Head Thread-Rolling, 1/4-20 x 5/8	8
8	<u>101840203</u>	Controller, 48-Volt (300-Amp)	1
9	<u>101924301</u>	Bushing, Snap	6
10	<u>101911701</u>	Plate, Mounting	1
11	<u>102273101</u>	Assembly, Diode	1
12	<u>101908701</u>	Solenoid, 48-Volt (with diode) (includes items 13 - 17)	1
13	<u>1016545</u>	Nut, Hex, M5 x 0.8	2
14	<u>1012528</u>	Nut, Hex, M8	2
15	<u>7174</u>	Washer, Lock, 5/16	2
16	N/A	Washer, Flat	2
17	N/A	Washer, Lock	2
18	<u>1014947</u>	Assembly, Resistor	1
19	1014948	Assembly, Diode (Service Part replacement for existing diode that comes standard with solenoid)	1
20	<u>8639</u>	Tie, Wire	1

12

E

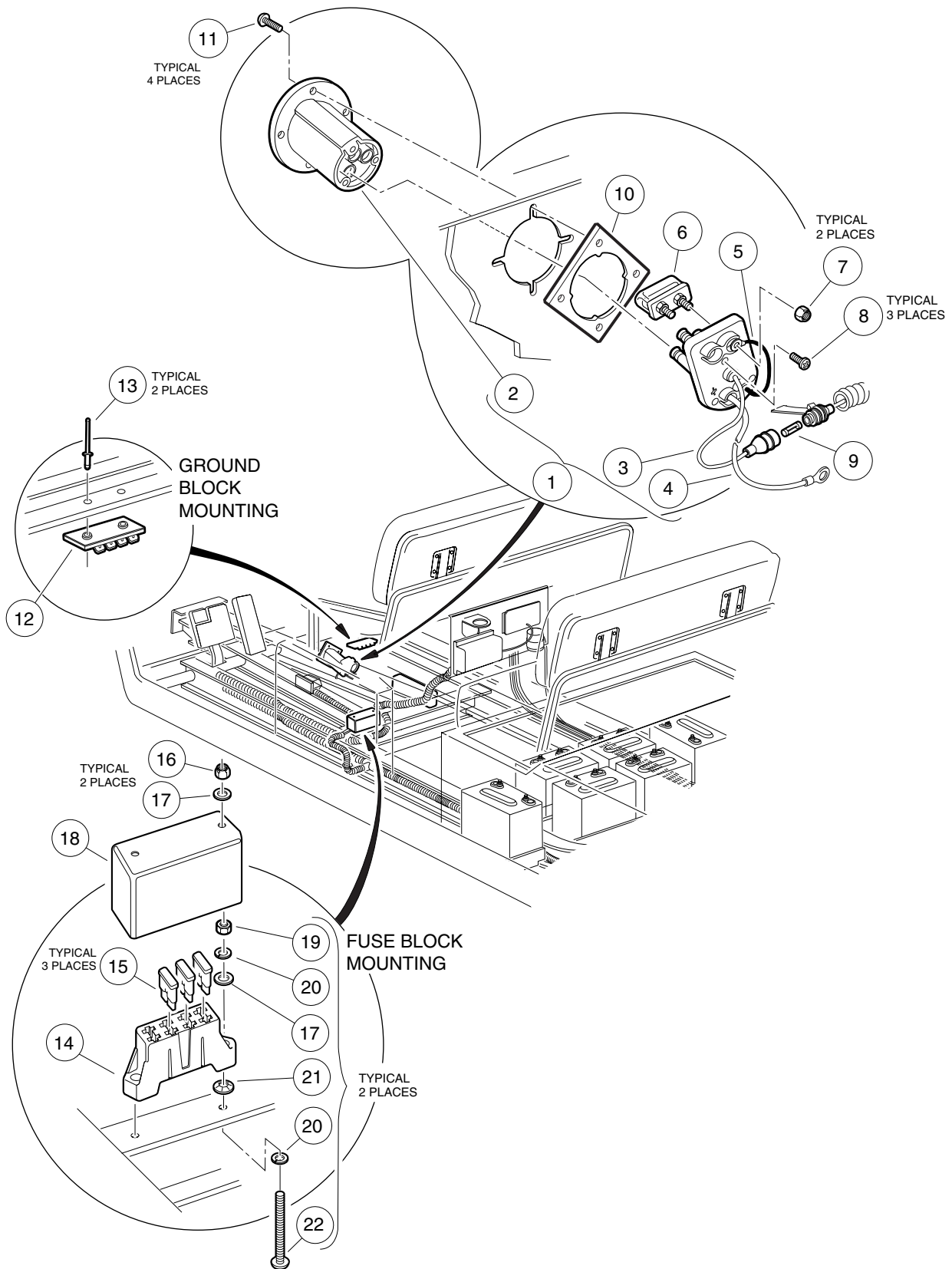


ELECTRICAL COMPONENTS, CENTER BODY, CONTINUED – VILLAGER 6 AND 8, TRANSPORTER 4 AND 6 VEHICLES

ITEM	PART NO.	DESCRIPTION	QTY
		1 2 3 4	
1	<u>101909903</u>	Computer, Onboard (includes item 2) (Villager 6, TransPorter 4 and TransPorter 6)	1
1	<u>101909904</u>	Computer, Onboard (includes item 2) (Villager 8)	1
2	<u>101942301</u>	Connector, 3-Pin	1
3	<u>101920101</u>	Kit, 3-Pin Plug Assembly	1
4	<u>101827802</u>	Kit, Wire and Terminal, #6 Black	1
5	<u>101957501</u>	Adapter, Two-Way (includes item 6)	1
6	<u>101894901</u>	Fuse, 3/8-Amp	1
7	<u>8990</u>	Tie, Wire	1
8	<u>101931601</u>	Cover, Component (TransPorter 4 and TransPorter 6 only)	1
9	<u>1012285</u>	Screw, Hex-Head Thread-Rolling, 1/4-20 x 5/8	2
10	<u>101968801</u>	Rivet, Pop, 3/16 x 13/16 (TransPorter 4 and TransPorter 6 only)	2
11	<u>101966801</u>	Block, Terminal (TransPorter 4 and TransPorter 6 only)	1
12	<u>101810801</u>	Limiter, Voltage (includes item 13 and 14)	1
13	<u>101962601</u>	Gasket	1
14	<u>101835601</u>	Nut, Flanged Lock, 1/4-20	2
15	<u>101802401</u>	Grommet, 5/8 (TransPorter 4 and TransPorter 6 only)	1

12

E

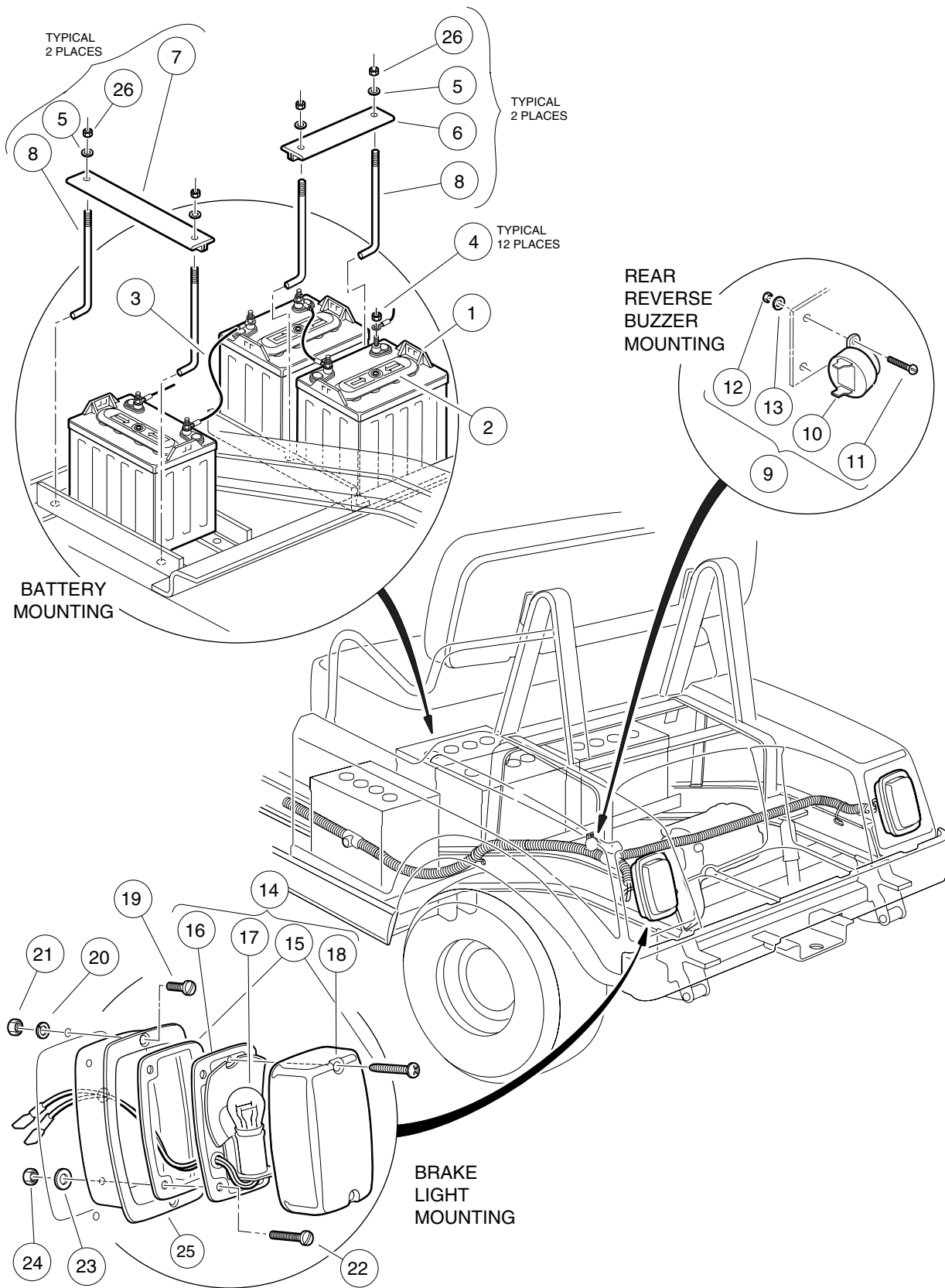


CHARGER RECEPTACLE – VILLAGER 6 AND VILLAGER 8 VEHICLES

ITEM	PART NO.	DESCRIPTION	QTY
		1 2 3 4	
1	<u>101802101</u>	Kit, Fuse and Receptacle (includes items 2 - 9)	1
2	<u>101796501</u>	Bezel, Receptacle	1
3	N/A	Wire Assembly, Sense Lead – Gray	1
4	N/A	Wire Assembly, #10 Red	1
5	N/A	Wire Assembly, #10 Black	1
6	<u>101796801</u>	Assembly, Fuse, 48-Volt (includes item 7)	1
7	<u>1013061</u>	Nut, Nylon Lock, #10	2
8	<u>1017705</u>	Screw, Phillips Pan-Head, #8 Type AB	3
9	<u>101894901</u>	Fuse, 3/8-Amp	1
10	<u>101801001</u>	Plate, Receptacle Backing	1
11	<u>101832001</u>	Screw, Phillips Pan-Head, #7-18 x 3/4	4
12	<u>1016356</u>	Block, Terminal	1
13	<u>1013357</u>	Rivet, Aluminum Pop, 5/32	2
14	<u>1015741</u>	Block, Fuse	1
15	<u>1016423</u>	Fuse, 20-Amp	3
16	<u>1012438</u>	Nut, Nylon Lock, #10-24	2
17	<u>183</u>	Washer, Flat, #10	4
18	<u>1016363</u>	Cover, Fuse Block	1
19	<u>1017</u>	Nut, Hex, #10-24	2
20	<u>1016</u>	Washer, Lock, #10	4
21	<u>1016631</u>	Nut, Push	2
22	<u>1016366</u>	Screw, Round-Head, #10-24 x 3	2

12

E



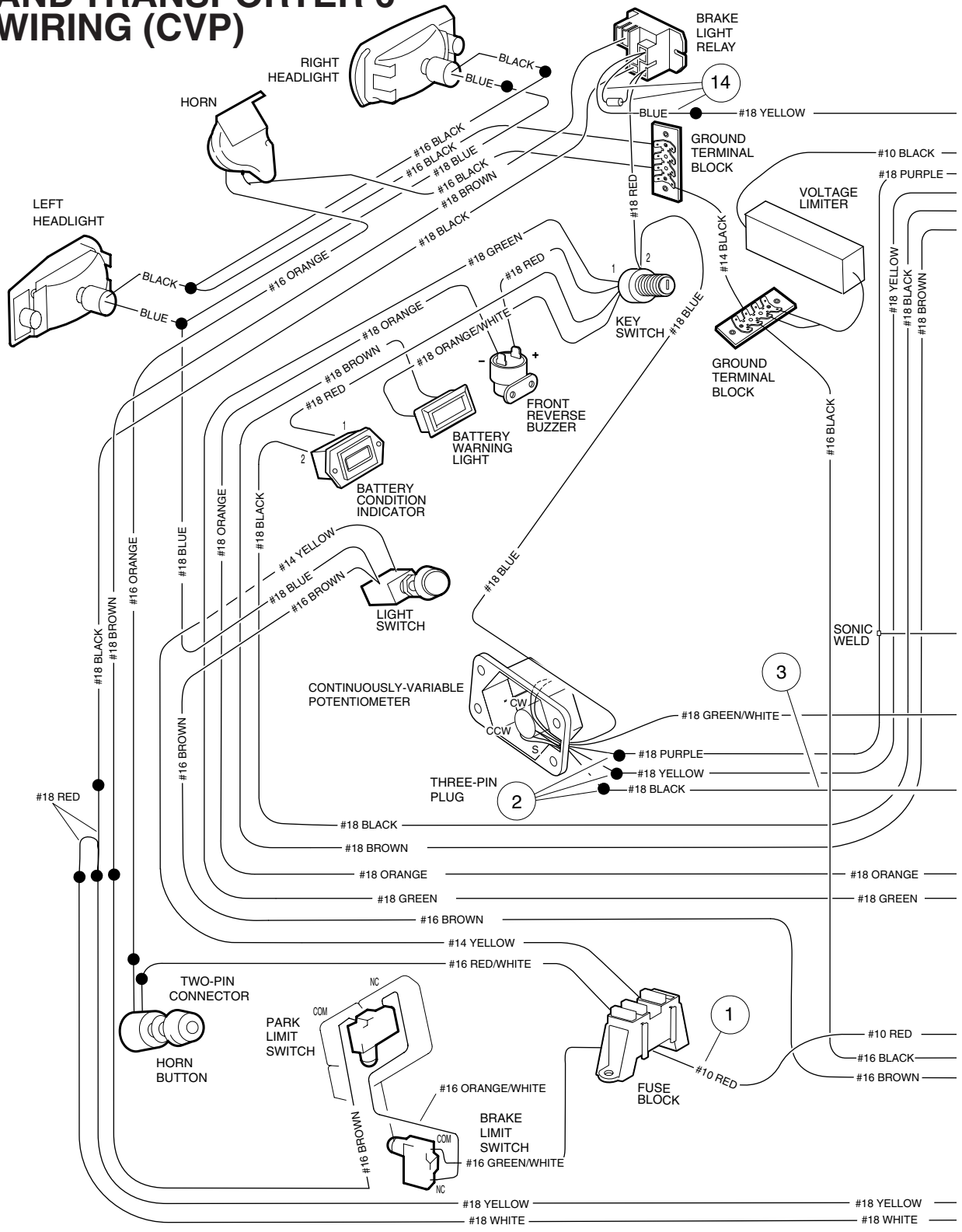
ELECTRICAL COMPONENTS, REAR BODY – VILLAGER 6 AND VILLAGER 8 VEHICLES

ITEM	PART NO.	DESCRIPTION	QTY
		1 2 3 4	
1	<u>101797701</u>	Battery, 8-Volt PowerDrive (includes item 2)	6
1	<u>101797702</u>	Battery, 8-Volt PowerDrive, Dry (includes item 2)	6
2	<u>101797801</u>	Cap, Battery, 4 Port Gang	1
3	<u>101795701</u>	Wire Assembly, #6 Black	5
4	<u>1014304</u>	Nut, Hex, Stainless Steel, 5/16-18	12
5	<u>1011578</u>	Washer, Flat, Type B Wide, 5/16	8
6	<u>101090801</u>	Hold-Down, Battery, Short	2
7	<u>101090802</u>	Hold-Down, Battery, Long	2
8	<u>101668201</u>	Rod, Battery Hold-Down	8
9	<u>1016859</u>	Kit, Reverse Buzzer (includes items 10 - 13)	1
10	<u>1016851</u>	Buzzer, Reverse	1
11	<u>8056</u>	Screw, Machine, #4-40 x 3/4	2
12	<u>8057</u>	Nut, Hex, #4-40	2
13	<u>8058</u>	Washer, Lock, #4	2
14	<u>1017035</u>	Assembly, Taillight (includes items 15 - 18)	2
15	<u>1017699</u>	Kit, Hardware	1
16	N/A	Base, Taillight	1
17	<u>1011582</u>	Bulb	1
18	<u>1011843</u>	Lens	1
19	<u>1011498</u>	Screw, Machine, #8-32 x 1/2	4
20	<u>1011610</u>	Washer, Lock, #8	4
21	<u>1011571</u>	Nut, Hex, #8-32	4
22	<u>1011557</u>	Screw, Machine, #6-32 x 1	4
23	<u>7591</u>	Washer, Flat, #6	4
24	<u>1011558</u>	Nut, Hex, #6	6
25	<u>1011497</u>	Bezel, Taillight	2
26	<u>1015072</u>	Nut, Nylon Lock, Stainless Steel, 5/16-18	8

12

E

ELECTRIC TRANSPORTER 4 AND TRANSPORTER 6 WIRING (CVP)



12

E

See previous two pages for wiring diagram.

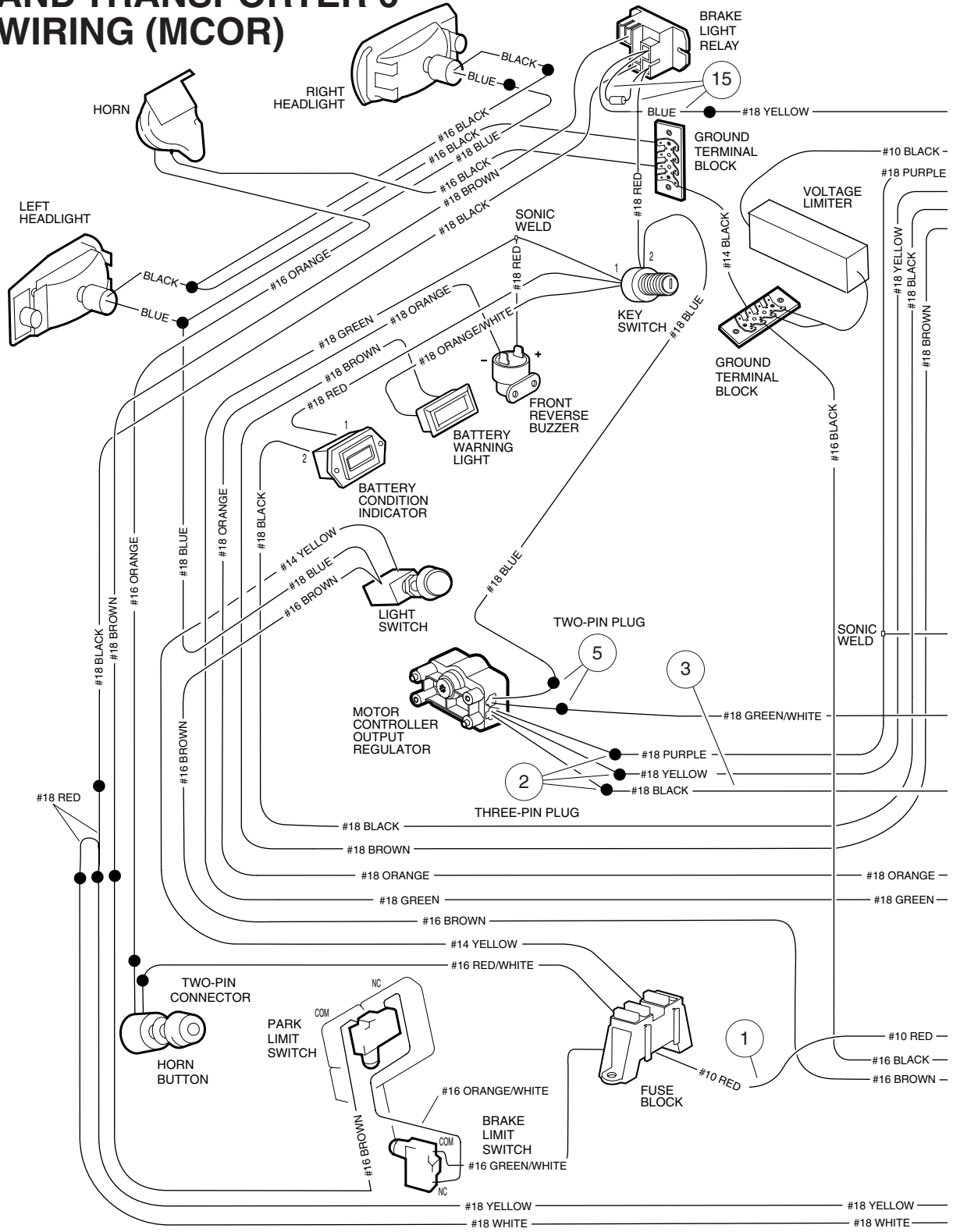
WIRING – TRANSPORTER 4 AND TRANSPORTER 6 WITH CONTINUOUSLY VARIABLE POTENTIOMETER

12

E

ITEM	PART NO.	DESCRIPTION	QTY
		1 2 3 4 For TransPorter 4 and TransPorter 6 vehicles with serial numbers prior to 0112-001470.	
	<u>101989901</u>	Wire Harness, Lighting (includes item 1)	1
1	1016698	Wire Assembly, #10 Red	1
	<u>101911601</u>	Wire Harness, Power (includes items 2 - 4)	1
2	<u>101865106</u>	Assembly, 3-Wire Plug (includes item 3)	1
3	<u>101883002</u>	Wire Assembly, #18 Black (includes resistor and #18 white wire)	1
4	<u>101930801</u>	Assembly, 3-Pin Plug	1
5	<u>101904502</u>	Wire Assembly, #6 Red (TransPorter 4 only)	1
5	<u>101904503</u>	Wire Assembly, #6 Red (TransPorter 6 only)	1
6	<u>101908902</u>	Wire Assembly, #6 White (TransPorter 4 only)	1
6	<u>101908903</u>	Wire Assembly, #6 White (TransPorter 6 only)	1
7	<u>101904402</u>	Wire Assembly, #6 Green (TransPorter 4 only)	1
7	<u>101904403</u>	Wire Assembly, #6 Green (TransPorter 6 only)	1
8	<u>101904602</u>	Wire Assembly, #6 Blue (TransPorter 4 only)	1
8	<u>101904603</u>	Wire Assembly, #6 Blue (TransPorter 6 only)	1
9	<u>101904702</u>	Wire Assembly, #6 Orange (TransPorter 4 only)	1
9	<u>101904703</u>	Wire Assembly, #6 Orange (TransPorter 6 only)	1
10	<u>101908801</u>	Wire Assembly, #6 Blue	1
11	<u>1016729</u>	Wire Assembly, #6 White	1
12	<u>1016732</u>	Wire Assembly, #6 Yellow	1
13	<u>101795701</u>	Wire Assembly, #6 Black	5
14	101914401	Assembly, Voltage Suppressor (includes #18 red and #18 blue)	1

ELECTRIC TRANSPORTER 4 AND TRANSPORTER 6 WIRING (MCOR)



12

E

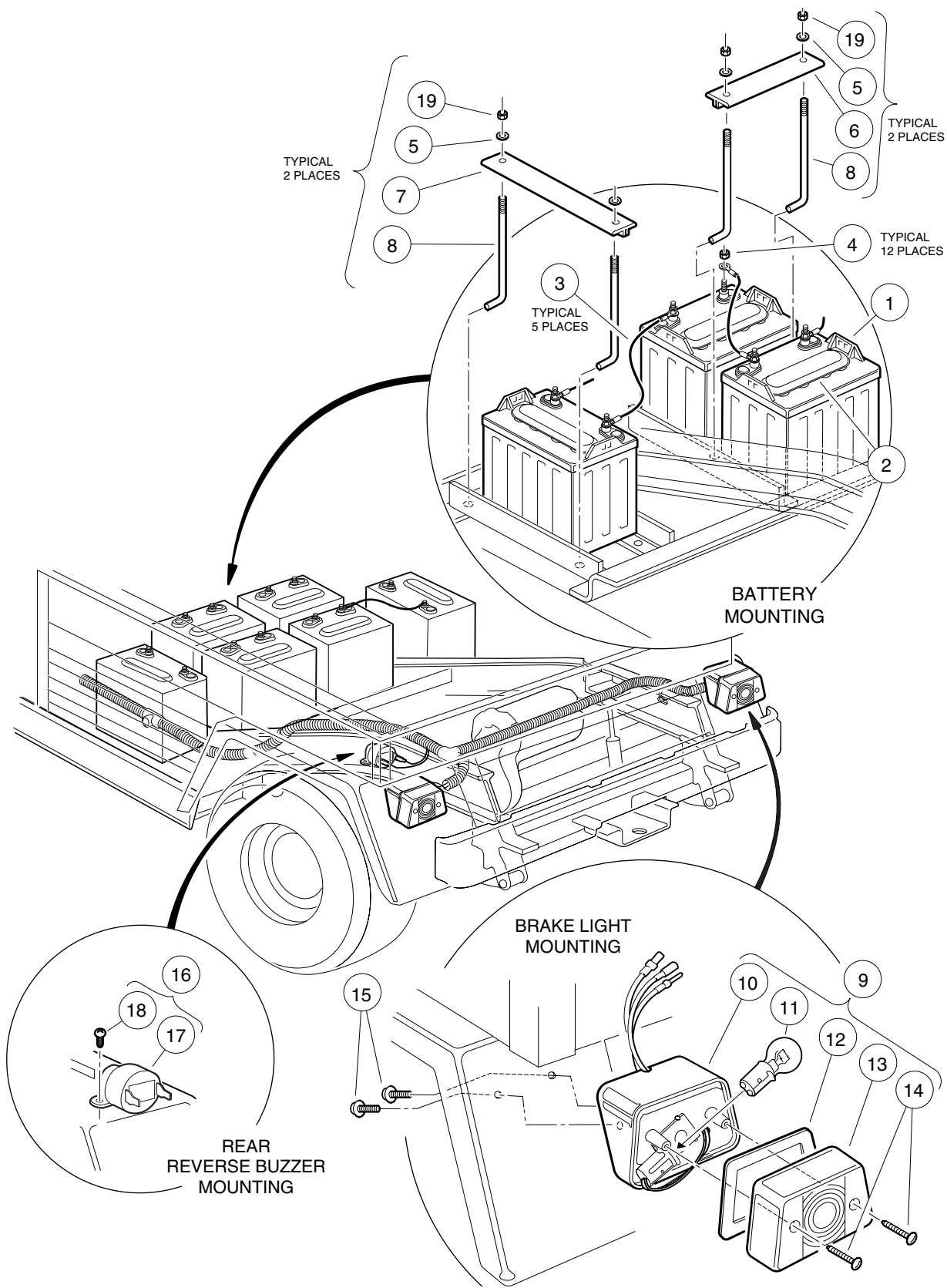
See previous two pages for wiring diagram.

WIRING – TRANSPORTER 4 AND TRANSPORTER 6 WITH MOTOR CONTROLLER OUTPUT REGULATOR (MCOR)

12

E

ITEM	PART NO.	DESCRIPTION	QTY
		1 2 3 4 For TransPorter 4 and TransPorter 6 vehicles with serial numbers 0112-001470 and greater.	
	<u>101969301</u>	Wire Harness, Lighting (includes item 1)	1
1	1016698	Wire Assembly, #10 Red	1
	<u>101911601</u>	Wire Harness, Power (includes item 2 - 5)	1
2	<u>101865106</u>	Assembly, 3-Wire Plug (includes item 3)	1
3	<u>101883002</u>	Wire Assembly, #18 Black (includes resistor and #18 white wire)	1
4	<u>101930801</u>	Assembly, 3-Pin Plug	1
5	<u>101936801</u>	Assembly, 2-Pin Plug	1
6	<u>101904502</u>	Wire Assembly, #6 Red (TransPorter 4 only)	1
6	<u>101904503</u>	Wire Assembly, #6 Red (TransPorter 6 only)	1
7	<u>101908902</u>	Wire Assembly, #6 White (TransPorter 4 only)	1
7	<u>101908903</u>	Wire Assembly, #6 White (TransPorter 6 only)	1
8	<u>101904402</u>	Wire Assembly, #6 Green (TransPorter 4 only)	1
8	<u>101904403</u>	Wire Assembly, #6 Green (TransPorter 6 only)	1
9	<u>101904602</u>	Wire Assembly, #6 Blue (TransPorter 4 only)	1
9	<u>101904603</u>	Wire Assembly, #6 Blue (TransPorter 6 only)	1
10	<u>101904702</u>	Wire Assembly, #6 Orange (TransPorter 4 only)	1
10	<u>101904703</u>	Wire Assembly, #6 Orange (TransPorter 6 only)	1
11	<u>101795701</u>	Wire Assembly, #6 Black	5
12	<u>101908801</u>	Wire Assembly, #6 Blue	1
13	<u>1016729</u>	Wire Assembly, #6 White	1
14	<u>1016732</u>	Wire Assembly, #6 Yellow	1
15	101914401	Assembly, Voltage Suppressor (includes #18 red and #18 blue)	1



ELECTRICAL COMPONENTS, REAR BODY – TRANSPORTER 4 AND TRANSPORTER 6 VEHICLES

ITEM	PART NO.	DESCRIPTION	QTY
		1 2 3 4	
1	<u>101797701</u>	Battery, 8-Volt PowerDrive (includes item 2)	6
1	<u>101797702</u>	Battery, 8-Volt PowerDrive, Dry (includes item 2)	6
2	<u>101797801</u>	Cap, Battery, 4 Port Gang	6
3	<u>101795701</u>	Wire Assembly, #6 Black	5
4	<u>1014304</u>	Nut, Hex, Stainless Steel, 5/16-18	12
5	<u>1011578</u>	Washer, Flat, Type B Wide, 5/16	8
6	<u>101090801</u>	Hold-Down, Battery, Short	2
7	<u>101090802</u>	Hold-Down, Battery, Long	2
8	<u>101668201</u>	Rod, Battery Hold-Down	8
9	<u>1016717</u>	Assembly, Taillight (includes items 10 - 14)	2
10	N/A	Housing, Taillight	1
11	<u>1011582</u>	Bulb	1
12	N/A	Gasket	1
13	N/A	Lens	1
14	N/A	Screw, Lens	2
15	<u>1015752</u>	Screw, Hi-Lo, #12-16 x 5/8	4
16	<u>1016859</u>	Kit, Reverse Buzzer (includes items 17 and 18)	1
17	<u>1016851</u>	Buzzer, Reverse	1
18	<u>1016849</u>	Screw, Pan-Head Hi-Lo, #4-24 x 5/16	2
19	<u>1015072</u>	Nut, Nylon Lock, Stainless Steel, 5/16-18	8

12

E

12

E

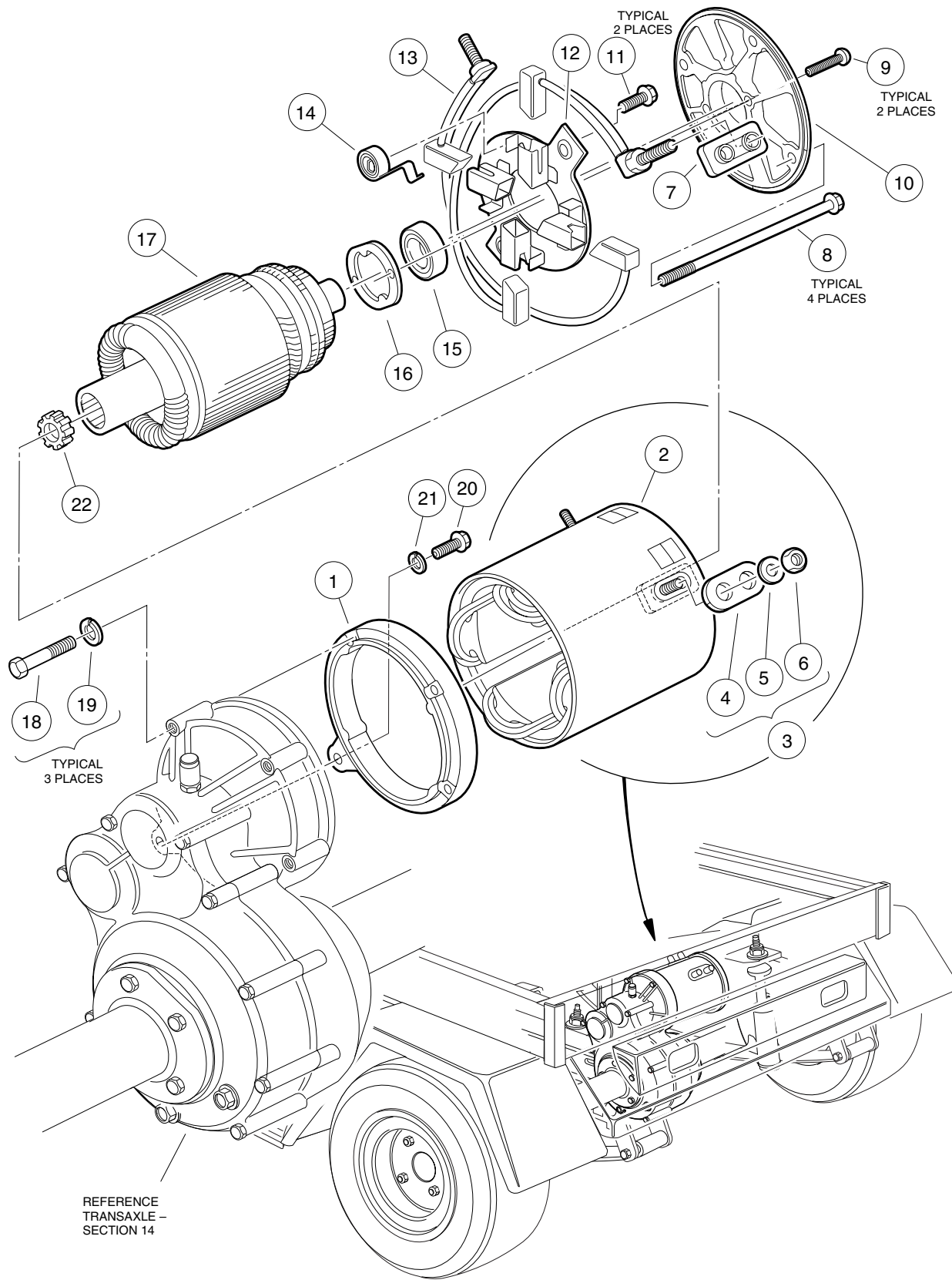
ELECTRIC MOTOR

13

E

13

E

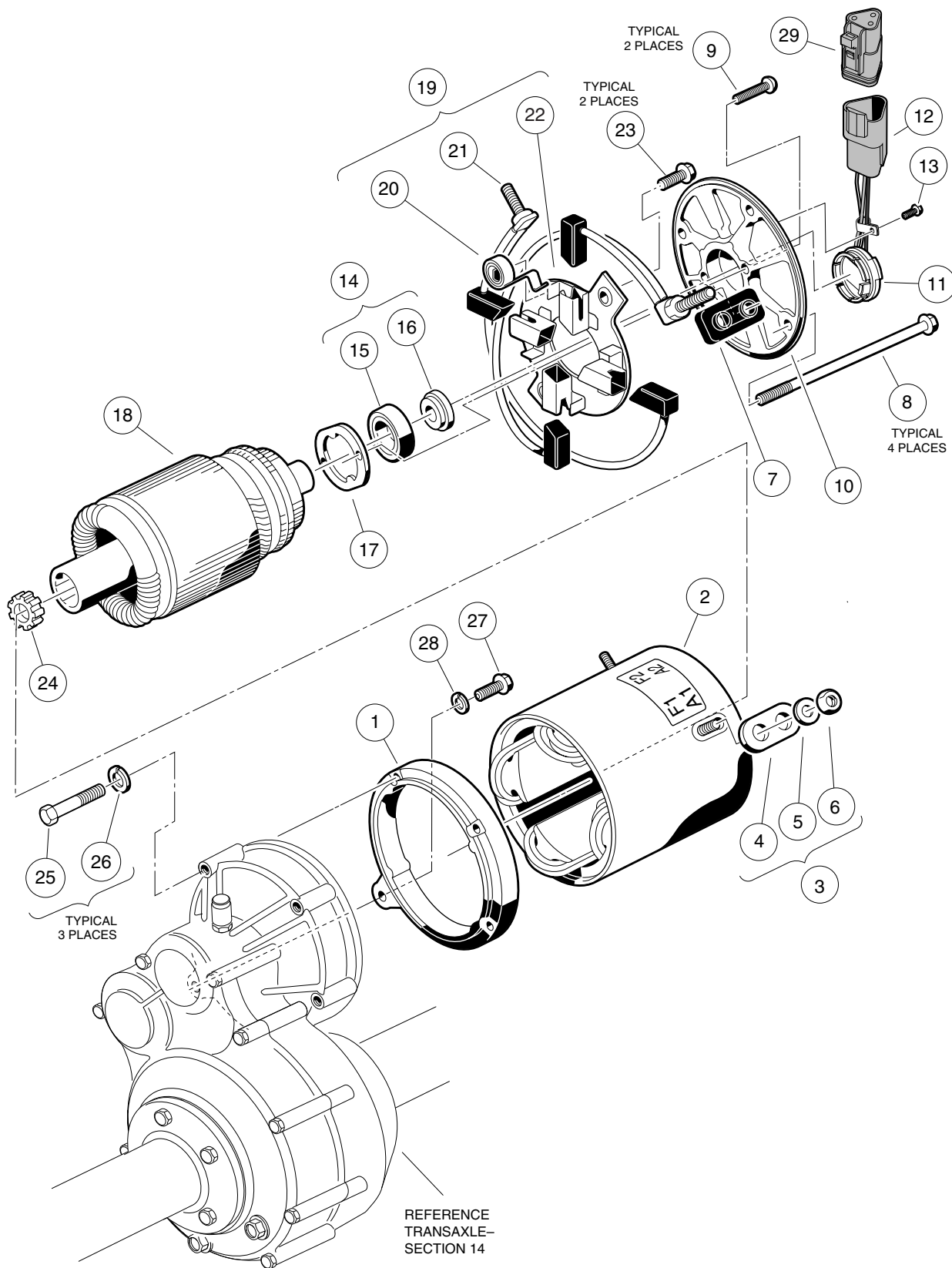


MOTOR – POWERDRIVE SYSTEM 48 VEHICLE

ITEM	PART NO.	DESCRIPTION	QTY
		1 2 3 4	
	102237701	Assembly, 48-Volt Motor, 3.10-hp (includes items 1 - 17)	1
1	<u>1017944</u>	Shield, End	1
2	<u>1017958</u>	Assembly, Stator Shell and Winding	1
3	<u>1017947</u>	Package, Hardware (includes items 4 - 7)	1
4	N/A	Bushing, Insulator	2
5	N/A	Washer, Flat, 5/16	4
6	N/A	Nut, Hex, 5/16-18	4
7	N/A	Bushing, Insulator	2
8	<u>1017961</u>	Screw, Clamp	4
9	<u>1017953</u>	Screw, Bearing Retainer	2
10	<u>1017951</u>	Shield, End	1
11	<u>1017949</u>	Screw, Brush Holder	2
12	<u>1017948</u>	Rigging, Brush	1
13	<u>1017946</u>	Package, Brush (2 pieces) (includes 4 brushes).....	1
14	1011411	Package, Brush Spring (4 pieces)	1
15	<u>1011290</u>	Bearing, Ball	1
16	<u>1017950</u>	Retainer, Bearing	1
17	N/A	Armature	1
18	1014201	Screw, Hex-Head Cap, 1/4-20 x 2-1/4	3
19	<u>451</u>	Washer, Lock, 1/4	3
20	<u>1010934</u>	Screw, Hex-Head Cap, 5/16-18 x 1	1
21	<u>7174</u>	Washer, Lock, 5/16	1
22	<u>102235201</u>	Bumper, Motor	1

13

E



MOTOR – IQ SYSTEM VEHICLE

ITEM	PART NO.	DESCRIPTION	QTY
		1 2 3 4	
	102240102	Assembly, 48-Volt IQ Motor, 3.20-hp (includes items 1 - 23)	1
1	<u>1017944</u>	Shield, End	1
2	<u>102265501</u>	Assembly, Stator Shell and Winding	1
3	<u>1017947</u>	Package, Hardware (includes items 4 - 7)	1
4	N/A	Bushing, Insulator	2
5	N/A	Washer, Flat, 5/16	4
6	N/A	Nut, Hex, 5/16-18	4
7	N/A	Bushing, Insulator	2
8	<u>102266101</u>	Screw, Clamp, #10-32 x 8-1/4	4
9	<u>1017953</u>	Screw, Bearing Retainer, #8-32 x 7/8	2
	<u>102265901</u>	Assembly, End Shield (includes items 10 - 13)	1
10	<u>102266001</u>	Shield, End	1
11	<u>102265601</u>	Sensor, Motor Speed (includes item 12)	1
12	<u>101942301</u>	Housing, Female 3-Wire, Gray	1
13	<u>102267001</u>	Screw, Steel Hex, Thread-Rolling, #8 x 3/8	1
14	<u>102265701</u>	Kit, Bearing and Magnet (includes items 15 and 16)	1
15	N/A	Bearing, Ball	1
16	N/A	Magnet	1
17	<u>1017950</u>	Retainer, Bearing	1
18	N/A	Armature	1
19	<u>102327801</u>	Assembly, Brush Rigging (includes items 20 - 22)	1
20	1011411	Package, Brush Spring (4 pieces)	1
21	<u>102251901</u>	Package, Brush (2 pieces) (includes 4 brushes)	1
22	<u>1017948</u>	Rigging, Brush	1
23	<u>1017949</u>	Screw, Brush Holder, #6-32 x 1/2	2
24	<u>102235201</u>	Bumper, Motor	1
25	1014201	Screw, Hex-Head Cap, 1/4-20 x 2-1/4	3
26	<u>451</u>	Washer, Lock, 1/4	3
27	<u>1010934</u>	Screw, Hex-Head Cap, 5/16-18 x 1	1
28	<u>7174</u>	Washer, Lock, 5/16	1
29	<u>101920101</u>	Kit, 3-Pin Plug Assembly, Gray	1

13

E

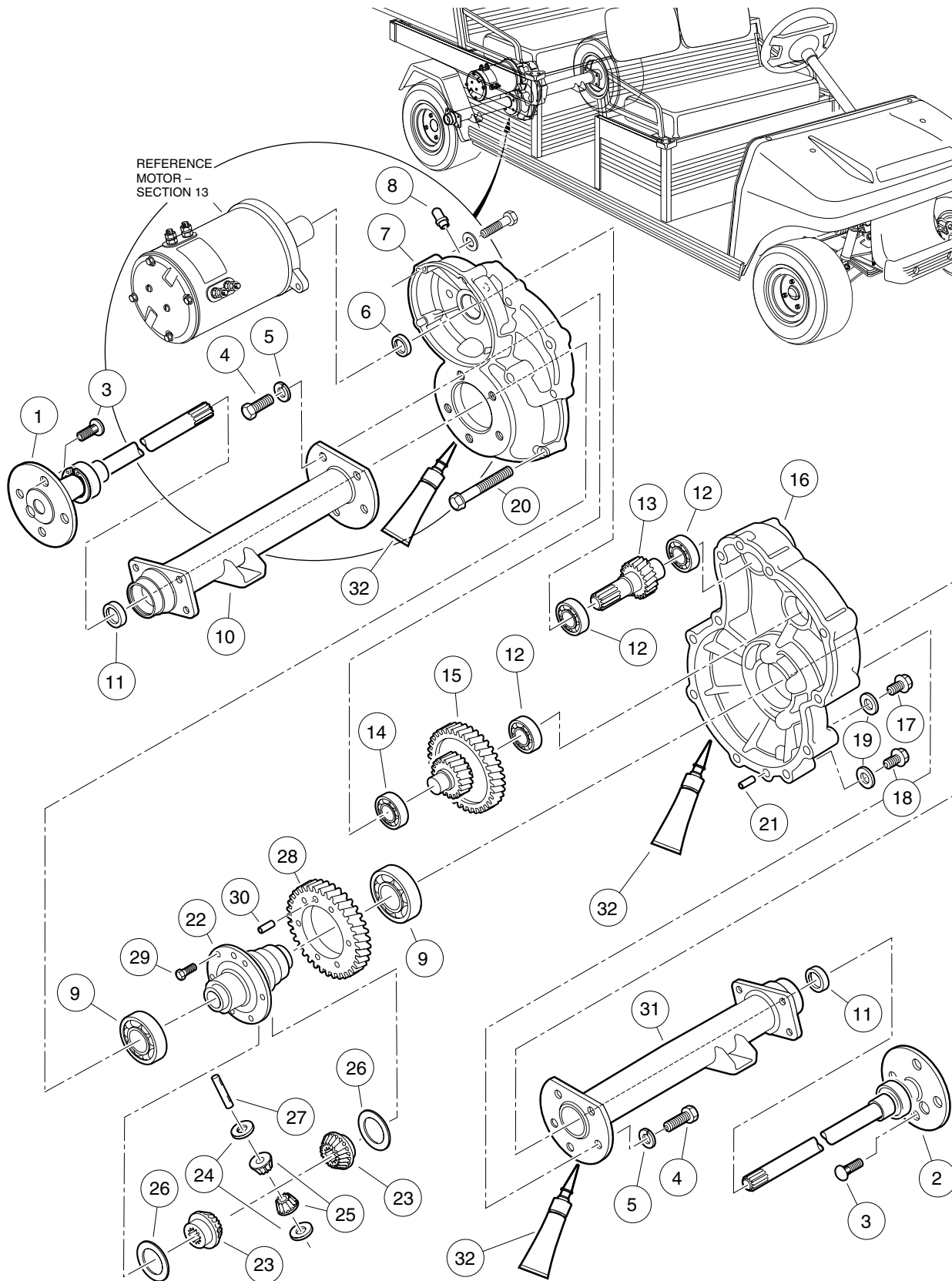
13

E

TRANSAXLE – ELECTRIC VEHICLE

14

E



TRANSAXLE, TYPE G – ELECTRIC VEHICLE

ITEM	PART NO.	DESCRIPTION	QTY
		1 2 3 4	
	<u>101896001</u>	Transaxle, Type G (includes items 1 - 32)	1
1	<u>101895801</u>	Axle Assembly, Passenger-Side (includes item 3)	1
2	<u>101895901</u>	Axle Assembly, Driver-Side (includes item 3)	1
3	<u>101922201</u>	Stud, Lug	4
4	<u>101976001</u>	Bolt, M10 x 1.5 x 35 mm	10
5	<u>101897901</u>	Washer, Lock	10
6	<u>101923501</u>	Seal, Oil, Input Shaft	1
7	<u>101895501</u>	Gear Case, Passenger-Side	1
8	<u>101897201</u>	Breather	1
9	<u>7330</u>	Bearing, Differential	2
10	<u>101895601</u>	Assembly, Axle Tube, Passenger-Side	1
11	<u>1013794</u>	Seal, Oil, Axle Shaft	2
12	<u>7335</u>	Bearing, Input Gear.....	3
13	<u>101923701</u>	Shaft, Input	1
14	<u>7336</u>	Bearing, Intermediate Gear	1
15	<u>101906901</u>	Assembly, Intermediate Gear	1
16	<u>101895401</u>	Gear Case, Driver-Side	1
17	<u>101972201</u>	Plug, Fill	1
18	<u>101972101</u>	Plug, Magnetic	1
19	<u>101923201</u>	Gasket, Plug	2
20	<u>101897001</u>	Bolt, M8 x 1.25 x 60 mm	11
21	<u>101897601</u>	Pin, Dowel	2
22	<u>101923601</u>	Housing, Differential	1
23	<u>101923901</u>	Gear, Differential	2
24	<u>101903601</u>	Plate, Thrust (idler gear)	2
25	<u>101923001</u>	Gear, Differential Idler	2
26	<u>101903701</u>	Plate, Thrust	2
27	<u>101922101</u>	Pin, Differential	1
28	<u>101906201</u>	Gear, Output	1
29	<u>101897401</u>	Bolt, M10 x 1.5 x 25 mm	4
30	<u>101972401</u>	Pin, Dowel	1
31	<u>101895701</u>	Assembly, Axle Tube, Driver-Side	1
32	<u>101928701</u>	Gasket, Liquid, 8.8 oz. (250 g)	A/R

14

E

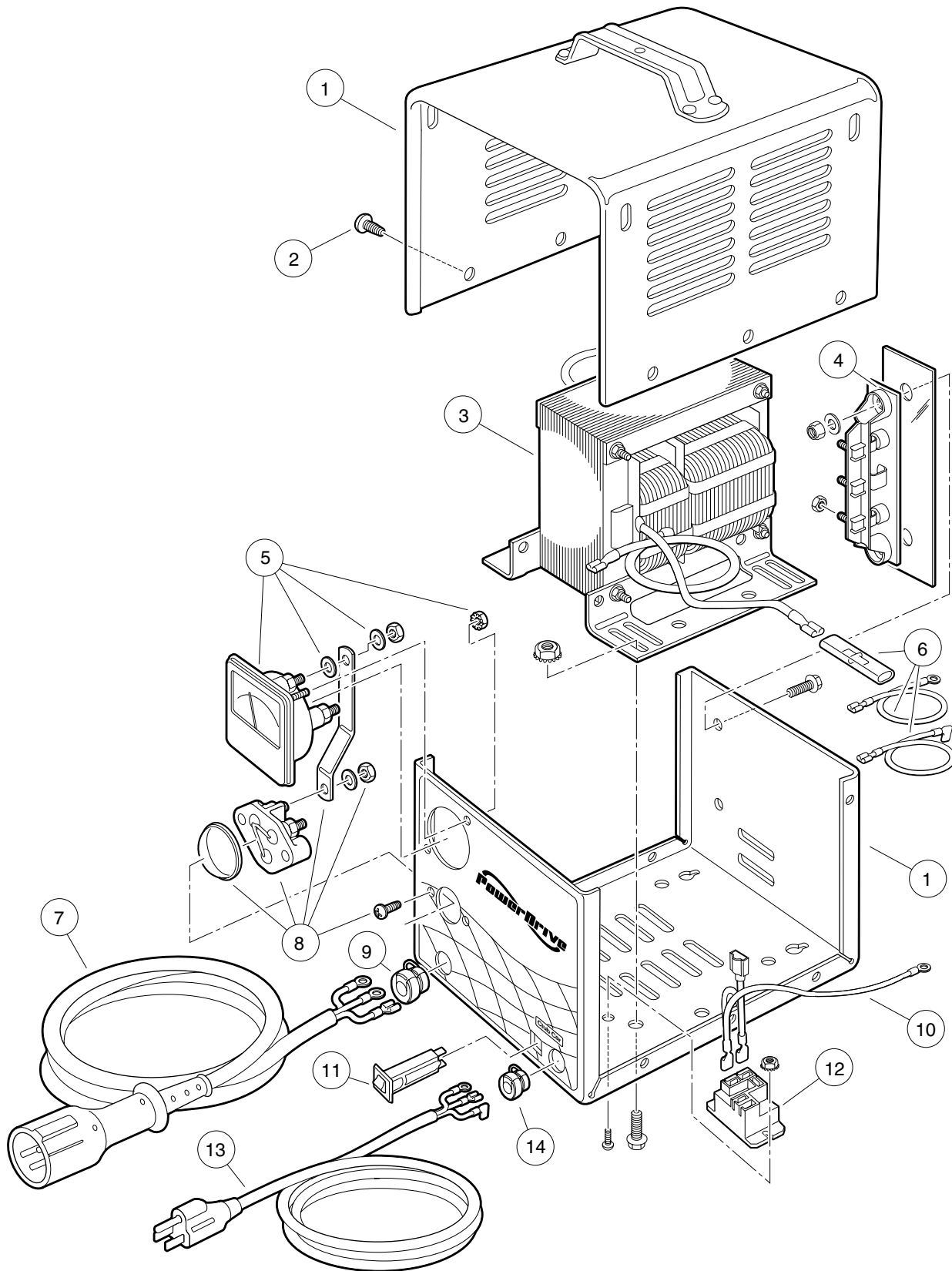
14

E

BATTERY CHARGER

15

E

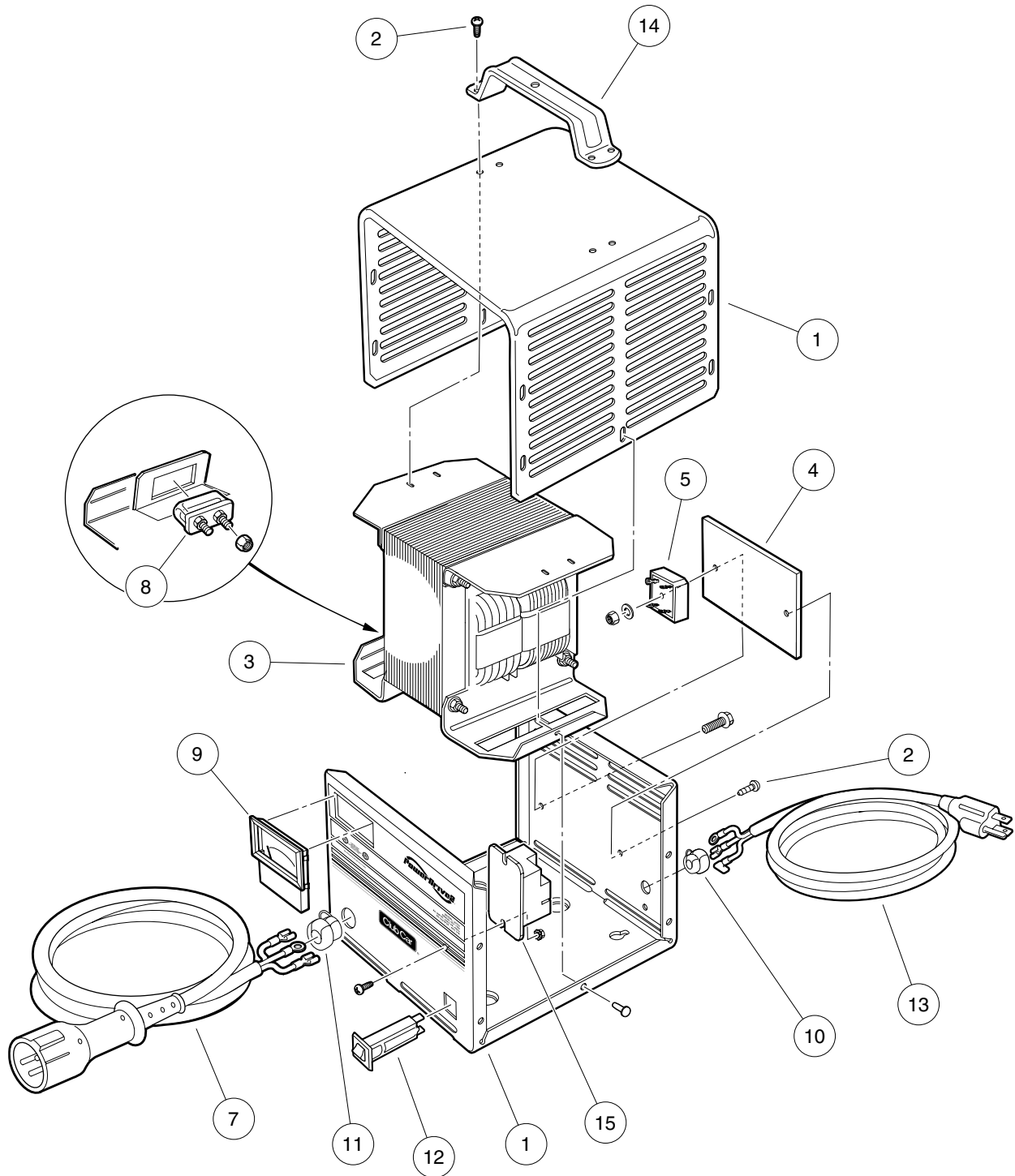


POWERDRIVE BATTERY CHARGER, DOMESTIC – VILLAGER 4, VILLAGER 6, AND VILLAGER 8

ITEM	PART NO.	DESCRIPTION	QTY
		1 2 3 4	
	<u>101802201</u>	Charger, Battery, PowerDrive, Domestic 120-V AC 48-V DC 60-Hz (model number 17930-11) (includes items 1 - 14) 103-inch DC cord with male 3-pin plug, 12-AWG 74-inch AC cord with male grounded plug	1
	<u>101802202</u>	Charger, Battery, PowerDrive 120-V AC 48-V DC 60-Hz (model number 17930-18) (includes items 1 - 14) 144-inch DC cord with male 3-pin plug, 12-AWG 108-inch AC cord with male grounded plug	1
	<u>101802203</u>	Charger, Battery, PowerDrive 120-V AC 48-V DC 60-Hz (model number 17930-19) (includes items 1 - 14) 240-inch DC cord with male 3-pin plug, 12-AWG 108-inch AC cord with male grounded plug	1
1	<u>101828301</u>	Assembly, Case (includes fasteners)	1
2	7577	Screw, Pan-Head, Self-Tapping, #10-16 x 1/2	10
3	<u>101819701</u>	Assembly, Transformer	1
4	<u>1015914</u>	Assembly, Heatsink, with Diodes (includes mounting hardware)	1
5	<u>101828501</u>	Ammeter (includes mounting hardware)	1
6	<u>101831101</u>	Kit, Wire Assembly	1
7	<u>101828901</u>	Cordset, DC, 113-Inch Long with Male 3-Pin Plug, 12-AWG	1
7	<u>101828902</u>	Cordset, DC, 154-Inch Long with Male 3-Pin Plug, 12-AWG	1
7	<u>101828903</u>	Cordset, DC, 250-Inch Long with Male 3-Pin Plug, 12-AWG	1
8	<u>1012101</u>	Assembly, Fuse (includes mounting hardware)	1
9	<u>1012098</u>	Bushing, Strain Relief, DC Cord, 12-AWG	1
10	<u>101914401</u>	Assembly, AC Voltage Suppressor	1
11	<u>CCX8506</u>	Breaker, Circuit, 15-Amp, 120-V AC	1
12	<u>101828601</u>	Relay, Power, 48-V DC	1
13	<u>101828801</u>	Cordset, AC, 80-Inch Long	1
13	<u>101828802</u>	Cordset, AC, 116-Inch Long	1
14	<u>1015917</u>	Bushing, Strain Relief, AC Cord	1

15

E

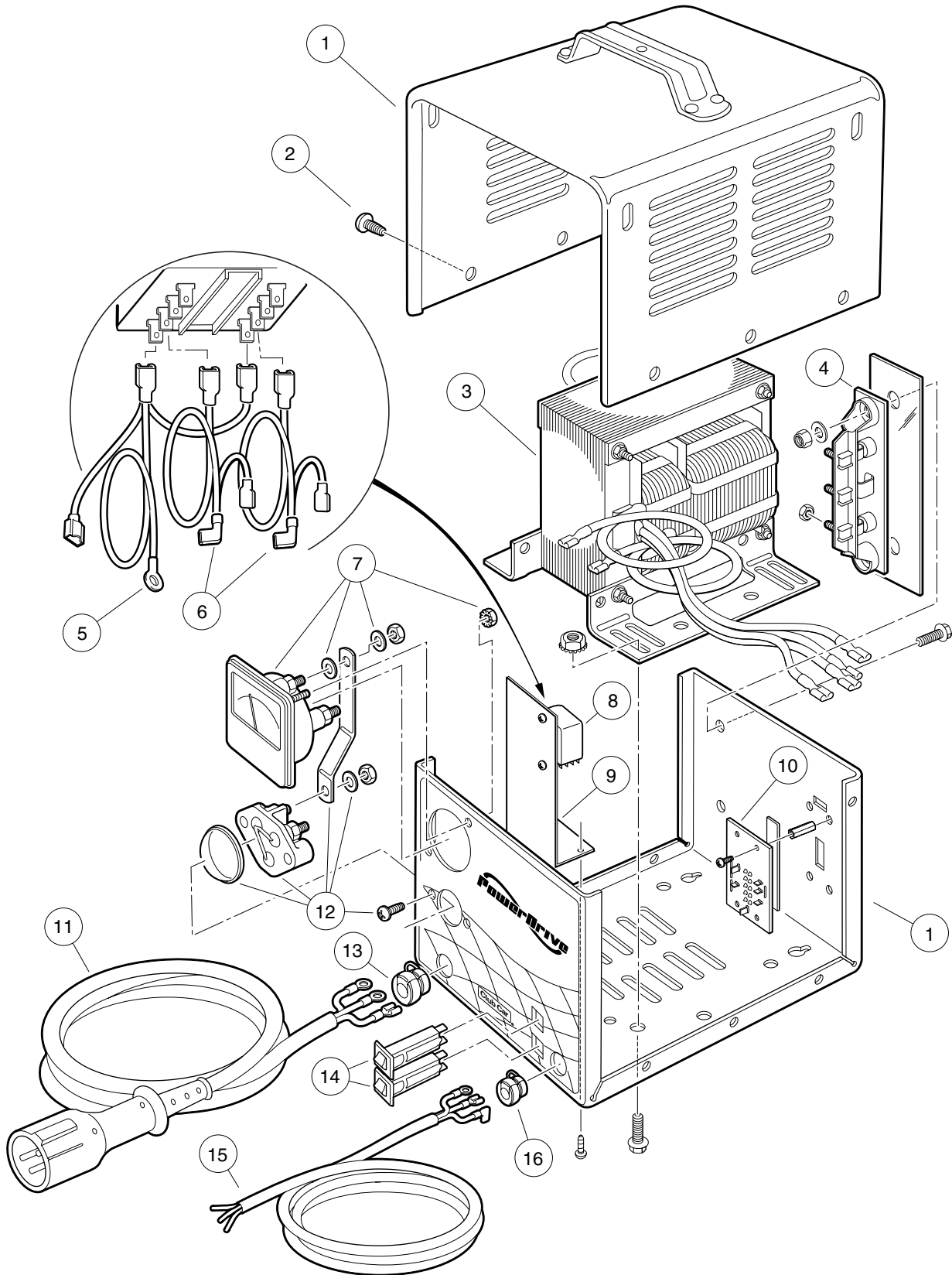


POWERDRIVE 2 CHARGER, DOMESTIC – VILLAGER 4

ITEM	PART NO.	DESCRIPTION	QTY
		1 2 3 4	
	<u>101802204</u>	Charger, Battery, PowerDrive, Domestic 120-V AC 48-V DC 60-Hz (model number 22110-11) (includes items 1 - 15) 103-inch DC cord with male 3-pin plug, 12-AWG 74-inch AC cord with male grounded plug	1
	<u>101802205</u>	Charger, Battery, PowerDrive 120-V AC 48-V DC 60-Hz (model number 22110-18) (includes items 1 - 15) 144-inch DC cord with male 3-pin plug, 12-AWG 108-inch AC cord with male grounded plug	1
	<u>101802206</u>	Charger, Battery, PowerDrive 120-V AC 48-V DC 60-Hz (model number 22110-19) (includes items 1 - 15) 240-inch DC cord with male 3-pin plug, 12-AWG 108-inch AC cord with male grounded plug	1
1	<u>102273201</u>	Assembly, Case (includes item 2)	1
2	7577	Screw, Pan-Head, Self-Tapping, #10-16 x 1/2	12
3	<u>102273301</u>	Assembly, Transformer (includes rivets)	1
4	<u>102273401</u>	Plate, Heatsink	1
5	<u>102273501</u>	Assembly, Diode with Heatsink Film (includes mounting hardware)	1
6	<u>102273601</u>	Kit, Wire Assembly (not shown)	1
7	<u>101828904</u>	Cordset, DC, 113-Inch Long with Male 3-Pin Plug, 12-AWG	1
7	<u>101828905</u>	Cordset, DC, 154-Inch Long with Male 3-Pin Plug, 12-AWG	1
7	<u>101828906</u>	Cordset, DC, 250-Inch Long with Male 3-Pin Plug, 12-AWG	1
8	<u>102273701</u>	Assembly, Fuse, 30-Amp (includes terminal hardware)	1
9	<u>102273801</u>	Ammeter (includes mounting hardware)	1
10	<u>102273901</u>	Bushing, Strain Relief, AC Cord	1
11	<u>1012098</u>	Bushing, Strain Relief, DC Cord, 12-AWG	1
12	<u>CCX8506</u>	Breaker, Circuit, 15-Amp, 120-V AC	1
13	<u>101828801</u>	Cordset, AC, 80-Inch Long	1
13	<u>101828802</u>	Cordset, AC, 116-Inch Long	1
14	<u>102274001</u>	Handle, PowerDrive 2 Charger (with four screws)	1
15	<u>101828601</u>	Relay, Power, 48-V DC	1

15

E

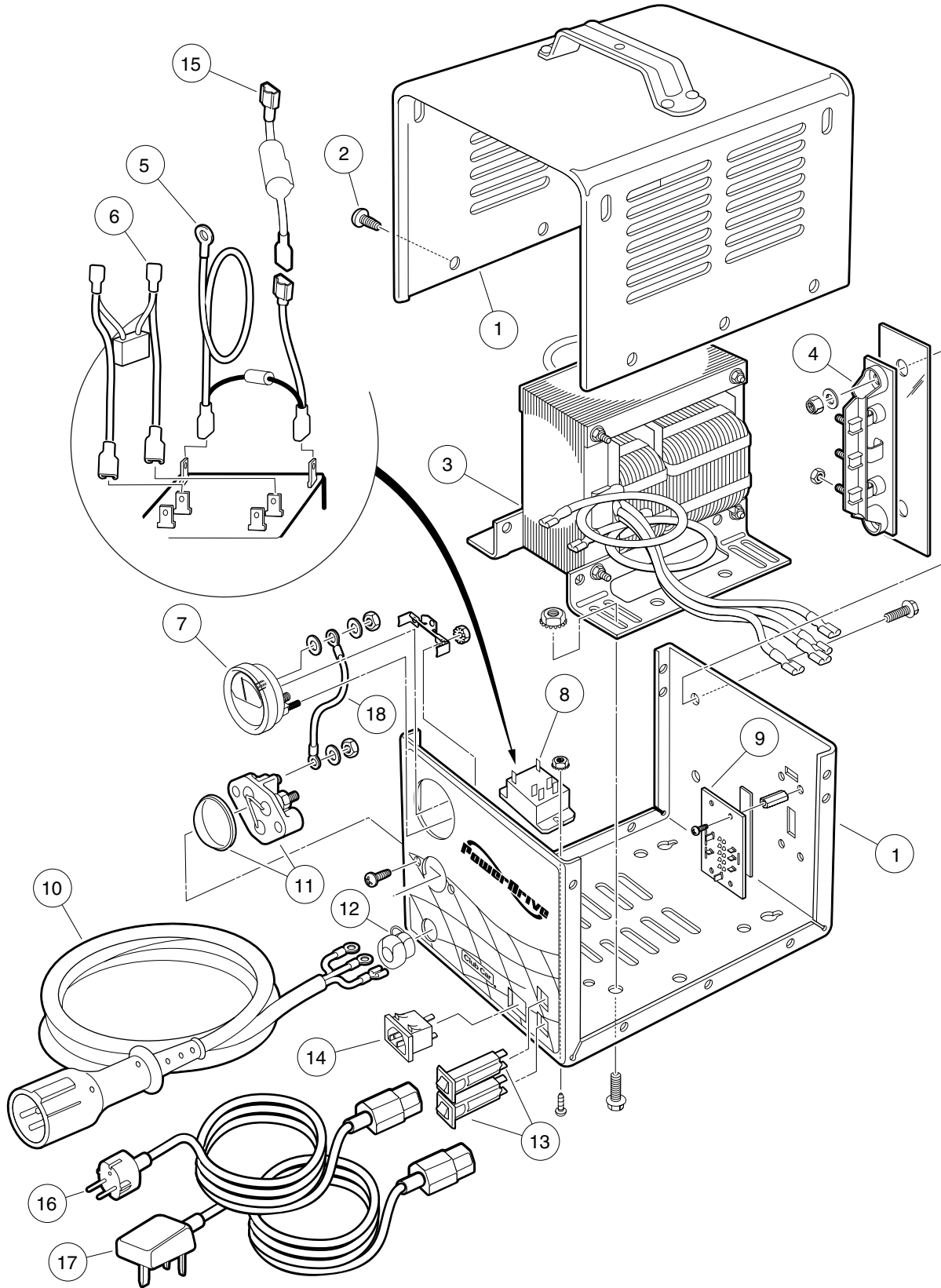


POWERDRIVE BATTERY CHARGER, EXPORT – VILLAGER 4, VILLAGER 6, AND VILLAGER 8

ITEM	PART NO.	DESCRIPTION	QTY
		1 2 3 4	
	101831503	Charger, Battery, PowerDrive, Export with 4-Position Switch 100 - 200 - 220 - 240 V AC, 48-V DC 50/60-Hz (model number 18780-11) (includes items 1 - 16) 103-inch DC cord with male 3-pin plug, 12-AWG 74-inch AC cord with no plug	1
	101831504	Charger, Battery, PowerDrive Export with 4-Position Switch 100 - 200 - 220 - 240 V AC, 48-V DC 50/60-Hz (model number 18780-18) (includes items 1 - 16) 144-inch DC cord with male 3-pin plug, 12-AWG 108-inch AC cord with no plug	1
1	N/A	Assembly, Case	1
2	7577	Screw, Pan-Head, Self-Tapping, #10-16 x 1/2	10
3	101838201	Assembly, Transformer	1
4	<u>1015914</u>	Assembly, Heatsink, with Diodes (includes mounting hardware)	1
5	101914401	Assembly, AC Voltage Suppressor	1
6	101838501	Kit, Wire Assembly	1
7	<u>101828501</u>	Ammeter (includes hardware)	1
8	<u>101838301</u>	Relay, Power, 48-V DC (includes mounting hardware)	1
9	<u>101838701</u>	Bracket, Power Relay Mounting	1
10	101838601	Switch, 4-Position Slide	1
11	<u>101828901</u>	Cordset, DC, 113-Inch Long with Male 3-Pin Plug, 12-AWG	1
11	<u>101828902</u>	Cordset, DC, 154-Inch Long with Male 3-Pin Plug, 12-AWG	1
11	<u>101828903</u>	Cordset, DC, 250-Inch Long with Male 3-Pin Plug, 12-AWG	1
12	<u>1012101</u>	Assembly, Fuse (includes hardware)	1
13	<u>1012098</u>	Bushing, Strain Relief, DC Cord, 12-AWG	1
14	101838401	Breaker, Circuit, 10-Amp	2
15	<u>101831701</u>	Cordset, AC, 80-Inch Long with Leads (no plug)	1
15	<u>101831702</u>	Cordset, AC, 116-Inch Long with Leads (no plug)	1
16	<u>1015917</u>	Bushing, Strain Relief, AC Cord	1

15

E



POWERDRIVE BATTERY CHARGER, EUROPEAN – VILLAGER 4, VILLAGER 6, AND VILLAGER 8

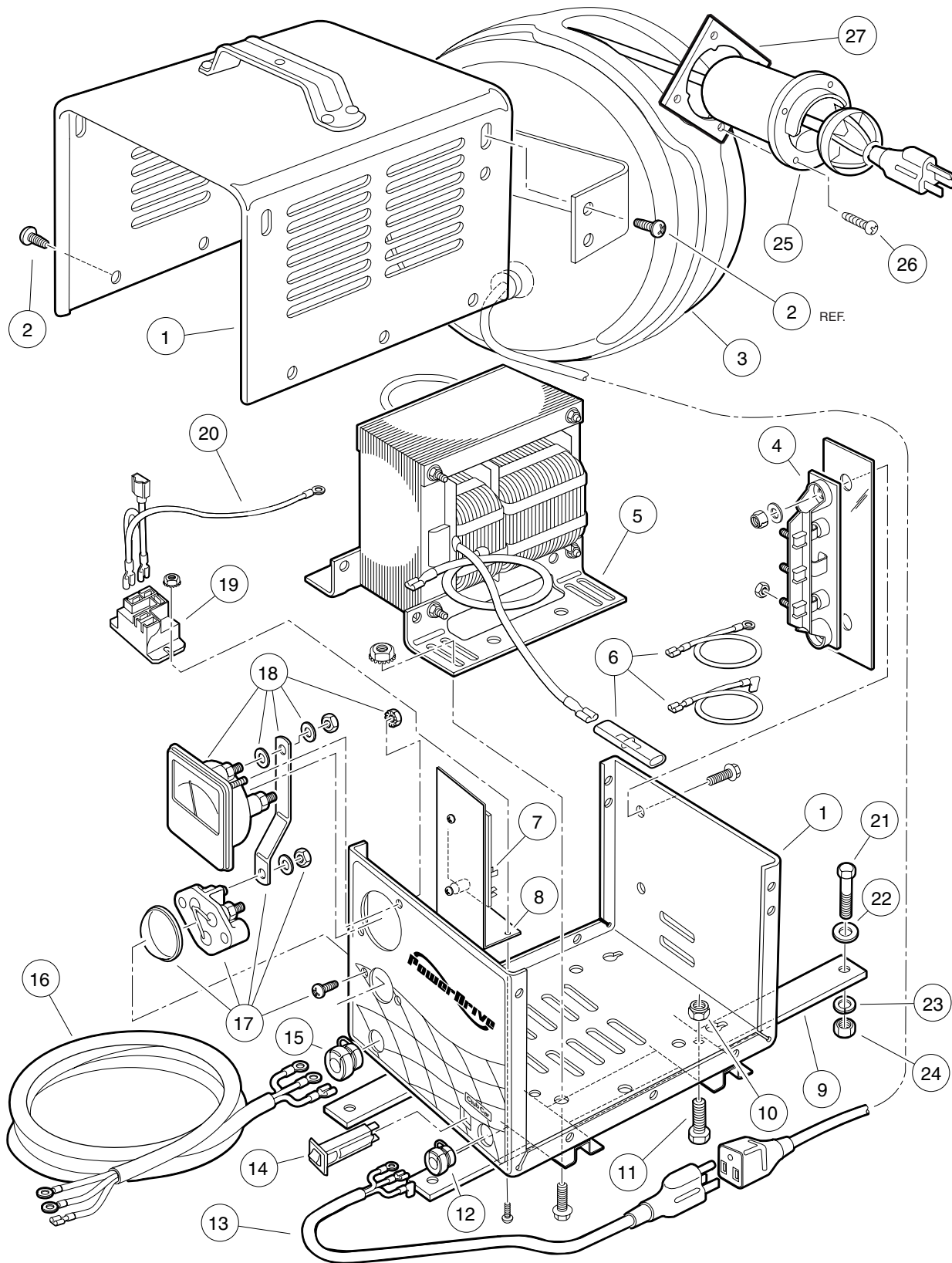
ITEM	PART NO.	DESCRIPTION	QTY
		1 2 3 4	
	<u>101956201</u>	Charger, Battery, PowerDrive, European with 4-Position Switch 100 - 200 - 220 - 240 V AC, 48-V DC 50/60-Hz (model number 20300) (includes items 1 - 15) 103-inch (261 cm) DC cord with male 3-pin plug, 12-AWG	1
	<u>101956202</u>	Charger, Battery, PowerDrive European with 4-Position Switch 100 - 200 - 220 - 240 V AC, 48-V DC 50/60-Hz (model number 20310) (includes items 1 - 15) 144-inch (366 cm) DC cord with male 3-pin plug, 12-AWG	1
1	N/A	Assembly, Case	1
2	7577	Screw, Pan-Head, Self-Tapping, #10-16 x 1/2	10
3	****	Assembly, Transformer	1
4	<u>1015914</u>	Assembly, Heatsink, with Diodes (includes mounting hardware)	1
5	****	Assembly, AC Voltage Suppressor.....	1
6	****	Kit, Wire Assembly	1
7	101976601	Ammeter (includes hardware)	1
8	<u>101987501</u>	Relay, Power, 48-V DC (includes mounting hardware)	1
9	101838601	Switch, 4-Position Slide	1
10	<u>101828901</u>	Cordset, DC, 103-Inch (261 cm) Long with Male 3-Pin Plug, 12-AWG	1
10	<u>101828902</u>	Cordset, DC, 144-Inch (366 cm) Long with Male 3-Pin Plug, 12-AWG	1
11	<u>1012101</u>	Assembly, Fuse (includes hardware)	1
12	<u>1012098</u>	Bushing, Strain Relief, DC Cord, 12-AWG	1
13	101838401	Breaker, Circuit, 10-Amp	2
14	101973501	Receptacle, AC Cord	1
15	****	Assembly, Current Limiter	1
16	101958301	Cordset, AC, Continental Europe, 96-Inch (244 cm) Long (with male 2-pin plug)	1
17	<u>101958201</u>	Cordset, AC, U.K., 96-Inch (244 cm) Long (with male 3-pin plug)	1
18	N/A	Wire, Jumper.....	1
	****	Special order item available on request	

15

E

15

E

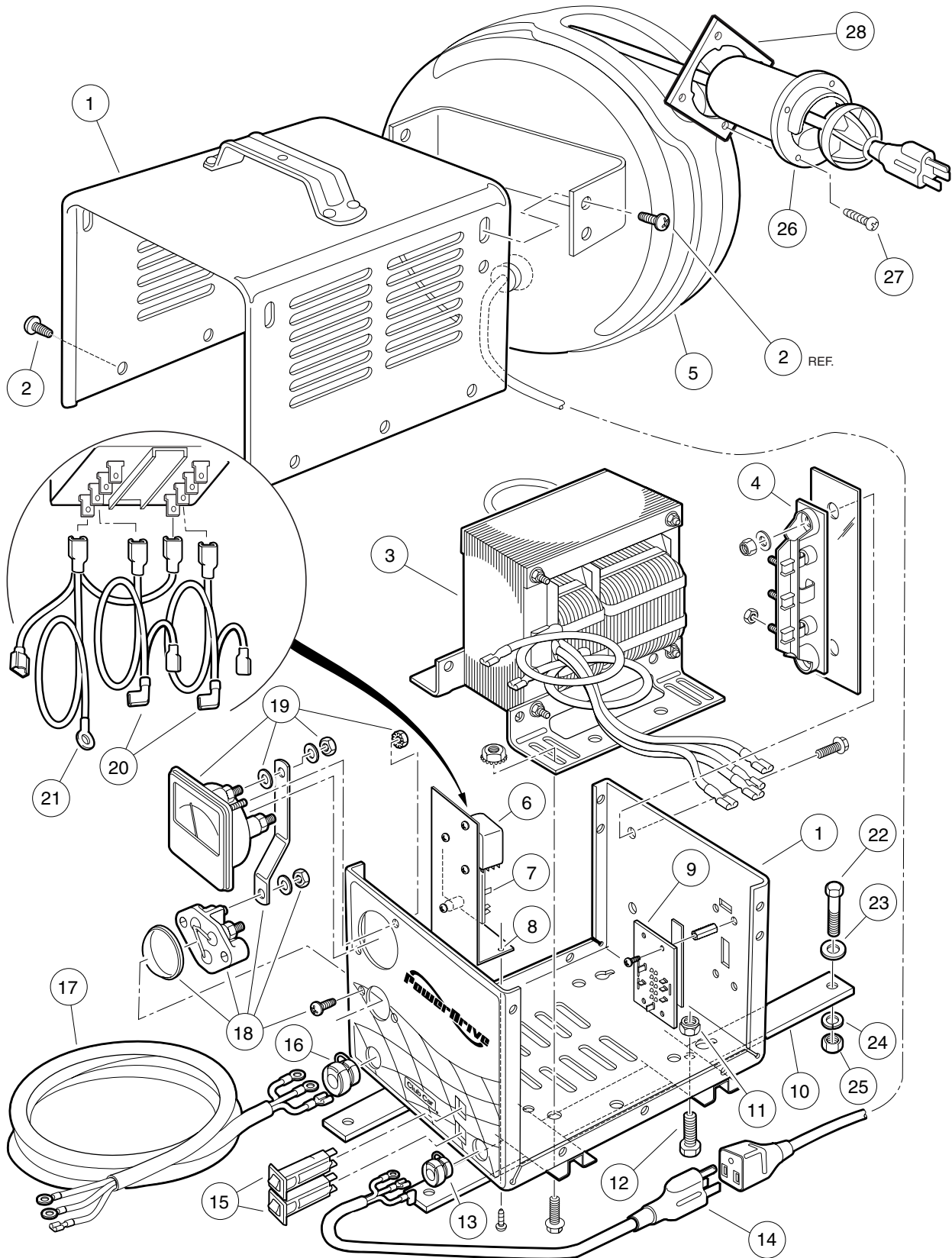


ONBOARD POWERDRIVE BATTERY CHARGER, DOMESTIC – TRANSPORTER 4 AND TRANSPORTER 6

15

E

ITEM	PART NO.	DESCRIPTION	QTY
		1 2 3 4	
	<u>101814301</u>	Assembly, PowerDrive Battery Charger with Reel, Onboard 120 V AC 48 V DC 60 Hz (includes items 1 - 20)	1
	<u>101802301</u>	Assembly, PowerDrive Battery Charger, Onboard 120 V AC 48 V DC 60 Hz (includes items 1 - 2 and 4 - 20)	1
1	****	Assembly, Case	1
2	7577	Screw, Pan-Head, Self-Tapping, #10-16 x 1/2	12
3	<u>1017187</u>	Assembly, Retractable Cord Reel	1
4	<u>1015914</u>	Assembly, Heatsink, with Diodes (includes hardware)	1
5	<u>101819701</u>	Assembly, Transformer	1
6	<u>101841701</u>	Kit, Wire Assembly	1
7	<u>101841901</u>	Board, Control	1
8	<u>101838701</u>	Bracket, Relay and Reset Board Mounting	1
9	<u>1011707</u>	Bracket, Mounting	2
10	<u>8233</u>	Nut, Lock, 1/4-20	4
11	<u>7847</u>	Screw, Hex-Head Cap, 1/4-20 x 3/4	4
12	<u>1015917</u>	Bushing, Strain Relief, AC Cord	1
13	<u>101829001</u>	Cordset, AC, 24 Inches Long, with Grounded Plug	1
14	<u>CCX8506</u>	Breaker, Circuit, 15-Amp, 120-V AC	1
15	<u>1012098</u>	Bushing, Strain Relief, DC Cord, 12 AWG	1
16	<u>101829101</u>	Cordset, DC, 90 Inches Long, with Leads, 12 AWG	1
17	<u>1012101</u>	Assembly, Fuse (includes hardware)	1
18	<u>101828501</u>	Ammeter (includes hardware)	1
19	<u>101828601</u>	Relay, Power, 48 VDC	1
20	101914401	Assembly, AC Voltage Suppressor	1
21	<u>7479</u>	Screw, Hex-Head Cap, 1/4-20 x 1-1/4	4
22	<u>1014306</u>	Washer, Flat, 1/4	4
23	<u>451</u>	Washer, Lock, 1/4	4
24	<u>1028</u>	Nut, Hex, 1/4-20	4
25	<u>1016673</u>	Housing, Cord	1
26	<u>8796</u>	Screw, Phillips-Head, #7-19 x 3/4	4
27	<u>101801001</u>	Plate, Receptacle Backing	1
	<u>1017189</u>	Shrink, Heat (1-1/2 inch x 4 feet) (not shown)*	A/R
		*Heat shrink is available in 3-inch lengths, nonstandard.	
	****	Special order item available upon request.	



ONBOARD POWERDRIVE BATTERY CHARGER, EXPORT – TRANSPORTER 4 AND TRANSPORTER 6

15

E

ITEM	PART NO.	DESCRIPTION	QTY
		1 2 3 4	
	<u>101814302</u>	Assembly, PowerDrive Battery Charger and Reel, Onboard with 4-Position Switch, 100 - 200 - 220 - 240 V AC, 48 V DC 50/60 Hz (includes items 1 - 21)	1
	<u>101831601</u>	Assembly, PowerDrive Battery Charger, Onboard with 4-Position Switch, 100 - 200 - 220 - 240 V AC, 48 V DC 50/60 Hz (includes items 1 - 4 and 6 - 21)	1
1	****	Assembly, Case (includes fasteners)	1
2	<u>7577</u>	Screw, Pan-Head, Self-Tapping, #10-16 x 1/2	12
3	<u>101838201</u>	Assembly, Transformer	1
4	<u>1015914</u>	Assembly, Heatsink, with Diodes (includes mounting hardware)	1
5	<u>1017187</u>	Assembly, Retractable Cord Reel	1
6	<u>101838301</u>	Relay, Power (includes mounting hardware)	1
7	<u>101841901</u>	Board, Control	1
8	<u>101838701</u>	Bracket, Mounting, Relay and Reset Board	1
9	<u>101838601</u>	Switch, 4-Position, Slide	1
10	<u>1011707</u>	Bracket, Mounting	2
11	<u>8233</u>	Nut, Lock, 1/4-20	4
12	<u>7847</u>	Screw, Hex-Head Cap, 1/4-20 x 3/4	4
13	<u>1015917</u>	Bushing, Strain Relief, AC Cord	1
14	<u>101829001</u>	Cordset, AC, 3 x 1.5 mm x 24 Inches Long, with Grounded Plug	1
15	<u>101838401</u>	Breaker, Circuit, 10-Amp	2
16	<u>1012098</u>	Bushing, Strain Relief, DC Cord, 12 AWG	1
17	<u>101829101</u>	Cordset, DC, 90.5 Inches Long, with Leads, 12 AWG	1
18	<u>1012101</u>	Assembly, Fuse (includes hardware)	1
19	<u>101828501</u>	Ammeter (includes hardware)	1
20	<u>101841801</u>	Kit, Wire Assembly	1
21	<u>101914401</u>	Assembly, AC Voltage Suppressor	1
22	<u>7479</u>	Screw, Hex-Head Cap, 1/4-20 x 1-1/4	4
23	<u>1014306</u>	Washer, Flat, 1/4	4
24	<u>451</u>	Washer, Lock, 1/4	4
25	<u>1028</u>	Nut, Hex, 1/4-20	4
26	<u>1016673</u>	Housing, Cord	1
27	<u>8796</u>	Screw, Phillips-Head, #7-19 x 3/4	4
28	<u>101801001</u>	Plate, Receptacle Backing	1
	<u>1017189</u>	Shrink, Heat (1-1/2 inch x 4 feet) (not shown)*	A/R
		*Heat shrink is available in 3-inch lengths, nonstandard.	
	****	Special order item available upon request.	

15

E

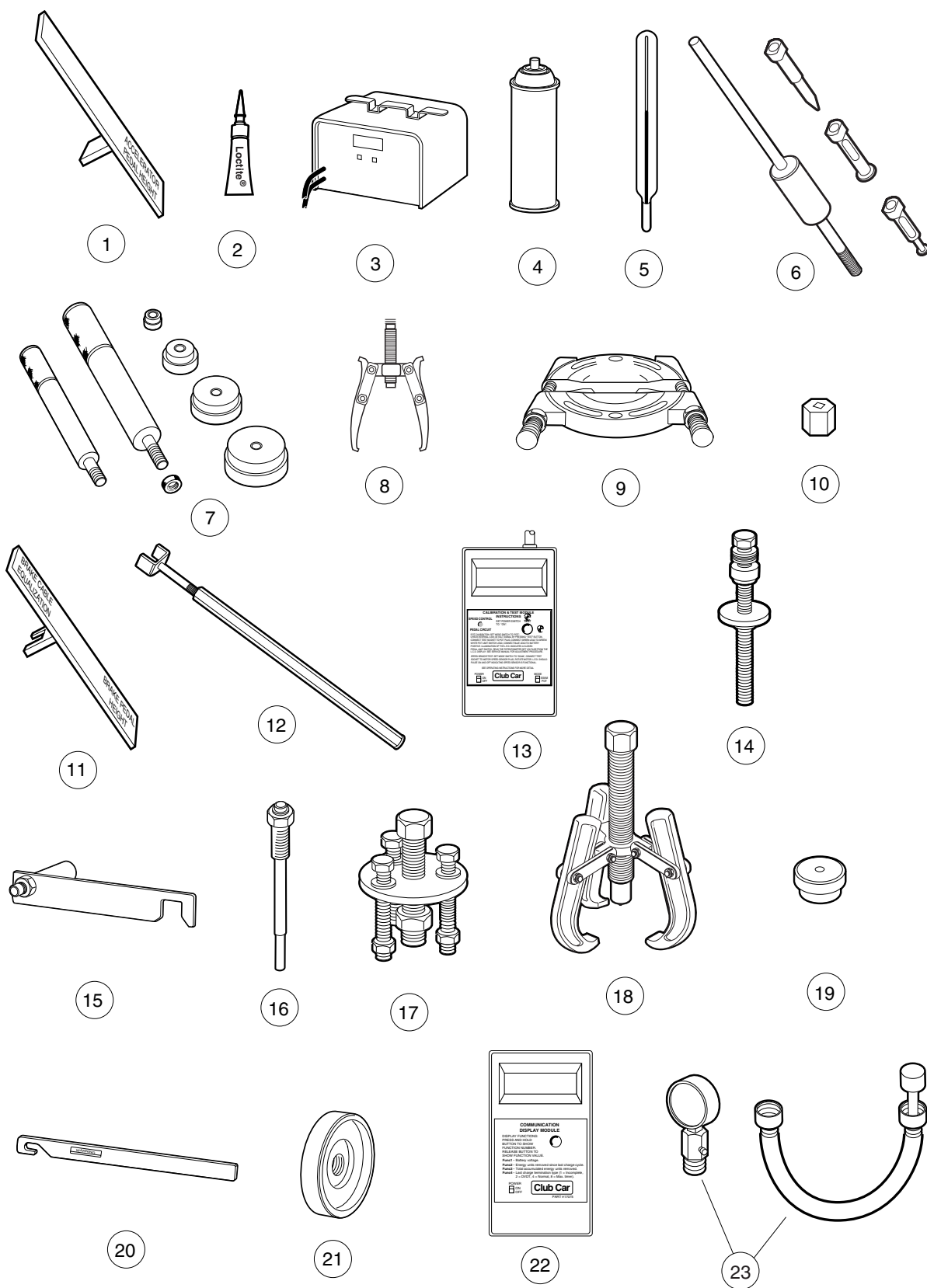
MAINTENANCE AND SERVICE TOOLS

16

G

E

**16
G
E**



MAINTENANCE AND SERVICE TOOLS

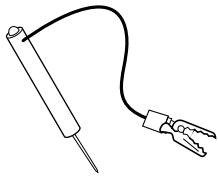
ITEM	PART NO.	DESCRIPTION	QTY GAS	QTY ELEC
		<p style="text-align: center;">1 2 3 4</p> <p>The following tool list includes all tools available from Club Car for maintenance and service procedures for gasoline and/or electric vehicles, both past and present models. Be sure to carefully examine the tool list for applicability to your vehicle before ordering.</p>		
1	<u>101871001</u>	Accelerator Pedal Adjustment Tool	1	1
2	<u>101813202</u>	Adhesive, Guide Ring, 3-Gram Tube	1	1
3	<u>101831901</u>	Battery Discharge Machine, 36/48 Volt		1
4	<u>1014305</u>	Battery Terminal Protector Spray	1	1
5	<u>1011767</u>	Battery Thermometer		1
6	<u>1016417</u>	Bearing and Oil Seal Remover Assembly	1	1
7	<u>1016416</u>	Bearing Driver Set	1	1
8	<u>1012811</u>	Bearing Puller	1	1
9	<u>1012812</u>	Bearing Puller Wedge Attachment	1	1
10	<u>1013582</u>	Brake Adjustment Tool (used only on vehicles with manually adjusted mechanical brakes)	1	1
	<u>102249901</u>	Brake Pedal Adjustment Tool Kit (used for the Carryall Electric Industrial Truck only) (includes items 11 and 12)		1
11	****	Brake Pedal Adjustment Tool		1
12	****	Brake Pedal Tension Tool		1
13	<u>101887101</u>	Calibration Test Module		1
14	<u>101808401</u>	Cam Installation Tool	1	
	<u>1014510</u>	Clutch Tool Kit (includes items 15 - 21)	1	
15	<u>1014498</u>	Clutch Alignment Tool (for pre-unitized transaxle vehicles built prior to 1997 model year)	1	
16	<u>1014496</u>	Drive Clutch Puller	1	
17	<u>1014497</u>	Drive Clutch Hub Puller	1	
18	<u>1014508</u>	Driven Clutch Cam Puller	1	
19	<u>1014507</u>	Driven Clutch Puller Plug	1	
20	<u>1015524</u>	Drive Clutch Holder Tool Assembly	1	
21	<u>101809101</u>	Press Weldment	1	
22	<u>101831801</u>	Communication Display Module		1
23	<u>101641002</u>	Compression Gauge and Adapter	1	
		<p>Please refer to the maintenance and service manual for proper tool application.</p> <p>**** Special order item available upon request</p>		

16
G
E

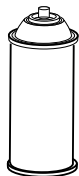
16

G

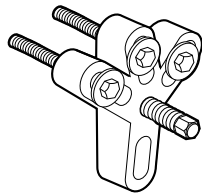
E



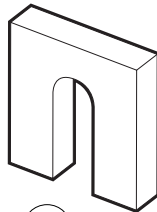
24



25



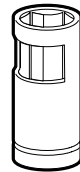
26



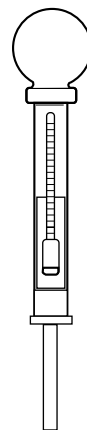
27



28



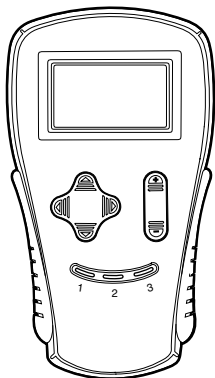
29



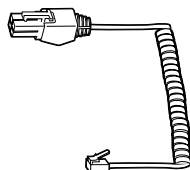
30



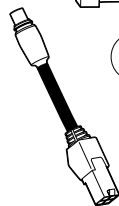
31



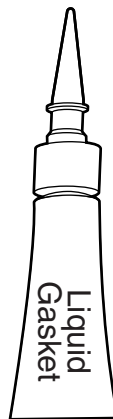
32



33



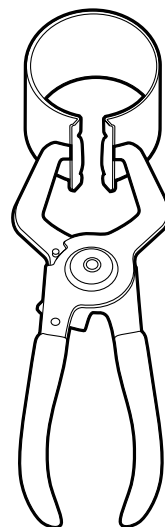
34



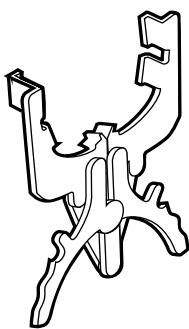
35



36



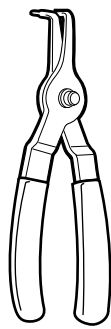
37



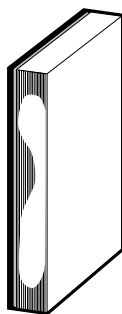
38



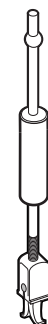
39



40



41



42



43



44



45

MAINTENANCE AND SERVICE TOOLS, CONTINUED

ITEM	PART NO.	DESCRIPTION	QTY GAS	QTY ELEC
		1 2 3 4		
24	1011273	Continuity Tester	1	1
25	<u>1012151</u>	Dry Moly Lubricant	1	1
26	<u>1016627</u>	Flywheel Puller Kit	1	
27	<u>1016418</u>	Gear Yoke	1	1
28	<u>101933101</u>	Governor Shaft Installation Tool	1	
29	102169401	Hydraulic Brake Adjuster (for vehicles equipped with hydraulic brakes)	1	
30	<u>1011478</u>	Hydrometer	1	1
31	<u>1013593</u>	Internal Retaining Ring Pliers	1	1
32	<u>102248803</u>	IQ Display Module (IQDM) Kit (for IQ System vehicles only)		1
		(includes items 33 and 34)		
33	<u>102241502</u>	Cable, IQDM		1
34	<u>102251501</u>	Adaptor, Cable		1
35	<u>101928701</u>	Liquid Gasket (transaxle case)	1	1
36	<u>102243402</u>	Moly-Teflon Lubricant (4-oz. (113-gram) tube)		1
37	<u>1016414</u>	Piston Ring Compressor Kit (FE290, FE350 and FE400 engines)	1	
38	<u>1016415</u>	Piston Ring Pliers	1	
39	<u>1012549</u>	Retaining Ring Pliers, 45° External	1	1
40	<u>1012560</u>	Retaining Ring Pliers, 90° Internal	1	1
41	<u>101823101</u>	Safety First Card (50 per pack)	1	1
42	<u>1012809</u>	Seal Puller	1	1
43	<u>102330901</u>	Spanner Wrench (for coil over shock front suspension vehicles only)	1	1
44	<u>1014264</u>	Steering Column Bearing Press Tool	1	1
45	<u>1014259</u>	Steering Column Retaining Ring Tool	1	1
		Please refer to the maintenance and service manual for proper tool application.		

16

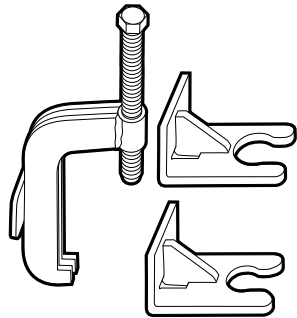
G

E

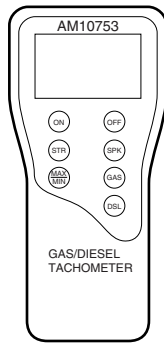
16

G

E



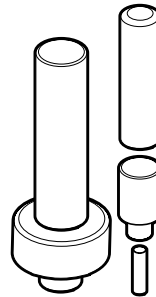
46



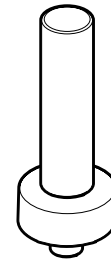
47



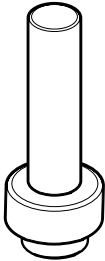
48



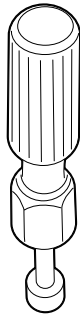
49



50



51



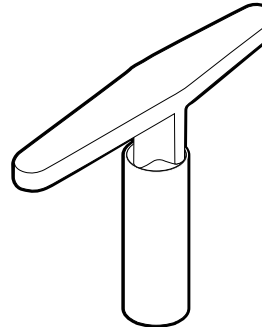
52



53



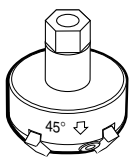
54



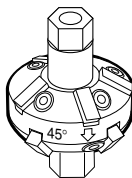
55



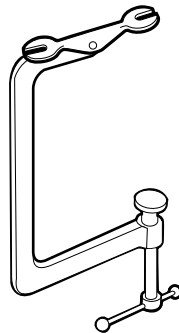
56



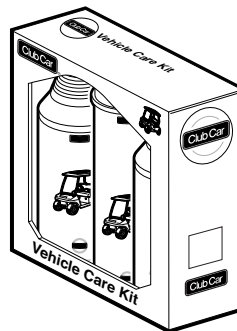
57



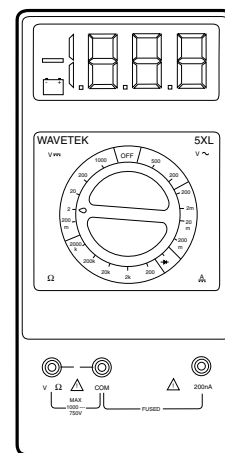
58



59



60



61

MAINTENANCE AND SERVICE TOOLS, CONTINUED

ITEM	PART NO.	DESCRIPTION	QTY GAS	QTY ELEC
		1 2 3 4		
46	102061201	Steering Wheel Puller Tool	1	1
47	<u>AM10753</u>	Tachometer	1	
48	<u>101997201</u>	Paint, Touch-Up – Beige	1	1
48	<u>101997202</u>	Paint, Touch-Up – White	1	1
48	<u>101997203</u>	Paint, Touch-Up – Red	1	1
48	<u>101997204</u>	Paint, Touch-Up – Gray	1	1
48	<u>101997205</u>	Paint, Touch-Up – Dark Gray	1	1
48	<u>101997206</u>	Paint, Touch-Up – Royal Blue (Pacific Blue)	1	1
48	<u>101997207</u>	Paint, Touch-Up – Black	1	1
48	<u>101997209</u>	Paint, Touch-Up – Dark Green	1	1
48	<u>101997211</u>	Paint, Touch-Up – Classic Blue (Navy)	1	1
48	<u>101997212</u>	Paint, Touch-Up – Burgundy	1	1
49	<u>1014115</u>	Transmission Tool Kit	1	
50	<u>1014161</u>	Transaxle Pinion Seal Tool	1	
51	<u>1014162</u>	Transaxle Axle Seal Tool	1	
52	<u>1016413</u>	Valve Clearance Adjuster Screw Holder (for FE290 engines only)	1	
53	101641201	Valve Guide Reamer	1	
54	<u>101641202</u>	Arbor	1	
55	<u>1016551</u>	Valve Seat Cutter T-Wrench	1	
56	<u>1016552</u>	Valve Seat Cutter Guide	1	
57	<u>1016553</u>	Valve Seat Cutter, 45° (32 mm diameter) (for FE290 engines only)	1	
58	<u>1016554</u>	Valve Seat Cutter, 45°/30° (35 mm diameter)	1	
59	<u>101641101</u>	Valve Spring Compressor	1	
60	AM10021	Vehicle Care Kit	1	1
61	1011480	Volt Ohm Meter	1	1
62	<u>101611003</u>	Tune-Up Kit, All OHV (includes air filter, spark plug, oil filter, fuel filters) (not shown)	1	
Please refer to the maintenance and service manual for proper tool application.				

16

G

E

16

G

E

INDEX

Part Number and Page

AM10080	11-5	7591	6-23, 12-37	1010921	4-7, 4-9
AM10081	11-5	7602	5-5, 5-7, 5-11	1010927	4-7, 4-9
AM10682	2-3	7716	4-7, 4-9, 4-13, 4-15	1010932	4-7, 4-9
AM10021	16-7	7820	12-37	1010933	4-7, 4-9
AM10419	10-5	7840	5-9	1010934	1-25, 6-29, 13-3, 13-5
AM10724	7-5, 7-17	7847	1-5, 9-3, 9-5	1010954	6-3, 6-7, 6-15, 11-3
AM10753	16-7	7893	6-7, 12-37	1010984	2-3, 2-5, 5-9, 5-13
CCX8506	15-3, 15-5, 15-11	7910	5-9	1011014	1-3
183	8-13, 10-3, 12-45	7973	1-5, 6-3, 8-15	1011017	1-3
304	1-7, 1-23, 1-33, 12-37	8028	1-11, 1-23	1011019	1-5
320	5-11	8049	12-13	1011084	4-13
332	1-7, 1-9, 1-21, 1-23, 1-33, 8-13, 9-3, 9-5, 12-21, 12-37, 12-41	8056	12-5, 12-47	1011114	4-5, 4-11
334	4-13, 4-15, 5-3, 5-5	8057	6-3, 12-5, 12-13	1011137	4-11
357	5-9	8058	6-3, 12-5, 12-13	1011182	1-11
451	1-21, 1-23, 4-5, 9-3, 9-5, 12-5, 12-13, 13-3, 13-5	8067	5-9, 5-13	1011210	1-11, 1-23
705	6-27	8168	8-15	1011219	1-11, 1-23
706	5-9	8233	1-7, 1-21, 1-33, 4-13, 4-15, 8-3, 12-13, 12-21, 12-37	1011220	1-11, 1-23
1016	12-45	8248	1-7, 8-3, 12-21	1011221	1-11, 1-23
1017	12-5, 12-45	8251	1-7, 1-23	1011222	1-11, 1-23
1028	4-7, 4-9, 12-5, 12-13	8304	1-11, 1-23	1011229	6-9, 6-17, 12-27, 12-37
1032	4-7, 4-9	8449	12-5	1011273	16-5
1035	4-3, 5-5, 5-7, 5-11	8450	6-15, 10-3, 12-13	1011280	6-19, 12-39
1218	1-21, 1-23, 12-17, 12-41	8455	6-3	1011290	13-3
1241	1-21, 1-23, 4-7, 4-9, 4-13, 4-15, 6-19, 6-27, 6-29, 9-3, 12-17, 12-39, 12-41	8626	4-7, 4-9	1011291	11-7
1242	4-7, 4-9, 6-7, 6-27, 12-17, 12-25, 12-41	8639	6-17, 12-25, 12-37, 12-41	1011303	4-5, 4-11
1308	5-7, 5-11	8717	6-3	1011304	5-9, 5-13
1606	8-13	8745	5-9, 5-13	1011382	1-5
1620	1-5	8754	4-13, 4-15, 5-3, 5-5, 5-7, 5-9, 5-11, 5-17, 6-27	1011389	1-11, 1-23
1624	4-13, 4-15, 5-5	8755	5-9	1011393	5-9, 5-13
1631	8-15	8861	5-7, 5-11	1011394	1-3
2402	5-7, 5-11	8990	5-5, 12-3, 12-5, 12-21, 12-27, 12-43	1011402	4-7, 4-9
4029	6-17, 12-37	8251	1-11	1011411	13-3, 13-5
4034	6-19, 12-39	1010005	5-9, 5-13	1011415	5-15, 5-17
7048	5-9, 5-13	1010124	5-7, 5-11	1011418	4-7, 4-9
7173	6-19, 6-27, 6-29, 12-17, 12-39, 12-41	1010138	5-7, 5-11	1011439	6-19, 12-39
7174	4-11, 5-3, 6-27, 8-11, 9-3, 9-5, 12-17, 12-25, 12-41, 13-3, 13-5	1010145	5-15, 5-17	101146302	4-5, 4-11
7251	1-3	1010150	5-9, 5-13	1011464	4-5, 4-11
7310	2-3, 2-5	1010177	5-9, 5-13	1011465	4-5, 4-11
7330	11-7, 14-3	1010219	5-7, 5-11	1011466	4-3, 4-5, 4-11
7335	11-5, 14-3	1010434	1-3, 1-9, 1-13, 1-15, 1-17, 1-25, 1-27, 1-31	1011467	4-5, 4-11
7336	14-3	1010435	1-3, 1-13, 1-31, 1-35	1011478	16-5
7473	1-3, 1-13, 1-21, 1-23, 4-7, 4-9, 4-13, 4-15, 6-19, 6-27, 6-29, 12-5, 12-39	1010543	1-9, 1-11, 1-19, 1-23, 1-25, 1-27, 1-29	1011480	16-7
7479	1-7	1010545	1-29	1011497	6-21, 12-47
7532	1-35	1010695	1-11, 1-23	1011498	6-21, 12-47
7539	5-7, 5-11	1010805	4-7, 4-9	1011557	6-19, 6-21, 12-39, 12-47
7540	5-5, 5-7, 5-11	1010829	4-3, 4-5, 4-9, 4-11	1011558	6-21, 6-23, 12-17, 12-47
7555	5-5, 5-7, 5-11	1010850	4-3, 4-5, 4-11	1011571	6-21, 12-47
7569	5-15, 5-17	1010877	4-7, 4-9	1011578	1-11, 1-23, 5-3, 12-15, 12-23, 12-47, 12-57
7577	15-3, 15-5, 15-7, 15-9, 15-13	1010878	1-35, 4-7, 4-9	1011582	6-21, 6-23, 12-47, 12-57
		101090801	12-15, 12-23, 12-47, 12-57	1011610	6-21, 12-47
		101090802	12-47, 12-57	1011622	6-23
		1010909	6-17	1011652	1-9, 1-19, 1-29
				1011694	4-13, 4-15
				1011697	1-33, 5-3, 7-27, 8-9, 8-11, 9-5
				1011700	4-13

INDEX

1011707	15-11, 15-13	1012811	16-3	1013773	11-7
1011734	4-13	1012812	16-3	1013774	11-7
1011767	16-3	1012830	6-27, 9-3, 9-5	1013787	11-7
1011779	4-3, 4-5, 4-7, 4-9, 4-11	1012903	12-5	1013790	11-7
1011825	6-17, 12-37	1012981	7-5, 7-17	1013791	11-7
1011843	6-21, 12-47	1012986	6-19	1013794	11-7, 14-3
101187702	4-7, 4-9, 4-13, 4-15	1012987	6-3, 12-13	1013857	6-19, 12-39
1011887	5-9, 5-13	1013001	6-25	1013860	12-5
1011892	5-9, 5-13	1013003	6-25	1013861	5-3
1011930	5-5, 5-7, 5-11	1013005	6-25	1013869	4-7, 4-9
1011988	1-13, 1-31, 8-3	101301102	6-25	1013870	4-7, 4-9
1011990	1-29, 1-35	1013032	1-7, 1-17	1013871	4-13, 4-15
1012030	5-9, 5-13	1013035	5-5	1013872	1-35
1012098	15-3, 15-5, 15-7, 15-9, 15-11	1013042	5-5	1013876	4-7, 4-9
1012101	15-3, 15-7, 15-9, 15-11, 15-13	1013044	5-5	1013886	12-5
1012151	16-5	1013051	5-5	1013887	12-5
1012159	1-7	1013052	5-5	1013924	4-3, 4-5, 4-11, 7-27
1012164	7-27	1013061	1-29, 12-5, 12-15, 12-23, 12-45	1013998	12-5
1012181	5-15	1013135	5-9, 5-13	1014000	12-5
1012182	5-15	1013164	5-15	1014003	12-5
1012285	1-21, 1-33, 6-3, 8-3, 8-11, 12-17, 12-25, 12-41, 12-43	1013169	1-29	1014007	1-23, 4-13, 4-15
1012295	6-7, 6-15	1013207	4-3, 4-5, 5-15, 5-17	1014010	12-5
1012303	1-35, 5-9, 5-13, 5-15, 5-17	1013309	1-25, 1-27, 1-29	1014017	12-5
1012304	5-15, 5-17	1013311	1-25, 1-27	1014019	12-5
1012328	6-29	1013312	1-19, 1-25, 1-27, 1-29	1014049	10-3
1012333	6-3	1013335	1-11	1014050	10-3
1012353	12-5	1013343	1-5	1014051	10-3
1012382	6-5, 6-13	1013344	1-5	1014052	10-3
1012412	1-7, 1-15, 1-17	1013357	1-17, 1-29, 1-35, 6-17, 12-37, 12-45	1014055	10-3
1012431	6-3, 6-15, 6-21	1013461	6-17, 12-5, 12-37	1014056	10-3
1012438	8-15, 12-45	101347501	1-3	1014057	10-3
1012467	5-5	101347503	1-3	1014058	10-3
1012505	6-9, 6-19, 12-3, 12-39	101347505	1-13, 1-31	1014059	10-3
1012528	9-3, 9-5, 12-17, 12-25, 12-41	1013494	1-5	1014062	10-3
1012549	16-5	1013531	4-7, 4-9	1014065	6-3
1012560	16-5	1013582	16-3	1014070	10-5
1012565	5-3	1013587	6-3	1014072	10-5
1012566	5-3	1013589	6-3, 6-7, 6-15	1014078	10-5
1012571	7-27	1013590	6-3	1014080	10-5
1012581	1-15	1013591	6-3	1014089	6-3
1012594	6-3	1013593	16-5	1014109	12-5
1012597	1-19	1013609	6-7, 6-15	1014115	16-7
1012604	5-3	1013677	3-5, 3-9, 3-11, 3-15	1014116	8-3
1012605	5-3	1013683	12-15, 12-23	1014119	6-5, 6-13
1012649	8-3	1013687	8-3	1014125	5-3
1012656	1-19	1013692	8-3	1014126	5-3
1012657	1-19	1013700	8-11	1014145	6-3, 6-7, 6-15
1012711	11-3	1013734	9-3, 9-5, 12-25	1014153	4-3, 4-5, 4-11
1012714	11-5	1013746	8-3, 8-9	1014161	16-7
1012740	11-5	1013759	11-3	1014162	16-7
1012741	11-5	1013768	11-7	1014189	12-5
1012747	11-5	1013769	11-7	1014193	11-7
1012748	11-5	1013770	11-7	1014198	1-3
1012752	11-3	1013771	11-7	1014201	13-3, 13-5
1012809	16-5	1013772	11-7	1014207	11-7
				1014213	5-3

INDEX

1014214	5-3	1015139	8-3, 8-15	101570506	2-3, 2-5
1014216	5-3	1015143	8-3	101570507	2-3, 2-5
1014217	5-3	1015188	8-3	101570509	2-3, 2-5
1014236	5-15	101524002	6-27	101570512	2-3
1014253	12-5	1015330	9-3	101570513	2-3
1014259	16-5	1015332	6-5, 6-13, 7-3, 7-15	101570514	2-5
1014264	16-5	1015345	6-7, 6-15	1015707	2-3, 2-5
1014276	5-9, 5-13	1015356	1-35	1015720	6-9, 6-23
1014287	10-3	1015371	6-7	1015737	6-5, 6-7, 6-13, 6-15
1014288	5-3, 6-29, 12-17, 12-25	1015372	6-7, 6-15	1015741	6-7, 6-15, 12-45
1014289	6-25	1015373	6-7, 6-15	1015752	6-7, 6-15, 6-23, 8-13, 8-15, 12-9, 12-57
1014304	12-15, 12-23, 12-47, 12-57	1015399	1-35	1015760	5-19
1014305	16-3	1015405	6-7, 6-15	1015769	6-5, 6-13
1014306	1-7, 1-21, 1-33	1015408	8-11	1015777	6-7
1014321	1-25, 1-27, 1-29	1015426	8-13, 8-15	1015814	9-3, 9-5
1014374	6-29	1015453	5-19	1015845	8-11
1014375	6-29	1015457	5-19	101584502	8-11
1014387	1-25, 1-27, 1-29	101547601	3-5, 3-9, 3-11, 3-15	1015878	6-7, 6-15
1014392	1-9, 1-17	1015507	1-35	1015914	15-3, 15-7, 15-9, 15-11, 15-13
1014413	8-11	1015524	16-3	1015917	15-3, 15-7, 15-11, 15-13
1014414	12-5	1015525	1-7, 1-17	1015920	6-5, 6-27
1014453	10-3	1015530	1-33	1015932	6-27
1014454	10-5	1015539	1-37	1015969	7-3, 7-15
1014471	1-35	101553901	3-17	1016004	8-3
1014496	16-3	1015545	5-3	1016074	6-27
1014497	16-3	1015583	1-35, 5-9, 5-13, 5-15, 5-17	1016077	1-37
1014498	16-3	1015597	5-5, 5-7, 5-9, 5-11, 5-13	101609401	3-17
1014507	16-3	1015613	5-19	101610901	3-5, 12-5
1014508	16-3	1015614	5-19	101611003	16-7
1014510	16-3	101562602	1-11	1016154	5-3
1014523	8-3	101562604	1-11	1016156	5-3
1014524	8-3	101562605	1-11	1016175	12-5
1014528	12-13	101562701	1-19	1016181	5-3
101454602	5-15	101562702	1-11, 1-19, 1-23, 1-25, 1-27, 1-29	1016183	5-3
101454902	5-15	101562704	1-11, 1-19, 1-23, 1-25, 1-27, 1-29	1016202	8-11
1014555	5-15, 5-17	101562710	1-11, 1-19, 1-23, 1-25, 1-27, 1-29	1016203	10-3, 10-5
1014573	5-15	101564502	1-25, 1-27	1016214	5-3
1014645	1-5	101564503	1-25, 1-27	101621601	3-3, 3-7, 3-13
1014675	5-15	101564505	1-25, 1-27	1016219	5-3
1014727	6-3	101564804	1-23	1016289	10-3
1014771	2-3, 2-5	101564805	1-11, 1-23	1016337	11-5
1014807	6-3, 6-7, 6-15, 12-5	101564807	1-11, 1-23	1016338	11-5
1014808	6-7, 12-13	101564808	1-11, 1-23	1016341	11-3
1014856	12-7	1015649	7-3, 7-15	1016342	6-3
1014871	12-13	101565202	1-11	1016346	5-7, 5-11
1014901	5-15	101565205	1-11	1016349	5-7, 5-11
1014902	5-15, 5-17	101565206	1-11	1016350	5-7, 5-11
1014928	8-3	1015654	1-37	1016353	5-7, 5-11
1014947	12-17, 12-25, 12-41	1015656	1-37	1016356	6-17, 12-37, 12-45
1014948	6-15, 12-17, 12-41	1015660	1-37	1016363	12-45
1014999	12-5	1015661	4-15	1016366	12-45
1015032	1-5	101567202	2-3	1016379	1-33
1015064	6-3, 12-13	101570502	2-3	1016380	6-13
1015072	12-15, 12-23, 12-47, 12-57			1016384	5-9, 5-13
1015091	1-11, 1-23				
1015137	8-3, 8-9				

INDEX

1016385	5-7, 5-11	1016467	7-7, 7-19	1016542	7-9
1016386	5-9, 5-13	1016469	7-13	1016544	7-5, 7-9, 7-11, 7-17, 7-21, 7-23
1016387	5-9, 5-13	1016470	7-13, 7-25	1016545	7-9, 12-17, 12-41
1016389	5-9, 5-13	1016471	7-9	1016546	8-11
101641002	16-3	1016472	7-11, 7-23	1016547	7-3, 7-13, 7-15, 7-25, 8-9
101641101	16-7	1016473	7-7, 7-19	1016548	7-5
101641201	16-7	1016474	7-9, 7-21	1016549	7-9, 7-21
101641202	16-7	101647501	7-13	101655001	7-13
1016413	16-7	101647502	7-13	101655002	7-13
1016414	16-5	1016479	7-9, 7-21	101655003	7-13
1016415	16-5	1016480	8-9	101655004	7-13
1016416	16-3	101648102	8-9	101655005	7-13
1016417	16-3	101648203	7-7, 7-19	101655006	7-13
1016418	16-5	1016483	7-9, 7-21	101655007	7-13
1016423	6-15, 12-45	1016484	7-7	101655008	7-13
101642572	8-5	1016486	8-5, 8-7	101655009	7-13
101642575	8-5, 8-7	1016489	7-9, 7-21	1016551	16-7
101642578	8-5, 8-7	101649002	8-9	1016552	16-7
101642580	8-5, 8-7	1016493	7-5	1016553	16-7
101642582	8-5, 8-7	1016494	7-11, 7-23	1016554	16-7
101642585	8-7	1016496	7-11, 7-23	1016557	4-5, 4-11
1016429	7-7, 7-19	1016497	7-5, 7-17	1016558	7-13
1016430	7-9	1016499	8-5, 8-7	1016559	7-13
1016431	7-9	1016501	8-5, 8-7	1016560	7-9, 7-21
1016432	7-7, 7-19, 11-3	1016502	7-7, 7-19	1016561	7-5, 7-17
1016435	7-7	1016505	7-5	1016562	7-5, 7-13, 7-17, 7-25
1016436	7-9, 7-21	1016506	7-11, 7-23	1016563	7-9, 7-21
1016437	8-5, 8-7	1016507	7-3, 7-15	1016564	7-11, 7-23
1016438	8-9	1016509	7-13	1016565	7-11
1016439	8-9	1016510	7-11, 7-23	1016566	7-9, 7-21
1016440	8-9	101651402	2-3	1016567	7-11
1016441	8-9	101651406	2-3, 2-5	1016568	7-13
1016442	7-9, 7-21	101651407	2-3, 2-5	1016569	7-9, 7-21
1016443	7-3	101651409	2-3, 2-5	1016570	7-7, 7-19
1016444	8-9	101651412	2-3	1016571	7-13, 7-25
1016445	7-5, 7-17	101651413	2-3	1016572	8-9
1016446	7-11	101651414	2-5	1016573	4-5, 4-11
1016447	7-9	1016516	7-13	1016576	7-7, 7-19
1016448	7-9	1016517	7-9, 7-21	1016578	7-5, 7-17
1016449	7-9, 7-21	1016518	7-21	1016579	7-5, 7-17
1016450	7-9, 7-21	1016519	7-9, 7-21	1016580	7-13
1016451	7-9	1016520	7-11	1016581	7-7, 7-19
1016452	7-9, 7-21	1016521	7-11, 7-23	1016582	8-9
1016453	7-11	1016523	7-9	1016583	7-9, 7-21
1016454	7-11, 7-23	1016524	7-3	1016584	7-11, 7-23
1016455	7-5, 7-17	1016525	7-3	1016585	8-5, 8-7
1016456	7-3, 7-5, 7-11, 7-15, 7-17	1016526	7-3	1016586	7-5, 7-17
1016457	7-7, 7-19	1016531	7-3, 7-15	1016587	7-5, 7-17
1016458	7-9, 7-11, 7-21	1016532	7-13	1016588	7-5, 7-17
101645901	7-13	1016533	7-13	101660404	1-5
101645902	7-13	1016535	7-11, 7-23	1016622	5-3
101645903	7-13	1016536	7-3	1016627	16-5
1016460	7-13	1016537	7-7, 7-19	1016630	6-9, 6-19
101646101	7-13	1016538	7-11, 7-23	1016631	12-45
101646102	7-13	1016539	7-3, 7-15	1016663	5-3
101646103	7-13	1016541	7-13, 7-25	1016668	1-13, 1-31

INDEX

1016670	1-25	1016916	1-9, 1-23	101708301	1-5
1016672	11-7	101692501	1-3	1017141	1-7, 1-17
1016673	1-25, 15-11, 15-13	101692502	1-3	1017187	15-11, 15-13
1016679	1-33	101692504	1-3	1017188	10-3, 10-5
101668201	12-47, 12-57	101692506	1-3	1017189	15-11, 15-13
1016698	12-31, 12-35, 12-51, 12-55	101692509	1-3	1017203	8-3
101670201	1-3	101692510	1-3	1017211	4-9
1016711	1-3	101692511	1-3	1017221	7-3
1016717	6-23, 12-57	101692512	1-3	1017226	5-3
1016718	1-5	101692513	1-3	1017231	11-3
1016723	1-25, 1-27	101692514	1-3	1017232	4-11
1016724	1-35	101692515	1-3	1017235	5-15
101672701	6-3	101692602	1-7	1017238	6-15
101672702	6-3	101692604	1-7	1017239	6-15
1016729	12-31, 12-35, 12-51, 12-55	101692606	1-7	1017243	6-15
1016732	12-31, 12-35, 12-51, 12-55	101692609	1-7	1017259	1-21
101674702	4-13	101692610	1-7	1017266	5-7, 5-11
101674704	4-13	101692611	1-7	1017273	5-3
1016751	1-21, 1-23, 1-25, 1-27, 1-29	101692612	1-7	101728201	1-19
101675501	1-21, 1-23	101692613	1-7	101728202	1-19
101675502	1-21, 1-23, 1-25, 1-27, 1-29	1016930	1-29	101728203	1-19
101675504	1-21, 1-23, 1-25, 1-27, 1-29	101693201	3-7, 3-13	101728204	1-19
101675505	1-29	101693301	1-7	101728210	1-19
101675506	1-21, 1-23, 1-25, 1-27	101693302	1-7	101728211	1-19
101677701	1-21, 1-23, 1-25, 1-27, 1-29	101693304	1-7	101728213	1-19
101677702	1-21, 1-23, 1-25, 1-27, 1-29	101693306	1-7	101728214	1-19
101677703	1-21, 1-23	101693309	1-7	101728701	1-17
101677705	1-21, 1-23, 1-25, 1-27, 1-29	101693310	1-7	101728702	1-17
1016801	10-3	101693311	1-7	101728704	1-17
1016813	5-19	101693312	1-7	101728706	1-17
1016814	5-19	101693313	1-7	101728708	1-17
1016816	1-29	101693901	1-3	101728709	1-17
1016819	1-29	101693902	1-3	101728710	1-17
1016824	1-29	101693904	1-3	101728711	1-17
1016838	1-31	101693906	1-3	101728712	1-17
1016839	1-27, 1-29	101693908	1-3	1017289	1-5
101684102	1-29	101693909	1-3	1017310	1-21
101684103	1-29	101693910	1-3	1017313	5-3
101684105	1-29	101693911	1-3	1017314	5-3
1016842	1-13, 1-31	101693912	1-3	1017315	5-3
1016843	1-31	101693913	1-3	101731601	1-15
1016845	12-13	101693914	1-3	101731602	1-15
1016849	6-9, 6-17, 6-23, 12-3, 12-37, 12-57	1016947	6-3	101731604	1-15
1016851	6-9, 6-17, 6-21, 6-23, 12-3, 12-37, 12-47, 12-57	1016952	1-5	101731606	1-15
1016859	6-9, 6-17, 6-21, 6-23, 12-3, 12-37, 12-47, 12-57	1016967	1-3	101731608	1-15
1016868	1-3	1016970	1-25	101731609	1-15
1016875	1-33	1016997	6-15	101731610	1-15
1016876	1-33	1017029	4-7, 4-9	101731611	1-15
1016879	6-17, 12-37	1017035	6-21, 12-47	101731612	1-15
1016880	6-17, 12-37	101705701	3-3, 3-7, 3-11, 3-17	1017317	5-3
1016883	6-27	1017062	6-17, 12-37	1017327	10-5
1016901	10-3	1017064	6-17, 12-37	1017328	10-3
1016904	9-5	1017065	6-17, 12-37	101737002	2-3, 2-5
		101707801	3-17	1017378	4-13, 4-15
		1017079	1-33	1017380	4-13, 4-15
		1017080	1-3	101738301	10-3

INDEX

1017384	1-19	101769302	2-3, 2-5	101797801	12-15, 12-23, 12-47, 12-57
101739201	12-27	1017695	1-19	101799201	1-21
1017400	4-15	1017696	4-13, 4-15	101801001	1-25, 12-15, 12-23, 12-45, 15-11, 15-13
1017424	4-13, 4-15, 12-27	1017699	6-21, 12-47	101802101	12-15, 12-23, 12-45
1017434	7-21	1017705	12-15, 12-23, 12-45	101802201	15-3
1017435	7-21	1017721	6-17	101802202	15-3
1017442	7-19	101773301	7-25	101802203	15-3
1017443	7-23	101773302	7-25	101802204	15-5
1017444	7-21	101773303	7-25	101802205	15-5
1017445	7-21	101773304	7-25	101802206	15-5
1017446	7-21	101773305	7-25	101802401	12-43
1017447	7-23	101773306	7-25	101804201	4-15
1017448	7-5, 7-17	101773307	7-25	101804301	4-15, 8-13, 8-15, 12-27
101744901	7-25	101773308	7-25	101805701	8-13
101744902	7-25	101773309	7-25	101806901	1-17
1017450	7-25	101773310	7-25	101808401	16-3
101745101	7-25	101773311	7-25	101809001	12-27
101745102	7-25	1017743	4-15, 12-27	101809101	16-3
1017453	7-25	1017748	1-7, 1-17	101810801	12-43
1017454	7-21	1017774	1-11, 1-21, 1-23	101811301	8-15
1017455	7-5, 7-17	1017799	12-13	101811401	8-13
1017456	7-7, 7-19	1017814	1-7	101811501	8-13
101745701	7-25	1017815	1-7	101811901	8-13, 8-15
101745702	7-25	1017830	12-27	101812301	8-13, 8-15
1017458	7-19	1017853	6-17, 12-27, 12-37	101813001	8-13, 8-15
1017460	7-19	101788201	1-15	101813202	16-3
1017461	8-5, 8-7	101788202	1-15	101814201	12-39
1017463	7-17	101788204	1-15	101814301	15-11
1017466	8-9	101788206	1-15	101814302	15-13
1017471	7-25	101788208	1-15	101814701	12-39
1017472	7-23	101788209	1-15	101815501	4-3
1017473	7-21	101788210	1-15	101815502	4-3
1017474	7-15	101788211	1-15	101816301	4-3
1017475	7-15	101788212	1-15	101816501	4-3
1017476	7-15	101791101	4-3, 4-5	101816502	4-3
1017486	7-15	101791901	1-3	101817401	4-13, 4-15
1017487	7-23	1017936	1-7, 1-17	101818801	4-13
1017490	7-17	1017944	13-3, 13-5	101819701	15-3, 15-11
1017500	7-15	1017946	13-3	101820201	8-9
1017501	7-25	1017947	13-3, 13-5	101821501	8-13, 8-15
1017502	7-25	1017948	13-3, 13-5	101822601	12-27
1017503	7-25	1017949	13-3, 13-5	101823101	16-5
1017504	7-23	1017950	13-3, 13-5	101823201	4-3
1017507	7-7, 7-19	1017951	13-3	101823301	4-3
1017508	7-23	1017953	13-3, 13-5	101823302	4-3
1017510	7-25	101795701	12-7, 12-11, 12-15, 12-19, 12-23, 12-31, 12-35, 12-47, 12-51, 12-55, 12-57	101823801	4-3
1017511	7-23	1017958	13-3	101823901	4-3
1017513	7-23	1017961	13-3	101824001	4-3
1017514	7-23	101796201	4-13, 4-15	101824002	4-3
101751801	7-23	101796501	12-15, 12-23, 12-45	101824401	8-3
101751802	7-23	101796801	12-15, 12-23, 12-45	101825101	3-3, 3-7, 3-13
101751803	7-23	1017976	1-35	101825102	3-7, 3-13
101753005	12-13	101797701	12-15, 12-23, 12-47, 12-57	101825701	8-15
1017653	6-25	101797702	12-15, 12-23, 12-47, 12-57	101826201	12-3, 12-39
1017686	10-5			101826301	6-9
1017689	9-3, 9-5				

INDEX

101826401	6-19	101838201	15-7, 15-13	101877001	5-9, 5-13
101827101	7-27	101838301	15-7, 15-13	101877601	6-25
101827801	12-17, 12-25	101838401	15-7, 15-9, 15-13	101877701	6-25
101827802	12-43	101838501	15-7	101878101	6-25
101828301	15-3	101838601	15-7, 15-9, 15-13	101878201	4-7, 4-9
101828501	15-3, 15-7, 15-11, 15-13	101838701	15-7, 15-11, 15-13	101878302	5-5
101828601	12-37, 15-3, 15-5, 15-11	101840203	12-17, 12-41	101879001	6-25
101828801	15-3, 15-5	101840901	1-13	101879401	5-5
101828802	15-3, 15-5	101841101	1-13	101879501	5-5
101828901	15-3, 15-7, 15-9	101841201	1-13	101879601	5-5
101828902	15-3, 15-7, 15-9	101841202	1-13	101879701	5-5
101828903	15-3, 15-7	101841301	1-13	101879801	5-5
101828904	15-5	101841701	15-11	101879901	5-5
101828905	15-5	101841801	15-13	101880001	5-5
101828906	15-5	101841901	15-11, 15-13	101880101	5-5
101829001	15-11, 15-13	101846301	1-31	101880201	5-5
101829101	15-11, 15-13	101850301	8-13	101880301	5-5
101830601	6-9, 6-19, 12-3, 12-39	101851101	6-9, 6-19, 12-39	101880901	1-19, 1-29
101830701	6-9, 6-19, 12-3, 12-39	101855002	12-21	101881101	7-5, 7-17
101831101	15-3	101855801	6-3	101881701	1-19, 1-29, 8-13, 8-15
101831503	15-7	101855901	7-27	101883002	12-7, 12-11, 12-31, 12-35, 12-51, 12-55
101831504	15-7	101856001	12-21	101884801	7-27
101831701	15-7	101856101	12-21	101884901	2-3, 2-5
101831702	15-7	101856102	6-7, 6-15	101887101	16-3
101831801	16-3	101856201	8-13	101887601	7-3, 7-15, 8-9
101831901	16-3	101859301	9-3	101887901	12-25
101832001	12-15, 12-23, 12-45	101859401	9-5	101888501	1-25, 1-27
101832101	7-27	101861901	4-13, 4-15, 12-27	101888502	1-25
101832201	8-11	101862001	4-13, 4-15	101889401	11-5
101832202	8-11	101865106	12-31, 12-35, 12-51, 12-55	101889901	11-5
101832301	8-11	101865301	4-9	101890001	11-5
101832302	8-11	101869001	4-11	101890101	11-3
101832401	8-11	101869302	6-25	101890201	11-3
101832402	8-11	101870401	1-3	101890601	11-3
101832501	8-11	101870501	5-7, 5-11	101890901	11-7
101832601	7-27	101870601	5-7, 5-11	101891001	11-7
101832701	7-27	101871001	16-3	101891301	11-3
101832901	7-27	101871901	4-13	101891401	11-7
101833001	7-27	101872701	4-11	101891501	11-7
101833101	7-27	101874601	4-9, 4-11	101891601	11-5
101833201	7-27	101874901	6-25	101891901	11-5
101833301	7-27	101875001	6-25	101892001	11-5
101833401	10-5	101875101	6-25	101892201	11-5
101833601	11-3	101875201	6-25	101892301	11-5
101833701	6-25, 6-27	101875301	6-25	101892401	11-5
101833902	10-3	101875401	6-25	101892501	11-5
101833904	10-3	101875501	6-25	101892601	11-5
101834001	10-5	101875601	6-25	101892701	11-7
101834502	6-9, 6-19, 12-3, 12-39	101875701	6-25	101893201	11-5
101834601	7-27	101875802	6-25	101894303	1-25, 1-27
101834801	11-3	101876001	6-25	101894901	12-15, 12-23, 12-43, 12-45
101835601	1-25, 1-27, 12-43	101876202	6-25	101895101	12-27
101836201	10-5	101876301	6-25	101895401	14-3
101837001	1-17, 1-29, 1-35	101876402	6-25	101895501	14-3
101837101	8-13, 8-15	101876501	6-25	101895601	14-3
101837301	6-5, 6-13, 6-27	101876901	5-9, 5-13		

INDEX

101895701	14-3	101911003	12-7	101929501	8-3
101895801	14-3	101911101	12-7, 12-11	101929801	10-3
101895901	14-3	101911601	12-31, 12-35, 12-51, 12-55	101930801	12-31, 12-35, 12-51, 12-55
101896001	14-3	101911701	12-41	101931501	3-5, 3-15
101896501	6-25	101912401	4-13	101931601	12-43
101896901	8-3	101914401	6-13, 6-17, 12-31, 12-35, 12-37, 12-51, 12-55, 15-3, 15-7, 15-11, 15-13	101932001	12-5
101897001	14-3	101915201	3-5, 3-9, 3-11, 3-17	101932201	6-19, 12-39
101897201	14-3	101915401	7-11	101932401	12-21
101897401	14-3	101915501	7-13	101932501	12-21
101897601	14-3	101915601	7-3	101932601	12-25
101897901	14-3	101915701	7-5	101932701	12-25
101898001	6-29	101915801	7-5	101932801	12-5
101900801	4-3, 5-15	101915901	7-23	101933101	16-5
101900901	6-9	101916001	7-25	101935301	5-11
101901201	12-7, 12-11	101916101	7-15	101935501	12-3, 12-39
101901301	12-7, 12-11	101916201	7-17	101936801	12-9, 12-35, 12-55
101901401	12-7, 12-11	101916301	7-17	101939901	6-25
101901501	12-11	101916501	10-3	101942301	12-5, 12-17, 12-21, 12-43, 13-5
101902801	12-7, 12-11	101916701	6-27, 10-3	101946201	1-21, 1-25, 1-27, 1-29
101902901	12-7, 12-11	101917601	8-13, 8-15	101946901	12-5
101903001	12-7, 12-11	101917701	8-13	101949201	12-5
101903101	5-9, 5-13	101918401	2-3, 2-5	101951501	6-3
101903501	8-11	101918402	2-3, 2-5	101953001	4-7, 4-9
101903601	14-3	101920001	12-19	101953101	4-7, 4-9
101903701	14-3	101920101	12-5, 12-9, 12-17, 12-21, 12-27, 12-43, 13-5	101953102	4-9
101904101	1-7, 1-17	101921501	8-13, 8-15	101953103	4-9
101904402	12-31, 12-35, 12-51, 12-55	101921901	3-3, 3-9, 3-11, 3-15	101953901	7-3
101904403	12-31, 12-35, 12-51, 12-55	101922101	14-3	101954301	1-9, 1-11, 1-19, 1-21, 1-25, 1-27, 1-29
101904502	12-31, 12-35, 12-51, 12-55	101922201	14-3	101955001	5-11
101904503	12-31, 12-35, 12-51, 12-55	101922301	7-13	101955101	6-17, 12-37
101904602	12-31, 12-35, 12-51, 12-55	101922302	7-25	101955301	8-3
101904603	12-31, 12-35, 12-51, 12-55	101922501	12-21	101956201	15-9
101904702	12-31, 12-35, 12-51, 12-55	101923001	14-3	101956202	15-9
101904703	12-31, 12-35, 12-51, 12-55	101923201	14-3	101956502	12-25
101905601	8-5, 8-9	101923501	14-3	101957101	6-19, 12-39
101905901	8-7, 8-9	101923601	14-3	101957501	12-43
101906201	14-3	101923701	14-3	101958101	8-13
101906901	14-3	101923901	14-3	101958201	15-9
101908101	12-21	101924301	12-41	101958301	15-9
101908401	12-21	101925701	8-13, 8-15	101958601	1-25, 1-27
101908601	3-5	101926501	5-17	101959902	3-3
101908701	12-17, 12-25, 12-41	101926802	8-15	101960001	3-13
101908801	12-31, 12-35, 12-51, 12-55	101926803	8-15	101960501	3-5, 3-9, 3-11, 3-15
101908902	12-31, 12-35, 12-51, 12-55	101927101	11-3	101960601	3-3, 3-7, 3-13
101908903	12-31, 12-35, 12-51, 12-55	101927101	11-3	101962601	12-43
101909201	7-5, 7-17	101927201	11-3	101963301	1-25, 1-27
101909301	7-5, 7-17	101927501	11-5	101963401	1-25, 1-27
101909401	7-5, 7-17	101927601	11-5	101963901	1-25, 1-27
101909501	7-5, 7-17	101927901	11-5	101964001	1-25, 1-27
101909701	7-3	101928001	11-5	101964601	3-15
101909901	12-17	101928101	11-5	101965201	12-17, 12-25
101909902	12-25	101928301	11-7	101966801	12-43
101909903	12-43	101928701	11-3, 14-3, 16-5	101966901	4-13
101909904	12-43	101929401	5-17	101968701	12-19
101910401	1-11, 1-21, 1-23, 12-17, 12-25				
101910501	11-7				

INDEX

101968801	12-43	101998205	1-9	102272201	7-25
101969701	6-19, 12-39	101998501	1-9	102273101	12-41
101971101	12-5	102003201	8-3	102273201	15-5
101971301	8-13, 8-15	102004001	5-13	102273301	15-5
101972101	14-3	102022101	4-3, 4-7	102273401	15-5
101972201	14-3	102026001	4-13, 4-15	102273501	15-5
101972401	14-3	102045901	6-3, 11-3	102273601	15-5
101972801	8-13, 8-15	102061201	16-7	102273701	15-5
101973101	8-5, 8-7	102101001	12-9	102273801	15-5
101973201	8-5	102101101	12-9	102273901	15-5
101973301	8-7	102162101	12-11	102274001	15-5
101973401	8-9	102166901	4-5, 4-9	102278001	5-3
101973501	15-9	102168701	3-9, 3-11	102292801	4-5, 4-9, 4-11
101975101	5-17	102169401	16-5	102304701	7-9
101975201	5-17	102174201	1-9	102304801	7-21, 7-23
101976001	14-3	102174202	1-9	102310701	1-3, 1-7, 1-17
101976601	15-9	102174204	1-9	102323101	4-7, 4-9
101978001	12-19	102174205	1-9	102323201	4-7, 4-9
101978101	12-19	102196601	12-19	102327801	13-5
101978201	12-19	102197901	5-13	102330901	16-5
101979101	6-3, 12-13	102199001	6-17	102336001	8-11
101980801	11-5	102199601	12-19	102336101	8-11
101980901	11-5	102235201	13-3, 13-5	102355301	6-29
101981001	11-5	102237701	13-3	102430901	7-25
101984801	5-3	102240102	13-5		
101985501	1-9	102240501	12-25	A	
101987402	6-5	102240601	12-25	ac voltage suppressor	15-3, 15-7, 15-9, 15-11, 15-13
101987501	15-9	102240801	12-25	accelerator cover	4-15, 12-27
101987601	1-9	102241501	16-5	accelerator pedal	4-13, 4-15
101987701	8-3	102242101	10-5	accelerator pedal adjustment tool	16-3
101987901	6-17, 12-37	102243402	16-5	accelerator pedal return spring cup	4-13
101988001	6-17, 12-37	102244501	3-15	accelerator pivot rod	4-13, 4-15
101988002	6-17, 12-37	102244701	3-15	accelerator rod	4-13
101988101	6-17, 12-37	102244801	3-15	A-connector (starter/generator)	6-25
101988201	6-17, 12-37	102248301	12-9	adapter, cable (IQDM)	16-5
101989901	12-31, 12-35, 12-51, 12-55	102248801	16-5	adapter, two-way	12-43
101990203	6-13	102249901	3-15, 16-3	adhesive, guide ring	16-3
101990402	6-13	102250201	12-13	adjuster, hydraulic brake	16-5
101990701	6-9, 6-19	102251501	16-5	adjusting stud	12-5
101990801	4-7, 4-9	102251901	13-5	air box	8-13, 8-15
101991101	6-9, 6-19	102259001	1-3	air duct	8-13, 8-15
101992601	6-7	102259101	1-3	air filter	8-13, 8-15
101992701	6-15	102259801	12-25	ammeter	15-3, 15-5, 15-7, 15-9, 15-11, 15-13
101997201	16-7	102263601	12-19, 12-25	anchor body (brake)	4-5, 4-11
101997202	16-7	102263701	12-25	anchor piston	4-5, 4-11
101997203	16-7	102265501	13-5	angle, seat hinge	1-29
101997204	16-7	102265601	13-5	A-plate strap	5-7, 5-11
101997205	16-7	102265701	13-5	arbor	16-7
101997206	16-7	102265901	13-5	arm	
101997207	16-7	102266001	13-5	brake lever	4-5, 4-11
101997209	16-7	102266101	13-5	governor lever	11-3
101997211	16-7	102266501	12-25	pivot	11-3
101997212	16-7	102266601	12-21	rocker	7-9, 7-21
101998201	1-9	102266701	12-21	speed switch	12-5
101998202	1-9	102267001	13-5		
101998204	1-9	102271601	7-23		

INDEX

- armature 6-25, 13-3, 13-5
- armrest 1-9
 - driver 1-25
 - front 1-21
 - passenger 1-27
 - rear 1-13, 1-21
 - rear seat 1-31
- assembly
 - 3-pin plug 13-5
 - 3-wire and receptacle 12-5
 - 6-pin plug 12-25
 - 48-volt motor 13-3
 - ac voltage suppressor 15-3, 15-7, 15-9, 15-11, 15-13
 - accelerator pedal 4-15
 - armature 6-25
 - armrest, passenger 1-27
 - axle 11-7, 14-3
 - bearing (steering column) 5-3
 - bolt (float chamber) 8-7
 - brush rigging 13-5
 - carburetor 8-9
 - carburetor (fe290 engine) 8-5
 - carburetor (fe350 engine) 8-7
 - charger case 15-3, 15-5, 15-7, 15-9, 15-11, 15-13
 - connecting rod 7-25
 - current limiter 15-9
 - cylinder head 7-9, 7-21
 - delta a-plate 5-7, 5-11
 - delta shock and gear support 5-7, 5-11
 - diode 6-15, 12-17, 12-41
 - diode with heatsink film 15-5
 - drive clutch (fe290 engine) 10-3
 - drive clutch (fe350 engine) 10-3
 - drive hub 10-3
 - driven clutch 10-5
 - eccentric (front suspension adjustment) 5-9, 5-13
 - end shield 13-5
 - fixed face (drive clutch) 10-3
 - float (carburetor) 8-5, 8-7
 - float chamber 8-5, 8-7
 - forward/reverse switch 12-13, 12-21
 - heatsink 15-3, 15-7, 15-9, 15-11, 15-13
 - hub 5-9, 5-13
 - idle screw 8-7
 - lever (brake) 4-3
 - moveable face (drive clutch) 10-3
 - moveable face (driven clutch) 10-5
 - pilot air screw 8-5, 8-7
 - resistor 12-17, 12-25, 12-41
 - rod (counterbalance) 7-13
 - screw (float chamber) 8-7
 - seat back 1-23
 - seat bottom 1-9
 - spindle, front suspension 5-9
 - stator shell 13-3, 13-5
 - steering column 5-3
 - switch brush 12-5
 - taillight 6-21, 6-23, 12-47, 12-57
 - transformer 15-3, 15-5, 15-7, 15-9, 15-11, 15-13
 - voltage suppressor 6-13, 12-31, 12-35, 12-37, 12-51, 12-55
 - wheel and tire 2-3, 2-5
 - wiper switch 12-5
 - wire, battery charger 15-3, 15-5, 15-7, 15-9, 15-11, 15-13
 - wire, fe290 engine 7-3
 - wire, fe350 engine 7-15
 - wire, multi-step potentiometer 12-5
 - wire, sense lead 12-23, 12-45
- axle 11-7, 14-3
- axle shaft seal 14-3
- axle tube 11-7, 14-3
- B**
- backing plate (brake) 4-3, 4-5, 4-11
- bag rest mat 1-17
- ball bearing, output shaft 6-25
- ball joint 5-7, 5-11
- ball joint, inner 5-5
- ball joint, left-hand thread 5-5, 5-11
- ball stud (accelerator pedal) 4-13
- ball stud (shifter lever) 11-3
- ball, steel (shift fork retainer) 11-5
- ball, steel pressure relief 7-7, 7-19
- band, rpm limiter mount 7-5, 7-17
- bar
 - bus 12-13
 - connecting, footrest 1-13, 1-31
 - drive 12-9
 - stabilizer 5-19
- barb, vent 8-3
- barrel, plastic 1-3, 1-15, 1-17, 1-25, 1-27
- base, forward/reverse shifter 6-3
- base, taillight 6-21, 12-47
- battery cap 12-15, 12-23, 12-47, 12-57
- battery charger with reel, onboard 15-11, 15-13
- battery charger, PowerDrive 15-3, 15-5, 15-7, 15-9
- battery clamp 6-29
- battery condition indicator 12-39
- battery discharge machine 16-3
- battery hold-down 12-15, 12-23, 12-47, 12-57
- battery insulator 1-17, 1-29, 1-35
- battery terminal protector spray 16-3
- battery thermometer 16-3
- battery warning light 12-3, 12-39
- battery, 12-volt 6-29
- battery, 8-volt 12-15, 12-23, 12-47, 12-57
- bearing
 - ball (crankshaft) 7-11
 - ball (motor) 13-3, 13-5
 - ball, input shaft 11-5
 - ball, output shaft 6-25
 - bronze 12-5
 - crankshaft 7-23
 - differential 14-3
 - idler (drive clutch) 10-3
 - inner axle tube 11-7
 - input gear 14-3
 - intermediate gear 14-3
 - lower pinion 5-5
 - needle 11-5
 - outer axle tube 11-7
 - pivot support 4-13, 4-15, 12-27
 - plain (counterbalance rod) 7-13
 - thrust 5-9, 5-13
 - upper pinion 5-5
- bearing (steering column) 5-3
- bearing and oil seal remover 16-3
- bearing driver set 16-3
- bearing puller 16-3
- bearing puller wedge 16-3
- bearing retainer 13-5
- bearing retainer (motor) 13-3
- bearing retainer (starter/generator) 6-25
- bearing retainer screw 13-3
- bell crank 12-5
- bell crank and shaft 6-7, 6-15
- belt, drive 10-3, 10-5
- belt, starter/generator 6-27, 10-3
- bezel
 - headlight 6-17, 12-37
 - receptacle 12-15, 12-45
 - taillight 6-21, 12-47
- bezel, receptacle 12-23
- block
 - brake pedal mounting 4-7
 - fuse 6-7, 6-15, 12-45
 - terminal 6-17, 12-37, 12-43, 12-45
 - terminal (controller) 12-25
- board, control 15-11, 15-13
- body
 - center 1-15
 - front 1-3
 - mid-center 1-15
 - rear 1-7, 1-17
- body spacer 1-11, 1-21, 1-23
- bolt, brake adjustment 4-5, 4-11
- bolt, brake cluster mounting 4-3, 4-5
- bolt, j- 12-23
- boot
 - dust 5-5
 - rubber 8-3

INDEX

- steering column 5-3
- tow/run switch 12-21
- box, electrical component 6-7, 6-15
- bracket
 - accelerator support 8-11
 - adjusting (starter/generator) 6-27
 - armrest 1-13
 - brake cable guide 5-11
 - brake light switch 6-19, 12-39
 - engine shroud 7-3
 - fuel gauge/hour meter 6-9, 6-19
 - fuel pump mounting 8-3
 - governor cable engine 8-11
 - horn 6-17, 12-37
 - mounting 6-17, 12-37, 15-11, 15-13
 - mounting (starter/generator) 6-27
 - muffler mounting 9-3, 9-5
 - oil filter 7-7, 7-19
 - oil level switch 7-11, 7-23
 - power relay mounting 15-7, 15-11, 15-13
 - relay mounting 6-15
 - retaining 8-15
 - rpm limiter 7-5, 7-17
 - seat back mounting 1-27, 1-29
 - seat support 1-19
 - snubber 7-27
 - stabilizer bar mounting 5-19
 - stake side 1-37
 - steering column mounting 5-3
 - support 8-11
 - throttle 8-9
 - tow/run switch 12-21
 - transmission cable support 6-3, 11-3
- brake actuator 4-5, 4-11
- brake adjusting mechanism 4-3
- brake adjustment bolt 4-5, 4-11
- brake adjustment tool 16-3
- brake cable 4-3, 4-5, 4-7, 4-9, 4-11
- brake cable clamp 5-11
- brake cable equalizer 4-7
- brake cable guide bracket 5-11
- brake cable hanger 4-3, 4-5, 5-15, 5-17
- brake cluster 4-3, 4-5, 4-11
- brake cluster mounting bolt 4-3, 4-5
- brake drum 4-3, 4-5, 4-11
- brake dust cover 4-3, 4-5, 4-11
- brake lever arm 4-5, 4-11
- brake pedal 4-7, 4-9
- brake pedal adjustment tool 16-3
- brake pedal mounting block 4-7, 4-9
- brake pedal pad 4-7
- brake pedal stop bumper 4-7
- brake pedal tension tool 16-3
- brake shoe 4-3, 4-5, 4-11
- brake spring 4-3, 4-5, 4-11
- breaker
 - circuit, 10-amp 15-7, 15-9, 15-13
 - circuit, 15-amp 15-3, 15-5, 15-11
- breather, transaxle case 11-3, 14-3
- bronze bushing 5-9, 5-13, 6-3, 6-7, 6-15
- bronze spindle bushing 5-9, 5-13
- brush 6-25, 13-3, 13-5
- brush connector 6-25
- brush holder 6-25
- brush holder screw 13-3
- brush inspection port cover 6-25
- brush rigging 13-3
- brush spring 6-25, 12-5, 13-3, 13-5
- bulb, halogen 6-17, 12-37
- bulb, taillight 6-21, 6-23, 12-47, 12-57
- bumper
 - brake pedal stop 4-7
 - front 1-3
 - guard 1-13, 1-31
 - jounce 5-15
 - long seat 1-29
 - motor 13-3, 13-5
 - mount 5-15
 - rear 1-33
 - return spring 4-13, 4-15
 - rubber 1-11, 1-35, 4-9
 - seat 1-19, 1-25, 1-27
 - wiper switch 12-5
- bus bar 12-13
- bushing
 - bronze 5-9, 5-13, 6-3, 6-7, 6-15
 - bronze spindle 5-9, 5-13
 - drive clutch 10-3
 - insulator 13-3, 13-5
 - nylon 1-11, 1-23
 - snap 12-41
 - stabilizer bar 5-19
 - steel 1-35, 5-9, 5-13, 5-15, 5-17
 - strain relief 15-3, 15-5, 15-7, 15-9, 15-11, 15-13
 - urethane 1-35, 5-7, 5-9, 5-11, 5-13, 5-15, 5-17
- button, choke 8-13
- button, horn 6-19, 12-39
- C**
- cable
 - accelerator 8-11
 - accelerator, snap-in 8-11
 - brake 4-3, 4-5, 4-7, 4-9, 4-11
 - choke 8-15
 - governor 8-11
 - governor, snap-in 8-11
 - IQDM 16-5
 - retainer 6-3
 - transmission 6-3
- calibration test module 16-3
- cam (driven clutch) 10-5
- cam installation tool 16-3
- cam, electrical box 6-7, 6-15
- cam, neutral lock-out 6-3
- camshaft 7-11, 7-23
- cap
 - adjustment bolt 4-5, 4-11
 - battery 12-15, 12-47, 12-57
 - battery (4-port) 12-23
 - corner 1-25, 1-27, 1-29
 - dust 12-21
 - fuel tank 8-3
 - key switch 6-9, 6-19, 12-3, 12-39
 - seat back 1-11, 1-21, 1-23, 1-27, 1-29
- carburetor (fe290 engine) 8-5, 8-9
- carburetor (fe350 engine) 8-7, 8-9
- carburetor gasket 8-9
- carburetor insulator 8-9
- card, safety first 16-5
- carrier, wiper switch arm 12-5
- case
 - charger 15-3, 15-5, 15-7, 15-9, 15-11, 15-13
 - forward/reverse switch 12-21
 - gear 11-3, 14-3
 - gear carrier 11-7
 - rocker arm 7-9, 7-21
 - wiper switch 12-5
- center body 1-15
- charger case 15-3, 15-5, 15-7, 15-9, 15-11, 15-13
- charger, PowerDrive battery 15-3, 15-5, 15-7, 15-9
- choke button 8-13
- choke cable 8-15
- choke lever 8-13, 8-15
- choke lever guide 8-13
- choke positioner 8-13
- choke valve 8-13, 8-15
- circlip, type-e 7-21
- circuit breaker, 10-amp 15-7, 15-9, 15-13
- circuit breaker, 15-amp 15-3, 15-5, 15-11
- clamp
 - battery 6-29
 - brake cable 5-11
 - cable retaining 8-11
 - forward/reverse shifter 6-3
 - hose 8-3, 8-9
 - hose (air intake) 8-13, 8-15
 - muffler 9-3, 9-5
 - plastic 8-3
 - wire 7-5
- clamp screw 13-3, 13-5
- clevis, upper delta 5-9, 5-13
- clip, body keeper 1-7, 1-17

INDEX

clip, scorecard 5-3
cluster, brake 4-3, 4-5, 4-11
clutch alignment tool 16-3
clutch tool kit 16-3
clutch, drive (fe290 engine) 10-3
clutch, drive (fe350 engine) 10-3
clutch, driven 10-5
coil, field 6-25
coil, ignition 7-5, 7-17
collar (axle shaft) 11-7
collet (cylinder head) 7-9, 7-21
column, steering 5-3
communication display module 16-3
commutator end bell 6-25
component mounting plate 12-17, 12-25
compression gauge 16-3
compression mount 5-19
compression spring 8-13
compressor, piston ring 16-5
compressor, valve spring 16-7
computer, onboard 12-17, 12-25, 12-43
conduit, potentiometer 12-27
connecting bar, footrest 1-13, 1-31
connecting rod 7-25
connecting rod (crankshaft) 7-13, 7-25
connector
 4-pin 12-21
 IQ controller 12-25
connector, 3-pin 12-43
connector, cord (oil level sensor) 7-11, 7-23
continuity tester 16-5
control board 15-11, 15-13
controller, 48-volt (250-amp) 12-25
controller, 48-volt (300-amp) 12-17, 12-41
cord connector (oil level sensor) 7-11, 7-23
cord housing (front seat) 1-25, 15-11, 15-13
cord, dc (charger) 15-3, 15-5, 15-7, 15-9, 15-11, 15-13
cordset, ac 15-3, 15-5, 15-7, 15-9, 15-11, 15-13
corner cap 1-25, 1-27, 1-29
counterbalance guide shaft 7-13, 7-25
counterbalance weight 7-13, 7-25
cover
 accelerator 4-15, 12-27
 brake dust 4-3, 4-5, 4-11
 brush inspection port 6-25
 component 12-43
 controller 12-25
 crankcase 7-11, 7-23
 dust 5-9, 5-13
 electrical component box 6-7, 6-15
 fuse block 12-45
 gear case 11-7
 oil pump 7-7, 7-19

screw head 1-5
seat back support 1-25
seat bottom 1-9
steering column 5-3
vinyl seat back 1-11, 1-21, 1-23, 1-25, 1-27, 1-29
vinyl seat bottom 1-11, 1-19, 1-23, 1-25, 1-27, 1-29
wiper switch 12-5
crank, bell 12-5
crankcase 7-13, 7-25
crankcase cover 7-11
crankcase vent tube 8-9
crankshaft 7-13, 7-25
crankshaft seal 7-11
crankshaft shim 7-13, 7-25
cup, accelerator pedal return spring 4-13
cup, spring 4-15
current limiter 15-9
cushion, shock absorber 5-15, 5-17
cutter, valve seat 16-7
cylinder head 7-9, 7-21

D

damper, rpm limiter 7-5, 7-17
dash, driver side 1-5
dash, passenger side 1-5
dc cord (charger) 15-3, 15-5, 15-7, 15-9, 15-11, 15-13
decal
 battery danger 3-5, 3-9, 3-11, 3-15
 bed bolt warning 3-17
 bed load 1-37
 bed load warning 3-17
 component cover caution 3-15
 crush area 3-17
 driver/passenger warning 3-3, 3-7, 3-13
 electrical component cover 3-5, 12-25
 frame ground and governor warning 3-5, 3-9, 3-11, 3-17
 gasoline warning 3-5, 3-9, 3-11, 3-15
 Ingersoll-Rand 3-3, 3-9, 3-11, 3-15
 key switch 3-3, 3-7, 3-13
 motor braking 3-3
 no ground 3-15
 operating instructions 3-3, 3-7, 3-13
 passenger warning 3-3, 3-7, 3-11, 3-17
 potentiometer caution 3-5
 rotating parts and hot manifold warning 3-5, 3-9, 3-11, 3-15
 tow/run switch 3-5
 TransPorter 3-15
 vehicle loading 3-13
 Villager 3-11
 wiper switch warning 12-5
delta a-plate 5-7, 5-11

delta shock and gear support 5-7, 5-11
differential bearing 14-3
differential gear 11-7, 14-3
differential gear case 11-7
differential housing 14-3
differential idler gear 11-7, 14-3
differential pin 11-7, 14-3
diode assembly 6-15, 12-17, 12-41
dipstick 7-3, 7-15
door, access 1-7, 1-17
double lip seal 5-9
drag link, rack and pinion 5-5
drain plug 7-19
drain plug (crankcase) 7-7
drink holder 1-5
drive bar 12-9
drive belt 10-3, 10-5
drive clutch (fe290 engine) 10-3
drive clutch (fe350 engine) 10-3
drive clutch button 10-3
drive clutch holder tool 16-3
drive clutch hub puller 16-3
drive clutch puller 16-3
drive hub 10-3
driven clutch 10-5
driven clutch cam puller 16-3
driven clutch puller plug 16-3
driver, drive clutch 10-3
drum, brake 4-3, 4-5, 4-11
dry moly lubricant 16-5
duct, air 8-13, 8-15
dust boot 5-5
dust cap 12-21
dust cover 5-9, 5-13
dust seal 5-7, 5-11

E

8-volt battery 12-15, 12-23, 12-47, 12-57
eccentric (front suspension adjustment) 5-9, 5-13
electrical component box 6-7, 6-15
end bell, commutator 6-25
end bell, output shaft 6-25
end shield 13-3, 13-5
engine shroud 7-3, 7-15
engine valve spring 7-9, 7-21
engine, fe290 ohv gasoline 7-3
engine, fe350 ohv gasoline 7-15
equalizer and pivot limiter 4-9
equalizer rod 4-7, 4-9
equalizer, brake cable 4-7
exhaust system 9-3, 9-5
exhaust valve 7-9, 7-21

F

4-pin plug and wedge lock 12-21

INDEX

4-pin receptacle and wedge lock 12-21
48-volt motor, 3.10-hp 13-3
48-volt motor, 3.20-hp 13-5
48-volt solenoid 12-17, 12-25, 12-41
fan housing 7-3, 7-15
fan shroud 7-3, 7-15
fan, flywheel 7-5, 7-17
fastener, plastic barrel 1-13, 1-31
fe290 ohv gasoline engine 7-3
fe350 ohv gasoline engine 7-15
fender extrusion 1-3
fender, inner 1-7, 1-17
fender, rear 1-33
field coil (starter/generator) 6-25
fill plug 14-3
filter
 air 8-13, 8-15
 fuel 8-3
 oil 7-7, 7-19
fitting, grease 5-9, 5-13
fitting, thread-forming grease 5-5, 5-7, 5-11
fixed face (drive clutch) 10-3
fixed face (driven clutch) 10-5
float (carburetor) 8-5, 8-7
float chamber 8-5, 8-7
float chamber gasket 8-5
floor mat 1-5
flywheel 7-5, 7-17
flywheel fan 7-5, 7-17
flywheel puller 16-5
footrest mat 1-13, 1-31
footrest, rear 1-13, 1-31
fork, shift 11-5
forward/reverse bell crank 6-3
forward/reverse cam spring 6-3
forward/reverse handle 6-3, 12-13
forward/reverse shifter 6-3
forward/reverse switch 12-13, 12-21
forward/reverse switch case 12-21
front body 1-3
front spring retainer plate 5-9
f-terminal insulator 6-25
fuel filter 8-3
fuel gauge/hour meter 6-9, 6-19
fuel impulse pump 8-3
fuel line 8-3
fuel pickup tube valve 8-3
fuel strap, front 8-3
fuel strap, rear 8-3
fuel tank 8-3
fuse
 10-amp 6-7, 6-15
 20-amp 6-15, 12-45
 3/8-amp 12-15, 12-23, 12-45
 battery charger 15-3, 15-5, 15-7, 15-9,
 15-11, 15-13

 block 6-7, 6-15
 fuse and receptacle 12-15, 12-45
 fuse block 12-45

G

gasket
 carburetor 8-9
 controller 12-25
 crankcase cover 7-11, 7-23
 drain plug 7-7, 7-19, 11-3
 exhaust 9-3, 9-5
 fe290 7-9
 float chamber 8-5, 8-7
 head 7-9, 7-21
 heat transfer 12-43
 insulator 8-9
 liquid 14-3, 16-5
 liquid (transaxle case) 11-3
 oil pump 7-7, 7-19
 plug 14-3
 rocker arm case 7-9, 7-21
 seat 1-9, 1-19
 taillight 6-23, 12-57
 throttle bracket 8-9
gasket kit 7-21, 7-23
gauge, compression 16-3
gauge, fuel 6-9, 6-19
gear
 case 11-3, 14-3
 cluster idler 11-5
 differential 11-7, 14-3
 differential idler 11-7, 14-3
 helical (crankshaft) 7-13, 7-25
 input 11-5
 intermediate 14-3
 output 11-7, 14-3
 spur (crankshaft) 7-13, 7-25
 spur (transaxle) 11-5
gear yoke 16-5
governor 11-5
governor cable 8-11
governor guard 8-9
governor lever arm 11-3
governor shaft installation tool 16-5
grease fitting 5-5, 5-9, 5-11, 5-13
grip, pencil 5-3
grommet
 5/8 12-43
 choke cable 8-15
 flywheel 7-5, 7-17
 insulation 8-3
 split 12-5
guard, bumper 1-13, 1-31
guard, governor 8-9
guide
 choke lever 8-13

 oil (transaxle) 11-5
 steering rack 5-5
 valve 7-9, 7-21
 valve seat cutter 16-7
guide ring adhesive 16-3

H

handle, forward/reverse 6-3, 12-13
handle, Powerdrive 2 battery charger 15-5
handrail, first seat 1-25
handrail, rear seat 1-13, 1-31
hanger, brake cable 4-3, 4-5, 5-15, 5-17
hardware, terminal (starter/generator) 6-25
harness retainer 6-9
harness, wire
 gasoline 6-5, 6-13
 headlight 6-17, 12-37
 IQ System 12-19
 lighting 12-31, 12-35, 12-51, 12-55
 power 12-31, 12-35, 12-51, 12-55
 PowerDrive System 48 12-7, 12-11
head gasket 7-9
headlight 6-17, 12-37
heat shield 1-17
heat shrink 15-11, 15-13
heatsink 15-3, 15-5, 15-7, 15-9, 15-11,
 15-13
helical gear (crankshaft) 7-13
hinge
 long 1-11, 1-23
 seat 1-29
 short 1-11, 1-23
hold-down, battery 12-15, 12-23, 12-47,
 12-57
holder, drink 1-5
horn 6-17, 12-37
horn button 6-19, 12-39
hose clamp 8-3, 8-9
hose clamp (air intake) 8-13, 8-15
hose, intake 8-13, 8-15
hour meter 6-9, 6-19
housing
 cord (front seat) 1-25, 15-11, 15-13
 differential 14-3
 fan 7-3, 7-15
 female 3-wire 13-5
 field coil (starter/generator) 6-25
 potentiometer 12-27
 taillight 6-23, 12-57
hub 5-9, 5-13
hub, drive 10-3
hub, synchronizer clutch 11-5
hydraulic brake adjuster 16-5
hydraulic lifter 7-23
hydrometer 16-5

INDEX

- I**
- idle screw 8-5, 8-7
 - ignition coil 7-5, 7-17
 - indicator, battery condition 12-39
 - input gear bearing 14-3
 - input shaft 11-5, 14-3
 - input shaft oil seal 11-5, 14-3
 - insert, synchronizer 11-5
 - insert, wood 1-9, 1-11, 1-19, 1-23, 1-27, 1-29
 - insulation, rear cargo bed 1-35
 - insulator
 - battery 1-17, 1-29, 1-35
 - carburetor 8-9
 - f-terminal 6-25
 - gasket 8-9
 - insulator bushing 13-3
 - intake hose 8-13, 8-15
 - intake seal 8-13, 8-15
 - intake valve 7-9, 7-21
 - intermediate gear 14-3
 - internal retaining ring pliers 16-5
 - IQ display module (IQDM) 16-5
- J**
- j-bolt 12-15, 12-23
 - jet, main 8-5, 8-7
 - jet, pilot 8-5, 8-7
 - joint
 - ball 4-7, 5-7, 5-11, 6-3
 - compound steering 5-3
 - inner ball 5-5
 - left-hand thread ball 5-5, 5-11
 - spring-loaded ball 4-13
- K**
- key
 - crankshaft 7-13
 - driven clutch 10-5
 - flywheel 7-5, 7-17
 - square 10-5
 - transmission shaft 11-5
 - vehicle (pair) 6-9, 6-19, 12-3, 12-39
 - woodruff 6-25, 11-3
 - key (crankshaft) 7-25
 - key switch 6-9, 6-19, 12-3, 12-39
 - kingpin 5-9
 - kingpin wave washer 5-9, 5-13
 - kingpin, front suspension 5-13
 - kit
 - 3-pin plug 12-5, 12-9, 12-17, 12-27, 12-43, 13-5
 - 3-pin plug and wedge lock 12-21
 - 3-pin receptacle 12-5, 12-17, 12-27
 - 3-pin receptacle and wedge lock 12-21
 - 3-wire plug 12-51
 - 4-pin plug and wedge lock 12-21
 - 4-pin receptacle and wedge lock 12-21
 - 6-pin plug 12-25
 - 6-pin receptacle 12-25
 - accelerator pivot rod 4-13, 4-15
 - anchor body (brake) 4-5, 4-11
 - bearing and magnet 13-5
 - brake actuator 4-5
 - brake cable 4-3, 4-5, 4-7, 4-11
 - brake pedal 4-7
 - brake pedal adjustment tool 16-3
 - differential gear case 11-7
 - drink holder 1-5
 - drive clutch weight 10-3
 - driven clutch button 10-5
 - equalizer and pivot limiter 4-9
 - fuse and receptacle 12-23
 - gasket 7-9
 - gasket (engine) 7-21, 7-23
 - hardware, taillight 6-21, 12-47
 - IQ controller connector 12-25
 - IQ display module (IQDM) 16-5
 - MCOR conversion 12-9
 - park brake latch 4-7, 4-9, 4-13, 4-15
 - park brake pedal 4-7
 - pulley nut and screw 6-25
 - rebuild, fuel impulse pump 8-3
 - resistor assembly 12-5
 - reverse buzzer 6-9, 6-17, 6-21, 6-23
 - shock absorber cushion 5-15, 5-17
 - shock absorber, rear 5-15, 5-17
 - shoe retainer 4-3, 4-5, 4-11
 - snap washer 1-5
 - stake side 1-37
 - steering column rebuild 5-3
 - tune-up 16-7
 - knob, light switch 6-19, 12-39
- L**
- latch, park brake 4-7, 4-9, 4-13, 4-15
 - latch, wire 8-13, 8-15
 - lead wire 7-5, 7-17
 - leaf spring, tapered 5-9
 - lens, headlight 6-17, 12-37
 - lens, taillight 6-21, 6-23, 12-47, 12-57
 - lever
 - actuator 4-15
 - brake 4-3
 - choke 8-13, 8-15
 - potentiometer 12-27
 - shifter 11-3
 - transmission shifter 11-3
 - lifter, hydraulic 7-23
 - light switch 6-19
 - light switch knob 6-19
 - light, battery warning 12-3, 12-39
 - light, low oil warning 6-9, 6-19
 - limit switch 6-3, 6-7, 6-15, 6-19, 12-5, 12-13, 12-27
 - limiter
 - rpm 7-17
 - rpm, ohv 7-5
 - voltage 6-17, 12-43
 - line, fuel 8-3
 - line, vent 8-3, 8-9
 - link, rack and pinion drag 5-5
 - link, stabilizer bar 5-19
 - liquid gasket 14-3, 16-5
 - lower pinion bearing 5-5
 - lubricant, dry moly 16-5
 - lubricant, moly-teflon 16-5
 - lug nut 2-3, 2-5
 - lug stud 5-9, 5-13, 11-7, 14-3
- M**
- magnet 13-5
 - magnetic plug 14-3
 - main jet 8-7
 - mat
 - bag rest 1-9, 1-17
 - floor 1-5
 - footrest 1-13, 1-31
 - MCOR (motor controller output regulator) 12-9
 - mechanism, brake adjusting 4-3
 - meter, hour 6-9, 6-19
 - meter, volt ohm 16-7
 - module, calibration test 16-3
 - module, communication display 16-3
 - moly-teflon lubricant 16-5
 - motor
 - 48-volt IQ 13-5
 - motor bumper 13-3, 13-5
 - motor, 48-volt 13-3
 - mount
 - bumper 5-15
 - compression 5-19
 - seat back bracket 1-27
 - mounting block, brake pedal 4-7
 - mounting bracket 15-11, 15-13
 - mounting bracket (starter/generator) 6-27
 - mounting bracket, steering column 5-3
 - mounting plate 1-33
 - mounting plate (engine) 7-27
 - moveable face (drive clutch) 10-3
 - moveable face (driven clutch) 10-5
 - muffler clamp 9-3
- N**
- nameplate, Club Car 1-3
 - neutral lock-out cam 6-3

INDEX

nozzle, main (fe290 engine) 8-5
nozzle, main (fe350 engine) 8-7
nut
 key switch 6-9, 6-19, 12-3, 12-39
 lug 2-3, 2-5, 5-13
 slab base "T" 1-3
nylon bushing 1-11, 1-23

O

oil filler tube 7-3, 7-15
oil filter 7-19
oil filter screen 7-11
oil level sensor 7-11, 7-23
oil pump and rotor 7-7, 7-19
oil seal 7-25
oil seal (crankshaft) 7-13, 7-23
oil warning light, low 6-9, 6-19
onboard computer 12-17, 12-43
o-ring
 counterbalance shaft 7-13, 7-25
 oil filter mount 7-7, 7-19
 oil level sensor 7-11, 7-23
 rocker case hardware 7-9, 7-21
output gear 11-7, 14-3

P

package, brush 6-25, 13-3
package, hub bearing 5-9, 5-13
pad
 accelerator 4-13
 accelerator pedal 4-15
 brake pedal 4-7, 4-9
 park brake 4-7, 4-9
 spring 5-15, 5-17
paint, touch-up 16-7
panel, center dash 1-5
panel, rear seat frame 1-29
park brake latch 4-7, 4-9, 4-13, 4-15
park brake pedal 4-7, 4-9
park brake ratchet 4-13, 4-15
park brake rod sleeve 4-7
park brake torsion spring 4-7
pawl 4-7
pedal
 accelerator 4-13, 4-15
 brake 4-7, 4-9
 park brake 4-7, 4-9
pencil grip 5-3
pilot air screw 8-5, 8-7
pilot jet 8-5, 8-7
pin
 crankcase cover locating 7-11
 differential 11-7, 14-3
 equalizer pivot 4-9
 governor cable clevis 8-11

 head locating 7-9
 hinge, long 1-11, 1-23
 piston 7-13, 7-25
 roll (shifter lever) 11-3
pinion, steering 5-5
pipe, intake 8-9
piston 7-13, 7-25
piston pin 7-13, 7-25
piston pin retaining ring 7-13, 7-25
piston ring compressor 16-5
piston ring pliers 16-5
piston ring set 7-13, 7-25
piston, anchor 4-5, 4-11
pivot arm 11-3
pivot support bearing 4-13, 4-15
plastic clamp 8-3
plate 7-21
 backing (brake) 4-3, 4-5, 4-11
 body hinge 1-7, 1-17
 body kick 1-7, 1-17
 component mounting 12-17, 12-25
 flywheel fan 7-5, 7-17
 front spring retainer 5-9, 5-13
 heatsink 15-5
 mounting 1-33, 12-41
 mounting (engine) 7-27
 oil filter screen 7-11, 7-23
 oil pump 7-7, 7-19
 oil valve 7-9
 receptacle backing 1-25, 12-15, 12-23, 12-45, 15-11, 15-13
 scorecard 5-3
 seat hinge 1-9, 1-15, 1-19, 1-29
 spring mounting 5-7, 5-11
 thrust 11-5, 11-7
 thrust (idler gear) 14-3
pliers
 internal retaining ring 16-5
 piston ring 16-5
 retaining ring 16-5
plug
 3-pin 12-5, 12-9, 12-17, 12-43, 13-5
 3-wire 12-31, 12-35, 12-51, 12-55
 6-pin 12-25
 cap 7-5, 7-17
 drain 7-19
 drain (crankcase) 7-7
 drain (transaxle) 11-3
 drive clutch 10-3
 driven clutch puller 16-3
 fill 14-3
 filter bracket 7-7
 magnetic 14-3
 spark (ohv) 7-5, 7-17
plug gasket 14-3
pole set (starter/generator) 6-25

positioner, choke 8-13
potentiometer housing 12-27
potentiometer lever 12-27
power relay 15-3, 15-5, 15-7, 15-11, 15-13
PowerDrive battery charger 15-3, 15-5, 15-7, 15-9
press weldment 16-3
protector spray, battery terminal 16-3
protector, wiper switch resistor 12-5
puller
 bearing 16-3
 drive clutch 16-3
 drive clutch hub 16-3
 driven clutch cam 16-3
 flywheel 16-5
 seal 16-5
pulley (starter/generator) 6-25
pulley nut and screw (starter/generator) 6-25
pump cover (oil) 7-7, 7-19
pump, fuel impulse 8-3
pump, oil and rotor 7-7, 7-19
push rod 7-9, 7-21

R

rack and pinion drag link 5-5
rack, steering 5-5
ratchet, park brake 4-13, 4-15
reamer, valve guide 16-7
rear body 1-7, 1-17
rear footrest 1-13, 1-31
rear seat frame panel 1-29
receptacle
 3-pin 12-5, 12-17, 12-27
 3-wire 12-5
 6-pin 12-25
 AC cord 15-9
receptacle (fuse) 12-23
receptacle backing plate 12-23
receptacle bezel 12-15, 12-23, 12-45
reel, retractable cord 15-11, 15-13
regulator, motor controller output (MCOR) 12-9
regulator, voltage 6-15
relay
 48-vdc power 15-3, 15-5, 15-7, 15-9, 15-11, 15-13
 brake light 12-37
 electrical component box 6-15
remover, bearing and oil seal 16-3
resistor 12-25
resistor assembly 12-17, 12-41
retainer
 bearing 13-5
 bearing (motor) 13-3
 bearing (starter/generator) 6-25

INDEX

- cable 6-3
- harness 6-9
- headlight 6-17, 12-37
- push on 12-39
- shock absorber cushion 5-15, 5-17
- spiral ring 10-3
- spring 4-13, 4-15, 5-15
- spring (drive clutch) 10-3
- valve spring 7-9, 7-21
- retaining ring (drive clutch) 10-3
- retaining ring (driven clutch) 10-5
- retaining ring (steering column) 5-3
- retaining ring pliers 16-5
- retractable cord reel 15-11, 15-13
- return spring 4-15, 8-13, 8-15
- return spring bumper 4-13, 4-15
- reverse buzzer 6-9, 6-17, 6-21, 6-23, 12-3, 12-37, 12-47, 12-57
- rigging, brush 13-3, 13-5
- rim, wheel 2-3, 2-5
- ring
 - C-type stop 5-5
 - piston (set) 7-13, 7-25
 - piston pin retaining 7-13, 7-25
 - retaining (drive clutch) 10-3
 - retaining (driven clutch) 10-5
 - retaining (steering column) 5-3
 - retaining (steering gear box) 5-5
 - snap 5-5, 11-3
 - spiral back-up 10-3
 - synchronizer 11-5
- rocker arm 7-9, 7-21
- rod
 - accelerator pivot 4-13
 - battery hold-down 12-47, 12-57
 - connecting 7-25
 - connecting (crankshaft) 7-13, 7-25
 - counterbalance 7-13
 - equalizer 4-7, 4-9
 - push 7-9, 7-21
 - shift 11-5
 - tie 5-7, 5-11
- rod and pawl 4-7, 4-9
- rpm limiter 7-5, 7-17
- rubber boot 8-3
- S**
- 6-pin plug 12-25
- 6-pin receptacle 12-25
- safety first card 16-5
- scorecard clip 5-3
- scorecard plate 5-3
- screen, oil filter 7-11, 7-23
- screw
 - bearing retainer 13-3, 13-5
 - brush holder 13-3
- clamp 13-3, 13-5
- idle 8-7
- idler 8-5
- lens 6-23
- pilot air 8-5, 8-7
- pole piece (starter/generator) 6-25
- valve clearance adjuster 16-7
- seal
 - bed 1-35
 - crankshaft 7-11
 - double lip 5-9, 5-13
 - dust 5-7, 5-11
 - dust (steering gear box) 5-5
 - dust, steering pinion 5-5
 - intake 8-13, 8-15
 - oil 7-25
 - oil (axle shaft) 11-7
 - oil (crankshaft) 7-13, 7-23
 - oil (governor pivot) 11-3
 - oil (shifter shaft) 11-3
 - oil, axle shaft 14-3
 - oil, input shaft 11-5, 14-3
 - valve 7-9, 7-21
- seal puller 16-5
- seat
 - bearing 5-3
 - spring 7-9, 7-21
 - valve 7-7
- seat back 1-11, 1-21, 1-23, 1-25, 1-27, 1-29
- seat back support 1-11, 1-23
- seat bottom 1-9, 1-11, 1-19, 1-23, 1-25, 1-27, 1-29
- seat bottom cover 1-9
- seat hinge plate 1-9
- seat support 1-11, 1-23
- seat support panel 1-25, 1-27
- sensor, motor speed 13-5
- sensor, oil level 7-11, 7-23
- set, pole 6-25
- shackle, rear spring 5-15, 5-17
- shaft
 - counterbalance guide 7-13, 7-25
 - input 11-5, 14-3
 - rocker arm 7-9, 7-21
 - shifter 11-3
 - steering column 5-3
- shield, end 13-3, 13-5
- shield, heat 1-17
- shift fork 11-5
- shift rod 11-5
- shifter lever 11-3
- shifter shaft 11-3
- shifter, forward/reverse 6-3
- shim
 - camshaft 7-23
- crankshaft 7-13, 7-25
- tilt bed pivot 1-35
- wiper switch 12-5
- shock absorber cushion 5-15, 5-17
- shock absorber, front 5-7, 5-11
- shock absorber, rear 5-15, 5-17
- shoe bake 4-3, 4-11
- shoe retainer 4-3, 4-5, 4-11
- shoe, brake 4-5
- shrink, heat 15-11, 15-13
- shroud, engine 7-3, 7-15
- shroud, fan 7-3, 7-15
- side bumper guard trim 1-3
- sleeve
 - delta a-plate 5-7, 5-11
 - park brake rod 4-7, 4-9
 - synchronizer 11-5
 - transaxle 11-5
- slide switch, 4-position 15-7, 15-9, 15-13
- snap ring 5-5
- snubber 7-27
- snubber bracket 7-27
- solenoid, 12-volt 6-7, 6-15
- solenoid, 48-volt 12-17, 12-25, 12-41
- spacer
 - 1/2 (inner fender) 1-7
 - 1-7/8 (inner fender) 1-7
 - accelerator pivot rod 4-13
 - battery terminal bolt 6-29
 - body 1-11, 1-21, 1-23
 - crankshaft 7-13
 - engine 7-27
 - equalizer 4-9
 - fixed face shaft 10-3
 - overload bumper 5-15
 - park brake 4-7, 4-9
 - stabilizer bar 5-19
- spanner wrench 16-5
- spark plug (ohv) 7-5, 7-17
- speed switch arm 12-5
- spindle, front suspension 5-9, 5-13
- spray, battery terminal protector 16-3
- spring
 - accelerator pedal retainer 4-13
 - brake 4-3, 4-5, 4-11
 - brake return 4-9
 - brush 6-25, 13-3, 13-5
 - compression 5-3, 8-13
 - drive button 10-3
 - drive clutch 10-3
 - engine valve 7-9, 7-21
 - forward/reverse cam 6-3
 - oil pressure relief 7-7, 7-19
 - park brake torsion 4-7, 4-9
 - rear leaf 5-15, 5-17
 - return 4-13, 4-15, 8-13, 8-15

INDEX

- shift fork retainer 11-5
 - synchronizer 11-5
 - tapered compression 5-3
 - tapered leaf 5-9, 5-13
 - throttle return 8-9
 - wiper switch brush 12-5
 - yoke 5-5
 - spring cup 4-15
 - spring mounting plate 5-7, 5-11
 - spring retainer 4-15, 5-15
 - spring seat 7-9, 7-21
 - spur gear (crankshaft) 7-13
 - stabilizer bar 5-19
 - starter/generator 6-25, 6-27
 - stator shell 13-3, 13-5
 - steel bushing 1-35, 5-9, 5-13, 5-15, 5-17
 - steering column 5-3
 - steering column bearing press tool 16-5
 - steering column mounting bracket 5-3
 - steering column retaining ring tool 16-5
 - steering column shaft 5-3
 - steering gear box 5-5
 - steering wheel 5-3
 - steering wheel puller tool 16-7
 - stem, valve 2-3, 2-5
 - stiffener
 - flywheel side 7-27
 - PTO side 7-27
 - seat 1-25, 1-27
 - strain relief bushing 15-3, 15-5, 15-7, 15-9, 15-11, 15-13
 - strap, A-plate 5-7, 5-11
 - strap, seat bottom 1-25, 1-27, 1-29
 - stud
 - ball 4-13, 6-3, 6-7, 6-15, 11-3
 - engine mounting 7-27
 - lug 5-9, 5-13, 11-7, 14-3
 - short ball 12-5
 - wiper switch adjusting 12-5
 - support
 - accelerator pivot rod 4-13, 4-15
 - front body 1-7, 1-17
 - rear seat 1-29
 - seat 1-11, 1-23
 - seat back 1-11, 1-23
 - stabilizer bar bushing 5-19
 - suppressor, voltage 6-13, 12-37
 - switch
 - 4-position slide 15-7, 15-9, 15-13
 - forward/reverse 12-13, 12-21
 - key 6-9, 6-19, 12-3, 12-39
 - light 6-19, 12-39
 - limit 6-3, 6-7, 6-15, 6-19, 12-5, 12-13, 12-27, 12-39
 - limit, sealed 12-13
 - tow/run 12-21
 - switch brush 12-5
 - synchronizer clutch hub 11-5
 - synchronizer ring 11-5
- ## T
- 12-volt battery 6-29
 - 12-volt solenoid 6-7, 6-15
 - 3-pin plug 12-5, 12-9, 12-17, 12-43, 13-5
 - 3-pin plug and wedge lock 12-21
 - 3-pin receptacle 12-5, 12-17, 12-27
 - 3-pin receptacle and wedge lock 12-21
 - 3-wire and receptacle 12-5
 - 3-wire plug 12-51
 - 3/8-amp fuse 12-23
 - 20-amp fuse 12-45
 - tachometer 16-7
 - taillight 6-23
 - taillight assembly 6-21, 6-23, 12-47, 12-57
 - tailskirt 1-33
 - tapered compression spring 5-3
 - tapered leaf spring 5-9
 - tappet 7-11
 - terminal block 6-17, 12-37, 12-43, 12-45
 - terminal block (controller) 12-25
 - terminal hardware (starter/generator) 6-25
 - tester, continuity 16-5
 - thermometer, battery 16-3
 - throttle bracket gasket 8-9
 - thrust bearing 5-9
 - tie rod 5-7, 5-11
 - tie, wire 5-5, 6-17, 8-15, 12-5, 12-21, 12-25, 12-27, 12-37, 12-41, 12-43
 - tilt bed 1-35
 - tire 2-3, 2-5
 - tool
 - accelerator pedal adjustment 16-3
 - brake adjustment 16-3
 - brake pedal adjustment 16-3
 - brake pedal tension 16-3
 - cam installation 16-3
 - clutch alignment 16-3
 - drive clutch holder 16-3
 - governor shaft installation 16-5
 - steering column bearing press 16-5
 - steering column retaining ring 16-5
 - steering wheel puller 16-7
 - transaxle axle seal 16-7
 - transaxle pinion seal 16-7
 - transmission 16-7
 - tool kit, clutch 16-3
 - touch-up paint 16-7
 - tow/run switch 12-21
 - transaxle 14-3
 - transaxle axle seal tool 16-7
 - transaxle pinion seal tool 16-7
 - transaxle, unitized 11-3
- transformer 15-3, 15-5, 15-7, 15-9, 15-11, 15-13
 - transmission tool 16-7
 - trim
 - front body 1-3
 - seat bottom 1-25, 1-27
 - side bumper guard 1-3
 - tube
 - 7 mm (flywheel) 7-17
 - axle 11-7, 14-3
 - crankcase vent 8-9
 - oil filler 7-3, 7-15
 - tune-up kit 16-7
 - turn signal lens 6-17, 12-37
- ## U
- unitized transaxle 11-3
 - upper pinion bearing 5-5
 - urethane bushing 1-35, 5-7, 5-9, 5-11, 5-13, 5-15, 5-17
- ## V
- valve 7-21
 - choke 8-13, 8-15
 - exhaust 7-9, 7-21
 - fuel pickup tube 8-3
 - intake 7-9, 7-21
 - oil 7-9
 - stem 2-3, 2-5
 - valve clearance adjuster screw 16-7
 - valve guide 7-9, 7-21
 - valve guide reamer 16-7
 - valve seal 7-9, 7-21
 - valve seat 7-7
 - valve seat cutter 16-7
 - valve seat cutter guide 16-7
 - valve seat t-wrench 16-7
 - valve spring compressor 16-7
 - valve spring retainer 7-9
 - valve spring, engine 7-9, 7-21
 - vehicle care kit 16-7
 - vent barb 8-3
 - vent line 8-3, 8-9
 - vent, fuel tank 8-3
 - volt ohm meter 16-7
 - voltage limiter 6-17, 12-43
 - voltage regulator 6-7, 6-15
 - voltage suppressor 6-13, 12-31, 12-35, 12-37, 12-51, 12-55
- ## W
- warning light, battery 12-3, 12-39
 - warning light, low oil 6-9
 - washer
 - key switch 6-9, 6-19, 12-3
 - kingpin wave 5-9, 5-13

INDEX

- mounting 10-3, 10-5
- nylon flat 6-3
- spring 11-5
- thrust (transaxle) 11-5
- wedge (steering column) 5-3
- wedge, bearing puller 16-3
- weight, counterbalance 7-13, 7-25
- weight, drive clutch 10-3
- weldment, armrest 1-21
- weldment, press 16-3
- wheel rim 2-3, 2-5
- wheel, steering 5-3
- wiper switch 12-5
- wire and terminal 12-25, 12-43
- wire assembly
 - battery charger 15-3, 15-5, 15-7, 15-9, 15-11, 15-13
 - fe290 engine 7-3
 - fe350 engine 7-15
 - forward/reverse switch 12-21
 - IQDM port 12-21
 - multi-step potentiometer 12-5
 - sense lead 12-23, 12-45
 - starter/generator 6-27
- wire clamp 7-5
- wire harness
 - gasoline 6-5, 6-13
 - headlight 6-17, 12-37
 - IQ System 12-19
 - lighting 12-31, 12-35, 12-51, 12-55
 - power 12-31, 12-35, 12-51, 12-55
 - PowerDrive System 48 12-7, 12-11
- wire latch 8-13, 8-15
- wire terminal 12-17
- wire tie 5-5, 6-17, 8-15, 12-5, 12-21, 12-25, 12-37, 12-41, 12-43
- wire, jumper 15-9
- wire, lead 7-5, 7-17
- wood insert 1-9
- woodruff key 6-25, 11-3
- wrench, spanner 16-5

Y

- yoke spring 5-5
- yoke, gear 16-5

Z

- z-bracket 12-25

Your Comments Are Appreciated

Please select your category:

- | | |
|--|---|
| <input type="checkbox"/> Distributor/Dealer
<input type="checkbox"/> Individual Owner
<input type="checkbox"/> Club Car Associate/Representative | <input type="checkbox"/> Technician
<input type="checkbox"/> Golf Course Superintendent
<input type="checkbox"/> Other: _____ |
|--|---|

In order to help us better serve you, please rate this publication in the following categories:

	Poor	Fair	Average	Good	Excellent
1. Ease of Understanding	<input type="checkbox"/>	<input type="checkbox"/>	<input type="checkbox"/>	<input type="checkbox"/>	<input type="checkbox"/>
2. Ease of Finding Information	<input type="checkbox"/>	<input type="checkbox"/>	<input type="checkbox"/>	<input type="checkbox"/>	<input type="checkbox"/>
3. Clarity of Illustrations	<input type="checkbox"/>	<input type="checkbox"/>	<input type="checkbox"/>	<input type="checkbox"/>	<input type="checkbox"/>
4. Index Usability	<input type="checkbox"/>	<input type="checkbox"/>	<input type="checkbox"/>	<input type="checkbox"/>	<input type="checkbox"/>

Comments/Suggestions

Please fax a copy of this page to (706) 228-2662.

Thank You!
 Club Car Technical Publication Department



Transportation and Utility Vehicles

Club Car Inc.

P.O. Box 204658

Augusta, GA 30917-4658