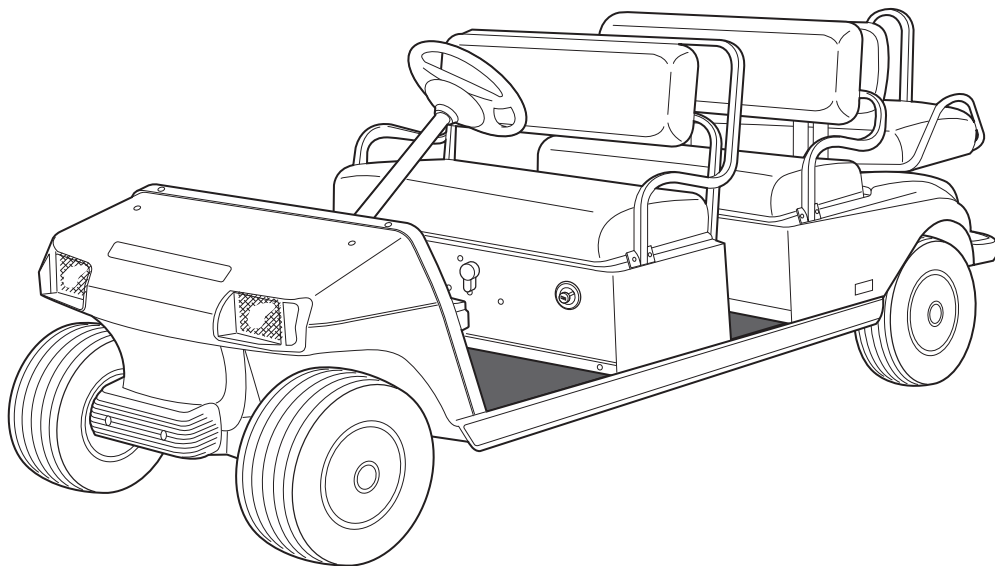




**2006**  
**Transportation Vehicles**  
**Illustrated Parts List**



**Villager 4, Villager 6, Villager 8,  
TransPorter 4, and TransPorter 6  
Gasoline and Electric Vehicles**

Manual Number 102907603  
Edition Code 0905U0112T



# USING THE ILLUSTRATED PARTS LIST

---

## **⚠ WARNING**

- **This manual is to be used only for identification and ordering of service parts. Be sure to read and use the maintenance and service manual before attempting any vehicle repairs.**

This manual covers all DS Villager 4, Villager 6, Villager 8, TransPorter 4, and TransPorter 6 vehicles built during the 2006 model year.

The manual is divided into sections. Note that there are two or three flags on the outside edge of each page. The first flag contains the section number of which that page is a part. The other flag (or flags) contains the letter G or E, signifying that the page pertains to the electric or gasoline vehicles only.

Use the Table of Contents to find the sections and pages that contain the parts and assemblies you seek. The Table of Contents lists section numbers, and under them, the individual page titles and numbers to be found in that section. The index can be used to find specific parts and assemblies. The index is divided into numerical and alphabetical listings with the page numbers in italic text.

There is a two-page spread for each individual page title in the Table of Contents. On the left-hand page is an illustration showing the parts in their relative positions; the parts are each tagged with an item number in a balloon. The right-hand page is the parts list page, and gives the page title at the top, then the item numbers (corresponding to the numbers on the illustration), part descriptions, and quantity of parts used.

Note that a part description may be indented. This indentation corresponds to a parts assembly level indicated by the numbers 1, 2, 3, and 4 at the top left corner of the parts description area of the parts list page. A part that is indented to *level 2* is a component of the *level 1* part (assembly) that it is listed under. A *level 3* part is a component of the *level 2* part that it is listed under, and a *level 4* part is a component of the *level 3* part preceding it. In each case, the part quantity given for a level 2, 3, or 4 part is the quantity used per next higher level assembly of which it is a component. A part that is not indented is a *level 1* part. This means that the quantity given is the quantity used per the portion of the vehicle illustrated on that particular spread.

## **HOW TO ORDER PARTS**

Replacement parts and accessories can be obtained from our network of authorized dealers and distributors. You can obtain the name and phone number of your closest authorized Club Car dealer or distributor by visiting our web site at [www.clubcar.com](http://www.clubcar.com) and clicking on the "Distributor Search" link or by calling our toll-free Service Parts and Technical Assistance hotline at (800) 872-2246 or (706) 863-3000, extension 3887.



**P. O. Box 204658**  
**Augusta, Georgia 30917-4658 USA**  
**Telephone 706-863-3000**  
**Service Parts Fax 706-855-7413**  
**[www.clubcar.com](http://www.clubcar.com)**

**NOTE:** *This illustrated parts list represents the most current information at the time of publication. Club Car, Inc. is continually working to further improve its vehicles and other products. These improvements may affect the parts used to service the vehicle. Any modification and/or significant change in specifications will be forwarded to all Club Car and Carryall distributors/dealers and will, when applicable, appear in future editions of this illustrated parts list.*

*Club Car, Inc. reserves the right to change specifications and designs at any time without notice and without the obligation of making changes to units previously sold.*

Copyright © 2005 Club Car, Inc.  
*Club Car* and *ArmorFlex*  
are registered trademarks of Club Car, Inc.  
This manual effective July 25, 2005.

*2006 Transportation Gasoline and Electric Vehicle Illustrated Parts List*

# CONTENTS

## SECTION 1 – BODY AND TRIM

Front Body and Trim .....	1-3
Dash Components .....	1-5
Beverage Holder – Villager Vehicles .....	1-7
Front Seat Bottom and Armrests – DS Villager 4 .....	1-9
Front Seat Bottom – TransPorter 4 and 6 .....	1-11
Front Seat Back and Support Structure – TransPorter 4 .....	1-13
Rear Seat Back and Support Structure – TransPorter 4 .....	1-15
Handrail, Front Seat Back Cover, and Rear Floormat – Transporter 4 .....	1-17
Front and Center Seat Bottoms – Villager 6 and 8 .....	1-19
Seat Backs and Armrests – Villager 6 and 8 .....	1-21
Front Center Body and Floormat – Villager 6 and 8 (Except IQ Plus) .....	1-23
Front Center Body and Floormat – Villager 6 and 8 (IQ Plus Only) .....	1-25
Second Center Body and Floormat – Villager 8 (Except IQ Plus) .....	1-27
Second Center Body and Floormat – Villager 8 (IQ Plus Only) .....	1-29
Rear Forward-Facing Seat Bottom – Villager 6 and 8 .....	1-31
Rear Forward-Facing Seat Bottom – Villager 6 and 8, Continued .....	1-33
Rear-Facing Seat Bottom – Villager Vehicles .....	1-35
Rear-Facing Seat Bottom – TransPorter 6 .....	1-37
Rear-Facing Seat Bottom – TransPorter 6, Continued .....	1-39
Rear-Facing Seat Backs and Supports – DS Villager 4 .....	1-41
Center Seat Back and Support Structure – TransPorter 6 .....	1-43
Rear-Facing Seat Back and Support Structure – TransPorter 6 .....	1-45
Rear Seat Backs and Forward-Facing Armrests – Villager 6 and 8 .....	1-47
Rear-Facing Seat Backs and Supports – Villager 6 and Villager 8 .....	1-49
Rear Body and Fenders – Gasoline DS Villager 4 .....	1-51
Rear Access Door .....	1-53
Rear Body and Fenders – Electric DS Villager 4 .....	1-55
Rear Body Trim – Transporter 4 and 6 .....	1-57
Rear Body and Fender – Villager 6 and 8 .....	1-59
Heat Shield – Gasoline Villager 6 and 8 .....	1-61
Battery Insulator – Electric Villager 6 and 8 .....	1-63
Battery Insulator – Electric TransPorter Vehicles .....	1-65
Rear Cargo Bed – TransPorter 4 .....	1-67
Stake Side – TransPorter 4 .....	1-69
Rear Footrest and Handrails – DS Villager 4, Villager 6, and Villager 8 .....	1-71
Rear Footrest and Handrails – TransPorter 6 .....	1-73

# CONTENTS

---

## SECTION 2 – WHEELS AND TIRES

---

Wheels and Tires (White Rims) – Villager 4 .....	2-3
Wheels and Tires (Beige Rims) – Villager 4 .....	2-5
Wheels and Tires – Turf/Carryall 6 .....	2-7
Wheels and Tires – Villager 6 and 8 (Front Only) .....	2-9

---

## SECTION 3 – DECALS

---

Decals – DS Villager 4 Gasoline Vehicles .....	3-3
Decals – DS Villager 4 Electric Vehicles .....	3-5
Decals – DS Villager 4 Electric Vehicles .....	3-7
Decals – DS Villager 4 Gasoline Vehicles .....	3-9
Decals – Villager 6 Gasoline and Electric Vehicles .....	3-11
Decals – Villager 6 Electric Vehicles .....	3-13
Decals – Villager 6 IQ Plus Vehicles .....	3-15
Decals – Villager 6 Gasoline Vehicles .....	3-17
Decals – Villager 8 Gasoline and Electric Vehicles .....	3-19
Decals – Villager 8 PowerDrive Vehicles .....	3-21
Decals – Villager 8 IQ Plus Vehicles .....	3-23
Decals – Villager 8 Gasoline Vehicles .....	3-25
Logo Decals – Villager 4, 6, and 8 Gasoline and Electric Vehicles .....	3-27
Decals – TransPorter 4 Gasoline and Electric Vehicles .....	3-29
Decals – TransPorter 4 and 6 Gasoline and Electric Vehicles .....	3-31
Decals – TransPorter 4 and 6 PowerDrive Vehicles .....	3-33
Decals – TransPorter 4 and 6 IQ Plus Vehicles .....	3-35
Decals – TransPorter 4 and 6 Gasoline Vehicles .....	3-37
Logo Decals – TransPorter 4 and 6 Gasoline and Electric Vehicles .....	3-39
IQ Plus Logo Decal – Villager 6 and 8 IQ Plus Vehicles .....	3-41
Logo Decals – TransPorter 4 and 6 IQ Plus Vehicles .....	3-43

---

## SECTION 4 – BRAKES, PEDALS, AND CABLES

---

Brake Assembly, Self-Adjusting – DS Villager 4 .....	4-3
Rear Brake Assembly, Manually-Adjusted – Vehicles with 4-Wheel Brakes .....	4-5
Brake Pedal Assembly – DS Villager 4 .....	4-7
Brake Pedal Assembly – Vehicles with Four-Wheel Brakes (Except IQ Plus) .....	4-9
Brake Pedal Assembly – IQ Plus Vehicles .....	4-11
Front Brake Assembly – Vehicles with Four-Wheel Brakes .....	4-13
Front Brake Cables and Equalizer – Vehicles with Four-Wheel Brakes .....	4-15
Front Brake Cable Clips – Vehicles with Four-Wheel Brakes (Except IQ Plus) .....	4-17

# CONTENTS

Front Brake Cable Clips – Villager 6 and 8 and TransPorter 4 and 6 (IQ Plus) .....	4-19
Brake Cable, Equalizer, and Equalizer Rod – DS Villager 4 .....	4-21
Brake Cables and Equalizer – Villager 6, and TransPorter 4 and 6 .....	4-23
Rear Brake Cables and Equalizer – Villager 8 Vehicles .....	4-25
Accelerator Pedal – Gasoline Vehicles .....	4-27
Accelerator Pedal Assembly – Electric Vehicles with MCOR .....	4-29
Accelerator Rod – Gasoline DS Villager 4 .....	4-31
Accelerator Rod .....	4-33
Accelerator Rod – Gasoline Villager 8 .....	4-35

## SECTION 5 – STEERING, FRONT AND REAR SUSPENSION

Steering Column – Villager 6 and 8 .....	5-3
Steering Column – All Vehicles Except Villager 6 and 8 .....	5-5
Steering Wheel – DS Villager 4 Vehicles .....	5-7
Steering Wheel – All Vehicles Except DS Villager 4 .....	5-9
Steering Gear Assembly .....	5-11
Front Suspension, Upper – Turf/Carryall 1 and Turf/Carryall 2 with Two-Wheel Brakes .....	5-13
Front Suspension, Lower .....	5-15
Front Suspension, Upper – Villager 6, and TransPorter 4 and 6 .....	5-17
Front Suspension, Lower – Villager 6, and TransPorter 4 and 6 .....	5-19
Front Suspension, Upper – Villager 8 .....	5-21
Front Suspension, Lower – Villager 8 .....	5-23
Front Spindles and Hubs – DS Villager 4 Vehicles .....	5-25
Front Spindles and Hubs – All Vehicles Except DS Villager 4 .....	5-27
Rear Suspension Components – DS Villager 4 Electric Vehicles .....	5-29
Rear Suspension Components – DS Villager 4 Gasoline Vehicles .....	5-31
Rear Suspension Components – Villager 6 and 8, and TransPorter 4 and 6 Gasoline Vehicles .....	5-33
Rear Suspension – Villager 6 and 8 and TransPorter 4 and 6 PowerDrive Vehicles .....	5-35
Rear Suspension – TransPorter 4 and 6 and Villager 6 and 8 IQ Plus Vehicles .....	5-37
Stabilizer Bar – Villager 6 and 8, and TransPorter 4 and 6 Gasoline Vehicles .....	5-39

## SECTION 6 – ELECTRICAL SYSTEM – GASOLINE VEHICLES

Wiring – Gasoline Villager 6 and TransPorter 4 and 6 .....	6-5
Front Body Electrical Components – Villager 6 and 8, and TransPorter 4 and 6 .....	6-7
Wiring – Gasoline Villager 8 .....	6-11
Wiring – Gasoline DS Villager 4 .....	6-15
Headlights .....	6-17
Electrical Component Box – Gasoline DS Villager 4 .....	6-19
Electrical Component Box – Gasoline TransPorter 4 and 6, and Villager 6 .....	6-21

# CONTENTS

---

Electrical Component Box – Gasoline Villager 8 .....	6-23
Controls and Indicators – DS Villager 4 .....	6-25
Controls and Indicators – Villager 6 and 8, and TransPorter 4 and 6 .....	6-27
Starter/Generator Assembly Model G425419 – Gasoline Vehicles .....	6-29
FE290 Starter/Generator Mounting – Gasoline DS Villager 4 .....	6-31
NewLongDescription .....	6-33
Battery – Gasoline Vehicle .....	6-35
Electrical Components, Rear Body – Gasoline TransPorter 4 and 6 .....	6-37
Electrical Components, Rear Body – Villager 6 and 8 .....	6-39

## SECTION 7 – FE290 ENGINE (PEDAL-START VEHICLES)

---

FE290 Engine – Shrouds and Brackets .....	7-3
FE290 Engine – Ignition Components and Flywheel .....	7-5
FE290 Engine – Oil Circulation .....	7-7
FE290 Engine – Cylinder Head .....	7-9
FE290 Engine – Crankcase, Camshaft, and Oil Sensor .....	7-11
FE290 Engine – Crankcase and Crankshaft .....	7-13
FE290 Engine Mounting .....	7-15

## SECTION 8 – FE350 ENGINE WITH ACR (KEY-START VEHICLES)

---

FE350 Engine with ACR (Automatic Compression Release) – Shrouds and Brackets .....	8-3
AS11 FE350 Engine – Ignition Components and Flywheel .....	8-5
FE350 Engine – Oil Circulation .....	8-7
AS11 FE350 Engine – Cylinder Head .....	8-9
FE350 Engine with ACR – Crankcase, Camshaft, and Oil Sensor .....	8-11
AS11 FE350 Engine – Crankcase and Crankshaft .....	8-13
FE350 Engine Mounting .....	8-15

## SECTION 9 – FUEL, INTAKE, AND GOVERNOR SYSTEMS

---

Fuel System – TransPorter 4 and 6 .....	9-3
Fuel System – DS Villager 4, Villager 6, and Villager 8 .....	9-5
Fuel Tank with Fuel Level Sending Unit .....	9-7
Carburetor Assembly, FE290 Engine – DS Villager 4 .....	9-9
Carburetor Assembly, FE350 Engine – Villager 6 and 8, and Transporter 4 and 6 .....	9-11
Carburetor Installation, FE290 Engine – DS Villager 4 .....	9-13
Carburetor Installation, FE350 Engine – Villager 6 and 8, and Transporter 4 and 6 .....	9-15
Governor and Accelerator Cables .....	9-17
Air Box and Intake Hose .....	9-19
Intake System – DS Villager 4 .....	9-21



# CONTENTS

Intake System .....	9-23
Intake System – Villager 6 .....	9-25
Intake System – Villager 8 .....	9-27

## SECTION 10 – EXHAUST SYSTEM

Exhaust System – FE290 Engine .....	10-3
Exhaust System – FE350 Engine .....	10-5

## SECTION 11 – TORQUE CONVERTER

Drive Clutch – DS Villager 4 .....	11-3
Drive Clutch – Villager 6 and 8, and Transporter 4 and 6 .....	11-5
Drive Belt – DS Villager 4 .....	11-7
Drive Belt – Villager 6 and 8, and Transporter 4 and 6 .....	11-9
Driven Clutch .....	11-11

## SECTION 12 – UNITIZED TRANSAXLE

Transaxle – Gasoline Vehicles, Gear Cases and Brackets .....	12-3
Transaxle – Gasoline Vehicles, Transmission and Gear Reduction .....	12-5
Transaxle – Gasoline Vehicles, Differential and Axles .....	12-7
Forward/Reverse Shifter Assembly – Gasoline Vehicles .....	12-9
Forward/Reverse Shifter Cable – DS Villager 4 Vehicles .....	12-11
Forward/Reverse Shifter Cable – Villager 6 and TransPorter 4 and 6 Vehicles .....	12-13
Forward/Reverse Shifter Cable – Villager 8 .....	12-15

## SECTION 13 – ELECTRICAL SYSTEM – ELECTRIC VEHICLES

Wiring – DS Villager 4 IQ System Vehicle with Six 8-Volt Batteries .....	13-5
Wiring – DS Villager 4 IQ System with Four 12-Volt Batteries .....	13-9
Headlights .....	13-11
Wiring – PowerDrive Electric Villager 6 and TransPorter 4 and 6 .....	13-15
Wiring – IQ Plus Electric Villager 6 .....	13-19
Wiring – PowerDrive Electric Villager 8 .....	13-23
Wiring – IQ Plus TransPorter 4 and 6 .....	13-27
Wiring – IQ Plus Electric Villager 8 .....	13-31
Front Body Electrical Components – Villager 6 , and TransPorter 4 and 6 .....	13-33
Front Body Electrical Components – Villager 8 .....	13-35
Instrument Panel Components – DS Villager 4 Vehicle .....	13-37
Instrument Panel Components – Villager 6 and 8, and TransPorter 4 and 6 .....	13-39
Motor Controller Output Regulator (MCOR) .....	13-41

# CONTENTS

Forward/Reverse Switch – PowerDrive .....	13-43
Forward/Reverse Switch and Tow/Run Switch – IQ System Turf/Carryall 1 .....	13-45
Forward/Reverse Switch – IQ Plus Vehicles .....	13-47
Battery Charger Receptacle – All Villager 4 Vehicles and Villager 6 and 8 PowerDrive .....	13-49
Battery Charger Receptacle – Villager 6 and 8 IQ Plus Vehicles .....	13-51
Electrical Components – PowerDrive Villager 6 and 8, and TransPorter 4 and 6 .....	13-53
Electrical Components, Continued – PowerDrive TransPorter 4 and 6 .....	13-55
Electrical Components, Continued – PowerDrive Villager 6 .....	13-57
Electrical Components, Continued – Powerdrive Villager 8 .....	13-59
Electrical Installation – Carryall 6 IQ Plus Vehicles .....	13-63
Electrical Components – IQ Plus TransPorter 4 and 6, and Villager 6 .....	13-67
Electrical Installation – IQ Plus Villager 6 .....	13-71
Electrical Installation – IQ Plus Villager 8 .....	13-75
Electrical Components – IQ Plus Villager 8 .....	13-79
Batteries – DS Villager 4 with Six 8-Volt Batteries .....	13-81
Batteries – DS Villager 4 with Four 12-Volt Batteries .....	13-83
Computer, Controller, and Solenoid – DS Villager 4 IQ System Vehicle .....	13-85
Tow/Run Switch – IQ Plus Vehicles .....	13-87
Electrical Components, Rear Body – TransPorter 4 and 6 PowerDrive .....	13-89
Rear Reverse Buzzer – TransPorter 4 and 6 .....	13-91
Electrical Components, Rear Body – Villager 6 and 8 PowerDrive .....	13-93
Batteries – Villager 6 IQ Plus with T-105 Batteries .....	13-95
Rear Reverse Buzzer – Villager 6 and 8 .....	13-97
Batteries – Villager 6 IQ Plus with T-145 Batteries .....	13-99
Batteries – Villager 8 IQ Plus with T-105 Batteries .....	13-101
Batteries – Villager 8 IQ Plus with T-145 Batteries .....	13-103
Batteries – TransPorter IQ Plus with T-105 Batteries .....	13-105
Batteries – TransPorter IQ Plus with T-145 Batteries .....	13-107

## SECTION 14 – ELECTRIC MOTOR

Motor (Model 5BC59JBS6360) – PowerDrive .....	14-3
Motor (Model 5BC59JBS6365) – Electric Vehicle .....	14-5
Motor (Model 5BC59JBS6390) – Electric Vehicle .....	14-7
Motor (Model EJ4-4001) – Electric Vehicle .....	14-9
Motor (Model DA5-4006) – IQ Plus .....	14-11
Motor (Model EJ8-4001A) – Electric Vehicle .....	14-13

## SECTION 15 – TRANSAXLES – ELECTRIC VEHICLES

Transaxle – Electric Vehicles (Earlier Version) .....	15-3
---	------

# CONTENTS

---

Transaxle – Electric Vehicles (Later Style) .....	15-5
---	------

## **SECTION 16 – BATTERY CHARGER**

---

PowerDrive 3 Battery Charger, Domestic .....	16-3
PowerDrive 2 Battery Charger (Model 22110), Domestic .....	16-5
PowerDrive Battery Charger (Model 17930), Domestic .....	16-7
PowerDrive Battery Charger (Model 18780), Export .....	16-9
PowerDrive Battery Charger (Model 20310), European .....	16-11
Onboard PowerDrive Battery Charger (Model 17935), Domestic – PowerDrive TransPorter .....	16-13
Onboard PowerDrive Battery Charger (Model 17790), Export – PowerDrive TransPorter .....	16-15
IQ Plus Domestic Battery Charger (Model 25730) .....	16-17
IQ Plus Onboard Battery Charger (Model 25260) – IQ Plus TransPorter Vehicles .....	16-19
Onboard Charger (Model 25260) AC Reel Mounting – IQ Plus TransPorter 4 and 6 .....	16-21
Onboard Charger (Model 25260) Mounting – Transporter 4 and 6 IQ Plus Vehicles .....	16-23
IQ Plus Battery Charger (Model 25880), Export and European .....	16-25
IQ Plus Onboard Battery Charger (Model 25660), Export .....	16-27

## **SECTION 17 – MAINTENANCE AND SERVICE TOOLS**

---

Maintenance and Service Tools .....	17-3
Maintenance and Service Tools, Continued .....	17-5
Maintenance and Service Tools, Continued .....	17-7
Maintenance and Service Tools, Continued .....	17-9
Maintenance and Service Tools, Continued .....	17-11

## **SECTION i – INDEX**

---



# BODY AND TRIM

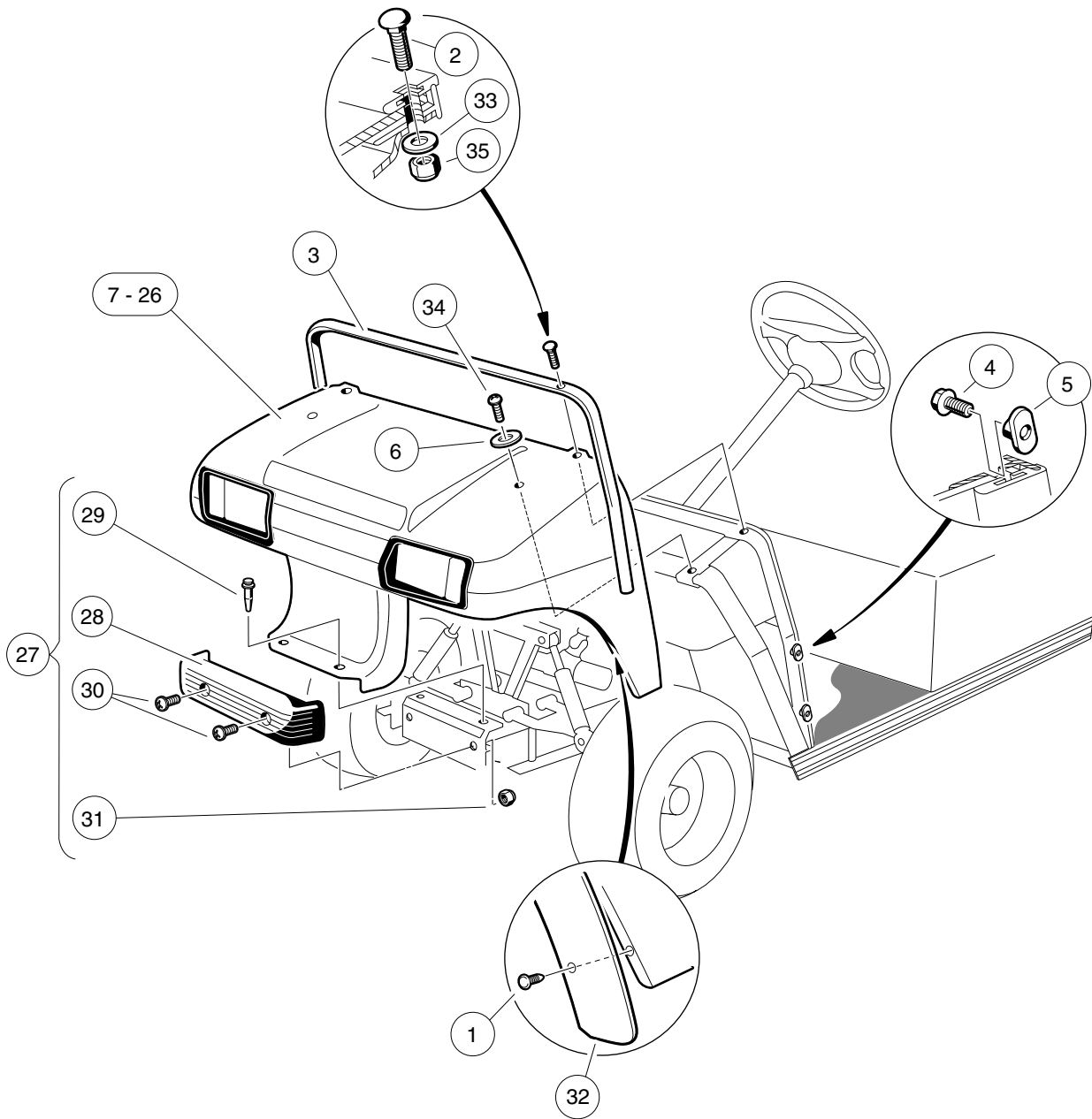
---

1

G

E

**1**  
**G**  
**E**



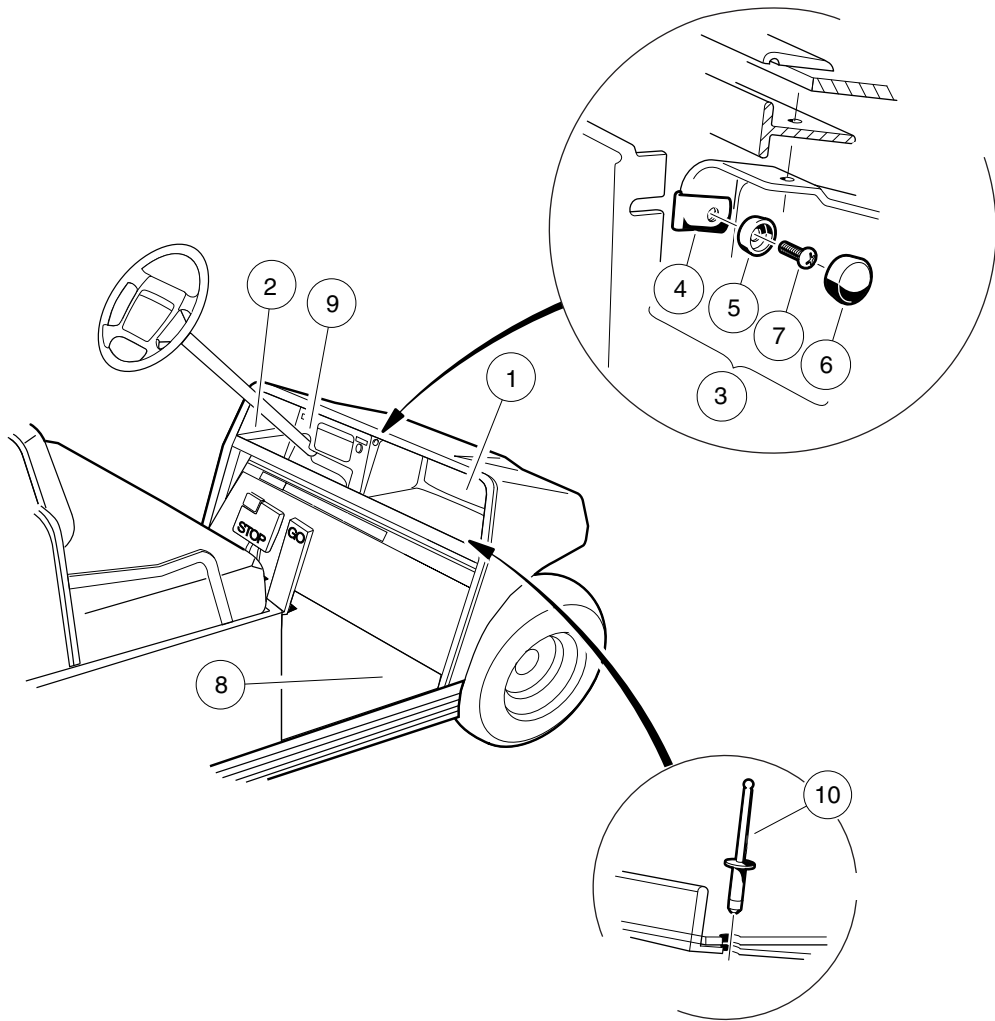
000249-005

# FRONT BODY AND TRIM

ITEM	PART NO.	DESCRIPTION	QTY
		<b>1 2 3 4</b>	
1	<u>1010434</u>	Barrel - Plastic .....	12
2	<u>1010435</u>	Bolt, Carriage, 5/16-18 X 1.00 .....	2
3	<u>1011014</u>	Trim, Cowl .....	1
4	<u>1011017</u>	Screw, #8-32 X 0.375 .....	6
5	<u>1011394</u>	T-Nut Package (Set of 4) .....	1
6	<u>1015075</u>	Washer, 5/16 Flat Type A .....	2
7	<u>101692501</u>	Cowl, TPO, Beige .....	1
8	<u>101692502</u>	Cowl, TPO, White .....	1
9	<u>101692506</u>	Cowl, TPO, Red .....	1
10	<u>101692509</u>	Cowl, TPO, Pacific Blue (Royal Blue) .....	1
11	<u>101692510</u>	Cowl, TPO, Dark Green .....	1
12	<u>101692511</u>	Cowl, TPO, Black .....	1
13	<u>101692512</u>	Cowl, TPO, Classic Blue (Navy) .....	1
14	<u>101692513</u>	Cowl, TPO, Burgundy .....	1
15	<u>101692514</u>	Cowl, TPO, Dark Gray .....	1
16	<u>101692515</u>	Cowl, TPO, Safety Yellow .....	1
17	<u>101693901</u>	Cowl with Headlight Opening, TPO, Beige .....	1
18	<u>101693902</u>	Cowl with Headlight Opening, TPO, White .....	1
19	<u>101693906</u>	Cowl with Headlight Opening, TPO, Red .....	1
20	<u>101693908</u>	Cowl with Headlight Opening, TPO, Pacific Blue (Royal Blue) .....	1
21	<u>101693909</u>	Cowl with Headlight Opening, TPO, Dark Green .....	1
22	<u>101693910</u>	Cowl with Headlight Opening, TPO, Black .....	1
23	<u>101693911</u>	Cowl with Headlight Opening, TPO, Classic Blue (Navy) .....	1
24	<u>101693912</u>	Cowl with Headlight Opening, TPO, Burgundy .....	1
25	<u>101693913</u>	Cowl with Headlight Opening, TPO, Dark Gray .....	1
26	<u>101693914</u>	Cowl with Headlight Opening, TPO, Safety Yellow .....	1
27	<u>1017080</u>	Kit, Front Bumper (includes items 28 through 31) .....	1
28	<u>1016868</u>	Front Bumper .....	1
29	<u>1016967</u>	Blind Rivet, Push Type .....	2
30	<u>7251</u>	Screw, 5/16-18 x 1.0 Truss-Head .....	2
31	<u>7473</u>	Locknut, 5/16-18 Nylon Insert .....	2
32	<u>101870401</u>	Fender Extrusion .....	2
33	<u>1241</u>	Washer, 5/16 Type A Flat .....	2
34	<u>7251</u>	Screw, 5/16-18 x 1.0 Truss-Head .....	2
35	<u>7473</u>	Locknut, 5/16-18 Nylon Insert .....	2

**1**  
**G**  
**E**

**1**  
**G**  
**E**



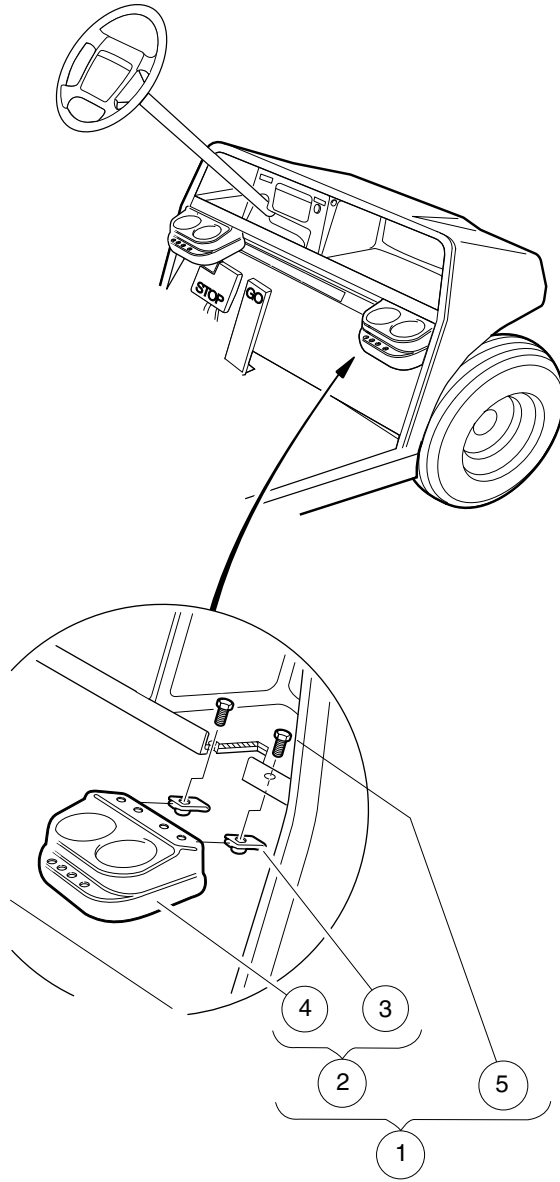
000252-001



# DASH COMPONENTS

ITEM	PART NO.	DESCRIPTION	QTY
		<b>1 2 3 4</b>	
1	<u>1013343</u>	Dash Component, Passenger-Side, Black .....	1
2	1013344	Dash Component, Driver-Side .....	1
3	<u>1014645</u>	Snap Washer Kit, Black (includes items 4 through 7) .....	2
4	<u>1011019</u>	Nut, Speed .....	1
5	1011382	Washer, #10 Pan-Head Screw .....	1
6	<u>1013494</u>	Cover, Screw Head .....	1
7	1620	Screw, #10-16 X 0.75 Pan-Head Tap .....	1
8	<u>101503202</u>	Floormat .....	1
9	101660404	Dash Panel, Black Center .....	1
10	<u>7973</u>	Rivet, 3/16 X .400 Blind .....	5

1  
G  
E



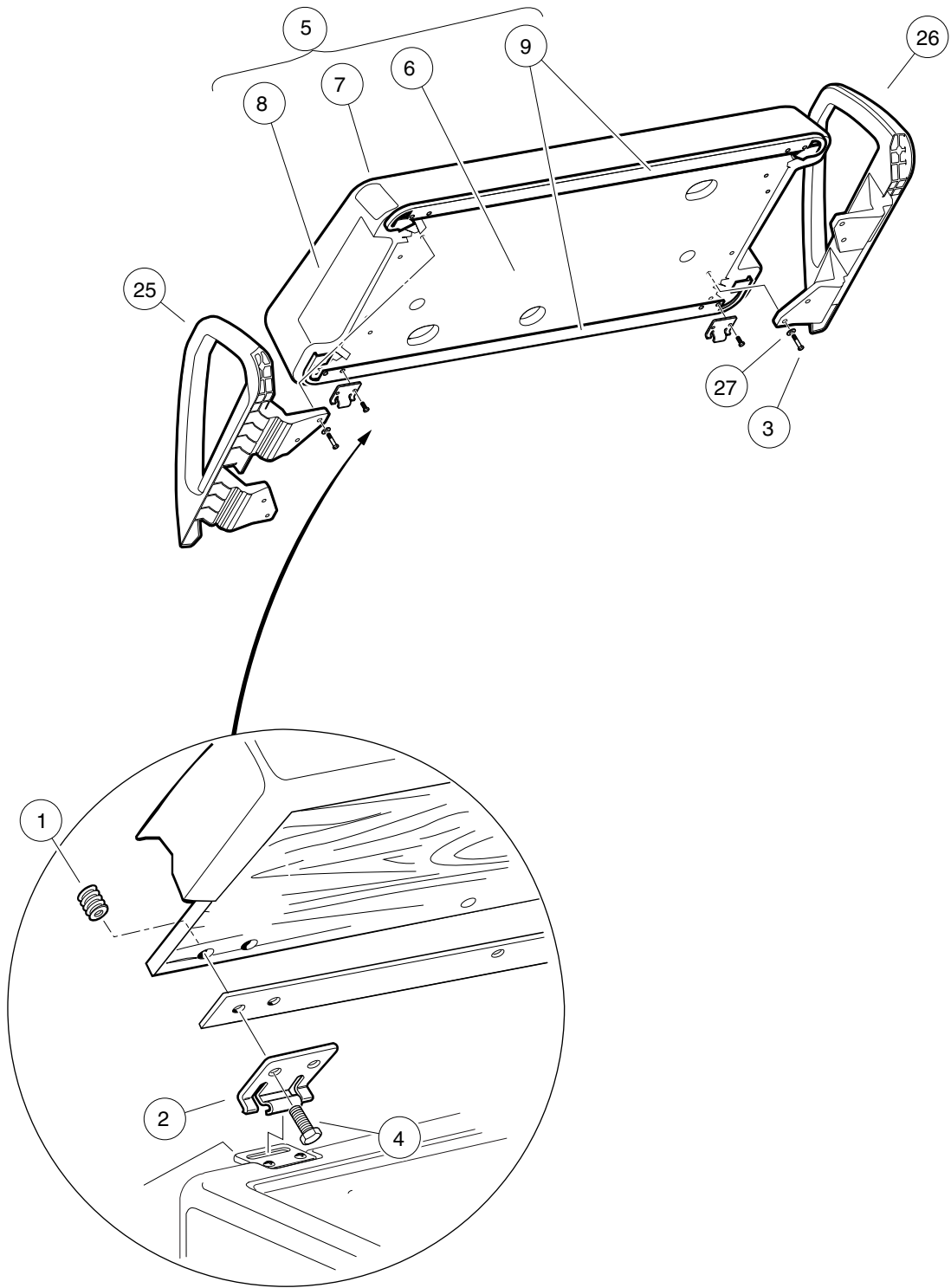
000253-002

# BEVERAGE HOLDER – VILLAGER VEHICLES

ITEM	PART NO.	DESCRIPTION	QTY
		1 2 3 4	
1	<u>101708301</u>	Drink Holder Kit (includes items 2 through 5) .....	2
2	<u>1016811</u>	Holder, Dual Cup (includes items 3 and 4) .....	1
3	1016952	U-Nut, 1/4-20 .....	2
4	N/A	Cup Holder, Dual .....	1
5	<u>7847</u>	Screw, 1/4-20 X 0.75 Hex-Head Cap .....	2

1  
G  
E

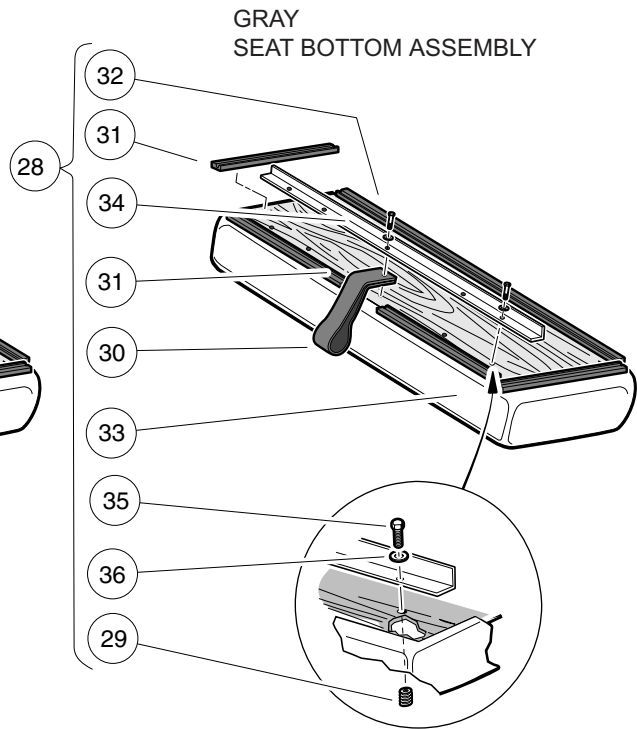
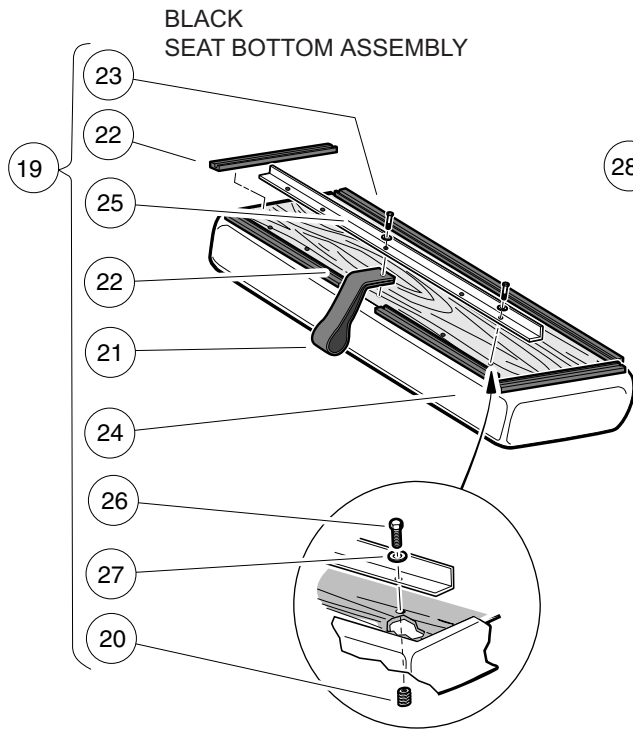
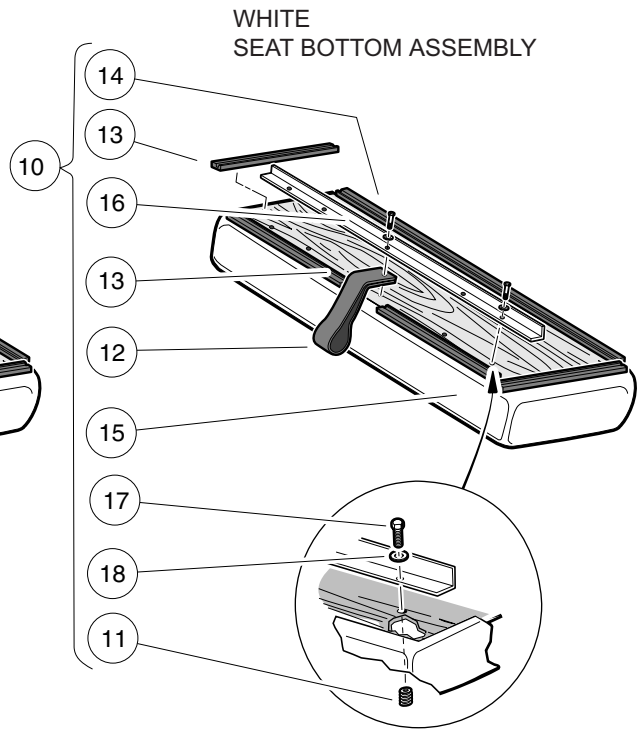
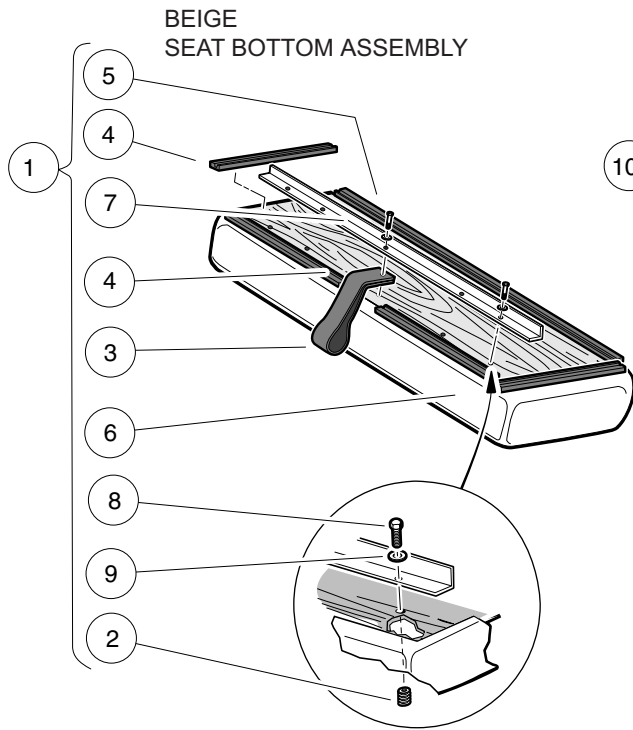
**1**  
**G**  
**E**



000364-003

## FRONT SEAT BOTTOM AND ARMRESTS – DS VILLAGER 4

ITEM	PART NO.	DESCRIPTION	QTY	
		1 2 3 4		<b>1</b>
1	1010543	Insert - Wood .....	4	<b>G</b>
2	<u>1011652</u>	Hinge Plate .....	2	<b>E</b>
3	1016916	Screw, 1/4-20 X 1.50 Hex-Head Cap .....	8	
4	<u>101954301</u>	Screw, 1/4-20 X 0.75 Hex-Head Cap .....	4	
5	<u>102174201</u>	Seat Bottom Assembly, Buff (includes items 6 through 9) .....	1	
6	N/A	Plywood Assy .....	1	
7	<u>101998211</u>	Vinyl Cover Seat Btm - Buffsvc .....	1	
8	N/A	Foam, Seat .....	1	
9	<u>101998501</u>	Gasket, Seat .....	2	
10	<u>102174202</u>	Seat Bottom Assembly, White (includes items 11 through 14) .....	1	
11	N/A	Plywood Assy .....	1	
12	<u>101998212</u>	Vinyl Cover, Seat Bottom, White .....	1	
13	N/A	Foam, Seat .....	1	
14	<u>101998501</u>	Gasket, Seat .....	2	
15	<u>102174204</u>	Seat Bottom Assembly, Black (includes items 16 through 19) .....	1	
16	N/A	Plywood Assy .....	1	
17	<u>101998214</u>	Vinyl Cover, Seat Bottom, Black .....	1	
18	N/A	Foam, Seat .....	1	
19	<u>101998501</u>	Gasket, Seat .....	2	
20	<u>102174205</u>	Seat Bottom Assembly, Gray (includes items 21 through 24) .....	1	
21	N/A	Plywood Assy .....	1	
22	<u>101998215</u>	Vinyl Cover, Seat Bottom, Gray .....	1	
23	N/A	Foam, Seat .....	1	
24	<u>101998501</u>	Gasket, Seat .....	2	
25	<u>103246701</u>	Hip Restraint, Drvr Side .....	1	
26	<u>103246801</u>	Hip Restraint, Pass Side .....	1	
27	<u>332</u>	Washer, 1/4 Type A Narrow Flat .....	8	
		Note: Sub-components contained in items 10, 15, and 20 are the same as those shown for item 5, except for the vinyl seat covers.		



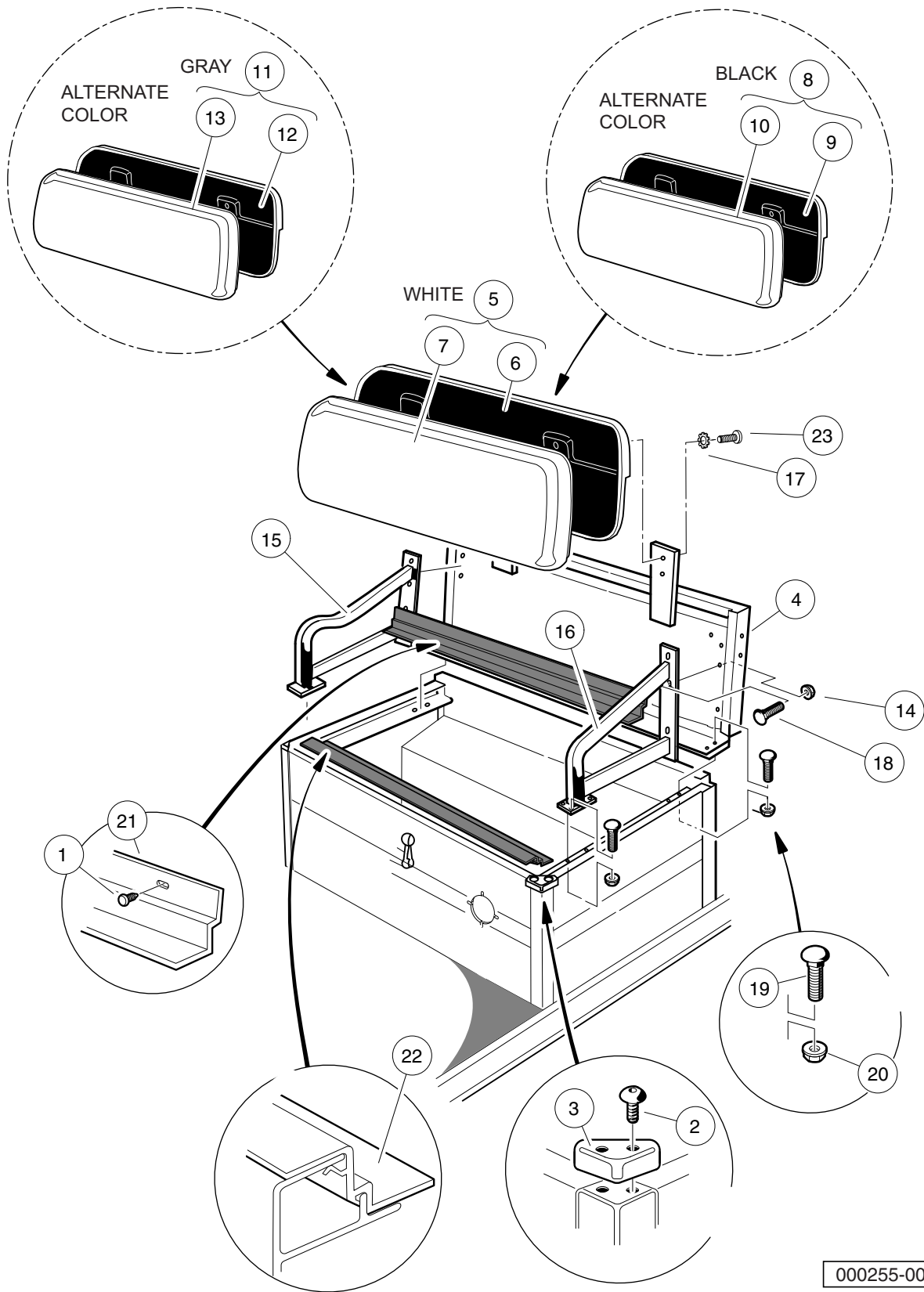
000254-001

# FRONT SEAT BOTTOM – TRANSPORTER 4 AND 6

ITEM	PART NO.	DESCRIPTION	QTY
		1 2 3 4	
1	<u>101564501</u>	Seat Bottom Assembly, Beige (includes items 2 through 9) .....	1
2	1010543	Insert - Wood .....	5
3	<u>1013309</u>	Strap, Utility Seat .....	1
4	<u>1013311</u>	Bumper, Seat, Short .....	4
5	<u>1013312</u>	Bumper, Seat, Long .....	1
6	<u>101562711</u>	Vinyl Cover, Seat Bottom, Buff .....	1
7	<u>101894303</u>	Stiffener .....	1
8	<u>101954301</u>	Screw, 1/4-20 X 0.75 Hex-Head Cap .....	5
9	<u>332</u>	Washer, 1/4 Type A Narrow Flat .....	5
10	<u>101564502</u>	Seat Bottom Assembly, White (includes items 11 through 18) .....	1
11	1010543	Insert - Wood .....	5
12	<u>1013309</u>	Strap, Utility Seat .....	1
13	<u>1013311</u>	Bumper, Seat, Short .....	4
14	<u>1013312</u>	Bumper, Seat, Long .....	1
15	<u>101562712</u>	Vinyl Cover, Seat Bottom, White .....	1
16	<u>101894303</u>	Stiffener .....	1
17	<u>101954301</u>	Screw, 1/4-20 X 0.75 Hex-Head Cap .....	5
18	<u>332</u>	Washer, 1/4 Type A Narrow Flat .....	5
19	<u>101564503</u>	Seat Bottom Assembly, Black (includes items 20 through 27) .....	1
20	1010543	Insert - Wood .....	5
21	<u>1013309</u>	Strap, Utility Seat .....	1
22	<u>1013311</u>	Bumper, Seat, Short .....	4
23	<u>1013312</u>	Bumper, Seat, Long .....	1
24	<u>101562714</u>	Vinyl Cover, Seat Bottom, Black .....	1
25	<u>101894303</u>	Stiffener .....	1
26	<u>101954301</u>	Screw, 1/4-20 X 0.75 Hex-Head Cap .....	5
27	<u>332</u>	Washer, 1/4 Type A Narrow Flat .....	5
28	<u>101564505</u>	Seat Bottom Assembly, Gray (includes items 29 through 36) .....	1
29	1010543	Insert - Wood .....	5
30	<u>1013309</u>	Strap, Utility Seat .....	1
31	<u>1013311</u>	Bumper, Seat, Short .....	4
32	<u>1013312</u>	Bumper, Seat, Long .....	1
33	<u>101562715</u>	Vinyl Cover, Seat Bottom, Gray .....	2
34	<u>101894303</u>	Stiffener .....	1
35	<u>101954301</u>	Screw, 1/4-20 X 0.75 Hex-Head Cap .....	5
36	<u>332</u>	Washer, 1/4 Type A Narrow Flat .....	5

**1**  
**G**  
**E**

**1**  
**G**  
**E**



000255-001

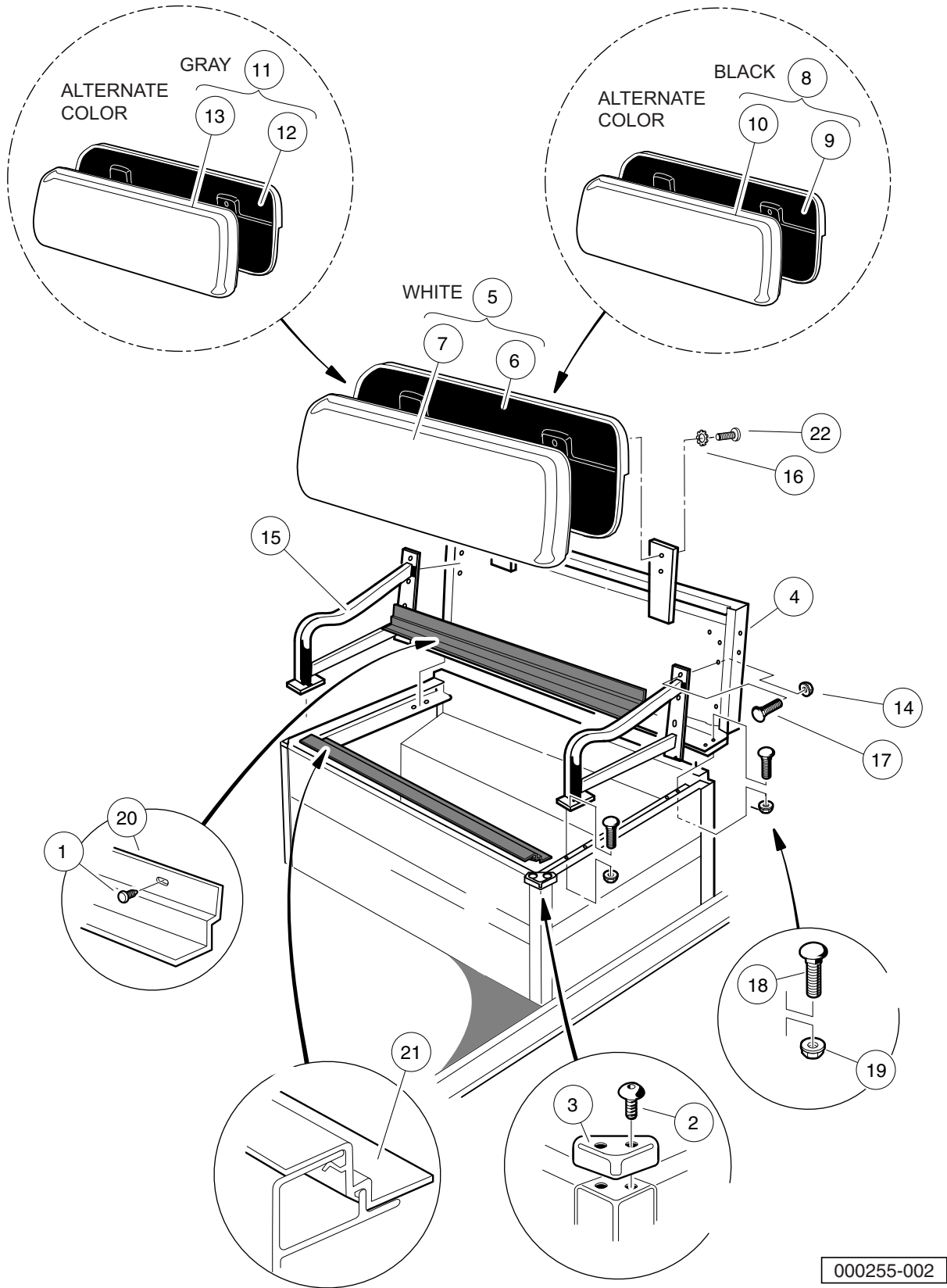


# FRONT SEAT BACK AND SUPPORT STRUCTURE – TRANSPORTER 4

ITEM	PART NO.	DESCRIPTION	QTY
		1 2 3 4	
1	<u>1010434</u>	Barrel - Plastic .....	5
2	<u>1014321</u>	Screw, #10 Truss-Head Torx .....	4
3	<u>1014387</u>	Cap, Corner .....	2
4	1016723	Seat Support Panel Assembly .....	1
5	<u>101677701</u>	Seat Back Assembly, White (includes items 6 and 7) .....	1
6	1016751	Cap, Seat Back .....	1
7	<u>101675512</u>	Vinyl Seat Back, White .....	1
8	<u>101677702</u>	Seat Back Assembly, Black (includes items 9 and 10) .....	1
9	1016751	Cap, Seat Back .....	1
10	<u>101675514</u>	Vinyl Seat Back, Black .....	1
11	<u>101677705</u>	Seat Back Assembly, Gray (includes items 12 and 13) .....	1
12	1016751	Cap, Seat Back .....	1
13	<u>101675515</u>	Vinyl Seat Back-nstd Svc .....	1
14	<u>101835601</u>	Locknut, 1/4-20 Hex Whiz .....	10
15	<u>101888501</u>	Armrest Weldment, Passenger-Side .....	1
16	101888502	Armrest Weldment, Driver-Side .....	1
17	<u>101946201</u>	Washer, Lock, 0.250 External-Tooth .....	4
18	<u>101958601</u>	Carriage Bolt, 1/4-20 X 0.75 .....	10
19	<u>101963301</u>	Bolt, 5/16-18 X 0.75 Round-Head .....	4
20	<u>101963401</u>	Locknut, 5/16-18 Hex Flange .....	4
21	<u>101963901</u>	Trim, Seat Bottom Rear .....	1
22	<u>101964001</u>	Trim, Seat Bottom Front .....	1
23	<u>8251</u>	Screw, 1/4-20 X 1.0 Truss-Head Machine .....	4
		Note: Sub-components contained in items 8 and 11 are the same as those shown for item 5, except for the vinyl seat covers.	

**1**  
**G**  
**E**

**1**  
**G**  
**E**



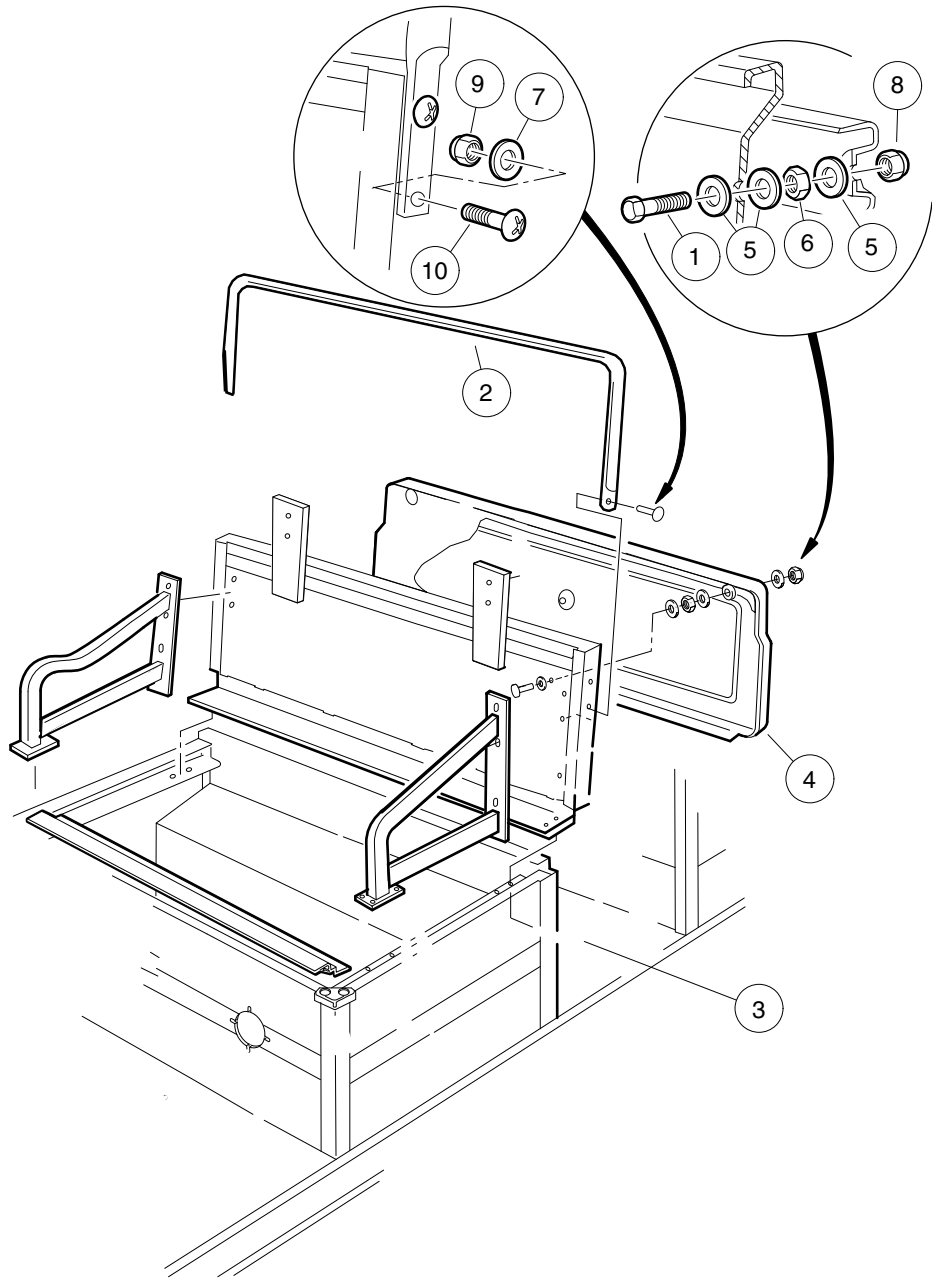
000255-002

# REAR SEAT BACK AND SUPPORT STRUCTURE – TRANSPORTER 4

ITEM	PART NO.	DESCRIPTION	QTY
		1 2 3 4	
1	<u>1010434</u>	Barrel - Plastic .....	5
2	<u>1014321</u>	Screw, #10 Truss-Head Torx .....	4
3	<u>1014387</u>	Cap, Corner .....	2
4	1016723	Seat Support Panel Assembly .....	1
5	<u>101677701</u>	Seat Back Assembly, White (includes items 6 and 7) .....	1
6	1016751	Cap, Seat Back .....	1
7	<u>101675512</u>	Vinyl Seat Back, White .....	1
8	<u>101677702</u>	Seat Back Assembly, Black (includes items 9 and 10) .....	1
9	1016751	Cap, Seat Back .....	1
10	<u>101675514</u>	Vinyl Seat Back, Black .....	1
11	<u>101677705</u>	Seat Back Assembly, Gray (includes items 12 and 13) .....	1
12	1016751	Cap, Seat Back .....	1
13	<u>101675515</u>	Vinyl Seat Back-nstd Svc .....	1
14	<u>101835601</u>	Locknut, 1/4-20 Hex Whiz .....	10
15	<u>101888501</u>	Armrest Weldment, Passenger-Side .....	2
16	<u>101946201</u>	Washer, Lock, 0.250 External-Tooth .....	4
17	<u>101958601</u>	Carriage Bolt, 1/4-20 X 0.75 .....	10
18	<u>101963301</u>	Bolt, 5/16-18 X 0.75 Round-Head .....	4
19	<u>101963401</u>	Locknut, 5/16-18 Hex Flange .....	4
20	<u>101963901</u>	Trim, Seat Bottom Rear .....	1
21	<u>101964001</u>	Trim, Seat Bottom Front .....	1
22	<u>8251</u>	Screw, 1/4-20 X 1.0 Truss-Head Machine .....	4
		Note: Sub-components contained in items 8 and 11 are the same as those shown for item 5, except for the vinyl seat covers.	

**1**  
**G**  
**E**

**1**  
**G**  
**E**



000401-001

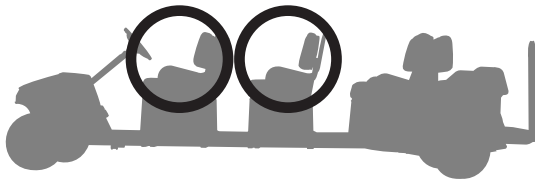
# HANDRAIL, FRONT SEAT BACK COVER, AND REAR FLOORMAT – TRANSPORTER 4

ITEM	PART NO.	DESCRIPTION	QTY
		1 2 3 4	
1	<u>1010934</u>	Screw, 5/16-18 X 1.00 Hex Cap .....	3
2	<u>1016670</u>	Handrail .....	1
3	<u>1016718</u>	Floormat, Rear .....	1
4	<u>1016970</u>	Cover, Seat Back Support .....	1
5	<u>1241</u>	Washer, 5/16 Type A Flat .....	9
6	<u>1242</u>	Nut, 5/16-18 Hex .....	3
7	<u>332</u>	Washer, 1/4 Type A Narrow Flat .....	4
8	<u>7473</u>	Locknut, 5/16-18 Nylon Insert .....	3
9	<u>8233</u>	Locknut, 1/4-20 Nylon Insert .....	4
10	<u>8251</u>	Screw, 1/4-20 X 1.0 Truss-Head Machine .....	4

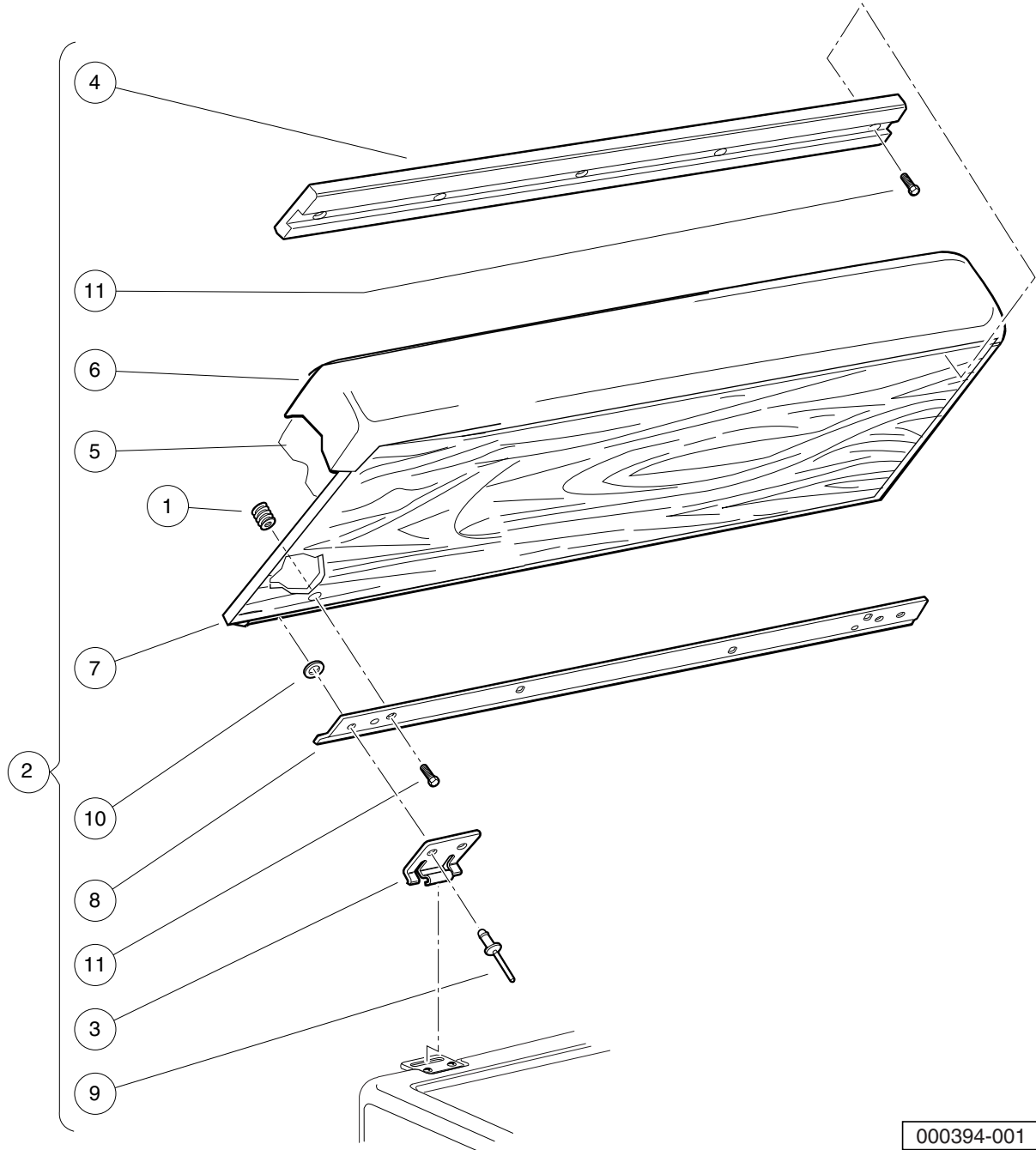
**1**  
**G**  
**E**

**1**  
**G**  
**E**

VILLAGER 8



VILLAGER 6



000394-001

# FRONT AND CENTER SEAT BOTTOMS – VILLAGER 6 AND 8

ITEM	PART NO.	DESCRIPTION	QTY
		1 2 3 4	
1	1010543	Insert - Wood .....	8
2	<u>101728201</u>	Seat Bottom Assembly, Front, White (includes items 3 through 11) .....	1
3	<u>1011652</u>	Hinge Plate .....	2
4	<u>1013312</u>	Bumper, Seat, Long .....	1
5	N/A	Foam, Seat .....	1
6	<u>101562712</u>	Vinyl Cover, Seat Bottom, White .....	1
7	N/A	Plywood Assy .....	1
8	<u>1017695</u>	Seat Support Bracket .....	2
9	<u>101880901</u>	Rivet, 3/16, Stainless-Steel, Pop .....	4
10	<u>101881701</u>	Washer, #8 Stainless-Steel Flat .....	4
11	<u>101954301</u>	Screw, 1/4-20 X 0.75 Hex-Head Cap .....	8
12	<u>101728203</u>	Seat Bottom Assembly, Front, Beige (includes items 13 through 21) .....	1
13	<u>1011652</u>	Hinge Plate .....	2
14	<u>1013312</u>	Bumper, Seat, Long .....	1
15	N/A	Foam, Seat .....	1
16	<u>101562711</u>	Vinyl Cover, Seat Bottom, Buff .....	1
17	N/A	Plywood Assy .....	1
18	<u>1017695</u>	Seat Support Bracket .....	2
19	<u>101880901</u>	Rivet, 3/16, Stainless-Steel, Pop .....	4
20	<u>101881701</u>	Washer, #8 Stainless-Steel Flat .....	4
21	<u>101954301</u>	Screw, 1/4-20 X 0.75 Hex-Head Cap .....	8
22	<u>101728210</u>	Seat Bottom Assembly, Front, Black (includes items 23 through 31) .....	1
23	<u>1011652</u>	Hinge Plate .....	2
24	<u>1013312</u>	Bumper, Seat, Long .....	1
25	N/A	Foam, Seat .....	1
26	<u>101562714</u>	Vinyl Cover, Seat Bottom, Black .....	1
27	N/A	Plywood Assy .....	1
28	<u>1017695</u>	Seat Support Bracket .....	2
29	<u>101880901</u>	Rivet, 3/16, Stainless-Steel, Pop .....	4
30	<u>101881701</u>	Washer, #8 Stainless-Steel Flat .....	4
31	<u>101954301</u>	Screw, 1/4-20 X 0.75 Hex-Head Cap .....	8
32	<u>101728213</u>	Seat Bottom Assembly, Rear, Gray (includes items 33 through 41) .....	1
33	<u>1011652</u>	Hinge Plate .....	2
34	<u>1013312</u>	Bumper, Seat, Long .....	1
35	N/A	Foam, Seat .....	1
36	<u>101562715</u>	Vinyl Cover, Seat Bottom, Gray .....	1
37	N/A	Plywood Assy .....	1
38	<u>1017695</u>	Seat Support Bracket .....	2
39	<u>101880901</u>	Rivet, 3/16, Stainless-Steel, Pop .....	4
40	<u>101881701</u>	Washer, #8 Stainless-Steel Flat .....	4
41	<u>101954301</u>	Screw, 1/4-20 X 0.75 Hex-Head Cap .....	8
		Note: Sub-components contained in items 12, 22, and 32 are the same as those shown for item 2, except for the vinyl seat covers.	

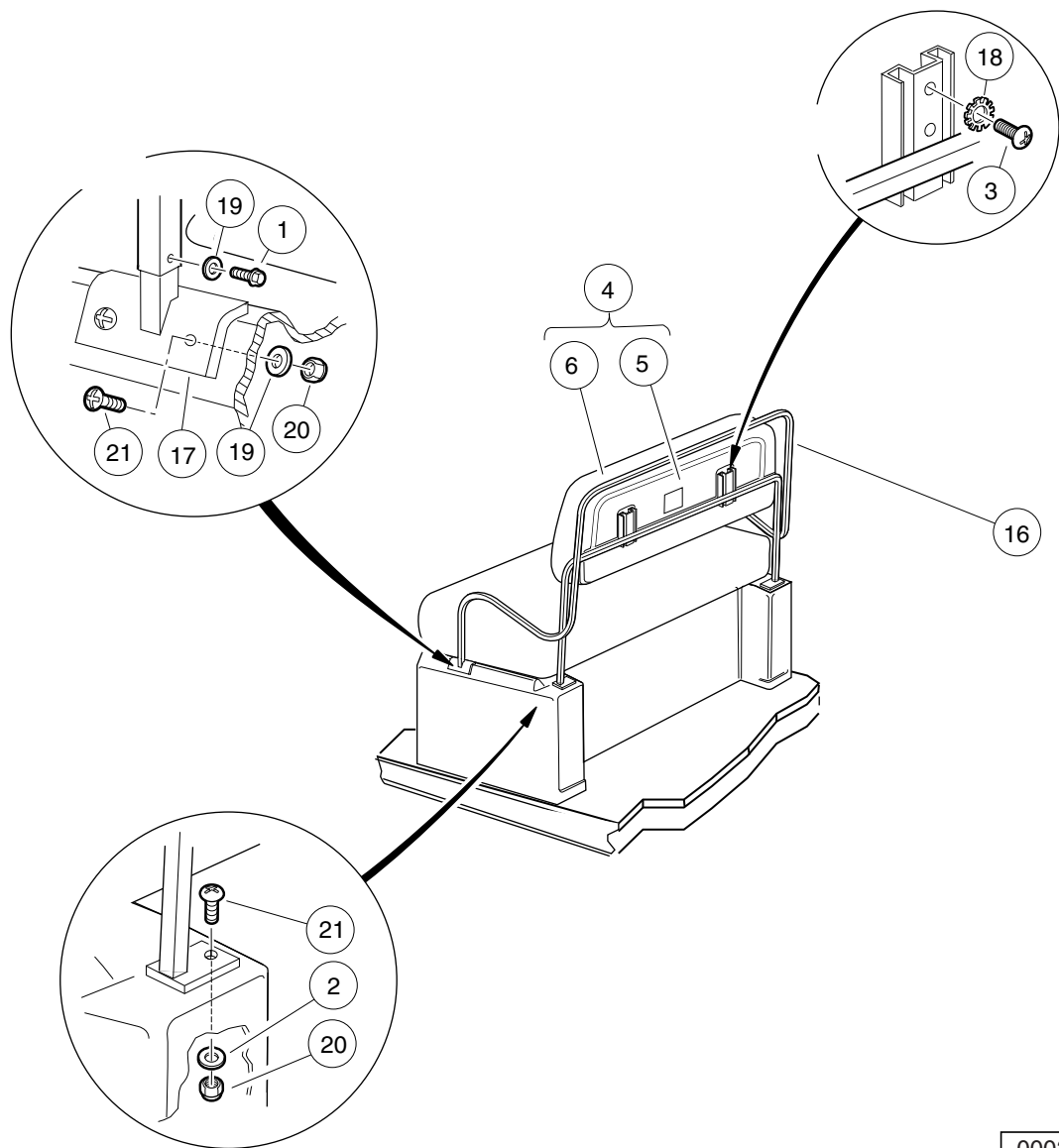
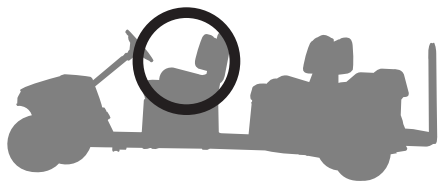
**1**  
**G**  
**E**

**1**  
**G**  
**E**

VILLAGER 8



VILLAGER 6



000396-001



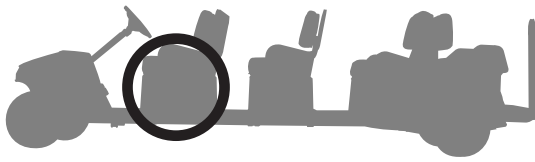
## SEAT BACKS AND ARMRESTS – VILLAGER 6 AND 8

ITEM	PART NO.	DESCRIPTION	QTY
		1 2 3 4	
1	<u>1012285</u>	Screw, 1/4 X 0.625 Hex-Head .....	4
2	<u>1014306</u>	Washer, 1/4" Type B Flat .....	2
3	<u>1015902</u>	Screw, 1/4-20 X 1.25 Truss-Head .....	4
4	<u>101677701</u>	Seat Back Assembly, White (includes items 5 and 6) .....	1
5	1016751	Cap, Seat Back .....	1
6	<u>101675512</u>	Vinyl Seat Back, White .....	1
7	<u>101677702</u>	Seat Back Assembly, Black (includes items 8 and 9) .....	1
8	1016751	Cap, Seat Back .....	1
9	<u>101675514</u>	Vinyl Seat Back, Black .....	1
10	<u>101677703</u>	Seat Back Assembly, Beige (includes items 11 and 12) .....	1
11	1016751	Cap, Seat Back .....	1
12	<u>101675511</u>	Vinyl Seat Back, Beige .....	1
13	<u>101677705</u>	Seat Back Assembly, Gray (includes items 14 and 15) .....	1
14	1016751	Cap, Seat Back .....	1
15	<u>101675515</u>	Vinyl Seat Back-nstd Svc .....	1
16	<u>1017259</u>	Armrest Weld Asm Front .....	1
17	<u>1017310</u>	Armrest Mounting Weldment .....	2
18	<u>101946201</u>	Washer, Lock, 0.250 External-Tooth .....	4
19	<u>332</u>	Washer, 1/4 Type A Narrow Flat .....	6
20	<u>8233</u>	Locknut, 1/4-20 Nylon Insert .....	6
21	<u>8251</u>	Screw, 1/4-20 X 1.0 Truss-Head Machine .....	6

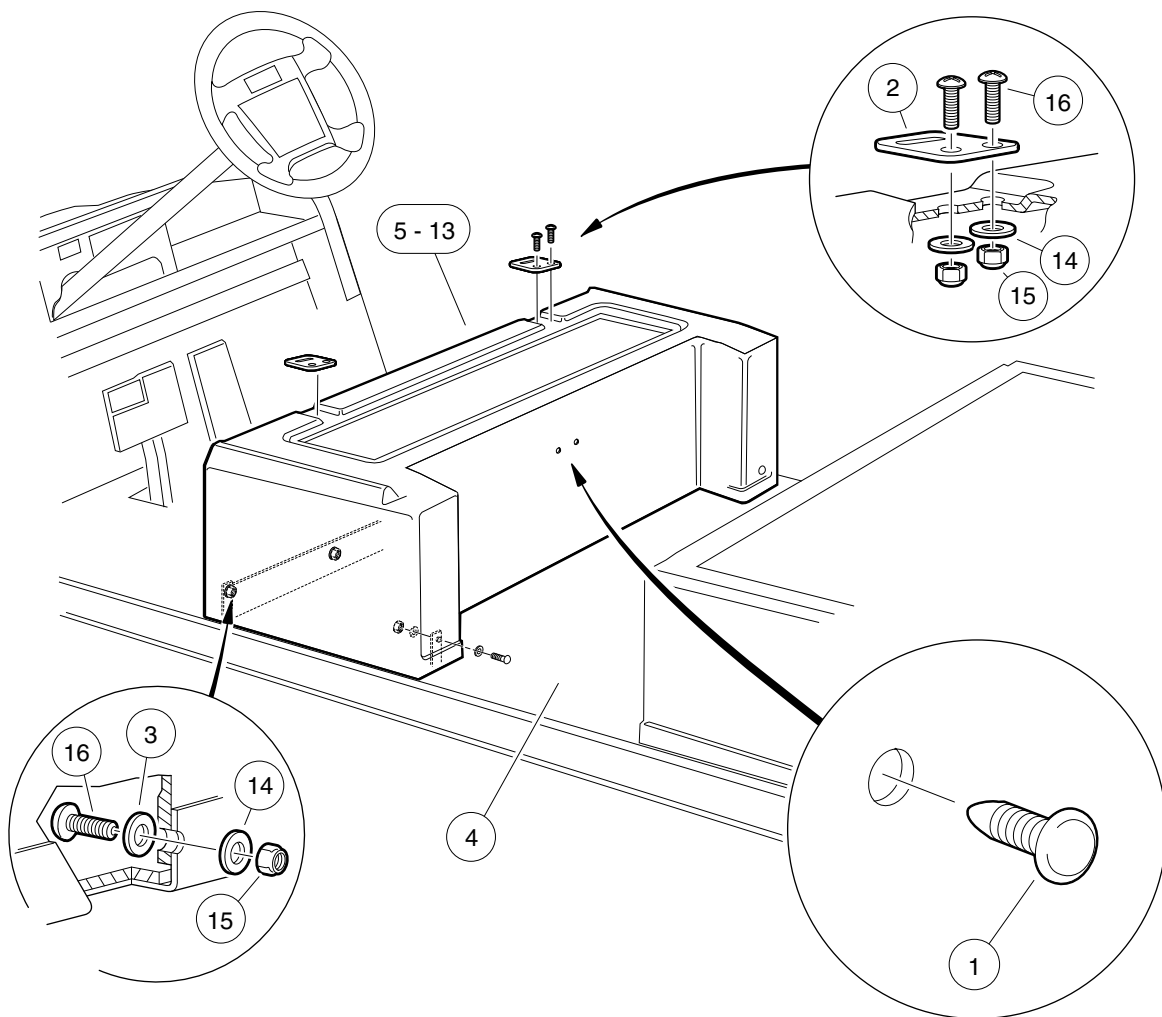
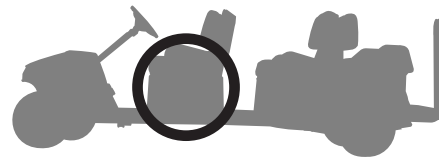
**1**  
**G**  
**E**

1  
G  
E

VILLAGER 8



VILLAGER 6



000389-001

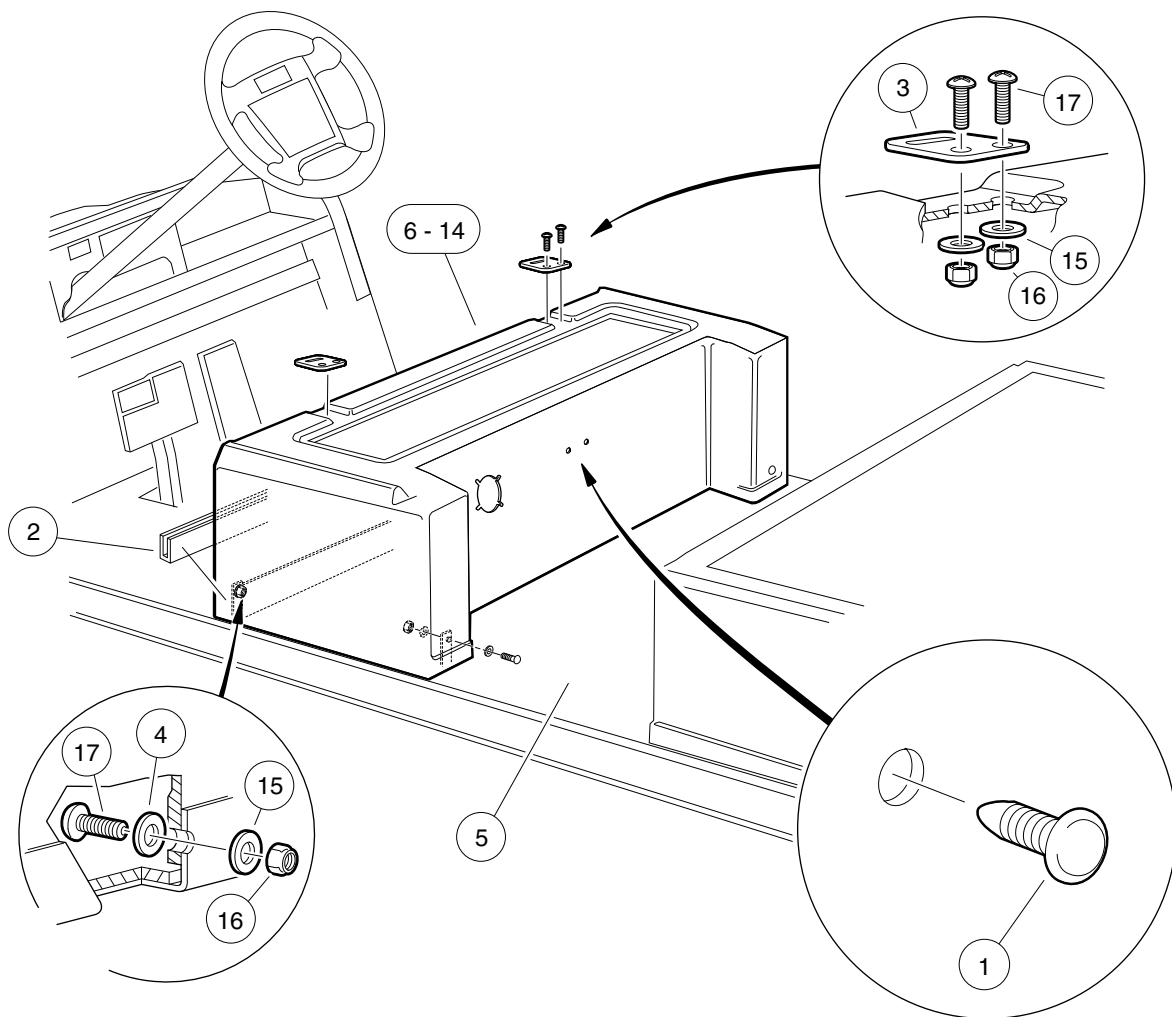
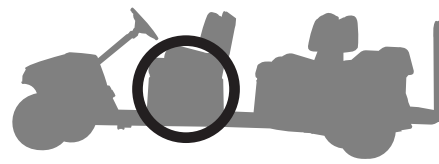
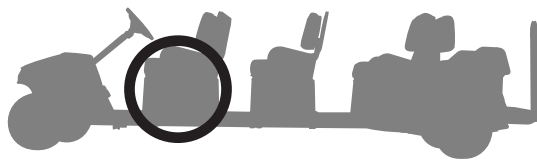
## FRONT CENTER BODY AND FLOORMAT – VILLAGER 6 AND 8 (EXCEPT IQ PLUS)

ITEM	PART NO.	DESCRIPTION	QTY
		<b>1 2 3 4</b>	
1	<u>1010434</u>	Barrel - Plastic .....	2
2	<u>1012412</u>	Body, Hinge Plate .....	2
3	<u>1012581</u>	Washer, 0.609-inch OD, Nylon Cup .....	6
4	<u>1017289</u>	Rear Floormat Limo .....	1
5	<u>101731601</u>	Body, Beige, Center .....	1
6	<u>101731602</u>	Body, White, Center .....	1
7	<u>101731604</u>	Body, Gray, Center .....	1
8	<u>101731606</u>	Body, Red, Center .....	1
9	<u>101731608</u>	Body, Pacific Blue, Center .....	1
10	<u>101731609</u>	Body, Dark Green, Center .....	1
11	<u>101731610</u>	Body, Black, Center .....	1
12	<u>101731611</u>	Body, Classic Blue, Center .....	1
13	<u>101731612</u>	Body, Burgundy, Center .....	1
14	<u>332</u>	Washer, 1/4 Type A Narrow Flat .....	10
15	<u>8233</u>	Locknut, 1/4-20 Nylon Insert .....	10
16	<u>8251</u>	Screw, 1/4-20 X 1.0 Truss-Head Machine .....	10

**1**  
**G**  
**E**

VILLAGER 8

VILLAGER 6



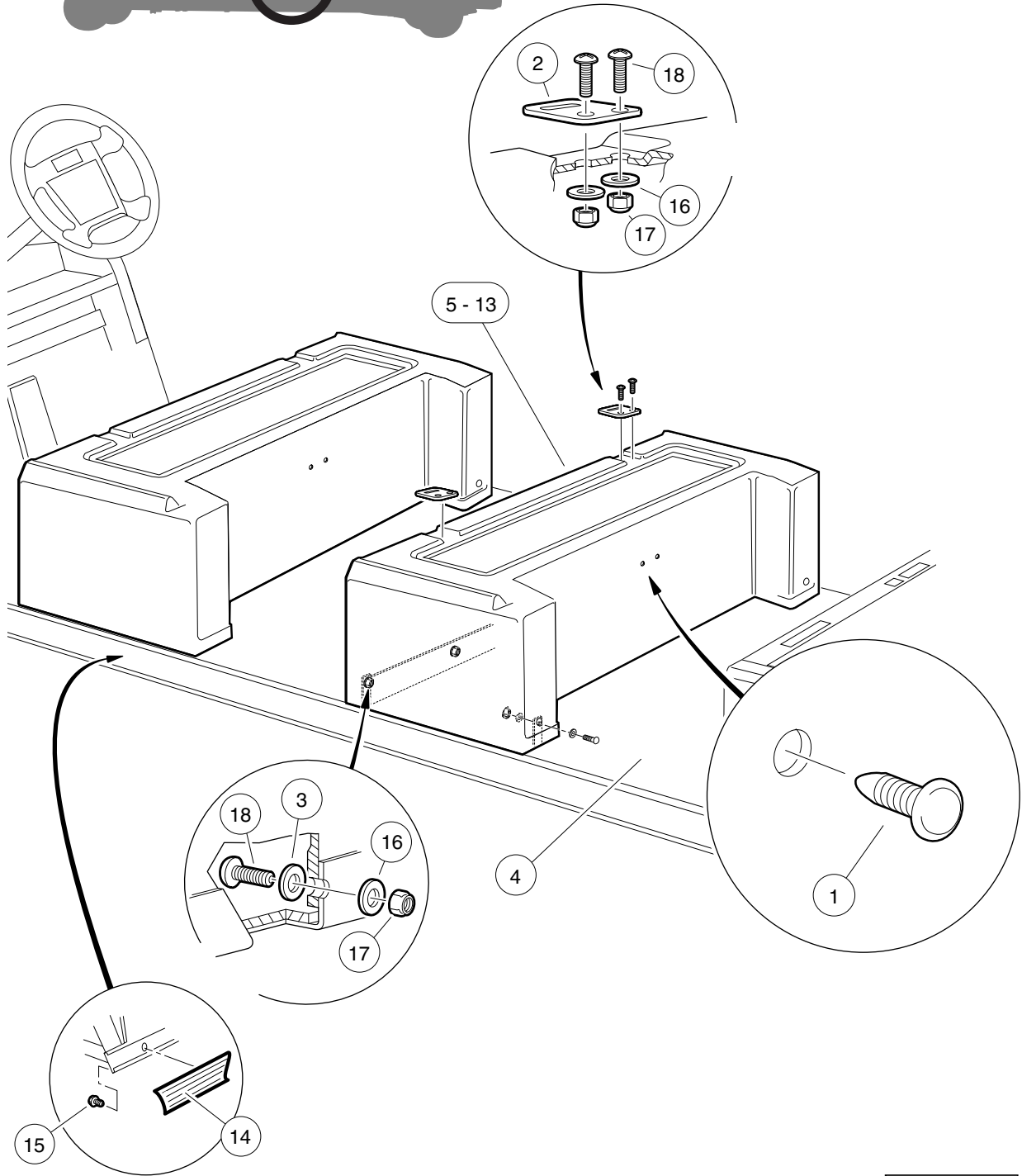
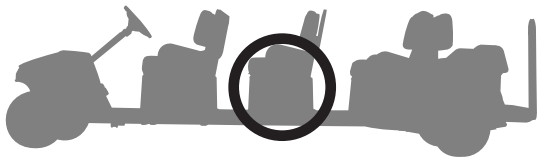
000389-002

## FRONT CENTER BODY AND FLOORMAT – VILLAGER 6 AND 8 (IQ PLUS ONLY)

ITEM	PART NO.	DESCRIPTION	QTY
		1 2 3 4	
1	<u>1010434</u>	Barrel - Plastic .....	2
2	<u>1010993</u>	Body Kick Plate .....	1
3	<u>1012412</u>	Body, Hinge Plate .....	2
4	<u>1012581</u>	Washer, 0.609-inch OD, Nylon Cup .....	4
5	<u>1017289</u>	Rear Floormat Limo .....	1
6	<u>102945401</u>	Body, Beige, Center .....	1
7	<u>102945402</u>	Body, White, Center .....	1
8	<u>102945404</u>	Body, Gray, Center .....	1
9	<u>102945406</u>	Body, Red, Center .....	1
10	<u>102945408</u>	Body, Pacific Blue, Center .....	1
11	<u>102945409</u>	Body, Dark Green, Center .....	1
12	<u>102945410</u>	Body, Black, Center .....	1
13	<u>102945411</u>	Body, Classic Blue, Center .....	1
14	<u>102945412</u>	Body, Burgundy, Center .....	1
15	<u>332</u>	Washer, 1/4 Type A Narrow Flat .....	8
16	<u>8233</u>	Locknut, 1/4-20 Nylon Insert .....	8
17	<u>8251</u>	Screw, 1/4-20 X 1.0 Truss-Head Machine .....	8

**1**  
**G**  
**E**

VILLAGER 8



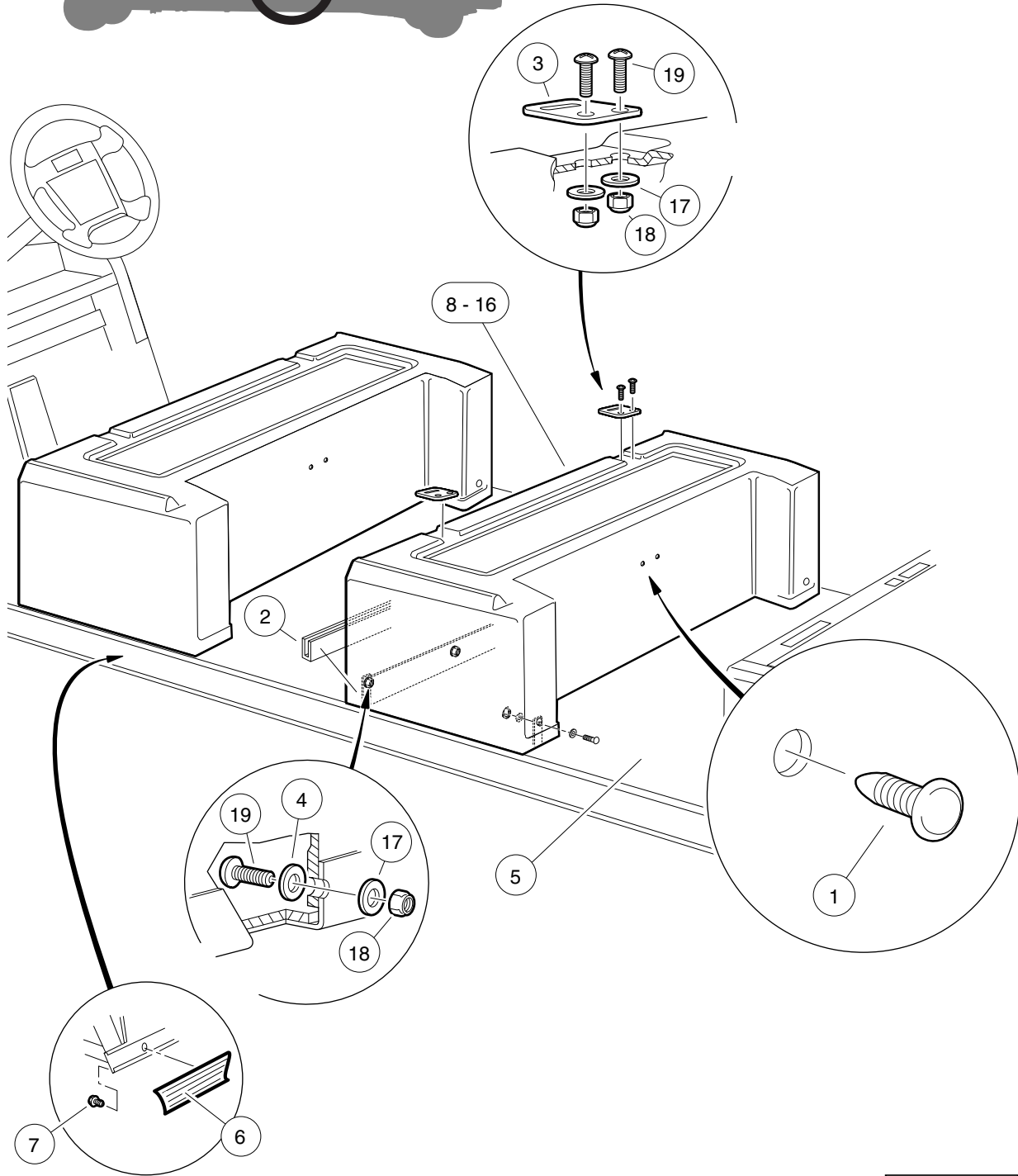
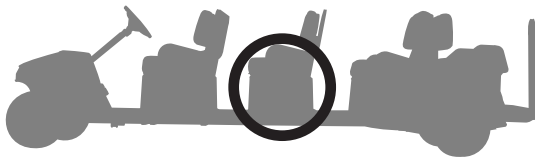
000390-001

# SECOND CENTER BODY AND FLOORMAT – VILLAGER 8 (EXCEPT IQ PLUS)

ITEM	PART NO.	DESCRIPTION	QTY
		<b>1 2 3 4</b>	
1	<u>1010434</u>	Barrel - Plastic .....	2
2	<u>1012412</u>	Body, Hinge Plate .....	2
3	<u>1012581</u>	Washer, 0.609-inch OD, Nylon Cup .....	6
4	<u>1017289</u>	Rear Floormat Limo .....	1
5	<u>101788201</u>	Body, Beige, Center .....	1
6	<u>101788202</u>	Body, White, Center .....	1
7	<u>101788204</u>	Body, Gray, Center .....	1
8	<u>101788206</u>	Body, Red, Center .....	1
9	<u>101788208</u>	Body, Pacific Blue, Center .....	1
10	<u>101788209</u>	Body, Dark Green, Center .....	1
11	<u>101788210</u>	Body, Black, Center .....	1
12	<u>101788211</u>	Body, Classic Blue, Center .....	1
13	<u>101788212</u>	Body, Burgundy, Center .....	1
14	<u>101791901</u>	Bumper Guard Vinyl Trim .....	2
15	<u>102310701</u>	Screw, #8-18 x 0.375, Hex-Head Washer .....	8
16	<u>332</u>	Washer, 1/4 Type A Narrow Flat .....	10
17	<u>8233</u>	Locknut, 1/4-20 Nylon Insert .....	10
18	<u>8251</u>	Screw, 1/4-20 X 1.0 Truss-Head Machine .....	10

**1**  
**G**  
**E**

VILLAGER 8



000390-002



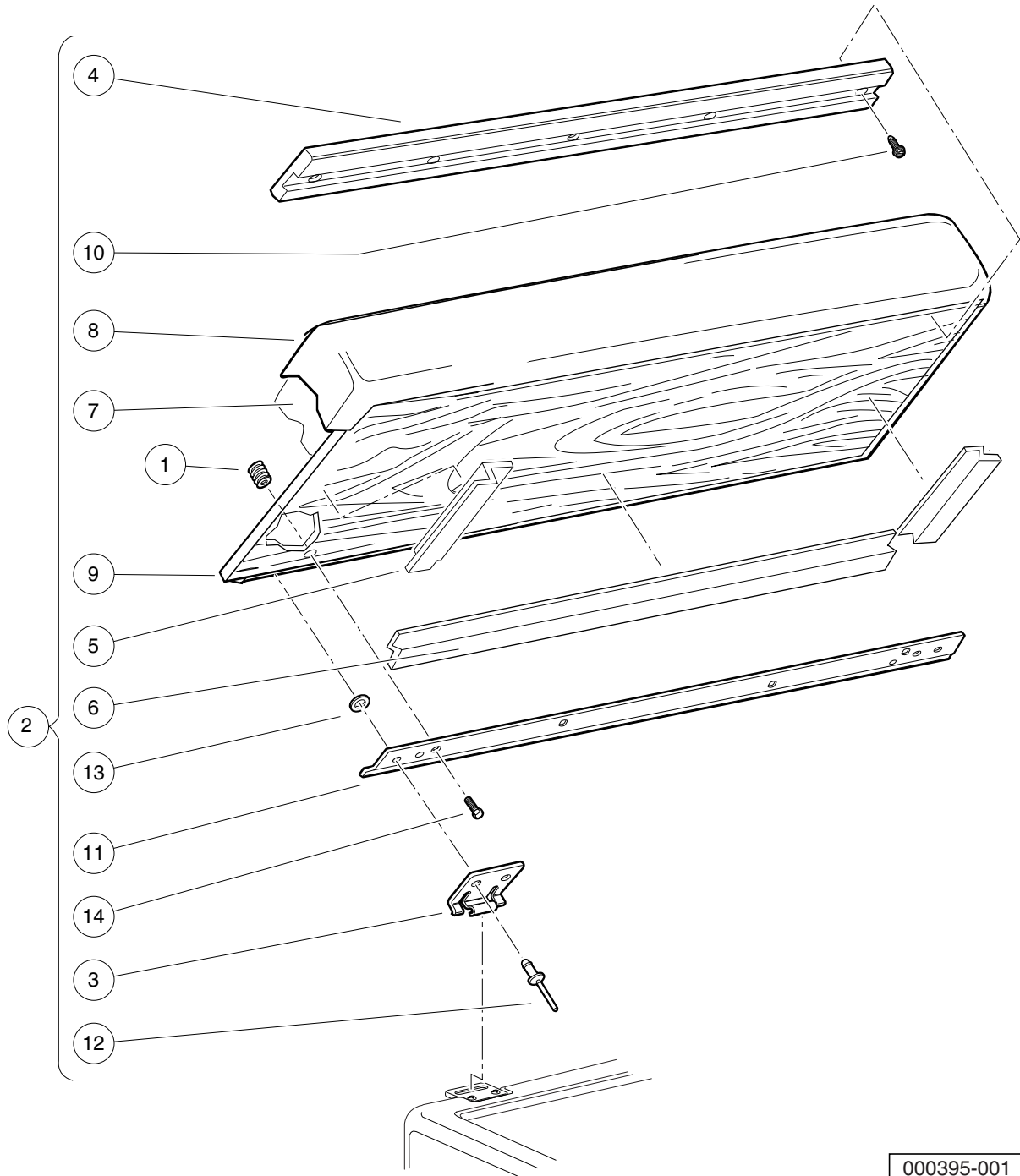
# SECOND CENTER BODY AND FLOORMAT – VILLAGER 8 (IQ PLUS ONLY)

ITEM	PART NO.	DESCRIPTION	QTY
		1 2 3 4	
1	<u>1010434</u>	Barrel - Plastic .....	2
2	<u>1010993</u>	Body Kick Plate .....	1
3	<u>1012412</u>	Body, Hinge Plate .....	2
4	<u>1012581</u>	Washer, 0.609-inch OD, Nylon Cup .....	4
5	<u>1017289</u>	Rear Floormat Limo .....	1
6	<u>101791901</u>	Bumper Guard Vinyl Trim .....	2
7	<u>102310701</u>	Screw, #8-18 x 0.375, Hex-Head Washer .....	8
8	<u>102945501</u>	Body, Beige, Center .....	1
9	<u>102945502</u>	Body, White, Center .....	1
10	<u>102945504</u>	Body, Gray, Center .....	1
11	<u>102945506</u>	Body, Red, Center .....	1
12	<u>102945508</u>	Body, Pacific Blue, Center .....	1
13	<u>102945509</u>	Body, Dark Green, Center .....	1
14	<u>102945510</u>	Body, Black, Center .....	1
15	<u>102945511</u>	Body, Classic Blue, Center .....	1
16	<u>102945512</u>	Body, Burgundy, Center .....	1
17	<u>332</u>	Washer, 1/4 Type A Narrow Flat .....	8
18	<u>8233</u>	Locknut, 1/4-20 Nylon Insert .....	8
19	<u>8251</u>	Screw, 1/4-20 X 1.0 Truss-Head Machine .....	8

1  
G  
E

VILLAGER 8

VILLAGER 6



000395-001

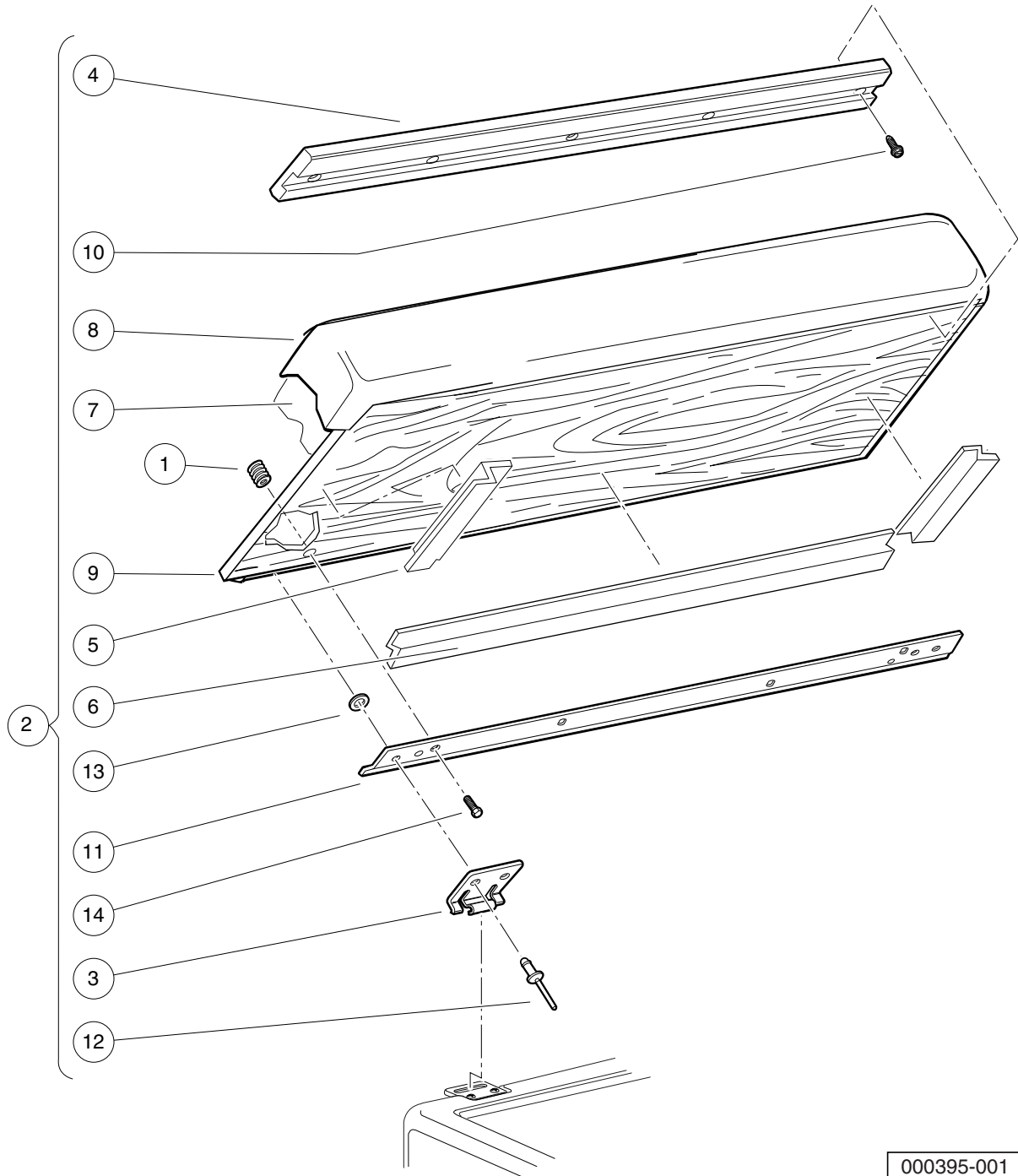
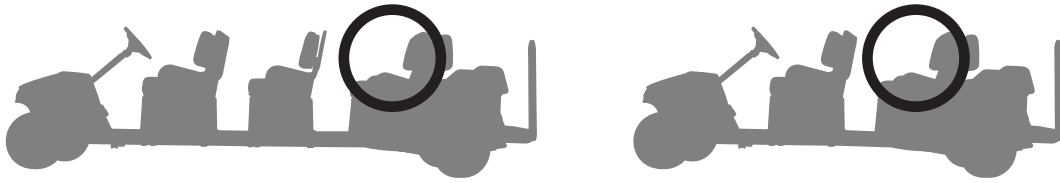
# REAR FORWARD-FACING SEAT BOTTOM – VILLAGER 6 AND 8

ITEM	PART NO.	DESCRIPTION	QTY
		<b>1 2 3 4</b>	
1	1010543	Insert - Wood .....	8
2	<u>101728202</u>	Seat Bottom Assembly, Rear, White (includes items 3 through 14) .....	1
3	<u>1011652</u>	Hinge Plate .....	2
4	<u>1012597</u>	Seat Bumper .....	1
5	<u>1012656</u>	Seat Gasket, Short .....	2
6	<u>1012657</u>	Seat Gasket, Long .....	1
7	N/A	Foam, Seat .....	1
8	<u>101562712</u>	Vinyl Cover, Seat Bottom, White .....	1
9	N/A	Plywood Assy .....	1
10	<u>1017384</u>	Screw, #12 X .50 Hex, Washer-Head .....	5
11	<u>1017695</u>	Seat Support Bracket .....	2
12	<u>101880901</u>	Rivet, 3/16, Stainless-Steel, Pop .....	4
13	<u>101881701</u>	Washer, #8 Stainless-Steel Flat .....	4
14	<u>101954301</u>	Screw, 1/4-20 X 0.75 Hex-Head Cap .....	8
15	<u>101728204</u>	Seat Bottom Assembly, Rear, Beige (includes items 16 through 27) .....	1
16	<u>1011652</u>	Hinge Plate .....	2
17	<u>1012597</u>	Seat Bumper .....	1
18	<u>1012656</u>	Seat Gasket, Short .....	2
19	<u>1012657</u>	Seat Gasket, Long .....	1
20	N/A	Foam, Seat .....	1
21	<u>101562711</u>	Vinyl Cover, Seat Bottom, Buff .....	1
22	N/A	Plywood Assy .....	1
23	<u>1017384</u>	Screw, #12 X .50 Hex, Washer-Head .....	5
24	<u>1017695</u>	Seat Support Bracket .....	2
25	<u>101880901</u>	Rivet, 3/16, Stainless-Steel, Pop .....	4
26	<u>101881701</u>	Washer, #8 Stainless-Steel Flat .....	4
27	<u>101954301</u>	Screw, 1/4-20 X 0.75 Hex-Head Cap .....	8
<p>Note: Sub-components contained in item 15 are the same as those shown for item 2, except for the vinyl seat cover.</p>			

**1**  
**G**  
**E**

VILLAGER 8

VILLAGER 6



000395-001

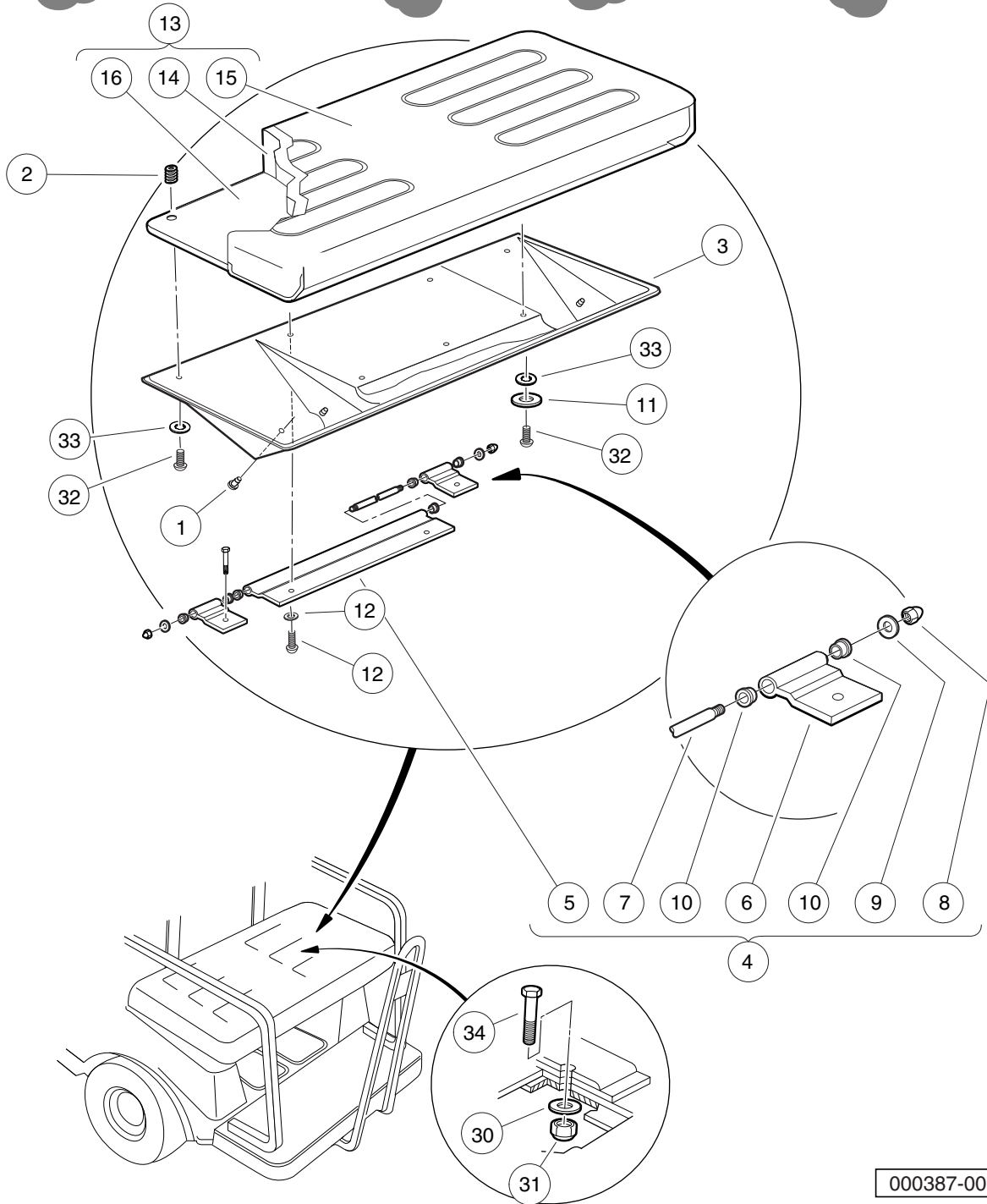
## REAR FORWARD-FACING SEAT BOTTOM – VILLAGER 6 AND 8, CONTINUED

ITEM	PART NO.	DESCRIPTION	QTY
		1 2 3 4	
1	1010543	Insert - Wood .....	8
2	<u>101728211</u>	Seat Bottom Assembly, Rear, Black (includes items 3 through 14) .....	1
3	<u>1011652</u>	Hinge Plate .....	2
4	<u>1012597</u>	Seat Bumper .....	1
5	<u>1012656</u>	Seat Gasket, Short .....	2
6	<u>1012657</u>	Seat Gasket, Long .....	1
7	N/A	Foam, Seat .....	1
8	<u>101562714</u>	Vinyl Cover, Seat Bottom, Black .....	1
9	N/A	Plywood Assy .....	1
10	<u>1017384</u>	Screw, #12 X .50 Hex, Washer-Head .....	5
11	<u>1017695</u>	Seat Support Bracket .....	2
12	<u>101880901</u>	Rivet, 3/16, Stainless-Steel, Pop .....	4
13	<u>101881701</u>	Washer, #8 Stainless-Steel Flat .....	4
14	<u>101954301</u>	Screw, 1/4-20 X 0.75 Hex-Head Cap .....	8
15	<u>101728214</u>	Seat Bottom Assembly, Rear, Gray (includes items 16 through 27) .....	1
16	<u>1011652</u>	Hinge Plate .....	2
17	<u>1012597</u>	Seat Bumper .....	1
18	<u>1012656</u>	Seat Gasket, Short .....	2
19	<u>1012657</u>	Seat Gasket, Long .....	1
20	N/A	Foam, Seat .....	1
21	<u>101562715</u>	Vinyl Cover, Seat Bottom, Gray .....	1
22	N/A	Plywood Assy .....	1
23	<u>1017384</u>	Screw, #12 X .50 Hex, Washer-Head .....	5
24	<u>1017695</u>	Seat Support Bracket .....	2
25	<u>101880901</u>	Rivet, 3/16, Stainless-Steel, Pop .....	4
26	<u>101881701</u>	Washer, #8 Stainless-Steel Flat .....	4
27	<u>101954301</u>	Screw, 1/4-20 X 0.75 Hex-Head Cap .....	8
<p>Note: Sub-components contained in item 15 are the same as those shown for item 2, except for the vinyl seat cover.</p>			

**1**  
**G**  
**E**

VILLAGER 8

VILLAGER 6



000387-001

## REAR-FACING SEAT BOTTOM – VILLAGER VEHICLES

ITEM	PART NO.	DESCRIPTION	QTY
		1 2 3 4	
1	<u>1010436</u>	Bumper, Rubber .....	1
2	<u>1010543</u>	Insert - Wood .....	7
3	<u>1011210</u>	Seat Support 4-Passenger .....	1
4	<u>1011219</u>	Hinge Assembly 4 Passenger (includes items 5 through 10) .....	1
5	<u>1011220</u>	Hinge Long 4 Passenger .....	1
6	<u>1011221</u>	Hinge Short 4 Passenger .....	2
7	<u>1011222</u>	Pin, Hinge, Long, 4-Pass .....	1
8	<u>1015091</u>	Nut, 1/4-20 Stainless-Steel Center-Lock Cap .....	2
9	<u>332</u>	Washer, 1/4 Type A Narrow Flat .....	2
10	<u>8028</u>	Rotor Stop, FNR .....	6
11	<u>1011578</u>	Washer, 5/16 Type B Flat .....	3
12	<u>1014007</u>	Washer, 1/4 Flat .....	2
13	<u>101564804</u>	Seat Bottom Assembly, Buff (includes items 14 through 16) .....	1
14	N/A	Foam, Seat .....	1
15	<u>101562711</u>	Vinyl Cover, Seat Bottom, Buff .....	1
16	N/A	Plywood Assy .....	1
17	<u>101564805</u>	Seat Bottom Assembly, White (includes items 18 through 20) .....	1
18	N/A	Foam, Seat .....	1
19	<u>101562712</u>	Vinyl Cover, Seat Bottom, White .....	1
20	N/A	Plywood Assy .....	1
21	<u>101564807</u>	Seat Bottom Assembly, Gray (includes items 22 through 24) .....	1
22	N/A	Foam, Seat .....	1
23	<u>101562715</u>	Vinyl Cover, Seat Bottom, Gray .....	1
24	N/A	Plywood Assy .....	1
25	<u>101564808</u>	Seat Bottom Assembly, Black (includes items 26 through 28) .....	1
26	N/A	Foam, Seat .....	1
27	<u>101562714</u>	Vinyl Cover, Seat Bottom, Black .....	1
28	N/A	Plywood Assy .....	1
29	<u>1016916</u>	Screw, 1/4-20 X 1.50 Hex-Head Cap .....	2
30	<u>1241</u>	Washer, 5/16 Type A Flat .....	2
31	<u>7473</u>	Locknut, 5/16-18 Nylon Insert .....	2
32	<u>8251</u>	Screw, 1/4-20 X 1.0 Truss-Head Machine .....	5
33	<u>8304</u>	Lockwasher, 1/4 Type A Int.tth .....	5
34	<u>8963</u>	Screw, 5/16-18 X 1.75 Hex-Head Cap .....	2
		Note: Sub-components contained in items 17, 21, and 25 are the same as those shown for item 13, except for the vinyl seat covers.	

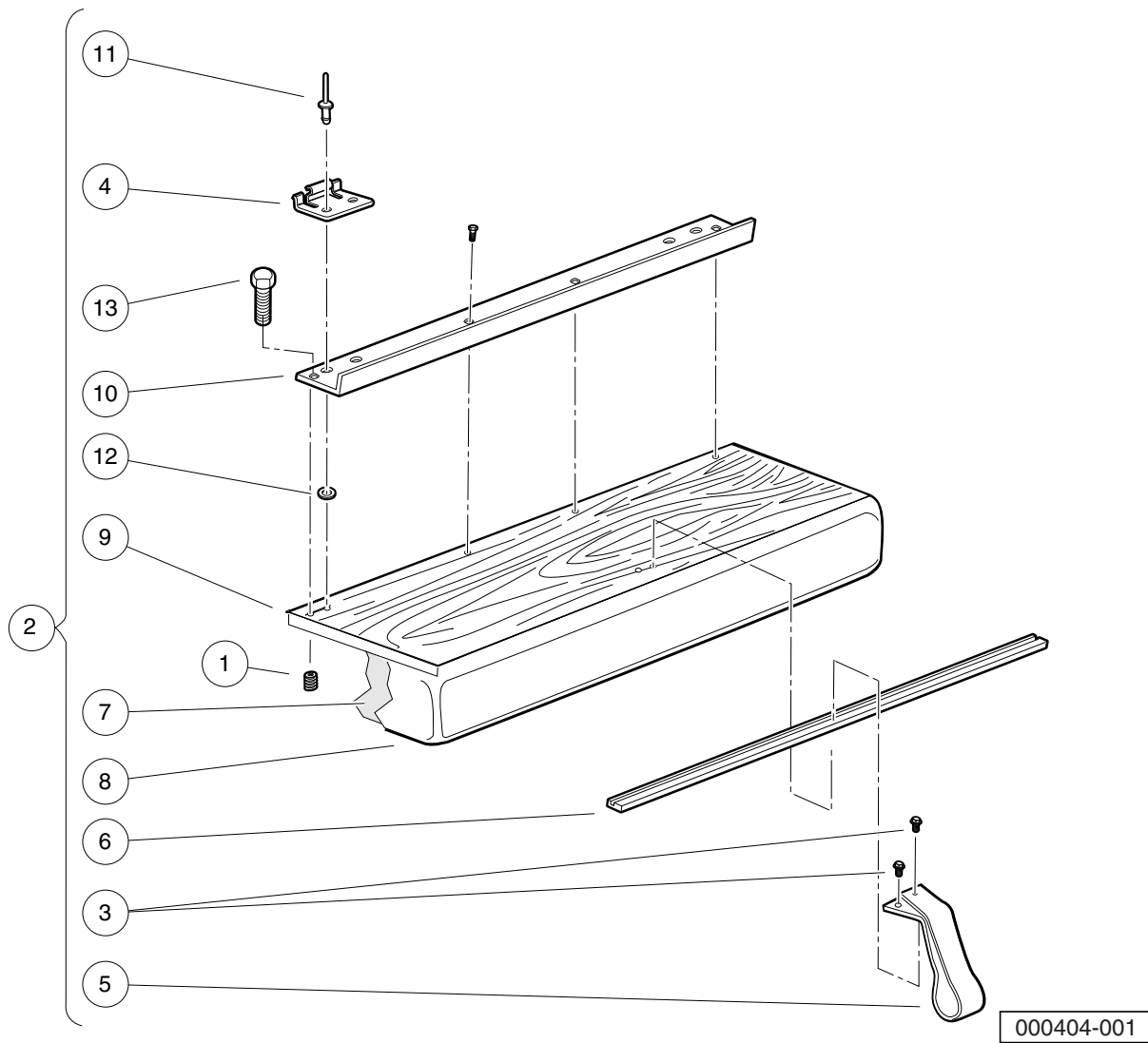
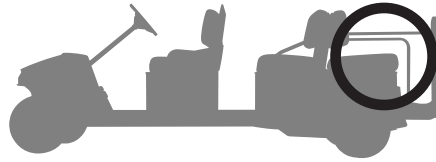
**1**  
**G**  
**E**

1

G

E

# TRANSPORTER 6

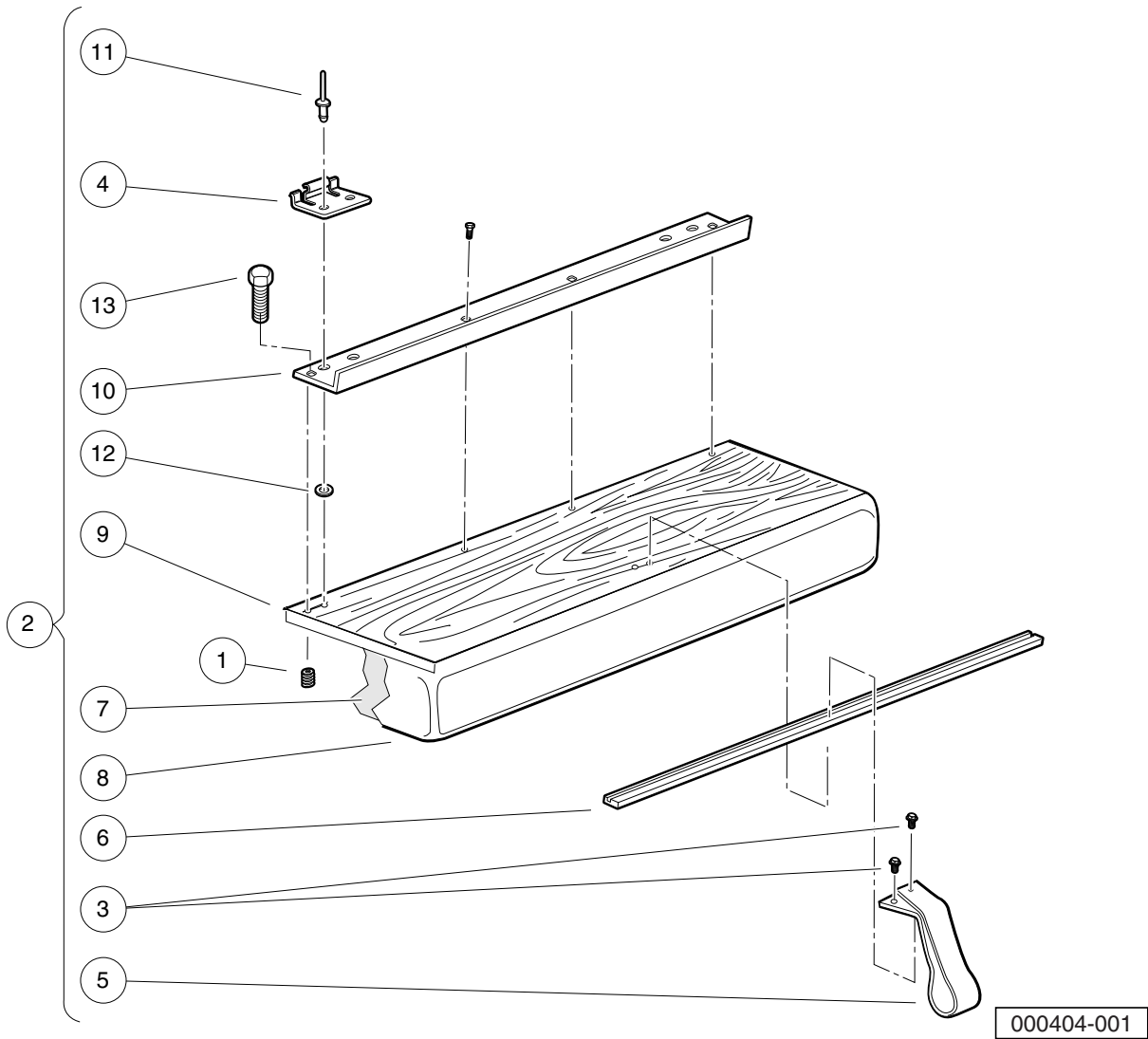
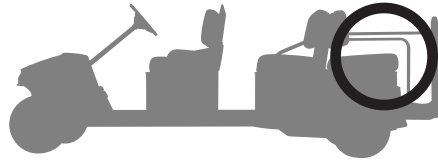




## REAR-FACING SEAT BOTTOM – TRANSPORTER 6

ITEM	PART NO.	DESCRIPTION	QTY	
		1 2 3 4		<b>1</b>
1	1010543	Insert - Wood .....	4	<b>G</b>
2	<u>101684102</u>	Seat Bottom Assembly, Rear, White (includes items 3 through 13) .....	1	<b>E</b>
3	<u>1010545</u>	Screw, Hex Washer Head 1/4-14 X .75 .....	2	
4	<u>1011652</u>	Hinge Plate .....	2	
5	<u>1013309</u>	Strap, Utility Seat .....	1	
6	<u>1013312</u>	Bumper, Seat, Long .....	1	
7	N/A	Foam, Seat .....	1	
8	<u>101562712</u>	Vinyl Cover, Seat Bottom, White .....	1	
9	N/A	Plywood Assy .....	1	
10	<u>1016824</u>	Angle Seat Hinge .....	1	
11	<u>101880901</u>	Rivet, 3/16, Stainless-Steel, Pop .....	4	
12	<u>101881701</u>	Washer, #8 Stainless-Steel Flat .....	4	
13	<u>101954301</u>	Screw, 1/4-20 X 0.75 Hex-Head Cap .....	4	
14	<u>101684103</u>	Seat Bottom Assembly, Rear, Black (includes items 15 through 25) .....	1	
15	<u>1010545</u>	Screw, Hex Washer Head 1/4-14 X .75 .....	2	
16	<u>1011652</u>	Hinge Plate .....	2	
17	<u>1013309</u>	Strap, Utility Seat .....	1	
18	<u>1013312</u>	Bumper, Seat, Long .....	1	
19	N/A	Foam, Seat .....	1	
20	<u>101562714</u>	Vinyl Cover, Seat Bottom, Black .....	1	
21	N/A	Plywood Assy .....	1	
22	<u>1016824</u>	Angle Seat Hinge .....	1	
23	<u>101880901</u>	Rivet, 3/16, Stainless-Steel, Pop .....	4	
24	<u>101881701</u>	Washer, #8 Stainless-Steel Flat .....	4	
25	<u>101954301</u>	Screw, 1/4-20 X 0.75 Hex-Head Cap .....	4	
Note: Sub-components contained in item 14 are the same as those shown for item 2, except for the vinyl seat cover.				

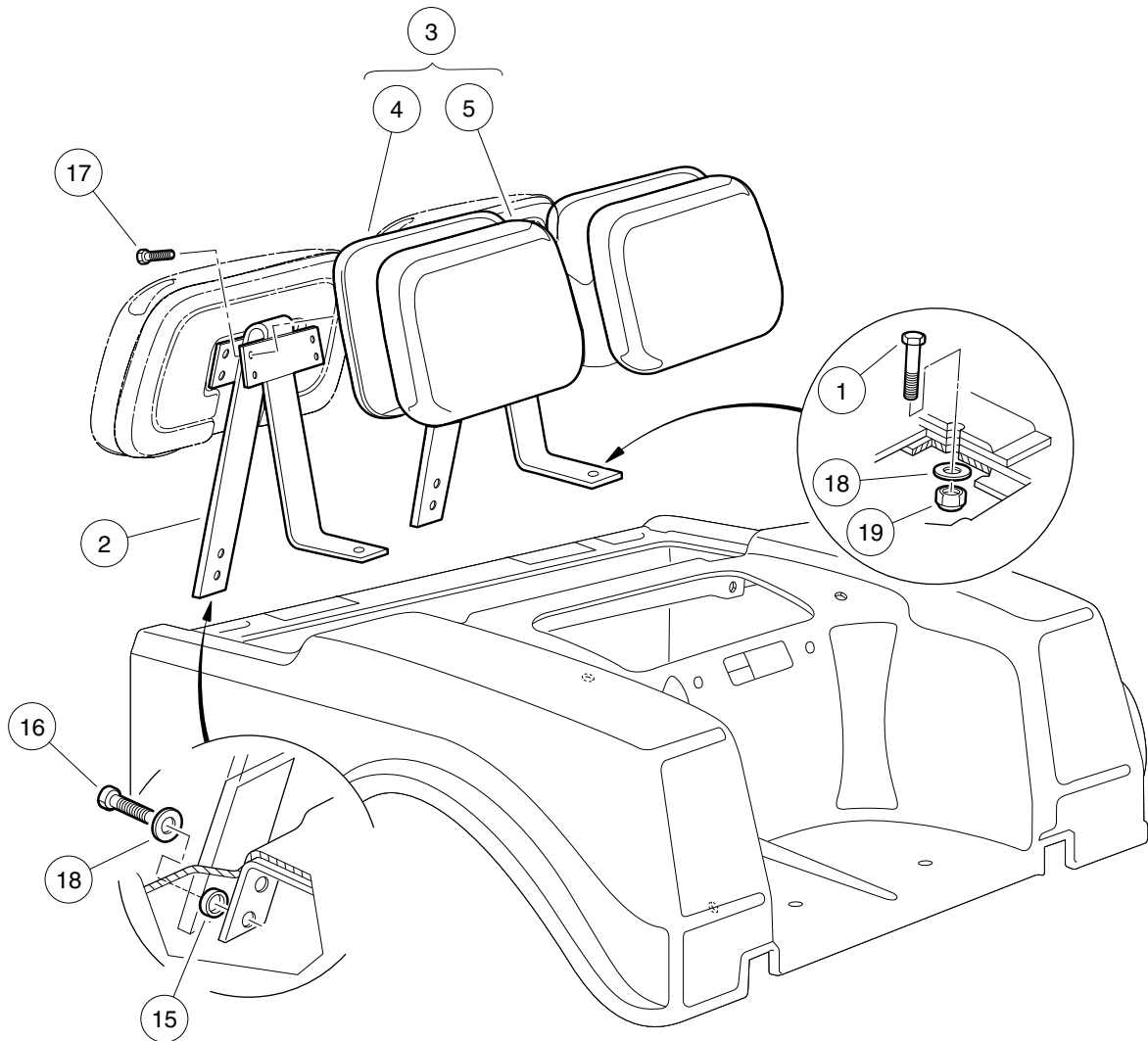
TRANSPORTER 6



# REAR-FACING SEAT BOTTOM – TRANSPORTER 6, CONTINUED

ITEM	PART NO.	DESCRIPTION	QTY
		1 2 3 4	
1	1010543	Insert - Wood .....	4
2	<u>101684105</u>	Seat Bottom Assembly, Rear, Gray (includes items 3 through 13) .....	1
3	<u>1010545</u>	Screw, Hex Washer Head 1/4-14 X .75 .....	2
4	<u>1011652</u>	Hinge Plate .....	2
5	<u>1013309</u>	Strap, Utility Seat .....	1
6	<u>1013312</u>	Bumper, Seat, Long .....	1
7	N/A	Foam, Seat .....	1
8	<u>101562715</u>	Vinyl Cover, Seat Bottom, Gray .....	1
9	N/A	Plywood Assy .....	1
10	<u>1016824</u>	Angle Seat Hinge .....	1
11	<u>101880901</u>	Rivet, 3/16, Stainless-Steel, Pop .....	4
12	<u>101881701</u>	Washer, #8 Stainless-Steel Flat .....	4
13	<u>101954301</u>	Screw, 1/4-20 X 0.75 Hex-Head Cap .....	4
14	****	Seat Bottom Assembly, Rear, Beige (includes items 15 through 25) .....	1
15	<u>1010545</u>	Screw, Hex Washer Head 1/4-14 X .75 .....	2
16	<u>1011652</u>	Hinge Plate .....	2
17	<u>1013309</u>	Strap, Utility Seat .....	1
18	<u>1013312</u>	Bumper, Seat, Long .....	1
19	N/A	Foam, Seat .....	1
20	<u>101562711</u>	Vinyl Cover, Seat Bottom, Buff .....	1
21	N/A	Plywood Assy .....	1
22	<u>1016824</u>	Angle Seat Hinge .....	1
23	<u>101880901</u>	Rivet, 3/16, Stainless-Steel, Pop .....	4
24	<u>101881701</u>	Washer, #8 Stainless-Steel Flat .....	4
25	<u>101954301</u>	Screw, 1/4-20 X 0.75 Hex-Head Cap .....	4
<p style="margin-left: 40px;">**** Special order item available upon request.</p> <p style="margin-left: 40px;">Note: Sub-components contained in item 14 are the same as those shown for item 2, except for the vinyl seat cover.</p>			

1  
G  
E



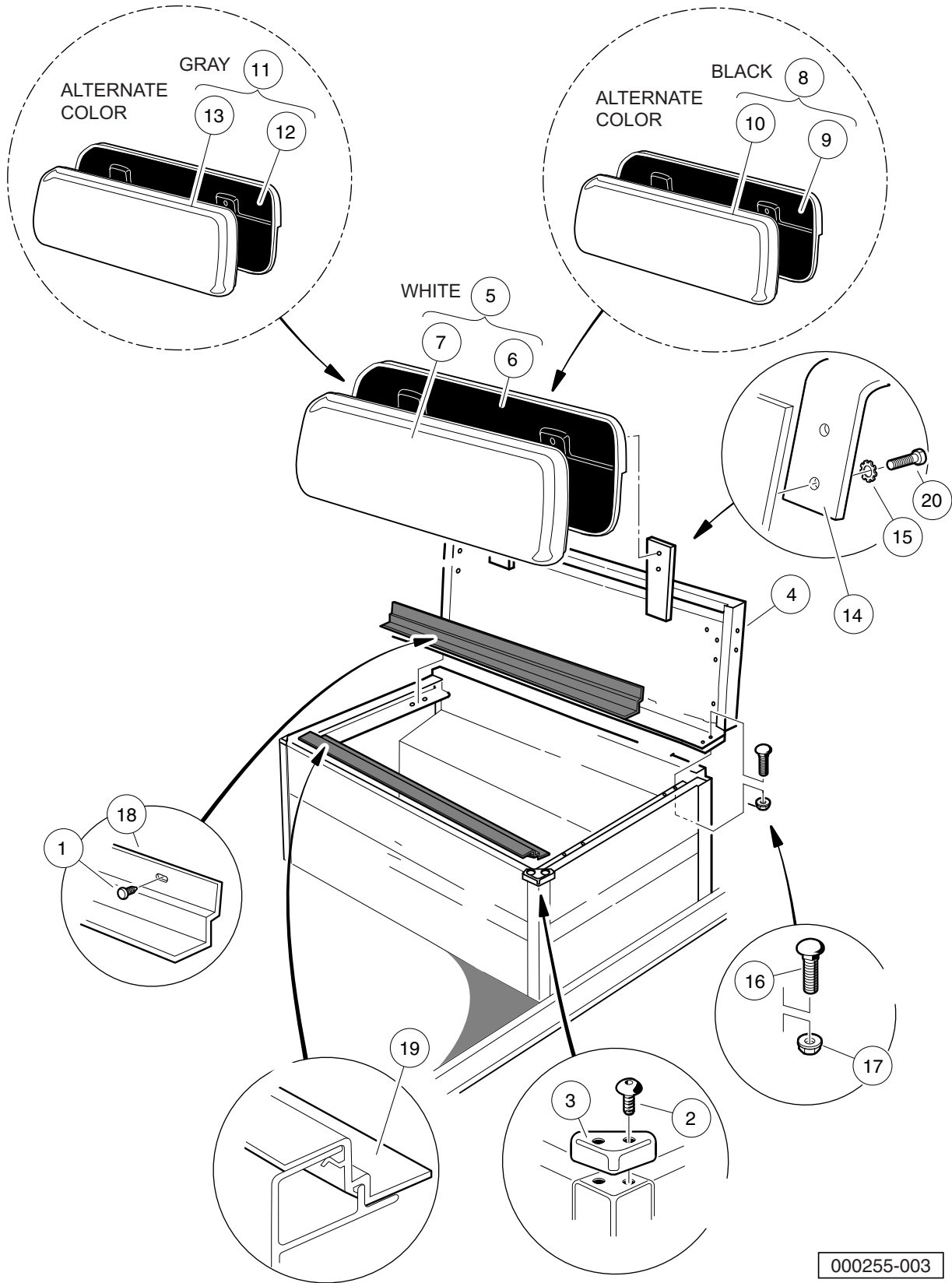
000398-001

# REAR-FACING SEAT BACKS AND SUPPORTS – DS VILLAGER 4

ITEM	PART NO.	DESCRIPTION	QTY
		1 2 3 4	
1	<u>1010577</u>	Bolt, Hex-Head, 5/16-18 X 1.50 .....	2
2	<u>1011182</u>	Seat Back Assy19804-pass' .....	2
3	<u>101565202</u>	Seat Back Assembly, White w/Black Cap .....	4
4	<u>101565204</u>	Seat Back Assembly, Beige w/Black Cap .....	4
5	<u>101565205</u>	Seat Back Assembly, Black w/Black Cap .....	4
6	<u>101565206</u>	Seat Back Assembly, Gray w/Black Cap .....	4
7	<u>1017774</u>	Body Spacer .....	4
8	<u>101910401</u>	Screw, 5/16-18 X 1.25 Thrd Frm .....	4
9	<u>101954301</u>	Screw, 1/4-20 X 0.75 Hex-Head Cap .....	16
10	<u>1241</u>	Washer, 5/16 Type A Flat .....	6
11	<u>7473</u>	Locknut, 5/16-18 Nylon Insert .....	2

1  
G  
E

**1**  
**G**  
**E**

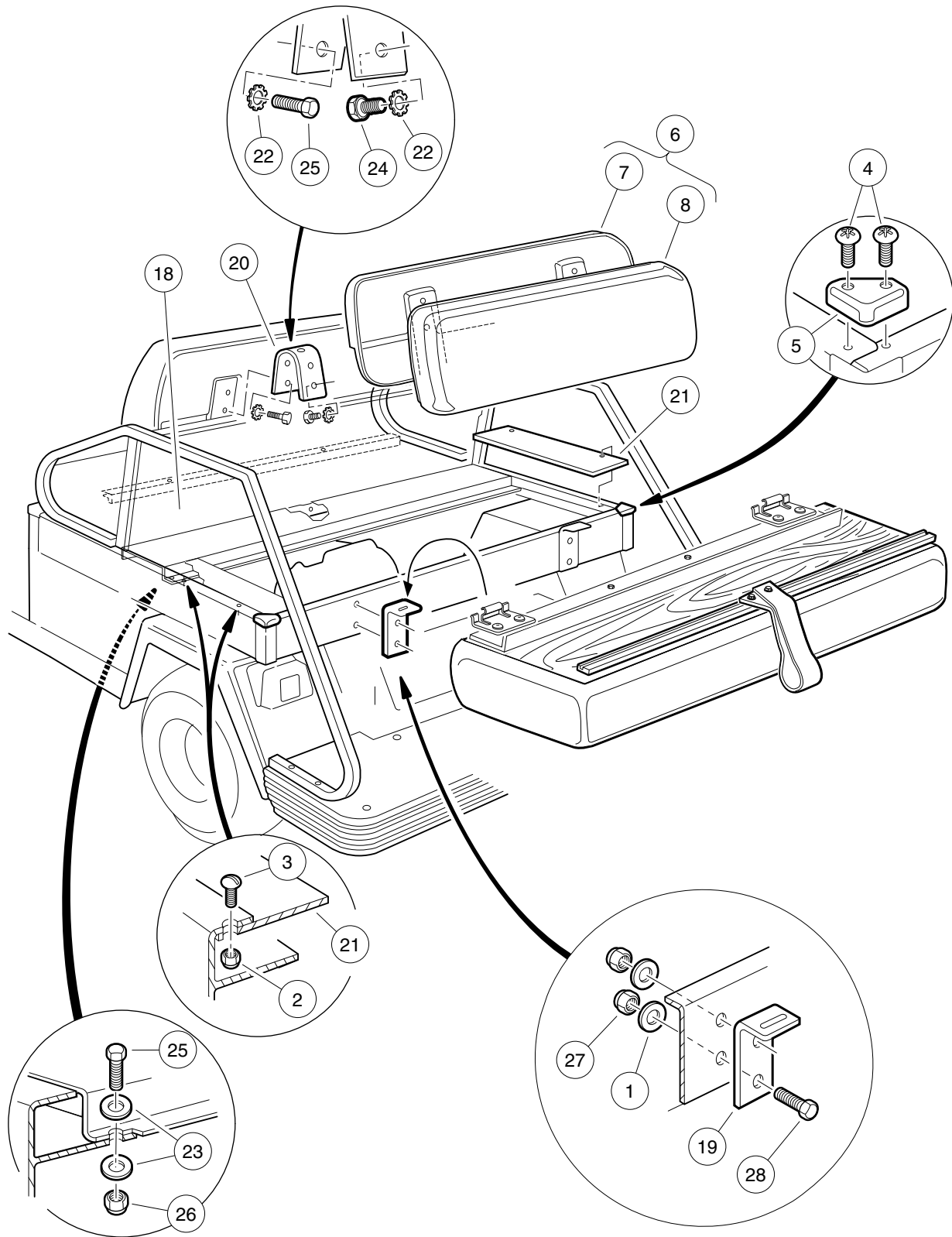


# CENTER SEAT BACK AND SUPPORT STRUCTURE – TRANSPORTER 6

ITEM	PART NO.	DESCRIPTION	QTY
		1 2 3 4	
1	<u>1010434</u>	Barrel - Plastic .....	5
2	<u>1014321</u>	Screw, #10 Truss-Head Torx .....	4
3	<u>1014387</u>	Cap, Corner .....	2
4	1016723	Seat Support Panel Assembly .....	1
5	<u>101677701</u>	Seat Back Assembly, White (includes items 6 and 7) .....	1
6	1016751	Cap, Seat Back .....	1
7	<u>101675512</u>	Vinyl Seat Back, White .....	1
8	<u>101677702</u>	Seat Back Assembly, Black (includes items 9 and 10) .....	1
9	1016751	Cap, Seat Back .....	1
10	<u>101675514</u>	Vinyl Seat Back, Black .....	1
11	<u>101677705</u>	Seat Back Assembly, Gray (includes items 12 and 13) .....	1
12	1016751	Cap, Seat Back .....	1
13	<u>101675515</u>	Vinyl Seat Back-nstd Svc .....	1
14	<u>1016839</u>	Bracket Seat Back Mount .....	2
15	<u>101946201</u>	Washer, Lock, 0.250 External-Tooth .....	4
16	<u>101963301</u>	Bolt, 5/16-18 X 0.75 Round-Head .....	2
17	<u>101963401</u>	Locknut, 5/16-18 Hex Flange .....	2
18	<u>101963901</u>	Trim, Seat Bottom Rear .....	1
19	<u>101964001</u>	Trim, Seat Bottom Front .....	1
20	<u>7479</u>	Screw, 1/4-20 X 1.25 Hex-Head Cap .....	4
		<p>Note: Sub-components contained in items 8 and 11 are the same as those shown for item 5, except for the vinyl seat covers.</p>	

**1**  
**G**  
**E**

**1**  
**G**  
**E**



000406-001



# REAR-FACING SEAT BACK AND SUPPORT STRUCTURE – TRANSPORTER 6

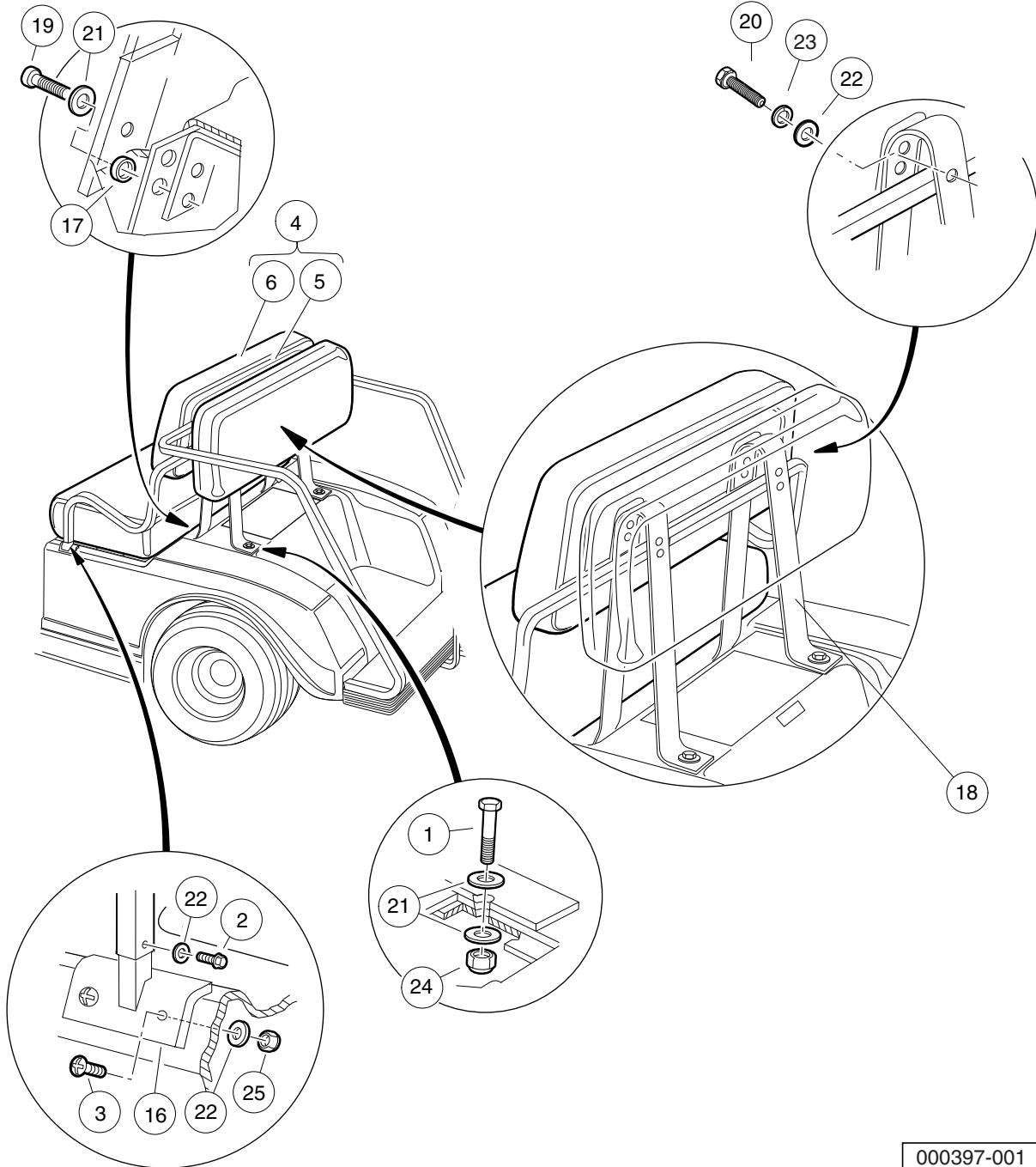
ITEM	PART NO.	DESCRIPTION	QTY
		<b>1 2 3 4</b>	
1	<u>1011990</u>	Washer, 3/8 Flat .....	4
2	<u>1013061</u>	Locknut, #10-32 Nylon Insert .....	4
3	<u>1013169</u>	Screw, #10-32 X 0.5 Round-Head .....	4
4	<u>1014321</u>	Screw, #10 Truss-Head Torx .....	4
5	<u>1014387</u>	Cap, Corner .....	2
6	<u>101677701</u>	Seat Back Assembly, White (includes items 7 and 8) .....	1
7	<u>1016751</u>	Cap, Seat Back .....	1
8	<u>101675512</u>	Vinyl Seat Back, White .....	1
9	<u>101677702</u>	Seat Back Assembly, Black (includes items 10 and 11) .....	1
10	<u>1016751</u>	Cap, Seat Back .....	1
11	<u>101675514</u>	Vinyl Seat Back, Black .....	1
12	<u>101677703</u>	Seat Back Assembly, Beige (includes items 13 and 14) .....	1
13	<u>1016751</u>	Cap, Seat Back .....	1
14	<u>101675511</u>	Vinyl Seat Back, Beige .....	1
15	<u>101677705</u>	Seat Back Assembly, Gray (includes items 16 and 17) .....	1
16	<u>1016751</u>	Cap, Seat Back .....	1
17	<u>101675515</u>	Vinyl Seat Back-nstd Svc .....	1
18	<u>1016816</u>	Support Rear Seat .....	1
19	<u>1016819</u>	Seat Hinge Body .....	2
20	<u>1016839</u>	Bracket Seat Back Mount .....	2
21	<u>1016930</u>	Frame Panel Rear Seat .....	2
22	<u>101946201</u>	Washer, Lock, 0.250 External-Tooth .....	8
23	<u>332</u>	Washer, 1/4 Type A Narrow Flat .....	6
24	<u>7479</u>	Screw, 1/4-20 X 1.25 Hex-Head Cap .....	4
25	<u>7847</u>	Screw, 1/4-20 X 0.75 Hex-Head Cap .....	7
26	<u>8233</u>	Locknut, 1/4-20 Nylon Insert .....	3
27	<u>8754</u>	Locknut, 3/8-16 Hex .....	4
28	<u>8861</u>	Bolt, 3/8-16 X 1.75 Hex .....	4
<p>Note: Sub-components contained in items 9, 12, and 15 are the same as those shown for item 6, except for the vinyl seat covers.</p>			

**1**  
**G**  
**E**

**1**  
**G**  
**E**

VILLAGER 8

VILLAGER 6



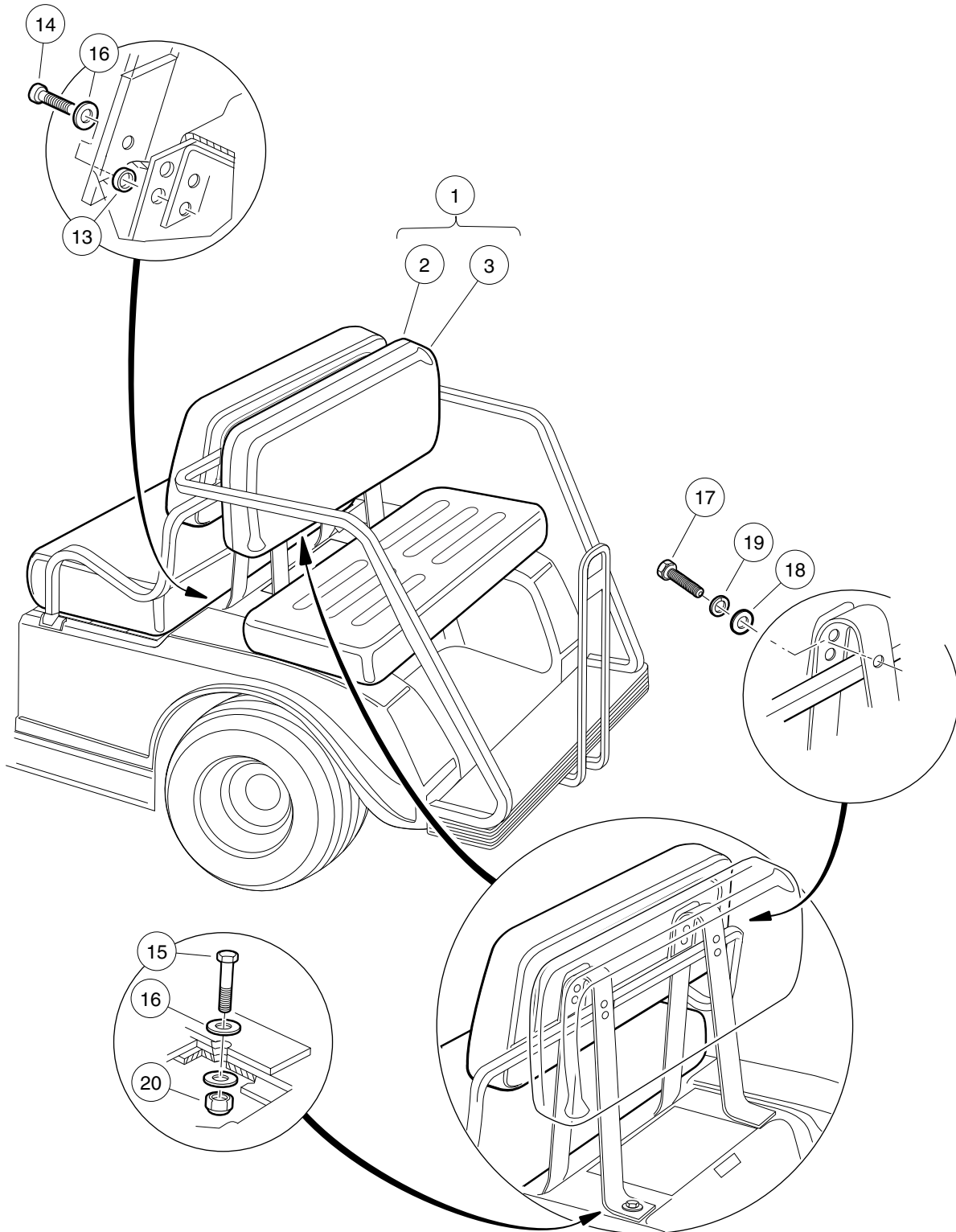
000397-001

# REAR SEAT BACKS AND FORWARD-FACING ARMRESTS – VILLAGER 6 AND 8

ITEM	PART NO.	DESCRIPTION	QTY
		1 2 3 4	
1	<u>1010577</u>	Bolt, Hex-Head, 5/16-18 X 1.50 .....	2
2	<u>1012285</u>	Screw, 1/4 X 0.625 Hex-Head .....	10
3	<u>1015902</u>	Screw, 1/4-20 X 1.25 Truss-Head .....	4
4	<u>101677701</u>	Seat Back Assembly, White (includes items 5 and 6) .....	2
5	1016751	Cap, Seat Back .....	1
6	<u>101675512</u>	Vinyl Seat Back, White .....	1
7	<u>101677702</u>	Seat Back Assembly, Black (includes items 8 and 9) .....	2
8	1016751	Cap, Seat Back .....	1
9	<u>101675514</u>	Vinyl Seat Back, Black .....	1
10	<u>101677703</u>	Seat Back Assembly, Beige (includes items 11 and 12) .....	2
11	1016751	Cap, Seat Back .....	1
12	<u>101675511</u>	Vinyl Seat Back, Beige .....	1
13	<u>101677705</u>	Seat Back Assembly, Gray (includes items 14 and 15) .....	2
14	1016751	Cap, Seat Back .....	1
15	<u>101675515</u>	Vinyl Seat Back-nstd Svc .....	1
16	<u>1017310</u>	Armrest Mounting Weldment .....	2
17	1017774	Body Spacer .....	4
18	<u>101799201</u>	Armrest Weldment Rear .....	1
19	<u>101910401</u>	Screw, 5/16-18 X 1.25 Thrd Frm .....	4
20	<u>101954301</u>	Screw, 1/4-20 X 0.75 Hex-Head Cap .....	8
21	<u>1241</u>	Washer, 5/16 Type A Flat .....	6
22	<u>332</u>	Washer, 1/4 Type A Narrow Flat .....	14
23	<u>451</u>	Lockwasher, 1/4 Split .....	8
24	<u>7473</u>	Locknut, 5/16-18 Nylon Insert .....	2
25	<u>8233</u>	Locknut, 1/4-20 Nylon Insert .....	4
		Note: Sub-components contained in items 7, 10, and 13 are the same as those shown for item 4, except for the vinyl seat covers.	

**1**  
**G**  
**E**

**1**  
**G**  
**E**



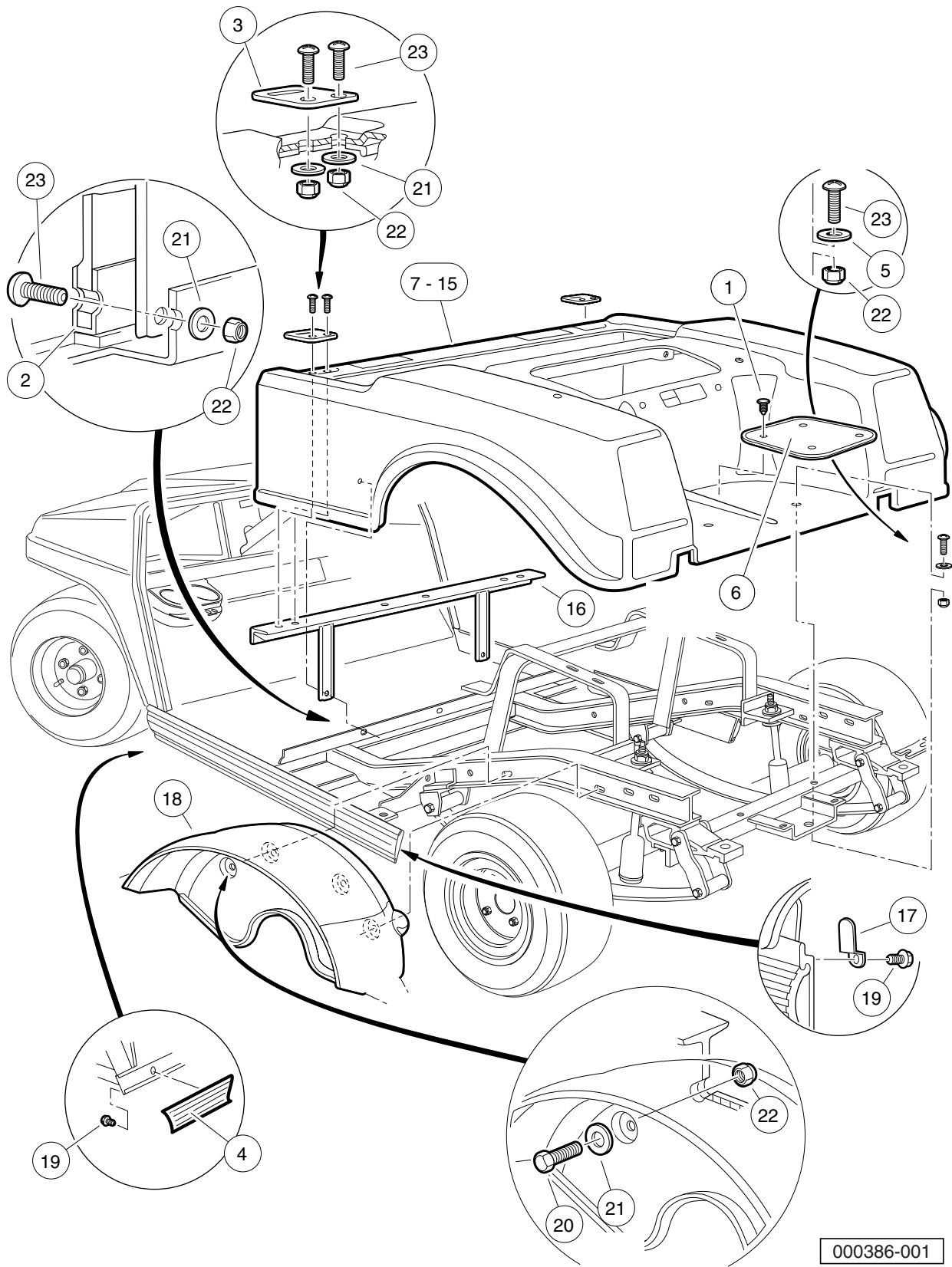
000403-001

# REAR-FACING SEAT BACKS AND SUPPORTS – VILLAGER 6 AND VILLAGER 8

ITEM	PART NO.	DESCRIPTION	QTY
		<b>1 2 3 4</b>	
1	<u>101677701</u>	Seat Back Assembly, White (includes items 2 and 3) .....	1
2	1016751	Cap, Seat Back .....	1
3	<u>101675512</u>	Vinyl Seat Back, White .....	1
4	<u>101677702</u>	Seat Back Assembly, Black (includes items 5 and 6) .....	1
5	1016751	Cap, Seat Back .....	1
6	<u>101675514</u>	Vinyl Seat Back, Black .....	1
7	<u>101677703</u>	Seat Back Assembly, Beige (includes items 8 and 9) .....	1
8	1016751	Cap, Seat Back .....	1
9	<u>101675511</u>	Vinyl Seat Back, Beige .....	1
10	<u>101677705</u>	Seat Back Assembly, Gray (includes items 11 and 12) .....	1
11	1016751	Cap, Seat Back .....	1
12	<u>101675515</u>	Vinyl Seat Back-nstd Svc .....	1
13	1017774	Body Spacer .....	4
14	<u>101910401</u>	Screw, 5/16-18 X 1.25 Thrd Frm .....	4
15	1218	Screw, 5/16-18 X 1.25 Hex-Head Cap .....	2
16	<u>1241</u>	Washer, 5/16 Type A Flat .....	6
17	304	Screw, 1/4-20 X 1.0 Hex-Head Cap .....	4
18	<u>332</u>	Washer, 1/4 Type A Narrow Flat .....	4
19	<u>451</u>	Lockwasher, 1/4 Split .....	4
20	<u>7473</u>	Locknut, 5/16-18 Nylon Insert .....	2

**1**  
**G**  
**E**

**1**  
**G**  
**E**



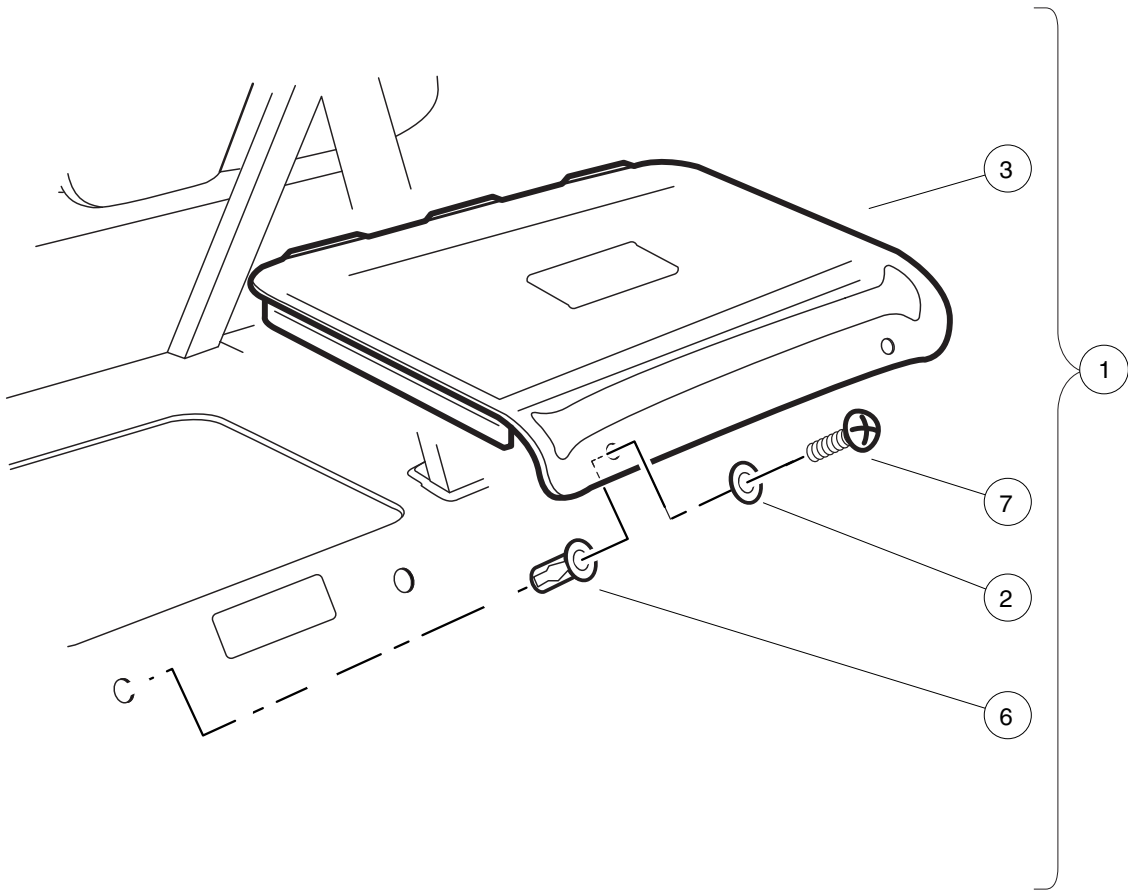
000386-001

## REAR BODY AND FENDERS – GASOLINE DS VILLAGER 4

ITEM	PART NO.	DESCRIPTION	QTY
		1 2 3 4	
1	<u>1010434</u>	Barrel - Plastic .....	8
2	<u>1010993</u>	Body Kick Plate .....	1
3	<u>1012412</u>	Body, Hinge Plate .....	2
4	<u>1013983</u>	Bumper, Side Trim .....	2
5	<u>1014306</u>	Washer, 1/4" Type B Flat .....	2
6	<u>1014392</u>	Bag Rest Mat .....	2
7	<u>101692601</u>	Body, Beige, TPO, Rear .....	1
8	<u>101692602</u>	Body, White, TPO, Rear .....	1
9	<u>101692604</u>	Body, Gray, TPO, Rear .....	1
10	<u>101692606</u>	Body, Red, TPO, Rear .....	1
11	<u>101692609</u>	Body, Pacific Blue (Royal Blue), TPO, Rear .....	1
12	<u>101692610</u>	Body, Dark Green, TPO, Rear .....	1
13	<u>101692611</u>	Body, Black, TPO, Rear .....	1
14	<u>101692612</u>	Body, Classic Blue, (Navy) TPO, Rear .....	1
15	<u>101692613</u>	Body, Burgundy, TPO, Rear .....	1
16	<u>1017141</u>	Body Support Weldment .....	1
17	<u>1017748</u>	Body Keeper Clip .....	2
18	<u>1017936</u>	Fender, Inner .....	2
19	<u>102310701</u>	Screw, #8-18 x 0.375, Hex-Head Washer .....	10
20	<u>304</u>	Screw, 1/4-20 X 1.0 Hex-Head Cap .....	4
21	<u>332</u>	Washer, 1/4 Type A Narrow Flat .....	10
22	<u>8233</u>	Locknut, 1/4-20 Nylon Insert .....	12
23	<u>8251</u>	Screw, 1/4-20 X 1.0 Truss-Head Machine .....	8

**1**  
**G**  
**E**

**1**  
**G**  
**E**



000783-001

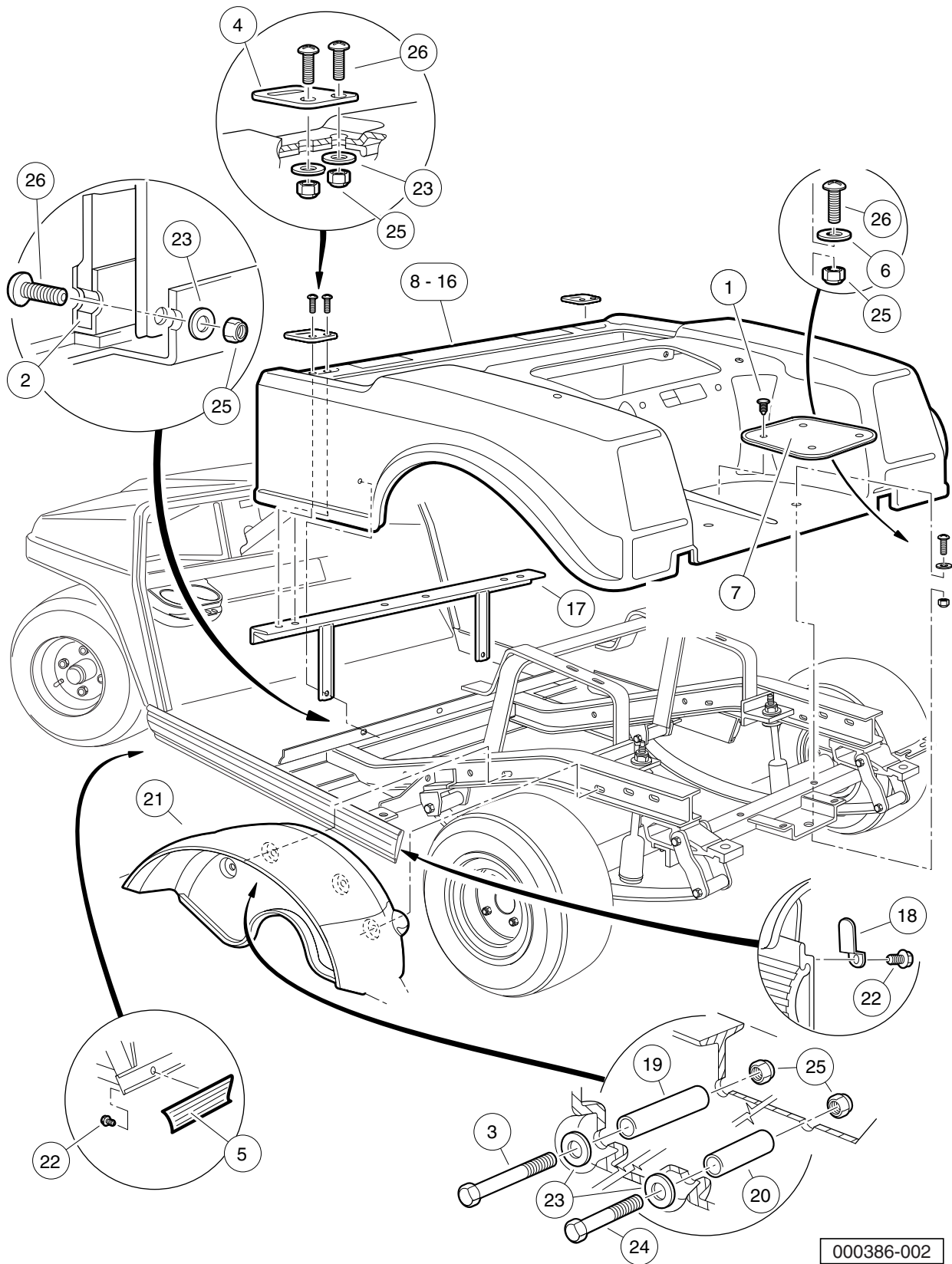


# REAR ACCESS DOOR

ITEM	PART NO.	DESCRIPTION	QTY
		1 2 3 4	
1	<u>1013218</u>	Kit, Access Door Black (includes items 2 through 7) .....	1
2	<u>1012581</u>	Washer, 0.609-inch OD, Nylon Cup .....	2
3	<u>1013032</u>	Molded Access Door Black .....	1
4	<u>1013216</u>	Plug, Button .....	2
5	N/A	Instruction Sheet Access Door .....	1
6	<u>1015525</u>	Nut, 1/4-20 Blind .....	2
7	<u>8251</u>	Screw, 1/4-20 X 1.0 Truss-Head Machine .....	2

1  
G  
E

**1**  
**G**  
**E**



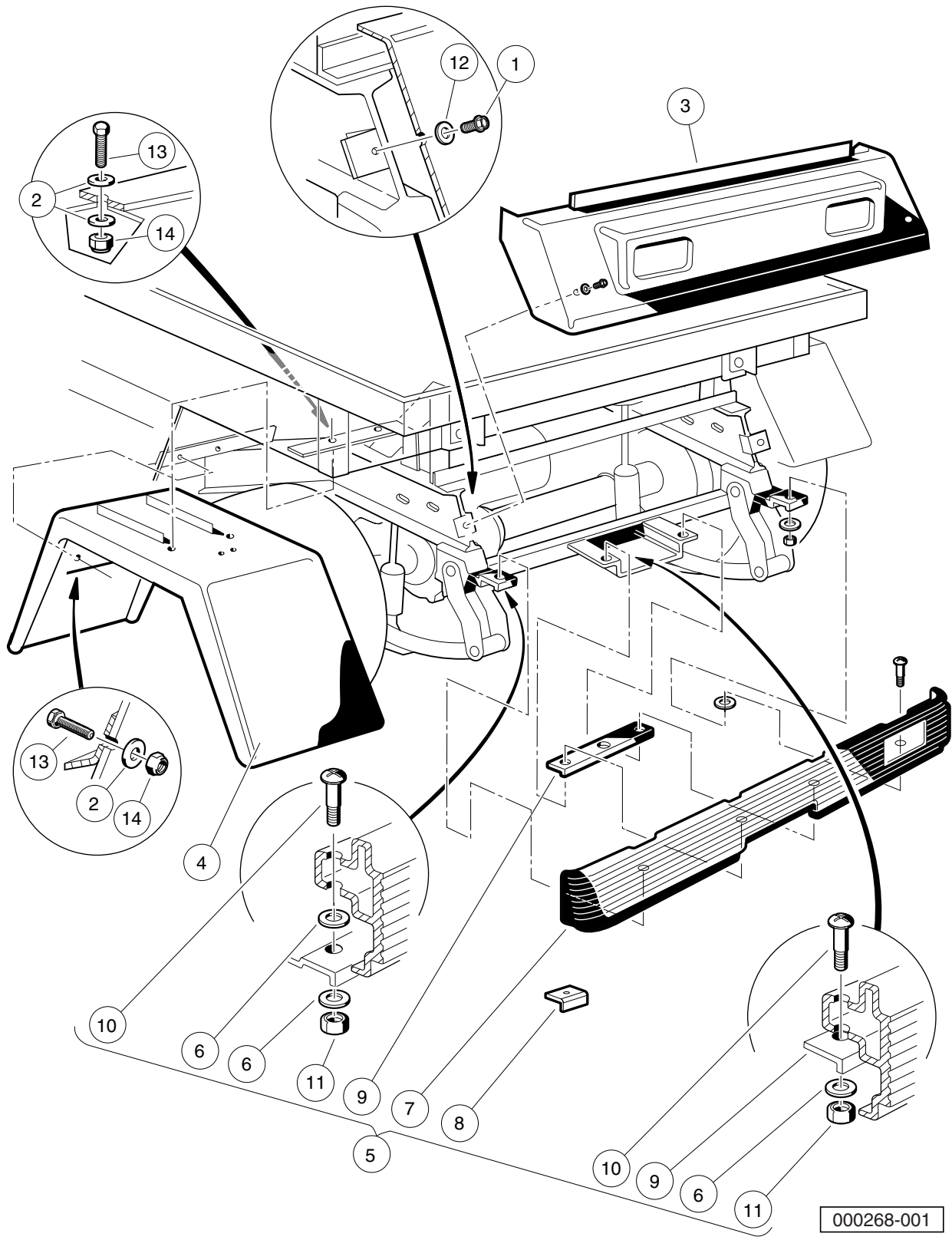
000386-002

## REAR BODY AND FENDERS – ELECTRIC DS VILLAGER 4

ITEM	PART NO.	DESCRIPTION	QTY
		1 2 3 4	
1	<u>1010434</u>	Barrel - Plastic .....	8
2	<u>1010993</u>	Body Kick Plate .....	1
3	<u>1012159</u>	Bolt, 1/4-20 X 2.75 Hex-Head .....	2
4	<u>1012412</u>	Body, Hinge Plate .....	2
5	<u>1013983</u>	Bumper, Side Trim .....	2
6	<u>1014306</u>	Washer, 1/4" Type B Flat .....	2
7	<u>1014392</u>	Bag Rest Mat .....	2
8	<u>101693301</u>	Body, Beige, TPO, Rear .....	1
9	<u>101693302</u>	Body, White, TPO, Rear .....	1
10	<u>101693304</u>	Body, Gray, TPO, Rear .....	1
11	<u>101693306</u>	Body, Red, TPO, Rear .....	1
12	<u>101693309</u>	Body, Pacific Blue (Royal Blue), TPO, Rear .....	1
13	<u>101693310</u>	Body, Dark Green, TPO, Rear .....	1
14	<u>101693311</u>	Body, Black, TPO, Rear .....	1
15	<u>101693312</u>	Body, Classic Blue, TPO, Rear .....	1
16	<u>101693313</u>	Body, Burgundy, TPO, Rear .....	1
17	<u>1017141</u>	Body Support Weldment .....	1
18	<u>1017748</u>	Body Keeper Clip .....	2
19	<u>1017814</u>	Spacer, 1.88-inch .....	2
20	<u>1017815</u>	Spacer, 0.5-inch .....	2
21	<u>1017936</u>	Fender, Inner .....	2
22	<u>102310701</u>	Screw, #8-18 x 0.375, Hex-Head Washer .....	10
23	<u>332</u>	Washer, 1/4 Type A Narrow Flat .....	10
24	<u>7479</u>	Screw, 1/4-20 X 1.25 Hex-Head Cap .....	2
25	<u>8233</u>	Locknut, 1/4-20 Nylon Insert .....	12
26	<u>8251</u>	Screw, 1/4-20 X 1.0 Truss-Head Machine .....	8

**1**  
**G**  
**E**

**1**  
**G**  
**E**

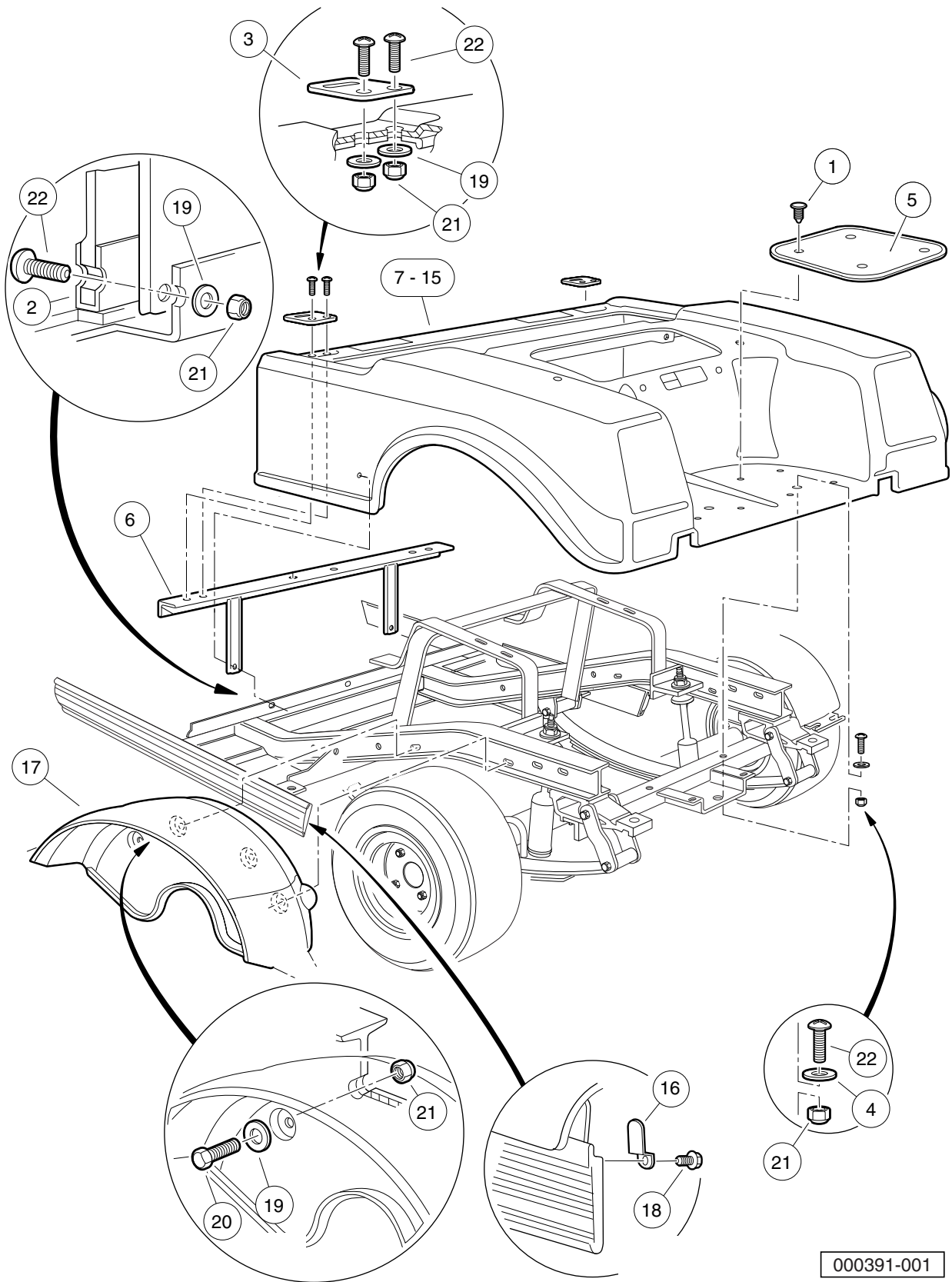


## REAR BODY TRIM – TRANSPORTER 4 AND 6

ITEM	PART NO.	DESCRIPTION	QTY
		1 2 3 4	
1	<u>1012285</u>	Screw, 1/4 X 0.625 Hex-Head .....	2
2	<u>1014306</u>	Washer, 1/4" Type B Flat .....	12
3	<u>1015530</u>	Tailskirt .....	1
4	<u>1016679</u>	Rear Fender .....	2
5	<u>1017079</u>	Kit, Rear Bumper (includes items 6 through 11) .....	1
6	<u>1011697</u>	Washer, 5/16 Flat .....	6
7	<u>1016379</u>	Bumper, Rear .....	1
8	<u>1016874</u>	Plate, Bumper Mounting, Short .....	2
9	<u>1016875</u>	Plate, Bumper Mounting, Long .....	1
10	<u>1016876</u>	Bolt, 3/8 Shoulder .....	4
11	<u>7473</u>	Locknut, 5/16-18 Nylon Insert .....	4
12	<u>332</u>	Washer, 1/4 Type A Narrow Flat .....	2
13	<u>7847</u>	Screw, 1/4-20 X 0.75 Hex-Head Cap .....	8
14	<u>8233</u>	Locknut, 1/4-20 Nylon Insert .....	8

**1**  
**G**  
**E**

**1**  
**G**  
**E**



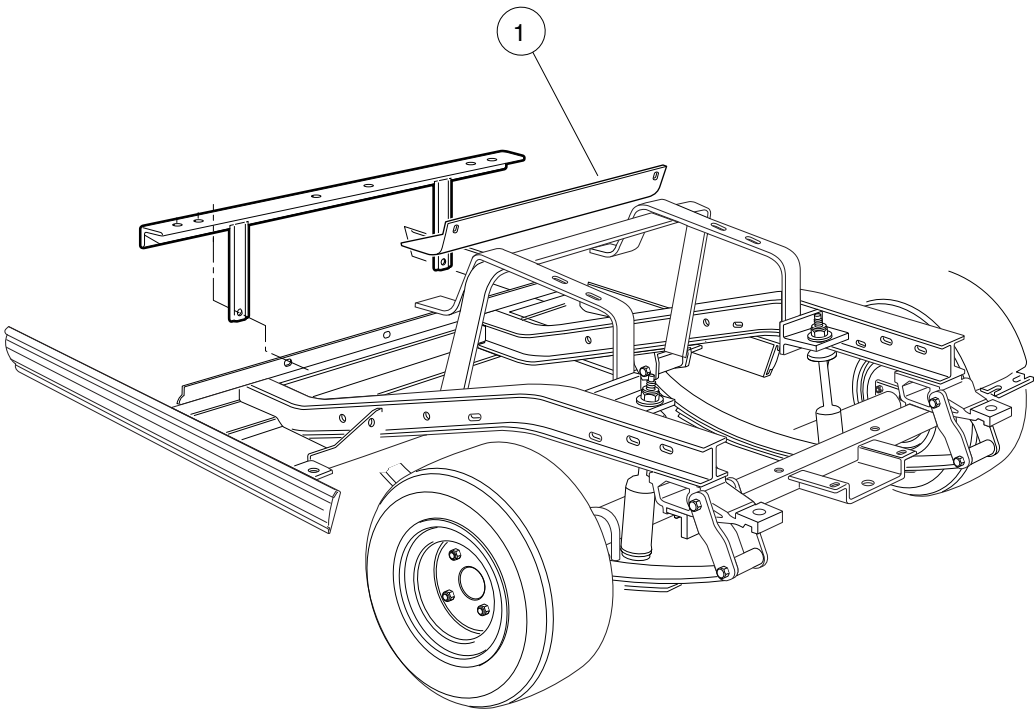
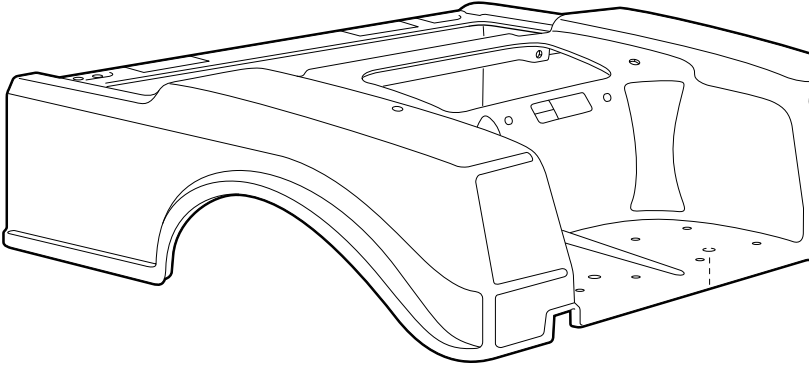
000391-001

## REAR BODY AND FENDER – VILLAGER 6 AND 8

ITEM	PART NO.	DESCRIPTION	QTY
		1 2 3 4	
1	<u>1010434</u>	Barrel - Plastic .....	8
2	<u>1010993</u>	Body Kick Plate .....	1
3	<u>1012412</u>	Body, Hinge Plate .....	2
4	<u>1014306</u>	Washer, 1/4" Type B Flat .....	2
5	<u>1014392</u>	Bag Rest Mat .....	2
6	<u>1017141</u>	Body Support Weldment .....	1
7	<u>101728701</u>	Body, Beige, TPO, Rear .....	1
8	<u>101728702</u>	Body, White, TPO, Rear .....	1
9	<u>101728704</u>	Body, Gray, TPO, Rear .....	1
10	<u>101728706</u>	Body, Red, TPO, Rear .....	1
11	<u>101728708</u>	Body, Royal Blue, TPO, Rear .....	1
12	<u>101728709</u>	Body, Dark Green, TPO, Rear .....	1
13	<u>101728710</u>	Body, Black, TPO, Rear .....	1
14	<u>101728711</u>	Body, Classic Blue, TPO, Rear .....	1
15	<u>101728712</u>	Body, Burgundy, TPO, Rear .....	1
16	<u>1017748</u>	Body Keeper Clip .....	2
17	<u>1017936</u>	Fender, Inner .....	2
18	<u>102310701</u>	Screw, #8-18 x 0.375, Hex-Head Washer .....	2
19	<u>332</u>	Washer, 1/4 Type A Narrow Flat .....	10
20	<u>7847</u>	Screw, 1/4-20 X 0.75 Hex-Head Cap .....	4
21	<u>8233</u>	Locknut, 1/4-20 Nylon Insert .....	12
22	<u>8251</u>	Screw, 1/4-20 X 1.0 Truss-Head Machine .....	8

**1**  
**G**  
**E**

**1**  
**G**  
**E**



[

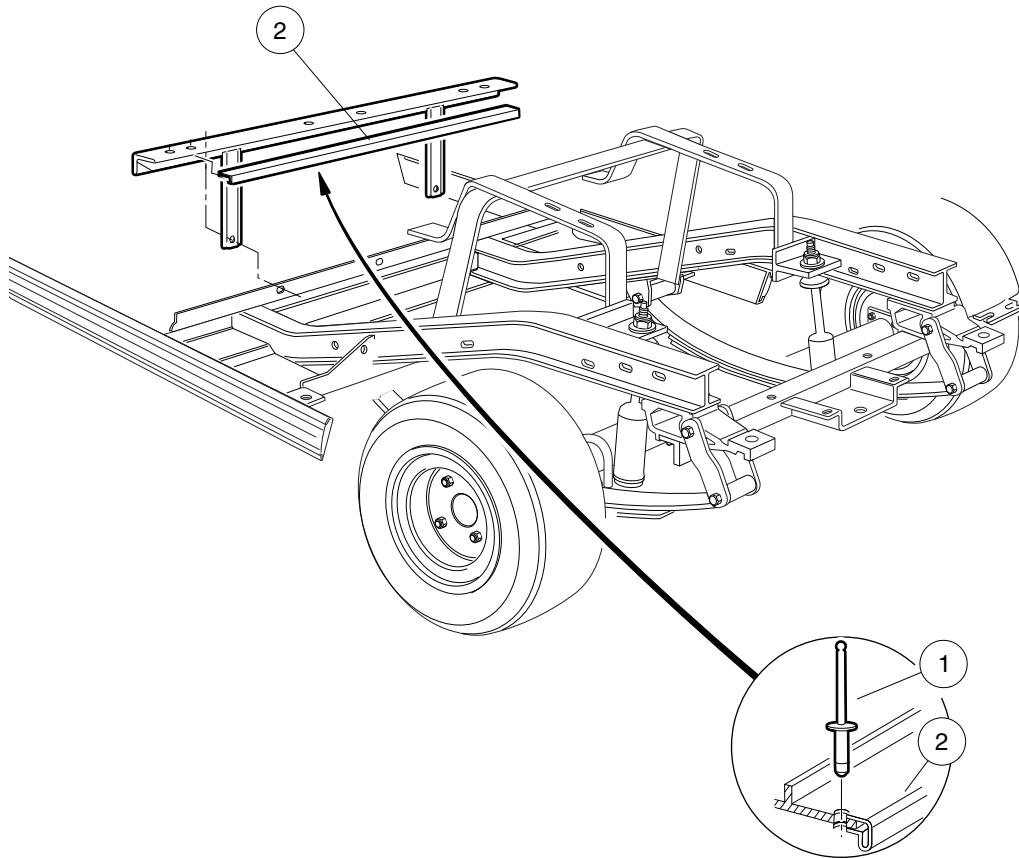
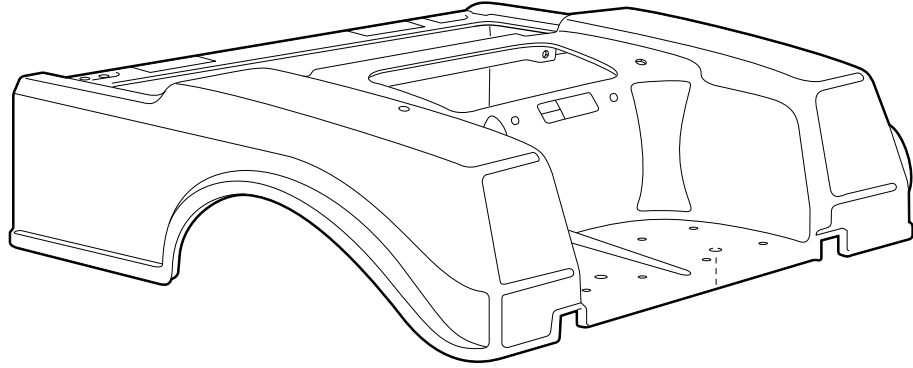


# HEAT SHIELD – GASOLINE VILLAGER 6 AND 8

ITEM	PART NO.	DESCRIPTION	QTY
1	<u>101806901</u>	1 2 3 4 Shield, Heat .....	1

1  
G  
E

**1**  
**G**  
**E**



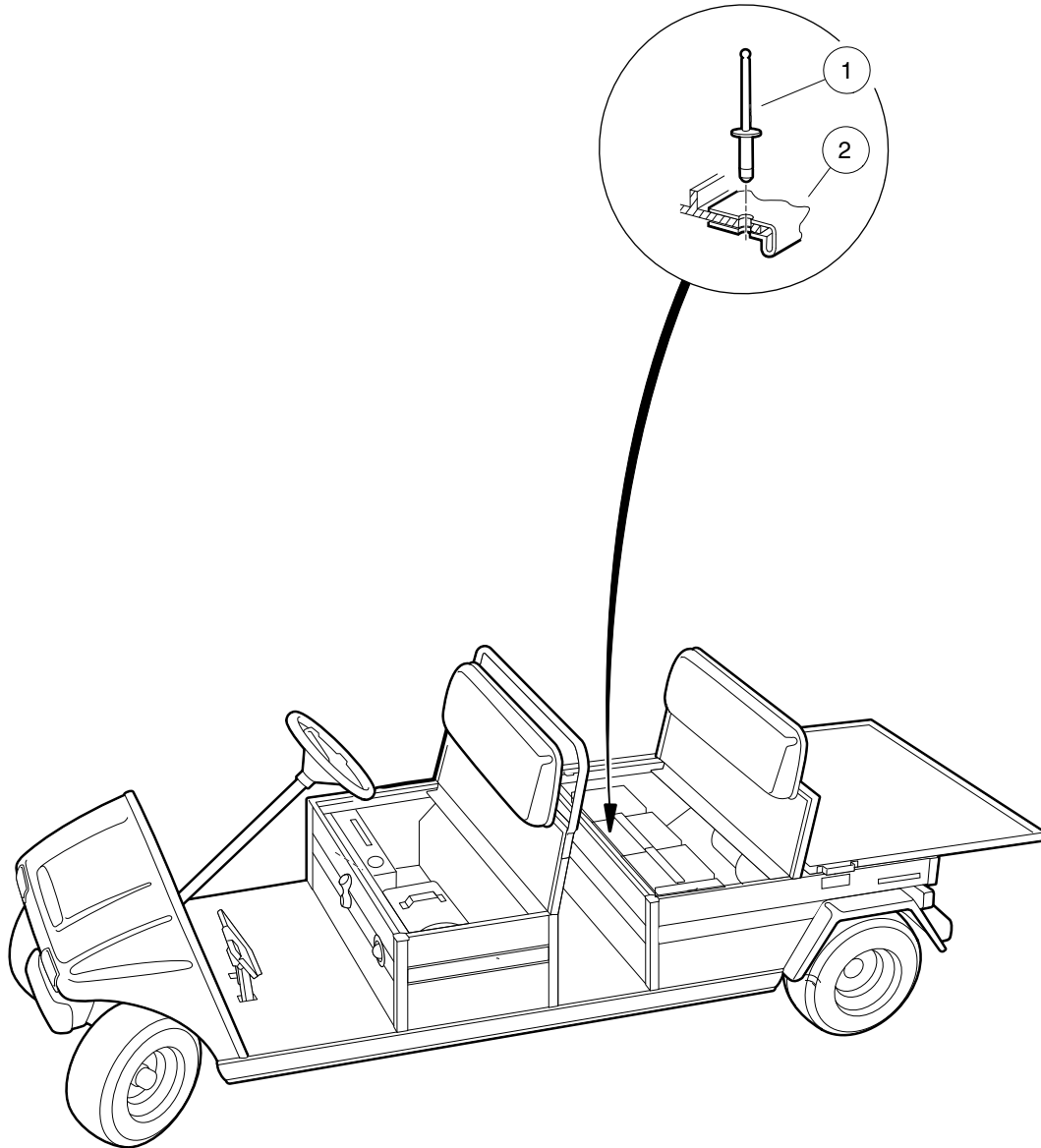
000393-001

# BATTERY INSULATOR – ELECTRIC VILLAGER 6 AND 8

ITEM	PART NO.	DESCRIPTION	QTY
		1 2 3 4	
1	<u>1013357</u>	Rivet, 5/32 Aluminum Pop .....	2
2	<u>101837001</u>	Battery Insulator .....	1

1  
G  
E

**1**  
**G**  
**E**



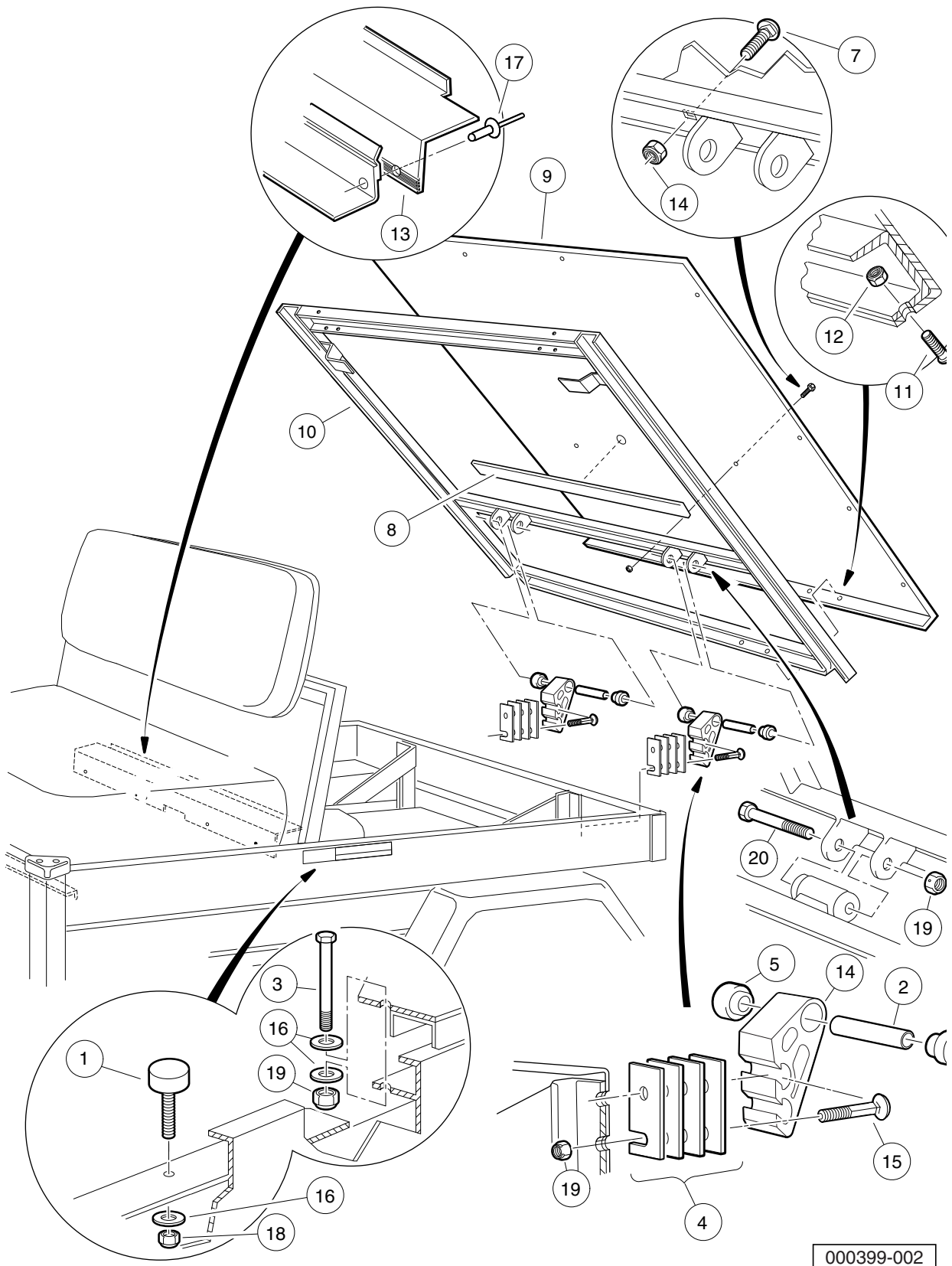
000400-001

# BATTERY INSULATOR – ELECTRIC TRANSPORTER VEHICLES

ITEM	PART NO.	DESCRIPTION	QTY
1	<u>1013357</u>	1 2 3 4 Rivet, 5/32 Aluminum Pop .....	2
2	<u>101837001</u>	Battery Insulator .....	1

**1**  
**G**  
**E**

**1**  
**G**  
**E**



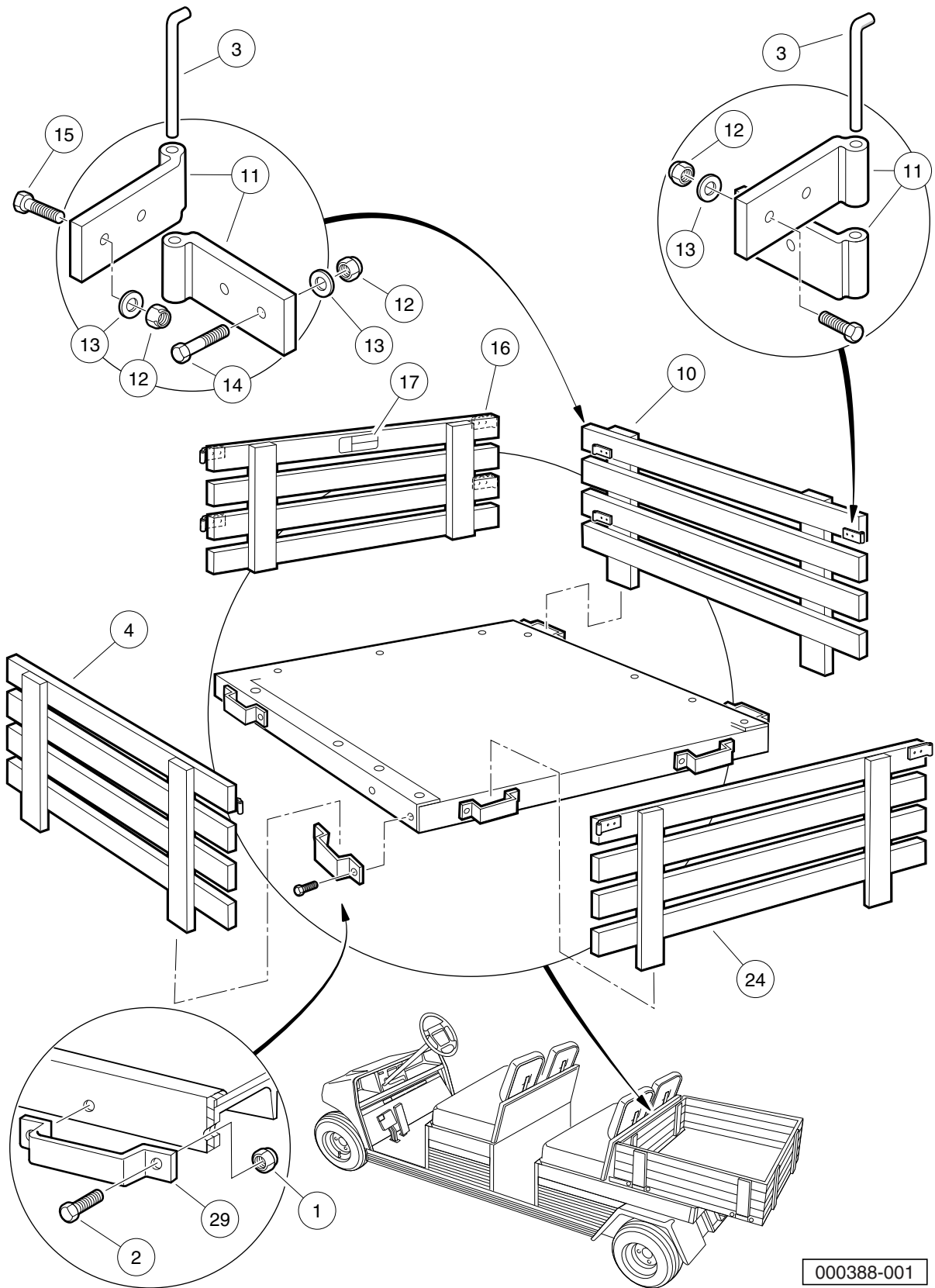
000399-002

## REAR CARGO BED – TRANSPORTER 4

ITEM	PART NO.	DESCRIPTION	QTY
		1 2 3 4	
1	<u>1010878</u>	Bumper, Rubber .....	2
2	<u>1012303</u>	Bushing, Steel .....	2
3	<u>1013872</u>	Bolt, 1/4-20 X 4.00 Hex Head .....	2
4	<u>1015507</u>	Shim, Tilt Bed Pivot .....	1
5	<u>1015583</u>	Bushing, Urethane .....	4
6	<u>1016724</u>	Flat Bed Assembly (includes items 7 through 12) .....	1
7	<u>1010435</u>	Bolt, Carriage, 5/16-18 X 1.00 .....	2
8	<u>1014471</u>	Tape, Vinyl Foam 1/8" x 3/4" * .....	1
9	N/A	Plate, Floor, Carryall 1 Flat bed .....	1
10	N/A	Frame Assembly, Tilt Bed .....	1
11	1015399	Screw, 5/16-18 X 0.88 Torx Truss-Head .....	4
12	<u>7473</u>	Locknut, 5/16-18 Nylon Insert .....	6
13	<u>1017976</u>	Bed Seal .....	1
14	<u>103538701</u>	Extra, Bracket, Hinge, Bed .....	2
15	<u>103538901</u>	3/8-16 X 3.5 Carr Blt Gr5 Zn .....	4
16	<u>332</u>	Washer, 1/4 Type A Narrow Flat .....	6
17	7532	Rivet, 3/16 X 0.3125, Pop .....	4
18	<u>8233</u>	Locknut, 1/4-20 Nylon Insert .....	4
19	<u>8754</u>	Locknut, 3/8-16 Hex .....	6
20	<u>8755</u>	Screw, 3/8-16 X 3.375 Hex Cap .....	2
		* Note: Item not shown.	

**1**  
**G**  
**E**

**1**  
**G**  
**E**



000388-001

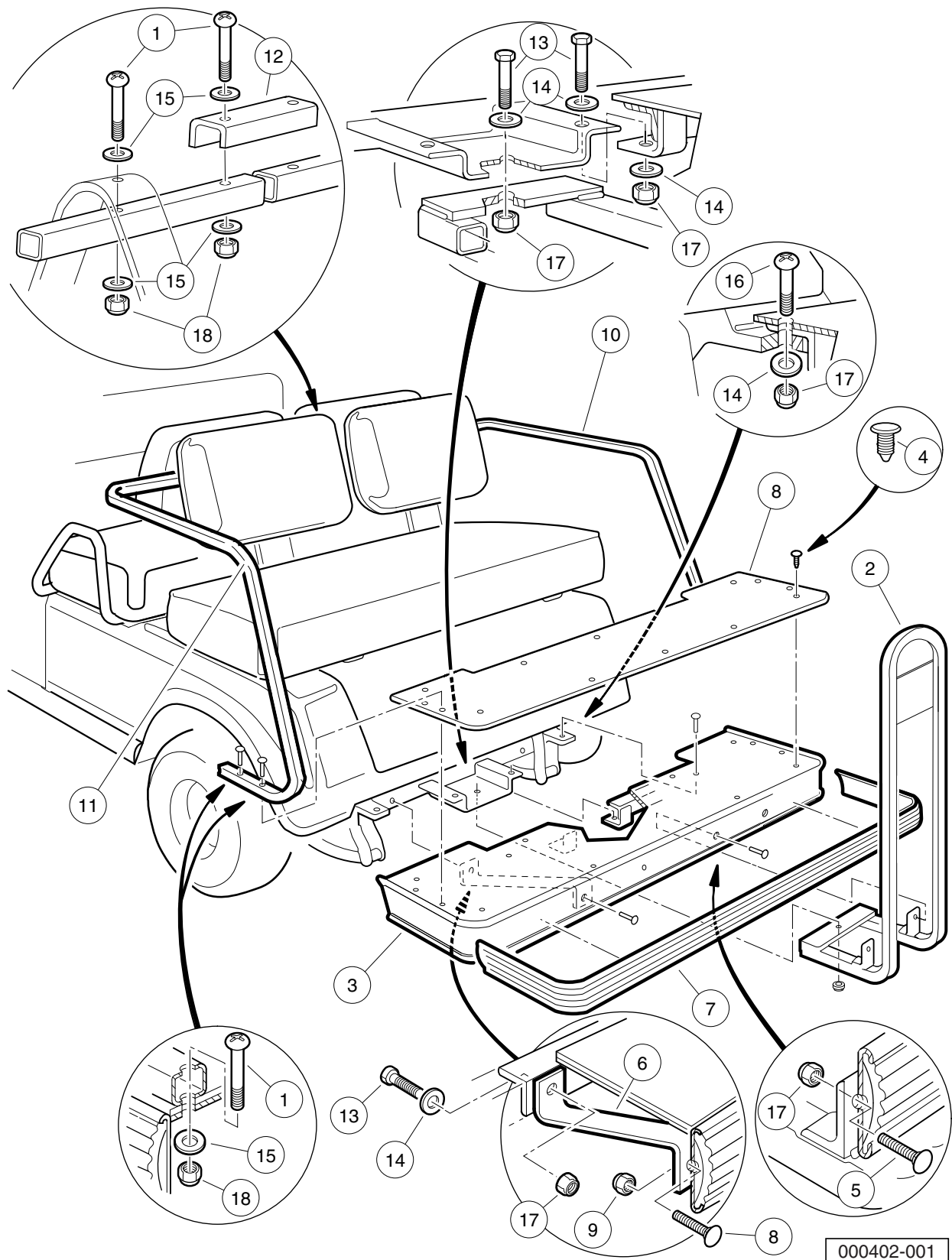


## STAKE SIDE – TRANSPORTER 4

ITEM	PART NO.	DESCRIPTION	QTY
		1 2 3 4	
1	<u>1015660</u>	Stake Side Kit (includes items 2 through 29) .....	1
2	<u>1010934</u>	Screw, 5/16-18 X 1.00 Hex Cap .....	12
3	<u>1015656</u>	Pin, hinge .....	6
4	101565701	Stake Side, Driver-Side (includes items 5 through 9) .....	1
5	<u>1015654</u>	Stake Side Hinge .....	3
6	<u>1108</u>	Locknut, 1/4-20 Dimpled .....	6
7	<u>332</u>	Washer, 1/4 Type A Narrow Flat .....	19
8	<u>7311</u>	Screw, 1/4-20 X 2.00 Hex-Head Cap .....	3
9	<u>7479</u>	Screw, 1/4-20 X 1.25 Hex-Head Cap .....	3
10	101565702	Stake Side, Passenger-Side (includes items 11 through 15) .....	1
11	<u>1015654</u>	Stake Side Hinge .....	3
12	<u>1108</u>	Locknut, 1/4-20 Dimpled .....	6
13	<u>332</u>	Washer, 1/4 Type A Narrow Flat .....	19
14	<u>7311</u>	Screw, 1/4-20 X 2.00 Hex-Head Cap .....	3
15	<u>7479</u>	Screw, 1/4-20 X 1.25 Hex-Head Cap .....	3
16	101565703	Stake Side, Front (includes items 17 through 23) .....	1
17	<u>101553901</u>	Decal, Bed Load Warning .....	1
18	<u>1015654</u>	Stake Side Hinge .....	4
19	<u>1016663</u>	Screw, #12-14 X 0.625 .....	2
20	N/A	Plate, Bed Load Decal .....	1
21	<u>1108</u>	Locknut, 1/4-20 Dimpled .....	8
22	<u>332</u>	Washer, 1/4 Type A Narrow Flat .....	24
23	<u>7479</u>	Screw, 1/4-20 X 1.25 Hex-Head Cap .....	8
24	101565704	Stake Side, Rear (includes items 25 through 28) .....	1
25	<u>1015654</u>	Stake Side Hinge .....	2
26	<u>1108</u>	Locknut, 1/4-20 Dimpled .....	4
27	<u>332</u>	Washer, 1/4 Type A Narrow Flat .....	20
28	<u>7479</u>	Screw, 1/4-20 X 1.25 Hex-Head Cap .....	4
29	<u>1016077</u>	Bracket, Stake Side .....	6
		Note: Items 19 and 20 are not shown.	

**1**  
**G**  
**E**

**1**  
**G**  
**E**



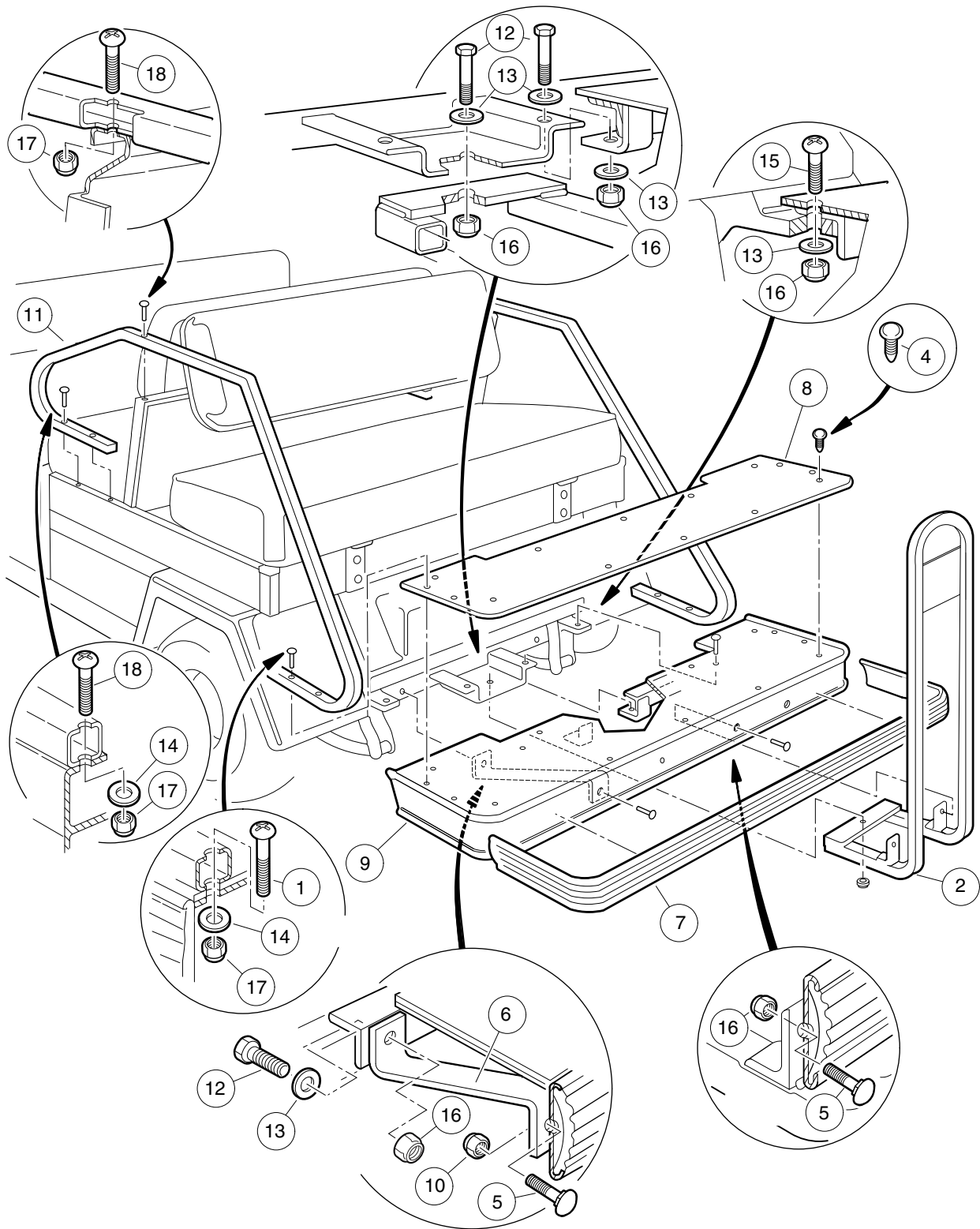
000402-001

## REAR FOOTREST AND HANDRAILS – DS VILLAGER 4, VILLAGER 6, AND VILLAGER 8

ITEM	PART NO.	DESCRIPTION	QTY
		<b>1 2 3 4</b>	
1	<u>1011988</u>	Screw, 1/4-20 X 2.00 Phillips Truss-Head .....	8
2	<u>1016842</u>	Rear Seat Handrail Weldment .....	1
3	<u>101841101</u>	Rear Foot Rest Asm (includes items 4 through 9) .....	1
4	<u>1010434</u>	Barrel - Plastic .....	8
5	<u>1010435</u>	Bolt, Carriage, 5/16-18 X 1.00 .....	4
6	<u>1016668</u>	Connecting Bar .....	2
7	<u>1016835</u>	Bumper, Side Trim .....	1
8	<u>101840901</u>	Foot Rest Mat .....	1
9	<u>7473</u>	Locknut, 5/16-18 Nylon Insert .....	2
10	<u>101841201</u>	Armrest, Seat, Rear, Right-Hand .....	1
11	<u>101841202</u>	Armrest, Seat, Rear, Left-Hand .....	1
12	<u>101841301</u>	Armrest Bracket .....	1
13	1218	Screw, 5/16-18 X 1.25 Hex-Head Cap .....	5
14	<u>1241</u>	Washer, 5/16 Type A Flat .....	9
15	<u>332</u>	Washer, 1/4 Type A Narrow Flat .....	8
16	<u>7410</u>	Screw, 5/16-18 X 1.25 Truss Hd .....	2
17	<u>7473</u>	Locknut, 5/16-18 Nylon Insert .....	9
18	<u>8233</u>	Locknut, 1/4-20 Nylon Insert .....	8

**1**  
**G**  
**E**

**1**  
**G**  
**E**



000405-001

## REAR FOOTREST AND HANDRAILS – TRANSPORTER 6

ITEM	PART NO.	DESCRIPTION	QTY
		1 2 3 4	
1	<u>1011988</u>	Screw, 1/4-20 X 2.00 Phillips Truss-Head .....	4
2	<u>1016842</u>	Rear Seat Handrail Weldment .....	1
3	<u>1016843</u>	Rear Footrest Assembly (includes items 4 through 10) .....	1
4	<u>1010434</u>	Barrel - Plastic .....	10
5	<u>1010435</u>	Bolt, Carriage, 5/16-18 X 1.00 .....	4
6	<u>1016668</u>	Connecting Bar .....	2
7	<u>1016835</u>	Bumper, Side Trim .....	1
8	****	Foot Rest Mat .....	1
9	N/A	Rear Footrest Weldment .....	1
10	<u>7473</u>	Locknut, 5/16-18 Nylon Insert .....	2
11	<u>101846301</u>	Rear Seat Armrest/Hip Restraint .....	2
12	1218	Screw, 5/16-18 X 1.25 Hex-Head Cap .....	5
13	<u>1241</u>	Washer, 5/16 Type A Flat .....	9
14	<u>332</u>	Washer, 1/4 Type A Narrow Flat .....	8
15	<u>7410</u>	Screw, 5/16-18 X 1.25 Truss Hd .....	2
16	<u>7473</u>	Locknut, 5/16-18 Nylon Insert .....	8
17	<u>8233</u>	Locknut, 1/4-20 Nylon Insert .....	9
18	8418	Screw, 1/4-20 X 1.50 Phillips Truss-Head .....	6
		**** Special order item available upon request.	

1  
G  
E

**1**

**G**

**E**

# WHEELS AND TIRES

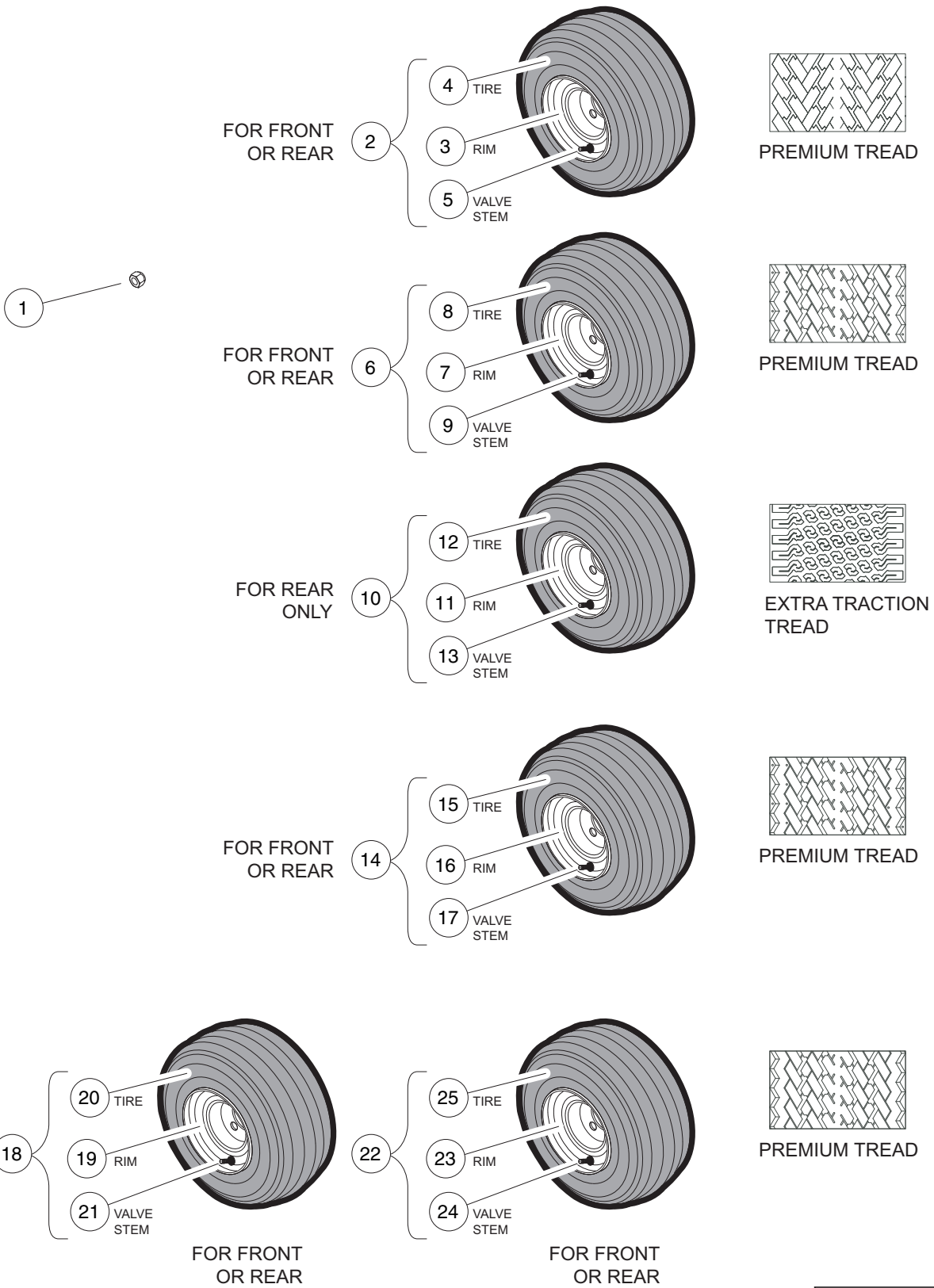
---

2

G

E

**2**  
**G**  
**E**



000269-001

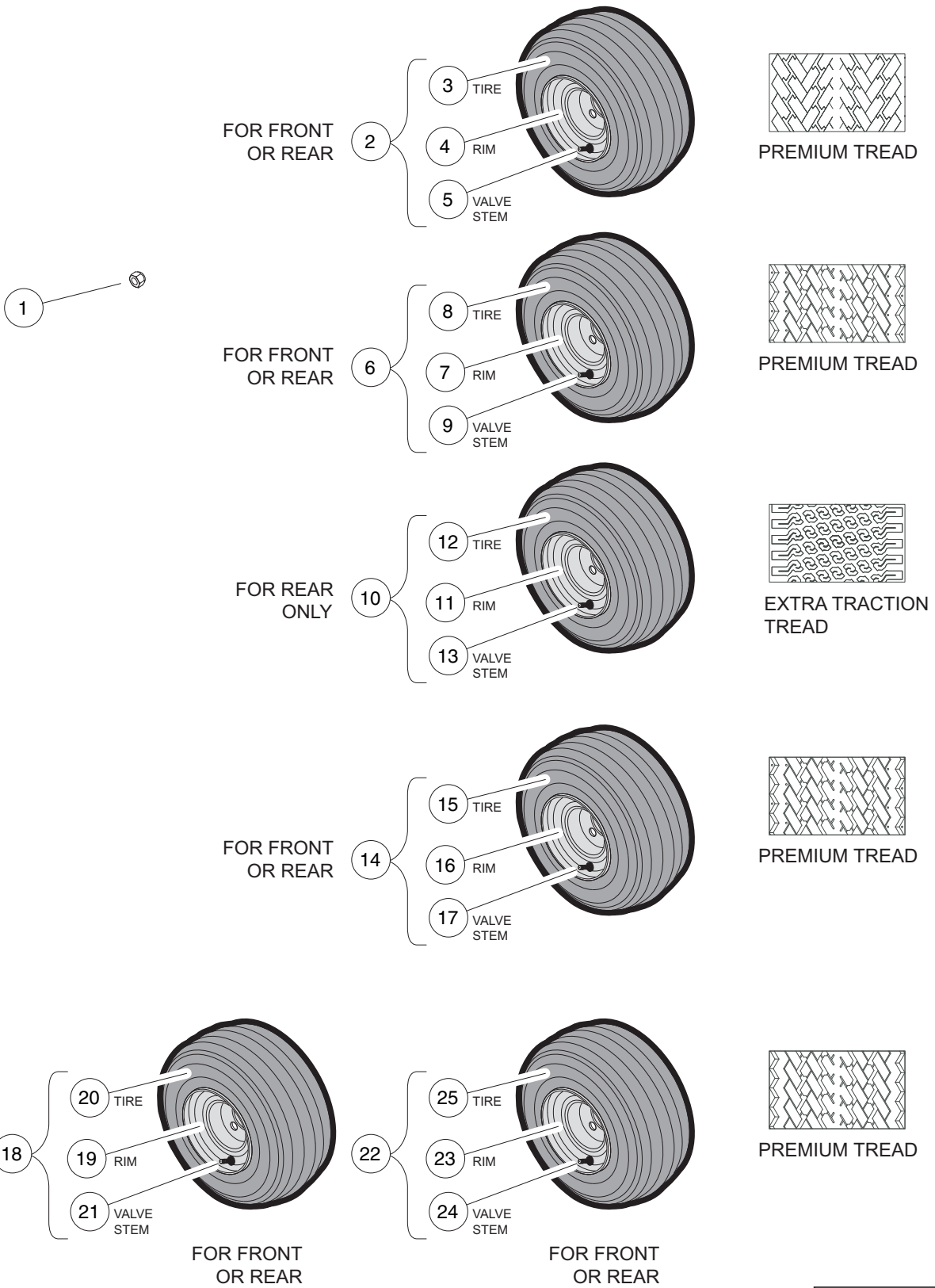


## WHEELS AND TIRES (WHITE RIMS) – VILLAGER 4

ITEM	PART NO.	DESCRIPTION	QTY
		1 2 3 4	
1	<u>1010984</u>	.500-20 Unf Lug Nut .....	16
2	<u>101651402</u>	Tire/Wheel Asm, White, Premium Tread (includes items 3 through 5) .....	4
3	<u>1014771</u>	Wheel Rim, White .....	1
4	<u>101567202</u>	Tire, Unmounted, Links 18 x 8.50-8 .....	1
5	<u>7310</u>	Valve Stem .....	1
6	<u>101651406</u>	Tire/Wheel Asm, White, Premium Tread, 6-Ply (includes items 7 through 9) .....	4
7	<u>1014771</u>	Wheel Rim, White .....	1
8	<u>101737002</u>	Tire, Unmounted .....	1
9	<u>7310</u>	Valve Stem .....	1
10	<u>101651407</u>	Tire/Wheel Asm, White, Extra-Traction, 6-Ply (includes items 11 through 13) .....	2
11	<u>1014771</u>	Wheel Rim, White .....	1
12	N/A	Tire, Unmounted Xtrac 18 x 8.50-8 .....	1
13	<u>7310</u>	Valve Stem .....	1
14	<u>101651409</u>	Tire/Wheel Asm, White, Premium Tread, 6.5-inch (includes items 15 through 17) .....	4
15	<u>101884901</u>	Tire, Unmounted, Power Rib 18 x 6.50-8 .....	1
16	<u>101918401</u>	Wheel Rim, Beige .....	1
17	<u>7310</u>	Valve Stem .....	1
18	<u>101651412</u>	Tire/Wheel Asm, White, Duro Premium Tread (includes items 19 through 21) .....	4
19	<u>1014771</u>	Wheel Rim, White .....	1
20	<u>102569304</u>	Duro 18 X 8.5 X 8, 4-Ply .....	1
21	<u>7310</u>	Valve Stem .....	1
22	<u>101651413</u>	Tire/Wheel Asm, White, Kenda Premium Tread (includes items 23 through 25) .....	4
23	<u>1014771</u>	Wheel Rim, White .....	1
24	<u>7310</u>	Valve Stem .....	1
25	<u>AM10682</u>	Unmounted Prem Tire 18x8.50x8 .....	1

**2**  
**G**  
**E**

**2**  
**G**  
**E**

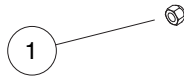


000269-006

## WHEELS AND TIRES (BEIGE RIMS) – VILLAGER 4

ITEM	PART NO.	DESCRIPTION	QTY
		1 2 3 4	
1	<u>1010984</u>	.500-20 Unf Lug Nut .....	16
2	<u>101570502</u>	Tire/Wheel Asm, Beige, Premium Tread (includes items 3 through 5) .....	4
3	<u>101567202</u>	Tire, Unmounted, Links 18 x 8.50-8 .....	1
4	1015707	Wheel Rim, Beige .....	1
5	<u>7310</u>	Valve Stem .....	1
6	<u>101570506</u>	Tire/Wheel Asm, Beige, Premium Tread, 6-ply (includes items 7 through 9) .....	4
7	1015707	Wheel Rim, Beige .....	1
8	<u>101737002</u>	Tire, Unmounted .....	1
9	<u>7310</u>	Valve Stem .....	1
10	<u>101570507</u>	Tire/Wheel Asm, Beige, Xtrac Tread, 6-ply (includes items 11 through 13) .....	4
11	1015707	Wheel Rim, Beige .....	1
12	N/A	Tire, Unmounted Xtrac 18 x 8.50-8 .....	1
13	<u>7310</u>	Valve Stem .....	1
14	<u>101570509</u>	Tire/Wheel Asm, Beige, Premium Tread, 6.5 (includes items 15 through 17) .....	4
15	<u>101884901</u>	Tire, Unmounted, Power Rib 18 x 6.50-8 .....	1
16	<u>101918401</u>	Wheel Rim, Beige .....	1
17	<u>7310</u>	Valve Stem .....	1
18	<u>101570512</u>	Tire/Wheel Asm, Beige, Duro Premium Tread (includes items 19 through 21) .....	4
19	1015707	Wheel Rim, Beige .....	1
20	<u>102569304</u>	Duro 18 X 8.5 X 8, 4-Ply .....	1
21	<u>7310</u>	Valve Stem .....	1
22	<u>101570513</u>	Tire/Wheel Asm, Beige, Kenda Premium Tread (includes items 23 through 25) .....	4
23	1015707	Wheel Rim, Beige .....	1
24	<u>7310</u>	Valve Stem .....	1
25	<u>AM10682</u>	Unmounted Prem Tire 18x8.50x8 .....	1

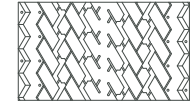
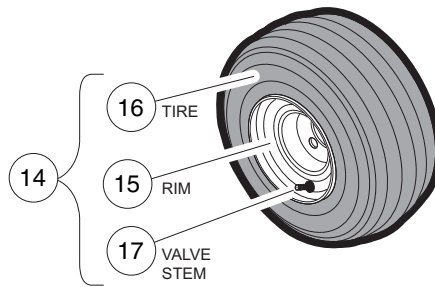
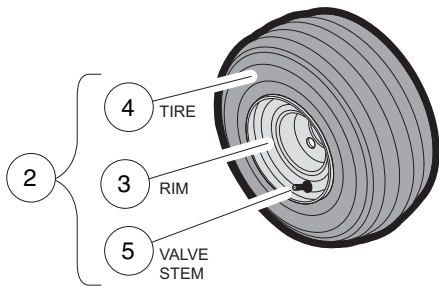
2  
G  
E



**FOR FRONT OR REAR**

BEIGE RIMS

WHITE RIMS

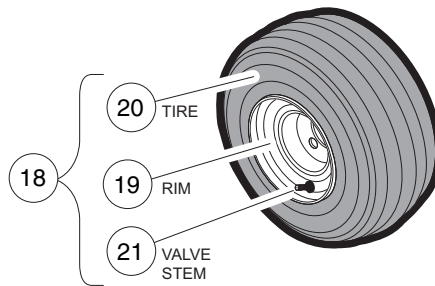
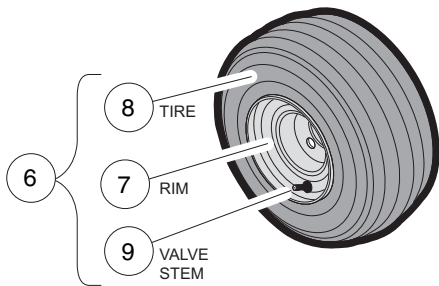


PREMIUM TREAD

**FOR REAR ONLY**

BEIGE RIMS

WHITE RIMS

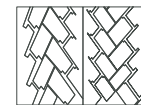
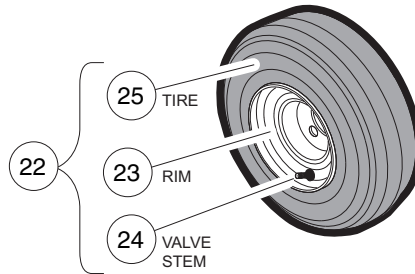
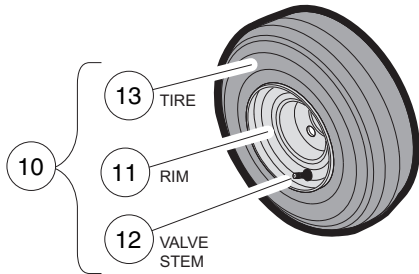


EXTRA TRACTION TREAD

**FOR FRONT ONLY**

BEIGE RIMS

WHITE RIMS



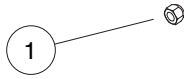
DURO HF 232 TREAD

000269-003

## WHEELS AND TIRES – TURF/CARRYALL 6

ITEM	PART NO.	DESCRIPTION	QTY
		<b>1 2 3 4</b>	
1	<u>1010984</u>	.500-20 Unf Lug Nut .....	16
2	<u>101570506</u>	Tire/Wheel Asm, Beige, Premium Tread, 6-ply (includes items 3 through 5) .....	4
3	<u>1015707</u>	Wheel Rim, Beige .....	1
4	<u>101737002</u>	Tire, Unmounted .....	1
5	<u>7310</u>	Valve Stem .....	1
6	<u>101570507</u>	Tire/Wheel Asm, Beige, Xtrac Tread, 6-ply (includes items 7 through 9) .....	2
7	<u>1015707</u>	Wheel Rim, Beige .....	1
8	N/A	Tire, Unmounted Xtrac 18 x 8.50-8 .....	1
9	<u>7310</u>	Valve Stem .....	1
10	<u>101570514</u>	Tire/Wheel Asm, Beige, Duro HF 232 Tread (includes items 11 through 13) .....	2
11	<u>1015707</u>	Wheel Rim, Beige .....	1
12	<u>7310</u>	Valve Stem .....	1
13	****	Tire, Unmounted, 6-Ply Rated (18.5 x 8.5 - 8) (Duro) .....	1
14	<u>101651406</u>	Tire/Wheel Asm, White, Premium Tread, 6-Ply (includes items 15 through 17) .....	4
15	<u>1014771</u>	Wheel Rim, White .....	1
16	<u>101737002</u>	Tire, Unmounted .....	1
17	<u>7310</u>	Valve Stem .....	1
18	<u>101651407</u>	Tire/Wheel Asm, White, Extra-Traction, 6-Ply (includes items 19 through 21) .....	2
19	<u>1014771</u>	Wheel Rim, White .....	1
20	N/A	Tire, Unmounted Xtrac 18 x 8.50-8 .....	1
21	<u>7310</u>	Valve Stem .....	1
22	<u>101651414</u>	Tire/Wheel Asm, White, Duro HF 232 (includes items 23 through 25) .....	2
23	<u>101918402</u>	Wheel Rim, White .....	1
24	<u>7310</u>	Valve Stem .....	1
25	****	Tire, Unmounted, 6-Ply Rated (18.5 x 8.5 - 8) (Duro) .....	1
		**** Special order item available upon request.	

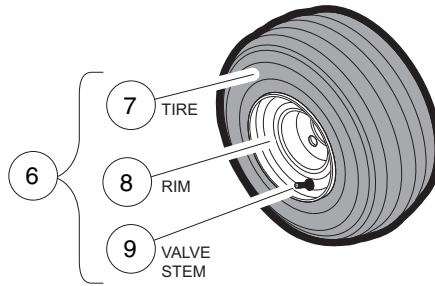
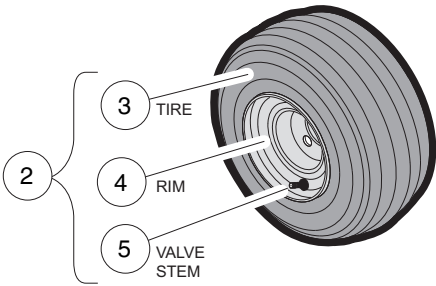
**2**  
**G**  
**E**



FOR FRONT ONLY

BEIGE RIMS

WHITE RIMS



000269-007

## WHEELS AND TIRES – VILLAGER 6 AND 8 (FRONT ONLY)

ITEM	PART NO.	DESCRIPTION	QTY
		1 2 3 4	
1	<u>1010984</u>	.500-20 Unf Lug Nut .....	8
2	<u>101570509</u>	Tire/Wheel Asm, Beige, Premium Tread, 6.5 (includes items 3 through 5) .....	2
3	<u>101884901</u>	Tire, Unmounted, Power Rib 18 x 6.50-8 .....	1
4	<u>101918401</u>	Wheel Rim, Beige .....	1
5	<u>7310</u>	Valve Stem .....	1
6	<u>101651409</u>	Tire/Wheel Asm, White, Premium Tread, 6.5-inch (includes items 7 through 9) .....	2
7	<u>101884901</u>	Tire, Unmounted, Power Rib 18 x 6.50-8 .....	1
8	<u>101918401</u>	Wheel Rim, Beige .....	1
9	<u>7310</u>	Valve Stem .....	1

2  
G  
E

**2**

**G**

**E**



# DECALS

---

3

G

E

**OPERATING INSTRUCTIONS**

- Read owner's manual and safety warnings located on dash panel prior to driving.
- Study and understand controls.

**TO OPERATE**

- Turn wheels to desired direction and ensure path is clear.
- Turn key to ON position.
- While stopped, place shift lever in desired position:  
F – Forward N – Neutral R – Reverse (Buzzer will sound)
- Park brake will release and vehicle will start moving when accelerator pedal is pressed.
- Slowly press accelerator pedal to increase speed.
- To stop, release accelerator pedal and press brake pedal.

**BEFORE LEAVING**

- Press park brake pedal until it locks and holds vehicle.
- Place Forward/Reverse switch in NEUTRAL position.
- Turn key OFF and remove key when not in use.

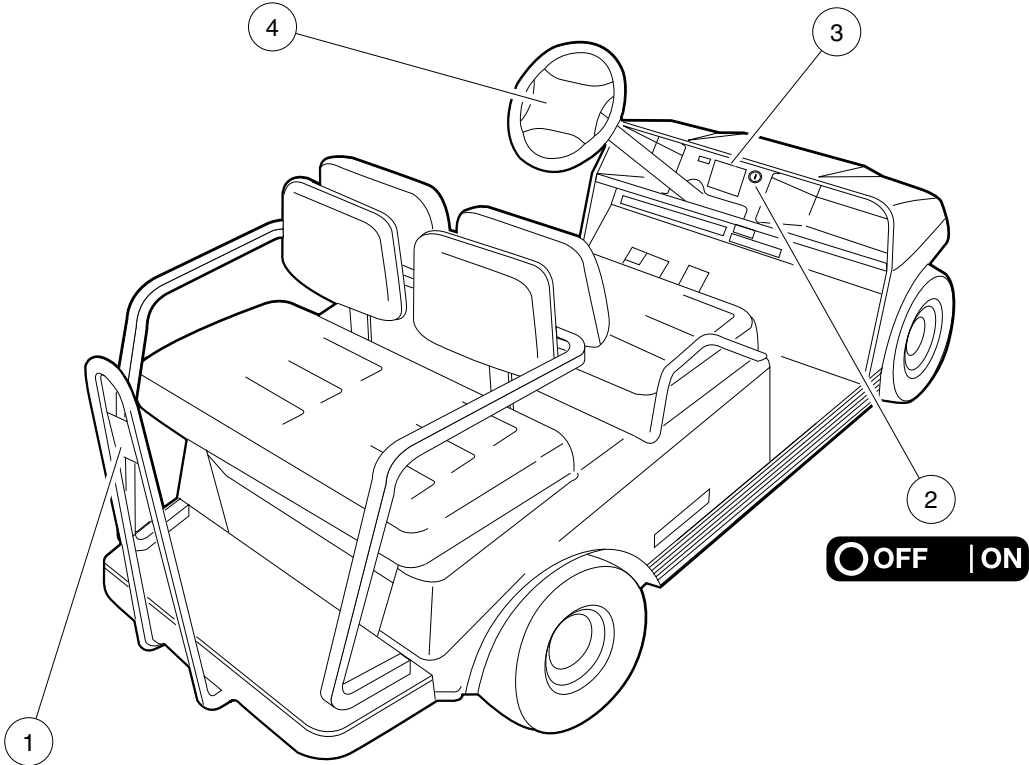
CCQ 102519201

**WARNING**

**ROLLOVER OR FALLING OFF MAY CAUSE DEATH.**

- Before using vehicle, read operating instructions.
- Remain seated and hold on to seat handle while moving.
- Do not start vehicle until all occupants are seated.
- Two (2) persons per seat maximum.
- Operate from driver side only and not on public roads.
- Keep entire body inside vehicle while moving.
- Drive slowly in turns and straight up and down slopes.
- Do not leave children unattended on vehicle.
- Never operate under the influence of alcohol or drugs.
- Use brakes to reduce speed when coasting downhill.
- Never stand in front of or behind vehicle.

CCQ 101560061



**WARNING**

**FALLING OFF COULD RESULT IN SEVERE INJURY OR DEATH**

- Remain seated with entire body inside vehicle and hold on to seat handle or handrail at all times.
- Two (2) persons per bench seat maximum.
- One (1) person per bucket seat maximum.
- Do not leave children unattended on vehicle at anytime.
- Never stand in front of or behind vehicle.

CCQ 101705701

000370-001

## DECALS – DS VILLAGER 4 GASOLINE VEHICLES

ITEM	PART NO.	DESCRIPTION	QTY
		1 2 3 4	
1	<u>101705701</u>	Decal, Warning .....	1
2	<u>101825101</u>	Decal, Off/On .....	1
3	101960601	Decal, Dash Warning .....	1
4	102518001	Decal, Operating Instr, Elec .....	1

**3**  
**G**  
**E**

### OPERATING INSTRUCTIONS

- Read owner's manual and dash-mounted safety warnings prior to driving.
- Study and understand controls.

**TO OPERATE**

- Turn wheels to desired direction and ensure path is clear.
- Turn key to ON position.
- While stopped, place Forward/Reverse switch in desired position:  
F – Forward N – Neutral R – Reverse (Buzzer will sound)
- Park brake will release and vehicle will start moving when accelerator pedal is pressed.
- Slowly press accelerator pedal to increase speed.
- To stop, release accelerator pedal and press brake pedal.

**BEFORE LEAVING**

- Press park brake pedal until it locks and holds vehicle.
- Place Forward/Reverse switch in NEUTRAL position.
- Turn key OFF and remove key when not in use.

**MOTOR BRAKING**

- Electric motor braking provides speed regulation functions.
- For parked vehicle, beeping alarm indicates vehicle roll away.
- In operation, beeping alarm indicates reduction in motor braking.
- Apply brakes to further reduce vehicle speed as required.
- System is activated only when tow switch is in the RUN position.
- When towing this vehicle, tow switch must be in the TOW position.

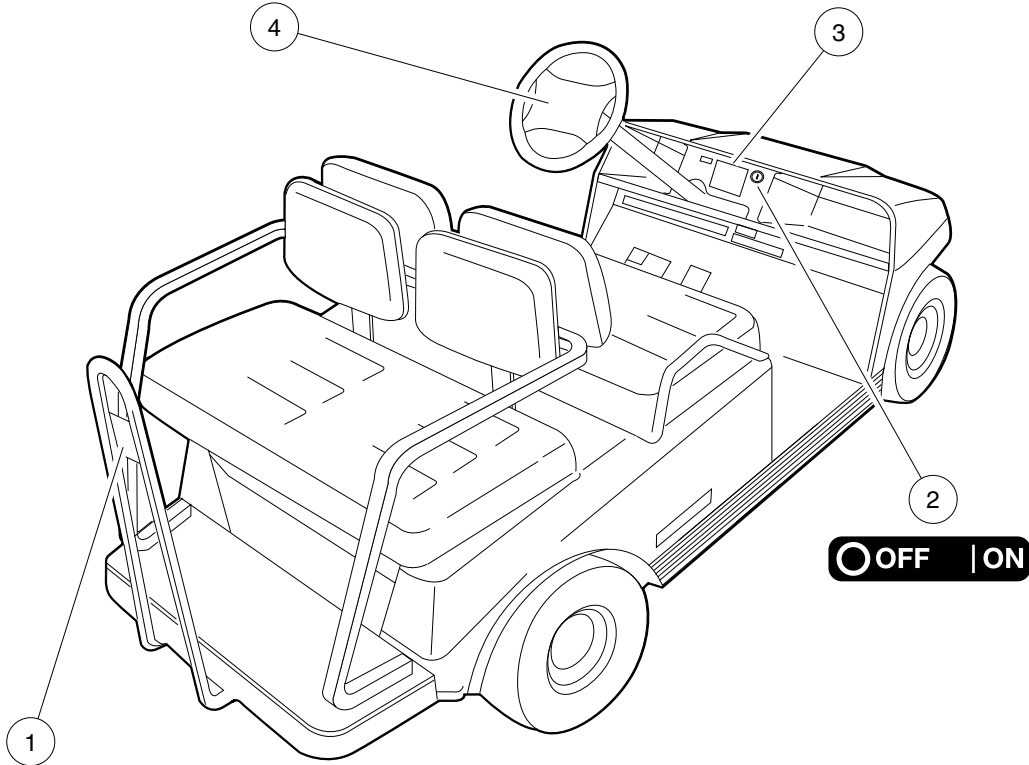
CC1 102518001

**WARNING**

**ROLLOVER OR FALLING OFF MAY CAUSE DEATH.**

- Before using vehicle, read operating instructions.
- Remain seated and hold on to seat handle while moving.
- Do not start vehicle until all occupants are seated.
- Two (2) persons per seat maximum.
- Operate from driver side only and not on public roads.
- Keep entire body inside vehicle while moving.
- Drive slowly in turns and straight up and down slopes.
- Do not leave children unattended on vehicle.
- Never operate under the influence of alcohol or drugs.
- Use brakes to reduce speed when coasting downhill.
- Never stand in front of or behind vehicle.

CQ 101960001



**WARNING**

**FALLING OFF COULD RESULT IN SEVERE INJURY OR DEATH**

- Remain seated with entire body inside vehicle and hold on to seat handle or handrail at all times.
- Two (2) persons per bench seat maximum.
- One (1) person per bucket seat maximum.
- Do not leave children unattended on vehicle at anytime.
- Never stand in front of or behind vehicle.

CQ 101705701

000370-003

## DECALS – DS VILLAGER 4 ELECTRIC VEHICLES

ITEM	PART NO.	DESCRIPTION	QTY
		1 2 3 4	
1	<u>101705701</u>	Decal, Warning .....	1
2	<u>101825101</u>	Decal, Off/On .....	1
3	<u>101960601</u>	Decal, Dash Warning .....	1
4	<u>102519201</u>	Decal, Operating Instr, Gas .....	1

3  
G  
E

**⚠ DANGER / POISON**

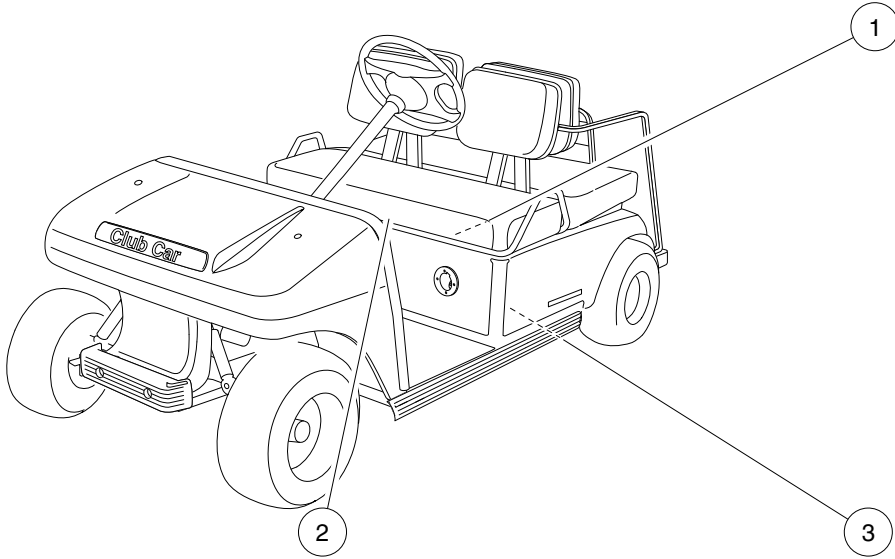
SHIELD EYES  
EXPLOSIVE GASES CAN CAUSE BURNINGS OR BLINDNESS

NO SPARKS  
FLAMES  
SMOKING

SULFURIC ACID  
CAN CAUSE BLINDNESS OR SEVERE BURNS

FLUSH EYES IMMEDIATELY WITH WATER  
GET MEDICAL HELP FAST

KEEP OUT OF THE REACH OF CHILDREN - DO NOT TIP - KEEP VENT CAPS TIGHT AND LEVEL



**⚠ WARNING** TOW  RUN

Place Tow/Run switch in TOW position before:

- Disconnecting or connecting batteries
- Towing
- Extended storage
- Servicing

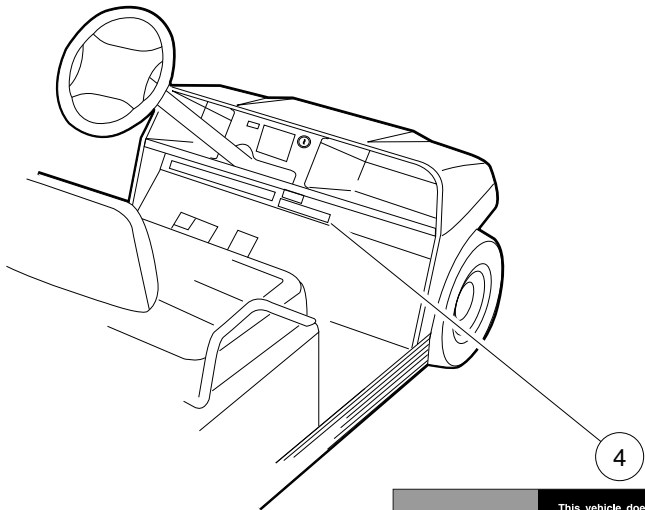
**FAILURE TO HEED THIS WARNING COULD RESULT IN A BATTERY EXPLOSION OR SEVERE PERSONAL INJURY.**

CCI 101908601

**NOTICE**

Do not operate vehicle without this cover properly installed.  
Do not direct water stream in this area; will cause damage to components.  
See vehicle maintenance and service manual before servicing.

CCI 101931501



**IMPORTANT NOTICE**

This vehicle does not conform to ANSI Z130.1 - "Standard for Golf Cars - Safety and Performance Requirements" because it is capable of speeds in excess of 15 miles per hour. Exercise caution.

CCI 102228701

000371-001

## DECALS – DS VILLAGER 4 ELECTRIC VEHICLES

ITEM	PART NO.	DESCRIPTION	QTY
		1 2 3 4	
1	<u>1013677</u>	Decal, Battery Danger .....	1
2	<u>101908601</u>	Decal, Tow/Run Switch Warning .....	1
3	<u>101931501</u>	Decal, Component Cover .....	1
4	<u>102228701</u>	Decal, Private Speed .....	1

3  
G  
E

**⚠ WARNING**  
**GASOLINE EXPLOSION / FIRE.**

- Can cause severe injury or death.
- No smoking, sparks, or open flame.
- Stop engine, allow to cool before refueling.
- Turn fuel valve (—) on during operation, (→) off during storage or transport.

CCJ 101547001

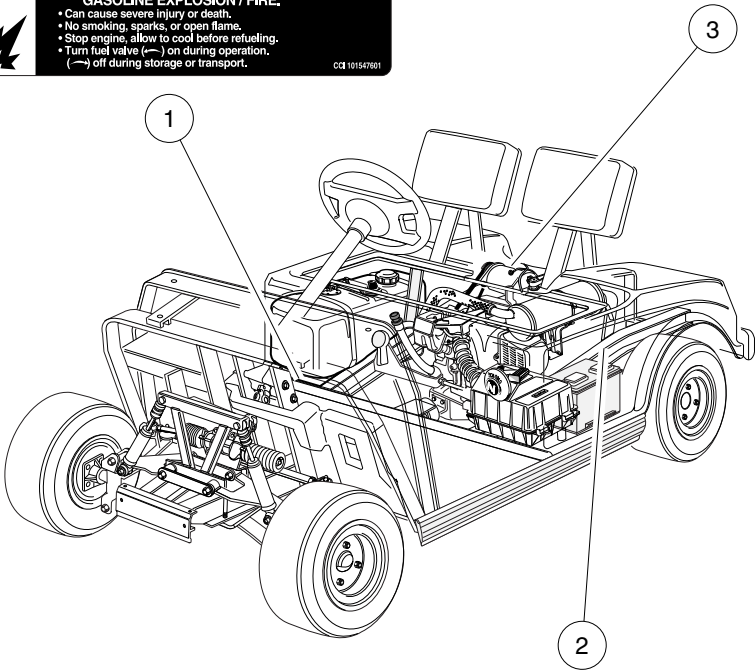
**⚠ WARNING**  
**CAN CAUSE SEVERE INJURY**

**Rotating parts**

**HOT**  
**manifold & muffler**

**KEEP CLEAR**

CCJ 101906001



	<p><b>⚠ WARNING</b></p> <p>Negative frame ground. Can cause severe injury. Do not contact positive (+) battery post or cable to frame. Disconnect negative battery cable first.</p>		<p><b>⚠ WARNING</b></p> <p>Excessive speed can cause severe injury or death. Do not tamper with engine governor adjustment.</p> <p>CCJ 101915201</p>
--	---	--	--

000373-001



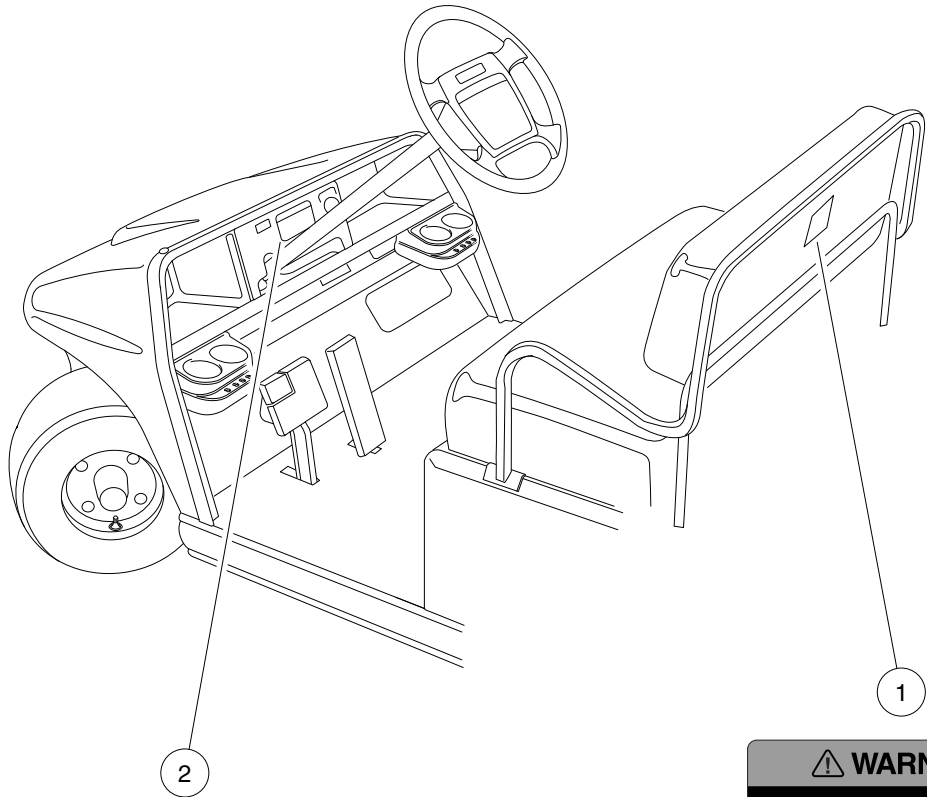
# DECALS – DS VILLAGER 4 GASOLINE VEHICLES

ITEM	PART NO.	DESCRIPTION	QTY
		1 2 3 4	
1	<u>101547601</u>	Decal, Gasoline Explosion/Fire Warning .....	1
2	<u>101915201</u>	Decal, Frame Ground and Governor Warning .....	1
3	<u>101960501</u>	Decal, Rotating Parts/Hot Manifold .....	2

**3**

**G**

**E**



**⚠ WARNING**

**ROLLOVER OR FALLING OFF MAY CAUSE DEATH.**

- Before using vehicle, read operating instructions.
- Remain seated and hold on to seat handle while moving.
- Do not start vehicle until all occupants are seated.
- Two (2) persons per seat maximum.
- Operate from driver side only and not on public roads.
- Keep entire body inside vehicle while moving.
- Drive slowly in turns and straight up and down slopes.
- Do not leave children unattended on vehicle.
- Never operate under the influence of alcohol or drugs.
- Use brakes to reduce speed when coasting downhill.
- Never stand in front of or behind vehicle.

CCJ 101960501

**⚠ WARNING**

**FALLING OFF COULD RESULT IN SEVERE INJURY OR DEATH**

- Remain seated with entire body inside vehicle and hold on to seat handle or handrail at all times.
- Two (2) persons per bench seat maximum.
- One (1) person per bucket seat maximum.
- Do not leave children unattended on vehicle at anytime.
- Never stand in front of or behind vehicle.

CCJ 101705701

000374-001

# DECALS – VILLAGER 6 GASOLINE AND ELECTRIC VEHICLES

ITEM	PART NO.	DESCRIPTION	QTY	
		1 2 3 4		3
1	<u>101705701</u>	Decal, Warning .....	1	G
2	101960601	Decal, Dash Warning .....	1	E

**3**  
**G**  
**E**

**OPERATING INSTRUCTIONS**

- Read owner's manual and safety warnings located on dash panel prior to driving.
- Study and understand controls.

**TO OPERATE**

- Turn wheels to desired direction and ensure path is clear.
- Turn key to ON position.
- While stopped, place shift lever in desired position:  
F = Forward N = Neutral R = Reverse (Buzzer will sound)
- Park brake will release and vehicle will start moving when accelerator pedal is pressed.
- Slowly press accelerator pedal to increase speed.
- To stop, release accelerator pedal and press brake pedal.

**BEFORE LEAVING**

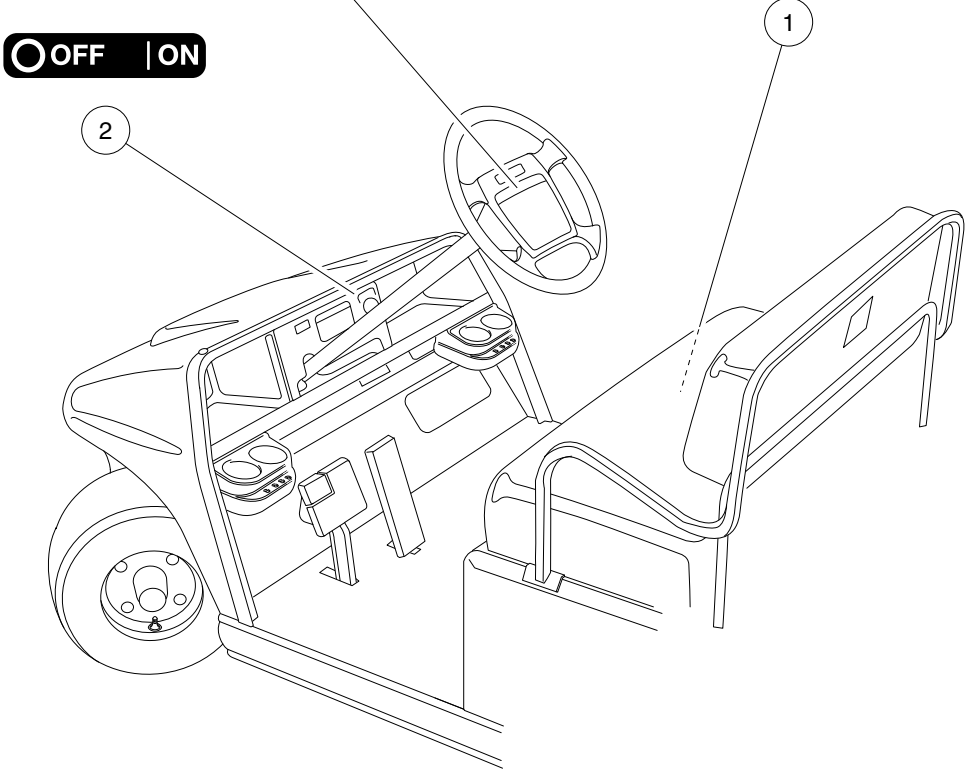
- Press park brake pedal until it locks and holds vehicle.
- Place Forward/Reverse switch in NEUTRAL position.
- Turn key OFF and remove key when not in use.

cc1 102519201

**⚠ DANGER / POISON**

SHIELD EYES	EXPLOSIVE GASES CAN CAUSE BLINDNESS OR INJURY	NO SPARKS • FLAMES • SMOKING	SULFURIC ACID CAN CAUSE BLINDNESS OR SEVERE BURNS	FLUSH EYES IMMEDIATELY WITH WATER GET MEDICAL HELP FAST
-------------	---	------------------------------------	---	--

KEEP OUT OF THE REACH OF CHILDREN - DO NOT TIP - KEEP VENT CAPS TIGHT AND LEVEL



000375-001

## DECALS – VILLAGER 6 ELECTRIC VEHICLES

ITEM	PART NO.	DESCRIPTION	QTY
		1 2 3 4	
1	<u>1013677</u>	Decal, Battery Danger .....	1
2	<u>101825101</u>	Decal, Off/On .....	1
3	<u>102519201</u>	Decal, Operating Instr, Gas .....	1

3  
G  
E

**OPERATING INSTRUCTIONS**

- Read owner's manual and dash-mounted safety warnings prior to driving.
- Study and understand controls.

**TO OPERATE**

- Turn wheels to desired direction and ensure path is clear.
- Turn key to ON position.
- While stopped, place Forward/Reverse switch in desired position: F – Forward N – Neutral R – Reverse (Buzzer will sound)
- Park brake will release and vehicle will start moving when accelerator pedal is pressed.
- Slowly press accelerator pedal to increase speed.
- To stop, release accelerator pedal and press brake pedal.

**BEFORE LEAVING**

- Press park brake pedal until it locks and holds vehicle.
- Place Forward/Reverse switch in NEUTRAL position.
- Turn key OFF and remove key when not in use.

**MOTOR BRAKING**

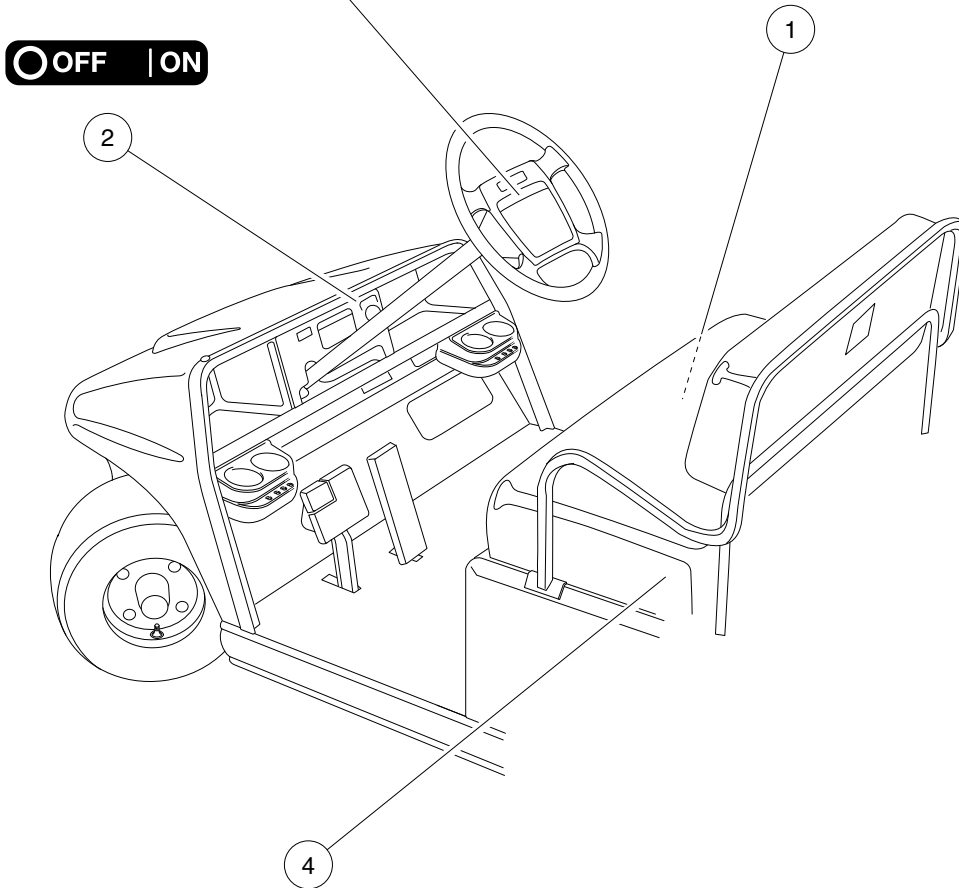
- Electric motor braking provides speed regulation functions.
- For parked vehicles, beeping alarm indicates vehicle roll away.
- In operation, beeping alarm indicates reduction in motor braking.
- Apply brakes to further reduce vehicle speed as required.
- System is activated only when tow switch is in the TOW position.
- When towing this vehicle, tow switch must be in the TOW position.

CCI 102845101

**⚠ DANGER / POISON**

SHIELD EYES	EXPLOSIVE GASES CAN CAUSE BLINDNESS OR INJURY	NO SPARKS • SPARKS • FLAMES • SMOKING	SULFURIC ACID CAN CAUSE BLINDNESS OR SEVERE BURNS	FLUSH EYES IMMEDIATELY WITH WATER GET MEDICAL HELP FAST
-------------	---	--	---	--

KEEP OUT OF THE REACH OF CHILDREN - DO NOT TIP - KEEP VENT CAPS TIGHT AND LEVEL



**OFF | ON**

**⚠ WARNING**

**BATTERY EXPLOSION COULD RESULT IN SEVERE PERSONAL INJURY.**

- Do not store items in battery compartment.
- Place Run/Tow switch in TOW position before:
  - Disconnecting or connecting battery cables
  - Towing this vehicle
  - Extended storage
  - Servicing the vehicle

NORMAL	
TOW	RUN

CCI 102845101

000375-002

## DECALS – VILLAGER 6 IQ PLUS VEHICLES

ITEM	PART NO.	DESCRIPTION	QTY
		1 2 3 4	
1	<u>1013677</u>	Decal, Battery Danger .....	1
2	<u>101825101</u>	Decal, Off/On .....	1
3	<u>102518001</u>	Decal, Operating Instr, Elec .....	1
4	<u>102845101</u>	Decal, Tow Switch .....	1

**3**  
**G**  
**E**

**OPERATING INSTRUCTIONS**

- Read Owner's Manual and safety warnings located on dash panel prior to driving.
- Study and understand controls.

**TO START ENGINE**

- Place shift lever in "N" - Neutral position.
- Depress brake pedal.
- Turn key switch to "START" position and release.

**TO OPERATE VEHICLE**

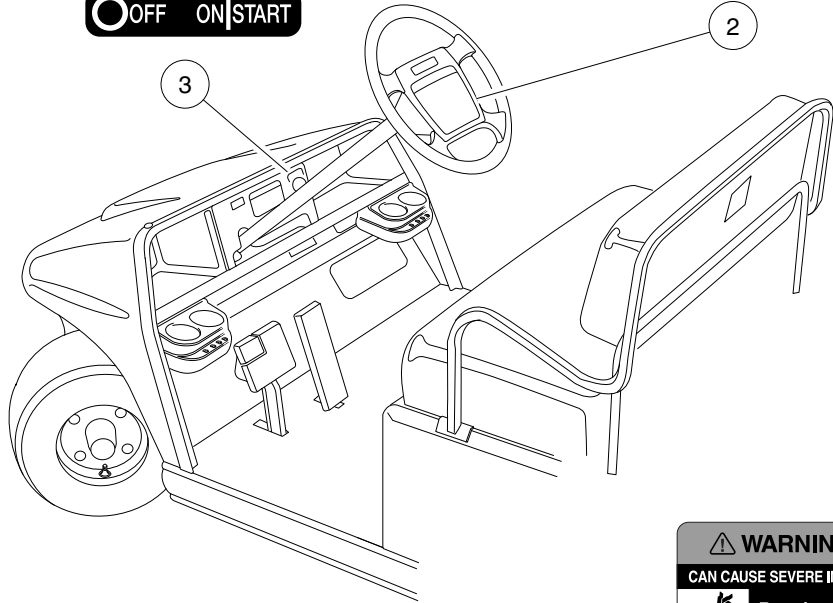
- Make sure wheels are turned in desired direction.
- Be sure nothing is in your path.
- While vehicle is stopped, and engine is at idle, select vehicle direction by placing shift lever or switch in desired position.
- F - Forward R - Reverse (Hazard will sound)
- Park brake will release when accelerator pedal is pushed.
- Slowly push accelerator pedal to increase speed.
- Engine must be at idle before moving shift lever.

**TO STOP VEHICLE**

- Release accelerator pedal and push brake pedal.
- After stopping, firm push park brake until blocks.
- Turn key to "OFF" position, remove key and place shift lever in straight up neutral position when not in use.

CC1 101983201

**OFF ON|START**



**WARNING**

**CAN CAUSE SEVERE INJURY**

**Rotating parts**

**HOT**

**manifold & muffler**

**KEEP CLEAR**

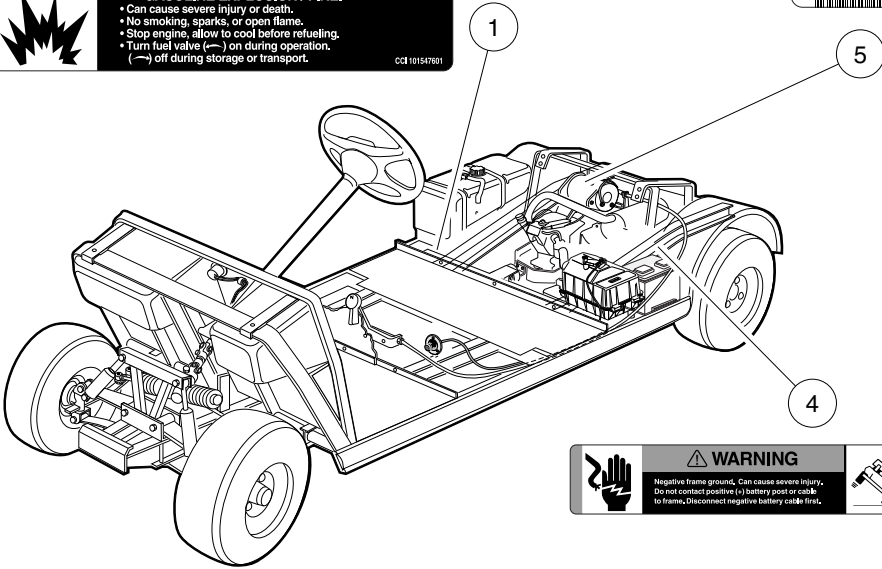
CC1 101960501

**WARNING**

**GASOLINE EXPLOSION / FIRE.**

- Can cause severe injury or death.
- No smoking, sparks, or open flame.
- Stop engine, allow to cool before refueling.
- Turn fuel valve (—) on during operation.
- (→) off during storage or transport.

CC1 101547601



**WARNING**

Negative frame ground. Can cause severe injury. Do not contact positive (+) battery post or cable to frame. Disconnect negative battery cable first.

**WARNING**

Excessive speed can cause severe injury or death. Do not tamper with engine governor adjustment.

CC1 101983201

000376-001



## DECALS – VILLAGER 6 GASOLINE VEHICLES

ITEM	PART NO.	DESCRIPTION	QTY
		1 2 3 4	
1	<u>101547601</u>	Decal, Gasoline Explosion/Fire Warning .....	1
2	<u>101693201</u>	Decal, Operating Instructions, Key-Start .....	1
3	<u>101825102</u>	Decal, Off/On/Start .....	1
4	<u>101915201</u>	Decal, Frame Ground and Governor Warning .....	1
5	<u>101960501</u>	Decal, Rotating Parts/Hot Manifold .....	1

3  
G  
E

**⚠ WARNING**

**ROLLOVER OR FALLING OFF MAY CAUSE DEATH.**

- Before using vehicle, read operating instructions.
- Remain seated and hold on to seat handle while moving.
- Do not start vehicle until all occupants are seated.
- Two (2) persons per seat maximum.
- Operate from driver side only and not on public roads.
- Keep entire body inside vehicle while moving.
- Drive slowly in turns and straight up and down slopes.
- Do not leave children unattended on vehicle.
- Never operate under the influence of alcohol or drugs.
- Use brakes to reduce speed when coasting downhill.
- Never stand in front of or behind vehicle.

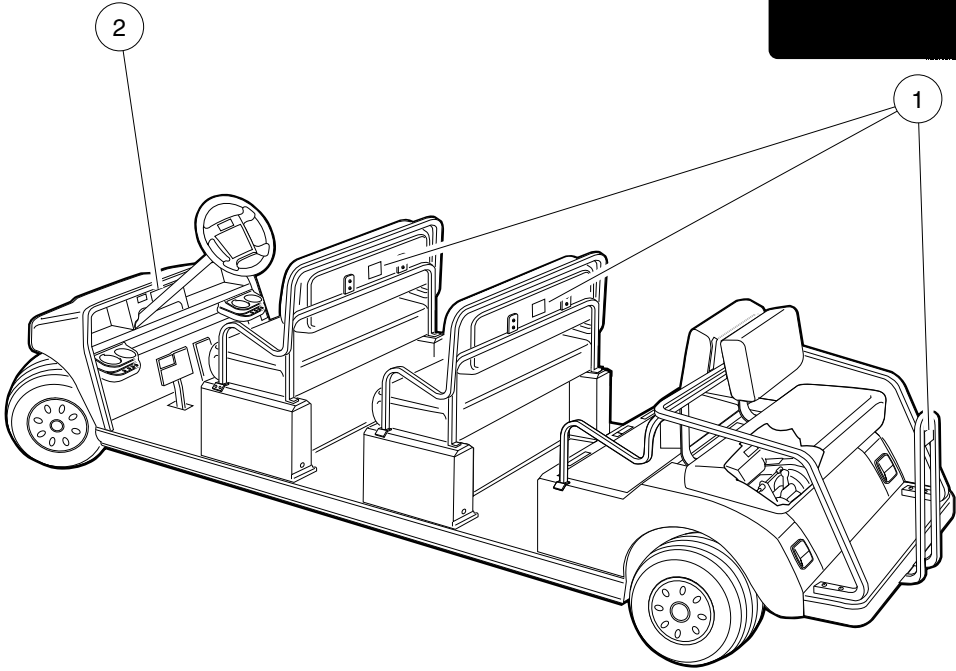
CCI 10196601

**⚠ WARNING**

**FALLING OFF COULD RESULT IN SEVERE INJURY OR DEATH**

- Remain seated with entire body inside vehicle and hold on to seat handle or handrail at all times.
- Two (2) persons per bench seat maximum.
- One (1) person per bucket seat maximum.
- Do not leave children unattended on vehicle at anytime.
- Never stand in front of or behind vehicle.

CCI 101705701



000377-001

# DECALS – VILLAGER 8 GASOLINE AND ELECTRIC VEHICLES

ITEM	PART NO.	DESCRIPTION	QTY
1	<u>101705701</u>	1 2 3 4 Decal, Warning .....	3
2	101960601	Decal, Dash Warning .....	1

3  
G  
E

**OPERATING INSTRUCTIONS**

- Read owner's manual and safety warnings located on dash panel prior to driving.
- Study and understand controls.

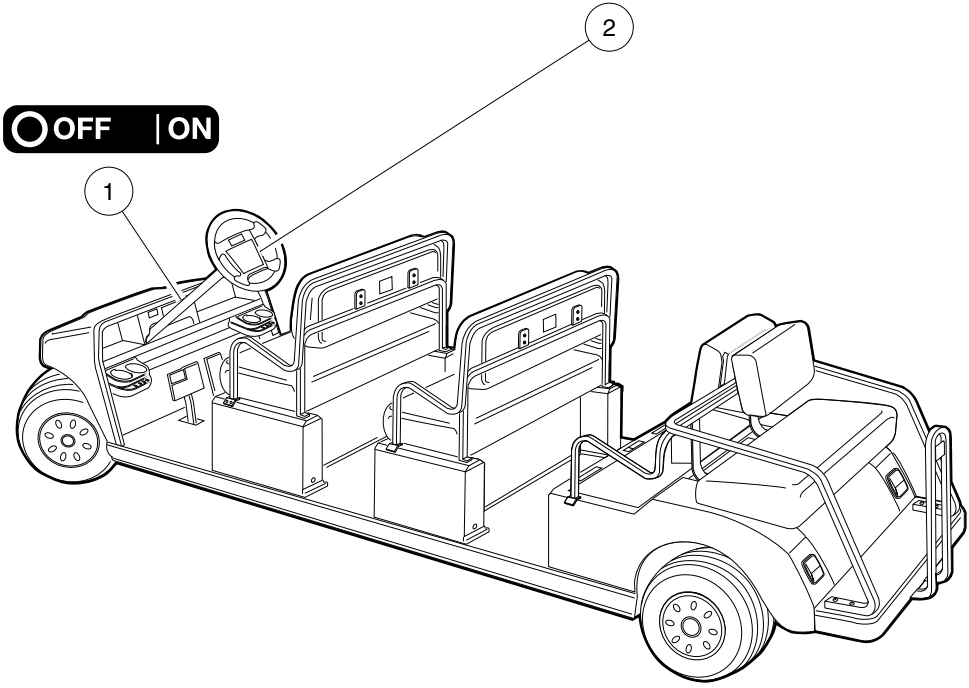
**TO OPERATE**

- Turn wheels to desired direction and ensure path is clear.
- Turn key to ON position.
- While stopped, place shift lever in desired position:  
F = Forward N = Neutral R = Reverse (Buzzer will sound)
- Park brake will release and vehicle will start moving when accelerator pedal is pressed.
- Slowly press accelerator pedal to increase speed.
- To stop, release accelerator pedal and press brake pedal.

**BEFORE LEAVING**

- Press park brake pedal until it locks and holds vehicle.
- Place Forward/Reverse switch in NEUTRAL position.
- Turn key OFF and remove key when not in use.

CCI 102916201



000378-001

## DECALS – VILLAGER 8 POWERDRIVE VEHICLES

ITEM	PART NO.	DESCRIPTION	QTY
		1 2 3 4	
1	<u>101825101</u>	Decal, Off/On .....	1
2	<u>102519201</u>	Decal, Operating Instr, Gas .....	1

3  
G  
E

### OPERATING INSTRUCTIONS

- Read owner's manual and dash-mounted safety warnings prior to driving.
- Study and understand controls.

**TO OPERATE**

- Turn wheels to desired direction and ensure path is clear.
- Turn key to ON position.
- While stopped, place Forward/Reverse switch in desired position:
  - F = Forward
  - N = Neutral
  - R = Reverse (Buzzer will sound)
- Park brake will release and vehicle will start moving when accelerator pedal is pressed.
- Slowly press accelerator pedal to increase speed.
- To stop, release accelerator pedal and press brake pedal.

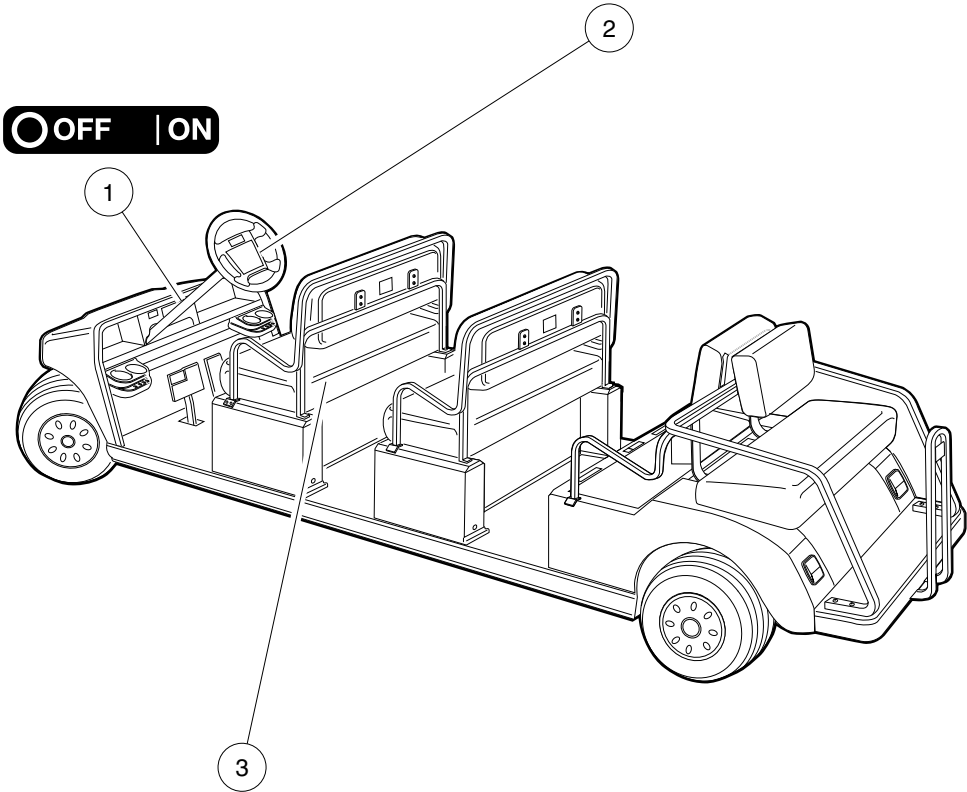
**BEFORE LEAVING**

- Press park brake pedal until it locks and holds vehicle.
- Place Forward/Reverse switch in NEUTRAL position.
- Turn key OFF and remove key when not in use.

**MOTOR BRAKING**

- Electric motor braking provides speed regulation functions.
- For parked vehicle, beeping alarm indicates vehicle roll away.
- In operation, beeping alarm indicates reduction in motor braking.
- Apply brakes to further reduce vehicle speed as required.
- System is activated only when tow switch is in the RUN position.
- When towing this vehicle, tow switch must be in the TOW position.

CCI 10281001



**⚠ WARNING**

**BATTERY EXPLOSION COULD RESULT IN SEVERE PERSONAL INJURY.**

- Do not store items in battery compartment.
- Place Run/Tow switch in TOW position before:
  - Disconnecting or connecting battery cables
  - Towing this vehicle
  - Extended storage
  - Servicing the vehicle

 <small>NORMAL</small>	 <small>TRIPPED</small>
 <small>TOW</small>	 <small>RUN</small>

CCI 102845101

000378-002

## DECALS – VILLAGER 8 IQ PLUS VEHICLES

ITEM	PART NO.	DESCRIPTION	QTY
		1 2 3 4	
1	<u>101825101</u>	Decal, Off/On .....	1
2	102518001	Decal, Operating Instr, Elec .....	1
3	<u>102845101</u>	Decal, Tow Switch .....	1

3  
G  
E



**OPERATING INSTRUCTIONS**

\*Read Owner's Manual and safety warnings located on dash panel prior to driving.  
\*Wear seat belt and use proper safety practices.

**TO START ENGINE**

- Place vehicle in "N" (Neutral) position.
- Place key in ignition.
- Turn key switch to "START" position and release.

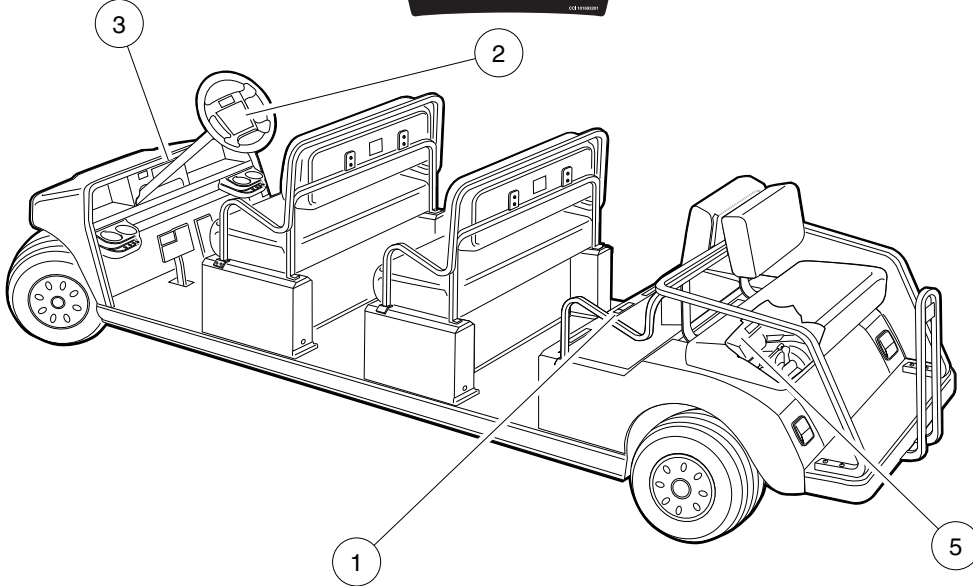
**TO OPERATE VEHICLE**

- Make sure wheels are turned to desired direction.
- Do not rev engine to your peak.
- While vehicle is stopped and engine is off (N), select vehicle direction.
- Put parking "P" (Park) or "R" (Reverse) in desired gear.
- Park brake will release when accelerator pedal is pushed.
- Shift park brake lever to release mode.
- Engine must be off (N) before opening shift lever.

**TO STOP VEHICLE**

- Release accelerator pedal and push brake pedal.
- After stopping fully push park brake lever (lock).
- Turn key to "OFF" position, remove key and place shift lever in straight up position when not in "N".

CCJ 101547901



**WARNING**

**GASOLINE EXPLOSION / FIRE.**

- Can cause severe injury or death.
- No smoking, sparks, or open flame.
- Stop engine, allow to cool before refueling.
- Turn fuel valve (F) on during operation.
- (F) off during storage or transport.

CCJ 101547901

**WARNING**

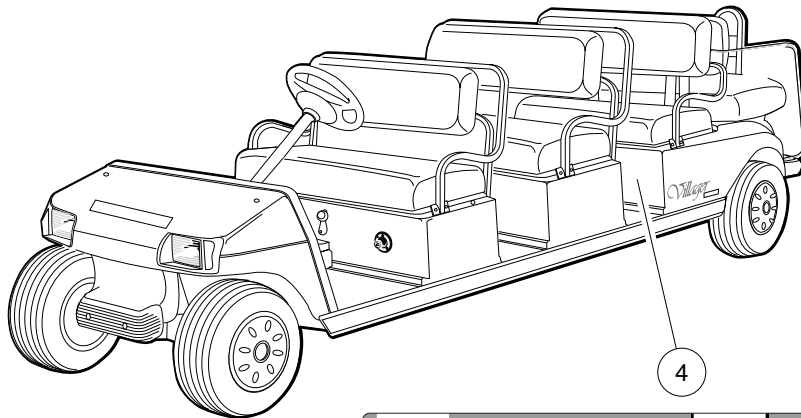
**CAN CAUSE SEVERE INJURY**

**Rotating parts**

**HOT manifold & muffler**

**KEEP CLEAR**

CCJ 101960501



**WARNING**

Negative frame ground. Can cause severe injury. Do not contact positive (+) battery post or cable to frame. Disconnect negative battery cable first.

**WARNING**

Excessive speed can cause severe injury or death. Do not tamper with engine governor adjustment.

CCJ 101918201

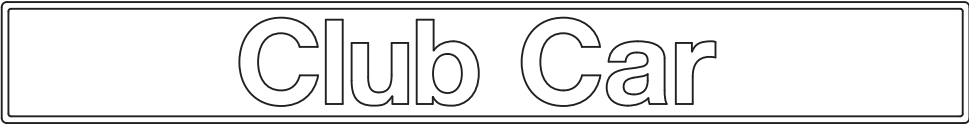
000379-001



## DECALS – VILLAGER 8 GASOLINE VEHICLES

ITEM	PART NO.	DESCRIPTION	QTY
		1 2 3 4	
1	<u>101547601</u>	Decal, Gasoline Explosion/Fire Warning .....	1
2	<u>101693201</u>	Decal, Operating Instructions, Key-Start .....	1
3	<u>101825102</u>	Decal, Off/On/Start .....	1
4	<u>101915201</u>	Decal, Frame Ground and Governor Warning .....	1
5	<u>101960501</u>	Decal, Rotating Parts/Hot Manifold .....	2

**3**  
**G**  
**E**



1

(ON FRONT OF COWL)



2

(ON REAR BODY)



3

(ON REAR BODY)


000380-001

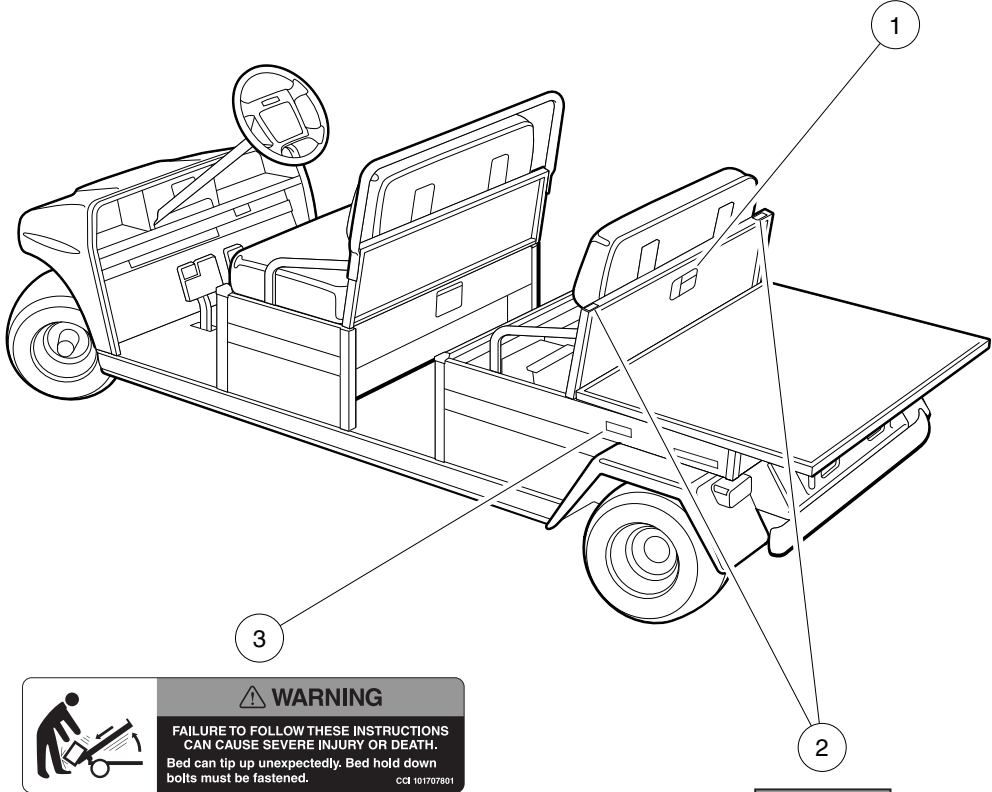
# LOGO DECALS – VILLAGER 4, 6, AND 8 GASOLINE AND ELECTRIC VEHICLES


ITEM	PART NO.	DESCRIPTION	QTY
1	<u>1014198</u>	1 2 3 4 Nameplate Kit (gold) .....	1
2	<u>102158701</u>	Decal, Villager .....	2
3	<u>103234302</u>	Decal, Badge, IR - Gold .....	2

**3**  
**G**  
**E**

**3**  
**G**  
**E**

 **WARNING**  
Riding in cargo bed  
can cause severe injury  
or death.  
Do not ride in cargo bed.  
CCI 1015539-01



 **WARNING**  
FAILURE TO FOLLOW THESE INSTRUCTIONS  
CAN CAUSE SEVERE INJURY OR DEATH.  
Bed can tip up unexpectedly. Bed hold down  
bolts must be fastened.  
CCI 101707801

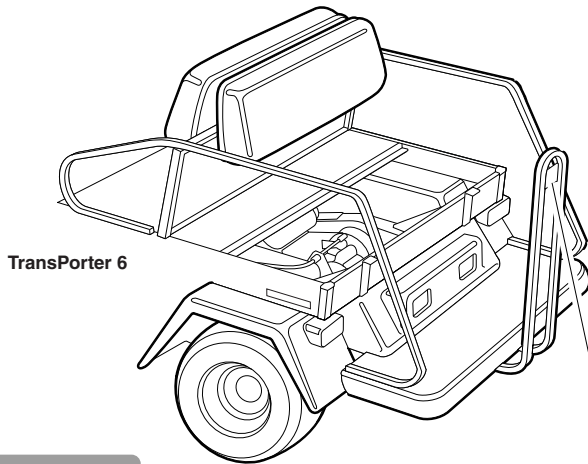
**WARNING**  
**CRUSH AREA**  
  
**STAY CLEAR**  
CCI 1016094-01

000381-001

# DECALS – TRANSPORTER 4 GASOLINE AND ELECTRIC VEHICLES

ITEM	PART NO.	DESCRIPTION	QTY
1	<u>101553901</u>	1 2 3 4 Decal, Bed Load Warning .....	1
2	<u>101609401</u>	Decal, Crush Area Warning .....	2
3	101707801	Decal, Bed Hold-Down Bolts .....	1

**3**  
**G**  
**E**



TransPorter 6

**⚠ WARNING**

**ROLLOVER OR FALLING OFF MAY CAUSE DEATH.**

- Before using vehicle, read operating instructions.
- Remain seated and hold on to seat handle while moving.
- Do not start vehicle until all occupants are seated.
- Two (2) persons per seat maximum.
- Operate from driver side only and not on public roads.
- Keep entire body inside vehicle while moving.
- Drive slowly in turns and straight up and down slopes.
- Do not leave children unattended on vehicle.
- Never operate under the influence of alcohol or drugs.
- Use brakes to reduce speed when coasting downhill.
- Never stand in front of or behind vehicle.

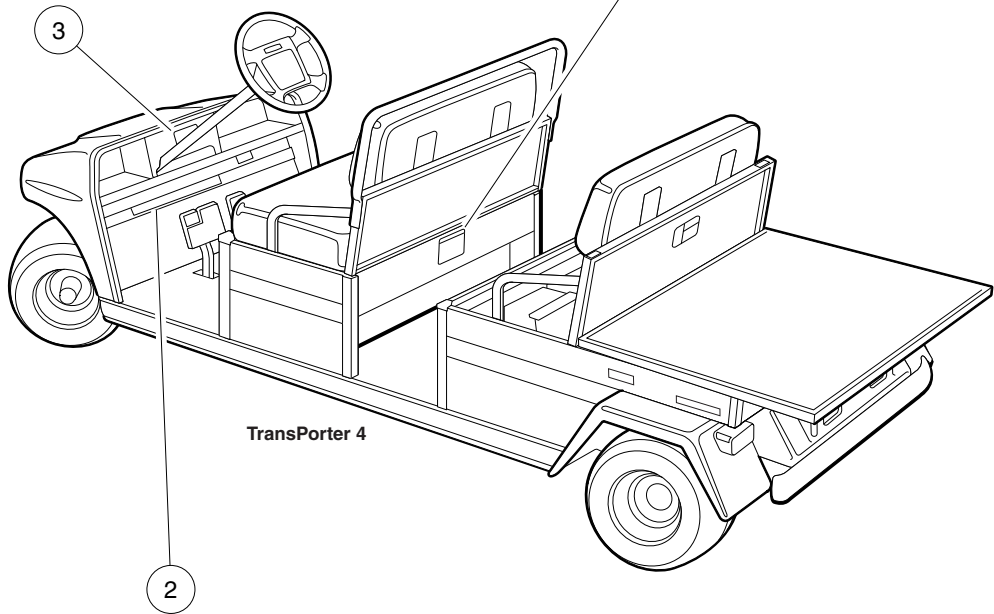
CCQ 101560501

**⚠ WARNING**

**FALLING OFF COULD RESULT IN SEVERE INJURY OR DEATH**

- Remain seated with entire body inside vehicle and hold on to seat handle or handrail at all times.
- Two (2) persons per bench seat maximum.
- One (1) person per bucket seat maximum.
- Do not leave children unattended on vehicle at anytime.
- Never stand in front of or behind vehicle.

CCQ 101705701



TransPorter 4

**VEHICLE LOADING**

Read owner's manual and warnings on dash.

- Vehicle rated capacity - 1500 lb on level surface only. Weight to include passengers, cargo bed load, and gross trailer weight. See owner's manual.
- Maximum cargo load CARRYALL 6 or TURF 6 - 1000 lb, TRANSPORTER - 300 lb. Weight to include cargo bed load and gross trailer weight.
- Maximum trailer hitch tongue weight - 150 lbs.
- Cargo should be evenly spread over the floor of the cargo bed as far forward as possible and secured.
- For vehicle stability, when fully loaded, drive slowly and avoid stopping on or backing down steep hills.
- Avoid top heavy loads. See owner's manual.
- When driving on uneven terrain or down steep hills, reduce speed and load.

CCQ 101560001

000382-001

# DECALS – TRANSPORTER 4 AND 6 GASOLINE AND ELECTRIC VEHICLES

ITEM	PART NO.	DESCRIPTION	QTY
1	<u>101705701</u>	1 2 3 4 Decal, Warning .....	1
2	<u>101960001</u>	Decal, Vehicle Loading .....	1
3	101960601	Decal, Dash Warning .....	1
<p style="text-align: center;">Note: The quantity of item 1 (<u>101705701</u>) used on TransPorter 6 vehicles is 2.</p>			

**3**  
**G**  
**E**

**NOTICE**  
Do not operate vehicle without this cover properly installed.  
Do not direct water stream in this area; will cause damage to components.  
See vehicle maintenance and service manual before servicing.  
CCI 101931501

**DANGER / POISON**

SHIELD EYES  
RESISTIVE GASES CAN CAUSE IMPROVED QUALITY

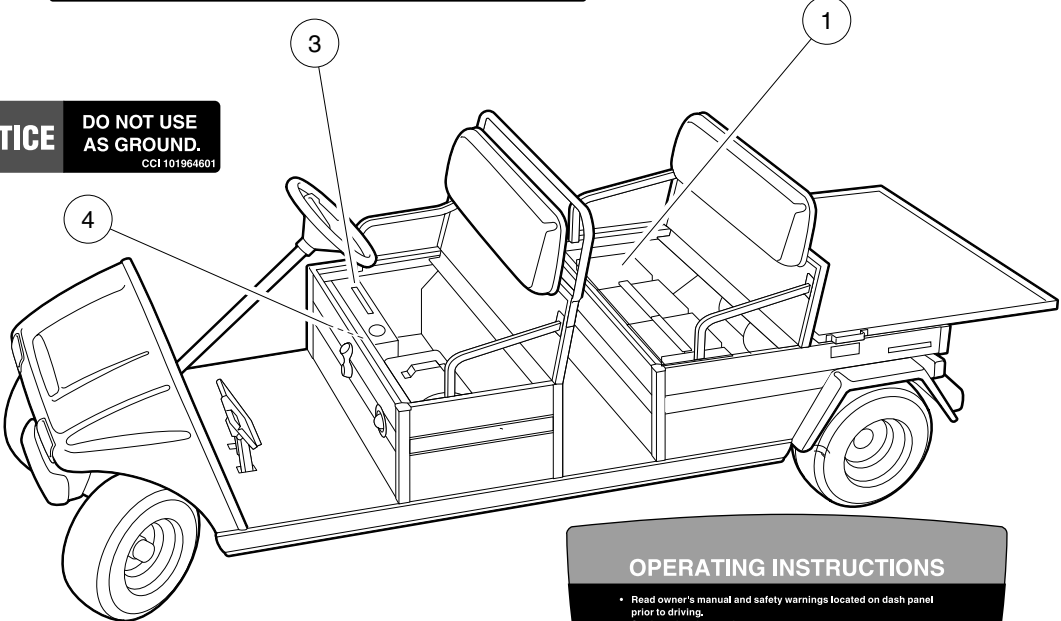
NO  
• SPARKS  
• FLAMES  
• SMOKING

SULFURIC ACID  
CAN CAUSE BURNING OR SEVERE BURNS

FLUSH EYES IMMEDIATELY WITH WATER FOR 15 MINUTES. GET MEDICAL HELP FAST

KEEP OUT OF THE REACH OF CHILDREN - DO NOT TIP - KEEP VENT CAPS TIGHT AND LEVEL

**NOTICE** DO NOT USE AS GROUND.  
CCI 101964601



**OPERATING INSTRUCTIONS**

- Read owner's manual and safety warnings located on dash panel prior to driving.
- Study and understand controls.

**TO OPERATE**

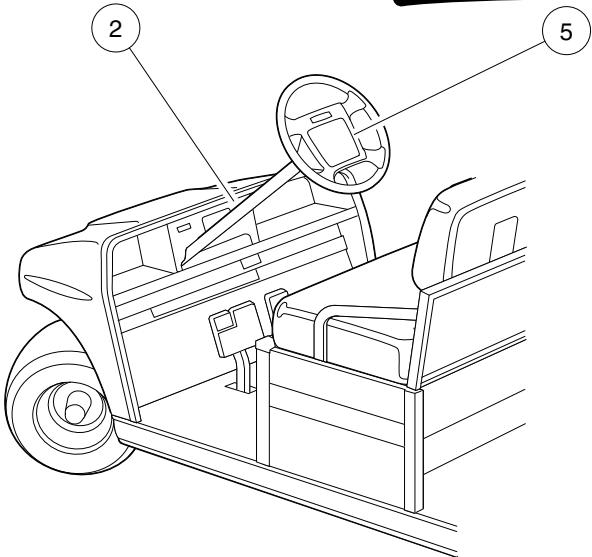
- Turn wheels to desired direction and ensure path is clear.
- Turn key to ON position.
- While stopped, place shift lever in desired position:  
F = Forward N = Neutral R = Reverse (Buzzer will sound)
- Park brake will release and vehicle will start moving when accelerator pedal is pressed.
- Slowly press accelerator pedal to increase speed.
- To stop, release accelerator pedal and press brake pedal.

**BEFORE LEAVING**

- Press park brake pedal until it locks and holds vehicle.
- Place Forward/Reverse switch in NEUTRAL position.
- Turn key OFF and remove key when not in use.

CCI 102519201

OFF | ON



000383-001



## DECALS – TRANSPORTER 4 AND 6 POWERDRIVE VEHICLES

ITEM	PART NO.	DESCRIPTION	QTY
		1 2 3 4	
1	<u>1013677</u>	Decal, Battery Danger .....	1
2	<u>101825101</u>	Decal, Off/On .....	1
3	<u>101931501</u>	Decal, Component Cover .....	1
4	<u>101964601</u>	Decal, No Ground Warning .....	1
5	<u>102519201</u>	Decal, Operating Instr, Gas .....	1

3  
G  
E

**NOTICE**  
Do not operate vehicle without this cover properly installed.  
Do not direct water stream in this area; will cause damage to components.  
See vehicle maintenance and service manual before servicing.  
CCI 101931501

**⚠ DANGER / POISON**

SHIELD EYES  
ELECTRIC GASES CAN CAUSE SEVERE BURNS

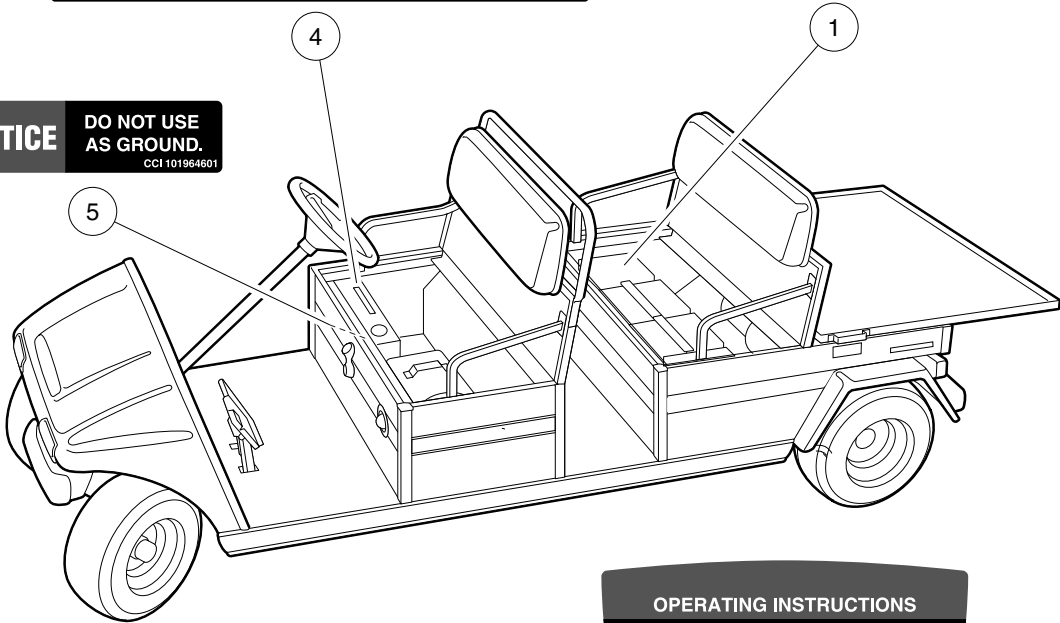
NO SPARKS + FLAMES + SMOKING

SULFURIC ACID CAN CAUSE BURNS OR SEVERE BURNS

FLUSH EYES IMMEDIATELY WITH WATER GET MEDICAL HELP FAST

KEEP OUT OF THE REACH OF CHILDREN - DO NOT TIP - KEEP VENT CAPS TIGHT AND LEVEL

**NOTICE** DO NOT USE AS GROUND.  
CCI 101964601



**OPERATING INSTRUCTIONS**

- Read owner's manual and dash-mounted safety warnings prior to driving.
- Study and understand controls.

**TO OPERATE**

- Turn wheels to desired direction and ensure path is clear.
- Turn key to ON position.
- While stopped, place Forward/Reverse switch in desired position:  
F - Forward N - Neutral R - Reverse (Buzzer will sound)
- Park brake will release and vehicle will start moving when accelerator pedal is pressed.
- Slowly press accelerator pedal to increase speed.
- To stop, release accelerator pedal and press brake pedal.

**BEFORE LEAVING**

- Press park brake pedal until it locks and holds vehicle.
- Place Forward/Reverse switch in NEUTRAL position.
- Turn key OFF and remove key when not in use.

**MOTOR BRAKING**

- Electric motor braking provides speed regulation functions.
- For parked vehicle, beeping alarm indicates vehicle roll away.
- In operation, beeping alarm indicates reduction in motor braking.
- Apply brakes to further reduce vehicle speed as required.
- System is activated only when tow switch is in the RUN position.
- When towing this vehicle, tow switch must be in the TOW position.

CCI 10299001

**OFF | ON**

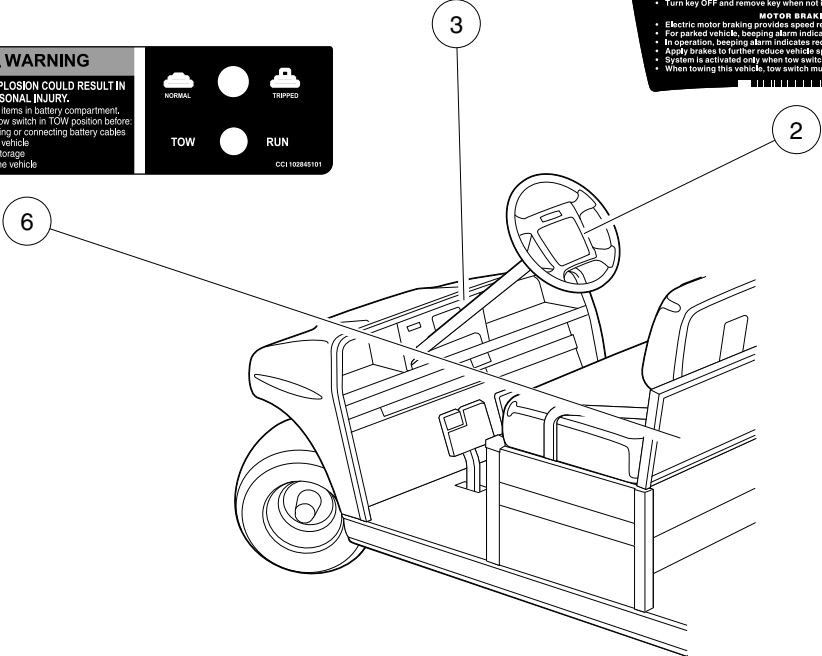
**⚠ WARNING**  
BATTERY EXPLOSION COULD RESULT IN SEVERE PERSONAL INJURY.

- Do not store items in battery compartment.
- Place Run tow switch in TOW position before:
- Disconnecting or connecting battery cables.
- Towing this vehicle.
- Extended storage.
- Serviceing the vehicle.

NORMAL TRIPPED

TOW RUN

CCI 10286101



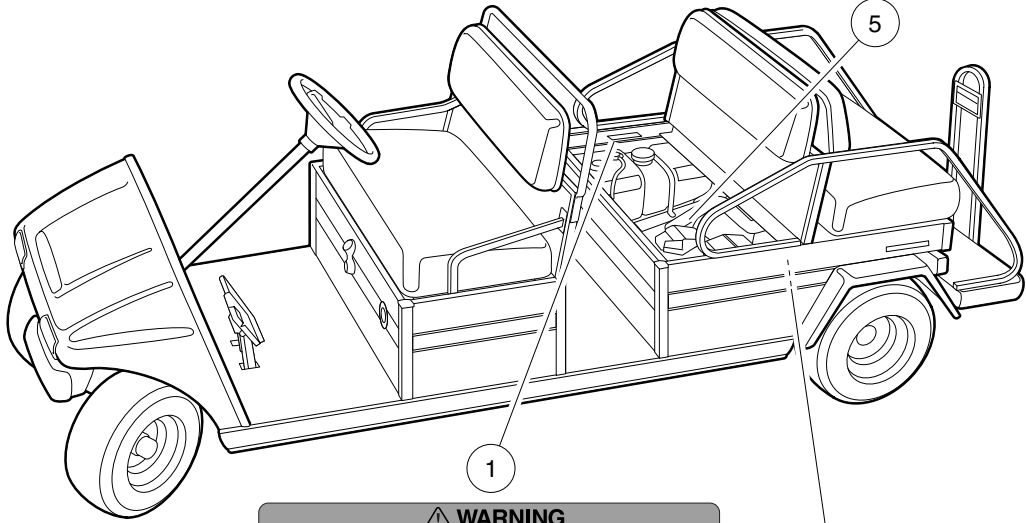
000383-002

## DECALS – TRANSPORTER 4 AND 6 IQ PLUS VEHICLES

ITEM	PART NO.	DESCRIPTION	QTY
		1 2 3 4	
1	<u>1013677</u>	Decal, Battery Danger .....	1
2	<u>101825101</u>	Decal, Off/On .....	1
3	<u>101931501</u>	Decal, Component Cover .....	1
4	<u>101964601</u>	Decal, No Ground Warning .....	1
5	<u>102518001</u>	Decal, Operating Instr, Elec .....	1
6	<u>102845101</u>	Decal, Tow Switch .....	1

3  
G  
E

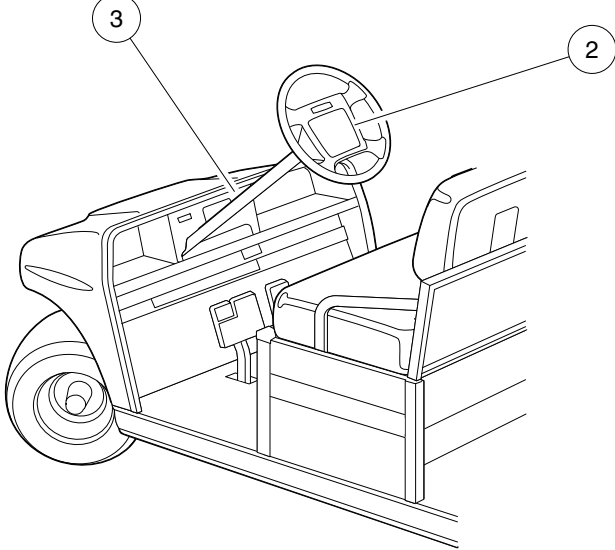
**WARNING**  
CAN CAUSE SEVERE INJURY  
 **Rotating parts**  
 **HOT manifold & muffler**  
**KEEP CLEAR**  
CCI 101908501



**WARNING**  
 **GASOLINE EXPLOSION / FIRE.**  
• Can cause severe injury or death.  
• No smoking, sparks, or open flames.  
• Stop engine, allow to cool before refueling.  
• Turn fuel valve (—) on during operation.  
  (↔) off during storage or transport.  
CCI 101547901

	<b>WARNING</b> Negative frame ground. Can cause severe injury. Do not contact positive (+) battery post or cable to frame. Disconnect negative battery cable first.		<b>WARNING</b> Excessive speed can cause severe injury or death. Do not tamper with engine governor adjustment. CCI 101915201
---	--	---	---

**OFF ON|START**



**OPERATING INSTRUCTIONS**

- Read Owner's Manual and safety warnings located on dash panel prior to driving.
- Study and understand controls.
- TO START ENGINE**
  - Place shift lever in "N" (Neutral) position.
  - Depress brake pedal.
  - Turn key switch to "START" position and release.
- TO OPERATE VEHICLE**
  - Make sure wheels are turned in desired direction.
  - Be sure nothing is in your path.
  - While vehicle is stopped, and engine is at idle, select vehicle direction by placing shift lever or switch in desired position.
    - F – Forward    N – Neutral    R – Reverse (Buzzer will sound)
  - Park brake will release when accelerator pedal is pushed.
  - Slowly push accelerator pedal to increase speed.
  - Engine must be at idle before moving shift lever.
- TO STOP VEHICLE**
  - Release accelerator pedal and push brake pedal.
  - After stopping, firmly push park brake until it locks.
  - Turn key to "OFF" position, remove key and place shift lever in straight up neutral position when not in use.

CCI 101933201

000385-001

## DECALS – TRANSPORTER 4 AND 6 GASOLINE VEHICLES

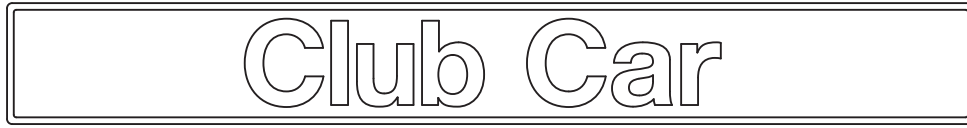
ITEM	PART NO.	DESCRIPTION	QTY
		1 2 3 4	
1	<u>101547601</u>	Decal, Gasoline Explosion/Fire Warning .....	1
2	<u>101693201</u>	Decal, Operating Instructions, Key-Start .....	1
3	<u>101825102</u>	Decal, Off/On/Start .....	1
4	<u>101915201</u>	Decal, Frame Ground and Governor Warning .....	1
5	<u>101960501</u>	Decal, Rotating Parts/Hot Manifold .....	1

**3**  
**G**  
**E**

3

G

E



1

(ON FRONT OF COWL)



2

(ON FRONT DRIVER SIDE PANEL)

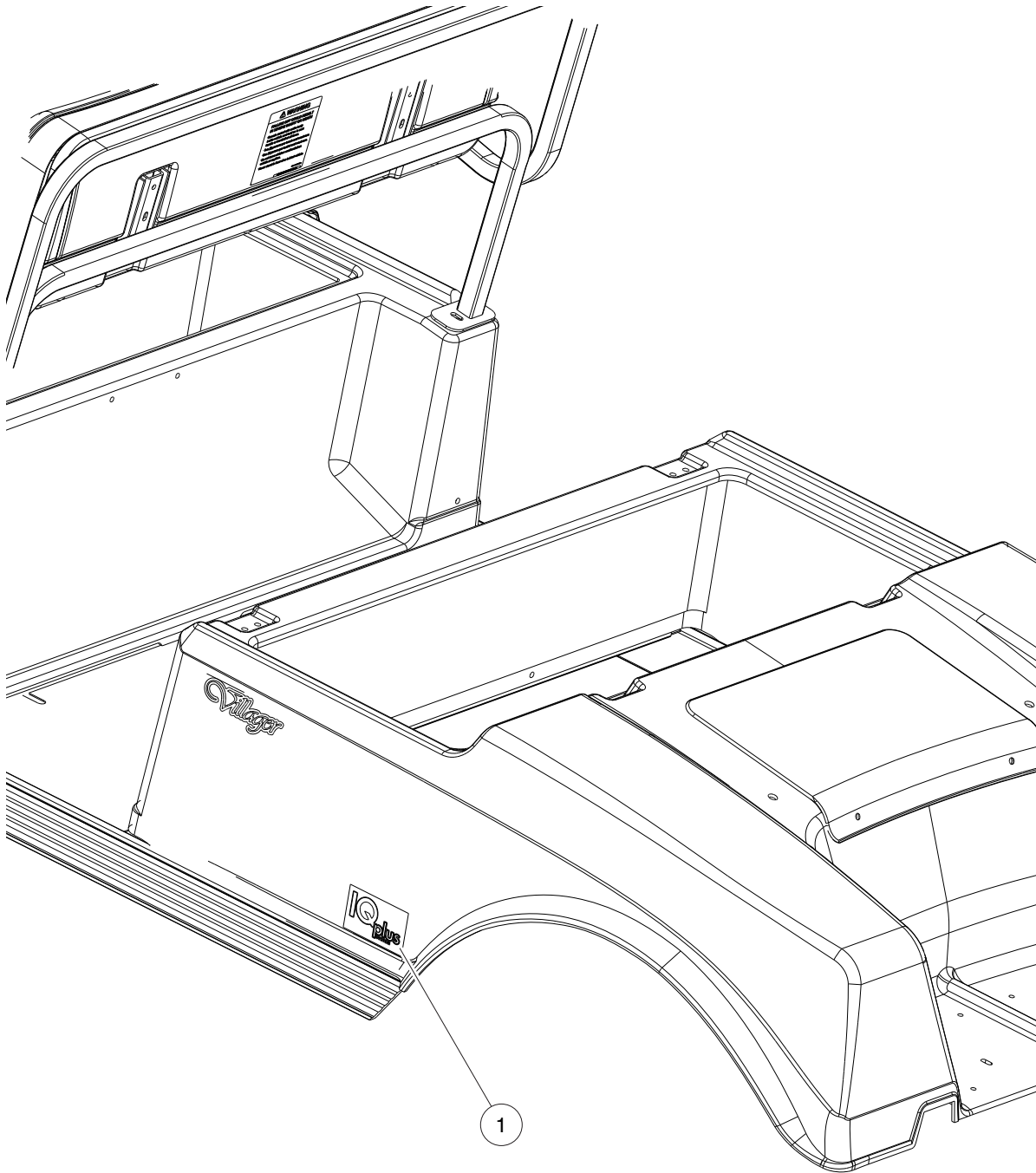
000384-001

# LOGO DECALS – TRANSPORTER 4 AND 6 GASOLINE AND ELECTRIC VEHICLES

ITEM	PART NO.	DESCRIPTION	QTY
		1 2 3 4	
1	<u>101670201</u>	Nameplate Kit (silver) .....	1
2	<u>102244501</u>	Decal Trans 4/6 Front Driver .....	1
3	N/A	Decal Trans 4/6 Rear Driver .....	1
4	N/A	Decal Trans 4/6 Rear Pass .....	1
5	N/A	Decal Trans 4/6 Front Pass .....	1

**3**  
**G**  
**E**

**3**  
**G**  
**E**



000422-001



# IQ PLUS LOGO DECAL – VILLAGER 6 AND 8 IQ PLUS VEHICLES

ITEM	PART NO.	DESCRIPTION	QTY
1	<u>102842401</u>	<div style="display: flex; justify-content: space-between; margin-bottom: 5px;"> <span>1</span> <span>2</span> <span>3</span> <span>4</span> </div> Decal, IQ Plus .....	2

**3**

**G**

**E**

3

G

E



1

000422-002

# LOGO DECALS – TRANSPORTER 4 AND 6 IQ PLUS VEHICLES

ITEM	PART NO.	DESCRIPTION	QTY
1	<u>102842401</u>	1 2 3 4 Decal, IQ Plus .....	2

**3**  
**G**  
**E**

**3**

**G**

**E**

# **BRAKES, PEDALS, AND CABLES**

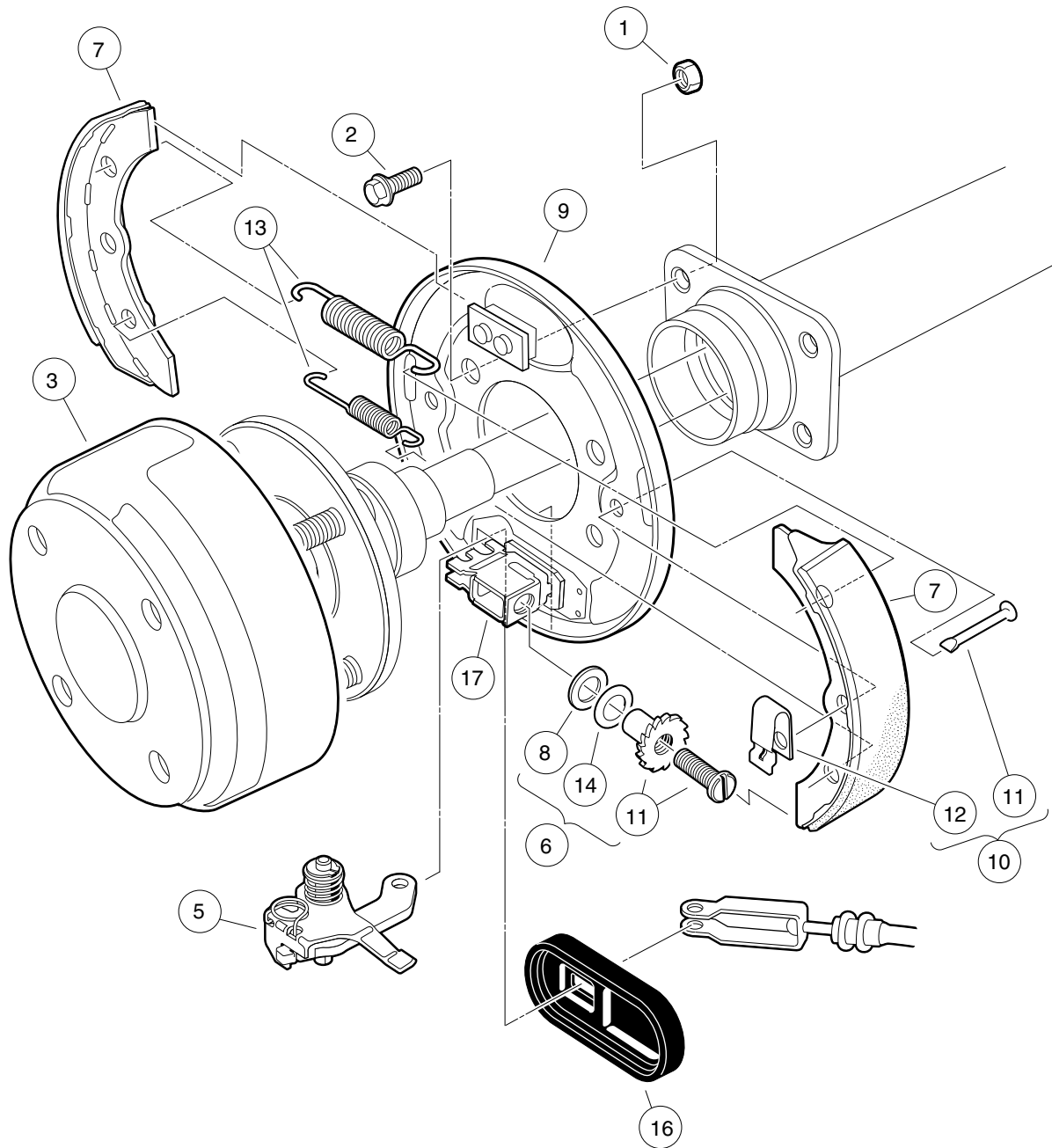
---

**4**

**G**

**E**

**4**  
**G**  
**E**



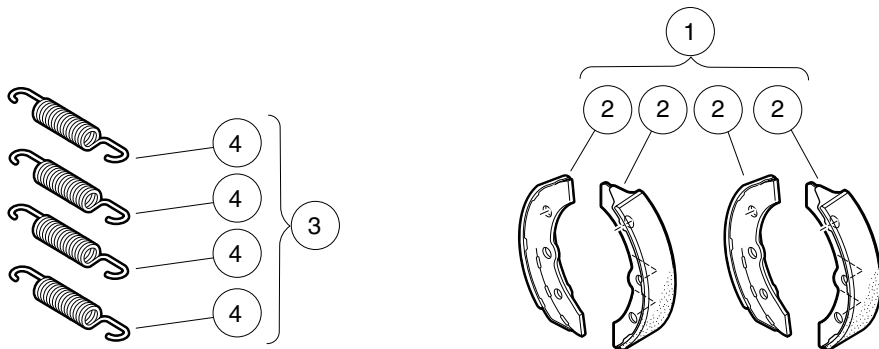
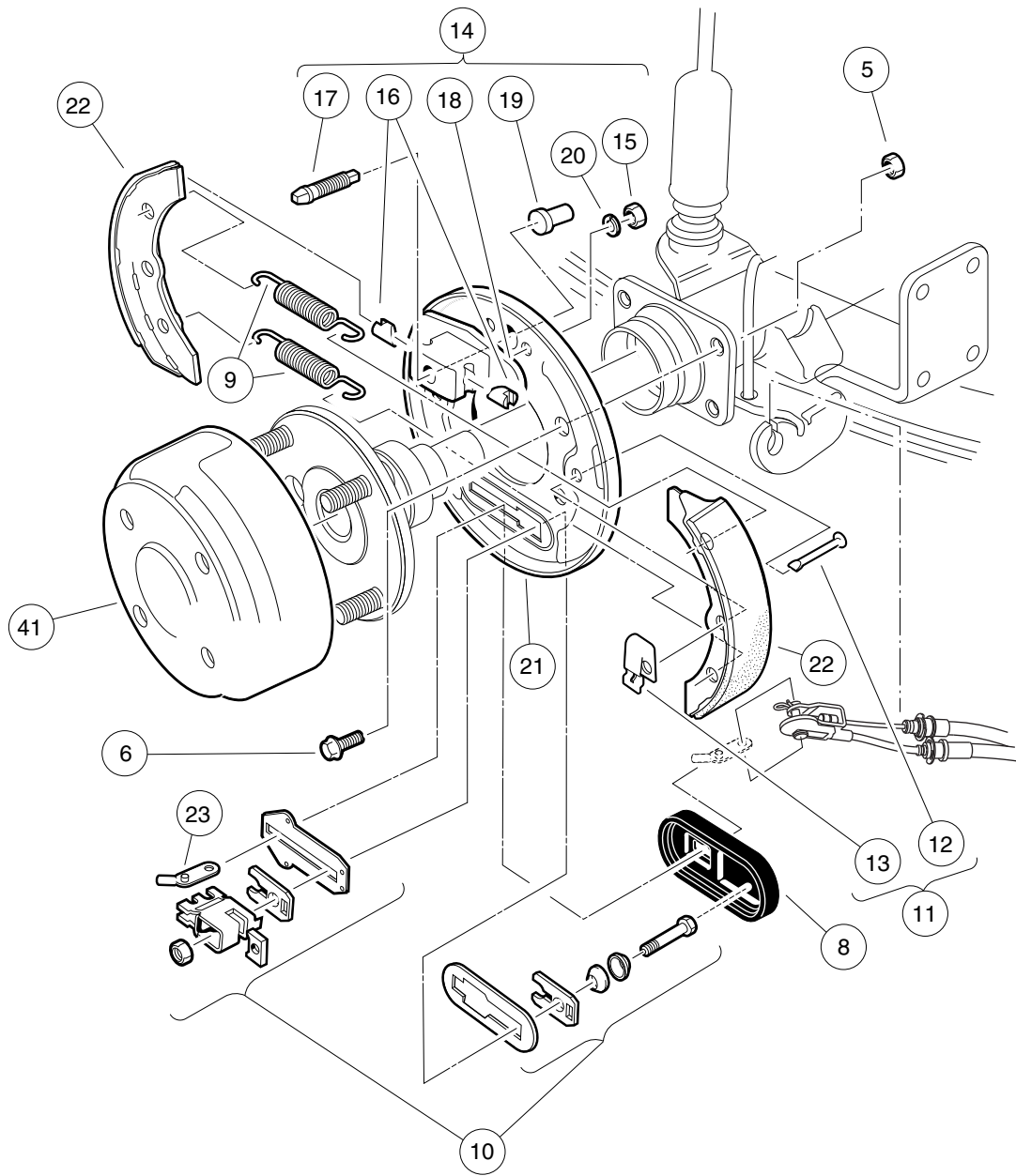
000186-001

# BRAKE ASSEMBLY, SELF-ADJUSTING – DS VILLAGER 4

ITEM	PART NO.	DESCRIPTION	QTY
		1 2 3 4	
1	<u>1013924</u>	Nut, 5/16-24 Hex Head Cone .....	8
2	<u>1014153</u>	Bolt, Brake Cluster Mounting .....	8
3	<u>101791101</u>	Drum without Center Hole, Brake .....	2
4	<u>103380201</u>	Asm, Brake Cluster, Mech, Drvr (includes items 5 through 17) .....	1
5	<u>101815501</u>	Lever Assembly, Self-Adjusting Brake, Right (Passenger) .....	1
6	<u>101816501</u>	Adj Mechanism, S.A. Brakes, Right (Passenger) .....	1
7	<u>101823201</u>	Package, Brake Shoe, Self-Adjusting .....	1
8	<u>101823801</u>	Plate, Washer, Brake, Self-Adjusting .....	1
9	<u>103483101</u>	Back Plate, Rh .....	1
10	<u>103483201</u>	Kit, Shoe Retainer (includes items 11 and 12) .....	1
11	<u>1010953</u>	Pin .....	2
12	<u>103483301</u>	Spring, Shoe, Clamp .....	2
13	<u>103483401</u>	Package Brake Spring Self Adj (includes items 14 and 15) .....	1
14	<u>101816401</u>	Brake Spring Self Adj .....	2
15	<u>103483501</u>	Spring Brake .....	2
16	<u>103483601</u>	Cover, Dust .....	1
17	<u>103483701</u>	Brake Block .....	1
18	<u>103380202</u>	Asm, Brake Cluster, Mech, Pass (includes items 19 through 31) .....	1
19	<u>101815502</u>	Lever Assembly, Self-Adjusting Brake, Left .....	1
20	<u>101816502</u>	Adjusting Mechanism, Self-Adjusting Brake, Left .....	1
21	<u>101823201</u>	Package, Brake Shoe, Self-Adjusting .....	1
22	<u>101823801</u>	Plate, Washer, Brake, Self-Adjusting .....	1
23	<u>103483102</u>	Back Plate, Lh .....	1
24	<u>103483201</u>	Kit, Shoe Retainer (includes items 25 and 26) .....	1
25	<u>1010953</u>	Pin .....	2
26	<u>103483301</u>	Spring, Shoe, Clamp .....	2
27	<u>103483401</u>	Package Brake Spring Self Adj (includes items 28 and 29) .....	1
28	<u>101816401</u>	Brake Spring Self Adj .....	2
29	<u>103483501</u>	Spring Brake .....	2
30	<u>103483601</u>	Cover, Dust .....	1
31	<u>103483701</u>	Brake Block .....	1
		Note: Driver-side brake cluster not shown. Components have a similar appearance to passenger-side brake cluster components.	

4  
G  
E

**4**  
**G**  
**E**



000293-002

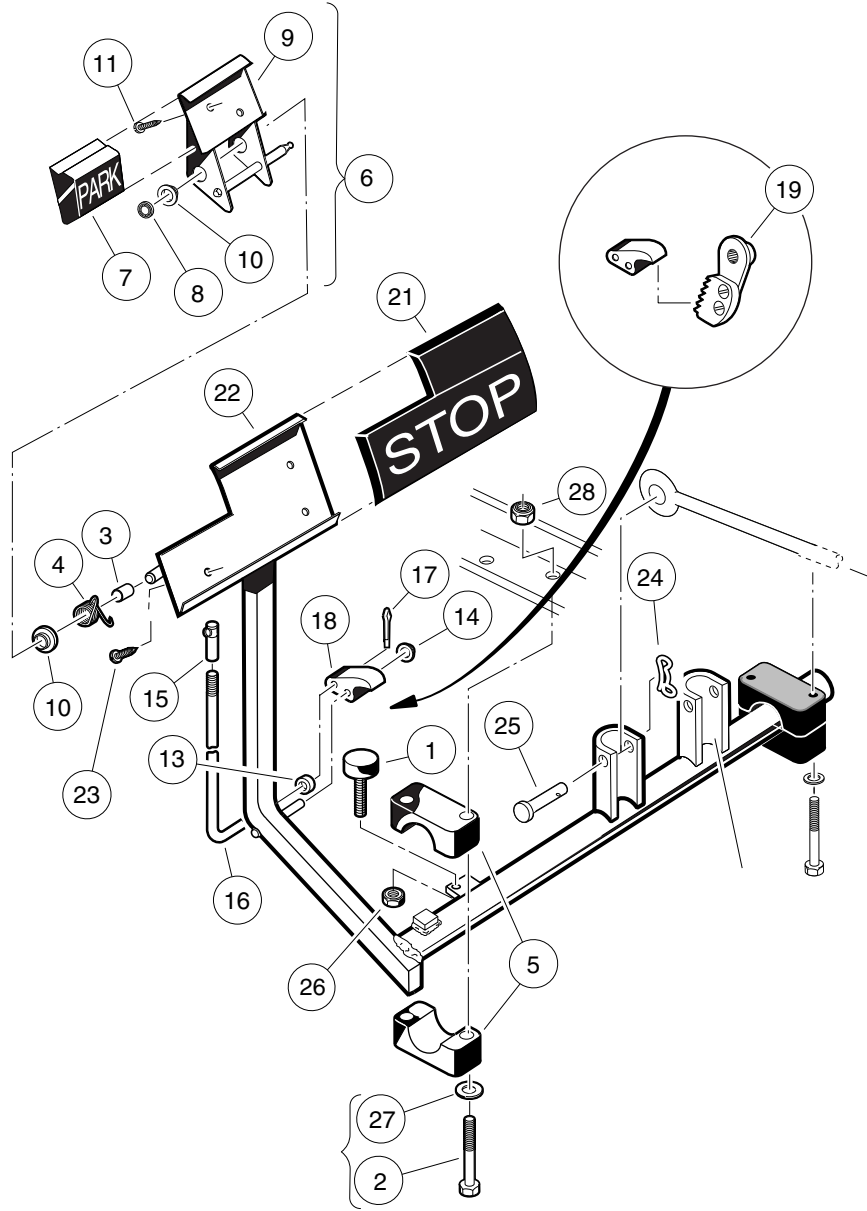


# REAR BRAKE ASSEMBLY, MANUALLY-ADJUSTED – VEHICLES WITH 4-WHEEL BRAKES

ITEM	PART NO.	DESCRIPTION	QTY
		1 2 3 4	
1	<u>101146302</u>	Kit, Non-Asbestos Brake Shoe (includes item 2) .....	1
2	101880701	Shoe Brake Manual Adj (Available in Kit, Non-Asbestos Brake Shoe) .....	4
3	<u>1011464</u>	Package, Brake Spring (includes item 4) .....	1
4	1011314	Brake Spring .....	4
5	<u>1013924</u>	Nut, 5/16-24 Hex Head Cone .....	8
6	<u>1014153</u>	Bolt, Brake Cluster Mounting .....	8
7	<u>1016557</u>	Cluster, Brake, Driver-Side (includes items 8 through 23) .....	1
8	<u>1010850</u>	Dust Cover .....	1
9	1011314	Brake Spring .....	2
10	<u>1011465</u>	Kit, Brake Actuator .....	1
11	<u>1011466</u>	Kit, Shoe Retainer (includes items 12 and 13) .....	1
12	1010953	Pin .....	2
13	1011301	Shoe Clamp Spring .....	2
14	<u>1011467</u>	Kit, Anchor Body (includes items 15 through 20) .....	1
15	<u>1011114</u>	Nut, M6-1.00 Hex .....	2
16	1011298	Anchor Piston .....	2
17	N/A	Adjustment Bolt .....	1
18	N/A	Anchor Body Component .....	1
19	<u>1011303</u>	Adjustment Bolt Cap .....	1
20	<u>451</u>	Lockwasher, 1/4 Split .....	2
21	1011494	Backing Plate, Left-Hand .....	1
22	101880701	Shoe Brake Manual Adj (Available in Kit, Non-Asbestos Brake Shoe) .....	2
23	N/A	Arm, Brake Lever .....	1
24	<u>1016573</u>	Cluster, Brake, Passenger-Side (includes items 25 through 40) .....	1
25	<u>1010850</u>	Dust Cover .....	1
26	<u>1011154</u>	Backing Plate, Right-Hand .....	1
27	1011314	Brake Spring .....	2
28	<u>1011465</u>	Kit, Brake Actuator .....	1
29	<u>1011466</u>	Kit, Shoe Retainer (includes items 30 and 31) .....	1
30	1010953	Pin .....	2
31	1011301	Shoe Clamp Spring .....	2
32	<u>1011467</u>	Kit, Anchor Body (includes items 33 through 38) .....	1
33	<u>1011114</u>	Nut, M6-1.00 Hex .....	2
34	1011298	Anchor Piston .....	2
35	N/A	Adjustment Bolt .....	1
36	N/A	Anchor Body Component .....	1
37	<u>1011303</u>	Adjustment Bolt Cap .....	1
38	<u>451</u>	Lockwasher, 1/4 Split .....	2
39	101880701	Shoe Brake Manual Adj (Available in Kit, Non-Asbestos Brake Shoe) .....	2
40	N/A	Arm, Brake Lever .....	1
41	<u>101791101</u>	Drum without Center Hole, Brake .....	2
		Note: Passenger-side brake cluster not shown. Components have a similar appearance to driver-side brake cluster components.	

**4**  
**G**  
**E**

**4**  
**G**  
**E**



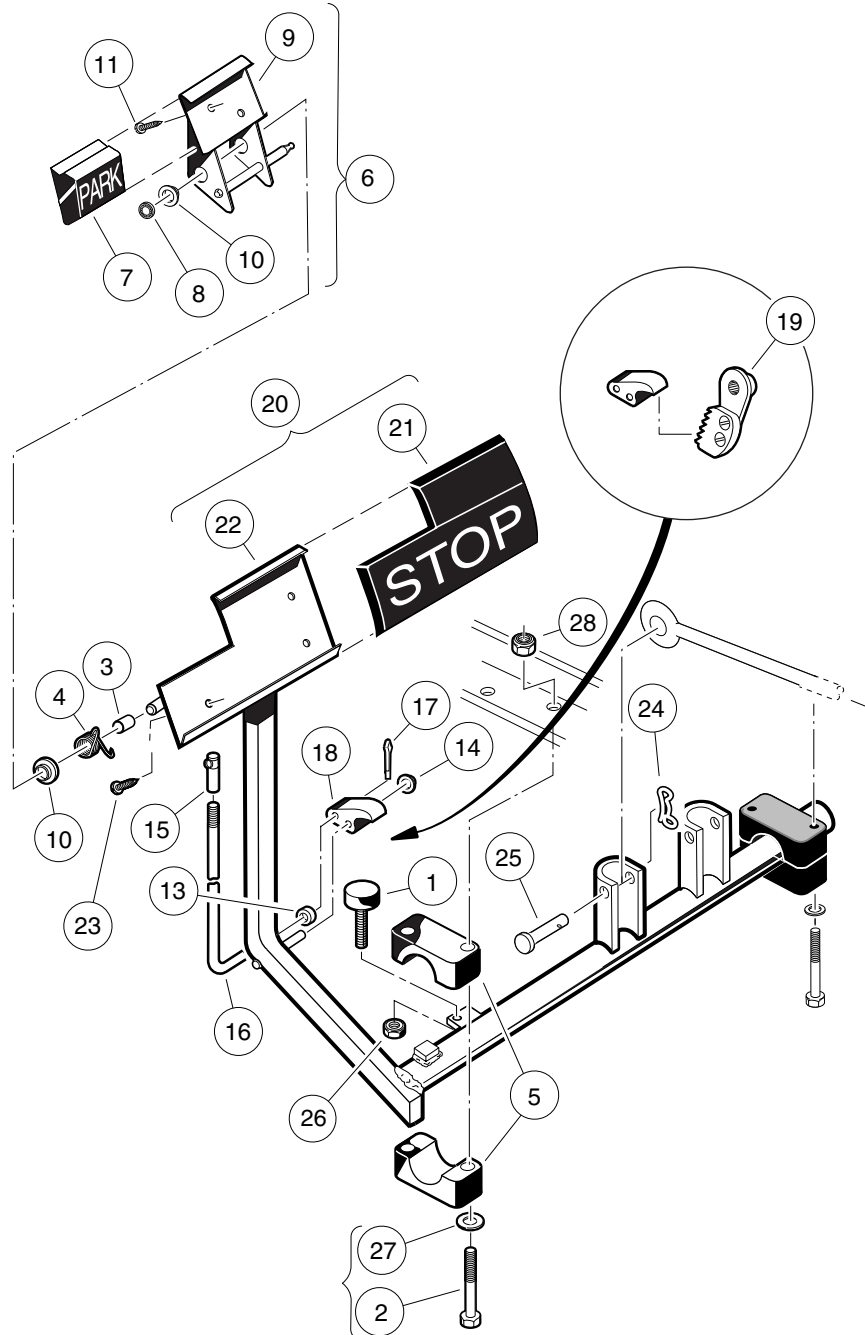
000187-001

## BRAKE PEDAL ASSEMBLY – DS VILLAGER 4

ITEM	PART NO.	DESCRIPTION	QTY
		<b>1 2 3 4</b>	
1	<u>1010878</u>	Bumper, Rubber .....	1
2	<u>1010921</u>	Screw, 5/16-18 X 2.50 Hex Cap .....	4
3	<u>1010927</u>	Hill Brake Spacer .....	1
4	<u>1010933</u>	Spring, Hill Brake Torsion .....	1
5	<u>1011402</u>	Package, Brake Mounting Block .....	1
6	<u>1011418</u>	Kit, Hill Brake Pedal (includes items 7 through 11) .....	1
7	<u>1013870</u>	Pad, Hill Brake .....	1
8	<u>1013876</u>	Pushnut, 3/8 .....	1
9	N/A	Hill Brake Weld Assembly .....	1
10	<u>1032</u>	Bushing, Nylon .....	2
11	7716	Screw, #10-16 Type AB, Sheet Metal .....	2
12	<u>101187702</u>	Kit, Hill Brake Latch (includes items 13 through 19) .....	1
13	<u>1010805</u>	Sleeve, Hill Brake Rod .....	1
14	<u>1010877</u>	Pushnut, 3/8 .....	1
15	1010932	Ball Joint, 1/4-28 .....	1
16	N/A	Rod, Hill Brake .....	1
17	<u>1017029</u>	Pin, Cotter, 7/64 x 1/2 Stainless-Steel .....	1
18	N/A	Pawl, Hill Brake .....	1
19	101918501	Ratchet Assembly .....	1
20	<u>101878201</u>	Brake Pedal Kit (includes items 21 through 23) .....	1
21	<u>1013869</u>	Pad, Brake Pedal .....	1
22	N/A	Weldment, Brake Pedal 4wb Std .....	1
23	7716	Screw, #10-16 Type AB, Sheet Metal .....	3
24	<u>102323101</u>	Pin, Bow Tie Locking .....	1
25	<u>102323201</u>	Pin, 3/8 X 1-5/16 Clevis .....	1
26	<u>1028</u>	Nut, 1/4-20 Hex .....	1
27	<u>1241</u>	Washer, 5/16 Type A Flat .....	4
28	<u>7473</u>	Locknut, 5/16-18 Nylon Insert .....	4

**4**  
**G**  
**E**

**4**  
**G**  
**E**



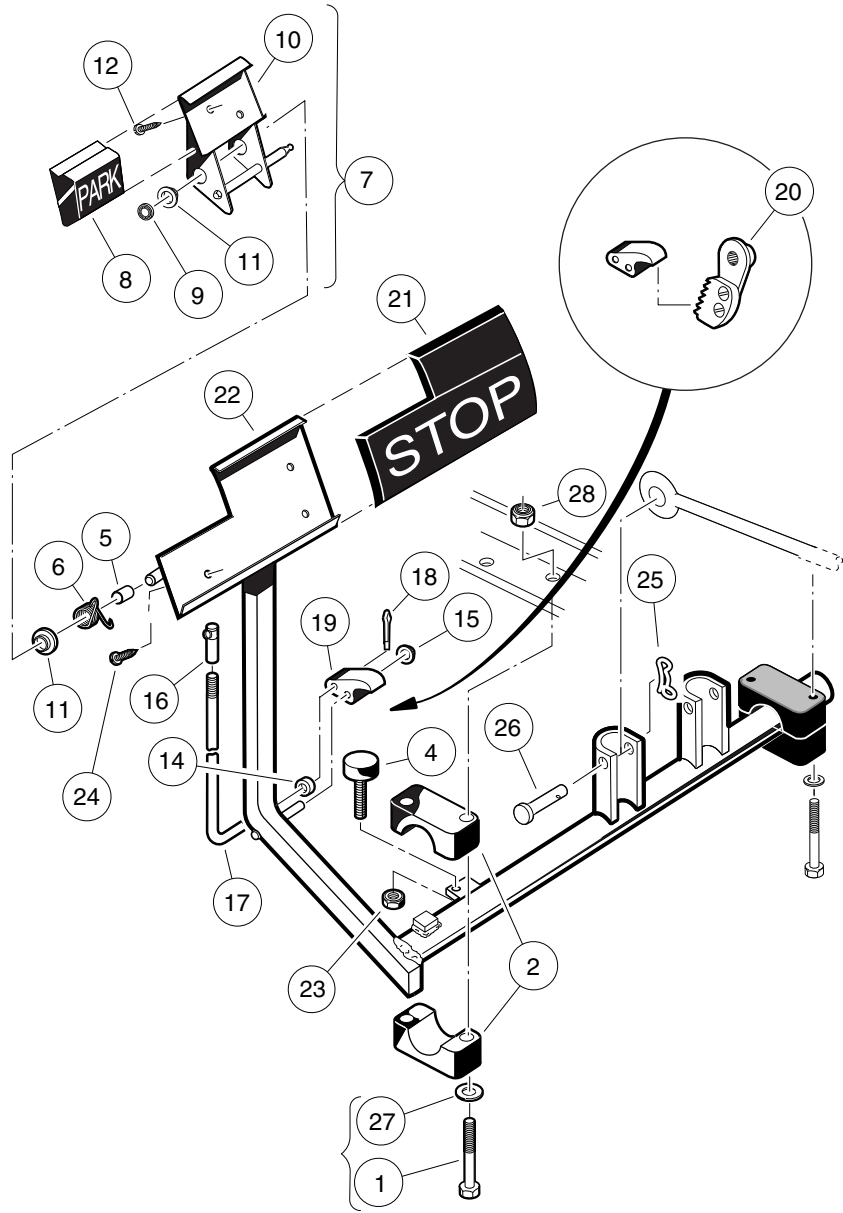
000187-003

## BRAKE PEDAL ASSEMBLY – VEHICLES WITH FOUR-WHEEL BRAKES (EXCEPT IQ PLUS)

ITEM	PART NO.	DESCRIPTION	QTY
		<b>1 2 3 4</b>	
1	<u>1010878</u>	Bumper, Rubber .....	1
2	<u>1010921</u>	Screw, 5/16-18 X 2.50 Hex Cap .....	4
3	<u>1010927</u>	Hill Brake Spacer .....	1
4	<u>1010933</u>	Spring, Hill Brake Torsion .....	1
5	<u>1011402</u>	Package, Brake Mounting Block .....	1
6	<u>1011418</u>	Kit, Hill Brake Pedal (includes items 7 through 11) .....	1
7	<u>1013870</u>	Pad, Hill Brake .....	1
8	<u>1013876</u>	Pushnut, 3/8 .....	1
9	N/A	Hill Brake Weld Assembly .....	1
10	<u>1032</u>	Bushing, Nylon .....	2
11	7716	Screw, #10-16 Type AB, Sheet Metal .....	2
12	<u>101187702</u>	Kit, Hill Brake Latch (includes items 13 through 19) .....	1
13	<u>1010805</u>	Sleeve, Hill Brake Rod .....	1
14	<u>1010877</u>	Pushnut, 3/8 .....	1
15	1010932	Ball Joint, 1/4-28 .....	1
16	N/A	Rod, Hill Brake .....	1
17	<u>1017029</u>	Pin, Cotter, 7/64 x 1/2 Stainless-Steel .....	1
18	N/A	Pawl, Hill Brake .....	1
19	101918501	Ratchet Assembly .....	1
20	<u>101878201</u>	Brake Pedal Kit (includes items 21 through 23) .....	1
21	<u>1013869</u>	Pad, Brake Pedal .....	1
22	N/A	Weldment, Brake Pedal 4wb Std .....	1
23	7716	Screw, #10-16 Type AB, Sheet Metal .....	3
24	<u>102323101</u>	Pin, Bow Tie Locking .....	2
25	<u>102323201</u>	Pin, 3/8 X 1-5/16 Clevis .....	2
26	<u>1028</u>	Nut, 1/4-20 Hex .....	1
27	<u>1241</u>	Washer, 5/16 Type A Flat .....	4
28	<u>7473</u>	Locknut, 5/16-18 Nylon Insert .....	4

**4**  
**G**  
**E**

**4**  
**G**  
**E**



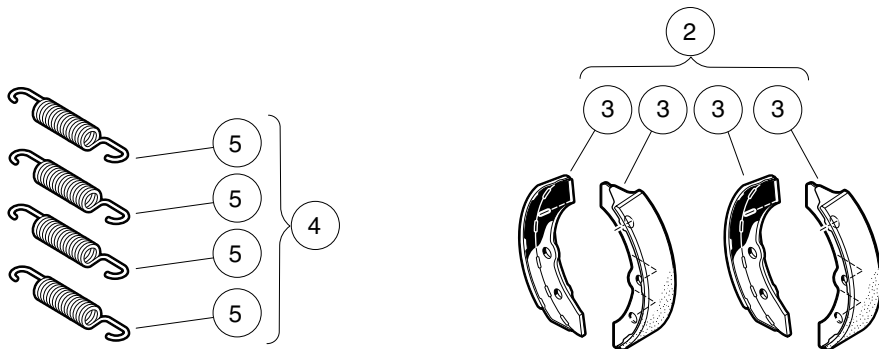
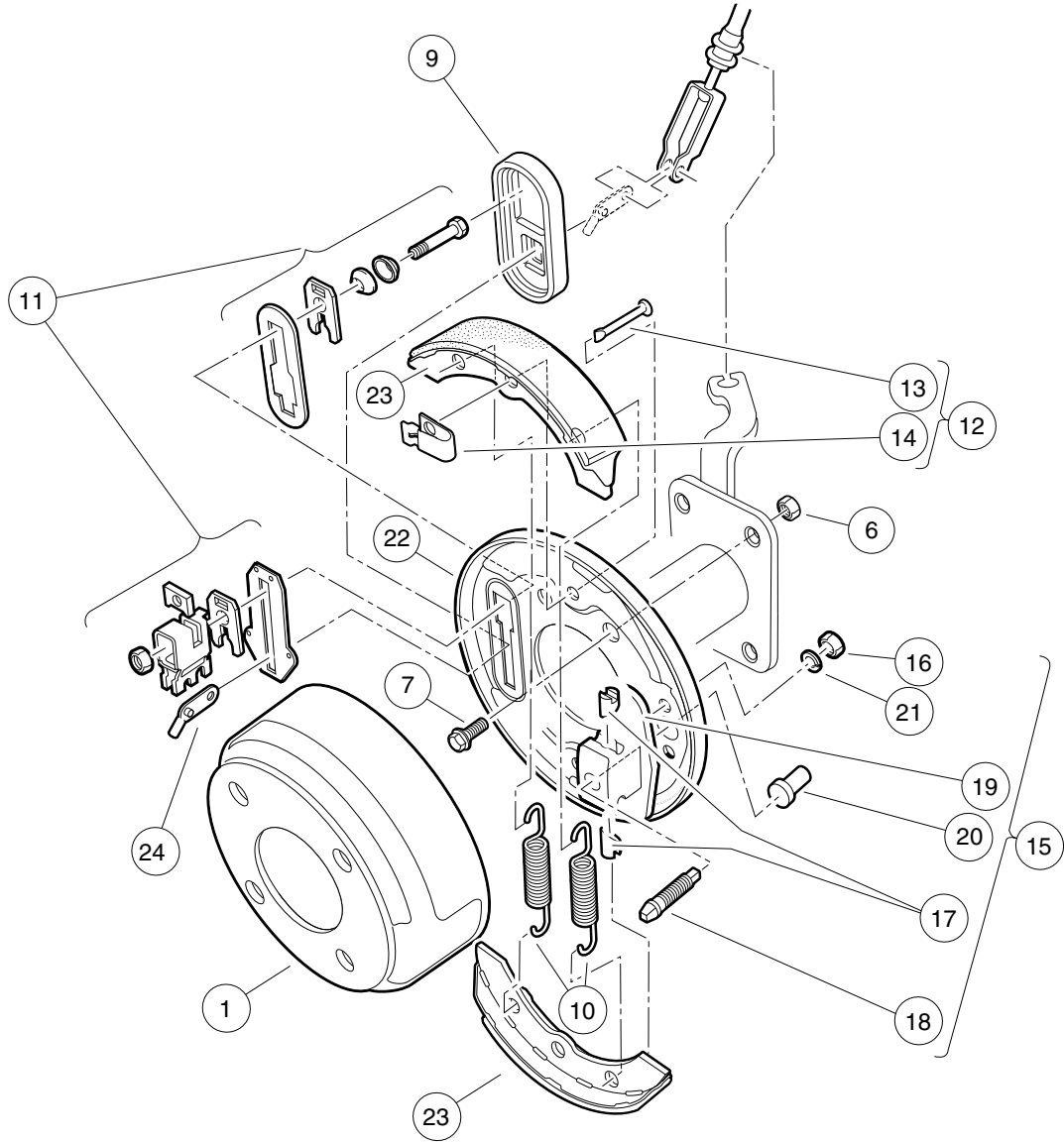
000187-002

## BRAKE PEDAL ASSEMBLY – IQ PLUS VEHICLES

ITEM	PART NO.	DESCRIPTION	QTY
		<b>1 2 3 4</b>	
1	<u>1010921</u>	Screw, 5/16-18 X 2.50 Hex Cap .....	4
2	<u>1011402</u>	Package, Brake Mounting Block .....	1
3	N/A	Subasm, Pedal Group, 4-Wheel Brake (includes items 4 through 24) .....	1
4	<u>1010878</u>	Bumper, Rubber .....	1
5	<u>1010927</u>	Hill Brake Spacer .....	1
6	<u>1010933</u>	Spring, Hill Brake Torsion .....	1
7	<u>1011418</u>	Kit, Hill Brake Pedal (includes items 8 through 12) .....	1
8	<u>1013870</u>	Pad, Hill Brake .....	1
9	<u>1013876</u>	Pushnut, 3/8 .....	1
10	N/A	Hill Brake Weld Assembly .....	1
11	<u>1032</u>	Bushing, Nylon .....	2
12	7716	Screw, #10-16 Type AB, Sheet Metal .....	2
13	<u>101187702</u>	Kit, Hill Brake Latch (includes items 14 through 20) .....	1
14	<u>1010805</u>	Sleeve, Hill Brake Rod .....	1
15	<u>1010877</u>	Pushnut, 3/8 .....	1
16	1010932	Ball Joint, 1/4-28 .....	1
17	N/A	Rod, Hill Brake .....	1
18	<u>1017029</u>	Pin, Cotter, 7/64 x 1/2 Stainless-Steel .....	1
19	N/A	Pawl, Hill Brake .....	1
20	101918501	Ratchet Assembly .....	1
21	<u>1013869</u>	Pad, Brake Pedal .....	1
22	N/A	Brake Pedal Weldment .....	1
23	<u>1028</u>	Nut, 1/4-20 Hex .....	1
24	7716	Screw, #10-16 Type AB, Sheet Metal .....	3
25	<u>102323101</u>	Pin, Bow Tie Locking .....	2
26	<u>102323201</u>	Pin, 3/8 X 1-5/16 Clevis .....	2
27	<u>1241</u>	Washer, 5/16 Type A Flat .....	4
28	<u>7473</u>	Locknut, 5/16-18 Nylon Insert .....	4

**4**  
**G**  
**E**

**4**  
**G**  
**E**



000298-001

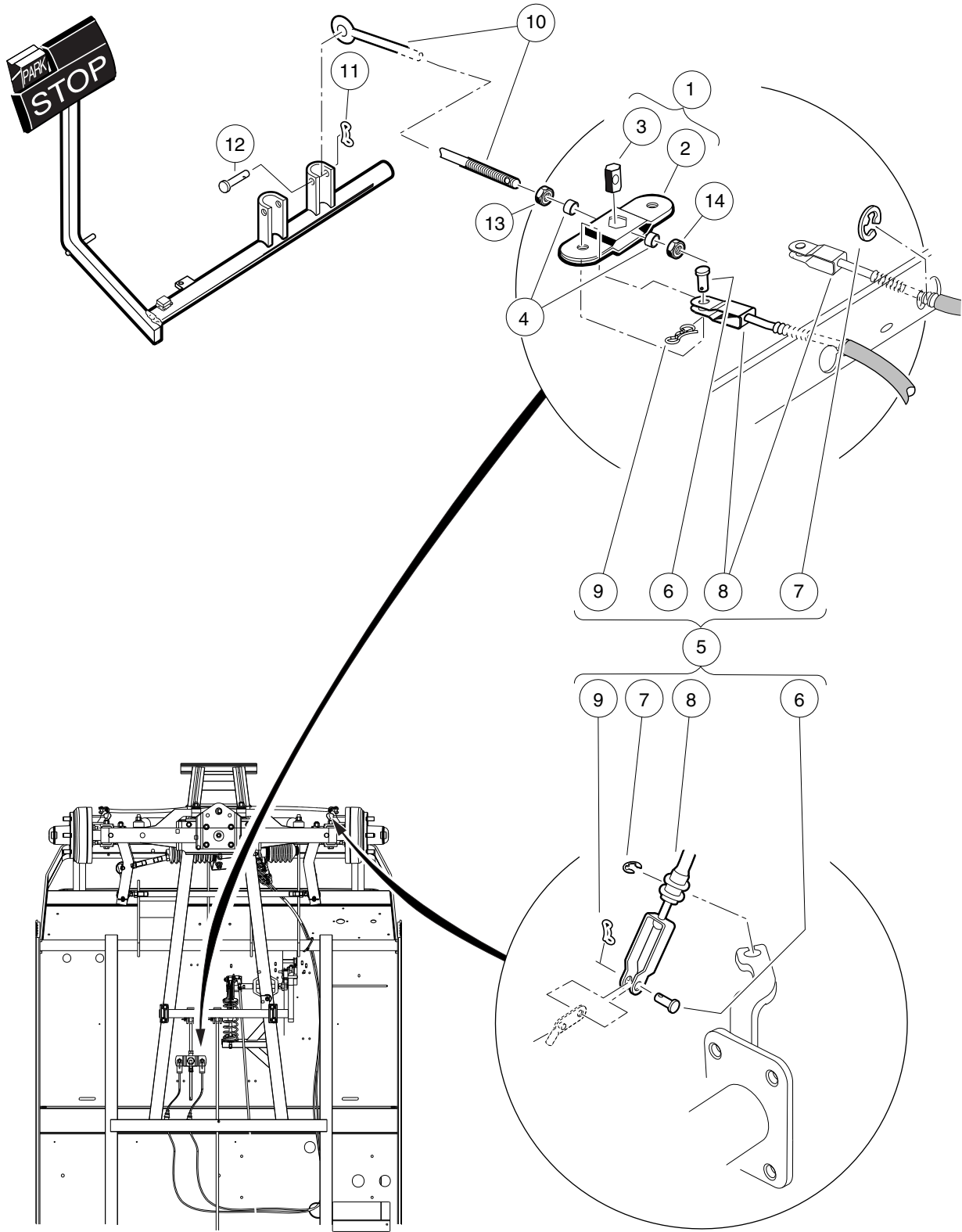


# FRONT BRAKE ASSEMBLY – VEHICLES WITH FOUR-WHEEL BRAKES

ITEM	PART NO.	DESCRIPTION	QTY
		1 2 3 4	
1	<u>1011137</u>	Drum, Brake .....	2
2	<u>101146302</u>	Kit, Non-Asbestos Brake Shoe (includes item 3) .....	1
3	101880701	Shoe Brake Manual Adj (Available in Kit, Non-Asbestos Brake Shoe) .....	4
4	<u>1011464</u>	Package, Brake Spring (includes item 5) .....	1
5	1011314	Brake Spring .....	4
6	<u>1013924</u>	Nut, 5/16-24 Hex Head Cone .....	8
7	<u>1014153</u>	Bolt, Brake Cluster Mounting .....	8
8	<u>1016557</u>	Cluster, Brake, Driver-Side (includes items 9 through 24) .....	1
9	<u>1010850</u>	Dust Cover .....	1
10	1011314	Brake Spring .....	2
11	<u>1011465</u>	Kit, Brake Actuator .....	1
12	<u>1011466</u>	Kit, Shoe Retainer (includes items 13 and 14) .....	1
13	1010953	Pin .....	2
14	1011301	Shoe Clamp Spring .....	2
15	<u>1011467</u>	Kit, Anchor Body (includes items 16 through 21) .....	1
16	<u>1011114</u>	Nut, M6-1.00 Hex .....	2
17	1011298	Anchor Piston .....	2
18	N/A	Adjustment Bolt .....	1
19	N/A	Anchor Body Component .....	1
20	<u>1011303</u>	Adjustment Bolt Cap .....	1
21	<u>451</u>	Lockwasher, 1/4 Split .....	2
22	1011494	Backing Plate, Left-Hand .....	1
23	101880701	Shoe Brake Manual Adj (Available in Kit, Non-Asbestos Brake Shoe) .....	2
24	N/A	Arm, Brake Lever .....	1
25	<u>1016573</u>	Cluster, Brake, Passenger-Side (includes items 26 through 41) .....	1
26	<u>1010850</u>	Dust Cover .....	1
27	<u>1011154</u>	Backing Plate, Right-Hand .....	1
28	1011314	Brake Spring .....	2
29	<u>1011465</u>	Kit, Brake Actuator .....	1
30	<u>1011466</u>	Kit, Shoe Retainer (includes items 31 and 32) .....	1
31	1010953	Pin .....	2
32	1011301	Shoe Clamp Spring .....	2
33	<u>1011467</u>	Kit, Anchor Body (includes items 34 through 39) .....	1
34	<u>1011114</u>	Nut, M6-1.00 Hex .....	2
35	1011298	Anchor Piston .....	2
36	N/A	Adjustment Bolt .....	1
37	N/A	Anchor Body Component .....	1
38	<u>1011303</u>	Adjustment Bolt Cap .....	1
39	<u>451</u>	Lockwasher, 1/4 Split .....	2
40	101880701	Shoe Brake Manual Adj (Available in Kit, Non-Asbestos Brake Shoe) .....	2
41	N/A	Arm, Brake Lever .....	1
		Note: Passenger-side brake cluster not shown. Components have a similar appearance to driver-side brake cluster components.	

**4**  
**G**  
**E**

**4**  
**G**  
**E**



000294-001

# FRONT BRAKE CABLES AND EQUALIZER – VEHICLES WITH FOUR-WHEEL BRAKES

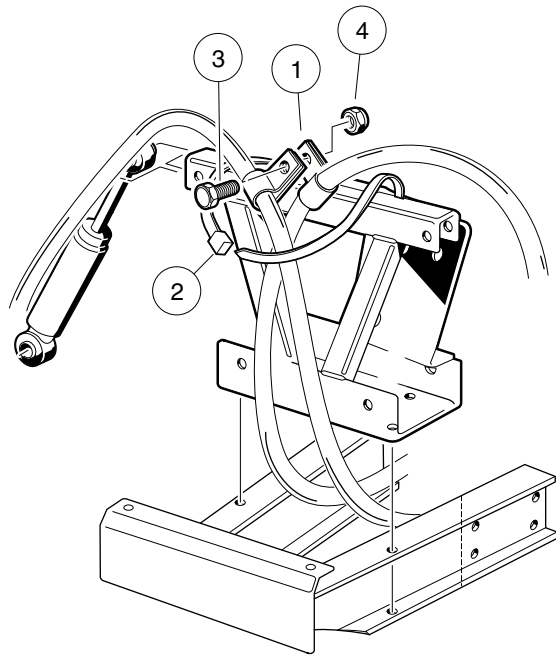
ITEM	PART NO.	DESCRIPTION	QTY
		<b>1 2 3 4</b>	
1	<u>1017211</u>	Kit, Equalizer and Pivot Limiter (includes items 2 and 3) .....	1
2	1016319	Equalizer Weld Assembly .....	1
3	1016320	Equalizer, Pivot Limiter .....	1
4	<u>101865301</u>	Spacer .....	2
5	<u>101874601</u>	Kit, Brake Cable (includes items 6 through 9) .....	1
6	<u>1010829</u>	Pin, Clevis, 5/16 X 3/4 .....	4
7	<u>1011779</u>	E-Clip, 1/2 .....	4
8	N/A	Brake Cable .....	2
9	<u>102292801</u>	Pin, Bow Tie Locking - .072 .....	4
10	<u>101953106</u>	Rod, Equalizer, 9.75" .....	1
11	<u>102323101</u>	Pin, Bow Tie Locking .....	1
12	<u>102323201</u>	Pin, 3/8 X 1-5/16 Clevis .....	1
13	<u>1242</u>	Nut, 5/16-18 Hex .....	1
14	<u>7473</u>	Locknut, 5/16-18 Nylon Insert .....	1

**4**  
**G**  
**E**

4

G

E

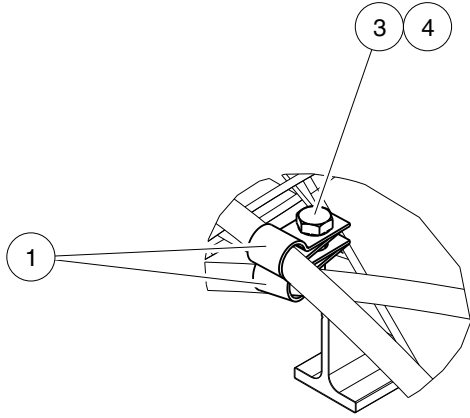


000305-001

# FRONT BRAKE CABLE CLIPS – VEHICLES WITH FOUR-WHEEL BRAKES (EXCEPT IQ PLUS)

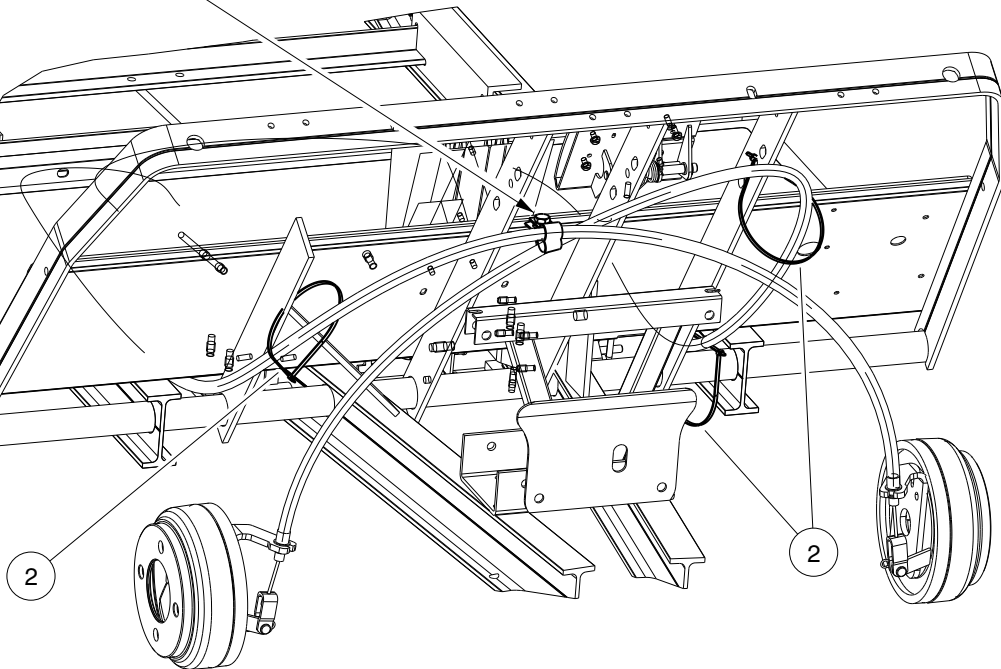
ITEM	PART NO.	DESCRIPTION	QTY
		1 2 3 4	
1	<u>101935301</u>	Clamp, Brake Cable .....	2
2	<u>102025401</u>	Tie Wrap, Heavy Duty .....	1
3	320	Screw, 3/8-16 X 1.00 Hex-Head Cap .....	1
4	<u>8754</u>	Locknut, 3/8-16 Hex .....	1

**4**  
**G**  
**E**



**DETAIL G**

**See Detail G**



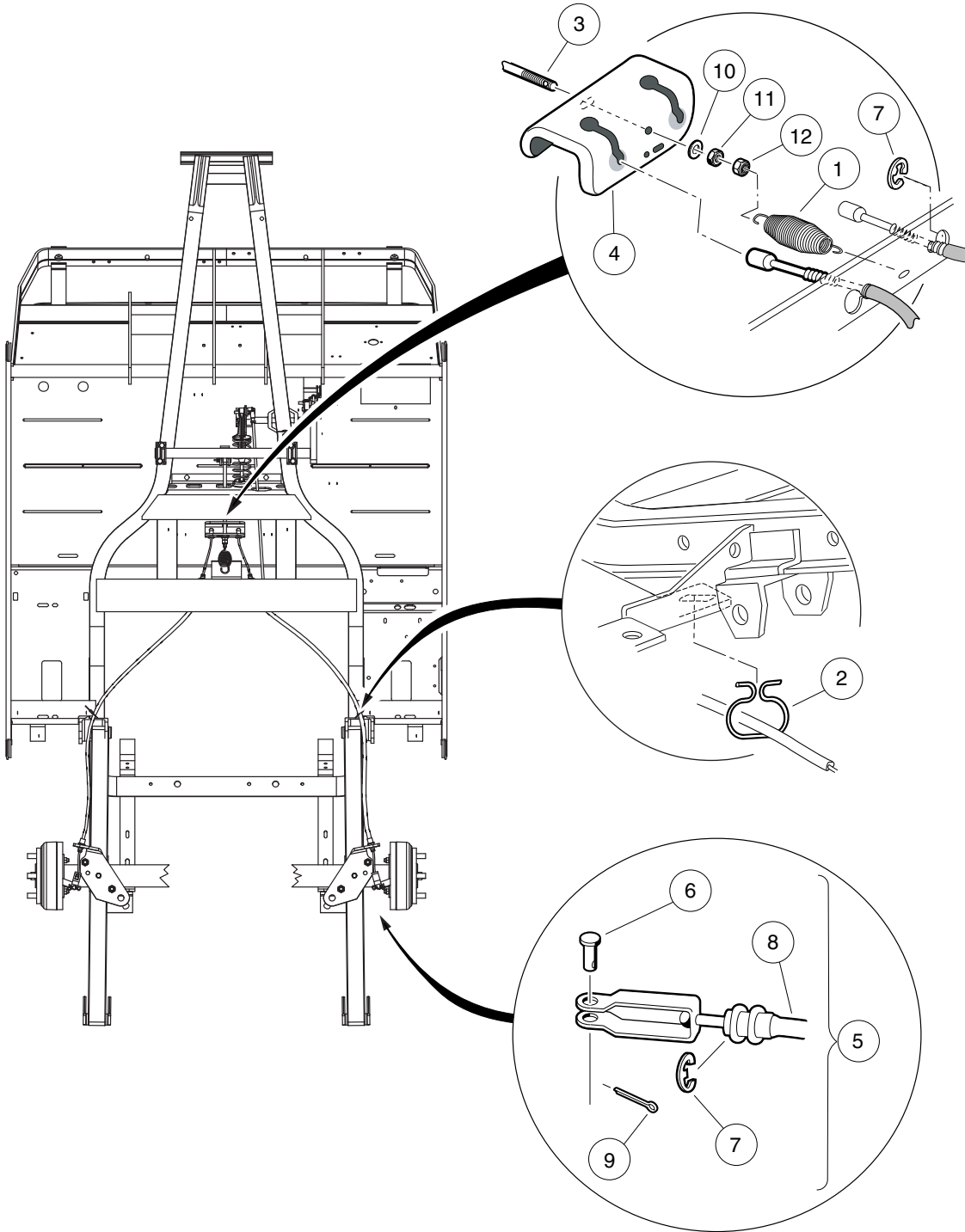
000305-002

# FRONT BRAKE CABLE CLIPS – VILLAGER 6 AND 8 AND TRANSPORTER 4 AND 6 (IQ PLUS)

ITEM	PART NO.	DESCRIPTION	QTY
		<b>1 2 3 4</b>	
1	<u>101935301</u>	Clamp, Brake Cable .....	2
2	<u>102025401</u>	Tie Wrap, Heavy Duty .....	3
3	320	Screw, 3/8-16 X 1.00 Hex-Head Cap .....	1
4	<u>8754</u>	Locknut, 3/8-16 Hex .....	1

**4**  
**G**  
**E**

**4**  
**G**  
**E**



000245-001

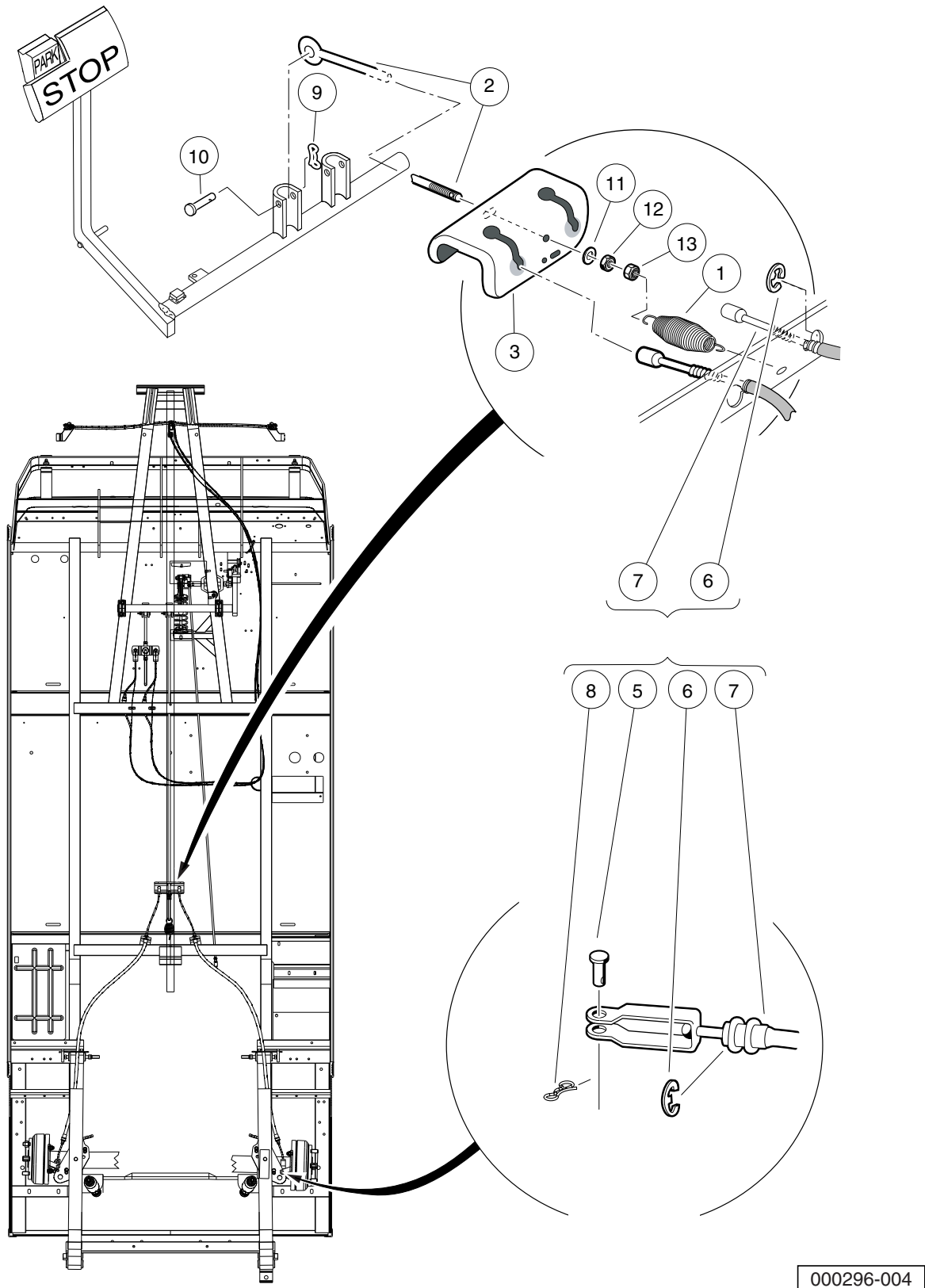


## BRAKE CABLE, EQUALIZER, AND EQUALIZER ROD – DS VILLAGER 4

ITEM	PART NO.	DESCRIPTION	QTY
		1 2 3 4	
1	<u>1013531</u>	Spring, Brake Return .....	1
2	101900801	Hanger, Brake Cable .....	2
3	<u>101953101</u>	Rod, Equalizer, 8.91" .....	1
4	<u>101990801</u>	Equalizer Bracket .....	1
5	<u>102022101</u>	Brake Cable Kit (includes items 6 through 9) .....	2
6	<u>1010829</u>	Pin, Clevis, 5/16 X 3/4 .....	1
7	<u>1011779</u>	E-Clip, 1/2 .....	2
8	N/A	Cable, Brake, 41" .....	1
9	<u>1035</u>	Cotter Pin, 3/32 x 1 .....	1
10	<u>1241</u>	Washer, 5/16 Type A Flat .....	5
11	<u>1242</u>	Nut, 5/16-18 Hex .....	1
12	<u>7473</u>	Locknut, 5/16-18 Nylon Insert .....	5

**4**  
**G**  
**E**

**4**  
**G**  
**E**



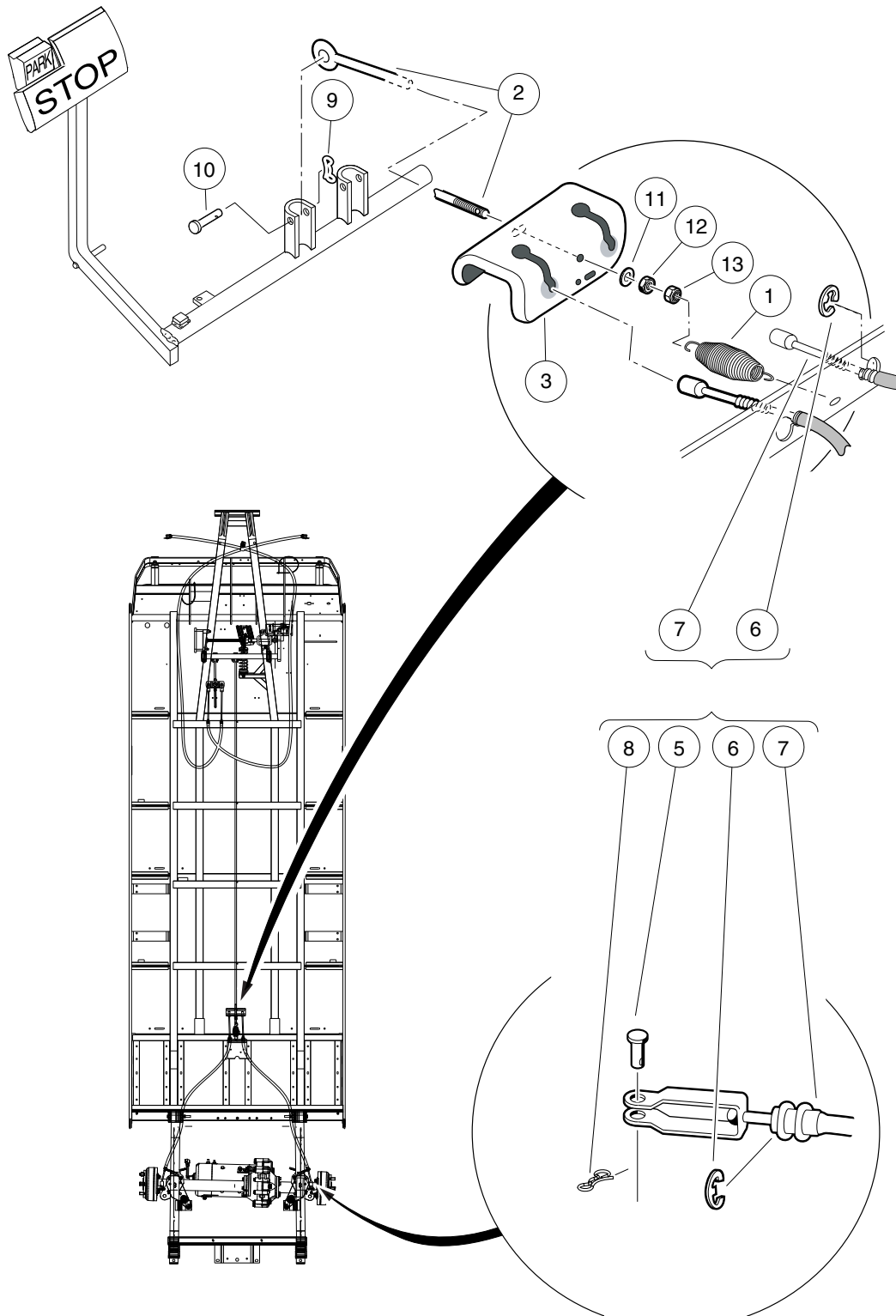
000296-004

# BRAKE CABLES AND EQUALIZER – VILLAGER 6, AND TRANSPORTER 4 AND 6

ITEM	PART NO.	DESCRIPTION	QTY
		1 2 3 4	
1	<u>1013531</u>	Spring, Brake Return .....	1
2	101953103	Rod, Equalizer .....	1
3	<u>101990801</u>	Equalizer Bracket .....	1
4	<u>102166901</u>	Kit, Brake Cable Rear (includes items 5 through 8) .....	1
5	<u>1010829</u>	Pin, Clevis, 5/16 X 3/4 .....	2
6	<u>1011779</u>	E-Clip, 1/2 .....	4
7	102162601	Cable, Brake .....	2
8	<u>102292801</u>	Pin, Bow Tie Locking - .072 .....	2
9	<u>102323101</u>	Pin, Bow Tie Locking .....	1
10	<u>102323201</u>	Pin, 3/8 X 1-5/16 Clevis .....	1
11	<u>1241</u>	Washer, 5/16 Type A Flat .....	1
12	<u>1242</u>	Nut, 5/16-18 Hex .....	1
13	<u>7473</u>	Locknut, 5/16-18 Nylon Insert .....	1

**4**  
**G**  
**E**

**4**  
**G**  
**E**



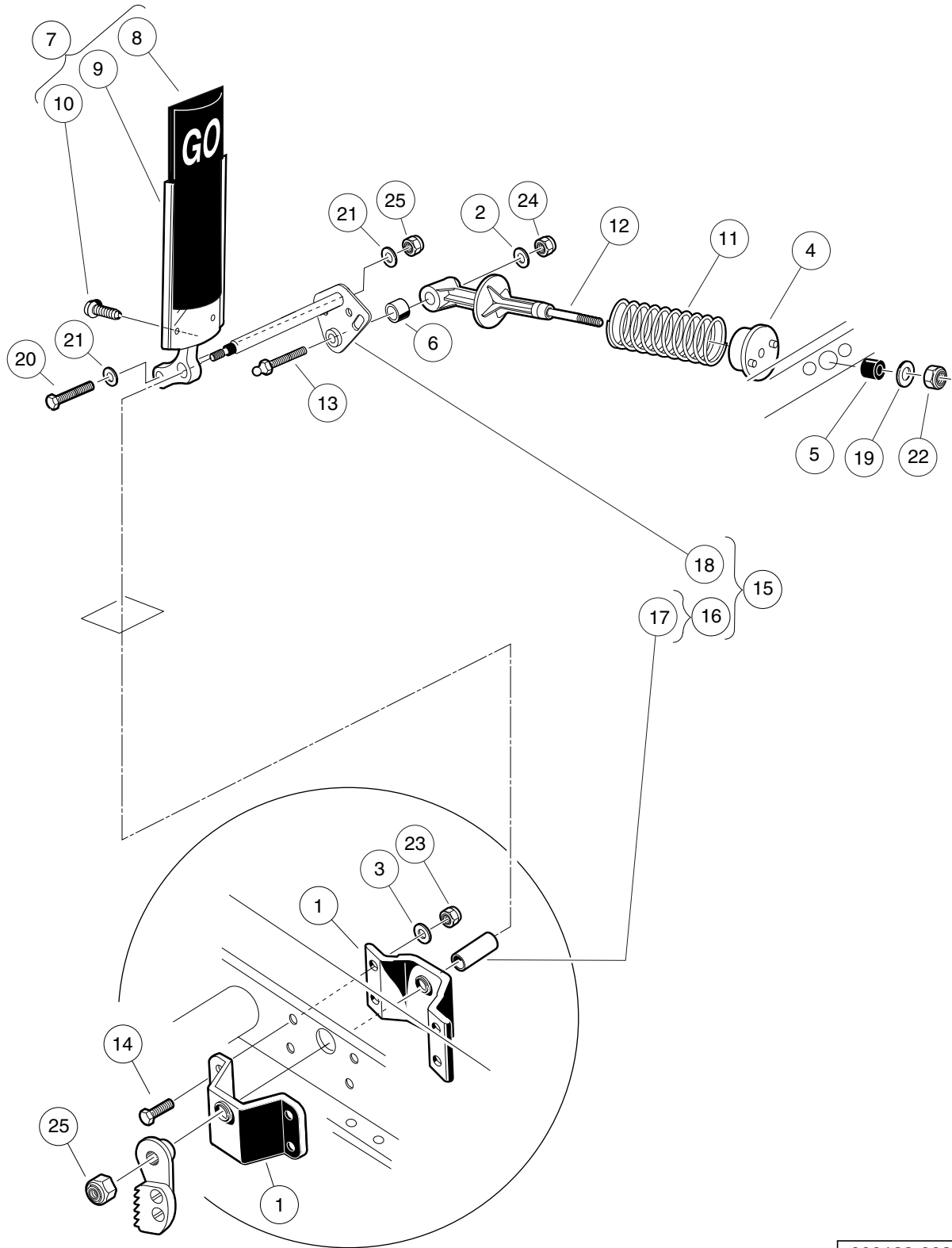
000296-003

# REAR BRAKE CABLES AND EQUALIZER – VILLAGER 8 VEHICLES

ITEM	PART NO.	DESCRIPTION	QTY
		1 2 3 4	
1	<u>1013531</u>	Spring, Brake Return .....	1
2	<u>101953104</u>	Rod, Equalizer .....	1
3	<u>101990801</u>	Equalizer Bracket .....	1
4	<u>102166901</u>	Kit, Brake Cable Rear (includes items 5 through 8) .....	1
5	<u>1010829</u>	Pin, Clevis, 5/16 X 3/4 .....	2
6	<u>1011779</u>	E-Clip, 1/2 .....	4
7	<u>102162601</u>	Cable, Brake .....	2
8	<u>102292801</u>	Pin, Bow Tie Locking - .072 .....	2
9	<u>102323101</u>	Pin, Bow Tie Locking .....	1
10	<u>102323201</u>	Pin, 3/8 X 1-5/16 Clevis .....	1
11	<u>1241</u>	Washer, 5/16 Type A Flat .....	1
12	<u>1242</u>	Nut, 5/16-18 Hex .....	1
13	<u>7473</u>	Locknut, 5/16-18 Nylon Insert .....	1

**4**  
**G**  
**E**

**4**  
**G**  
**E**



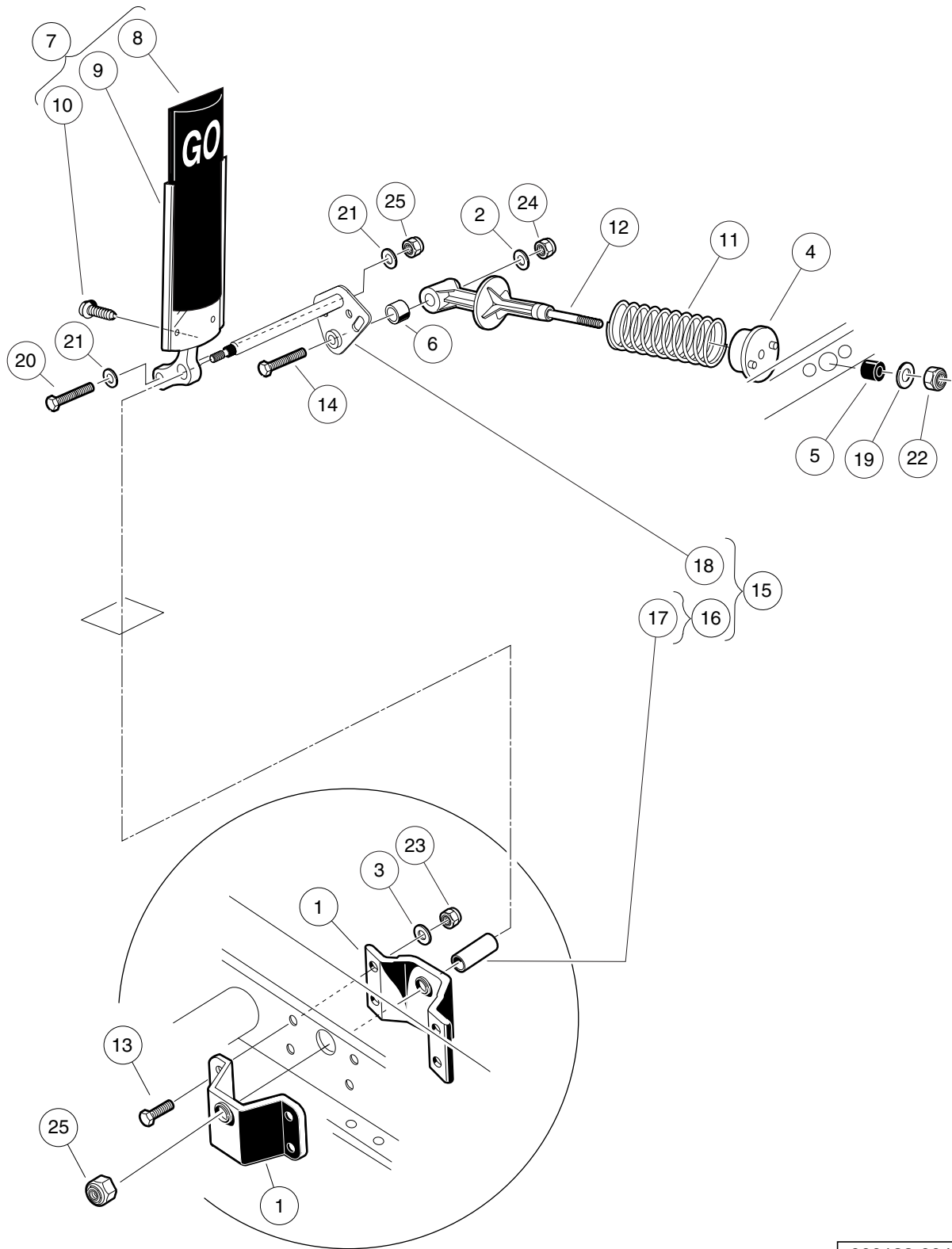
000188-003

## ACCELERATOR PEDAL – GASOLINE VEHICLES

ITEM	PART NO.	DESCRIPTION	QTY
		1 2 3 4	
1	<u>1011694</u>	Accelerator Bracket and Bearing Assembly .....	2
2	<u>1011931</u>	Washer, 1/4 Flat .....	1
3	<u>1014007</u>	Washer, 1/4 Flat .....	4
4	<u>1017378</u>	Cup, Spring .....	1
5	<u>1017380</u>	Bumper, Spring Return .....	1
6	<u>1017424</u>	Bearing, Pivot Support .....	1
7	<u>1017696</u>	Sub Asm, Accelerator Pedal (includes items 8 through 10) .....	1
8	1013871	Pad, Accelerator Pedal .....	1
9	N/A	Accelerator Pedal Weldment .....	1
10	7716	Screw, #10-16 Type AB, Sheet Metal .....	4
11	101796201	Spring, Accelerator Return .....	1
12	<u>101817401</u>	Retainer, Spring .....	1
13	101818801	Stud, 1/4-28 X 1.35 Ball .....	1
14	<u>101861901</u>	Screw, 1/4-20 X 1.125 Hex Cap .....	4
15	<u>102026001</u>	Kit, Accelerator Pivot Rod Assembly (includes items 16 through 18) .....	1
16	<u>1011700</u>	Spacer Assembly (includes item 17) .....	1
17	101919801	Spacer, Accelerator .....	1
18	N/A	Pivot Rod Weldment .....	1
19	<u>1241</u>	Washer, 5/16 Type A Flat .....	1
20	<u>1624</u>	Screw, 3/8-16 X 1.50 Hex-Head Cap .....	1
21	<u>334</u>	Washer, 3/8 Type A Flat .....	2
22	<u>7473</u>	Locknut, 5/16-18 Nylon Insert .....	1
23	<u>8233</u>	Locknut, 1/4-20 Nylon Insert .....	4
24	<u>8717</u>	Locknut, 1/4-28 Nylon Insert .....	1
25	<u>8754</u>	Locknut, 3/8-16 Hex .....	2

4  
G  
E

**4**  
**G**  
**E**



000188-004

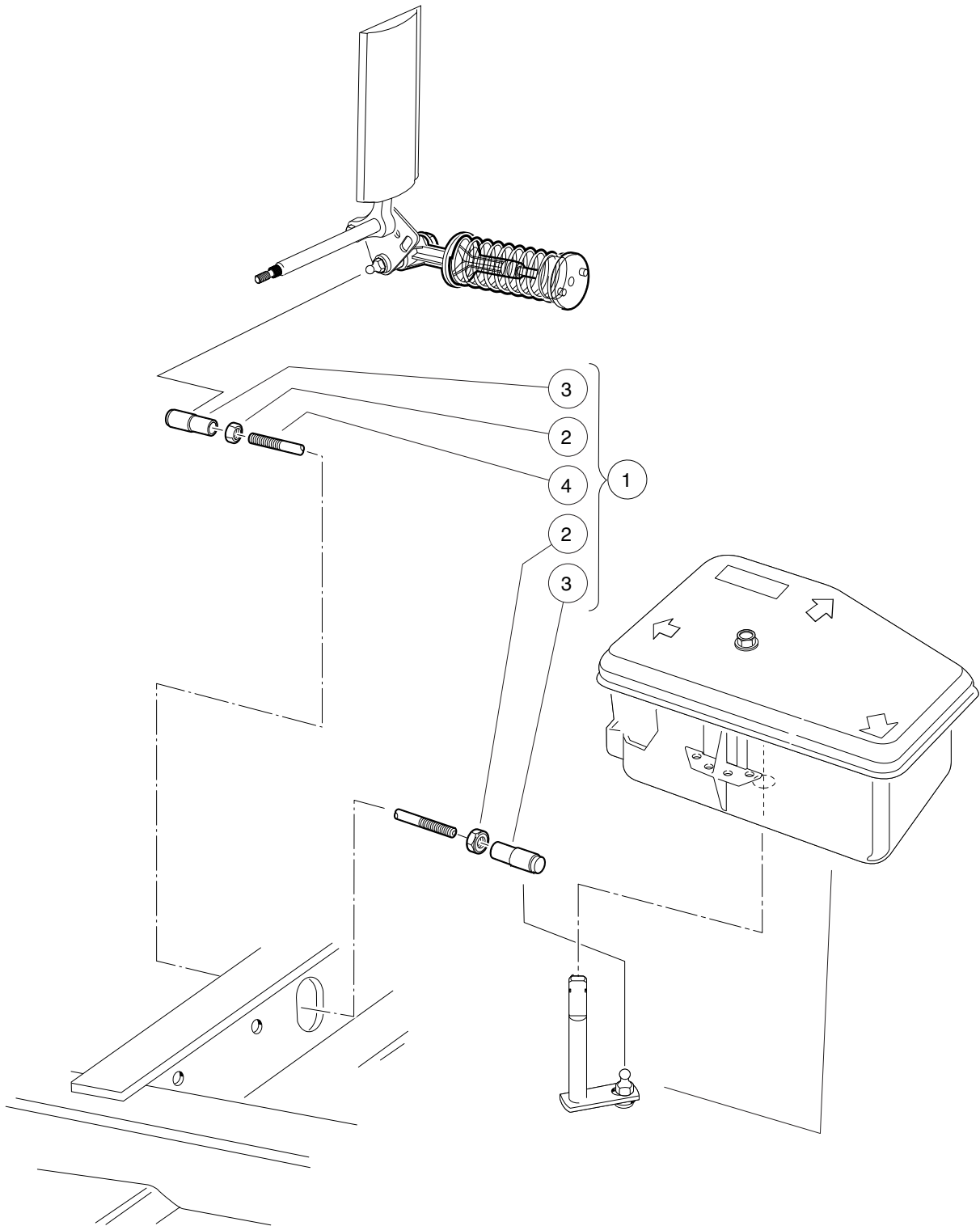


# ACCELERATOR PEDAL ASSEMBLY – ELECTRIC VEHICLES WITH MCOR

ITEM	PART NO.	DESCRIPTION	QTY
		<b>1 2 3 4</b>	
1	<u>1011694</u>	Accelerator Bracket and Bearing Assembly .....	2
2	<u>1011931</u>	Washer, 1/4 Flat .....	1
3	<u>1014007</u>	Washer, 1/4 Flat .....	4
4	<u>1017378</u>	Cup, Spring .....	1
5	<u>1017380</u>	Bumper, Spring Return .....	1
6	<u>1017424</u>	Bearing, Pivot Support .....	1
7	<u>1017696</u>	Sub Asm, Accelerator Pedal (includes items 8 through 10) .....	1
8	1013871	Pad, Accelerator Pedal .....	1
9	N/A	Accelerator Pedal Weldment .....	1
10	7716	Screw, #10-16 Type AB, Sheet Metal .....	4
11	101796201	Spring, Accelerator Return .....	1
12	<u>101817401</u>	Retainer, Spring .....	1
13	<u>101861901</u>	Screw, 1/4-20 X 1.125 Hex Cap .....	4
14	<u>101862001</u>	Screw, 1/4-20 X 1.500 Flange .....	1
15	<u>102026001</u>	Kit, Accelerator Pivot Rod Assembly (includes items 16 through 18) .....	1
16	<u>1011700</u>	Spacer Assembly (includes item 17) .....	1
17	101919801	Spacer, Accelerator .....	1
18	N/A	Pivot Rod Weldment .....	1
19	<u>1241</u>	Washer, 5/16 Type A Flat .....	1
20	<u>1624</u>	Screw, 3/8-16 X 1.50 Hex-Head Cap .....	1
21	<u>334</u>	Washer, 3/8 Type A Flat .....	2
22	<u>7473</u>	Locknut, 5/16-18 Nylon Insert .....	1
23	<u>8233</u>	Locknut, 1/4-20 Nylon Insert .....	4
24	<u>8717</u>	Locknut, 1/4-28 Nylon Insert .....	1
25	<u>8754</u>	Locknut, 3/8-16 Hex .....	2

**4**  
**G**  
**E**

**4**  
**G**  
**E**



000362-001

## ACCELERATOR ROD – GASOLINE DS VILLAGER 4

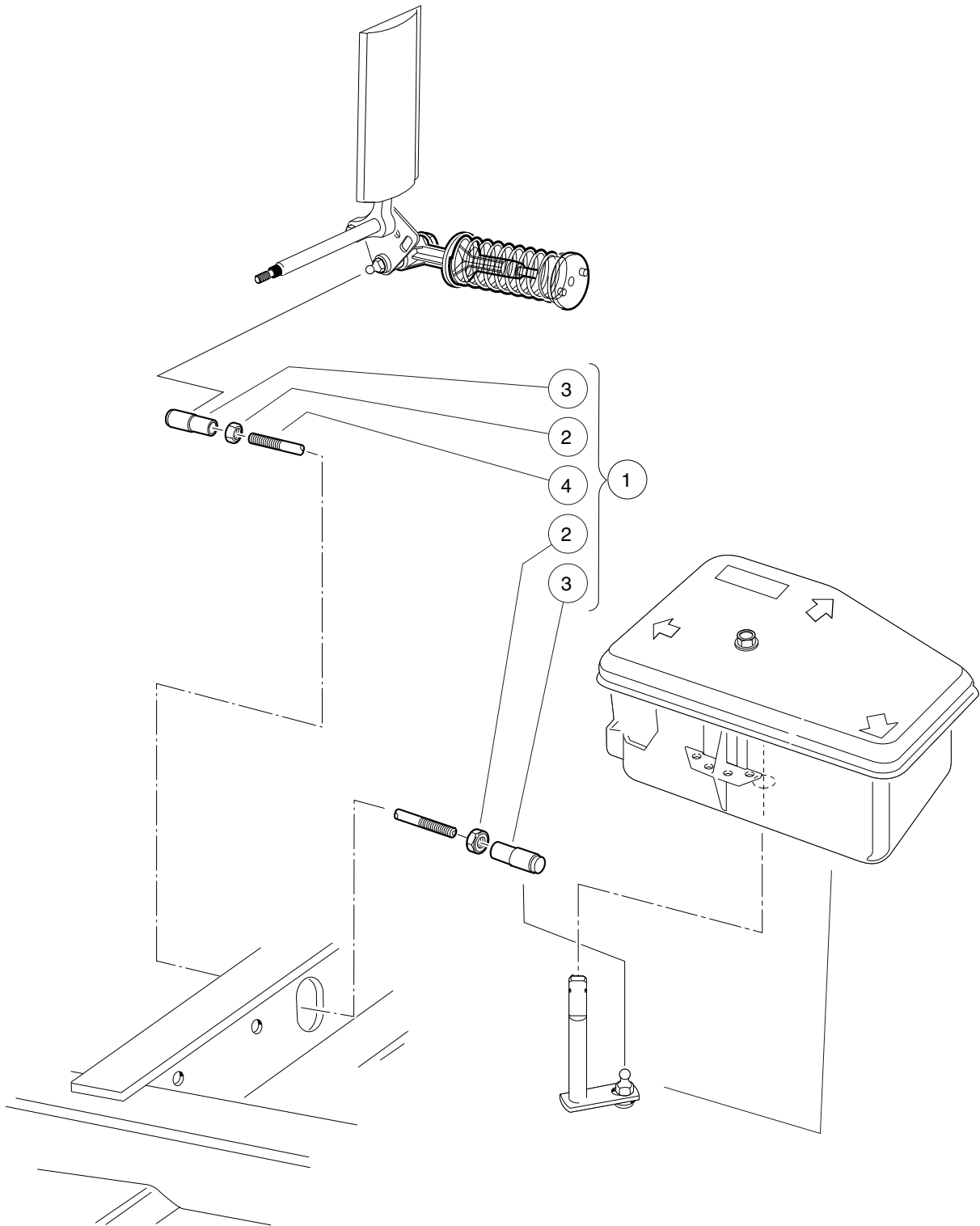
ITEM	PART NO.	DESCRIPTION	QTY
		1 2 3 4	
1	101912401	Rod, Accelerator (includes items 2 through 4) .....	1
2	<u>1011084</u>	Nut, 1/4-28 Hex Jam .....	2
3	<u>1011734</u>	Joint, Ball .....	2
4	N/A	Accelerator Rod .....	1

4

G

E

**4**  
**G**  
**E**



000362-001

# ACCELERATOR ROD

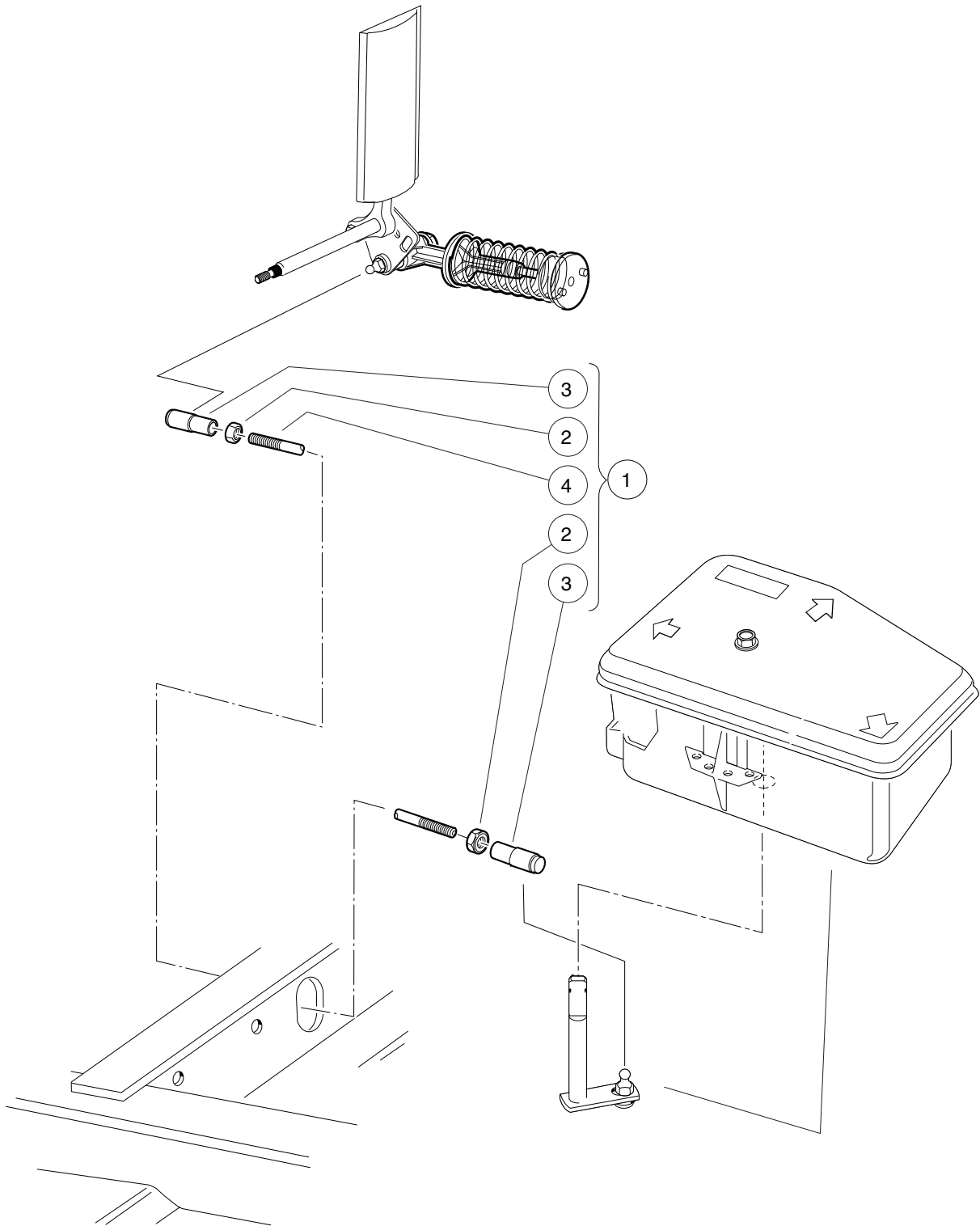
ITEM	PART NO.	DESCRIPTION	QTY
		1 2 3 4	
1	<u>101674702</u>	Rod, Accelerator (includes items 2 through 4) .....	1
2	<u>1011084</u>	Nut, 1/4-28 Hex Jam .....	2
3	<u>1011734</u>	Joint, Ball .....	2
4	N/A	Accelerator Rod Elec Stretch .....	1

**4**

**G**

**E**

**4**  
**G**  
**E**



000362-001

# ACCELERATOR ROD – GASOLINE VILLAGER 8

ITEM	PART NO.	DESCRIPTION	QTY
		1 2 3 4	
1	<u>101674704</u>	Accelerator Rod Assembly, RV XL (includes items 2 through 4) .....	1
2	<u>1011084</u>	Nut, 1/4-28 Hex Jam .....	2
3	<u>1011734</u>	Joint, Ball .....	2
4	N/A	Accelerator Rod, RV XL .....	1

4

G

E

**4**

**G**

**E**



# STEERING, FRONT AND REAR SUSPENSION

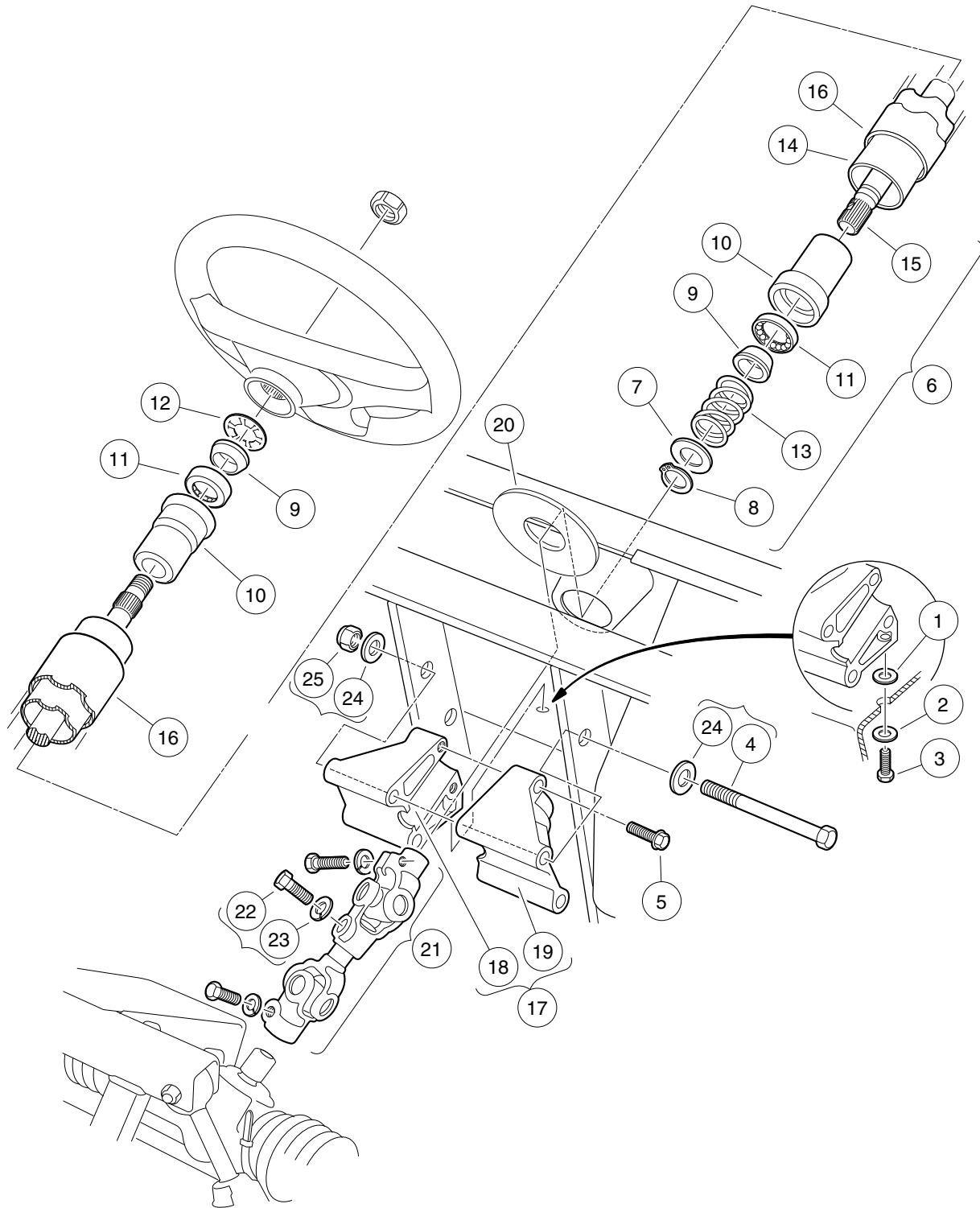
---

5

G

E

**5**  
**G**  
**E**

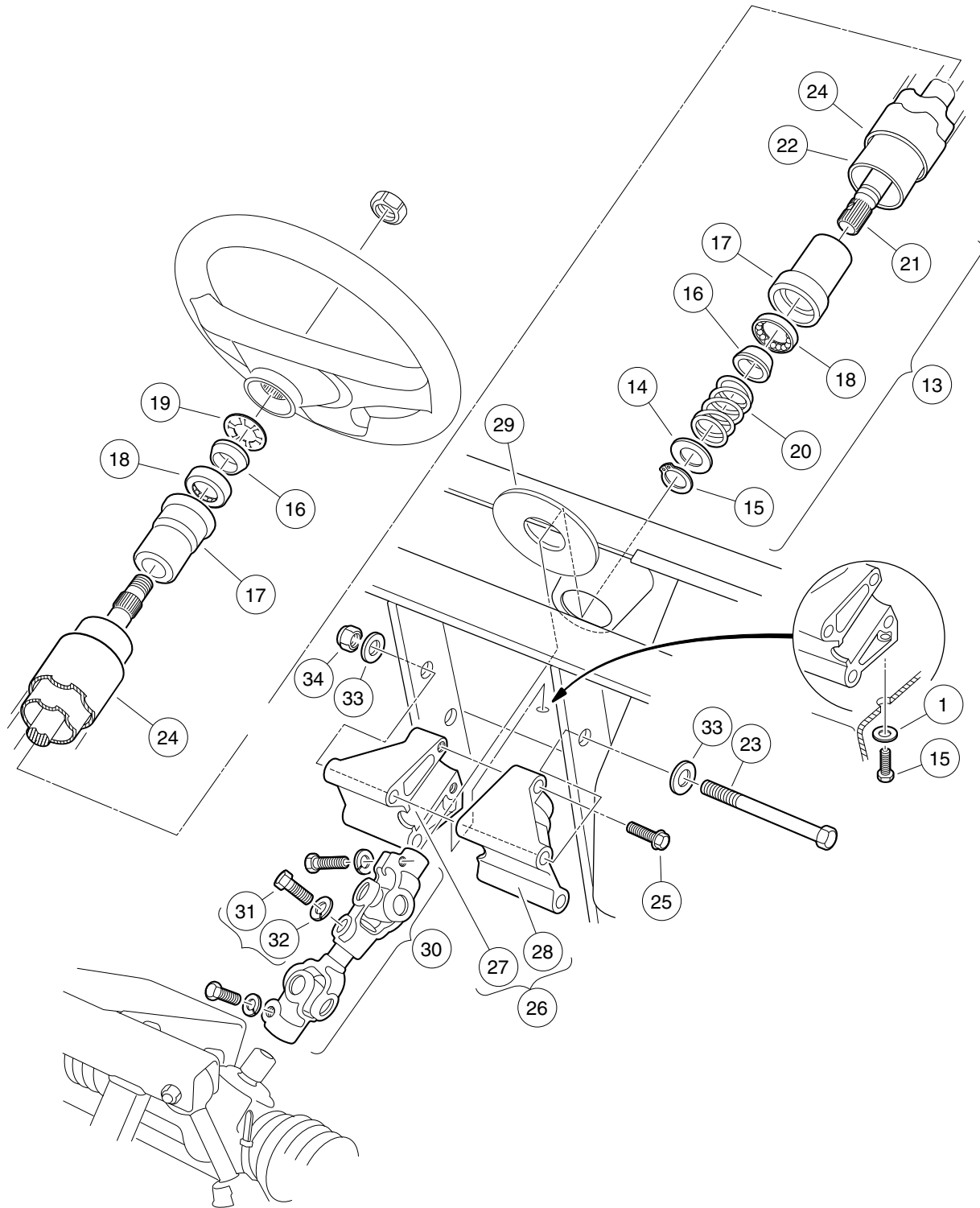


000247-001

## STEERING COLUMN – VILLAGER 6 AND 8

ITEM	PART NO.	DESCRIPTION	QTY	<b>5</b>
		<b>1 2 3 4</b>		<b>G</b>
1	<u>1011578</u>	Washer, 5/16 Type B Flat .....	1	<b>E</b>
2	<u>1011697</u>	Washer, 5/16 Flat .....	1	
3	<u>1014288</u>	Screw, 5/16-18 X 0.75 Thread-Forming .....	1	
4	<u>1016183</u>	Screw, 3/8-16 X 7.00 Hex Cap .....	2	
5	<u>1016269</u>	Screw, 5/16-18 Thrd Forming .....	2	
6	<u>1017313</u>	Steering Shaft Assembly (includes items 7 through 15) .....	1	
7	<u>1012604</u>	Washer, 0.675 ID X 1.19 OD .....	1	
8	<u>1012605</u>	Ring, 0.579 Internal Retaining .....	1	
9	1014125	Wedge, Molded .....	2	
10	<u>1014126</u>	Seat, Plastic Bearing .....	2	
11	<u>1014213</u>	Bearing, Ball .....	2	
12	1014214	Ring, Retaining .....	1	
13	<u>1014217</u>	Spring, Steering Shaft .....	1	
14	<u>1017314</u>	Column, Aluminum Steering .....	1	
15	<u>1017315</u>	Shaft Steering Column .....	1	
16	<u>1017317</u>	Tube Cover, Steering Column .....	1	
17	101984801	Kit, Steering Column Mounting Bracket (includes items 18 and 19) .....	1	
18	N/A	Bracket, RH Steering Column Mount .....	1	
19	N/A	Bracket, LH Steering column mount .....	1	
20	<u>102278001</u>	Boot, Steering Column Round .....	1	
21	<u>103601601</u>	Shaft, Intermediate Steering (includes items 22 and 23) .....	1	
22	<u>1017226</u>	Bolt, Hex-Head, 8mm X 1.25 - 30 .....	3	
23	<u>7174</u>	Lockwasher, 5/16 Split .....	3	
24	<u>334</u>	Washer, 3/8 Type A Flat .....	4	
25	<u>8754</u>	Locknut, 3/8-16 Hex .....	2	

**5**  
**G**  
**E**



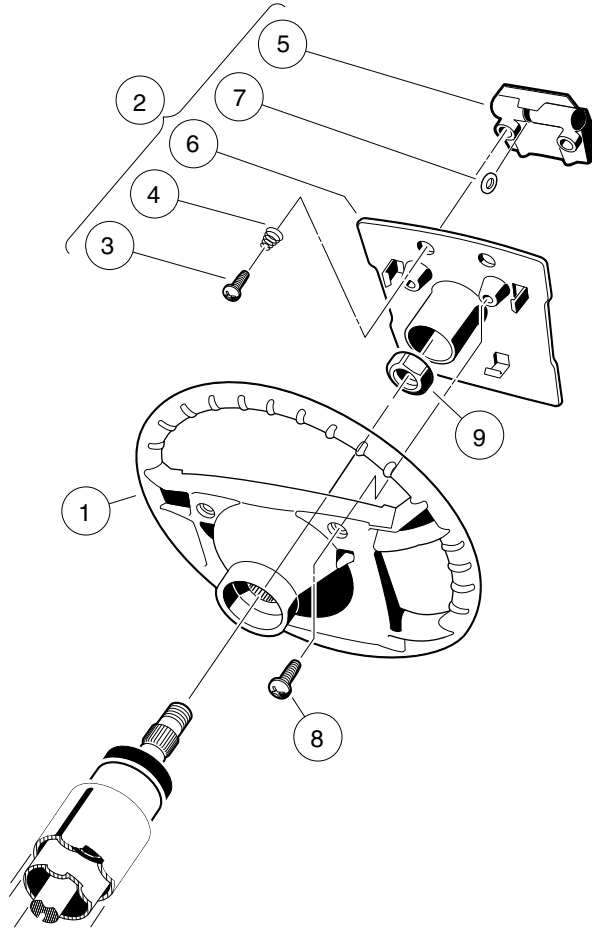
000247-002

## STEERING COLUMN – ALL VEHICLES EXCEPT VILLAGER 6 AND 8

ITEM	PART NO.	DESCRIPTION	QTY
		<b>1 2 3 4</b>	
1	<u>1011697</u>	Washer, 5/16 Flat .....	1
2	<u>1014216</u>	Steering Column Rebuild Kit (includes items 3 through 11) .....	1
3	<u>1012466</u>	Dust Cover .....	1
4	<u>1012605</u>	Ring, 0.579 Internal Retaining .....	1
5	1014125	Wedge, Molded .....	2
6	<u>1014126</u>	Seat, Plastic Bearing .....	2
7	<u>1014211</u>	Seal, Bearing .....	1
8	<u>1014212</u>	Spacer, Shaft .....	1
9	<u>1014213</u>	Bearing, Ball .....	2
10	1014214	Ring, Retaining .....	1
11	<u>1014217</u>	Spring, Steering Shaft .....	1
12	<u>1014288</u>	Screw, 5/16-18 X 0.75 Thread-Forming .....	1
13	1016181	Steering Shaft Assembly (includes items 14 through 22) .....	1
14	<u>1012604</u>	Washer, 0.675 ID X 1.19 OD .....	1
15	<u>1012605</u>	Ring, 0.579 Internal Retaining .....	1
16	1014125	Wedge, Molded .....	2
17	<u>1014126</u>	Seat, Plastic Bearing .....	2
18	<u>1014213</u>	Bearing, Ball .....	2
19	1014214	Ring, Retaining .....	1
20	<u>1014217</u>	Spring, Steering Shaft .....	1
21	<u>1015545</u>	Shaft, Steering Column .....	1
22	1016622	Column, Aluminum Steering .....	1
23	<u>1016183</u>	Screw, 3/8-16 X 7.00 Hex Cap .....	2
24	1016263	Cover, Steering Column Tube .....	1
25	<u>1016269</u>	Screw, 5/16-18 Thrd Forming .....	2
26	101984801	Kit, Steering Column Mounting Bracket (includes items 27 and 28) .....	1
27	N/A	Bracket, RH Steering Column Mount .....	1
28	N/A	Bracket, LH Steering column mount .....	1
29	<u>102278001</u>	Boot, Steering Column Round .....	1
30	<u>103601601</u>	Shaft, Intermediate Steering (includes items 31 and 32) .....	1
31	<u>1017226</u>	Bolt, Hex-Head, 8mm X 1.25 - 30 .....	3
32	<u>7174</u>	Lockwasher, 5/16 Split .....	3
33	<u>334</u>	Washer, 3/8 Type A Flat .....	4
34	<u>8754</u>	Locknut, 3/8-16 Hex .....	2

**5**  
**G**  
**E**

**5**  
**G**  
**E**



000246-002

## STEERING WHEEL – DS VILLAGER 4 VEHICLES

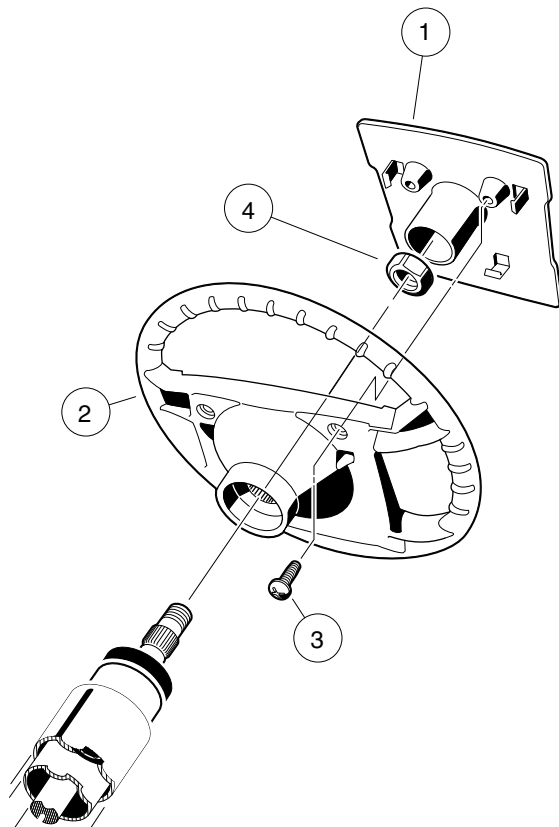
ITEM	PART NO.	DESCRIPTION	QTY
		1 2 3 4	
1	<u>1016156</u>	Wheel, Steering .....	1
2	1016219	Plate, Scorecard (includes items 3 through 7) .....	1
3	<u>1012565</u>	Screw, #12 Phillips Round Head .....	2
4	<u>1012566</u>	Tapered Compression Spring .....	2
5	1016154	Clip, Scorecard .....	1
6	N/A	Plate, Score Card .....	1
7	N/A	Pencil Grip .....	1
8	<u>1016663</u>	Screw, #12-14 X 0.625 .....	2
9	<u>1017273</u>	Nut, 5/8-18 Nylon Insert Jam .....	1

5  
G  
E

5

G

E



000246-003

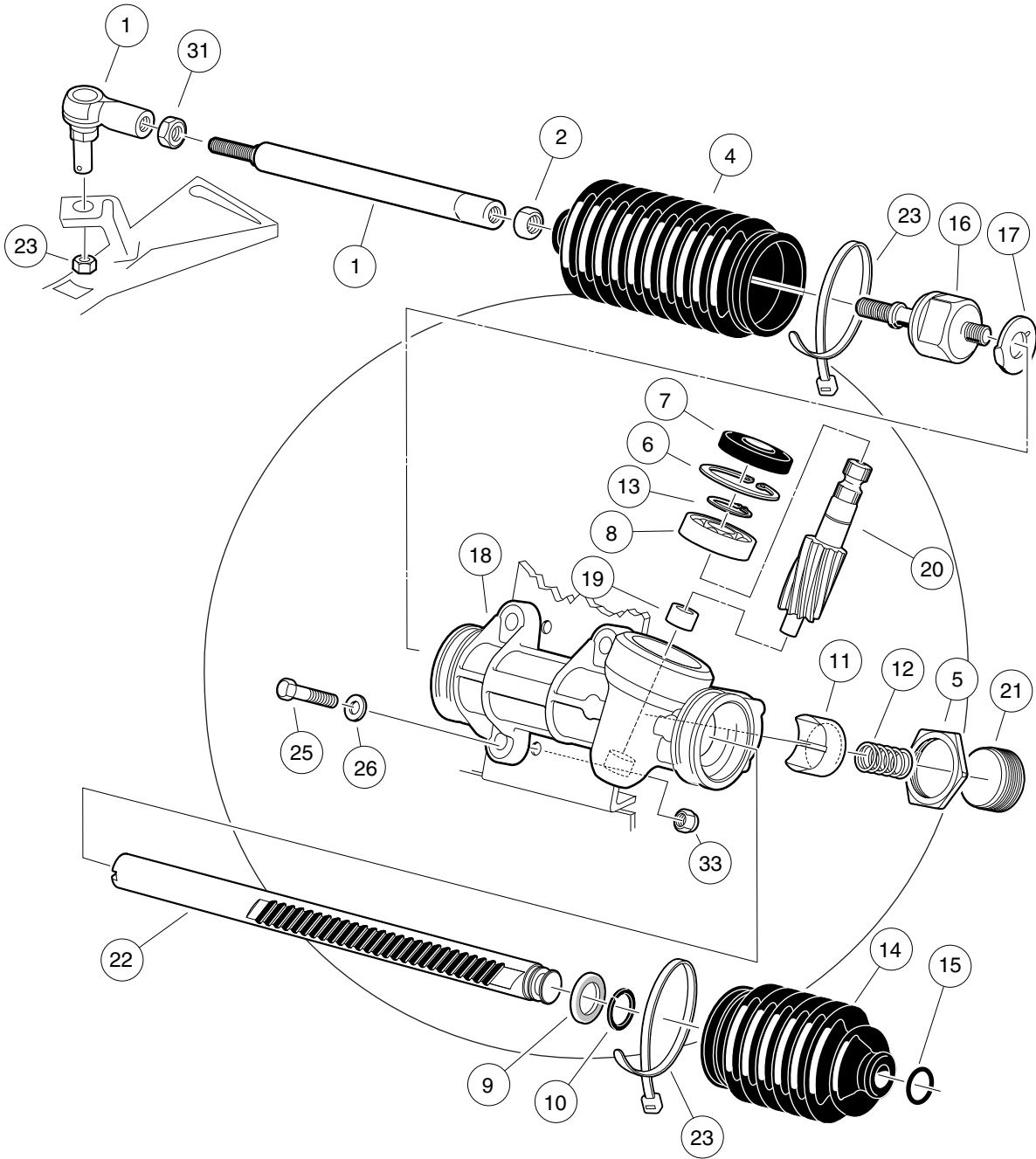


# STEERING WHEEL – ALL VEHICLES EXCEPT DS VILLAGER 4

ITEM	PART NO.	DESCRIPTION	QTY
		1 2 3 4	
1	<u>101615504</u>	Plate, Scorecard .....	1
2	<u>1016156</u>	Wheel, Steering .....	1
3	<u>1016663</u>	Screw, #12-14 X 0.625 .....	2
4	<u>1017273</u>	Nut, 5/8-18 Nylon Insert Jam .....	1

5  
G  
E

**5**  
**G**  
**E**

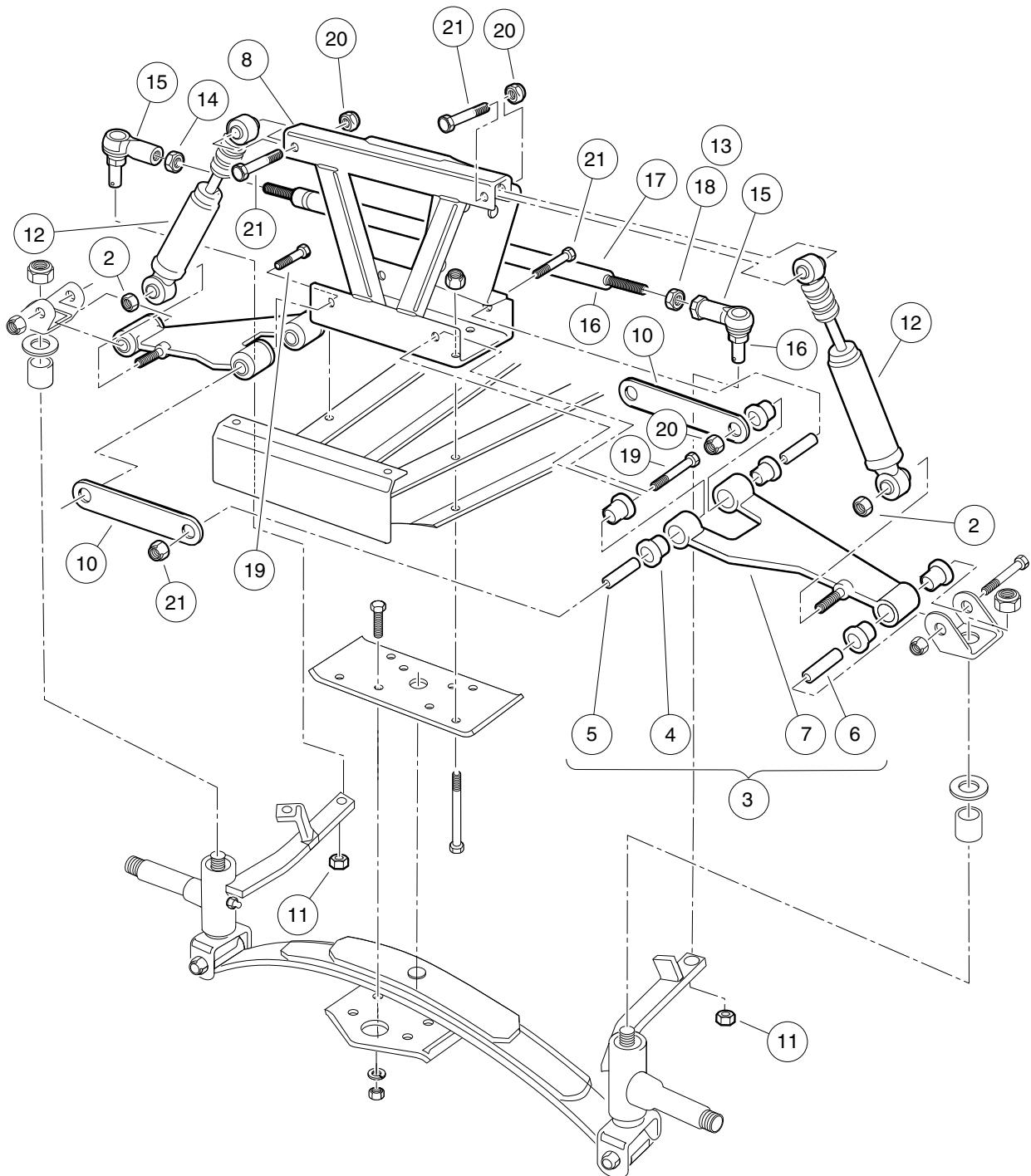


000189-001

# STEERING GEAR ASSEMBLY

ITEM	PART NO.	DESCRIPTION	QTY	5
		1 2 3 4		G
1	<u>1012467</u>	Link, Rack and Pinion Drag .....	1	E
2	1013042	Nut, 12mm Hex .....	1	
3	<u>101878302</u>	Steering Gear Assembly (without yoke) (includes items 4 through 23) .....	1	
4	<u>1013035</u>	Bellows, Long .....	1	
5	<u>1013044</u>	Rack Screw Locknut .....	1	
6	1013051	Snap Ring .....	1	
7	<u>1013052</u>	Seal, Steering Pinion Dust .....	1	
8	<u>101879401</u>	Bearing, Ball .....	1	
9	<u>101879501</u>	Stop Washer .....	1	
10	101879601	Stop Ring, C-Type .....	1	
11	<u>101879701</u>	Support Yoke .....	1	
12	<u>101879801</u>	Rack Guide Pressure Spring .....	1	
13	<u>101879901</u>	Ring, Stop, C-Type .....	1	
14	<u>101880001</u>	Bellows, Short .....	1	
15	101880101	Dust Seal Retaining Ring .....	1	
16	<u>101880201</u>	Inner Ball Joint Asm .....	1	
17	101880301	Washer, Tab .....	1	
18	N/A	Box, Steering Gear .....	1	
19	N/A	Bearing, Lower Pinion .....	1	
20	N/A	Pinion, Steering .....	1	
21	N/A	Screw, Rack Guide .....	1	
22	N/A	Rack, Steering .....	1	
23	<u>8990</u>	Tie Wrap, 8" Nylon .....	2	
24	<u>1035</u>	Cotter Pin, 3/32 x 1 .....	1	
25	<u>1624</u>	Screw, 3/8-16 X 1.50 Hex-Head Cap .....	3	
26	<u>334</u>	Washer, 3/8 Type A Flat .....	3	
27	<u>7540</u>	Ball Joint, Left (includes items 28 through 31) .....	1	
28	1011895	Socket, LH Vertical .....	1	
29	<u>1011930</u>	Seal, Vertical Socket Dust .....	1	
30	<u>1015597</u>	Fitting, 1/4-28 Thread-Forming Grease .....	1	
31	7602	Nut, 3/8-24 UNF Hex .....	1	
32	<u>7555</u>	Nut, 1/2-20 Hex, Left-Hand Thread .....	1	
33	<u>8754</u>	Locknut, 3/8-16 Hex .....	3	

**5**  
**G**  
**E**



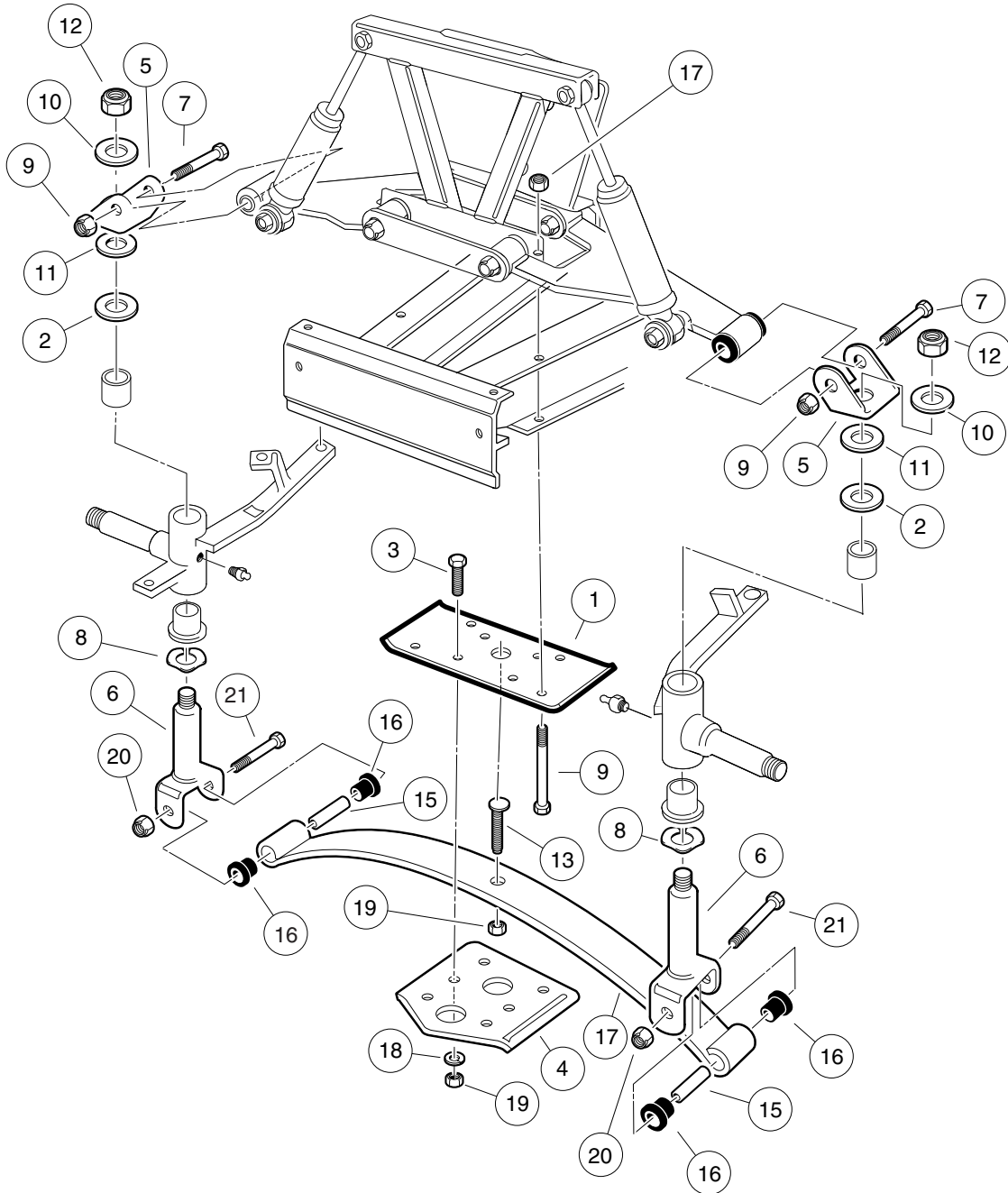
000312-002

# FRONT SUSPENSION, UPPER – TURF/CARRYALL 1 AND TURF/ CARRYALL 2 WITH TWO-WHEEL BRAKES

ITEM	PART NO.	DESCRIPTION	QTY
		<b>1 2 3 4</b>	
1	N/A	Sub, Fr Susp. -1 Lf-2wb Golf (includes items 2 through 21) .....	1
2	<u>1010138</u>	Locknut, 3/8-16 Dimpled .....	2
3	<u>1016353</u>	Sub-Assembly, Delta A-Plate (includes items 4 through 7) .....	2
4	<u>1016346</u>	Bushing, Urethane .....	6
5	<u>1016349</u>	Sleeve, Delta Inner .....	2
6	<u>1016350</u>	Sleeve, Delta Outer .....	1
7	<u>1016351</u>	Delta A-Plate .....	1
8	<u>1016385</u>	Delta Shock and Gear Support Assembly .....	1
9	<u>1016387</u>	Screw, 3/8-16 X 2.75 Hx Hd Cap .....	2
10	<u>1017266</u>	A-Plate Strap .....	2
11	<u>102289201</u>	Nut - Hex Locking, M12 X 1.25 .....	3
12	<u>103351001</u>	Shock Absorber, Front, Common .....	2
13	N/A	Asm, Tie Rod (includes items 14 through 18) .....	1
14	1013042	Nut, 12mm Hex .....	1
15	<u>102022601</u>	End, Tie Rod M12 X 1.25 Rh .....	1
16	<u>102022602</u>	End, Tie Rod, M12 X 1.25, Lh .....	1
17	<u>103354701</u>	Rod, Tie, Male Thd .....	1
18	<u>103653501</u>	Nut, Jam, M12-1.25, Lh .....	1
19	<u>2402</u>	Screw, 3/8-16 X 2.25 Hx Hd Cap .....	4
20	<u>8754</u>	Locknut, 3/8-16 Hex .....	13
21	<u>8861</u>	Bolt, 3/8-16 X 1.75 Hex .....	2

**5**  
**G**  
**E**

**5**  
**G**  
**E**



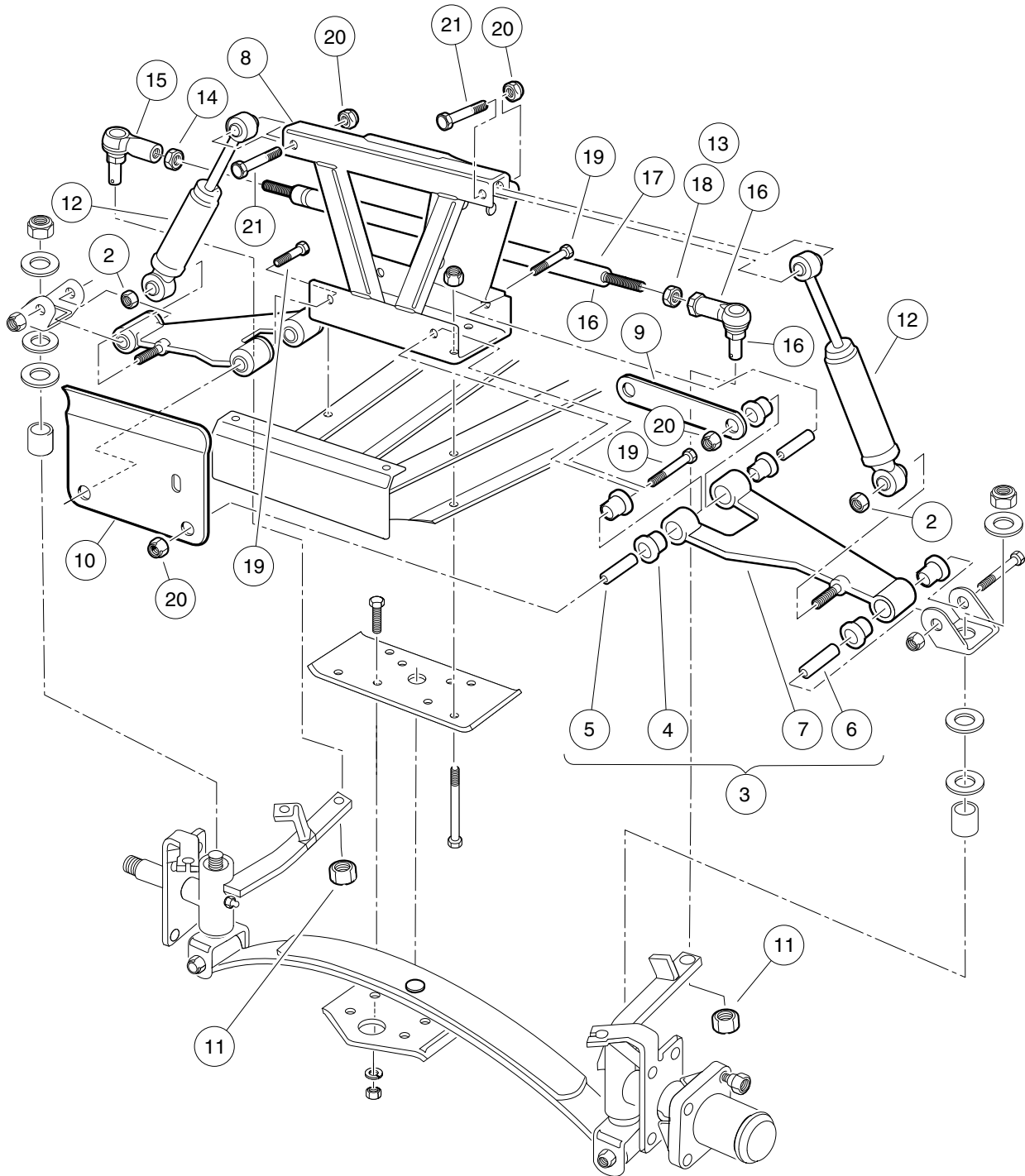
000311-001

# FRONT SUSPENSION, LOWER

ITEM	PART NO.	DESCRIPTION	QTY
		<b>1 2 3 4</b>	
1	<u>1010124</u>	Plate, Spring Mount .....	1
2	<u>1010150</u>	Bearing, Thrust .....	2
3	<u>1010177</u>	Bolt, 3/8-16 X 2.00 Hex Head .....	4
4	<u>1014276</u>	Plate, Front Spring Retainer .....	1
5	<u>1016384</u>	Clevis, Delta Upper .....	2
6	<u>1016386</u>	King Pin Assembly .....	2
7	<u>1016387</u>	Screw, 3/8-16 X 2.75 Hx Hd Cap .....	2
8	<u>1016389</u>	Washer, 1.125 Od Wave .....	2
9	<u>101870501</u>	Screw, 3/8-16 X 4.75 Hx Hd Cap .....	4
10	<u>102564002</u>	Washer-1/2 Conical, Yellow .....	2
11	<u>102684501</u>	Washer, M12 Hard Regular .....	2
12	<u>102766301</u>	Nut, 1/2-20, Center Lock .....	2
13	<u>103507001</u>	Eccentric Bolt Common .....	1
14	N/A	Spring Asm, Front, 1 Leaf (includes items 15 through 17) .....	1
15	<u>1012303</u>	Bushing, Steel .....	2
16	<u>1015583</u>	Bushing, Urethane .....	4
17	N/A	Spring, Front, 1 Leaf .....	1
18	<u>357</u>	Lockwasher, 3/8 Split .....	4
19	<u>706</u>	Nut, Hex 3/8-16 .....	1
20	<u>8754</u>	Locknut, 3/8-16 Hex .....	4
21	<u>8755</u>	Screw, 3/8-16 X 3.375 Hex Cap .....	2

**5**  
**G**  
**E**

**5**  
**G**  
**E**



000314-004

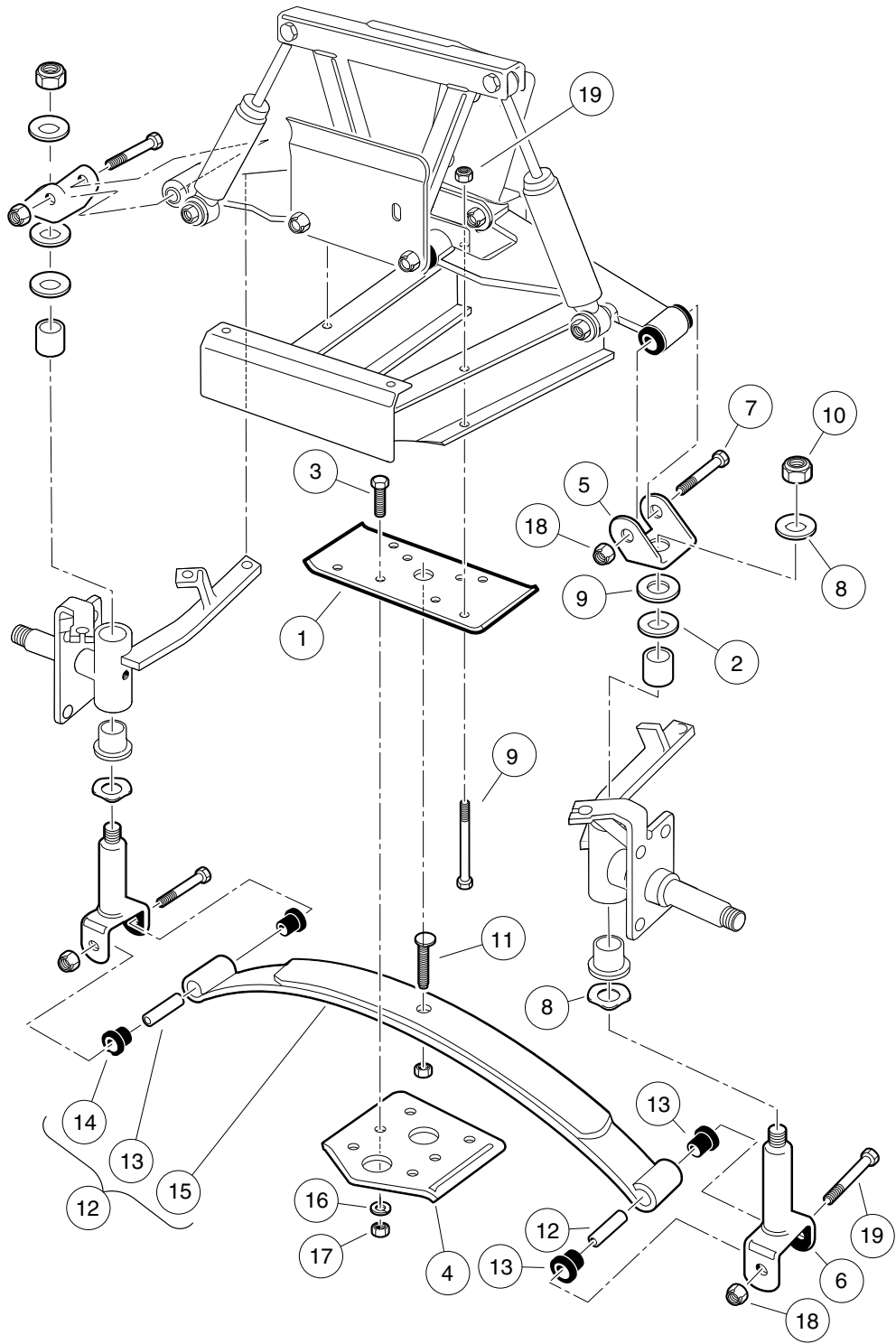


## FRONT SUSPENSION, UPPER – VILLAGER 6, AND TRANSPORTER 4 AND

ITEM	PART NO.	DESCRIPTION	QTY
		<b>1 2 3 4</b>	
1	N/A	Sub-Assembly, Front Suspension (includes items 2 through 20) .....	1
2	<u>1010138</u>	Locknut, 3/8-16 Dimpled .....	2
3	<u>1016353</u>	Sub-Assembly, Delta A-Plate (includes items 4 through 7) .....	2
4	<u>1016346</u>	Bushing, Urethane .....	6
5	<u>1016349</u>	Sleeve, Delta Inner .....	2
6	<u>1016350</u>	Sleeve, Delta Outer .....	1
7	<u>1016351</u>	Delta A-Plate .....	1
8	<u>1016385</u>	Delta Shock and Gear Support Assembly .....	1
9	<u>1017266</u>	A-Plate Strap .....	1
10	<u>101955001</u>	Brake Cable Guide Bracket .....	1
11	<u>102289201</u>	Nut - Hex Locking, M12 X 1.25 .....	3
12	<u>103351001</u>	Shock Absorber, Front, Common .....	2
13	N/A	Asm, Tie Rod (includes items 14 through 18) .....	1
14	1013042	Nut, 12mm Hex .....	1
15	<u>102022601</u>	End, Tie Rod M12 X 1.25 Rh .....	1
16	<u>102022602</u>	End, Tie Rod, M12 X 1.25, Lh .....	1
17	<u>103354701</u>	Rod, Tie, Male Thd .....	1
18	<u>103653501</u>	Nut, Jam, M12-1.25, Lh .....	1
19	<u>2402</u>	Screw, 3/8-16 X 2.25 Hx Hd Cap .....	4
20	<u>8754</u>	Locknut, 3/8-16 Hex .....	13

**5**  
**G**  
**E**

**5**  
**G**  
**E**



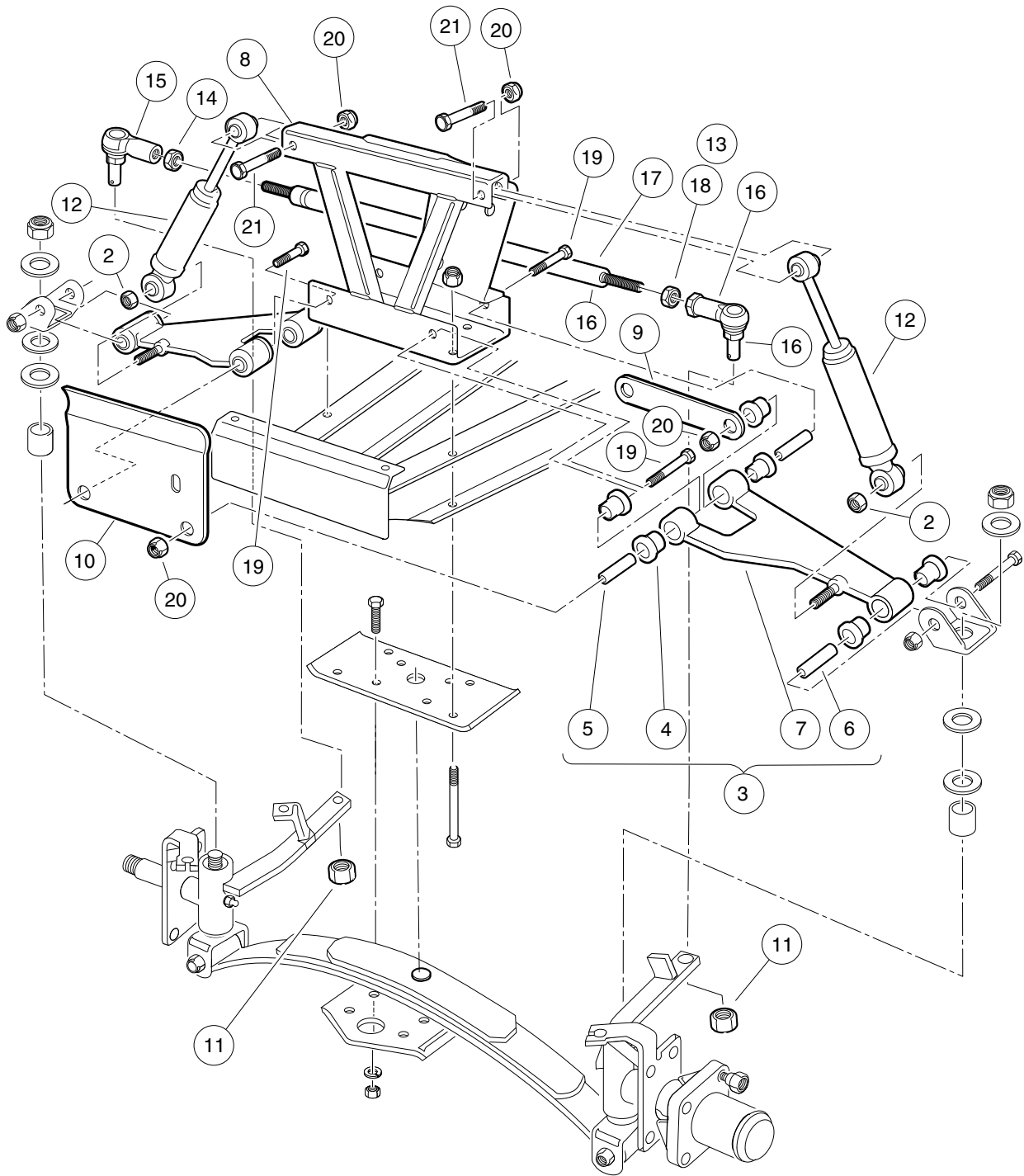
000313-001

## FRONT SUSPENSION, LOWER – VILLAGER 6, AND TRANSPORTER 4 AND

ITEM	PART NO.	DESCRIPTION	QTY
		1 2 3 4	
1	<u>1010124</u>	Plate, Spring Mount .....	1
2	<u>1010150</u>	Bearing, Thrust .....	2
3	<u>1014276</u>	Plate, Front Spring Retainer .....	1
4	<u>1016384</u>	Clevis, Delta Upper .....	2
5	<u>1016386</u>	King Pin Assembly .....	2
6	<u>1016387</u>	Screw, 3/8-16 X 2.75 Hx Hd Cap .....	2
7	<u>1016389</u>	Washer, 1.125 Od Wave .....	2
8	<u>102564002</u>	Washer-1/2 Conical, Yellow .....	2
9	<u>102684501</u>	Washer, M12 Hard Regular .....	2
10	<u>102766301</u>	Nut, 1/2-20, Center Lock .....	2
11	<u>103628801</u>	Spring Asm, Front, 2 Leaf (includes items 12 through 14) .....	1
12	<u>1012303</u>	Bushing, Steel .....	2
13	<u>1015583</u>	Bushing, Urethane .....	4
14	<u>103502701</u>	Spring, Front, 2 Leaf .....	1
15	<u>2402</u>	Screw, 3/8-16 X 2.25 Hx Hd Cap .....	4
16	<u>357</u>	Lockwasher, 3/8 Split .....	4
17	<u>706</u>	Nut, Hex 3/8-16 .....	4
18	<u>7270</u>	Bolt, 3/8-16 X 4.50 Hex Head .....	4
19	<u>8754</u>	Locknut, 3/8-16 Hex .....	8
20	<u>8755</u>	Screw, 3/8-16 X 3.375 Hex Cap .....	2

**5**  
**G**  
**E**

**5**  
**G**  
**E**

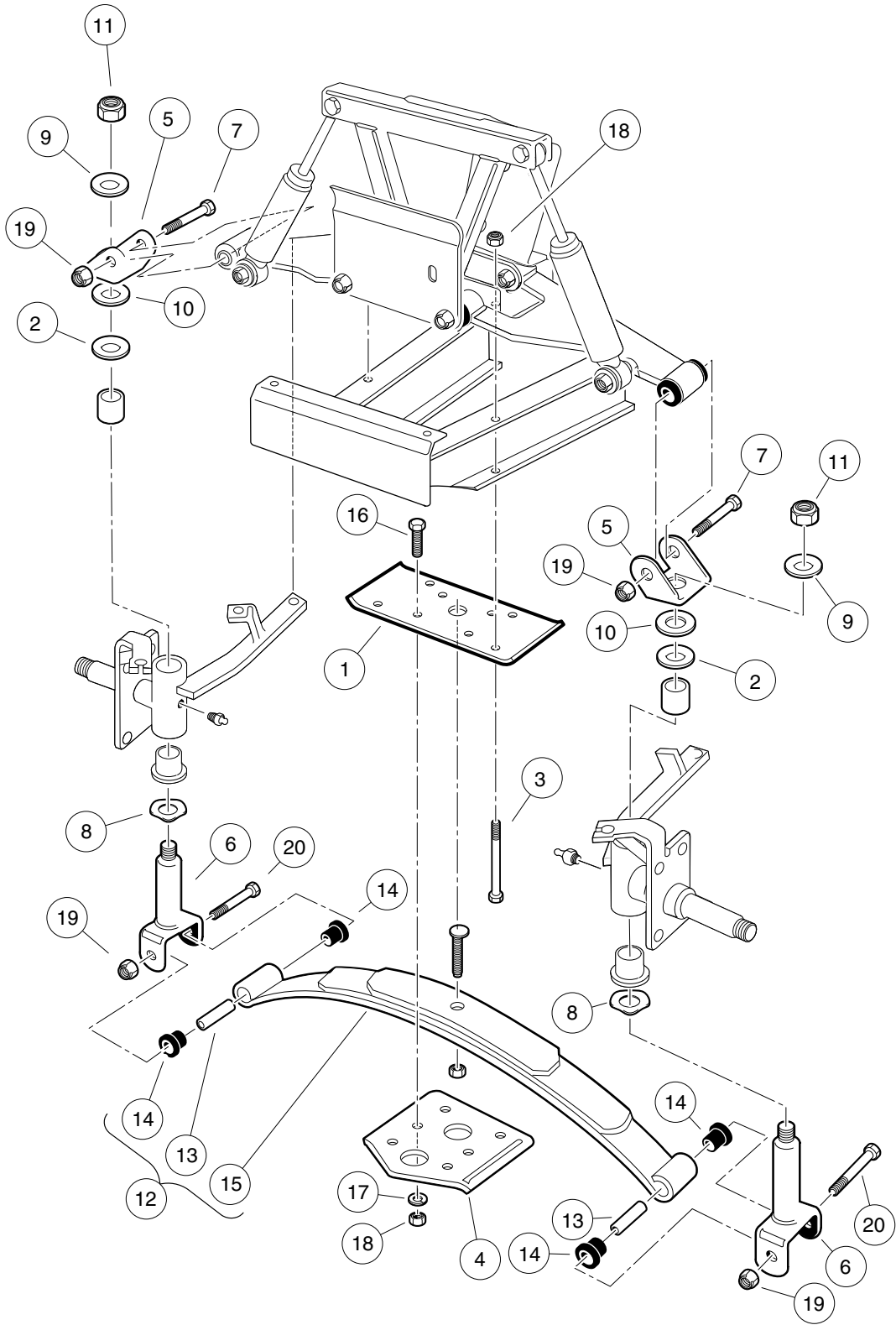


000314-002

## FRONT SUSPENSION, UPPER – VILLAGER 8

ITEM	PART NO.	DESCRIPTION	QTY	
		1 2 3 4		<b>5</b>
1	101637605	Subasm, Front Susp. -3 Leaf (includes items 2 through 20) .....	1	<b>G</b>
2	<u>1010138</u>	Locknut, 3/8-16 Dimpled .....	2	<b>E</b>
3	<u>1016353</u>	Sub-Assembly, Delta A-Plate (includes items 4 through 7) .....	2	
4	<u>1016346</u>	Bushing, Urethane .....	6	
5	<u>1016349</u>	Sleeve, Delta Inner .....	2	
6	<u>1016350</u>	Sleeve, Delta Outer .....	1	
7	<u>1016351</u>	Delta A-Plate .....	1	
8	<u>1016385</u>	Delta Shock and Gear Support Assembly .....	1	
9	<u>1017266</u>	A-Plate Strap .....	1	
10	<u>101955001</u>	Brake Cable Guide Bracket .....	1	
11	<u>102289201</u>	Nut - Hex Locking, M12 X 1.25 .....	2	
12	<u>103351001</u>	Shock Absorber, Front, Common .....	2	
13	N/A	Asm, Tie Rod (includes items 14 through 18) .....	1	
14	1013042	Nut, 12mm Hex .....	1	
15	<u>102022601</u>	End, Tie Rod M12 X 1.25 Rh .....	1	
16	<u>102022602</u>	End, Tie Rod, M12 X 1.25, Lh .....	1	
17	<u>103354701</u>	Rod, Tie, Male Thd .....	1	
18	<u>103653501</u>	Nut, Jam, M12-1.25, Lh .....	1	
19	<u>2402</u>	Screw, 3/8-16 X 2.25 Hx Hd Cap .....	4	
20	<u>8754</u>	Locknut, 3/8-16 Hex .....	13	

**5**  
**G**  
**E**



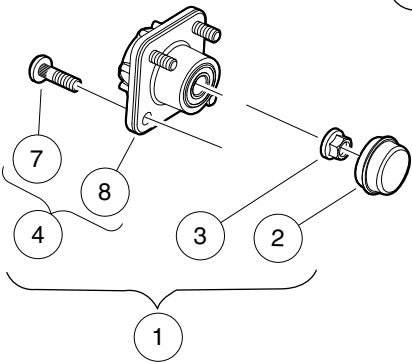
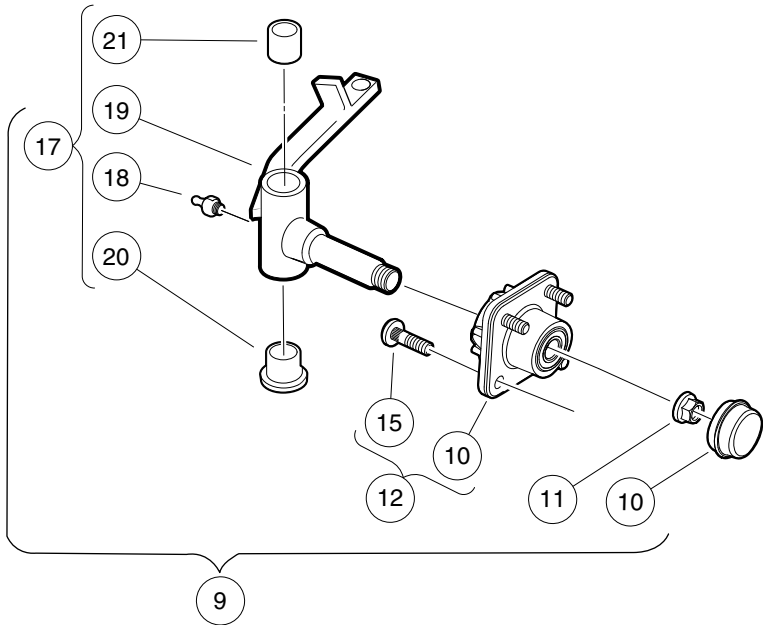
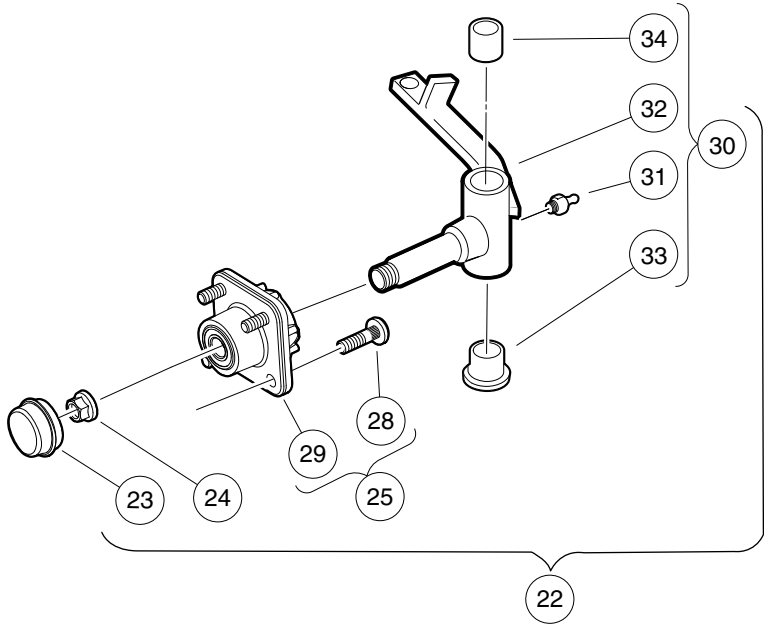
000313-002

## FRONT SUSPENSION, LOWER – VILLAGER 8

ITEM	PART NO.	DESCRIPTION	QTY
		1 2 3 4	
1	<u>1010124</u>	Plate, Spring Mount .....	1
2	<u>1010150</u>	Bearing, Thrust .....	2
3	<u>1010200</u>	Bolt, 3/8-16 X 4.25 Hex Head .....	4
4	<u>1014276</u>	Plate, Front Spring Retainer .....	1
5	<u>1016384</u>	Clevis, Delta Upper .....	2
6	<u>1016386</u>	King Pin Assembly .....	2
7	<u>1016387</u>	Screw, 3/8-16 X 2.75 Hx Hd Cap .....	2
8	<u>1016389</u>	Washer, 1.125 Od Wave .....	2
9	<u>102564002</u>	Washer-1/2 Conical, Yellow .....	2
10	<u>102684501</u>	Washer, M12 Hard Regular .....	2
11	<u>102766301</u>	Nut, 1/2-20, Center Lock .....	2
12	<u>103628901</u>	Spring Asm, Front, 3 Leaf (includes items 13 through 15) .....	1
13	<u>1012303</u>	Bushing, Steel .....	2
14	<u>1015583</u>	Bushing, Urethane .....	4
15	103502801	Spring, Front, 3 Leaf .....	1
16	<u>2402</u>	Screw, 3/8-16 X 2.25 Hx Hd Cap .....	4
17	<u>357</u>	Lockwasher, 3/8 Split .....	4
18	<u>706</u>	Nut, Hex 3/8-16 .....	4
19	<u>8754</u>	Locknut, 3/8-16 Hex .....	8
20	<u>8755</u>	Screw, 3/8-16 X 3.375 Hex Cap .....	2

5  
G  
E

**5**  
**G**  
**E**



000301-002

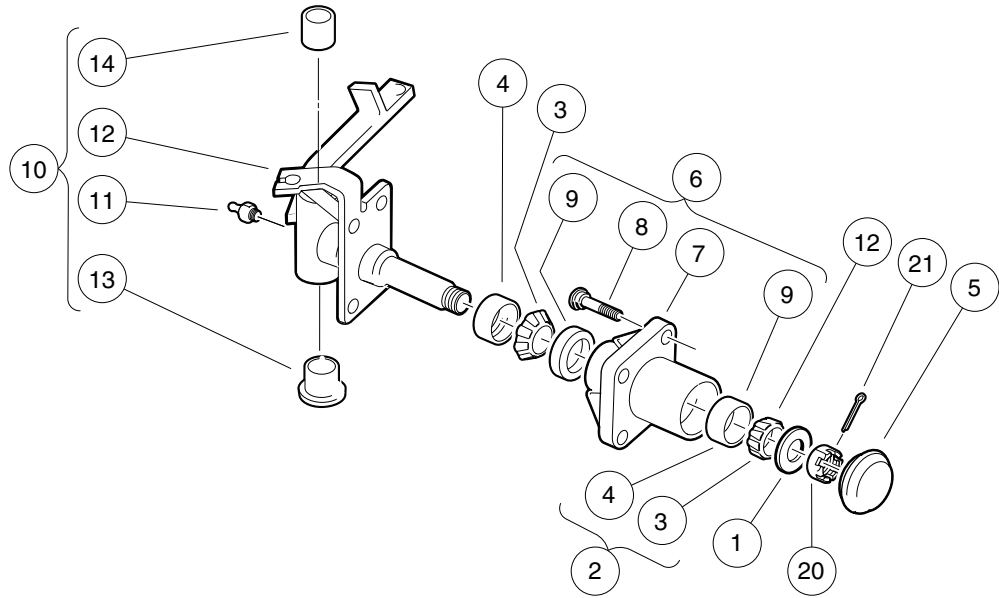
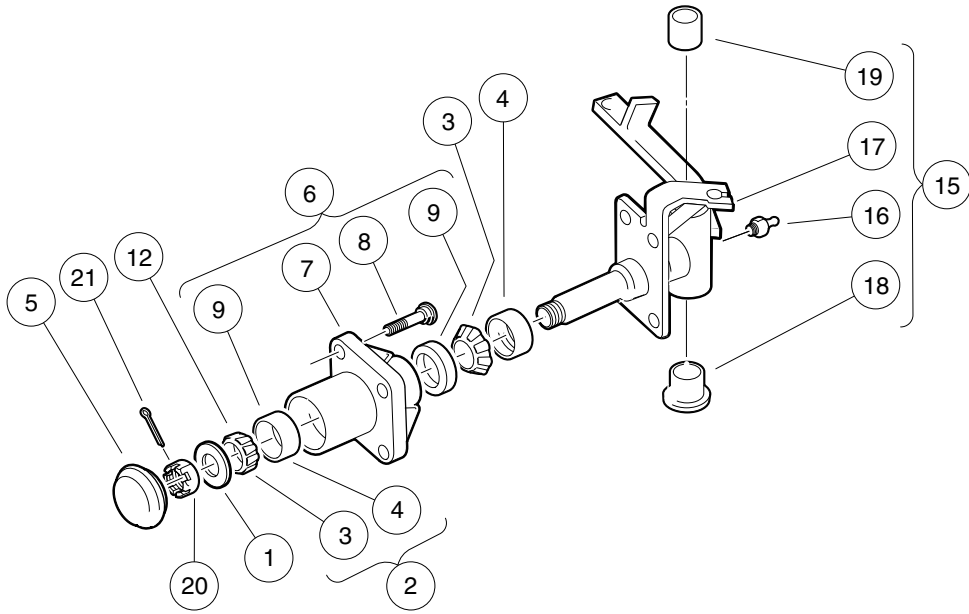


# FRONT SPINDLES AND HUBS – DS VILLAGER 4 VEHICLES

ITEM	PART NO.	DESCRIPTION	QTY
		<b>1 2 3 4</b>	
1	N/A	Replacement Kit, Front Hub (includes items 2 through 4) .....	2
2	<u>102353201</u>	Cap, Front Hub .....	1
3	<u>102353301</u>	Hex Nut, Locking Flange, M14x2 .....	1
4	N/A	Asm, Front Hub, Bb, Long Stud (includes items 5 through 8) .....	1
5	N/A	Bearing, Ball, 6204 .....	2
6	N/A	Spacer, Bearing, Front Hub, Pm .....	1
7	<u>103477901</u>	Lug Stud, 1/2-20 Unf, 4037 .....	4
8	N/A	Front Hub, Ball Brg, Long Stud .....	1
9	N/A	Asm, Frt Hub & Spndle, Rh (includes items 10 through 17) .....	1
10	<u>102353201</u>	Cap, Front Hub .....	1
11	<u>102353301</u>	Hex Nut, Locking Flange, M14x2 .....	1
12	N/A	Asm, Front Hub, Bb, Long Stud (includes items 13 through 16) .....	1
13	N/A	Bearing, Ball, 6204 .....	2
14	N/A	Spacer, Bearing, Front Hub, Pm .....	1
15	<u>103477901</u>	Lug Stud, 1/2-20 Unf, 4037 .....	4
16	N/A	Front Hub, Ball Brg, Long Stud .....	1
17	<u>103667103</u>	Asm, Spindle, Rh, Sp (includes items 18 through 21) .....	1
18	<u>1015597</u>	Fitting, 1/4-28 Thread-Forming Grease .....	1
19	N/A	Subasm, Spndle, Rh, 2wb .....	1
20	<u>7048</u>	Bushing, Flanged Bronze .....	1
21	<u>8067</u>	Bushing, Bronze Spindle .....	1
22	N/A	Asm, Frt Hub & Spndle, Lh (includes items 23 through 30) .....	1
23	<u>102353201</u>	Cap, Front Hub .....	1
24	<u>102353301</u>	Hex Nut, Locking Flange, M14x2 .....	1
25	N/A	Asm, Front Hub, Bb, Long Stud (includes items 26 through 29) .....	1
26	N/A	Bearing, Ball, 6204 .....	2
27	N/A	Spacer, Bearing, Front Hub, Pm .....	1
28	<u>103477901</u>	Lug Stud, 1/2-20 Unf, 4037 .....	4
29	N/A	Front Hub, Ball Brg, Long Stud .....	1
30	<u>103667203</u>	Asm, Spindle, Lh, Sp (includes items 31 through 34) .....	1
31	<u>1015597</u>	Fitting, 1/4-28 Thread-Forming Grease .....	1
32	N/A	Subasm, Spndle, Lh, 2wb .....	1
33	<u>7048</u>	Bushing, Flanged Bronze .....	1
34	<u>8067</u>	Bushing, Bronze Spindle .....	1

**5**  
**G**  
**E**

**5**  
**G**  
**E**

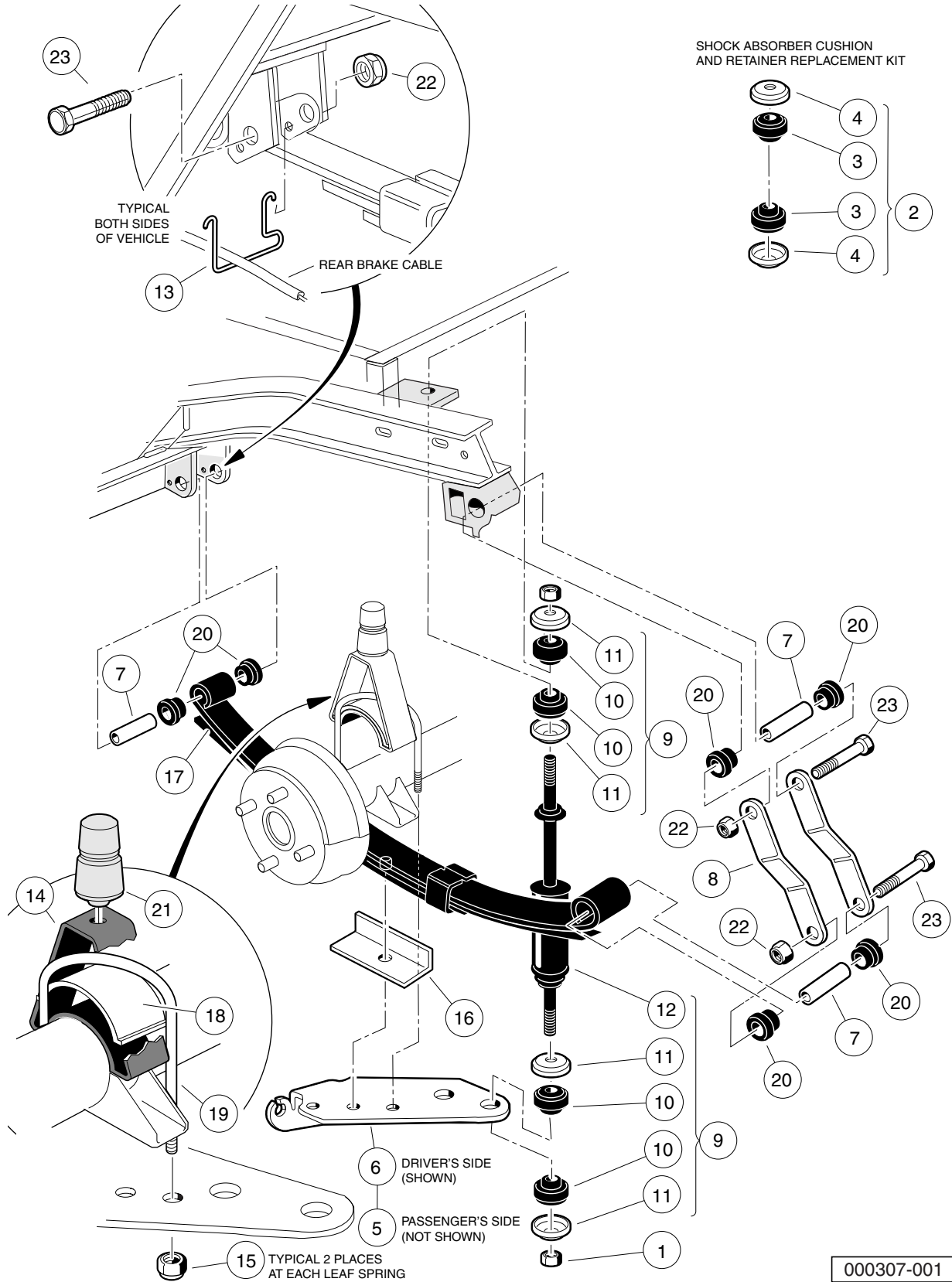


000310-002

## FRONT SPINDLES AND HUBS – ALL VEHICLES EXCEPT DS VILLAGER 4

ITEM	PART NO.	DESCRIPTION	QTY
		<b>1 2 3 4</b>	
1	<u>1010005</u>	Washer, 3/4 Flat .....	2
2	<u>1011393</u>	Hub Bearing Package (includes items 3 and 4) .....	4
3	7274	Bearing, Front Hub Wheel .....	1
4	7308	Race, Front Hub Bearing .....	1
5	<u>1011887</u>	Dust Cover .....	2
6	<u>1011889</u>	Hub (includes items 7 through 9) .....	2
7	1011153	Front Hub .....	1
8	<u>103477901</u>	Lug Stud, 1/2-20 Unf, 4037 .....	4
9	7308	Race, Front Hub Bearing .....	2
10	<u>103717302</u>	Asm, Spindle, Lh, 4wb, Sp (includes items 11 through 14) .....	1
11	<u>1015597</u>	Fitting, 1/4-28 Thread-Forming Grease .....	1
12	N/A	Subasm, Spindle, Lh, 4wb .....	1
13	<u>7048</u>	Bushing, Flanged Bronze .....	1
14	<u>8067</u>	Bushing, Bronze Spindle .....	1
15	<u>103717402</u>	Asm, Spindle, Rh, 4wb, Sp (includes items 16 through 19) .....	1
16	<u>1015597</u>	Fitting, 1/4-28 Thread-Forming Grease .....	1
17	N/A	Subasm, Spindle, Rh, 4wb .....	1
18	<u>7048</u>	Bushing, Flanged Bronze .....	1
19	<u>8067</u>	Bushing, Bronze Spindle .....	1
20	<u>7840</u>	Nut, 3/4-16 Hex Slotted .....	2
21	<u>7910</u>	Pin, 5/32 X 1.00 Cotter .....	2

**5**  
**G**  
**E**

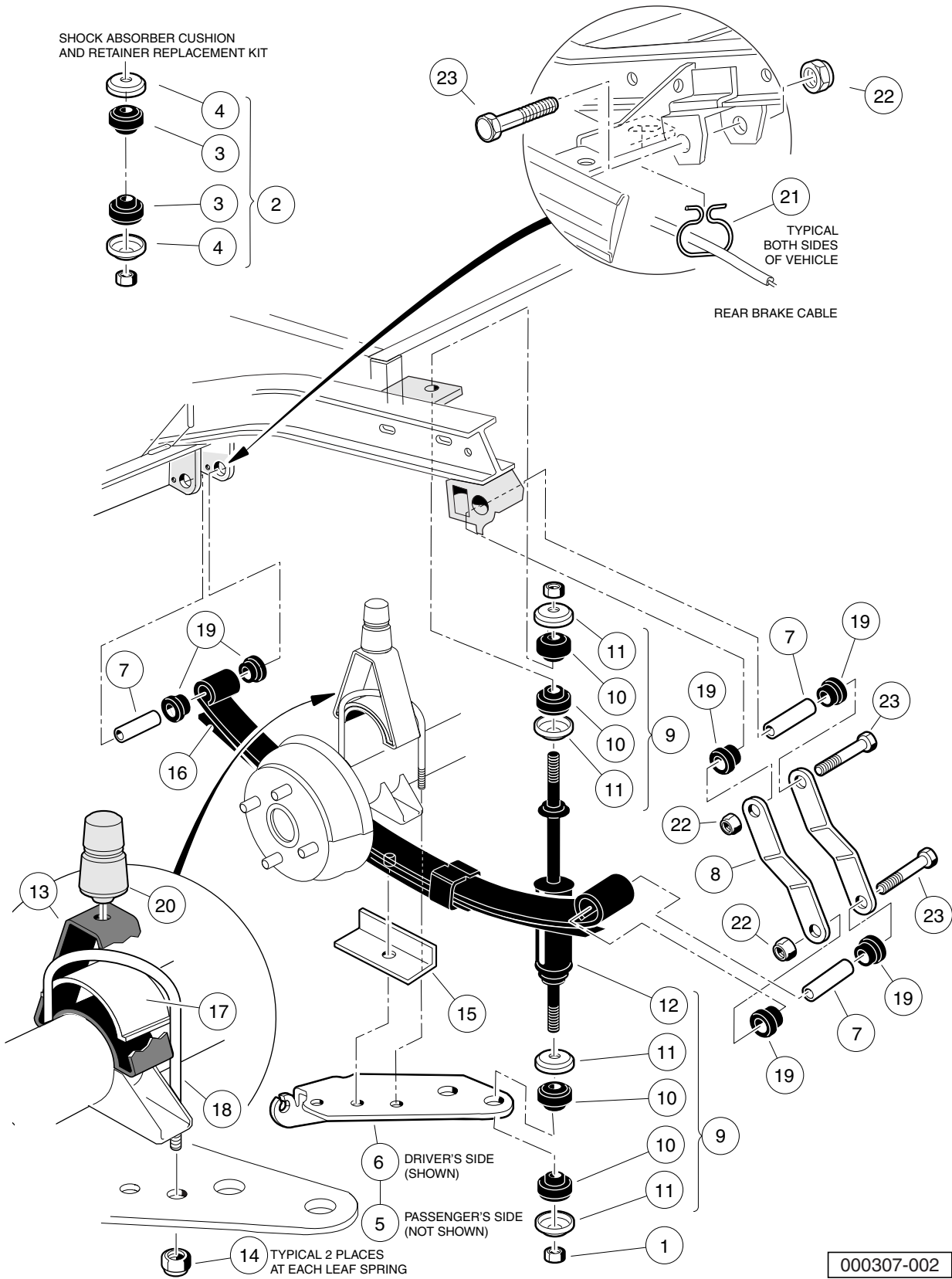


## REAR SUSPENSION COMPONENTS – DS VILLAGER 4 ELECTRIC VEHICLES

ITEM	PART NO.	DESCRIPTION	QTY
		1 2 3 4	
1	<u>1010145</u>	Nut, 3/8-24 Hex .....	4
2	<u>1011415</u>	Kit, Shock Absorber Cushion (includes items 3 and 4) .....	4
3	<u>1010142</u>	Cushion, Shock Absorber .....	2
4	<u>1010144</u>	Retainer, Shock Absorber Cushion .....	2
5	1012181	Bracket, Shock Mounting, Right (Passenger) .....	1
6	1012182	Bracket, Shock Mounting, Left (Driver) .....	1
7	<u>1012303</u>	Bushing, Steel .....	6
8	<u>1012304</u>	Shackle, Rear Spring .....	4
9	<u>1013164</u>	Shock Absorber Kit (includes items 10 through 12) .....	1
10	<u>1010142</u>	Cushion, Shock Absorber .....	8
11	<u>1010144</u>	Retainer, Shock Absorber Cushion .....	8
12	<u>102588501</u>	Shock Absorber Rear Prv Spd .....	2
13	<u>1013207</u>	Hanger, Brake Cable .....	2
14	<u>101454902</u>	Bumper Mount, Angled .....	2
15	<u>1014555</u>	Locknut, 7/16-14 Nylon Hex .....	4
16	1014573	Spring Retainer .....	2
17	<u>1014675</u>	Rear Leaf Spring .....	2
18	<u>1014901</u>	Spacer, Overload Bumper .....	2
19	<u>1014902</u>	U-Bolt .....	2
20	<u>1015583</u>	Bushing, Urethane .....	12
21	<u>1017235</u>	Bumper, Jounce .....	2
22	<u>8754</u>	Locknut, 3/8-16 Hex .....	6
23	<u>8755</u>	Screw, 3/8-16 X 3.375 Hex Cap .....	6
<p>Note: Only the driver-side rear suspension is shown. Parts for the passenger-side rear suspension are identical except for the leaf spring/shock mounting plate.</p>			

5  
G  
E

**5**  
**G**  
**E**

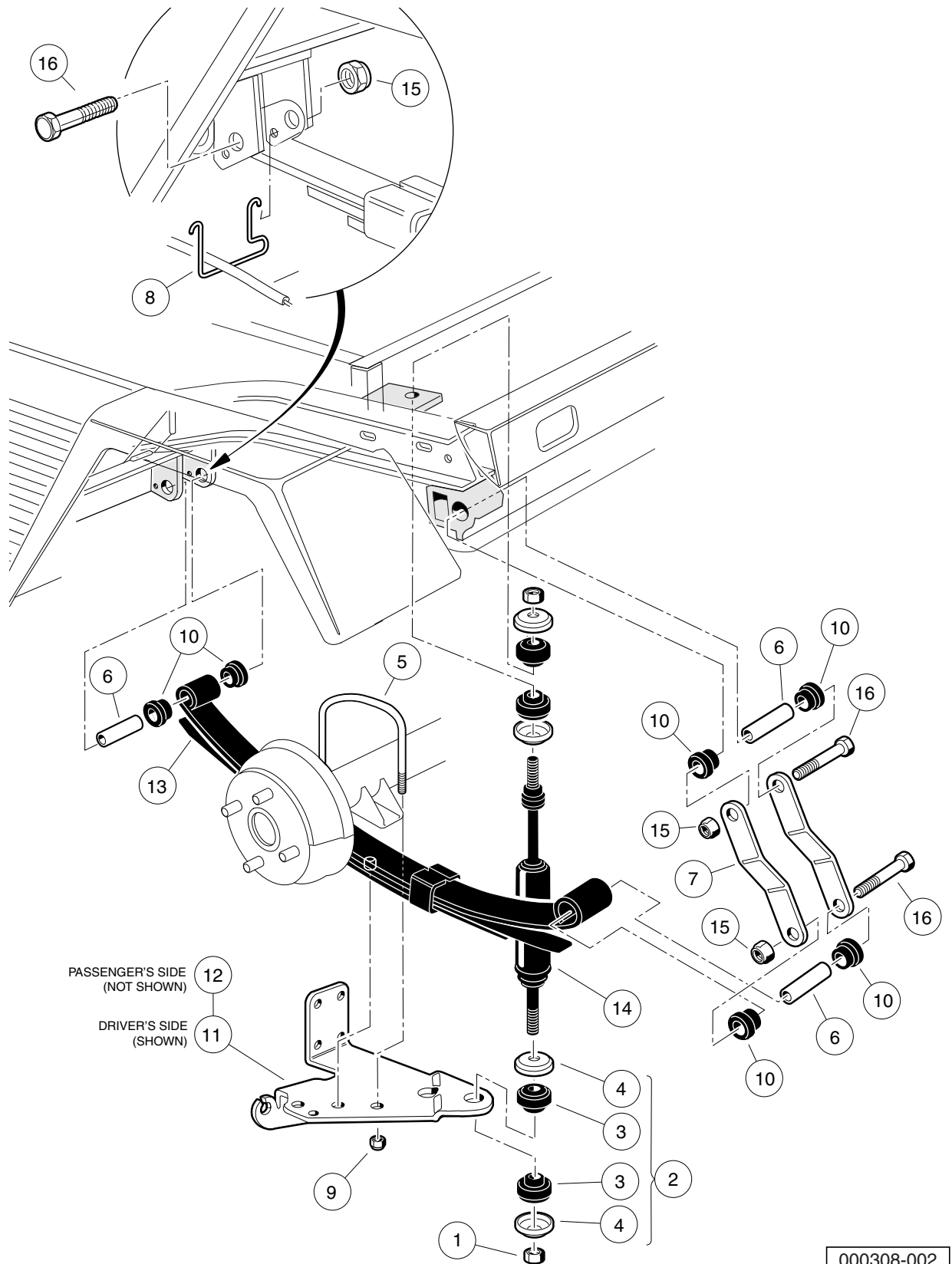


## REAR SUSPENSION COMPONENTS – DS VILLAGER 4 GASOLINE VEHICLES

ITEM	PART NO.	DESCRIPTION	QTY
		<b>1 2 3 4</b>	
1	<u>1010145</u>	Nut, 3/8-24 Hex .....	4
2	<u>1011415</u>	Kit, Shock Absorber Cushion (includes items 3 and 4) .....	4
3	<u>1010142</u>	Cushion, Shock Absorber .....	2
4	<u>1010144</u>	Retainer, Shock Absorber Cushion .....	2
5	1012181	Bracket, Shock Mounting, Right (Passenger) .....	1
6	1012182	Bracket, Shock Mounting, Left (Driver) .....	1
7	<u>1012303</u>	Bushing, Steel .....	6
8	<u>1012304</u>	Shackle, Rear Spring .....	4
9	<u>1013164</u>	Shock Absorber Kit (includes items 10 through 12) .....	1
10	<u>1010142</u>	Cushion, Shock Absorber .....	8
11	<u>1010144</u>	Retainer, Shock Absorber Cushion .....	8
12	<u>102588501</u>	Shock Absorber Rear Prv Spd .....	2
13	101454602	Bumper Mount .....	2
14	<u>1014555</u>	Locknut, 7/16-14 Nylon Hex .....	4
15	1014573	Spring Retainer .....	2
16	<u>1014675</u>	Rear Leaf Spring .....	2
17	<u>1014901</u>	Spacer, Overload Bumper .....	2
18	<u>1014902</u>	U-Bolt .....	2
19	<u>1015583</u>	Bushing, Urethane .....	12
20	<u>1017235</u>	Bumper, Jounce .....	2
21	101900801	Hanger, Brake Cable .....	2
22	<u>8754</u>	Locknut, 3/8-16 Hex .....	6
23	<u>8755</u>	Screw, 3/8-16 X 3.375 Hex Cap .....	6
<p>Note: Only the driver-side rear suspension is shown. Parts for the passenger-side rear suspension are identical except for the leaf spring/shock mounting plate.</p>			

**5**  
**G**  
**E**

**5**  
**G**  
**E**



000308-002

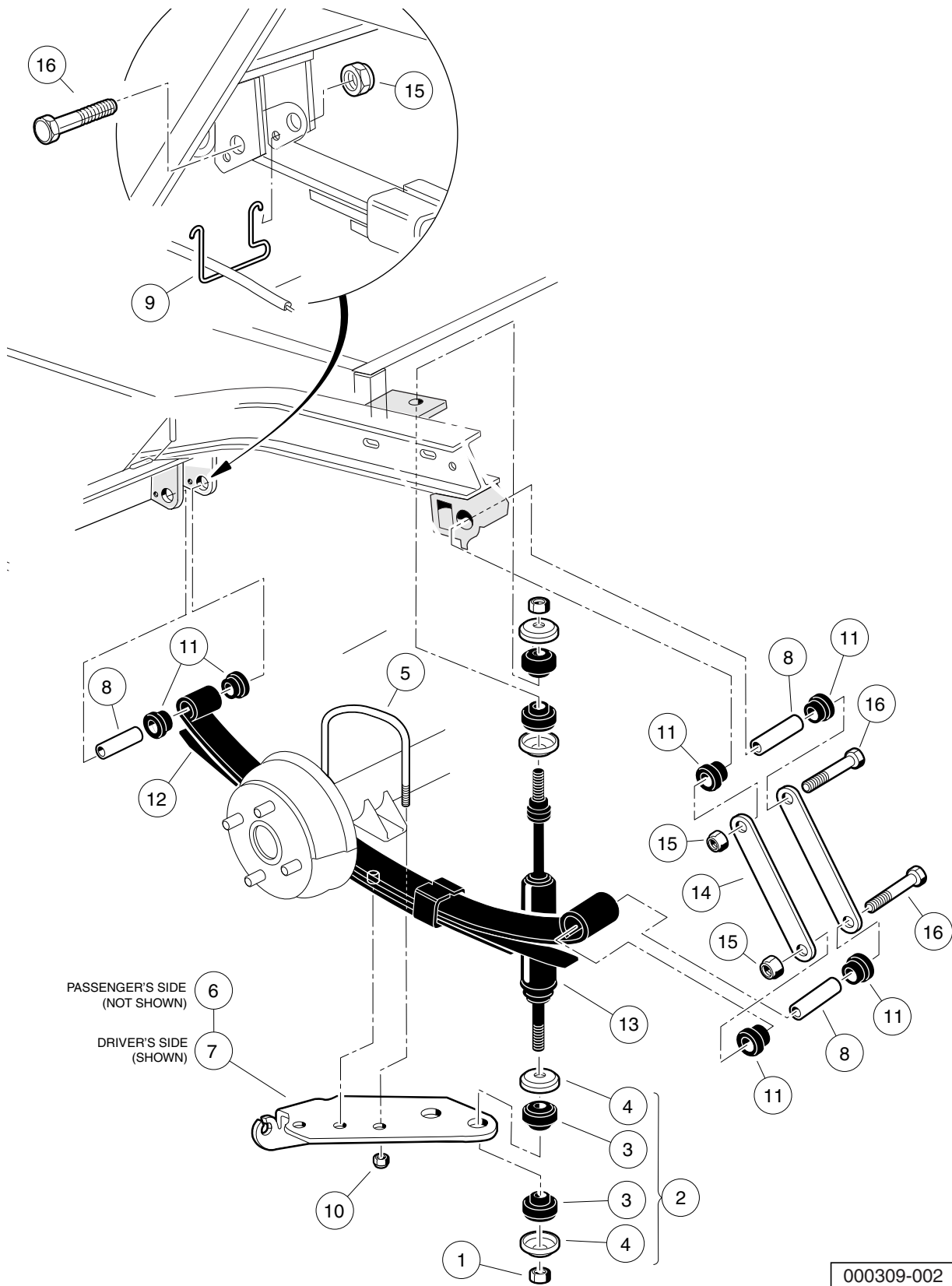


# REAR SUSPENSION COMPONENTS – VILLAGER 6 AND 8, AND TRANSPORTER 4 AND 6 GASOLINE VEHICLES

ITEM	PART NO.	DESCRIPTION	QTY
		1 2 3 4	
1	<u>1010145</u>	Nut, 3/8-24 Hex .....	4
2	<u>1011415</u>	Kit, Shock Absorber Cushion (includes items 3 and 4) .....	4
3	<u>1010142</u>	Cushion, Shock Absorber .....	2
4	<u>1010144</u>	Retainer, Shock Absorber Cushion .....	2
5	<u>1012180</u>	U-Bolt .....	2
6	<u>1012303</u>	Bushing, Steel .....	6
7	<u>1012304</u>	Shackle, Rear Spring .....	4
8	<u>1013207</u>	Hanger, Brake Cable .....	2
9	<u>1014555</u>	Locknut, 7/16-14 Nylon Hex .....	4
10	<u>1015583</u>	Bushing, Urethane .....	12
11	<u>101926501</u>	Bracket, Left-Hand .....	1
12	<u>101929401</u>	Bracket, Right .....	1
13	<u>102871801</u>	Spring, Multi Leaf .....	2
14	<u>103350901</u>	Shock Absorber, Rear, Utility .....	2
15	<u>8754</u>	Locknut, 3/8-16 Hex .....	6
16	<u>8755</u>	Screw, 3/8-16 X 3.375 Hex Cap .....	6
<p>Note: Only the driver-side rear suspension is shown. Parts for the passenger-side rear suspension are identical except for the leaf spring/shock mounting plate.</p>			

5  
G  
E

**5**  
**G**  
**E**

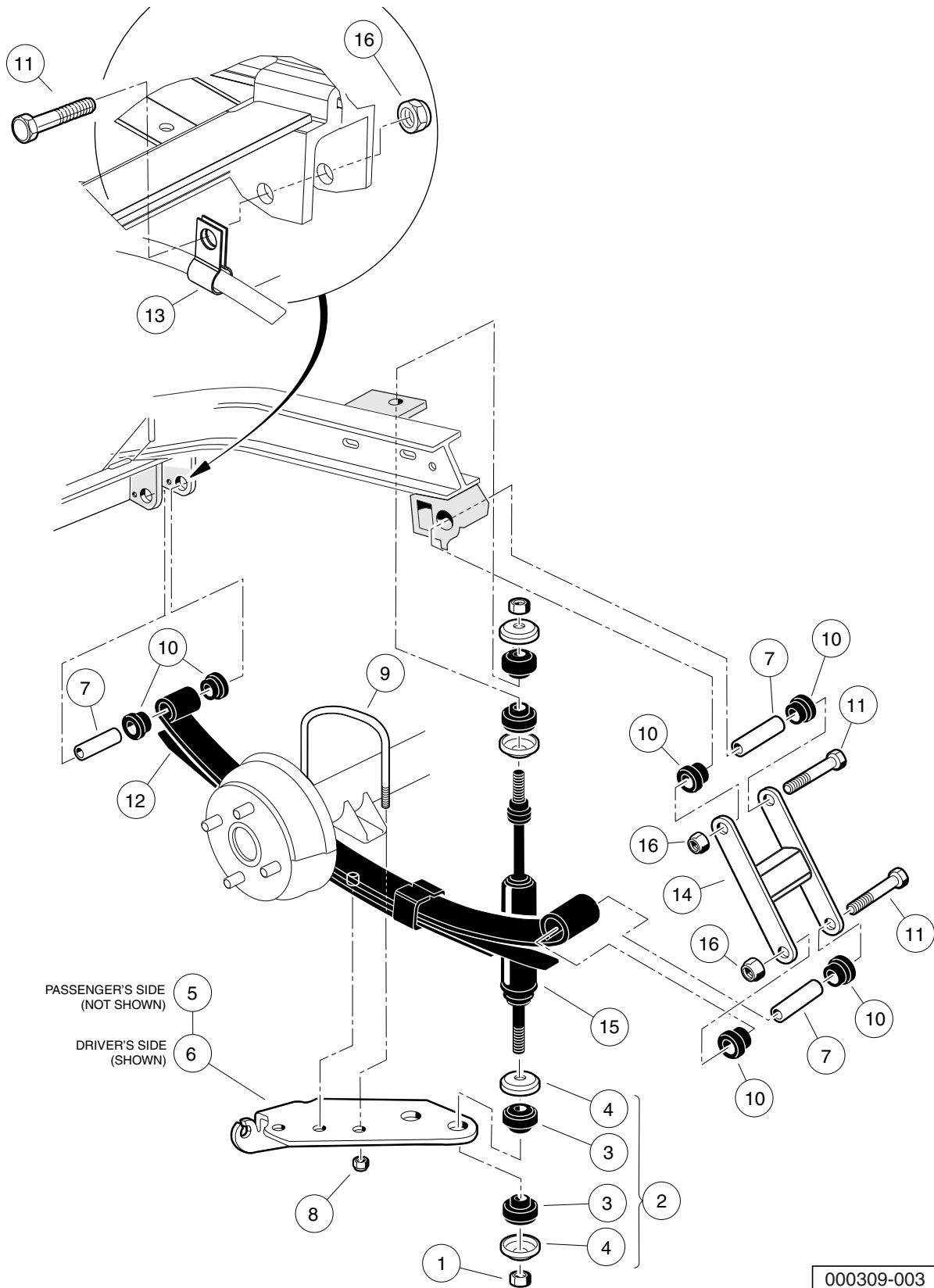


## REAR SUSPENSION – VILLAGER 6 AND 8 AND TRANSPORTER 4 AND 6 POWERDRIVE VEHICLES

ITEM	PART NO.	DESCRIPTION	QTY
		1 2 3 4	
1	<u>1010145</u>	Nut, 3/8-24 Hex .....	4
2	<u>1011415</u>	Kit, Shock Absorber Cushion (includes items 3 and 4) .....	4
3	<u>1010142</u>	Cushion, Shock Absorber .....	2
4	<u>1010144</u>	Retainer, Shock Absorber Cushion .....	2
5	<u>1012180</u>	U-Bolt .....	2
6	<u>1012181</u>	Bracket, Shock Mounting, Right (Passenger) .....	1
7	<u>1012182</u>	Bracket, Shock Mounting, Left (Driver) .....	1
8	<u>1012303</u>	Bushing, Steel .....	6
9	<u>1013207</u>	Hanger, Brake Cable .....	2
10	<u>1014555</u>	Locknut, 7/16-14 Nylon Hex .....	4
11	<u>1015583</u>	Bushing, Urethane .....	12
12	<u>102871801</u>	Spring, Multi Leaf .....	2
13	<u>103350901</u>	Shock Absorber, Rear, Utility .....	2
14	<u>7569</u>	Shackle, Rear Spring .....	4
15	<u>8754</u>	Locknut, 3/8-16 Hex .....	6
16	<u>8755</u>	Screw, 3/8-16 X 3.375 Hex Cap .....	6
		<p>Note: Only the driver-side rear suspension is shown. Parts for the passenger-side rear suspension are identical except for the leaf spring/shock mounting plate.</p>	

**5**  
**G**  
**E**

**5**  
**G**  
**E**



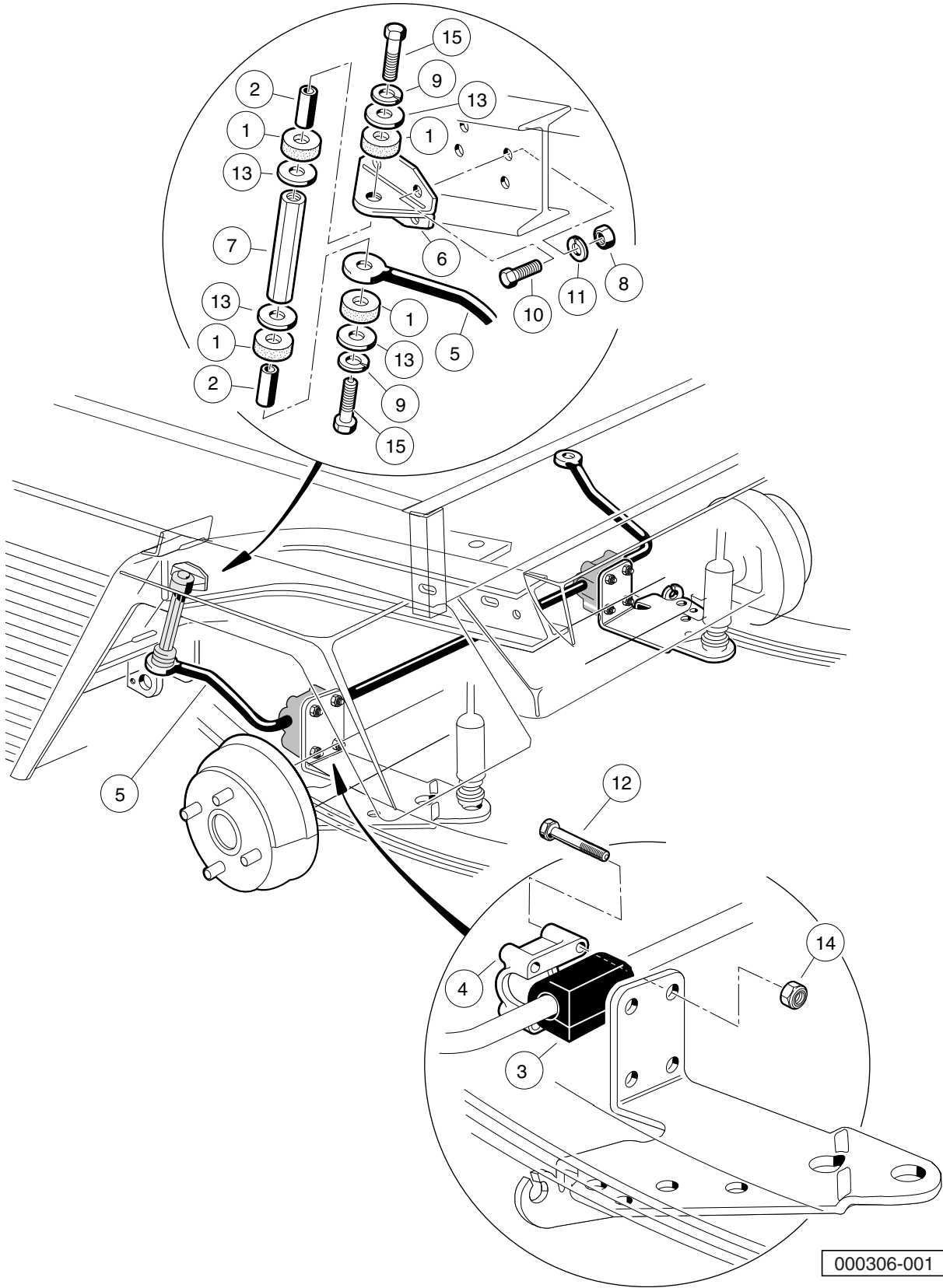
000309-003

## REAR SUSPENSION – TRANSPORTER 4 AND 6 AND VILLAGER 6 AND 8 IQ PLUS VEHICLES

ITEM	PART NO.	DESCRIPTION	QTY
		1 2 3 4	
1	<u>1010145</u>	Nut, 3/8-24 Hex .....	4
2	<u>1011415</u>	Kit, Shock Absorber Cushion (includes items 3 and 4) .....	4
3	<u>1010142</u>	Cushion, Shock Absorber .....	2
4	<u>1010144</u>	Retainer, Shock Absorber Cushion .....	2
5	1012181	Bracket, Shock Mounting, Right (Passenger) .....	1
6	1012182	Bracket, Shock Mounting, Left (Driver) .....	1
7	<u>1012303</u>	Bushing, Steel .....	6
8	<u>1014555</u>	Locknut, 7/16-14 Nylon Hex .....	4
9	<u>1014902</u>	U-Bolt .....	2
10	<u>1015583</u>	Bushing, Urethane .....	12
11	<u>102066201</u>	Screw, 3/8-16 X 3.50 Hex Cap .....	6
12	<u>102871801</u>	Spring, Multi Leaf .....	2
13	<u>102891101</u>	Clamp, Cable, Brake, Sym .....	2
14	<u>102917101</u>	Weldment, Shackle .....	2
15	<u>103351101</u>	Shock, Absorber, Utility .....	2
16	<u>8754</u>	Locknut, 3/8-16 Hex .....	6
		<p>Note: Only the driver-side rear suspension is shown. Parts for the passenger-side rear suspension are identical except for the leaf spring/shock mounting plate.</p>	

**5**  
**G**  
**E**

**5**  
**G**  
**E**



000306-001

## STABILIZER BAR – VILLAGER 6 AND 8, AND TRANSPORTER 4 AND 6 GASOLINE VEHICLES

ITEM	PART NO.	DESCRIPTION	QTY
		1 2 3 4	
1	<u>1015453</u>	Compression Mount .....	8
2	<u>1015457</u>	Spacer, 0.720" .....	4
3	<u>1015613</u>	Bushing, Stabilizer Bar .....	2
4	<u>1015614</u>	Support, Bushing .....	2
5	<u>1015760</u>	Stabilizer Bar .....	1
6	<u>1016813</u>	Mounting Bracket, Stabilizer Bar .....	2
7	<u>1016814</u>	Link, Stabilizer Bar .....	2
8	<u>1242</u>	Nut, 5/16-18 Hex .....	8
9	<u>357</u>	Lockwasher, 3/8 Split .....	4
10	<u>7173</u>	Screw, 5/16-18 X 0.75 Hex-Head Cap .....	8
11	<u>7174</u>	Lockwasher, 5/16 Split .....	8
12	<u>7311</u>	Screw, 1/4-20 X 2.00 Hex-Head Cap .....	8
13	<u>808</u>	Washer, 3/8 Type B Flat .....	8
14	<u>8233</u>	Locknut, 1/4-20 Nylon Insert .....	8
15	<u>8861</u>	Bolt, 3/8-16 X 1.75 Hex .....	4
<p>Note: Only the driver side of the stabilizer bar is shown. Parts for the passenger side of the stabilizer bar are identical.</p>			

5  
G  
E

**5**

**G**

**E**

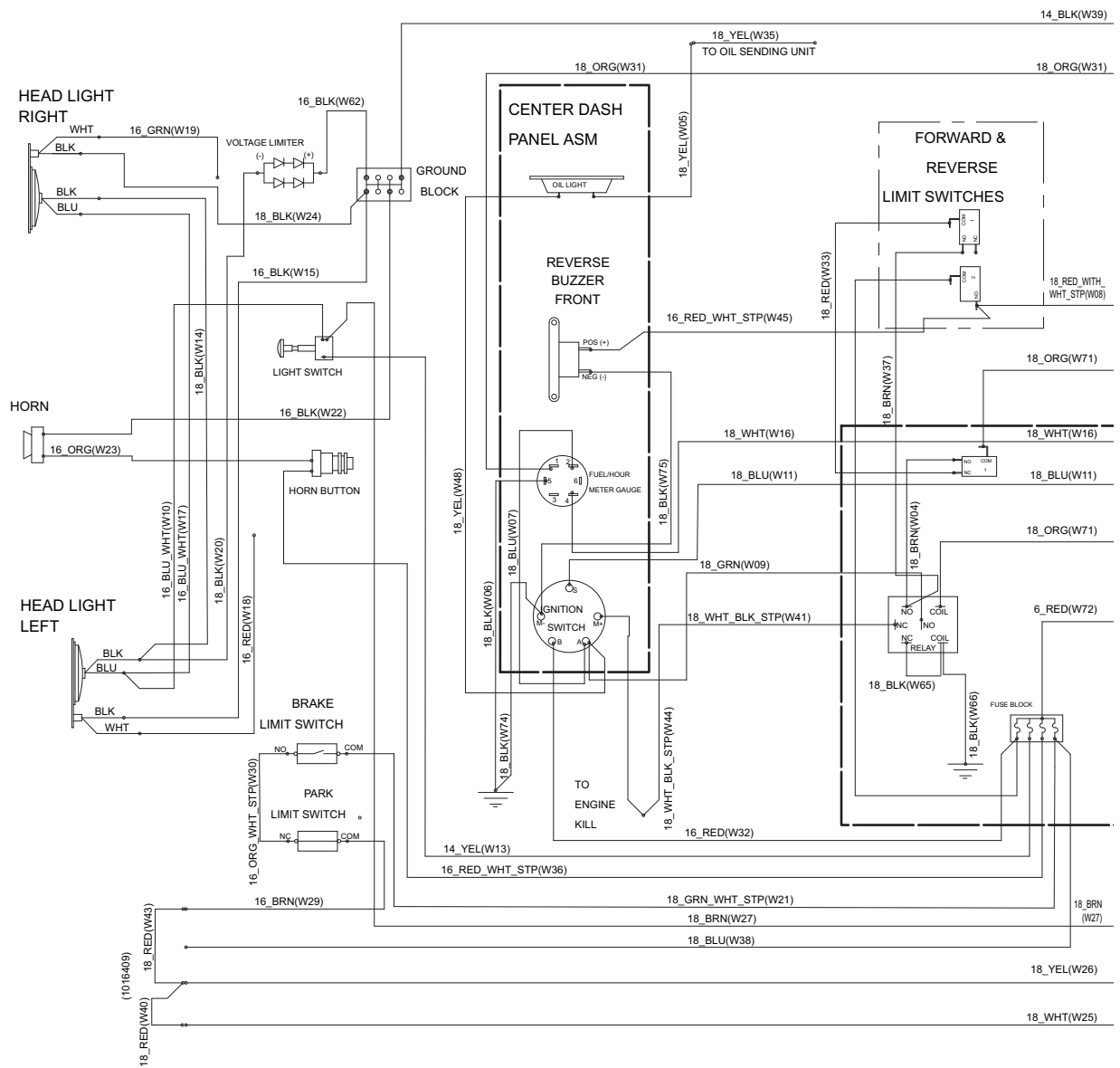


# ELECTRICAL SYSTEM – GASOLINE VEHICLES

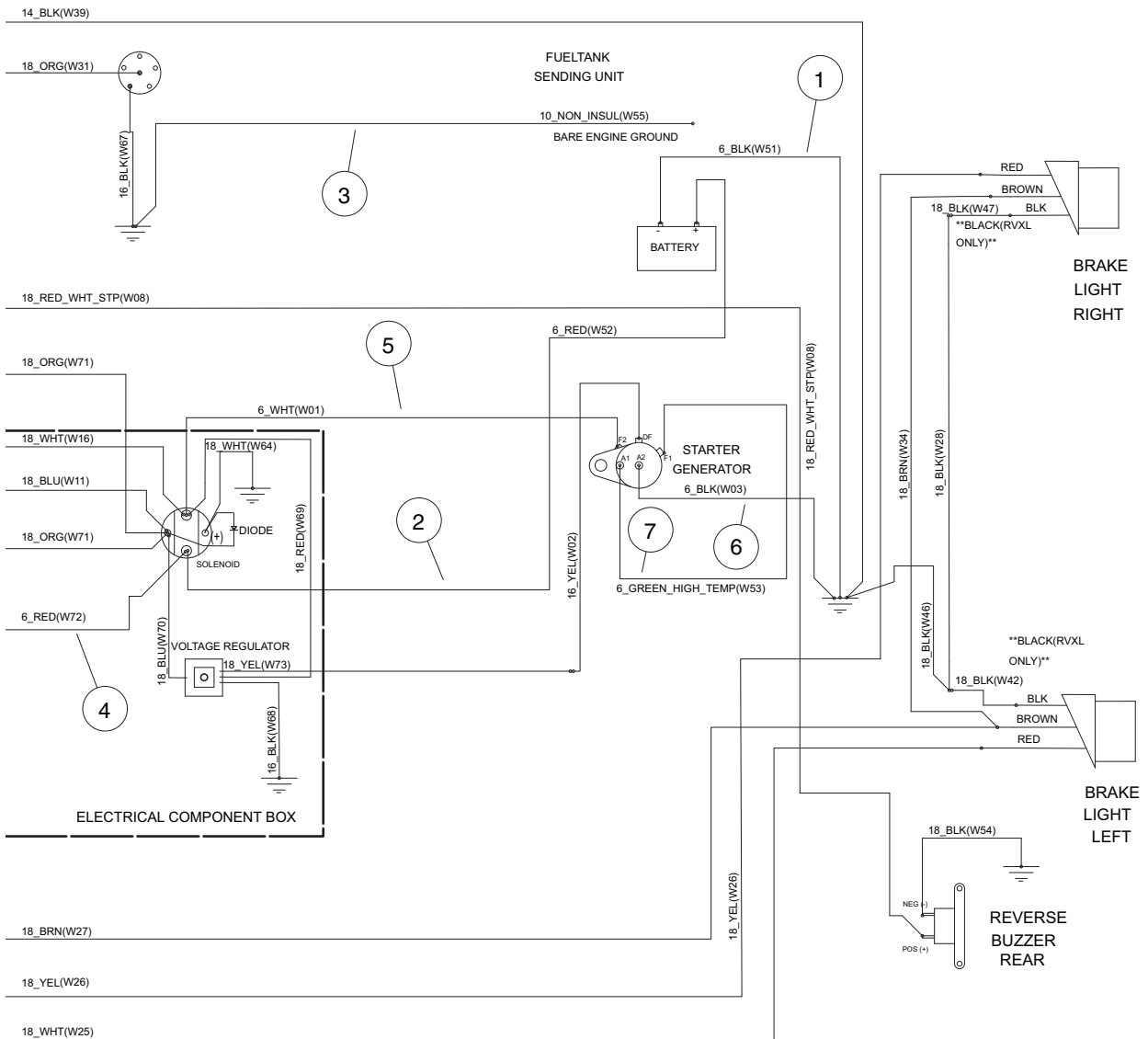
---

6

G



000326-002



000326-002

**6**

**G**

See previous two pages for illustration.

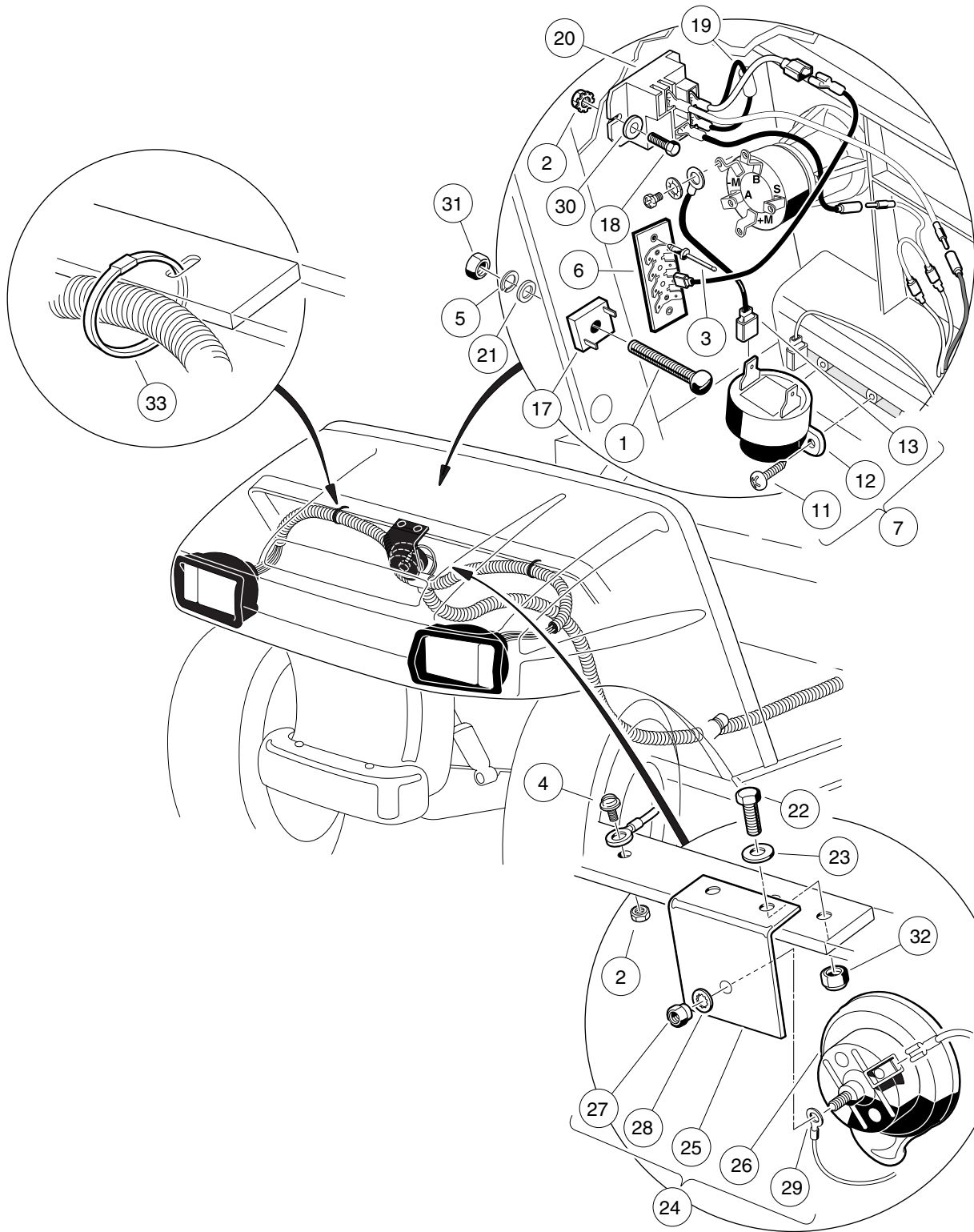
# WIRING – GASOLINE VILLAGER 6 AND TRANSPORTER 4 AND 6

ITEM	PART NO.	DESCRIPTION	QTY
		1 2 3 4	
1	<u>1012382</u>	Wire Assy, #6 Black .....	1
2	<u>1014119</u>	Wire Assembly #6 Red .....	1
3	<u>1015332</u>	Wire Assembly, #10, Uninsulated .....	1
4	<u>1015737</u>	Wire Assy, #10 Red .....	1
5	<u>1015769</u>	Wire Assy, #6 White .....	1
6	<u>1016380</u>	Wire Assembly #6 Black .....	1
7	<u>101837301</u>	Wire Assy, #6 Green .....	1
8	****	Wire Harness (Lighting) .....	1
9	<u>101990402</u>	Wire Harness Assy .....	1
		**** Special order item available upon request.	

6

G

**6**  
**G**

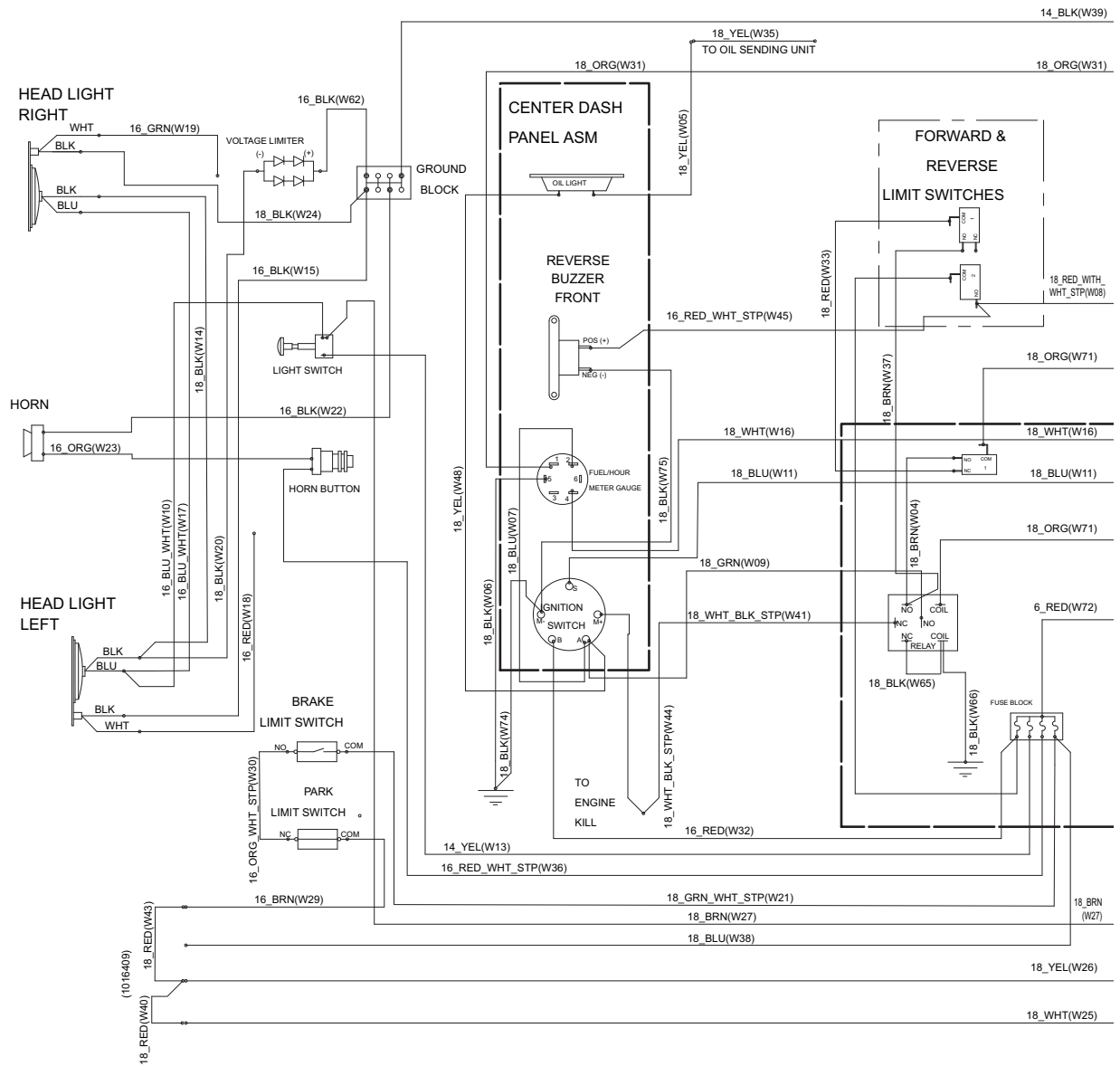


000335-001

## FRONT BODY ELECTRICAL COMPONENTS – VILLAGER 6 AND 8, AND TRANSPORTER 4 AND 6

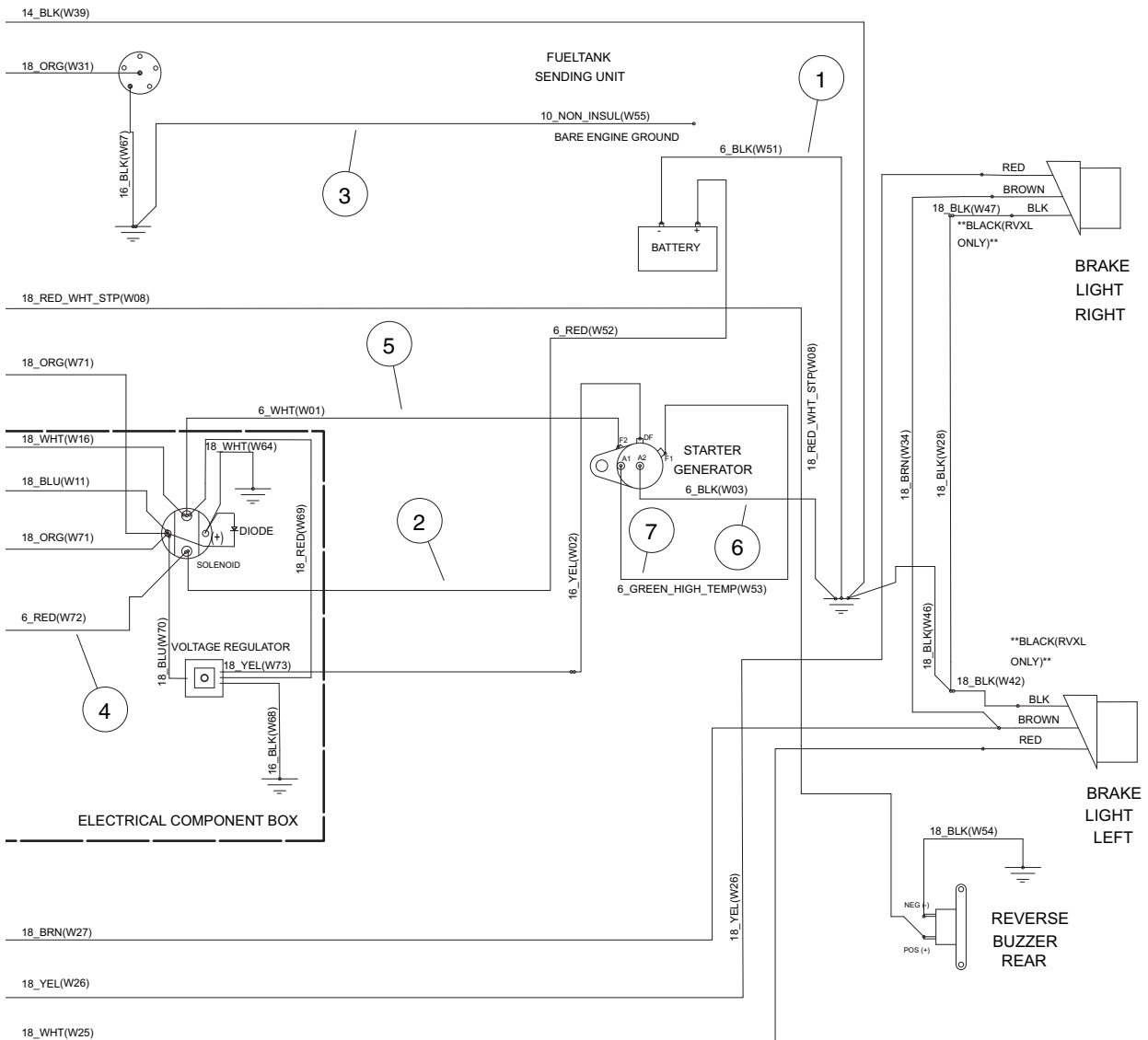
ITEM	PART NO.	DESCRIPTION	QTY
		1 2 3 4	
1	<u>1010909</u>	Screw, #10-32 X 1.25 Rd Hd Mch .....	1
2	<u>1011229</u>	Locknut, #6-32 Whiz .....	3
3	<u>1013357</u>	Rivet, 5/32 Aluminum Pop .....	2
4	<u>1015720</u>	Screw, #6-32 X 1/2 Hex Washer-Head .....	1
5	<u>1016</u>	Lockwasher, #10 Split .....	1
6	<u>1016356</u>	Terminal Block with Insulator .....	1
7	<u>1016859</u>	Kit, Reverse Buzzer (includes items 8 through 16) .....	1
8	<u>1011229</u>	Locknut, #6-32 Whiz .....	1
9	<u>1012431</u>	Washer, #4 Flat .....	2
10	<u>1015720</u>	Screw, #6-32 X 1/2 Hex Washer-Head .....	1
11	<u>1016849</u>	Screw, #4-24 X 0.33 Pan-Head Machine .....	2
12	<u>1016851</u>	Buzzer, Reverse (9-48 VDC) .....	1
13	<u>1016857</u>	Wire Assembly Black #18 .....	1
14	<u>8056</u>	Screw, #4-40 X 0.75 Round-Head Machine .....	2
15	<u>8057</u>	Nut, #4-40 Hex Machine .....	2
16	<u>8058</u>	Lockwasher, #4 Split .....	2
17	<u>1017721</u>	Limiter, Voltage .....	1
18	<u>1017853</u>	Screw, #6-32 X 0.75 Hex-Head Machine .....	2
19	<u>101914401</u>	Assembly, Voltage Suppressor .....	1
20	<u>102199001</u>	Relay, 12-Volt .....	1
21	<u>183</u>	Washer, #10 Type A Flat .....	1
22	<u>304</u>	Screw, 1/4-20 X 1.0 Hex-Head Cap .....	2
23	<u>332</u>	Washer, 1/4 Type A Narrow Flat .....	2
24	<u>4029</u>	Horn (includes items 25 through 29) .....	1
25	<u>1011825</u>	Horn Bracket .....	1
26	<u>1014530</u>	Horn, 12-VDC .....	1
27	<u>101955101</u>	Nut, M6 Hex .....	1
28	<u>7820</u>	Washer, 5/16 Internal-Tooth .....	1
29	<u>N/A</u>	5/16 Ring Term. ....	1
30	<u>7591</u>	Washer, #6 Flat .....	2
31	<u>7893</u>	Nut, #10-32 Hex .....	1
32	<u>8233</u>	Locknut, 1/4-20 Nylon Insert .....	2
33	<u>8639</u>	Tie Wrap, 11" Nylon .....	4
		Note: Items 8 through 10, and 14 through 16 are included in the reverse buzzer kit, but are not used in this application.	

**6**  
**G**



000326-003





000326-003

**6**

**G**

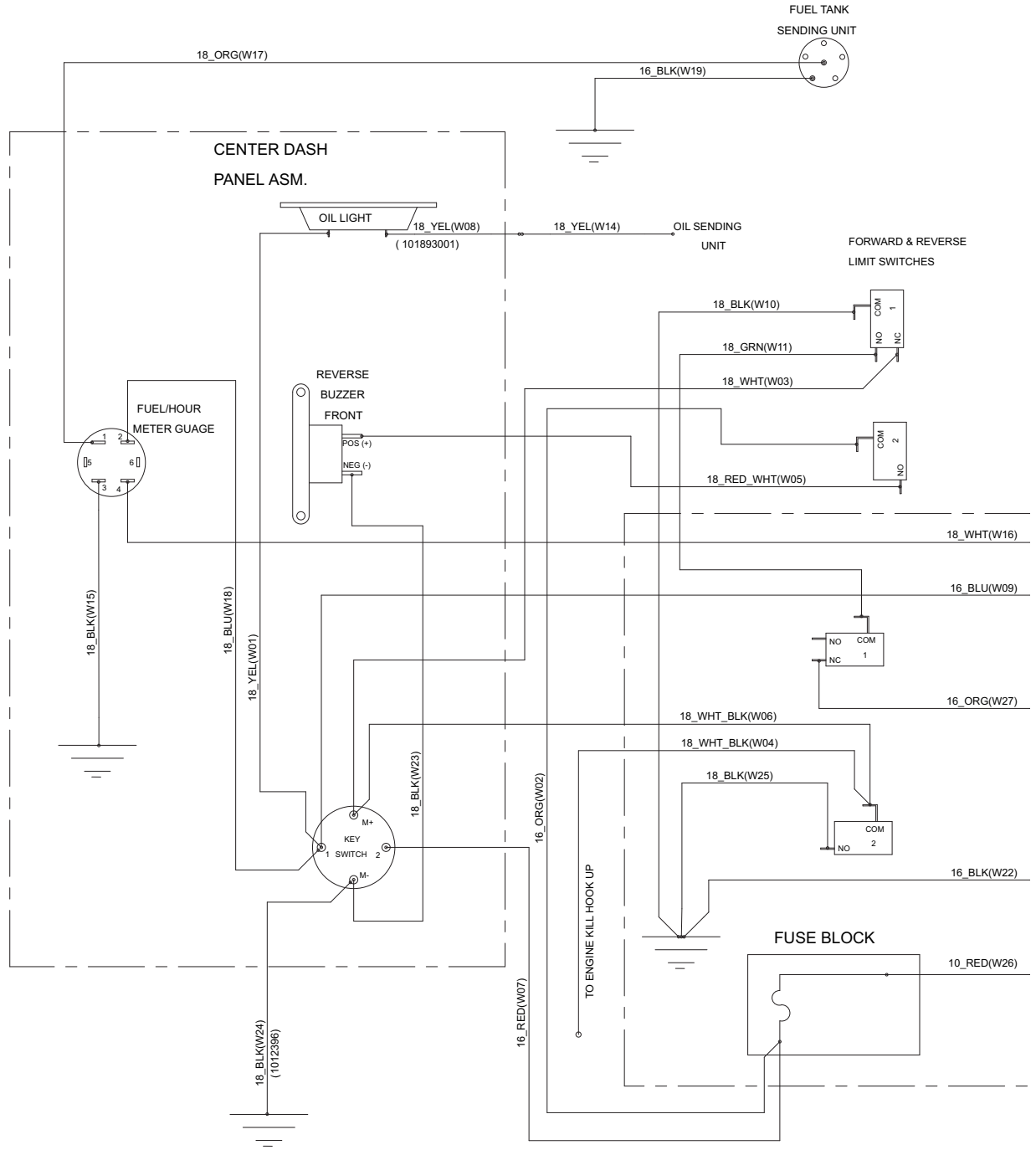
See previous two pages for illustration.

## WIRING – GASOLINE VILLAGER 8

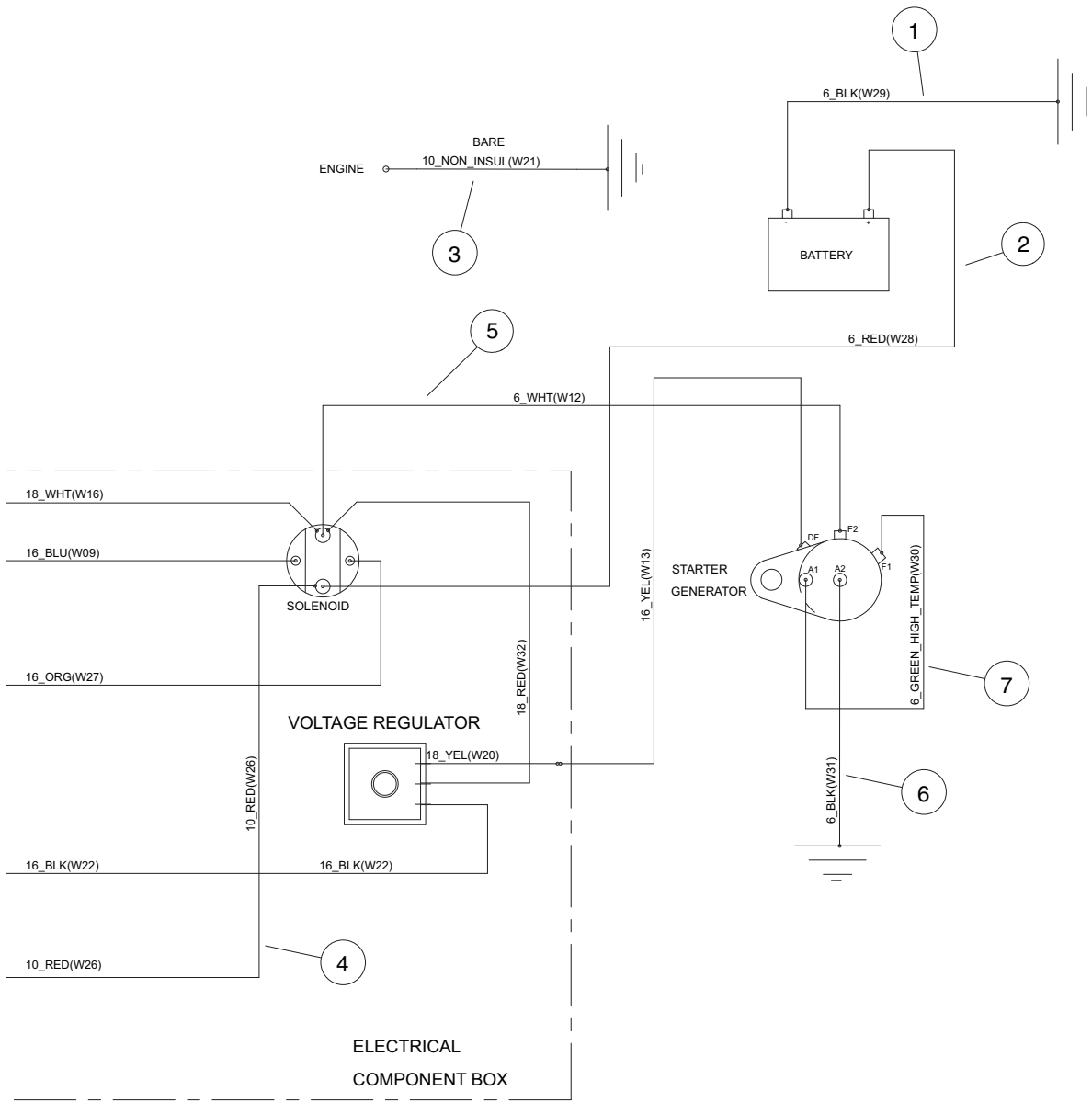
ITEM	PART NO.	DESCRIPTION	QTY
		1 2 3 4	
1	<u>1012382</u>	Wire Assy, #6 Black .....	1
2	<u>1014119</u>	Wire Assembly #6 Red .....	1
3	<u>1015332</u>	Wire Assembly, #10, Uninsulated .....	1
4	<u>1015737</u>	Wire Assy, #10 Red .....	1
5	<u>1015769</u>	Wire Assy, #6 White .....	1
6	<u>1016380</u>	Wire Assembly #6 Black .....	1
7	<u>101837301</u>	Wire Assy, #6 Green .....	1
8	****	Wire Harness (Lighting) .....	1
9	<u>101990502</u>	Wire Harness Assy .....	1
		**** Special order item available upon request.	

6

G



000372-001



000372-001

**6**

**G**

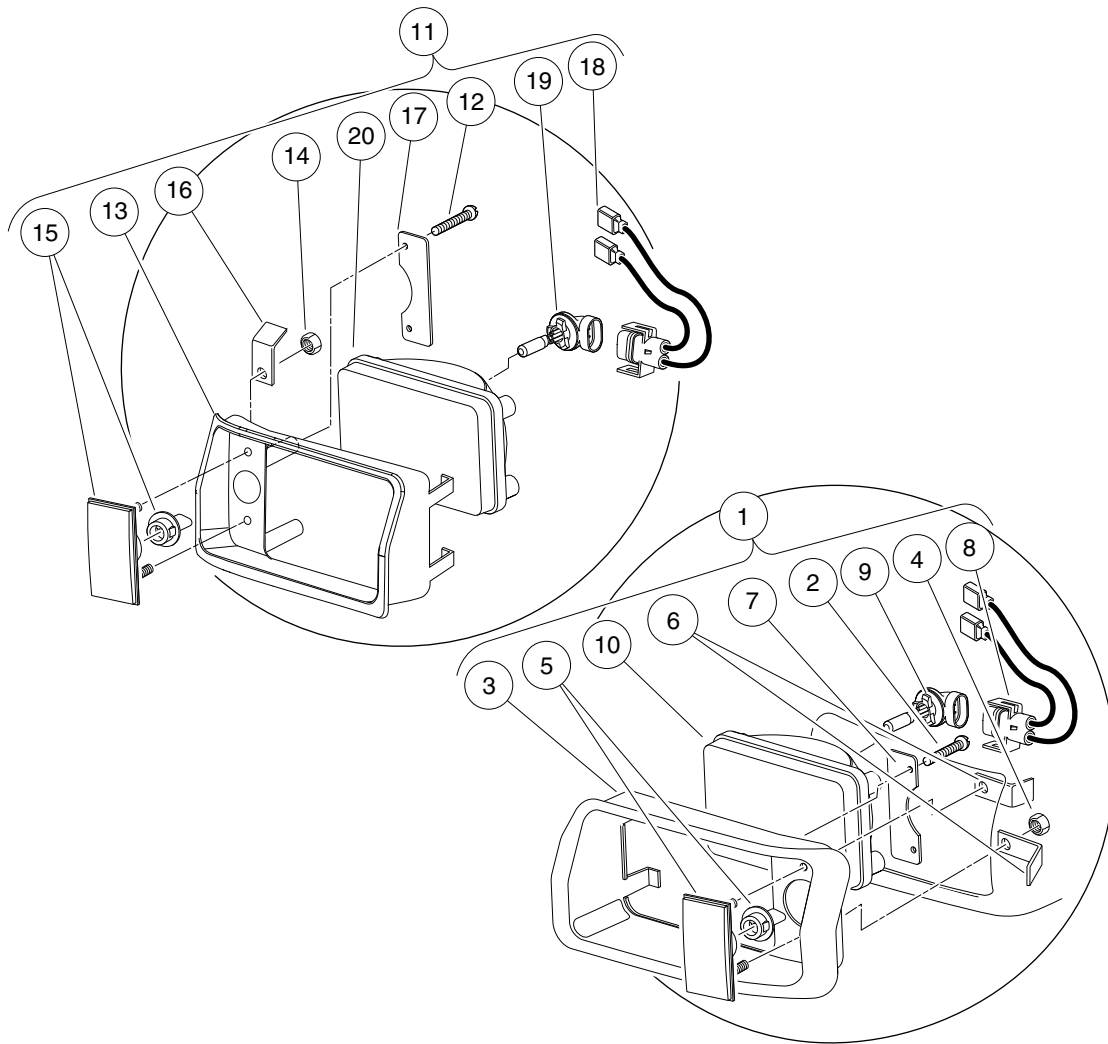
See previous two pages for illustration.

## WIRING – GASOLINE DS VILLAGER 4

ITEM	PART NO.	DESCRIPTION	QTY
		1 2 3 4	
1	<u>1012382</u>	Wire Assy, #6 Black .....	1
2	<u>1014119</u>	Wire Assembly #6 Red .....	1
3	<u>1015332</u>	Wire Assembly, #10, Uninsulated .....	1
4	<u>1015737</u>	Wire Assy, #10 Red .....	1
5	<u>1015769</u>	Wire Assy, #6 White .....	1
6	<u>1015920</u>	Ground Wire Assembly .....	1
7	<u>101837301</u>	Wire Assy, #6 Green .....	1
8	<u>103332402</u>	Assy Wire Harness Gas V4 Kit .....	1

6

G



000073-001

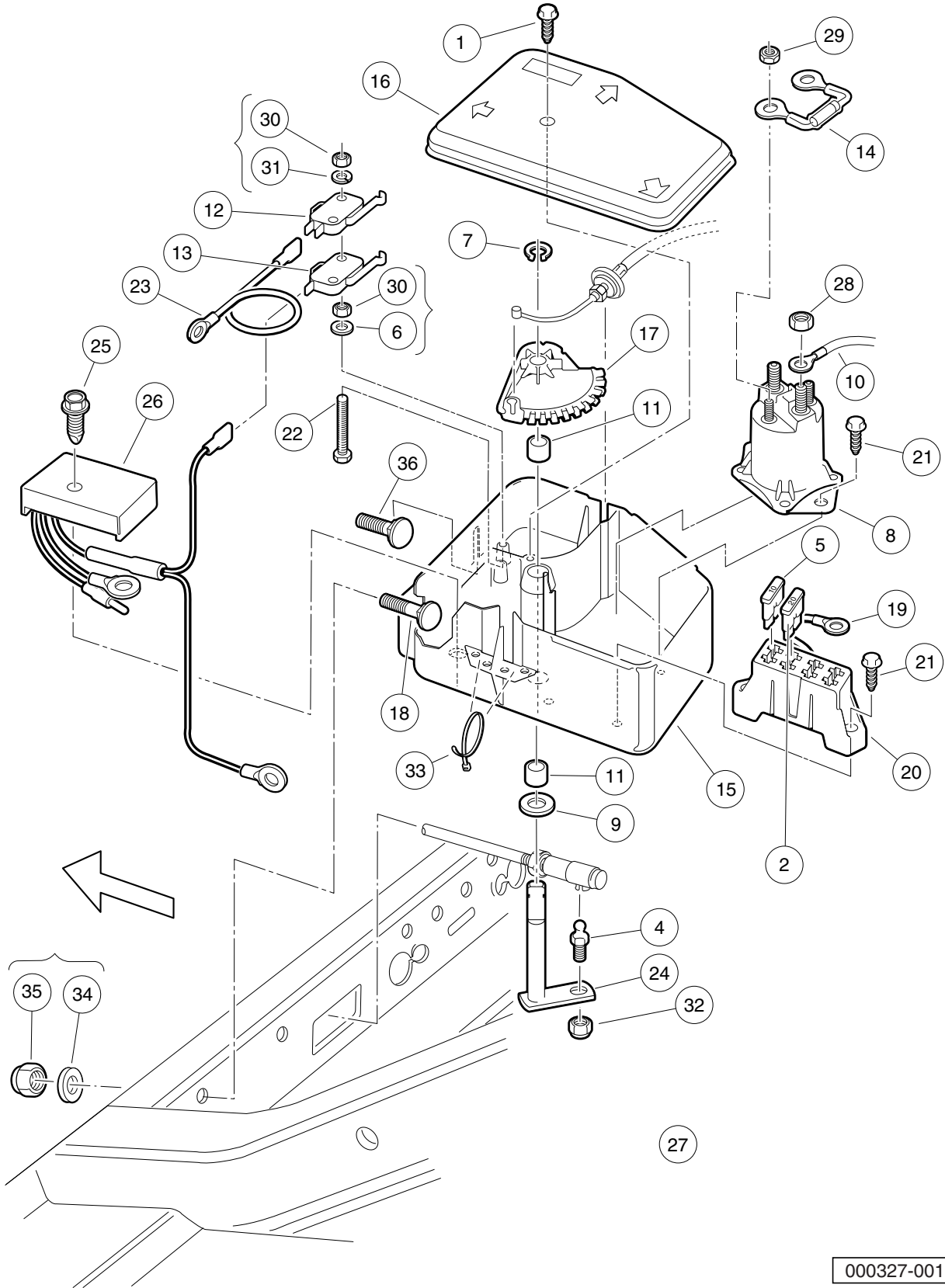


# HEADLIGHTS

ITEM	PART NO.	DESCRIPTION	QTY
		<b>1 2 3 4</b>	
1	<u>101988001</u>	Headlight Assembly, Driver-Side Single Beam (includes items 2 through 10) .....	1
2	<u>1013461</u>	Screw, #10-16 Hex-Head Hi-Lo .....	2
3	<u>1016880</u>	Headlight Bezel, Left .....	1
4	<u>1017</u>	Nut, #10-24 Stainless-Steel Hex Machine .....	2
5	<u>1017062</u>	Turn Signal Lens Assy .....	1
6	<u>1017064</u>	Mounting Bracket .....	2
7	<u>1017065</u>	Retainer, Headlight .....	1
8	<u>101987901</u>	Connector Harness Assembly, Headlight .....	1
9	<u>101988101</u>	Bulb, Headlight .....	1
10	<u>101988201</u>	Lens, Headlight .....	1
11	<u>101988002</u>	Headlight Assy, Passenger-Side Single Beam (includes items 12 through 20) .....	1
12	<u>1013461</u>	Screw, #10-16 Hex-Head Hi-Lo .....	2
13	<u>1016879</u>	Headlight Bezel, Right .....	1
14	<u>1017</u>	Nut, #10-24 Stainless-Steel Hex Machine .....	2
15	<u>1017062</u>	Turn Signal Lens Assy .....	1
16	<u>1017064</u>	Mounting Bracket .....	2
17	<u>1017065</u>	Retainer, Headlight .....	1
18	<u>101987901</u>	Connector Harness Assembly, Headlight .....	1
19	<u>101988101</u>	Bulb, Headlight .....	1
20	<u>101988201</u>	Lens, Headlight .....	1

**6**  
**G**

**6**  
**G**

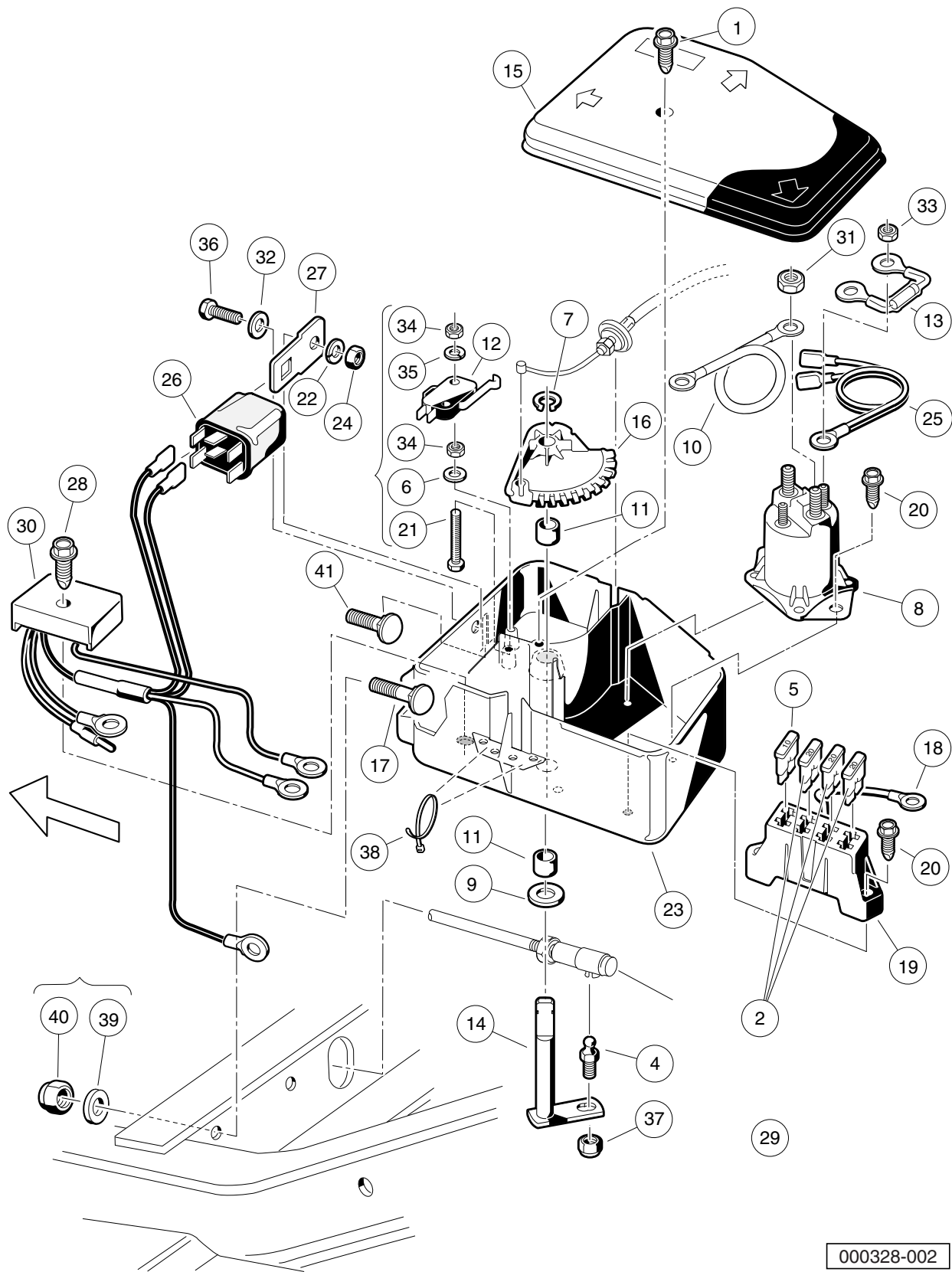


000327-001

# ELECTRICAL COMPONENT BOX – GASOLINE DS VILLAGER 4

ITEM	PART NO.	DESCRIPTION	QTY
		1 2 3 4	
1	<u>1015752</u>	Screw, #12-16 X 0.625 Hi-Lo .....	1
2	<u>1016423</u>	Fuse, 20-Amp .....	1
3	N/A	Elec Component Box Asm, V4 (includes items 4 through 33) .....	1
4	<u>1010954</u>	Stud, 1/4-28 X 0.560 Ball .....	1
5	<u>1012295</u>	Fuse, 10-Amp .....	1
6	<u>1012431</u>	Washer, #4 Flat .....	2
7	<u>1013589</u>	Ring, 0.338" Internal Retaining .....	1
8	<u>1013609</u>	Solenoid, 12-Volt .....	1
9	<u>1014065</u>	Washer, 0.38" ID Delrin Flat .....	1
10	<u>1014119</u>	Wire Assembly #6 Red .....	1
11	<u>1014145</u>	Bushing, Secondary Weight, Split .....	2
12	<u>1014807</u>	Switch, Limit .....	1
13	<u>1014808</u>	Switch, Limit .....	1
14	<u>1014948</u>	Diode .....	1
15	<u>1015371</u>	Box, Electrical Component .....	1
16	<u>1015372</u>	Cover, Electric Box .....	1
17	<u>1015373</u>	Cam, Electric Box .....	1
18	<u>1015405</u>	Bolt, Carriage, 5/16-18 X 2.0 .....	1
19	<u>1015737</u>	Wire Assy, #10 Red .....	1
20	<u>1015741</u>	Fuse Block .....	1
21	<u>1015752</u>	Screw, #12-16 X 0.625 Hi-Lo .....	4
22	<u>1015878</u>	Screw, #4-40 Hex Head Machine .....	2
23	<u>1016401</u>	Wire Assy, #16 Orange .....	1
24	<u>101821301</u>	Bell Crank Weld Asm .....	1
25	<u>101856102</u>	Screw, 1/4-15 X 1.50 Hi-lo Hex .....	1
26	<u>102711201</u>	Voltage Regulator .....	1
27	<u>103332402</u>	Assy Wire Harness Gas V4 Kit .....	1
28	<u>1242</u>	Nut, 5/16-18 Hex .....	2
29	<u>7893</u>	Nut, #10-32 Hex .....	2
30	<u>8057</u>	Nut, #4-40 Hex Machine .....	4
31	<u>8058</u>	Lockwasher, #4 Split .....	2
32	<u>8717</u>	Locknut, 1/4-28 Nylon Insert .....	1
33	<u>8990</u>	Tie Wrap, 8" Nylon .....	2
34	<u>1241</u>	Washer, 5/16 Type A Flat .....	2
35	<u>7473</u>	Locknut, 5/16-18 Nylon Insert .....	2
36	<u>7818</u>	Bolt, Carriage, 5/16-18 X 1.5 .....	1

**6**  
**G**



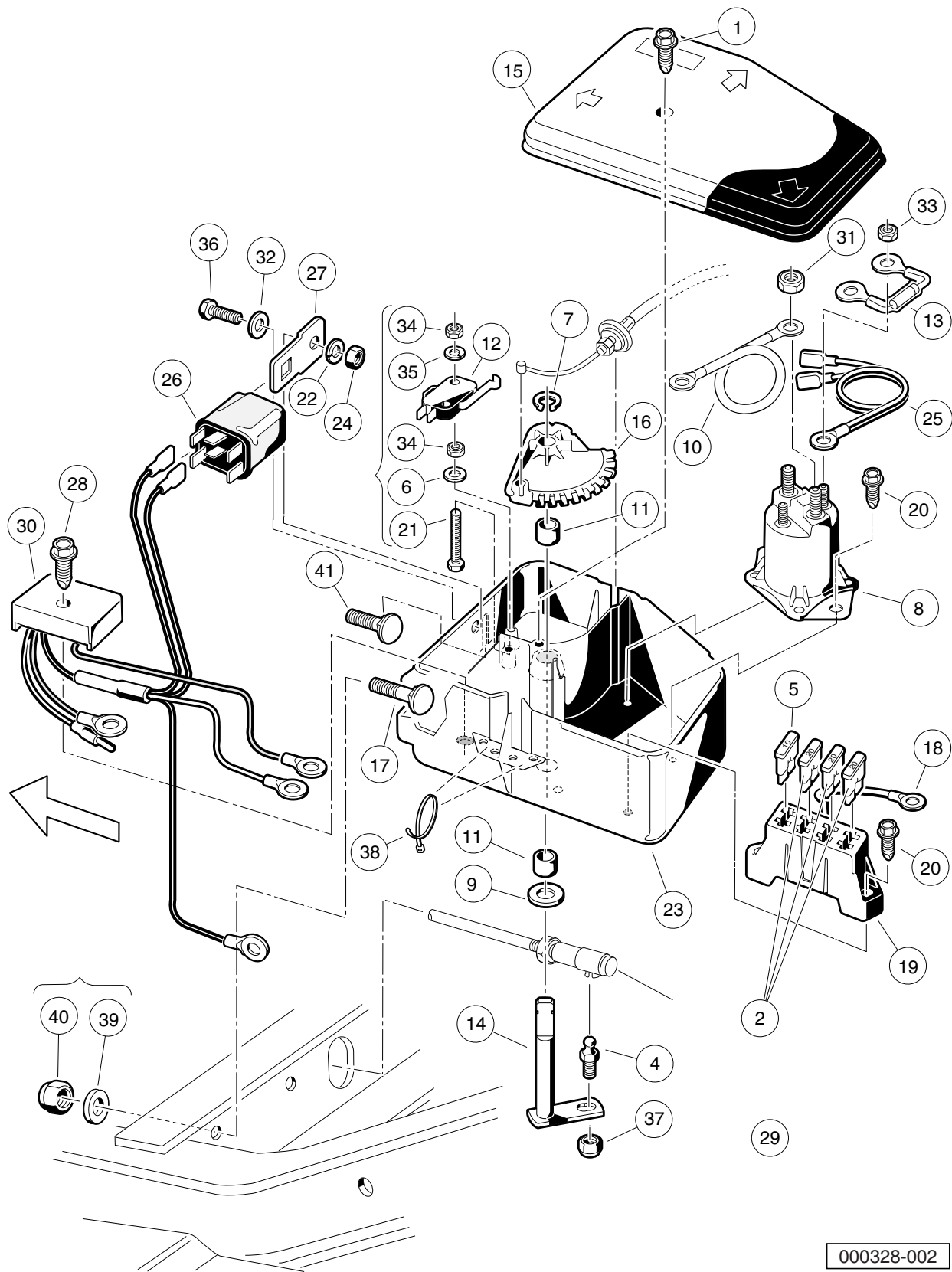
000328-002

## ELECTRICAL COMPONENT BOX – GASOLINE TRANSPORTER 4 AND 6, AND VILLAGER 6

ITEM	PART NO.	DESCRIPTION	QTY
		1 2 3 4	
1	<u>1015752</u>	Screw, #12-16 X 0.625 Hi-Lo .....	1
2	<u>1016423</u>	Fuse, 20-Amp .....	3
3	N/A	Electrical Component Box Assembly (includes items 4 through 38) .....	1
4	<u>1010954</u>	Stud, 1/4-28 X 0.560 Ball .....	1
5	<u>1012295</u>	Fuse, 10-Amp .....	1
6	<u>1012431</u>	Washer, #4 Flat .....	2
7	<u>1013589</u>	Ring, 0.338" Internal Retaining .....	1
8	<u>1013609</u>	Solenoid, 12-Volt .....	1
9	<u>1014065</u>	Washer, 0.38" ID Delrin Flat .....	1
10	<u>1014119</u>	Wire Assembly #6 Red .....	1
11	<u>1014145</u>	Bushing, Secondary Weight, Split .....	2
12	<u>1014807</u>	Switch, Limit .....	1
13	<u>1014948</u>	Diode .....	1
14	<u>1015345</u>	Bell Crank and Shaft Assembly .....	1
15	<u>1015372</u>	Cover, Electric Box .....	1
16	<u>1015373</u>	Cam, Electric Box .....	1
17	<u>1015405</u>	Bolt, Carriage, 5/16-18 X 2.0 .....	1
18	<u>1015737</u>	Wire Assy, #10 Red .....	1
19	<u>1015741</u>	Fuse Block .....	1
20	<u>1015752</u>	Screw, #12-16 X 0.625 Hi-Lo .....	4
21	<u>1015878</u>	Screw, #4-40 Hex Head Machine .....	2
22	<u>1016</u>	Lockwasher, #10 Split .....	1
23	<u>1016997</u>	Electrical Component Box .....	1
24	<u>1017</u>	Nut, #10-24 Stainless-Steel Hex Machine .....	1
25	<u>1017006</u>	Wire Assembly Orange #18 .....	1
26	<u>1017239</u>	Relay .....	1
27	<u>1017243</u>	Mounting Bracket, Relay .....	1
28	<u>101856102</u>	Screw, 1/4-15 X 1.50 Hi-lo Hex .....	1
29	<u>101990402</u>	Wire Harness Assy .....	1
30	N/A	Asm, Voltage Regulator Key Sta .....	1
31	<u>1242</u>	Nut, 5/16-18 Hex .....	2
32	<u>183</u>	Washer, #10 Type A Flat .....	1
33	<u>7893</u>	Nut, #10-32 Hex .....	2
34	<u>8057</u>	Nut, #4-40 Hex Machine .....	4
35	<u>8058</u>	Lockwasher, #4 Split .....	2
36	<u>8450</u>	Screw, #10-24 X 0.50 Hex-Head .....	1
37	<u>8717</u>	Locknut, 1/4-28 Nylon Insert .....	1
38	<u>8990</u>	Tie Wrap, 8" Nylon .....	3
39	<u>1241</u>	Washer, 5/16 Type A Flat .....	2
40	<u>7473</u>	Locknut, 5/16-18 Nylon Insert .....	2
41	<u>7818</u>	Bolt, Carriage, 5/16-18 X 1.5 .....	1

**6**

**G**



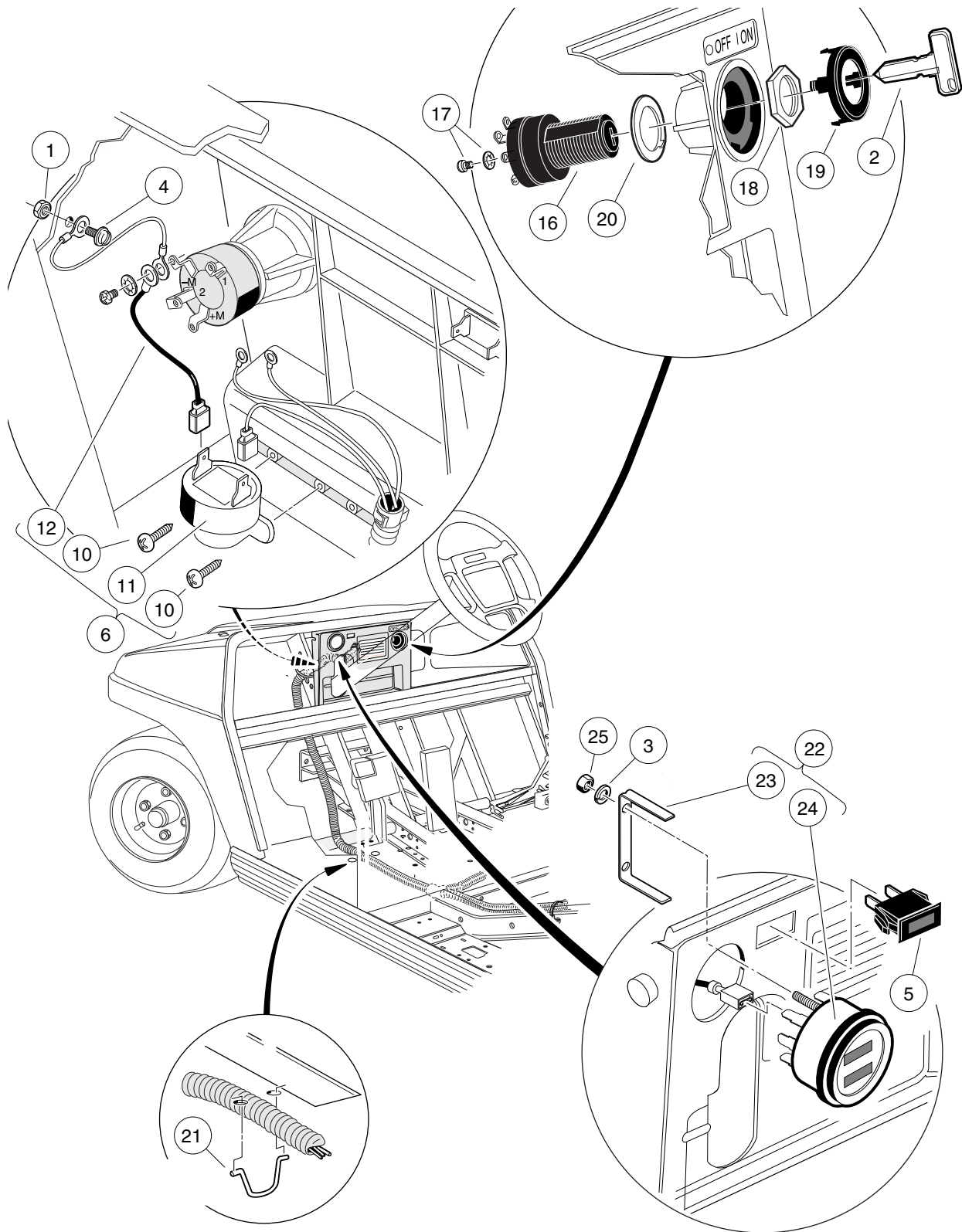
000328-002

# ELECTRICAL COMPONENT BOX – GASOLINE VILLAGER 8

ITEM	PART NO.	DESCRIPTION	QTY
		1 2 3 4	
1	<u>1015752</u>	Screw, #12-16 X 0.625 Hi-Lo .....	1
2	<u>1016423</u>	Fuse, 20-Amp .....	3
3	101827703	Electrical Component Box Assembly (includes items 4 through 38) .....	1
4	<u>1010954</u>	Stud, 1/4-28 X 0.560 Ball .....	1
5	<u>1012295</u>	Fuse, 10-Amp .....	1
6	<u>1012431</u>	Washer, #4 Flat .....	2
7	<u>1013589</u>	Ring, 0.338" Internal Retaining .....	1
8	<u>1013609</u>	Solenoid, 12-Volt .....	1
9	<u>1014065</u>	Washer, 0.38" ID Delrin Flat .....	1
10	<u>1014119</u>	Wire Assembly #6 Red .....	1
11	<u>1014145</u>	Bushing, Secondary Weight, Split .....	2
12	<u>1014807</u>	Switch, Limit .....	1
13	<u>1014948</u>	Diode .....	1
14	<u>1015345</u>	Bell Crank and Shaft Assembly .....	1
15	<u>1015372</u>	Cover, Electric Box .....	1
16	<u>1015373</u>	Cam, Electric Box .....	1
17	<u>1015405</u>	Bolt, Carriage, 5/16-18 X 2.0 .....	1
18	<u>1015737</u>	Wire Assy, #10 Red .....	1
19	<u>1015741</u>	Fuse Block .....	1
20	<u>1015752</u>	Screw, #12-16 X 0.625 Hi-Lo .....	4
21	<u>1015878</u>	Screw, #4-40 Hex Head Machine .....	2
22	<u>1016</u>	Lockwasher, #10 Split .....	1
23	<u>1016997</u>	Electrical Component Box .....	1
24	<u>1017</u>	Nut, #10-24 Stainless-Steel Hex Machine .....	1
25	<u>1017006</u>	Wire Assembly Orange #18 .....	1
26	<u>1017239</u>	Relay .....	1
27	<u>1017243</u>	Mounting Bracket, Relay .....	1
28	<u>101856102</u>	Screw, 1/4-15 X 1.50 Hi-lo Hex .....	1
29	<u>101990502</u>	Wire Harness Assy .....	1
30	N/A	Asm, Voltage Regulator Key Sta .....	1
31	<u>1242</u>	Nut, 5/16-18 Hex .....	2
32	<u>183</u>	Washer, #10 Type A Flat .....	1
33	<u>7893</u>	Nut, #10-32 Hex .....	2
34	<u>8057</u>	Nut, #4-40 Hex Machine .....	4
35	<u>8058</u>	Lockwasher, #4 Split .....	2
36	<u>8450</u>	Screw, #10-24 X 0.50 Hex-Head .....	1
37	<u>8717</u>	Locknut, 1/4-28 Nylon Insert .....	1
38	<u>8990</u>	Tie Wrap, 8" Nylon .....	3
39	<u>1241</u>	Washer, 5/16 Type A Flat .....	2
40	<u>7473</u>	Locknut, 5/16-18 Nylon Insert .....	2
41	<u>7818</u>	Bolt, Carriage, 5/16-18 X 1.5 .....	1

**6**  
**G**

**6**  
**G**



000330-001



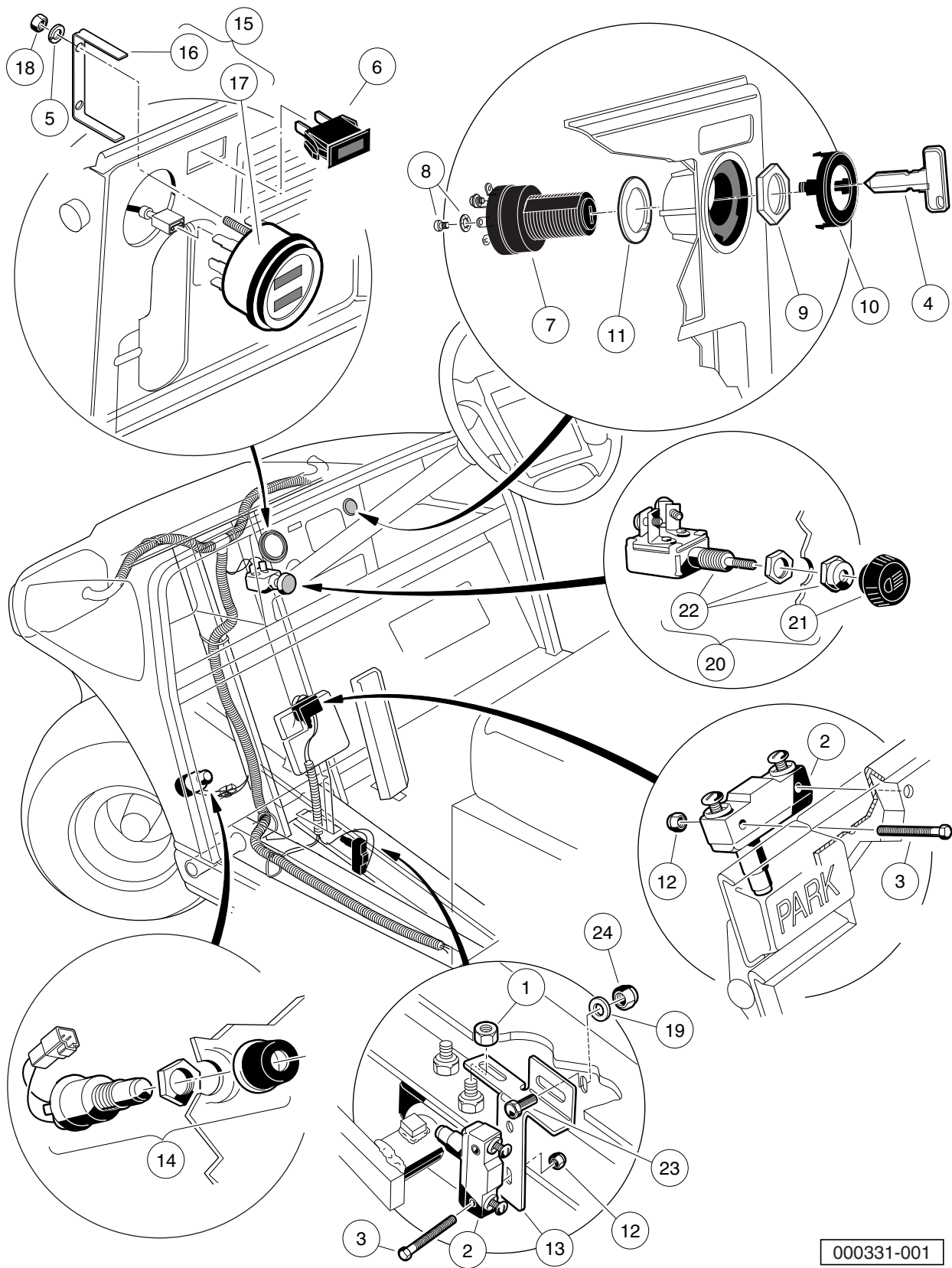
## CONTROLS AND INDICATORS – DS VILLAGER 4

ITEM	PART NO.	DESCRIPTION	QTY
		1 2 3 4	
1	<u>1011229</u>	Locknut, #6-32 Whiz .....	1
2	<u>1012505</u>	Keys (set of 2) .....	2
3	<u>1012986</u>	Lockwasher, M4 .....	2
4	<u>1015720</u>	Screw, #6-32 X 1/2 Hex Washer-Head .....	1
5	<u>1016630</u>	Light, Oil .....	1
6	<u>1016859</u>	Kit, Reverse Buzzer (includes items 7 through 15) .....	1
7	<u>1011229</u>	Locknut, #6-32 Whiz .....	1
8	1012431	Washer, #4 Flat .....	2
9	<u>1015720</u>	Screw, #6-32 X 1/2 Hex Washer-Head .....	1
10	<u>1016849</u>	Screw, #4-24 X 0.33 Pan-Head Machine .....	2
11	<u>1016851</u>	Buzzer, Reverse (9-48 VDC) .....	1
12	1016857	Wire Assembly Black #18 .....	1
13	<u>8056</u>	Screw, #4-40 X 0.75 Round-Head Machine .....	2
14	<u>8057</u>	Nut, #4-40 Hex Machine .....	2
15	<u>8058</u>	Lockwasher, #4 Split .....	2
16	<u>101826301</u>	Key Switch, 12-Volt, Off/On .....	1
17	101830601	Screw and Washer Assembly .....	4
18	<u>101830701</u>	Nut, Key Switch .....	1
19	<u>101834502</u>	Cap, Black Key Switch .....	1
20	<u>101851101</u>	Washer, Key Switch .....	1
21	<u>101900901</u>	Harness Retainer .....	3
22	<u>101990703</u>	Gauge, Fuel/Hour, with Bracket (includes items 23 and 24) .....	1
23	102025901	Bracket, Fuel Gauge/Hour Meter .....	1
24	N/A	Gauge, Fuel/Hour .....	1
25	<u>101991101</u>	Nut, M4-0.7 .....	2
<p>Note: Items 7 through 9, and 13 through 15 are included in the reverse buzzer kit, but are not used in this application.</p>			

6

G

**6**  
**G**



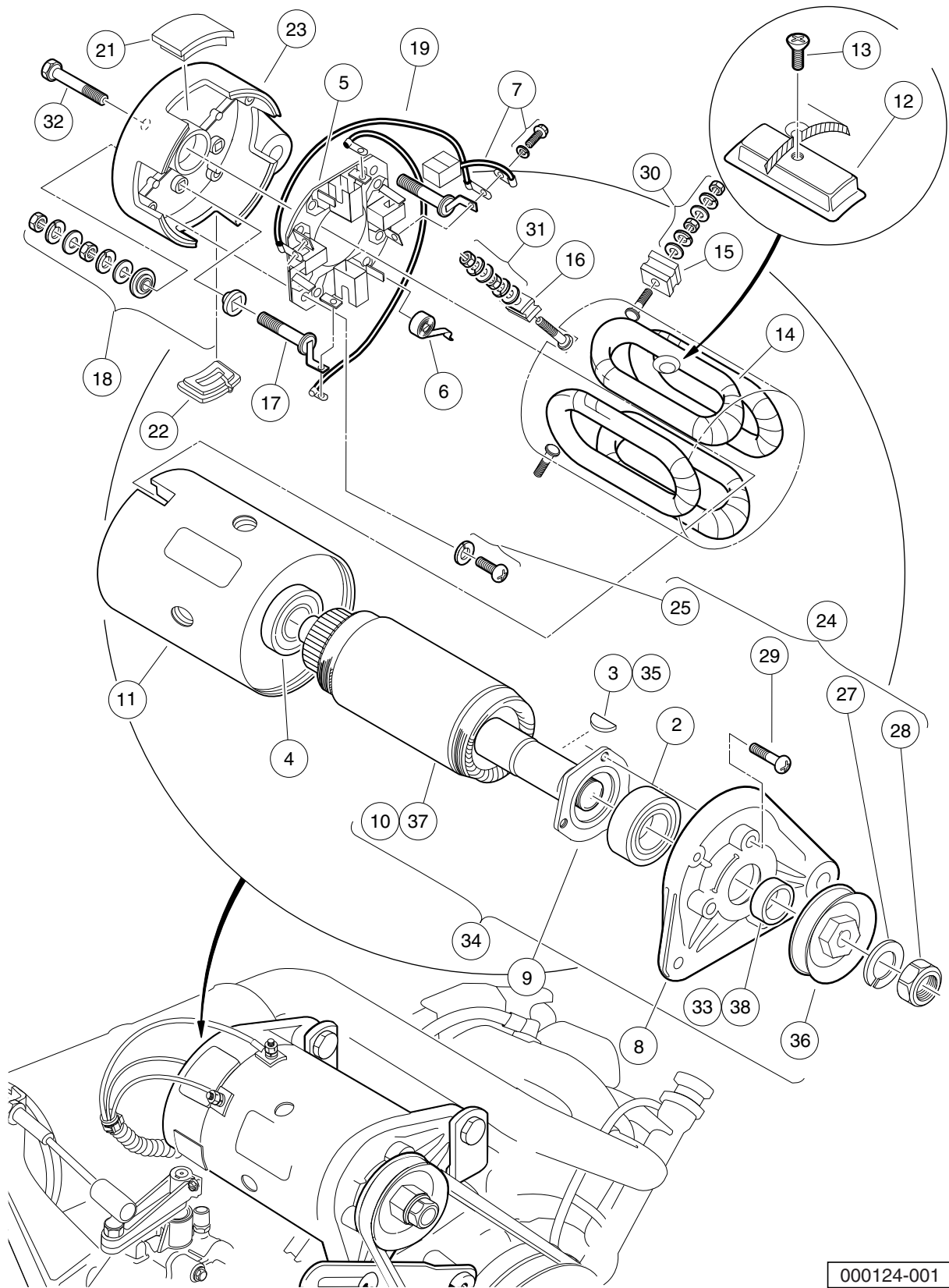
000331-001

## CONTROLS AND INDICATORS – VILLAGER 6 AND 8, AND TRANSPORTER 4 AND 6

ITEM	PART NO.	DESCRIPTION	QTY
		1 2 3 4	
1	<u>1011280</u>	Locknut, 5/16-18 .....	1
2	<u>1011439</u>	Switch, Limit .....	2
3	<u>1011557</u>	Screw, #6-32 X 1.00 Hex-Head Machine .....	4
4	<u>1012505</u>	Keys (set of 2) .....	1
5	<u>1012986</u>	Lockwasher, M4 .....	2
6	<u>1016630</u>	Light, Oil .....	1
7	101826401	Key Switch, 12-Volt, Off/On/Start .....	1
8	101830601	Screw and Washer Assembly .....	5
9	<u>101830701</u>	Nut, Key Switch .....	1
10	<u>101834502</u>	Cap, Black Key Switch .....	1
11	<u>101851101</u>	Washer, Key Switch .....	1
12	<u>101932201</u>	Locknut, #6-32 Nylon .....	4
13	<u>101957101</u>	Bracket, Brake Light Switch .....	1
14	<u>101969701</u>	Horn Button and Wire Assembly .....	1
15	<u>101990703</u>	Gauge, Fuel/Hour, with Bracket (includes items 16 and 17) .....	1
16	102025901	Bracket, Fuel Gauge/Hour Meter .....	1
17	N/A	Gauge, Fuel/Hour .....	1
18	<u>101991101</u>	Nut, M4-0.7 .....	2
19	<u>1241</u>	Washer, 5/16 Type A Flat .....	1
20	<u>4034</u>	Light Switch (includes items 21 and 22) .....	1
21	<u>1013857</u>	Knob, Light Switch .....	1
22	<u>1013858</u>	Switch, Light Without Knob .....	1
23	<u>7173</u>	Screw, 5/16-18 X 0.75 Hex-Head Cap .....	1
24	<u>7473</u>	Locknut, 5/16-18 Nylon Insert .....	1

**6**  
**G**

**6**  
**G**



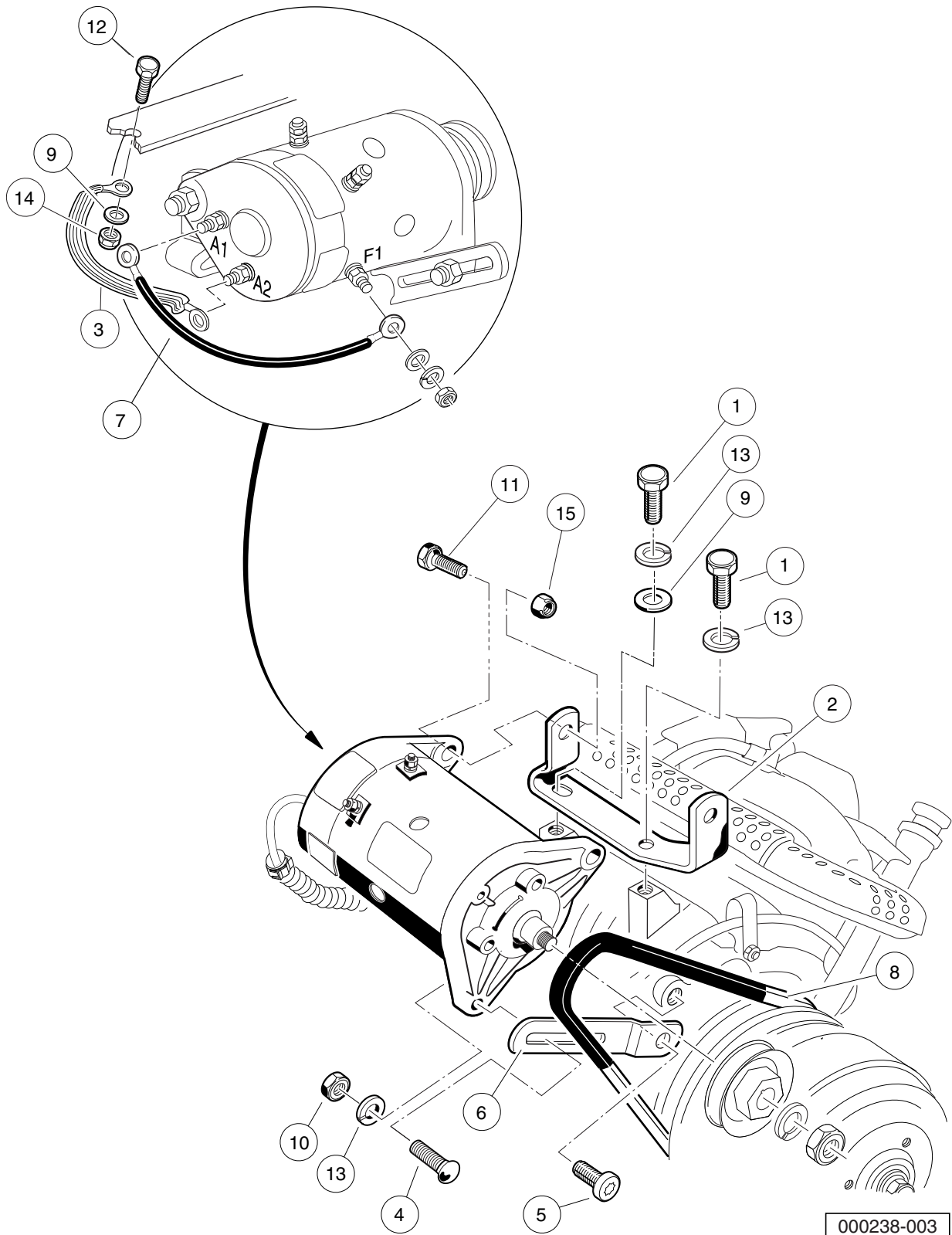
000124-001

# STARTER/GENERATOR ASSEMBLY MODEL G425419 – GASOLINE VEHICLES

ITEM	PART NO.	DESCRIPTION	QTY
		1 2 3 4	
1	<u>101833701</u>	Starter/Generator (cw) (includes items 2 through 33) .....	1
2	<u>1013001</u>	Bearing, Output Shaft Ball .....	1
3	<u>1013003</u>	Key, Starter/Generator .....	1
4	<u>1013005</u>	Bearing, Ball .....	1
5	<u>101301102</u>	Brush Holder Assembly (cw) (includes item 6) .....	1
6	<u>101878101</u>	Brush Spring Set .....	4
7	<u>101869302</u>	Brush and Screw Set (cw) .....	1
8	<u>101874901</u>	Front Bracket .....	1
9	<u>101875001</u>	Retainer .....	1
10	<u>101875101</u>	Armature .....	1
11	<u>101875201</u>	Field Coil Housing .....	1
12	<u>101875301</u>	Pole Set .....	1
13	<u>101875401</u>	Screw Set .....	1
14	<u>101875501</u>	Field Stator Coil Assembly .....	1
15	<u>101875601</u>	F Insulator Set .....	2
16	<u>101875701</u>	DF Insulator .....	1
17	<u>101875802</u>	A Connector (cw) .....	1
18	<u>101876001</u>	Screw and Mold Assembly .....	2
19	<u>101876202</u>	Brush Connector Assembly (cw) .....	2
20	<u>101876301</u>	Cover Set (includes items 21 and 22) .....	1
21	<u>1012991</u>	Brush Inspection Port Cover .....	3
22	<u>1017653</u>	Brush Port Cover w/Drain .....	1
23	<u>101876402</u>	Rear Bracket (cw) .....	1
24	<u>101876501</u>	Nut and Screw Set (includes items 25 through 29) .....	1
25	<u>101896501</u>	Brush Holder Asm Screw .....	2
26	N/A	Washer, M5 Flat .....	1
27	N/A	Washer, M14 Lock .....	1
28	N/A	Nut, Hex, M14 x 2 .....	1
29	N/A	Screw, M5 x 0.8 x 18mm .....	3
30	<u>101877601</u>	Nut and Washer Set .....	2
31	<u>101877701</u>	Nut and Washer Set .....	1
32	<u>101879001</u>	Through Bolt Set .....	2
33	<u>101939901</u>	Spacer .....	1
34	<u>101875102</u>	Armature Asm Conversion Kit (includes items 35 through 38) .....	1
35	<u>1013003</u>	Key, Starter/Generator .....	1
36	<u>1014289</u>	Pulley, Starter/Generator .....	1
37	<u>101875101</u>	Armature .....	1
38	<u>101939901</u>	Spacer .....	1
		Note: Item 36 will ONLY fit Model G425419 Starter/Generator.	

**6**  
**G**

**6**  
**G**



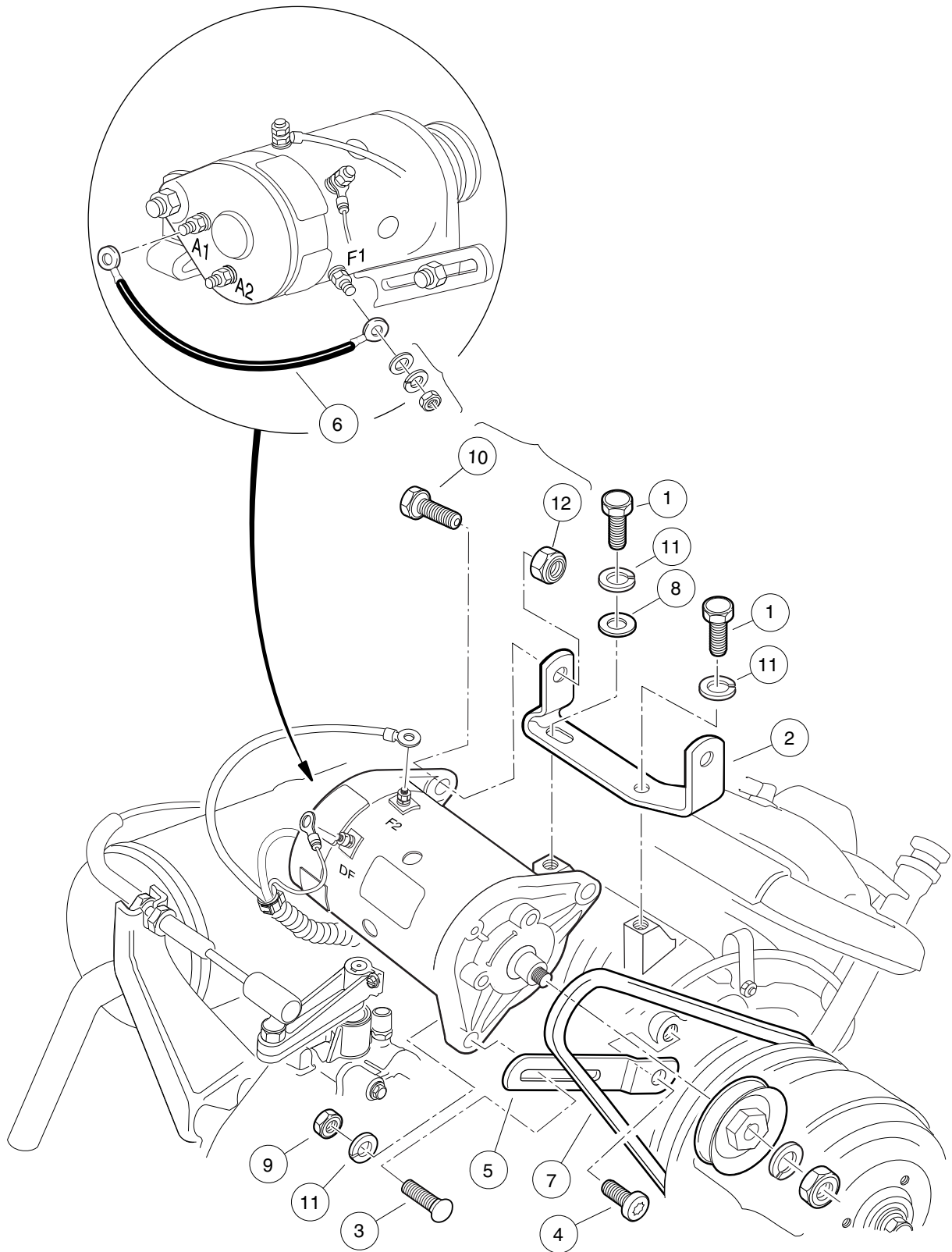
000238-003

## FE290 STARTER/GENERATOR MOUNTING – GASOLINE DS VILLAGER 4

ITEM	PART NO.	DESCRIPTION	QTY
		1 2 3 4	
1	<u>1012830</u>	Screw, M8-125 X 22 Hex-Head .....	2
2	<u>101524001</u>	Bracket, Starter/Generator Mounting (FE290) .....	1
3	<u>1015920</u>	Ground Wire Assembly .....	1
4	<u>1015932</u>	Bolt, Carriage, 5/16-18 .....	1
5	<u>1016074</u>	Screw, M8-1.25 X 18mm Torx .....	1
6	<u>1016883</u>	Bracket, Starter/Generator Adjustment .....	1
7	<u>101837301</u>	Wire Assy, #6 Green .....	1
8	<u>101916701</u>	V-Belt .....	1
9	<u>1241</u>	Washer, 5/16 Type A Flat .....	1
10	<u>1242</u>	Nut, 5/16-18 Hex .....	1
11	705	Screw, Cap-hex Hd 3/8-16x1.25 .....	2
12	<u>7173</u>	Screw, 5/16-18 X 0.75 Hex-Head Cap .....	1
13	<u>7174</u>	Lockwasher, 5/16 Split .....	3
14	<u>7473</u>	Locknut, 5/16-18 Nylon Insert .....	1
15	<u>8754</u>	Locknut, 3/8-16 Hex .....	2

**6**  
**G**

**6**  
**G**



000239-001

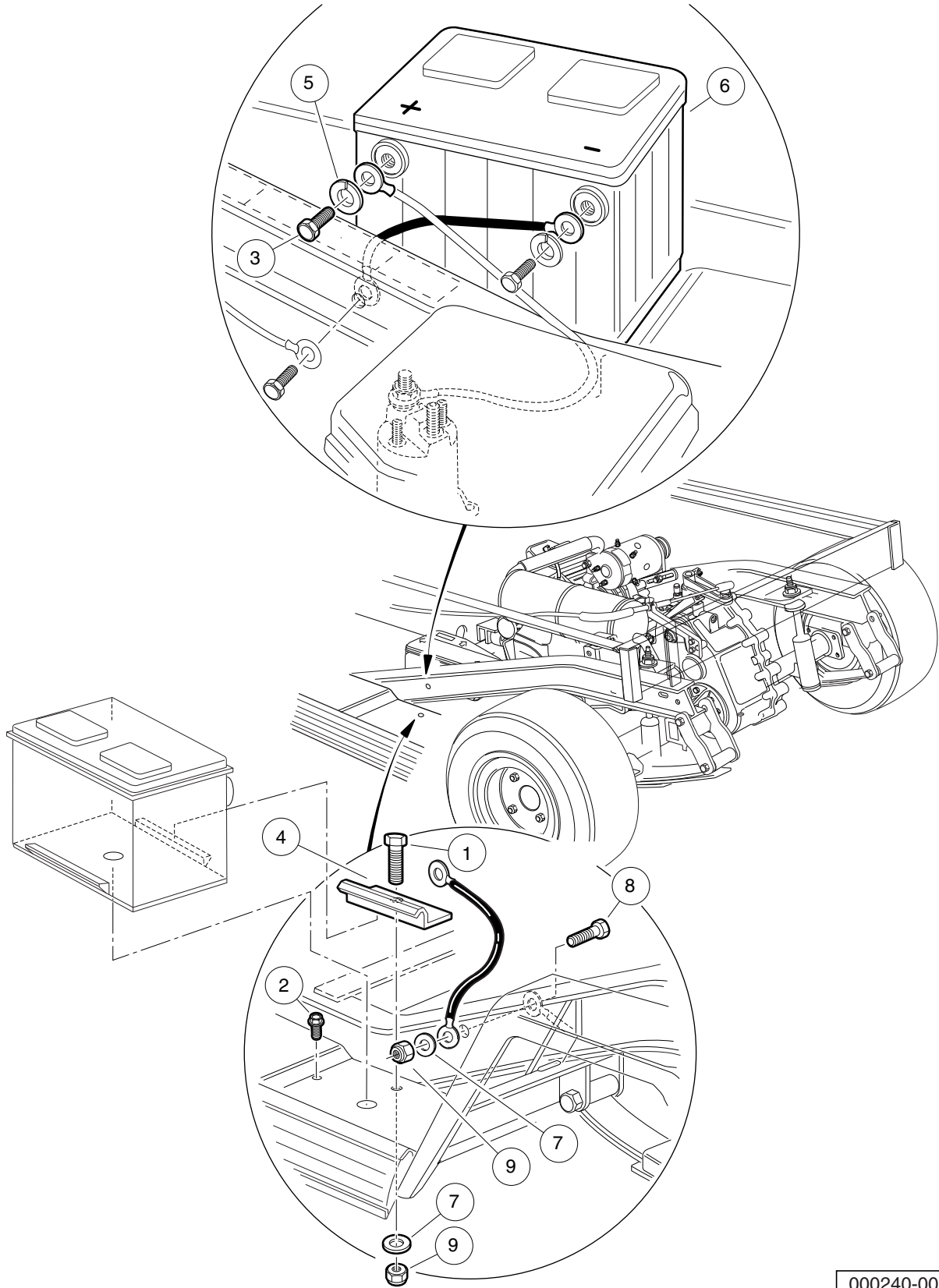


# NEWLONGDESCRIPTION

ITEM	PART NO.	DESCRIPTION	QTY
		1 2 3 4	
1	<u>1012830</u>	Screw, M8-125 X 22 Hex-Head .....	2
2	<u>101524002</u>	Bracket, Starter/Generator Mounting .....	1
3	<u>1015932</u>	Bolt, Carriage, 5/16-18 .....	1
4	<u>1016074</u>	Screw, M8-1.25 X 18mm Torx .....	1
5	<u>1016883</u>	Bracket, Starter/Generator Adjustment .....	1
6	<u>101837301</u>	Wire Assy, #6 Green .....	1
7	<u>101916701</u>	V-Belt .....	1
8	<u>1241</u>	Washer, 5/16 Type A Flat .....	1
9	<u>1242</u>	Nut, 5/16-18 Hex .....	1
10	705	Screw, Cap-hex Hd 3/8-16x1.25 .....	2
11	<u>7174</u>	Lockwasher, 5/16 Split .....	3
12	<u>8754</u>	Locknut, 3/8-16 Hex .....	2

6  
G

**6**  
**G**



000240-001

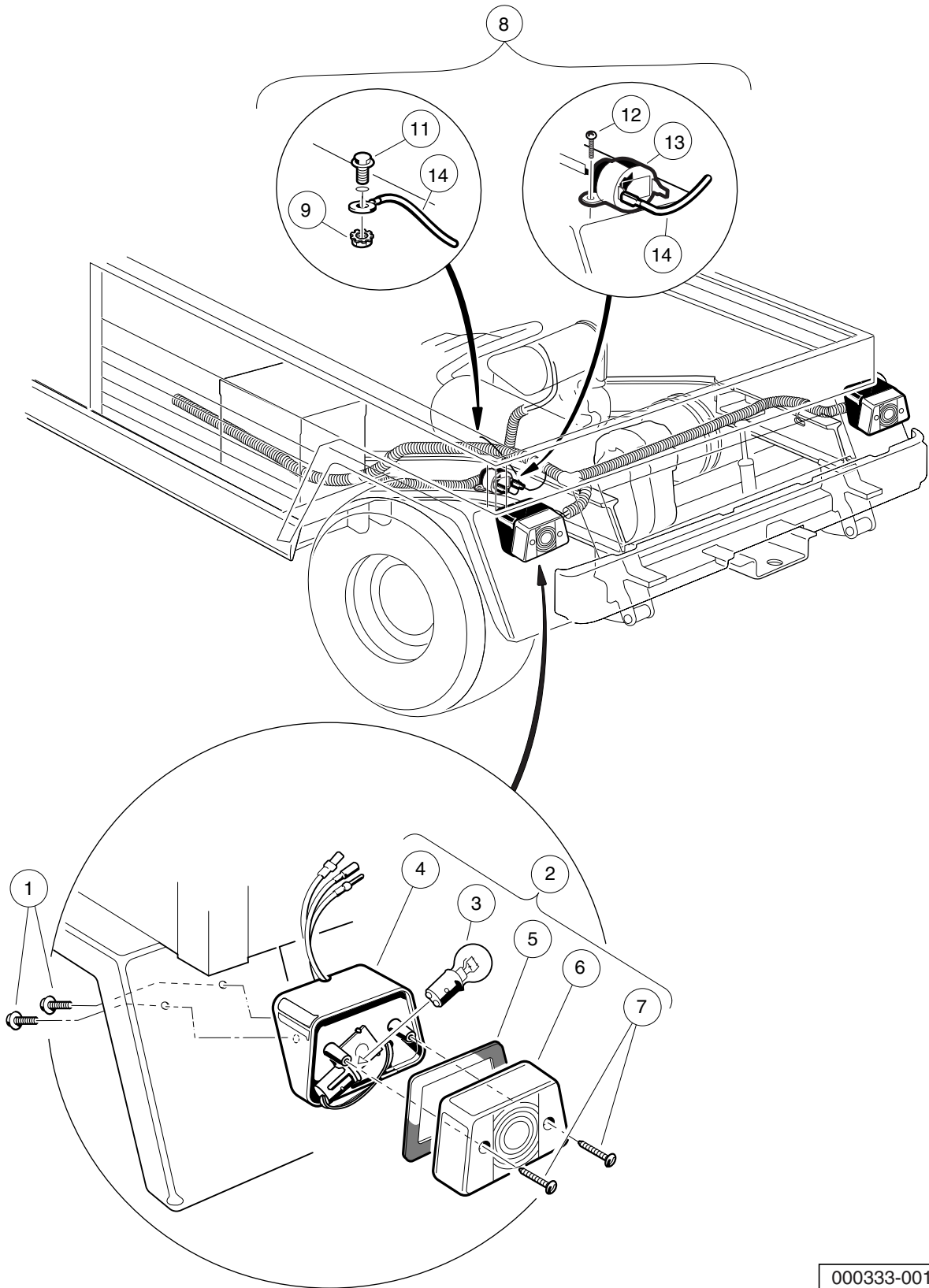
## BATTERY – GASOLINE VEHICLE

ITEM	PART NO.	DESCRIPTION	QTY
		1 2 3 4	
1	<u>1010934</u>	Screw, 5/16-18 X 1.00 Hex Cap .....	1
2	<u>1014288</u>	Screw, 5/16-18 X 0.75 Thread-Forming .....	1
3	<u>1014375</u>	Screw, 3/8-16 X 0.50 Stainless Steel Hex-Head .....	2
4	<u>101898001</u>	Clamp, Battery .....	1
5	<u>102355301</u>	Lockwasher, #10 Split Ss .....	2
6	N/A	Battery, Start, 12v .....	1
7	<u>1241</u>	Washer, 5/16 Type A Flat .....	2
8	<u>7173</u>	Screw, 5/16-18 X 0.75 Hex-Head Cap .....	1
9	<u>7473</u>	Locknut, 5/16-18 Nylon Insert .....	2

6

G

**6**  
**G**

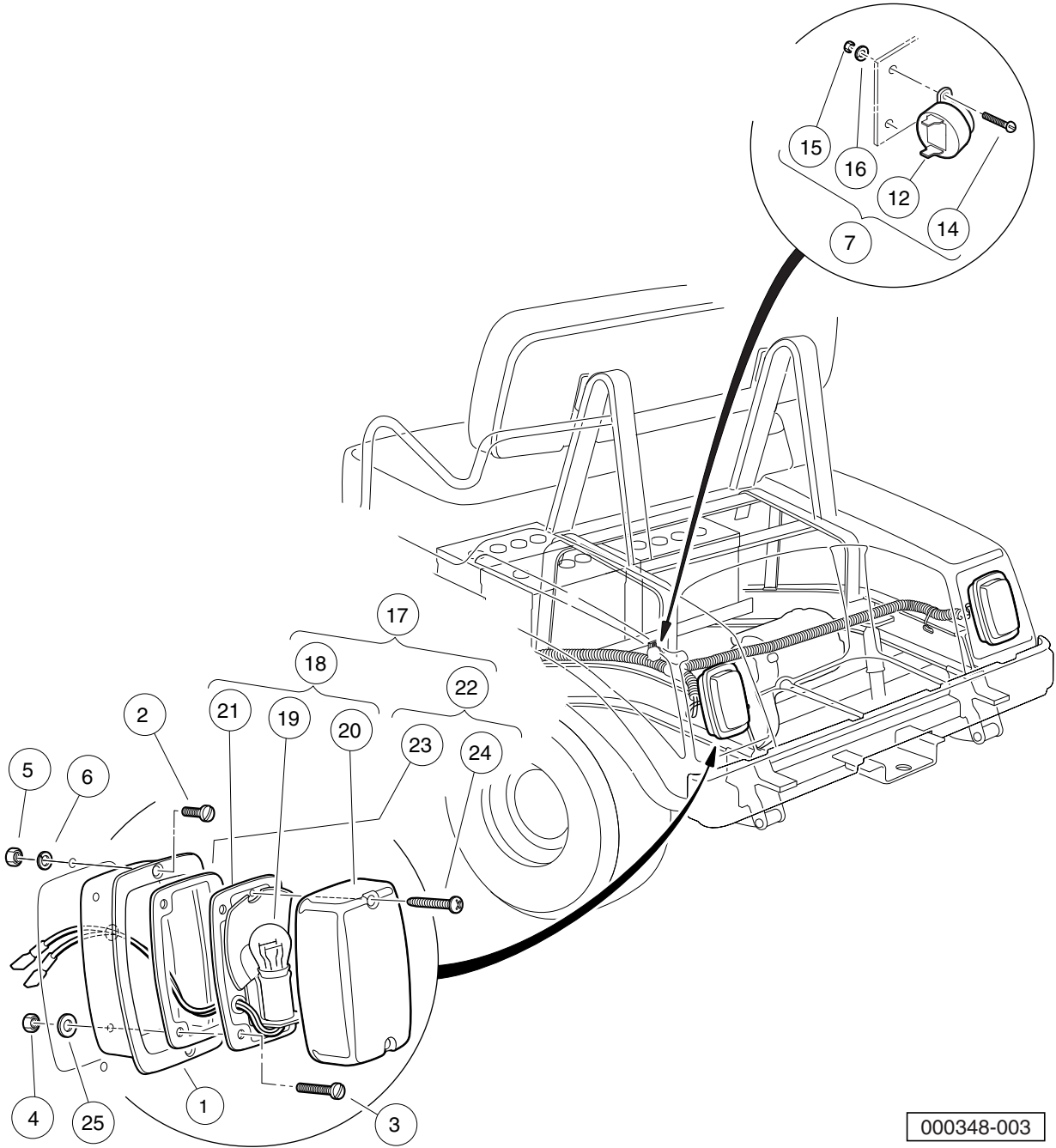


000333-001

## ELECTRICAL COMPONENTS, REAR BODY – GASOLINE TRANSPORTER 4 AND 6

ITEM	PART NO.	DESCRIPTION	QTY
		1 2 3 4	
1	<u>1015752</u>	Screw, #12-16 X 0.625 Hi-Lo .....	4
2	<u>1016717</u>	Light Assembly, Stop/Taillight (includes items 3 through 7) .....	2
3	<u>1011582</u>	Taillight Bulb .....	1
4	N/A	Housing, Taillight .....	1
5	N/A	Gasket, Taillight .....	1
6	N/A	Lens, Taillight .....	1
7	N/A	Screw, Taillight Lens .....	2
8	<u>1016859</u>	Kit, Reverse Buzzer (includes items 9 through 17) .....	1
9	<u>1011229</u>	Locknut, #6-32 Whiz .....	1
10	1012431	Washer, #4 Flat .....	2
11	<u>1015720</u>	Screw, #6-32 X 1/2 Hex Washer-Head .....	1
12	<u>1016849</u>	Screw, #4-24 X 0.33 Pan-Head Machine .....	2
13	<u>1016851</u>	Buzzer, Reverse (9-48 VDC) .....	1
14	1016857	Wire Assembly Black #18 .....	1
15	<u>8056</u>	Screw, #4-40 X 0.75 Round-Head Machine .....	2
16	<u>8057</u>	Nut, #4-40 Hex Machine .....	2
17	<u>8058</u>	Lockwasher, #4 Split .....	2
		Note: Items 10, and 15 through 17 are included in the reverse buzzer kit, but are not used in this application.	

**6**  
**G**



000348-003

# ELECTRICAL COMPONENTS, REAR BODY – VILLAGER 6 AND 8

ITEM	PART NO.	DESCRIPTION	QTY
		1 2 3 4	
1	<u>1011497</u>	Bezel, Taillight .....	2
2	<u>1011498</u>	Screw, #8-32 X 0.50 Oval-Head .....	4
3	<u>1011557</u>	Screw, #6-32 X 1.00 Hex-Head Machine .....	4
4	<u>1011558</u>	Nut, #6-32 Hex .....	4
5	<u>1011571</u>	Nut, #8-32 Hex .....	4
6	<u>1011610</u>	Lockwasher, #8 Split Ss .....	4
7	<u>1016859</u>	Kit, Reverse Buzzer (includes items 8 through 16) .....	1
8	<u>1011229</u>	Locknut, #6-32 Whiz .....	1
9	1012431	Washer, #4 Flat .....	2
10	<u>1015720</u>	Screw, #6-32 X 1/2 Hex Washer-Head .....	1
11	<u>1016849</u>	Screw, #4-24 X 0.33 Pan-Head Machine .....	2
12	<u>1016851</u>	Buzzer, Reverse (9-48 VDC) .....	1
13	1016857	Wire Assembly Black #18 .....	1
14	<u>8056</u>	Screw, #4-40 X 0.75 Round-Head Machine .....	2
15	<u>8057</u>	Nut, #4-40 Hex Machine .....	2
16	<u>8058</u>	Lockwasher, #4 Split .....	2
17	1017035	Taillight Assembly (includes items 18 through 22) .....	2
18	N/A	Light, Tail (includes items 19 through 21) .....	1
19	<u>1011582</u>	Taillight Bulb .....	1
20	<u>1011843</u>	Taillight Lens .....	1
21	N/A	Base, Taillight .....	1
22	<u>1017699</u>	Hardware Kit, Tail Light (includes items 23 and 24) .....	1
23	N/A	Gasket .....	1
24	N/A	Screw, Tapered .....	2
25	<u>7591</u>	Washer, #6 Flat .....	4

6

G

6

G



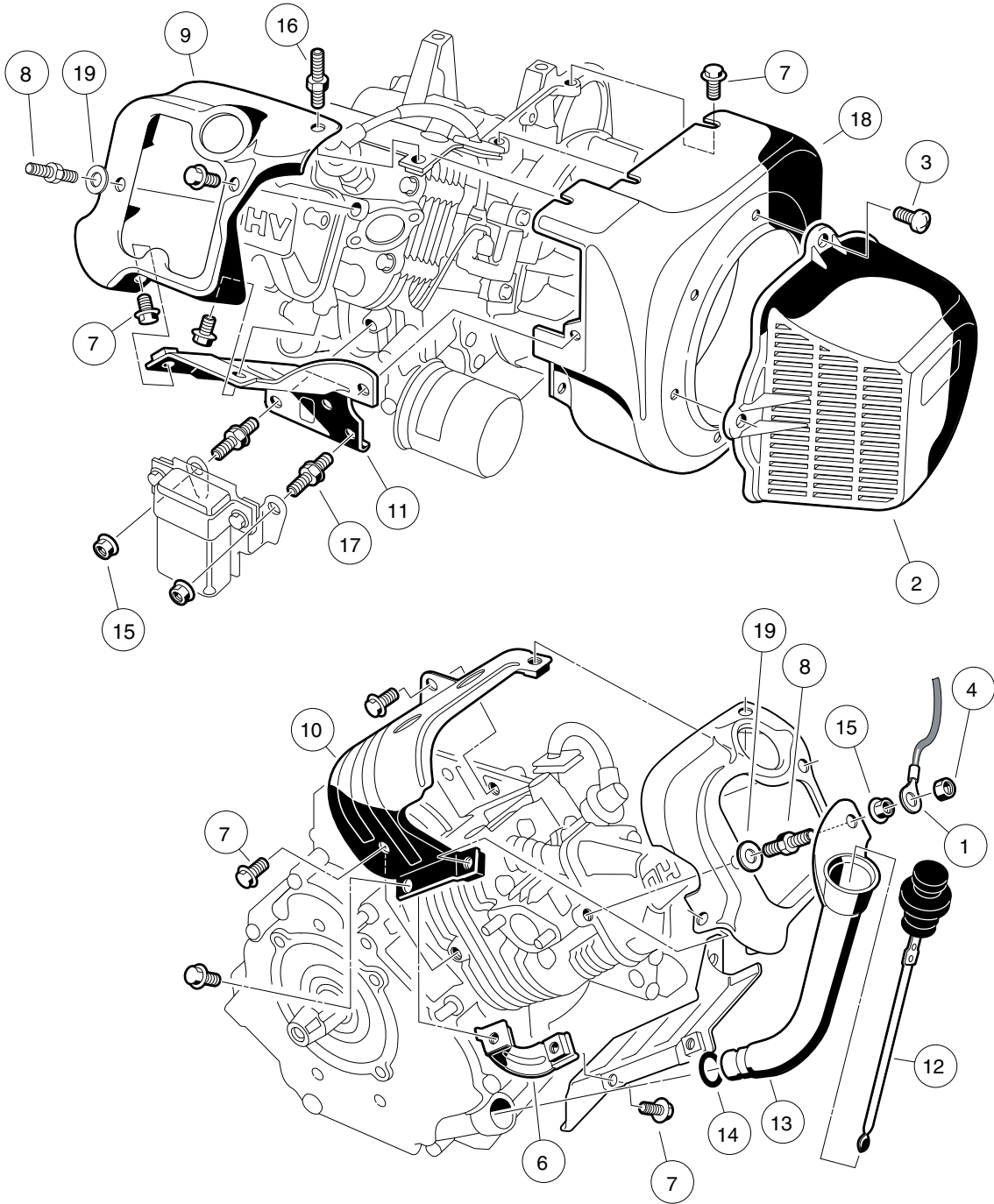
# FE290 ENGINE (PEDAL-START VEHICLES)

---

7

G

**7**  
**G**



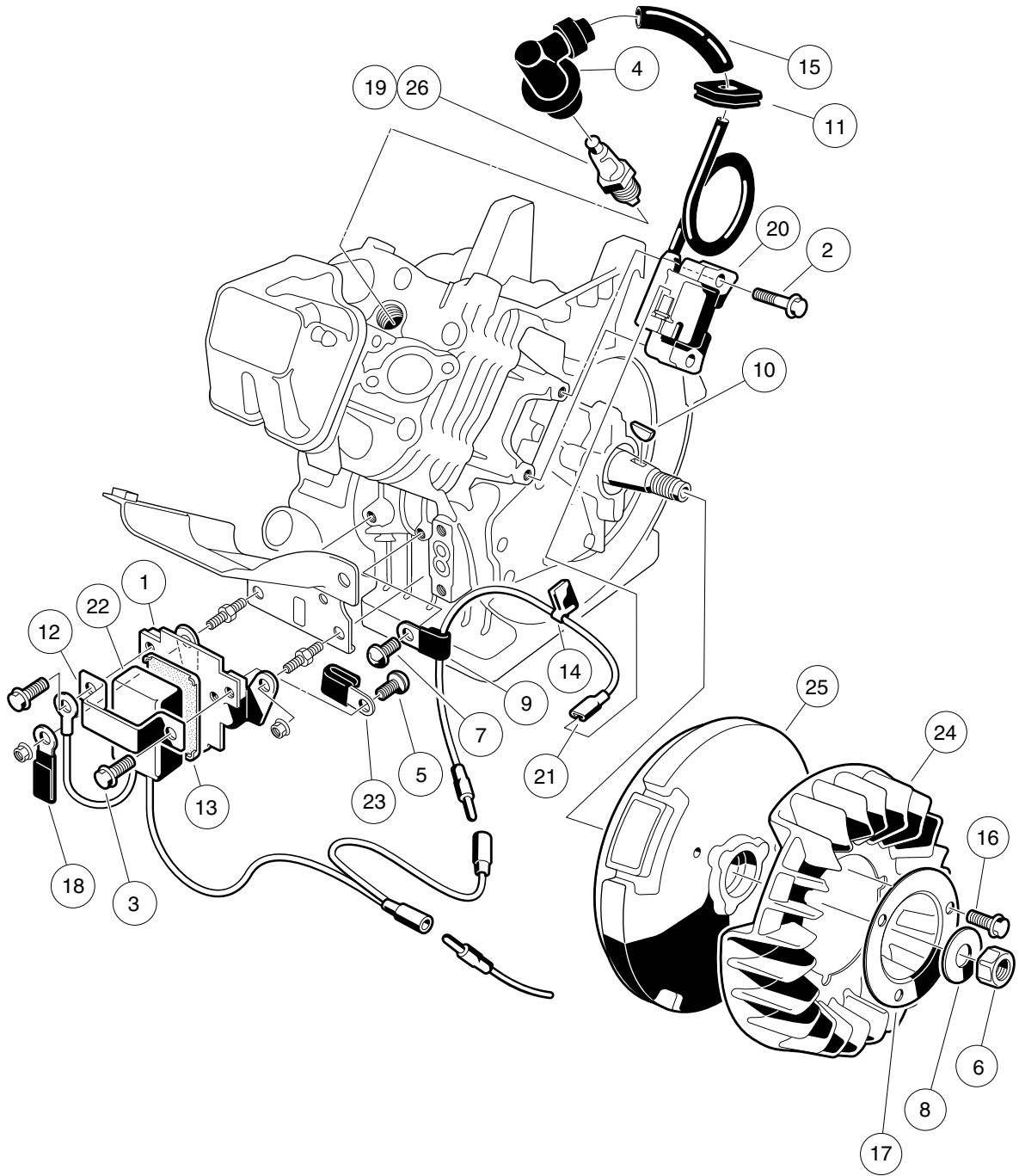
000194-001

## FE290 ENGINE – SHROUDS AND BRACKETS

ITEM	PART NO.	DESCRIPTION	QTY
		1 2 3 4	
1	<u>1015332</u>	Wire Assembly, #10, Uninsulated .....	1
2	<u>1015649</u>	Shroud, Fan .....	1
3	<u>1015969</u>	Screw, M6-1.00 X 10mm Pan Hd .....	4
4	<u>101887601</u>	Locknut, M6-1.00 Nylon Insert .....	1
5	<u>101953901</u>	Engine, FE290 (cw) * (includes items 6 through 19) .....	1
6	<u>1016443</u>	Bracket .....	1
7	<u>1016456</u>	Bolt, Flange Head, M6 x 1 x 12 mm .....	15
8	<u>1016507</u>	Bolt, Two-Ended .....	1
9	<u>1016524</u>	Shroud, Engine, FE290D .....	1
10	<u>1016525</u>	Shroud, Engine, FE290D .....	1
11	<u>1016526</u>	Shroud, Engine, FE290D .....	1
12	<u>1016531</u>	Dipstick .....	1
13	<u>1016536</u>	Tube, Oil Filler, FE290D .....	1
14	<u>1016539</u>	O-Ring .....	1
15	<u>1016547</u>	Nut, M6 Flange .....	3
16	<u>1017221</u>	Screw, M6-1.00 Stud .....	1
17	<u>101909701</u>	Stud, M6-1.00, Two-Ended .....	2
18	<u>101915601</u>	Housing, FE290 Fan .....	1
19	N/A	Washer, 6 mm Flat .....	1
* Note: FE290 engine component listings span several pages.			

7

G

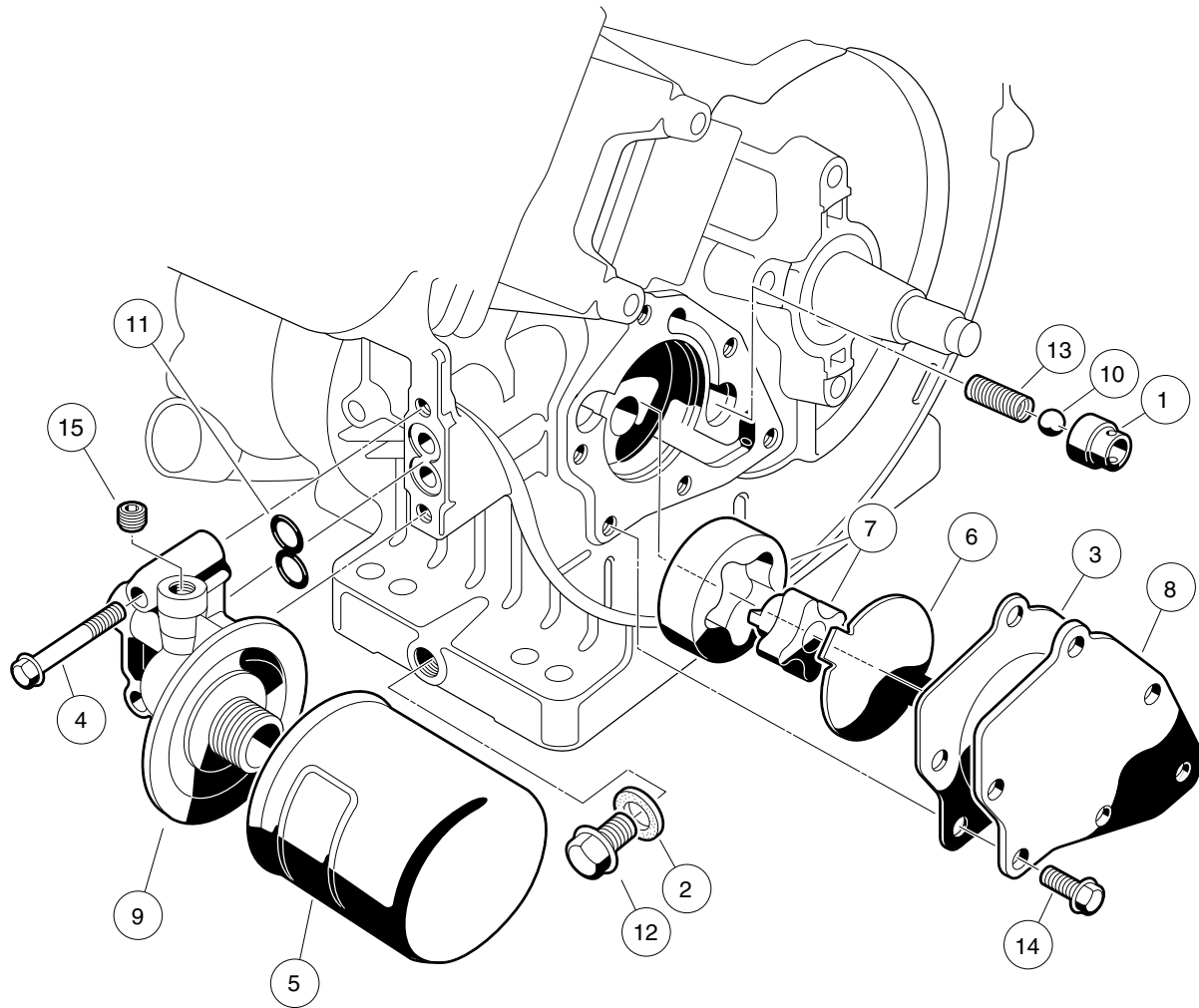


000195-001

# FE290 ENGINE – IGNITION COMPONENTS AND FLYWHEEL

ITEM	PART NO.	DESCRIPTION	QTY
		1 2 3 4	
1	1016445	Bracket, RPM Limiter .....	1
2	<u>1016455</u>	Bolt, Flange Head .....	2
3	1016456	Bolt, Flange Head, M6 x 1 x 12 mm .....	2
4	<u>1016493</u>	Cap, Spark Plug .....	1
5	<u>1016497</u>	Screw, Pan WP Cross .....	1
6	<u>1016505</u>	Nut, Hex, Fine .....	1
7	<u>1016544</u>	Screw .....	1
8	<u>1016548</u>	Washer, M16 Flat .....	1
9	<u>1016561</u>	Clamp .....	1
10	<u>1016562</u>	Key .....	1
11	<u>1016578</u>	Ignition, Grommet .....	1
12	<u>1016579</u>	Band, RPM Limiter Mount .....	1
13	1016586	Damper, RPM Limiter .....	1
14	<u>1016587</u>	Clamp .....	1
15	<u>1016588</u>	Tube, 7mm X 10mm X 70mm .....	1
16	<u>1017448</u>	Bolt, Flanged .....	3
17	<u>1017455</u>	Plate, Flywheel Fan .....	1
18	<u>1017468</u>	Clamp .....	1
19	<u>101881101</u>	Spark Plug, OHV (Autolite) .....	1
20	<u>101909201</u>	Coil, Ignition .....	1
21	<u>101909301</u>	Lead Wire Assy .....	1
22	101909401	Limiter, RPM .....	1
23	101909501	Clamp, Steel .....	1
24	<u>101915801</u>	Fan, FE290 (cw) .....	1
25	<u>101929301</u>	Flywheel, Complete .....	1
26	<u>AM10724</u>	Spark Plug, OHV (NGK) .....	1

**7**  
**G**



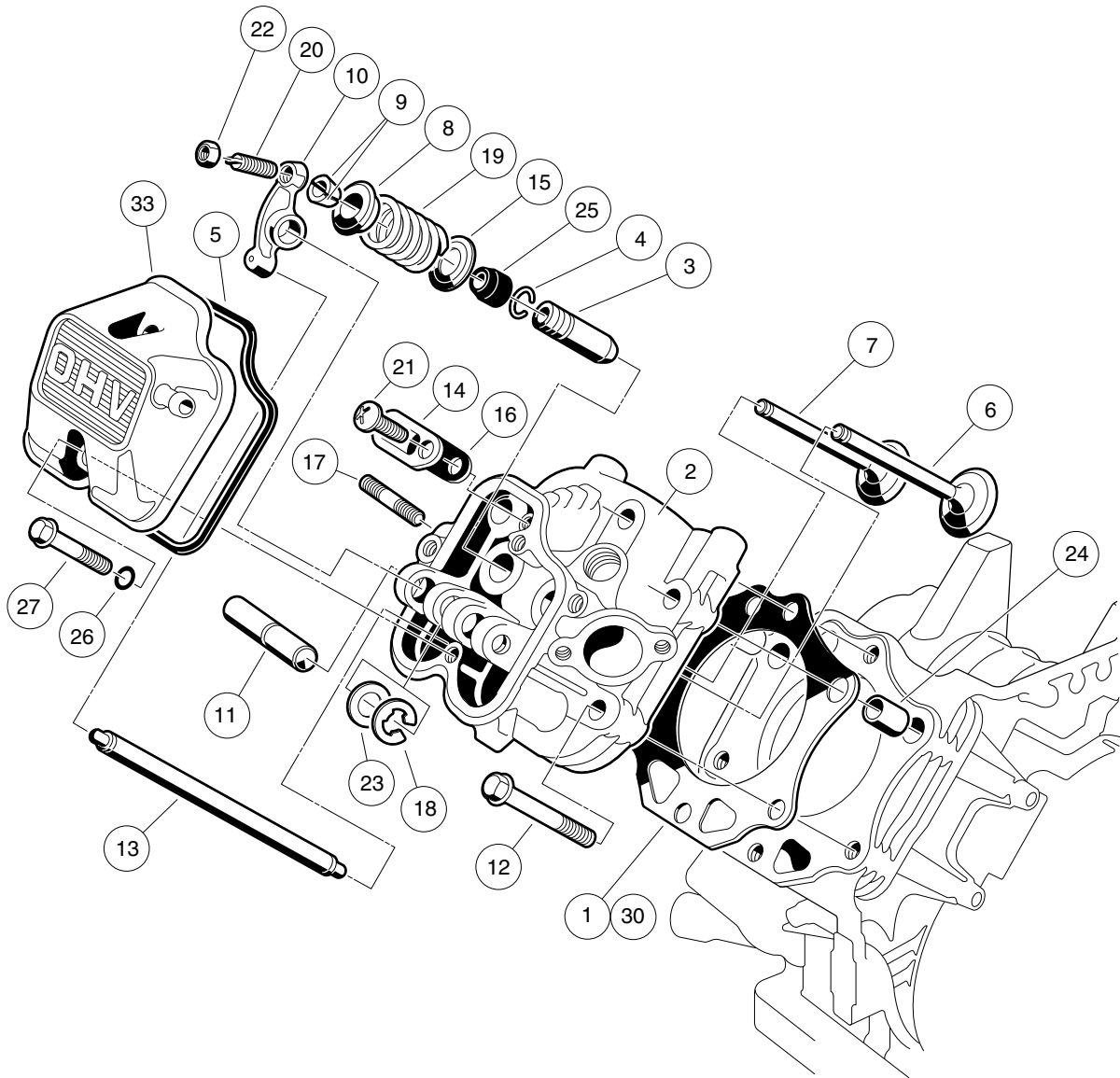
000196-001

## FE290 ENGINE – OIL CIRCULATION

ITEM	PART NO.	DESCRIPTION	QTY
		1 2 3 4	
1	1016429	Seat, Value Oil Press Relief .....	1
2	<u>1016432</u>	Gasket, Drain Plug .....	1
3	<u>1016435</u>	Gasket, Oil Pump .....	1
4	<u>1016457</u>	Bolt, Flange Head .....	2
5	<u>1016467</u>	Filter, Oil .....	1
6	<u>1016473</u>	Plate, Oil Pump .....	1
7	<u>101648203</u>	Oil Pump And Rotor .....	1
8	<u>1016484</u>	Cover, Pump .....	1
9	<u>1016502</u>	Bracket, Oil Filter Mount .....	1
10	<u>1016537</u>	Ball, Steel, Press, Relief .....	1
11	<u>1016570</u>	O-Ring .....	1
12	1016576	Plug, Drain .....	1
13	<u>1016581</u>	Spring .....	1
14	<u>1017456</u>	Bolt, Flanged .....	6
15	<u>1017507</u>	Plug .....	2

7

G



000197-001

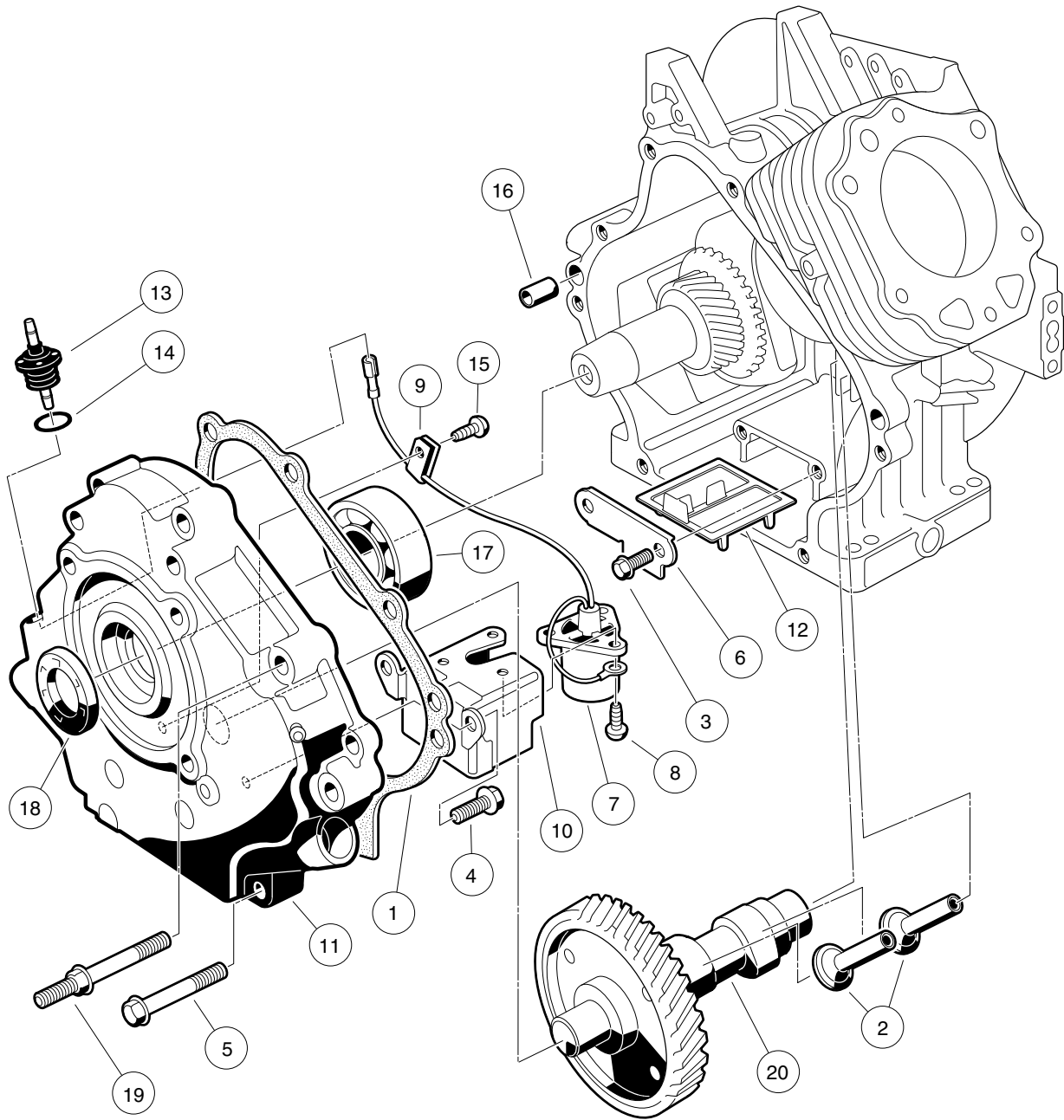


## FE290 ENGINE – CYLINDER HEAD

ITEM	PART NO.	DESCRIPTION	QTY
		1 2 3 4	
1	<u>1016430</u>	Gasket, Head, FE290 .....	1
2	<u>1016431</u>	Head Assembly, FE290 Cylinder (includes items 3 and 4) .....	1
3	<u>1016519</u>	Guide, Valve .....	2
4	<u>1016560</u>	Snap Ring .....	2
5	<u>1016436</u>	Gasket, Rocker Case .....	1
6	<u>1016447</u>	Valve, Intake .....	1
7	<u>1016448</u>	Valve, Exhaust .....	1
8	<u>1016449</u>	Retainer, Valve Spring .....	2
9	<u>1016450</u>	Collet .....	4
10	<u>1016451</u>	Arm, Rocker .....	2
11	<u>1016452</u>	Shaft, Rocker .....	1
12	<u>1016458</u>	Bolt, Flange Head, M8 x 1.25 x 45 mm .....	6
13	<u>1016471</u>	Rod, Push .....	2
14	<u>1016474</u>	Plate .....	1
15	<u>1016479</u>	Seat, Spring .....	2
16	<u>1016483</u>	Valve .....	1
17	<u>1016489</u>	Stud, Two-Ended, M8-1.25 .....	2
18	<u>1016517</u>	Circlip, Type-E .....	1
19	<u>1016523</u>	Spring, Engine Valve .....	2
20	<u>1016542</u>	Screw .....	2
21	<u>1016544</u>	Screw .....	1
22	<u>1016545</u>	Nut .....	2
23	<u>1016549</u>	Washer, 12.1x19x1.8 .....	1
24	<u>1016563</u>	Pin .....	2
25	<u>1016566</u>	Seal, Oil .....	2
26	<u>1016569</u>	O-Ring .....	2
27	<u>1016583</u>	Bolt, 6x35 .....	2
28	<u>102304701</u>	Kit, Gasket, FE290 (includes items 29 through 32) .....	1
29	<u>1015330</u>	Gasket, Exhaust .....	1
30	<u>1016430</u>	Gasket, Head, FE290 .....	1
31	<u>1016440</u>	Gasket, Engine to Insulator .....	1
32	<u>1016446</u>	Gasket, Crankcase Cover .....	1
33	<u>102753401</u>	Case, Rocker .....	1

**7**

**G**

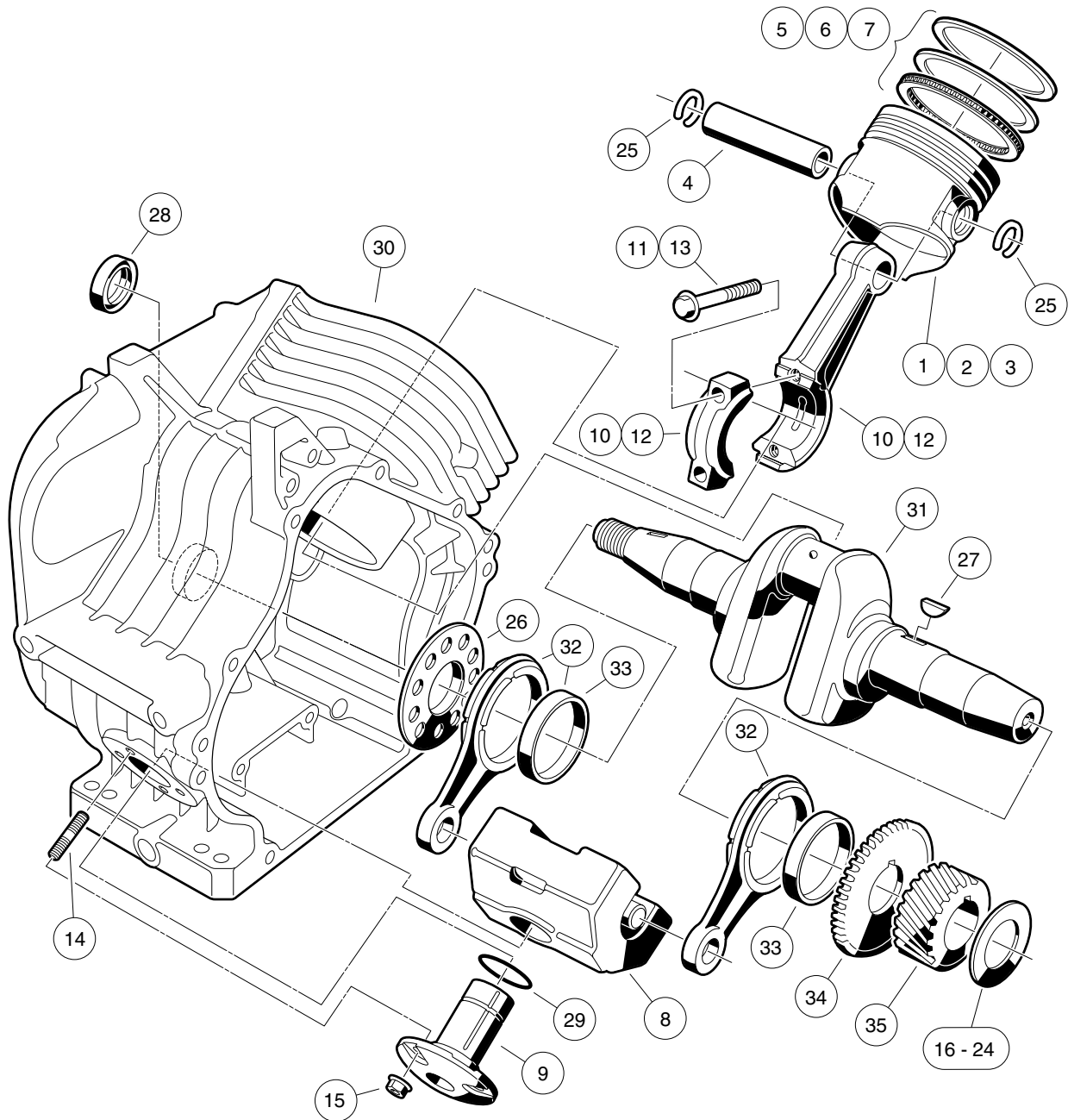


000198-001

# FE290 ENGINE – CRANKCASE, CAMSHAFT, AND OIL SENSOR

ITEM	PART NO.	DESCRIPTION	QTY
		1 2 3 4	
1	<u>1016446</u>	Gasket, Crankcase Cover .....	1
2	<u>1016453</u>	Tappet .....	2
3	<u>1016454</u>	Bolt, Flange Head, M5 x 0.8 x 8 mm .....	2
4	<u>1016456</u>	Bolt, Flange Head, M6 x 1 x 12 mm .....	2
5	<u>1016458</u>	Bolt, Flange Head, M8 x 1.25 x 45 mm .....	6
6	<u>1016472</u>	Plate, Oil Filter Screen .....	1
7	<u>1016494</u>	Sensor, Oil Level .....	1
8	<u>1016496</u>	Screw, Cross Pan-Head, M4 x 0.7 x 8 mm .....	3
9	<u>1016506</u>	Clamp .....	1
10	<u>1016510</u>	Bracket, Switch, Oil Level .....	1
11	<u>1016520</u>	Cover, Crankcase .....	1
12	<u>1016521</u>	Screen, Oil Filter .....	1
13	<u>1016535</u>	Connector, Cord .....	1
14	<u>1016538</u>	O-Ring .....	1
15	<u>1016544</u>	Screw .....	1
16	<u>1016564</u>	Pin .....	2
17	<u>1016565</u>	Bearing, Ball .....	1
18	<u>1016567</u>	Seal, Crankshaft .....	1
19	<u>1016584</u>	Bolt, Two-Ended, M8 x 1.25 x 69 mm .....	2
20	<u>101915401</u>	Camshaft Complete, FE290 .....	1

**7**  
**G**



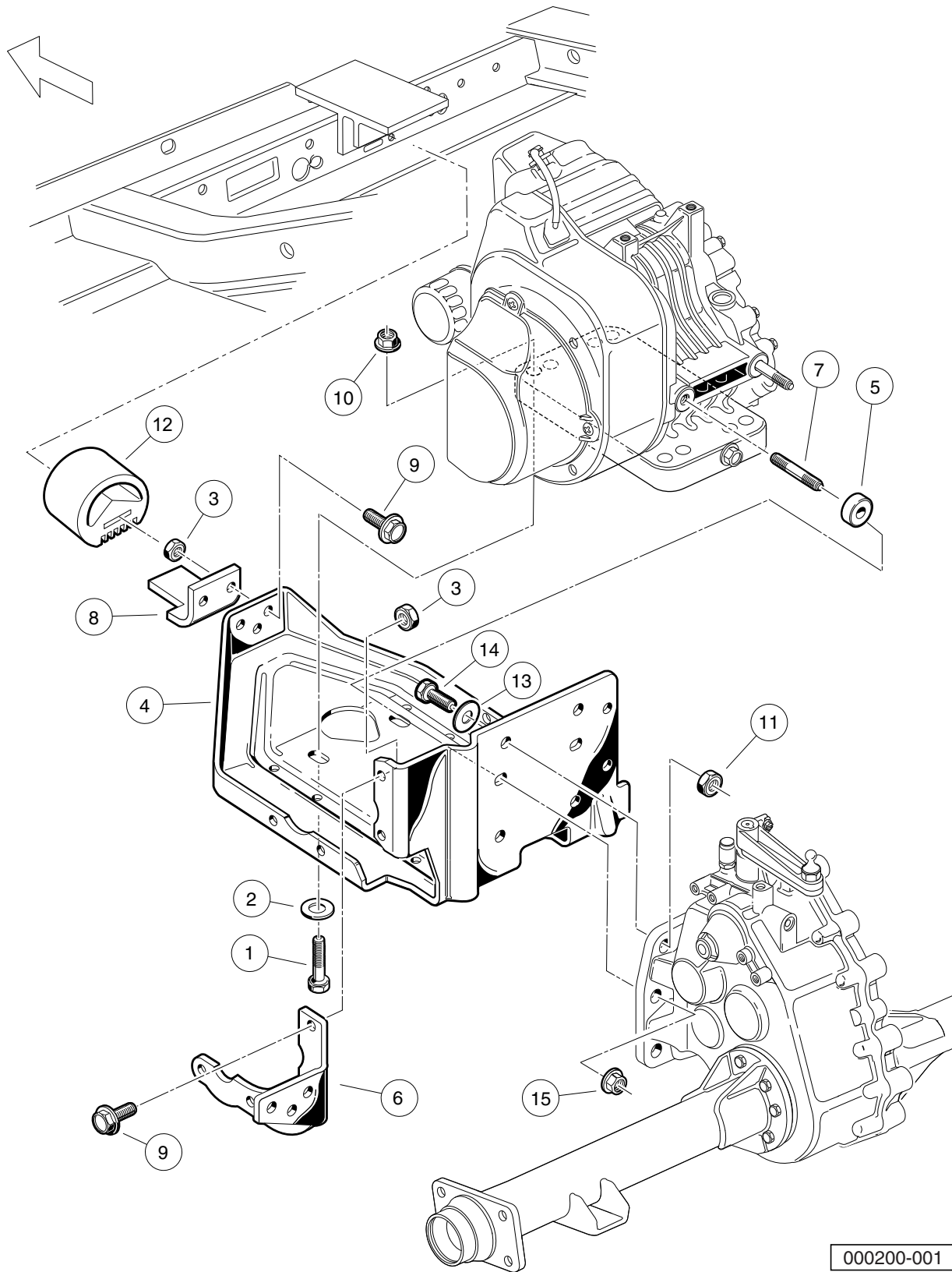
000199-001

## FE290 ENGINE – CRANKCASE AND CRANKSHAFT

ITEM	PART NO.	DESCRIPTION	QTY
		1 2 3 4	
1	<u>101645901</u>	Piston .....	1
2	<u>101645902</u>	Piston, Engine 0.25 mm Over .....	1
3	<u>101645903</u>	Piston, Engine 0.50 mm Over .....	1
4	<u>1016460</u>	Pin, Piston .....	1
5	<u>101646101</u>	Ring Set, Piston .....	1
6	<u>101646102</u>	Ring Set, Piston 0.25 mm Over .....	1
7	<u>101646103</u>	Ring Set, Piston 0.50 mm Over .....	1
8	<u>1016469</u>	Weight, Counterbalance .....	1
9	<u>1016470</u>	Shaft, Guide, Counterbalance .....	1
10	<u>101647501</u>	Rod Assembly (includes item 11) .....	1
11	<u>1016509</u>	Bolt .....	2
12	<u>101647502</u>	Rod Assembly, Connecting 0.50 mm Under (includes item 13) .....	1
13	<u>1016509</u>	Bolt .....	2
14	<u>1016541</u>	Stud, 6x14 .....	4
15	<u>1016547</u>	Nut, M6 Flange .....	4
16	<u>101655001</u>	Shim, Crankshaft T=1.13 .....	1
17	<u>101655002</u>	Shim, Crankshaft T=1.18 .....	1
18	<u>101655003</u>	Shim, Crankshaft T=1.23 .....	1
19	<u>101655004</u>	Shim, Crankshaft T=1.28 .....	1
20	<u>101655005</u>	Shim, Crankshaft T=1.33 .....	1
21	<u>101655006</u>	Shim, Crankshaft T=1.38 .....	1
22	<u>101655007</u>	Shim, Crankshaft T=1.43 .....	1
23	<u>101655008</u>	Shim, Crankshaft T=1.48 .....	1
24	<u>101655009</u>	Shim, Crankshaft T=1.53 .....	1
25	<u>1016558</u>	Ring, Snap .....	2
26	<u>1016559</u>	Spacer .....	1
27	<u>1016562</u>	Key .....	1
28	<u>1016568</u>	Seal, Oil .....	1
29	<u>1016571</u>	O-Ring .....	1
30	<u>101915501</u>	Crankcase Complete, FE290 (cw) .....	1
31	<u>101922301</u>	Crankshaft, FE290 Left-Hand Thread (includes items 32 through 35) .....	1
32	<u>1016516</u>	Rod (includes item 33) .....	2
33	<u>1016580</u>	Bearing, Plane .....	1
34	<u>1016532</u>	Gear, Spur .....	1
35	<u>1016533</u>	Gear, Helical .....	1

**7**  
**G**

**7**  
**G**



000200-001

# FE290 ENGINE MOUNTING

ITEM	PART NO.	DESCRIPTION	QTY
		1 2 3 4	
1	<u>1010577</u>	Bolt, Hex-Head, 5/16-18 X 1.50 .....	4
2	1012571	Washer, 5/16 Extra Thick Flat .....	4
3	<u>1013924</u>	Nut, 5/16-24 Hex Head Cone .....	6
4	<u>101827101</u>	Plate, Engine Mounting .....	1
5	<u>101832101</u>	Spacer, Powdered Metal .....	2
6	<u>101832701</u>	Stiffener (Flywheel Side) .....	1
7	<u>101833201</u>	Stud, M8-1.25 X 60mm Two-Ended .....	2
8	<u>101834601</u>	Snubber Bracket .....	1
9	<u>101884801</u>	Screw, 5/16-24 X 0.875 Grade-8 .....	6
10	<u>101963401</u>	Locknut, 5/16-18 Hex Flange .....	4
11	<u>102065901</u>	Locknut, 3/8-16 Flanged Dimple .....	4
12	<u>102540301</u>	Inner Frame Snubber .....	1
13	<u>334</u>	Washer, 3/8 Type A Flat .....	4
14	705	Screw, Cap-hex Hd 3/8-16x1.25 .....	4
15	<u>96704416</u>	Nut Flg, M8 X 1.25 Serrated .....	2

**7**

**G**

7

G

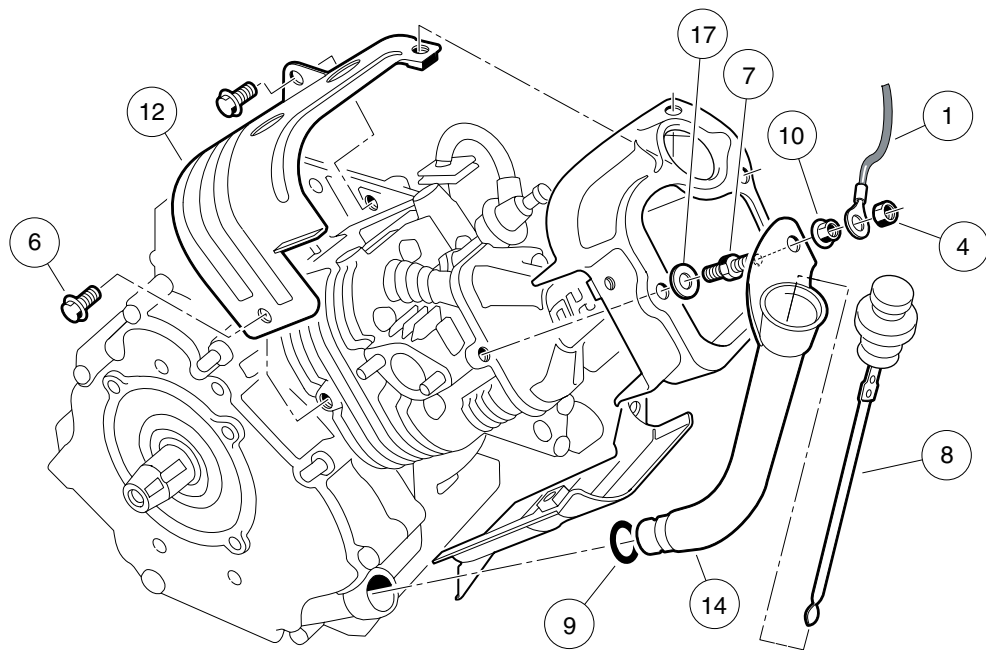
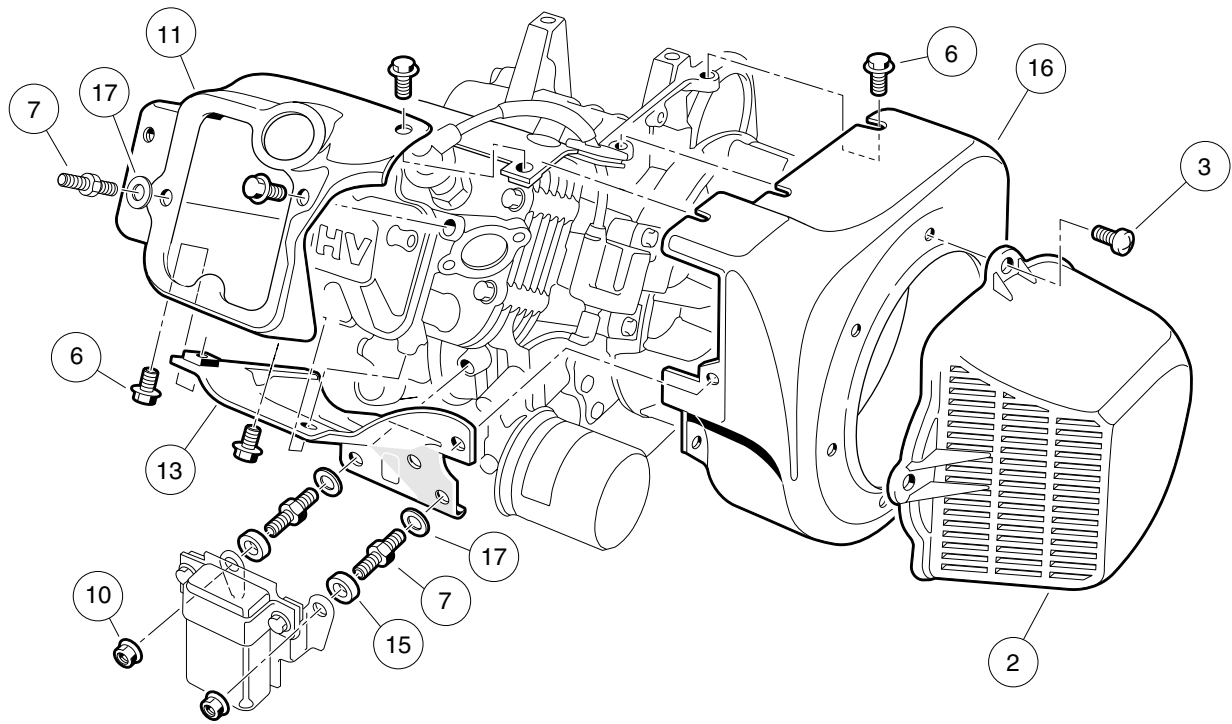


# FE350 ENGINE WITH ACR (KEY-START VEHICLES)

---

8

G

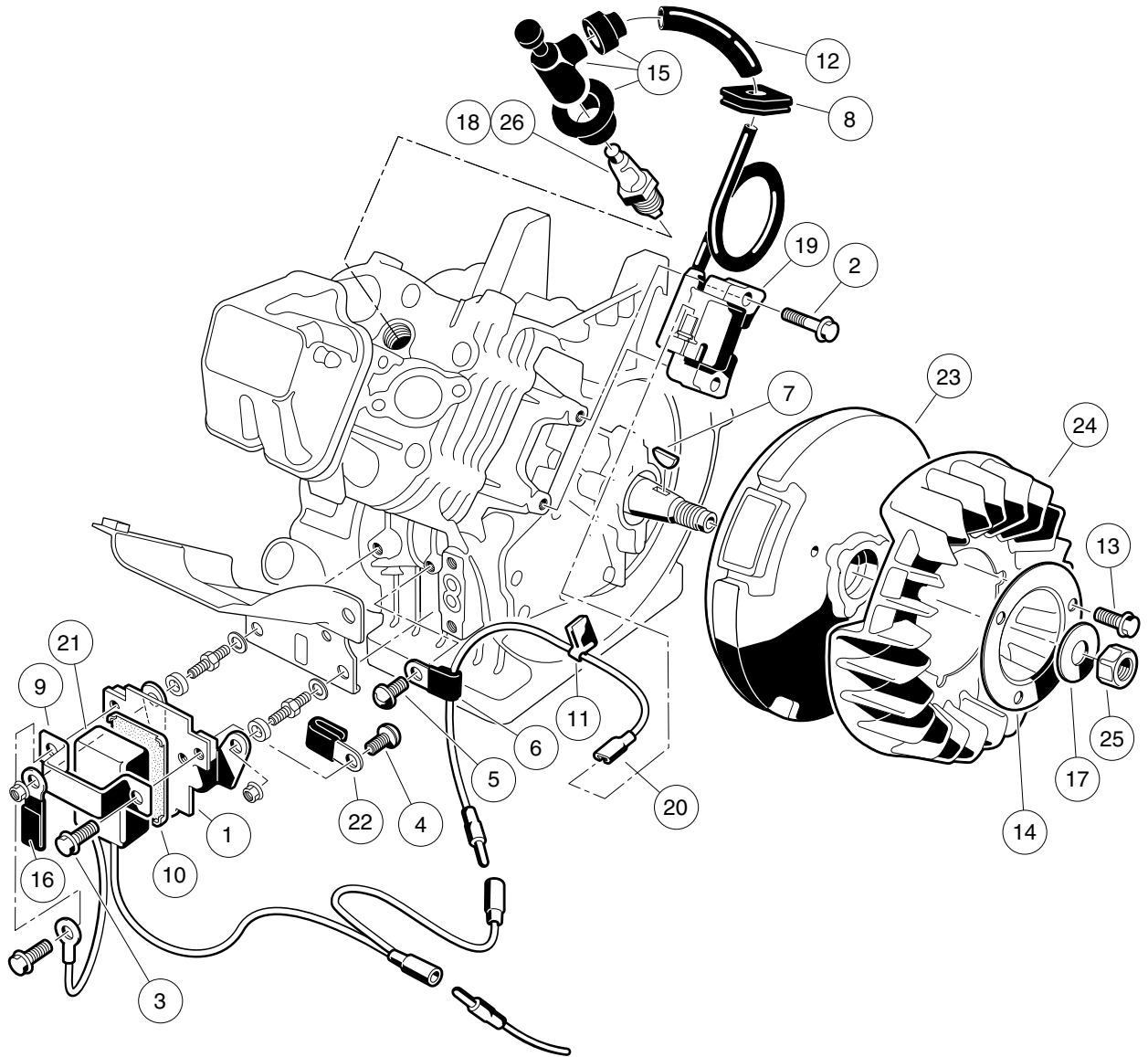


000201-001

# FE350 ENGINE WITH ACR (AUTOMATIC COMPRESSION RELEASE) – SHROUDS AND BRACKETS

ITEM	PART NO.	DESCRIPTION	QTY
		1 2 3 4	
1	<u>1015332</u>	Wire Assembly, #10, Uninsulated .....	1
2	<u>1015649</u>	Shroud, Fan .....	1
3	<u>1015969</u>	Screw, M6-1.00 X 10mm Pan Hd .....	4
4	<u>101887601</u>	Locknut, M6-1.00 Nylon Insert .....	1
5	<u>101953801</u>	Engine, FE350 (cw) with ACR * (includes items 6 through 17) .....	1
6	1016456	Bolt, Flange Head, M6 x 1 x 12 mm .....	14
7	<u>1016507</u>	Bolt, Two-Ended .....	3
8	1016531	Dipstick .....	1
9	<u>1016539</u>	O-Ring .....	1
10	1016547	Nut, M6 Flange .....	3
11	<u>1017474</u>	Shroud, Engine .....	1
12	<u>1017475</u>	Shroud, Engine .....	1
13	<u>1017476</u>	Shroud, Engine .....	1
14	<u>1017486</u>	Tube, Oil Filler .....	1
15	<u>1017500</u>	Spacer 6.50 X 12 X 5.5 .....	2
16	<u>101916101</u>	Housing, FE350 Fan .....	1
17	N/A	Washer, 6mm Flat .....	3
* Note: FE350 engine component listings span several pages.			

**8**  
**G**

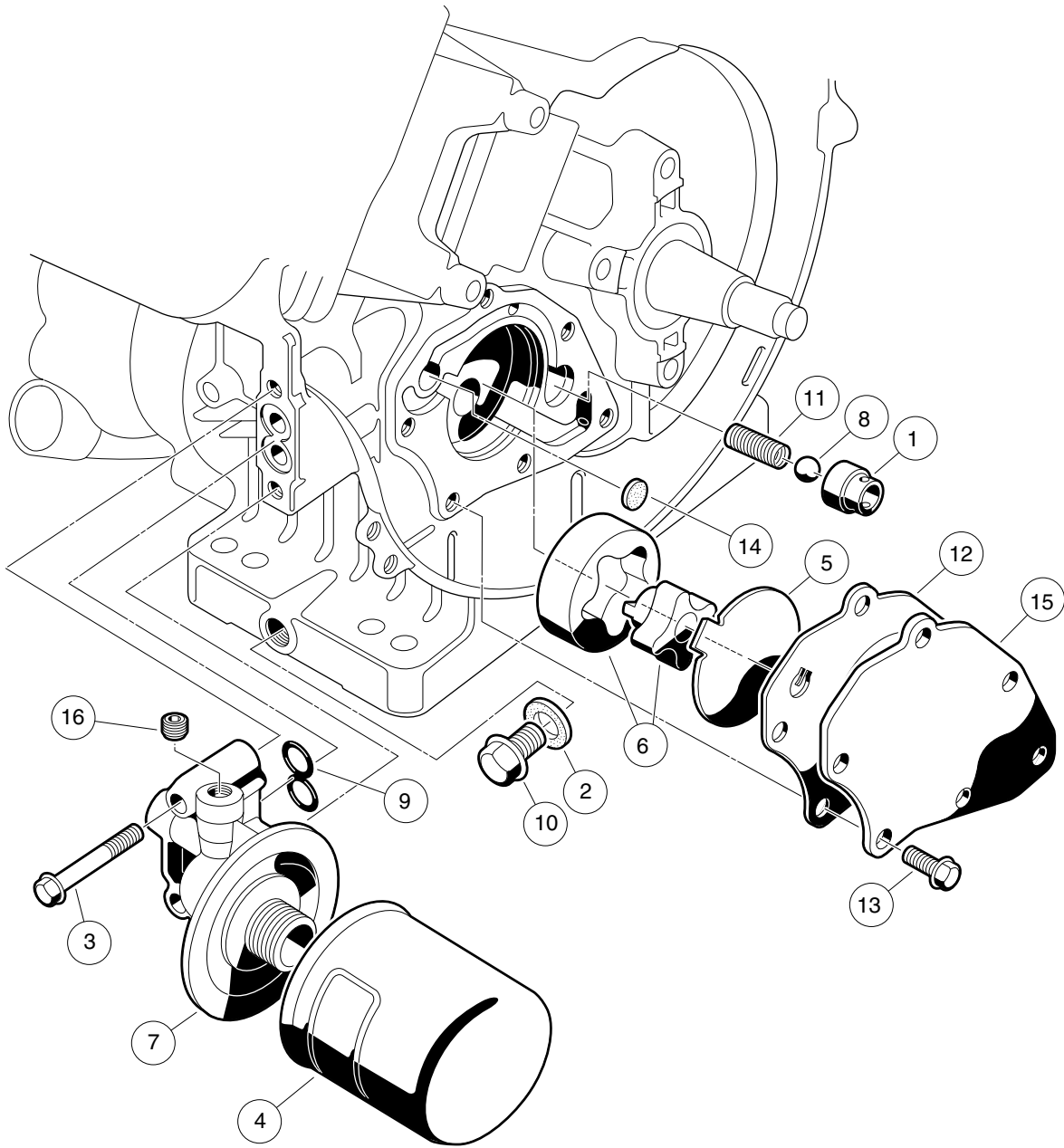


000202-001

# AS11 FE350 ENGINE – IGNITION COMPONENTS AND FLYWHEEL

ITEM	PART NO.	DESCRIPTION	QTY
		<b>1 2 3 4</b>	
1	1016445	Bracket, RPM Limiter .....	1
2	<u>1016455</u>	Bolt, Flange Head .....	2
3	1016456	Bolt, Flange Head, M6 x 1 x 12 mm .....	2
4	<u>1016497</u>	Screw, Pan WP Cross .....	1
5	<u>1016544</u>	Screw .....	1
6	<u>1016561</u>	Clamp .....	1
7	<u>1016562</u>	Key .....	1
8	<u>1016578</u>	Ignition, Grommet .....	1
9	<u>1016579</u>	Band, RPM Limiter Mount .....	1
10	1016586	Damper, RPM Limiter .....	1
11	<u>1016587</u>	Clamp .....	1
12	<u>1016588</u>	Tube, 7mm X 10mm X 70mm .....	1
13	<u>1017448</u>	Bolt, Flanged .....	3
14	<u>1017455</u>	Plate, Flywheel Fan .....	1
15	<u>1017463</u>	Cap Asm Plug .....	1
16	<u>1017468</u>	Clamp .....	1
17	<u>1017490</u>	Washer, Flat .....	1
18	<u>101881101</u>	Spark Plug, OHV (Autolite) .....	1
19	<u>101909201</u>	Coil, Ignition .....	1
20	<u>101909301</u>	Lead Wire Assy .....	1
21	101909401	Limiter, RPM .....	1
22	101909501	Clamp, Steel .....	1
23	<u>101916201</u>	Flywheel .....	1
24	<u>101916301</u>	Fan (cw) .....	1
25	N/A	Nut, Hex, 18 mm Fine .....	1
26	<u>AM10724</u>	Spark Plug, OHV (NGK) .....	1

**8**  
**G**



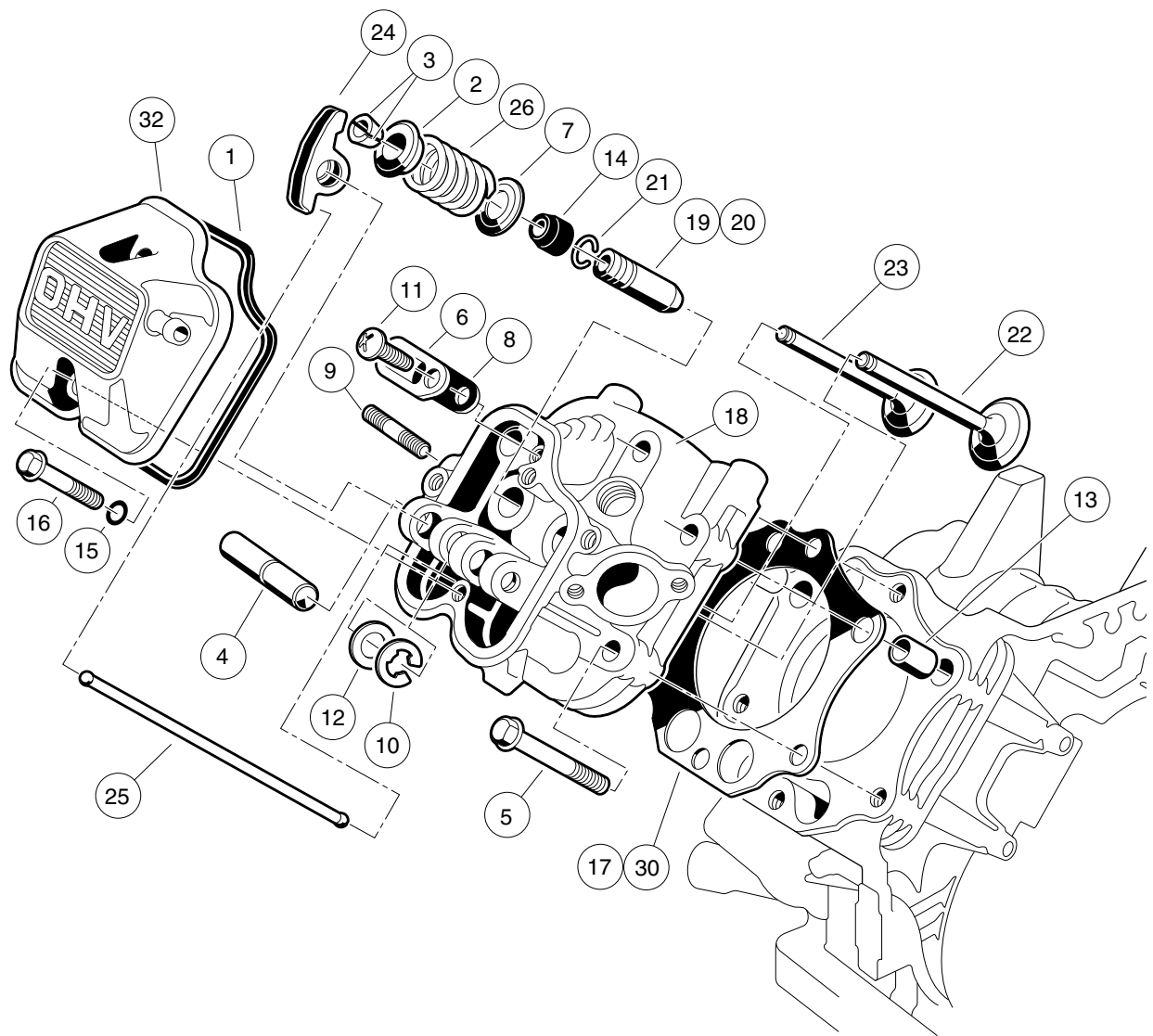
000203-001

## FE350 ENGINE – OIL CIRCULATION

ITEM	PART NO.	DESCRIPTION	QTY
		1 2 3 4	
1	1016429	Seat, Value Oil Press Relief .....	1
2	<u>1016432</u>	Gasket, Drain Plug .....	1
3	<u>1016457</u>	Bolt, Flange Head .....	2
4	<u>1016467</u>	Filter, Oil .....	1
5	<u>1016473</u>	Plate, Oil Pump .....	1
6	<u>101648203</u>	Oil Pump And Rotor .....	1
7	<u>1016502</u>	Bracket, Oil Filter Mount .....	1
8	<u>1016537</u>	Ball, Steel, Press, Relief .....	1
9	<u>1016570</u>	O-Ring .....	1
10	1016576	Plug, Drain .....	1
11	<u>1016581</u>	Spring .....	1
12	<u>1017442</u>	Gasket .....	1
13	<u>1017456</u>	Bolt, Flanged .....	6
14	<u>1017458</u>	Filter .....	1
15	<u>1017460</u>	Cover, Pump .....	1
16	<u>1017507</u>	Plug .....	2

**8**

**G**



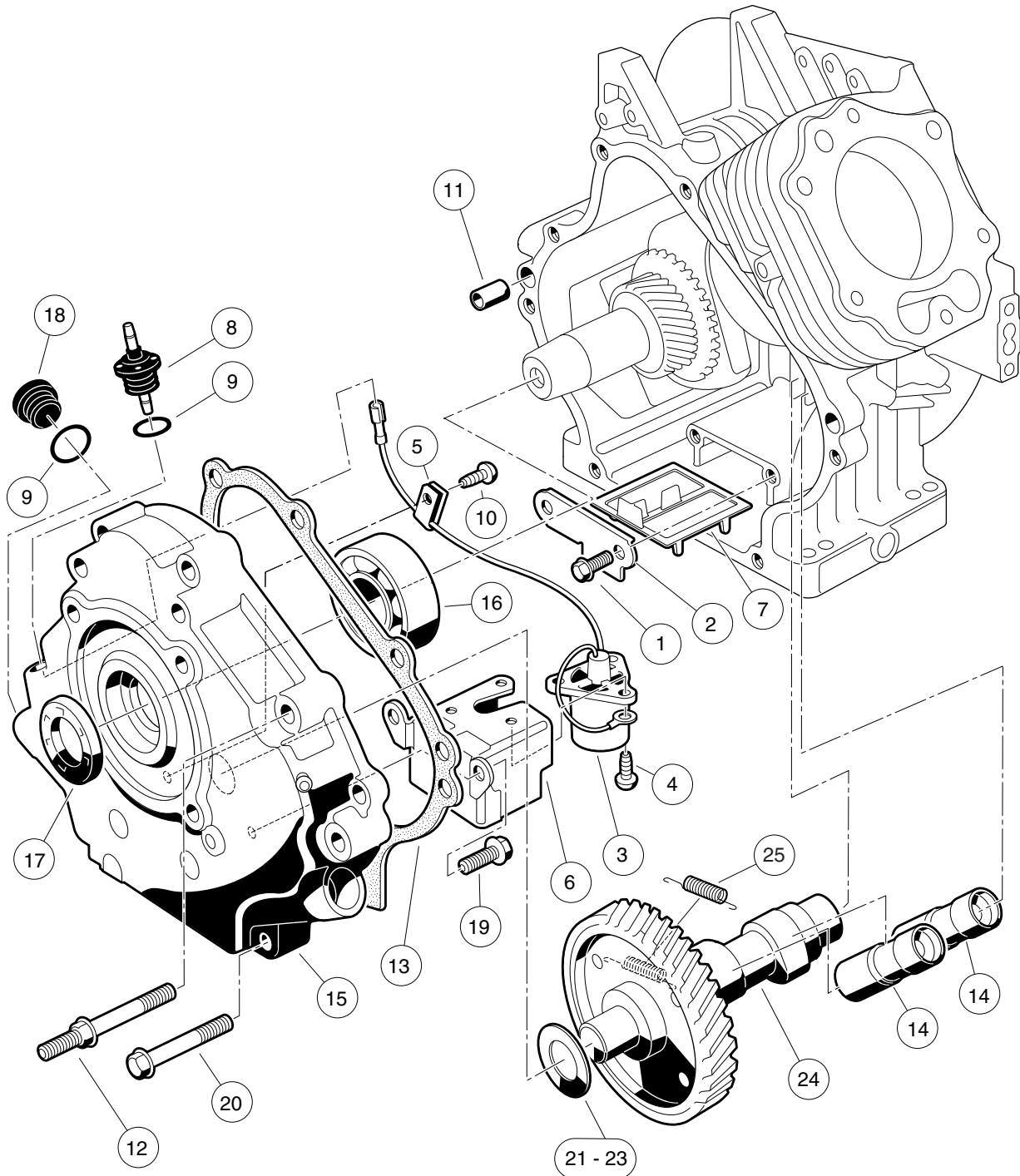
000204-001



# AS11 FE350 ENGINE – CYLINDER HEAD

ITEM	PART NO.	DESCRIPTION	QTY
		1 2 3 4	
1	<u>1016436</u>	Gasket, Rocker Case .....	1
2	<u>1016449</u>	Retainer, Valve Spring .....	2
3	<u>1016450</u>	Collet .....	4
4	<u>1016452</u>	Shaft, Rocker .....	1
5	<u>1016458</u>	Bolt, Flange Head, M8 x 1.25 x 45 mm .....	6
6	<u>1016474</u>	Plate .....	1
7	<u>1016479</u>	Seat, Spring .....	2
8	<u>1016483</u>	Valve .....	1
9	<u>1016489</u>	Stud, Two-Ended, M8-1.25 .....	2
10	<u>1016517</u>	Circlip, Type-E .....	1
11	<u>1016544</u>	Screw .....	1
12	<u>1016549</u>	Washer, 12.1x19x1.8 .....	1
13	<u>1016563</u>	Pin .....	2
14	<u>1016566</u>	Seal, Oil .....	2
15	<u>1016569</u>	O-Ring .....	2
16	<u>1016583</u>	Bolt, 6x35 .....	2
17	<u>1017434</u>	Gasket, Head .....	1
18	<u>1017435</u>	Assembly, Cylinder Head, FE350 (includes items 19 through 21) .....	1
19	<u>1016518</u>	Guide, Valve, Exhaust .....	1
20	<u>1016519</u>	Guide, Valve .....	1
21	<u>1016560</u>	Snap Ring .....	2
22	<u>1017444</u>	Valve, Intake .....	1
23	<u>1017445</u>	Valve, Exhaust .....	1
24	<u>1017446</u>	Arm, Rocker .....	2
25	<u>1017454</u>	Rod, Push .....	2
26	<u>1017473</u>	Spring, Engine Valve .....	2
27	<u>102304801</u>	Kit, Gasket, FE350 (includes items 28 through 31) .....	1
28	<u>1016440</u>	Gasket, Engine to Insulator .....	1
29	<u>1016904</u>	Gasket, Exhaust .....	1
30	<u>1017434</u>	Gasket, Head .....	1
31	<u>1017443</u>	Gasket, Crankcase Cover .....	1
32	<u>102753401</u>	Case, Rocker .....	1
		Note: Item 28 is not a component of the FE350 engine.	

**8**  
**G**

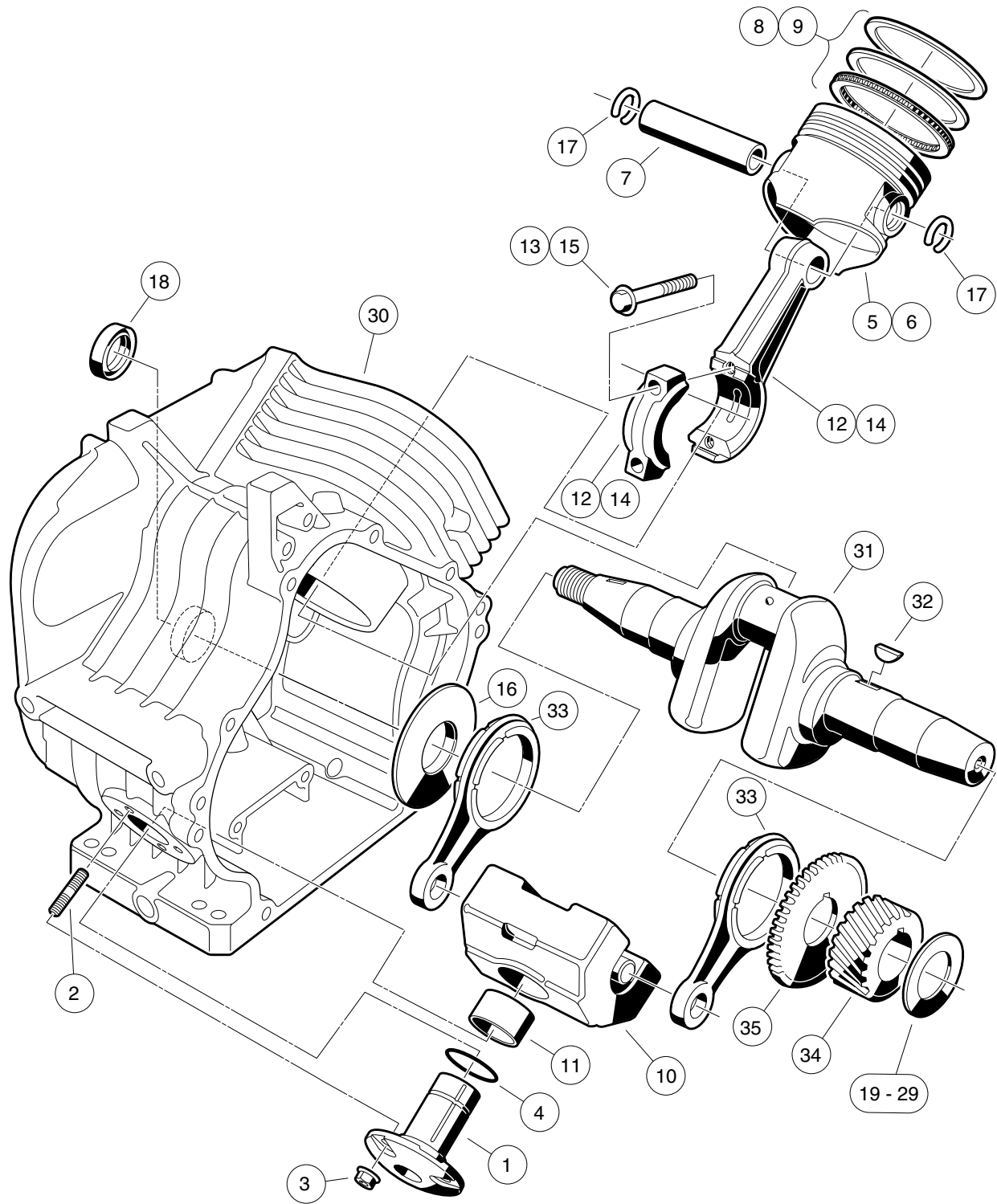


000205-001

# FE350 ENGINE WITH ACR – CRANKCASE, CAMSHAFT, AND OIL SENSOR

ITEM	PART NO.	DESCRIPTION	QTY
		1 2 3 4	
1	<u>1016454</u>	Bolt, Flange Head, M5 x 0.8 x 8 mm .....	2
2	<u>1016472</u>	Plate, Oil Filter Screen .....	1
3	1016494	Sensor, Oil Level .....	1
4	<u>1016496</u>	Screw, Cross Pan-Head, M4 x 0.7 x 8 mm .....	3
5	<u>1016506</u>	Clamp .....	1
6	<u>1016510</u>	Bracket, Switch, Oil Level .....	1
7	<u>1016521</u>	Screen, Oil Filter .....	1
8	<u>1016535</u>	Connector, Cord .....	1
9	<u>1016538</u>	O-Ring .....	2
10	<u>1016544</u>	Screw .....	1
11	<u>1016564</u>	Pin .....	2
12	<u>1016584</u>	Bolt, Two-Ended, M8 x 1.25 x 69 mm .....	2
13	<u>1017443</u>	Gasket, Crankcase Cover .....	1
14	<u>1017447</u>	Adjuster, Lash .....	2
15	<u>1017472</u>	Cover Crankcase .....	1
16	<u>1017487</u>	Bearing, Ball .....	1
17	<u>1017504</u>	Seal, Oil .....	1
18	1017508	Plug .....	1
19	<u>1017513</u>	Bolt Switch Bracket .....	2
20	<u>1017514</u>	Screw, M8-1.25 X 45mm Hex .....	6
21	<u>101751801</u>	Shim, 0.3 .....	1
22	<u>101751802</u>	Shim, 0.4 .....	1
23	<u>101751803</u>	Shim, 0.5 .....	1
24	<u>102271601</u>	Camshaft, FE350/FE400 with ACR, 44-tooth (includes item 25) .....	1
25	<u>1017511</u>	Spring .....	1

**8**  
**G**



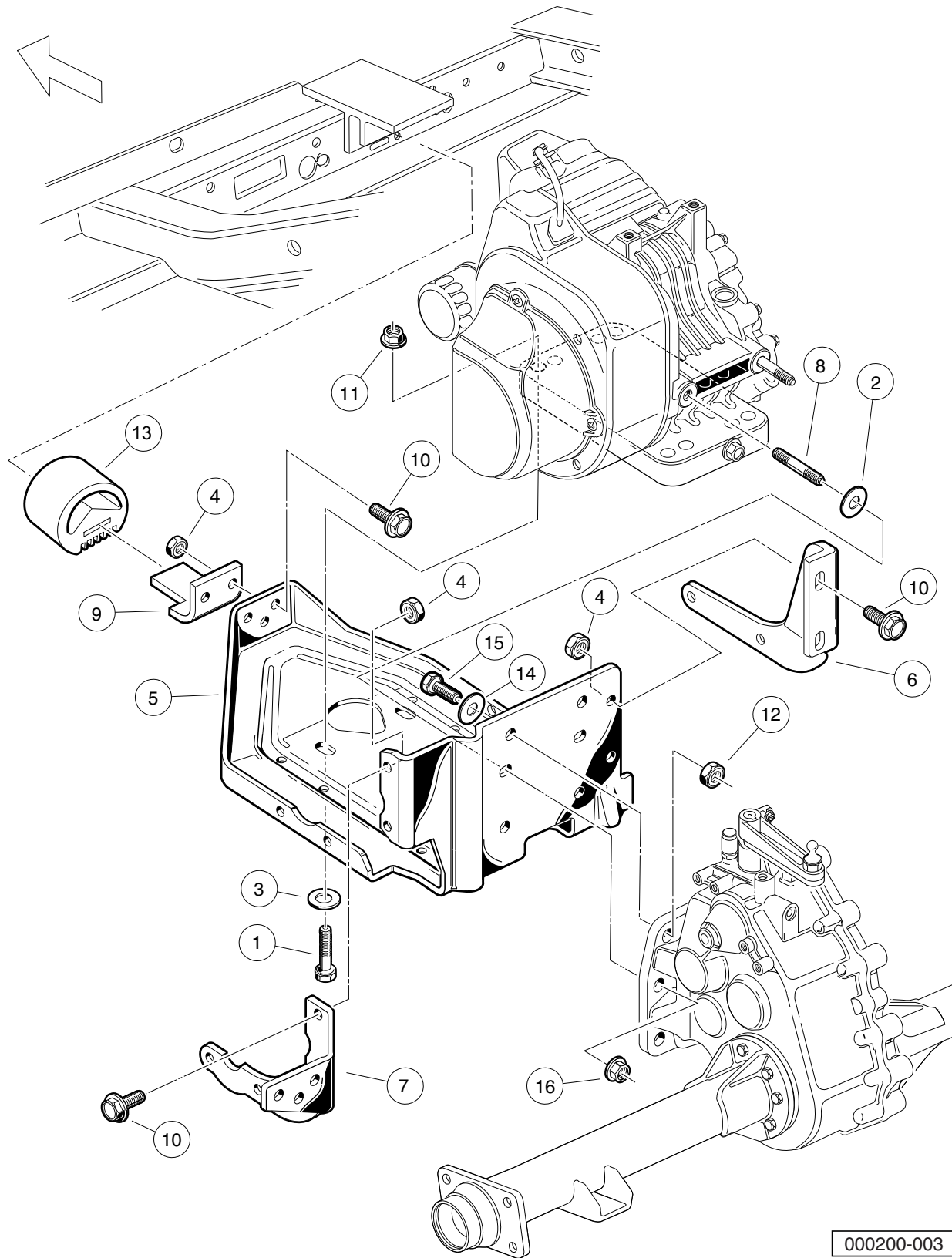
000206-001

# AS11 FE350 ENGINE – CRANKCASE AND CRANKSHAFT

ITEM	PART NO.	DESCRIPTION	QTY
		1 2 3 4	
1	1016470	Shaft, Guide, Counterbalance .....	1
2	<u>1016541</u>	Stud, 6x14 .....	4
3	1016547	Nut, M6 Flange .....	4
4	<u>1016571</u>	O-Ring .....	1
5	<u>101744901</u>	Piston, Standard .....	1
6	<u>101744902</u>	Piston, 0.50 mm Oversize .....	1
7	1017450	Pin, Piston .....	1
8	<u>101745101</u>	Ring Set, Standard Piston .....	1
9	<u>101745102</u>	Ring Set, Piston, 0.50 mm Oversize .....	1
10	<u>1017453</u>	Fe400 Counterbalance Weight (includes item 11) .....	1
11	1017510	Bearing, Plain .....	1
12	101745701	Asm, Con. Rod Std (includes item 13) .....	1
13	<u>1017512</u>	Bolt .....	2
14	<u>101745702</u>	Rod Assembly Connecting Rod 0.5mm (includes item 15) .....	1
15	<u>1017512</u>	Bolt .....	2
16	1017501	Spacer .....	1
17	<u>1017502</u>	Snap Ring .....	2
18	<u>1017503</u>	Seal, Oil .....	1
19	<u>101773301</u>	Shim, Crankshaft, 1.18mm .....	1
20	<u>101773302</u>	Shim, Crankshaft, 1.25mm .....	1
21	<u>101773303</u>	Shim, Crankshaft, 1.32mm .....	1
22	<u>101773304</u>	Shim, Crankshaft, 1.39mm .....	1
23	<u>101773305</u>	Shim, Crankshaft, 1.46mm .....	1
24	<u>101773306</u>	Shim, Crankshaft, 1.53mm .....	1
25	<u>101773307</u>	Shim, Crankshaft, 1.60mm .....	1
26	<u>101773308</u>	Shim, Crankshaft, 1.67mm .....	1
27	<u>101773309</u>	Shim, Crankshaft, 1.74mm .....	1
28	<u>101773310</u>	Shim, Crankshaft, 1.11 mm .....	1
29	<u>101773311</u>	Shim, Crankshaft, 1.81mm .....	1
30	<u>101916001</u>	Crankcase Complete, FE350 (cw) .....	1
31	<u>102430901</u>	Crankshaft, FE350 Left-Hand, 22-Tooth (includes items 32 through 35) .....	1
32	<u>1016562</u>	Key .....	1
33	<u>1017471</u>	Rod .....	2
34	N/A	Gear, Helical .....	1
35	N/A	Gear, Spur .....	1

**8**  
**G**

**8**  
**G**



000200-003

# FE350 ENGINE MOUNTING

ITEM	PART NO.	DESCRIPTION	QTY
		1 2 3 4	
1	<u>1010577</u>	Bolt, Hex-Head, 5/16-18 X 1.50 .....	4
2	<u>1011697</u>	Washer, 5/16 Flat .....	2
3	1012571	Washer, 5/16 Extra Thick Flat .....	4
4	<u>1013924</u>	Nut, 5/16-24 Hex Head Cone .....	10
5	<u>101827101</u>	Plate, Engine Mounting .....	1
6	<u>101832601</u>	Stiffener (PTO Side) .....	1
7	<u>101832701</u>	Stiffener (Flywheel Side) .....	1
8	<u>101833101</u>	Stud, M8-1.25 X 50 mm Two-Ended .....	2
9	<u>101834601</u>	Snubber Bracket .....	1
10	<u>101884801</u>	Screw, 5/16-24 X 0.875 Grade-8 .....	10
11	<u>101963401</u>	Locknut, 5/16-18 Hex Flange .....	4
12	<u>102065901</u>	Locknut, 3/8-16 Flanged Dimple .....	4
13	<u>102540301</u>	Inner Frame Snubber .....	1
14	<u>334</u>	Washer, 3/8 Type A Flat .....	4
15	705	Screw, Cap-hex Hd 3/8-16x1.25 .....	4
16	<u>96704416</u>	Nut Flg, M8 X 1.25 Serrated .....	2

**8**

**G**

8

G

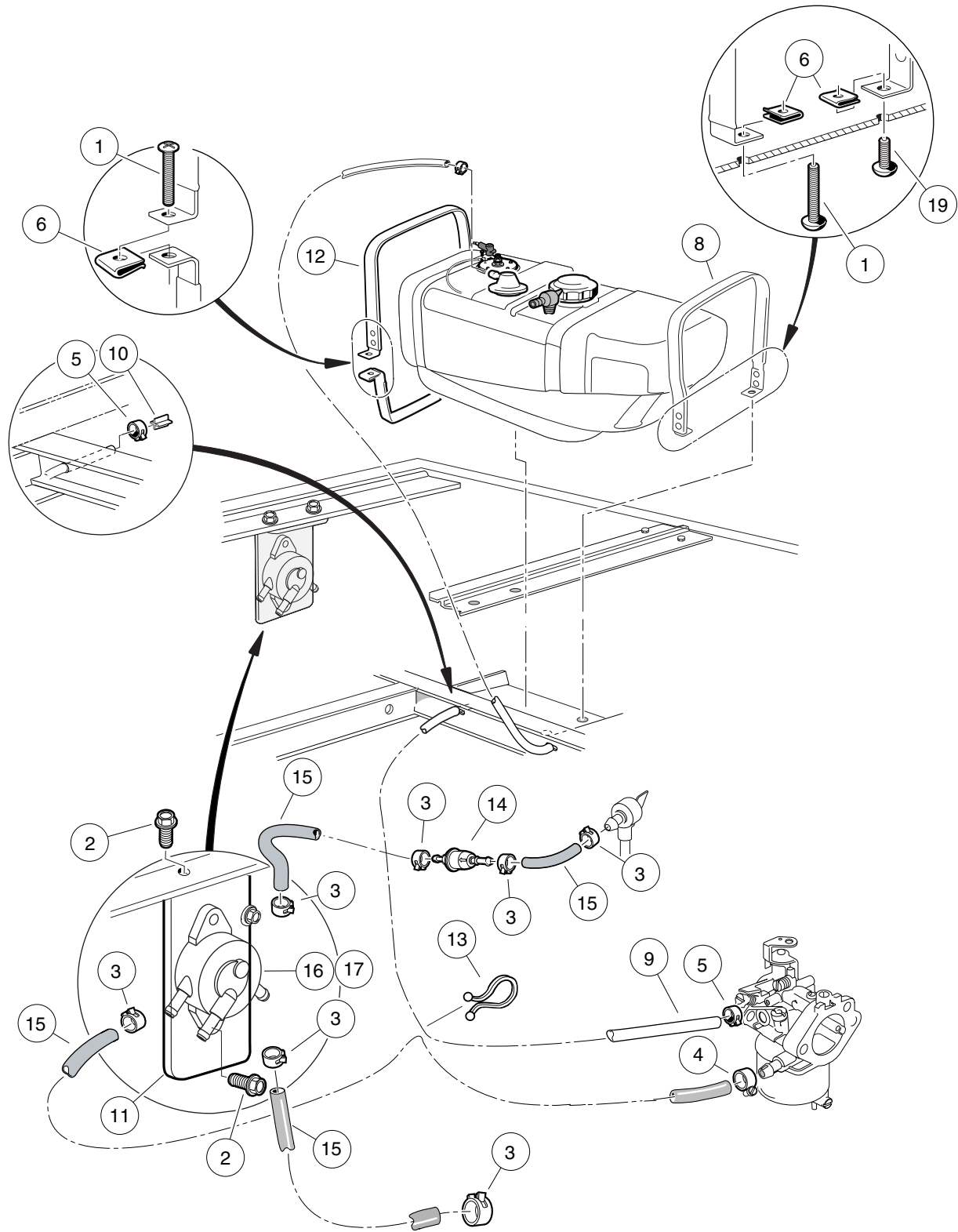


# FUEL, INTAKE, AND GOVERNOR SYSTEMS

---

9

G



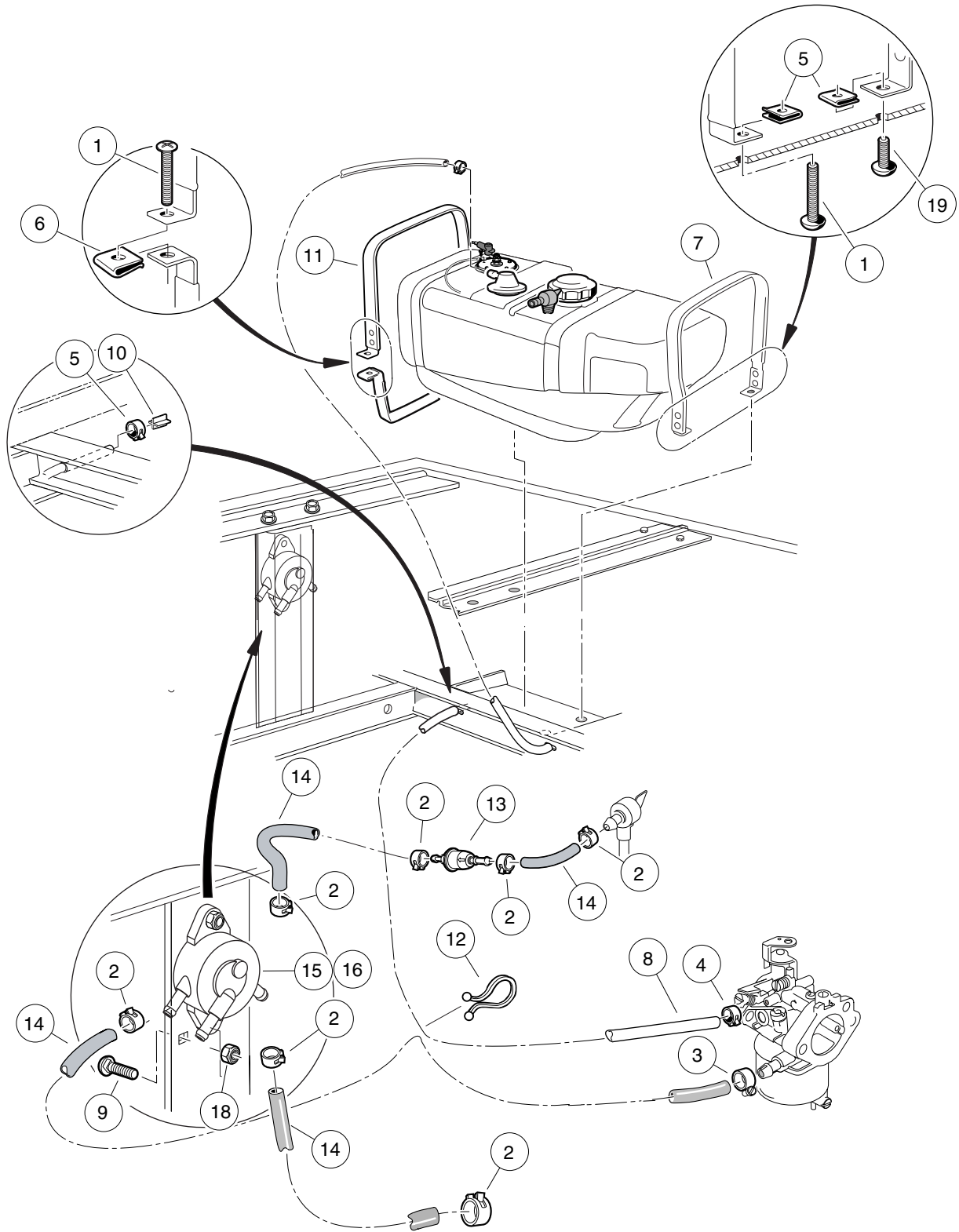
000210-002

## FUEL SYSTEM – TRANSPORTER 4 AND 6

ITEM	PART NO.	DESCRIPTION	QTY
		1 2 3 4	
1	<u>1011988</u>	Screw, 1/4-20 X 2.00 Phillips Truss-Head .....	2
2	<u>1012285</u>	Screw, 1/4 X 0.625 Hex-Head .....	4
3	<u>1012649</u>	Clamp, 0.460 Red Hose .....	7
4	<u>1013687</u>	Clamp, 3/8" Hose (screw type) .....	1
5	<u>1013746</u>	Clamp, 0.301 ID Hose .....	2
6	<u>1014116</u>	Nut, 1/4-20 Speed .....	3
7	<u>1014524</u>	Kit, Impulse Pump Rebuild .....	1
8	<u>1014928</u>	Fuel Strap Assembly Rear .....	1
9	<u>1015137</u>	Fuel Line (available by the foot) .....	1
10	<u>101824401</u>	Vent Barb .....	1
11	<u>101929501</u>	Mount Fuel Pump .....	1
12	<u>101955301</u>	Fuel Strap Assy, Front .....	1
13	<u>101987701</u>	Clamp, Plastic Tie .....	1
14	<u>102003201</u>	Filter, Fuel, 30 Micron .....	1
15	<u>102865101</u>	Fuel Line .....	1
16	<u>103781101</u>	Kit, Fuel Pump Retrofit (includes items 17 and 18) .....	1
17	<u>103010101</u>	Pump, Fuel, Impulse, Fh .....	1
18	103781201	Instr, Fuel Pump Retrofit .....	1
19	<u>8248</u>	Screw, 1/4-20 X 0.75 Truss-Head Machine .....	1
		Note: Total fuel line length: 43 inches (109.2 cm)	

**9**

**G**



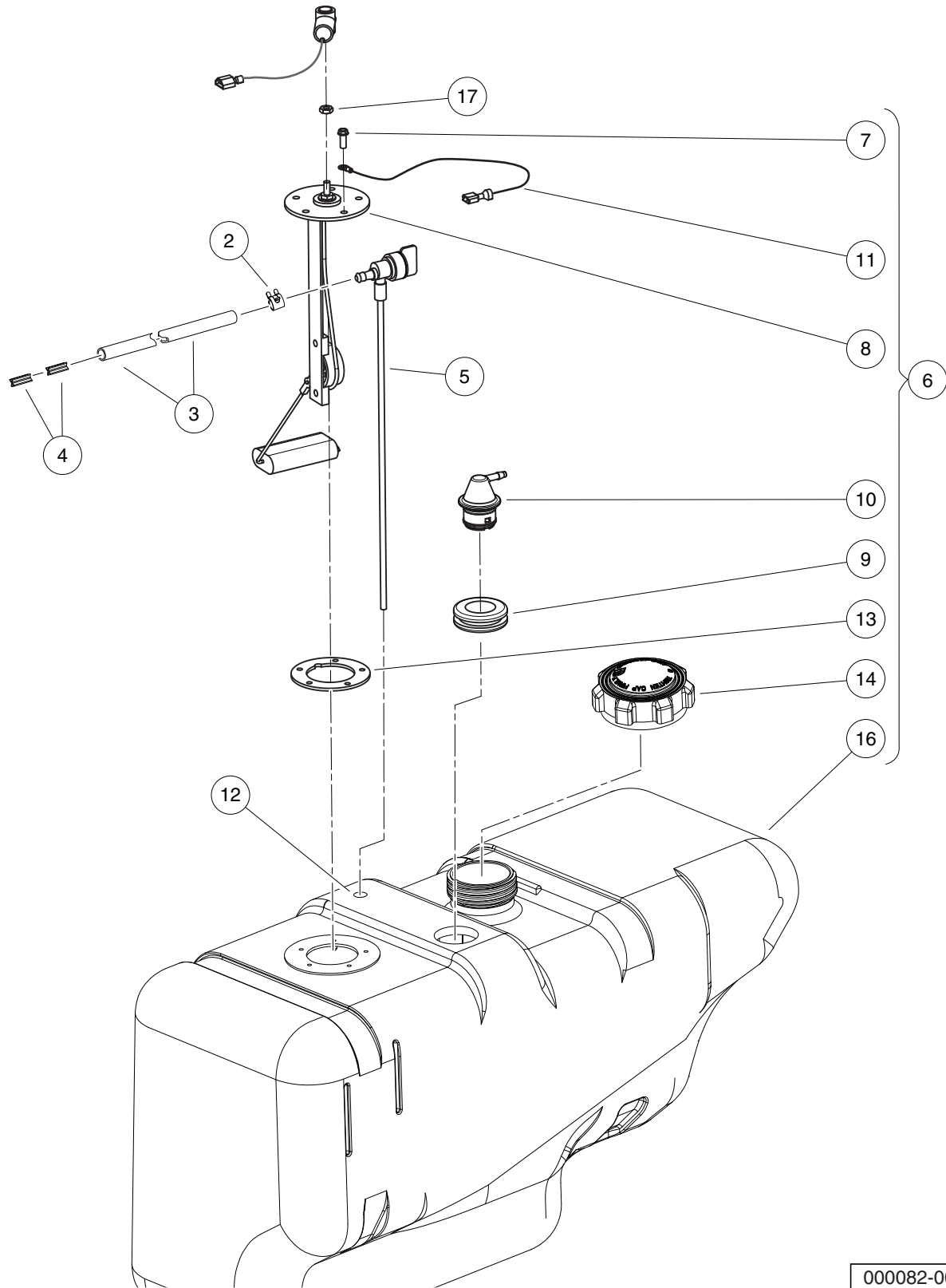
000210-004

# FUEL SYSTEM – DS VILLAGER 4, VILLAGER 6, AND VILLAGER 8

ITEM	PART NO.	DESCRIPTION	QTY
		1 2 3 4	
1	<u>1011988</u>	Screw, 1/4-20 X 2.00 Phillips Truss-Head .....	2
2	<u>1012649</u>	Clamp, 0.460 Red Hose .....	7
3	<u>1013687</u>	Clamp, 3/8" Hose (screw type) .....	1
4	<u>1013746</u>	Clamp, 0.301 ID Hose .....	2
5	<u>1014116</u>	Nut, 1/4-20 Speed .....	3
6	<u>1014524</u>	Kit, Impulse Pump Rebuild .....	1
7	<u>1014928</u>	Fuel Strap Assembly Rear .....	1
8	<u>1015137</u>	Fuel Line (available by the foot) .....	1
9	<u>1017203</u>	Carriage Bolt .....	2
10	<u>101824401</u>	Vent Barb .....	1
11	<u>101955301</u>	Fuel Strap Assy, Front .....	1
12	<u>101987701</u>	Clamp, Plastic Tie .....	1
13	<u>102003201</u>	Filter, Fuel, 30 Micron .....	1
14	<u>102865101</u>	Fuel Line .....	1
15	<u>103781101</u>	Kit, Fuel Pump Retrofit (includes items 16 and 17) .....	1
16	<u>103010101</u>	Pump, Fuel, Impulse, Fh .....	1
17	<u>103781201</u>	Instr, Fuel Pump Retrofit .....	1
18	<u>8233</u>	Locknut, 1/4-20 Nylon Insert .....	2
19	<u>8248</u>	Screw, 1/4-20 X 0.75 Truss-Head Machine .....	1
Note: Total fuel line length: 47 inches (119.4 cm)			

9

G



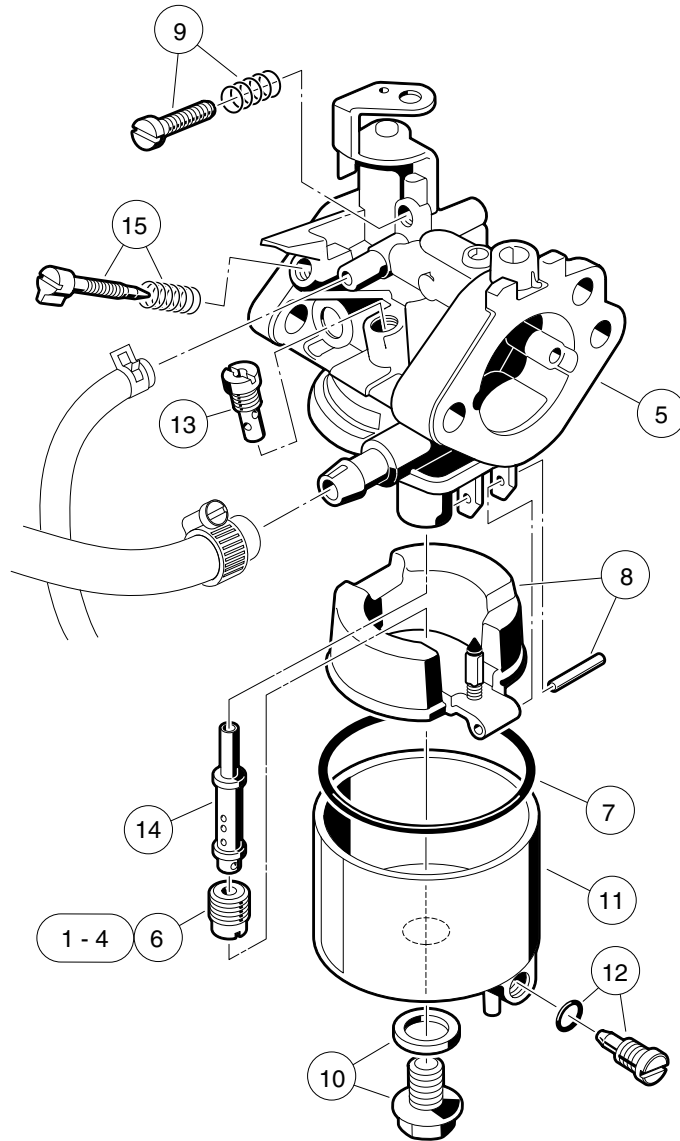
000082-003

# FUEL TANK WITH FUEL LEVEL SENDING UNIT

ITEM	PART NO.	DESCRIPTION	QTY
		1 2 3 4	
1	1016004	Tank Kit w/Sending Unit (includes items 2 through 6) .....	1
2	<u>1013746</u>	Clamp, 0.301 ID Hose .....	2
3	<u>1015137</u>	Fuel Line (available by the foot) .....	1
4	<u>101824401</u>	Vent Barb .....	2
5	101896901	Fuel Pickup w/Shut-Off Valve .....	1
6	<u>103651901</u>	Asm, Tank, Ds Utl W/su† Nano (includes items 7 through 16) .....	1
7	<u>1013461</u>	Screw, #10-16 Hex-Head Hi-Lo .....	5
8	<u>1013462</u>	Sending Unit, Fuel Level * .....	1
9	<u>1015139</u>	Insulation Grommet .....	1
10	<u>1015143</u>	Vent, Fuel Tank .....	1
11	1015921	Wire Assembly #16 Black .....	1
12	<u>102406701</u>	Bushing, Line, Return .....	1
13	<u>102522001</u>	Gasket, Rubber .....	1
14	<u>103372101</u>	Cap, Fuel Tank, Gas, Ratchet .....	1
15	<u>103372302</u>	Fuel Pickup w/Shut-Off Valve, 288mm .....	1
16	103776901	Tank, Fuel, Top, W/su Nano .....	1
17	<u>8797</u>	Nut, #10-32 Brass Hex .....	1
<p>* Note: Must replace fuel sending unit gasket when servicing this component.</p>			

9

G



000211-001

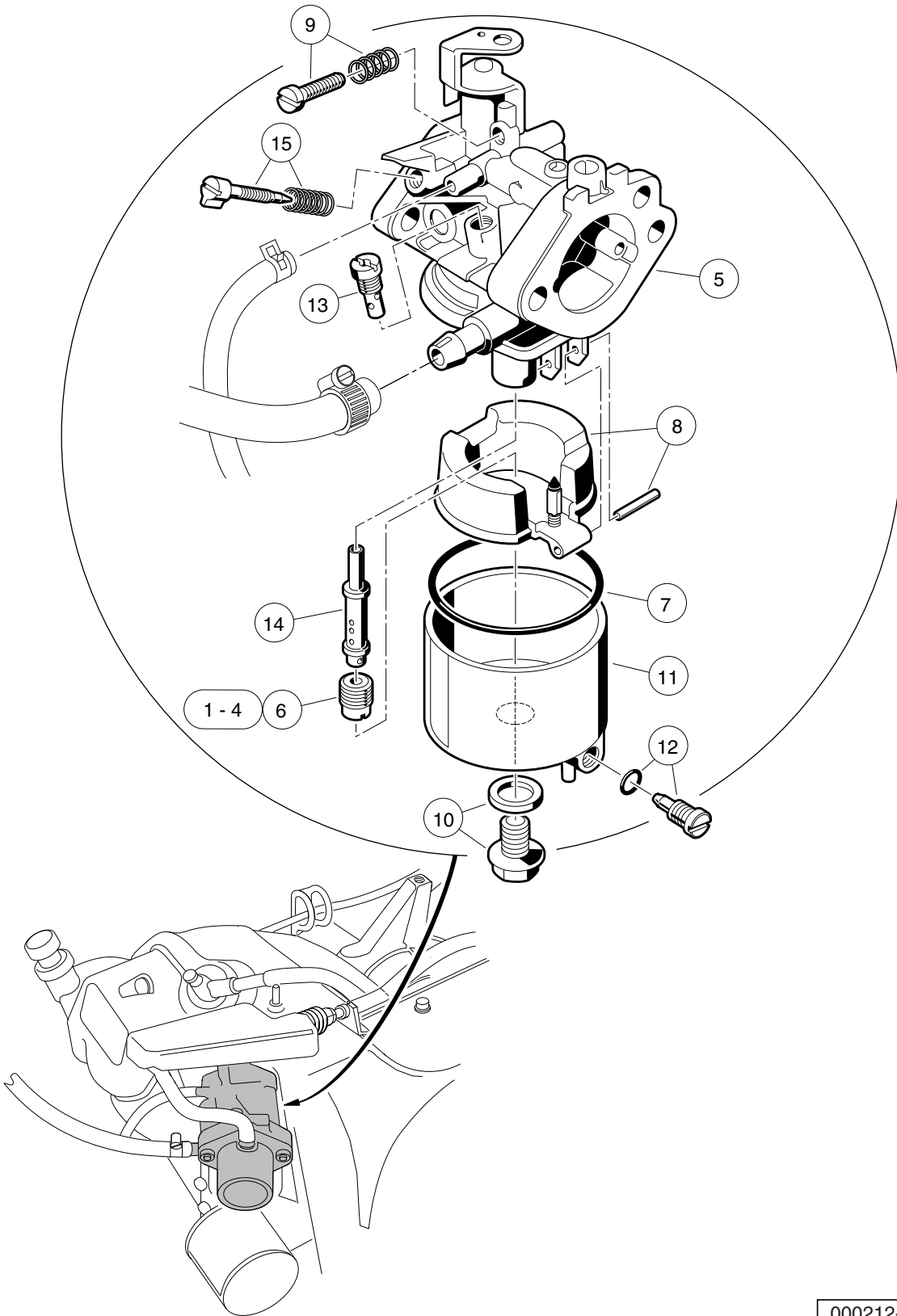


# CARBURETOR ASSEMBLY, FE290 ENGINE – DS VILLAGER 4

ITEM	PART NO.	DESCRIPTION	QTY
		1 2 3 4	
1	<u>101642572</u>	Jet, Altitude, # 72 .....	1
2	<u>101642575</u>	Jet, Altitude, # 75 .....	1
3	<u>101642578</u>	Jet, Altitude, # 78 .....	1
4	<u>101642580</u>	Jet, Altitude, # 80 .....	1
5	<u>101905601</u>	Carburetor Assembly, FE290D (includes items 6 through 15) .....	1
6	<u>101642582</u>	Jet, Altitude, # 82 .....	1
7	<u>1016437</u>	Gasket, Carburetor Bowl OHV .....	1
8	<u>1016486</u>	Float Assembly .....	1
9	<u>1016501</u>	Screw Assembly .....	1
10	<u>1016585</u>	Bolt .....	1
11	<u>1017461</u>	Chamber Assembly, Float (includes item 12) .....	1
12	<u>1016499</u>	Screw Assembly .....	1
13	<u>101973101</u>	Jet, #40 Pilot .....	1
14	<u>101973201</u>	Nozzle, Main .....	1
15	N/A	Assembly, Pilot Air Screw .....	1
<p>Note: <u>101642582</u> for 0 - 3,000 feet; <u>101642580</u> for 3,000 - 5,000 feet;  <u>101642578</u> for 5,000 - 8,000 feet; <u>101642575</u> for 8,000 - 10,000 feet;  <u>101642572</u> for 10,000 feet and higher.</p>			

9

G



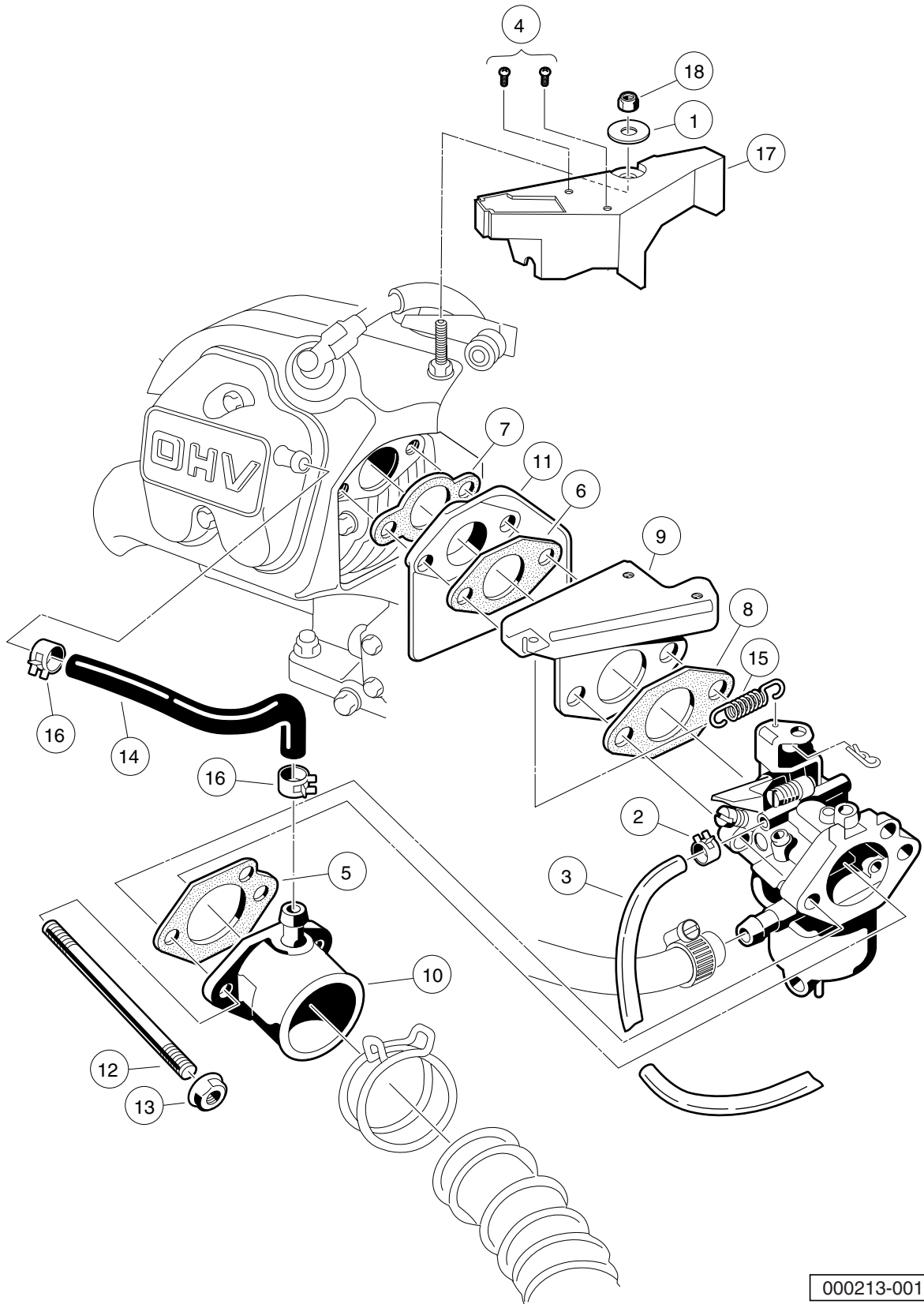
000212-001

## CARBURETOR ASSEMBLY, FE350 ENGINE – VILLAGER 6 AND 8, AND TRANSPORTER 4 AND 6

ITEM	PART NO.	DESCRIPTION	QTY
		1 2 3 4	
1	<u>101642575</u>	Jet, Altitude, # 75 .....	1
2	<u>101642578</u>	Jet, Altitude, # 78 .....	1
3	<u>101642580</u>	Jet, Altitude, # 80 .....	1
4	<u>101642582</u>	Jet, Altitude, # 82 .....	1
5	<u>101905901</u>	Carburetor, FE350D (includes items 6 through 15) .....	1
6	<u>101642585</u>	Jet, Altitude, # 85 .....	1
7	<u>1016437</u>	Gasket, Carburetor Bowl OHV .....	1
8	1016486	Float Assembly .....	1
9	<u>1016501</u>	Screw Assembly .....	1
10	1016585	Bolt .....	1
11	<u>1017461</u>	Chamber Assembly, Float (includes item 12) .....	1
12	<u>1016499</u>	Screw Assembly .....	1
13	<u>101973101</u>	Jet, #40 Pilot .....	1
14	<u>101973301</u>	Nozzle, Main .....	1
15	N/A	Assembly, Pilot Air Screw .....	1
		Note: <u>101642585</u> for 0 - 3,000 feet; <u>101642582</u> for 3,000 - 5,000 feet; <u>101642580</u> for 5,000 - 8,000 feet; <u>101642578</u> for 8,000 - 10,000 feet; <u>101642575</u> for 10,000 feet and higher.	

**9**

**G**



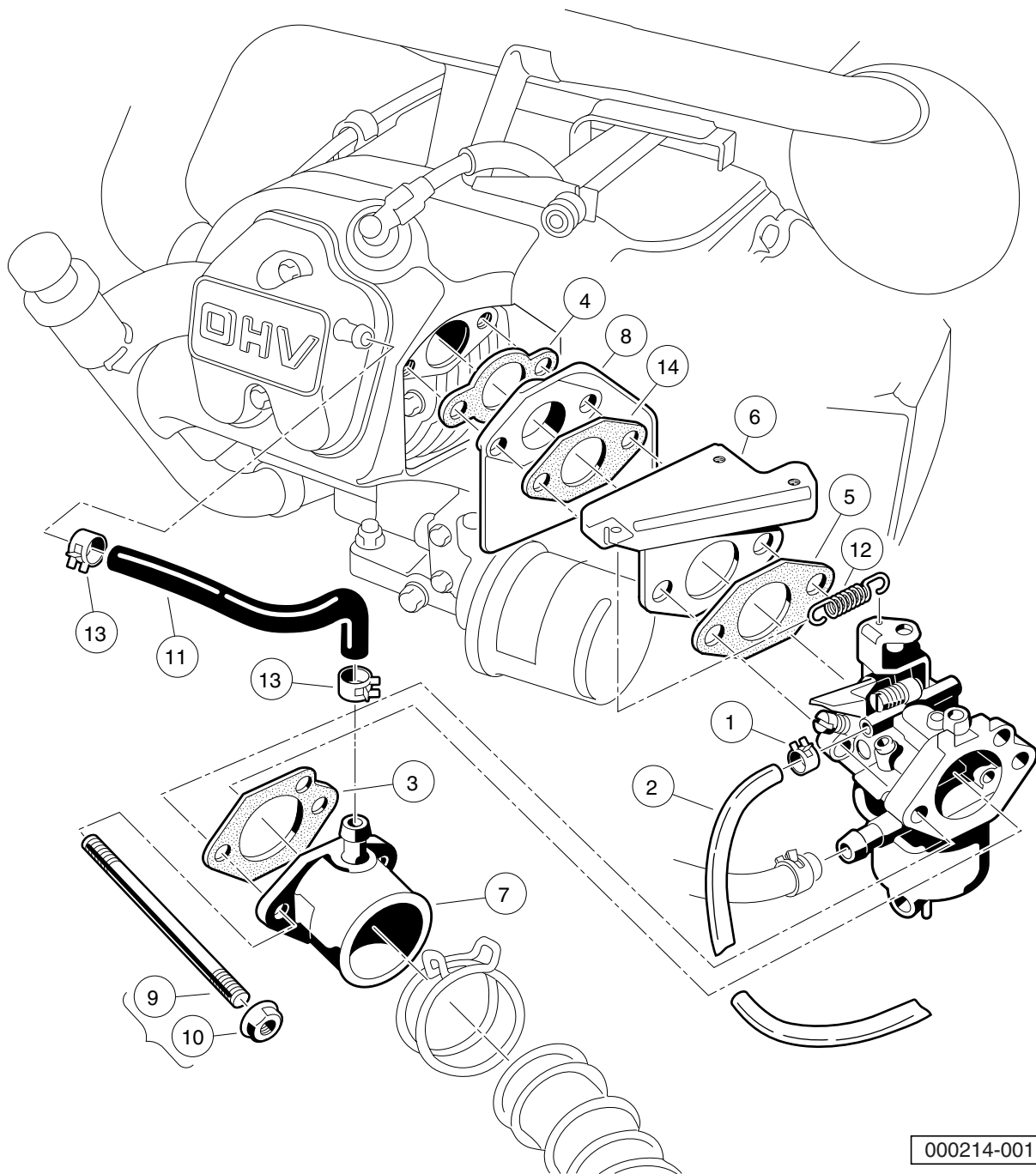
000213-001

# CARBURETOR INSTALLATION, FE290 ENGINE – DS VILLAGER 4

ITEM	PART NO.	DESCRIPTION	QTY
		1 2 3 4	
1	<u>1011697</u>	Washer, 5/16 Flat .....	1
2	<u>1013746</u>	Clamp, 0.301 ID Hose .....	1
3	<u>1015137</u>	Fuel Line (available by the foot) .....	1
4	<u>1016103</u>	Screw, Pan Hd Tx, Taptite 6-32 .....	2
5	<u>1016438</u>	Gasket, Carb To Intake Manifold .....	1
6	<u>1016439</u>	Gasket, Insulator .....	1
7	<u>1016440</u>	Gasket, Engine to Insulator .....	1
8	<u>1016441</u>	Gasket, Sprg Brkt To Carb OHV .....	1
9	<u>1016444</u>	Bracket, Throttle Spring Return .....	1
10	1016480	Pipe, Intake Manifold .....	1
11	101648102	Insulator, Carburetor .....	1
12	<u>101649002</u>	Stud, M6-1.00 Two-Ended .....	2
13	1016547	Nut, M6 Flange .....	2
14	<u>1016572</u>	Tube, Crankcase Vent .....	1
15	<u>1016582</u>	Spring, Throttle Return .....	1
16	<u>1017466</u>	Clamp .....	2
17	101820201	Shield, Governor .....	1
18	<u>101887601</u>	Locknut, M6-1.00 Nylon Insert .....	1

9

G

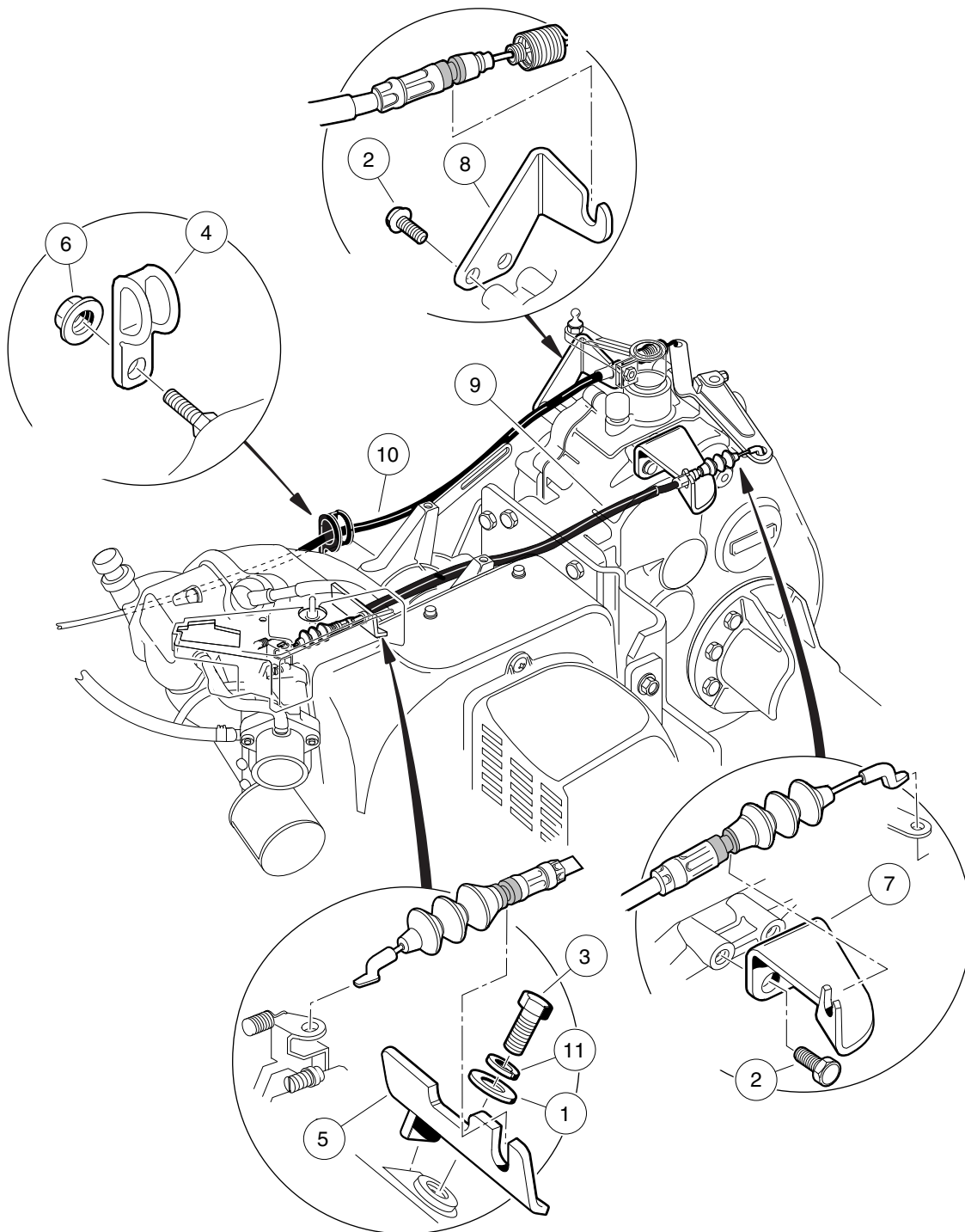


000214-001

# CARBURETOR INSTALLATION, FE350 ENGINE – VILLAGER 6 AND 8, AND TRANSPORTER 4 AND 6

ITEM	PART NO.	DESCRIPTION	QTY
		1 2 3 4	
1	<u>1013746</u>	Clamp, 0.301 ID Hose .....	1
2	<u>1015137</u>	Fuel Line (available by the foot) .....	1
3	<u>1016438</u>	Gasket, Carb To Intake Manifold .....	1
4	<u>1016440</u>	Gasket, Engine to Insulator .....	1
5	<u>1016441</u>	Gasket, Sprg Brkt To Carb OHV .....	1
6	<u>1016444</u>	Bracket, Throttle Spring Return .....	1
7	1016480	Pipe, Intake Manifold .....	1
8	101648102	Insulator, Carburetor .....	1
9	<u>101649002</u>	Stud, M6-1.00 Two-Ended .....	2
10	1016547	Nut, M6 Flange .....	2
11	<u>1016572</u>	Tube, Crankcase Vent .....	1
12	<u>1016582</u>	Spring, Throttle Return .....	1
13	<u>1017466</u>	Clamp .....	2
14	<u>101973401</u>	Gasket, Insulator To Bracket .....	1

**9**  
**G**



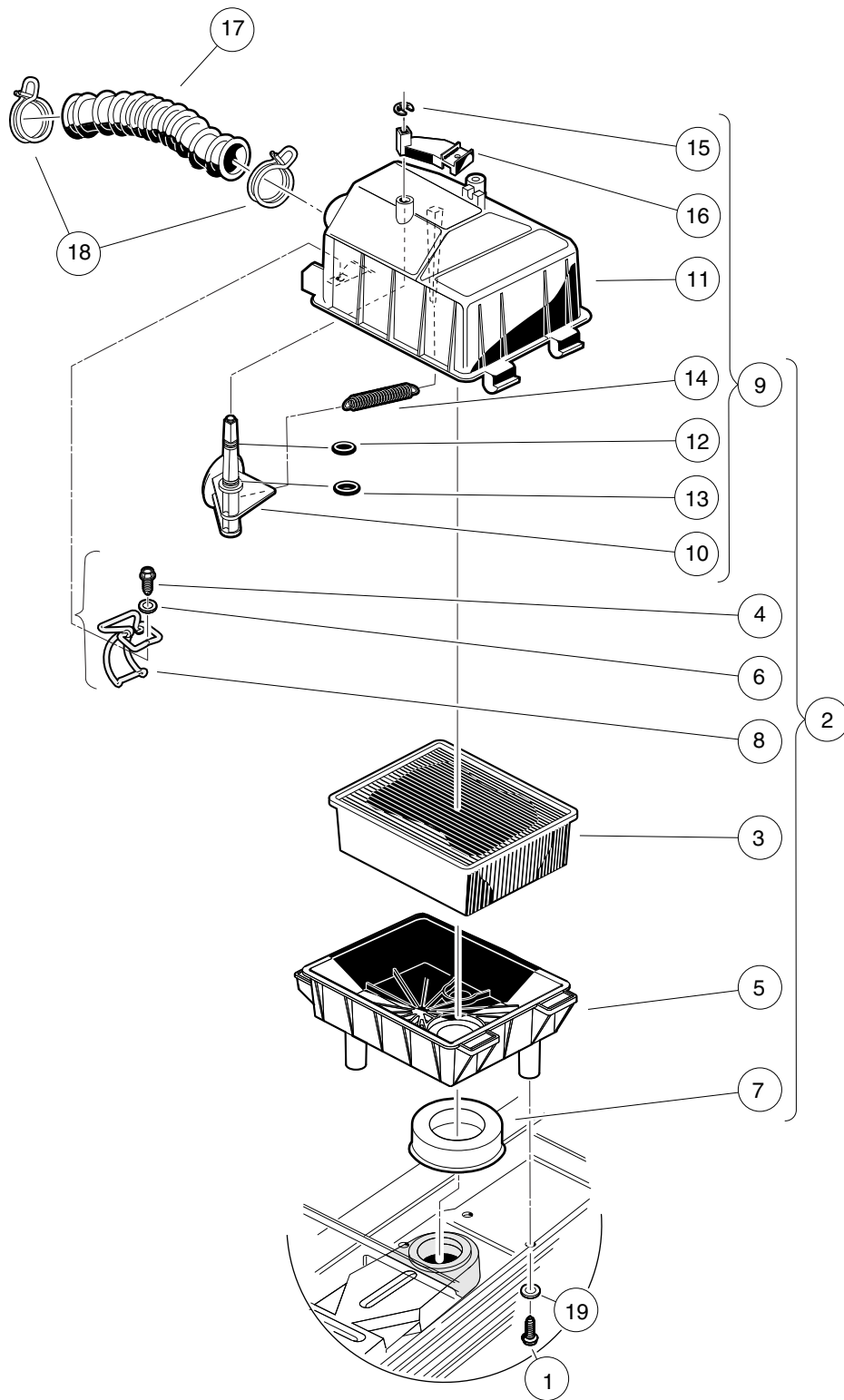
000215-001



# GOVERNOR AND ACCELERATOR CABLES

ITEM	PART NO.	DESCRIPTION	QTY
		1 2 3 4	
1	<u>1011697</u>	Washer, 5/16 Flat .....	1
2	<u>1012285</u>	Screw, 1/4 X 0.625 Hex-Head .....	4
3	<u>1012830</u>	Screw, M8-125 X 22 Hex-Head .....	1
4	<u>1013700</u>	Clamp .....	2
5	<u>101584502</u>	Bracket, Governor Cable Snap-In .....	1
6	<u>1016546</u>	Nut .....	2
7	<u>101832202</u>	Bracket, Rear Governor Cable Snap-In .....	1
8	<u>101832302</u>	Bracket, Rear Accelerator Cable Snap-In .....	1
9	<u>102336001</u>	Cable, Governor, Snap-In .....	1
10	<u>102336101</u>	Cable, Accelerator, Snap-In .....	1
11	<u>7174</u>	Lockwasher, 5/16 Split .....	1

**9**  
**G**

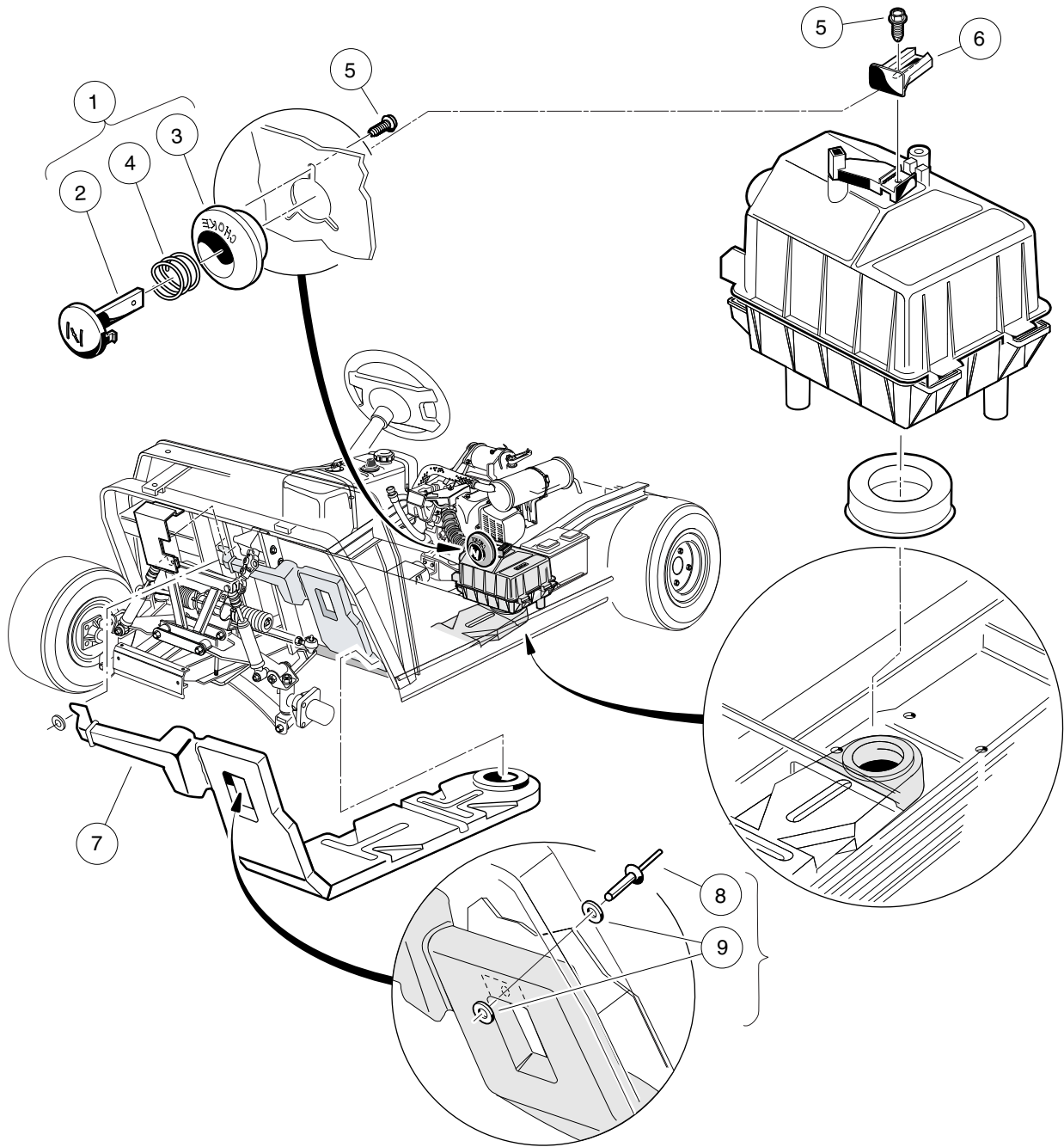


000332-001

# AIR BOX AND INTAKE HOSE

ITEM	PART NO.	DESCRIPTION	QTY
		1 2 3 4	
1	<u>1015752</u>	Screw, #12-16 X 0.625 Hi-Lo .....	3
2	<u>101821501</u>	Assembly, Air Box (includes items 3 through 9) .....	1
3	<u>1015426</u>	Filter, Air .....	1
4	<u>101804301</u>	Screw, #8 X 0.500, Hex-Head Hi-Lo .....	2
5	<u>101811901</u>	Bottom, Air Box .....	1
6	<u>101881701</u>	Washer, #8 Stainless-Steel Flat .....	2
7	<u>101921501</u>	Seal, Intake .....	1
8	<u>101925701</u>	Latch, Wireform .....	2
9	<u>101972801</u>	Top Assy, Air Box (includes items 10 through 16) .....	1
10	N/A	Valve, Choke .....	1
11	101811801	Top, Air Box .....	1
12	N/A	O-Ring, 5/16 .....	1
13	N/A	O-Ring, 3/8 .....	1
14	<u>101812301</u>	Spring, Extension Return .....	1
15	<u>101813001</u>	Retaining Ring 0.25, Shaft .....	1
16	<u>101917601</u>	Lever, Choke .....	1
17	<u>101837101</u>	Hose, Air Intake .....	1
18	<u>101971301</u>	Clamp, 1.58" ID Hose .....	2
19	<u>332</u>	Washer, 1/4 Type A Narrow Flat .....	3

9  
G



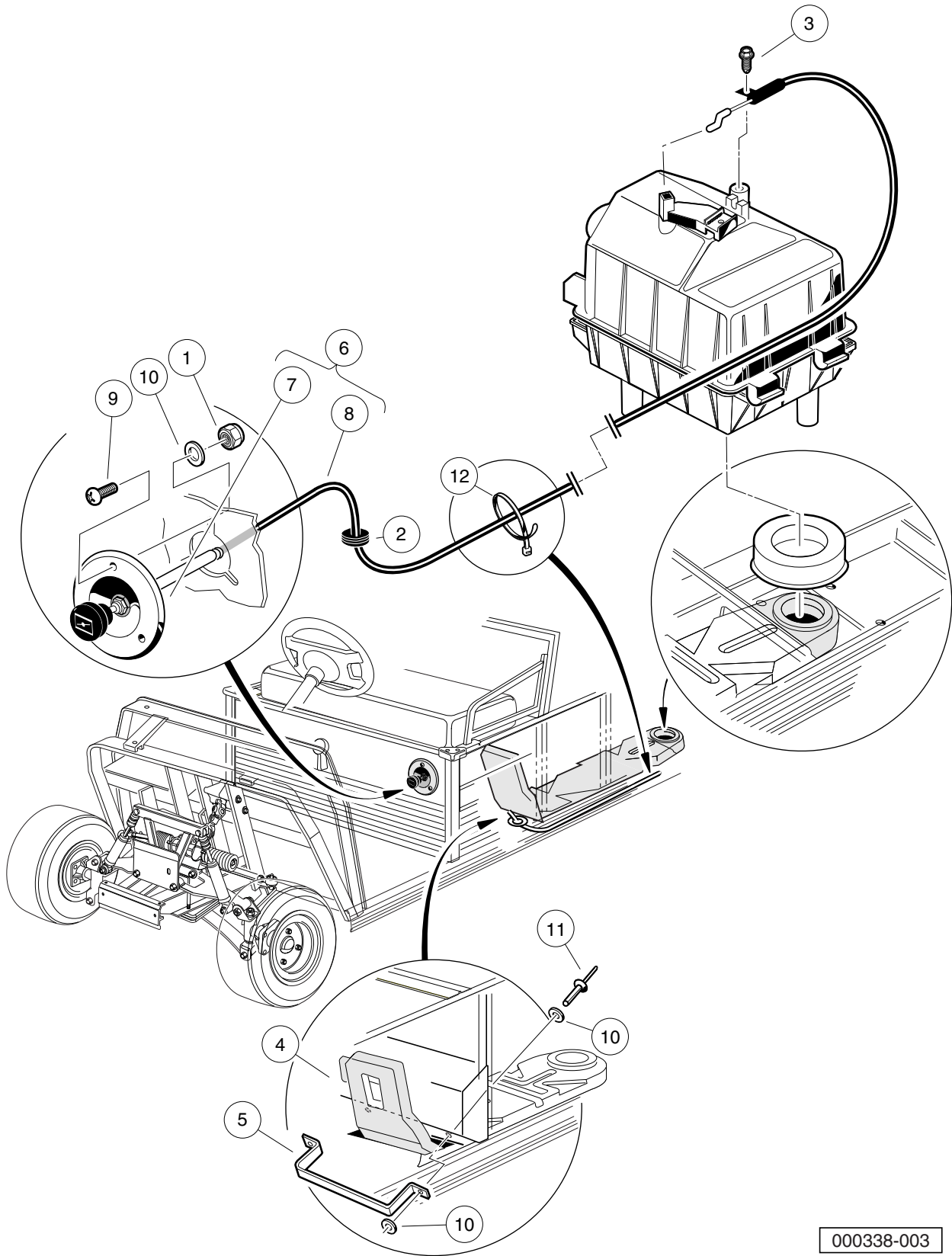
000338-004

## INTAKE SYSTEM – DS VILLAGER 4

ITEM	PART NO.	DESCRIPTION	QTY
		1 2 3 4	
1	<u>101805701</u>	Button Assembly, Choke (includes items 2 through 4) .....	1
2	<u>101811401</u>	Lever, Choke .....	1
3	<u>101811501</u>	Guide, Choke Lever .....	1
4	<u>101856201</u>	Compression Spring .....	1
5	<u>101850301</u>	Screw, #12-16 X 0.50 Washer-Head Hi-Lo .....	4
6	<u>101917701</u>	Choke Positioner .....	1
7	<u>103520301</u>	Duct, Air Intake, Ds .....	1
8	<u>1606</u>	Rivet, 3/16 X .500 Alum Pop .....	2
9	<u>183</u>	Washer, #10 Type A Flat .....	4

**9**

**G**

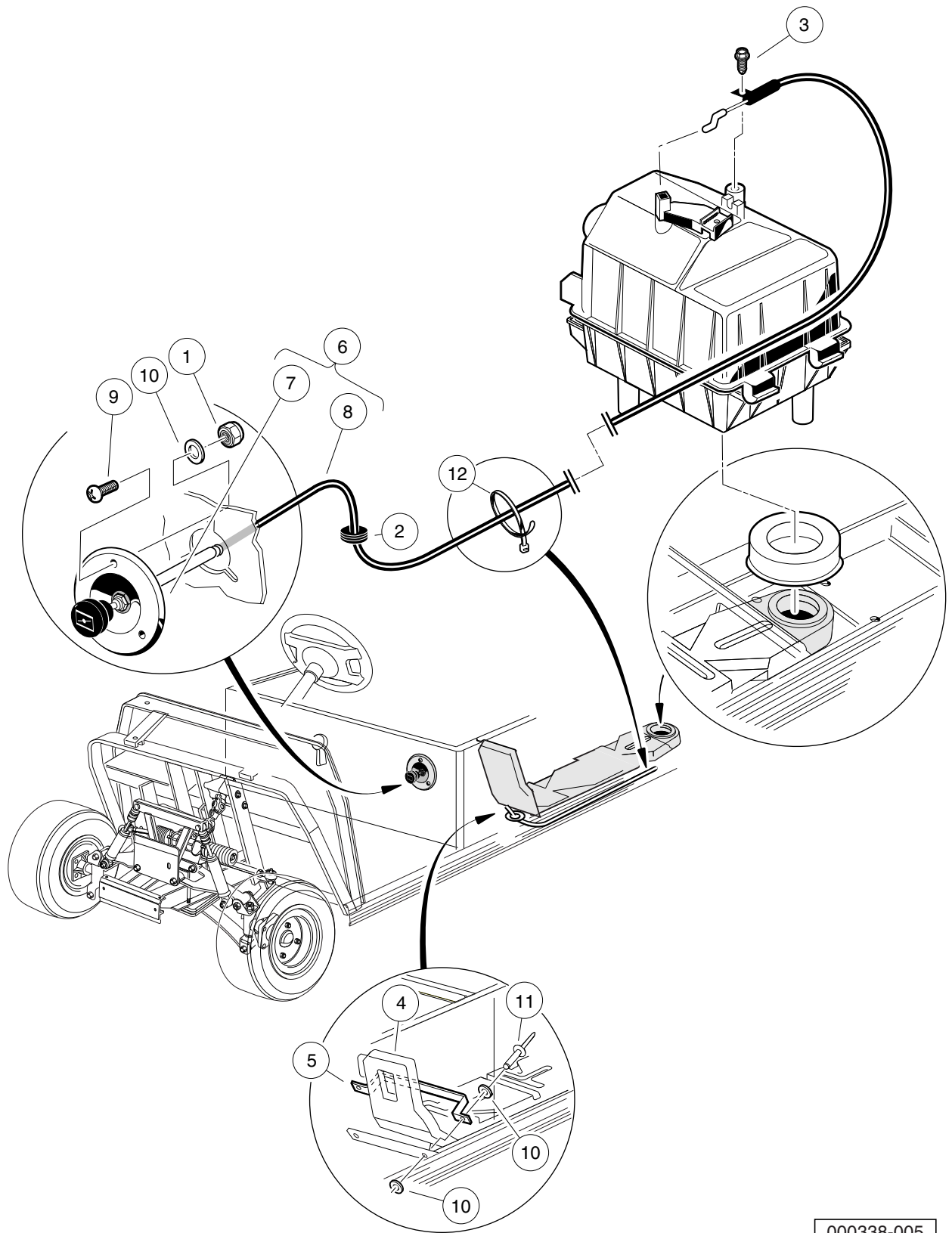


000338-003

# INTAKE SYSTEM

ITEM	PART NO.	DESCRIPTION	QTY
		1 2 3 4	
1	<u>1012438</u>	Locknut, #10-24 Nylon Insert .....	3
2	<u>1015139</u>	Insulation Grommet .....	1
3	<u>101804301</u>	Screw, #8 X 0.500, Hex-Head Hi-Lo .....	1
4	<u>101811301</u>	Duct, Intake .....	1
5	<u>101825701</u>	Retaining Bracket .....	1
6	<u>101926802</u>	Cable, Choke (includes items 7 and 8) .....	1
7	<u>101933701</u>	Bezel, Choke Cable .....	1
8	N/A	Choke Cable without Bezel, Long .....	1
9	<u>1631</u>	Screw, #10-24 X 0.75 Phillips Pan-Head .....	3
10	<u>183</u>	Washer, #10 Type A Flat .....	7
11	<u>7973</u>	Rivet, 3/16 X .400 Blind .....	2
12	<u>8639</u>	Tie Wrap, 11" Nylon .....	2

9  
G



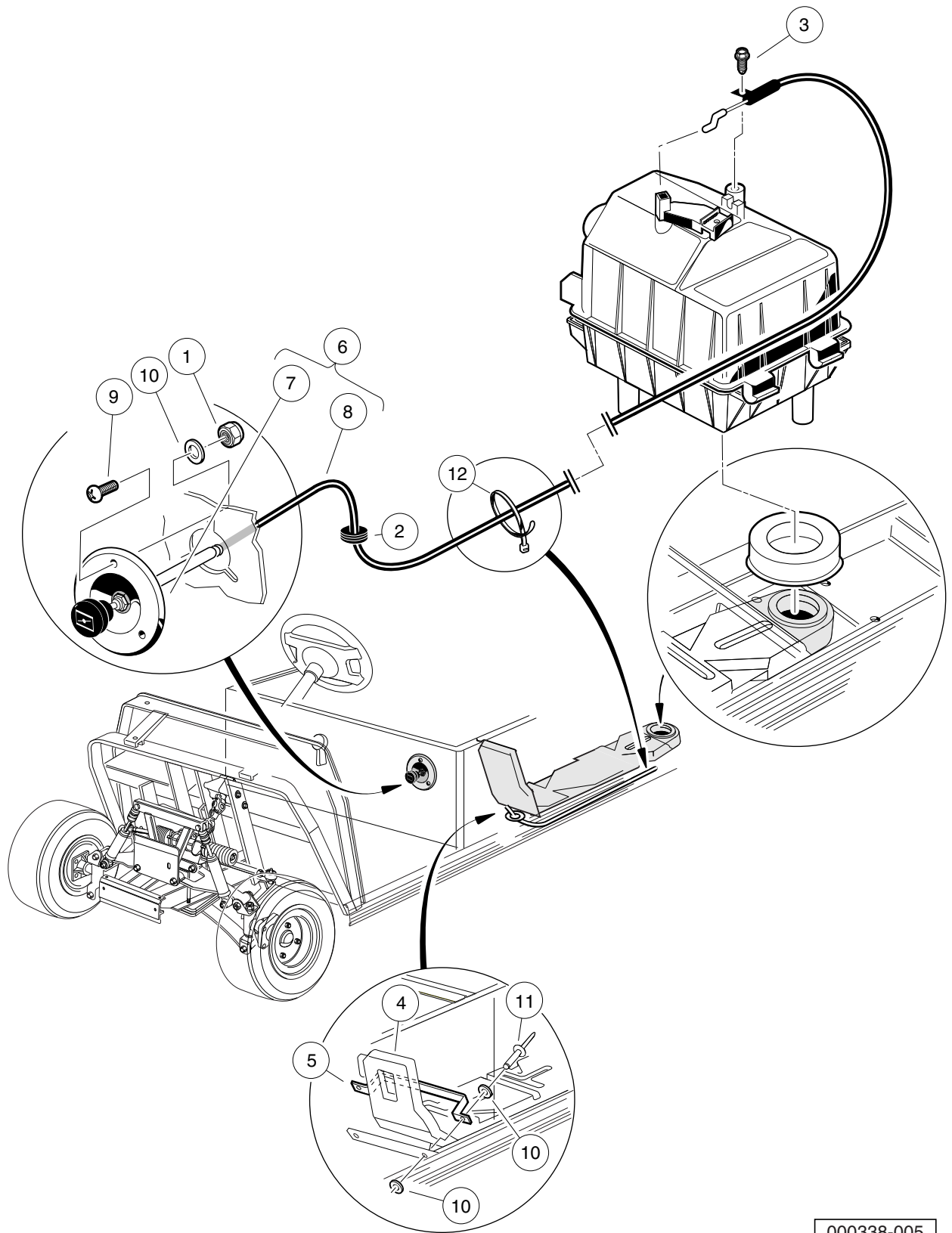
000338-005



## INTAKE SYSTEM – VILLAGER 6

ITEM	PART NO.	DESCRIPTION	QTY
		1 2 3 4	
1	<u>1012438</u>	Locknut, #10-24 Nylon Insert .....	3
2	<u>1015139</u>	Insulation Grommet .....	1
3	<u>101804301</u>	Screw, #8 X 0.500, Hex-Head Hi-Lo .....	1
4	<u>101811301</u>	Duct, Intake .....	1
5	<u>101825701</u>	Retaining Bracket .....	1
6	<u>101926802</u>	Cable, Choke (includes items 7 and 8) .....	1
7	<u>101933701</u>	Bezel, Choke Cable .....	1
8	N/A	Choke Cable without Bezel, Long .....	1
9	<u>1631</u>	Screw, #10-24 X 0.75 Phillips Pan-Head .....	3
10	<u>183</u>	Washer, #10 Type A Flat .....	7
11	<u>7973</u>	Rivet, 3/16 X .400 Blind .....	2
12	<u>8639</u>	Tie Wrap, 11" Nylon .....	2

9  
G



000338-005

## INTAKE SYSTEM – VILLAGER 8

ITEM	PART NO.	DESCRIPTION	QTY
		1 2 3 4	
1	<u>1012438</u>	Locknut, #10-24 Nylon Insert .....	3
2	<u>1015139</u>	Insulation Grommet .....	1
3	<u>101804301</u>	Screw, #8 X 0.500, Hex-Head Hi-Lo .....	1
4	<u>101811301</u>	Duct, Intake .....	1
5	<u>101825701</u>	Retaining Bracket .....	1
6	<u>101926803</u>	Cable, Choke (includes items 7 and 8) .....	1
7	<u>101933701</u>	Bezel, Choke Cable .....	1
8	N/A	Choke Cable without Bezel, Long .....	1
9	<u>1631</u>	Screw, #10-24 X 0.75 Phillips Pan-Head .....	3
10	<u>183</u>	Washer, #10 Type A Flat .....	7
11	<u>7973</u>	Rivet, 3/16 X .400 Blind .....	2
12	<u>8639</u>	Tie Wrap, 11" Nylon .....	2

9

G

9

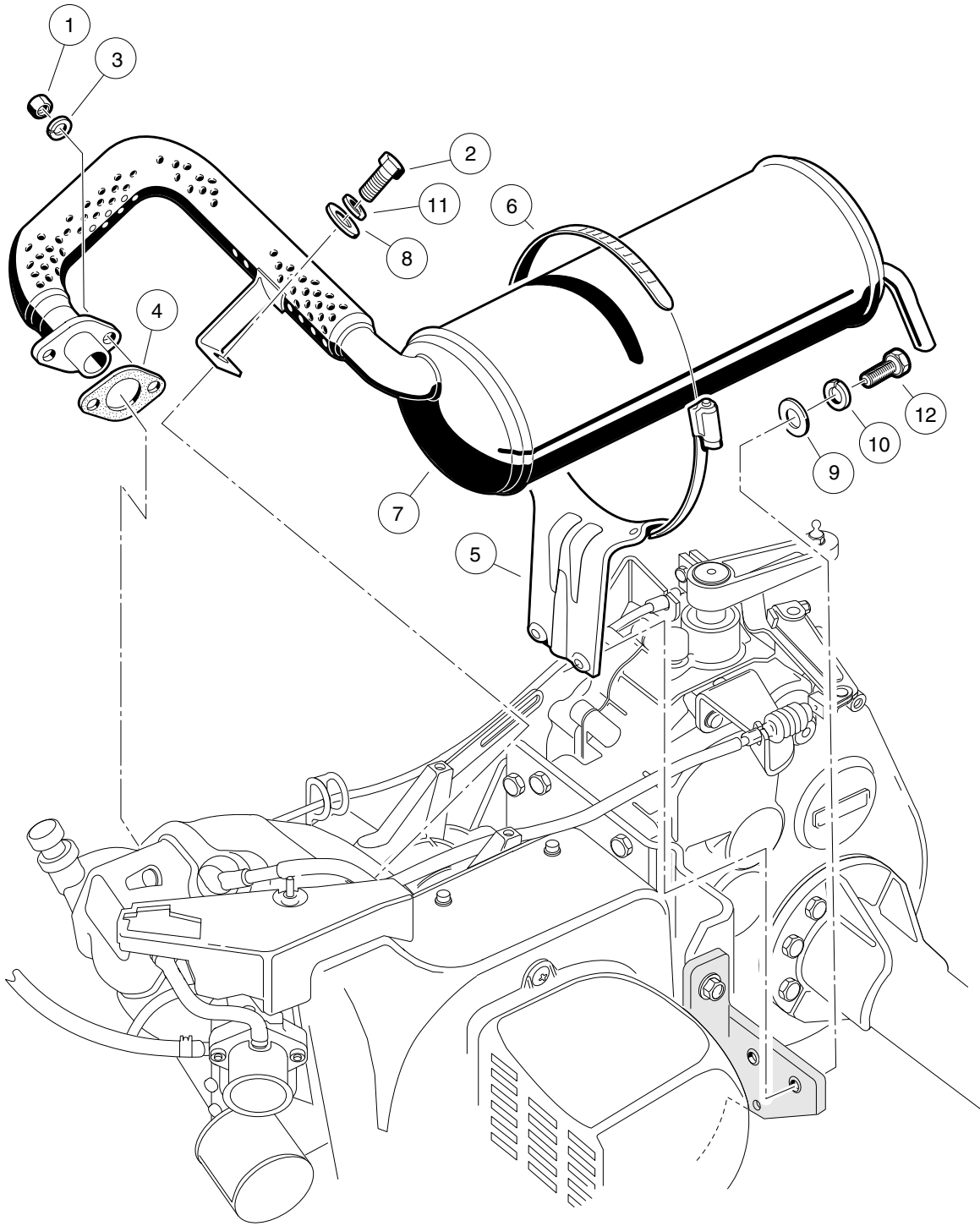
G

# EXHAUST SYSTEM

---

10

G



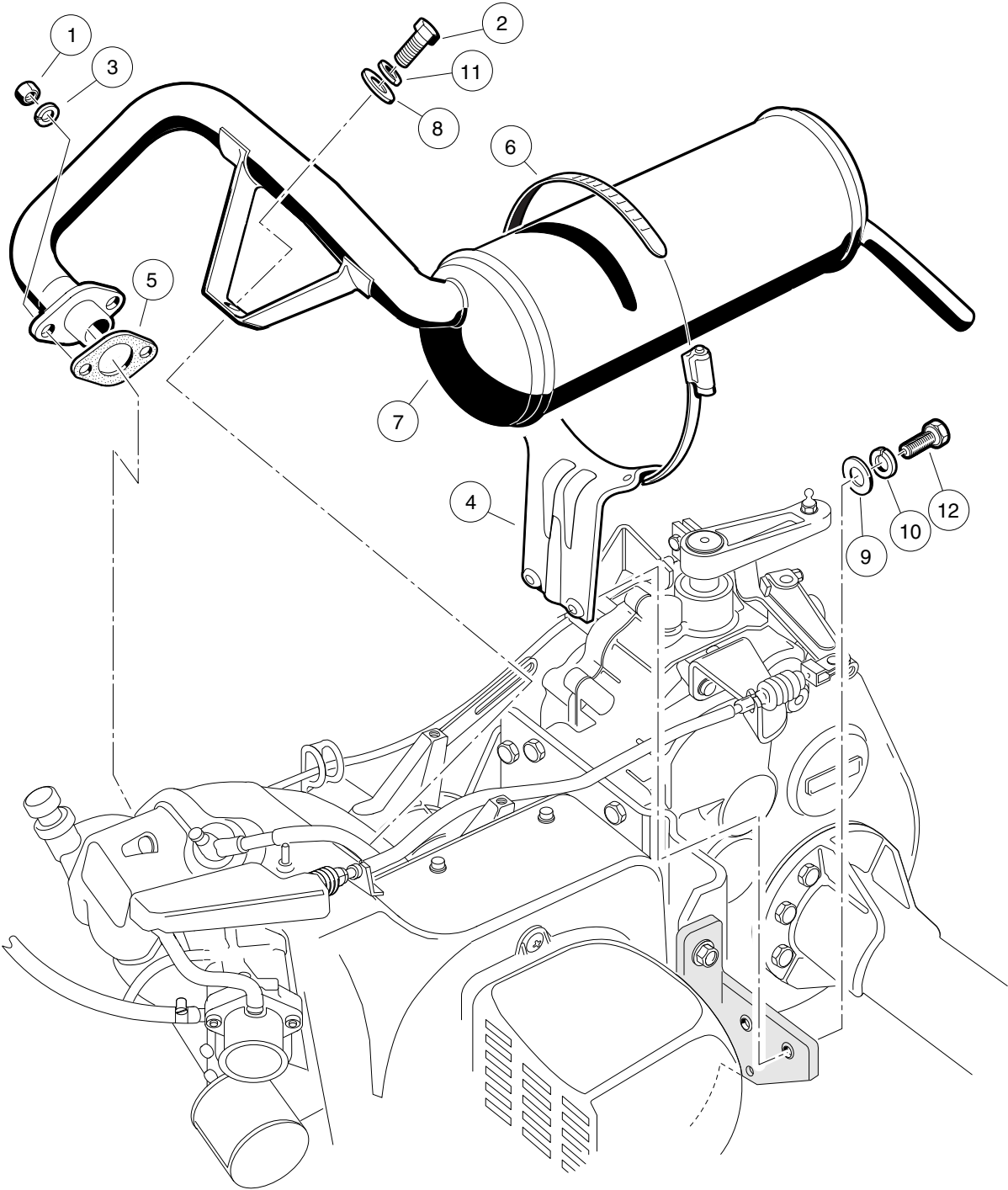
000208-001

## EXHAUST SYSTEM – FE290 ENGINE

ITEM	PART NO.	DESCRIPTION	QTY
		1 2 3 4	
1	<u>1012528</u>	Nut, M8-1.25 Hex .....	2
2	<u>1012830</u>	Screw, M8-125 X 22 Hex-Head .....	1
3	<u>1013734</u>	Lockwasher, 8mm Split .....	2
4	<u>1015330</u>	Gasket, Exhaust .....	1
5	<u>1015814</u>	Bracket, Muffler Mounting .....	1
6	<u>1017689</u>	Clamp, 5" Muffler Hose .....	1
7	<u>101859301</u>	Exhaust System, FE290 .....	1
8	<u>1241</u>	Washer, 5/16 Type A Flat .....	1
9	<u>332</u>	Washer, 1/4 Type A Narrow Flat .....	2
10	<u>451</u>	Lockwasher, 1/4 Split .....	2
11	<u>7174</u>	Lockwasher, 5/16 Split .....	1
12	<u>7847</u>	Screw, 1/4-20 X 0.75 Hex-Head Cap .....	2

10

G



000209-001



## EXHAUST SYSTEM – FE350 ENGINE

ITEM	PART NO.	DESCRIPTION	QTY
		1 2 3 4	
1	<u>1012528</u>	Nut, M8-1.25 Hex .....	2
2	<u>1012830</u>	Screw, M8-125 X 22 Hex-Head .....	1
3	<u>1013734</u>	Lockwasher, 8mm Split .....	2
4	<u>1015814</u>	Bracket, Muffler Mounting .....	1
5	<u>1016904</u>	Gasket, Exhaust .....	1
6	<u>1017689</u>	Clamp, 5" Muffler Hose .....	1
7	<u>101859401</u>	Exhaust System, FE350 .....	1
8	<u>1241</u>	Washer, 5/16 Type A Flat .....	1
9	<u>332</u>	Washer, 1/4 Type A Narrow Flat .....	2
10	<u>451</u>	Lockwasher, 1/4 Split .....	2
11	<u>7174</u>	Lockwasher, 5/16 Split .....	1
12	<u>7847</u>	Screw, 1/4-20 X 0.75 Hex-Head Cap .....	2

10

G

**10**

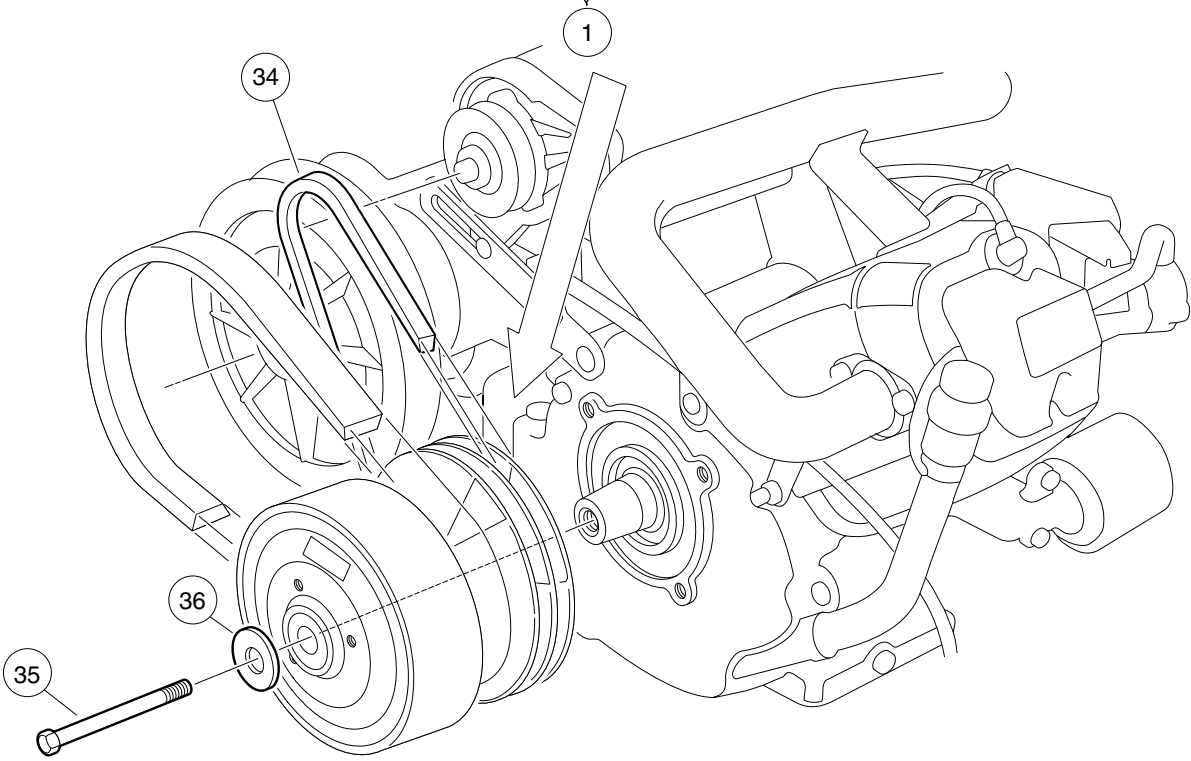
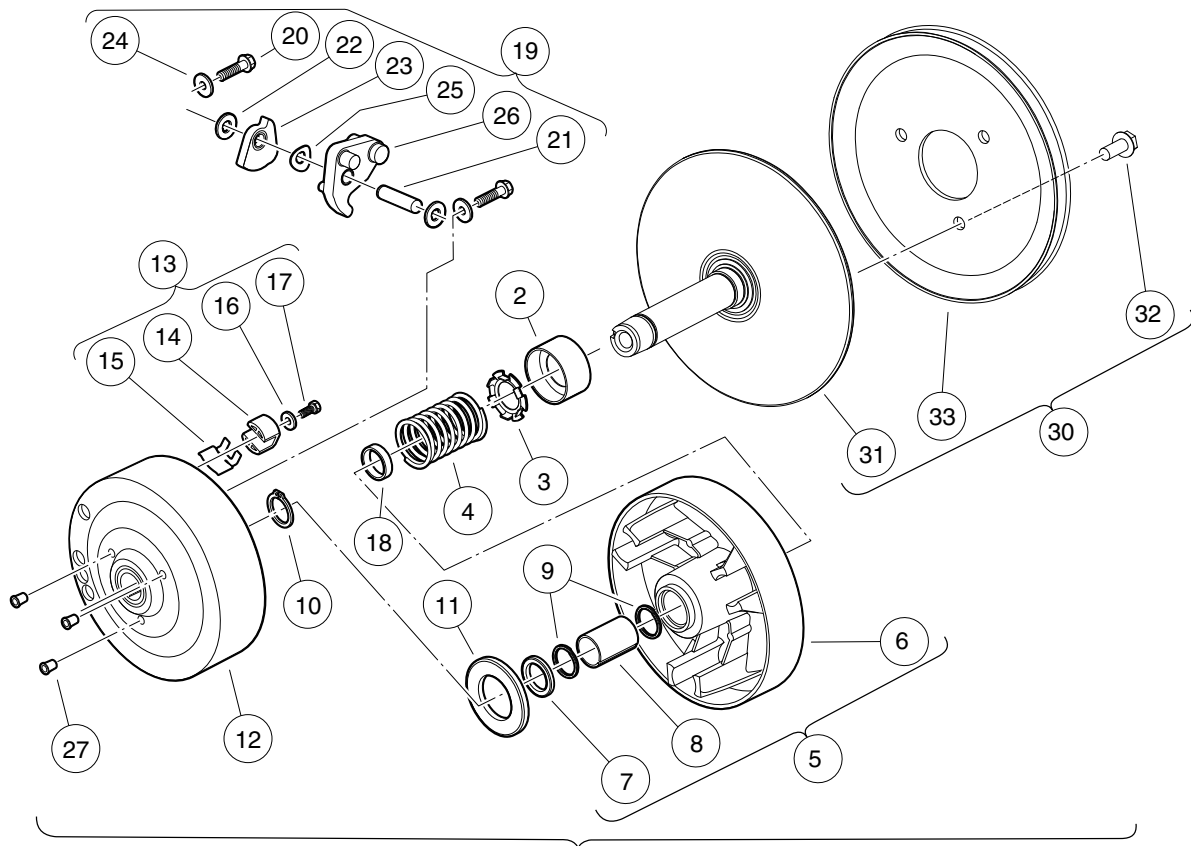
**G**

# TORQUE CONVERTER

---

11

G



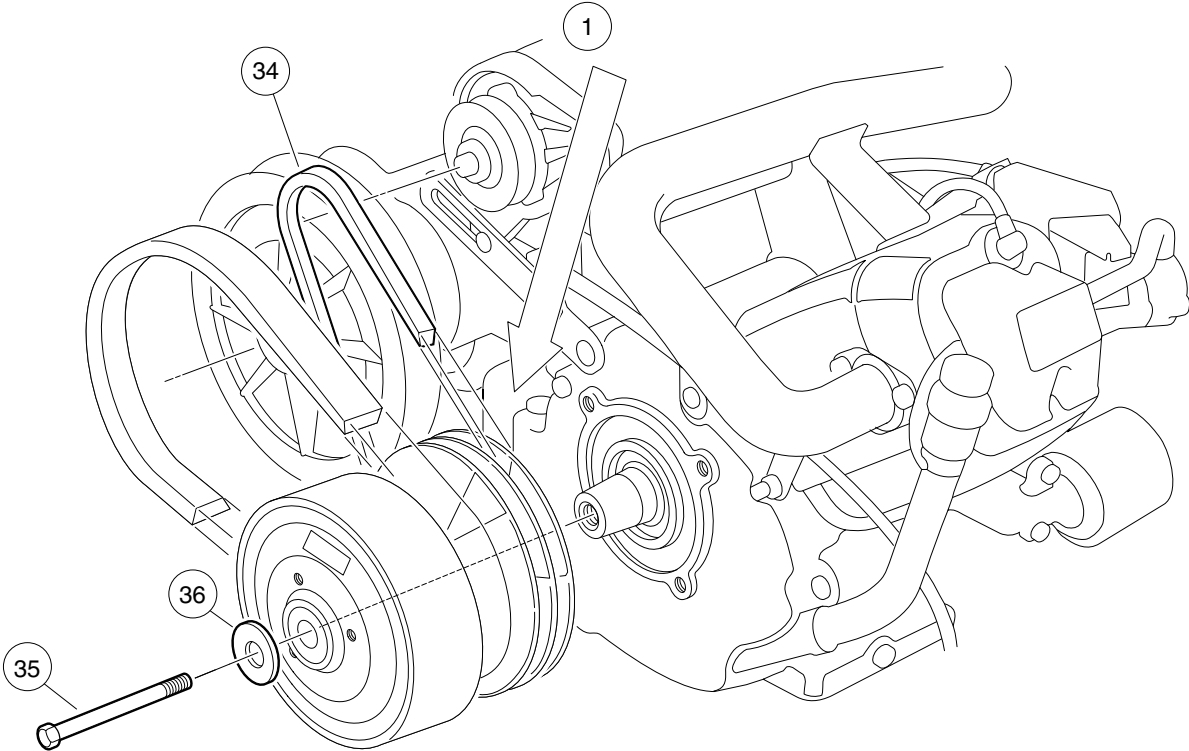
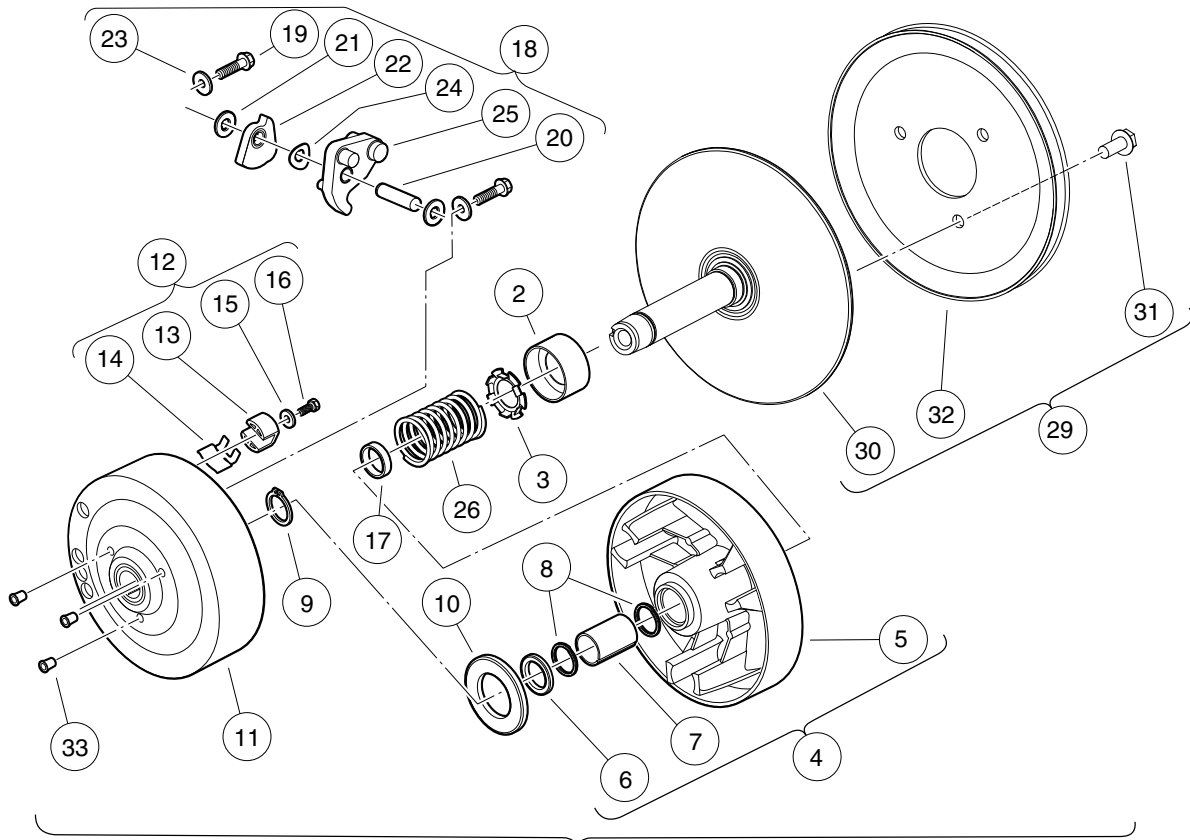
000217-001

# DRIVE CLUTCH – DS VILLAGER 4

ITEM	PART NO.	DESCRIPTION	QTY
		1 2 3 4	
1	<u>101833902</u>	Clutch, Drive (includes items 2 through 28) .....	1
2	1014049	Bearing, Idler .....	1
3	<u>1014050</u>	Retainer, Spring .....	1
4	<u>1014051</u>	Spring, Drive Clutch .....	1
5	1014052	Movable-Face Assembly (includes items 6 through 8) .....	1
6	N/A	Drive Clutch Movable Face .....	1
7	<u>1014055</u>	Retainer .....	1
8	N/A	Bushing, Split, Drive Clutch .....	1
9	<u>1014056</u>	Ring, Spiral Backup .....	2
10	<u>1014057</u>	Ring, 0.810" Internal Retaining .....	1
11	1014058	Thrust Washer .....	1
12	1014059	Drive Hub Assy, Drive Clutch .....	1
13	<u>1014453</u>	Kit, Drive Clutch Button (includes items 14 through 17) .....	1
14	<u>1014062</u>	Driver, Drive Clutch .....	3
15	<u>1014287</u>	Spring, Drive Button .....	3
16	<u>183</u>	Washer, #10 Type A Flat .....	3
17	<u>8450</u>	Screw, #10-24 X 0.50 Hex-Head .....	3
18	<u>1016289</u>	Spacer, Fixed Face Shaft .....	1
19	<u>1016801</u>	Kit, Drive Clutch Weight (includes items 20 through 26) .....	1
20	<u>1014063</u>	Screw, 1/4-20 X 1.00 Hex Head .....	6
21	N/A	Pin, 0.3752 X 1.50 Dowel .....	3
22	<u>1014065</u>	Washer, 0.38" ID Delrin Flat .....	6
23	N/A	Clutch Weight, Secondary .....	3
24	N/A	Washer .....	6
25	<u>1016201</u>	Washer, Wave .....	3
26	N/A	Weight, Primary .....	3
27	<u>101925601</u>	Plug, Drive Clutch .....	3
28	<u>101929802</u>	Kit, Fxd Face Dr Asm Fe290/350 (includes items 29 and 30) .....	1
29	N/A	Desiccant Bag (Not Shown) .....	1
30	101929801	Assembly, Fixed-Face Drive (includes items 31 through 33) .....	1
31	N/A	Fixed Face Assembly, Drive Clutch .....	1
32	<u>1014288</u>	Screw, 5/16-18 X 0.75 Thread-Forming .....	3
33	N/A	Pulley, Clutch .....	1
34	<u>101916701</u>	V-Belt .....	1
35	<u>103345701</u>	Screw 3/8-24x5.5 Hex Loc Ptch .....	1
36	<u>808</u>	Washer, 3/8 Type B Flat .....	1
		Note: Item 29 not shown.	

11

G

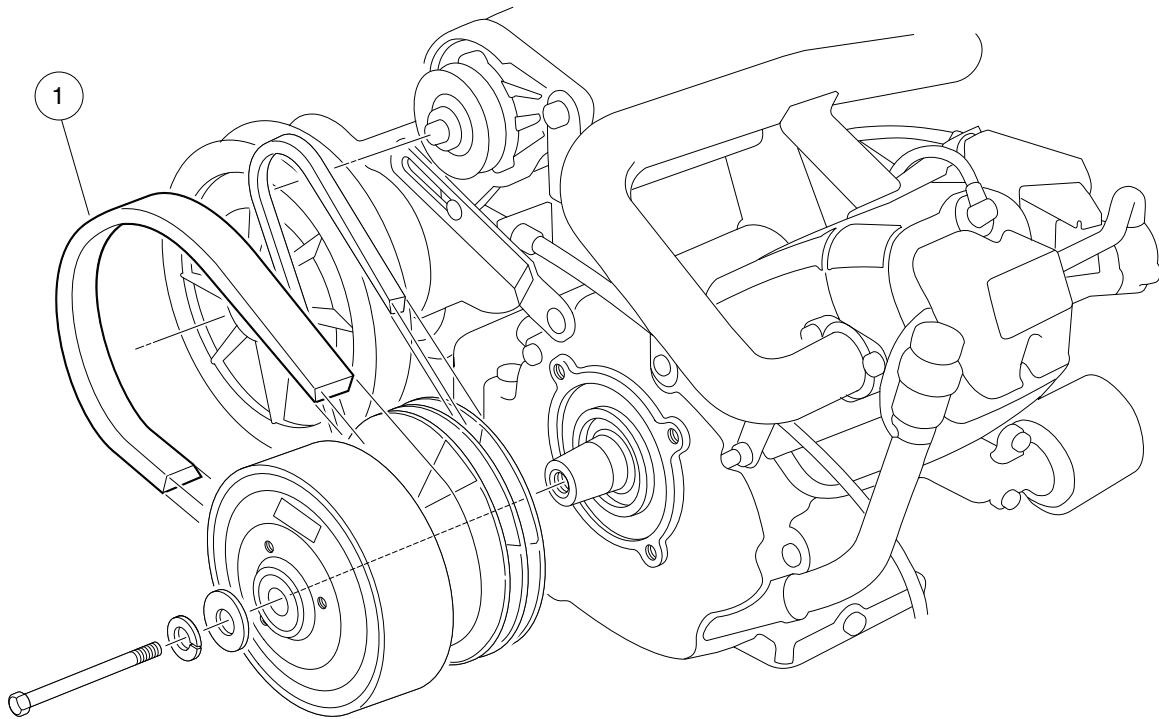


000217-002

# DRIVE CLUTCH – VILLAGER 6 AND 8, AND TRANSPORTER 4 AND 6

**11**  
**G**

ITEM	PART NO.	DESCRIPTION	QTY
		<b>1 2 3 4</b>	
1	<u>101833904</u>	Assembly, Drive Clutch (includes items 2 through 33) .....	1
2	1014049	Bearing, Idler .....	1
3	<u>1014050</u>	Retainer, Spring .....	1
4	1014052	Movable-Face Assembly (includes items 5 through 7) .....	1
5	N/A	Drive Clutch Movable Face .....	1
6	<u>1014055</u>	Retainer .....	1
7	N/A	Bushing, Split, Drive Clutch .....	1
8	<u>1014056</u>	Ring, Spiral Backup .....	2
9	<u>1014057</u>	Ring, 0.810" Internal Retaining .....	1
10	1014058	Thrust Washer .....	1
11	1014059	Drive Hub Assy, Drive Clutch .....	1
12	<u>1014453</u>	Kit, Drive Clutch Button (includes items 13 through 16) .....	1
13	<u>1014062</u>	Driver, Drive Clutch .....	3
14	<u>1014287</u>	Spring, Drive Button .....	3
15	<u>183</u>	Washer, #10 Type A Flat .....	3
16	<u>8450</u>	Screw, #10-24 X 0.50 Hex-Head .....	3
17	<u>1016289</u>	Spacer, Fixed Face Shaft .....	1
18	<u>1016801</u>	Kit, Drive Clutch Weight (includes items 19 through 25) .....	1
19	<u>1014063</u>	Screw, 1/4-20 X 1.00 Hex Head .....	6
20	N/A	Pin, 0.3752 X 1.50 Dowel .....	3
21	<u>1014065</u>	Washer, 0.38" ID Delrin Flat .....	6
22	N/A	Clutch Weight, Secondary .....	3
23	N/A	Washer .....	6
24	<u>1016201</u>	Washer, Wave .....	3
25	N/A	Weight, Primary .....	3
26	<u>1016901</u>	Spring, Drive Clutch .....	1
27	101738302	Kit, Fixed Face - Drive (includes items 28 and 29) .....	1
28	N/A	Desiccant Bag (Not Shown) .....	1
29	<u>101738301</u>	Fixed Face Drive (includes items 30 through 32) .....	1
30	N/A	Fixed Face Assembly, Drive Clutch .....	1
31	<u>1014288</u>	Screw, 5/16-18 X 0.75 Thread-Forming .....	3
32	1016011	Pulley, Drive Clutch .....	1
33	N/A	Cap Plug .....	3
34	<u>101916701</u>	V-Belt .....	1
35	<u>103345701</u>	Screw 3/8-24x5.5 Hex Loc Ptch .....	1
36	<u>808</u>	Washer, 3/8 Type B Flat .....	1
		Note: Item 28 not shown.	



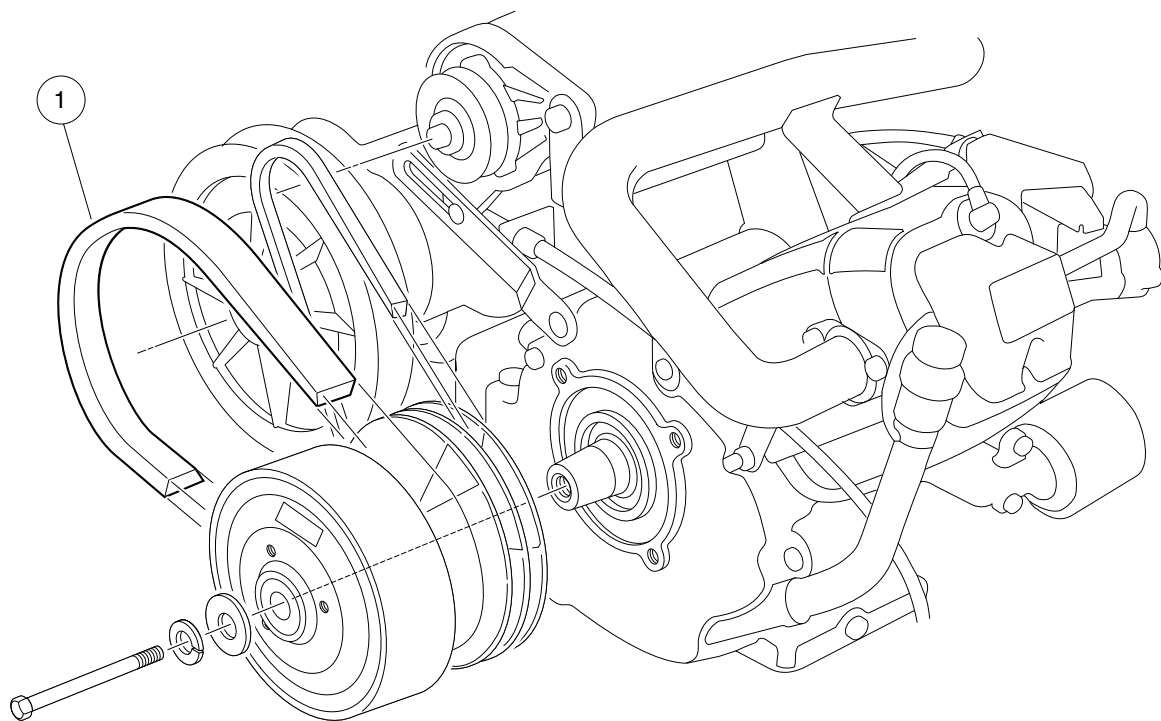
000218-001



# DRIVE BELT – DS VILLAGER 4

ITEM	PART NO.	DESCRIPTION	QTY
1	<u>1016203</u>	1 2 3 4 Belt, Drive .....	1

**11**  
**G**

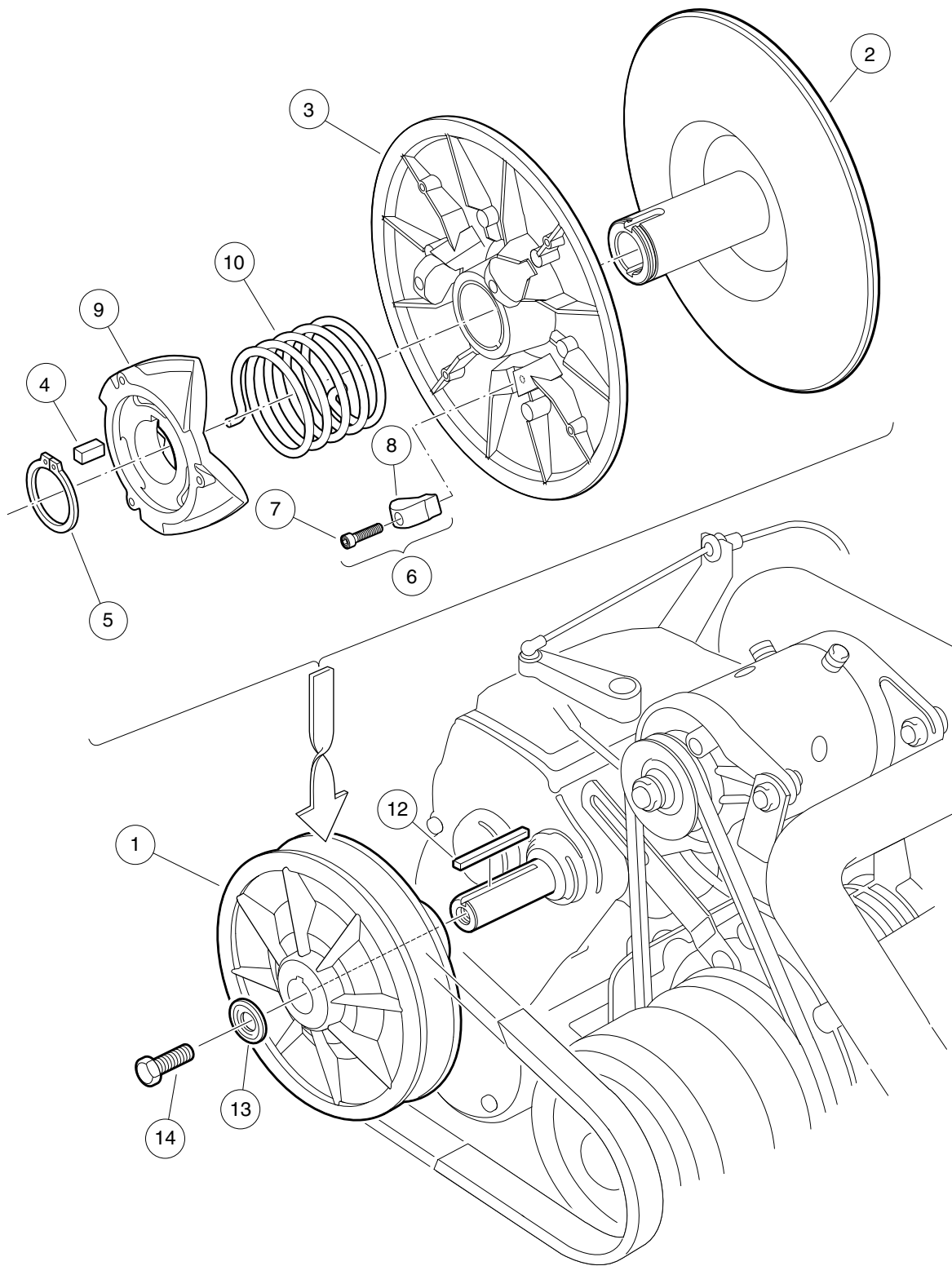


000218-001

# DRIVE BELT – VILLAGER 6 AND 8, AND TRANSPORTER 4 AND 6

ITEM	PART NO.	DESCRIPTION	QTY
1	<u>1017188</u>	1 2 3 4 Belt, Drive (FE350) .....	1

**11**  
**G**



000219-001

# DRIVEN CLUTCH

ITEM	PART NO.	DESCRIPTION	QTY
		<b>1 2 3 4</b>	
1	<u>101834001</u>	Assembly, Driven Clutch (includes items 2 through 10) .....	1
2	<u>1014070</u>	Fixed Face Assy, Driven Clutch .....	1
3	<u>1014072</u>	Movable-Face Assembly with Bushing .....	1
4	<u>1014078</u>	Key, Driven Clutch .....	1
5	<u>1014080</u>	Ring, Retaining .....	1
6	<u>1014454</u>	Kit, Driven Clutch Button (includes items 7 and 8) .....	1
7	<u>1012836</u>	Screw, #8-32 X 3/4 Socket-Head Cap .....	3
8	1014076	Button, Drive .....	3
9	<u>1017686</u>	Cam, Driven Clutch .....	1
10	<u>101836201</u>	Spring, Driven Clutch, Reversed .....	1
11	<u>AM10419</u>	Kit, Clutch Repair (includes items 12 through 14) .....	1
12	<u>101833401</u>	Key, 3/16 Sq X 1.50" .....	1
13	<u>102155801</u>	Washer, Driven Clutch .....	1
14	<u>102242101</u>	Screw, 5/16-18 X 3/4 Hex-Head with Patch .....	1

**11**  
**G**

11

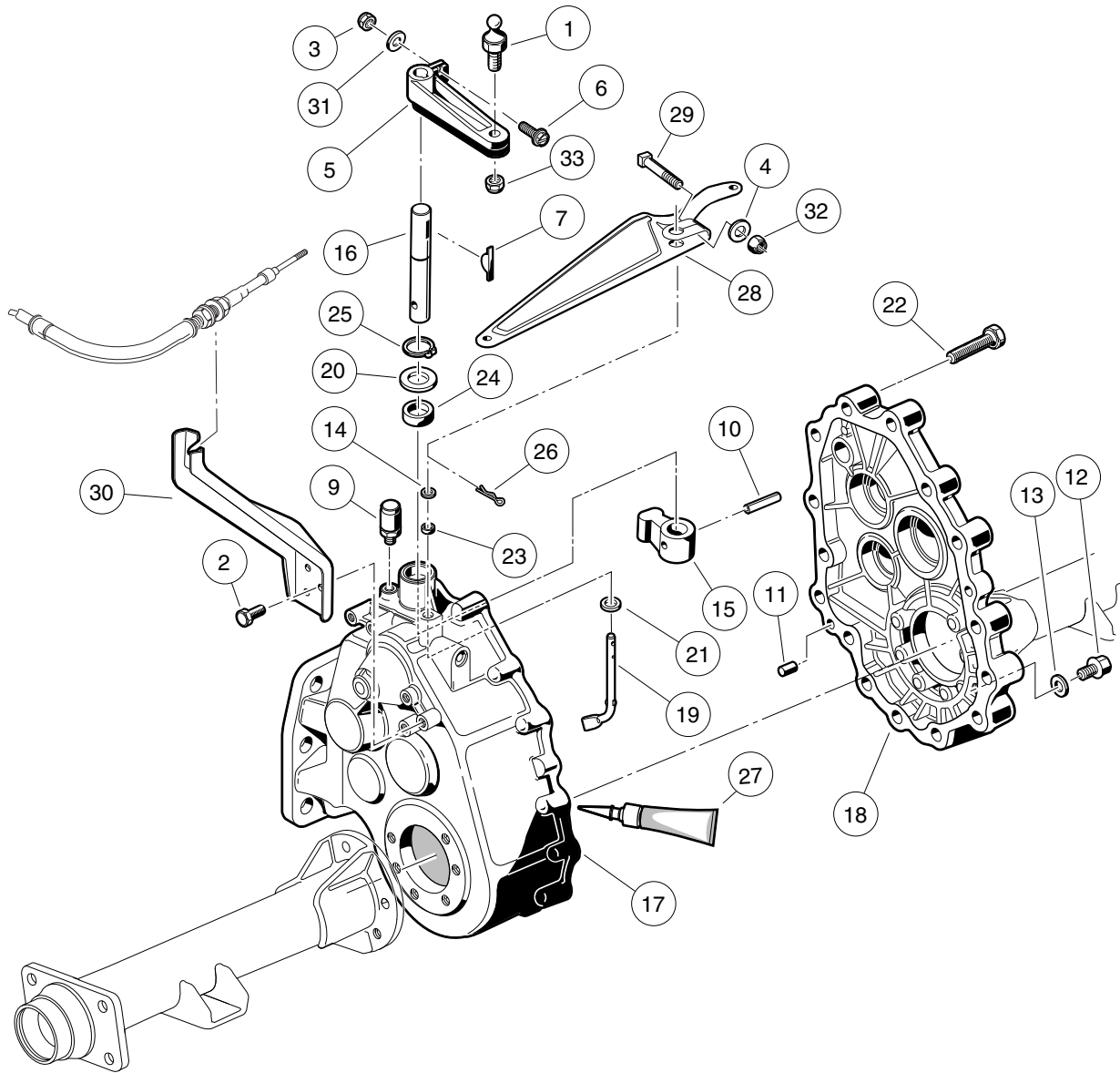
G

# UNITIZED TRANSAXLE

---

12

G



000220-001

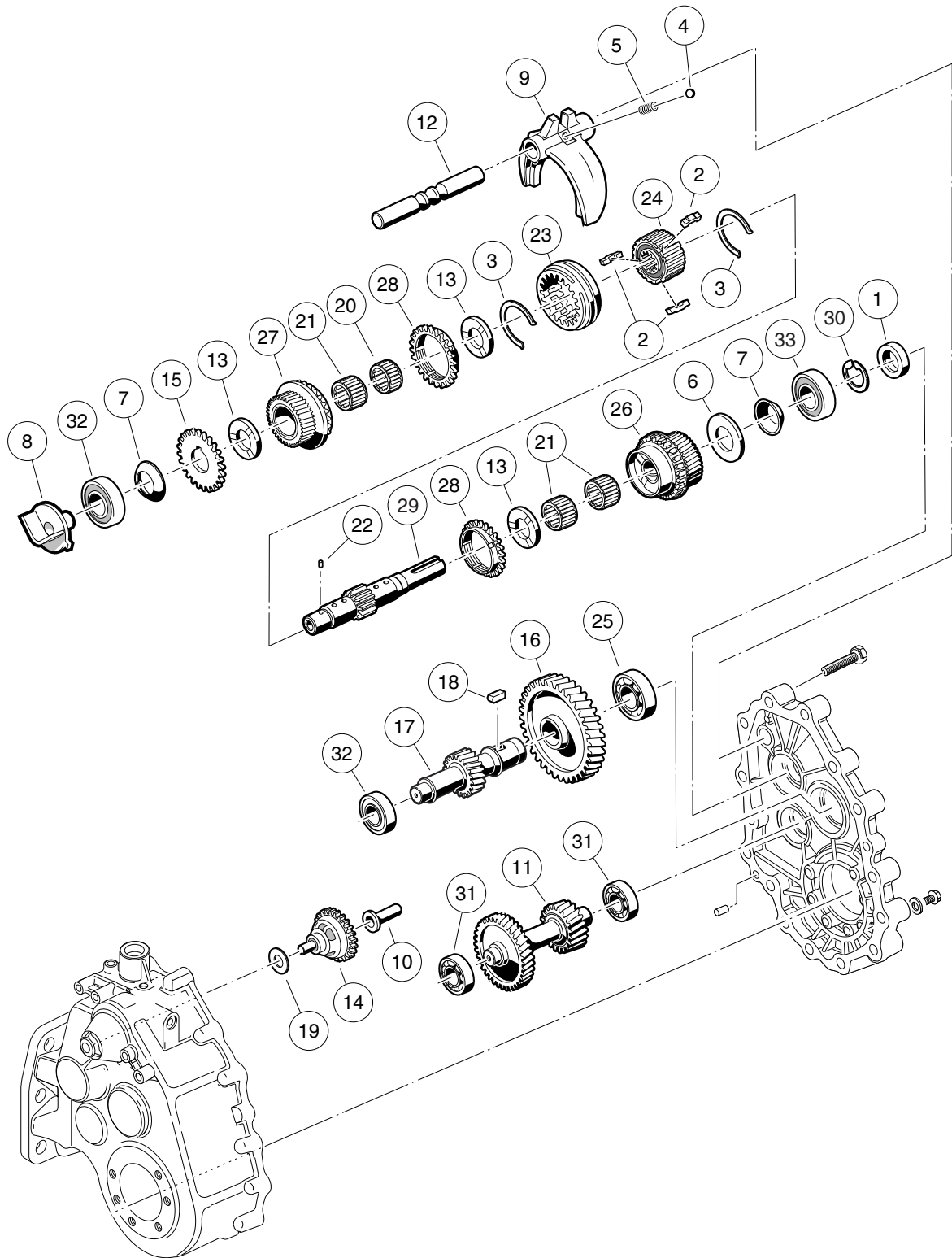


# TRANSAXLE – GASOLINE VEHICLES, GEAR CASES AND BRACKETS

ITEM	PART NO.	DESCRIPTION	QTY
		<b>1 2 3 4</b>	
1	<u>1010954</u>	Stud, 1/4-28 X 0.560 Ball .....	1
2	<u>1012285</u>	Screw, 1/4 X 0.625 Hex-Head .....	3
3	<u>1013061</u>	Locknut, #10-32 Nylon Insert .....	1
4	<u>1014007</u>	Washer, 1/4 Flat .....	1
5	<u>1016341</u>	Lever, Transmission Shift .....	1
6	<u>1017082</u>	Screw, #10-32 X 0.75, Hex-Head Machine .....	1
7	<u>1017231</u>	Key, Woodruff .....	1
8	<u>101833601</u>	Transaxle, 11.77 Ratio (includes items 9 through 27) .....	1
9	<u>1012711</u>	Breather .....	1
10	<u>1012752</u>	Roll Pin .....	1
11	<u>1012896</u>	Pin, Dowel .....	2
12	<u>1013760</u>	Fill Plug .....	2
13	<u>1016432</u>	Gasket, Drain Plug .....	1
14	<u>1016513</u>	Washer, M6 Flat .....	1
15	<u>101890101</u>	Lever, Change .....	1
16	<u>101890201</u>	Shaft - Change .....	1
17	<u>101890501</u>	Gear Case (driver side) .....	1
18	<u>101890601</u>	Gear Case (passenger side) .....	1
19	<u>101891301</u>	Arm Pivot .....	1
20	<u>101892901</u>	Washer .....	1
21	<u>101893801</u>	Washer .....	1
22	<u>101926901</u>	Screw, M8-1.25 X 40mm Hex-Head .....	15
23	<u>101927101</u>	Seal, Oil .....	1
24	<u>101927201</u>	Seal, Oil .....	1
25	<u>101927301</u>	Snap Ring .....	1
26	<u>101928601</u>	Pin, Cotter .....	1
27	<u>101928701</u>	Liquid Gasket (Transaxle case) .....	1
28	<u>101834801</u>	Arm, Governor .....	1
29	<u>101886101</u>	Screw, 1/4-20 X 1.00 Square-Head .....	1
30	<u>102045901</u>	Bracket, Shifter .....	1
31	<u>183</u>	Washer, #10 Type A Flat .....	1
32	<u>8233</u>	Locknut, 1/4-20 Nylon Insert .....	1
33	<u>8717</u>	Locknut, 1/4-28 Nylon Insert .....	1

12

G



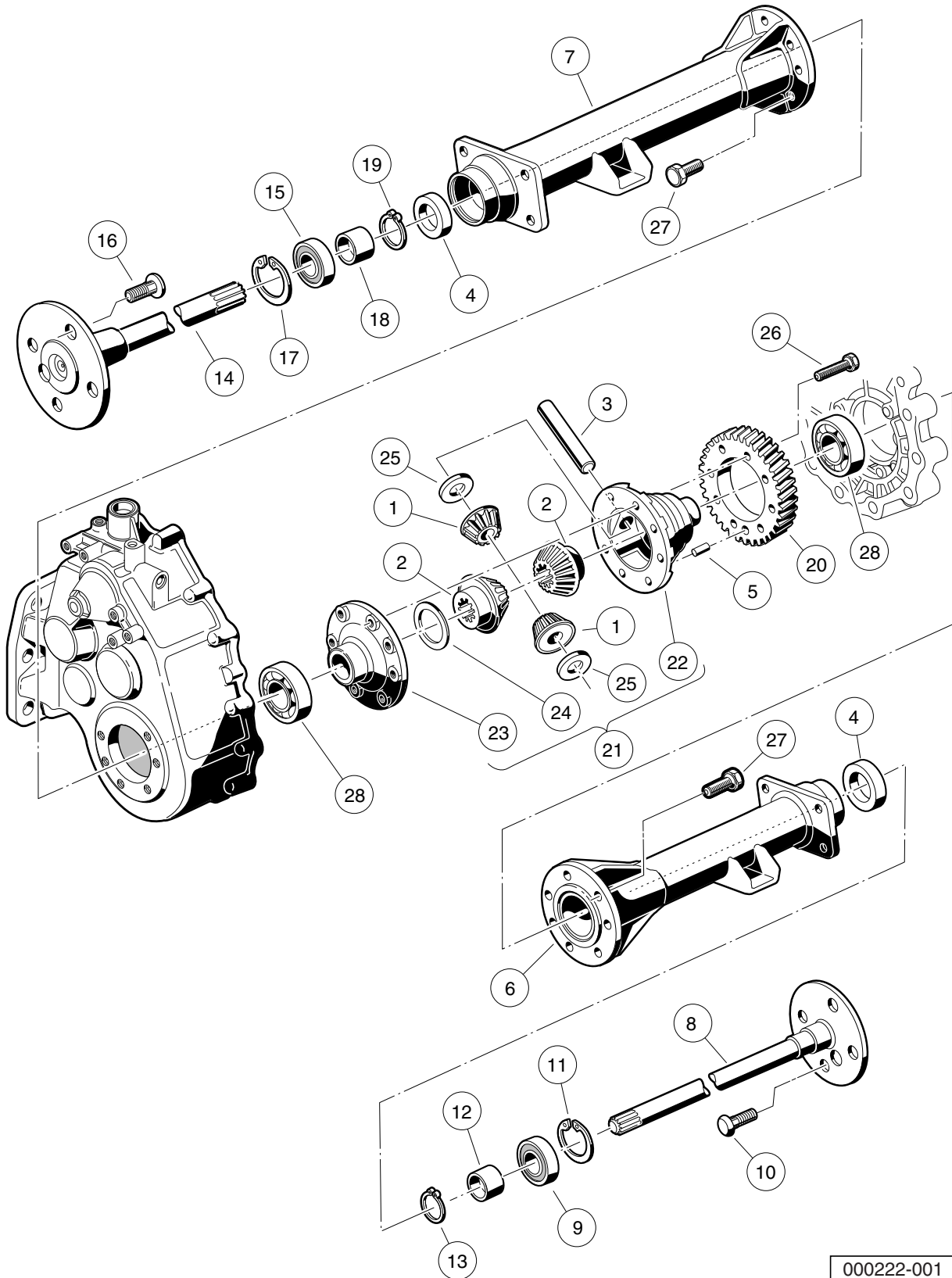
000221-001

# TRANSAXLE – GASOLINE VEHICLES, TRANSMISSION AND GEAR REDUCTION

12

G

ITEM	PART NO.	DESCRIPTION	QTY
		1 2 3 4	
1	<u>1012714</u>	Oil Seal .....	1
2	<u>1012740</u>	Synchro Insert .....	3
3	<u>1012741</u>	Synchro Spring .....	2
4	<u>1012747</u>	Shifter Ball .....	1
5	<u>1012748</u>	Shifter Spring .....	1
6	<u>1016337</u>	Washer, Thrust .....	1
7	<u>1016338</u>	Washer, Spring .....	2
8	<u>101889401</u>	Guide .....	1
9	<u>101890001</u>	Fork - Shift .....	1
10	<u>101891601</u>	Sleeve, Governor .....	1
11	<u>101891901</u>	Gear, Cluster .....	1
12	<u>101892001</u>	Rod, Shift .....	1
13	<u>101892201</u>	Plate, Thrust .....	3
14	<u>101892301</u>	Governor Assembly .....	1
15	<u>101892401</u>	Gear, Spur .....	1
16	<u>101892501</u>	Gear, Helical (61 Tooth) .....	1
17	<u>101892601</u>	Gear, Helical (17 Tooth) .....	1
18	<u>101893201</u>	Key Sunk .....	1
19	<u>101893901</u>	Washer .....	1
20	<u>101927501</u>	Needle Bearing .....	1
21	<u>101927601</u>	Needle Bearing .....	3
22	<u>101927701</u>	Pin, .116" Dia X 0.264 Dowel .....	1
23	<u>101927901</u>	Sleeve, Synchro .....	1
24	<u>101928001</u>	Hub, Synchro Clutch .....	1
25	<u>101928101</u>	Bearing, Ball .....	1
26	<u>101980801</u>	Gear Assembly, 16-Degree Synchro (25 Tooth) .....	1
27	<u>101980901</u>	Gear Assembly, 16-Degree Rear Synchro (28 Tooth) .....	1
28	<u>101981001</u>	Ring, 16-Degree Synchronizer .....	2
29	<u>102453001</u>	Shaft, Trans, with Circlip .....	1
30	<u>102453101</u>	Circlip .....	1
31	<u>7335</u>	Bearing .....	2
32	<u>AM10080</u>	Bearing, Ball, Sealed .....	2
33	<u>AM10081</u>	Bearing, Ball, Sealed .....	1
Note: Items listed on this page are components of the unitized transaxle.			

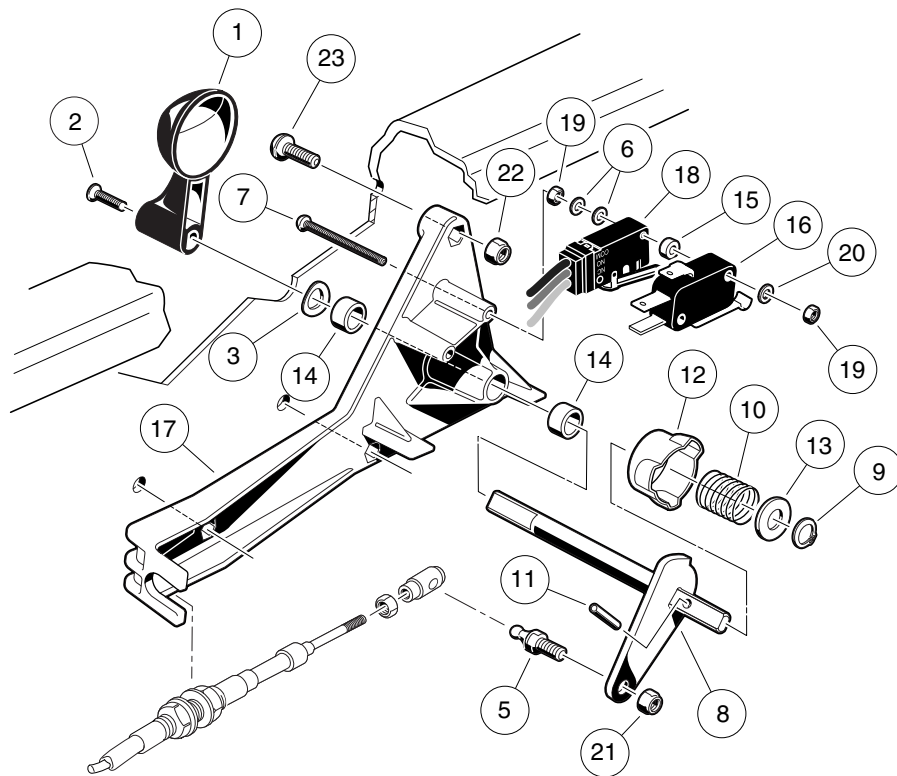


000222-001

# TRANSAXLE – GASOLINE VEHICLES, DIFFERENTIAL AND AXLES

ITEM	PART NO.	DESCRIPTION	QTY
		<b>1 2 3 4</b>	
1	<u>1013770</u>	Differential Idler Gear .....	2
2	<u>1013771</u>	Gear, Differential .....	2
3	<u>1013772</u>	Pin, Differential .....	1
4	<u>1013794</u>	Axle Shaft Oil Seal .....	2
5	<u>1014193</u>	Dowel Pin .....	1
6	<u>101890901</u>	Pipe .....	1
7	<u>101891001</u>	Pipe .....	1
8	<u>101891401</u>	Axle Assembly, Passenger Side (includes items 9 through 13) .....	1
9	<u>1011291</u>	Outer Axle, Tube Bearing .....	1
10	<u>1013787</u>	Lug Stud .....	4
11	<u>1013792</u>	Circlip Type C .....	1
12	<u>1014207</u>	Bushing .....	1
13	<u>1016672</u>	Retaining Ring .....	1
14	<u>101891501</u>	Axle Assembly, Driver-Side (includes items 15 through 19) .....	1
15	<u>1011291</u>	Outer Axle, Tube Bearing .....	1
16	<u>1013787</u>	Lug Stud .....	4
17	<u>1013792</u>	Circlip Type C .....	1
18	<u>1014207</u>	Bushing .....	1
19	<u>1016672</u>	Retaining Ring .....	1
20	<u>101892701</u>	Gear, Helical .....	1
21	<u>101910501</u>	Kit, Differential Gear Case (includes items 22 through 25) .....	1
22	<u>1013768</u>	Differential Gear Case, Left-Hand .....	1
23	<u>1013769</u>	Differential Gear Case, Right-Hand .....	1
24	<u>1013773</u>	Plate, Thrust (Differential Gear) .....	1
25	<u>1013774</u>	Plate, Thrust (Idler Gear) .....	2
26	<u>101928301</u>	Screw, M8-1.25 X 35mm Hex Head .....	8
27	<u>102031901</u>	Bolt, M10 X 1.5 X 30mm .....	14
28	<u>7330</u>	Inner Axle Tube Bearing .....	2

**12**  
**G**

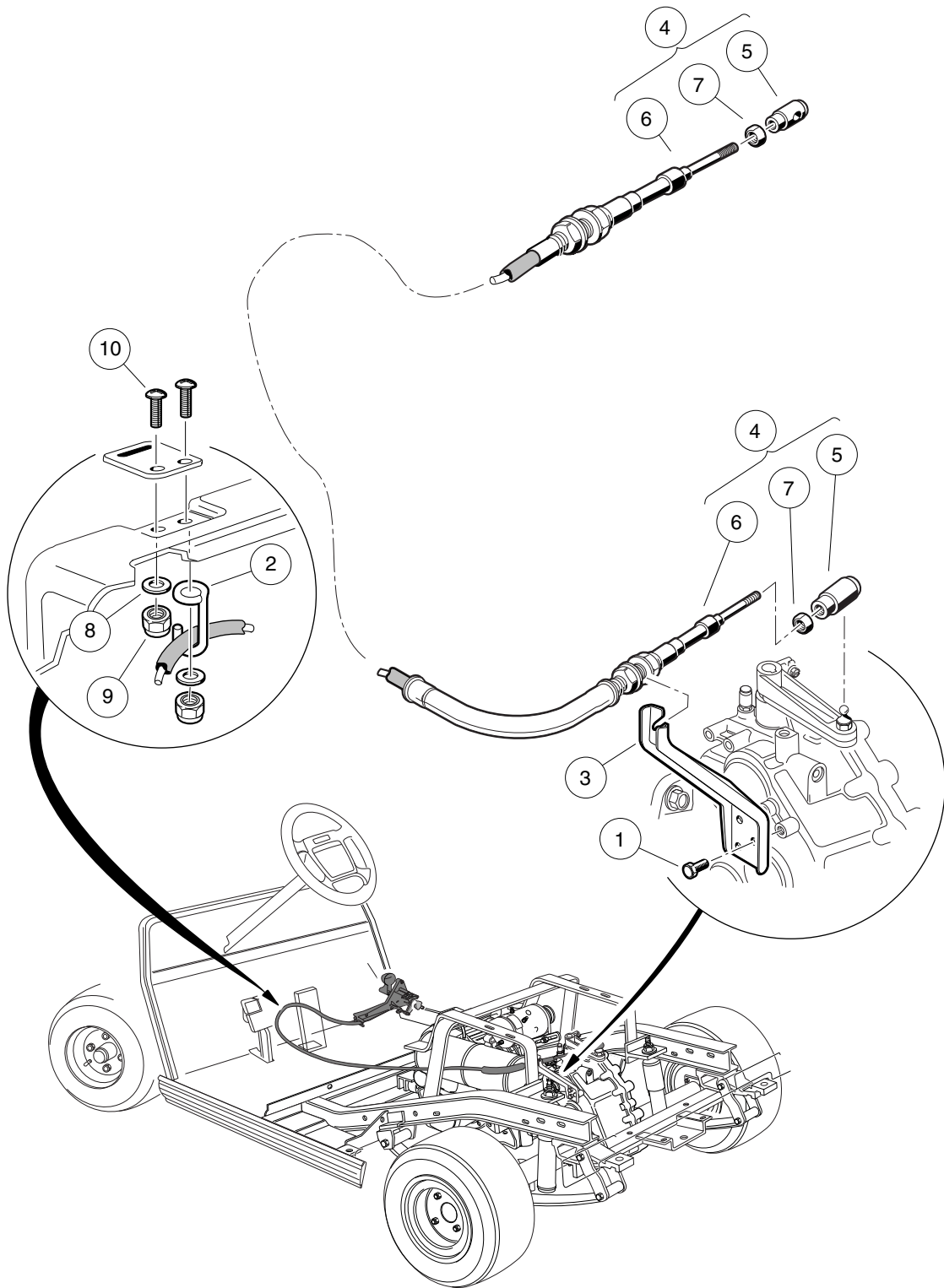


000236-001

# FORWARD/REVERSE SHIFTER ASSEMBLY – GASOLINE VEHICLES

ITEM	PART NO.	DESCRIPTION	QTY
		<b>1 2 3 4</b>	
1	<u>1012987</u>	Handle, FNR .....	1
2	<u>1015064</u>	Screw, #8-32 X 0.63 Machine .....	1
3	<u>1016201</u>	Washer, Wave .....	1
4	<u>1016947</u>	Assembly, FNR Shifter (includes items 5 through 21) .....	1
5	<u>1010954</u>	Stud, 1/4-28 X 0.560 Ball .....	1
6	<u>1012431</u>	Washer, #4 Flat .....	4
7	<u>1012594</u>	Screw, #4-40 Machine .....	2
8	<u>1013587</u>	FNR Bell Crank Weldment .....	1
9	<u>1013589</u>	Ring, 0.338" Internal Retaining .....	1
10	<u>1013590</u>	Spring, FNR Cam .....	1
11	<u>1013591</u>	Pin, 1/8 X 1/2 Roll .....	1
12	<u>1014089</u>	Neutral Lockout Cam Kit (includes item 13) .....	1
13	<u>1014065</u>	Washer, 0.38" ID Delrin Flat .....	1
14	<u>1014145</u>	Bushing, Secondary Weight, Split .....	2
15	<u>1014727</u>	Washer, #4 Nylon Flat .....	2
16	<u>1014807</u>	Switch, Limit .....	1
17	<u>1016342</u>	FNR Shifter Base .....	1
18	<u>101979101</u>	Assembly, Switch, Limit .....	1
19	<u>8057</u>	Nut, #4-40 Hex Machine .....	4
20	<u>8058</u>	Lockwasher, #4 Split .....	2
21	<u>8717</u>	Locknut, 1/4-28 Nylon Insert .....	1
22	<u>8233</u>	Locknut, 1/4-20 Nylon Insert .....	4
23	<u>8248</u>	Screw, 1/4-20 X 0.75 Truss-Head Machine .....	4

**12**  
**G**



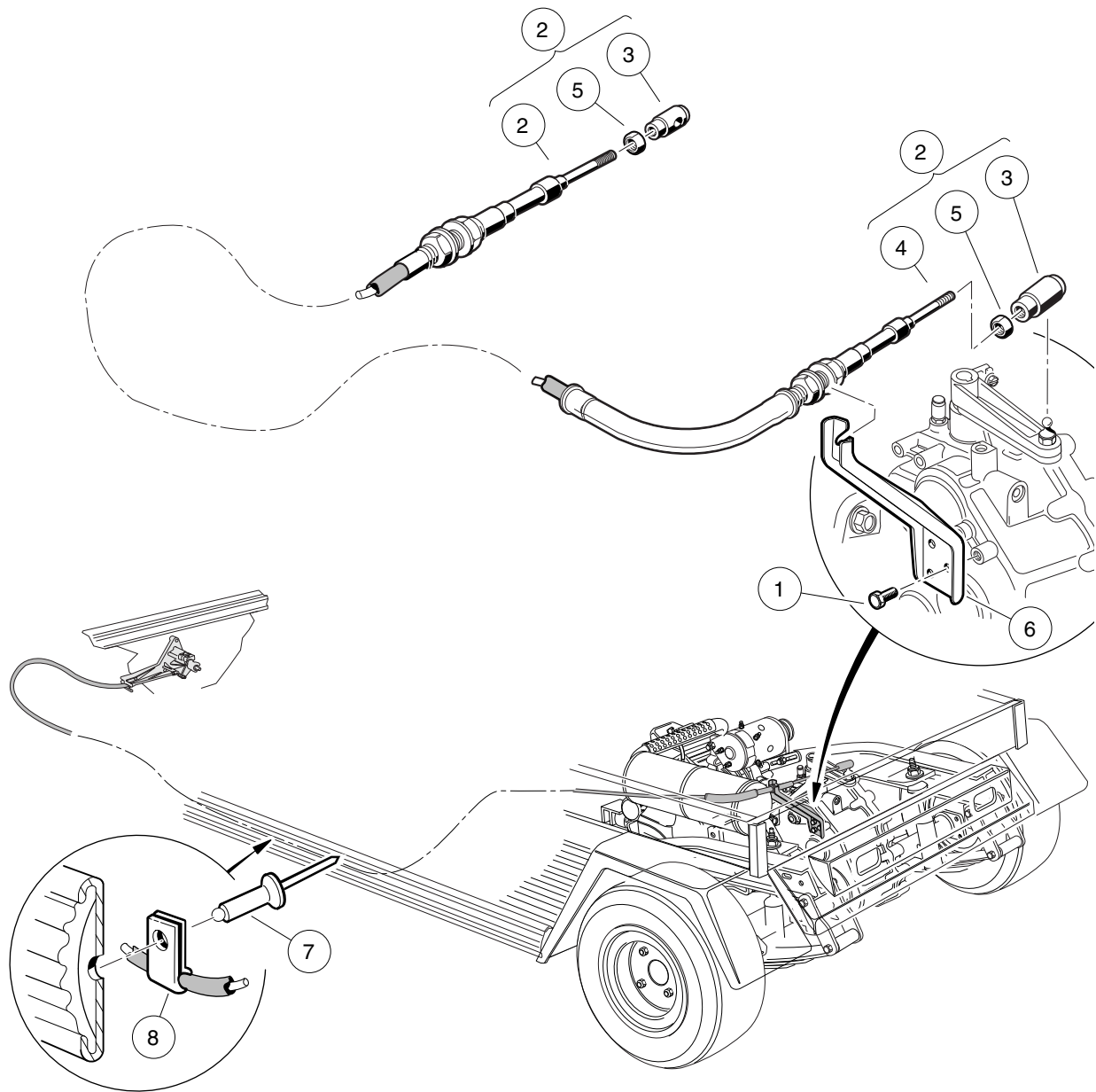
000248-001



# FORWARD/REVERSE SHIFTER CABLE – DS VILLAGER 4 VEHICLES

ITEM	PART NO.	DESCRIPTION	QTY
		<b>1 2 3 4</b>	
1	<u>1012285</u>	Screw, 1/4 X 0.625 Hex-Head .....	3
2	<u>101855801</u>	Cable Retainer .....	1
3	<u>101922601</u>	Bracket, Shifter .....	1
4	<u>101951501</u>	FNR Shifter Cable (includes items 5 through 7) .....	1
5	<u>1012333</u>	Joint, #10-32 Ball .....	2
6	<u>103379501</u>	Cable, Transmission Shifter Ds .....	1
7	<u>7893</u>	Nut, #10-32 Hex .....	2
8	<u>332</u>	Washer, 1/4 Type A Narrow Flat .....	4
9	<u>8233</u>	Locknut, 1/4-20 Nylon Insert .....	4
10	<u>8251</u>	Screw, 1/4-20 X 1.0 Truss-Head Machine .....	4

**12**  
**G**

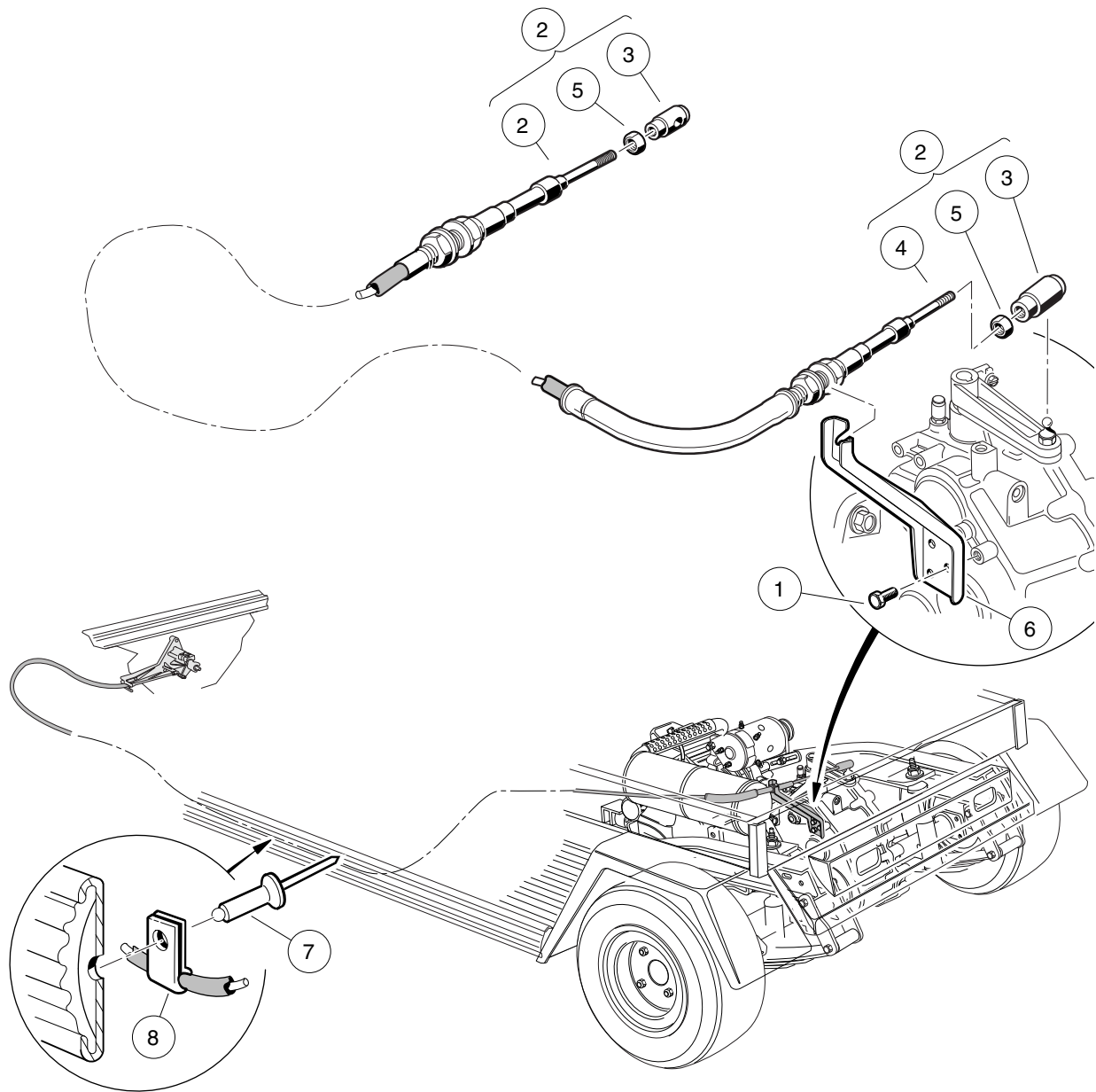


000248-004

## FORWARD/REVERSE SHIFTER CABLE – VILLAGER 6 AND TRANSPORTER 4 AND 6 VEHICLE

ITEM	PART NO.	DESCRIPTION	QTY
		1 2 3 4	
1	<u>1012285</u>	Screw, 1/4 X 0.625 Hex-Head .....	3
2	<u>101672701</u>	Cable, FNR Shifter (includes items 3 through 5) .....	1
3	<u>1012333</u>	Joint, #10-32 Ball .....	2
4	101539802	Cable, Transmission Shifter .....	1
5	<u>7893</u>	Nut, #10-32 Hex .....	2
6	<u>102045901</u>	Bracket, Shifter .....	1
7	<u>7973</u>	Rivet, 3/16 X .400 Blind .....	1
8	8455	Wire Harness Clamp .....	1

**12**  
**G**



000248-004

## FORWARD/REVERSE SHIFTER CABLE – VILLAGER 8

ITEM	PART NO.	DESCRIPTION	QTY
		1 2 3 4	
1	<u>1012285</u>	Screw, 1/4 X 0.625 Hex-Head .....	3
2	<u>101672702</u>	Transmission Shifter Cable Asm (includes items 3 through 5) .....	1
3	<u>1012333</u>	Joint, #10-32 Ball .....	2
4	<u>101539803</u>	Cable, Transmission Shifter .....	1
5	<u>7893</u>	Nut, #10-32 Hex .....	2
6	<u>102045901</u>	Bracket, Shifter .....	1
7	<u>7973</u>	Rivet, 3/16 X .400 Blind .....	1
8	8455	Wire Harness Clamp .....	1

12

G

12

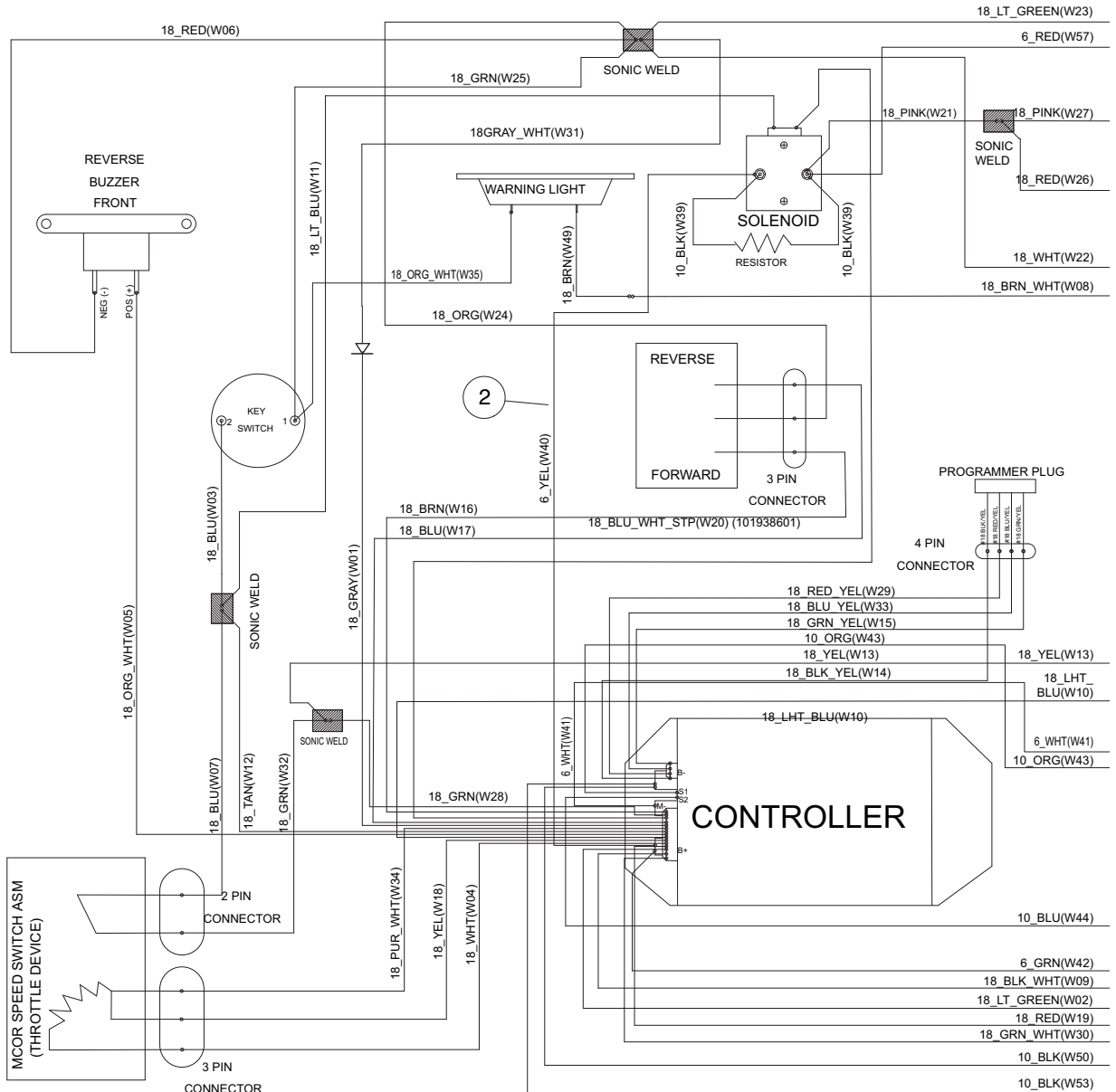
G

# ELECTRICAL SYSTEM – ELECTRIC VEHICLES

---

13

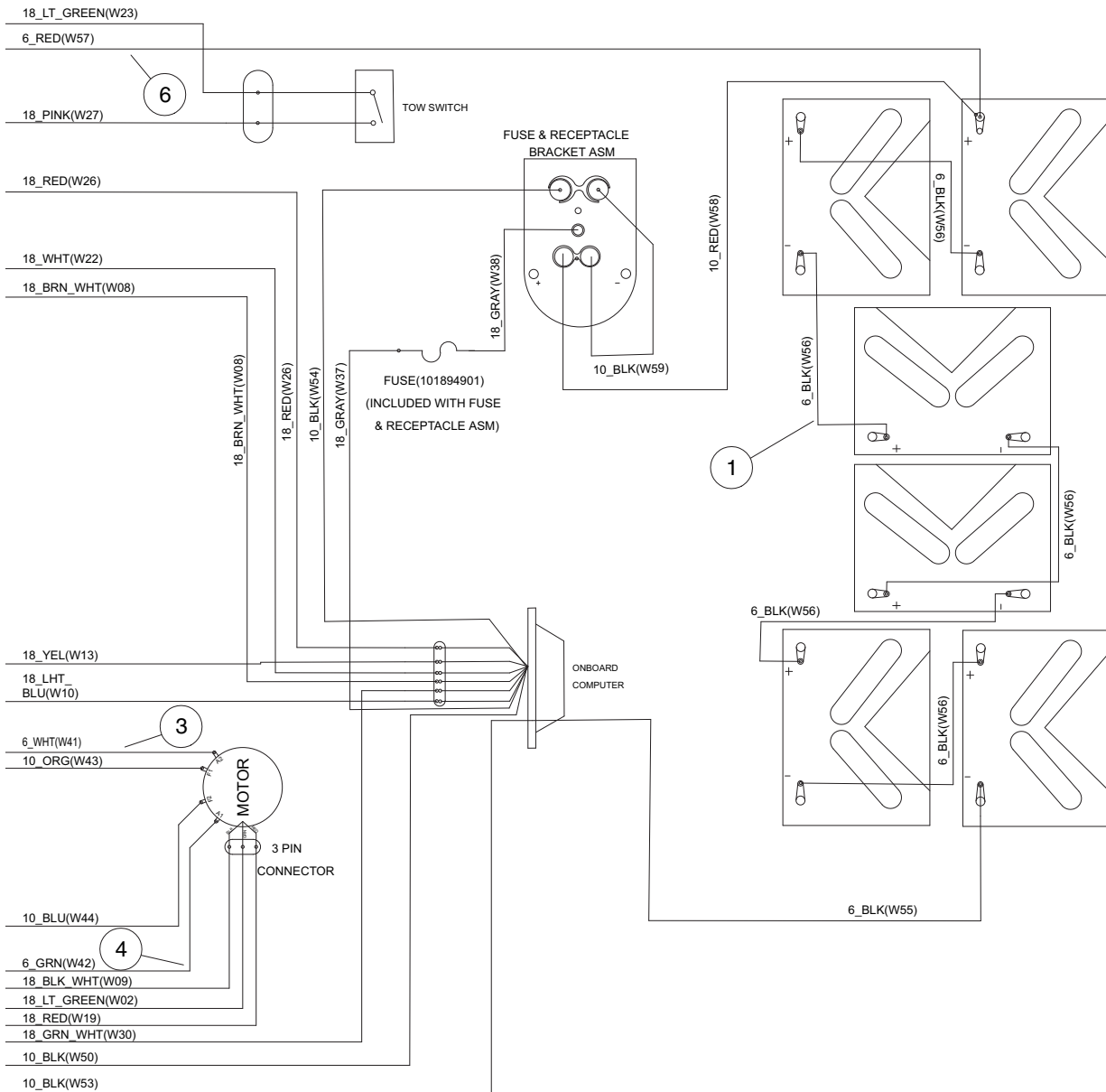
*E*



- (PIN 14) LT GREEN : TO MOTOR SPEED SENSOR OUTPUT
- (PIN 15) RED : TO HIGH SPEED OF MOTOR SPEED SENSOR
- (PIN 16) BLUE : TO FNR SWITCH "REV"
- (PIN 13) BLK/WHT : TO LOW SIDE OF MOTOR SPEED SENSOR
- (PIN 12) BLU/WHT : TO LOW SIDE OF SOLENOID COIL
- (PIN 11) : OPEN
- (PIN 10) TAN : TO KEY SWITCH SONIC WELD
- (PIN 9) GRAY : AUX
- (PIN 8) BROWN : TO FNR SWITCH "FOR"
- (PIN 7) ORG/WHT : TO LOW SIDE OF REVERSE BUZZER
- (PIN 6) GREEN : TO ACCELERATOR LIMIT SWITCH
- (PIN 5) WHITE : TO OBC "CONTROLLER LOCK OUT"
- (PIN 1) WHITE : TO HIGH SIDE OF POTENTIOMETER
- (PIN 2) YELLOW : TO SLIDER OF POTENTIOMETER
- (PIN 3) PUR/WHT : TO LOW SIDE OF POTENTIOMETER
- (PIN 4) GRN/WHT : TO S. O. C

000367-001





000367-001

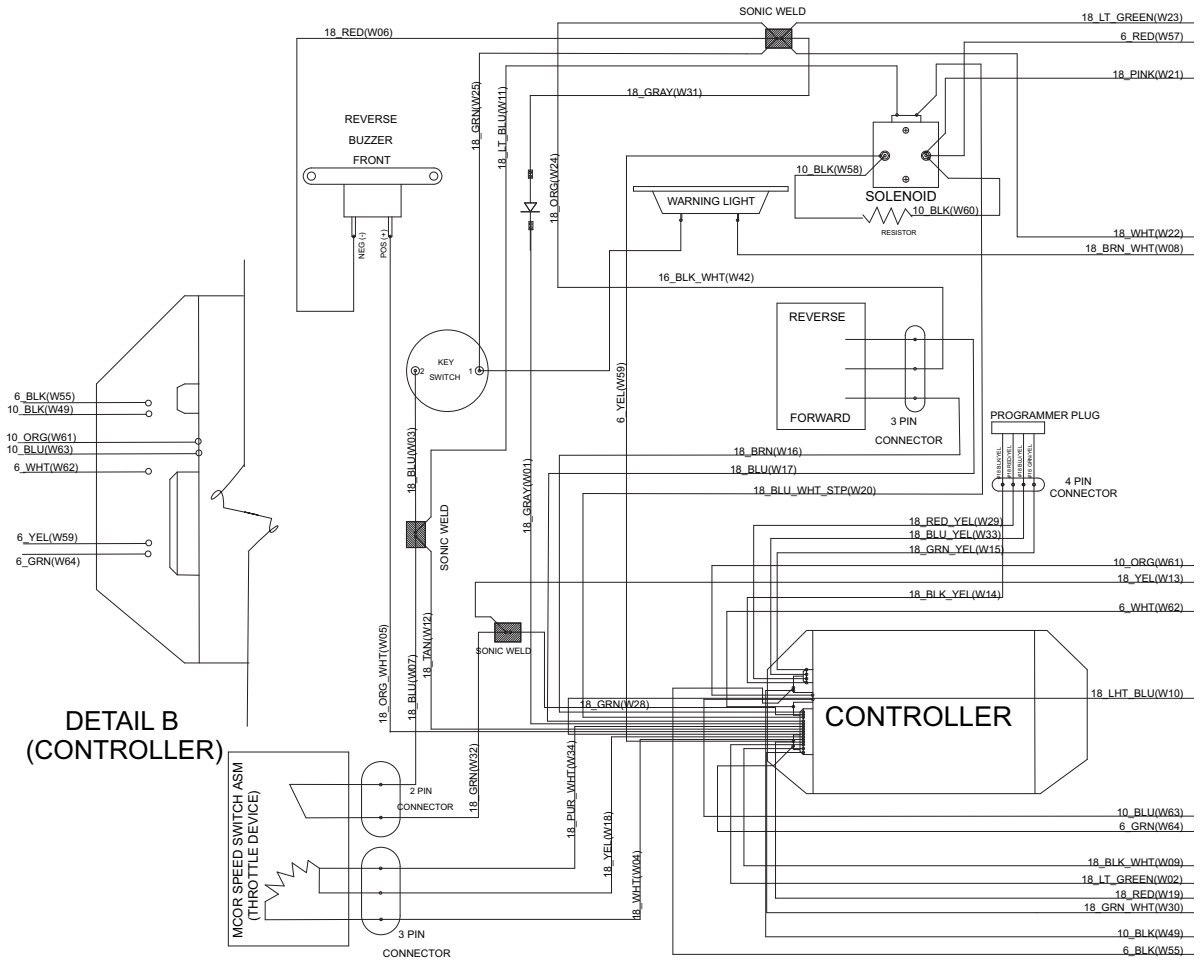
See previous two pages for illustration.

# WIRING – DS VILLAGER 4 IQ SYSTEM VEHICLE WITH SIX 8-VOLT BATTERIES

ITEM	PART NO.	DESCRIPTION	QTY
		1 2 3 4	
1	<u>101795701</u>	Asm, Wire, #6blk 13in .....	5
2	<u>101903001</u>	Wire Assembly #6 Yellow .....	1
3	<u>101968701</u>	Wire Assy, #6 White .....	1
4	<u>101978001</u>	Wire Assy, #6 Green .....	1
5	<u>102196601</u>	Wire Harness .....	1
6	<u>102199601</u>	Wire Assy, #6 Red .....	1
		Note: Item 5 contains wires in main harness that are not 6-gauge.	

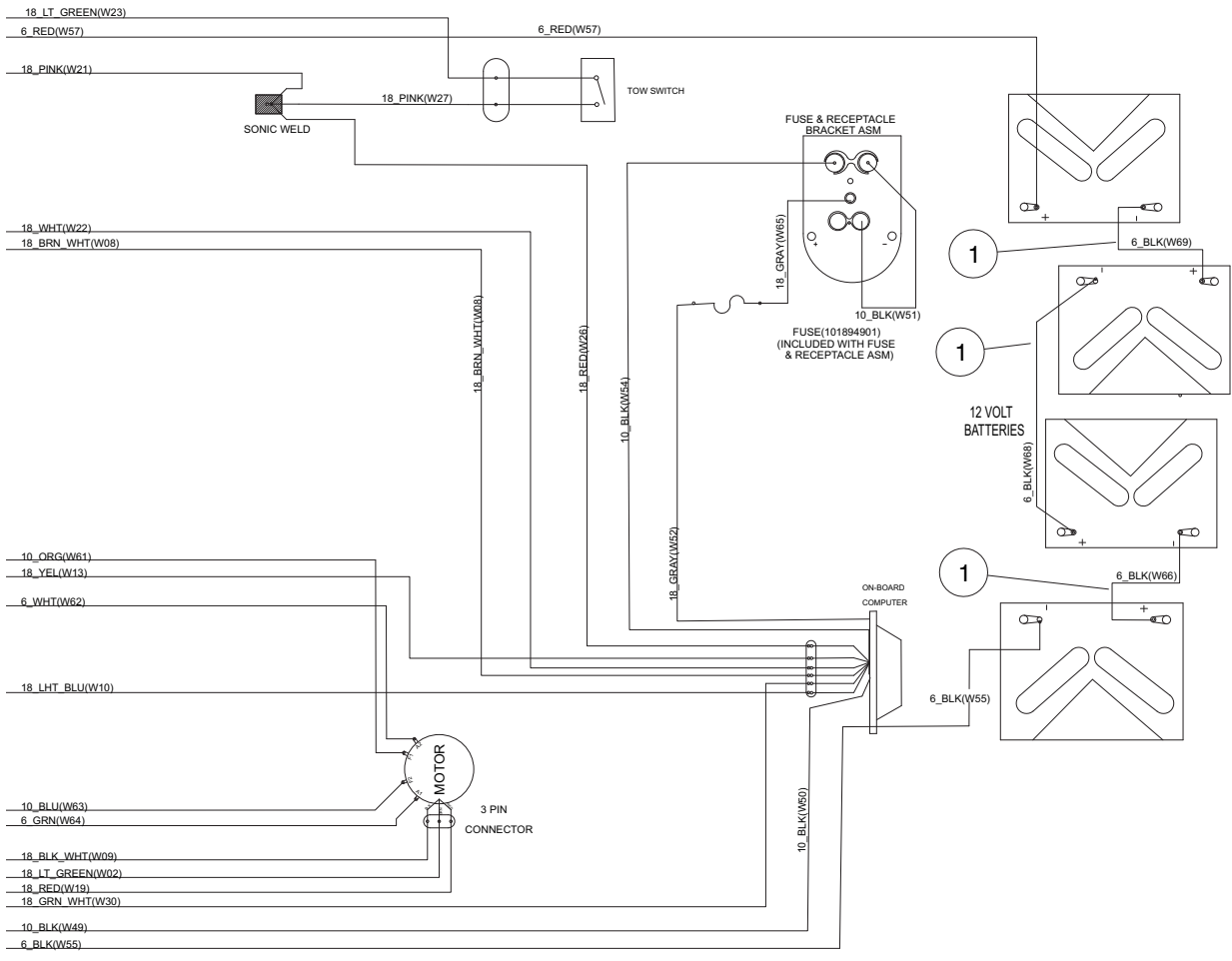
13

E



- (PIN 14) LT GREEN: TO MOTOR SPEED SENSOR OUTPUT
- (PIN 15) RED : TO HIGH SPEED OF MOTOR SPEED SENSOR
- (PIN 16) BLUE : TO FNR SWITCH "REV"
- (PIN 13) BLK/WHT : TO LOW SIDE OF MOTOR SPEED SENSOR
- (PIN 12) BLU/WHT : TO LOW SIDE OF SOLENOID COIL
- (PIN 11) : OPEN
- (PIN 10) TAN : TO KEY SWITCH SONIC WELD
- (PIN 9) GRAY : AUX
- (PIN 8) BROWN : TO FNR SWITCH "FOR"
- (PIN 7) ORG/WHT : TO LOW SIDE OF REVERSE BUZZER
- (PIN 6) GREEN : TO ACCELERATOR LIMIT SWITCH
- (PIN 1) WHITE : TO HIGH SIDE OF POTENTIOMETER
- (PIN 2) YELLOW : TO SLIDER OF POTENTIOMETER
- (PIN 3) PUR/WHT : TO LOW SIDE OF POTENTIOMETER
- (PIN 4) GRN/WHT : TO S. O. C
- (PIN 5) LT BLUE : TO OBC "CONTROLLER LOCKOUT"

000412-001



000412-001

**13**

***E***

See previous two pages for illustration.

# WIRING – DS VILLAGER 4 IQ SYSTEM WITH FOUR 12-VOLT BATTERIES

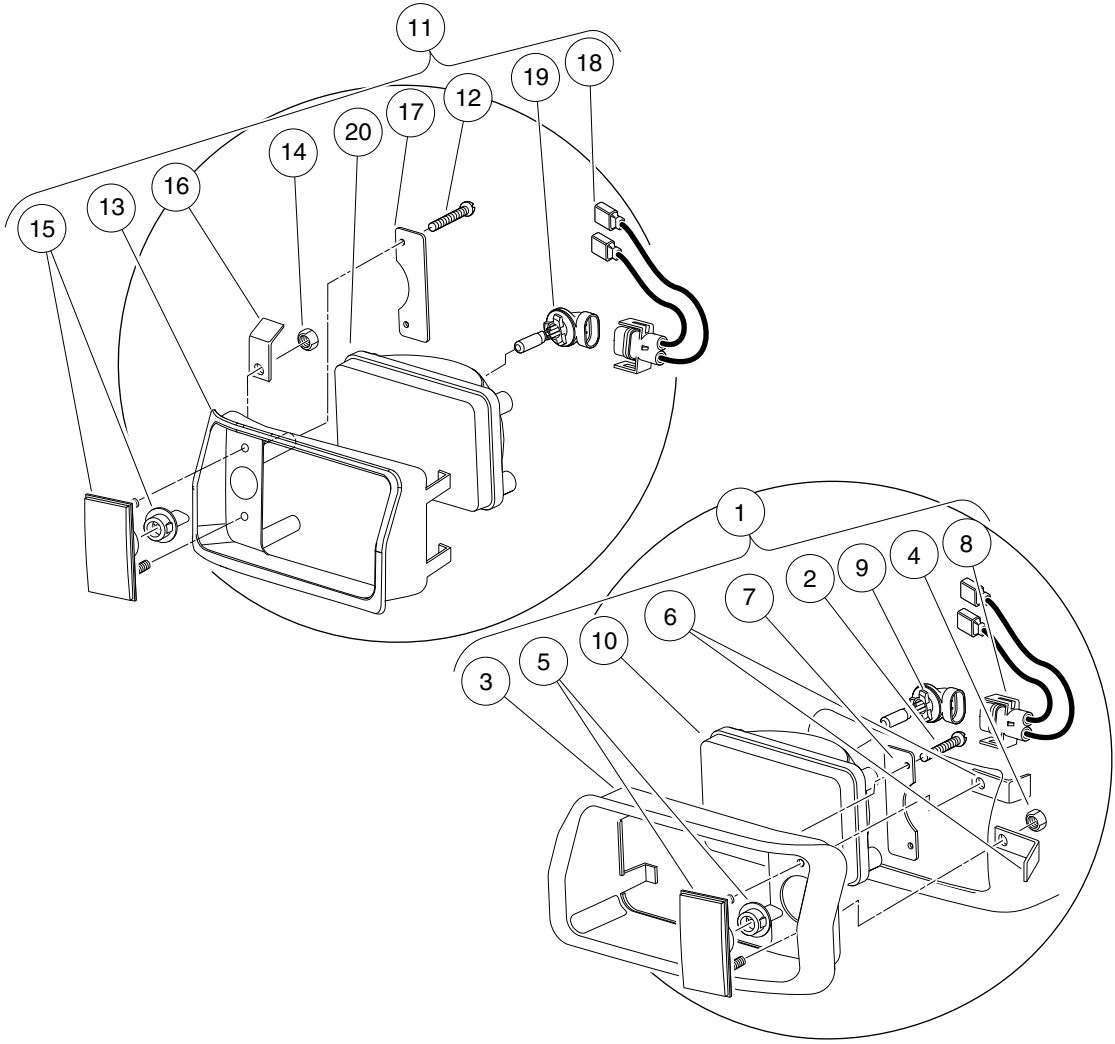
ITEM	PART NO.	DESCRIPTION	QTY
1	<u>101795701</u>	1 2 3 4 Asm, Wire, #6blk 13in .....	3
2	<u>102913301</u>	Wire Harness, Electric, DS, Four 12-Volt Batteries .....	1

**13**

**E**

13

E



000073-001

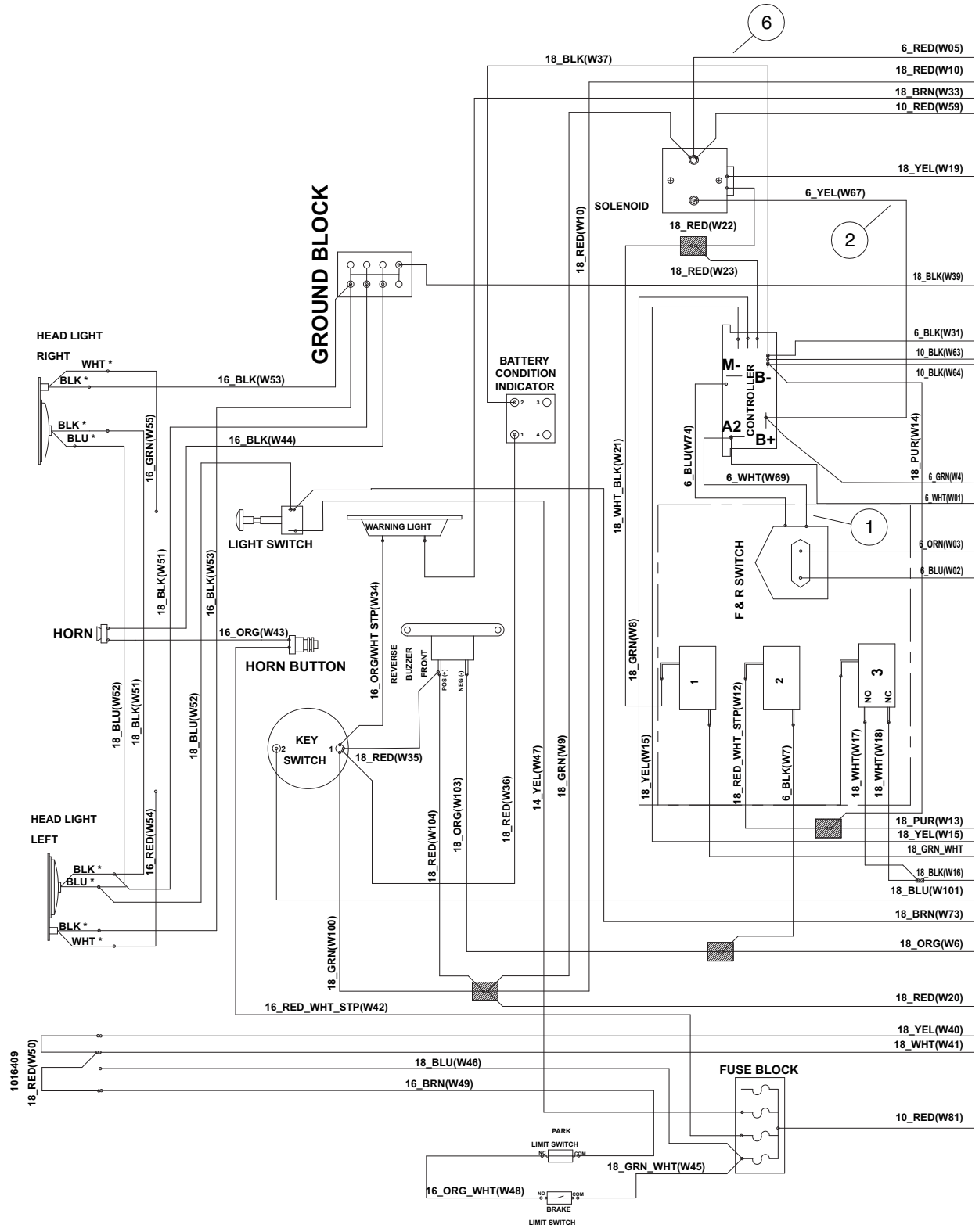


# HEADLIGHTS

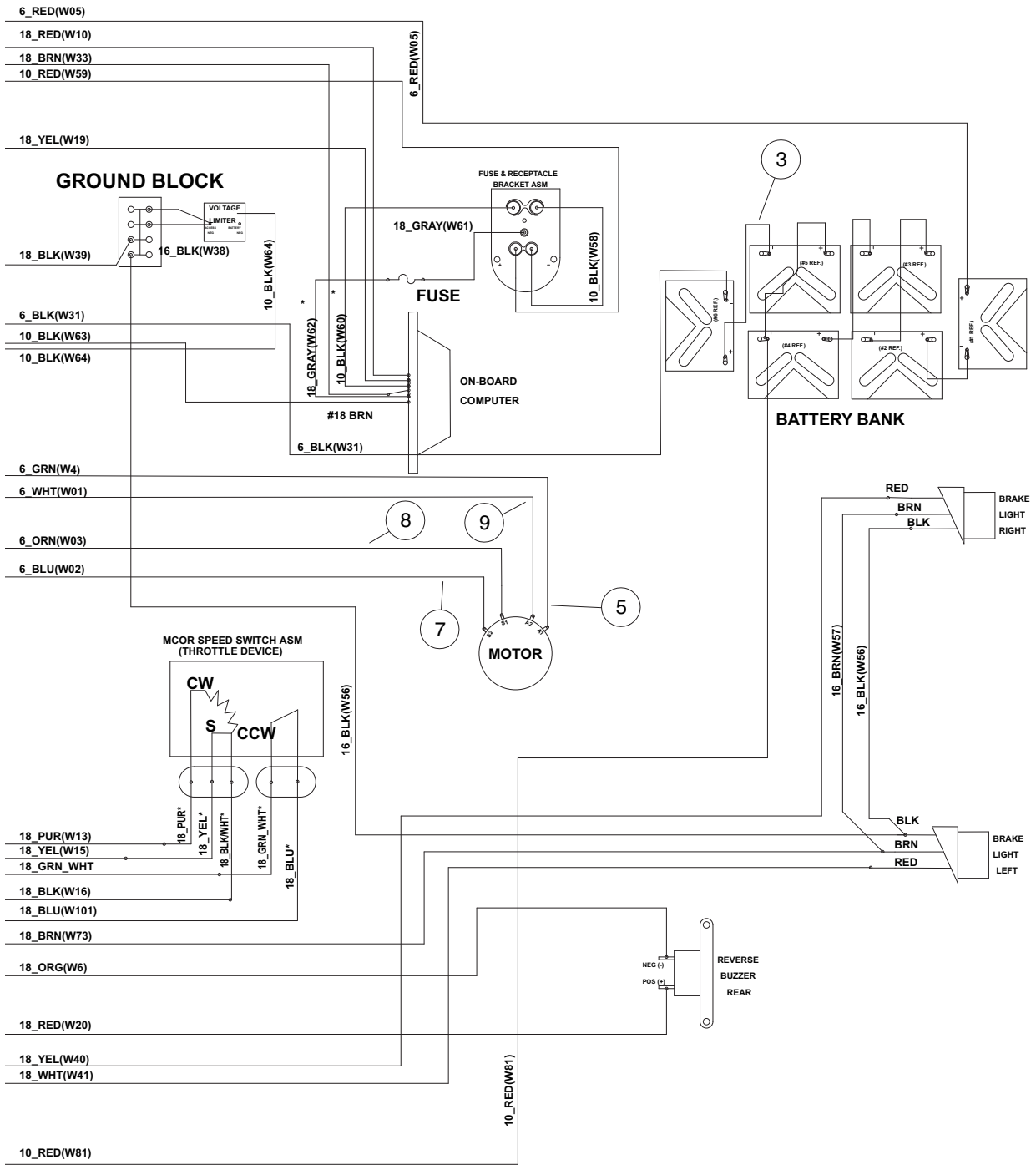
**13**

**E**

ITEM	PART NO.	DESCRIPTION	QTY
		<b>1 2 3 4</b>	
1	<u>101988001</u>	Headlight Assembly, Driver-Side Single Beam (includes items 2 through 10) .....	1
2	<u>1013461</u>	Screw, #10-16 Hex-Head Hi-Lo .....	2
3	<u>1016880</u>	Headlight Bezel, Left .....	1
4	<u>1017</u>	Nut, #10-24 Stainless-Steel Hex Machine .....	2
5	<u>1017062</u>	Turn Signal Lens Assy .....	1
6	<u>1017064</u>	Mounting Bracket .....	2
7	<u>1017065</u>	Retainer, Headlight .....	1
8	<u>101987901</u>	Connector Harness Assembly, Headlight .....	1
9	<u>101988101</u>	Bulb, Headlight .....	1
10	<u>101988201</u>	Lens, Headlight .....	1
11	<u>101988002</u>	Headlight Assy, Passenger-Side Single Beam (includes items 12 through 20) .....	1
12	<u>1013461</u>	Screw, #10-16 Hex-Head Hi-Lo .....	2
13	<u>1016879</u>	Headlight Bezel, Right .....	1
14	<u>1017</u>	Nut, #10-24 Stainless-Steel Hex Machine .....	2
15	<u>1017062</u>	Turn Signal Lens Assy .....	1
16	<u>1017064</u>	Mounting Bracket .....	2
17	<u>1017065</u>	Retainer, Headlight .....	1
18	<u>101987901</u>	Connector Harness Assembly, Headlight .....	1
19	<u>101988101</u>	Bulb, Headlight .....	1
20	<u>101988201</u>	Lens, Headlight .....	1



000321-002



000321-002

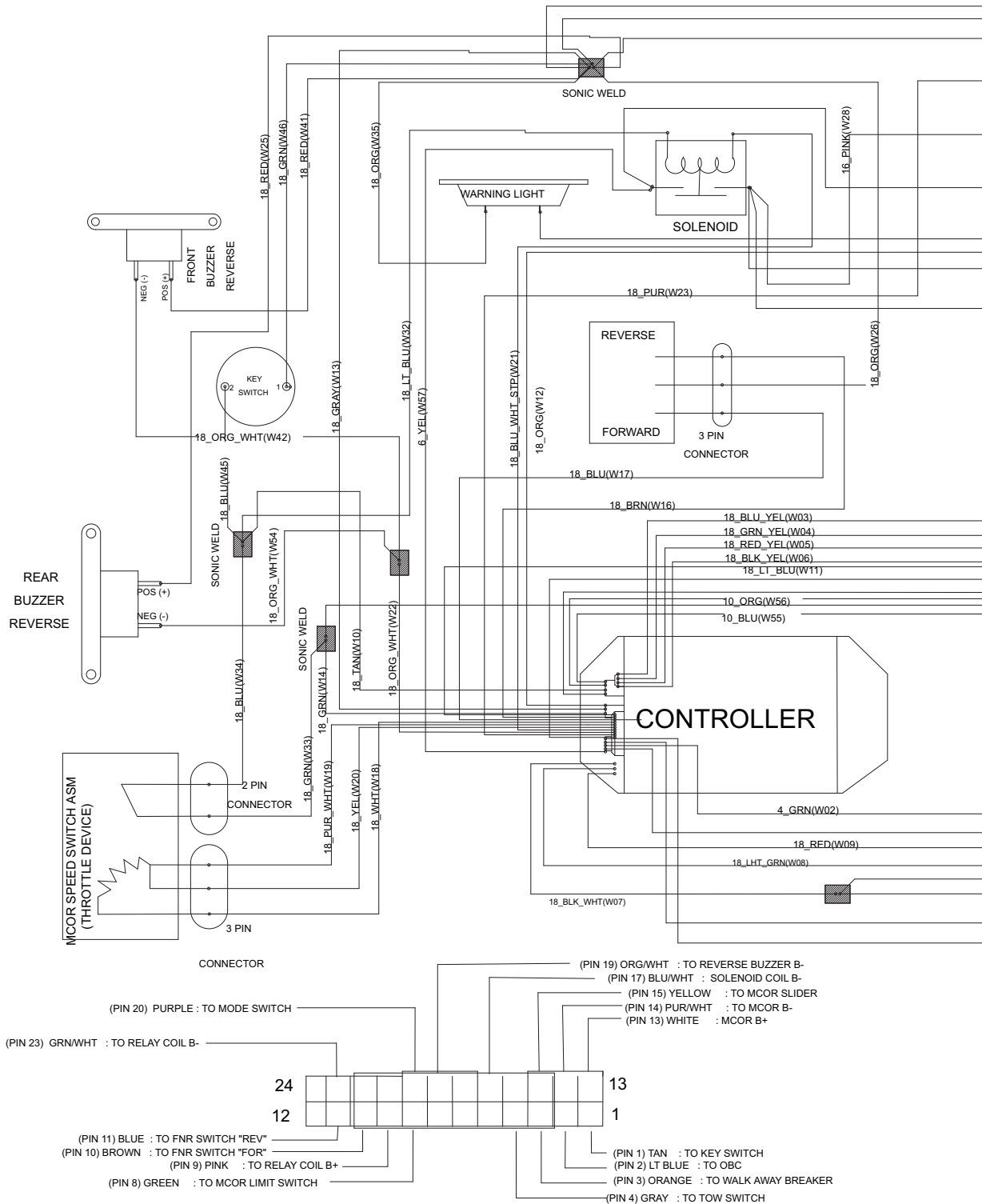
See previous two pages for illustration.

# WIRING – POWERDRIVE ELECTRIC VILLAGER 6 AND TRANSPORTER 4 AND 6

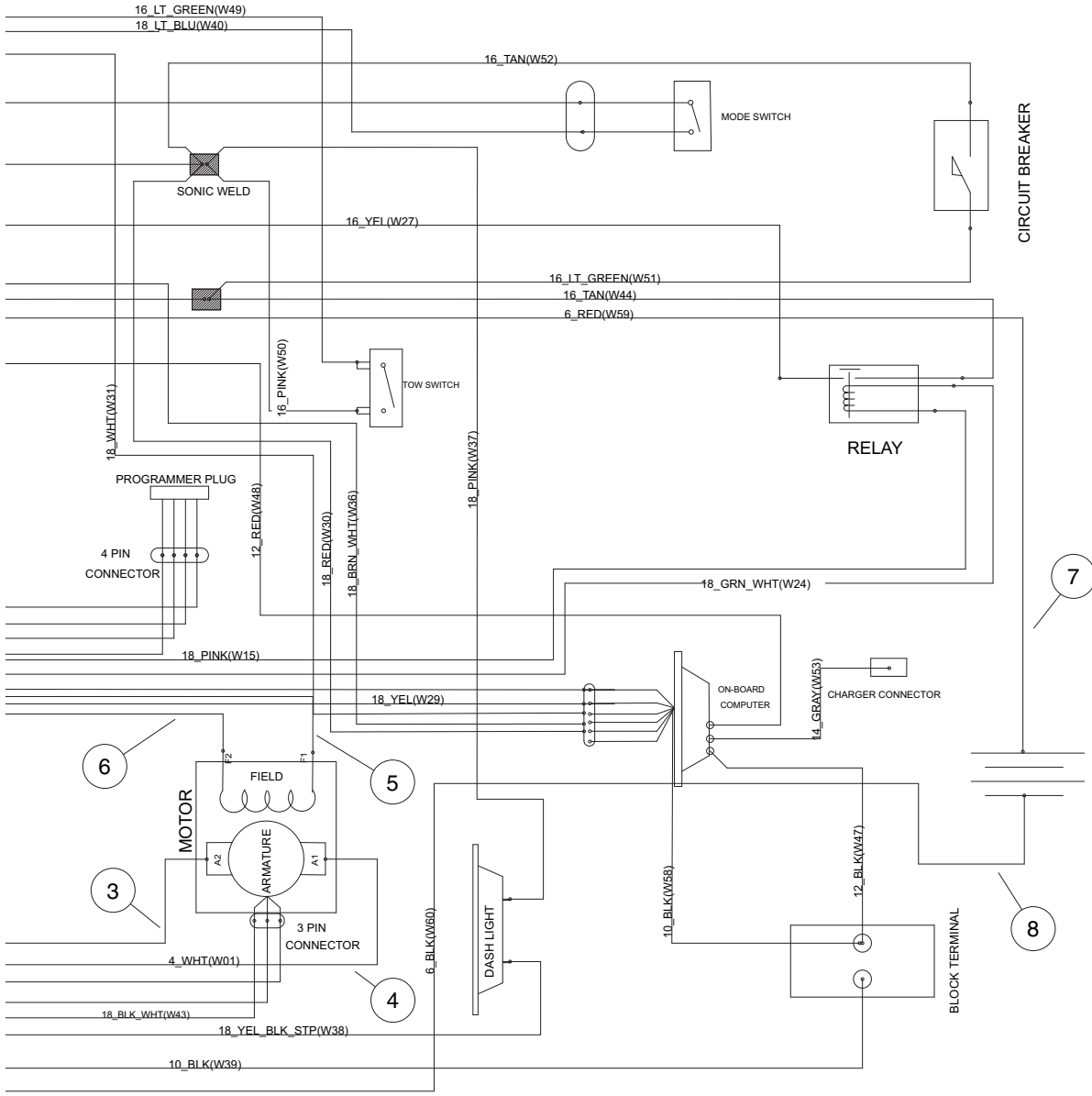
ITEM	PART NO.	DESCRIPTION	QTY
		1 2 3 4	
1	<u>1016729</u>	Wire Assembly #6 White .....	1
2	<u>1016732</u>	Wire Assembly #6 Yellow .....	1
3	<u>101795701</u>	Asm, Wire, #6blk 13in .....	5
4	N/A	Wire Harness (includes items 5 through 9) .....	1
5	<u>101904402</u>	Wire Assembly #6 Green .....	1
6	<u>101904502</u>	Wire Assy, #6 Red .....	1
7	<u>101904602</u>	Wire Assy, #6 Blue .....	1
8	<u>101904702</u>	Wire Assy, #6 Orange .....	1
9	<u>101908902</u>	Wire Assembly #6 White .....	1
10	<u>101989901</u>	Wire Harness (Lighting) .....	1
11	<u>102162501</u>	Wire Harness .....	1
Note: Item 11 contains wires in main harness that are not 6-gauge.			

13

E



000423-004



000423-004

**13**

***E***

See previous two pages for illustration.

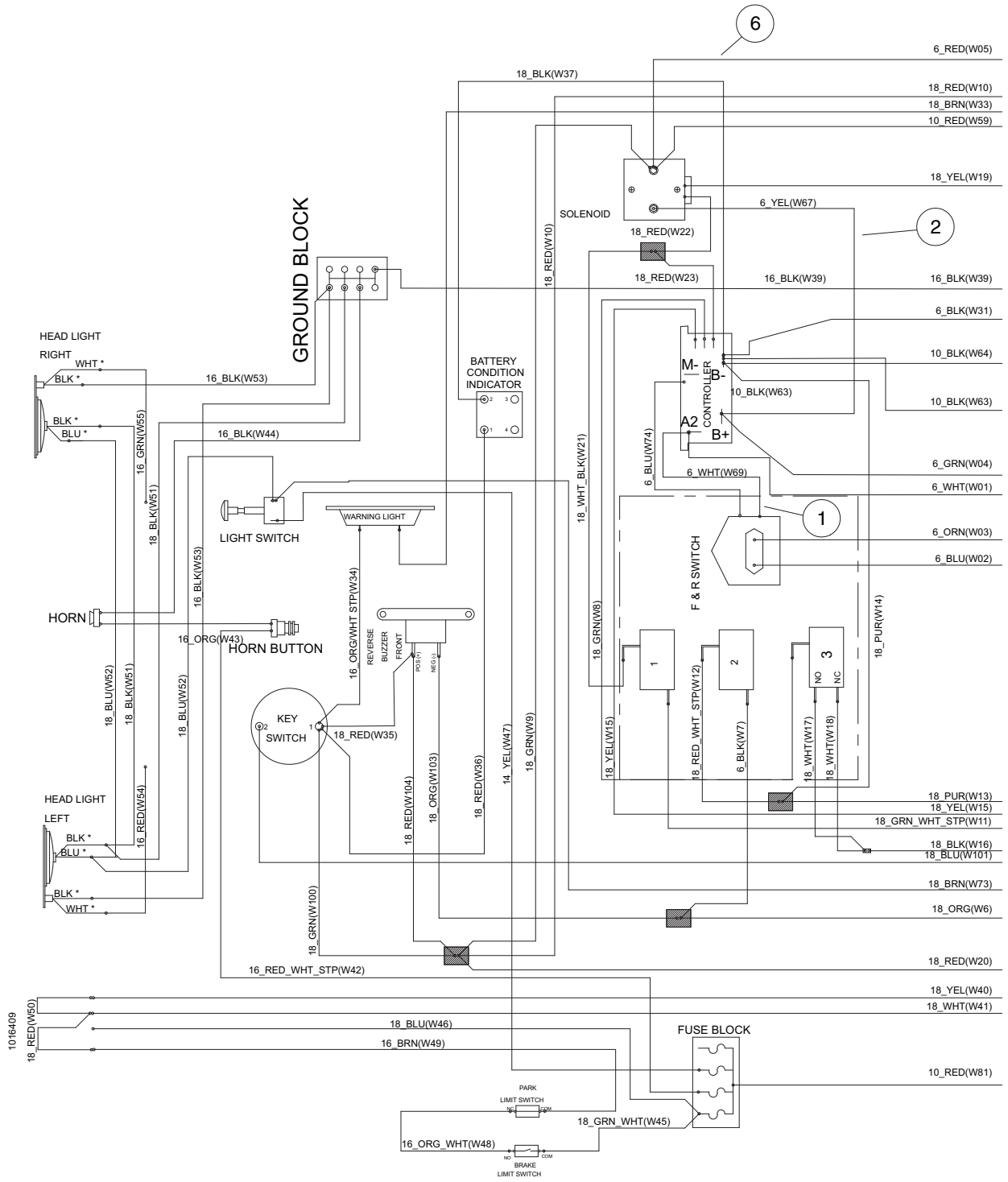


## WIRING – IQ PLUS ELECTRIC VILLAGER 6

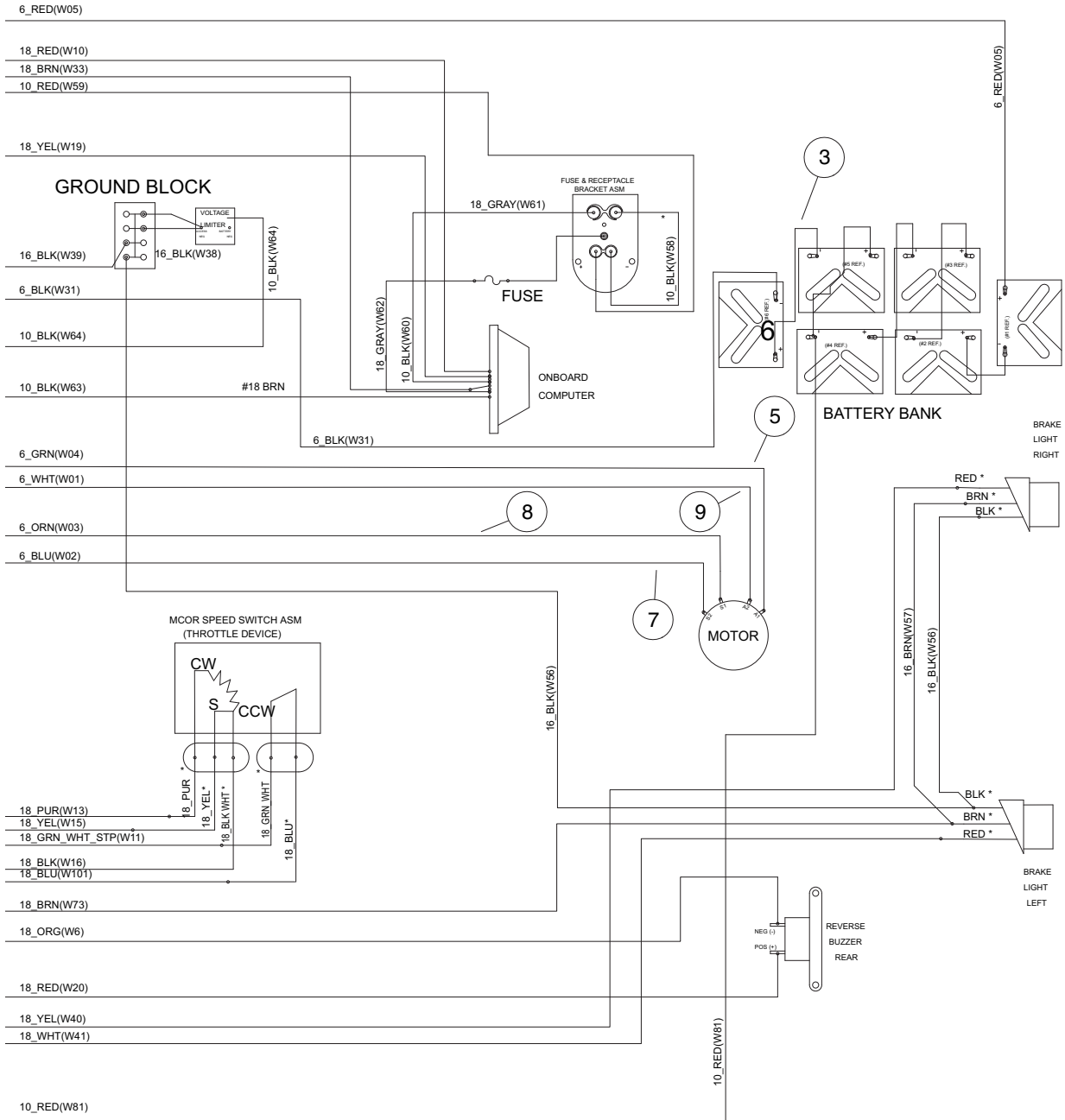
ITEM	PART NO.	DESCRIPTION	QTY
		1 2 3 4	
1	<u>102810601</u>	Wire Harness, HDIQ, CA6 .....	1
2	<u>102845501</u>	Harness, Power, Stretch IQ Plus (includes items 3 through 9) .....	1
3	N/A	Asm, #4 Grn Wire, 89" .....	1
4	N/A	Asm, #4 Wht Wire, 88.5" .....	1
5	N/A	Asm, #10 Org Wire, 89.5" .....	1
6	N/A	Asm, #10 Blu Wire, 95.5" .....	1
7	N/A	Asm, #4 Red Wire, 67.5" .....	1
8	N/A	Asm, #4 Blk Wire, 57.5" .....	1
9	<u>8639</u>	Tie Wrap, 11" Nylon .....	6
10	N/A	Asm, #4 Blk Wire, 57.5" .....	1
11	<u>8639</u>	Tie Wrap, 11" Nylon .....	6

13

E



000368-001



000368-001

**13**

***E***

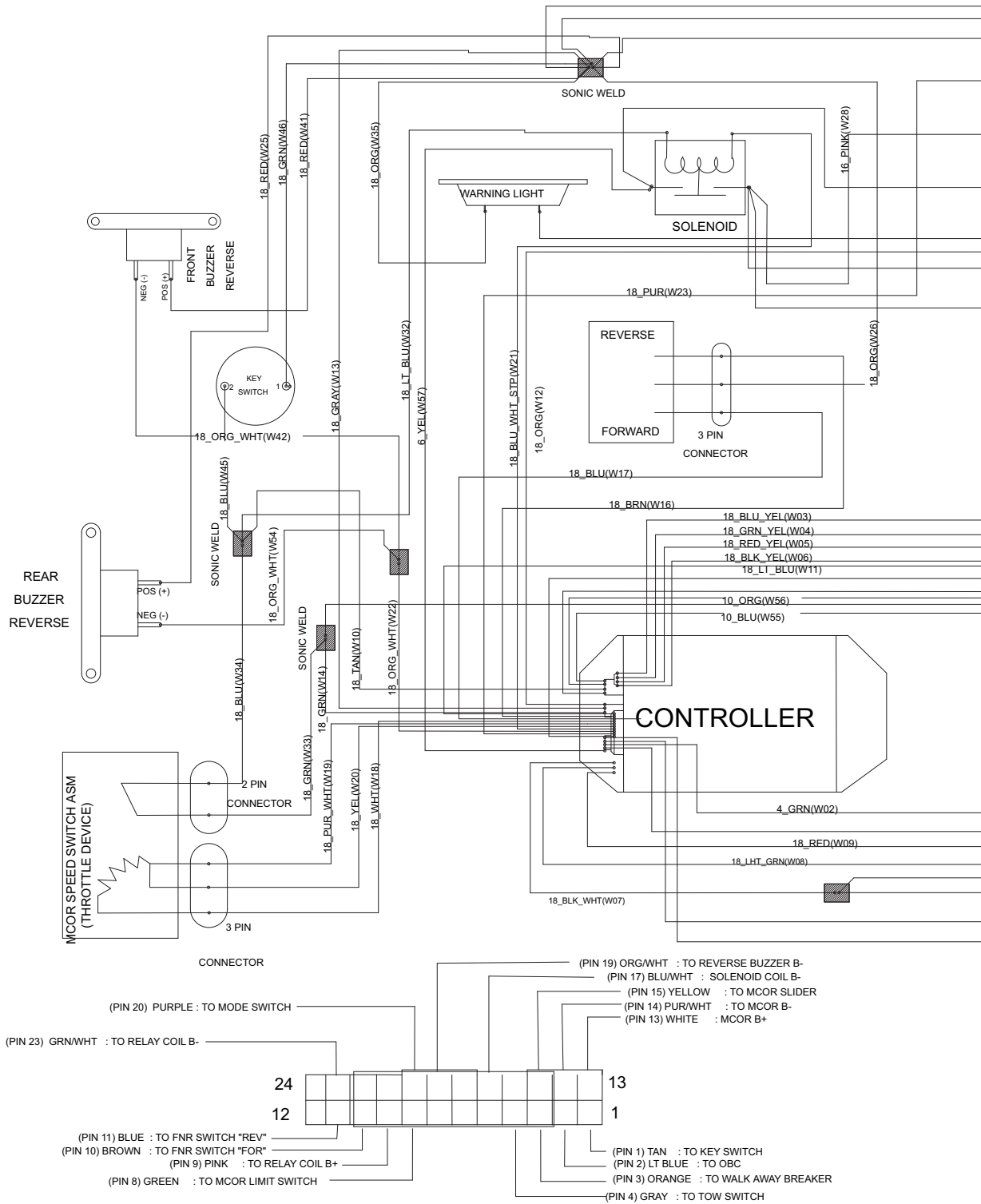
See previous two pages for illustration.

## WIRING – POWERDRIVE ELECTRIC VILLAGER 8

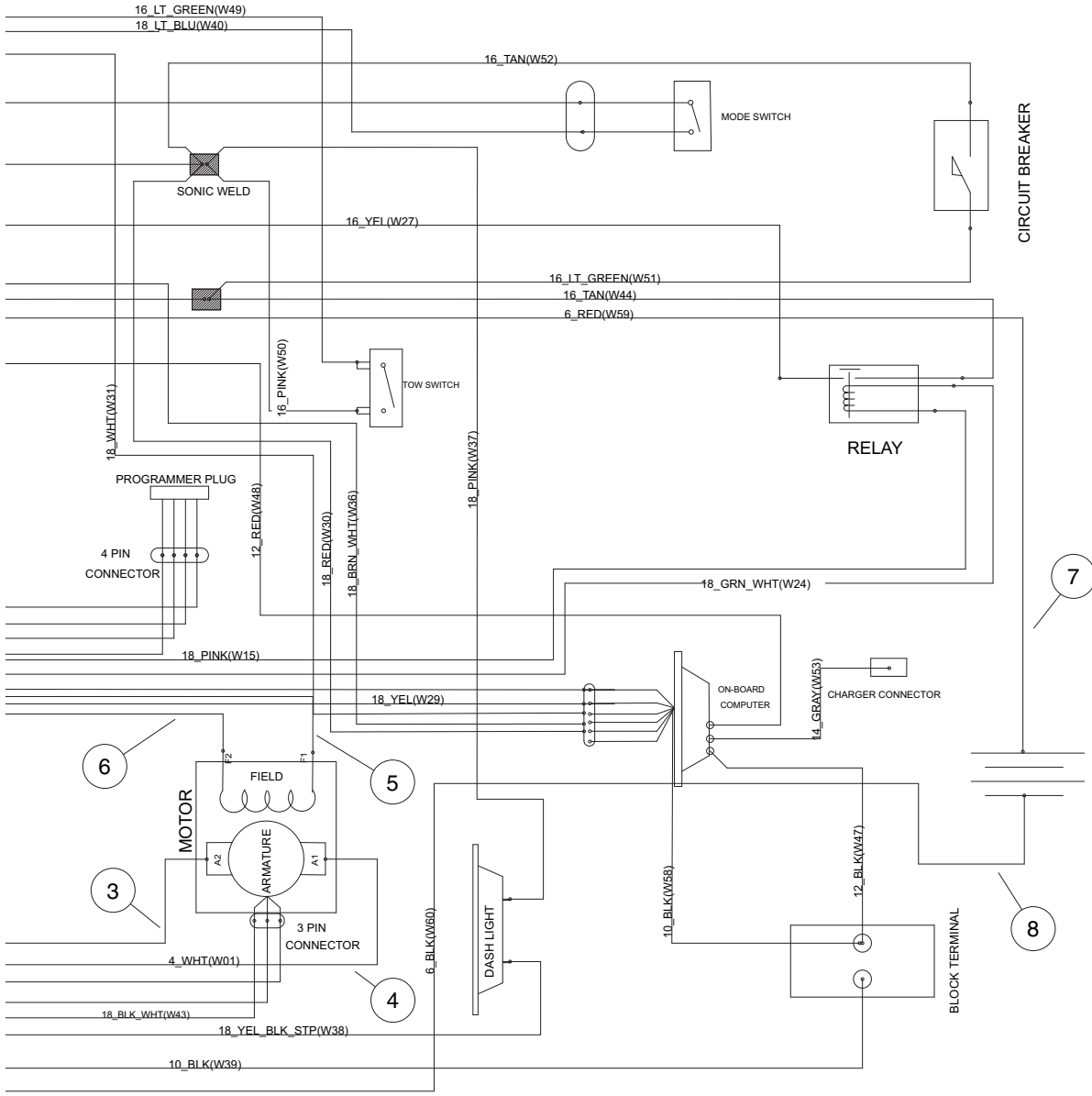
ITEM	PART NO.	DESCRIPTION	QTY
		1 2 3 4	
1	<u>1016729</u>	Wire Assembly #6 White .....	1
2	<u>1016732</u>	Wire Assembly #6 Yellow .....	1
3	<u>101795701</u>	Asm, Wire, #6blk 13in .....	5
4	N/A	Wire Harness (includes items 5 through 9) .....	1
5	<u>101904403</u>	Wire Assembly #6 Green .....	1
6	<u>101904503</u>	Wire Assy, #6 Red .....	1
7	<u>101904603</u>	Wire Assy, #6 Blue .....	1
8	<u>101904703</u>	Wire Assy, #6 Orange .....	1
9	<u>101908903</u>	Wire Assembly #6 White .....	1
10	<u>101990001</u>	Wire Harness (Lighting) .....	1
11	<u>102162501</u>	Wire Harness .....	1
<p style="margin-left: 40px;">Note: Item 11 contains wires in main harness that are not 6-gauge.</p>			

13

E



000423-003



000423-003

**13**

***E***

See previous two pages for illustration.

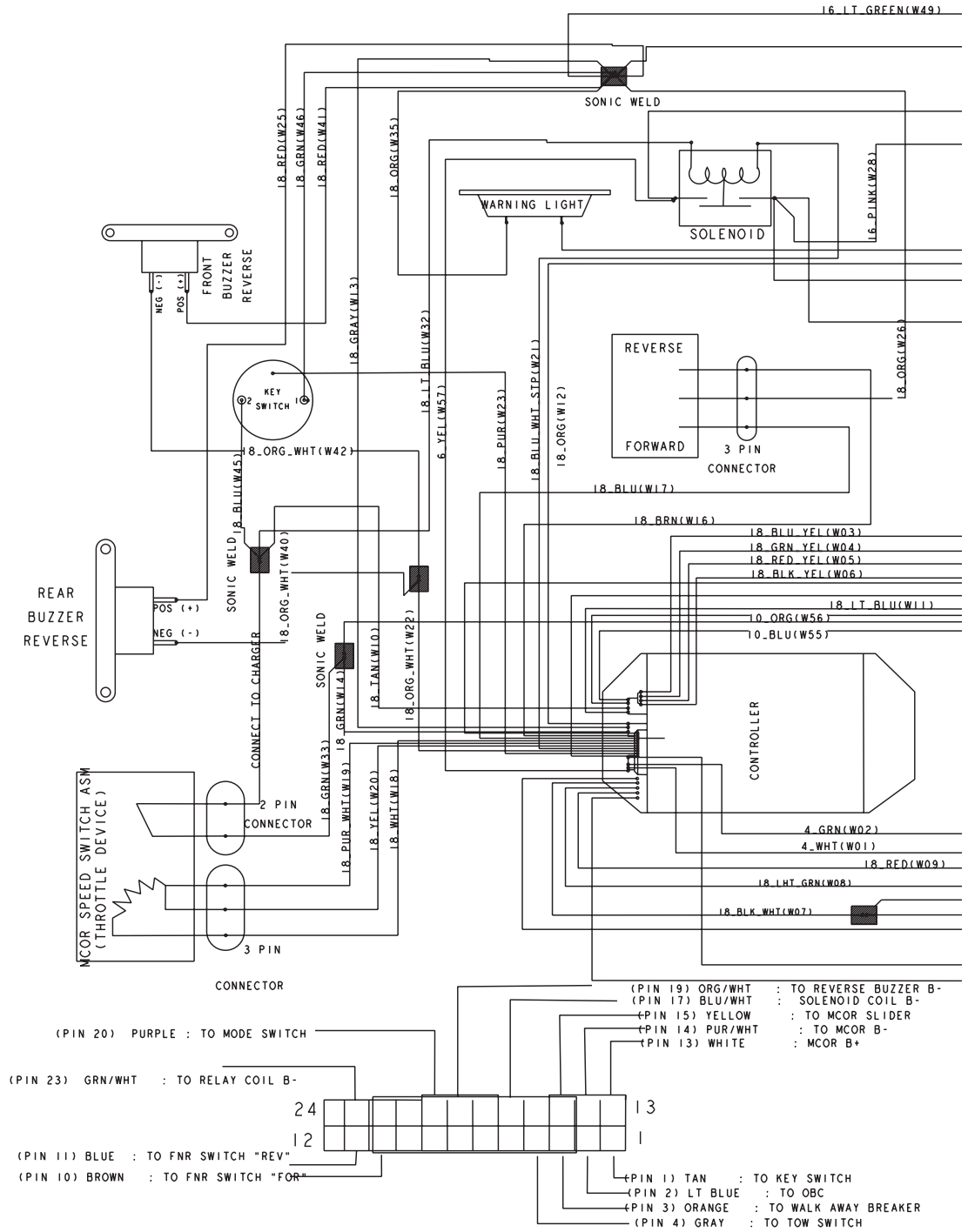


## WIRING – IQ PLUS TRANSPORTER 4 AND 6

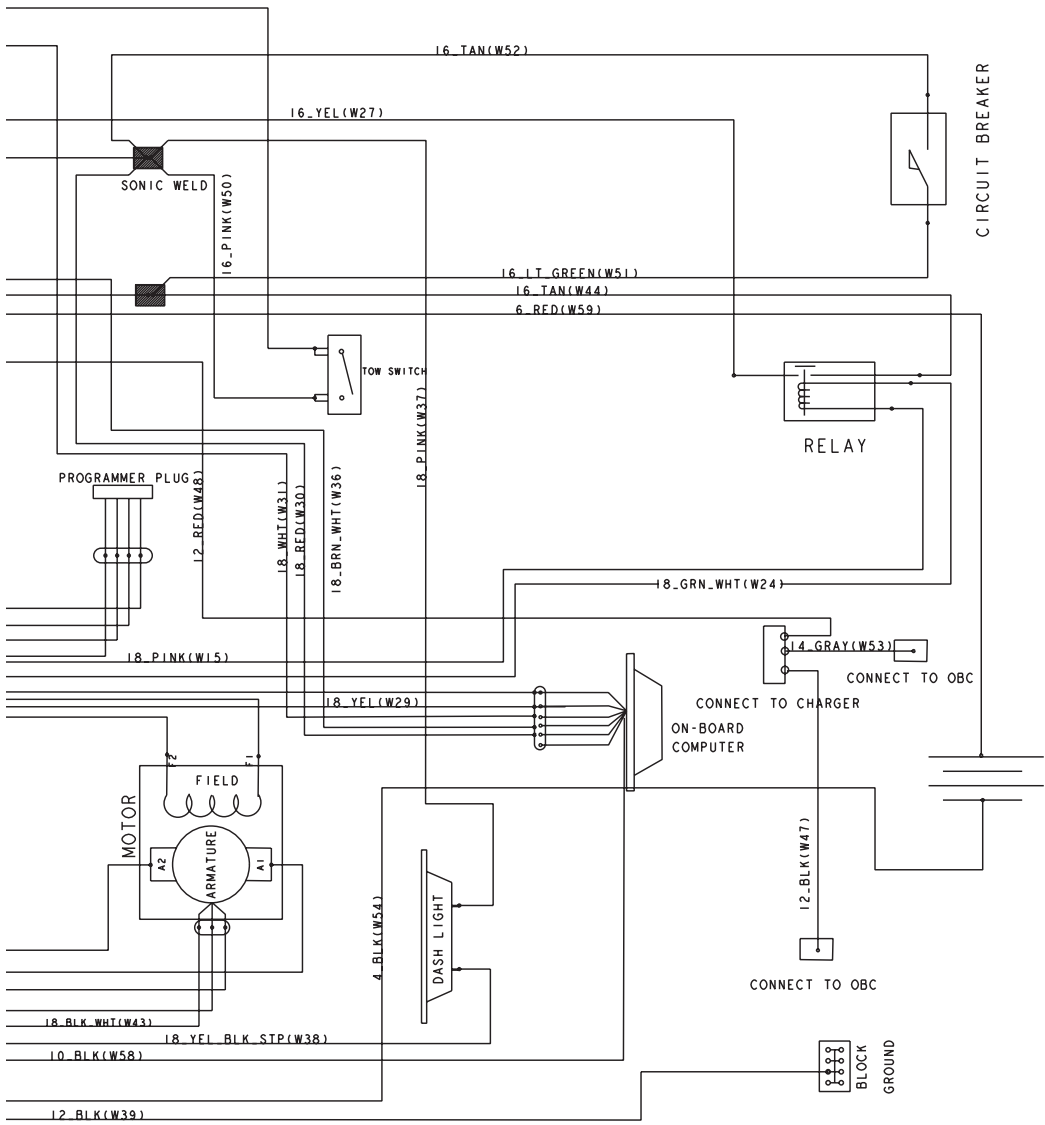
ITEM	PART NO.	DESCRIPTION	QTY
		1 2 3 4	
1	<u>102810601</u>	Wire Harness, HDIQ, CA6 .....	1
2	<u>102845501</u>	Harness, Power, Stretch IQ Plus (includes items 3 through 9) .....	1
3	N/A	Asm, #4 Grn Wire, 89" .....	1
4	N/A	Asm, #4 Wht Wire, 88.5" .....	1
5	N/A	Asm, #10 Org Wire, 89.5" .....	1
6	N/A	Asm, #10 Blu Wire, 95.5" .....	1
7	N/A	Asm, #4 Red Wire, 67.5" .....	1
8	N/A	Asm, #4 Blk Wire, 57.5" .....	1
9	<u>8639</u>	Tie Wrap, 11" Nylon .....	6

13

E



000423-005



1028940 REV

000423-005

**13**

***E***

See previous two pages for illustration.

## WIRING – IQ PLUS ELECTRIC VILLAGER 8

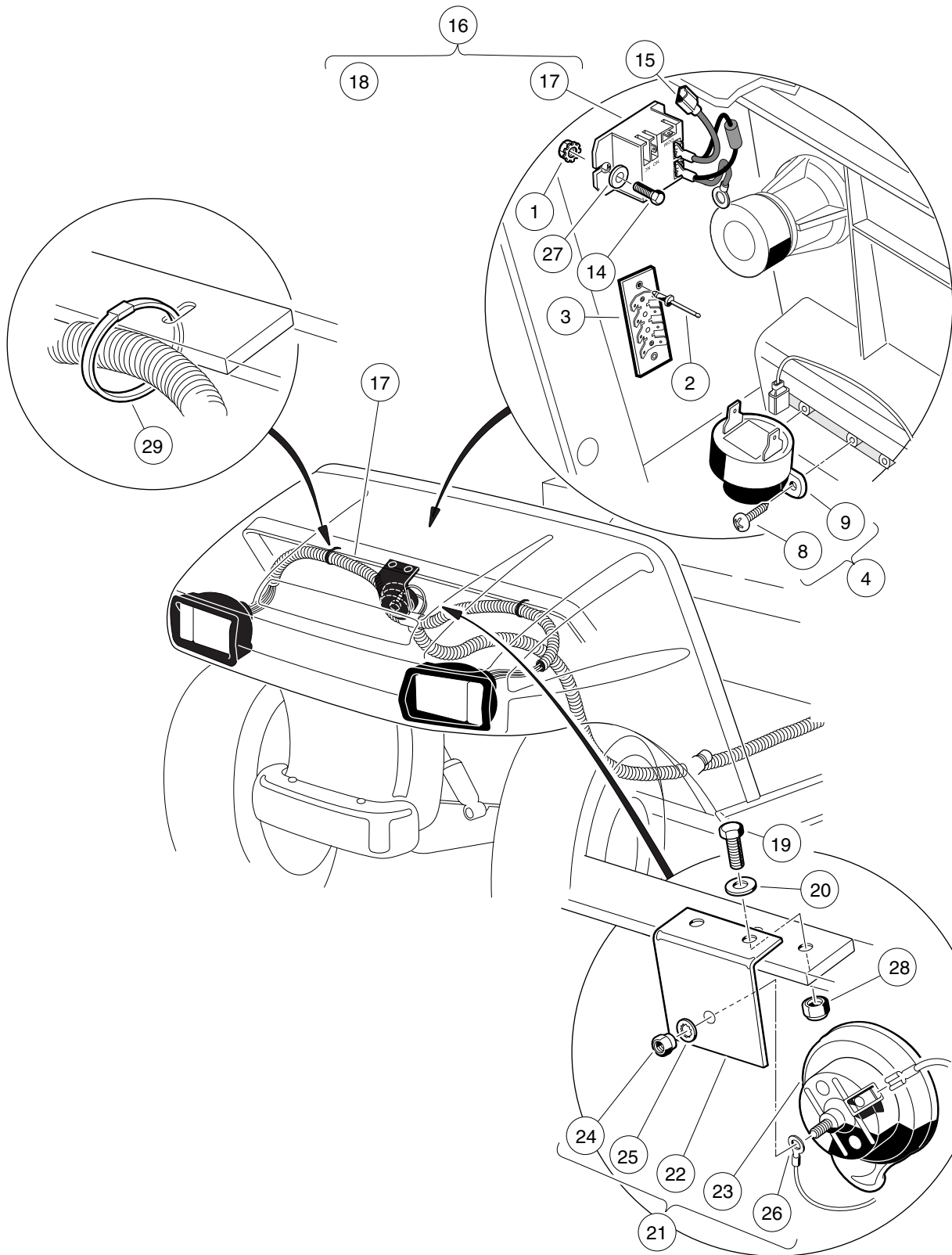
ITEM	PART NO.	DESCRIPTION	QTY
		1 2 3 4	
1	<u>102845501</u>	Harness, Power, Stretch IQ Plus (includes items 2 through 8) .....	1
2	N/A	Asm, #4 Grn Wire, 89" .....	1
3	N/A	Asm, #4 Wht Wire, 88.5" .....	1
4	N/A	Asm, #10 Org Wire, 89.5" .....	1
5	N/A	Asm, #10 Blu Wire, 95.5" .....	1
6	N/A	Asm, #4 Red Wire, 67.5" .....	1
7	N/A	Asm, #4 Blk Wire, 57.5" .....	1
8	<u>8639</u>	Tie Wrap, 11" Nylon .....	6
9	<u>102894001</u>	Wire Harness, HDIQ, Villager 8 .....	1

13

E

13

E



000335-002

# FRONT BODY ELECTRICAL COMPONENTS – VILLAGER 6 , AND TRANSPORTER 4 AND 6

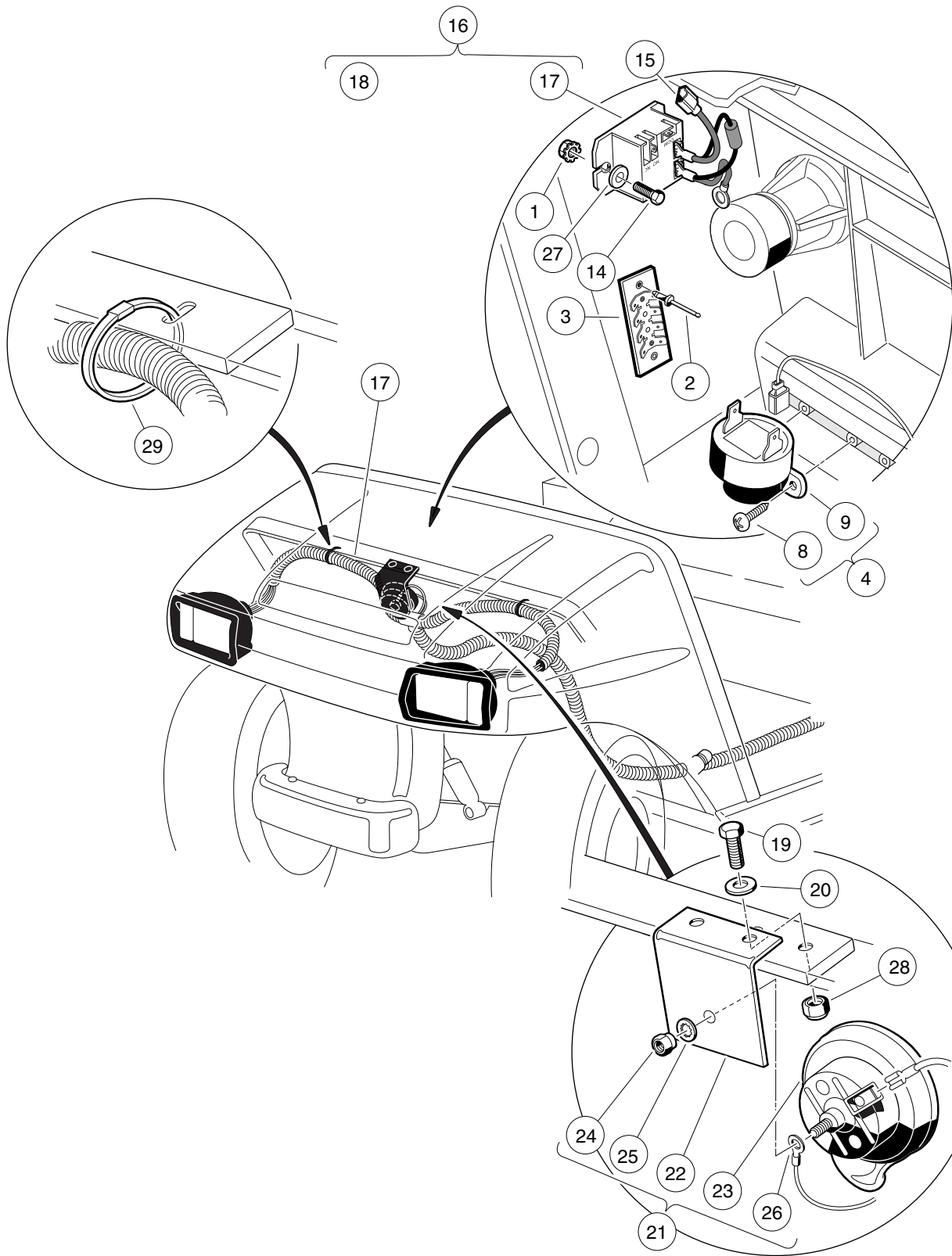
13

E

ITEM	PART NO.	DESCRIPTION	QTY
		1 2 3 4	
1	<u>1011229</u>	Locknut, #6-32 Whiz .....	2
2	<u>1013357</u>	Rivet, 5/32 Aluminum Pop .....	2
3	<u>1016356</u>	Terminal Block with Insulator .....	1
4	<u>1016859</u>	Kit, Reverse Buzzer (includes items 5 through 13) .....	1
5	<u>1011229</u>	Locknut, #6-32 Whiz .....	1
6	<u>1012431</u>	Washer, #4 Flat .....	2
7	<u>1015720</u>	Screw, #6-32 X 1/2 Hex Washer-Head .....	1
8	<u>1016849</u>	Screw, #4-24 X 0.33 Pan-Head Machine .....	2
9	<u>1016851</u>	Buzzer, Reverse (9-48 VDC) .....	1
10	<u>1016857</u>	Wire Assembly Black #18 .....	1
11	<u>8056</u>	Screw, #4-40 X 0.75 Round-Head Machine .....	2
12	<u>8057</u>	Nut, #4-40 Hex Machine .....	2
13	<u>8058</u>	Lockwasher, #4 Split .....	2
14	<u>1017853</u>	Screw, #6-32 X 0.75 Hex-Head Machine .....	2
15	<u>101914401</u>	Assembly, Voltage Suppressor .....	1
16	<u>103414901</u>	Kit, Relay, 48v 30a W/instr (includes items 17 and 18) .....	1
17	<u>103397901</u>	Relay, Spst No, 48v 30a, Pmt .....	1
18	N/A	Kit, Relay, 48v 30a Instrns .....	1
19	<u>304</u>	Screw, 1/4-20 X 1.0 Hex-Head Cap .....	2
20	<u>332</u>	Washer, 1/4 Type A Narrow Flat .....	2
21	<u>4029</u>	Horn (includes items 22 through 26) .....	1
22	<u>1011825</u>	Horn Bracket .....	1
23	<u>1014530</u>	Horn, 12-VDC .....	1
24	<u>101955101</u>	Nut, M6 Hex .....	1
25	<u>7820</u>	Washer, 5/16 Internal-Tooth .....	1
26	N/A	5/16 Ring Term. ....	1
27	<u>7591</u>	Washer, #6 Flat .....	2
28	<u>8233</u>	Locknut, 1/4-20 Nylon Insert .....	2
29	<u>8639</u>	Tie Wrap, 11" Nylon .....	4
Note: Items 5 through 7, and 10 through 13 are included in the reverse buzzer kit, but are not used in this application.			

13

E



000335-002

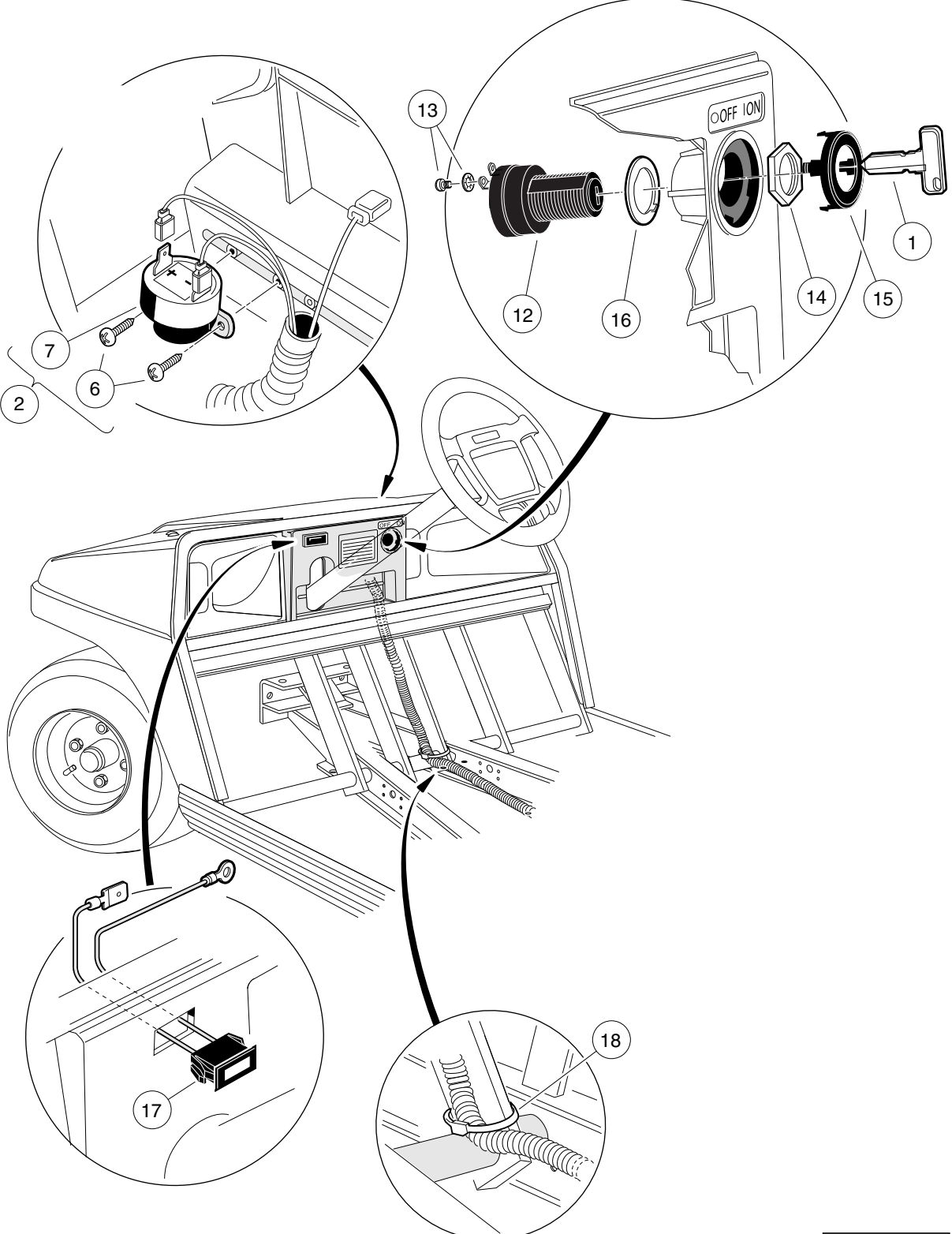


# FRONT BODY ELECTRICAL COMPONENTS – VILLAGER 8

ITEM	PART NO.	DESCRIPTION	QTY
		1 2 3 4	
1	<u>1011229</u>	Locknut, #6-32 Whiz .....	2
2	<u>1013357</u>	Rivet, 5/32 Aluminum Pop .....	2
3	<u>1016356</u>	Terminal Block with Insulator .....	1
4	<u>1016859</u>	Kit, Reverse Buzzer (includes items 5 through 13) .....	1
5	<u>1011229</u>	Locknut, #6-32 Whiz .....	1
6	<u>1012431</u>	Washer, #4 Flat .....	2
7	<u>1015720</u>	Screw, #6-32 X 1/2 Hex Washer-Head .....	1
8	<u>1016849</u>	Screw, #4-24 X 0.33 Pan-Head Machine .....	2
9	<u>1016851</u>	Buzzer, Reverse (9-48 VDC) .....	1
10	<u>1016857</u>	Wire Assembly Black #18 .....	1
11	<u>8056</u>	Screw, #4-40 X 0.75 Round-Head Machine .....	2
12	<u>8057</u>	Nut, #4-40 Hex Machine .....	2
13	<u>8058</u>	Lockwasher, #4 Split .....	2
14	<u>1017853</u>	Screw, #6-32 X 0.75 Hex-Head Machine .....	2
15	<u>101914401</u>	Assembly, Voltage Suppressor .....	1
16	<u>103414901</u>	Kit, Relay, 48v 30a W/instr (includes items 17 and 18) .....	1
17	<u>103397901</u>	Relay, Spst No, 48v 30a, Pmt .....	1
18	N/A	Kit, Relay, 48v 30a Instrns .....	1
19	<u>304</u>	Screw, 1/4-20 X 1.0 Hex-Head Cap .....	2
20	<u>332</u>	Washer, 1/4 Type A Narrow Flat .....	2
21	<u>4029</u>	Horn (includes items 22 through 26) .....	1
22	<u>1011825</u>	Horn Bracket .....	1
23	<u>1014530</u>	Horn, 12-VDC .....	1
24	<u>101955101</u>	Nut, M6 Hex .....	1
25	<u>7820</u>	Washer, 5/16 Internal-Tooth .....	1
26	N/A	5/16 Ring Term. ....	1
27	<u>7591</u>	Washer, #6 Flat .....	2
28	<u>8233</u>	Locknut, 1/4-20 Nylon Insert .....	2
29	<u>8639</u>	Tie Wrap, 11" Nylon .....	4
Note: Items 5 through 7, and 10 through 13 are included in the reverse buzzer kit, but are not used in this application.			

13

E



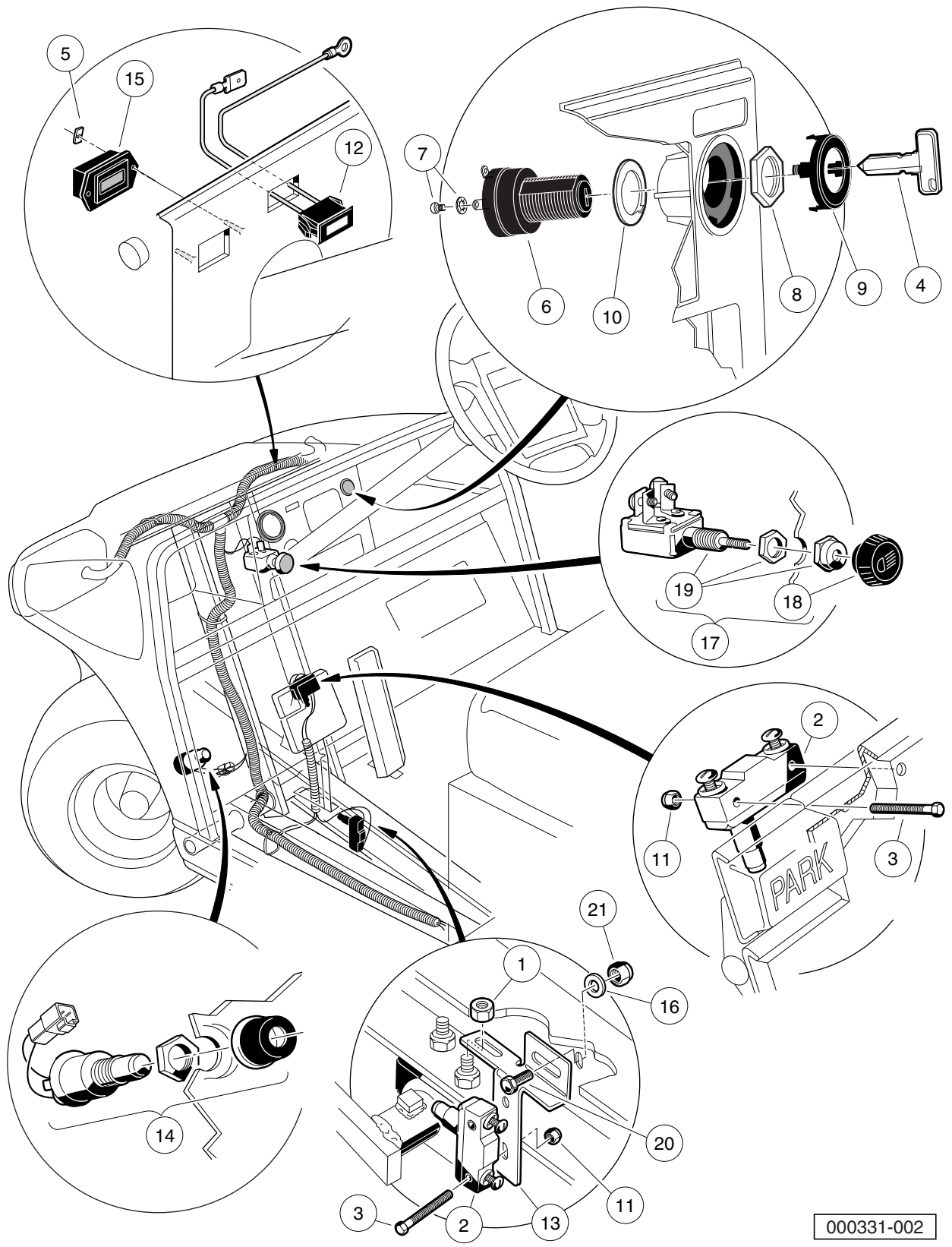
000340-001

# INSTRUMENT PANEL COMPONENTS – DS VILLAGER 4 VEHICLE

ITEM	PART NO.	DESCRIPTION	QTY
		1 2 3 4	
1	<u>1012505</u>	Keys (set of 2) .....	1
2	<u>1016859</u>	Kit, Reverse Buzzer (includes items 3 through 11) .....	1
3	<u>1011229</u>	Locknut, #6-32 Whiz .....	1
4	<u>1012431</u>	Washer, #4 Flat .....	2
5	<u>1015720</u>	Screw, #6-32 X 1/2 Hex Washer-Head .....	1
6	<u>1016849</u>	Screw, #4-24 X 0.33 Pan-Head Machine .....	2
7	<u>1016851</u>	Buzzer, Reverse (9-48 VDC) .....	1
8	<u>1016857</u>	Wire Assembly Black #18 .....	1
9	<u>8056</u>	Screw, #4-40 X 0.75 Round-Head Machine .....	2
10	<u>8057</u>	Nut, #4-40 Hex Machine .....	2
11	<u>8058</u>	Lockwasher, #4 Split .....	2
12	<u>101826201</u>	Key Switch, On/Off .....	1
13	<u>101830601</u>	Screw and Washer Assembly .....	2
14	<u>101830701</u>	Nut, Key Switch .....	1
15	<u>101834502</u>	Cap, Black Key Switch .....	1
16	<u>101851101</u>	Washer, Key Switch .....	1
17	<u>101935501</u>	Light, Battery (Amber) .....	1
18	<u>8990</u>	Tie Wrap, 8" Nylon .....	2
Note: Item 2, Reverse Buzzer Kit, contains parts not used in this application.			

13

E



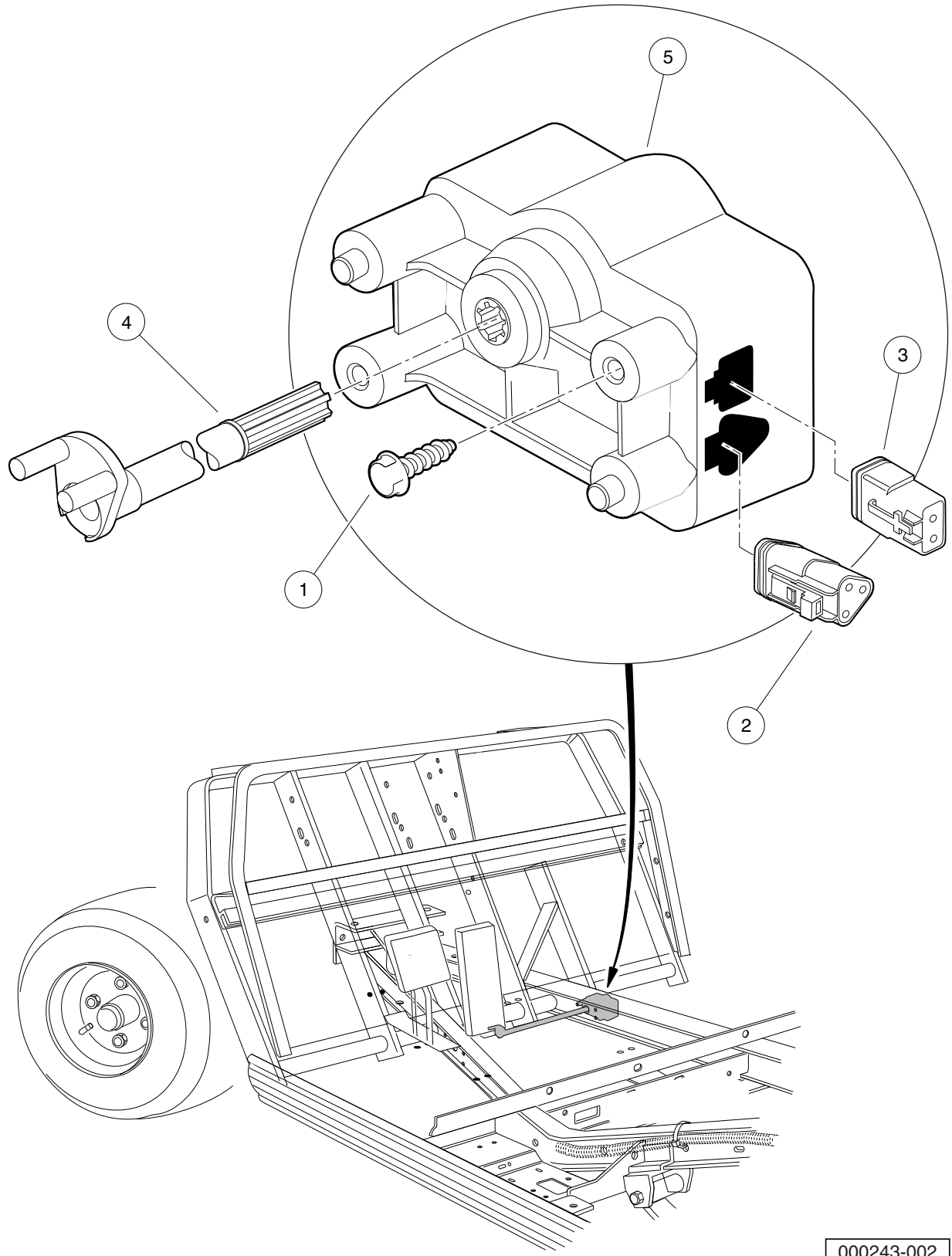
000331-002

# INSTRUMENT PANEL COMPONENTS – VILLAGER 6 AND 8, AND TRANSPORTER 4 AND 6

ITEM	PART NO.	DESCRIPTION	QTY
		1 2 3 4	
1	<u>1011280</u>	Locknut, 5/16-18 .....	1
2	<u>1011439</u>	Switch, Limit .....	2
3	<u>1011557</u>	Screw, #6-32 X 1.00 Hex-Head Machine .....	4
4	<u>1012505</u>	Keys (set of 2) .....	1
5	<u>101814701</u>	Retainer, Push-On .....	2
6	<u>101826201</u>	Key Switch, On/Off .....	1
7	101830601	Screw and Washer Assembly .....	2
8	<u>101830701</u>	Nut, Key Switch .....	1
9	<u>101834502</u>	Cap, Black Key Switch .....	1
10	<u>101851101</u>	Washer, Key Switch .....	1
11	<u>101932201</u>	Locknut, #6-32 Nylon .....	4
12	<u>101935501</u>	Light, Battery (Amber) .....	1
13	<u>101957101</u>	Bracket, Brake Light Switch .....	1
14	<u>101969701</u>	Horn Button and Wire Assembly .....	1
15	<u>103200701</u>	Battery Condition Indicator - 48V .....	1
16	<u>1241</u>	Washer, 5/16 Type A Flat .....	1
17	4034	Light Switch (includes items 18 and 19) .....	1
18	<u>1013857</u>	Knob, Light Switch .....	1
19	<u>1013858</u>	Switch, Light Without Knob .....	1
20	<u>7173</u>	Screw, 5/16-18 X 0.75 Hex-Head Cap .....	1
21	<u>7473</u>	Locknut, 5/16-18 Nylon Insert .....	1

13

E



000243-002

# MOTOR CONTROLLER OUTPUT REGULATOR (MCOR)

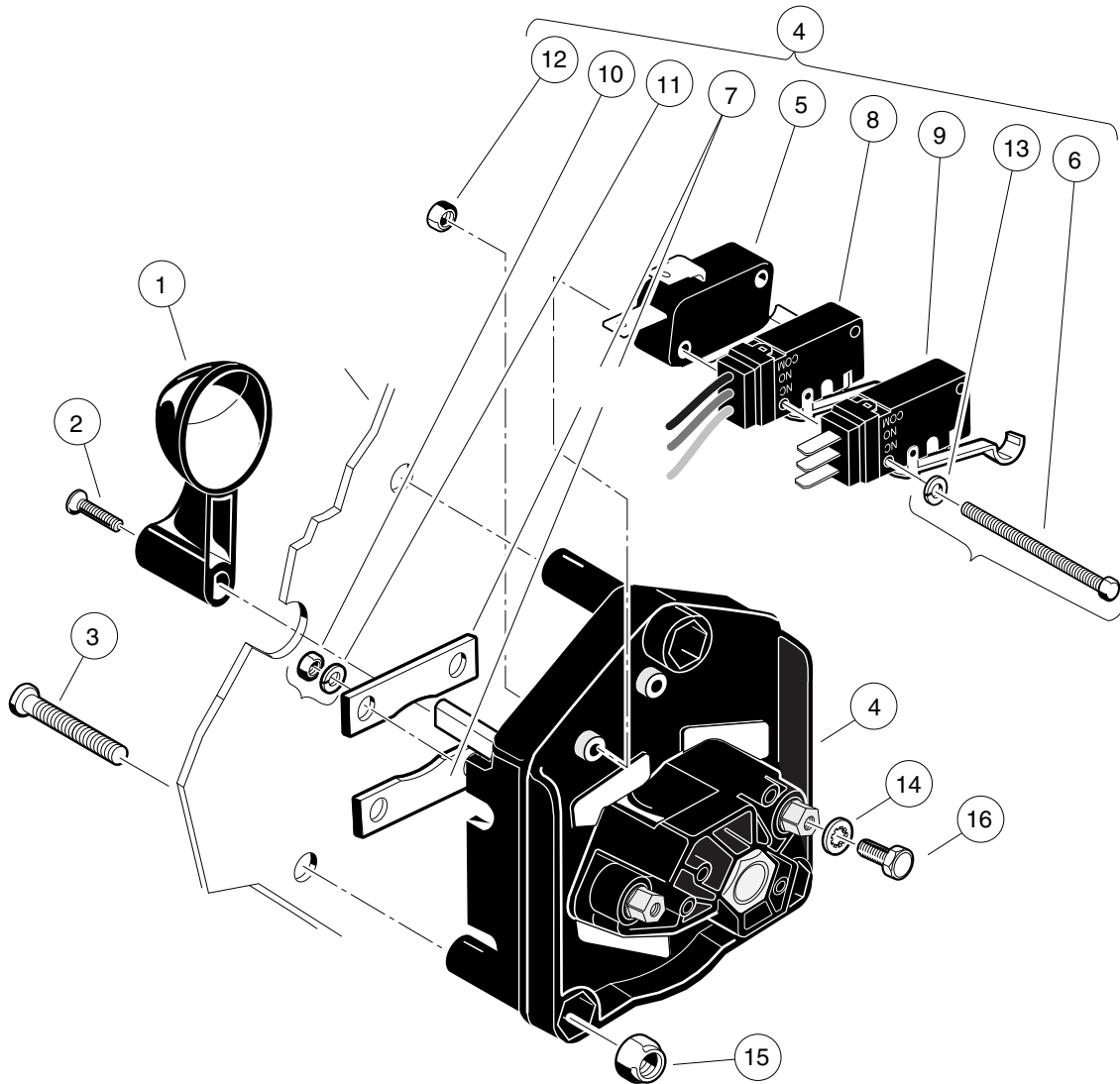
ITEM	PART NO.	DESCRIPTION	QTY
		1 2 3 4	
1	<u>1015752</u>	Screw, #12-16 X 0.625 Hi-Lo .....	2
2	<u>101920101</u>	Kit, 3-Pin Wedge Lock .....	1
3	<u>101936801</u>	Kit, 2-Pin Wedge Lock .....	1
4	102101001	Bar, Drive, Cast .....	1
5	<u>102101101</u>	MCOR .....	1

13

E

13

E



000339-001

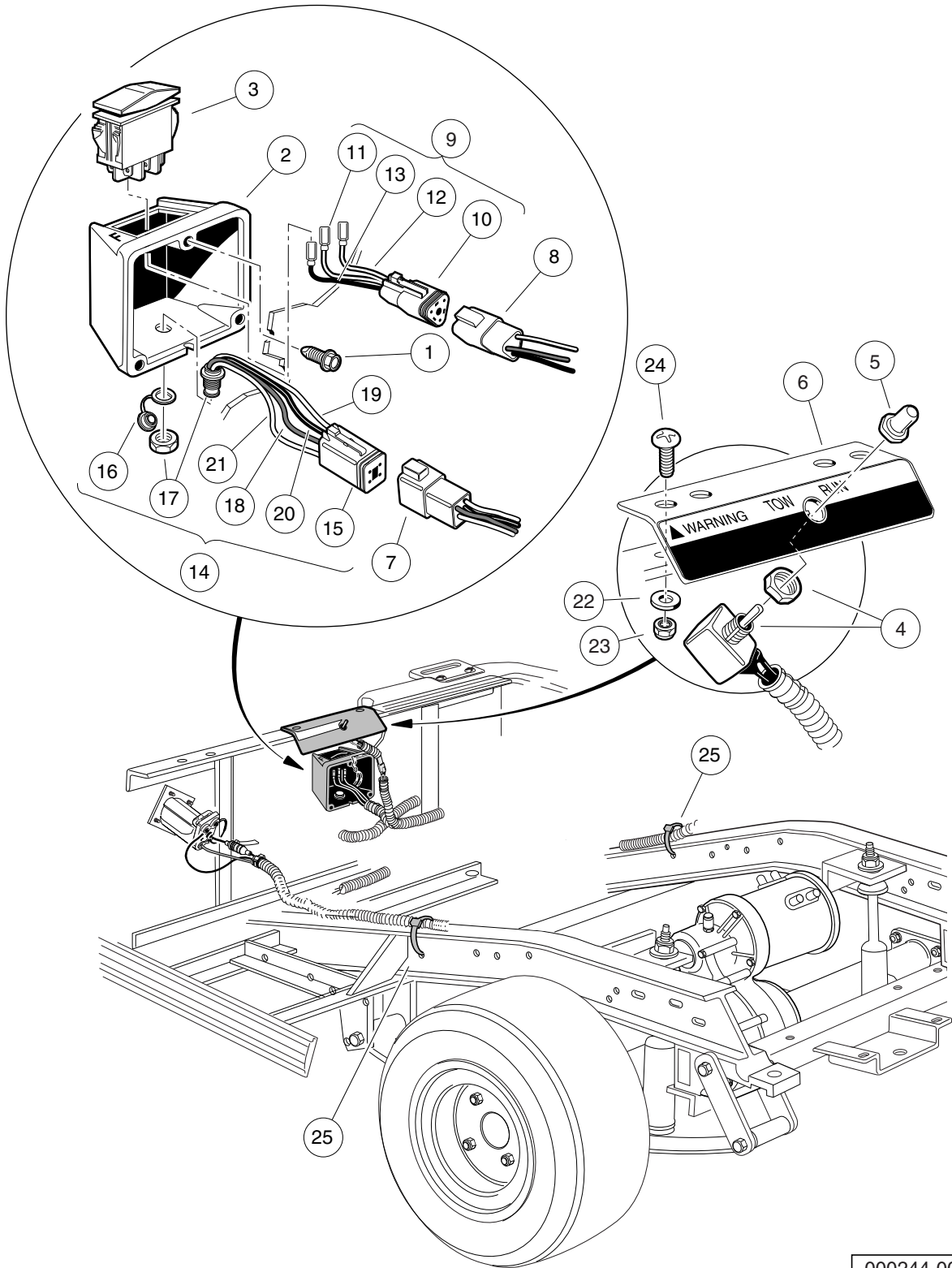


## FORWARD/REVERSE SWITCH – POWERDRIVE

ITEM	PART NO.	DESCRIPTION	QTY
		1 2 3 4	
1	<u>1012987</u>	Handle, FNR .....	1
2	<u>1015064</u>	Screw, #8-32 X 0.63 Machine .....	1
3	<u>1016845</u>	Screw, 1/4-20 X 2.125 Truss-Head .....	3
4	<u>101753005</u>	FNR Switch Assembly (includes items 5 through 13) .....	1
5	<u>1014808</u>	Switch, Limit .....	1
6	<u>1014871</u>	Screw, #4-40 X 2.0 Hx Wshr Hd .....	2
7	<u>1017799</u>	Buss Bar .....	2
8	<u>101979101</u>	Assembly, Switch, Limit .....	1
9	<u>102250201</u>	Limit Switch, Sealed Assembly .....	1
10	<u>1028</u>	Nut, 1/4-20 Hex .....	4
11	<u>451</u>	Lockwasher, 1/4 Split .....	4
12	<u>8057</u>	Nut, #4-40 Hex Machine .....	2
13	<u>8058</u>	Lockwasher, #4 Split .....	2
14	<u>8049</u>	Lockwasher, #10 Internal-Tooth .....	2
15	<u>8233</u>	Locknut, 1/4-20 Nylon Insert .....	3
16	<u>8450</u>	Screw, #10-24 X 0.50 Hex-Head .....	2

13

E



000244-001

# FORWARD/REVERSE SWITCH AND TOW/RUN SWITCH – IQ SYSTEM TURF/CARRYALL 1

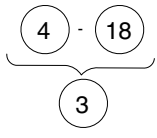
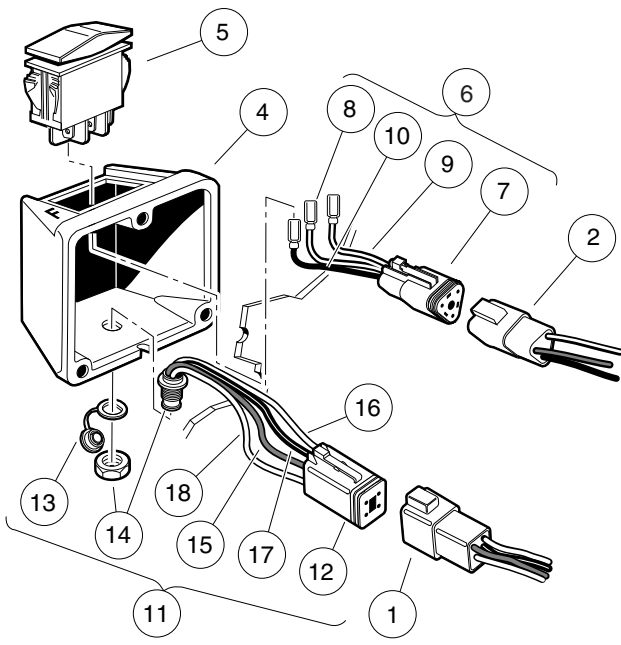
ITEM	PART NO.	DESCRIPTION	QTY
		<b>1 2 3 4</b>	
1	<u>1012285</u>	Screw, 1/4 X 0.625 Hex-Head .....	3
2	101855002	Case, FNR Switch .....	1
3	<u>101856002</u>	Switch, Rocker, Single-Pole .....	1
4	<u>101908101</u>	Switch Assembly, Tow/Run .....	1
5	<u>101908401</u>	Boot, Switch .....	1
6	<u>101922501</u>	Bracket, Tow/Run Switch Mounting .....	1
7	<u>101932401</u>	Kit, 4-Pin Receptacle and Wedge Lock .....	1
8	<u>101942301</u>	Kit, 3-Pin Wedge Lock .....	1
9	<u>102266601</u>	Wire Assembly, FNR Switch (includes items 10 through 13) .....	1
10	<u>101920101</u>	Kit, 3-Pin Wedge Lock .....	1
11	N/A	Wire Assembly, #18 Blue .....	1
12	N/A	Wire Assembly, #18 Orange .....	1
13	N/A	Wire Assembly, #18 Brown .....	1
14	102266701	Wire Assembly, IQDM Port (includes items 15 through 21) .....	1
15	<u>101932501</u>	Kit, 4-Pin Wedge Lock .....	1
16	<u>102196901</u>	Dust Cap .....	1
17	N/A	Connector Mount, Four-Pin .....	1
18	N/A	Wire Assembly, #18 Red/Yellow .....	1
19	N/A	Wire Assembly, #18 Black/Yellow .....	1
20	N/A	Wire Assembly, #18 Blue/Yellow .....	1
21	N/A	Wire Assembly, #18 Green/Yellow .....	1
22	<u>332</u>	Washer, 1/4 Type A Narrow Flat .....	2
23	<u>8233</u>	Locknut, 1/4-20 Nylon Insert .....	2
24	<u>8248</u>	Screw, 1/4-20 X 0.75 Truss-Head Machine .....	2
25	<u>8990</u>	Tie Wrap, 8" Nylon .....	1

**13**

**E**

13

E



000427-001

## FORWARD/REVERSE SWITCH – IQ PLUS VEHICLES

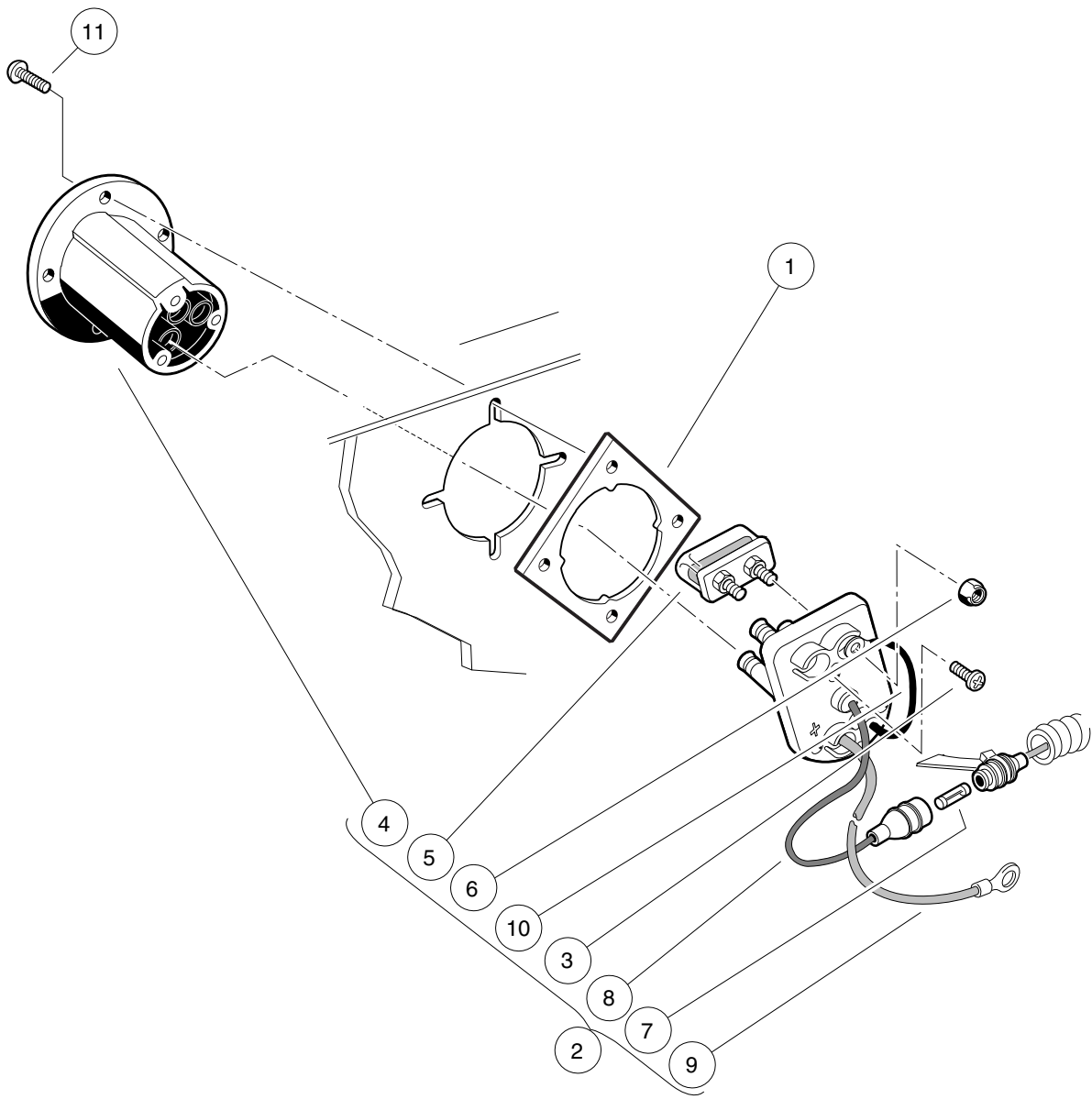
ITEM	PART NO.	DESCRIPTION	QTY
		<b>1 2 3 4</b>	
1	<u>101932401</u>	Kit, 4-Pin Receptacle and Wedge Lock .....	1
2	<u>101942301</u>	Kit, 3-Pin Wedge Lock .....	1
3	N/A	Asm, FNR, Switch Case, IQ (includes items 4 through 11) .....	1
4	101855002	Case, FNR Switch .....	1
5	<u>101856002</u>	Switch, Rocker, Single-Pole .....	1
6	<u>102266601</u>	Wire Assembly, FNR Switch (includes items 7 through 10) .....	1
7	<u>101920101</u>	Kit, 3-Pin Wedge Lock .....	1
8	N/A	Wire Assembly, #18 Blue .....	1
9	N/A	Wire Assembly, #18 Orange .....	1
10	N/A	Wire Assembly, #18 Brown .....	1
11	102266701	Wire Assembly, IQDM Port (includes items 12 through 18) .....	1
12	<u>101932501</u>	Kit, 4-Pin Wedge Lock .....	1
13	<u>102196901</u>	Dust Cap .....	1
14	N/A	Connector Mount, Four-Pin .....	1
15	N/A	Wire Assembly, #18 Red/Yellow .....	1
16	N/A	Wire Assembly, #18 Black/Yellow .....	1
17	N/A	Wire Assembly, #18 Blue/Yellow .....	1
18	N/A	Wire Assembly, #18 Green/Yellow .....	1

13

E

13

E



000369-001

# BATTERY CHARGER RECEPTACLE – ALL VILLAGER 4 VEHICLES AND VILLAGER 6 AND 8 POWERDRIVE

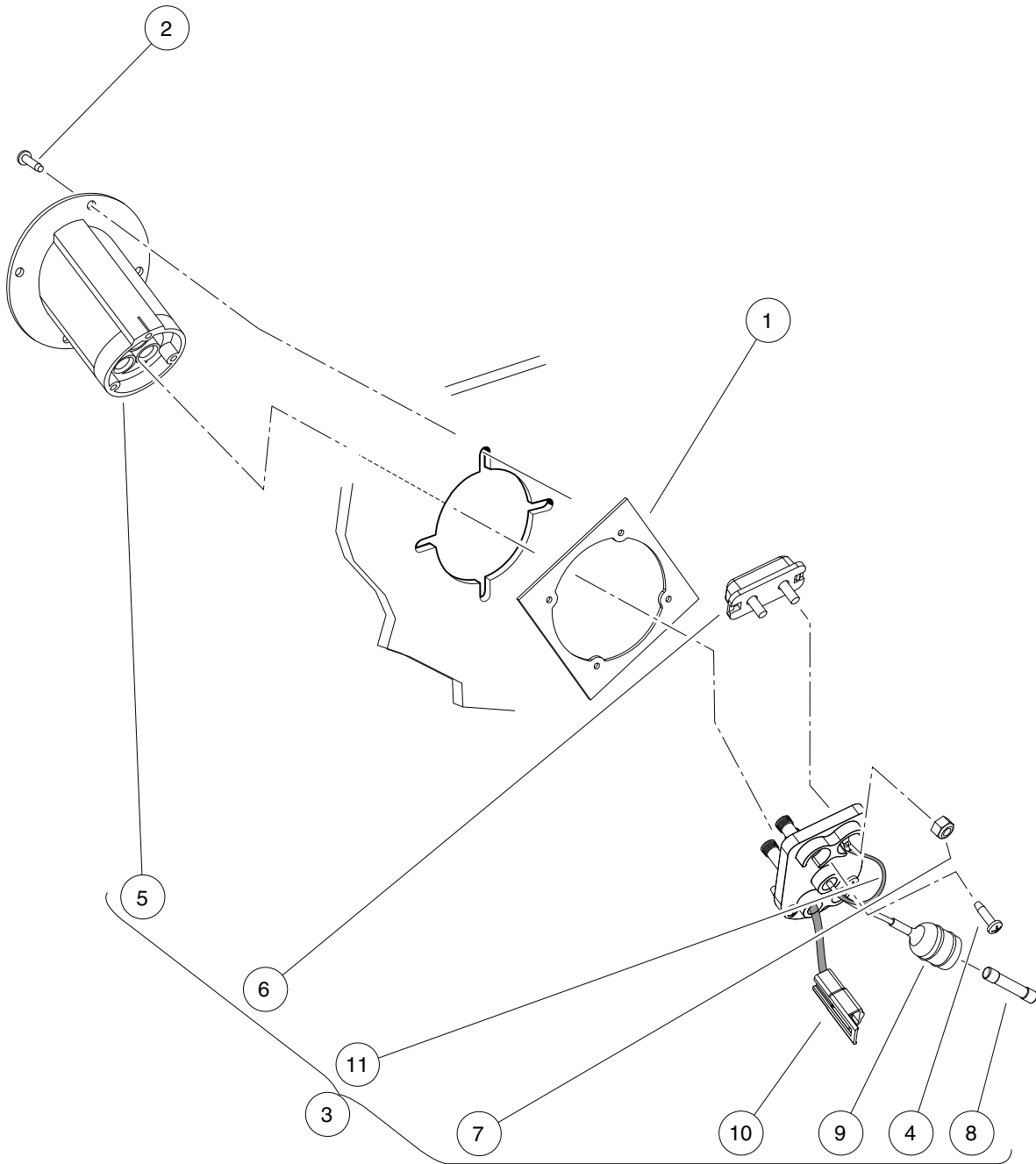
ITEM	PART NO.	DESCRIPTION	QTY
		1 2 3 4	
1	<u>101801001</u>	Plate, Receptacle Backing .....	1
2	<u>101802101</u>	Fuse and Receptacle Assembly (includes items 3 through 10) .....	1
3	<u>1017705</u>	Screw, #8 X 5/8 Phillips Pan-Head Type AB .....	3
4	<u>101796501</u>	Receptacle .....	1
5	<u>101796801</u>	Fuse Assembly (includes item 6) .....	1
6	<u>1013061</u>	Locknut, #10-32 Nylon Insert .....	2
7	N/A	Fuse, 3/8-Amp .....	1
8	N/A	Wire Assembly, Sense Lead, Gray .....	1
9	N/A	Wire Assembly, #10 Red .....	1
10	N/A	Wire Assembly, #10 Black .....	1
11	<u>101832001</u>	Screw, #7-19 X 0.625 Phillips Pan-Head Tap .....	4

13

E

**13**

**E**



000369-002

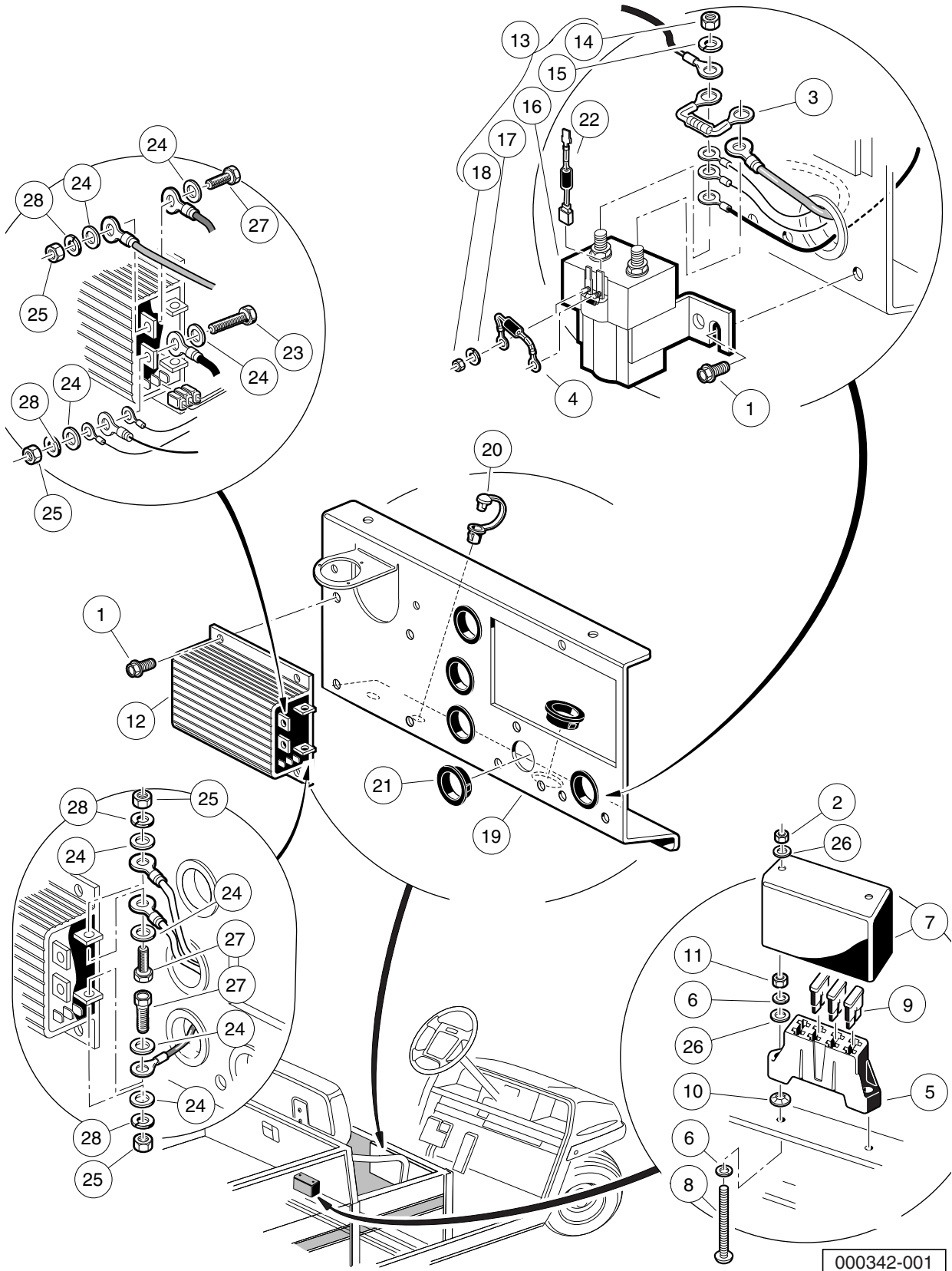


# BATTERY CHARGER RECEPTACLE – VILLAGER 6 AND 8 IQ PLUS VEHICLES

ITEM	PART NO.	DESCRIPTION	QTY
		1 2 3 4	
1	<u>101801001</u>	Plate, Receptacle Backing .....	1
2	<u>101832001</u>	Screw, #7-19 X 0.625 Phillips Pan-Head Tap .....	4
3	<u>102848701</u>	Fuse and Receptacle Assembly (includes items 4 through 11) .....	1
4	<u>1017705</u>	Screw, #8 X 5/8 Phillips Pan-Head Type AB .....	3
5	<u>101796501</u>	Receptacle .....	1
6	<u>101796801</u>	Fuse Assembly (includes item 7) .....	1
7	<u>1013061</u>	Locknut, #10-32 Nylon Insert .....	2
8	N/A	Fuse, 3/8-Amp .....	1
9	N/A	Wire Assembly, Sense Lead, Gray .....	1
10	N/A	Wire Assembly, #10 Red .....	1
11	N/A	Wire Assembly, #10 Black .....	1

13

E

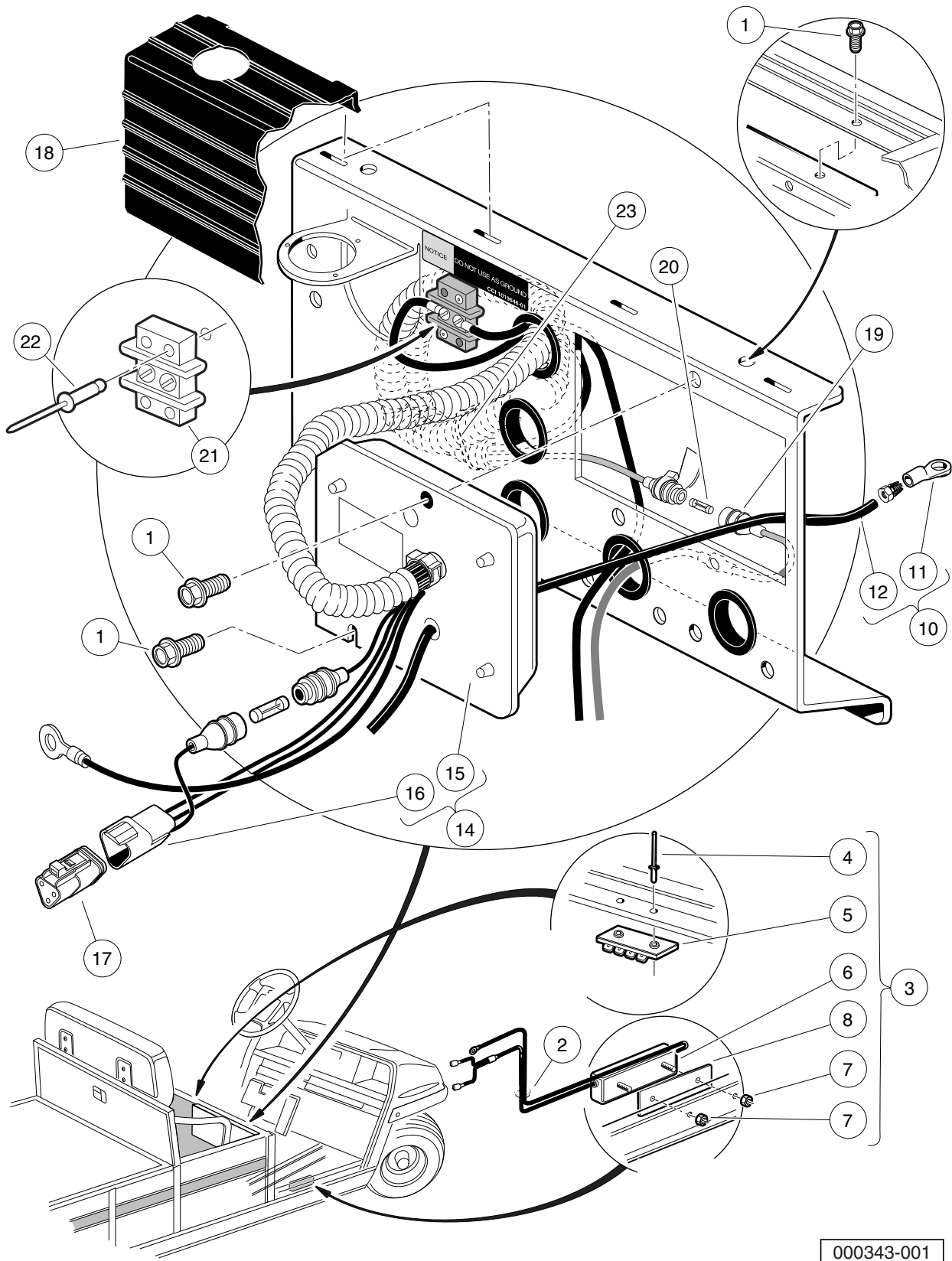


## ELECTRICAL COMPONENTS – POWERDRIVE VILLAGER 6 AND 8, AND TRANSPORTER 4 AND 6

ITEM	PART NO.	DESCRIPTION	QTY
		<b>1 2 3 4</b>	
1	<u>1012285</u>	Screw, 1/4 X 0.625 Hex-Head .....	6
2	<u>1012438</u>	Locknut, #10-24 Nylon Insert .....	2
3	<u>1014947</u>	Resistor Assembly .....	1
4	1014948	Diode .....	1
5	<u>1015741</u>	Fuse Block .....	1
6	<u>1016</u>	Lockwasher, #10 Split .....	4
7	<u>1016363</u>	Fuse Block Cover .....	1
8	<u>1016366</u>	Screw, #10-24 X 3.0 Pan-Head Machine .....	2
9	<u>1016423</u>	Fuse, 20-Amp .....	3
10	<u>1016631</u>	Push Nut .....	2
11	<u>1017</u>	Nut, #10-24 Stainless-Steel Hex Machine .....	2
12	<u>101840203</u>	Controller, 48-Volt, 300-Amp Series .....	1
13	<u>101908701</u>	Solenoid, 48-Volt (includes items 14 through 18) .....	1
14	<u>1012528</u>	Nut, M8-1.25 Hex .....	2
15	<u>1013734</u>	Lockwasher, 8mm Split .....	2
16	N/A	Solenoid, 48-Volt .....	1
17	N/A	Washer, Lock .....	2
18	N/A	Nut .....	2
19	<u>101911701</u>	Plate, Electrical Component Mounting .....	1
20	<u>101918301</u>	Clamp, Plastic Wire .....	2
21	<u>101924301</u>	Bushing, Snap .....	6
22	<u>102273101</u>	Diode Assembly .....	1
23	<u>1218</u>	Screw, 5/16-18 X 1.25 Hex-Head Cap .....	1
24	<u>1241</u>	Washer, 5/16 Type A Flat .....	8
25	<u>1242</u>	Nut, 5/16-18 Hex .....	4
26	<u>183</u>	Washer, #10 Type A Flat .....	4
27	<u>7173</u>	Screw, 5/16-18 X 0.75 Hex-Head Cap .....	3
28	<u>7174</u>	Lockwasher, 5/16 Split .....	4

**13**

**E**



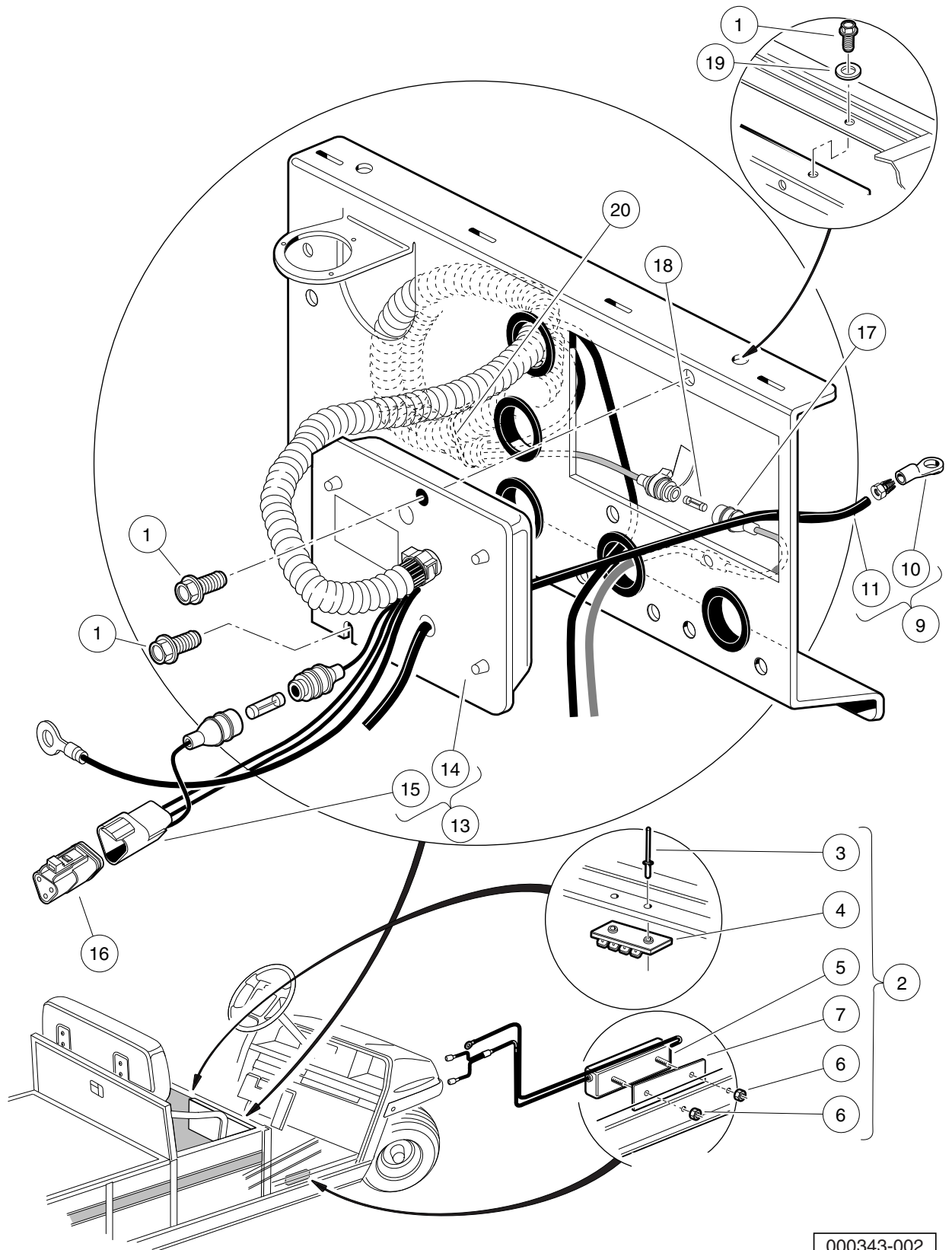
000343-001

# ELECTRICAL COMPONENTS, CONTINUED – POWERDRIVE TRANSPORTER 4 AND 6

ITEM	PART NO.	DESCRIPTION	QTY
		1 2 3 4	
1	<u>1012285</u>	Screw, 1/4 X 0.625 Hex-Head .....	4
2	<u>101802401</u>	Grommet .....	1
3	N/A	Kit, 12-Volt Regulator (includes items 4 through 8) .....	1
4	<u>1013357</u>	Rivet, 5/32 Aluminum Pop .....	2
5	<u>1016356</u>	Terminal Block with Insulator .....	1
6	101810501	Limiter, Voltage .....	1
7	<u>101835601</u>	Locknut, 1/4-20 Hex Whiz .....	2
8	<u>101962601</u>	Gasket, Voltage Limiter .....	1
9	<u>101827802</u>	Ground Wire Kit, 48-Volt (includes items 10 through 12) .....	1
10	101826801	Compression Lug .....	1
11	N/A	Wire Assembly, Black .....	1
12	<u>8990</u>	Tie Wrap, 8" Nylon .....	3
13	<u>101909903</u>	Onboard Computer (includes items 14 and 15) .....	1
14	N/A	Onboard Computer .....	1
15	<u>101942301</u>	Kit, 3-Pin Wedge Lock .....	1
16	<u>101920101</u>	Kit, 3-Pin Wedge Lock .....	1
17	<u>101931601</u>	Cover, Component .....	1
18	<u>101957501</u>	Plug, 2-Way (includes item 19) .....	1
19	N/A	Fuse, 3/8-Amp .....	1
20	<u>101966801</u>	Block, Terminal .....	1
21	<u>101968801</u>	Rivet, 3/16", Pop .....	2
22	<u>102900501</u>	Bearing .....	1
23	<u>8990</u>	Tie Wrap, 8" Nylon .....	1
Note: Item 9 is included in kit, but not used in this application. Item 13 is included in the kit, but is not used in this application.			

13

E



000343-002

## ELECTRICAL COMPONENTS, CONTINUED – POWERDRIVE VILLAGER 6

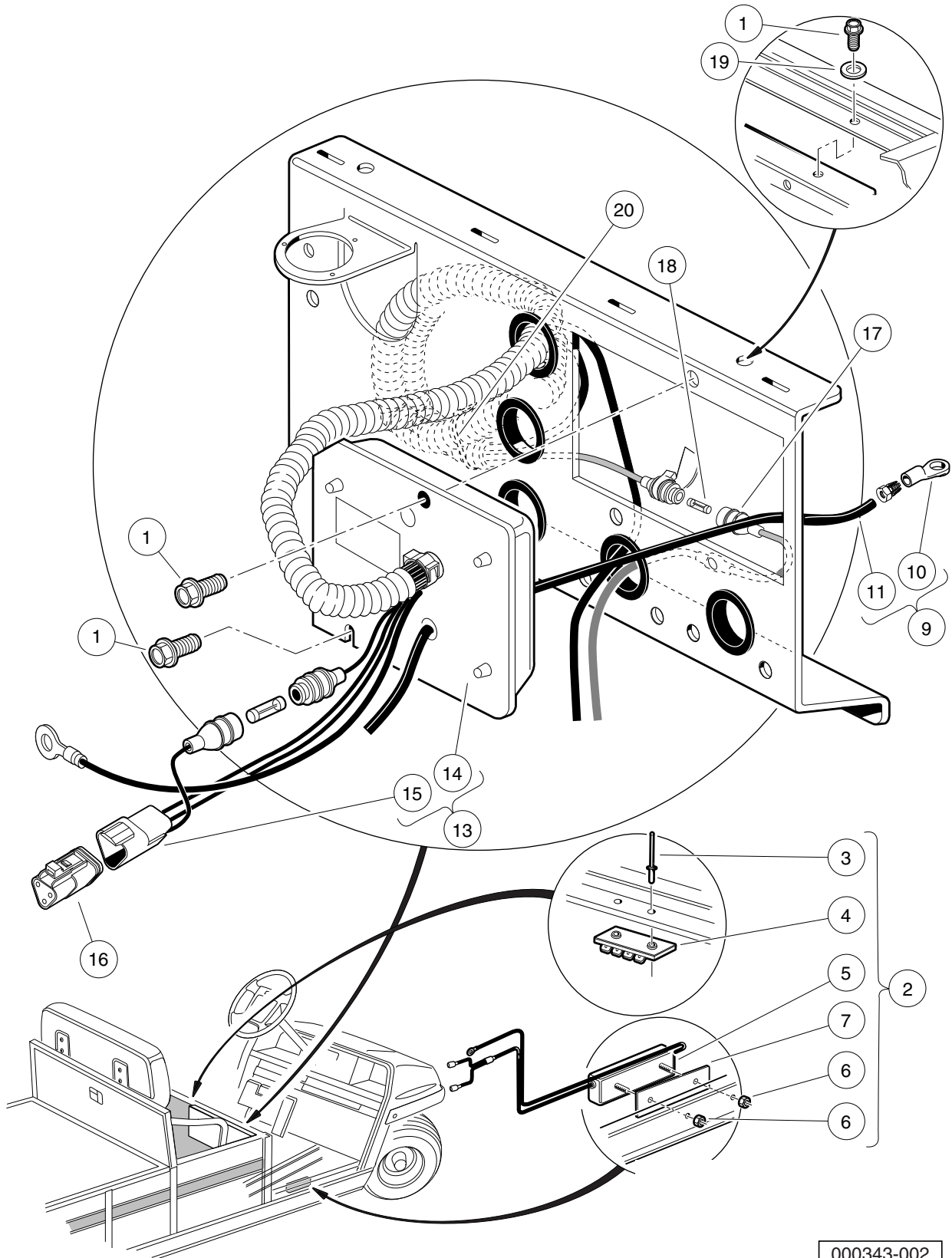
ITEM	PART NO.	DESCRIPTION	QTY
		1 2 3 4	
1	<u>1012285</u>	Screw, 1/4 X 0.625 Hex-Head .....	4
2	N/A	Kit, 12-Volt Regulator (includes items 3 through 7) .....	1
3	<u>1013357</u>	Rivet, 5/32 Aluminum Pop .....	2
4	<u>1016356</u>	Terminal Block with Insulator .....	1
5	101810501	Limitter, Voltage .....	1
6	<u>101835601</u>	Locknut, 1/4-20 Hex Whiz .....	2
7	<u>101962601</u>	Gasket, Voltage Limiter .....	1
8	<u>101827802</u>	Ground Wire Kit, 48-Volt (includes items 9 through 11) .....	1
9	101826801	Compression Lug .....	1
10	N/A	Wire Assembly, Black .....	1
11	<u>8990</u>	Tie Wrap, 8" Nylon .....	3
12	<u>101909903</u>	Onboard Computer (includes items 13 and 14) .....	1
13	N/A	Onboard Computer .....	1
14	<u>101942301</u>	Kit, 3-Pin Wedge Lock .....	1
15	<u>101920101</u>	Kit, 3-Pin Wedge Lock .....	1
16	<u>101957501</u>	Plug, 2-Way (includes item 17) .....	1
17	N/A	Fuse, 3/8-Amp .....	1
18	<u>332</u>	Washer, 1/4 Type A Narrow Flat .....	2
19	<u>8990</u>	Tie Wrap, 8" Nylon .....	1
<p>Note: Item 8 is included in kit, but not used in this application. Item 12 is included in the kit, but is not used in this application.</p>			

13

E

13

E



000343-002



## ELECTRICAL COMPONENTS, CONTINUED – POWERDRIVE VILLAGER 8

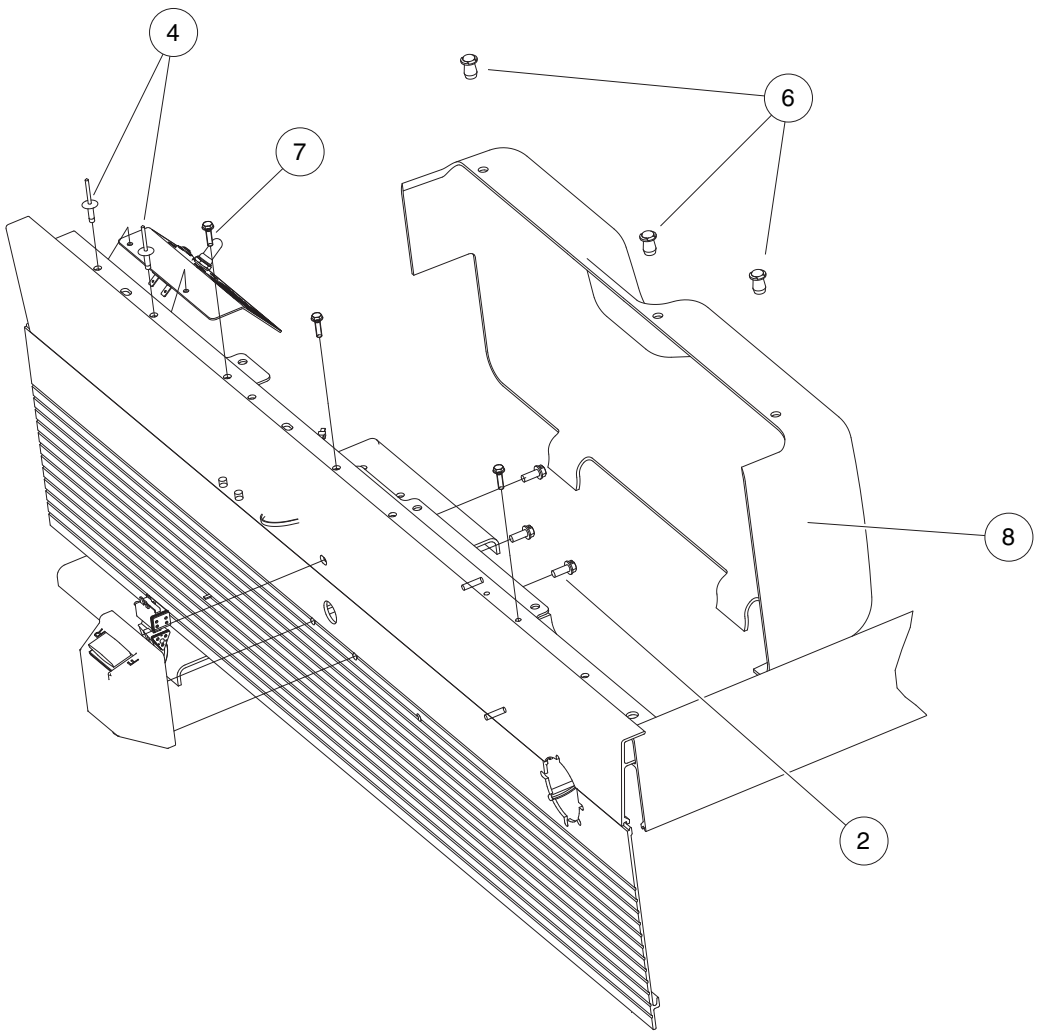
ITEM	PART NO.	DESCRIPTION	QTY
		1 2 3 4	
1	<u>1012285</u>	Screw, 1/4 X 0.625 Hex-Head .....	4
2	N/A	Kit, 12-Volt Regulator (includes items 3 through 7) .....	1
3	<u>1013357</u>	Rivet, 5/32 Aluminum Pop .....	2
4	<u>1016356</u>	Terminal Block with Insulator .....	1
5	101810501	Limiters, Voltage .....	1
6	<u>101835601</u>	Locknut, 1/4-20 Hex Whiz .....	2
7	<u>101962601</u>	Gasket, Voltage Limiter .....	1
8	N/A	Ground Wire Kit 48 Volt (includes items 9 through 11) .....	1
9	101826801	Compression Lug .....	1
10	N/A	Wire Assembly, Black .....	1
11	<u>8990</u>	Tie Wrap, 8" Nylon .....	3
12	<u>101909904</u>	Onboard Computer (includes items 13 and 14) .....	1
13	N/A	Onboard Computer .....	1
14	<u>101942301</u>	Kit, 3-Pin Wedge Lock .....	1
15	<u>101920101</u>	Kit, 3-Pin Wedge Lock .....	1
16	<u>101957501</u>	Plug, 2-Way (includes item 17) .....	1
17	N/A	Fuse, 3/8-Amp .....	1
18	<u>332</u>	Washer, 1/4 Type A Narrow Flat .....	2
19	<u>8990</u>	Tie Wrap, 8" Nylon .....	1
<p>Note: Item 8 is included in kit, but not used in this application. Item 12 is included in the kit, but is not used in this application.</p>			

13

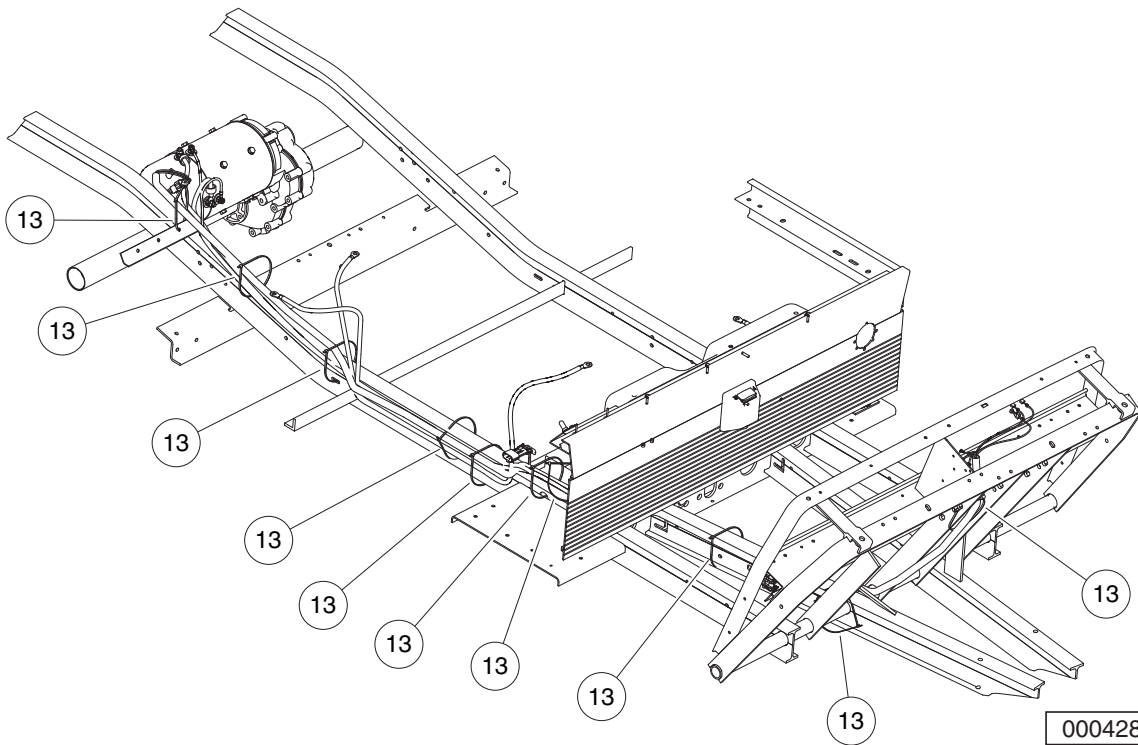
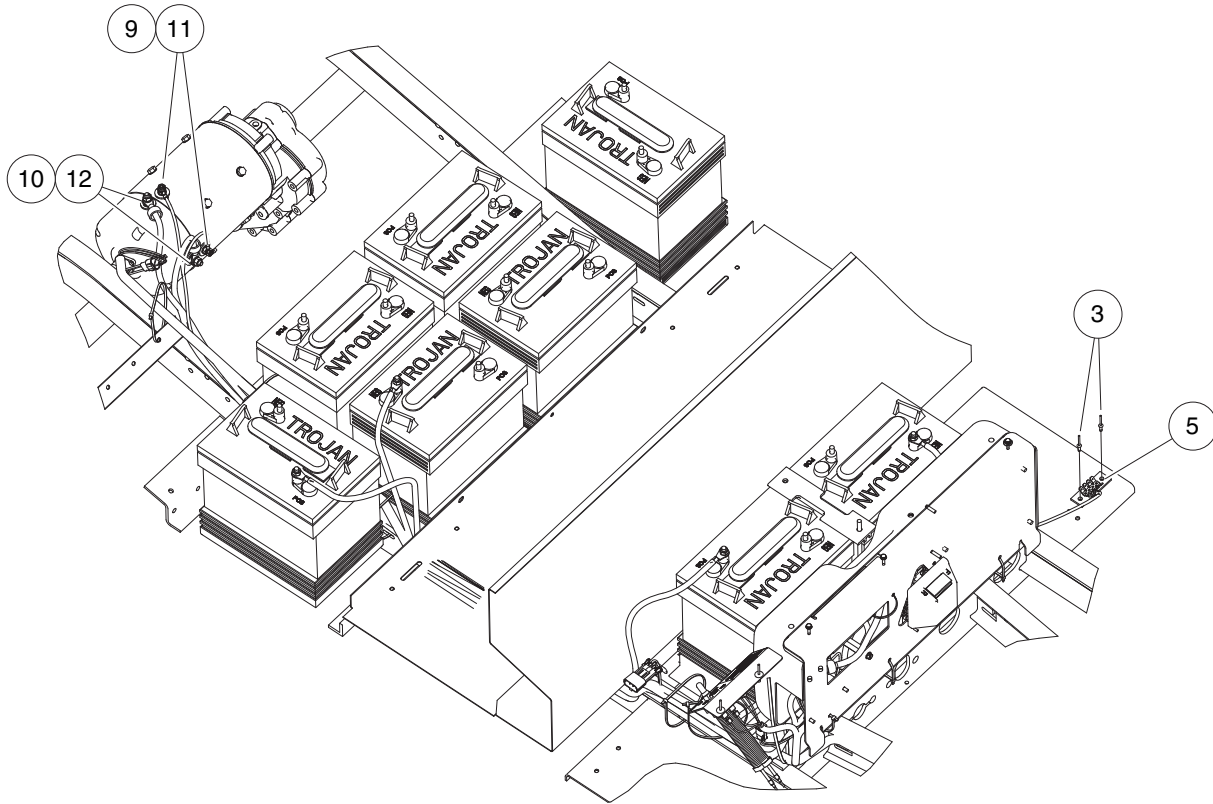
E

13

E



000428-001



000428-001

See previous two pages for illustration.

# ELECTRICAL INSTALLATION – CARRYALL 6 IQ PLUS VEHICLES

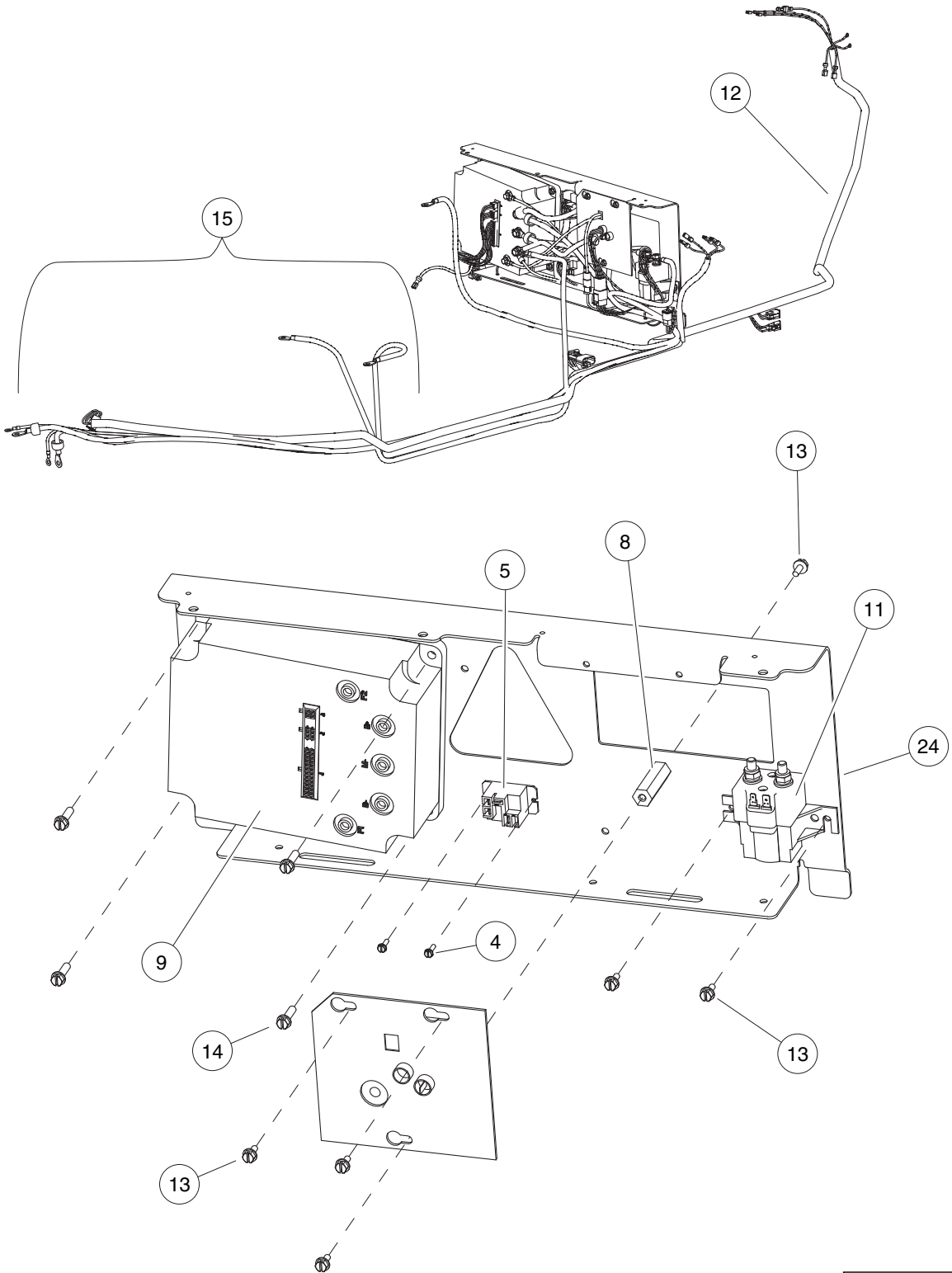
ITEM	PART NO.	DESCRIPTION	QTY
		1 2 3 4	
1	N/A	Electrical Installation - Stretch Chassis IQ Plus (includes items 2 through 13) .....	1
2	<u>1012285</u>	Screw, 1/4 X 0.625 Hex-Head .....	3
3	<u>1013357</u>	Rivet, 5/32 Aluminum Pop .....	2
4	<u>1015392</u>	Rivet, 3/16 Pop .....	2
5	<u>1016356</u>	Terminal Block with Insulator .....	1
6	<u>1016967</u>	Blind Rivet, Push Type .....	3
7	<u>102238001</u>	#10-24 Taptite Screw .....	3
8	<u>102772402</u>	Cover, Electrical Component, Carryall 6 .....	1
9	<u>1028</u>	Nut, 1/4-20 Hex .....	2
10	<u>1242</u>	Nut, 5/16-18 Hex .....	2
11	<u>451</u>	Lockwasher, 1/4 Split .....	2
12	<u>7174</u>	Lockwasher, 5/16 Split .....	2
13	<u>8990</u>	Tie Wrap, 8" Nylon .....	11

13

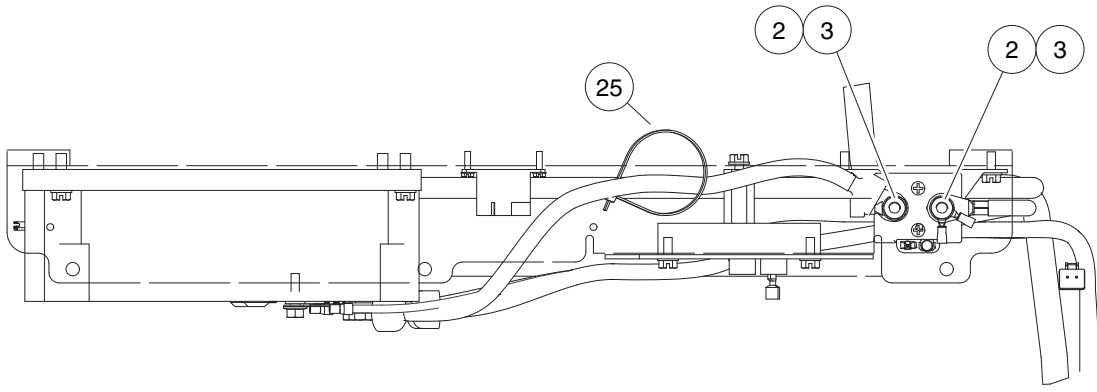
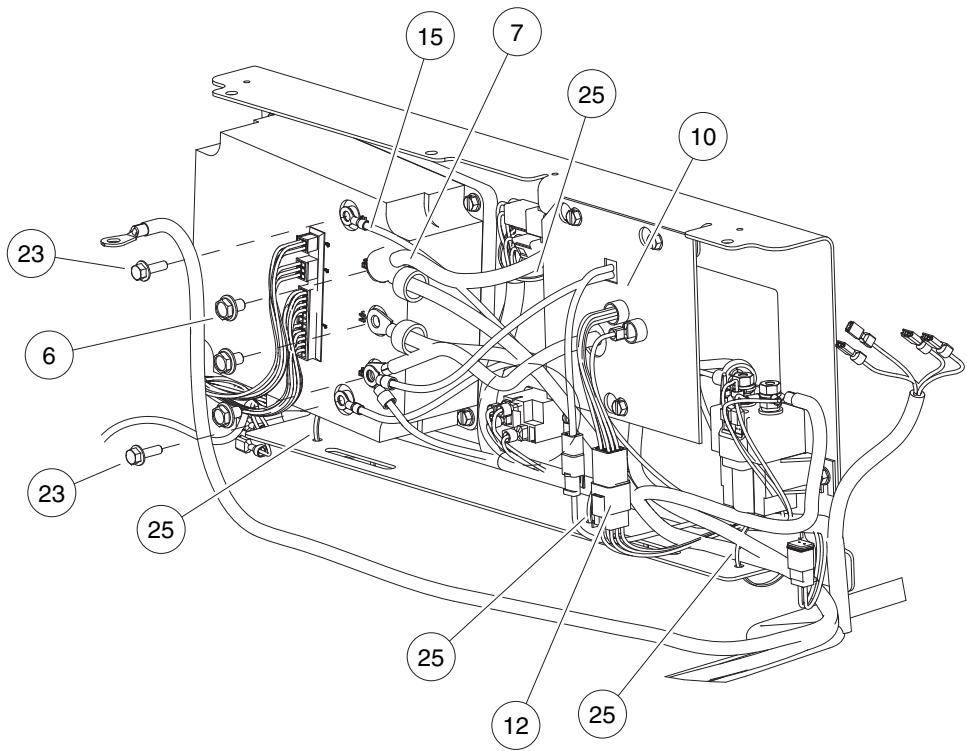
E

13

E



000424-001



000424-001

**13**

***E***

See previous two pages for illustration.



# ELECTRICAL COMPONENTS – IQ PLUS TRANSPORTER 4 AND 6, AND VILLAGER 6

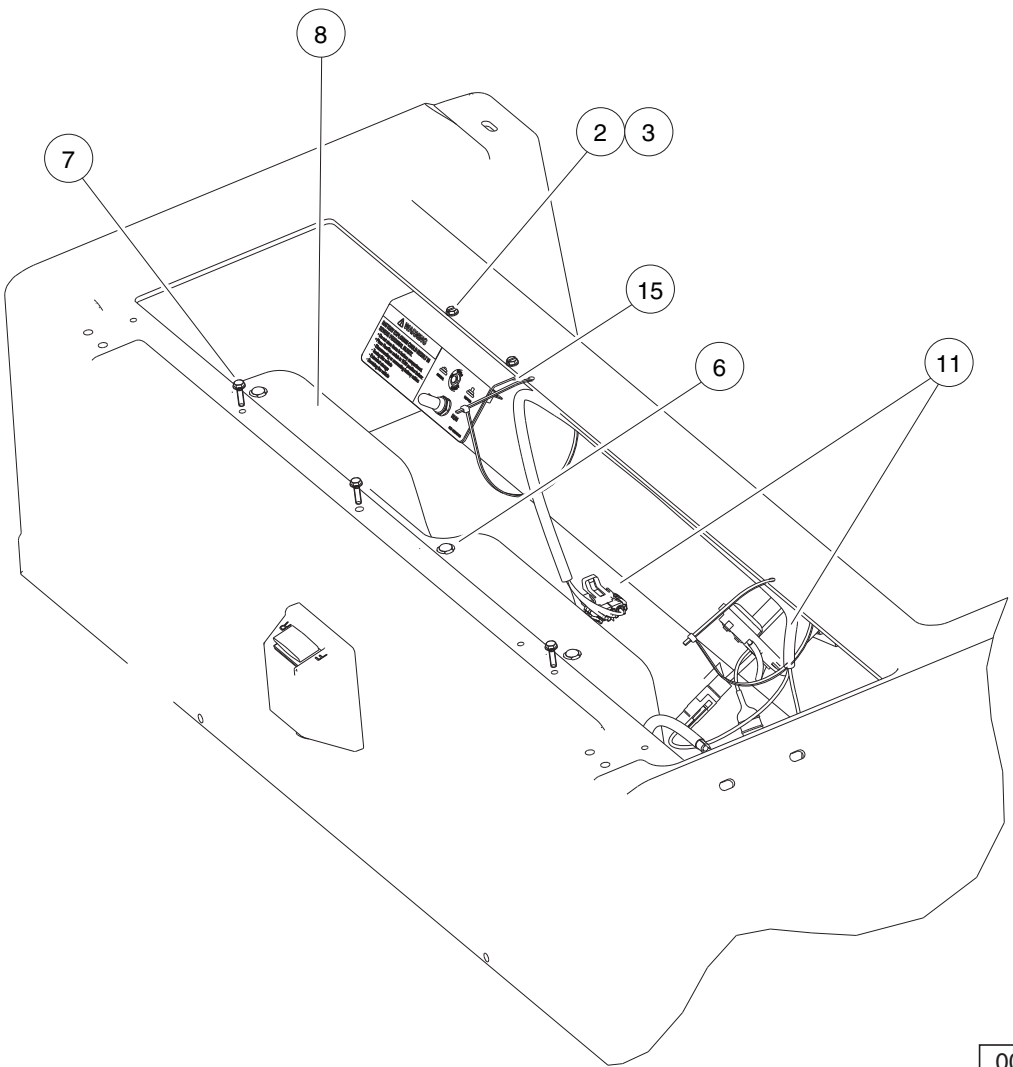
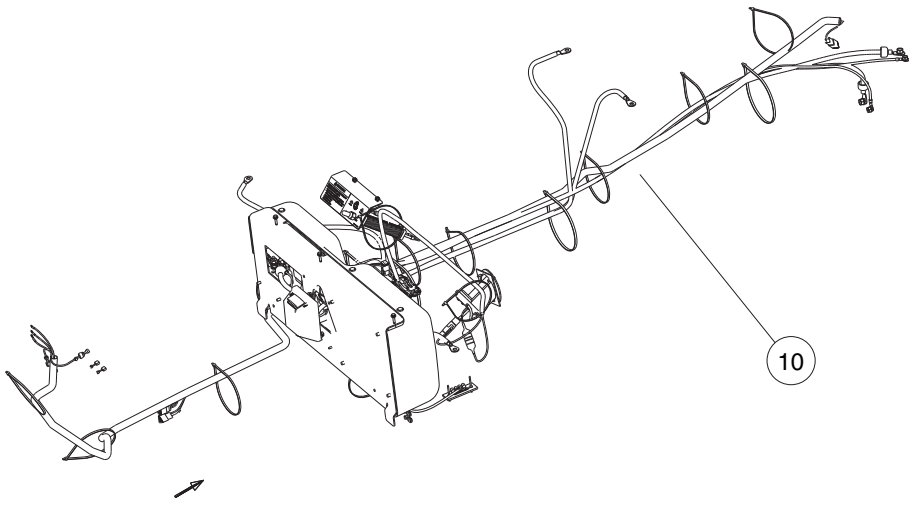
ITEM	PART NO.	DESCRIPTION	QTY
		<b>1 2 3 4</b>	
1	N/A	Component Mounting Plate Assembly (includes items 2 through 27) .....	1
2	<u>1012528</u>	Nut, M8-1.25 Hex .....	2
3	<u>1013734</u>	Lockwasher, 8mm Split .....	2
4	<u>1015720</u>	Screw, #6-32 X 1/2 Hex Washer-Head .....	2
5	<u>102240501</u>	Bolt, Controller, Terminal .....	3
6	<u>102440901</u>	Wire Asm, #4 Yellow, 13" .....	1
7	<u>102769701</u>	Spacer, 2", 1/4-20, Hex .....	1
8	<u>102774501</u>	Controller, 500 Amp .....	1
9	<u>102774601</u>	Computer, Onbrd, 8x 6v, 64" .....	1
10	<u>102774701</u>	Solenoid, 48v .....	1
11	<u>102810601</u>	Wire Harness, HDIQ, CA6 .....	1
12	<u>102817101</u>	Screw, 1/4-20 X .50 Hex Wsh Hd .....	6
13	<u>102817201</u>	Screw, 1/4-20 X .88 Hex Wsh Hd .....	4
14	<u>102845501</u>	Harness, Power, Stretch IQ Plus (includes items 15 through 21) .....	1
15	N/A	Asm, #4 Grn Wire, 89" .....	1
16	N/A	Asm, #4 Wht Wire, 88.5" .....	1
17	N/A	Asm, #10 Org Wire, 89.5" .....	1
18	N/A	Asm, #10 Blu Wire, 95.5" .....	1
19	N/A	Asm, #4 Red Wire, 67.5" .....	1
20	N/A	Asm, #4 Blk Wire, 57.5" .....	1
21	<u>8639</u>	Tie Wrap, 11" Nylon .....	6
22	<u>102859501</u>	Screw, M6 X 1 X 20 Ser Hex Flg .....	2
23	<u>102912801</u>	Plate, Component, Front .....	1
24	<u>103414901</u>	Kit, Relay, 48v 30a W/instr (includes items 25 and 26) .....	1
25	<u>103397901</u>	Relay, Spst No, 48v 30a, Pmt .....	1
26	N/A	Kit, Relay, 48v 30a Instrns .....	1
27	<u>8990</u>	Tie Wrap, 8" Nylon .....	5

**13**

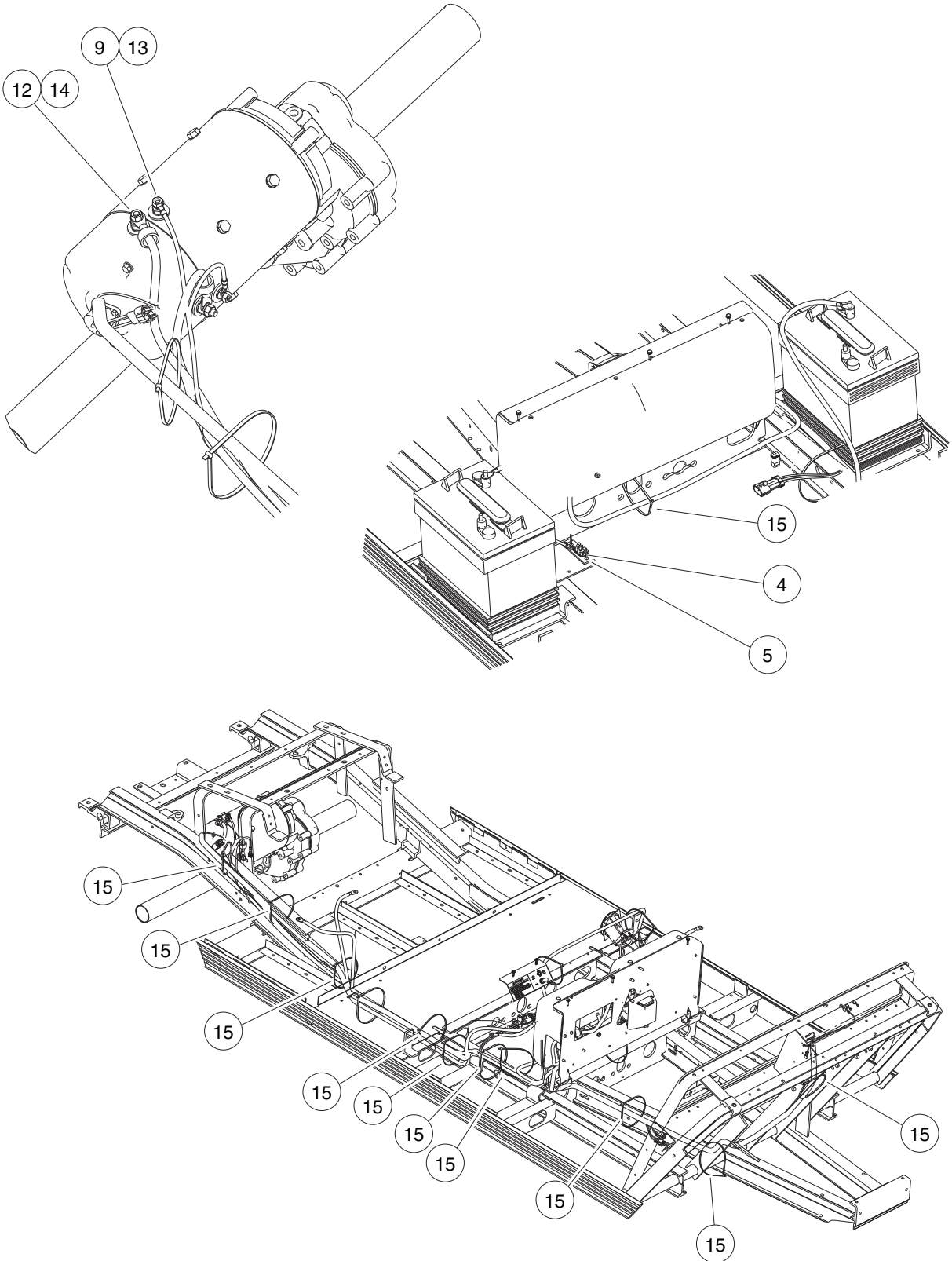
**E**

13

E



000568-001



000568-001

**13**

***E***

See previous two pages for illustration.

## ELECTRICAL INSTALLATION – IQ PLUS VILLAGER 6

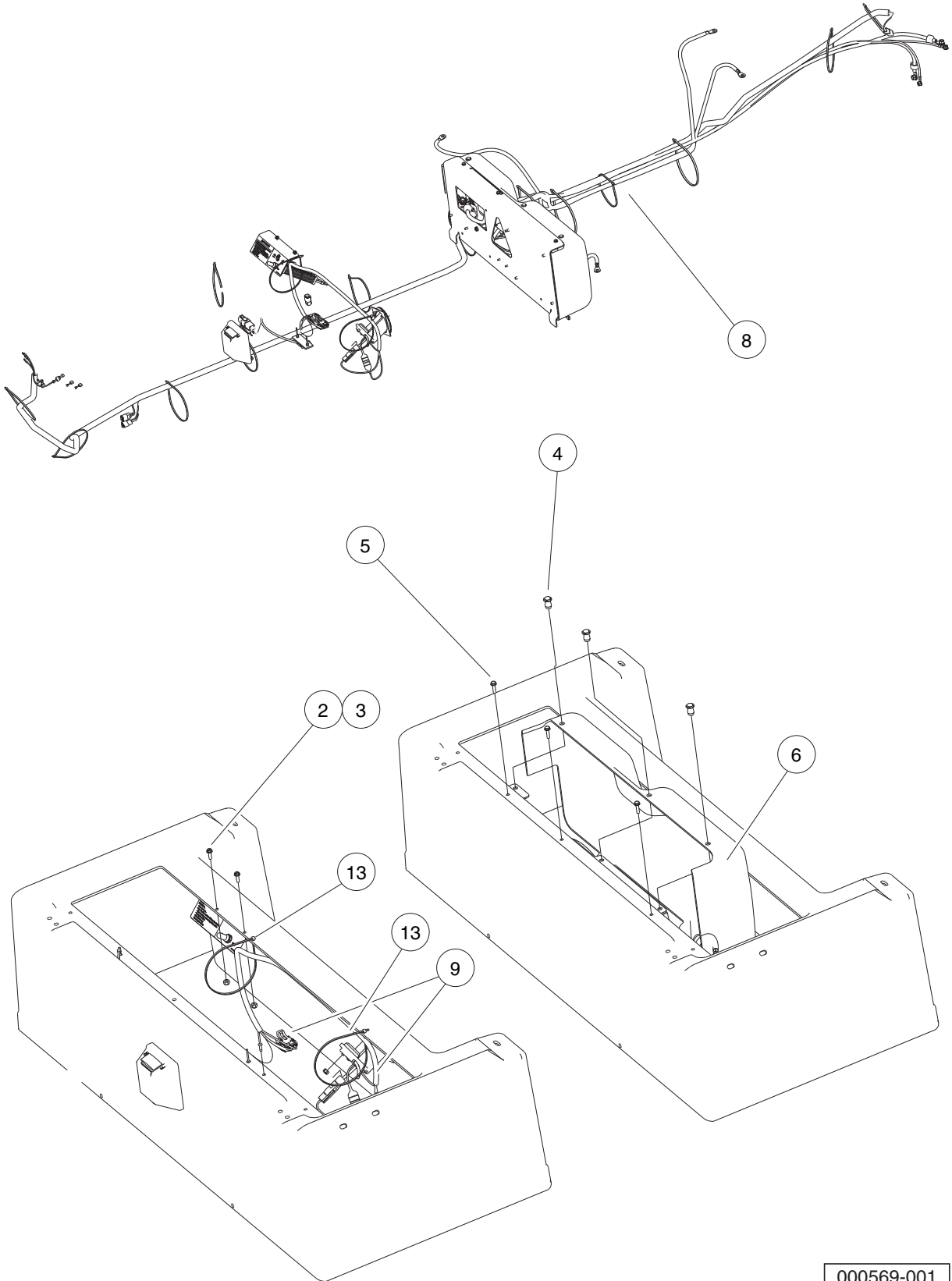
ITEM	PART NO.	DESCRIPTION	QTY
		<b>1 2 3 4</b>	
1	N/A	Electrical System Installation, Villager 6 IQ Plus (includes items 2 through 15) .....	1
2	<u>1012126</u>	Screw, #10-32 X .625 Hx Washer .....	2
3	<u>1013061</u>	Locknut, #10-32 Nylon Insert .....	2
4	<u>1013357</u>	Rivet, 5/32 Aluminum Pop .....	2
5	<u>1016356</u>	Terminal Block with Insulator .....	1
6	<u>1016967</u>	Blind Rivet, Push Type .....	3
7	<u>102238001</u>	#10-24 Taptite Screw .....	3
8	<u>102772402</u>	Cover, Electrical Component, Carryall 6 .....	1
9	<u>1028</u>	Nut, 1/4-20 Hex .....	2
10	<u>102810601</u>	Wire Harness, HDIQ, CA6 .....	1
11	<u>102938301</u>	Chrgr Harness, Iq Plus, Shelf .....	1
12	<u>1242</u>	Nut, 5/16-18 Hex .....	2
13	<u>451</u>	Lockwasher, 1/4 Split .....	2
14	<u>7174</u>	Lockwasher, 5/16 Split .....	2
15	<u>8990</u>	Tie Wrap, 8" Nylon .....	13

13

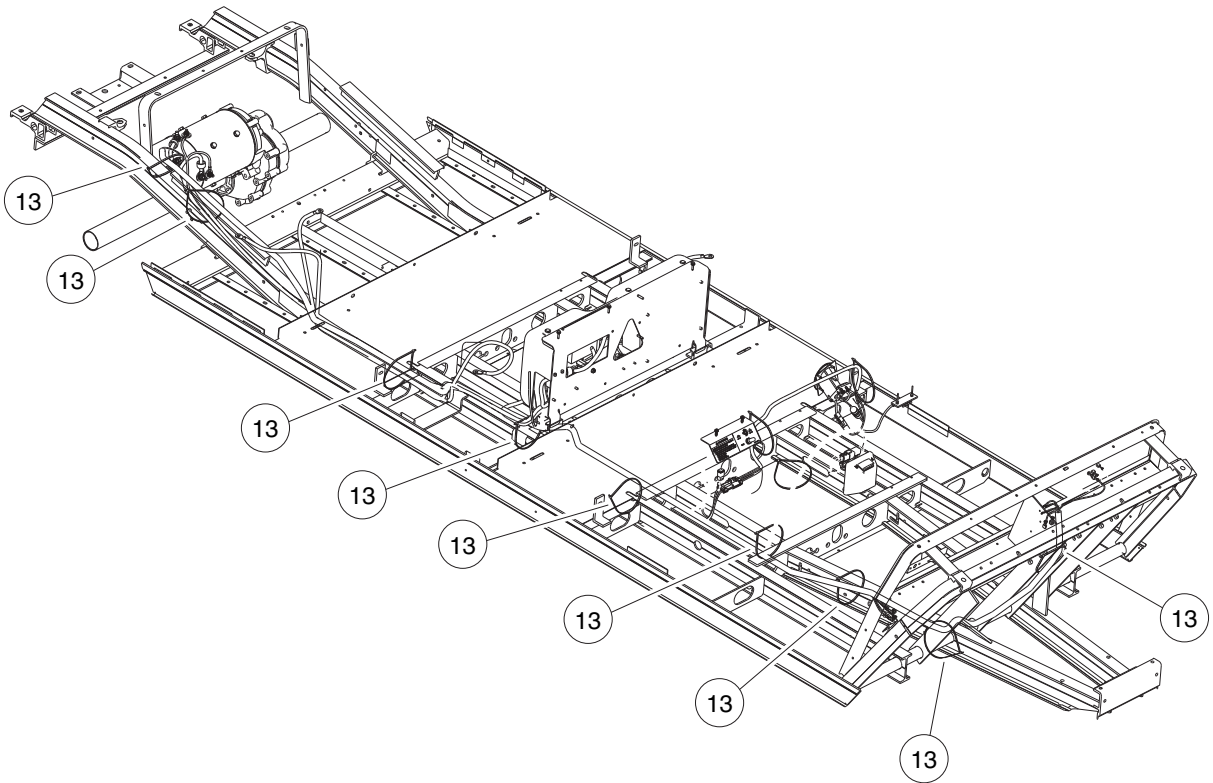
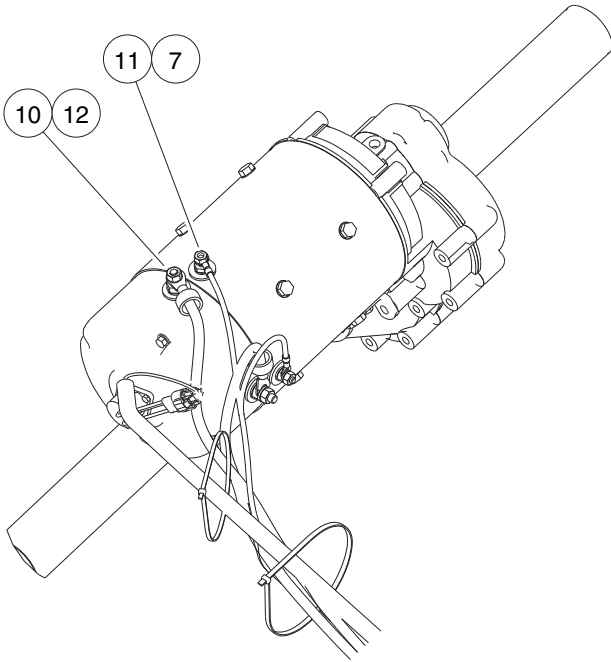
E

13

E



000569-001



000569-001

**13**

***E***

See previous two pages for illustration.



## ELECTRICAL INSTALLATION – IQ PLUS VILLAGER 8

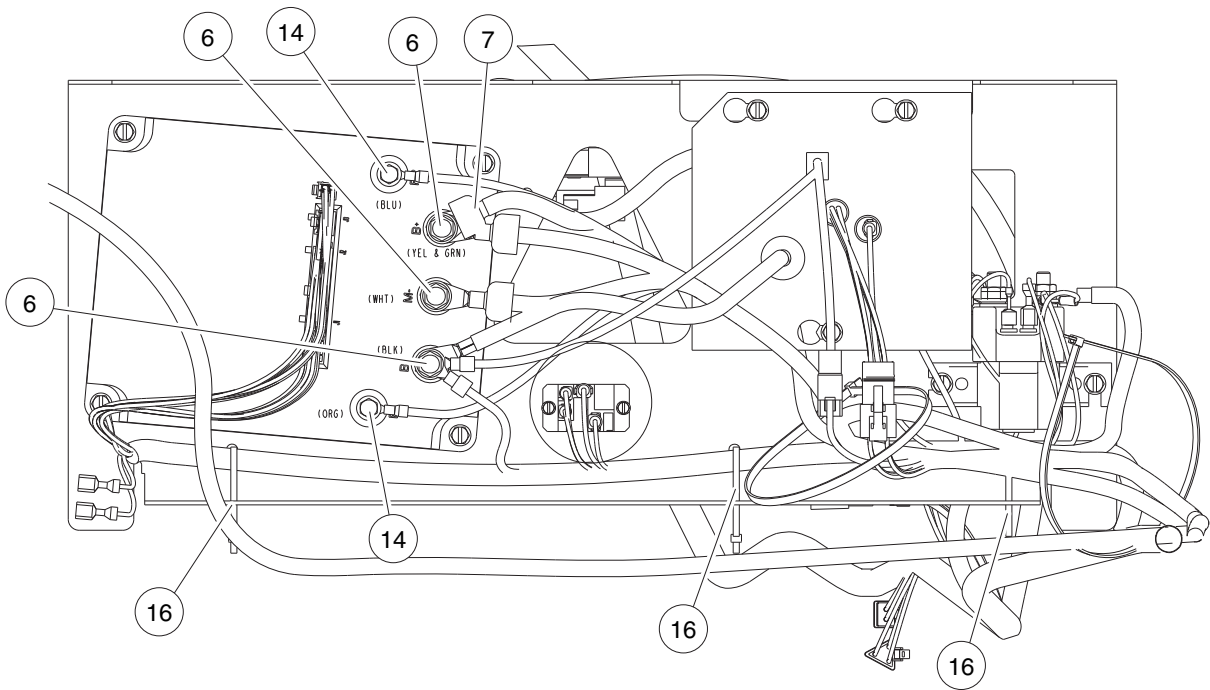
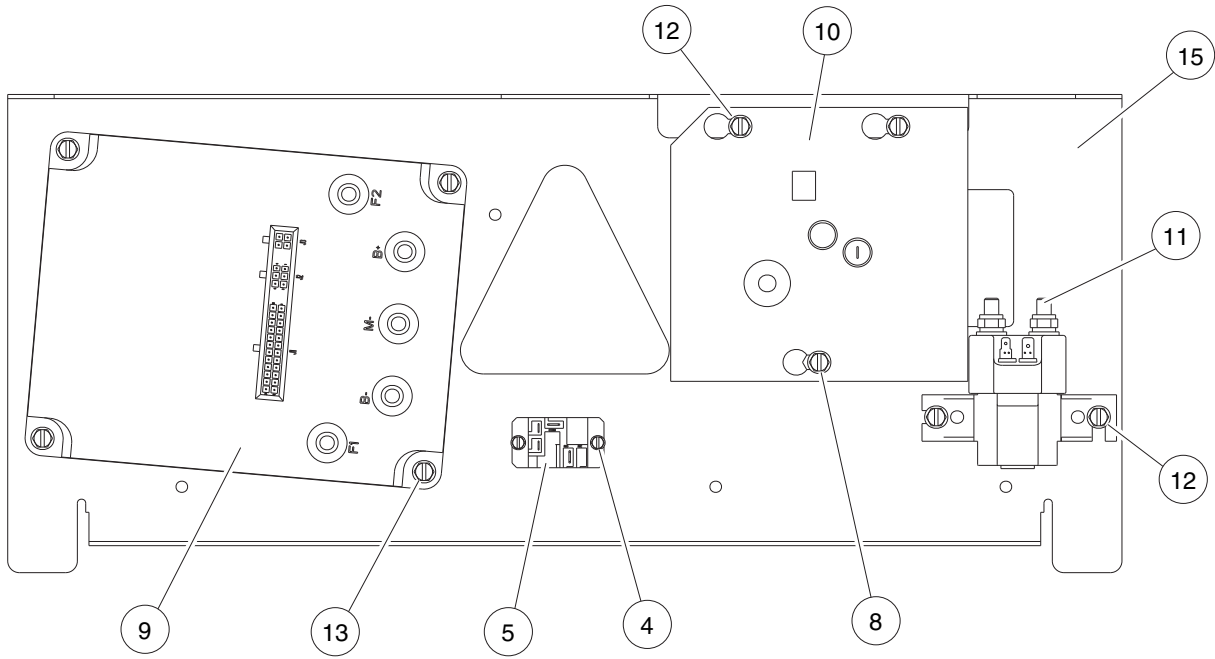
ITEM	PART NO.	DESCRIPTION	QTY
		1 2 3 4	
1	N/A	Electrical System Installation, Villager 8 IQ Plus (includes items 2 through 13) .....	1
2	<u>1012126</u>	Screw, #10-32 X .625 Hx Washer .....	2
3	<u>1013061</u>	Locknut, #10-32 Nylon Insert .....	3
4	<u>1016967</u>	Blind Rivet, Push Type .....	3
5	<u>102238001</u>	#10-24 Taptite Screw .....	3
6	<u>102772402</u>	Cover, Electrical Component, Carryall 6 .....	1
7	<u>1028</u>	Nut, 1/4-20 Hex .....	2
8	<u>102894001</u>	Wire Harness, HDIQ, Villager 8 .....	1
9	<u>102938301</u>	Chrgr Harness, Iq Plus, Shelf .....	1
10	<u>1242</u>	Nut, 5/16-18 Hex .....	2
11	<u>451</u>	Lockwasher, 1/4 Split .....	2
12	<u>7174</u>	Lockwasher, 5/16 Split .....	2
13	<u>8990</u>	Tie Wrap, 8" Nylon .....	12

13

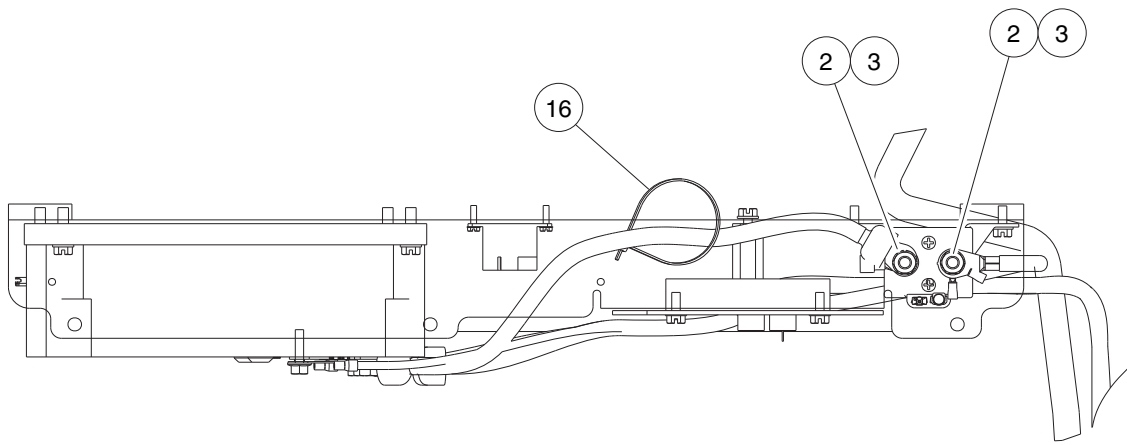
E

**13**

**E**



000570-001



000570-001

**13**

***E***

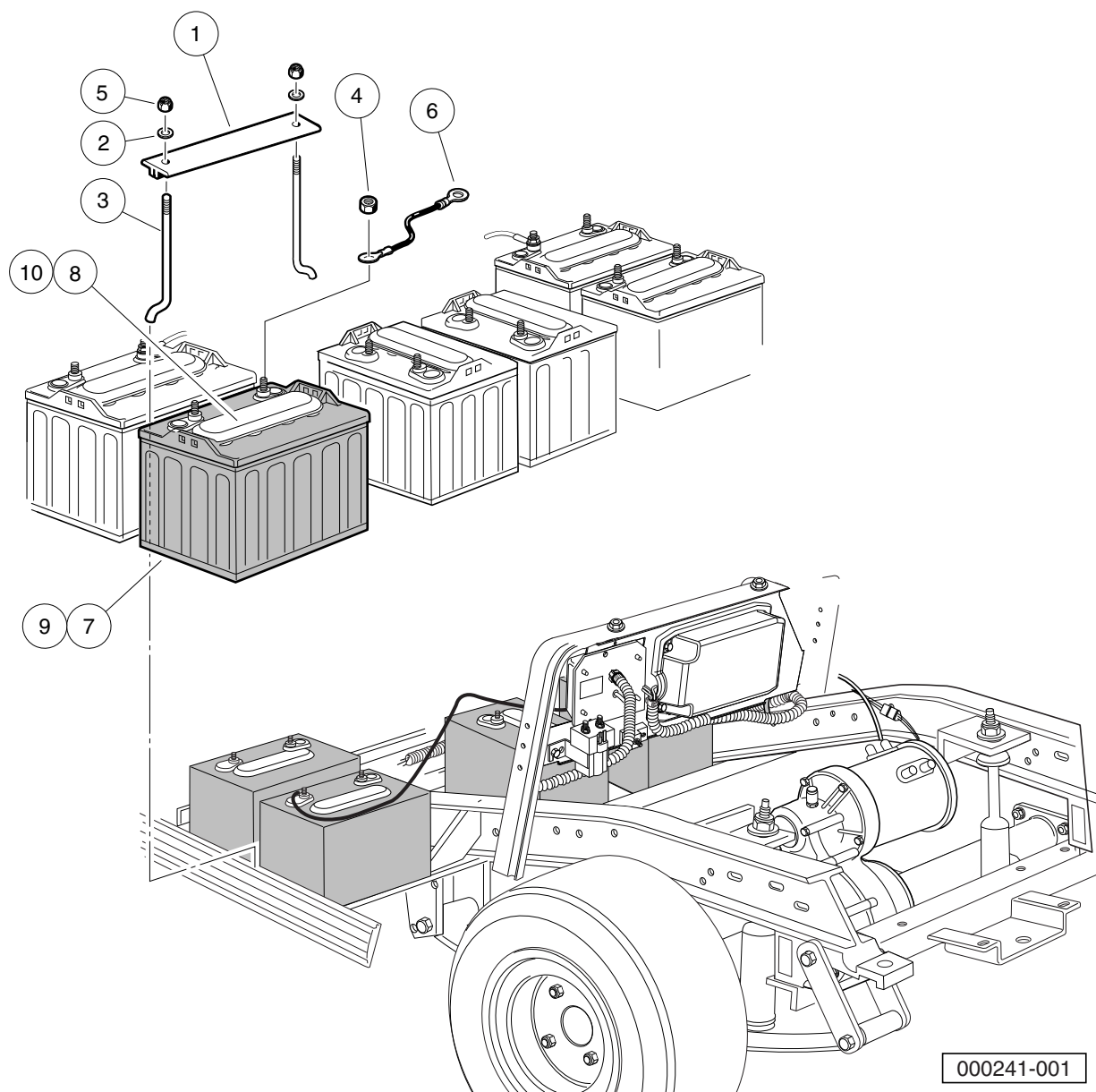
See previous two pages for illustration.

# ELECTRICAL COMPONENTS – IQ PLUS VILLAGER 8

ITEM	PART NO.	DESCRIPTION	QTY
		1 2 3 4	
1	N/A	Asm, Component Mounting, IQ Plus (includes items 2 through 16) .....	1
2	<u>1012528</u>	Nut, M8-1.25 Hex .....	2
3	<u>1013734</u>	Lockwasher, 8mm Split .....	2
4	<u>1015720</u>	Screw, #6-32 X 1/2 Hex Washer-Head .....	2
5	<u>101828601</u>	Relay, 48-Volt .....	1
6	<u>102240501</u>	Bolt, Controller, Terminal .....	3
7	<u>102440901</u>	Wire Asm, #4 Yellow, 13" .....	1
8	<u>102769701</u>	Spacer, 2", 1/4-20, Hex .....	1
9	<u>102774501</u>	Controller, 500 Amp .....	1
10	<u>102774601</u>	Computer, Onbrd, 8x 6v, 64" .....	1
11	<u>102774701</u>	Solenoid, 48v .....	1
12	<u>102817101</u>	Screw, 1/4-20 X .50 Hex Wsh Hd .....	6
13	<u>102817201</u>	Screw, 1/4-20 X .88 Hex Wsh Hd .....	4
14	<u>102859501</u>	Screw, M6 X 1 X 20 Ser Hex Flg .....	2
15	<u>102912801</u>	Plate, Component, Front .....	1
16	<u>8990</u>	Tie Wrap, 8" Nylon .....	4

13

E



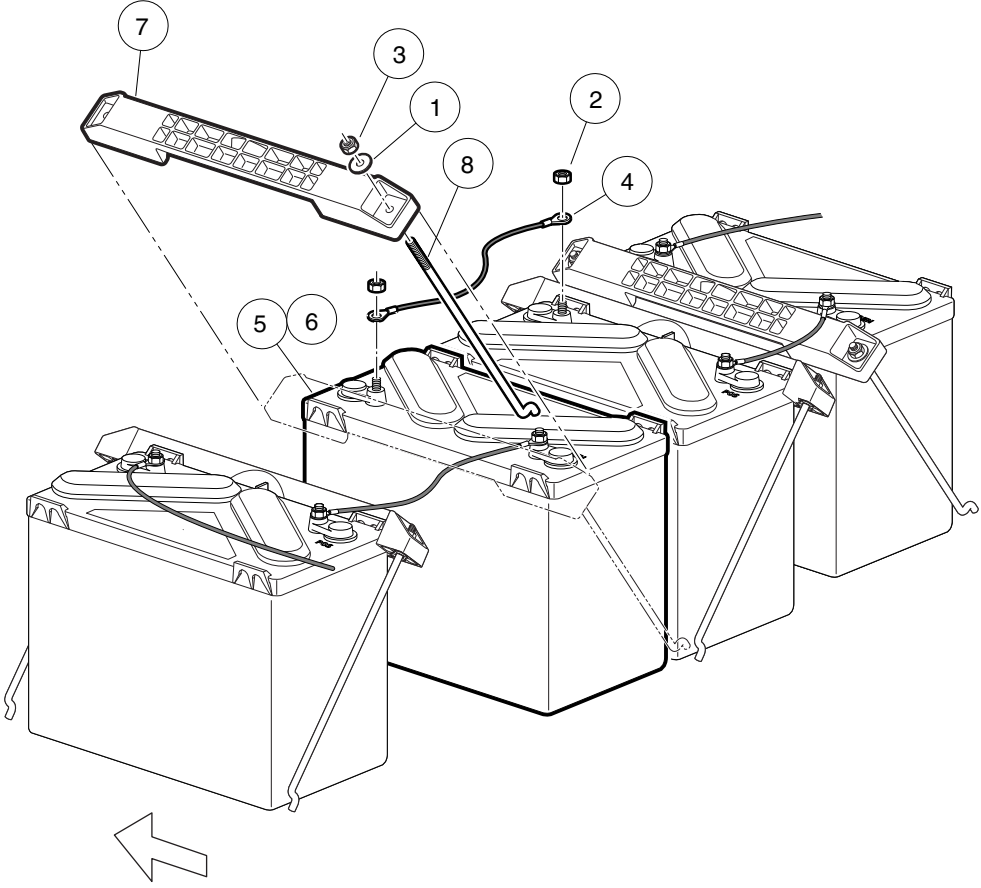
000241-001

# BATTERIES – DS VILLAGER 4 WITH SIX 8-VOLT BATTERIES

ITEM	PART NO.	DESCRIPTION	QTY
		1 2 3 4	
1	<u>101090801</u>	Hold-Down, Battery .....	3
2	<u>1011578</u>	Washer, 5/16 Type B Flat .....	6
3	1013683	J-Bolt .....	6
4	<u>1014304</u>	Nut, 5/16-18 Stainless-Steel Hex .....	12
5	1015072	Locknut, 5/16-18 Nylon Insert .....	6
6	<u>101795701</u>	Asm, Wire, #6blk 13in .....	5
7	<u>101797701</u>	Battery, 8-Volt, T875 (includes item 8) .....	6
8	<u>101797801</u>	Cap, 4-Gang Battery .....	1
9	<u>101797702</u>	Battery, 8-Volt, T875 Moist (also known as dry) (includes item 10) .....	6
10	<u>101797801</u>	Cap, 4-Gang Battery .....	1

13

E



000241-002

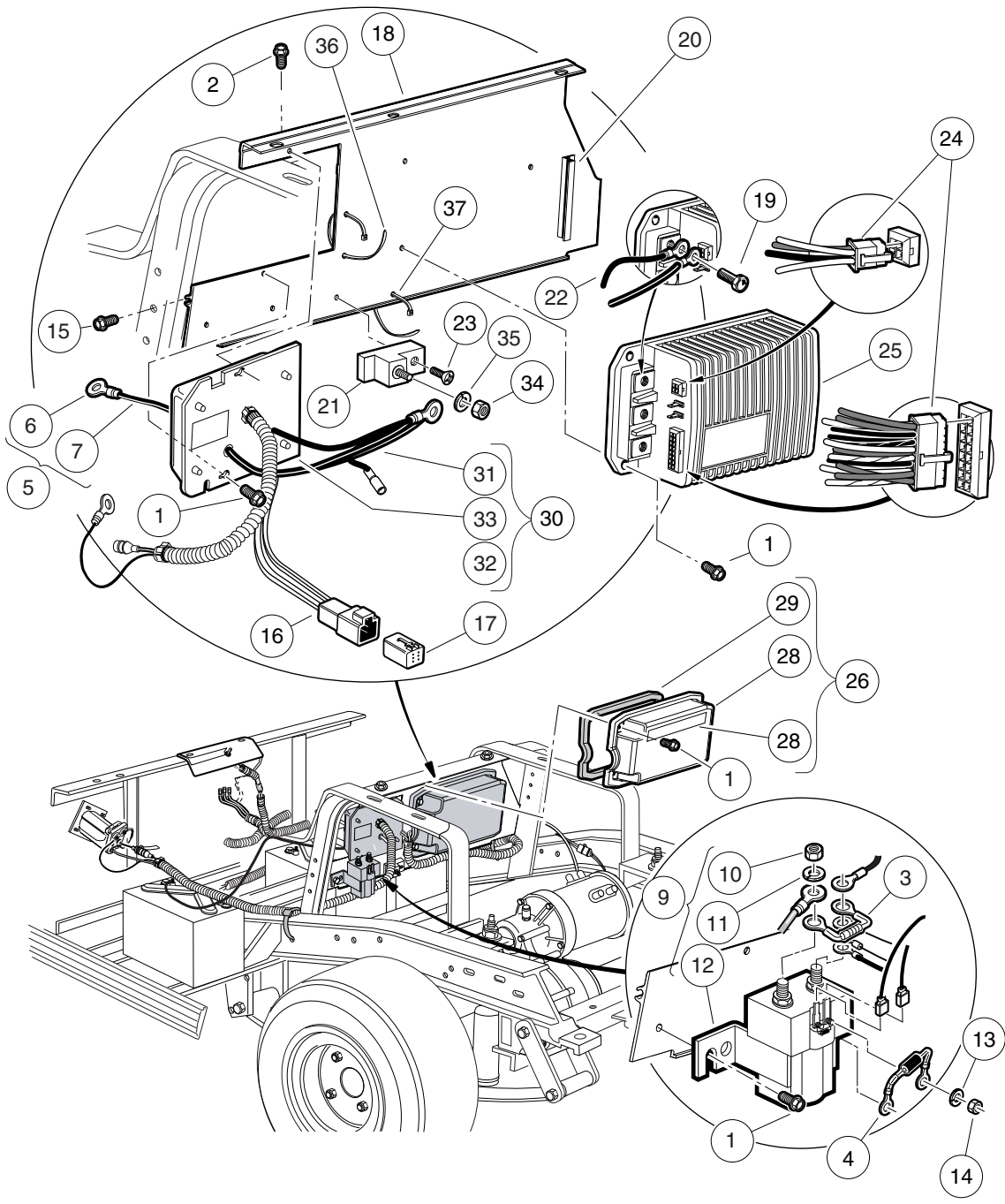


# BATTERIES – DS VILLAGER 4 WITH FOUR 12-VOLT BATTERIES

ITEM	PART NO.	DESCRIPTION	QTY
		1 2 3 4	
1	<u>1011697</u>	Washer, 5/16 Flat .....	8
2	<u>1014304</u>	Nut, 5/16-18 Stainless-Steel Hex .....	8
3	1015072	Locknut, 5/16-18 Nylon Insert .....	8
4	<u>101795701</u>	Asm, Wire, #6blk 13in .....	3
5	<u>102511301</u>	Battery, Ventmaster 12-Volt (Wet) .....	4
6	<u>102511302</u>	Battery, Ventmaster 12-Volt (Dry, also known as moist) .....	4
7	<u>102777401</u>	Battery Hold-Down .....	4
8	<u>102832601</u>	Bolt, Battery, J- .....	8

**13**

**E**



000242-006

# COMPUTER, CONTROLLER, AND SOLENOID – DS VILLAGER 4 IQ SYSTEM VEHICLE

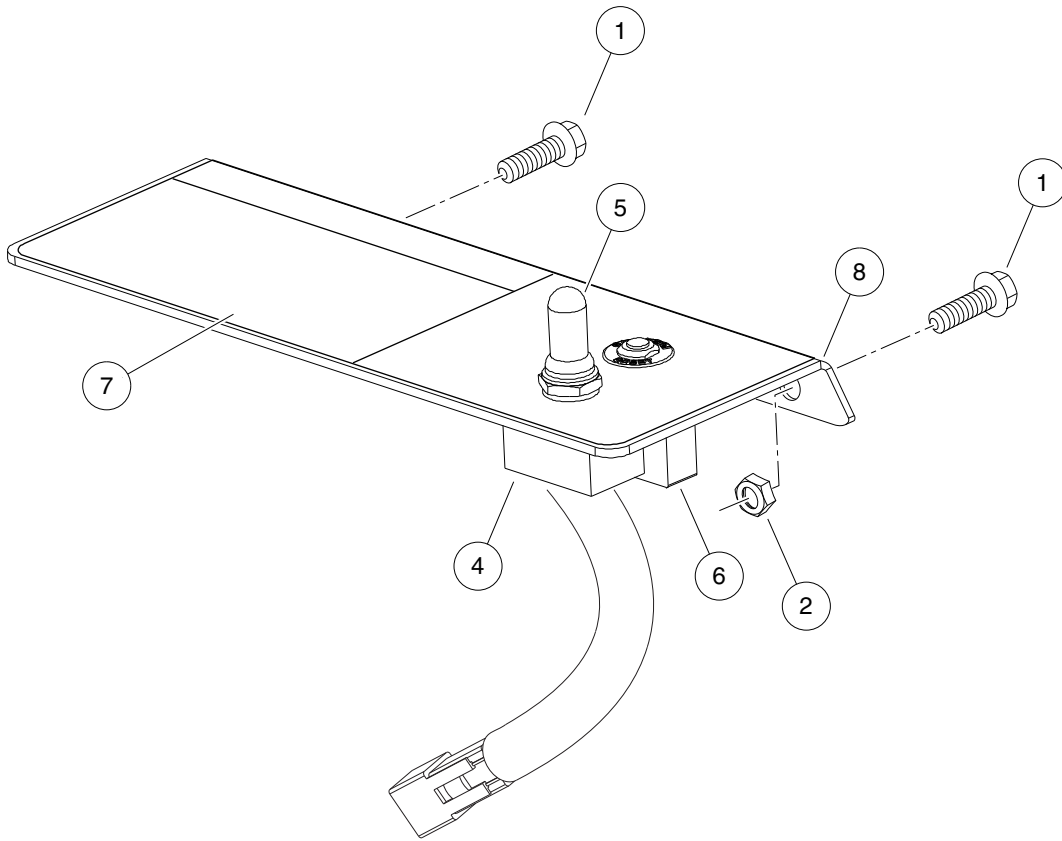
ITEM	PART NO.	DESCRIPTION	QTY
		1 2 3 4	
1	<u>1012285</u>	Screw, 1/4 X 0.625 Hex-Head .....	9
2	<u>1014288</u>	Screw, 5/16-18 X 0.75 Thread-Forming .....	2
3	<u>1014947</u>	Resistor Assembly .....	1
4	1014948	Diode .....	1
5	101827801	Ground Wire Kit, 48-Volt (includes items 6 through 8) .....	1
6	101826801	Compression Lug .....	1
7	N/A	Wire Assembly, Black .....	1
8	<u>8990</u>	Tie Wrap, 8" Nylon .....	3
9	<u>101908701</u>	Solenoid, 48-Volt (includes items 10 through 14) .....	1
10	<u>1012528</u>	Nut, M8-1.25 Hex .....	2
11	<u>1013734</u>	Lockwasher, 8mm Split .....	2
12	N/A	Solenoid, 48-Volt .....	1
13	N/A	Washer, Lock .....	2
14	N/A	Nut .....	2
15	<u>101910401</u>	Screw, 5/16-18 X 1.25 Thrd Frm .....	2
16	<u>101932601</u>	Kit, 6-Pin Wedge Lock .....	1
17	101932701	Kit, 6-Pin Receptacle and Wedge Lock .....	1
18	<u>101965205</u>	Plate, Component Mounting .....	1
19	<u>102240501</u>	Bolt, Controller, Terminal .....	3
20	****	Extrusion, Cover Support .....	1
21	<u>102259801</u>	Terminal Block .....	1
22	<u>102263601</u>	Wire Assy, #10 Black .....	1
23	<u>102263701</u>	Screw, #10-24 X 0.75 Phillips, Thread-Forming .....	1
24	<u>102266501</u>	Kit, Connector, IQ Controller .....	1
25	<u>102806201</u>	Controller, IQ, 48-volt .....	1
26	<u>103316901</u>	Cover Asm - Controller (includes items 27 through 29) .....	1
27	<u>101931501</u>	Decal, Component Cover .....	1
28	<u>103316701</u>	Cover - Controller, Deep .....	1
29	<u>103316801</u>	Gasket - Controller Cover .....	1
30	N/A	Kit, OBC, DS and Util IQ (includes items 31 through 33) .....	1
31	<u>103282601</u>	Wire Assembly Black #10 .....	1
32	N/A	Instr Obs Ds Pre 01-28-2007 .....	1
33	103403101	Asm, Obs, Iq, V3.0 .....	1
34	<u>1242</u>	Nut, 5/16-18 Hex .....	1
35	<u>7174</u>	Lockwasher, 5/16 Split .....	1
36	<u>8639</u>	Tie Wrap, 11" Nylon .....	1
37	<u>8990</u>	Tie Wrap, 8" Nylon .....	1
		**** Special order item available upon request.	

13

E

13

E



000425-001

## TOW/RUN SWITCH – IQ PLUS VEHICLES

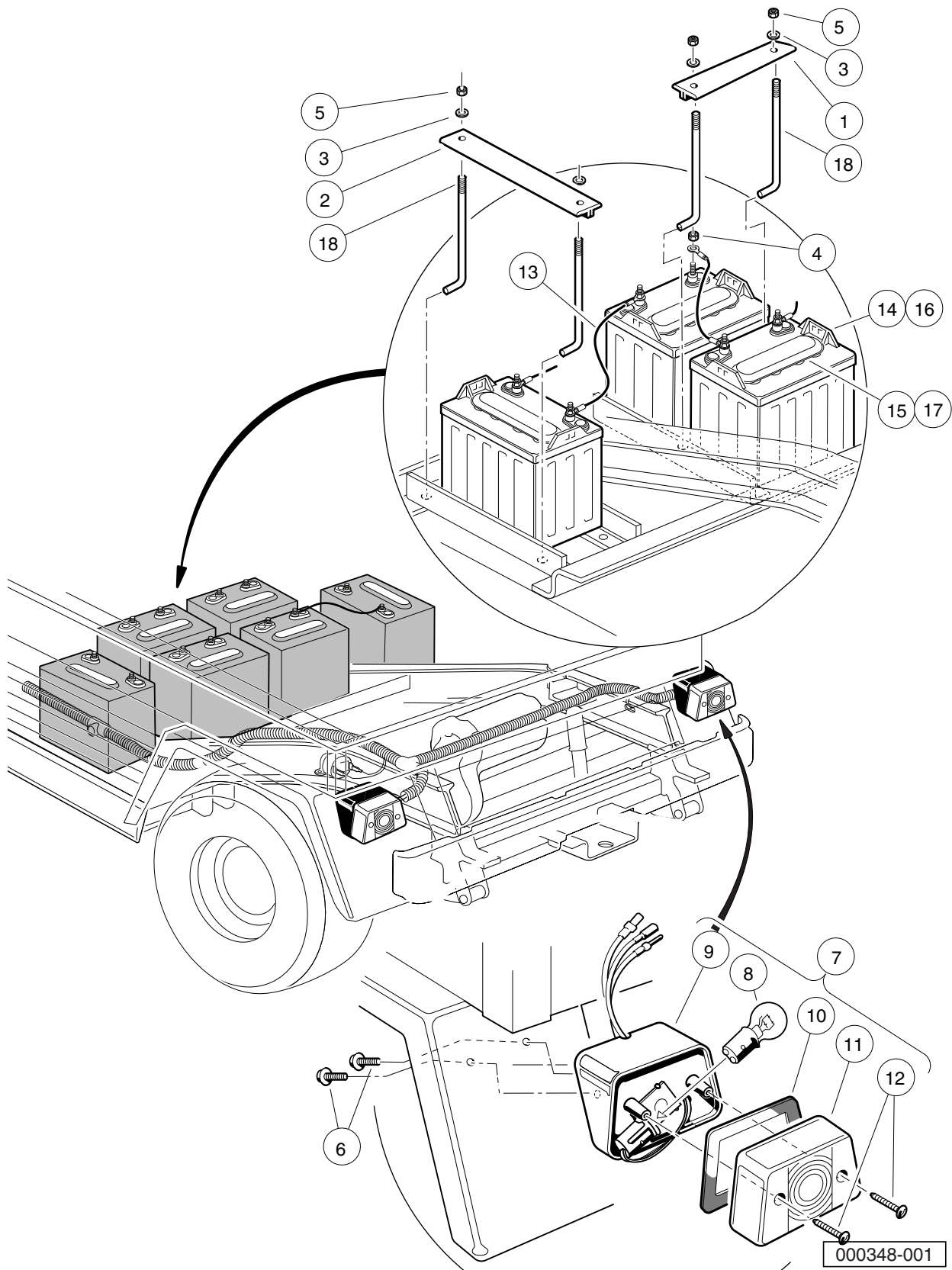
ITEM	PART NO.	DESCRIPTION	QTY
		<b>1 2 3 4</b>	
1	<u>1012126</u>	Screw, #10-32 X .625 Hx Washer .....	1
2	<u>1013061</u>	Locknut, #10-32 Nylon Insert .....	2
3	N/A	Tow/Run Switch Assembly (includes items 4 through 8) .....	1
4	<u>101908101</u>	Switch Assembly, Tow/Run .....	1
5	<u>101908401</u>	Boot, Switch .....	1
6	<u>102838101</u>	Circuit Breaker 250vac-50vdc .....	1
7	<u>102845101</u>	Decal, Tow Switch .....	1
8	<u>102915701</u>	Plate, Switch, Run Tow, Mode .....	1

13

E

13

E



000348-001

## ELECTRICAL COMPONENTS, REAR BODY – TRANSPORTER 4 AND 6 POWERDRIVE

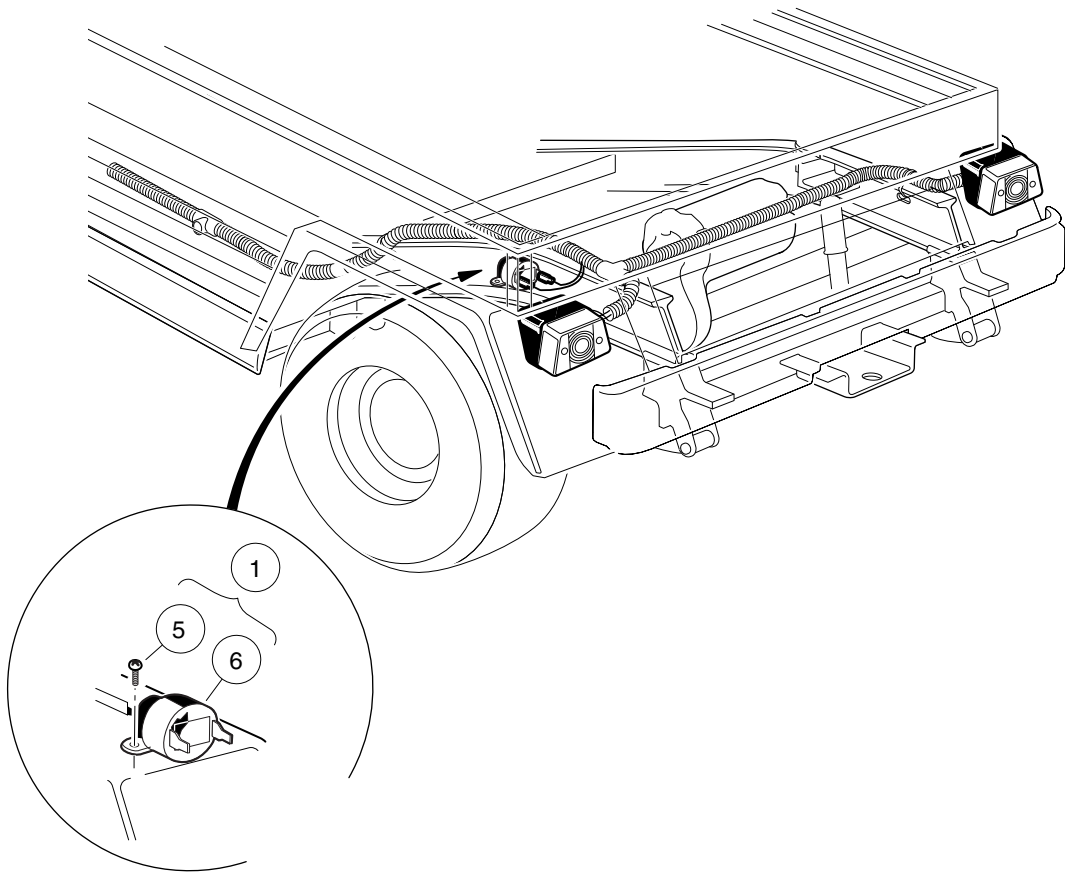
ITEM	PART NO.	DESCRIPTION	QTY
		1 2 3 4	
1	<u>101090801</u>	Hold-Down, Battery .....	2
2	<u>101090802</u>	Hold-Down, Battery .....	2
3	<u>1011578</u>	Washer, 5/16 Type B Flat .....	8
4	<u>1014304</u>	Nut, 5/16-18 Stainless-Steel Hex .....	12
5	<u>1015072</u>	Locknut, 5/16-18 Nylon Insert .....	8
6	<u>1015752</u>	Screw, #12-16 X 0.625 Hi-Lo .....	4
7	<u>1016717</u>	Light Assembly, Stop/Taillight (includes items 8 through 12) .....	2
8	<u>1011582</u>	Taillight Bulb .....	1
9	N/A	Housing, Taillight .....	1
10	N/A	Gasket, Taillight .....	1
11	N/A	Lens, Taillight .....	1
12	N/A	Screw, Taillight Lens .....	2
13	<u>101795701</u>	Asm, Wire, #6blk 13in .....	5
14	<u>101797701</u>	Battery, 8-Volt, T875 (includes item 15) .....	6
15	<u>101797801</u>	Cap, 4-Gang Battery .....	1
16	<u>101797702</u>	Battery, 8-Volt, T875 Moist (also known as dry) (includes item 17) .....	6
17	<u>101797801</u>	Cap, 4-Gang Battery .....	1
18	<u>102845203</u>	Rod, Battery Hold Down 10.7" .....	8

13

E

13

E



000432-001

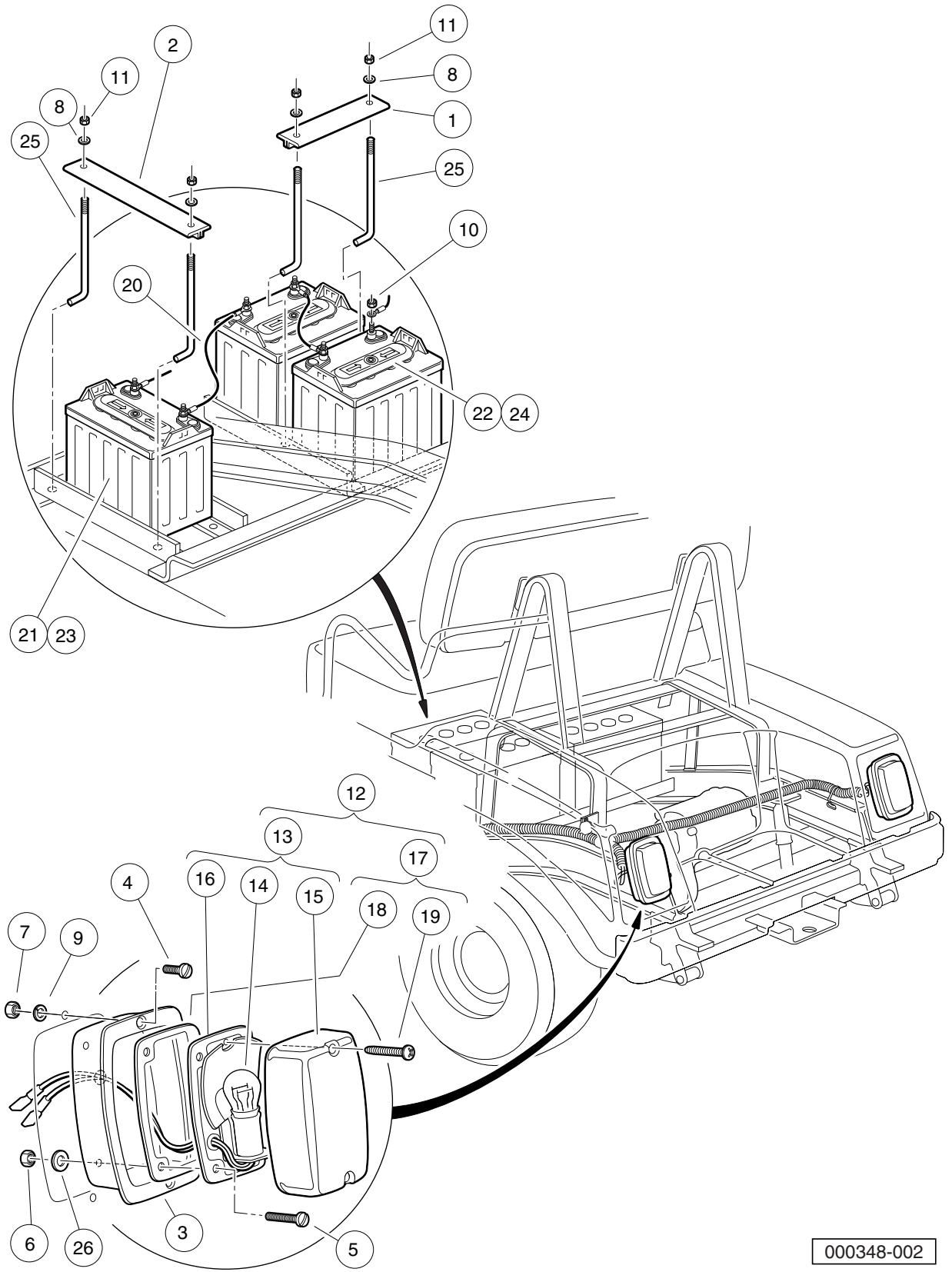


## REAR REVERSE BUZZER – TRANSPORTER 4 AND 6

ITEM	PART NO.	DESCRIPTION	QTY
		1 2 3 4	
1	<u>1016859</u>	Kit, Reverse Buzzer (includes items 2 through 10) .....	1
2	<u>1011229</u>	Locknut, #6-32 Whiz .....	1
3	1012431	Washer, #4 Flat .....	2
4	<u>1015720</u>	Screw, #6-32 X 1/2 Hex Washer-Head .....	1
5	<u>1016849</u>	Screw, #4-24 X 0.33 Pan-Head Machine .....	2
6	<u>1016851</u>	Buzzer, Reverse (9-48 VDC) .....	1
7	1016857	Wire Assembly Black #18 .....	1
8	<u>8056</u>	Screw, #4-40 X 0.75 Round-Head Machine .....	2
9	<u>8057</u>	Nut, #4-40 Hex Machine .....	2
10	<u>8058</u>	Lockwasher, #4 Split .....	2
Note: Note: Items 2 through 4 and 7 through 10 are included in the kit, but are not used in this application.			

13

E



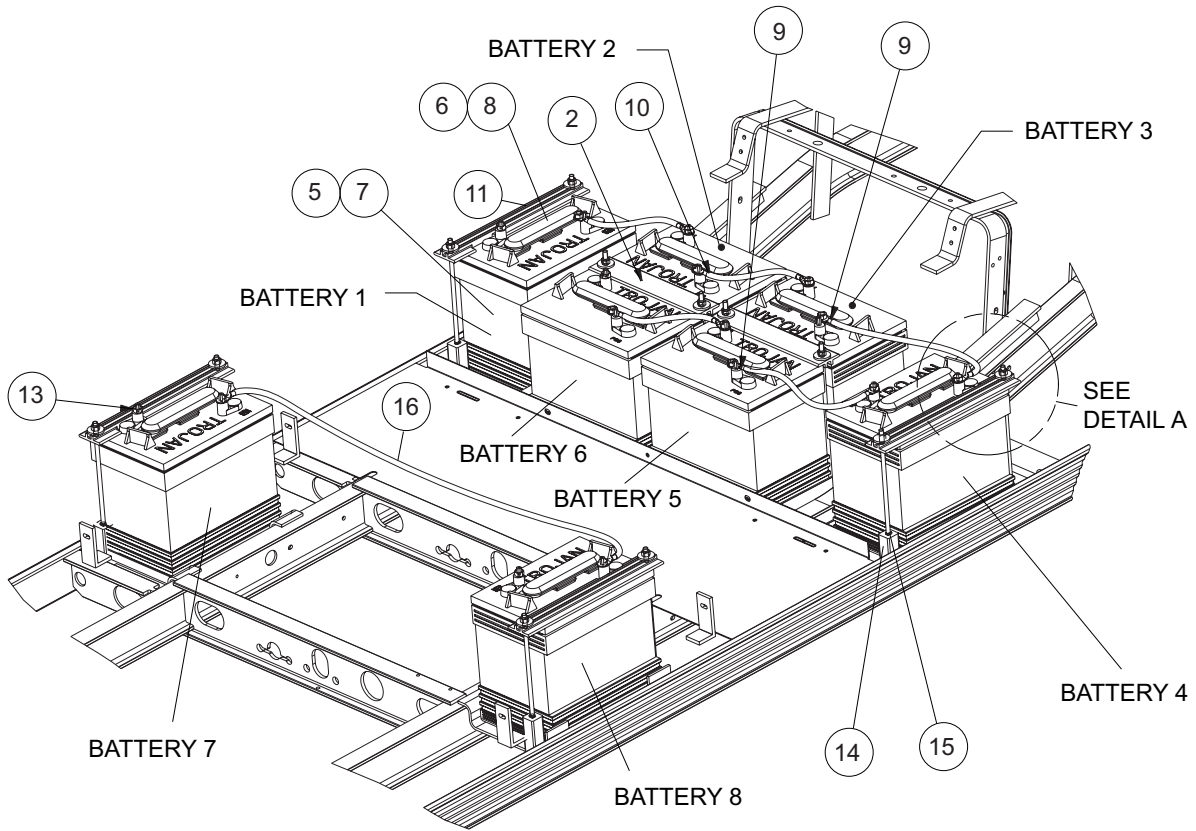
000348-002

# ELECTRICAL COMPONENTS, REAR BODY – VILLAGER 6 AND 8 POWERDRIVE

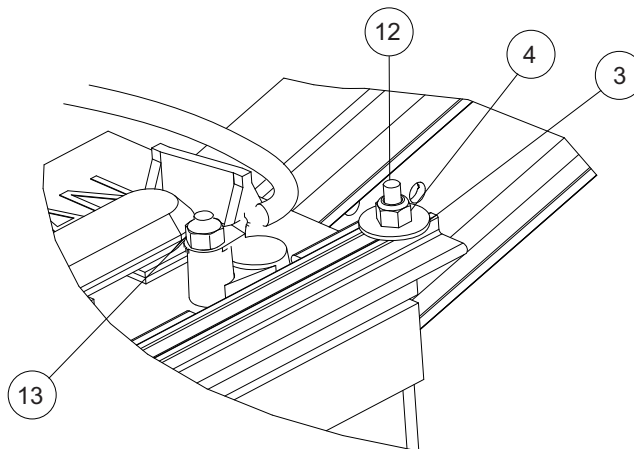
ITEM	PART NO.	DESCRIPTION	QTY
		1 2 3 4	
1	<u>101090801</u>	Hold-Down, Battery .....	2
2	<u>101090802</u>	Hold-Down, Battery .....	2
3	<u>1011497</u>	Bezel, Taillight .....	2
4	<u>1011498</u>	Screw, #8-32 X 0.50 Oval-Head .....	4
5	<u>1011557</u>	Screw, #6-32 X 1.00 Hex-Head Machine .....	4
6	<u>1011558</u>	Nut, #6-32 Hex .....	6
7	<u>1011571</u>	Nut, #8-32 Hex .....	4
8	<u>1011578</u>	Washer, 5/16 Type B Flat .....	8
9	<u>1011610</u>	Lockwasher, #8 Split Ss .....	4
10	<u>1014304</u>	Nut, 5/16-18 Stainless-Steel Hex .....	12
11	1015072	Locknut, 5/16-18 Nylon Insert .....	8
12	1017035	Taillight Assembly (includes items 13 through 17) .....	2
13	N/A	Light, Tail (includes items 14 through 16) .....	1
14	<u>1011582</u>	Taillight Bulb .....	1
15	<u>1011843</u>	Taillight Lens .....	1
16	N/A	Base, Taillight .....	1
17	<u>1017699</u>	Hardware Kit, Tail Light (includes items 18 and 19) .....	1
18	N/A	Gasket .....	1
19	N/A	Screw, Tapered .....	2
20	<u>101795701</u>	Asm, Wire, #6blk 13in .....	5
21	<u>101797701</u>	Battery, 8-Volt, T875 (includes item 22) .....	6
22	<u>101797801</u>	Cap, 4-Gang Battery .....	1
23	<u>101797702</u>	Battery, 8-Volt, T875 Moist (also known as dry) (includes item 24) .....	6
24	<u>101797801</u>	Cap, 4-Gang Battery .....	1
25	<u>102845203</u>	Rod, Battery Hold Down 10.7" .....	8
26	<u>7591</u>	Washer, #6 Flat .....	4

**13**

**E**



DETAIL A



000408-001

# BATTERIES – VILLAGER 6 IQ PLUS WITH T-105 BATTERIES

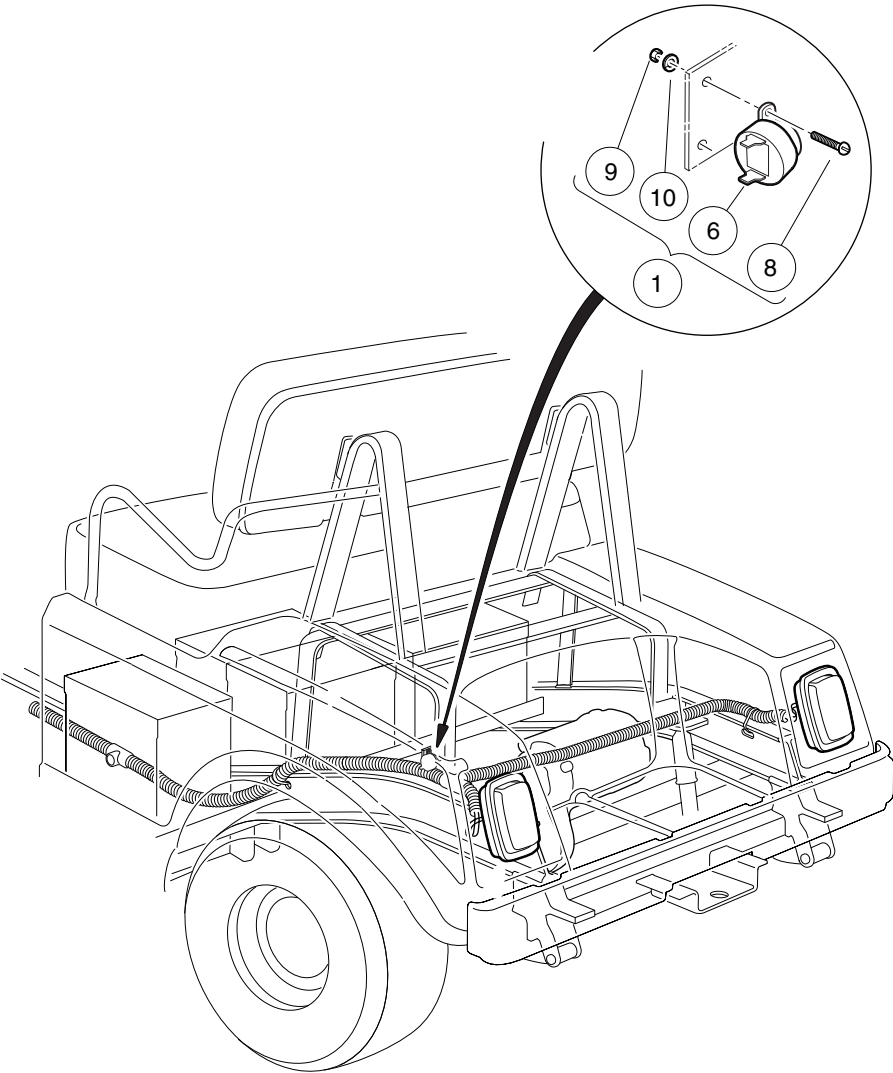
ITEM	PART NO.	DESCRIPTION	QTY
		1 2 3 4	
1	N/A	Installation, Battery, T-105 Villager 6 and 8 (includes items 2 through 16) .....	1
2	<u>101090801</u>	Hold-Down, Battery .....	2
3	<u>1011578</u>	Washer, 5/16 Type B Flat .....	12
4	1015072	Locknut, 5/16-18 Nylon Insert .....	12
5	<u>101661601</u>	Battery, 6v Trojan T105 (Wet) (includes item 6) .....	8
6	<u>101831401</u>	Battery Cap 6 Volt .....	1
7	<u>101661602</u>	Battery, 6v Trojan T105 (Dry, also known as moist) (includes item 8) .....	8
8	<u>101831401</u>	Battery Cap 6 Volt .....	1
9	<u>102002801</u>	Wire Assy, #4 Black .....	2
10	<u>102002901</u>	Wire Assy, #4 Black .....	3
11	<u>102766201</u>	Hold Down, Outside .....	4
12	<u>102845203</u>	Rod, Battery Hold Down 10.7" .....	12
13	<u>102873401</u>	5/16-18 Heavy Hex Nut .....	16
14	<u>102980801</u>	Extr, Plastic, 1 X 1 X 3 .....	4
15	<u>102980901</u>	Clamp, Hose, Nylon, .25 .....	1
16	<u>103198201</u>	Asm, #4 Blk Wire, 42" .....	1

13

E

13

E



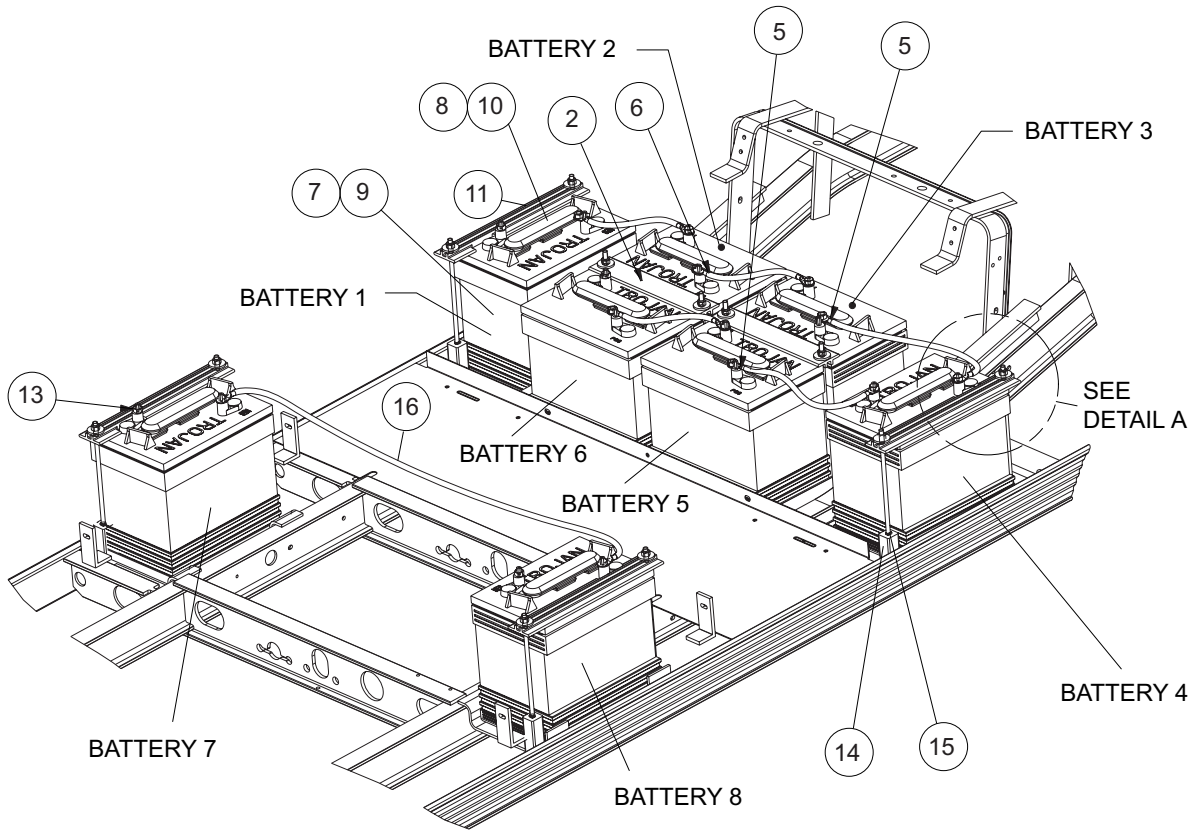
000433-001

## REAR REVERSE BUZZER – VILLAGER 6 AND 8

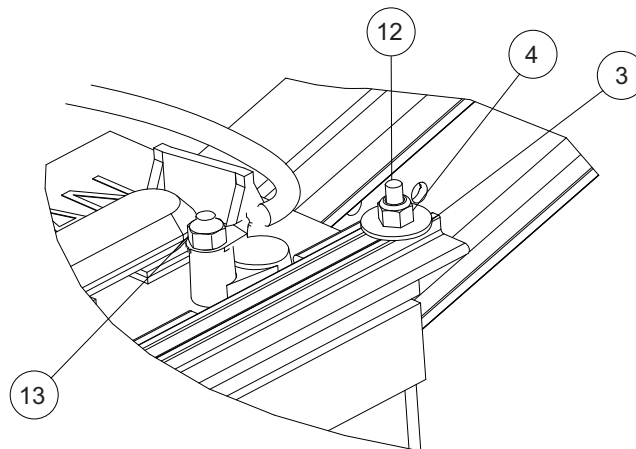
ITEM	PART NO.	DESCRIPTION	QTY
		1 2 3 4	
1	<u>1016859</u>	Kit, Reverse Buzzer (includes items 2 through 10) .....	1
2	<u>1011229</u>	Locknut, #6-32 Whiz .....	1
3	1012431	Washer, #4 Flat .....	2
4	<u>1015720</u>	Screw, #6-32 X 1/2 Hex Washer-Head .....	1
5	<u>1016849</u>	Screw, #4-24 X 0.33 Pan-Head Machine .....	2
6	<u>1016851</u>	Buzzer, Reverse (9-48 VDC) .....	1
7	1016857	Wire Assembly Black #18 .....	1
8	<u>8056</u>	Screw, #4-40 X 0.75 Round-Head Machine .....	2
9	<u>8057</u>	Nut, #4-40 Hex Machine .....	2
10	<u>8058</u>	Lockwasher, #4 Split .....	2
<p style="text-align: center;">Note: Note: Items 2 through 5 and 7 are included in the kit, but are not used in this application.</p>			

13

E



DETAIL A



000408-002

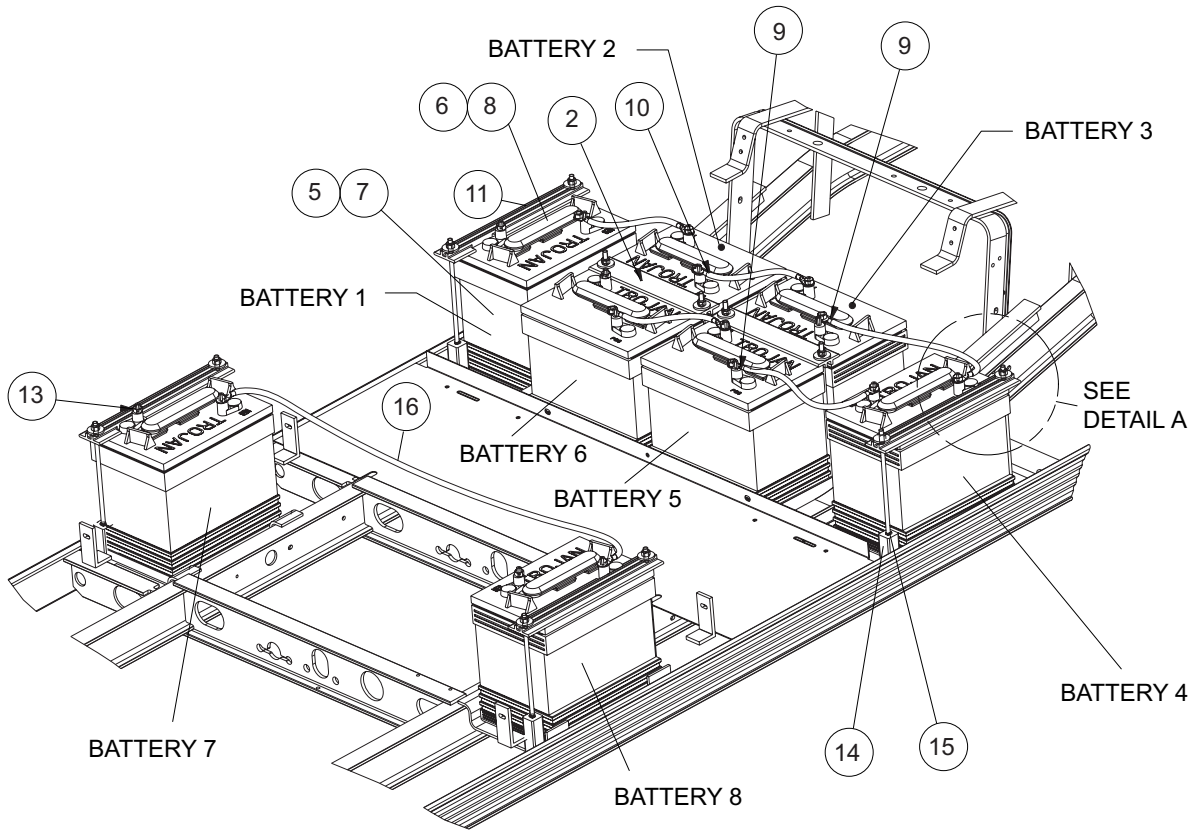


# BATTERIES – VILLAGER 6 IQ PLUS WITH T-145 BATTERIES

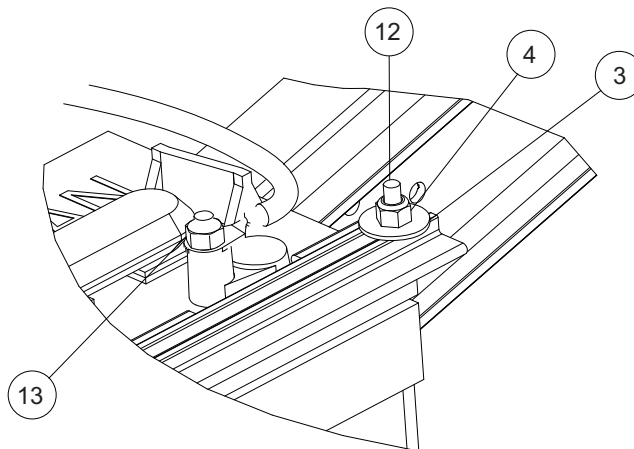
ITEM	PART NO.	DESCRIPTION	QTY
		1 2 3 4	
1	N/A	Installation, Battery, T-145 Villager 6 and 8 (includes items 2 through 16) .....	1
2	<u>101090801</u>	Hold-Down, Battery .....	2
3	<u>1011578</u>	Washer, 5/16 Type B Flat .....	12
4	1015072	Locknut, 5/16-18 Nylon Insert .....	12
5	<u>102002801</u>	Wire Assy, #4 Black .....	2
6	<u>102002901</u>	Wire Assy, #4 Black .....	3
7	<u>102764401</u>	Battery, 6v Trojan T145 (wet) (includes item 8) .....	8
8	<u>101831401</u>	Battery Cap 6 Volt .....	1
9	<u>102764402</u>	Battery, 6v Trojan T145 (Dry, also known as moist) (includes item 10) .....	8
10	<u>101831401</u>	Battery Cap 6 Volt .....	1
11	<u>102766201</u>	Hold Down, Outside .....	4
12	<u>102845204</u>	Rod, Battery Hold Down 12" .....	12
13	<u>102873401</u>	5/16-18 Heavy Hex Nut .....	16
14	<u>102980801</u>	Extr, Plastic, 1 X 1 X 3 .....	4
15	<u>102980901</u>	Clamp, Hose, Nylon, .25 .....	4
16	<u>103198201</u>	Asm, #4 Blk Wire, 42" .....	1

13

E



DETAIL A



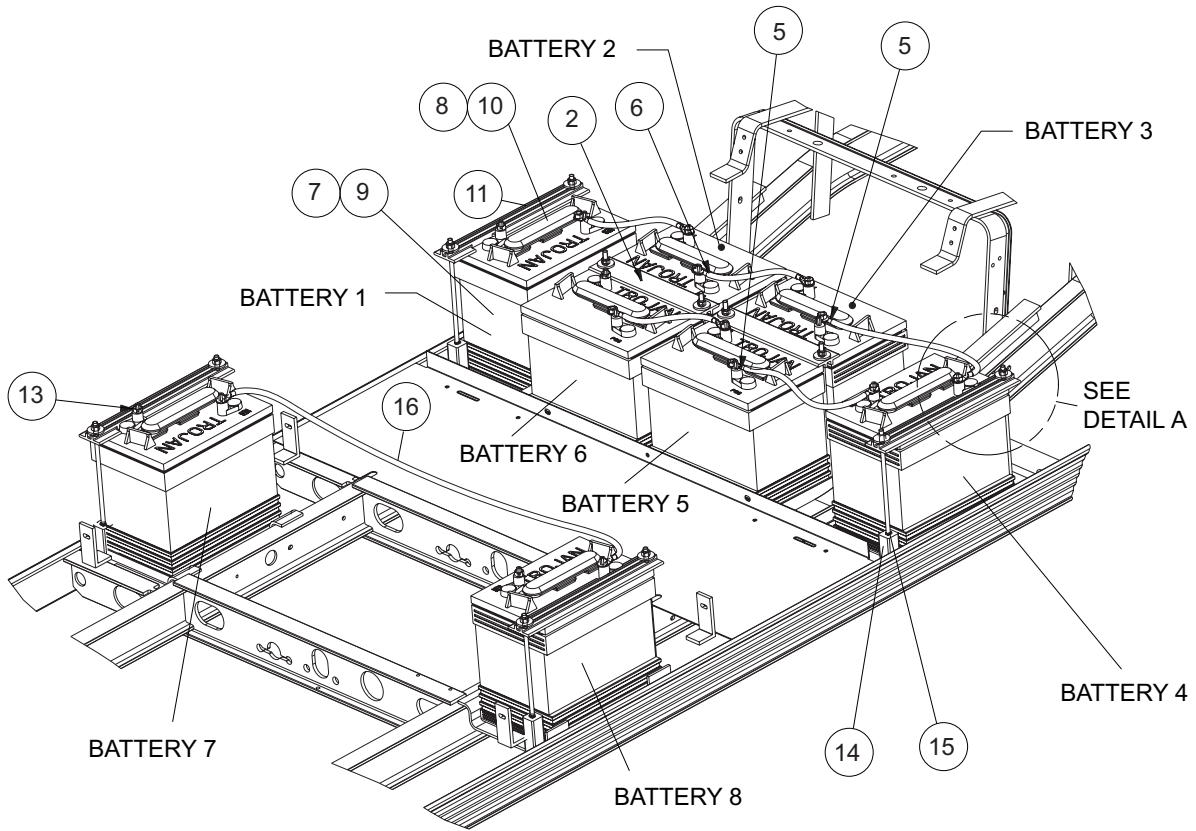
000408-001

## BATTERIES – VILLAGER 8 IQ PLUS WITH T-105 BATTERIES

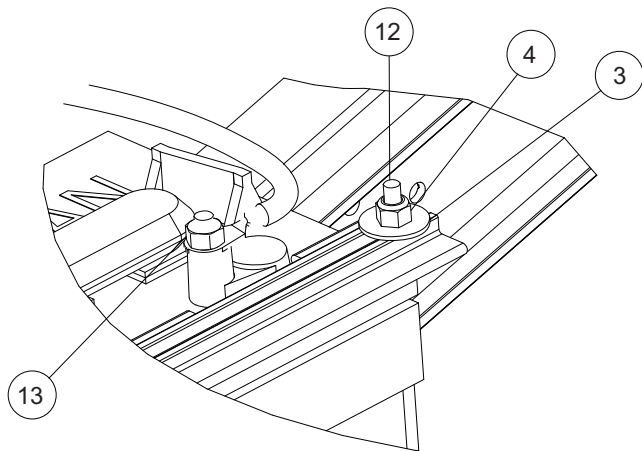
ITEM	PART NO.	DESCRIPTION	QTY
		1 2 3 4	
1	N/A	Installation, Battery, T-105 Villager 6 and 8 (includes items 2 through 16) .....	1
2	<u>101090801</u>	Hold-Down, Battery .....	2
3	<u>1011578</u>	Washer, 5/16 Type B Flat .....	12
4	1015072	Locknut, 5/16-18 Nylon Insert .....	12
5	<u>101661601</u>	Battery, 6v Trojan T105 (Wet) (includes item 6) .....	8
6	<u>101831401</u>	Battery Cap 6 Volt .....	1
7	<u>101661602</u>	Battery, 6v Trojan T105 (Dry, also known as moist) (includes item 8) .....	8
8	<u>101831401</u>	Battery Cap 6 Volt .....	1
9	<u>102002801</u>	Wire Assy, #4 Black .....	2
10	<u>102002901</u>	Wire Assy, #4 Black .....	3
11	<u>102766201</u>	Hold Down, Outside .....	4
12	<u>102845203</u>	Rod, Battery Hold Down 10.7" .....	12
13	<u>102873401</u>	5/16-18 Heavy Hex Nut .....	16
14	<u>102980801</u>	Extr, Plastic, 1 X 1 X 3 .....	4
15	<u>102980901</u>	Clamp, Hose, Nylon, .25 .....	1
16	<u>103198201</u>	Asm, #4 Blk Wire, 42" .....	1

13

E



DETAIL A



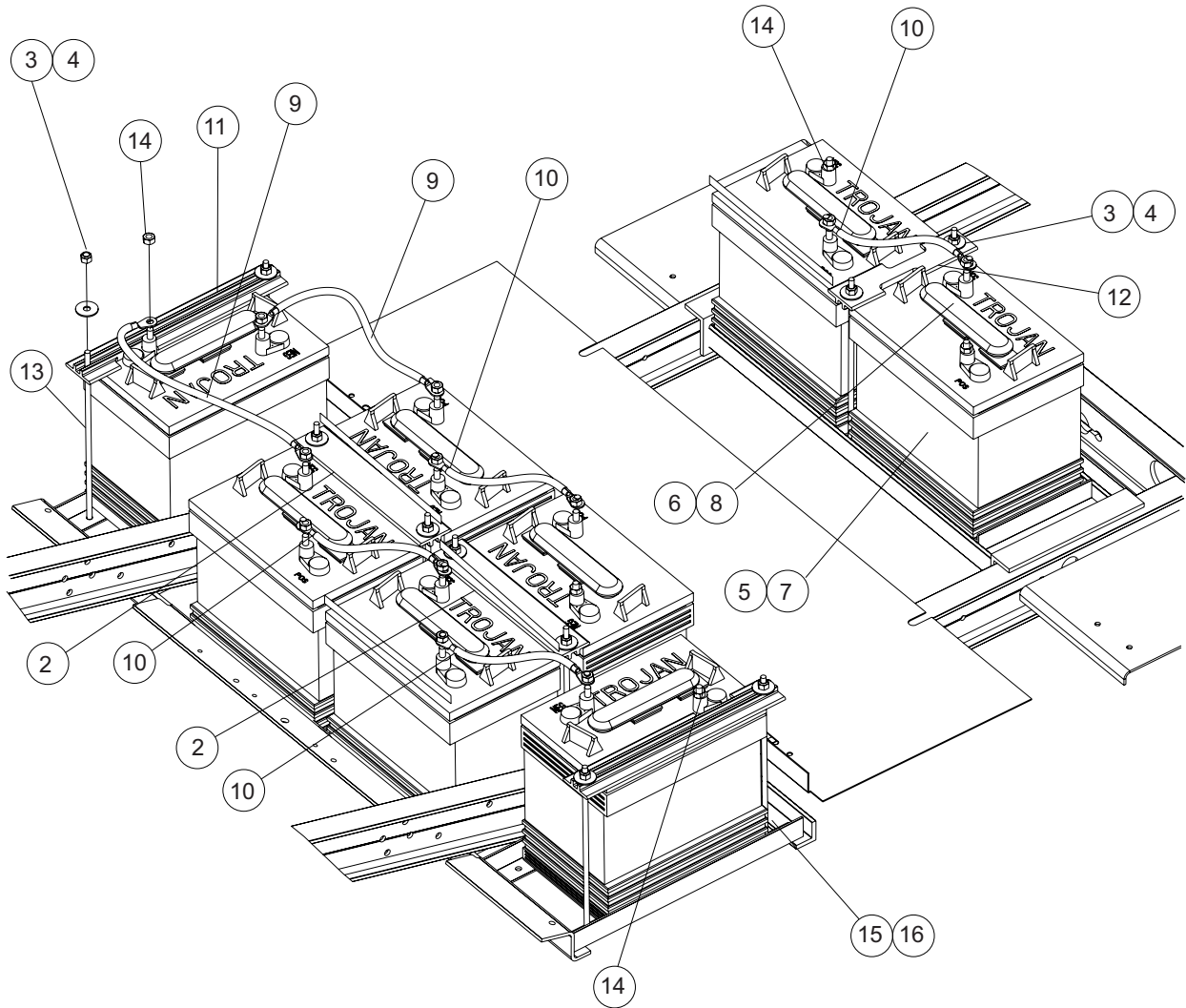
000408-002

# BATTERIES – VILLAGER 8 IQ PLUS WITH T-145 BATTERIES

ITEM	PART NO.	DESCRIPTION	QTY
		1 2 3 4	
1	N/A	Installation, Battery, T-145 Villager 6 and 8 (includes items 2 through 16) .....	1
2	<u>101090801</u>	Hold-Down, Battery .....	2
3	<u>1011578</u>	Washer, 5/16 Type B Flat .....	12
4	1015072	Locknut, 5/16-18 Nylon Insert .....	12
5	<u>102002801</u>	Wire Assy, #4 Black .....	2
6	<u>102002901</u>	Wire Assy, #4 Black .....	3
7	<u>102764401</u>	Battery, 6v Trojan T145 (wet) (includes item 8) .....	8
8	<u>101831401</u>	Battery Cap 6 Volt .....	1
9	<u>102764402</u>	Battery, 6v Trojan T145 (Dry, also known as moist) (includes item 10) .....	8
10	<u>101831401</u>	Battery Cap 6 Volt .....	1
11	<u>102766201</u>	Hold Down, Outside .....	4
12	<u>102845204</u>	Rod, Battery Hold Down 12" .....	12
13	<u>102873401</u>	5/16-18 Heavy Hex Nut .....	16
14	<u>102980801</u>	Extr, Plastic, 1 X 1 X 3 .....	4
15	<u>102980901</u>	Clamp, Hose, Nylon, .25 .....	4
16	<u>103198201</u>	Asm, #4 Blk Wire, 42" .....	1

13

E



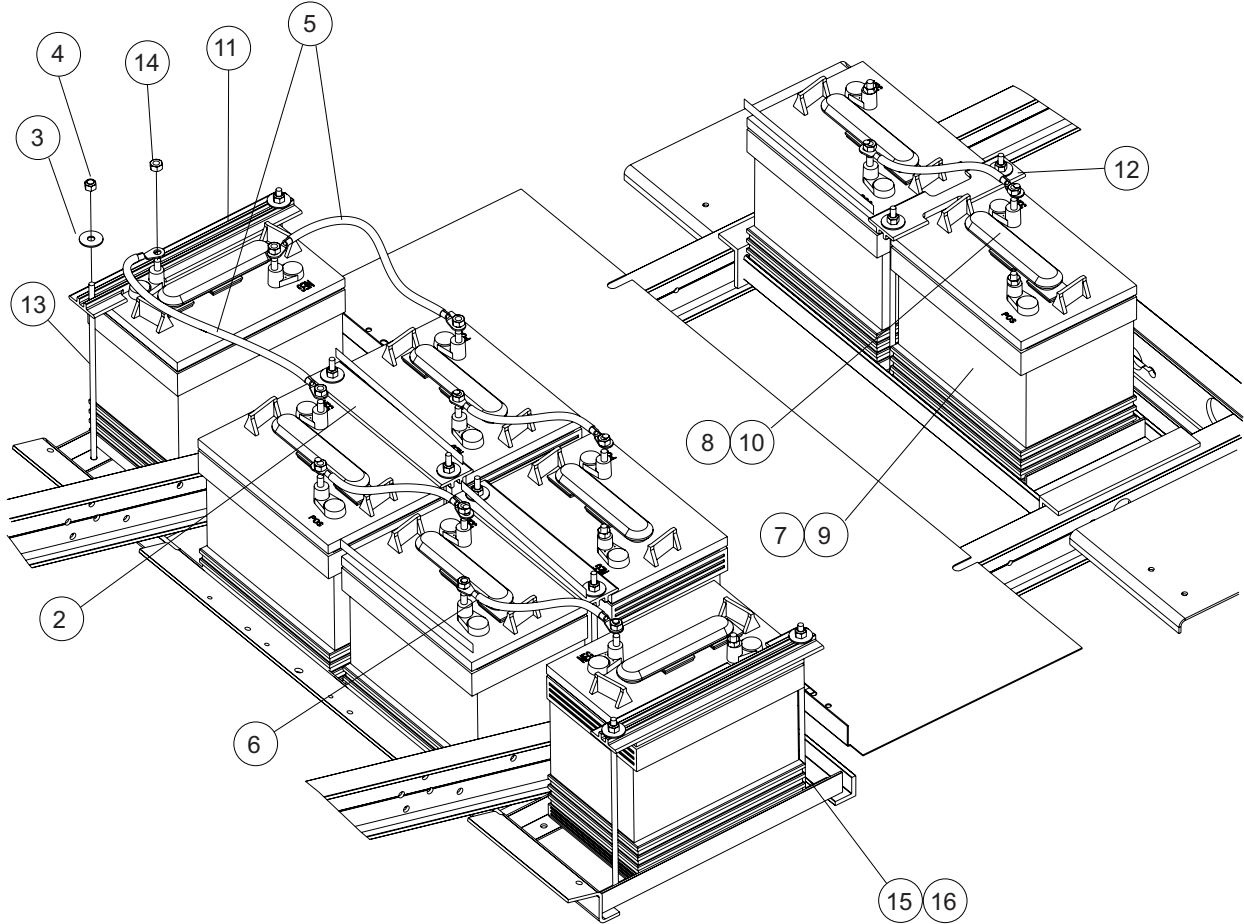
000410-001

# BATTERIES – TRANSPORTER IQ PLUS WITH T-105 BATTERIES

ITEM	PART NO.	DESCRIPTION	QTY
		1 2 3 4	
1	N/A	Battery Install, Stretch IQ Plus w/T-105 Batteries (includes items 2 through 16) .....	1
2	<u>101090801</u>	Hold-Down, Battery .....	2
3	1012571	Washer, 5/16 Extra Thick Flat .....	10
4	1015072	Locknut, 5/16-18 Nylon Insert .....	10
5	<u>101661601</u>	Battery, 6v Trojan T105 (Wet) (includes item 6) .....	8
6	<u>101831401</u>	Battery Cap 6 Volt .....	1
7	<u>101661602</u>	Battery, 6v Trojan T105 (Dry, also known as moist) (includes item 8) .....	8
8	<u>101831401</u>	Battery Cap 6 Volt .....	1
9	<u>102002801</u>	Wire Assy, #4 Black .....	2
10	<u>102002901</u>	Wire Assy, #4 Black .....	4
11	<u>102766201</u>	Hold Down, Outside .....	2
12	<u>102830301</u>	Hold Down, Front Center .....	1
13	<u>102845203</u>	Rod, Battery Hold Down 10.7" .....	10
14	<u>102873401</u>	5/16-18 Heavy Hex Nut .....	16
15	<u>102980801</u>	Extr, Plastic, 1 X 1 X 3 .....	2
16	<u>102980901</u>	Clamp, Hose, Nylon, .25 .....	2

**13**

**E**



000410-002



# BATTERIES – TRANSPORTER IQ PLUS WITH T-145 BATTERIES

ITEM	PART NO.	DESCRIPTION	QTY
		1 2 3 4	
1	N/A	Battery Install, Stretch IQ Plus w/T-145 Batteries (includes items 2 through 16) .....	1
2	<u>101090801</u>	Hold-Down, Battery .....	2
3	1012571	Washer, 5/16 Extra Thick Flat .....	10
4	1015072	Locknut, 5/16-18 Nylon Insert .....	10
5	<u>102002801</u>	Wire Assy, #4 Black .....	2
6	<u>102002901</u>	Wire Assy, #4 Black .....	4
7	<u>102764401</u>	Battery, 6v Trojan T145 (wet) (includes item 8) .....	8
8	<u>101831401</u>	Battery Cap 6 Volt .....	1
9	<u>102764402</u>	Battery, 6v Trojan T145 (Dry, also known as moist) (includes item 10) .....	8
10	<u>101831401</u>	Battery Cap 6 Volt .....	1
11	<u>102766201</u>	Hold Down, Outside .....	2
12	<u>102830301</u>	Hold Down, Front Center .....	1
13	<u>102845204</u>	Rod, Battery Hold Down 12" .....	12
14	<u>102873401</u>	5/16-18 Heavy Hex Nut .....	16
15	<u>102980801</u>	Extr, Plastic, 1 X 1 X 3 .....	2
16	<u>102980901</u>	Clamp, Hose, Nylon, .25 .....	2

13

E

13

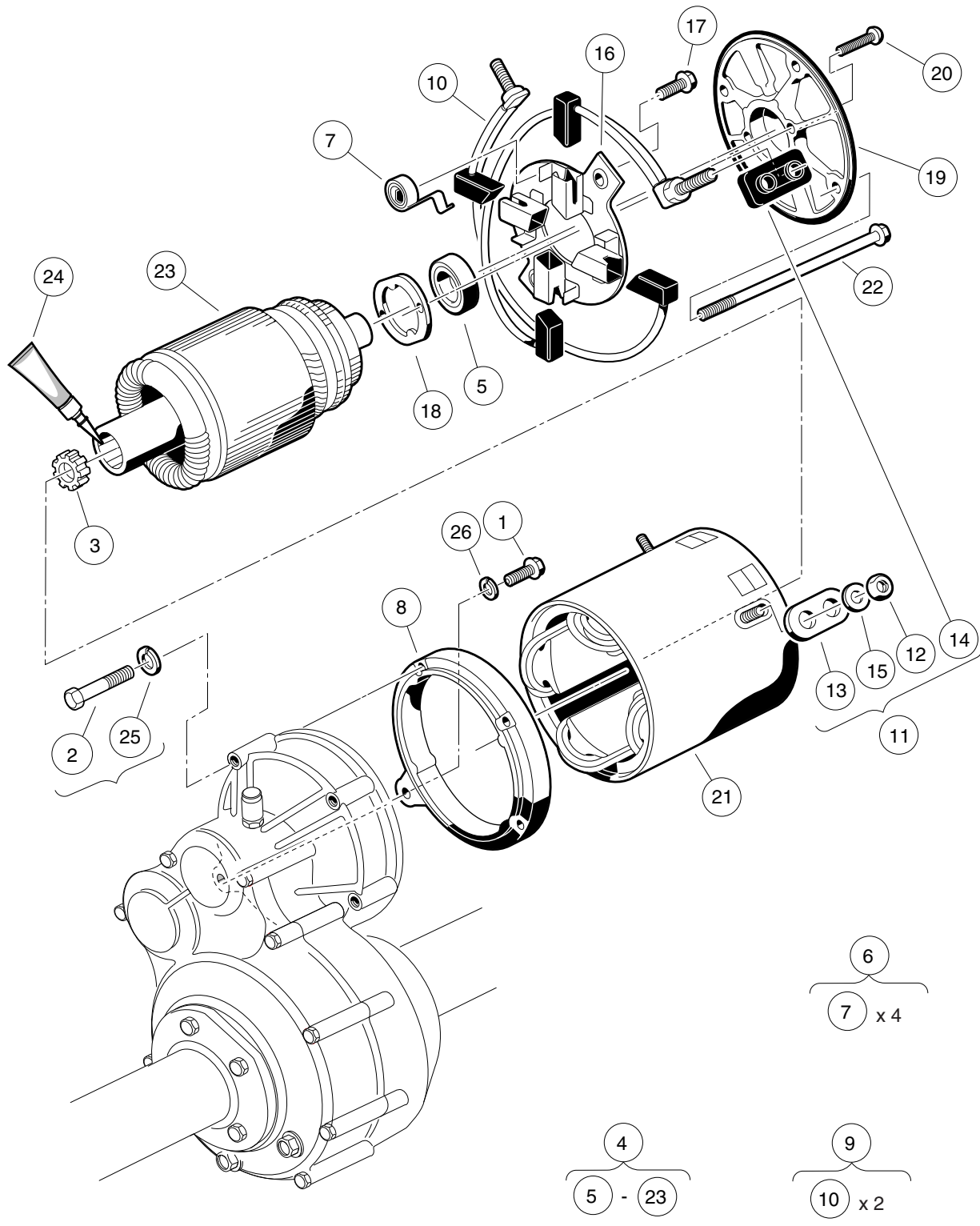
*E*

# ELECTRIC MOTOR

---

14

*E*



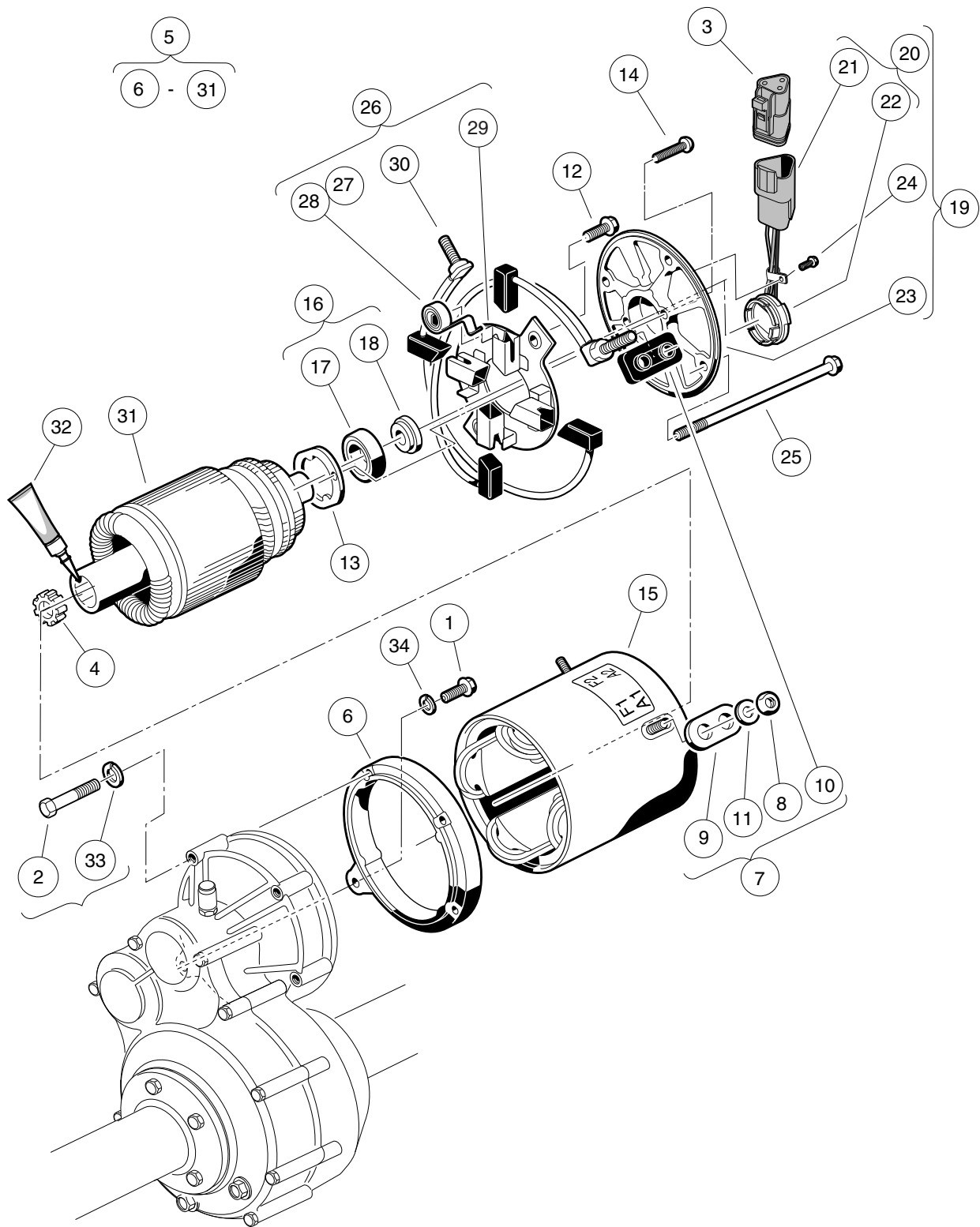
000350-001

## MOTOR (MODEL 5BC59JBS6360) – POWERDRIVE

ITEM	PART NO.	DESCRIPTION	QTY
		1 2 3 4	
1	<u>1010934</u>	Screw, 5/16-18 X 1.00 Hex Cap .....	1
2	1014201	Screw, 1/4-20 X 2.25 Hex Cap .....	3
3	<u>102235201</u>	Bumper, Drive Unit .....	1
4	102237701	Motor, 48-Volt Series, 3.10 hp (includes items 5 through 23) .....	1
5	<u>1011290</u>	Ball Bearing .....	1
6	1011411	Kit, Brush Spring (ge Motor) (includes item 7) .....	1
7	1011285	Brush Spring .....	4
8	<u>1017944</u>	End Shield .....	1
9	N/A	Brush Package (includes item 10) .....	1
10	N/A	Brush with Screw .....	2
11	<u>1017947</u>	Hardware Package (includes items 12 through 15) .....	1
12	<u>1011280</u>	Locknut, 5/16-18 .....	4
13	N/A	Insulator Bushing .....	2
14	N/A	Insulated Bushing .....	2
15	<u>1241</u>	Washer, 5/16 Type A Flat .....	4
16	<u>1017948</u>	Brush Rigging .....	1
17	<u>1017949</u>	Screw, #6-32 X 0.480 Hex-Head .....	2
18	<u>1017950</u>	Bearing Retainer .....	1
19	<u>1017951</u>	End Shield .....	1
20	<u>1017953</u>	Screw, Bearing Retainer .....	2
21	<u>1017958</u>	Stator Shell and Winding, 48-Volt, 3.15 hp .....	1
22	<u>1017961</u>	Clamp Screw .....	4
23	N/A	Armature, Series .....	1
24	<u>102243403</u>	Lubricant, Moly-Teflon (Single-Use Tube) .....	1
25	<u>451</u>	Lockwasher, 1/4 Split .....	3
26	<u>7174</u>	Lockwasher, 5/16 Split .....	1

14

E



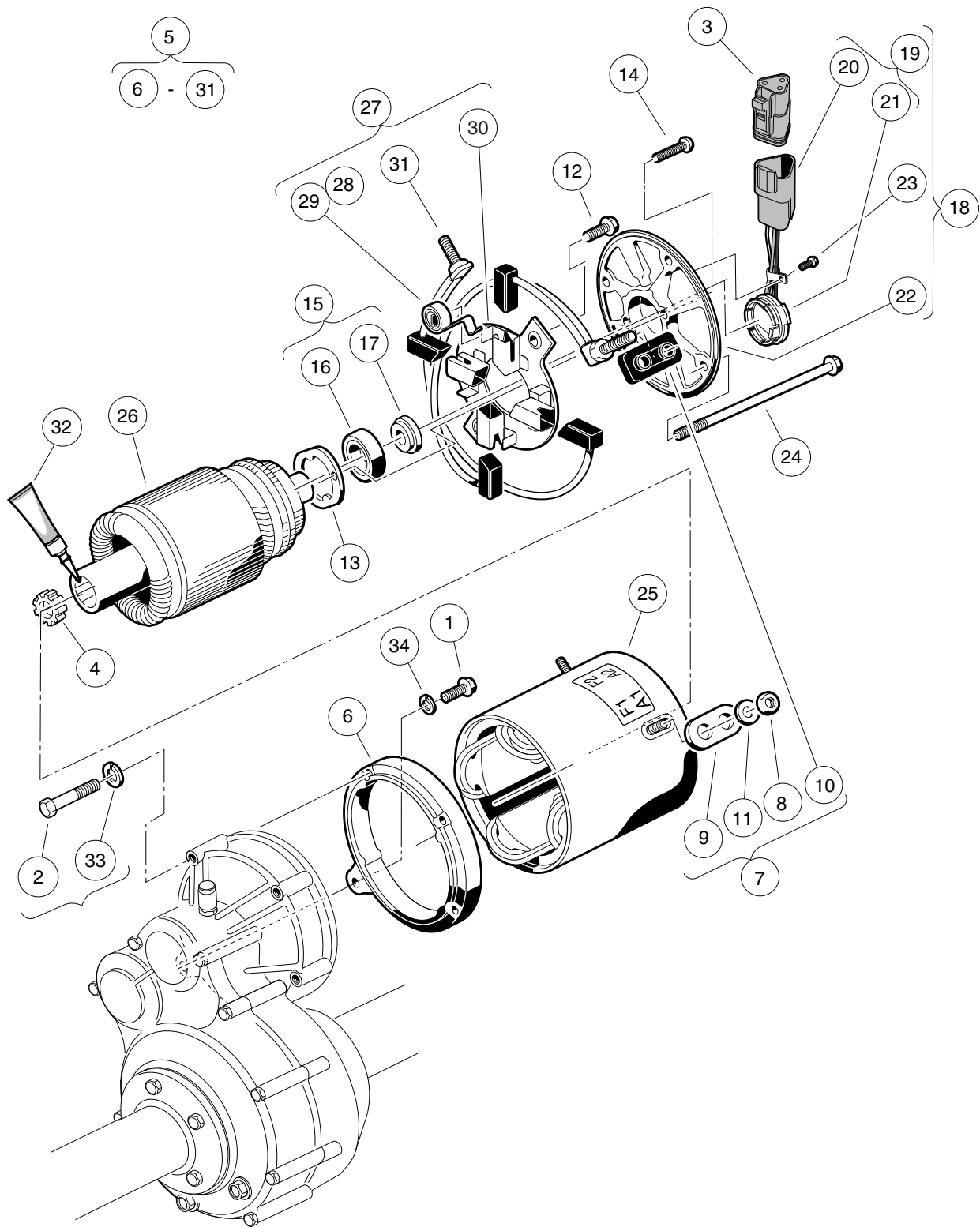
000349-001

# MOTOR (MODEL 5BC59JBS6365) – ELECTRIC VEHICLE

ITEM	PART NO.	DESCRIPTION	QTY
		1 2 3 4	
1	<u>1010934</u>	Screw, 5/16-18 X 1.00 Hex Cap .....	1
2	<u>1014201</u>	Screw, 1/4-20 X 2.25 Hex Cap .....	3
3	<u>101920101</u>	Kit, 3-Pin Wedge Lock .....	1
4	<u>102235201</u>	Bumper, Drive Unit .....	1
5	<u>102240102</u>	Motor, 48-Volt Shunt-Wound * (includes items 6 through 31) .....	1
6	<u>1017944</u>	End Shield .....	1
7	<u>1017947</u>	Hardware Package (includes items 8 through 11) .....	1
8	<u>1011280</u>	Locknut, 5/16-18 .....	4
9	N/A	Insulator Bushing .....	2
10	N/A	Insulated Bushing .....	2
11	<u>1241</u>	Washer, 5/16 Type A Flat .....	4
12	<u>1017949</u>	Screw, #6-32 X 0.480 Hex-Head .....	2
13	<u>1017950</u>	Bearing Retainer .....	1
14	<u>1017953</u>	Screw, Bearing Retainer .....	2
15	<u>102265501</u>	Stator Shell and Winding .....	1
16	<u>102265701</u>	Kit, Bearing and Magnet (includes items 17 and 18) .....	1
17	<u>1011290</u>	Ball Bearing .....	1
18	<u>102265801</u>	Magnet .....	1
19	<u>102265901</u>	Motor End Shield Asm (includes items 20 through 24) .....	1
20	<u>102265601</u>	Speed Sensor Assembly (includes items 21 and 22) .....	1
21	<u>101942301</u>	Kit, 3-Pin Wedge Lock .....	1
22	N/A	Sensor, Speed, without Connector .....	1
23	<u>102266001</u>	End Shield, Motor .....	1
24	<u>102267001</u>	Screw, #8-32 X 0.375 Hex-Head .....	1
25	<u>102266101</u>	Screw, #10 - 32 X 8.250 .....	4
26	<u>102327801</u>	Brush Assembly, Beveled (includes items 27 through 30) .....	1
27	<u>1011411</u>	Kit, Brush Spring (ge Motor) (includes item 28) .....	1
28	<u>1011285</u>	Brush Spring .....	4
29	<u>1017948</u>	Brush Rigging .....	1
30	<u>102251901</u>	Brush Kit, Motor .....	1
31	N/A	Armature .....	1
32	<u>102243403</u>	Lubricant, Moly-Teflon (Single-Use Tube) .....	1
33	<u>451</u>	Lockwasher, 1/4 Split .....	3
34	<u>7174</u>	Lockwasher, 5/16 Split .....	1
* Note: The model 5BC59JBS6365 motor has been discontinued. To replace the motor, use motor model EJ8-4001A.			

14

E



000349-002

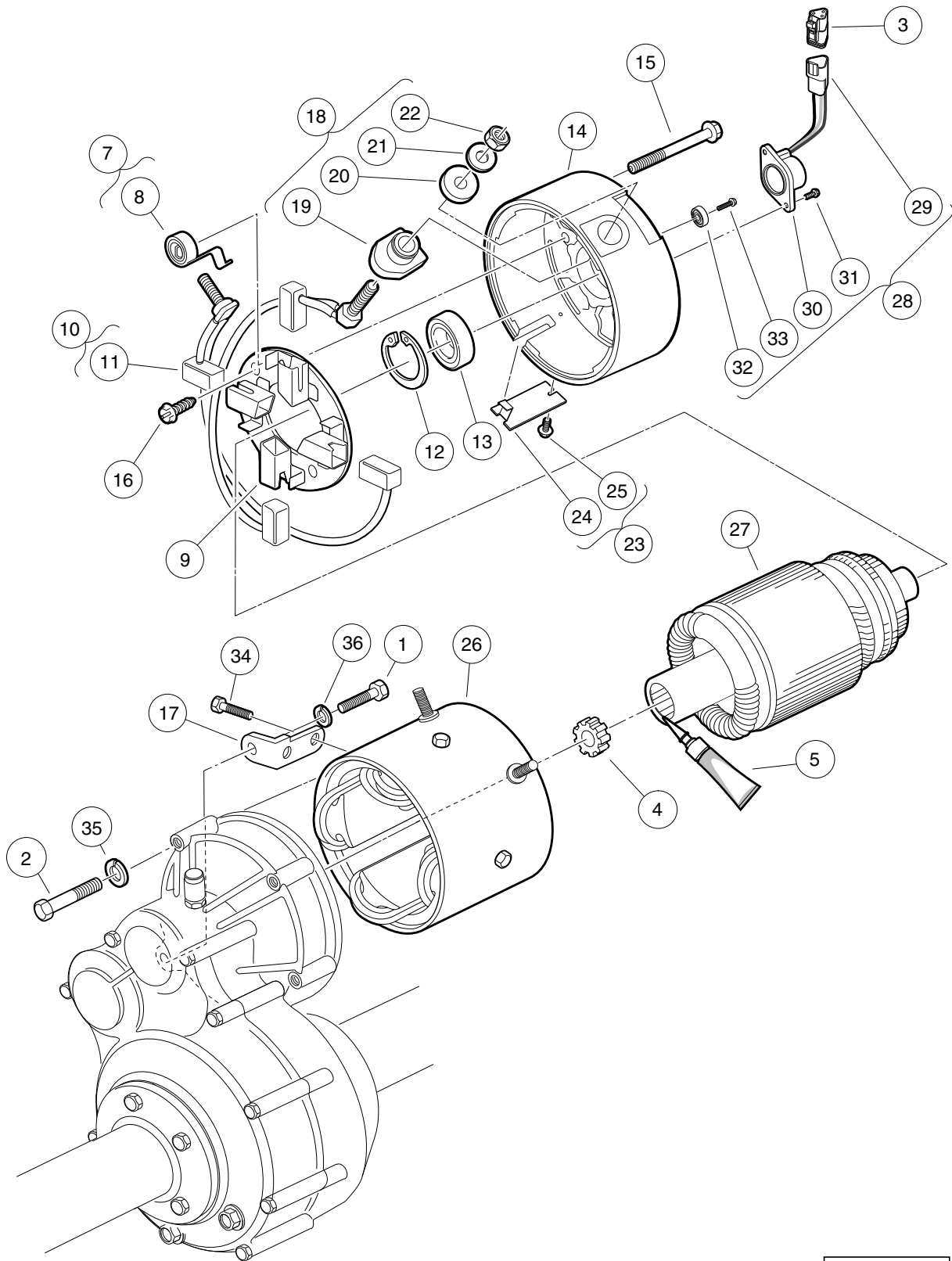


# MOTOR (MODEL 5BC59JBS6390) – ELECTRIC VEHICLE

ITEM	PART NO.	DESCRIPTION	QTY
		<b>1 2 3 4</b>	
1	<u>1010934</u>	Screw, 5/16-18 X 1.00 Hex Cap .....	1
2	<u>1014201</u>	Screw, 1/4-20 X 2.25 Hex Cap .....	3
3	<u>101920101</u>	Kit, 3-Pin Wedge Lock .....	1
4	<u>102235201</u>	Bumper, Drive Unit .....	1
5	<u>102240104</u>	Motor, 48-Volt Non-Skew IQ * (includes items 6 through 27) .....	1
6	<u>1017944</u>	End Shield .....	1
7	<u>1017947</u>	Hardware Package (includes items 8 through 11) .....	1
8	<u>1011280</u>	Locknut, 5/16-18 .....	4
9	N/A	Insulator Bushing .....	2
10	N/A	Insulated Bushing .....	2
11	<u>1241</u>	Washer, 5/16 Type A Flat .....	4
12	<u>1017949</u>	Screw, #6-32 X 0.480 Hex-Head .....	2
13	<u>1017950</u>	Bearing Retainer .....	1
14	<u>1017953</u>	Screw, Bearing Retainer .....	2
15	<u>102265701</u>	Kit, Bearing and Magnet (includes items 16 and 17) .....	1
16	<u>1011290</u>	Ball Bearing .....	1
17	<u>102265801</u>	Magnet .....	1
18	<u>102265901</u>	Motor End Shield Asm (includes items 19 through 23) .....	1
19	<u>102265601</u>	Speed Sensor Assembly (includes items 20 and 21) .....	1
20	<u>101942301</u>	Kit, 3-Pin Wedge Lock .....	1
21	N/A	Sensor, Speed, without Connector .....	1
22	<u>102266001</u>	End Shield, Motor .....	1
23	<u>102267001</u>	Screw, #8-32 X 0.375 Hex-Head .....	1
24	<u>102266101</u>	Screw, #10 - 32 X 8.250 .....	4
25	<u>103325701</u>	Stator Shell and Winding .....	1
26	<u>103325801</u>	Non Skew Armature .....	1
27	<u>103337601</u>	Brush Assembly, IQ Motor, Non-Skew (includes items 28 through 31) .....	1
28	<u>1011411</u>	Kit, Brush Spring (ge Motor) (includes item 29) .....	1
29	<u>1011285</u>	Brush Spring .....	4
30	<u>103325501</u>	Brush Rigging, Non-Skew Motor .....	1
31	<u>103325601</u>	Brush Set, Non-Skew .....	1
32	<u>102243403</u>	Lubricant, Moly-Teflon (Single-Use Tube) .....	1
33	<u>451</u>	Lockwasher, 1/4 Split .....	3
34	<u>7174</u>	Lockwasher, 5/16 Split .....	1
* Note: The model 5BC59JBS6390 motor has been discontinued. To replace the motor, use motor model EJ8-4001A.			

14

E



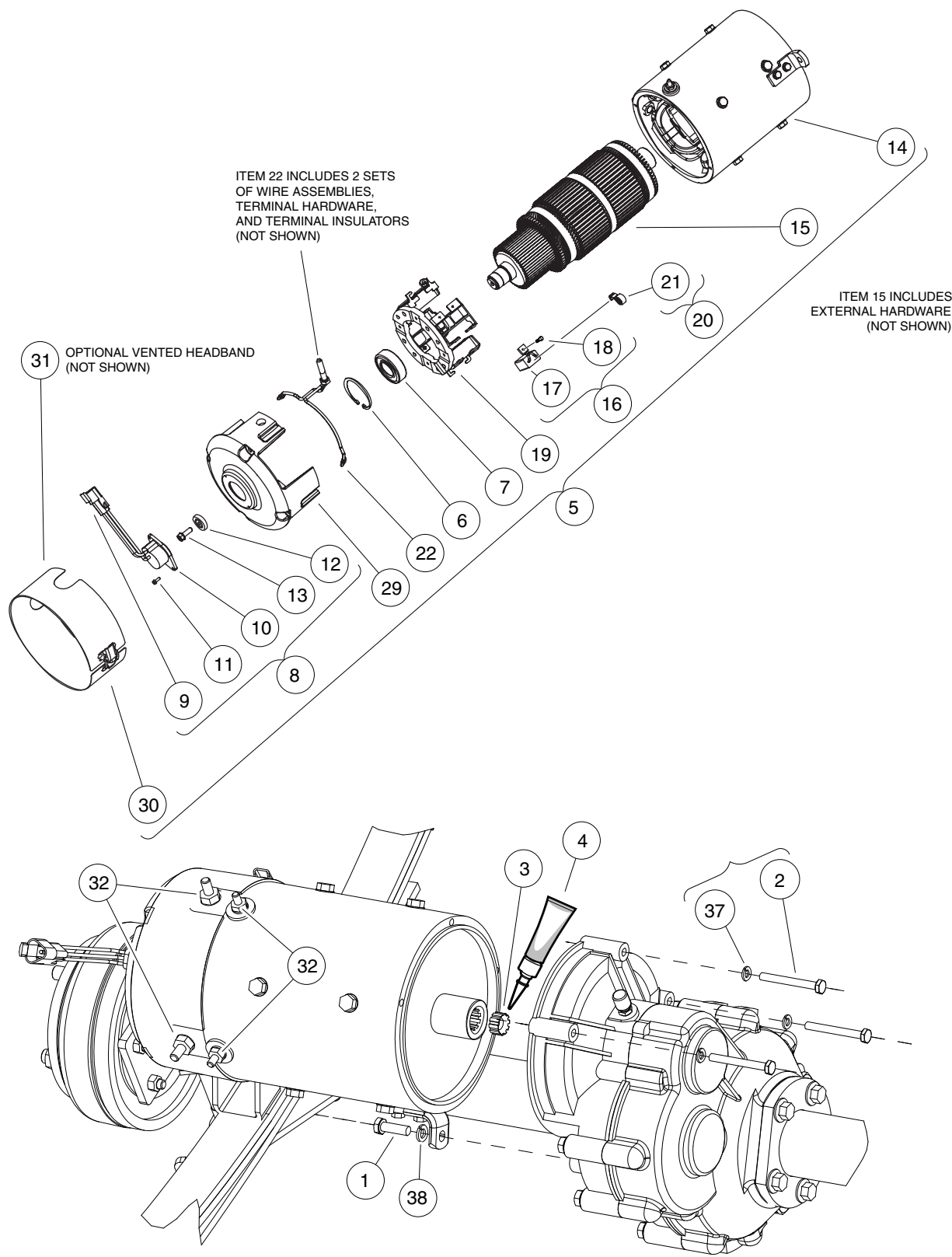
000185-001

# MOTOR (MODEL EJ4-4001) – ELECTRIC VEHICLE

ITEM	PART NO.	DESCRIPTION	QTY
		<b>1 2 3 4</b>	
1	<u>1010934</u>	Screw, 5/16-18 X 1.00 Hex Cap .....	1
2	<u>1014201</u>	Screw, 1/4-20 X 2.25 Hex Cap .....	3
3	<u>101920101</u>	Kit, 3-Pin Wedge Lock .....	1
4	<u>102235201</u>	Bumper, Drive Unit .....	1
5	<u>102243403</u>	Lubricant, Moly-Teflon (Single-Use Tube) .....	1
6	<u>102705001</u>	IQ Electric Motor, 48-VDC 3.3 hp * (includes items 7 through 34) .....	1
7	<u>102186001</u>	Spring Kit, Motor Brush (includes item 8) .....	1
8	N/A	Spring, Brush, S-g .....	4
9	<u>102186101</u>	Brush Box Assembly .....	1
10	<u>102186201</u>	Brush Kit, Motor (includes item 11) .....	1
11	N/A	Assembly, Brush and Terminal .....	2
12	<u>102186301</u>	Ring, 2.24" Internal Retaining .....	1
13	<u>102186401</u>	Bearing, Ball .....	1
14	<u>102186701</u>	End Cap, Motor .....	1
15	N/A	Screw, 1/4-20 X 2.25 Hex-Head Washer .....	2
16	<u>102186901</u>	Screw, #8-32 X .5 Hex-Head .....	2
17	<u>102187001</u>	L-Bracket, Motor .....	1
18	<u>102187101</u>	Hardware Kit, Motor Terminal (includes items 19 through 22) .....	2
19	N/A	Bushing, Nylon .....	2
20	N/A	Washer, Nylon Flat .....	2
21	N/A	Washer, Flat, 5/16 Steel .....	2
22	N/A	Nut, Brass Hex, 5/16 - 18 .....	2
23	<u>102187201</u>	Plate Kit, Motor Cover (includes items 24 and 25) .....	1
24	N/A	Assembly, Cover Plate .....	1
25	N/A	Screw, #8-32 x 0.375, Taptite Thread .....	1
26	<u>102704701</u>	Frame and Field Assembly .....	1
27	<u>102704801</u>	Armature Assembly .....	1
28	<u>102704901</u>	Kit, Speed Sensor (includes items 29 through 33) .....	1
29	<u>101942301</u>	Kit, 3-Pin Wedge Lock .....	1
30	N/A	Sensor, Motor Speed, ADC .....	1
31	N/A	Screw, #8-32, Taptite Thread .....	2
32	N/A	Magnet, ADC Motor .....	1
33	N/A	Screw, 1/4-20 x 0.5 .....	1
34	N/A	Bolt, 1/4 - 20 x 0.73 Thread-Forming .....	2
35	<u>451</u>	Lockwasher, 1/4 Split .....	3
36	<u>7174</u>	Lockwasher, 5/16 Split .....	1
* Note: The model EJ4-4001 motor has been discontinued. To replace the motor, use motor model EJ8-4001A.			

14

E



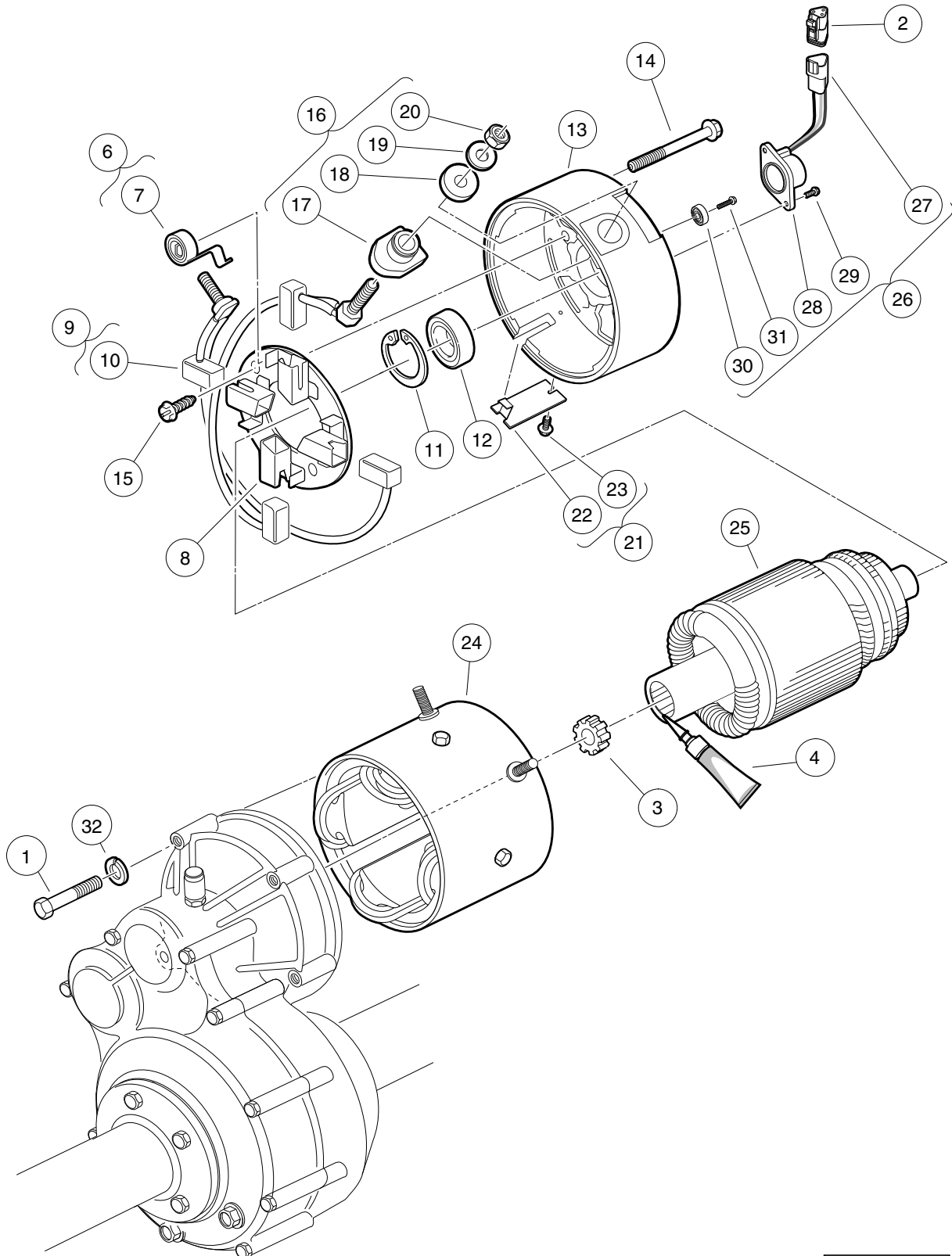
000411-001

# MOTOR (MODEL DA5-4006) – IQ PLUS

ITEM	PART NO.	DESCRIPTION	QTY
		<b>1 2 3 4</b>	
1	<u>1010934</u>	Screw, 5/16-18 X 1.00 Hex Cap .....	1
2	1014201	Screw, 1/4-20 X 2.25 Hex Cap .....	3
3	<u>102235201</u>	Bumper, Drive Unit .....	1
4	<u>102243403</u>	Lubricant, Moly-Teflon (Single-Use Tube) .....	1
5	<u>102775101</u>	IQ Plus Electric Motor, 48-VDC 3.7 hp (includes items 6 through 30) .....	1
6	<u>102186301</u>	Ring, 2.24" Internal Retaining .....	1
7	<u>102186401</u>	Bearing, Ball .....	1
8	<u>102704901</u>	Kit, Speed Sensor (includes items 9 through 13) .....	1
9	<u>101942301</u>	Kit, 3-Pin Wedge Lock .....	1
10	N/A	Sensor, Motor Speed, ADC .....	1
11	N/A	Screw, #8-32, Taptite Thread .....	2
12	N/A	Magnet, ADC Motor .....	1
13	N/A	Screw, 1/4-20 x 0.5 .....	1
14	N/A	Asm, Frame And Field, 3.7 Hp .....	1
15	N/A	Armature (Includes external hardware - not shown) .....	1
16	<u>102938601</u>	Kit, Brush, 3.7 Hp (includes items 17 and 18) .....	1
17	N/A	Brush, Motor .....	8
18	N/A	Screw, Taptite .....	8
19	<u>102938701</u>	Asm, Brush Box, 3.7 Hp .....	1
20	<u>102938801</u>	Kit, Brush Spring, 3.7 Hp (includes item 21) .....	1
21	N/A	Brush Spring .....	8
22	<u>102938901</u>	Kit, Brush Lead Asm, 3.7 Hp (includes items 23 through 28) .....	1
23	N/A	Terminal and Lead Assembly .....	2
24	N/A	Insulator, Terminal .....	2
25	N/A	Washer, Insulating .....	2
26	N/A	Washer, Flat, 5/16, Brass/Bronze .....	2
27	N/A	Nut, 5/16, Steel .....	4
28	N/A	Lockwasher, 5/16, Steel .....	2
29	<u>102939001</u>	Commutator End Head, 3.7 Hp .....	1
30	<u>102939101</u>	Sealed Headband, 3.7 Hp .....	1
31	<u>102939102</u>	Vented Headband, 3.7 HP (optional - not shown) .....	1
32	<u>102951701</u>	Pkg, Terminal Hardware, 3.7hp (includes items 33 through 36) .....	1
33	N/A	Nut, 5/16, Steel .....	2
34	N/A	Lockwasher, 5/16, Steel .....	2
35	N/A	Nut, 1/4-20, Steel .....	2
36	N/A	Lockwasher, 1/4-20, Steel .....	2
37	<u>451</u>	Lockwasher, 1/4 Split .....	3
38	<u>7174</u>	Lockwasher, 5/16 Split .....	1

14

E



000185-002

## MOTOR (MODEL EJ8-4001A) – ELECTRIC VEHICLE

ITEM	PART NO.	DESCRIPTION	QTY
		1 2 3 4	
1	1014201	Screw, 1/4-20 X 2.25 Hex Cap .....	3
2	<u>101920101</u>	Kit, 3-Pin Wedge Lock .....	1
3	<u>102235201</u>	Bumper, Drive Unit .....	1
4	<u>102243403</u>	Lubricant, Moly-Teflon (Single-Use Tube) .....	1
5	N/A	IQ Electric Motor, 48-VDC 3.3 hp (includes items 6 through 26) .....	1
6	<u>102186001</u>	Spring Kit, Motor Brush (includes item 7) .....	1
7	N/A	Spring, Brush, S-g .....	4
8	<u>102186101</u>	Brush Box Assembly .....	1
9	<u>102186201</u>	Brush Kit, Motor (includes item 10) .....	1
10	N/A	Assembly, Brush and Terminal .....	2
11	<u>102186301</u>	Ring, 2.24" Internal Retaining .....	1
12	<u>102186401</u>	Bearing, Ball .....	1
13	<u>102186701</u>	End Cap, Motor .....	1
14	N/A	Screw, 1/4-20 X 2.25 Hex-Head Washer .....	2
15	<u>102186901</u>	Screw, #8-32 X .5 Hex-Head .....	2
16	<u>102187101</u>	Hardware Kit, Motor Terminal (includes items 17 through 20) .....	2
17	N/A	Bushing, Nylon .....	2
18	N/A	Washer, Nylon Flat .....	2
19	N/A	Washer, Flat, 5/16 Steel .....	2
20	N/A	Nut, Brass Hex, 5/16 - 18 .....	2
21	<u>102187201</u>	Plate Kit, Motor Cover (includes items 22 and 23) .....	1
22	N/A	Assembly, Cover Plate .....	1
23	N/A	Screw, #8-32 x 0.375, Taptite Thread .....	1
24	<u>102704701</u>	Frame and Field Assembly .....	1
25	<u>102704801</u>	Armature Assembly .....	1
26	<u>102704901</u>	Kit, Speed Sensor (includes items 27 through 31) .....	1
27	<u>101942301</u>	Kit, 3-Pin Wedge Lock .....	1
28	N/A	Sensor, Motor Speed, ADC .....	1
29	N/A	Screw, #8-32, Taptite Thread .....	2
30	N/A	Magnet, ADC Motor .....	1
31	N/A	Screw, 1/4-20 x 0.5 .....	1
32	<u>451</u>	Lockwasher, 1/4 Split .....	3

14

E

**14**

***E***



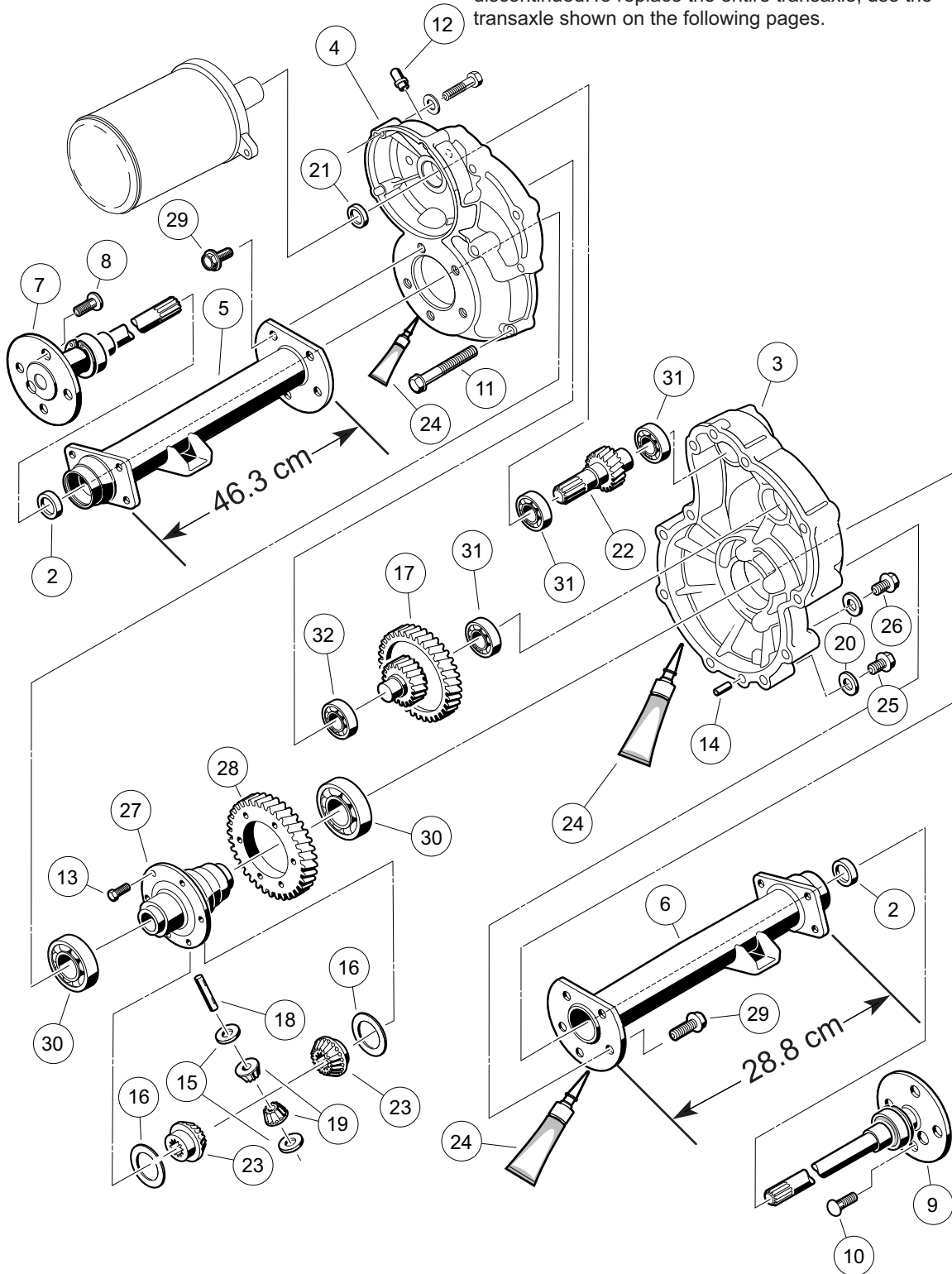
# TRANSAXLES – ELECTRIC VEHICLES

---

15

*E*

Note: This transaxle (as a complete unit) has been discontinued. To replace the entire transaxle, use the transaxle shown on the following pages.



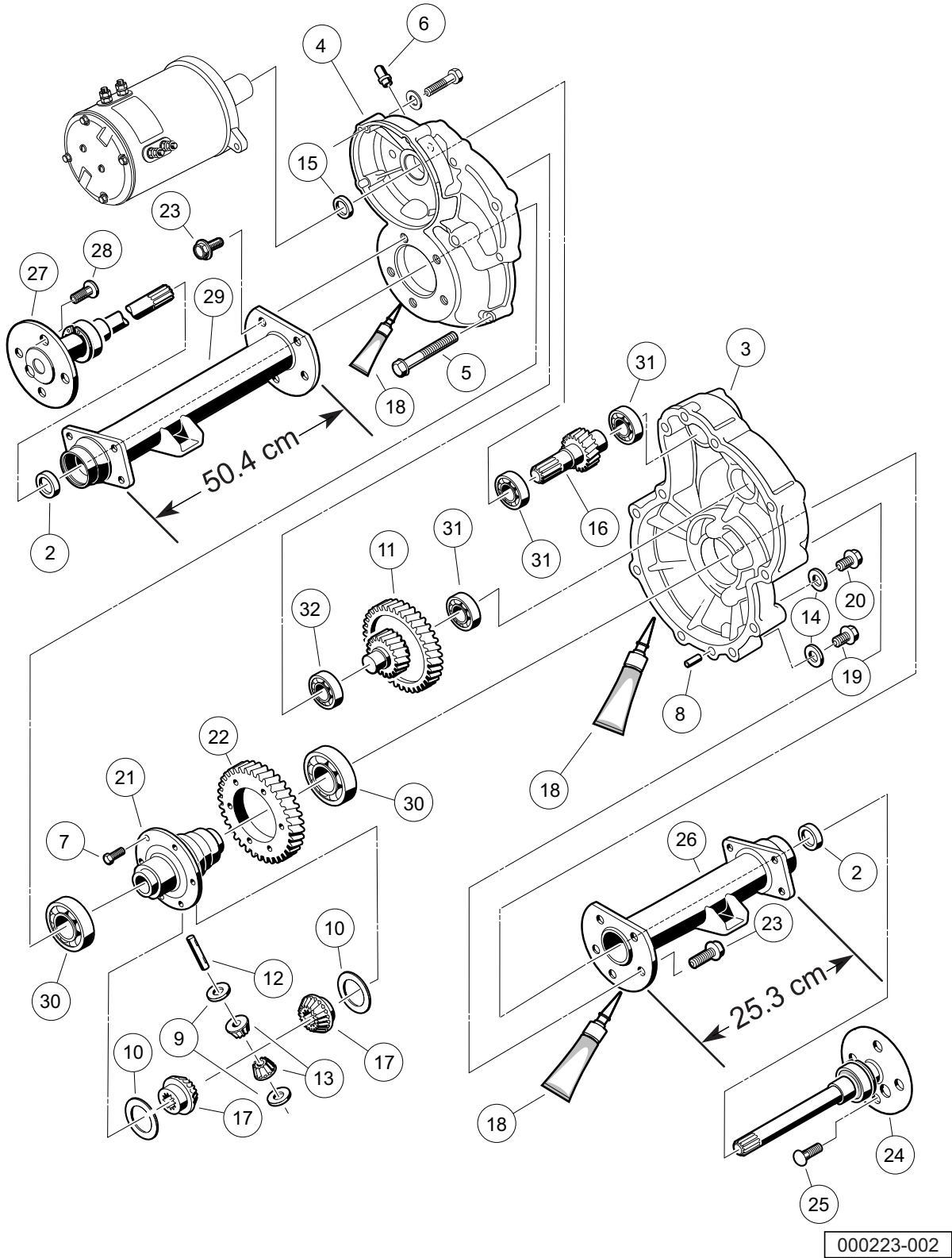
000223-001

## TRANSAXLE – ELECTRIC VEHICLES (EARLIER VERSION)

ITEM	PART NO.	DESCRIPTION	QTY
1	<u>101896001</u>	<p>1 2 3 4                      Transaxle -12.3 .....</p> <p>Note: If either the Differential Output Gear (item 28) or the Differential Housing (item 27) require replacement, both must be purchased at the same time. Items 27 and 28 are replacements for all gear and differential housing combinations in this transaxle.</p>	1

15

E



000223-002

## TRANSAXLE – ELECTRIC VEHICLES (LATER STYLE)

ITEM	PART NO.	DESCRIPTION	QTY
		1 2 3 4	
1	<u>102771701</u>	Transaxle, Electric (includes items 2 through 32) .....	1
2	<u>1013794</u>	Axle Shaft Oil Seal .....	2
3	<u>101895401</u>	Gear Case, Left-Hand .....	1
4	<u>101895501</u>	Gear Case, Passenger-Side .....	1
5	<u>101897001</u>	Screw, M8-1.25 X 60mm Hex-Head .....	11
6	<u>101897201</u>	Breather .....	1
7	<u>101897401</u>	Screw, M10-1.25 X 25mm .....	6
8	<u>101897601</u>	Pin, 11mm OD X 8.5mm ID X 10mm .....	2
9	<u>101903601</u>	Washer, Thrust .....	2
10	<u>101903701</u>	Washer, Thrust .....	2
11	<u>101906901</u>	Intermediate Shaft Assembly .....	1
12	<u>101922101</u>	Pin, 15.99mm X 88.7mm Dowel .....	1
13	<u>101923001</u>	Gear, Differential Idler .....	2
14	<u>101923201</u>	Gasket .....	2
15	<u>101923501</u>	Seal, Lip .....	1
16	<u>101923701</u>	Shaft, Input .....	1
17	<u>101923901</u>	Gear, Differential .....	2
18	<u>101928701</u>	Liquid Gasket (Transaxle case) .....	1
19	<u>101972101</u>	Plug, M14-1.5 X 12mm Magnetic .....	1
20	<u>101972201</u>	Plug, M14-1.5 X 12mm Hex .....	1
21	<u>102356601</u>	Housing, Differential, 6 Bolt .....	1
22	<u>102356801</u>	Gear, Differential Output, 6-Bolt .....	1
23	<u>102357001</u>	Screw, Flg Hd M10 X 1.5 X 30 .....	10
24	<u>102886301</u>	Axle Assembly, Driver-Side (includes item 25) .....	1
25	<u>101922201</u>	Lug Stud .....	4
26	<u>102886401</u>	Tube, Axle, Driver-Side .....	1
27	<u>102886501</u>	Axle Assembly, Passenger-Side (includes item 28) .....	1
28	<u>101922201</u>	Lug Stud .....	4
29	<u>102886601</u>	Tube, Axle, Passenger-Side .....	1
30	<u>7330</u>	Inner Axle Tube Bearing .....	2
31	<u>7335</u>	Bearing .....	3
32	<u>7336</u>	Bearing .....	1

15

E

**15**

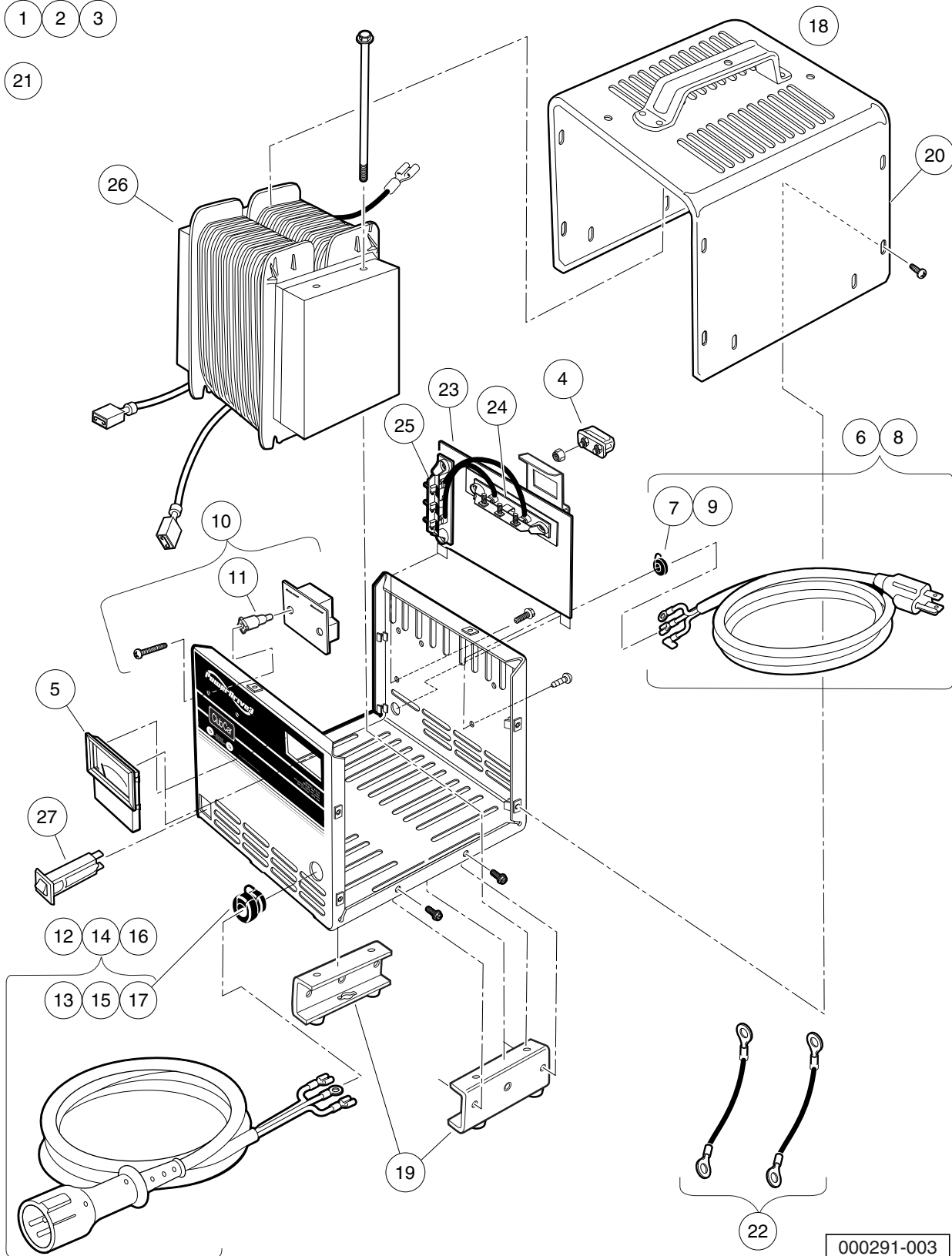
***E***

# BATTERY CHARGER

---

16

*E*



000291-003

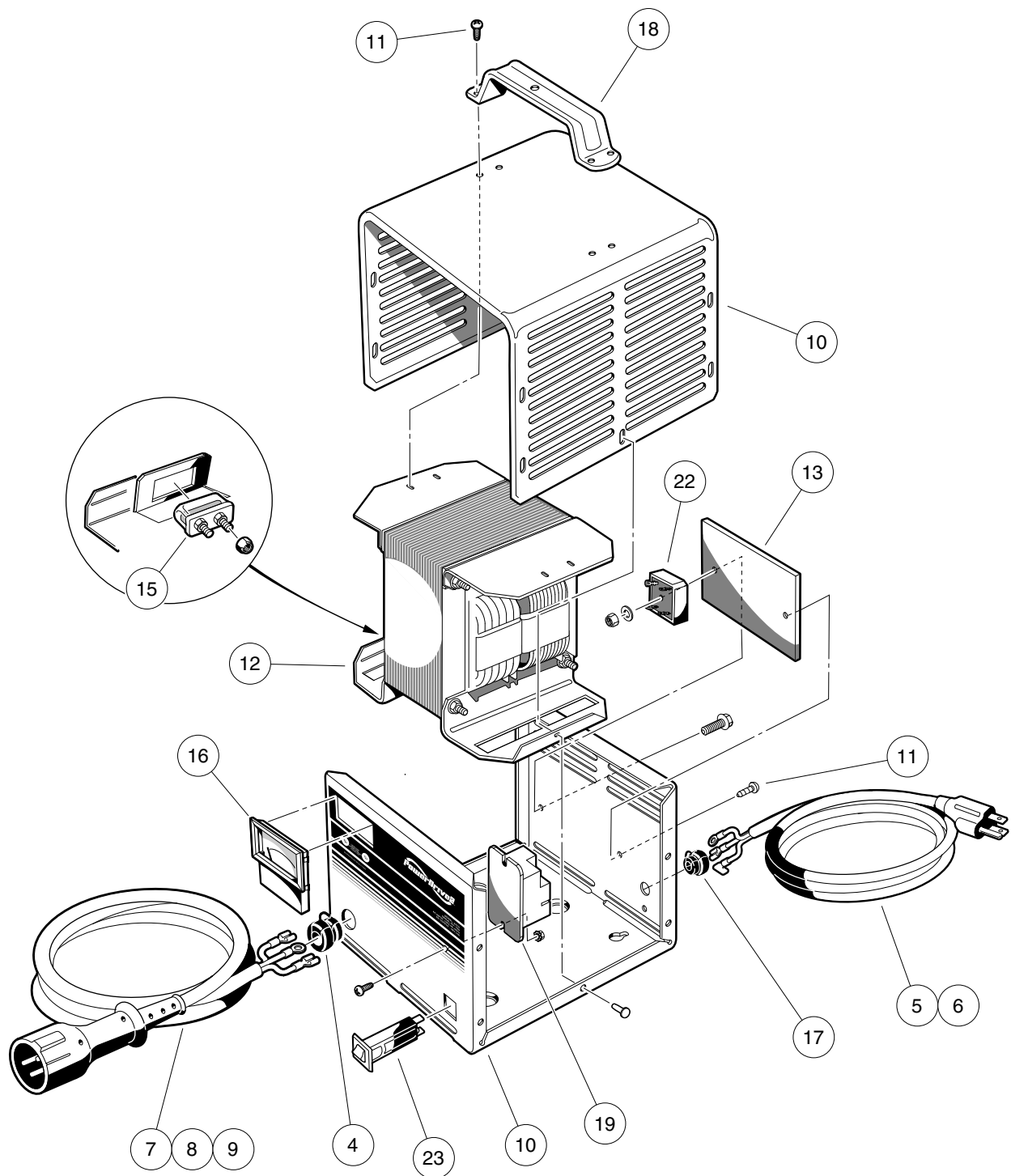


# POWERDRIVE 3 BATTERY CHARGER, DOMESTIC

ITEM	PART NO.	DESCRIPTION	QTY
		1 2 3 4	
1	<u>103717001</u>	Chgr, Pd3 Stnry, 9Dc6'Ac' .....	1
2	<u>103717002</u>	Chgr, Pd3 Stnry, 12Dc9'Ac' .....	1
3	<u>103717003</u>	Chgr, Pd3 Stnry, 20Dc9'Ac'(includes items 4 through 27) .....	1
4	<u>102273701</u>	PD2 Fuse Asm .....	1
5	<u>102273801</u>	PD2 Ammeter .....	1
6	<u>103428501</u>	Kit, PD3 Cordset - AC 80" (includes item 7) .....	1
7	<u>102273901</u>	PD2 AC Cord Bushing .....	1
8	<u>103428601</u>	Kit, PD3 Cordset, - AC 114" (includes item 9) .....	1
9	<u>102273901</u>	PD2 AC Cord Bushing .....	1
10	<u>103428701</u>	Asm, PD3 Board Relay (includes item 11) .....	1
11	<u>103429701</u>	PD3 Plastic Stand-Offs .....	2
12	<u>103429001</u>	PD3 Cordset - DC 113" (includes item 13) .....	1
13	<u>1012098</u>	Bushing, DC Cord .....	1
14	<u>103429101</u>	PD3 Cordset - DC 154" (includes item 15) .....	1
15	<u>1012098</u>	Bushing, DC Cord .....	1
16	<u>103429201</u>	PD3 Cordset - DC 205" (includes item 17) .....	1
17	<u>1012098</u>	Bushing, DC Cord .....	1
18	<u>103429301</u>	Asm, PD3 Case (includes items 19 and 20) .....	1
19	<u>103434001</u>	Asm, PD3 Legs .....	1
20	<u>103439901</u>	PD3Case Top (Includes Handle) .....	1
21	<u>103429501</u>	Kit, PD3 Hardware .....	1
22	<u>103513001</u>	Wire Asm Kit Blk Pd3 .....	1
23	<u>103517401</u>	Kit Pd3 Button Diode (includes items 24 and 25) .....	1
24	<u>103512801</u>	Asm Diode Top .....	1
25	<u>103512901</u>	Asm Diode Side .....	1
26	<u>103779601</u>	Transformer, Pd3, Al .....	1
27	<u>CCX8506</u>	Circuit Breaker, 15-Amp/120-Volt .....	1

16

E



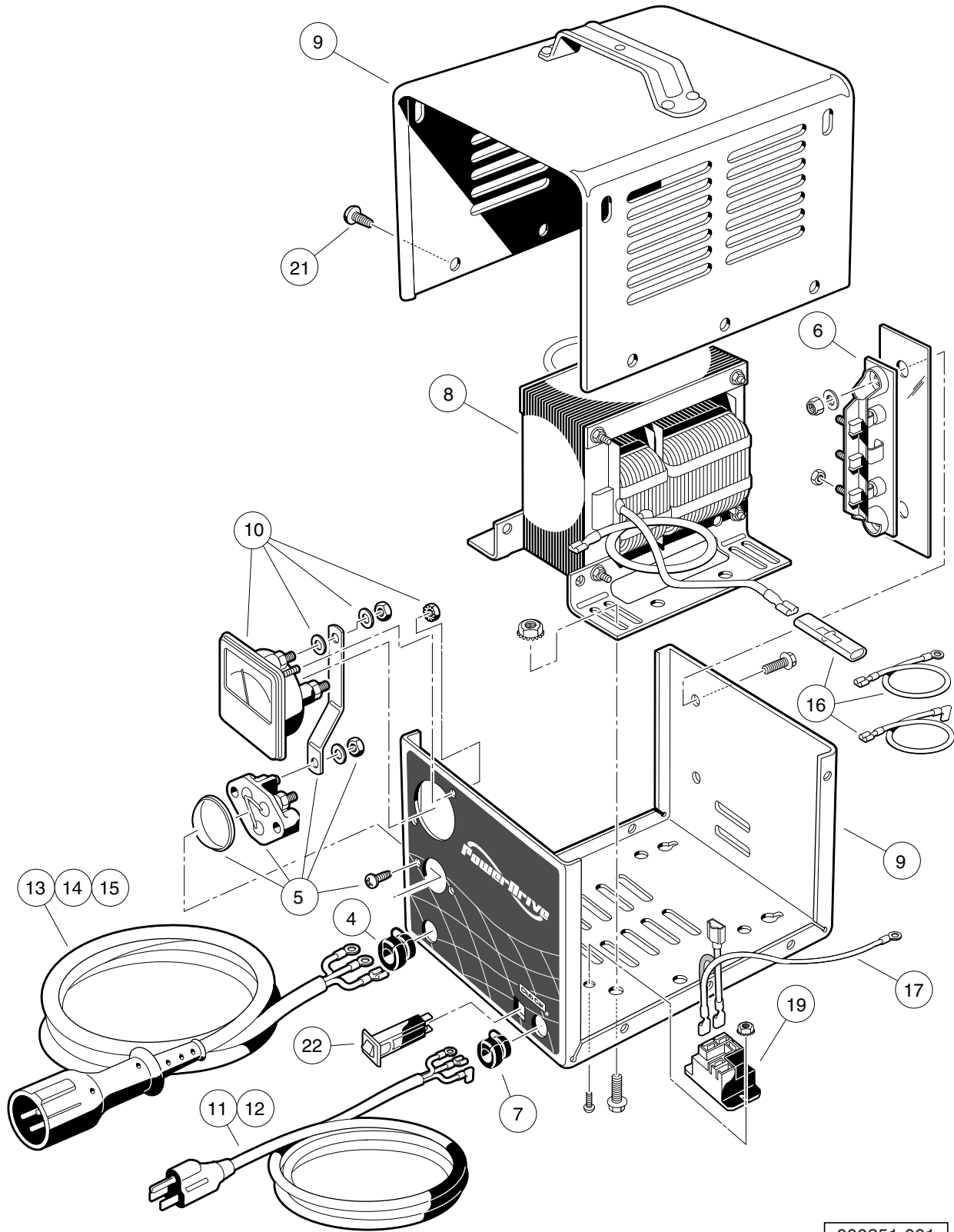
000291-001

# POWERDRIVE 2 BATTERY CHARGER (MODEL 22110), DOMESTIC

ITEM	PART NO.	DESCRIPTION	QTY
		<b>1 2 3 4</b>	
1	<u>101802204</u>	48-V/13-A PowerDrive 2 (9-ft. DC, 6-ft. AC) .....	1
2	<u>101802205</u>	48-V/13-A PowerDrive 2 (12-ft. DC, 9-ft. AC) .....	1
3	<u>101802206</u>	48-V/13-A PowerDrive 2 (20-ft. DC, 9-ft. AC) (includes items 4 through 23) .....	1
4	<u>1012098</u>	Bushing, DC Cord .....	1
5	<u>101828801</u>	Cord, AC, 80-Inch (203 cm) .....	1
6	<u>101828802</u>	Cord, AC, 108-Inch (274 cm) .....	1
7	<u>101828904</u>	PD2 DC Cordset, 113-inch .....	1
8	<u>101828905</u>	PD2 DC Cordset, 154-inch .....	1
9	<u>101828906</u>	Pd2 Dc Cordset 250 Inch .....	1
10	<u>102273201</u>	PD2 Case (includes item 11) .....	1
11	7577	Screw, #10 X 0.50 Phillips Pan-Head .....	12
12	<u>102273301</u>	PD2 Transformer Asm .....	1
13	<u>102273401</u>	PD2 Heatsink .....	1
14	<u>102273601</u>	PD2 Wire Asm .....	1
15	<u>102273701</u>	PD2 Fuse Asm .....	1
16	<u>102273801</u>	PD2 Ammeter .....	1
17	<u>102273901</u>	PD2 AC Cord Bushing .....	1
18	<u>102274001</u>	PD2 Handle .....	1
19	<u>103414901</u>	Kit, Relay, 48v 30a W/instr (includes items 20 and 21) .....	1
20	<u>103397901</u>	Relay, Spst No, 48v 30a, Pmt .....	1
21	N/A	Kit, Relay, 48v 30a Instrns .....	1
22	<u>103517601</u>	Pd2 Rectifier Kit .....	1
23	<u>CCX8506</u>	Circuit Breaker, 15-Amp/120-Volt .....	1
<p>Note: Item 16 not shown. Level 1 Battery Charger part numbers include one AC and one DC cord. They do not include all of the level 2 cords listed.</p>			

**16**

**E**



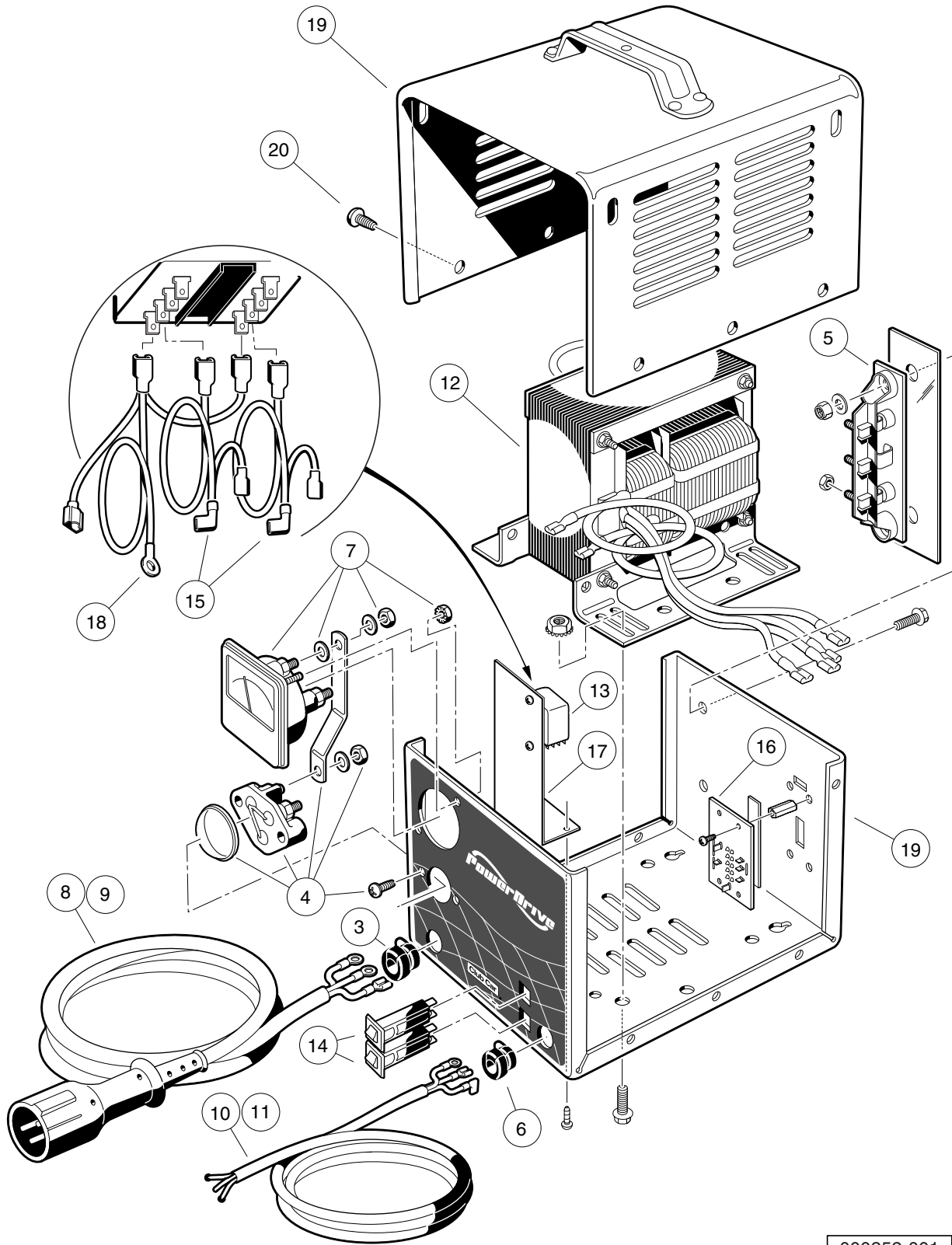
000351-001

# POWERDRIVE BATTERY CHARGER (MODEL 17930), DOMESTIC

ITEM	PART NO.	DESCRIPTION	QTY
		<b>1 2 3 4</b>	
1	<u>101802201</u>	48V/17A PowerDrive (9-ft DC, 6-ft AC Cord) .....	1
2	<u>101802202</u>	48V/17A PowerDrive (12-ft DC, 9-ft AC Cord) .....	1
3	<u>101802203</u>	48V/17A PowerDrive (20-ft DC, 9-ft AC Cord) (includes items 4 through 22) .....	1
4	<u>1012098</u>	Bushing, DC Cord .....	1
5	<u>1012101</u>	Fuse Assembly .....	1
6	<u>1015914</u>	Rectifier with Heatsink Assembly .....	1
7	<u>1015917</u>	Bushing, AC Cord .....	1
8	****	Transformer, Battery Charger .....	1
9	<u>101828301</u>	Case Assembly .....	1
10	<u>101828501</u>	Ammeter .....	1
11	<u>101828801</u>	Cord, AC, 80-Inch (203 cm) .....	1
12	<u>101828802</u>	Cord, AC, 108-Inch (274 cm) .....	1
13	<u>101828901</u>	Cord, DC, 113-Inch (287 cm) .....	1
14	<u>101828902</u>	Cord, DC, 154-Inch (391 cm) .....	1
15	<u>101828903</u>	Cord, DC, 250-Inch (635 cm) .....	1
16	<u>101831101</u>	Wire Assembly Kit .....	1
17	101914401	Assembly, Voltage Suppressor .....	1
18	<u>103414901</u>	Kit, Relay, 48v 30a W/instr (includes items 19 and 20) .....	1
19	<u>103397901</u>	Relay, Spst No, 48v 30a, Pmt .....	1
20	N/A	Kit, Relay, 48v 30a Instrns .....	1
21	7577	Screw, #10 X 0.50 Phillips Pan-Head .....	10
22	<u>CCX8506</u>	Circuit Breaker, 15-Amp/120-Volt .....	1
		**** Special order item available upon request.	
		Note: Level 1 Battery Charger part numbers include one AC and one DC cord. They do not include all of the level 2 cords listed.	

**16**

**E**



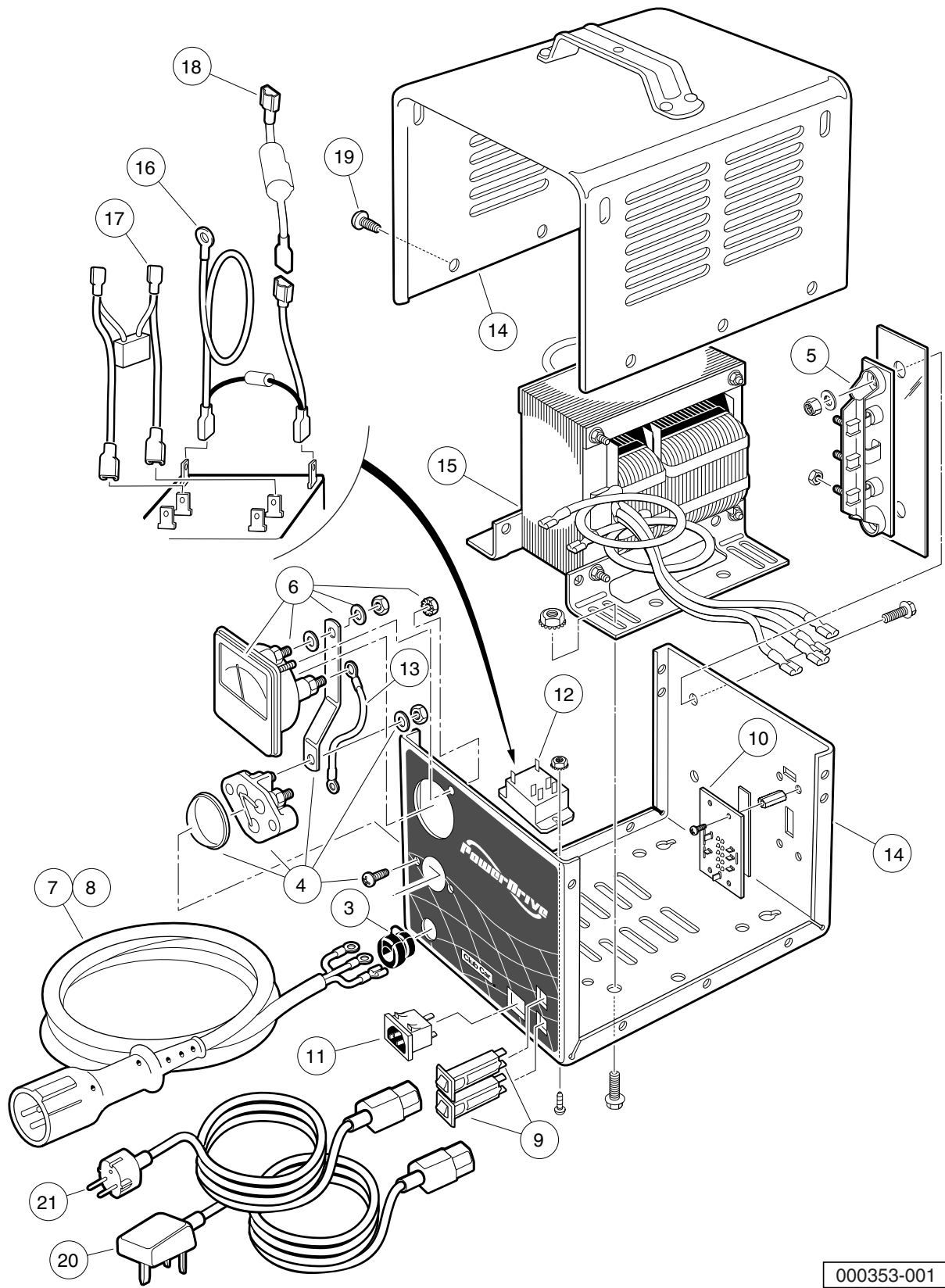
000352-001

# POWERDRIVE BATTERY CHARGER (MODEL 18780), EXPORT

ITEM	PART NO.	DESCRIPTION	QTY
		1 2 3 4	
1	101831503	Battery Charger, 48-Volt DC (8.5-ft DC, 6-ft AC) .....	1
2	101831504	Battery Charger, 48-Volt DC (12-ft DC, 9-ft AC) (includes items 3 through 20) .....	1
3	<u>1012098</u>	Bushing, DC Cord .....	1
4	<u>1012101</u>	Fuse Assembly .....	1
5	<u>1015914</u>	Rectifier with Heatsink Assembly .....	1
6	<u>1015917</u>	Bushing, AC Cord .....	1
7	<u>101828501</u>	Ammeter .....	1
8	<u>101828901</u>	Cord, DC, 113-Inch (287 cm) .....	1
9	<u>101828902</u>	Cord, DC, 154-Inch (391 cm) .....	1
10	<u>101831701</u>	Cord, AC, 80-Inch (203 cm), without Plug .....	1
11	<u>101831702</u>	Cord, AC, 118-Inch (203 cm), without Plug .....	1
12	101838201	Transformer, Export Battery Charger .....	1
13	<u>101838301</u>	Relay, Export Charger .....	1
14	101838401	Circuit Breaker .....	2
15	101838501	Kit, Wire Assembly .....	1
16	101838601	Four-Position Switch .....	1
17	****	Mounting Bracket, Relay .....	1
18	101914401	Assembly, Voltage Suppressor .....	1
19	N/A	Case, Charger .....	1
20	7577	Screw, #10 X 0.50 Phillips Pan-Head .....	10
<p>**** Special order item available upon request.</p> <p>Note: Level 1 Battery Charger part numbers include one AC and one DC cord. They do not include all of the level 2 cords listed.</p>			

16

E



000353-001

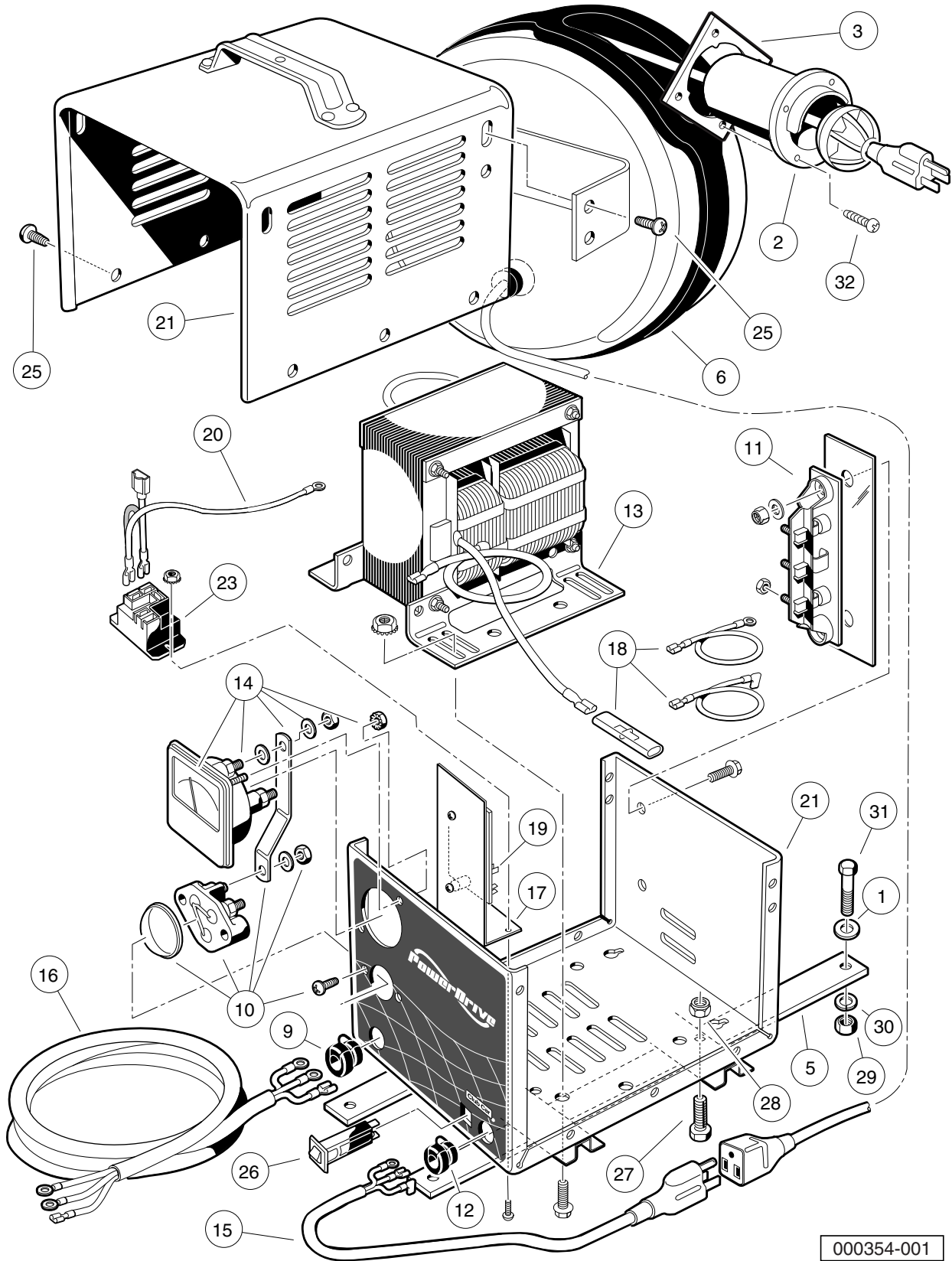


# POWERDRIVE BATTERY CHARGER (MODEL 20310), EUROPEAN

**16**

**E**

ITEM	PART NO.	DESCRIPTION	QTY
		<b>1 2 3 4</b>	
1	<u>101956201</u>	Battery Charger, 48-Volt w/ 4-Position Switch (8.5-ft DC) .....	1
2	<u>101956202</u>	Battery Charger, 48-Volt w/ 4-Pos. Switch (12-ft DC) (includes items 3 through 19) .....	1
3	<u>1012098</u>	Bushing, DC Cord .....	1
4	<u>1012101</u>	Fuse Assembly .....	1
5	<u>1015914</u>	Rectifier with Heatsink Assembly .....	1
6	<u>101828501</u>	Ammeter .....	1
7	<u>101828901</u>	Cord, DC, 113-Inch (287 cm) .....	1
8	<u>101828902</u>	Cord, DC, 154-Inch (391 cm) .....	1
9	101838401	Circuit Breaker .....	2
10	101838601	Four-Position Switch .....	1
11	101973501	Receptacle, AC Cord .....	1
12	<u>101987501</u>	Relay .....	1
13	N/A	Wire, Jumper .....	1
14	N/A	Case, Charger .....	1
15	****	Transformer, European Battery Charger .....	1
16	****	Suppressor, AC Voltage .....	1
17	****	Assembly, Wire .....	1
18	****	Limiter, Current .....	1
19	7577	Screw, #10 X 0.50 Phillips Pan-Head .....	10
20	<u>101958201</u>	Cord, UK, AC, Battery Charger .....	1
21	101958301	Cord, European AC, Battery Charger .....	1
		**** Special order item available upon request.	
		Note: Level 1 Battery Charger part numbers include one AC and one DC cord. They do not include all of the level 2 cords listed.	



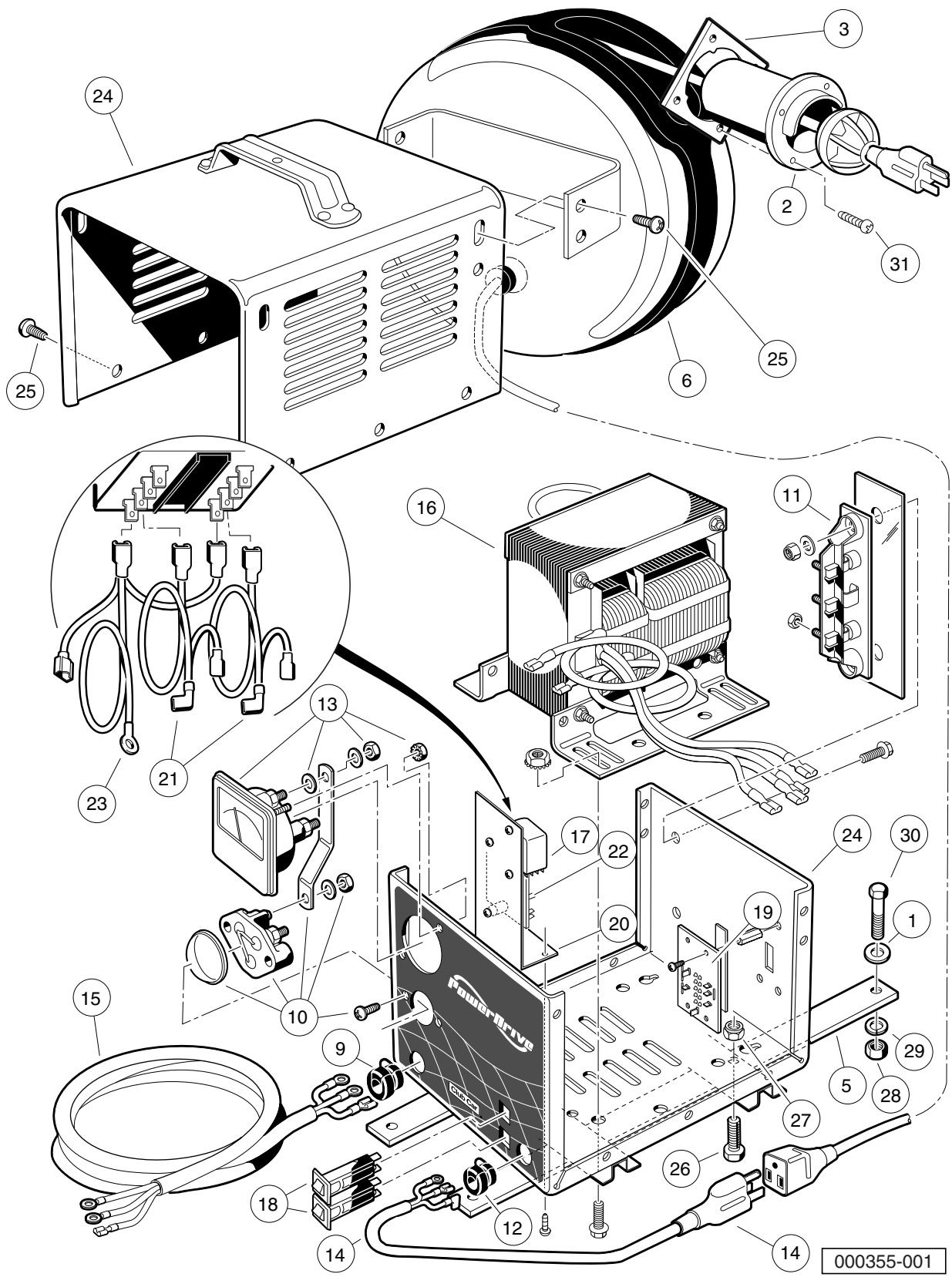
000354-001

# ONBOARD POWERDRIVE BATTERY CHARGER (MODEL 17935), DOMESTIC – POWERDRIVE TRANSPORTER

16

E

ITEM	PART NO.	DESCRIPTION	QTY
		1 2 3 4	
1	<u>1014306</u>	Washer, 1/4" Type B Flat .....	4
2	<u>1016673</u>	Housing, Cord Reel .....	1
3	<u>101801001</u>	Plate, Receptacle Backing .....	1
4	<u>101814301</u>	Battery Charger and Reel Assembly (includes items 5 through 28) .....	1
5	<u>1011707</u>	Bracket, Mounting, Battery Charger .....	2
6	<u>1017187</u>	Retractable Cord Reel .....	1
7	<u>1017189</u>	Heat Shrink Tube 1.5" X 3" .....	1
8	<u>101802301</u>	Battery Charger, Onboard, 120-VAC, 48-VDC (includes items 9 through 26) .....	1
9	<u>1012098</u>	Bushing, DC Cord .....	1
10	<u>1012101</u>	Fuse Assembly .....	1
11	<u>1015914</u>	Rectifier with Heatsink Assembly .....	1
12	<u>1015917</u>	Bushing, AC Cord .....	1
13	****	Transformer, Battery Charger .....	1
14	<u>101828501</u>	Ammeter .....	1
15	<u>101829001</u>	Cord, AC, 22-Inch (56 cm) .....	1
16	<u>101829101</u>	Cord, DC, 90.5-Inch (230 cm) .....	1
17	****	Mounting Bracket, Relay .....	1
18	N/A	Kit, Wire Assembly .....	1
19	<u>101841901</u>	Control Board .....	1
20	<u>101914401</u>	Assembly, Voltage Suppressor .....	1
21	N/A	Case, Charger .....	1
22	<u>103414901</u>	Kit, Relay, 48v 30a W/instr (includes items 23 and 24) .....	1
23	<u>103397901</u>	Relay, Spst No, 48v 30a, Pmt .....	1
24	N/A	Kit, Relay, 48v 30a Instrns .....	1
25	7577	Screw, #10 X 0.50 Phillips Pan-Head .....	12
26	<u>CCX8506</u>	Circuit Breaker, 15-Amp/120-Volt .....	1
27	<u>7847</u>	Screw, 1/4-20 X 0.75 Hex-Head Cap .....	4
28	<u>8233</u>	Locknut, 1/4-20 Nylon Insert .....	4
29	<u>1028</u>	Nut, 1/4-20 Hex .....	4
30	<u>451</u>	Lockwasher, 1/4 Split .....	4
31	<u>7479</u>	Screw, 1/4-20 X 1.25 Hex-Head Cap .....	4
32	<u>8796</u>	Screw, #7-19 X 0.75 Pan-Head Type AB .....	4
<p>**** Special order item available upon request.</p> <p>Note: Item 7 not shown.</p>			

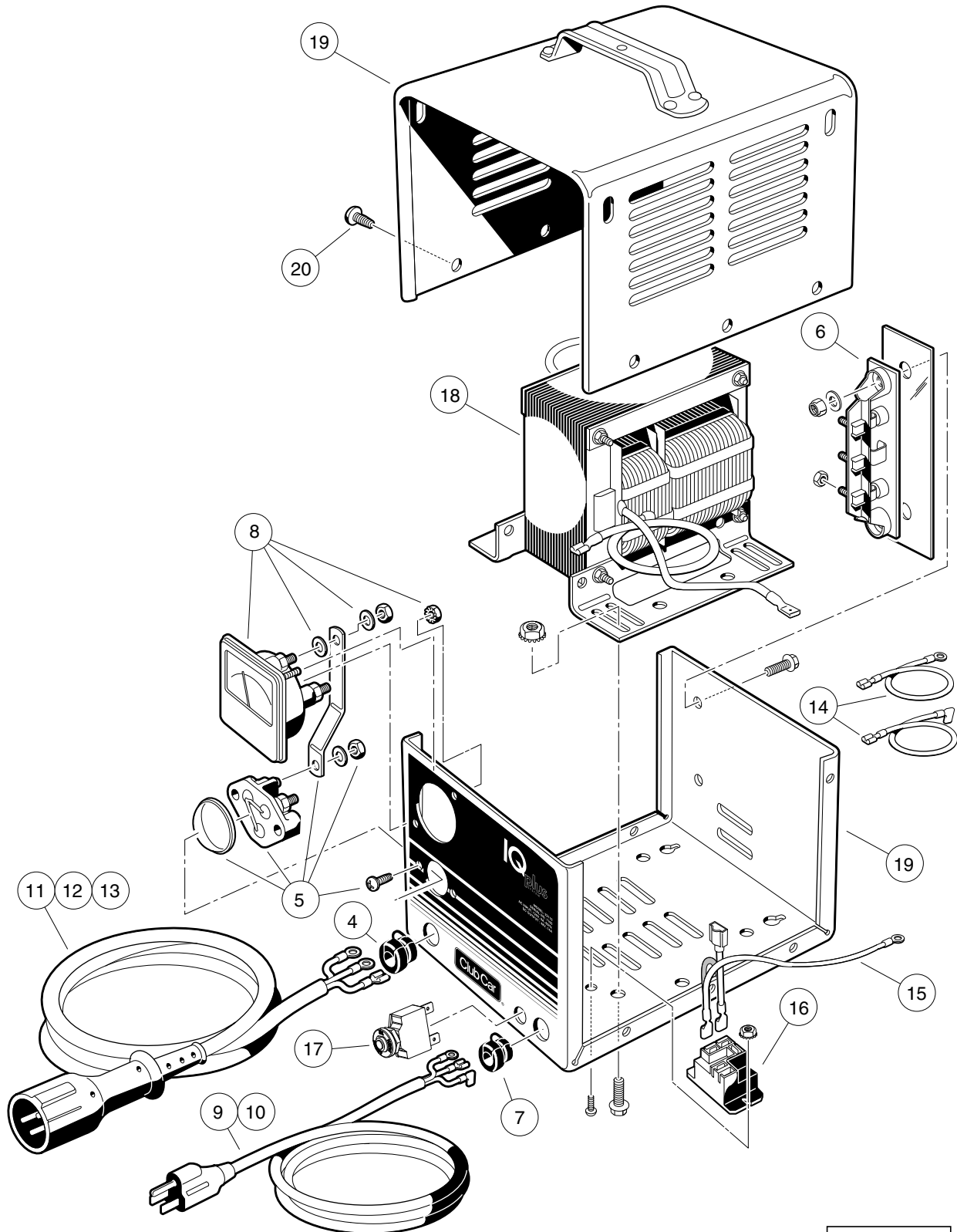


# ONBOARD POWERDRIVE BATTERY CHARGER (MODEL 17790), EXPORT – POWERDRIVE TRANSPORTER

**16**

**E**

ITEM	PART NO.	DESCRIPTION	QTY
		<b>1 2 3 4</b>	
1	<u>1014306</u>	Washer, 1/4" Type B Flat .....	4
2	<u>1016673</u>	Housing, Cord Reel .....	1
3	<u>101801001</u>	Plate, Receptacle Backing .....	1
4	<u>101814302</u>	Battery Charger and Reel Assembly (includes items 5 through 27) .....	1
5	<u>1011707</u>	Bracket, Mounting, Battery Charger .....	2
6	<u>1017187</u>	Retractable Cord Reel .....	1
7	<u>1017189</u>	Heat Shrink Tube 1.5" X 3" .....	1
8	<u>101831601</u>	Battery Charger, Onboard, 48-Volt DC (includes items 9 through 25) .....	1
9	<u>1012098</u>	Bushing, DC Cord .....	1
10	<u>1012101</u>	Fuse Assembly .....	1
11	<u>1015914</u>	Rectifier with Heatsink Assembly .....	1
12	<u>1015917</u>	Bushing, AC Cord .....	1
13	<u>101828501</u>	Ammeter .....	1
14	<u>101829001</u>	Cord, AC, 22-Inch (56 cm) .....	1
15	<u>101829101</u>	Cord, DC, 90.5-Inch (230 cm) .....	1
16	<u>101838201</u>	Transformer, Export Battery Charger .....	1
17	<u>101838301</u>	Relay, Export Charger .....	1
18	<u>101838401</u>	Circuit Breaker .....	2
19	<u>101838601</u>	Four-Position Switch .....	1
20	****	Mounting Bracket, Relay .....	1
21	****	Kit, Wire Assembly .....	1
22	<u>101841901</u>	Control Board .....	1
23	<u>101914401</u>	Assembly, Voltage Suppressor .....	1
24	N/A	Case, Charger .....	1
25	7577	Screw, #10 X 0.50 Phillips Pan-Head .....	12
26	<u>7847</u>	Screw, 1/4-20 X 0.75 Hex-Head Cap .....	4
27	<u>8233</u>	Locknut, 1/4-20 Nylon Insert .....	4
28	<u>1028</u>	Nut, 1/4-20 Hex .....	4
29	<u>451</u>	Lockwasher, 1/4 Split .....	4
30	<u>7479</u>	Screw, 1/4-20 X 1.25 Hex-Head Cap .....	4
31	<u>8796</u>	Screw, #7-19 X 0.75 Pan-Head Type AB .....	4
		**** Special order item available upon request.	
		Note: Item 7 not shown.	



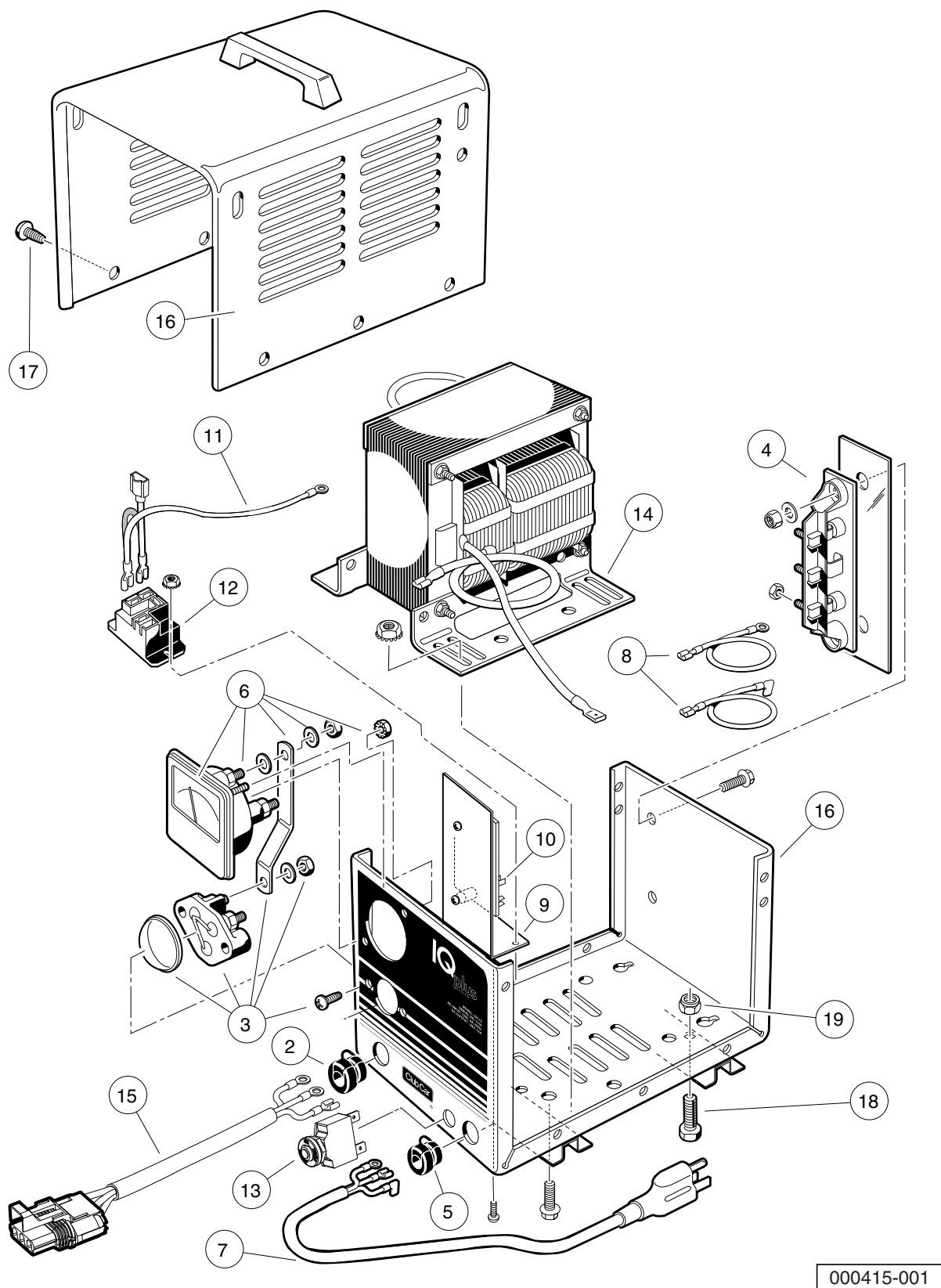
000414-001

# IQ PLUS DOMESTIC BATTERY CHARGER (MODEL 25730)

ITEM	PART NO.	DESCRIPTION	QTY
		1 2 3 4	
1	<u>102847801</u>	48-V/17-A IQ Plus (9-ft. DC Cord, 6-ft. AC Cord) .....	1
2	<u>102847802</u>	48-V/17-A IQ Plus (12-ft. DC Cord, 9-ft. AC Cord) .....	1
3	<u>102847803</u>	48-V/17-A IQ Plus (20-ft. DC Cord, 9-ft. AC Cord) (includes items 4 through 20) .....	1
4	<u>1012098</u>	Bushing, DC Cord .....	1
5	<u>1012101</u>	Fuse Assembly .....	1
6	<u>1015914</u>	Rectifier with Heatsink Assembly .....	1
7	<u>1015917</u>	Bushing, AC Cord .....	1
8	<u>101828501</u>	Ammeter .....	1
9	<u>101828801</u>	Cord, AC, 80-Inch (203 cm) .....	1
10	<u>101828802</u>	Cord, AC, 108-Inch (274 cm) .....	1
11	<u>101828901</u>	Cord, DC, 113-Inch (287 cm) .....	1
12	<u>101828902</u>	Cord, DC, 154-Inch (391 cm) .....	1
13	<u>101828903</u>	Cord, DC, 250-Inch (635 cm) .....	1
14	<u>101831101</u>	Wire Assembly Kit .....	1
15	101914401	Assembly, Voltage Suppressor .....	1
16	<u>102275401</u>	Relay, 48-VDC .....	1
17	<u>102838101</u>	Circuit Breaker 250vac-50vdc .....	1
18	N/A	Transformer, Battery Charger .....	1
19	N/A	Case, Battery Charger .....	1
20	7577	Screw, #10 X 0.50 Phillips Pan-Head .....	10

16

E



000415-001

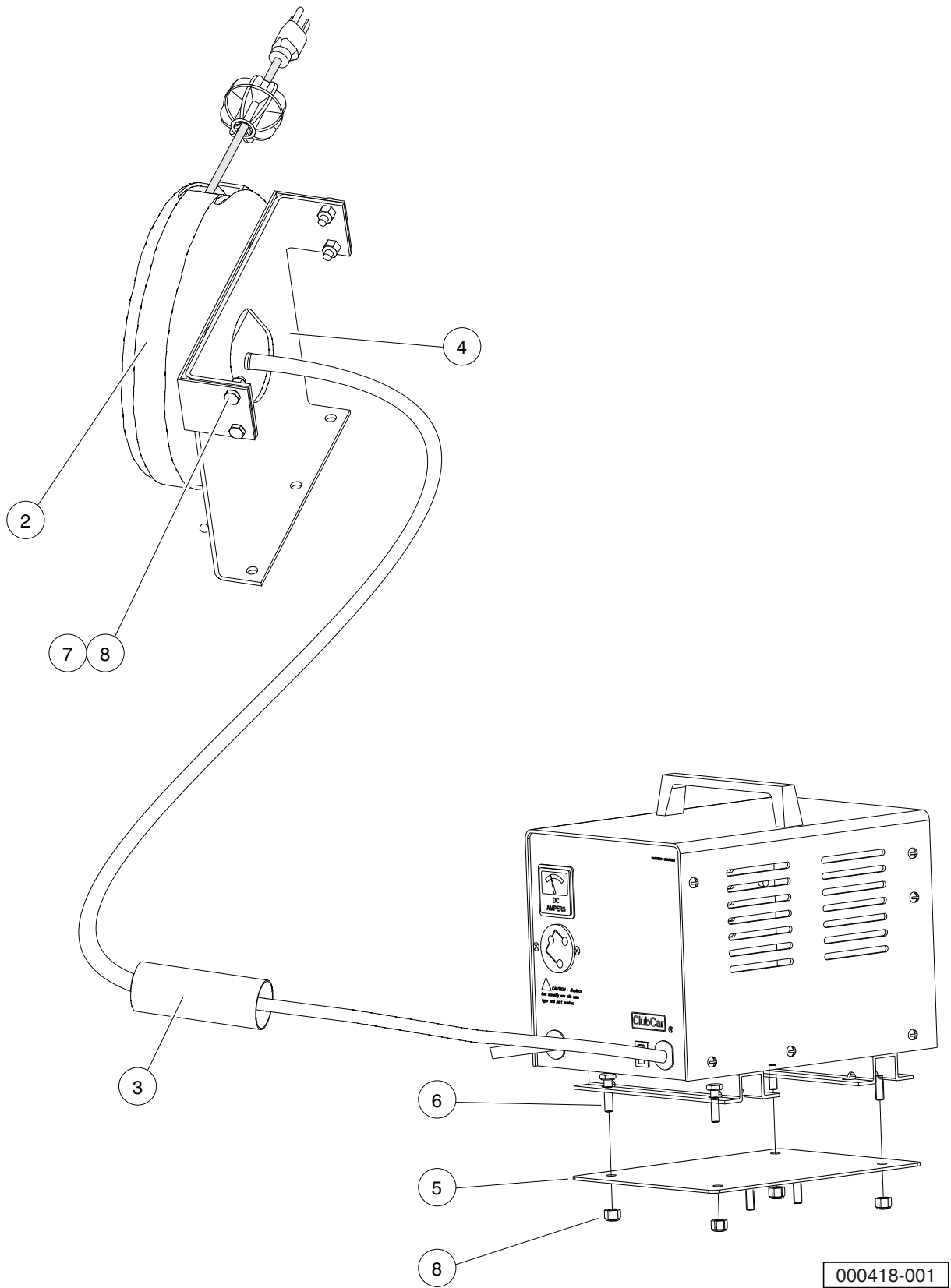


# IQ PLUS ONBOARD BATTERY CHARGER (MODEL 25260) – IQ PLUS TRANSPORTER VEHICLES

ITEM	PART NO.	DESCRIPTION	QTY
		1 2 3 4	
1	<u>102837001</u>	Battery Charger, Onboard, 120-VAC, 48-VDC (includes items 2 through 19) .....	1
2	<u>1012098</u>	Bushing, DC Cord .....	1
3	<u>1012101</u>	Fuse Assembly .....	1
4	<u>1015914</u>	Rectifier with Heatsink Assembly .....	1
5	<u>1015917</u>	Bushing, AC Cord .....	1
6	<u>101828501</u>	Ammeter .....	1
7	<u>101829001</u>	Cord, AC, 22-Inch (56 cm) .....	1
8	<u>101831101</u>	Wire Assembly Kit .....	1
9	****	Mounting Bracket, Relay .....	1
10	<u>101841901</u>	Control Board .....	1
11	<u>101914401</u>	Assembly, Voltage Suppressor .....	1
12	<u>102275401</u>	Relay, 48-VDC .....	1
13	<u>102838101</u>	Circuit Breaker 250vac-50vdc .....	1
14	N/A	Transformer, Battery Charger .....	1
15	<u>102940801</u>	Cord, Dc .....	1
16	N/A	Case, Battery Charger .....	1
17	<u>7577</u>	Screw, #10 X 0.50 Phillips Pan-Head .....	12
18	<u>7847</u>	Screw, 1/4-20 X 0.75 Hex-Head Cap .....	4
19	<u>8233</u>	Locknut, 1/4-20 Nylon Insert .....	4
**** Special order item available upon request.			

16

E



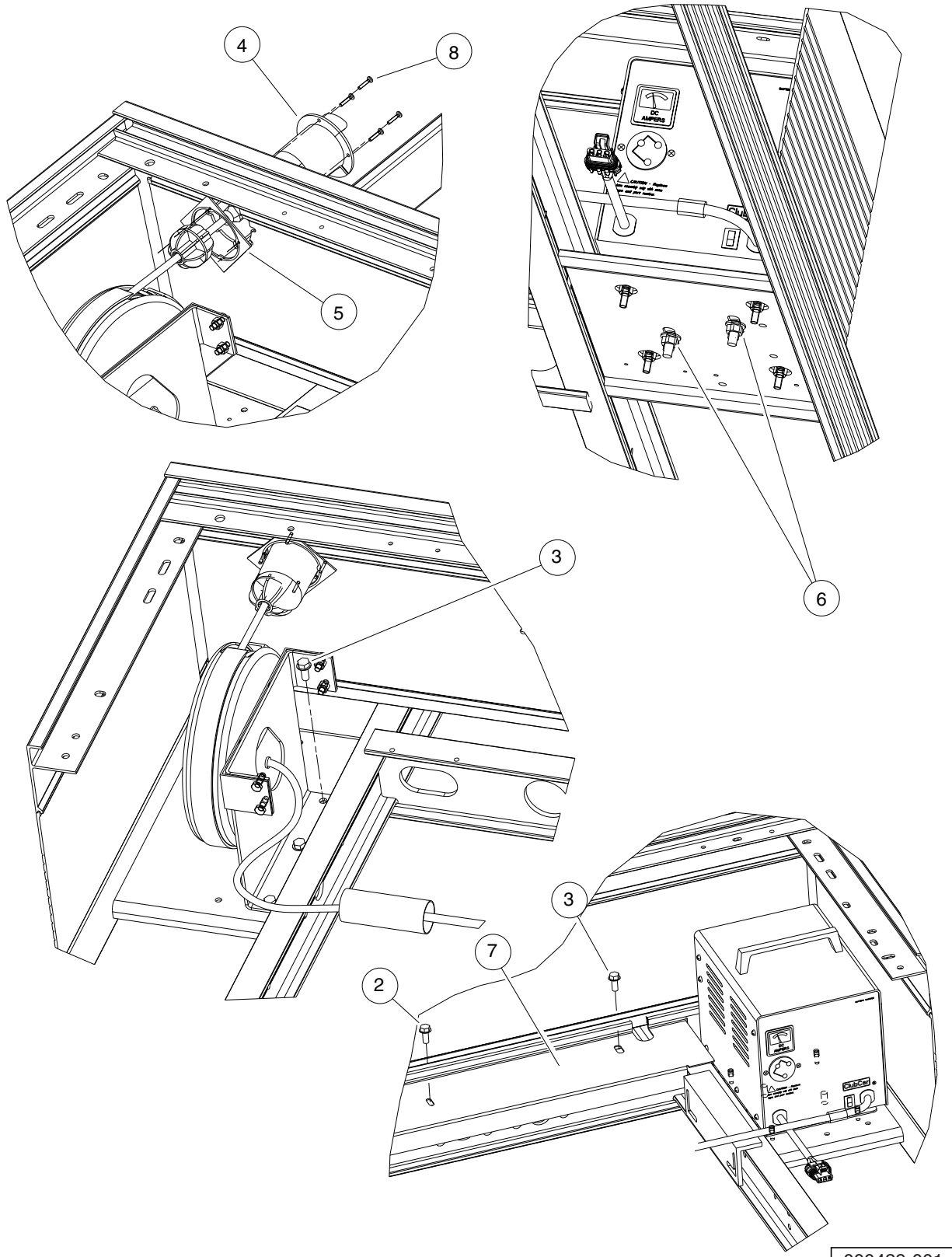
000418-001

# ONBOARD CHARGER (MODEL 25260) AC REEL MOUNTING – IQ PLUS TRANSPORTER 4 AND 6

ITEM	PART NO.	DESCRIPTION	QTY
		1 2 3 4	
1	N/A	Installation, Onboard IQ Plus Charger (includes items 2 through 8) .....	1
2	<u>1017187</u>	Retractable Cord Reel .....	1
3	<u>1017189</u>	Heat Shrink Tube 1.5" X 3" .....	1
4	<u>102770701</u>	Bracket, Reel, Tabbed .....	1
5	<u>102942601</u>	Asm, Plate, Charger Mounting .....	1
6	304	Screw, 1/4-20 X 1.0 Hex-Head Cap .....	4
7	<u>7847</u>	Screw, 1/4-20 X 0.75 Hex-Head Cap .....	4
8	<u>8233</u>	Locknut, 1/4-20 Nylon Insert .....	8

16

E



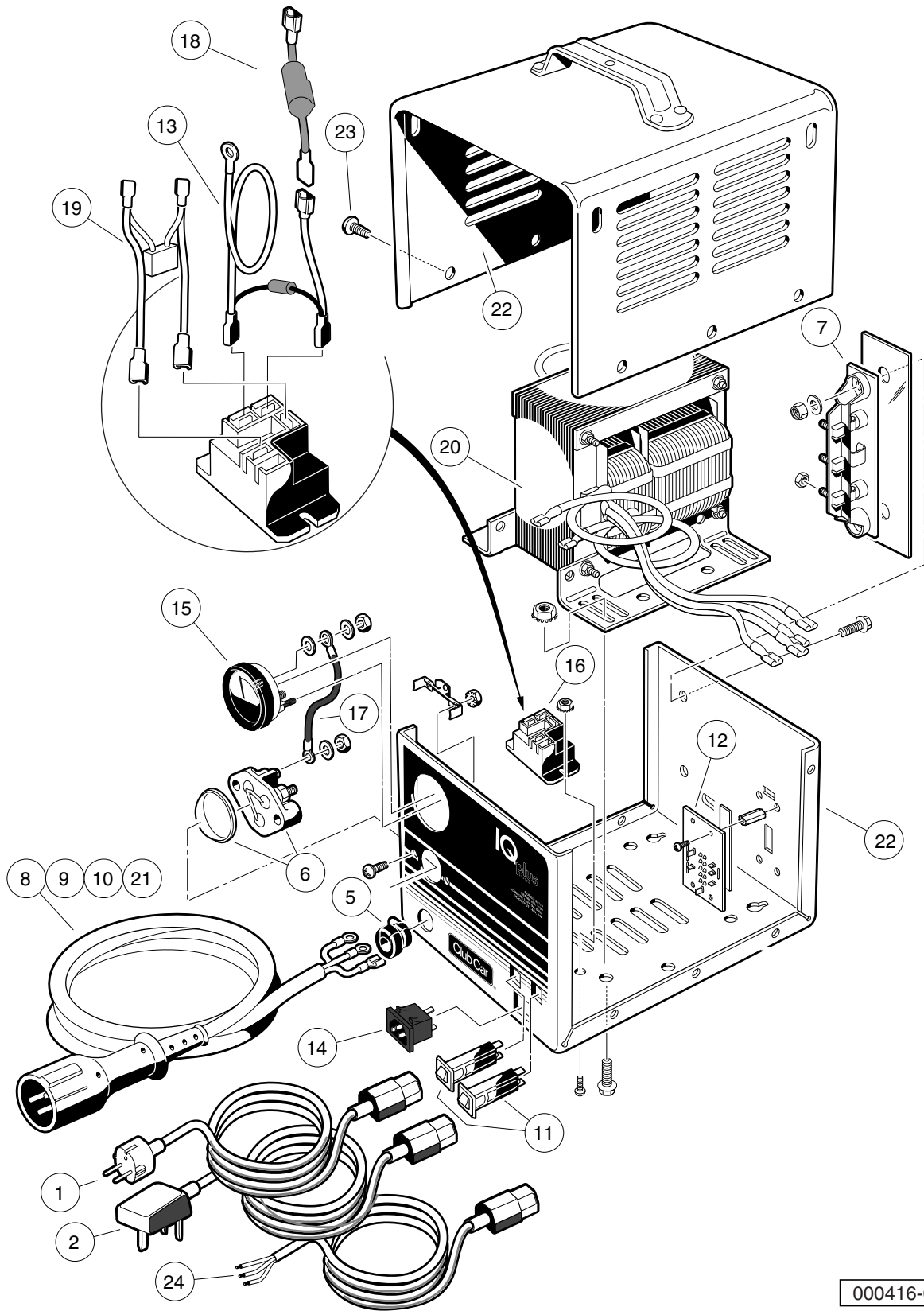
000429-001

## ONBOARD CHARGER (MODEL 25260) MOUNTING – TRANSPORTER 4 AND 6 IQ PLUS VEHICLES

ITEM	PART NO.	DESCRIPTION	QTY
		1 2 3 4	
1	N/A	Installation, Charger System, HDIQ CA 6 (includes items 2 through 8) .....	1
2	<u>1014063</u>	Screw, 1/4-20 X 1.00 Hex Head .....	1
3	<u>1014288</u>	Screw, 5/16-18 X 0.75 Thread-Forming .....	4
4	<u>1016673</u>	Housing, Cord Reel .....	1
5	<u>101801001</u>	Plate, Receptacle Backing .....	1
6	<u>101832901</u>	Nut, M10-1.25 Hex Flange .....	2
7	<u>103352701</u>	Asm, Shield, Iq Plus Ob Chgr, .....	1
8	<u>8796</u>	Screw, #7-19 X 0.75 Pan-Head Type AB .....	4

16

E



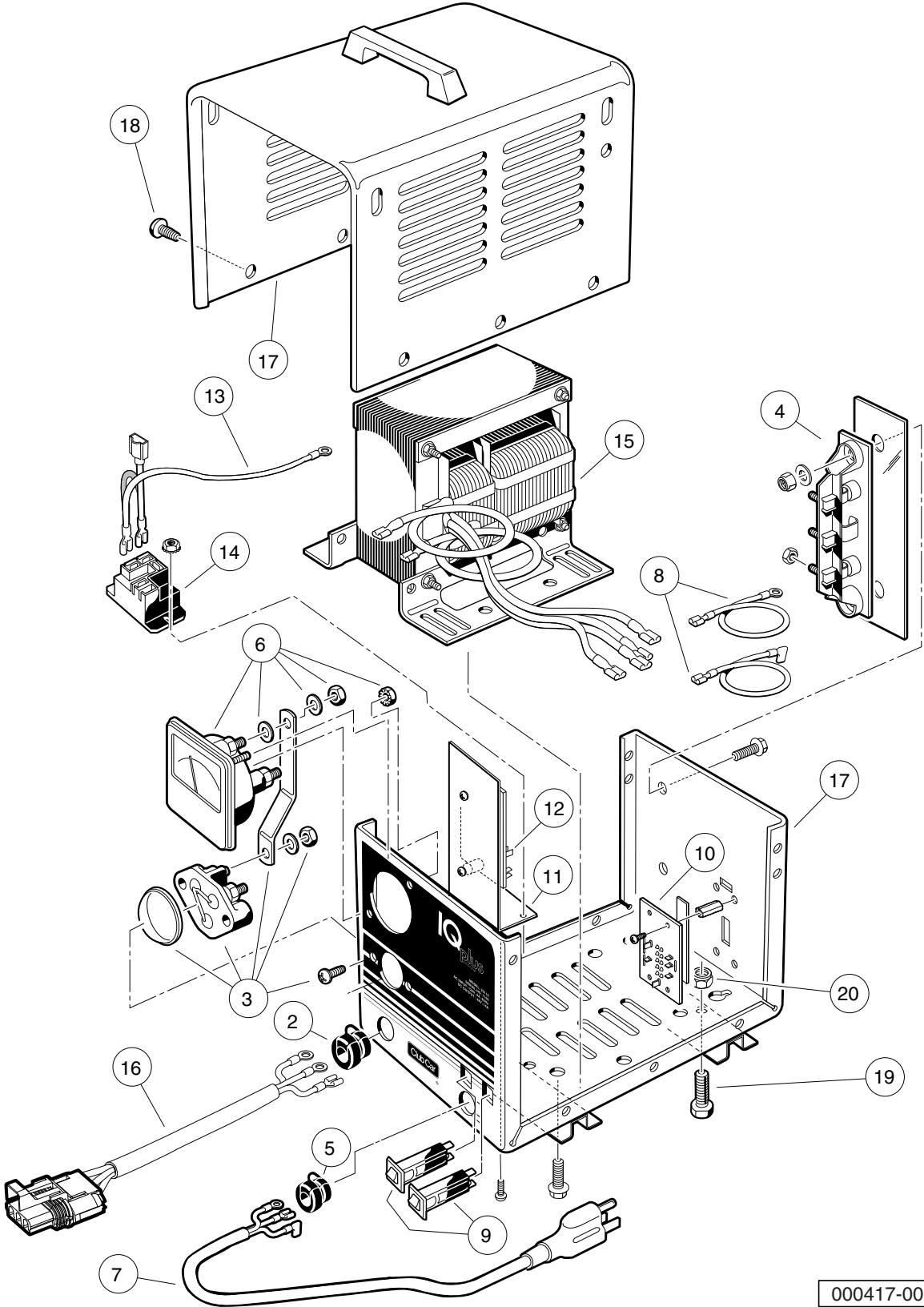
000416-001

# IQ PLUS BATTERY CHARGER (MODEL 25880), EXPORT AND EUROPEAN

ITEM	PART NO.	DESCRIPTION	QTY
		1 2 3 4	
1	<u>101958201</u>	Cord, UK, AC, Battery Charger .....	1
2	<u>101958301</u>	Cord, European AC, Battery Charger .....	1
3	<u>102892901</u>	Charger, Export and European .....	1
4	<u>102892902</u>	Charger, Export and European (includes items 5 through 23) .....	1
5	<u>1012098</u>	Bushing, DC Cord .....	1
6	<u>1012101</u>	Fuse Assembly .....	1
7	<u>1015914</u>	Rectifier with Heatsink Assembly .....	1
8	<u>101828901</u>	Cord, DC, 113-Inch (287 cm) .....	1
9	<u>101828902</u>	Cord, DC, 154-Inch (391 cm) .....	1
10	<u>101828903</u>	Cord, DC, 250-Inch (635 cm) .....	1
11	<u>101838401</u>	Circuit Breaker .....	2
12	<u>101838601</u>	Four-Position Switch .....	1
13	<u>101914401</u>	Assembly, Voltage Suppressor .....	1
14	<u>101973501</u>	Receptacle, AC Cord .....	1
15	<u>101976601</u>	Ammeter with Mounting Bracket .....	1
16	<u>102275401</u>	Relay, 48-VDC .....	1
17	N/A	Wire, Jumper .....	1
18	****	Limiters, Current .....	1
19	****	Wire Assembly, Battery Charger .....	1
20	****	Transformer, Battery Charger .....	1
21	<u>102940801</u>	Cord, Dc .....	1
22	N/A	Case, Battery Charger .....	1
23	7577	Screw, #10 X 0.50 Phillips Pan-Head .....	10
24	<u>102939501</u>	Cord, European AC, Battery Charger .....	1
		**** Special order item available upon request.	

16

E



000417-001



# IQ PLUS ONBOARD BATTERY CHARGER (MODEL 25660), EXPORT

ITEM	PART NO.	DESCRIPTION	QTY
		1 2 3 4	
1	102893001	Battery Charger, Onboard, International, IQ Plus (includes items 2 through 20) .....	1
2	<u>1012098</u>	Bushing, DC Cord .....	1
3	<u>1012101</u>	Fuse Assembly .....	1
4	<u>1015914</u>	Rectifier with Heatsink Assembly .....	1
5	<u>1015917</u>	Bushing, AC Cord .....	1
6	<u>101828501</u>	Ammeter .....	1
7	<u>101829001</u>	Cord, AC, 22-Inch (56 cm) .....	1
8	<u>101831101</u>	Wire Assembly Kit .....	1
9	101838401	Circuit Breaker .....	2
10	101838601	Four-Position Switch .....	1
11	****	Mounting Bracket, Relay .....	1
12	<u>101841901</u>	Control Board .....	1
13	101914401	Assembly, Voltage Suppressor .....	1
14	<u>102275401</u>	Relay, 48-VDC .....	1
15	****	Transformer, Battery Charger .....	1
16	<u>102940801</u>	Cord, Dc .....	1
17	N/A	Case, Battery Charger .....	1
18	7577	Screw, #10 X 0.50 Phillips Pan-Head .....	12
19	<u>7847</u>	Screw, 1/4-20 X 0.75 Hex-Head Cap .....	4
20	<u>8233</u>	Locknut, 1/4-20 Nylon Insert .....	4
**** Special order item available upon request.			

16

E

**16**

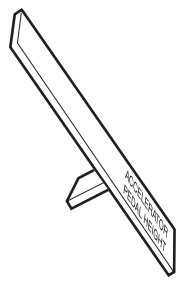
***E***

# MAINTENANCE AND SERVICE TOOLS

---

**17**  
**G**  
**E**  
**D**

**17**  
**G**  
**E**  
**D**



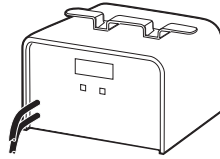
1



2



3



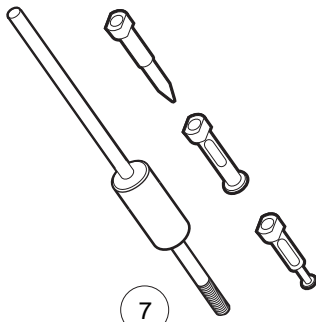
4



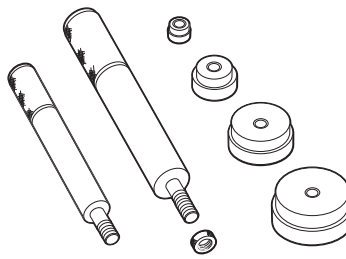
5



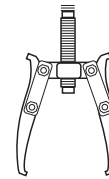
6



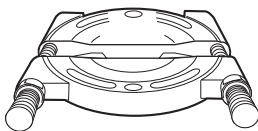
7



8



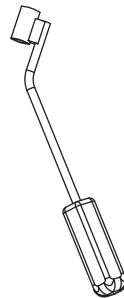
9



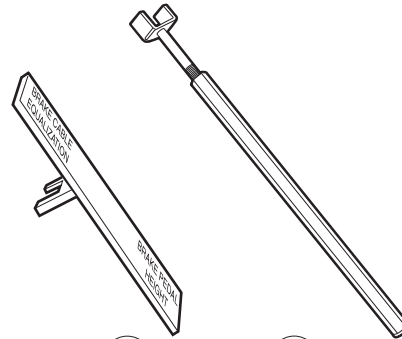
10



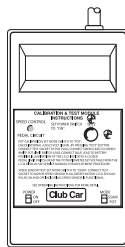
11



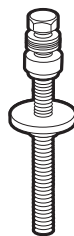
12



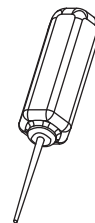
14  
15  
13



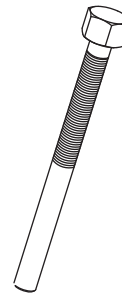
16



17



18



19

# MAINTENANCE AND SERVICE TOOLS

ITEM	PART NO.	DESCRIPTION	QTY DIESEL	QTY GAS	QTY ELEC
		<p style="text-align: center;">1 2 3 4</p> <p>The following tool list includes all tools available from Club Car for maintenance and service procedures for gasoline, electric, and/or diesel vehicles, both past and present models. Be sure to carefully examine the tool list for applicability to your vehicle before ordering.</p>			
1	<u>101871001</u>	Accelerator Pedal Adjustment Tool .....		1	1
2	<u>101813202</u>	Adhesive, Guide Ring, 3-Gram Tube .....			1
3	<u>101641202</u>	Arbor .....		1	
4	<u>101831901</u>	Battery Discharge Machine, 36/48 Volt .....			1
5	<u>1014305</u>	Battery Terminal Protector Spray .....	1	1	1
6	<u>1011767</u>	Battery Thermometer .....	1	1	1
7	<u>1016417</u>	Bearing and Oil Seal Remover Assembly .....	1	1	1
8	<u>1016416</u>	Bearing Driver Set .....	1	1	1
9	<u>1012811</u>	Bearing Puller .....	1	1	1
10	<u>1012812</u>	Bearing Puller Wedge Attachment .....	1	1	1
11	<u>1013582</u>	Brake Adjustment Tool (used only on vehicles with manually adjusted mechanical brakes) .....			
12	<u>102555501</u>	Brake Cable Release Tool .....	1	1	1
13	<u>102249901</u>	Brake Pedal Adjustment Tool Kit (used for the Carryall Electric Industrial Truck only) (includes items 14 and 15).....			1
14	****	Brake Pedal Adjustment Tool .....			1
15	****	Brake Pedal Tension Tool .....			1
16	<u>101887101</u>	Calibration Test Module .....			1
17	<u>101808401</u>	Cam Installation Tool .....		1	
18	<u>102562401</u>	Charger Bezel Tool .....			1
19	<u>102686101</u>	Clutch Removal Tool (for 4x4 vehicles) .....	1	1	
		Please refer to the maintenance and service manual for proper tool application.			
	****	Special order item available upon request			

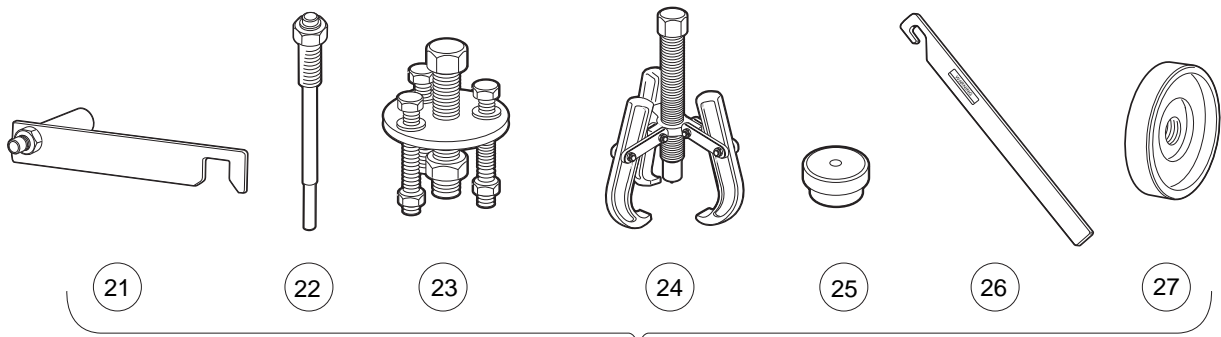
**17**

**G**

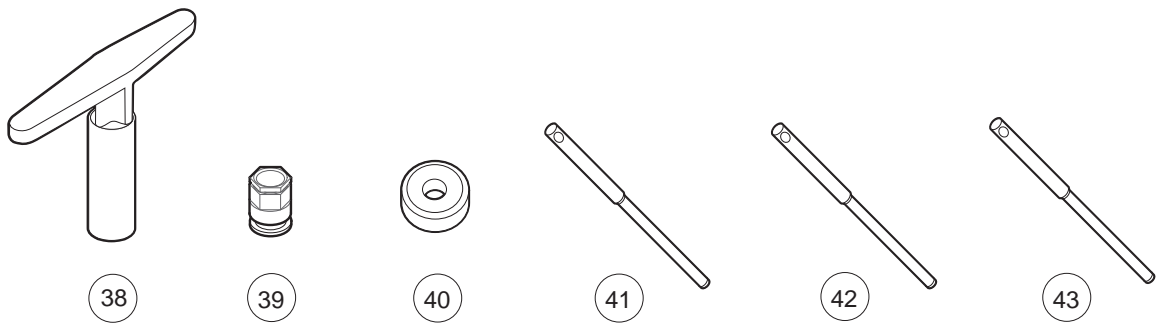
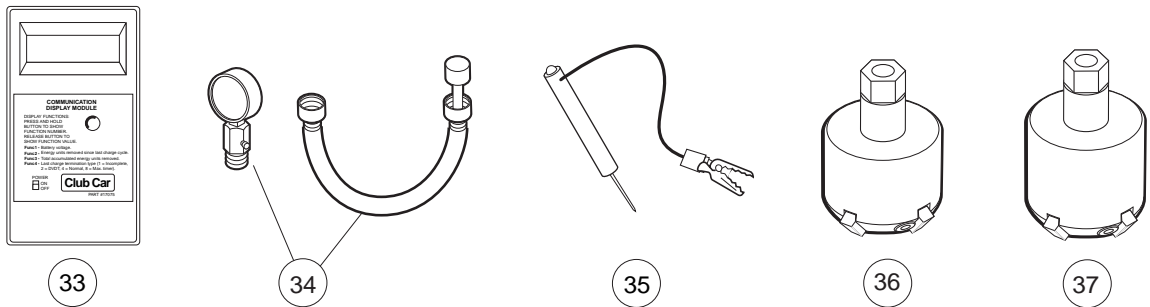
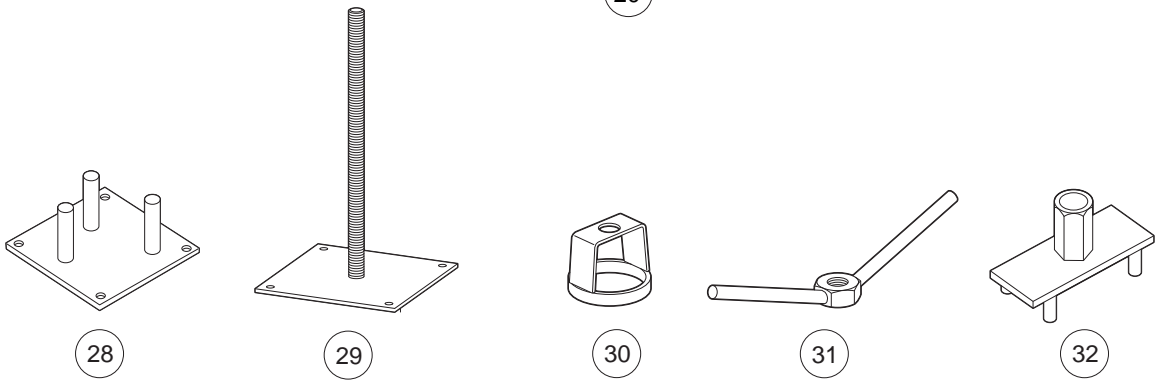
**E**

**D**

**17**  
**G**  
**E**  
**D**



20



## MAINTENANCE AND SERVICE TOOLS, CONTINUED

ITEM	PART NO.	DESCRIPTION	QTY DIESEL	QTY GAS	QTY ELEC
		1 2 3 4			
20	<u>1014510</u>	Clutch Tool Kit (includes items 21 - 27) .....		1	
21	<u>1014498</u>	Clutch Alignment Tool (for pre-unitized transaxle vehicles built prior to 1997 model year) .....		1	
22	<u>1014496</u>	Drive Clutch Puller (for Kawasaki engines only) .....		1	
23	<u>1014497</u>	Drive Clutch Hub Puller (for Kawasaki engines only) .....		1	
24	<u>1014508</u>	Driven Clutch Cam Puller (for Kawasaki engines only) .....		1	
25	<u>1014507</u>	Driven Clutch Puller Plug (for Kawasaki engines only) .....		1	
26	<u>1015524</u>	Drive Clutch Holder Tool Assembly (for Kawasaki engines only) .....		1	
27	<u>101809101</u>	Press Weldment (for Kawasaki engines only) .....		1	
28	<u>102601501</u>	Drive ClutchFixed Sheave Tool (for 4x4 vehicles) .....	1	1	
29	<u>102603501</u>	Driven Clutch Spring Compression Base (for use with items 30 and 31) (for 4x4 vehicles) .....	1	1	
30	<u>102605201</u>	Driven Clutch Spring Compression Collar (for use with items 29 and 31) (for 4x4 vehicles) .....	1	1	
31	<u>102606101</u>	Driven Clutch Spring Compression Nut (for use with items 29 and 30) (for 4x4 vehicles) .....	1	1	
32	<u>102607501</u>	Drive Clutch Spider Removal Tool (for 4x4 vehicles) .....	1	1	
33	101831801	Communication Display Module .....			1
34	101641002	Compression Gauge and Adapter .....		1	
35	1011273	Continuity Tester .....		1	1
36	<u>102773801</u>	Cutter, Valve Seat, #122 .....		1	
37	<u>102773901</u>	Cutter, Valve Seat #115 .....		1	
38	<u>102774101</u>	Wrench, T, #505.....		1	
39	<u>102774101</u>	Adapter, T-Wrench .....		1	
40	102675401	Cutter, Valve Seat, 60 Degree (requires item 51) (for Honda GX620 Gasoline Engines) .....		1	
41	<u>102774201</u>	Pilot, 6.6 MM .....		1	
42	<u>102774301</u>	Pilot, 6.62 MM.....		1	
43	<u>102774401</u>	Pilot, 6.65 MM.....		1	
		Please refer to the maintenance and service manual for proper tool application.			

17

G

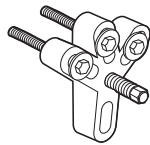
E

D

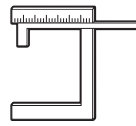
**17**  
**G**  
**E**  
**D**



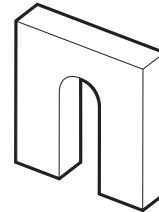
44



45



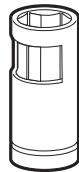
46



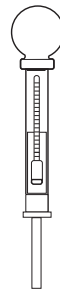
47



48



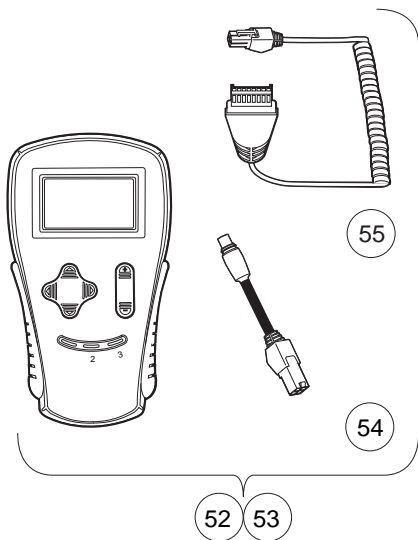
49



50



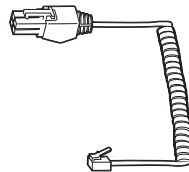
51



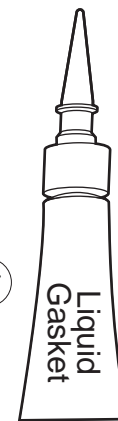
52 53

55

54



56



57



58



59 60



61



## MAINTENANCE AND SERVICE TOOLS, CONTINUED

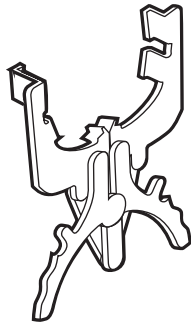
ITEM	PART NO.	DESCRIPTION	QTY DIESEL	QTY GAS	QTY ELEC
		1 2 3 4			
44	<u>1012151</u>	Dry Moly Lubricant .....	1	1	1
45	<u>1016627</u>	Flywheel Puller Kit (for Kawasaki Engines) .....		1	
46	<u>102669901</u>	Gauge, Carburetor Float Level (for Honda GX620 Gasoline Engines) .....		1	
47	<u>1016418</u>	Gear Yoke .....	1	1	1
48	<u>101933101</u>	Governor Shaft Installation Tool (for Kawasaki Engine Vehicles) .....		1	
49	<u>102169401</u>	Hydraulic Brake Adjuster (for Turf/CA 272/472, Pioneer/XRT 1200, Bobcat 2100, HUV 4213) .....			1
50	<u>1011478</u>	Hydrometer .....	1	1	1
51	<u>1013593</u>	Internal Retaining Ring Pliers .....	1	1	1
52	<u>102248803</u>	IQ Display Module (IQDM) Kit (IQ System and IQ Plus vehicles) .....			1
		(includes items 54 and 55)			
53	<u>102248804</u>	IQ Display Module (IQDM-P) Kit (IQ System and IQ Plus vehicles) .....			1
		(includes items 54 and 55)			
54	<u>102251501</u>	Adaptor, Cable .....			1
55	<u>102241502</u>	IQDM Series 2 Cable .....			1
56	<u>102241501</u>	IQDM Series 1 Cable (replacement) .....			1
57	<u>101928701</u>	Liquid Gasket (transaxle case) .....	1	1	1
58	<u>102243402</u>	Moly-Teflon Lubricant (4-oz. (113-gram) tube) .....			1
59	<u>101997201</u>	Paint, Touch-Up – Beige* .....		1	1
59	<u>101997207</u>	Paint, Touch-Up – Black* .....		1	1
59	<u>101997212</u>	Paint, Touch-Up – Burgundy* .....		1	1
59	<u>101997211</u>	Paint, Touch-Up – Classic Blue (Navy)* .....		1	1
59	<u>101997205</u>	Paint, Touch-Up – Dark Gray* .....	1	1	1
59	<u>101997209</u>	Paint, Touch-Up – Dark Green* .....	1	1	1
59	<u>101997204</u>	Paint, Touch-Up – Gray* .....	1	1	1
59	<u>101997203</u>	Paint, Touch-Up – Red* .....	1	1	1
59	<u>101997206</u>	Paint, Touch-Up – Royal Blue (Pacific Blue)* .....		1	1
59	<u>101997202</u>	Paint, Touch-Up – White* .....	1	1	1
60	<u>102562301</u>	Paint, Precedent Underbody – Gray .....		1	1
61	<u>102587201</u>	Paint Pen, Touch-Up, Precedent Underbody – Black .....		1	1
		Please refer to the maintenance and service manual for proper tool application.			
		* Item 59 is not for use on Surlyn <sup>®</sup> body material, which is used on Precedent vehicles.			

**17**  
**G**  
**E**  
**D**

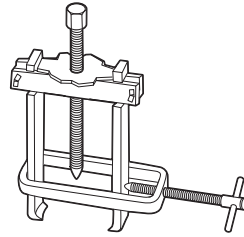
**17**  
**G**  
**E**  
**D**



62



63



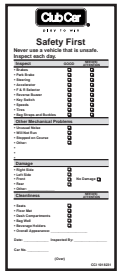
64



65



66



67



68



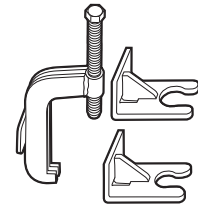
69



70



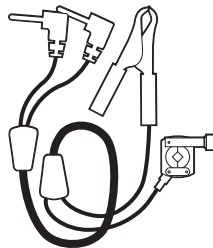
71



72



73



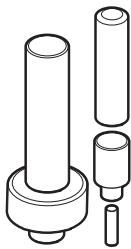
74



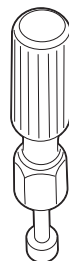
75



76



77



83



84



85



86

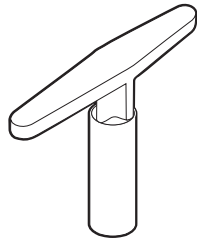
## MAINTENANCE AND SERVICE TOOLS, CONTINUED

ITEM	PART NO.	DESCRIPTION	QTY	QTY	QTY	17
			DIESEL	GAS	ELEC	
		1 2 3 4				G
62	<u>1016414</u>	Piston Ring Compressor Kit (FE290, FE350 and FE400 engines) .....		1		E
63	<u>1016415</u>	Piston Ring Pliers (for Kawasaki Engines) .....		1		D
64	<u>102668801</u>	Puller, Special Use (for Kubota D722 Diesel Engines) .....	1			
65	<u>1012549</u>	Retaining Ring Pliers, 45° External .....	1	1	1	
66	<u>1012560</u>	Retaining Ring Pliers, 90° Internal .....	1	1	1	
67	<u>101823101</u>	Safety First Card (50 per pack) .....	1	1	1	
68	<u>1012809</u>	Seal Puller .....	1	1	1	
69	<u>102330901</u>	Spanner Wrench (for coil over shock front suspension vehicles only) .....	1	1		
70	<u>1014264</u>	Steering Column Bearing Press Tool .....		1	1	
71	<u>1014259</u>	Steering Column Retaining Ring Tool .....		1	1	
72	<u>102061201</u>	Steering Wheel Puller Tool .....	1	1	1	
73	<u>AM10753</u>	Tachometer (includes gasoline engine pick up lead only) .....	1	1		
74	<u>AM10771</u>	Tachometer Diesel Probe (for use with item 73) .....	1			
75	<u>1014162</u>	Transaxle Axle Seal Tool .....		1		
76	<u>1014161</u>	Transaxle Pinion Seal Tool .....		1		
77	<u>1014115</u>	Transmission Tool Kit .....		1		
78	<u>101611003</u>	Tune-Up Kit, All OHV (for FE290, FE350, FE400 only) (includes air filter, spark plug, oil filter, fuel filters) (not shown) .....		1		
79	<u>AM11804</u>	Tune-Up Kit, Gx620 (for Honda Engines) (includes air filter, spark plug, oil filter, fuel filters) (not shown) .....		1		
80	<u>AM11805</u>	Tune-Up Kit, D722 (for Kubota Engines) (includes air filter, oil filter, fuel filters, water separator filter) (not shown) .....	1			
81	<u>AM1220301</u>	Tune-Up Kit, Precedent (for FE290/350 Engines) (includes air filter, spark plug, oil filter, fuel filters) (not shown) .....		1		
82	<u>AM1232401</u>	Tune-Up Kit, FH680D (for Kawasaki V-Twin Engines) (includes oil filter, fuel filter, air filter, and spark plugs) (not shown) .....		1		
83	<u>1016413</u>	Valve Clearance Adjuster Screw Holder (for FE290 engines only) .....		1		
84	<u>102674601</u>	Valve Guide Driver (for Honda GX620 Gasoline Engines) .....		1		
85	<u>101641201</u>	Valve Guide Reamer (FE290, FE350, and FE400 only) .....		1		
86	<u>102674401</u>	Valve Guide Reamer, 6.6 mm (for Honda GX620 Gasoline Engines) .....		1		

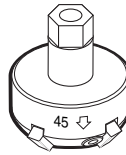
**17**  
**G**  
**E**  
**D**



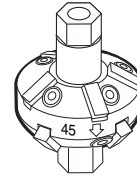
87



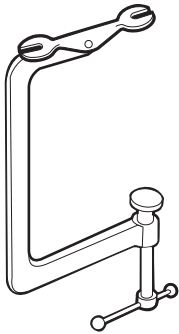
88



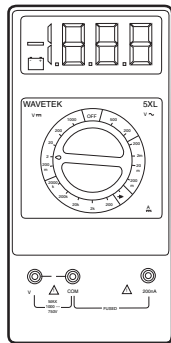
89



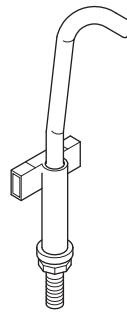
90



91



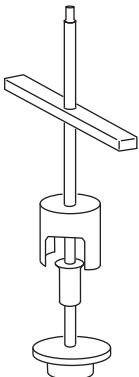
92



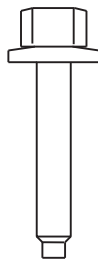
93



94



95



96

## MAINTENANCE AND SERVICE TOOLS, CONTINUED

ITEM	PART NO.	DESCRIPTION	QTY DIESEL	QTY GAS	QTY ELEC	<b>17</b>
		1 2 3 4				<b>G</b>
87	<u>1016552</u>	Valve Seat Cutter Guide .....		1		<b>E</b>
88	<u>1016551</u>	Valve Seat Cutter T-Wrench .....		1		<b>D</b>
89	<u>1016553</u>	Valve Seat Cutter, 45° (32 mm diameter) (for FE290 engines only) .....		1		
90	<u>1016554</u>	Valve Seat Cutter, 45°/30° (35 mm diameter) .....		1		
91	<u>101641101</u>	Valve Spring Compressor .....		1		
92	1011480	Volt Ohm Meter .....	1	1	1	
93	<u>102570401</u>	Tool, Tensioning, Starter Generator (For Precedent vehicles) .....		1		
94	<u>103601401</u>	Puller, Drive Clutch, XRT 950* .....		1		
95	<u>103601701</u>	Tool, Disassembly, Driven Clutch, XRT 950 .....		1		
96	<u>103600501</u>	Screw, Driven Clutch Disassembly, M6, XRT 950 .....		1		
<p>*Note: The XRT 950 Drive Clutch Puller requires the use of Screw, Driven Clutch Disassembly, CCI Part Number <u>103600501</u>.</p>						



# INDEX

## Part Number and Page

AM10753	17-9	7330	12-7, 15-5	8963	1-35
AM10771	17-9	7335	12-5, 15-5	8990	5-11, 6-19, 6-21, 6-23, 13-37, 13-45, 13-55, 13-57, 13-59, 13-63, 13-67, 13-71, 13-75, 13-79, 13-85
AM10080	12-5	7336	15-5	1010005	5-27
AM10081	12-5	7410	1-71, 1-73	1010124	5-15, 5-19, 5-23
AM10419	11-11	7473	1-3, 1-17, 1-35, 1-41, 1-47, 1-49, 1-57, 1-67, 1-71, 1-73, 4-7, 4-9, 4-11, 4-15, 4-21, 4-23, 4-25, 4-27, 4-29, 6-19, 6-21, 6-23, 6-27, 6-31, 6-35, 13-39	1010138	5-13, 5-17, 5-21
AM10682	2-3, 2-5	7479	1-43, 1-45, 1-55, 1-69, 16-13, 16-15	1010142	5-29, 5-31, 5-33, 5-35, 5-37
AM10724	7-5, 8-5	7532	1-67	1010144	5-29, 5-31, 5-33, 5-35, 5-37
CCX8506	16-3, 16-5, 16-7, 16-13	7540	5-11	1010145	5-29, 5-31, 5-33, 5-35, 5-37
183	6-7, 6-21, 6-23, 9-21, 9-23, 9-25, 9-27, 11-3, 11-5, 12-3, 13-53	7555	5-11	1010150	5-15, 5-19, 5-23
304	1-49, 1-51, 6-7, 13-33, 13-35, 16-21	7569	5-35	1010177	5-15
320	4-17, 4-19	7577	16-5, 16-7, 16-9, 16-11, 16-13, 16-15, 16-17, 16-19, 16-25, 16-27	1010200	5-23
332	1-9, 1-11, 1-17, 1-21, 1-23, 1-25, 1-27, 1-29, 1-35, 1-45, 1-47, 1-49, 1-51, 1-55, 1-57, 1-59, 1-67, 1-69, 1-71, 1-73, 6-7, 9-19, 10-3, 10-5, 12-11, 13-33, 13-35, 13-45, 13-57, 13-59	7591	6-7, 6-39, 13-33, 13-35, 13-93	1010434	1-3, 1-13, 1-15, 1-23, 1-25, 1-27, 1-29, 1-43, 1-51, 1-55, 1-59, 1-71, 1-73
334	4-27, 4-29, 5-3, 5-5, 5-11, 7-15, 8-15	7602	5-11	1010435	1-3, 1-67, 1-71, 1-73
357	5-15, 5-19, 5-23, 5-39	7716	4-7, 4-9, 4-11, 4-27, 4-29	1010436	1-35
451	1-47, 1-49, 4-5, 4-13, 10-3, 10-5, 13-43, 13-63, 13-71, 13-75, 14-3, 14-5, 14-7, 14-9, 14-11, 14-13, 16-13, 16-15	7818	6-19, 6-21, 6-23	1010543	1-9, 1-11, 1-19, 1-31, 1-33, 1-35, 1-37, 1-39
705	6-31, 6-33, 7-15, 8-15	7820	6-7, 13-33, 13-35	1010545	1-37, 1-39
706	5-15, 5-19, 5-23	7840	5-27	1010577	1-41, 1-47, 7-15, 8-15
808	5-39, 11-3, 11-5	7847	1-7, 1-45, 1-57, 1-59, 10-3, 10-5, 16-13, 16-15, 16-19, 16-21, 16-27	1010805	4-7, 4-9, 4-11
1016	6-7, 6-21, 6-23, 13-53	7893	6-7, 6-19, 6-21, 6-23, 12-11, 12-13, 12-15	1010829	4-15, 4-21, 4-23, 4-25
1017	6-17, 6-21, 6-23, 13-11, 13-53	7910	5-27	1010850	4-5, 4-13
1028	4-7, 4-9, 4-11, 13-43, 13-63, 13-71, 13-75, 16-13, 16-15	7973	1-5, 9-23, 9-25, 9-27, 12-13, 12-15	1010877	4-7, 4-9, 4-11
1032	4-7, 4-9, 4-11	8028	1-35	1010878	1-67, 4-7, 4-9, 4-11
1035	4-21, 5-11	8049	13-43	101090801	13-81, 13-89, 13-93, 13-95, 13-99, 13-101, 13-103, 13-105, 13-107
1108	1-69	8056	6-7, 6-25, 6-37, 6-39, 13-33, 13-35, 13-37, 13-91, 13-97	101090802	13-89, 13-93
1218	1-49, 1-71, 1-73, 13-53	8057	6-7, 6-19, 6-21, 6-23, 6-25, 6-37, 6-39, 12-9, 13-33, 13-35, 13-37, 13-43, 13-91, 13-97	1010909	6-7
1241	1-3, 1-17, 1-35, 1-41, 1-47, 1-49, 1-71, 1-73, 4-7, 4-9, 4-11, 4-21, 4-23, 4-25, 4-27, 4-29, 6-19, 6-21, 6-23, 6-27, 6-31, 6-33, 6-35, 10-3, 10-5, 13-39, 13-53, 14-3, 14-5, 14-7	8058	6-7, 6-19, 6-21, 6-23, 6-25, 6-37, 6-39, 12-9, 13-33, 13-35, 13-37, 13-43, 13-91, 13-97	1010921	4-7, 4-9, 4-11
1242	1-17, 4-15, 4-21, 4-23, 4-25, 5-39, 6-19, 6-21, 6-23, 6-31, 6-33, 13-53, 13-63, 13-71, 13-75, 13-85	8067	5-25, 5-27	1010927	4-7, 4-9, 4-11
1606	9-21	8233	1-17, 1-21, 1-23, 1-25, 1-27, 1-29, 1-45, 1-47, 1-51, 1-55, 1-57, 1-59, 1-67, 1-71, 1-73, 4-27, 4-29, 5-39, 6-7, 9-5, 12-3, 12-9, 12-11, 13-33, 13-35, 13-43, 13-45, 16-13, 16-15, 16-19, 16-21, 16-27	1010932	4-7, 4-9, 4-11
1620	1-5	8248	9-3, 9-5, 12-9, 13-45	1010933	4-7, 4-9, 4-11
1624	4-27, 4-29, 5-11	8251	1-13, 1-15, 1-17, 1-21, 1-23, 1-25, 1-27, 1-29, 1-35, 1-51, 1-53, 1-55, 1-59, 12-11	1010934	1-17, 1-69, 6-35, 14-3, 14-5, 14-7, 14-9, 14-11
1631	9-23, 9-25, 9-27	8304	1-35	1010953	4-3, 4-5, 4-13
2402	5-13, 5-17, 5-19, 5-21, 5-23	8418	1-73	1010954	6-19, 6-21, 6-23, 12-3, 12-9
4029	6-7, 13-33, 13-35	8450	6-21, 6-23, 11-3, 11-5, 13-43	1010984	2-3, 2-5, 2-7, 2-9
4034	6-27, 13-39	8455	12-13, 12-15	1010993	1-25, 1-29, 1-51, 1-55, 1-59
7048	5-25, 5-27	8639	6-7, 9-23, 9-25, 9-27, 13-19, 13-27, 13-31, 13-33, 13-35, 13-67, 13-85	1011014	1-3
7173	5-39, 6-27, 6-31, 6-35, 13-39, 13-53	8717	4-27, 4-29, 6-19, 6-21, 6-23, 12-3, 12-9	1011017	1-3
7174	5-3, 5-5, 5-39, 6-31, 6-33, 9-17, 10-3, 10-5, 13-53, 13-63, 13-71, 13-75, 13-85, 14-3, 14-5, 14-7, 14-9, 14-11	8754	1-45, 1-67, 4-17, 4-19, 4-27, 4-29, 5-3, 5-5, 5-11, 5-13, 5-15, 5-17, 5-19, 5-21, 5-23, 5-29, 5-31, 5-33, 5-35, 5-37, 6-31, 6-33	1011019	1-5
7251	1-3	8755	1-67, 5-15, 5-19, 5-23, 5-29, 5-31, 5-33, 5-35	1011084	4-31, 4-33, 4-35
7270	5-19	8796	16-13, 16-15, 16-23	1011114	4-5, 4-13
7274	5-27	8797	9-7	1011137	4-13
7308	5-27	8861	1-45, 5-13, 5-39	1011153	5-27
7310	2-3, 2-5, 2-7, 2-9			1011154	4-5, 4-13
7311	1-69, 5-39			1011182	1-41
				1011210	1-35
				1011219	1-35
				1011220	1-35
				1011221	1-35
				1011222	1-35
				1011229	6-7, 6-25, 6-37, 6-39, 13-33, 13-35, 13-37, 13-91, 13-97
				1011273	17-5

# INDEX

1011280	6-27, 13-39, 14-3, 14-5, 14-7	1012151	17-7	1013035	5-11
1011285	14-3, 14-5, 14-7	1012159	1-55	1013042	5-11, 5-13, 5-17, 5-21
1011290	14-3, 14-5, 14-7	1012180	5-33, 5-35	1013044	5-11
1011291	12-7	1012181	5-29, 5-31, 5-35, 5-37	1013051	5-11
1011298	4-5, 4-13	1012182	5-29, 5-31, 5-35, 5-37	1013052	5-11
1011301	4-5, 4-13	1012285	1-21, 1-47, 1-57, 9-3, 9-17, 12-3, 12-11, 12-13, 12-15, 13-45, 13-53, 13-55, 13-57, 13-59, 13-63, 13-85	1013061	1-45, 12-3, 13-49, 13-51, 13-71, 13-75, 13-87
1011303	4-5, 4-13	1012295	6-19, 6-21, 6-23	1013164	5-29, 5-31
1011314	4-5, 4-13	1012303	1-67, 5-15, 5-19, 5-23, 5-29, 5-31, 5-33, 5-35, 5-37	1013169	1-45
1011382	1-5	1012304	5-29, 5-31, 5-33	1013207	5-29, 5-33, 5-35
1011393	5-27	1012333	12-11, 12-13, 12-15	1013216	1-53
1011394	1-3	1012382	6-5, 6-11, 6-15	1013218	1-53
1011402	4-7, 4-9, 4-11	1012412	1-23, 1-25, 1-27, 1-29, 1-51, 1-55, 1-59	1013309	1-11, 1-37, 1-39
1011411	14-3, 14-5, 14-7	1012431	6-7, 6-19, 6-21, 6-23, 6-25, 6-37, 6-39, 12-9, 13-33, 13-35, 13-37, 13-91, 13-97	1013311	1-11
1011415	5-29, 5-31, 5-33, 5-35, 5-37	1012438	9-23, 9-25, 9-27, 13-53	1013312	1-11, 1-19, 1-37, 1-39
1011418	4-7, 4-9, 4-11	1012466	5-5	1013343	1-5
1011439	6-27, 13-39	1012467	5-11	1013344	1-5
101146302	4-5, 4-13	1012505	6-25, 6-27, 13-37, 13-39	1013357	1-63, 1-65, 6-7, 13-33, 13-35, 13-55, 13-57, 13-59, 13-63, 13-71
1011464	4-5, 4-13	1012528	10-3, 10-5, 13-53, 13-67, 13-79, 13-85	1013461	6-17, 9-7, 13-11
1011465	4-5, 4-13	1012549	17-9	1013462	9-7
1011466	4-5, 4-13	1012560	17-9	1013494	1-5
1011467	4-5, 4-13	1012565	5-7	1013531	4-21, 4-23, 4-25
1011478	17-7	1012566	5-7	1013582	17-3
1011480	17-11	1012571	7-15, 8-15, 13-105, 13-107	1013587	12-9
1011494	4-5, 4-13	1012581	1-23, 1-25, 1-27, 1-29, 1-53	1013589	6-19, 6-21, 6-23, 12-9
1011497	6-39, 13-93	1012594	12-9	1013590	12-9
1011498	6-39, 13-93	1012597	1-31, 1-33	1013591	12-9
1011557	6-27, 6-39, 13-39, 13-93	1012604	5-3, 5-5	1013593	17-7
1011558	6-39, 13-93	1012605	5-3, 5-5	1013609	6-19, 6-21, 6-23
1011571	6-39, 13-93	1012649	9-3, 9-5	1013677	3-7, 3-13, 3-15, 3-33, 3-35
1011578	1-35, 5-3, 13-81, 13-89, 13-93, 13-95, 13-99, 13-101, 13-103	1012656	1-31, 1-33	1013683	13-81
1011582	6-37, 6-39, 13-89, 13-93	1012657	1-31, 1-33	1013687	9-3, 9-5
1011610	6-39, 13-93	1012711	12-3	1013700	9-17
1011652	1-9, 1-19, 1-31, 1-33, 1-37, 1-39	1012714	12-5	1013734	10-3, 10-5, 13-53, 13-67, 13-79, 13-85
1011694	4-27, 4-29	1012740	12-5	1013746	9-3, 9-5, 9-7, 9-13, 9-15
1011697	1-57, 5-3, 5-5, 8-15, 9-13, 9-17, 13-83	1012741	12-5	1013760	12-3
1011700	4-27, 4-29	1012747	12-5	1013768	12-7
1011707	16-13, 16-15	1012748	12-5	1013769	12-7
1011734	4-31, 4-33, 4-35	1012752	12-3	1013770	12-7
1011767	17-3	1012809	17-9	1013771	12-7
1011779	4-15, 4-21, 4-23, 4-25	1012811	17-3	1013772	12-7
1011825	6-7, 13-33, 13-35	1012812	17-3	1013773	12-7
1011843	6-39, 13-93	1012830	6-31, 6-33, 9-17, 10-3, 10-5	1013774	12-7
101187702	4-7, 4-9, 4-11	1012836	11-11	1013787	12-7
1011887	5-27	1012896	12-3	1013792	12-7
1011889	5-27	1012986	6-25, 6-27	1013794	12-7, 15-5
1011895	5-11	1012987	12-9, 13-43	1013857	6-27, 13-39
1011930	5-11	1012991	6-29	1013858	6-27, 13-39
1011931	4-27, 4-29	1013001	6-29	1013869	4-7, 4-9, 4-11
1011988	1-71, 1-73, 9-3, 9-5	1013003	6-29	1013870	4-7, 4-9, 4-11
1011990	1-45	1013005	6-29	1013871	4-27, 4-29
1012098	16-3, 16-5, 16-7, 16-9, 16-11, 16-13, 16-15, 16-17, 16-19, 16-25, 16-27	101301102	6-29	1013872	1-67
1012101	16-7, 16-9, 16-11, 16-13, 16-15, 16-17, 16-19, 16-25, 16-27	1013032	1-53	1013876	4-7, 4-9, 4-11
1012126	13-71, 13-75, 13-87			1013924	4-3, 4-5, 4-13, 7-15, 8-15
				1013983	1-51, 1-55



# INDEX

1014007	1-35, 4-27, 4-29, 12-3	1014497	17-5	5-35, 5-37	
1014049	11-3, 11-5	1014498	17-5	1015597	5-11, 5-25, 5-27
1014050	11-3, 11-5	1014507	17-5	1015613	5-39
1014051	11-3	1014508	17-5	1015614	5-39
1014052	11-3, 11-5	1014510	17-5	101562711	1-11, 1-19, 1-31, 1-35, 1-39
1014055	11-3, 11-5	1014524	9-3, 9-5	101562712	1-11, 1-19, 1-31, 1-35, 1-37
1014056	11-3, 11-5	1014530	6-7, 13-33, 13-35	101562714	1-11, 1-19, 1-33, 1-35, 1-37
1014057	11-3, 11-5	101454602	5-31	101562715	1-11, 1-19, 1-33, 1-35, 1-39
1014058	11-3, 11-5	101454902	5-29	101564501	1-11
1014059	11-3, 11-5	1014555	5-29, 5-31, 5-33, 5-35, 5-37	101564502	1-11
1014062	11-3, 11-5	1014573	5-29, 5-31	101564503	1-11
1014063	11-3, 11-5, 16-23	1014645	1-5	101564505	1-11
1014065	6-19, 6-21, 6-23, 11-3, 11-5, 12-9	1014675	5-29, 5-31	101564804	1-35
1014070	11-11	1014727	12-9	101564805	1-35
1014072	11-11	1014771	2-3, 2-7	101564807	1-35
1014076	11-11	1014807	6-19, 6-21, 6-23, 12-9	101564808	1-35
1014078	11-11	1014808	6-19, 13-43	1015649	7-3, 8-3
1014080	11-11	1014871	13-43	101565202	1-41
1014089	12-9	1014901	5-29, 5-31	101565204	1-41
1014115	17-9	1014902	5-29, 5-31, 5-37	101565205	1-41
1014116	9-3, 9-5	1014928	9-3, 9-5	101565206	1-41
1014119	6-5, 6-11, 6-15, 6-19, 6-21, 6-23	1014947	13-53, 13-85	1015654	1-69
1014125	5-3, 5-5	1014948	6-19, 6-21, 6-23, 13-53, 13-85	1015656	1-69
1014126	5-3, 5-5	101503202	1-5	101565701	1-69
1014145	6-19, 6-21, 6-23, 12-9	1015064	12-9, 13-43	101565702	1-69
1014153	4-3, 4-5, 4-13	1015072	13-81, 13-83, 13-89, 13-93, 13-95, 13-99, 13-101, 13-103, 13-105, 13-107	101565703	1-69
1014161	17-9	1015075	1-3	101565704	1-69
1014162	17-9	1015091	1-35	1015660	1-69
1014193	12-7	1015137	9-3, 9-5, 9-7, 9-13, 9-15	101567202	2-3, 2-5
1014198	3-27	1015139	9-7, 9-23, 9-25, 9-27	101570502	2-5
1014201	14-3, 14-5, 14-7, 14-9, 14-11, 14-13	1015143	9-7	101570506	2-5, 2-7
1014207	12-7	101524001	6-31	101570507	2-5, 2-7
1014211	5-5	101524002	6-33	101570509	2-5, 2-9
1014212	5-5	1015330	7-9, 10-3	101570512	2-5
1014213	5-3, 5-5	1015332	6-5, 6-11, 6-15, 7-3, 8-3	101570513	2-5
1014214	5-3, 5-5	1015345	6-21, 6-23	101570514	2-7
1014216	5-5	1015371	6-19	1015707	2-5, 2-7
1014217	5-3, 5-5	1015372	6-19, 6-21, 6-23	1015720	6-7, 6-25, 6-37, 6-39, 13-33, 13-35, 13-37, 13-67, 13-79, 13-91, 13-97
1014259	17-9	1015373	6-19, 6-21, 6-23	1015737	6-5, 6-11, 6-15, 6-19, 6-21, 6-23
1014264	17-9	1015392	13-63	1015741	6-19, 6-21, 6-23, 13-53
1014276	5-15, 5-19, 5-23	101539802	12-13	1015752	6-19, 6-21, 6-23, 6-37, 9-19, 13-41, 13-89
1014287	11-3, 11-5	101539803	12-15	1015760	5-39
1014288	5-3, 5-5, 6-35, 11-3, 11-5, 13-85, 16-23	1015399	1-67	1015769	6-5, 6-11, 6-15
1014289	6-29	1015405	6-19, 6-21, 6-23	1015814	10-3, 10-5
1014304	13-81, 13-83, 13-89, 13-93	1015426	9-19	101584502	9-17
1014305	17-3	1015453	5-39	1015878	6-19, 6-21, 6-23
1014306	1-21, 1-51, 1-55, 1-57, 1-59, 16-13, 16-15	1015457	5-39	1015902	1-21, 1-47
1014321	1-13, 1-15, 1-43, 1-45	101547601	3-9, 3-17, 3-25, 3-37	1015914	16-7, 16-9, 16-11, 16-13, 16-15, 16-17, 16-19, 16-25, 16-27
1014375	6-35	1015507	1-67	1015917	16-7, 16-9, 16-13, 16-15, 16-17, 16-19, 16-27
1014387	1-13, 1-15, 1-43, 1-45	1015524	17-5	1015920	6-15, 6-31
1014392	1-51, 1-55, 1-59	1015525	1-53	1015921	9-7
1014453	11-3, 11-5	1015530	1-57	1015932	6-31, 6-33
1014454	11-11	101553901	1-69, 3-29		
1014471	1-67	1015545	5-5		
1014496	17-5	1015583	1-67, 5-15, 5-19, 5-23, 5-29, 5-31, 5-33,		

# INDEX

1015969	7-3, 8-3	101642578	9-9, 9-11	1016493	7-5
1016004	9-7	101642580	9-9, 9-11	1016494	7-11, 8-11
1016011	11-5	101642582	9-9, 9-11	1016496	7-11, 8-11
1016074	6-31, 6-33	101642585	9-11	1016497	7-5, 8-5
1016077	1-69	1016429	7-7, 8-7	1016499	9-9, 9-11
101609401	3-29	1016430	7-9	1016501	9-9, 9-11
1016103	9-13	1016431	7-9	1016502	7-7, 8-7
101611003	17-9	1016432	7-7, 8-7, 12-3	1016505	7-5
1016154	5-7	1016435	7-7	1016506	7-11, 8-11
101615504	5-9	1016436	7-9, 8-9	1016507	7-3, 8-3
1016156	5-7, 5-9	1016437	9-9, 9-11	1016509	7-13
1016181	5-5	1016438	9-13, 9-15	1016510	7-11, 8-11
1016183	5-3, 5-5	1016439	9-13	1016513	12-3
1016201	11-3, 11-5, 12-9	1016440	7-9, 8-9, 9-13, 9-15	101651402	2-3
1016203	11-7	1016441	9-13, 9-15	101651406	2-3, 2-7
1016219	5-7	1016443	7-3	101651407	2-3, 2-7
1016263	5-5	1016444	9-13, 9-15	101651409	2-3, 2-9
1016269	5-3, 5-5	1016445	7-5, 8-5	101651412	2-3
1016289	11-3, 11-5	1016446	7-9, 7-11	101651413	2-3
1016319	4-15	1016447	7-9	101651414	2-7
1016320	4-15	1016448	7-9	1016516	7-13
1016337	12-5	1016449	7-9, 8-9	1016517	7-9, 8-9
1016338	12-5	1016450	7-9, 8-9	1016518	8-9
1016341	12-3	1016451	7-9	1016519	7-9, 8-9
1016342	12-9	1016452	7-9, 8-9	1016520	7-11
1016346	5-13, 5-17, 5-21	1016453	7-11	1016521	7-11, 8-11
1016349	5-13, 5-17, 5-21	1016454	7-11, 8-11	1016523	7-9
1016350	5-13, 5-17, 5-21	1016455	7-5, 8-5	1016524	7-3
1016351	5-13, 5-17, 5-21	1016456	7-3, 7-5, 7-11, 8-3, 8-5	1016525	7-3
1016353	5-13, 5-17, 5-21	1016457	7-7, 8-7	1016526	7-3
1016356	6-7, 13-33, 13-35, 13-55, 13-57, 13-59, 13-63, 13-71	1016458	7-9, 7-11, 8-9	1016531	7-3, 8-3
1016363	13-53	101645901	7-13	1016532	7-13
1016366	13-53	101645902	7-13	1016533	7-13
101637605	5-21	101645903	7-13	1016535	7-11, 8-11
1016379	1-57	1016460	7-13	1016536	7-3
1016380	6-5, 6-11	101646101	7-13	1016537	7-7, 8-7
1016384	5-15, 5-19, 5-23	101646102	7-13	1016538	7-11, 8-11
1016385	5-13, 5-17, 5-21	101646103	7-13	1016539	7-3, 8-3
1016386	5-15, 5-19, 5-23	1016467	7-7, 8-7	1016541	7-13, 8-13
1016387	5-13, 5-15, 5-19, 5-23	1016469	7-13	1016542	7-9
1016389	5-15, 5-19, 5-23	1016470	7-13, 8-13	1016544	7-5, 7-9, 7-11, 8-5, 8-9, 8-11
1016401	6-19	1016471	7-9	1016545	7-9
101641002	17-5	1016472	7-11, 8-11	1016546	9-17
101641101	17-11	1016473	7-7, 8-7	1016547	7-3, 7-13, 8-3, 8-13, 9-13, 9-15
101641201	17-9	1016474	7-9, 8-9	1016548	7-5
101641202	17-3	101647501	7-13	1016549	7-9, 8-9
1016413	17-9	101647502	7-13	101655001	7-13
1016414	17-9	1016479	7-9, 8-9	101655002	7-13
1016415	17-9	1016480	9-13, 9-15	101655003	7-13
1016416	17-3	101648102	9-13, 9-15	101655004	7-13
1016417	17-3	101648203	7-7, 8-7	101655005	7-13
1016418	17-7	1016483	7-9, 8-9	101655006	7-13
1016423	6-19, 6-21, 6-23, 13-53	1016484	7-7	101655007	7-13
101642572	9-9	1016486	9-9, 9-11	101655008	7-13
101642575	9-9, 9-11	1016489	7-9, 8-9	101655009	7-13
		101649002	9-13, 9-15	1016551	17-11

# INDEX

1016552	17-11	1016751	1-13, 1-15, 1-21, 1-43, 1-45, 1-47, 1-49	101692515	1-3
1016553	17-11	101675511	1-21, 1-45, 1-47, 1-49	101692601	1-51
1016554	17-11	101675512	1-13, 1-15, 1-21, 1-43, 1-45, 1-47, 1-49	101692602	1-51
1016557	4-5, 4-13	101675514	1-13, 1-15, 1-21, 1-43, 1-45, 1-47, 1-49	101692604	1-51
1016558	7-13	101675515	1-13, 1-15, 1-21, 1-43, 1-45, 1-47, 1-49	101692606	1-51
1016559	7-13	101677701	1-13, 1-15, 1-21, 1-43, 1-45, 1-47, 1-49	101692609	1-51
1016560	7-9, 8-9	101677702	1-13, 1-15, 1-21, 1-43, 1-45, 1-47, 1-49	101692610	1-51
1016561	7-5, 8-5	101677703	1-21, 1-45, 1-47, 1-49	101692611	1-51
1016562	7-5, 7-13, 8-5, 8-13	101677705	1-13, 1-15, 1-21, 1-43, 1-45, 1-47, 1-49	101692612	1-51
1016563	7-9, 8-9	1016801	11-3, 11-5	101692613	1-51
1016564	7-11, 8-11	1016811	1-7	1016930	1-45
1016565	7-11	1016813	5-39	101693201	3-17, 3-25, 3-37
1016566	7-9, 8-9	1016814	5-39	101693301	1-55
1016567	7-11	1016816	1-45	101693302	1-55
1016568	7-13	1016819	1-45	101693304	1-55
1016569	7-9, 8-9	1016824	1-37, 1-39	101693306	1-55
1016570	7-7, 8-7	1016835	1-71, 1-73	101693309	1-55
1016571	7-13, 8-13	1016839	1-43, 1-45	101693310	1-55
1016572	9-13, 9-15	101684102	1-37	101693311	1-55
1016573	4-5, 4-13	101684103	1-37	101693312	1-55
1016576	7-7, 8-7	101684105	1-39	101693313	1-55
1016578	7-5, 8-5	1016842	1-71, 1-73	101693901	1-3
1016579	7-5, 8-5	1016843	1-73	101693902	1-3
1016580	7-13	1016845	13-43	101693906	1-3
1016581	7-7, 8-7	1016849	6-7, 6-25, 6-37, 6-39, 13-33, 13-35, 13-37, 13-91, 13-97	101693908	1-3
1016582	9-13, 9-15	1016851	6-7, 6-25, 6-37, 6-39, 13-33, 13-35, 13-37, 13-91, 13-97	101693909	1-3
1016583	7-9, 8-9	1016857	6-7, 6-25, 6-37, 6-39, 13-33, 13-35, 13-37, 13-91, 13-97	101693910	1-3
1016584	7-11, 8-11	1016859	6-7, 6-25, 6-37, 6-39, 13-33, 13-35, 13-37, 13-91, 13-97	101693911	1-3
1016585	9-9, 9-11	1016868	1-3	101693912	1-3
1016586	7-5, 8-5	1016874	1-57	101693913	1-3
1016587	7-5, 8-5	1016875	1-57	101693914	1-3
1016588	7-5, 8-5	1016876	1-57	1016947	12-9
101660404	1-5	1016879	6-17, 13-11	1016952	1-7
101661601	13-95, 13-101, 13-105	1016880	6-17, 13-11	1016967	1-3, 13-63, 13-71, 13-75
101661602	13-95, 13-101, 13-105	1016883	6-31, 6-33	1016970	1-17
1016622	5-5	1016901	11-5	1016997	6-21, 6-23
1016627	17-7	1016904	8-9, 10-5	1017006	6-21, 6-23
1016630	6-25, 6-27	1016916	1-9, 1-35	1017029	4-7, 4-9, 4-11
1016631	13-53	101692501	1-3	1017035	6-39, 13-93
1016663	1-69, 5-7, 5-9	101692502	1-3	101705701	3-3, 3-5, 3-11, 3-19, 3-31
1016668	1-71, 1-73	101692506	1-3	1017062	6-17, 13-11
1016670	1-17	101692509	1-3	1017064	6-17, 13-11
1016672	12-7	101692510	1-3	1017065	6-17, 13-11
1016673	16-13, 16-15, 16-23	101692511	1-3	101707801	3-29
1016679	1-57	101692512	1-3	1017079	1-57
101670201	3-39	101692513	1-3	1017080	1-3
1016717	6-37, 13-89	101692514	1-3	1017082	12-3
1016718	1-17			101708301	1-7
1016723	1-13, 1-15, 1-43			1017141	1-51, 1-55, 1-59
1016724	1-67			1017187	16-13, 16-15, 16-21
101672701	12-13			1017188	11-9
101672702	12-15			1017189	16-13, 16-15, 16-21
1016729	13-15, 13-23			1017203	9-5
1016732	13-15, 13-23			1017211	4-15
101674702	4-33			1017221	7-3
101674704	4-35			1017226	5-3, 5-5

# INDEX

1017231	12-3	101744902	8-13	101773308	8-13
1017235	5-29, 5-31	1017450	8-13	101773309	8-13
1017239	6-21, 6-23	101745101	8-13	101773310	8-13
1017243	6-21, 6-23	101745102	8-13	101773311	8-13
1017259	1-21	1017453	8-13	1017748	1-51, 1-55, 1-59
1017266	5-13, 5-17, 5-21	1017454	8-9	1017774	1-41, 1-47, 1-49
1017273	5-7, 5-9	1017455	7-5, 8-5	1017799	13-43
101728201	1-19	1017456	7-7, 8-7	1017814	1-55
101728202	1-31	101745701	8-13	1017815	1-55
101728203	1-19	101745702	8-13	1017853	6-7, 13-33, 13-35
101728204	1-31	1017458	8-7	101788201	1-27
101728210	1-19	1017460	8-7	101788202	1-27
101728211	1-33	1017461	9-9, 9-11	101788204	1-27
101728213	1-19	1017463	8-5	101788206	1-27
101728214	1-33	1017466	9-13, 9-15	101788208	1-27
101728701	1-59	1017468	7-5, 8-5	101788209	1-27
101728702	1-59	1017471	8-13	101788210	1-27
101728704	1-59	1017472	8-11	101788211	1-27
101728706	1-59	1017473	8-9	101788212	1-27
101728708	1-59	1017474	8-3	101791101	4-3, 4-5
101728709	1-59	1017475	8-3	101791901	1-27, 1-29
101728710	1-59	1017476	8-3	1017936	1-51, 1-55, 1-59
101728711	1-59	1017486	8-3	1017944	14-3, 14-5, 14-7
101728712	1-59	1017487	8-11	1017947	14-3, 14-5, 14-7
1017289	1-23, 1-25, 1-27, 1-29	1017490	8-5	1017948	14-3, 14-5
1017310	1-21, 1-47	1017500	8-3	1017949	14-3, 14-5, 14-7
1017313	5-3	1017501	8-13	1017950	14-3, 14-5, 14-7
1017314	5-3	1017502	8-13	1017951	14-3
1017315	5-3	1017503	8-13	1017953	14-3, 14-5, 14-7
101731601	1-23	1017504	8-11	101795701	13-5, 13-9, 13-15, 13-23, 13-81, 13-83, 13-89, 13-93
101731602	1-23	1017507	7-7, 8-7	1017958	14-3
101731604	1-23	1017508	8-11	1017961	14-3
101731606	1-23	1017510	8-13	101796201	4-27, 4-29
101731608	1-23	1017511	8-11	101796501	13-49, 13-51
101731609	1-23	1017512	8-13	101796801	13-49, 13-51
101731610	1-23	1017513	8-11	1017976	1-67
101731611	1-23	1017514	8-11	101797701	13-81, 13-89, 13-93
101731612	1-23	101751801	8-11	101797702	13-81, 13-89, 13-93
1017317	5-3	101751802	8-11	101797801	13-81, 13-89, 13-93
101737002	2-3, 2-5, 2-7	101751803	8-11	101799201	1-47
1017378	4-27, 4-29	101753005	13-43	101801001	13-49, 13-51, 16-13, 16-15, 16-23
1017380	4-27, 4-29	1017653	6-29	101802101	13-49
101738301	11-5	1017686	11-11	101802201	16-7
101738302	11-5	1017689	10-3, 10-5	101802202	16-7
1017384	1-31, 1-33	1017695	1-19, 1-31, 1-33	101802203	16-7
1017424	4-27, 4-29	1017696	4-27, 4-29	101802204	16-5
1017434	8-9	1017699	6-39, 13-93	101802205	16-5
1017435	8-9	1017705	13-49, 13-51	101802206	16-5
1017442	8-7	1017721	6-7	101802301	16-13
1017443	8-9, 8-11	101773301	8-13	101802401	13-55
1017444	8-9	101773302	8-13	101804301	9-19, 9-23, 9-25, 9-27
1017445	8-9	101773303	8-13	101805701	9-21
1017446	8-9	101773304	8-13	101806901	1-61
1017447	8-11	101773305	8-13	101808401	17-3
1017448	7-5, 8-5	101773306	8-13	101809101	17-5
101744901	8-13	101773307	8-13		

# INDEX

101810501	13-55, 13-57, 13-59	13-105, 13-107	101869302	6-29	
101811301	9-23, 9-25, 9-27	101831503	16-9	101870401	1-3
101811401	9-21	101831504	16-9	101870501	5-15
101811501	9-21	101831601	16-15	101871001	17-3
101811801	9-19	101831701	16-9	101874601	4-15
101811901	9-19	101831702	16-9	101874901	6-29
101812301	9-19	101831801	17-5	101875001	6-29
101813001	9-19	101831901	17-3	101875101	6-29
101813202	17-3	101832001	13-49, 13-51	101875102	6-29
101814301	16-13	101832101	7-15	101875201	6-29
101814302	16-15	101832202	9-17	101875301	6-29
101814701	13-39	101832302	9-17	101875401	6-29
101815501	4-3	101832601	8-15	101875501	6-29
101815502	4-3	101832701	7-15, 8-15	101875601	6-29
101816401	4-3	101832901	16-23	101875701	6-29
101816501	4-3	101833101	8-15	101875802	6-29
101816502	4-3	101833201	7-15	101876001	6-29
101817401	4-27, 4-29	101833401	11-11	101876202	6-29
101818801	4-27	101833601	12-3	101876301	6-29
101820201	9-13	101833701	6-29	101876402	6-29
101821301	6-19	101833902	11-3	101876501	6-29
101821501	9-19	101833904	11-5	101877601	6-29
101823101	17-9	101834001	11-11	101877701	6-29
101823201	4-3	101834502	6-25, 6-27, 13-37, 13-39	101878101	6-29
101823801	4-3	101834601	7-15, 8-15	101878201	4-7, 4-9
101824401	9-3, 9-5, 9-7	101834801	12-3	101878302	5-11
101825101	3-3, 3-5, 3-13, 3-15, 3-21, 3-23, 3-33, 3-35	101835601	1-13, 1-15, 13-55, 13-57, 13-59	101879001	6-29
101825102	3-17, 3-25, 3-37	101836201	11-11	101879401	5-11
101825701	9-23, 9-25, 9-27	101837001	1-63, 1-65	101879501	5-11
101826201	13-37, 13-39	101837101	9-19	101879601	5-11
101826301	6-25	101837301	6-5, 6-11, 6-15, 6-31, 6-33	101879701	5-11
101826401	6-27	101838201	16-9, 16-15	101879801	5-11
101826801	13-55, 13-57, 13-59, 13-85	101838301	16-9, 16-15	101879901	5-11
101827101	7-15, 8-15	101838401	16-9, 16-11, 16-15, 16-25, 16-27	101880001	5-11
101827703	6-23	101838501	16-9	101880101	5-11
101827801	13-85	101838601	16-9, 16-11, 16-15, 16-25, 16-27	101880201	5-11
101827802	13-55, 13-57	101840203	13-53	101880301	5-11
101828301	16-7	101840901	1-71	101880701	4-5, 4-13
101828501	16-7, 16-9, 16-11, 16-13, 16-15, 16-17, 16-19, 16-27	101841101	1-71	101880901	1-19, 1-31, 1-33, 1-37, 1-39
101828601	13-79	101841201	1-71	101881101	7-5, 8-5
101828801	16-5, 16-7, 16-17	101841202	1-71	101881701	1-19, 1-31, 1-33, 1-37, 1-39, 9-19
101828802	16-5, 16-7, 16-17	101841301	1-71	101884801	7-15, 8-15
101828901	16-7, 16-9, 16-11, 16-17, 16-25	101841901	16-13, 16-15, 16-19, 16-27	101884901	2-3, 2-5, 2-9
101828902	16-7, 16-9, 16-11, 16-17, 16-25	101846301	1-73	101886101	12-3
101828903	16-7, 16-17, 16-25	101850301	9-21	101887101	17-3
101828904	16-5	101851101	6-25, 6-27, 13-37, 13-39	101887601	7-3, 8-3, 9-13
101828905	16-5	101855002	13-45, 13-47	101888501	1-13, 1-15
101828906	16-5	101855801	12-11	101888502	1-13
101829001	16-13, 16-15, 16-19, 16-27	101856002	13-45, 13-47	101889401	12-5
101829101	16-13, 16-15	101856102	6-19, 6-21, 6-23	101890001	12-5
101830601	6-25, 6-27, 13-37, 13-39	101856201	9-21	101890101	12-3
101830701	6-25, 6-27, 13-37, 13-39	101859301	10-3	101890201	12-3
101831101	16-7, 16-17, 16-19, 16-27	101859401	10-5	101890501	12-3
101831401	13-95, 13-99, 13-101, 13-103,	101861901	4-27, 4-29	101890601	12-3
		101862001	4-29	101890901	12-7
		101865301	4-15	101891001	12-7

# INDEX

101891301	12-3	101910401	1-41, 1-47, 1-49, 13-85	101929401	5-33
101891401	12-7	101910501	12-7	101929501	9-3
101891501	12-7	101911701	13-53	101929801	11-3
101891601	12-5	101912401	4-31	101929802	11-3
101891901	12-5	101914401	6-7, 13-33, 13-35, 16-7, 16-9, 16-13, 16-15, 16-17, 16-19, 16-25, 16-27	101931501	3-7, 3-33, 3-35, 13-85
101892001	12-5	101915201	3-9, 3-17, 3-25, 3-37	101931601	13-55
101892201	12-5	101915401	7-11	101932201	6-27, 13-39
101892301	12-5	101915501	7-13	101932401	13-45, 13-47
101892401	12-5	101915601	7-3	101932501	13-45, 13-47
101892501	12-5	101915801	7-5	101932601	13-85
101892601	12-5	101916001	8-13	101932701	13-85
101892701	12-7	101916101	8-3	101933101	17-7
101892901	12-3	101916201	8-5	101933701	9-23, 9-25, 9-27
101893201	12-5	101916301	8-5	101935301	4-17, 4-19
101893801	12-3	101916701	6-31, 6-33, 11-3, 11-5	101935501	13-37, 13-39
101893901	12-5	101917601	9-19	101936801	13-41
101894303	1-11	101917701	9-21	101939901	6-29
101895401	15-5	101918301	13-53	101942301	13-45, 13-47, 13-55, 13-57, 13-59, 14-5, 14-7, 14-9, 14-11, 14-13
101895501	15-5	101918401	2-3, 2-5, 2-9	101946201	1-13, 1-15, 1-21, 1-43, 1-45
101896001	15-3	101918402	2-7	101951501	12-11
101896501	6-29	101918501	4-7, 4-9, 4-11	101953101	4-21
101896901	9-7	101919801	4-27, 4-29	101953103	4-23
101897001	15-5	101920101	13-41, 13-45, 13-47, 13-55, 13-57, 13-59, 14-5, 14-7, 14-9, 14-13	101953104	4-25
101897201	15-5	101921501	9-19	101953106	4-15
101897401	15-5	101922101	15-5	101953801	8-3
101897601	15-5	101922201	15-5	101953901	7-3
101898001	6-35	101922201	15-5	101954301	1-9, 1-11, 1-19, 1-31, 1-33, 1-37, 1-39, 1-41, 1-47
101900801	4-21, 5-31	101922301	7-13	101955001	5-17, 5-21
101900901	6-25	101922501	13-45	101955101	6-7, 13-33, 13-35
101903001	13-5	101922601	12-11	101955301	9-3, 9-5
101903601	15-5	101923001	15-5	101956201	16-11
101903701	15-5	101923201	15-5	101956202	16-11
101904402	13-15	101923501	15-5	101957101	6-27, 13-39
101904403	13-23	101923701	15-5	101957501	13-55, 13-57, 13-59
101904502	13-15	101923901	15-5	101958201	16-11, 16-25
101904503	13-23	101924301	13-53	101958301	16-11, 16-25
101904602	13-15	101925601	11-3	101958601	1-13, 1-15
101904603	13-23	101925701	9-19	101960001	3-31
101904702	13-15	101926501	5-33	101960501	3-9, 3-17, 3-25, 3-37
101904703	13-23	101926802	9-23, 9-25	101960601	3-3, 3-5, 3-11, 3-19, 3-31
101905601	9-9	101926803	9-27	101962601	13-55, 13-57, 13-59
101905901	9-11	101926901	12-3	101963301	1-13, 1-15, 1-43
101906901	15-5	101927101	12-3	101963401	1-13, 1-15, 1-43, 7-15, 8-15
101908101	13-45, 13-87	101927201	12-3	101963901	1-13, 1-15, 1-43
101908401	13-45, 13-87	101927301	12-3	101964001	1-13, 1-15, 1-43
101908601	3-7	101927501	12-5	101964601	3-33, 3-35
101908701	13-53, 13-85	101927601	12-5	101965205	13-85
101908902	13-15	101927701	12-5	101966801	13-55
101908903	13-23	101927901	12-5	101968701	13-5
101909201	7-5, 8-5	101928001	12-5	101968801	13-55
101909301	7-5, 8-5	101928101	12-5	101969701	6-27, 13-39
101909401	7-5, 8-5	101928301	12-7	101971301	9-19
101909501	7-5, 8-5	101928601	12-3	101972001	17-7
101909701	7-3	101928701	12-3, 15-5, 17-7	101972002	17-7
101909903	13-55, 13-57	101929301	7-5		
101909904	13-59				

# INDEX

101972003	17-7	102065901	7-15, 8-15	102266501	13-85
101972004	17-7	102066201	5-37	102266601	13-45, 13-47
101972005	17-7	102101001	13-41	102266701	13-45, 13-47
101972006	17-7	102101101	13-41	102267001	14-5, 14-7
101972007	17-7	102155801	11-11	102271601	8-11
101972009	17-7	102158701	3-27	102273101	13-53
101972011	17-7	102162501	13-15, 13-23	102273201	16-5
101972012	17-7	102162601	4-23, 4-25	102273301	16-5
101972101	15-5	102166901	4-23, 4-25	102273401	16-5
101972201	15-5	102169401	17-7	102273601	16-5
101972801	9-19	102174201	1-9	102273701	16-3, 16-5
101973101	9-9, 9-11	102174202	1-9	102273801	16-3, 16-5
101973201	9-9	102174204	1-9	102273901	16-3, 16-5
101973301	9-11	102174205	1-9	102274001	16-5
101973401	9-15	102186001	14-9, 14-13	102275401	16-17, 16-19, 16-25, 16-27
101973501	16-11, 16-25	102186101	14-9, 14-13	102278001	5-3, 5-5
101976601	16-25	102186201	14-9, 14-13	102289201	5-13, 5-17, 5-21
101978001	13-5	102186301	14-9, 14-11, 14-13	102292801	4-15, 4-23, 4-25
101979101	12-9, 13-43	102186401	14-9, 14-11, 14-13	102304701	7-9
101980801	12-5	102186701	14-9, 14-13	102304801	8-9
101980901	12-5	102186901	14-9, 14-13	102310701	1-27, 1-29, 1-51, 1-55, 1-59
101981001	12-5	102187001	14-9	102323101	4-7, 4-9, 4-11, 4-15, 4-23, 4-25
101984801	5-3, 5-5	102187101	14-9, 14-13	102323201	4-7, 4-9, 4-11, 4-15, 4-23, 4-25
101987501	16-11	102187201	14-9, 14-13	102327801	14-5
101987701	9-3, 9-5	102196601	13-5	102330901	17-9
101987901	6-17, 13-11	102196901	13-45, 13-47	102336001	9-17
101988001	6-17, 13-11	102199001	6-7	102336101	9-17
101988002	6-17, 13-11	102199601	13-5	102353201	5-25
101988101	6-17, 13-11	102228701	3-7	102353301	5-25
101988201	6-17, 13-11	102235201	14-3, 14-5, 14-7, 14-9, 14-11, 14-13	102355301	6-35
101989901	13-15	102237701	14-3	102356601	15-5
101990001	13-23	102238001	13-63, 13-71, 13-75	102356801	15-5
101990402	6-5, 6-21	102240102	14-5	102357001	15-5
101990502	6-11, 6-23	102240104	14-7	102406701	9-7
101990703	6-25, 6-27	102240501	13-67, 13-79, 13-85	102430901	8-13
101990801	4-21, 4-23, 4-25	102241501	17-7	102440901	13-67, 13-79
101991101	6-25, 6-27	102241502	17-7	102453001	12-5
101998211	1-9	102242101	11-11	102453101	12-5
101998212	1-9	102243402	17-7	102511301	13-83
101998214	1-9	102243403	14-3, 14-5, 14-7, 14-9, 14-11, 14-13	102511302	13-83
101998215	1-9	102244501	3-39	102518001	3-3, 3-15, 3-23, 3-35
101998501	1-9	102248803	17-7	102519201	3-5, 3-13, 3-21, 3-33
102002801	13-95, 13-99, 13-101, 13-103, 13-105, 13-107	102249901	17-3	102522001	9-7
102002901	13-95, 13-99, 13-101, 13-103, 13-105, 13-107	102250201	13-43	102540301	7-15, 8-15
102003201	9-3, 9-5	102251501	17-7	102555501	17-3
102022101	4-21	102251901	14-5	102562401	17-3
102022601	5-13, 5-17, 5-21	102259801	13-85	102564002	5-15, 5-19, 5-23
102022602	5-13, 5-17, 5-21	102263601	13-85	102569304	2-3, 2-5
102025401	4-17, 4-19	102263701	13-85	102570401	17-11
102025901	6-25, 6-27	102265501	14-5	102588501	5-29, 5-31
102026001	4-27, 4-29	102265601	14-5, 14-7	102601501	17-5
102031901	12-7	102265701	14-5, 14-7	102603501	17-5
102045901	12-3, 12-13, 12-15	102265801	14-5, 14-7	102605201	17-5
102061201	17-9	102265901	14-5, 14-7	102606101	17-5
		102266001	14-5, 14-7	102607501	17-5
		102266101	14-5, 14-7	102668801	17-9

# INDEX

102669901	17-7	102886401	15-5	103316901	13-85
102674001	17-5	102886501	15-5	103325501	14-7
102674101	17-5	102886601	15-5	103325601	14-7
102674201	17-5	102891101	5-37	103325701	14-7
102674401	17-9	102892901	16-25	103325801	14-7
102674601	17-9	102892902	16-25	103332402	6-15, 6-19
102675001	17-5	102893001	16-27	103337601	14-7
102675101	17-5	102894001	13-31, 13-75	103345701	11-3, 11-5
102675201	17-5	102900501	13-55	103350901	5-33, 5-35
102675301	17-5	102912801	13-67, 13-79	103351001	5-13, 5-17, 5-21
102675401	17-5	102913301	13-9	103351101	5-37
102684501	5-15, 5-19, 5-23	102915701	13-87	103352701	16-23
102686101	17-3	102917101	5-37	103354701	5-13, 5-17, 5-21
102704701	14-9, 14-13	102938301	13-71, 13-75	103372101	9-7
102704801	14-9, 14-13	102938601	14-11	103372302	9-7
102704901	14-9, 14-11, 14-13	102938701	14-11	103379501	12-11
102705001	14-9	102938801	14-11	103380201	4-3
102711201	6-19	102938901	14-11	103380202	4-3
102753401	7-9, 8-9	102939001	14-11	103397901	13-33, 13-35, 13-67, 16-5, 16-7, 16-13
102764401	13-99, 13-103, 13-107	102939101	14-11	103403101	13-85
102764402	13-99, 13-103, 13-107	102939102	14-11	103414901	13-33, 13-35, 13-67, 16-5, 16-7, 16-13
102766201	13-95, 13-99, 13-101, 13-103, 13-105, 13-107	102939501	16-25	103428501	16-3
102766301	5-15, 5-19, 5-23	102940801	16-19, 16-25, 16-27	103428601	16-3
102769701	13-67, 13-79	102942601	16-21	103428701	16-3
102770701	16-21	102945401	1-25	103428701	16-3
102771701	15-5	102945402	1-25	103429001	16-3
102772402	13-63, 13-71, 13-75	102945404	1-25	103429101	16-3
102774501	13-67, 13-79	102945406	1-25	103429201	16-3
102774601	13-67, 13-79	102945408	1-25	103429301	16-3
102774701	13-67, 13-79	102945409	1-25	103429501	16-3
102775101	14-11	102945411	1-25	103429701	16-3
102777401	13-83	102945412	1-25	103434001	16-3
102806201	13-85	102945501	1-29	103439901	16-3
102810601	13-19, 13-27, 13-67, 13-71	102945502	1-29	103477901	5-25, 5-27
102817101	13-67, 13-79	102945504	1-29	103483101	4-3
102817201	13-67, 13-79	102945506	1-29	103483102	4-3
102830301	13-105, 13-107	102945508	1-29	103483201	4-3
102832601	13-83	102945509	1-29	103483301	4-3
102837001	16-19	102945510	1-29	103483401	4-3
102838101	13-87, 16-17, 16-19	102945511	1-29	103483501	4-3
102842401	3-41, 3-43	102945512	1-29	103483601	4-3
102845101	3-15, 3-23, 3-35, 13-87	102951701	14-11	103483701	4-3
102845203	13-89, 13-93, 13-95, 13-101, 13-105	102980801	13-95, 13-99, 13-101, 13-103, 13-105, 13-107	103502701	5-19
102845204	13-99, 13-103, 13-107	102980901	13-95, 13-99, 13-101, 13-103, 13-105, 13-107	103502801	5-23
102845501	13-19, 13-27, 13-31, 13-67	103010101	9-3, 9-5	103507001	5-15
102847801	16-17	103198201	13-95, 13-99, 13-101, 13-103	103512801	16-3
102847802	16-17	103200701	13-39	103512901	16-3
102847803	16-17	103234302	3-27	103513001	16-3
102848701	13-51	103246701	1-9	103517401	16-3
102859501	13-67, 13-79	103246801	1-9	103517601	16-5
102865101	9-3, 9-5	103282601	13-85	103520301	9-21
102871801	5-33, 5-35, 5-37	103316701	13-85	103538701	1-67
102873401	13-95, 13-99, 13-101, 13-103, 13-105, 13-107	103316801	13-85	103538901	1-67
102886301	15-5			103601601	5-3, 5-5
				103628801	5-19



# INDEX

- 103628901 5-23  
103651901 9-7  
103653501 5-13, 5-17, 5-21  
103667103 5-25  
103667203 5-25  
103717001 16-3  
103717002 16-3  
103717003 16-3  
103717302 5-27  
103717402 5-27  
103776901 9-7  
103779601 16-3  
103781101 9-3, 9-5  
103781201 9-3, 9-5  
96704416 7-15, 8-15
- A**
- absorber, rear shock 5-29, 5-31  
AC cord 16-5, 16-7, 16-9, 16-11, 16-13, 16-15, 16-17, 16-19, 16-25, 16-27  
AC cord bushing 16-3, 16-5  
AC cord receptacle 16-11, 16-25  
AC cordset 16-3  
accelerator bracket and bearing assembly 4-27, 4-29  
accelerator cable 9-17  
accelerator pedal 4-27, 4-29  
accelerator pedal adjustment tool 17-3  
accelerator pivot rod 4-27, 4-29  
accelerator return spring 4-27, 4-29  
accelerator rod 4-31, 4-33, 4-35  
access door 1-53  
adapter  
    cable (IQDM) 17-7  
adhesive, guide ring 17-3  
adjuster  
    hydraulic brake 17-7  
adjuster, lash 8-11  
air box 9-19  
air box top 9-19  
air filter 9-19  
air intake hose 9-19  
ammeter 16-3, 16-5, 16-7, 16-9, 16-11, 16-13, 16-15, 16-17, 16-19, 16-25, 16-27  
anchor body 4-5, 4-13  
anchor body kit 4-5, 4-13  
anchor, piston 4-5, 4-13  
angled bumper mount 5-29  
anti-sway bar 5-39  
A-plate strap 5-13, 5-17, 5-21  
A-plate, delta 5-13, 5-17, 5-21  
arbor 17-3  
arm  
    governor 12-3  
    pivot 12-3  
    rocker 7-9, 8-9  
armature 6-29, 14-3, 14-5, 14-7, 14-9, 14-11, 14-13  
armature conversion kit 6-29  
armrest 1-13, 1-15, 1-21, 1-47, 1-71, 1-73  
assembly  
    accelerator bracket and bearing 4-27, 4-29  
    accelerator pivot rod 4-27, 4-29  
    air box 9-19  
    air box top 9-19  
    armature 6-29  
    axle 12-7  
    bearing, steering shaft 5-3, 5-5  
    bell crank and shaft 6-21, 6-23  
    brake lever 4-3  
    brush connector 6-29  
    brush holder 6-29  
    carburetor 9-9, 9-11  
    connecting rod 7-13, 8-13  
    cylinder head 8-9  
    delta A-plate 5-13, 5-17, 5-21  
    delta shock and gear support 5-13, 5-17, 5-21  
    diode 13-53  
    drive clutch 11-5  
    drive hub 11-3, 11-5  
    driven clutch 11-11  
    driven clutch fixed-face 11-11  
    field coil 6-29  
    float 9-9, 9-11  
    Forward/Reverse shifter 12-9  
    frame and field (motor) 14-9, 14-13  
    fuel tank vent 9-7  
    governor 12-5  
    headlight 6-17, 13-11  
    headlight harness 6-17, 13-11  
    idle screw 9-9, 9-11  
    inner ball joint 5-11  
    kingpin 5-15, 5-19, 5-23  
    moveable-face 11-3, 11-5, 11-11  
    pilot air screw 9-9, 9-11  
    plug cap 8-5  
    ratchet 4-7, 4-9, 4-11  
    score card plate 5-7  
    secondary clutch weight 11-3, 11-5  
    steering shaft 5-3, 5-5  
    steering wheel 5-7, 5-9  
    turn signal lens 6-17, 13-11  
axle 12-7, 15-3, 15-5  
axle shaft oil seal 12-7, 15-5  
axle tube 15-5
- B**
- backing plate, brake 4-5, 4-13  
bag rest mat 1-51, 1-55, 1-59  
bag, desiccant 11-3, 11-5  
ball bearing 8-11  
ball joint 4-7, 4-9, 4-11, 4-31, 4-33, 4-35, 5-11, 12-11, 12-13, 12-15  
ball joint, left-hand thread 5-11  
ball stud 6-19, 6-21, 6-23, 12-3, 12-9  
ball, bearing 5-25  
ball, shifter 12-5  
ball, steel pressure relief 7-7, 8-7  
band, RPM limiter mount 7-5, 8-5  
bar, drive 13-41  
bar, stabilizer 5-39  
barb, vent 9-3, 9-5, 9-7  
barrel, plastic 1-3, 1-13, 1-15, 1-23, 1-25, 1-27, 1-29, 1-43, 1-51, 1-55, 1-59, 1-71, 1-73  
battery 6-35  
    8-volt 13-81, 13-89, 13-93  
    8-volt moist 13-81, 13-89, 13-93  
battery cap 13-81, 13-89, 13-93  
battery cap, 6-volt 13-95, 13-99, 13-101, 13-103, 13-105, 13-107  
battery charger 16-5, 16-7, 16-9, 16-11, 16-17, 16-25  
battery charger and reel 16-13, 16-15  
battery charger case 16-5, 16-7, 16-9, 16-11, 16-13, 16-15, 16-17, 16-19, 16-25, 16-27  
battery charger handle 16-5  
battery charger harness 13-71, 13-75  
battery charger receptacle 13-49, 13-51  
battery charger shield 16-23  
battery charger transformer 16-5, 16-7, 16-9, 16-11, 16-13, 16-15, 16-17, 16-19, 16-25, 16-27  
battery charger wire assembly 16-25  
battery charger, onboard 16-13, 16-19, 16-27  
battery clamp 6-35  
battery condition indicator, 48-volt 13-39  
battery discharge machine 17-3  
battery hold-down 13-81, 13-89, 13-93, 13-95, 13-99, 13-101, 13-103, 13-105, 13-107  
battery hold-down rod 13-89, 13-93, 13-95, 13-99, 13-101, 13-103, 13-105, 13-107  
battery hold-down, 12-volt 13-83  
battery insulator 1-63, 1-65  
battery terminal protector spray 17-3  
battery thermometer 17-3  
battery warning light 13-37, 13-39  
battery, 12-volt, Trojan T1275, moist 13-83  
battery, 12-volt, Trojan T1275, wet 13-83  
battery, 6-volt, Trojan T105 13-95, 13-101, 13-105  
battery, 6-volt, Trojan T105, moist 13-95, 13-101, 13-105  
battery, 6-volt, Trojan T145 13-99, 13-103, 13-107  
battery, 6-volt, Trojan T145, moist 13-99, 13-103, 13-107  
bearing 15-5  
    ball 5-25, 8-11  
    ball (motor) 14-9, 14-11, 14-13

# INDEX

- ball (steering pinion) 5-11
  - front wheel hub 5-27
  - hub 5-27
  - idler 11-3, 11-5
  - inner axle tube 12-7, 15-5
  - lower pinion (steering) 5-11
  - needle 12-5
  - outer axle tube 12-7
  - pivot support 4-27, 4-29
  - steering shaft 5-3, 5-5
  - thrust 5-15, 5-19, 5-23
  - bearing and oil seal remover 17-3
  - bearing driver set 17-3
  - bearing puller 17-3
  - bearing puller wedge 17-3
  - bearing retainer 14-3, 14-5, 14-7
  - bearing seal 5-5
  - bearing seat 5-3, 5-5
  - bed frame assembly 1-67
  - bed seal 1-67
  - bed, flat 1-67
  - bed, floor plate 1-67
  - bell crank 6-19, 12-9
  - bell crank and shaft 6-21, 6-23
  - bellows 5-11
  - belt, drive 11-7, 11-9
  - belt, starter/generator 6-31, 6-33, 11-3, 11-5
  - beverage holder 1-7
  - bezel, choke cable 9-23, 9-25, 9-27
  - bezel, headlight 6-17, 13-11
  - bezel, taillight 6-39, 13-93
  - block, brake-mounting 4-7, 4-9, 4-11
  - block, fuse 6-19, 6-21, 6-23, 13-53
  - block, terminal 6-7, 13-33, 13-35, 13-55, 13-57, 13-59, 13-63, 13-71
  - body kick plate 1-23, 1-25, 1-27, 1-29, 1-51, 1-55, 1-59
  - body, anchor 4-5, 4-13
  - body, center 1-23, 1-25, 1-27, 1-29
  - body, rear 1-51, 1-55, 1-59
  - bolt, J- 13-81, 13-83
  - bolt, U- 5-29, 5-31, 5-37
  - boot, steering column 5-3, 5-5
  - boot, switch 13-45, 13-87
  - bottom, air box 9-19
  - box
    - air 9-19
    - electrical component 6-19, 6-21, 6-23
    - steering gear 5-11
  - bracket 5-33, 6-25, 6-27, 7-3
    - accelerator cable 9-17
    - adjustable starter/generator 6-31, 6-33
    - battery charger 16-13, 16-15
    - brake cable guide 5-17, 5-21
    - brake light switch 6-27, 13-39
    - governor cable 9-17
  - headlight mounting 6-17, 13-11
  - horn 6-7, 13-33, 13-35
  - muffler mounting 10-3, 10-5
  - oil filter mount 7-7, 8-7
  - oil level switch 7-11, 8-11
  - relay mounting 6-21, 6-23, 16-9, 16-13, 16-15, 16-19, 16-27
  - retaining 9-23, 9-25, 9-27
  - RPM limiter 7-5, 8-5
  - shifter 12-3, 12-11, 12-13, 12-15
  - shock absorber 5-29, 5-31, 5-35, 5-37
  - shock mounting 5-29, 5-31, 5-35, 5-37
  - snubber 7-15, 8-15
  - stabilizer bar mounting 5-39
  - stake side 1-69
  - starter/generator mounting 6-31, 6-33
  - steering column 5-3, 5-5
  - steering column mounting 5-3, 5-5
  - throttle spring return 9-13, 9-15
  - Tow/Run switch 13-45
  - brake actuator kit 4-5, 4-13
  - brake adjusting mechanism 4-3
  - brake adjustment tool 17-3
  - brake backing plate 4-5, 4-13
  - brake cable 4-15, 4-21, 4-23, 4-25
  - brake cable equalizer 4-15, 4-21, 4-23, 4-25
  - brake cable hanger 4-21, 5-29, 5-31, 5-33, 5-35
  - brake cable release tool 17-3
  - brake cluster 4-5, 4-13
  - brake drum 4-3, 4-5, 4-13
  - brake lever 4-3
  - brake lever arm 4-5, 4-13
  - brake light switch bracket 6-27, 13-39
  - brake mounting block 4-7, 4-9, 4-11
  - brake pedal 4-7, 4-9
    - pedal, brake 4-11
  - brake pedal adjustment tool 17-3
  - brake pedal pad 4-7, 4-9, 4-11
  - brake pedal tension tool 17-3
  - brake return spring 4-21, 4-23, 4-25
  - brake self-adjusting mechanism 4-3
  - brake shoe 4-3, 4-5, 4-13
  - brake spring 4-3, 4-5, 4-13
  - breaker, circuit 16-3, 16-5, 16-7, 16-9, 16-11, 16-13, 16-15, 16-25, 16-27
  - breather 12-3, 15-5
  - brush 14-3, 14-5, 14-7, 14-9, 14-11
  - brush and screw set 6-29
  - brush box assembly 14-9, 14-11, 14-13
  - brush connector 6-29
  - brush holder 6-29
  - brush inspection port cover 6-29
  - brush kit, motor 14-11
  - brush port cover 6-29
  - brush rigging 14-3, 14-5, 14-7, 14-9, 14-11, 14-13
  - brush spring 14-3, 14-5, 14-7, 14-9, 14-11, 14-13
  - brush spring set 6-29
  - brush, motor 14-11
  - bulb, headlight 6-17, 13-11
  - bulb, tail light 6-37, 6-39, 13-89, 13-93
  - bumper
    - drive unit (motor) 14-3, 14-5, 14-7, 14-9, 14-11, 14-13
    - front 1-3
    - front, kit 1-3
    - jounce 5-29, 5-31
    - rear 1-57
    - rubber 1-35, 1-67, 4-7, 4-9, 4-11
    - seal, long 1-11, 1-19, 1-37, 1-39
    - side trim 1-51, 1-55, 1-71, 1-73
    - spring return 4-27, 4-29
  - bumper guard vinyl trim 1-27, 1-29
  - bumper mount 5-31
  - bumper mount, angled 5-29
  - bumper mounting 1-57
  - bumper, seat 1-11, 1-31, 1-33
  - bushing 11-3, 11-5
    - AC cord 16-3, 16-5
    - bronze 5-25, 5-27
    - nylon 4-7, 4-9, 4-11
    - return line 9-7
    - spindle 5-25, 5-27
    - stabilizer bar 5-39
    - steel 1-67, 5-15, 5-19, 5-23, 5-29, 5-31, 5-33, 5-35, 5-37
    - urethane 1-67, 5-13, 5-15, 5-17, 5-19, 5-21, 5-23, 5-29, 5-31, 5-33, 5-35, 5-37
  - bushing support 5-39
  - bushing, insulated 14-3, 14-5, 14-7
  - Buss bar 13-43
  - button, choke 9-21
  - button, drive 11-11
  - buzzer, reverse 6-7, 6-25, 6-37, 6-39, 13-33, 13-35, 13-37, 13-91, 13-97
- ## C
- cable
    - accelerator 9-17
    - brake 4-15, 4-21, 4-23, 4-25
    - choke 9-23, 9-25, 9-27
    - FNR shifter 12-13, 12-15
    - governor 9-17
    - IQDM 17-7
    - transmission 12-11
  - cable retainer 12-11
  - calibration test module 17-3
  - cam
    - driven clutch 11-11
    - electrical component box 6-19, 6-21, 6-23
    - neutral lockout 12-9

# INDEX

- cam installation tool 17-3
- camshaft 7-11, 8-11
- camshaft shim 8-11
- camshaft spring 8-11
- cap
  - battery 13-81, 13-89, 13-93
  - battery, 6-volt 13-95, 13-99, 13-101, 13-103, 13-105, 13-107
  - corner 1-13, 1-15, 1-43, 1-45
  - dust 13-45, 13-47
  - key switch 6-25, 6-27, 13-37, 13-39
  - plug 8-5
  - seat back 1-13, 1-15, 1-21, 1-43, 1-45, 1-47, 1-49
  - spark plug 7-5
- carburetor 9-9, 9-11
- carburetor float level tool 17-7
- carburetor gasket 9-15
- carburetor insulator 9-13, 9-15, 14-3, 14-5, 14-7
- carburetor mounting gasket 9-13, 9-15
- card, safety first 17-9
- case
  - battery charger 16-5, 16-7, 16-9, 16-11, 16-13, 16-15, 16-17, 16-19, 16-25, 16-27
  - differential gear 12-7
  - FNR switch 13-45, 13-47
  - gear 12-3, 15-5
  - rocker 7-9, 8-9
- case, charger 16-3
- center body 1-23, 1-25, 1-27, 1-29
- charger bezel tool 17-3
- charger board relay 16-3
- charger case 16-3
- charger hardware 16-3
- charger harness 13-71, 13-75
- charger legs 16-3
- charger receptacle 13-49, 13-51
- charger, battery 16-5, 16-7, 16-17, 16-25
- charger, battery, onboard 16-13, 16-19, 16-27
- charger, battery, shield 16-23
- choke button 9-21
- choke cable 9-23, 9-25, 9-27
- choke cable bezel 9-23, 9-25, 9-27
- choke lever 9-21
- choke lever guide 9-21
- choke positioner 9-21
- choke valve 9-19
- circuit breaker 13-87, 16-3, 16-5, 16-7, 16-9, 16-11, 16-13, 16-15, 16-17, 16-19, 16-25, 16-27
- clamp
  - battery 6-35
  - cable retaining 9-17
  - hose 9-3, 9-5, 9-7, 9-13, 9-15, 9-19
  - muffler hose 10-3, 10-5
- clevis, upper delta 5-15, 5-19, 5-23
- clip, score card 5-7
- cluster idler gear 12-5
- cluster, brake 4-5, 4-13
- clutch alignment tool 17-5
- clutch pulley 11-3
- clutch removal tool 17-3
- clutch repair kit 11-11
- clutch tool kit 17-5
- clutch weight 11-3, 11-5
- clutch, drive 11-3
- clutch, driven 11-11
- coil, field 6-29
- coil, ignition 7-5, 8-5
- collet 7-9, 8-9
- column, steering 5-3, 5-5
- communication display module 17-5
- component box, electrical 6-19, 6-21, 6-23
- component cover 13-55
- component mounting plate 13-53, 13-67, 13-79, 13-85
- component mounting plate cover 13-63, 13-71, 13-75
- compression gauge 17-5
- compression lug 13-55, 13-57, 13-59, 13-85
- compression mount 5-39
- compression spring 9-21
- compressor, piston ring 17-9
- compressor, valve spring 17-11
- computer, onboard 13-55, 13-57, 13-59, 13-67, 13-79, 13-85
- connecting bar 1-71, 1-73
- connecting rod 7-13, 8-13
- connector, a- 6-29
- connector, four-pin 13-45, 13-47
- connector, speed controller 13-85
- continuity tester 17-5
- control board 16-13, 16-15, 16-19, 16-27
- controller cover 13-85
- controller cover gasket 13-85
- controller, motor speed 13-85
- controller, speed 13-53, 13-67, 13-79
- cord connector 7-11, 8-11
- cord reel 16-13, 16-15, 16-21, 16-23
- cord set, DC 16-5
- cord, AC 16-5, 16-7, 16-9, 16-11, 16-13, 16-15, 16-17, 16-19, 16-25, 16-27
- cord, DC 16-7, 16-9, 16-11, 16-13, 16-15, 16-17, 16-19, 16-25, 16-27
- Cordset
  - PD3, AC 114" 16-3
  - PD3, AC 80" 16-3
  - PD3, DC 113" 16-3
  - PD3, DC 154" 16-3
  - PD3, DC 205" 16-3
- counterbalance guide shaft 7-13, 8-13
- counterbalance weight 7-13, 8-13
- cover
  - brush inspection port 6-29
  - brush port 6-29
  - component 13-55
  - crankcase 7-11, 8-11
  - dust 4-5, 4-13, 5-5, 5-27
  - electrical box 6-19, 6-21, 6-23
  - fuse block 13-53
  - oil pump 7-7, 8-7
  - screw head 1-5
  - steering column 5-3
  - steering column tube 5-5
  - cover gasket, controller 13-85
  - cover plate 14-9, 14-13
  - cover, controller 13-85
  - cover, seat back support 1-17
  - cover, speed controller 13-85
  - cowl 1-3
  - crank, bell 12-9
  - crankcase 7-13, 8-13
  - crankcase cover 8-11
  - crankcase cover gasket 7-9, 7-11
  - crankcase vent tube 9-13, 9-15
  - crankshaft 7-13, 8-13
  - crankshaft rod 8-13
  - crankshaft seal 7-11
  - crankshaft shim 7-13, 8-13
  - C-type stop ring 5-11
  - cup holder 1-7
  - cup, spring 4-27, 4-29
  - current limiter 16-11, 16-25
  - cushion, shock absorber 5-29, 5-31, 5-33, 5-35, 5-37
  - cutter, valve seat 17-5, 17-11
- D**
  - damper, RPM limiter 7-5, 8-5
  - dash component 1-5
  - dash panel 1-5
  - DC cord 16-7, 16-9, 16-11, 16-13, 16-15, 16-17, 16-19, 16-25, 16-27
  - DC cord set 16-5
  - DC cordset 16-3
  - decal
    - battery danger 3-7, 3-13, 3-15, 3-33, 3-35
    - bed hold-down bolts 3-29
    - bed load warning 1-69, 3-29
    - component cover 3-7, 3-33, 3-35, 13-85
    - crush area warning 3-29
    - dash warning 3-3, 3-5, 3-11, 3-19, 3-31
    - driver/passenger 3-9, 3-17, 3-25, 3-37
    - four-passenger warning 3-3, 3-5, 3-11, 3-19, 3-31
    - frame ground 3-9, 3-17, 3-25, 3-37
    - IQ Plus 3-41, 3-43
    - key switch 3-17, 3-25, 3-37
    - no ground warning 3-33, 3-35

# INDEX

- on/off 3-3, 3-5, 3-13, 3-15, 3-21, 3-23, 3-33, 3-35
  - operating instructions 3-17, 3-25, 3-37
  - operating instructions (electric) 3-3, 3-15, 3-23, 3-35
  - operating instructions (gas) 3-5, 3-13, 3-21, 3-33
  - private speed mode 3-7
  - rotating parts 3-9, 3-17, 3-25, 3-37
  - Tow/Run switch 3-15, 3-23, 3-35, 13-87
  - Tow/Run switch warning 3-7
  - TransPorter 3-39
  - vehicle loading 1-69, 3-31
  - Villager 3-27
  - delta A-plate 5-13, 5-17, 5-21
  - delta A-plate sub-assembly 5-13, 5-17, 5-21
  - delta shock and gear support 5-13, 5-17, 5-21
  - desiccant bag 11-3, 11-5
  - DF-terminal insulator 6-29
  - diesel tachometer probe 17-9
  - differential 15-3
    - drive unit 15-5
  - differential gear 12-7, 15-5
  - differential gear case 12-7
  - differential housing 15-5
  - differential idler gear 12-7
  - differential pin 12-7
  - diode 6-19, 6-21, 6-23, 13-53, 13-85
  - dipstick 7-3, 8-3
  - door, access 1-53
  - drain plug 7-7, 8-7
  - drain plug gasket 7-7, 8-7, 12-3
  - drink holder 1-7
  - drive bar 13-41
  - drive belt 11-7, 11-9
  - drive button 11-11
  - drive clutch 11-3
  - drive clutch assembly 11-5
  - drive clutch button 11-3, 11-5
  - drive clutch fixed sheave tool 17-5
  - drive clutch fixed-face 11-3, 11-5
  - drive clutch holder tool 17-5
  - drive clutch hub puller 17-5
  - drive clutch puller 17-5
  - drive clutch pulley 11-5
  - drive clutch spider removal tool 17-5
  - drive clutch spring 11-3, 11-5
  - drive clutch weight 11-3, 11-5
  - drive hub 11-3, 11-5
  - drive unit 15-3
  - drive unit bumper 14-3, 14-5, 14-7, 14-9, 14-11, 14-13
  - driven clutch 11-11
  - driven clutch button 11-11
  - driven clutch cam 11-11
  - driven clutch cam puller 17-5
  - driven clutch fixed-face assembly 11-11
  - driven clutch puller plug 17-5
  - driven clutch spring compression base tool 17-5
  - driven clutch spring compression collar tool 17-5
  - driven clutch spring compression nut tool 17-5
  - driver, drive clutch 11-3, 11-5
  - drum, brake 4-3, 4-5, 4-13
  - dry moly lubricant 17-7
  - duct, intake 9-23, 9-25, 9-27
  - dust cap 13-45, 13-47
  - dust cover 4-5, 4-13, 5-5, 5-27
- ## E
- E-clip 4-15, 4-21, 4-23, 4-25
  - electrical box cover 6-19, 6-21, 6-23
  - electrical component box 6-19, 6-21, 6-23
  - electrical component mounting plate 13-53, 13-67
  - end bell, commutator 6-29
  - end bell, output shaft 6-29
  - end cap, motor 14-3, 14-5, 14-7, 14-9, 14-11, 14-13
  - end shield
    - motor 14-5, 14-7
  - end, tie rod 5-13, 5-17, 5-21
  - engine 7-3, 8-3
  - engine mounting plate 7-15, 8-15
  - engine shroud 7-3, 8-3
  - engine valve spring 7-9
  - equalizer pivot 4-15
  - equalizer rod 4-15, 4-21, 4-23, 4-25
  - equalizer, brake cable 4-15, 4-21, 4-23, 4-25
  - exhaust system 10-3, 10-5
  - exhaust valve 7-9, 8-9
  - extrusion 13-85
  - extrusion, fender 1-3
- ## F
- face, moveable 11-3, 11-5, 11-11
  - fan housing 7-3, 8-3
  - fan shroud 7-3, 8-3
  - fan, flywheel 7-5, 8-5
  - fender extrusion 1-3
  - fender, inner 1-51, 1-55, 1-59
  - fender, rear 1-57
  - field coil 6-29
  - field coil housing 6-29
  - fill plug 12-3
  - filter
    - air 9-19
    - fuel 9-3, 9-5
    - oil 7-7, 8-7
    - oil pump 8-7
  - fitting, thread-forming grease 5-11, 5-25, 5-27
  - fixed-face, drive clutch 11-3, 11-5
  - fixed-face, driven clutch 11-11
  - flat bed 1-67
  - float 9-9, 9-11
  - floor mat 1-5, 1-17, 1-23, 1-25, 1-27, 1-29
  - flywheel 7-5, 8-5
  - flywheel fan 8-5
  - flywheel fan plate 7-5, 8-5
  - flywheel puller 17-7
  - FNR handle 12-9, 13-43
  - FNR shifter base 12-9
  - FNR shifter cable 12-13, 12-15
  - FNR switch 13-43
  - FNR switch case 13-45, 13-47
  - foam, seat 1-9, 1-19, 1-31, 1-33, 1-35, 1-37, 1-39
  - foot rest 1-71, 1-73
  - foot rest mat 1-71, 1-73
  - fork, shift 12-5
  - Forward/Reverse shifter 12-9
  - frame and field assembly (motor) 14-9, 14-13
  - frame and field, motor 14-11
  - front body support 1-51, 1-55, 1-59
  - front bumper 1-3
  - front bumper kit 1-3
  - front spring retainer plate 5-15, 5-19, 5-23
  - front suspension 5-13, 5-21
  - front suspension sub-assembly 5-17
  - F-terminal hardware 6-29
  - f-terminal insulator 6-29
  - fuel filter 9-3, 9-5
  - fuel gauge sending unit 9-7
  - fuel gauge/hour meter 6-25, 6-27
  - fuel line 9-3, 9-5, 9-7, 9-13, 9-15
  - fuel pump mount 9-3
  - fuel tank 9-7
  - fuel tank strap 9-3, 9-5
  - fuel tank vent 9-7
  - fuse 13-49, 13-51, 16-7, 16-9, 16-11, 16-13, 16-15, 16-17, 16-19, 16-25, 16-27
    - 10-amp 6-19, 6-21, 6-23
    - 20-amp 6-19, 6-21, 6-23, 13-53
    - 3/8-amp 13-49, 13-51, 13-55, 13-57, 13-59
    - charger 16-3, 16-5
  - fuse and receptacle 13-51
  - fuse block 6-19, 6-21, 6-23, 13-53
  - fuse block cover 13-53
- ## G
- gasket 15-5
    - carburetor 9-15
    - carburetor mounting 9-9, 9-11, 9-13, 9-15
    - crankcase cover 7-9, 7-11, 8-9, 8-11
    - drain plug 7-7, 8-7, 12-3
    - exhaust 7-9, 8-9, 10-3, 10-5
    - head 7-9, 8-9

# INDEX

- insulator 7-9, 8-9, 9-13, 9-15
  - liquid 12-3, 15-5, 17-7
  - oil pump 7-7
  - rocker case 7-9, 8-9
  - seat 1-9, 1-31, 1-33
  - sending unit 9-7
  - taillight 6-37, 6-39, 13-89, 13-93
  - voltage limiter 13-55, 13-57, 13-59
  - gasket kit, FE290 7-9
  - gasket kit, FE350 8-9
  - gasket, controller cover 13-85
  - gauge, compression 17-5
  - gauge, fuel/hour 6-25, 6-27
  - gear
    - case 12-3, 15-5
    - cluster idler 12-5
    - differential 12-7, 15-5
    - differential idler 12-7, 15-5
    - differential output 15-5
    - helical 7-13, 8-13, 12-5, 12-7
    - spur 7-13, 8-13, 12-5
    - synchro 12-5
  - gear yoke 17-7
  - governor 12-5
  - governor arm 12-3
  - governor cable 9-17
  - governor cable bracket 9-17
  - governor shaft installation tool 17-7
  - governor shield 9-13
  - grip, pencil 5-7
  - grommet 9-7, 9-23, 9-25, 9-27, 13-55
  - guide
    - choke lever 9-21
    - intake valve 7-9, 8-9
    - valve 8-9
    - valve seat cutter 17-11
  - guide ring adhesive 17-3
- ## H
- hand rail 1-17
  - handle, battery charger 16-5
  - handle, FNR 12-9, 13-43
  - handrail 1-71, 1-73
  - hanger, brake cable 4-21, 5-29, 5-31, 5-33, 5-35
  - hardware kit, charger 16-3
  - hardware, F-terminal 6-29
  - harness, battery charger 13-71, 13-75
  - harness, wire 6-5, 6-11, 6-15, 6-19, 6-21, 6-23, 13-5, 13-9, 13-15, 13-19, 13-23, 13-27, 13-31, 13-67, 13-71, 13-75
  - head gasket 7-9, 8-9
  - head, cylinder 8-9
  - head, FE290 7-9
  - headband, sealed, motor 14-11
  - headband, vented, motor 14-11
  - headlight assembly 6-17, 13-11
  - headlight bulb 6-17, 13-11
  - headlight harness 6-17, 13-11
  - headlight retainer 6-17, 13-11
  - heat shrink tube 16-13, 16-15, 16-21
  - heatsink 16-5
  - heatsink and rectifier 16-7, 16-9, 16-11, 16-13, 16-15, 16-17, 16-19, 16-25, 16-27
  - helical gear 7-13, 8-13, 12-5, 12-7
  - hill brake rod 4-7, 4-9, 4-11
  - hill brake weld assembly 4-7, 4-9, 4-11
  - hinge assembly 1-35
  - hinge pin 1-35, 1-69
  - hinge plate 1-9, 1-19, 1-23, 1-25, 1-27, 1-29, 1-31, 1-33, 1-37, 1-39, 1-51, 1-55, 1-59
  - hinge, long 1-35
  - hinge, stake side 1-69
  - hip restraint 1-73
  - hold-down rod, battery 13-89, 13-93, 13-95, 13-99, 13-101, 13-103, 13-105, 13-107
  - hold-down, battery 13-81, 13-89, 13-93, 13-95, 13-99, 13-101, 13-103, 13-105, 13-107
  - hold-down, battery, 12-volt 13-83
  - holder, cup 1-7
  - horn 6-7, 13-33, 13-35
  - horn bracket 6-7, 13-33, 13-35
  - horn button and wire assembly 6-27, 13-39
  - hose, air intake 9-19
  - hose, fuel 9-3, 9-5
  - hour meter/fuel gauge 6-25, 6-27
  - housing
    - 2-pin 13-41
    - 3-pin 13-41, 13-45, 13-47, 13-55, 13-57, 13-59, 14-5, 14-7, 14-9, 14-11, 14-13
    - 4-pin 13-45, 13-47
    - 6-pin 13-85
    - differential 15-5
    - fan 7-3, 8-3
    - field coil 6-29
  - hub 5-25, 5-27
  - hub bearing 5-27
  - hub, synchronizer clutch 12-5
  - hubcap 5-25
  - hydraulic brake adjuster 17-7
  - hydrometer 17-7
- ## I
- idle screw assembly 9-9, 9-11
  - idler bearing 11-3, 11-5
  - idler gear, differential 15-5
  - ignition coil 7-5, 8-5
  - inner frame snubber 7-15, 8-15
  - input shaft 15-5
  - insert, synchronizer 12-5
  - instrument panel 1-5
  - insulated bushing 14-3, 14-5, 14-7
  - insulating washer 14-11
- insulator gasket 7-9, 8-9, 9-13, 9-15
  - insulator, battery 1-63, 1-65
  - insulator, carburetor 9-13, 9-15, 14-3, 14-5, 14-7
  - insulator, motor terminal 14-11
  - intake duct 9-23, 9-25, 9-27
  - intake pipe 9-13, 9-15
  - intake valve 7-9, 8-9
  - intermediate shaft 15-5
  - internal retaining ring pliers 17-7
  - IQ display module (IQDM) 17-7
- ## J
- J-bolt 13-81, 13-83
  - jet, main 9-9, 9-11
  - jet, pilot 9-9, 9-11
  - joint
    - ball 4-7, 4-9, 4-11, 4-31, 4-33, 4-35, 12-11, 12-13, 12-15
    - left-hand thread ball 5-11
  - jounce bumper 5-29, 5-31
- ## K
- key
    - crankshaft 7-5, 7-13, 8-5, 8-13
    - driven clutch 11-11
    - On/Off 6-25, 6-27, 13-37, 13-39
    - square 11-11
    - starter/generator 6-29
    - woodruff 12-3
  - key switch 6-25, 6-27
  - key switch cap 6-25, 6-27, 13-37, 13-39
  - key switch, On/Off 13-37, 13-39
  - kick plate, body 1-23, 1-25, 1-27, 1-29, 1-51, 1-55, 1-59
  - kingpin 5-15, 5-19, 5-23
  - kit
    - 2-pin housing 13-41
    - 3-pin housing 13-41, 13-45, 13-47, 13-55, 13-57, 13-59, 14-5, 14-7, 14-9, 14-11, 14-13
    - 4-pin housing 13-45, 13-47
    - 6-pin housing 13-85
    - accelerator pivot rod 4-27, 4-29
    - anchor body 4-5, 4-13
    - brake cable 4-21
    - brake pedal 4-7, 4-9
    - brake pedal adjustment tool 17-3
    - brake shoe retainer 4-5, 4-13
    - clutch repair 11-11
    - differential gear case 12-7
    - drive clutch button 11-3, 11-5
    - drive clutch weight 11-3, 11-5
    - driven clutch button 11-11
    - front hub replacement 5-25
    - fuel tank 9-7

# INDEX

- impulse fuel pump rebuild 9-3, 9-5
  - IQ display module (IQDM) 17-7
  - magnet and bearing 14-5, 14-7
  - motor brush 14-9, 14-11, 14-13
  - motor brush spring 14-9, 14-13
  - motor cover plate 14-9, 14-13
  - motor speed sensor 14-9, 14-11, 14-13
  - motor terminal hardware 14-9, 14-13
  - neutral lockout cam 12-9
  - park brake latch 4-7, 4-9, 4-11
  - park brake pedal 4-7, 4-9, 4-11
  - PD3 Cordest, AC 114" 16-3
  - PD3 Cordest, AC 80" 16-3
  - PD3 Cordest, DC 113" 16-3
  - PD3 Cordest, DC 154" 16-3
  - PD3 Cordest, DC 205" 16-3
  - PD3 hardware 16-3
  - reverse buzzer 6-7, 6-25, 6-37, 6-39, 13-33, 13-35, 13-37, 13-91, 13-97
  - shock absorber 5-29, 5-31
  - shock absorber cushion 5-29, 5-31, 5-33, 5-35, 5-37
  - steering column rebuild 5-5
  - taillight hardware 6-39, 13-93
  - tune-up 17-9
  - knob, light switch 6-27, 13-39
- L**
- lash adjuster 8-11
  - latch, air box 9-19
  - latch, park brake 4-7, 4-9, 4-11
  - L-bracket, motor 14-9
  - leaf spring 5-29, 5-31, 5-33, 5-35, 5-37
  - legs, charger 16-3
  - lens, headlight 6-17, 13-11
  - lens, taillight 6-37, 6-39, 13-89, 13-93
  - lever
    - change 12-3
    - choke 9-19, 9-21
    - transmission shifter 12-3
  - light
    - battery warning 13-37, 13-39
    - oil 6-25, 6-27
    - tail 6-37, 13-89
  - light switch 6-27, 13-39
  - light switch knob 6-27, 13-39
  - limit switch 6-19, 6-21, 6-23, 6-27, 12-9, 13-39, 13-43
  - limiter
    - current 16-11, 16-25
    - RPM 7-5, 8-5
    - voltage 6-7, 13-55, 13-57, 13-59
  - line, fuel 9-3, 9-5, 9-7, 9-13, 9-15
  - link, rack and pinion drag 5-11
  - link, stabilizer bar 5-39
  - liquid gasket 12-3, 15-5, 17-7
  - low oil warning light 6-25, 6-27
  - lubricant, dry moly 17-7
  - lubricant, moly-teflon 14-3, 14-5, 14-7, 14-9, 14-11, 14-13, 17-7
  - lug nut 2-3, 2-5, 2-7, 2-9
  - lug stud 12-7, 15-5
  - lug, compression 13-55, 13-57, 13-59, 13-85
- M**
- magnet and bearing kit 14-5, 14-7
  - magnet, speed sensor 14-5, 14-7, 14-9, 14-11, 14-13
  - main jet 9-9, 9-11
  - main nozzle 9-9
  - mat, floor 1-5, 1-17, 1-23, 1-25, 1-27, 1-29
  - mat, foot rest 1-71, 1-73
  - MCOR 13-41
  - mechanism, brake adjusting 4-3
  - meter, volt ohm 17-11
  - module
    - calibration test 17-3
    - communication display 17-5
  - moly-teflon lubricant 17-7
  - motor
    - 48-volt 14-7
    - 48-volt 3.10 hp series 14-3
    - 48-volt IQ 14-5, 14-9, 14-13
    - 48-volt IQ Plus 14-11
  - motor armature 14-3, 14-5, 14-7
  - motor brush 14-5, 14-7, 14-11
  - motor brush kit 14-9, 14-11, 14-13
  - motor brush spring 14-11
  - motor brush spring kit 14-9, 14-13
  - motor bumper 14-3, 14-5, 14-7, 14-9, 14-11, 14-13
  - motor controller 13-67, 13-79
  - motor end cap 14-3, 14-5, 14-7, 14-9, 14-11, 14-13
  - motor end shield 14-5, 14-7
  - motor frame and field 14-11
  - motor headband, sealed 14-11
  - motor headband, vented 14-11
  - motor L-bracket 14-9
  - motor magnet, speed sensor 14-5, 14-7, 14-9, 14-11, 14-13
  - motor speed controller 13-85
  - motor speed sensor 14-5, 14-7, 14-9, 14-11, 14-13
  - motor speed sensor kit 14-9, 14-11, 14-13
  - motor stator shell and winding 14-3, 14-5, 14-7
  - motor terminal and lead assembly 14-11
  - motor terminal hardware kit 14-9, 14-13
  - motor terminal insulator 14-11
  - mount, bumper 5-31
  - mount, compression 5-39
  - mount, fuel pump 9-3
  - mounting block, brake 4-7, 4-9, 4-11
- N**
- moveable-face 11-3, 11-5, 11-11
  - muffler hose clamp 10-3, 10-5
- O**
- OBC 13-59, 13-67, 13-79, 13-85
  - OBC, onboard computer 13-85
  - oil filler tube 7-3, 8-3
  - oil filter 7-7, 8-7
  - oil filter mount bracket 7-7, 8-7
  - oil filter screen 7-11, 8-11
  - oil filter screen plate 7-11, 8-11
  - oil level sensor 7-11, 8-11
  - oil level switch bracket 7-11, 8-11
  - oil pump and rotor 7-7, 8-7
  - oil pump cover 7-7, 8-7
  - oil pump filter 8-7
  - oil pump gasket 7-7
  - oil pump plate 7-7, 8-7
  - oil seal 7-9, 7-13, 8-9, 8-11, 8-13, 12-3, 12-5
  - oil warning light, low 6-25, 6-27
  - onboard battery charger 16-13, 16-19, 16-27
  - onboard computer 13-55, 13-57, 13-59, 13-67, 13-79, 13-85
  - O-ring 7-3, 7-9, 7-11, 7-13, 8-3, 8-9, 8-11, 8-13
  - overload bumper spacer 5-29, 5-31
- P**
- pad
    - accelerator pedal 4-27, 4-29
    - brake pedal 4-7, 4-9, 4-11
    - park brake 4-7, 4-9, 4-11
  - paint, touch-up 17-7
  - park brake latch 4-7, 4-9, 4-11
  - park brake pedal 4-7, 4-9, 4-11
  - park brake rod sleeve 4-7, 4-9, 4-11
  - park brake spacer 4-7, 4-9, 4-11
  - park brake torsion spring 4-7, 4-9, 4-11
  - pawl 4-7, 4-9, 4-11
  - pedal group 4-11
  - pedal, accelerator 4-27, 4-29
  - pedal, brake 4-7, 4-9
  - pedal, park brake 4-7, 4-9, 4-11
  - pencil grip 5-7
  - pilot air screw 9-9
  - pilot air screw assembly 9-11
  - pilot jet 9-9, 9-11
  - pin, differential 12-7

# INDEX

- pin, hinge 1-69
  - pin, piston 7-13, 8-13
  - pinion, steering 5-11
  - pipe, intake 9-13, 9-15
  - piston 7-13, 8-13
  - piston anchor 4-5, 4-13
  - piston pin 8-13
  - piston ring 7-13, 8-13
  - piston ring compressor 17-9
  - piston ring pliers 17-9
  - piston ring set 8-13
  - pivot arm 12-3
  - pivot support bearing 4-27, 4-29
  - plate
    - bed floor 1-67
    - body kick 1-25, 1-29, 1-51, 1-55, 1-59
    - bumper mounting 1-57
    - component mounting 13-53, 13-67, 13-79, 13-85
    - cover 14-9, 14-13
    - engine mounting 7-15, 8-15
    - flywheel fan 7-5, 8-5
    - front spring retainer 5-15, 5-19, 5-23
    - hinge 1-9, 1-19, 1-23, 1-25, 1-27, 1-29, 1-31, 1-33, 1-37, 1-39, 1-51, 1-55, 1-59
    - name 3-39
    - oil filter screen 7-11, 8-11
    - oil pump 7-7, 8-7
    - receptacle backing 13-49, 13-51, 16-13, 16-15, 16-23
    - score card 5-7, 5-9
    - shackle 5-35
    - spring mounting 5-15, 5-19, 5-23
    - steering wheel 5-9
    - thrust 12-5, 12-7
  - plate, Tow/Run switch 13-87
  - pliers
    - internal retaining ring 17-7
    - piston ring 17-9
    - retaining ring 17-9
  - plug
    - 2-way 13-55, 13-57, 13-59
    - 4-pin 13-45, 13-47
    - 6-pin 13-85
    - drain 7-7, 8-7
    - driven clutch puller 17-5
    - fill 12-3
    - spark 7-5, 8-5
  - plug cap 8-5
  - pole set 6-29
  - positioner, choke 9-21
  - press weldment 17-5
  - protector spray, battery terminal 17-3
  - puller
    - bearing 17-3
    - clutch 17-3
    - drive clutch 17-5
    - drive clutch hub 17-5
    - driven clutch cam 17-5
    - flywheel 17-7
    - seal 17-9
    - special use tool 17-9
  - pulley
    - clutch 11-3
    - drive clutch 11-5
    - starter-generator 6-29
  - push rod 7-9, 8-9
- ## R
- race, front hub bearing 5-27
  - rack and pinion drag link 5-11
  - rack guide pressure spring 5-11
  - rack, steering 5-11
  - ratchet, park brake 4-7, 4-9, 4-11
  - reamer, valve guide 17-9
  - rear bumper 1-57
  - rear fender 1-57
  - rear spring shackle 5-29, 5-31, 5-33
  - receptacle 13-49
  - receptacle and fuse 13-51
  - receptacle backing plate 13-49, 13-51, 16-13, 16-15, 16-23
  - receptacle, AC cord 16-11, 16-25
  - receptacle, battery charger 13-49, 13-51
  - rectifier with heatsink 16-7, 16-9, 16-11, 16-13, 16-15, 16-17, 16-19, 16-25, 16-27
  - reel bracket 16-21
  - reel cord 16-13, 16-15, 16-21, 16-23
  - regulator, 12-volt 13-55, 13-57, 13-59
  - regulator, voltage 6-19, 6-21, 6-23
  - relay 6-21, 6-23, 16-9, 16-11, 16-15
  - relay mounting bracket 6-21, 6-23, 16-9, 16-13, 16-15, 16-19, 16-27
  - relay, 12-volt 6-7
  - relay, 48-volt 13-79, 16-17, 16-19, 16-25, 16-27
  - relay, charger board 16-3
  - remover, bearing and oil seal 17-3
  - resistor assembly 13-53, 13-85
  - retainer
    - accelerator pedal spring 4-27, 4-29
    - bearing 14-3, 14-5, 14-7
    - brake shoe 4-5, 4-13
    - cable 12-11
    - headlight 6-17, 13-11
    - shock absorber cushion 5-29, 5-31, 5-33, 5-35, 5-37
    - spring 5-29, 5-31
    - spring (drive clutch) 11-3, 11-5
    - valve spring 7-9, 8-9
  - retaining bracket 9-23, 9-25, 9-27
  - retaining ring 5-3, 5-5
  - retaining ring pliers 17-9
  - return spring bumper 4-27, 4-29
  - reverse buzzer 6-7, 6-25, 6-37, 6-39, 13-33, 13-35, 13-37, 13-91, 13-97
  - rigging, brush 14-3, 14-5, 14-7
  - rim, wheel, white 2-3, 2-7
  - ring
    - piston 7-13, 8-13
    - retaining 5-3, 5-5, 6-19, 6-21, 6-23, 11-3, 11-5, 11-11, 12-9
    - snap 5-11, 7-9, 7-13, 8-9, 8-13
    - spiral backup 11-3, 11-5
    - synchronizer 12-5
  - ring, C-type stop 5-11
  - ring, piston 8-13
  - rivet, blind push 1-3, 13-63, 13-71, 13-75
  - rocker arm 7-9, 8-9
  - rocker case 7-9, 8-9
  - rocker case gasket 7-9, 8-9
  - rocker shaft 7-9, 8-9
  - rocker switch 13-45, 13-47
  - rod
    - accelerator 4-31, 4-33, 4-35
    - accelerator pivot 4-27, 4-29
    - battery hold-down 13-89, 13-93, 13-95, 13-99, 13-101, 13-103, 13-105, 13-107
    - connecting 7-13, 8-13
    - crankshaft 7-13, 8-13
    - equalizer 4-15, 4-21, 4-23, 4-25
    - hill brake 4-7, 4-9, 4-11
    - push 7-9, 8-9
    - shift 12-5
  - rotor, oil pump and 7-7, 8-7
  - RPM limiter 7-5, 8-5
  - RPM limiter bracket 7-5, 8-5
  - RPM limiter damper 7-5, 8-5
  - RPM limiter mount band 7-5, 8-5
  - rubber bumper 1-35
- ## S
- safety first card 17-9
  - score card clip 5-7
  - score card plate 5-7
  - screen, oil filter 7-11, 8-11
  - screw, valve clearance adjuster 17-9
  - seal
    - bearing 5-5
    - bed 1-67
    - crankshaft 7-11
    - intake 9-19
    - lip 15-5
    - oil 7-9, 7-13, 8-9, 8-11, 8-13, 12-3, 12-5, 12-7, 15-5
    - steering pinion dust 5-11
    - vertical socket dust 5-11
  - seal puller 17-9

# INDEX

- sealant 12-3, 15-5
- seat
  - spring 7-9, 8-9
  - valve 7-7, 8-7
- seat back 1-13, 1-15, 1-21, 1-43, 1-45, 1-47, 1-49
- seat back assembly 1-13, 1-15, 1-21, 1-41, 1-43, 1-45, 1-47, 1-49
- seat back assembly, four-passenger 1-41
- seat back cap 1-13, 1-15, 1-21, 1-43, 1-45, 1-47, 1-49
- seat back mounting bracket 1-43, 1-45
- seat back support cover 1-17
- seat back, white 1-13, 1-15, 1-21, 1-43, 1-45, 1-47, 1-49
- seat bottom assembly 1-9, 1-11, 1-19, 1-31, 1-33, 1-35, 1-37, 1-39
- seat bottom cover 1-9
- seat bumper 1-11, 1-31, 1-33
- seat cover, vinyl 1-9, 1-11, 1-19, 1-31, 1-33, 1-35, 1-37, 1-39
- seat cover, white 1-9
- seat foam 1-9, 1-19, 1-31, 1-33, 1-35, 1-37, 1-39
- seat gasket 1-9, 1-31, 1-33
- seat hinge 1-45
- seat strap 1-11, 1-37, 1-39
- seat support 1-19, 1-31, 1-33
- seat support panel assembly 1-13, 1-15, 1-43
- seat support, four-passenger 1-35
- seat, bearing 5-3, 5-5
- sending unit, fuel gauge 9-7
- sensor, motor speed 14-5, 14-7, 14-9, 14-11, 14-13
- sensor, oil level 7-11, 8-11
- sensor, speed 14-5, 14-7
- set, brush and screw 6-29
- set, pole 6-29
- shackle plate 5-35
- shackle weldment 5-37
- shackle, rear spring 5-29, 5-31, 5-33
- shaft
  - change 12-3
  - counterbalance guide 7-13, 8-13
  - input 15-5
  - intermediate 15-5
  - rocker 7-9, 8-9
  - steering column 5-3
  - transmission 12-5
- shield, battery charger 16-23
- shield, governor 9-13
- shift fork 12-5
- shift rod 12-5
- shifter base, FNR 12-9
- shifter bracket 12-3, 12-11, 12-13, 12-15
- shim, camshaft 8-11
- shim, crankshaft 7-13, 8-13
- shim, tilt bed pivot 1-67
- shock absorber 5-13, 5-17, 5-21, 5-33, 5-35, 5-37
- shock absorber (rear) 5-29, 5-31
- shock absorber cushion 5-29, 5-31, 5-33, 5-35, 5-37
- shock absorber cushion retainer 5-29, 5-31, 5-33, 5-35, 5-37
- shock mounting bracket 5-29, 5-31, 5-35, 5-37
- shoe, brake 4-3, 4-5, 4-13
- shroud 8-3
- shroud, engine 7-3, 8-3
- shroud, fan 7-3, 8-3
- sleeve
  - delta A-plate 5-13, 5-17, 5-21
  - governor 12-5
  - park brake rod 4-7, 4-9, 4-11
  - synchronizer 12-5
- snap ring 5-11, 7-9, 7-13, 8-9, 8-13
- snubber bracket 7-15, 8-15
- snubber, inner frame 7-15, 8-15
- socket 5-11
- solenoid 13-67, 13-79
- solenoid, 12-volt 6-19, 6-21, 6-23
- solenoid, 48-volt 13-53, 13-85
- spacer
  - accelerator pivot rod 4-27, 4-29
  - overload bumper 5-29, 5-31
  - park brake 4-7, 4-9, 4-11
- spanner wrench 17-9
- spark plug 7-5, 8-5
- spark plug cap 7-5
- speed controller 13-53, 13-67, 13-79, 13-85
- speed controller connector 13-85
- speed controller cover 13-85
- speed sensor 14-5, 14-7, 14-9, 14-11, 14-13
- speed sensor magnet 14-5, 14-7, 14-9, 14-11, 14-13
- speed sensor, motor 14-5, 14-7, 14-9, 14-11, 14-13
- spiral backup ring 11-3, 11-5
- spray, battery terminal protector 17-3
- spring
  - accelerator return 4-27, 4-29
  - brake 4-5, 4-13
  - brake return 4-21, 4-23, 4-25
  - brush 6-29, 14-3, 14-5, 14-7, 14-9, 14-11, 14-13
  - camshaft 8-11
  - compression 5-7, 9-21
  - drive button 11-3, 11-5
  - drive clutch 11-3, 11-5
  - driven clutch 11-11
  - engine valve 7-9
  - extension return 9-19
  - forward/reverse cam 12-9
  - leaf 5-29, 5-31, 5-33, 5-35, 5-37
  - park brake torsion 4-7, 4-9, 4-11
  - rack guide pressure 5-11
- shifter 12-5
- steering shaft compression 5-3, 5-5
- synchronizer 12-5
- throttle return 9-13, 9-15
- valve 8-9
- spring cup 4-27, 4-29
- spring mounting plate 5-15, 5-19, 5-23
- spring retainer 5-29, 5-31
- spring, motor brush 14-11
- spur gear 7-13, 8-13, 12-5
- stabilizer bar 5-39
- stabilizer bar link 5-39
- stabilizer bar mounting bracket 5-39
- stake side 1-69
- stake side bracket 1-69
- stake side hinge 1-69
- stake side kit 1-69
- stand-offs, plastic 16-3
- starter/generator 6-29
- starter/generator belt 6-31, 6-33, 11-3, 11-5
- starter/generator mounting bracket 6-31
- starter/generator pulley 6-29
- stator shell and winding 14-3, 14-5, 14-7
- steel bushing 1-67, 5-15, 5-19, 5-23, 5-29, 5-31, 5-33, 5-35, 5-37
- steel pressure relief ball 7-7, 8-7
- steering column 5-3, 5-5
- steering column bearing press tool 17-9
- steering column retaining ring tool 17-9
- steering gear box 5-11
- steering pinion 5-11
- steering pinion dust seal 5-11
- steering rack 5-11
- steering shaft assembly 5-3, 5-5
- steering shaft column 5-5
- steering shaft compression spring 5-3, 5-5
- steering wheel 5-7, 5-9
- steering wheel plate 5-9
- steering wheel puller tool 17-9
- stem, valve 2-3, 2-5, 2-7, 2-9
- stiffener 1-11
- stiffener, flywheel side 7-15, 8-15
- stiffener, PTO side 8-15
- strap, A-plate 5-13, 5-17, 5-21
- strap, fuel tank 9-3, 9-5
- strap, seat 1-11, 1-37, 1-39
- stud 7-15, 8-15
  - lug 12-7, 15-5
- stud, ball 6-19, 6-21, 6-23, 12-3, 12-9
- support yoke (steering) 5-11
- support, bushing 5-39
- support, front body 1-51, 1-55, 1-59
- suppressor, voltage 6-7, 13-33, 13-35, 16-7, 16-9, 16-11, 16-13, 16-15, 16-17, 16-19, 16-25, 16-27
- suspension, front 5-13, 5-21



# INDEX

- switch
    - FNR 13-43
    - four-position 16-9, 16-11, 16-15, 16-25, 16-27
    - key 6-25, 6-27, 13-37, 13-39
    - light 6-27, 13-39
    - limit 6-19, 6-21, 6-23, 6-27, 12-9, 13-39, 13-43
    - rocker 13-45, 13-47
    - Tow/Run 13-45, 13-87
  - switch case, FNR 13-47
  - switch plate, Tow/Run 13-87
  - switch rubber boot 13-45, 13-87
  - synchro gear 12-5
  - synchronizer clutch hub 12-5
  - synchronizer insert 12-5
  - synchronizer sleeve 12-5
  - synchronizer spring 12-5
  - system, exhaust 10-3, 10-5
- T**
- 12-volt solenoid 6-19, 6-21, 6-23
  - tachometer 17-9
  - tachometer probe, diesel 17-9
  - tail light bulb 6-37, 6-39, 13-89, 13-93
  - taillight 6-37, 6-39, 13-89, 13-93
  - taillight assembly 6-39, 13-93
  - taillight base 6-39, 13-93
  - taillight bezel 6-39, 13-93
  - taillight gasket 6-37, 6-39, 13-89, 13-93
  - taillight hardware kit 6-39, 13-93
  - taillight lens 6-37, 6-39, 13-89, 13-93
  - taillskirt 1-57
  - tank, fuel 9-7
  - tape, vinyl foam 1-67
  - tappet 7-11
  - terminal block 6-7, 13-33, 13-35, 13-55, 13-57, 13-59, 13-63, 13-71, 13-85
  - tester, continuity 17-5
  - thermometer, battery 17-3
  - thread-forming grease fitting 5-11, 5-25, 5-27
  - throttle return spring 9-13, 9-15
  - throttle spring return bracket 9-13, 9-15
  - thrust bearing 5-15, 5-19, 5-23
  - thrust plate 12-5, 12-7
  - tie rod end 5-13, 5-17, 5-21
  - tie wrap 5-11, 6-7, 6-19, 6-21, 6-23, 9-23, 9-25, 9-27, 13-19, 13-27, 13-31, 13-33, 13-35, 13-37, 13-45, 13-55, 13-57, 13-59, 13-63, 13-67, 13-71, 13-75, 13-79, 13-85
  - tire 2-3, 2-5, 2-7, 2-9
  - tire and wheel assembly 2-3, 2-5, 2-7, 2-9
  - tool
    - accelerator pedal adjustment 17-3
    - belt tensioning, starter/generator 17-11
    - brake adjustment 17-3
    - brake cable release 17-3
    - brake pedal adjustment 17-3
    - brake pedal tension 17-3
    - cam installation 17-3
    - carburetor float level 17-7
    - charger bezel 17-3
    - clutch alignment 17-5
    - cT-wrench 17-5
    - drive clutch fixed sheave 17-5
    - drive clutch holder 17-5
    - drive clutch spider removal 17-5
    - driven clutch spring compression base 17-5
    - driven clutch spring compression collar 17-5
    - driven clutch spring compression nut 17-5
    - governor shaft installation 17-7
    - puller, special use 17-9
    - steering column bearing press 17-9
    - steering column retaining ring 17-9
    - steering wheel puller 17-9
    - transaxle axle seal 17-9
    - transaxle pinion seal 17-9
    - transmission 17-9
    - valve guide driver 17-9
    - valve seat cutter 17-5
  - tool kit, clutch 17-5
  - touch-up paint 17-7
  - Tow/Run switch 13-45, 13-87
  - Tow/Run switch bracket 13-45
  - Tow/Run switch plate 13-87
  - transaxle 15-3, 15-5
  - transaxle axle seal tool 17-9
  - transaxle housing 15-5
  - transaxle pinion seal tool 17-9
  - transaxle, unitized 12-3
  - transformer, battery charger 16-5, 16-7, 16-9, 16-11, 16-13, 16-15, 16-17, 16-19, 16-25, 16-27
  - transmission cable 12-11
  - transmission shaft 12-5
  - transmission tool 17-9
  - trim
    - cowl 1-3
    - seat bottom 1-13, 1-15, 1-43
  - tube
    - crankcase vent 9-13, 9-15
    - oil filler 7-3, 8-3
  - tune-up kit 17-9
  - turn signal lens 6-17, 13-11
  - T-wrench tool 17-5
- U**
- U-bolt 5-29, 5-31, 5-37
  - u-bolt 5-33, 5-35
  - unitized transaxle 12-3
  - upper delta clevis 5-15, 5-19, 5-23
- V**
- valve
    - choke 9-19
    - exhaust 7-9, 8-9
    - fuel pickup tube 9-7
    - intake 7-9, 8-9
    - reed 7-9, 8-9
  - valve clearance adjuster screw 17-9
  - valve guide 8-9
  - valve guide driver tool 17-9
  - valve guide reamer 17-9
  - valve guide, intake 7-9, 8-9
  - valve seat 7-7, 8-7
  - valve seat cutter 17-5, 17-11
  - valve seat cutter guide 17-11
  - valve seat cutter tool 17-5
  - valve seat t-wrench 17-11
  - valve spring 8-9
  - valve spring compressor 17-11
  - valve spring retainer 7-9, 8-9
  - valve stem 2-3, 2-5, 2-7, 2-9
  - vent barb 9-3, 9-5, 9-7
  - vertical socket dust seal 5-11
  - volt ohm meter 17-11
  - voltage limiter 6-7, 13-55, 13-57, 13-59
  - voltage limiter gasket 13-55, 13-57, 13-59
  - voltage regulator 6-19, 6-21, 6-23
  - voltage suppressor 6-7, 13-33, 13-35, 16-7, 16-9, 16-11, 16-13, 16-15, 16-17, 16-19, 16-25, 16-27
- W**
- warning light, low oil 6-25, 6-27
  - washer, insulating 14-11
  - wedge, bearing puller 17-3
  - weight
    - clutch 11-3, 11-5
    - counterbalance 7-13, 8-13
    - secondary clutch 11-3, 11-5
  - weldment
    - press 17-5
  - wheel 2-3, 2-5, 2-7, 2-9
  - wheel and tire assembly 2-3, 2-5, 2-7, 2-9
  - wheel rim, white 2-3, 2-7
  - wheel, steering 5-7, 5-9
  - wire assembly, battery charger 16-25
  - wire harness 6-5, 6-11, 6-15, 6-19, 6-21, 6-23, 13-5, 13-9, 13-15, 13-19, 13-23, 13-27, 13-31, 13-67, 13-71, 13-75
  - woodruff key 12-3
  - wrap, tie 5-11, 6-7, 6-19, 6-21, 6-23, 9-23, 9-25, 9-27, 13-19, 13-27, 13-31, 13-33, 13-35, 13-37, 13-45, 13-55, 13-57, 13-59, 13-63, 13-67, 13-71, 13-75, 13-79, 13-85

# INDEX

wrench, spanner 17-9

## Y

yoke, gear 17-7

yoke, support (steering) 5-11





**Club Car, Inc.**  
P.O. Box 204658  
Augusta, GA 30917-4658  
USA

**Web** [www.clubcar.com](http://www.clubcar.com)  
**Phone** 1.706.863.3000  
1.800.ClubCar  
**Int'l** +1 706.863.3000  
**Fax** 1.706.863.5808