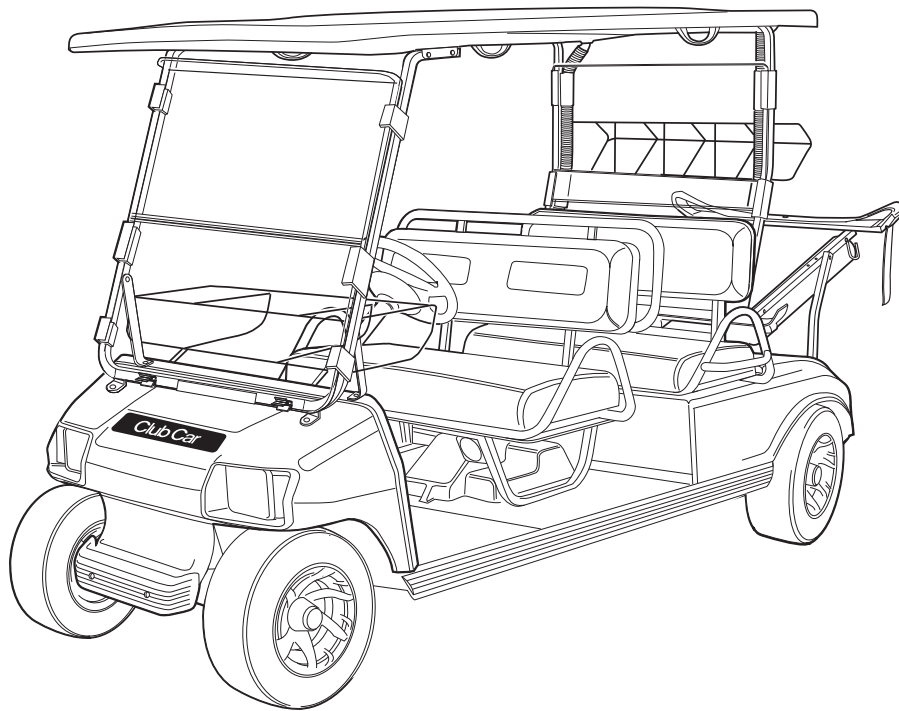




2009-2011 Limo Illustrated Parts List



**Gasoline and Electric Vehicles
Equipped with Auto Brake**

Manual Number 103472607
Edition Code 0508J0112H

USING THE ILLUSTRATED PARTS LIST

⚠ WARNING

- **This manual is to be used only for identification and ordering of service parts. Be sure to read and use the maintenance and service manual before attempting any vehicle repairs.**

This manual covers 2009-2011 Limo golf cars equipped with auto brakes.

The manual is divided into sections. Note that there are two or three flags on the outside edge of each page. The first flag contains the section number of which that page is a part. The other flag (or flags) contains the letter G or E, signifying that the page pertains to the electric or gasoline vehicles only.

Use the Table of Contents to find the sections and pages that contain the parts and assemblies you seek. The Table of Contents lists section numbers, and under them, the individual page titles and numbers to be found in that section. The index can be used to find specific parts and assemblies.

There is a two-page spread for each individual page title in the Table of Contents. On the left-hand page is an illustration showing the parts in their relative positions; the parts are each tagged with an item number in a balloon. The right-hand page is the parts list page, and gives the page title at the top, then the item numbers (corresponding to the numbers on the illustration), part descriptions, and quantity of parts used.

Note that a part description may be indented. This indentation corresponds to a parts assembly level indicated by the numbers 1, 2, 3, and 4 at the top left corner of the parts description area of the parts list page. A part that is indented to *level 2* is a component of the *level 1* part (assembly) that it is listed under. A *level 3* part is a component of the *level 2* part that it is listed under, and a *level 4* part is a component of the *level 3* part preceding it. In each case, the part quantity given for a level 2, 3, or 4 part is the quantity used per next higher level assembly of which it is a component. A part that is not indented is a *level 1* part. This means that the quantity given is the quantity used per the portion of the vehicle illustrated on that particular spread.

HOW TO ORDER PARTS

Replacement parts and accessories can be obtained from our network of authorized dealers and distributors. You can obtain the name and phone number of your closest authorized Club Car dealer or distributor by visiting our web site at www.clubcar.com and clicking on the "Distributor Search" link or by calling our toll-free Service Parts and Technical Assistance hotline at (800) 872-2246 or (706) 863-3000, extension 3887.



P. O. Box 204658
Augusta, Georgia 30917-4658 USA
Telephone 706-863-3000
Service Parts Fax 706-855-7413
www.clubcar.com

NOTE: *This illustrated parts list represents the most current information at the time of publication. Club Car, LLC. is continually working to further improve its vehicles and other products. These improvements may affect the parts used to service the vehicle. Any modification and/or significant change in specifications will be forwarded to all Club Car and Carryall distributors/dealers and will, when applicable, appear in future editions of this illustrated parts list.*

Club Car, LLC. reserves the right to change specifications and designs at any time without notice and without the obligation of making changes to units previously sold.

Copyright © 2010 Club Car, LLC.
Club Car and *ArmorFlex*
are registered trademarks of Club Car, LLC.
This manual effective October 1, 2010.

2009-2011 Limo Gasoline and Electric Vehicles Illustrated Parts List

CONTENTS

SECTION 1 – BODY AND TRIM

Rear Access Door	1-3
Windshield	1-5
Rear Windshield	1-7
Baskets	1-9
Canopy	1-11
Canopy Drain Kit	1-13
Cargo Nets	1-15
Front Bumper	1-17
Heavy-Duty Front Bumper Kit	1-19
Inner Fender	1-21
Front Body	1-23
Rear Body Without Lights	1-25
Rear Body With Lights	1-27
Dash – Electric Vehicles	1-29
Dash – Gasoline Vehicles	1-31
Cup Holder and Ashtrays	1-33
Stainless Steel Hardware Kit	1-35
Seat Support	1-37
Seats, Buff	1-39
Seats, White	1-41
Closeout, Under Seat	1-43
Floormats – Gasoline Vehicles	1-45
Floormats – Electric Vehicles	1-47
Bag Rest Mats	1-49
Bagrack	1-51
Rear Bumper	1-53

SECTION 2 – WHEELS AND TIRES

Wheel Covers	2-3
Wheels and Tires	2-5

SECTION 3 – DECALS

Safety Decals – Electric Vehicles	3-3
Safety Decals – Electric Vehicles, Continued	3-5
Safety Decals – Gasoline Vehicles	3-7
Safety Decals – Gasoline Vehicles, Continued	3-9
Fleet Numbering Decals	3-11

CONTENTS

SECTION 4 – BRAKE, PEDAL, AND CABLE ASSEMBLIES

Accelerator Pedal Assembly – Electric Vehicles with MCOR	4-3
Auto Brake Motor, Master Cylinder, and Bell Crank	4-5
Brake Pedal Assembly	4-7
Brake Cables	4-9
Park Brake	4-11
Rear Brakes	4-13

SECTION 5 – STEERING AND FRONT AND REAR SUSPENSION

Steering Column	5-3
Steering Wheel	5-5
Front Suspension Components	5-7
Front Suspension Components, Continued	5-9
Rear Suspension – Leaf Springs and Shocks	5-11
Spindle and Hub – Driver Side	5-13
Spindle and Hub – Passenger Side	5-15

SECTION 6 – ELECTRICAL SYSTEM – GASOLINE VEHICLE

Headlights	6-3
Starter/Generator Assembly Model G425419 – Gasoline Vehicles	6-5
FE350 Starter/Generator Mounting – Gasoline Vehicles	6-7
Reverse Buzzer Kit	6-9
Brake Controller	6-11
Brake Pedal Switch	6-13
Headlight Switch	6-15
Tail Lights	6-17
Operation and Maintenance Switch	6-19
Wiring – Gasoline Vehicle	6-23
Speed Sensor – Gasoline Vehicles	6-25
Electrical Component Box – Gasoline Vehicles	6-27
Electrical System Miscellaneous Hardware – Gasoline Vehicles	6-31
Controls and Cables	6-33

SECTION 7 – FE350 ENGINE – S27

FE350 Engine – Oil Circulation	7-3
FE350 Engine without ACR (Automatic Compression Release) – Shrouds and Brackets	7-5
AS26 FE350 Engine – Ignition Components and Flywheel	7-7
AS26 FE350 Engine – Cylinder Head	7-9

CONTENTS

AS26 FE350 Engine – Crankcase and Crankshaft Oil Sensor	7-11
AS26 FE350 Engine – Crankcase and Crankshaft	7-13
FE350 Engine Mounting	7-15

SECTION 8 – FE350 ENGINE WITHOUT ACR

AS11 FE350 Engine without ACR (Automatic Compression Release) – Shrouds and Brackets	8-3
AS11 FE350 Engine – Ignition Components and Flywheel	8-5
FE350 Engine – Oil Circulation	8-7
AS11 FE350 Engine – Cylinder Head	8-9
AS11 FE350 Engine without ACR – Crankcase, Camshaft, and Oil Sensor	8-11
AS11 FE350 Engine – Crankcase and Crankshaft	8-13
FE350 Engine Mounting	8-15

SECTION 9 – FUEL, INTAKE, AND GOVERNOR SYSTEM

Fuel System with Electric Fuel Pump	9-3
Fuel Tank with Fuel Level Sending Unit	9-5
Carburetor Assembly – FE350	9-7
Carburetor Installation – FE350	9-9
Intake Duct and Air Box Assembly	9-11
Carburetor Assembly – FE350 S26	9-13
Carburetor Installation – FE350 S27	9-15

SECTION 10 – EXHAUST SYSTEM

Exhaust System – FE350	10-3
Spark Arrestor Kit	10-5

SECTION 11 – TORQUE CONVERTER

Drive Clutch	11-3
Drive Belt – FE350	11-5
Driven Clutch	11-7

SECTION 12 – UNITIZED TRANSAXLE

Transaxle – Gasoline Vehicles, Gear Cases and Brackets	12-3
Transaxle – Gasoline Vehicles, Transmission and Gear Reduction	12-5
Transaxle – Gasoline Vehicles, Shafts and Tubes	12-7
Differential Guard	12-9

CONTENTS

SECTION 13 – ELECTRICAL SYSTEM – ELECTRIC VEHICLE

Headlights	13-3
Motor Controller Output Regulator (MCOR)	13-5
Reverse Buzzer Kit	13-7
Brake Controller	13-9
Brake Pedal Switch	13-11
Headlight Switch	13-13
Tail Lights	13-15
Charger Receptacle	13-17
Tow/Run Switch	13-19
Wiring – Electric Vehicle	13-23
Component Mounting Plate	13-25
Battery Gauge	13-27
Batteries – Electric Vehicle	13-29
Single Point Watering System	13-31

SECTION 14 – ELECTRIC MOTOR

Drive Unit Mounting	14-3
Electric Motor (Model DA5-4006)	14-5

SECTION 15 – TRANSAXLE – ELECTRIC VEHICLE

Transaxle – Electric Vehicle	15-3
------------------------------------	------

SECTION 16 – BATTERY CHARGER

PowerDrive Battery Charger (Model 18780), Export	16-3
--	------

SECTION 17 – MAINTENANCE AND SERVICE TOOLS

Maintenance and Service Tools	17-3
Maintenance and Service Tools, Continued	17-5
Maintenance and Service Tools, Continued	17-7
Maintenance and Service Tools, Continued	17-9
Maintenance and Service Tools, Continued	17-11

SECTION i – INDEX

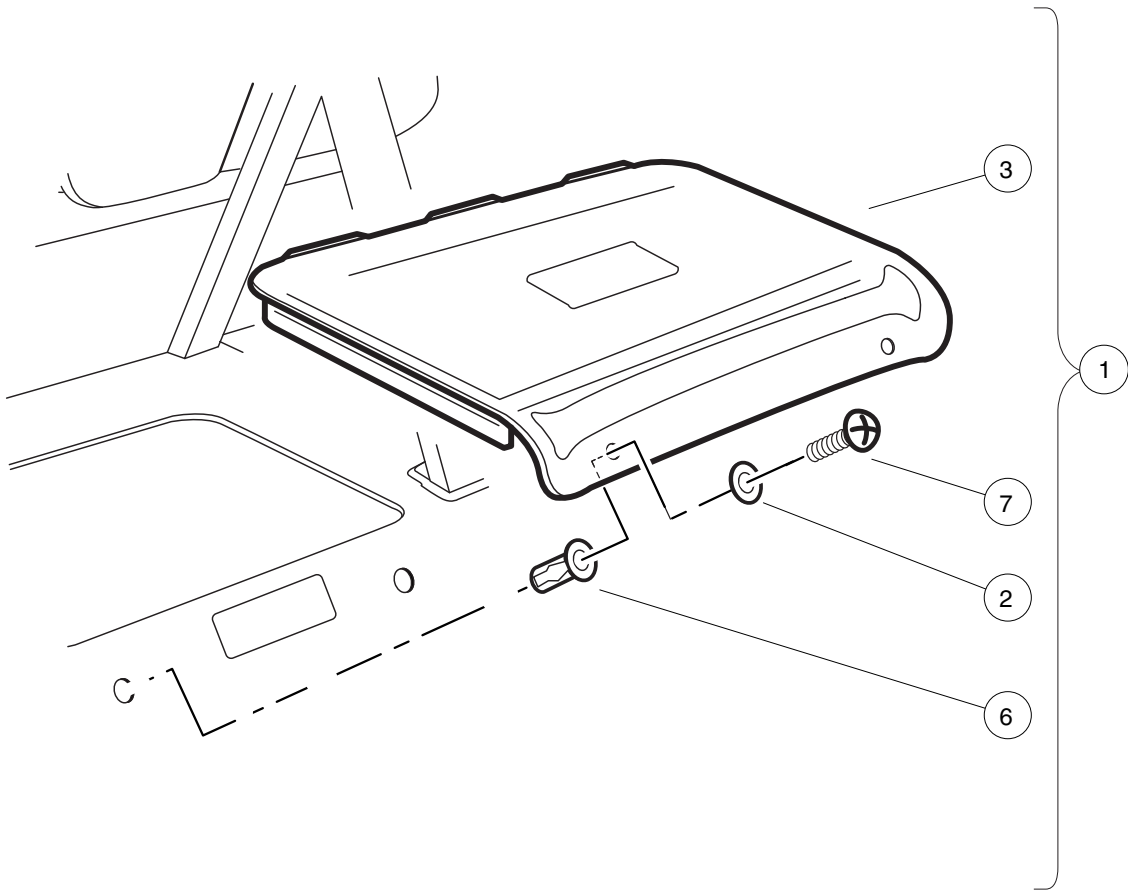
BODY AND TRIM

1

G

E

1
G
E

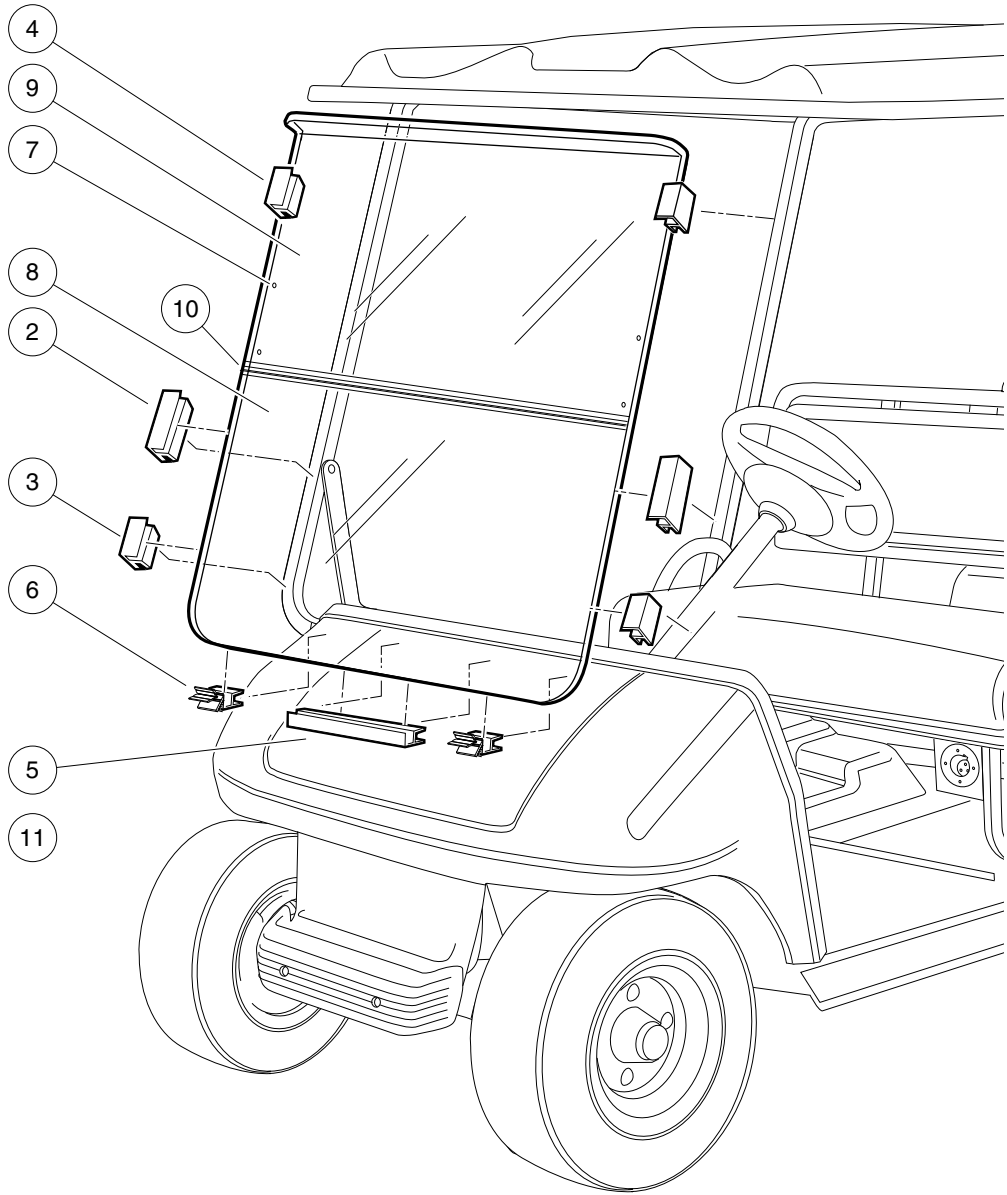


000783-001

REAR ACCESS DOOR

ITEM	PART NO.	DESCRIPTION	QTY
		1 2 3 4	
1	<u>1013218</u>	Kit, Access Door Black (includes items 2 through 7)	1
2	<u>1012581</u>	Washer, 0.609-inch OD, Nylon Cup	2
3	<u>1013032</u>	Molded Access Door Black	1
4	<u>1013216</u>	Plug, Button	2
5	N/A	Instruction Sheet Access Door	1
6	<u>1015525</u>	Nut, 1/4-20 Blind	2
7	<u>8251</u>	Screw, 1/4-20 X 1.0 Truss-Head Machine	2

1
G
E



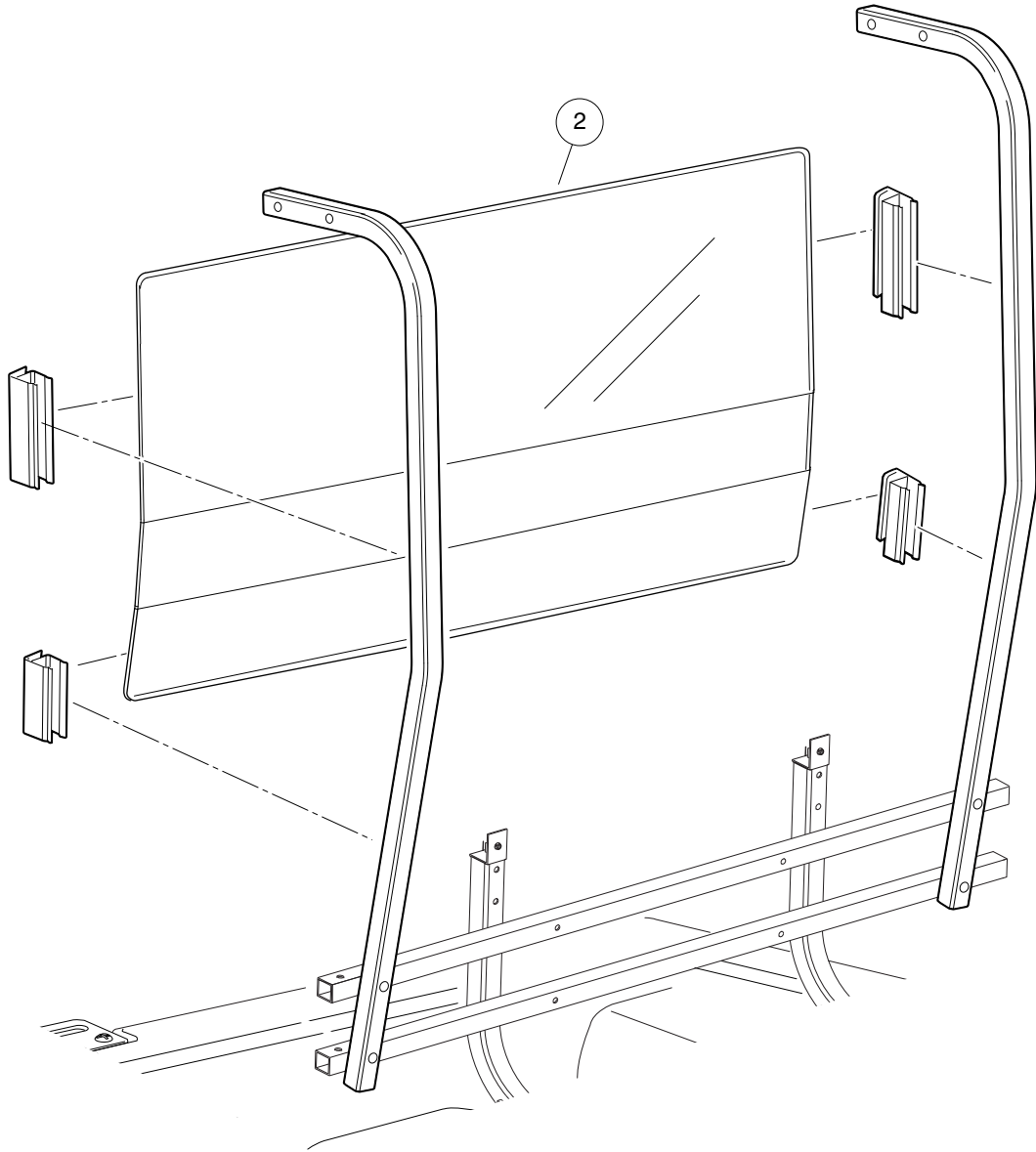
000773-001

WINDSHIELD

ITEM	PART NO.	DESCRIPTION	QTY
		1 2 3 4	
1	<u>102962801</u>	Kit, Windshield, Folding, Wide (includes items 2 through 11)	1
2	<u>102005701</u>	5" Plastic Extrusion	2
3	<u>102005702</u>	Clip, 2 " Long	2
4	<u>102005801</u>	Rubber Clip W/glue	2
5	<u>102163001</u>	Windshield Channel	1
6	<u>102163101</u>	Channel with Receiver Clip	2
7	N/A	Clear Bump On	4
8	N/A	Windshield, Folding, Lower	1
9	N/A	Windshield, Folding, Upper	1
10	N/A	Hinge, Windshield	1
11	N/A	Instr, Windshield, Limo Rstl	1

1
G
E

1
G
E



000781-001

REAR WINDSHIELD

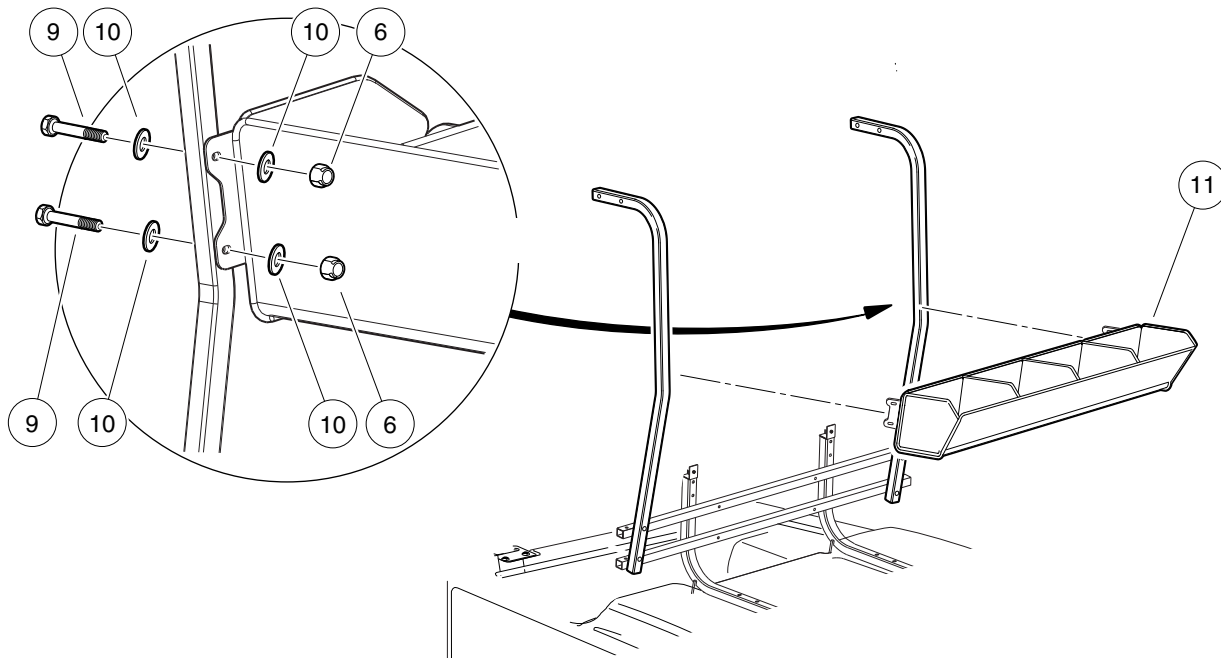
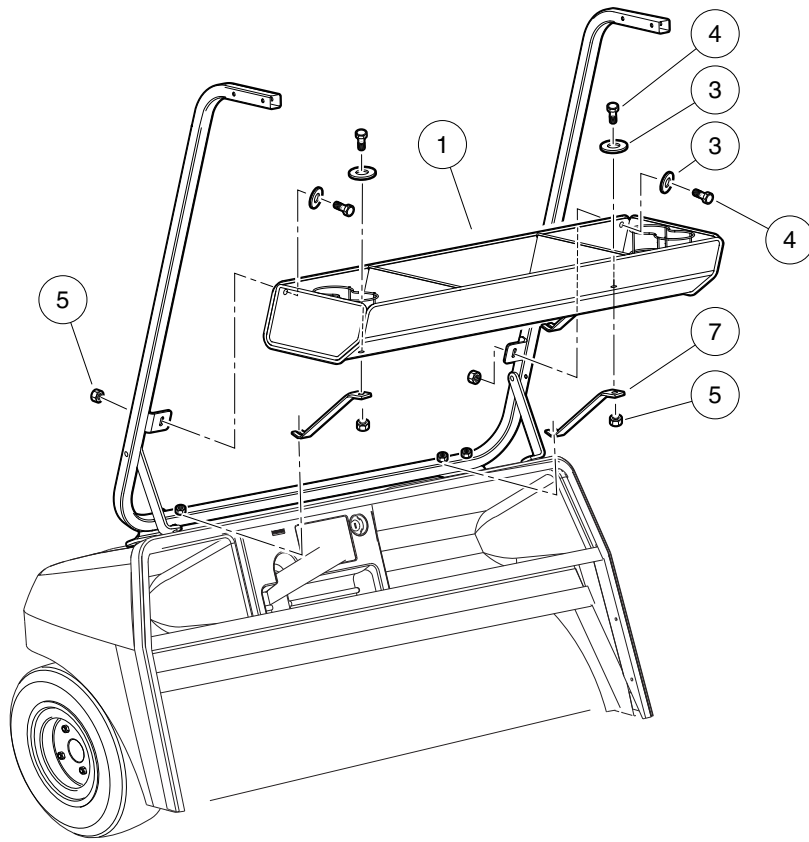
ITEM	PART NO.	DESCRIPTION	QTY
		1 2 3 4	
1	<u>103231601</u>	Kit, Ws, Rear, Wide (includes items 2 and 3)	1
2	N/A	Windshield, Rear, Wide	1
3	N/A	Instruction, Kit, Rr Ws, Wide	1

1

G

E

1
G
E



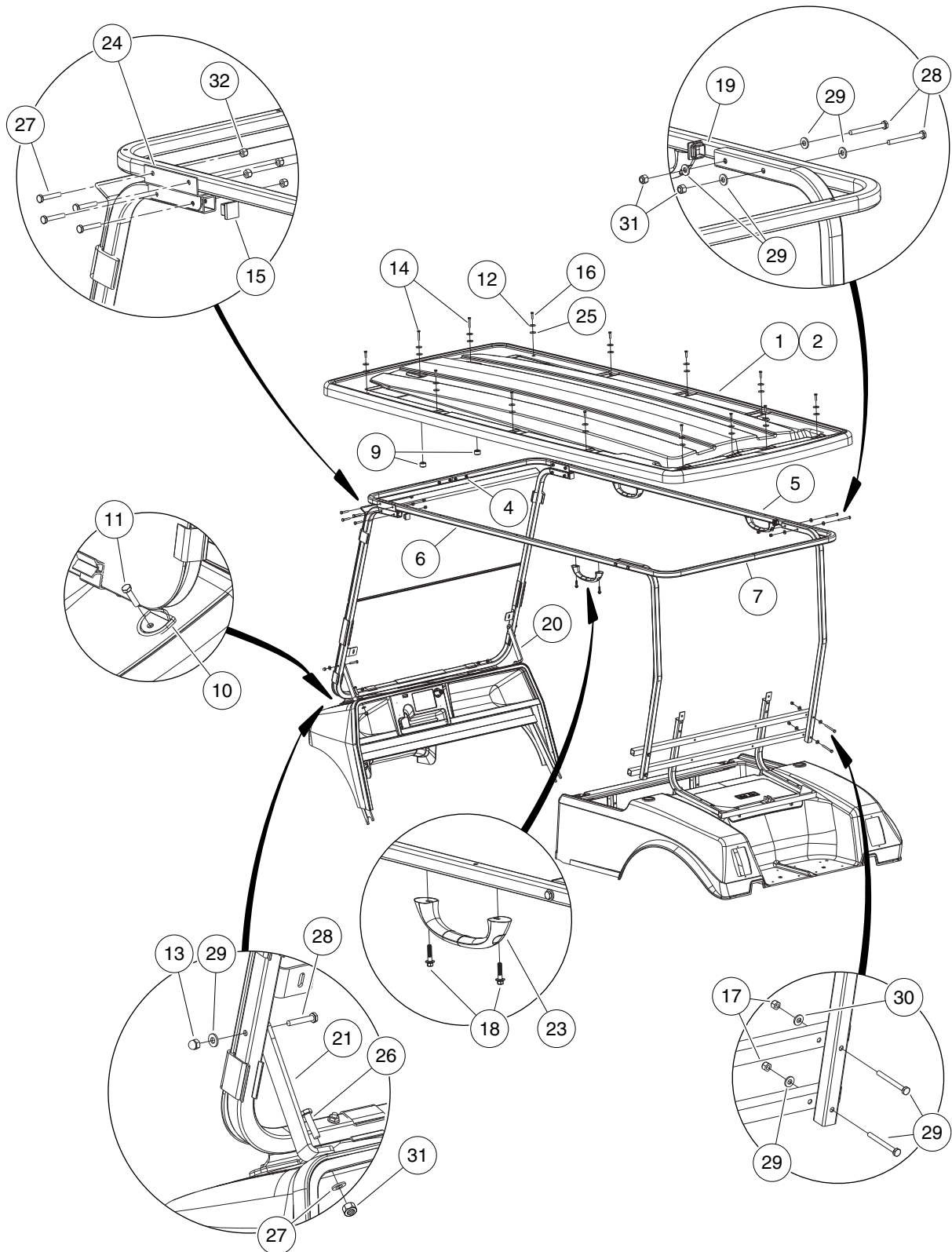
000774-001

BASKETS

ITEM	PART NO.	DESCRIPTION	QTY
		1 2 3 4	
1	<u>103194401</u>	Basket, Storage, Front	1
2	<u>103357401</u>	Kit, Hrdwr, Basket, Frnt & Rr (includes items 3 through 10)	1
3	<u>1014306</u>	Washer, 1/4" Type B Flat	4
4	<u>1015521</u>	Screw, 1/4-20 X .88 Hex Hd Cap	4
5	<u>1015661</u>	Nut, Lock Hx Flanged 1/4-20	4
6	<u>102242401</u>	Nut - Nylon Insert W/cap	4
7	<u>102967801</u>	Bracket, Support, Basket, Frnt	2
8	N/A	Instr, Kit, Basket Hardware	1
9	<u>1703</u>	Screw, 1/4-20 X 1.50 Hx Hd Cap	4
10	<u>332</u>	Washer, 1/4 Type A Narrow Flat	8
11	<u>103375201</u>	Basket, Equipment, Rear	1

1
G
E

1
G
E



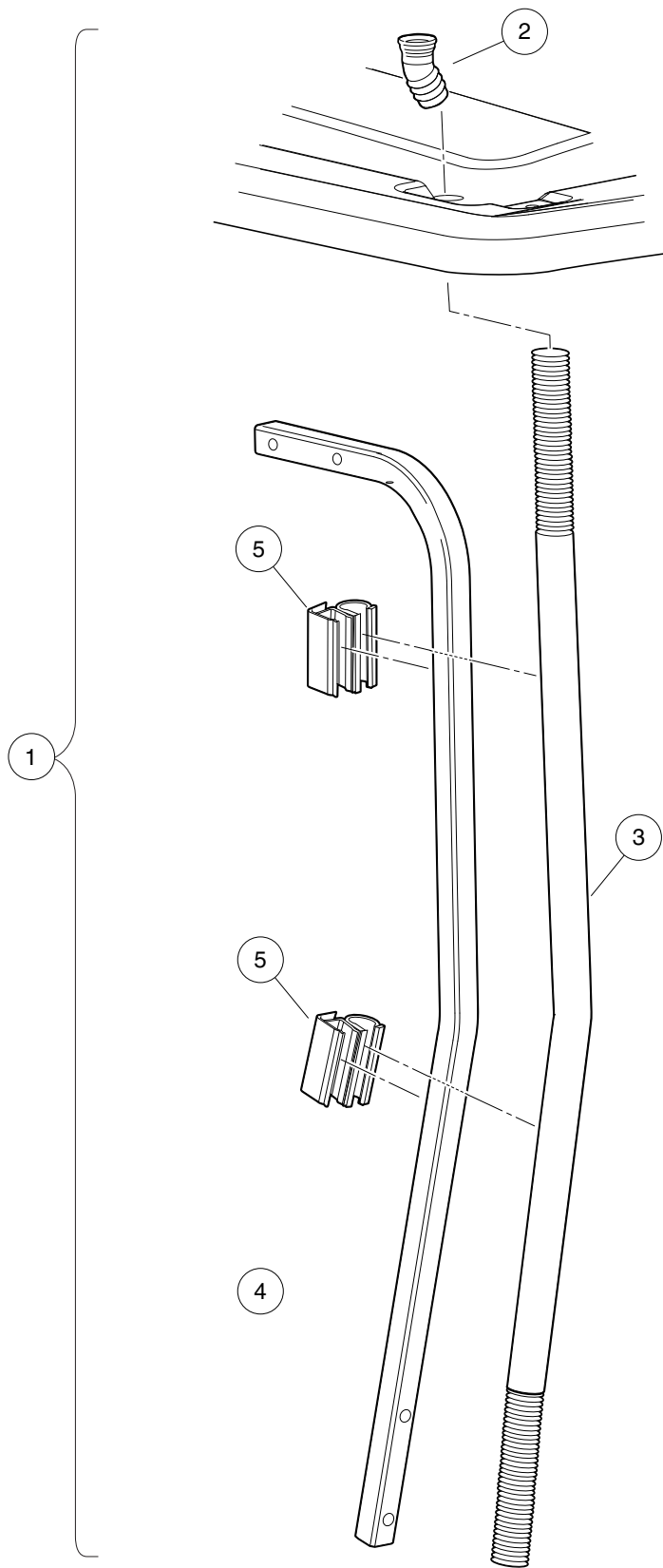
000775-002

CANOPY

ITEM	PART NO.	DESCRIPTION	QTY
		1 2 3 4	
1	<u>102955301</u>	Canopy, Stretch, White	1
2	<u>102955302</u>	Canopy, Stretch, Beige	1
3	<u>103367701</u>	Assembly, Canopy Frame, Long (includes items 4 through 7)	1
4	<u>1012285</u>	Screw, 1/4 X 0.625 Hex-Head	8
5	N/A	Frame Half, Canopy, Long, Rh	1
6	N/A	Frame Half, Canopy, Long, Lh	1
7	N/A	Bar, Splice, Long	2
8	<u>103367801</u>	Kit, Hrdw, Canopy (includes items 9 through 32)	1
9	<u>1010142</u>	Cushion, Shock Absorber	2
10	<u>1011883</u>	Pad, Windshield Frame Mounting	2
11	<u>1011937</u>	Bolt, 5/16-18 X 1.25 Hex Head	2
12	<u>1014306</u>	Washer, 1/4" Type B Flat	14
13	<u>1015091</u>	Nut, 1/4-20 Stainless-Steel Center-Lock Cap	2
14	<u>1016916</u>	Screw, 1/4-20 X 1.50 Hex-Head Cap	2
15	<u>1017271</u>	Finishing Plug	2
16	<u>101954301</u>	Screw, 1/4-20 X 0.75 Hex-Head Cap	12
17	<u>102242401</u>	Nut - Nylon Insert W/cap	4
18	<u>102541425</u>	Bolt-m6x1.0x25 Hex Flhd, Blk-l	6
19	<u>102581201</u>	Plug, Square - 25.4 mm	2
20	<u>103224601</u>	Brace, Windshield, Left	1
21	<u>103224701</u>	Brace, Windshield, Right	1
22	N/A	Instr, Canopy, Limo Rstl	1
23	<u>103367101</u>	Hand Hold, Canopy, Plastic	3
24	<u>103367401</u>	Bracket, Support, Canopy	2
25	<u>103522401</u>	Washer, Rubber, 7.1 Mm Id	14
26	<u>1218</u>	Screw, 5/16-18 X 1.25 Hex-Head Cap	2
27	<u>1241</u>	Washer, 5/16 Type A Flat	2
28	<u>1703</u>	Screw, 1/4-20 X 1.50 Hx Hd Cap	10
29	<u>324</u>	Screw, 1/4-20 X 2.50 Hx Hd Cap	8
30	<u>332</u>	Washer, 1/4 Type A Narrow Flat	12
31	<u>7473</u>	Locknut, 5/16-18 Nylon Insert	2
32	<u>8233</u>	Locknut, 1/4-20 Nylon Insert	12

1
G
E

1
G
E



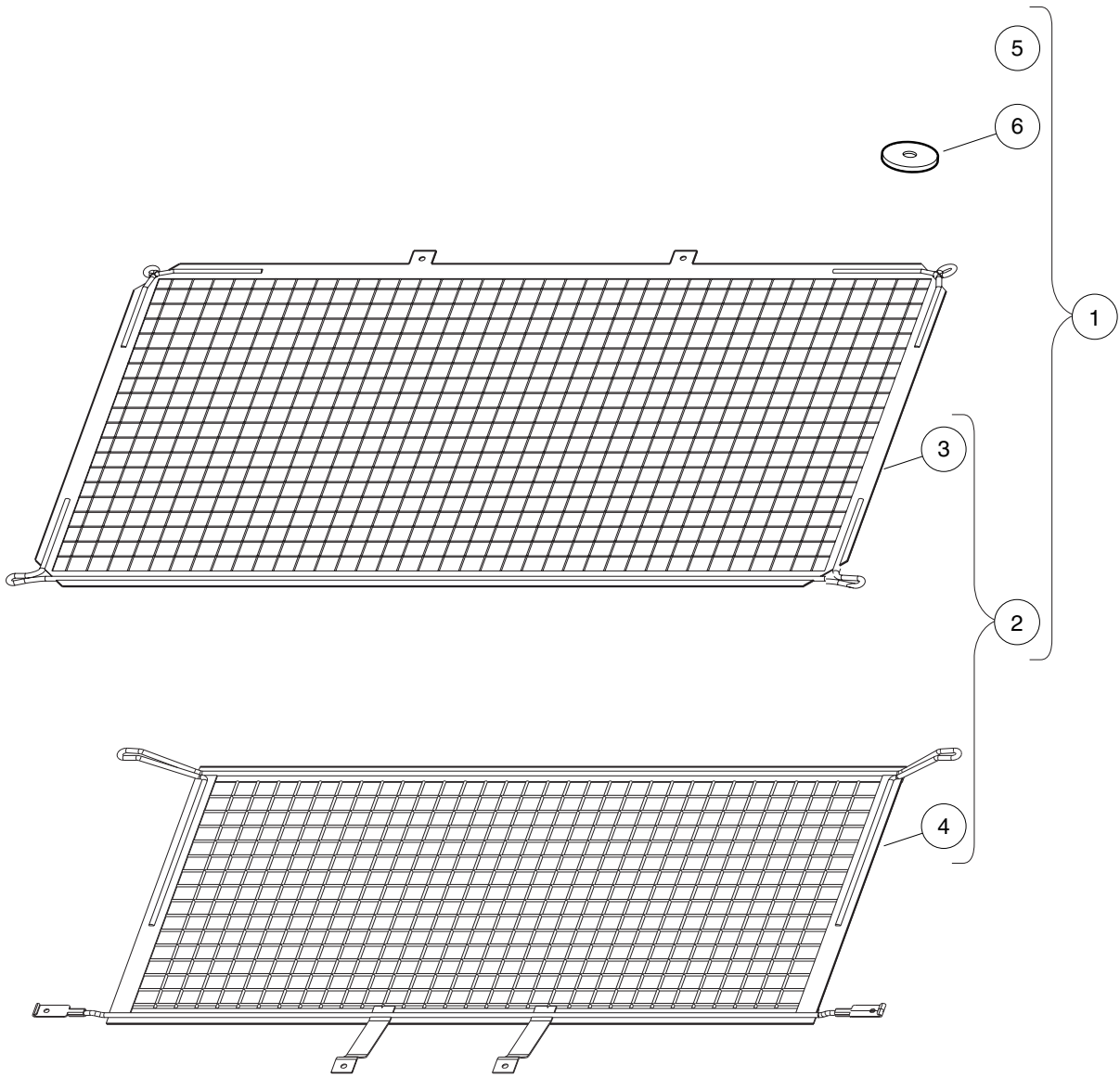
000776-001

CANOPY DRAIN KIT

ITEM	PART NO.	DESCRIPTION	QTY
		1 2 3 4	
1	<u>103213101</u>	Kit, Drain, Canopy (includes items 2 through 5)	1
2	<u>103203001</u>	Grommet, Drain, Canopy, Angled	2
3	<u>103213001</u>	Tubing, Drain, Canopy	2
4	N/A	Instr, Drain, Canopy	1
5	<u>103411601</u>	Clip, Rear Windshld/drain Tube	4

1
G
E

1
G
E



000772-001

CARGO NETS

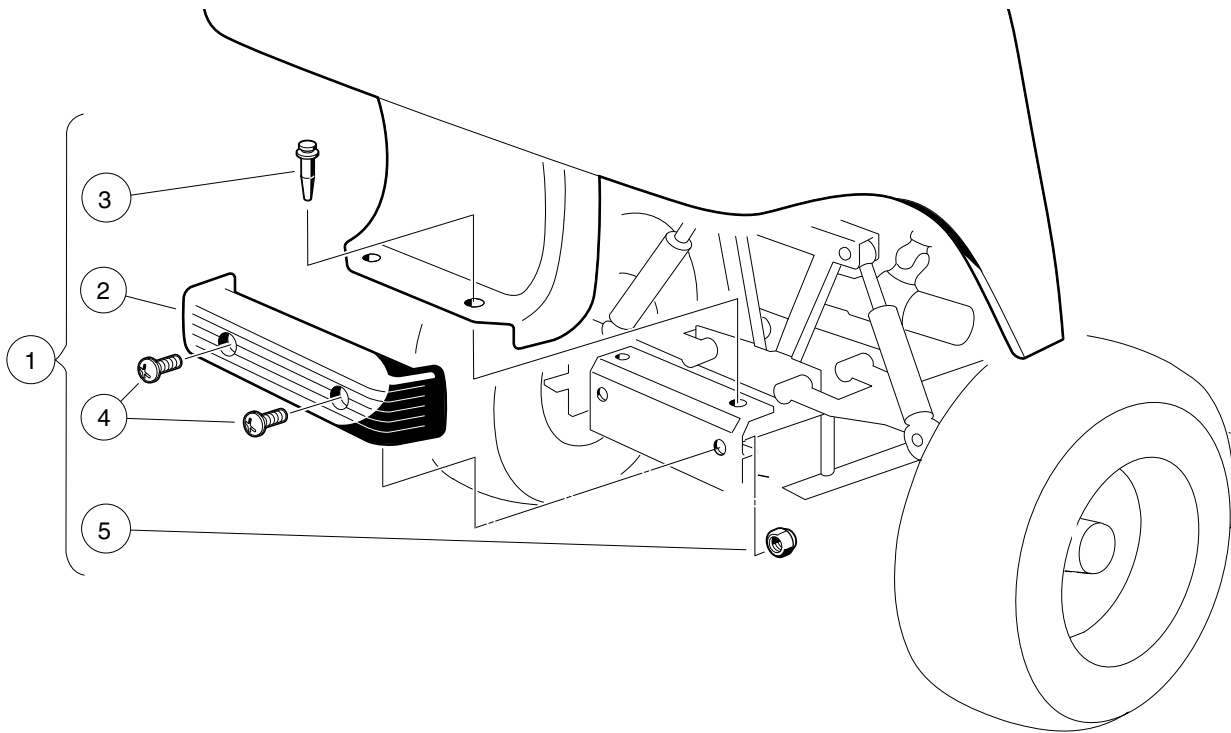
ITEM	PART NO.	DESCRIPTION	QTY
		1 2 3 4	
1	<u>103238802</u>	Kit, Cargo Nets, Field (includes items 2 through 6)	1
2	103238801	Nets, Cargo, Front & Rear (includes items 3 and 4)	1
3	N/A	Net, Cargo, Front	1
4	N/A	Net, Cargo, Rear	1
5	N/A	Instr, Net, Cargo	1
6	<u>103375101</u>	Washer, Rubber, 1" Od X .25" Id	10

1
G
E

1

G

E



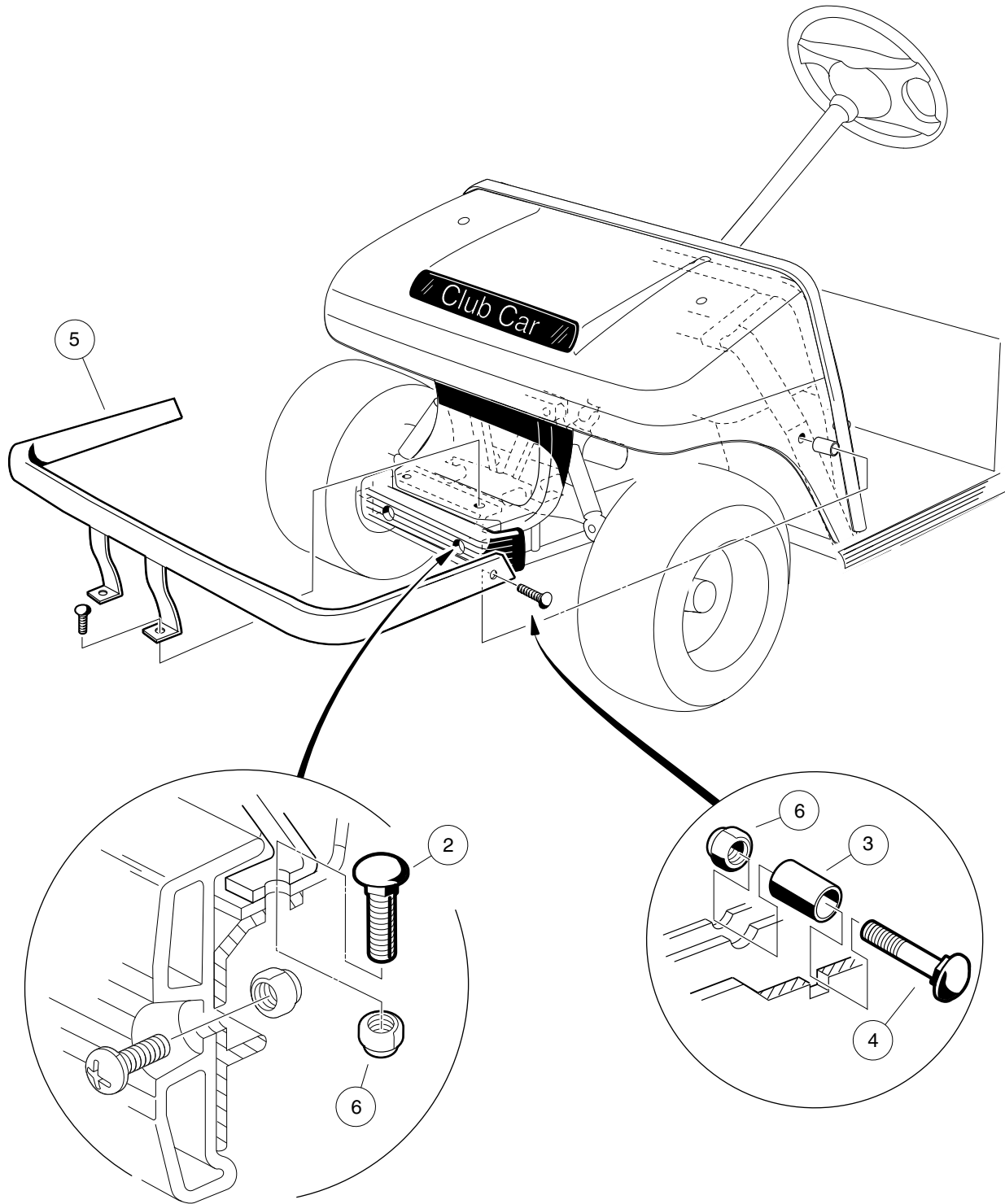
000743-001

FRONT BUMPER

ITEM	PART NO.	DESCRIPTION	QTY
		1 2 3 4	
1	<u>1017080</u>	Kit, Front Bumper (includes items 2 through 5)	1
2	<u>1016868</u>	Front Bumper	1
3	<u>1016967</u>	Blind Rivet, Push Type	2
4	<u>7251</u>	Screw, 5/16-18 x 1.0 Truss-Head	2
5	<u>7473</u>	Locknut, 5/16-18 Nylon Insert	2

1
G
E

1
G
E

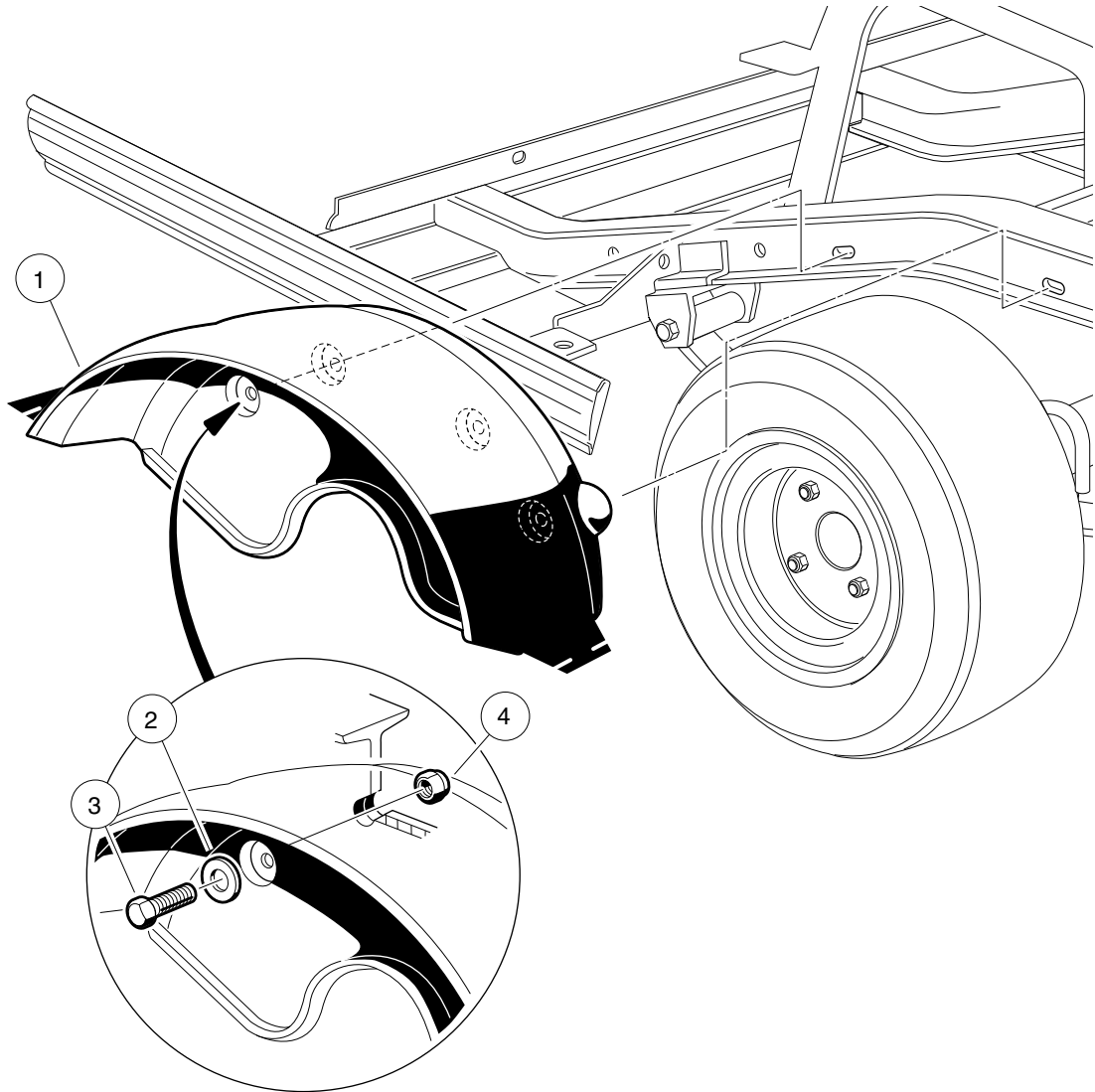


APM-000037-001

HEAVY-DUTY FRONT BUMPER KIT

ITEM	PART NO.	DESCRIPTION	QTY
		1 2 3 4	
1	<u>101734802</u>	Kit, Heavy-Duty Bumper (includes items 2 through 6)	1
2	<u>1010435</u>	Bolt, Carriage, 5/16-18 X 1.00	2
3	<u>1010546</u>	Spacer	2
4	<u>1015405</u>	Bolt, Carriage, 5/16-18 X 2.0	2
5	N/A	Weldment, Heavy Duty Bumper	1
6	<u>7473</u>	Locknut, 5/16-18 Nylon Insert	4

1
G
E

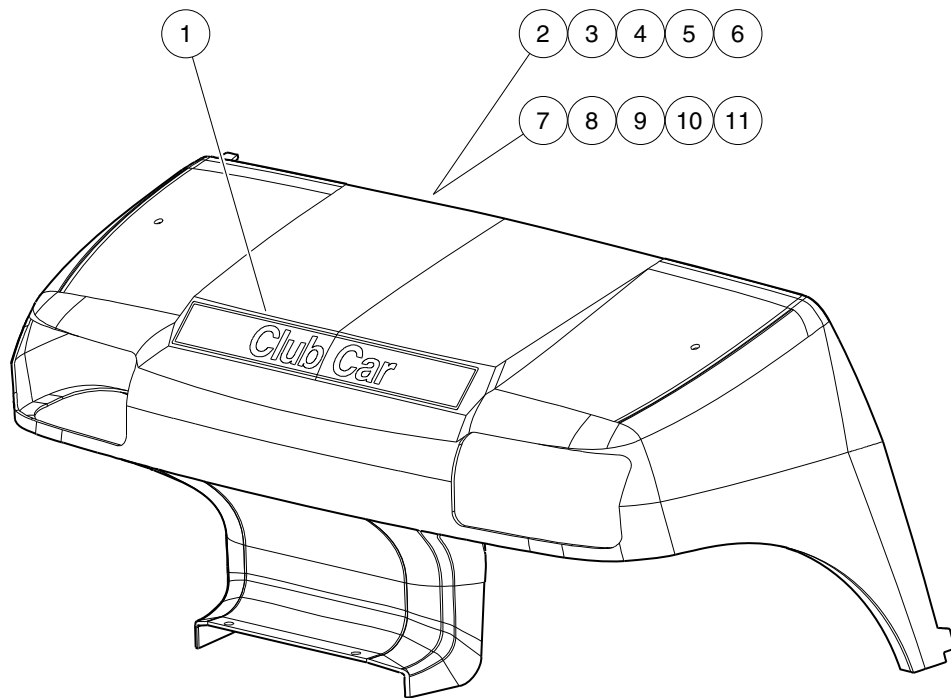


000747-001

INNER FENDER

ITEM	PART NO.	DESCRIPTION	QTY
		1 2 3 4	
1	<u>1017936</u>	Fender, Inner	2
2	<u>332</u>	Washer, 1/4 Type A Narrow Flat	4
3	<u>7847</u>	Screw, 1/4-20 X 0.75 Hex-Head Cap	4
4	<u>8233</u>	Locknut, 1/4-20 Nylon Insert	4

1
G
E



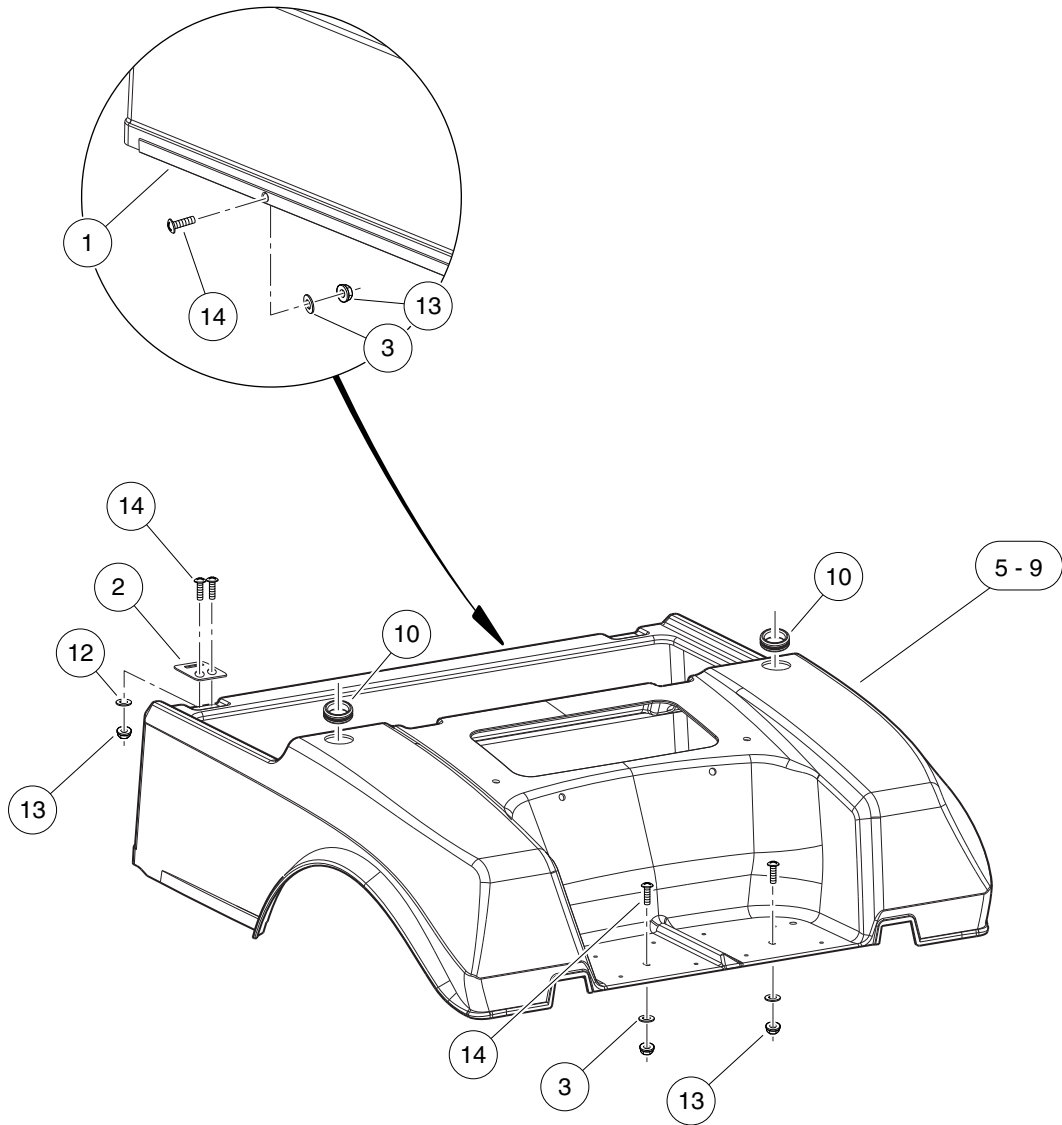
000748-001

FRONT BODY

ITEM	PART NO.	DESCRIPTION	QTY
		1 2 3 4	
1	<u>101414801</u>	Nameplate, Club Car Amber	1
2	<u>101692501</u>	Cowl, TPO, Beige	1
3	<u>101692502</u>	Cowl, TPO, White	1
4	<u>101692510</u>	Cowl, TPO, Dark Green	1
5	<u>101692512</u>	Cowl, TPO, Classic Blue (Navy)	1
6	<u>101692513</u>	Cowl, TPO, Burgundy	1
7	<u>101693901</u>	Cowl with Headlight Opening, TPO, Beige	1
8	<u>101693902</u>	Cowl with Headlight Opening, TPO, White	1
9	<u>101693909</u>	Cowl with Headlight Opening, TPO, Dark Green	1
10	<u>101693911</u>	Cowl with Headlight Opening, TPO, Classic Blue (Navy)	1
11	<u>101693912</u>	Cowl with Headlight Opening, TPO, Burgundy	1
12	N/A	Opt, Color, 5 Pass, Elec	1
13	N/A	Opt, Color, 5 Pass, Gas	1

1
G
E

1
G
E



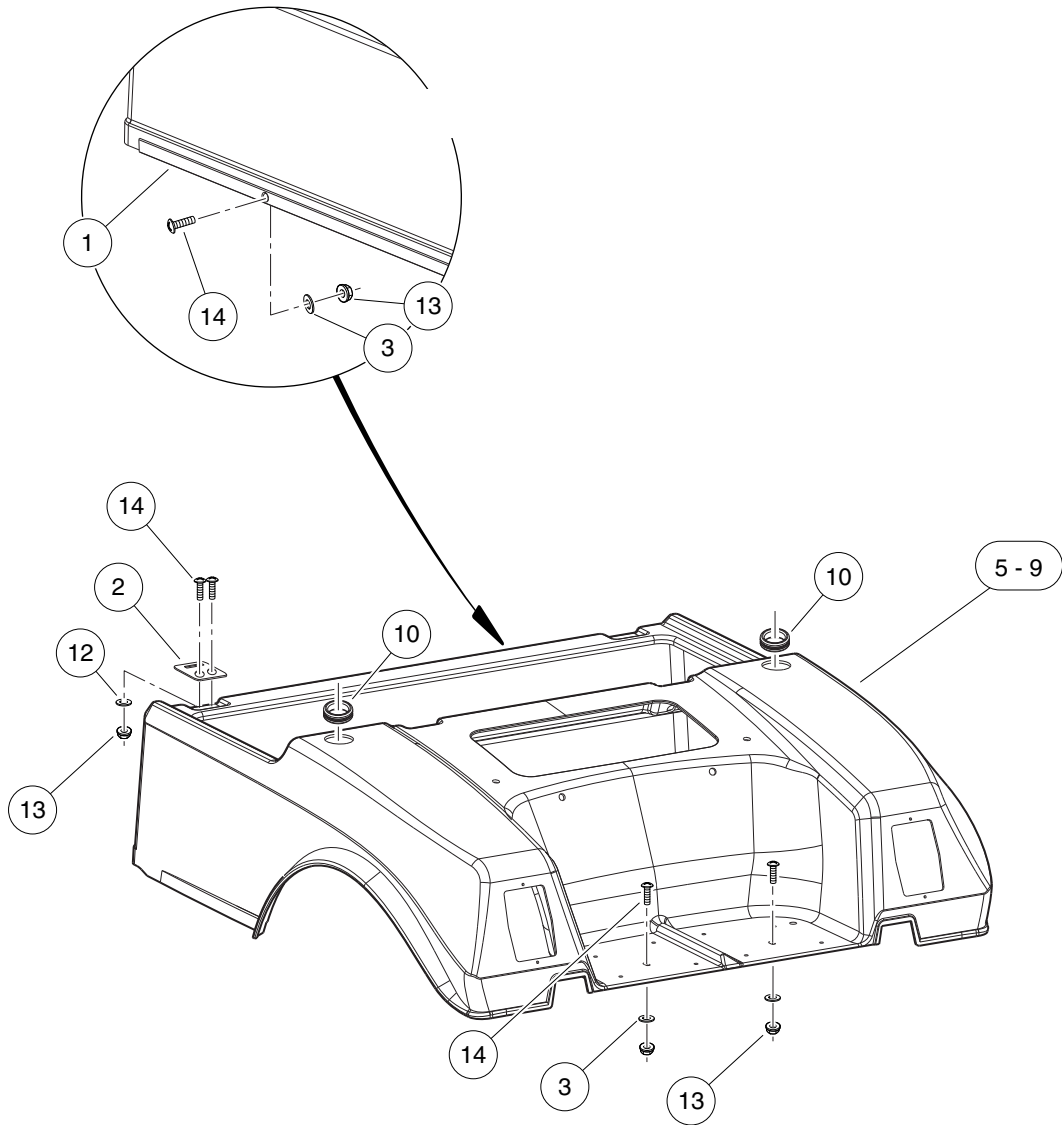
000749-001

REAR BODY WITHOUT LIGHTS

ITEM	PART NO.	DESCRIPTION	QTY
		1 2 3 4	
1	<u>1010993</u>	Body Kick Plate	1
2	<u>1012412</u>	Body, Hinge Plate	2
3	<u>1014306</u>	Washer, 1/4" Type B Flat	4
4	<u>102842401</u>	Decal, IQ Plus	1
5	<u>103219601</u>	Body, Trimmed -g/e Beige	1
6	<u>103219602</u>	Body, Trimmed -g/e White	1
7	<u>103219609</u>	Body, Trimmed -g/e Dk Green	1
8	<u>103219611</u>	Body, Trimmed -g/e Classic Blu	1
9	<u>103219612</u>	Body, Trimmed -g/e Burgundy	1
10	<u>103252301</u>	Grommet, Body, Drain Tube	2
11	N/A	Opt, Color, 5 Pass, Elec	1
12	<u>332</u>	Washer, 1/4 Type A Narrow Flat	4
13	<u>8233</u>	Locknut, 1/4-20 Nylon Insert	8
14	<u>8251</u>	Screw, 1/4-20 X 1.0 Truss-Head Machine	8

1
G
E

1
G
E



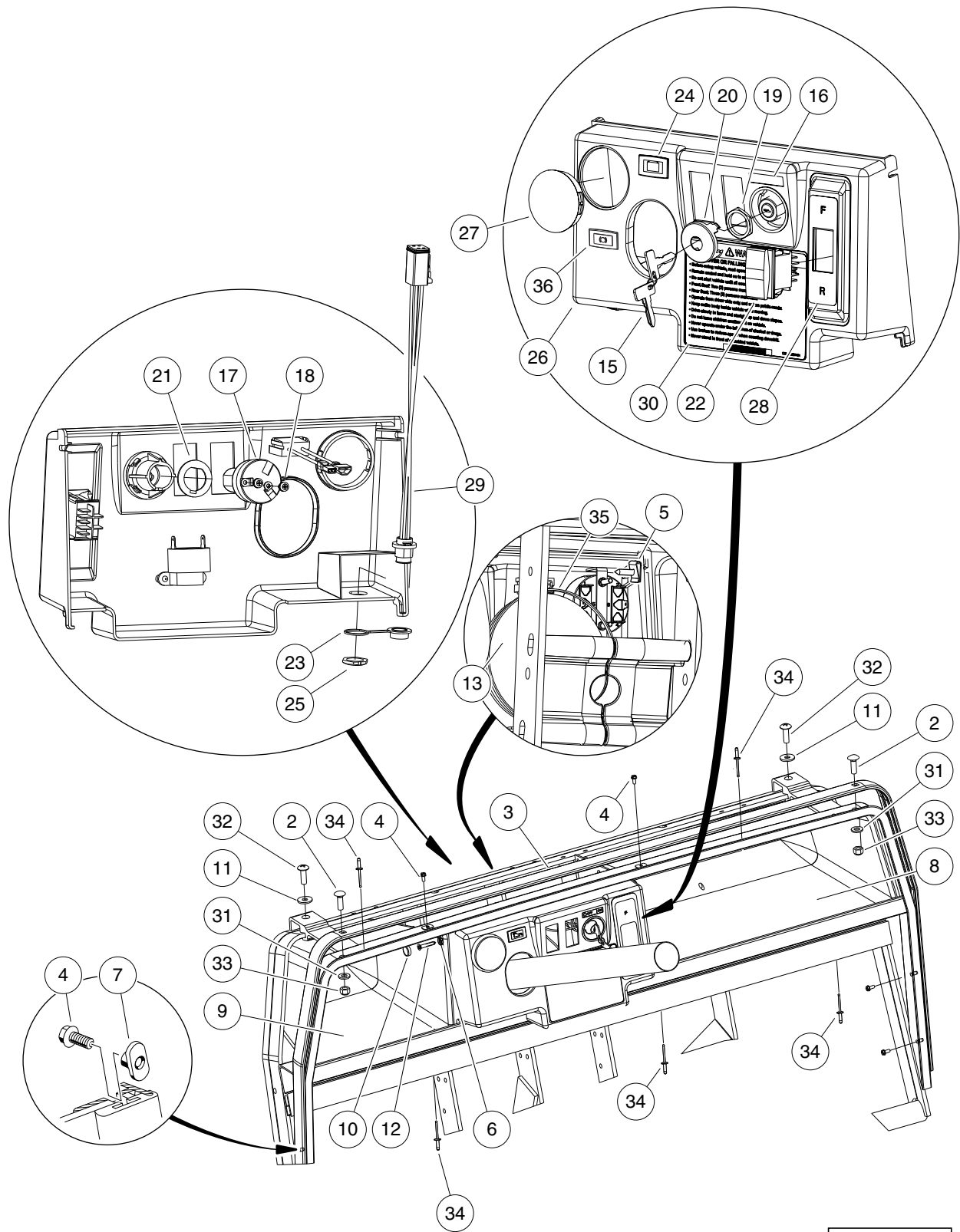
000749-002

REAR BODY WITH LIGHTS

ITEM	PART NO.	DESCRIPTION	QTY
		1 2 3 4	
1	<u>1010993</u>	Body Kick Plate	1
2	<u>1012412</u>	Body, Hinge Plate	2
3	<u>1014306</u>	Washer, 1/4" Type B Flat	4
4	<u>102842401</u>	Decal, IQ Plus	2
5	<u>103219631</u>	Body, Trimmed -beige Lts	1
6	<u>103219632</u>	Body, Trimmed -white Lts	1
7	<u>103219639</u>	Body, Trimmed -dk Green Lts	1
8	<u>103219641</u>	Body, Trimmed -classic Blue Lt	1
9	<u>103219642</u>	Body, Trimmed -burgundy Lts	1
10	<u>103252301</u>	Grommet, Body, Drain Tube	2
11	N/A	Opt, Color, 5 Pass, Elec	1
12	<u>332</u>	Washer, 1/4 Type A Narrow Flat	4
13	<u>8233</u>	Locknut, 1/4-20 Nylon Insert	8
14	<u>8251</u>	Screw, 1/4-20 X 1.0 Truss-Head Machine	8

1
G
E

1
G
E

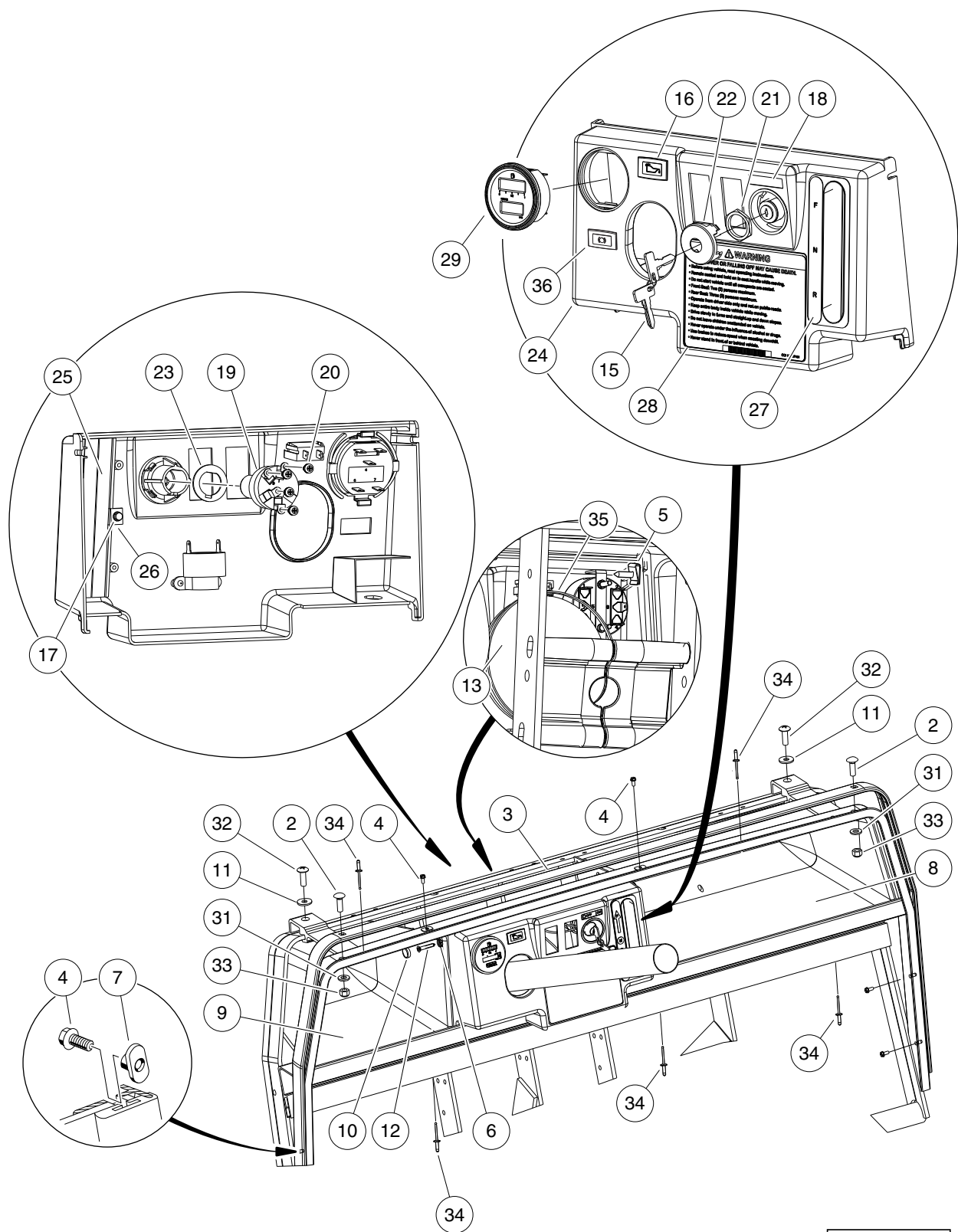


000741-005

DASH – ELECTRIC VEHICLES

ITEM	PART NO.	DESCRIPTION	QTY
		1 2 3 4	
1	N/A	Instl, Dash, Limo, Ele, Ab (includes items 2 through 35)	1
2	<u>1010435</u>	Bolt, Carriage, 5/16-18 X 1.00	2
3	<u>1011014</u>	Trim, Cowl	1
4	<u>1011017</u>	Screw, #8-32 X 0.375	6
5	<u>1011019</u>	Nut, Speed	2
6	<u>1011382</u>	Washer, #10 Pan-Head Screw	2
7	<u>1011394</u>	T-Nut Package (Set of 4)	1
8	<u>1013343</u>	Dash Component, Passenger-Side, Black	1
9	<u>1013344</u>	Dash Component, Driver-Side	1
10	<u>1013494</u>	Cover, Screw Head	2
11	<u>1015075</u>	Washer, 5/16 Flat Type A	2
12	<u>1015528</u>	Screw, #10 x 1-1/4 Phillips Head	2
13	<u>102278001</u>	Boot, Steering Column Round	1
14	N/A	Asm, Dash, Ele, Limo, Ab (includes items 15 through 30)	1
15	<u>1012505</u>	Keys (set of 2)	1
16	<u>101825101</u>	Decal, Off/On	1
17	<u>101826201</u>	Key Switch, On/Off	1
18	<u>101830601</u>	Screw and Washer Assembly	2
19	<u>101830701</u>	Nut, Key Switch	1
20	<u>101834502</u>	Cap, Black Key Switch	1
21	<u>101851101</u>	Washer, Key Switch	1
22	<u>101856002</u>	Switch, Rocker, Single-Pole	1
23	<u>102196901</u>	Dust Cap	1
24	<u>102508701</u>	Light, Battery	1
25	<u>102572401</u>	Nut, Diagnostic Port, Prec	1
26	<u>102977002</u>	Panel, Dash, Center, Gas (Instrument Panel)	1
27	<u>103198301</u>	Plug, Hole, Round, 2.0 In	1
28	<u>103210301</u>	Decal, Forward/Reverse, Electric	1
29	<u>103218601</u>	Harness, Diagnostic Port	1
30	N/A	Decal, Warning, Dash	1
31	<u>1241</u>	Washer, 5/16 Type A Flat	2
32	<u>7251</u>	Screw, 5/16-18 x 1.0 Truss-Head	2
33	<u>7473</u>	Locknut, 5/16-18 Nylon Insert	2
34	<u>7973</u>	Rivet, 3/16 X .400 Blind	5
35	<u>8639</u>	Tie Wrap, 11" Nylon	1
36	<u>103247601</u>	Light, Indicator, Brake Sys	1

1
G
E

1**G****E**

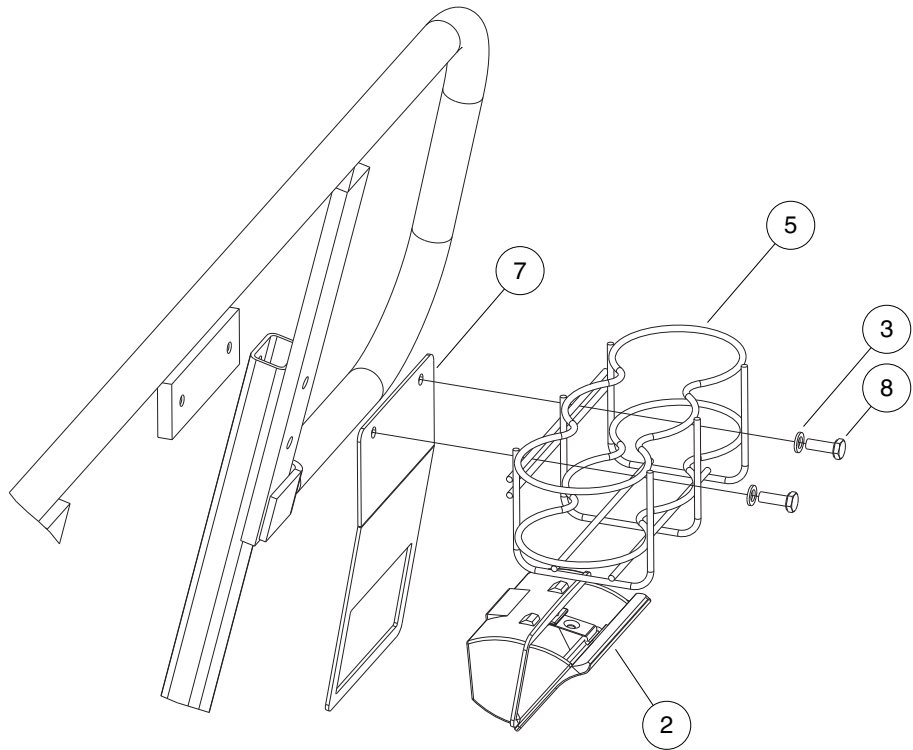
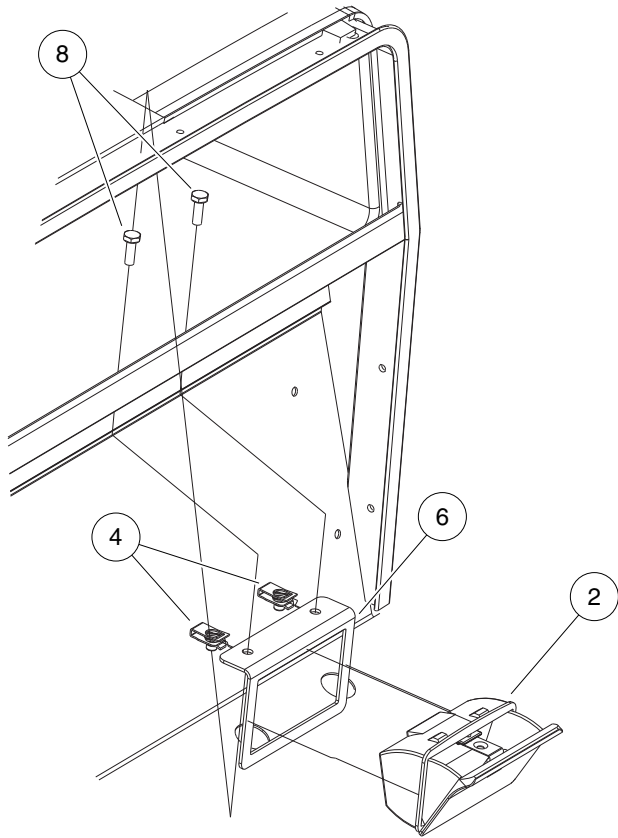
000741-004

DASH – GASOLINE VEHICLES

ITEM	PART NO.	DESCRIPTION	QTY
		1 2 3 4	
1	N/A	Instl, Dash, Limo, Gas, Ab (includes items 2 through 35)	1
2	<u>1010435</u>	Bolt, Carriage, 5/16-18 X 1.00	2
3	<u>1011014</u>	Trim, Cowl	1
4	<u>1011017</u>	Screw, #8-32 X 0.375	6
5	<u>1011019</u>	Nut, Speed	2
6	<u>1011382</u>	Washer, #10 Pan-Head Screw	2
7	<u>1011394</u>	T-Nut Package (Set of 4)	1
8	<u>1013343</u>	Dash Component, Passenger-Side, Black	1
9	<u>1013344</u>	Dash Component, Driver-Side	1
10	<u>1013494</u>	Cover, Screw Head	2
11	<u>1015075</u>	Washer, 5/16 Flat Type A	2
12	<u>1015528</u>	Screw, #10 x 1-1/4 Phillips Head	2
13	<u>102278001</u>	Boot, Steering Column Round	1
14	N/A	Asm, Dash, Gas, Limo, Ab (includes items 15 through 29)	1
15	<u>1012505</u>	Keys (set of 2)	1
16	<u>1016630</u>	Light, Oil	1
17	<u>101804301</u>	Screw, #8 X 0.500, Hex-Head Hi-Lo	2
18	<u>101825101</u>	Decal, Off/On	1
19	<u>101826301</u>	Key Switch, 12-Volt, Off/On	1
20	<u>101830601</u>	Screw and Washer Assembly	4
21	<u>101830701</u>	Nut, Key Switch	1
22	<u>101834502</u>	Cap, Black Key Switch	1
23	<u>101851101</u>	Washer, Key Switch	1
24	<u>102977001</u>	Panel, Dash, Center, Gas (Instrument Panel)	1
25	<u>103199001</u>	Brush, Closeout, FNR	2
26	<u>103199101</u>	Washer, Retaining, Brush, FNR	2
27	<u>103210201</u>	Decal, Forward/Reverse, Gas	1
28	N/A	Decal, Warning, Dash	1
29	<u>103348601</u>	Gauge, Fuel-hour,sep Gnd,utl (includes item 30)	1
30	<u>103348201</u>	Clip, Meter, Round	1
31	<u>1241</u>	Washer, 5/16 Type A Flat	2
32	<u>7251</u>	Screw, 5/16-18 x 1.0 Truss-Head	2
33	<u>7473</u>	Locknut, 5/16-18 Nylon Insert	2
34	<u>7973</u>	Rivet, 3/16 X .400 Blind	5
35	<u>8639</u>	Tie Wrap, 11" Nylon	1
36	<u>103247601</u>	Light, Indicator, Brake Sys	1

1
G
E

1
G
E



000740-001

CUP HOLDER AND ASHTRAYS

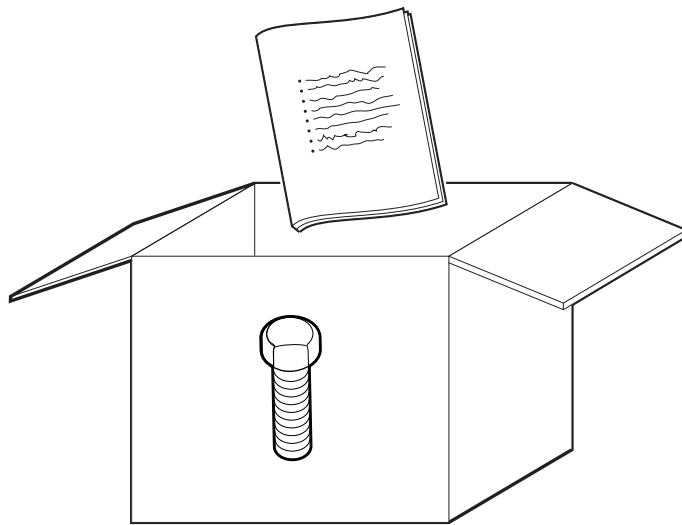
ITEM	PART NO.	DESCRIPTION	QTY
		1 2 3 4	
1	N/A	Inst, Cupholder Ashtray, Limo (includes items 2 through 8)	1
2	N/A	Ashtray Assy	2
3	<u>1014007</u>	Washer, 1/4 Flat	2
4	1016952	U-Nut, 1/4-20	2
5	<u>102961801</u>	Cupholder, Wireform	1
6	<u>102977801</u>	Bracket, Ashtray, Front	1
7	<u>103204901</u>	Bracket, Ashtray, Rear	1
8	<u>7847</u>	Screw, 1/4-20 X 0.75 Hex-Head Cap	4

1
G
E

1

G

E



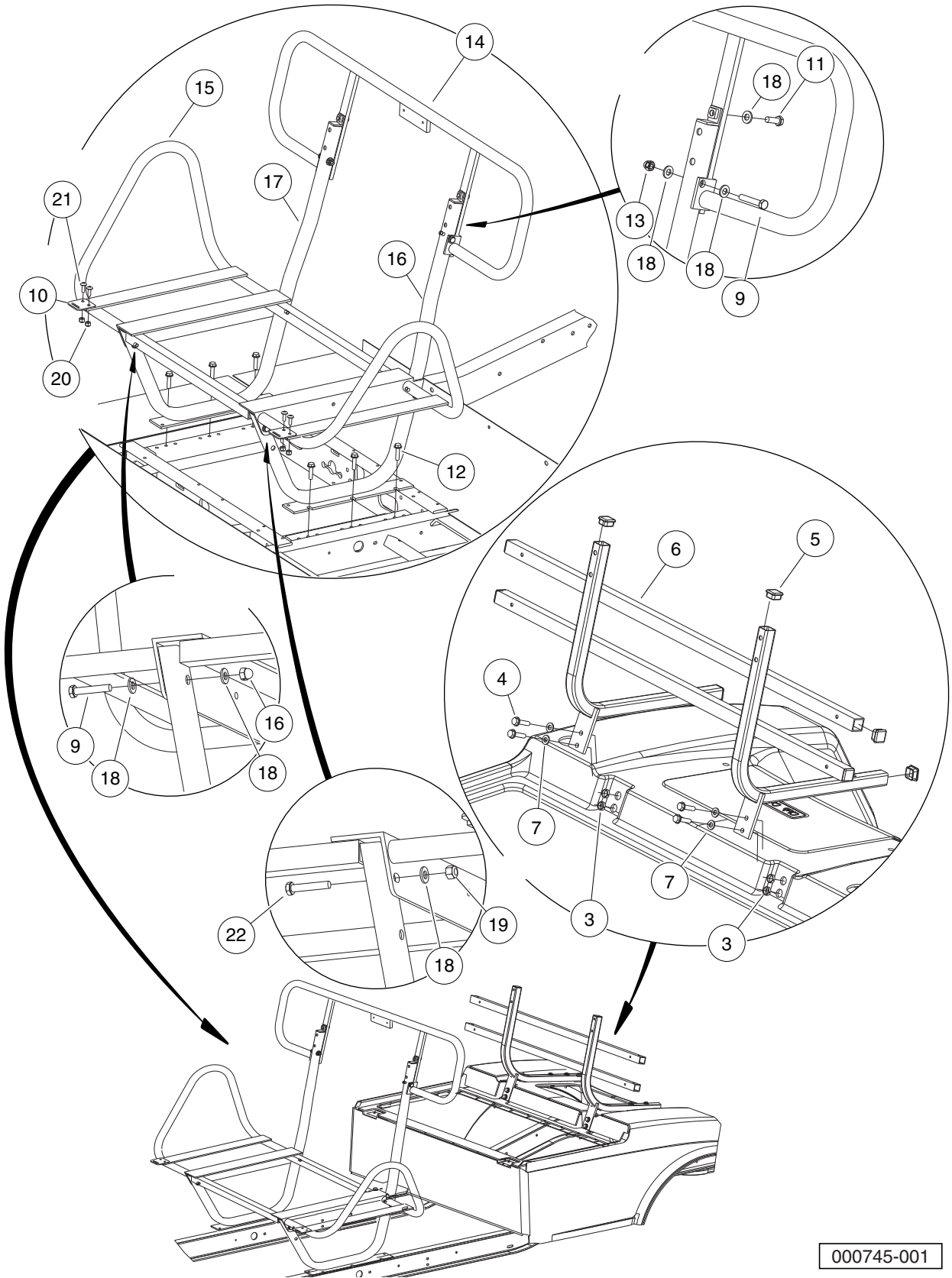
000KIT-001

STAINLESS STEEL HARDWARE KIT

ITEM	PART NO.	DESCRIPTION	QTY
1	<u>103402801</u>	<p>1 2 3 4 Kit, Hardware, Stainless, Limo</p> <p>Note: Includes replacement hardware for: front and rear suspension, bumpers, and baskets, front seat, choke cable, charger receptacle, rear seat frame and body, seat back cap, cupholder/ashtray, bagrack and canopy.</p>	1

1
G
E

1
G
E



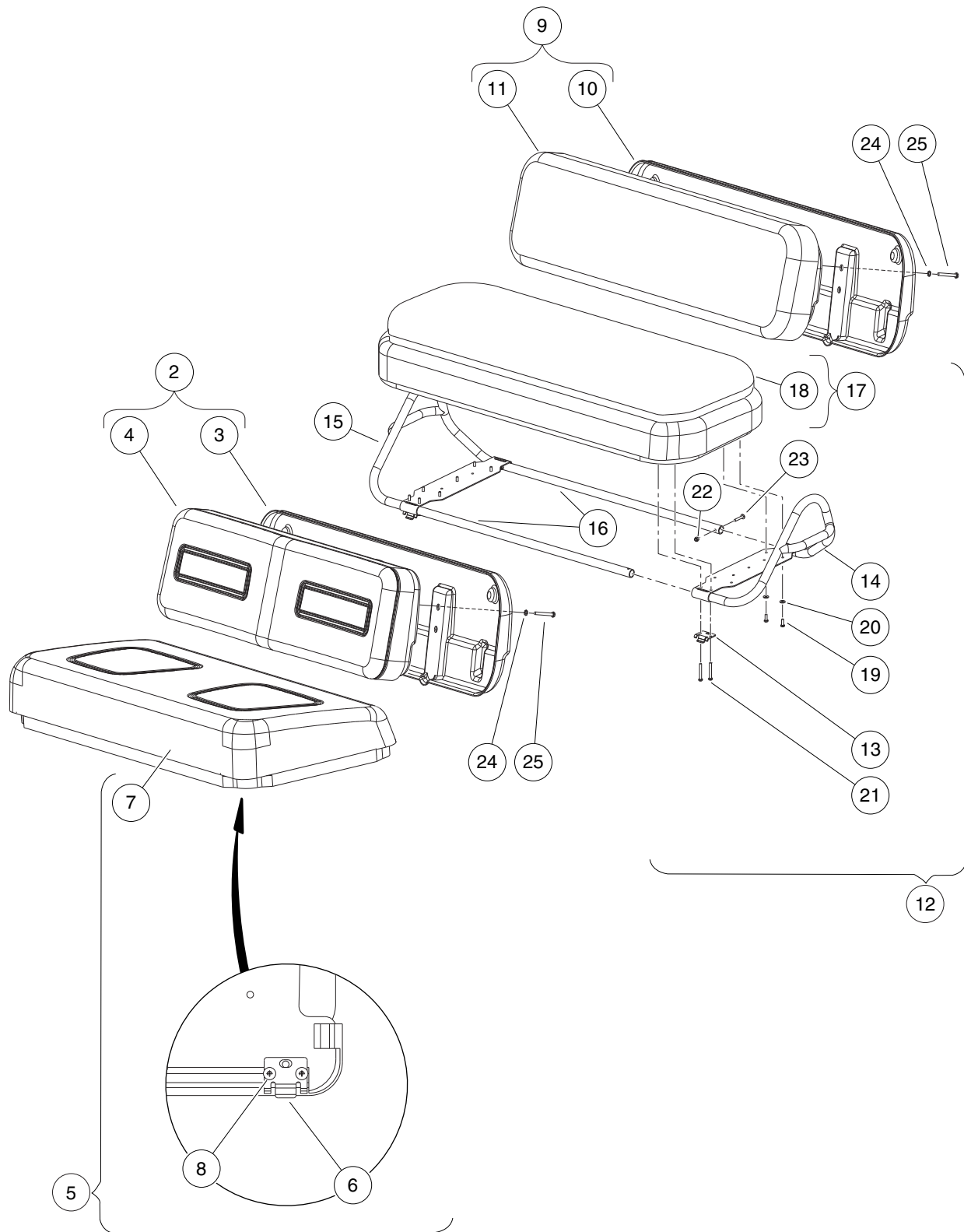
000745-001

SEAT SUPPORT

ITEM	PART NO.	DESCRIPTION	QTY
		1 2 3 4	
1	N/A	Instl, Seat Structure (includes items 2 through 8)	1
2	N/A	Instl, Rear Seat Frame (includes items 3 through 7)	1
3	1017774	Body Spacer	4
4	<u>101910401</u>	Screw, 5/16-18 X 1.25 Thrd Frm	4
5	<u>102581201</u>	Plug, Square - 25.4 mm	8
6	<u>103312101</u>	Weldment, Seatframe, Rear	1
7	<u>1241</u>	Washer, 5/16 Type A Flat	4
8	N/A	Instl, Front Seat Support (includes items 9 through 22)	1
9	<u>1010577</u>	Bolt, Hex-Head, 5/16-18 X 1.50	5
10	<u>1012412</u>	Body, Hinge Plate	2
11	101834701	Screw, 5/16-18 X .875 Hex Cap	2
12	<u>101910401</u>	Screw, 5/16-18 X 1.25 Thrd Frm	6
13	<u>103245301</u>	Nut, Hex, Cp, Mech Def, 5/16-1	5
14	<u>103345101</u>	Weldment, Seat Back, Front	1
15	<u>103345201</u>	Weldment, Seat Bottom, Front	1
16	<u>103345301</u>	Wldmnt, Seat Leg, Driver, Frt	1
17	<u>103345401</u>	Wldmnt, Seat Leg, Pssnger, Frt	1
18	<u>1241</u>	Washer, 5/16 Type A Flat	13
19	<u>7473</u>	Locknut, 5/16-18 Nylon Insert	1
20	<u>8233</u>	Locknut, 1/4-20 Nylon Insert	4
21	<u>8248</u>	Screw, 1/4-20 X 0.75 Truss-Head Machine	4
22	<u>8963</u>	Screw, 5/16-18 X 1.75 Hex-Head Cap	1

1
G
E

1
G
E



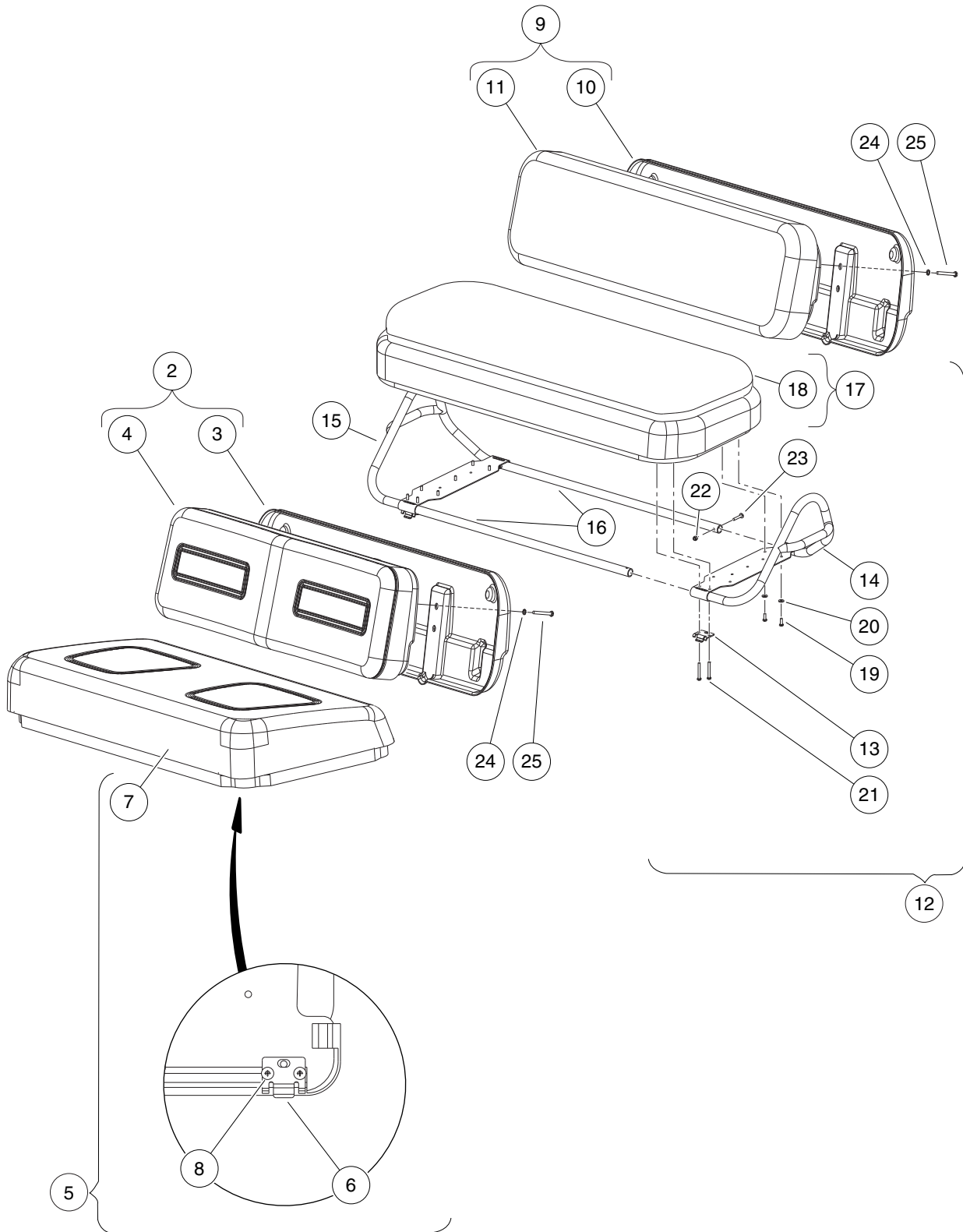
000746-001

SEATS, BUFF

ITEM	PART NO.	DESCRIPTION	QTY
		1 2 3 4	
1	N/A	Color Opt, Seat, Buff (includes items 2 through 25)	1
2	<u>101677703</u>	Seat Back Assembly, Beige (includes items 3 and 4)	1
3	1016751	Cap, Seat Back	1
4	<u>101675511</u>	Vinyl Seat Back, Beige	1
5	<u>103212201</u>	Asm, Seat Btm, Front, Buff (includes items 6 through 8)	1
6	<u>1011652</u>	Hinge Plate	2
7	<u>101998211</u>	Vinyl Cover Seat Btm - Buffsvc	1
8	<u>8251</u>	Screw, 1/4-20 X 1.0 Truss-Head Machine	4
9	<u>103224901</u>	Seat Back Asm, 3pass-beige (includes items 10 and 11)	1
10	<u>103225701</u>	Cap, Seat Back-3pass	1
11	<u>103313801</u>	Asm, Seat Back, 3 Pass, Be	1
12	<u>103225001</u>	Seat Btm Asm-3pass, Beige (includes items 13 through 23)	1
13	<u>1011652</u>	Hinge Plate	2
14	N/A	Weldment, Hip, Rear,3pass,drv	1
15	<u>103282402</u>	Weldment, Hip, Rear,3pass,pas	1
16	<u>103305401</u>	Tube, Straight, Cut, 1 Od	2
17	<u>103313701</u>	Asm, Seat Bot, 3 Pass, Be (includes item 18)	1
18	N/A	Cover, Seat Bot, 3pass, Be	1
19	304	Screw, 1/4-20 X 1.0 Hex-Head Cap	10
20	<u>332</u>	Washer, 1/4 Type A Narrow Flat	10
21	<u>7311</u>	Screw, 1/4-20 X 2.00 Hex-Head Cap	4
22	<u>8233</u>	Locknut, 1/4-20 Nylon Insert	2
23	8418	Screw, 1/4-20 X 1.50 Phillips Truss-Head	2
24	<u>332</u>	Washer, 1/4 Type A Narrow Flat	8
25	<u>7311</u>	Screw, 1/4-20 X 2.00 Hex-Head Cap	8

1
G
E

1
G
E

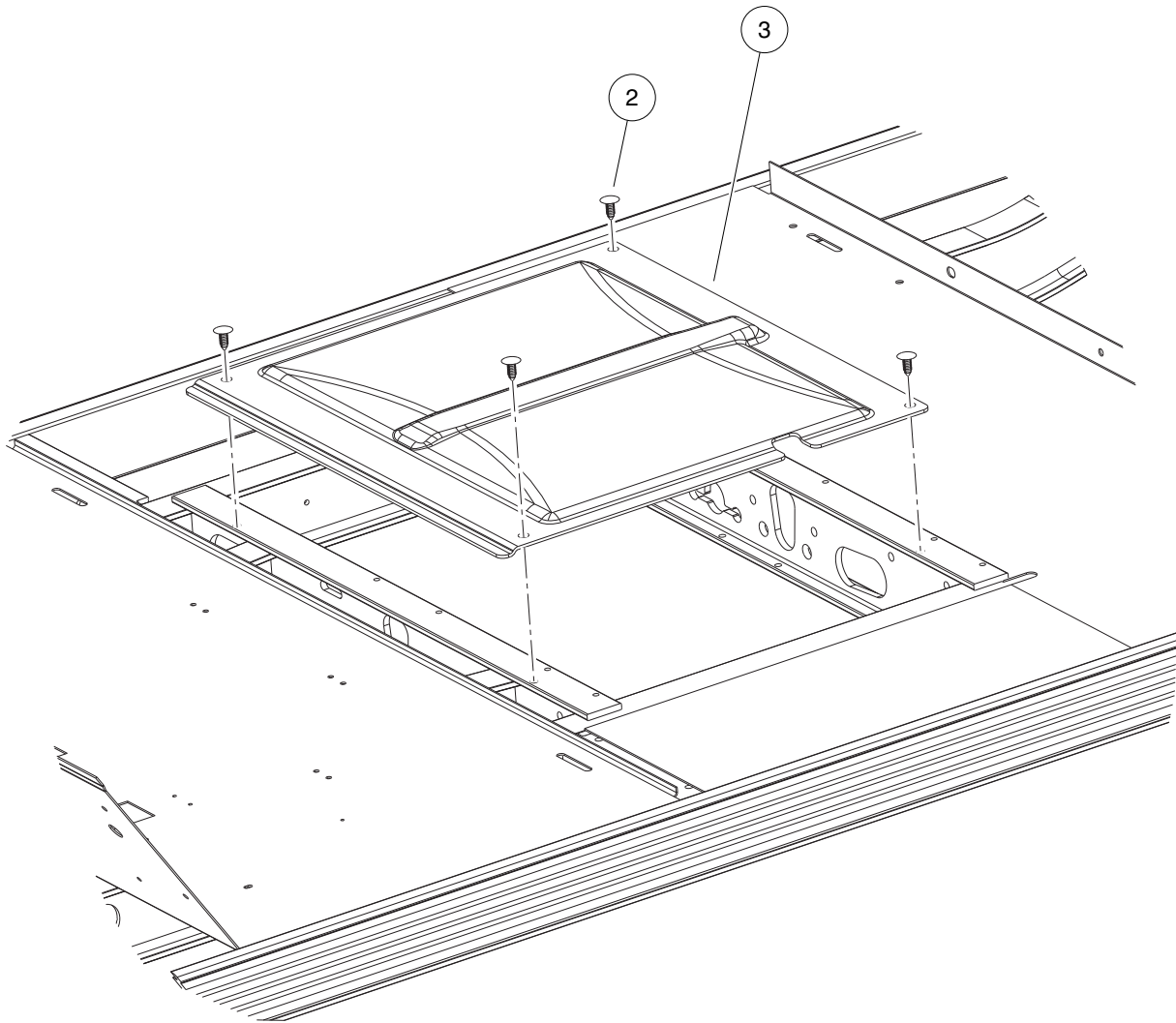


000746-001

SEATS, WHITE

ITEM	PART NO.	DESCRIPTION	QTY
		1 2 3 4	
1	N/A	Color Opt, Seat, Wht (includes items 2 through 25)	1
2	<u>101677701</u>	Seat Back Assembly, White (includes items 3 and 4)	1
3	1016751	Cap, Seat Back	1
4	<u>101675512</u>	Vinyl Seat Back, White	1
5	<u>103212202</u>	Asm, Seat Btm, Front, White (includes items 6 through 8)	1
6	<u>1011652</u>	Hinge Plate	2
7	<u>101998212</u>	Vinyl Cover, Seat Bottom, White	1
8	<u>8251</u>	Screw, 1/4-20 X 1.0 Truss-Head Machine	4
9	<u>103224902</u>	Seat Back Asm, 3pass-white (includes items 10 and 11)	1
10	<u>103225701</u>	Cap, Seat Back-3pass	1
11	<u>103313802</u>	Asm, Seat Back, 3 Pass, Wh	1
12	<u>103225002</u>	Seat Btm Asm-3pass, Wht (includes items 13 through 23)	1
13	<u>1011652</u>	Hinge Plate	2
14	N/A	Weldment, Hip, Rear,3pass,drv	1
15	<u>103282402</u>	Weldment, Hip, Rear,3pass,pas	1
16	<u>103305401</u>	Tube, Straight, Cut, 1 Od	2
17	<u>103313702</u>	Asm, Seat Bot, 3 Pass, Wh (includes item 18)	1
18	N/A	Cover, Seat Bot, 3 Pass, Wh	1
19	304	Screw, 1/4-20 X 1.0 Hex-Head Cap	10
20	<u>332</u>	Washer, 1/4 Type A Narrow Flat	10
21	<u>7311</u>	Screw, 1/4-20 X 2.00 Hex-Head Cap	4
22	<u>8233</u>	Locknut, 1/4-20 Nylon Insert	2
23	8418	Screw, 1/4-20 X 1.50 Phillips Truss-Head	2
24	<u>332</u>	Washer, 1/4 Type A Narrow Flat	8
25	<u>7311</u>	Screw, 1/4-20 X 2.00 Hex-Head Cap	8

1
G
E



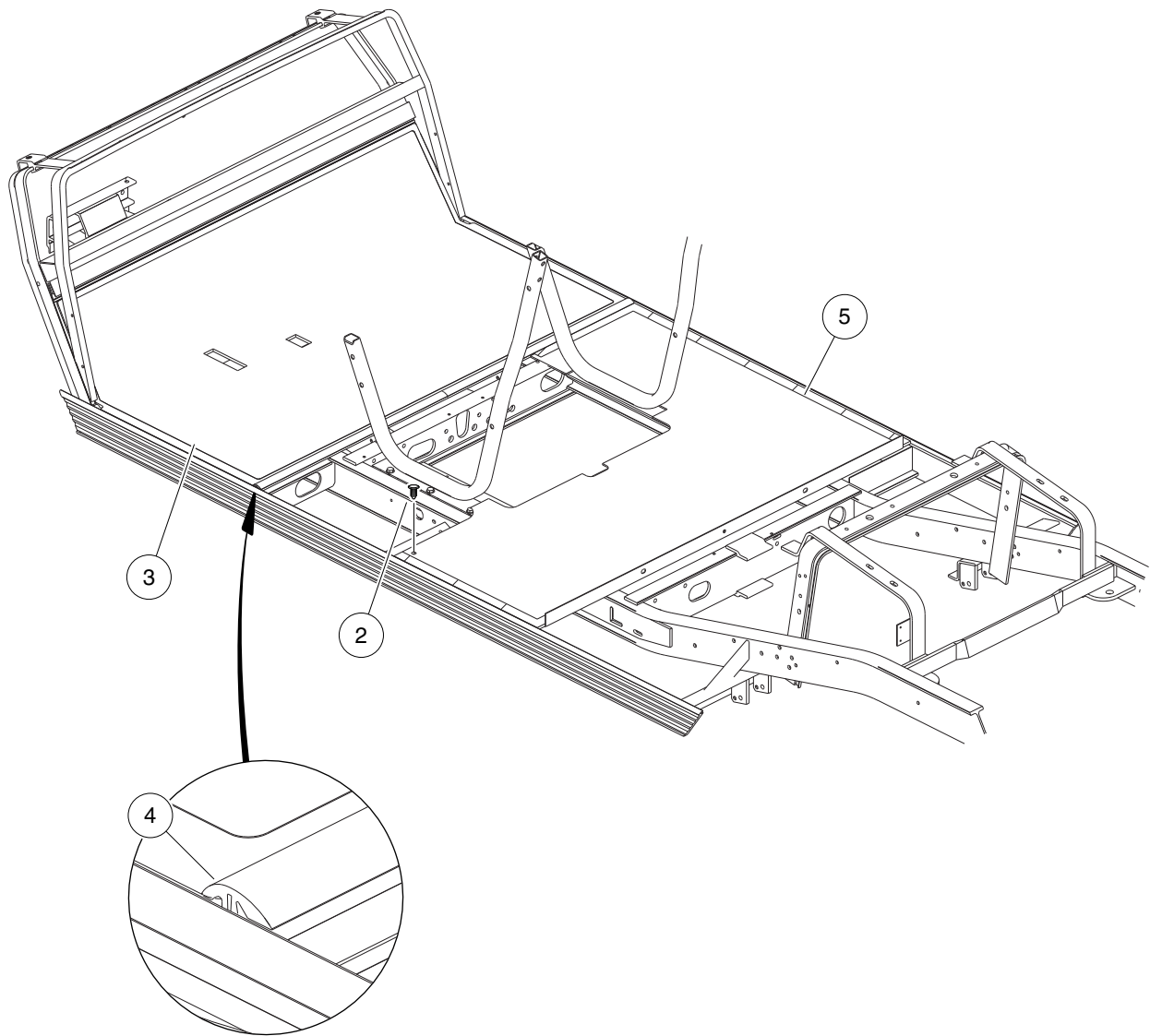
000739-001

CLOSEOUT, UNDER SEAT

ITEM	PART NO.	DESCRIPTION	QTY
1	N/A	1 2 3 4 Instl, Closeout, Under Seat (includes items 2 and 3)	1
2	<u>1010434</u>	Barrel - Plastic	4
3	<u>103407001</u>	Cover, Under Seat, Manual Brk	1

1
G
E

1
G
E

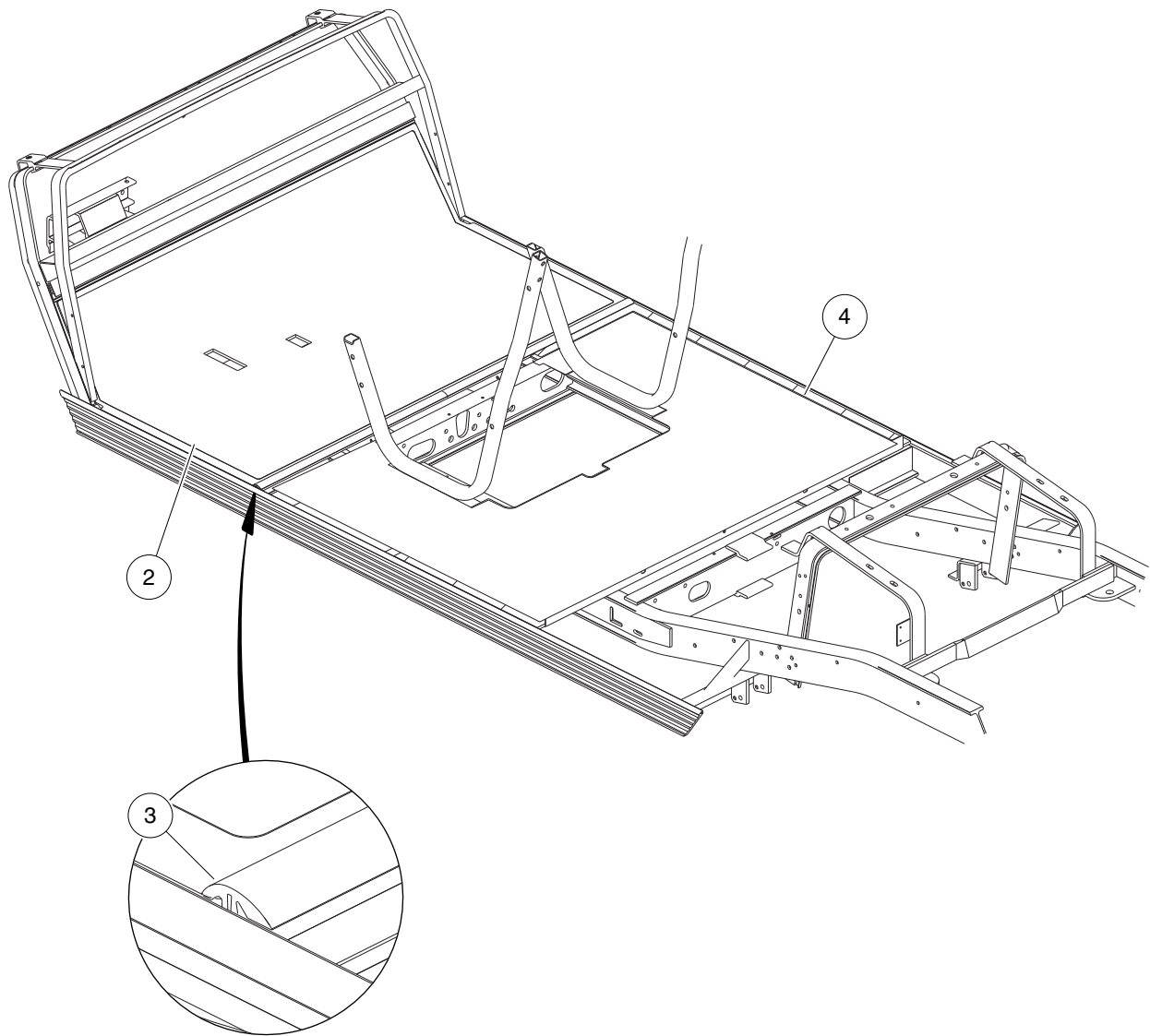


000742-001

FLOORMATS – GASOLINE VEHICLES

ITEM	PART NO.	DESCRIPTION	QTY
		1 2 3 4	
1	N/A	Instl, Floormat, No Body, Gas (includes items 2 through 5)	1
2	<u>1010434</u>	Barrel - Plastic	1
3	<u>101503202</u>	Floormat	1
4	<u>103296101</u>	Trim, Floormat	1
5	<u>103296402</u>	Floormat, Rear, No Body, Gas	1

1
G
E



000742-002

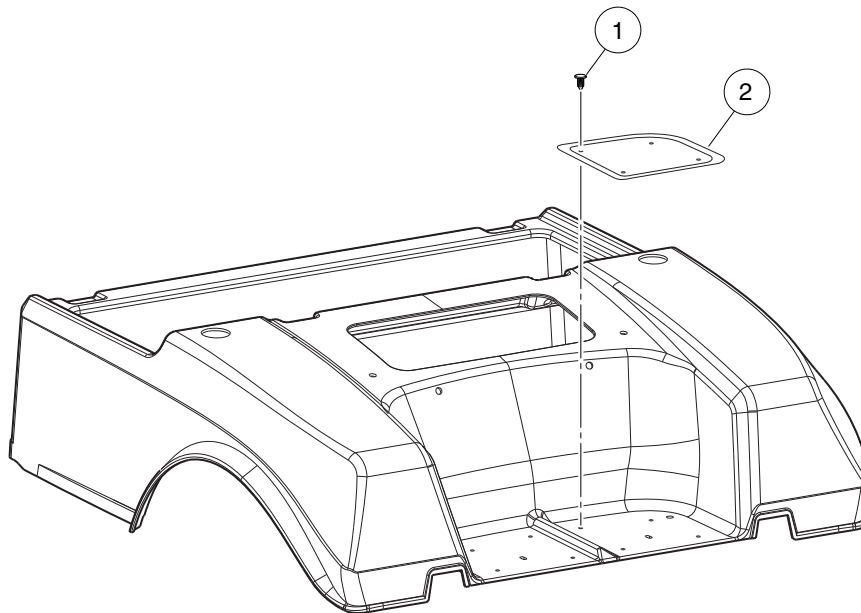
FLOORMATS – ELECTRIC VEHICLES

ITEM	PART NO.	DESCRIPTION	QTY
		1 2 3 4	
1	N/A	Instl, Floormat, No Body, Elec (includes items 2 through 4)	1
2	<u>101503202</u>	Floormat	1
3	<u>103296101</u>	Trim, Floormat	1
4	<u>103296401</u>	Floormat, Rear, No Body, Elec	1

1

G

E



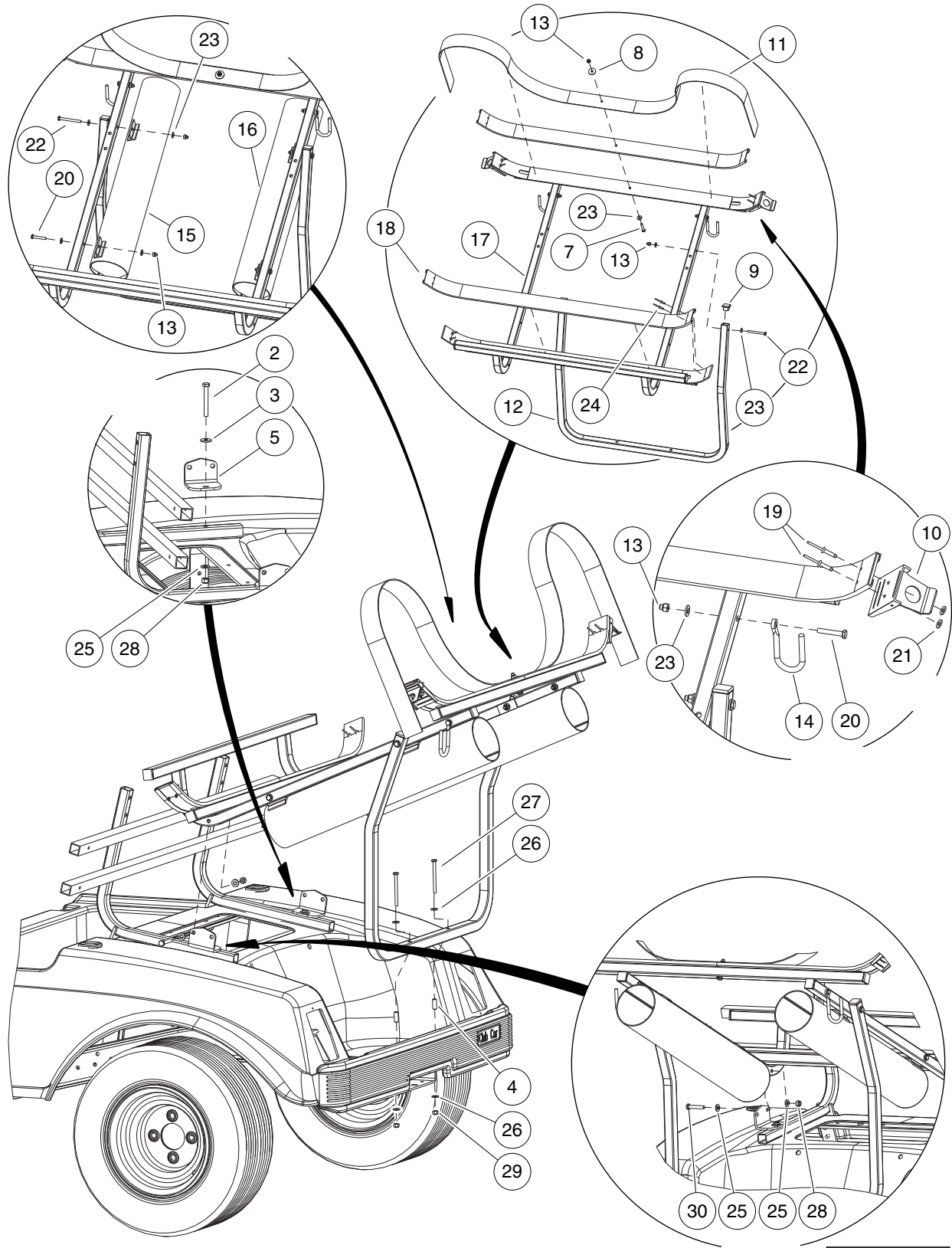
000777-001

BAG REST MATS

ITEM	PART NO.	DESCRIPTION	QTY
1	<u>1010434</u>	1 2 3 4 Barrel - Plastic	8
2	<u>1014392</u>	Bag Rest Mat	2

1
G
E

1
G
E

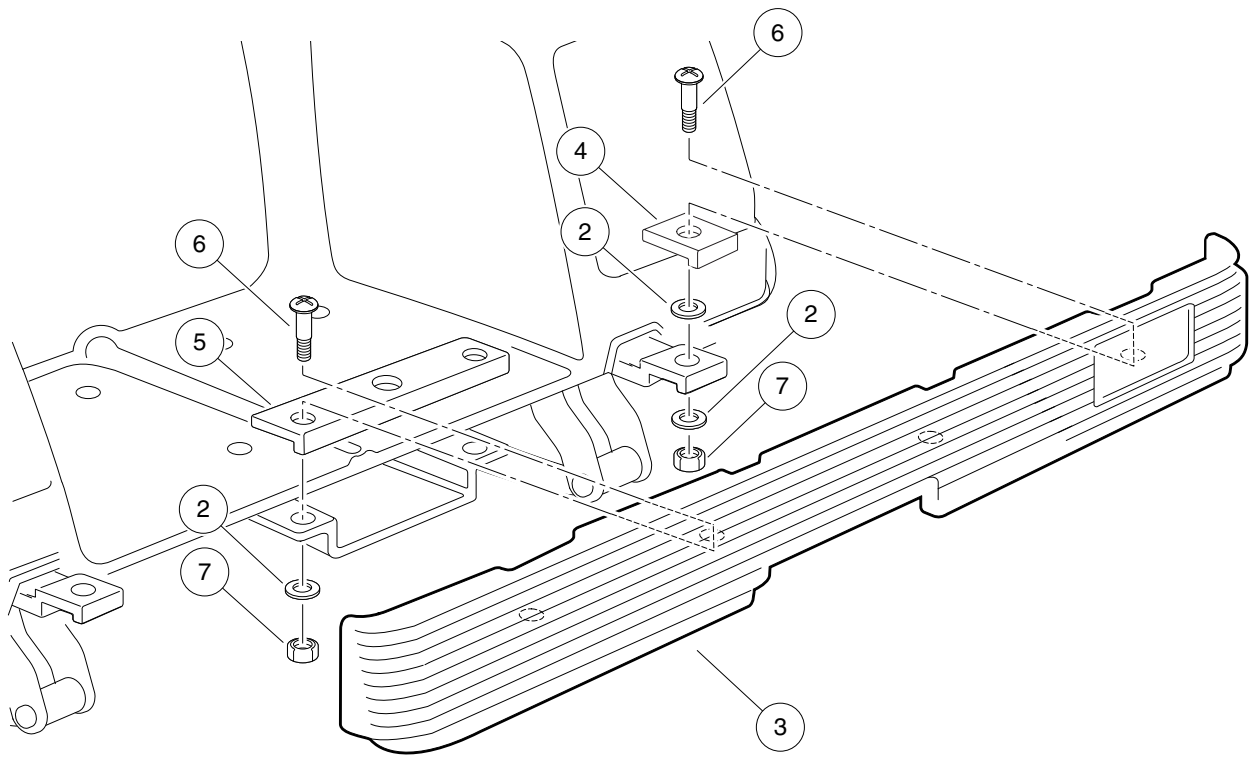


000738-001

BAGRACK

ITEM	PART NO.	DESCRIPTION	QTY
		1 2 3 4	
1	N/A	Instl, Rack W/tubes, Four Bag (includes items 2 through 30)	1
2	<u>1010921</u>	Screw, 5/16-18 X 2.50 Hex Cap	2
3	<u>1011697</u>	Washer, 5/16 Flat	2
4	<u>1017841</u>	Spacer - Steel	2
5	<u>103371001</u>	Brkt, Mtg, Rack, Four Bag	2
6	<u>103371102</u>	Asm, Rack, Four Bag, W/tubes (includes items 7 through 24)	1
7	<u>1013509</u>	Screw, 1/4-20 X 1.75 Hx Hd Cap	1
8	<u>1014306</u>	Washer, 1/4" Type B Flat	1
9	<u>1017271</u>	Finishing Plug	10
10	<u>1017284</u>	Strap Buckle	2
11	<u>1017299</u>	Bag Strap Limo	1
12	<u>1017672</u>	Bag Rack Support	1
13	<u>102242401</u>	Nut - Nylon Insert W/cap	7
14	<u>102579601</u>	L2 Bag Hook	2
15	<u>102579801</u>	Putter Tube Weldment Rh	1
16	<u>102579802</u>	Putter Tube Weldment Lh	1
17	<u>103370801</u>	Weldment, Rack, Four Bag	1
18	<u>103380301</u>	Cover, Bagrack Slat, Vinyl	2
19	<u>1606</u>	Rivet, 3/16 X .500 Alum Pop	4
20	<u>1703</u>	Screw, 1/4-20 X 1.50 Hx Hd Cap	2
21	<u>183</u>	Washer, #10 Type A Flat	4
22	<u>324</u>	Screw, 1/4-20 X 2.50 Hx Hd Cap	2
23	<u>332</u>	Washer, 1/4 Type A Narrow Flat	11
24	<u>7973</u>	Rivet, 3/16 X .400 Blind	4
25	<u>1241</u>	Washer, 5/16 Type A Flat	6
26	<u>332</u>	Washer, 1/4 Type A Narrow Flat	4
27	<u>343</u>	Screw, 1/4-20 X 3.00 Hx Hd Cap	2
28	<u>7473</u>	Locknut, 5/16-18 Nylon Insert	4
29	<u>8233</u>	Locknut, 1/4-20 Nylon Insert	2
30	<u>8963</u>	Screw, 5/16-18 X 1.75 Hex-Head Cap	2

1
G
E



000666-001

REAR BUMPER

ITEM	PART NO.	DESCRIPTION	QTY
		1 2 3 4	
1	<u>1017079</u>	Kit, Rear Bumper (includes items 2 through 7)	1
2	<u>1011697</u>	Washer, 5/16 Flat	6
3	<u>1016379</u>	Bumper, Rear	1
4	<u>1016874</u>	Plate, Bumper Mounting, Short	2
5	<u>1016875</u>	Plate, Bumper Mounting, Long	1
6	<u>1016876</u>	Bolt, 3/8 Shoulder	4
7	<u>7473</u>	Locknut, 5/16-18 Nylon Insert	4
<p style="margin-left: 40px;">Note: Item 4 not used in all applications.</p>			

1

G

E

1

G

E

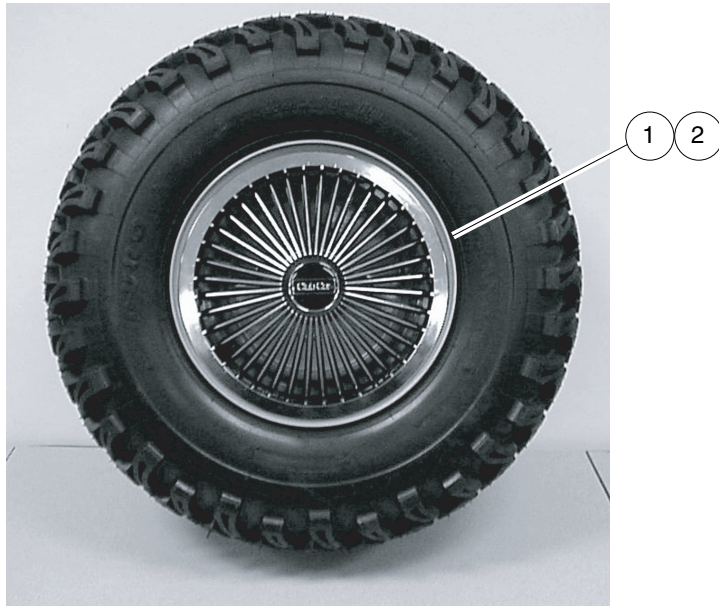
WHEELS AND TIRES

2

G

E

2
G
E



000780-001

WHEEL COVERS

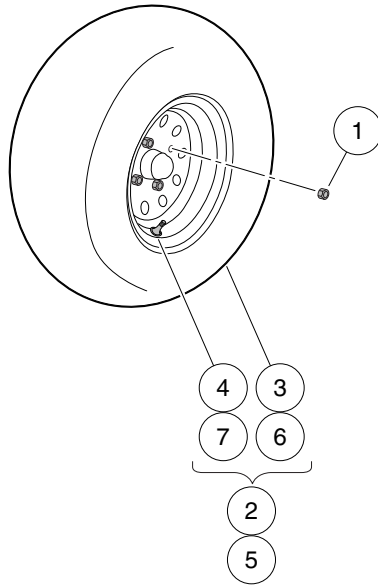
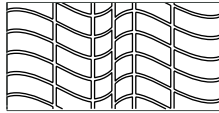
ITEM	PART NO.	DESCRIPTION	QTY
1	AM10839	1 2 3 4 Wheel Cover, 10" Chrome (pair of 2)	2
2	AM10840	Wheel Cover, 10" Gold (pair of 2)	2

2
G
E

2

G

E



000737-001

WHEELS AND TIRES

ITEM	PART NO.	DESCRIPTION	QTY
		1 2 3 4	
1	<u>1010984</u>	.500-20 Unf Lug Nut	16
2	<u>102979201</u>	Asm, Wheel/tire, 10" Rim, Wh (includes items 3 and 4)	4
3	<u>102556701</u>	Tire, Pro Tour, 205-50 X 10	1
4	<u>7310</u>	Valve Stem	1
5	<u>102979202</u>	Asm, Wheel/tire, 10" Rim, Be (includes items 6 and 7)	4
6	<u>102556701</u>	Tire, Pro Tour, 205-50 X 10	1
7	<u>7310</u>	Valve Stem	1

2
G
E

2

G

E

DECALS

3

G

E

⚠ WARNING

ROLLOVER OR FALLING OFF MAY CAUSE DEATH.

- Before using vehicle, read operating instructions.
- Remain seated and hold on to seat handle while moving.
- Do not start vehicle until all occupants are seated.
- Front Seat: Two (2) persons maximum.
- Rear Seat: Three (3) persons maximum.
- Operate from driver side only and not on public roads.
- Keep entire body inside vehicle while moving.
- Drive slowly in turns and straight up and down slopes.
- Do not leave children unattended on vehicle.
- Never operate under the influence of alcohol or drugs.
- Use brakes to reduce speed when coasting downhill.
- Never stand in front of or behind vehicle.

CCI 103327401

OPERATING INSTRUCTIONS

- Read owner's manual and dash-mounted safety warnings prior to driving.
- Study and understand controls.

TO OPERATE

- Turn wheels to desired direction and ensure path is clear.
- Turn key to ON position.
- While stopped, place Forward/Reverse switch in desired position:
F – Forward N – Neutral R – Reverse (Buzzer will sound)
- Park brake will release and vehicle will start moving when accelerator pedal is pressed.
- Slowly press accelerator pedal to increase speed.
- To stop, release accelerator pedal and press brake pedal.

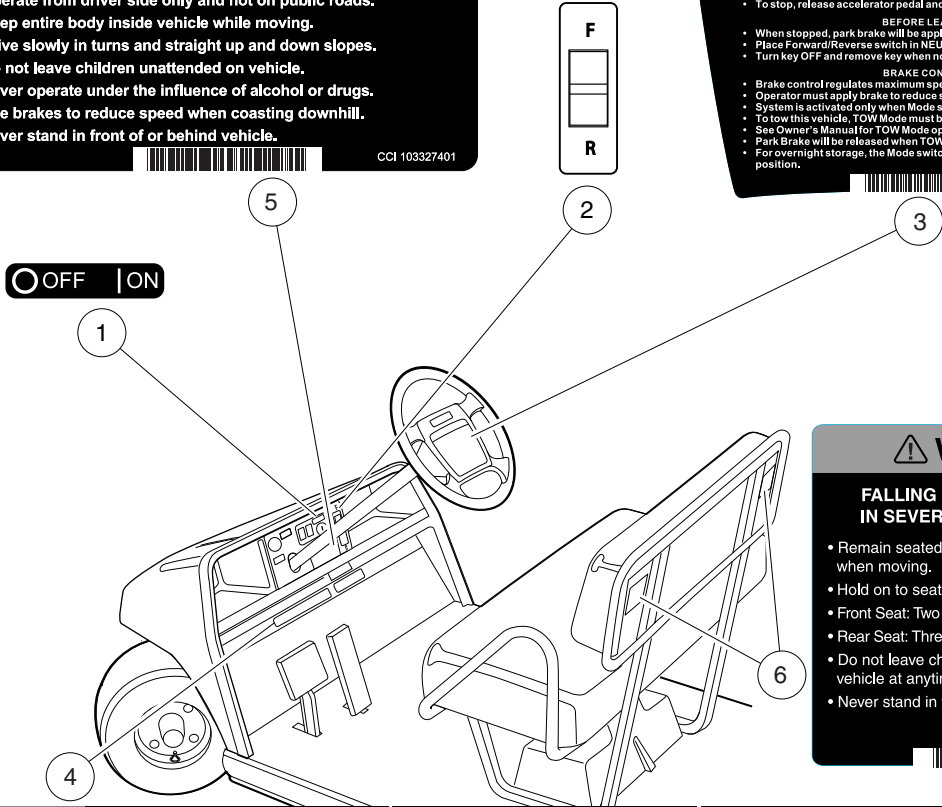
BEFORE LEAVING

- When stopped, park brake will be applied automatically.
- Place Forward/Reverse switch in NEUTRAL (N) position.
- Turn key OFF and remove key when not in use.

BRAKE CONTROL

- Brake control regulates maximum speed.
- Operator must apply brake to reduce speed as required.
- System is activated only when Mode switch is in the RUN position.
- To tow this vehicle, TOW Mode must be activated.
- See Owner's Manual for TOW Mode operation instructions.
- Park Brake will be released when TOW Mode is activated.
- For overnight storage, the Mode switch must be in the STORAGE position.

CCI 103325201



⚠ WARNING

FALLING OFF COULD RESULT IN SEVERE INJURY OR DEATH

- Remain seated with entire body inside vehicle when moving.
- Hold on to seat handle or handrail at all times.
- Front Seat: Two (2) persons maximum.
- Rear Seat: Three (3) persons maximum.
- Do not leave children unattended on vehicle at anytime.
- Never stand in front of or behind vehicle.

CCI 103327501

NOTICE
Vehicle Alert Indications

- Beeping Alarm - Indicates vehicle movement while parked.
- Continuous Alarm - Indicates Reverse direction is selected.

- Lamp Flashing - Brake system malfunction. Return for maintenance.
- Lamp Flashing With Continuous Alarm - Brake system malfunction. Maintenance required. Do not operate or tow.

- Lamp On With Beeping Alarm - Tow mode engaged and park brake released. Return to Run or Storage mode.

CCI 103325301

000813-001

SAFETY DECALS – ELECTRIC VEHICLES

ITEM	PART NO.	DESCRIPTION	QTY
		1 2 3 4	
1	<u>101825101</u>	Decal, Off/On	1
2	<u>103210301</u>	Decal, Forward/Reverse, Electric	1
3	<u>103325201</u>	Decal, Operating Instr, Ab	1
4	<u>103325301</u>	Decal, Alert Indications, Ab	1
5	N/A	Decal, Warning, Dash	1
6	<u>103327501</u>	Decal, Warning, Pass	1

3
G
E

⚠ WARNING



VEHICLE ROLL AWAY COULD RESULT IN SEVERE PERSONAL INJURY



- Hold service brake or chock wheels when TOW is enabled
- Park brake will release when Tow Mode is enabled

BATTERY EXPLOSION COULD CAUSE INJURY

- Place switch in STORAGE position when connecting or disconnecting batteries

MODE SWITCH


NORMAL  TRIPPED 


TOW  RUN 


STORAGE


CC1 103248801


⚠ DANGER / POISON


 EXPLOSIVE GASES CAN CAUSE BLINDNESS OR INJURY

 SHIELD EYES

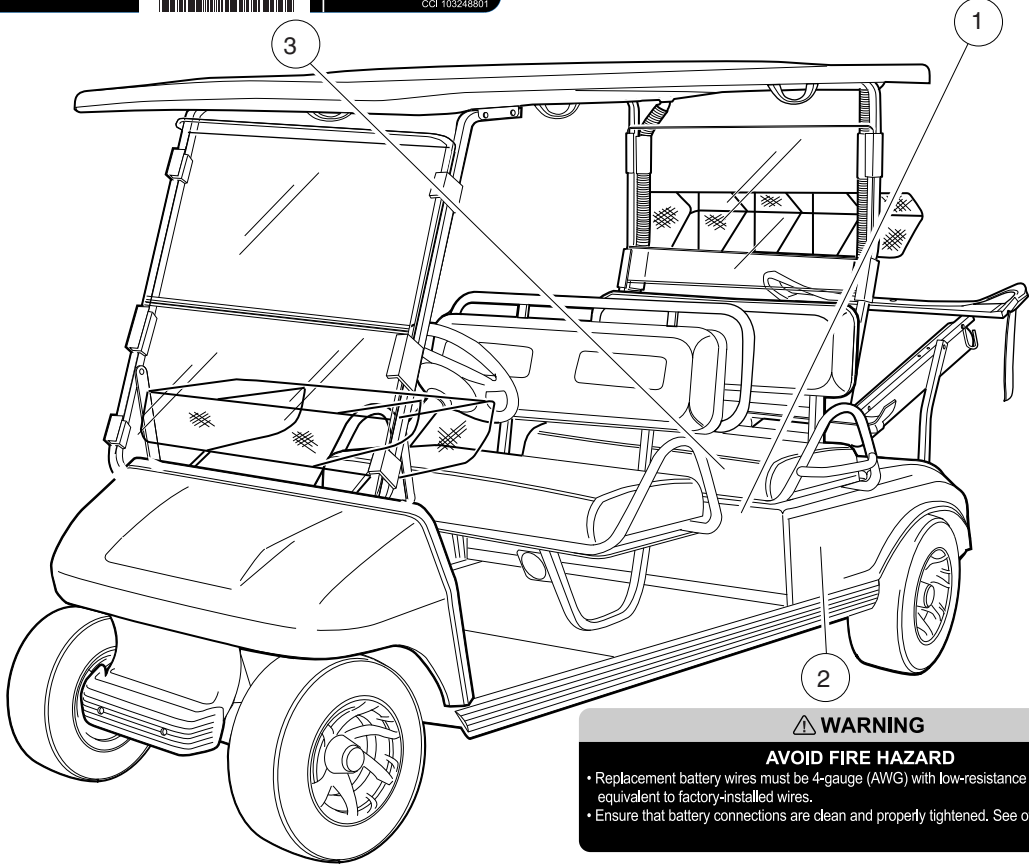
 NO SPARKS, FLAMES, SMOKING

 SULFURIC ACID CAN CAUSE BLINDNESS OR SEVERE BURNS

 FLUSH EYES IMMEDIATELY WITH WATER

 GET MEDICAL HELP FAST

KEEP OUT OF THE REACH OF CHILDREN – DO NOT TIP – KEEP VENT CAPS TIGHT AND LEVEL



⚠ WARNING

AVOID FIRE HAZARD

- Replacement battery wires must be 4-gauge (AWG) with low-resistance terminals equivalent to factory-installed wires.
- Ensure that battery connections are clean and properly tightened. See owner's manual.

CC1 102967601

000814-001

SAFETY DECALS – ELECTRIC VEHICLES, CONTINUED

ITEM	PART NO.	DESCRIPTION	QTY
		1 2 3 4	
1	<u>1013677</u>	Decal, Battery Danger	1
2	<u>102967601</u>	Decal, Warning, 4 Gauge Wire	1
3	<u>103248801</u>	Decal, Stow Switch, Elec	1

3
G
E

⚠ WARNING

ROLLOVER OR FALLING OFF MAY CAUSE DEATH.

- Before using vehicle, read operating instructions.
- Remain seated and hold on to seat handle while moving.
- Do not start vehicle until all occupants are seated.
- Front Seat: Two (2) persons maximum.
- Rear Seat: Three (3) persons maximum.
- Operate from driver side only and not on public roads.
- Keep entire body inside vehicle while moving.
- Drive slowly in turns and straight up and down slopes.
- Do not leave children unattended on vehicle.
- Never operate under the influence of alcohol or drugs.
- Use brakes to reduce speed when coasting downhill.
- Never stand in front of or behind vehicle.

CCI 103327401

OPERATING INSTRUCTIONS

- Read owner's manual and dash-mounted safety warnings prior to driving.
- Study and understand controls.

TO OPERATE

- Turn wheels to desired direction and ensure path is clear.
- Turn key to ON position.
- While stopped, place Forward/Reverse switch in desired position:
F – Forward N – Neutral R – Reverse (Buzzer will sound)
- Park brake will release and vehicle will start moving when accelerator pedal is pressed.
- Slowly press accelerator pedal to increase speed.
- To stop, release accelerator pedal and press brake pedal.

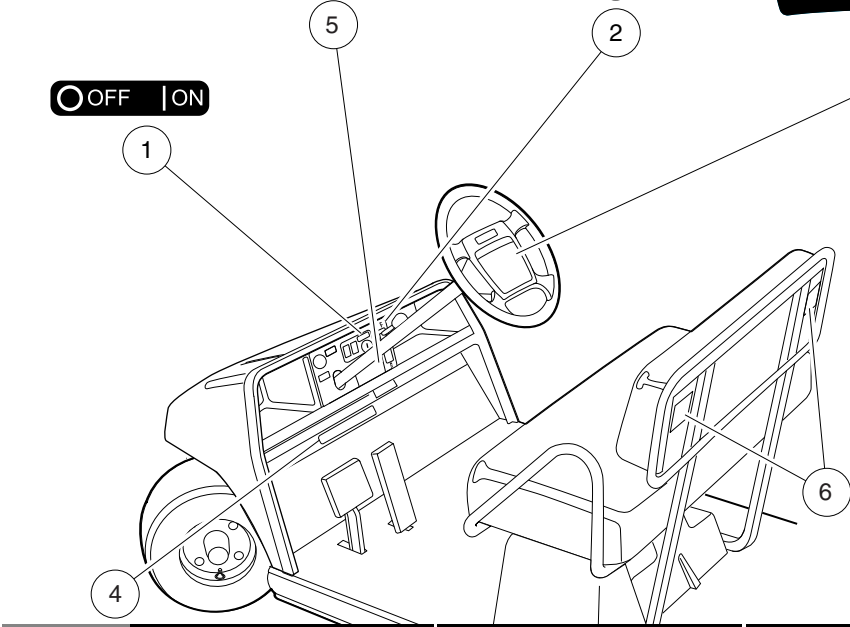
BEFORE LEAVING

- When stopped, park brake will be applied automatically.
- Place Forward/Reverse switch in NEUTRAL (N) position.
- Turn key OFF and remove key when not in use.

BRAKE CONTROL

- Brake control regulates maximum speed.
- Operator must apply brake to reduce speed as required.
- System is activated only when Mode switch is in the RUN position.
- To tow this vehicle, TOW Mode must be activated.
- See Owner's Manual for TOW Mode operation instructions.
- Park Brake will be released when TOW Mode is activated.
- For overnight storage, the Mode switch must be in the STORAGE position.

CCI 103325201



⚠ WARNING

FALLING OFF COULD RESULT IN SEVERE INJURY OR DEATH

- Remain seated with entire body inside vehicle when moving.
- Hold on to seat handle or handrail at all times.
- Front Seat: Two (2) persons maximum.
- Rear Seat: Three (3) persons maximum.
- Do not leave children unattended on vehicle at anytime.
- Never stand in front of or behind vehicle.

CCI 103327501

NOTICE
Vehicle Alert Indications

- Beeping Alarm - Indicates vehicle movement while parked.
- Continuous Alarm - Indicates Reverse direction is selected.

- Lamp Flashing - Brake system malfunction. Return for maintenance.
- Lamp Flashing With Continuous Alarm - Brake system malfunction. Maintenance required. Do not operate or tow.

- Lamp On With Beeping Alarm - Tow mode engaged and park brake released. Return to Run or Storage mode.

CCI 103326301

000815-001

SAFETY DECALS – GASOLINE VEHICLES

ITEM	PART NO.	DESCRIPTION	QTY
		1 2 3 4	
1	<u>101825101</u>	Decal, Off/On	1
2	<u>103210201</u>	Decal, Forward/Reverse, Gas	1
3	<u>103325201</u>	Decal, Operating Instr, Ab	1
4	<u>103325301</u>	Decal, Alert Indications, Ab	1
5	N/A	Decal, Warning, Dash	1
6	<u>103327501</u>	Decal, Warning, Pass	4

3
G
E

WARNING
VEHICLE ROLL AWAY COULD RESULT IN SEVERE PERSONAL INJURY
 • Hold service brake or chock wheels when TOW is enabled
 • Park brake will release when Tow Mode is enabled

BATTERY EXPLOSION COULD CAUSE INJURY
 • Place switch in STORAGE position when connecting or disconnecting batteries

MODE SWITCH
 TOW ● RUN
 STORAGE

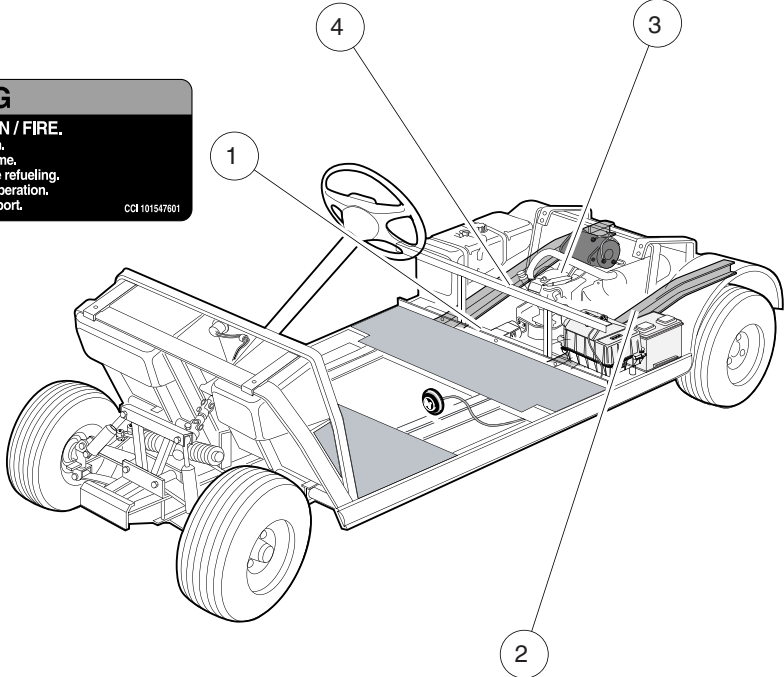
CCI 103249001

WARNING
CAN CAUSE SEVERE INJURY
 Rotating parts
 HOT manifold & muffler
 KEEP CLEAR

CCI 101960501

WARNING
GASOLINE EXPLOSION / FIRE.
 • Can cause severe injury or death.
 • No smoking, sparks, or open flame.
 • Stop engine, allow to cool before refueling.
 • Turn fuel valve (—) on during operation, (—) off during storage or transport.

CCI 101547601



	<p>WARNING Negative frame ground. Can cause severe injury. Do not contact positive (+) battery post or cable to frame. Disconnect negative battery lead first.</p>		<p>WARNING Excessive speed. Can cause severe injury or death. Do not tamper with engine governor adjustment.</p> <p>CCI 1019152-01</p>
--	--	--	--

000816-001

SAFETY DECALS – GASOLINE VEHICLES, CONTINUED

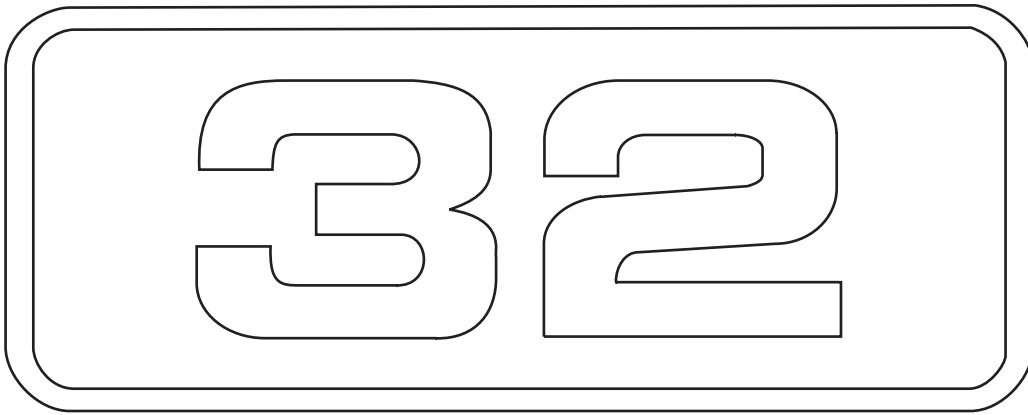
ITEM	PART NO.	DESCRIPTION	QTY
		1 2 3 4	
1	<u>101547601</u>	Decal, Gasoline Explosion/Fire Warning	1
2	<u>101915201</u>	Decal, Frame Ground and Governor Warning	1
3	<u>101960501</u>	Decal, Rotating Parts/Hot Manifold	1
4	<u>103249001</u>	Decal, Stow Switch, Gas	1

3
G
E

3

G

E



000779-001

FLEET NUMBERING DECALS

ITEM	PART NO.	DESCRIPTION	QTY
1	<u>101217301</u>	<div style="display: flex; justify-content: space-between; margin-bottom: 5px;"> 1 2 3 4 </div> Number Decal 1 Ea B/g Loose	1

3

G

E

3

G

E

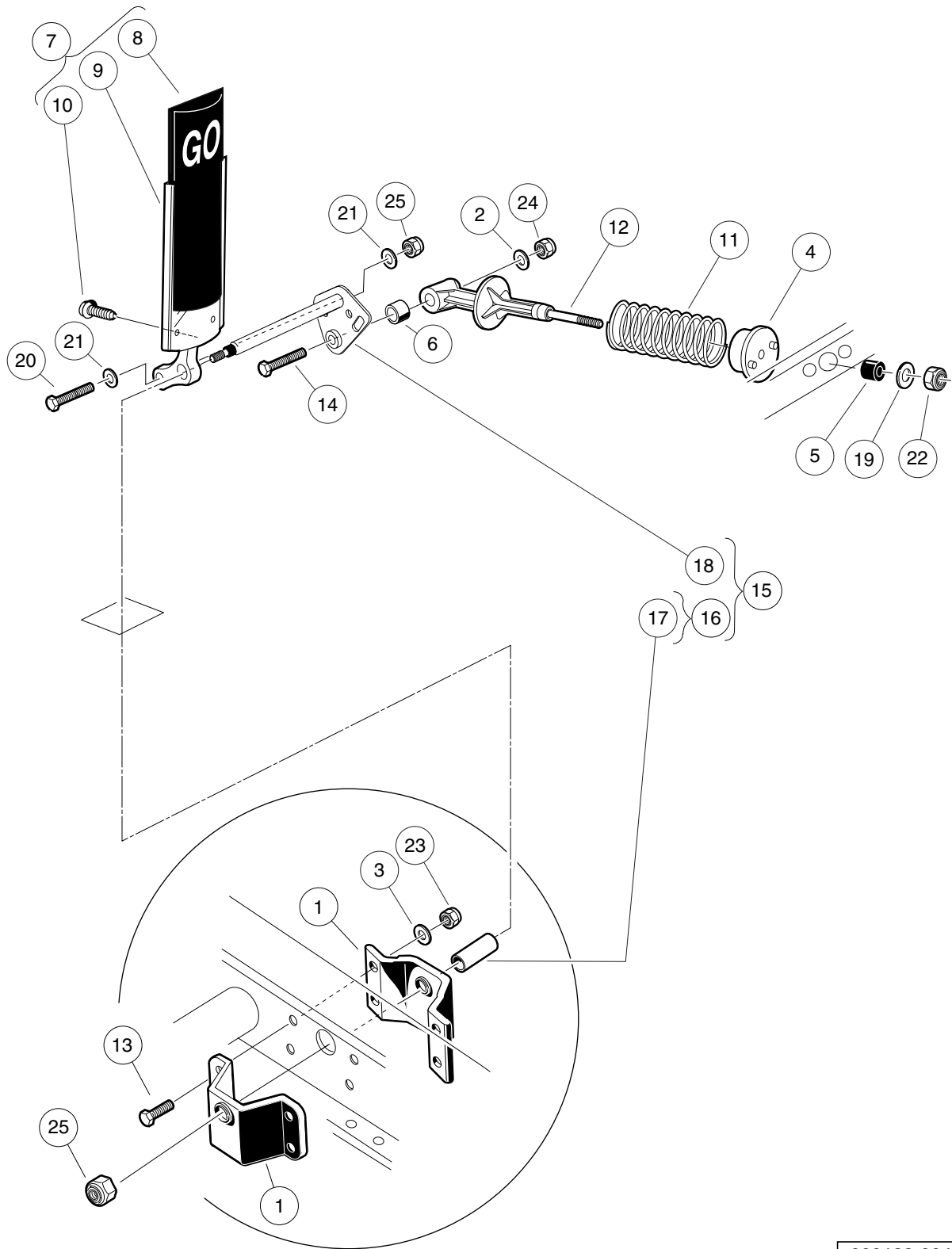
BRAKE, PEDAL, AND CABLE ASSEMBLIES

4

G

E

4
G
E



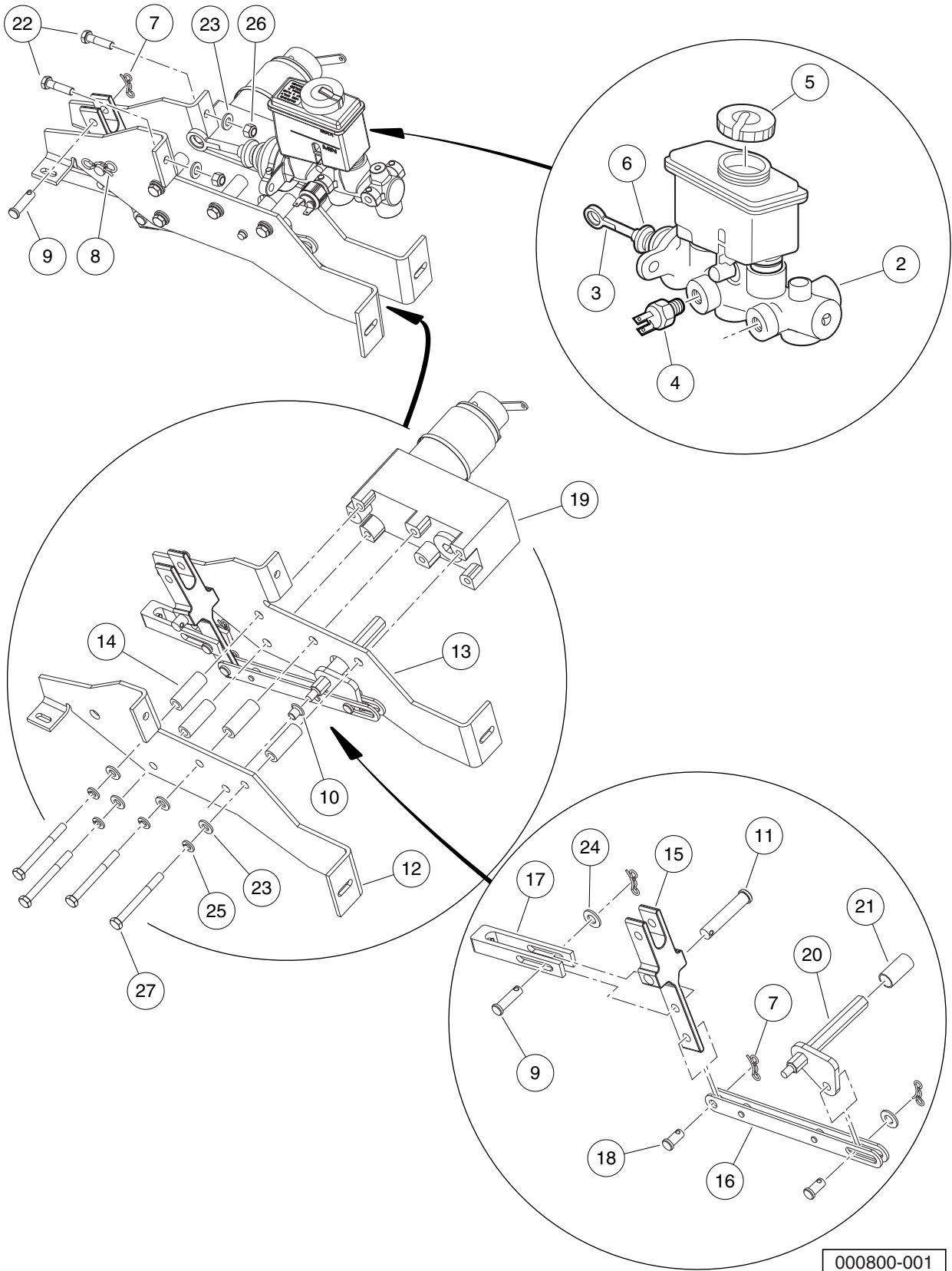
000188-004

ACCELERATOR PEDAL ASSEMBLY – ELECTRIC VEHICLES WITH MCOR

ITEM	PART NO.	DESCRIPTION	QTY
		1 2 3 4	
1	<u>1011694</u>	Accelerator Bracket and Bearing Assembly	2
2	<u>1011931</u>	Washer, 1/4 Flat	1
3	<u>1014007</u>	Washer, 1/4 Flat	4
4	<u>1017378</u>	Cup, Spring	1
5	<u>1017380</u>	Bumper, Spring Return	1
6	<u>1017424</u>	Bearing, Pivot Support	1
7	<u>1017696</u>	Sub Asm, Accelerator Pedal (includes items 8 through 10)	1
8	1013871	Pad, Accelerator Pedal	1
9	N/A	Accelerator Pedal Weldment	1
10	7716	Screw, #10-16 Type AB, Sheet Metal	4
11	101796201	Spring, Accelerator Return	1
12	<u>101817401</u>	Retainer, Spring	1
13	<u>101861901</u>	Screw, 1/4-20 X 1.125 Hex Cap	4
14	<u>101862001</u>	Screw, 1/4-20 X 1.500 Flange	1
15	<u>102026001</u>	Kit, Accelerator Pivot Rod Assembly (includes items 16 through 18)	1
16	<u>1011700</u>	Spacer Assembly (includes item 17)	1
17	101919801	Spacer, Accelerator	1
18	N/A	Pivot Rod Weldment	1
19	<u>1241</u>	Washer, 5/16 Type A Flat	1
20	<u>1624</u>	Screw, 3/8-16 X 1.50 Hex-Head Cap	1
21	<u>334</u>	Washer, 3/8 Type A Flat	2
22	<u>7473</u>	Locknut, 5/16-18 Nylon Insert	1
23	<u>8233</u>	Locknut, 1/4-20 Nylon Insert	4
24	<u>8717</u>	Locknut, 1/4-28 Nylon Insert	1
25	<u>8754</u>	Locknut, 3/8-16 Hex	2

4
G
E

4
G
E



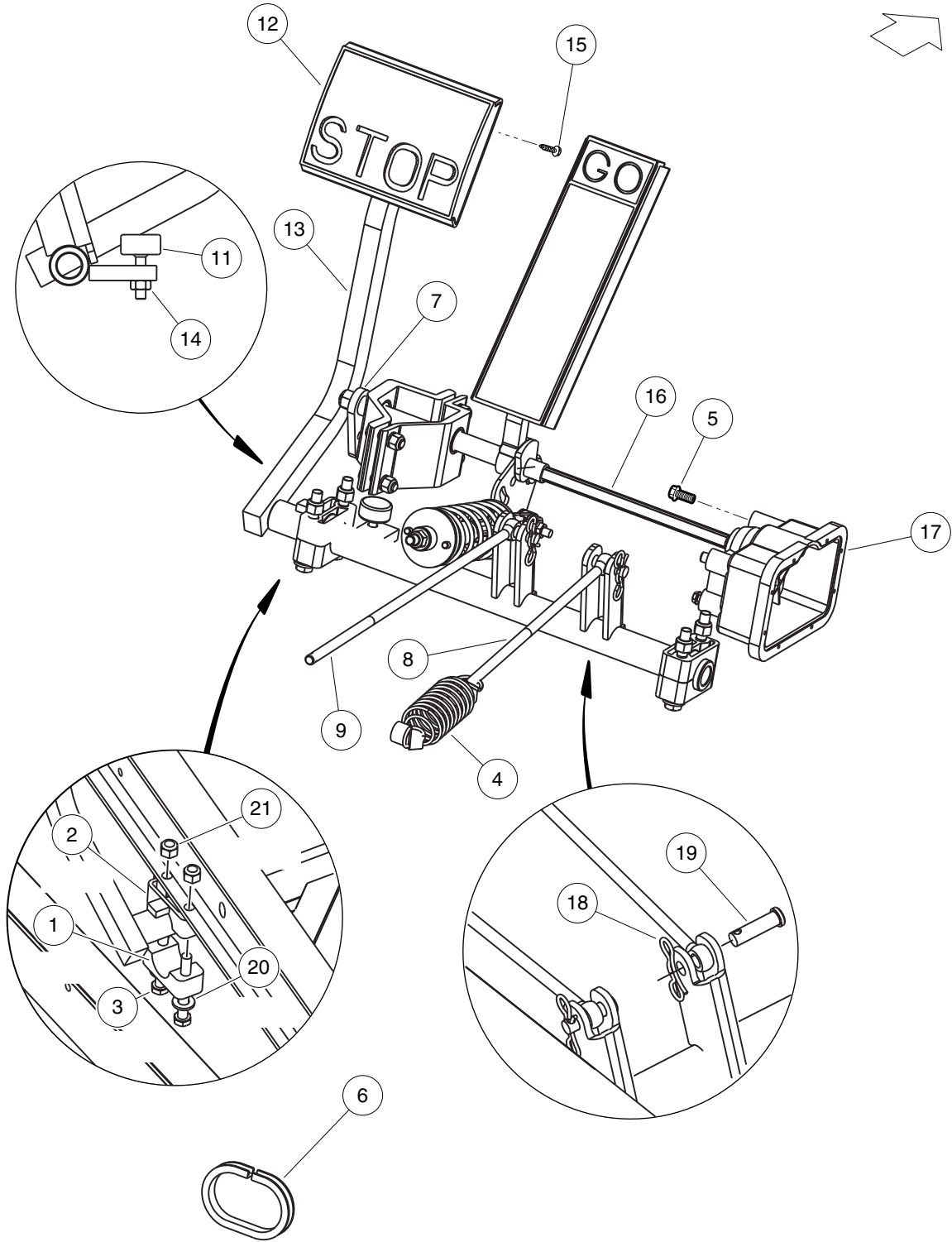
000800-001

AUTO BRAKE MOTOR, MASTER CYLINDER, AND BELL CRANK

ITEM	PART NO.	DESCRIPTION	QTY
		1 2 3 4	
1	<u>103195501</u>	Asm, Auto Svc Brake (includes items 2 through 27)	1
2	<u>102033201</u>	Master Cylinder (includes items 3 through 6)	1
3	<u>102051201</u>	Push Rod	1
4	<u>102051301</u>	Pressure Switch	1
5	<u>102051401</u>	Filler Cap Asm	1
6	<u>8574</u>	Master Cylinder Boot	1
7	<u>102292801</u>	Pin, Bow Tie Locking - .072	4
8	<u>102323101</u>	Pin, Bow Tie Locking	1
9	<u>102323201</u>	Pin, 3/8 X 1-5/16 Clevis	2
10	<u>102442901</u>	Bushing, Greaseless	1
11	<u>102519001</u>	Pin, 1/2 X 2-1/2 Clevis	1
12	<u>102976201</u>	Support, Autobrake, L	1
13	<u>102976301</u>	Support, Autobrake, R	1
14	<u>102976401</u>	Support, Autobrake, Spacer	4
15	<u>102976501</u>	Bellcrank, Autobrake, Square	1
16	<u>102976601</u>	Rod, Push, Motor, Autobrake	1
17	<u>102976701</u>	Clevis, Bellcrank, Autobrake	1
18	<u>103020601</u>	3/8 X .75 Clevis Pin	2
19	<u>103198701</u>	Motor, 12vdc, Gearhead W/brk	1
20	<u>103264901</u>	Bellcrank, Rod, Weld Asm	1
21	<u>103318501</u>	Spacer, Tube, 11/16" Od	1
22	<u>1218</u>	Screw, 5/16-18 X 1.25 Hex-Head Cap	2
23	<u>1241</u>	Washer, 5/16 Type A Flat	6
24	<u>334</u>	Washer, 3/8 Type A Flat	2
25	<u>7174</u>	Lockwasher, 5/16 Split	4
26	<u>7473</u>	Locknut, 5/16-18 Nylon Insert	2
27	<u>8915</u>	Screw, 5/16-18 X 3.0 Hx Hd Cap	4

4
G
E

4
G
E

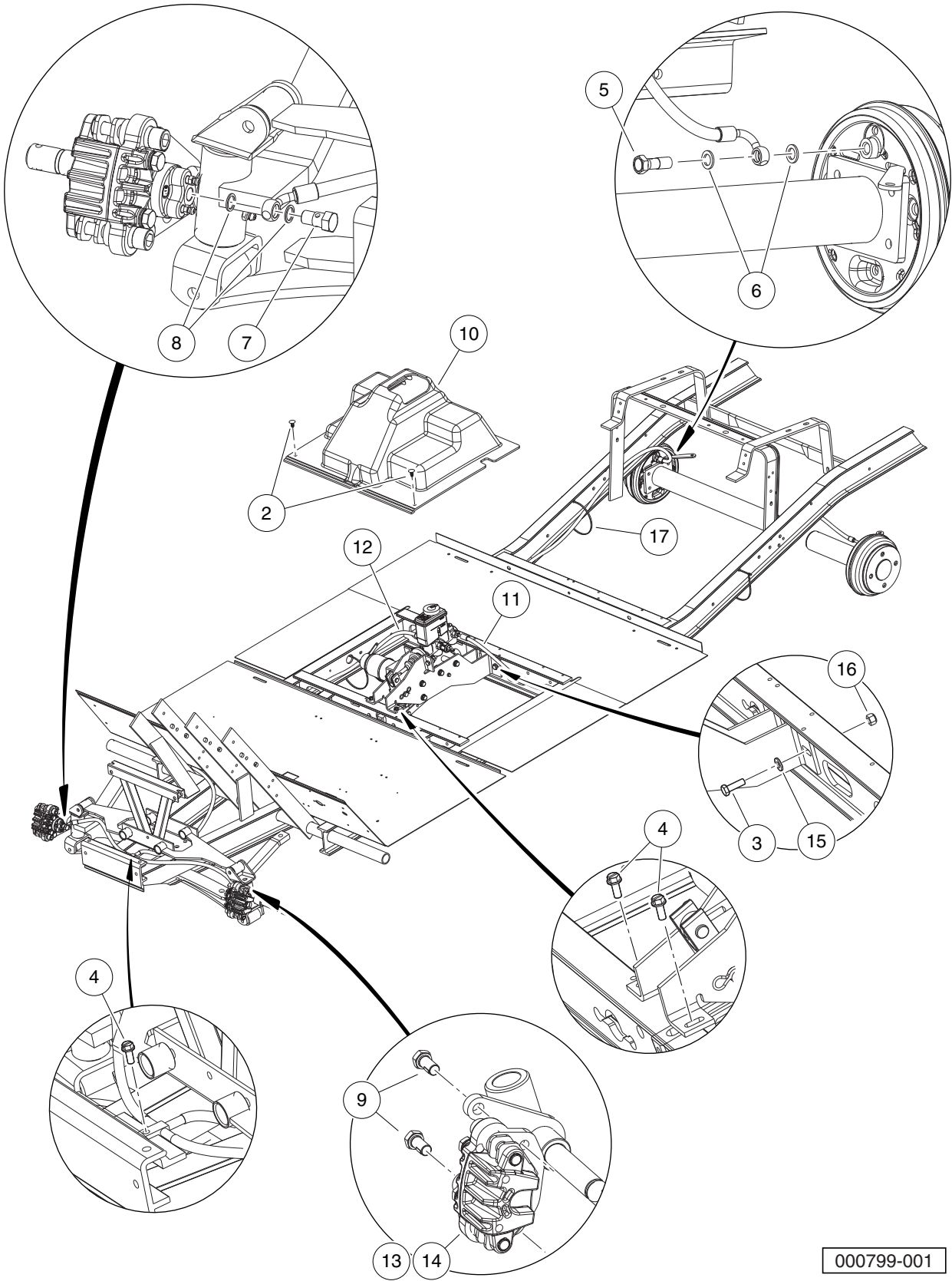


000798-001

BRAKE PEDAL ASSEMBLY

ITEM	PART NO.	DESCRIPTION	QTY	
		1 2 3 4		4
1	1010811	Mount-brake (b)	2	G
2	1010812	Mount, A-side Brake	2	E
3	<u>1010921</u>	Screw, 5/16-18 X 2.50 Hex Cap	4	
4	<u>1013531</u>	Spring, Brake Return	1	
5	<u>1015752</u>	Screw, #12-16 X 0.625 Hi-Lo	2	
6	<u>101806005</u>	I-beam Grommet - 6.75	3	
7	<u>101916901</u>	Ratchet, Support	1	
8	<u>101953101</u>	Rod, Equalizer, 8.91"	1	
9	<u>101953105</u>	Rod, Equalizer, 13.30"	1	
10	<u>102028903</u>	Brake Pedal Asm (includes items 11 through 15)	1	
11	<u>1010878</u>	Bumper, Rubber	1	
12	<u>102028601</u>	Pad, Hydraulic Brake Pedal	1	
13	N/A	Brake Pedal Weld Asm	1	
14	<u>1028</u>	Nut, 1/4-20 Hex	1	
15	7716	Screw, #10-16 Type AB, Sheet Metal	4	
16	102101001	Bar, Drive, Cast	1	
17	<u>102101101</u>	MCOR	1	
18	<u>102323101</u>	Pin, Bow Tie Locking	2	
19	<u>102323201</u>	Pin, 3/8 X 1-5/16 Clevis	2	
20	<u>1241</u>	Washer, 5/16 Type A Flat	4	
21	<u>7473</u>	Locknut, 5/16-18 Nylon Insert	4	

4
G
E

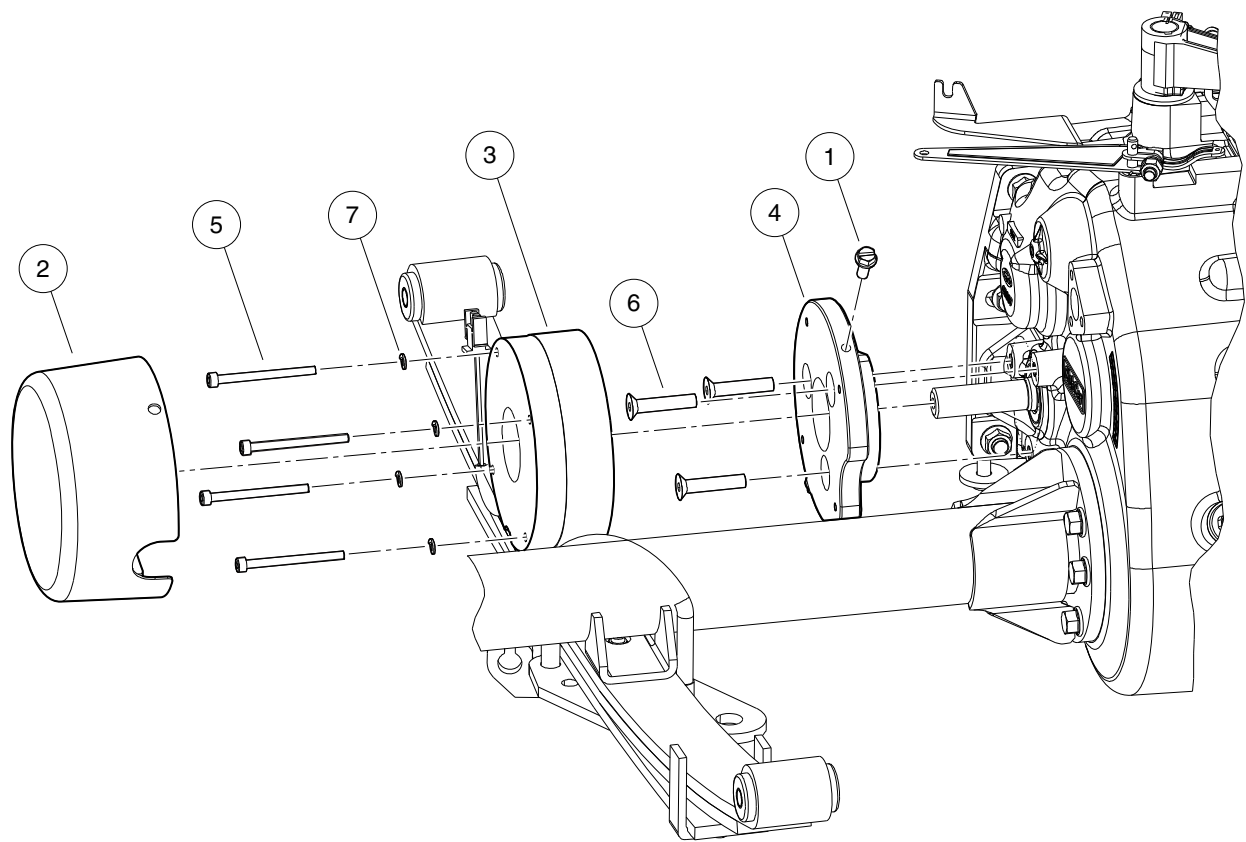


BRAKE CABLES

ITEM	PART NO.	DESCRIPTION	QTY
		1 2 3 4	
1	N/A	Installation, Service Brake (includes items 2 through 17)	1
2	<u>1010434</u>	Barrel - Plastic	2
3	<u>1010934</u>	Screw, 5/16-18 X 1.00 Hex Cap	2
4	<u>1012285</u>	Screw, 1/4 X 0.625 Hex-Head	3
5	<u>102044401</u>	Bolt, Banjo	2
6	<u>102045501</u>	Copper Washer	4
7	<u>102488001</u>	Bolt, Banjo, M10x1x19	2
8	<u>102491601</u>	Washer, Copper, M10 Crush	4
9	<u>102493301</u>	Bolt Flange Head, 3/8-24x.750 with Loctite	4
10	<u>103190401</u>	Cover- Under Seat	1
11	<u>103194701</u>	Assembly, Brakeline, Front	1
12	<u>103194801</u>	Brakeline, Rear Common	2
13	<u>103263101</u>	Caliper, Front, Autobrake	2
14	<u>103333701</u>	Service Kit, Brake Pad, Sc2c	1
15	<u>1241</u>	Washer, 5/16 Type A Flat	2
16	<u>7473</u>	Locknut, 5/16-18 Nylon Insert	2
17	<u>8990</u>	Tie Wrap, 8" Nylon	6

4
G
E

4
G
E



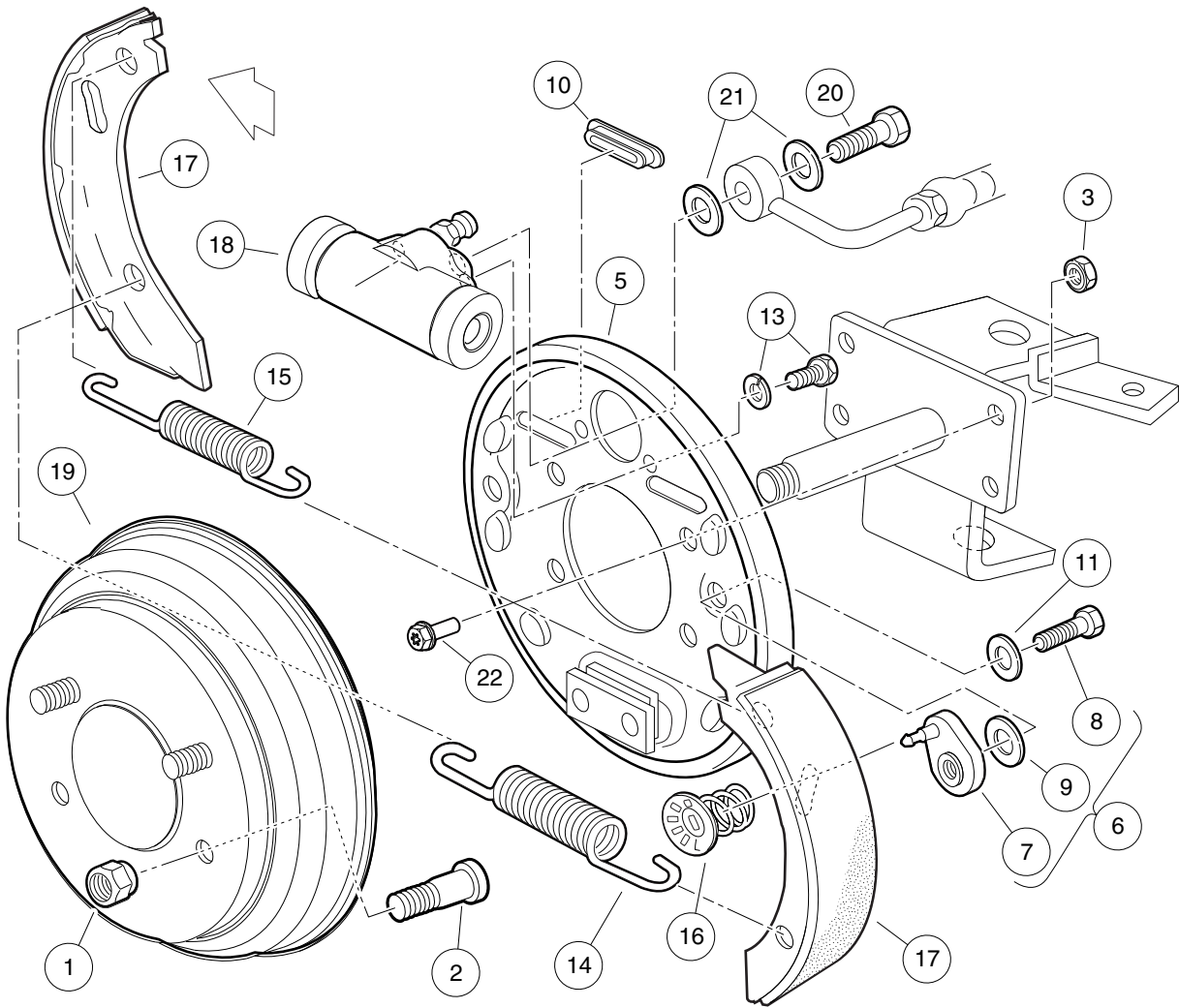
000806-001

PARK BRAKE

ITEM	PART NO.	DESCRIPTION	QTY
		1 2 3 4	
1	<u>1012285</u>	Screw, 1/4 X 0.625 Hex-Head	2
2	<u>103311101</u>	Cover, Brake, Emag	1
3	<u>103334001</u>	Brake, Park, Emag	1
4	<u>103334101</u>	Spacer, Emag Brake, Universal	1
5	<u>103354501</u>	Bolt, M5 X 0.8 X 60 Soc-hd	4
6	<u>103354601</u>	Bolt, M8 X 1.25 X 40 Flt Hx Hd	3
7	<u>103358801</u>	Washer, M5 Helical Spring	4

4
G
E

4
G
E



000807-001

REAR BRAKES

ITEM	PART NO.	DESCRIPTION	QTY
		1 2 3 4	
1	<u>1010984</u>	.500-20 Unf Lug Nut	8
2	<u>1013787</u>	Lug Stud	8
3	<u>1013924</u>	Nut, 5/16-24 Hex Head Cone	8
4	<u>102033301</u>	Cluster, Front Brake (includes items 5 through 18)	2
5	<u>102049401</u>	Backing Plate Asm	1
6	<u>102049601</u>	Kit, Axle Adjuster (includes items 7 through 11)	1
7	<u>102049501</u>	Adjuster	4
8	<u>102049901</u>	Bolt, 1/4-28 UNF X .31	4
9	<u>102050001</u>	Washer	4
10	<u>102050101</u>	Dust Cover	4
11	N/A	Washer, 1/4 Flat	4
12	<u>102049701</u>	Kit, Axle Hardware (includes items 13 through 16)	1
13	<u>102050401</u>	Bolt, Wheel Cylinder	2
14	<u>102050501</u>	Spring, Shoe To Shoe, Lower	1
15	<u>102050601</u>	Spring, Shoe To Shoe, Upper	1
16	<u>102050701</u>	Shoe Hold Down	2
17	<u>102050201</u>	Shoe Kit, Axle Set	1
18	<u>102050301</u>	Wheel Cylinder Assembly 0.625 Dia	1
19	<u>102044101</u>	Brake Drum	2
20	<u>102044401</u>	Bolt, Banjo	2
21	<u>102045501</u>	Copper Washer	4
22	<u>103229601</u>	Bolt, Brake Cluster Mnt, Hyd	8

4
G
E

4

G

E

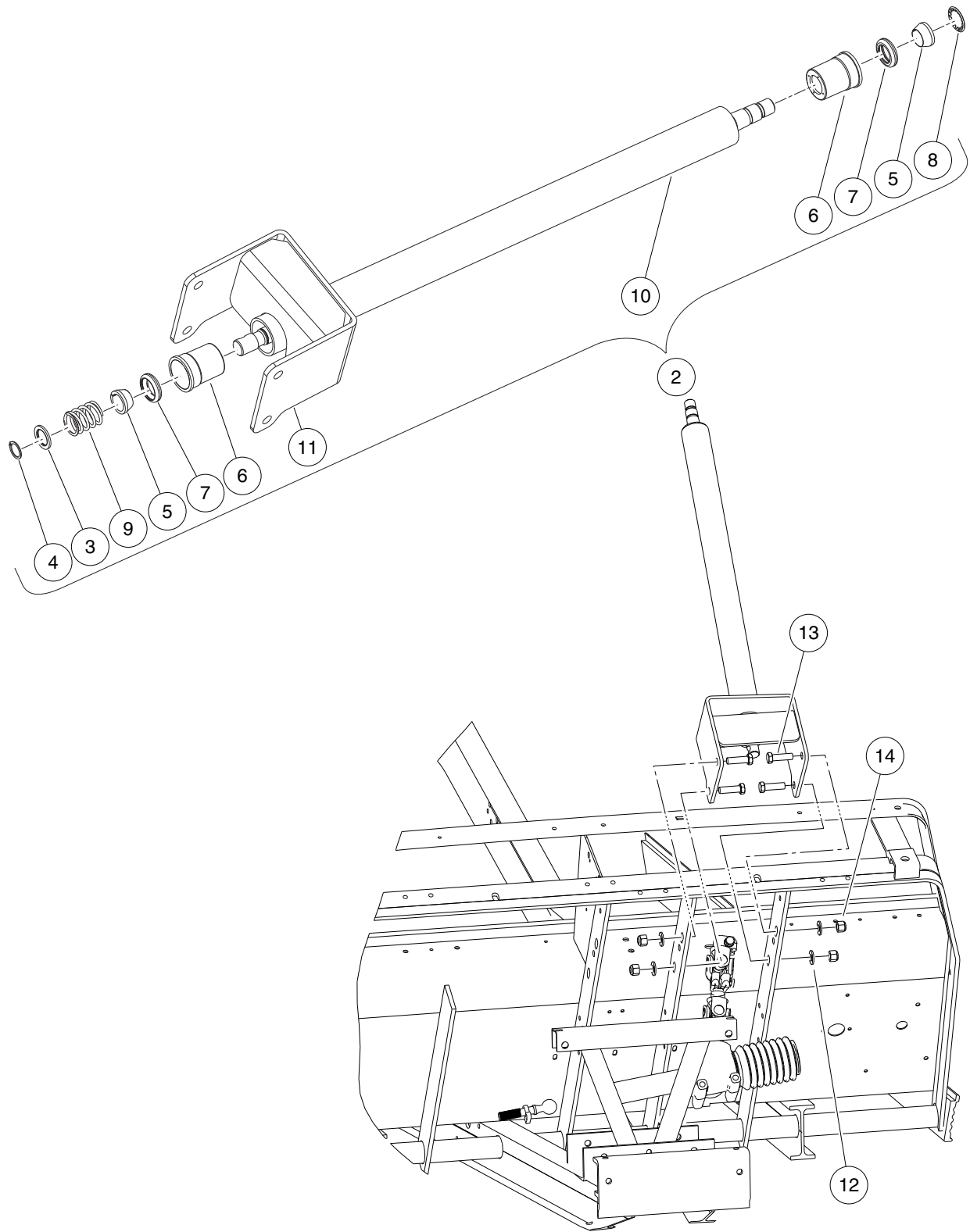
STEERING AND FRONT AND REAR SUSPENSION

5

G

E

5
G
E

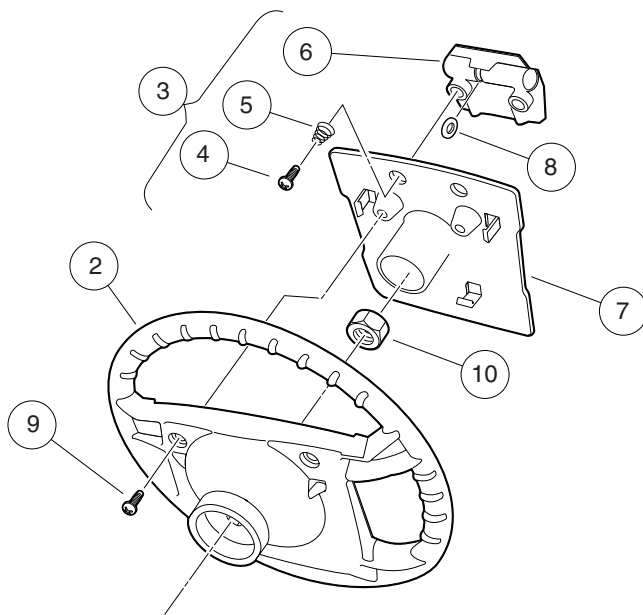


000753-001

STEERING COLUMN

ITEM	PART NO.	DESCRIPTION	QTY
		1 2 3 4	
1	N/A	Instl, Steering Column (includes items 2 through 14)	1
2	<u>103232101</u>	Assy, Steering Column, Short (includes items 3 through 11)	1
3	<u>1012604</u>	Washer, 0.675 ID X 1.19 OD	1
4	<u>1012605</u>	Ring, 0.579 Internal Retaining	1
5	1014125	Wedge, Molded	2
6	<u>1014126</u>	Seat, Plastic Bearing	2
7	<u>1014213</u>	Bearing, Ball	2
8	1014214	Ring, Retaining	1
9	<u>1014217</u>	Spring, Steering Shaft	1
10	N/A	Shaft, Steering, 667.8 Oal	1
11	N/A	Weldment, Column, Short	1
12	<u>334</u>	Washer, 3/8 Type A Flat	4
13	705	Screw, Cap-hex Hd 3/8-16x1.25	4
14	<u>8754</u>	Locknut, 3/8-16 Hex	4

5
G
E



000471-002

STEERING WHEEL

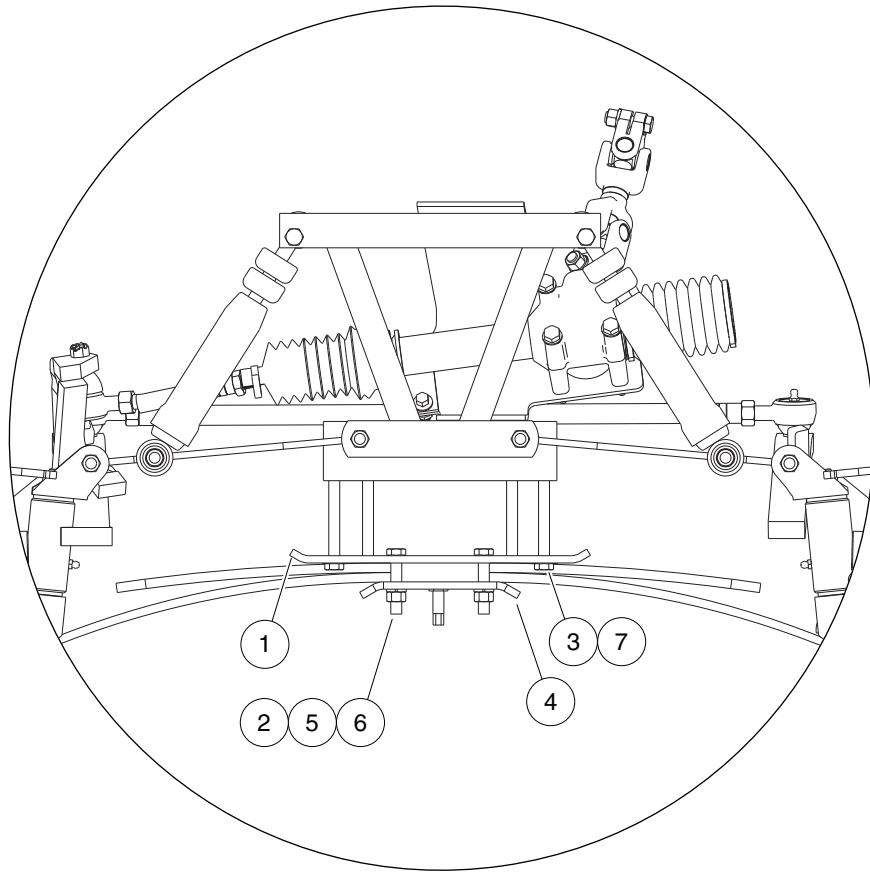
ITEM	PART NO.	DESCRIPTION	QTY
		1 2 3 4	
1	N/A	Scorecard Holder (includes items 2 through 10)	1
2	<u>1016156</u>	Wheel, Steering	1
3	1016219	Plate, Scorecard (includes items 4 through 8)	1
4	<u>1012565</u>	Screw, #12 Phillips Round Head	2
5	<u>1012566</u>	Tapered Compression Spring	2
6	1016154	Clip, Scorecard	1
7	N/A	Plate, Score Card	1
8	N/A	Pencil Grip	1
9	<u>1016663</u>	Screw, #12-14 X 0.625	2
10	<u>1017273</u>	Nut, 5/8-18 Nylon Insert Jam	1

5
G
E

5

G

E



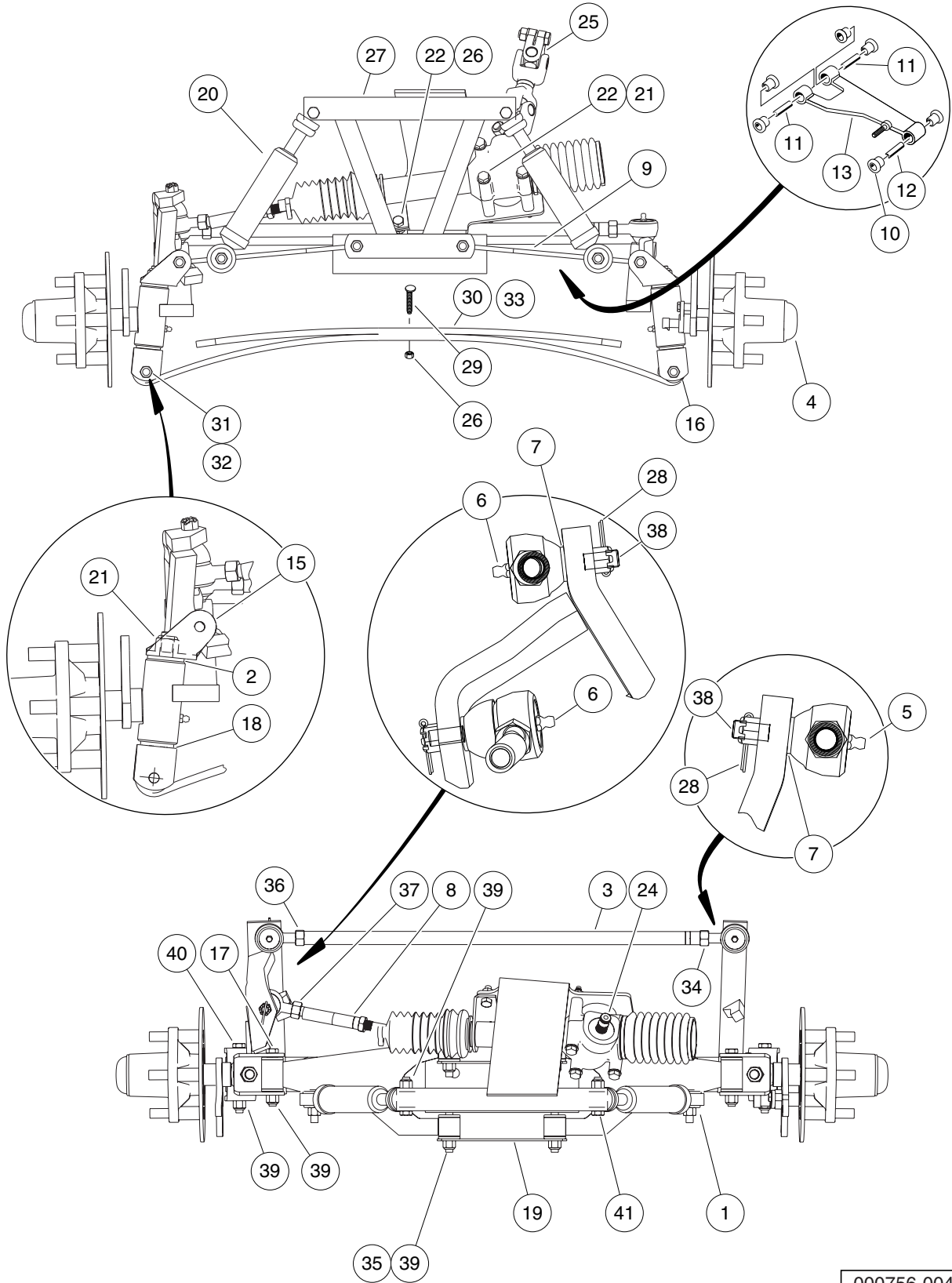
000754-001

FRONT SUSPENSION COMPONENTS

ITEM	PART NO.	DESCRIPTION	QTY
		1 2 3 4	
1	<u>1010124</u>	Plate, Spring Mount	1
2	<u>1010177</u>	Bolt, 3/8-16 X 2.00 Hex Head	4
3	<u>1010200</u>	Bolt, 3/8-16 X 4.25 Hex Head	4
4	<u>1014276</u>	Plate, Front Spring Retainer	1
5	<u>357</u>	Lockwasher, 3/8 Split	4
6	<u>706</u>	Nut, Hex 3/8-16	4
7	<u>8754</u>	Locknut, 3/8-16 Hex	4

5
G
E

5
G
E



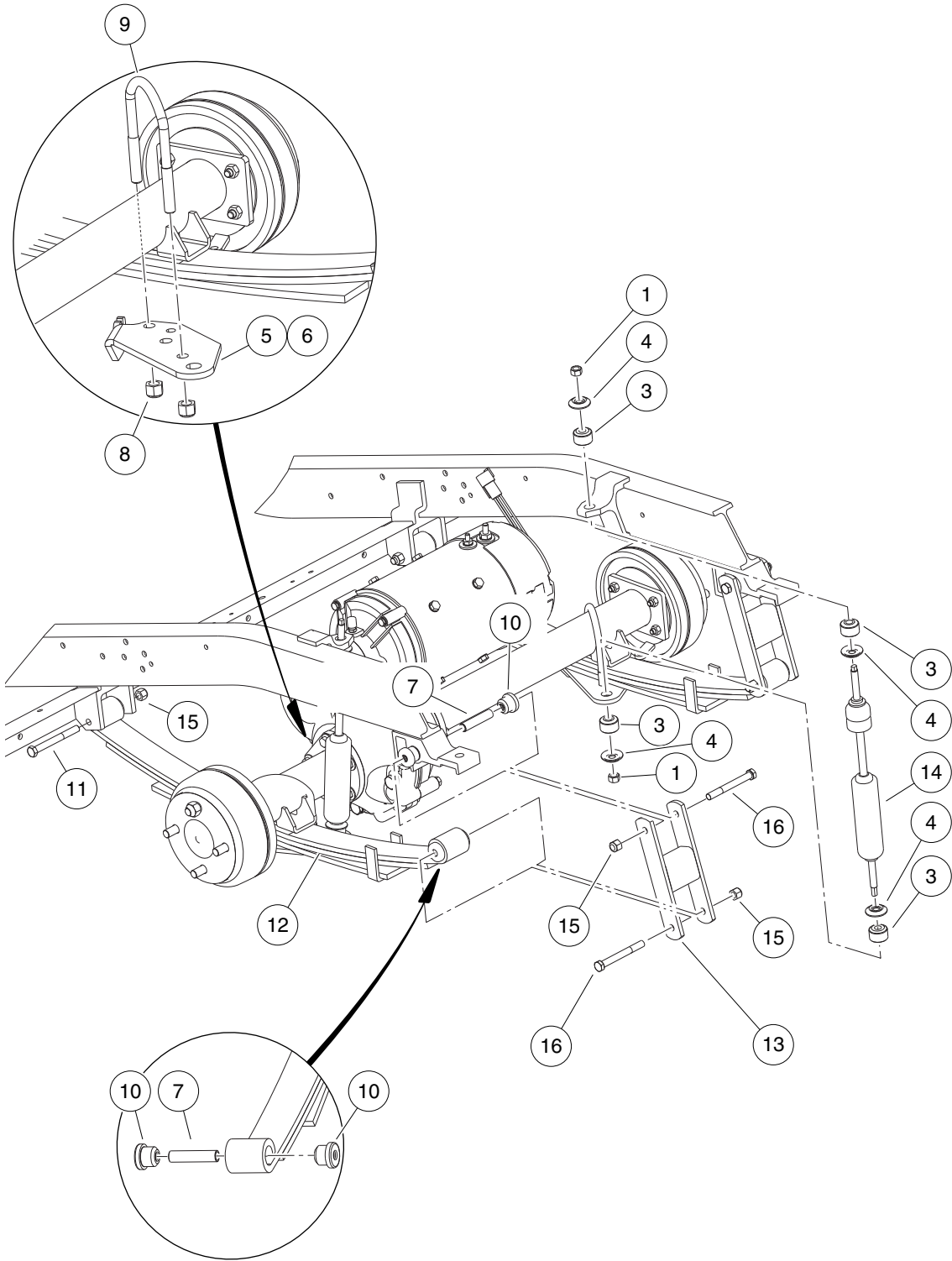
000756-004

FRONT SUSPENSION COMPONENTS, CONTINUED

ITEM	PART NO.	DESCRIPTION	QTY
		1 2 3 4	
1	<u>1010138</u>	Locknut, 3/8-16 Dimpled	2
2	<u>1010150</u>	Bearing, Thrust	2
3	<u>101021902</u>	Tie Rod 20.643" Lg	1
4	<u>1011887</u>	Dust Cover	2
5	<u>1011893</u>	Socket, RH Vertical	1
6	<u>1011895</u>	Socket, LH Vertical	2
7	<u>1011930</u>	Seal, Vertical Socket Dust	3
8	<u>1012467</u>	Link, Rack and Pinion Drag	1
9	<u>1016353</u>	Sub-Assembly, Delta A-Plate (includes items 10 through 13)	2
10	<u>1016346</u>	Bushing, Urethane	6
11	<u>1016349</u>	Sleeve, Delta Inner	2
12	<u>1016350</u>	Sleeve, Delta Outer	1
13	<u>1016351</u>	Delta A-Plate	1
14	N/A	Front Suspension Assembly	1
15	<u>1016384</u>	Clevis, Delta Upper	2
16	<u>1016386</u>	King Pin Assembly	2
17	<u>1016387</u>	Screw, 3/8-16 X 2.75 Hx Hd Cap	2
18	<u>1016389</u>	Washer, 1.125 Od Wave	2
19	<u>1017266</u>	A-Plate Strap	2
20	<u>101870602</u>	Shock Absorber, Frnt, 2 Bumper	2
21	<u>101903101</u>	Locknut, 1/2-20 Nylon Insert	2
22	<u>102298401</u>	Nut,m8,all Metal Lock	5
23	<u>102534201</u>	Bolt - Fl Hd, M8 X 95	3
24	<u>103233101</u>	Rack, Steering, Modular	1
25	<u>103234101</u>	Steering, I-shaft, Mod Rack	1
26	<u>103262201</u>	Bolt Flg Blk, M8 X 25, Loctite	2
27	<u>103264801</u>	Weldment, Shock & Rack Mount	1
28	<u>1035</u>	Cotter Pin, 3/32 x 1	3
29	<u>103507001</u>	Eccentric Bolt Common	1
30	<u>103628801</u>	Spring Asm, Front, 2 Leaf (includes items 31 through 33)	1
31	<u>1012303</u>	Bushing, Steel	2
32	<u>1015583</u>	Bushing, Urethane	4
33	<u>103502701</u>	Spring, Front, 2 Leaf	1
34	<u>1308</u>	Nut, 1/2-20 Hex	1
35	<u>2402</u>	Screw, 3/8-16 X 2.25 Hx Hd Cap	4
36	<u>706</u>	Nut, Hex 3/8-16	1
37	<u>7555</u>	Nut, 1/2-20 Hex, Left-Hand Thread	2
38	<u>7602</u>	Nut, 3/8-24 UNF Hex	3
39	<u>8754</u>	Locknut, 3/8-16 Hex	10
40	<u>8755</u>	Screw, 3/8-16 X 3.375 Hex Cap	2
41	<u>8861</u>	Bolt, 3/8-16 X 1.75 Hex	2

5
G
E

5
G
E



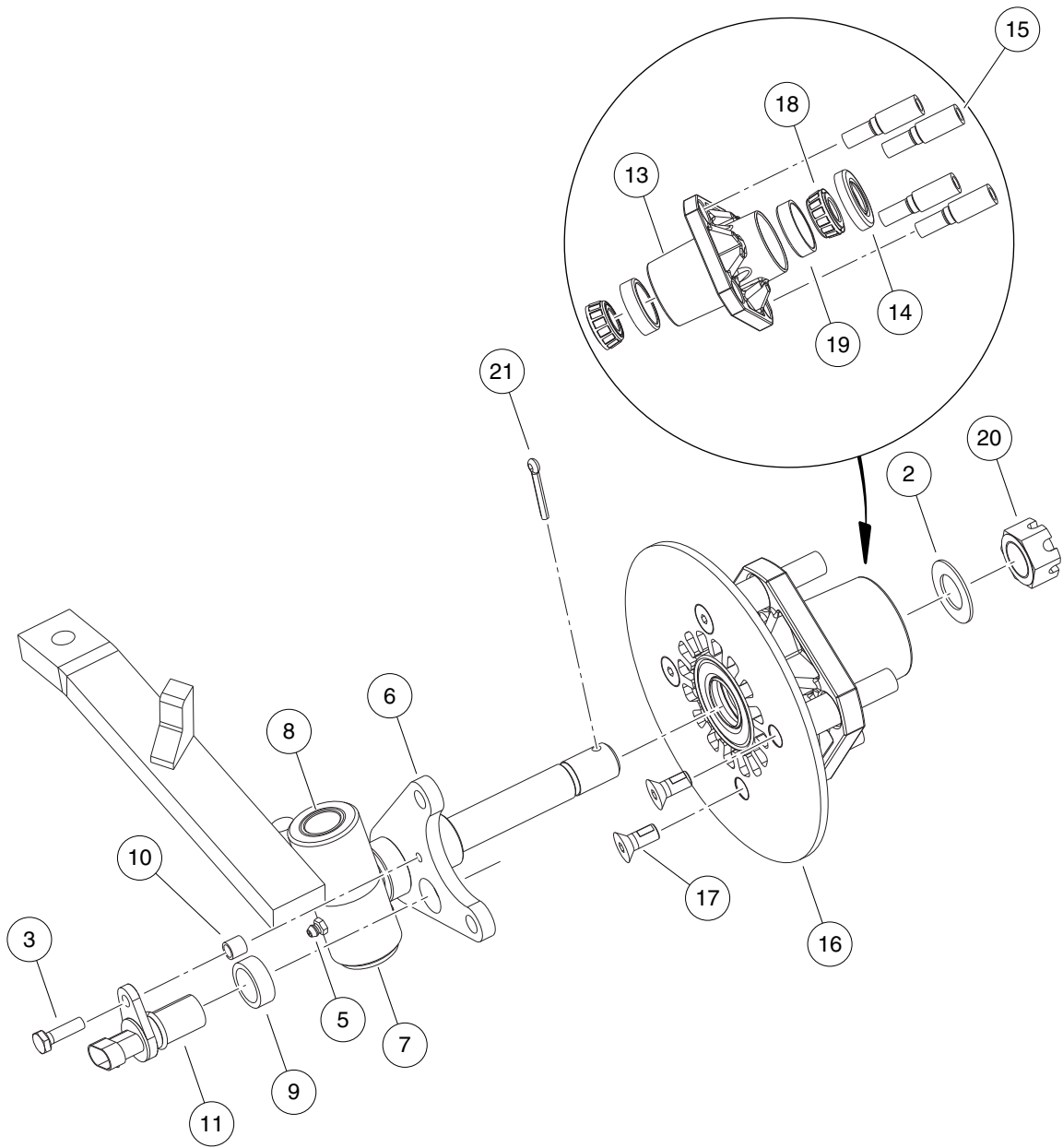
000759-001

REAR SUSPENSION – LEAF SPRINGS AND SHOCKS

ITEM	PART NO.	DESCRIPTION	QTY
		1 2 3 4	
1	<u>1010145</u>	Nut, 3/8-24 Hex	4
2	<u>1011415</u>	Kit, Shock Absorber Cushion (includes items 3 and 4)	1
3	<u>1010142</u>	Cushion, Shock Absorber	2
4	<u>1010144</u>	Retainer, Shock Absorber Cushion	2
5	1012181	Bracket, Shock Mounting, Right (Passenger)	1
6	1012182	Bracket, Shock Mounting, Left (Driver)	1
7	<u>1012303</u>	Bushing, Steel	6
8	<u>1014555</u>	Locknut, 7/16-14 Nylon Hex	4
9	<u>1014902</u>	U-Bolt	2
10	<u>1015583</u>	Bushing, Urethane	12
11	<u>102066201</u>	Screw, 3/8-16 X 3.50 Hex Cap	2
12	<u>102871801</u>	Spring, Multi Leaf	2
13	<u>102917101</u>	Weldment, Shackle	2
14	<u>103351101</u>	Shock, Absorber, Utility	2
15	<u>8754</u>	Locknut, 3/8-16 Hex	6
16	<u>8755</u>	Screw, 3/8-16 X 3.375 Hex Cap	4

5
G
E

5
G
E



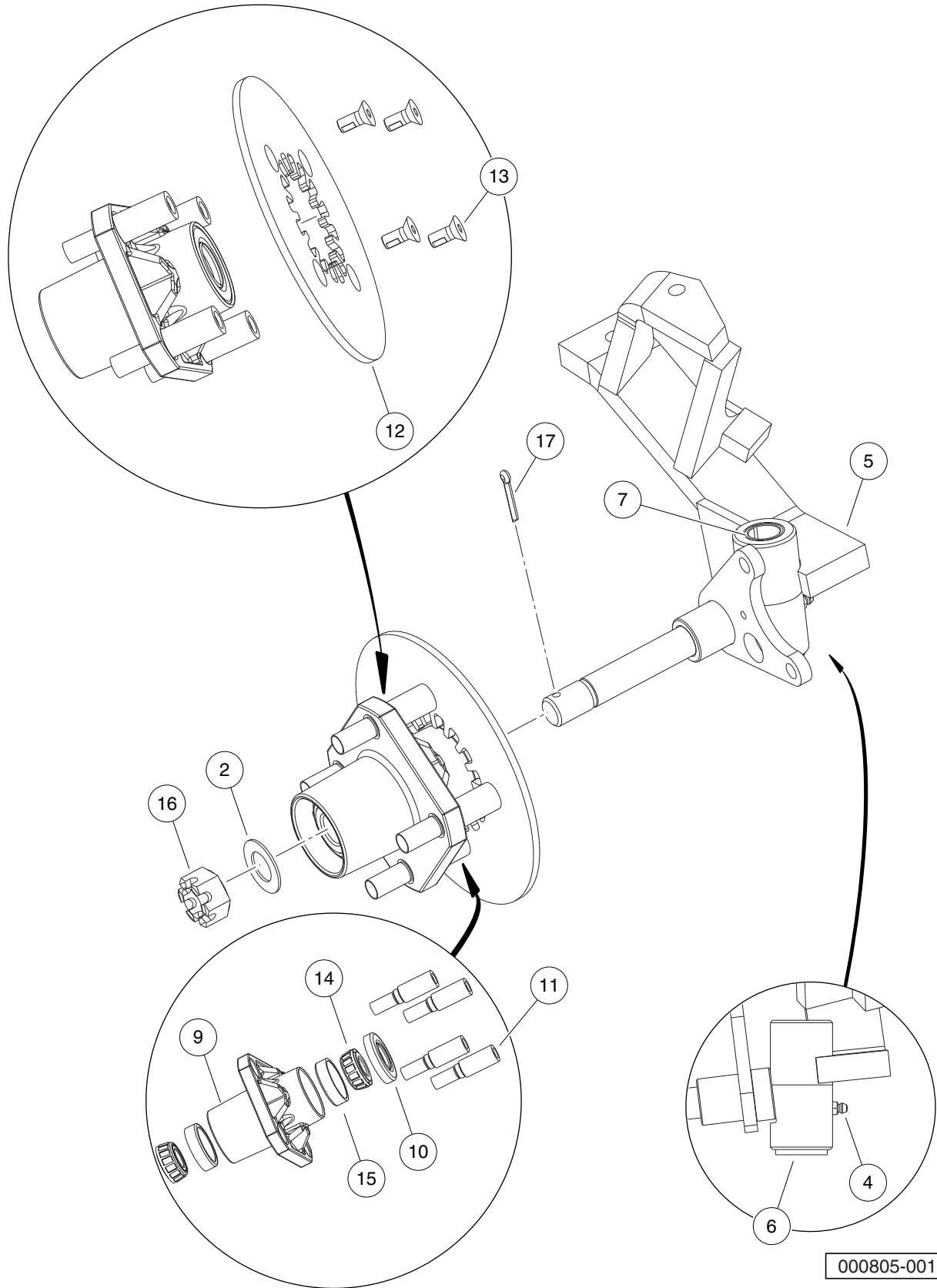
000804-001

SPINDLE AND HUB – DRIVER SIDE

ITEM	PART NO.	DESCRIPTION	QTY
		1 2 3 4	
1	N/A	Asm, Spindle-hub, Lh, Db (includes items 2 through 21)	1
2	<u>1010005</u>	Washer, 3/4 Flat	1
3	<u>1015521</u>	Screw, 1/4-20 X .88 Hex Hd Cap	1
4	<u>103194101</u>	Spindle, Disc Asm Left (includes items 5 through 8)	1
5	<u>1015597</u>	Fitting, 1/4-28 Thread-Forming Grease	1
6	<u>103193901</u>	Asm, Spindle -lh Disc	1
7	<u>7048</u>	Bushing, Flanged Bronze	1
8	<u>8067</u>	Bushing, Bronze Spindle	1
9	<u>103196301</u>	Sensor, Speed, Spacer	1
10	<u>103196401</u>	Bolt, Sensor, Spacer	1
11	<u>103196501</u>	Sensor, Speed	1
12	<u>103217401</u>	Asm, Hub, Disc Brake (includes items 13 through 19)	1
13	1011153	Front Hub	1
14	<u>1013135</u>	Seal, Double Lip	1
15	<u>102920201</u>	Stud, Lug, Rotor Mounting	4
16	<u>102949701</u>	Rotor, Disc	1
17	<u>103196201</u>	5/16-18x.75, Bolt, Loctite	4
18	7274	Bearing, Front Hub Wheel	2
19	7308	Race, Front Hub Bearing	2
20	<u>7840</u>	Nut, 3/4-16 Hex Slotted	1
21	<u>7910</u>	Pin, 5/32 X 1.00 Cotter	1

5
G
E

5
G
E



000805-001

SPINDLE AND HUB – PASSENGER SIDE

ITEM	PART NO.	DESCRIPTION	QTY	
		1 2 3 4		5
1	N/A	Asm, Spindle-hub, Rh, Db (includes items 2 through 17)	1	G
2	<u>1010005</u>	Washer, 3/4 Flat	1	E
3	<u>103194201</u>	Spindle, Disc Asm Right (includes items 4 through 7)	1	
4	<u>1015597</u>	Fitting, 1/4-28 Thread-Forming Grease	1	
5	N/A	Asm, Spindle -rh Disc	1	
6	<u>7048</u>	Bushing, Flanged Bronze	1	
7	<u>8067</u>	Bushing, Bronze Spindle	1	
8	<u>103217401</u>	Asm, Hub, Disc Brake (includes items 9 through 15)	1	
9	1011153	Front Hub	1	
10	<u>1013135</u>	Seal, Double Lip	1	
11	<u>102920201</u>	Stud, Lug, Rotor Mounting	4	
12	<u>102949701</u>	Rotor, Disc	1	
13	<u>103196201</u>	5/16-18x.75, Bolt, Loctite	4	
14	7274	Bearing, Front Hub Wheel	2	
15	7308	Race, Front Hub Bearing	2	
16	<u>7840</u>	Nut, 3/4-16 Hex Slotted	1	
17	<u>7910</u>	Pin, 5/32 X 1.00 Cotter	1	

5

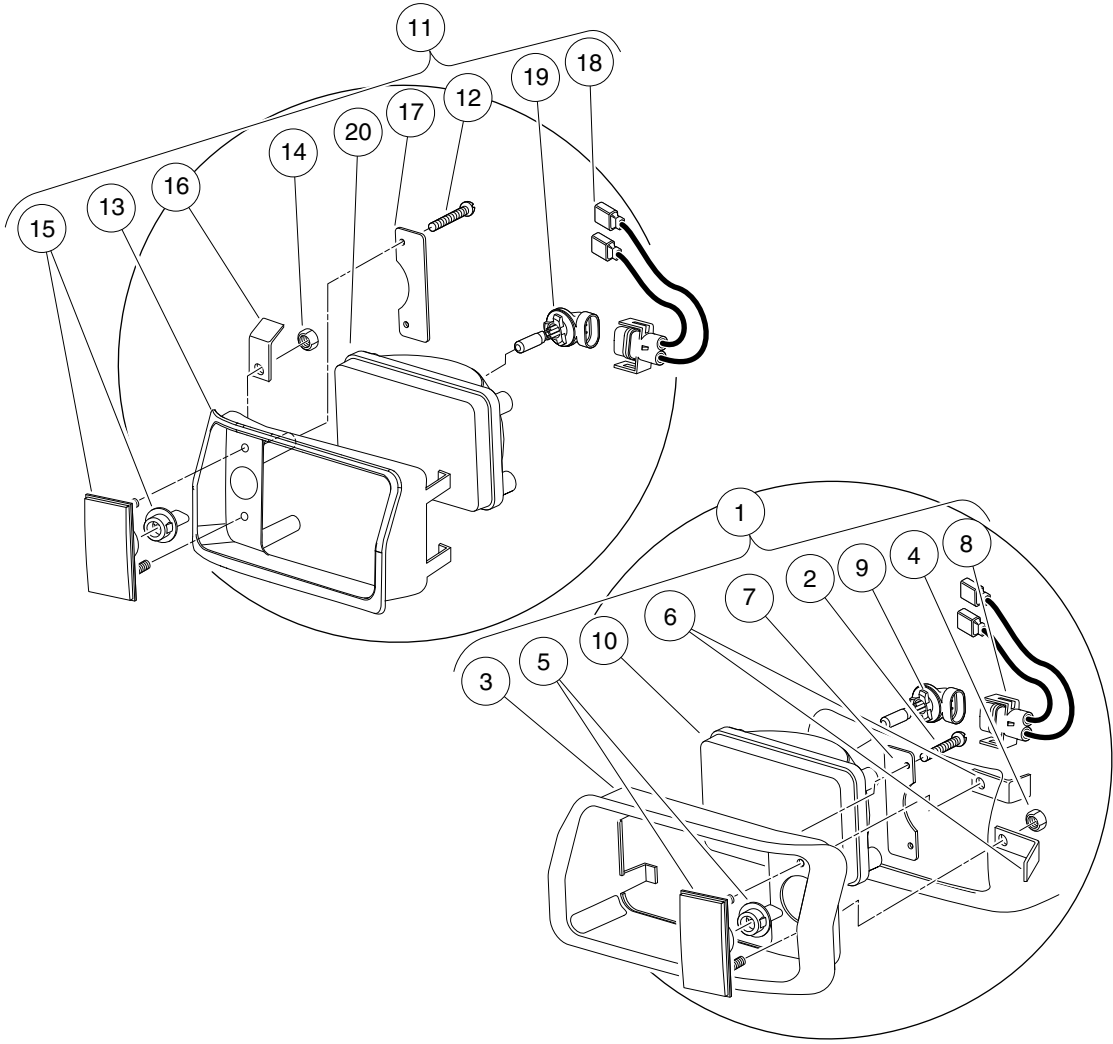
G

E

ELECTRICAL SYSTEM – GASOLINE VEHICLE

6

G



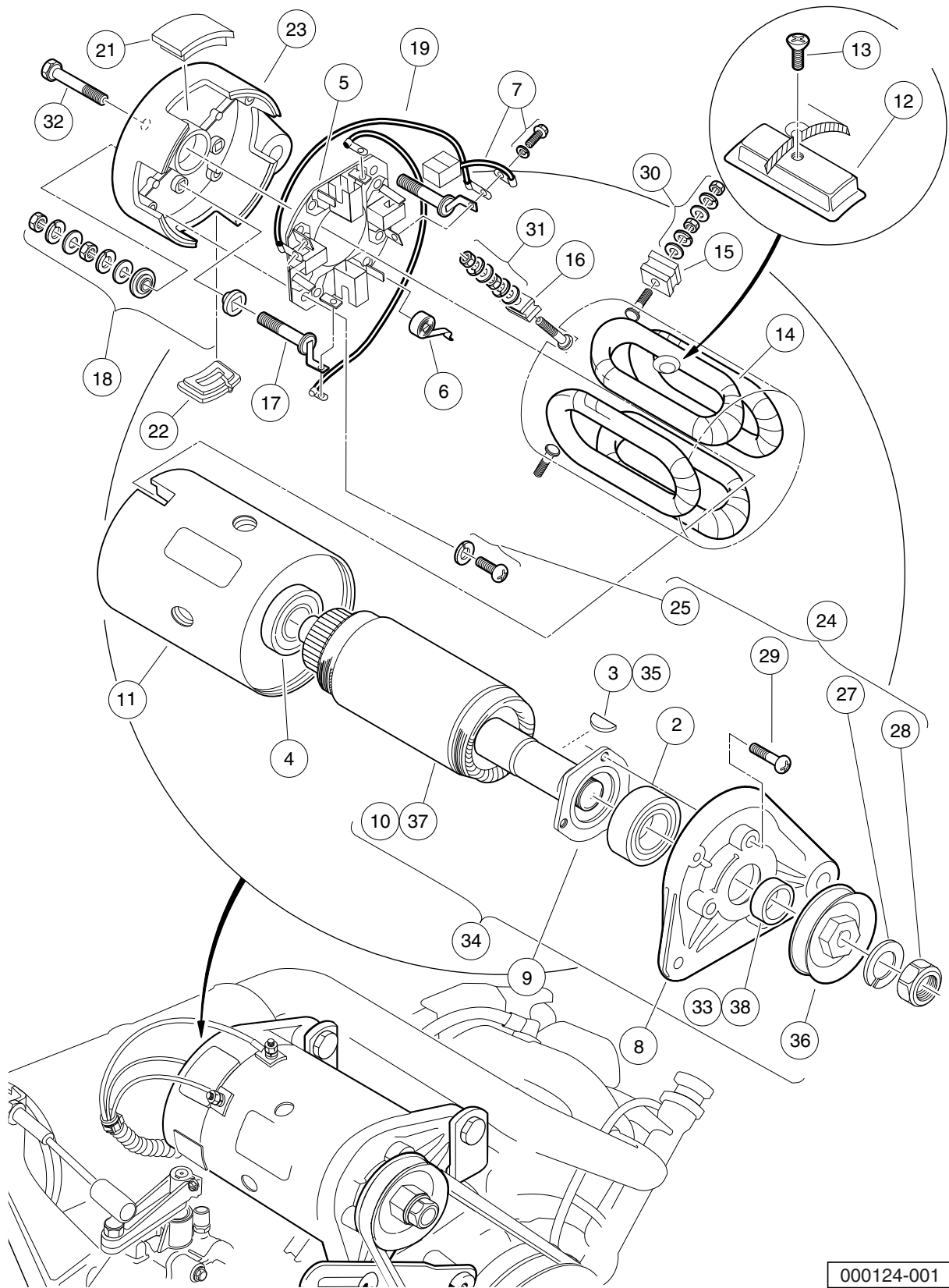
000073-001

HEADLIGHTS

ITEM	PART NO.	DESCRIPTION	QTY
		1 2 3 4	
1	<u>101988001</u>	Headlight Assembly, Driver-Side Single Beam (includes items 2 through 10)	1
2	<u>1013461</u>	Screw, #10-16 Hex-Head Hi-Lo	2
3	<u>1016880</u>	Headlight Bezel, Left	1
4	<u>1017</u>	Nut, #10-24 Stainless-Steel Hex Machine	2
5	<u>1017062</u>	Turn Signal Lens Assy	1
6	<u>1017064</u>	Mounting Bracket	2
7	<u>1017065</u>	Retainer, Headlight	1
8	<u>101987901</u>	Connector Harness Assembly, Headlight	1
9	<u>101988101</u>	Bulb, Headlight	1
10	<u>101988201</u>	Lens, Headlight	1
11	<u>101988002</u>	Headlight Assy, Passenger-Side Single Beam (includes items 12 through 20)	1
12	<u>1013461</u>	Screw, #10-16 Hex-Head Hi-Lo	2
13	<u>1016879</u>	Headlight Bezel, Right	1
14	<u>1017</u>	Nut, #10-24 Stainless-Steel Hex Machine	2
15	<u>1017062</u>	Turn Signal Lens Assy	1
16	<u>1017064</u>	Mounting Bracket	2
17	<u>1017065</u>	Retainer, Headlight	1
18	<u>101987901</u>	Connector Harness Assembly, Headlight	1
19	<u>101988101</u>	Bulb, Headlight	1
20	<u>101988201</u>	Lens, Headlight	1

6
G

6
G



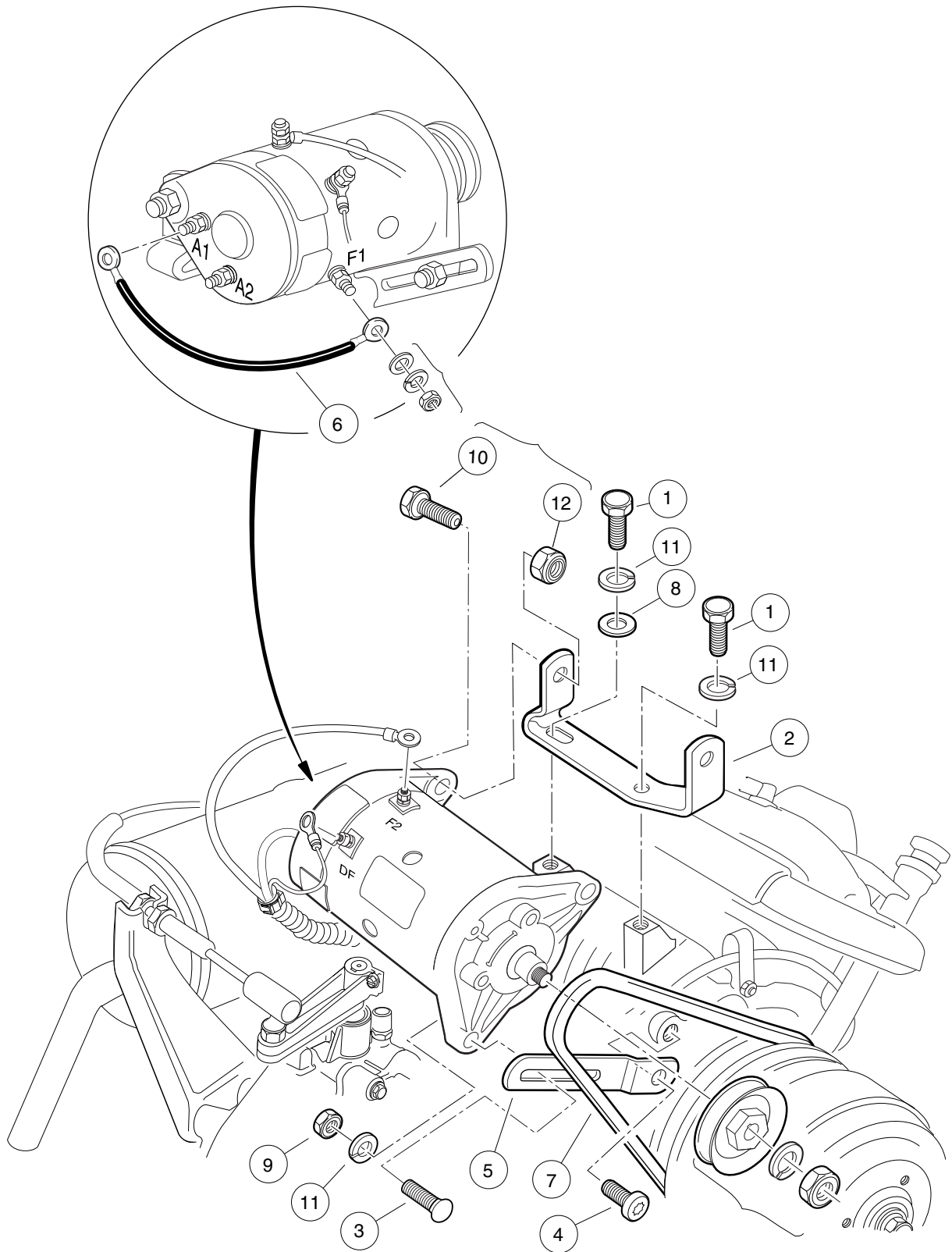
000124-001

STARTER/GENERATOR ASSEMBLY MODEL G425419 – GASOLINE VEHICLES

ITEM	PART NO.	DESCRIPTION	QTY
		1 2 3 4	
1	<u>101833701</u>	Starter/Generator (cw) (includes items 2 through 33)	1
2	<u>1013001</u>	Bearing, Output Shaft Ball	1
3	<u>1013003</u>	Key, Starter/Generator	1
4	<u>1013005</u>	Bearing, Ball	1
5	<u>101301102</u>	Brush Holder Assembly (cw) (includes item 6)	1
6	<u>101878101</u>	Brush Spring Set	4
7	<u>101869302</u>	Brush and Screw Set (cw)	1
8	<u>101874901</u>	Front Bracket	1
9	<u>101875001</u>	Retainer	1
10	<u>101875101</u>	Armature	1
11	<u>101875201</u>	Field Coil Housing	1
12	<u>101875301</u>	Pole Set	1
13	<u>101875401</u>	Screw Set	1
14	<u>101875501</u>	Field Stator Coil Assembly	1
15	<u>101875601</u>	F Insulator Set	2
16	<u>101875701</u>	DF Insulator	1
17	<u>101875802</u>	A Connector (cw)	1
18	<u>101876001</u>	Screw and Mold Assembly	2
19	<u>101876202</u>	Brush Connector Assembly (cw)	2
20	<u>101876301</u>	Cover Set (includes items 21 and 22)	1
21	<u>1012991</u>	Brush Inspection Port Cover	3
22	<u>1017653</u>	Brush Port Cover w/Drain	1
23	<u>101876402</u>	Rear Bracket (cw)	1
24	<u>101876501</u>	Nut and Screw Set (includes items 25 through 29)	1
25	<u>101896501</u>	Brush Holder Asm Screw	2
26	N/A	Washer, M5 Flat	1
27	N/A	Washer, M14 Lock	1
28	N/A	Nut, Hex, M14 x 2	1
29	N/A	Screw, M5 x 0.8 x 18mm	3
30	<u>101877601</u>	Nut and Washer Set	2
31	<u>101877701</u>	Nut and Washer Set	1
32	<u>101879001</u>	Through Bolt Set	2
33	<u>101939901</u>	Spacer	1
34	<u>101875102</u>	Armature Asm Conversion Kit (includes items 35 through 38)	1
35	<u>1013003</u>	Key, Starter/Generator	1
36	<u>1014289</u>	Pulley, Starter/Generator	1
37	<u>101875101</u>	Armature	1
38	<u>101939901</u>	Spacer	1
		Note: Item 36 will ONLY fit Model G425419 Starter/Generator.	

6
G

6
G

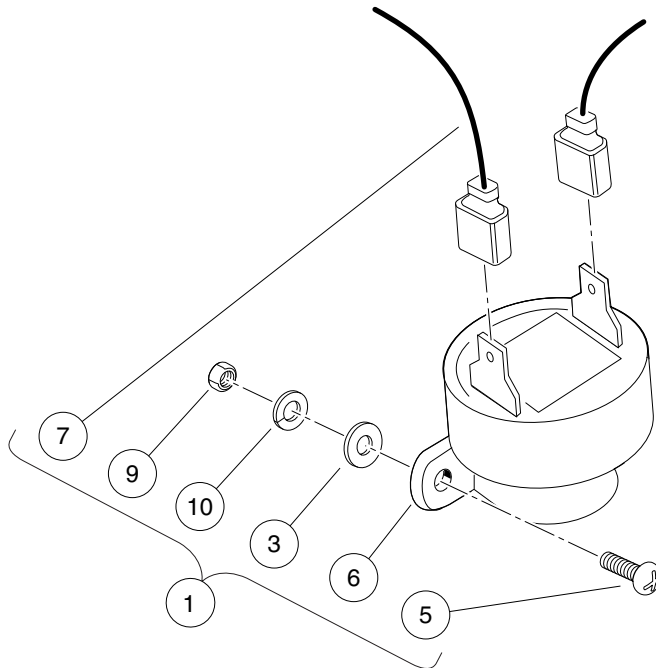


000239-001

FE350 STARTER/GENERATOR MOUNTING – GASOLINE VEHICLES

ITEM	PART NO.	DESCRIPTION	QTY
		1 2 3 4	
1	<u>1012830</u>	Screw, M8-125 X 22 Hex-Head	2
2	<u>101524002</u>	Bracket, Starter/Generator Mounting	1
3	<u>1015932</u>	Bolt, Carriage, 5/16-18	1
4	<u>1016074</u>	Screw, M8-1.25 X 18mm Torx	1
5	<u>1016883</u>	Bracket, Starter/Generator Adjustment	1
6	<u>101837301</u>	Wire Assy, #6 Green	1
7	<u>101916701</u>	V-Belt	1
8	<u>1241</u>	Washer, 5/16 Type A Flat	1
9	<u>1242</u>	Nut, 5/16-18 Hex	1
10	705	Screw, Cap-hex Hd 3/8-16x1.25	2
11	<u>7174</u>	Lockwasher, 5/16 Split	3
12	<u>8754</u>	Locknut, 3/8-16 Hex	2

6
G



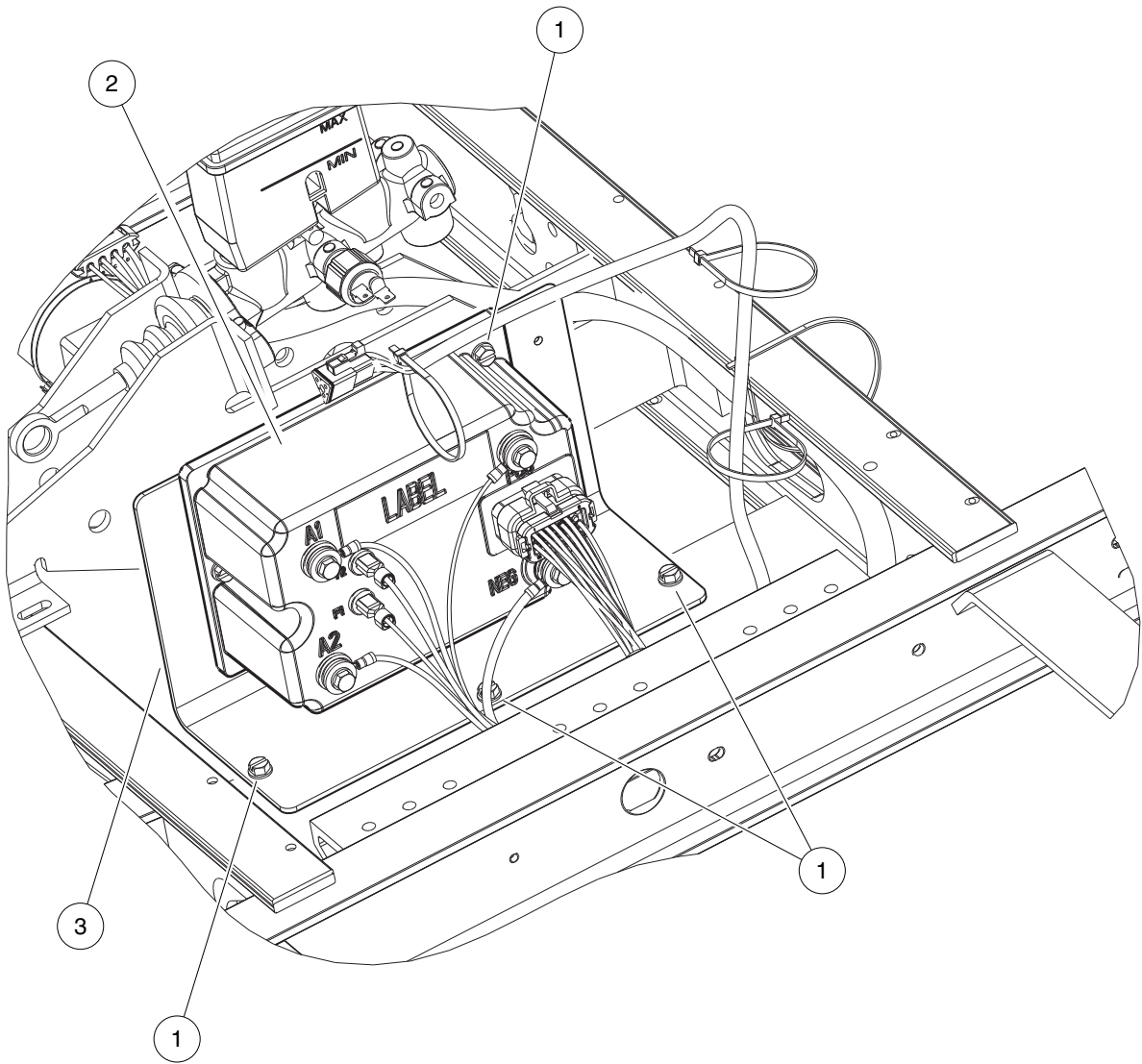
000741-003

REVERSE BUZZER KIT

ITEM	PART NO.	DESCRIPTION	QTY
		1 2 3 4	
1	<u>1016859</u>	Kit, Reverse Buzzer (includes items 2 through 10)	1
2	<u>1011229</u>	Locknut, #6-32 Whiz	1
3	1012431	Washer, #4 Flat	2
4	<u>1015720</u>	Screw, #6-32 X 1/2 Hex Washer-Head	1
5	<u>1016849</u>	Screw, #4-24 X 0.33 Pan-Head Machine	2
6	<u>1016851</u>	Buzzer, Reverse (9-48 VDC)	1
7	1016857	Wire Assembly Black #18	1
8	<u>8056</u>	Screw, #4-40 X 0.75 Round-Head Machine	2
9	<u>8057</u>	Nut, #4-40 Hex Machine	2
10	<u>8058</u>	Lockwasher, #4 Split	2

6

G



000808-001

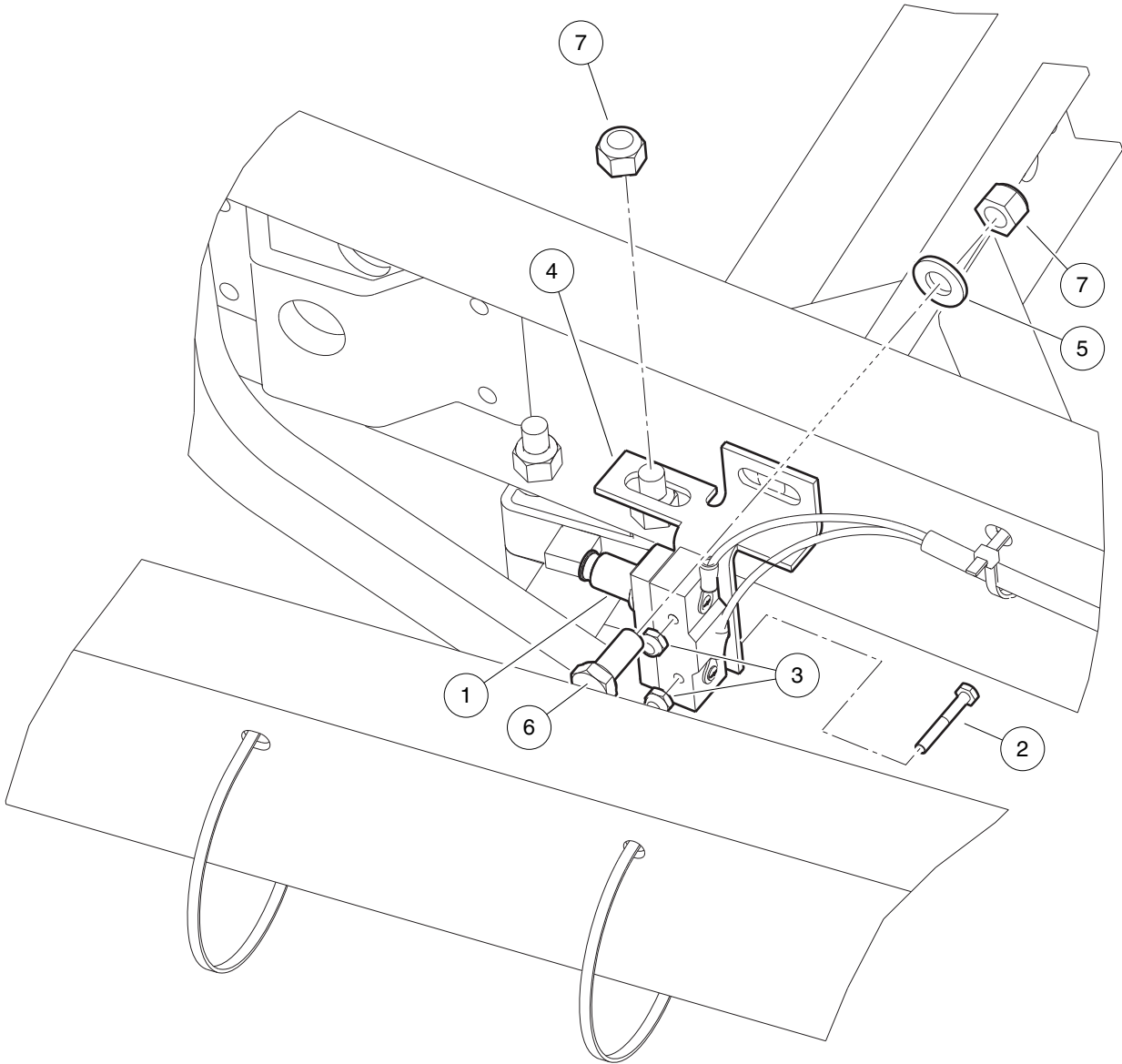
BRAKE CONTROLLER

ITEM	PART NO.	DESCRIPTION	QTY
		1 2 3 4	
1	<u>1012285</u>	Screw, 1/4 X 0.625 Hex-Head	6
2	<u>103224501</u>	Controller, Brake	1
3	<u>103247901</u>	Bracket, Mounting, Bcu	1

6

G

6
G



000809-001

BRAKE PEDAL SWITCH

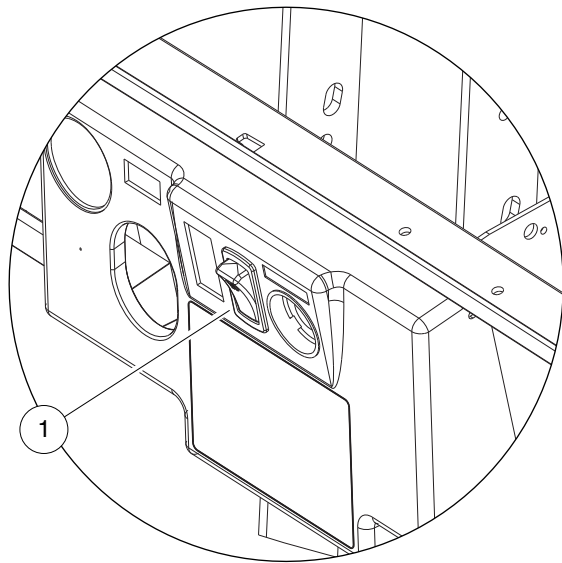
ITEM	PART NO.	DESCRIPTION	QTY
		1 2 3 4	
1	<u>1011439</u>	Switch, Limit	1
2	<u>1011557</u>	Screw, #6-32 X 1.00 Hex-Head Machine	2
3	<u>101932201</u>	Locknut, #6-32 Nylon	2
4	<u>101957101</u>	Bracket, Brake Light Switch	1
5	<u>1241</u>	Washer, 5/16 Type A Flat	1
6	<u>7173</u>	Screw, 5/16-18 X 0.75 Hex-Head Cap	1
7	<u>7473</u>	Locknut, 5/16-18 Nylon Insert	2

6

G

6

G



000073-003

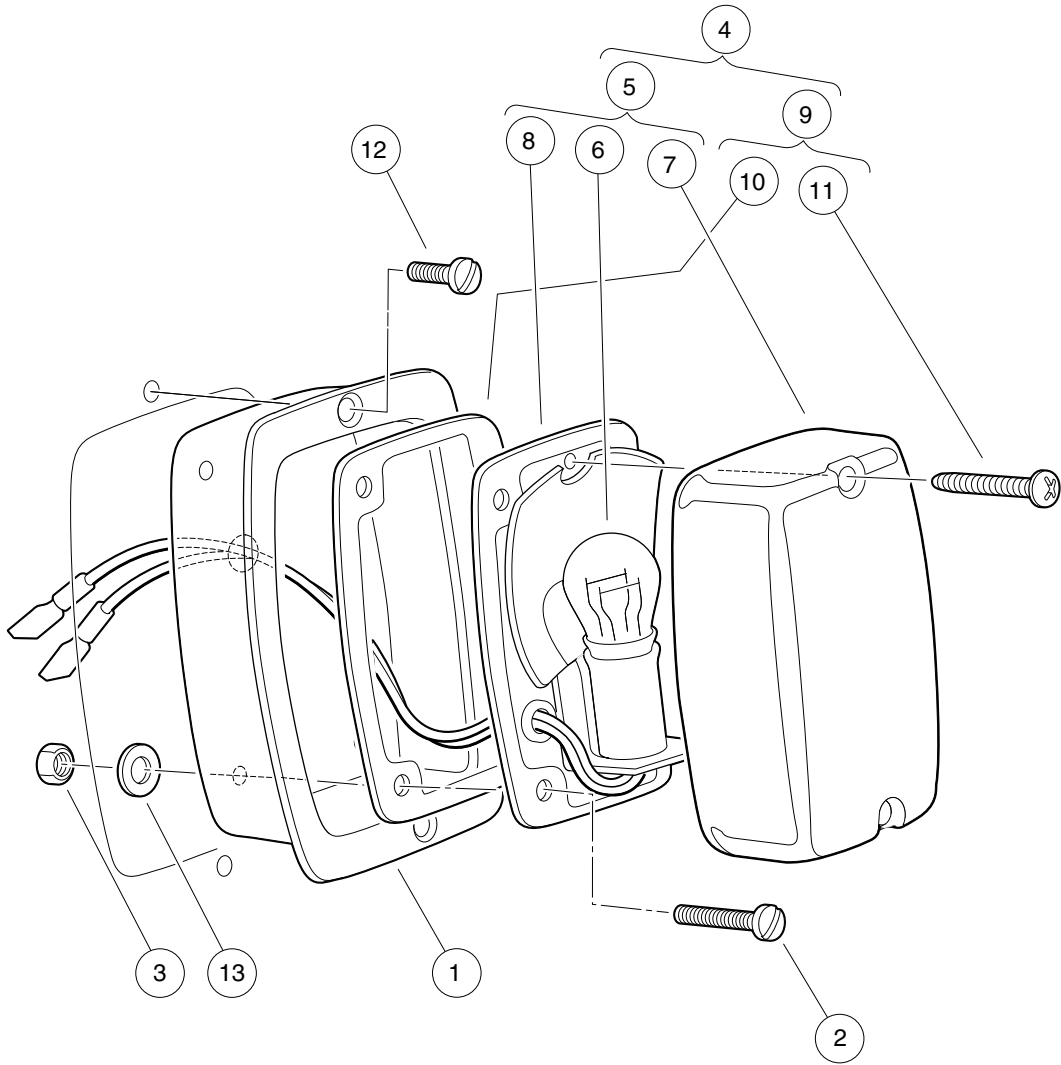
HEADLIGHT SWITCH

ITEM	PART NO.	DESCRIPTION	QTY
1	<u>102869401</u>	<div style="display: flex; justify-content: space-between; margin-bottom: 5px;"> 1 2 3 4 </div> Switch, Rocker, Light	1

6

G

6
G

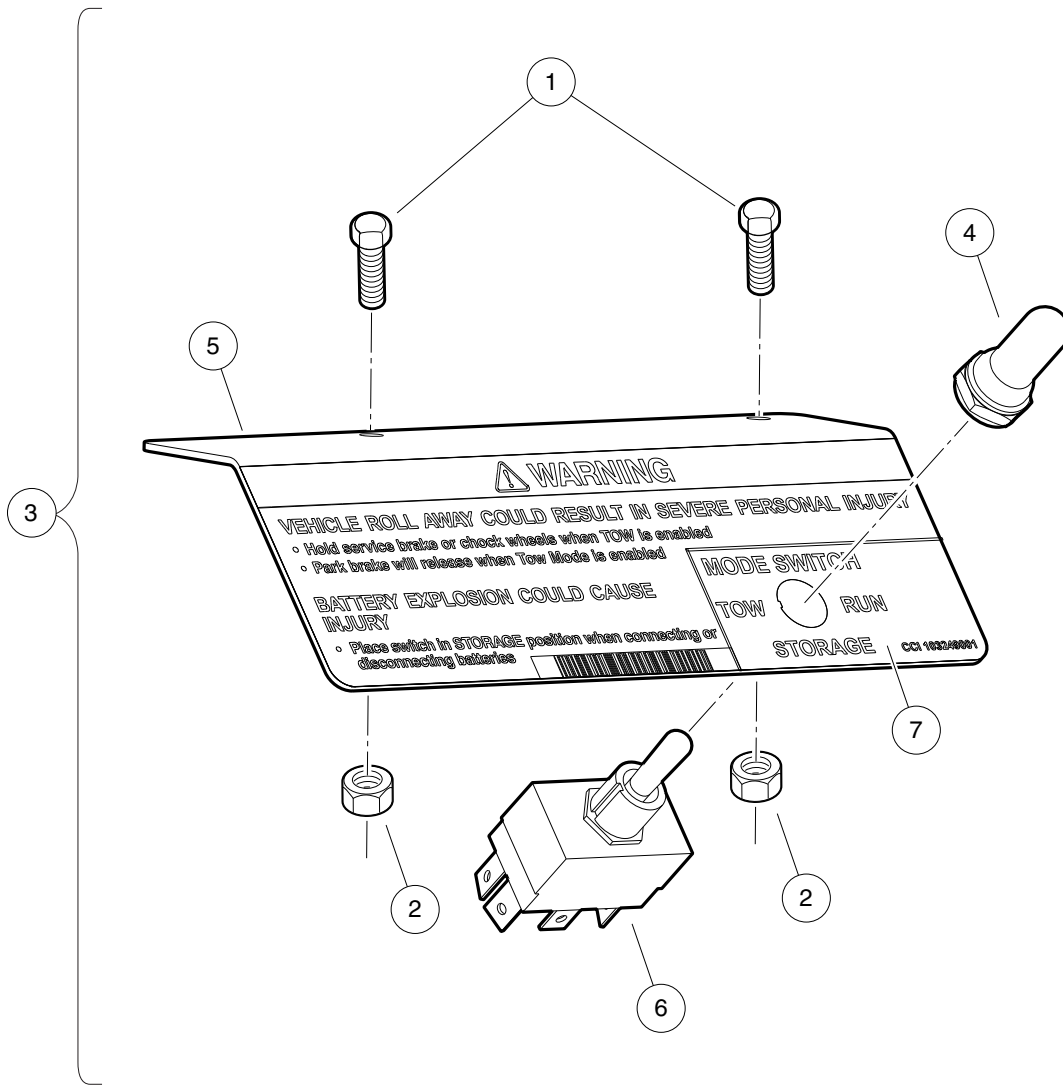


000348-006

TAIL LIGHTS

ITEM	PART NO.	DESCRIPTION	QTY
		1 2 3 4	
1	<u>1011497</u>	Bezel, Taillight	1
2	<u>1011557</u>	Screw, #6-32 X 1.00 Hex-Head Machine	1
3	<u>1011558</u>	Nut, #6-32 Hex	1
4	1017035	Taillight Assembly (includes items 5 through 9)	1
5	N/A	Light, Tail (includes items 6 through 8)	1
6	<u>1011582</u>	Taillight Bulb	1
7	<u>1011843</u>	Taillight Lens	1
8	N/A	Base, Taillight	1
9	<u>1017699</u>	Hardware Kit, Tail Light (includes items 10 and 11)	1
10	N/A	Gasket	1
11	N/A	Screw, Tapered	2
12	<u>102915601</u>	Plastic Rivet - Tuflock	1
13	<u>7591</u>	Washer, #6 Flat	1

6
G

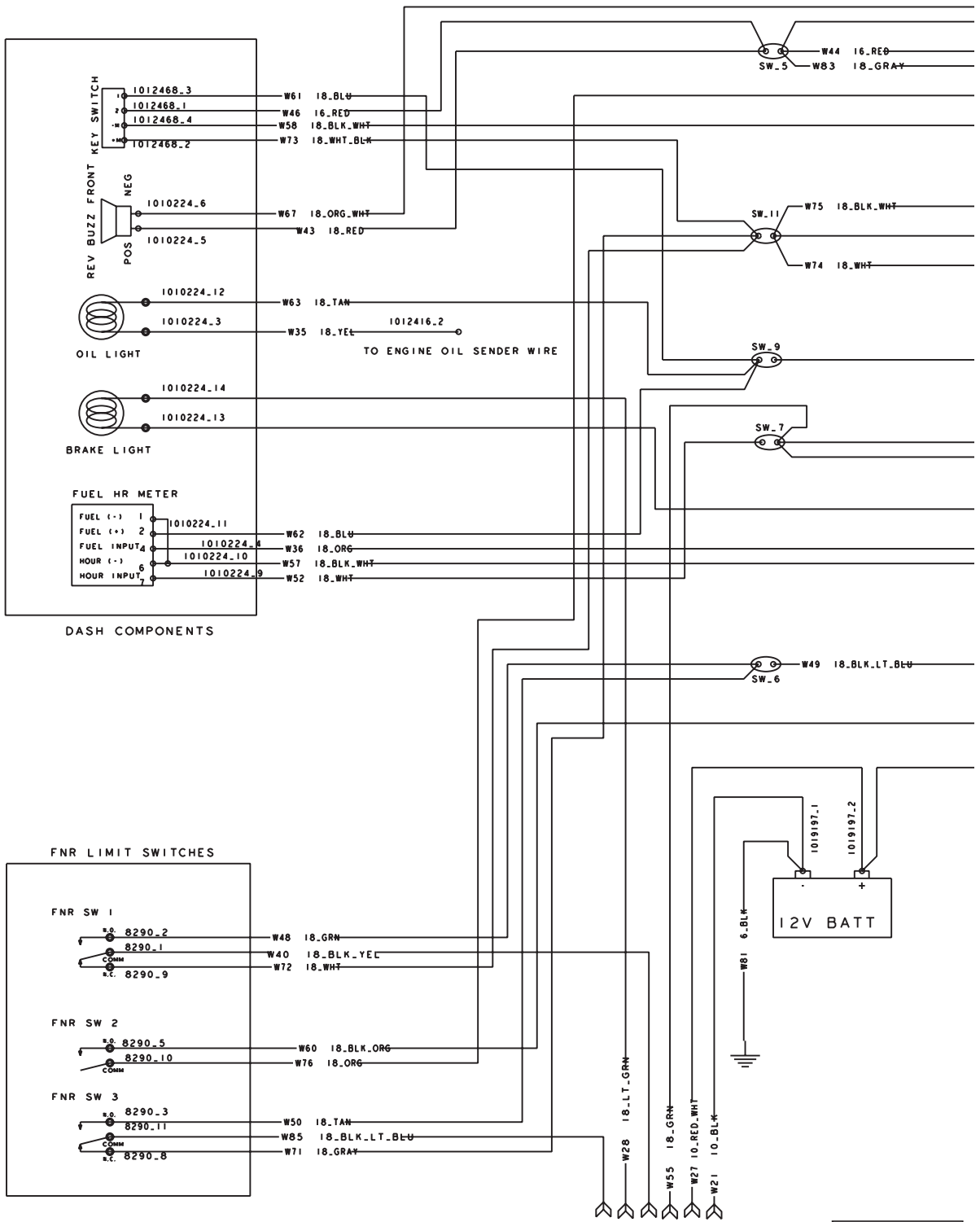


000755-002

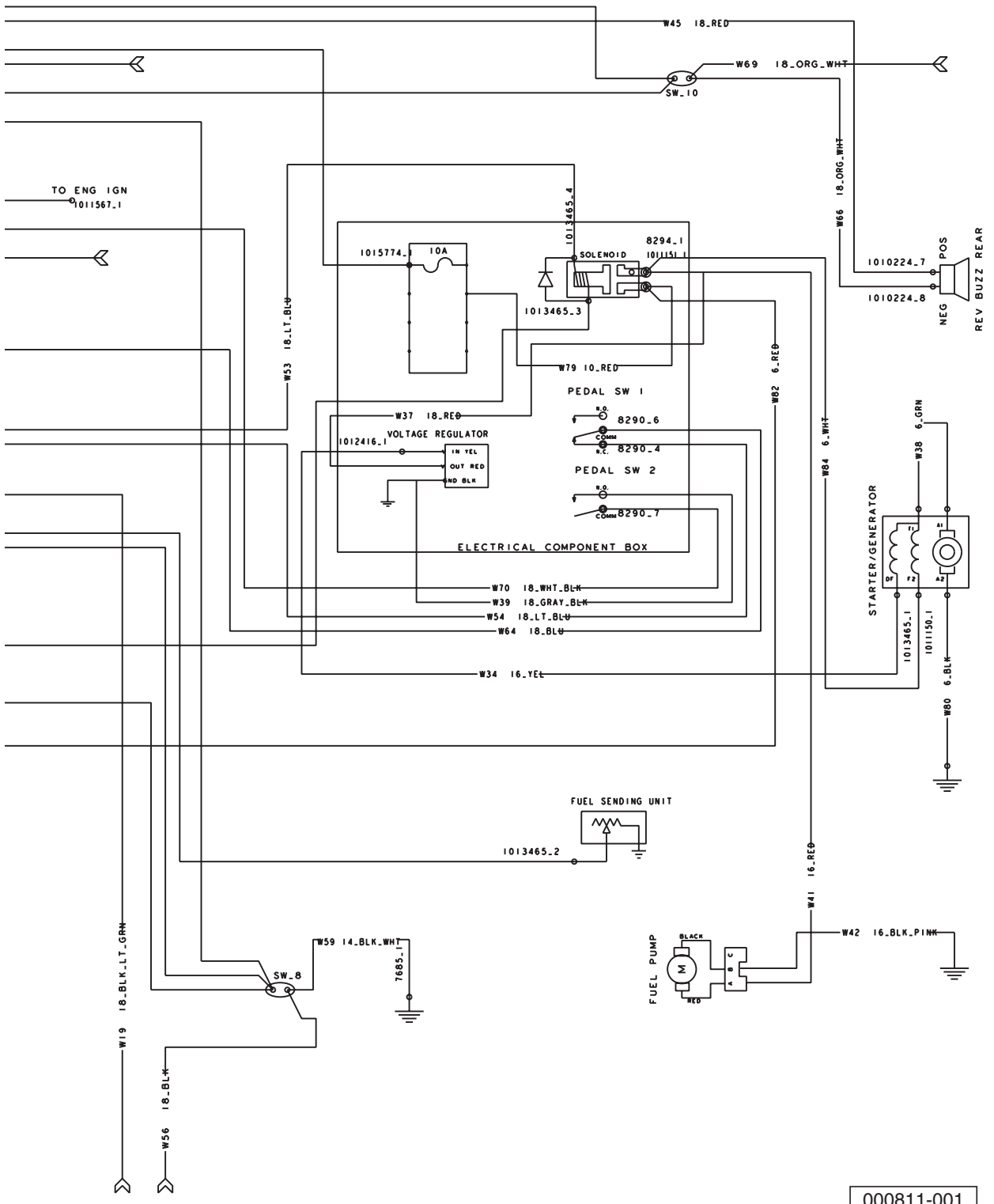
OPERATION AND MAINTENANCE SWITCH

ITEM	PART NO.	DESCRIPTION	QTY
		1 2 3 4	
1	<u>1012126</u>	Screw, #10-32 X .625 Hx Washer	2
2	<u>1013061</u>	Locknut, #10-32 Nylon Insert	2
3	N/A	Asm, Stow, Switch, Gas (includes items 4 through 7)	1
4	<u>101908401</u>	Boot, Switch	1
5	<u>102915701</u>	Plate, Switch, Run Tow, Mode	1
6	<u>103248501</u>	Switch, Toggle, 3 Pos Dpdt	1
7	<u>103249001</u>	Decal, Stow Switch, Gas	1

6
G



000811-001



000811-001

6

G

See previous two pages for illustration.

WIRING – GASOLINE VEHICLE

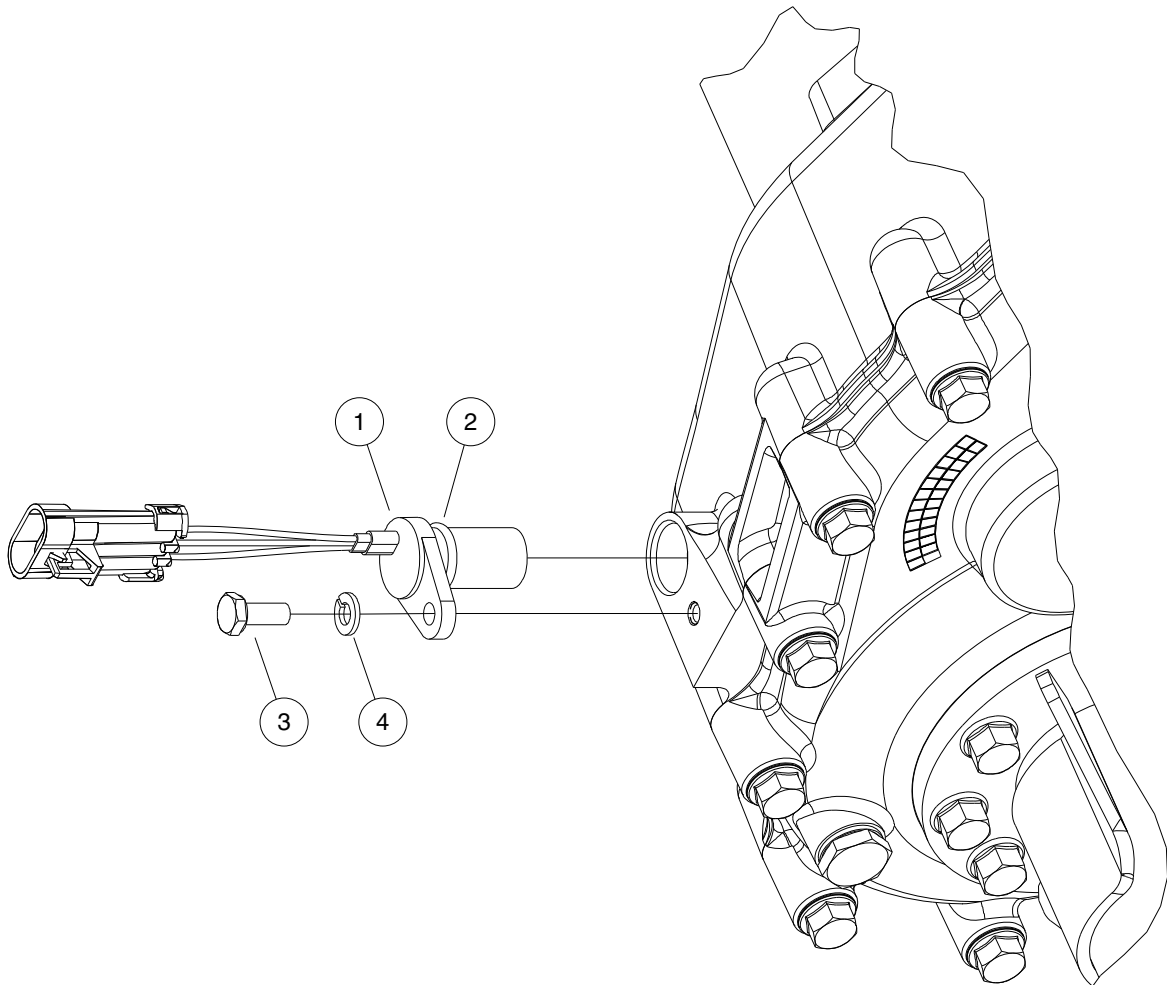
ITEM	PART NO.	DESCRIPTION	QTY
		1 2 3 4	
1	<u>1012382</u>	Wire Assy, #6 Black	1
2	<u>1014119</u>	Wire Assembly #6 Red	1
3	<u>1015737</u>	Wire Assy, #10 Red	1
4	<u>1015920</u>	Ground Wire Assembly	1
5	<u>103013601</u>	Wire Harness, Gas, Contrl, Ab	1

6

G

6

G



000810-001

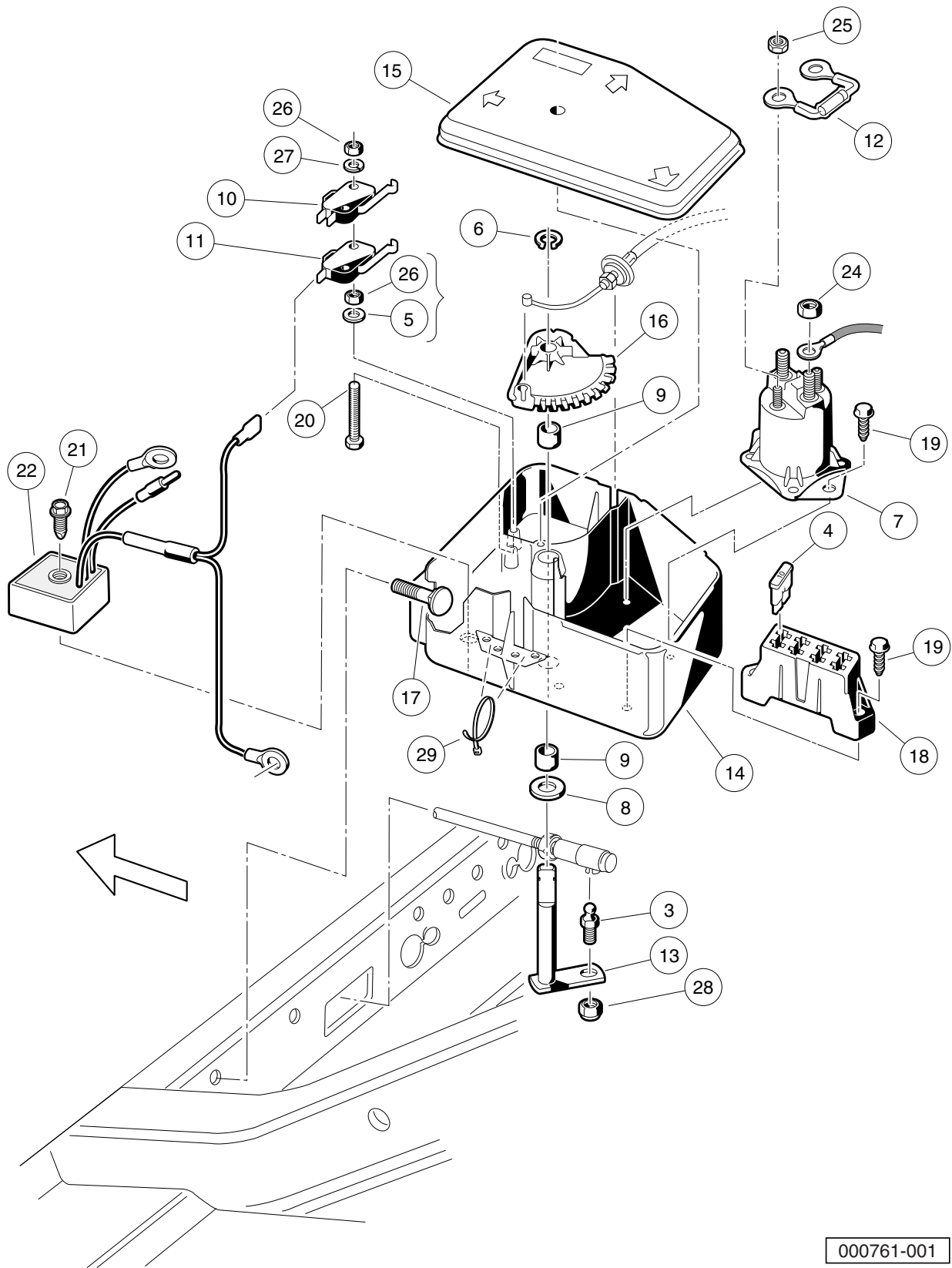
SPEED SENSOR – GASOLINE VEHICLES

ITEM	PART NO.	DESCRIPTION	QTY
		1 2 3 4	
1	<u>103391101</u>	Sensor, Speed, Terminated	1
2	<u>103391601</u>	O-ring, 5/8" Id	1
3	<u>403</u>	Screw, 1/4-20 X 0.625 Hex-Head Cap	1
4	<u>451</u>	Lockwasher, 1/4 Split	1

6

G

6
G



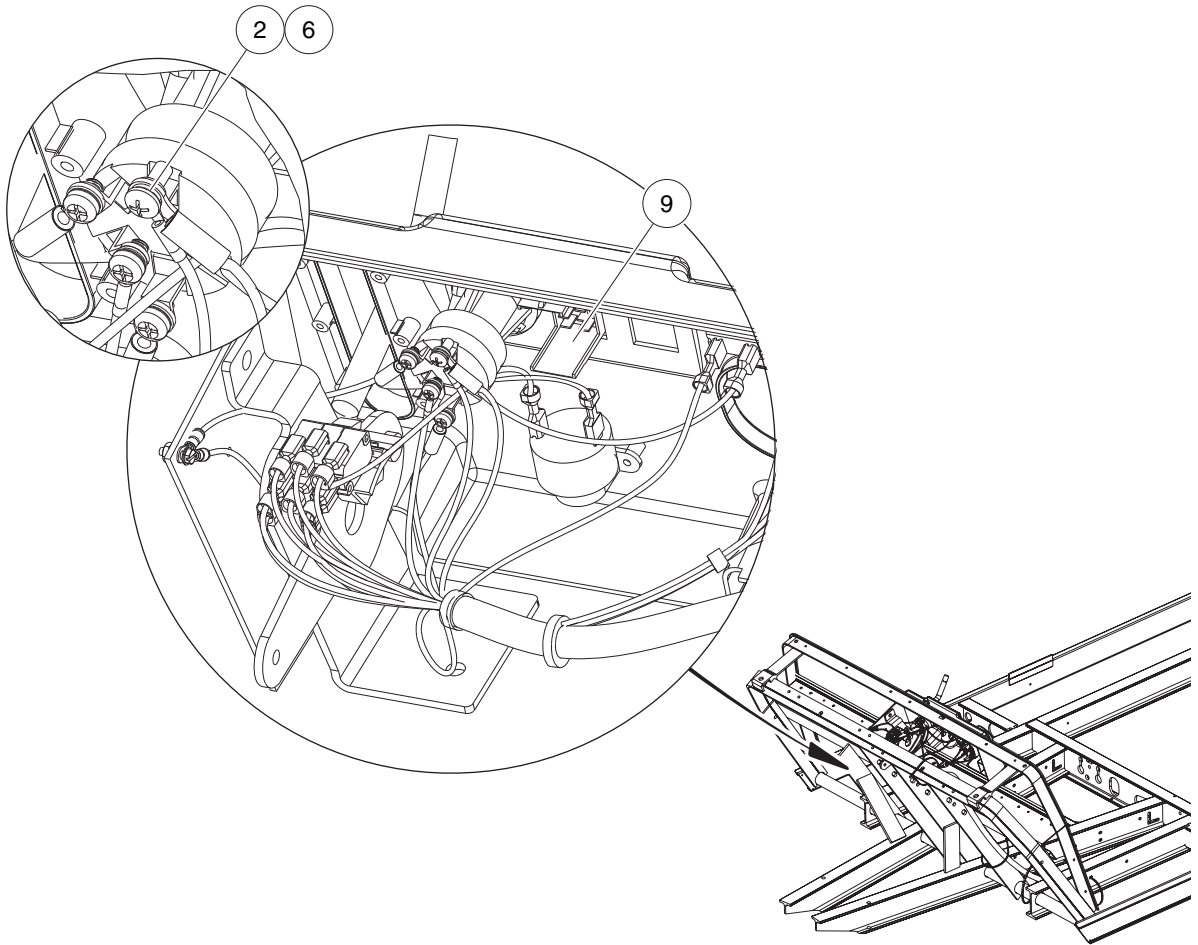
000761-001

ELECTRICAL COMPONENT BOX – GASOLINE VEHICLES

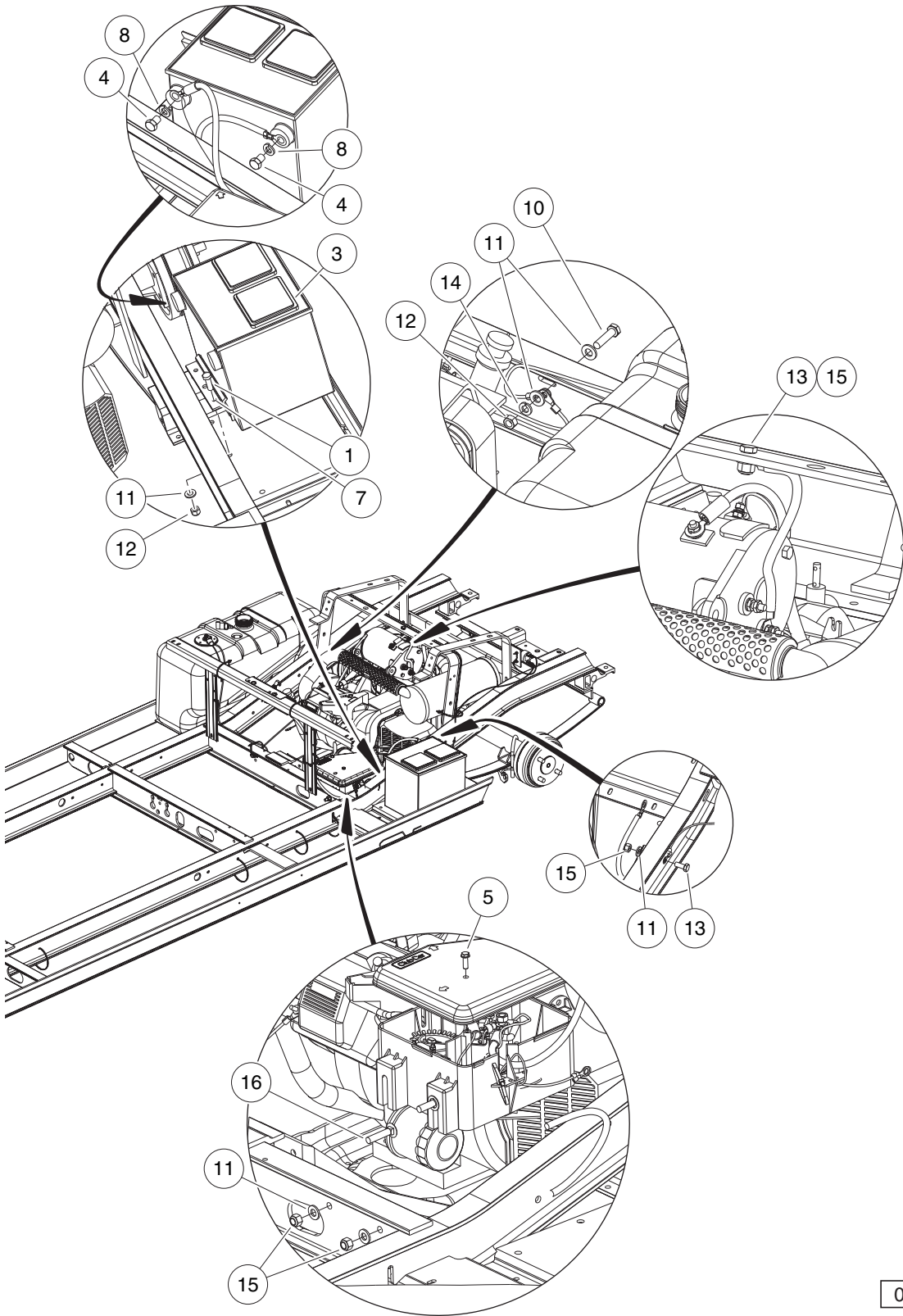
ITEM	PART NO.	DESCRIPTION	QTY
		1 2 3 4	
1	N/A	Instl, Elec Sys, Gas, Limo, Ab	1
2	N/A	El Component Box, Limo Gas Ab (includes items 3 through 29)	1
3	<u>1010954</u>	Stud, 1/4-28 X 0.560 Ball	1
4	<u>1012295</u>	Fuse, 10-Amp	1
5	<u>1012431</u>	Washer, #4 Flat	2
6	<u>1013589</u>	Ring, 0.338" Internal Retaining	1
7	<u>1013609</u>	Solenoid, 12-Volt	1
8	<u>1014065</u>	Washer, 0.38" ID Delrin Flat	1
9	<u>1014145</u>	Bushing, Secondary Weight, Split	2
10	<u>1014807</u>	Switch, Limit	1
11	<u>1014808</u>	Switch, Limit	1
12	<u>1014948</u>	Diode	1
13	<u>1015345</u>	Bell Crank and Shaft Assembly	1
14	<u>1015371</u>	Box, Electrical Component	1
15	<u>1015372</u>	Cover, Electric Box	1
16	<u>1015373</u>	Cam, Electric Box	1
17	<u>1015405</u>	Bolt, Carriage, 5/16-18 X 2.0	1
18	<u>1015741</u>	Fuse Block	1
19	<u>1015752</u>	Screw, #12-16 X 0.625 Hi-Lo	4
20	<u>1015878</u>	Screw, #4-40 Hex Head Machine	2
21	<u>101856102</u>	Screw, 1/4-15 X 1.50 Hi-lo Hex	1
22	<u>102711201</u>	Voltage Regulator	1
23	N/A	Washer, Nylon Retaining *	1
24	<u>1242</u>	Nut, 5/16-18 Hex	2
25	<u>7893</u>	Nut, #10-32 Hex	2
26	<u>8057</u>	Nut, #4-40 Hex Machine	4
27	<u>8058</u>	Lockwasher, #4 Split	2
28	<u>8717</u>	Locknut, 1/4-28 Nylon Insert	1
29	<u>8990</u>	Tie Wrap, 8" Nylon	2
* Note: Not used. Item is for shipping purposes only.			

6

G



000762-001



000762-001

6

G

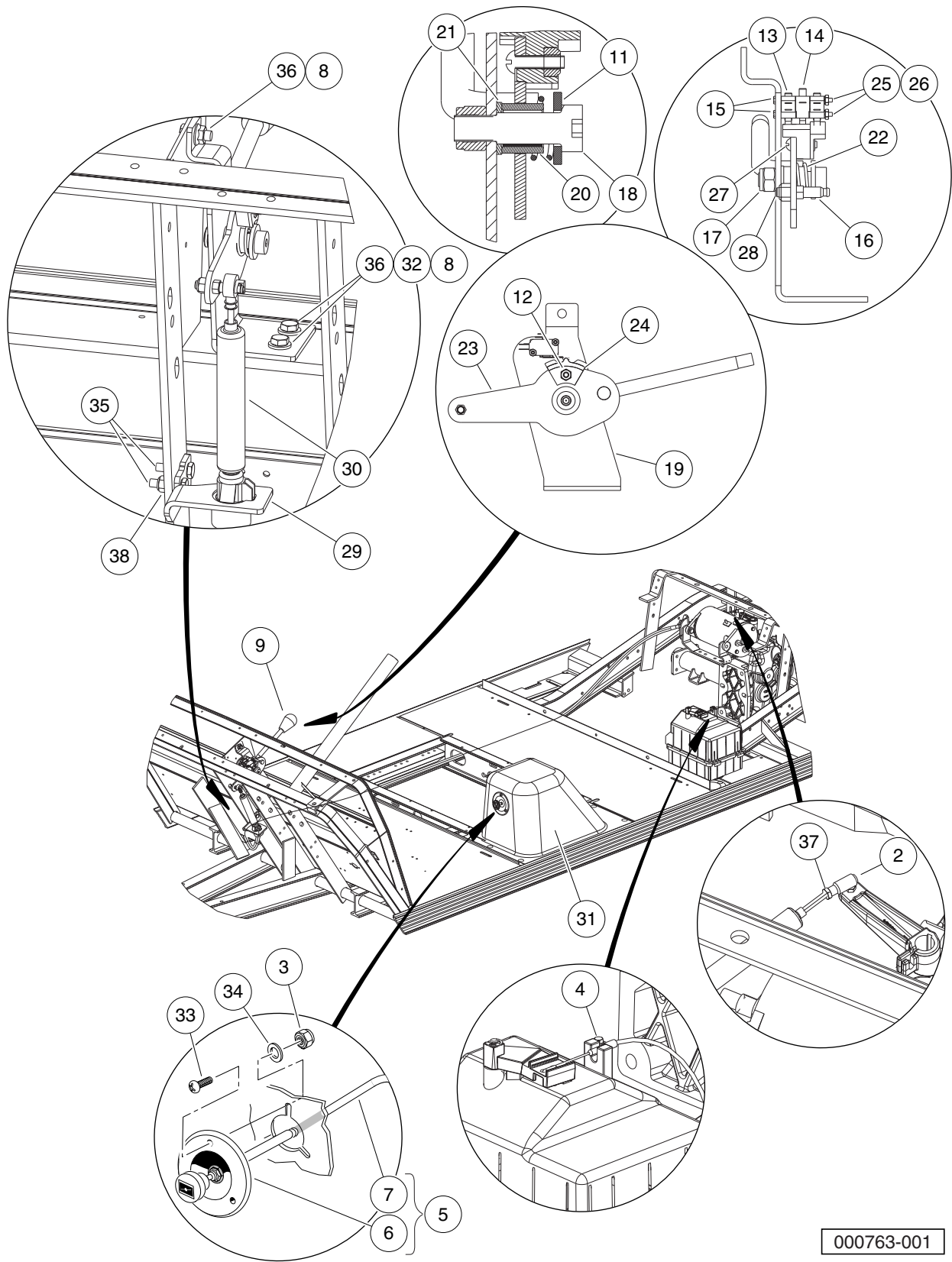
See previous two pages for illustration.

ELECTRICAL SYSTEM MISCELLANEOUS HARDWARE – GASOLINE VEHICLES

ITEM	PART NO.	DESCRIPTION	QTY
		1 2 3 4	
1	<u>1010934</u>	Screw, 5/16-18 X 1.00 Hex Cap	1
2	<u>1011610</u>	Lockwasher, #8 Split Ss	1
3	<u>1012328</u>	Battery, 12-Volt	1
4	<u>1014375</u>	Screw, 3/8-16 X 0.50 Stainless Steel Hex-Head	2
5	<u>1015752</u>	Screw, #12-16 X 0.625 Hi-Lo	1
6	<u>1016092</u>	Screw, #8-32 X .44 Pan Head	1
7	<u>101898001</u>	Clamp, Battery	1
8	<u>102355301</u>	Lockwasher, #10 Split Ss	2
9	<u>103180101</u>	Cover, Hole, Switch, Rocker	1
10	1218	Screw, 5/16-18 X 1.25 Hex-Head Cap	1
11	<u>1241</u>	Washer, 5/16 Type A Flat	7
12	<u>1242</u>	Nut, 5/16-18 Hex	1
13	<u>7173</u>	Screw, 5/16-18 X 0.75 Hex-Head Cap	2
14	<u>7174</u>	Lockwasher, 5/16 Split	1
15	<u>7473</u>	Locknut, 5/16-18 Nylon Insert	5
16	<u>7818</u>	Bolt, Carriage, 5/16-18 X 1.5	1
17	<u>8990</u>	Tie Wrap, 8" Nylon	18

6
G

6
G



000763-001

CONTROLS AND CABLES

ITEM	PART NO.	DESCRIPTION	QTY
		1 2 3 4	
1	N/A	Instl, Controls/cable (includes items 2 through 39)	1
2	<u>1012333</u>	Joint, #10-32 Ball	1
3	<u>1012438</u>	Locknut, #10-24 Nylon Insert	3
4	<u>101804301</u>	Screw, #8 X 0.500, Hex-Head Hi-Lo	1
5	<u>101926802</u>	Cable, Choke (includes items 6 and 7)	1
6	<u>101933701</u>	Bezel, Choke Cable	1
7	N/A	Choke Cable without Bezel, Long	1
8	<u>101963401</u>	Locknut, 5/16-18 Hex Flange	3
9	<u>102376001</u>	Knob, Fnr	1
10	<u>102969902</u>	Asm, Shifter, Fnr, Limo (includes items 11 through 28)	1
11	<u>1010028</u>	Washer, 1/2 Type A Flat	1
12	<u>1013061</u>	Locknut, #10-32 Nylon Insert	1
13	<u>1014807</u>	Switch, Limit	2
14	<u>1014808</u>	Switch, Limit	1
15	<u>1015878</u>	Screw, #4-40 Hex Head Machine	2
16	<u>102526201</u>	Stud, Thread, 1/4-28	1
17	<u>102616701</u>	Locknut, M10x1.5 Nylon Insert	1
18	<u>102684602</u>	Shoulder Bolt, M12 X 25.0	1
19	<u>102969401</u>	Bracket, Shifter, FNR	1
20	<u>103173301</u>	Bushing, Greaseless, 12mm Id	1
21	<u>103177401</u>	Washer, Thrust, Shifter, FNR	1
22	<u>103192701</u>	Spring, Comp, .97 Od X.75 L	1
23	<u>103192901</u>	Weldment, Shift Lever, Fnr, Li	1
24	<u>103369501</u>	Cam, Limit Switch, Fnr Shifter	1
25	<u>8057</u>	Nut, #4-40 Hex Machine	2
26	<u>8058</u>	Lockwasher, #4 Split	2
27	8104	Screw, #10-32 X .75 Rd Hd Mach	1
28	<u>8717</u>	Locknut, 1/4-28 Nylon Insert	1
29	<u>103295101</u>	Brkt, Spt, Cable End, Fnr	1
30	<u>103295203</u>	Cable, Transmission, 2385mm	1
31	<u>103350301</u>	Cover, Air Intake, Gas	1
32	<u>1241</u>	Washer, 5/16 Type A Flat	2
33	<u>1631</u>	Screw, #10-24 X 0.75 Phillips Pan-Head	3
34	<u>183</u>	Washer, #10 Type A Flat	3
35	304	Screw, 1/4-20 X 1.0 Hex-Head Cap	2
36	<u>7173</u>	Screw, 5/16-18 X 0.75 Hex-Head Cap	3
37	<u>7893</u>	Nut, #10-32 Hex	1
38	<u>8233</u>	Locknut, 1/4-20 Nylon Insert	2
39	<u>8990</u>	Tie Wrap, 8" Nylon	2

6

G

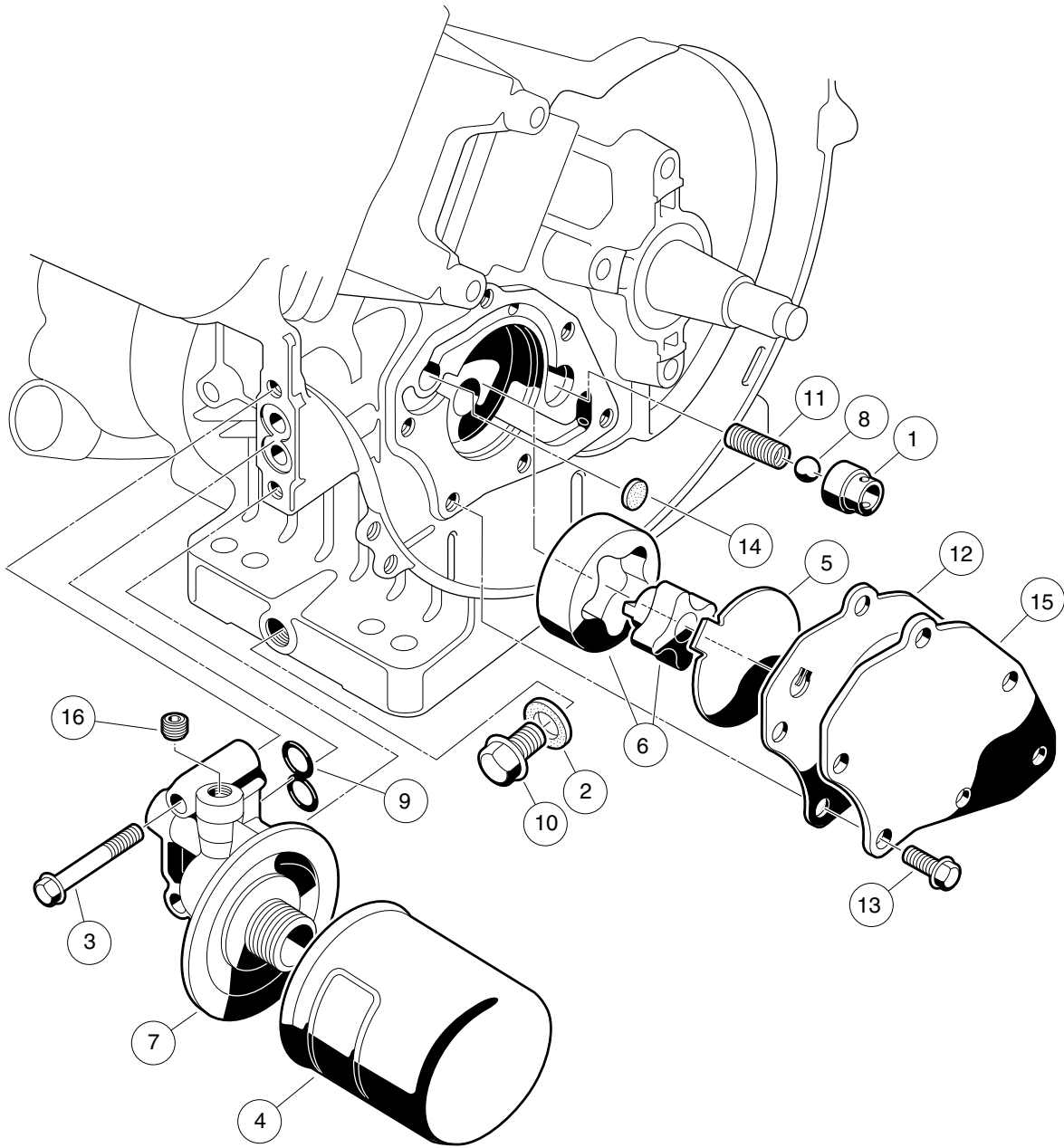
6

G

FE350 ENGINE – S27

7

G



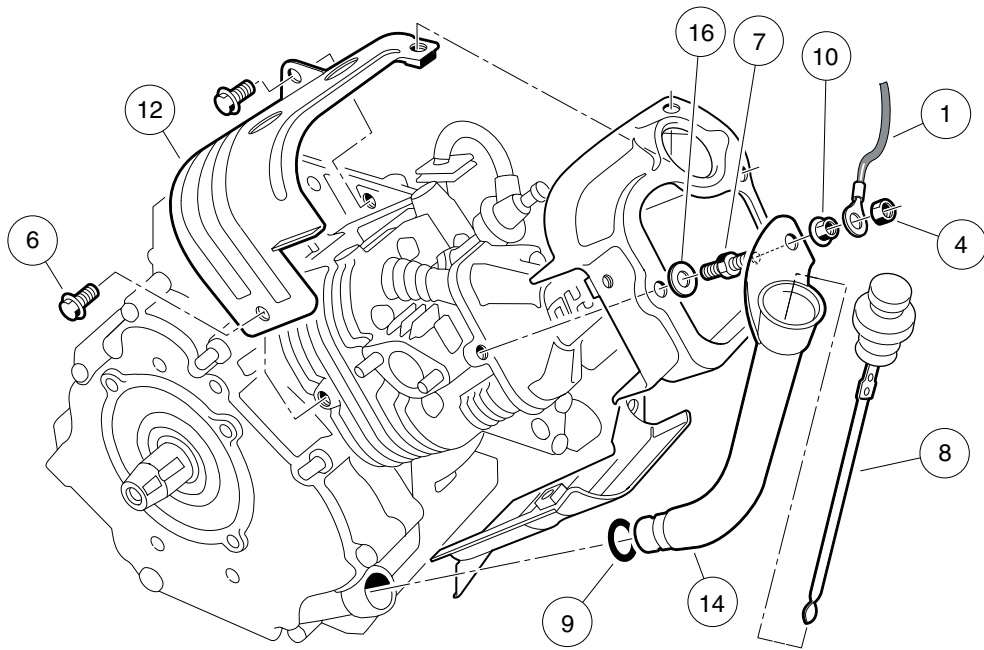
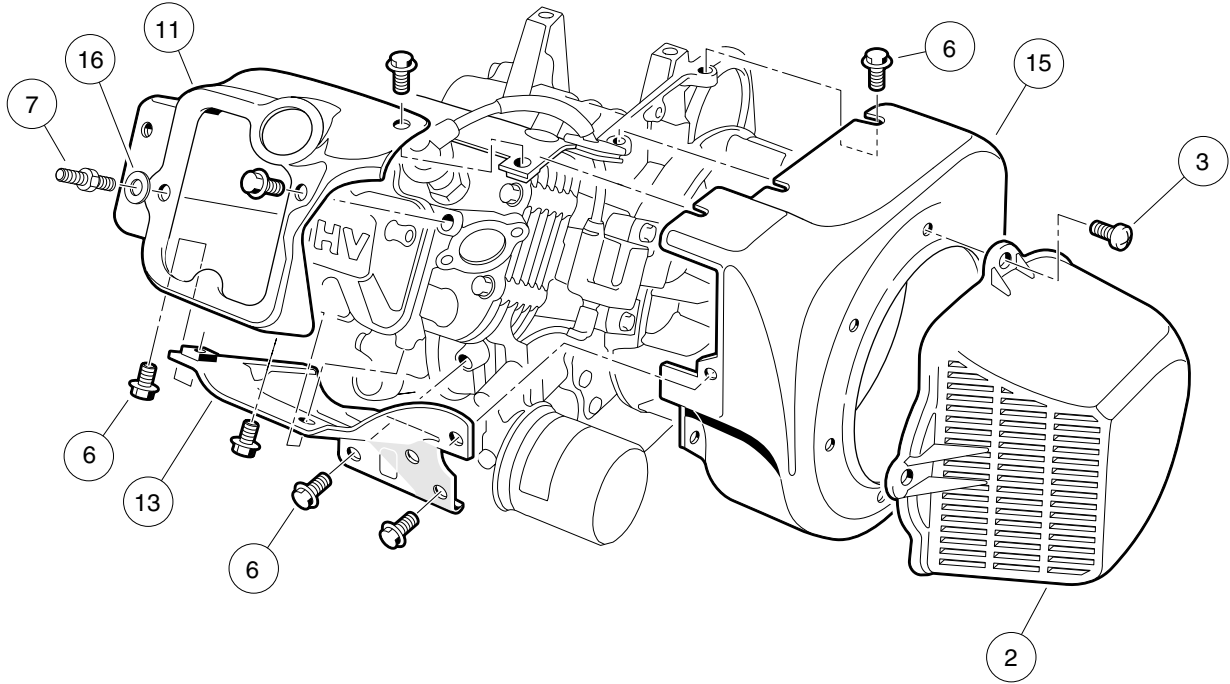
000203-001

FE350 ENGINE – OIL CIRCULATION

ITEM	PART NO.	DESCRIPTION	QTY
		1 2 3 4	
1	1016429	Seat, Value Oil Press Relief	1
2	<u>1016432</u>	Gasket, Drain Plug	1
3	<u>1016457</u>	Bolt, Flange Head	2
4	<u>1016467</u>	Filter, Oil	1
5	<u>1016473</u>	Plate, Oil Pump	1
6	<u>101648203</u>	Oil Pump And Rotor	1
7	<u>1016502</u>	Bracket, Oil Filter Mount	1
8	<u>1016537</u>	Ball, Steel, Press, Relief	1
9	<u>1016570</u>	O-Ring	1
10	1016576	Plug, Drain	1
11	<u>1016581</u>	Spring	1
12	<u>1017442</u>	Gasket	1
13	<u>1017456</u>	Bolt, Flanged	6
14	<u>1017458</u>	Filter	1
15	<u>1017460</u>	Cover, Pump	1
16	<u>1017507</u>	Plug	2

7
G

7
G



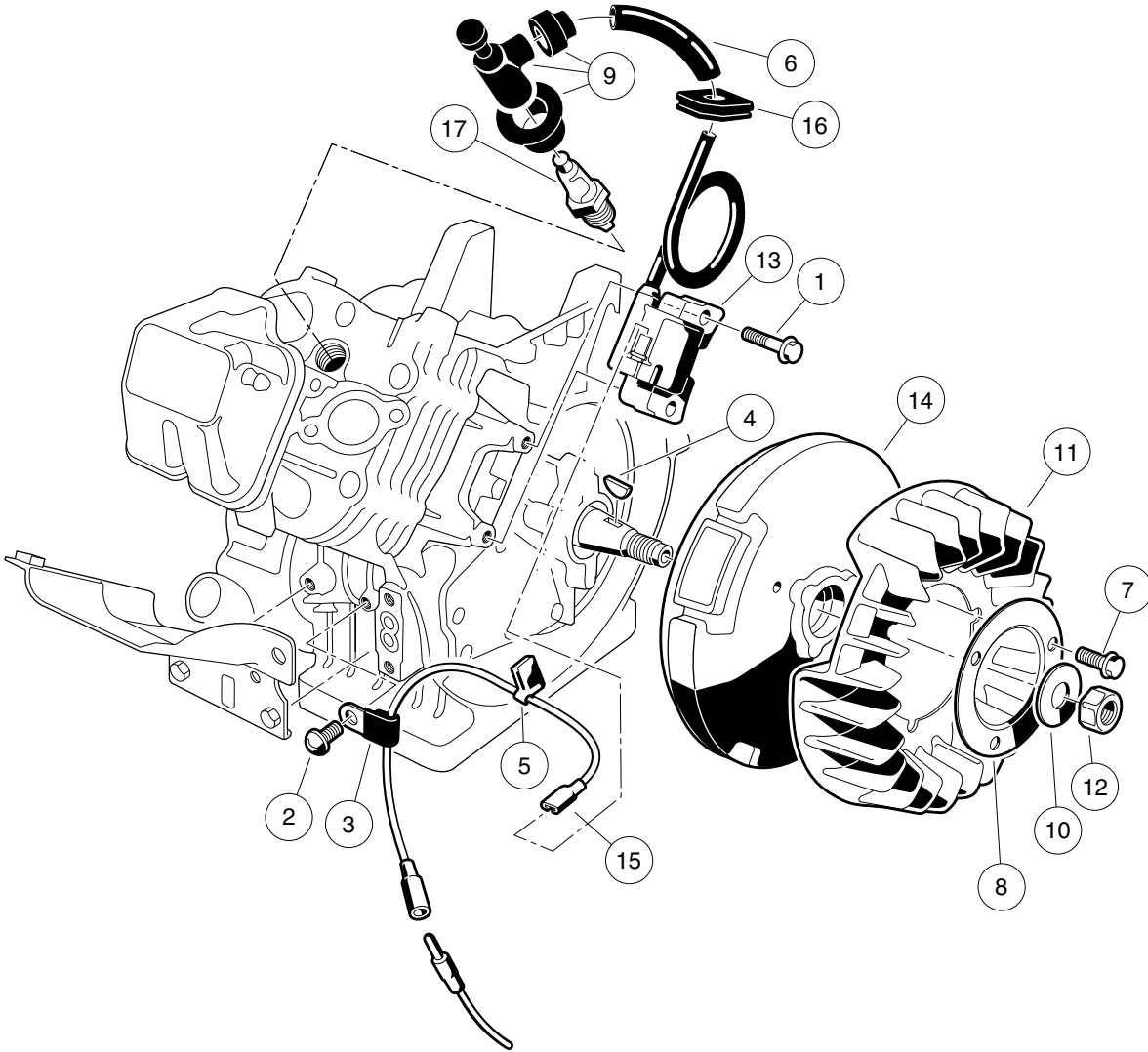
000201-002

FE350 ENGINE WITHOUT ACR (AUTOMATIC COMPRESSION RELEASE) – SHROUDS AND BRACKETS

ITEM	PART NO.	DESCRIPTION	QTY
		1 2 3 4	
1	<u>1015332</u>	Wire Assembly, #10, Uninsulated	1
2	<u>1015649</u>	Shroud, Fan	1
3	<u>1015969</u>	Screw, M6-1.00 X 10mm Pan Hd	4
4	<u>101887601</u>	Locknut, M6-1.00 Nylon Insert	1
5	<u>103386202</u>	Engine, FE350 S27 (includes items 6 through 16)	1
6	1016456	Bolt, Flange Head, M6 x 1 x 12 mm	16
7	<u>1016507</u>	Bolt, Two-Ended	1
8	1016531	Dipstick	1
9	<u>1016539</u>	O-Ring	1
10	1016547	Nut, M6 Flange	1
11	<u>1017474</u>	Shroud, Engine	1
12	<u>1017475</u>	Shroud, Engine	1
13	<u>1017476</u>	Shroud, Engine	1
14	<u>1017486</u>	Tube, Oil Filler	1
15	<u>101916101</u>	Housing, FE350 Fan	1
16	N/A	Washer, 6mm Flat	1

7

G

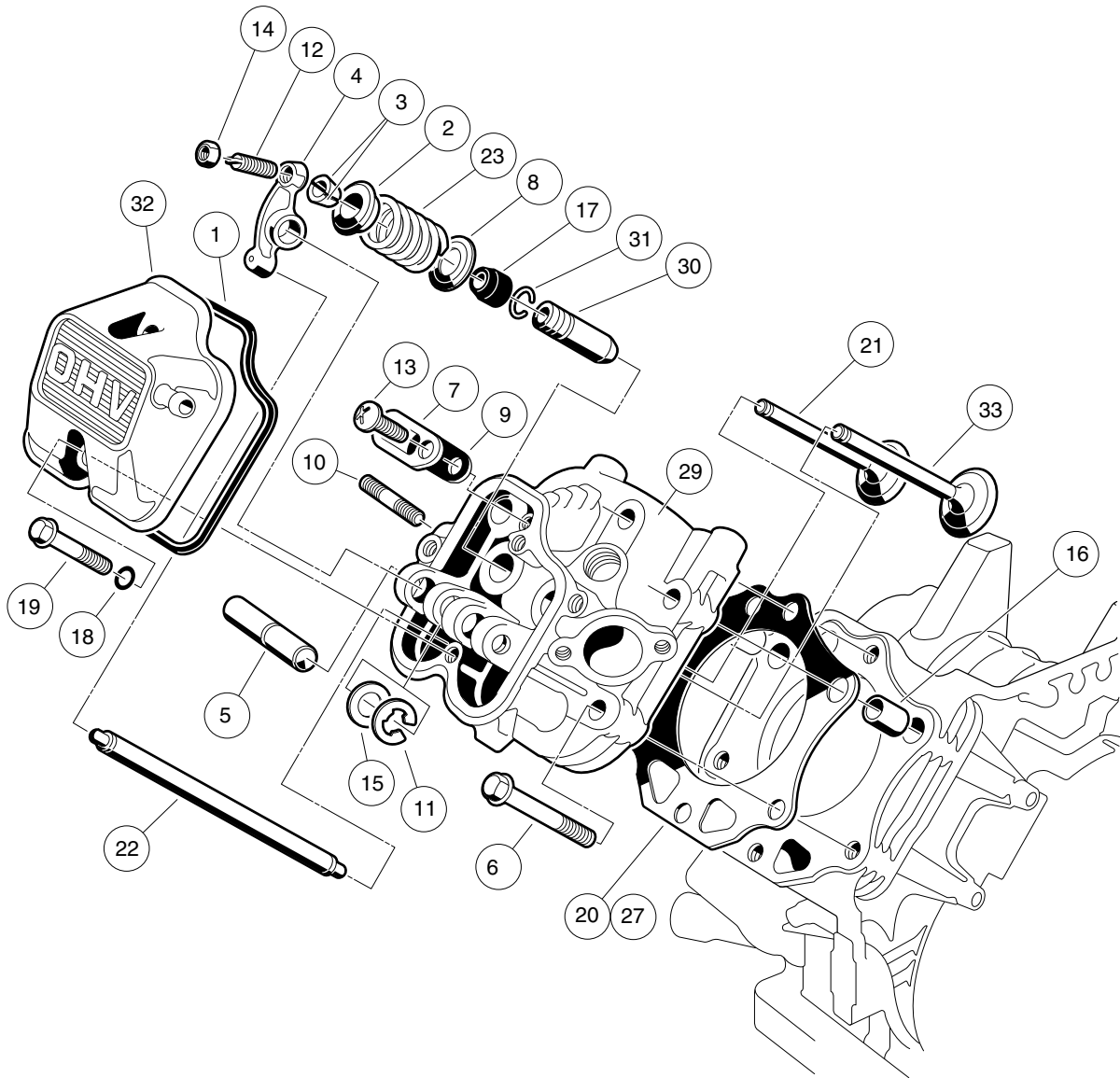


000202-002

AS26 FE350 ENGINE – IGNITION COMPONENTS AND FLYWHEEL

ITEM	PART NO.	DESCRIPTION	QTY
		1 2 3 4	
1	<u>1016455</u>	Bolt, Flange Head	2
2	<u>1016544</u>	Screw	1
3	<u>1016561</u>	Clamp	1
4	<u>1016562</u>	Key	1
5	<u>1016587</u>	Clamp	1
6	<u>1016588</u>	Tube, 7mm X 10mm X 70mm	1
7	<u>1017448</u>	Bolt, Flanged	3
8	<u>1017455</u>	Plate, Flywheel Fan	1
9	<u>1017463</u>	Cap Asm Plug	1
10	<u>1017490</u>	Washer, Flat	1
11	<u>101916301</u>	Fan (cw)	1
12	N/A	Nut, Hex, 18 mm Fine	1
13	<u>103616501</u>	Ignition, Coil Asm	1
14	<u>103616601</u>	Flywheel Comp	1
15	<u>103616701</u>	Ignition, Wire Lead	1
16	103616801	Ignition, Grommet	1
17	<u>AM1232301</u>	Spark Plug, BPR2ES	1

7
G

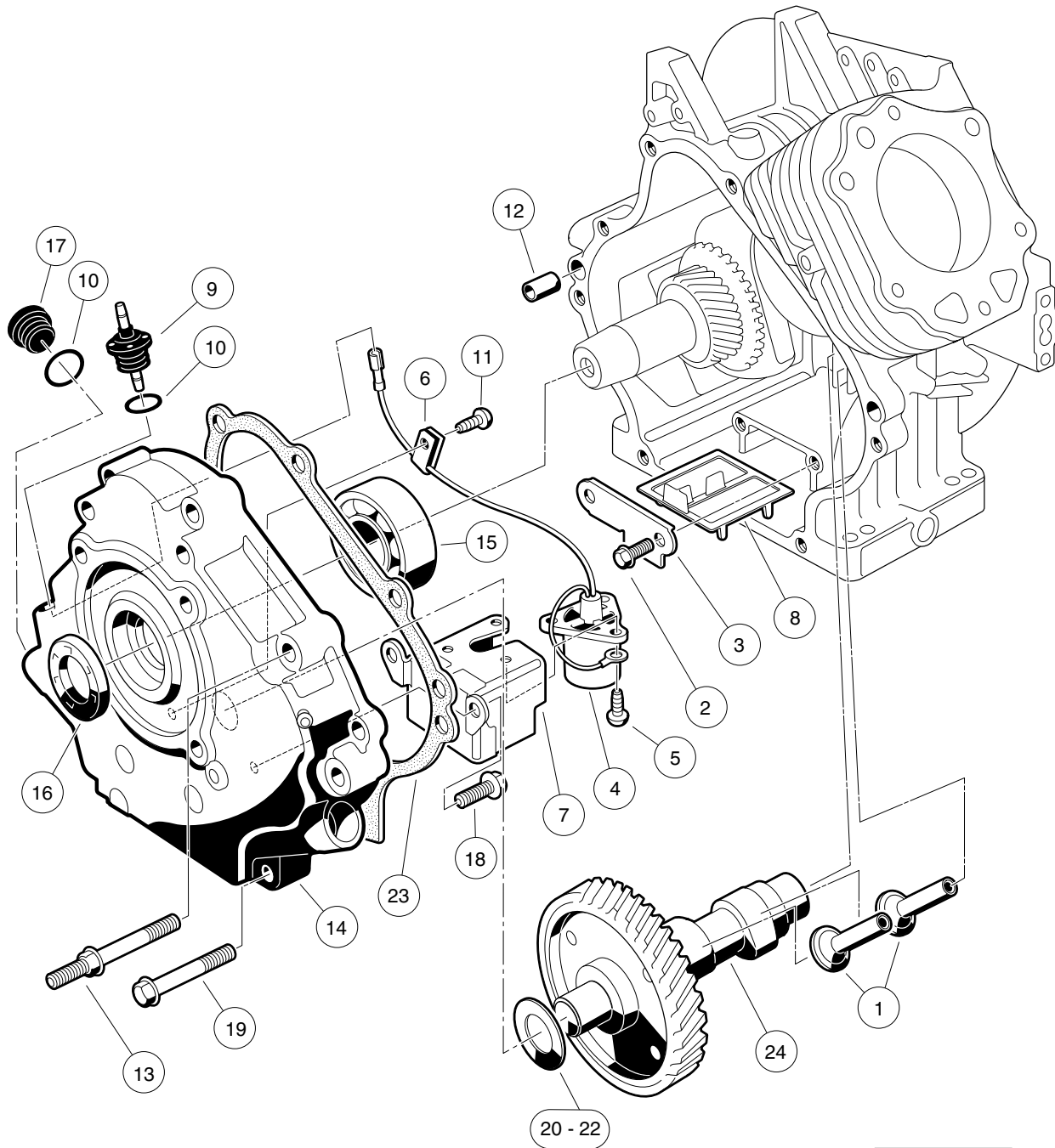


000204-002

AS26 FE350 ENGINE – CYLINDER HEAD

ITEM	PART NO.	DESCRIPTION	QTY
		1 2 3 4	
1	<u>1016436</u>	Gasket, Rocker Case	1
2	<u>1016449</u>	Retainer, Valve Spring	2
3	<u>1016450</u>	Collet	4
4	<u>1016451</u>	Arm, Rocker	2
5	<u>1016452</u>	Shaft, Rocker	1
6	<u>1016458</u>	Bolt, Flange Head, M8 x 1.25 x 45 mm	6
7	<u>1016474</u>	Plate	1
8	<u>1016479</u>	Seat, Spring	2
9	<u>1016483</u>	Valve	1
10	<u>1016489</u>	Stud, Two-Ended, M8-1.25	2
11	<u>1016517</u>	Circlip, Type-E	1
12	<u>1016542</u>	Screw	2
13	<u>1016544</u>	Screw	1
14	<u>1016545</u>	Nut	2
15	<u>1016549</u>	Washer, 12.1x19x1.8	1
16	<u>1016563</u>	Pin	2
17	<u>1016566</u>	Seal, Oil	2
18	<u>1016569</u>	O-Ring	2
19	<u>1016583</u>	Bolt, 6x35	2
20	<u>1017434</u>	Gasket, Head	1
21	<u>1017445</u>	Valve, Exhaust	1
22	<u>1017454</u>	Rod, Push	2
23	<u>1017473</u>	Spring, Engine Valve	2
24	<u>102304801</u>	Kit, Gasket, FE350 (includes items 25 through 28)	1
25	<u>1016440</u>	Gasket, Engine to Insulator	1
26	<u>1016904</u>	Gasket, Exhaust	1
27	<u>1017434</u>	Gasket, Head	1
28	<u>1017443</u>	Gasket, Crankcase Cover	1
29	<u>103615601</u>	Cylinder Head, Fe350 S26, S27	1
30	<u>103615701</u>	Case, Rocker, Fe350 S26 S27	1
31	<u>103616301</u>	Valve, Intake, Hard Tip	1
		Note: Item 24 is not a component of the FE350 engine.	

7
G

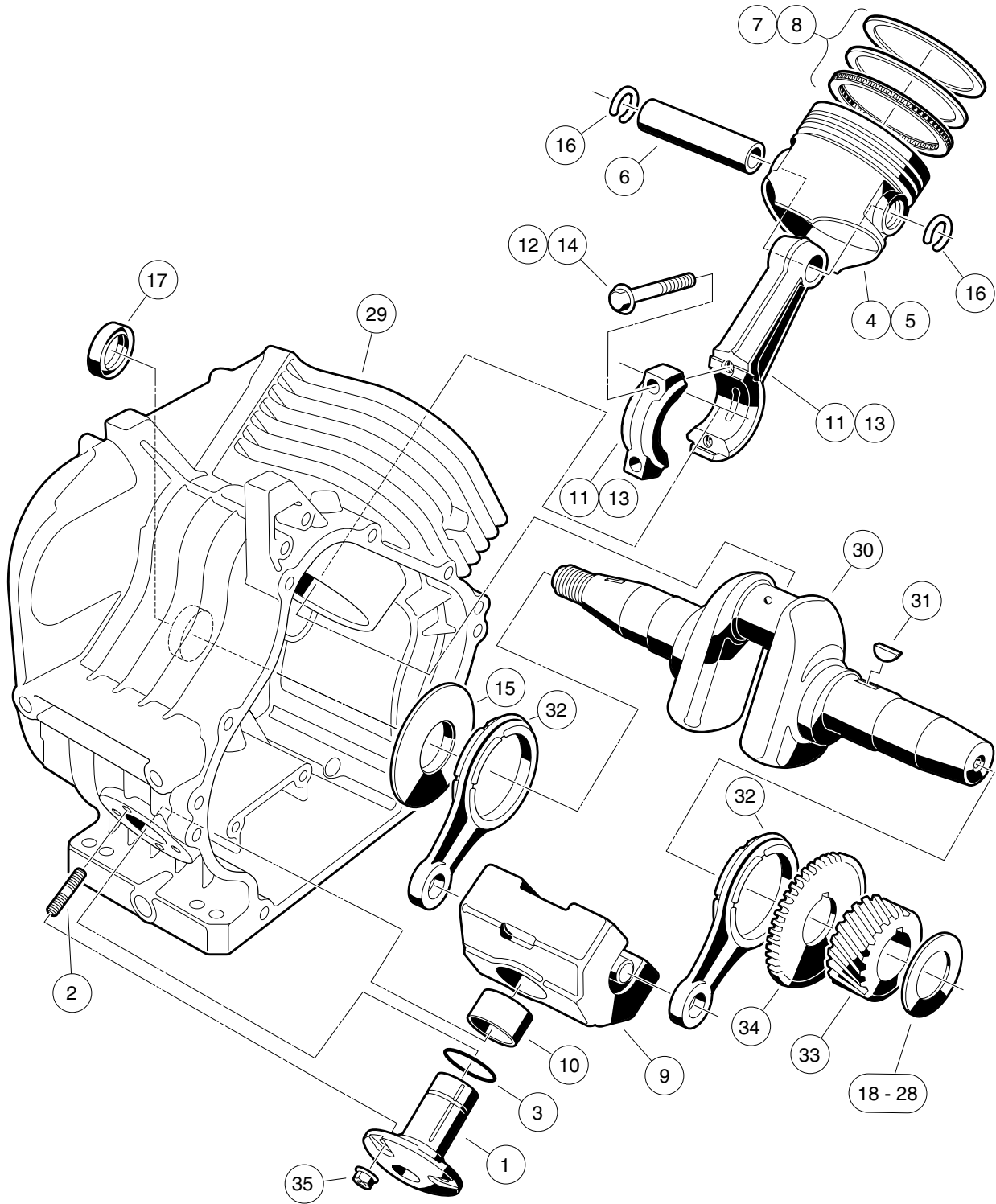


000205-003

AS26 FE350 ENGINE – CRANKCASE AND CRANKSHAFT OIL SENSOR

ITEM	PART NO.	DESCRIPTION	QTY
		1 2 3 4	
1	1016453	Tappet	2
2	<u>1016454</u>	Bolt, Flange Head, M5 x 0.8 x 8 mm	2
3	<u>1016472</u>	Plate, Oil Filter Screen	1
4	1016494	Sensor, Oil Level	1
5	<u>1016496</u>	Screw, Cross Pan-Head, M4 x 0.7 x 8 mm	3
6	<u>1016506</u>	Clamp	1
7	<u>1016510</u>	Bracket, Switch, Oil Level	1
8	<u>1016521</u>	Screen, Oil Filter	1
9	<u>1016535</u>	Connector, Cord	1
10	<u>1016538</u>	O-Ring	2
11	<u>1016544</u>	Screw	1
12	<u>1016564</u>	Pin	2
13	<u>1016584</u>	Bolt, Two-Ended, M8 x 1.25 x 69 mm	2
14	<u>1017472</u>	Cover Crankcase	1
15	<u>1017487</u>	Bearing, Ball	1
16	<u>1017504</u>	Seal, Oil	1
17	1017508	Plug	1
18	<u>1017513</u>	Bolt Switch Bracket	2
19	<u>1017514</u>	Screw, M8-1.25 X 45mm Hex	6
20	<u>101751801</u>	Shim, 0.3	1
21	<u>101751802</u>	Shim, 0.4	1
22	<u>101751803</u>	Shim, 0.5	1
23	<u>103615901</u>	Gasket, Crankcase Cover	1
24	<u>103616401</u>	Camshaft Comp	1

7
G



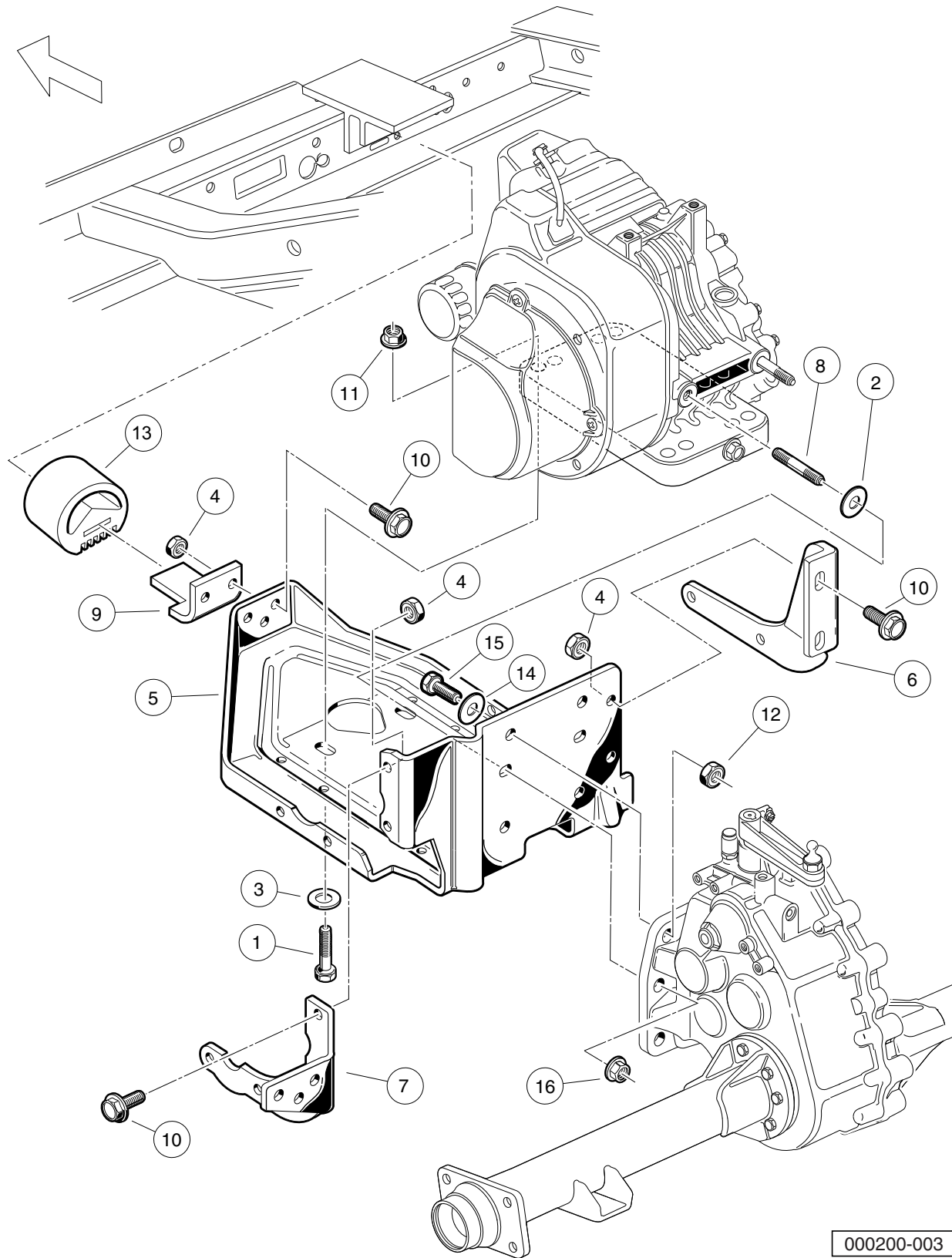
000206-001

AS26 FE350 ENGINE – CRANKCASE AND CRANKSHAFT

ITEM	PART NO.	DESCRIPTION	QTY
		1 2 3 4	
1	1016470	Shaft, Guide, Counterbalance	1
2	<u>1016541</u>	Stud, 6x14	4
3	<u>1016571</u>	O-Ring	1
4	<u>101744901</u>	Piston, Standard	1
5	<u>101744902</u>	Piston, 0.50 mm Oversize	1
6	1017450	Pin, Piston	1
7	<u>101745101</u>	Ring Set, Standard Piston	1
8	<u>101745102</u>	Ring Set, Piston, 0.50 mm Oversize	1
9	<u>1017453</u>	Fe400 Counterbalance Weight (includes item 10)	1
10	1017510	Bearing, Plain	1
11	101745701	Asm, Con. Rod Std (includes item 12)	1
12	<u>1017512</u>	Bolt	2
13	<u>101745702</u>	Rod Assembly Connecting Rod 0.5mm (includes item 14)	1
14	<u>1017512</u>	Bolt	2
15	1017501	Spacer	1
16	<u>1017502</u>	Snap Ring	2
17	<u>1017503</u>	Seal, Oil	1
18	<u>101773301</u>	Shim, Crankshaft, 1.18mm	1
19	<u>101773302</u>	Shim, Crankshaft, 1.25mm	1
20	<u>101773303</u>	Shim, Crankshaft, 1.32mm	1
21	<u>101773304</u>	Shim, Crankshaft, 1.39mm	1
22	<u>101773305</u>	Shim, Crankshaft, 1.46mm	1
23	<u>101773306</u>	Shim, Crankshaft, 1.53mm	1
24	<u>101773307</u>	Shim, Crankshaft, 1.60mm	1
25	<u>101773308</u>	Shim, Crankshaft, 1.67mm	1
26	<u>101773309</u>	Shim, Crankshaft, 1.74mm	1
27	<u>101773310</u>	Shim, Crankshaft, 1.11mm	1
28	<u>101773311</u>	Shim, Crankshaft, 1.81mm	1
29	<u>103615801</u>	Crankcase, Fe350 S26 S27	1
30	N/A	Crankshaft, Complete (includes items 31 through 34)	1
31	<u>1016562</u>	Key	1
32	<u>1017471</u>	Rod	2
33	N/A	Gear, Helical	1
34	N/A	Gear, Spur	1
35	103616201	Nut, M6 Flange	4

7
G

7
G



000200-003

FE350 ENGINE MOUNTING

ITEM	PART NO.	DESCRIPTION	QTY
		1 2 3 4	
1	<u>1010577</u>	Bolt, Hex-Head, 5/16-18 X 1.50	4
2	<u>1011697</u>	Washer, 5/16 Flat	2
3	1012571	Washer, 5/16 Extra Thick Flat	4
4	<u>1013924</u>	Nut, 5/16-24 Hex Head Cone	10
5	<u>101827101</u>	Plate, Engine Mounting	1
6	<u>101832601</u>	Stiffener (PTO Side)	1
7	<u>101832701</u>	Stiffener (Flywheel Side)	1
8	<u>101833101</u>	Stud, M8-1.25 X 50 mm Two-Ended	2
9	<u>101834601</u>	Snubber Bracket	1
10	<u>101884801</u>	Screw, 5/16-24 X 0.875 Grade-8	10
11	<u>101963401</u>	Locknut, 5/16-18 Hex Flange	4
12	<u>102065901</u>	Locknut, 3/8-16 Flanged Dimple	4
13	<u>102540301</u>	Inner Frame Snubber	1
14	<u>334</u>	Washer, 3/8 Type A Flat	4
15	705	Screw, Cap-hex Hd 3/8-16x1.25	4
16	<u>96704416</u>	Nut Flg, M8 X 1.25 Serrated	2

7

G

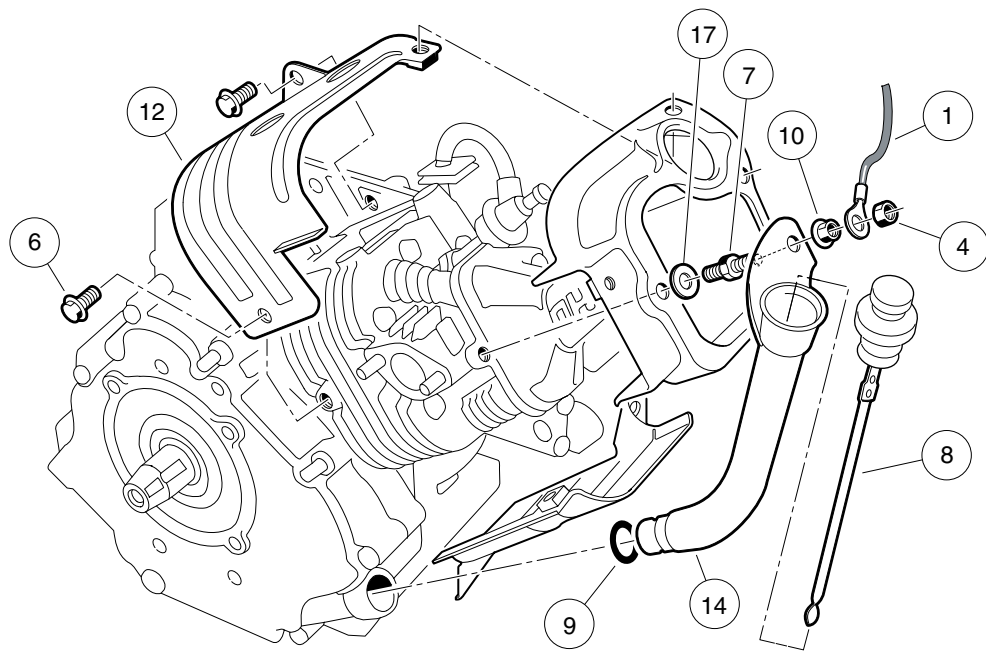
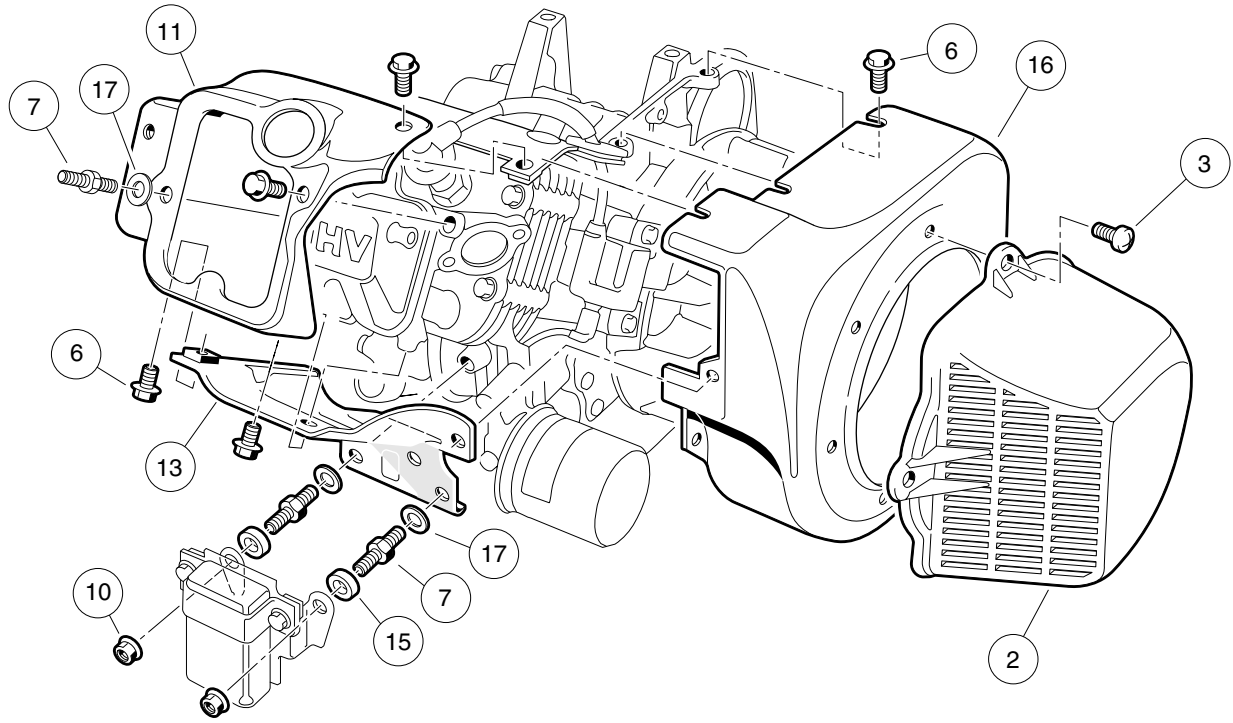
7

G

FE350 ENGINE WITHOUT ACR

8

G

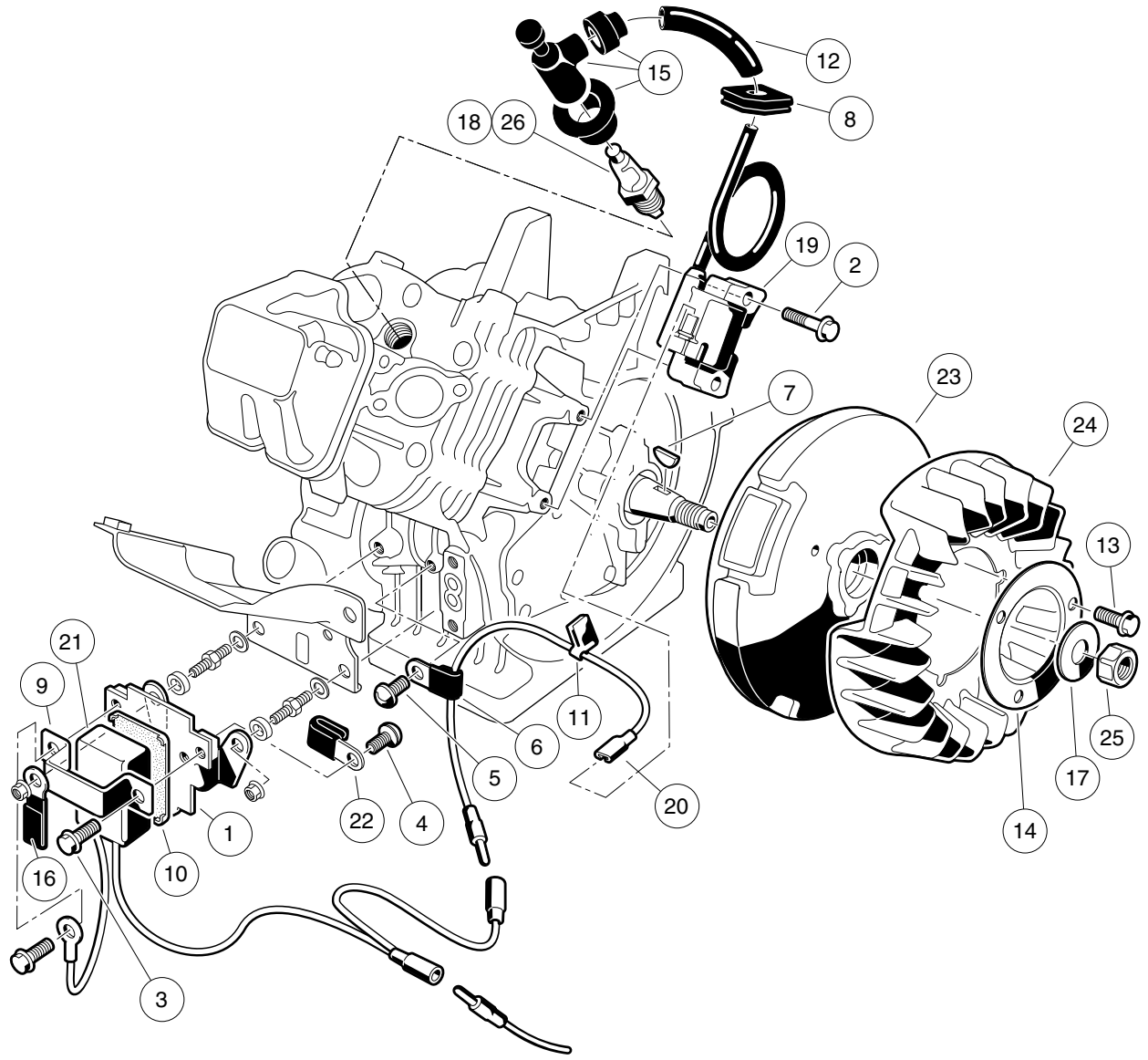


000201-001

AS11 FE350 ENGINE WITHOUT ACR (AUTOMATIC COMPRESSION RELEASE) – SHROUDS AND BRACKETS

ITEM	PART NO.	DESCRIPTION	QTY
		1 2 3 4	
1	<u>1015332</u>	Wire Assembly, #10, Uninsulated	1
2	<u>1015649</u>	Shroud, Fan	1
3	<u>1015969</u>	Screw, M6-1.00 X 10mm Pan Hd	4
4	<u>101887601</u>	Locknut, M6-1.00 Nylon Insert	1
5	<u>101953802</u>	Engine, FE350 (cw) without ACR * (includes items 6 through 17)	1
6	1016456	Bolt, Flange Head, M6 x 1 x 12 mm	14
7	<u>1016507</u>	Bolt, Two-Ended	3
8	1016531	Dipstick	1
9	<u>1016539</u>	O-Ring	1
10	1016547	Nut, M6 Flange	3
11	<u>1017474</u>	Shroud, Engine	1
12	<u>1017475</u>	Shroud, Engine	1
13	<u>1017476</u>	Shroud, Engine	1
14	<u>1017486</u>	Tube, Oil Filler	1
15	<u>1017500</u>	Spacer 6.50 X 12 X 5.5	2
16	<u>101916101</u>	Housing, FE350 Fan	1
17	N/A	Washer, 6mm Flat	3
		* Note: FE350 engine component listings span several pages.	

8
G

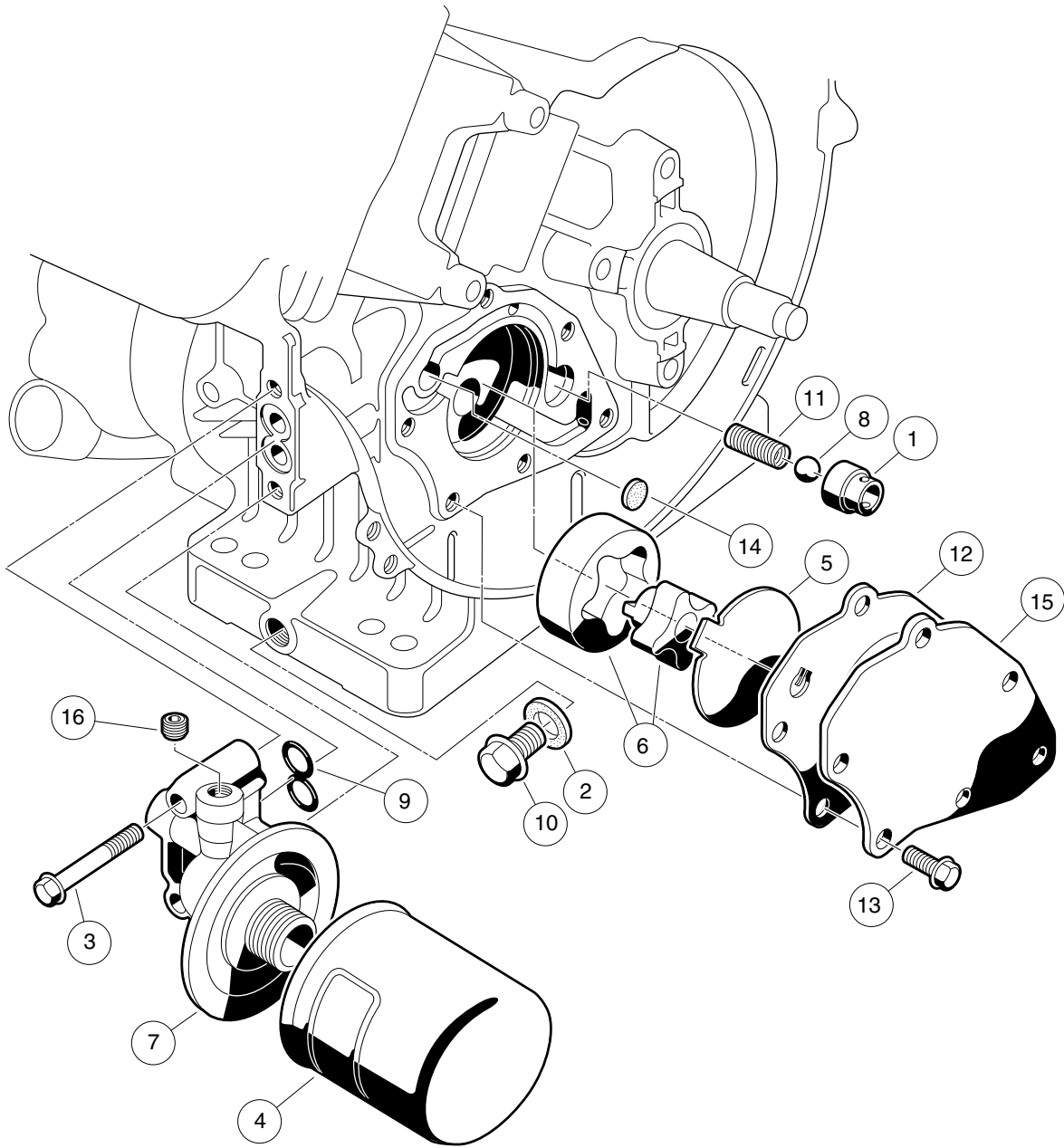


000202-001

AS11 FE350 ENGINE – IGNITION COMPONENTS AND FLYWHEEL

ITEM	PART NO.	DESCRIPTION	QTY
		1 2 3 4	
1	1016445	Bracket, RPM Limiter	1
2	<u>1016455</u>	Bolt, Flange Head	2
3	1016456	Bolt, Flange Head, M6 x 1 x 12 mm	2
4	<u>1016497</u>	Screw, Pan WP Cross	1
5	<u>1016544</u>	Screw	1
6	<u>1016561</u>	Clamp	1
7	<u>1016562</u>	Key	1
8	<u>1016578</u>	Ignition, Grommet	1
9	<u>1016579</u>	Band, RPM Limiter Mount	1
10	1016586	Damper, RPM Limiter	1
11	<u>1016587</u>	Clamp	1
12	<u>1016588</u>	Tube, 7mm X 10mm X 70mm	1
13	<u>1017448</u>	Bolt, Flanged	3
14	<u>1017455</u>	Plate, Flywheel Fan	1
15	<u>1017463</u>	Cap Asm Plug	1
16	<u>1017468</u>	Clamp	1
17	<u>1017490</u>	Washer, Flat	1
18	<u>101881101</u>	Spark Plug, OHV (Autolite)	1
19	<u>101909201</u>	Coil, Ignition	1
20	<u>101909301</u>	Lead Wire Assy	1
21	101909401	Limiter, RPM	1
22	101909501	Clamp, Steel	1
23	<u>101916201</u>	Flywheel	1
24	<u>101916301</u>	Fan (cw)	1
25	N/A	Nut, Hex, 18 mm Fine	1
26	<u>AM10724</u>	Spark Plug, OHV (NGK)	1

8
G



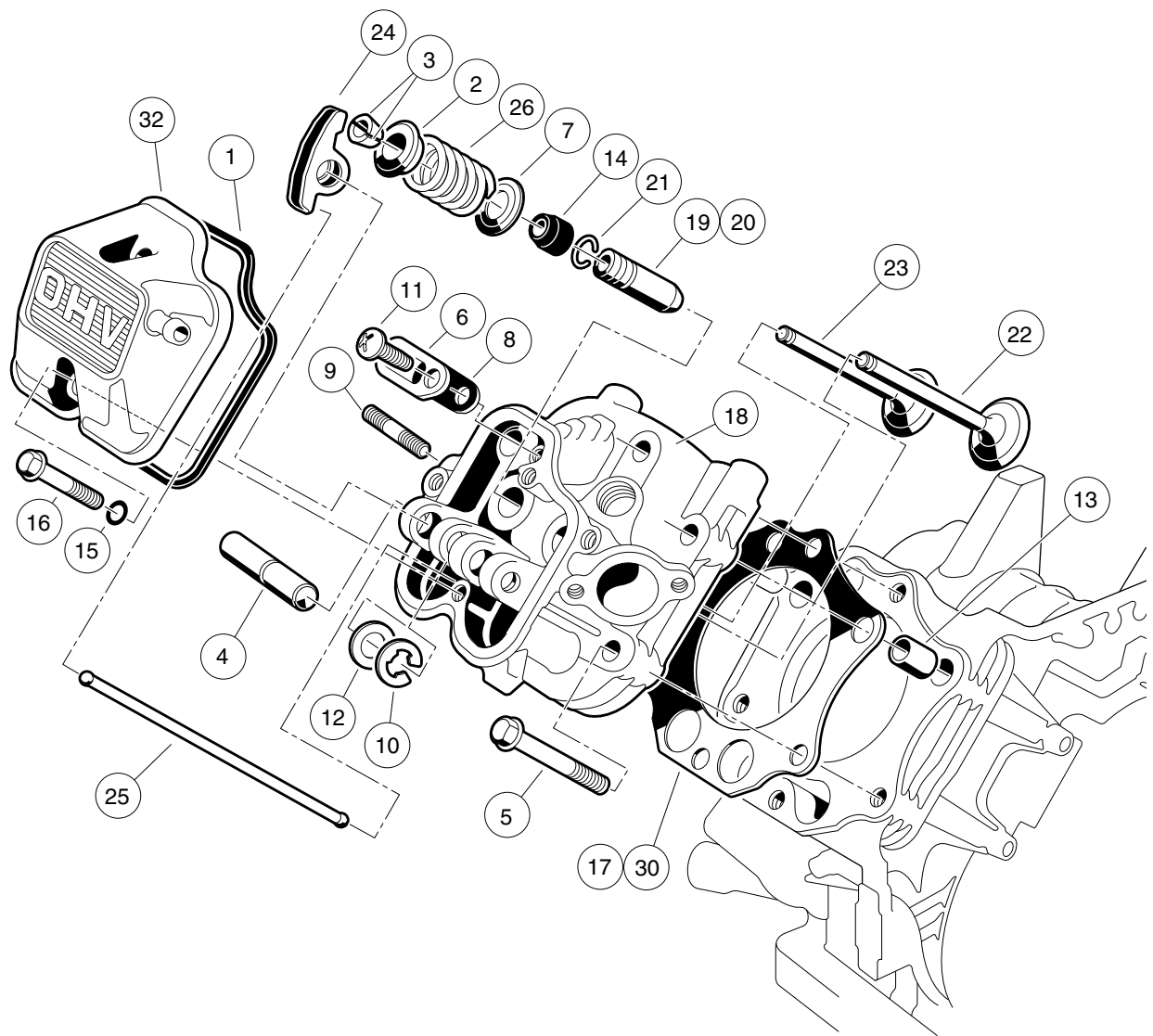
000203-001

FE350 ENGINE – OIL CIRCULATION

ITEM	PART NO.	DESCRIPTION	QTY
		1 2 3 4	
1	1016429	Seat, Value Oil Press Relief	1
2	<u>1016432</u>	Gasket, Drain Plug	1
3	<u>1016457</u>	Bolt, Flange Head	2
4	<u>1016467</u>	Filter, Oil	1
5	<u>1016473</u>	Plate, Oil Pump	1
6	<u>101648203</u>	Oil Pump And Rotor	1
7	<u>1016502</u>	Bracket, Oil Filter Mount	1
8	<u>1016537</u>	Ball, Steel, Press, Relief	1
9	<u>1016570</u>	O-Ring	1
10	1016576	Plug, Drain	1
11	<u>1016581</u>	Spring	1
12	<u>1017442</u>	Gasket	1
13	<u>1017456</u>	Bolt, Flanged	6
14	<u>1017458</u>	Filter	1
15	<u>1017460</u>	Cover, Pump	1
16	<u>1017507</u>	Plug	2

8

G



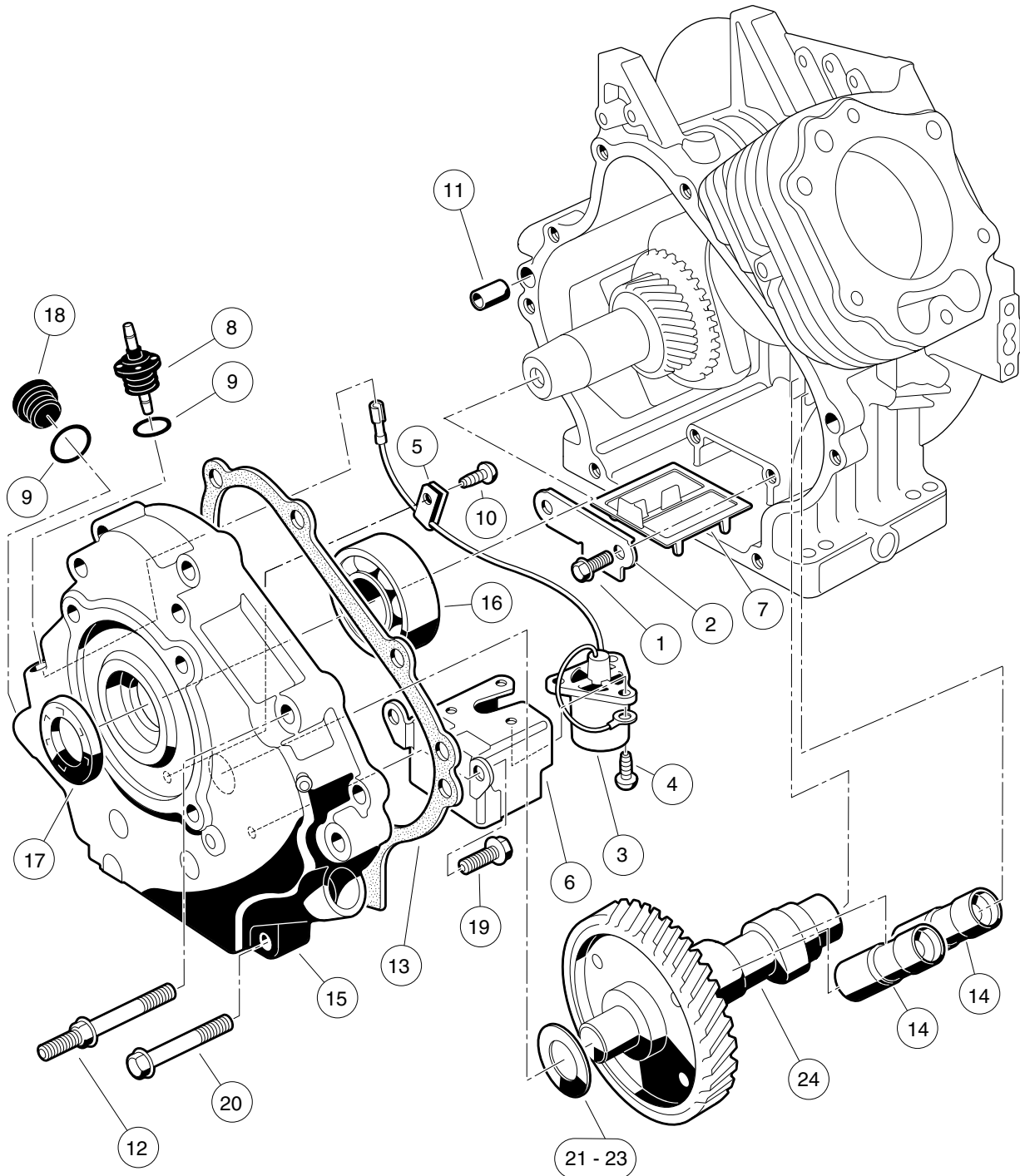
000204-001

AS11 FE350 ENGINE – CYLINDER HEAD

ITEM	PART NO.	DESCRIPTION	QTY
		1 2 3 4	
1	<u>1016436</u>	Gasket, Rocker Case	1
2	<u>1016449</u>	Retainer, Valve Spring	2
3	<u>1016450</u>	Collet	4
4	<u>1016452</u>	Shaft, Rocker	1
5	<u>1016458</u>	Bolt, Flange Head, M8 x 1.25 x 45 mm	6
6	<u>1016474</u>	Plate	1
7	<u>1016479</u>	Seat, Spring	2
8	<u>1016483</u>	Valve	1
9	<u>1016489</u>	Stud, Two-Ended, M8-1.25	2
10	<u>1016517</u>	Circlip, Type-E	1
11	<u>1016544</u>	Screw	1
12	<u>1016549</u>	Washer, 12.1x19x1.8	1
13	<u>1016563</u>	Pin	2
14	<u>1016566</u>	Seal, Oil	2
15	<u>1016569</u>	O-Ring	2
16	<u>1016583</u>	Bolt, 6x35	2
17	<u>1017434</u>	Gasket, Head	1
18	<u>1017435</u>	Assembly, Cylinder Head, FE350 (includes items 19 through 21)	1
19	<u>1016518</u>	Guide, Valve, Exhaust	1
20	<u>1016519</u>	Guide, Valve	1
21	<u>1016560</u>	Snap Ring	2
22	<u>1017444</u>	Valve, Intake	1
23	<u>1017445</u>	Valve, Exhaust	1
24	<u>1017446</u>	Arm, Rocker	2
25	<u>1017454</u>	Rod, Push	2
26	<u>1017473</u>	Spring, Engine Valve	2
27	<u>102304801</u>	Kit, Gasket, FE350 (includes items 28 through 31)	1
28	<u>1016440</u>	Gasket, Engine to Insulator	1
29	<u>1016904</u>	Gasket, Exhaust	1
30	<u>1017434</u>	Gasket, Head	1
31	<u>1017443</u>	Gasket, Crankcase Cover	1
32	<u>102753401</u>	Case, Rocker	1
		Note: Item 28 is not a component of the FE350 engine.	

8

G

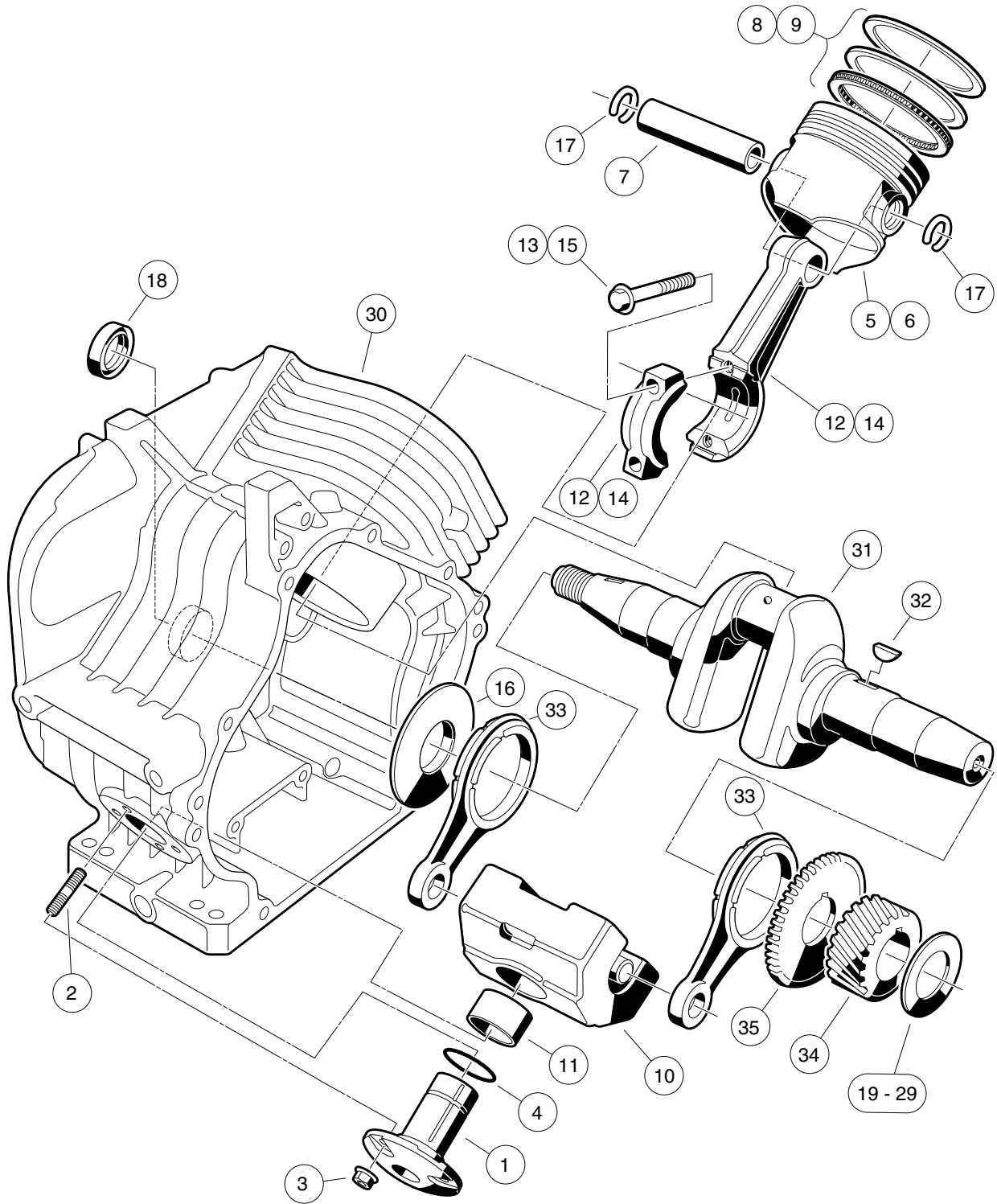


000205-002

AS11 FE350 ENGINE WITHOUT ACR – CRANKCASE, CAMSHAFT, AND OIL SENSOR

ITEM	PART NO.	DESCRIPTION	QTY
		1 2 3 4	
1	<u>1016454</u>	Bolt, Flange Head, M5 x 0.8 x 8 mm	2
2	<u>1016472</u>	Plate, Oil Filter Screen	1
3	<u>1016494</u>	Sensor, Oil Level	1
4	<u>1016496</u>	Screw, Cross Pan-Head, M4 x 0.7 x 8 mm	3
5	<u>1016506</u>	Clamp	1
6	<u>1016510</u>	Bracket, Switch, Oil Level	1
7	<u>1016521</u>	Screen, Oil Filter	1
8	<u>1016535</u>	Connector, Cord	1
9	<u>1016538</u>	O-Ring	2
10	<u>1016544</u>	Screw	1
11	<u>1016564</u>	Pin	2
12	<u>1016584</u>	Bolt, Two-Ended, M8 x 1.25 x 69 mm	2
13	<u>1017443</u>	Gasket, Crankcase Cover	1
14	<u>1017447</u>	Adjuster, Lash	2
15	<u>1017472</u>	Cover Crankcase	1
16	<u>1017487</u>	Bearing, Ball	1
17	<u>1017504</u>	Seal, Oil	1
18	<u>1017508</u>	Plug	1
19	<u>1017513</u>	Bolt Switch Bracket	2
20	<u>1017514</u>	Screw, M8-1.25 X 45mm Hex	6
21	<u>101751801</u>	Shim, 0.3	1
22	<u>101751802</u>	Shim, 0.4	1
23	<u>101751803</u>	Shim, 0.5	1
24	<u>102431001</u>	Camshaft, FE350 without ACR, 44-Tooth	1

8
G



000206-001

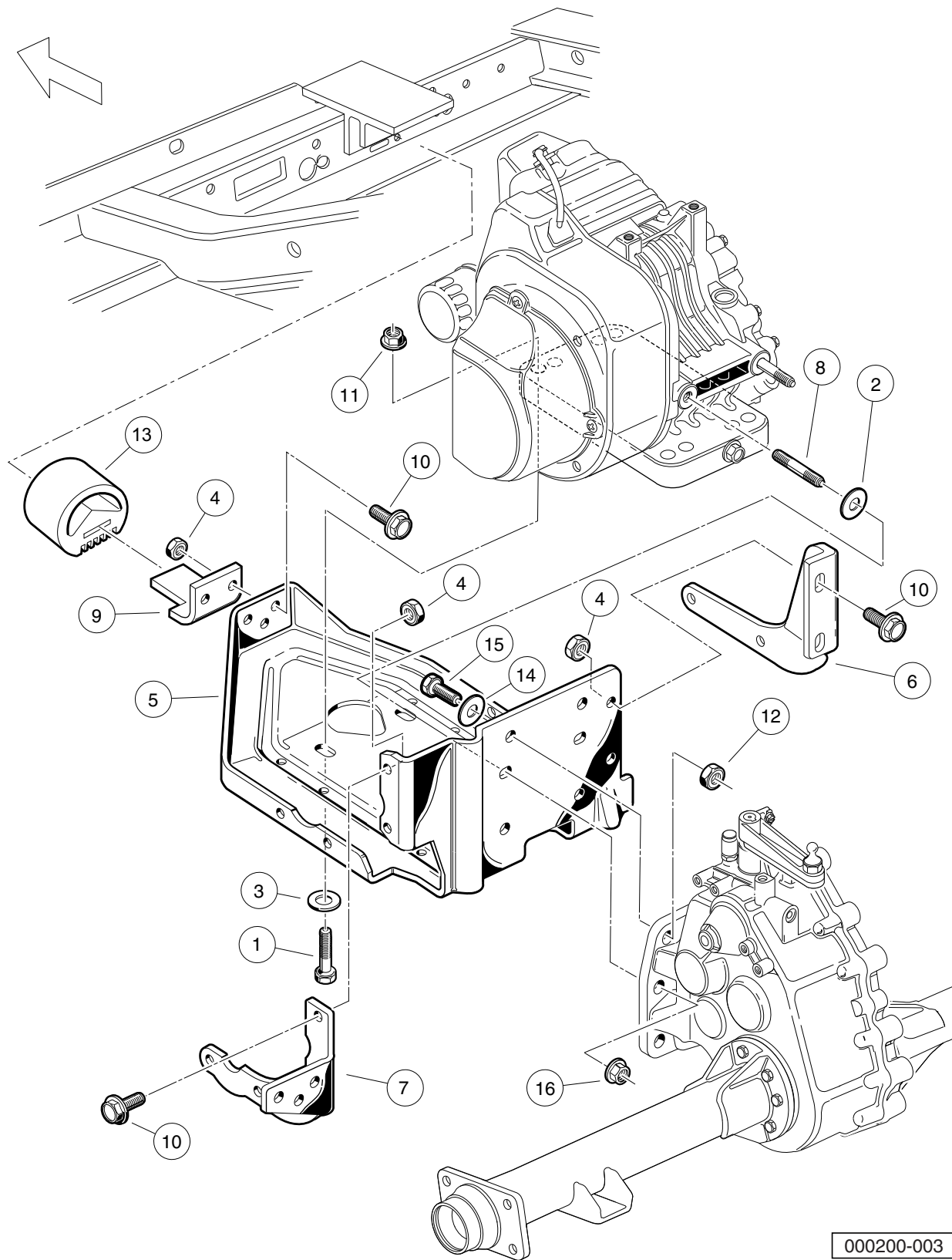
AS11 FE350 ENGINE – CRANKCASE AND CRANKSHAFT

ITEM	PART NO.	DESCRIPTION	QTY
		1 2 3 4	
1	1016470	Shaft, Guide, Counterbalance	1
2	<u>1016541</u>	Stud, 6x14	4
3	1016547	Nut, M6 Flange	4
4	<u>1016571</u>	O-Ring	1
5	<u>101744901</u>	Piston, Standard	1
6	<u>101744902</u>	Piston, 0.50 mm Oversize	1
7	1017450	Pin, Piston	1
8	<u>101745101</u>	Ring Set, Standard Piston	1
9	<u>101745102</u>	Ring Set, Piston, 0.50 mm Oversize	1
10	<u>1017453</u>	Fe400 Counterbalance Weight (includes item 11)	1
11	1017510	Bearing, Plain	1
12	101745701	Asm, Con. Rod Std (includes item 13)	1
13	<u>1017512</u>	Bolt	2
14	<u>101745702</u>	Rod Assembly Connecting Rod 0.5mm (includes item 15)	1
15	<u>1017512</u>	Bolt	2
16	1017501	Spacer	1
17	<u>1017502</u>	Snap Ring	2
18	<u>1017503</u>	Seal, Oil	1
19	<u>101773301</u>	Shim, Crankshaft, 1.18mm	1
20	<u>101773302</u>	Shim, Crankshaft, 1.25mm	1
21	<u>101773303</u>	Shim, Crankshaft, 1.32mm	1
22	<u>101773304</u>	Shim, Crankshaft, 1.39mm	1
23	<u>101773305</u>	Shim, Crankshaft, 1.46mm	1
24	<u>101773306</u>	Shim, Crankshaft, 1.53mm	1
25	<u>101773307</u>	Shim, Crankshaft, 1.60mm	1
26	<u>101773308</u>	Shim, Crankshaft, 1.67mm	1
27	<u>101773309</u>	Shim, Crankshaft, 1.74mm	1
28	<u>101773310</u>	Shim, Crankshaft, 1.11 mm	1
29	<u>101773311</u>	Shim, Crankshaft, 1.81mm	1
30	<u>101916001</u>	Crankcase Complete, FE350 (cw)	1
31	<u>102430901</u>	Crankshaft, FE350 Left-Hand, 22-Tooth (includes items 32 through 35)	1
32	<u>1016562</u>	Key	1
33	<u>1017471</u>	Rod	2
34	N/A	Gear, Helical	1
35	N/A	Gear, Spur	1

8

G

8
G



000200-003

FE350 ENGINE MOUNTING

ITEM	PART NO.	DESCRIPTION	QTY
		1 2 3 4	
1	<u>1010577</u>	Bolt, Hex-Head, 5/16-18 X 1.50	4
2	<u>1011697</u>	Washer, 5/16 Flat	2
3	1012571	Washer, 5/16 Extra Thick Flat	4
4	<u>1013924</u>	Nut, 5/16-24 Hex Head Cone	10
5	<u>101827101</u>	Plate, Engine Mounting	1
6	<u>101832601</u>	Stiffener (PTO Side)	1
7	<u>101832701</u>	Stiffener (Flywheel Side)	1
8	<u>101833101</u>	Stud, M8-1.25 X 50 mm Two-Ended	2
9	<u>101834601</u>	Snubber Bracket	1
10	<u>101884801</u>	Screw, 5/16-24 X 0.875 Grade-8	10
11	<u>101963401</u>	Locknut, 5/16-18 Hex Flange	4
12	<u>102065901</u>	Locknut, 3/8-16 Flanged Dimple	4
13	<u>102540301</u>	Inner Frame Snubber	1
14	<u>334</u>	Washer, 3/8 Type A Flat	4
15	705	Screw, Cap-hex Hd 3/8-16x1.25	4
16	<u>96704416</u>	Nut Flg, M8 X 1.25 Serrated	2

8

G

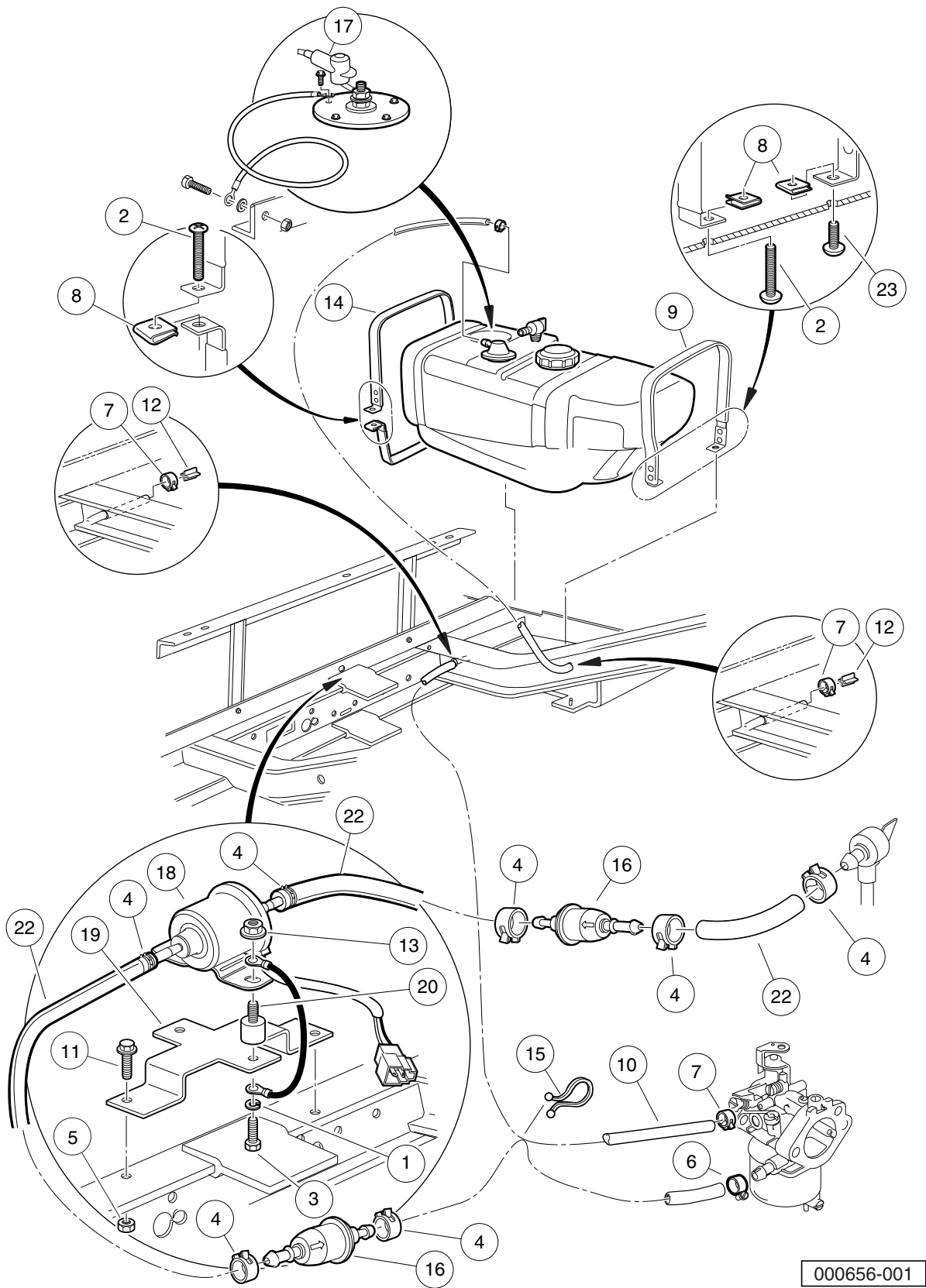
8

G

FUEL, INTAKE, AND GOVERNOR SYSTEM

9

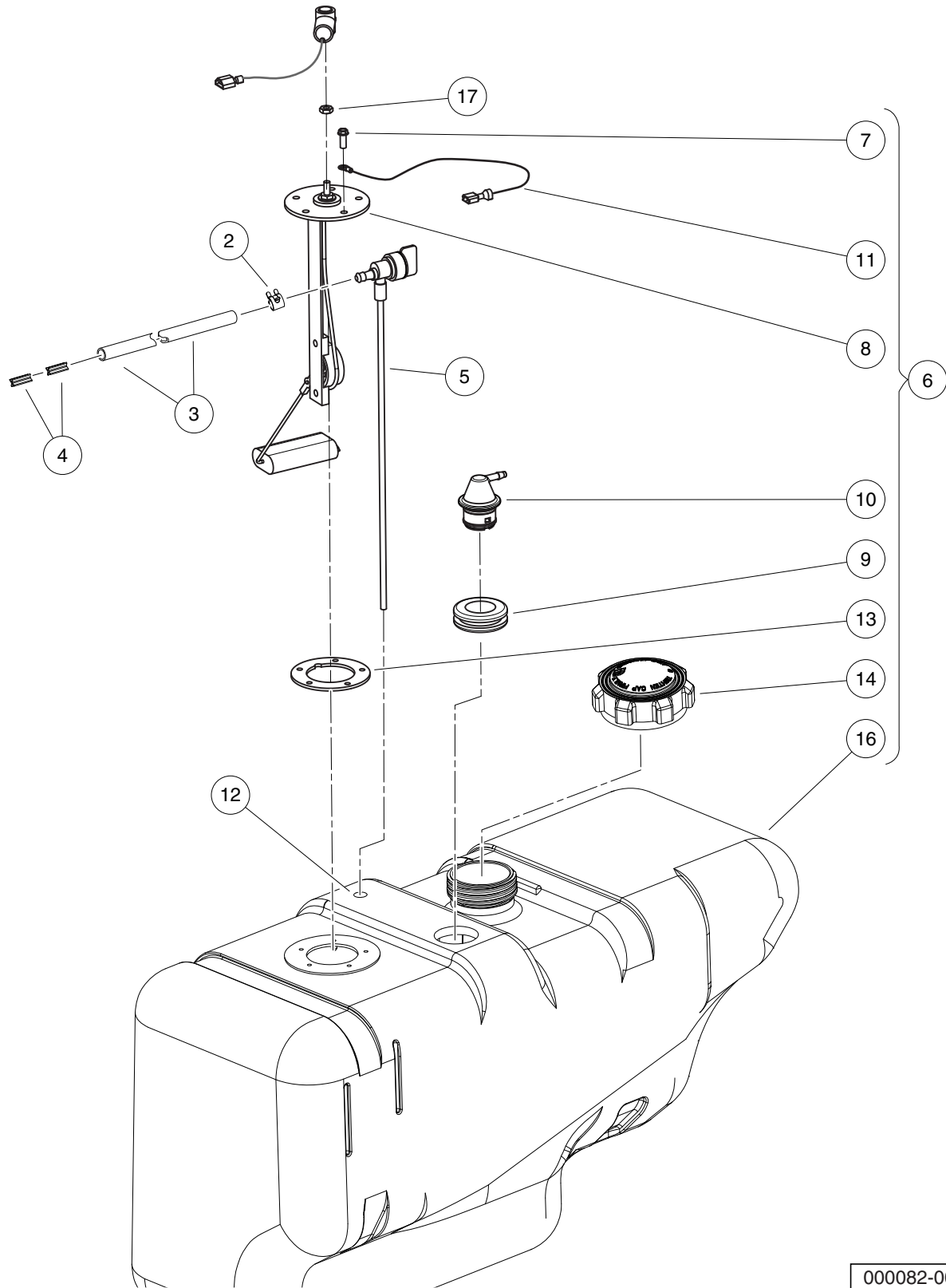
G



FUEL SYSTEM WITH ELECTRIC FUEL PUMP

ITEM	PART NO.	DESCRIPTION	QTY
		1 2 3 4	
1	<u>1011965</u>	Lockwasher, 1/4 Split Ss	2
2	<u>1011988</u>	Screw, 1/4-20 X 2.00 Phillips Truss-Head	2
3	<u>1012124</u>	Screw, 1/4-20 X .50 Hex Hd Cap	2
4	<u>1012649</u>	Clamp, 0.460 Red Hose	7
5	<u>1013061</u>	Locknut, #10-32 Nylon Insert	2
6	<u>1013687</u>	Clamp, 3/8" Hose (screw type)	1
7	<u>1013746</u>	Clamp, 0.301 ID Hose	2
8	<u>1014116</u>	Nut, 1/4-20 Speed	3
9	<u>1014928</u>	Fuel Strap Assembly Rear	1
10	<u>1015137</u>	Fuel Line (available by the foot)	1
11	<u>1017082</u>	Screw, #10-32 X 0.75, Hex-Head Machine	2
12	<u>101824401</u>	Vent Barb	1
13	<u>101835601</u>	Locknut, 1/4-20 Hex Whiz	2
14	<u>101955301</u>	Fuel Strap Assy, Front	1
15	<u>101987701</u>	Clamp, Plastic Tie	1
16	<u>102003201</u>	Filter, Fuel, 30 Micron	2
17	N/A	Boot Terminal, Insul	1
18	<u>102225101</u>	Electric Fuel Pump	1
19	<u>102227101</u>	Fuel Pump Bracket	1
20	<u>102227501</u>	Sandwich Mount	2
21	N/A	Fuel System Harness	1
22	<u>102865101</u>	Fuel Line	1
23	<u>8248</u>	Screw, 1/4-20 X 0.75 Truss-Head Machine	1
		Note: Item 21 not shown.	

9
G



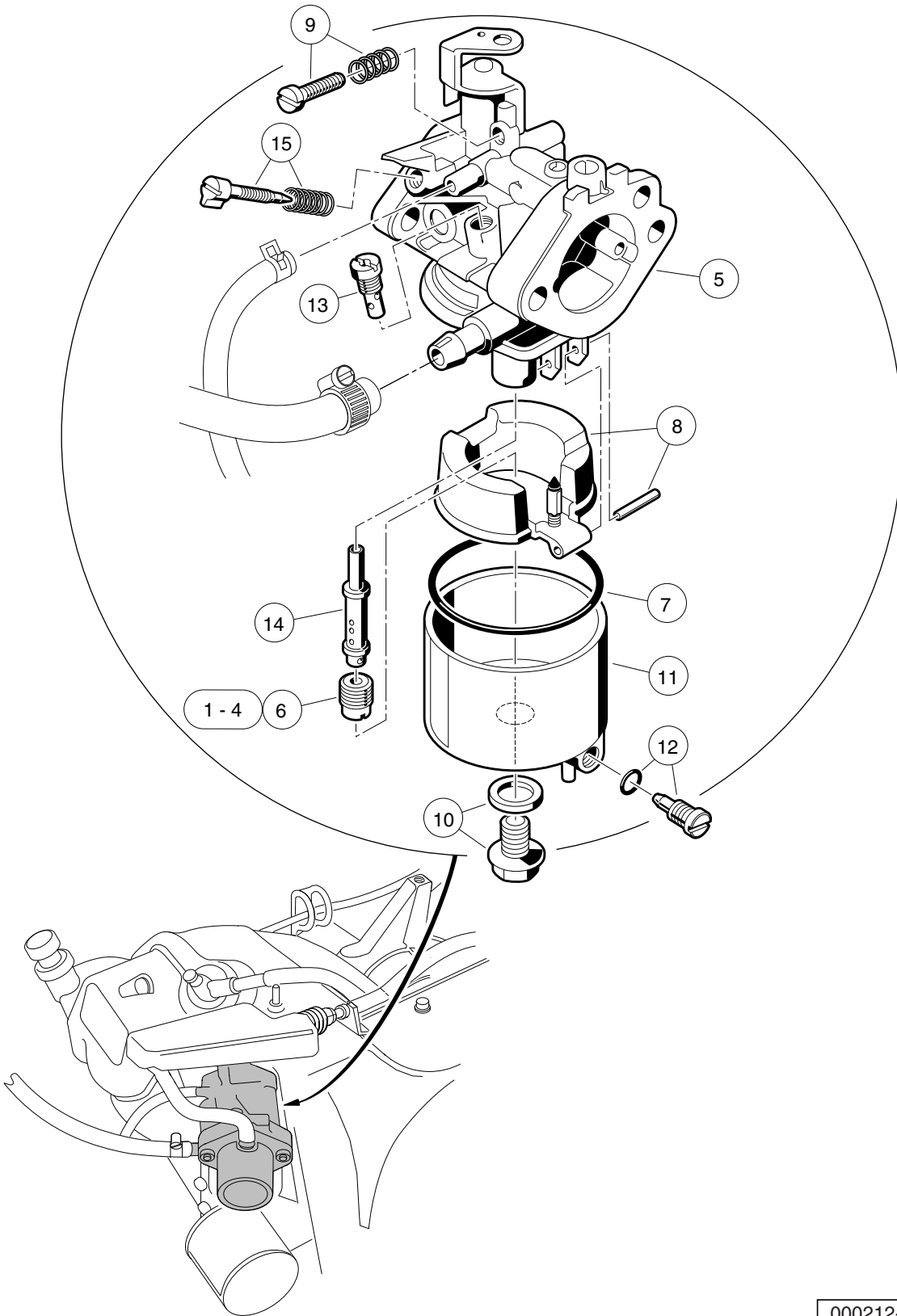
000082-003

FUEL TANK WITH FUEL LEVEL SENDING UNIT

ITEM	PART NO.	DESCRIPTION	QTY
		1 2 3 4	
1	1016004	Tank Kit w/Sending Unit (includes items 2 through 6)	1
2	<u>1013746</u>	Clamp, 0.301 ID Hose	2
3	<u>1015137</u>	Fuel Line (available by the foot)	1
4	<u>101824401</u>	Vent Barb	2
5	101896901	Fuel Pickup w/Shut-Off Valve	1
6	<u>103651901</u>	Asm, Tank, Ds Utl W/su† Nano (includes items 7 through 16)	1
7	<u>1013461</u>	Screw, #10-16 Hex-Head Hi-Lo	5
8	<u>1013462</u>	Sending Unit, Fuel Level *	1
9	<u>1015139</u>	Insulation Grommet	1
10	<u>1015143</u>	Vent, Fuel Tank	1
11	1015921	Wire Assembly #16 Black	1
12	<u>102406701</u>	Bushing, Line, Return	1
13	<u>102522001</u>	Gasket, Rubber	1
14	<u>103372101</u>	Cap, Fuel Tank, Gas, Ratchet	1
15	<u>103372302</u>	Fuel Pickup w/Shut-Off Valve, 288mm	1
16	103776901	Tank, Fuel, Top, W/su Nano	1
17	<u>8797</u>	Nut, #10-32 Brass Hex	1
<p>* Note: Must replace fuel sending unit gasket when servicing this component.</p>			

9

G



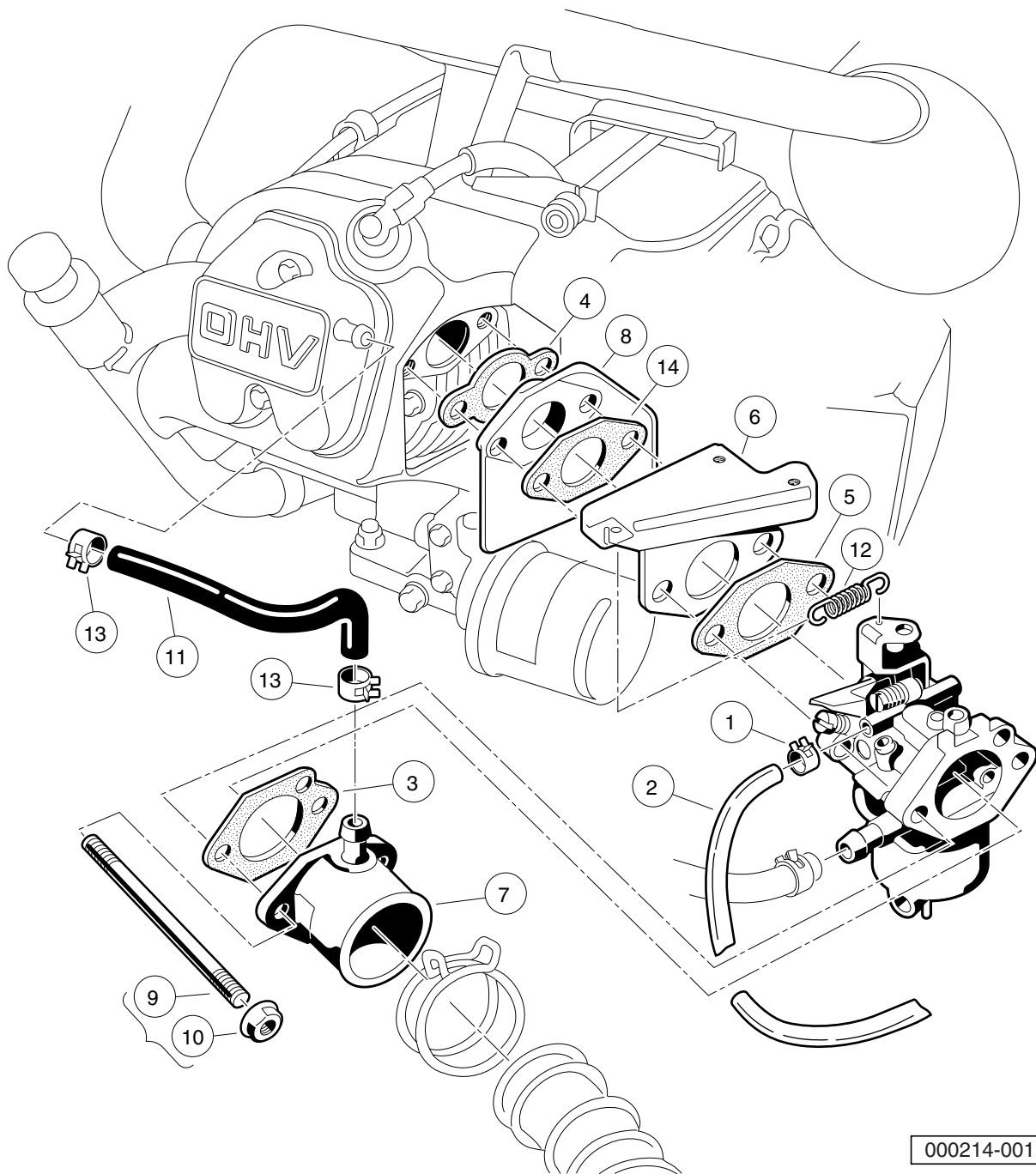
000212-001

CARBURETOR ASSEMBLY – FE350

ITEM	PART NO.	DESCRIPTION	QTY
		1 2 3 4	
1	<u>101642575</u>	Jet, Altitude, # 75	1
2	<u>101642578</u>	Jet, Altitude, # 78	1
3	<u>101642580</u>	Jet, Altitude, # 80	1
4	<u>101642582</u>	Jet, Altitude, # 82	1
5	<u>101905901</u>	Carburetor, FE350D (includes items 6 through 15)	1
6	<u>101642585</u>	Jet, Altitude, # 85	1
7	<u>1016437</u>	Gasket, Carburetor Bowl OHV	1
8	1016486	Float Assembly	1
9	<u>1016501</u>	Screw Assembly	1
10	1016585	Bolt	1
11	<u>1017461</u>	Chamber Assembly, Float (includes item 12)	1
12	<u>1016499</u>	Screw Assembly	1
13	<u>101973101</u>	Jet, #40 Pilot	1
14	<u>101973301</u>	Nozzle, Main	1
15	N/A	Assembly, Pilot Air Screw	1
<p style="margin: 0;">Note: <u>101642585</u> for 0 - 3,000 feet; <u>101642582</u> for 3,000 - 5,000 feet; <u>101642580</u> for 5,000 - 8,000 feet; <u>101642578</u> for 8,000 - 10,000 feet; <u>101642575</u> for 10,000 feet and higher.</p>			

9

G



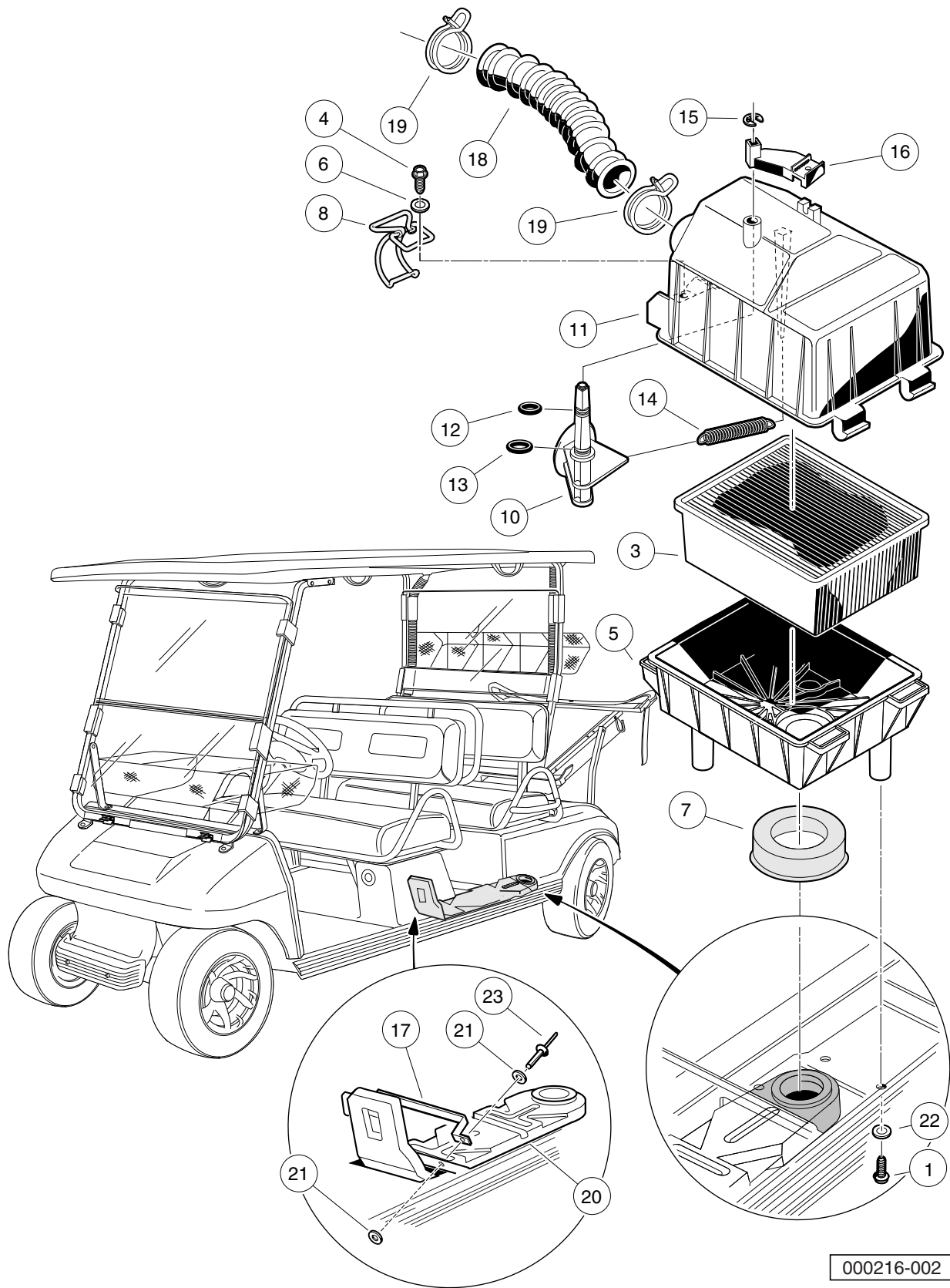
000214-001

CARBURETOR INSTALLATION – FE350

ITEM	PART NO.	DESCRIPTION	QTY
		1 2 3 4	
1	<u>1013746</u>	Clamp, 0.301 ID Hose	1
2	<u>1015137</u>	Fuel Line (available by the foot)	1
3	<u>1016438</u>	Gasket, Carb To Intake Manifold	1
4	<u>1016440</u>	Gasket, Engine to Insulator	1
5	<u>1016441</u>	Gasket, Sprg Brkt To Carb OHV	1
6	<u>1016444</u>	Bracket, Throttle Spring Return	1
7	1016480	Pipe, Intake Manifold	1
8	101648102	Insulator, Carburetor	1
9	<u>101649002</u>	Stud, M6-1.00 Two-Ended	2
10	1016547	Nut, M6 Flange	2
11	<u>1016572</u>	Tube, Crankcase Vent	1
12	<u>1016582</u>	Spring, Throttle Return	1
13	<u>1017466</u>	Clamp	2
14	<u>101973401</u>	Gasket, Insulator To Bracket	1

9

G



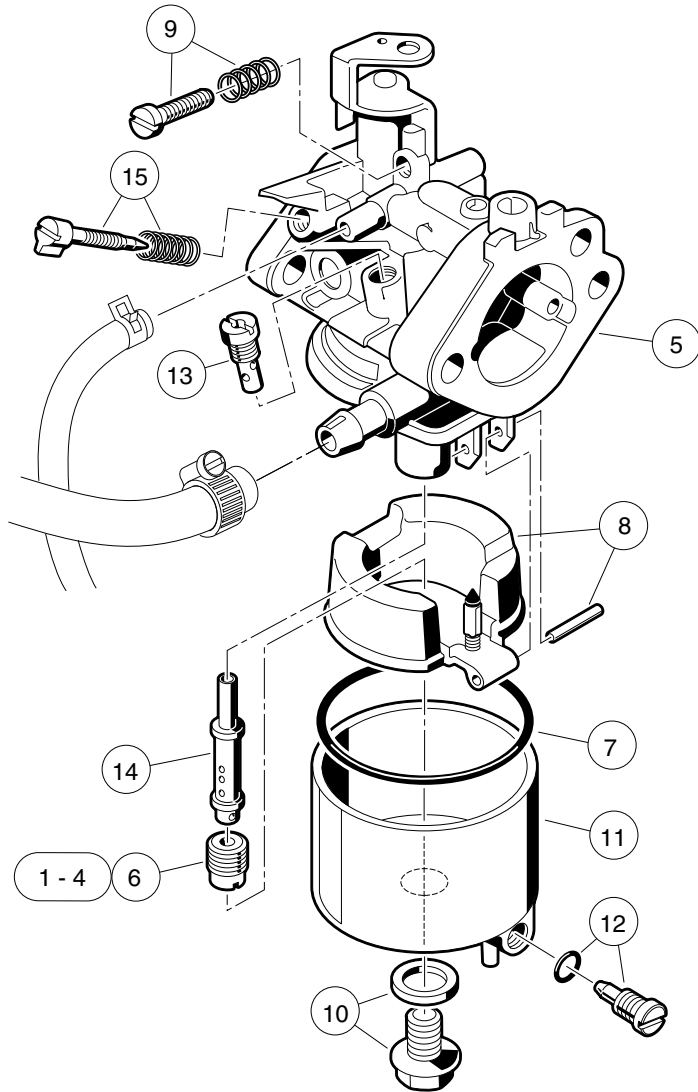
000216-002

INTAKE DUCT AND AIR BOX ASSEMBLY

ITEM	PART NO.	DESCRIPTION	QTY
		1 2 3 4	
1	<u>1015752</u>	Screw, #12-16 X 0.625 Hi-Lo	3
2	<u>101821501</u>	Assembly, Air Box (includes items 3 through 9)	1
3	<u>1015426</u>	Filter, Air	1
4	<u>101804301</u>	Screw, #8 X 0.500, Hex-Head Hi-Lo	2
5	<u>101811901</u>	Bottom, Air Box	1
6	<u>101881701</u>	Washer, #8 Stainless-Steel Flat	2
7	<u>101921501</u>	Seal, Intake	1
8	<u>101925701</u>	Latch, Wireform	2
9	<u>101972801</u>	Top Assy, Air Box (includes items 10 through 16)	1
10	N/A	Valve, Choke	1
11	101811801	Top, Air Box	1
12	N/A	O-Ring, 5/16	1
13	N/A	O-Ring, 3/8	1
14	<u>101812301</u>	Spring, Extension Return	1
15	<u>101813001</u>	Retaining Ring 0.25, Shaft	1
16	<u>101917601</u>	Lever, Choke	1
17	<u>101825701</u>	Retaining Bracket	1
18	<u>101837101</u>	Hose, Air Intake	1
19	<u>101971301</u>	Clamp, 1.58" ID Hose	2
20	<u>103520301</u>	Duct, Air Intake, Ds	1
21	<u>183</u>	Washer, #10 Type A Flat	4
22	<u>332</u>	Washer, 1/4 Type A Narrow Flat	3
23	<u>7973</u>	Rivet, 3/16 X .400 Blind	2
Note: Item 19 is not illustrated.			

9

G



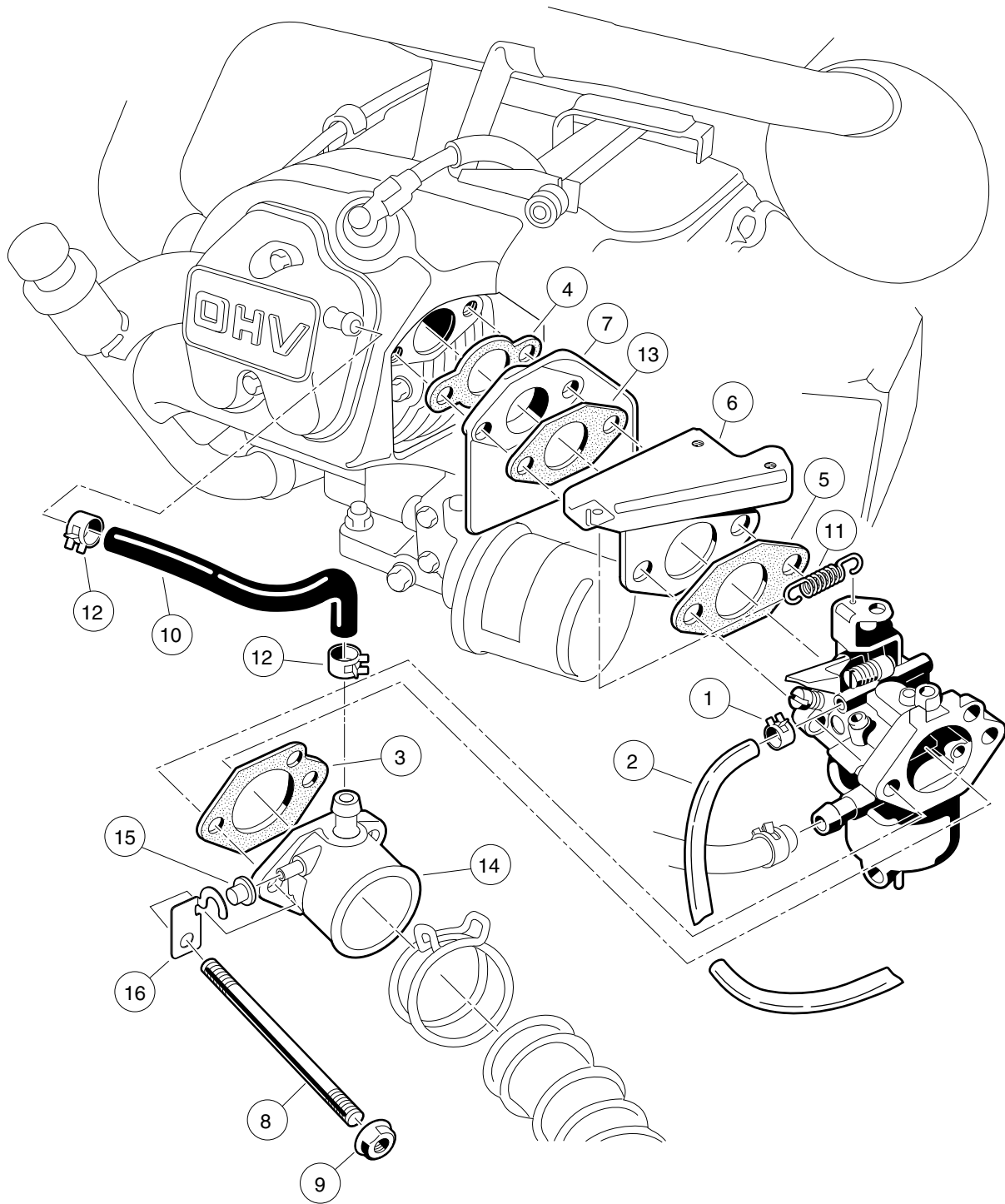
000212-002

CARBURETOR ASSEMBLY – FE350 S26

ITEM	PART NO.	DESCRIPTION	QTY
		1 2 3 4	
1	<u>101642575</u>	Jet, Altitude, # 75	1
2	<u>101642578</u>	Jet, Altitude, # 78	1
3	<u>101642580</u>	Jet, Altitude, # 80	1
4	<u>101642582</u>	Jet, Altitude, # 82	1
5	<u>103616901</u>	Carburetor Fe350 Precedent	1
<p style="margin: 0;">Note: <u>101642582</u> for 0 - 3,200 feet; <u>101642580</u> for 3,200 - 6,500 feet; <u>101642578</u> for 6,500 - 9,800 feet; 101642576 for 9,800 feet and higher.</p>			

9

G



000214-002

CARBURETOR INSTALLATION – FE350 S27

ITEM	PART NO.	DESCRIPTION	QTY
		1 2 3 4	
1	<u>1013746</u>	Clamp, 0.301 ID Hose	1
2	<u>1015137</u>	Fuel Line (available by the foot)	1
3	<u>1016438</u>	Gasket, Carb To Intake Manifold	1
4	<u>1016440</u>	Gasket, Engine to Insulator	1
5	<u>1016441</u>	Gasket, Sprg Brkt To Carb OHV	1
6	<u>1016444</u>	Bracket, Throttle Spring Return	1
7	101648102	Insulator, Carburetor	1
8	<u>101649002</u>	Stud, M6-1.00 Two-Ended	2
9	1016547	Nut, M6 Flange	2
10	<u>1016572</u>	Tube, Crankcase Vent	1
11	<u>1016582</u>	Spring, Throttle Return	1
12	<u>1017466</u>	Clamp	2
13	<u>101973401</u>	Gasket, Insulator To Bracket	1
14	103507101	Carburetor Adapter w/ Tap	1
15	103507201	Plug, Intake Manifold, Carb	1
16	103507301	Bracket, Intake Manifold, Carb	1

9
G

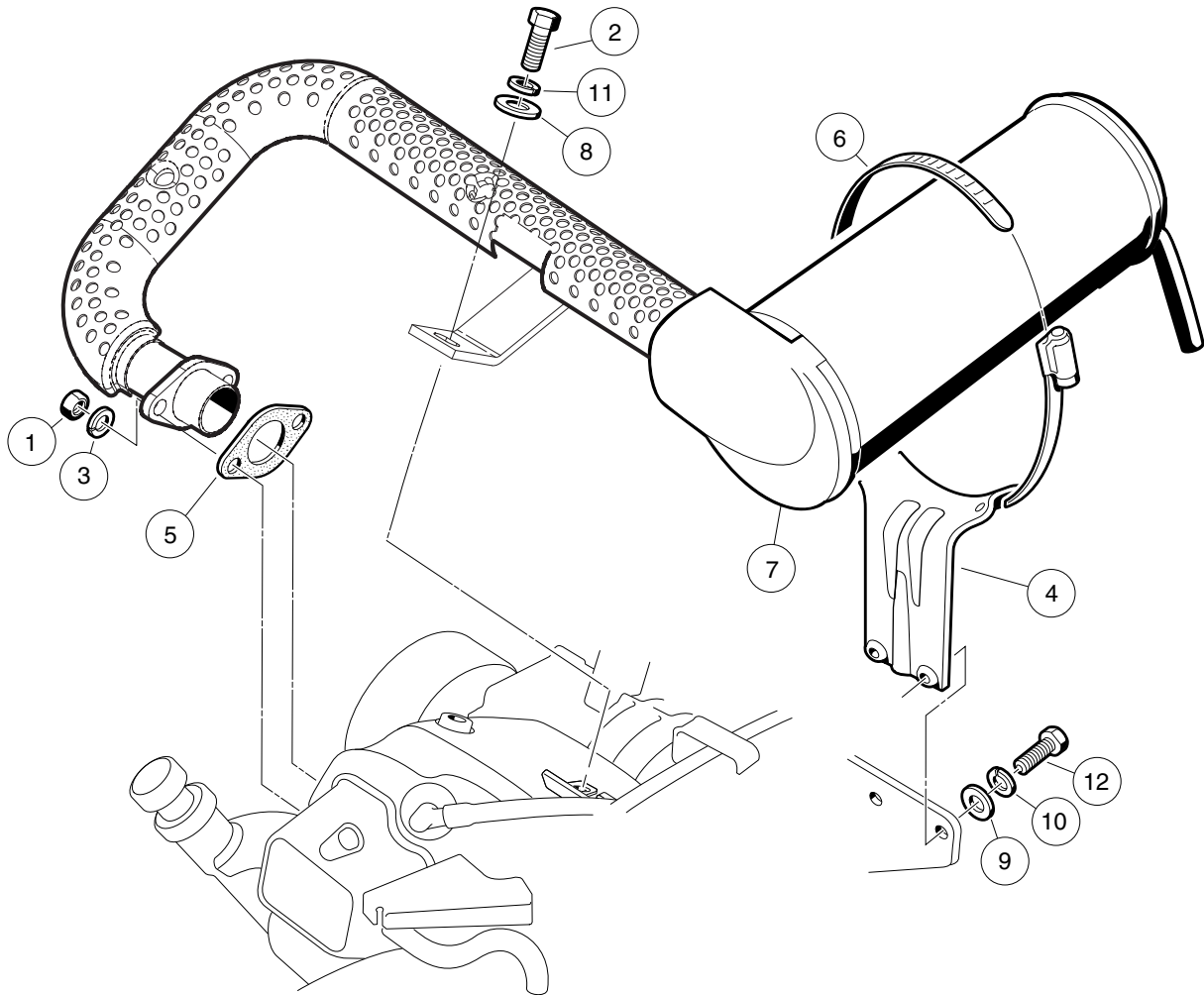
9

G

EXHAUST SYSTEM

10

G



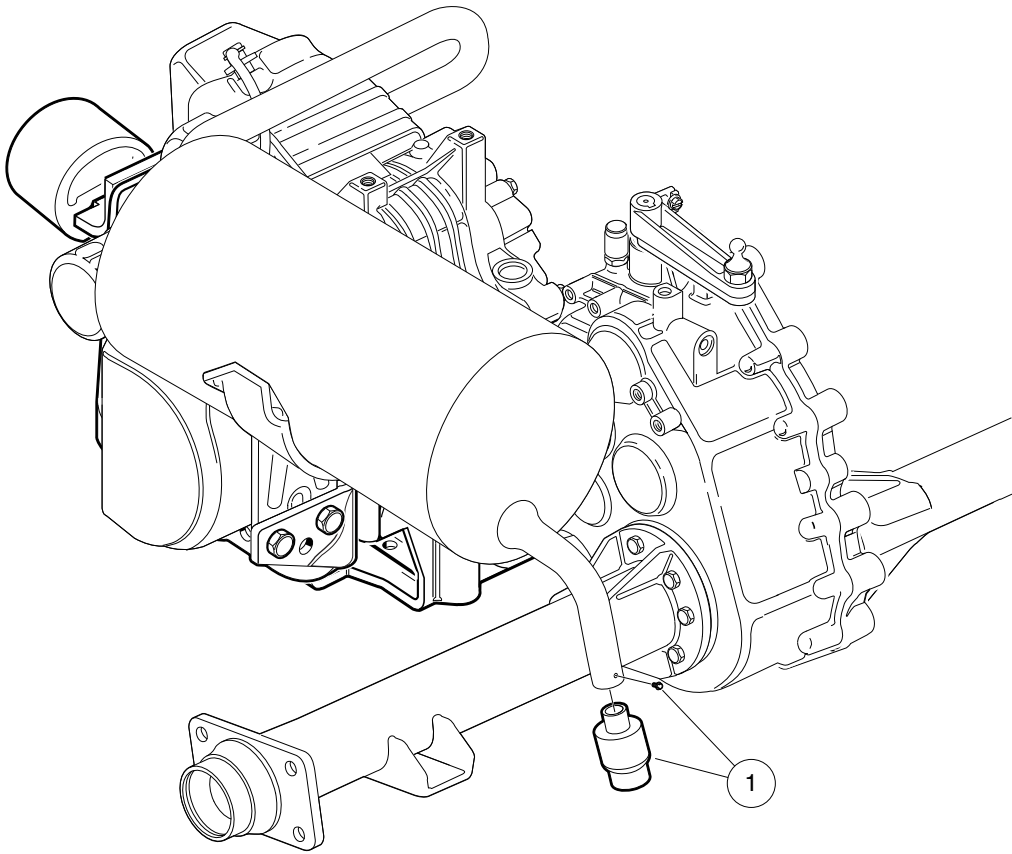
000491-001

EXHAUST SYSTEM – FE350

ITEM	PART NO.	DESCRIPTION	QTY
		1 2 3 4	
1	<u>1012528</u>	Nut, M8-1.25 Hex	2
2	<u>1012830</u>	Screw, M8-1.25 X 22 Hex-Head	1
3	<u>1013734</u>	Lockwasher, 8mm Split	2
4	<u>1015814</u>	Bracket, Muffler Mounting	1
5	<u>1016904</u>	Gasket, Exhaust	1
6	<u>1017689</u>	Clamp, 5" Muffler Hose	1
7	<u>102585901</u>	Exhaust System, FE350, Precedent	1
8	<u>1241</u>	Washer, 5/16 Type A Flat	1
9	<u>332</u>	Washer, 1/4 Type A Narrow Flat	2
10	<u>451</u>	Lockwasher, 1/4 Split	2
11	<u>7174</u>	Lockwasher, 5/16 Split	1
12	<u>7847</u>	Screw, 1/4-20 X 0.75 Hex-Head Cap	2

10

G



APM-000119-001

SPARK ARRESTOR KIT

ITEM	PART NO.	DESCRIPTION	QTY
1	<u>101629008</u>	<div style="display: flex; justify-content: space-between; margin-bottom: 5px;"> 1 2 3 4 </div> Spark Arrestor, 290/350	1

10

G

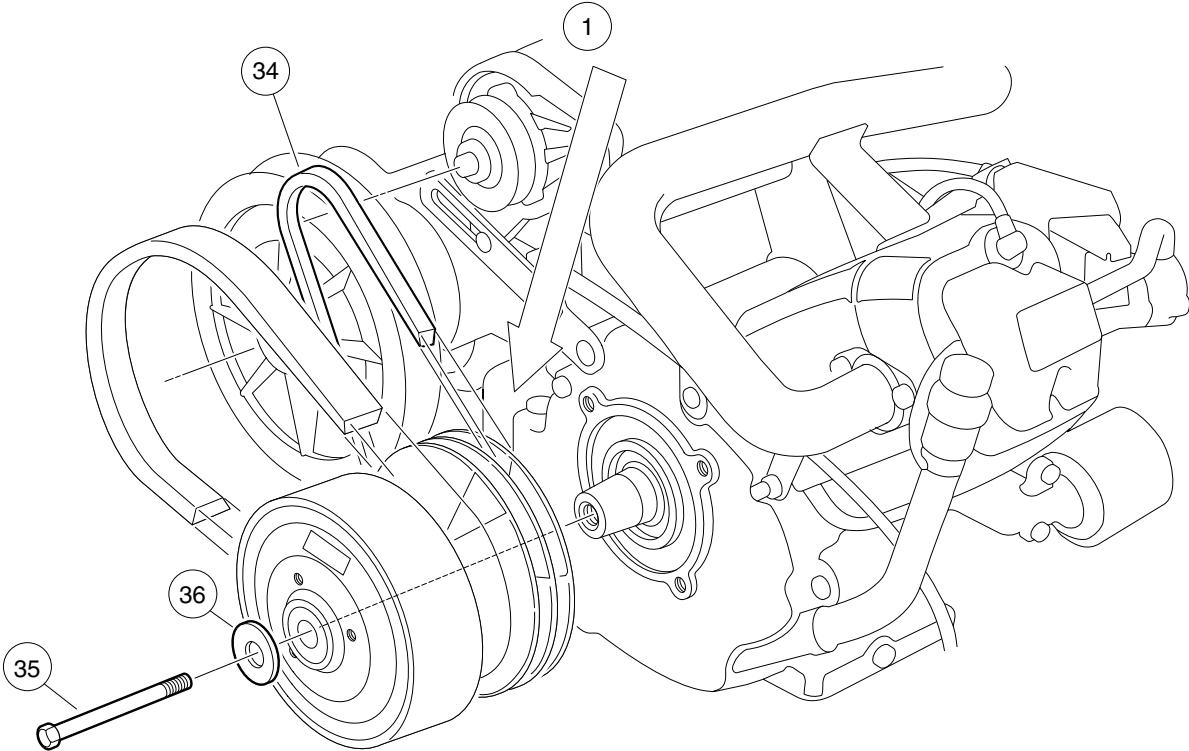
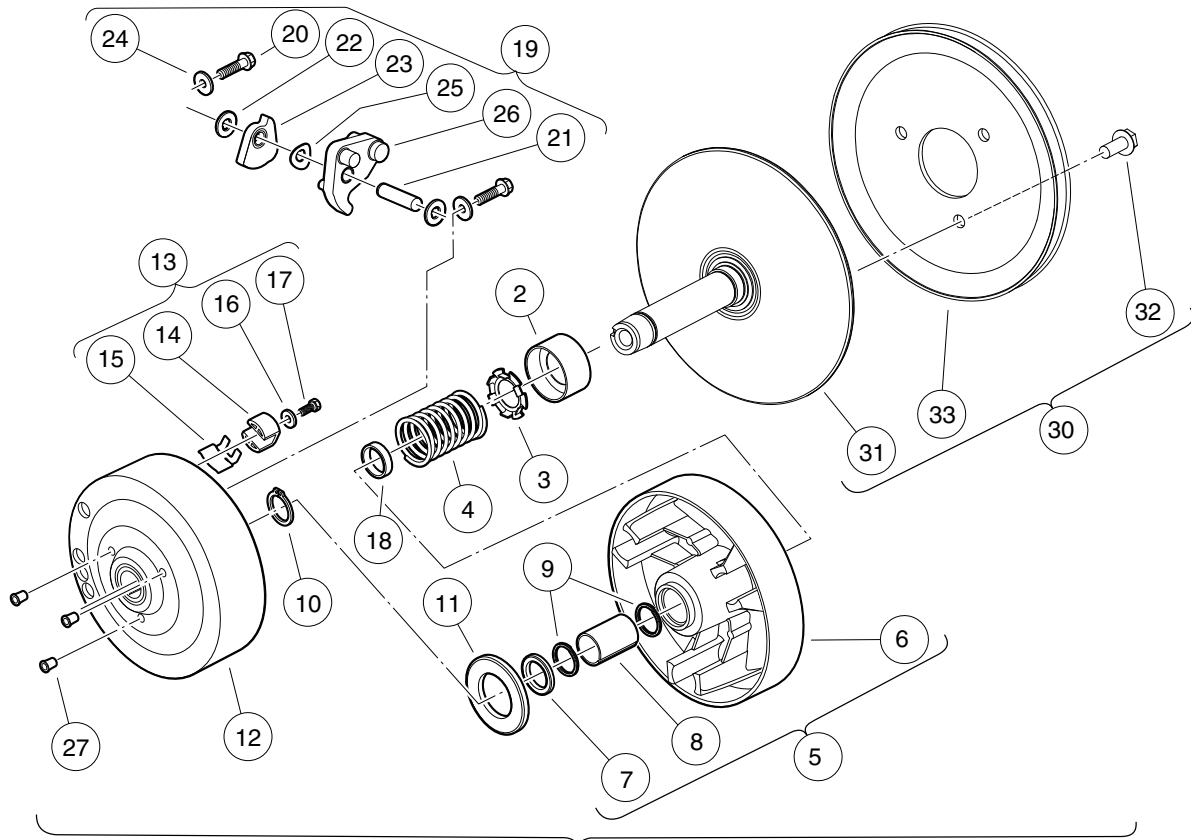
10

G

TORQUE CONVERTER

11

G

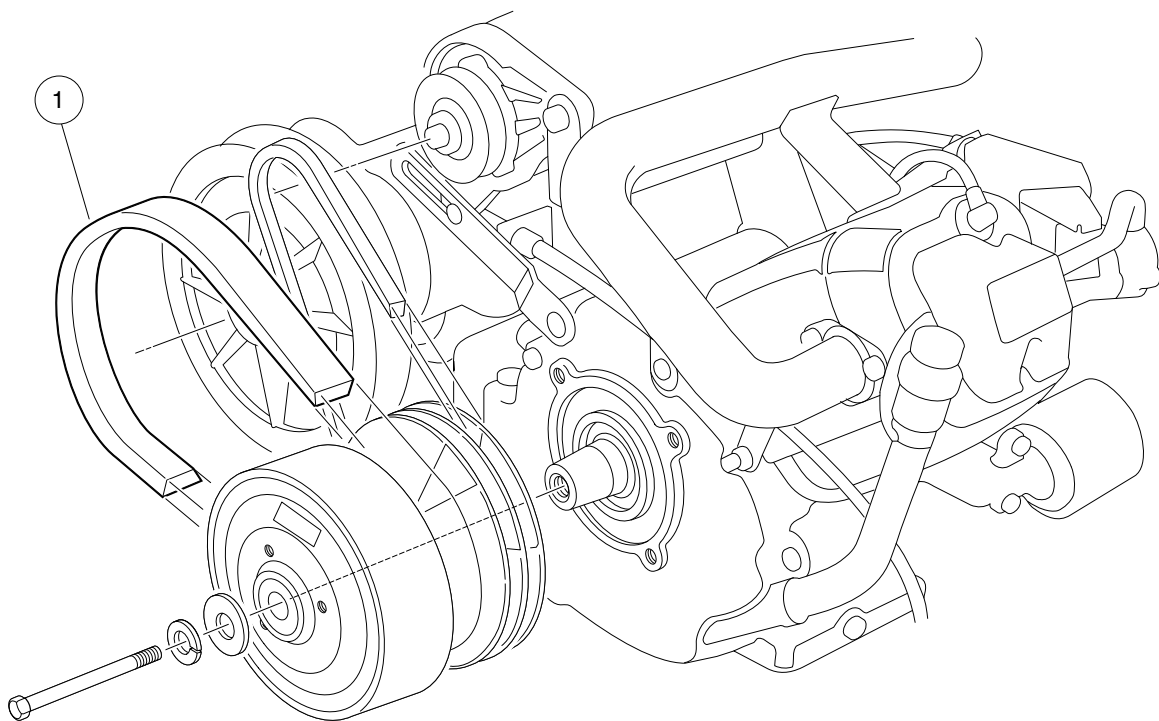


000217-001

DRIVE CLUTCH

11
G

ITEM	PART NO.	DESCRIPTION	QTY
		1 2 3 4	
1	<u>101833902</u>	Clutch, Drive (includes items 2 through 28)	1
2	1014049	Bearing, Idler	1
3	<u>1014050</u>	Retainer, Spring	1
4	<u>1014051</u>	Spring, Drive Clutch	1
5	1014052	Movable-Face Assembly (includes items 6 through 8)	1
6	N/A	Drive Clutch Movable Face	1
7	<u>1014055</u>	Retainer	1
8	N/A	Bushing, Split, Drive Clutch	1
9	<u>1014056</u>	Ring, Spiral Backup	2
10	<u>1014057</u>	Ring, 0.810" Internal Retaining	1
11	1014058	Thrust Washer	1
12	1014059	Drive Hub Assy, Drive Clutch	1
13	<u>1014453</u>	Kit, Drive Clutch Button (includes items 14 through 17)	1
14	<u>1014062</u>	Driver, Drive Clutch	3
15	<u>1014287</u>	Spring, Drive Button	3
16	<u>183</u>	Washer, #10 Type A Flat	3
17	<u>8450</u>	Screw, #10-24 X 0.50 Hex-Head	3
18	<u>1016289</u>	Spacer, Fixed Face Shaft	1
19	<u>1016801</u>	Kit, Drive Clutch Weight (includes items 20 through 26)	1
20	<u>1014063</u>	Screw, 1/4-20 X 1.00 Hex Head	6
21	N/A	Pin, 0.3752 X 1.50 Dowel	3
22	<u>1014065</u>	Washer, 0.38" ID Delrin Flat	6
23	N/A	Clutch Weight, Secondary	3
24	N/A	Washer	6
25	<u>1016201</u>	Washer, Wave	3
26	N/A	Weight, Primary	3
27	<u>101925601</u>	Plug, Drive Clutch	3
28	<u>101929802</u>	Kit, Fxd Face Dr Asm Fe290/350 (includes items 29 and 30)	1
29	N/A	Desiccant Bag (Not Shown)	1
30	101929801	Assembly, Fixed-Face Drive (includes items 31 through 33)	1
31	N/A	Fixed Face Assembly, Drive Clutch	1
32	<u>1014288</u>	Screw, 5/16-18 X 0.75 Thread-Forming	3
33	N/A	Pulley, Clutch	1
34	<u>101916701</u>	V-Belt	1
35	<u>103345701</u>	Screw 3/8-24x5.5 Hex Loc Ptch	1
36	<u>808</u>	Washer, 3/8 Type B Flat	1
		Note: Item 29 not shown.	



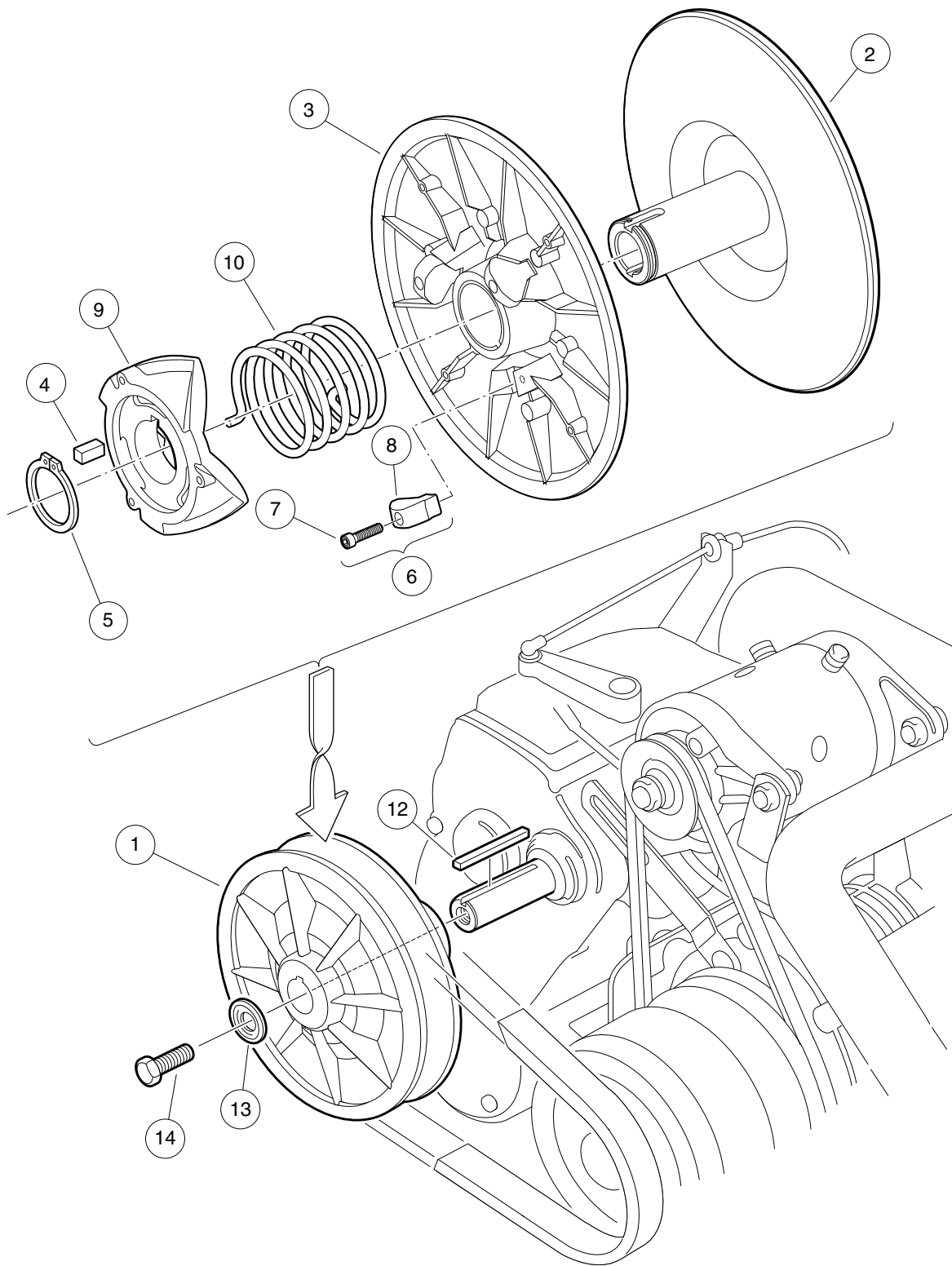
000218-001

DRIVE BELT – FE350

ITEM	PART NO.	DESCRIPTION	QTY
1	<u>1017188</u>	<div style="display: flex; justify-content: space-between; margin-bottom: 5px;"> 1 2 3 4 </div> Belt, Drive (FE350)	1

11

G



000219-001

DRIVEN CLUTCH

ITEM	PART NO.	DESCRIPTION	QTY
		1 2 3 4	
1	<u>101834001</u>	Assembly, Driven Clutch (includes items 2 through 10)	1
2	<u>1014070</u>	Fixed Face Assy, Driven Clutch	1
3	<u>1014072</u>	Movable-Face Assembly with Bushing	1
4	<u>1014078</u>	Key, Driven Clutch	1
5	<u>1014080</u>	Ring, Retaining	1
6	<u>1014454</u>	Kit, Driven Clutch Button (includes items 7 and 8)	1
7	<u>1012836</u>	Screw, #8-32 X 3/4 Socket-Head Cap	3
8	1014076	Button, Drive	3
9	<u>1017686</u>	Cam, Driven Clutch	1
10	<u>101836201</u>	Spring, Driven Clutch, Reversed	1
11	<u>AM10419</u>	Kit, Clutch Repair (includes items 12 through 14)	1
12	<u>101833401</u>	Key, 3/16 Sq X 1.50"	1
13	<u>102155801</u>	Washer, Driven Clutch	1
14	<u>102242101</u>	Screw, 5/16-18 X 3/4 Hex-Head with Patch	1

11
G

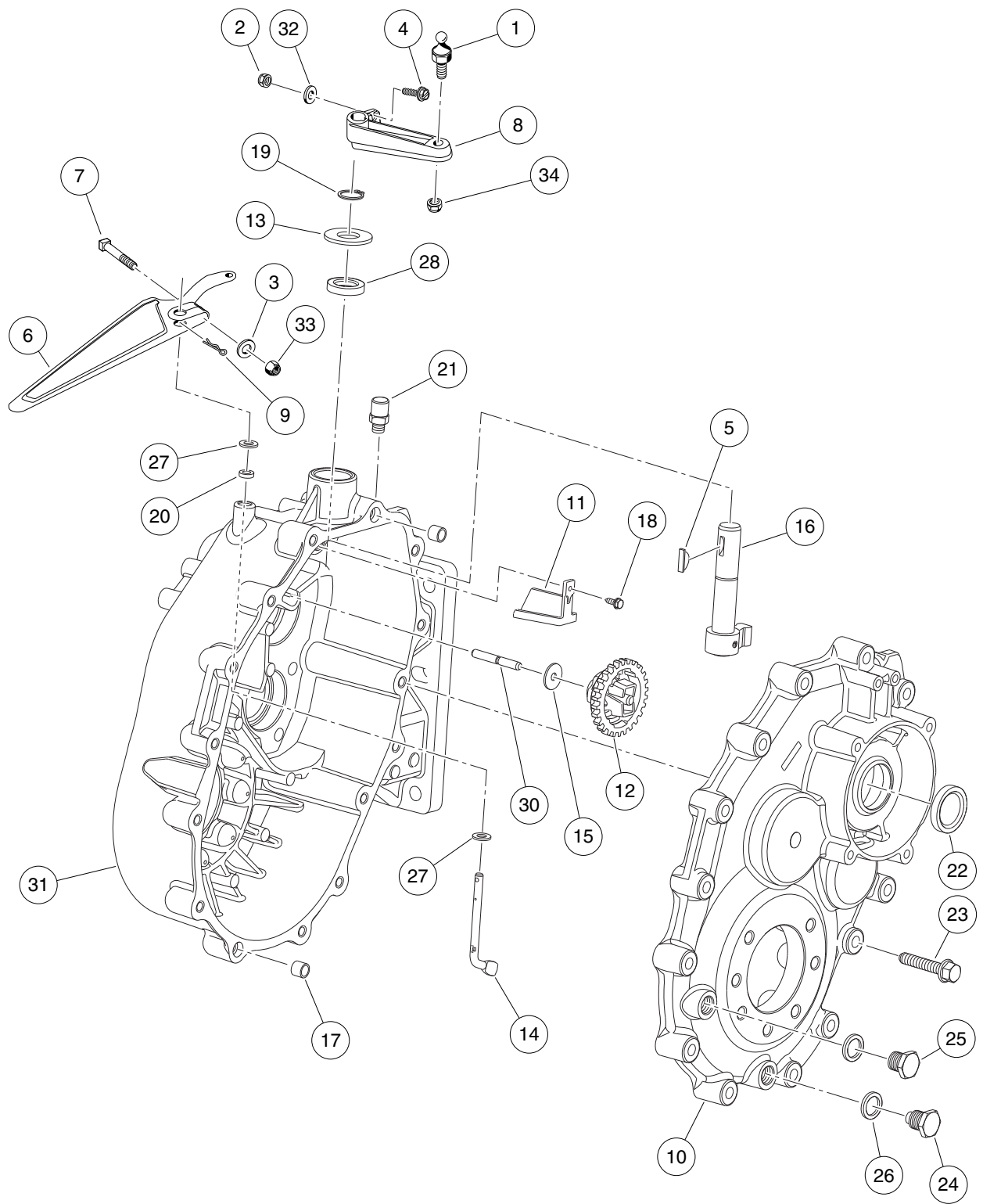
11

G

UNITIZED TRANSAXLE

12

G



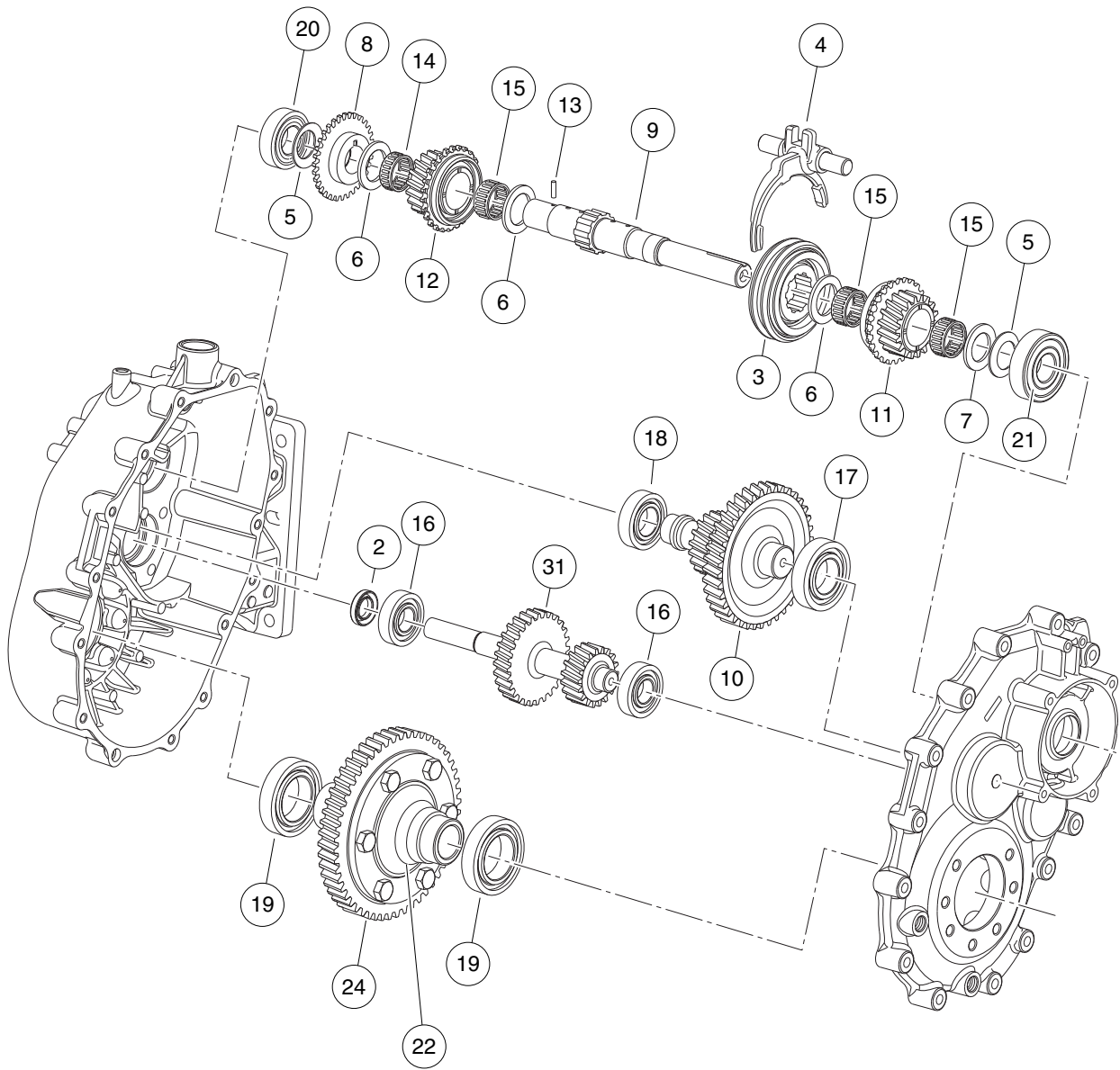
000801-001

TRANSAXLE – GASOLINE VEHICLES, GEAR CASES AND BRACKETS

12

G

ITEM	PART NO.	DESCRIPTION	QTY
		1 2 3 4	
1	<u>1010954</u>	Stud, 1/4-28 X 0.560 Ball	1
2	<u>1013061</u>	Locknut, #10-32 Nylon Insert	1
3	<u>1014007</u>	Washer, 1/4 Flat	1
4	<u>1017082</u>	Screw, #10-32 X 0.75, Hex-Head Machine	1
5	<u>1017231</u>	Key, Woodruff	1
6	<u>101834801</u>	Arm, Governor	1
7	<u>101886101</u>	Screw, 1/4-20 X 1.00 Square-Head	1
8	<u>102515401</u>	Lever, Transmission Shift	1
9	<u>102897401</u>	Pin, Split	1
10	<u>102897501</u>	Cover, Box	1
11	<u>102897601</u>	Conveyor, Oil	1
12	<u>102897701</u>	Assembly, Speed Governor	1
13	<u>102897801</u>	Washer, Thrust	1
14	<u>102897901</u>	Lever, Speed Governor	1
15	<u>102898101</u>	Bearing, Thrust	1
16	<u>102898201</u>	Unit, Drive Selector	1
17	<u>102899101</u>	Dowel	2
18	<u>102899201</u>	Screw	1
19	<u>102899401</u>	Ring, Snap	1
20	<u>102899701</u>	Grommet	1
21	<u>102899801</u>	Bleeder	1
22	<u>102899901</u>	Grommet	1
23	<u>102900001</u>	Screw	15
24	<u>102900101</u>	Plug, Magnetic	1
25	<u>102900201</u>	Plug	1
26	<u>102900301</u>	Seal	2
27	<u>102900601</u>	Washer	2
28	<u>102900901</u>	Grommet	1
29	N/A	Gearbox, Complete, Ab, Gas (includes items 30 and 31)	1
30	N/A	Pin, Speed Governor	1
31	N/A	Gearbox, Ab, Gas	1
32	<u>183</u>	Washer, #10 Type A Flat	1
33	<u>8233</u>	Locknut, 1/4-20 Nylon Insert	1
34	<u>8717</u>	Locknut, 1/4-28 Nylon Insert	1
<p>Note: Items 9-13 are components of the unitized transaxle. Please, see following page for transaxle part number.</p>			

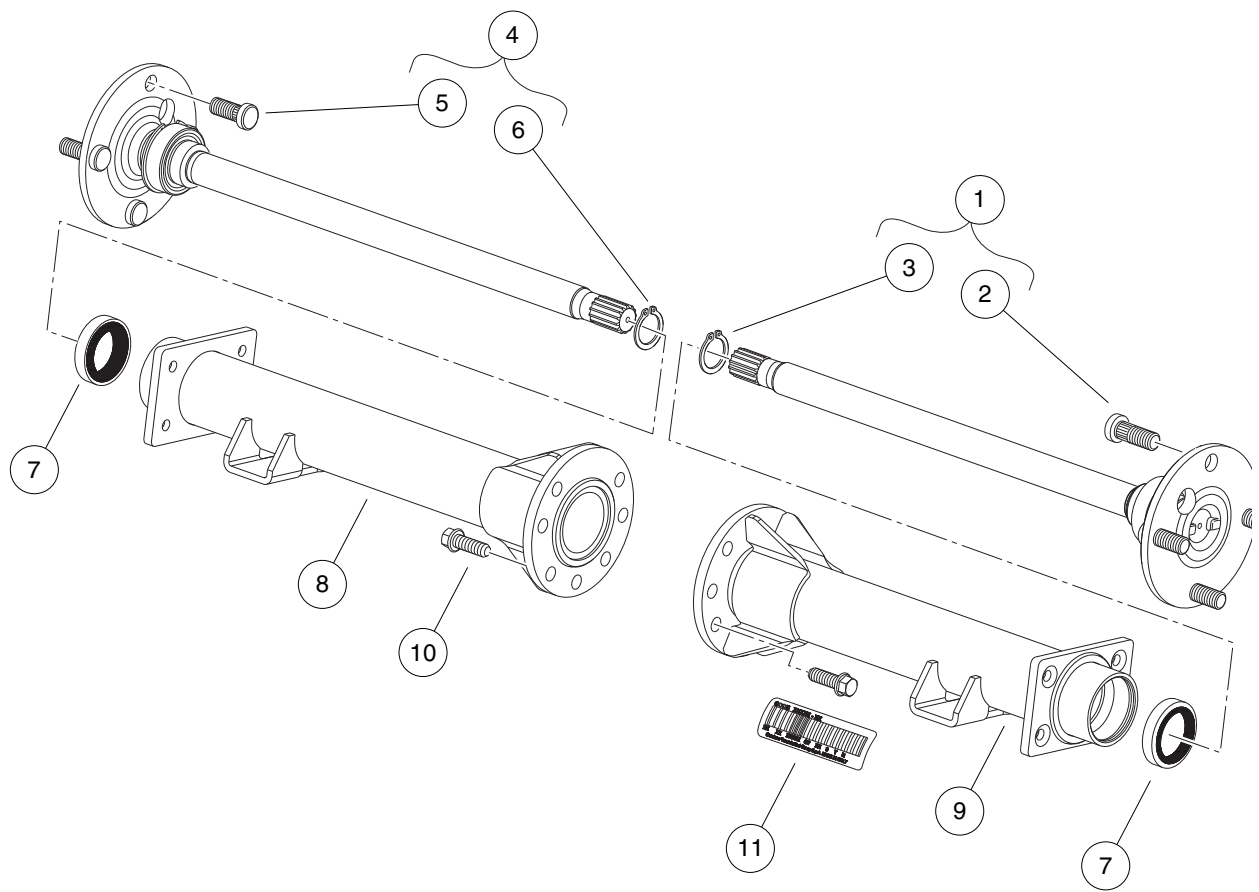


000802-001

TRANSAXLE – GASOLINE VEHICLES, TRANSMISSION AND GEAR REDUCTION

ITEM	PART NO.	DESCRIPTION	QTY
		1 2 3 4	
1	N/A	Transaxle, Gas, Emag Brake (includes items 2 through 31)	1
2	101923501	Seal, Lip	1
3	<u>102897201</u>	Synchronizer, Complete	1
4	<u>102897301</u>	Fork, Complete	1
5	<u>102898001</u>	Washer, Belleville	2
6	<u>102898301</u>	Bearing, Thrust	3
7	<u>102898401</u>	Washer, Thrust	1
8	<u>102898501</u>	Gear, Speed Governor	1
9	<u>102898601</u>	Shaft, Main	1
10	<u>102898701</u>	Shaft, Secondary	1
11	<u>102898901</u>	Gear, Complete, 25t	1
12	<u>102899001</u>	Gear, Complete, 28t	1
13	<u>102899301</u>	Pin	1
14	<u>102899501</u>	Cage, Roller	1
15	<u>102899601</u>	Cage, Roller	3
16	<u>102900401</u>	Bearing	2
17	<u>102900501</u>	Bearing	1
18	<u>102900701</u>	Bearing	1
19	<u>102900801</u>	Bearing	2
20	<u>102901001</u>	Bearing	1
21	<u>102901101</u>	Bearing	1
22	<u>102901201</u>	Box, Differential	1
23	<u>102902001</u>	Assembly, Differential (includes items 24 through 30)	1
24	<u>102901301</u>	Screw, M10 X 25	6
25	<u>102901401</u>	Ring, Sleeve	2
26	<u>102901501</u>	Gear, Sun	2
27	<u>102901601</u>	Gear, Planetary	2
28	<u>102901701</u>	Ring, Sleeve	2
29	<u>102901801</u>	Pin	1
30	<u>102901901</u>	Gear	1
31	N/A	Shaft, Reverse Gear, Ab, Gas	1

12
G



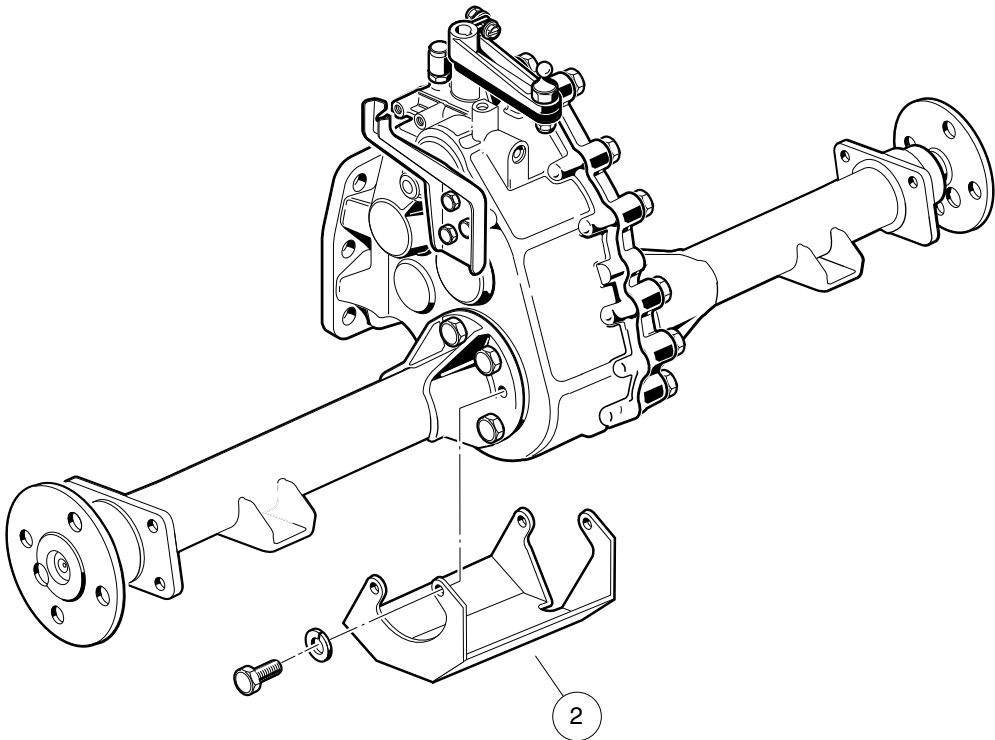
000803-001

TRANSAXLE – GASOLINE VEHICLES, SHAFTS AND TUBES

ITEM	PART NO.	DESCRIPTION	QTY
		1 2 3 4	
1	<u>102902101</u>	Shaft, Short, Complete (includes items 2 and 3)	1
2	<u>102902301</u>	Bolt, Stud	4
3	<u>102902401</u>	Snap Ring	1
4	<u>102902201</u>	Shaft, Long, Complete (includes items 5 and 6)	1
5	<u>102902301</u>	Bolt, Stud	4
6	<u>102902401</u>	Snap Ring	1
7	<u>102902501</u>	Seal, Lip	2
8	<u>102902601</u>	Assembly, Tube Extension, Lh	1
9	<u>102902701</u>	Assembly, Tube Extension, Rh	1
10	<u>102902801</u>	Screw, M10 X 30	14
11	N/A	Tag, Serial	1
Note: Items listed on this page are components of the unitized transaxle.			

12

G



000784-001

DIFFERENTIAL GUARD

ITEM	PART NO.	DESCRIPTION	QTY
1	<u>101932902</u>	1 2 3 4 Diff Guard Unitized Kit (Includes Instructions) (includes item 2)	1
2	N/A	Guard, Unitized Differential	1

12

G

12

G

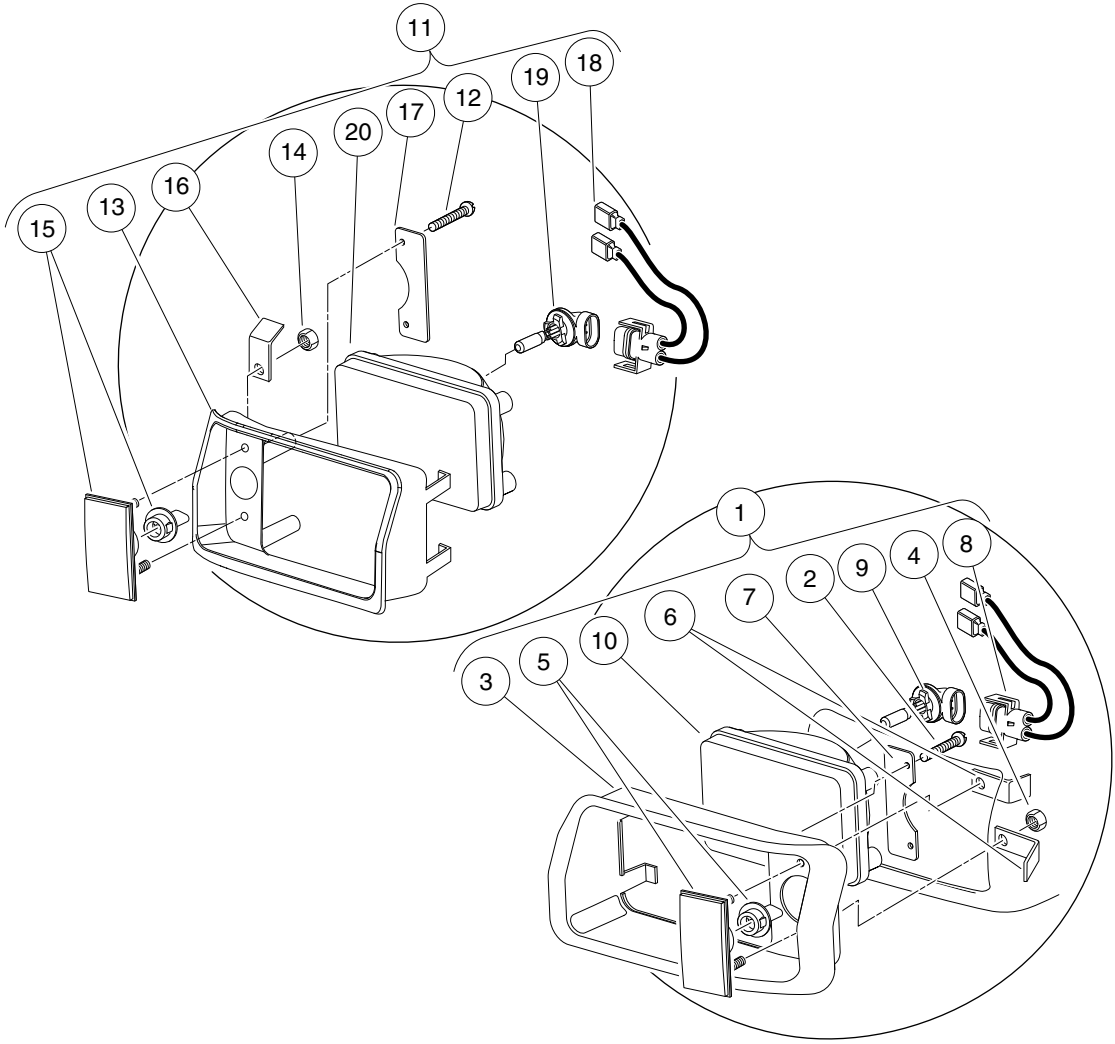
ELECTRICAL SYSTEM – ELECTRIC VEHICLE

13

E

13

E



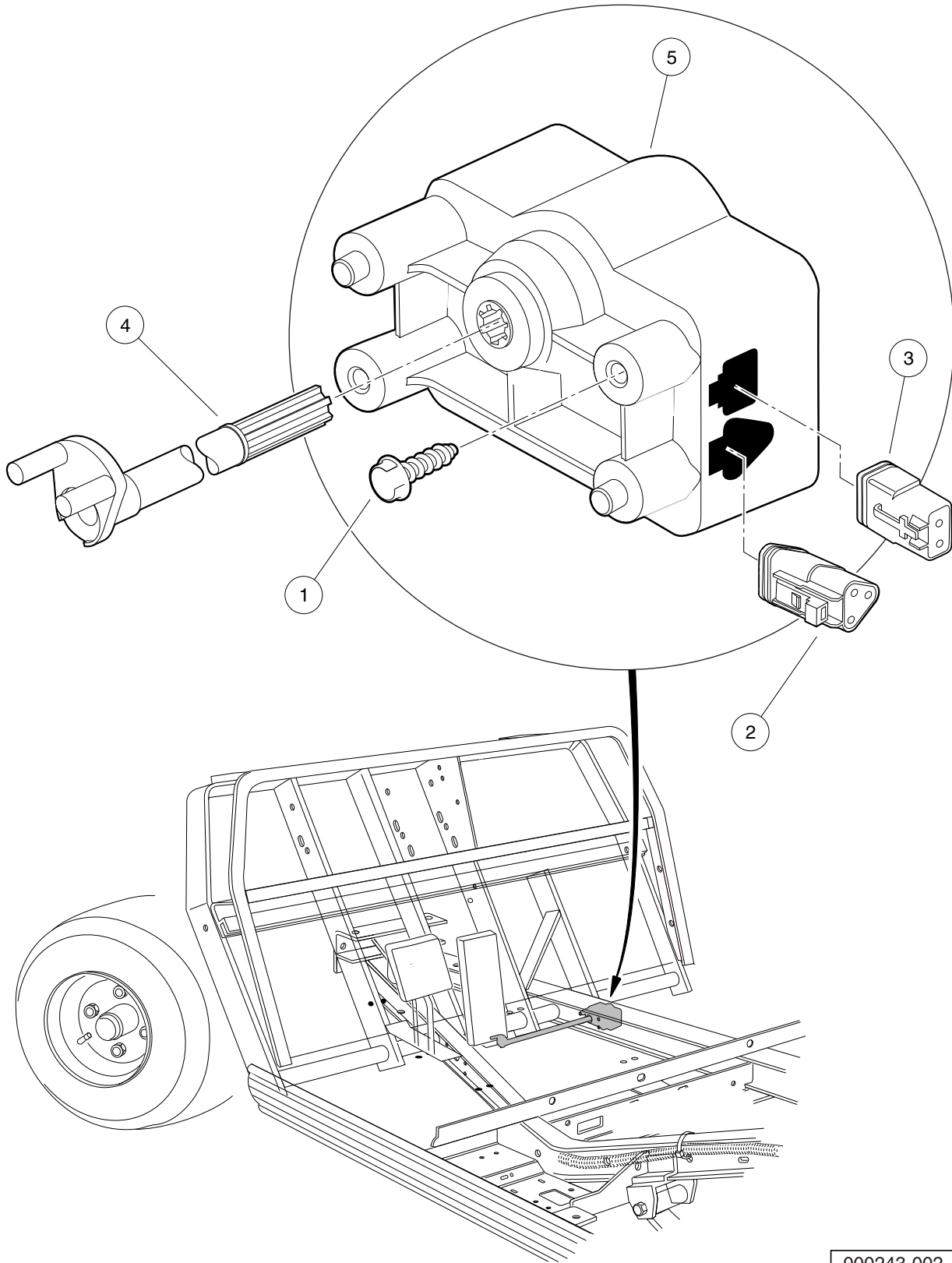
000073-001

HEADLIGHTS

13

E

ITEM	PART NO.	DESCRIPTION	QTY
		1 2 3 4	
1	<u>101988001</u>	Headlight Assembly, Driver-Side Single Beam (includes items 2 through 10)	1
2	<u>1013461</u>	Screw, #10-16 Hex-Head Hi-Lo	2
3	<u>1016880</u>	Headlight Bezel, Left	1
4	<u>1017</u>	Nut, #10-24 Stainless-Steel Hex Machine	2
5	<u>1017062</u>	Turn Signal Lens Assy	1
6	<u>1017064</u>	Mounting Bracket	2
7	<u>1017065</u>	Retainer, Headlight	1
8	<u>101987901</u>	Connector Harness Assembly, Headlight	1
9	<u>101988101</u>	Bulb, Headlight	1
10	<u>101988201</u>	Lens, Headlight	1
11	<u>101988002</u>	Headlight Assy, Passenger-Side Single Beam (includes items 12 through 20)	1
12	<u>1013461</u>	Screw, #10-16 Hex-Head Hi-Lo	2
13	<u>1016879</u>	Headlight Bezel, Right	1
14	<u>1017</u>	Nut, #10-24 Stainless-Steel Hex Machine	2
15	<u>1017062</u>	Turn Signal Lens Assy	1
16	<u>1017064</u>	Mounting Bracket	2
17	<u>1017065</u>	Retainer, Headlight	1
18	<u>101987901</u>	Connector Harness Assembly, Headlight	1
19	<u>101988101</u>	Bulb, Headlight	1
20	<u>101988201</u>	Lens, Headlight	1



000243-002

MOTOR CONTROLLER OUTPUT REGULATOR (MCOR)

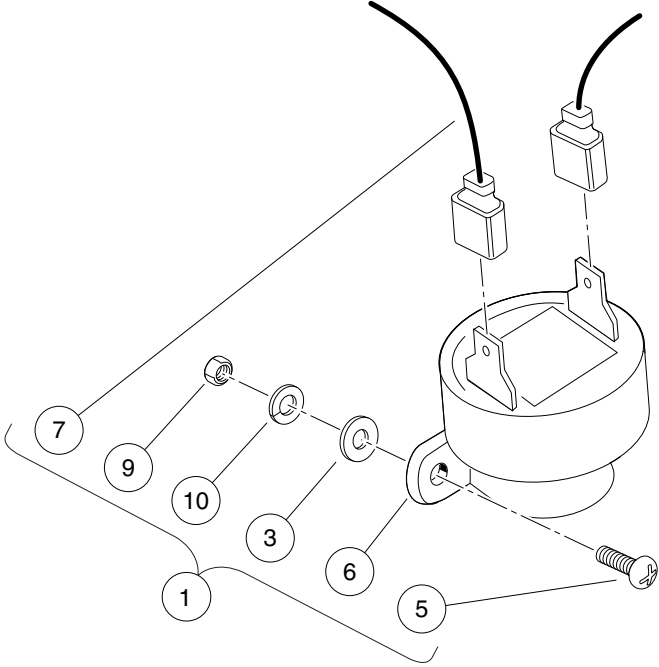
ITEM	PART NO.	DESCRIPTION	QTY
		1 2 3 4	
1	<u>1015752</u>	Screw, #12-16 X 0.625 Hi-Lo	2
2	<u>101920101</u>	Kit, 3-Pin Wedge Lock	1
3	<u>101936801</u>	Kit, 2-Pin Wedge Lock	1
4	102101001	Bar, Drive, Cast	1
5	<u>102101101</u>	MCOR	1

13

E

13

E



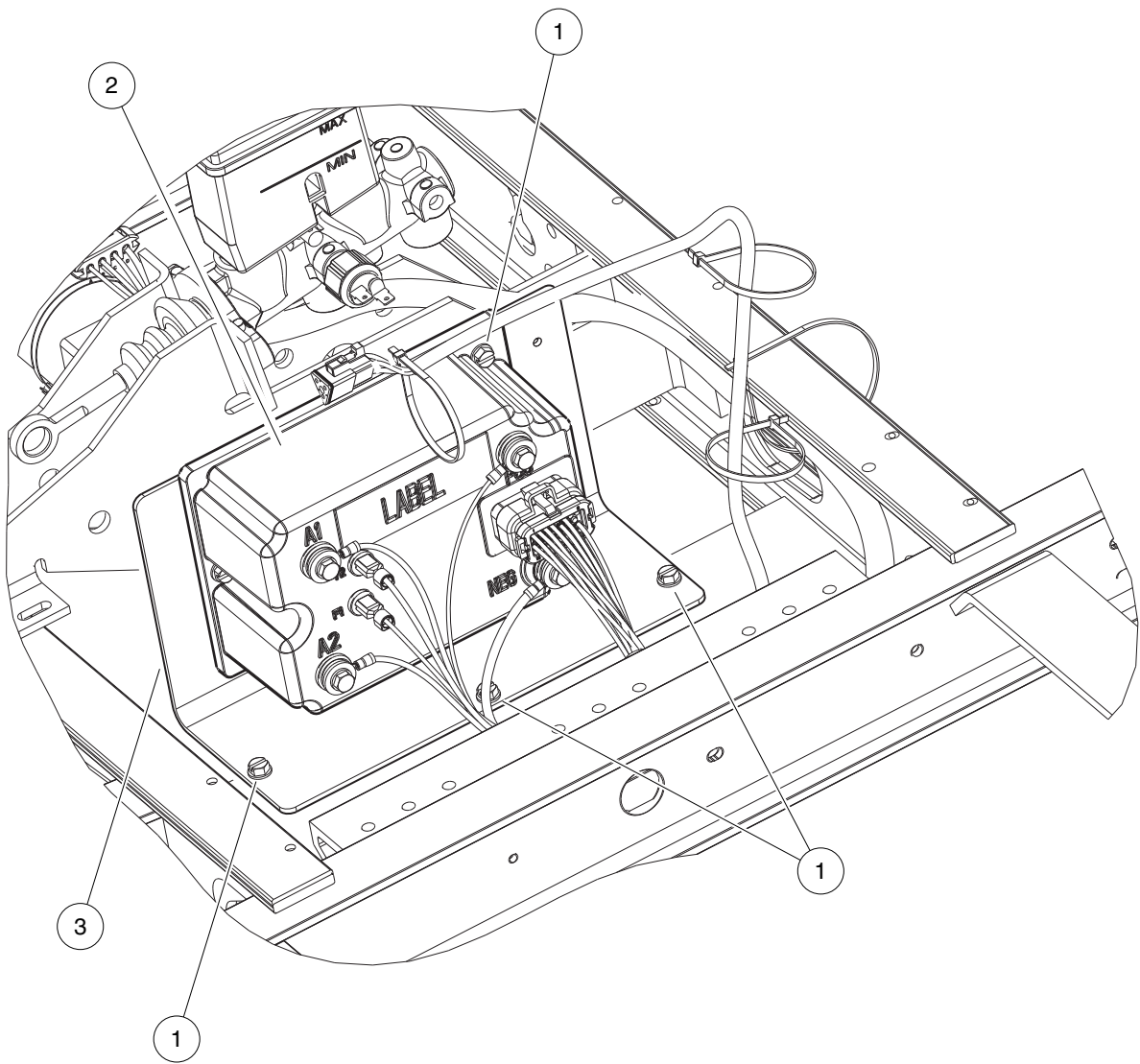
000741-003

REVERSE BUZZER KIT

ITEM	PART NO.	DESCRIPTION	QTY
		1 2 3 4	
1	<u>1016859</u>	Kit, Reverse Buzzer (includes items 2 through 10)	1
2	<u>1011229</u>	Locknut, #6-32 Whiz	1
3	1012431	Washer, #4 Flat	2
4	<u>1015720</u>	Screw, #6-32 X 1/2 Hex Washer-Head	1
5	<u>1016849</u>	Screw, #4-24 X 0.33 Pan-Head Machine	2
6	<u>1016851</u>	Buzzer, Reverse (9-48 VDC)	1
7	1016857	Wire Assembly Black #18	1
8	<u>8056</u>	Screw, #4-40 X 0.75 Round-Head Machine	2
9	<u>8057</u>	Nut, #4-40 Hex Machine	2
10	<u>8058</u>	Lockwasher, #4 Split	2

13

E



000808-001

BRAKE CONTROLLER

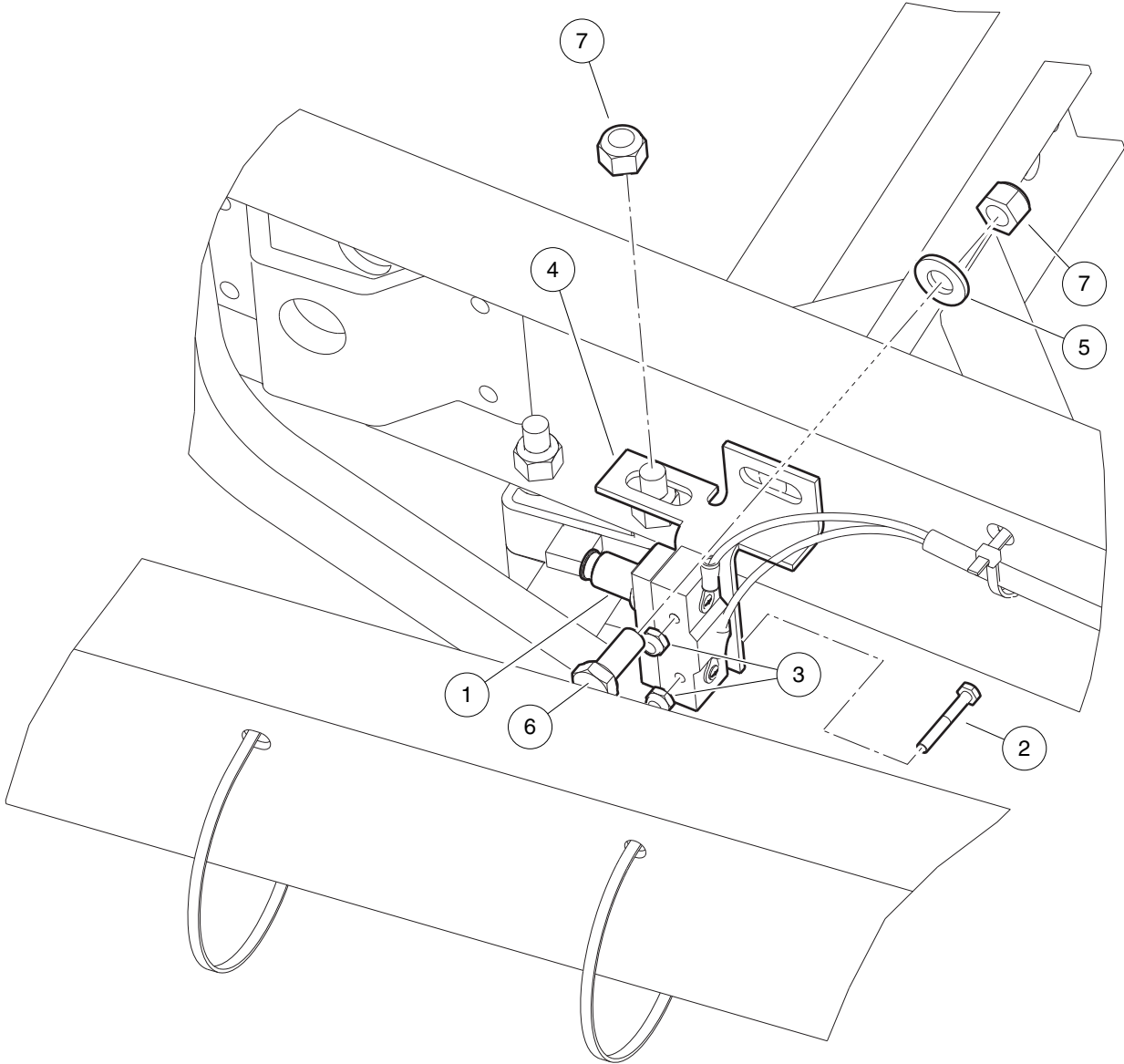
ITEM	PART NO.	DESCRIPTION	QTY
		1 2 3 4	
1	<u>1012285</u>	Screw, 1/4 X 0.625 Hex-Head	6
2	<u>103224501</u>	Controller, Brake	1
3	<u>103247901</u>	Bracket, Mounting, Bcu	1

13

E

13

E



000809-001

BRAKE PEDAL SWITCH

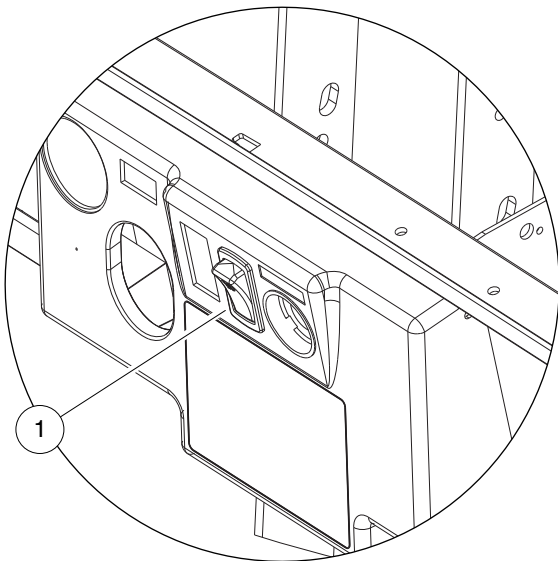
ITEM	PART NO.	DESCRIPTION	QTY
		1 2 3 4	
1	<u>1011439</u>	Switch, Limit	1
2	<u>1011557</u>	Screw, #6-32 X 1.00 Hex-Head Machine	2
3	<u>101932201</u>	Locknut, #6-32 Nylon	2
4	<u>101957101</u>	Bracket, Brake Light Switch	1
5	<u>1241</u>	Washer, 5/16 Type A Flat	1
6	<u>7173</u>	Screw, 5/16-18 X 0.75 Hex-Head Cap	1
7	<u>7473</u>	Locknut, 5/16-18 Nylon Insert	2

13

E

13

E



000073-003

HEADLIGHT SWITCH

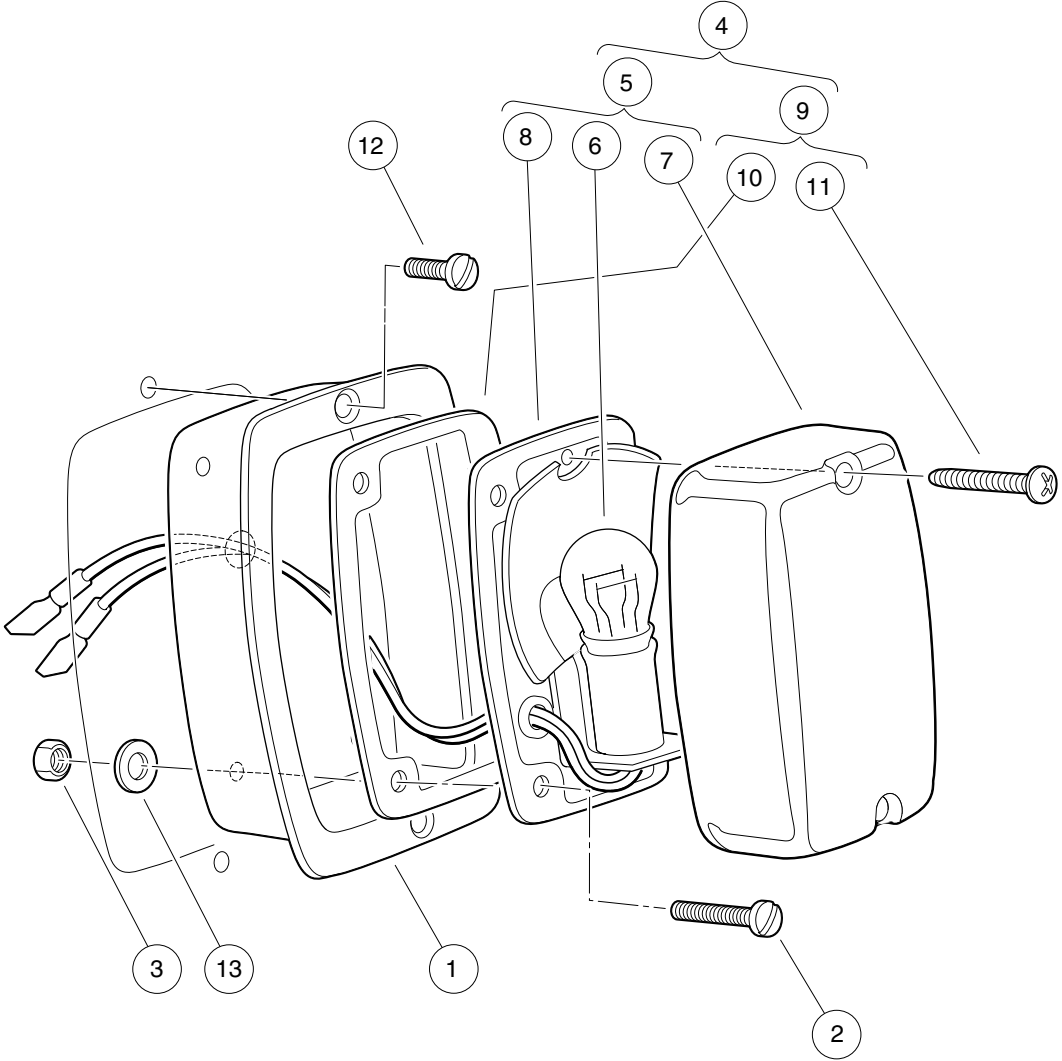
ITEM	PART NO.	DESCRIPTION	QTY
1	<u>102869401</u>	<div style="display: flex; justify-content: space-between; margin-bottom: 5px;"> 1 2 3 4 </div> Switch, Rocker, Light	1

13

E

13

E



000348-006

TAIL LIGHTS

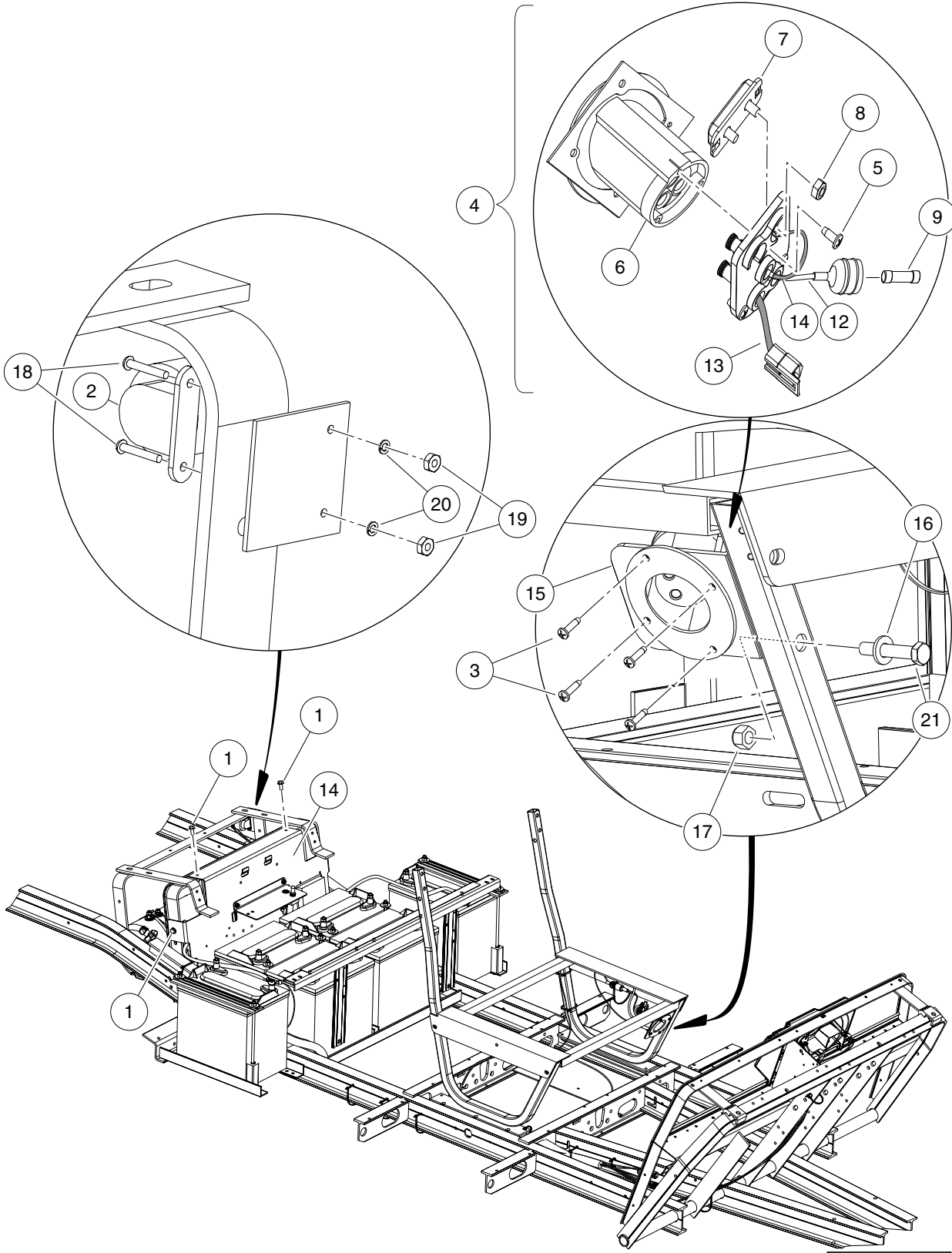
13

E

ITEM	PART NO.	DESCRIPTION	QTY
		1 2 3 4	
1	<u>1011497</u>	Bezel, Taillight	1
2	<u>1011557</u>	Screw, #6-32 X 1.00 Hex-Head Machine	1
3	<u>1011558</u>	Nut, #6-32 Hex	1
4	1017035	Taillight Assembly (includes items 5 through 9)	1
5	N/A	Light, Tail (includes items 6 through 8)	1
6	<u>1011582</u>	Taillight Bulb	1
7	<u>1011843</u>	Taillight Lens	1
8	N/A	Base, Taillight	1
9	<u>1017699</u>	Hardware Kit, Tail Light (includes items 10 and 11)	1
10	N/A	Gasket	1
11	N/A	Screw, Tapered	2
12	<u>102915601</u>	Plastic Rivet - Tuflock	1
13	<u>7591</u>	Washer, #6 Flat	1

13

E



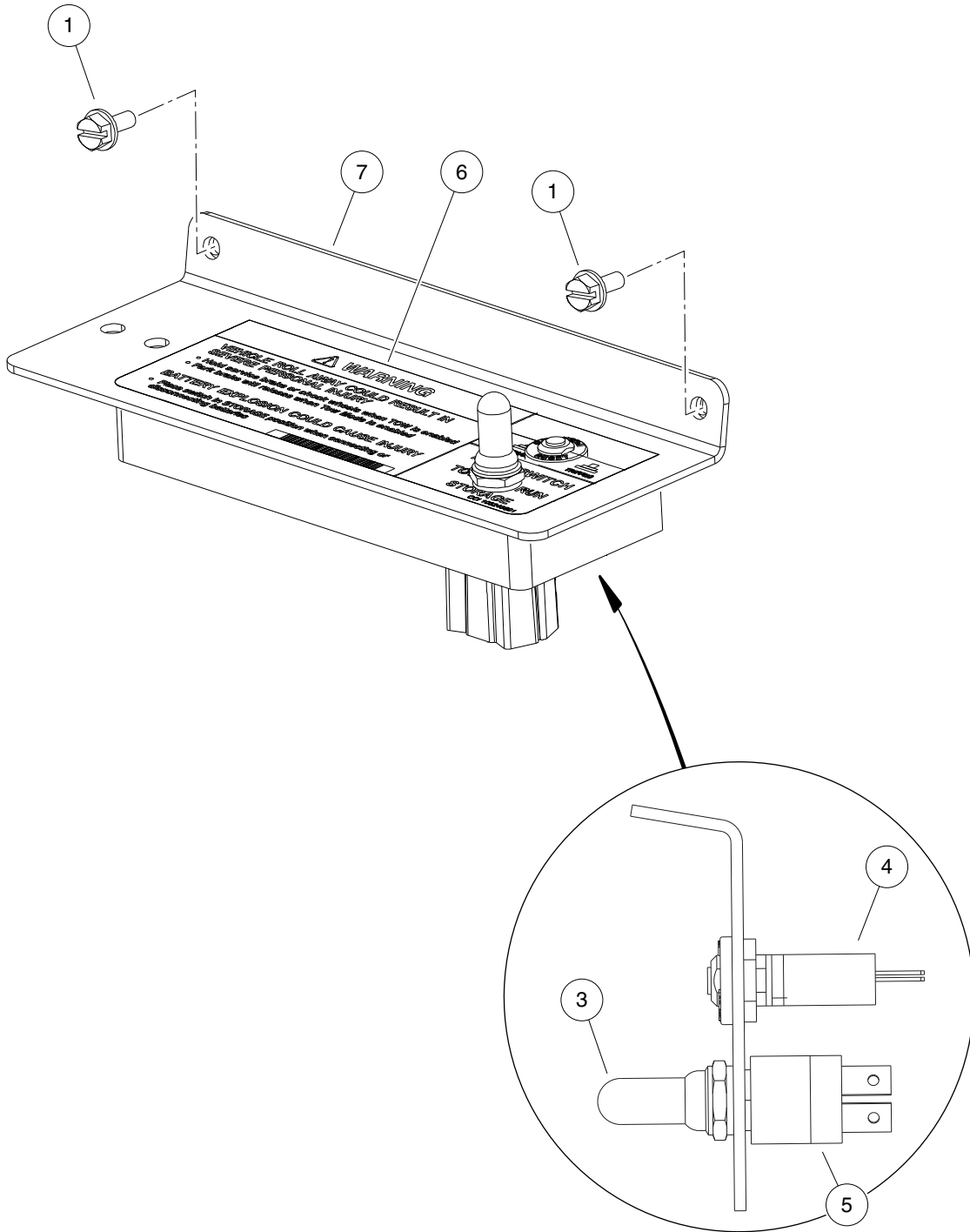
000764-001

CHARGER RECEPTACLE

ITEM	PART NO.	DESCRIPTION	QTY
		1 2 3 4	
1	<u>1014288</u>	Screw, 5/16-18 X 0.75 Thread-Forming	4
2	<u>1016851</u>	Buzzer, Reverse (9-48 VDC)	1
3	<u>101832001</u>	Screw, #7-19 X 0.625 Phillips Pan-Head Tap	4
4	<u>102848701</u>	Fuse and Receptacle Assembly (includes items 5 through 12)	1
5	<u>1017705</u>	Screw, #8 X 5/8 Phillips Pan-Head Type AB	3
6	<u>101796501</u>	Receptacle	1
7	<u>101796801</u>	Fuse Assembly (includes item 8)	1
8	<u>1013061</u>	Locknut, #10-32 Nylon Insert	2
9	N/A	Fuse, 3/8-Amp	1
10	N/A	Wire Assembly, Sense Lead, Gray	1
11	N/A	Wire Assembly, #10 Red	1
12	N/A	Wire Assembly, #10 Black	1
13	N/A	Instl, Elec Sys, 48v, Mb	1
14	<u>103214301</u>	Cover, Iq Plus Controller	1
15	<u>103244301</u>	Plate, Receptacle Back	1
16	<u>1241</u>	Washer, 5/16 Type A Flat	1
17	<u>7473</u>	Locknut, 5/16-18 Nylon Insert	1
18	<u>8056</u>	Screw, #4-40 X 0.75 Round-Head Machine	2
19	<u>8057</u>	Nut, #4-40 Hex Machine	2
20	<u>8058</u>	Lockwasher, #4 Split	2
21	<u>8963</u>	Screw, 5/16-18 X 1.75 Hex-Head Cap	1

13

E



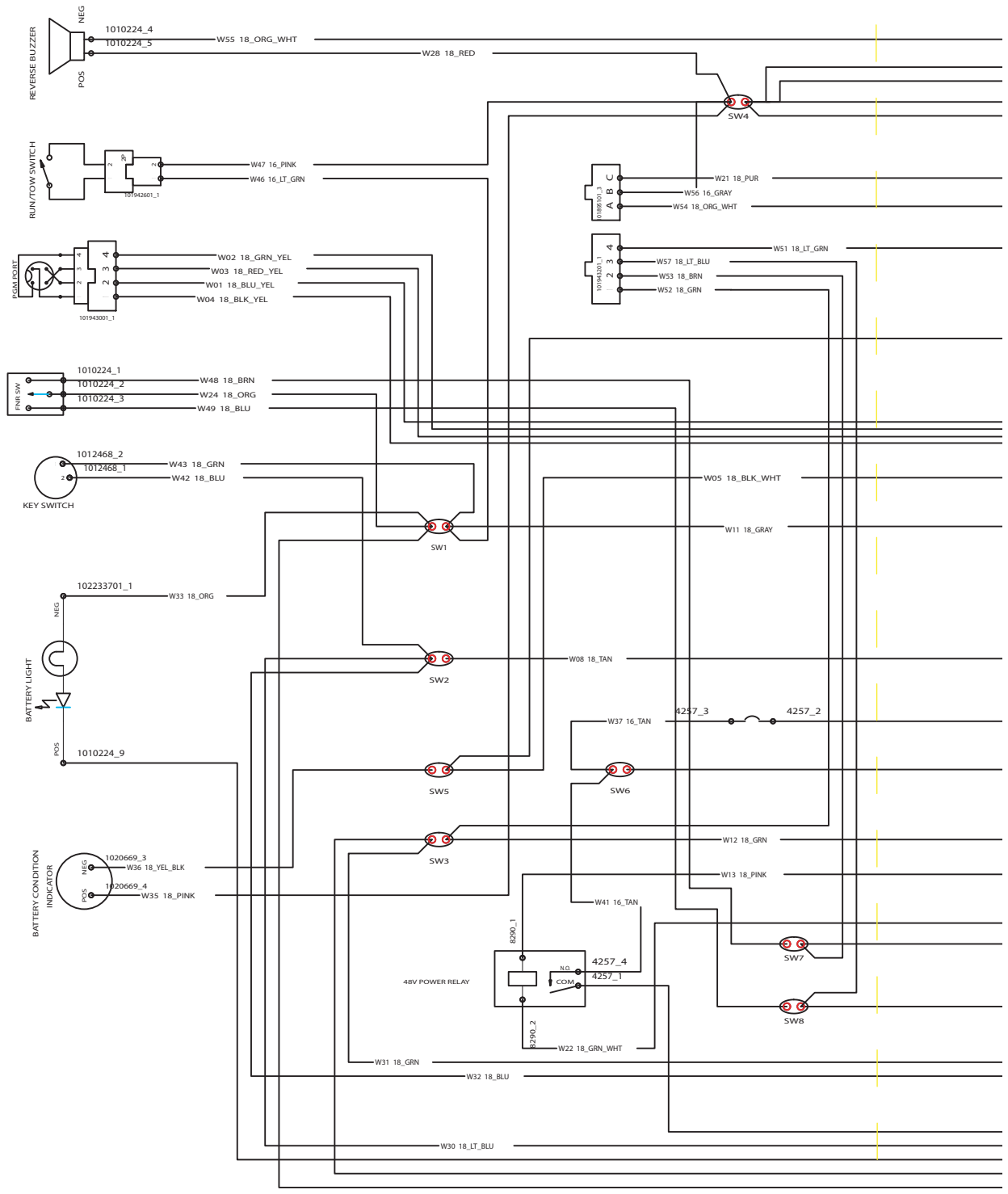
000425-002

TOW/RUN SWITCH

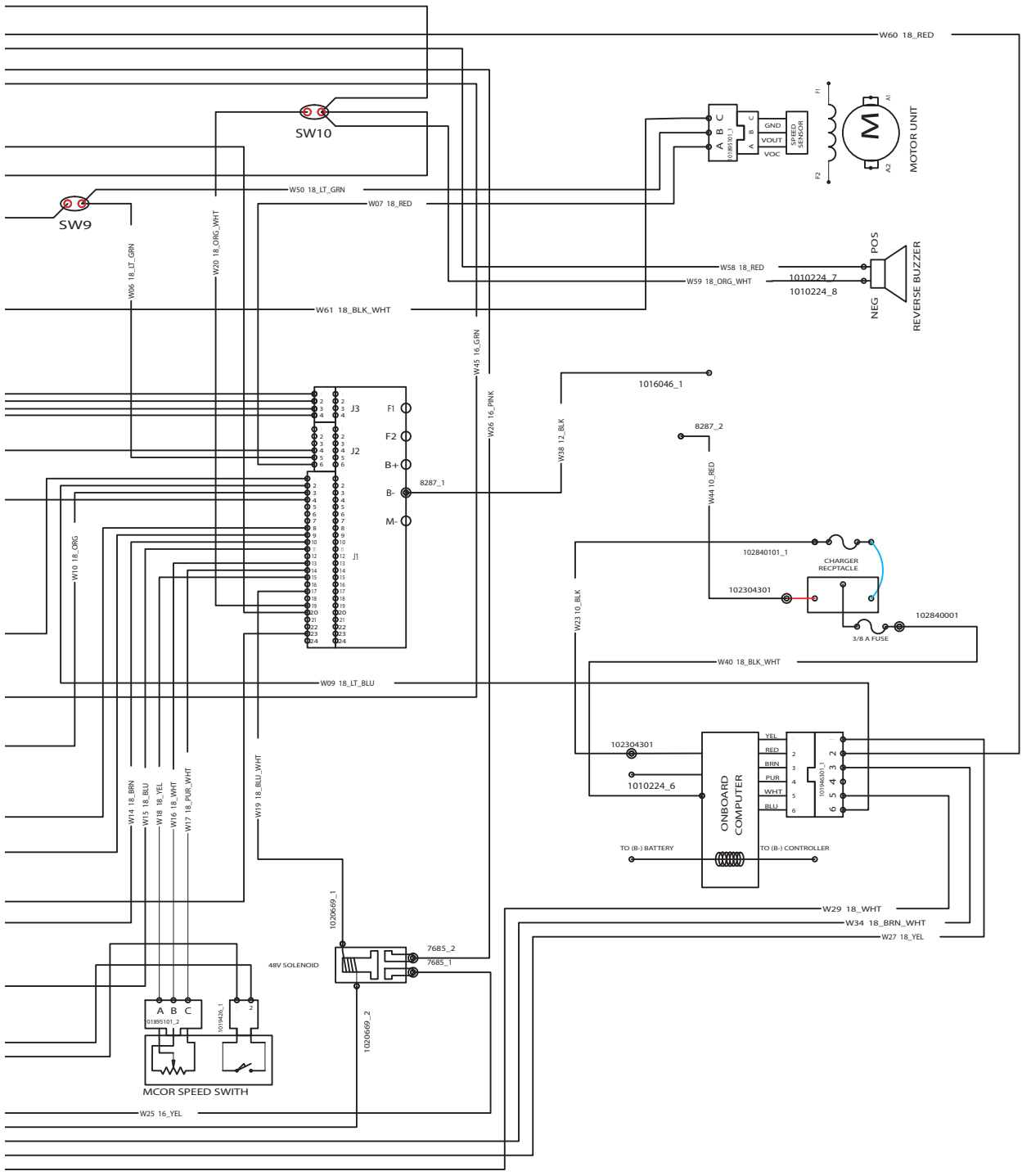
ITEM	PART NO.	DESCRIPTION	QTY
		1 2 3 4	
1	<u>102817101</u>	Screw, 1/4-20 X .50 Hex Wsh Hd	2
2	N/A	Asm, Stow Switch, Elec (includes items 3 through 7)	1
3	<u>101908401</u>	Boot, Switch	1
4	<u>102838101</u>	Circuit Breaker 250vac-50vdc	1
5	<u>103248501</u>	Switch, Toggle, 3 Pos Dpdt	1
6	<u>103248801</u>	Decal, Stow Switch, Elec	1
7	<u>103259801</u>	Plate, Switch, Run/stow	1

13

E



000766-001



000766-001

See previous two pages for illustration.

WIRING – ELECTRIC VEHICLE

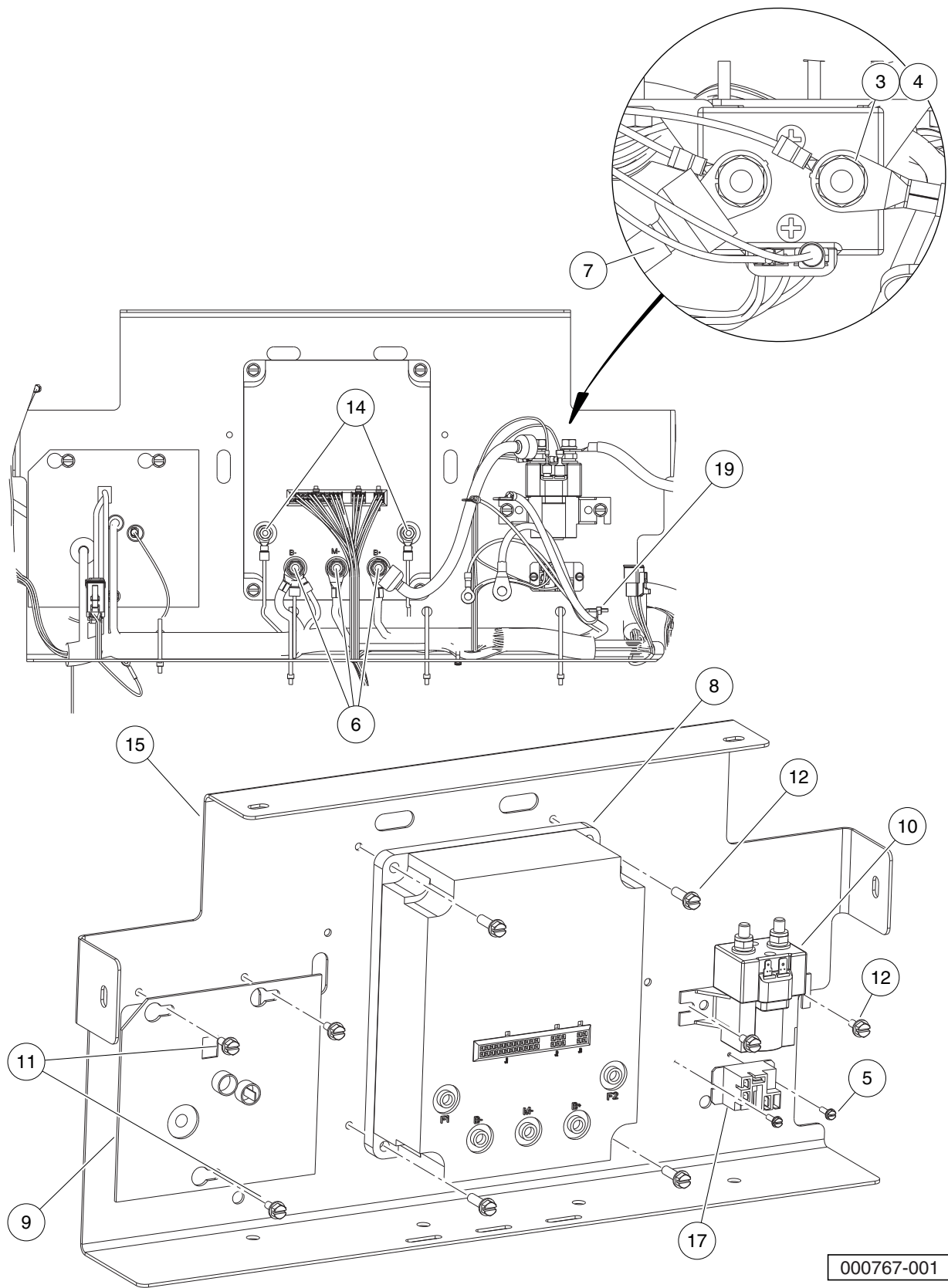
13

E

ITEM	PART NO.	DESCRIPTION	QTY
		1 2 3 4	
1	<u>102002801</u>	Wire Assy, #4 Black	1
2	<u>102002901</u>	Wire Assy, #4 Black	1
3	N/A	Instl, Elec Sys, 48v, Ab	1
4	<u>103013501</u>	Wire Harness, Elec, Ctl	1
5	<u>103013701</u>	Wire Harness, Brake	1
6	<u>103013801</u>	Wire Harness, Power, Rear Plt	1

13

E



000767-001

COMPONENT MOUNTING PLATE

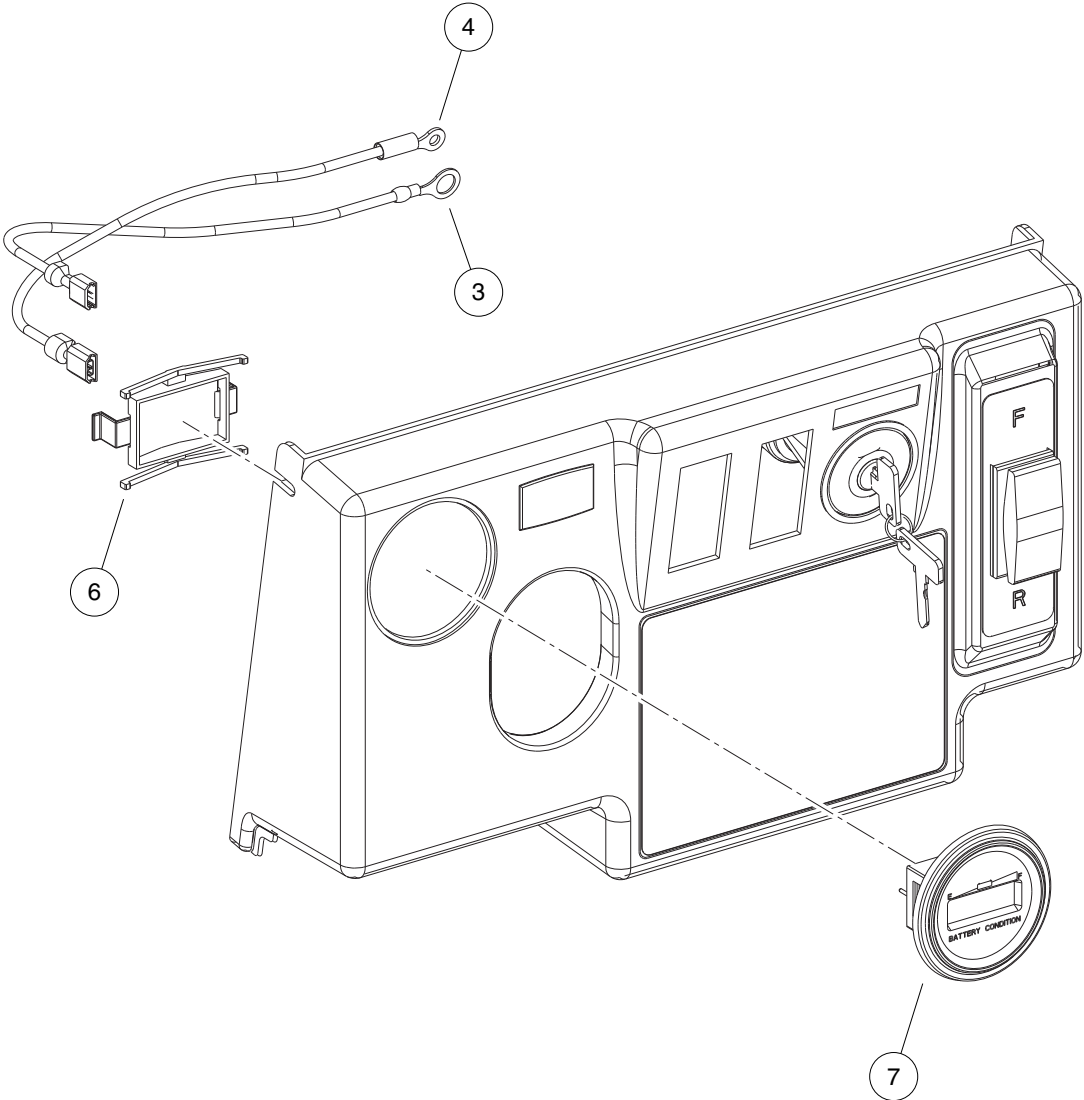
ITEM	PART NO.	DESCRIPTION	QTY
		1 2 3 4	
1	N/A	Instl, Elec Sys, 48v, Mb	1
2	N/A	Asm, Component Mtg Plate, Ab (includes items 3 through 19)	1
3	<u>1012528</u>	Nut, M8-1.25 Hex	2
4	<u>1013734</u>	Lockwasher, 8mm Split	2
5	<u>1015720</u>	Screw, #6-32 X 1/2 Hex Washer-Head	2
6	<u>102240501</u>	Bolt, Controller, Terminal	3
7	<u>102440901</u>	Wire Asm, #4 Yellow, 13"	1
8	<u>102774501</u>	Controller, 500 Amp	1
9	<u>102774603</u>	Computer, Onbrd, 8x 6v, 46"	1
10	<u>102774701</u>	Solenoid, 48v	1
11	<u>102817101</u>	Screw, 1/4-20 X .50 Hex Wsh Hd	5
12	<u>102817201</u>	Screw, 1/4-20 X .88 Hex Wsh Hd	4
13	<u>102846402</u>	Asm, #4 Red Wire, 33"	1
14	<u>102859501</u>	Screw, M6 X 1 X 20 Ser Hex Flg	2
15	<u>102963301</u>	Plate, Component Mtg, Elec.	1
16	<u>103414901</u>	Kit, Relay, 48v 30a W/instr (includes items 17 and 18)	1
17	<u>103397901</u>	Relay, Spst No, 48v 30a, Pmt	1
18	N/A	Kit, Relay, 48v 30a Instrns	1
19	<u>8990</u>	Tie Wrap, 8" Nylon	4

13

E

13

E



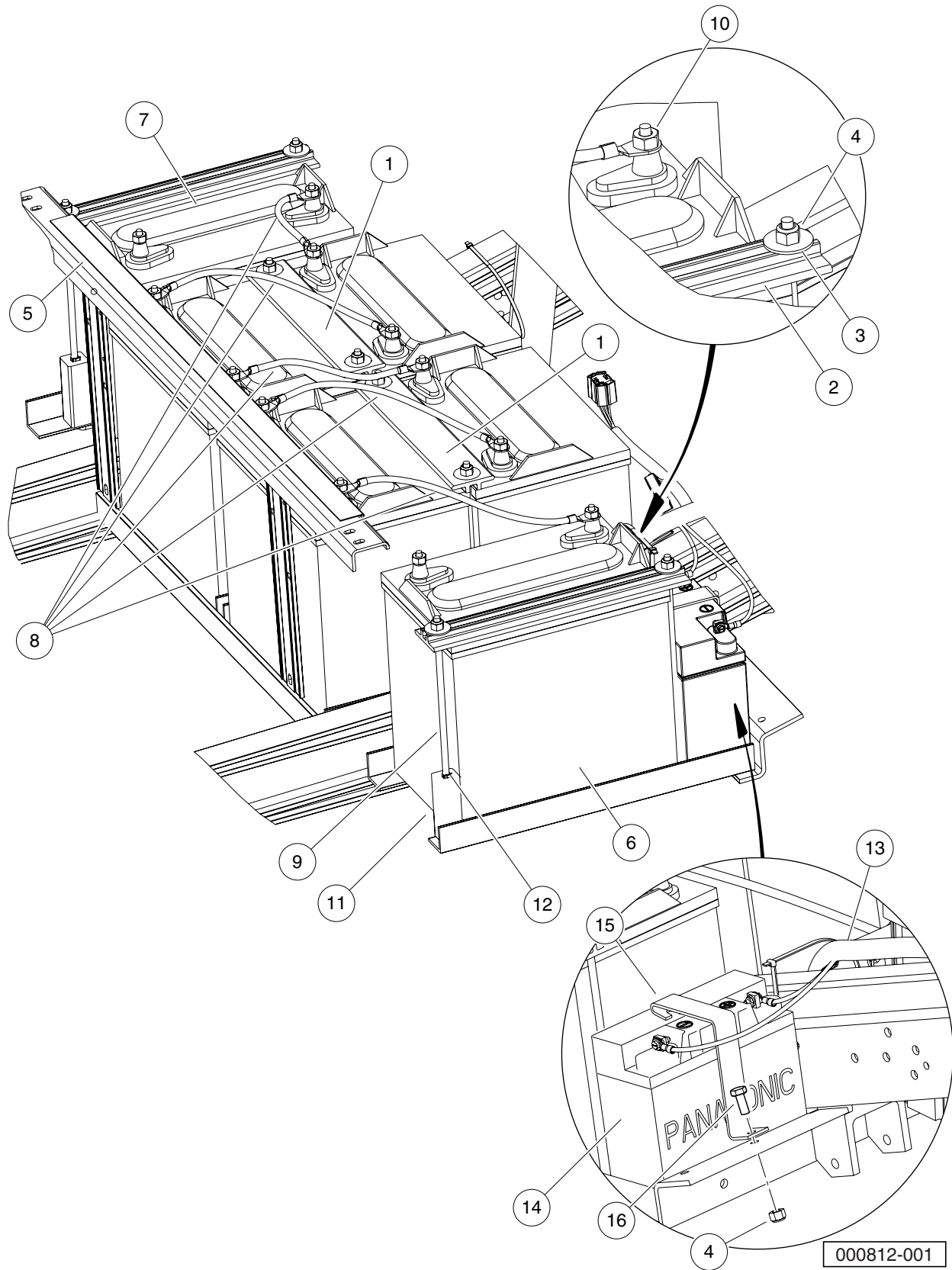
000817-001

BATTERY GAUGE

ITEM	PART NO.	DESCRIPTION	QTY
		1 2 3 4	
1	<u>103257603</u>	Instl, Gauge, Battery Cond, Ki (includes items 2 through 5)	1
2	N/A	Instructions,bat.cond.ind	1
3	<u>103257701</u>	Wire Asm, #18 Black, 2565mm	1
4	<u>103257801</u>	Wire Asm, #16 Red, 330mm	1
5	<u>103354401</u>	Gauge, Battery Cond Ind, Rnd (includes items 6 and 7)	1
6	<u>103348202</u>	Clip, Bci, Round	1
7	N/A	Battery Condition Indicator Gauge	1

13

E



BATTERIES – ELECTRIC VEHICLE

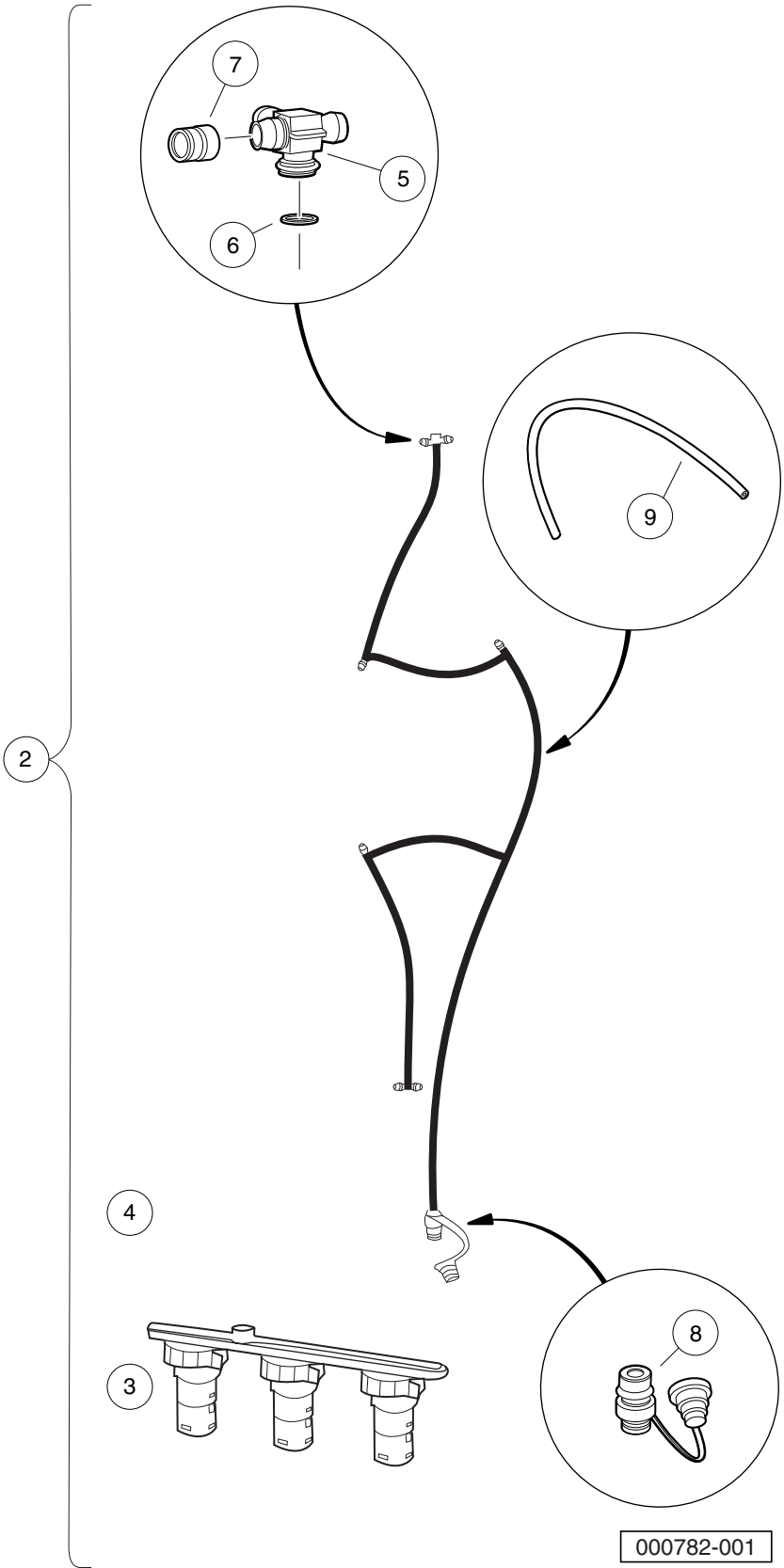
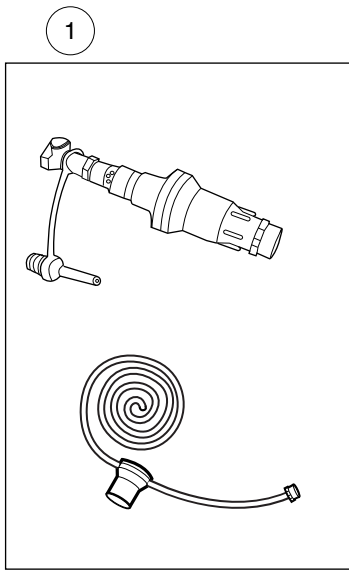
ITEM	PART NO.	DESCRIPTION	QTY
		1 2 3 4	
1	<u>101090801</u>	Hold-Down, Battery	2
2	<u>101090802</u>	Hold-Down, Battery	2
3	<u>1011578</u>	Washer, 5/16 Type B Flat	8
4	<u>1015072</u>	Locknut, 5/16-18 Nylon Insert	9
5	<u>101837001</u>	Battery Insulator	1
6	<u>101964201</u>	Battery, 8v Trojan T890 (Wet) (includes item 7)	6
7	<u>101797801</u>	Cap, 4-Gang Battery	1
8	<u>102002801</u>	Wire Assy, #4 Black	5
9	<u>102845203</u>	Rod, Battery Hold Down 10.7"	8
10	<u>102873401</u>	5/16-18 Heavy Hex Nut	12
11	<u>102980801</u>	Extr, Plastic, 1 X 1 X 3	2
12	<u>102980901</u>	Clamp, Hose, Nylon, .25	2
13	<u>103013701</u>	Wire Harness, Brake	1
14	<u>103014101</u>	Battery, Sla, 12v 17ah	1
15	<u>103195101</u>	Clamp, Battery, Redundant	1
16	<u>103422501</u>	Screw, 5/16 - 18 X .75 Ss Hex	1

13

E

13

E



SINGLE POINT WATERING SYSTEM

ITEM	PART NO.	DESCRIPTION	QTY
		1 2 3 4	
1	<u>102958001</u>	Kit Regulated Hose Sply Spws	1
2	<u>103236801</u>	Kit, Spws, 8v (includes items 3 through 9)	1
3	<u>102956401</u>	Manifold, SPWS (Single-Point Watering System)	6
4	N/A	Instr Spws Kit Prec Ds Fr	1
5	<u>103226201</u>	Fitting Spws Swivel T	6
6	<u>103226301</u>	O-ring Spws Swivel T	6
7	<u>103226401</u>	Cap Spws Swivel T Red	7
8	<u>103226601</u>	Coupler Male Spws Supply	1
9	<u>103226701</u>	Tubing Spws	1

13

E

13

E

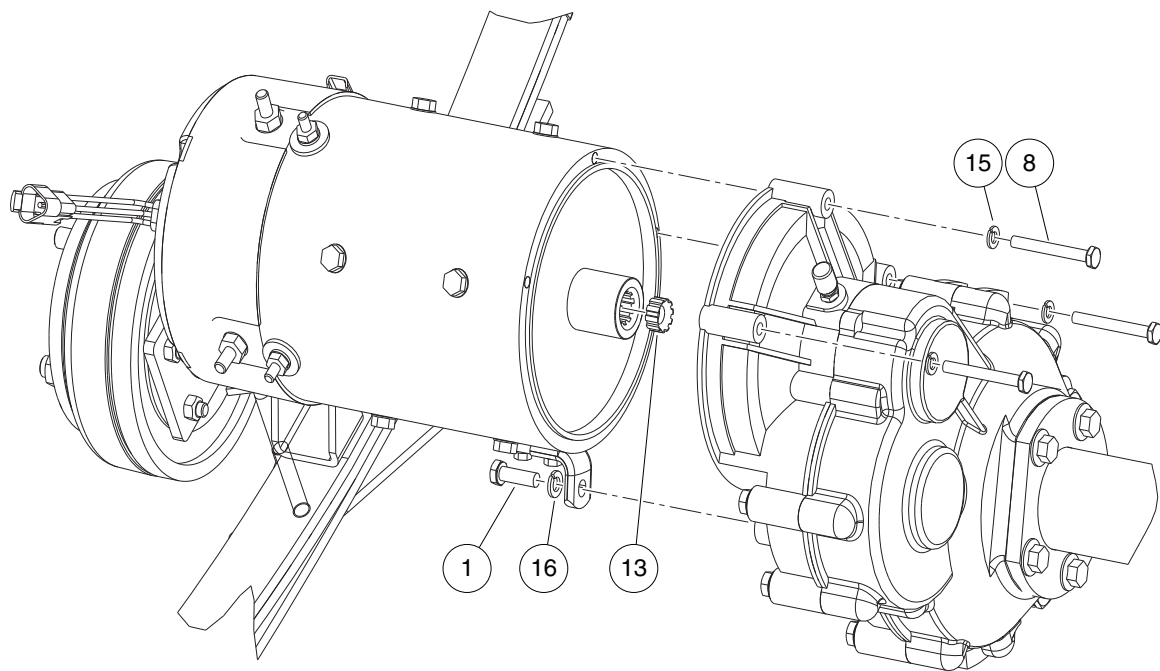
ELECTRIC MOTOR

14

E

14

E



000758-001

DRIVE UNIT MOUNTING

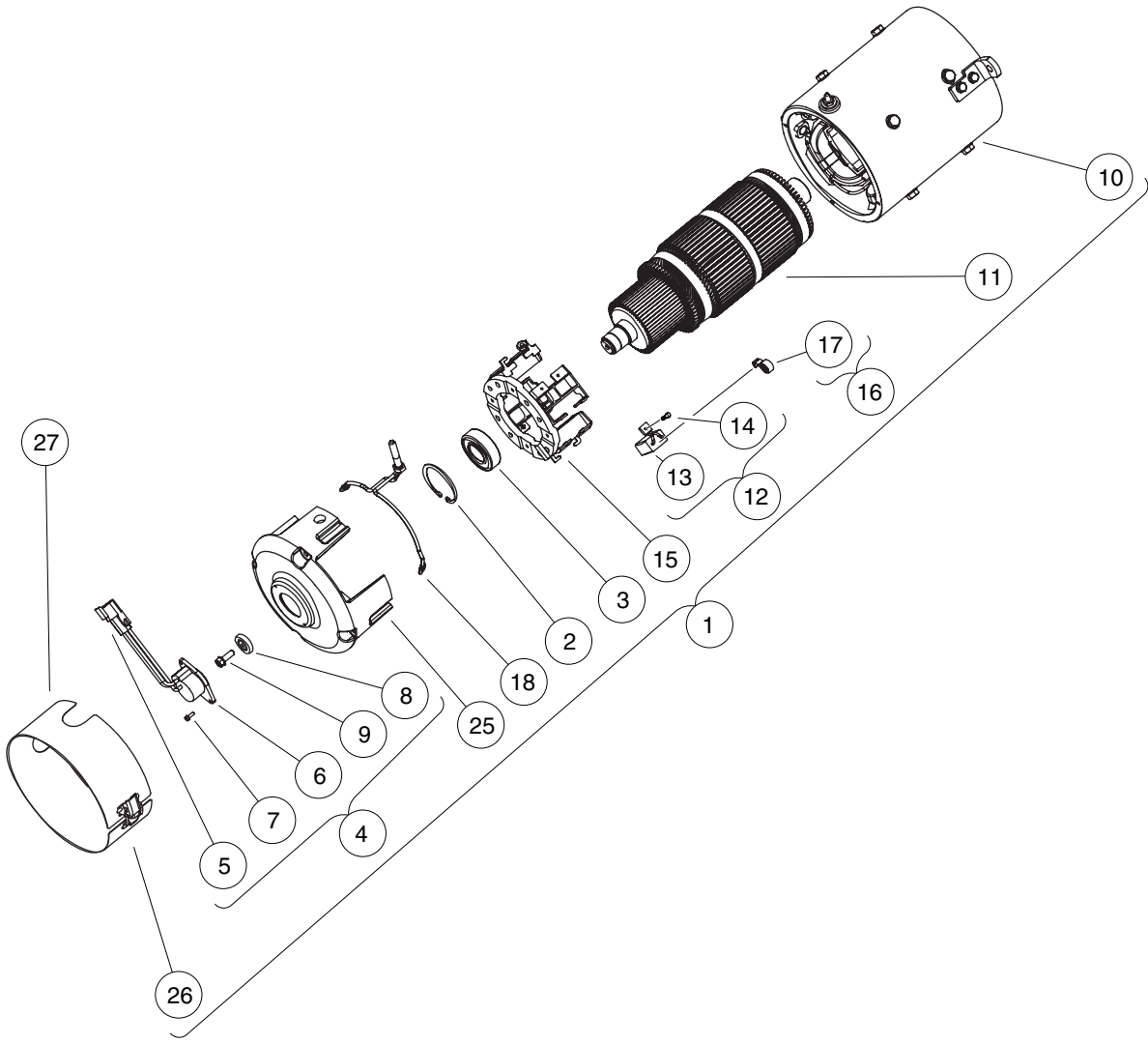
ITEM	PART NO.	DESCRIPTION	QTY
		1 2 3 4	
1	<u>1010934</u>	Screw, 5/16-18 X 1.00 Hex Cap	1
2	1014201	Screw, 1/4-20 X 2.25 Hex Cap	3
3	<u>102235201</u>	Bumper, Drive Unit	1
4	<u>451</u>	Lockwasher, 1/4 Split	3
5	<u>7174</u>	Lockwasher, 5/16 Split	1

14

E

14

E



000411-003

ELECTRIC MOTOR (MODEL DA5-4006)

ITEM	PART NO.	DESCRIPTION	QTY
		1 2 3 4	
1	<u>102775101</u>	IQ Plus Electric Motor, 48-VDC 3.7 hp (includes items 2 through 26)	1
2	<u>102186301</u>	Ring, 2.24" Internal Retaining	1
3	<u>102186401</u>	Bearing, Ball	1
4	<u>102704901</u>	Kit, Speed Sensor (includes items 5 through 9)	1
5	<u>101942301</u>	Kit, 3-Pin Wedge Lock	1
6	N/A	Sensor, Motor Speed, ADC	1
7	N/A	Screw, #8-32, Taptite Thread	2
8	N/A	Magnet, ADC Motor	1
9	N/A	Screw, 1/4-20 x 0.5	1
10	N/A	Asm, Frame And Field, 3.7 Hp	1
11	N/A	Armature (Includes external hardware - not shown)	1
12	<u>102938601</u>	Kit, Brush, 3.7 Hp (includes items 13 and 14)	1
13	N/A	Brush, Motor	8
14	N/A	Screw, Taptite	8
15	<u>102938701</u>	Asm, Brush Box, 3.7 Hp	1
16	<u>102938801</u>	Kit, Brush Spring, 3.7 Hp (includes item 17)	1
17	N/A	Brush Spring	8
18	<u>102938901</u>	Kit, Brush Lead Asm, 3.7 Hp (includes items 19 through 24)	1
19	N/A	Terminal and Lead Assembly	2
20	N/A	Insulator, Terminal	2
21	N/A	Washer, Insulating	2
22	N/A	Washer, Flat, 5/16, Brass/Bronze	2
23	N/A	Nut, 5/16, Steel	4
24	N/A	Lockwasher, 5/16, Steel	2
25	<u>102939001</u>	Commutator End Head, 3.7 Hp	1
26	<u>102939101</u>	Sealed Headband, 3.7 Hp	1
27	<u>102939102</u>	Vented Headband, 3.7 HP (optional - not shown)	1
		Note: Brush Lead Asm Kit includes 2 sets of wire assemblies, terminal hardware, and terminal insulators (not shown).	

14

E

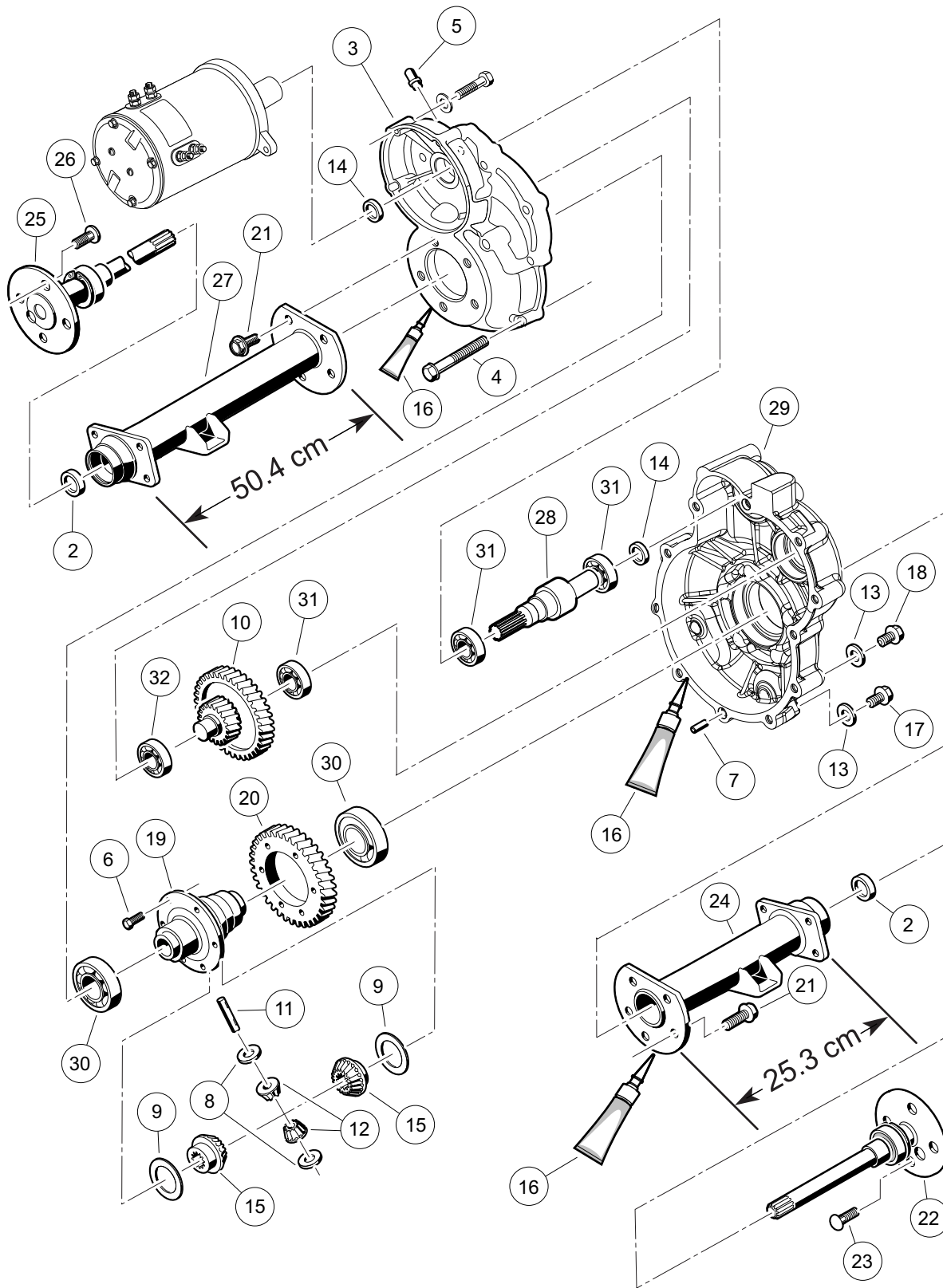
14

E

TRANSAXLE – ELECTRIC VEHICLE

15

E



000223-003

TRANSAXLE – ELECTRIC VEHICLE

ITEM	PART NO.	DESCRIPTION	QTY
		1 2 3 4	
1	<u>103324201</u>	Transaxle, Elec, Emag Brake (includes items 2 through 32)	1
2	<u>1013794</u>	Axle Shaft Oil Seal	2
3	<u>101895501</u>	Gear Case, Passenger-Side	1
4	<u>101897001</u>	Screw, M8-1.25 X 60mm Hex-Head	11
5	<u>101897201</u>	Breather	1
6	<u>101897401</u>	Screw, M10-1.25 X 25mm	6
7	<u>101897601</u>	Pin, 11mm OD X 8.5mm ID X 10mm	2
8	<u>101903601</u>	Washer, Thrust	2
9	<u>101903701</u>	Washer, Thrust	2
10	<u>101906901</u>	Intermediate Shaft Assembly	1
11	<u>101922101</u>	Pin, 15.99mm X 88.7mm Dowel	1
12	<u>101923001</u>	Gear, Differential Idler	2
13	<u>101923201</u>	Gasket	2
14	<u>101923501</u>	Seal, Lip	2
15	<u>101923901</u>	Gear, Differential	2
16	<u>101928701</u>	Liquid Gasket (Transaxle case)	1
17	<u>101972101</u>	Plug, M14-1.5 X 12mm Magnetic	1
18	<u>101972201</u>	Plug, M14-1.5 X 12mm Hex	1
19	<u>102356601</u>	Housing, Differential, 6 Bolt	1
20	<u>102356801</u>	Gear, Differential Output, 6-Bolt	1
21	<u>102357001</u>	Screw, Flg Hd M10 X 1.5 X 30	10
22	<u>102886301</u>	Axle Assembly, Driver-Side (includes item 23)	1
23	<u>101922201</u>	Lug Stud	4
24	<u>102886401</u>	Tube, Axle, Driver-Side	1
25	<u>102886501</u>	Axle Assembly, Passenger-Side (includes item 26)	1
26	<u>101922201</u>	Lug Stud	4
27	<u>102886601</u>	Tube, Axle, Passenger-Side	1
28	N/A	Shaft, AB, Elec	1
29	N/A	Gear Case, AB, Elec	1
30	<u>7330</u>	Inner Axle Tube Bearing	2
31	<u>7335</u>	Bearing	3
32	<u>7336</u>	Bearing	1

15

E

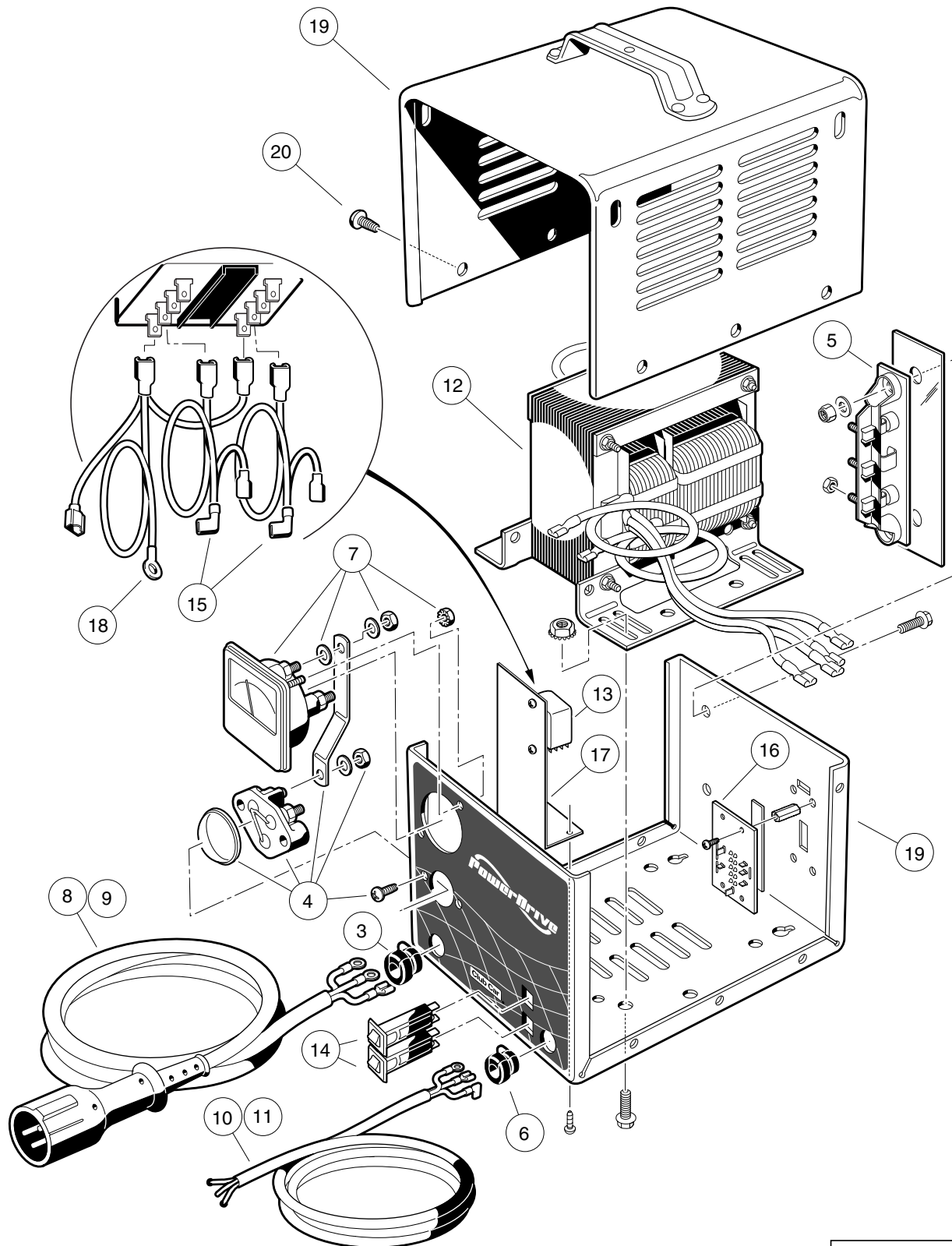
15

E

BATTERY CHARGER

16

E



000352-001

POWERDRIVE BATTERY CHARGER (MODEL 18780), EXPORT

ITEM	PART NO.	DESCRIPTION	QTY
		1 2 3 4	
1	101831503	Battery Charger, 48-Volt DC (8.5-ft DC, 6-ft AC)	1
2	101831504	Battery Charger, 48-Volt DC (12-ft DC, 9-ft AC) (includes items 3 through 20)	1
3	<u>1012098</u>	Bushing, DC Cord	1
4	<u>1012101</u>	Fuse Assembly	1
5	<u>1015914</u>	Rectifier with Heatsink Assembly	1
6	<u>1015917</u>	Bushing, AC Cord	1
7	<u>101828501</u>	Ammeter	1
8	<u>101828901</u>	Cord, DC, 113-Inch (287 cm)	1
9	<u>101828902</u>	Cord, DC, 154-Inch (391 cm)	1
10	<u>101831701</u>	Cord, AC, 80-Inch (203 cm), without Plug	1
11	<u>101831702</u>	Cord, AC, 118-Inch (203 cm), without Plug	1
12	101838201	Transformer, Export Battery Charger	1
13	<u>101838301</u>	Relay, Export Charger	1
14	101838401	Circuit Breaker	2
15	101838501	Kit, Wire Assembly	1
16	101838601	Four-Position Switch	1
17	****	Mounting Bracket, Relay	1
18	101914401	Assembly, Voltage Suppressor	1
19	N/A	Case, Charger	1
20	7577	Screw, #10 X 0.50 Phillips Pan-Head	10
<p>**** Special order item available upon request.</p> <p>Note: Level 1 Battery Charger part numbers include one AC and one DC cord. They do not include all of the level 2 cords listed.</p>			

16

E

16

E

MAINTENANCE AND SERVICE TOOLS

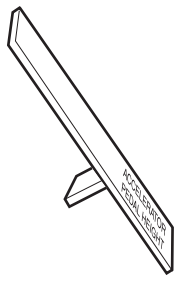
17

G

E

D

17
G
E
D



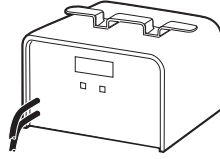
1



2



3



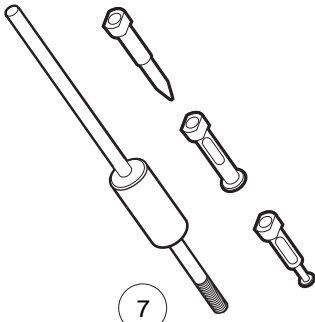
4



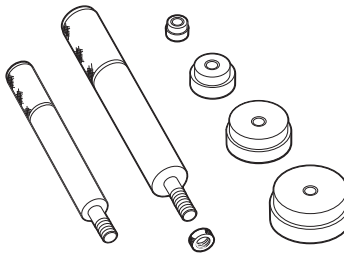
5



6



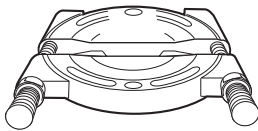
7



8



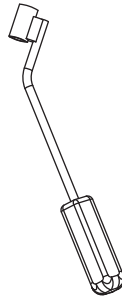
9



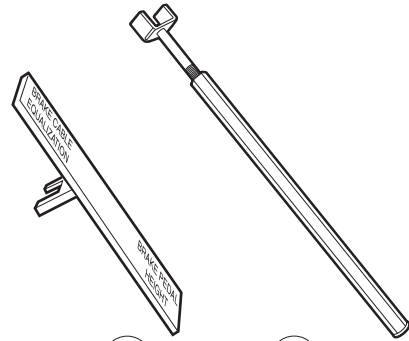
10



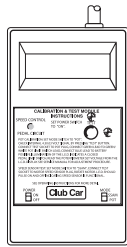
11



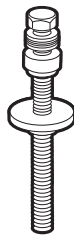
12



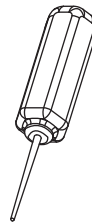
14 15
13



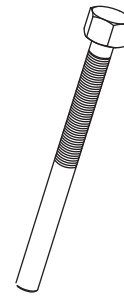
16



17



18



19

MAINTENANCE AND SERVICE TOOLS

ITEM	PART NO.	DESCRIPTION	QTY DIESEL	QTY GAS	QTY ELEC
		<p style="text-align: center;">1 2 3 4</p> <p>The following tool list includes all tools available from Club Car for maintenance and service procedures for gasoline, electric, and/or diesel vehicles, both past and present models. Be sure to carefully examine the tool list for applicability to your vehicle before ordering.</p>			
1	<u>101871001</u>	Accelerator Pedal Adjustment Tool		1	1
2	<u>101813202</u>	Adhesive, Guide Ring, 3-Gram Tube			1
3	<u>101641202</u>	Arbor		1	
4	<u>101831901</u>	Battery Discharge Machine, 36/48 Volt			1
5	<u>1014305</u>	Battery Terminal Protector Spray	1	1	1
6	<u>1011767</u>	Battery Thermometer	1	1	1
7	<u>1016417</u>	Bearing and Oil Seal Remover Assembly	1	1	1
8	<u>1016416</u>	Bearing Driver Set	1	1	1
9	<u>1012811</u>	Bearing Puller	1	1	1
10	<u>1012812</u>	Bearing Puller Wedge Attachment	1	1	1
11	<u>1013582</u>	Brake Adjustment Tool (used only on vehicles with manually adjusted mechanical brakes)			
12	<u>102555501</u>	Brake Cable Release Tool	1	1	1
13	<u>102249901</u>	Brake Pedal Adjustment Tool Kit (used for the Carryall Electric Industrial Truck only) (includes items 14 and 15).....			1
14	****	Brake Pedal Adjustment Tool			1
15	****	Brake Pedal Tension Tool			1
16	<u>101887101</u>	Calibration Test Module			1
17	<u>101808401</u>	Cam Installation Tool		1	
18	<u>102562401</u>	Charger Bezel Tool			1
19	<u>102686101</u>	Clutch Removal Tool (for 4x4 vehicles)	1	1	
		<p>Please refer to the maintenance and service manual for proper tool application.</p> <p>**** Special order item available upon request</p>			

17

G

E

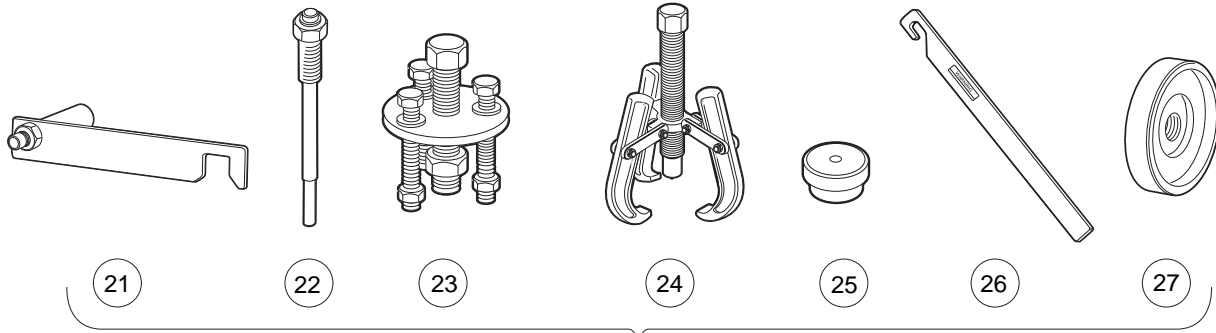
D

17

G

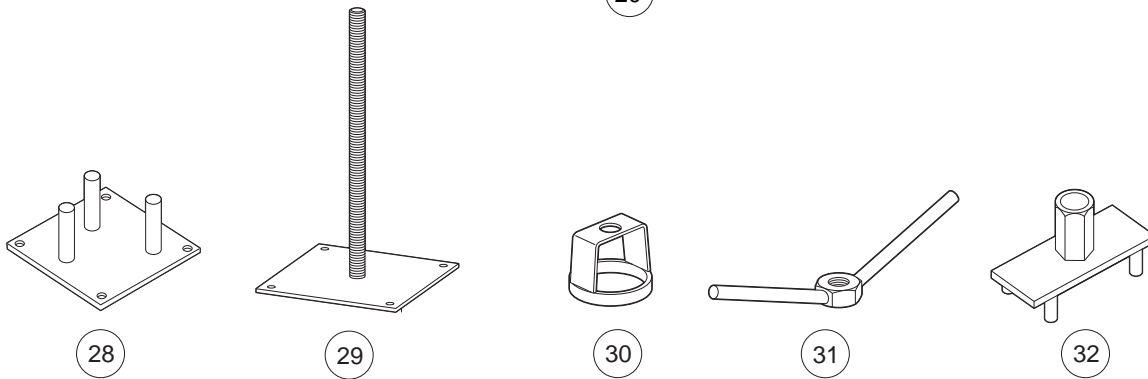
E

D

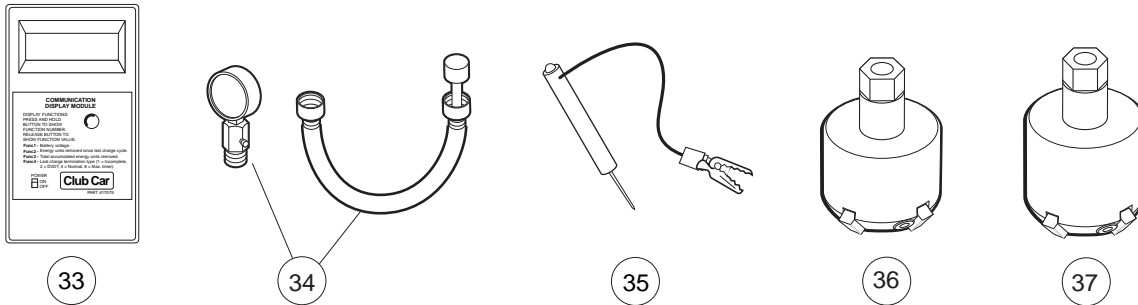


(21) (22) (23) (24) (25) (26) (27)

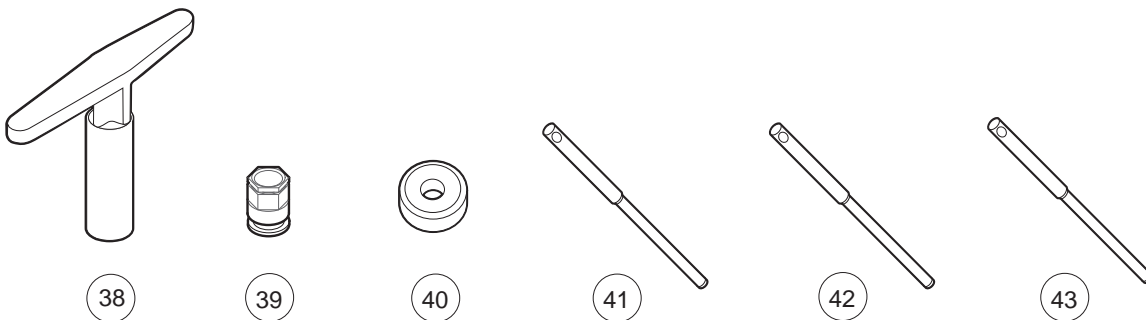
 (20)



(28) (29) (30) (31) (32)



(33) (34) (35) (36) (37)



(38) (39) (40) (41) (42) (43)

MAINTENANCE AND SERVICE TOOLS, CONTINUED

ITEM	PART NO.	DESCRIPTION	QTY DIESEL	QTY GAS	QTY ELEC
		1 2 3 4			
20	<u>1014510</u>	Clutch Tool Kit (includes items 21 - 27)		1	
21	<u>1014498</u>	Clutch Alignment Tool (for pre-unitized transaxle vehicles built prior to 1997 model year)		1	
22	<u>1014496</u>	Drive Clutch Puller (for Kawasaki engines only)		1	
23	<u>1014497</u>	Drive Clutch Hub Puller (for Kawasaki engines only)		1	
24	<u>1014508</u>	Driven Clutch Cam Puller (for Kawasaki engines only)		1	
25	<u>1014507</u>	Driven Clutch Puller Plug (for Kawasaki engines only)		1	
26	<u>1015524</u>	Drive Clutch Holder Tool Assembly (for Kawasaki engines only)		1	
27	<u>101809101</u>	Press Weldment (for Kawasaki engines only)		1	
28	<u>102601501</u>	Drive ClutchFixed Sheave Tool (for 4x4 vehicles)	1	1	
29	<u>102603501</u>	Driven Clutch Spring Compression Base (for use with items 30 and 31) (for 4x4 vehicles)	1	1	
30	<u>102605201</u>	Driven Clutch Spring Compression Collar (for use with items 29 and 31) (for 4x4 vehicles)	1	1	
31	<u>102606101</u>	Driven Clutch Spring Compression Nut (for use with items 29 and 30) (for 4x4 vehicles)	1	1	
32	<u>102607501</u>	Drive Clutch Spider Removal Tool (for 4x4 vehicles)	1	1	
33	101831801	Communication Display Module			1
34	101641002	Compression Gauge and Adapter		1	
35	1011273	Continuity Tester		1	1
36	<u>102773801</u>	Cutter, Valve Seat, #122		1	
37	<u>102773901</u>	Cutter, Valve Seat #115		1	
38	<u>102774101</u>	Wrench, T, #505.....		1	
39	<u>102774101</u>	Adapter, T-Wrench.....		1	
40	102675401	Cutter, Valve Seat, 60 Degree (requires item 51) (for Honda GX620 Gasoline Engines)		1	
41	<u>102774201</u>	Pilot, 6.6 MM		1	
42	<u>102774301</u>	Pilot, 6.62 MM.....		1	
43	<u>102774401</u>	Pilot, 6.65 MM.....		1	
		Please refer to the maintenance and service manual for proper tool application.			

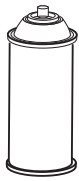
17

G

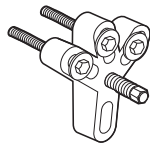
E

D

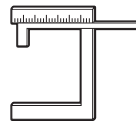
17
G
E
D



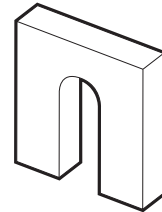
44



45



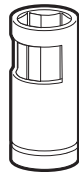
46



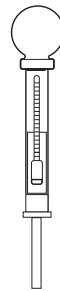
47



48



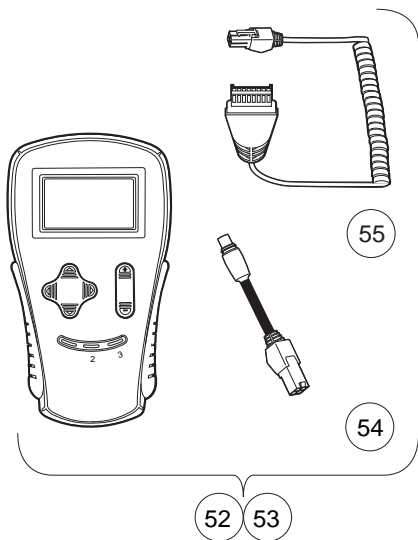
49



50



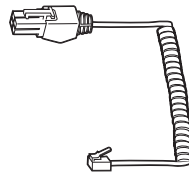
51



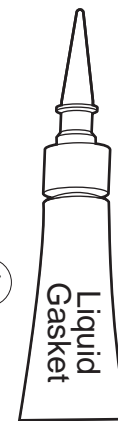
52 53

55

54



56



57



58



59 60



61

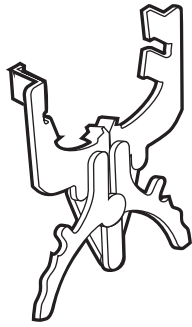
MAINTENANCE AND SERVICE TOOLS, CONTINUED

ITEM	PART NO.	DESCRIPTION	QTY DIESEL	QTY GAS	QTY ELEC	17
		1 2 3 4				
44	<u>1012151</u>	Dry Moly Lubricant	1	1	1	G E D
45	<u>1016627</u>	Flywheel Puller Kit (for Kawasaki Engines)		1		
46	<u>102669901</u>	Gauge, Carburetor Float Level (for Honda GX620 Gasoline Engines)		1		
47	<u>1016418</u>	Gear Yoke	1	1	1	
48	<u>101933101</u>	Governor Shaft Installation Tool (for Kawasaki Engine Vehicles)		1		
49	<u>102169401</u>	Hydraulic Brake Adjuster (for Turf/CA 272/472, Pioneer/XRT 1200, Bobcat 2100, HUV 4213)			1	
50	<u>1011478</u>	Hydrometer	1	1	1	
51	<u>1013593</u>	Internal Retaining Ring Pliers	1	1	1	
52	<u>102248803</u>	IQ Display Module (IQDM) Kit (IQ System and IQ Plus vehicles)			1	
		(includes items 54 and 55)				
53	<u>102248804</u>	IQ Display Module (IQDM-P) Kit (IQ System and IQ Plus vehicles)			1	
		(includes items 54 and 55)				
54	<u>102251501</u>	Adaptor, Cable			1	
55	<u>102241502</u>	IQDM Series 2 Cable			1	
56	<u>102241501</u>	IQDM Series 1 Cable (replacement)			1	
57	<u>101928701</u>	Liquid Gasket (transaxle case)	1	1	1	
58	<u>102243402</u>	Moly-Teflon Lubricant (4-oz. (113-gram) tube)			1	
59	<u>101997201</u>	Paint, Touch-Up – Beige*		1	1	
59	<u>101997207</u>	Paint, Touch-Up – Black*		1	1	
59	<u>101997212</u>	Paint, Touch-Up – Burgundy*		1	1	
59	<u>101997211</u>	Paint, Touch-Up – Classic Blue (Navy)*		1	1	
59	<u>101997205</u>	Paint, Touch-Up – Dark Gray*	1	1	1	
59	<u>101997209</u>	Paint, Touch-Up – Dark Green*	1	1	1	
59	<u>101997204</u>	Paint, Touch-Up – Gray*	1	1	1	
59	<u>101997203</u>	Paint, Touch-Up – Red*	1	1	1	
59	<u>101997206</u>	Paint, Touch-Up – Royal Blue (Pacific Blue)*		1	1	
59	<u>101997202</u>	Paint, Touch-Up – White*	1	1	1	
60	<u>102562301</u>	Paint, Precedent Underbody – Gray		1	1	
61	<u>102587201</u>	Paint Pen, Touch-Up, Precedent Underbody – Black		1	1	
		Please refer to the maintenance and service manual for proper tool application.				
		* Item 59 is not for use on Surlyn [®] body material, which is used on Precedent vehicles.				

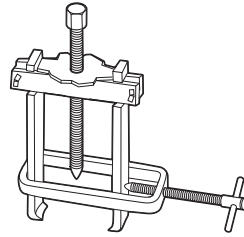
17
G
E
D



62



63



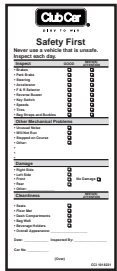
64



65



66



67



68



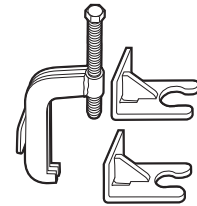
69



70



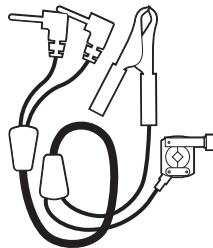
71



72



73



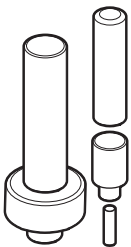
74



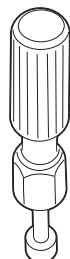
75



76



77



83



84



85



86

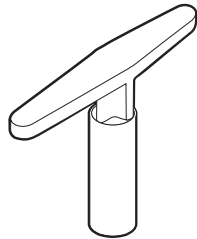
MAINTENANCE AND SERVICE TOOLS, CONTINUED

ITEM	PART NO.	DESCRIPTION	QTY DIESEL	QTY GAS	QTY ELEC	17
		1 2 3 4				G
62	<u>1016414</u>	Piston Ring Compressor Kit (FE290, FE350 and FE400 engines)		1		E
63	<u>1016415</u>	Piston Ring Pliers (for Kawasaki Engines)		1		D
64	<u>102668801</u>	Puller, Special Use (for Kubota D722 Diesel Engines)	1			
65	<u>1012549</u>	Retaining Ring Pliers, 45° External	1	1	1	
66	<u>1012560</u>	Retaining Ring Pliers, 90° Internal	1	1	1	
67	<u>101823101</u>	Safety First Card (50 per pack)	1	1	1	
68	<u>1012809</u>	Seal Puller	1	1	1	
69	<u>102330901</u>	Spanner Wrench (for coil over shock front suspension vehicles only)	1	1		
70	<u>1014264</u>	Steering Column Bearing Press Tool		1	1	
71	<u>1014259</u>	Steering Column Retaining Ring Tool		1	1	
72	<u>102061201</u>	Steering Wheel Puller Tool	1	1	1	
73	<u>AM10753</u>	Tachometer (includes gasoline engine pick up lead only)	1	1		
74	<u>AM10771</u>	Tachometer Diesel Probe (for use with item 73)	1			
75	<u>1014162</u>	Transaxle Axle Seal Tool		1		
76	<u>1014161</u>	Transaxle Pinion Seal Tool		1		
77	<u>1014115</u>	Transmission Tool Kit		1		
78	<u>101611003</u>	Tune-Up Kit, All OHV (for FE290, FE350, FE400 only) (includes air filter, spark plug, oil filter, fuel filters) (not shown)		1		
79	<u>AM11804</u>	Tune-Up Kit, Gx620 (for Honda Engines) (includes air filter, spark plug, oil filter, fuel filters) (not shown)		1		
80	<u>AM11805</u>	Tune-Up Kit, D722 (for Kubota Engines) (includes air filter, oil filter, fuel filters, water separator filter) (not shown)	1			
81	<u>AM1220301</u>	Tune-Up Kit, Precedent (for FE290/350 Engines) (includes air filter, spark plug, oil filter, fuel filters) (not shown)		1		
82	<u>AM1232401</u>	Tune-Up Kit, FH680D (for Kawasaki V-Twin Engines) (includes oil filter, fuel filter, air filter, and spark plugs) (not shown)		1		
83	<u>1016413</u>	Valve Clearance Adjuster Screw Holder (for FE290 engines only)		1		
84	<u>102674601</u>	Valve Guide Driver (for Honda GX620 Gasoline Engines)		1		
85	<u>101641201</u>	Valve Guide Reamer (FE290, FE350, and FE400 only)		1		
86	<u>102674401</u>	Valve Guide Reamer, 6.6 mm (for Honda GX620 Gasoline Engines)		1		

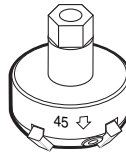
17
G
E
D



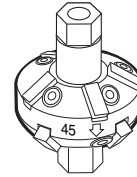
87



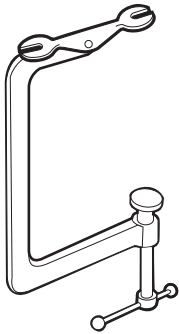
88



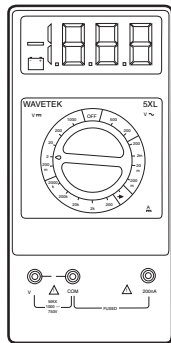
89



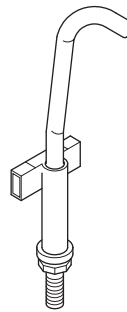
90



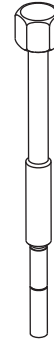
91



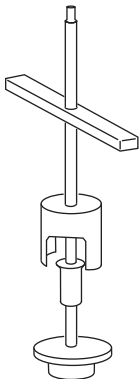
92



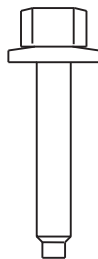
93



94



95



96

MAINTENANCE AND SERVICE TOOLS, CONTINUED

ITEM	PART NO.	DESCRIPTION	QTY DIESEL	QTY GAS	QTY ELEC	17
		1 2 3 4				G
87	<u>1016552</u>	Valve Seat Cutter Guide		1		E
88	<u>1016551</u>	Valve Seat Cutter T-Wrench		1		D
89	<u>1016553</u>	Valve Seat Cutter, 45° (32 mm diameter) (for FE290 engines only)		1		
90	<u>1016554</u>	Valve Seat Cutter, 45°/30° (35 mm diameter)		1		
91	<u>101641101</u>	Valve Spring Compressor		1		
92	1011480	Volt Ohm Meter	1	1	1	
93	<u>102570401</u>	Tool, Tensioning, Starter Generator (For Precedent vehicles)		1		
94	<u>103601401</u>	Puller, Drive Clutch, XRT 950*		1		
95	<u>103601701</u>	Tool, Disassembly, Driven Clutch, XRT 950		1		
96	<u>103600501</u>	Screw, Driven Clutch Disassembly, M6, XRT 950		1		
<p>*Note: The XRT 950 Drive Clutch Puller requires the use of Screw, Driven Clutch Disassembly, CCI Part Number <u>103600501</u>.</p>						

INDEX

Part Number and Page

AM10753	17-9	7893	6-27, 6-33	1011394	1-29, 1-31
AM10771	17-9	7910	5-13, 5-15	1011415	5-11
AM10419	11-7	7973	1-29, 1-31, 1-51, 9-11	1011439	6-13, 13-11
AM10724	8-5	8056	6-9, 13-7, 13-17	1011478	17-7
AM10839	2-3	8057	6-9, 6-27, 6-33, 13-7, 13-17	1011480	17-11
AM10840	2-3	8058	6-9, 6-27, 6-33, 13-7, 13-17	1011497	6-17, 13-15
AM1232301	7-7	8067	5-13, 5-15	1011557	6-13, 6-17, 13-11, 13-15
183	1-51, 6-33, 9-11, 11-3, 12-3	8104	6-33	1011558	6-17, 13-15
304	1-39, 1-41, 6-33	8233	1-11, 1-21, 1-25, 1-27, 1-37, 1-39, 1-41, 1-51, 4-3, 6-33, 12-3	1011578	13-29
324	1-11, 1-51	8248	1-37, 9-3	1011582	6-17, 13-15
332	1-9, 1-11, 1-21, 1-25, 1-27, 1-39, 1-41, 1-51, 9-11, 10-3	8251	1-3, 1-25, 1-27, 1-39, 1-41	1011610	6-31
334	4-3, 4-5, 5-3, 7-15, 8-15	8418	1-39, 1-41	1011652	1-39, 1-41
343	1-51	8450	11-3	1011694	4-3
357	5-7	8574	4-5	1011697	1-51, 1-53, 7-15, 8-15
403	6-25	8639	1-29, 1-31	1011700	4-3
451	6-25, 10-3, 14-3	8717	4-3, 6-27, 6-33, 12-3	1011767	17-3
705	5-3, 6-7, 7-15, 8-15	8754	4-3, 5-3, 5-7, 5-9, 5-11, 6-7	1011843	6-17, 13-15
706	5-7, 5-9	8755	5-9, 5-11	1011883	1-11
808	11-3	8797	9-5	1011887	5-9
1017	6-3, 13-3	8861	5-9	1011893	5-9
1028	4-7	8915	4-5	1011895	5-9
1035	5-9	8963	1-37, 1-51, 13-17	1011930	5-9
1218	1-11, 4-5, 6-31	8990	4-9, 6-27, 6-31, 6-33, 13-25	1011931	4-3
1241	1-11, 1-29, 1-31, 1-37, 1-51, 4-3, 4-5, 4-7, 4-9, 6-7, 6-13, 6-31, 6-33, 10-3, 13-11, 13-17	1010005	5-13, 5-15	1011937	1-11
1242	6-7, 6-27, 6-31	1010028	6-33	1011965	9-3
1308	5-9	1010124	5-7	1011988	9-3
1606	1-51	1010138	5-9	1012098	16-3
1624	4-3	1010142	1-11, 5-11	1012101	16-3
1631	6-33	1010144	5-11	1012124	9-3
1703	1-9, 1-11, 1-51	1010145	5-11	1012126	6-19
2402	5-9	1010150	5-9	1012151	17-7
7048	5-13, 5-15	1010177	5-7	101217301	3-11
7173	6-13, 6-31, 6-33, 13-11	1010200	5-7	1012181	5-11
7174	4-5, 6-7, 6-31, 10-3, 14-3	101021902	5-9	1012182	5-11
7251	1-17, 1-29, 1-31	1010434	1-43, 1-45, 1-49, 4-9	1012285	1-11, 4-9, 4-11, 6-11, 13-9
7274	5-13, 5-15	1010435	1-19, 1-29, 1-31	1012295	6-27
7308	5-13, 5-15	1010546	1-19	1012303	5-9, 5-11
7310	2-5	1010577	1-37, 7-15, 8-15	1012328	6-31
7311	1-39, 1-41	1010811	4-7	1012333	6-33
7330	15-3	1010812	4-7	1012382	6-23
7335	15-3	1010878	4-7	1012412	1-25, 1-27, 1-37
7336	15-3	101090801	13-29	1012431	6-9, 6-27, 13-7
7473	1-11, 1-17, 1-19, 1-29, 1-31, 1-37, 1-51, 1-53, 4-3, 4-5, 4-7, 4-9, 6-13, 6-31, 13-11, 13-17	101090802	13-29	1012438	6-33
7555	5-9	1010921	1-51, 4-7	1012467	5-9
7577	16-3	1010934	4-9, 6-31, 14-3	1012505	1-29, 1-31
7591	6-17, 13-15	1010954	6-27, 12-3	1012528	10-3, 13-25
7602	5-9	1010984	2-5, 4-13	1012549	17-9
7716	4-3, 4-7	1010993	1-25, 1-27	1012560	17-9
7818	6-31	1011014	1-29, 1-31	1012565	5-5
7840	5-13, 5-15	1011017	1-29, 1-31	1012566	5-5
7847	1-21, 1-33, 10-3	1011019	1-29, 1-31	1012571	7-15, 8-15
		1011153	5-13, 5-15	1012581	1-3
		1011229	6-9, 13-7	1012604	5-3
		1011273	17-5	1012605	5-3
		1011382	1-29, 1-31	1012649	9-3
				1012809	17-9

INDEX

1012811	17-3	1014145	6-27	1015720	6-9, 13-7, 13-25
1012812	17-3	101414801	1-23	1015737	6-23
1012830	6-7, 10-3	1014161	17-9	1015741	6-27
1012836	11-7	1014162	17-9	1015752	4-7, 6-27, 6-31, 9-11, 13-5
1012991	6-5	1014201	14-3	1015814	10-3
1013001	6-5	1014213	5-3	1015878	6-27, 6-33
1013003	6-5	1014214	5-3	1015914	16-3
1013005	6-5	1014217	5-3	1015917	16-3
101301102	6-5	1014259	17-9	1015920	6-23
1013032	1-3	1014264	17-9	1015921	9-5
1013061	6-19, 6-33, 9-3, 12-3, 13-17	1014276	5-7	1015932	6-7
1013135	5-13, 5-15	1014287	11-3	1015969	7-5, 8-3
1013216	1-3	1014288	11-3, 13-17	1016004	9-5
1013218	1-3	1014289	6-5	1016074	6-7
1013343	1-29, 1-31	1014305	17-3	1016092	6-31
1013344	1-29, 1-31	1014306	1-9, 1-11, 1-25, 1-27, 1-51	101611003	17-9
1013461	6-3, 9-5, 13-3	1014375	6-31	1016154	5-5
1013462	9-5	1014392	1-49	1016156	5-5
1013494	1-29, 1-31	1014453	11-3	1016201	11-3
1013509	1-51	1014454	11-7	1016219	5-5
1013531	4-7	1014496	17-5	1016289	11-3
1013582	17-3	1014497	17-5	101629008	10-5
1013589	6-27	1014498	17-5	1016346	5-9
1013593	17-7	1014507	17-5	1016349	5-9
1013609	6-27	1014508	17-5	1016350	5-9
1013677	3-5	1014510	17-5	1016351	5-9
1013687	9-3	1014555	5-11	1016353	5-9
1013734	10-3, 13-25	1014807	6-27, 6-33	1016379	1-53
1013746	9-3, 9-5, 9-9, 9-15	1014808	6-27, 6-33	1016384	5-9
1013787	4-13	1014902	5-11	1016386	5-9
1013794	15-3	1014928	9-3	1016387	5-9
1013871	4-3	1014948	6-27	1016389	5-9
1013924	4-13, 7-15, 8-15	101503202	1-45, 1-47	101641002	17-5
1014007	1-33, 4-3, 12-3	1015072	13-29	101641101	17-11
1014049	11-3	1015075	1-29, 1-31	101641201	17-9
1014050	11-3	1015091	1-11	101641202	17-3
1014051	11-3	1015137	9-3, 9-5, 9-9, 9-15	1016413	17-9
1014052	11-3	1015139	9-5	1016414	17-9
1014055	11-3	1015143	9-5	1016415	17-9
1014056	11-3	101524002	6-7	1016416	17-3
1014057	11-3	1015332	7-5, 8-3	1016417	17-3
1014058	11-3	1015345	6-27	1016418	17-7
1014059	11-3	1015371	6-27	101642575	9-7, 9-13
1014062	11-3	1015372	6-27	101642578	9-7, 9-13
1014063	11-3	1015373	6-27	101642580	9-7, 9-13
1014065	6-27, 11-3	1015405	1-19, 6-27	101642582	9-7, 9-13
1014070	11-7	1015426	9-11	101642585	9-7
1014072	11-7	101547601	3-9	1016429	7-3, 8-7
1014076	11-7	1015521	1-9, 5-13	1016432	7-3, 8-7
1014078	11-7	1015524	17-5	1016436	7-9, 8-9
1014080	11-7	1015525	1-3	1016437	9-7
1014115	17-9	1015528	1-29, 1-31	1016438	9-9, 9-15
1014116	9-3	1015583	5-9, 5-11	1016440	7-9, 8-9, 9-9, 9-15
1014119	6-23	1015597	5-13, 5-15	1016441	9-9, 9-15
1014125	5-3	1015649	7-5, 8-3	1016444	9-9, 9-15
1014126	5-3	1015661	1-9	1016445	8-5

INDEX

1016449	7-9, 8-9	1016566	7-9, 8-9	1017082	9-3, 12-3
1016450	7-9, 8-9	1016569	7-9, 8-9	1017188	11-5
1016451	7-9	1016570	7-3, 8-7	1017231	12-3
1016452	7-9, 8-9	1016571	7-13, 8-13	1017266	5-9
1016453	7-11	1016572	9-9, 9-15	1017271	1-11, 1-51
1016454	7-11, 8-11	1016576	7-3, 8-7	1017273	5-5
1016455	7-7, 8-5	1016578	8-5	1017284	1-51
1016456	7-5, 8-3, 8-5	1016579	8-5	1017299	1-51
1016457	7-3, 8-7	1016581	7-3, 8-7	101734802	1-19
1016458	7-9, 8-9	1016582	9-9, 9-15	1017378	4-3
1016467	7-3, 8-7	1016583	7-9, 8-9	1017380	4-3
1016470	7-13, 8-13	1016584	7-11, 8-11	1017424	4-3
1016472	7-11, 8-11	1016585	9-7	1017434	7-9, 8-9
1016473	7-3, 8-7	1016586	8-5	1017435	8-9
1016474	7-9, 8-9	1016587	7-7, 8-5	1017442	7-3, 8-7
1016479	7-9, 8-9	1016588	7-7, 8-5	1017443	7-9, 8-9, 8-11
1016480	9-9	1016627	17-7	1017444	8-9
101648102	9-9, 9-15	1016630	1-31	1017445	7-9, 8-9
101648203	7-3, 8-7	1016663	5-5	1017446	8-9
1016483	7-9, 8-9	1016751	1-39, 1-41	1017447	8-11
1016486	9-7	101675511	1-39	1017448	7-7, 8-5
1016489	7-9, 8-9	101675512	1-41	101744901	7-13, 8-13
101649002	9-9, 9-15	101677701	1-41	101744902	7-13, 8-13
1016494	7-11, 8-11	101677703	1-39	1017450	7-13, 8-13
1016496	7-11, 8-11	1016801	11-3	101745101	7-13, 8-13
1016497	8-5	1016849	6-9, 13-7	101745102	7-13, 8-13
1016499	9-7	1016851	6-9, 13-7, 13-17	1017453	7-13, 8-13
1016501	9-7	1016857	6-9, 13-7	1017454	7-9, 8-9
1016502	7-3, 8-7	1016859	6-9, 13-7	1017455	7-7, 8-5
1016506	7-11, 8-11	1016868	1-17	1017456	7-3, 8-7
1016507	7-5, 8-3	1016874	1-53	101745701	7-13, 8-13
1016510	7-11, 8-11	1016875	1-53	101745702	7-13, 8-13
1016517	7-9, 8-9	1016876	1-53	1017458	7-3, 8-7
1016518	8-9	1016879	6-3, 13-3	1017460	7-3, 8-7
1016519	8-9	1016880	6-3, 13-3	1017461	9-7
1016521	7-11, 8-11	1016883	6-7	1017463	7-7, 8-5
1016531	7-5, 8-3	1016904	7-9, 8-9, 10-3	1017466	9-9, 9-15
1016535	7-11, 8-11	1016916	1-11	1017468	8-5
1016537	7-3, 8-7	101692501	1-23	1017471	7-13, 8-13
1016538	7-11, 8-11	101692502	1-23	1017472	7-11, 8-11
1016539	7-5, 8-3	101692510	1-23	1017473	7-9, 8-9
1016541	7-13, 8-13	101692512	1-23	1017474	7-5, 8-3
1016542	7-9	101692513	1-23	1017475	7-5, 8-3
1016544	7-7, 7-9, 7-11, 8-5, 8-9, 8-11	101693901	1-23	1017476	7-5, 8-3
1016545	7-9	101693902	1-23	1017486	7-5, 8-3
1016547	7-5, 8-3, 8-13, 9-9, 9-15	101693909	1-23	1017487	7-11, 8-11
1016549	7-9, 8-9	101693911	1-23	1017490	7-7, 8-5
1016551	17-11	101693912	1-23	1017500	8-3
1016552	17-11	1016952	1-33	1017501	7-13, 8-13
1016553	17-11	1016967	1-17	1017502	7-13, 8-13
1016554	17-11	1017035	6-17, 13-15	1017503	7-13, 8-13
1016560	8-9	1017062	6-3, 13-3	1017504	7-11, 8-11
1016561	7-7, 8-5	1017064	6-3, 13-3	1017507	7-3, 8-7
1016562	7-7, 7-13, 8-5, 8-13	1017065	6-3, 13-3	1017508	7-11, 8-11
1016563	7-9, 8-9	1017079	1-53	1017510	7-13, 8-13
1016564	7-11, 8-11	1017080	1-17	1017512	7-13, 8-13

INDEX

1017513	7-11, 8-11	101831702	16-3	101886101	12-3
1017514	7-11, 8-11	101831801	17-5	101887101	17-3
101751801	7-11, 8-11	101831901	17-3	101887601	7-5, 8-3
101751802	7-11, 8-11	101832001	13-17	101895501	15-3
101751803	7-11, 8-11	101832601	7-15, 8-15	101896501	6-5
1017653	6-5	101832701	7-15, 8-15	101896901	9-5
1017672	1-51	101833101	7-15, 8-15	101897001	15-3
1017686	11-7	101833401	11-7	101897201	15-3
1017689	10-3	101833701	6-5	101897401	15-3
1017696	4-3	101833902	11-3	101897601	15-3
1017699	6-17, 13-15	101834001	11-7	101898001	6-31
1017705	13-17	101834502	1-29, 1-31	101903101	5-9
101773301	7-13, 8-13	101834601	7-15, 8-15	101903601	15-3
101773302	7-13, 8-13	101834701	1-37	101903701	15-3
101773303	7-13, 8-13	101834801	12-3	101905901	9-7
101773304	7-13, 8-13	101835601	9-3	101906901	15-3
101773305	7-13, 8-13	101836201	11-7	101908401	6-19, 13-19
101773306	7-13, 8-13	101837001	13-29	101909201	8-5
101773307	7-13, 8-13	101837101	9-11	101909301	8-5
101773308	7-13, 8-13	101837301	6-7	101909401	8-5
101773309	7-13, 8-13	101838201	16-3	101909501	8-5
101773310	7-13, 8-13	101838301	16-3	101910401	1-37
101773311	7-13, 8-13	101838401	16-3	101914401	16-3
1017774	1-37	101838501	16-3	101915201	3-9
1017841	1-51	101838601	16-3	101916001	8-13
1017936	1-21	101851101	1-29, 1-31	101916101	7-5, 8-3
101796201	4-3	101856002	1-29	101916201	8-5
101796501	13-17	101856102	6-27	101916301	7-7, 8-5
101796801	13-17	101861901	4-3	101916701	6-7, 11-3
101797801	13-29	101862001	4-3	101916901	4-7
101804301	1-31, 6-33, 9-11	101869302	6-5	101917601	9-11
101806005	4-7	101870602	5-9	101919801	4-3
101808401	17-3	101871001	17-3	101920101	13-5
101809101	17-5	101874901	6-5	101921501	9-11
101811801	9-11	101875001	6-5	101922101	15-3
101811901	9-11	101875101	6-5	101922201	15-3
101812301	9-11	101875102	6-5	101923001	15-3
101813001	9-11	101875201	6-5	101923201	15-3
101813202	17-3	101875301	6-5	101923501	12-5, 15-3
101817401	4-3	101875401	6-5	101923901	15-3
101821501	9-11	101875501	6-5	101925601	11-3
101823101	17-9	101875601	6-5	101925701	9-11
101824401	9-3, 9-5	101875701	6-5	101926802	6-33
101825101	1-29, 1-31, 3-3, 3-7	101875802	6-5	101928701	15-3, 17-7
101825701	9-11	101876001	6-5	101929801	11-3
101826201	1-29	101876202	6-5	101929802	11-3
101826301	1-31	101876301	6-5	101932201	6-13, 13-11
101827101	7-15, 8-15	101876402	6-5	101932902	12-9
101828501	16-3	101876501	6-5	101933101	17-7
101828901	16-3	101877601	6-5	101933701	6-33
101828902	16-3	101877701	6-5	101936801	13-5
101830601	1-29, 1-31	101878101	6-5	101939901	6-5
101830701	1-29, 1-31	101879001	6-5	101942301	14-5
101831503	16-3	101881101	8-5	101953101	4-7
101831504	16-3	101881701	9-11	101953105	4-7
101831701	16-3	101884801	7-15, 8-15	101953802	8-3

INDEX

101954301	1-11	102050601	4-13	102540301	7-15, 8-15
101955301	9-3	102050701	4-13	102541425	1-11
101957101	6-13, 13-11	102051201	4-5	102555501	17-3
101960501	3-9	102051301	4-5	102556701	2-5
101963401	6-33, 7-15, 8-15	102051401	4-5	102562401	17-3
101964201	13-29	102061201	17-9	102570401	17-11
101971301	9-11	102065901	7-15, 8-15	102572401	1-29
101972001	17-7	102066201	5-11	102579601	1-51
101972002	17-7	102101001	4-7, 13-5	102579801	1-51
101972003	17-7	102101101	4-7, 13-5	102579802	1-51
101972004	17-7	102155801	11-7	102581201	1-11, 1-37
101972005	17-7	102163001	1-5	102585901	10-3
101972006	17-7	102163101	1-5	102601501	17-5
101972007	17-7	102169401	17-7	102603501	17-5
101972009	17-7	102186301	14-5	102605201	17-5
101972011	17-7	102186401	14-5	102606101	17-5
101972012	17-7	102196901	1-29	102607501	17-5
101972101	15-3	102225101	9-3	102616701	6-33
101972201	15-3	102227101	9-3	102668801	17-9
101972801	9-11	102227501	9-3	102669901	17-7
101973101	9-7	102235201	14-3	102674001	17-5
101973301	9-7	102240501	13-25	102674101	17-5
101973401	9-9, 9-15	102241501	17-7	102674201	17-5
101987701	9-3	102241502	17-7	102674401	17-9
101987901	6-3, 13-3	102242101	11-7	102674601	17-9
101988001	6-3, 13-3	102242401	1-9, 1-11, 1-51	102675001	17-5
101988002	6-3, 13-3	102243402	17-7	102675101	17-5
101988101	6-3, 13-3	102248803	17-7	102675201	17-5
101988201	6-3, 13-3	102249901	17-3	102675301	17-5
101998211	1-39	102251501	17-7	102675401	17-5
101998212	1-41	102278001	1-29, 1-31	102684602	6-33
102002801	13-23, 13-29	102292801	4-5	102686101	17-3
102002901	13-23	102298401	5-9	102704901	14-5
102003201	9-3	102304801	7-9, 8-9	102711201	6-27
102005701	1-5	102323101	4-5, 4-7	102753401	8-9
102005702	1-5	102323201	4-5, 4-7	102774501	13-25
102005801	1-5	102330901	17-9	102774603	13-25
102026001	4-3	102355301	6-31	102774701	13-25
102028601	4-7	102356601	15-3	102775101	14-5
102028903	4-7	102356801	15-3	102817101	13-19, 13-25
102033201	4-5	102357001	15-3	102817201	13-25
102033301	4-13	102376001	6-33	102838101	13-19
102044101	4-13	102406701	9-5	102842401	1-25, 1-27
102044401	4-9, 4-13	102430901	8-13	102845203	13-29
102045501	4-9, 4-13	102431001	8-11	102846402	13-25
102049401	4-13	102440901	13-25	102848701	13-17
102049501	4-13	102442901	4-5	102859501	13-25
102049601	4-13	102488001	4-9	102865101	9-3
102049701	4-13	102491601	4-9	102869401	6-15, 13-13
102049901	4-13	102493301	4-9	102871801	5-11
102050001	4-13	102508701	1-29	102873401	13-29
102050101	4-13	102515401	12-3	102886301	15-3
102050201	4-13	102519001	4-5	102886401	15-3
102050301	4-13	102522001	9-5	102886501	15-3
102050401	4-13	102526201	6-33	102886601	15-3
102050501	4-13	102534201	5-9	102897201	12-5

INDEX

102897301	12-5	102915701	6-19	103196301	5-13
102897401	12-3	102917101	5-11	103196401	5-13
102897501	12-3	102920201	5-13, 5-15	103196501	5-13
102897601	12-3	102938601	14-5	103198301	1-29
102897701	12-3	102938701	14-5	103198701	4-5
102897801	12-3	102938801	14-5	103199001	1-31
102897901	12-3	102938901	14-5	103199101	1-31
102898001	12-5	102939001	14-5	103203001	1-13
102898101	12-3	102939101	14-5	103204901	1-33
102898201	12-3	102939102	14-5	103210201	1-31, 3-7
102898301	12-5	102949701	5-13, 5-15	103210301	1-29, 3-3
102898401	12-5	102955301	1-11	103212201	1-39
102898501	12-5	102955302	1-11	103212202	1-41
102898601	12-5	102956401	13-31	103213001	1-13
102898701	12-5	102958001	13-31	103213101	1-13
102898901	12-5	102961801	1-33	103214301	13-17
102899001	12-5	102962801	1-5	103217401	5-13, 5-15
102899101	12-3	102963301	13-25	103218601	1-29
102899201	12-3	102967601	3-5	103219601	1-25
102899301	12-5	102967801	1-9	103219602	1-25
102899401	12-3	102969401	6-33	103219609	1-25
102899501	12-5	102969902	6-33	103219611	1-25
102899601	12-5	102976201	4-5	103219612	1-25
102899701	12-3	102976301	4-5	103219631	1-27
102899801	12-3	102976401	4-5	103219632	1-27
102899901	12-3	102976501	4-5	103219639	1-27
102900001	12-3	102976601	4-5	103219641	1-27
102900101	12-3	102976701	4-5	103219642	1-27
102900201	12-3	102977001	1-31	103224501	6-11, 13-9
102900301	12-3	102977002	1-29	103224601	1-11
102900401	12-5	102977801	1-33	103224701	1-11
102900501	12-5	102979201	2-5	103224901	1-39
102900601	12-3	102979202	2-5	103224902	1-41
102900701	12-5	102980801	13-29	103225001	1-39
102900801	12-5	102980901	13-29	103225002	1-41
102900901	12-3	103013501	13-23	103225701	1-39, 1-41
102901001	12-5	103013601	6-23	103226201	13-31
102901101	12-5	103013701	13-23, 13-29	103226301	13-31
102901201	12-5	103013801	13-23	103226401	13-31
102901301	12-5	103014101	13-29	103226601	13-31
102901401	12-5	103020601	4-5	103226701	13-31
102901501	12-5	103173301	6-33	103229601	4-13
102901601	12-5	103177401	6-33	103231601	1-7
102901701	12-5	103180101	6-31	103232101	5-3
102901801	12-5	103190401	4-9	103233101	5-9
102901901	12-5	103192701	6-33	103234101	5-9
102902001	12-5	103192901	6-33	103236801	13-31
102902101	12-7	103193901	5-13	103238801	1-15
102902201	12-7	103194101	5-13	103238802	1-15
102902301	12-7	103194201	5-15	103244301	13-17
102902401	12-7	103194401	1-9	103245301	1-37
102902501	12-7	103194701	4-9	103247601	1-29, 1-31
102902601	12-7	103194801	4-9	103247901	6-11, 13-9
102902701	12-7	103195101	13-29	103248501	6-19, 13-19
102902801	12-7	103195501	4-5	103248801	3-5, 13-19
102915601	6-17, 13-15	103196201	5-13, 5-15	103249001	3-9, 6-19

INDEX

- 103252301 1-25, 1-27
103257603 13-27
103257701 13-27
103257801 13-27
103259801 13-19
103262201 5-9
103263101 4-9
103264801 5-9
103264901 4-5
103282402 1-39, 1-41
103295101 6-33
103295203 6-33
103296101 1-45, 1-47
103296401 1-47
103296402 1-45
103305401 1-39, 1-41
103311101 4-11
103312101 1-37
103313701 1-39
103313702 1-41
103313801 1-39
103313802 1-41
103318501 4-5
103324201 15-3
103325201 3-3, 3-7
103325301 3-3, 3-7
103327501 3-3, 3-7
103333701 4-9
103334001 4-11
103334101 4-11
103345101 1-37
103345201 1-37
103345301 1-37
103345401 1-37
103345701 11-3
103348201 1-31
103348202 13-27
103348601 1-31
103350301 6-33
103351101 5-11
103354401 13-27
103354501 4-11
103354601 4-11
103357401 1-9
103358801 4-11
103367101 1-11
103367401 1-11
103367701 1-11
103367801 1-11
103369501 6-33
103370801 1-51
103371001 1-51
103371102 1-51
103372101 9-5
103372302 9-5
103375101 1-15
- 103375201 1-9
103380301 1-51
103386202 7-5
103391101 6-25
103391601 6-25
103397901 13-25
103402801 1-35
103407001 1-43
103411601 1-13
103414901 13-25
103422501 13-29
103502701 5-9
103507001 5-9
103507101 9-15
103507201 9-15
103507301 9-15
103520301 9-11
103522401 1-11
103615601 7-9
103615701 7-9
103615801 7-13
103615901 7-11
103616201 7-13
103616301 7-9
103616401 7-11
103616501 7-7
103616601 7-7
103616701 7-7
103616801 7-7
103616901 9-13
103628801 5-9
103651901 9-5
103776901 9-5
96704416 7-15, 8-15
- A**
absorber, shock 5-9
AC cord 16-3
accelerator bracket and bearing assembly 4-3
accelerator pedal 4-3
accelerator pedal adjustment tool 17-3
accelerator pivot rod 4-3
accelerator return spring 4-3
access door 1-3
adapter
 cable (IQDM) 17-7
adhesive, guide ring 17-3
adjuster
 hydraulic brake 17-7
adjuster, lash 8-11
air box 9-11
air box top 9-11
air filter 9-11
air intake hose 9-11
ammeter 16-3
A-plate strap 5-9
A-plate, delta 5-9
arbor 17-3
arm
 governor 12-3
 rocker 7-9, 8-9
armature 6-5, 14-5
armature conversion kit 6-5
ashtray 1-33
ashtray bracket 1-33
assembly
 accelerator bracket and bearing 4-3
 accelerator pivot rod 4-3
 air box 9-11
 air box top 9-11
 armature 6-5
 backing plate 4-13
 bearing, steering shaft 5-3
 bell crank and shaft 6-27
 brush connector 6-5
 brush holder 6-5
 carburetor 9-7
 connecting rod 7-13, 8-13
 cylinder head 8-9
 delta A-plate 5-9
 drive hub 11-3
 driven clutch 11-7
 driven clutch fixed-face 11-7
 field coil 6-5
 filler cap 4-5
 float 9-7
 fuel tank vent 9-5
 headlight 6-3, 13-3
 headlight harness 6-3, 13-3
 idle screw 9-7
 kingpin 5-9
 moveable-face 11-3, 11-7
 pilot air screw 9-7
 plug cap 7-7, 8-5
 score card plate 5-5
 secondary clutch weight 11-3
 steering wheel 5-5
 turn signal lens 6-3, 13-3
axle 15-3
axle guard 12-9
axle shaft oil seal 15-3
axle tube 15-3
- B**
backing plate 4-13
bag hook 1-51
bag rack 1-51
bag rack cover 1-51
bag rack mounting bracket 1-51
bag rack support 1-51
bag rack weldment 1-51
bag rest mat 1-49

INDEX

- bag strap 1-51
 - bag, desiccant 11-3
 - ball bearing 7-11, 8-11
 - ball joint 5-9, 6-33
 - ball stud 6-27, 12-3
 - ball, steel pressure relief 7-3, 8-7
 - band, RPM limiter mount 8-5
 - banjo bolt 4-9
 - bar, drive 4-7, 13-5
 - barb, vent 9-3, 9-5
 - barrel, plastic 1-43, 1-45, 1-49, 4-9
 - basket 1-9
 - hardware kit 1-9
 - basket support bracket 1-9
 - battery cap 13-29
 - battery charger 16-3
 - battery charger case 16-3
 - battery charger receptacle 13-17
 - battery charger transformer 16-3
 - battery clamp 6-31
 - battery condition indicator 13-27
 - battery discharge machine 17-3
 - battery hold-down 13-29
 - battery hold-down rod 13-29
 - battery insulator 13-29
 - battery light 1-29
 - battery terminal protector spray 17-3
 - battery thermometer 17-3
 - battery, 12-volt 6-31
 - battery, 8-volt, Trojan T890 13-29
 - bearing 15-3
 - ball 7-11, 8-11
 - ball (motor) 14-5
 - front wheel hub 5-13, 5-15
 - idler 11-3
 - inner axle tube 15-3
 - pivot support 4-3
 - steering shaft 5-3
 - thrust 5-9
 - bearing and oil seal remover 17-3
 - bearing driver set 17-3
 - bearing puller 17-3
 - bearing puller wedge 17-3
 - bearing seat 5-3
 - bell crank and shaft 6-27
 - belt, drive 11-5
 - belt, starter/generator 6-7, 11-3
 - bezel, choke cable 6-33
 - bezel, headlight 6-3, 13-3
 - bezel, taillight 6-17, 13-15
 - block, fuse 6-27
 - body
 - beige 1-25, 1-27
 - burgundy 1-25, 1-27
 - classic blue 1-25, 1-27
 - dark green 1-25, 1-27
 - white 1-25
 - body kick plate 1-25, 1-27, 1-37
 - body, rear 1-27
 - bolt
 - banjo 4-9
 - U- 5-11
 - boot
 - master cylinder 4-5
 - boot, steering column 1-29, 1-31
 - boot, switch 6-19, 13-19
 - bottom, air box 9-11
 - box
 - air 9-11
 - electrical component 6-27
 - brace, windshield 1-11
 - bracket
 - adjustable starter/generator 6-7
 - ashtray 1-33
 - bag rack mounting 1-51
 - basket support 1-9
 - brake light switch 6-13, 13-11
 - FNR shifter 6-33
 - fuel pump 9-3
 - headlight mounting 6-3, 13-3
 - muffler mounting 10-3
 - oil filter mount 7-3, 8-7
 - oil level switch 7-11, 8-11
 - relay mounting 16-3
 - retaining 9-11
 - RPM limiter 8-5
 - shock absorber 5-11
 - shock mounting 5-11
 - snubber 7-15, 8-15
 - starter/generator mounting 6-7
 - throttle spring return 9-9, 9-15
 - bracket, carburetor intake manifold 9-15
 - brake adjustment tool 17-3
 - brake cable release tool 17-3
 - brake cluster 4-13
 - brake drum 4-13
 - brake light switch bracket 6-13, 13-11
 - brake mount 4-7
 - brake pedal 4-7
 - brake pedal adjustment tool 17-3
 - brake pedal tension tool 17-3
 - brake return spring 4-7
 - brake system indicator light 1-29, 1-31
 - breaker, circuit 16-3
 - breather 15-3
 - brush and screw set 6-5
 - brush box assembly 14-5
 - brush connector 6-5
 - brush holder 6-5
 - brush inspection port cover 6-5
 - brush kit, motor 14-5
 - brush port cover 6-5
 - brush rigging 14-5
 - brush spring 14-5
 - brush spring set 6-5
 - brush, motor 14-5
 - buckle strap 1-51
 - bulb, headlight 6-3, 13-3
 - bulb, tail light 6-17, 13-15
 - bumper
 - drive unit (motor) 14-3
 - front 1-17
 - front, heavy duty 1-19
 - front, kit 1-17
 - rear 1-53
 - rubber 4-7
 - spring return 4-3
 - bumper mounting 1-53
 - bumper, heavy duty 1-19
 - bushing 6-33, 11-3
 - bronze 5-13, 5-15
 - greaseless 4-5
 - return line 9-5
 - spindle 5-13, 5-15
 - steel 5-9, 5-11
 - urethane 5-9, 5-11
 - button, drive 11-7
 - buzzer, reverse 6-9, 13-7, 13-17
- ## C
- cable
 - choke 6-33
 - FNR shifter 6-33
 - IQDM 17-7
 - calibration test module 17-3
 - cam
 - driven clutch 11-7
 - electrical component box 6-27
 - cam installation tool 17-3
 - cam, FNR shifter 6-33
 - camshaft 8-11
 - camshaft shim 7-11, 8-11
 - canopy
 - beige 1-11
 - frame 1-11
 - hand hold 1-11
 - hardware kit 1-11
 - splice bar 1-11
 - support bracket 1-11
 - white 1-11
 - canopy drain grommet 1-13
 - canopy drain kit 1-13
 - canopy drain tubing 1-13
 - cap
 - battery 13-29
 - dust 1-29
 - filler 4-5
 - key switch 1-29, 1-31

INDEX

- plug 7-7, 8-5
 - seat back 1-39, 1-41
 - carburetor 9-7
 - carburetor adapter 9-15
 - carburetor float level tool 17-7
 - carburetor gasket 9-9, 9-15
 - carburetor insulator 9-9, 9-15
 - carburetor mounting gasket 9-9, 9-15
 - card, safety first 17-9
 - cargo net 1-15
 - cargo net kit 1-15
 - cargo net, front 1-15
 - cargo net, rear 1-15
 - case
 - battery charger 16-3
 - rocker 8-9
 - charger bezel tool 17-3
 - charger receptacle 13-17
 - choke cable 6-33
 - choke cable bezel 6-33
 - choke valve 9-11
 - circuit breaker 13-19, 16-3
 - clamp
 - battery 6-31
 - hose 9-3, 9-5, 9-9, 9-11, 9-15
 - muffler hose 10-3
 - clevis, upper delta 5-9
 - clip, drain tube 1-13
 - clip, meter 1-31
 - clip, score card 5-5
 - clip, windshield 1-13
 - closeout, under seat 1-43
 - clutch alignment tool 17-5
 - clutch pulley 11-3
 - clutch removal tool 17-3
 - clutch repair kit 11-7
 - clutch tool kit 17-5
 - clutch weight 11-3
 - clutch, drive 11-3
 - clutch, driven 11-7
 - coil, field 6-5
 - coil, ignition 8-5
 - collet 7-9, 8-9
 - communication display module 17-5
 - component box, electrical 6-27
 - component mounting plate, ele 13-25
 - compression gauge 17-5
 - compressor, piston ring 17-9
 - compressor, valve spring 17-11
 - computer 13-25
 - connecting rod 7-13, 8-13
 - connector, a- 6-5
 - continuity tester 17-5
 - controller, speed 13-25
 - cord connector 7-11, 8-11
 - cord, AC 16-3
 - cord, DC 16-3
 - counterbalance guide shaft 7-13, 8-13
 - counterbalance weight 7-13, 8-13
 - coupler, SPWS 13-31
 - cover
 - brush inspection port 6-5
 - brush port 6-5
 - crankcase 7-11, 8-11
 - dust 4-13, 5-9
 - electrical box 6-27
 - oil pump 7-3, 8-7
 - rocker switch hole 6-31
 - screw head 1-29, 1-31
 - cover, air intake 6-33
 - cover, bag rack 1-51
 - cover, controller 13-17
 - cover, under seat 1-43
 - cowl 1-23
 - crankcase 8-13
 - crankcase cover 7-11, 8-11
 - crankcase vent tube 9-9, 9-15
 - crankshaft 7-13, 8-13
 - crankshaft rod 7-13, 8-13
 - crankshaft shim 7-13, 8-13
 - cup, spring 4-3
 - cupholder 1-33
 - cushion, shock absorber 1-11, 5-11
 - cutter, valve seat 17-5, 17-11
 - cylinder, master 4-5
 - cylinder, wheel 4-13
- ## D
- damper, RPM limiter 8-5
 - dash component 1-29, 1-31
 - dash panel 1-29, 1-31
 - DC cord 16-3
 - decal
 - 4-gauge wire warning 3-5
 - battery danger 3-5
 - car number 3-11
 - driver/passenger 3-9
 - FNR 1-29, 1-31, 3-3, 3-7
 - frame ground 3-9
 - IQ Plus 1-25, 1-27
 - on/off 1-29, 1-31, 3-3, 3-7
 - rotating parts 3-9
 - warning, dash 1-29, 1-31, 3-3, 3-7
 - warning, pass 3-3, 3-7
 - delta A-plate 5-9
 - delta A-plate sub-assembly 5-9
 - desiccant bag 11-3
 - DF-terminal insulator 6-5
 - diagnostic port 1-29
 - diesel tachometer probe 17-9
 - differential gear 15-3
 - differential guard 12-9
 - differential housing 15-3
 - diode 6-27
 - dipstick 7-5, 8-3
 - disc rotor 5-13, 5-15
 - door, access 1-3
 - drain plug 7-3, 8-7
 - drain plug gasket 7-3, 8-7
 - drain tube clip 1-13
 - drain, canopy 1-13
 - drive bar 4-7, 13-5
 - drive belt 11-5
 - drive button 11-7
 - drive clutch 11-3
 - drive clutch button 11-3
 - drive clutch fixed sheave tool 17-5
 - drive clutch fixed-face 11-3
 - drive clutch holder tool 17-5
 - drive clutch hub puller 17-5
 - drive clutch puller 17-5
 - drive clutch spider removal tool 17-5
 - drive clutch spring 11-3
 - drive clutch weight 11-3
 - drive hub 11-3
 - drive unit bumper 14-3
 - drive unit guard 12-9
 - driven clutch 11-7
 - driven clutch button 11-7
 - driven clutch cam 11-7
 - driven clutch cam puller 17-5
 - driven clutch fixed-face assembly 11-7
 - driven clutch puller plug 17-5
 - driven clutch spring compression base tool 17-5
 - driven clutch spring compression collar tool 17-5
 - driven clutch spring compression nut tool 17-5
 - driver, drive clutch 11-3
 - drum, brake 4-13
 - dry moly lubricant 17-7
 - dust cap 1-29
 - dust cover 4-13, 5-9
- ## E
- electric fuel pump 9-3
 - electrical box cover 6-27
 - electrical component box 6-27
 - end bell, commutator 6-5
 - end bell, output shaft 6-5
 - end cap, motor 14-5
 - engine mounting plate 7-15, 8-15
 - engine shroud 7-5, 8-3
 - engine, FE350 CW without ACR 8-3
 - engine, FE350 S27 7-5
 - equalizer rod 4-7
 - exhaust system 10-3

INDEX

exhaust valve 7-9, 8-9

F

face, moveable 11-3, 11-7
fan housing 7-5, 8-3
fan shroud 7-5, 8-3
fan, flywheel 7-7, 8-5
fender, inner 1-21
field coil 6-5
field coil housing 6-5
filler cap 4-5
filter
 air 9-11
 fuel 9-3
 oil 7-3, 8-7
 oil pump 7-3, 8-7
finishing plug 1-11, 1-51
fitting, thread-forming grease 5-13, 5-15
fixed-face, drive clutch 11-3
fixed-face, driven clutch 11-7
float 9-7
floor mat 1-45, 1-47
floormat 1-45, 1-47
floormat trim 1-45, 1-47
floormat, ele 1-47
floormat, gas 1-45
flywheel 8-5
flywheel fan 7-7, 8-5
flywheel fan plate 7-7, 8-5
flywheel puller 17-7
FNR closeout brush 1-31
FNR shift lever 12-3
FNR shifter assembly 6-33
FNR shifter bracket 6-33
FNR shifter cable 6-33
FNR shifter cam 6-33
FNR shifter lever 6-33
folding windshield, lower 1-5
folding windshield, upper 1-5
frame and field, motor 14-5
front bumper 1-17
front bumper kit 1-17
front spring retainer plate 5-7
F-terminal hardware 6-5
f-terminal insulator 6-5
fuel filter 9-3
fuel gauge sending unit 9-5
fuel line 9-3, 9-5, 9-9, 9-15
fuel meter 1-31
fuel pump bracket 9-3
fuel pump, electric 9-3
fuel tank 9-5
fuel tank strap 9-3
fuel tank vent 9-5
fuse 13-17, 16-3
 10-amp 6-27

3/8-amp 13-17
fuse and receptacle 13-17
fuse block 6-27

G

gasket 15-3
 carburetor 9-9, 9-15
 carburetor mounting 9-7, 9-9, 9-15
 crankcase cover 7-9, 8-9, 8-11
 drain plug 7-3, 8-7
 exhaust 7-9, 8-9, 10-3
 head 7-9, 8-9
 insulator 7-9, 8-9, 9-9, 9-15
 liquid 15-3, 17-7
 rocker case 7-9, 8-9
 sending unit 9-5
 taillight 6-17, 13-15
gasket kit, FE350 7-9, 8-9
gauge, battery condition 13-27
gauge, compression 17-5
gauge, fuel-hour 1-31
gear
 case 15-3
 differential 15-3
 differential idler 15-3
 differential output 15-3
 helical 7-13, 8-13
 spur 7-13, 8-13
gear case 15-3
gear yoke 17-7
governor arm 12-3
governor shaft installation tool 17-7
grip, pencil 5-5
grommet 9-5
grommet, body drain tube 1-25, 1-27
guard, differential 12-9
guide
 intake valve 8-9
 valve 8-9
 valve seat cutter 17-11
guide ring adhesive 17-3

H

hand hold, canopy 1-11
hardware
 axle 4-13
hardware, F-terminal 6-5
harness, wire 9-3, 13-23
head gasket 7-9, 8-9
head, cylinder 8-9
headband, sealed, motor 14-5
headband, vented, motor 14-5
headlight assembly 6-3, 13-3
headlight bulb 6-3, 13-3
headlight harness 6-3, 13-3

headlight retainer 6-3, 13-3
heatsink and rectifier 16-3
heavy duty bumper 1-19
helical gear 7-13, 8-13
hinge plate 1-25, 1-27, 1-37, 1-39, 1-41
hold-down rod, battery 13-29
hold-down, battery 13-29
hold-down, brake shoe 4-13
hole plug 1-29
hose, air intake 9-11
hose, fuel 9-3
hose, SPWS 13-31
hour meter 1-31
housing
 2-pin 13-5
 3-pin 13-5, 14-5
 differential 15-3
 fan 7-5, 8-3
 field coil 6-5
hub 5-13, 5-15
hydraulic brake adjuster 17-7
hydraulic shoe 4-13
hydrometer 17-7

I

idle screw assembly 9-7
idler bearing 11-3
idler gear, differential 15-3
ignition coil 8-5
indicator, battery condition 13-27
inner frame snubber 7-15, 8-15
input shaft 15-3
instruction
 basket hardware kit 1-9
 canopy drain kit 1-13
 canopy kit 1-11
 cargo net kit 1-15
 rear windshield kit 1-7
 windshield kit 1-5
instrument panel 1-29, 1-31
insulating washer 14-5
insulator gasket 7-9, 8-9, 9-9, 9-15
insulator, battery 13-29
insulator, carburetor 9-9, 9-15
insulator, motor terminal 14-5
intake cover 6-33
intake pipe 9-9
intake valve 8-9
intermediate shaft 15-3
internal retaining ring pliers 17-7
IQ display module (IQDM) 17-7

J

jet, main 9-7, 9-13
jet, pilot 9-7

INDEX

joint

ball 6-33

K

key

crankshaft 7-7, 7-13, 8-5, 8-13

driven clutch 11-7

On/Off 1-29, 1-31

square 11-7

starter/generator 6-5

woodruff 12-3

key switch 1-31

key switch cap 1-29, 1-31

key switch, On/Off 1-29

kick plate, body 1-25, 1-27, 1-37

kingpin 5-9

kit

2-pin housing 13-5

3-pin housing 13-5, 14-5

accelerator pivot rod 4-3

axle adjuster 4-13

axle hardware 4-13

basket hardware 1-9

brake pedal adjustment tool 17-3

canopy hardware 1-11

cargo net 1-15

clutch repair 11-7

drive clutch button 11-3

drive clutch weight 11-3

driven clutch button 11-7

fuel tank 9-5

hydraulic shoe 4-13

IQ display module (IQDM) 17-7

motor brush 14-5

motor speed sensor 14-5

reverse buzzer 6-9, 13-7

shock absorber cushion 5-11

spws 13-31

taillight hardware 6-17, 13-15

tune-up 17-9

knob, forward/reverse 6-33

L

lash adjuster 8-11

latch, air box 9-11

leaf spring 5-11

lens, headlight 6-3, 13-3

lens, taillight 6-17, 13-15

lever

choke 9-11

light

battery 1-29

oil 1-31

light, indicator, brake sys 1-29, 1-31

limit switch 6-13, 6-27, 6-33, 13-11

limiter

RPM 8-5

line, fuel 9-3, 9-5, 9-9, 9-15

link, rack and pinion drag 5-9

liquid gasket 15-3, 17-7

low oil warning light 1-31

lubricant, dry moly 17-7

lubricant, moly-teflon 17-7

lug nut 2-5, 4-13

lug stud 4-13, 15-3

M

magnet, speed sensor 14-5

main jet 9-7, 9-13

manifold, SPWS 13-31

master cylinder 4-5

master cylinder boot 4-5

mat, floor 1-45, 1-47

MCOR 4-7, 13-5

meter clip 1-31

meter, volt ohm 17-11

module

calibration test 17-3

communication display 17-5

moly-teflon lubricant 17-7

motor

48-volt IQ Plus 14-5

motor brush 14-5

motor brush kit 14-5

motor brush spring 14-5

motor bumper 14-3

motor controller 13-25

motor end cap 14-5

motor frame and field 14-5

motor headband, sealed 14-5

motor headband, vented 14-5

motor magnet, speed sensor 14-5

motor speed sensor 14-5

motor speed sensor kit 14-5

motor terminal and lead assembly 14-5

motor terminal insulator 14-5

moveable-face 11-3, 11-7

muffler hose clamp 10-3

N

nameplate, Club Car, Amber 1-23

net, cargo 1-15

nozzle, main 9-7

nut, lug 2-5, 4-13

O

obc 13-25

oil filler tube 7-5, 8-3

oil filter 7-3, 8-7

oil filter mount bracket 7-3, 8-7

oil filter screen 7-11, 8-11

oil filter screen plate 7-11, 8-11

oil level sensor 7-11, 8-11

oil level switch bracket 7-11, 8-11

oil pump and rotor 7-3, 8-7

oil pump cover 7-3, 8-7

oil pump filter 7-3, 8-7

oil pump plate 7-3, 8-7

oil seal 7-9, 7-11, 7-13, 8-9, 8-11, 8-13

oil warning light, low 1-31

O-ring 7-5, 7-9, 7-11, 7-13, 8-3, 8-9, 8-11, 8-13, 13-31

P

pad

accelerator pedal 4-3

brake pedal 4-7

paint, touch-up 17-7

panel, instrument 1-29, 1-31

pedal, accelerator 4-3

pedal, brake 4-7

pencil grip 5-5

pilot air screw assembly 9-7

pilot jet 9-7

pin, piston 7-13, 8-13

pipe, intake 9-9

piston 7-13, 8-13

piston pin 7-13, 8-13

piston ring 7-13, 8-13

piston ring compressor 17-9

piston ring pliers 17-9

piston ring set 7-13, 8-13

pivot support bearing 4-3

plate

backing 4-13

body kick 1-25, 1-27

bumper mounting 1-53

engine mounting 7-15, 8-15

flywheel fan 7-7, 8-5

front spring retainer 5-7

hinge 1-25, 1-27, 1-37, 1-39, 1-41

oil filter screen 7-11, 8-11

oil pump 7-3, 8-7

score card 5-5

spring mounting 5-7

plate, receptacle back 13-17

plate, run/stow switch 13-19

plate, Tow/Run switch 6-19

pliers

internal retaining ring 17-7

piston ring 17-9

retaining ring 17-9

plug 1-11, 1-51

drain 7-3, 8-7

driven clutch puller 17-5

hole 1-29

INDEX

spark 8-5
plug cap 7-7, 8-5
plug, carburetor intake manifold 9-15
plug, spark 7-7
pole set 6-5
port, diagnostic 1-29
press weldment 17-5
pressure switch 4-5
protector spray, battery terminal 17-3
puller
 bearing 17-3
 clutch 17-3
 drive clutch 17-5
 drive clutch hub 17-5
 driven clutch cam 17-5
 flywheel 17-7
 seal 17-9
 special use tool 17-9
pulley
 clutch 11-3
 starter-generator 6-5
pump, fuel, electric 9-3
push rod 7-9, 8-9
putter tube 1-51

R

race, front hub bearing 5-13, 5-15
rack and pinion drag link 5-9
reamer, valve guide 17-9
rear body 1-27
rear bumper 1-53
receptacle and fuse 13-17
receptacle back plate 13-17
receptacle, battery charger 13-17
rectifier with heatsink 16-3
regulator, voltage 6-27
relay 16-3
relay mounting bracket 16-3
remover, bearing and oil seal 17-3
retainer
 accelerator pedal spring 4-3
 headlight 6-3, 13-3
 shock absorber cushion 5-11
 spring (drive clutch) 11-3
 valve spring 7-9, 8-9
retaining bracket 9-11
retaining ring 5-3
retaining ring pliers 17-9
return spring bumper 4-3
reverse buzzer 6-9, 13-7, 13-17
rim 2-5
ring
 piston 7-13, 8-13
 retaining 5-3, 6-27, 11-3, 11-7
 snap 7-13, 8-9, 8-13
 spiral backup 11-3

ring, piston 7-13, 8-13
rivet, blind push 1-17
rock guard 12-9
rocker arm 7-9, 8-9
rocker case 8-9
rocker case gasket 7-9, 8-9
rocker shaft 7-9, 8-9
rocker switch 1-29
rocker switch (lights) 6-15, 13-13
rod
 accelerator pivot 4-3
 battery hold-down 13-29
 connecting 7-13, 8-13
 crankshaft 7-13, 8-13
 equalizer 4-7
 push 4-5, 7-9, 8-9
rod, tie 5-9
rotor, disc 5-13, 5-15
rotor, oil pump and 7-3, 8-7
RPM limiter 8-5
RPM limiter bracket 8-5
RPM limiter damper 8-5
RPM limiter mount band 8-5
run/stow switch plate 13-19

S

safety first card 17-9
score card clip 5-5
score card holder 5-5
score card plate 5-5
screen, oil filter 7-11, 8-11
screw, valve clearance adjuster 17-9
seal
 intake 9-11
 lip 12-5, 15-3
 oil 7-9, 7-11, 7-13, 8-9, 8-11, 8-13, 15-3
 vertical socket dust 5-9
seal puller 17-9
sealant 15-3
seat
 buff 1-39
 spring 7-9, 8-9
 valve 7-3, 8-7
 white 1-41
seat back 1-39, 1-41
seat back assembly 1-39
seat back cap 1-39, 1-41
seat back, beige 1-39
seat back, white 1-41
seat bottom cover 1-39
seat bottom cover, white 1-41
seat bottom weldment 1-37
seat bottom, beige 1-39
seat bottom, buff 1-39
seat bottom, white 1-41
seat cover, white 1-41
seat frame weldment 1-37
seat frame, rear 1-37
seat support, front 1-37
seat, bearing 5-3
sending unit, fuel gauge 9-5
sensor, motor speed 14-5
sensor, oil level 7-11, 8-11
set, brush and screw 6-5
set, pole 6-5
shackle weldment 5-11
shaft
 counterbalance guide 7-13, 8-13
 intermediate 15-3
 rocker 7-9, 8-9
shaft, input 15-3
shaft, steering 5-3
shift lever 12-3
shifter lever, FNR 6-33
shifter, FNR 6-33
shim, camshaft 7-11, 8-11
shim, crankshaft 7-13, 8-13
shock absorber 5-9, 5-11
shock absorber cushion 1-11, 5-11
shock absorber cushion retainer 5-11
shock mounting bracket 5-11
shroud 7-5, 8-3
shroud, engine 7-5, 8-3
shroud, fan 7-5, 8-3
single point watering system 13-31
sleeve
 delta A-plate 5-9
snap ring 7-13, 8-9, 8-13
snubber bracket 7-15, 8-15
snubber, inner frame 7-15, 8-15
socket 5-9
solenoid 13-25
solenoid, 12-volt 6-27
spacer
 accelerator pivot rod 4-3
spanner wrench 17-9
spark arrester 10-5
spark plug 7-7, 8-5
speed controller 13-25
speed sensor 14-5
speed sensor magnet 14-5
speed sensor, motor 14-5
spindle 5-15
spiral backup ring 11-3
spray, battery terminal protector 17-3
spring
 accelerator return 4-3
 brake return 4-7
 brush 6-5, 14-5
 compression 5-5
 drive button 11-3
 drive clutch 11-3

INDEX

driven clutch 11-7
extension return 9-11
leaf 5-11
shoe to shoe 4-13
steering shaft compression 5-3
throttle return 9-9, 9-15
valve 7-9, 8-9
spring cup 4-3
spring mounting plate 5-7
spring, motor brush 14-5
spur gear 7-13, 8-13
spws 13-31
SPWS coupler 13-31
SPWS fitting, swivel T 13-31
SPWS hose 13-31
SPWS manifold 13-31
SPWS tubing 13-31
starter/generator 6-5
starter/generator belt 6-7, 11-3
starter/generator pulley 6-5
steel bushing 5-9, 5-11
steel pressure relief ball 7-3, 8-7
steering column 5-3
steering column bearing press tool 17-9
steering column installation 5-3
steering column retaining ring tool 17-9
steering rack 5-9
steering shaft 5-3
steering shaft compression spring 5-3
steering wheel 5-5
steering wheel puller tool 17-9
stem, valve 2-5
stiffener, flywheel side 7-15, 8-15
stiffener, PTO side 7-15, 8-15
storage basket 1-9
strap buckle 1-51
strap, A-plate 5-9
strap, bag 1-51
strap, fuel tank 9-3
stud 7-15, 8-15
lug 4-13, 15-3
stud, ball 6-27, 12-3
suppressor, voltage 16-3
switch
four-position 16-3
key 1-29, 1-31
light rocker 6-15, 13-13
limit 6-13, 6-27, 6-33, 13-11
pressure 4-5
rocker 1-29
switch rubber boot 6-19, 13-19

T

12-volt battery 6-31
12-volt solenoid 6-27
tachometer 17-9

tachometer probe, diesel 17-9
tail light bulb 6-17, 13-15
taillight 6-17, 13-15
taillight assembly 6-17, 13-15
taillight base 6-17, 13-15
taillight bezel 6-17, 13-15
taillight gasket 6-17, 13-15
taillight hardware kit 6-17, 13-15
taillight lens 6-17, 13-15
tank, fuel 9-5
tappet 7-11
tester, continuity 17-5
thermometer, battery 17-3
thread-forming grease fitting 5-13, 5-15
throttle return spring 9-9, 9-15
throttle spring return bracket 9-9, 9-15
thrust bearing 5-9
tie rod 5-9
tie wrap 1-29, 1-31, 4-9, 6-27, 6-31, 6-33, 13-25
tire 2-5
tire, pro tour, 205-50 x 10 2-5
tool
accelerator pedal adjustment 17-3
belt tensioning, starter/generator 17-11
brake adjustment 17-3
brake cable release 17-3
brake pedal adjustment 17-3
brake pedal tension 17-3
cam installation 17-3
carburetor float level 17-7
charger bezel 17-3
clutch alignment 17-5
cT-wrench 17-5
drive clutch fixed sheave 17-5
drive clutch holder 17-5
drive clutch spider removal 17-5
driven clutch spring compression base 17-5
driven clutch spring compression collar 17-5
driven clutch spring compression nut 17-5
governor shaft installation 17-7
puller, special use 17-9
steering column bearing press 17-9
steering column retaining ring 17-9
steering wheel puller 17-9
transaxle axle seal 17-9
transaxle pinion seal 17-9
transmission 17-9
valve guide driver 17-9
valve seat cutter 17-5
tool kit, clutch 17-5
touch-up paint 17-7
Tow/Run switch plate 6-19
transaxle
gear case 15-3

transaxle axle seal tool 17-9
transaxle guard 12-9
transaxle housing 15-3
transaxle pinion seal tool 17-9
transformer, battery charger 16-3
transmission tool 17-9
transzaxle
shaft 15-3
trim
cowl 1-29, 1-31
trim, floor mat 1-45, 1-47
tube
crankcase vent 9-9, 9-15
oil filler 7-5, 8-3
tube, putter 1-51
tubing, SPWS 13-31
tune-up kit 17-9
turn signal lens 6-3, 13-3
T-wrench tool 17-5

U

U-bolt 5-11
upper delta clevis 5-9
urethane bushing 5-9, 5-11

V

valve
choke 9-11
exhaust 7-9, 8-9
fuel pickup tube 9-5
intake 8-9
reed 7-9, 8-9
valve clearance adjuster screw 17-9
valve guide 8-9
valve guide driver tool 17-9
valve guide reamer 17-9
valve guide, intake 8-9
valve seat 7-3, 8-7
valve seat cutter 17-5, 17-11
valve seat cutter guide 17-11
valve seat cutter tool 17-5
valve seat t-wrench 17-11
valve spring 7-9, 8-9
valve spring compressor 17-11
valve spring retainer 7-9, 8-9
valve stem 2-5
vent barb 9-3, 9-5
vertical socket dust seal 5-9
volt ohm meter 17-11
voltage regulator 6-27
voltage suppressor 16-3

W

warning light, low oil 1-31
washer, insulating 14-5

INDEX

wedge, bearing puller 17-3
weight
 clutch 11-3
 counterbalance 7-13, 8-13
 secondary clutch 11-3
weldment
 bag rack 1-51
 press 17-5
 rear seat hip 1-39, 1-41
 seat frame 1-37
 shock and rack mount 5-9
wheel 2-5
wheel cover, chrome 2-3
wheel cover, gold 2-3
wheel cylinder 4-13
wheel, steering 5-5
windshield brace 1-11
windshield channel 1-5
windshield frame pad 1-11
windshield hinge 1-5
windshield kit, folding 1-5
windshield kit, rear 1-7
windshield, folding, lower 1-5
windshield, folding, upper 1-5
windshield, rear 1-7
wire harness 9-3, 13-23
woodruff key 12-3
wrap, tie 1-29, 1-31, 4-9, 6-27, 6-31, 6-33, 13-25
wrench, spanner 17-9

Y

yoke, gear 17-7



Club Car, Inc.
P.O. Box 204658
Augusta, GA 30917-4658
USA

Web www.clubcar.com
Phone 1.706.863.3000
1.800.ClubCar
Int'l +1 706.863.3000
Fax 1.706.863.5808