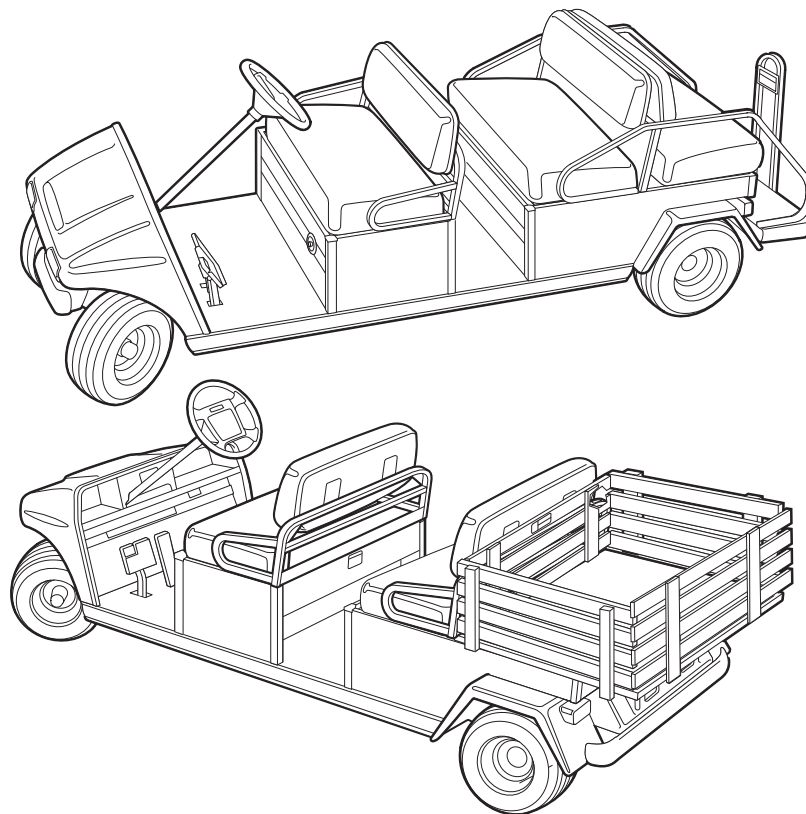




2009-2011
Transporter 4 and 6
Illustrated Parts List



Transporter 4 and 6
Gasoline and Electric Vehicles

Manual Number 103472603
Edition Code 0508J0112H

USING THE ILLUSTRATED PARTS LIST

⚠ WARNING

- **This manual is to be used only for identification and ordering of service parts. Be sure to read and use the maintenance and service manual before attempting any vehicle repairs.**

This manual covers all TransPorter 4 and 6 vehicles built during the 2009-2011 model years.

The manual is divided into sections. Note that there are two or three flags on the outside edge of each page. The first flag contains the section number of which that page is a part. The other flag (or flags) contains the letter G or E, signifying that the page pertains to the electric or gasoline vehicles only.

Use the Table of Contents to find the sections and pages that contain the parts and assemblies you seek. The Table of Contents lists section numbers, and under them, the individual page titles and numbers to be found in that section. The index can be used to find specific parts and assemblies. The index is divided into numerical and alphabetical listings with the page numbers in italic text.

There is a two-page spread for each individual page title in the Table of Contents. On the left-hand page is an illustration showing the parts in their relative positions; the parts are each tagged with an item number in a balloon. The right-hand page is the parts list page, and gives the page title at the top, then the item numbers (corresponding to the numbers on the illustration), part descriptions, and quantity of parts used.

Note that a part description may be indented. This indention corresponds to a parts assembly level indicated by the numbers 1, 2, 3, and 4 at the top left corner of the parts description area of the parts list page. A part that is indented to *level 2* is a component of the *level 1* part (assembly) that it is listed under. A *level 3* part is a component of the *level 2* part that it is listed under, and a *level 4* part is a component of the *level 3* part preceding it. In each case, the part quantity given for a level 2, 3, or 4 part is the *quantity used per next higher level assembly of which it is a component*. A part that is not indented is a *level 1* part. This means that the quantity given is the quantity used per the portion of the vehicle illustrated on that particular spread.

HOW TO ORDER PARTS

Replacement parts and accessories can be obtained from our network of authorized dealers and distributors. You can obtain the name and phone number of your closest authorized Club Car dealer or distributor by visiting our web site at www.clubcar.com and clicking on the "Distributor Search" link or by calling our toll-free Service Parts and Technical Assistance hotline at (800) 872-2246 or (706) 863-3000, extension 3887.



P. O. Box 204658
Augusta, Georgia 30917-4658 USA
Telephone 706-863-3000
Service Parts Fax 706-855-7413
www.clubcar.com

NOTE: *This illustrated parts list represents the most current information at the time of publication. Club Car, LLC. is continually working to further improve its vehicles and other products. These improvements may affect the parts used to service the vehicle. Any modification and/or significant change in specifications will be forwarded to all Club Car and Carryall distributors/dealers and will, when applicable, appear in future editions of this illustrated parts list.*

Club Car, LLC. reserves the right to change specifications and designs at any time without notice and without the obligation of making changes to units previously sold.

Copyright © 2010 Club Car, LLC.
Club Car and ArmorFlex
are registered trademarks of Club Car, LLC.
This manual effective October 1, 2010.

2009-2011 Transporter 4 and 6 Gasoline and Electric Vehicle Illustrated Parts List

CONTENTS

SECTION 1 – BODY AND TRIM

Front Body and Trim	1-3
Dash Pockets and Floormat	1-5
Seat Bottom	1-7
Seat Back Assembly	1-9
Hip Restraints and Seat Back Mounting (Front)	1-11
Hip Restraints and Seat Back Mounting (Rear)	1-13
Rear-Facing Seat Bottom – TransPorter 6	1-15
Rear-Facing Seat Bottom – TransPorter 6, Continued	1-17
Rear-Facing Seat Back and Support Structure – TransPorter 6	1-19
Rear Body Trim	1-21
Battery Insulator – Electric TransPorter Vehicles	1-23
Rear Cargo Bed – TransPorter 4	1-25
Stake Side – TransPorter 4	1-27
Rear Footrest and Handrails – TransPorter 6	1-29

SECTION 2 – WHEELS AND TIRES

Wheels and Tires	2-3
------------------------	-----

SECTION 3 – DECALS

Decals – Electric TransPorter	3-3
Decals – Electric TransPorter, Continued	3-5
Decals – Gasoline TransPorter	3-7
Decals – Gasoline TransPorter, Continued	3-9
Logo Decals	3-11

SECTION 4 – BRAKES, PEDAL, AND CABLES

Rear Brake Assembly, Manually-Adjusted – Vehicles with 4-Wheel Brakes	4-3
Brake Pedal Assembly – Gasoline Vehicles	4-5
Brake Pedal Assembly – IQ Plus Vehicles	4-7
Front Brake Assembly – Vehicles with Four-Wheel Brakes	4-9
Front Brake Cables and Equalizer – Vehicles with Four-Wheel Brakes	4-11
Front Brake Cable Clips and Hardware – Gasoline Vehicles	4-13
Front Brake Cable Clips – IQ Plus Vehicles	4-15
Rear Brake Cables and Equalizer	4-17
Accelerator Pedal Assembly – Gasoline Vehicles	4-19
Accelerator Pedal Assembly – Electric Vehicles with MCOR	4-21
Accelerator Rod – Gasoline Villager 6, and TransPorter 4 and 6	4-23

CONTENTS

SECTION 5 – STEERING, FRONT AND REAR SUSPENSION

Steering Column	5-3
Steering Wheel	5-5
Steering Gear Assembly	5-7
Front Suspension, Upper	5-9
Front Suspension, Lower (Style A)	5-11
Front Suspension, Lower (Style B)	5-13
Front Spindles and Hubs – Vehicles with Four-Wheel Brakes	5-15
Steering Gear Assembly	5-17
Rear Suspension – Gasoline Vehicles	5-19
Rear Suspension – IQ Plus Vehicles	5-21
Stabilizer Bar – Gasoline Vehicles	5-23

SECTION 6 – ELECTRICAL SYSTEM – GASOLINE VEHICLES

Wiring – Gasoline Vehicles	6-5
Headlight and Horn Electrical Components	6-7
Headlights	6-9
Electrical Component Box	6-11
Instrument Panel and Electrical Components	6-13
Horn and Brake Switches	6-15
Starter/Generator Assembly Model G425419 – Gasoline Vehicles	6-17
FE350 Starter/Generator Mounting – Gasoline Vehicles	6-19
Battery – Gasoline Vehicle	6-21
Electrical Components, Rear Body	6-23
Operation and Maintenance Switch	6-25

SECTION 7 – FE350 ENGINE – S27

FE350 Engine – Oil Circulation	7-3
FE350 Engine without ACR (Automatic Compression Release) – Shrouds and Brackets	7-5
AS26 FE350 Engine – Ignition Components and Flywheel	7-7
AS26 FE350 Engine – Cylinder Head	7-9
AS26 FE350 Engine – Crankcase and Crankshaft Oil Sensor	7-11
AS26 FE350 Engine – Crankcase and Crankshaft	7-13
FE350 Engine Mounting	7-15

SECTION 8 – FE350 ENGINE WITH ACR

FE350 Engine with ACR (Automatic Compression Release) – Shrouds and Brackets	8-3
AS11 FE350 Engine – Ignition Components and Flywheel	8-5

CONTENTS

FE350 Engine – Oil Circulation	8-7
AS11 FE350 Engine – Cylinder Head	8-9
FE350 Engine with ACR – Crankcase, Camshaft, and Oil Sensor	8-11
AS11 FE350 Engine – Crankcase and Crankshaft	8-13
FE350 Engine Mounting	8-15

SECTION 9 – FUEL, INTAKE, AND GOVERNOR SYSTEMS

Splash Guard	9-3
Fuel Tank (Non-California) with Sending Unit	9-5
Fuel System	9-7
Carburetor Assembly – FE350	9-9
Carburetor Installation – FE350	9-11
Governor and Accelerator Cables	9-13
Air Box and Intake Hose	9-15
Intake System	9-17
Fuel System	9-19
Fuel Tank (California) with Sending Unit	9-21
Carburetor Assembly – FE350 S27	9-23
Carburetor Installation – FE350 S27	9-25

SECTION 10 – EXHAUST SYSTEM

Exhaust System – FE350 Engine	10-3
-------------------------------------	------

SECTION 11 – TORQUE CONVERTER

Drive Clutch	11-3
Drive Belt – FE350	11-5
Driven Clutch	11-7

SECTION 12 – UNITIZED TRANSAXLE AND FORWARD/REVERSE SHIFTER

Unitized Transaxle – Gear Cases and Brackets	12-3
Transaxle – Gasoline Vehicles, Transmission and Gear Reduction	12-5
Transaxle – Gasoline Vehicles, Differential and Axles	12-7
Forward/Reverse Shifter	12-9

SECTION 13 – ELECTRICAL SYSTEM – ELECTRIC VEHICLES

Headlight and Horn Electrical Components	13-3
Wiring – IQ Plus Electric Vehicles	13-7
Headlights	13-9

CONTENTS

Instrument Panel with Electrical Components	13-11
Horn and Brake Switches	13-13
Motor Controller Output Regulator (MCOR)	13-15
Electrical Components – IQ Plus Vehicles	13-17
Electrical Installation	13-19
Taillights	13-21
Rear Reverse Buzzer	13-23
IQ Plus Vehicle with T-105 Batteries	13-25
IQ Plus Vehicle with T-145 Batteries	13-27

SECTION 14 – ELECTRIC MOTOR

Motor (Model DA5-4006) – IQ Plus	14-3
--	------

SECTION 15 – TRANSAXLE – ELECTRIC VEHICLES

Transaxle – Electric Vehicles	15-3
-------------------------------------	------

SECTION 16 – BATTERY CHARGER

Onboard PowerDrive Battery Charger (Model 17935), Domestic	16-3
Onboard PowerDrive Battery Charger (Model 17790), Export	16-5
IQ Plus Domestic Battery Charger (Model 25730)	16-7
IQ Plus Onboard Battery Charger (Model 25260)	16-9
Onboard Charger (Models 25260 and 25660) and Reel Mounting	16-11
IQ Plus Onboard Charger (Model 25260) Mounting	16-13
IQ Plus Battery Charger (Model 25880), Export and European	16-15
IQ Plus Onboard Battery Charger (Model 25660), Export	16-17

SECTION 17 – MAINTENANCE AND SERVICE TOOLS

Maintenance and Service Tools	17-3
Maintenance and Service Tools, Continued	17-5
Maintenance and Service Tools, Continued	17-7
Maintenance and Service Tools, Continued	17-9
Maintenance and Service Tools, Continued	17-11

SECTION i – INDEX

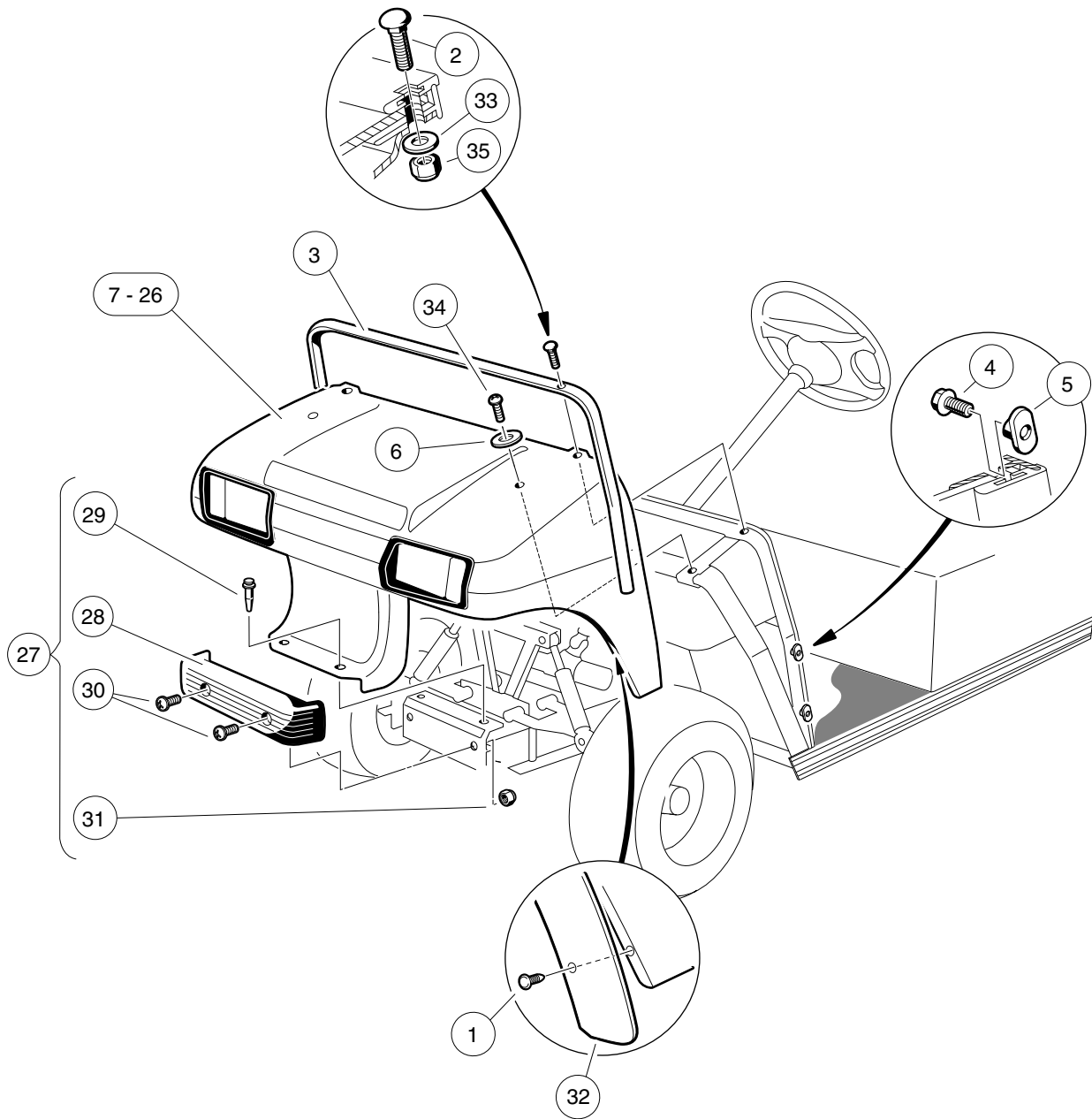
BODY AND TRIM

1

G

E

1
G
E



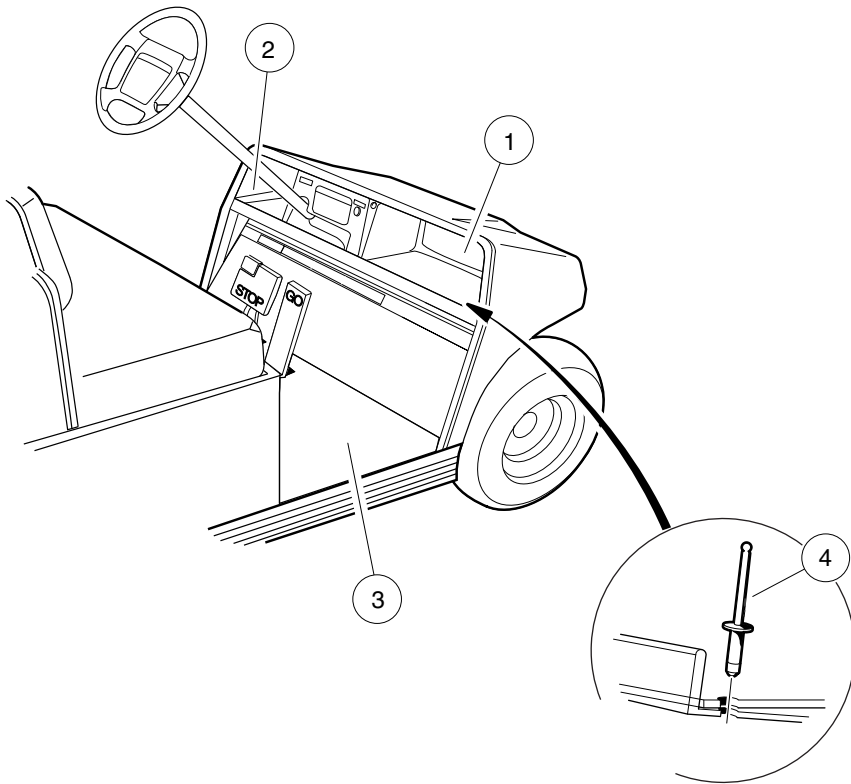
000249-005

FRONT BODY AND TRIM

ITEM	PART NO.	DESCRIPTION	QTY
		1 2 3 4	
1	<u>1010434</u>	Barrel - Plastic	12
2	<u>1010435</u>	Bolt, Carriage, 5/16-18 X 1.00	2
3	<u>1011014</u>	Trim, Cowl	1
4	<u>1011017</u>	Screw, #8-32 X 0.375	6
5	<u>1011394</u>	T-Nut Package (Set of 4)	1
6	<u>1015075</u>	Washer, 5/16 Flat Type A	2
7	<u>101692501</u>	Cowl, TPO, Beige	1
8	<u>101692502</u>	Cowl, TPO, White	1
9	<u>101692506</u>	Cowl, TPO, Red	1
10	<u>101692509</u>	Cowl, TPO, Pacific Blue (Royal Blue)	1
11	<u>101692510</u>	Cowl, TPO, Dark Green	1
12	<u>101692511</u>	Cowl, TPO, Black	1
13	<u>101692512</u>	Cowl, TPO, Classic Blue (Navy)	1
14	<u>101692513</u>	Cowl, TPO, Burgundy	1
15	<u>101692514</u>	Cowl, TPO, Dark Gray	1
16	<u>101692515</u>	Cowl, TPO, Safety Yellow	1
17	<u>101693901</u>	Cowl with Headlight Opening, TPO, Beige	1
18	<u>101693902</u>	Cowl with Headlight Opening, TPO, White	1
19	<u>101693906</u>	Cowl with Headlight Opening, TPO, Red	1
20	<u>101693908</u>	Cowl with Headlight Opening, TPO, Pacific Blue (Royal Blue)	1
21	<u>101693909</u>	Cowl with Headlight Opening, TPO, Dark Green	1
22	<u>101693910</u>	Cowl with Headlight Opening, TPO, Black	1
23	<u>101693911</u>	Cowl with Headlight Opening, TPO, Classic Blue (Navy)	1
24	<u>101693912</u>	Cowl with Headlight Opening, TPO, Burgundy	1
25	<u>101693913</u>	Cowl with Headlight Opening, TPO, Dark Gray	1
26	<u>101693914</u>	Cowl with Headlight Opening, TPO, Safety Yellow	1
27	<u>1017080</u>	Kit, Front Bumper (includes items 28 through 31)	1
28	<u>1016868</u>	Front Bumper	1
29	<u>1016967</u>	Blind Rivet, Push Type	2
30	<u>7251</u>	Screw, 5/16-18 x 1.0 Truss-Head	2
31	<u>7473</u>	Locknut, 5/16-18 Nylon Insert	2
32	<u>101870401</u>	Fender Extrusion	2
33	<u>1241</u>	Washer, 5/16 Type A Flat	2
34	<u>7251</u>	Screw, 5/16-18 x 1.0 Truss-Head	2
35	<u>7473</u>	Locknut, 5/16-18 Nylon Insert	2

1
G
E

1
G
E



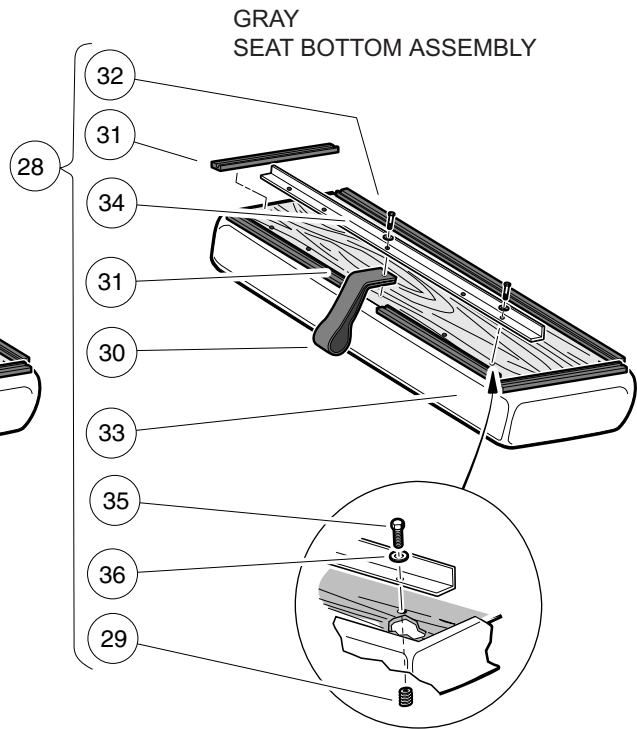
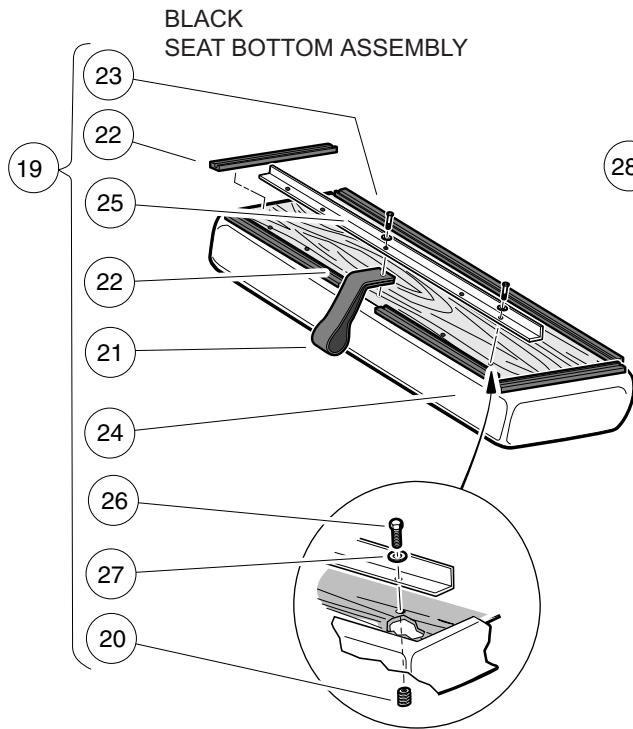
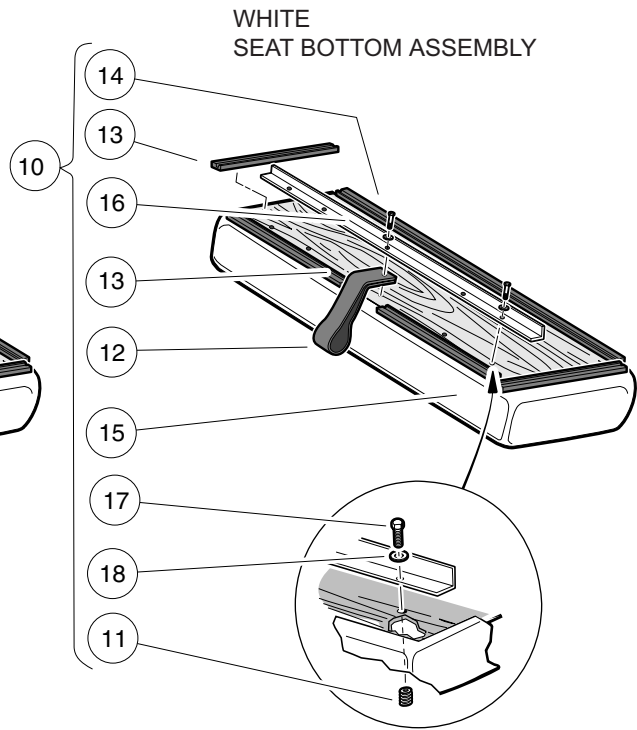
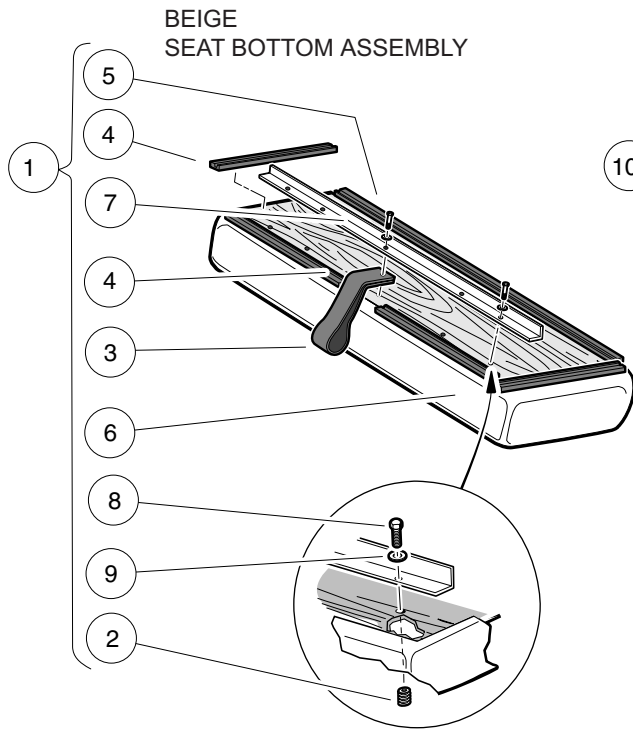
000252-002

DASH POCKETS AND FLOORMAT

ITEM	PART NO.	DESCRIPTION	QTY
		1 2 3 4	
1	<u>1013343</u>	Dash Component, Passenger-Side, Black	1
2	1013344	Dash Component, Driver-Side	1
3	<u>101503202</u>	Floormat	1
4	<u>7973</u>	Rivet, 3/16 X .400 Blind	5

1
G
E

1
G
E



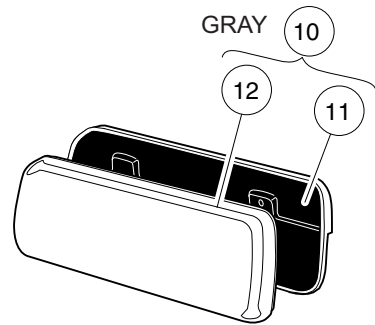
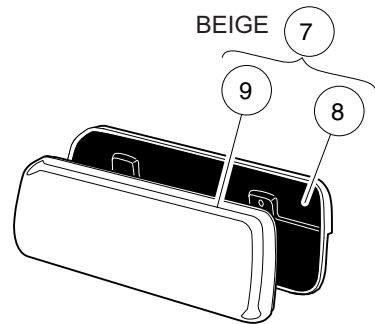
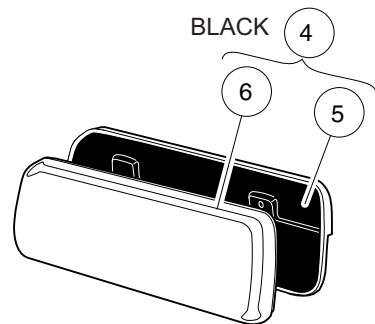
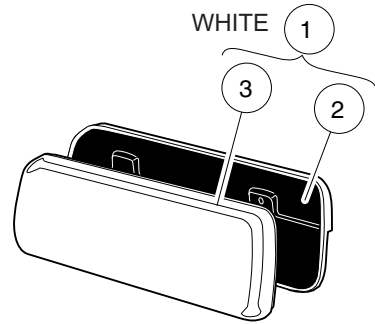
000254-001

SEAT BOTTOM

ITEM	PART NO.	DESCRIPTION	QTY
		1 2 3 4	
1	<u>101564501</u>	Seat Bottom Assembly, Beige (includes items 2 through 9)	1
2	1010543	Insert - Wood	5
3	<u>1013309</u>	Strap, Utility Seat	1
4	<u>1013311</u>	Bumper, Seat, Short	4
5	<u>1013312</u>	Bumper, Seat, Long	1
6	<u>101562711</u>	Vinyl Cover, Seat Bottom, Buff	1
7	<u>101894303</u>	Stiffener	1
8	<u>101954301</u>	Screw, 1/4-20 X 0.75 Hex-Head Cap	5
9	<u>332</u>	Washer, 1/4 Type A Narrow Flat	5
10	<u>101564502</u>	Seat Bottom Assembly, White (includes items 11 through 18)	1
11	1010543	Insert - Wood	5
12	<u>1013309</u>	Strap, Utility Seat	1
13	<u>1013311</u>	Bumper, Seat, Short	4
14	<u>1013312</u>	Bumper, Seat, Long	1
15	<u>101562712</u>	Vinyl Cover, Seat Bottom, White	1
16	<u>101894303</u>	Stiffener	1
17	<u>101954301</u>	Screw, 1/4-20 X 0.75 Hex-Head Cap	5
18	<u>332</u>	Washer, 1/4 Type A Narrow Flat	5
19	<u>101564503</u>	Seat Bottom Assembly, Black (includes items 20 through 27)	1
20	1010543	Insert - Wood	5
21	<u>1013309</u>	Strap, Utility Seat	1
22	<u>1013311</u>	Bumper, Seat, Short	4
23	<u>1013312</u>	Bumper, Seat, Long	1
24	<u>101562714</u>	Vinyl Cover, Seat Bottom, Black	1
25	<u>101894303</u>	Stiffener	1
26	<u>101954301</u>	Screw, 1/4-20 X 0.75 Hex-Head Cap	5
27	<u>332</u>	Washer, 1/4 Type A Narrow Flat	5
28	<u>101564505</u>	Seat Bottom Assembly, Gray (includes items 29 through 36)	1
29	1010543	Insert - Wood	5
30	<u>1013309</u>	Strap, Utility Seat	1
31	<u>1013311</u>	Bumper, Seat, Short	4
32	<u>1013312</u>	Bumper, Seat, Long	1
33	<u>101562715</u>	Vinyl Cover, Seat Bottom, Gray	2
34	<u>101894303</u>	Stiffener	1
35	<u>101954301</u>	Screw, 1/4-20 X 0.75 Hex-Head Cap	5
36	<u>332</u>	Washer, 1/4 Type A Narrow Flat	5

1
G
E

1
G
E



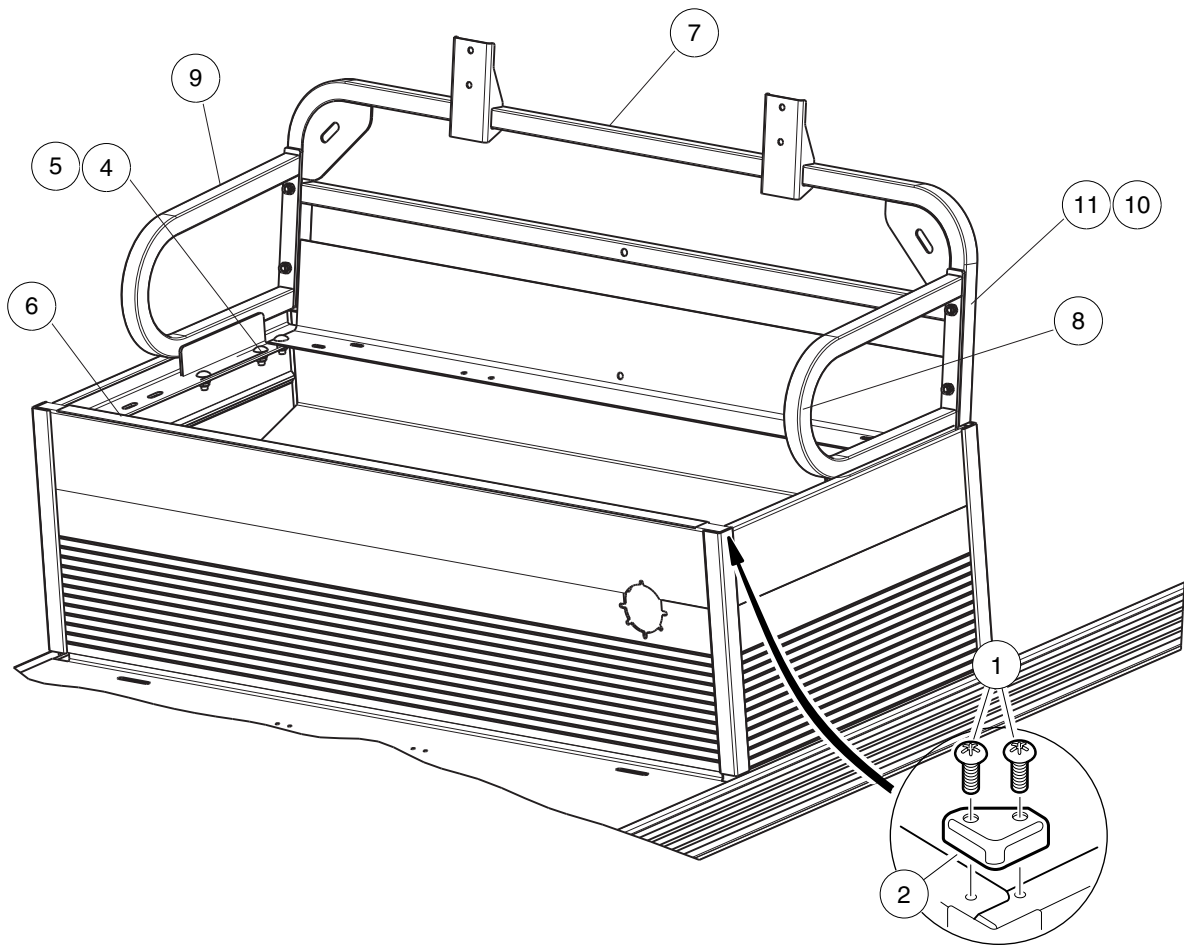
000608-001

SEAT BACK ASSEMBLY

ITEM	PART NO.	DESCRIPTION	QTY
		1 2 3 4	
1	<u>101677701</u>	Seat Back Assembly, White (includes items 2 and 3)	1
2	1016751	Cap, Seat Back	1
3	<u>101675512</u>	Vinyl Seat Back, White	1
4	<u>101677702</u>	Seat Back Assembly, Black (includes items 5 and 6)	1
5	1016751	Cap, Seat Back	1
6	<u>101675514</u>	Vinyl Seat Back, Black	1
7	<u>101677703</u>	Seat Back Assembly, Beige (includes items 8 and 9)	1
8	1016751	Cap, Seat Back	1
9	<u>101675511</u>	Vinyl Seat Back, Beige	1
10	<u>101677705</u>	Seat Back Assembly, Gray (includes items 11 and 12)	1
11	1016751	Cap, Seat Back	1
12	<u>101675515</u>	Vinyl Seat Back-nstd Svc	1

1
G
E

1
G
E



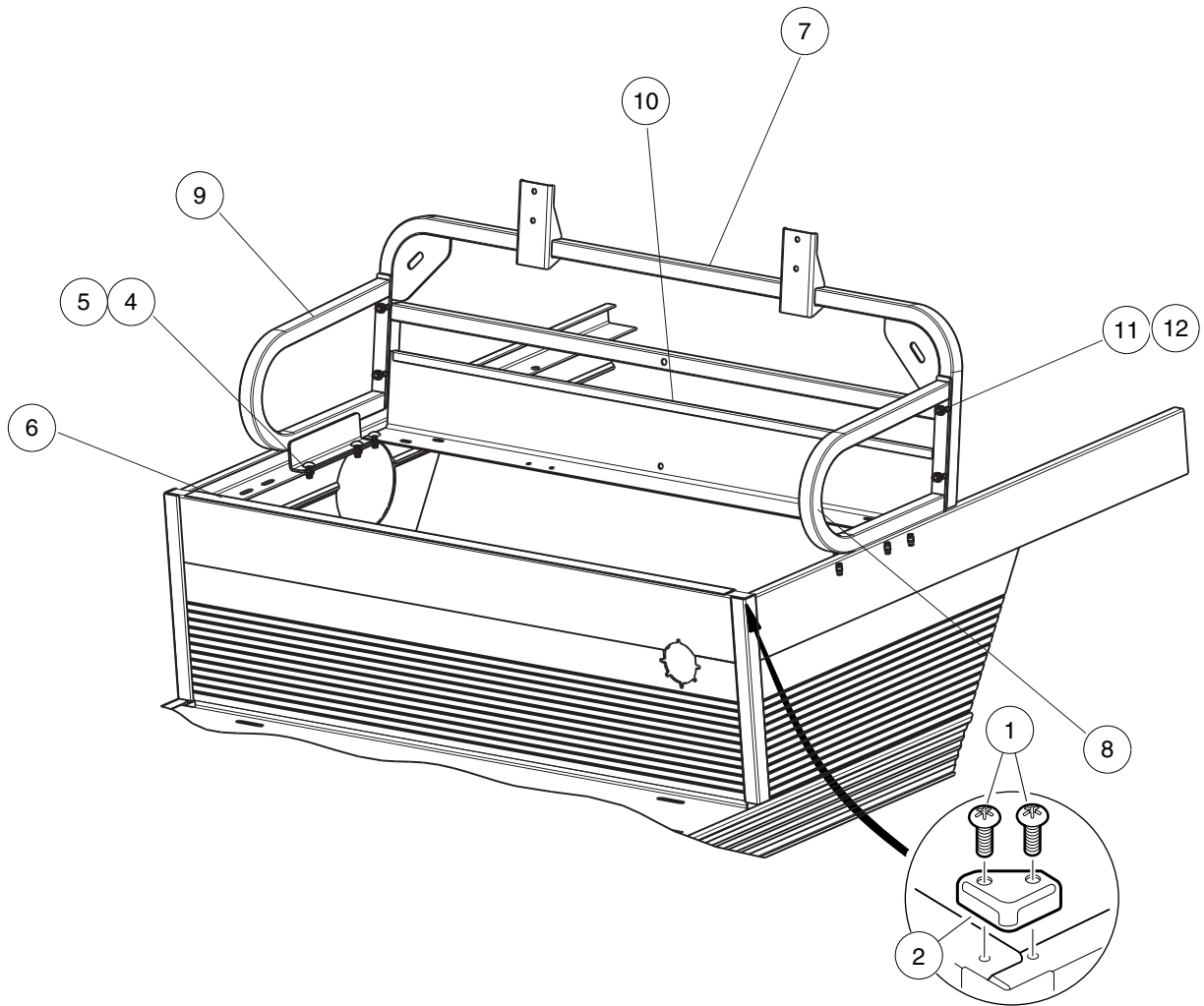
000603-003

HIP RESTRAINTS AND SEAT BACK MOUNTING (FRONT)

ITEM	PART NO.	DESCRIPTION	QTY
		1 2 3 4	
1	<u>1014321</u>	Screw, #10 Truss-Head Torx	4
2	<u>1014387</u>	Cap, Corner	2
3	N/A	Instl, Seat Bk, Hip Restr, Ca4 (includes items 4 through 11)	1
4	<u>101963301</u>	Bolt, 5/16-18 X 0.75 Round-Head	6
5	<u>101963401</u>	Locknut, 5/16-18 Hex Flange	6
6	<u>101964001</u>	Trim, Seat Bottom Front	1
7	<u>102966401</u>	Seat Back, Tube	1
8	<u>102966501</u>	Hip Restraint, Left	1
9	<u>102966502</u>	Hip Restraint, Right	1
10	<u>103245201</u>	Screw, 5/16-18 X 1.5, Tr Tx Hd	4
11	<u>103245301</u>	Nut, Hex, Cp, Mech Def, 5/16-1	4

1
G
E

1
G
E



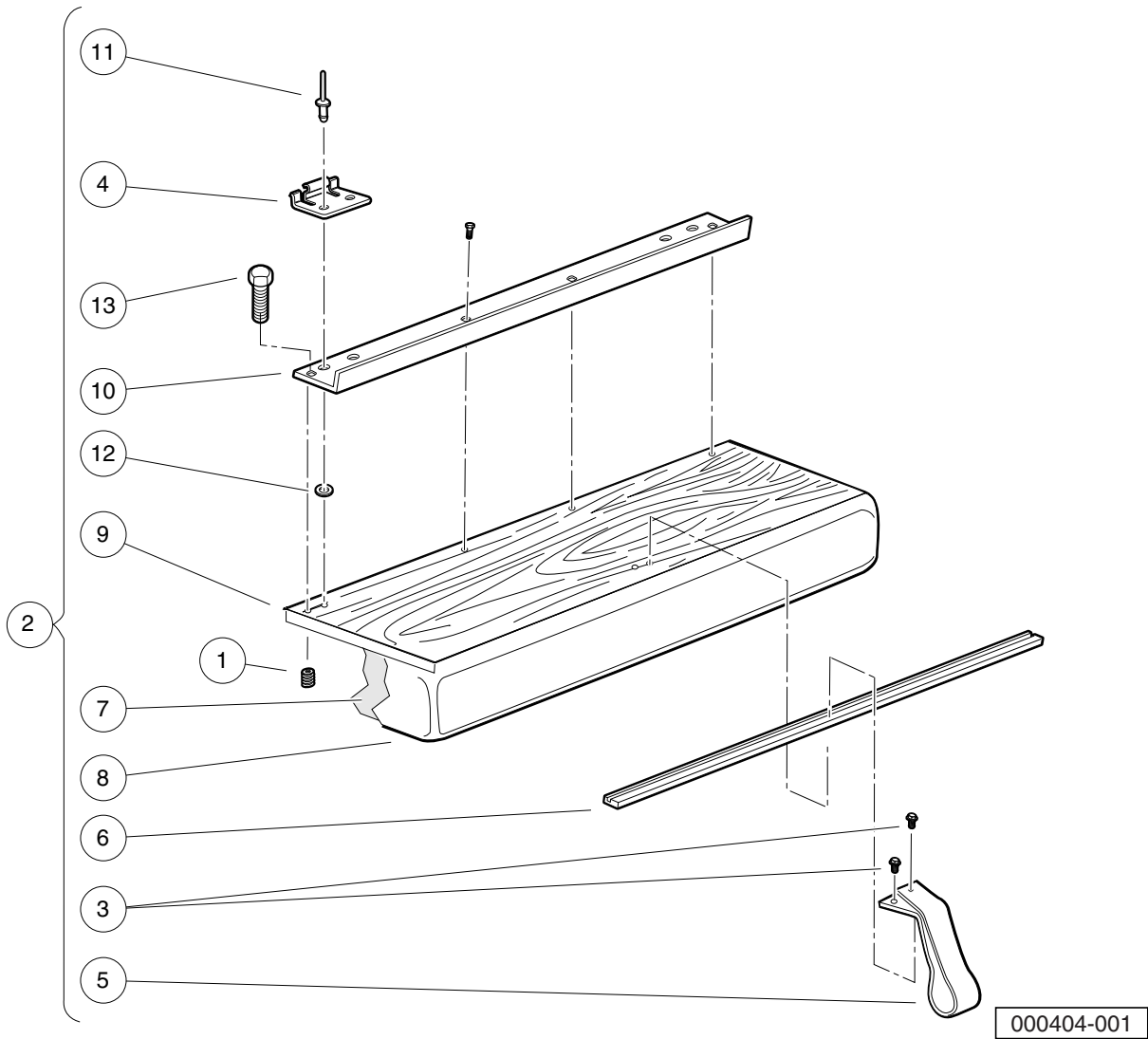
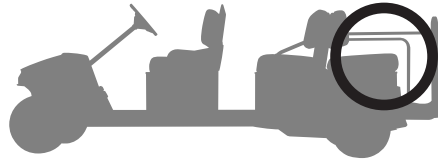
000603-002

HIP RESTRAINTS AND SEAT BACK MOUNTING (REAR)

ITEM	PART NO.	DESCRIPTION	QTY
		1 2 3 4	
1	<u>1014321</u>	Screw, #10 Truss-Head Torx	4
2	<u>1014387</u>	Cap, Corner	2
3	N/A	Instl, Seat Bk, Hip Restr, Ca6 (includes items 4 through 12)	1
4	<u>101963301</u>	Bolt, 5/16-18 X 0.75 Round-Head	6
5	<u>101963401</u>	Locknut, 5/16-18 Hex Flange	6
6	<u>101964001</u>	Trim, Seat Bottom Front	1
7	<u>102966401</u>	Seat Back, Tube	1
8	<u>102966501</u>	Hip Restraint, Left	1
9	<u>102966502</u>	Hip Restraint, Right	1
10	<u>102989501</u>	Seal, Bed, 41-Inch	1
11	<u>103245201</u>	Screw, 5/16-18 X 1.5, Tr Tx Hd	4
12	<u>103245301</u>	Nut, Hex, Cp, Mech Def, 5/16-1	4

1
G
E

TRANSPORTER 6



REAR-FACING SEAT BOTTOM – TRANSPORTER 6

ITEM	PART NO.	DESCRIPTION	QTY
		1 2 3 4	
1	1010543	Insert - Wood	4
2	<u>101684102</u>	Seat Bottom Assembly, Rear, White (includes items 3 through 13)	1
3	<u>1010545</u>	Screw, Hex Washer Head 1/4-14 X .75	2
4	<u>1011652</u>	Hinge Plate	2
5	<u>1013309</u>	Strap, Utility Seat	1
6	<u>1013312</u>	Bumper, Seat, Long	1
7	N/A	Foam, Seat	1
8	<u>101562712</u>	Vinyl Cover, Seat Bottom, White	1
9	N/A	Plywood Assy	1
10	<u>1016824</u>	Angle Seat Hinge	1
11	<u>101880901</u>	Rivet, 3/16, Stainless-Steel, Pop	4
12	<u>101881701</u>	Washer, #8 Stainless-Steel Flat	4
13	<u>101954301</u>	Screw, 1/4-20 X 0.75 Hex-Head Cap	4
14	<u>101684103</u>	Seat Bottom Assembly, Rear, Black (includes items 15 through 25)	1
15	<u>1010545</u>	Screw, Hex Washer Head 1/4-14 X .75	2
16	<u>1011652</u>	Hinge Plate	2
17	<u>1013309</u>	Strap, Utility Seat	1
18	<u>1013312</u>	Bumper, Seat, Long	1
19	N/A	Foam, Seat	1
20	<u>101562714</u>	Vinyl Cover, Seat Bottom, Black	1
21	N/A	Plywood Assy	1
22	<u>1016824</u>	Angle Seat Hinge	1
23	<u>101880901</u>	Rivet, 3/16, Stainless-Steel, Pop	4
24	<u>101881701</u>	Washer, #8 Stainless-Steel Flat	4
25	<u>101954301</u>	Screw, 1/4-20 X 0.75 Hex-Head Cap	4
Note: Sub-components contained in item 14 are the same as those shown for item 2, except for the vinyl seat cover.			

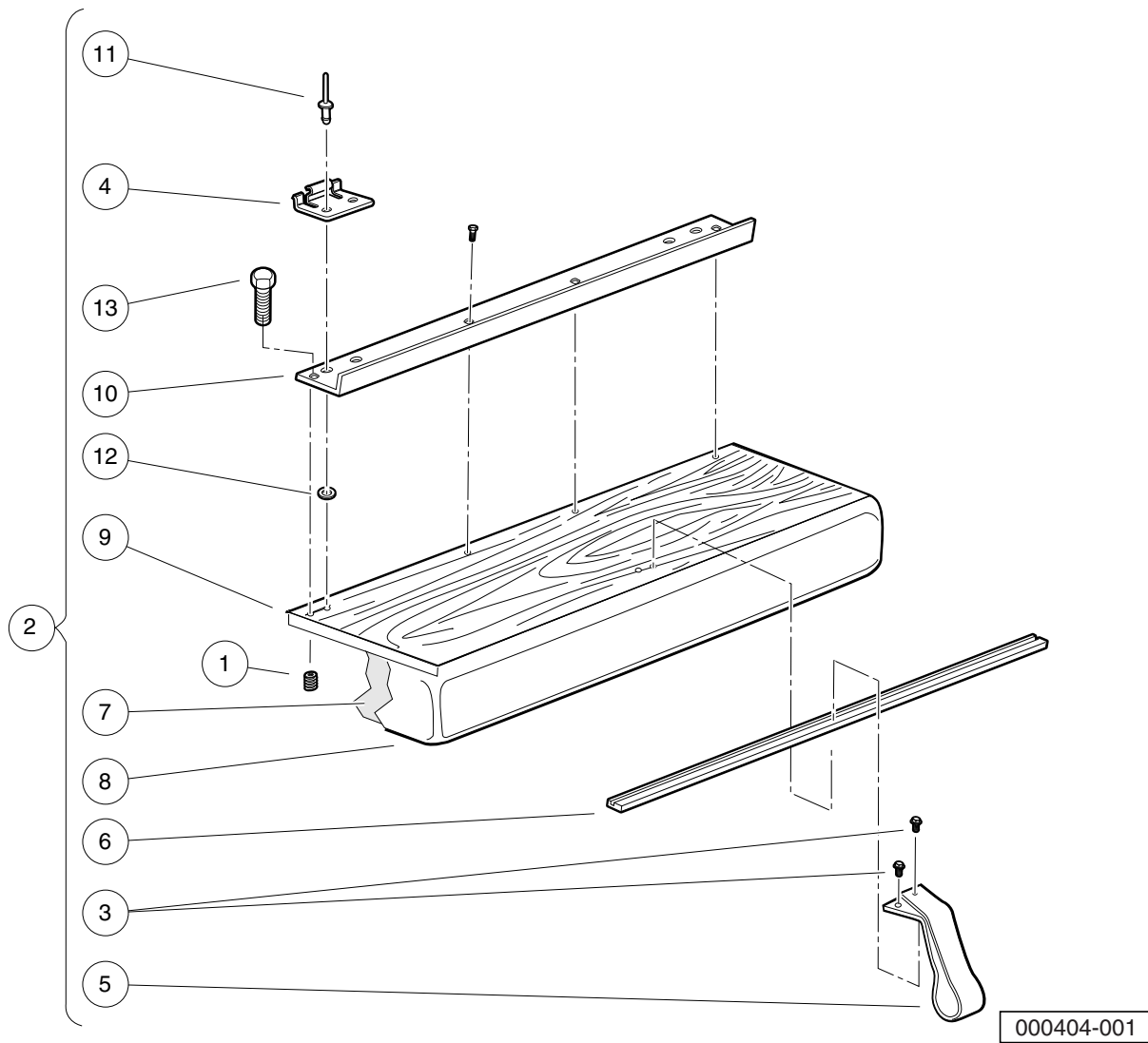
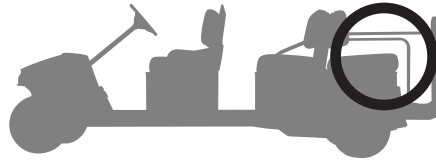
1
G
E

1

G

E

TRANSPORTER 6



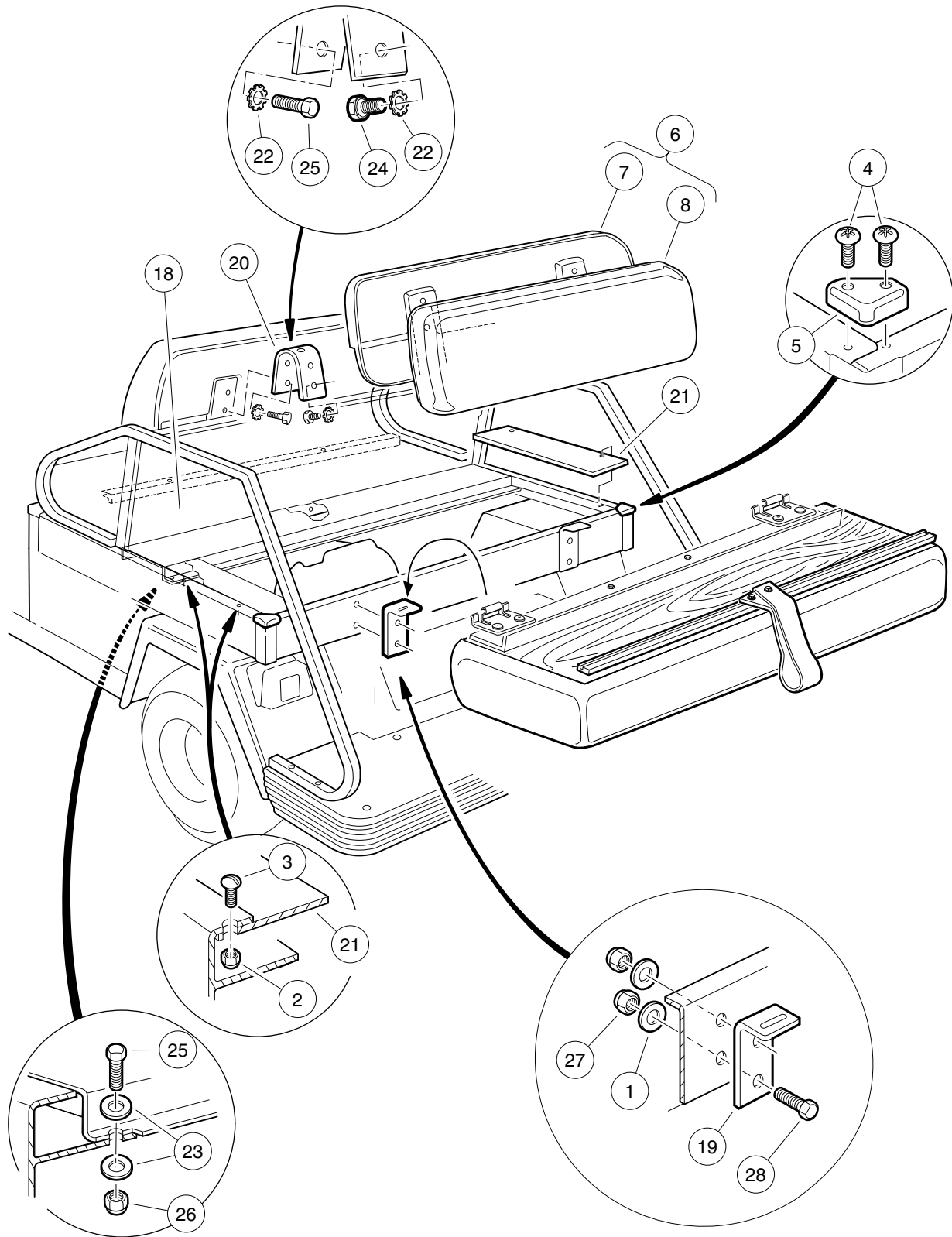
000404-001

REAR-FACING SEAT BOTTOM – TRANSPORTER 6, CONTINUED

ITEM	PART NO.	DESCRIPTION	QTY
		1 2 3 4	
1	1010543	Insert - Wood	4
2	<u>101684105</u>	Seat Bottom Assembly, Rear, Gray (includes items 3 through 13)	1
3	<u>1010545</u>	Screw, Hex Washer Head 1/4-14 X .75	2
4	<u>1011652</u>	Hinge Plate	2
5	<u>1013309</u>	Strap, Utility Seat	1
6	<u>1013312</u>	Bumper, Seat, Long	1
7	N/A	Foam, Seat	1
8	<u>101562715</u>	Vinyl Cover, Seat Bottom, Gray	1
9	N/A	Plywood Assy	1
10	<u>1016824</u>	Angle Seat Hinge	1
11	<u>101880901</u>	Rivet, 3/16, Stainless-Steel, Pop	4
12	<u>101881701</u>	Washer, #8 Stainless-Steel Flat	4
13	<u>101954301</u>	Screw, 1/4-20 X 0.75 Hex-Head Cap	4
14	****	Seat Bottom Assembly, Rear, Beige (includes items 15 through 25)	1
15	<u>1010545</u>	Screw, Hex Washer Head 1/4-14 X .75	2
16	<u>1011652</u>	Hinge Plate	2
17	<u>1013309</u>	Strap, Utility Seat	1
18	<u>1013312</u>	Bumper, Seat, Long	1
19	N/A	Foam, Seat	1
20	<u>101562711</u>	Vinyl Cover, Seat Bottom, Buff	1
21	N/A	Plywood Assy	1
22	<u>1016824</u>	Angle Seat Hinge	1
23	<u>101880901</u>	Rivet, 3/16, Stainless-Steel, Pop	4
24	<u>101881701</u>	Washer, #8 Stainless-Steel Flat	4
25	<u>101954301</u>	Screw, 1/4-20 X 0.75 Hex-Head Cap	4
<p style="text-align: center;">**** Special order item available upon request.</p> <p style="text-align: center;">Note: Sub-components contained in item 14 are the same as those shown for item 2, except for the vinyl seat cover.</p>			

1
G
E

1
G
E



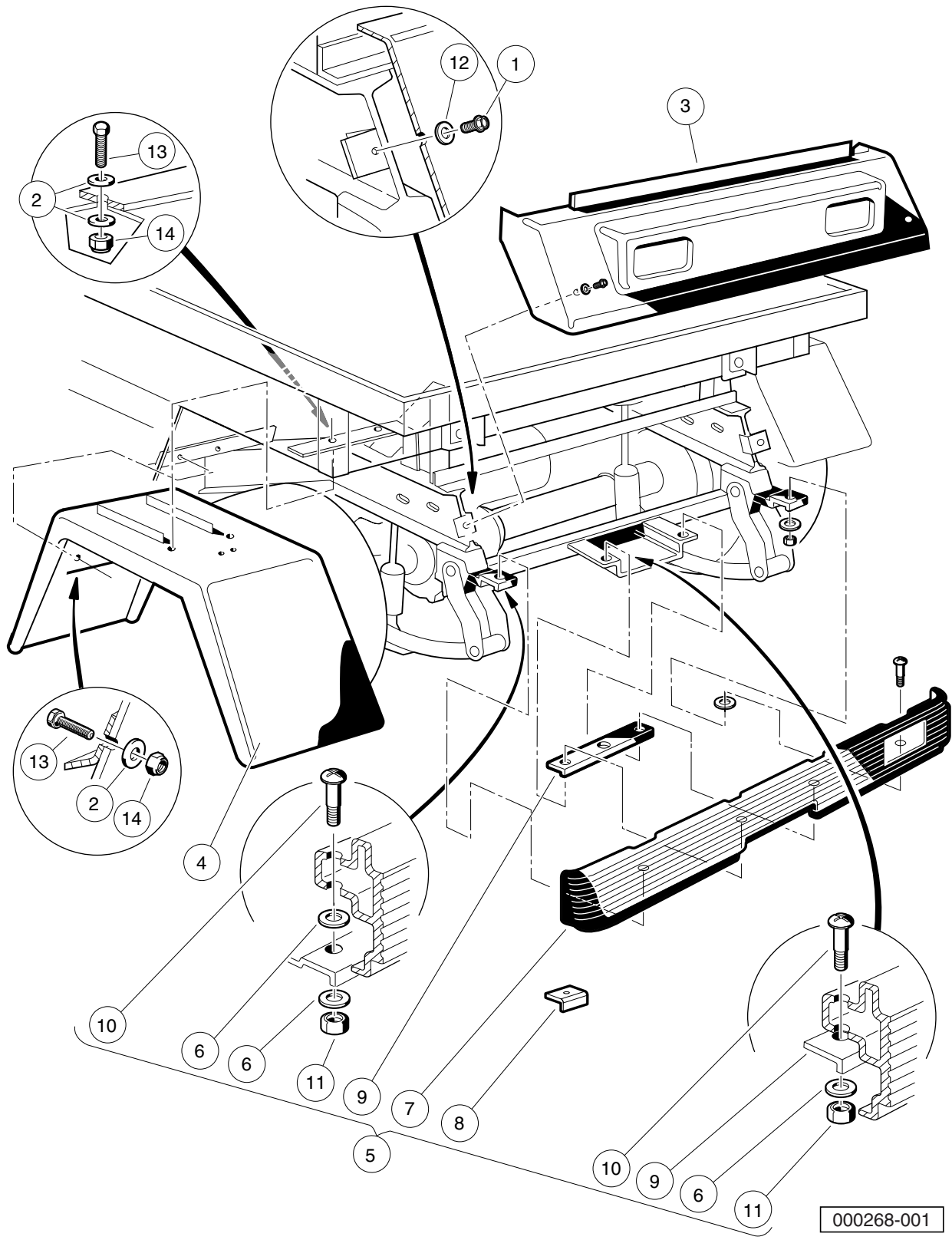
000406-001

REAR-FACING SEAT BACK AND SUPPORT STRUCTURE – TRANSPORTER 6

ITEM	PART NO.	DESCRIPTION	QTY
		1 2 3 4	
1	<u>1011990</u>	Washer, 3/8 Flat	4
2	<u>1013061</u>	Locknut, #10-32 Nylon Insert	4
3	<u>1013169</u>	Screw, #10-32 X 0.5 Round-Head	4
4	<u>1014321</u>	Screw, #10 Truss-Head Torx	4
5	<u>1014387</u>	Cap, Corner	2
6	<u>101677701</u>	Seat Back Assembly, White (includes items 7 and 8)	1
7	<u>1016751</u>	Cap, Seat Back	1
8	<u>101675512</u>	Vinyl Seat Back, White	1
9	<u>101677702</u>	Seat Back Assembly, Black (includes items 10 and 11)	1
10	<u>1016751</u>	Cap, Seat Back	1
11	<u>101675514</u>	Vinyl Seat Back, Black	1
12	<u>101677703</u>	Seat Back Assembly, Beige (includes items 13 and 14)	1
13	<u>1016751</u>	Cap, Seat Back	1
14	<u>101675511</u>	Vinyl Seat Back, Beige	1
15	<u>101677705</u>	Seat Back Assembly, Gray (includes items 16 and 17)	1
16	<u>1016751</u>	Cap, Seat Back	1
17	<u>101675515</u>	Vinyl Seat Back-nstd Svc	1
18	<u>1016816</u>	Support Rear Seat	1
19	<u>1016819</u>	Seat Hinge Body	2
20	<u>1016839</u>	Bracket Seat Back Mount	2
21	<u>1016930</u>	Frame Panel Rear Seat	2
22	<u>101946201</u>	Washer, Lock, 0.250 External-Tooth	8
23	<u>332</u>	Washer, 1/4 Type A Narrow Flat	6
24	<u>7479</u>	Screw, 1/4-20 X 1.25 Hex-Head Cap	4
25	<u>7847</u>	Screw, 1/4-20 X 0.75 Hex-Head Cap	7
26	<u>8233</u>	Locknut, 1/4-20 Nylon Insert	3
27	<u>8754</u>	Locknut, 3/8-16 Hex	4
28	<u>8861</u>	Bolt, 3/8-16 X 1.75 Hex	4
<p>Note: Sub-components contained in items 9, 12, and 15 are the same as those shown for item 6, except for the vinyl seat covers.</p>			

1
G
E

1
G
E

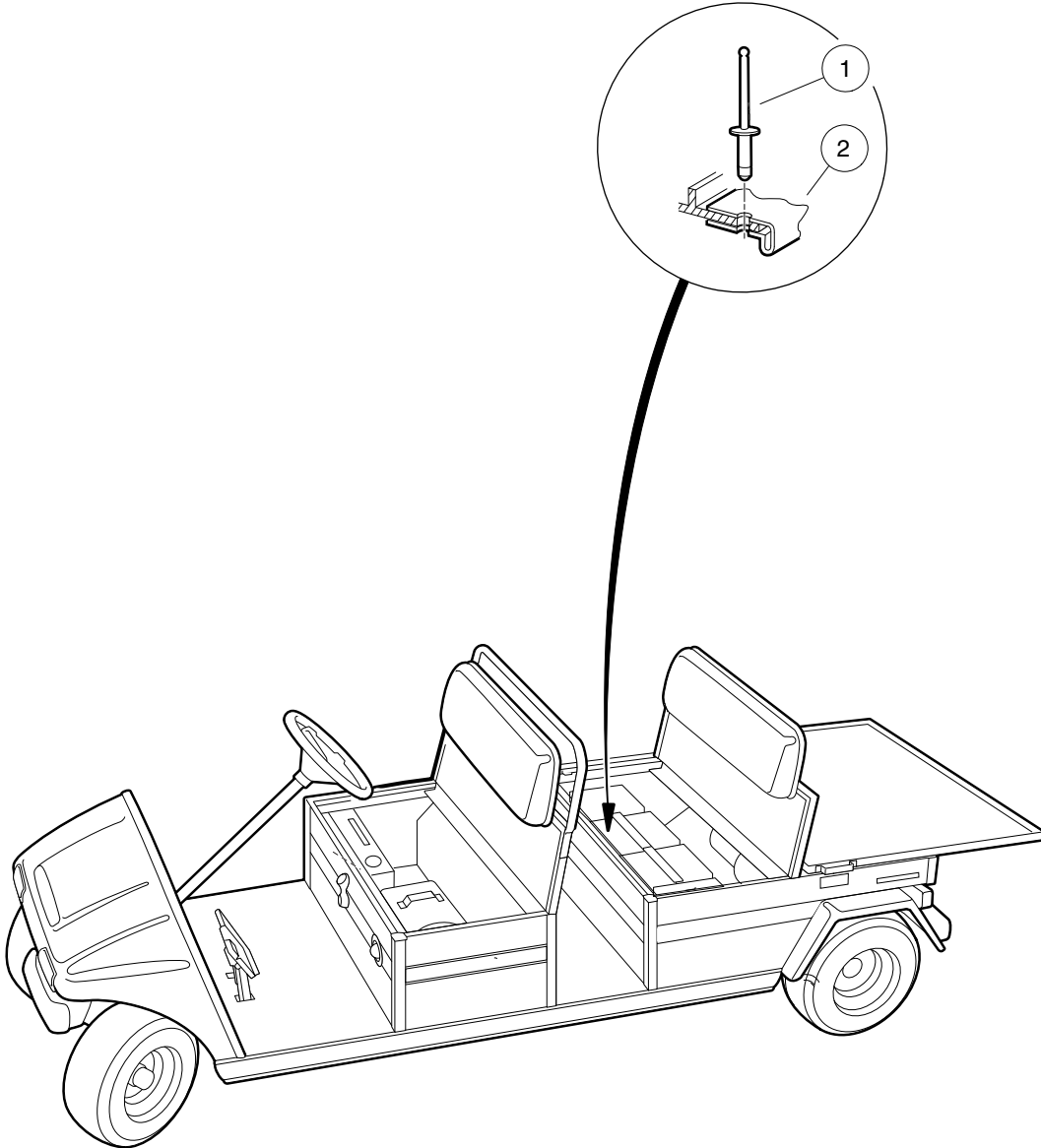


REAR BODY TRIM

ITEM	PART NO.	DESCRIPTION	QTY
		1 2 3 4	
1	<u>1012285</u>	Screw, 1/4 X 0.625 Hex-Head	2
2	<u>1014306</u>	Washer, 1/4" Type B Flat	12
3	<u>1015530</u>	Tailskirt	1
4	<u>1016679</u>	Rear Fender	2
5	<u>1017079</u>	Kit, Rear Bumper (includes items 6 through 11)	1
6	<u>1011697</u>	Washer, 5/16 Flat	6
7	<u>1016379</u>	Bumper, Rear	1
8	<u>1016874</u>	Plate, Bumper Mounting, Short	2
9	<u>1016875</u>	Plate, Bumper Mounting, Long	1
10	<u>1016876</u>	Bolt, 3/8 Shoulder	4
11	<u>7473</u>	Locknut, 5/16-18 Nylon Insert	4
12	<u>332</u>	Washer, 1/4 Type A Narrow Flat	2
13	<u>7847</u>	Screw, 1/4-20 X 0.75 Hex-Head Cap	8
14	<u>8233</u>	Locknut, 1/4-20 Nylon Insert	8

1
G
E

1
G
E



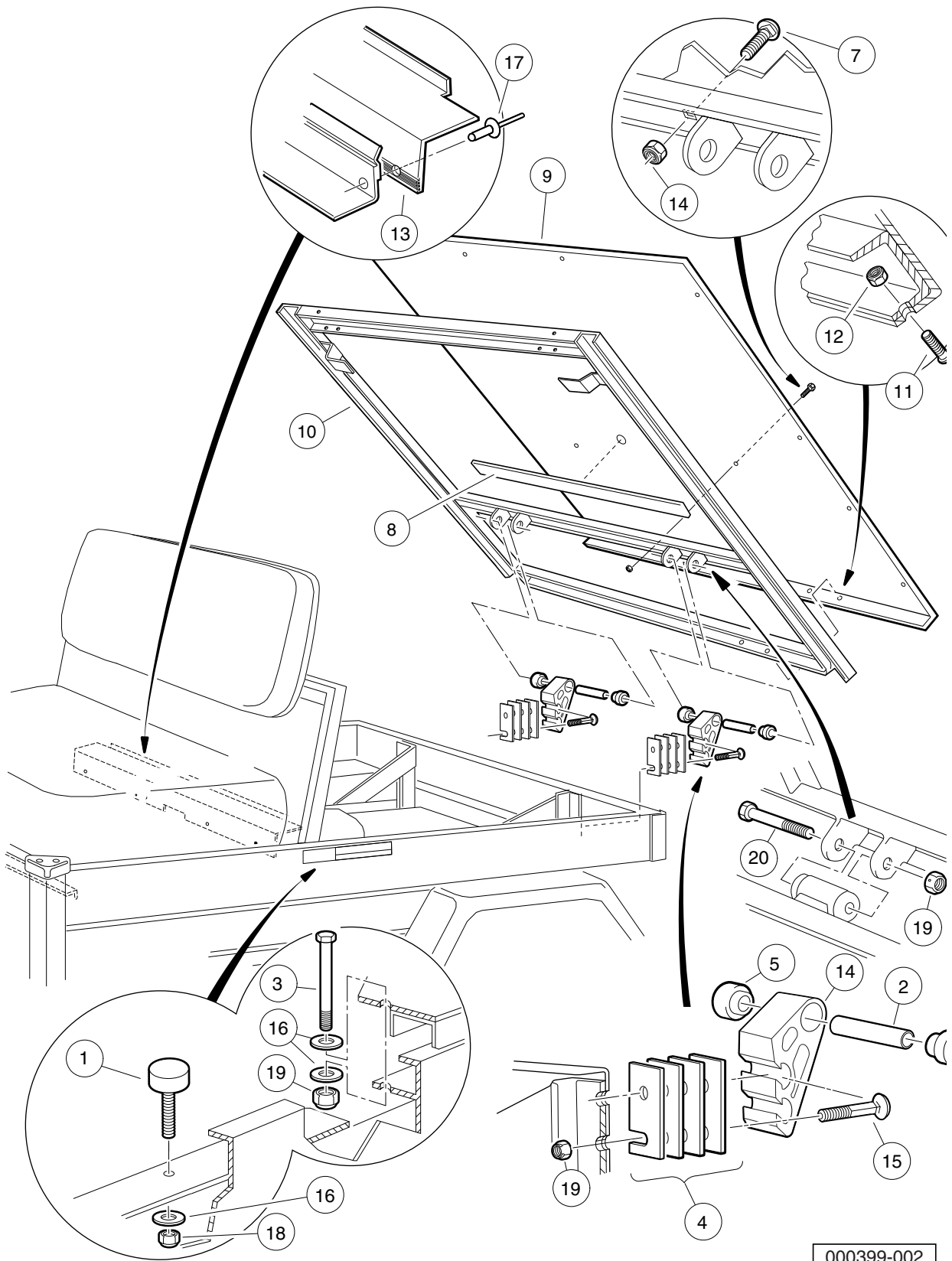
000400-001

BATTERY INSULATOR – ELECTRIC TRANSPORTER VEHICLES

ITEM	PART NO.	DESCRIPTION	QTY
1	<u>1013357</u>	1 2 3 4 Rivet, 5/32 Aluminum Pop	2
2	<u>101837001</u>	Battery Insulator	1

1
G
E

1
G
E

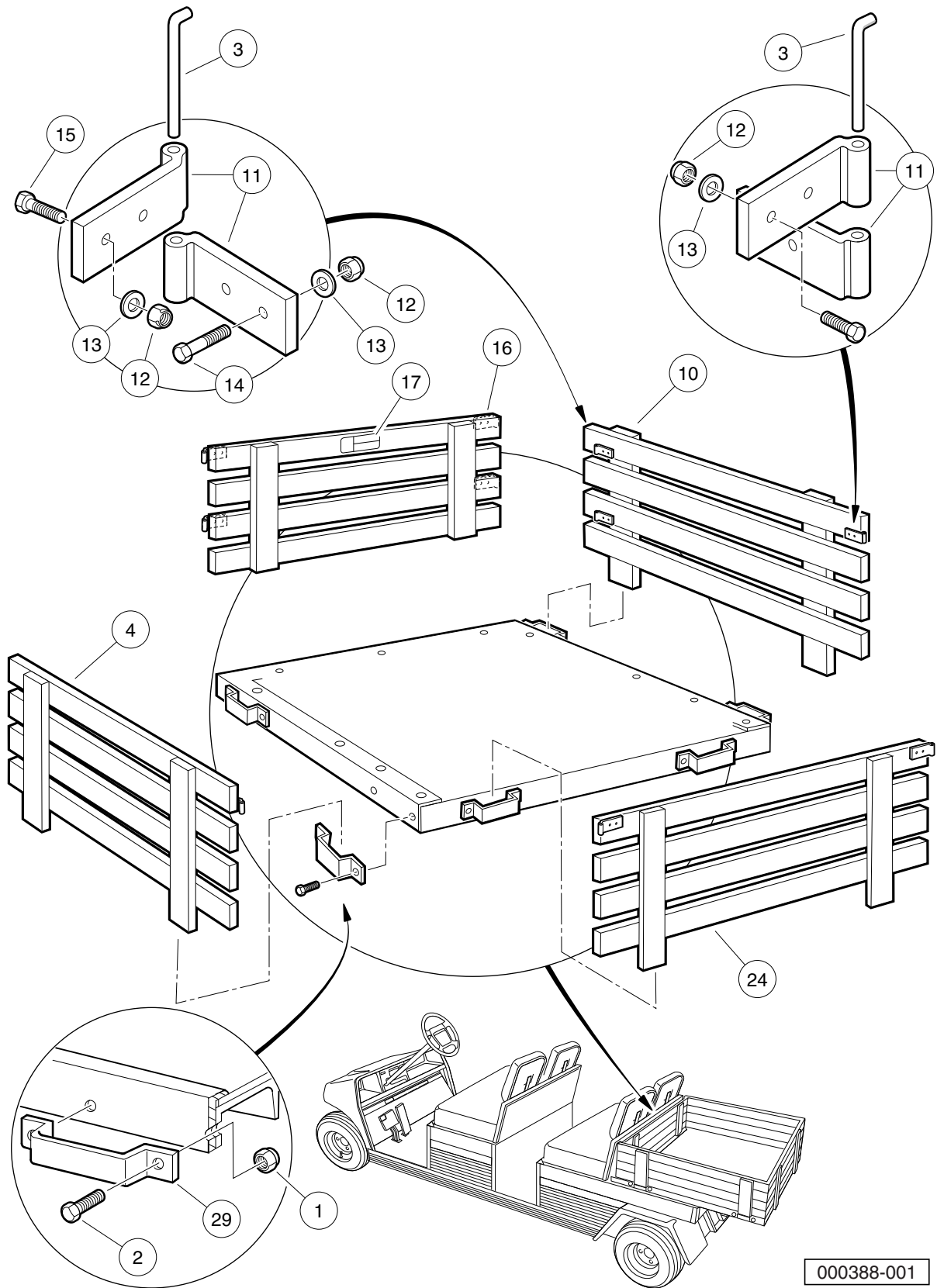


000399-002

REAR CARGO BED – TRANSPORTER 4

ITEM	PART NO.	DESCRIPTION	QTY	
		1 2 3 4		1
1	<u>1010878</u>	Bumper, Rubber	2	G
2	<u>1012303</u>	Bushing, Steel	2	E
3	<u>1013872</u>	Bolt, 1/4-20 X 4.00 Hex Head	2	
4	<u>1015507</u>	Shim, Tilt Bed Pivot	1	
5	<u>1015583</u>	Bushing, Urethane	4	
6	<u>1016724</u>	Flat Bed Assembly (includes items 7 through 12)	1	
7	<u>1010435</u>	Bolt, Carriage, 5/16-18 X 1.00	2	
8	<u>1014471</u>	Tape, Vinyl Foam 1/8" x 3/4" *	1	
9	N/A	Plate, Floor, Carryall 1 Flat bed	1	
10	N/A	Frame Assembly, Tilt Bed	1	
11	1015399	Screw, 5/16-18 X 0.88 Torx Truss-Head	4	
12	<u>7473</u>	Locknut, 5/16-18 Nylon Insert	6	
13	<u>1017976</u>	Bed Seal	1	
14	<u>103538701</u>	Extra, Bracket, Hinge, Bed	2	
15	<u>103538901</u>	3/8-16 X 3.5 Carr Blt Gr5 Zn	4	
16	<u>332</u>	Washer, 1/4 Type A Narrow Flat	6	
17	7532	Rivet, 3/16 X 0.3125, Pop	4	
18	<u>8233</u>	Locknut, 1/4-20 Nylon Insert	4	
19	<u>8754</u>	Locknut, 3/8-16 Hex	6	
20	<u>8755</u>	Screw, 3/8-16 X 3.375 Hex Cap	2	
		* Note: Item not shown.		

1
G
E



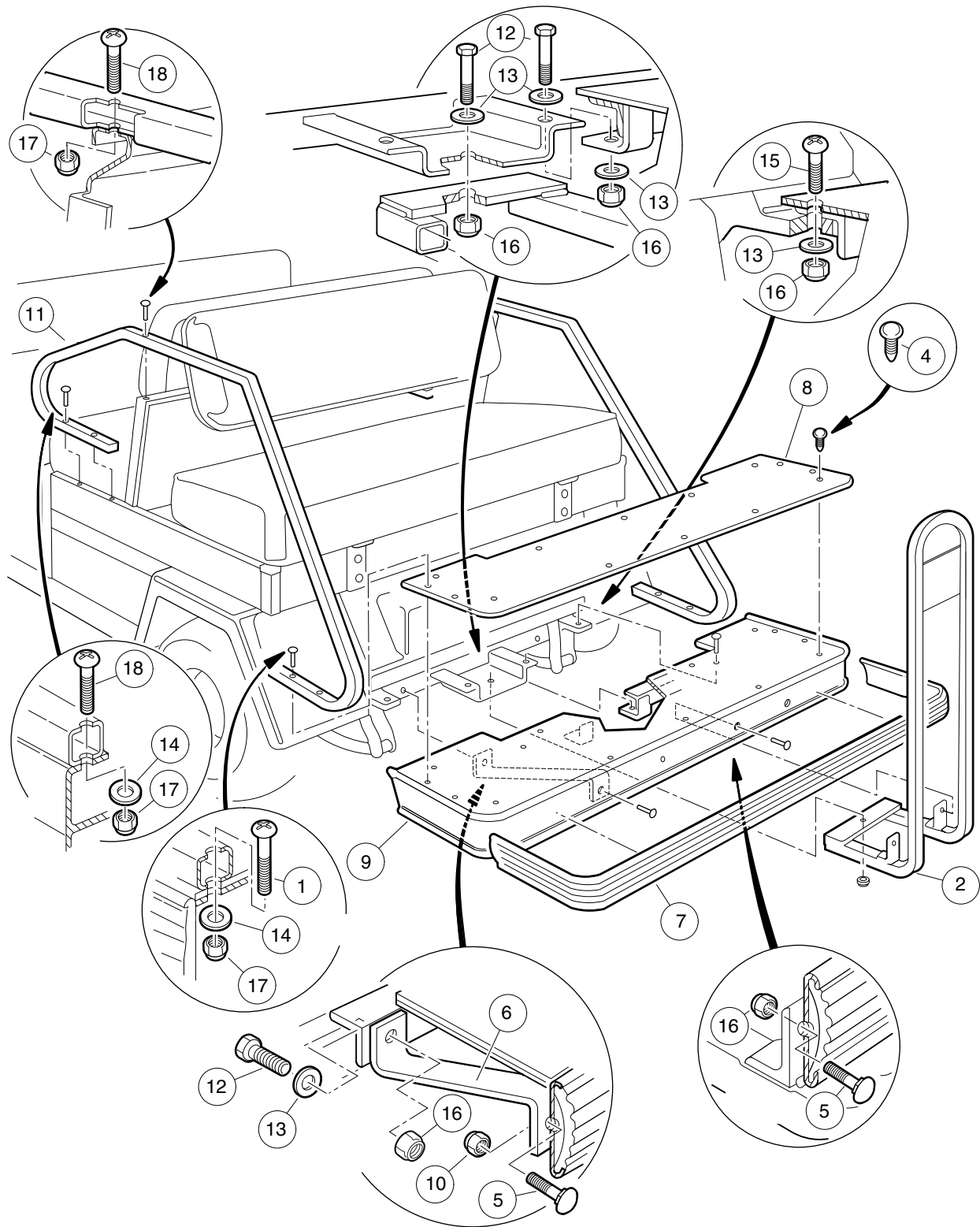
000388-001

STAKE SIDE – TRANSPORTER 4

ITEM	PART NO.	DESCRIPTION	QTY
		1 2 3 4	
1	<u>1015660</u>	Stake Side Kit (includes items 2 through 29)	1
2	<u>1010934</u>	Screw, 5/16-18 X 1.00 Hex Cap	12
3	<u>1015656</u>	Pin, hinge	6
4	101565701	Stake Side, Driver-Side (includes items 5 through 9)	1
5	<u>1015654</u>	Stake Side Hinge	3
6	<u>1108</u>	Locknut, 1/4-20 Dimpled	6
7	<u>332</u>	Washer, 1/4 Type A Narrow Flat	19
8	<u>7311</u>	Screw, 1/4-20 X 2.00 Hex-Head Cap	3
9	<u>7479</u>	Screw, 1/4-20 X 1.25 Hex-Head Cap	3
10	101565702	Stake Side, Passenger-Side (includes items 11 through 15)	1
11	<u>1015654</u>	Stake Side Hinge	3
12	<u>1108</u>	Locknut, 1/4-20 Dimpled	6
13	<u>332</u>	Washer, 1/4 Type A Narrow Flat	19
14	<u>7311</u>	Screw, 1/4-20 X 2.00 Hex-Head Cap	3
15	<u>7479</u>	Screw, 1/4-20 X 1.25 Hex-Head Cap	3
16	101565703	Stake Side, Front (includes items 17 through 23)	1
17	<u>101553901</u>	Decal, Bed Load Warning	1
18	<u>1015654</u>	Stake Side Hinge	4
19	<u>1016663</u>	Screw, #12-14 X 0.625	2
20	N/A	Plate, Bed Load Decal	1
21	<u>1108</u>	Locknut, 1/4-20 Dimpled	8
22	<u>332</u>	Washer, 1/4 Type A Narrow Flat	24
23	<u>7479</u>	Screw, 1/4-20 X 1.25 Hex-Head Cap	8
24	101565704	Stake Side, Rear (includes items 25 through 28)	1
25	<u>1015654</u>	Stake Side Hinge	2
26	<u>1108</u>	Locknut, 1/4-20 Dimpled	4
27	<u>332</u>	Washer, 1/4 Type A Narrow Flat	20
28	<u>7479</u>	Screw, 1/4-20 X 1.25 Hex-Head Cap	4
29	<u>1016077</u>	Bracket, Stake Side	6
		Note: Items 19 and 20 are not shown.	

1
G
E

1
G
E



000405-001

REAR FOOTREST AND HANDRAILS – TRANSPORTER 6

ITEM	PART NO.	DESCRIPTION	QTY
		1 2 3 4	
1	<u>1011988</u>	Screw, 1/4-20 X 2.00 Phillips Truss-Head	4
2	<u>1016842</u>	Rear Seat Handrail Weldment	1
3	<u>1016843</u>	Rear Footrest Assembly (includes items 4 through 10)	1
4	<u>1010434</u>	Barrel - Plastic	10
5	<u>1010435</u>	Bolt, Carriage, 5/16-18 X 1.00	4
6	<u>1016668</u>	Connecting Bar	2
7	<u>1016835</u>	Bumper, Side Trim	1
8	****	Foot Rest Mat	1
9	N/A	Rear Footrest Weldment	1
10	<u>7473</u>	Locknut, 5/16-18 Nylon Insert	2
11	<u>101846301</u>	Rear Seat Armrest/Hip Restraint	2
12	1218	Screw, 5/16-18 X 1.25 Hex-Head Cap	5
13	<u>1241</u>	Washer, 5/16 Type A Flat	9
14	<u>332</u>	Washer, 1/4 Type A Narrow Flat	8
15	<u>7410</u>	Screw, 5/16-18 X 1.25 Truss Hd	2
16	<u>7473</u>	Locknut, 5/16-18 Nylon Insert	8
17	<u>8233</u>	Locknut, 1/4-20 Nylon Insert	9
18	8418	Screw, 1/4-20 X 1.50 Phillips Truss-Head	6
		**** Special order item available upon request.	

1
G
E

1

G

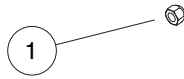
E

WHEELS AND TIRES

2

G

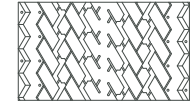
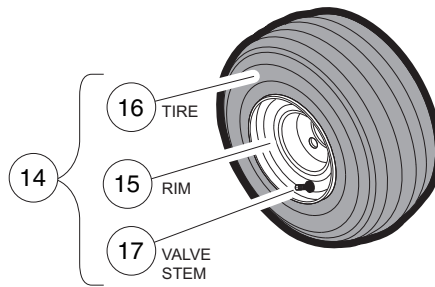
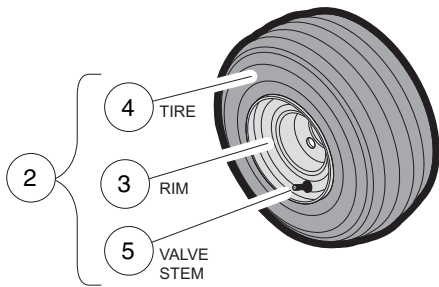
E



FOR FRONT OR REAR

BEIGE RIMS

WHITE RIMS

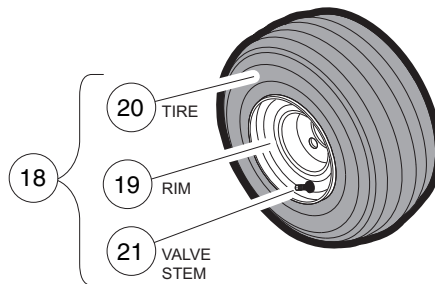
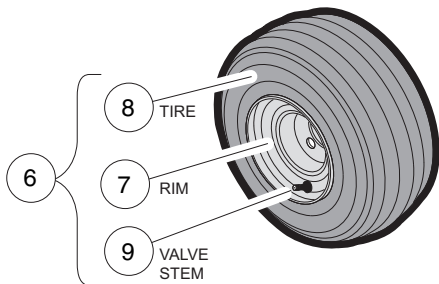


PREMIUM TREAD

FOR REAR ONLY

BEIGE RIMS

WHITE RIMS

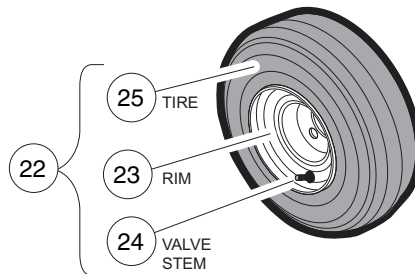
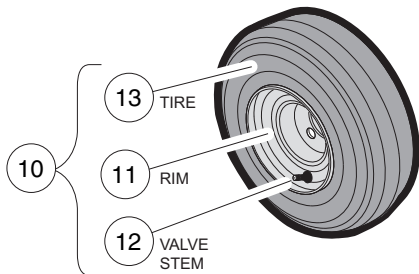


EXTRA TRACTION TREAD

FOR FRONT ONLY

BEIGE RIMS

WHITE RIMS



DURO HF 232 TREAD

000269-003

WHEELS AND TIRES

ITEM	PART NO.	DESCRIPTION	QTY
		1 2 3 4	
1	<u>1010984</u>	.500-20 Unf Lug Nut	16
2	<u>101570506</u>	Tire/Wheel Asm, Beige, Premium Tread, 6-ply (includes items 3 through 5)	4
3	1015707	Wheel Rim, Beige	1
4	<u>101737002</u>	Tire, Unmounted	1
5	<u>7310</u>	Valve Stem	1
6	<u>101570507</u>	Tire/Wheel Asm, Beige, Xtrac Tread, 6-ply (includes items 7 through 9)	2
7	1015707	Wheel Rim, Beige	1
8	N/A	Tire, Unmounted Xtrac 18 x 8.50-8	1
9	<u>7310</u>	Valve Stem	1
10	<u>101570514</u>	Tire/Wheel Asm, Beige, Duro HF 232 Tread (includes items 11 through 13)	2
11	1015707	Wheel Rim, Beige	1
12	<u>7310</u>	Valve Stem	1
13	****	Tire, Unmounted, 6-Ply Rated (18.5 x 8.5 - 8) (Duro)	1
14	<u>101651406</u>	Tire/Wheel Asm, White, Premium Tread, 6-Ply (includes items 15 through 17)	4
15	<u>1014771</u>	Wheel Rim, White	1
16	<u>101737002</u>	Tire, Unmounted	1
17	<u>7310</u>	Valve Stem	1
18	<u>101651407</u>	Tire/Wheel Asm, White, Extra-Traction, 6-Ply (includes items 19 through 21)	2
19	<u>1014771</u>	Wheel Rim, White	1
20	N/A	Tire, Unmounted Xtrac 18 x 8.50-8	1
21	<u>7310</u>	Valve Stem	1
22	<u>101651414</u>	Tire/Wheel Asm, White, Duro HF 232 (includes items 23 through 25)	2
23	<u>101918402</u>	Wheel Rim, White	1
24	<u>7310</u>	Valve Stem	1
25	****	Tire, Unmounted, 6-Ply Rated (18.5 x 8.5 - 8) (Duro)	1
**** Special order item available upon request.			

2
G
E

2

G

E

DECALS

3

G

E

⚠ WARNING

ROLLOVER OR FALLING OFF MAY CAUSE DEATH.

- Before using vehicle, read operating instructions.
- Remain seated and hold on to seat handle while moving.
- Do not start vehicle until all occupants are seated.
- Two (2) persons per seat maximum.
- Operate from driver side only and not on public roads.
- Keep entire body inside vehicle while moving.
- Drive slowly in turns and straight up and down slopes.
- Do not leave children unattended on vehicle.
- Never operate under the influence of alcohol or drugs.
- Use brakes to reduce speed when coasting downhill.
- Never stand in front of or behind vehicle.

CCI 103205401

OPERATING INSTRUCTIONS

- Read owner's manual and dash-mounted safety warnings prior to driving.
- Study and understand controls.

TO OPERATE

- Turn wheels to desired direction and ensure path is clear.
- Turn key to ON position.
- While stopped, place Forward/Reverse switch in desired position:
F—Forward N—Neutral R—Reverse (Buzzer will sound)
- Park brake will release and vehicle will start moving when accelerator pedal is pressed.
- Slowly press accelerator pedal to increase speed.
- To stop, release accelerator pedal and press brake pedal.

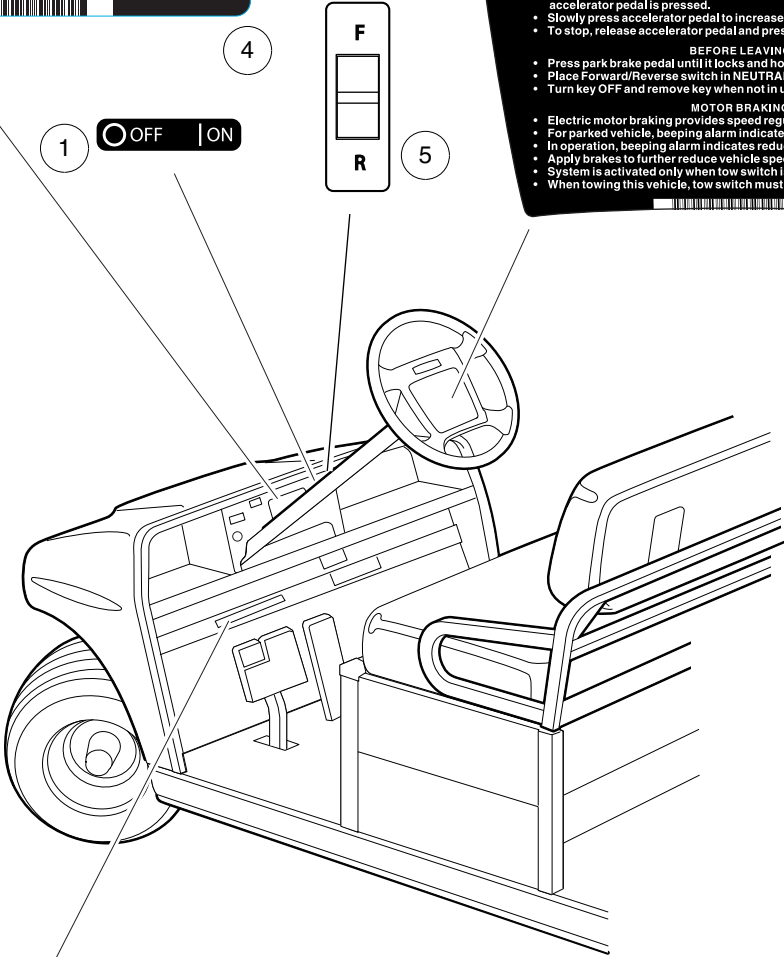
BEFORE LEAVING

- Press park brake pedal until it locks and holds vehicle.
- Place Forward/Reverse switch in NEUTRAL position.
- Turn key OFF and remove key when not in use.

MOTOR BRAKING

- Electric motor braking provides speed regulation functions.
- For parked vehicle, beeping alarm indicates vehicle roll away.
- In operation, beeping alarm indicates reduction in motor braking.
- Apply brakes to further reduce vehicle speed as required.
- System is activated only when tow switch is in the RUN position.
- When towing this vehicle, tow switch must be in the TOW position.

CCI 102519001



VEHICLE LOADING

Read Owner's Manual and warnings on dash.

- Vehicle rated capacity - 1500 lbs. on level surface only. Weight to include passengers, cargo bed load, and gross trailer weight. See Owner's Manual.
- Maximum cargo load CARRYALL 6 and TURF 6 - 1000 lbs., TRANSPORTER - 300 LBS. Weight to include cargo bed load and gross trailer weight.
- Maximum trailer hitch tongue weight - 150 lbs.

- Cargo should be evenly spread over the floor of the cargo bed as far forward as possible and secured.
- For vehicle stability, when fully loaded, drive slowly and avoid stopping on or backing down steep hills.
- Avoid top heavy loads. See Owner's Manual.
- When driving on uneven terrain or down steep hills, reduce speed and load.

CCI 101960001

2

000628-001

DECALS – ELECTRIC TRANSPORTER

ITEM	PART NO.	DESCRIPTION	QTY
		1 2 3 4	
1	<u>101825101</u>	Decal, Off/On	1
2	<u>101960001</u>	Decal, Vehicle Loading	1
3	<u>102518001</u>	Decal, Operating Instr, Elec	1
4	<u>103205401</u>	Decal, Warning, Rollover, Utl	1
5	<u>103210301</u>	Decal, Forward/Reverse, Electric	1

3
G
E

WARNING

BATTERY EXPLOSION COULD RESULT IN SEVERE PERSONAL INJURY.

- Do not store items in battery compartment.
- Place Run/Tow switch in TOW position before:
 - Disconnecting or connecting battery cables
 - Towing this vehicle
 - Extended storage
 - Servicing the vehicle.

NORMAL TRIPPED

TOW RUN

CCI 102845101

NOTICE

Do not operate vehicle without this cover properly installed. Do not direct water stream in this area, will cause damage to components. See vehicle maintenance and service manual before servicing.

CCI 101931501

7

6

NOTICE DO NOT USE AS GROUND

CCI 1019646-01

DANGER / POISON

EXPLOSIVE GASES CAN CAUSE BLINDNESS OR INJURY

SHIELD EYES

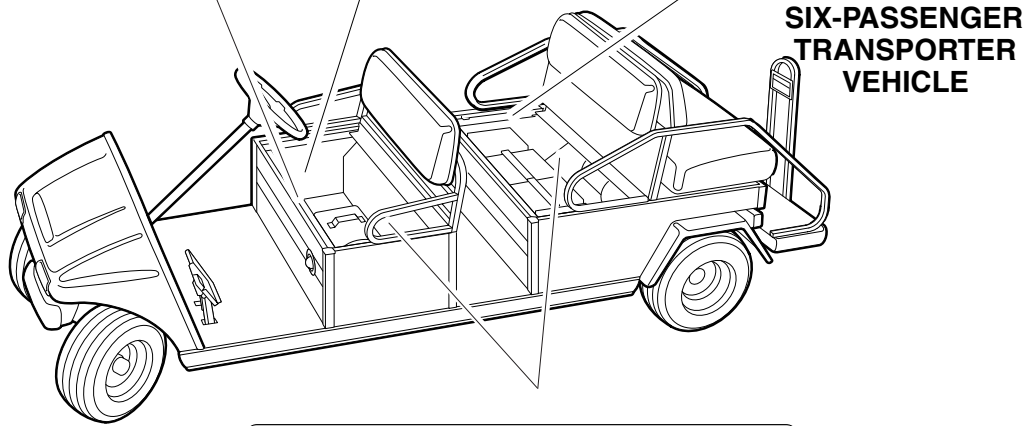
NO SPARKS, FLAMES, SMOKING

SULFURIC ACID CAN CAUSE BLINDNESS OR SEVERE BURNING

FLUSH EYES IMMEDIATELY WITH WATER

GET MEDICAL HELP FAST

KEEP OUT OF THE REACH OF CHILDREN - DO NOT TIP - KEEP VENT CAPS TIGHT AND LEVEL



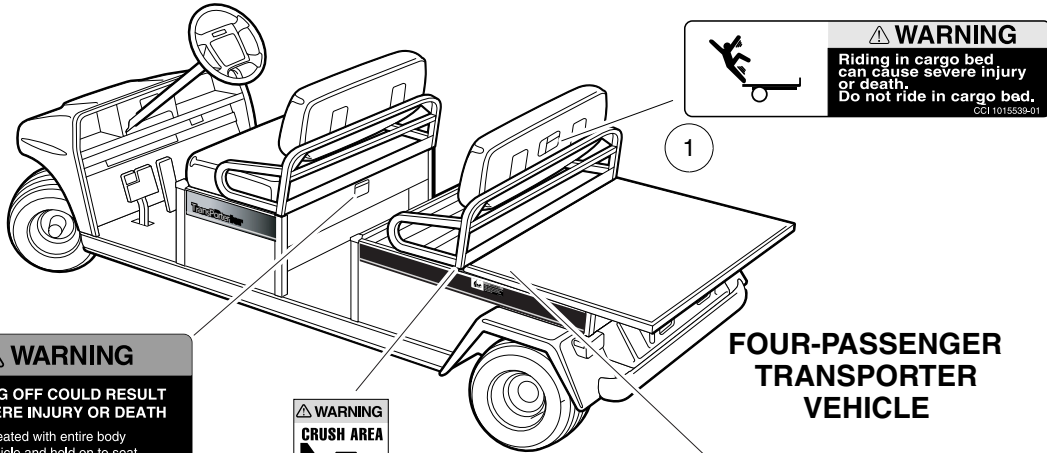
WARNING

AVOID FIRE HAZARD

- Replacement battery wires must be 4-gauge (AWG) with low-resistance terminals equivalent to factory-installed wires.
- Ensure that battery connections are clean and properly tightened. See owner's manual.

CCI 102967601

8



WARNING

FALLING OFF COULD RESULT IN SEVERE INJURY OR DEATH

- Remain seated with entire body inside vehicle and hold on to seat handle or handrail at all times.
- Two (2) persons per bench seat maximum.
- One (1) person per bucket seat maximum.
- Do not leave children unattended on vehicle at anytime.
- Never stand in front of or behind vehicle.

CCI 101705701

3

WARNING

CRUSH AREA

STAY CLEAR

CCI 1016209401

2

WARNING

FAILURE TO FOLLOW THESE INSTRUCTIONS CAN CAUSE SEVERE INJURY OR DEATH.

Bed can tip up unexpectedly. Bed hold down bolts must be fastened.

CCI 101707801

4

WARNING

Riding in cargo bed can cause severe injury or death. Do not ride in cargo bed.

CCI 1015530-01

1

000629-001

DECALS – ELECTRIC TRANSPORTER, CONTINUED

ITEM	PART NO.	DESCRIPTION	QTY
		1 2 3 4	
1	<u>101553901</u>	Decal, Bed Load Warning	1
2	<u>101609401</u>	Decal, Crush Area Warning	2
3	<u>101705701</u>	Decal, Warning	1
4	<u>101707801</u>	Decal, Bed Hold-Down Bolts	1
5	<u>101931501</u>	Decal, Component Cover	1
6	<u>101964601</u>	Decal, No Ground Warning	1
7	<u>102845101</u>	Decal, Tow Switch	1
8	<u>102967601</u>	Decal, Warning, 4 Gauge Wire	1

3
G
E

⚠ WARNING

ROLLOVER OR FALLING OFF MAY CAUSE DEATH.

- Before using vehicle, read operating instructions.
- Remain seated and hold on to seat handle while moving.
- Do not start vehicle until all occupants are seated.
- Two (2) persons per seat maximum.
- Operate from driver side only and not on public roads.
- Keep entire body inside vehicle while moving.
- Drive slowly in turns and straight up and down slopes.
- Do not leave children unattended on vehicle.
- Never operate under the influence of alcohol or drugs.
- Use brakes to reduce speed when coasting downhill.
- Never stand in front of or behind vehicle.

CCI 103205401

4

OPERATING INSTRUCTIONS

- Read Owner's Manual and safety warnings located on dash panel prior to driving.
- Study and understand controls.

TO START ENGINE

- Place shift lever in "N" – Neutral position.
- Depress brake pedal.
- Turn key switch to "START" position and release.

TO OPERATE VEHICLE

- Make sure wheels are turned in desired direction.
- Be sure nothing is in your path.
- While vehicle is stopped, and engine is at idle, select vehicle direction by placing shift lever or switch in desired position.

F – Forward N – Neutral R – Reverse (Buzzer will sound)

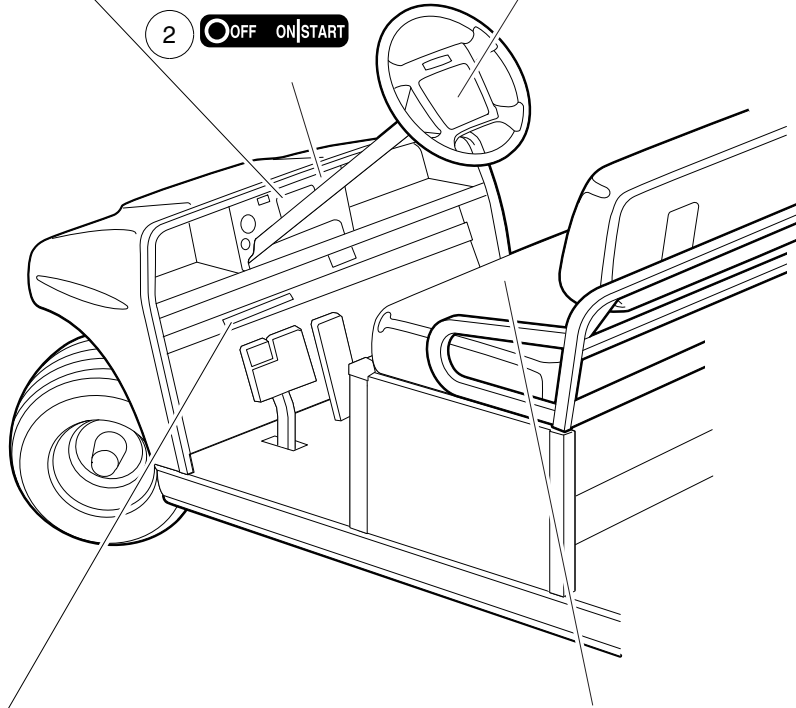
- Park brake will release when accelerator pedal is pushed.
- Slowly push accelerator pedal to increase speed.
- Engine must be at idle before moving shift lever.

TO STOP VEHICLE

- Release accelerator pedal and push brake pedal.
- After stopping, firmly push park brake until it locks.
- Turn key to "OFF" position, remove key and place shift lever in straight up neutral position when not in use.

CCI 101693201

1



2 OFF ON START

Maintenance Operate

⚠ WARNING

VEHICLE MOVEMENT MAY CAUSE SERIOUS INJURY
When switch is in Maintenance position, chock wheels and firmly set park brake.

CCI 103205501

5

VEHICLE LOADING

Read Owner's Manual and warnings on dash.

- Vehicle rated capacity - 1500 lbs. on level surface only. Weight to include passengers, cargo bed load, and gross trailer weight. See Owner's Manual.
- Maximum cargo load CARRYALL 6 and TURF 6 - 1000 lbs., TRANSPORTER - 300 LBS. Weight to include cargo bed load and gross trailer weight.
- Maximum trailer hitch tongue weight - 150 lbs.

- Cargo should be evenly spread over the floor of the cargo bed as far forward as possible and secured.
- For vehicle stability, when fully loaded, drive slowly and avoid stopping on or backing down steep hills.
- Avoid top heavy loads. See Owner's Manual.
- When driving on uneven terrain or down steep hills, reduce speed and load.

CCI 101960001

3

000630-001

DECALS – GASOLINE TRANSPORTER

ITEM	PART NO.	DESCRIPTION	QTY
		1 2 3 4	
1	<u>101693201</u>	Decal, Operating Instructions, Key-Start	1
2	<u>101825102</u>	Decal, Off/On/Start	1
3	<u>101960001</u>	Decal, Vehicle Loading	1
4	<u>103205401</u>	Decal, Warning, Rollover, Utl	1
5	<u>103205501</u>	Decal, Run/Service Switch	1

3
G
E

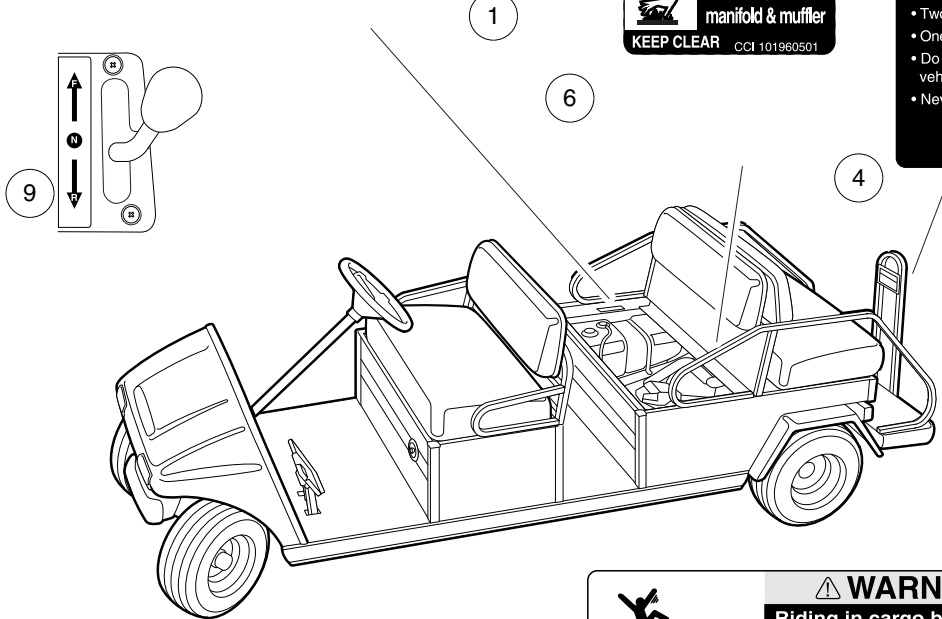
⚠ WARNING
GASOLINE EXPLOSION / FIRE.
 • Can cause severe injury or death.
 • No smoking, sparks, or open flame.
 • Stop engine, allow to cool before refueling.
 • Turn fuel valve (←) on during operation,
 (→) off during storage or transport.
 CCI 101547601

⚠ WARNING
CAN CAUSE SEVERE INJURY


Rotating parts

HOT manifold & muffler
KEEP CLEAR CCI 101960501

⚠ WARNING
FALLING OFF COULD RESULT IN SEVERE INJURY OR DEATH
 • Remain seated with entire body inside vehicle and hold on to seat handle or handrail at all times.
 • Two (2) persons per bench seat maximum.
 • One (1) person per bucket seat maximum.
 • Do not leave children unattended on vehicle at anytime.
 • Never stand in front of or behind vehicle.
 CCI 101705701



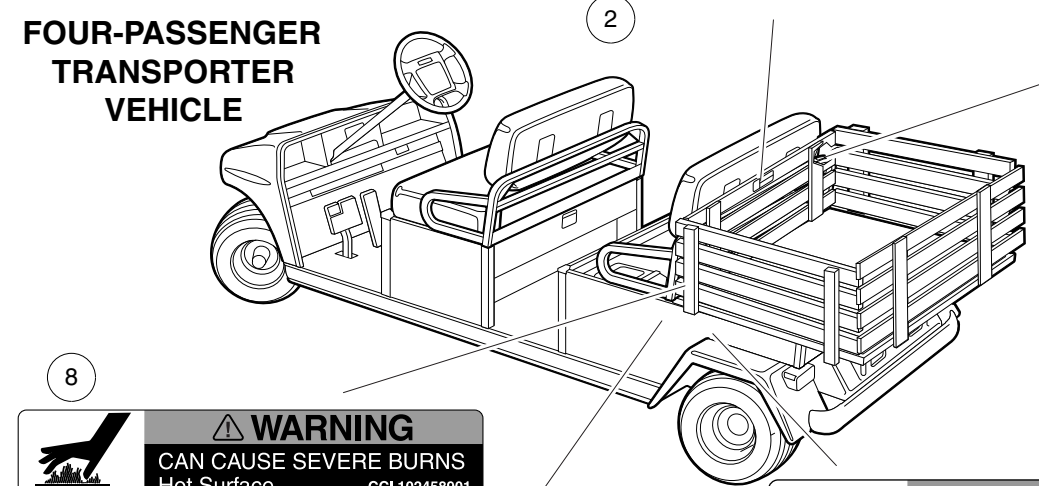
SIX-PASSENGER TRANSPORTER VEHICLE

⚠ WARNING

Riding in cargo bed can cause severe injury or death. Do not ride in cargo bed.
 CCI 1015539-01

⚠ WARNING
CRUSH AREA

STAY CLEAR
 CCI 101609401

FOUR-PASSENGER TRANSPORTER VEHICLE



⚠ WARNING


CAN CAUSE SEVERE BURNS
Hot Surface CCI 102458901

⚠ WARNING

FAILURE TO FOLLOW THESE INSTRUCTIONS CAN CAUSE SEVERE INJURY OR DEATH.
Bed can tip up unexpectedly. Bed hold down bolts must be fastened.
 CCI 101707801

⚠ WARNING

Negative frame ground. Can cause severe injury. Do not contact positive (+) battery post or cable to frame. Disconnect negative battery lead first.

⚠ WARNING

Excessive speed. Can cause severe injury or death. Do not tamper with engine governor or adjustment.
 CCI 1019152-01

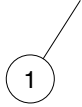
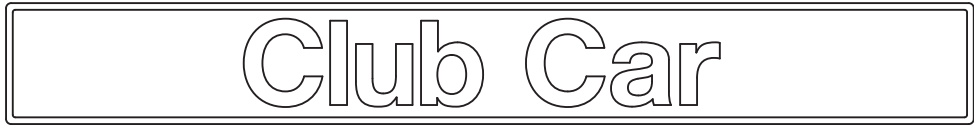
6

000631-001

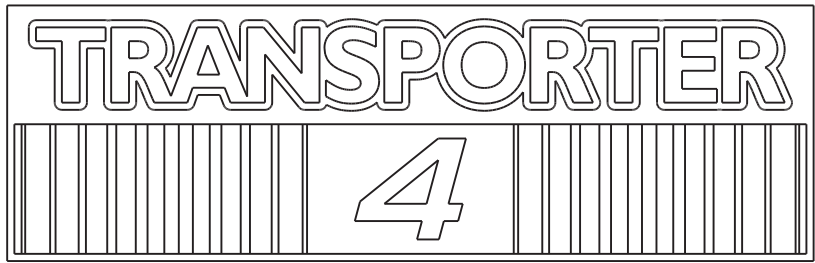
DECALS – GASOLINE TRANSPORTER, CONTINUED

ITEM	PART NO.	DESCRIPTION	QTY
		1 2 3 4	
1	<u>101547601</u>	Decal, Gasoline Explosion/Fire Warning	1
2	<u>101553901</u>	Decal, Bed Load Warning	1
3	<u>101609401</u>	Decal, Crush Area Warning	2
4	<u>101705701</u>	Decal, Warning	1
5	<u>101707801</u>	Decal, Bed Hold-Down Bolts	1
6	<u>101915201</u>	Decal, Frame Ground and Governor Warning	1
7	<u>101960501</u>	Decal, Rotating Parts/Hot Manifold	2
8	<u>102458901</u>	Decal, Hot Surface Warning	2
9	<u>103210201</u>	Decal, Forward/Reverse, Gas	1

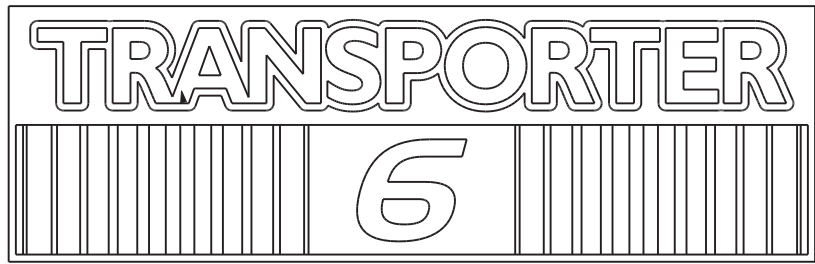
3
G
E



(ON FRONT OF COWL)



(ON SIDE PANELS)



(ON SIDE PANELS)

000384-002

LOGO DECALS

ITEM	PART NO.	DESCRIPTION	QTY
		1 2 3 4	
1	<u>101670201</u>	Nameplate Kit (silver)	1
2	<u>103261701</u>	Decal Trans 4 Side Panel	2
3	<u>103261801</u>	Decal Trans 6 Side Panel	2
4	<u>103284201</u>	Decal Ca6/tp4/tp6 Bar	2

3
G
E

3

G

E

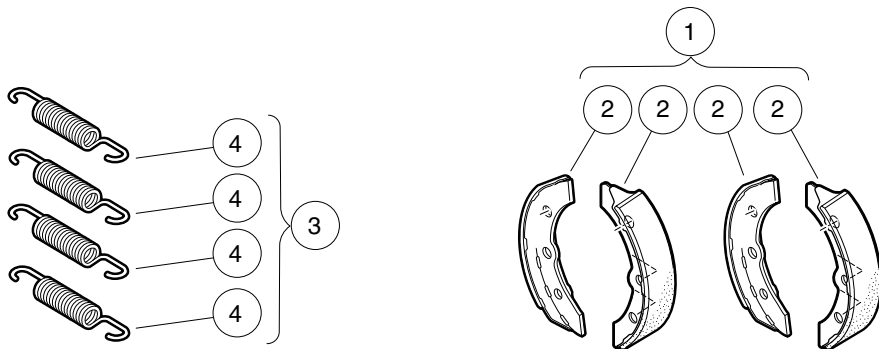
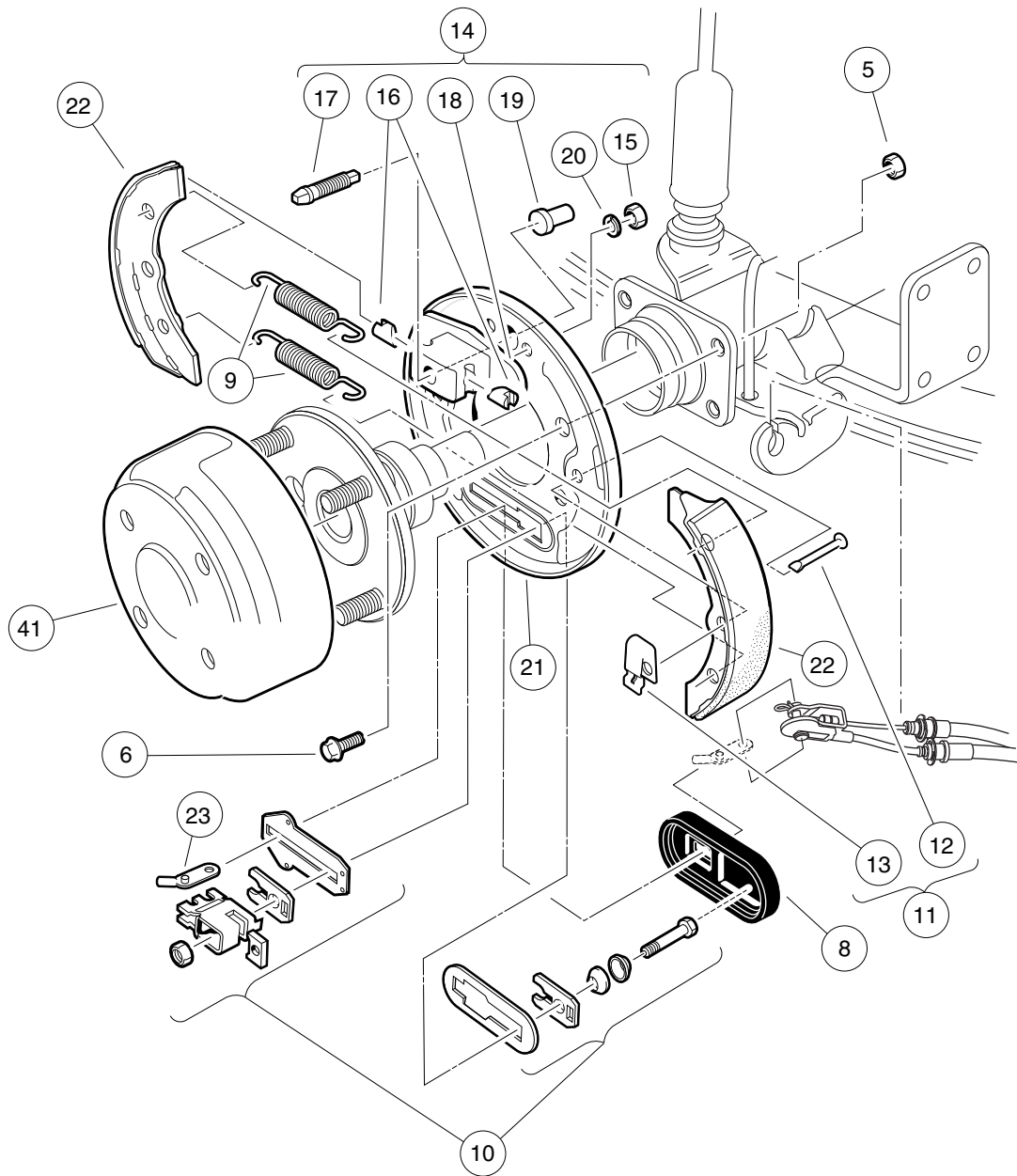
BRAKES, PEDAL, AND CABLES

4

G

E

4
G
E



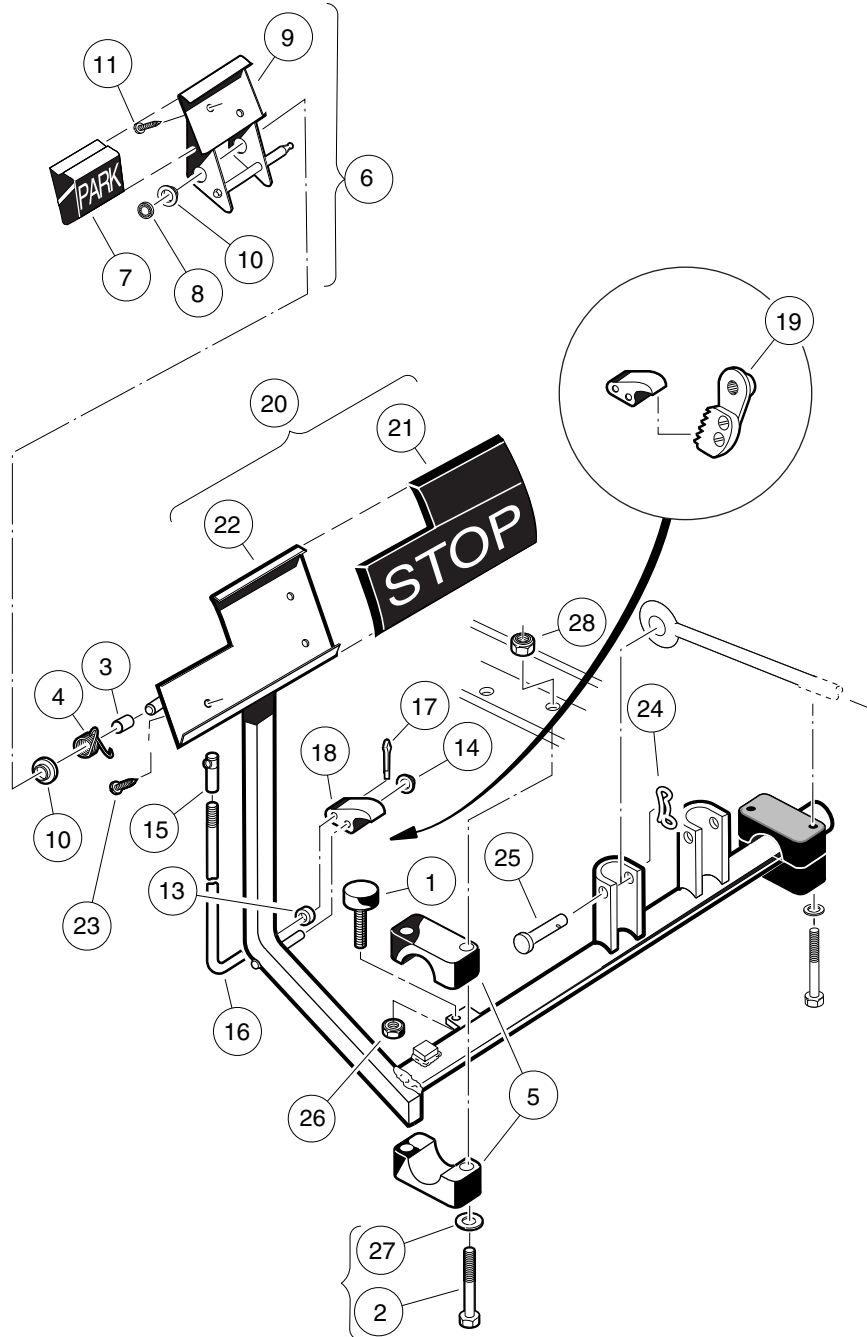
000293-002

REAR BRAKE ASSEMBLY, MANUALLY-ADJUSTED – VEHICLES WITH 4-WHEEL BRAKES

ITEM	PART NO.	DESCRIPTION	QTY
		1 2 3 4	
1	<u>101146302</u>	Kit, Non-Asbestos Brake Shoe (includes item 2)	1
2	101880701	Shoe Brake Manual Adj (Available in Kit, Non-Asbestos Brake Shoe)	4
3	<u>1011464</u>	Package, Brake Spring (includes item 4)	1
4	1011314	Brake Spring	4
5	<u>1013924</u>	Nut, 5/16-24 Hex Head Cone	8
6	<u>1014153</u>	Bolt, Brake Cluster Mounting	8
7	<u>1016557</u>	Cluster, Brake, Driver-Side (includes items 8 through 23)	1
8	<u>1010850</u>	Dust Cover	1
9	1011314	Brake Spring	2
10	<u>1011465</u>	Kit, Brake Actuator	1
11	<u>1011466</u>	Kit, Shoe Retainer (includes items 12 and 13)	1
12	1010953	Pin	2
13	1011301	Shoe Clamp Spring	2
14	<u>1011467</u>	Kit, Anchor Body (includes items 15 through 20)	1
15	<u>1011114</u>	Nut, M6-1.00 Hex	2
16	1011298	Anchor Piston	2
17	N/A	Adjustment Bolt	1
18	N/A	Anchor Body Component	1
19	<u>1011303</u>	Adjustment Bolt Cap	1
20	<u>451</u>	Lockwasher, 1/4 Split	2
21	1011494	Backing Plate, Left-Hand	1
22	101880701	Shoe Brake Manual Adj (Available in Kit, Non-Asbestos Brake Shoe)	2
23	N/A	Arm, Brake Lever	1
24	<u>1016573</u>	Cluster, Brake, Passenger-Side (includes items 25 through 40)	1
25	<u>1010850</u>	Dust Cover	1
26	<u>1011154</u>	Backing Plate, Right-Hand	1
27	1011314	Brake Spring	2
28	<u>1011465</u>	Kit, Brake Actuator	1
29	<u>1011466</u>	Kit, Shoe Retainer (includes items 30 and 31)	1
30	1010953	Pin	2
31	1011301	Shoe Clamp Spring	2
32	<u>1011467</u>	Kit, Anchor Body (includes items 33 through 38)	1
33	<u>1011114</u>	Nut, M6-1.00 Hex	2
34	1011298	Anchor Piston	2
35	N/A	Adjustment Bolt	1
36	N/A	Anchor Body Component	1
37	<u>1011303</u>	Adjustment Bolt Cap	1
38	<u>451</u>	Lockwasher, 1/4 Split	2
39	101880701	Shoe Brake Manual Adj (Available in Kit, Non-Asbestos Brake Shoe)	2
40	N/A	Arm, Brake Lever	1
41	<u>101791101</u>	Drum without Center Hole, Brake	2
		Note: Passenger-side brake cluster not shown. Components have a similar appearance to driver-side brake cluster components.	

4
G
E

4
G
E



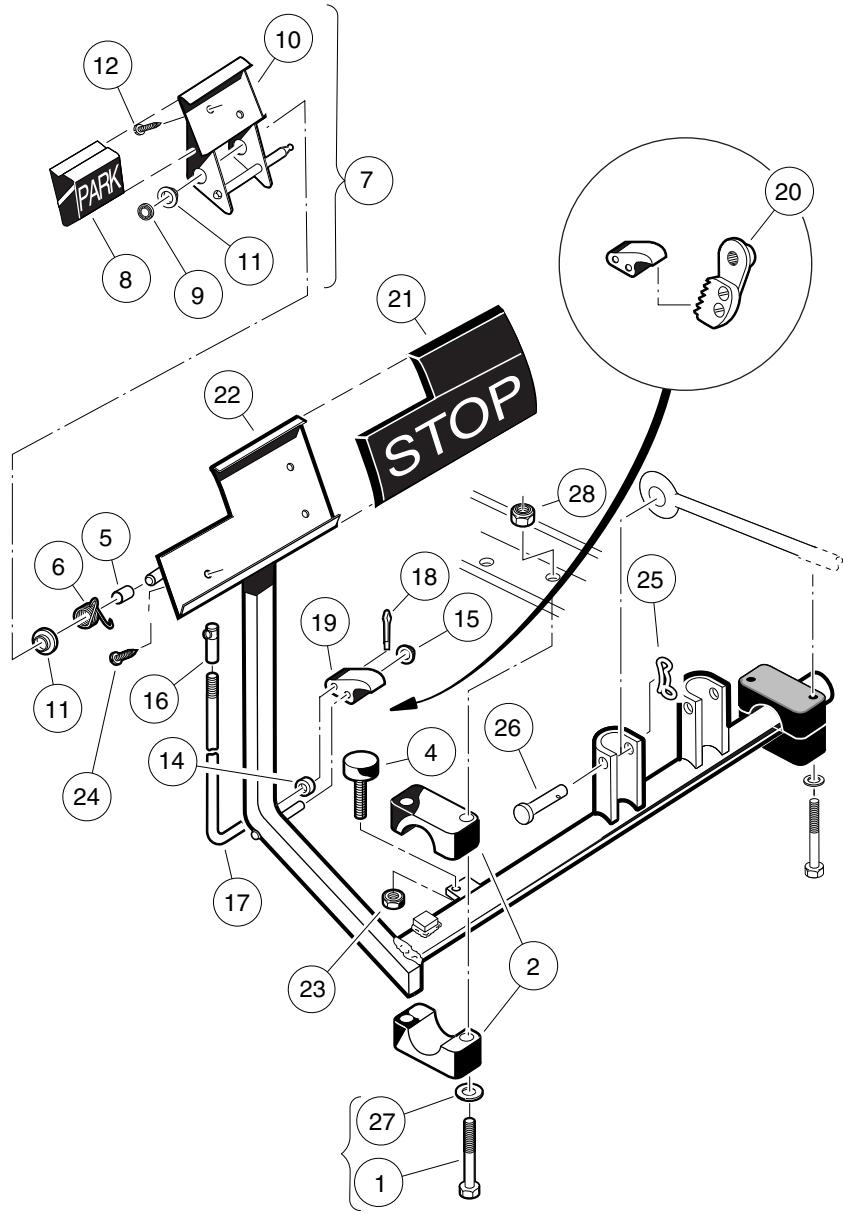
000187-003

BRAKE PEDAL ASSEMBLY – GASOLINE VEHICLES

ITEM	PART NO.	DESCRIPTION	QTY
		1 2 3 4	
1	<u>1010878</u>	Bumper, Rubber	1
2	<u>1010921</u>	Screw, 5/16-18 X 2.50 Hex Cap	4
3	<u>1010927</u>	Hill Brake Spacer	1
4	<u>1010933</u>	Spring, Hill Brake Torsion	1
5	<u>1011402</u>	Package, Brake Mounting Block	1
6	<u>1011418</u>	Kit, Hill Brake Pedal (includes items 7 through 11)	1
7	<u>1013870</u>	Pad, Hill Brake	1
8	<u>1013876</u>	Pushnut, 3/8	1
9	N/A	Hill Brake Weld Assembly	1
10	<u>1032</u>	Bushing, Nylon	2
11	7716	Screw, #10-16 Type AB, Sheet Metal	2
12	<u>101187702</u>	Kit, Hill Brake Latch (includes items 13 through 19)	1
13	<u>1010805</u>	Sleeve, Hill Brake Rod	1
14	<u>1010877</u>	Pushnut, 3/8	1
15	1010932	Ball Joint, 1/4-28	1
16	N/A	Rod, Hill Brake	1
17	<u>1017029</u>	Pin, Cotter, 7/64 x 1/2 Stainless-Steel	1
18	N/A	Pawl, Hill Brake	1
19	101918501	Ratchet Assembly	1
20	<u>101878201</u>	Brake Pedal Kit (includes items 21 through 23)	1
21	<u>1013869</u>	Pad, Brake Pedal	1
22	N/A	Weldment, Brake Pedal 4wb Std	1
23	7716	Screw, #10-16 Type AB, Sheet Metal	3
24	<u>102323101</u>	Pin, Bow Tie Locking	2
25	<u>102323201</u>	Pin, 3/8 X 1-5/16 Clevis	2
26	<u>1028</u>	Nut, 1/4-20 Hex	1
27	<u>1241</u>	Washer, 5/16 Type A Flat	4
28	<u>7473</u>	Locknut, 5/16-18 Nylon Insert	4

4
G
E

4
G
E



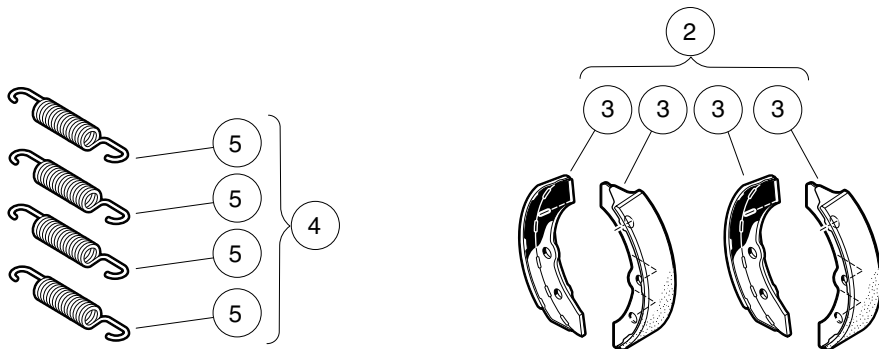
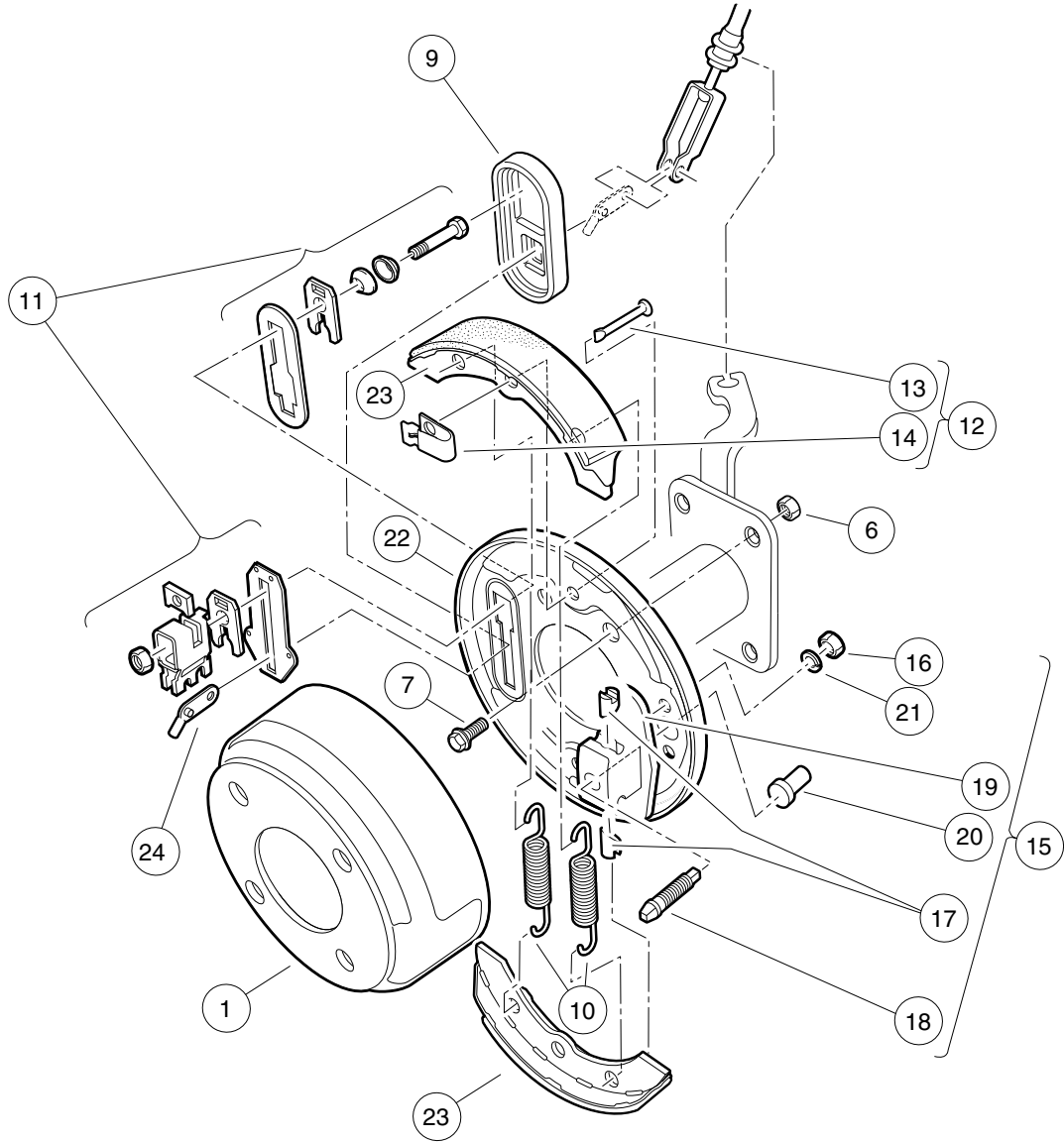
000187-002

BRAKE PEDAL ASSEMBLY – IQ PLUS VEHICLES

ITEM	PART NO.	DESCRIPTION	QTY
		1 2 3 4	
1	<u>1010921</u>	Screw, 5/16-18 X 2.50 Hex Cap	4
2	<u>1011402</u>	Package, Brake Mounting Block	1
3	N/A	Subasm, Pedal Group, 4-Wheel Brake (includes items 4 through 24)	1
4	<u>1010878</u>	Bumper, Rubber	1
5	<u>1010927</u>	Hill Brake Spacer	1
6	<u>1010933</u>	Spring, Hill Brake Torsion	1
7	<u>1011418</u>	Kit, Hill Brake Pedal (includes items 8 through 12)	1
8	<u>1013870</u>	Pad, Hill Brake	1
9	<u>1013876</u>	Pushnut, 3/8	1
10	N/A	Hill Brake Weld Assembly	1
11	<u>1032</u>	Bushing, Nylon	2
12	7716	Screw, #10-16 Type AB, Sheet Metal	2
13	<u>101187702</u>	Kit, Hill Brake Latch (includes items 14 through 20)	1
14	<u>1010805</u>	Sleeve, Hill Brake Rod	1
15	<u>1010877</u>	Pushnut, 3/8	1
16	1010932	Ball Joint, 1/4-28	1
17	N/A	Rod, Hill Brake	1
18	<u>1017029</u>	Pin, Cotter, 7/64 x 1/2 Stainless-Steel	1
19	N/A	Pawl, Hill Brake	1
20	101918501	Ratchet Assembly	1
21	<u>1013869</u>	Pad, Brake Pedal	1
22	N/A	Brake Pedal Weldment	1
23	<u>1028</u>	Nut, 1/4-20 Hex	1
24	7716	Screw, #10-16 Type AB, Sheet Metal	3
25	<u>102323101</u>	Pin, Bow Tie Locking	2
26	<u>102323201</u>	Pin, 3/8 X 1-5/16 Clevis	2
27	<u>1241</u>	Washer, 5/16 Type A Flat	4
28	<u>7473</u>	Locknut, 5/16-18 Nylon Insert	4

4
G
E

4
G
E

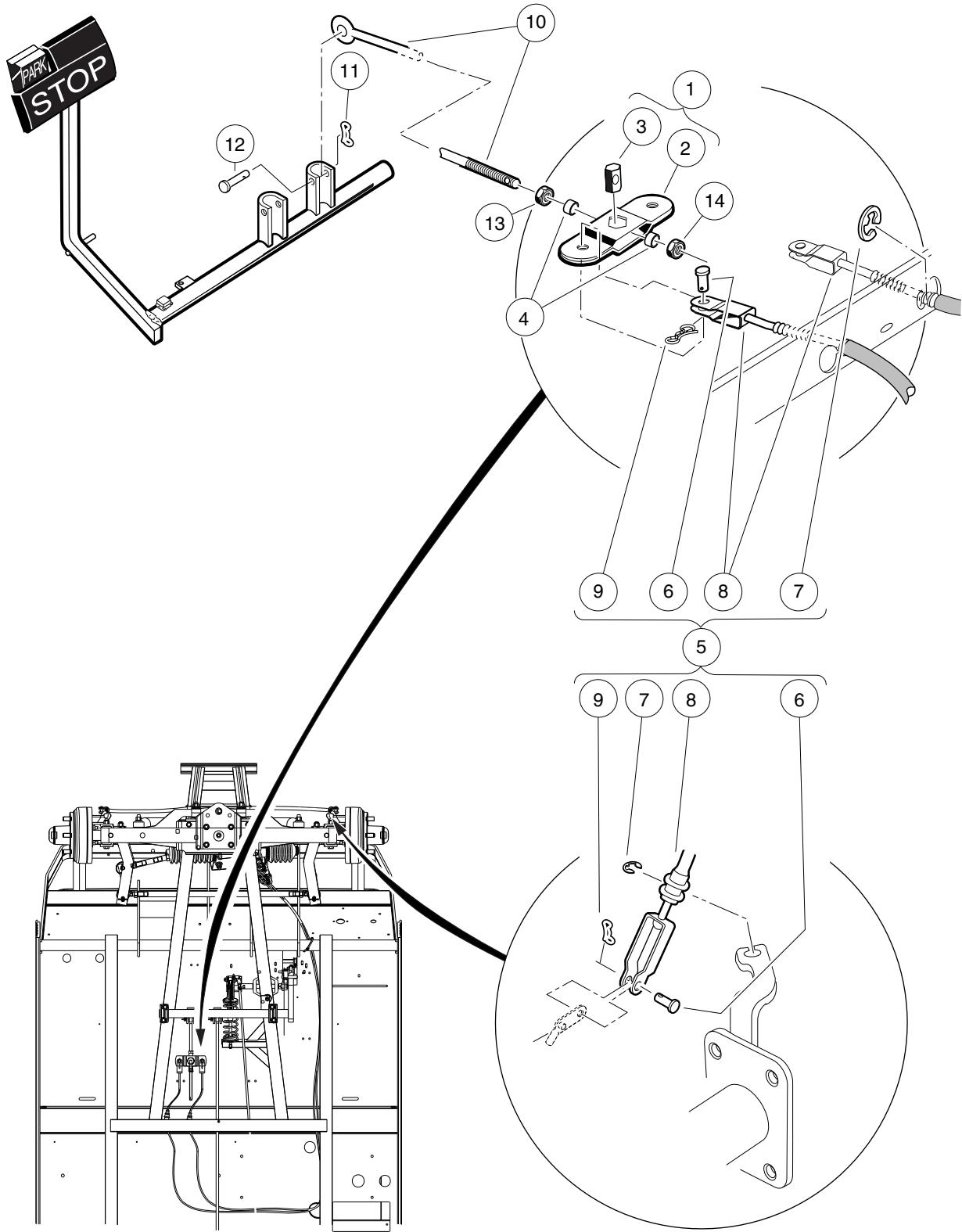


000298-001

FRONT BRAKE ASSEMBLY – VEHICLES WITH FOUR-WHEEL BRAKES

ITEM	PART NO.	DESCRIPTION	QTY	
		1 2 3 4		4
1	<u>1011137</u>	Drum, Brake	2	G
2	<u>101146302</u>	Kit, Non-Asbestos Brake Shoe (includes item 3)	1	E
3	101880701	Shoe Brake Manual Adj (Available in Kit, Non-Asbestos Brake Shoe)	4	
4	<u>1011464</u>	Package, Brake Spring (includes item 5)	1	
5	1011314	Brake Spring	4	
6	<u>1013924</u>	Nut, 5/16-24 Hex Head Cone	8	
7	<u>1014153</u>	Bolt, Brake Cluster Mounting	8	
8	<u>1016557</u>	Cluster, Brake, Driver-Side (includes items 9 through 24)	1	
9	<u>1010850</u>	Dust Cover	1	
10	1011314	Brake Spring	2	
11	<u>1011465</u>	Kit, Brake Actuator	1	
12	<u>1011466</u>	Kit, Shoe Retainer (includes items 13 and 14)	1	
13	1010953	Pin	2	
14	1011301	Shoe Clamp Spring	2	
15	<u>1011467</u>	Kit, Anchor Body (includes items 16 through 21)	1	
16	<u>1011114</u>	Nut, M6-1.00 Hex	2	
17	1011298	Anchor Piston	2	
18	N/A	Adjustment Bolt	1	
19	N/A	Anchor Body Component	1	
20	<u>1011303</u>	Adjustment Bolt Cap	1	
21	<u>451</u>	Lockwasher, 1/4 Split	2	
22	1011494	Backing Plate, Left-Hand	1	
23	101880701	Shoe Brake Manual Adj (Available in Kit, Non-Asbestos Brake Shoe)	2	
24	N/A	Arm, Brake Lever	1	
25	<u>1016573</u>	Cluster, Brake, Passenger-Side (includes items 26 through 41)	1	
26	<u>1010850</u>	Dust Cover	1	
27	<u>1011154</u>	Backing Plate, Right-Hand	1	
28	1011314	Brake Spring	2	
29	<u>1011465</u>	Kit, Brake Actuator	1	
30	<u>1011466</u>	Kit, Shoe Retainer (includes items 31 and 32)	1	
31	1010953	Pin	2	
32	1011301	Shoe Clamp Spring	2	
33	<u>1011467</u>	Kit, Anchor Body (includes items 34 through 39)	1	
34	<u>1011114</u>	Nut, M6-1.00 Hex	2	
35	1011298	Anchor Piston	2	
36	N/A	Adjustment Bolt	1	
37	N/A	Anchor Body Component	1	
38	<u>1011303</u>	Adjustment Bolt Cap	1	
39	<u>451</u>	Lockwasher, 1/4 Split	2	
40	101880701	Shoe Brake Manual Adj (Available in Kit, Non-Asbestos Brake Shoe)	2	
41	N/A	Arm, Brake Lever	1	
		Note: Passenger-side brake cluster not shown. Components have a similar appearance to driver-side brake cluster components.		

4
G
E



000294-001

FRONT BRAKE CABLES AND EQUALIZER – VEHICLES WITH FOUR-WHEEL BRAKES

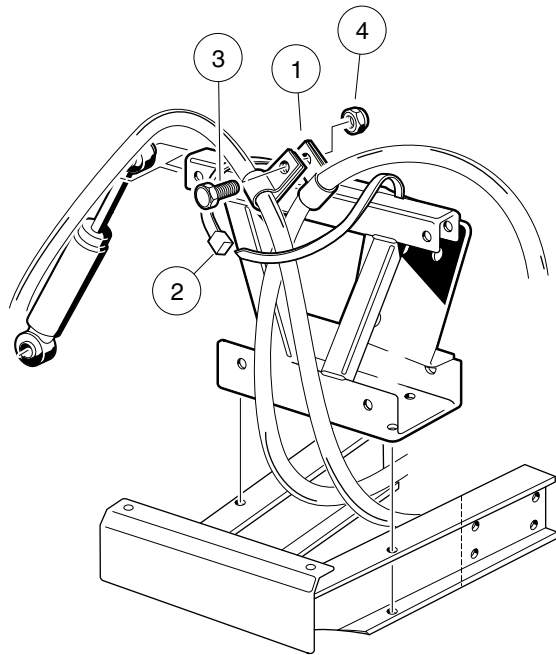
ITEM	PART NO.	DESCRIPTION	QTY
		1 2 3 4	
1	<u>1017211</u>	Kit, Equalizer and Pivot Limiter (includes items 2 and 3)	1
2	1016319	Equalizer Weld Assembly	1
3	1016320	Equalizer, Pivot Limiter	1
4	<u>101865301</u>	Spacer	2
5	<u>101874601</u>	Kit, Brake Cable (includes items 6 through 9)	1
6	<u>1010829</u>	Pin, Clevis, 5/16 X 3/4	4
7	<u>1011779</u>	E-Clip, 1/2	4
8	N/A	Brake Cable	2
9	<u>102292801</u>	Pin, Bow Tie Locking - .072	4
10	<u>101953106</u>	Rod, Equalizer, 9.75"	1
11	<u>102323101</u>	Pin, Bow Tie Locking	1
12	<u>102323201</u>	Pin, 3/8 X 1-5/16 Clevis	1
13	<u>1242</u>	Nut, 5/16-18 Hex	1
14	<u>7473</u>	Locknut, 5/16-18 Nylon Insert	1

4
G
E

4

G

E



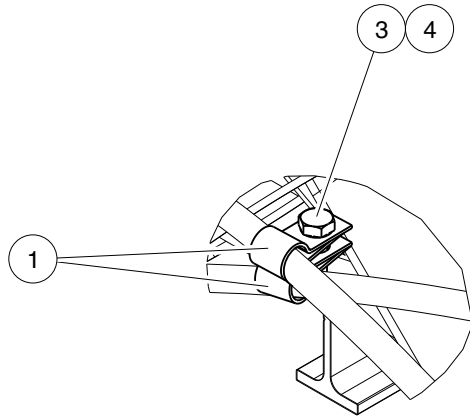
000305-001

FRONT BRAKE CABLE CLIPS AND HARDWARE – GASOLINE VEHICLES

ITEM	PART NO.	DESCRIPTION	QTY
		1 2 3 4	
1	<u>101935301</u>	Clamp, Brake Cable	2
2	<u>102025401</u>	Tie Wrap, Heavy Duty	1
3	320	Screw, 3/8-16 X 1.00 Hex-Head Cap	1
4	<u>8754</u>	Locknut, 3/8-16 Hex	1

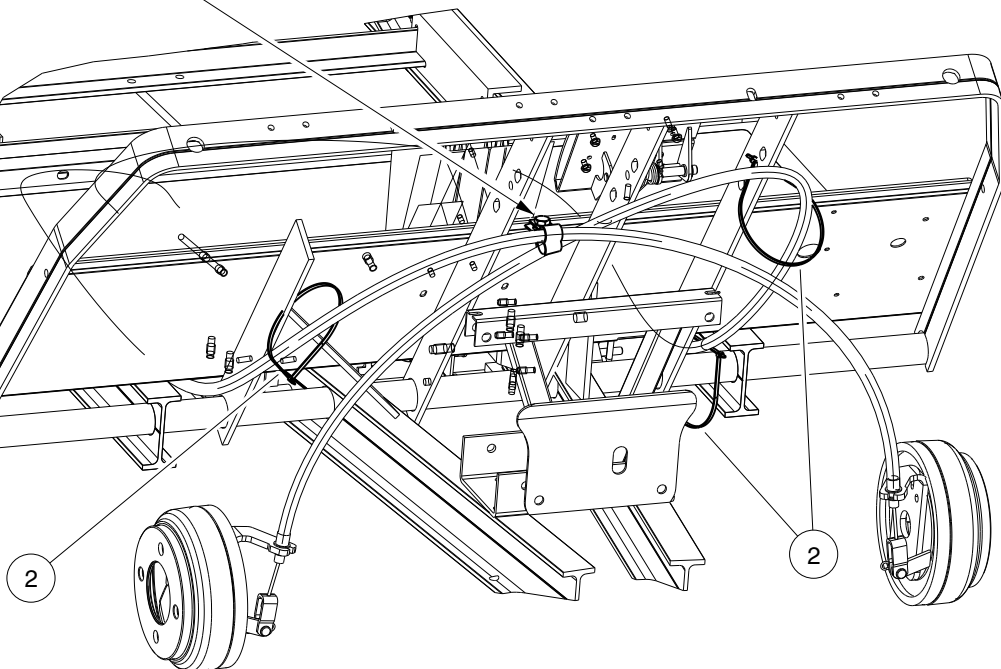
4
G
E

4
G
E



DETAIL G

See Detail G



000305-002

FRONT BRAKE CABLE CLIPS – IQ PLUS VEHICLES

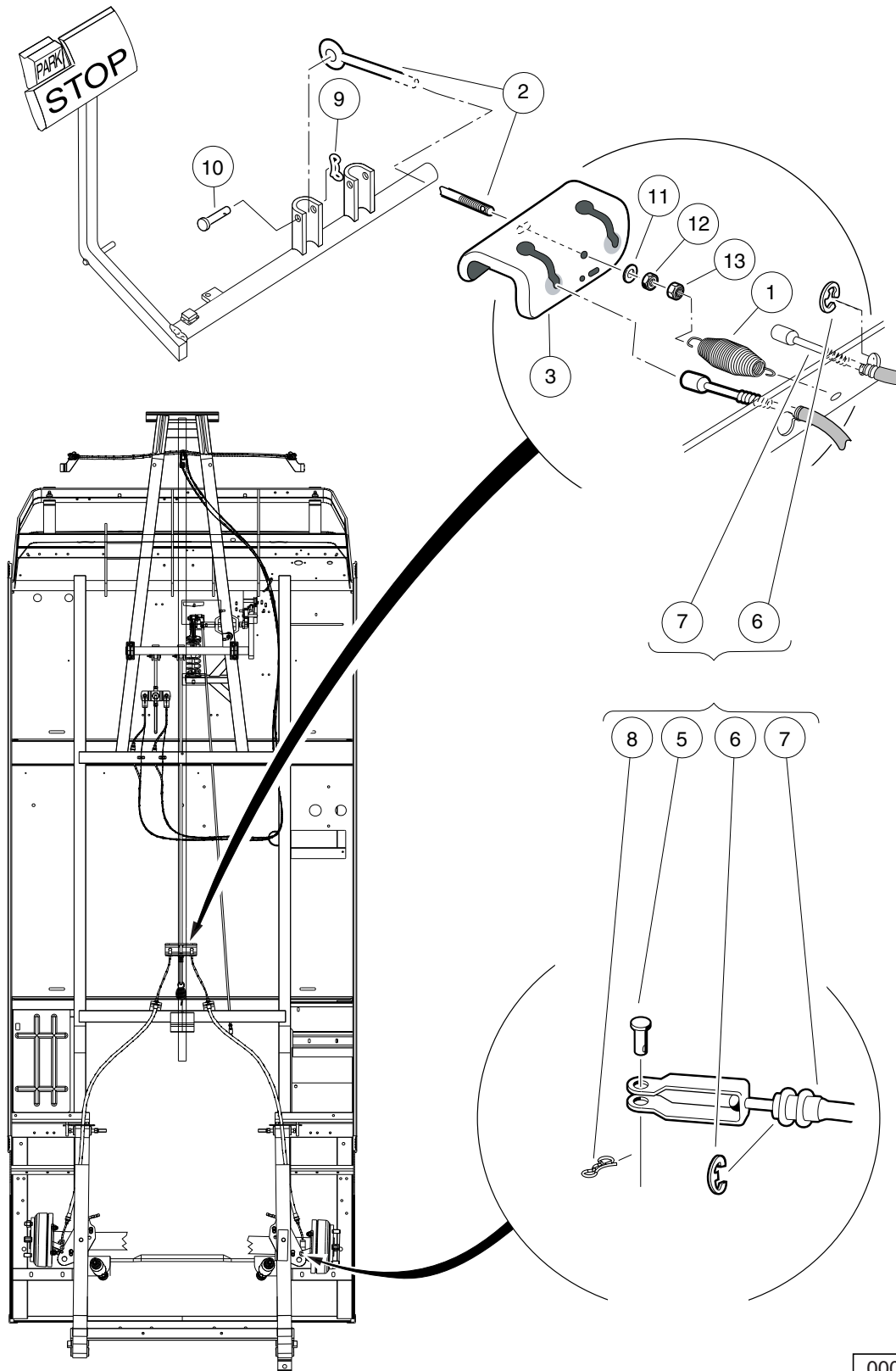
ITEM	PART NO.	DESCRIPTION	QTY
		1 2 3 4	
1	<u>101935301</u>	Clamp, Brake Cable	2
2	<u>102025401</u>	Tie Wrap, Heavy Duty	3
3	320	Screw, 3/8-16 X 1.00 Hex-Head Cap	1
4	<u>8754</u>	Locknut, 3/8-16 Hex	1

4

G

E

4
G
E



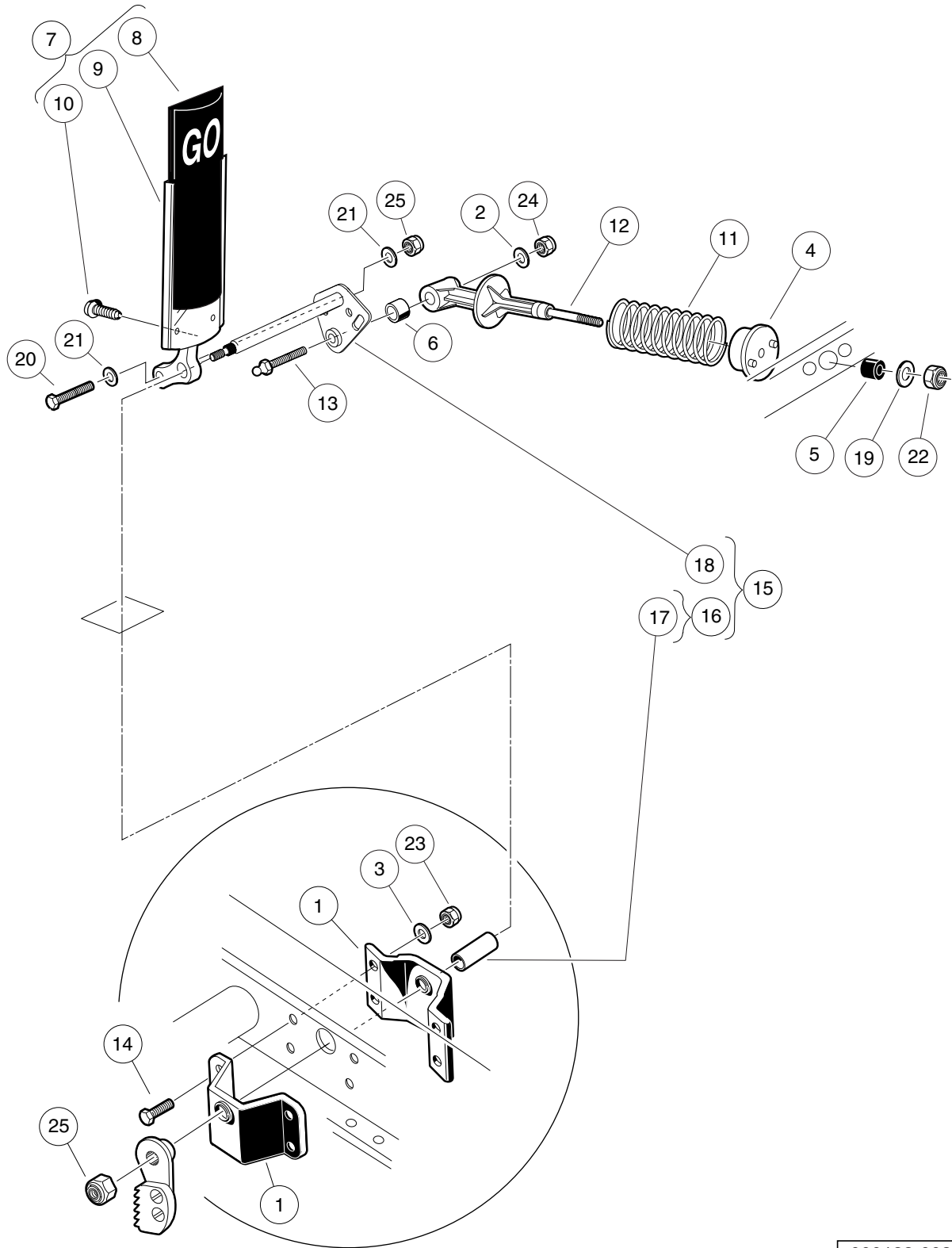
000296-004

REAR BRAKE CABLES AND EQUALIZER

ITEM	PART NO.	DESCRIPTION	QTY
		1 2 3 4	
1	<u>1013531</u>	Spring, Brake Return	1
2	101953103	Rod, Equalizer	1
3	<u>101990801</u>	Equalizer Bracket	1
4	<u>102166901</u>	Kit, Brake Cable Rear (includes items 5 through 8)	1
5	<u>1010829</u>	Pin, Clevis, 5/16 X 3/4	2
6	<u>1011779</u>	E-Clip, 1/2	4
7	102162601	Cable, Brake	2
8	<u>102292801</u>	Pin, Bow Tie Locking - .072	2
9	<u>102323101</u>	Pin, Bow Tie Locking	1
10	<u>102323201</u>	Pin, 3/8 X 1-5/16 Clevis	1
11	<u>1241</u>	Washer, 5/16 Type A Flat	1
12	<u>1242</u>	Nut, 5/16-18 Hex	1
13	<u>7473</u>	Locknut, 5/16-18 Nylon Insert	1

4
G
E

4
G
E



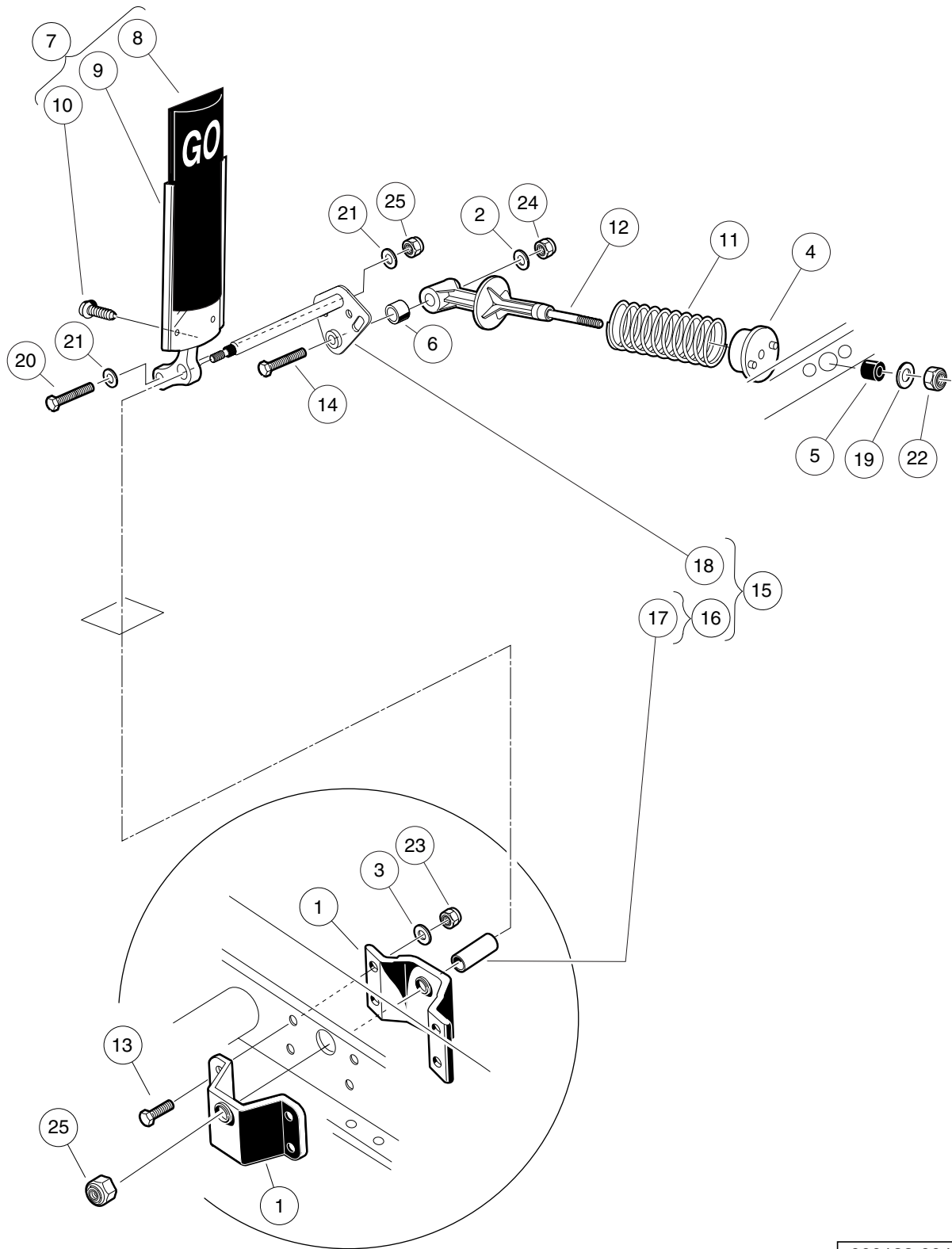
000188-003

ACCELERATOR PEDAL ASSEMBLY – GASOLINE VEHICLES

ITEM	PART NO.	DESCRIPTION	QTY
		1 2 3 4	
1	<u>1011694</u>	Accelerator Bracket and Bearing Assembly	2
2	<u>1011931</u>	Washer, 1/4 Flat	1
3	<u>1014007</u>	Washer, 1/4 Flat	4
4	<u>1017378</u>	Cup, Spring	1
5	<u>1017380</u>	Bumper, Spring Return	1
6	<u>1017424</u>	Bearing, Pivot Support	1
7	<u>1017696</u>	Sub Asm, Accelerator Pedal (includes items 8 through 10)	1
8	1013871	Pad, Accelerator Pedal	1
9	N/A	Accelerator Pedal Weldment	1
10	7716	Screw, #10-16 Type AB, Sheet Metal	4
11	101796201	Spring, Accelerator Return	1
12	<u>101817401</u>	Retainer, Spring	1
13	101818801	Stud, 1/4-28 X 1.35 Ball	1
14	<u>101861901</u>	Screw, 1/4-20 X 1.125 Hex Cap	4
15	<u>102026001</u>	Kit, Accelerator Pivot Rod Assembly (includes items 16 through 18)	1
16	<u>1011700</u>	Spacer Assembly (includes item 17)	1
17	101919801	Spacer, Accelerator	1
18	N/A	Pivot Rod Weldment	1
19	<u>1241</u>	Washer, 5/16 Type A Flat	1
20	<u>1624</u>	Screw, 3/8-16 X 1.50 Hex-Head Cap	1
21	<u>334</u>	Washer, 3/8 Type A Flat	2
22	<u>7473</u>	Locknut, 5/16-18 Nylon Insert	1
23	<u>8233</u>	Locknut, 1/4-20 Nylon Insert	4
24	<u>8717</u>	Locknut, 1/4-28 Nylon Insert	1
25	<u>8754</u>	Locknut, 3/8-16 Hex	2

4
G
E

4
G
E



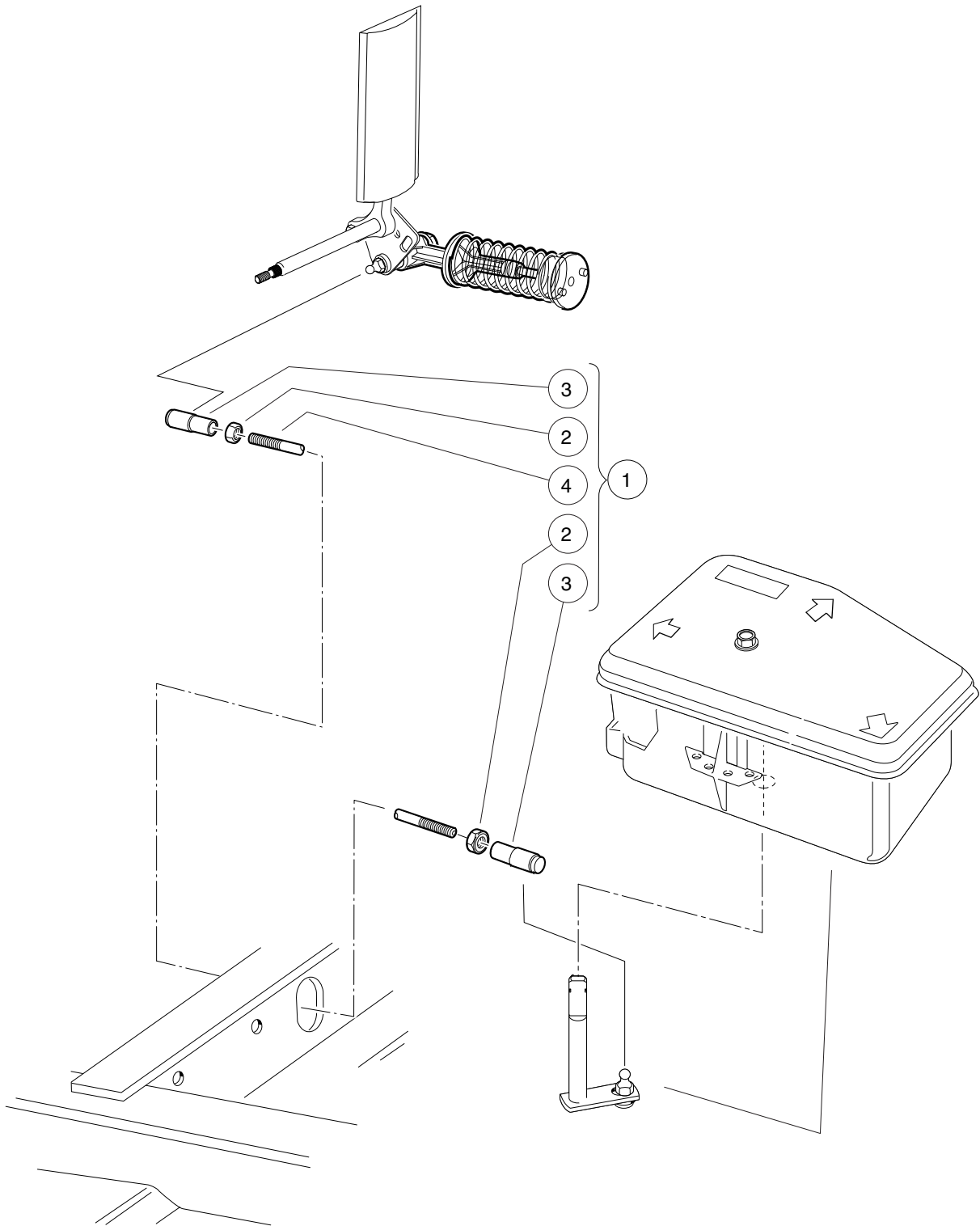
000188-004

ACCELERATOR PEDAL ASSEMBLY – ELECTRIC VEHICLES WITH MCOR

ITEM	PART NO.	DESCRIPTION	QTY
		1 2 3 4	
1	<u>1011694</u>	Accelerator Bracket and Bearing Assembly	2
2	<u>1011931</u>	Washer, 1/4 Flat	1
3	<u>1014007</u>	Washer, 1/4 Flat	4
4	<u>1017378</u>	Cup, Spring	1
5	<u>1017380</u>	Bumper, Spring Return	1
6	<u>1017424</u>	Bearing, Pivot Support	1
7	<u>1017696</u>	Sub Asm, Accelerator Pedal (includes items 8 through 10)	1
8	1013871	Pad, Accelerator Pedal	1
9	N/A	Accelerator Pedal Weldment	1
10	7716	Screw, #10-16 Type AB, Sheet Metal	4
11	101796201	Spring, Accelerator Return	1
12	<u>101817401</u>	Retainer, Spring	1
13	<u>101861901</u>	Screw, 1/4-20 X 1.125 Hex Cap	4
14	<u>101862001</u>	Screw, 1/4-20 X 1.500 Flange	1
15	<u>102026001</u>	Kit, Accelerator Pivot Rod Assembly (includes items 16 through 18)	1
16	<u>1011700</u>	Spacer Assembly (includes item 17)	1
17	101919801	Spacer, Accelerator	1
18	N/A	Pivot Rod Weldment	1
19	<u>1241</u>	Washer, 5/16 Type A Flat	1
20	<u>1624</u>	Screw, 3/8-16 X 1.50 Hex-Head Cap	1
21	<u>334</u>	Washer, 3/8 Type A Flat	2
22	<u>7473</u>	Locknut, 5/16-18 Nylon Insert	1
23	<u>8233</u>	Locknut, 1/4-20 Nylon Insert	4
24	<u>8717</u>	Locknut, 1/4-28 Nylon Insert	1
25	<u>8754</u>	Locknut, 3/8-16 Hex	2

4
G
E

4
G
E



000362-001

ACCELERATOR ROD – GASOLINE VILLAGER 6, AND TRANSPORTER 4 AND 6

ITEM	PART NO.	DESCRIPTION	QTY
		1 2 3 4	
1	<u>101674702</u>	Rod, Accelerator (includes items 2 through 4)	1
2	<u>1011084</u>	Nut, 1/4-28 Hex Jam	2
3	<u>1011734</u>	Joint, Ball	2
4	N/A	Accelerator Rod Elec Stretch	1

4
G
E

4

G

E

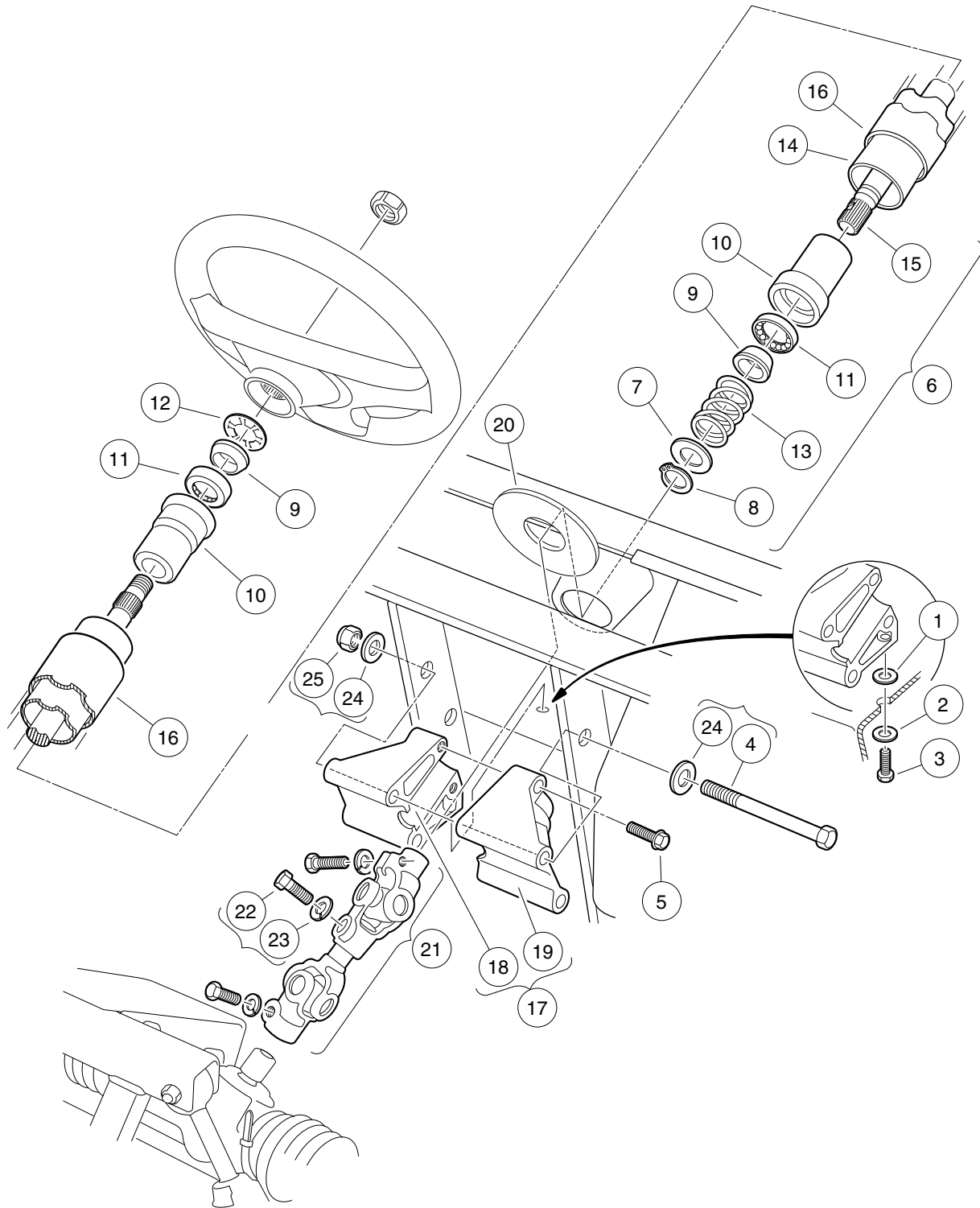
STEERING, FRONT AND REAR SUSPENSION

5

G

E

5
G
E

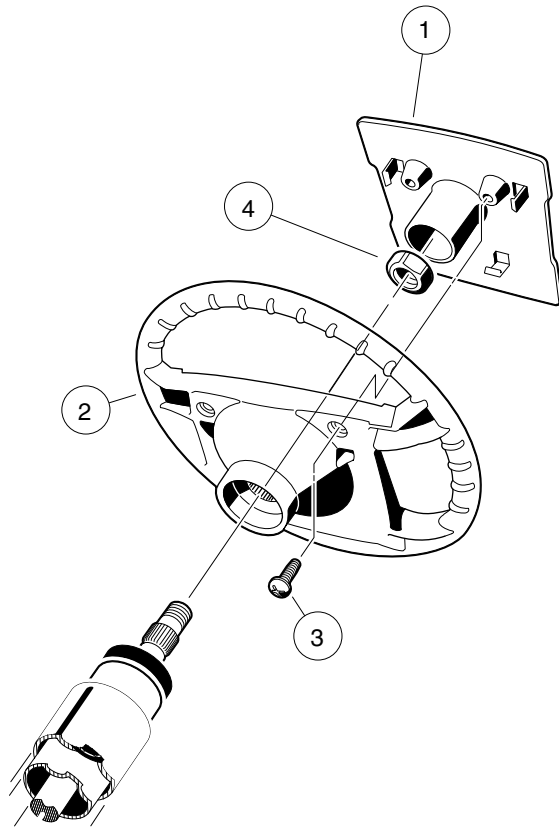


000247-001

STEERING COLUMN

ITEM	PART NO.	DESCRIPTION	QTY
		1 2 3 4	
1	<u>1011578</u>	Washer, 5/16 Type B Flat	1
2	<u>1011697</u>	Washer, 5/16 Flat	1
3	<u>1014288</u>	Screw, 5/16-18 X 0.75 Thread-Forming	1
4	<u>1016183</u>	Screw, 3/8-16 X 7.00 Hex Cap	2
5	<u>1016269</u>	Screw, 5/16-18 Thrd Forming	2
6	<u>1017313</u>	Steering Shaft Assembly (includes items 7 through 15)	1
7	<u>1012604</u>	Washer, 0.675 ID X 1.19 OD	1
8	<u>1012605</u>	Ring, 0.579 Internal Retaining	1
9	1014125	Wedge, Molded	2
10	<u>1014126</u>	Seat, Plastic Bearing	2
11	<u>1014213</u>	Bearing, Ball	2
12	1014214	Ring, Retaining	1
13	<u>1014217</u>	Spring, Steering Shaft	1
14	<u>1017314</u>	Column, Aluminum Steering	1
15	<u>1017315</u>	Shaft Steering Column	1
16	<u>1017317</u>	Tube Cover, Steering Column	1
17	101984801	Kit, Steering Column Mounting Bracket (includes items 18 and 19)	1
18	N/A	Bracket, RH Steering Column Mount	1
19	N/A	Bracket, LH Steering column mount	1
20	<u>102278001</u>	Boot, Steering Column Round	1
21	<u>103601601</u>	Shaft, Intermediate Steering (includes items 22 and 23)	1
22	<u>1017226</u>	Bolt, Hex-Head, 8mm X 1.25 - 30	3
23	<u>7174</u>	Lockwasher, 5/16 Split	3
24	<u>334</u>	Washer, 3/8 Type A Flat	4
25	<u>8754</u>	Locknut, 3/8-16 Hex	2

5
G
E



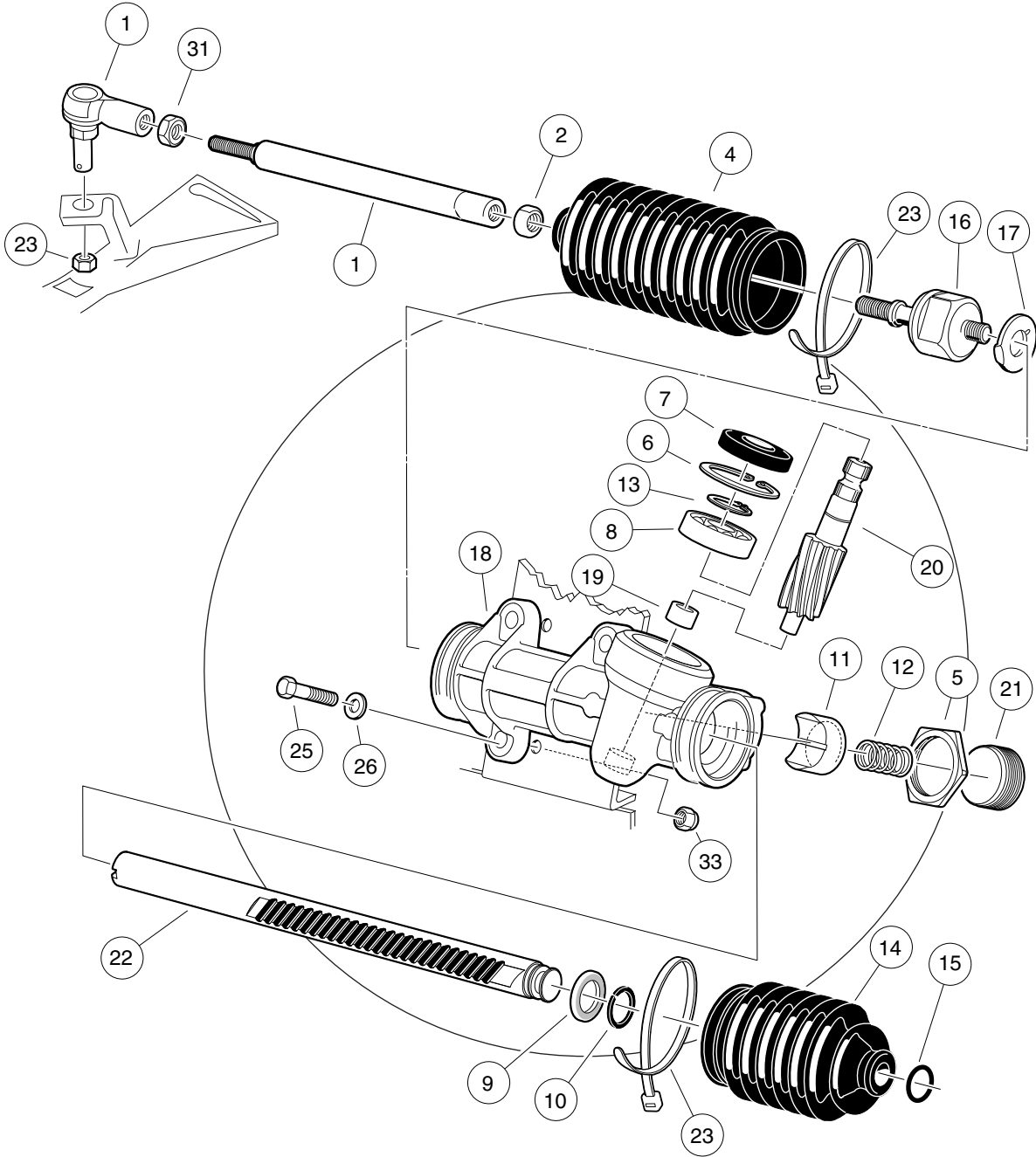
000246-003

STEERING WHEEL

ITEM	PART NO.	DESCRIPTION	QTY
		1 2 3 4	
1	<u>101615504</u>	Plate, Scorecard	1
2	<u>1016156</u>	Wheel, Steering	1
3	<u>1016663</u>	Screw, #12-14 X 0.625	2
4	<u>1017273</u>	Nut, 5/8-18 Nylon Insert Jam	1

5
G
E

5
G
E

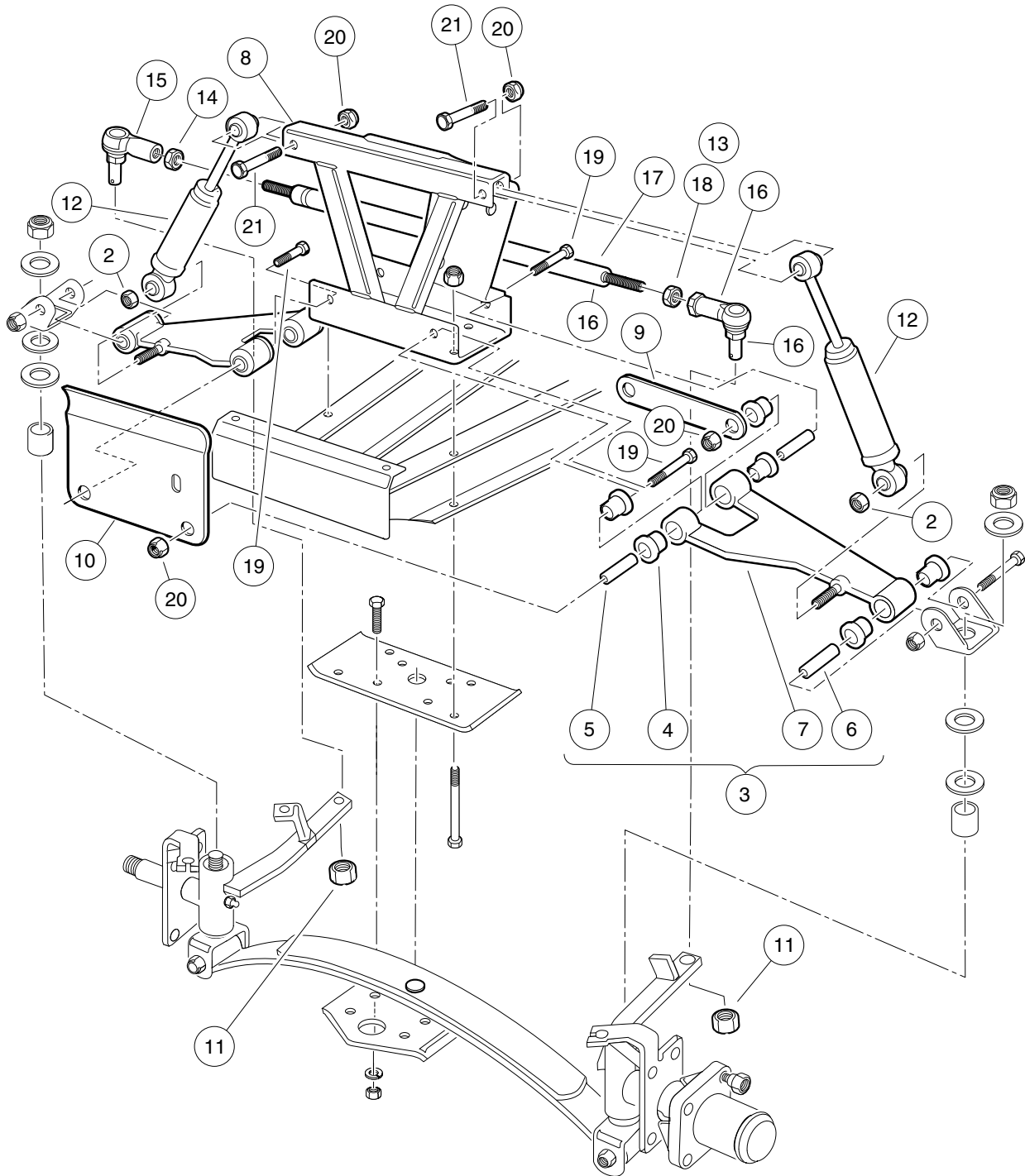


000189-001

STEERING GEAR ASSEMBLY

ITEM	PART NO.	DESCRIPTION	QTY	5
		1 2 3 4		G
1	<u>1012467</u>	Link, Rack and Pinion Drag	1	E
2	1013042	Nut, 12mm Hex	1	
3	<u>101878302</u>	Steering Gear Assembly (without yoke) (includes items 4 through 23)	1	
4	<u>1013035</u>	Bellows, Long	1	
5	<u>1013044</u>	Rack Screw Locknut	1	
6	1013051	Snap Ring	1	
7	<u>1013052</u>	Seal, Steering Pinion Dust	1	
8	<u>101879401</u>	Bearing, Ball	1	
9	<u>101879501</u>	Stop Washer	1	
10	101879601	Stop Ring, C-Type	1	
11	<u>101879701</u>	Support Yoke	1	
12	<u>101879801</u>	Rack Guide Pressure Spring	1	
13	<u>101879901</u>	Ring, Stop, C-Type	1	
14	<u>101880001</u>	Bellows, Short	1	
15	101880101	Dust Seal Retaining Ring	1	
16	<u>101880201</u>	Inner Ball Joint Asm	1	
17	101880301	Washer, Tab	1	
18	N/A	Box, Steering Gear	1	
19	N/A	Bearing, Lower Pinion	1	
20	N/A	Pinion, Steering	1	
21	N/A	Screw, Rack Guide	1	
22	N/A	Rack, Steering	1	
23	<u>8990</u>	Tie Wrap, 8" Nylon	2	
24	<u>1035</u>	Cotter Pin, 3/32 x 1	1	
25	<u>1624</u>	Screw, 3/8-16 X 1.50 Hex-Head Cap	3	
26	<u>334</u>	Washer, 3/8 Type A Flat	3	
27	<u>7540</u>	Ball Joint, Left (includes items 28 through 31)	1	
28	1011895	Socket, LH Vertical	1	
29	<u>1011930</u>	Seal, Vertical Socket Dust	1	
30	<u>1015597</u>	Fitting, 1/4-28 Thread-Forming Grease	1	
31	7602	Nut, 3/8-24 UNF Hex	1	
32	<u>7555</u>	Nut, 1/2-20 Hex, Left-Hand Thread	1	
33	<u>8754</u>	Locknut, 3/8-16 Hex	3	

5
G
E



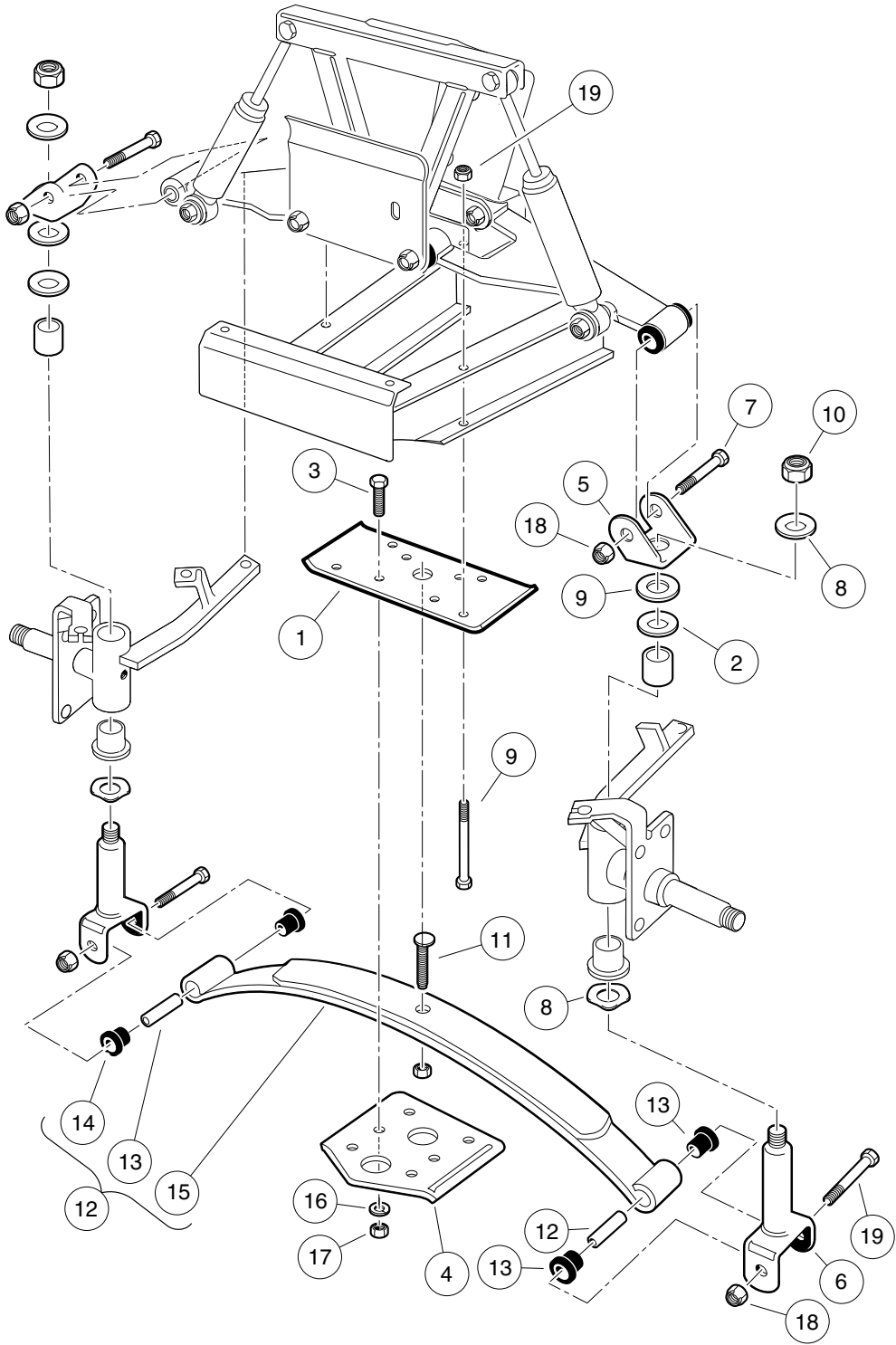
000314-004

FRONT SUSPENSION, UPPER

ITEM	PART NO.	DESCRIPTION	QTY
		1 2 3 4	
1	N/A	Sub-Assembly, Front Suspension (includes items 2 through 20)	1
2	<u>1010138</u>	Locknut, 3/8-16 Dimpled	2
3	<u>1016353</u>	Sub-Assembly, Delta A-Plate (includes items 4 through 7)	2
4	<u>1016346</u>	Bushing, Urethane	6
5	<u>1016349</u>	Sleeve, Delta Inner	2
6	<u>1016350</u>	Sleeve, Delta Outer	1
7	<u>1016351</u>	Delta A-Plate	1
8	<u>1016385</u>	Delta Shock and Gear Support Assembly	1
9	<u>1017266</u>	A-Plate Strap	1
10	<u>101955001</u>	Brake Cable Guide Bracket	1
11	<u>102289201</u>	Nut - Hex Locking, M12 X 1.25	3
12	<u>103351001</u>	Shock Absorber, Front, Common	2
13	N/A	Asm, Tie Rod (includes items 14 through 18)	1
14	1013042	Nut, 12mm Hex	1
15	<u>102022601</u>	End, Tie Rod M12 X 1.25 Rh	1
16	<u>102022602</u>	End, Tie Rod, M12 X 1.25, Lh	1
17	<u>103354701</u>	Rod, Tie, Male Thd	1
18	<u>103653501</u>	Nut, Jam, M12-1.25, Lh	1
19	<u>2402</u>	Screw, 3/8-16 X 2.25 Hx Hd Cap	4
20	<u>8754</u>	Locknut, 3/8-16 Hex	13

5
G
E

5
G
E



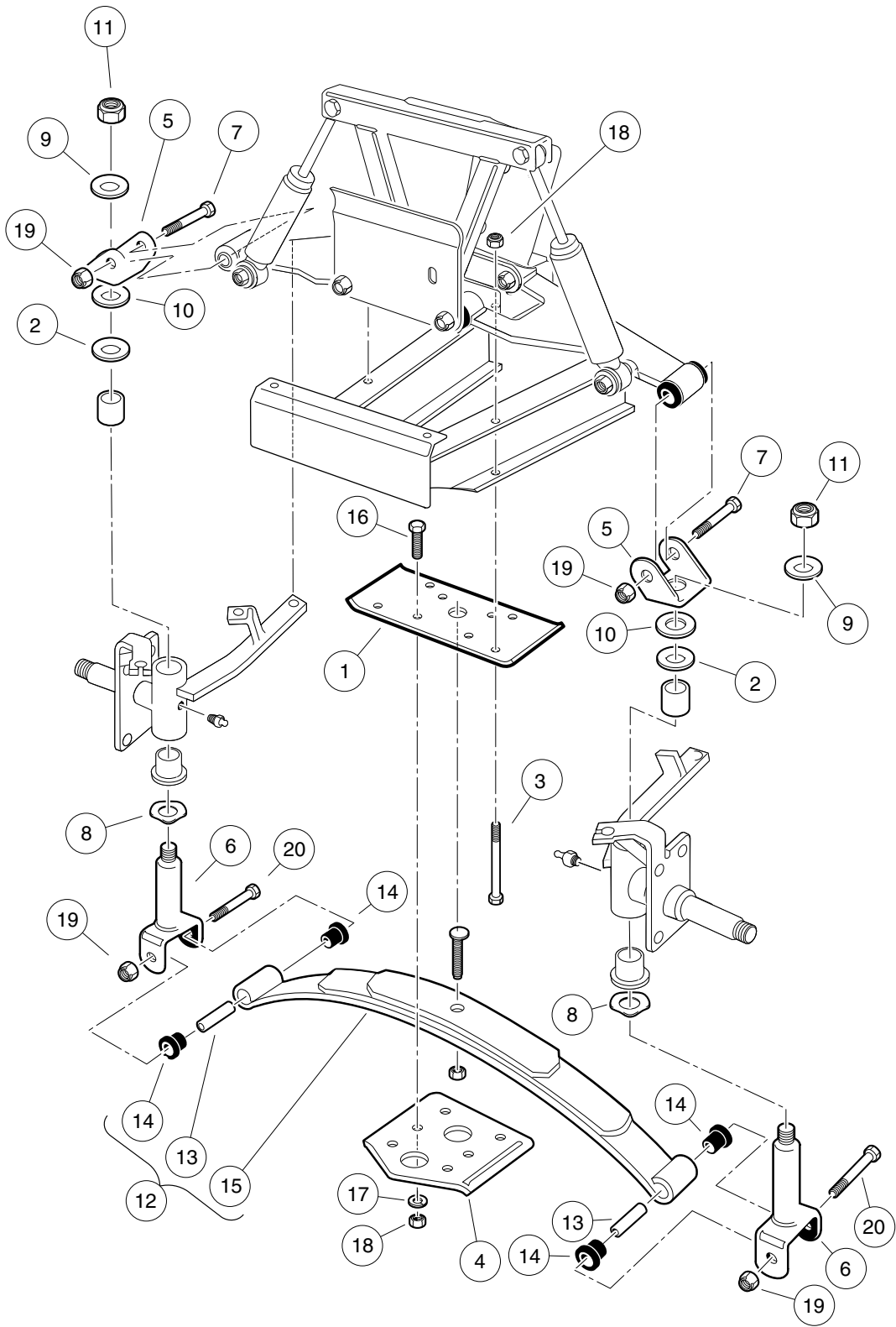
000313-001

FRONT SUSPENSION, LOWER (STYLE A)

ITEM	PART NO.	DESCRIPTION	QTY
		1 2 3 4	
1	<u>1010124</u>	Plate, Spring Mount	1
2	<u>1010150</u>	Bearing, Thrust	2
3	<u>1014276</u>	Plate, Front Spring Retainer	1
4	<u>1016384</u>	Clevis, Delta Upper	2
5	<u>1016386</u>	King Pin Assembly	2
6	<u>1016387</u>	Screw, 3/8-16 X 2.75 Hx Hd Cap	2
7	<u>1016389</u>	Washer, 1.125 Od Wave	2
8	<u>102564002</u>	Washer-1/2 Conical, Yellow	2
9	<u>102684501</u>	Washer, M12 Hard Regular	2
10	<u>102766301</u>	Nut, 1/2-20, Center Lock	2
11	<u>103628801</u>	Spring Asm, Front, 2 Leaf (includes items 12 through 14)	1
12	<u>1012303</u>	Bushing, Steel	2
13	<u>1015583</u>	Bushing, Urethane	4
14	<u>103502701</u>	Spring, Front, 2 Leaf	1
15	<u>2402</u>	Screw, 3/8-16 X 2.25 Hx Hd Cap	4
16	<u>357</u>	Lockwasher, 3/8 Split	4
17	<u>706</u>	Nut, Hex 3/8-16	4
18	<u>7270</u>	Bolt, 3/8-16 X 4.50 Hex Head	4
19	<u>8754</u>	Locknut, 3/8-16 Hex	8
20	<u>8755</u>	Screw, 3/8-16 X 3.375 Hex Cap	2

5
G
E

5
G
E



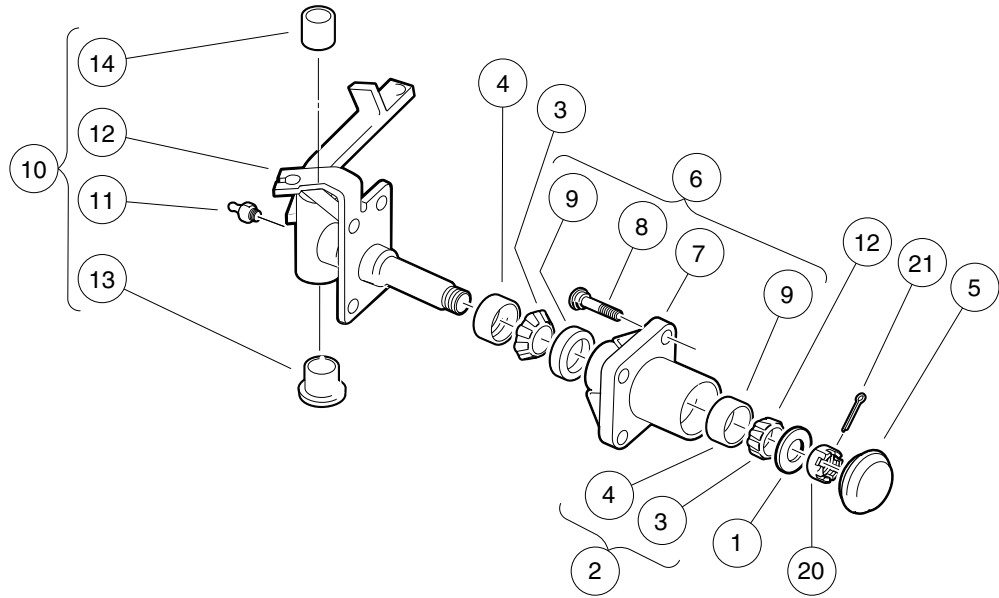
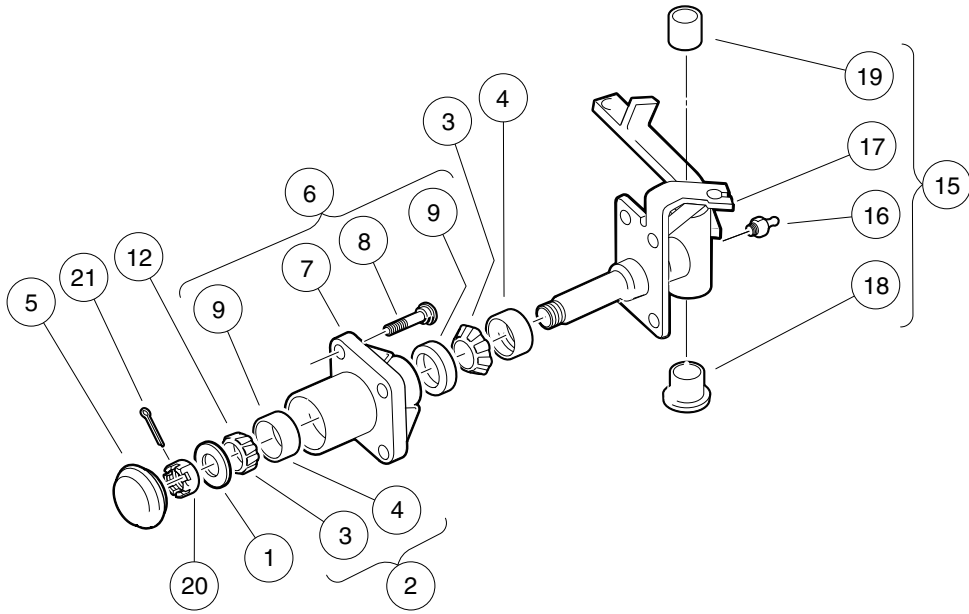
000313-002

FRONT SUSPENSION, LOWER (STYLE B)

ITEM	PART NO.	DESCRIPTION	QTY
		1 2 3 4	
1	<u>1010124</u>	Plate, Spring Mount	1
2	<u>1010150</u>	Bearing, Thrust	2
3	<u>1010200</u>	Bolt, 3/8-16 X 4.25 Hex Head	4
4	<u>1014276</u>	Plate, Front Spring Retainer	1
5	<u>1016384</u>	Clevis, Delta Upper	2
6	<u>1016386</u>	King Pin Assembly	2
7	<u>1016387</u>	Screw, 3/8-16 X 2.75 Hx Hd Cap	2
8	<u>1016389</u>	Washer, 1.125 Od Wave	2
9	<u>102564002</u>	Washer-1/2 Conical, Yellow	2
10	<u>102684501</u>	Washer, M12 Hard Regular	2
11	<u>102766301</u>	Nut, 1/2-20, Center Lock	2
12	<u>103628901</u>	Spring Asm, Front, 3 Leaf (includes items 13 through 15)	1
13	<u>1012303</u>	Bushing, Steel	2
14	<u>1015583</u>	Bushing, Urethane	4
15	103502801	Spring, Front, 3 Leaf	1
16	<u>2402</u>	Screw, 3/8-16 X 2.25 Hx Hd Cap	4
17	<u>357</u>	Lockwasher, 3/8 Split	4
18	<u>706</u>	Nut, Hex 3/8-16	4
19	<u>8754</u>	Locknut, 3/8-16 Hex	8
20	<u>8755</u>	Screw, 3/8-16 X 3.375 Hex Cap	2

5
G
E

5
G
E



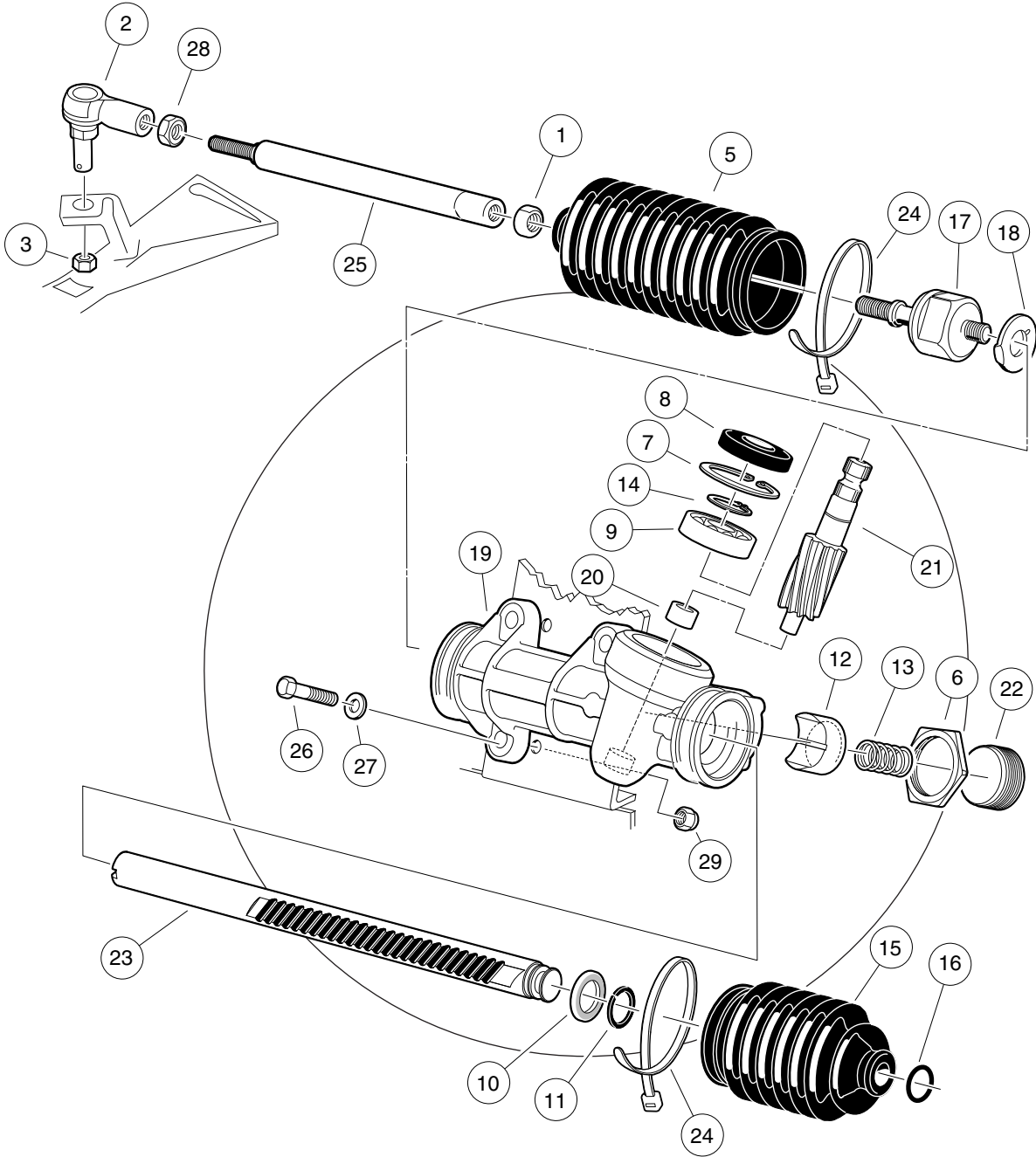
000310-002

FRONT SPINDLES AND HUBS – VEHICLES WITH FOUR-WHEEL BRAKES

ITEM	PART NO.	DESCRIPTION	QTY
		1 2 3 4	
1	<u>1010005</u>	Washer, 3/4 Flat	2
2	<u>1011393</u>	Hub Bearing Package (includes items 3 and 4)	4
3	7274	Bearing, Front Hub Wheel	1
4	7308	Race, Front Hub Bearing	1
5	<u>1011887</u>	Dust Cover	2
6	<u>1011889</u>	Hub (includes items 7 through 9)	2
7	1011153	Front Hub	1
8	<u>103477901</u>	Lug Stud, 1/2-20 Unf, 4037	4
9	7308	Race, Front Hub Bearing	2
10	<u>103717302</u>	Asm, Spindle, Lh, 4wb, Sp (includes items 11 through 14)	1
11	<u>1015597</u>	Fitting, 1/4-28 Thread-Forming Grease	1
12	N/A	Subasm, Spindle, Lh, 4wb	1
13	<u>7048</u>	Bushing, Flanged Bronze	1
14	<u>8067</u>	Bushing, Bronze Spindle	1
15	<u>103717402</u>	Asm, Spindle, Rh, 4wb, Sp (includes items 16 through 19)	1
16	<u>1015597</u>	Fitting, 1/4-28 Thread-Forming Grease	1
17	N/A	Subasm, Spindle, Rh, 4wb	1
18	<u>7048</u>	Bushing, Flanged Bronze	1
19	<u>8067</u>	Bushing, Bronze Spindle	1
20	<u>7840</u>	Nut, 3/4-16 Hex Slotted	2
21	<u>7910</u>	Pin, 5/32 X 1.00 Cotter	2

5
G
E

5
G
E

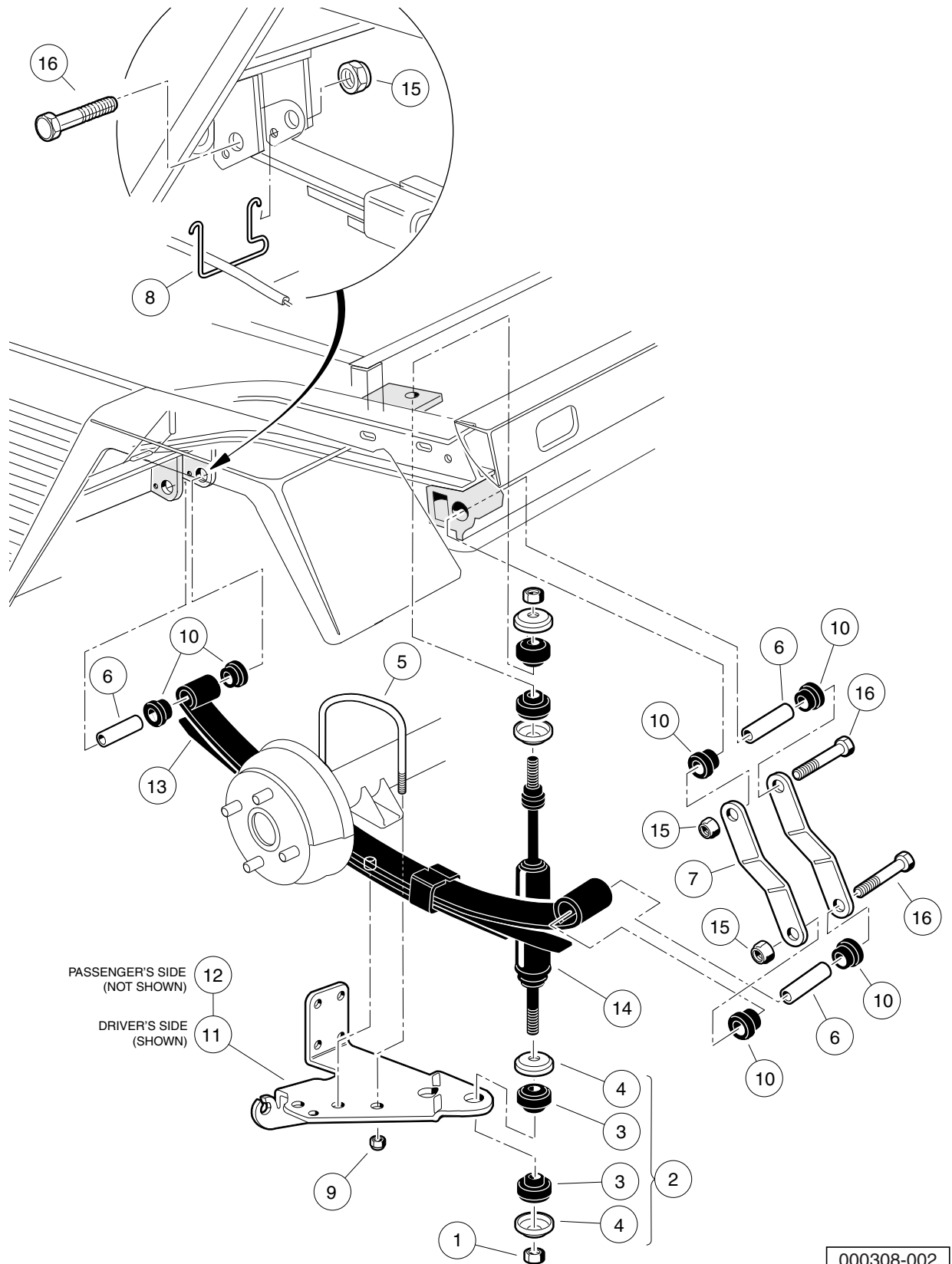


000960-001

STEERING GEAR ASSEMBLY

ITEM	PART NO.	DESCRIPTION	QTY	5
		1 2 3 4		
1	1013042	Nut, 12mm Hex	1	G
2	<u>102022602</u>	End, Tie Rod, M12 X 1.25, Lh	1	E
3	<u>102289201</u>	Nut - Hex Locking, M12 X 1.25	3	
4	<u>103601501</u>	Asm, Steering Rack And Pinion (includes items 5 through 24)	1	
5	<u>1013035</u>	Bellows, Long	1	
6	<u>1013044</u>	Rack Screw Locknut	1	
7	1013051	Snap Ring	1	
8	<u>1013052</u>	Seal, Steering Pinion Dust	1	
9	<u>101879401</u>	Bearing, Ball	1	
10	<u>101879501</u>	Stop Washer	1	
11	101879601	Stop Ring, C-Type	1	
12	<u>101879701</u>	Support Yoke	1	
13	<u>101879801</u>	Rack Guide Pressure Spring	1	
14	<u>101879901</u>	Ring, Stop, C-Type	1	
15	<u>101880001</u>	Bellows, Short	1	
16	101880101	Dust Seal Retaining Ring	1	
17	<u>101880201</u>	Inner Ball Joint Asm	1	
18	101880301	Washer, Tab	1	
19	N/A	Box, Steering Gear	1	
20	N/A	Bearing, Lower Pinion	1	
21	N/A	Pinion, Steering	1	
22	N/A	Screw, Rack Guide	1	
23	N/A	Rack, Steering	1	
24	<u>8990</u>	Tie Wrap, 8" Nylon	2	
25	<u>103653401</u>	Link, Drag, Male Thd	1	
26	<u>1624</u>	Screw, 3/8-16 X 1.50 Hex-Head Cap	3	
27	<u>334</u>	Washer, 3/8 Type A Flat	3	
28	<u>7555</u>	Nut, 1/2-20 Hex, Left-Hand Thread	1	
29	<u>8754</u>	Locknut, 3/8-16 Hex	3	

5
G
E



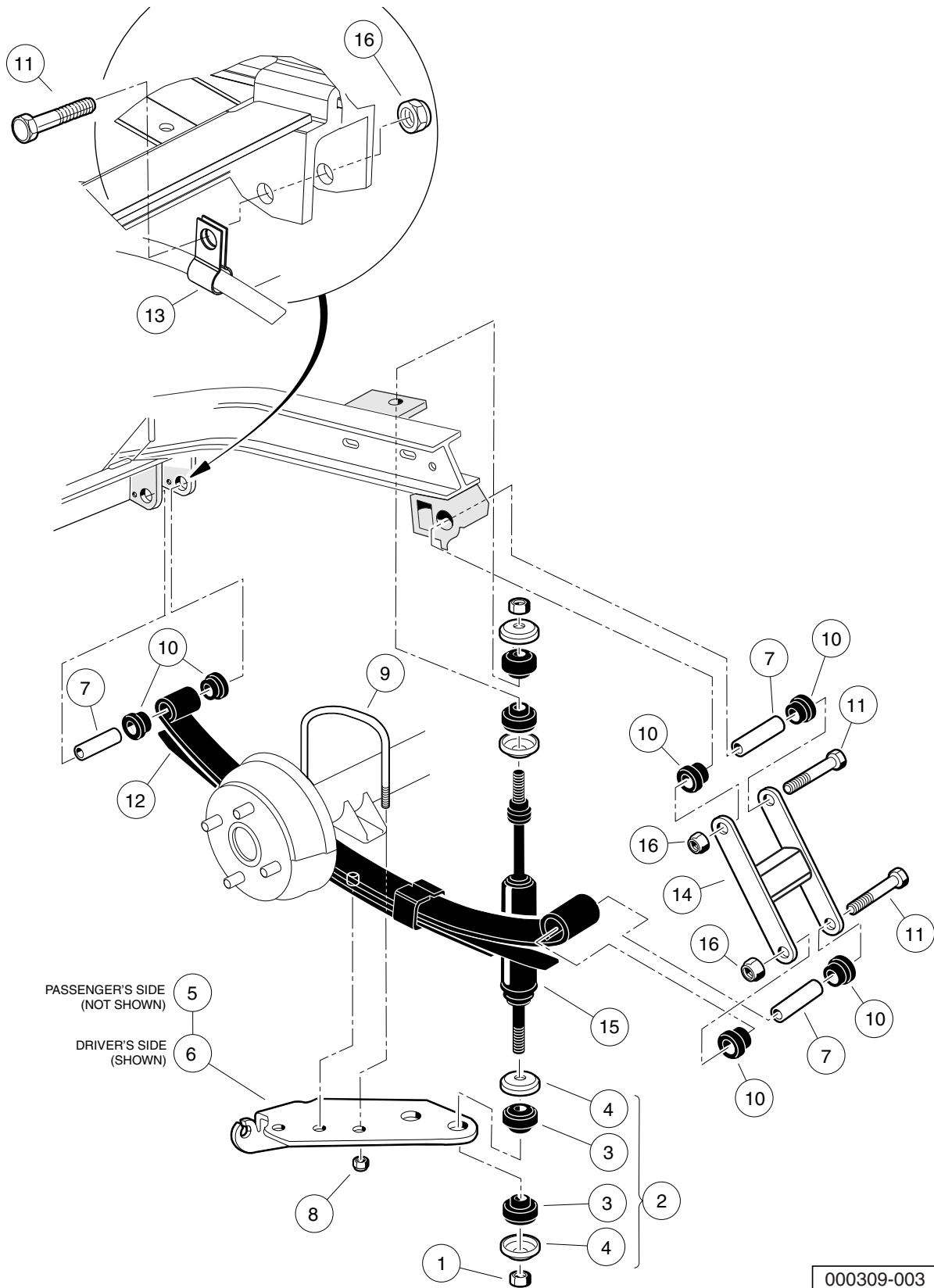
000308-002

REAR SUSPENSION – GASOLINE VEHICLES

ITEM	PART NO.	DESCRIPTION	QTY
		1 2 3 4	
1	<u>1010145</u>	Nut, 3/8-24 Hex	4
2	<u>1011415</u>	Kit, Shock Absorber Cushion (includes items 3 and 4)	4
3	<u>1010142</u>	Cushion, Shock Absorber	2
4	<u>1010144</u>	Retainer, Shock Absorber Cushion	2
5	<u>1012180</u>	U-Bolt	2
6	<u>1012303</u>	Bushing, Steel	6
7	<u>1012304</u>	Shackle, Rear Spring	4
8	<u>1013207</u>	Hanger, Brake Cable	2
9	<u>1014555</u>	Locknut, 7/16-14 Nylon Hex	4
10	<u>1015583</u>	Bushing, Urethane	12
11	<u>101926501</u>	Bracket, Left-Hand	1
12	<u>101929401</u>	Bracket, Right	1
13	<u>102871801</u>	Spring, Multi Leaf	2
14	<u>103350901</u>	Shock Absorber, Rear, Utility	2
15	<u>8754</u>	Locknut, 3/8-16 Hex	6
16	<u>8755</u>	Screw, 3/8-16 X 3.375 Hex Cap	6
<p>Note: Only the driver-side rear suspension is shown. Parts for the passenger-side rear suspension are identical except for the leaf spring/shock mounting plate.</p>			

5
G
E

5
G
E



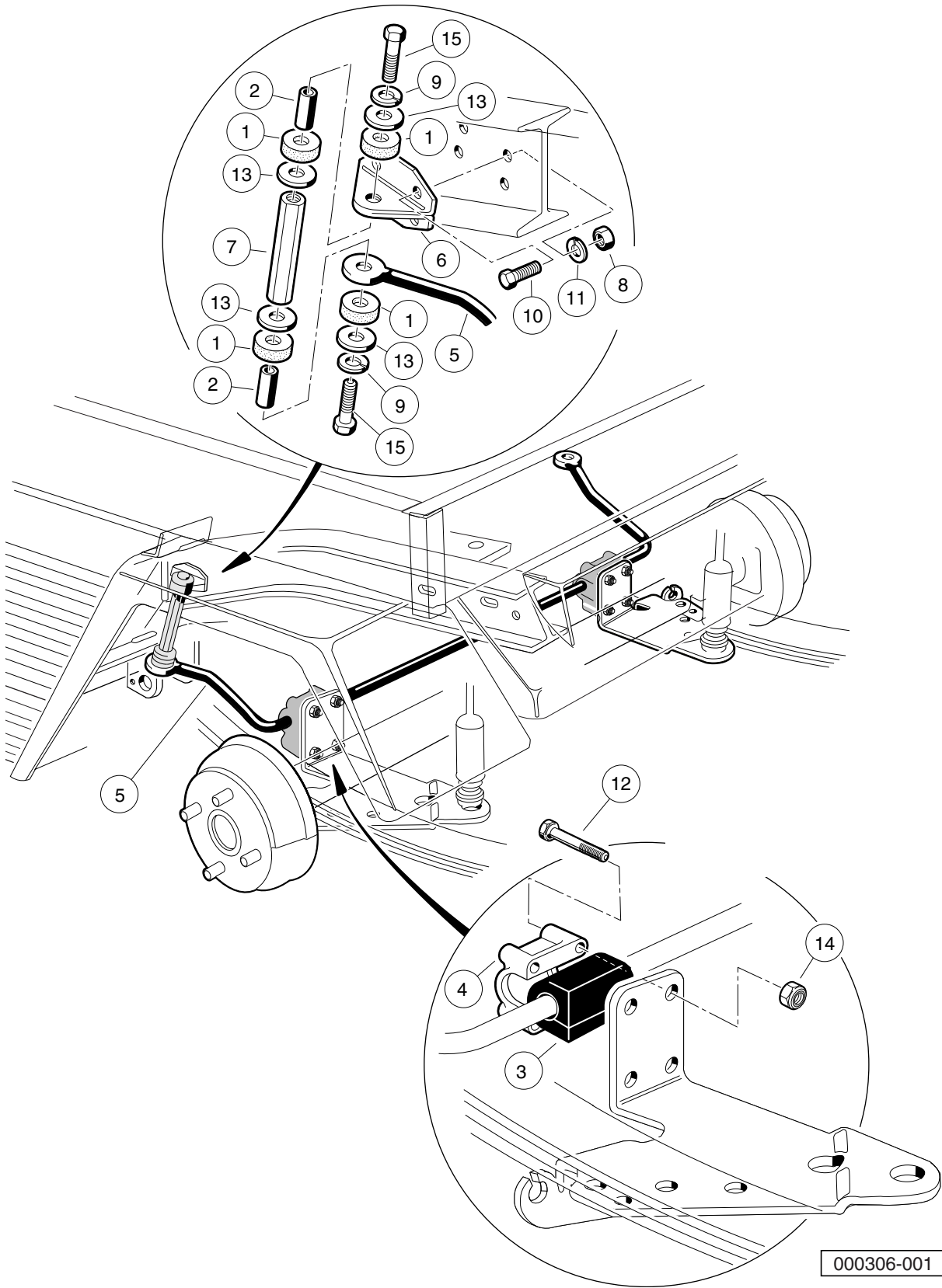
000309-003

REAR SUSPENSION – IQ PLUS VEHICLES

ITEM	PART NO.	DESCRIPTION	QTY
		1 2 3 4	
1	<u>1010145</u>	Nut, 3/8-24 Hex	4
2	<u>1011415</u>	Kit, Shock Absorber Cushion (includes items 3 and 4)	4
3	<u>1010142</u>	Cushion, Shock Absorber	2
4	<u>1010144</u>	Retainer, Shock Absorber Cushion	2
5	<u>1012181</u>	Bracket, Shock Mounting, Right (Passenger)	1
6	<u>1012182</u>	Bracket, Shock Mounting, Left (Driver)	1
7	<u>1012303</u>	Bushing, Steel	6
8	<u>1014555</u>	Locknut, 7/16-14 Nylon Hex	4
9	<u>1014902</u>	U-Bolt	2
10	<u>1015583</u>	Bushing, Urethane	12
11	<u>102066201</u>	Screw, 3/8-16 X 3.50 Hex Cap	6
12	<u>102871801</u>	Spring, Multi Leaf	2
13	<u>102891101</u>	Clamp, Cable, Brake, Sym	2
14	<u>102917101</u>	Weldment, Shackle	2
15	<u>103351101</u>	Shock, Absorber, Utility	2
16	<u>8754</u>	Locknut, 3/8-16 Hex	6
<p>Note: Only the driver-side rear suspension is shown. Parts for the passenger-side rear suspension are identical except for the leaf spring/shock mounting plate.</p>			

5
G
E

5
G
E



000306-001

STABILIZER BAR – GASOLINE VEHICLES

ITEM	PART NO.	DESCRIPTION	QTY
		1 2 3 4	
1	<u>1015453</u>	Compression Mount	8
2	<u>1015457</u>	Spacer, 0.720"	4
3	<u>1015613</u>	Bushing, Stabilizer Bar	2
4	<u>1015614</u>	Support, Bushing	2
5	<u>1015760</u>	Stabilizer Bar	1
6	<u>1016813</u>	Mounting Bracket, Stabilizer Bar	2
7	<u>1016814</u>	Link, Stabilizer Bar	2
8	<u>1242</u>	Nut, 5/16-18 Hex	8
9	<u>357</u>	Lockwasher, 3/8 Split	4
10	<u>7173</u>	Screw, 5/16-18 X 0.75 Hex-Head Cap	8
11	<u>7174</u>	Lockwasher, 5/16 Split	8
12	<u>7311</u>	Screw, 1/4-20 X 2.00 Hex-Head Cap	8
13	<u>808</u>	Washer, 3/8 Type B Flat	8
14	<u>8233</u>	Locknut, 1/4-20 Nylon Insert	8
15	<u>8861</u>	Bolt, 3/8-16 X 1.75 Hex	4
<p>Note: Only the driver side of the stabilizer bar is shown. Parts for the passenger side of the stabilizer bar are identical.</p>			

5
G
E

5

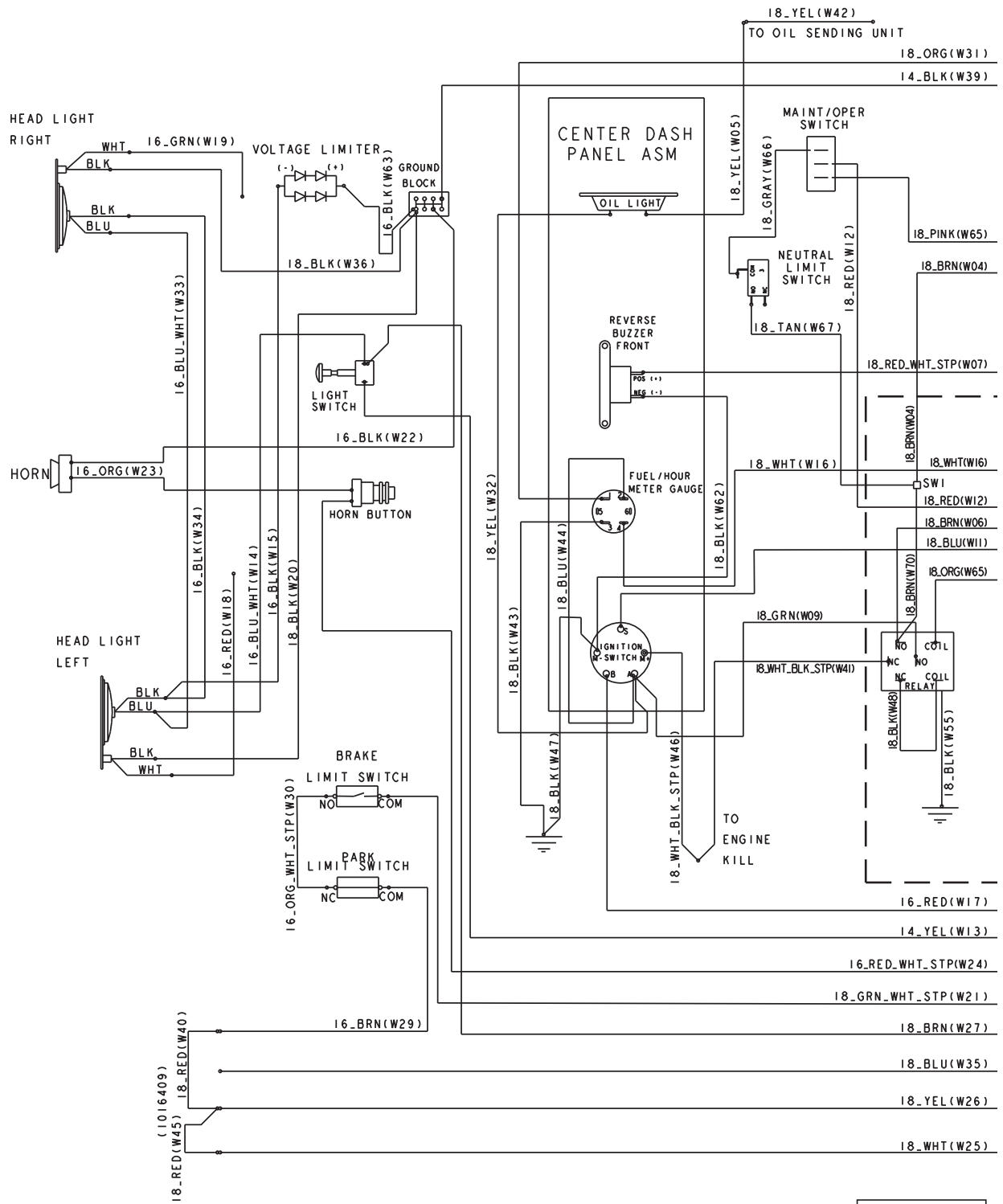
G

E

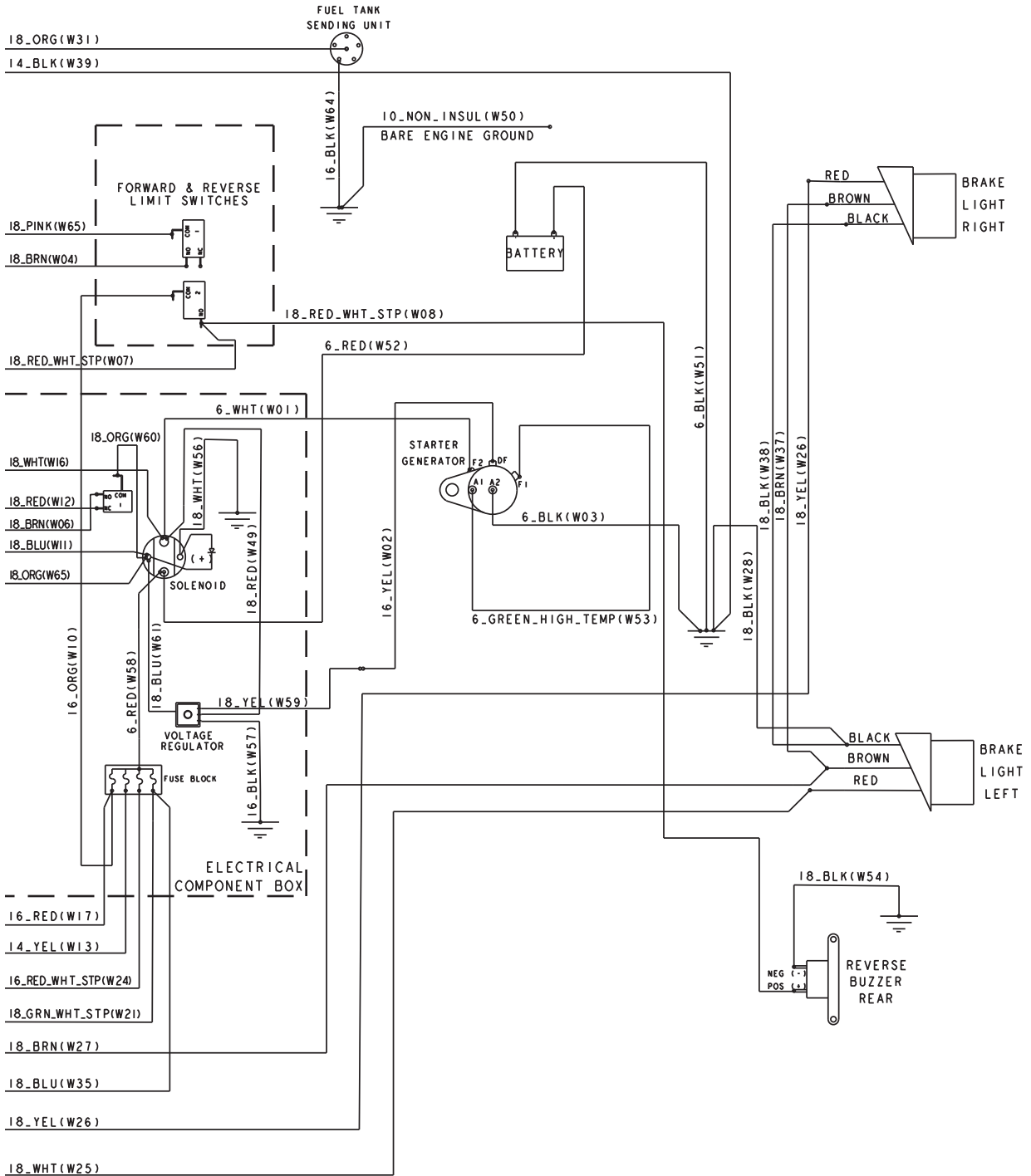
ELECTRICAL SYSTEM – GASOLINE VEHICLES

6

G



000574-001



000574-001

6

G

See previous two pages for illustration.

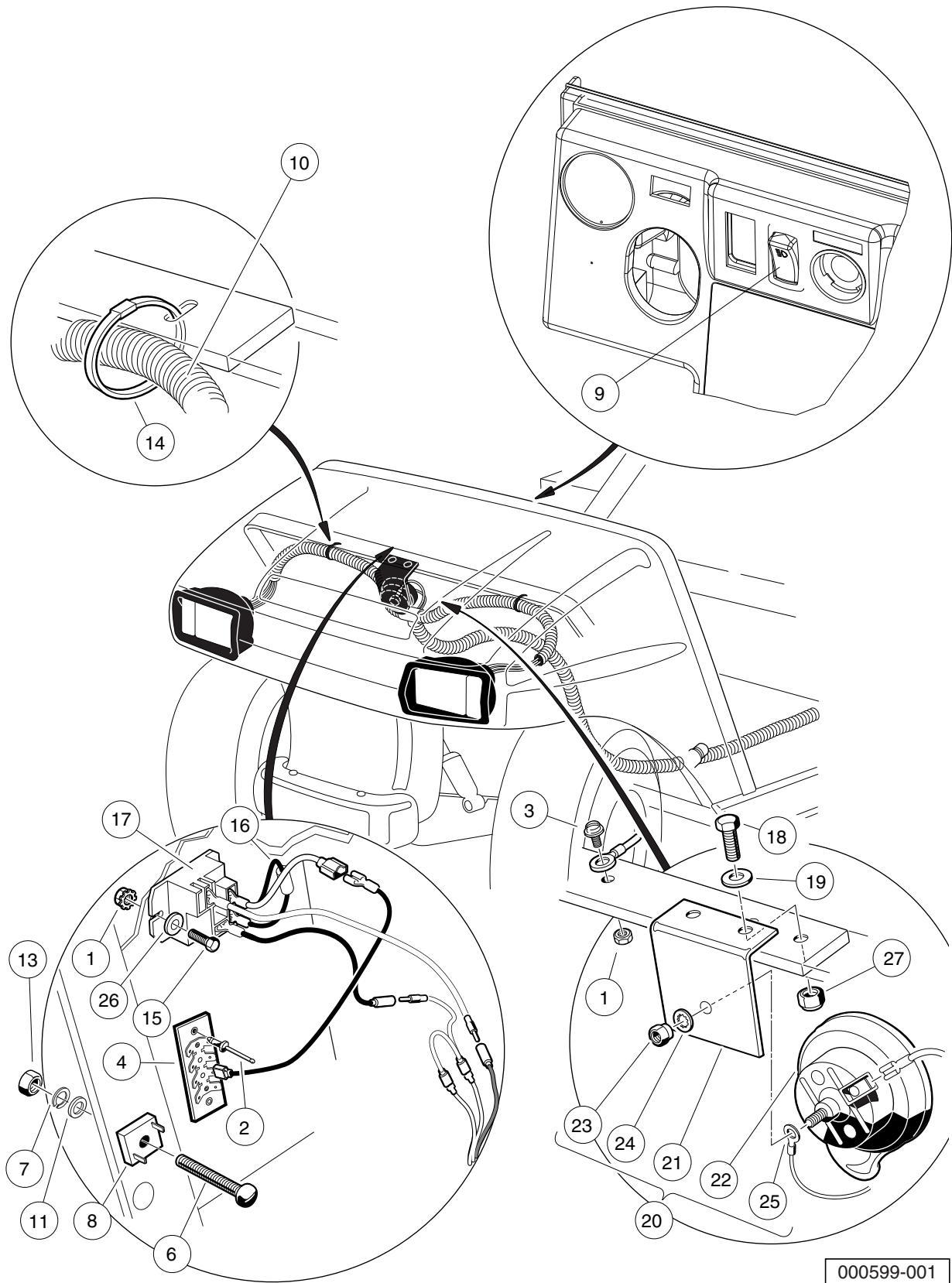
WIRING – GASOLINE VEHICLES

ITEM	PART NO.	DESCRIPTION	QTY
		1 2 3 4	
1	<u>103197301</u>	Asm, Wire Harness, Stretch, Gas	1
2	N/A	Wire Harness, Hd Lght, Ca, Gas	1

6

G

6
G



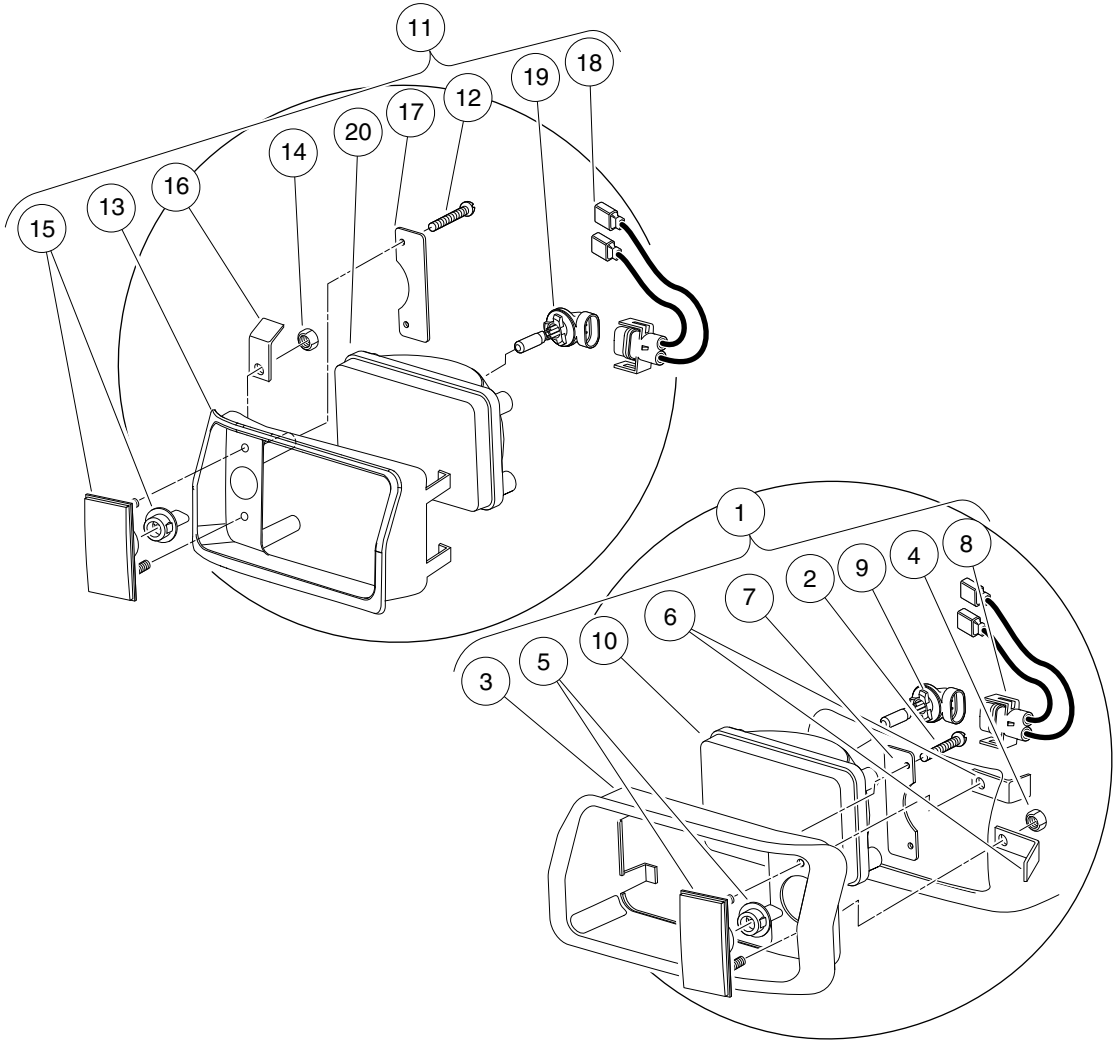
000599-001

HEADLIGHT AND HORN ELECTRICAL COMPONENTS

ITEM	PART NO.	DESCRIPTION	QTY
		1 2 3 4	
1	<u>1011229</u>	Locknut, #6-32 Whiz	3
2	<u>1013357</u>	Rivet, 5/32 Aluminum Pop	2
3	<u>1015720</u>	Screw, #6-32 X 1/2 Hex Washer-Head	1
4	<u>1016356</u>	Terminal Block with Insulator	1
5	N/A	Headlight Instl-gas Golf (includes items 6 through 14)	1
6	<u>1010909</u>	Screw, #10-32 X 1.25 Rd Hd Mch	1
7	<u>1016</u>	Lockwasher, #10 Split	1
8	<u>1017721</u>	Limiter, Voltage	1
9	<u>102869401</u>	Switch, Rocker, Light	1
10	N/A	Wire Harness, Hd Lght, Ca, Gas	1
11	<u>183</u>	Washer, #10 Type A Flat	1
12	<u>7473</u>	Locknut, 5/16-18 Nylon Insert	1
13	<u>7893</u>	Nut, #10-32 Hex	1
14	<u>8990</u>	Tie Wrap, 8" Nylon	12
15	<u>1017853</u>	Screw, #6-32 X 0.75 Hex-Head Machine	2
16	101914401	Assembly, Voltage Suppressor	1
17	<u>102199001</u>	Relay, 12-Volt	1
18	304	Screw, 1/4-20 X 1.0 Hex-Head Cap	2
19	<u>332</u>	Washer, 1/4 Type A Narrow Flat	2
20	<u>4029</u>	Horn (includes items 21 through 25)	1
21	<u>1011825</u>	Horn Bracket	1
22	<u>1014530</u>	Horn, 12-VDC	1
23	<u>101955101</u>	Nut, M6 Hex	1
24	<u>7820</u>	Washer, 5/16 Internal-Tooth	1
25	N/A	5/16 Ring Term.	1
26	<u>7591</u>	Washer, #6 Flat	2
27	<u>8233</u>	Locknut, 1/4-20 Nylon Insert	2

6
G

6
G

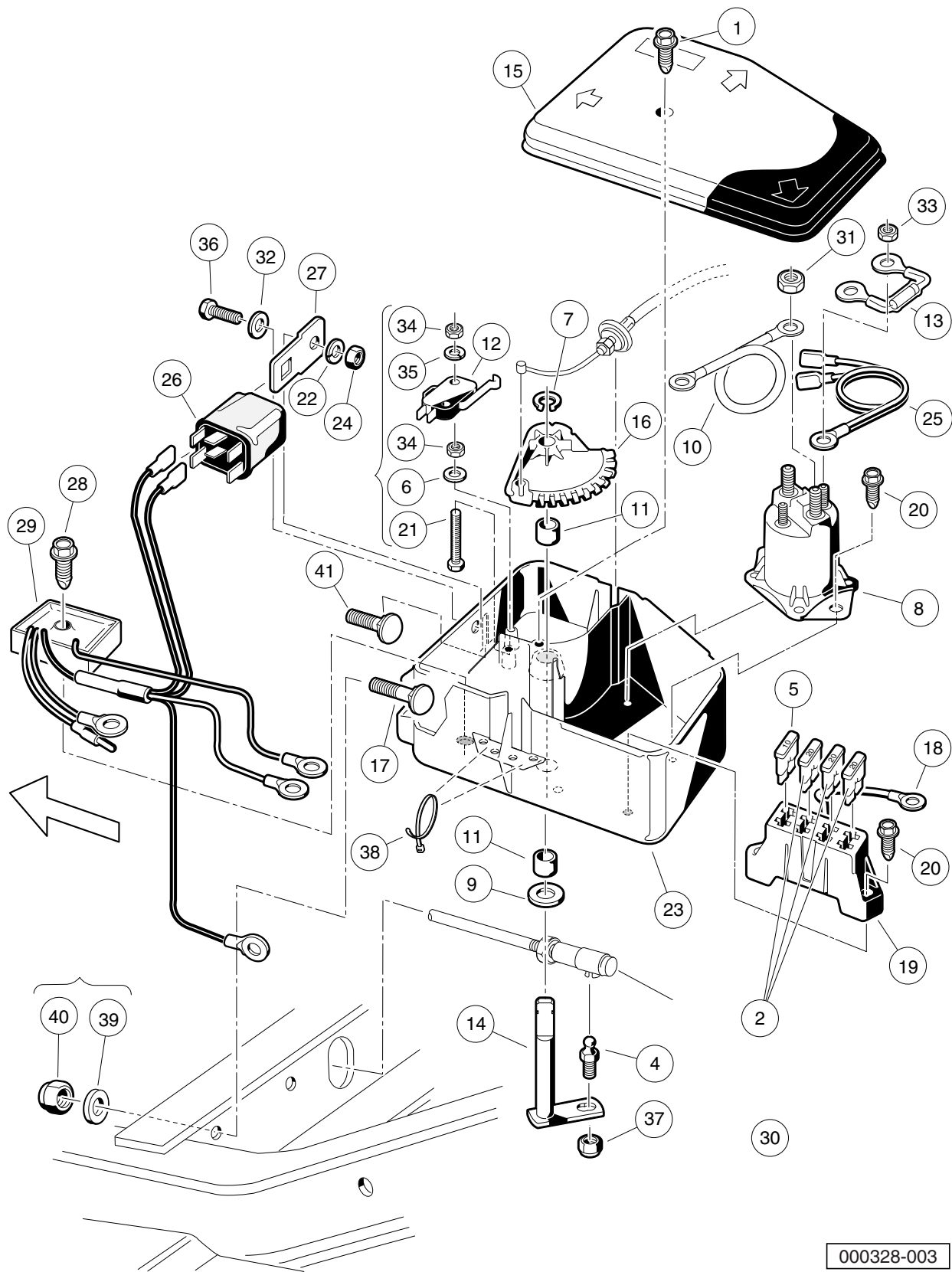


000073-001

HEADLIGHTS

ITEM	PART NO.	DESCRIPTION	QTY
		1 2 3 4	
1	<u>101988001</u>	Headlight Assembly, Driver-Side Single Beam (includes items 2 through 10)	1
2	<u>1013461</u>	Screw, #10-16 Hex-Head Hi-Lo	2
3	<u>1016880</u>	Headlight Bezel, Left	1
4	<u>1017</u>	Nut, #10-24 Stainless-Steel Hex Machine	2
5	<u>1017062</u>	Turn Signal Lens Assy	1
6	<u>1017064</u>	Mounting Bracket	2
7	<u>1017065</u>	Retainer, Headlight	1
8	<u>101987901</u>	Connector Harness Assembly, Headlight	1
9	<u>101988101</u>	Bulb, Headlight	1
10	<u>101988201</u>	Lens, Headlight	1
11	<u>101988002</u>	Headlight Assy, Passenger-Side Single Beam (includes items 12 through 20)	1
12	<u>1013461</u>	Screw, #10-16 Hex-Head Hi-Lo	2
13	<u>1016879</u>	Headlight Bezel, Right	1
14	<u>1017</u>	Nut, #10-24 Stainless-Steel Hex Machine	2
15	<u>1017062</u>	Turn Signal Lens Assy	1
16	<u>1017064</u>	Mounting Bracket	2
17	<u>1017065</u>	Retainer, Headlight	1
18	<u>101987901</u>	Connector Harness Assembly, Headlight	1
19	<u>101988101</u>	Bulb, Headlight	1
20	<u>101988201</u>	Lens, Headlight	1

6
G



000328-003

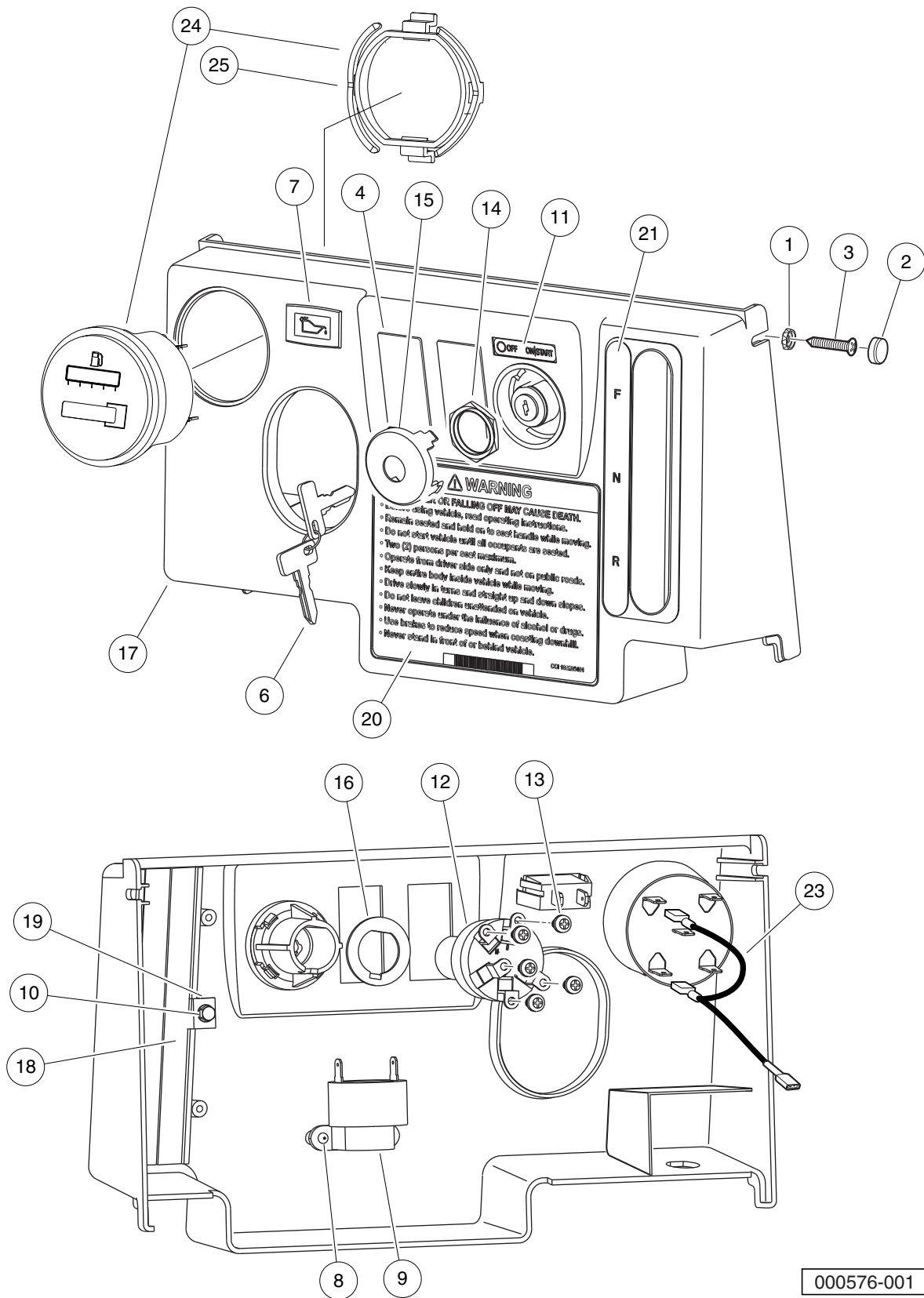
ELECTRICAL COMPONENT BOX

ITEM	PART NO.	DESCRIPTION	QTY
		1 2 3 4	
1	<u>1015752</u>	Screw, #12-16 X 0.625 Hi-Lo	1
2	<u>1016423</u>	Fuse, 20-Amp	3
3	N/A	Asm, Electrical Component Box (includes items 4 through 38)	1
4	<u>1010954</u>	Stud, 1/4-28 X 0.560 Ball	1
5	<u>1012295</u>	Fuse, 10-Amp	1
6	<u>1012431</u>	Washer, #4 Flat	2
7	<u>1013589</u>	Ring, 0.338" Internal Retaining	1
8	<u>1013609</u>	Solenoid, 12-Volt	1
9	<u>1014065</u>	Washer, 0.38" ID Delrin Flat	1
10	<u>1014119</u>	Wire Assembly #6 Red	1
11	<u>1014145</u>	Bushing, Secondary Weight, Split	2
12	<u>1014807</u>	Switch, Limit	1
13	<u>1014948</u>	Diode	1
14	<u>1015345</u>	Bell Crank and Shaft Assembly	1
15	<u>1015372</u>	Cover, Electric Box	1
16	<u>1015373</u>	Cam, Electric Box	1
17	<u>1015405</u>	Bolt, Carriage, 5/16-18 X 2.0	1
18	<u>1015737</u>	Wire Assy, #10 Red	1
19	<u>1015741</u>	Fuse Block	1
20	<u>1015752</u>	Screw, #12-16 X 0.625 Hi-Lo	4
21	<u>1015878</u>	Screw, #4-40 Hex Head Machine	2
22	<u>1016</u>	Lockwasher, #10 Split	1
23	<u>1016997</u>	Electrical Component Box	1
24	<u>1017</u>	Nut, #10-24 Stainless-Steel Hex Machine	1
25	<u>1017006</u>	Wire Assembly Orange #18	1
26	<u>1017239</u>	Relay	1
27	<u>1017243</u>	Mounting Bracket, Relay	1
28	<u>101856102</u>	Screw, 1/4-15 X 1.50 Hi-lo Hex	1
29	N/A	Asm, Voltage Regulator Key Sta	1
30	<u>103197301</u>	Asm, Wire Harness, Stretch, Gas	1
31	<u>1242</u>	Nut, 5/16-18 Hex	2
32	<u>183</u>	Washer, #10 Type A Flat	1
33	<u>7893</u>	Nut, #10-32 Hex	2
34	<u>8057</u>	Nut, #4-40 Hex Machine	4
35	<u>8058</u>	Lockwasher, #4 Split	2
36	<u>8450</u>	Screw, #10-24 X 0.50 Hex-Head	1
37	<u>8717</u>	Locknut, 1/4-28 Nylon Insert	1
38	<u>8990</u>	Tie Wrap, 8" Nylon	3
39	<u>1241</u>	Washer, 5/16 Type A Flat	2
40	<u>7473</u>	Locknut, 5/16-18 Nylon Insert	2
41	<u>7818</u>	Bolt, Carriage, 5/16-18 X 1.5	1

6

G

6
G



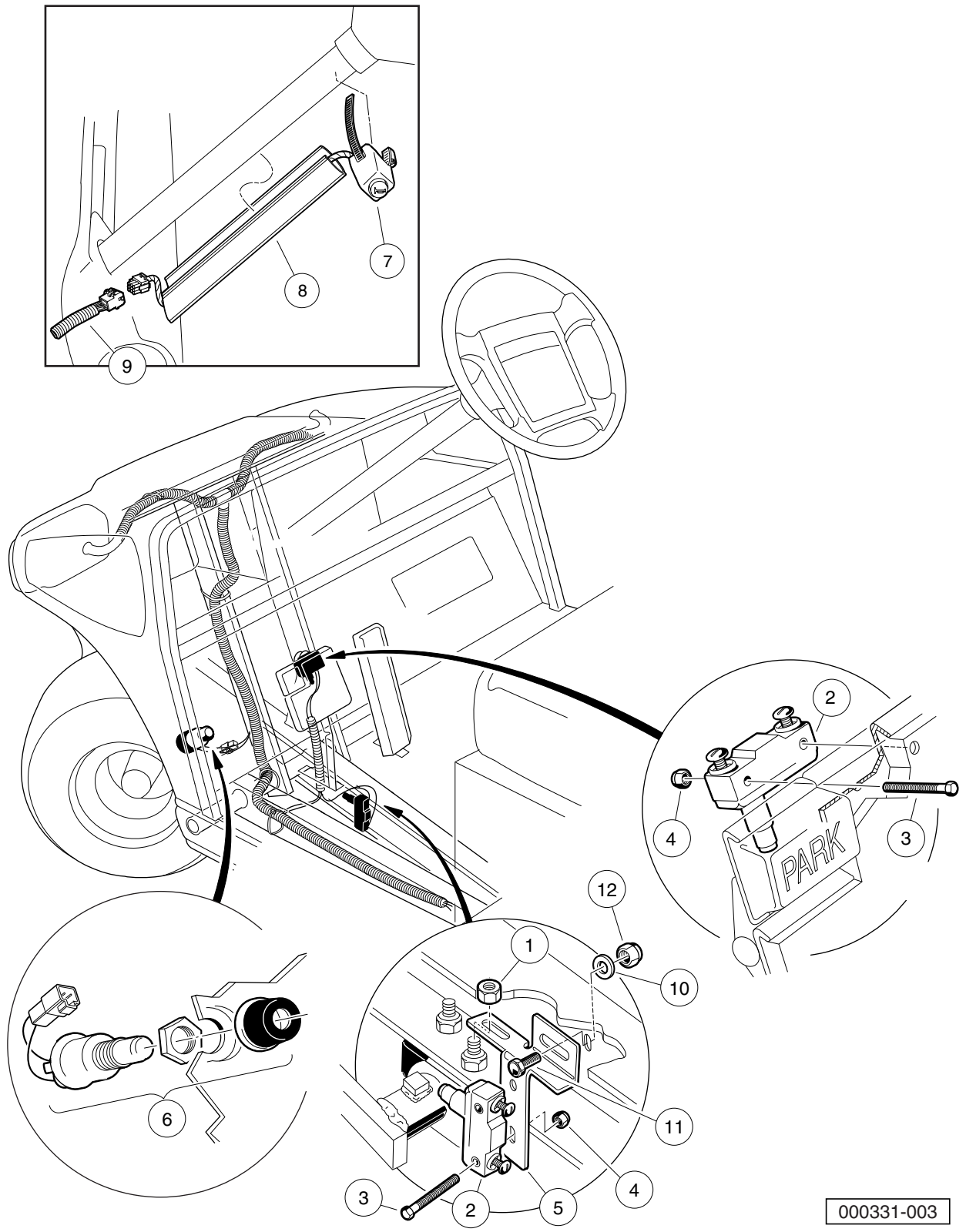
000576-001

INSTRUMENT PANEL AND ELECTRICAL COMPONENTS

ITEM	PART NO.	DESCRIPTION	QTY
		1 2 3 4	
1	1011382	Washer, #10 Pan-Head Screw	2
2	<u>1013494</u>	Cover, Screw Head	2
3	<u>1015528</u>	Screw, #10 x 1-1/4 Phillips Head	2
4	<u>103180101</u>	Cover, Hole, Switch, Rocker	2
5	N/A	Asm, Dash, Gas, Key Start (Instrument Panel) (includes items 6 through 22)	1
6	<u>1012505</u>	Keys (set of 2)	1
7	<u>1016630</u>	Light, Oil	1
8	<u>1016849</u>	Screw, #4-24 X 0.33 Pan-Head Machine	2
9	<u>1016851</u>	Buzzer, Reverse (9-48 VDC)	1
10	<u>101804301</u>	Screw, #8 X 0.500, Hex-Head Hi-Lo	2
11	<u>101825102</u>	Decal, Off/On/Start	1
12	<u>101826401</u>	Key Switch, 12-Volt, Off/On/Start	1
13	101830601	Screw and Washer Assembly	5
14	<u>101830701</u>	Nut, Key Switch	1
15	<u>101834502</u>	Cap, Black Key Switch	1
16	<u>101851101</u>	Washer, Key Switch	1
17	<u>102977001</u>	Panel, Dash, Center, Gas (Instrument Panel)	1
18	<u>103199001</u>	Brush, Closeout, FNR	2
19	<u>103199101</u>	Washer, Retaining, Brush, FNR	2
20	<u>103205401</u>	Decal, Warning, Rollover, Utl	1
21	<u>103210201</u>	Decal, Forward/Reverse, Gas	1
22	<u>103390801</u>	Kit, F-h Replmnt Utl Pre2007 (includes items 23 through 26)	1
23	<u>103348501</u>	Asm Wire Meter F-h Jumper	1
24	<u>103348601</u>	Gauge, Fuel-hour,sep Gnd,utl (includes item 25)	1
25	<u>103348201</u>	Clip, Meter, Round	1
26	N/A	Instr, F-h Replmnt Pre2007	1

6
G

6
G



000331-003

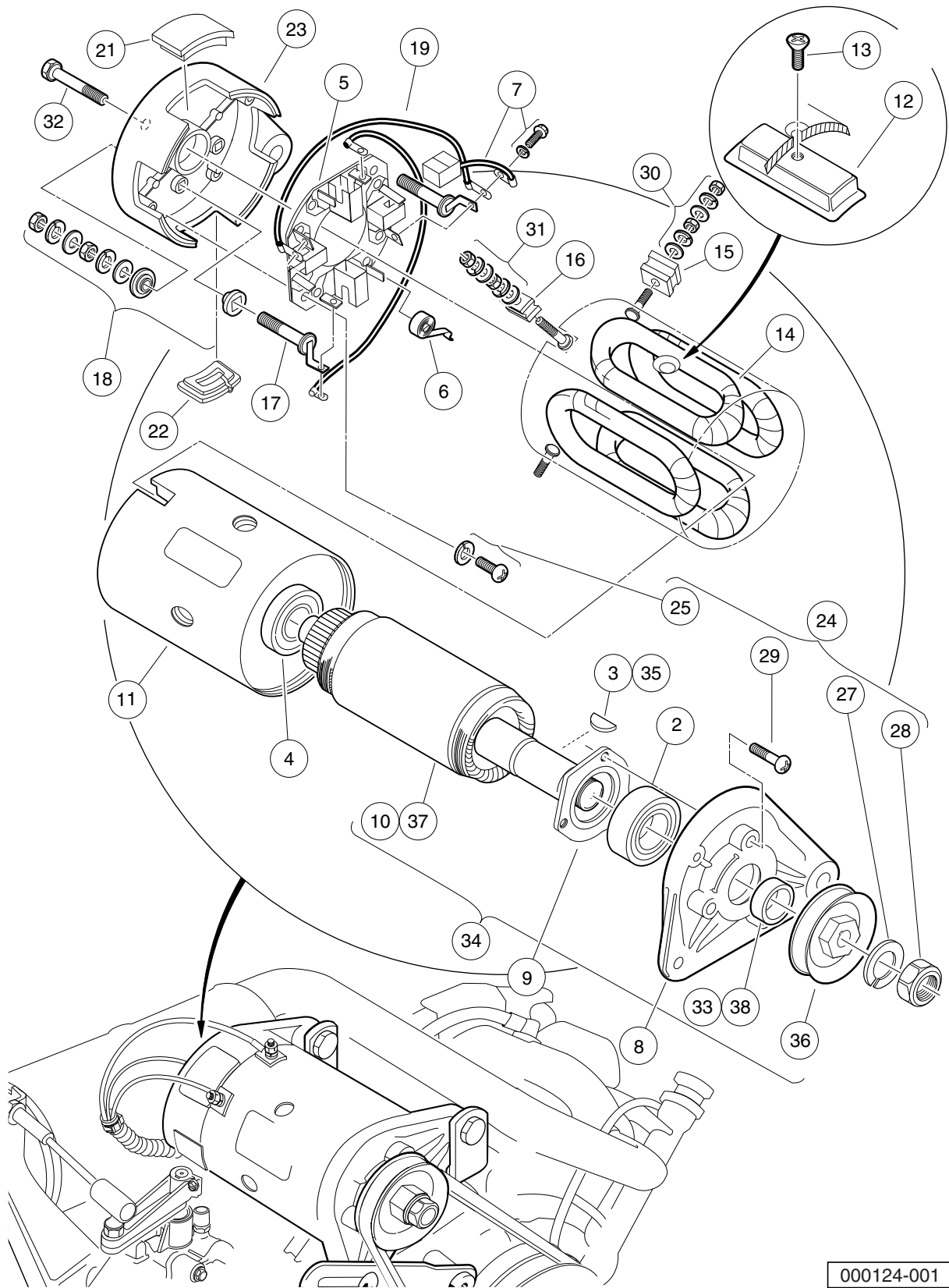
HORN AND BRAKE SWITCHES

ITEM	PART NO.	DESCRIPTION	QTY
		1 2 3 4	
1	<u>1011280</u>	Locknut, 5/16-18	1
2	<u>1011439</u>	Switch, Limit	2
3	<u>1011557</u>	Screw, #6-32 X 1.00 Hex-Head Machine	4
4	<u>101932201</u>	Locknut, #6-32 Nylon	4
5	<u>101957101</u>	Bracket, Brake Light Switch	1
6	<u>101969701</u>	Horn Button and Wire Assembly	1
7	<u>102517601</u>	Subasm, Horn Button Harness	1
8	<u>102529201</u>	Wire Cover, Steering Column	1
9	<u>103618101</u>	Harness, Jumper, Horn	1
10	<u>1241</u>	Washer, 5/16 Type A Flat	1
11	<u>7173</u>	Screw, 5/16-18 X 0.75 Hex-Head Cap	1
12	<u>7473</u>	Locknut, 5/16-18 Nylon Insert	1

6

G

6
G



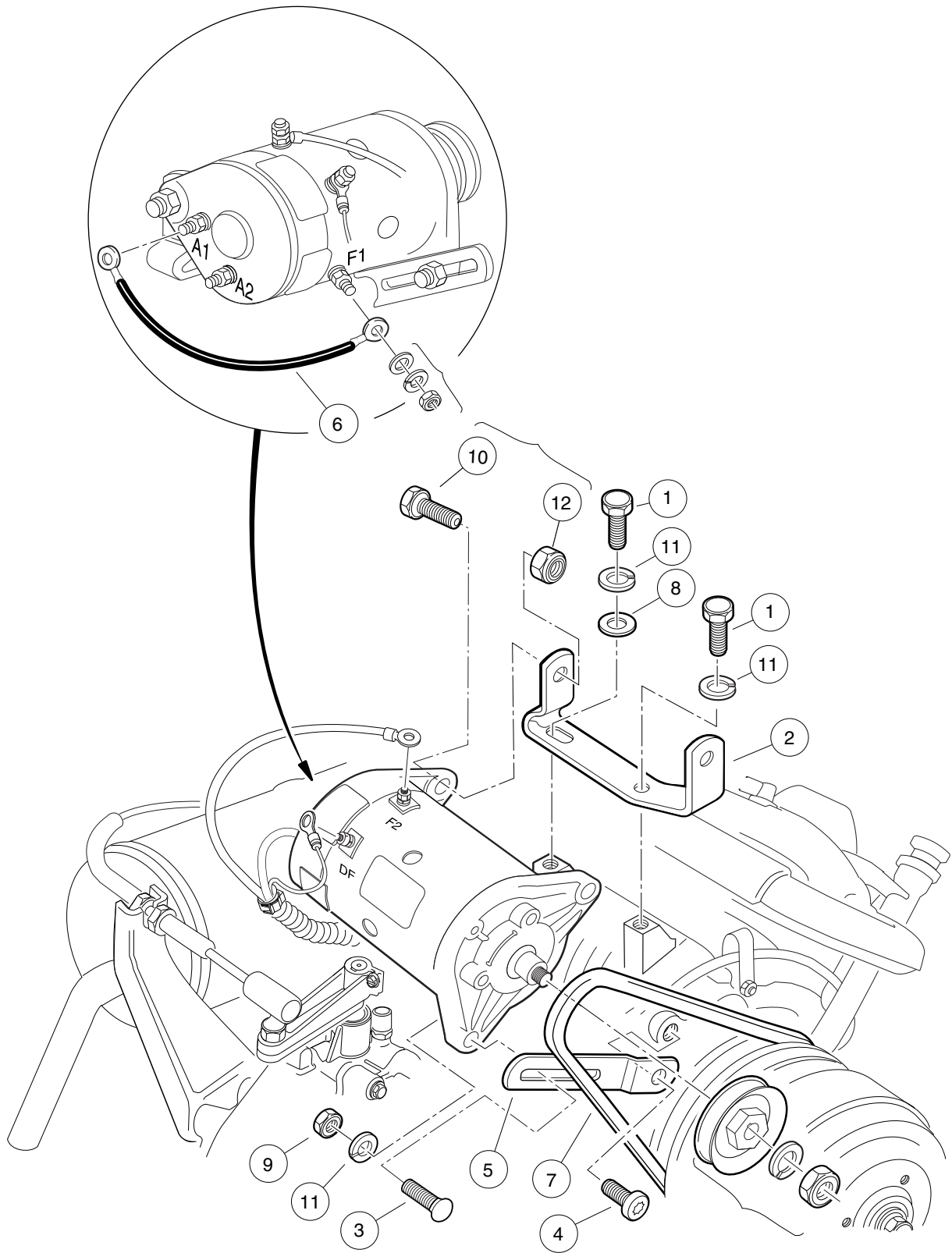
000124-001

STARTER/GENERATOR ASSEMBLY MODEL G425419 – GASOLINE VEHICLES

ITEM	PART NO.	DESCRIPTION	QTY
		1 2 3 4	
1	<u>101833701</u>	Starter/Generator (cw) (includes items 2 through 33)	1
2	<u>1013001</u>	Bearing, Output Shaft Ball	1
3	<u>1013003</u>	Key, Starter/Generator	1
4	<u>1013005</u>	Bearing, Ball	1
5	<u>101301102</u>	Brush Holder Assembly (cw) (includes item 6)	1
6	<u>101878101</u>	Brush Spring Set	4
7	<u>101869302</u>	Brush and Screw Set (cw)	1
8	<u>101874901</u>	Front Bracket	1
9	<u>101875001</u>	Retainer	1
10	<u>101875101</u>	Armature	1
11	<u>101875201</u>	Field Coil Housing	1
12	<u>101875301</u>	Pole Set	1
13	<u>101875401</u>	Screw Set	1
14	<u>101875501</u>	Field Stator Coil Assembly	1
15	<u>101875601</u>	F Insulator Set	2
16	<u>101875701</u>	DF Insulator	1
17	<u>101875802</u>	A Connector (cw)	1
18	<u>101876001</u>	Screw and Mold Assembly	2
19	<u>101876202</u>	Brush Connector Assembly (cw)	2
20	<u>101876301</u>	Cover Set (includes items 21 and 22)	1
21	<u>1012991</u>	Brush Inspection Port Cover	3
22	<u>1017653</u>	Brush Port Cover w/Drain	1
23	<u>101876402</u>	Rear Bracket (cw)	1
24	<u>101876501</u>	Nut and Screw Set (includes items 25 through 29)	1
25	<u>101896501</u>	Brush Holder Asm Screw	2
26	N/A	Washer, M5 Flat	1
27	N/A	Washer, M14 Lock	1
28	N/A	Nut, Hex, M14 x 2	1
29	N/A	Screw, M5 x 0.8 x 18mm	3
30	<u>101877601</u>	Nut and Washer Set	2
31	<u>101877701</u>	Nut and Washer Set	1
32	<u>101879001</u>	Through Bolt Set	2
33	<u>101939901</u>	Spacer	1
34	<u>101875102</u>	Armature Asm Conversion Kit (includes items 35 through 38)	1
35	<u>1013003</u>	Key, Starter/Generator	1
36	<u>1014289</u>	Pulley, Starter/Generator	1
37	<u>101875101</u>	Armature	1
38	<u>101939901</u>	Spacer	1
Note: Item 36 will ONLY fit Model G425419 Starter/Generator.			

6
G

6
G



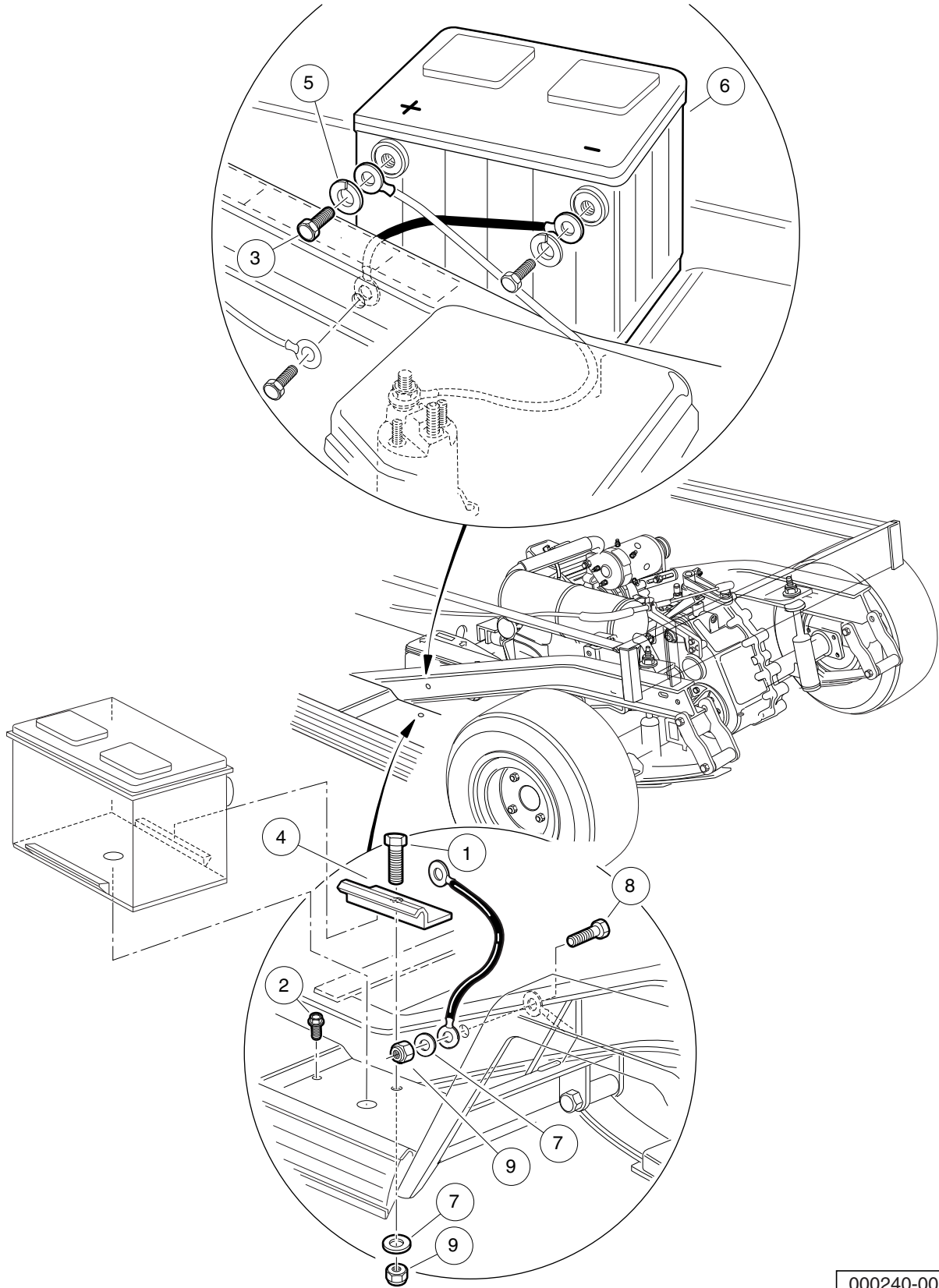
000239-001

FE350 STARTER/GENERATOR MOUNTING – GASOLINE VEHICLES

ITEM	PART NO.	DESCRIPTION	QTY
		1 2 3 4	
1	<u>1012830</u>	Screw, M8-125 X 22 Hex-Head	2
2	<u>101524002</u>	Bracket, Starter/Generator Mounting	1
3	<u>1015932</u>	Bolt, Carriage, 5/16-18	1
4	<u>1016074</u>	Screw, M8-1.25 X 18mm Torx	1
5	<u>1016883</u>	Bracket, Starter/Generator Adjustment	1
6	<u>101837301</u>	Wire Assy, #6 Green	1
7	<u>101916701</u>	V-Belt	1
8	<u>1241</u>	Washer, 5/16 Type A Flat	1
9	<u>1242</u>	Nut, 5/16-18 Hex	1
10	705	Screw, Cap-hex Hd 3/8-16x1.25	2
11	<u>7174</u>	Lockwasher, 5/16 Split	3
12	<u>8754</u>	Locknut, 3/8-16 Hex	2

6
G

6
G



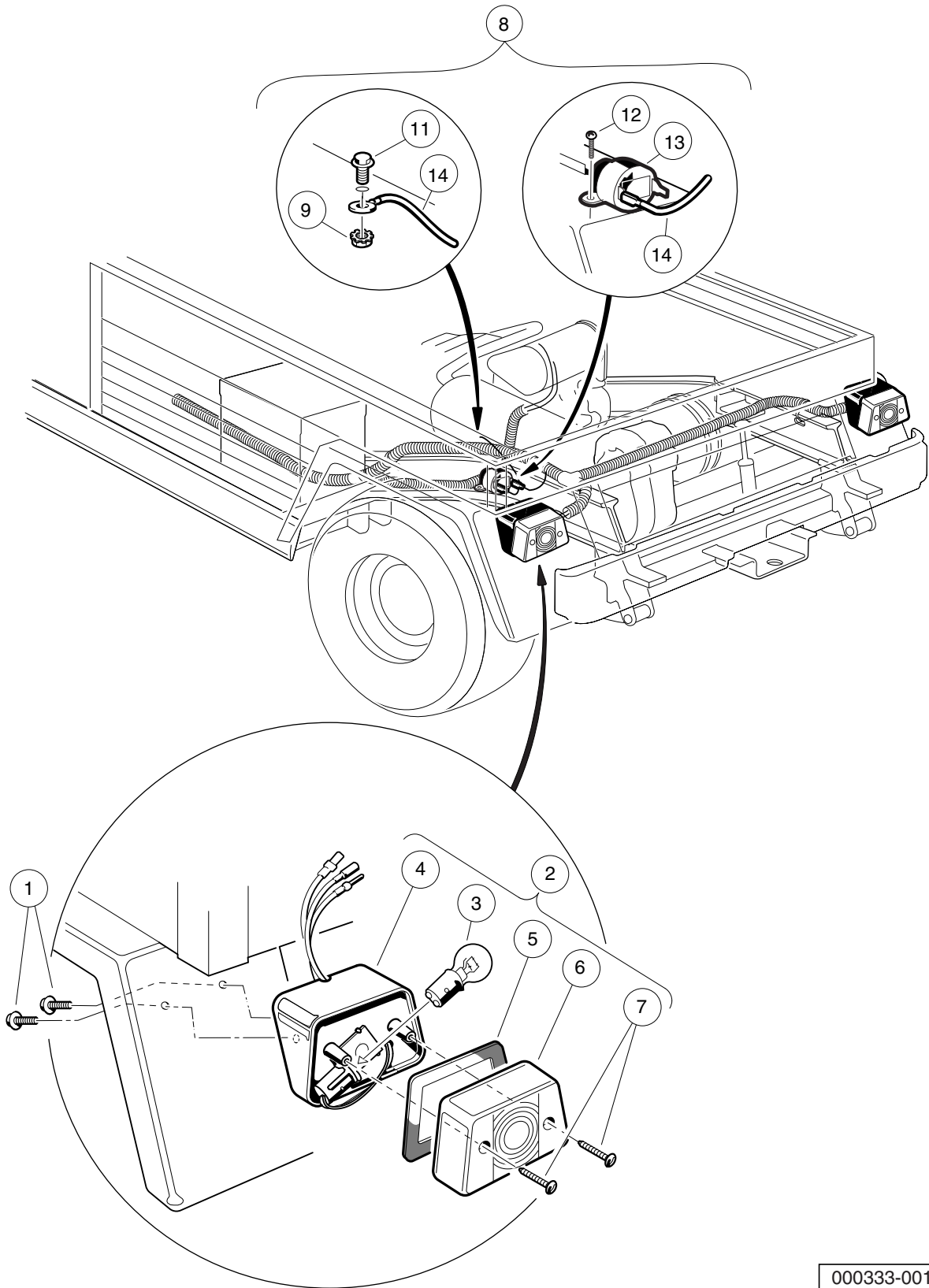
000240-001

BATTERY – GASOLINE VEHICLE

ITEM	PART NO.	DESCRIPTION	QTY
		1 2 3 4	
1	<u>1010934</u>	Screw, 5/16-18 X 1.00 Hex Cap	1
2	<u>1014288</u>	Screw, 5/16-18 X 0.75 Thread-Forming	1
3	<u>1014375</u>	Screw, 3/8-16 X 0.50 Stainless Steel Hex-Head	2
4	<u>101898001</u>	Clamp, Battery	1
5	<u>102355301</u>	Lockwasher, #10 Split Ss	2
6	N/A	Battery, Start, 12v	1
7	<u>1241</u>	Washer, 5/16 Type A Flat	2
8	<u>7173</u>	Screw, 5/16-18 X 0.75 Hex-Head Cap	1
9	<u>7473</u>	Locknut, 5/16-18 Nylon Insert	2

6
G

6
G



000333-001

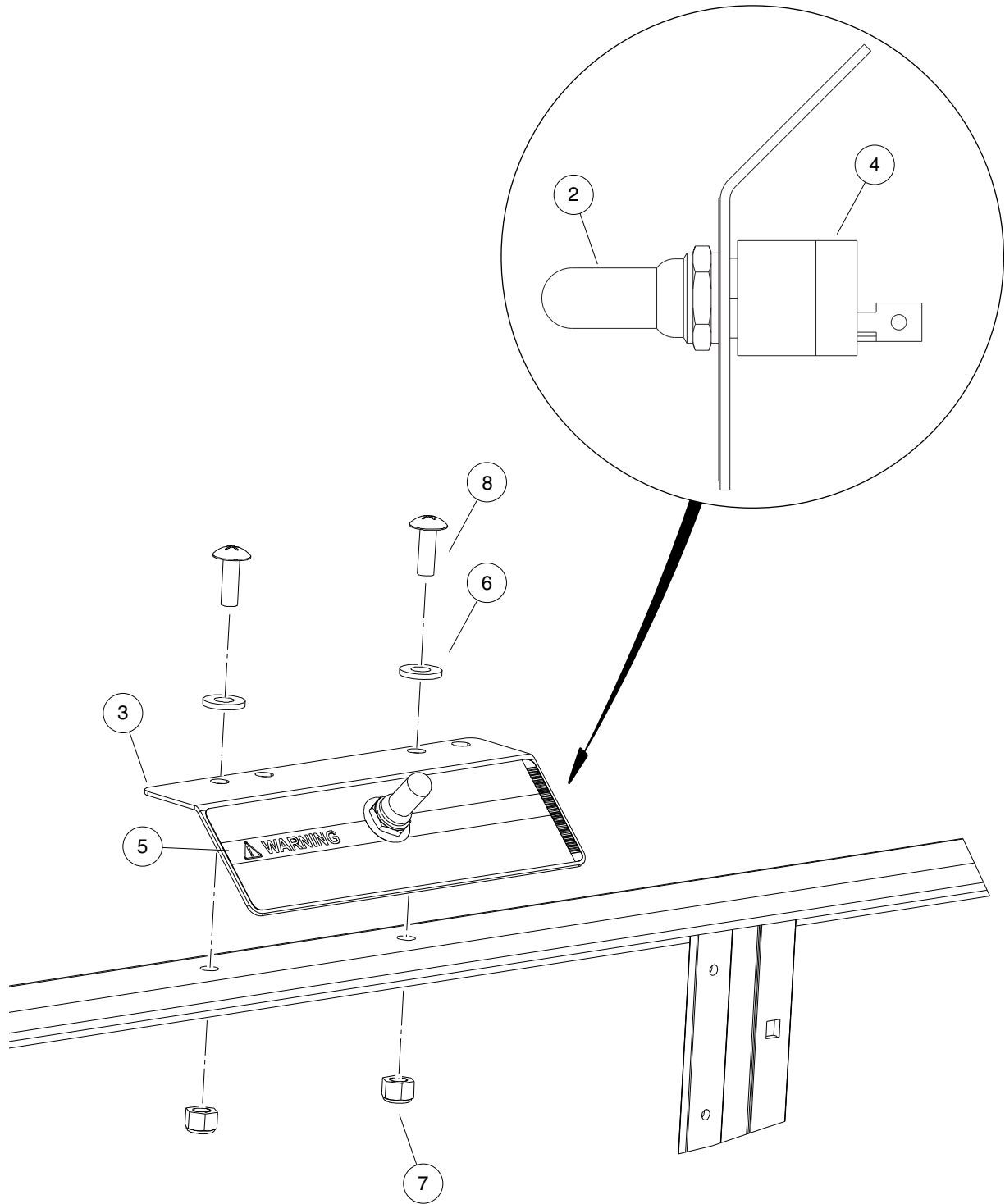
ELECTRICAL COMPONENTS, REAR BODY

ITEM	PART NO.	DESCRIPTION	QTY
		1 2 3 4	
1	<u>1015752</u>	Screw, #12-16 X 0.625 Hi-Lo	4
2	<u>1016717</u>	Light Assembly, Stop/Taillight (includes items 3 through 7)	2
3	<u>1011582</u>	Taillight Bulb	1
4	N/A	Housing, Taillight	1
5	N/A	Gasket, Taillight	1
6	N/A	Lens, Taillight	1
7	N/A	Screw, Taillight Lens	2
8	<u>1016859</u>	Kit, Reverse Buzzer (includes items 9 through 17)	1
9	<u>1011229</u>	Locknut, #6-32 Whiz	1
10	1012431	Washer, #4 Flat	2
11	<u>1015720</u>	Screw, #6-32 X 1/2 Hex Washer-Head	1
12	<u>1016849</u>	Screw, #4-24 X 0.33 Pan-Head Machine	2
13	<u>1016851</u>	Buzzer, Reverse (9-48 VDC)	1
14	1016857	Wire Assembly Black #18	1
15	<u>8056</u>	Screw, #4-40 X 0.75 Round-Head Machine	2
16	<u>8057</u>	Nut, #4-40 Hex Machine	2
17	<u>8058</u>	Lockwasher, #4 Split	2
Note: Items 10, and 15 through 17 are included in the reverse buzzer kit, but are not used in this application.			

6

G

6
G



000755-001

OPERATION AND MAINTENANCE SWITCH

ITEM	PART NO.	DESCRIPTION	QTY
		1 2 3 4	
1	N/A	Switch, Operation/Maintenance (includes items 2 through 5)	1
2	<u>101908401</u>	Boot, Switch	1
3	<u>101922501</u>	Bracket, Tow/Run Switch Mounting	1
4	<u>103198401</u>	Switch, Toggle, SPDT	1
5	<u>103205501</u>	Decal, Run/Service Switch	1
6	<u>332</u>	Washer, 1/4 Type A Narrow Flat	2
7	<u>8233</u>	Locknut, 1/4-20 Nylon Insert	2
8	<u>8248</u>	Screw, 1/4-20 X 0.75 Truss-Head Machine	2

6

G

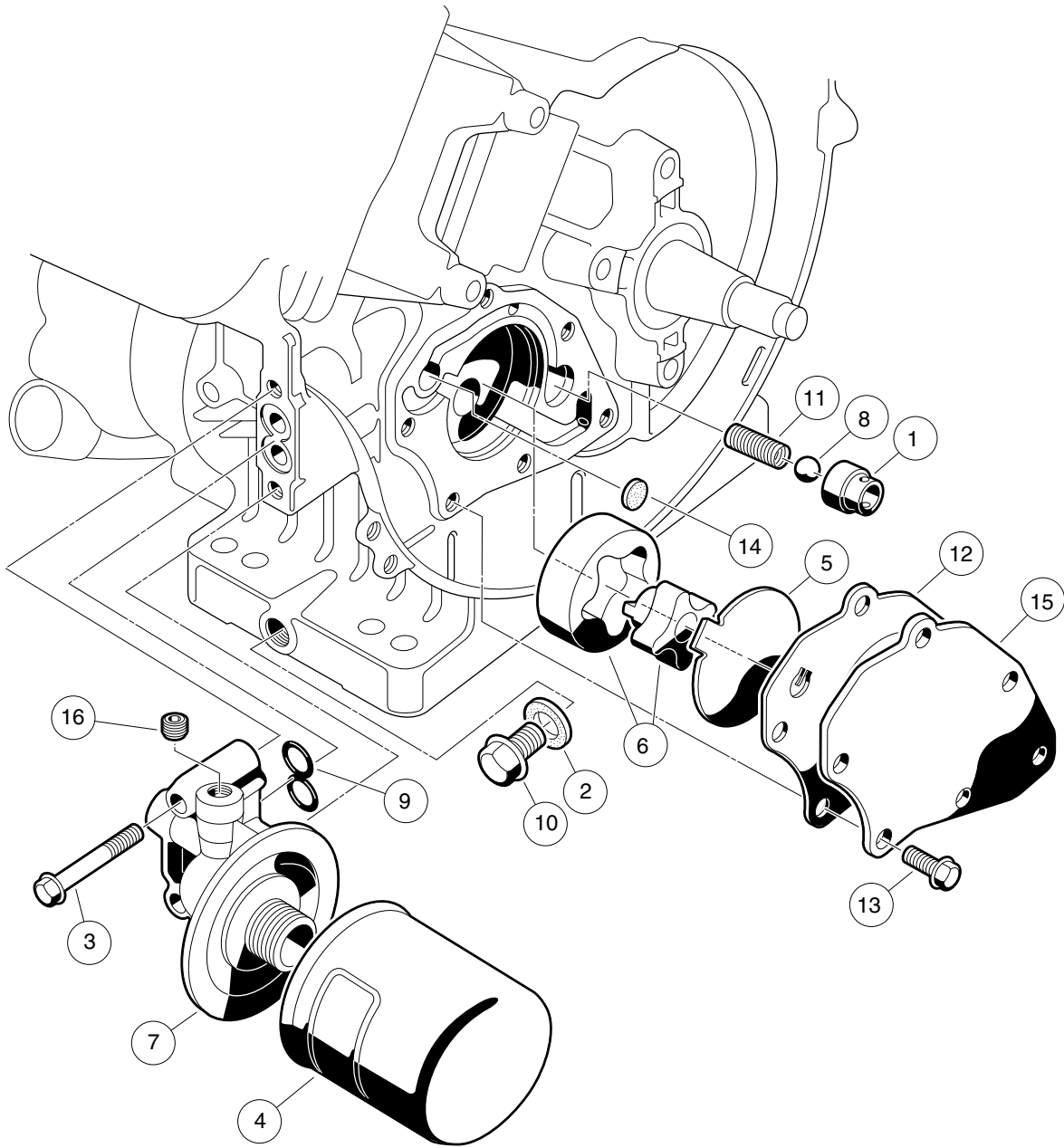
6

G

FE350 ENGINE – S27

7

G



000203-001

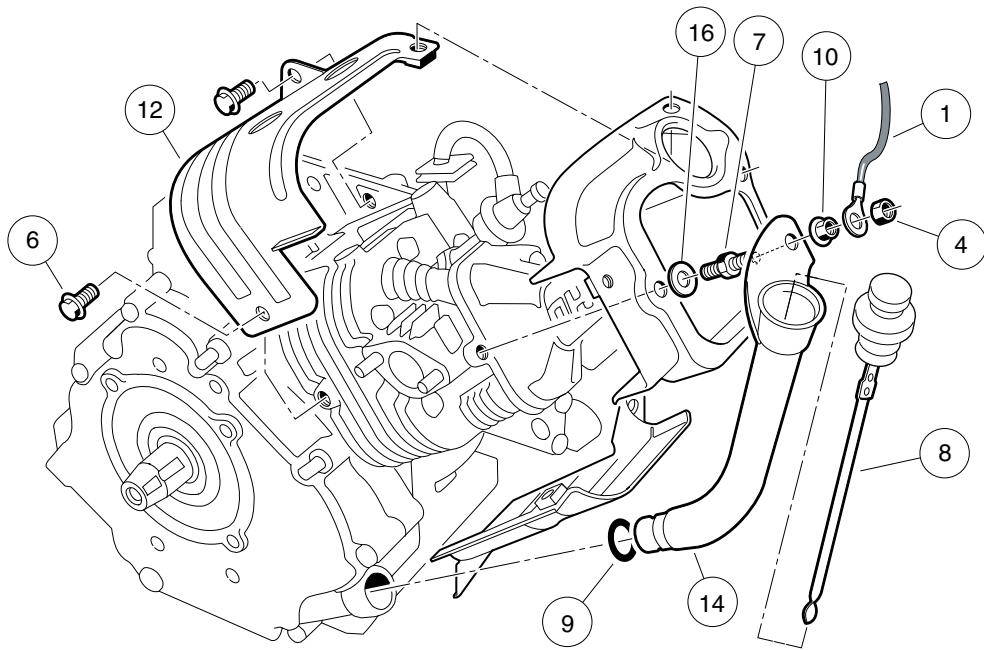
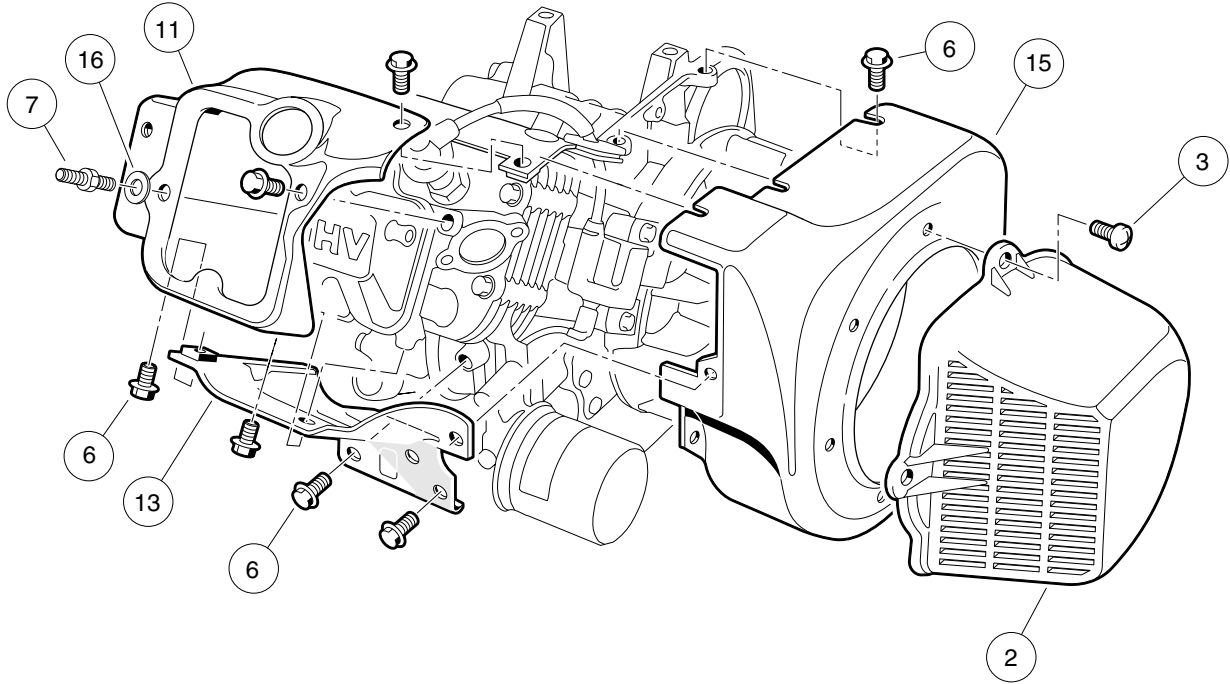
FE350 ENGINE – OIL CIRCULATION

ITEM	PART NO.	DESCRIPTION	QTY
		1 2 3 4	
1	1016429	Seat, Value Oil Press Relief	1
2	<u>1016432</u>	Gasket, Drain Plug	1
3	<u>1016457</u>	Bolt, Flange Head	2
4	<u>1016467</u>	Filter, Oil	1
5	<u>1016473</u>	Plate, Oil Pump	1
6	<u>101648203</u>	Oil Pump And Rotor	1
7	<u>1016502</u>	Bracket, Oil Filter Mount	1
8	<u>1016537</u>	Ball, Steel, Press, Relief	1
9	<u>1016570</u>	O-Ring	1
10	1016576	Plug, Drain	1
11	<u>1016581</u>	Spring	1
12	<u>1017442</u>	Gasket	1
13	<u>1017456</u>	Bolt, Flanged	6
14	<u>1017458</u>	Filter	1
15	<u>1017460</u>	Cover, Pump	1
16	<u>1017507</u>	Plug	2

7

G

7
G

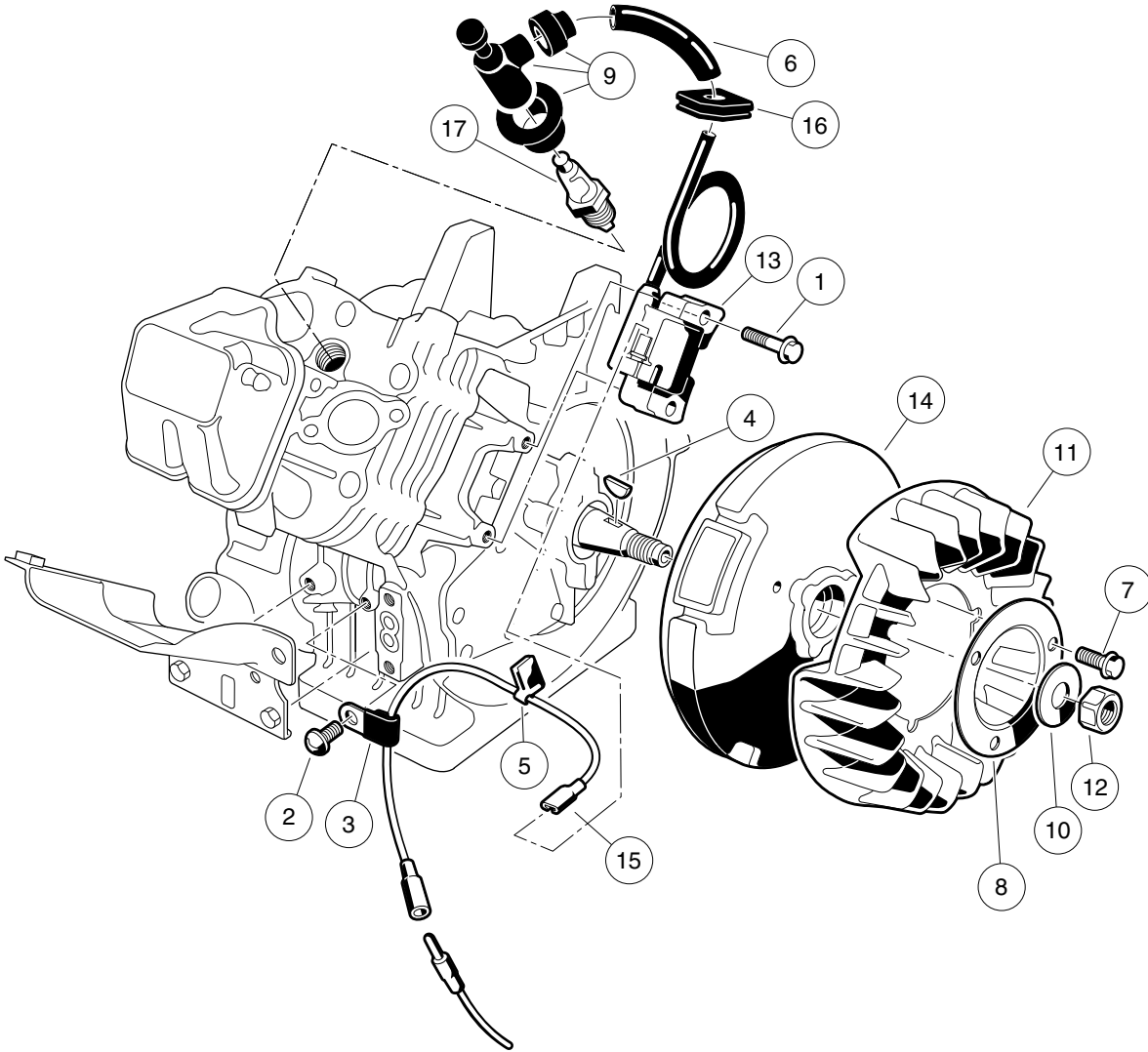


000201-002

FE350 ENGINE WITHOUT ACR (AUTOMATIC COMPRESSION RELEASE) – SHROUDS AND BRACKETS

ITEM	PART NO.	DESCRIPTION	QTY
		1 2 3 4	
1	<u>1015332</u>	Wire Assembly, #10, Uninsulated	1
2	<u>1015649</u>	Shroud, Fan	1
3	<u>1015969</u>	Screw, M6-1.00 X 10mm Pan Hd	4
4	<u>101887601</u>	Locknut, M6-1.00 Nylon Insert	1
5	<u>103386202</u>	Engine, FE350 S27 (includes items 6 through 16)	1
6	1016456	Bolt, Flange Head, M6 x 1 x 12 mm	16
7	<u>1016507</u>	Bolt, Two-Ended	1
8	1016531	Dipstick	1
9	<u>1016539</u>	O-Ring	1
10	1016547	Nut, M6 Flange	1
11	<u>1017474</u>	Shroud, Engine	1
12	<u>1017475</u>	Shroud, Engine	1
13	<u>1017476</u>	Shroud, Engine	1
14	<u>1017486</u>	Tube, Oil Filler	1
15	<u>101916101</u>	Housing, FE350 Fan	1
16	N/A	Washer, 6mm Flat	1

7
G

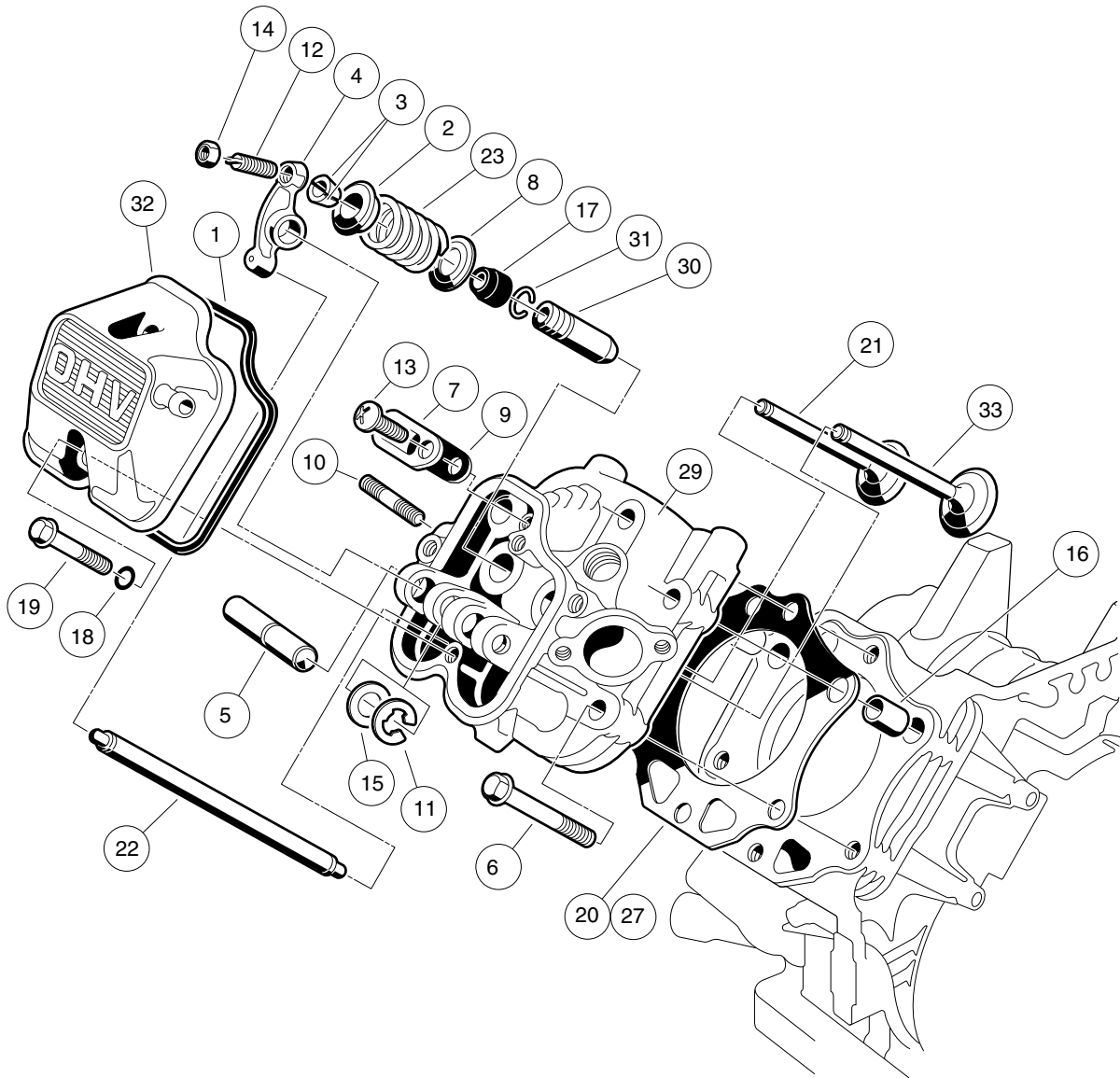


000202-002

AS26 FE350 ENGINE – IGNITION COMPONENTS AND FLYWHEEL

ITEM	PART NO.	DESCRIPTION	QTY
		1 2 3 4	
1	<u>1016455</u>	Bolt, Flange Head	2
2	<u>1016544</u>	Screw	1
3	<u>1016561</u>	Clamp	1
4	<u>1016562</u>	Key	1
5	<u>1016587</u>	Clamp	1
6	<u>1016588</u>	Tube, 7mm X 10mm X 70mm	1
7	<u>1017448</u>	Bolt, Flanged	3
8	<u>1017455</u>	Plate, Flywheel Fan	1
9	<u>1017463</u>	Cap Asm Plug	1
10	<u>1017490</u>	Washer, Flat	1
11	<u>101916301</u>	Fan (cw)	1
12	N/A	Nut, Hex, 18 mm Fine	1
13	<u>103616501</u>	Ignition, Coil Asm	1
14	<u>103616601</u>	Flywheel Comp	1
15	<u>103616701</u>	Ignition, Wire Lead	1
16	103616801	Ignition, Grommet	1
17	<u>AM1232301</u>	Spark Plug, BPR2ES	1

7
G



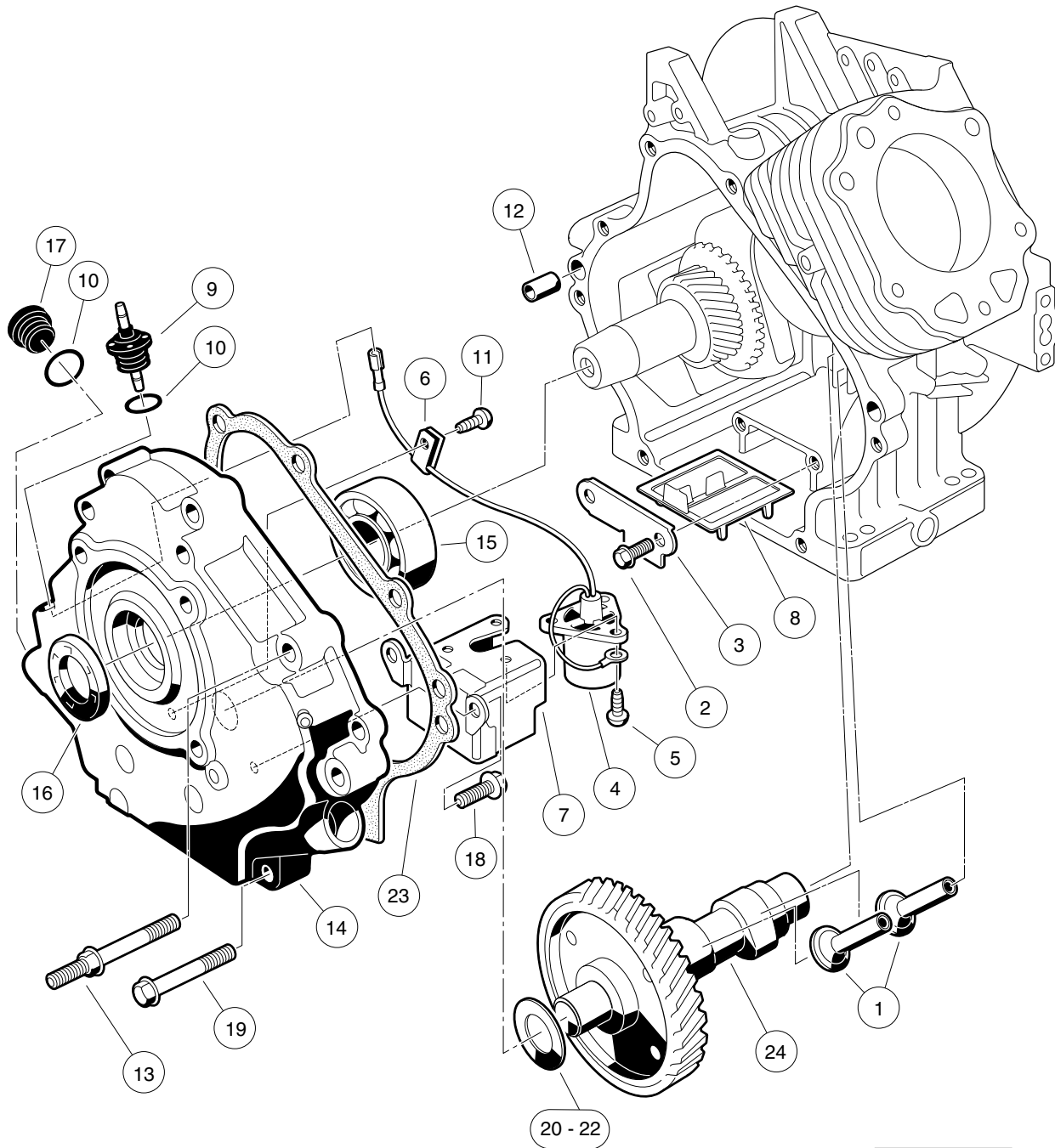
000204-002

AS26 FE350 ENGINE – CYLINDER HEAD

ITEM	PART NO.	DESCRIPTION	QTY
		1 2 3 4	
1	<u>1016436</u>	Gasket, Rocker Case	1
2	<u>1016449</u>	Retainer, Valve Spring	2
3	<u>1016450</u>	Collet	4
4	<u>1016451</u>	Arm, Rocker	2
5	<u>1016452</u>	Shaft, Rocker	1
6	<u>1016458</u>	Bolt, Flange Head, M8 x 1.25 x 45 mm	6
7	<u>1016474</u>	Plate	1
8	<u>1016479</u>	Seat, Spring	2
9	<u>1016483</u>	Valve	1
10	<u>1016489</u>	Stud, Two-Ended, M8-1.25	2
11	<u>1016517</u>	Circlip, Type-E	1
12	<u>1016542</u>	Screw	2
13	<u>1016544</u>	Screw	1
14	<u>1016545</u>	Nut	2
15	<u>1016549</u>	Washer, 12.1x19x1.8	1
16	<u>1016563</u>	Pin	2
17	<u>1016566</u>	Seal, Oil	2
18	<u>1016569</u>	O-Ring	2
19	<u>1016583</u>	Bolt, 6x35	2
20	<u>1017434</u>	Gasket, Head	1
21	<u>1017445</u>	Valve, Exhaust	1
22	<u>1017454</u>	Rod, Push	2
23	<u>1017473</u>	Spring, Engine Valve	2
24	<u>102304801</u>	Kit, Gasket, FE350 (includes items 25 through 28)	1
25	<u>1016440</u>	Gasket, Engine to Insulator	1
26	<u>1016904</u>	Gasket, Exhaust	1
27	<u>1017434</u>	Gasket, Head	1
28	<u>1017443</u>	Gasket, Crankcase Cover	1
29	<u>103615601</u>	Cylinder Head, Fe350 S26, S27	1
30	<u>103615701</u>	Case, Rocker, Fe350 S26 S27	1
31	<u>103616301</u>	Valve, Intake, Hard Tip	1
		Note: Item 24 is not a component of the FE350 engine.	

7

G

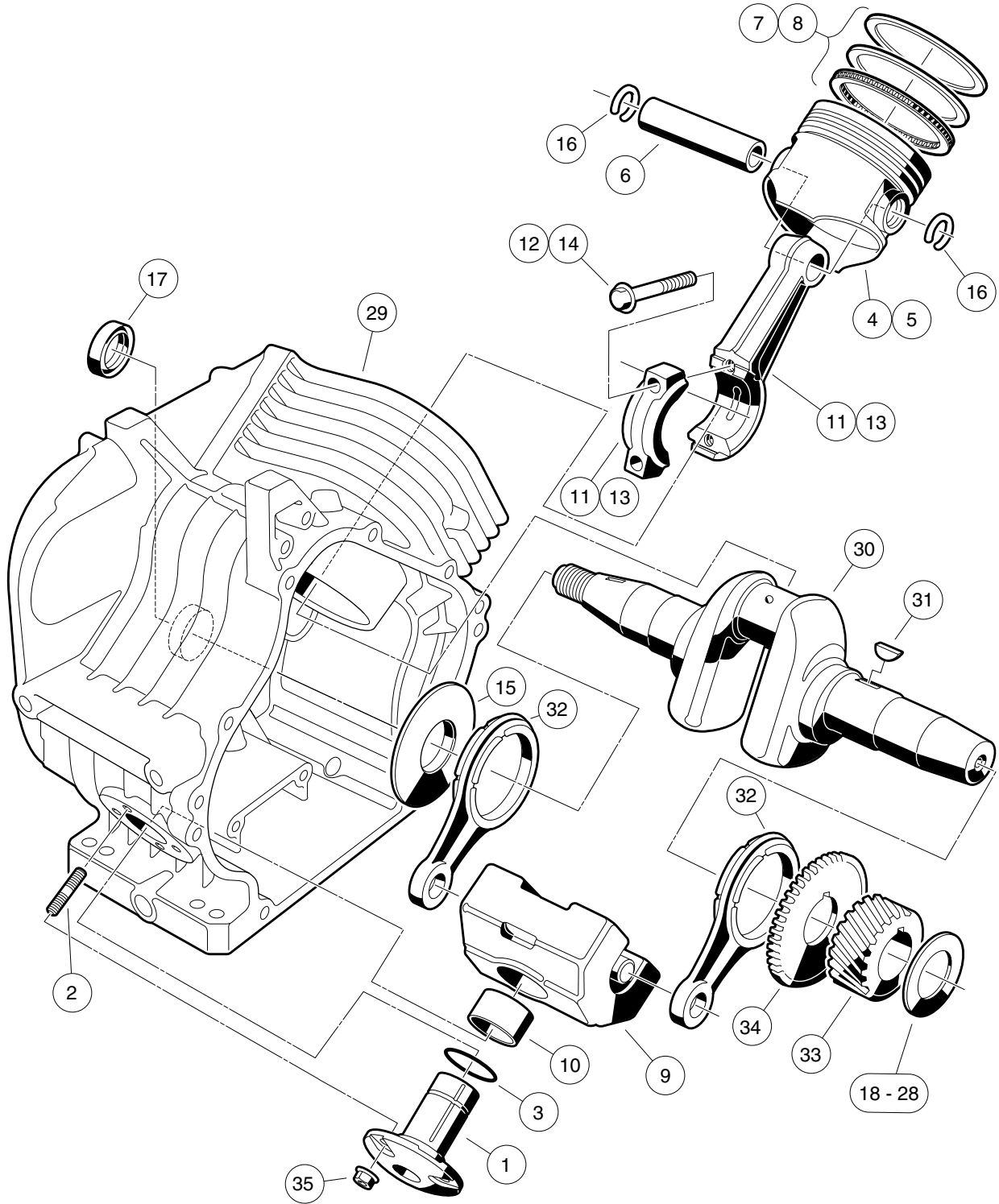


000205-003

AS26 FE350 ENGINE – CRANKCASE AND CRANKSHAFT OIL SENSOR

ITEM	PART NO.	DESCRIPTION	QTY
		1 2 3 4	
1	1016453	Tappet	2
2	<u>1016454</u>	Bolt, Flange Head, M5 x 0.8 x 8 mm	2
3	<u>1016472</u>	Plate, Oil Filter Screen	1
4	1016494	Sensor, Oil Level	1
5	<u>1016496</u>	Screw, Cross Pan-Head, M4 x 0.7 x 8 mm	3
6	<u>1016506</u>	Clamp	1
7	<u>1016510</u>	Bracket, Switch, Oil Level	1
8	<u>1016521</u>	Screen, Oil Filter	1
9	<u>1016535</u>	Connector, Cord	1
10	<u>1016538</u>	O-Ring	2
11	<u>1016544</u>	Screw	1
12	<u>1016564</u>	Pin	2
13	<u>1016584</u>	Bolt, Two-Ended, M8 x 1.25 x 69 mm	2
14	<u>1017472</u>	Cover Crankcase	1
15	<u>1017487</u>	Bearing, Ball	1
16	<u>1017504</u>	Seal, Oil	1
17	1017508	Plug	1
18	<u>1017513</u>	Bolt Switch Bracket	2
19	<u>1017514</u>	Screw, M8-1.25 X 45mm Hex	6
20	<u>101751801</u>	Shim, 0.3	1
21	<u>101751802</u>	Shim, 0.4	1
22	<u>101751803</u>	Shim, 0.5	1
23	<u>103615901</u>	Gasket, Crankcase Cover	1
24	<u>103616401</u>	Camshaft Comp	1

7
G



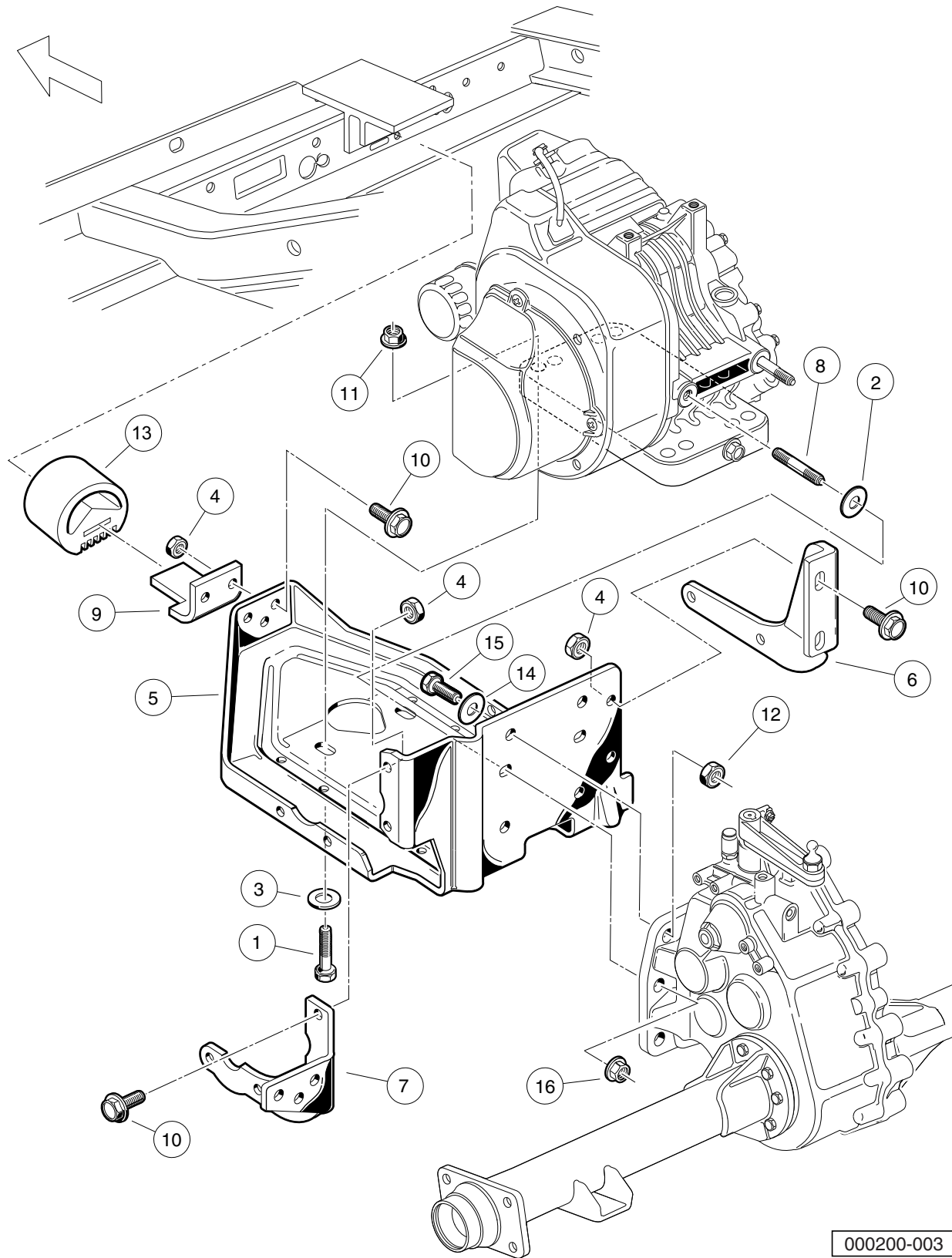
000206-001

AS26 FE350 ENGINE – CRANKCASE AND CRANKSHAFT

ITEM	PART NO.	DESCRIPTION	QTY
		1 2 3 4	
1	1016470	Shaft, Guide, Counterbalance	1
2	<u>1016541</u>	Stud, 6x14	4
3	<u>1016571</u>	O-Ring	1
4	<u>101744901</u>	Piston, Standard	1
5	<u>101744902</u>	Piston, 0.50 mm Oversize	1
6	1017450	Pin, Piston	1
7	<u>101745101</u>	Ring Set, Standard Piston	1
8	<u>101745102</u>	Ring Set, Piston, 0.50 mm Oversize	1
9	<u>1017453</u>	Fe400 Counterbalance Weight (includes item 10)	1
10	1017510	Bearing, Plain	1
11	101745701	Asm, Con. Rod Std (includes item 12)	1
12	<u>1017512</u>	Bolt	2
13	<u>101745702</u>	Rod Assembly Connecting Rod 0.5mm (includes item 14)	1
14	<u>1017512</u>	Bolt	2
15	1017501	Spacer	1
16	<u>1017502</u>	Snap Ring	2
17	<u>1017503</u>	Seal, Oil	1
18	<u>101773301</u>	Shim, Crankshaft, 1.18mm	1
19	<u>101773302</u>	Shim, Crankshaft, 1.25mm	1
20	<u>101773303</u>	Shim, Crankshaft, 1.32mm	1
21	<u>101773304</u>	Shim, Crankshaft, 1.39mm	1
22	<u>101773305</u>	Shim, Crankshaft, 1.46mm	1
23	<u>101773306</u>	Shim, Crankshaft, 1.53mm	1
24	<u>101773307</u>	Shim, Crankshaft, 1.60mm	1
25	<u>101773308</u>	Shim, Crankshaft, 1.67mm	1
26	<u>101773309</u>	Shim, Crankshaft, 1.74mm	1
27	<u>101773310</u>	Shim, Crankshaft, 1.11mm	1
28	<u>101773311</u>	Shim, Crankshaft, 1.81mm	1
29	<u>103615801</u>	Crankcase, Fe350 S26 S27	1
30	N/A	Crankshaft, Complete (includes items 31 through 34)	1
31	<u>1016562</u>	Key	1
32	<u>1017471</u>	Rod	2
33	N/A	Gear, Helical	1
34	N/A	Gear, Spur	1
35	103616201	Nut, M6 Flange	4

7
G

7
G



000200-003

FE350 ENGINE MOUNTING

ITEM	PART NO.	DESCRIPTION	QTY
		1 2 3 4	
1	<u>1010577</u>	Bolt, Hex-Head, 5/16-18 X 1.50	4
2	<u>1011697</u>	Washer, 5/16 Flat	2
3	1012571	Washer, 5/16 Extra Thick Flat	4
4	<u>1013924</u>	Nut, 5/16-24 Hex Head Cone	10
5	<u>101827101</u>	Plate, Engine Mounting	1
6	<u>101832601</u>	Stiffener (PTO Side)	1
7	<u>101832701</u>	Stiffener (Flywheel Side)	1
8	<u>101833101</u>	Stud, M8-1.25 X 50 mm Two-Ended	2
9	<u>101834601</u>	Snubber Bracket	1
10	<u>101884801</u>	Screw, 5/16-24 X 0.875 Grade-8	10
11	<u>101963401</u>	Locknut, 5/16-18 Hex Flange	4
12	<u>102065901</u>	Locknut, 3/8-16 Flanged Dimple	4
13	<u>102540301</u>	Inner Frame Snubber	1
14	<u>334</u>	Washer, 3/8 Type A Flat	4
15	705	Screw, Cap-hex Hd 3/8-16x1.25	4
16	<u>96704416</u>	Nut Flg, M8 X 1.25 Serrated	2

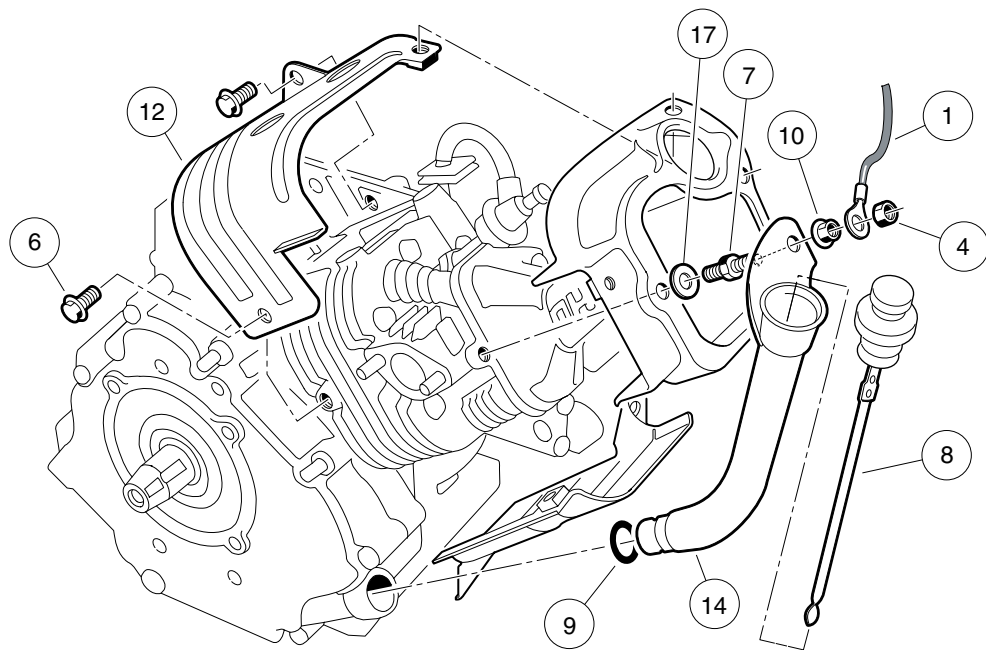
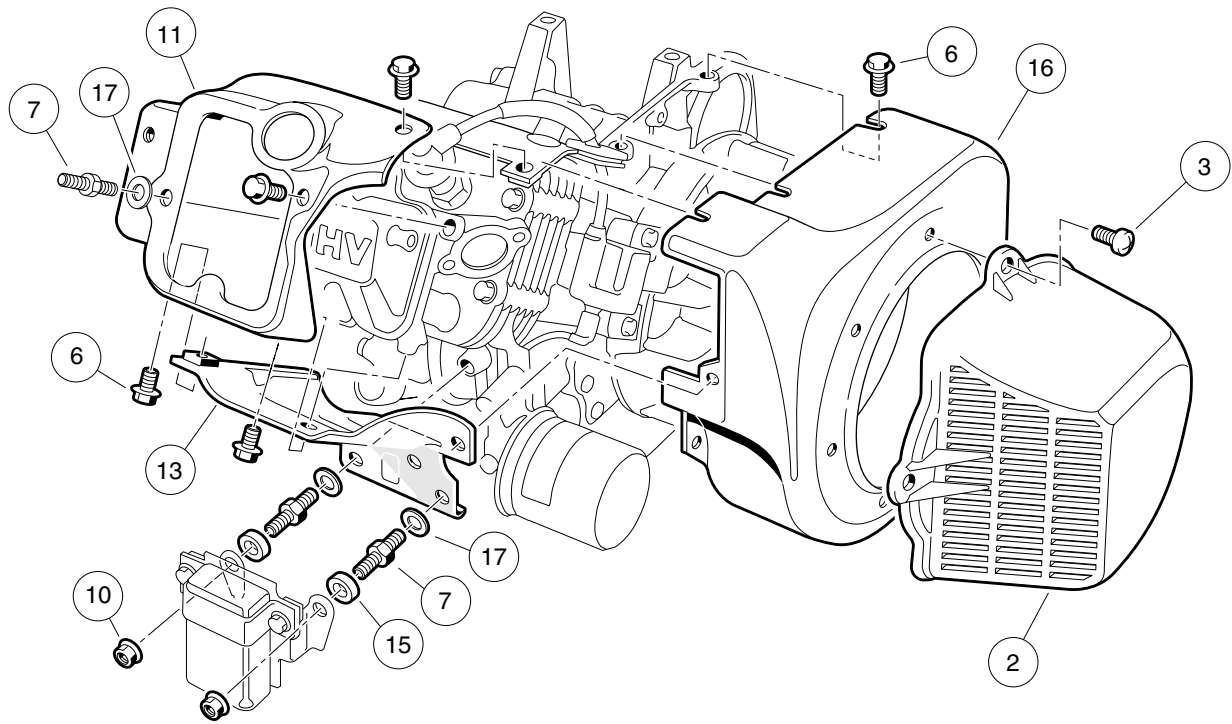
7

G

7

G

FE350 ENGINE WITH ACR

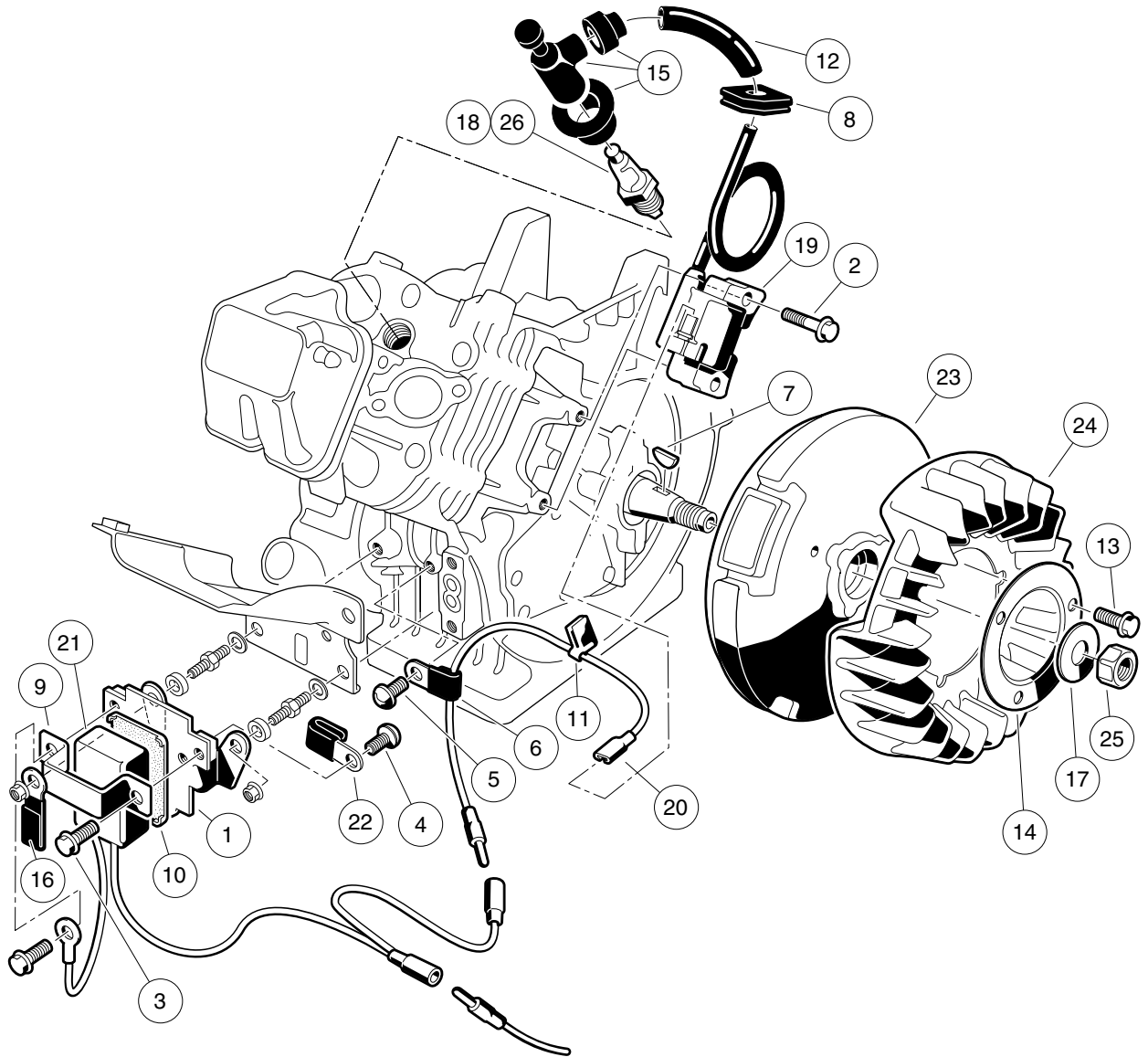


000201-001

FE350 ENGINE WITH ACR (AUTOMATIC COMPRESSION RELEASE) – SHROUDS AND BRACKETS

ITEM	PART NO.	DESCRIPTION	QTY
		1 2 3 4	
1	<u>1015332</u>	Wire Assembly, #10, Uninsulated	1
2	<u>1015649</u>	Shroud, Fan	1
3	<u>1015969</u>	Screw, M6-1.00 X 10mm Pan Hd	4
4	<u>101887601</u>	Locknut, M6-1.00 Nylon Insert	1
5	<u>101953801</u>	Engine, FE350 (cw) with ACR * (includes items 6 through 17)	1
6	1016456	Bolt, Flange Head, M6 x 1 x 12 mm	14
7	<u>1016507</u>	Bolt, Two-Ended	3
8	1016531	Dipstick	1
9	<u>1016539</u>	O-Ring	1
10	1016547	Nut, M6 Flange	3
11	<u>1017474</u>	Shroud, Engine	1
12	<u>1017475</u>	Shroud, Engine	1
13	<u>1017476</u>	Shroud, Engine	1
14	<u>1017486</u>	Tube, Oil Filler	1
15	<u>1017500</u>	Spacer 6.50 X 12 X 5.5	2
16	<u>101916101</u>	Housing, FE350 Fan	1
17	N/A	Washer, 6mm Flat	3
* Note: FE350 engine component listings span several pages.			

8
G

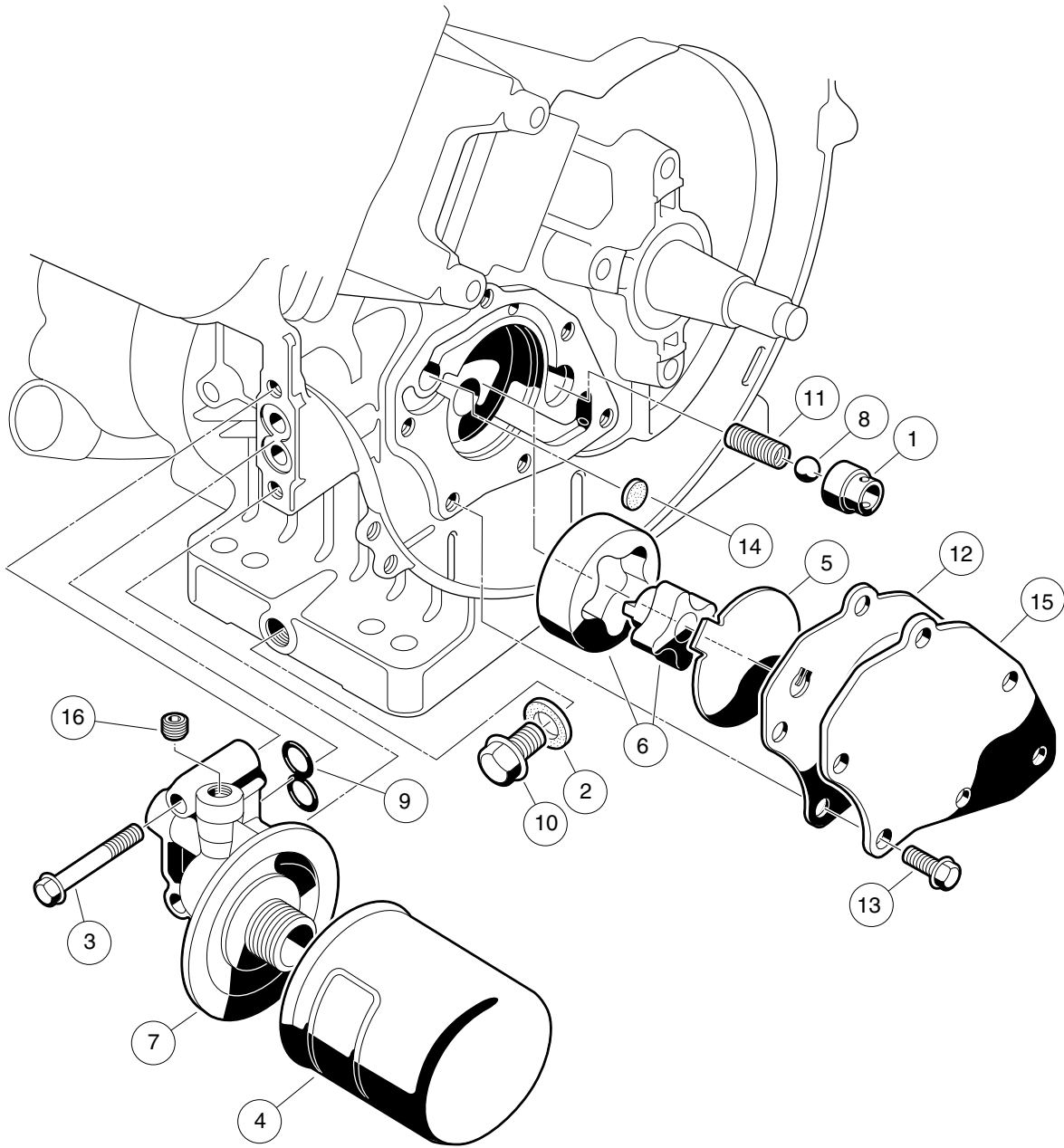


000202-001

AS11 FE350 ENGINE – IGNITION COMPONENTS AND FLYWHEEL

ITEM	PART NO.	DESCRIPTION	QTY
		1 2 3 4	
1	1016445	Bracket, RPM Limiter	1
2	<u>1016455</u>	Bolt, Flange Head	2
3	1016456	Bolt, Flange Head, M6 x 1 x 12 mm	2
4	<u>1016497</u>	Screw, Pan WP Cross	1
5	<u>1016544</u>	Screw	1
6	<u>1016561</u>	Clamp	1
7	<u>1016562</u>	Key	1
8	<u>1016578</u>	Ignition, Grommet	1
9	<u>1016579</u>	Band, RPM Limiter Mount	1
10	1016586	Damper, RPM Limiter	1
11	<u>1016587</u>	Clamp	1
12	<u>1016588</u>	Tube, 7mm X 10mm X 70mm	1
13	<u>1017448</u>	Bolt, Flanged	3
14	<u>1017455</u>	Plate, Flywheel Fan	1
15	<u>1017463</u>	Cap Asm Plug	1
16	<u>1017468</u>	Clamp	1
17	<u>1017490</u>	Washer, Flat	1
18	<u>101881101</u>	Spark Plug, OHV (Autolite)	1
19	<u>101909201</u>	Coil, Ignition	1
20	<u>101909301</u>	Lead Wire Assy	1
21	101909401	Limiter, RPM	1
22	101909501	Clamp, Steel	1
23	<u>101916201</u>	Flywheel	1
24	<u>101916301</u>	Fan (cw)	1
25	N/A	Nut, Hex, 18 mm Fine	1
26	<u>AM10724</u>	Spark Plug, OHV (NGK)	1

8
G



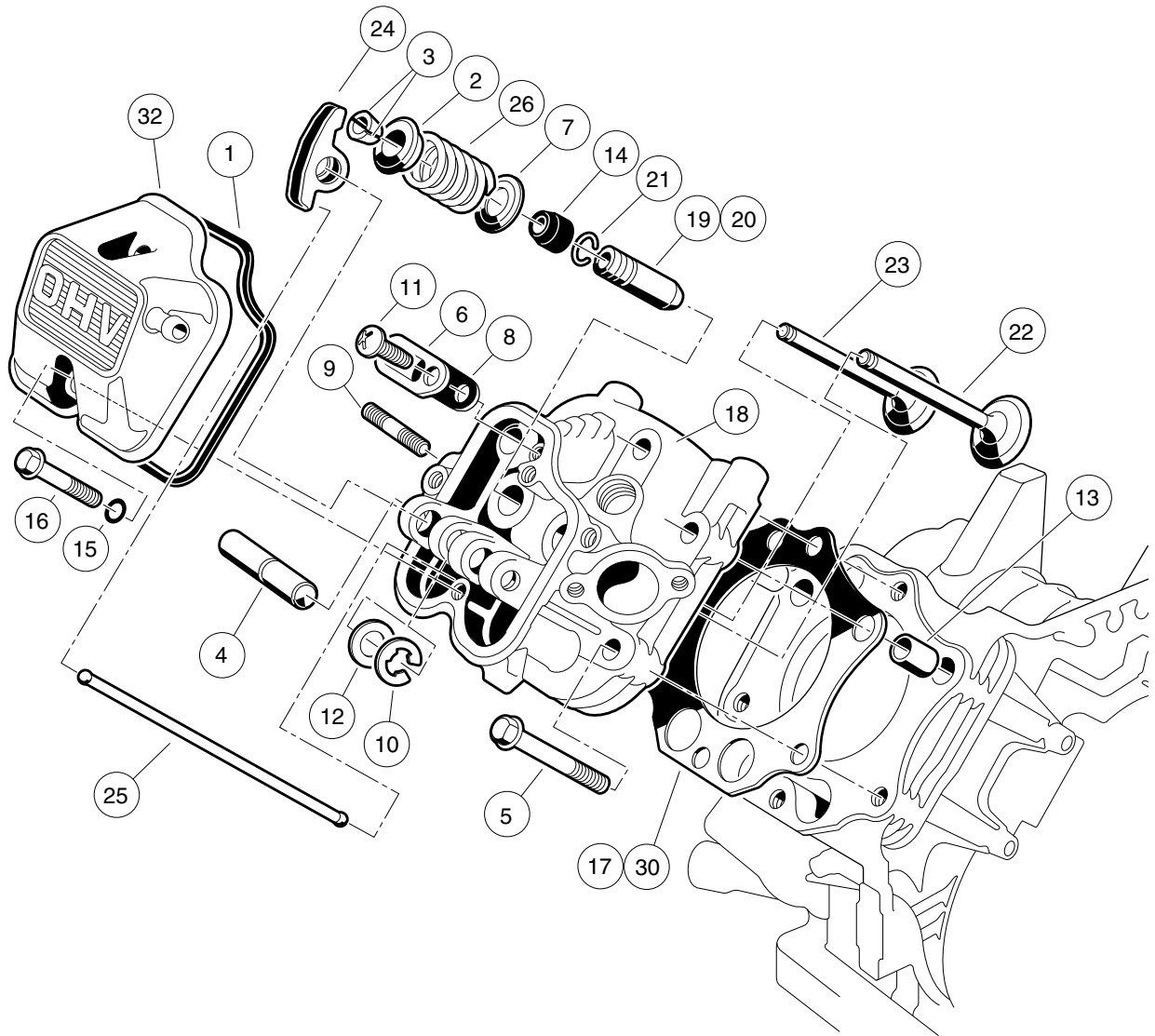
000203-001

FE350 ENGINE – OIL CIRCULATION

ITEM	PART NO.	DESCRIPTION	QTY
		1 2 3 4	
1	1016429	Seat, Value Oil Press Relief	1
2	<u>1016432</u>	Gasket, Drain Plug	1
3	<u>1016457</u>	Bolt, Flange Head	2
4	<u>1016467</u>	Filter, Oil	1
5	<u>1016473</u>	Plate, Oil Pump	1
6	<u>101648203</u>	Oil Pump And Rotor	1
7	<u>1016502</u>	Bracket, Oil Filter Mount	1
8	<u>1016537</u>	Ball, Steel, Press, Relief	1
9	<u>1016570</u>	O-Ring	1
10	1016576	Plug, Drain	1
11	<u>1016581</u>	Spring	1
12	<u>1017442</u>	Gasket	1
13	<u>1017456</u>	Bolt, Flanged	6
14	<u>1017458</u>	Filter	1
15	<u>1017460</u>	Cover, Pump	1
16	<u>1017507</u>	Plug	2

8

G

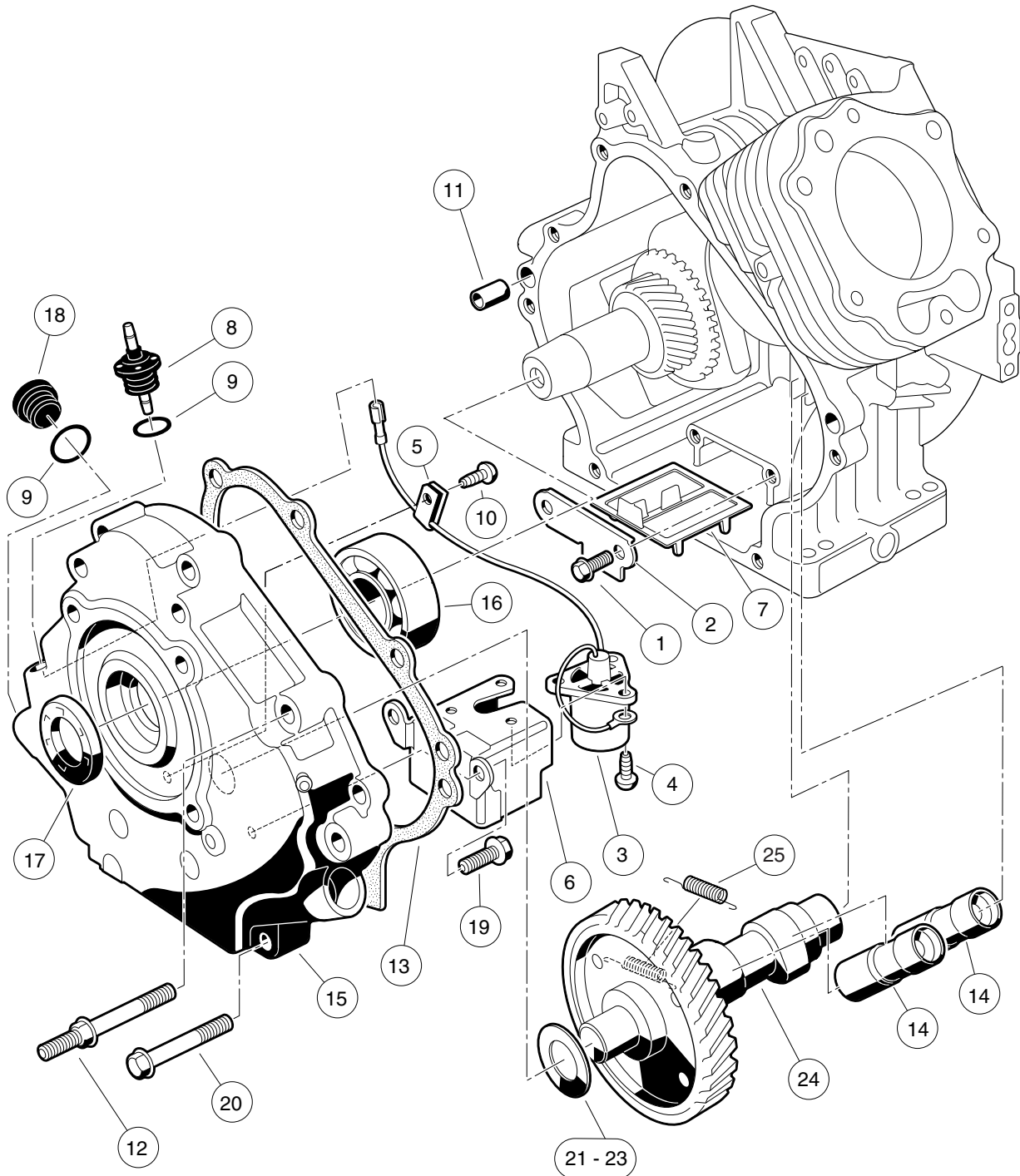


000204-001

AS11 FE350 ENGINE – CYLINDER HEAD

ITEM	PART NO.	DESCRIPTION	QTY
		1 2 3 4	
1	<u>1016436</u>	Gasket, Rocker Case	1
2	<u>1016449</u>	Retainer, Valve Spring	2
3	<u>1016450</u>	Collet	4
4	<u>1016452</u>	Shaft, Rocker	1
5	<u>1016458</u>	Bolt, Flange Head, M8 x 1.25 x 45 mm	6
6	<u>1016474</u>	Plate	1
7	<u>1016479</u>	Seat, Spring	2
8	<u>1016483</u>	Valve	1
9	<u>1016489</u>	Stud, Two-Ended, M8-1.25	2
10	<u>1016517</u>	Circlip, Type-E	1
11	<u>1016544</u>	Screw	1
12	<u>1016549</u>	Washer, 12.1x19x1.8	1
13	<u>1016563</u>	Pin	2
14	<u>1016566</u>	Seal, Oil	2
15	<u>1016569</u>	O-Ring	2
16	<u>1016583</u>	Bolt, 6x35	2
17	<u>1017434</u>	Gasket, Head	1
18	<u>1017435</u>	Assembly, Cylinder Head, FE350 (includes items 19 through 21)	1
19	<u>1016518</u>	Guide, Valve, Exhaust	1
20	<u>1016519</u>	Guide, Valve	1
21	<u>1016560</u>	Snap Ring	2
22	<u>1017444</u>	Valve, Intake	1
23	<u>1017445</u>	Valve, Exhaust	1
24	<u>1017446</u>	Arm, Rocker	2
25	<u>1017454</u>	Rod, Push	2
26	<u>1017473</u>	Spring, Engine Valve	2
27	<u>102304801</u>	Kit, Gasket, FE350 (includes items 28 through 31)	1
28	<u>1016440</u>	Gasket, Engine to Insulator	1
29	<u>1016904</u>	Gasket, Exhaust	1
30	<u>1017434</u>	Gasket, Head	1
31	<u>1017443</u>	Gasket, Crankcase Cover	1
32	<u>102753401</u>	Case, Rocker	1
		Note: Item 28 is not a component of the FE350 engine.	

8
G

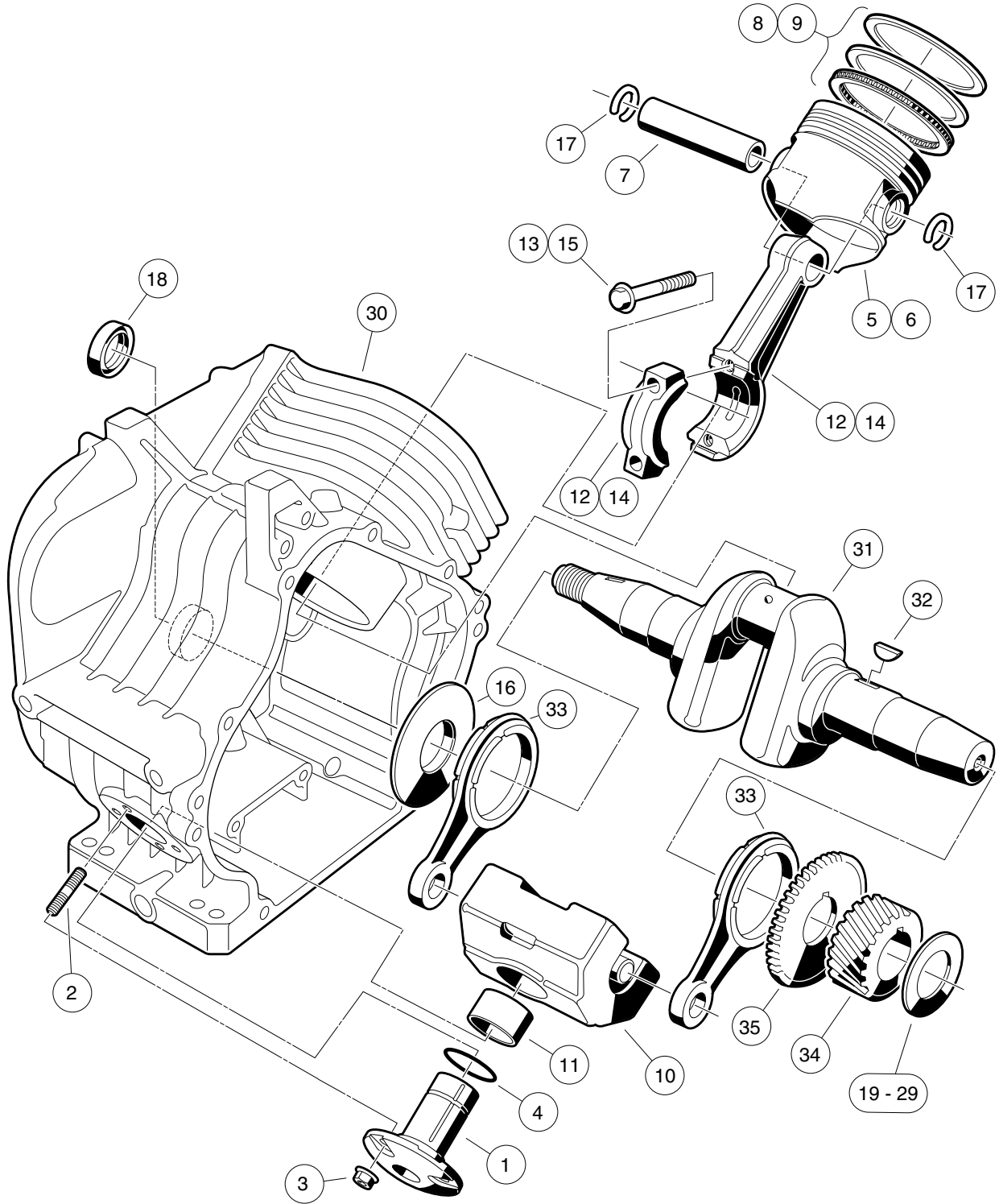


000205-001

FE350 ENGINE WITH ACR – CRANKCASE, CAMSHAFT, AND OIL SENSOR

ITEM	PART NO.	DESCRIPTION	QTY
		1 2 3 4	
1	<u>1016454</u>	Bolt, Flange Head, M5 x 0.8 x 8 mm	2
2	<u>1016472</u>	Plate, Oil Filter Screen	1
3	1016494	Sensor, Oil Level	1
4	<u>1016496</u>	Screw, Cross Pan-Head, M4 x 0.7 x 8 mm	3
5	<u>1016506</u>	Clamp	1
6	<u>1016510</u>	Bracket, Switch, Oil Level	1
7	<u>1016521</u>	Screen, Oil Filter	1
8	<u>1016535</u>	Connector, Cord	1
9	<u>1016538</u>	O-Ring	2
10	<u>1016544</u>	Screw	1
11	<u>1016564</u>	Pin	2
12	<u>1016584</u>	Bolt, Two-Ended, M8 x 1.25 x 69 mm	2
13	<u>1017443</u>	Gasket, Crankcase Cover	1
14	<u>1017447</u>	Adjuster, Lash	2
15	<u>1017472</u>	Cover Crankcase	1
16	<u>1017487</u>	Bearing, Ball	1
17	<u>1017504</u>	Seal, Oil	1
18	1017508	Plug	1
19	<u>1017513</u>	Bolt Switch Bracket	2
20	<u>1017514</u>	Screw, M8-1.25 X 45mm Hex	6
21	<u>101751801</u>	Shim, 0.3	1
22	<u>101751802</u>	Shim, 0.4	1
23	<u>101751803</u>	Shim, 0.5	1
24	<u>102271601</u>	Camshaft, FE350/FE400 with ACR, 44-tooth (includes item 25)	1
25	<u>1017511</u>	Spring	1

8
G



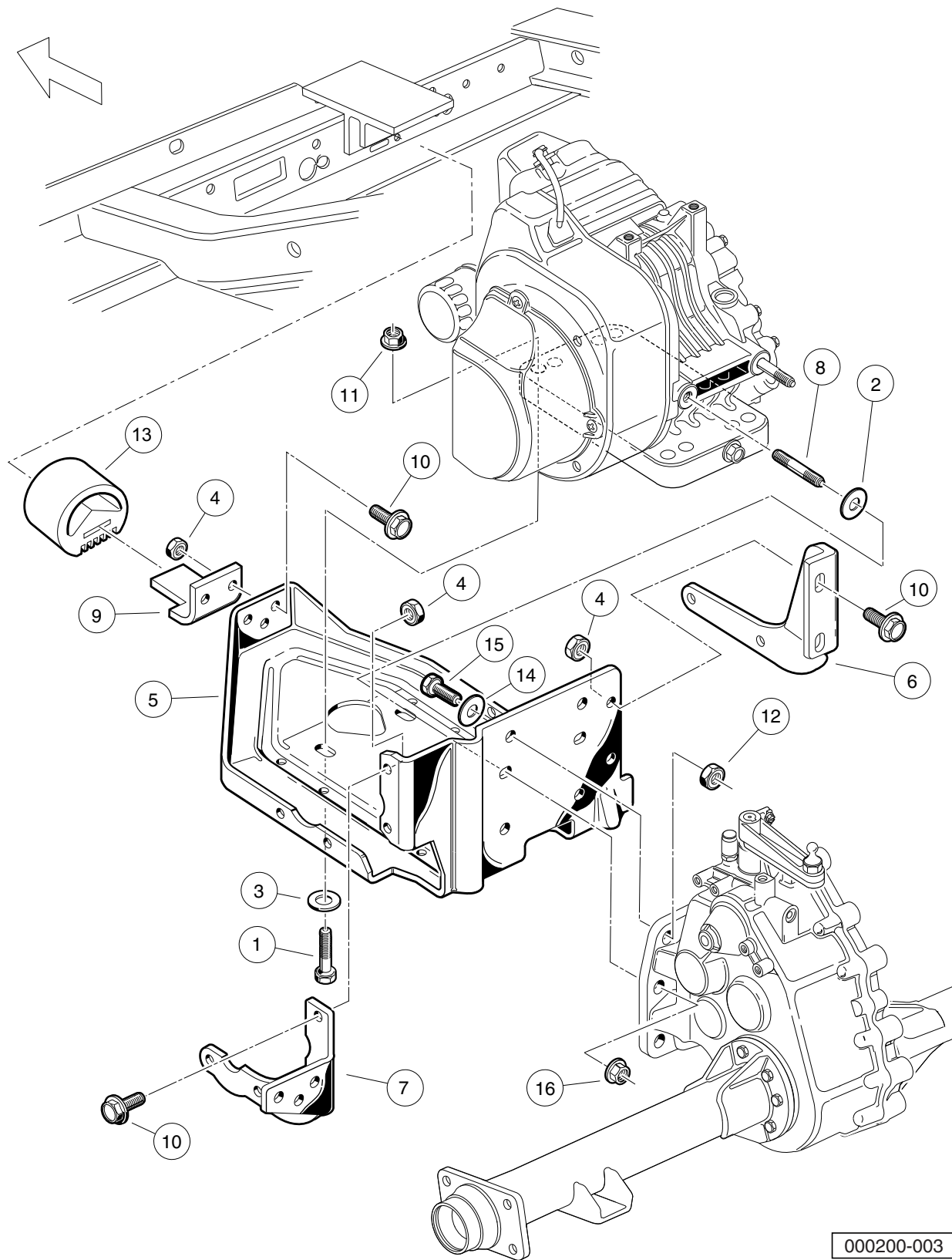
000206-001

AS11 FE350 ENGINE – CRANKCASE AND CRANKSHAFT

ITEM	PART NO.	DESCRIPTION	QTY
		1 2 3 4	
1	1016470	Shaft, Guide, Counterbalance	1
2	<u>1016541</u>	Stud, 6x14	4
3	1016547	Nut, M6 Flange	4
4	<u>1016571</u>	O-Ring	1
5	<u>101744901</u>	Piston, Standard	1
6	<u>101744902</u>	Piston, 0.50 mm Oversize	1
7	1017450	Pin, Piston	1
8	<u>101745101</u>	Ring Set, Standard Piston	1
9	<u>101745102</u>	Ring Set, Piston, 0.50 mm Oversize	1
10	<u>1017453</u>	Fe400 Counterbalance Weight (includes item 11)	1
11	1017510	Bearing, Plain	1
12	101745701	Asm, Con. Rod Std (includes item 13)	1
13	<u>1017512</u>	Bolt	2
14	<u>101745702</u>	Rod Assembly Connecting Rod 0.5mm (includes item 15)	1
15	<u>1017512</u>	Bolt	2
16	1017501	Spacer	1
17	<u>1017502</u>	Snap Ring	2
18	<u>1017503</u>	Seal, Oil	1
19	<u>101773301</u>	Shim, Crankshaft, 1.18mm	1
20	<u>101773302</u>	Shim, Crankshaft, 1.25mm	1
21	<u>101773303</u>	Shim, Crankshaft, 1.32mm	1
22	<u>101773304</u>	Shim, Crankshaft, 1.39mm	1
23	<u>101773305</u>	Shim, Crankshaft, 1.46mm	1
24	<u>101773306</u>	Shim, Crankshaft, 1.53mm	1
25	<u>101773307</u>	Shim, Crankshaft, 1.60mm	1
26	<u>101773308</u>	Shim, Crankshaft, 1.67mm	1
27	<u>101773309</u>	Shim, Crankshaft, 1.74mm	1
28	<u>101773310</u>	Shim, Crankshaft, 1.11 mm	1
29	<u>101773311</u>	Shim, Crankshaft, 1.81mm	1
30	<u>101916001</u>	Crankcase Complete, FE350 (cw)	1
31	<u>102430901</u>	Crankshaft, FE350 Left-Hand, 22-Tooth (includes items 32 through 35)	1
32	<u>1016562</u>	Key	1
33	<u>1017471</u>	Rod	2
34	N/A	Gear, Helical	1
35	N/A	Gear, Spur	1

8
G

8
G



000200-003

FE350 ENGINE MOUNTING

ITEM	PART NO.	DESCRIPTION	QTY
		1 2 3 4	
1	<u>1010577</u>	Bolt, Hex-Head, 5/16-18 X 1.50	4
2	<u>1011697</u>	Washer, 5/16 Flat	2
3	1012571	Washer, 5/16 Extra Thick Flat	4
4	<u>1013924</u>	Nut, 5/16-24 Hex Head Cone	10
5	<u>101827101</u>	Plate, Engine Mounting	1
6	<u>101832601</u>	Stiffener (PTO Side)	1
7	<u>101832701</u>	Stiffener (Flywheel Side)	1
8	<u>101833101</u>	Stud, M8-1.25 X 50 mm Two-Ended	2
9	<u>101834601</u>	Snubber Bracket	1
10	<u>101884801</u>	Screw, 5/16-24 X 0.875 Grade-8	10
11	<u>101963401</u>	Locknut, 5/16-18 Hex Flange	4
12	<u>102065901</u>	Locknut, 3/8-16 Flanged Dimple	4
13	<u>102540301</u>	Inner Frame Snubber	1
14	<u>334</u>	Washer, 3/8 Type A Flat	4
15	705	Screw, Cap-hex Hd 3/8-16x1.25	4
16	<u>96704416</u>	Nut Flg, M8 X 1.25 Serrated	2

8

G

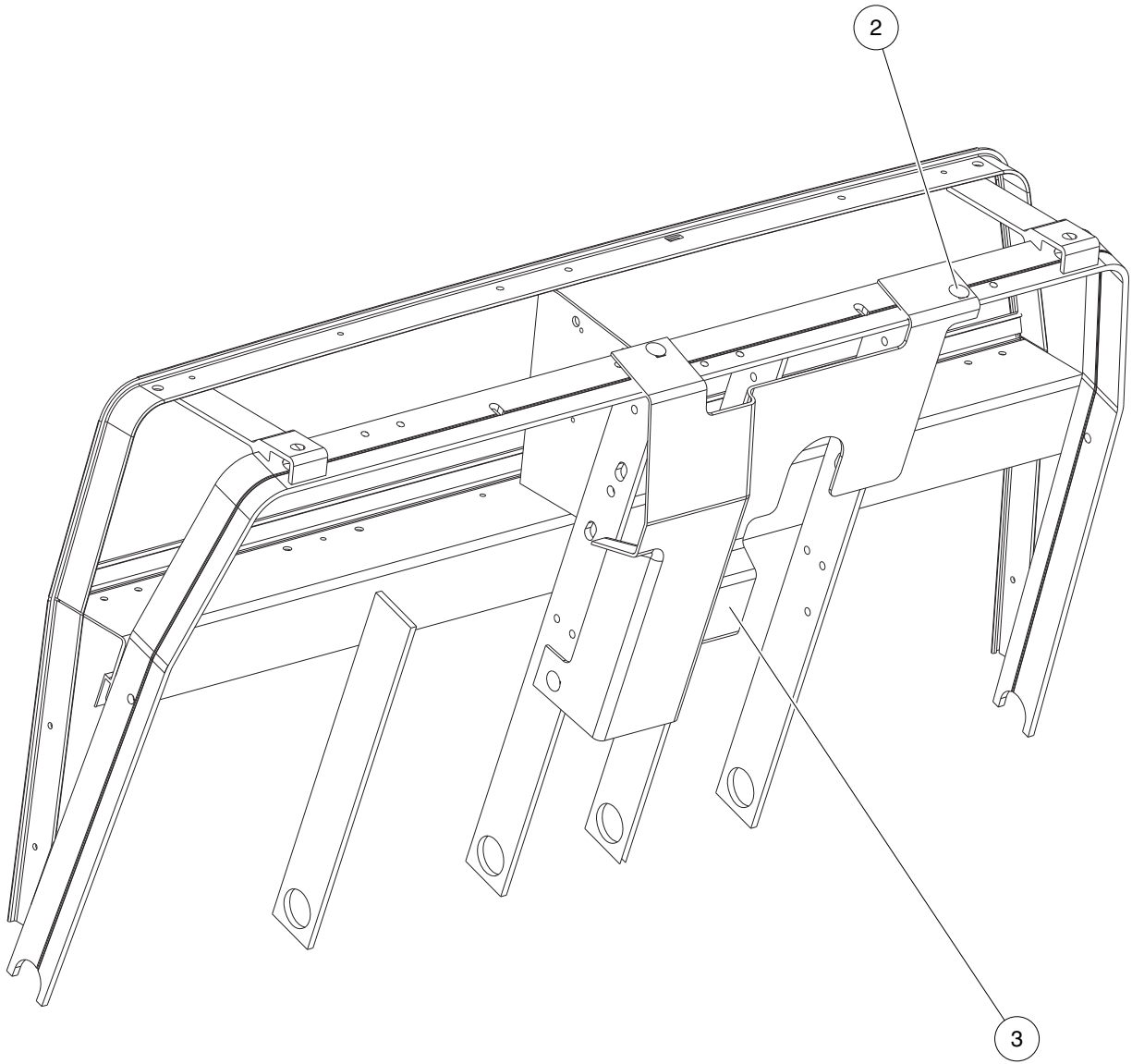
8

G

FUEL, INTAKE, AND GOVERNOR SYSTEMS

9

G



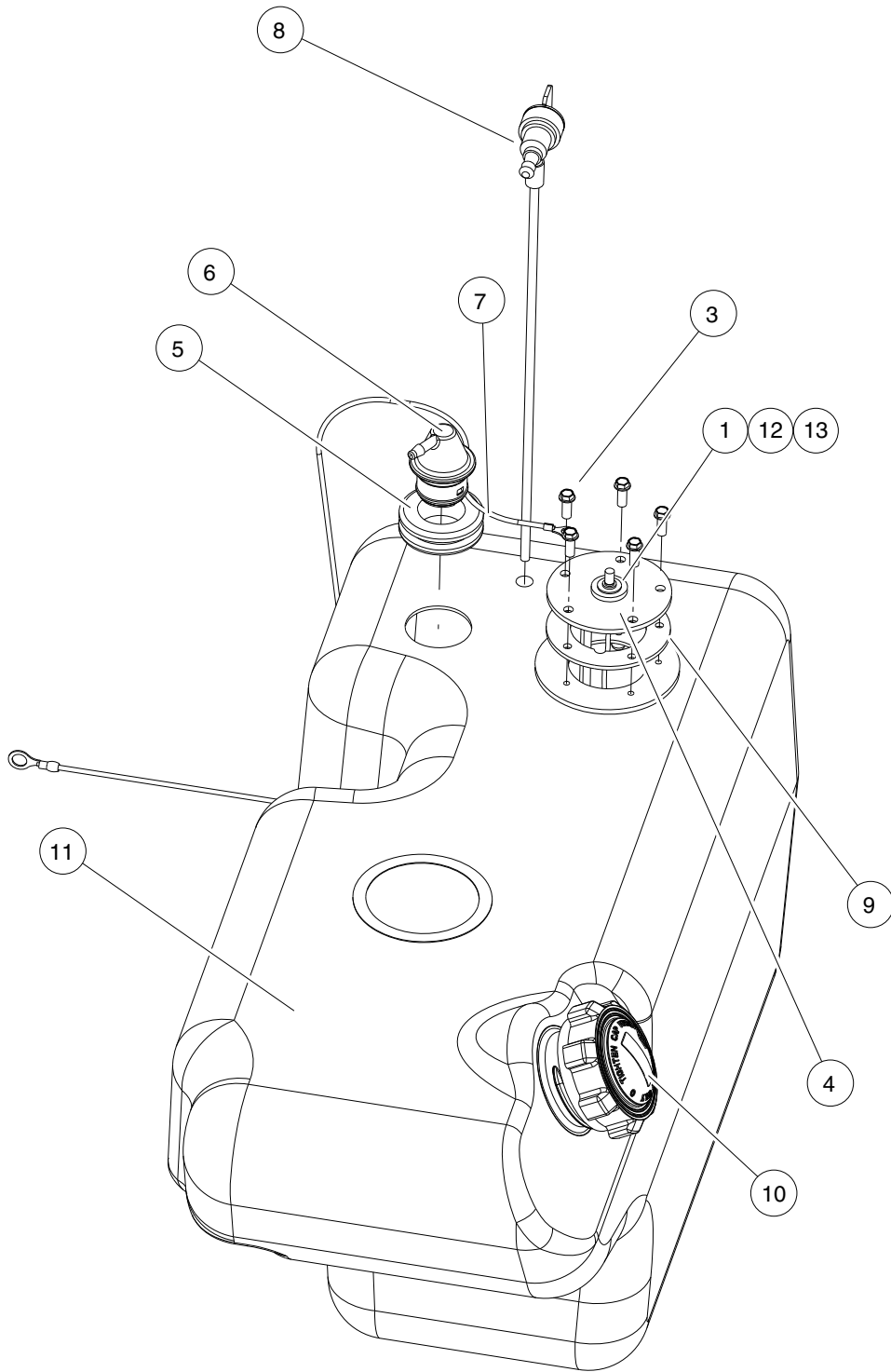
000593-001

SPLASH GUARD

ITEM	PART NO.	DESCRIPTION	QTY
		1 2 3 4	
1	N/A	Instl, Splashguard, Ca (includes items 2 and 3)	1
2	<u>1010434</u>	Barrel - Plastic	3
3	<u>103174401</u>	Splash Guard	1

9

G

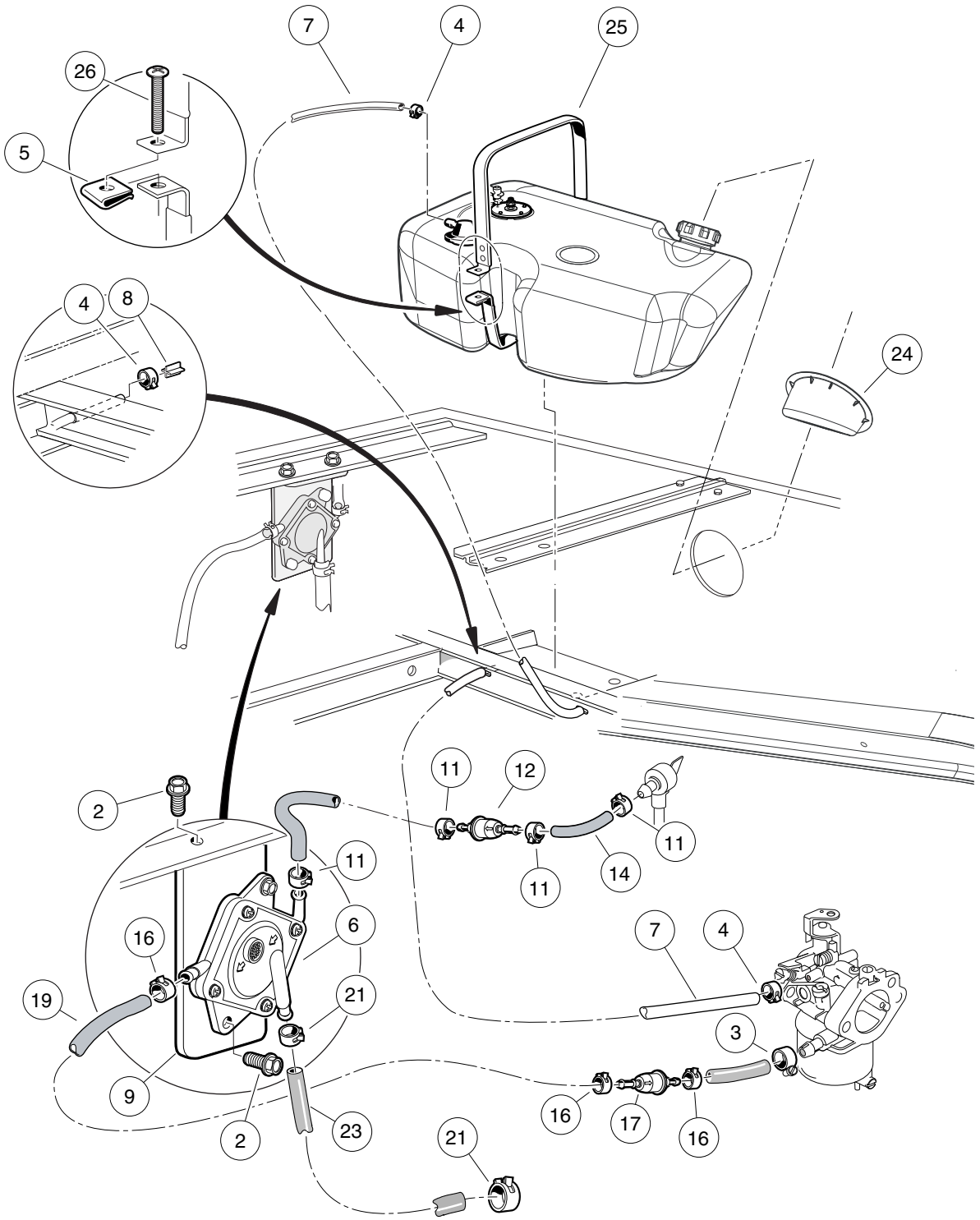


000609-001

FUEL TANK (NON-CLIFORNIA) WITH SENDING UNIT

ITEM	PART NO.	DESCRIPTION	QTY
		1 2 3 4	
1	<u>1016</u>	Lockwasher, #10 Split	1
2	103187601	Asm, Fuel Tank, Side Fill, Su (includes items 3 through 11)	1
3	<u>1013461</u>	Screw, #10-16 Hex-Head Hi-Lo	5
4	<u>1013462</u>	Sending Unit, Fuel Level *	1
5	<u>1015139</u>	Insulation Grommet	1
6	<u>1015143</u>	Vent, Fuel Tank	1
7	1015921	Wire Assembly #16 Black	1
8	<u>102513701</u>	Valve - Fuel Pickup Tube	1
9	<u>102522001</u>	Gasket, Rubber	1
10	<u>102751601</u>	Cap, Fuel Tank, Gasoline	1
11	102974201	Tank, Fuel, Side Fill	1
12	<u>183</u>	Washer, #10 Type A Flat	1
13	<u>8797</u>	Nut, #10-32 Brass Hex	1
<p style="margin-left: 40px;">* Note: Must replace fuel sending unit gasket when servicing this component.</p>			

9
G



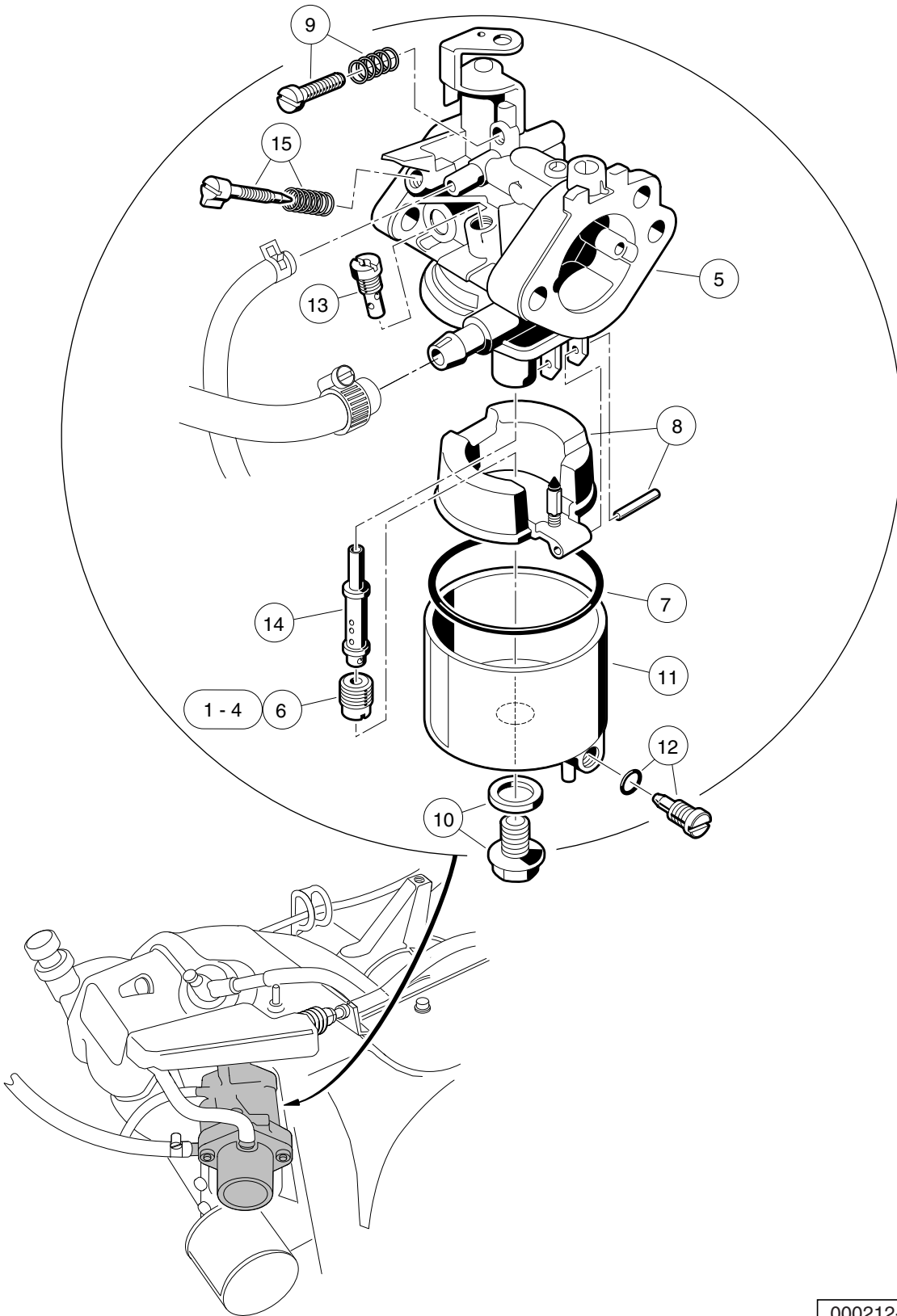
000602-001

FUEL SYSTEM

9

G

ITEM	PART NO.	DESCRIPTION	QTY
		1 2 3 4	
1	N/A	Instl, Fuel Sys, Side Fill,ca1 (includes items 2 through 26)	1
2	<u>1012285</u>	Screw, 1/4 X 0.625 Hex-Head	4
3	<u>1013687</u>	Clamp, 3/8" Hose (screw type)	1
4	<u>1013746</u>	Clamp, 0.301 ID Hose	3
5	<u>1014116</u>	Nut, 1/4-20 Speed	1
6	<u>1015137</u>	Fuel Line (available by the foot)	1
7	<u>101824401</u>	Vent Barb	1
8	<u>101929501</u>	Mount Fuel Pump	1
9	N/A	Asm, Fuel Filter 14.93" J1737 (includes items 10 through 13)	1
10	<u>1012649</u>	Clamp, 0.460 Red Hose	4
11	<u>102003201</u>	Filter, Fuel, 30 Micron	1
12	N/A	Cap, Plug, Plastic	2
13	<u>102865101</u>	Fuel Line	1
14	N/A	Asm, Fuel Filter 16.93" J1737 (includes items 15 through 18)	1
15	<u>1012649</u>	Clamp, 0.460 Red Hose	3
16	<u>102003201</u>	Filter, Fuel, 30 Micron	1
17	N/A	Cap, Plug, Plastic	2
18	<u>102865101</u>	Fuel Line	1
19	N/A	Asm, Fuel Line 16" J1737 (includes items 20 through 22)	1
20	<u>1012649</u>	Clamp, 0.460 Red Hose	2
21	N/A	Cap, Plug, Plastic	2
22	<u>102865101</u>	Fuel Line	1
23	<u>102977901</u>	Bezel, Fuel Fill, 5.0 Dia	1
24	<u>102978001</u>	Strap, Fuel Tank, Side Fill	1
25	<u>103306301</u>	Screw, Bhsc, 1/4-20 X 2.0	1
26	<u>103781101</u>	Kit, Fuel Pump Retrofit (includes items 27 and 28)	1
27	<u>103010101</u>	Pump, Fuel, Impulse, Fh	1
28	103781201	Instr, Fuel Pump Retrofit	1



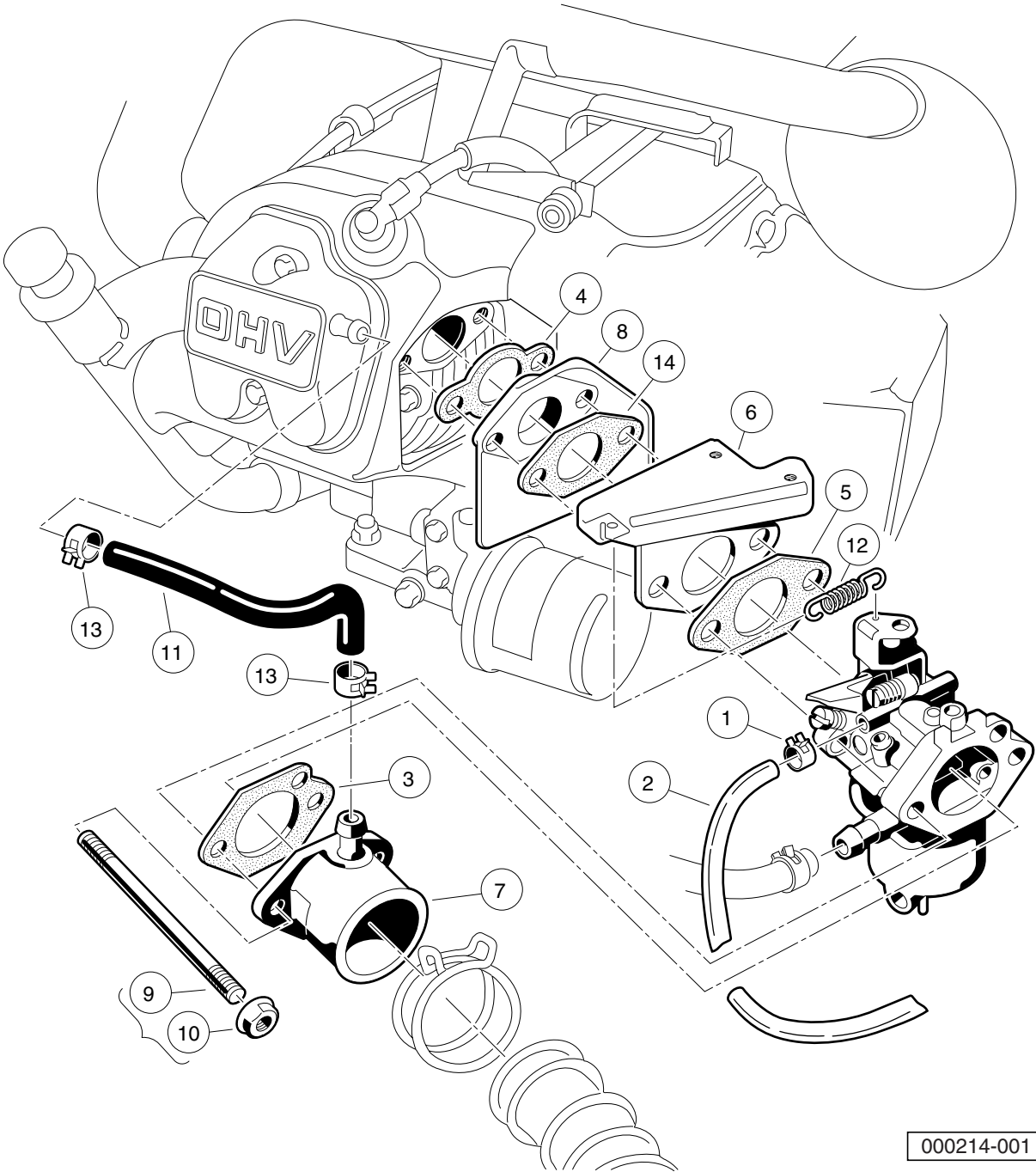
000212-001

CARBURETOR ASSEMBLY – FE350

ITEM	PART NO.	DESCRIPTION	QTY
		1 2 3 4	
1	<u>101642575</u>	Jet, Altitude, # 75	1
2	<u>101642578</u>	Jet, Altitude, # 78	1
3	<u>101642580</u>	Jet, Altitude, # 80	1
4	<u>101642582</u>	Jet, Altitude, # 82	1
5	<u>101905901</u>	Carburetor, FE350D (includes items 6 through 15)	1
6	<u>101642585</u>	Jet, Altitude, # 85	1
7	<u>1016437</u>	Gasket, Carburetor Bowl OHV	1
8	<u>1016486</u>	Float Assembly	1
9	<u>1016501</u>	Screw Assembly	1
10	<u>1016585</u>	Bolt	1
11	<u>1017461</u>	Chamber Assembly, Float (includes item 12)	1
12	<u>1016499</u>	Screw Assembly	1
13	<u>101973101</u>	Jet, #40 Pilot	1
14	<u>101973301</u>	Nozzle, Main	1
15	N/A	Assembly, Pilot Air Screw	1
<p>Note: <u>101642585</u> for 0 - 3,000 feet; <u>101642582</u> for 3,000 - 5,000 feet; <u>101642580</u> for 5,000 - 8,000 feet; <u>101642578</u> for 8,000 - 10,000 feet; <u>101642575</u> for 10,000 feet and higher.</p>			

9

G

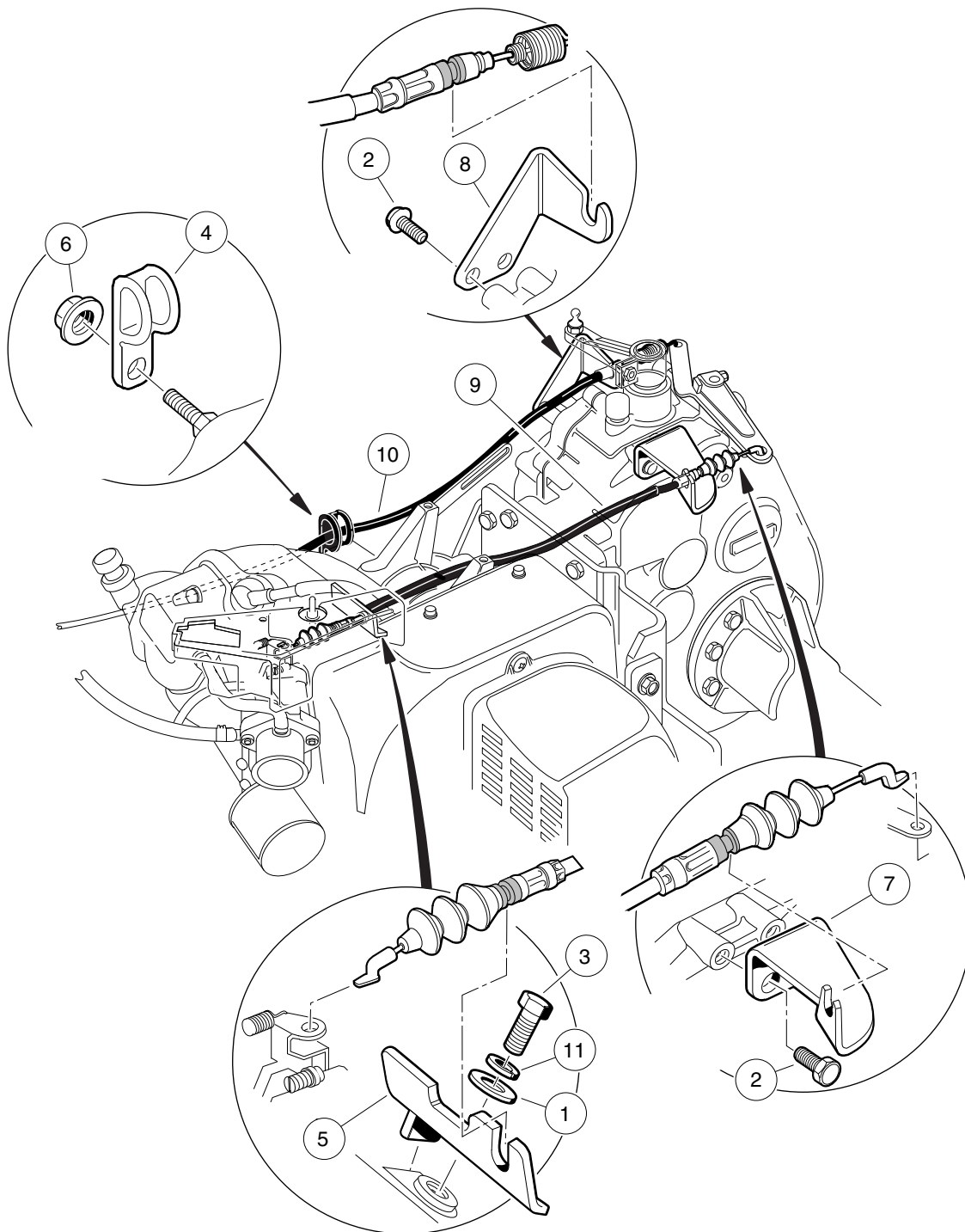


000214-001

CARBURETOR INSTALLATION – FE350

ITEM	PART NO.	DESCRIPTION	QTY
		1 2 3 4	
1	<u>1013746</u>	Clamp, 0.301 ID Hose	1
2	<u>1015137</u>	Fuel Line (available by the foot)	1
3	<u>1016438</u>	Gasket, Carb To Intake Manifold	1
4	<u>1016440</u>	Gasket, Engine to Insulator	1
5	<u>1016441</u>	Gasket, Sprg Brkt To Carb OHV	1
6	<u>1016444</u>	Bracket, Throttle Spring Return	1
7	1016480	Pipe, Intake Manifold	1
8	101648102	Insulator, Carburetor	1
9	<u>101649002</u>	Stud, M6-1.00 Two-Ended	2
10	1016547	Nut, M6 Flange	2
11	<u>1016572</u>	Tube, Crankcase Vent	1
12	<u>1016582</u>	Spring, Throttle Return	1
13	<u>1017466</u>	Clamp	2
14	<u>101973401</u>	Gasket, Insulator To Bracket	1

9
G

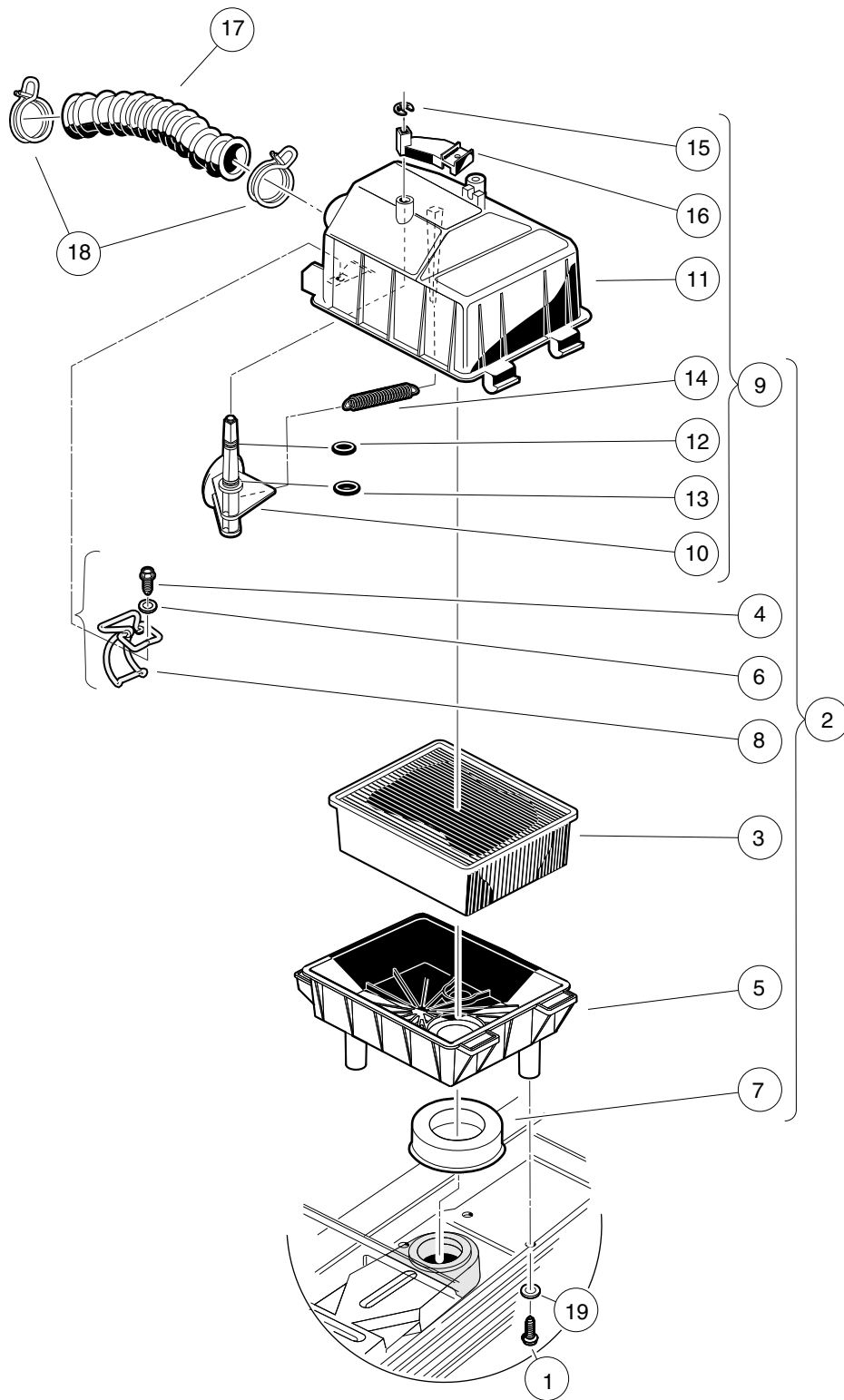


000215-001

GOVERNOR AND ACCELERATOR CABLES

ITEM	PART NO.	DESCRIPTION	QTY
		1 2 3 4	
1	<u>1011697</u>	Washer, 5/16 Flat	1
2	<u>1012285</u>	Screw, 1/4 X 0.625 Hex-Head	4
3	<u>1012830</u>	Screw, M8-125 X 22 Hex-Head	1
4	<u>1013700</u>	Clamp	2
5	<u>101584502</u>	Bracket, Governor Cable Snap-In	1
6	<u>1016546</u>	Nut	2
7	<u>101832202</u>	Bracket, Rear Governor Cable Snap-In	1
8	<u>101832302</u>	Bracket, Rear Accelerator Cable Snap-In	1
9	<u>102336001</u>	Cable, Governor, Snap-In	1
10	<u>102336101</u>	Cable, Accelerator, Snap-In	1
11	<u>7174</u>	Lockwasher, 5/16 Split	1

9
G



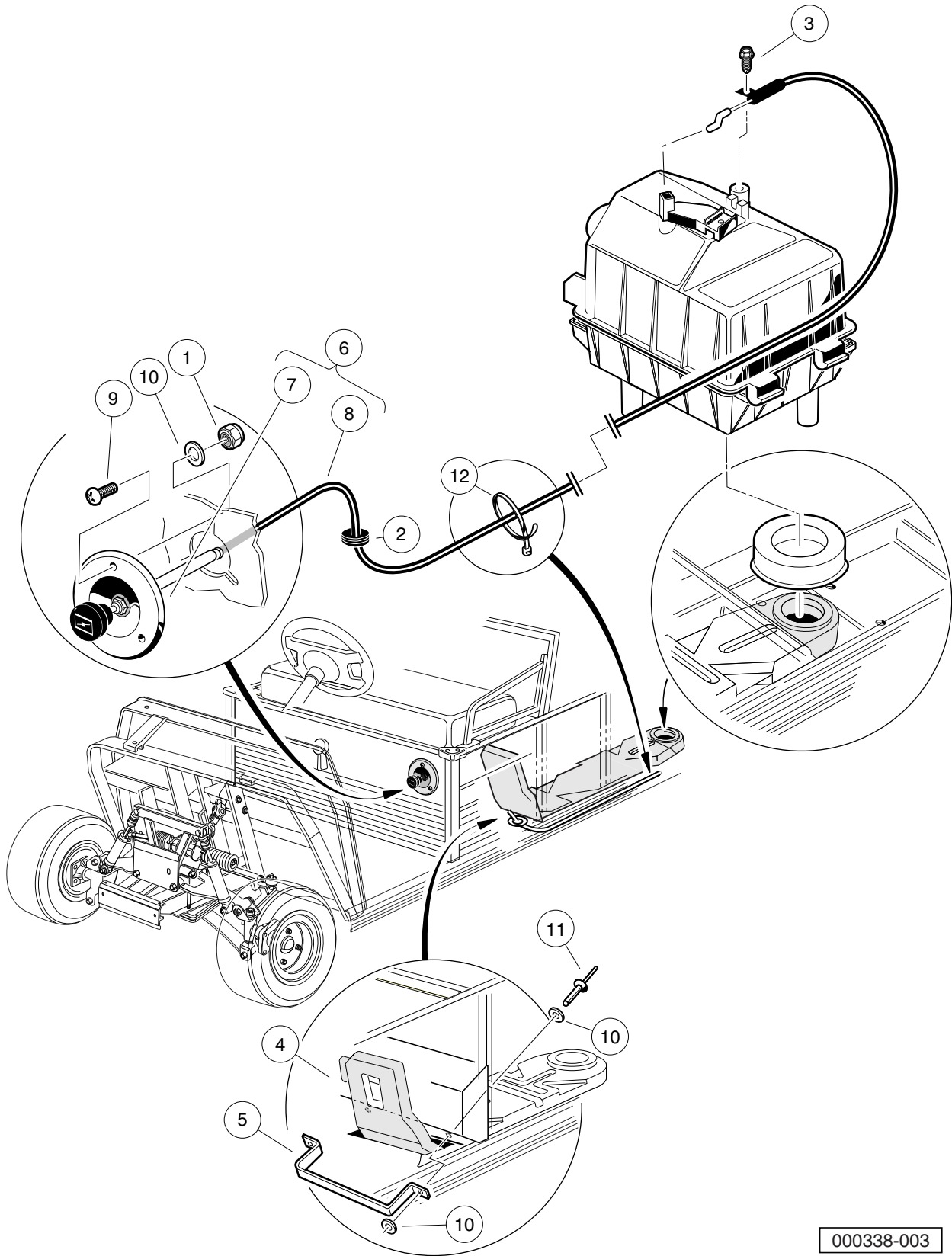
000332-001

AIR BOX AND INTAKE HOSE

ITEM	PART NO.	DESCRIPTION	QTY
		1 2 3 4	
1	<u>1015752</u>	Screw, #12-16 X 0.625 Hi-Lo	3
2	<u>101821501</u>	Assembly, Air Box (includes items 3 through 9)	1
3	<u>1015426</u>	Filter, Air	1
4	<u>101804301</u>	Screw, #8 X 0.500, Hex-Head Hi-Lo	2
5	<u>101811901</u>	Bottom, Air Box	1
6	<u>101881701</u>	Washer, #8 Stainless-Steel Flat	2
7	<u>101921501</u>	Seal, Intake	1
8	<u>101925701</u>	Latch, Wireform	2
9	<u>101972801</u>	Top Assy, Air Box (includes items 10 through 16)	1
10	N/A	Valve, Choke	1
11	101811801	Top, Air Box	1
12	N/A	O-Ring, 5/16	1
13	N/A	O-Ring, 3/8	1
14	<u>101812301</u>	Spring, Extension Return	1
15	<u>101813001</u>	Retaining Ring 0.25, Shaft	1
16	<u>101917601</u>	Lever, Choke	1
17	<u>101837101</u>	Hose, Air Intake	1
18	<u>101971301</u>	Clamp, 1.58" ID Hose	2
19	<u>332</u>	Washer, 1/4 Type A Narrow Flat	3

9

G

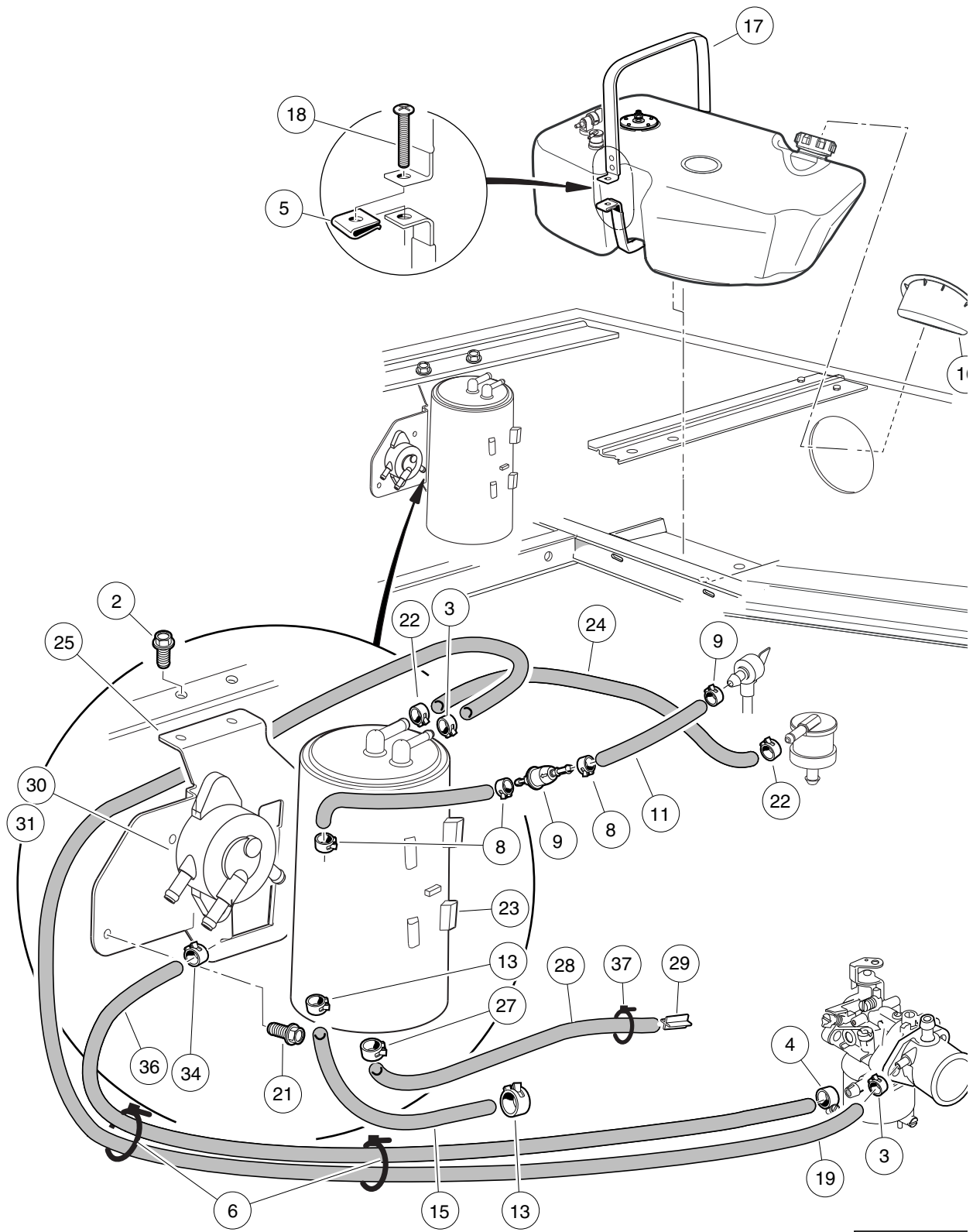


000338-003

INTAKE SYSTEM

ITEM	PART NO.	DESCRIPTION	QTY
		1 2 3 4	
1	<u>1012438</u>	Locknut, #10-24 Nylon Insert	3
2	<u>1015139</u>	Insulation Grommet	1
3	<u>101804301</u>	Screw, #8 X 0.500, Hex-Head Hi-Lo	1
4	<u>101811301</u>	Duct, Intake	1
5	<u>101825701</u>	Retaining Bracket	1
6	<u>101926802</u>	Cable, Choke (includes items 7 and 8)	1
7	<u>101933701</u>	Bezel, Choke Cable	1
8	N/A	Choke Cable without Bezel, Long	1
9	<u>1631</u>	Screw, #10-24 X 0.75 Phillips Pan-Head	3
10	<u>183</u>	Washer, #10 Type A Flat	7
11	<u>7973</u>	Rivet, 3/16 X .400 Blind	2
12	<u>8639</u>	Tie Wrap, 11" Nylon	2

9
G



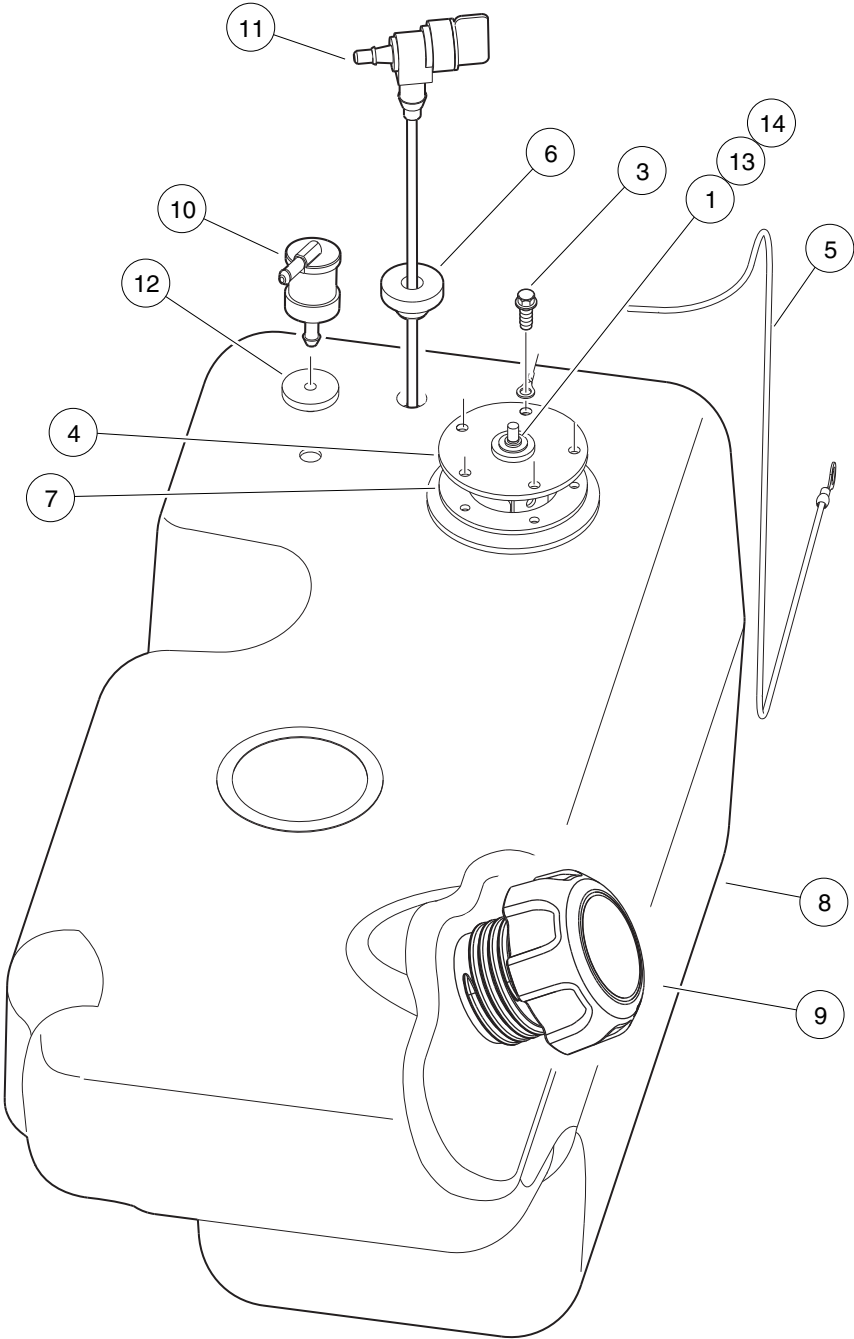
000917-001

FUEL SYSTEM

9

G

ITEM	PART NO.	DESCRIPTION	QTY
		1 2 3 4	
1	N/A	Instl, Fuel Sys, Ca1, Carb (includes items 2 through 34)	1
2	<u>1012285</u>	Screw, 1/4 X 0.625 Hex-Head	2
3	<u>101313402</u>	Clamp, Green Hose	2
4	<u>1013687</u>	Clamp, 3/8" Hose (screw type)	1
5	<u>1014116</u>	Nut, 1/4-20 Speed	1
6	<u>101987701</u>	Clamp, Plastic Tie	2
7	N/A	Asm, Fuel Filter 14.93" J1737 (includes items 8 through 11)	1
8	<u>1012649</u>	Clamp, 0.460 Red Hose	4
9	<u>102003201</u>	Filter, Fuel, 30 Micron	1
10	N/A	Cap, Plug, Plastic	2
11	<u>102865101</u>	Fuel Line	1
12	N/A	Asm, Fuel Line 16" J1737 (includes items 13 through 15)	1
13	<u>1012649</u>	Clamp, 0.460 Red Hose	2
14	N/A	Cap, Plug, Plastic	2
15	<u>102865101</u>	Fuel Line	1
16	<u>102977901</u>	Bezel, Fuel Fill, 5.0 Dia	1
17	<u>102978001</u>	Strap, Fuel Tank, Side Fill	1
18	<u>103306301</u>	Screw, Bhsc, 1/4-20 X 2.0	1
19	<u>103372601</u>	Hose, Vent, 3/16" X 28"	1
20	N/A	Asm, Fuel Line 17" J1737 (includes items 21 through 23)	1
21	<u>1012649</u>	Clamp, 0.460 Red Hose	1
22	N/A	Cap, Plug, Plastic	2
23	<u>102865101</u>	Fuel Line	1
24	<u>103721101</u>	Asm, Carbon Canister, Ca6 (includes items 25 through 31)	1
25	<u>101313402</u>	Clamp, Green Hose	1
26	<u>1013746</u>	Clamp, 0.301 ID Hose	2
27	<u>101587702</u>	Hose, Fuel, Vent, 40" Long	1
28	<u>103372401</u>	Canister, Carbon, Fuel Tank	1
29	<u>103452002</u>	Brkt, Mtg, Carb Can, Style B	1
30	<u>103452101</u>	Hose, Vent, Carbon Canister	1
31	<u>103756401</u>	Asm, Vent Line, Evap Canister (includes items 32 and 33)	1
32	<u>103428101</u>	Hose, Vent, 5/16 Id Bulk	1
33	<u>103439701</u>	Vent, Barb, 5/16 Dia Hose	1
34	<u>8639</u>	Tie Wrap, 11" Nylon	1
		Note: Total fuel line length: 47 inches (119.4 cm)	

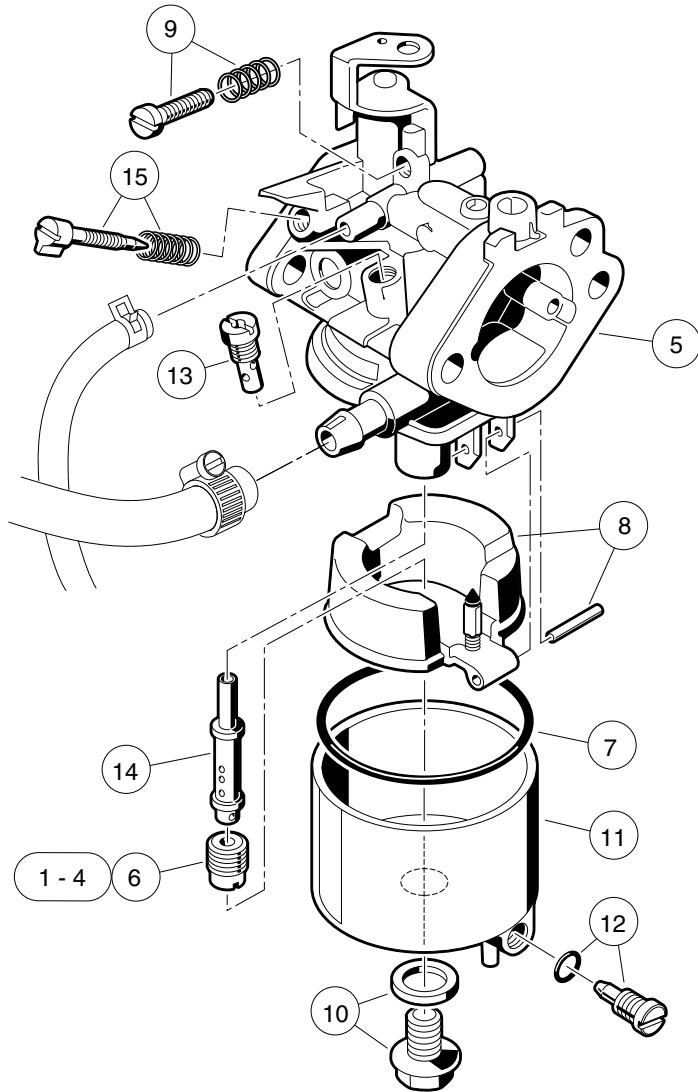


000609-002

FUEL TANK (CALIFORNIA) WITH SENDING UNIT

ITEM	PART NO.	DESCRIPTION	QTY
		1 2 3 4	
1	<u>1016</u>	Lockwasher, #10 Split	1
2	<u>103369101</u>	Asm, Fuel Tank,side Fill,nano (includes items 3 through 12)	1
3	<u>1013461</u>	Screw, #10-16 Hex-Head Hi-Lo	5
4	<u>1013462</u>	Sending Unit, Fuel Level *	1
5	1015921	Wire Assembly #16 Black	1
6	<u>102406701</u>	Bushing, Line, Return	1
7	<u>102522001</u>	Gasket, Rubber	1
8	N/A	Tank, Fuel,side Fill,nano	1
9	<u>103372101</u>	Cap, Fuel Tank, Gas, Ratchet	1
10	<u>103372201</u>	Vent, Fuel Tank, W/ Valve	1
11	<u>103372301</u>	Valve, Fuel, 259mm	1
12	<u>103374701</u>	Grommet, Fuel Tank Vent	1
13	<u>183</u>	Washer, #10 Type A Flat	1
14	<u>8797</u>	Nut, #10-32 Brass Hex	1
		* Note: Must replace fuel sending unit gasket when servicing this component.	

9
G



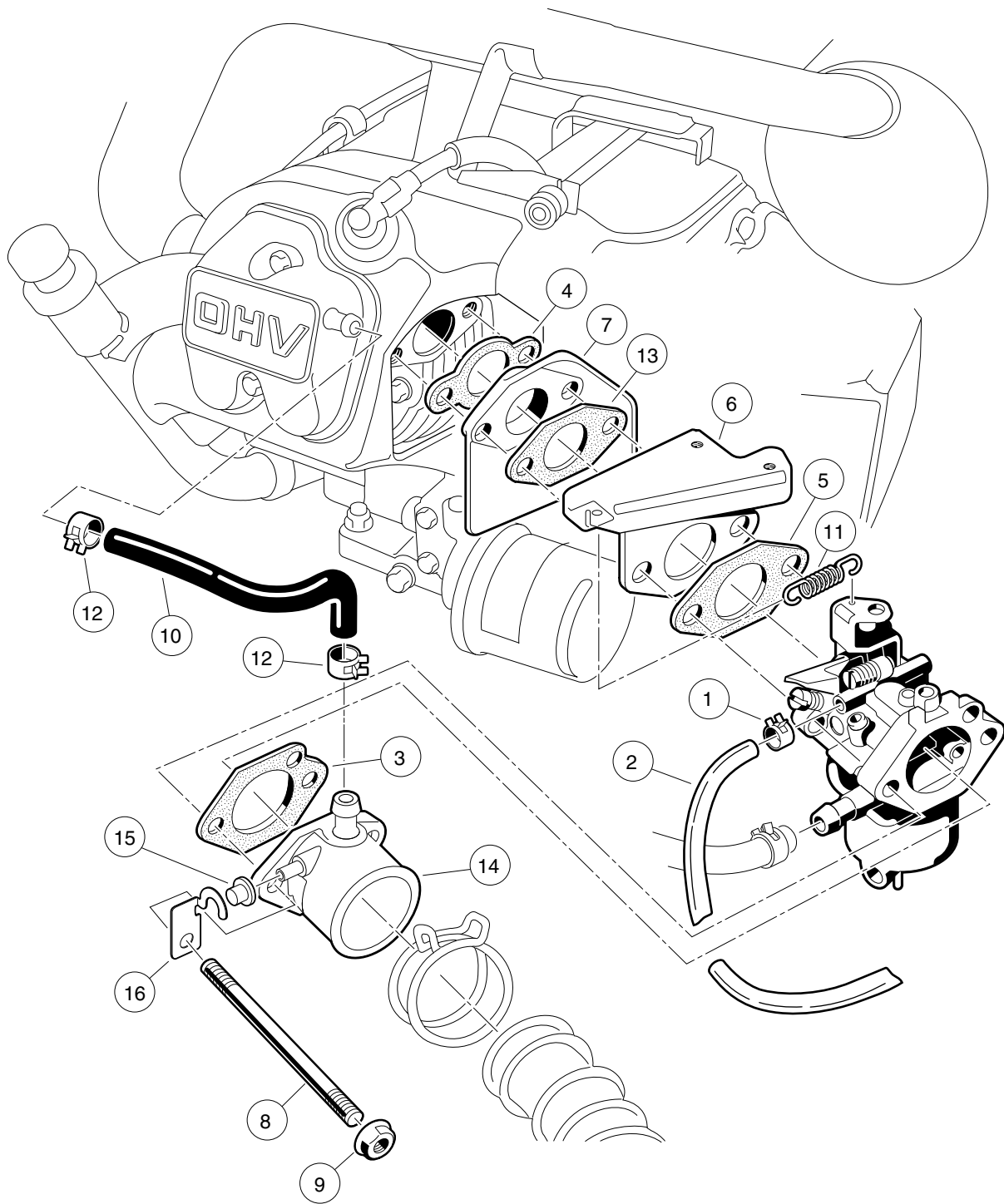
000212-002

CARBURETOR ASSEMBLY – FE350 S27

ITEM	PART NO.	DESCRIPTION	QTY
		1 2 3 4	
1	<u>101642575</u>	Jet, Altitude, # 75	1
2	<u>101642578</u>	Jet, Altitude, # 78	1
3	<u>101642580</u>	Jet, Altitude, # 80	1
4	<u>101642582</u>	Jet, Altitude, # 82	1
5	N/A	Carburetor, FE350 S27 (includes items 6 through 15)	1
6	<u>101642585</u>	Jet, Altitude, # 85	1
7	<u>1016437</u>	Gasket, Carburetor Bowl OHV	1
8	1016486	Float Assembly	1
9	<u>1016501</u>	Screw Assembly	1
10	1016585	Bolt	1
11	<u>1017461</u>	Chamber Assembly, Float (includes item 12)	1
12	<u>1016499</u>	Screw Assembly	1
13	<u>101973101</u>	Jet, #40 Pilot	1
14	<u>101973301</u>	Nozzle, Main	1
15	N/A	Assembly, Pilot Air Screw	1
Note: <u>101642585</u> for 0 - 3,200 feet; <u>101642582</u> for 3,200 - 6,500 feet; <u>101642580</u> for 6,500 - 9,800 feet; <u>101642578</u> for 9,800 feet and above.			

9

G



000214-002

CARBURETOR INSTALLATION – FE350 S27

ITEM	PART NO.	DESCRIPTION	QTY
		1 2 3 4	
1	<u>1013746</u>	Clamp, 0.301 ID Hose	1
2	<u>1015137</u>	Fuel Line (available by the foot)	1
3	<u>1016438</u>	Gasket, Carb To Intake Manifold	1
4	<u>1016440</u>	Gasket, Engine to Insulator	1
5	<u>1016441</u>	Gasket, Sprg Brkt To Carb OHV	1
6	<u>1016444</u>	Bracket, Throttle Spring Return	1
7	101648102	Insulator, Carburetor	1
8	<u>101649002</u>	Stud, M6-1.00 Two-Ended	2
9	1016547	Nut, M6 Flange	2
10	<u>1016572</u>	Tube, Crankcase Vent	1
11	<u>1016582</u>	Spring, Throttle Return	1
12	<u>1017466</u>	Clamp	2
13	<u>101973401</u>	Gasket, Insulator To Bracket	1
14	103507101	Carburetor Adapter w/ Tap	1
15	103507201	Plug, Intake Manifold, Carb	1
16	103507301	Bracket, Intake Manifold, Carb	1

9

G

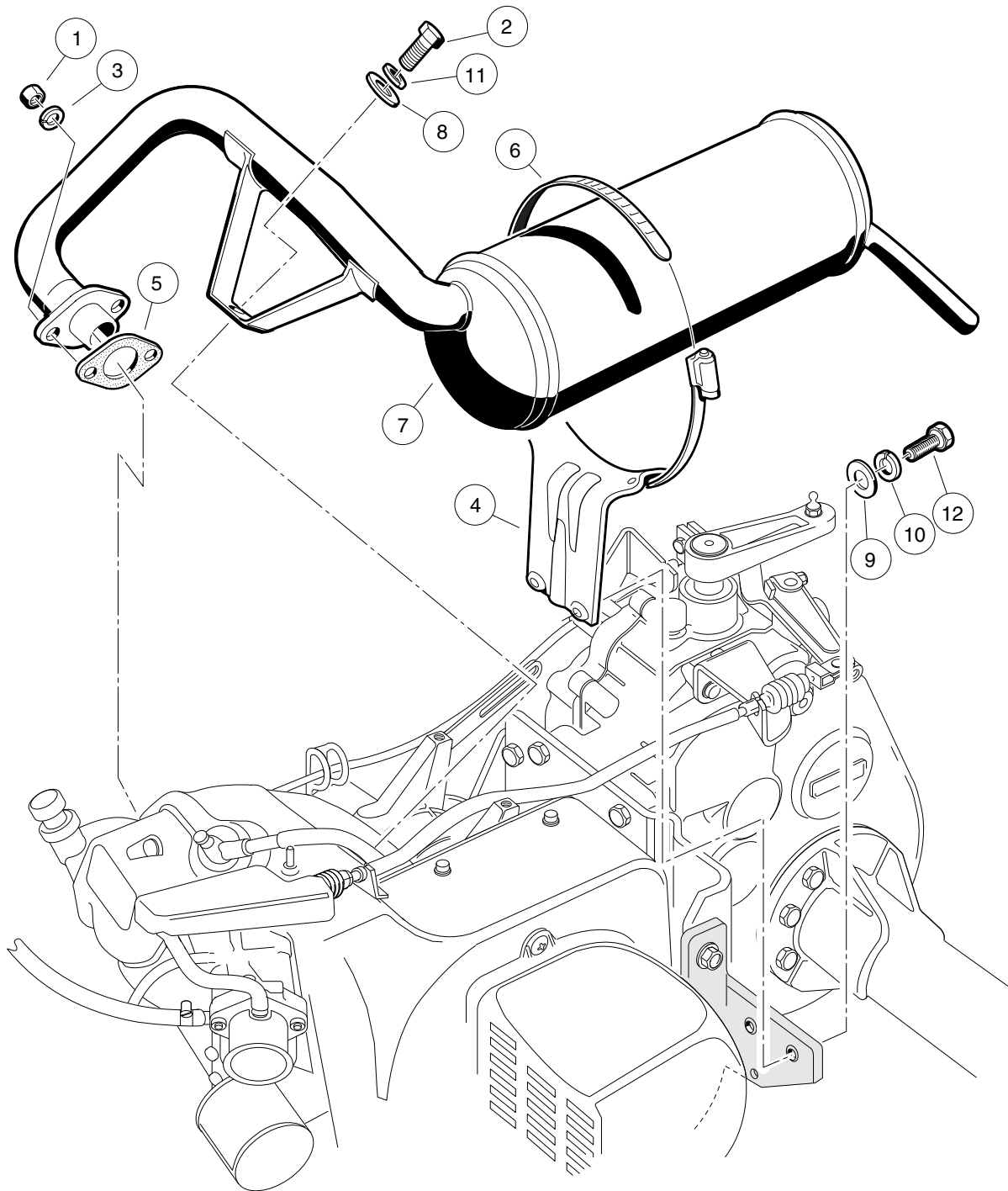
9

G

EXHAUST SYSTEM

10

G



000209-001

EXHAUST SYSTEM – FE350 ENGINE

ITEM	PART NO.	DESCRIPTION	QTY
		1 2 3 4	
1	<u>1012528</u>	Nut, M8-1.25 Hex	2
2	<u>1012830</u>	Screw, M8-125 X 22 Hex-Head	1
3	<u>1013734</u>	Lockwasher, 8mm Split	2
4	<u>1015814</u>	Bracket, Muffler Mounting	1
5	<u>1016904</u>	Gasket, Exhaust	1
6	<u>1017689</u>	Clamp, 5" Muffler Hose	1
7	<u>101859401</u>	Exhaust System, FE350	1
8	<u>1241</u>	Washer, 5/16 Type A Flat	1
9	<u>332</u>	Washer, 1/4 Type A Narrow Flat	2
10	<u>451</u>	Lockwasher, 1/4 Split	2
11	<u>7174</u>	Lockwasher, 5/16 Split	1
12	<u>7847</u>	Screw, 1/4-20 X 0.75 Hex-Head Cap	2

10

G

10

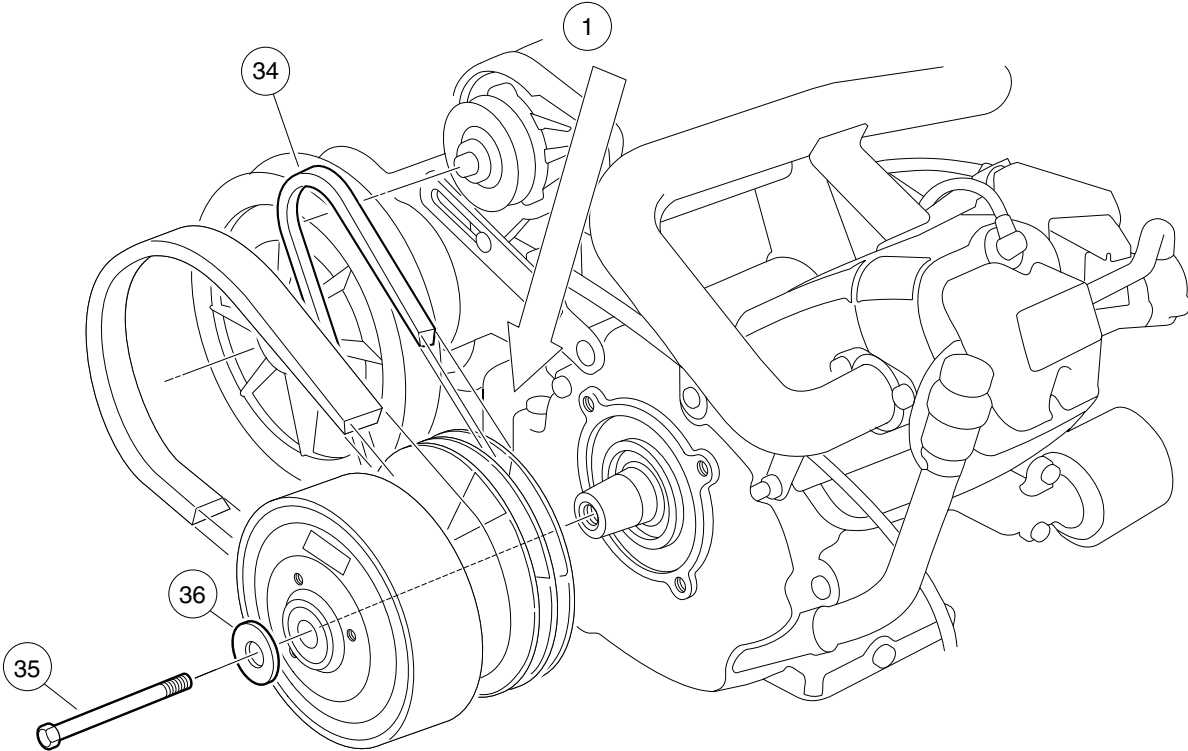
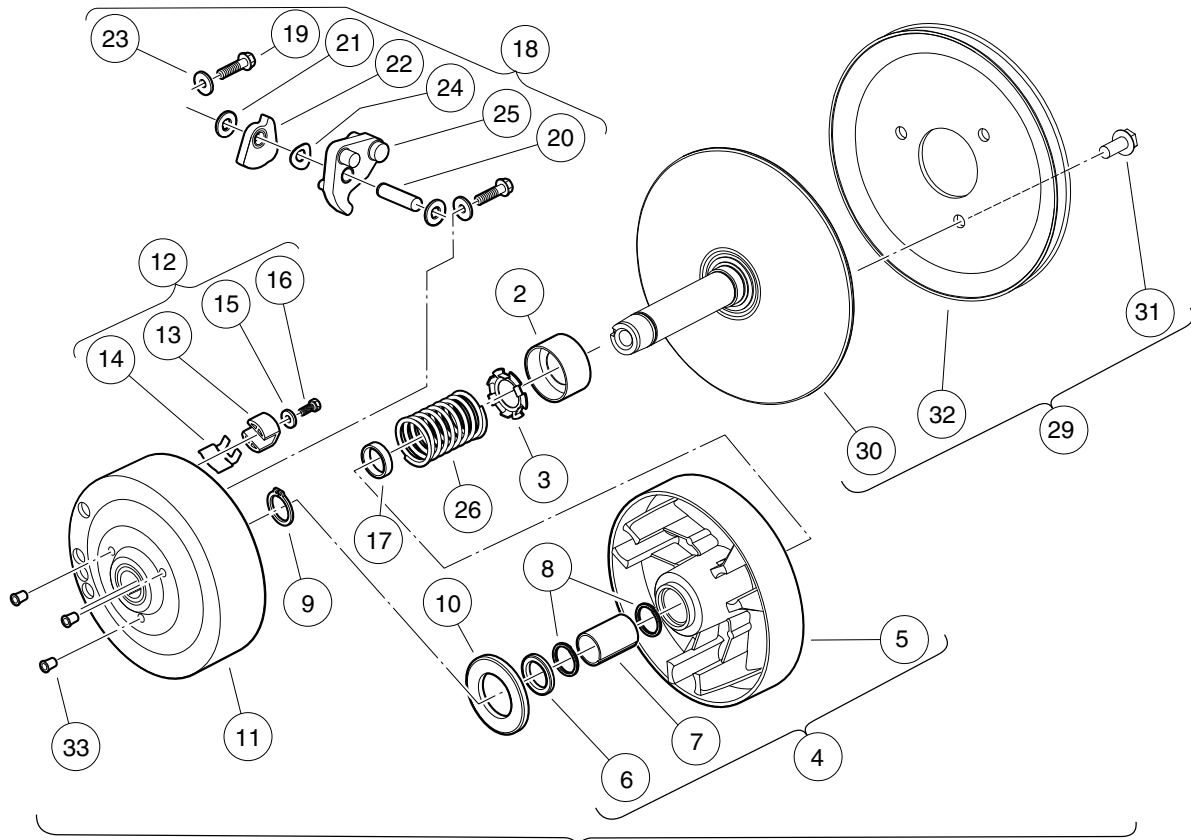
G

TORQUE CONVERTER

11

G

11
G

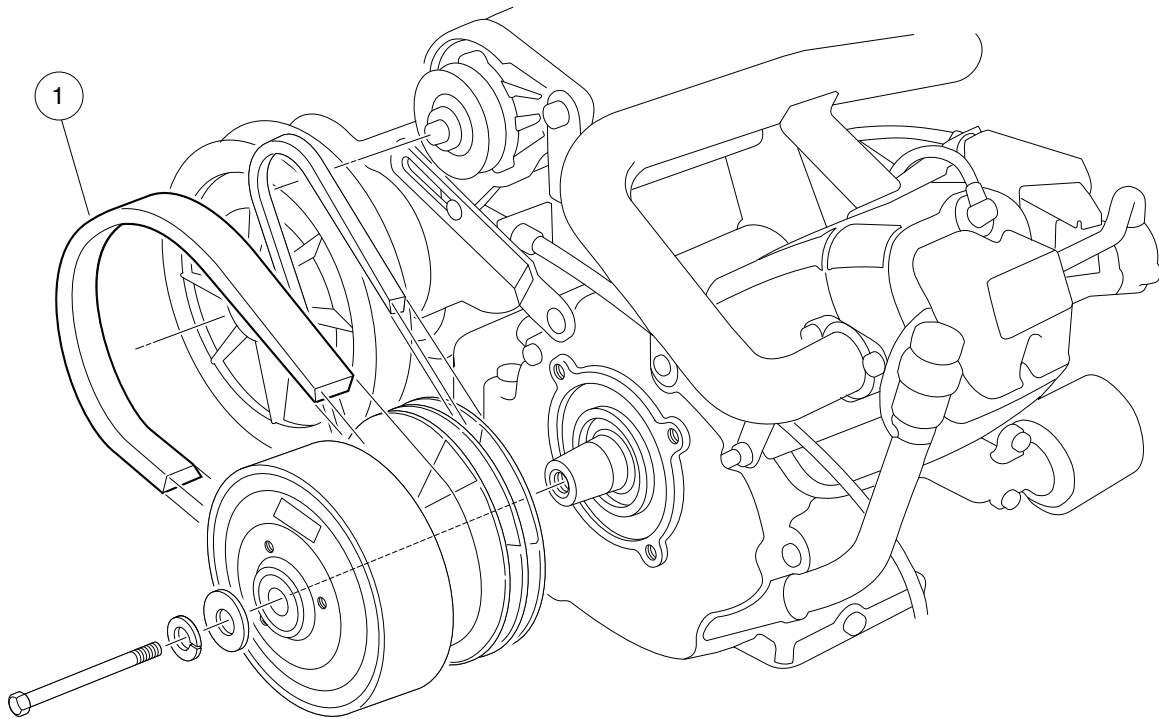


000217-002

DRIVE CLUTCH

11
G

ITEM	PART NO.	DESCRIPTION	QTY
		1 2 3 4	
1	<u>101833904</u>	Assembly, Drive Clutch (includes items 2 through 33)	1
2	1014049	Bearing, Idler	1
3	<u>1014050</u>	Retainer, Spring	1
4	1014052	Movable-Face Assembly (includes items 5 through 7)	1
5	N/A	Drive Clutch Movable Face	1
6	<u>1014055</u>	Retainer	1
7	N/A	Bushing, Split, Drive Clutch	1
8	<u>1014056</u>	Ring, Spiral Backup	2
9	<u>1014057</u>	Ring, 0.810" Internal Retaining	1
10	1014058	Thrust Washer	1
11	1014059	Drive Hub Assy, Drive Clutch	1
12	<u>1014453</u>	Kit, Drive Clutch Button (includes items 13 through 16)	1
13	<u>1014062</u>	Driver, Drive Clutch	3
14	<u>1014287</u>	Spring, Drive Button	3
15	<u>183</u>	Washer, #10 Type A Flat	3
16	<u>8450</u>	Screw, #10-24 X 0.50 Hex-Head	3
17	<u>1016289</u>	Spacer, Fixed Face Shaft	1
18	<u>1016801</u>	Kit, Drive Clutch Weight (includes items 19 through 25)	1
19	<u>1014063</u>	Screw, 1/4-20 X 1.00 Hex Head	6
20	N/A	Pin, 0.3752 X 1.50 Dowel	3
21	<u>1014065</u>	Washer, 0.38" ID Delrin Flat	6
22	N/A	Clutch Weight, Secondary	3
23	N/A	Washer	6
24	<u>1016201</u>	Washer, Wave	3
25	N/A	Weight, Primary	3
26	<u>1016901</u>	Spring, Drive Clutch	1
27	101738302	Kit, Fixed Face - Drive (includes items 28 and 29)	1
28	N/A	Desiccant Bag (Not Shown)	1
29	<u>101738301</u>	Fixed Face Drive (includes items 30 through 32)	1
30	N/A	Fixed Face Assembly, Drive Clutch	1
31	<u>1014288</u>	Screw, 5/16-18 X 0.75 Thread-Forming	3
32	1016011	Pulley, Drive Clutch	1
33	N/A	Cap Plug	3
34	<u>101916701</u>	V-Belt	1
35	<u>103345701</u>	Screw 3/8-24x5.5 Hex Loc Ptch	1
36	<u>808</u>	Washer, 3/8 Type B Flat	1
		Note: Item 28 not shown.	



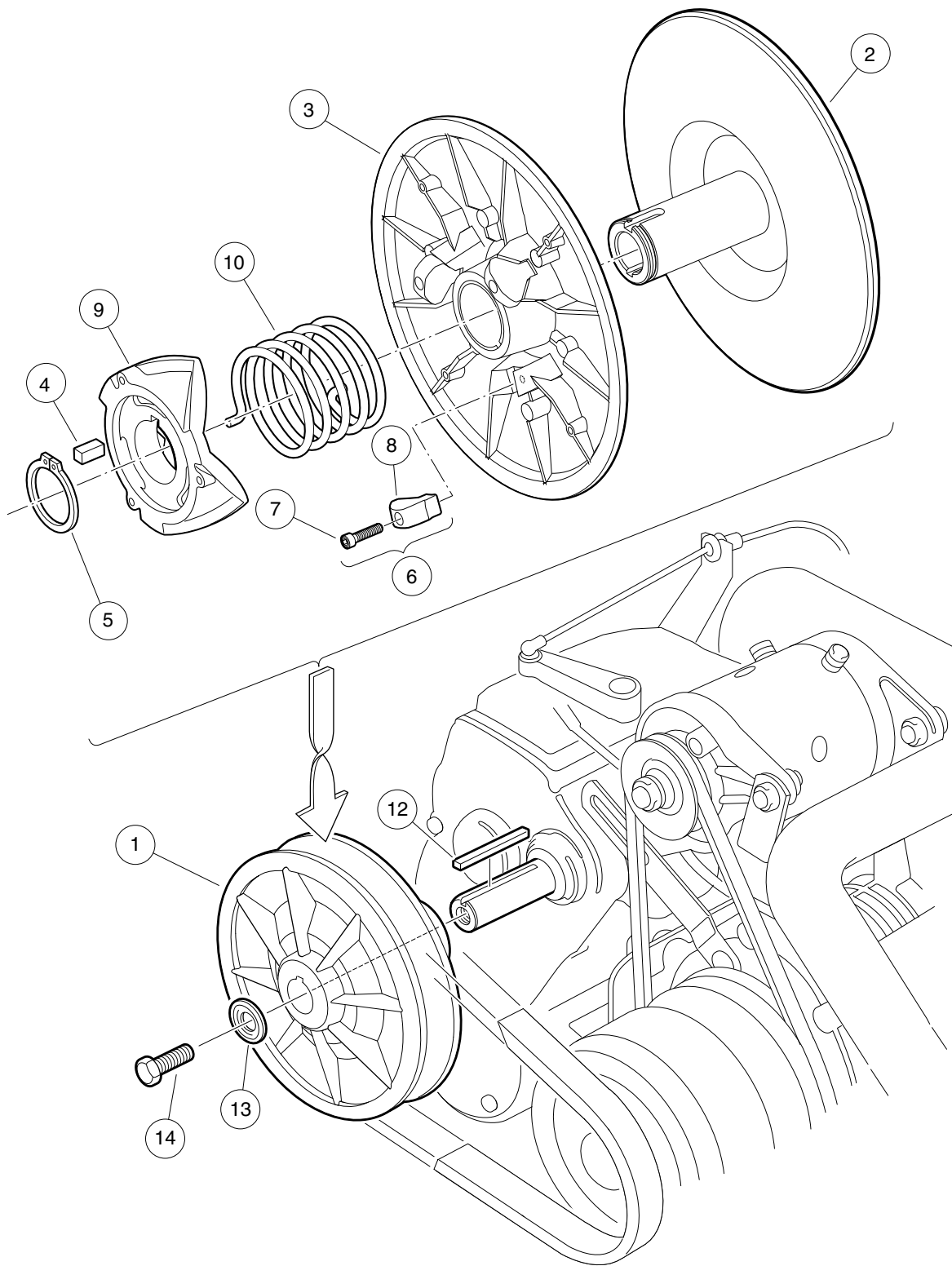
000218-001

DRIVE BELT – FE350

ITEM	PART NO.	DESCRIPTION	QTY
1	<u>1017188</u>	<div style="display: flex; justify-content: space-between; margin-bottom: 5px;"> 1 2 3 4 </div> Belt, Drive (FE350)	1

11

G



000219-001

DRIVEN CLUTCH

ITEM	PART NO.	DESCRIPTION	QTY
		1 2 3 4	
1	<u>101834001</u>	Assembly, Driven Clutch (includes items 2 through 10)	1
2	<u>1014070</u>	Fixed Face Assy, Driven Clutch	1
3	<u>1014072</u>	Movable-Face Assembly with Bushing	1
4	<u>1014078</u>	Key, Driven Clutch	1
5	<u>1014080</u>	Ring, Retaining	1
6	<u>1014454</u>	Kit, Driven Clutch Button (includes items 7 and 8)	1
7	<u>1012836</u>	Screw, #8-32 X 3/4 Socket-Head Cap	3
8	1014076	Button, Drive	3
9	<u>1017686</u>	Cam, Driven Clutch	1
10	<u>101836201</u>	Spring, Driven Clutch, Reversed	1
11	<u>AM10419</u>	Kit, Clutch Repair (includes items 12 through 14)	1
12	<u>101833401</u>	Key, 3/16 Sq X 1.50"	1
13	<u>102155801</u>	Washer, Driven Clutch	1
14	<u>102242101</u>	Screw, 5/16-18 X 3/4 Hex-Head with Patch	1

11
G

11

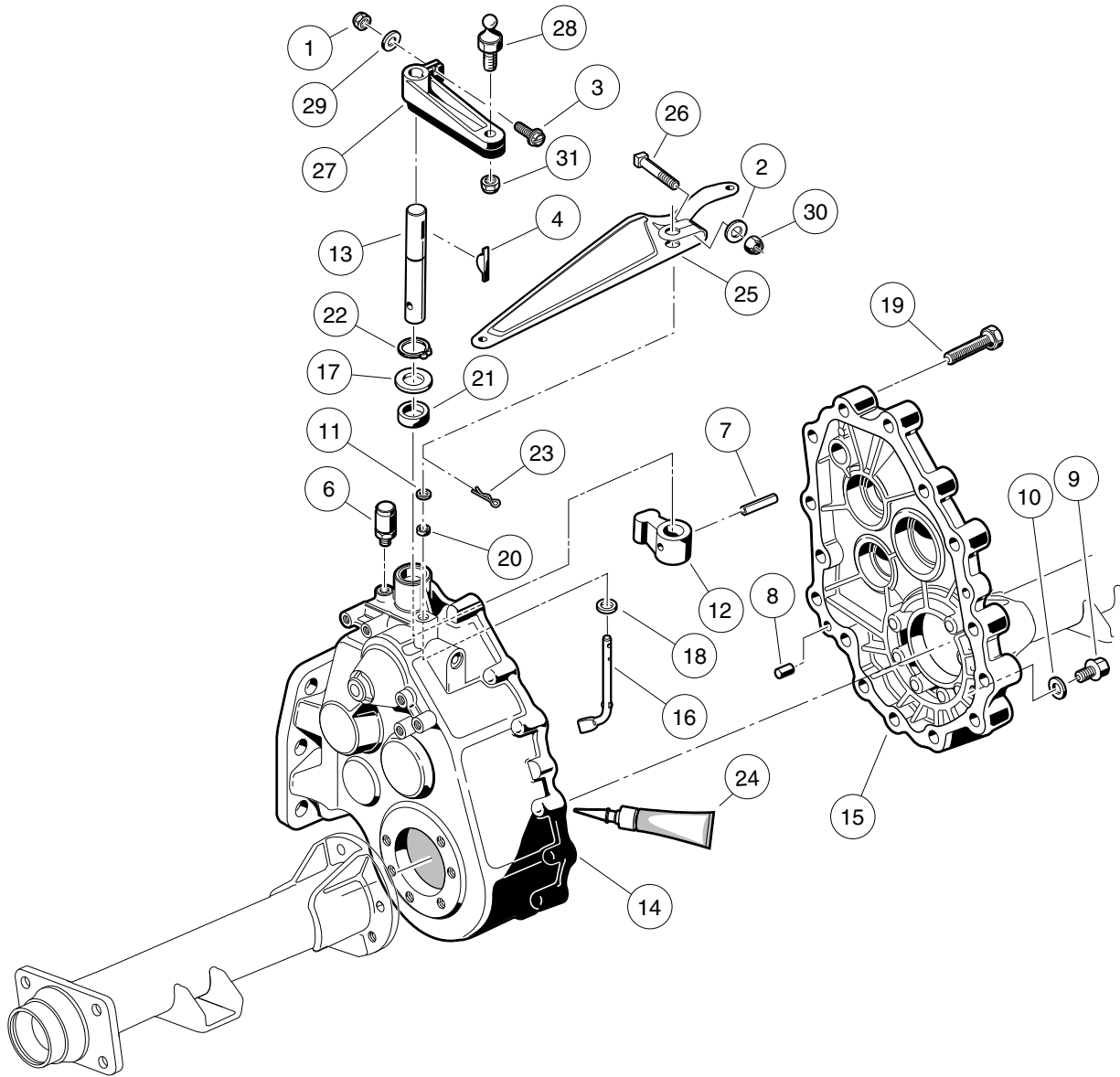
G

UNITIZED TRANSAXLE AND FORWARD/REVERSE SHIFTER

12

G

12
G



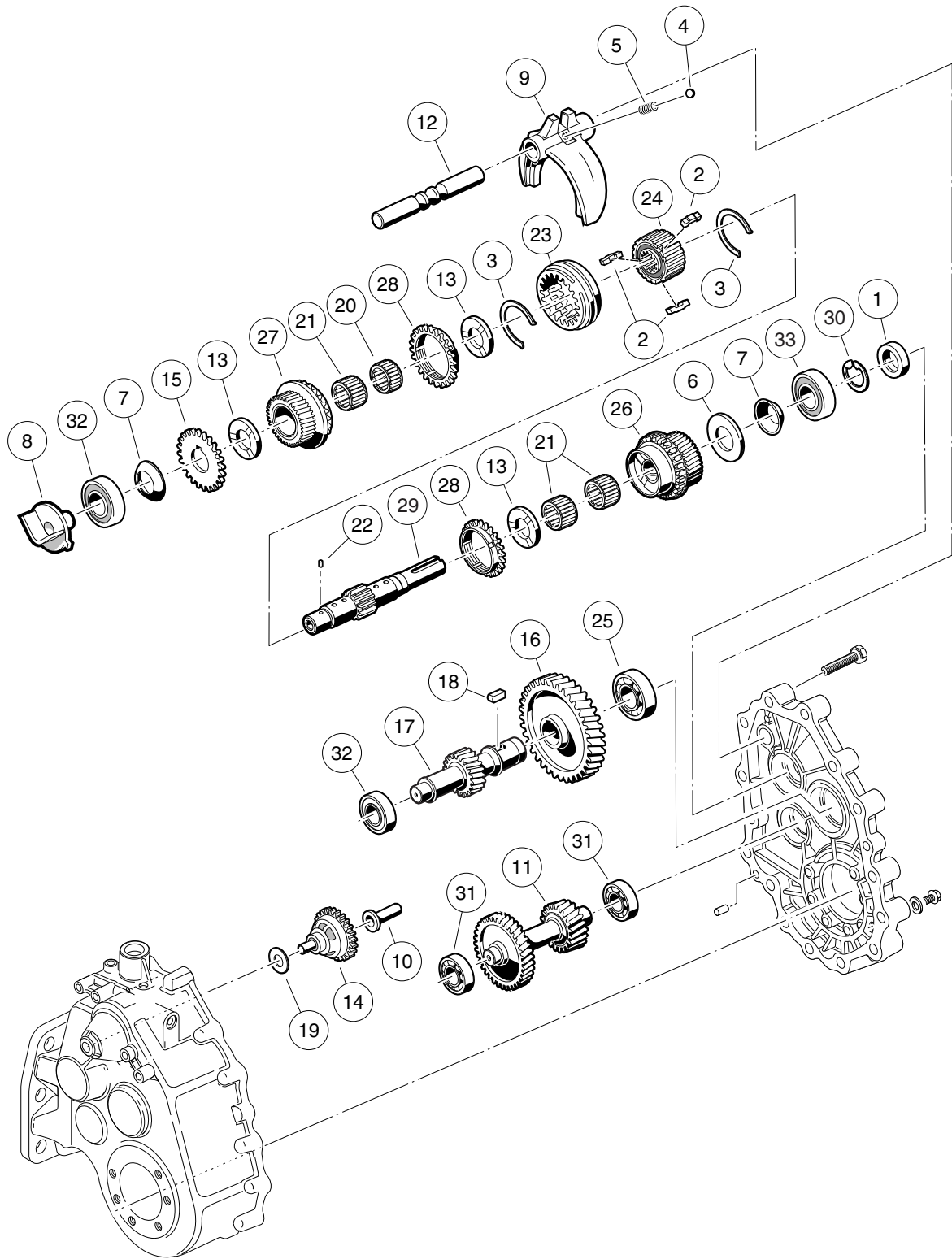
000220-002

UNITIZED TRANSAXLE – GEAR CASES AND BRACKETS

ITEM	PART NO.	DESCRIPTION	QTY
		1 2 3 4	
1	<u>1013061</u>	Locknut, #10-32 Nylon Insert	1
2	<u>1014007</u>	Washer, 1/4 Flat	1
3	<u>1017082</u>	Screw, #10-32 X 0.75, Hex-Head Machine	1
4	<u>1017231</u>	Key, Woodruff	1
5	<u>101833601</u>	Transaxle, 11.77 Ratio (includes items 6 through 24)	1
6	<u>1012711</u>	Breather	1
7	<u>1012752</u>	Roll Pin	1
8	<u>1012896</u>	Pin, Dowel	2
9	<u>1013760</u>	Fill Plug	2
10	<u>1016432</u>	Gasket, Drain Plug	1
11	<u>1016513</u>	Washer, M6 Flat	1
12	<u>101890101</u>	Lever, Change	1
13	<u>101890201</u>	Shaft - Change	1
14	<u>101890501</u>	Gear Case (driver side)	1
15	<u>101890601</u>	Gear Case (passenger side)	1
16	<u>101891301</u>	Arm Pivot	1
17	<u>101892901</u>	Washer	1
18	<u>101893801</u>	Washer	1
19	<u>101926901</u>	Screw, M8-1.25 X 40mm Hex-Head	15
20	<u>101927101</u>	Seal, Oil	1
21	<u>101927201</u>	Seal, Oil	1
22	<u>101927301</u>	Snap Ring	1
23	<u>101928601</u>	Pin, Cotter	1
24	<u>101928701</u>	Liquid Gasket (Transaxle case)	1
25	<u>101834801</u>	Arm, Governor	1
26	<u>101886101</u>	Screw, 1/4-20 X 1.00 Square-Head	1
27	<u>102515401</u>	Lever, Transmission Shift	1
28	<u>102526201</u>	Stud, Thread, 1/4-28	1
29	<u>183</u>	Washer, #10 Type A Flat	1
30	<u>8233</u>	Locknut, 1/4-20 Nylon Insert	1
31	<u>8717</u>	Locknut, 1/4-28 Nylon Insert	1
Note: Unitized transaxle component listings span several pages.			

12

G



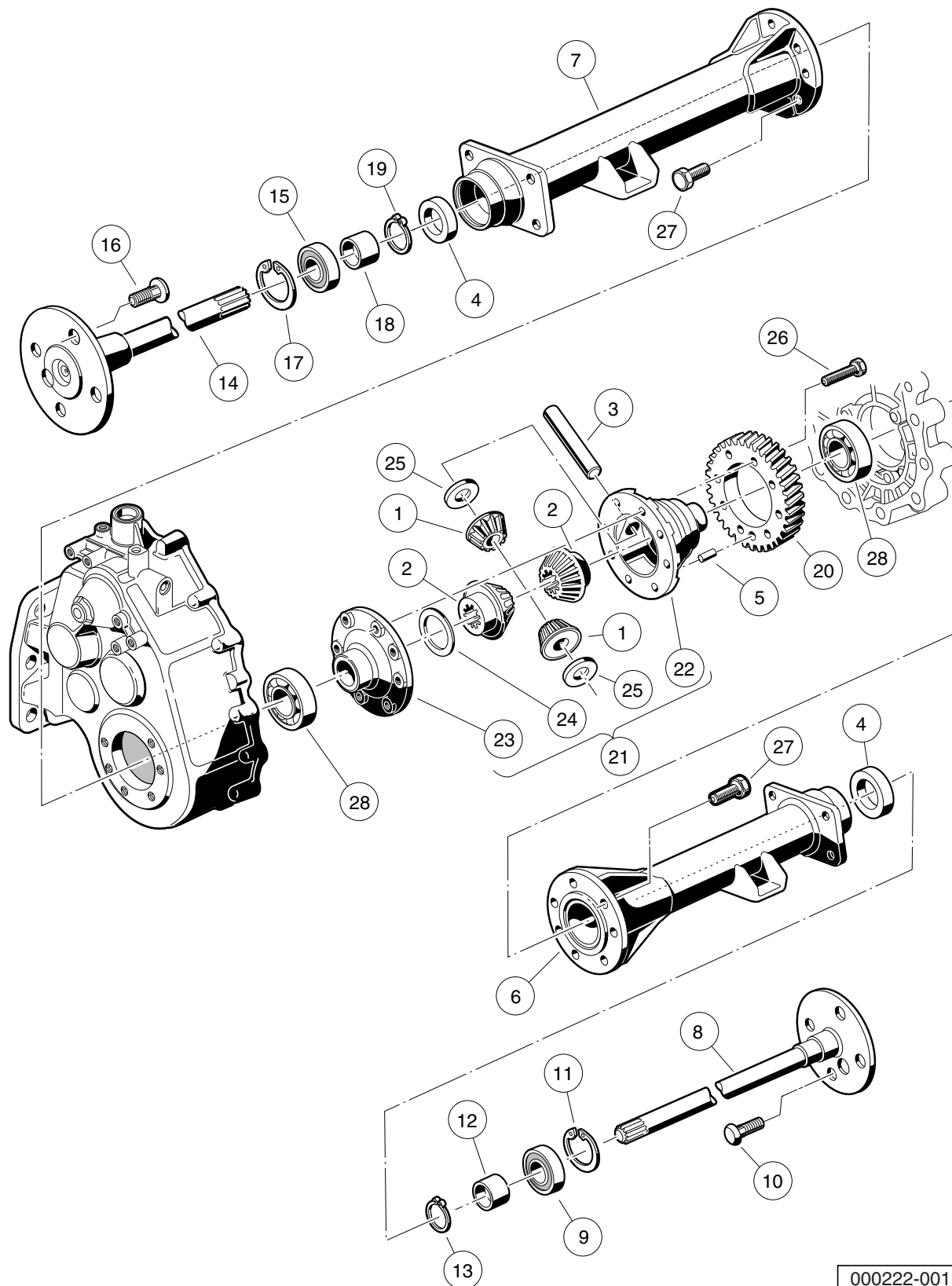
000221-001

TRANSAXLE – GASOLINE VEHICLES, TRANSMISSION AND GEAR REDUCTION

12

G

ITEM	PART NO.	DESCRIPTION	QTY
		1 2 3 4	
1	<u>1012714</u>	Oil Seal	1
2	<u>1012740</u>	Synchro Insert	3
3	<u>1012741</u>	Synchro Spring	2
4	<u>1012747</u>	Shifter Ball	1
5	<u>1012748</u>	Shifter Spring	1
6	<u>1016337</u>	Washer, Thrust	1
7	<u>1016338</u>	Washer, Spring	2
8	<u>101889401</u>	Guide	1
9	<u>101890001</u>	Fork - Shift	1
10	<u>101891601</u>	Sleeve, Governor	1
11	<u>101891901</u>	Gear, Cluster	1
12	<u>101892001</u>	Rod, Shift	1
13	<u>101892201</u>	Plate, Thrust	3
14	<u>101892301</u>	Governor Assembly	1
15	<u>101892401</u>	Gear, Spur	1
16	<u>101892501</u>	Gear, Helical (61 Tooth)	1
17	<u>101892601</u>	Gear, Helical (17 Tooth)	1
18	<u>101893201</u>	Key Sunk	1
19	<u>101893901</u>	Washer	1
20	<u>101927501</u>	Needle Bearing	1
21	<u>101927601</u>	Needle Bearing	3
22	<u>101927701</u>	Pin, .116" Dia X 0.264 Dowel	1
23	<u>101927901</u>	Sleeve, Synchro	1
24	<u>101928001</u>	Hub, Synchro Clutch	1
25	<u>101928101</u>	Bearing, Ball	1
26	<u>101980801</u>	Gear Assembly, 16-Degree Synchro (25 Tooth)	1
27	<u>101980901</u>	Gear Assembly, 16-Degree Rear Synchro (28 Tooth)	1
28	<u>101981001</u>	Ring, 16-Degree Synchronizer	2
29	<u>102453001</u>	Shaft, Trans, with Circlip	1
30	<u>102453101</u>	Circlip	1
31	<u>7335</u>	Bearing	2
32	<u>AM10080</u>	Bearing, Ball, Sealed	2
33	<u>AM10081</u>	Bearing, Ball, Sealed	1
<p>Note: Items listed on this page are components of the unitized transaxle.</p>			



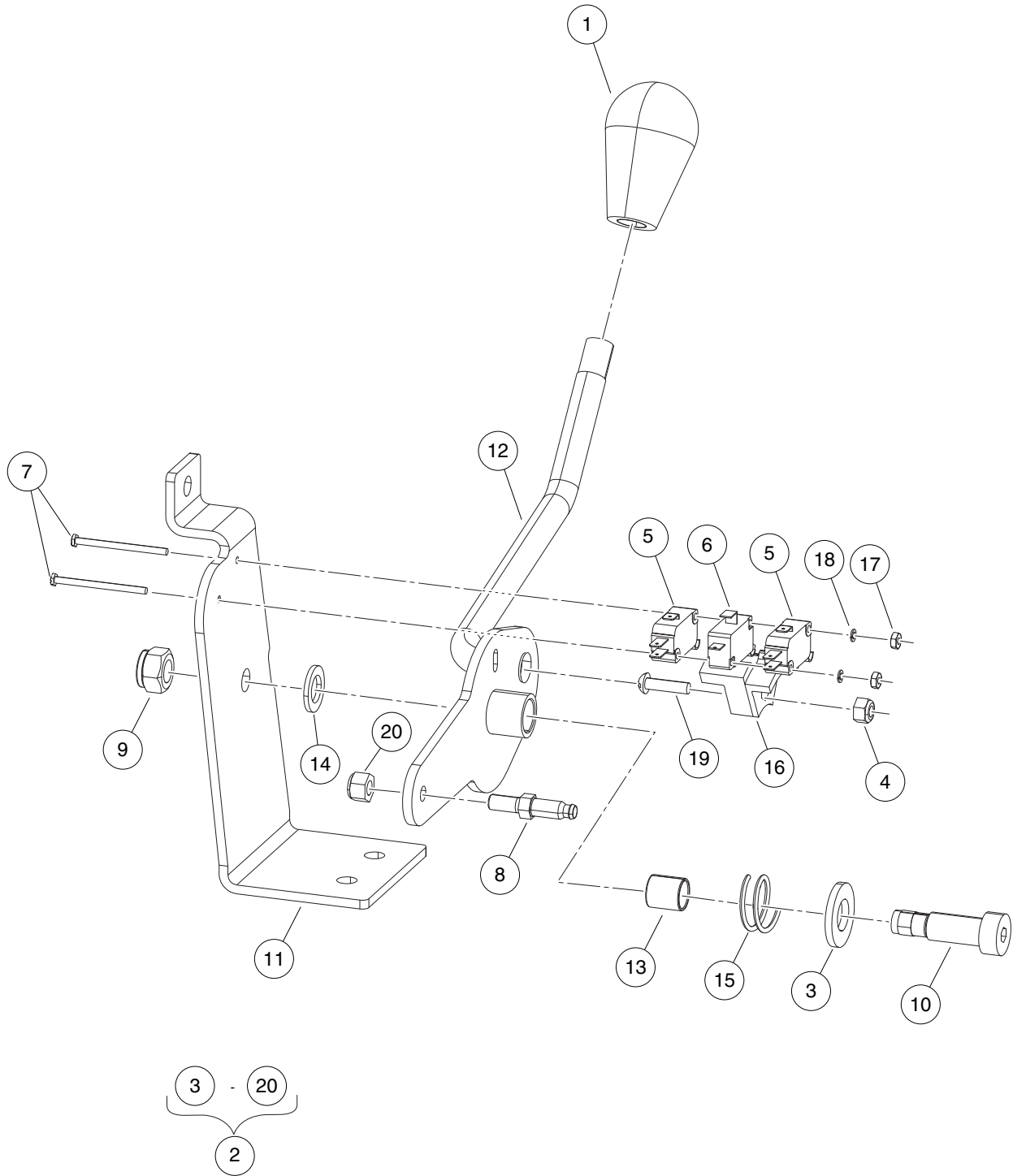
000222-001

TRANSAXLE – GASOLINE VEHICLES, DIFFERENTIAL AND AXLES

ITEM	PART NO.	DESCRIPTION	QTY
		1 2 3 4	
1	<u>1013770</u>	Differential Idler Gear	2
2	<u>1013771</u>	Gear, Differential	2
3	<u>1013772</u>	Pin, Differential	1
4	<u>1013794</u>	Axle Shaft Oil Seal	2
5	<u>1014193</u>	Dowel Pin	1
6	<u>101890901</u>	Pipe	1
7	<u>101891001</u>	Pipe	1
8	<u>101891401</u>	Axle Assembly, Passenger Side (includes items 9 through 13)	1
9	<u>1011291</u>	Outer Axle, Tube Bearing	1
10	<u>1013787</u>	Lug Stud	4
11	<u>1013792</u>	Circlip Type C	1
12	<u>1014207</u>	Bushing	1
13	<u>1016672</u>	Retaining Ring	1
14	<u>101891501</u>	Axle Assembly, Driver-Side (includes items 15 through 19)	1
15	<u>1011291</u>	Outer Axle, Tube Bearing	1
16	<u>1013787</u>	Lug Stud	4
17	<u>1013792</u>	Circlip Type C	1
18	<u>1014207</u>	Bushing	1
19	<u>1016672</u>	Retaining Ring	1
20	<u>101892701</u>	Gear, Helical	1
21	<u>101910501</u>	Kit, Differential Gear Case (includes items 22 through 25)	1
22	<u>1013768</u>	Differential Gear Case, Left-Hand	1
23	<u>1013769</u>	Differential Gear Case, Right-Hand	1
24	<u>1013773</u>	Plate, Thrust (Differential Gear)	1
25	<u>1013774</u>	Plate, Thrust (Idler Gear)	2
26	<u>101928301</u>	Screw, M8-1.25 X 35mm Hex Head	8
27	<u>102031901</u>	Bolt, M10 X 1.5 X 30mm	14
28	<u>7330</u>	Inner Axle Tube Bearing	2

12
G

12
G



000563-001

FORWARD/REVERSE SHIFTER

ITEM	PART NO.	DESCRIPTION	QTY
		1 2 3 4	
1	<u>102376001</u>	Knob, Fnr	1
2	<u>102969901</u>	Asm, Shifter, FNR (includes items 3 through 20)	1
3	<u>1010028</u>	Washer, 1/2 Type A Flat	1
4	<u>1013061</u>	Locknut, #10-32 Nylon Insert	1
5	<u>1014807</u>	Switch, Limit	2
6	<u>1014808</u>	Switch, Limit	1
7	<u>1015878</u>	Screw, #4-40 Hex Head Machine	2
8	<u>102526201</u>	Stud, Thread, 1/4-28	1
9	<u>102616701</u>	Locknut, M10x1.5 Nylon Insert	1
10	<u>102684602</u>	Shoulder Bolt, M12 X 25.0	1
11	<u>102969401</u>	Bracket, Shifter, FNR	1
12	<u>102969801</u>	Weldment, Shift Lever, FNR	1
13	<u>103173301</u>	Bushing, Greaseless, 12mm Id	1
14	<u>103177401</u>	Washer, Thrust, Shifter, FNR	1
15	<u>103192701</u>	Spring, Comp, .97 Od X.75 L	1
16	<u>103369501</u>	Cam, Limit Switch, Fnr Shifter	1
17	<u>8057</u>	Nut, #4-40 Hex Machine	2
18	<u>8058</u>	Lockwasher, #4 Split	2
19	<u>8104</u>	Screw, #10-32 X .75 Rd Hd Mach	1
20	<u>8717</u>	Locknut, 1/4-28 Nylon Insert	1

12

G

12

G

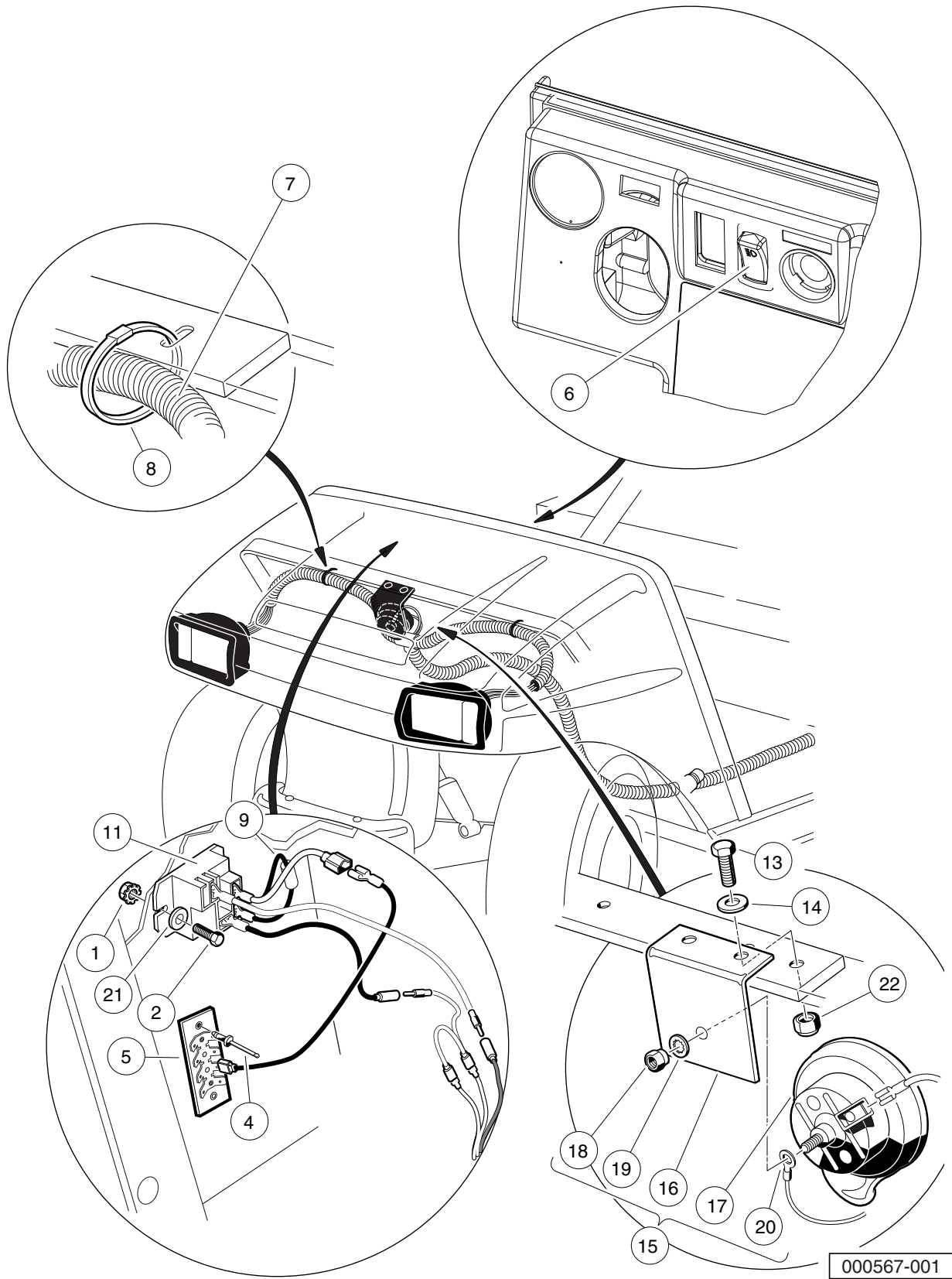
ELECTRICAL SYSTEM – ELECTRIC VEHICLES

13

E

13

E

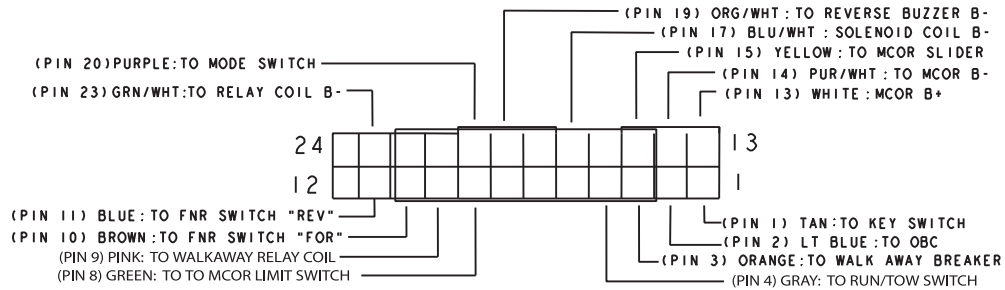
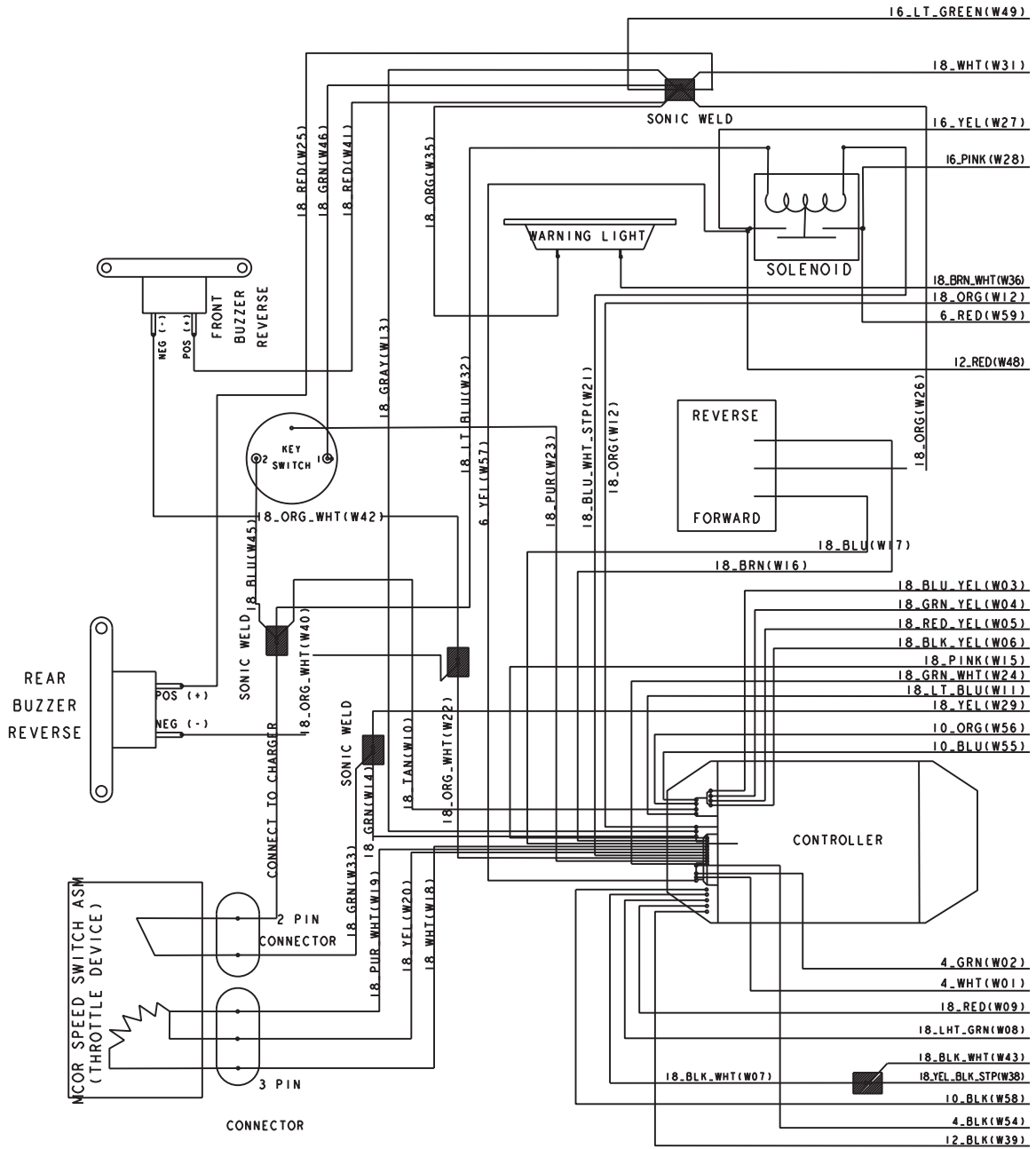


HEADLIGHT AND HORN ELECTRICAL COMPONENTS

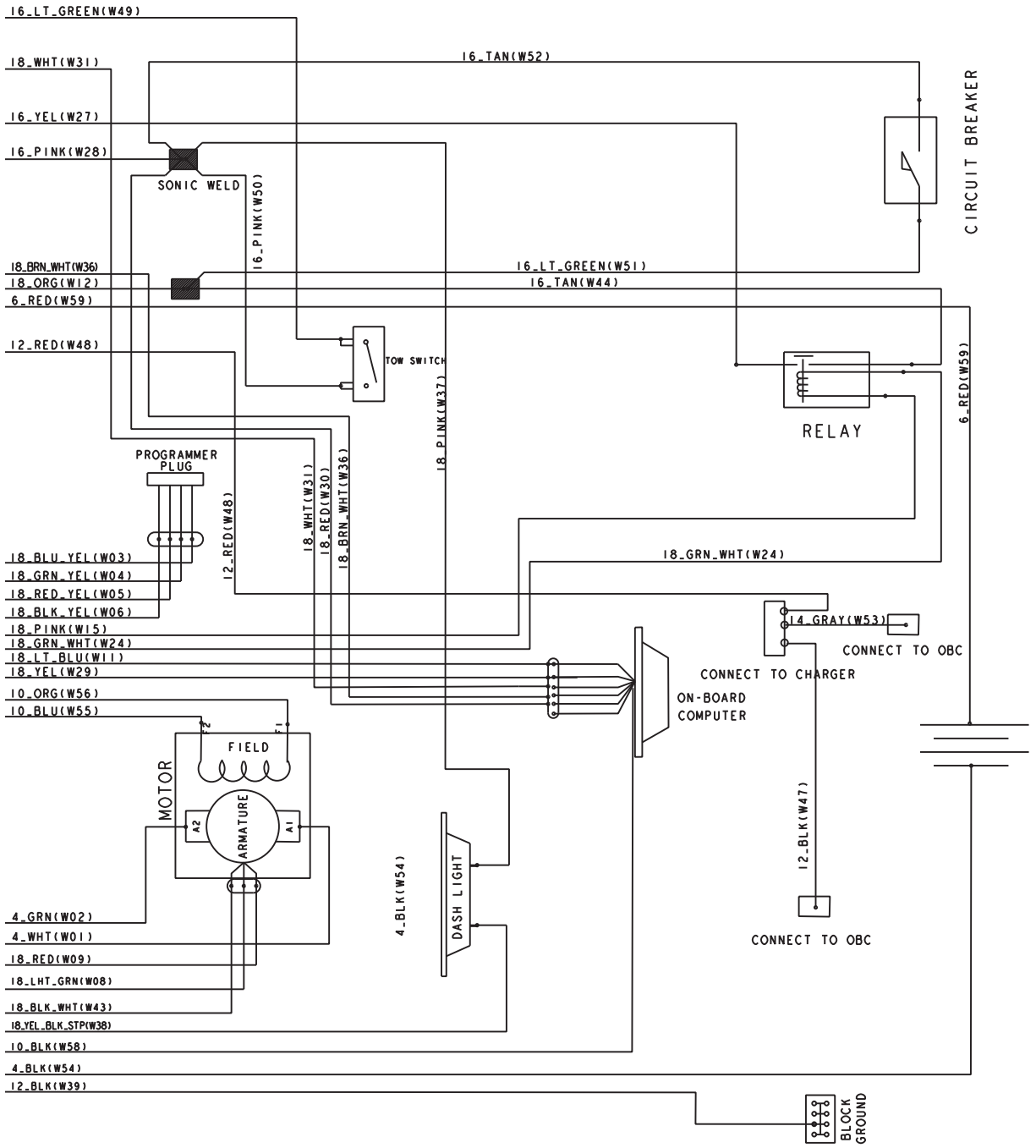
ITEM	PART NO.	DESCRIPTION	QTY
		1 2 3 4	
1	<u>1011229</u>	Locknut, #6-32 Whiz	2
2	<u>1017853</u>	Screw, #6-32 X 0.75 Hex-Head Machine	2
3	N/A	Headlight Only, IQ Plus (includes items 4 through 8)	1
4	<u>1013357</u>	Rivet, 5/32 Aluminum Pop	2
5	<u>1016356</u>	Terminal Block with Insulator	1
6	<u>102869401</u>	Switch, Rocker, Light	1
7	<u>103255701</u>	Wire Harness, Hd Lght, Ca, Ele	1
8	<u>8990</u>	Tie Wrap, 8" Nylon	8
9	<u>101914401</u>	Assembly, Voltage Suppressor	1
10	<u>103414901</u>	Kit, Relay, 48v 30a W/instr (includes items 11 and 12)	1
11	<u>103397901</u>	Relay, Spst No, 48v 30a, Pmt	1
12	N/A	Kit, Relay, 48v 30a Instrns	1
13	<u>304</u>	Screw, 1/4-20 X 1.0 Hex-Head Cap	2
14	<u>332</u>	Washer, 1/4 Type A Narrow Flat	2
15	<u>4029</u>	Horn (includes items 16 through 20)	1
16	<u>1011825</u>	Horn Bracket	1
17	<u>1014530</u>	Horn, 12-VDC	1
18	<u>101955101</u>	Nut, M6 Hex	1
19	<u>7820</u>	Washer, 5/16 Internal-Tooth	1
20	N/A	5/16 Ring Term.	1
21	<u>7591</u>	Washer, #6 Flat	2
22	<u>8233</u>	Locknut, 1/4-20 Nylon Insert	2

13

E



000580-001



000580-001

13

E

See previous two pages for illustration.

WIRING – IQ PLUS ELECTRIC VEHICLES

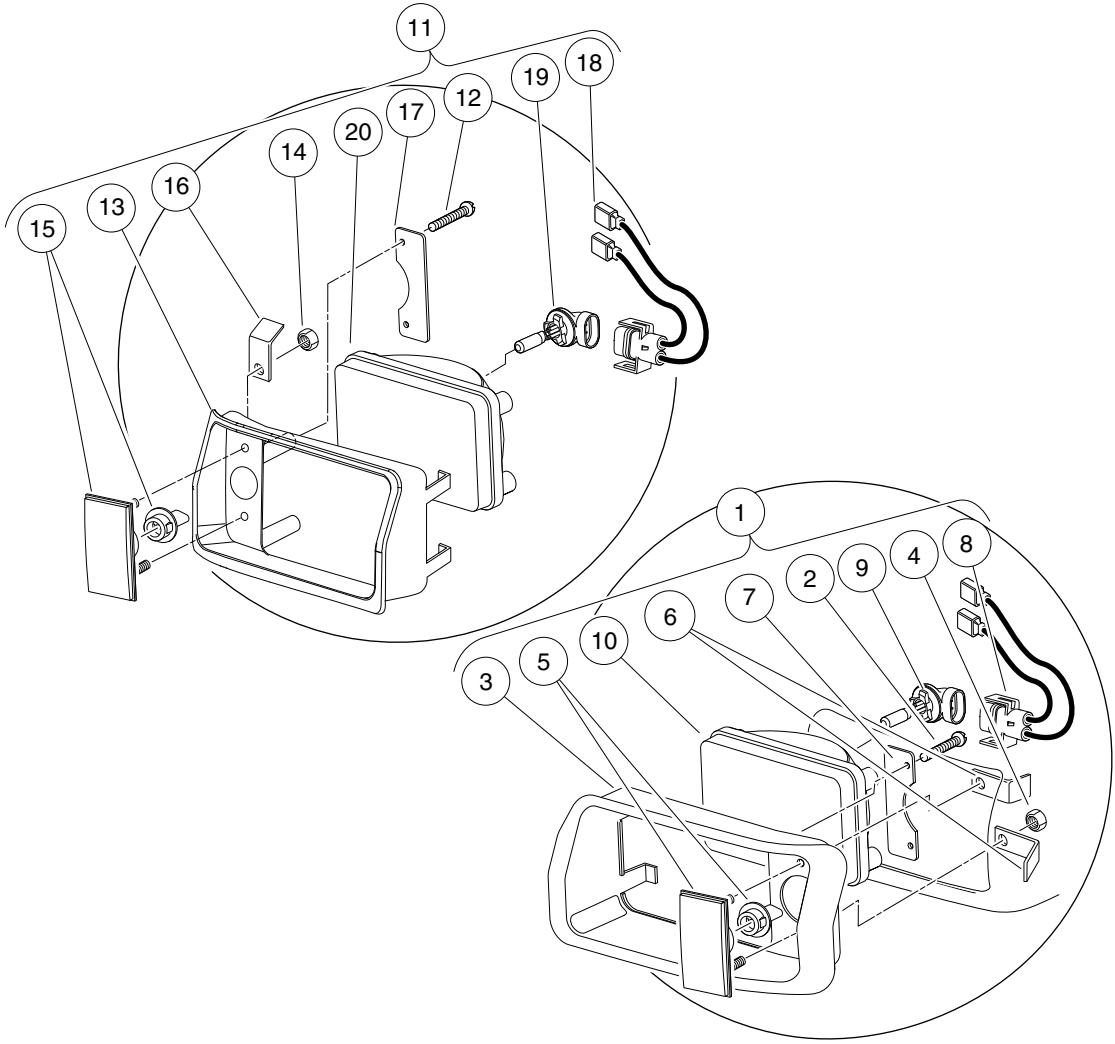
ITEM	PART NO.	DESCRIPTION	QTY
		1 2 3 4	
1	<u>101889801</u>	Shaft Governor Gear	1
2	<u>102845501</u>	Harness, Power, Stretch IQ Plus (includes items 3 through 9)	1
3	N/A	Asm, #4 Grn Wire, 89"	1
4	N/A	Asm, #4 Wht Wire, 88.5"	1
5	N/A	Asm, #10 Org Wire, 89.5"	1
6	N/A	Asm, #10 Blu Wire, 95.5"	1
7	N/A	Asm, #4 Red Wire, 67.5"	1
8	N/A	Asm, #4 Blk Wire, 57.5"	1
9	<u>8639</u>	Tie Wrap, 11" Nylon	6
10	<u>102938301</u>	Chrgr Harness, Iq Plus, Shelf	1
11	<u>103222001</u>	Asm, Wire Harness, Stretch, Electric	1
		Note: Item 1 and 10 not shown.	

13

E

13

E



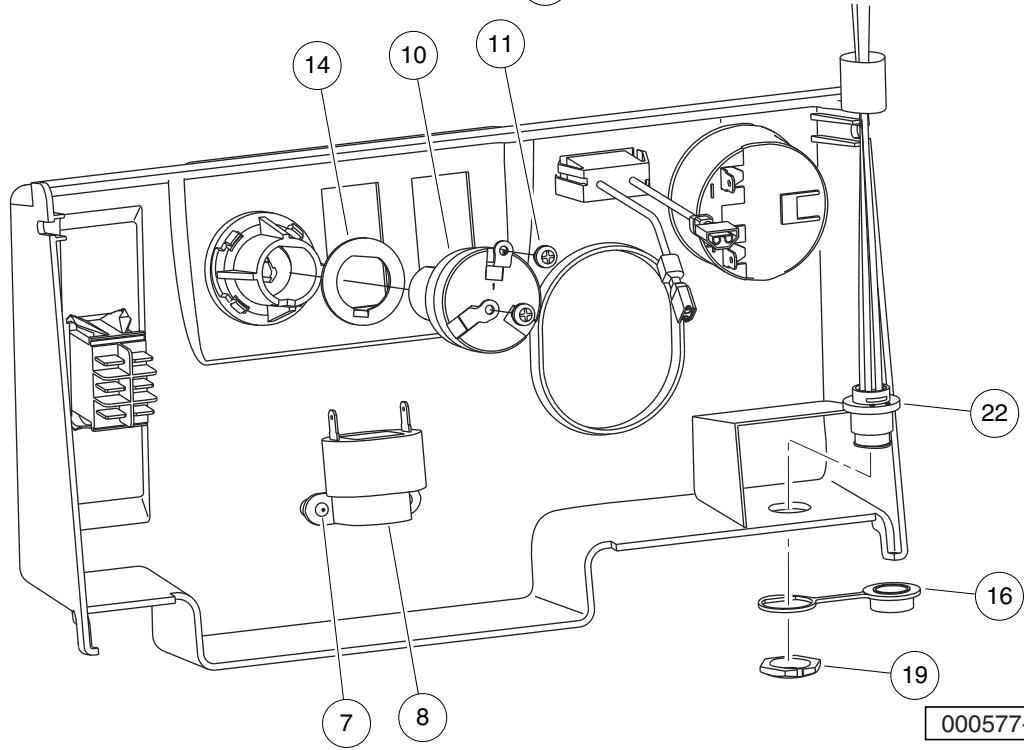
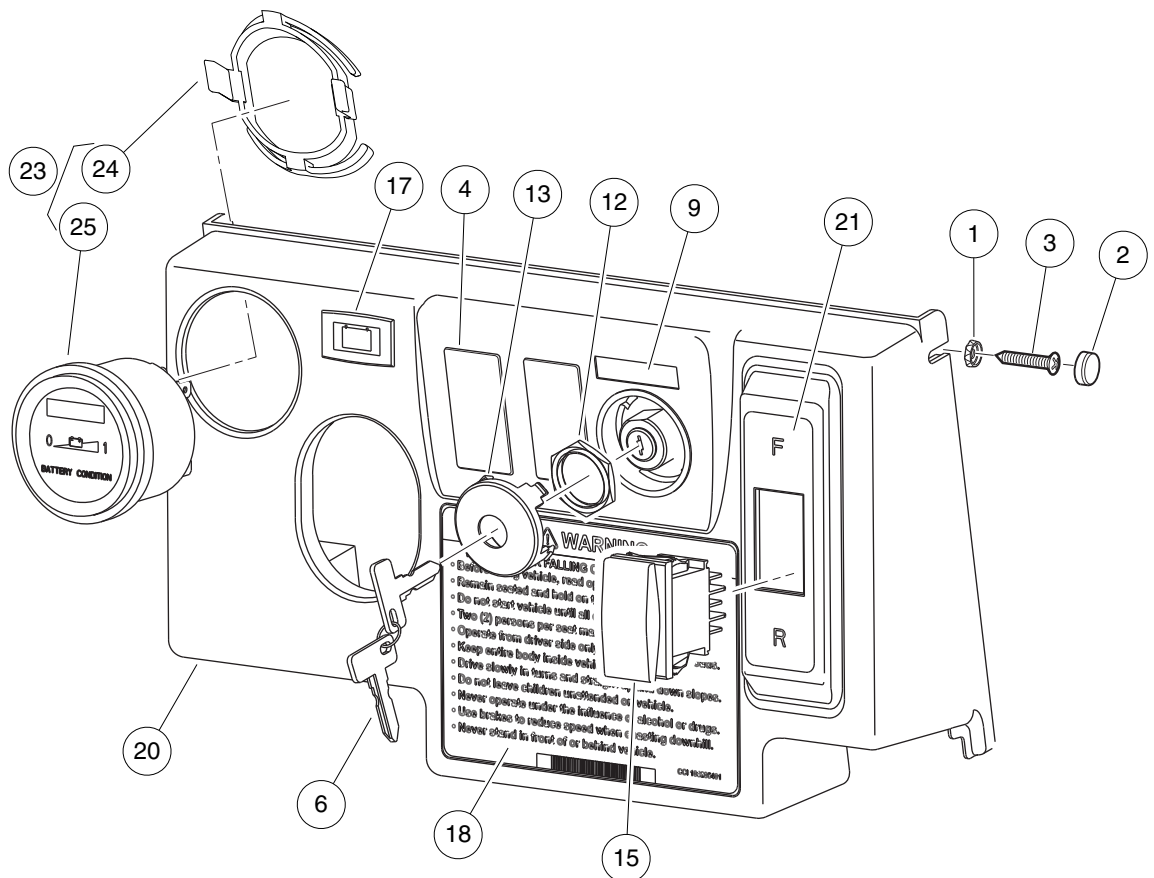
000073-001

HEADLIGHTS

13

E

ITEM	PART NO.	DESCRIPTION	QTY
		1 2 3 4	
1	<u>101988001</u>	Headlight Assembly, Driver-Side Single Beam (includes items 2 through 10)	1
2	<u>1013461</u>	Screw, #10-16 Hex-Head Hi-Lo	2
3	<u>1016880</u>	Headlight Bezel, Left	1
4	<u>1017</u>	Nut, #10-24 Stainless-Steel Hex Machine	2
5	<u>1017062</u>	Turn Signal Lens Assy	1
6	<u>1017064</u>	Mounting Bracket	2
7	<u>1017065</u>	Retainer, Headlight	1
8	<u>101987901</u>	Connector Harness Assembly, Headlight	1
9	<u>101988101</u>	Bulb, Headlight	1
10	<u>101988201</u>	Lens, Headlight	1
11	<u>101988002</u>	Headlight Assy, Passenger-Side Single Beam (includes items 12 through 20)	1
12	<u>1013461</u>	Screw, #10-16 Hex-Head Hi-Lo	2
13	<u>1016879</u>	Headlight Bezel, Right	1
14	<u>1017</u>	Nut, #10-24 Stainless-Steel Hex Machine	2
15	<u>1017062</u>	Turn Signal Lens Assy	1
16	<u>1017064</u>	Mounting Bracket	2
17	<u>1017065</u>	Retainer, Headlight	1
18	<u>101987901</u>	Connector Harness Assembly, Headlight	1
19	<u>101988101</u>	Bulb, Headlight	1
20	<u>101988201</u>	Lens, Headlight	1



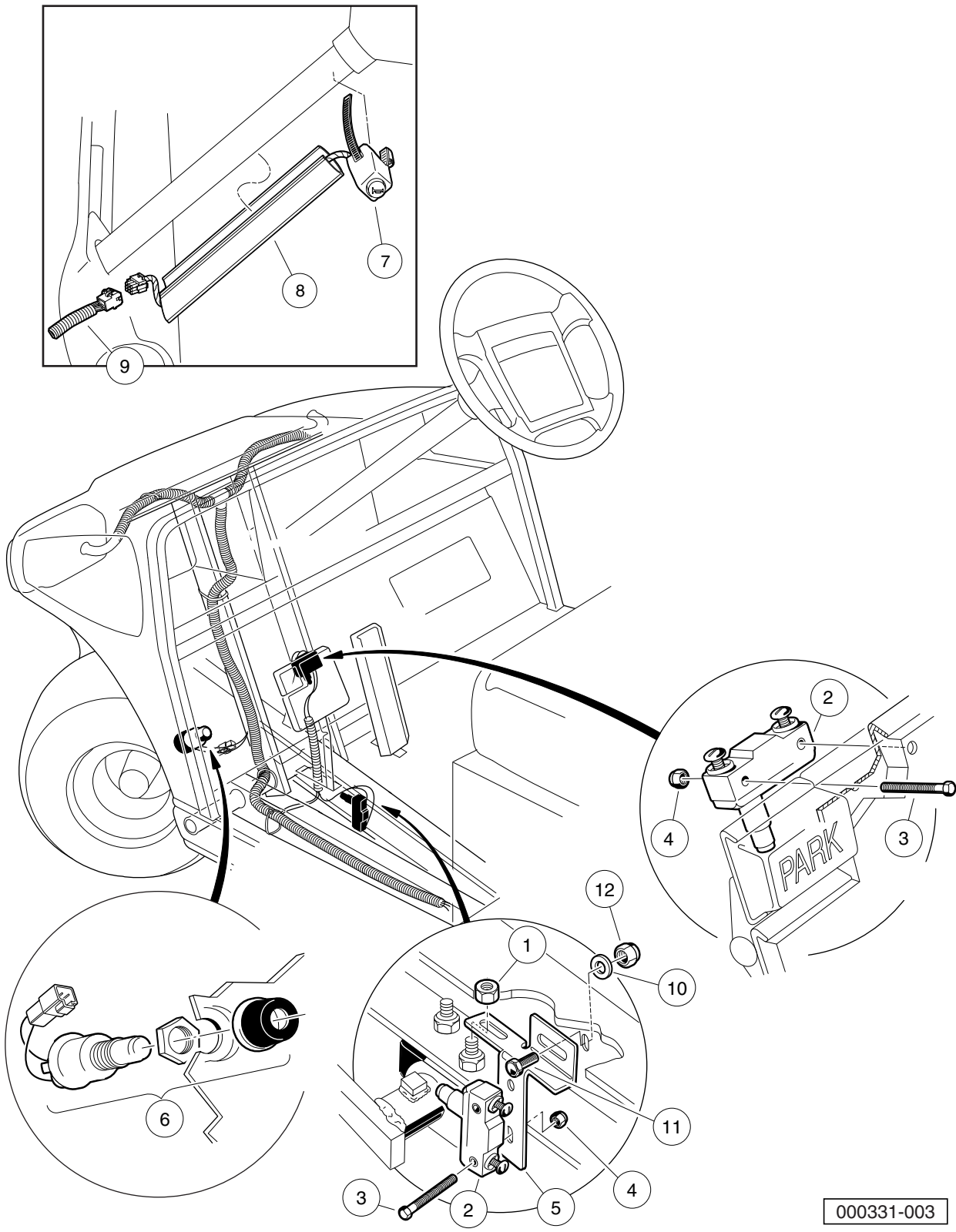
000577-001

INSTRUMENT PANEL WITH ELECTRICAL COMPONENTS

ITEM	PART NO.	DESCRIPTION	QTY
		1 2 3 4	
1	1011382	Washer, #10 Pan-Head Screw	2
2	<u>1013494</u>	Cover, Screw Head	2
3	<u>1015528</u>	Screw, #10 x 1-1/4 Phillips Head	2
4	<u>103180101</u>	Cover, Hole, Switch, Rocker	2
5	N/A	Asm, Dash, Elec, BCI (Instrument Panel) (includes items 6 through 23)	1
6	<u>1012505</u>	Keys (set of 2)	1
7	<u>1016849</u>	Screw, #4-24 X 0.33 Pan-Head Machine	2
8	<u>1016851</u>	Buzzer, Reverse (9-48 VDC)	1
9	<u>101825101</u>	Decal, Off/On	1
10	<u>101826201</u>	Key Switch, On/Off	1
11	101830601	Screw and Washer Assembly	5
12	<u>101830701</u>	Nut, Key Switch	1
13	<u>101834502</u>	Cap, Black Key Switch	1
14	<u>101851101</u>	Washer, Key Switch	1
15	<u>101856002</u>	Switch, Rocker, Single-Pole	1
16	<u>102196901</u>	Dust Cap	1
17	<u>102508701</u>	Light, Battery	1
18	102518001	Decal, Operating Instr, Elec	1
19	<u>102572401</u>	Nut, Diagnostic Port, Prec	1
20	<u>102977002</u>	Panel, Dash, Center, Gas (Instrument Panel)	1
21	<u>103210301</u>	Decal, Forward/Reverse, Electric	1
22	<u>103218601</u>	Harness, Diagnostic Port	1
23	<u>103354401</u>	Gauge, Battery Cond Ind, Rnd (includes items 24 and 25)	1
24	<u>103348202</u>	Clip, Bci, Round	1
25	N/A	Battery Condition Indicator Gauge	1

13

E

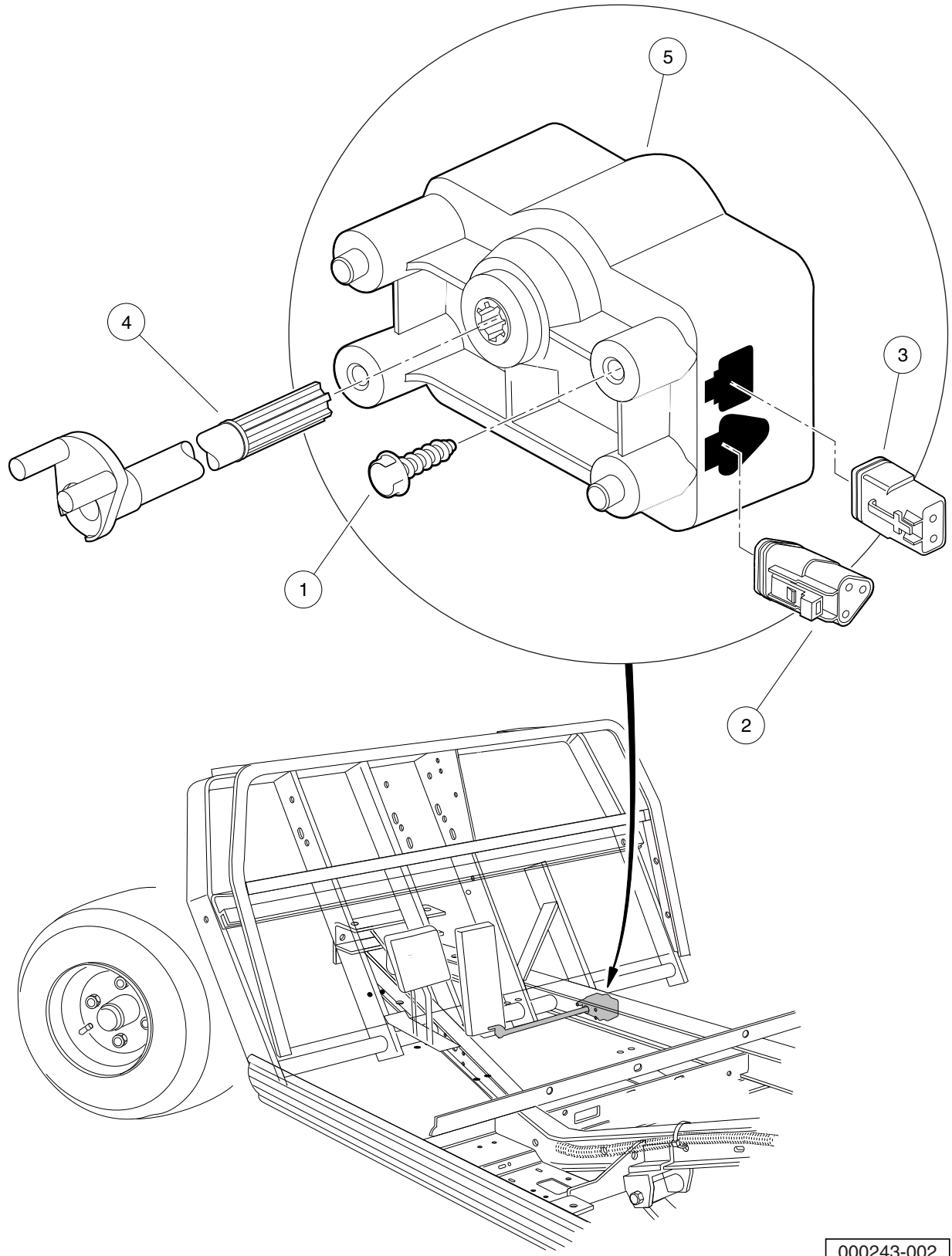


HORN AND BRAKE SWITCHES

ITEM	PART NO.	DESCRIPTION	QTY
		1 2 3 4	
1	<u>1011280</u>	Locknut, 5/16-18	1
2	<u>1011439</u>	Switch, Limit	2
3	<u>1011557</u>	Screw, #6-32 X 1.00 Hex-Head Machine	4
4	<u>101932201</u>	Locknut, #6-32 Nylon	4
5	<u>101957101</u>	Bracket, Brake Light Switch	1
6	<u>101969701</u>	Horn Button and Wire Assembly	1
7	<u>102517601</u>	Subasm, Horn Button Harness	1
8	<u>102529201</u>	Wire Cover, Steering Column	1
9	<u>103618101</u>	Harness, Jumper, Horn	1
10	<u>1241</u>	Washer, 5/16 Type A Flat	1
11	<u>7173</u>	Screw, 5/16-18 X 0.75 Hex-Head Cap	1
12	<u>7473</u>	Locknut, 5/16-18 Nylon Insert	1

13

E



000243-002

MOTOR CONTROLLER OUTPUT REGULATOR (MCOR)

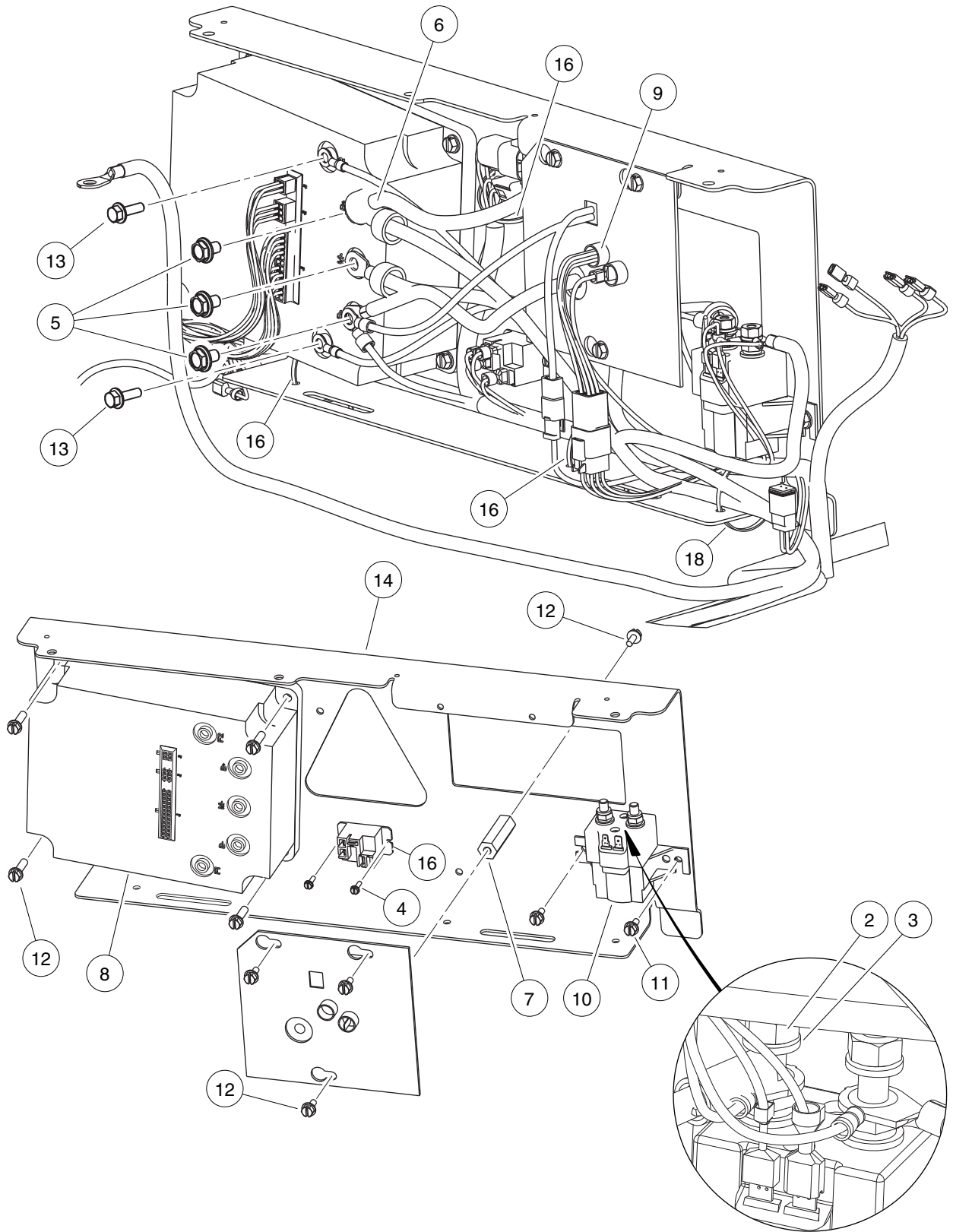
ITEM	PART NO.	DESCRIPTION	QTY
		1 2 3 4	
1	<u>1015752</u>	Screw, #12-16 X 0.625 Hi-Lo	2
2	<u>101920101</u>	Kit, 3-Pin Wedge Lock	1
3	<u>101936801</u>	Kit, 2-Pin Wedge Lock	1
4	102101001	Bar, Drive, Cast	1
5	<u>102101101</u>	MCOR	1

13

E

13

E



000589-001

ELECTRICAL COMPONENTS – IQ PLUS VEHICLES

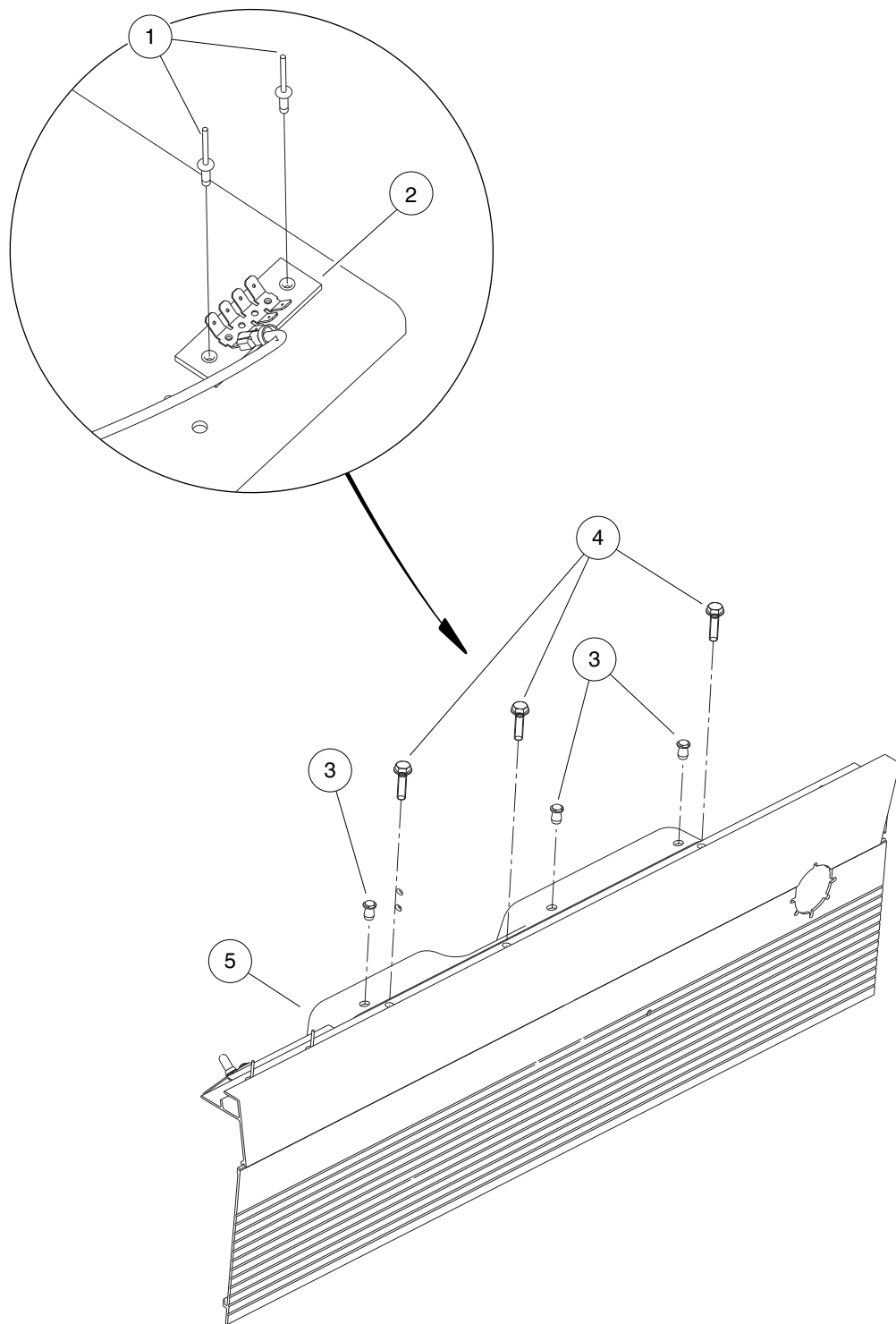
ITEM	PART NO.	DESCRIPTION	QTY
		1 2 3 4	
1	N/A	Asm, Electrical Component Box (includes items 2 through 18)	1
2	<u>1012528</u>	Nut, M8-1.25 Hex	2
3	<u>1013734</u>	Lockwasher, 8mm Split	2
4	<u>1015720</u>	Screw, #6-32 X 1/2 Hex Washer-Head	2
5	<u>102240501</u>	Bolt, Controller, Terminal	3
6	<u>102440901</u>	Wire Asm, #4 Yellow, 13"	1
7	<u>102769701</u>	Spacer, 2", 1/4-20, Hex	1
8	<u>102774501</u>	Controller, 500 Amp	1
9	<u>102774601</u>	Computer, Onbrd, 8x 6v, 64"	1
10	<u>102774701</u>	Solenoid, 48v	1
11	<u>102817101</u>	Screw, 1/4-20 X .50 Hex Wsh Hd	6
12	<u>102817201</u>	Screw, 1/4-20 X .88 Hex Wsh Hd	4
13	<u>102859501</u>	Screw, M6 X 1 X 20 Ser Hex Flg	2
14	<u>102912801</u>	Plate, Component, Front	1
15	<u>103414901</u>	Kit, Relay, 48v 30a W/instr (includes items 16 and 17)	1
16	<u>103397901</u>	Relay, Spst No, 48v 30a, Pmt	1
17	N/A	Kit, Relay, 48v 30a Instrns	1
18	<u>8990</u>	Tie Wrap, 8" Nylon	5

13

E

13

E



000598-001

ELECTRICAL INSTALLATION

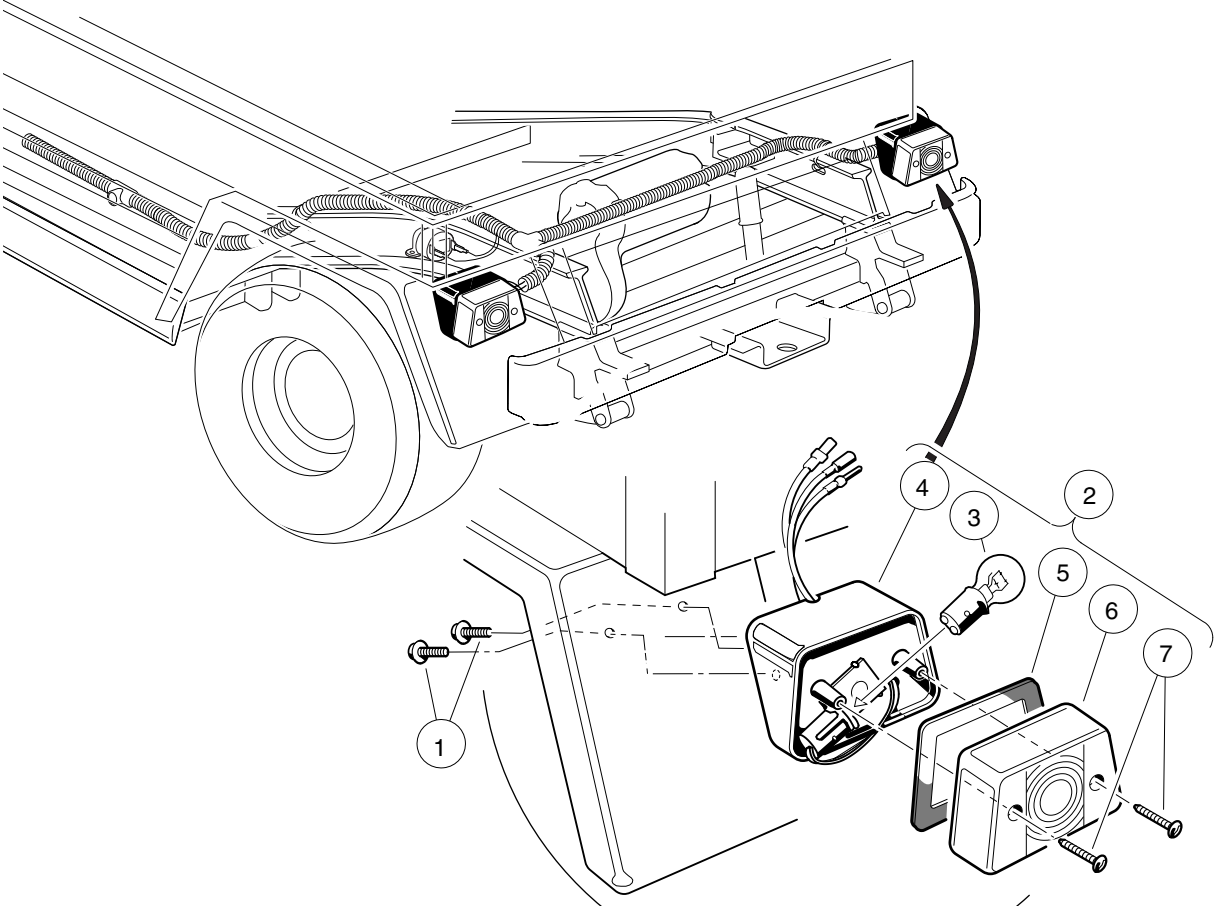
ITEM	PART NO.	DESCRIPTION	QTY
		1 2 3 4	
1	<u>1013357</u>	Rivet, 5/32 Aluminum Pop	2
2	<u>1016356</u>	Terminal Block with Insulator	1
3	<u>1016967</u>	Blind Rivet, Push Type	3
4	<u>102238001</u>	#10-24 Taptite Screw	3
5	<u>102772402</u>	Cover, Electrical Component, Carryall 6	1
6	<u>8990</u>	Tie Wrap, 8" Nylon	11

13

E

13

E



000348-005

TAILLIGHTS

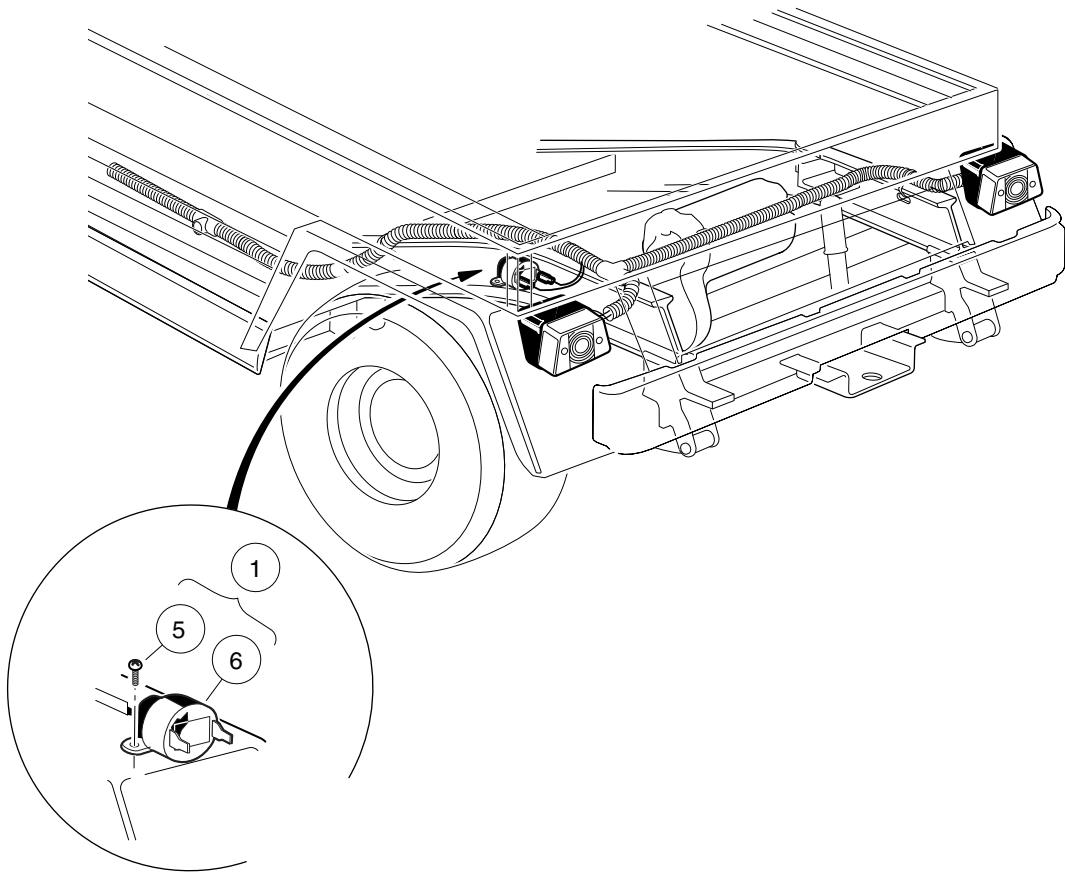
ITEM	PART NO.	DESCRIPTION	QTY
		1 2 3 4	
1	<u>1015752</u>	Screw, #12-16 X 0.625 Hi-Lo	4
2	<u>1016717</u>	Light Assembly, Stop/Taillight (includes items 3 through 7)	2
3	<u>1011582</u>	Taillight Bulb	1
4	N/A	Housing, Taillight	1
5	N/A	Gasket, Taillight	1
6	N/A	Lens, Taillight	1
7	N/A	Screw, Taillight Lens	2

13

E

13

E



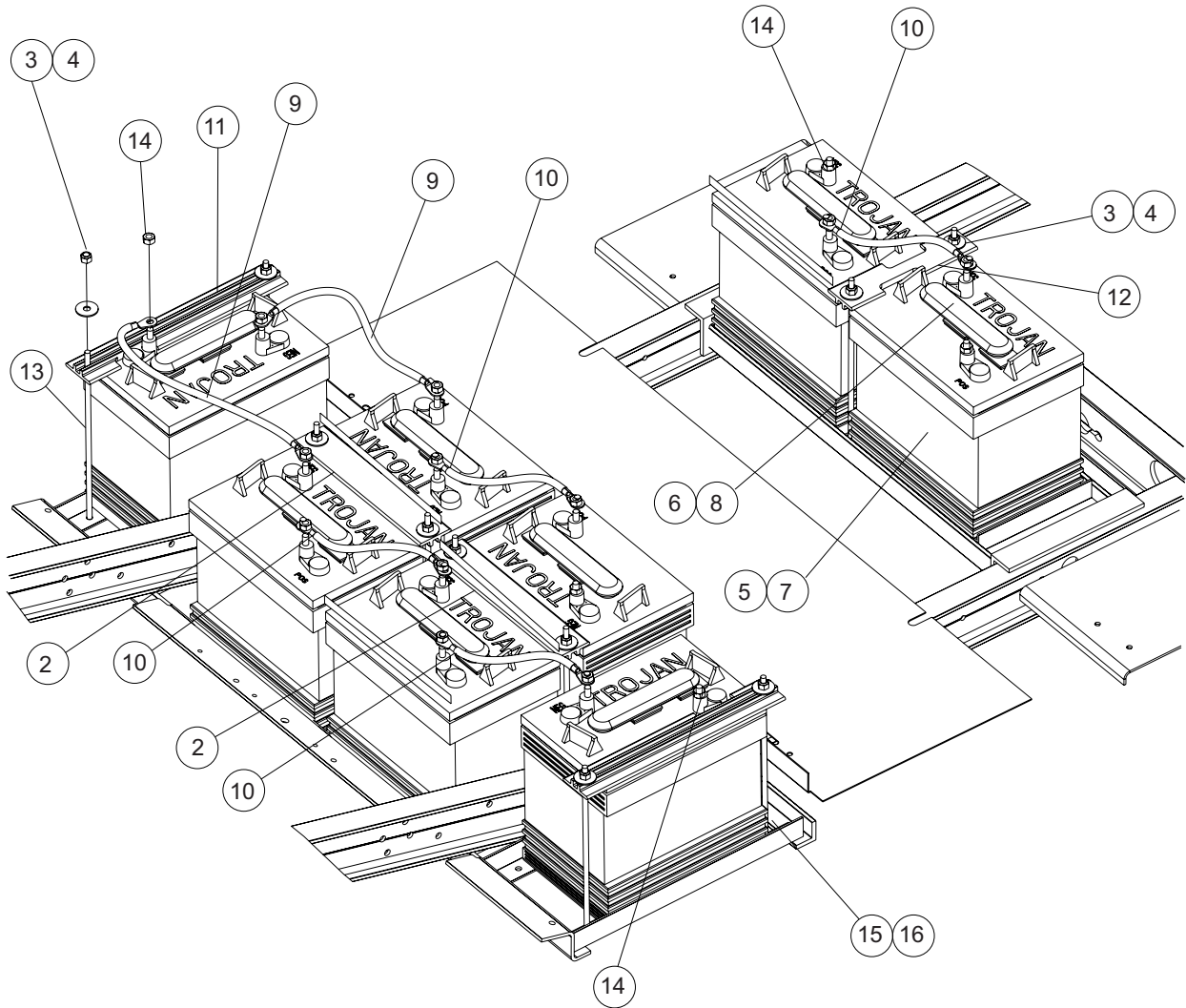
000432-001

REAR REVERSE BUZZER

ITEM	PART NO.	DESCRIPTION	QTY
		1 2 3 4	
1	<u>1016859</u>	Kit, Reverse Buzzer (includes items 2 through 10)	1
2	<u>1011229</u>	Locknut, #6-32 Whiz	1
3	1012431	Washer, #4 Flat	2
4	<u>1015720</u>	Screw, #6-32 X 1/2 Hex Washer-Head	1
5	<u>1016849</u>	Screw, #4-24 X 0.33 Pan-Head Machine	2
6	<u>1016851</u>	Buzzer, Reverse (9-48 VDC)	1
7	1016857	Wire Assembly Black #18	1
8	<u>8056</u>	Screw, #4-40 X 0.75 Round-Head Machine	2
9	<u>8057</u>	Nut, #4-40 Hex Machine	2
10	<u>8058</u>	Lockwasher, #4 Split	2
Note: Note: Items 2 through 4 and 7 through 10 are included in the kit, but are not used in this application.			

13

E



000410-001

IQ PLUS VEHICLE WITH T-105 BATTERIES

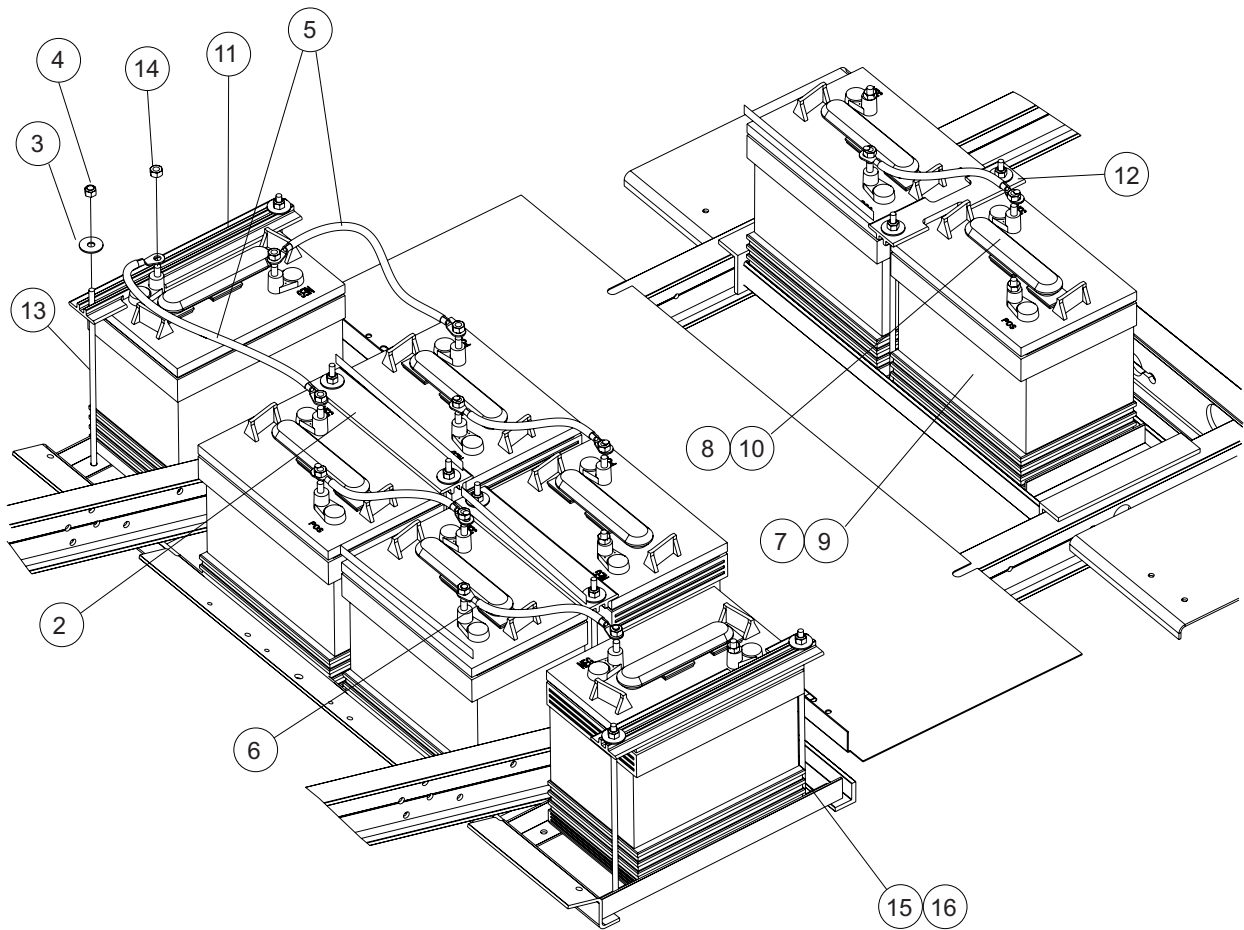
ITEM	PART NO.	DESCRIPTION	QTY
		1 2 3 4	
1	N/A	Battery Install, Stretch IQ Plus w/T-105 Batteries (includes items 2 through 16)	1
2	<u>101090801</u>	Hold-Down, Battery	2
3	1012571	Washer, 5/16 Extra Thick Flat	10
4	1015072	Locknut, 5/16-18 Nylon Insert	10
5	<u>101661601</u>	Battery, 6v Trojan T105 (Wet) (includes item 6)	8
6	<u>101831401</u>	Battery Cap 6 Volt	1
7	<u>101661602</u>	Battery, 6v Trojan T105 (Dry, also known as moist) (includes item 8)	8
8	<u>101831401</u>	Battery Cap 6 Volt	1
9	<u>102002801</u>	Wire Assy, #4 Black	2
10	<u>102002901</u>	Wire Assy, #4 Black	4
11	<u>102766201</u>	Hold Down, Outside	2
12	<u>102830301</u>	Hold Down, Front Center	1
13	<u>102845203</u>	Rod, Battery Hold Down 10.7"	10
14	<u>102873401</u>	5/16-18 Heavy Hex Nut	16
15	<u>102980801</u>	Extr, Plastic, 1 X 1 X 3	2
16	<u>102980901</u>	Clamp, Hose, Nylon, .25	2

13

E

13

E



000410-002

IQ PLUS VEHICLE WITH T-145 BATTERIES

ITEM	PART NO.	DESCRIPTION	QTY
		1 2 3 4	
1	N/A	Battery Install, Stretch IQ Plus w/T-145 Batteries (includes items 2 through 16)	1
2	<u>101090801</u>	Hold-Down, Battery	2
3	1012571	Washer, 5/16 Extra Thick Flat	10
4	1015072	Locknut, 5/16-18 Nylon Insert	10
5	<u>102002801</u>	Wire Assy, #4 Black	2
6	<u>102002901</u>	Wire Assy, #4 Black	4
7	<u>102764401</u>	Battery, 6v Trojan T145 (wet) (includes item 8)	8
8	<u>101831401</u>	Battery Cap 6 Volt	1
9	<u>102764402</u>	Battery, 6v Trojan T145 (Dry, also known as moist) (includes item 10)	8
10	<u>101831401</u>	Battery Cap 6 Volt	1
11	<u>102766201</u>	Hold Down, Outside	2
12	<u>102830301</u>	Hold Down, Front Center	1
13	<u>102845204</u>	Rod, Battery Hold Down 12"	12
14	<u>102873401</u>	5/16-18 Heavy Hex Nut	16
15	<u>102980801</u>	Extr, Plastic, 1 X 1 X 3	2
16	<u>102980901</u>	Clamp, Hose, Nylon, .25	2

13

E

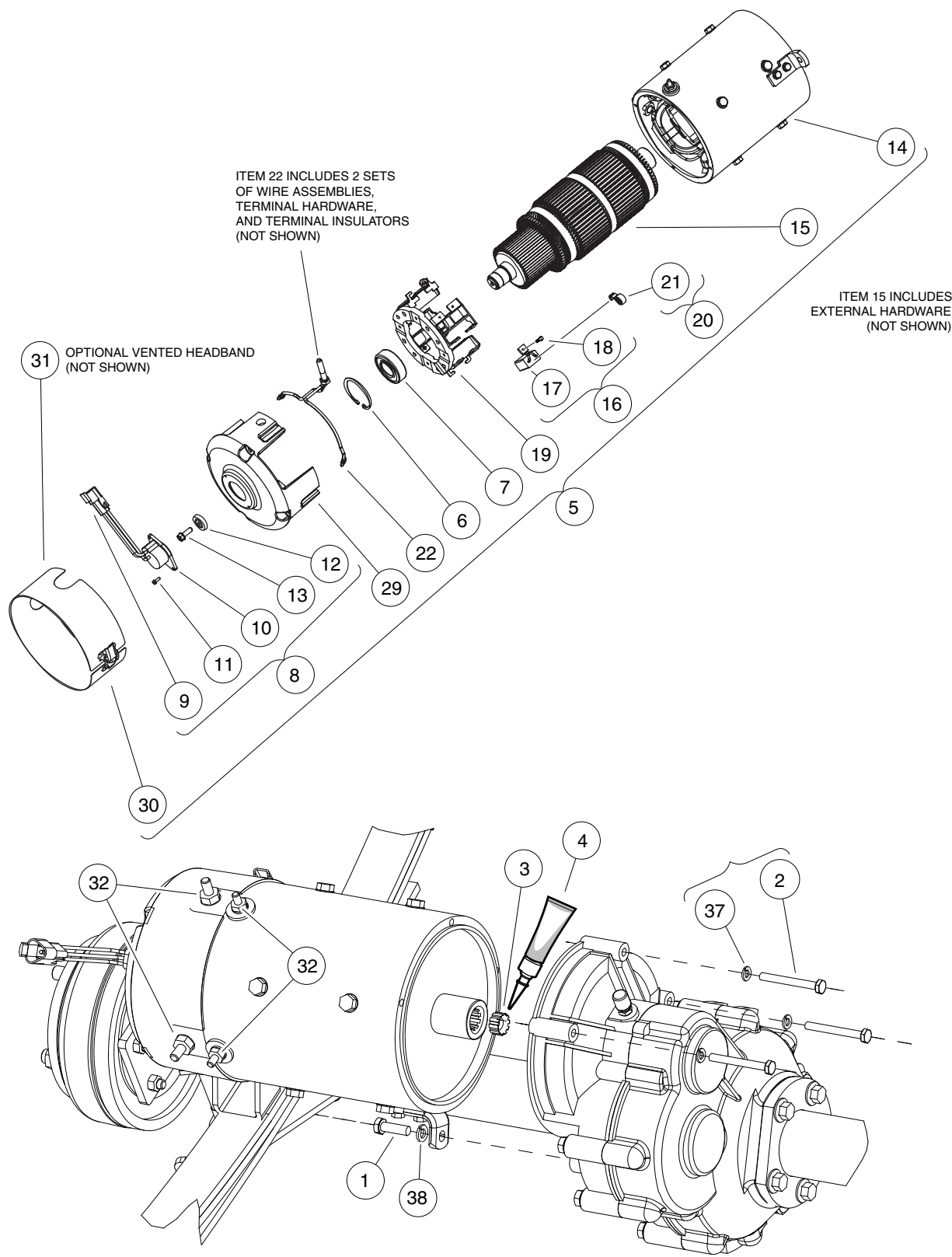
13

E

ELECTRIC MOTOR

14

E



000411-001

MOTOR (MODEL DA5-4006) – IQ PLUS

ITEM	PART NO.	DESCRIPTION	QTY
		1 2 3 4	
1	<u>1010934</u>	Screw, 5/16-18 X 1.00 Hex Cap	1
2	1014201	Screw, 1/4-20 X 2.25 Hex Cap	3
3	<u>102235201</u>	Bumper, Drive Unit	1
4	<u>102243403</u>	Lubricant, Moly-Teflon (Single-Use Tube)	1
5	<u>102775101</u>	IQ Plus Electric Motor, 48-VDC 3.7 hp (includes items 6 through 30)	1
6	<u>102186301</u>	Ring, 2.24" Internal Retaining	1
7	<u>102186401</u>	Bearing, Ball	1
8	<u>102704901</u>	Kit, Speed Sensor (includes items 9 through 13)	1
9	<u>101942301</u>	Kit, 3-Pin Wedge Lock	1
10	N/A	Sensor, Motor Speed, ADC	1
11	N/A	Screw, #8-32, Taptite Thread	2
12	N/A	Magnet, ADC Motor	1
13	N/A	Screw, 1/4-20 x 0.5	1
14	N/A	Asm, Frame And Field, 3.7 Hp	1
15	N/A	Armature (Includes external hardware - not shown)	1
16	<u>102938601</u>	Kit, Brush, 3.7 Hp (includes items 17 and 18)	1
17	N/A	Brush, Motor	8
18	N/A	Screw, Taptite	8
19	<u>102938701</u>	Asm, Brush Box, 3.7 Hp	1
20	<u>102938801</u>	Kit, Brush Spring, 3.7 Hp (includes item 21)	1
21	N/A	Brush Spring	8
22	<u>102938901</u>	Kit, Brush Lead Asm, 3.7 Hp (includes items 23 through 28)	1
23	N/A	Terminal and Lead Assembly	2
24	N/A	Insulator, Terminal	2
25	N/A	Washer, Insulating	2
26	N/A	Washer, Flat, 5/16, Brass/Bronze	2
27	N/A	Nut, 5/16, Steel	4
28	N/A	Lockwasher, 5/16, Steel	2
29	<u>102939001</u>	Commutator End Head, 3.7 Hp	1
30	<u>102939101</u>	Sealed Headband, 3.7 Hp	1
31	<u>102939102</u>	Vented Headband, 3.7 HP (optional - not shown)	1
32	<u>102951701</u>	Pkg, Terminal Hardware, 3.7hp (includes items 33 through 36)	1
33	N/A	Nut, 5/16, Steel	2
34	N/A	Lockwasher, 5/16, Steel	2
35	N/A	Nut, 1/4-20, Steel	2
36	N/A	Lockwasher, 1/4-20, Steel	2
37	<u>451</u>	Lockwasher, 1/4 Split	3
38	<u>7174</u>	Lockwasher, 5/16 Split	1

14

E

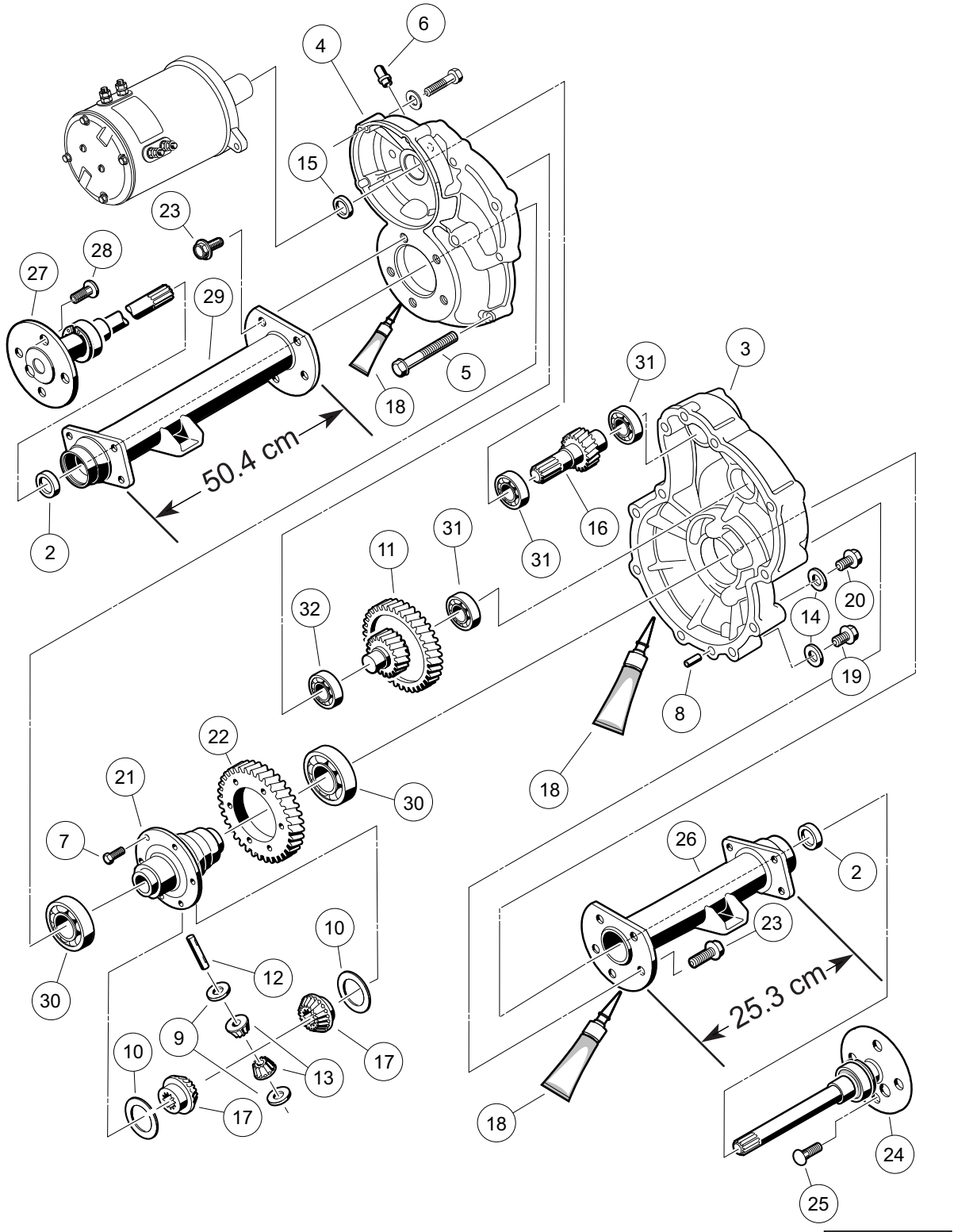
14

E

TRANSAXLE – ELECTRIC VEHICLES

15

E



000223-002

TRANSAXLE – ELECTRIC VEHICLES

ITEM	PART NO.	DESCRIPTION	QTY
		1 2 3 4	
1	<u>102771701</u>	Transaxle, Electric (includes items 2 through 32)	1
2	<u>1013794</u>	Axle Shaft Oil Seal	2
3	<u>101895401</u>	Gear Case, Left-Hand	1
4	<u>101895501</u>	Gear Case, Passenger-Side	1
5	<u>101897001</u>	Screw, M8-1.25 X 60mm Hex-Head	11
6	<u>101897201</u>	Breather	1
7	<u>101897401</u>	Screw, M10-1.25 X 25mm	6
8	<u>101897601</u>	Pin, 11mm OD X 8.5mm ID X 10mm	2
9	<u>101903601</u>	Washer, Thrust	2
10	<u>101903701</u>	Washer, Thrust	2
11	<u>101906901</u>	Intermediate Shaft Assembly	1
12	<u>101922101</u>	Pin, 15.99mm X 88.7mm Dowel	1
13	<u>101923001</u>	Gear, Differential Idler	2
14	<u>101923201</u>	Gasket	2
15	<u>101923501</u>	Seal, Lip	1
16	<u>101923701</u>	Shaft, Input	1
17	<u>101923901</u>	Gear, Differential	2
18	<u>101928701</u>	Liquid Gasket (Transaxle case)	1
19	<u>101972101</u>	Plug, M14-1.5 X 12mm Magnetic	1
20	<u>101972201</u>	Plug, M14-1.5 X 12mm Hex	1
21	<u>102356601</u>	Housing, Differential, 6 Bolt	1
22	<u>102356801</u>	Gear, Differential Output, 6-Bolt	1
23	<u>102357001</u>	Screw, Flg Hd M10 X 1.5 X 30	10
24	<u>102886301</u>	Axle Assembly, Driver-Side (includes item 25)	1
25	<u>101922201</u>	Lug Stud	4
26	<u>102886401</u>	Tube, Axle, Driver-Side	1
27	<u>102886501</u>	Axle Assembly, Passenger-Side (includes item 28)	1
28	<u>101922201</u>	Lug Stud	4
29	<u>102886601</u>	Tube, Axle, Passenger-Side	1
30	<u>7330</u>	Inner Axle Tube Bearing	2
31	<u>7335</u>	Bearing	3
32	<u>7336</u>	Bearing	1

15

E

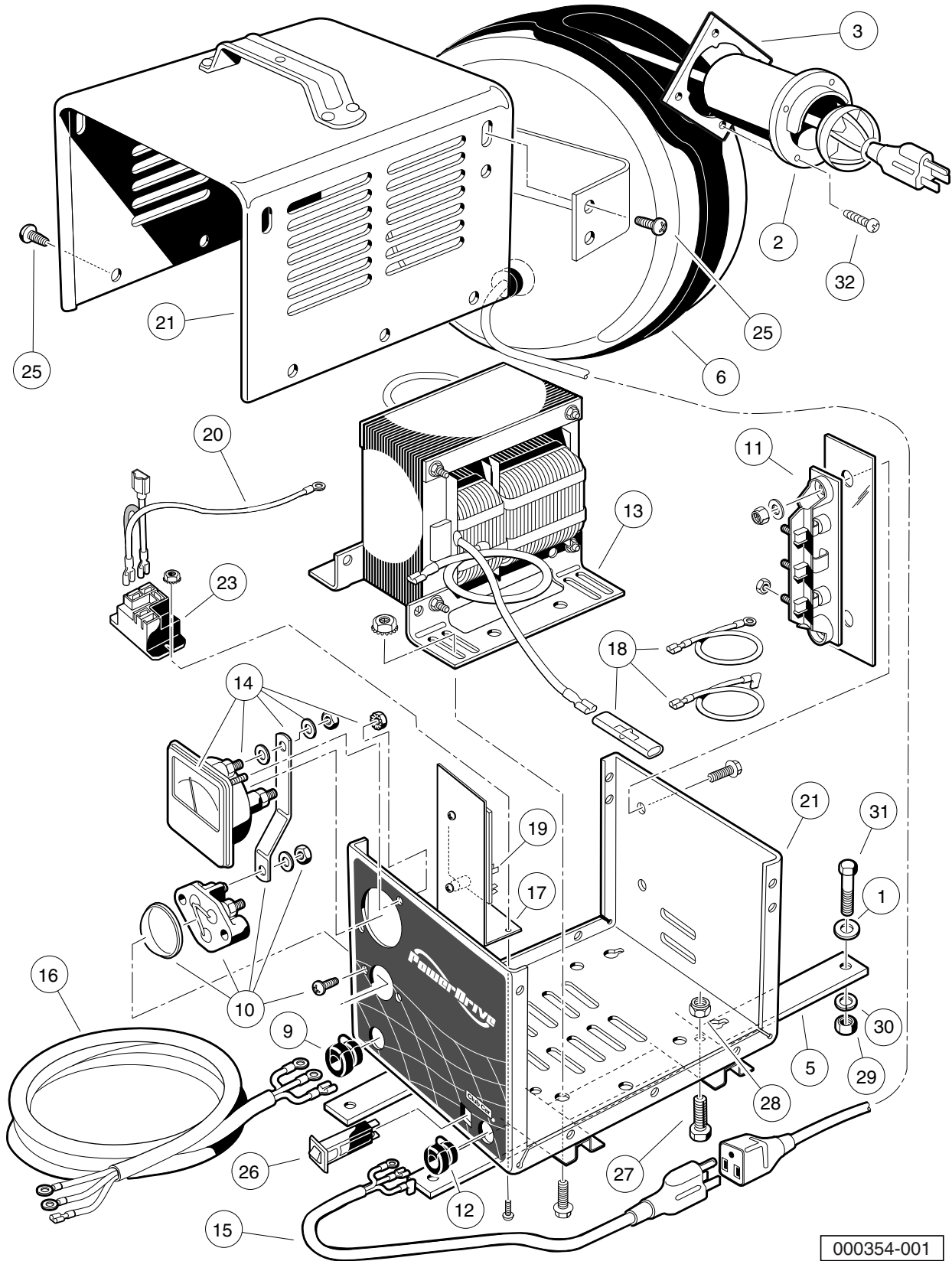
15

E

BATTERY CHARGER

16

E



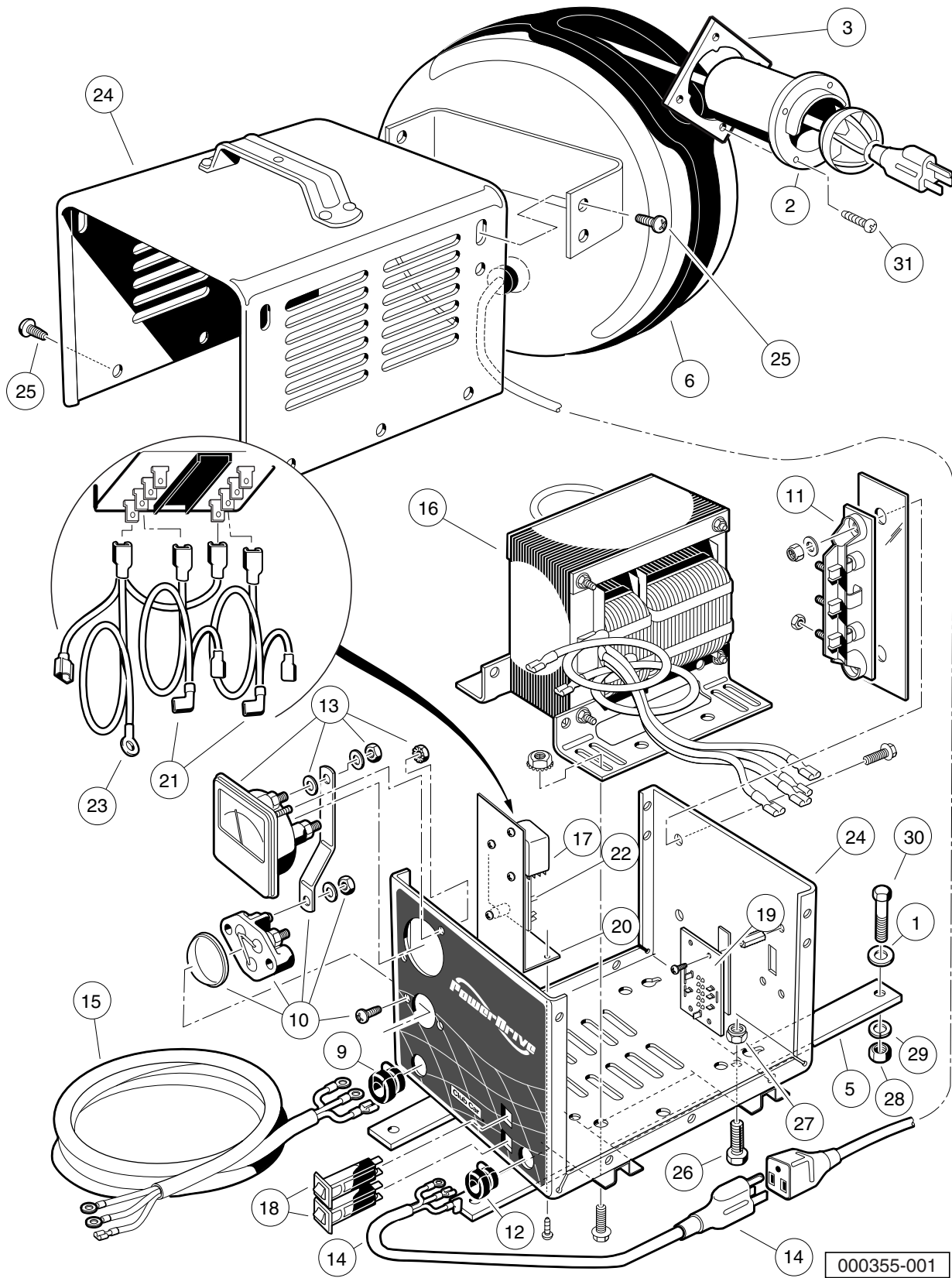
000354-001

ONBOARD POWERDRIVE BATTERY CHARGER (MODEL 17935), DOMESTIC

16

E

ITEM	PART NO.	DESCRIPTION	QTY
		1 2 3 4	
1	<u>1014306</u>	Washer, 1/4" Type B Flat	4
2	<u>1016673</u>	Housing, Cord Reel	1
3	<u>101801001</u>	Plate, Receptacle Backing	1
4	<u>101814301</u>	Battery Charger and Reel Assembly (includes items 5 through 28)	1
5	<u>1011707</u>	Bracket, Mounting, Battery Charger	2
6	<u>1017187</u>	Retractable Cord Reel	1
7	<u>1017189</u>	Heat Shrink Tube 1.5" X 3"	1
8	<u>101802301</u>	Battery Charger, Onboard, 120-VAC, 48-VDC (includes items 9 through 26)	1
9	<u>1012098</u>	Bushing, DC Cord	1
10	<u>1012101</u>	Fuse Assembly	1
11	<u>1015914</u>	Rectifier with Heatsink Assembly	1
12	<u>1015917</u>	Bushing, AC Cord	1
13	****	Transformer, Battery Charger	1
14	<u>101828501</u>	Ammeter	1
15	<u>101829001</u>	Cord, AC, 22-Inch (56 cm)	1
16	<u>101829101</u>	Cord, DC, 90.5-Inch (230 cm)	1
17	****	Mounting Bracket, Relay	1
18	N/A	Kit, Wire Assembly	1
19	<u>101841901</u>	Control Board	1
20	<u>101914401</u>	Assembly, Voltage Suppressor	1
21	N/A	Case, Charger	1
22	<u>103414901</u>	Kit, Relay, 48v 30a W/instr (includes items 23 and 24)	1
23	<u>103397901</u>	Relay, Spst No, 48v 30a, Pmt	1
24	N/A	Kit, Relay, 48v 30a Instrns	1
25	7577	Screw, #10 X 0.50 Phillips Pan-Head	12
26	<u>CCX8506</u>	Circuit Breaker, 15-Amp/120-Volt	1
27	<u>7847</u>	Screw, 1/4-20 X 0.75 Hex-Head Cap	4
28	<u>8233</u>	Locknut, 1/4-20 Nylon Insert	4
29	<u>1028</u>	Nut, 1/4-20 Hex	4
30	<u>451</u>	Lockwasher, 1/4 Split	4
31	<u>7479</u>	Screw, 1/4-20 X 1.25 Hex-Head Cap	4
32	<u>8796</u>	Screw, #7-19 X 0.75 Pan-Head Type AB	4
<p>**** Special order item available upon request.</p> <p>Note: Item 7 not shown.</p>			

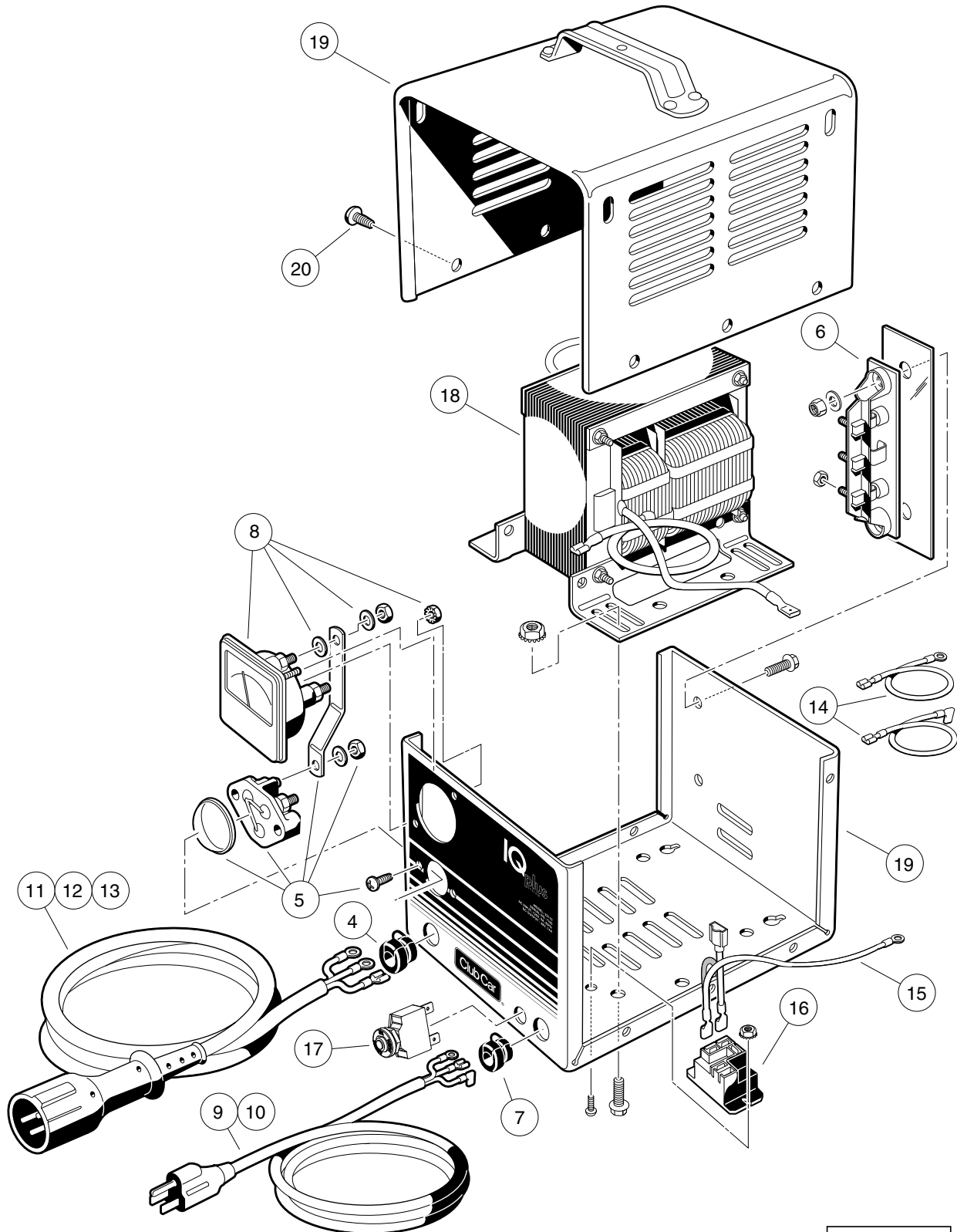


ONBOARD POWERDRIVE BATTERY CHARGER (MODEL 17790), EXPORT

16

E

ITEM	PART NO.	DESCRIPTION	QTY
		1 2 3 4	
1	<u>1014306</u>	Washer, 1/4" Type B Flat	4
2	<u>1016673</u>	Housing, Cord Reel	1
3	<u>101801001</u>	Plate, Receptacle Backing	1
4	<u>101814302</u>	Battery Charger and Reel Assembly (includes items 5 through 27)	1
5	<u>1011707</u>	Bracket, Mounting, Battery Charger	2
6	<u>1017187</u>	Retractable Cord Reel	1
7	<u>1017189</u>	Heat Shrink Tube 1.5" X 3"	1
8	<u>101831601</u>	Battery Charger, Onboard, 48-Volt DC (includes items 9 through 25)	1
9	<u>1012098</u>	Bushing, DC Cord	1
10	<u>1012101</u>	Fuse Assembly	1
11	<u>1015914</u>	Rectifier with Heatsink Assembly	1
12	<u>1015917</u>	Bushing, AC Cord	1
13	<u>101828501</u>	Ammeter	1
14	<u>101829001</u>	Cord, AC, 22-Inch (56 cm)	1
15	<u>101829101</u>	Cord, DC, 90.5-Inch (230 cm)	1
16	101838201	Transformer, Export Battery Charger	1
17	<u>101838301</u>	Relay, Export Charger	1
18	101838401	Circuit Breaker	2
19	101838601	Four-Position Switch	1
20	****	Mounting Bracket, Relay	1
21	****	Kit, Wire Assembly	1
22	<u>101841901</u>	Control Board	1
23	101914401	Assembly, Voltage Suppressor	1
24	N/A	Case, Charger	1
25	7577	Screw, #10 X 0.50 Phillips Pan-Head	12
26	<u>7847</u>	Screw, 1/4-20 X 0.75 Hex-Head Cap	4
27	<u>8233</u>	Locknut, 1/4-20 Nylon Insert	4
28	<u>1028</u>	Nut, 1/4-20 Hex	4
29	<u>451</u>	Lockwasher, 1/4 Split	4
30	<u>7479</u>	Screw, 1/4-20 X 1.25 Hex-Head Cap	4
31	<u>8796</u>	Screw, #7-19 X 0.75 Pan-Head Type AB	4
<p style="text-align: center;">**** Special order item available upon request.</p> <p style="text-align: center;">Note: Item 7 not shown.</p>			



000414-001

IQ PLUS DOMESTIC BATTERY CHARGER (MODEL 25730)

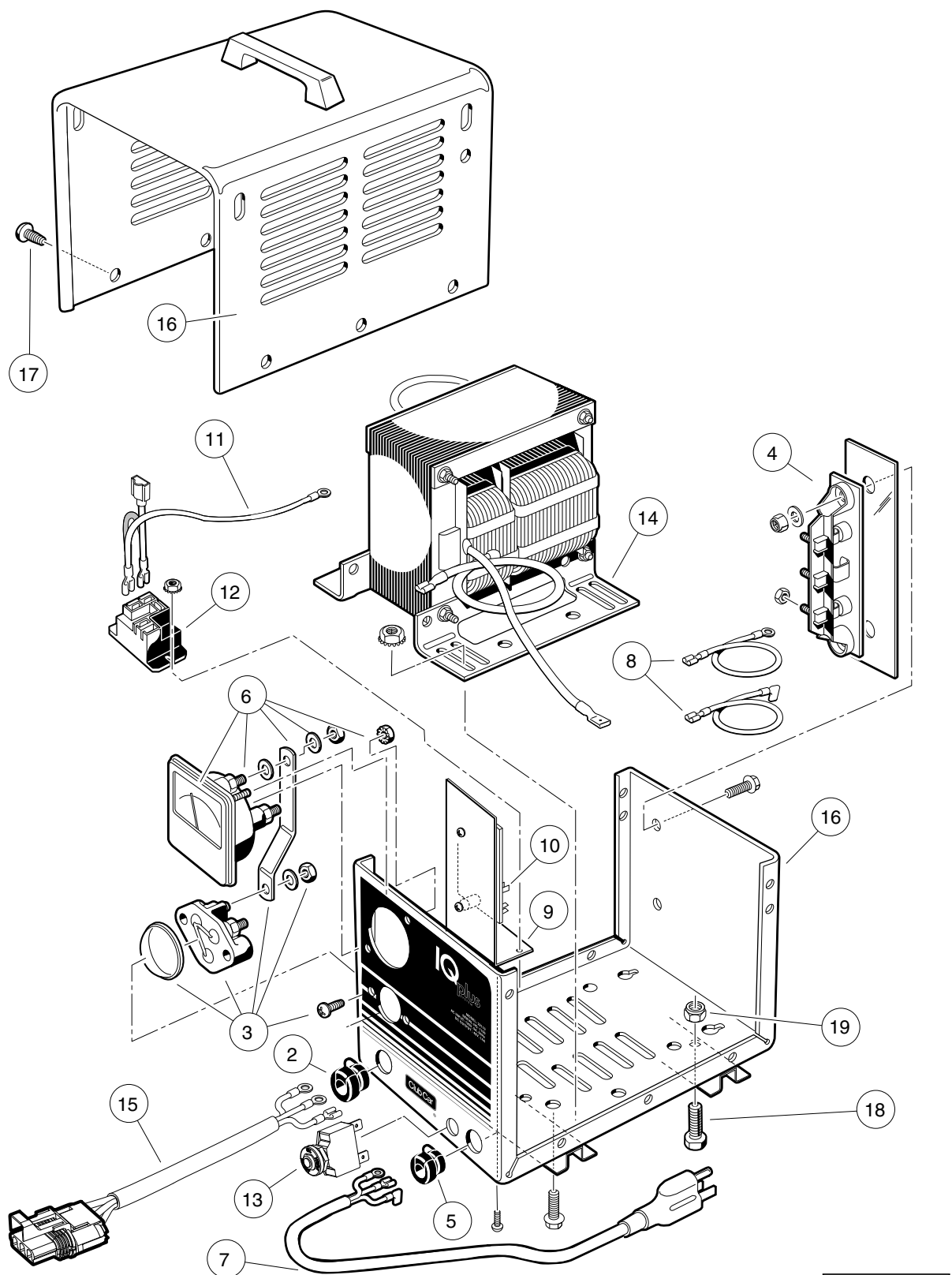
ITEM	PART NO.	DESCRIPTION	QTY
		1 2 3 4	
1	<u>102847801</u>	48-V/17-A IQ Plus (9-ft. DC Cord, 6-ft. AC Cord)	1
2	<u>102847802</u>	48-V/17-A IQ Plus (12-ft. DC Cord, 9-ft. AC Cord)	1
3	<u>102847803</u>	48-V/17-A IQ Plus (20-ft. DC Cord, 9-ft. AC Cord) (includes items 4 through 20)	1
4	<u>1012098</u>	Bushing, DC Cord	1
5	<u>1012101</u>	Fuse Assembly	1
6	<u>1015914</u>	Rectifier with Heatsink Assembly	1
7	<u>1015917</u>	Bushing, AC Cord	1
8	<u>101828501</u>	Ammeter	1
9	<u>101828801</u>	Cord, AC, 80-Inch (203 cm)	1
10	<u>101828802</u>	Cord, AC, 108-Inch (274 cm)	1
11	<u>101828901</u>	Cord, DC, 113-Inch (287 cm)	1
12	<u>101828902</u>	Cord, DC, 154-Inch (391 cm)	1
13	<u>101828903</u>	Cord, DC, 250-Inch (635 cm)	1
14	<u>101831101</u>	Wire Assembly Kit	1
15	101914401	Assembly, Voltage Suppressor	1
16	<u>102275401</u>	Relay, 48-VDC	1
17	<u>102838101</u>	Circuit Breaker 250vac-50vdc	1
18	N/A	Transformer, Battery Charger	1
19	N/A	Case, Battery Charger	1
20	7577	Screw, #10 X 0.50 Phillips Pan-Head	10

16

E

16

E



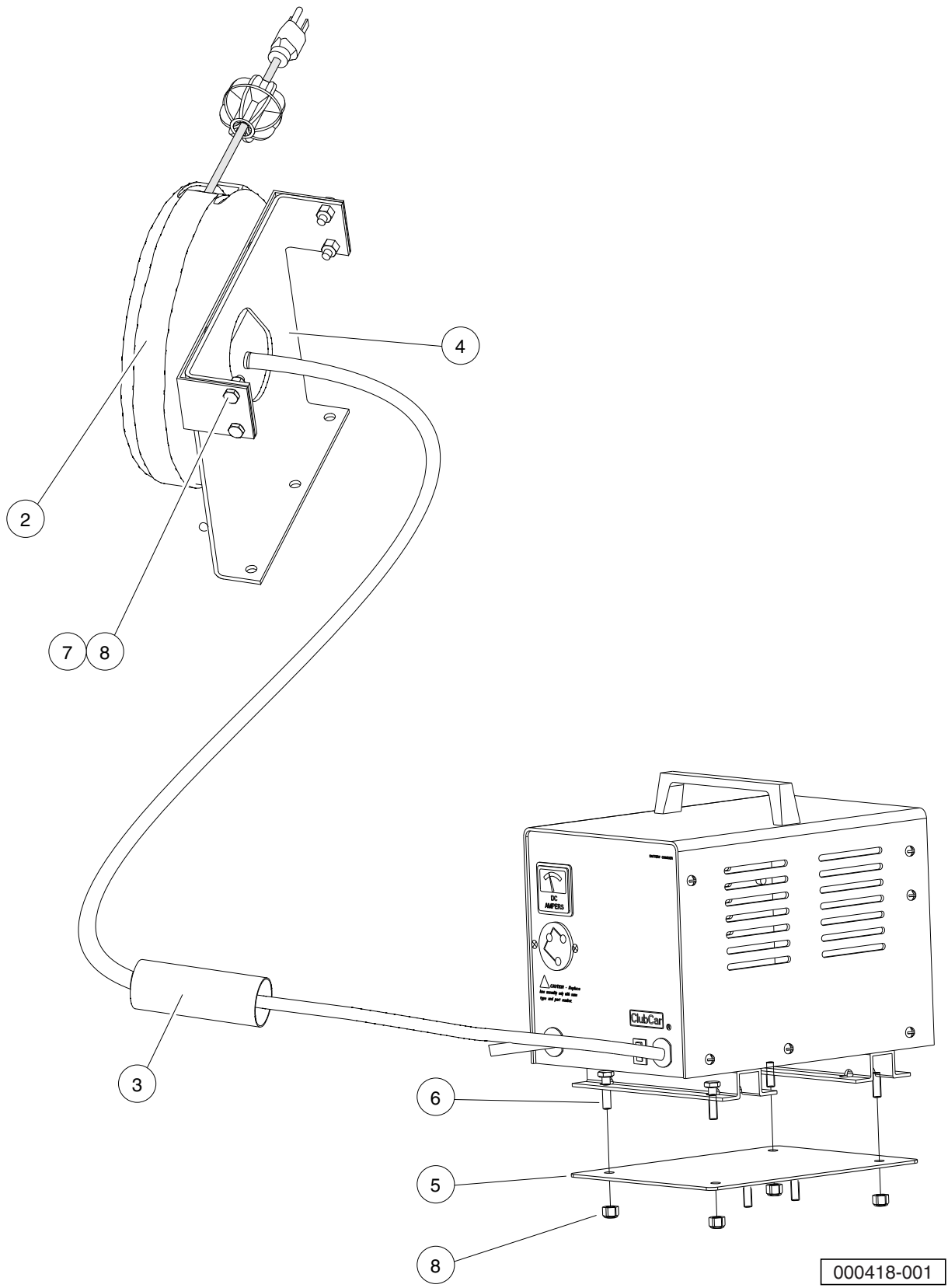
000415-001

IQ PLUS ONBOARD BATTERY CHARGER (MODEL 25260)

ITEM	PART NO.	DESCRIPTION	QTY
		1 2 3 4	
1	<u>102837001</u>	Battery Charger, Onboard, 120-VAC, 48-VDC (includes items 2 through 19)	1
2	<u>1012098</u>	Bushing, DC Cord	1
3	<u>1012101</u>	Fuse Assembly	1
4	<u>1015914</u>	Rectifier with Heatsink Assembly	1
5	<u>1015917</u>	Bushing, AC Cord	1
6	<u>101828501</u>	Ammeter	1
7	<u>101829001</u>	Cord, AC, 22-Inch (56 cm)	1
8	<u>101831101</u>	Wire Assembly Kit	1
9	****	Mounting Bracket, Relay	1
10	<u>101841901</u>	Control Board	1
11	<u>101914401</u>	Assembly, Voltage Suppressor	1
12	<u>102275401</u>	Relay, 48-VDC	1
13	<u>102838101</u>	Circuit Breaker 250vac-50vdc	1
14	N/A	Transformer, Battery Charger	1
15	<u>102940801</u>	Cord, Dc	1
16	N/A	Case, Battery Charger	1
17	<u>7577</u>	Screw, #10 X 0.50 Phillips Pan-Head	12
18	<u>7847</u>	Screw, 1/4-20 X 0.75 Hex-Head Cap	4
19	<u>8233</u>	Locknut, 1/4-20 Nylon Insert	4
		**** Special order item available upon request.	

16

E



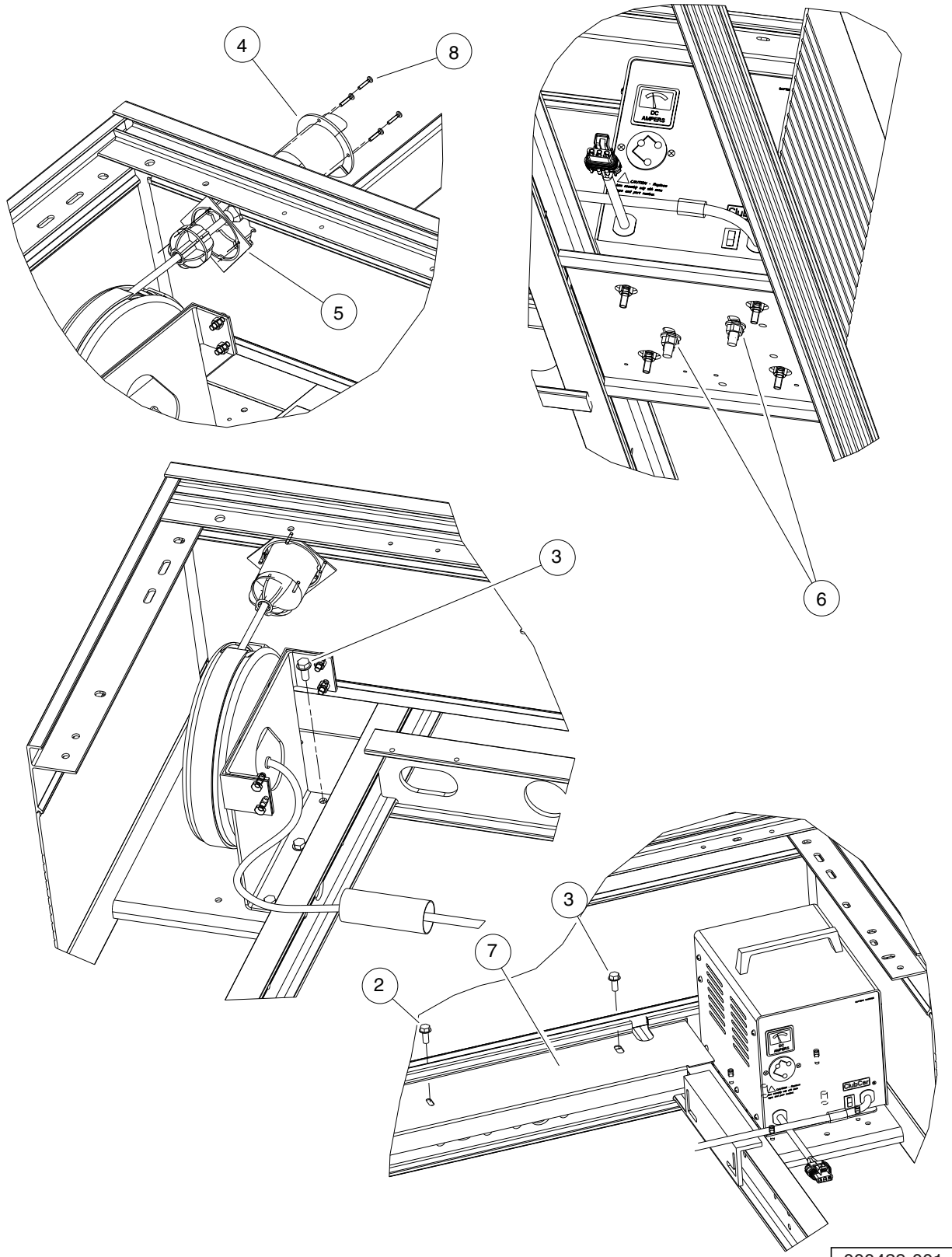
000418-001

ONBOARD CHARGER (MODELS 25260 AND 25660) AND REEL MOUNTING

ITEM	PART NO.	DESCRIPTION	QTY
		1 2 3 4	
1	N/A	Installation, Onboard IQ Plus Charger (includes items 2 through 8)	1
2	<u>1017187</u>	Retractable Cord Reel	1
3	<u>1017189</u>	Heat Shrink Tube 1.5" X 3"	1
4	<u>102770701</u>	Bracket, Reel, Tabbed	1
5	<u>102942601</u>	Asm, Plate, Charger Mounting	1
6	304	Screw, 1/4-20 X 1.0 Hex-Head Cap	4
7	<u>7847</u>	Screw, 1/4-20 X 0.75 Hex-Head Cap	4
8	<u>8233</u>	Locknut, 1/4-20 Nylon Insert	8

16

E



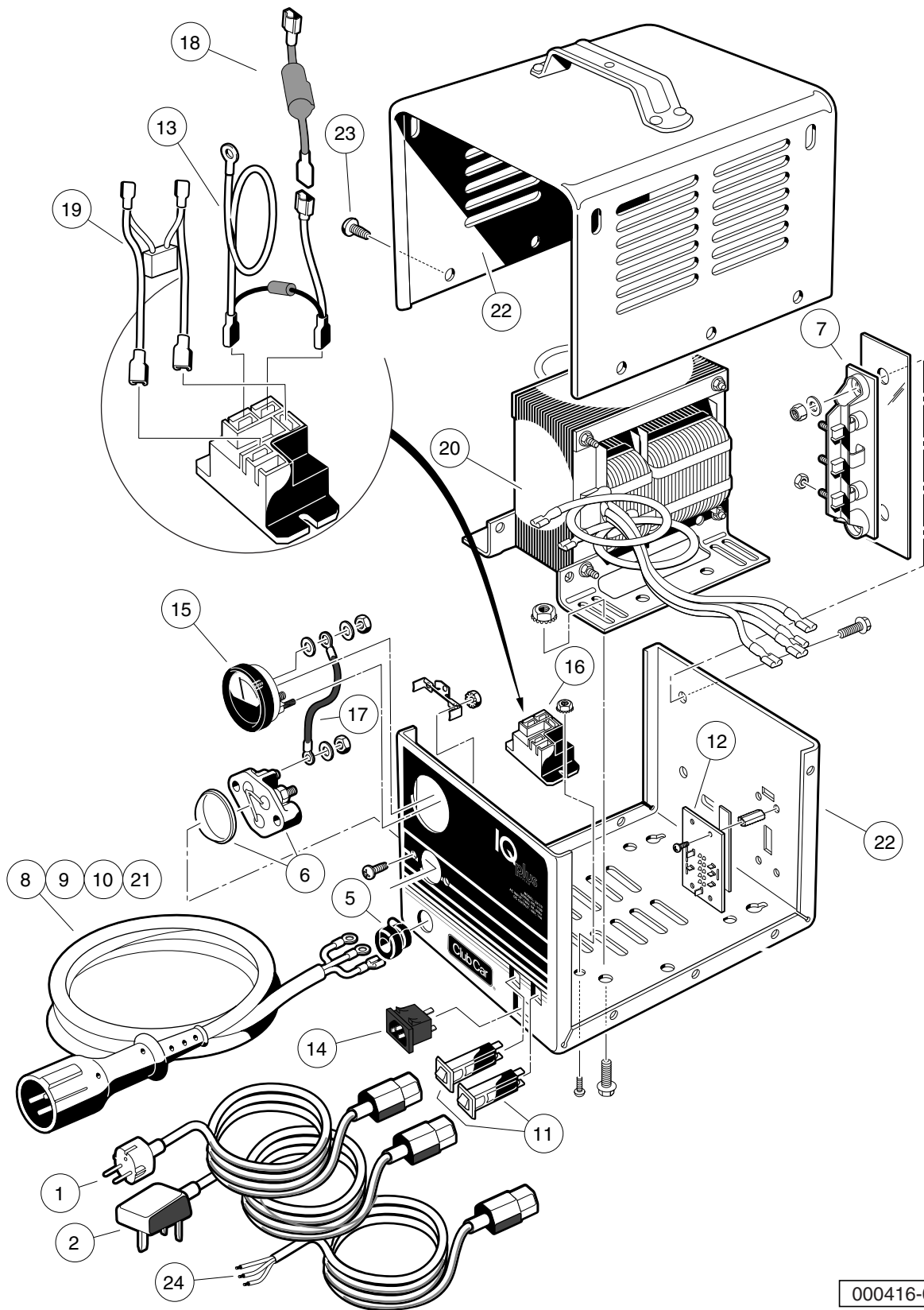
000429-001

IQ PLUS ONBOARD CHARGER (MODEL 25260) MOUNTING

ITEM	PART NO.	DESCRIPTION	QTY
		1 2 3 4	
1	N/A	Installation, Charger System, HDIQ CA 6 (includes items 2 through 8)	1
2	<u>1014063</u>	Screw, 1/4-20 X 1.00 Hex Head	1
3	<u>1014288</u>	Screw, 5/16-18 X 0.75 Thread-Forming	4
4	<u>1016673</u>	Housing, Cord Reel	1
5	<u>101801001</u>	Plate, Receptacle Backing	1
6	<u>101832901</u>	Nut, M10-1.25 Hex Flange	2
7	<u>103352701</u>	Asm, Shield, Iq Plus Ob Chgr,	1
8	<u>8796</u>	Screw, #7-19 X 0.75 Pan-Head Type AB	4

16

E



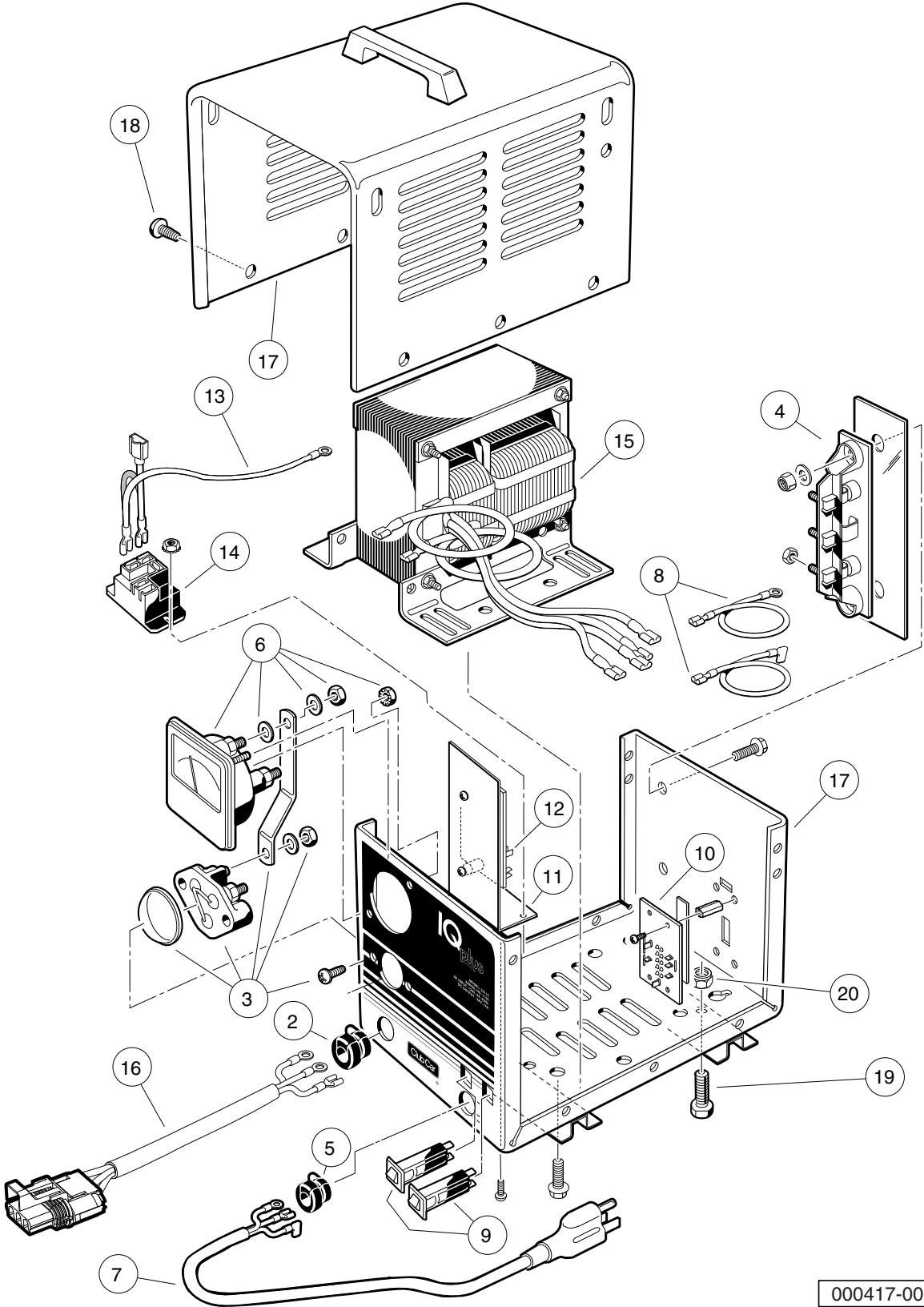
000416-001

IQ PLUS BATTERY CHARGER (MODEL 25880), EXPORT AND EUROPEAN

16

E

ITEM	PART NO.	DESCRIPTION	QTY
		1 2 3 4	
1	<u>101958201</u>	Cord, UK, AC, Battery Charger	1
2	<u>101958301</u>	Cord, European AC, Battery Charger	1
3	<u>102892901</u>	Charger, Export and European	1
4	<u>102892902</u>	Charger, Export and European (includes items 5 through 23)	1
5	<u>1012098</u>	Bushing, DC Cord	1
6	<u>1012101</u>	Fuse Assembly	1
7	<u>1015914</u>	Rectifier with Heatsink Assembly	1
8	<u>101828901</u>	Cord, DC, 113-Inch (287 cm)	1
9	<u>101828902</u>	Cord, DC, 154-Inch (391 cm)	1
10	<u>101828903</u>	Cord, DC, 250-Inch (635 cm)	1
11	<u>101838401</u>	Circuit Breaker	2
12	<u>101838601</u>	Four-Position Switch	1
13	<u>101914401</u>	Assembly, Voltage Suppressor	1
14	<u>101973501</u>	Receptacle, AC Cord	1
15	<u>101976601</u>	Ammeter with Mounting Bracket	1
16	<u>102275401</u>	Relay, 48-VDC	1
17	N/A	Wire, Jumper	1
18	****	Limiters, Current	1
19	****	Wire Assembly, Battery Charger	1
20	****	Transformer, Battery Charger	1
21	<u>102940801</u>	Cord, Dc	1
22	N/A	Case, Battery Charger	1
23	7577	Screw, #10 X 0.50 Phillips Pan-Head	10
24	<u>102939501</u>	Cord, European AC, Battery Charger	1
**** Special order item available upon request.			



000417-001

IQ PLUS ONBOARD BATTERY CHARGER (MODEL 25660), EXPORT

ITEM	PART NO.	DESCRIPTION	QTY
		1 2 3 4	
1	102893001	Battery Charger, Onboard, International, IQ Plus (includes items 2 through 20)	1
2	<u>1012098</u>	Bushing, DC Cord	1
3	<u>1012101</u>	Fuse Assembly	1
4	<u>1015914</u>	Rectifier with Heatsink Assembly	1
5	<u>1015917</u>	Bushing, AC Cord	1
6	<u>101828501</u>	Ammeter	1
7	<u>101829001</u>	Cord, AC, 22-Inch (56 cm)	1
8	<u>101831101</u>	Wire Assembly Kit	1
9	101838401	Circuit Breaker	2
10	101838601	Four-Position Switch	1
11	****	Mounting Bracket, Relay	1
12	<u>101841901</u>	Control Board	1
13	101914401	Assembly, Voltage Suppressor	1
14	<u>102275401</u>	Relay, 48-VDC	1
15	****	Transformer, Battery Charger	1
16	<u>102940801</u>	Cord, Dc	1
17	N/A	Case, Battery Charger	1
18	7577	Screw, #10 X 0.50 Phillips Pan-Head	12
19	<u>7847</u>	Screw, 1/4-20 X 0.75 Hex-Head Cap	4
20	<u>8233</u>	Locknut, 1/4-20 Nylon Insert	4
**** Special order item available upon request.			

16

E

16

E

MAINTENANCE AND SERVICE TOOLS

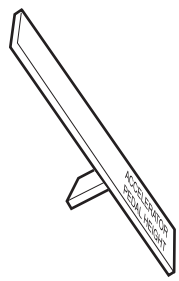
17

G

E

D

17
G
E
D



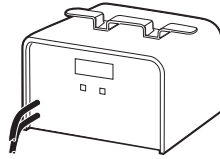
1



2



3



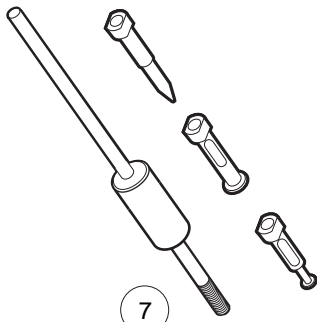
4



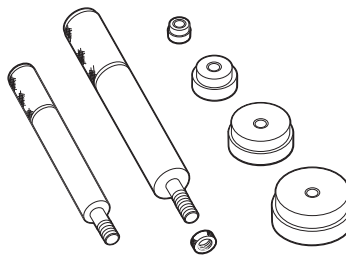
5



6



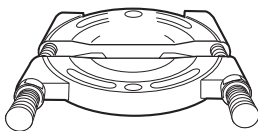
7



8



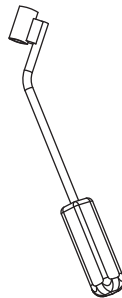
9



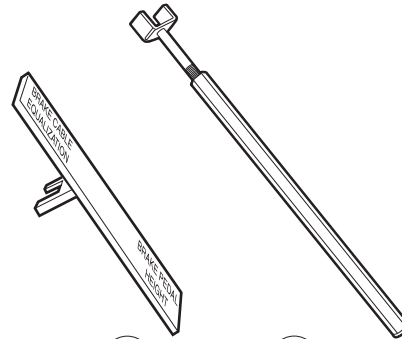
10



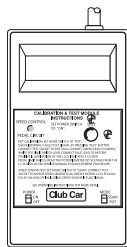
11



12



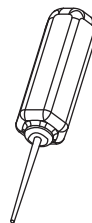
14
15
13



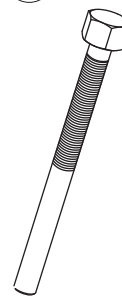
16



17



18



19

MAINTENANCE AND SERVICE TOOLS

ITEM	PART NO.	DESCRIPTION	QTY DIESEL	QTY GAS	QTY ELEC
		<p style="text-align: center;">1 2 3 4</p> <p>The following tool list includes all tools available from Club Car for maintenance and service procedures for gasoline, electric, and/or diesel vehicles, both past and present models. Be sure to carefully examine the tool list for applicability to your vehicle before ordering.</p>			
1	<u>101871001</u>	Accelerator Pedal Adjustment Tool		1	1
2	<u>101813202</u>	Adhesive, Guide Ring, 3-Gram Tube			1
3	<u>101641202</u>	Arbor		1	
4	<u>101831901</u>	Battery Discharge Machine, 36/48 Volt			1
5	<u>1014305</u>	Battery Terminal Protector Spray	1	1	1
6	1011767	Battery Thermometer	1	1	1
7	<u>1016417</u>	Bearing and Oil Seal Remover Assembly	1	1	1
8	<u>1016416</u>	Bearing Driver Set	1	1	1
9	<u>1012811</u>	Bearing Puller	1	1	1
10	<u>1012812</u>	Bearing Puller Wedge Attachment	1	1	1
11	1013582	Brake Adjustment Tool (used only on vehicles with manually adjusted mechanical brakes)			
12	<u>102555501</u>	Brake Cable Release Tool	1	1	1
13	102249901	Brake Pedal Adjustment Tool Kit (used for the Carryall Electric Industrial Truck only) (includes items 14 and 15).....			1
14	****	Brake Pedal Adjustment Tool			1
15	****	Brake Pedal Tension Tool			1
16	<u>101887101</u>	Calibration Test Module			1
17	<u>101808401</u>	Cam Installation Tool		1	
18	<u>102562401</u>	Charger Bezel Tool			1
19	<u>102686101</u>	Clutch Removal Tool (for 4x4 vehicles)	1	1	
		<p style="text-align: center;">Please refer to the maintenance and service manual for proper tool application.</p> <p style="text-align: center;">**** Special order item available upon request</p>			

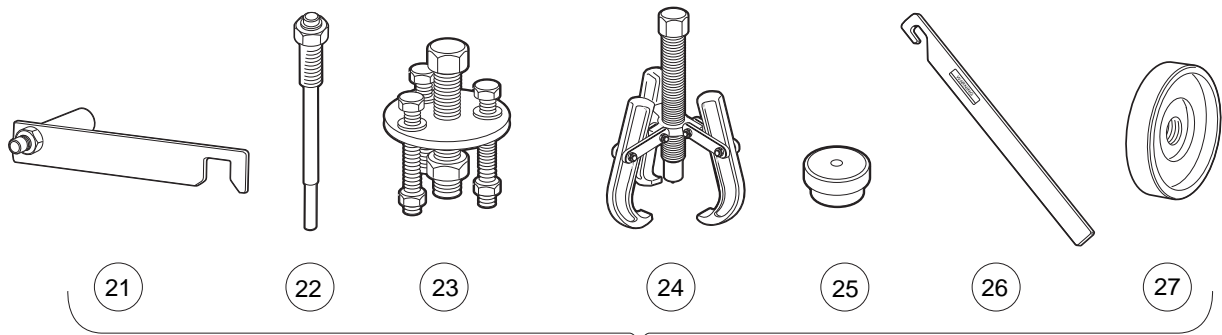
17

G

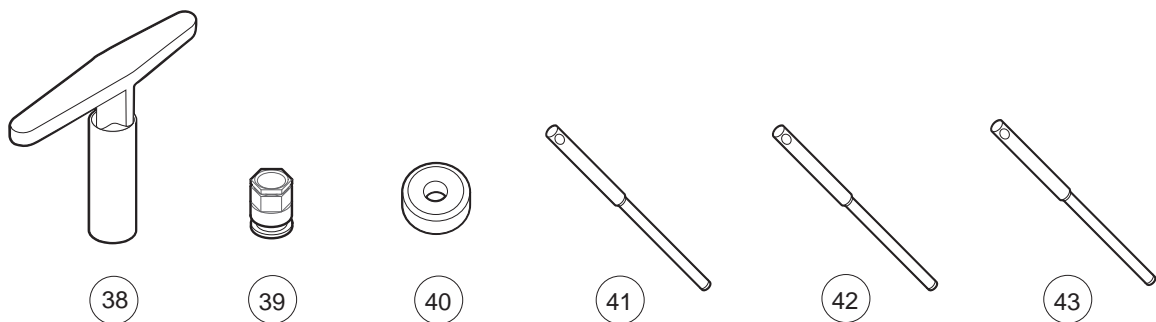
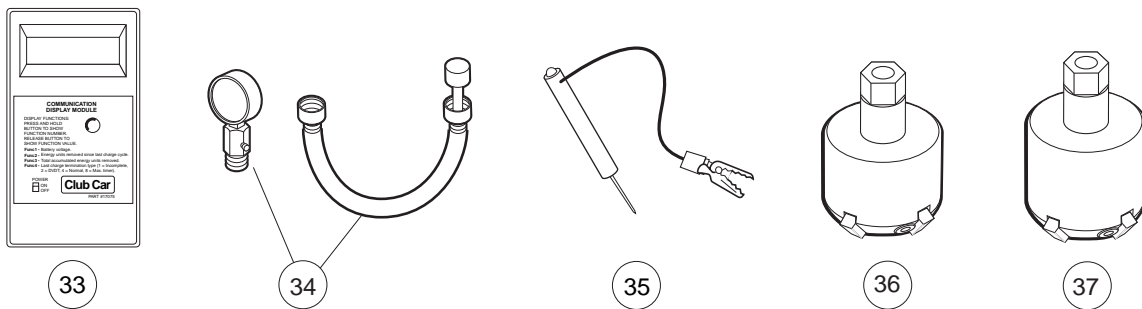
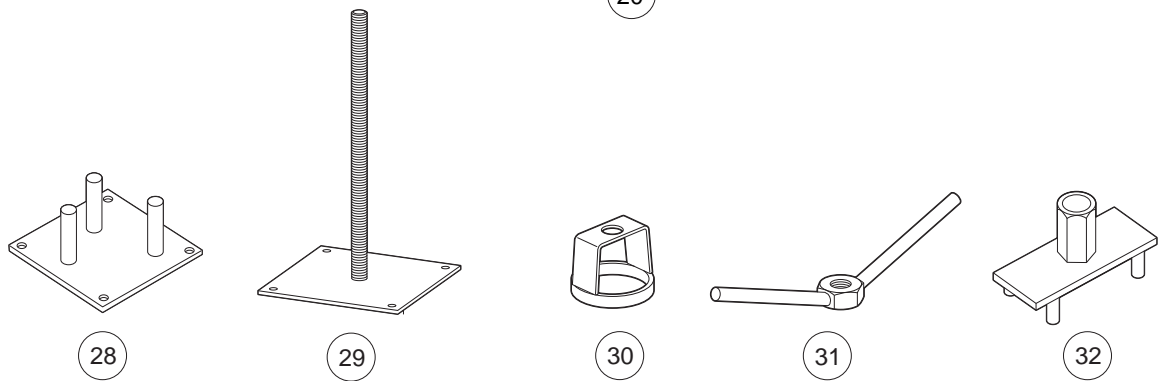
E

D

17
G
E
D



20



MAINTENANCE AND SERVICE TOOLS, CONTINUED

ITEM	PART NO.	DESCRIPTION	QTY DIESEL	QTY GAS	QTY ELEC
		1 2 3 4			
20	<u>1014510</u>	Clutch Tool Kit (includes items 21 - 27)		1	
21	<u>1014498</u>	Clutch Alignment Tool (for pre-unitized transaxle vehicles built prior to 1997 model year)		1	
22	<u>1014496</u>	Drive Clutch Puller (for Kawasaki engines only)		1	
23	<u>1014497</u>	Drive Clutch Hub Puller (for Kawasaki engines only)		1	
24	<u>1014508</u>	Driven Clutch Cam Puller (for Kawasaki engines only)		1	
25	<u>1014507</u>	Driven Clutch Puller Plug (for Kawasaki engines only)		1	
26	<u>1015524</u>	Drive Clutch Holder Tool Assembly (for Kawasaki engines only)		1	
27	<u>101809101</u>	Press Weldment (for Kawasaki engines only)		1	
28	<u>102601501</u>	Drive ClutchFixed Sheave Tool (for 4x4 vehicles)	1	1	
29	<u>102603501</u>	Driven Clutch Spring Compression Base (for use with items 30 and 31) (for 4x4 vehicles)	1	1	
30	<u>102605201</u>	Driven Clutch Spring Compression Collar (for use with items 29 and 31) (for 4x4 vehicles)	1	1	
31	<u>102606101</u>	Driven Clutch Spring Compression Nut (for use with items 29 and 30) (for 4x4 vehicles)	1	1	
32	<u>102607501</u>	Drive Clutch Spider Removal Tool (for 4x4 vehicles)	1	1	
33	101831801	Communication Display Module			1
34	101641002	Compression Gauge and Adapter		1	
35	1011273	Continuity Tester		1	1
36	<u>102773801</u>	Cutter, Valve Seat, #122		1	
37	<u>102773901</u>	Cutter, Valve Seat #115		1	
38	<u>102774101</u>	Wrench, T, #505.....		1	
39	<u>102774101</u>	Adapter, T-Wrench		1	
40	102675401	Cutter, Valve Seat, 60 Degree (requires item 51) (for Honda GX620 Gasoline Engines)		1	
41	<u>102774201</u>	Pilot, 6.6 MM		1	
42	<u>102774301</u>	Pilot, 6.62 MM.....		1	
43	<u>102774401</u>	Pilot, 6.65 MM.....		1	
		Please refer to the maintenance and service manual for proper tool application.			

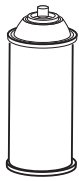
17

G

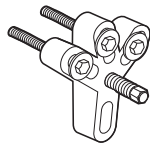
E

D

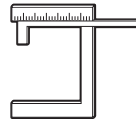
17
G
E
D



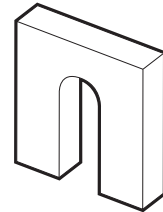
44



45



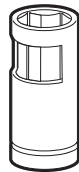
46



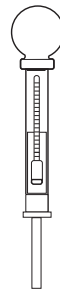
47



48



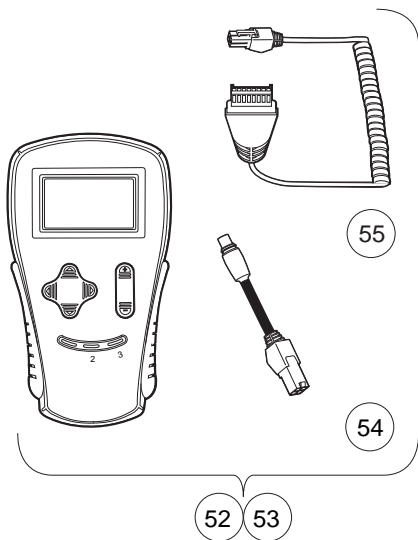
49



50



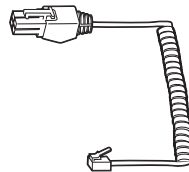
51



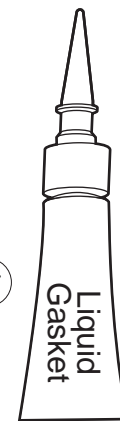
52 53

55

54



56



57



58



59 60



61

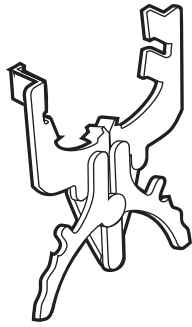
MAINTENANCE AND SERVICE TOOLS, CONTINUED

ITEM	PART NO.	DESCRIPTION	QTY DIESEL	QTY GAS	QTY ELEC	17
		1 2 3 4				G
44	<u>1012151</u>	Dry Moly Lubricant	1	1	1	E
45	<u>1016627</u>	Flywheel Puller Kit (for Kawasaki Engines)		1		D
46	<u>102669901</u>	Gauge, Carburetor Float Level (for Honda GX620 Gasoline Engines)		1		
47	<u>1016418</u>	Gear Yoke	1	1	1	
48	<u>101933101</u>	Governor Shaft Installation Tool (for Kawasaki Engine Vehicles)		1		
49	<u>102169401</u>	Hydraulic Brake Adjuster (for Turf/CA 272/472, Pioneer/XRT 1200, Bobcat 2100, HUV 4213)			1	
50	<u>1011478</u>	Hydrometer	1	1	1	
51	<u>1013593</u>	Internal Retaining Ring Pliers	1	1	1	
52	<u>102248803</u>	IQ Display Module (IQDM) Kit (IQ System and IQ Plus vehicles)			1	
		(includes items 54 and 55)				
53	<u>102248804</u>	IQ Display Module (IQDM-P) Kit (IQ System and IQ Plus vehicles)			1	
		(includes items 54 and 55)				
54	<u>102251501</u>	Adaptor, Cable			1	
55	<u>102241502</u>	IQDM Series 2 Cable			1	
56	<u>102241501</u>	IQDM Series 1 Cable (replacement)			1	
57	<u>101928701</u>	Liquid Gasket (transaxle case)	1	1	1	
58	<u>102243402</u>	Moly-Teflon Lubricant (4-oz. (113-gram) tube)			1	
59	<u>101997201</u>	Paint, Touch-Up – Beige*		1	1	
59	<u>101997207</u>	Paint, Touch-Up – Black*		1	1	
59	<u>101997212</u>	Paint, Touch-Up – Burgundy*		1	1	
59	<u>101997211</u>	Paint, Touch-Up – Classic Blue (Navy)*		1	1	
59	<u>101997205</u>	Paint, Touch-Up – Dark Gray*	1	1	1	
59	<u>101997209</u>	Paint, Touch-Up – Dark Green*	1	1	1	
59	<u>101997204</u>	Paint, Touch-Up – Gray*	1	1	1	
59	<u>101997203</u>	Paint, Touch-Up – Red*	1	1	1	
59	<u>101997206</u>	Paint, Touch-Up – Royal Blue (Pacific Blue)*		1	1	
59	<u>101997202</u>	Paint, Touch-Up – White*	1	1	1	
60	<u>102562301</u>	Paint, Precedent Underbody – Gray		1	1	
61	<u>102587201</u>	Paint Pen, Touch-Up, Precedent Underbody – Black		1	1	
		Please refer to the maintenance and service manual for proper tool application.				
		* Item 59 is not for use on Surlyn [®] body material, which is used on Precedent vehicles.				

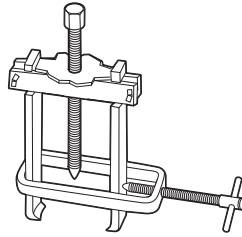
17
G
E
D



62



63



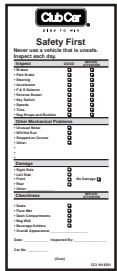
64



65



66



67



68



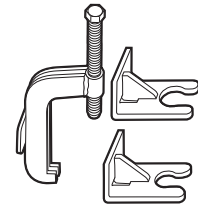
69



70



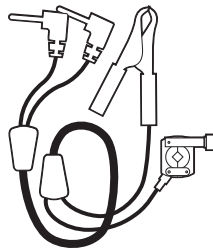
71



72



73



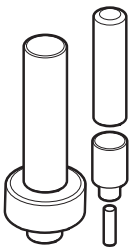
74



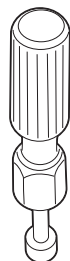
75



76



77



83



84



85



86

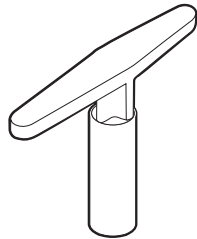
MAINTENANCE AND SERVICE TOOLS, CONTINUED

ITEM	PART NO.	DESCRIPTION	QTY	QTY	QTY	17
			DIESEL	GAS	ELEC	
		1 2 3 4				G
62	<u>1016414</u>	Piston Ring Compressor Kit (FE290, FE350 and FE400 engines)		1		E
63	<u>1016415</u>	Piston Ring Pliers (for Kawasaki Engines)		1		D
64	<u>102668801</u>	Puller, Special Use (for Kubota D722 Diesel Engines)	1			
65	<u>1012549</u>	Retaining Ring Pliers, 45° External	1	1	1	
66	<u>1012560</u>	Retaining Ring Pliers, 90° Internal	1	1	1	
67	<u>101823101</u>	Safety First Card (50 per pack)	1	1	1	
68	<u>1012809</u>	Seal Puller	1	1	1	
69	<u>102330901</u>	Spanner Wrench (for coil over shock front suspension vehicles only)	1	1		
70	<u>1014264</u>	Steering Column Bearing Press Tool		1	1	
71	<u>1014259</u>	Steering Column Retaining Ring Tool		1	1	
72	<u>102061201</u>	Steering Wheel Puller Tool	1	1	1	
73	<u>AM10753</u>	Tachometer (includes gasoline engine pick up lead only)	1	1		
74	<u>AM10771</u>	Tachometer Diesel Probe (for use with item 73)	1			
75	<u>1014162</u>	Transaxle Axle Seal Tool		1		
76	<u>1014161</u>	Transaxle Pinion Seal Tool		1		
77	<u>1014115</u>	Transmission Tool Kit		1		
78	<u>101611003</u>	Tune-Up Kit, All OHV (for FE290, FE350, FE400 only) (includes air filter, spark plug, oil filter, fuel filters) (not shown)		1		
79	<u>AM11804</u>	Tune-Up Kit, Gx620 (for Honda Engines) (includes air filter, spark plug, oil filter, fuel filters) (not shown)		1		
80	<u>AM11805</u>	Tune-Up Kit, D722 (for Kubota Engines) (includes air filter, oil filter, fuel filters, water separator filter) (not shown)	1			
81	<u>AM1220301</u>	Tune-Up Kit, Precedent (for FE290/350 Engines) (includes air filter, spark plug, oil filter, fuel filters) (not shown)		1		
82	<u>AM1232401</u>	Tune-Up Kit, FH680D (for Kawasaki V-Twin Engines) (includes oil filter, fuel filter, air filter, and spark plugs) (not shown)		1		
83	<u>1016413</u>	Valve Clearance Adjuster Screw Holder (for FE290 engines only)		1		
84	<u>102674601</u>	Valve Guide Driver (for Honda GX620 Gasoline Engines)		1		
85	<u>101641201</u>	Valve Guide Reamer (FE290, FE350, and FE400 only)		1		
86	<u>102674401</u>	Valve Guide Reamer, 6.6 mm (for Honda GX620 Gasoline Engines)		1		

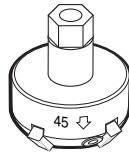
17
G
E
D



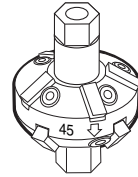
87



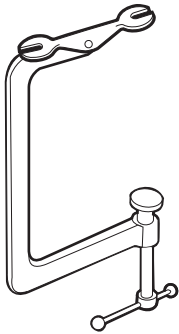
88



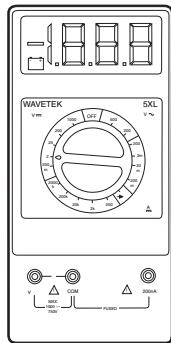
89



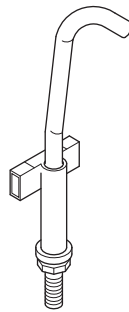
90



91



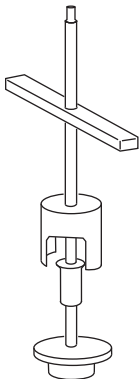
92



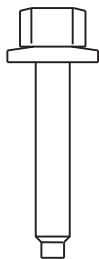
93



94



95



96

MAINTENANCE AND SERVICE TOOLS, CONTINUED

ITEM	PART NO.	DESCRIPTION	QTY DIESEL	QTY GAS	QTY ELEC	17
		1 2 3 4				G
87	<u>1016552</u>	Valve Seat Cutter Guide		1		E
88	<u>1016551</u>	Valve Seat Cutter T-Wrench		1		D
89	<u>1016553</u>	Valve Seat Cutter, 45° (32 mm diameter) (for FE290 engines only)		1		
90	<u>1016554</u>	Valve Seat Cutter, 45°/30° (35 mm diameter)		1		
91	<u>101641101</u>	Valve Spring Compressor		1		
92	1011480	Volt Ohm Meter	1	1	1	
93	<u>102570401</u>	Tool, Tensioning, Starter Generator (For Precedent vehicles)		1		
94	<u>103601401</u>	Puller, Drive Clutch, XRT 950*		1		
95	<u>103601701</u>	Tool, Disassembly, Driven Clutch, XRT 950		1		
96	<u>103600501</u>	Screw, Driven Clutch Disassembly, M6, XRT 950		1		
<p>*Note: The XRT 950 Drive Clutch Puller requires the use of Screw, Driven Clutch Disassembly, CCI Part Number <u>103600501</u>.</p>						

INDEX

Part Number and Page

AM10753	17-9	7716	4-5, 4-7, 4-19, 4-21	1010954	6-11
AM10771	17-9	7818	6-11	1010984	2-3
AM10080	12-5	7820	6-7, 13-3	1011014	1-3
AM10081	12-5	7840	5-15	1011017	1-3
AM10419	11-7	7847	1-19, 1-21, 10-3, 16-3, 16-5, 16-9, 16-11, 16-17	1011084	4-23
AM10724	8-5	7893	6-7, 6-11	1011114	4-3, 4-9
AM1232301	7-7	7910	5-15	1011137	4-9
CCX8506	16-3	7973	1-5, 9-17	1011153	5-15
183	6-7, 6-11, 9-5, 9-17, 9-21, 11-3, 12-3	8056	6-23, 13-23	1011154	4-3, 4-9
304	6-7, 13-3, 16-11	8057	6-11, 6-23, 12-9, 13-23	1011229	6-7, 6-23, 13-3, 13-23
320	4-13, 4-15	8058	6-11, 6-23, 12-9, 13-23	1011273	17-5
332	1-7, 1-19, 1-21, 1-25, 1-27, 1-29, 6-7, 6-25, 9-15, 10-3, 13-3	8067	5-15	1011280	6-15, 13-13
334	4-19, 4-21, 5-3, 5-7, 5-17, 7-15, 8-15	8104	12-9	1011291	12-7
357	5-11, 5-13, 5-23	8233	1-19, 1-21, 1-25, 1-29, 4-19, 4-21, 5-23, 6-7, 6-25, 12-3, 13-3, 16-3, 16-5, 16-9, 16-11, 16-17	1011298	4-3, 4-9
451	4-3, 4-9, 10-3, 14-3, 16-3, 16-5	8248	6-25	1011301	4-3, 4-9
705	6-19, 7-15, 8-15	8418	1-29	1011303	4-3, 4-9
706	5-11, 5-13	8450	6-11, 11-3	1011314	4-3, 4-9
808	5-23, 11-3	8639	9-17, 9-19, 13-7	1011382	6-13, 13-11
1016	6-7, 6-11, 9-5, 9-21	8717	4-19, 4-21, 6-11, 12-3, 12-9	1011393	5-15
1017	6-9, 6-11, 13-9	8754	1-19, 1-25, 4-13, 4-15, 4-19, 4-21, 5-3, 5-7, 5-9, 5-11, 5-13, 5-17, 5-19, 5-21, 6-19	1011394	1-3
1028	4-5, 4-7, 16-3, 16-5	8755	1-25, 5-11, 5-13, 5-19	1011402	4-5, 4-7
1032	4-5, 4-7	8796	16-3, 16-5, 16-13	1011415	5-19, 5-21
1035	5-7	8797	9-5, 9-21	1011418	4-5, 4-7
1108	1-27	8861	1-19, 5-23	1011439	6-15, 13-13
1218	1-29	8990	5-7, 5-17, 6-7, 6-11, 13-3, 13-17, 13-19	101146302	4-3, 4-9
1241	1-3, 1-29, 4-5, 4-7, 4-17, 4-19, 4-21, 6-11, 6-15, 6-19, 6-21, 10-3, 13-13	1010005	5-15	1011464	4-3, 4-9
1242	4-11, 4-17, 5-23, 6-11, 6-19	1010028	12-9	1011465	4-3, 4-9
1624	4-19, 4-21, 5-7, 5-17	1010124	5-11, 5-13	1011466	4-3, 4-9
1631	9-17	1010138	5-9	1011467	4-3, 4-9
2402	5-9, 5-11, 5-13	1010142	5-19, 5-21	1011478	17-7
4029	6-7, 13-3	1010144	5-19, 5-21	1011480	17-11
7048	5-15	1010145	5-19, 5-21	1011494	4-3, 4-9
7173	5-23, 6-15, 6-21, 13-13	1010150	5-11, 5-13	1011557	6-15, 13-13
7174	5-3, 5-23, 6-19, 9-13, 10-3, 14-3	1010200	5-13	1011578	5-3
7251	1-3	1010434	1-3, 1-29, 9-3	1011582	6-23, 13-21
7270	5-11	1010435	1-3, 1-25, 1-29	1011652	1-15, 1-17
7274	5-15	1010543	1-7, 1-15, 1-17	1011694	4-19, 4-21
7308	5-15	1010545	1-15, 1-17	1011697	1-21, 5-3, 7-15, 8-15, 9-13
7310	2-3	1010577	7-15, 8-15	1011700	4-19, 4-21
7311	1-27, 5-23	1010805	4-5, 4-7	1011707	16-3, 16-5
7330	12-7, 15-3	1010829	4-11, 4-17	1011734	4-23
7335	12-5, 15-3	1010850	4-3, 4-9	1011767	17-3
7336	15-3	1010877	4-5, 4-7	1011779	4-11, 4-17
7410	1-29	1010878	1-25, 4-5, 4-7	1011825	6-7, 13-3
7473	1-3, 1-21, 1-25, 1-29, 4-5, 4-7, 4-11, 4-17, 4-19, 4-21, 6-7, 6-11, 6-15, 6-21, 13-13	101090801	13-25, 13-27	101187702	4-5, 4-7
7479	1-19, 1-27, 16-3, 16-5	1010909	6-7	1011887	5-15
7532	1-25	1010921	4-5, 4-7	1011889	5-15
7540	5-7	1010927	4-5, 4-7	1011895	5-7
7555	5-7, 5-17	1010932	4-5, 4-7	1011930	5-7
7577	16-3, 16-5, 16-7, 16-9, 16-15, 16-17	1010933	4-5, 4-7	1011931	4-19, 4-21
7591	6-7, 13-3	1010934	1-27, 6-21, 14-3	1011988	1-29
7602	5-7	1010953	4-3, 4-9	1011990	1-19
				1012098	16-3, 16-5, 16-7, 16-9, 16-15, 16-17
				1012101	16-3, 16-5, 16-7, 16-9, 16-15, 16-17
				1012151	17-7
				1012180	5-19

INDEX

1012181	5-21	1013593	17-7	1014264	17-9
1012182	5-21	1013609	6-11	1014276	5-11, 5-13
1012285	1-21, 9-7, 9-13, 9-19	1013687	9-7, 9-19	1014287	11-3
1012295	6-11	1013700	9-13	1014288	5-3, 6-21, 11-3, 16-13
1012303	1-25, 5-11, 5-13, 5-19, 5-21	1013734	10-3, 13-17	1014289	6-17
1012304	5-19	1013746	9-7, 9-11, 9-19, 9-25	1014305	17-3
1012431	6-11, 6-23, 13-23	1013760	12-3	1014306	1-21, 16-3, 16-5
1012438	9-17	1013768	12-7	1014321	1-11, 1-13, 1-19
1012467	5-7	1013769	12-7	1014375	6-21
1012505	6-13, 13-11	1013770	12-7	1014387	1-11, 1-13, 1-19
1012528	10-3, 13-17	1013771	12-7	1014453	11-3
1012549	17-9	1013772	12-7	1014454	11-7
1012560	17-9	1013773	12-7	1014471	1-25
1012571	7-15, 8-15, 13-25, 13-27	1013774	12-7	1014496	17-5
1012604	5-3	1013787	12-7	1014497	17-5
1012605	5-3	1013792	12-7	1014498	17-5
1012649	9-7, 9-19	1013794	12-7, 15-3	1014507	17-5
1012711	12-3	1013869	4-5, 4-7	1014508	17-5
1012714	12-5	1013870	4-5, 4-7	1014510	17-5
1012740	12-5	1013871	4-19, 4-21	1014530	6-7, 13-3
1012741	12-5	1013872	1-25	1014555	5-19, 5-21
1012747	12-5	1013876	4-5, 4-7	1014771	2-3
1012748	12-5	1013924	4-3, 4-9, 7-15, 8-15	1014807	6-11, 12-9
1012752	12-3	1014007	4-19, 4-21, 12-3	1014808	12-9
1012809	17-9	1014049	11-3	1014902	5-21
1012811	17-3	1014050	11-3	1014948	6-11
1012812	17-3	1014052	11-3	101503202	1-5
1012830	6-19, 9-13, 10-3	1014055	11-3	1015072	13-25, 13-27
1012836	11-7	1014056	11-3	1015075	1-3
1012896	12-3	1014057	11-3	1015137	9-7, 9-11, 9-25
1012991	6-17	1014058	11-3	1015139	9-5, 9-17
1013001	6-17	1014059	11-3	1015143	9-5
1013003	6-17	1014062	11-3	101524002	6-19
1013005	6-17	1014063	11-3, 16-13	1015332	7-5, 8-3
101301102	6-17	1014065	6-11, 11-3	1015345	6-11
1013035	5-7, 5-17	1014070	11-7	1015372	6-11
1013042	5-7, 5-9, 5-17	1014072	11-7	1015373	6-11
1013044	5-7, 5-17	1014076	11-7	1015399	1-25
1013051	5-7, 5-17	1014078	11-7	1015405	6-11
1013052	5-7, 5-17	1014080	11-7	1015426	9-15
1013061	1-19, 12-3, 12-9	1014115	17-9	1015453	5-23
101313402	9-19	1014116	9-7, 9-19	1015457	5-23
1013169	1-19	1014119	6-11	101547601	3-9
1013207	5-19	1014125	5-3	1015507	1-25
1013309	1-7, 1-15, 1-17	1014126	5-3	1015524	17-5
1013311	1-7	1014145	6-11	1015528	6-13, 13-11
1013312	1-7, 1-15, 1-17	1014153	4-3, 4-9	1015530	1-21
1013343	1-5	1014161	17-9	101553901	1-27, 3-5, 3-9
1013344	1-5	1014162	17-9	1015583	1-25, 5-11, 5-13, 5-19, 5-21
1013357	1-23, 6-7, 13-3, 13-19	1014193	12-7	1015597	5-7, 5-15
1013461	6-9, 9-5, 9-21, 13-9	1014201	14-3	1015613	5-23
1013462	9-5, 9-21	1014207	12-7	1015614	5-23
1013494	6-13, 13-11	1014213	5-3	101562711	1-7, 1-17
1013531	4-17	1014214	5-3	101562712	1-7, 1-15
1013582	17-3	1014217	5-3	101562714	1-7, 1-15
1013589	6-11	1014259	17-9	101562715	1-7, 1-17

INDEX

101564501	1-7	1016389	5-11, 5-13	1016507	7-5, 8-3
101564502	1-7	101641002	17-5	1016510	7-11, 8-11
101564503	1-7	101641101	17-11	1016513	12-3
101564505	1-7	101641201	17-9	101651406	2-3
1015649	7-5, 8-3	101641202	17-3	101651407	2-3
1015654	1-27	1016413	17-9	101651414	2-3
1015656	1-27	1016414	17-9	1016517	7-9, 8-9
101565701	1-27	1016415	17-9	1016518	8-9
101565702	1-27	1016416	17-3	1016519	8-9
101565703	1-27	1016417	17-3	1016521	7-11, 8-11
101565704	1-27	1016418	17-7	1016531	7-5, 8-3
1015660	1-27	1016423	6-11	1016535	7-11, 8-11
101570506	2-3	101642575	9-9, 9-23	1016537	7-3, 8-7
101570507	2-3	101642578	9-9, 9-23	1016538	7-11, 8-11
101570514	2-3	101642580	9-9, 9-23	1016539	7-5, 8-3
1015707	2-3	101642582	9-9, 9-23	1016541	7-13, 8-13
1015720	6-7, 6-23, 13-17, 13-23	101642585	9-9, 9-23	1016542	7-9
1015737	6-11	1016429	7-3, 8-7	1016544	7-7, 7-9, 7-11, 8-5, 8-9, 8-11
1015741	6-11	1016432	7-3, 8-7, 12-3	1016545	7-9
1015752	6-11, 6-23, 9-15, 13-15, 13-21	1016436	7-9, 8-9	1016546	9-13
1015760	5-23	1016437	9-9, 9-23	1016547	7-5, 8-3, 8-13, 9-11, 9-25
1015814	10-3	1016438	9-11, 9-25	1016549	7-9, 8-9
101584502	9-13	1016440	7-9, 8-9, 9-11, 9-25	1016551	17-11
101587702	9-19	1016441	9-11, 9-25	1016552	17-11
1015878	6-11, 12-9	1016444	9-11, 9-25	1016553	17-11
1015914	16-3, 16-5, 16-7, 16-9, 16-15, 16-17	1016445	8-5	1016554	17-11
1015917	16-3, 16-5, 16-7, 16-9, 16-17	1016449	7-9, 8-9	1016557	4-3, 4-9
1015921	9-5, 9-21	1016450	7-9, 8-9	1016560	8-9
1015932	6-19	1016451	7-9	1016561	7-7, 8-5
1015969	7-5, 8-3	1016452	7-9, 8-9	1016562	7-7, 7-13, 8-5, 8-13
1016011	11-3	1016453	7-11	1016563	7-9, 8-9
1016074	6-19	1016454	7-11, 8-11	1016564	7-11, 8-11
1016077	1-27	1016455	7-7, 8-5	1016566	7-9, 8-9
101609401	3-5, 3-9	1016456	7-5, 8-3, 8-5	1016569	7-9, 8-9
101611003	17-9	1016457	7-3, 8-7	1016570	7-3, 8-7
101615504	5-5	1016458	7-9, 8-9	1016571	7-13, 8-13
1016156	5-5	1016467	7-3, 8-7	1016572	9-11, 9-25
1016183	5-3	1016470	7-13, 8-13	1016573	4-3, 4-9
1016201	11-3	1016472	7-11, 8-11	1016576	7-3, 8-7
1016269	5-3	1016473	7-3, 8-7	1016578	8-5
1016289	11-3	1016474	7-9, 8-9	1016579	8-5
1016319	4-11	1016479	7-9, 8-9	1016581	7-3, 8-7
1016320	4-11	1016480	9-11	1016582	9-11, 9-25
1016337	12-5	101648102	9-11, 9-25	1016583	7-9, 8-9
1016338	12-5	101648203	7-3, 8-7	1016584	7-11, 8-11
1016346	5-9	1016483	7-9, 8-9	1016585	9-9, 9-23
1016349	5-9	1016486	9-9, 9-23	1016586	8-5
1016350	5-9	1016489	7-9, 8-9	1016587	7-7, 8-5
1016351	5-9	101649002	9-11, 9-25	1016588	7-7, 8-5
1016353	5-9	1016494	7-11, 8-11	101661601	13-25
1016356	6-7, 13-3, 13-19	1016496	7-11, 8-11	101661602	13-25
1016379	1-21	1016497	8-5	1016627	17-7
1016384	5-11, 5-13	1016499	9-9, 9-23	1016630	6-13
1016385	5-9	1016501	9-9, 9-23	1016663	1-27, 5-5
1016386	5-11, 5-13	1016502	7-3, 8-7	1016668	1-29
1016387	5-11, 5-13	1016506	7-11, 8-11	1016672	12-7

INDEX

1016673	16-3, 16-5, 16-13	101693908	1-3	1017456	7-3, 8-7
1016679	1-21	101693909	1-3	101745701	7-13, 8-13
101670201	3-11	101693910	1-3	101745702	7-13, 8-13
1016717	6-23, 13-21	101693911	1-3	1017458	7-3, 8-7
1016724	1-25	101693912	1-3	1017460	7-3, 8-7
101674702	4-23	101693913	1-3	1017461	9-9, 9-23
1016751	1-9, 1-19	101693914	1-3	1017463	7-7, 8-5
101675511	1-9, 1-19	1016967	1-3, 13-19	1017466	9-11, 9-25
101675512	1-9, 1-19	1016997	6-11	1017468	8-5
101675514	1-9, 1-19	1017006	6-11	1017471	7-13, 8-13
101675515	1-9, 1-19	1017029	4-5, 4-7	1017472	7-11, 8-11
101677701	1-9, 1-19	101705701	3-5, 3-9	1017473	7-9, 8-9
101677702	1-9, 1-19	1017062	6-9, 13-9	1017474	7-5, 8-3
101677703	1-9, 1-19	1017064	6-9, 13-9	1017475	7-5, 8-3
101677705	1-9, 1-19	1017065	6-9, 13-9	1017476	7-5, 8-3
1016801	11-3	101707801	3-5, 3-9	1017486	7-5, 8-3
1016813	5-23	1017079	1-21	1017487	7-11, 8-11
1016814	5-23	1017080	1-3	1017490	7-7, 8-5
1016816	1-19	1017082	12-3	1017500	8-3
1016819	1-19	1017187	16-3, 16-5, 16-11	1017501	7-13, 8-13
1016824	1-15, 1-17	1017188	11-5	1017502	7-13, 8-13
1016835	1-29	1017189	16-3, 16-5, 16-11	1017503	7-13, 8-13
1016839	1-19	1017211	4-11	1017504	7-11, 8-11
101684102	1-15	1017226	5-3	1017507	7-3, 8-7
101684103	1-15	1017231	12-3	1017508	7-11, 8-11
101684105	1-17	1017239	6-11	1017510	7-13, 8-13
1016842	1-29	1017243	6-11	1017511	8-11
1016843	1-29	1017266	5-9	1017512	7-13, 8-13
1016849	6-13, 6-23, 13-11, 13-23	1017273	5-5	1017513	7-11, 8-11
1016851	6-13, 6-23, 13-11, 13-23	1017313	5-3	1017514	7-11, 8-11
1016857	6-23, 13-23	1017314	5-3	101751801	7-11, 8-11
1016859	6-23, 13-23	1017315	5-3	101751802	7-11, 8-11
1016868	1-3	1017317	5-3	101751803	7-11, 8-11
1016874	1-21	101737002	2-3	1017653	6-17
1016875	1-21	1017378	4-19, 4-21	1017686	11-7
1016876	1-21	1017380	4-19, 4-21	1017689	10-3
1016879	6-9, 13-9	101738301	11-3	1017696	4-19, 4-21
1016880	6-9, 13-9	101738302	11-3	1017721	6-7
1016883	6-19	1017424	4-19, 4-21	101773301	7-13, 8-13
1016901	11-3	1017434	7-9, 8-9	101773302	7-13, 8-13
1016904	7-9, 8-9, 10-3	1017435	8-9	101773303	7-13, 8-13
101692501	1-3	1017442	7-3, 8-7	101773304	7-13, 8-13
101692502	1-3	1017443	7-9, 8-9, 8-11	101773305	7-13, 8-13
101692506	1-3	1017444	8-9	101773306	7-13, 8-13
101692509	1-3	1017445	7-9, 8-9	101773307	7-13, 8-13
101692510	1-3	1017446	8-9	101773308	7-13, 8-13
101692511	1-3	1017447	8-11	101773309	7-13, 8-13
101692512	1-3	1017448	7-7, 8-5	101773310	7-13, 8-13
101692513	1-3	101744901	7-13, 8-13	101773311	7-13, 8-13
101692514	1-3	101744902	7-13, 8-13	1017853	6-7, 13-3
101692515	1-3	1017450	7-13, 8-13	101791101	4-3
1016930	1-19	101745101	7-13, 8-13	101796201	4-19, 4-21
101693201	3-7	101745102	7-13, 8-13	1017976	1-25
101693901	1-3	1017453	7-13, 8-13	101801001	16-3, 16-5, 16-13
101693902	1-3	1017454	7-9, 8-9	101802301	16-3
101693906	1-3	1017455	7-7, 8-5	101804301	6-13, 9-15, 9-17

INDEX

101808401	17-3	101838401	16-5, 16-15, 16-17	101889801	13-7
101809101	17-5	101838601	16-5, 16-15, 16-17	101890001	12-5
101811301	9-17	101841901	16-3, 16-5, 16-9, 16-17	101890101	12-3
101811801	9-15	101846301	1-29	101890201	12-3
101811901	9-15	101851101	6-13, 13-11	101890501	12-3
101812301	9-15	101856002	13-11	101890601	12-3
101813001	9-15	101856102	6-11	101890901	12-7
101813202	17-3	101859401	10-3	101891001	12-7
101814301	16-3	101861901	4-19, 4-21	101891301	12-3
101814302	16-5	101862001	4-21	101891401	12-7
101817401	4-19, 4-21	101865301	4-11	101891501	12-7
101818801	4-19	101869302	6-17	101891601	12-5
101821501	9-15	101870401	1-3	101891901	12-5
101823101	17-9	101871001	17-3	101892001	12-5
101824401	9-7	101874601	4-11	101892201	12-5
101825101	3-3, 13-11	101874901	6-17	101892301	12-5
101825102	3-7, 6-13	101875001	6-17	101892401	12-5
101825701	9-17	101875101	6-17	101892501	12-5
101826201	13-11	101875102	6-17	101892601	12-5
101826401	6-13	101875201	6-17	101892701	12-7
101827101	7-15, 8-15	101875301	6-17	101892901	12-3
101828501	16-3, 16-5, 16-7, 16-9, 16-17	101875401	6-17	101893201	12-5
101828801	16-7	101875501	6-17	101893801	12-3
101828802	16-7	101875601	6-17	101893901	12-5
101828901	16-7, 16-15	101875701	6-17	101894303	1-7
101828902	16-7, 16-15	101875802	6-17	101895401	15-3
101828903	16-7, 16-15	101876001	6-17	101895501	15-3
101829001	16-3, 16-5, 16-9, 16-17	101876202	6-17	101896501	6-17
101829101	16-3, 16-5	101876301	6-17	101897001	15-3
101830601	6-13, 13-11	101876402	6-17	101897201	15-3
101830701	6-13, 13-11	101876501	6-17	101897401	15-3
101831101	16-7, 16-9, 16-17	101877601	6-17	101897601	15-3
101831401	13-25, 13-27	101877701	6-17	101898001	6-21
101831601	16-5	101878101	6-17	101903601	15-3
101831801	17-5	101878201	4-5	101903701	15-3
101831901	17-3	101878302	5-7	101905901	9-9
101832202	9-13	101879001	6-17	101906901	15-3
101832302	9-13	101879401	5-7, 5-17	101908401	6-25
101832601	7-15, 8-15	101879501	5-7, 5-17	101909201	8-5
101832701	7-15, 8-15	101879601	5-7, 5-17	101909301	8-5
101832901	16-13	101879701	5-7, 5-17	101909401	8-5
101833101	7-15, 8-15	101879801	5-7, 5-17	101909501	8-5
101833401	11-7	101879901	5-7, 5-17	101910501	12-7
101833601	12-3	101880001	5-7, 5-17	101914401	6-7, 13-3, 16-3, 16-5, 16-7, 16-9, 16-15, 16-17
101833701	6-17	101880101	5-7, 5-17	101915201	3-9
101833904	11-3	101880201	5-7, 5-17	101916001	8-13
101834001	11-7	101880301	5-7, 5-17	101916101	7-5, 8-3
101834502	6-13, 13-11	101880701	4-3, 4-9	101916201	8-5
101834601	7-15, 8-15	101880901	1-15, 1-17	101916301	7-7, 8-5
101834801	12-3	101881101	8-5	101916701	6-19, 11-3
101836201	11-7	101881701	1-15, 1-17, 9-15	101917601	9-15
101837001	1-23	101884801	7-15, 8-15	101918402	2-3
101837101	9-15	101886101	12-3	101918501	4-5, 4-7
101837301	6-19	101887101	17-3	101919801	4-19, 4-21
101838201	16-5	101887601	7-5, 8-3	101920101	13-15
101838301	16-5	101889401	12-5		

INDEX

101921501	9-15	101972004	17-7	102249901	17-3
101922101	15-3	101972005	17-7	102251501	17-7
101922201	15-3	101972006	17-7	102271601	8-11
101922501	6-25	101972007	17-7	102275401	16-7, 16-9, 16-15, 16-17
101923001	15-3	101972009	17-7	102278001	5-3
101923201	15-3	101972011	17-7	102289201	5-9, 5-17
101923501	15-3	101972012	17-7	102292801	4-11, 4-17
101923701	15-3	101972101	15-3	102304801	7-9, 8-9
101923901	15-3	101972201	15-3	102323101	4-5, 4-7, 4-11, 4-17
101925701	9-15	101972801	9-15	102323201	4-5, 4-7, 4-11, 4-17
101926501	5-19	101973101	9-9, 9-23	102330901	17-9
101926802	9-17	101973301	9-9, 9-23	102336001	9-13
101926901	12-3	101973401	9-11, 9-25	102336101	9-13
101927101	12-3	101973501	16-15	102355301	6-21
101927201	12-3	101976601	16-15	102356601	15-3
101927301	12-3	101980801	12-5	102356801	15-3
101927501	12-5	101980901	12-5	102357001	15-3
101927601	12-5	101981001	12-5	102376001	12-9
101927701	12-5	101984801	5-3	102406701	9-21
101927901	12-5	101987701	9-19	102430901	8-13
101928001	12-5	101987901	6-9, 13-9	102440901	13-17
101928101	12-5	101988001	6-9, 13-9	102453001	12-5
101928301	12-7	101988002	6-9, 13-9	102453101	12-5
101928601	12-3	101988101	6-9, 13-9	102458901	3-9
101928701	12-3, 15-3, 17-7	101988201	6-9, 13-9	102508701	13-11
101929401	5-19	101990801	4-17	102513701	9-5
101929501	9-7	102002801	13-25, 13-27	102515401	12-3
101931501	3-5	102002901	13-25, 13-27	102517601	6-15, 13-13
101932201	6-15, 13-13	102003201	9-7, 9-19	102518001	3-3, 13-11
101933101	17-7	102022601	5-9	102522001	9-5, 9-21
101933701	9-17	102022602	5-9, 5-17	102526201	12-3, 12-9
101935301	4-13, 4-15	102025401	4-13, 4-15	102529201	6-15, 13-13
101936801	13-15	102026001	4-19, 4-21	102540301	7-15, 8-15
101939901	6-17	102031901	12-7	102555501	17-3
101942301	14-3	102061201	17-9	102562401	17-3
101946201	1-19	102065901	7-15, 8-15	102564002	5-11, 5-13
101953103	4-17	102066201	5-21	102570401	17-11
101953106	4-11	102101001	13-15	102572401	13-11
101953801	8-3	102101101	13-15	102601501	17-5
101954301	1-7, 1-15, 1-17	102155801	11-7	102603501	17-5
101955001	5-9	102162601	4-17	102605201	17-5
101955101	6-7, 13-3	102166901	4-17	102606101	17-5
101957101	6-15, 13-13	102169401	17-7	102607501	17-5
101958201	16-15	102186301	14-3	102616701	12-9
101958301	16-15	102186401	14-3	102668801	17-9
101960001	3-3, 3-7	102196901	13-11	102669901	17-7
101960501	3-9	102199001	6-7	102674001	17-5
101963301	1-11, 1-13	102235201	14-3	102674101	17-5
101963401	1-11, 1-13, 7-15, 8-15	102238001	13-19	102674201	17-5
101964001	1-11, 1-13	102240501	13-17	102674401	17-9
101964601	3-5	102241501	17-7	102674601	17-9
101969701	6-15, 13-13	102241502	17-7	102675001	17-5
101971301	9-15	102242101	11-7	102675101	17-5
101972001	17-7	102243402	17-7	102675201	17-5
101972002	17-7	102243403	14-3	102675301	17-5
101972003	17-7	102248803	17-7	102675401	17-5

INDEX

102684501	5-11, 5-13	102951701	14-3	103372401	9-19
102684602	12-9	102966401	1-11, 1-13	103372601	9-19
102686101	17-3	102966501	1-11, 1-13	103374701	9-21
102704901	14-3	102966502	1-11, 1-13	103386202	7-5
102751601	9-5	102967601	3-5	103390801	6-13
102753401	8-9	102969401	12-9	103397901	13-3, 13-17, 16-3
102764401	13-27	102969801	12-9	103414901	13-3, 13-17, 16-3
102764402	13-27	102969901	12-9	103428101	9-19
102766201	13-25, 13-27	102974201	9-5	103439701	9-19
102766301	5-11, 5-13	102977001	6-13	103452002	9-19
102769701	13-17	102977002	13-11	103452101	9-19
102770701	16-11	102977901	9-7, 9-19	103477901	5-15
102771701	15-3	102978001	9-7, 9-19	103502701	5-11
102772402	13-19	102980801	13-25, 13-27	103502801	5-13
102774501	13-17	102980901	13-25, 13-27	103507101	9-25
102774601	13-17	102989501	1-13	103507201	9-25
102774701	13-17	103010101	9-7	103507301	9-25
102775101	14-3	103173301	12-9	103538701	1-25
102817101	13-17	103174401	9-3	103538901	1-25
102817201	13-17	103177401	12-9	103601501	5-17
102830301	13-25, 13-27	103180101	6-13, 13-11	103601601	5-3
102837001	16-9	103187601	9-5	103615601	7-9
102838101	16-7, 16-9	103192701	12-9	103615701	7-9
102845101	3-5	103197301	6-5, 6-11	103615801	7-13
102845203	13-25	103198401	6-25	103615901	7-11
102845204	13-27	103199001	6-13	103616201	7-13
102845501	13-7	103199101	6-13	103616301	7-9
102847801	16-7	103205401	3-3, 3-7, 6-13	103616401	7-11
102847802	16-7	103205501	3-7, 6-25	103616501	7-7
102847803	16-7	103210201	3-9, 6-13	103616601	7-7
102859501	13-17	103210301	3-3, 13-11	103616701	7-7
102865101	9-7, 9-19	103218601	13-11	103616801	7-7
102869401	6-7, 13-3	103222001	13-7	103618101	6-15, 13-13
102871801	5-19, 5-21	103245201	1-11, 1-13	103628801	5-11
102873401	13-25, 13-27	103245301	1-11, 1-13	103628901	5-13
102886301	15-3	103255701	13-3	103653401	5-17
102886401	15-3	103261701	3-11	103653501	5-9
102886501	15-3	103261801	3-11	103717302	5-15
102886601	15-3	103284201	3-11	103717402	5-15
102891101	5-21	103306301	9-7, 9-19	103721101	9-19
102892901	16-15	103345701	11-3	103756401	9-19
102892902	16-15	103348201	6-13	103781101	9-7
102893001	16-17	103348202	13-11	103781201	9-7
102912801	13-17	103348501	6-13	96704416	7-15, 8-15
102917101	5-21	103348601	6-13		
102938301	13-7	103350901	5-19		
102938601	14-3	103351001	5-9		
102938701	14-3	103351101	5-21		
102938801	14-3	103352701	16-13		
102938901	14-3	103354401	13-11		
102939001	14-3	103354701	5-9		
102939101	14-3	103369101	9-21		
102939102	14-3	103369501	12-9		
102939501	16-15	103372101	9-21		
102940801	16-9, 16-15, 16-17	103372201	9-21		
102942601	16-11	103372301	9-21		

A

AC cord	16-3, 16-5, 16-7, 16-9, 16-15, 16-17
AC cord receptacle	16-15
accelerator bracket and bearing assembly	4-19, 4-21
accelerator cable	9-13
accelerator pedal	4-19, 4-21
accelerator pedal adjustment tool	17-3
accelerator pivot rod	4-19, 4-21
accelerator return spring	4-19, 4-21
accelerator rod	4-23

INDEX

- adapter
 - cable (IQDM) 17-7
 - adhesive, guide ring 17-3
 - adjuster
 - hydraulic brake 17-7
 - adjuster, lash 8-11
 - air box 9-15
 - air box top 9-15
 - air filter 9-15
 - air intake hose 9-15
 - ammeter 16-3, 16-5, 16-7, 16-9, 16-15, 16-17
 - anchor body 4-3, 4-9
 - anchor body kit 4-3, 4-9
 - anchor, piston 4-3, 4-9
 - anti-sway bar 5-23
 - A-plate strap 5-9
 - A-plate, delta 5-9
 - arbor 17-3
 - arm
 - governor 12-3
 - pivot 12-3
 - rocker 7-9, 8-9
 - armature 6-17, 14-3
 - armature conversion kit 6-17
 - armrest 1-29
 - assembly
 - accelerator bracket and bearing 4-19, 4-21
 - accelerator pivot rod 4-19, 4-21
 - air box 9-15
 - air box top 9-15
 - armature 6-17
 - axle 12-7
 - bearing, steering shaft 5-3
 - bell crank and shaft 6-11
 - brush connector 6-17
 - brush holder 6-17
 - carburetor 9-9
 - connecting rod 7-13, 8-13
 - cylinder head 8-9
 - delta A-plate 5-9
 - delta shock and gear support 5-9
 - drive clutch 11-3
 - drive hub 11-3
 - driven clutch 11-7
 - driven clutch fixed-face 11-7
 - field coil 6-17
 - float 9-9, 9-23
 - fuel tank vent 9-5
 - governor 12-5
 - headlight 6-9, 13-9
 - headlight harness 6-9, 13-9
 - idle screw 9-9, 9-23
 - inner ball joint 5-7, 5-17
 - kingpin 5-11, 5-13
 - moveable-face 11-3, 11-7
 - pilot air screw 9-9, 9-23
 - plug cap 7-7, 8-5
 - ratchet 4-5, 4-7
 - secondary clutch weight 11-3
 - steering shaft 5-3
 - steering wheel 5-5
 - turn signal lens 6-9, 13-9
 - axle 12-7, 15-3
 - axle shaft oil seal 12-7, 15-3
 - axle tube 15-3
- ## B
- backing plate, brake 4-3, 4-9
 - bag, desiccant 11-3
 - ball bearing 7-11, 8-11
 - ball joint 4-5, 4-7, 4-23, 5-7
 - ball joint, left-hand thread 5-7
 - ball stud 6-11
 - ball, shifter 12-5
 - ball, steel pressure relief 7-3, 8-7
 - band, RPM limiter mount 8-5
 - bar, drive 13-15
 - bar, stabilizer 5-23
 - barb, vent 9-7
 - barrel, plastic 1-3, 1-29, 9-3
 - battery 6-21
 - battery cap, 6-volt 13-25, 13-27
 - battery charger 16-7, 16-15
 - battery charger and reel 16-3, 16-5
 - battery charger case 16-3, 16-5, 16-7, 16-9, 16-15, 16-17
 - battery charger harness 13-7
 - battery charger shield 16-13
 - battery charger transformer 16-3, 16-5, 16-7, 16-9, 16-15, 16-17
 - battery charger wire assembly 16-15
 - battery charger, onboard 16-3, 16-9, 16-17
 - battery clamp 6-21
 - battery condition indicator 13-11
 - battery discharge machine 17-3
 - battery hold-down 13-25, 13-27
 - battery hold-down rod 13-25, 13-27
 - battery insulator 1-23
 - battery light 13-11
 - battery terminal protector spray 17-3
 - battery thermometer 17-3
 - battery, 6-volt, Trojan T105 13-25
 - battery, 6-volt, Trojan T105, moist 13-25
 - battery, 6-volt, Trojan T145 13-27
 - battery, 6-volt, Trojan T145, moist 13-27
 - bearing 15-3
 - ball 7-11, 8-11
 - ball (motor) 14-3
 - ball (steering pinion) 5-7, 5-17
 - front wheel hub 5-15
 - hub 5-15
 - idler 11-3
 - inner axle tube 12-7, 15-3
 - lower pinion (steering) 5-7, 5-17
 - needle 12-5
 - outer axle tube 12-7
 - pivot support 4-19, 4-21
 - steering shaft 5-3
 - thrust 5-11, 5-13
 - bearing and oil seal remover 17-3
 - bearing driver set 17-3
 - bearing puller 17-3
 - bearing puller wedge 17-3
 - bearing seat 5-3
 - bed frame assembly 1-25
 - bed seal 1-13, 1-25
 - bed, flat 1-25
 - bed, floor plate 1-25
 - bell crank and shaft 6-11
 - bellows 5-7, 5-17
 - belt, drive 11-5
 - belt, starter/generator 6-19, 11-3
 - bezel, choke cable 9-17
 - bezel, headlight 6-9, 13-9
 - block, brake-mounting 4-5, 4-7
 - block, fuse 6-11
 - block, terminal 6-7, 13-3, 13-19
 - body, anchor 4-3, 4-9
 - bolt, U- 5-21
 - boot, steering column 5-3
 - boot, switch 6-25
 - bottom, air box 9-15
 - box
 - air 9-15
 - electrical component 6-11
 - steering gear 5-7, 5-17
 - box, electrical component 6-11, 13-17
 - bracket 5-19
 - accelerator cable 9-13
 - adjustable starter/generator 6-19
 - battery charger 16-3, 16-5
 - brake cable guide 5-9
 - brake light switch 6-15, 13-13
 - FNR shifter 12-9
 - governor cable 9-13
 - headlight mounting 6-9, 13-9
 - horn 6-7, 13-3
 - muffler mounting 10-3
 - oil filter mount 7-3, 8-7
 - oil level switch 7-11, 8-11
 - relay mounting 6-11, 16-3, 16-5, 16-9, 16-17
 - retaining 9-17
 - RPM limiter 8-5
 - shock absorber 5-21
 - shock mounting 5-21
 - snubber 7-15, 8-15
 - stabilizer bar mounting 5-23

INDEX

- stake side 1-27
 - starter/generator mounting 6-19
 - steering column 5-3
 - steering column mounting 5-3
 - throttle spring return 9-11, 9-25
 - Tow/Run switch 6-25
 - bracket, carburetor intake manifold 9-25
 - brake actuator kit 4-3, 4-9
 - brake adjustment tool 17-3
 - brake backing plate 4-3, 4-9
 - brake cable 4-11, 4-17
 - brake cable equalizer 4-11, 4-17
 - brake cable hanger 5-19
 - brake cable release tool 17-3
 - brake cluster 4-3, 4-9
 - brake drum 4-3, 4-9
 - brake lever arm 4-3, 4-9
 - brake light switch bracket 6-15, 13-13
 - brake mounting block 4-5, 4-7
 - brake pedal 4-5
 - pedal, brake 4-7
 - brake pedal adjustment tool 17-3
 - brake pedal pad 4-5, 4-7
 - brake pedal tension tool 17-3
 - brake return spring 4-17
 - brake shoe 4-3, 4-9
 - brake spring 4-3, 4-9
 - breaker, circuit 16-3, 16-5, 16-15, 16-17
 - breather 12-3, 15-3
 - brush and screw set 6-17
 - brush box assembly 14-3
 - brush connector 6-17
 - brush holder 6-17
 - brush inspection port cover 6-17
 - brush kit, motor 14-3
 - brush port cover 6-17
 - brush rigging 14-3
 - brush spring 14-3
 - brush spring set 6-17
 - brush, motor 14-3
 - bulb, headlight 6-9, 13-9
 - bulb, tail light 6-23, 13-21
 - bumper
 - drive unit (motor) 14-3
 - front 1-3
 - front, kit 1-3
 - rear 1-21
 - rubber 1-25, 4-5, 4-7
 - seal, long 1-7, 1-15, 1-17
 - side trim 1-29
 - spring return 4-19, 4-21
 - bumper mounting 1-21
 - bumper, seat 1-7
 - bushing 11-3, 12-9
 - bronze 5-15
 - nylon 4-5, 4-7
 - return line 9-21
 - spindle 5-15
 - stabilizer bar 5-23
 - steel 1-25, 5-11, 5-13, 5-19, 5-21
 - urethane 1-25, 5-9, 5-11, 5-13, 5-19, 5-21
 - bushing support 5-23
 - button, drive 11-7
 - buzzer, reverse 6-13, 6-23, 13-11, 13-23
- ## C
- cable
 - accelerator 9-13
 - brake 4-11, 4-17
 - choke 9-17
 - governor 9-13
 - IQDM 17-7
 - calibration test module 17-3
 - cam
 - driven clutch 11-7
 - electrical component box 6-11
 - cam installation tool 17-3
 - cam, FNR shifter 12-9
 - camshaft 8-11
 - camshaft shim 7-11, 8-11
 - camshaft spring 8-11
 - cap
 - battery, 6-volt 13-25, 13-27
 - corner 1-11, 1-13, 1-19
 - dust 13-11
 - fuel tank 9-5
 - key switch 6-13, 13-11
 - plug 7-7, 8-5
 - seat back 1-9, 1-19
 - carburetor 9-9
 - carburetor adapter 9-25
 - carburetor float level tool 17-7
 - carburetor gasket 9-11, 9-25
 - carburetor insulator 9-11, 9-25
 - carburetor mounting gasket 9-11, 9-25
 - carburetor, FE350 S27 9-23
 - card, safety first 17-9
 - case
 - battery charger 16-3, 16-5, 16-7, 16-9, 16-15, 16-17
 - differential gear 12-7
 - gear 12-3, 15-3
 - rocker 8-9
 - charger bezel tool 17-3
 - charger harness 13-7
 - charger, battery 16-7, 16-15
 - charger, battery, onboard 16-3, 16-9, 16-17
 - charger, battery, shield 16-13
 - choke cable 9-17
 - choke cable bezel 9-17
 - choke valve 9-15
 - circuit breaker 16-3, 16-5, 16-7, 16-9, 16-15, 16-17
 - clamp
 - battery 6-21
 - cable retaining 9-13
 - hose 9-7, 9-11, 9-15, 9-19, 9-25
 - muffler hose 10-3
 - clevis, upper delta 5-11, 5-13
 - clip, meter 6-13
 - cluster idler gear 12-5
 - cluster, brake 4-3, 4-9
 - clutch alignment tool 17-5
 - clutch removal tool 17-3
 - clutch repair kit 11-7
 - clutch tool kit 17-5
 - clutch weight 11-3
 - clutch, driven 11-7
 - coil, field 6-17
 - coil, ignition 8-5
 - collet 7-9, 8-9
 - column, steering 5-3
 - communication display module 17-5
 - component box, electrical 6-11
 - component mounting plate 13-17
 - component mounting plate cover 13-19
 - compression gauge 17-5
 - compression mount 5-23
 - compressor, piston ring 17-9
 - compressor, valve spring 17-11
 - computer, onboard 13-17
 - connecting bar 1-29
 - connecting rod 7-13, 8-13
 - connector, a- 6-17
 - continuity tester 17-5
 - control board 16-3, 16-5, 16-9, 16-17
 - controller, speed 13-17
 - cord connector 7-11, 8-11
 - cord reel 16-3, 16-5, 16-11, 16-13
 - cord, AC 16-3, 16-5, 16-7, 16-9, 16-15, 16-17
 - cord, DC 16-3, 16-5, 16-7, 16-9, 16-15, 16-17
 - counterbalance guide shaft 7-13, 8-13
 - counterbalance weight 7-13, 8-13
 - cover
 - brush inspection port 6-17
 - brush port 6-17
 - crankcase 7-11, 8-11
 - dust 4-3, 4-9, 5-15
 - electrical box 6-11
 - oil pump 7-3, 8-7
 - rocker switch hole 6-13, 13-11
 - screw head 6-13, 13-11
 - steering column 5-3
 - cover, steering column 6-15, 13-13
 - cowl 1-3
 - crankcase 8-13
 - crankcase cover 7-11, 8-11
 - crankcase vent tube 9-11, 9-25

INDEX

crankshaft 7-13, 8-13
crankshaft rod 7-13, 8-13
crankshaft shim 7-13, 8-13
C-type stop ring 5-7, 5-17
cup, spring 4-19, 4-21
current limiter 16-15
cushion, shock absorber 5-19, 5-21
cutter, valve seat 17-5, 17-11

D

damper, RPM limiter 8-5
dash 6-13, 13-11
dash component 1-5
dash panel 6-13, 13-11
DC cord 16-3, 16-5, 16-7, 16-9, 16-15, 16-17
decal
 4-gauge wire warning 3-5
 bed hold-down bolts 3-5, 3-9
 bed load warning 1-27, 3-5, 3-9
 Carryall/TransPorter 3-11
 component cover 3-5
 crush area warning 3-5, 3-9
 driver/passenger 3-9
 FNR 3-3, 3-9, 6-13, 13-11
 four-passenger warning 3-5, 3-9
 frame ground 3-9
 hot surface warning 3-9
 key switch 3-7, 6-13
 no ground warning 3-5
 on/off 3-3, 13-11
 operating instructions 3-7
 operating instructions (electric) 3-3, 13-11
 rollover warning 3-3, 3-7, 6-13
 rotating parts 3-9
 run/service switch 3-7, 6-25
 Tow/Run switch 3-5
 TransPorter 4 3-11
 TransPorter 6 3-11
 vehicle loading 1-27, 3-3, 3-7
delta A-plate 5-9
delta A-plate sub-assembly 5-9
delta shock and gear support 5-9
desiccant bag 11-3
DF-terminal insulator 6-17
diagnostic port 13-11
diesel tachometer probe 17-9
differential
 drive unit 15-3
differential gear 12-7, 15-3
differential gear case 12-7
differential housing 15-3
differential idler gear 12-7
differential pin 12-7
diode 6-11
dipstick 7-5, 8-3
drain plug 7-3, 8-7

drain plug gasket 7-3, 8-7, 12-3
drive bar 13-15
drive belt 11-5
drive button 11-7
drive clutch assembly 11-3
drive clutch button 11-3
drive clutch fixed sheave tool 17-5
drive clutch fixed-face 11-3
drive clutch holder tool 17-5
drive clutch hub puller 17-5
drive clutch puller 17-5
drive clutch pulley 11-3
drive clutch spider removal tool 17-5
drive clutch spring 11-3
drive clutch weight 11-3
drive hub 11-3
drive unit bumper 14-3
driven clutch 11-7
driven clutch button 11-7
driven clutch cam 11-7
driven clutch cam puller 17-5
driven clutch fixed-face assembly 11-7
driven clutch puller plug 17-5
driven clutch spring compression base tool 17-5
driven clutch spring compression collar tool 17-5
driven clutch spring compression nut tool 17-5
driver, drive clutch 11-3
drum, brake 4-3, 4-9
dry moly lubricant 17-7
duct, intake 9-17
dust cap 13-11
dust cover 4-3, 4-9, 5-15

E

E-clip 4-11, 4-17
electrical box cover 6-11
electrical component box 6-11, 13-17
end bell, commutator 6-17
end bell, output shaft 6-17
end cap, motor 14-3
end, tie rod 5-9
engine 8-3
engine mounting plate 7-15, 8-15
engine shroud 7-5, 8-3
engine, FE350 S27 7-5
equalizer pivot 4-11
equalizer rod 4-11, 4-17
equalizer, brake cable 4-11, 4-17
exhaust system 10-3
exhaust valve 7-9, 8-9
extrusion, fender 1-3

F

face, moveable 11-3, 11-7
fan housing 7-5, 8-3
fan shroud 7-5, 8-3
fan, flywheel 7-7, 8-5
fender extrusion 1-3
fender, rear 1-21
field coil 6-17
field coil housing 6-17
fill plug 12-3
filter
 air 9-15
 fuel 9-7, 9-19
 oil 7-3, 8-7
 oil pump 7-3, 8-7
fitting, thread-forming grease 5-7, 5-15
fixed-face, drive clutch 11-3
fixed-face, driven clutch 11-7
flat bed 1-25
float 9-9, 9-23
floor mat 1-5
flywheel 8-5
flywheel fan 7-7, 8-5
flywheel fan plate 7-7, 8-5
flywheel puller 17-7
FNR closeout brush 6-13
FNR shift lever 12-3
FNR shifter 12-9
FNR shifter bracket 12-9
FNR shifter cam 12-9
foam, seat 1-15, 1-17
foot rest 1-29
foot rest mat 1-29
fork, shift 12-5
frame and field, motor 14-3
front bumper 1-3
front bumper kit 1-3
front spring retainer plate 5-11, 5-13
front suspension sub-assembly 5-9
F-terminal hardware 6-17
f-terminal insulator 6-17
fuel filter 9-7, 9-19
fuel gauge sending unit 9-5, 9-21
fuel line 9-7, 9-11, 9-19, 9-25
fuel meter 6-13
fuel pickup tube 9-5
fuel pump mount 9-7
fuel tank 9-5
fuel tank cap 9-5
fuel tank strap 9-7, 9-19
fuel tank vent 9-5
fuel tank vent grommet 9-21
fuse 16-3, 16-5, 16-7, 16-9, 16-15, 16-17
 10-amp 6-11
 20-amp 6-11

INDEX

fuse block 6-11

G

gasket 15-3
carburetor 9-11, 9-25
carburetor mounting 9-9, 9-11, 9-23, 9-25
crankcase cover 7-9, 8-9, 8-11
drain plug 7-3, 8-7, 12-3
exhaust 7-9, 8-9, 10-3
head 7-9, 8-9
insulator 7-9, 8-9, 9-11, 9-25
liquid 12-3, 15-3, 17-7
rocker case 7-9, 8-9
sending unit 9-5, 9-21
taillight 6-23, 13-21
gasket kit, FE350 7-9, 8-9
gauge, battery condition 13-11
gauge, compression 17-5
gauge, fuel-hour 6-13
gear
case 12-3, 15-3
cluster idler 12-5
differential 12-7, 15-3
differential idler 12-7, 15-3
differential output 15-3
helical 7-13, 8-13, 12-5, 12-7
spur 7-13, 8-13, 12-5
synchro 12-5
gear yoke 17-7
governor 12-5
governor arm 12-3
governor cable 9-13
governor cable bracket 9-13
governor gear shaft 13-7
governor shaft installation tool 17-7
grommet 9-5, 9-17
grommet, fuel tank vent 9-21
guard, splash 9-3
guide
intake valve 8-9
valve 8-9
valve seat cutter 17-11
guide ring adhesive 17-3

H

handrail 1-29
hanger, brake cable 5-19
hardware, F-terminal 6-17
harness, battery charger 13-7
harness, headlight 6-5, 6-7, 13-3
harness, wire 6-5, 6-11, 6-15, 13-7, 13-13
head gasket 7-9, 8-9
head, cylinder 8-9
headband, sealed, motor 14-3
headband, vented, motor 14-3

headlight assembly 6-9, 13-9
headlight bulb 6-9, 13-9
headlight harness 6-9, 13-9
headlight retainer 6-9, 13-9
headlight wire harness 6-5, 6-7, 13-3
heat shrink tube 16-3, 16-5, 16-11
heatsink and rectifier 16-3, 16-5, 16-7, 16-9, 16-15, 16-17
helical gear 7-13, 8-13, 12-5, 12-7
hill brake rod 4-5, 4-7
hill brake weld assembly 4-5, 4-7
hinge pin 1-27
hinge plate 1-15, 1-17
hinge, stake side 1-27
hip restraint 1-29
hold-down rod, battery 13-25, 13-27
hold-down, battery 13-25, 13-27
horn 6-7, 13-3
horn bracket 6-7, 13-3
horn button and wire assembly 6-15, 13-13
hose, air intake 9-15
hose, fuel 9-7, 9-19
hour meter 6-13
housing
2-pin 13-15
3-pin 13-15, 14-3
differential 15-3
fan 7-5, 8-3
field coil 6-17
hub 5-15
hub bearing 5-15
hub, synchronizer clutch 12-5
hydraulic brake adjuster 17-7
hydrometer 17-7

I

idle screw assembly 9-9, 9-23
idler bearing 11-3
idler gear, differential 15-3
ignition coil 8-5
indicator, battery condition 13-11
inner frame snubber 7-15, 8-15
input shaft 15-3
insert, synchronizer 12-5
instrument panel 6-13, 13-11
insulating washer 14-3
insulator gasket 7-9, 8-9, 9-11, 9-25
insulator, battery 1-23
insulator, carburetor 9-11, 9-25
insulator, motor terminal 14-3
intake duct 9-17
intake pipe 9-11
intake valve 8-9
intermediate shaft 15-3
internal retaining ring pliers 17-7
IQ display module (IQDM) 17-7

J

jet, main 9-9, 9-23
jet, pilot 9-9, 9-23
joint
ball 4-5, 4-7, 4-23
left-hand thread ball 5-7

K

key
crankshaft 7-7, 7-13, 8-5, 8-13
driven clutch 11-7
On/Off 6-13, 13-11
square 11-7
starter/generator 6-17
woodruff 12-3
key switch 6-13
key switch cap 6-13, 13-11
key switch, On/Off 13-11
kingpin 5-11, 5-13
kit
2-pin housing 13-15
3-pin housing 13-15, 14-3
accelerator pivot rod 4-19, 4-21
anchor body 4-3, 4-9
brake pedal 4-5
brake pedal adjustment tool 17-3
brake shoe retainer 4-3, 4-9
clutch repair 11-7
differential gear case 12-7
drive clutch button 11-3
drive clutch weight 11-3
driven clutch button 11-7
IQ display module (IQDM) 17-7
motor brush 14-3
motor speed sensor 14-3
park brake latch 4-5, 4-7
park brake pedal 4-5, 4-7
reverse buzzer 6-23, 13-23
shock absorber cushion 5-19, 5-21
tune-up 17-9
knob, forward/reverse 12-9

L

lash adjuster 8-11
latch, air box 9-15
latch, park brake 4-5, 4-7
leaf spring 5-19, 5-21
lens, headlight 6-9, 13-9
lens, taillight 6-23, 13-21
lever
change 12-3
choke 9-15
light
battery 13-11
oil 6-13

INDEX

tail 6-23, 13-21
limit switch 6-11, 6-15, 12-9, 13-13
limiter
 current 16-15
 RPM 8-5
 voltage 6-7
line, fuel 9-7, 9-11, 9-19, 9-25
link, rack and pinion drag 5-7
link, stabilizer bar 5-23
liquid gasket 12-3, 15-3, 17-7
low oil warning light 6-13
lubricant, dry moly 17-7
lubricant, moly-teflon 14-3, 17-7
lug nut 2-3
lug stud 12-7, 15-3

M

magnet, speed sensor 14-3
main jet 9-9, 9-23
maintenance/operation switch 6-25
mat, floor 1-5
mat, foot rest 1-29
MCOR 13-15
meter clip 6-13
meter, volt ohm 17-11
module
 calibration test 17-3
 communication display 17-5
moly-teflon lubricant 17-7
motor
 48-volt IQ Plus 14-3
motor brush 14-3
motor brush kit 14-3
motor brush spring 14-3
motor bumper 14-3
motor controller 13-17
motor end cap 14-3
motor frame and field 14-3
motor headband, sealed 14-3
motor headband, vented 14-3
motor magnet, speed sensor 14-3
motor speed sensor 14-3
motor speed sensor kit 14-3
motor terminal and lead assembly 14-3
motor terminal insulator 14-3
mount, compression 5-23
mount, fuel pump 9-7
mounting block, brake 4-5, 4-7
moveable-face 11-3, 11-7
muffler hose clamp 10-3

N

name plate 3-11
needle bearing 12-5
nozzle, main 9-9, 9-23

nut, lug 2-3

O

OBC 13-17
oil filler tube 7-5, 8-3
oil filter 7-3, 8-7
oil filter mount bracket 7-3, 8-7
oil filter screen 7-11, 8-11
oil filter screen plate 7-11, 8-11
oil level sensor 7-11, 8-11
oil level switch bracket 7-11, 8-11
oil pump and rotor 7-3, 8-7
oil pump cover 7-3, 8-7
oil pump filter 7-3, 8-7
oil pump plate 7-3, 8-7
oil seal 7-9, 7-11, 7-13, 8-9, 8-11, 8-13, 12-3, 12-5
oil warning light, low 6-13
onboard battery charger 16-3, 16-9, 16-17
onboard computer 13-17
operation/maintenance switch 6-25
O-ring 7-5, 7-9, 7-11, 7-13, 8-3, 8-9, 8-11, 8-13

P

pad
 accelerator pedal 4-19, 4-21
 brake pedal 4-5, 4-7
 park brake 4-5, 4-7
paint, touch-up 17-7
panel, instrument 6-13, 13-11
park brake latch 4-5, 4-7
park brake pedal 4-5, 4-7
park brake rod sleeve 4-5, 4-7
park brake spacer 4-5, 4-7
park brake torsion spring 4-5, 4-7
pawl 4-5, 4-7
pedal group 4-7
pedal, accelerator 4-19, 4-21
pedal, brake 4-5
pedal, park brake 4-5, 4-7
pilot air screw assembly 9-9, 9-23
pilot jet 9-9, 9-23
pin, differential 12-7
pin, hinge 1-27
pin, piston 7-13, 8-13
pinion, steering 5-7, 5-17
pipe, intake 9-11
piston 7-13, 8-13
piston anchor 4-3, 4-9
piston pin 7-13, 8-13
piston ring 7-13, 8-13
piston ring compressor 17-9
piston ring pliers 17-9
piston ring set 7-13, 8-13
pivot arm 12-3
pivot support bearing 4-19, 4-21

plate

 bed floor 1-25
 bumper mounting 1-21
 component mounting 13-17
 engine mounting 7-15, 8-15
 flywheel fan 7-7, 8-5
 front spring retainer 5-11, 5-13
 hinge 1-15, 1-17
 name 3-11
 oil filter screen 7-11, 8-11
 oil pump 7-3, 8-7
 receptacle backing 16-3, 16-5, 16-13
 score card 5-5
 spring mounting 5-11, 5-13
 steering wheel 5-5
 thrust 12-5, 12-7

pliers

 internal retaining ring 17-7
 piston ring 17-9
 retaining ring 17-9

plug

 drain 7-3, 8-7
 driven clutch puller 17-5
 fill 12-3
 spark 8-5

plug cap 7-7, 8-5

plug, carburetor intake manifold 9-25

plug, spark 7-7

pole set 6-17

port, diagnostic 13-11

press weldment 17-5

protector spray, battery terminal 17-3

puller

 bearing 17-3
 clutch 17-3
 drive clutch 17-5
 drive clutch hub 17-5
 driven clutch cam 17-5
 flywheel 17-7
 seal 17-9
 special use tool 17-9

pulley

 drive clutch 11-3
 starter-generator 6-17

push rod 7-9, 8-9

R

race, front hub bearing 5-15
rack and pinion drag link 5-7
rack guide pressure spring 5-7, 5-17
rack, steering 5-7, 5-17
ratchet, park brake 4-5, 4-7
reamer, valve guide 17-9
rear bumper 1-21
rear fender 1-21
rear spring shackles 5-19

INDEX

receptacle backing plate 16-3, 16-5, 16-13
receptacle, AC cord 16-15
rectifier with heatsink 16-3, 16-5, 16-7, 16-9,
16-15, 16-17
reel bracket 16-11
reel cord 16-3, 16-5, 16-11, 16-13
regulator, voltage 6-11
relay 6-11, 16-5
relay mounting bracket 6-11, 16-3, 16-5, 16-9,
16-17
relay, 12-volt 6-7
relay, 48-volt 16-7, 16-9, 16-15, 16-17
remover, bearing and oil seal 17-3
retainer
 accelerator pedal spring 4-19, 4-21
 brake shoe 4-3, 4-9
 headlight 6-9, 13-9
 shock absorber cushion 5-19, 5-21
 spring (drive clutch) 11-3
 valve spring 7-9, 8-9
retaining bracket 9-17
retaining ring 5-3
retaining ring pliers 17-9
return spring bumper 4-19, 4-21
reverse buzzer 6-13, 6-23, 13-11, 13-23
rim, wheel, white 2-3
ring
 piston 7-13, 8-13
 retaining 5-3, 6-11, 11-3, 11-7
 snap 5-7, 5-17, 7-13, 8-9, 8-13
 spiral backup 11-3
 synchronizer 12-5
ring, C-type stop 5-7, 5-17
ring, piston 7-13, 8-13
rivet, blind push 1-3, 13-19
rocker arm 7-9, 8-9
rocker case 8-9
rocker case gasket 7-9, 8-9
rocker shaft 7-9, 8-9
rocker switch 13-11
rocker switch (lights) 6-7, 13-3
rod
 accelerator 4-23
 accelerator pivot 4-19, 4-21
 battery hold-down 13-25, 13-27
 connecting 7-13, 8-13
 crankshaft 7-13, 8-13
 equalizer 4-11, 4-17
 hill brake 4-5, 4-7
 push 7-9, 8-9
 shift 12-5
rotor, oil pump and 7-3, 8-7
RPM limiter 8-5
RPM limiter bracket 8-5
RPM limiter damper 8-5
RPM limiter mount band 8-5

S

safety first card 17-9
screen, oil filter 7-11, 8-11
screw, valve clearance adjuster 17-9
seal
 bed 1-25
 intake 9-15
 lip 15-3
 oil 7-9, 7-11, 7-13, 8-9, 8-11, 8-13, 12-3,
 12-5, 12-7, 15-3
 steering pinion dust 5-7, 5-17
 vertical socket dust 5-7
seal puller 17-9
seal, bed 1-13
sealant 12-3, 15-3
seat
 spring 7-9, 8-9
 valve 7-3, 8-7
seat back 1-9, 1-19
seat back assembly 1-9, 1-19
seat back cap 1-9, 1-19
seat back mounting bracket 1-19
seat back tube 1-11, 1-13
seat back, white 1-9, 1-19
seat bottom assembly 1-7, 1-15, 1-17
seat bumper 1-7
seat cover, vinyl 1-7, 1-15, 1-17
seat foam 1-15, 1-17
seat hinge 1-19
seat strap 1-7, 1-15, 1-17
seat, bearing 5-3
sending unit, fuel gauge 9-5, 9-21
sensor, motor speed 14-3
sensor, oil level 7-11, 8-11
set, brush and screw 6-17
set, pole 6-17
shackle weldment 5-21
shackle, rear spring 5-19
shaft
 change 12-3
 counterbalance guide 7-13, 8-13
 governor gear 13-7
 input 15-3
 intermediate 15-3
 rocker 7-9, 8-9
 steering column 5-3
 transmission 12-5
shield, battery charger 16-13
shift fork 12-5
shift lever 12-3
shift rod 12-5
shifter, FNR 12-9
shim, camshaft 7-11, 8-11
shim, crankshaft 7-13, 8-13
shim, tilt bed pivot 1-25
shock absorber 5-9, 5-19, 5-21
shock absorber cushion 5-19, 5-21
shock absorber cushion retainer 5-19, 5-21
shock mounting bracket 5-21
shoe, brake 4-3, 4-9
shroud 7-5, 8-3
shroud, engine 7-5, 8-3
shroud, fan 7-5, 8-3
sleeve
 delta A-plate 5-9
 governor 12-5
 park brake rod 4-5, 4-7
 synchronizer 12-5
snap ring 5-7, 5-17, 7-13, 8-9, 8-13
snubber bracket 7-15, 8-15
snubber, inner frame 7-15, 8-15
socket 5-7
solenoid 13-17
solenoid, 12-volt 6-11
spacer
 accelerator pivot rod 4-19, 4-21
 park brake 4-5, 4-7
spanner wrench 17-9
spark plug 7-7, 8-5
speed controller 13-17
speed sensor 14-3
speed sensor magnet 14-3
speed sensor, motor 14-3
spiral backup ring 11-3
splash guard 9-3
spray, battery terminal protector 17-3
spring
 accelerator return 4-19, 4-21
 brake 4-3, 4-9
 brake return 4-17
 brush 6-17, 14-3
 camshaft 8-11
 drive button 11-3
 drive clutch 11-3
 driven clutch 11-7
 extension return 9-15
 leaf 5-19, 5-21
 park brake torsion 4-5, 4-7
 rack guide pressure 5-7, 5-17
 shifter 12-5
 steering shaft compression 5-3
 synchronizer 12-5
 throttle return 9-11, 9-25
 valve 7-9, 8-9
spring cup 4-19, 4-21
spring mounting plate 5-11, 5-13
spring, motor brush 14-3
spur gear 7-13, 8-13, 12-5
stabilizer bar 5-23
stabilizer bar link 5-23
stabilizer bar mounting bracket 5-23
stake side 1-27

INDEX

- stake side bracket 1-27
 - stake side hinge 1-27
 - stake side kit 1-27
 - starter/generator 6-17
 - starter/generator belt 6-19, 11-3
 - starter/generator pulley 6-17
 - steel bushing 1-25, 5-11, 5-13, 5-19, 5-21
 - steel pressure relief ball 7-3, 8-7
 - steering column 5-3
 - steering column bearing press tool 17-9
 - steering column cover 6-15, 13-13
 - steering column retaining ring tool 17-9
 - steering gear box 5-7, 5-17
 - steering pinion 5-7, 5-17
 - steering pinion dust seal 5-7, 5-17
 - steering rack 5-7, 5-17
 - steering shaft assembly 5-3
 - steering shaft compression spring 5-3
 - steering wheel 5-5
 - steering wheel plate 5-5
 - steering wheel puller tool 17-9
 - stem, valve 2-3
 - stiffener 1-7
 - stiffener, flywheel side 7-15, 8-15
 - stiffener, PTO side 7-15, 8-15
 - strap, A-plate 5-9
 - strap, fuel tank 9-7, 9-19
 - strap, seat 1-7, 1-15, 1-17
 - stud 7-15, 8-15
 - lug 12-7, 15-3
 - stud, ball 6-11
 - support yoke (steering) 5-7, 5-17
 - support, bushing 5-23
 - suppressor, voltage 6-7, 13-3, 16-3, 16-5, 16-7, 16-9, 16-15, 16-17
 - switch
 - four-position 16-5, 16-15, 16-17
 - key 6-13, 13-11
 - light rocker 6-7, 13-3
 - limit 6-11, 6-15, 12-9, 13-13
 - rocker 13-11
 - switch rubber boot 6-25
 - switch, operation/maintenance 6-25
 - switch, toggle 6-25
 - synchro gear 12-5
 - synchronizer clutch hub 12-5
 - synchronizer insert 12-5
 - synchronizer sleeve 12-5
 - synchronizer spring 12-5
 - system, exhaust 10-3
- T**
- 12-volt solenoid 6-11
 - tachometer 17-9
 - tachometer probe, diesel 17-9
 - tail light bulb 6-23, 13-21
 - taillight 6-23, 13-21
 - taillight gasket 6-23, 13-21
 - taillight lens 6-23, 13-21
 - tailskirt 1-21
 - tank, fuel 9-5
 - tape, vinyl foam 1-25
 - tappet 7-11
 - terminal block 6-7, 13-3, 13-19
 - tester, continuity 17-5
 - thermometer, battery 17-3
 - thread-forming grease fitting 5-7, 5-15
 - throttle return spring 9-11, 9-25
 - throttle spring return bracket 9-11, 9-25
 - thrust bearing 5-11, 5-13
 - thrust plate 12-5, 12-7
 - tie rod end 5-9
 - tie wrap 5-7, 5-17, 6-7, 6-11, 9-17, 9-19, 13-3, 13-7, 13-17, 13-19
 - tire 2-3
 - tire and wheel assembly 2-3
 - toggle switch 6-25
 - tool
 - accelerator pedal adjustment 17-3
 - belt tensioning, starter/generator 17-11
 - brake adjustment 17-3
 - brake cable release 17-3
 - brake pedal adjustment 17-3
 - brake pedal tension 17-3
 - cam installation 17-3
 - carburetor float level 17-7
 - charger bezel 17-3
 - clutch alignment 17-5
 - cT-wrench 17-5
 - drive clutch fixed sheave 17-5
 - drive clutch holder 17-5
 - drive clutch spider removal 17-5
 - driven clutch spring compression base 17-5
 - driven clutch spring compression collar 17-5
 - driven clutch spring compression nut 17-5
 - governor shaft installation 17-7
 - puller, special use 17-9
 - steering column bearing press 17-9
 - steering column retaining ring 17-9
 - steering wheel puller 17-9
 - transaxle axle seal 17-9
 - transaxle pinion seal 17-9
 - transmission 17-9
 - valve guide driver 17-9
 - valve seat cutter 17-5
 - tool kit, clutch 17-5
 - touch-up paint 17-7
 - Tow/Run switch bracket 6-25
 - transaxle 15-3
 - transaxle axle seal tool 17-9
 - transaxle housing 15-3
 - transaxle pinion seal tool 17-9
 - transaxle, unitized 12-3
 - transformer, battery charger 16-3, 16-5, 16-7, 16-9, 16-15, 16-17
 - transmission shaft 12-5
 - transmission tool 17-9
 - trim
 - cowl 1-3
 - seat bottom 1-11, 1-13
 - tube
 - crankcase vent 9-11, 9-25
 - fuel pickup 9-5
 - oil filler 7-5, 8-3
 - seat back 1-11, 1-13
 - tune-up kit 17-9
 - turn signal lens 6-9, 13-9
 - T-wrench tool 17-5
- U**
- U-bolt 5-21
 - u-bolt 5-19
 - unitized transaxle 12-3
 - upper delta clevis 5-11, 5-13
 - urethane bushing 1-25, 5-9, 5-11, 5-13, 5-19, 5-21
- V**
- valve
 - choke 9-15
 - exhaust 7-9, 8-9
 - intake 8-9
 - reed 7-9, 8-9
 - valve clearance adjuster screw 17-9
 - valve guide 8-9
 - valve guide driver tool 17-9
 - valve guide reamer 17-9
 - valve guide, intake 8-9
 - valve seat 7-3, 8-7
 - valve seat cutter 17-5, 17-11
 - valve seat cutter guide 17-11
 - valve seat cutter tool 17-5
 - valve seat t-wrench 17-11
 - valve spring 7-9, 8-9
 - valve spring compressor 17-11
 - valve spring retainer 7-9, 8-9
 - valve stem 2-3
 - vent barb 9-7
 - vent, fuel tank, w/ valve 9-21
 - vertical socket dust seal 5-7
 - volt ohm meter 17-11
 - voltage limiter 6-7
 - voltage regulator 6-11
 - voltage suppressor 6-7, 13-3, 16-3, 16-5, 16-7, 16-9, 16-15, 16-17

INDEX

W

warning light, low oil 6-13
washer, insulating 14-3
wedge, bearing puller 17-3
weight
 clutch 11-3
 counterbalance 7-13, 8-13
 secondary clutch 11-3
weldment
 press 17-5
wheel 2-3
wheel and tire assembly 2-3
wheel rim, white 2-3
wheel, steering 5-5
wire assembly, battery charger 16-15
wire harness 6-5, 6-11, 6-15, 13-7, 13-13
wire harness, headlight 6-5, 6-7, 13-3
woodruff key 12-3
wrap, tie 5-7, 5-17, 6-7, 6-11, 9-17, 9-19, 13-3,
 13-7, 13-17, 13-19
wrench, spanner 17-9

Y

yoke, gear 17-7
yoke, support (steering) 5-7, 5-17



Club Car, Inc.
P.O. Box 204658
Augusta, GA 30917-4658
USA

Web www.clubcar.com
Phone 1.706.863.3000
1.800.ClubCar
Int'l +1 706.863.3000
Fax 1.706.863.5808