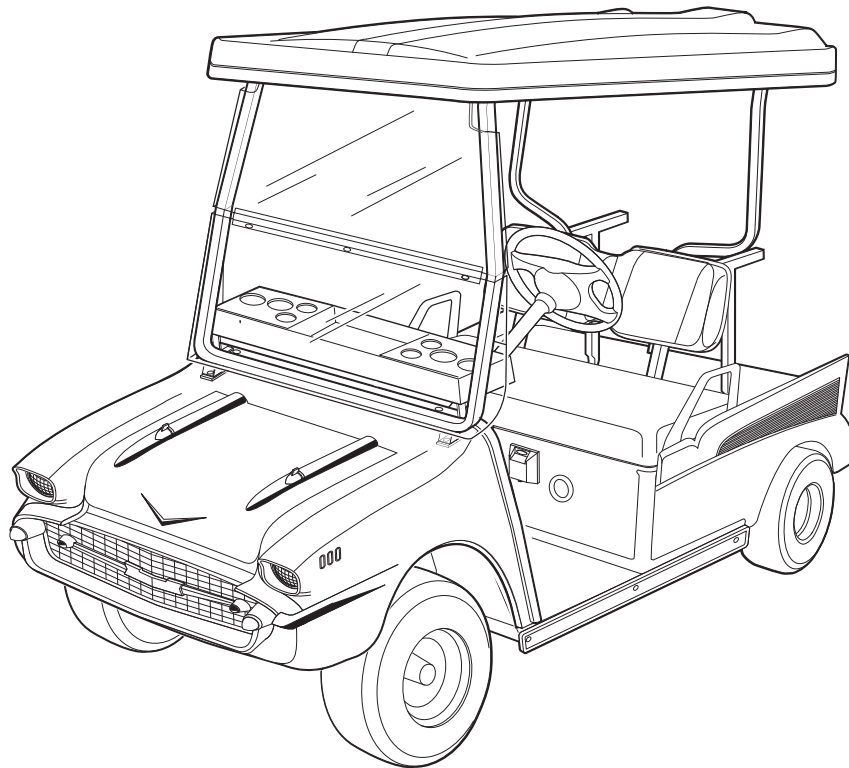




2007 Luxury Vehicle Illustrated Parts List



**L310, L320, C410, C440, C840, S910, and 57' Chevy
Electric Vehicles**

Manual Number 103209022
Edition Code 0507E1010D

USING THE ILLUSTRATED PARTS LIST

⚠ WARNING

- **This manual is to be used only for identification and ordering of service parts. Be sure to read and use the maintenance and service manual before attempting any vehicle repairs.**

This manual covers all Luxury Vehicle golf cars.

The manual is divided into sections. Note that there are two or three flags on the outside edge of each page. The first flag contains the section number of which that page is a part. The other flag (or flags) contains the letter G or E, signifying that the page pertains to the electric or gasoline vehicles only.

Use the Table of Contents to find the sections and pages that contain the parts and assemblies you seek. The Table of Contents lists section numbers, and under them, the individual page titles and numbers to be found in that section. The index can be used to find specific parts and assemblies.

There is a two-page spread for each individual page title in the Table of Contents. On the left-hand page is an illustration showing the parts in their relative positions; the parts are each tagged with an item number in a balloon. The right-hand page is the parts list page, and gives the page title at the top, then the item numbers (corresponding to the numbers on the illustration), part descriptions, and quantity of parts used.

Note that a part description may be indented. This indentation corresponds to a parts assembly level indicated by the numbers 1, 2, 3, and 4 at the top left corner of the parts description area of the parts list page. A part that is indented to *level 2* is a component of the *level 1* part (assembly) that it is listed under. A *level 3* part is a component of the *level 2* part that it is listed under, and a *level 4* part is a component of the *level 3* part preceding it. In each case, the part quantity given for a level 2, 3, or 4 part is the quantity used per next higher level assembly of which it is a component. A part that is not indented is a *level 1* part. This means that the quantity given is the quantity used per the portion of the vehicle illustrated on that particular spread.

HOW TO ORDER PARTS

Replacement parts and accessories can be obtained from our network of authorized dealers and distributors. You can obtain the name and phone number of your closest authorized Club Car dealer or distributor by visiting our web site at www.clubcar.com and clicking on the "Distributor Search" link or by calling our toll-free Service Parts and Technical Assistance hotline at (800) 872-2246 or (706) 863-3000, extension 3887.



**P. O. Box 204658
Augusta, Georgia 30917-4658 USA
Telephone 706-863-3000
Service Parts Fax 706-855-7413
www.clubcar.com**

NOTE: *This illustrated parts list represents the most current information at the time of publication. Club Car, Inc. is continually working to further improve its vehicles and other products. These improvements may affect the parts used to service the vehicle. Any modification and/or significant change in specifications will be forwarded to all Club Car and Carryall distributors/dealers and will, when applicable, appear in future editions of this illustrated parts list.*

Club Car, Inc. reserves the right to change specifications and designs at any time without notice and without the obligation of making changes to units previously sold.

Copyright © 2007 Club Car, Inc.
Club Car and *ArmorFlex*
are registered trademarks of Club Car, Inc.
This manual effective May 21, 2007.

Luxury Vehicle Illustrated Parts List

CONTENTS

SECTION 1 – VEHICLE IDENTIFICATION

| | |
|------------------------------|-----|
| Vehicle Identification | 1-5 |
|------------------------------|-----|

SECTION 2 – BODY AND TRIM

| | |
|---|------|
| Front Body – L310 LX and L320 LX | 2-3 |
| Front Body – C410 LX and C440 LX | 2-5 |
| Front Body – C840 LX | 2-7 |
| Front Body – S910 LX | 2-9 |
| Front Body – 57 Chevy | 2-11 |
| Rear View Mirror – L310, C410, S910, and 57 Chevy Models | 2-13 |
| Dash and Dash Tray | 2-15 |
| Seat Bottom | 2-17 |
| 4 Passenger Conversion Kit | 2-19 |
| Seat Back – L320 LX, C440 LX, and C840 LX Models | 2-21 |
| Seat Back – L310 LX, C410 LX, S910 LX, and 57 Chevy Models | 2-23 |
| Rear Enclosure – L310 LX, C410 LX, and S910 LX Models | 2-25 |
| Rear Body – L310 LX, C410 LX, and S910 LX Models | 2-27 |
| Rear Access Door | 2-29 |
| Rear Body and Fender – L320LX | 2-31 |
| Rear Body – C440LX and C840 LX Models | 2-33 |
| Rear Body – 57 Chevy 2 Passenger | 2-35 |
| Rear Body – 57 Chevy 4 Passenger | 2-37 |
| Rear Bumper | 2-39 |
| Carpet | 2-41 |
| Canopy – L310 LX, C410 LX, S910 LX, and 2 Passenger 57 Chevy Models | 2-43 |
| Canopy – Models L320 LX, C440 LX, and C840 LX | 2-45 |
| Canopy – 4-Passenger Models | 2-47 |

SECTION 3 – WHEELS AND TIRES

| | |
|------------------------|-----|
| Wheels and Tires | 3-3 |
|------------------------|-----|

SECTION 4 – DECALS

| | |
|--------------|-----|
| Decals | 4-3 |
|--------------|-----|

SECTION 5 – BRAKES, PEDAL, AND CABLE ASSEMBLIES

| | |
|---|-----|
| Rear Brake Assembly, Self-Adjusting | 5-3 |
| Brake Pedal Assembly | 5-5 |
| Brake Cable, Equalizer, and Equalizer Rod | 5-7 |

CONTENTS

| | |
|--|------|
| Accelerator Pedal Assembly – Electric Vehicles with MCOR | 5-9 |
| Accelerator Rod | 5-11 |

SECTION 6 – STEERING, FRONT AND REAR SUSPENSION

| | |
|-------------------------------|------|
| Steering Column | 6-3 |
| Steering Wheel | 6-5 |
| Steering Gear Assembly | 6-7 |
| Front Suspension, Upper | 6-9 |
| Front Suspension, Lower | 6-11 |
| Front Spindles and Hubs | 6-13 |
| Rear Suspension | 6-15 |

SECTION 7 – ELECTRICAL SYSTEM

| | |
|---|------|
| Wiring | 7-5 |
| Instrument Panel Components | 7-7 |
| Motor Controller Output Regulator (MCOR) | 7-9 |
| FE290 Starter/Generator Mounting – Gasoline Vehicle | 7-11 |
| Battery Charger Receptacle | 7-13 |
| Batteries (T875), Electric Vehicle | 7-15 |
| OBC, Controller, and Solenoid – Electric Vehicle | 7-17 |

SECTION 8 – MAINTENANCE AND SERVICE TOOLS

| | |
|--|------|
| Maintenance and Service Tools | 8-3 |
| Maintenance and Service Tools, Continued | 8-5 |
| Maintenance and Service Tools, Continued | 8-7 |
| Maintenance and Service Tools, Continued | 8-9 |
| Maintenance and Service Tools, Continued | 8-11 |

SECTION i – INDEX

VEHICLE IDENTIFICATION

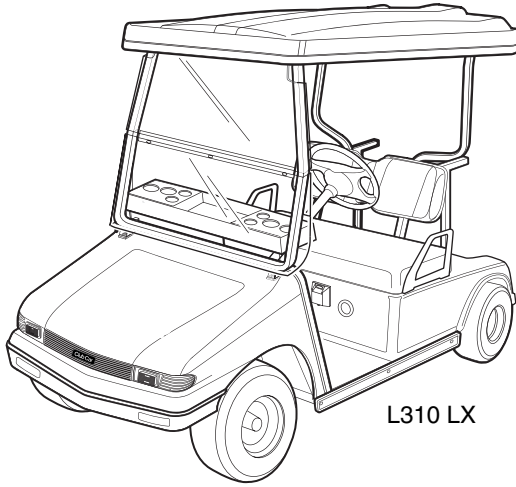
1

E

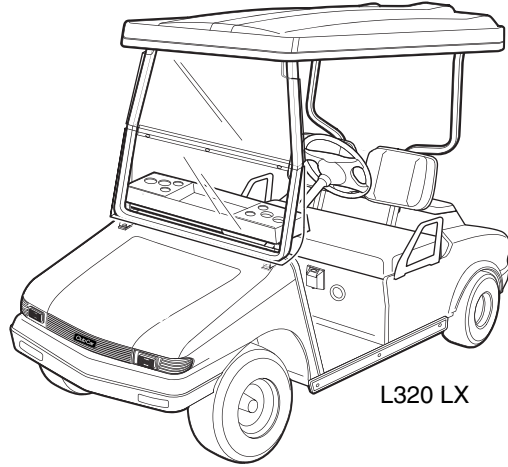
1

VEHICLE IDENTIFICATION

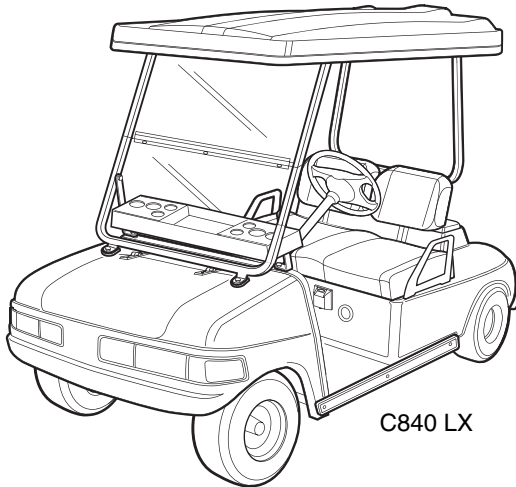
E



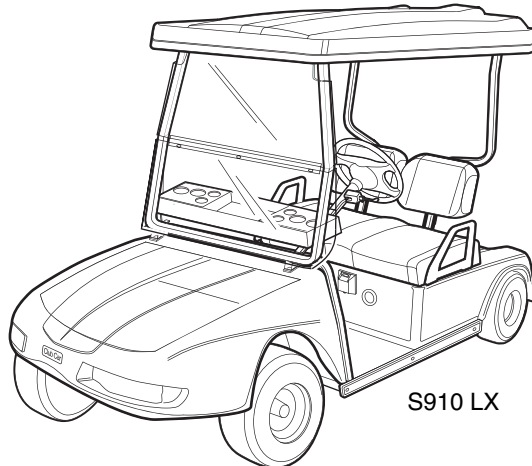
L310 LX



L320 LX

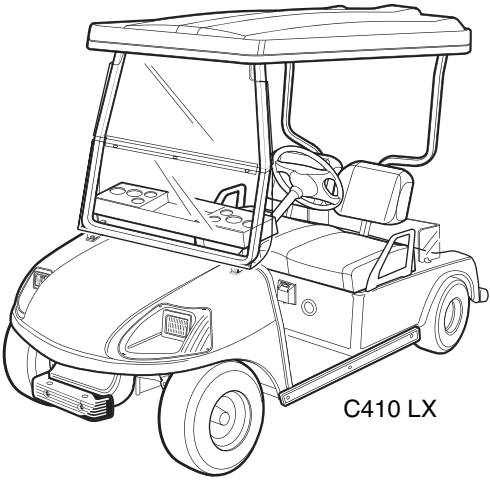


C840 LX

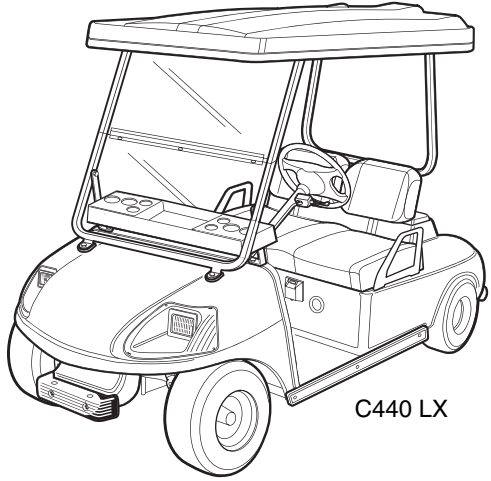


S910 LX

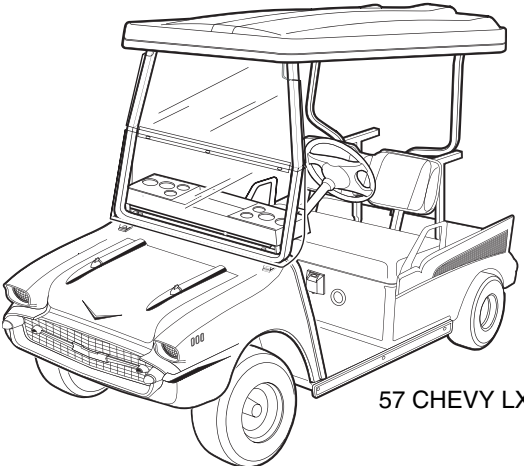
000719-001



C410 LX



C440 LX



57 CHEVY LX

000719-001

1

E

See previous two pages for illustration.

VEHICLE IDENTIFICATION

| ITEM | PART NO. | DESCRIPTION | QTY |
|------|----------|--------------------------|-----|
| | | 1 2 3 4 | |
| 1 | N/A | Custom Car, 310 Lx | 1 |
| 2 | N/A | Custom Car, 320 Lx | 1 |
| 3 | N/A | Custom Car, 410 Lx | 1 |
| 4 | N/A | Custom Car, 440 Lx | 1 |
| 5 | N/A | Custom Car, 840 Lx | 1 |
| 6 | N/A | Custom Car, 910 Lx | 1 |
| 7 | N/A | L310lx 4 Pass | 1 |
| 8 | N/A | C410lx 4 Pass | 1 |
| 9 | N/A | S910lx 4 Pass | 1 |
| 10 | N/A | 57 Chevylx | 1 |
| 11 | N/A | 57 Chevylx 4 Pass | 1 |

1

E

1

E

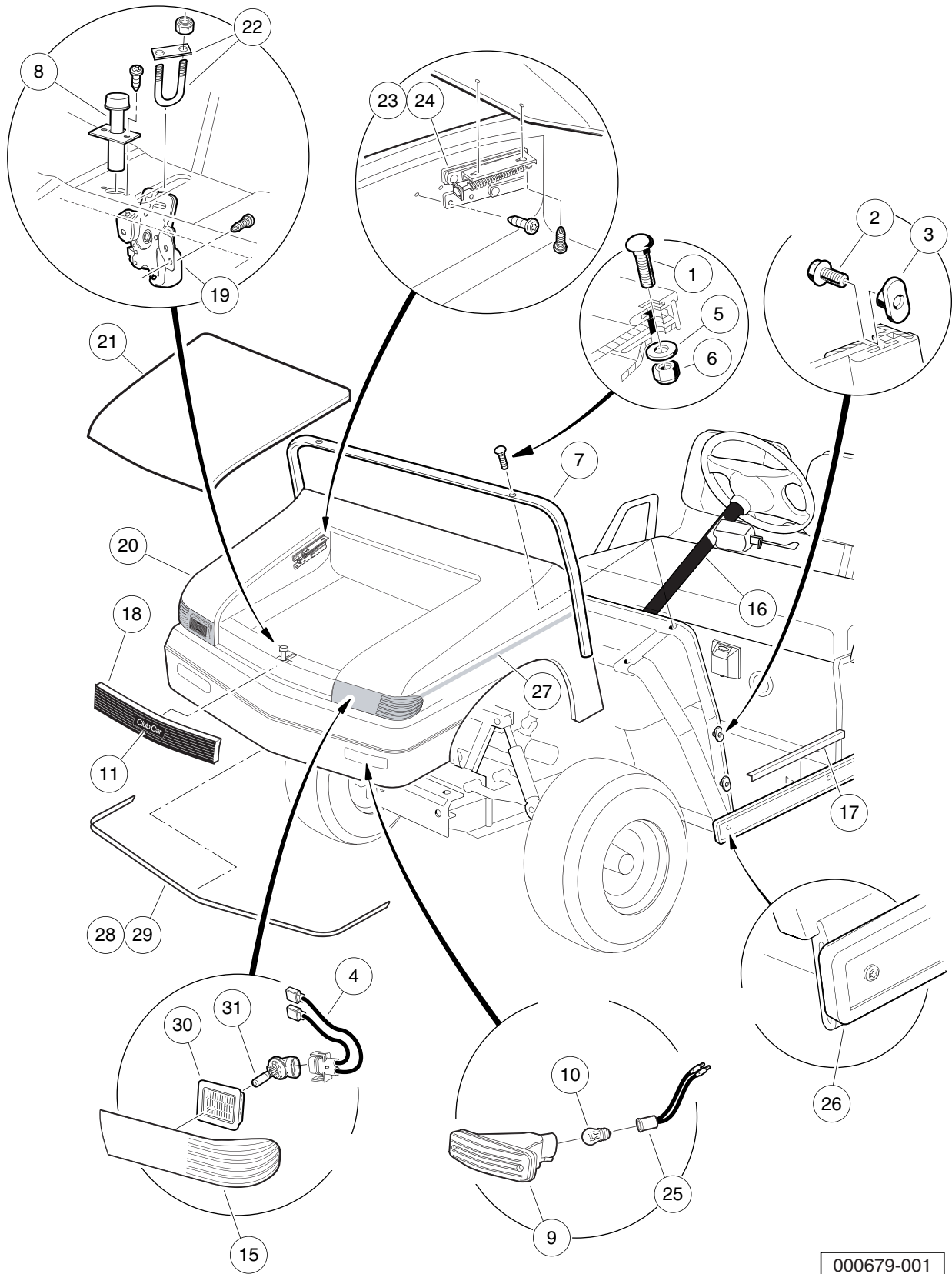
BODY AND TRIM

2

E

2

E



000679-001

FRONT BODY – L310 LX AND L320 LX

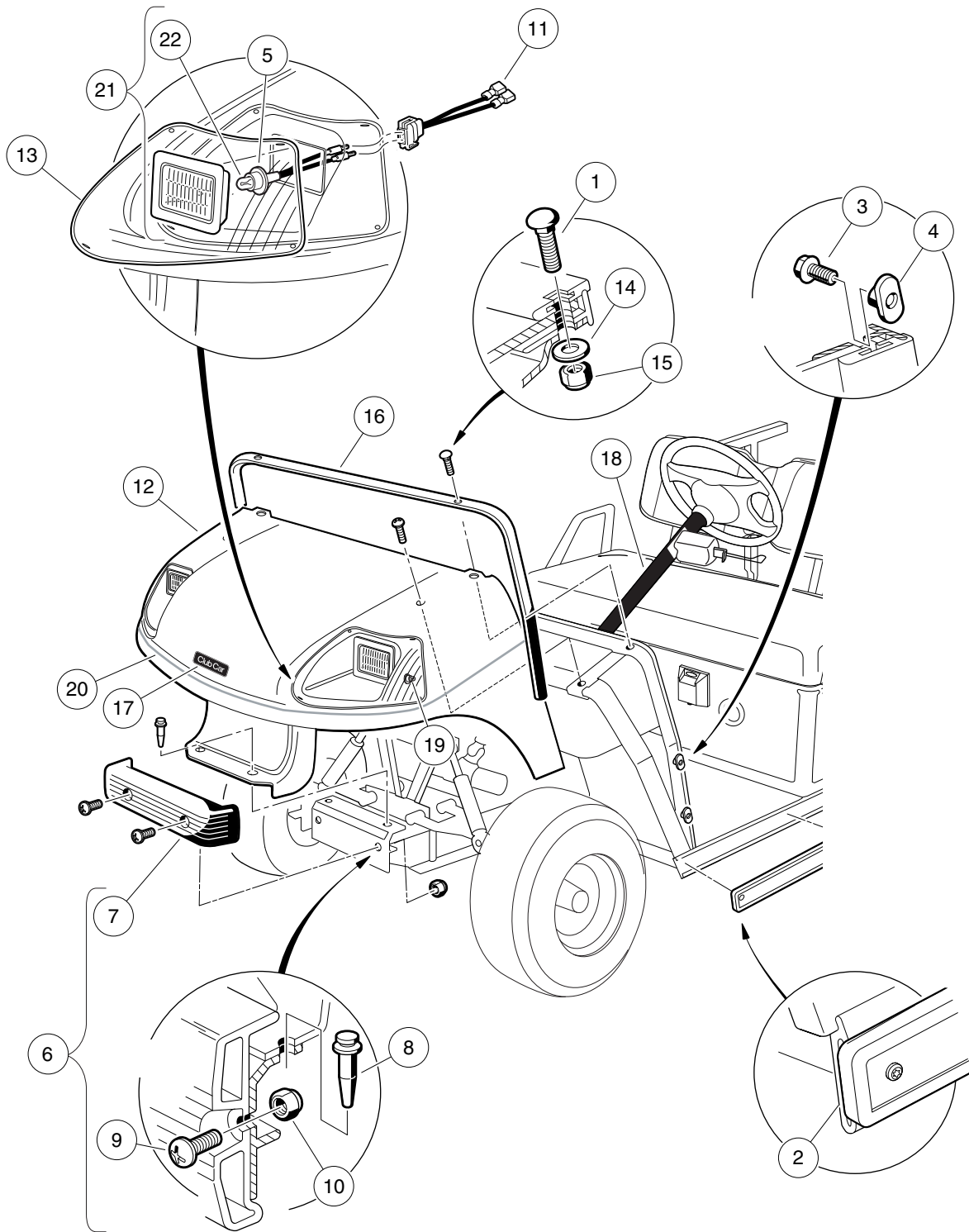
| ITEM | PART NO. | DESCRIPTION | QTY |
|------|------------------|---|-----|
| | | 1 2 3 4 | |
| 1 | <u>1010435</u> | Bolt, Carriage, 5/16-18 X 1.00 | 2 |
| 2 | <u>1011017</u> | Screw, #8-32 X 0.375 | 6 |
| 3 | 1011394 | T-Nut Package (Set of 4) | 1 |
| 4 | <u>101987901</u> | Connector Harness Assembly, Headlight | 2 |
| 5 | <u>1241</u> | Washer, 5/16 Type A Flat | 2 |
| 6 | <u>7473</u> | Locknut, 5/16-18 Nylon Insert | 2 |
| 7 | <u>AM10625</u> | Front Body Trim Black * | 1 |
| 8 | AM50002 | Spring Hood Opener | 1 |
| 9 | AM50004 | Lights #3 Parking (includes item 10) | 1 |
| 10 | AM50092 | Bulb | 1 |
| 11 | AM50009 | Club Car Decal | 1 |
| 12 | AM50030 | Wire Assembly, Right, Light | 1 |
| 13 | N/A | Wire Assembly, Connector | 1 |
| 14 | N/A | Wire Assembly, Left, Trunk Release / Light | 1 |
| 15 | AM50039 | Lens Clear Headlight Set | 1 |
| 16 | AM50054 | Turn Signal Cover | 1 |
| 17 | AM50069 | Step Plate Chrome | 2 |
| 18 | AM50074 | Grill | 1 |
| 19 | AM50090 | Hood Latch | 1 |
| 20 | AM50122P | Front Body #3 | 1 |
| 21 | AM50123P | Hood #3 | 1 |
| 22 | <u>AM50171</u> | 1/4 U Bolt & Plate | 1 |
| 23 | AM50179 | Hood Hinges | 1 |
| 24 | AM50180 | Hood Hinges | 1 |
| 25 | AM50197 | Socket Single | 2 |
| 26 | AM50428 | Rocker Panel | 2 |
| 27 | N/A | Pinstripe | 1 |
| 28 | AM50504 | Bumper Strip Chrome | A/R |
| 29 | N/A | Bumper Strip Gold | A/R |
| 30 | AM50716I | Headlight #3, #4 (includes item 31) | 2 |
| 31 | <u>AM10091</u> | Halogen Bulb | 1 |
| | | Note: Part numbers 12, 13, & 14 not shown. Items 28 & 29 require 6 feet of strip. | |

2

E

2

E



000679-002

FRONT BODY – C410 LX AND C440 LX

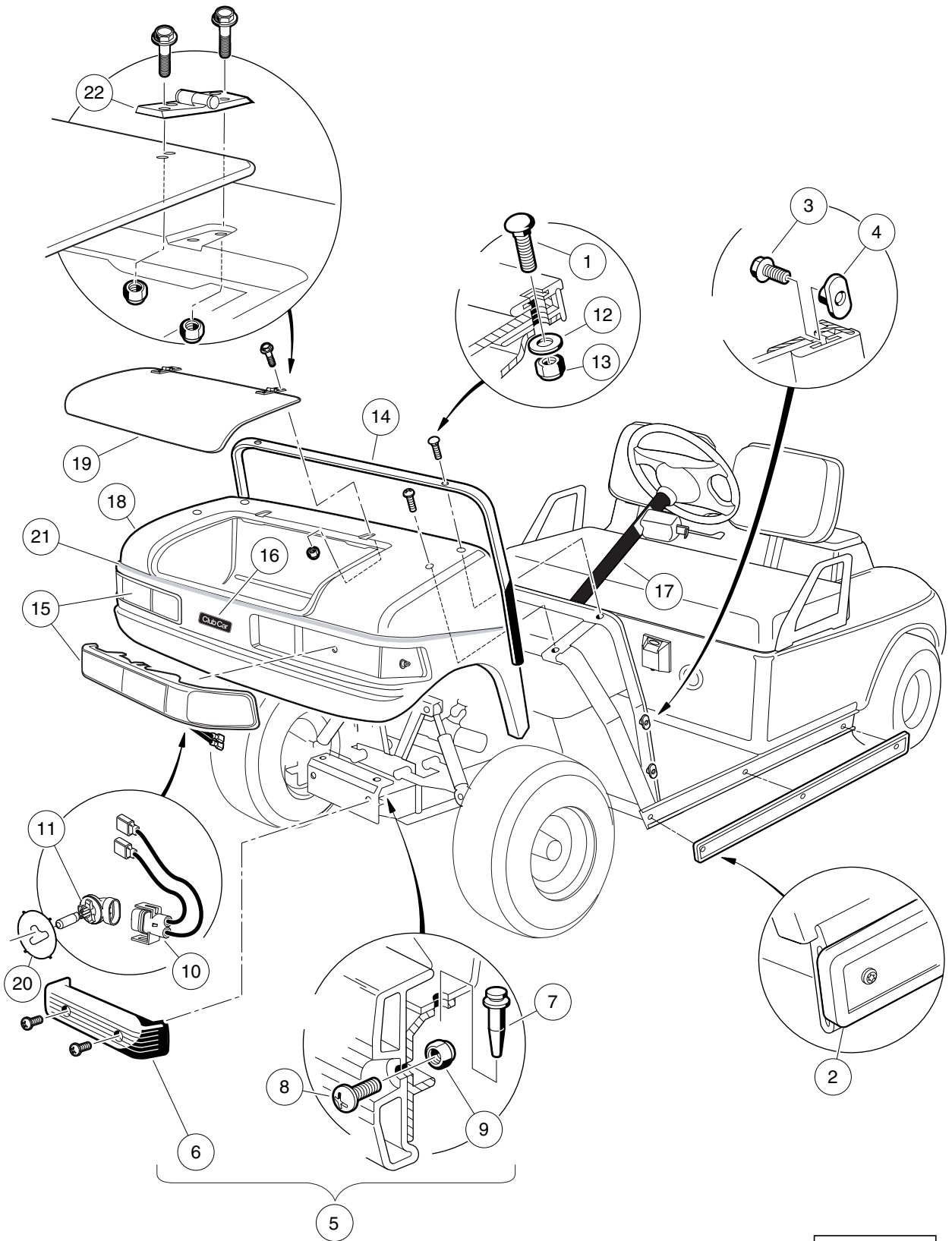
| ITEM | PART NO. | DESCRIPTION | QTY |
|------|------------------|--|-----|
| | | 1 2 3 4 | |
| 1 | <u>1010435</u> | Bolt, Carriage, 5/16-18 X 1.00 | 2 |
| 2 | <u>1010993</u> | Body Kick Plate | 1 |
| 3 | <u>1011017</u> | Screw, #8-32 X 0.375 | 6 |
| 4 | 1011394 | T-Nut Package (Set of 4) | 1 |
| 5 | <u>1017075</u> | Socket & Lamp Assembly | 2 |
| 6 | <u>1017080</u> | Kit, Front Bumper (includes items 7 through 10) | 1 |
| 7 | <u>1016868</u> | Front Bumper | 1 |
| 8 | <u>1016967</u> | Blind Rivet, Push Type | 2 |
| 9 | <u>7251</u> | Screw, 5/16-18 x 1.0 Truss-Head | 2 |
| 10 | <u>7473</u> | Locknut, 5/16-18 Nylon Insert | 2 |
| 11 | <u>101987901</u> | Connector Harness Assembly, Headlight | 2 |
| 12 | <u>102360702</u> | Cowl, Indio - White | 1 |
| 13 | <u>102363201</u> | Lens Set | 1 |
| 14 | <u>1241</u> | Washer, 5/16 Type A Flat | 2 |
| 15 | <u>7473</u> | Locknut, 5/16-18 Nylon Insert | 2 |
| 16 | <u>AM10625</u> | Front Body Trim Black * | 1 |
| 17 | AM50009 | Club Car Decal | 1 |
| 18 | AM50054 | Turn Signal Cover | 1 |
| 19 | N/A | Bulb #4 Turn Signal | 2 |
| 20 | N/A | Pinstripe | 1 |
| 21 | AM507161 | Headlight #3, #4 (includes item 22) | 2 |
| 22 | <u>AM10091</u> | Halogen Bulb | 1 |
| | | * Note: Can be used in place of standard aluminum front body trim. | |

2

E

2

E



000679-003

FRONT BODY – C840 LX

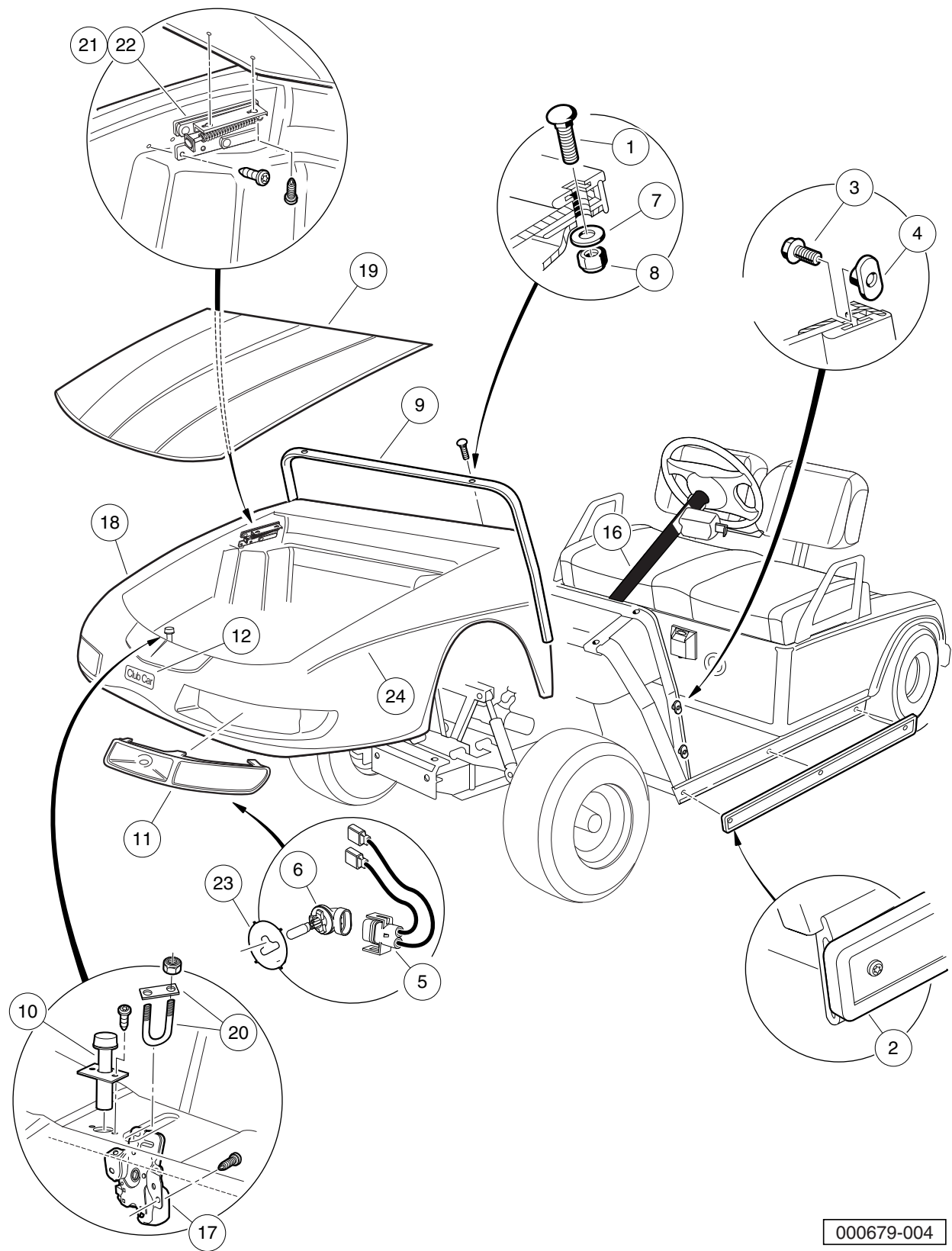
| ITEM | PART NO. | DESCRIPTION | QTY |
|------|------------------|--|-----|
| | | 1 2 3 4 | |
| 1 | <u>1010435</u> | Bolt, Carriage, 5/16-18 X 1.00 | 2 |
| 2 | <u>1010993</u> | Body Kick Plate | 1 |
| 3 | <u>1011017</u> | Screw, #8-32 X 0.375 | 6 |
| 4 | 1011394 | T-Nut Package (Set of 4) | 1 |
| 5 | <u>1017080</u> | Kit, Front Bumper (includes items 6 through 9) | 1 |
| 6 | <u>1016868</u> | Front Bumper | 1 |
| 7 | <u>1016967</u> | Blind Rivet, Push Type | 2 |
| 8 | <u>7251</u> | Screw, 5/16-18 x 1.0 Truss-Head | 2 |
| 9 | <u>7473</u> | Locknut, 5/16-18 Nylon Insert | 2 |
| 10 | <u>101987901</u> | Connector Harness Assembly, Headlight | 2 |
| 11 | <u>101988101</u> | Bulb, Headlight | 2 |
| 12 | <u>1241</u> | Washer, 5/16 Type A Flat | 2 |
| 13 | <u>7473</u> | Locknut, 5/16-18 Nylon Insert | 2 |
| 14 | <u>AM10625</u> | Front Body Trim Black * | 1 |
| 15 | AM50005 | Headlights | 1 |
| 16 | AM50009 | Club Car Decal | 1 |
| 17 | AM50054 | Turn Signal Cover | 1 |
| 18 | N/A | #8 Front | 1 |
| 19 | N/A | #8 Hood | 1 |
| 20 | AM50432 | Light Adapter | 2 |
| 21 | N/A | Pinstripe | 1 |
| 22 | AM51701 | Hinge Strap For #8 Hood | 2 |
| | | * Note: Can be used in place of standard aluminum front body trim. | |

2

E

2

E



000679-004

FRONT BODY – S910 LX

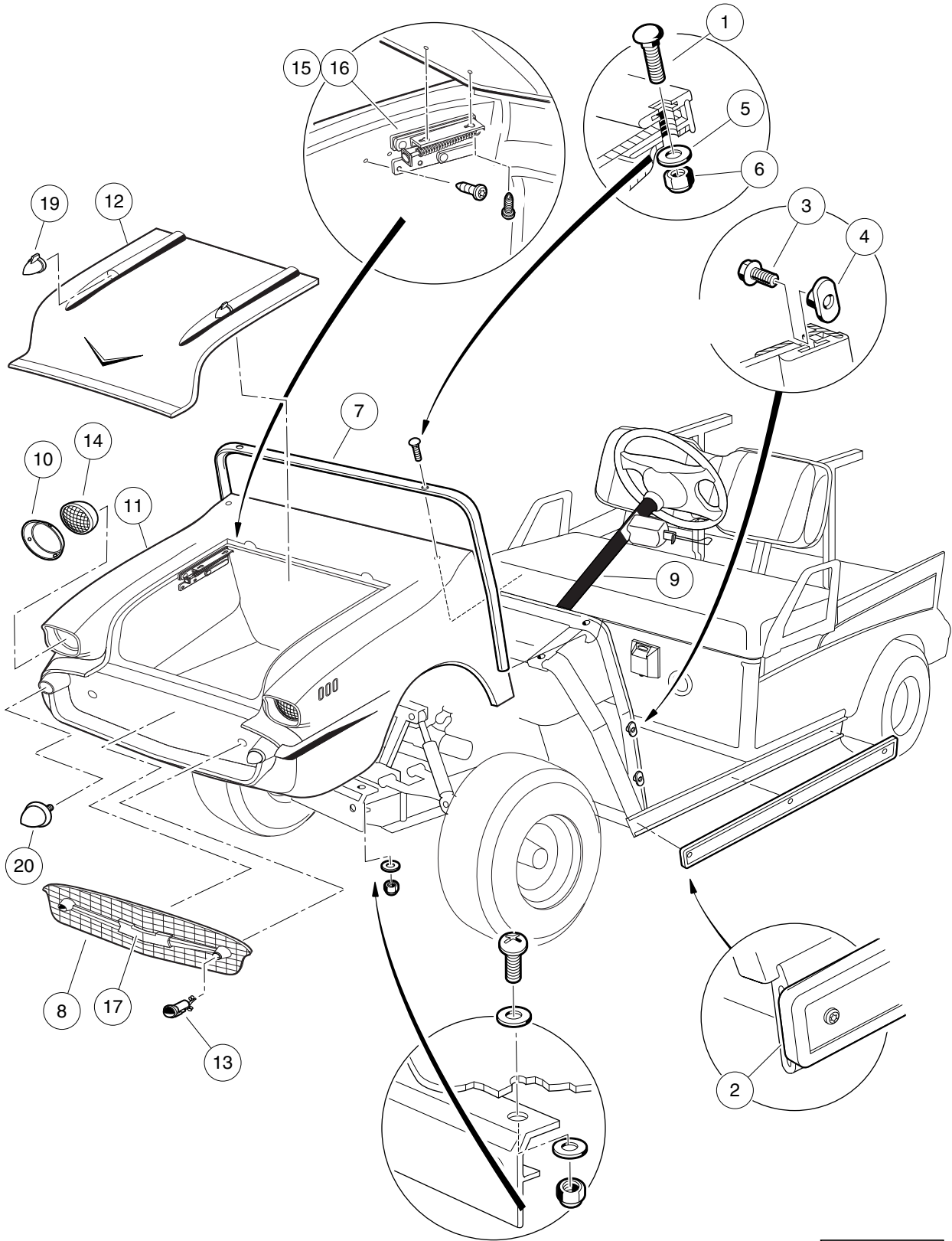
| ITEM | PART NO. | DESCRIPTION | QTY |
|--|------------------|---|-----|
| | | 1 2 3 4 | |
| 1 | <u>1010435</u> | Bolt, Carriage, 5/16-18 X 1.00 | 2 |
| 2 | <u>1010993</u> | Body Kick Plate | 1 |
| 3 | <u>1011017</u> | Screw, #8-32 X 0.375 | 6 |
| 4 | 1011394 | T-Nut Package (Set of 4) | 1 |
| 5 | <u>101987901</u> | Connector Harness Assembly, Headlight | 2 |
| 6 | <u>101988101</u> | Bulb, Headlight | 2 |
| 7 | <u>1241</u> | Washer, 5/16 Type A Flat | 2 |
| 8 | <u>7473</u> | Locknut, 5/16-18 Nylon Insert | 2 |
| 9 | <u>AM10625</u> | Front Body Trim Black * | 1 |
| 10 | AM50002 | Spring Hood Opener | 1 |
| 11 | <u>AM50003</u> | Headlight Set | 1 |
| 12 | AM50009 | Club Car Decal | 1 |
| 13 | N/A | Wire Harness Driver Side | 1 |
| 14 | N/A | Wire Harness Passenger Side | 1 |
| 15 | N/A | Wire Harness #700 Latch | 1 |
| 16 | AM50054 | Turn Signal Cover | 1 |
| 17 | AM50090 | Hood Latch | 1 |
| 18 | AM50116P | #9 Front | 1 |
| 19 | AM50117P | #9 Hood | 1 |
| 20 | <u>AM50171</u> | 1/4 U Bolt & Plate | 1 |
| 21 | AM50179 | Hood Hinges | 1 |
| 22 | AM50180 | Hood Hinges | 1 |
| 23 | AM50432 | Light Adapter | 2 |
| 24 | N/A | Pinstripe | 1 |
| Note: Part numbers 13, 14, & 15 not shown. | | | |

2

E

2

E



000679-005

FRONT BODY – 57 CHEVY

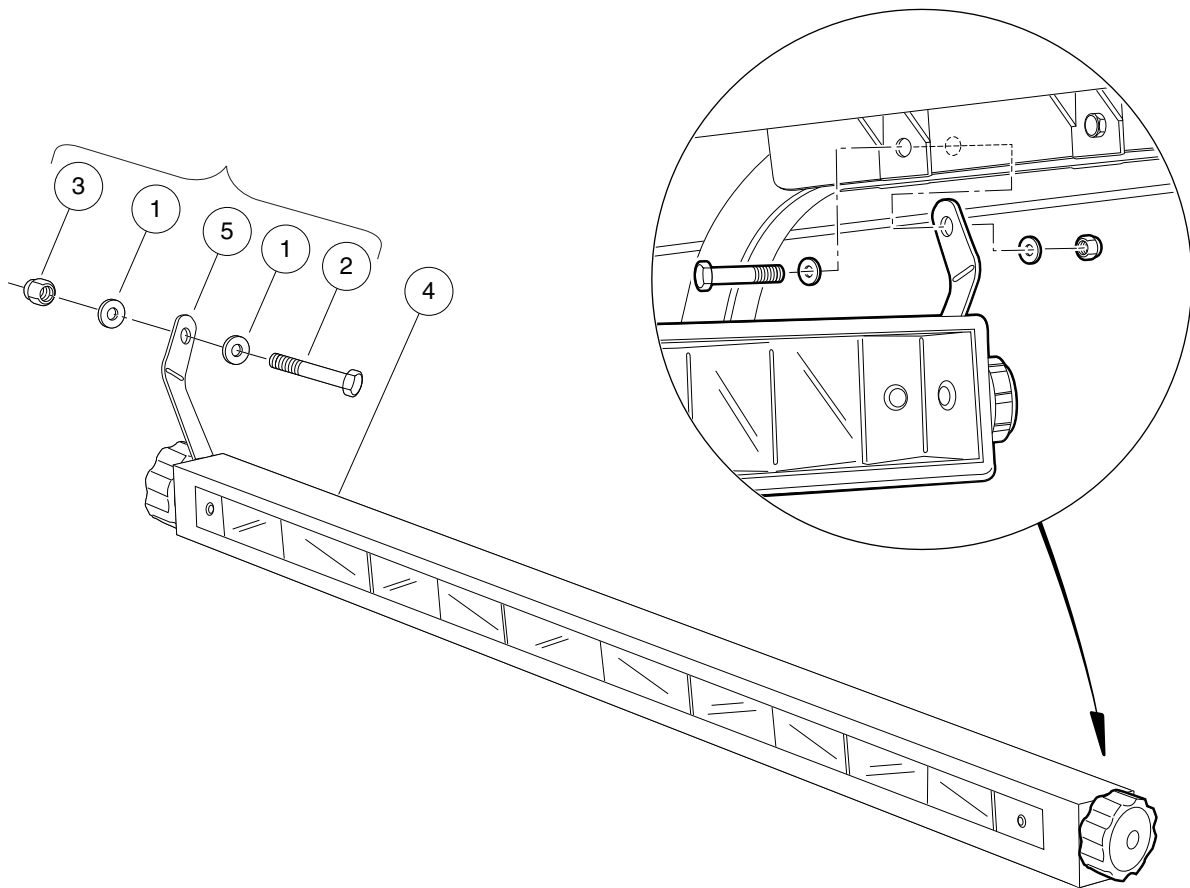
| ITEM | PART NO. | DESCRIPTION | QTY |
|------|----------------|--------------------------------------|-----|
| | | 1 2 3 4 | |
| 1 | <u>1010435</u> | Bolt, Carriage, 5/16-18 X 1.00 | 2 |
| 2 | <u>1010993</u> | Body Kick Plate | 1 |
| 3 | <u>1011017</u> | Screw, #8-32 X 0.375 | 6 |
| 4 | 1011394 | T-Nut Package (Set of 4) | 1 |
| 5 | <u>1241</u> | Washer, 5/16 Type A Flat | 2 |
| 6 | <u>7473</u> | Locknut, 5/16-18 Nylon Insert | 2 |
| 7 | <u>AM10625</u> | Front Body Trim Black * | 1 |
| 8 | <u>AM50037</u> | Grill | 1 |
| 9 | AM50054 | Turn Signal Cover | 1 |
| 10 | AM50065 | Head Light Retainer | 2 |
| 11 | AM50108G | Front Body | 1 |
| 12 | AM50110G | Front Hood | 1 |
| 13 | <u>AM50158</u> | Turn Signal Lights | 2 |
| 14 | AM50175 | Headlights | 2 |
| 15 | AM50179 | Hood Hinges | 1 |
| 16 | AM50180 | Hood Hinges | 1 |
| 17 | N/A | Grill Decal | 1 |
| 18 | N/A | Head Light Socket | 2 |
| 19 | AM54000 | Rubber Cone Bumpers Small | 2 |
| 20 | AM54001 | Rubber Cone Bumpers Large | 2 |
| | | Note: Part number 18 not shown. | |

2

E

2

E



000720-001

REAR VIEW MIRROR – L310, C410, S910, AND 57 CHEVY MODELS

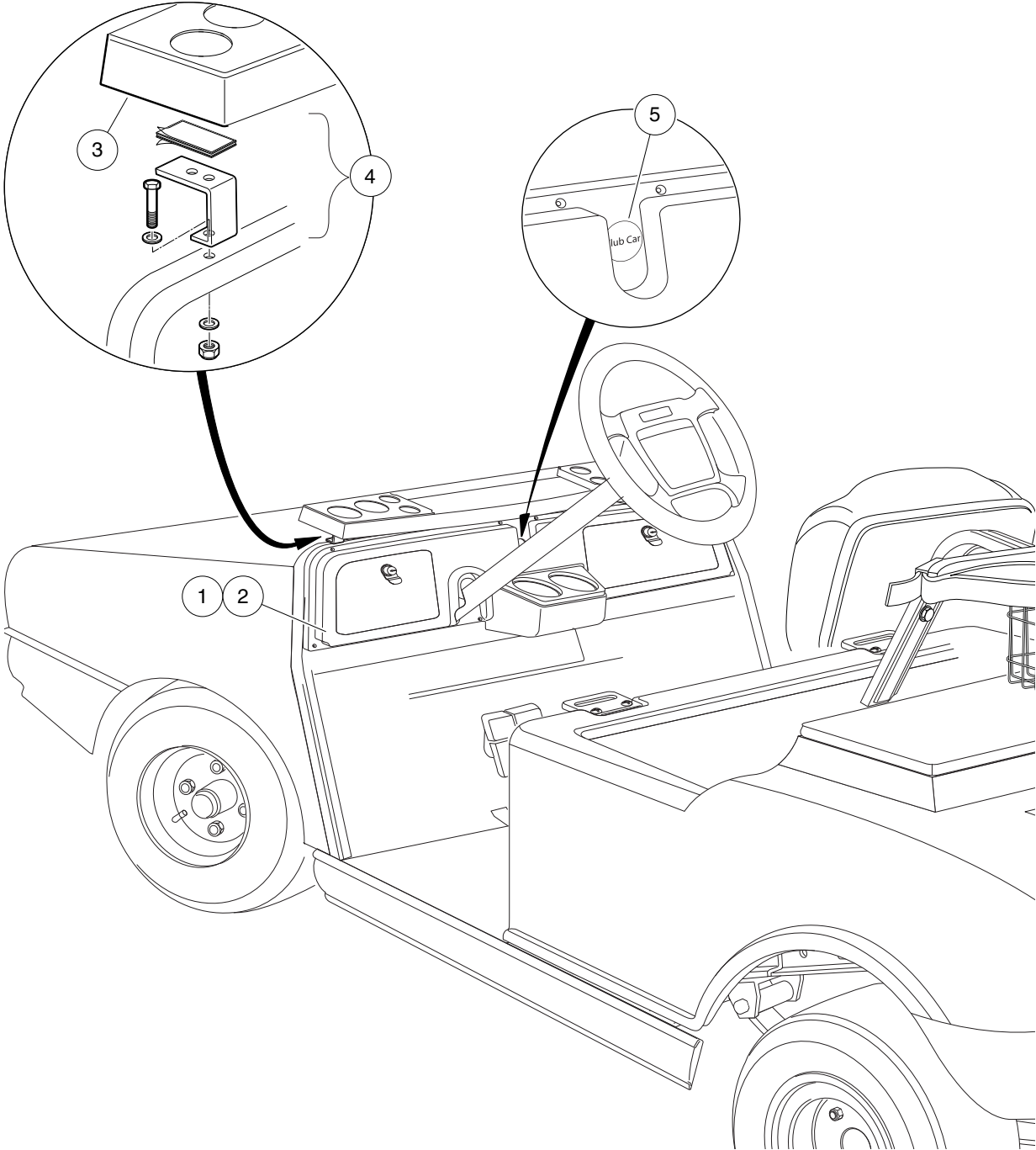
| ITEM | PART NO. | DESCRIPTION | QTY |
|------|----------------|---|-----|
| | | 1 2 3 4 | |
| 1 | <u>332</u> | Washer, 1/4 Type A Narrow Flat | 4 |
| 2 | <u>7311</u> | Screw, 1/4-20 X 2.00 Hex-Head Cap | 2 |
| 3 | <u>8233</u> | Locknut, 1/4-20 Nylon Insert | 2 |
| 4 | <u>AM10092</u> | ICS 5-Panel Mirror | 1 |
| 5 | <u>AM10103</u> | 5-Panel Mirror Mounting Bracket | 2 |

2

E

2

E



000721-001

DASH AND DASH TRAY

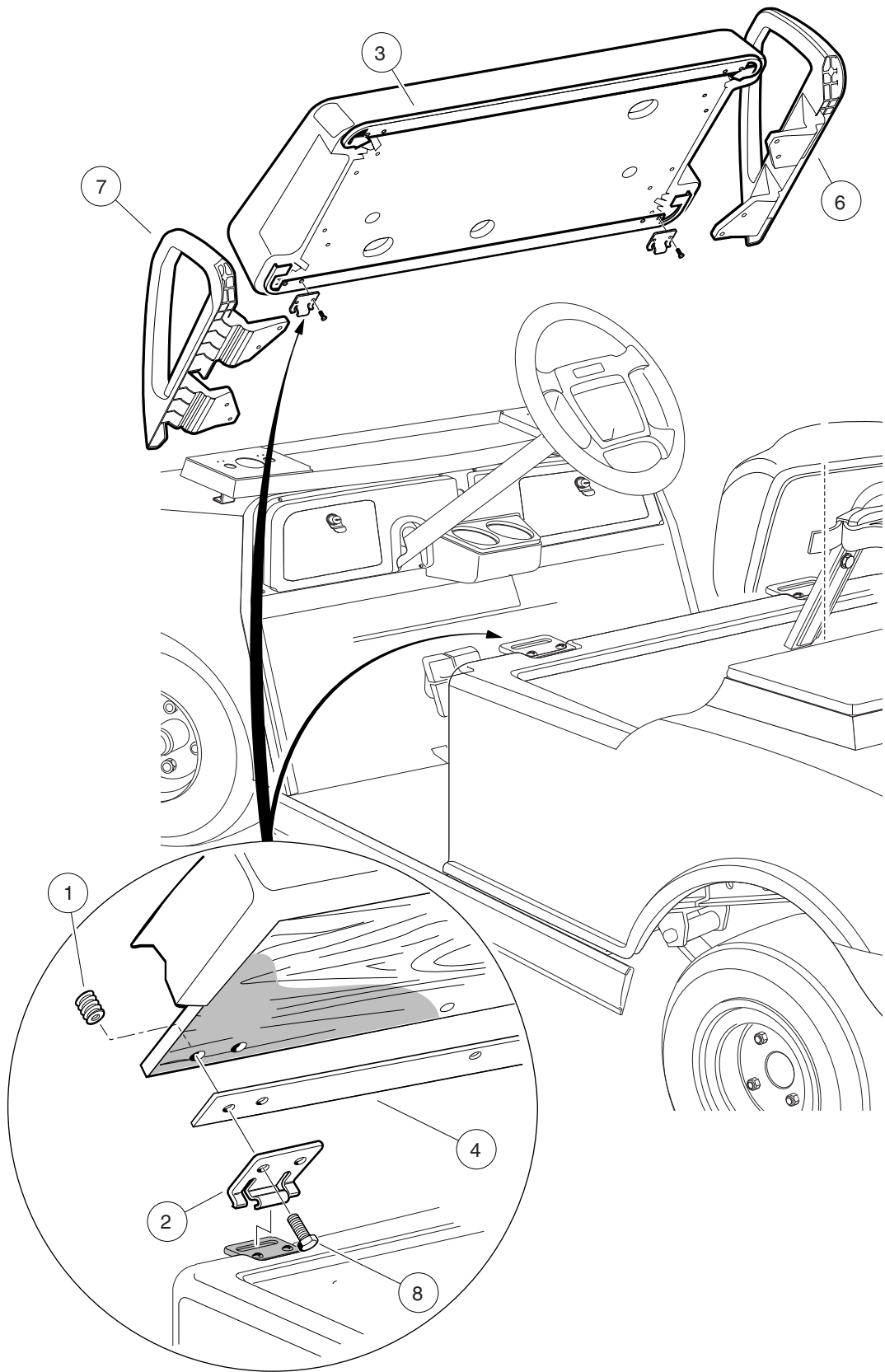
| ITEM | PART NO. | DESCRIPTION | QTY |
|------|----------|--|-----|
| | | 1 2 3 4 | |
| 1 | AM10289 | Dash with Glove Box - ABS Carbon Fiber | 1 |
| 2 | AM10291 | Dash with Glove Box - Regal Burlwood | 1 |
| 3 | N/A | Dash Tray 2003 Model (includes item 4) | 1 |
| 4 | N/A | Bracket Kit Powdercoated | 2 |
| 5 | AM51253 | Club Car Emblem | 1 |

2

E

2

E



000728-001

SEAT BOTTOM

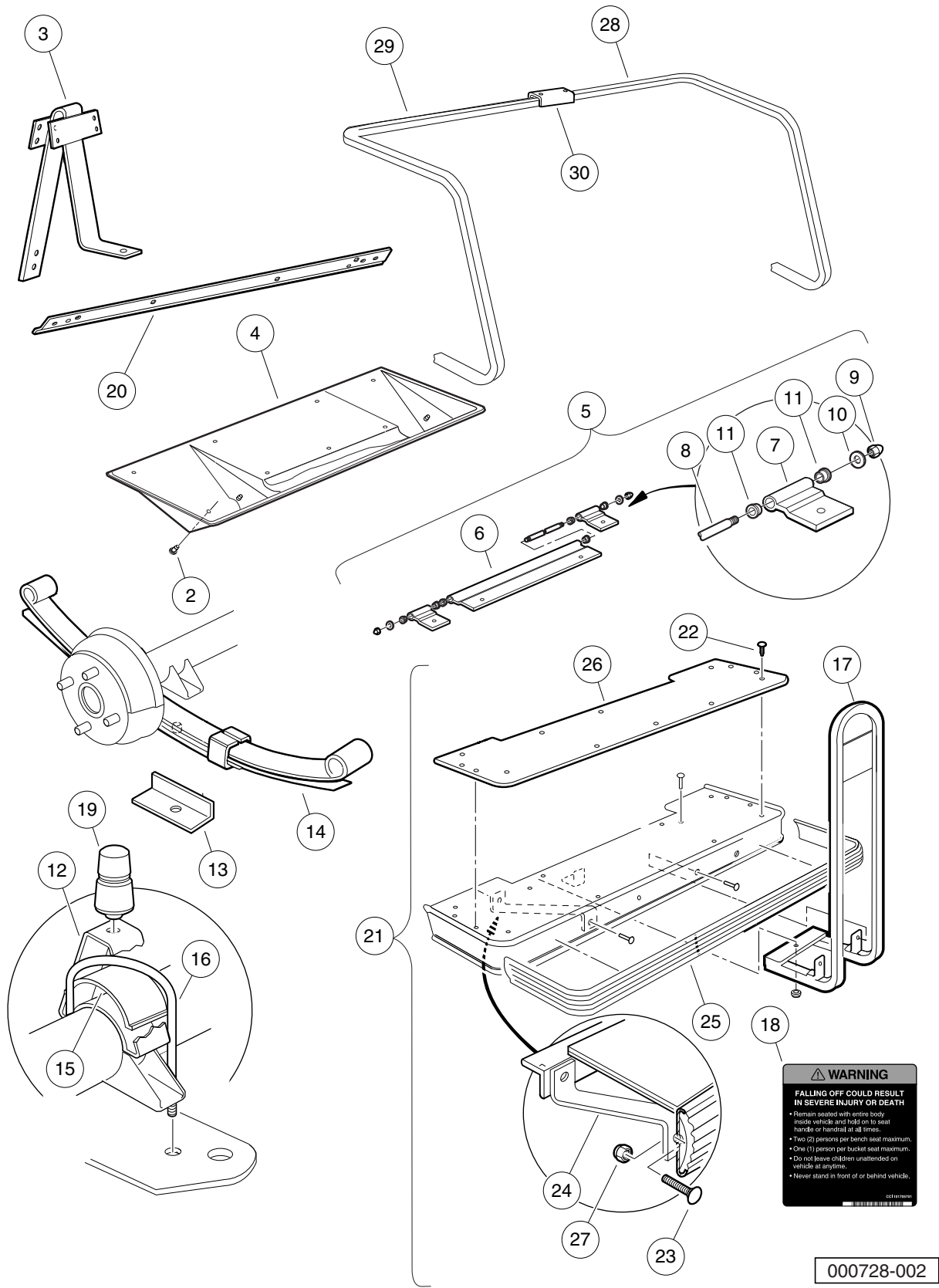
| ITEM | PART NO. | DESCRIPTION | QTY |
|------|------------------|--|-----|
| | | 1 2 3 4 | |
| 1 | 1010543 | Insert - Wood | 4 |
| 2 | <u>1011652</u> | Hinge Plate | 2 |
| 3 | <u>1012597</u> | Seat Bumper | 1 |
| 4 | <u>1015625</u> | Bracket - Seat Support | 2 |
| 5 | <u>101951101</u> | Armrest Kit (includes items 6 and 7) | 1 |
| 6 | 101985502 | Armrest, Passenger (right) | 1 |
| 7 | <u>101987602</u> | Armrest, Driver (left) | 1 |
| 8 | <u>101954301</u> | Screw, 1/4-20 X 0.75 Hex-Head Cap | 4 |

2

E

2

E



000728-002

4 PASSENGER CONVERSION KIT

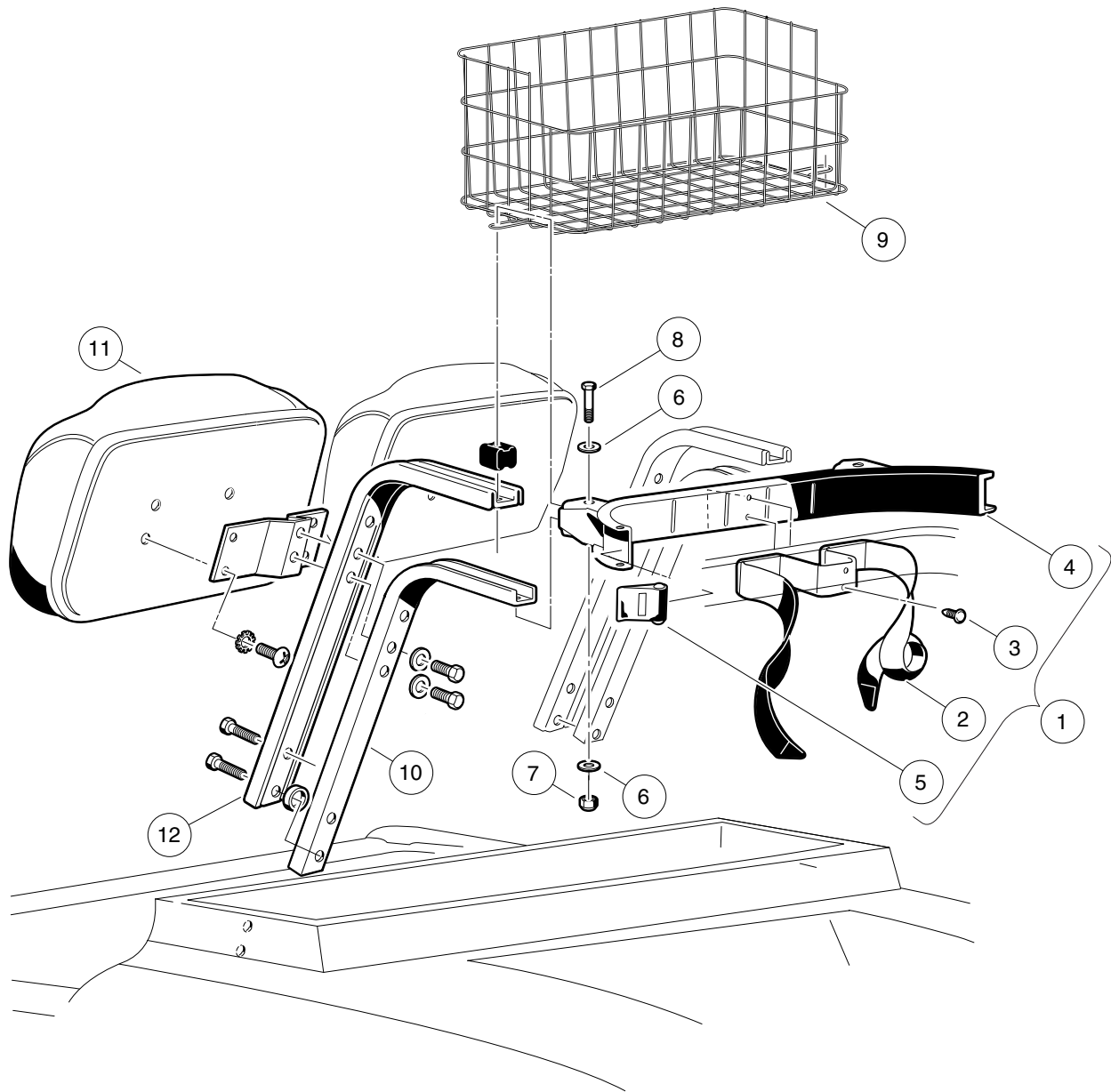
| ITEM | PART NO. | DESCRIPTION | QTY |
|---|------------------|--|-----|
| | | 1 2 3 4 | |
| 1 | N/A | 4-pass Kit-indio (includes items 2 through 30) | 1 |
| 2 | <u>1010436</u> | Bumper, Rubber | 1 |
| 3 | <u>1011182</u> | Seat Back Assy19804-pass' | 2 |
| 4 | <u>1011210</u> | Seat Support 4-Passenger | 1 |
| 5 | 1011219 | Hinge Assembly 4 Passenger (includes items 6 through 11) | 1 |
| 6 | <u>1011220</u> | Hinge Long 4 Passenger | 1 |
| 7 | <u>1011221</u> | Hinge Short 4 Passenger | 2 |
| 8 | <u>1011222</u> | Pin, Hinge, Long, 4-Pass | 1 |
| 9 | <u>1015091</u> | Nut, 1/4-20 Stainless-Steel Center-Lock Cap | 2 |
| 10 | <u>332</u> | Washer, 1/4 Type A Narrow Flat | 2 |
| 11 | 8028 | Rotor Stop, FNR | 6 |
| 12 | <u>101454902</u> | Bumper Mount, Angled | 2 |
| 13 | 1014573 | Spring Retainer | 2 |
| 14 | <u>1014675</u> | Rear Leaf Spring | 2 |
| 15 | <u>1014901</u> | Spacer, Overload Bumper | 2 |
| 16 | <u>1014902</u> | U-Bolt | 2 |
| 17 | <u>1016842</u> | Rear Seat Handrail Weldment | 1 |
| 18 | <u>101705701</u> | Decal, Warning | 1 |
| 19 | <u>1017235</u> | Bumper, Jounce | 2 |
| 20 | <u>1017695</u> | Seat Support Bracket | 2 |
| 21 | <u>101841101</u> | Rear Foot Rest Asm (includes items 22 through 27) | 1 |
| 22 | <u>1010434</u> | Barrel - Plastic | 8 |
| 23 | <u>1010435</u> | Bolt, Carriage, 5/16-18 X 1.00 | 4 |
| 24 | <u>1016668</u> | Connecting Bar | 2 |
| 25 | <u>1016835</u> | Bumper, Side Trim | 1 |
| 26 | <u>101840901</u> | Foot Rest Mat | 1 |
| 27 | <u>7473</u> | Locknut, 5/16-18 Nylon Insert | 2 |
| 28 | <u>101841201</u> | Armrest, Seat, Rear, Right-Hand | 1 |
| 29 | <u>101841202</u> | Armrest, Seat, Rear, Left-Hand | 1 |
| 30 | <u>101841301</u> | Armrest Bracket | 1 |
| Note: Kit for use on L310 LX, C410 LX, S910 LX, and 57Chevymodels.' | | | |

2

E

2

E



000722-001

SEAT BACK – L320 LX, C440 LX, AND C840 LX MODELS

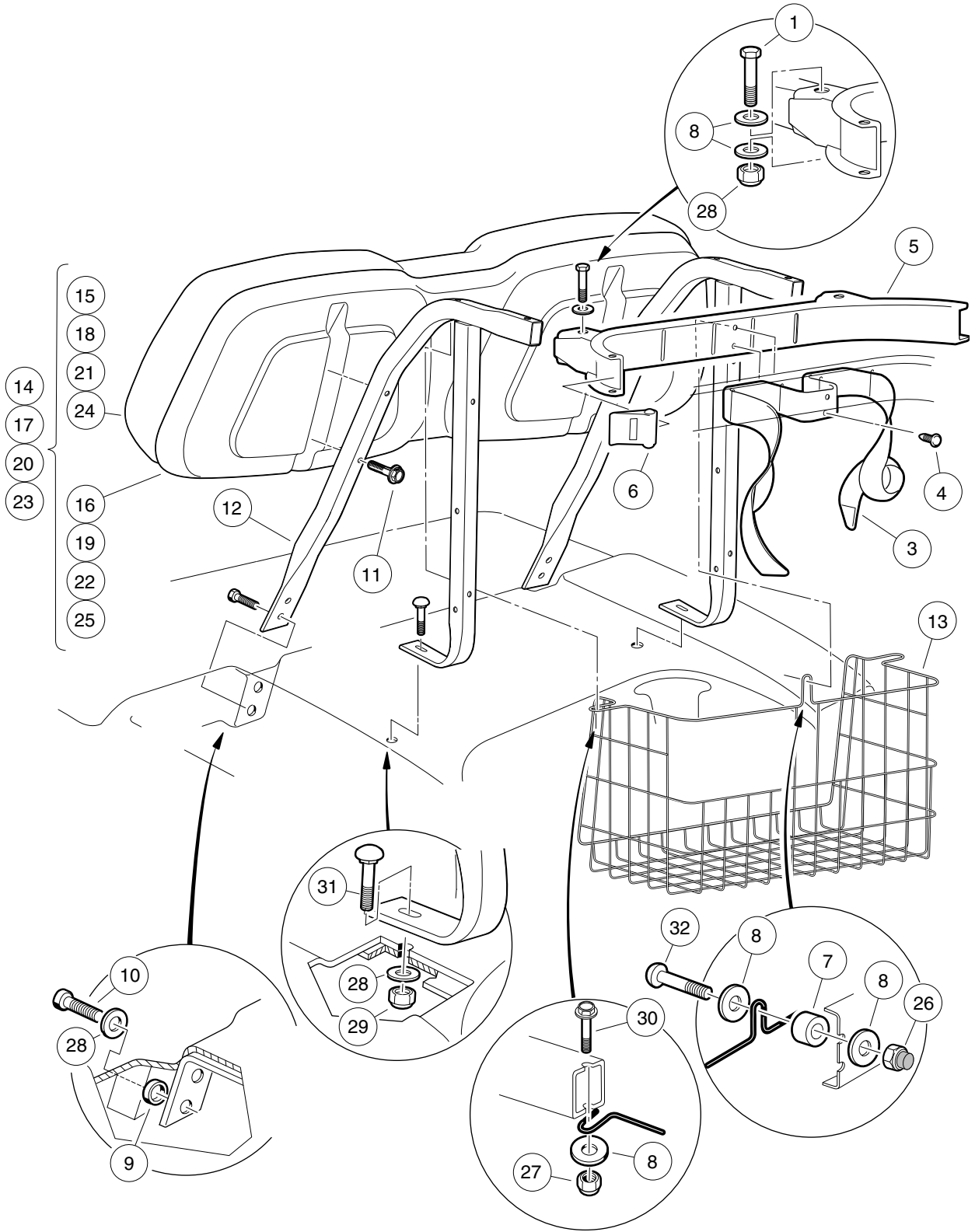
| ITEM | PART NO. | DESCRIPTION | QTY |
|------|----------------|--|-----|
| | | 1 2 3 4 | |
| 1 | 1013935 | Bag Hoop W/buckle & Strap Asm (includes items 2 through 5) | 1 |
| 2 | <u>1010413</u> | Bag Strap Assembly | 1 |
| 3 | <u>1010434</u> | Barrel - Plastic | 2 |
| 4 | N/A | Molded Bag Hoop | 1 |
| 5 | <u>1013754</u> | Buckle, Bag Strap | 2 |
| 6 | 1015075 | Washer, 5/16 Flat Type A | 4 |
| 7 | <u>1028</u> | Nut, 1/4-20 Hex | 2 |
| 8 | <u>7479</u> | Screw, 1/4-20 X 1.25 Hex-Head Cap | 2 |
| 9 | AM102761 | Half Sweater Basket | 1 |
| 10 | AM10729 | Seat Back Support, Blk | 2 |
| 11 | **** | 4 Hole (1900) Fabric | A/R |
| 12 | N/A | Main Seat Back Support Black | 2 |
| | | **** Special order item available upon request. | |

2

E

2

E



000453-001

SEAT BACK – L310 LX, C410 LX, S910 LX, AND 57 CHEVY MODELS

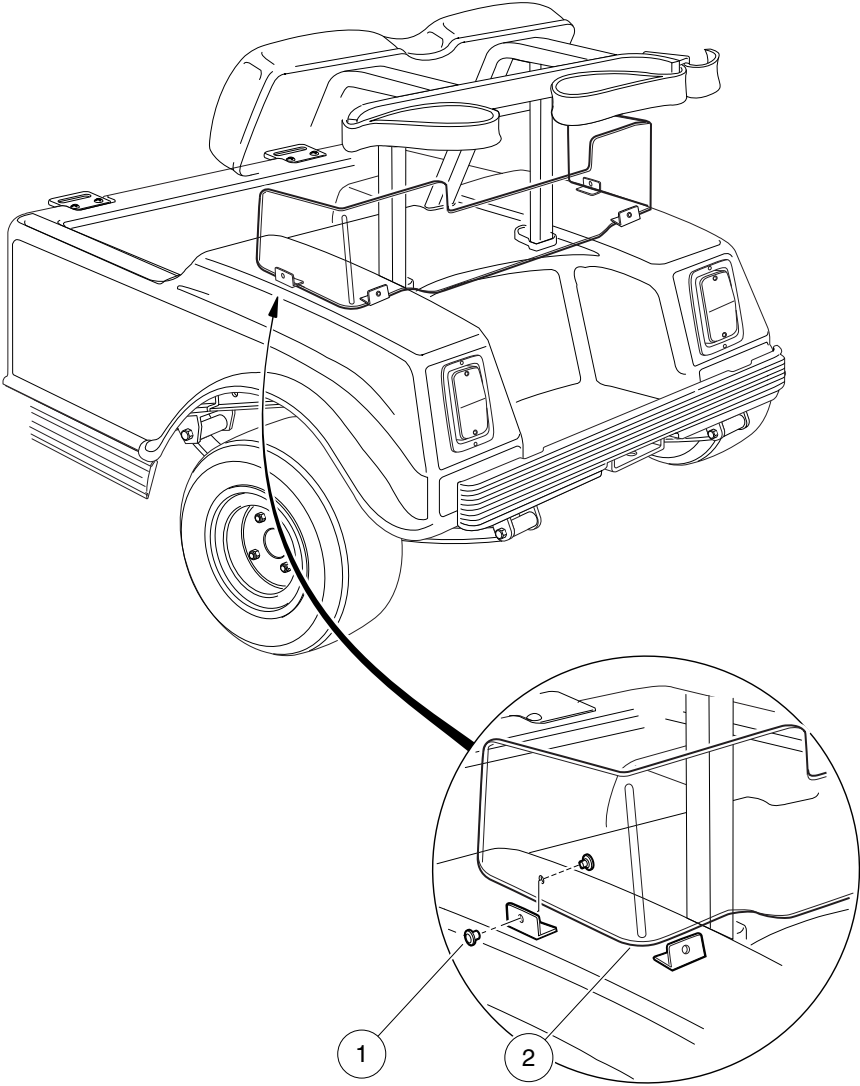
| ITEM | PART NO. | DESCRIPTION | QTY |
|------|------------------|--|-----|
| | | 1 2 3 4 | |
| 1 | <u>1010921</u> | Screw, 5/16-18 X 2.50 Hex Cap | 2 |
| 2 | <u>1013935</u> | Bag Hoop W/buckle & Strap Asm (includes items 3 through 6) | 1 |
| 3 | <u>1010413</u> | Bag Strap Assembly | 1 |
| 4 | <u>1010434</u> | Barrel - Plastic | 2 |
| 5 | N/A | Molded Bag Hoop | 1 |
| 6 | <u>1013754</u> | Buckle, Bag Strap | 2 |
| 7 | <u>1014482</u> | Spacer, Nylon | 1 |
| 8 | <u>1015075</u> | Washer, 5/16 Flat Type A | 8 |
| 9 | <u>1017774</u> | Body Spacer | 4 |
| 10 | <u>101910401</u> | Screw, 5/16-18 X 1.25 Thrd Frm | 4 |
| 11 | <u>102076701</u> | Screw, 1/4-20 X 1.75 Hex Sems | 4 |
| 12 | <u>102236601</u> | Support Weldment | 2 |
| 13 | <u>102236703</u> | Sweater Basket, Black | 1 |
| 14 | <u>102238301</u> | Kit, Seat Back, Buff (includes items 15 and 16) | 1 |
| 15 | <u>102060511</u> | Skin Seat Back, Beige | 1 |
| 16 | <u>102237001</u> | Cap - Seat Back | 1 |
| 17 | <u>102238302</u> | Kit, Seat Back, White (includes items 18 and 19) | 1 |
| 18 | <u>102060512</u> | Skin Seat Back, White | 1 |
| 19 | <u>102237001</u> | Cap - Seat Back | 1 |
| 20 | <u>102238304</u> | Kit, Seat Back, Black (includes items 21 and 22) | 1 |
| 21 | <u>102060514</u> | Skin Seat Back, Black | 1 |
| 22 | <u>102237001</u> | Cap - Seat Back | 1 |
| 23 | <u>102238305</u> | Kit, Seat Back, Gray (includes items 24 and 25) | 1 |
| 24 | <u>102060515</u> | Skin Seat Back, Gray | 1 |
| 25 | <u>102237001</u> | Cap - Seat Back | 1 |
| 26 | <u>102242401</u> | Nut - Nylon Insert W/cap | 1 |
| 27 | <u>1028</u> | Nut, 1/4-20 Hex | 2 |
| 28 | <u>1241</u> | Washer, 5/16 Type A Flat | 6 |
| 29 | <u>7473</u> | Locknut, 5/16-18 Nylon Insert | 4 |
| 30 | <u>7479</u> | Screw, 1/4-20 X 1.25 Hex-Head Cap | 2 |
| 31 | <u>7818</u> | Bolt, Carriage, 5/16-18 X 1.5 | 2 |
| 32 | <u>8418</u> | Screw, 1/4-20 X 1.50 Phillips Truss-Head | 1 |

2

E

2

E



000732-001

REAR ENCLOSURE – L310 LX, C410 LX, AND S910 LX MODELS

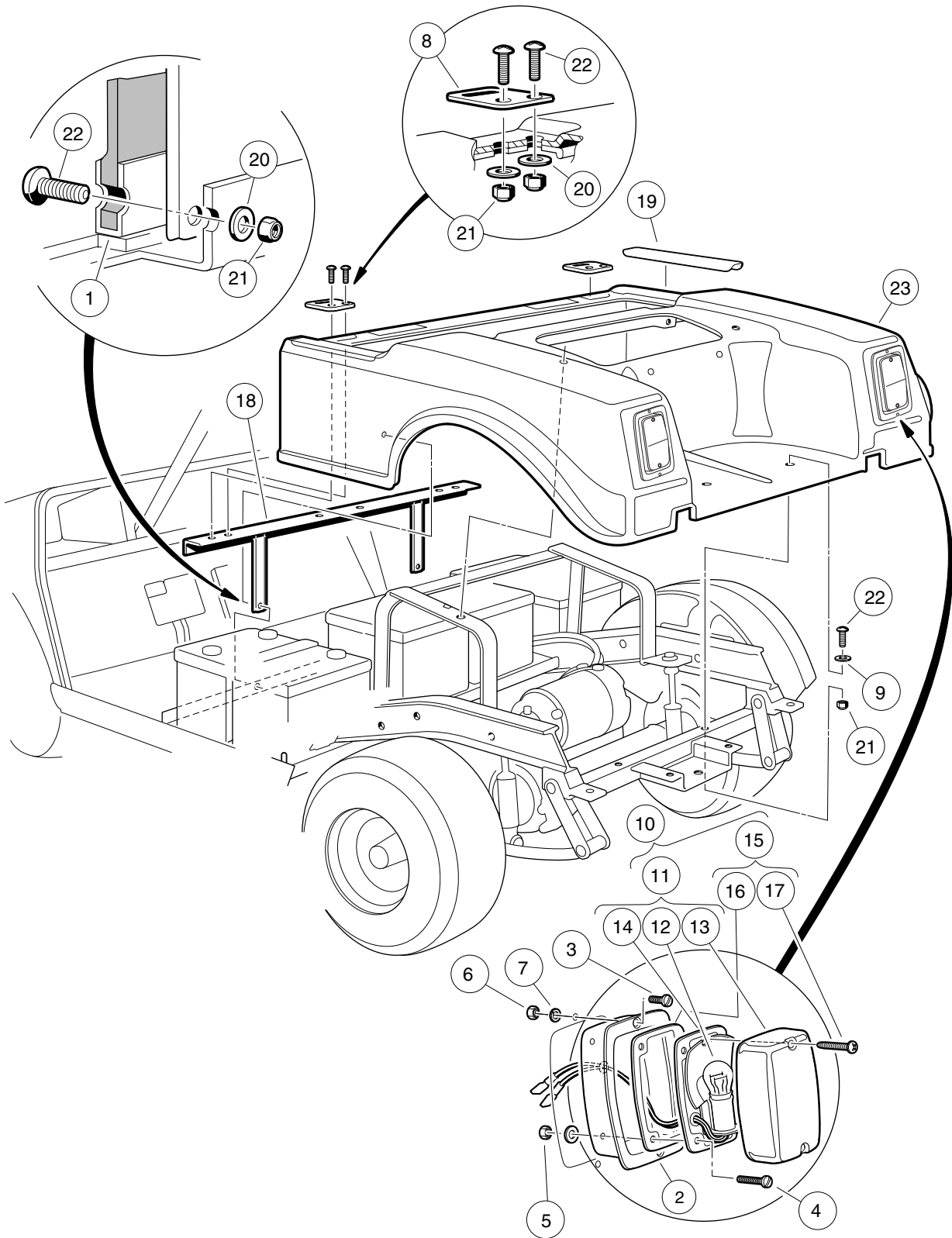
| ITEM | PART NO. | DESCRIPTION | QTY |
|------|----------------|------------------------------|-----|
| | | 1 2 3 4 | |
| 1 | <u>1010434</u> | Barrel - Plastic | 8 |
| 2 | AM50400 | Rear Enclosure Notched | 1 |

2

E

2

E



000733-001

REAR BODY – L310 LX, C410 LX, AND S910 LX MODELS

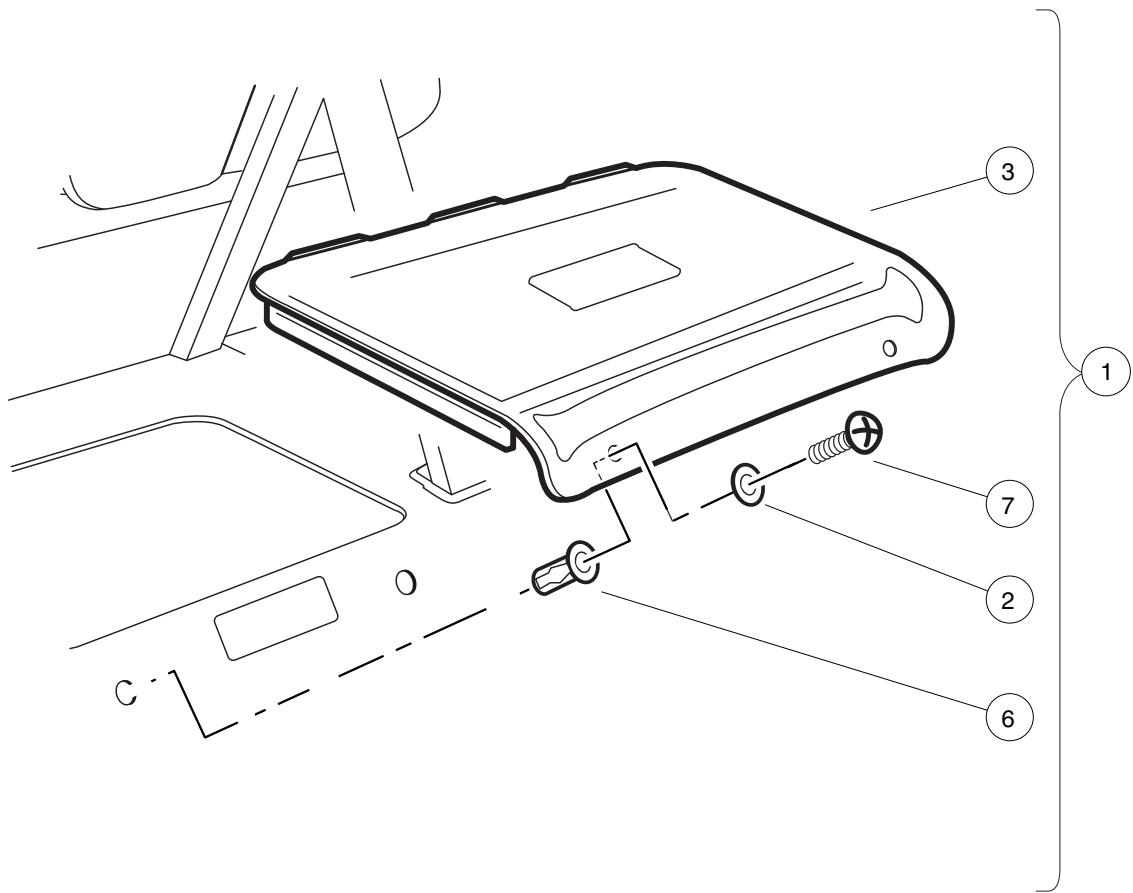
| ITEM | PART NO. | DESCRIPTION | QTY |
|------|------------------|---|-----|
| | | 1 2 3 4 | |
| 1 | <u>1010993</u> | Body Kick Plate | 1 |
| 2 | <u>1011497</u> | Bezel, Taillight | 2 |
| 3 | <u>1011498</u> | Screw, #8-32 X 0.50 Oval-Head | 4 |
| 4 | <u>1011557</u> | Screw, #6-32 X 1.00 Hex-Head Machine | 4 |
| 5 | <u>1011558</u> | Nut, #6-32 Hex | 4 |
| 6 | <u>1011571</u> | Nut, #8-32 Hex | 4 |
| 7 | <u>1011610</u> | Lockwasher, #8 Split Ss | 4 |
| 8 | 1012412 | Body, Hinge Plate | 2 |
| 9 | <u>1014306</u> | Washer, 1/4" Type B Flat | 2 |
| 10 | 1017035 | Taillight Assembly (includes items 11 through 15) | 2 |
| 11 | N/A | Light, Tail (includes items 12 through 14) | 1 |
| 12 | <u>1011582</u> | Taillight Bulb | 1 |
| 13 | <u>1011843</u> | Taillight Lens | 1 |
| 14 | N/A | Base, Taillight | 1 |
| 15 | <u>1017699</u> | Hardware Kit, Tail Light (includes items 16 and 17) | 1 |
| 16 | N/A | Gasket | 1 |
| 17 | N/A | Screw, Tapered | 2 |
| 18 | <u>1017141</u> | Body Support Weldment | 1 |
| 19 | <u>102221201</u> | Wear Pad | 2 |
| 20 | <u>332</u> | Washer, 1/4 Type A Narrow Flat | 6 |
| 21 | <u>8233</u> | Locknut, 1/4-20 Nylon Insert | 8 |
| 22 | <u>8251</u> | Screw, 1/4-20 X 1.0 Truss-Head Machine | 8 |
| 23 | <u>AM11817</u> | Unpainted Rear Ele Body W/tail | 1 |

2

E

2

E



000783-001

REAR ACCESS DOOR

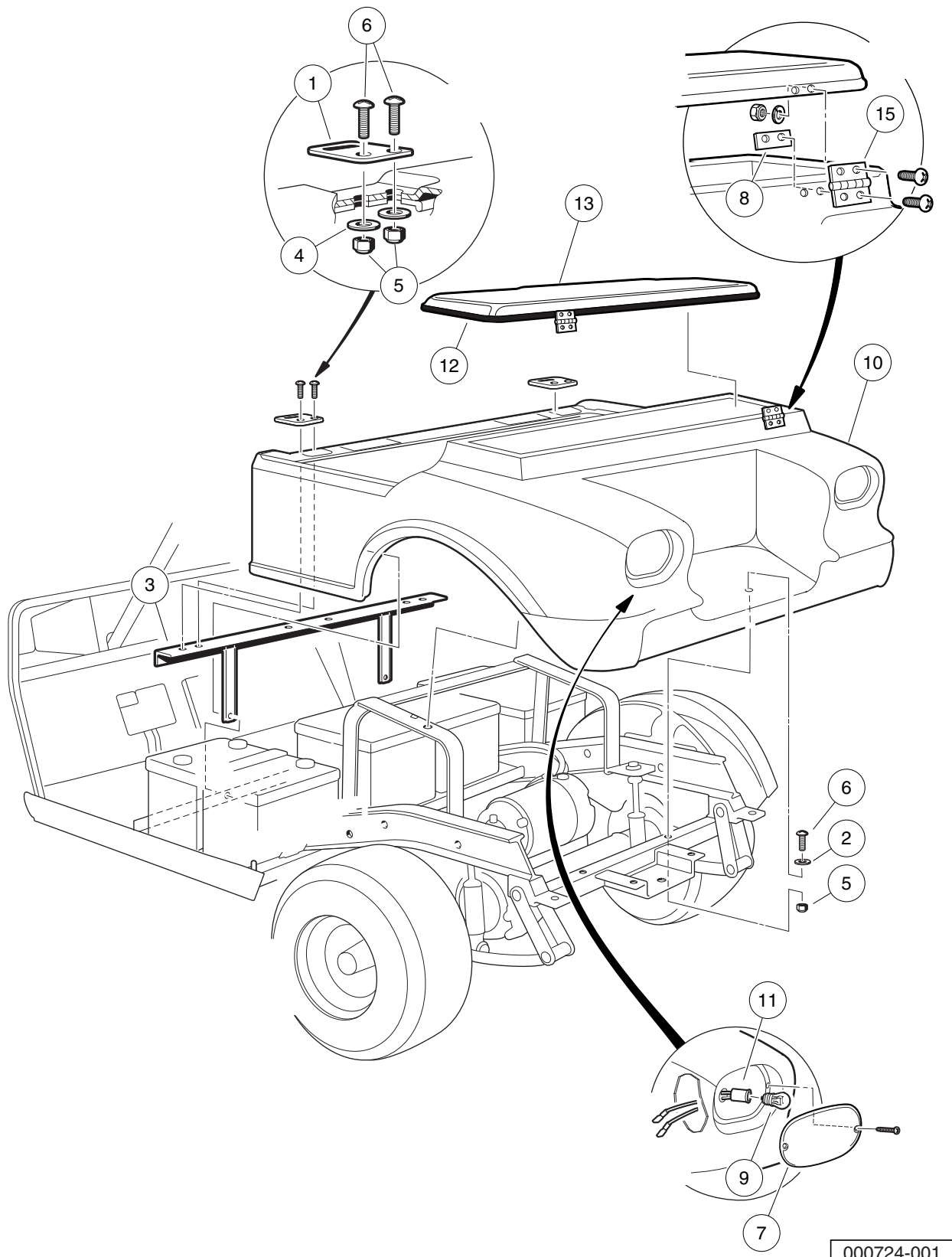
| ITEM | PART NO. | DESCRIPTION | QTY |
|------|----------------|---|-----|
| | | 1 2 3 4 | |
| 1 | <u>1013218</u> | Kit, Access Door Black (includes items 2 through 7) | 1 |
| 2 | <u>1012581</u> | Washer, 0.609-inch OD, Nylon Cup | 2 |
| 3 | <u>1013032</u> | Molded Access Door Black | 1 |
| 4 | <u>1013216</u> | Plug, Button | 2 |
| 5 | N/A | Instruction Sheet Access Door | 1 |
| 6 | <u>1015525</u> | Nut, 1/4-20 Blind | 2 |
| 7 | <u>8251</u> | Screw, 1/4-20 X 1.0 Truss-Head Machine | 2 |

2

E

2

E



000724-001

REAR BODY AND FENDER – L320LX

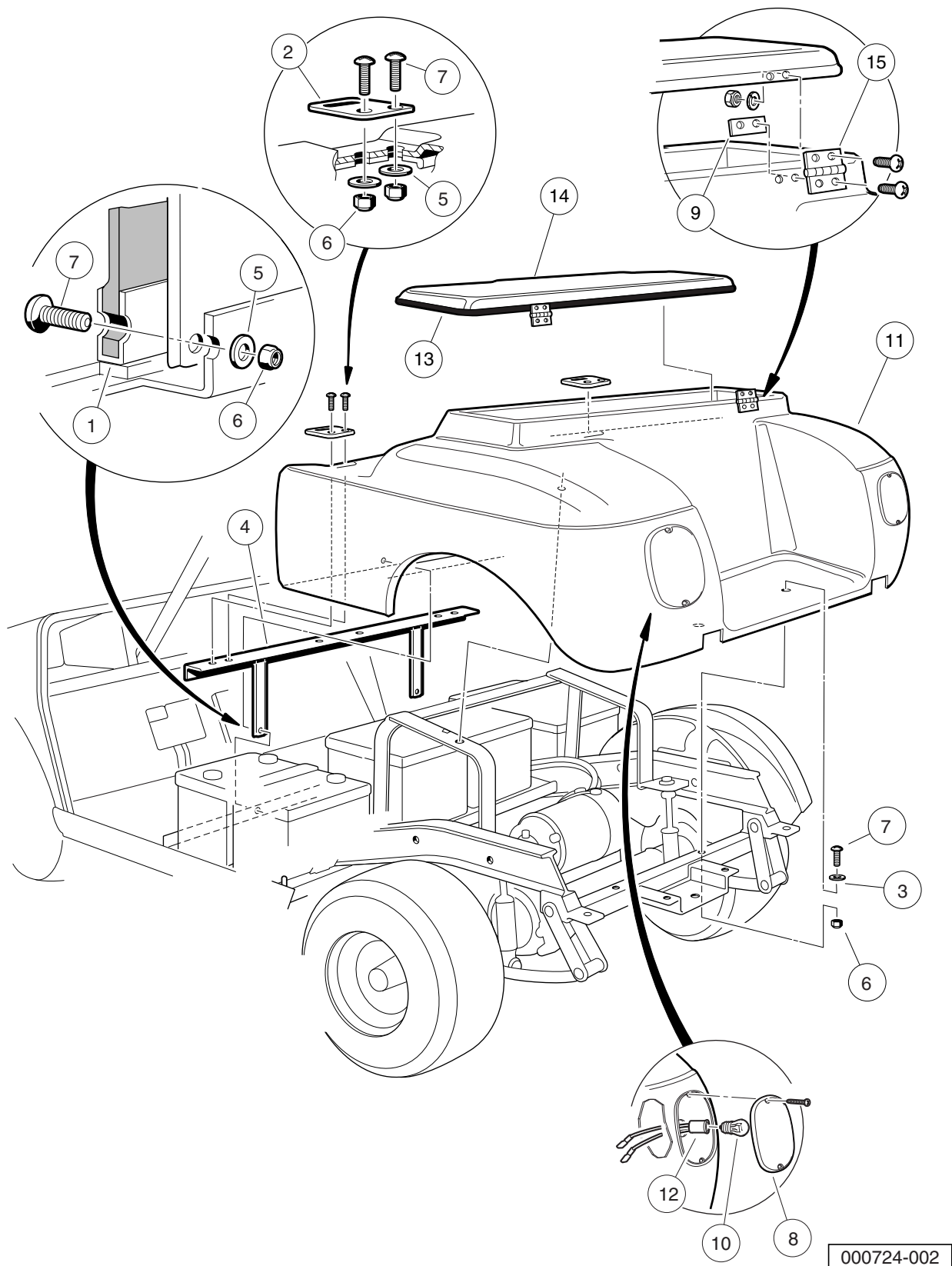
| ITEM | PART NO. | DESCRIPTION | QTY |
|--|----------------|--|-----|
| | | 1 2 3 4 | |
| 1 | 1012412 | Body, Hinge Plate | 2 |
| 2 | <u>1014306</u> | Washer, 1/4" Type B Flat | 1 |
| 3 | <u>1017141</u> | Body Support Weldment | 1 |
| 4 | <u>332</u> | Washer, 1/4 Type A Narrow Flat | 4 |
| 5 | <u>8233</u> | Locknut, 1/4-20 Nylon Insert | 5 |
| 6 | <u>8251</u> | Screw, 1/4-20 X 1.0 Truss-Head Machine | 5 |
| 7 | <u>AM50007</u> | Tail Light Lens | 2 |
| 8 | N/A | Ice Chest Hinge Plate | 2 |
| 9 | AM50092 | Bulb | 2 |
| 10 | AM50124P | Rear Body | 1 |
| 11 | AM50197 | Socket Single | 2 |
| 12 | AM50343 | Black Trim Molding | A/R |
| 13 | AM50429 | Ice Chest Lid | 1 |
| 14 | AM50445 | Rear Bumper Extension | 1 |
| 15 | AM51700 | Hinges | 2 |
| Note: Item 14 not shown. Item 12 requires 8 feet of molding. | | | |

2

E

2

E



000724-002

REAR BODY – C440LX AND C840 LX MODELS

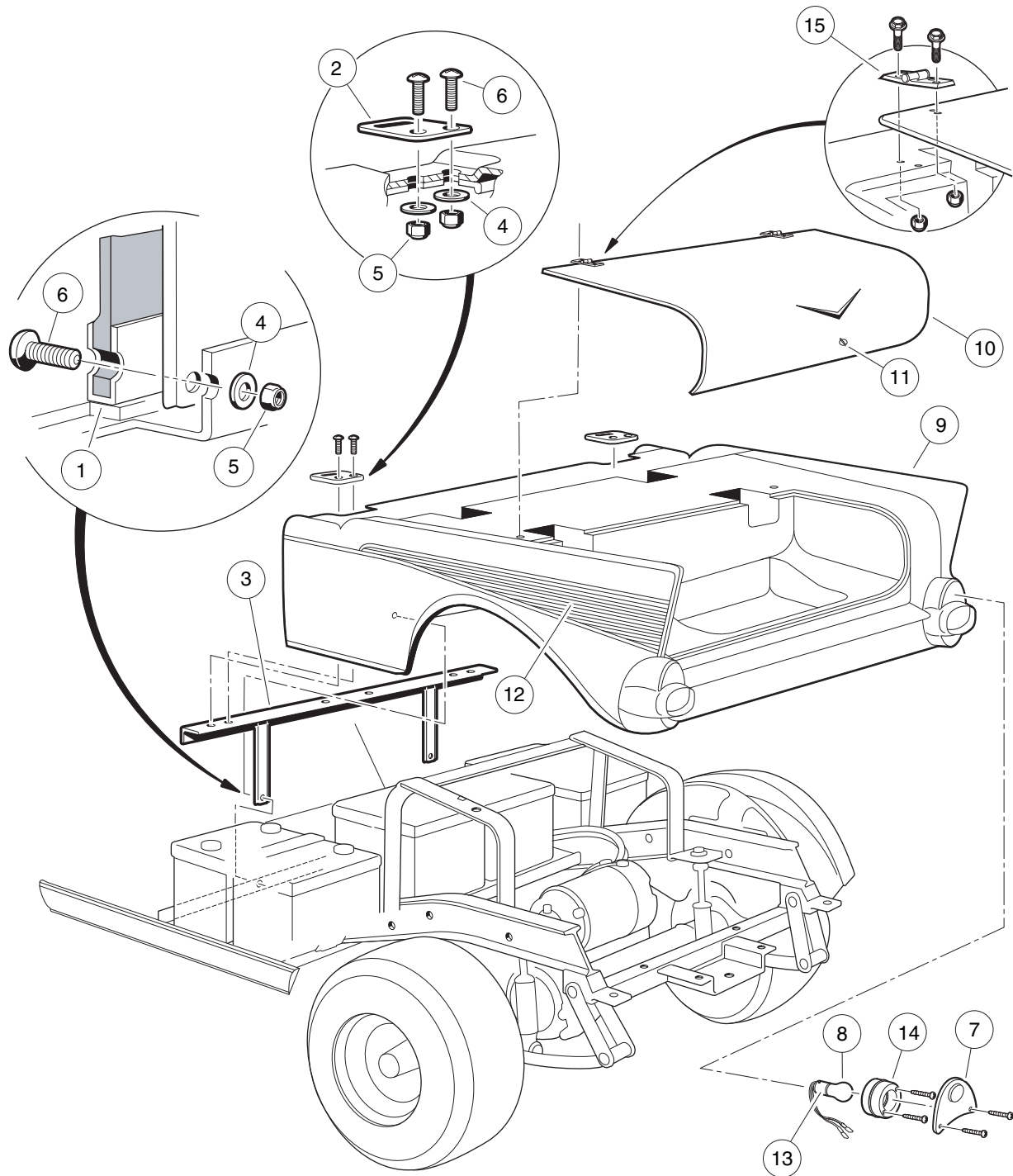
| ITEM | PART NO. | DESCRIPTION | QTY |
|------|----------------|--|-----|
| | | 1 2 3 4 | |
| 1 | <u>1010993</u> | Body Kick Plate | 1 |
| 2 | <u>1012412</u> | Body, Hinge Plate | 2 |
| 3 | <u>1014306</u> | Washer, 1/4" Type B Flat | 2 |
| 4 | <u>1017141</u> | Body Support Weldment | 1 |
| 5 | <u>332</u> | Washer, 1/4 Type A Narrow Flat | 6 |
| 6 | <u>8233</u> | Locknut, 1/4-20 Nylon Insert | 8 |
| 7 | <u>8251</u> | Screw, 1/4-20 X 1.0 Truss-Head Machine | 8 |
| 8 | <u>AM50007</u> | Tail Light Lens | 2 |
| 9 | N/A | Ice Chest Hinge Plate | 2 |
| 10 | AM50092 | Bulb | 2 |
| 11 | N/A | Rear Body #4 | 1 |
| 12 | AM50197 | Socket Single | 2 |
| 13 | AM50343 | Black Trim Molding | A/R |
| 14 | AM50429 | Ice Chest Lid | 1 |
| 15 | AM51700 | Hinges | 2 |

2

E

2

E



000734-001

REAR BODY – 57 CHEVY 2 PASSENGER

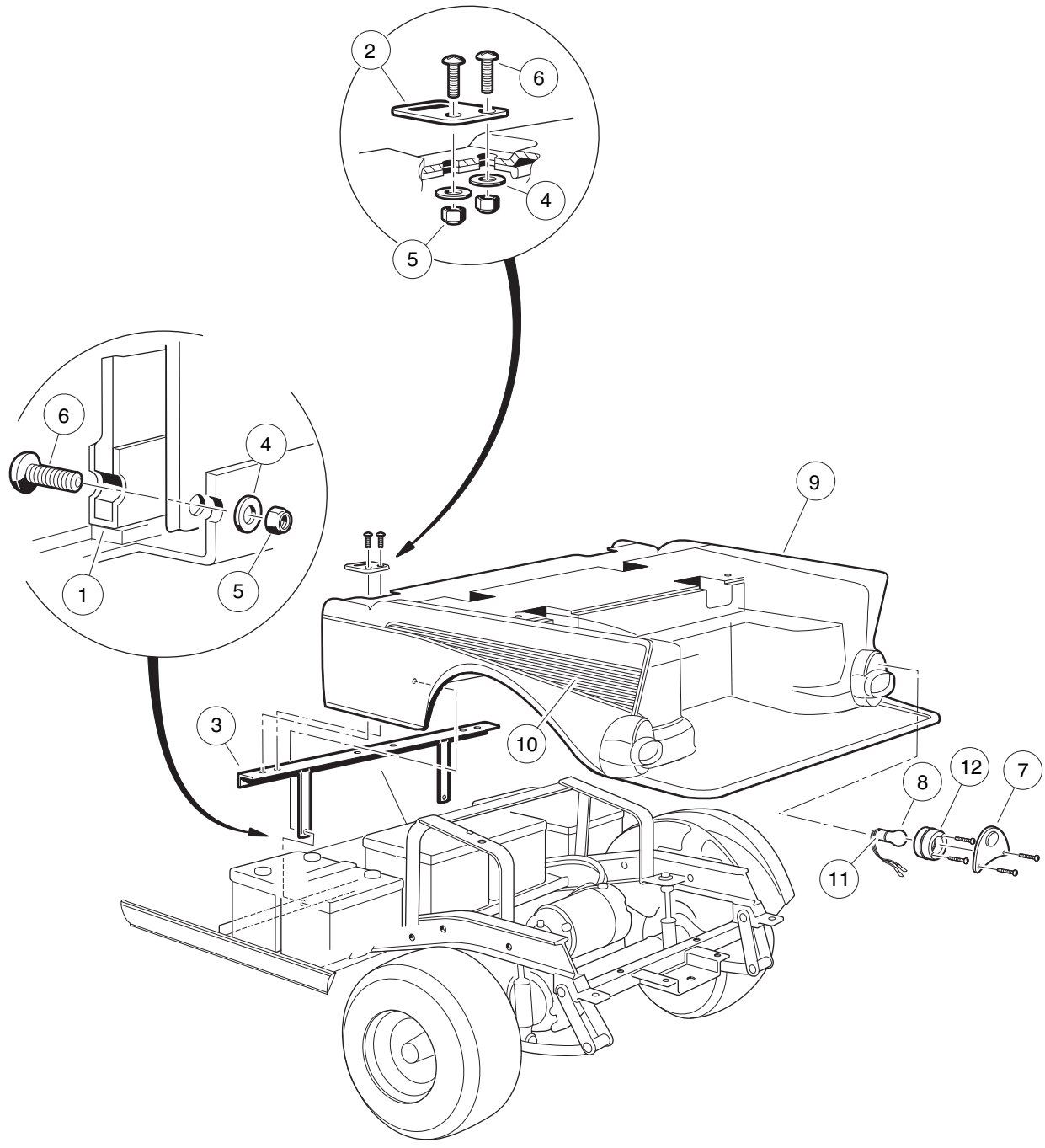
| ITEM | PART NO. | DESCRIPTION | QTY |
|------|----------------|--|-----|
| | | 1 2 3 4 | |
| 1 | <u>1010993</u> | Body Kick Plate | 1 |
| 2 | 1012412 | Body, Hinge Plate | 2 |
| 3 | <u>1017141</u> | Body Support Weldment | 1 |
| 4 | <u>332</u> | Washer, 1/4 Type A Narrow Flat | 6 |
| 5 | <u>8233</u> | Locknut, 1/4-20 Nylon Insert | 6 |
| 6 | <u>8251</u> | Screw, 1/4-20 X 1.0 Truss-Head Machine | 6 |
| 7 | <u>AM50038</u> | Lens Taillight 57 Chevy | 2 |
| 8 | AM50092 | Bulb | 2 |
| 9 | AM50109G | 57 Chevy Rear Body | 1 |
| 10 | AM50111G | Trunk Lid | 1 |
| 11 | N/A | Camlock With Key | 1 |
| 12 | AM50193 | Wing Decal Set | 1 |
| 13 | AM50197 | Socket Single | 2 |
| 14 | AM50202 | Taillight Holder-57 Chevy. | 2 |
| 15 | AM50286 | Hinge, Pullout Set Of 2 | 1 |

2

E

2

E



000734-002

REAR BODY – 57 CHEVY 4 PASSENGER

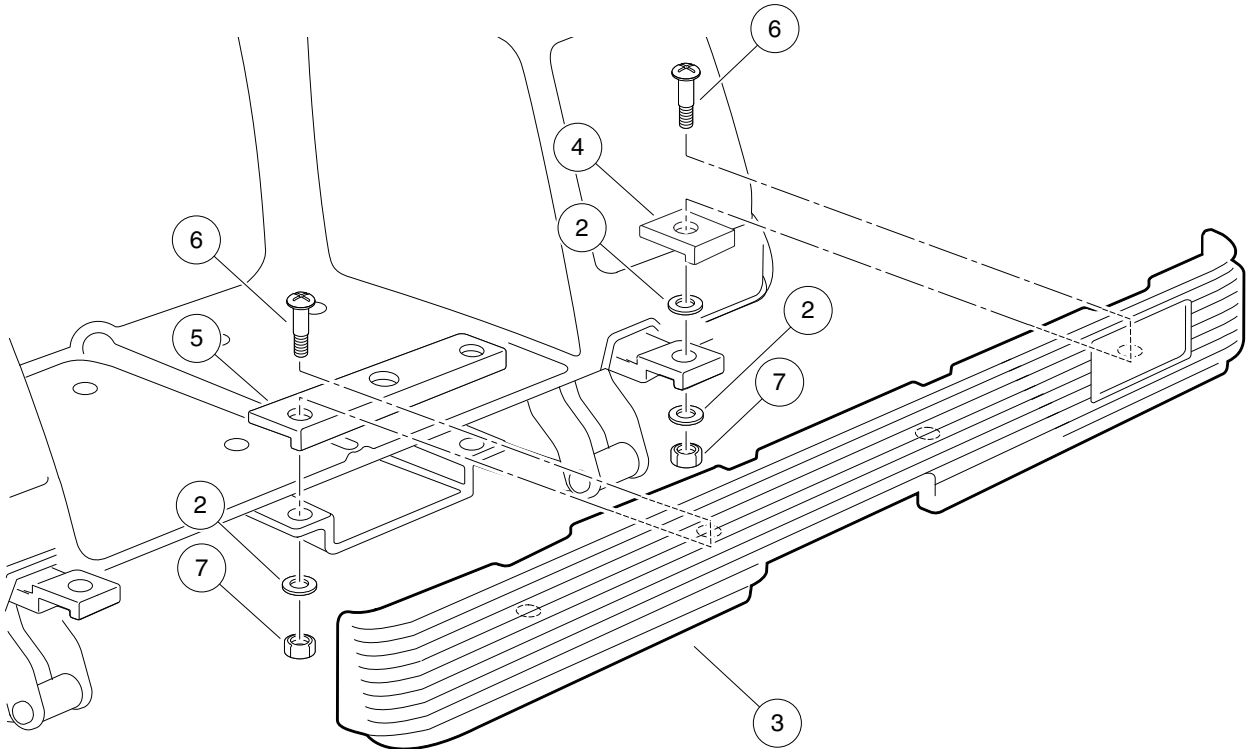
| ITEM | PART NO. | DESCRIPTION | QTY |
|------|----------------|--|-----|
| | | 1 2 3 4 | |
| 1 | <u>1010993</u> | Body Kick Plate | 1 |
| 2 | 1012412 | Body, Hinge Plate | 2 |
| 3 | <u>1017141</u> | Body Support Weldment | 1 |
| 4 | <u>332</u> | Washer, 1/4 Type A Narrow Flat | 6 |
| 5 | <u>8233</u> | Locknut, 1/4-20 Nylon Insert | 6 |
| 6 | <u>8251</u> | Screw, 1/4-20 X 1.0 Truss-Head Machine | 6 |
| 7 | <u>AM50038</u> | Lens Taillight 57 Chevy | 2 |
| 8 | AM50092 | Bulb | 2 |
| 9 | N/A | Rear Body | 1 |
| 10 | AM50193 | Wing Decal Set | 1 |
| 11 | AM50197 | Socket Single | 2 |
| 12 | AM50202 | Taillight Holder-57 Chevy. | 2 |

2

E

2

E



000666-001

REAR BUMPER

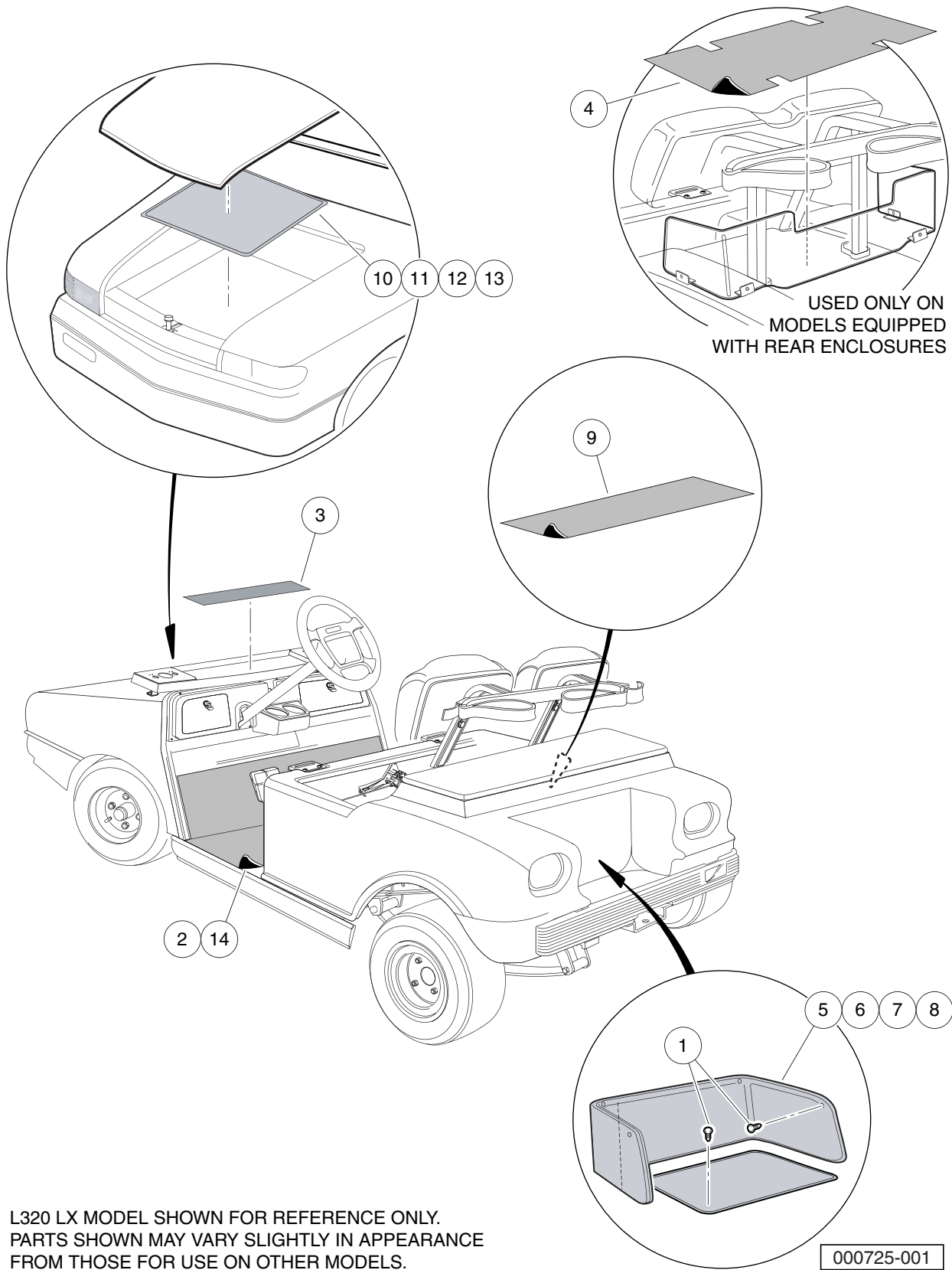
| ITEM | PART NO. | DESCRIPTION | QTY |
|--|----------------|---|-----|
| | | 1 2 3 4 | |
| 1 | <u>1017079</u> | Kit, Rear Bumper (includes items 2 through 7) | 1 |
| 2 | <u>1011697</u> | Washer, 5/16 Flat | 6 |
| 3 | <u>1016379</u> | Bumper, Rear | 1 |
| 4 | <u>1016874</u> | Plate, Bumper Mounting, Short | 2 |
| 5 | <u>1016875</u> | Plate, Bumper Mounting, Long | 1 |
| 6 | <u>1016876</u> | Bolt, 3/8 Shoulder | 4 |
| 7 | <u>7473</u> | Locknut, 5/16-18 Nylon Insert | 4 |
| <p style="margin-left: 40px;">Note: Item 4 not used in all applications.</p> | | | |

2

E

2

E



L320 LX MODEL SHOWN FOR REFERENCE ONLY.
 PARTS SHOWN MAY VARY SLIGHTLY IN APPEARANCE
 FROM THOSE FOR USE ON OTHER MODELS.

000725-001

CARPET

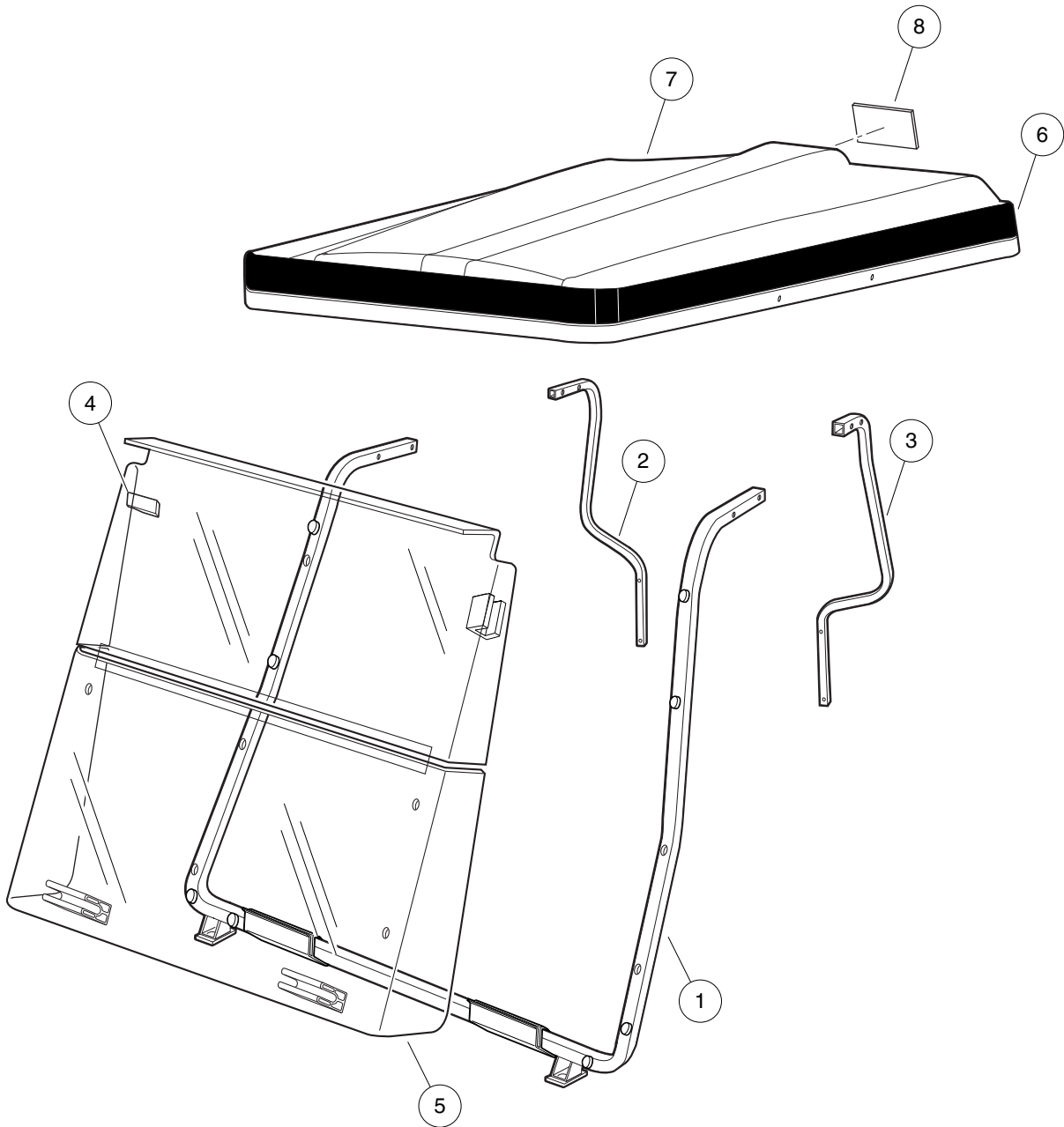
| ITEM | PART NO. | DESCRIPTION | QTY |
|------|----------------|--|-----|
| | | 1 2 3 4 | |
| 1 | <u>1010434</u> | Barrel - Plastic | 8 |
| 2 | N/A | Floor Carpet | 1 |
| 3 | N/A | Tray Carpet | 1 |
| 4 | N/A | Rear Enclosure Carpet 2000 | 1 |
| 5 | N/A | Bagwell Carpet (310 & 910 Models) | 1 |
| 6 | N/A | Bagwell Carpet (320 Model) | 1 |
| 7 | N/A | Bagwell Carpet (440 & 840 Models) | 1 |
| 8 | N/A | Bagwell Carpet (2 Pass 57 Chevy) | 1 |
| 9 | N/A | Ice Chest Carpet | 1 |
| 10 | N/A | Under Hood Carpet (310 & 320 Models) | 1 |
| 11 | N/A | Under Hood Carpet (410 Model) | 1 |
| 12 | N/A | Under Hood Carpet (840 Model) | 1 |
| 13 | N/A | Under Hood Carpet (57 Chevy Models) | 1 |
| 14 | N/A | Carpet with Horn Grommet | 1 |

2

E

2

E



000727-002

CANOPY – L310 LX, C410 LX, S910 LX, AND 2 PASSENGER 57 CHEVY MODELS

| ITEM | PART NO. | DESCRIPTION | QTY |
|------|------------------|---|-----|
| | | 1 2 3 4 | |
| 1 | <u>102063901</u> | Weldment - Windshield Frame | 1 |
| 2 | <u>102064601</u> | Support, Rear Canopy, Right-Hand | 1 |
| 3 | <u>102065501</u> | Support, Rear Canopy Left-Hand | 1 |
| 4 | 102198301 | Pad, Windshield Frame | 2 |
| 5 | AM10343 | Hinged Windshield w/ Wings, 2000-present ICS Canopy | 1 |
| 6 | N/A | Headliner, Choose Color | 1 |
| 7 | AM50405 | Custom Top Plastic | 1 |
| 8 | AM50599 | Red Reflector | 1 |

2

E

2

E



000727-001

CANOPY – MODELS L320 LX, C440 LX, AND C840 LX

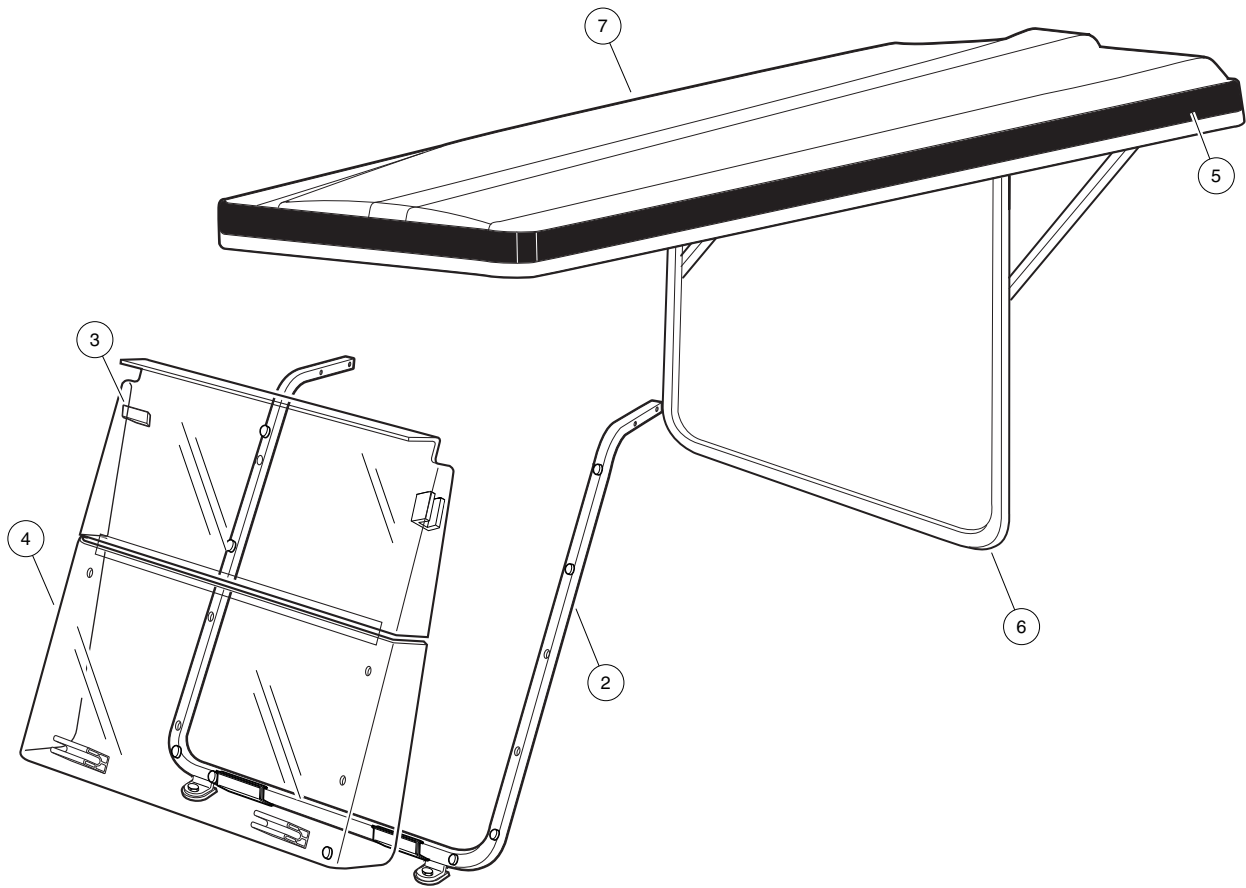
| ITEM | PART NO. | DESCRIPTION | QTY |
|------|----------------|--|-----|
| | | 1 2 3 4 | |
| 1 | 1011852 | Plate, Canopy Trim | 4 |
| 2 | <u>1011883</u> | Pad, Windshield Frame Mounting | 2 |
| 3 | <u>AM10738</u> | Frt W/shieldframe W/knee-blk | 1 |
| 4 | AM50343 | Black Trim Molding | A/R |
| 5 | AM50393 | Windshield | 1 |
| 6 | AM50405 | Custom Top Plastic | 1 |
| 7 | AM50434P | Support Top Left Powdercoated | 1 |
| 8 | AM50440P | Support Top Right Powdercoated | 1 |
| 9 | AM50599 | Red Reflector | 1 |
| | | Note: 20 feet of trim molding required for item 7. | |

2

E

2

E



000727-003

CANOPY – 4-PASSENGER MODELS

| ITEM | PART NO. | DESCRIPTION | QTY |
|------|------------------|---|-----|
| | | 1 2 3 4 | |
| 1 | <u>1011883</u> | Pad, Windshield Frame Mounting | 2 |
| 2 | <u>102063901</u> | Weldment - Windshield Frame | 1 |
| 3 | 102198301 | Pad, Windshield Frame | 2 |
| 4 | AM10343 | Hinged Windshield w/ Wings, 2000-present ICS Canopy | 1 |
| 5 | N/A | Headliner, Choose Color | A/R |
| 6 | N/A | Rear Support For Long Top | 1 |
| 7 | N/A | Long Top White | 1 |

2

E

2

E

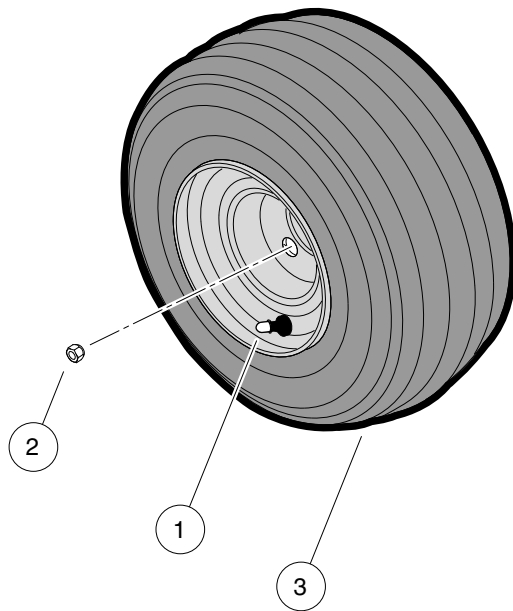
WHEELS AND TIRES

3

E

3

E



000726-001

WHEELS AND TIRES

| ITEM | PART NO. | DESCRIPTION | QTY |
|------|----------------|--------------------------------------|-----|
| | | 1 2 3 4 | |
| 1 | <u>AM50151</u> | Chrome Cap | 4 |
| 2 | AM50152 | Chrome Lug Nuts | 16 |
| 3 | AM51200 | Kenda Tire on 10" Aluminum Rim | 4 |

3

E

3

E

DECALS

4

E

OPERATING INSTRUCTIONS

- Read owner's manual and safety warnings located on dash panel prior to driving.
- Study and understand controls.

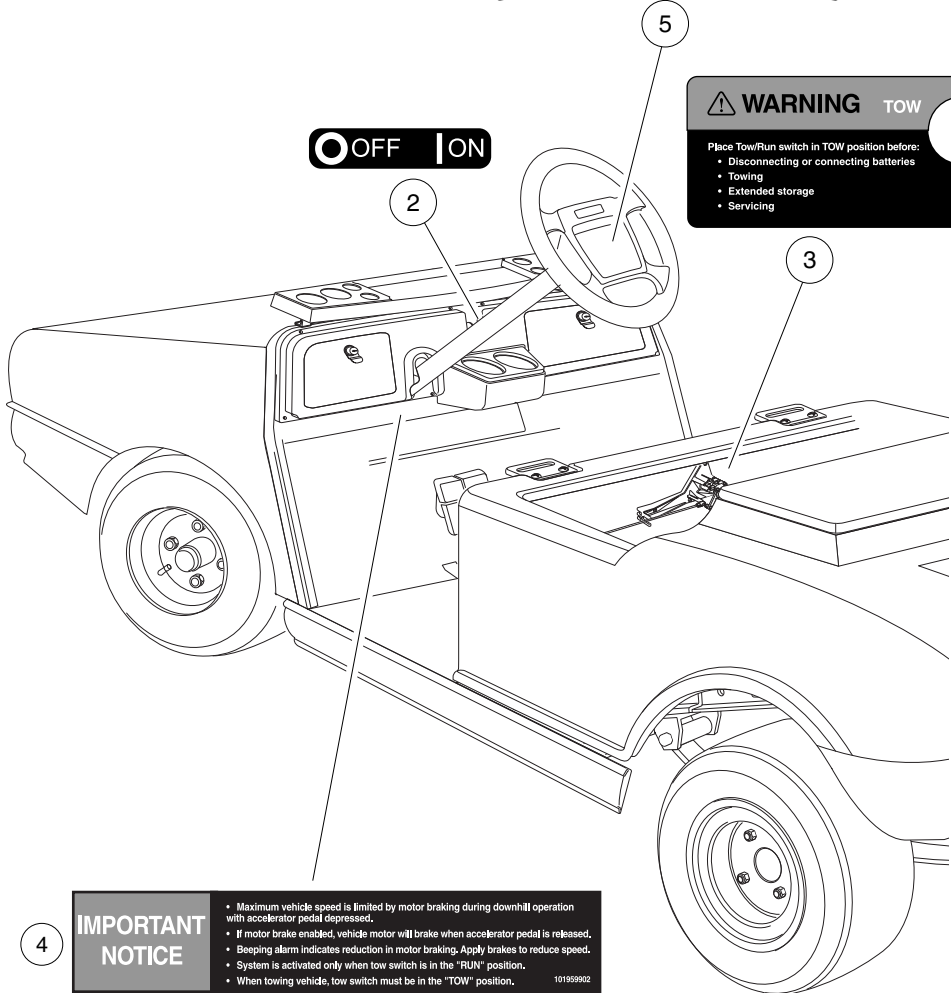
TO OPERATE

- Turn wheels to desired direction and ensure path is clear.
- Turn key to ON position.
- While stopped, place shift lever in desired position:
F=Forward N=Neutral R=Reverse (Buzzer will sound)
- Park brake will release and vehicle will start moving when accelerator pedal is pressed.
- Slowly press accelerator pedal to increase speed.
- To stop, release accelerator pedal and press brake pedal.

BEFORE LEAVING

- Press park brake pedal until it locks and holds vehicle.
- Place Forward/Reverse switch in NEUTRAL position.
- Turn key OFF and remove key when not in use.

CCI 102519201



WARNING TOW RUN

Place Tow/Run switch in TOW position before:

- Disconnecting or connecting batteries
- Towing
- Extended storage
- Servicing

FAILURE TO HEED THIS WARNING COULD RESULT IN A BATTERY EXPLOSION OR SEVERE PERSONAL INJURY.

CCI 1011908601

4 **IMPORTANT NOTICE**

- Maximum vehicle speed is limited by motor braking during downhill operation with accelerator pedal depressed.
- If motor brake enabled, vehicle motor will brake when accelerator pedal is released.
- Beeping alarm indicates reduction in motor braking. Apply brakes to reduce speed.
- System is activated only when tow switch is in the "RUN" position.
- When towing vehicle, tow switch must be in the "TOW" position.

101959902

1 **WARNING**

ROLLOVER OR FALLING OFF MAY CAUSE SERIOUS INJURY OR DEATH.

- Before using vehicle, read operating instructions.
- Remain seated and hold on to seat handle while moving.
- Do not start vehicle until all occupants are seated.
- Two (2) persons per seat maximum.
- Operate from driver side only and not on public roads.
- Keep entire body inside vehicle while moving.
- Drive slowly in turns and straight up and down slopes.
- Do not leave children unattended on vehicle.
- Never operate under the influence of alcohol or drugs.
- Use brakes to reduce speed when coasting downhill.
- Never stand in front of or behind vehicle.

CCI 1014883

000459-002

DECALS

| ITEM | PART NO. | DESCRIPTION | QTY |
|------|------------------|--------------------------------------|-----|
| | | 1 2 3 4 | |
| 1 | <u>1014883</u> | Decal, Dash Warning | 1 |
| 2 | <u>101825101</u> | Decal, Off/On | 1 |
| 3 | <u>101908601</u> | Decal, Tow/Run Switch Warning | 1 |
| 4 | <u>101959902</u> | Decal, IQ System Motor Braking | 1 |
| 5 | <u>102519201</u> | Decal, Operating Instr, Gas | 1 |

4

E

4

E

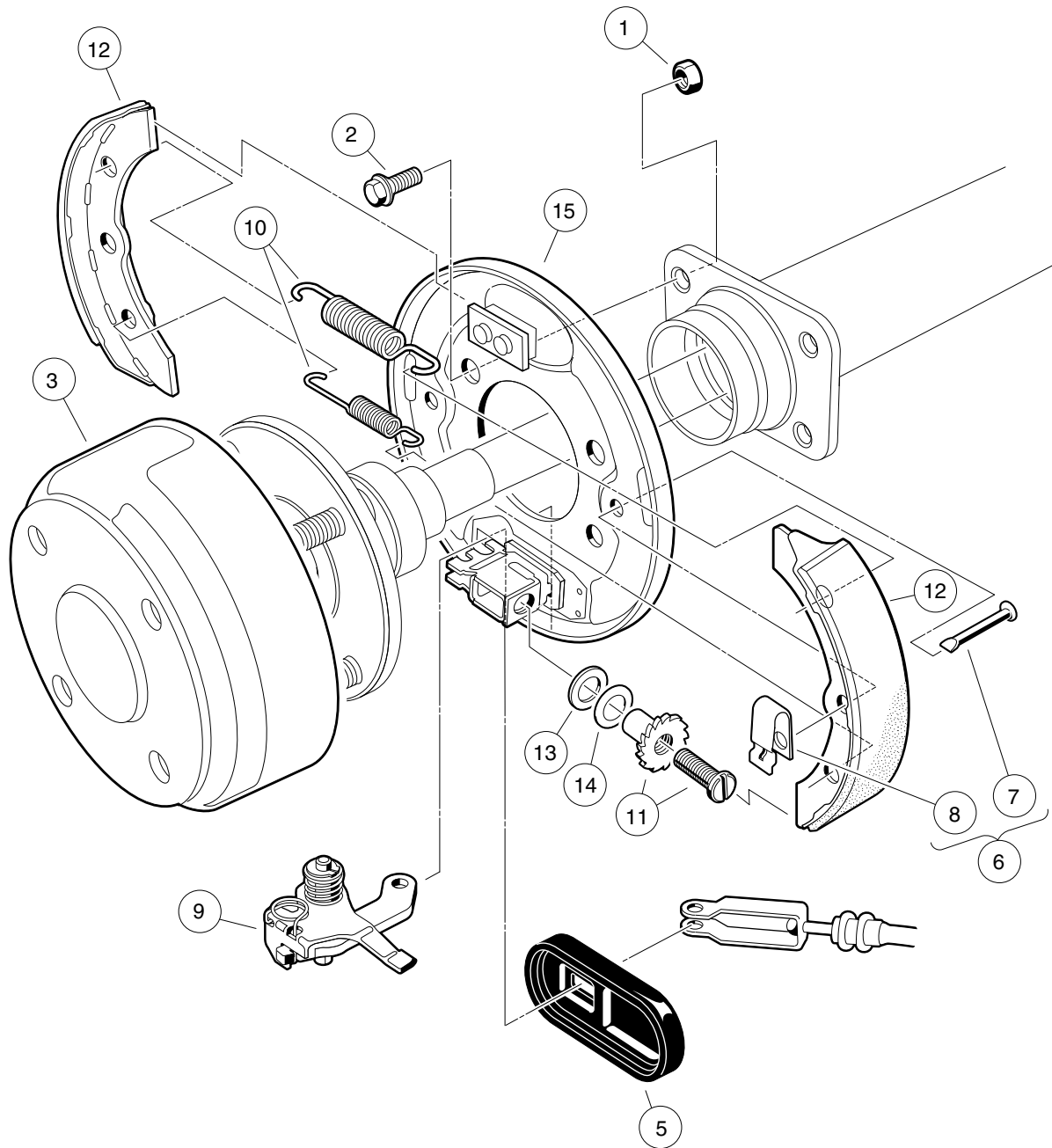
BRAKES, PEDAL, AND CABLE ASSEMBLIES

5

E

5

E



000186-001

REAR BRAKE ASSEMBLY, SELF-ADJUSTING

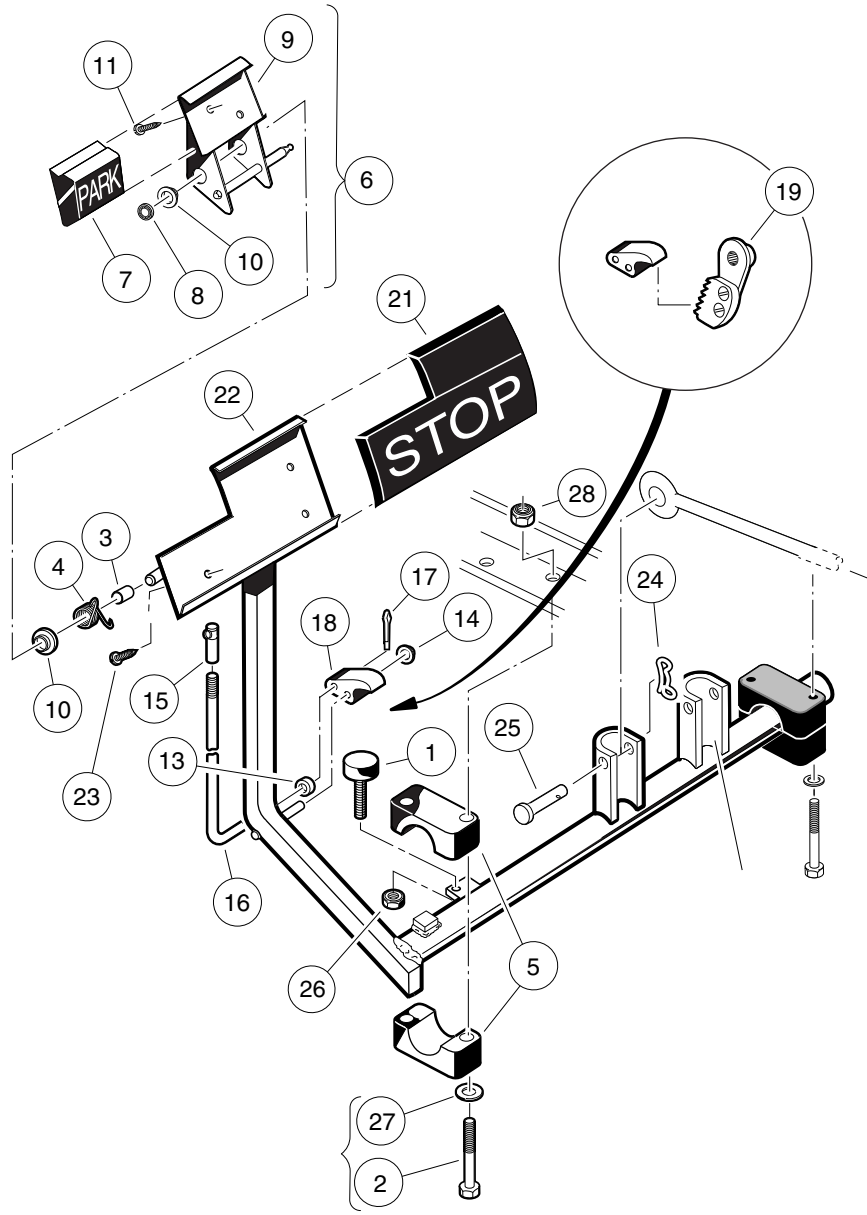
| ITEM | PART NO. | DESCRIPTION | QTY |
|------|------------------|---|-----|
| | | 1 2 3 4 | |
| 1 | <u>1013924</u> | Nut, 5/16-24 Hex Head Cone | 8 |
| 2 | <u>1014153</u> | Bolt, Brake Cluster Mounting | 8 |
| 3 | <u>101791101</u> | Drum without Center Hole, Brake | 2 |
| 4 | <u>101823301</u> | Cluster Assembly, Right (Passenger) Brake (includes items 5 through 15) | 1 |
| 5 | <u>1010850</u> | Dust Cover | 1 |
| 6 | <u>1011466</u> | Kit, Shoe Retainer (includes items 7 and 8) | 1 |
| 7 | N/A | Pin | 2 |
| 8 | N/A | Shoe Clamp Spring | 2 |
| 9 | 101815501 | Lever Assembly, Self-Adjusting Brake, Right (Passenger) | 1 |
| 10 | <u>101816301</u> | Package, Brake Spring, Self-Adjusting | 1 |
| 11 | <u>101816501</u> | Adj Mechanism, S.A. Brakes, Right (Passenger) | 1 |
| 12 | <u>101823201</u> | Package, Brake Shoe, Self-Adjusting | 1 |
| 13 | <u>101823801</u> | Plate, Washer, Brake, Self-Adjusting | 1 |
| 14 | <u>101823901</u> | Washer, Brake, Self-Adjusting | 1 |
| 15 | <u>101824001</u> | Plate Assembly, Right Brake Backing | 1 |
| 16 | <u>101823302</u> | Cluster Assembly, Left Brake (includes items 17 through 27) | 1 |
| 17 | <u>1010850</u> | Dust Cover | 1 |
| 18 | <u>1011466</u> | Kit, Shoe Retainer (includes items 19 and 20) | 1 |
| 19 | N/A | Pin | 2 |
| 20 | N/A | Shoe Clamp Spring | 2 |
| 21 | 101815502 | Lever Assembly, Self-Adjusting Brake, Left | 1 |
| 22 | <u>101816301</u> | Package, Brake Spring, Self-Adjusting | 1 |
| 23 | <u>101816502</u> | Adjusting Mechanism, Self-Adjusting Brake, Left | 1 |
| 24 | <u>101823201</u> | Package, Brake Shoe, Self-Adjusting | 1 |
| 25 | <u>101823801</u> | Plate, Washer, Brake, Self-Adjusting | 1 |
| 26 | <u>101823901</u> | Washer, Brake, Self-Adjusting | 1 |
| 27 | <u>101824002</u> | Plate Assembly, Left Brake Backing | 1 |
| | | Note: Driver-side brake cluster not shown. Components have a similar appearance to passenger-side brake cluster components. | |

5

E

5

E



000187-001

BRAKE PEDAL ASSEMBLY

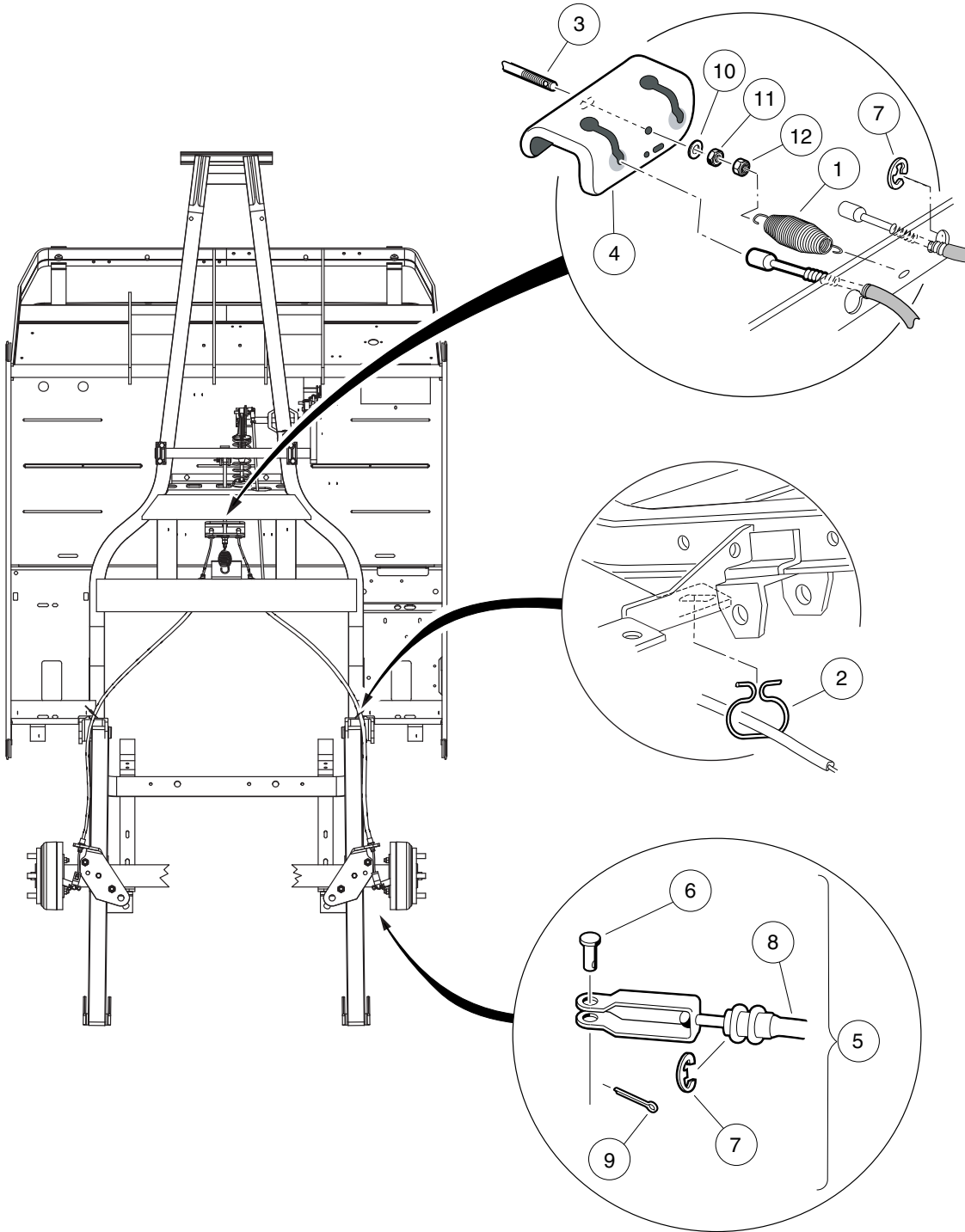
| ITEM | PART NO. | DESCRIPTION | QTY |
|------|------------------|--|-----|
| | | 1 2 3 4 | |
| 1 | <u>1010878</u> | Bumper, Rubber | 1 |
| 2 | <u>1010921</u> | Screw, 5/16-18 X 2.50 Hex Cap | 4 |
| 3 | <u>1010927</u> | Hill Brake Spacer | 1 |
| 4 | <u>1010933</u> | Spring, Hill Brake Torsion | 1 |
| 5 | <u>1011402</u> | Package, Brake Mounting Block | 1 |
| 6 | <u>1011418</u> | Kit, Hill Brake Pedal (includes items 7 through 11) | 1 |
| 7 | <u>1013870</u> | Pad, Hill Brake | 1 |
| 8 | <u>1013876</u> | Pushnut, 3/8 | 1 |
| 9 | N/A | Hill Brake Weld Assembly | 1 |
| 10 | <u>1032</u> | Bushing, Nylon | 2 |
| 11 | 7716 | Screw, #10-16 Type AB, Sheet Metal | 2 |
| 12 | <u>101187702</u> | Kit, Hill Brake Latch (includes items 13 through 19) | 1 |
| 13 | <u>1010805</u> | Sleeve, Hill Brake Rod | 1 |
| 14 | <u>1010877</u> | Pushnut, 3/8 | 1 |
| 15 | 1010932 | Ball Joint, 1/4-28 | 1 |
| 16 | N/A | Rod, Hill Brake | 1 |
| 17 | <u>1017029</u> | Pin, Cotter, 7/64 x 1/2 Stainless-Steel | 1 |
| 18 | N/A | Pawl, Hill Brake | 1 |
| 19 | 101918501 | Ratchet Assembly | 1 |
| 20 | <u>101878201</u> | Brake Pedal Kit (includes items 21 through 23) | 1 |
| 21 | <u>1013869</u> | Pad, Brake Pedal | 1 |
| 22 | N/A | Weldment, Brake Pedal 4wb Std | 1 |
| 23 | 7716 | Screw, #10-16 Type AB, Sheet Metal | 3 |
| 24 | <u>102323101</u> | Pin, Bow Tie Locking | 1 |
| 25 | <u>102323201</u> | Pin, 3/8 X 1-5/16 Clevis | 1 |
| 26 | <u>1028</u> | Nut, 1/4-20 Hex | 1 |
| 27 | <u>1241</u> | Washer, 5/16 Type A Flat | 4 |
| 28 | <u>7473</u> | Locknut, 5/16-18 Nylon Insert | 4 |

5

E

5

E



000245-001

BRAKE CABLE, EQUALIZER, AND EQUALIZER ROD

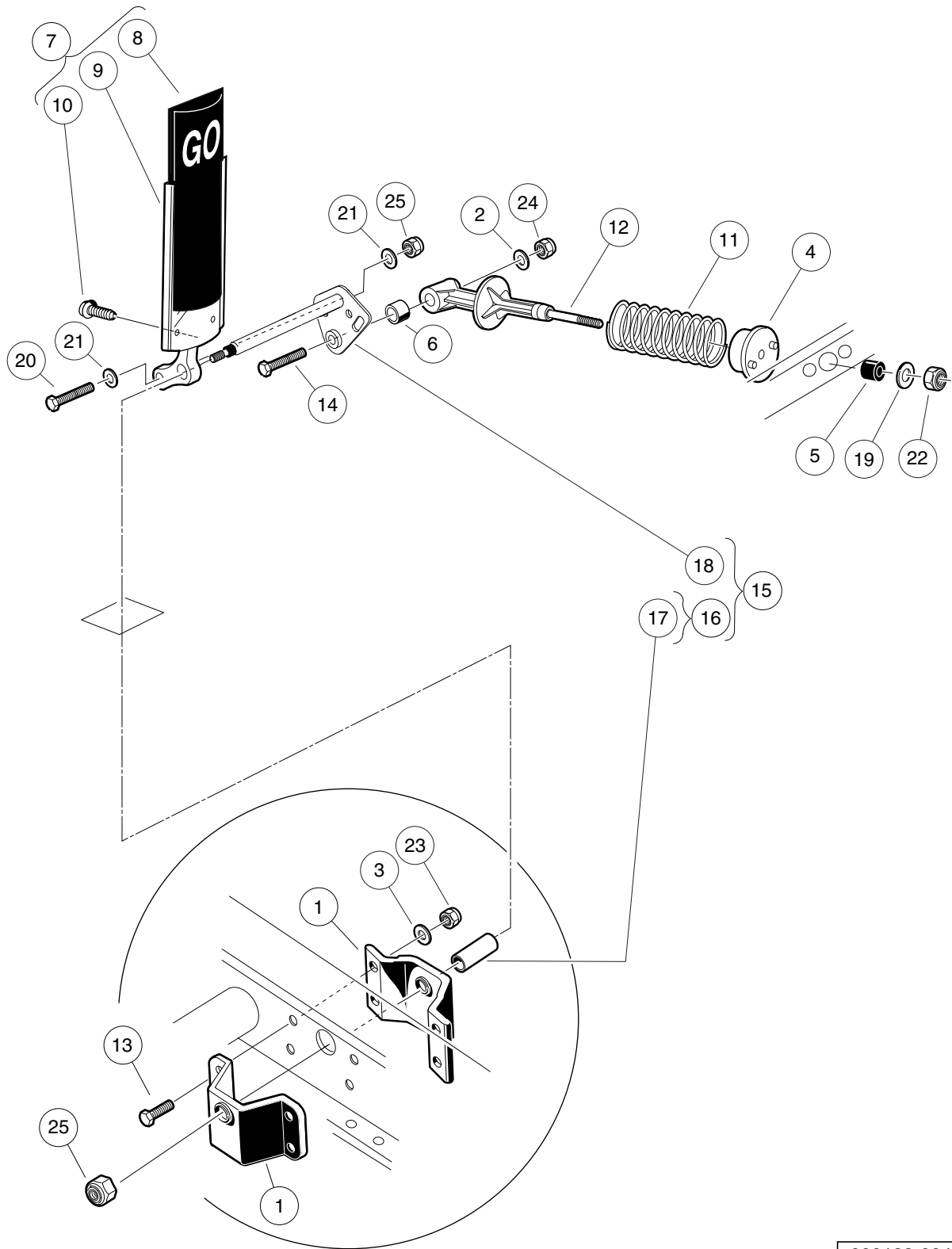
| ITEM | PART NO. | DESCRIPTION | QTY |
|------|------------------|--|-----|
| | | 1 2 3 4 | |
| 1 | <u>1013531</u> | Spring, Brake Return | 1 |
| 2 | 101900801 | Hanger, Brake Cable | 2 |
| 3 | <u>101953101</u> | Rod, Equalizer | 1 |
| 4 | <u>101990801</u> | Equalizer Bracket | 1 |
| 5 | <u>102022101</u> | Brake Cable Kit (includes items 6 through 9) | 2 |
| 6 | <u>1010829</u> | Pin, Clevis, 5/16 X 3/4 | 1 |
| 7 | <u>1011779</u> | E-Clip, 1/2 | 2 |
| 8 | N/A | Cable, Brake | 1 |
| 9 | <u>1035</u> | Cotter Pin, 3/32 x 1 | 1 |
| 10 | <u>1241</u> | Washer, 5/16 Type A Flat | 5 |
| 11 | <u>1242</u> | Nut, 5/16-18 Hex | 1 |
| 12 | <u>7473</u> | Locknut, 5/16-18 Nylon Insert | 5 |

5

E

5

E



000188-004

ACCELERATOR PEDAL ASSEMBLY – ELECTRIC VEHICLES WITH MCOR

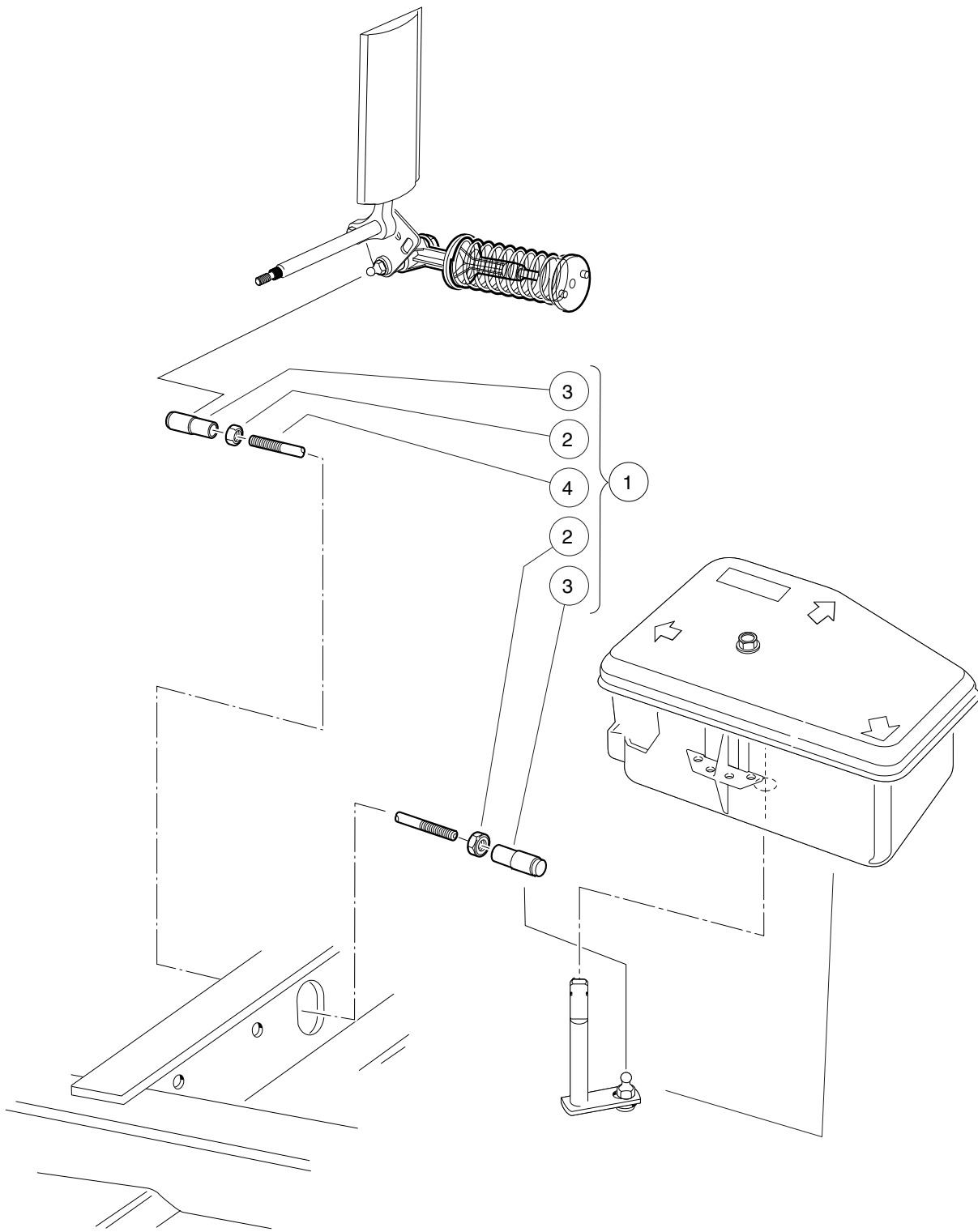
| ITEM | PART NO. | DESCRIPTION | QTY |
|------|------------------|--|-----|
| | | 1 2 3 4 | |
| 1 | <u>1011694</u> | Accelerator Bracket and Bearing Assembly | 2 |
| 2 | <u>1011931</u> | Washer, 1/4 Flat | 1 |
| 3 | <u>1014007</u> | Washer, 1/4 Flat | 4 |
| 4 | <u>1017378</u> | Cup, Spring | 1 |
| 5 | <u>1017380</u> | Bumper, Spring Return | 1 |
| 6 | <u>1017424</u> | Bearing, Pivot Support | 1 |
| 7 | <u>1017696</u> | Sub Asm, Accelerator Pedal (includes items 8 through 10) | 1 |
| 8 | 1013871 | Pad, Accelerator Pedal | 1 |
| 9 | N/A | Accelerator Pedal Weldment | 1 |
| 10 | 7716 | Screw, #10-16 Type AB, Sheet Metal | 4 |
| 11 | 101796201 | Spring, Accelerator Return | 1 |
| 12 | <u>101817401</u> | Retainer, Spring | 1 |
| 13 | <u>101861901</u> | Screw, 1/4-20 X 1.125 Hex Cap | 4 |
| 14 | <u>101862001</u> | Screw, 1/4-20 X 1.500 Flange | 1 |
| 15 | <u>102026001</u> | Kit, Accelerator Pivot Rod Assembly (includes items 16 through 18) | 1 |
| 16 | <u>1011700</u> | Spacer Assembly (includes item 17) | 1 |
| 17 | N/A | Spacer, Accelerator | 1 |
| 18 | N/A | Pivot Rod Weldment | 1 |
| 19 | <u>1241</u> | Washer, 5/16 Type A Flat | 1 |
| 20 | <u>1624</u> | Screw, 3/8-16 X 1.50 Hex-Head Cap | 1 |
| 21 | <u>334</u> | Washer, 3/8 Type A Flat | 2 |
| 22 | <u>7473</u> | Locknut, 5/16-18 Nylon Insert | 1 |
| 23 | <u>8233</u> | Locknut, 1/4-20 Nylon Insert | 4 |
| 24 | <u>8717</u> | Locknut, 1/4-28 Nylon Insert | 1 |
| 25 | <u>8754</u> | Locknut, 3/8-16 Hex | 2 |

5

E

5

E



000362-001

ACCELERATOR ROD

| ITEM | PART NO. | DESCRIPTION | QTY |
|------|----------------|---|-----|
| | | 1 2 3 4 | |
| 1 | 101912401 | Rod, Accelerator (includes items 2 through 4) | 1 |
| 2 | <u>1011084</u> | Nut, 1/4-28 Hex Jam | 2 |
| 3 | <u>1011734</u> | Joint, Ball | 2 |
| 4 | N/A | Accelerator Rod | 1 |

5

E

5

E

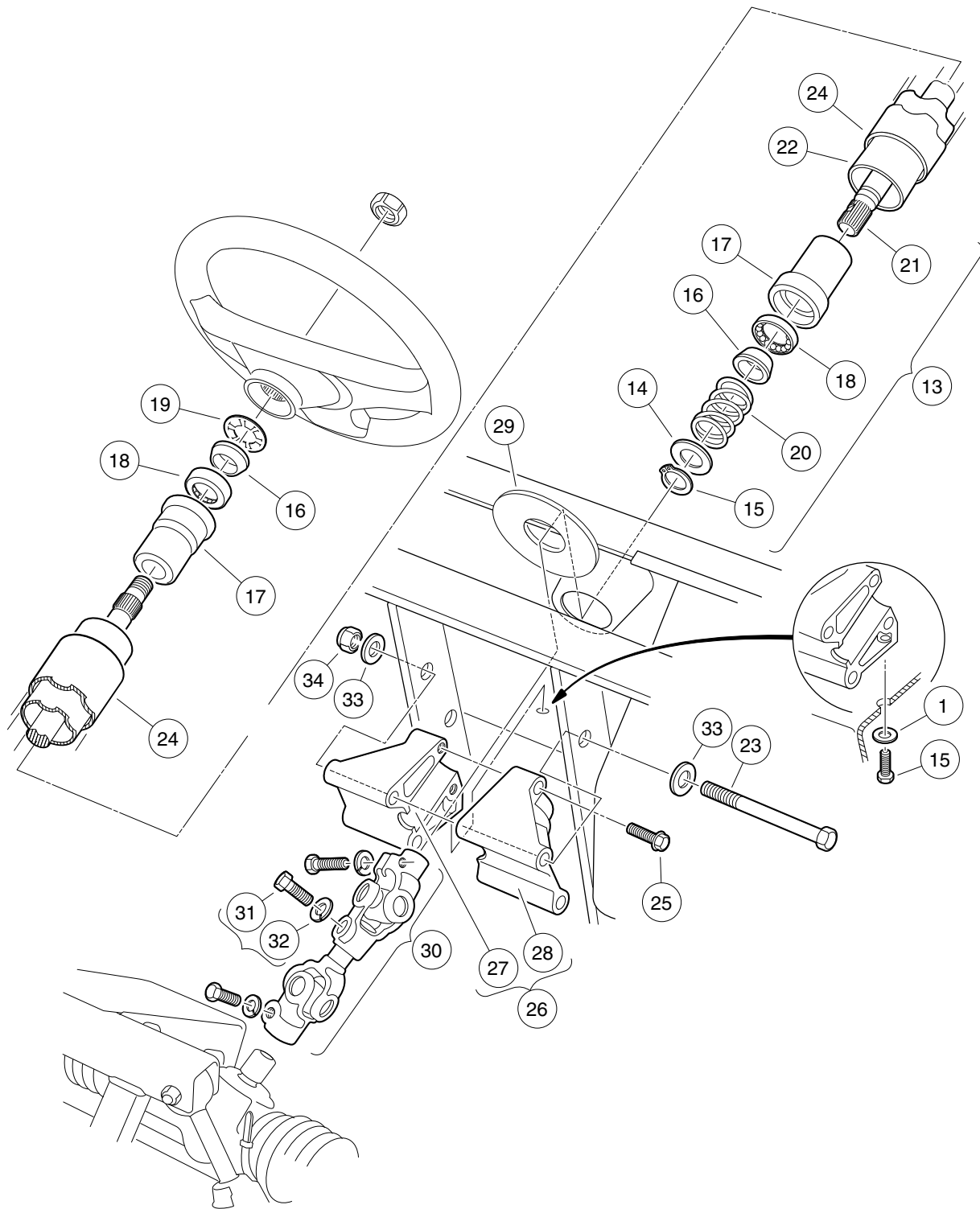
STEERING, FRONT AND REAR SUSPENSION

6

E

6

E



000247-002

STEERING COLUMN

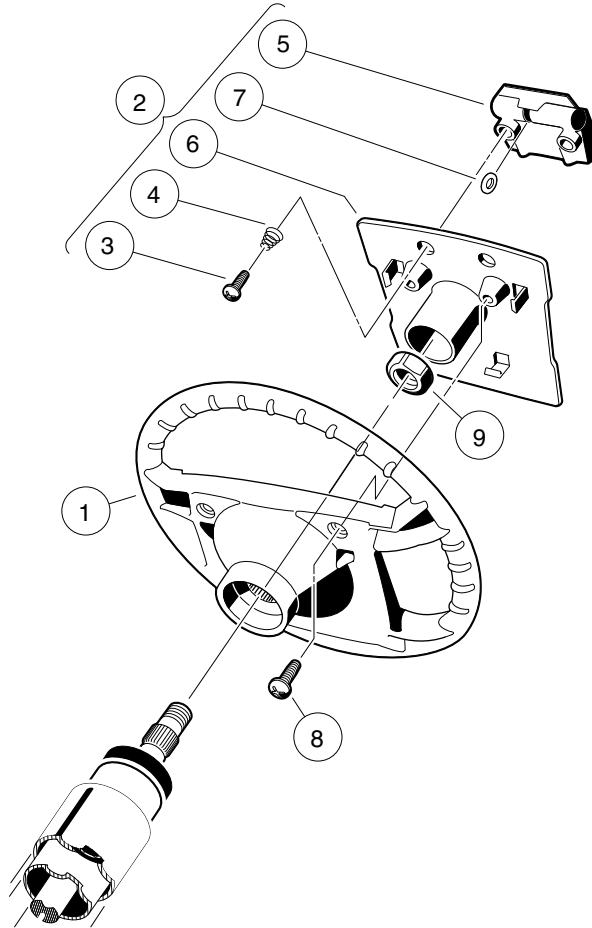
| ITEM | PART NO. | DESCRIPTION | QTY |
|------|------------------|--|-----|
| | | 1 2 3 4 | |
| 1 | <u>1011697</u> | Washer, 5/16 Flat | 1 |
| 2 | <u>1014216</u> | Steering Column Rebuild Kit (includes items 3 through 11) | 1 |
| 3 | <u>1012466</u> | Dust Cover | 1 |
| 4 | <u>1012605</u> | Ring, 0.579 Internal Retaining | 1 |
| 5 | 1014125 | Wedge, Molded | 2 |
| 6 | <u>1014126</u> | Seat, Plastic Bearing | 2 |
| 7 | <u>1014211</u> | Seal, Bearing | 1 |
| 8 | <u>1014212</u> | Spacer, Shaft | 1 |
| 9 | <u>1014213</u> | Bearing, Ball | 2 |
| 10 | 1014214 | Ring, Retaining | 1 |
| 11 | <u>1014217</u> | Spring, Steering Shaft | 1 |
| 12 | <u>1014288</u> | Screw, 5/16-18 X 0.75 Thread-Forming | 1 |
| 13 | 1016181 | Steering Shaft Assembly (includes items 14 through 22) | 1 |
| 14 | <u>1012604</u> | Washer, 0.675 ID X 1.19 OD | 1 |
| 15 | <u>1012605</u> | Ring, 0.579 Internal Retaining | 1 |
| 16 | 1014125 | Wedge, Molded | 2 |
| 17 | <u>1014126</u> | Seat, Plastic Bearing | 2 |
| 18 | <u>1014213</u> | Bearing, Ball | 2 |
| 19 | 1014214 | Ring, Retaining | 1 |
| 20 | <u>1014217</u> | Spring, Steering Shaft | 1 |
| 21 | <u>1015545</u> | Shaft, Steering Column | 1 |
| 22 | 1016622 | Column, Aluminum Steering | 1 |
| 23 | <u>1016183</u> | Screw, 3/8-16 X 7.00 Hex Cap | 2 |
| 24 | 1016263 | Cover, Steering Column Tube | 1 |
| 25 | <u>1016269</u> | Screw, 5/16-18 Thrd Forming | 2 |
| 26 | 101984801 | Kit, Steering Column Mounting Bracket (includes items 27 and 28) | 1 |
| 27 | N/A | Bracket, RH Steering Column Mount | 1 |
| 28 | N/A | Bracket, LH Steering column mount | 1 |
| 29 | <u>102278001</u> | Boot, Steering Column Round | 1 |
| 30 | <u>103601601</u> | Shaft, Intermediate Steering (includes items 31 and 32) | 1 |
| 31 | <u>1017226</u> | Bolt, Hex-Head, 8mm X 1.25 - 30 | 3 |
| 32 | <u>7174</u> | Lockwasher, 5/16 Split | 3 |
| 33 | <u>334</u> | Washer, 3/8 Type A Flat | 4 |
| 34 | <u>8754</u> | Locknut, 3/8-16 Hex | 2 |

6

E

6

E



000246-002

STEERING WHEEL

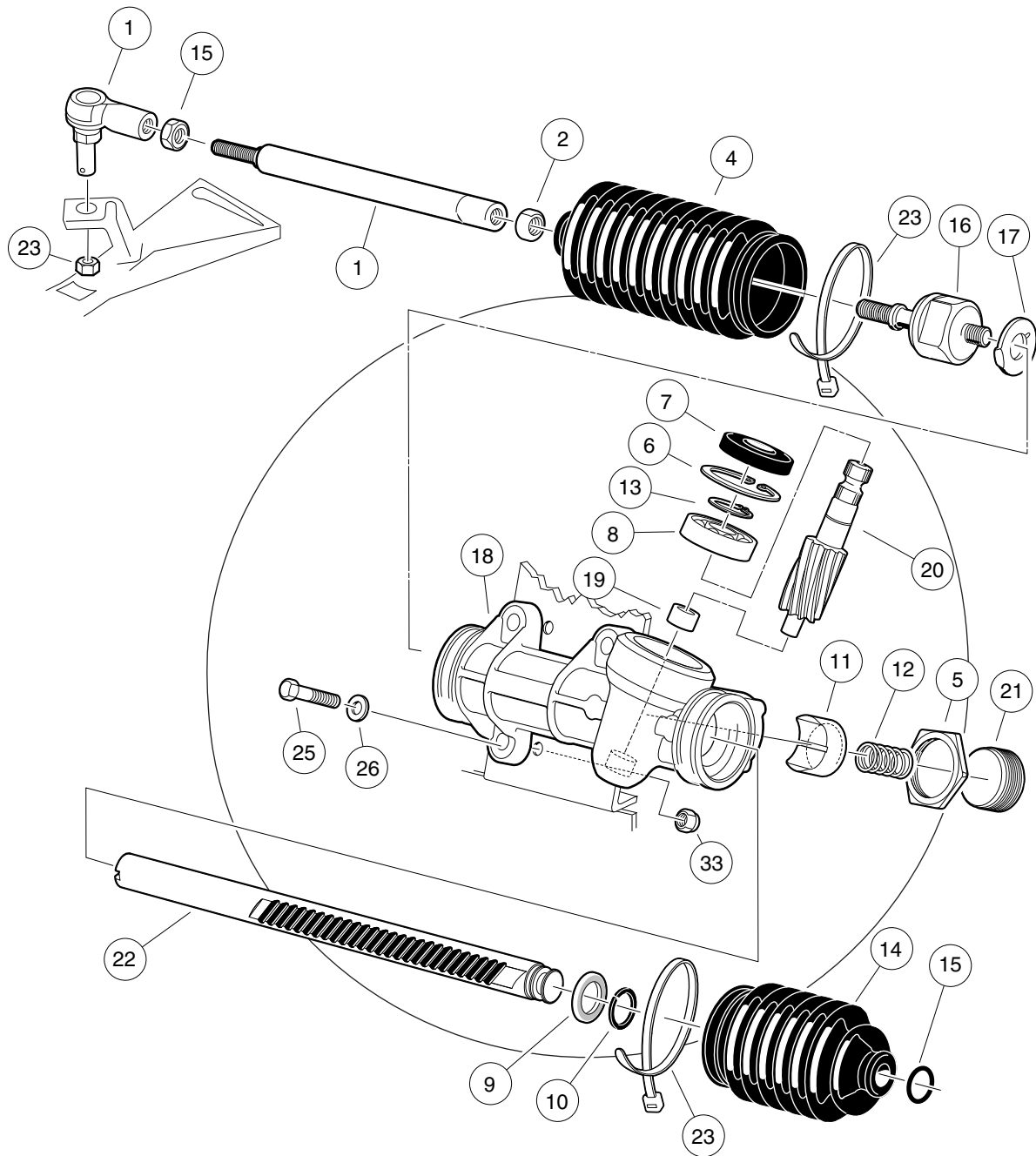
| ITEM | PART NO. | DESCRIPTION | QTY |
|------|----------------|---|-----|
| | | 1 2 3 4 | |
| 1 | <u>1016156</u> | Wheel, Steering | 1 |
| 2 | 1016219 | Plate, Scorecard (includes items 3 through 7) | 1 |
| 3 | <u>1012565</u> | Screw, #12 Phillips Round Head | 2 |
| 4 | <u>1012566</u> | Tapered Compression Spring | 2 |
| 5 | 1016154 | Clip, Scorecard | 1 |
| 6 | N/A | Plate, Score Card | 1 |
| 7 | <u>1016214</u> | Pencil Grip | 1 |
| 8 | <u>1016663</u> | Screw, #12-14 X 0.625 | 2 |
| 9 | <u>1017273</u> | Nut, 5/8-18 Nylon Insert Jam | 1 |

6

E

6

E



000189-001

STEERING GEAR ASSEMBLY

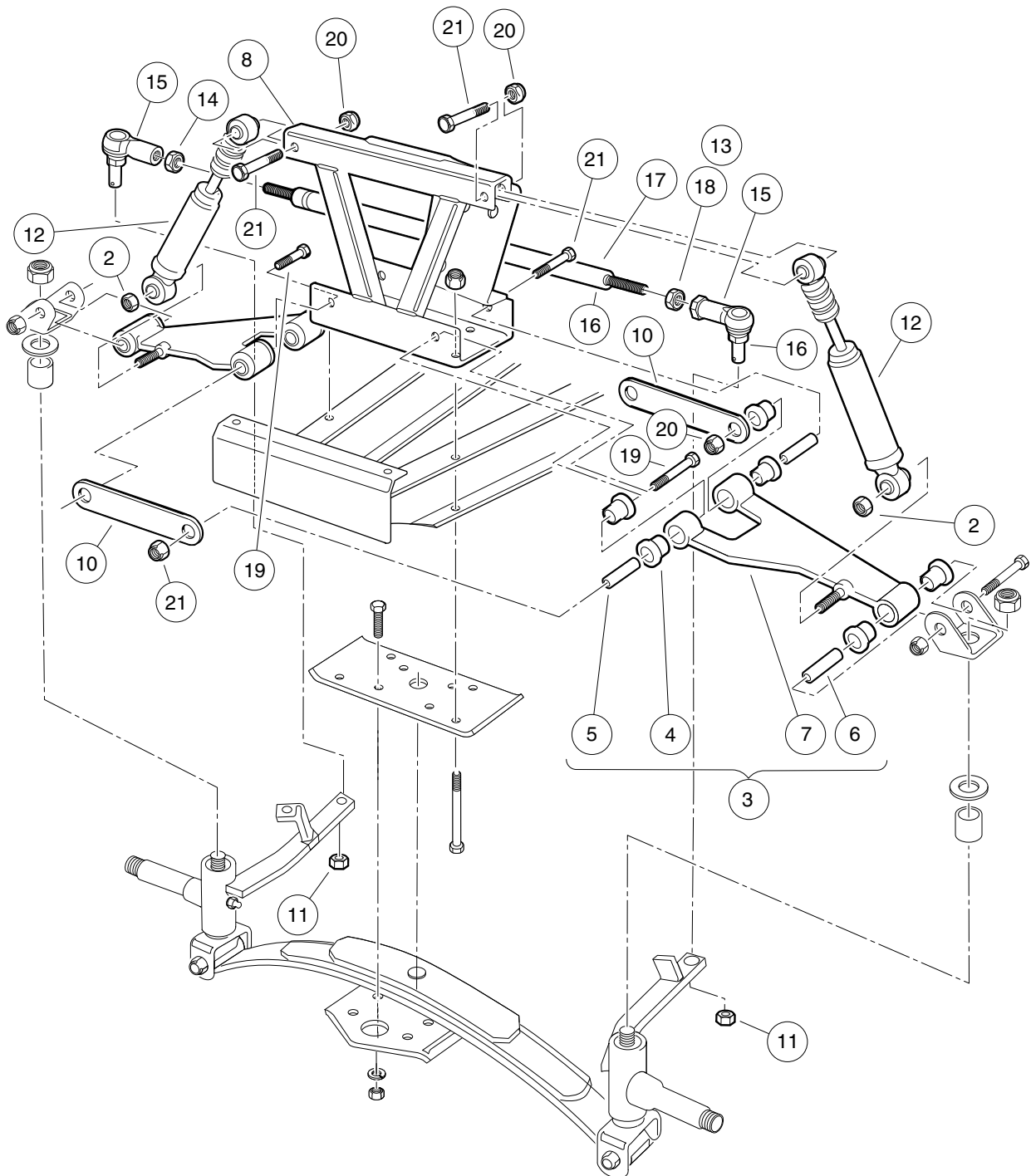
| ITEM | PART NO. | DESCRIPTION | QTY |
|------|------------------|---|-----|
| | | 1 2 3 4 | |
| 1 | <u>1012467</u> | Link, Rack and Pinion Drag | 1 |
| 2 | 1013042 | Nut, 12mm Hex | 1 |
| 3 | <u>101878302</u> | Steering Gear Assembly (without yoke) (includes items 4 through 23) | 1 |
| 4 | <u>1013035</u> | Bellows, Long | 1 |
| 5 | <u>1013044</u> | Rack Screw Locknut | 1 |
| 6 | 1013051 | Snap Ring | 1 |
| 7 | <u>1013052</u> | Seal, Steering Pinion Dust | 1 |
| 8 | <u>101879401</u> | Bearing, Ball | 1 |
| 9 | <u>101879501</u> | Stop Washer | 1 |
| 10 | 101879601 | Stop Ring, C-Type | 1 |
| 11 | <u>101879701</u> | Support Yoke | 1 |
| 12 | <u>101879801</u> | Rack Guide Pressure Spring | 1 |
| 13 | <u>101879901</u> | Ring, Stop, C-Type | 1 |
| 14 | <u>101880001</u> | Bellows, Short | 1 |
| 15 | 101880101 | Dust Seal Retaining Ring | 1 |
| 16 | <u>101880201</u> | Inner Ball Joint Asm | 1 |
| 17 | 101880301 | Washer, Tab | 1 |
| 18 | N/A | Box, Steering Gear | 1 |
| 19 | N/A | Bearing, Lower Pinion | 1 |
| 20 | N/A | Pinion, Steering | 1 |
| 21 | N/A | Screw, Rack Guide | 1 |
| 22 | N/A | Rack, Steering | 1 |
| 23 | <u>8990</u> | Tie Wrap, 8" Nylon | 2 |
| 24 | <u>1035</u> | Cotter Pin, 3/32 x 1 | 1 |
| 25 | <u>1624</u> | Screw, 3/8-16 X 1.50 Hex-Head Cap | 3 |
| 26 | <u>334</u> | Washer, 3/8 Type A Flat | 3 |
| 27 | <u>7540</u> | Ball Joint, Left (includes items 28 through 31) | 1 |
| 28 | 1011895 | Socket, LH Vertical | 1 |
| 29 | <u>1011930</u> | Seal, Vertical Socket Dust | 1 |
| 30 | <u>1015597</u> | Fitting, 1/4-28 Thread-Forming Grease | 1 |
| 31 | 7602 | Nut, 3/8-24 UNF Hex | 1 |
| 32 | <u>7555</u> | Nut, 1/2-20 Hex, Left-Hand Thread | 1 |
| 33 | <u>8754</u> | Locknut, 3/8-16 Hex | 3 |

6

E

6

E



000312-002

FRONT SUSPENSION, UPPER

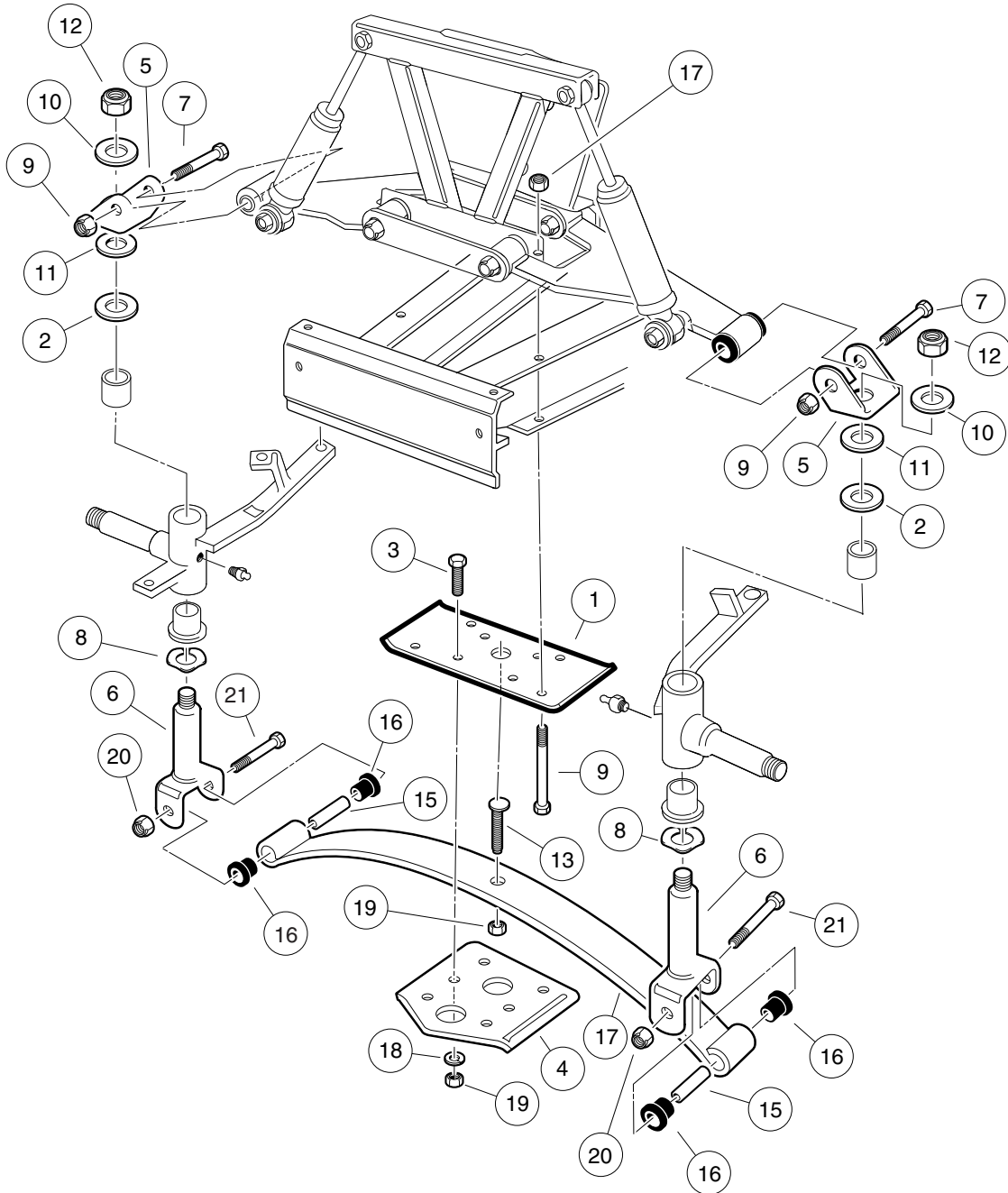
| ITEM | PART NO. | DESCRIPTION | QTY |
|------|------------------|--|-----|
| | | 1 2 3 4 | |
| 1 | N/A | Sub, Fr Susp. -1 Lf-2wb Golf (includes items 2 through 21) | A/R |
| 2 | <u>1010138</u> | Locknut, 3/8-16 Dimpled | 2 |
| 3 | <u>1016353</u> | Sub-Assembly, Delta A-Plate (includes items 4 through 7) | 2 |
| 4 | <u>1016346</u> | Bushing, Urethane | 6 |
| 5 | <u>1016349</u> | Sleeve, Delta Inner | 2 |
| 6 | <u>1016350</u> | Sleeve, Delta Outer | 1 |
| 7 | N/A | Delta A-Plate | 1 |
| 8 | <u>1016385</u> | Delta Shock and Gear Support Assembly | 1 |
| 9 | <u>1016387</u> | Screw, 3/8-16 X 2.75 Hx Hd Cap | 2 |
| 10 | <u>1017266</u> | A-Plate Strap | 2 |
| 11 | <u>102289201</u> | Nut - Hex Locking, M12 X 1.25 | 3 |
| 12 | <u>103351001</u> | Shock Absorber, Front, Common | 2 |
| 13 | N/A | Asm, Tie Rod (includes items 14 through 18) | 1 |
| 14 | 1013042 | Nut, 12mm Hex | 1 |
| 15 | <u>102022601</u> | End, Tie Rod M12 X 1.25 Rh | 1 |
| 16 | <u>102022602</u> | End, Tie Rod, M12 X 1.25, Lh | 1 |
| 17 | <u>103354701</u> | Rod, Tie, Male Thd | 1 |
| 18 | <u>103653501</u> | Nut, Jam, M12-1.25, Lh | 1 |
| 19 | <u>2402</u> | Screw, 3/8-16 X 2.25 Hx Hd Cap | 4 |
| 20 | <u>8754</u> | Locknut, 3/8-16 Hex | 13 |
| 21 | <u>8861</u> | Bolt, 3/8-16 X 1.75 Hex | 2 |

6

E

6

E



000311-001

FRONT SUSPENSION, LOWER

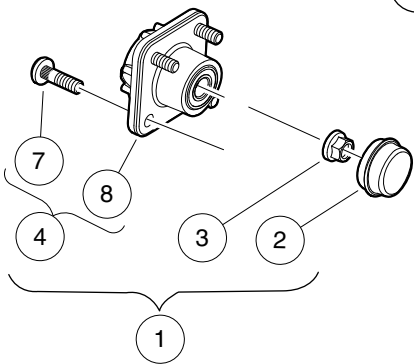
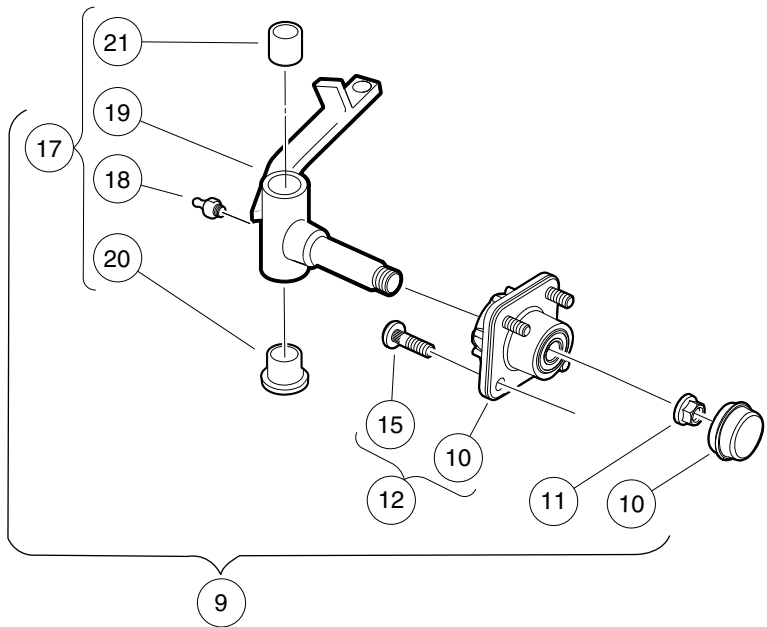
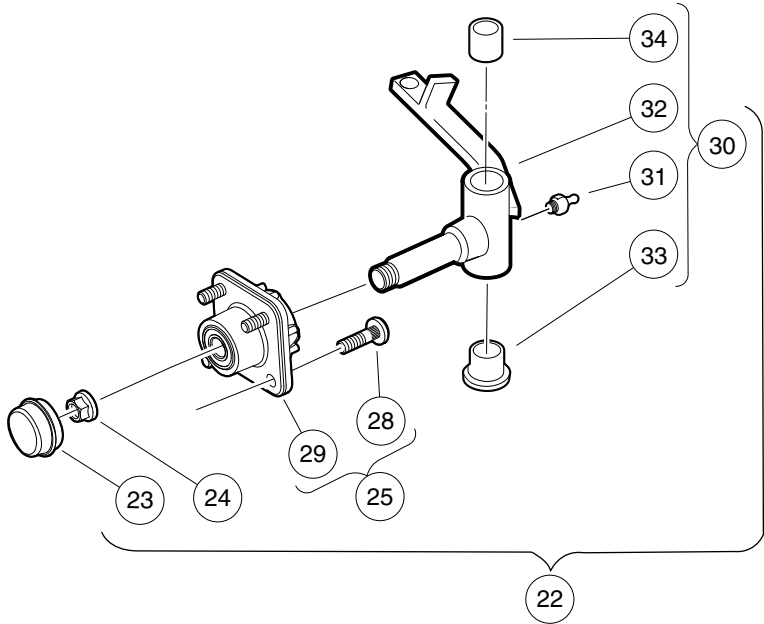
| ITEM | PART NO. | DESCRIPTION | QTY |
|------|------------------|--|-----|
| | | 1 2 3 4 | |
| 1 | <u>1010124</u> | Plate, Spring Mount | 1 |
| 2 | <u>1010150</u> | Bearing, Thrust | 2 |
| 3 | <u>1010177</u> | Bolt, 3/8-16 X 2.00 Hex Head | 4 |
| 4 | <u>1014276</u> | Plate, Front Spring Retainer | 1 |
| 5 | <u>1016384</u> | Clevis, Delta Upper | 2 |
| 6 | <u>1016386</u> | King Pin Assembly | 2 |
| 7 | <u>1016387</u> | Screw, 3/8-16 X 2.75 Hx Hd Cap | 2 |
| 8 | <u>1016389</u> | Washer, 1.125 Od Wave | 2 |
| 9 | <u>101870501</u> | Screw, 3/8-16 X 4.75 Hx Hd Cap | 4 |
| 10 | <u>102564002</u> | Washer-1/2 Conical, Yellow | 2 |
| 11 | <u>102684501</u> | Washer, M12 Hard Regular | 2 |
| 12 | <u>102766301</u> | Nut, 1/2-20, Center Lock | 2 |
| 13 | <u>103507001</u> | Eccentric Bolt Common | 1 |
| 14 | <u>103628701</u> | Spring Asm, Front, 1 Leaf (includes items 15 through 17) | 1 |
| 15 | <u>1012303</u> | Bushing, Steel | 2 |
| 16 | <u>1015583</u> | Bushing, Urethane | 4 |
| 17 | N/A | Spring, Front, 1 Leaf | 1 |
| 18 | <u>357</u> | Lockwasher, 3/8 Split | 4 |
| 19 | <u>706</u> | Nut, Hex 3/8-16 | 1 |
| 20 | <u>8754</u> | Locknut, 3/8-16 Hex | 4 |
| 21 | <u>8755</u> | Screw, 3/8-16 X 3.375 Hex Cap | 2 |

6

E

6

E



000301-002

FRONT SPINDLES AND HUBS

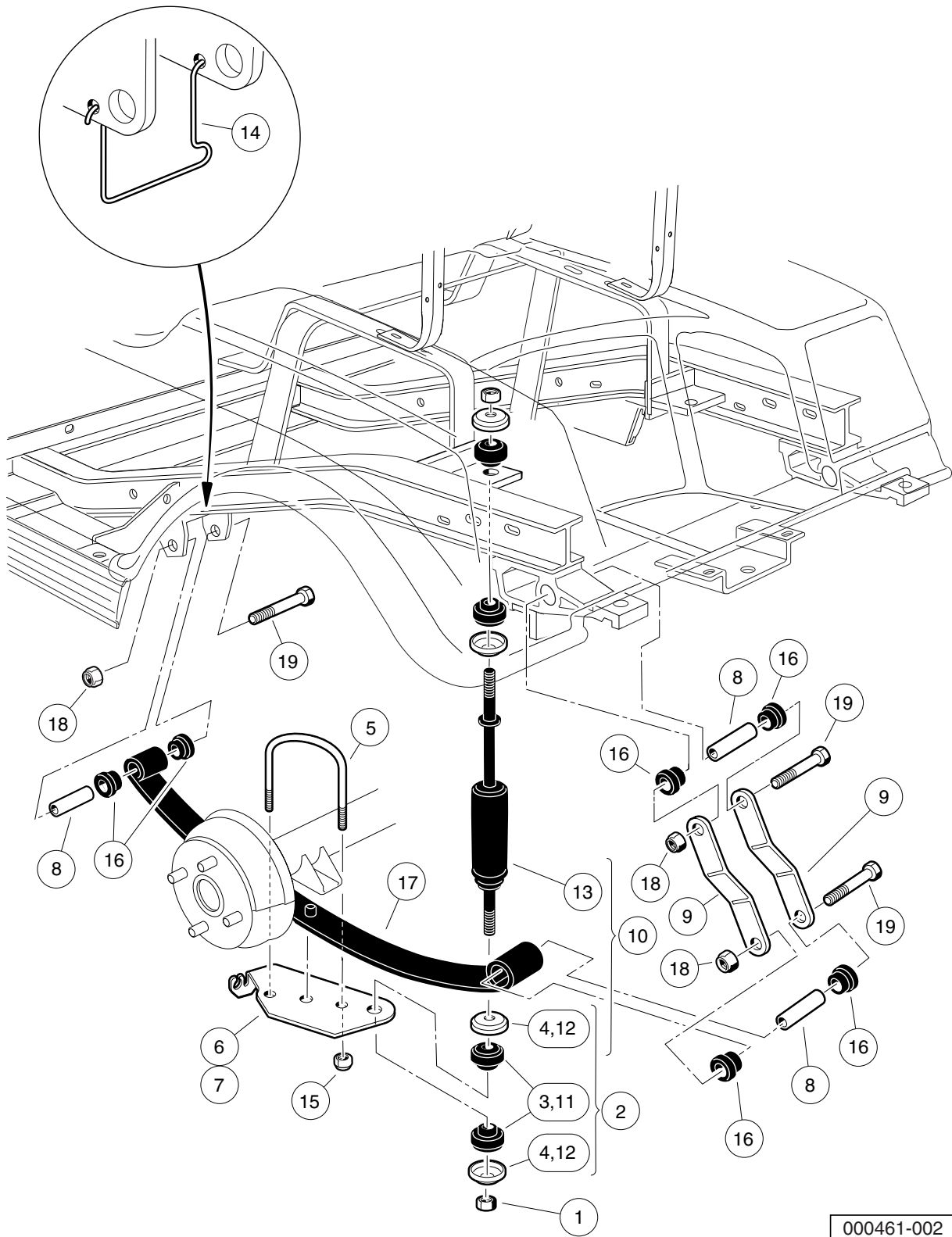
| ITEM | PART NO. | DESCRIPTION | QTY |
|------|------------------|--|-----|
| | | 1 2 3 4 | |
| 1 | <u>102357701</u> | Replacement Kit, Front Hub (includes items 2 through 4) | 2 |
| 2 | <u>102353201</u> | Cap, Front Hub | 1 |
| 3 | <u>102353301</u> | Hex Nut, Locking Flange, M14x2 | 1 |
| 4 | N/A | Asm, Front Hub, Bb, Long Stud (includes items 5 through 8) | 1 |
| 5 | N/A | Bearing, Ball, 6204 | 2 |
| 6 | N/A | Spacer, Bearing, Front Hub, Pm | 1 |
| 7 | <u>103477901</u> | Lug Stud, 1/2-20 Unf, 4037 | 4 |
| 8 | N/A | Front Hub, Ball Brg, Long Stud | 1 |
| 9 | N/A | Asm, Frt Hub & Spndle, Rh (includes items 10 through 17) | 1 |
| 10 | <u>102353201</u> | Cap, Front Hub | 1 |
| 11 | <u>102353301</u> | Hex Nut, Locking Flange, M14x2 | 1 |
| 12 | N/A | Asm, Front Hub, Bb, Long Stud (includes items 13 through 16) | 1 |
| 13 | N/A | Bearing, Ball, 6204 | 2 |
| 14 | N/A | Spacer, Bearing, Front Hub, Pm | 1 |
| 15 | <u>103477901</u> | Lug Stud, 1/2-20 Unf, 4037 | 4 |
| 16 | N/A | Front Hub, Ball Brg, Long Stud | 1 |
| 17 | <u>103667103</u> | Asm, Spindle, Rh, Sp (includes items 18 through 21) | 1 |
| 18 | <u>1015597</u> | Fitting, 1/4-28 Thread-Forming Grease | 1 |
| 19 | N/A | Subasm, Spndle, Rh, 2wb | 1 |
| 20 | <u>7048</u> | Bushing, Flanged Bronze | 1 |
| 21 | <u>8067</u> | Bushing, Bronze Spindle | 1 |
| 22 | N/A | Asm, Frt Hub & Spndle, Lh (includes items 23 through 30) | 1 |
| 23 | <u>102353201</u> | Cap, Front Hub | 1 |
| 24 | <u>102353301</u> | Hex Nut, Locking Flange, M14x2 | 1 |
| 25 | N/A | Asm, Front Hub, Bb, Long Stud (includes items 26 through 29) | 1 |
| 26 | N/A | Bearing, Ball, 6204 | 2 |
| 27 | N/A | Spacer, Bearing, Front Hub, Pm | 1 |
| 28 | <u>103477901</u> | Lug Stud, 1/2-20 Unf, 4037 | 4 |
| 29 | N/A | Front Hub, Ball Brg, Long Stud | 1 |
| 30 | <u>103667203</u> | Asm, Spindle, Lh, Sp (includes items 31 through 34) | 1 |
| 31 | <u>1015597</u> | Fitting, 1/4-28 Thread-Forming Grease | 1 |
| 32 | N/A | Subasm, Spndle, Lh, 2wb | 1 |
| 33 | <u>7048</u> | Bushing, Flanged Bronze | 1 |
| 34 | <u>8067</u> | Bushing, Bronze Spindle | 1 |

6

E

6

E



000461-002

REAR SUSPENSION

| ITEM | PART NO. | DESCRIPTION | QTY |
|------|------------------|--|-----|
| | | 1 2 3 4 | |
| 1 | <u>1010145</u> | Nut, 3/8-24 Hex | 4 |
| 2 | <u>1011415</u> | Kit, Shock Absorber Cushion (includes items 3 and 4) | 4 |
| 3 | <u>1010142</u> | Cushion, Shock Absorber | 2 |
| 4 | <u>1010144</u> | Retainer, Shock Absorber Cushion | 2 |
| 5 | <u>1012180</u> | U-Bolt | 2 |
| 6 | <u>1012181</u> | Bracket, Shock Mounting, Right (Passenger) | 1 |
| 7 | <u>1012182</u> | Bracket, Shock Mounting, Left (Driver) | 1 |
| 8 | <u>1012303</u> | Bushing, Steel | 6 |
| 9 | <u>1012304</u> | Shackle, Rear Spring | 4 |
| 10 | <u>1013164</u> | Shock Absorber Kit (includes items 11 through 13) | 1 |
| 11 | <u>1010142</u> | Cushion, Shock Absorber | 8 |
| 12 | <u>1010144</u> | Retainer, Shock Absorber Cushion | 8 |
| 13 | <u>102588501</u> | Shock Absorber Rear Prv Spd | 2 |
| 14 | <u>1013207</u> | Hanger, Brake Cable | 2 |
| 15 | <u>1014555</u> | Locknut, 7/16-14 Nylon Hex | 4 |
| 16 | <u>1015583</u> | Bushing, Urethane | 12 |
| 17 | <u>103629001</u> | Spring Asm, Rear, Ds | 2 |
| 18 | <u>8754</u> | Locknut, 3/8-16 Hex | 6 |
| 19 | <u>8755</u> | Screw, 3/8-16 X 3.375 Hex Cap | 6 |

6

E

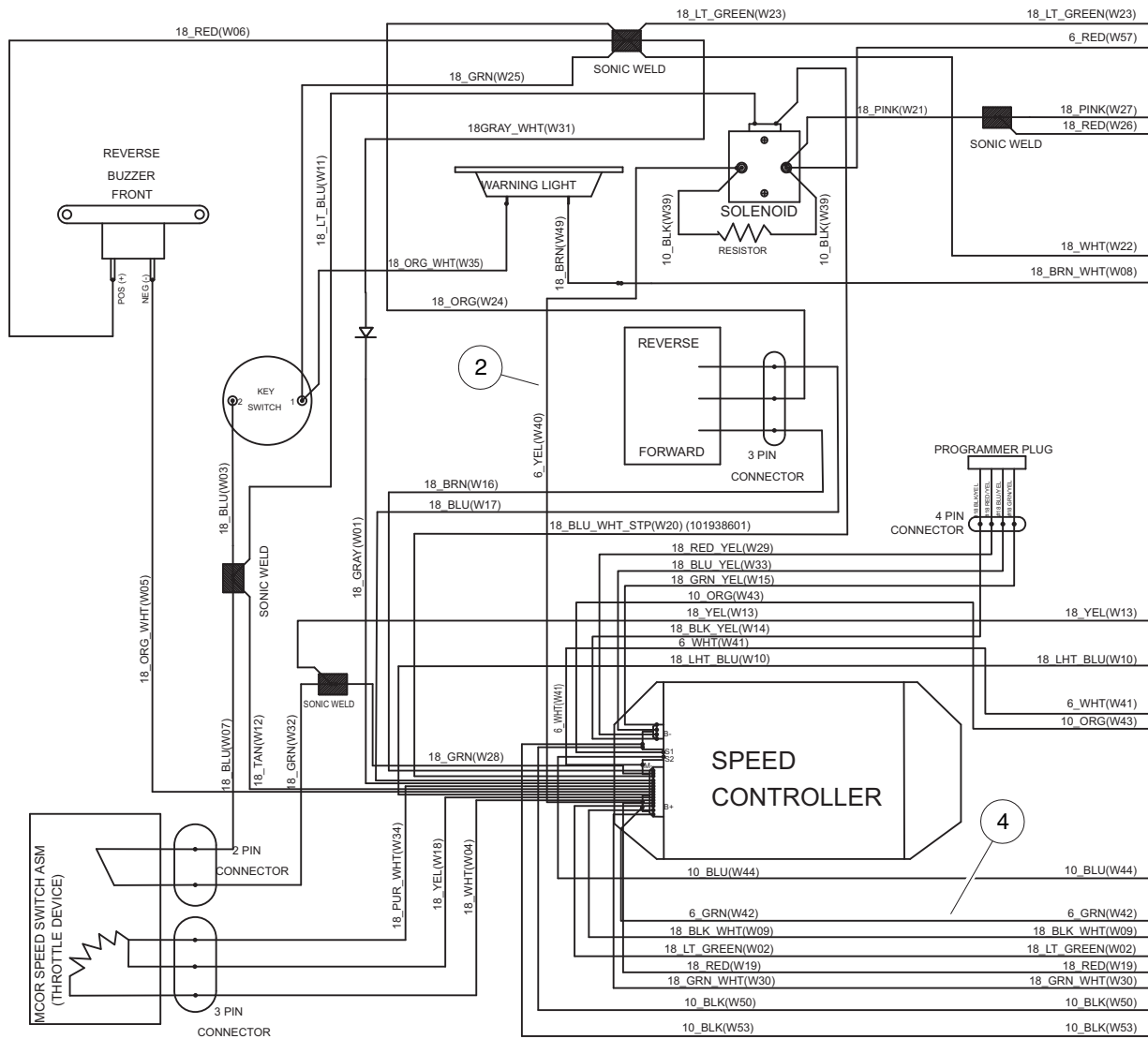
6

E

ELECTRICAL SYSTEM

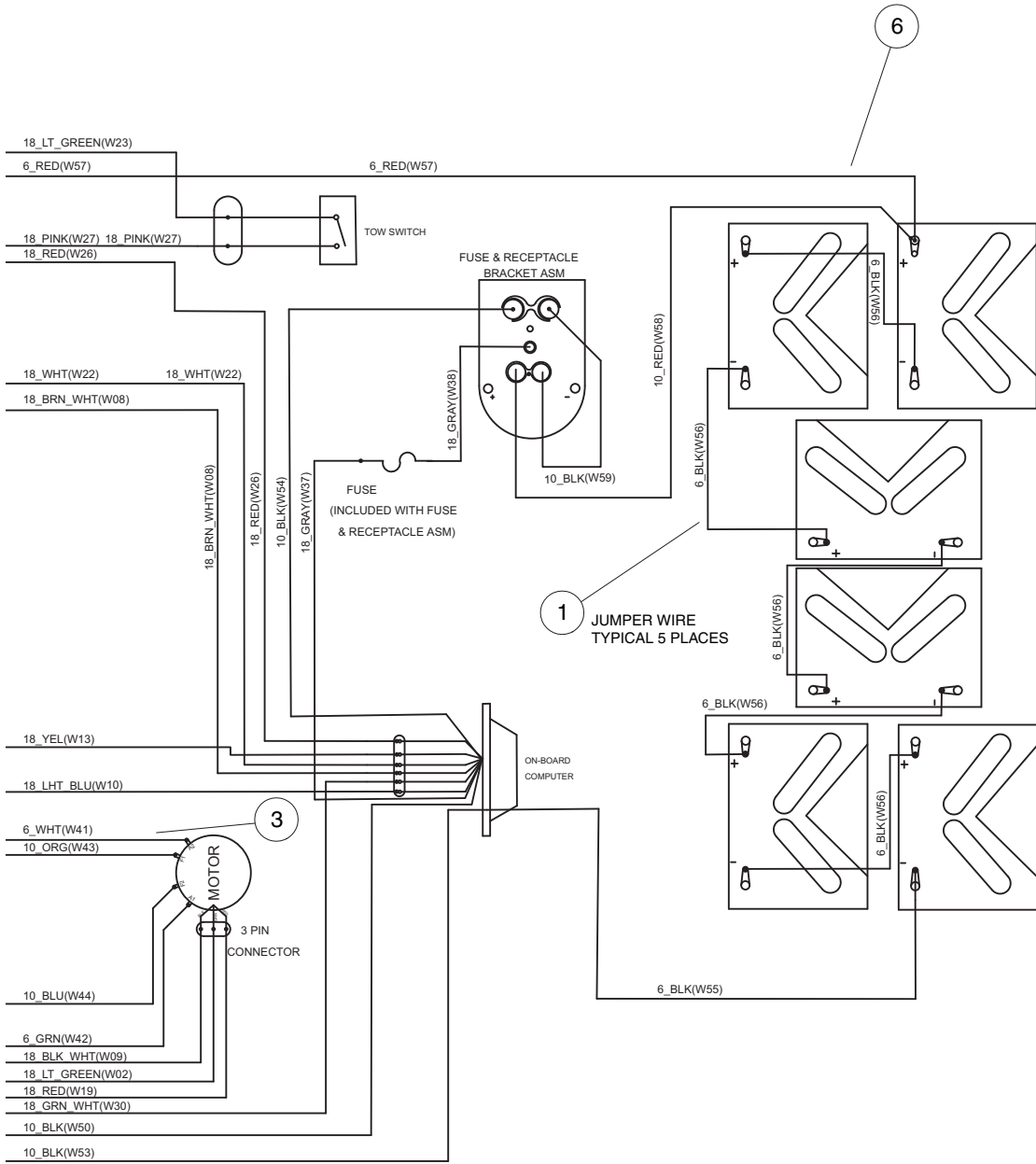
7

E



- (PIN 14) LT GREEN : TO MOTOR SPEED SENSOR OUTPUT
- (PIN 15) RED : TO HIGH SPEED OF MOTOR SPEED SENSOR
- (PIN 16) BLUE : TO FNR SWITCH "REV"
- (PIN 8) BROWN : TO FNR SWITCH "FOR"
- (PIN 7) ORG/WHT : TO LOW SIDE OF REVERSE BUZZER
- (PIN 6) GREEN : TO ACCELERATOR LIMIT SWITCH
- (PIN 13) BLK/WHT : TO LOW SIDE OF MOTOR SPEED SENSOR
- (PIN 12) BLU/WHT : TO LOW SIDE OF SOLENOID COIL
- (PIN 11) : OPEN
- (PIN 10) TAN : TO KEY SWITCH SONIC WELD
- (PIN 9) GRAY : AUX
- (PIN 1) WHITE : TO HIGH SIDE OF POTENTIOMETER
- (PIN 2) YELLOW : TO SLIDER OF POTENTIOMETER
- (PIN 3) PUR/WHT : TO LOW SIDE OF POTENTIOMETER
- (PIN 4) GRN/WHT : TO S. O. C
- (PIN 5) WHITE : TO OBC "CONTROLLER LOCK OUT"

000320-001



000320-001

7

E

See previous two pages for illustration.

WIRING

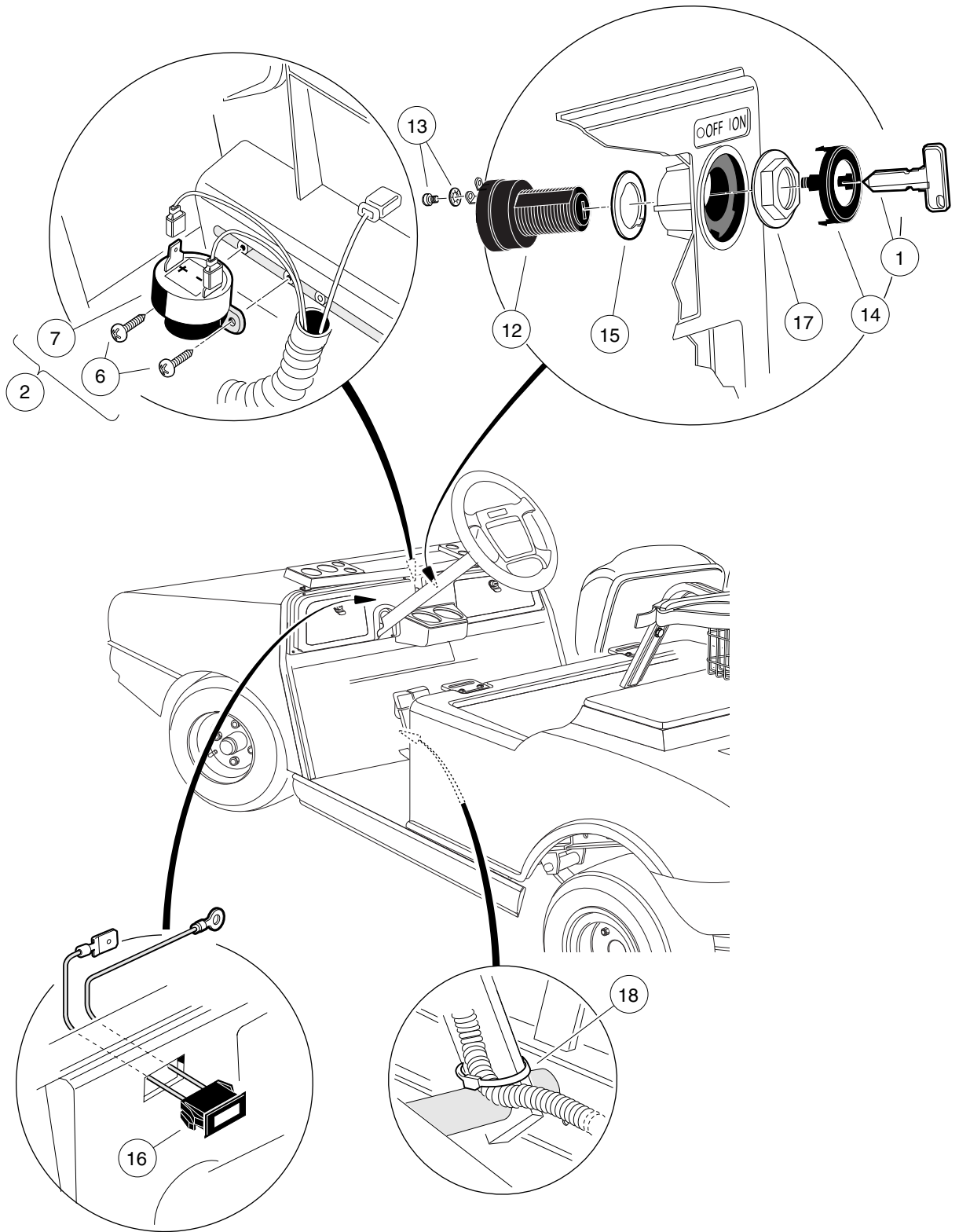
| ITEM | PART NO. | DESCRIPTION | QTY |
|------|------------------|---|-----|
| | | 1 2 3 4 | |
| 1 | <u>101795701</u> | Asm, Wire, #6blk 13in | 5 |
| 2 | <u>101903001</u> | Wire Assembly #6 Yellow | 1 |
| 3 | <u>101968701</u> | Wire Assy, #6 White | 1 |
| 4 | <u>101978001</u> | Wire Assy, #6 Green | 1 |
| 5 | <u>102196601</u> | Wire Harness | 1 |
| 6 | <u>102199601</u> | Wire Assy, #6 Red | 1 |
| | | Note: Item 5 contains wires in main harness that are not 6-gauge. | |

7

E

7

E



000340-002

INSTRUMENT PANEL COMPONENTS

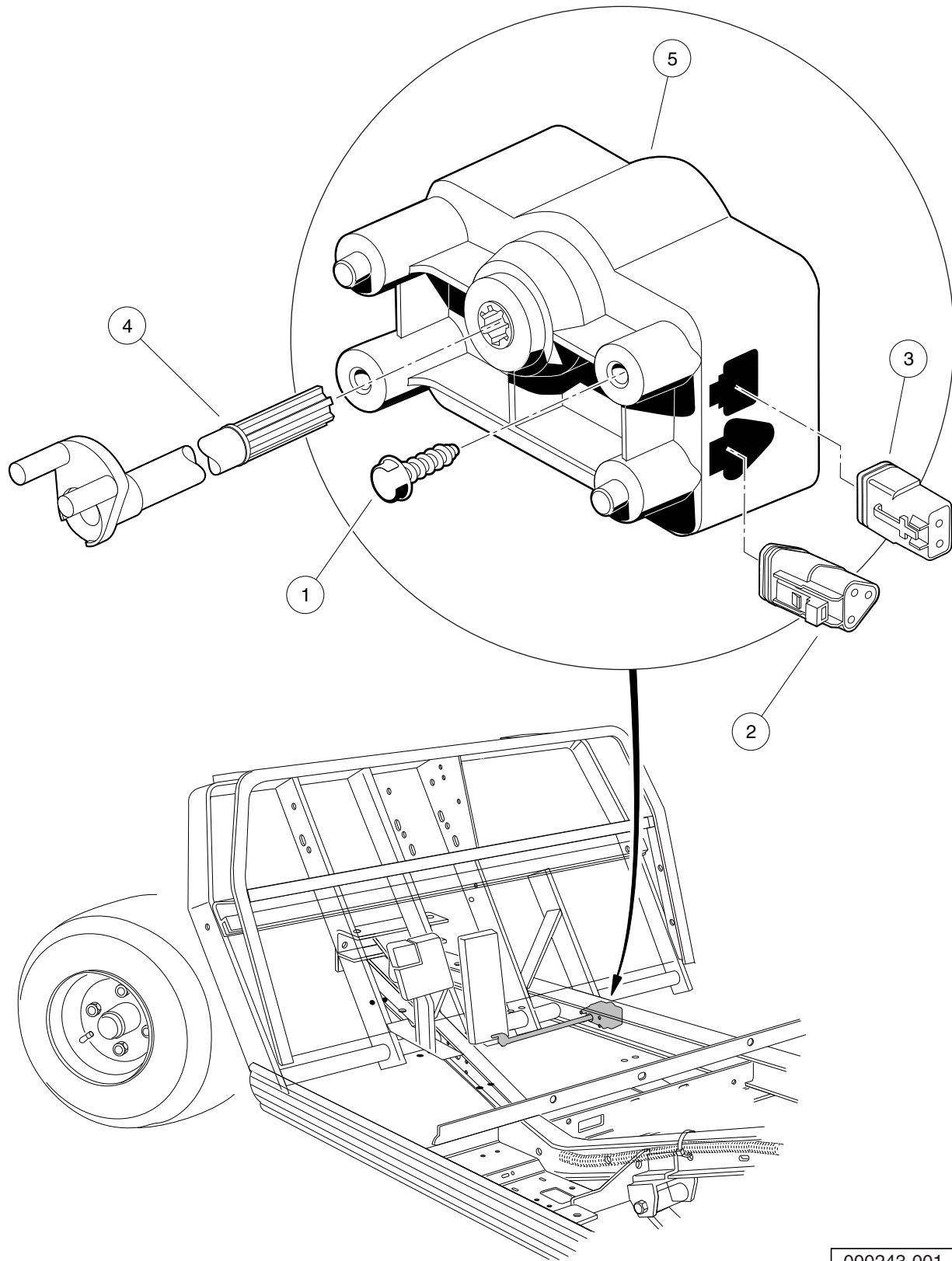
| ITEM | PART NO. | DESCRIPTION | QTY |
|--|------------------|---|-----|
| | | 1 2 3 4 | |
| 1 | <u>1012505</u> | Keys (set of 2) | 1 |
| 2 | <u>1016859</u> | Kit, Reverse Buzzer (includes items 3 through 11) | 1 |
| 3 | <u>1011229</u> | Locknut, #6-32 Whiz | 1 |
| 4 | <u>1012431</u> | Washer, #4 Flat | 2 |
| 5 | <u>1015720</u> | Screw, #6-32 X 1/2 Hex Washer-Head | 1 |
| 6 | <u>1016849</u> | Screw, #4-24 X 0.33 Pan-Head Machine | 2 |
| 7 | <u>1016851</u> | Buzzer, Reverse (9-48 VDC) | 1 |
| 8 | <u>1016857</u> | Wire Assembly Black #18 | 1 |
| 9 | <u>8056</u> | Screw, #4-40 X 0.75 Round-Head Machine | 2 |
| 10 | <u>8057</u> | Nut, #4-40 Hex Machine | 2 |
| 11 | <u>8058</u> | Lockwasher, #4 Split | 2 |
| 12 | <u>101826201</u> | Key Switch, On/Off | 1 |
| 13 | <u>101830601</u> | Screw and Washer Assembly | 2 |
| 14 | <u>101834502</u> | Cap, Black Key Switch | 1 |
| 15 | <u>101851101</u> | Washer, Key Switch | 1 |
| 16 | <u>101935501</u> | Light, Battery (Amber) | 1 |
| 17 | <u>102051701</u> | Nut, Key Switch | 1 |
| 18 | <u>8990</u> | Tie Wrap, 8" Nylon | 2 |
| Note: Item 2, Reverse Buzzer Kit, contains parts not used in this application. | | | |

7

E

7

E



000243-001

MOTOR CONTROLLER OUTPUT REGULATOR (MCOR)

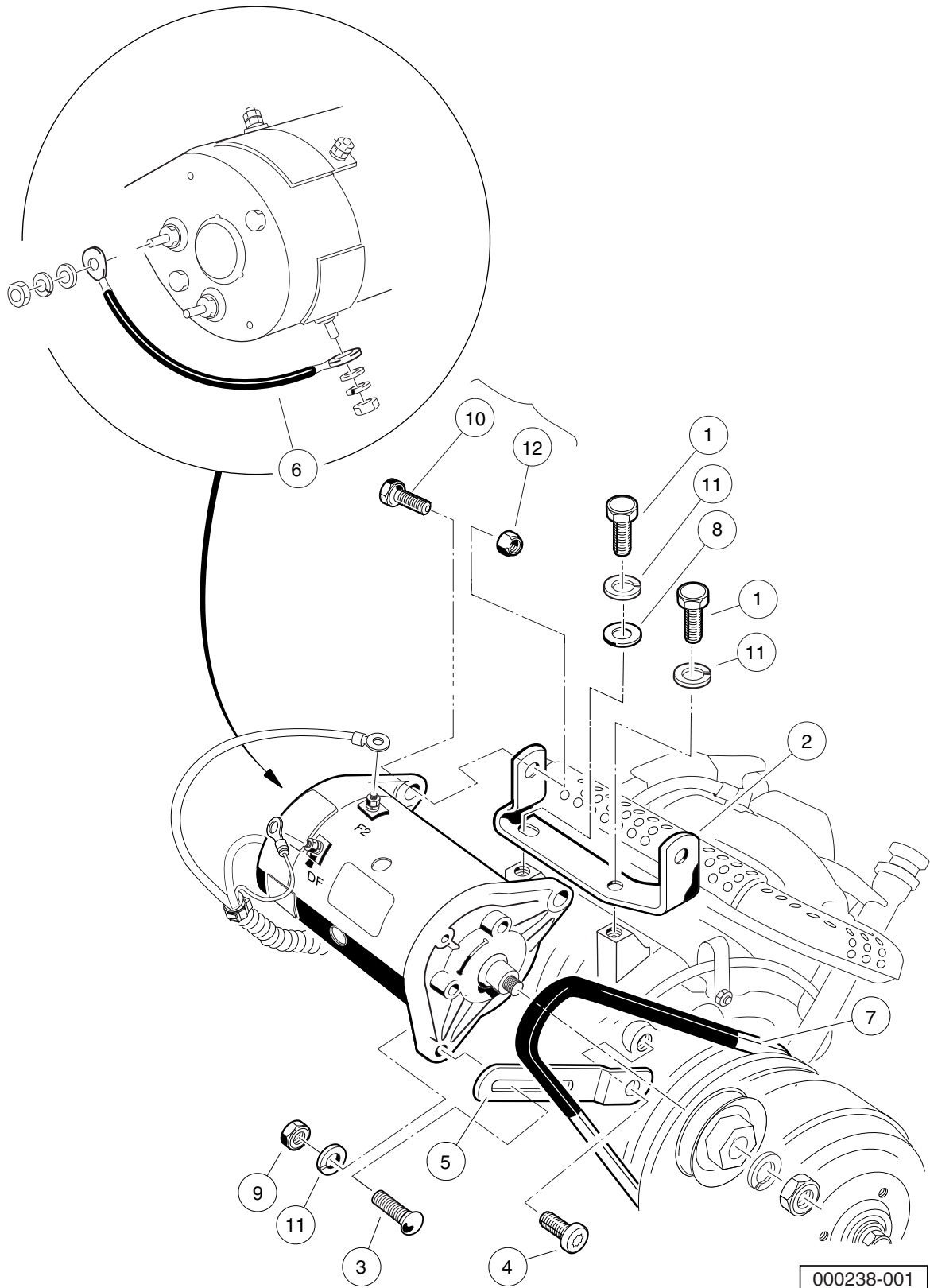
| ITEM | PART NO. | DESCRIPTION | QTY |
|------|------------------|-----------------------------------|-----|
| | | 1 2 3 4 | |
| 1 | <u>1015752</u> | Screw, #12-16 X 0.625 Hi-Lo | 2 |
| 2 | <u>101920101</u> | Kit, 3-Pin Wedge Lock | 1 |
| 3 | <u>101936801</u> | Kit, 2-Pin Wedge Lock | 1 |
| 4 | 102101001 | Bar, Drive, Cast | 1 |
| 5 | <u>102101101</u> | MCOR | 1 |

7

E

7

E



000238-001

FE290 STARTER/GENERATOR MOUNTING – GASOLINE VEHICLE

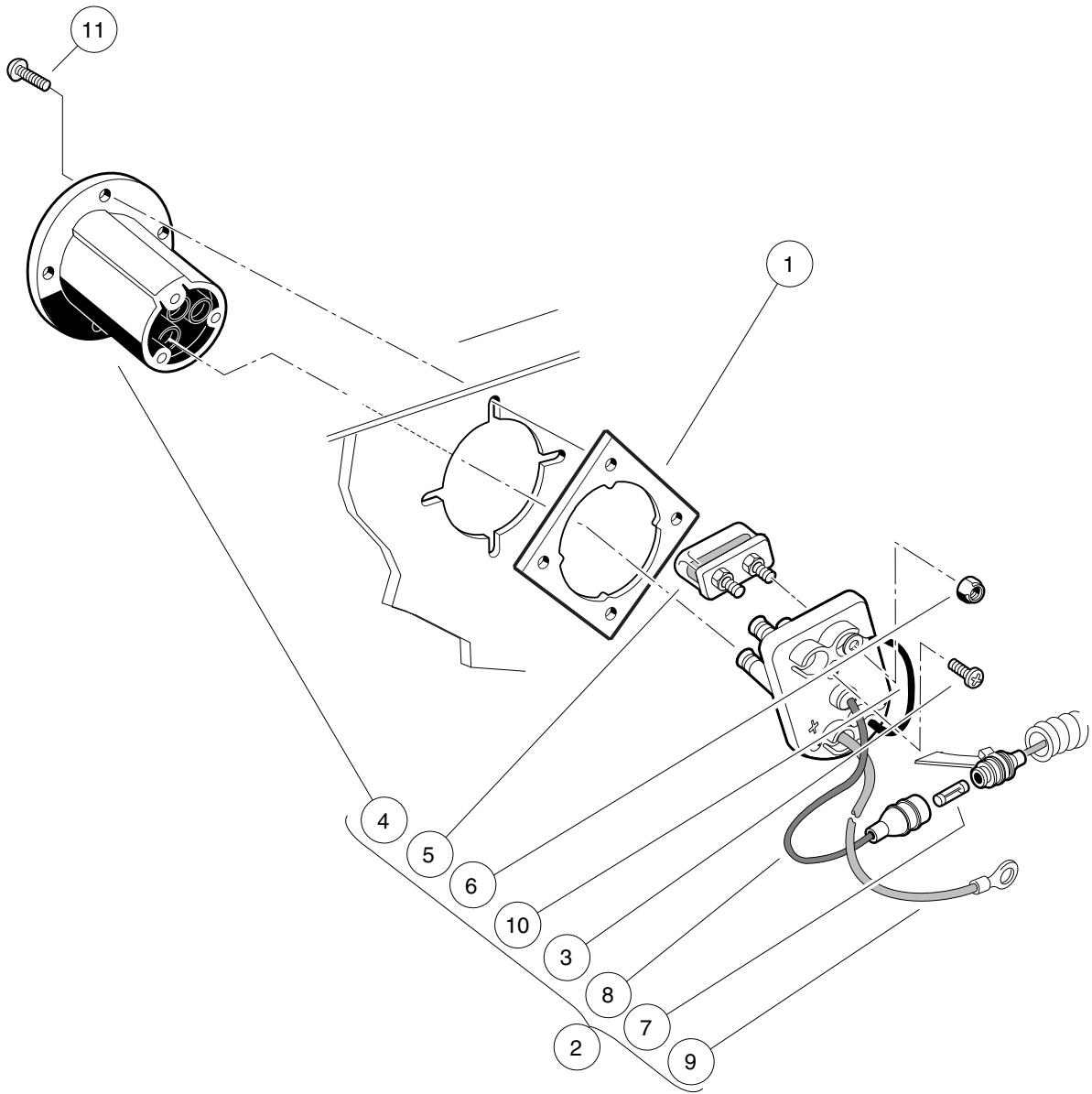
| ITEM | PART NO. | DESCRIPTION | QTY |
|------|------------------|---|-----|
| | | 1 2 3 4 | |
| 1 | <u>1012830</u> | Screw, M8-1.25 X 22 Hex-Head | 2 |
| 2 | <u>101524001</u> | Bracket, Starter/Generator Mounting (FE290) | 1 |
| 3 | <u>1015932</u> | Bolt, Carriage, 5/16-18 | 1 |
| 4 | <u>1016074</u> | Screw, M8-1.25 X 18mm Torx | 1 |
| 5 | <u>1016883</u> | Bracket, Starter/Generator Adjustment | 1 |
| 6 | <u>101837301</u> | Wire Assy, #6 Green | 1 |
| 7 | <u>101916701</u> | V-Belt | 1 |
| 8 | <u>1241</u> | Washer, 5/16 Type A Flat | 1 |
| 9 | <u>1242</u> | Nut, 5/16-18 Hex | 1 |
| 10 | 705 | Screw, Cap-hex Hd 3/8-16x1.25 | 2 |
| 11 | <u>7174</u> | Lockwasher, 5/16 Split | 3 |
| 12 | <u>8754</u> | Locknut, 3/8-16 Hex | 2 |

7

E

7

E



000369-001

BATTERY CHARGER RECEPTACLE

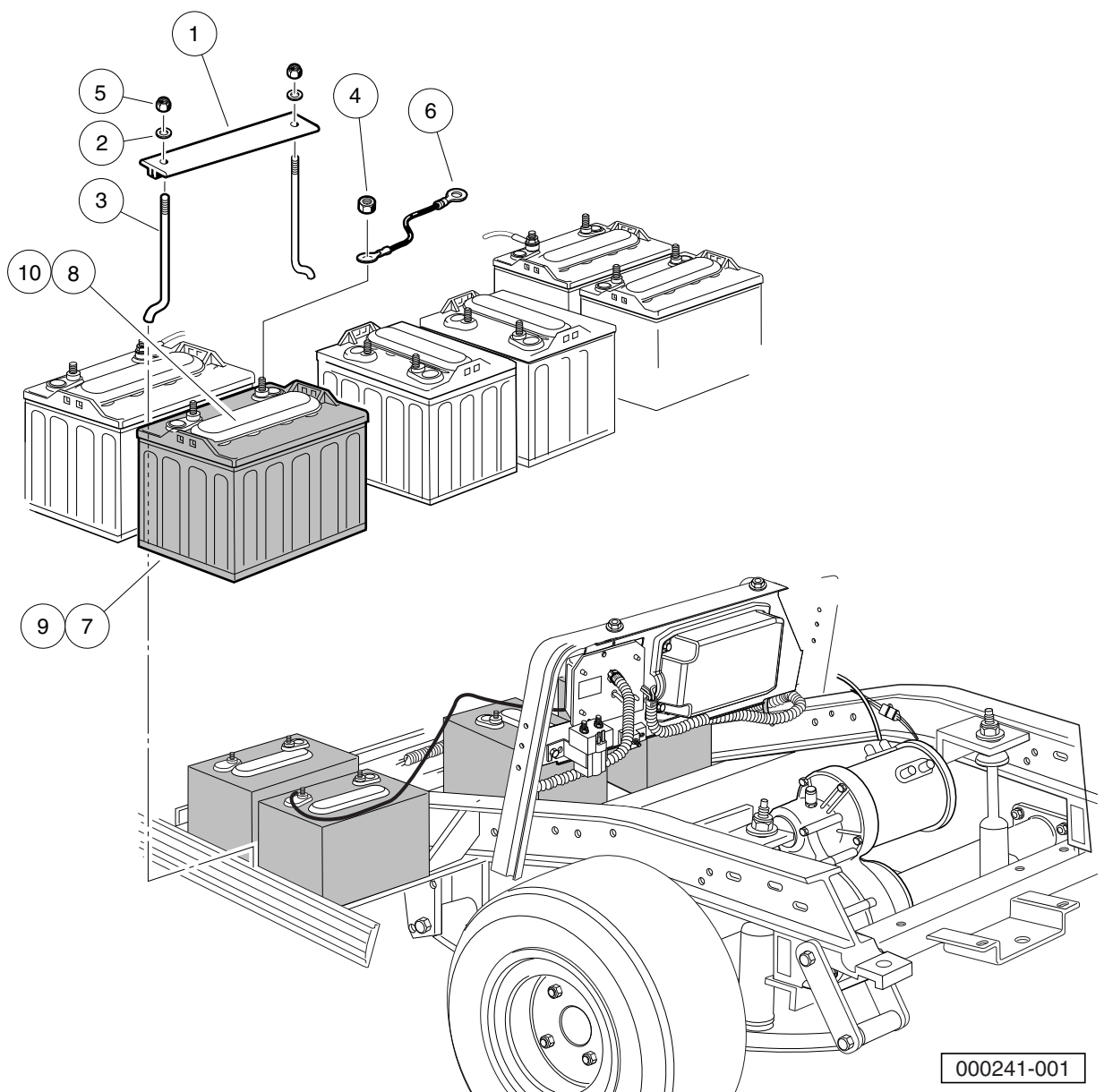
| ITEM | PART NO. | DESCRIPTION | QTY |
|------|------------------|--|-----|
| | | 1 2 3 4 | |
| 1 | <u>101801001</u> | Plate, Receptacle Backing | 1 |
| 2 | <u>101802101</u> | Fuse and Receptacle Assembly (includes items 3 through 10) | 1 |
| 3 | <u>1017705</u> | Screw, #8 X 5/8 Phillips Pan-Head Type AB | 3 |
| 4 | <u>101796501</u> | Receptacle | 1 |
| 5 | <u>101796801</u> | Fuse Assembly (includes item 6) | 1 |
| 6 | <u>1013061</u> | Locknut, #10-32 Nylon Insert | 2 |
| 7 | <u>101894901</u> | Fuse, 3/8-Amp | 1 |
| 8 | N/A | Wire Assembly, Sense Lead, Gray | 1 |
| 9 | N/A | Wire Assembly, #10 Red | 1 |
| 10 | N/A | Wire Assembly, #10 Black | 1 |
| 11 | <u>101832001</u> | Screw, #7-19 X 0.625 Phillips Pan-Head Tap | 4 |

7

E

7

E



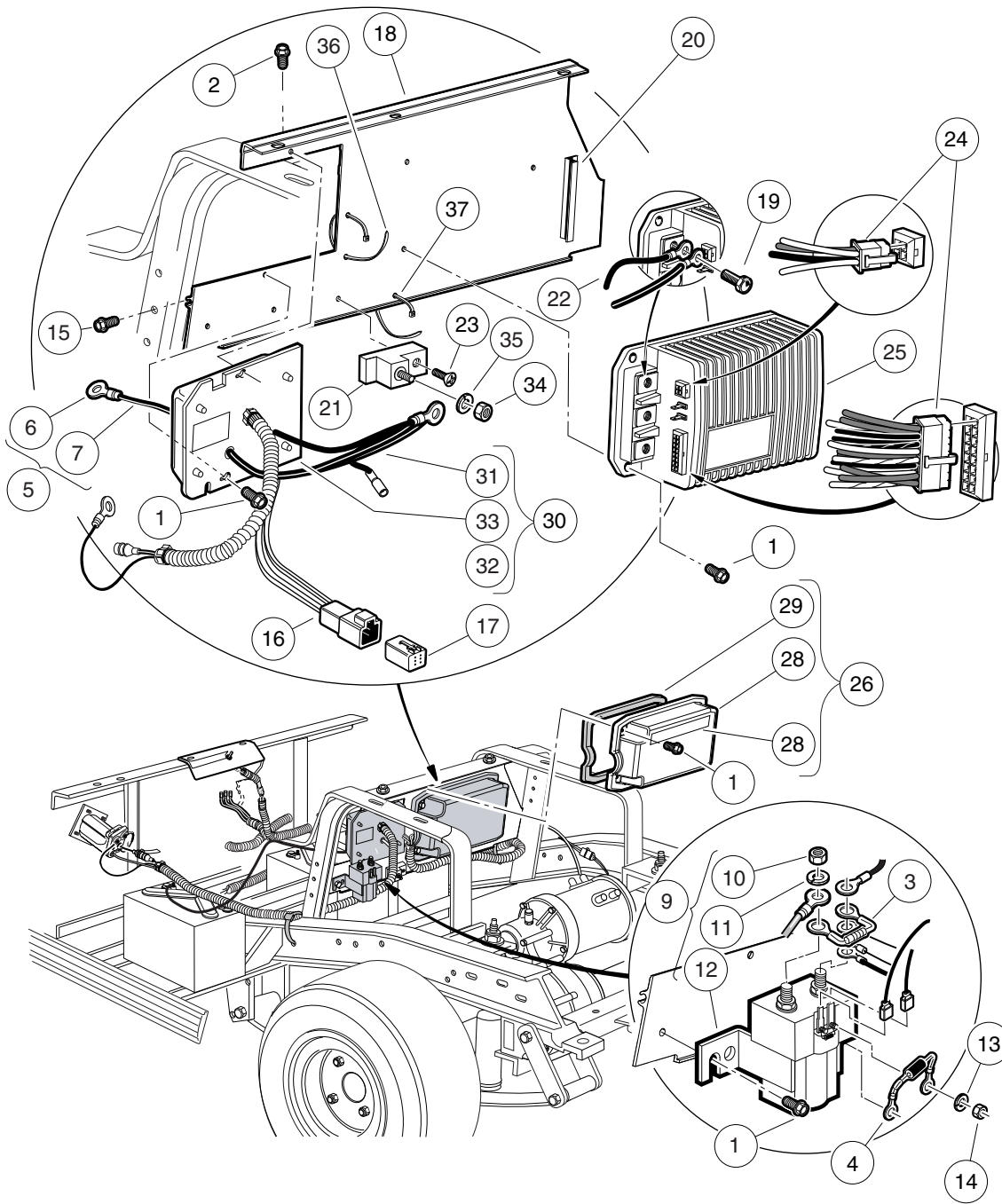
000241-001

BATTERIES (T875), ELECTRIC VEHICLE

| ITEM | PART NO. | DESCRIPTION | QTY |
|------|------------------|--|-----|
| | | 1 2 3 4 | |
| 1 | <u>101090801</u> | Hold-Down, Battery | 3 |
| 2 | <u>1011578</u> | Washer, 5/16 Type B Flat | 6 |
| 3 | <u>1013683</u> | J-Bolt | 6 |
| 4 | <u>1014304</u> | Nut, 5/16-18 Stainless-Steel Hex | 12 |
| 5 | <u>1015072</u> | Locknut, 5/16-18 Nylon Insert | 6 |
| 6 | <u>101795701</u> | Asm, Wire, #6blk 13in | 5 |
| 7 | <u>101797701</u> | Battery, 8-Volt, T875 (includes item 8) | 6 |
| 8 | <u>101797801</u> | Cap, 4-Gang Battery | 1 |
| 9 | <u>101797702</u> | Battery, 8-Volt, T875 Moist (also known as dry) (includes item 10) | 6 |
| 10 | <u>101797801</u> | Cap, 4-Gang Battery | 1 |

7

E



000242-006

OBC, CONTROLLER, AND SOLENOID – ELECTRIC VEHICLE

| ITEM | PART NO. | DESCRIPTION | QTY |
|------|------------------|---|-----|
| | | 1 2 3 4 | |
| 1 | <u>1012285</u> | Screw, 1/4 X 0.625 Hex-Head | 9 |
| 2 | <u>1014288</u> | Screw, 5/16-18 X 0.75 Thread-Forming | 2 |
| 3 | <u>1014947</u> | Resistor Assembly | 1 |
| 4 | 1014948 | Diode | 1 |
| 5 | 101827801 | Ground Wire Kit, 48-Volt (includes items 6 through 8) | 1 |
| 6 | 101826801 | Compression Lug | 1 |
| 7 | N/A | Wire Assembly, Black | 1 |
| 8 | <u>8990</u> | Tie Wrap, 8" Nylon | 3 |
| 9 | <u>101908701</u> | Solenoid, 48-Volt (includes items 10 through 14) | 1 |
| 10 | <u>1012528</u> | Nut, M8-1.25 Hex | 2 |
| 11 | <u>1013734</u> | Lockwasher, 8mm Split | 2 |
| 12 | N/A | Solenoid, 48-Volt | 1 |
| 13 | N/A | Washer, Lock | 2 |
| 14 | N/A | Nut | 2 |
| 15 | <u>101910401</u> | Screw, 5/16-18 X 1.25 Thrd Frm | 2 |
| 16 | <u>101932601</u> | Kit, 6-Pin Wedge Lock | 1 |
| 17 | <u>101932701</u> | Kit, 6-Pin Receptacle and Wedge Lock | 1 |
| 18 | <u>101965205</u> | Plate, Component Mounting | 1 |
| 19 | <u>102240501</u> | Bolt, Controller, Terminal | 3 |
| 20 | **** | Extrusion, Cover Support | 1 |
| 21 | <u>102259801</u> | Terminal Block | 1 |
| 22 | <u>102263601</u> | Wire Assy, #10 Black | 1 |
| 23 | <u>102263701</u> | Screw, #10-24 X 0.75 Phillips, Thread-Forming | 1 |
| 24 | <u>102266501</u> | Kit, Connector, IQ Controller | 1 |
| 25 | <u>102806201</u> | Controller, IQ, 48-volt | 1 |
| 26 | <u>103316901</u> | Cover Asm - Controller (includes items 27 through 29) | 1 |
| 27 | <u>101931501</u> | Decal, Component Cover | 1 |
| 28 | <u>103316701</u> | Cover - Controller, Deep | 1 |
| 29 | <u>103316801</u> | Gasket - Controller Cover | 1 |
| 30 | <u>103359401</u> | Kit, OBC, DS and Util IQ (includes items 31 through 33) | 1 |
| 31 | <u>103282601</u> | Wire Assembly Black #10 | 1 |
| 32 | N/A | Instr Obc Ds Pre 01-28-2007 | 1 |
| 33 | N/A | Asm, Obc, Iq, V3.0 | 1 |
| 34 | <u>1242</u> | Nut, 5/16-18 Hex | 1 |
| 35 | <u>7174</u> | Lockwasher, 5/16 Split | 1 |
| 36 | <u>8639</u> | Tie Wrap, 11" Nylon | 1 |
| 37 | <u>8990</u> | Tie Wrap, 8" Nylon | 1 |
| | | **** Special order item available upon request. | |

7

E

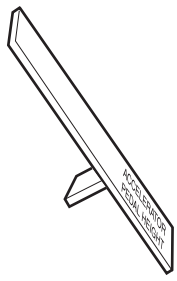
7

E

MAINTENANCE AND SERVICE TOOLS

8
G
E
D

8
G
E
D



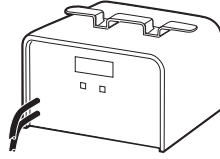
1



2



3



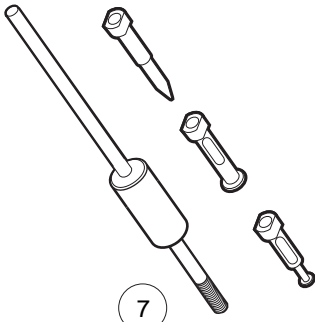
4



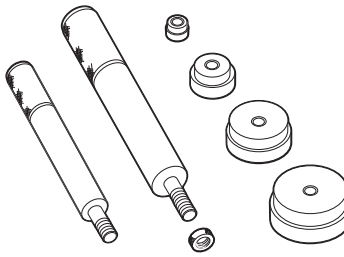
5



6



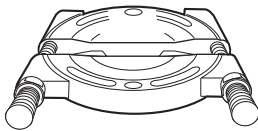
7



8



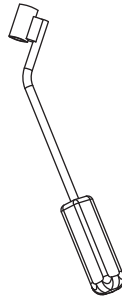
9



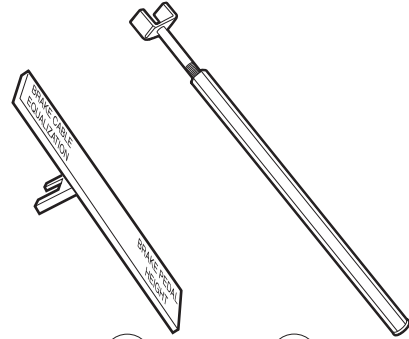
10



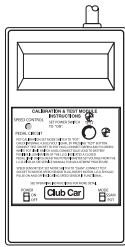
11



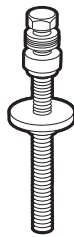
12



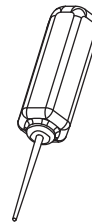
14 15
13



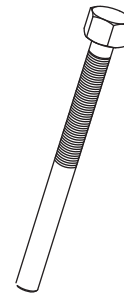
16



17



18



19

MAINTENANCE AND SERVICE TOOLS

| ITEM | PART NO. | DESCRIPTION | QTY DIESEL | QTY GAS | QTY ELEC |
|------|------------------|---|---------------|------------|-------------|
| | | <p style="text-align: center;">1 2 3 4</p> <p>The following tool list includes all tools available from Club Car for maintenance and service procedures for gasoline, electric, and/or diesel vehicles, both past and present models. Be sure to carefully examine the tool list for applicability to your vehicle before ordering.</p> | | | |
| 1 | <u>101871001</u> | Accelerator Pedal Adjustment Tool | | 1 | 1 |
| 2 | <u>101813202</u> | Adhesive, Guide Ring, 3-Gram Tube | | | 1 |
| 3 | <u>101641202</u> | Arbor | | 1 | |
| 4 | <u>101831901</u> | Battery Discharge Machine, 36/48 Volt | | | 1 |
| 5 | <u>1014305</u> | Battery Terminal Protector Spray | 1 | 1 | 1 |
| 6 | <u>1011767</u> | Battery Thermometer | 1 | 1 | 1 |
| 7 | <u>1016417</u> | Bearing and Oil Seal Remover Assembly | 1 | 1 | 1 |
| 8 | <u>1016416</u> | Bearing Driver Set | 1 | 1 | 1 |
| 9 | <u>1012811</u> | Bearing Puller | 1 | 1 | 1 |
| 10 | <u>1012812</u> | Bearing Puller Wedge Attachment | 1 | 1 | 1 |
| 11 | <u>1013582</u> | Brake Adjustment Tool (used only on vehicles with manually adjusted mechanical brakes) | | 1 | 1 |
| 12 | <u>102555501</u> | Brake Cable Release Tool | 1 | 1 | 1 |
| 13 | <u>102249901</u> | Brake Pedal Adjustment Tool Kit (used for the Carryall Electric Industrial Truck only) (includes items 14 and 15)..... | | | 1 |
| 14 | **** | Brake Pedal Adjustment Tool | | | 1 |
| 15 | **** | Brake Pedal Tension Tool | | | 1 |
| 16 | <u>101887101</u> | Calibration Test Module | | | 1 |
| 17 | <u>101808401</u> | Cam Installation Tool | | 1 | |
| 18 | <u>102562401</u> | Charger Bezel Tool | | | 1 |
| 19 | <u>102686101</u> | Clutch Removal Tool (for 4x4 vehicles) | 1 | 1 | |
| | | <p>Please refer to the maintenance and service manual for proper tool application.</p> <p>**** Special order item available upon request</p> | | | |

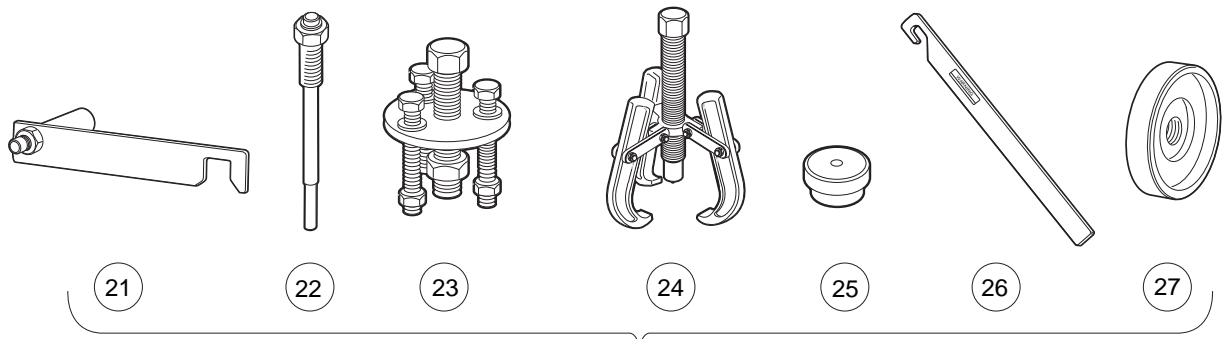
8

G

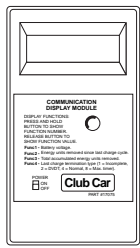
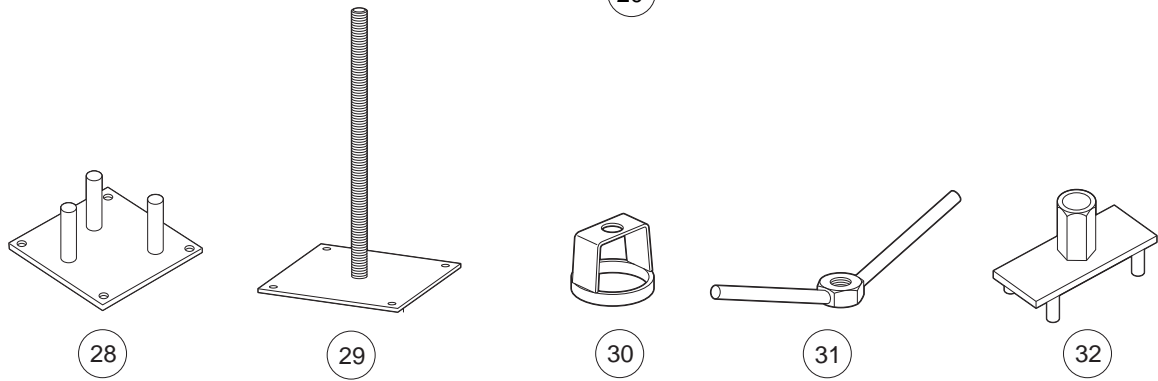
E

D

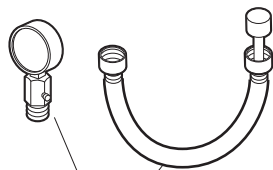
8
G
E
D



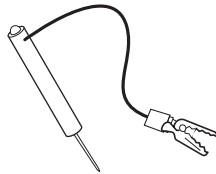
20



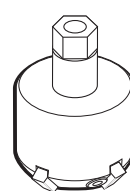
33



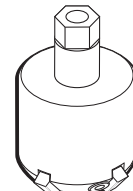
34



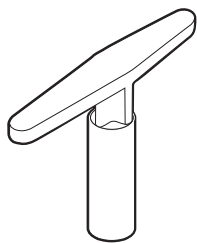
35



36



37



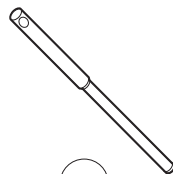
38



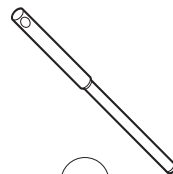
39



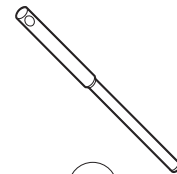
40



41



42

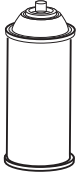


43

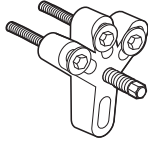
MAINTENANCE AND SERVICE TOOLS, CONTINUED

| ITEM | PART NO. | DESCRIPTION | QTY DIESEL | QTY GAS | QTY ELEC | 8 |
|------|------------------|---|---------------|------------|-------------|----------|
| | | 1 2 3 4 | | | | |
| 20 | <u>1014510</u> | Clutch Tool Kit (includes items 21 - 27) | | 1 | | G |
| 21 | <u>1014498</u> | Clutch Alignment Tool (for pre-unitized transaxle vehicles built prior to 1997 model year) | | 1 | | E |
| 22 | <u>1014496</u> | Drive Clutch Puller (for Kawasaki engines only) | | 1 | | D |
| 23 | <u>1014497</u> | Drive Clutch Hub Puller (for Kawasaki engines only) | | 1 | | |
| 24 | <u>1014508</u> | Driven Clutch Cam Puller (for Kawasaki engines only) | | 1 | | |
| 25 | <u>1014507</u> | Driven Clutch Puller Plug (for Kawasaki engines only) | | 1 | | |
| 26 | <u>1015524</u> | Drive Clutch Holder Tool Assembly (for Kawasaki engines only) | | 1 | | |
| 27 | <u>101809101</u> | Press Weldment (for Kawasaki engines only) | | 1 | | |
| 28 | <u>102601501</u> | Drive ClutchFixed Sheave Tool (for 4x4 vehicles) | 1 | 1 | | |
| 29 | <u>102603501</u> | Driven Clutch Spring Compression Base (for use with items 30 and 31) (for 4x4 vehicles) | 1 | 1 | | |
| 30 | <u>102605201</u> | Driven Clutch Spring Compression Collar (for use with items 29 and 31) (for 4x4 vehicles) | 1 | 1 | | |
| 31 | <u>102606101</u> | Driven Clutch Spring Compression Nut (for use with items 29 and 30) (for 4x4 vehicles) | 1 | 1 | | |
| 32 | <u>102607501</u> | Drive Clutch Spider Removal Tool (for 4x4 vehicles) | 1 | 1 | | |
| 33 | 101831801 | Communication Display Module | | | 1 | |
| 34 | 101641002 | Compression Gauge and Adapter | | 1 | | |
| 35 | 1011273 | Continuity Tester | | 1 | 1 | |
| 36 | <u>102773801</u> | Cutter, Valve Seat, #122 | | 1 | | |
| 37 | <u>102773901</u> | Cutter, Valve Seat #115 | | 1 | | |
| 38 | <u>102774101</u> | Wrench, T, #505..... | | 1 | | |
| 39 | <u>102774101</u> | Adapter, T-Wrench | | 1 | | |
| 40 | 102675401 | Cutter, Valve Seat, 60 Degree (requires item 51) (for Honda GX620 Gasoline Engines) | | 1 | | |
| 41 | <u>102774201</u> | Pilot, 6.6 MM | | 1 | | |
| 42 | <u>102774301</u> | Pilot, 6.62 MM..... | | 1 | | |
| 43 | <u>102774401</u> | Pilot, 6.65 MM..... | | 1 | | |
| | | Please refer to the maintenance and service manual for proper tool application. | | | | |

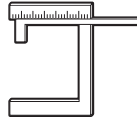
8
G
E
D



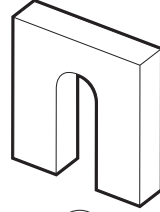
44



45



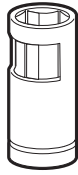
46



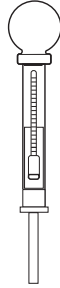
47



48



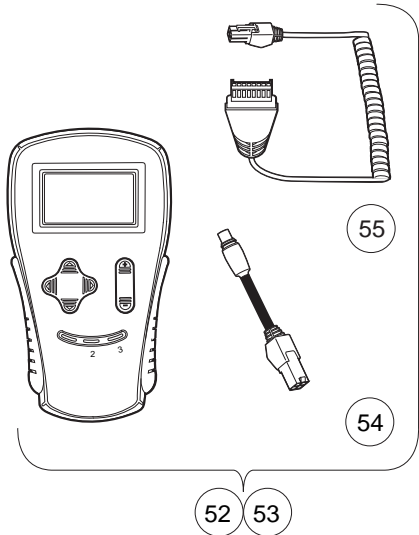
49



50



51

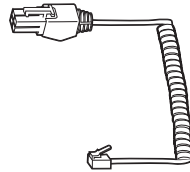


55

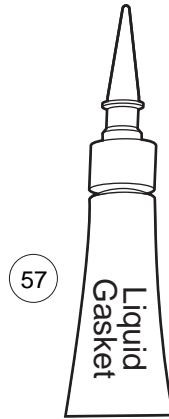
54

52

53



56



57



58



59 60



61

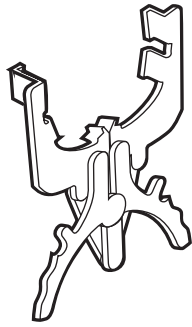
MAINTENANCE AND SERVICE TOOLS, CONTINUED

| ITEM | PART NO. | DESCRIPTION | QTY DIESEL | QTY GAS | QTY ELEC | 8 |
|------|------------------|--|---------------|------------|-------------|----------|
| | | 1 2 3 4 | | | | |
| 44 | <u>1012151</u> | Dry Moly Lubricant | 1 | 1 | 1 | G |
| 45 | <u>1016627</u> | Flywheel Puller Kit (for Kawasaki Engines) | | 1 | | |
| 46 | <u>102669901</u> | Gauge, Carburetor Float Level (for Honda GX620 Gasoline Engines) | | 1 | | E |
| 47 | <u>1016418</u> | Gear Yoke | 1 | 1 | 1 | D |
| 48 | <u>101933101</u> | Governor Shaft Installation Tool (for Kawasaki Engine Vehicles) | | 1 | | |
| 49 | <u>102169401</u> | Hydraulic Brake Adjuster (for Turf/CA 272/472, Pioneer/XRT 1200, Bobcat 2100, HUV 4213) | | | 1 | |
| 50 | <u>1011478</u> | Hydrometer | 1 | 1 | 1 | |
| 51 | <u>1013593</u> | Internal Retaining Ring Pliers | 1 | 1 | 1 | |
| 52 | <u>102248803</u> | IQ Display Module (IQDM) Kit (IQ System and IQ Plus vehicles) | | | 1 | |
| | | (includes items 54 and 55) | | | | |
| 53 | <u>102248804</u> | IQ Display Module (IQDM-P) Kit (IQ System and IQ Plus vehicles) | | | 1 | |
| | | (includes items 54 and 55) | | | | |
| 54 | <u>102251501</u> | Adaptor, Cable | | | 1 | |
| 55 | <u>102241502</u> | IQDM Series 2 Cable | | | 1 | |
| 56 | <u>102241501</u> | IQDM Series 1 Cable (replacement) | | | 1 | |
| 57 | <u>101928701</u> | Liquid Gasket (transaxle case) | 1 | 1 | 1 | |
| 58 | <u>102243402</u> | Moly-Teflon Lubricant (4-oz. (113-gram) tube) | | | 1 | |
| 59 | <u>101997201</u> | Paint, Touch-Up – Beige* | | 1 | 1 | |
| 59 | <u>101997207</u> | Paint, Touch-Up – Black* | | 1 | 1 | |
| 59 | <u>101997212</u> | Paint, Touch-Up – Burgundy* | | 1 | 1 | |
| 59 | <u>101997211</u> | Paint, Touch-Up – Classic Blue (Navy)* | | 1 | 1 | |
| 59 | <u>101997205</u> | Paint, Touch-Up – Dark Gray* | 1 | 1 | 1 | |
| 59 | <u>101997209</u> | Paint, Touch-Up – Dark Green* | 1 | 1 | 1 | |
| 59 | <u>101997204</u> | Paint, Touch-Up – Gray* | 1 | 1 | 1 | |
| 59 | <u>101997203</u> | Paint, Touch-Up – Red* | 1 | 1 | 1 | |
| 59 | <u>101997206</u> | Paint, Touch-Up – Royal Blue (Pacific Blue)* | | 1 | 1 | |
| 59 | <u>101997202</u> | Paint, Touch-Up – White* | 1 | 1 | 1 | |
| 60 | <u>102562301</u> | Paint, Precedent Underbody – Gray | | 1 | 1 | |
| 61 | <u>102587201</u> | Paint Pen, Touch-Up, Precedent Underbody – Black | | 1 | 1 | |
| | | Please refer to the maintenance and service manual for proper tool application. | | | | |
| | | * Item 59 is not for use on Surlyn [®] body material, which is used on Precedent vehicles. | | | | |

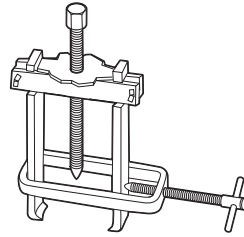
8
G
E
D



62



63



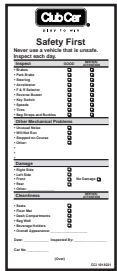
64



65



66



67



68



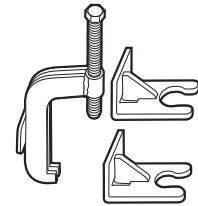
69



70



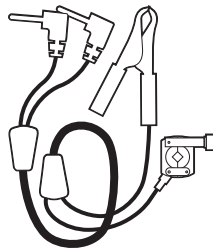
71



72



73



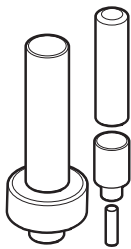
74



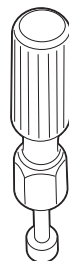
75



76



77



83



84



85



86

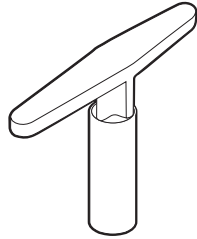
MAINTENANCE AND SERVICE TOOLS, CONTINUED

| ITEM | PART NO. | DESCRIPTION | QTY DIESEL | QTY GAS | QTY ELEC | 8 |
|------|------------------|---|---------------|------------|-------------|----------|
| | | 1 2 3 4 | | | | G |
| 62 | <u>1016414</u> | Piston Ring Compressor Kit (FE290, FE350 and FE400 engines) | | 1 | | E |
| 63 | <u>1016415</u> | Piston Ring Pliers (for Kawasaki Engines) | | 1 | | D |
| 64 | <u>102668801</u> | Puller, Special Use (for Kubota D722 Diesel Engines) | 1 | | | |
| 65 | <u>1012549</u> | Retaining Ring Pliers, 45° External | 1 | 1 | 1 | |
| 66 | <u>1012560</u> | Retaining Ring Pliers, 90° Internal | 1 | 1 | 1 | |
| 67 | <u>101823101</u> | Safety First Card (50 per pack) | 1 | 1 | 1 | |
| 68 | <u>1012809</u> | Seal Puller | 1 | 1 | 1 | |
| 69 | <u>102330901</u> | Spanner Wrench (for coil over shock front suspension vehicles only) | 1 | 1 | | |
| 70 | <u>1014264</u> | Steering Column Bearing Press Tool | | 1 | 1 | |
| 71 | <u>1014259</u> | Steering Column Retaining Ring Tool | | 1 | 1 | |
| 72 | <u>102061201</u> | Steering Wheel Puller Tool | 1 | 1 | 1 | |
| 73 | <u>AM10753</u> | Tachometer (includes gasoline engine pick up lead only) | 1 | 1 | | |
| 74 | <u>AM10771</u> | Tachometer Diesel Probe (for use with item 73) | 1 | | | |
| 75 | <u>1014162</u> | Transaxle Axle Seal Tool | | 1 | | |
| 76 | <u>1014161</u> | Transaxle Pinion Seal Tool | | 1 | | |
| 77 | <u>1014115</u> | Transmission Tool Kit | | 1 | | |
| 78 | <u>101611003</u> | Tune-Up Kit, All OHV (for FE290, FE350, FE400 only) (includes air filter, spark plug, oil filter, fuel filters) (not shown) | | 1 | | |
| 79 | <u>AM11804</u> | Tune-Up Kit, Gx620 (for Honda Engines) (includes air filter, spark plug, oil filter, fuel filters) (not shown) | | 1 | | |
| 80 | <u>AM11805</u> | Tune-Up Kit, D722 (for Kubota Engines) (includes air filter, oil filter, fuel filters, water separator filter) (not shown) | 1 | | | |
| 81 | <u>AM1220301</u> | Tune-Up Kit, Precedent (for FE290/350 Engines) (includes air filter, spark plug, oil filter, fuel filters) (not shown) | | 1 | | |
| 82 | <u>AM1232401</u> | Tune-Up Kit, FH680D (for Kawasaki V-Twin Engines) (includes oil filter, fuel filter, air filter, and spark plugs) (not shown) | | 1 | | |
| 83 | <u>1016413</u> | Valve Clearance Adjuster Screw Holder (for FE290 engines only) | | 1 | | |
| 84 | <u>102674601</u> | Valve Guide Driver (for Honda GX620 Gasoline Engines) | | 1 | | |
| 85 | <u>101641201</u> | Valve Guide Reamer (FE290, FE350, and FE400 only) | | 1 | | |
| 86 | <u>102674401</u> | Valve Guide Reamer, 6.6 mm (for Honda GX620 Gasoline Engines) | | 1 | | |

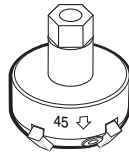
8
G
E
D



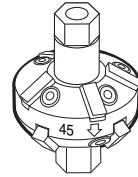
87



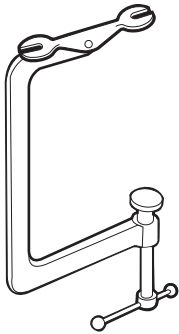
88



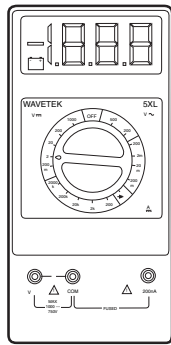
89



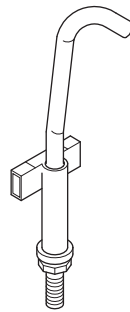
90



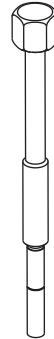
91



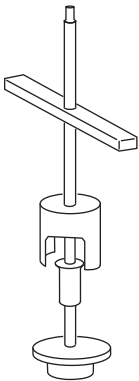
92



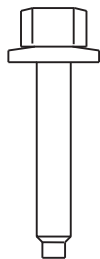
93



94



95



96

MAINTENANCE AND SERVICE TOOLS, CONTINUED

| ITEM | PART NO. | DESCRIPTION | QTY DIESEL | QTY GAS | QTY ELEC |
|------|------------------|---|---------------|------------|-------------|
| | | 1 2 3 4 | | | |
| 87 | <u>1016552</u> | Valve Seat Cutter Guide | | 1 | |
| 88 | <u>1016551</u> | Valve Seat Cutter T-Wrench | | 1 | |
| 89 | <u>1016553</u> | Valve Seat Cutter, 45° (32 mm diameter) (for FE290 engines only) | | 1 | |
| 90 | <u>1016554</u> | Valve Seat Cutter, 45°/30° (35 mm diameter) | | 1 | |
| 91 | <u>101641101</u> | Valve Spring Compressor | | 1 | |
| 92 | 1011480 | Volt Ohm Meter | 1 | 1 | 1 |
| 93 | <u>102570401</u> | Tool, Tensioning, Starter Generator (For Precedent vehicles) | | 1 | |
| 94 | <u>103601401</u> | Puller, Drive Clutch, XRT 950* | | 1 | |
| 95 | <u>103601701</u> | Tool, Disassembly, Driven Clutch, XRT 950 | | 1 | |
| 96 | <u>103600501</u> | Screw, Driven Clutch Disassembly, M6, XRT 950 | | 1 | |
| | | <p>*Note: The XRT 950 Drive Clutch Puller requires the use of Screw, Driven Clutch Disassembly, CCI Part Number <u>103600501</u>.</p> | | | |

8
G
E
D

INDEX

Part Number and Page

| | | | | | |
|----------|-----------------------------|----------|---|-----------|---|
| AM10753 | 8-9 | AM50429 | 2-31, 2-33 | 1010144 | 6-15 |
| AM10771 | 8-9 | AM50432 | 2-7, 2-9 | 1010145 | 6-15 |
| AM10091 | 2-3, 2-5 | AM50434P | 2-45 | 1010150 | 6-11 |
| AM10092 | 2-13 | AM50440P | 2-45 | 1010177 | 6-11 |
| AM10103 | 2-13 | AM50445 | 2-31 | 1010413 | 2-21, 2-23 |
| AM10276I | 2-21 | AM50504 | 2-3 | 1010434 | 2-19, 2-21, 2-23, 2-25, 2-41 |
| AM10289 | 2-15 | AM50599 | 2-43, 2-45 | 1010435 | 2-3, 2-5, 2-7, 2-9, 2-11, 2-19 |
| AM10291 | 2-15 | AM50716I | 2-3, 2-5 | 1010436 | 2-19 |
| AM10343 | 2-43, 2-47 | AM51200 | 3-3 | 1010543 | 2-17 |
| AM10625 | 2-3, 2-5, 2-7, 2-9, 2-11 | AM51253 | 2-15 | 1010805 | 5-5 |
| AM10729 | 2-21 | AM51700 | 2-31, 2-33 | 1010829 | 5-7 |
| AM10738 | 2-45 | AM51701 | 2-7 | 1010850 | 5-3 |
| AM11817 | 2-27 | AM54000 | 2-11 | 1010877 | 5-5 |
| AM50002 | 2-3, 2-9 | AM54001 | 2-11 | 1010878 | 5-5 |
| AM50003 | 2-9 | 332 | 2-13, 2-19, 2-27, 2-31, 2-33, 2-35, 2-37 | 101090801 | 7-15 |
| AM50004 | 2-3 | 334 | 5-9, 6-3, 6-7 | 1010921 | 2-23, 5-5 |
| AM50005 | 2-7 | 357 | 6-11 | 1010927 | 5-5 |
| AM50007 | 2-31, 2-33 | 705 | 7-11 | 1010932 | 5-5 |
| AM50009 | 2-3, 2-5, 2-7, 2-9 | 706 | 6-11 | 1010933 | 5-5 |
| AM50030 | 2-3 | 1028 | 2-21, 2-23, 5-5 | 1010993 | 2-5, 2-7, 2-9, 2-11, 2-27, 2-33, 2-35, 2-37 |
| AM50037 | 2-11 | 1032 | 5-5 | 1011017 | 2-3, 2-5, 2-7, 2-9, 2-11 |
| AM50038 | 2-35, 2-37 | 1035 | 5-7, 6-7 | 1011084 | 5-11 |
| AM50039 | 2-3 | 1241 | 2-3, 2-5, 2-7, 2-9, 2-11, 2-23, 5-5, 5-7, 5-9, 7-11 | 1011182 | 2-19 |
| AM50054 | 2-3, 2-5, 2-7, 2-9, 2-11 | 1242 | 5-7, 7-11, 7-17 | 1011210 | 2-19 |
| AM50065 | 2-11 | 1624 | 5-9, 6-7 | 1011219 | 2-19 |
| AM50069 | 2-3 | 2402 | 6-9 | 1011220 | 2-19 |
| AM50074 | 2-3 | 7048 | 6-13 | 1011221 | 2-19 |
| AM50090 | 2-3, 2-9 | 7174 | 6-3, 7-11, 7-17 | 1011222 | 2-19 |
| AM50092 | 2-3, 2-31, 2-33, 2-35, 2-37 | 7251 | 2-5, 2-7 | 1011229 | 7-7 |
| AM50108G | 2-11 | 7311 | 2-13 | 1011273 | 8-5 |
| AM50109G | 2-35 | 7473 | 2-3, 2-5, 2-7, 2-9, 2-11, 2-19, 2-23, 2-39, 5-5, 5-7, 5-9 | 1011394 | 2-3, 2-5, 2-7, 2-9, 2-11 |
| AM50110G | 2-11 | 7479 | 2-21, 2-23 | 1011402 | 5-5 |
| AM50111G | 2-35 | 7540 | 6-7 | 1011415 | 6-15 |
| AM50116P | 2-9 | 7555 | 6-7 | 1011418 | 5-5 |
| AM50117P | 2-9 | 7602 | 6-7 | 1011466 | 5-3 |
| AM50122P | 2-3 | 7716 | 5-5, 5-9 | 1011478 | 8-7 |
| AM50123P | 2-3 | 7818 | 2-23 | 1011480 | 8-11 |
| AM50124P | 2-31 | 8028 | 2-19 | 1011497 | 2-27 |
| AM50151 | 3-3 | 8056 | 7-7 | 1011498 | 2-27 |
| AM50152 | 3-3 | 8057 | 7-7 | 1011557 | 2-27 |
| AM50158 | 2-11 | 8058 | 7-7 | 1011558 | 2-27 |
| AM50171 | 2-3, 2-9 | 8067 | 6-13 | 1011571 | 2-27 |
| AM50175 | 2-11 | 8233 | 2-13, 2-27, 2-31, 2-33, 2-35, 2-37, 5-9 | 1011578 | 7-15 |
| AM50179 | 2-3, 2-9, 2-11 | 8251 | 2-27, 2-29, 2-31, 2-33, 2-35, 2-37 | 1011582 | 2-27 |
| AM50180 | 2-3, 2-9, 2-11 | 8418 | 2-23 | 1011610 | 2-27 |
| AM50193 | 2-35, 2-37 | 8639 | 7-17 | 1011652 | 2-17 |
| AM50197 | 2-3, 2-31, 2-33, 2-35, 2-37 | 8717 | 5-9 | 1011694 | 5-9 |
| AM50202 | 2-35, 2-37 | 8754 | 5-9, 6-3, 6-7, 6-9, 6-11, 6-15, 7-11 | 1011697 | 2-39, 6-3 |
| AM50286 | 2-35 | 8755 | 6-11, 6-15 | 1011700 | 5-9 |
| AM50343 | 2-31, 2-33, 2-45 | 8861 | 6-9 | 1011734 | 5-11 |
| AM50393 | 2-45 | 8990 | 6-7, 7-7, 7-17 | 1011767 | 8-3 |
| AM50400 | 2-25 | 1010124 | 6-11 | 1011779 | 5-7 |
| AM50405 | 2-43, 2-45 | 1010138 | 6-9 | 1011843 | 2-27 |
| AM50428 | 2-3 | 1010142 | 6-15 | 1011852 | 2-45 |
| | | | | 101187702 | 5-5 |

INDEX

| | | | | | |
|---------|------------------------------|-----------|------------------|-----------|------------------------------|
| 1011883 | 2-45, 2-47 | 1014153 | 5-3 | 1016349 | 6-9 |
| 1011895 | 6-7 | 1014161 | 8-9 | 1016350 | 6-9 |
| 1011930 | 6-7 | 1014162 | 8-9 | 1016353 | 6-9 |
| 1011931 | 5-9 | 1014211 | 6-3 | 1016379 | 2-39 |
| 1012151 | 8-7 | 1014212 | 6-3 | 1016384 | 6-11 |
| 1012180 | 6-15 | 1014213 | 6-3 | 1016385 | 6-9 |
| 1012181 | 6-15 | 1014214 | 6-3 | 1016386 | 6-11 |
| 1012182 | 6-15 | 1014216 | 6-3 | 1016387 | 6-9, 6-11 |
| 1012285 | 7-17 | 1014217 | 6-3 | 1016389 | 6-11 |
| 1012303 | 6-11, 6-15 | 1014259 | 8-9 | 101641002 | 8-5 |
| 1012304 | 6-15 | 1014264 | 8-9 | 101641101 | 8-11 |
| 1012412 | 2-27, 2-31, 2-33, 2-35, 2-37 | 1014276 | 6-11 | 101641201 | 8-9 |
| 1012431 | 7-7 | 1014288 | 6-3, 7-17 | 101641202 | 8-3 |
| 1012466 | 6-3 | 1014304 | 7-15 | 1016413 | 8-9 |
| 1012467 | 6-7 | 1014305 | 8-3 | 1016414 | 8-9 |
| 1012505 | 7-7 | 1014306 | 2-27, 2-31, 2-33 | 1016415 | 8-9 |
| 1012528 | 7-17 | 1014482 | 2-23 | 1016416 | 8-3 |
| 1012549 | 8-9 | 1014496 | 8-5 | 1016417 | 8-3 |
| 1012560 | 8-9 | 1014497 | 8-5 | 1016418 | 8-7 |
| 1012565 | 6-5 | 1014498 | 8-5 | 1016551 | 8-11 |
| 1012566 | 6-5 | 1014507 | 8-5 | 1016552 | 8-11 |
| 1012581 | 2-29 | 1014508 | 8-5 | 1016553 | 8-11 |
| 1012597 | 2-17 | 1014510 | 8-5 | 1016554 | 8-11 |
| 1012604 | 6-3 | 101454902 | 2-19 | 1016622 | 6-3 |
| 1012605 | 6-3 | 1014555 | 6-15 | 1016627 | 8-7 |
| 1012809 | 8-9 | 1014573 | 2-19 | 1016663 | 6-5 |
| 1012811 | 8-3 | 1014675 | 2-19 | 1016668 | 2-19 |
| 1012812 | 8-3 | 1014883 | 4-3 | 1016835 | 2-19 |
| 1012830 | 7-11 | 1014901 | 2-19 | 1016842 | 2-19 |
| 1013032 | 2-29 | 1014902 | 2-19 | 1016849 | 7-7 |
| 1013035 | 6-7 | 1014947 | 7-17 | 1016851 | 7-7 |
| 1013042 | 6-7, 6-9 | 1014948 | 7-17 | 1016857 | 7-7 |
| 1013044 | 6-7 | 1015072 | 7-15 | 1016859 | 7-7 |
| 1013051 | 6-7 | 1015075 | 2-21, 2-23 | 1016868 | 2-5, 2-7 |
| 1013052 | 6-7 | 1015091 | 2-19 | 1016874 | 2-39 |
| 1013061 | 7-13 | 101524001 | 7-11 | 1016875 | 2-39 |
| 1013164 | 6-15 | 1015524 | 8-5 | 1016876 | 2-39 |
| 1013207 | 6-15 | 1015525 | 2-29 | 1016883 | 7-11 |
| 1013216 | 2-29 | 1015545 | 6-3 | 1016967 | 2-5, 2-7 |
| 1013218 | 2-29 | 1015583 | 6-11, 6-15 | 1017029 | 5-5 |
| 1013531 | 5-7 | 1015597 | 6-7, 6-13 | 1017035 | 2-27 |
| 1013582 | 8-3 | 1015625 | 2-17 | 101705701 | 2-19 |
| 1013593 | 8-7 | 1015720 | 7-7 | 1017075 | 2-5 |
| 1013683 | 7-15 | 1015752 | 7-9 | 1017079 | 2-39 |
| 1013734 | 7-17 | 1015932 | 7-11 | 1017080 | 2-5, 2-7 |
| 1013754 | 2-21, 2-23 | 1016074 | 7-11 | 1017141 | 2-27, 2-31, 2-33, 2-35, 2-37 |
| 1013869 | 5-5 | 101611003 | 8-9 | 1017226 | 6-3 |
| 1013870 | 5-5 | 1016154 | 6-5 | 1017235 | 2-19 |
| 1013871 | 5-9 | 1016156 | 6-5 | 1017266 | 6-9 |
| 1013876 | 5-5 | 1016181 | 6-3 | 1017273 | 6-5 |
| 1013924 | 5-3 | 1016183 | 6-3 | 1017378 | 5-9 |
| 1013935 | 2-21, 2-23 | 1016214 | 6-5 | 1017380 | 5-9 |
| 1014007 | 5-9 | 1016219 | 6-5 | 1017424 | 5-9 |
| 1014115 | 8-9 | 1016263 | 6-3 | 1017695 | 2-19 |
| 1014125 | 6-3 | 1016269 | 6-3 | 1017696 | 5-9 |
| 1014126 | 6-3 | 1016346 | 6-9 | 1017699 | 2-27 |

INDEX

| | | | | | |
|-----------|-----------|-----------|--------------------|-----------|------------|
| 1017705 | 7-13 | 101879901 | 6-7 | 102063901 | 2-43, 2-47 |
| 1017774 | 2-23 | 101880001 | 6-7 | 102064601 | 2-43 |
| 101791101 | 5-3 | 101880101 | 6-7 | 102065501 | 2-43 |
| 101795701 | 7-5, 7-15 | 101880201 | 6-7 | 102076701 | 2-23 |
| 101796201 | 5-9 | 101880301 | 6-7 | 102101001 | 7-9 |
| 101796501 | 7-13 | 101887101 | 8-3 | 102101101 | 7-9 |
| 101796801 | 7-13 | 101894901 | 7-13 | 102169401 | 8-7 |
| 101797701 | 7-15 | 101900801 | 5-7 | 102196601 | 7-5 |
| 101797702 | 7-15 | 101903001 | 7-5 | 102198301 | 2-43, 2-47 |
| 101797801 | 7-15 | 101908601 | 4-3 | 102199601 | 7-5 |
| 101801001 | 7-13 | 101908701 | 7-17 | 102221201 | 2-27 |
| 101802101 | 7-13 | 101910401 | 2-23, 7-17 | 102236601 | 2-23 |
| 101808401 | 8-3 | 101912401 | 5-11 | 102236703 | 2-23 |
| 101809101 | 8-5 | 101916701 | 7-11 | 102237001 | 2-23 |
| 101813202 | 8-3 | 101918501 | 5-5 | 102238301 | 2-23 |
| 101815501 | 5-3 | 101920101 | 7-9 | 102238302 | 2-23 |
| 101815502 | 5-3 | 101928701 | 8-7 | 102238304 | 2-23 |
| 101816301 | 5-3 | 101931501 | 7-17 | 102238305 | 2-23 |
| 101816501 | 5-3 | 101932601 | 7-17 | 102240501 | 7-17 |
| 101816502 | 5-3 | 101932701 | 7-17 | 102241501 | 8-7 |
| 101817401 | 5-9 | 101933101 | 8-7 | 102241502 | 8-7 |
| 101823101 | 8-9 | 101935501 | 7-7 | 102242401 | 2-23 |
| 101823201 | 5-3 | 101936801 | 7-9 | 102243402 | 8-7 |
| 101823301 | 5-3 | 101951101 | 2-17 | 102248803 | 8-7 |
| 101823302 | 5-3 | 101953101 | 5-7 | 102249901 | 8-3 |
| 101823801 | 5-3 | 101954301 | 2-17 | 102251501 | 8-7 |
| 101823901 | 5-3 | 101959902 | 4-3 | 102259801 | 7-17 |
| 101824001 | 5-3 | 101965205 | 7-17 | 102263601 | 7-17 |
| 101824002 | 5-3 | 101968701 | 7-5 | 102263701 | 7-17 |
| 101825101 | 4-3 | 101972001 | 8-7 | 102266501 | 7-17 |
| 101826201 | 7-7 | 101972002 | 8-7 | 102278001 | 6-3 |
| 101826801 | 7-17 | 101972003 | 8-7 | 102289201 | 6-9 |
| 101827801 | 7-17 | 101972004 | 8-7 | 102323101 | 5-5 |
| 101830601 | 7-7 | 101972005 | 8-7 | 102323201 | 5-5 |
| 101831801 | 8-5 | 101972006 | 8-7 | 102330901 | 8-9 |
| 101831901 | 8-3 | 101972007 | 8-7 | 102353201 | 6-13 |
| 101832001 | 7-13 | 101972009 | 8-7 | 102353301 | 6-13 |
| 101834502 | 7-7 | 101972011 | 8-7 | 102357701 | 6-13 |
| 101837301 | 7-11 | 101972012 | 8-7 | 102360702 | 2-5 |
| 101840901 | 2-19 | 101978001 | 7-5 | 102363201 | 2-5 |
| 101841101 | 2-19 | 101984801 | 6-3 | 102519201 | 4-3 |
| 101841201 | 2-19 | 101985502 | 2-17 | 102555501 | 8-3 |
| 101841202 | 2-19 | 101987602 | 2-17 | 102562401 | 8-3 |
| 101841301 | 2-19 | 101987901 | 2-3, 2-5, 2-7, 2-9 | 102564002 | 6-11 |
| 101851101 | 7-7 | 101988101 | 2-7, 2-9 | 102570401 | 8-11 |
| 101861901 | 5-9 | 101990801 | 5-7 | 102588501 | 6-15 |
| 101862001 | 5-9 | 102022101 | 5-7 | 102601501 | 8-5 |
| 101870501 | 6-11 | 102022601 | 6-9 | 102603501 | 8-5 |
| 101871001 | 8-3 | 102022602 | 6-9 | 102605201 | 8-5 |
| 101878201 | 5-5 | 102026001 | 5-9 | 102606101 | 8-5 |
| 101878302 | 6-7 | 102051701 | 7-7 | 102607501 | 8-5 |
| 101879401 | 6-7 | 102060511 | 2-23 | 102668801 | 8-9 |
| 101879501 | 6-7 | 102060512 | 2-23 | 102669901 | 8-7 |
| 101879601 | 6-7 | 102060514 | 2-23 | 102674001 | 8-5 |
| 101879701 | 6-7 | 102060515 | 2-23 | 102674101 | 8-5 |
| 101879801 | 6-7 | 102061201 | 8-9 | 102674201 | 8-5 |

INDEX

102674401 8-9
102674601 8-9
102675001 8-5
102675101 8-5
102675201 8-5
102675301 8-5
102675401 8-5
102684501 6-11
102686101 8-3
102766301 6-11
102806201 7-17
103282601 7-17
103316701 7-17
103316801 7-17
103316901 7-17
103351001 6-9
103354701 6-9
103359401 7-17
103477901 6-13
103507001 6-11
103601601 6-3
103628701 6-11
103629001 6-15
103653501 6-9
103667103 6-13
103667203 6-13
19th Hole fabric 2-21

A

absorber, rear shock 6-15
accelerator bracket and bearing assembly 5-9
accelerator pedal 5-9
accelerator pedal adjustment tool 8-3
accelerator pivot rod 5-9
accelerator return spring 5-9
accelerator rod 5-11
access door 2-29
adapter
 cable (IQDM) 8-7
adhesive, guide ring 8-3
adjuster
 hydraulic brake 8-7
angled bumper mount 2-19
A-plate strap 6-9
A-plate, delta 6-9
arbor 8-3
armrest 2-17, 2-19
assembly
 accelerator bracket and bearing 5-9
 accelerator pivot rod 5-9
 bearing, steering shaft 6-3
 brake lever 5-3
 delta A-plate 6-9
 delta shock and gear support 6-9
 headlight harness 2-3, 2-5, 2-7, 2-9
 inner ball joint 6-7

kingpin 6-11
ratchet 5-5
score card plate 6-5
steering shaft 6-3
steering wheel 6-5

B

backing plate, brake 5-3
bag hoop 2-21, 2-23
bag strap assembly 2-21, 2-23
bag strap buckle 2-21, 2-23
bag well carpet 2-41
ball joint 5-5, 5-11, 6-7
ball joint, left-hand thread 6-7
ball, bearing 6-13
bar, drive 7-9
barrel, plastic 2-19, 2-21, 2-23, 2-25, 2-41
basket, sweater 2-21, 2-23
battery
 8-volt 7-15
 8-volt moist 7-15
battery cap 7-15
battery charger receptacle 7-13
battery discharge machine 8-3
battery hold-down 7-15
battery terminal protector spray 8-3
battery thermometer 8-3
battery warning light 7-7
bearing
 ball 6-13
 ball (steering pinion) 6-7
 lower pinion (steering) 6-7
 pivot support 5-9
 steering shaft 6-3
 thrust 6-11
bearing and oil seal remover 8-3
bearing driver set 8-3
bearing puller 8-3
bearing puller wedge 8-3
bearing seal 6-3
bearing seat 6-3
bellows 6-7
belt, starter/generator 7-11
bezel, taillight 2-27
black trim 2-31, 2-33, 2-45
block, brake-mounting 5-5
body kick plate 2-5, 2-7, 2-9, 2-11, 2-27, 2-31, 2-33, 2-35, 2-37
body, front 2-3, 2-5, 2-7, 2-9, 2-11
body, front, trim 2-3, 2-5, 2-7, 2-9, 2-11
body, rear 2-27, 2-31, 2-33, 2-37
bolt, J- 7-15
bolt, U- 2-19
boot, steering column 6-3
box
 steering gear 6-7

bracket
 adjustable starter/generator 7-11
 dash tray mounting 2-15
 mirror mounting 2-13
 shock absorber 6-15
 shock mounting 6-15
 starter/generator mounting 7-11
 steering column 6-3
 steering column mounting 6-3
brake adjusting mechanism 5-3
brake adjustment tool 8-3
brake backing plate 5-3
brake cable 5-7
brake cable equalizer 5-7
brake cable hanger 5-7, 6-15
brake cable release tool 8-3
brake cluster 5-3
brake drum 5-3
brake lever 5-3
brake mounting block 5-5
brake pedal 5-5
brake pedal adjustment tool 8-3
brake pedal pad 5-5
brake pedal tension tool 8-3
brake return spring 5-7
brake self-adjusting mechanism 5-3
brake shoe 5-3
brake spring 5-3
buckle, bag strap 2-21, 2-23
bulb 2-3, 2-31, 2-33, 2-35, 2-37
bulb, halogen 2-3, 2-5
bulb, headlight 2-7, 2-9
bulb, tail light 2-27
bulb, turn signal 2-5
bumper
 front 2-5, 2-7
 front, kit 2-5, 2-7
 jounce 2-19
 rear 2-39
 rubber 2-19, 5-5
 rubber cone 2-11
 side trim 2-19
 spring return 5-9
bumper extension 2-31
bumper mount, angled 2-19
bumper mounting 2-39
bumper strip, chrome 2-3
bumper strip, gold 2-3
bumper, seat 2-17
bushing
 bronze 6-13
 nylon 5-5
 spindle 6-13
 steel 6-11, 6-15
 urethane 6-9, 6-11, 6-15
buzzer, reverse 7-7

INDEX

C

cable
 brake 5-7
 IQDM 8-7
calibration test module 8-3
cam installation tool 8-3
cam lock with key 2-35
canopy 2-47
canopy support 2-43, 2-45, 2-47
canopy trim plate 2-45
cap
 battery 7-15
 chrome 3-3
 key switch 7-7
carburetor float level tool 8-7
card, safety first 8-9
carpet 2-41
carpet, bag well 2-41
carpet, bagwell 2-41
carpet, cooler/ice chest 2-41
carpet, hood 2-41
carpet, tray 2-41
charger bezel tool 8-3
charger receptacle 7-13
clevis, upper delta 6-11
clip, score card 6-5
cluster, brake 5-3
clutch alignment tool 8-5
clutch removal tool 8-3
clutch tool kit 8-5
column, steering 6-3
communication display module 8-5
component mounting plate 7-17
compression gauge 8-5
compression lug 7-17
compressor, piston ring 8-9
compressor, valve spring 8-11
computer, onboard 7-17
connecting bar 2-19
connector, speed controller 7-17
continuity tester 8-5
controller cover 7-17
controller cover gasket 7-17
controller, motor speed 7-17
cooler lid 2-31, 2-33
cover
 dust 5-3, 6-3
 lens 2-3
 steering column tube 6-3
cover gasket, controller 7-17
cover, controller 7-17
cover, speed controller 7-17
cowl 2-5
C-type stop ring 6-7
cup, spring 5-9

cushion, shock absorber 6-15
cutter, valve seat 8-5, 8-11

D

dash tray 2-15
dash tray mounting bracket 2-15
decal
 Club Car 2-3, 2-5, 2-7, 2-9
 Club Car emblem 2-15
 component cover 7-17
 dash warning 4-3
 four-passenger warning 2-19
 grill 2-11
 motor braking 4-3
 on/off 4-3
 operating instructions (gas) 4-3
 Tow/Run switch warning 4-3
 wing 2-35, 2-37
delta A-plate 6-9
delta A-plate sub-assembly 6-9
delta shock and gear support 6-9
diesel tachometer probe 8-9
diode 7-17
door, access 2-29
drive bar 7-9
drive clutch fixed sheave tool 8-5
drive clutch holder tool 8-5
drive clutch hub puller 8-5
drive clutch puller 8-5
drive clutch spider removal tool 8-5
driven clutch cam puller 8-5
driven clutch puller plug 8-5
driven clutch spring compression base tool 8-5
driven clutch spring compression collar tool 8-5
driven clutch spring compression nut tool 8-5
drum, brake 5-3
dry moly lubricant 8-7
dust cover 5-3, 6-3

E

E-clip 5-7
enclosure 2-25
end, tie rod 6-9
equalizer rod 5-7
equalizer, brake cable 5-7
extrusion 7-17

F

fabric, 19th Hole 2-21
fitting, thread-forming grease 6-7, 6-13
flywheel puller 8-7
foot rest 2-19
foot rest mat 2-19

four-passenger 1-5
four-passenger conversion kit 2-19
front body 2-5, 2-11
front body support 2-27, 2-31, 2-33, 2-35, 2-37
front body trim 2-3, 2-5, 2-7, 2-9, 2-11
front bumper 2-5, 2-7
front bumper kit 2-5, 2-7
front spring retainer plate 6-11
front suspension 6-9
fuse 7-13
 3/8-amp 7-13

G

gasket
 liquid 8-7
 taillight 2-27
gasket, controller cover 7-17
gauge, compression 8-5
gear yoke 8-7
glove box 2-15
governor shaft installation tool 8-7
grill 2-3, 2-11
grip, pencil 6-5
guide
 valve seat cutter 8-11
guide ring adhesive 8-3

H

half sweater basket 2-21
handrail 2-19
hanger, brake cable 5-7, 6-15
harness, wire 2-9, 7-5
head liner 2-43, 2-47
headlamp 2-3, 2-5, 2-9
headlamp retainer 2-11
headlamp socket 2-11, 2-35, 2-37
headlight bulb 2-7, 2-9
headlight harness 2-3, 2-5, 2-7, 2-9
headlight lens 2-3, 2-5
headlights 2-7, 2-11
hill brake rod 5-5
hill brake weld assembly 5-5
hinge 2-31, 2-33, 2-35
hinge assembly 2-19
hinge pin 2-19
hinge plate 2-17, 2-27, 2-31, 2-33, 2-35, 2-37
hinge strap 2-7
hinge, long 2-19
hinges, hood 2-3, 2-9, 2-11
hold-down, battery 7-15
hood 2-3, 2-7, 2-9, 2-11
hood carpet 2-41
hood latch 2-3, 2-9
hoop, bag 2-21, 2-23
horn grommet 2-41

INDEX

- housing
 - 2-pin 7-9
 - 3-pin 7-9
 - 6-pin 7-17
- hub 6-13
- hubcap 6-13
- hydraulic brake adjuster 8-7
- hydrometer 8-7
- I**
- ice chest lid 2-31, 2-33
- internal retaining ring pliers 8-7
- IQ display module (IQDM) 8-7
- J**
- J-bolt 7-15
- joint
 - ball 5-5, 5-11
 - left-hand thread ball 6-7
- ounce bumper 2-19
- K**
- key
 - On/Off 7-7
- key switch cap 7-7
- key switch, On/Off 7-7
- keyswitch nut 7-7
- kick plate, body 2-27, 2-31, 2-33, 2-35, 2-37
- kingpin 6-11
- kit
 - 2-pin housing 7-9
 - 3-pin housing 7-9
 - 6-pin housing 7-17
 - accelerator pivot rod 5-9
 - brake cable 5-7
 - brake pedal 5-5
 - brake pedal adjustment tool 8-3
 - brake shoe retainer 5-3
 - front hub replacement 6-13
 - IQ display module (IQDM) 8-7
 - park brake latch 5-5
 - park brake pedal 5-5
 - reverse buzzer 7-7
 - shock absorber 6-15
 - shock absorber cushion 6-15
 - steering column rebuild 6-3
 - taillight hardware 2-27
 - tune-up 8-9
- L**
- lamp 2-3, 2-31, 2-33, 2-35, 2-37
- lamp, halogen 2-3, 2-5
- lamp, turn signal and socket 2-5
- lamp, turn signal socket 2-3, 2-31, 2-33, 2-35, 2-37
- latch, hood 2-3, 2-9
- latch, park brake 5-5
- leaf spring 2-19
- lens 2-5
- lens cover 2-3
- lens, taillight 2-27
- light
 - battery warning 7-7
- light adapter 2-7, 2-9
- light lens, tail
 - lens, taillight 2-31, 2-33
- lights, parking 2-3
- lights, turn signal 2-11
- liner, head 2-43, 2-47
- link, rack and pinion drag 6-7
- liquid gasket 8-7
- lubricant, dry moly 8-7
- lubricant, moly-teflon 8-7
- lug nut 3-3
- lug, compression 7-17
- M**
- mat, foot rest 2-19
- MCOR 7-9
- mechanism, brake adjusting 5-3
- meter, volt ohm 8-11
- mirror 2-13
- mirror mounting bracket 2-13
- module
 - calibration test 8-3
 - communication display 8-5
 - moly-teflon lubricant 8-7
 - motor speed controller 7-17
 - mounting block, brake 5-5
- N**
- nut, keyswitch 7-7
- nut, lug 3-3
- O**
- OBC 7-17
- OBC, onboard computer 7-17
- onboard computer 7-17
- opener, spring hood 2-3, 2-9
- overload bumper spacer 2-19
- P**
- pad
 - accelerator pedal 5-9
 - brake pedal 5-5
 - park brake 5-5
 - wear 2-27
- paint, touch-up 8-7
- panel, rocker 2-3
- park brake latch 5-5
- park brake pedal 5-5
- park brake rod sleeve 5-5
- park brake spacer 5-5
- park brake torsion spring 5-5
- parking lights 2-3
- pawl 5-5
- pedal, accelerator 5-9
- pedal, brake 5-5
- pedal, park brake 5-5
- pencil grip 6-5
- pinion, steering 6-7
- pinstripe 2-3, 2-5, 2-7, 2-9
- piston ring compressor 8-9
- piston ring pliers 8-9
- pivot support bearing 5-9
- plate
 - backing (brake) 5-3
 - body kick 2-5, 2-7, 2-9, 2-11, 2-27, 2-33, 2-35, 2-37
 - bumper mounting 2-39
 - component mounting 7-17
 - front spring retainer 6-11
 - hinge 2-17, 2-27, 2-31, 2-33, 2-35, 2-37
 - receptacle backing 7-13
 - score card 6-5
 - spring mounting 6-11
- plate and U-bolt 2-3, 2-9
- plate, canopy trim 2-45
- pliers
 - internal retaining ring 8-7
 - piston ring 8-9
 - retaining ring 8-9
- plug
 - 6-pin 7-17
 - driven clutch puller 8-5
- press weldment 8-5
- protector spray, battery terminal 8-3
- puller
 - bearing 8-3
 - clutch 8-3
 - drive clutch 8-5
 - drive clutch hub 8-5
 - driven clutch cam 8-5
 - flywheel 8-7
 - seal 8-9
 - special use tool 8-9
- R**
- rack and pinion drag link 6-7
- rack guide pressure spring 6-7
- rack, steering 6-7
- ratchet, park brake 5-5
- reamer, valve guide 8-9
- rear body 2-31
- rear body, 57 Chevy 2-35
- rear bumper 2-39

INDEX

rear spring shackle 6-15
receptacle 7-13
receptacle backing plate 7-13
receptacle, battery charger 7-13
reflector, red 2-43, 2-45
remover, bearing and oil seal 8-3
resistor assembly 7-17
retainer
 accelerator pedal spring 5-9
 brake shoe 5-3
 shock absorber cushion 6-15
 spring 2-19
retaining ring 6-3
retaining ring pliers 8-9
return spring bumper 5-9
reverse buzzer 7-7
ring
 retaining 6-3
 snap 6-7
ring, C-type stop 6-7
rivet, blind push 2-5, 2-7
rocker panel 2-3
rod
 accelerator 5-11
 accelerator pivot 5-9
 equalizer 5-7
 hill brake 5-5
rubber bumper 2-19

S

safety first card 8-9
score card clip 6-5
score card plate 6-5
screw, valve clearance adjuster 8-9
seal
 bearing 6-3
 steering pinion dust 6-7
 vertical socket dust 6-7
seal puller 8-9
seat back 2-23
seat back assembly, four-passenger 2-19
seat back cap 2-23
seat back support 2-21
seat back support, black 2-21
seat bumper 2-17
seat support 2-19
seat support bracket 2-17
seat support, four-passenger 2-19
seat, bearing 6-3
shackle, rear spring 6-15
shock absorber 6-9
shock absorber (rear) 6-15
shock absorber cushion 6-15
shock absorber cushion retainer 6-15
shock mounting bracket 6-15
shoe, brake 5-3
sleeve
 delta A-plate 6-9
 park brake rod 5-5
snap ring 6-7
socket 6-7
socket, headlamp 2-11, 2-35, 2-37
solenoid, 48-volt 7-17
spacer
 accelerator pivot rod 5-9
 overload bumper 2-19
 park brake 5-5
spanner wrench 8-9
speed controller 7-17
speed controller connector 7-17
speed controller cover 7-17
spray, battery terminal protector 8-3
spring
 accelerator return 5-9
 brake 5-3
 brake return 5-7
 compression 6-5
 leaf 2-19
 park brake torsion 5-5
 rack guide pressure 6-7
 steering shaft compression 6-3
spring cup 5-9
spring hood opener 2-3, 2-9
spring mounting plate 6-11
spring retainer 2-19
starter/generator belt 7-11
starter/generator mounting bracket 7-11
steel bushing 6-11, 6-15
steering column 6-3
steering column bearing press tool 8-9
steering column retaining ring tool 8-9
steering gear box 6-7
steering pinion 6-7
steering pinion dust seal 6-7
steering rack 6-7
steering shaft assembly 6-3
steering shaft column 6-3
steering shaft compression spring 6-3
steering wheel 6-5
steering wheel puller tool 8-9
step plate 2-3
strap, A-plate 6-9
support yoke (steering) 6-7
support, canopy 2-45, 2-47
support, front body 2-27, 2-31, 2-33, 2-35, 2-37
suspension, front 6-9
sweater basket 2-23
sweater basket, half 2-21
switch
 key 7-7

T

tachometer 8-9
tachometer probe, diesel 8-9
tail light bulb 2-27
taillight 2-27
taillight assembly 2-27
taillight base 2-27
taillight bezel 2-27
taillight gasket 2-27
taillight hardware kit 2-27
taillight lens 2-27, 2-31, 2-33
taillight lens, 57 Chevy 2-35, 2-37
terminal block 7-17
tester, continuity 8-5
thermometer, battery 8-3
thread-forming grease fitting 6-7, 6-13
thrust bearing 6-11
tie rod end 6-9
tie wrap 6-7, 7-7, 7-17
tire 3-3
tool
 accelerator pedal adjustment 8-3
 belt tensioning, starter/generator 8-11
 brake adjustment 8-3
 brake cable release 8-3
 brake pedal adjustment 8-3
 brake pedal tension 8-3
 cam installation 8-3
 carburetor float level 8-7
 charger bezel 8-3
 clutch alignment 8-5
 cT-wrench 8-5
 drive clutch fixed sheave 8-5
 drive clutch holder 8-5
 drive clutch spider removal 8-5
 driven clutch spring compression base 8-5
 driven clutch spring compression collar 8-5
 driven clutch spring compression nut 8-5
 governor shaft installation 8-7
 puller, special use 8-9
 steering column bearing press 8-9
 steering column retaining ring 8-9
 steering wheel puller 8-9
 transaxle axle seal 8-9
 transaxle pinion seal 8-9
 transmission 8-9
 valve guide driver 8-9
 valve seat cutter 8-5
tool kit, clutch 8-5
top 2-43, 2-45
touch-up paint 8-7
transaxle axle seal tool 8-9
transaxle pinion seal tool 8-9
transmission tool 8-9
tray carpet 2-41

INDEX

tray, dash 2-15
trim
 black 2-31, 2-33, 2-45
 front body 2-3, 2-5, 2-7, 2-9, 2-11
trunk lid 2-35
tune-up kit 8-9
turn signal bulb 2-5
turn signal cover 2-3, 2-5, 2-7, 2-9, 2-11
turn signal lights 2-11
turn signal socket 2-3, 2-31, 2-33, 2-35, 2-37
turn signal socket and lamp 2-5
T-wrench tool 8-5

U

U-bolt 2-19
u-bolt 6-15
U-bolt and plate 2-3, 2-9
upper delta clevis 6-11
urethane bushing 6-9, 6-11, 6-15

V

valve clearance adjuster screw 8-9
valve guide driver tool 8-9
valve guide reamer 8-9
valve seat cutter 8-5, 8-11
valve seat cutter guide 8-11
valve seat cutter tool 8-5
valve seat t-wrench 8-11
valve spring compressor 8-11
vertical socket dust seal 6-7
volt ohm meter 8-11

W

wear pad 2-27
wedge, bearing puller 8-3
weldment
 press 8-5
wheel, steering 6-5
windshield 2-43, 2-45, 2-47
windshield frame 2-43, 2-45, 2-47
windshield frame pad 2-43, 2-45, 2-47
wire harness 2-9, 7-5
wrap, tie 6-7, 7-7, 7-17
wrench, spanner 8-9

Y

yoke, gear 8-7
yoke, support (steering) 6-7



Club Car, Inc.
P.O. Box 204658
Augusta, GA 30917-4658
USA

Web www.clubcar.com
Phone 1.706.863.3000
1.800.ClubCar
Int'l +1 706.863.3000
Fax 1.706.863.5808