



Pioneer

1200

 **Club Car**[™]
Performance Utility Vehicles

2001 ILLUSTRATED PARTS LIST
Manual No. 102189910 Edition Code 1000C0808B

USING THE ILLUSTRATED PARTS LIST

⚠ WARNING

- **This manual is to be used only for identification and ordering of service parts. Be sure to read and use the maintenance and service manual before attempting any vehicle repairs.**

This manual covers all 2001 Pioneer 1200 vehicles.

The manual is divided into 13 sections. Sections 1 through 12 pertain to the Pioneer 1200 vehicle, and Section 13 pertains to tools that are used on all Club Car products. Note that there are two flags on the outside edge of each page. The first flag contains the section number of which that page is a part. The other flag contains the letter G, signifying that the page pertains to the gasoline vehicle only.

Use the Table of Contents to find the sections and pages that contain the parts and assemblies you seek. The Table of Contents lists section numbers, and under them, the individual page titles and numbers to be found in that section. The Index can be used to find specific parts and assemblies. The Index is divided into numerical and alphabetical listings, with the accompanying page numbers in italics.

There is a two-page spread for each individual page title in the Table of Contents. On the left-hand page is an illustration showing the parts in their relative positions; the parts are each tagged with an item number in a balloon. The right-hand page is the parts list page and gives the page title at the top, then the item numbers (corresponding to the numbers on the illustration), part descriptions, and quantity of parts used. Some item numbers have more than one part number because several configurations of a component are represented together on one spread.

Note that a part description may be indented. This indentation corresponds to a parts assembly level indicated by the numbers 1, 2, 3, and 4 at the top left corner of the parts description area of the parts list page. A part that is indented to *level 2* is a component of the *level 1* part (assembly) that it is listed under. A *level 3* part is a component of the *level 2* part that it is listed under, and a *level 4* part is a component of the *level 3* part preceding it. In each case the part quantity given for a level 2, 3, or 4 part *is the quantity used per next higher level assembly of which it is a component*. A part that is not indented is a *level 1* part. This means that the quantity given is the quantity used per the portion of the vehicle illustrated on that particular spread.

HOW TO ORDER PARTS: Replacement parts and accessories can be obtained from our network of authorized dealers and distributors. You can obtain the name and phone number of your closest Club Car contact by visiting our web site at www.clubcar.com and clicking on the "*Distributor Search*" link or by calling our toll-free Service Parts and Technical Assistance hotline at (800) 872-2246.



P. O. Box 204658
Augusta, Georgia 30917-4658 USA
Telephone 706-863-3000
Service Parts Fax 706-855-7413
www.clubcar.com

© 2000, CLUB CAR, INC.
All rights reserved.

This manual effective October 2, 2000

CONTENTS

BODY AND TRIM	SECTION	1
FRONT BODY TRIM	1-3	
SEATS	1-5	
LATCH PLATE AND PROP ROD	1-7	
TILT BED, HINGE AND LATCH	1-9	
CARGO BOX	1-11	
REAR BODY TRIM	1-13	
WHEELS AND TIRES	SECTION	2
WHEELS AND TIRES	2-3	
DECALS	SECTION	3
DECALS	3-3	
DECALS, CONTINUED	3-5	
BRAKE SYSTEMS	SECTION	4
FRONT BRAKE ASSEMBLY	4-3	
REAR BRAKE ASSEMBLY	4-5	
MASTER CYLINDER	4-7	
HYDRAULIC BRAKE SYSTEM	4-9	
HAND PARK BRAKE ASSEMBLY	4-11	
PEDAL GROUP	SECTION	5
BRAKE PEDAL ASSEMBLY	5-3	
ACCELERATOR PEDAL ASSEMBLY	5-5	
STEERING, FRONT AND REAR SUSPENSION	SECTION	6
STEERING COLUMN	6-3	
STEERING GEAR ASSEMBLY	6-5	
FRONT SUSPENSION	6-7	
REAR SUSPENSION	6-9	
ELECTRICAL SYSTEM	SECTION	7
WIRING	7-3	
FORWARD/REVERSE SHIFTER ASSEMBLY	7-5	
ELECTRICAL COMPONENT BOX	7-7	
ELECTRICAL COMPONENTS, FRONT BODY	7-9	
ELECTRICAL COMPONENTS, DASH PANEL	7-11	
STARTER/GENERATOR ASSEMBLY	7-13	
STARTER/GENERATOR MOUNTING	7-15	
BATTERY	7-17	
FE350 ENGINE	SECTION	8
FE350 ENGINE – SHROUDS AND BRACKETS	8-3	
FE350 ENGINE – IGNITION COMPONENTS AND FLYWHEEL	8-5	

CONTENTS

FE350 ENGINE – OIL CIRCULATION	8-7
FE350 ENGINE – CYLINDER HEAD	8-9
FE350 ENGINE – CRANKCASE, CAMSHAFT AND OIL SENSOR	8-11
FE350 ENGINE – CRANKCASE AND CRANKSHAFT	8-13
ENGINE MOUNTING	8-15

FUEL, INTAKE, AND GOVERNOR SYSTEMS

SECTION

9

FUEL SYSTEM	9-3
CARBURETOR ASSEMBLY	9-5
CARBURETOR INSTALLATION	9-7
GOVERNOR AND ACCELERATOR CABLES	9-9
INTAKE DUCT, CHOKE, AND AIR BOX ASSEMBLY	9-11

EXHAUST SYSTEM

SECTION

10

EXHAUST SYSTEM	10-3
----------------------	------

TORQUE CONVERTER

SECTION

11

DRIVE CLUTCH	11-3
DRIVEN CLUTCH	11-5

UNITIZED TRANSAXLE

SECTION

12

UNITIZED TRANSAXLE – GEAR CASES, BRACKETS AND GUARD	12-3
UNITIZED TRANSAXLE – F&R TRANSMISSION AND GEAR REDUCTION	12-5
UNITIZED TRANSAXLE – DIFFERENTIAL LOCK AND AXLES	12-7
UNITIZED TRANSAXLE – DIFFERENTIAL LOCK CABLE ASSEMBLY AND SHIFTER	12-9

MAINTENANCE AND SERVICE TOOLS

SECTION

13

MAINTENANCE AND SERVICE TOOLS	13-3
MAINTENANCE AND SERVICE TOOLS, CONTINUED	13-5

INDEX

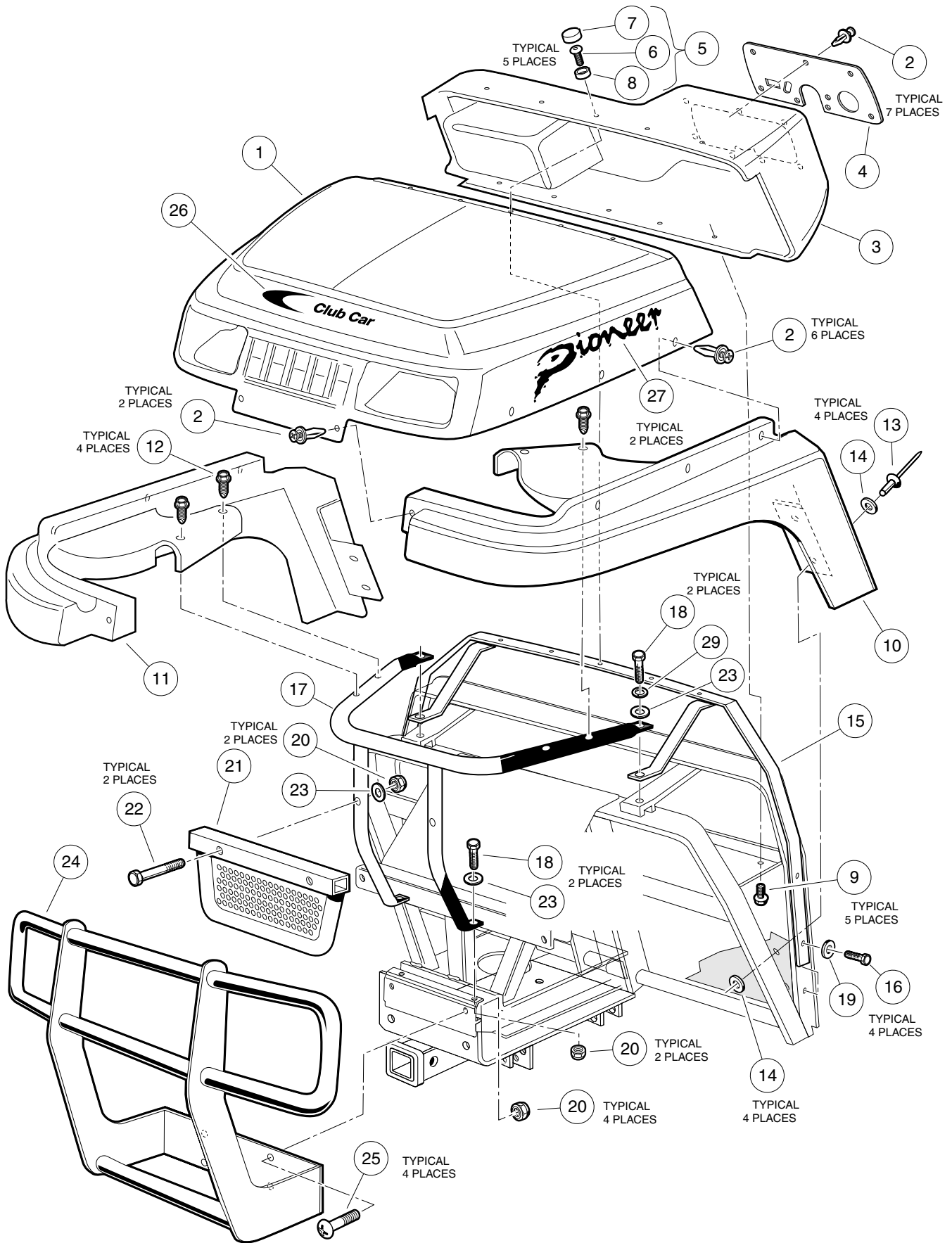
SECTION

i

BODY AND TRIM

1

G

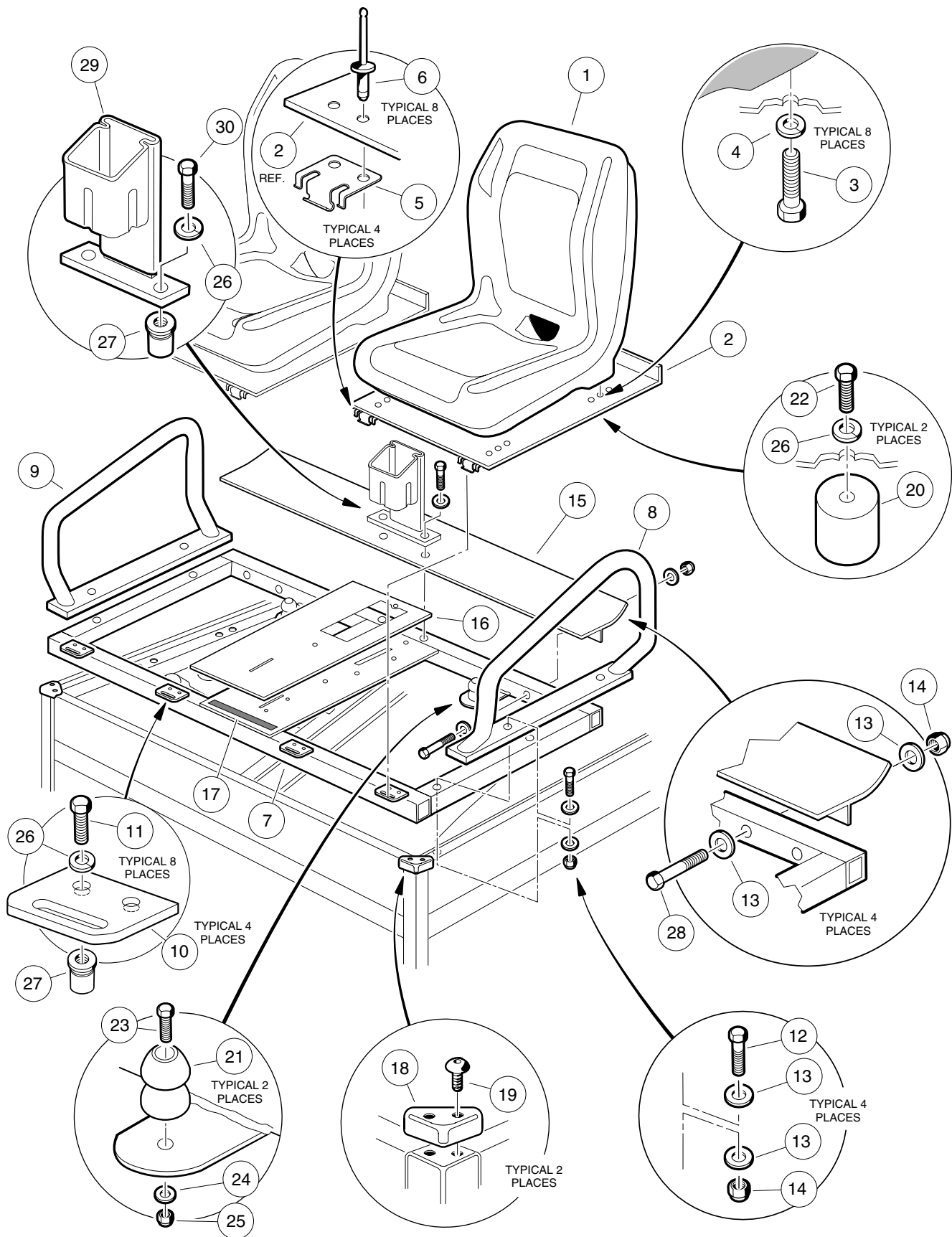


FRONT BODY TRIM

1
G

ITEM	PART NO.	DESCRIPTION	QTY
		1 2 3 4	
1	<u>102021715</u>	Body, Front, with Headlight Opening (Red)	1
2	<u>102025701</u>	Screw, Tuflok	15
3	<u>102021801</u>	Dashboard	1
4	<u>102030501</u>	Panel, Dash	1
5	102056901	Kit, Dash Hardware (Includes Items 6 - 8)	1
6	N/A	Screw, Truss Head, Type C, 1/4-20 x 3/4	5
7	N/A	Cap	5
8	N/A	Washer	5
9	<u>1017384</u>	Screw, Hex Washer Head, Type AB, #12	5
10	<u>102021501</u>	Fender, Front, Driver Side	1
11	<u>102021601</u>	Fender, Front, Passenger Side	1
12	<u>1010545</u>	Screw, Hex Washer Head, Type AB, 1/4-14 x 3/4	4
13	<u>1606</u>	Rivet, Blind, 3/16 x 1/2	4
14	<u>183</u>	Washer, Flat, Type A	8
15	<u>102015701</u>	Support, Upper Front Body	1
16	<u>1012285</u>	Screw, Hex Head Thread-Rolling, 1/4-20 x 5/8	4
17	102015801	Support, Lower Fender	1
18	<u>102078101</u>	Screw, Hex Head Cap, 5/16-18 x 2-1/2	4
19	<u>332</u>	Washer, Plain, 1/4	4
20	<u>7473</u>	Nut, Nylon Lock, 5/16-18	8
21	102013901	Grill	1
22	<u>1010921</u>	Screw, Hex Head Cap, 5/16-18 x 2-1/2	2
23	<u>1241</u>	Washer, Flat, Type A, 5/16	6
24	<u>102013201</u>	Guard, Brush.....	1
25	<u>7410</u>	Screw, Phillips Truss Head, 5/16-18 x 1-1/4	4
26	<u>102228001</u>	Decal, Club Car Nameplate	1
27	<u>102228201</u>	Decal, Pioneer	2
28	102160101	Mat, Floor (Not Shown)	1
29	<u>7174</u>	Washer, Lock, 5/16	2

1
G

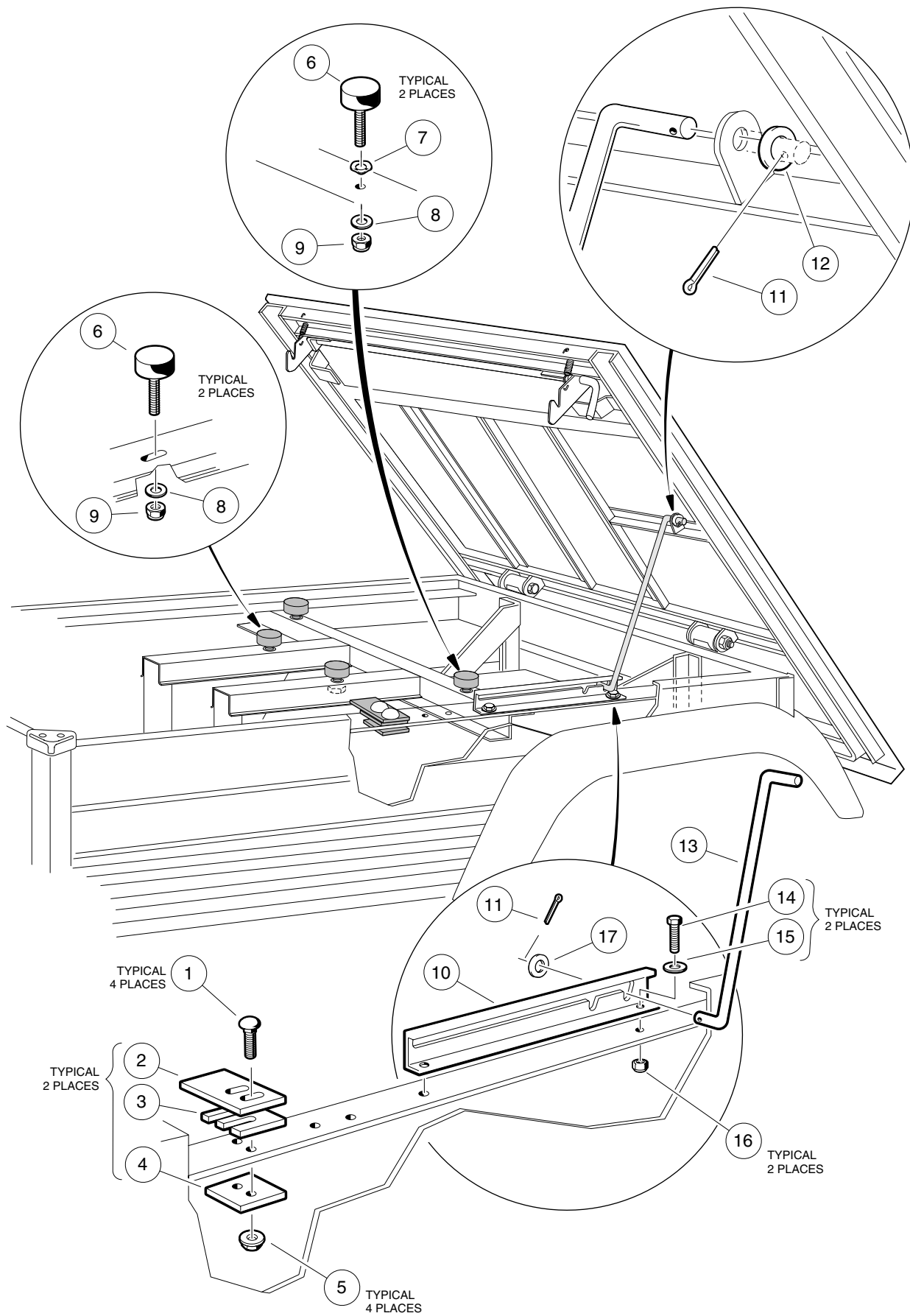


SEATS

1
G

ITEM	PART NO.	DESCRIPTION	QTY
		1 2 3 4	
1	<u>102026501</u>	Seat, Bucket, Gray	2
2	<u>102023701</u>	Panel, Seat	2
3	<u>1012830</u>	Screw, Hex Head, M8 x 1.25 x 22 mm	8
4	<u>1013734</u>	Washer, Lock, 8 mm	8
5	<u>1011652</u>	Plate, Hinge	4
6	<u>102047001</u>	Rivet, Pop, Stainless Steel, 1/4 x 1/2	8
7	<u>102026901</u>	Weldment, Seat Support	1
8	<u>102024901</u>	Armrest, Driver Side	1
9	<u>102025001</u>	Armrest, Passenger Side	1
10	<u>1012412</u>	Plate, Hinge, Body	4
11	<u>7847</u>	Screw, Hex Head Cap, 1/4-20 x 3/4	8
12	<u>8935</u>	Screw, Hex Head Cap, 5/16-18 x 2-1/4	4
13	<u>1011697</u>	Washer, Flat, 5/16	16
14	<u>7473</u>	Nut, Nylon Lock, 5/16-18	8
15	<u>102029501</u>	Seal, Bed	1
16	<u>102026401</u>	Cover, Console	1
17	<u>102056201</u>	Tape, VHB	A/R
18	<u>1014387</u>	Cap, Corner	2
19	<u>1014321</u>	Screw, Truss Torx Head, 1/4-14 x 3/4	4
20	<u>102061101</u>	Cup, Seat Holder	2
21	<u>102059001</u>	Base, Seat Holder	2
22	<u>102059401</u>	Screw, Hex Head Cap, M6 x 1 x 10 mm	2
23	<u>102059501</u>	Screw, Hex Head Cap, M6 x 1 x 35 mm	2
24	<u>332</u>	Washer, Flat, Type A, 1/4	2
25	<u>101887601</u>	Nut, Nylon Lock, M6.....	2
26	<u>451</u>	Washer, Lock, 1/4	12
27	<u>102060201</u>	Insert, Threaded, 1/4-20	10
28	<u>7311</u>	Screw, Hex Head Cap, 5/16-18 x 2	4
29	<u>102068501</u>	Holder, Radio/Beverage	1
30	<u>7847</u>	Screw, Hex Head Cap, 1/4-20 x 3/4	2

1
G

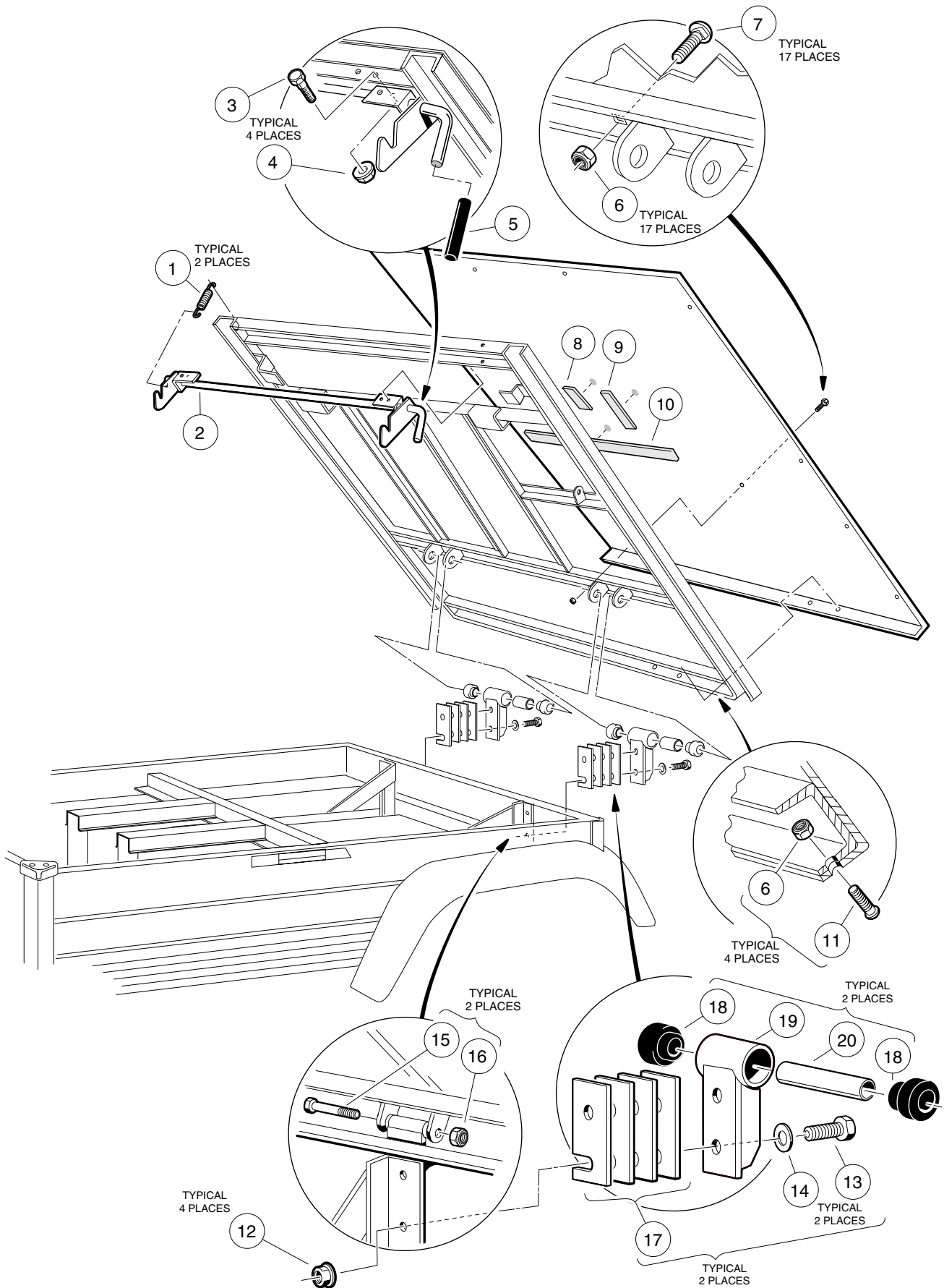


LATCH PLATE AND PROP ROD

1
G

ITEM	PART NO.	DESCRIPTION	QTY
		1 2 3 4	
1	<u>101958602</u>	Screw, Round-Head Square-Neck, 1/4-20 x 1	4
2	<u>1015277</u>	Plate, Tilt Bed Latch	2
3	<u>1016078</u>	Shim, Latch Plate	A/R
4	<u>1016060</u>	Support, Latch Plate	2
5	<u>101835601</u>	Nut, Flange, 1/4-20	4
6	<u>1010878</u>	Bumper, Rubber	4
7	<u>1016201</u>	Washer, Wave	2
8	<u>332</u>	Washer, Flat, 1/4	4
9	<u>8233</u>	Nut, Nylon Lock, 1/4-20	4
	<u>101922801</u>	Kit, Prop Rod (Includes Items 10 - 17)	1
10	N/A	Track, Prop Rod	1
11	<u>1035</u>	Pin, Cotter, 3/32 x 1	2
12	<u>334</u>	Washer, Flat, 3/8	1
13	N/A	Rod, Prop	1
14	<u>7847</u>	Screw, Hex Head Cap, 1/4-20 x 3/4	2
15	<u>332</u>	Washer, Flat, 1/4	2
16	<u>8233</u>	Nut, Nylon Lock, 1/4-20	2
17	<u>1017328</u>	Washer, Convex, 3/8	1

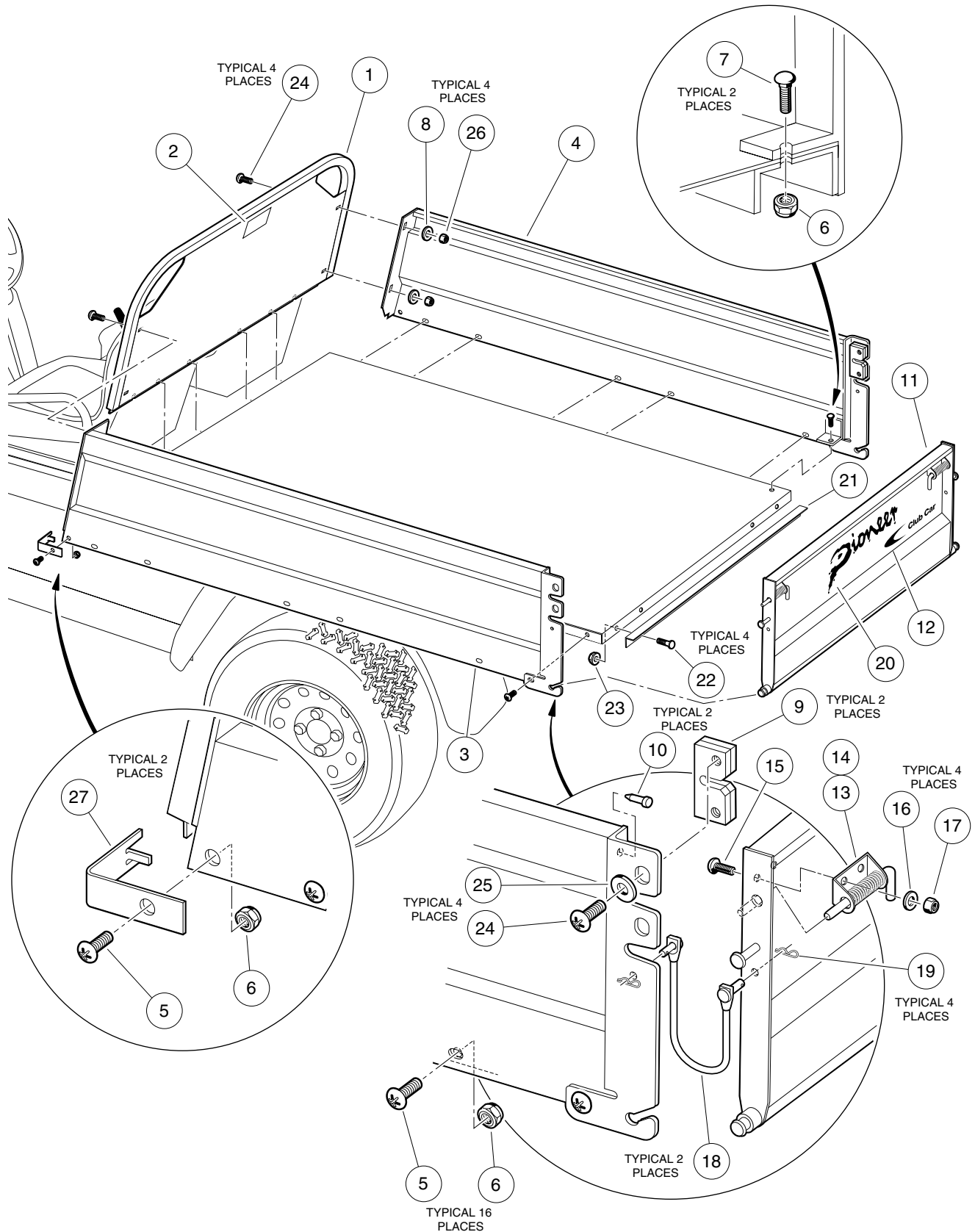
1
G



TILT BED, HINGE AND LATCH



ITEM	PART NO.	DESCRIPTION	QTY
		1 2 3 4	
	<u>101542901</u>	Assembly, Tilt Bed, Manual Lift (Includes Items 1 - 11)	1
1	<u>1015391</u>	Spring, Latch Extension	2
2	<u>1015252</u>	Assembly, Latch Weld	1
3	<u>403</u>	Screw, Hex Head Cap, 1/4-20 x 5/8	4
4	<u>101835601</u>	Nut, Flanged Lock, 1/4-20	4
5	<u>1015400</u>	Hand Grip, Tilt Latch	1
6	<u>7473</u>	Nut, Nylon Lock, 5/16-18	21
7	<u>1010435</u>	Screw, Round-Head Square-Neck, 5/16-18 x 1	17
8	<u>1014471</u>	Insulation, Bulk (4 inches long)	A/R
9	<u>1014471</u>	Insulation, Bulk (8 inches long)	A/R
10	<u>1014471</u>	Insulation, Bulk (46 inches long)	A/R
11	<u>1015399</u>	Screw, Torx Truss Head, 5/16-18 x 5/8	4
12	<u>102065901</u>	Nut, Dimpled Flange Lock, 3/8-16	4
13	<u>705</u>	Screw, Hex Head Cap, 3/8-16 x 1-1/4	4
14	<u>102066001</u>	Washer, Flat, Type B, 3/8	4
15	<u>8755</u>	Screw, Hex Head Cap, 3/8-16 x 3-3/8	2
16	<u>8754</u>	Nut, Nylon Lock, 3/8-16	2
17	<u>1015507</u>	Shim, Tilt Bed Pivot.....	A/R
18	<u>1015583</u>	Bushing, Urethane	4
19	<u>1015356</u>	Hinge, Tilt Bed	2
20	<u>1012303</u>	Bushing, Steel	2
		For latch plate and prop rod components, see page 1-7.	

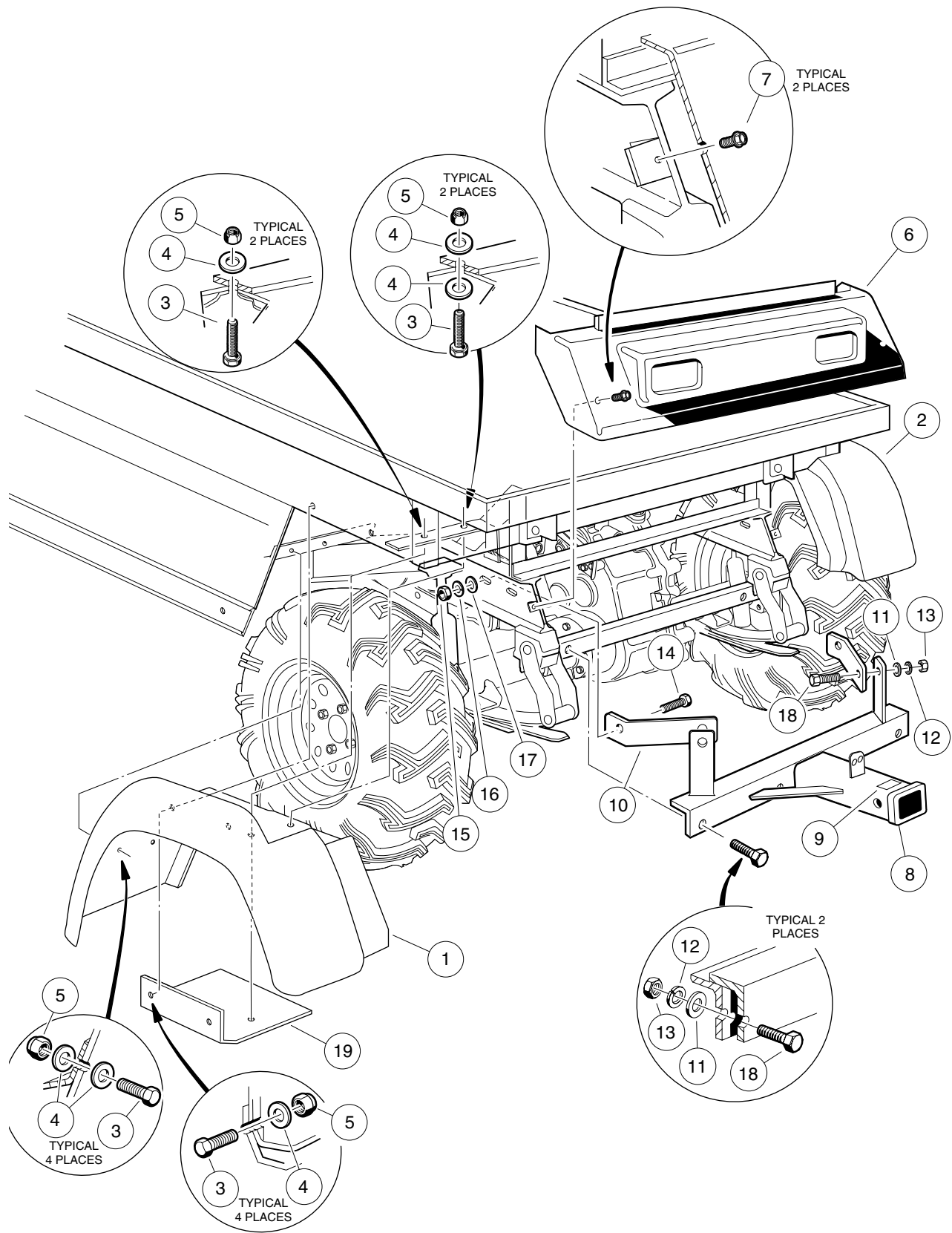


CARGO BOX

1
G

ITEM	PART NO.	DESCRIPTION	QTY
		1 2 3 4	
	<u>102230601</u>	Kit, Steel Box (Includes Items 1 - 27)	1
1	<u>102221301</u>	Front Panel Assembly (Includes Item 2)	1
2	<u>101553901</u>	Decal, Bed Load	1
3	<u>102221401</u>	Side Panel Assembly, Driver Side	1
4	<u>102221501</u>	Side Panel Assembly, Passenger Side	1
5	1015399	Screw, Torx Truss Head, 5/16-18 x 7/8	18
6	<u>7473</u>	Nut, Nylon Lock, 5/16 - 18	20
7	<u>1010435</u>	Bolt, Round-Head Square-Neck, 5/16-18 x 1	2
8	<u>332</u>	Washer, Flat, Type A, 1/4	4
9	<u>102222001</u>	Latch, Slam	2
10	<u>1010436</u>	Bumper	2
11	<u>102229901</u>	Tailgate Assembly (Includes Items 12 - 20)	1
12	<u>102234901</u>	Decal, Club Car Tailgate	1
13	<u>102222101</u>	Spring Latch, Driver Side	1
14	<u>102222201</u>	Spring Latch, Passenger Side	1
15	8419	Screw, Torx Truss Head, 1/4-20 x 5/8	4
16	<u>332</u>	Washer, Flat, 1/4	4
17	<u>8233</u>	Nut, Nylon Lock, 1/4-20	4
18	<u>102221801</u>	Tether	2
19	<u>1013366</u>	Pin, Hair Spring Cotter	4
20	<u>102234801</u>	Decal, Pioneer Tailgate	1
21	<u>101894304</u>	Kit, Tailgate Angle	1
22	<u>1014537</u>	Stud, Flush Head	4
23	<u>101963401</u>	Nut, Flange Lock, 5/16-18	4
24	<u>1014415</u>	Screw, Torx Truss Head, 1/4-20 x 3/4	8
25	<u>1014306</u>	Washer, Flat, Type B, 1/4	4
26	<u>8233</u>	Nut, Nylon Lock, 1/4-20	4
27	<u>102221701</u>	Cap, Front Corner	2

1
G



REAR BODY TRIM

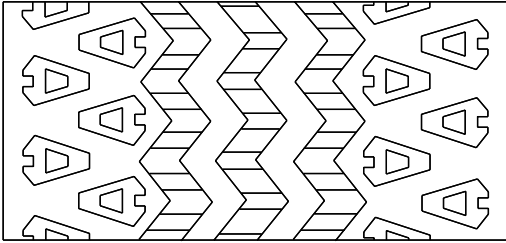
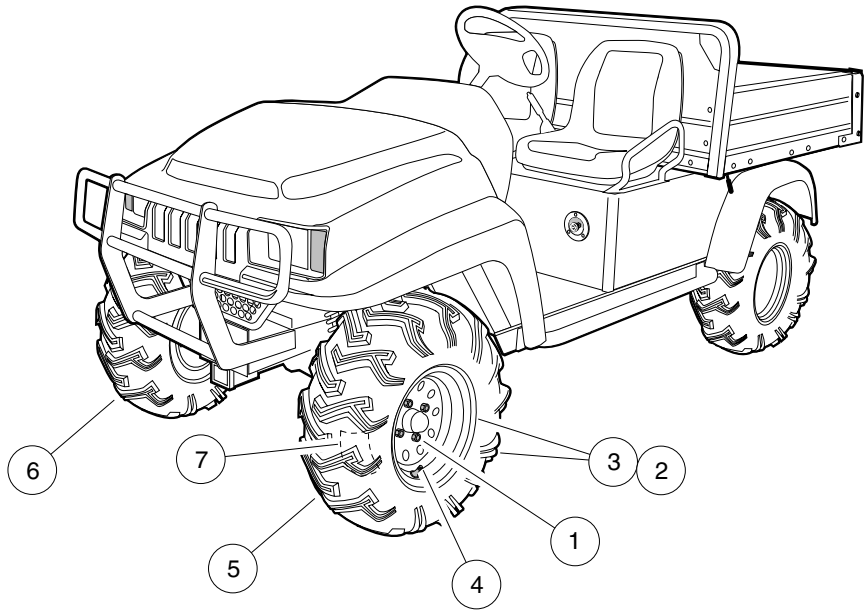
1
G

ITEM	PART NO.	DESCRIPTION	QTY
		1 2 3 4	
1	<u>102021901</u>	Fender, Rear, Driver Side	1
2	<u>102022001</u>	Fender, Rear, Passenger Side	1
3	304	Screw, Hex Head Cap, 1/4-20 x 1	12
4	<u>1014306</u>	Washer, Flat 1/4	14
5	<u>8233</u>	Nut, Nylon Lock, 1/4-20	12
6	<u>1015530</u>	Tailskirt	1
7	<u>1012285</u>	Screw, Thread-Rolling, 1/4-20 x 5/8	2
8	58644956	Hitch, Receiver Trailer (Includes Item 9)	1
9	<u>1011553</u>	Decal, Trailer Hitch	1
10	<u>1013483</u>	Brace, Trailer Hitch	2
11	<u>1241</u>	Washer, Flat, 5/16	4
12	<u>7174</u>	Washer, Lock, 5/16	4
13	<u>1242</u>	Nut, Hex, 5/16-18	4
14	705	Screw, Hex Head Cap, 3/8-16 x 1-1/4.....	2
15	<u>706</u>	Nut, Hex, 3/8-16	2
16	<u>357</u>	Washer, Lock, 3/8	2
17	<u>1011990</u>	Washer, Flat, 3/8	2
18	<u>1010934</u>	Screw, Hex Head Cap, 5/16-18 x 1	4
19	<u>58645318</u>	Guard, Fender	2

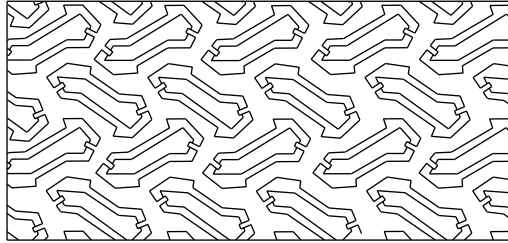
WHEELS AND TIRES

2

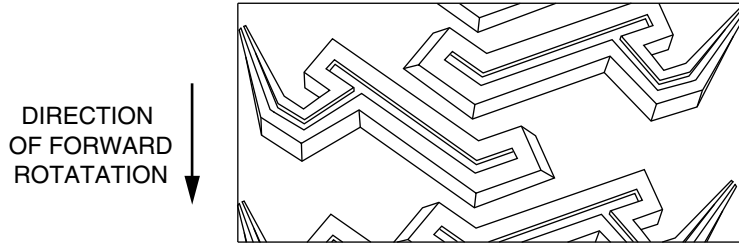
G



ALL TERRAIN
TREAD



TURF
TREAD



TRAKS MAX
TREAD

WHEELS AND TIRES

2

G

ITEM	PART NO.	DESCRIPTION	QTY
		1 2 3 4	
1	<u>1010984</u>	Nut, Lug	16
2	<u>102021402</u>	Assembly, Wheel (Gray) and Tire, All Terrain Tread, 4-Ply Rated (23 x 10.50 - 12)	4
3	<u>102021401</u>	Assembly, Wheel (Gray) and Tire, Turf Tread, 4-Ply Rated (23 x 10.50 - 12)	4
4	<u>7310</u>	Stem, Valve	4
5	<u>102021403</u>	Assembly, Wheel (Gray) and Tire (Driver Side) Traks Max II Tread, 4-Ply Rated (23 x 12.50 - 10) (Includes Item 7)	2
6	<u>102021404</u>	Assembly, Wheel (Gray) and Tire (Passenger Side) Traks Max II Tread, 4-Ply Rated (23 x 12.50 - 10) (Includes Item 7)	2
7	102234001	Decal, Brake Warning	1

DECALS

3

G

OPERATING INSTRUCTIONS

- Read owner's manual and safety warnings located on dash panel prior to driving.
 - Study and understand controls.
- TO START ENGINE**
 - Place shift lever in "N" - Neutral position.
 - Depress brake pedal.
- Turn key switch to "START" position and hold, activating the choke as necessary, until engine starts.
- TO OPERATE VEHICLE**
 - Make sure wheels are turned in desired direction.
 - Be sure nothing is in your path.
- While vehicle is stopped, select vehicle direction by placing shift lever in desired position.
 - F - Forward N - Neutral R - Reverse (Buzzer will sound)
 - Release hand brake.
 - Slowly push accelerator pedal to increase speed.
 - Accelerator pedal must be released to move shift lever.
- TO STOP VEHICLE**
 - Release accelerator pedal and push brake pedal.
 - After stopping, firmly set hand brake.
 - Turn key to "OFF" position, remove key and place shift lever in straight up neutral position when not in use.

CCI 102224301

⚠ WARNING

ROLLOVER OR FALLING OFF MAY CAUSE DEATH

- Read operators manual and operating instructions.
- Remain seated and hold on to seat handle while moving.
- Drive slowly in turns and straight up and down slopes.
- Do not start vehicle until all occupants are seated.
- One (1) person per seat maximum.
- Operate from driver side only and not on public roads.
- Keep entire body inside vehicle while moving.
- Do not operate while under the influence of alcohol or drugs.
- Never attempt jumps.

CCI 102029101

⚠ WARNING

REDUCED STEERING CONTROL MAY CAUSE SERIOUS INJURY OR DEATH

Disengage differential lock on paved surfaces.

CCI 102046601

⚠ WARNING

YOUNG DRIVERS INCREASE CHANCE OF DEATH

UNDER 16

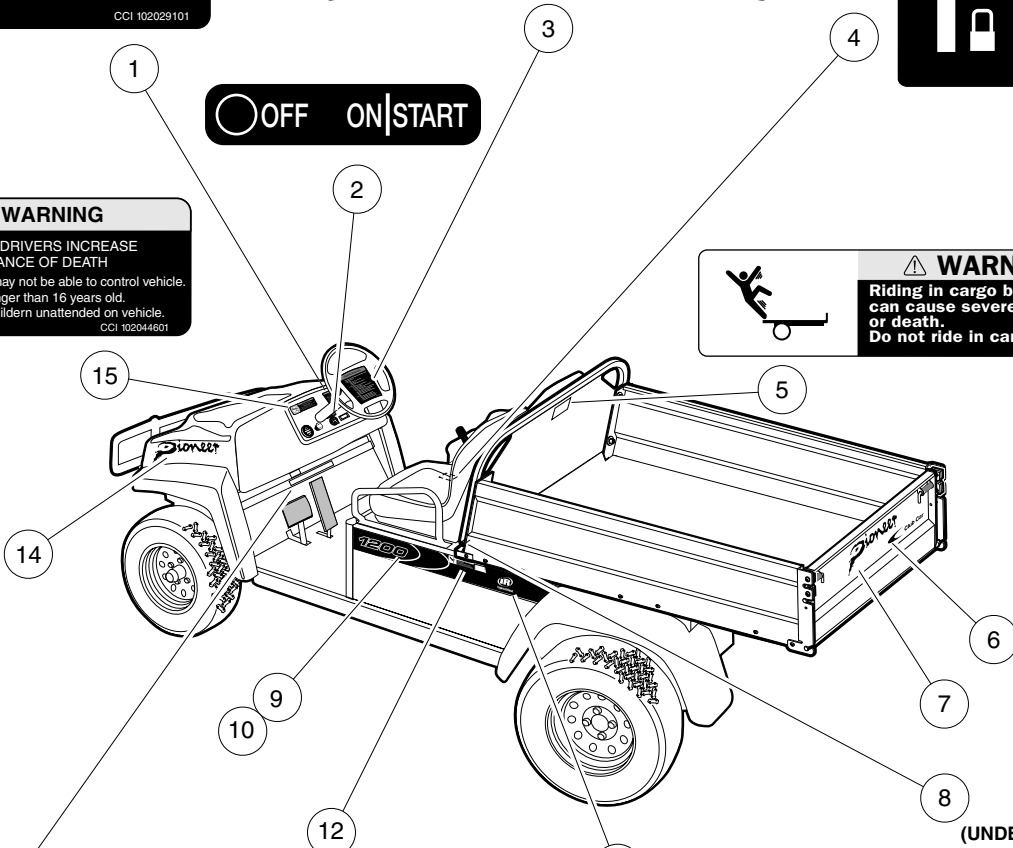
- Young drivers may not be able to control vehicle.
- No drivers younger than 16 years old.
- Do not leave children unattended on vehicle.

CCI 102044601

⚠ WARNING

Riding in cargo bed can cause severe injury or death. Do not ride in cargo bed.

CCI 1015539-01



⚠ WARNING

Crush area. Can cause severe injury. Stay clear when closing bed.

LATCH

CAUTION

CCI 1015437-01



(UNDER SEAT SUPPORT)

⚠ WARNING

CRUSH AREA

STAY CLEAR

CCI 1016094-01

<p>VEHICLE LOADING</p> <p style="font-size: x-small;">Read Owner's Manual and warnings on dash.</p>	<ul style="list-style-type: none"> • Vehicle rated capacity - 1200 lbs. on level surface only. Weight to include passengers, cargo bed load, and gross trailer weight. See Owner's Manual. • Maximum cargo load - 800 lbs. Weight to include cargo bed load and gross trailer weight. • Maximum trailer hitch tongue weight - 150 lbs. 	<ul style="list-style-type: none"> • Cargo should be evenly spread over the floor of the cargo bed as far forward as possible and secured. • For vehicle stability, when fully loaded, drive slowly and avoid stopping on or backing down steep hills. • Avoid top heavy loads. See Owner's Manual. • When driving on uneven terrain or down steep hills, reduce speed and load. <p style="text-align: right; font-size: x-small;">CCI 1019602-01</p>
--	---	---

DECALS

3
G

ITEM	PART NO.	DESCRIPTION	QTY
		1 2 3 4	
1	<u>102029101</u>	Decal, Driver/Passenger Warning	1
2	<u>101825102</u>	Decal, Key Switch	1
3	<u>102224301</u>	Decal, Operating Instructions	1
4	<u>102046601</u>	Decal, Differential Lock Control Warning	1
5	<u>101553901</u>	Decal, Bed Load Warning	1
6	<u>102234901</u>	Decal, Club Car Tailgate	1
7	<u>102234801</u>	Decal, Pioneer Tailgate	1
8	<u>101609401</u>	Decal, Crush Area Warning	2
9	<u>102228501</u>	Decal, Pioneer 1200 (Driver Side) (Includes Items 11 and 12)	1
10	<u>102227801</u>	Decal, Pioneer 1200 (Passenger Side) (Includes Item 11)	1
11	N/A	Decal, Ingersoll-Rand	1
12	N/A	Decal, Bed Latch Warning	1
13	<u>101960201</u>	Decal, Vehicle Loading	1
14	<u>102228201</u>	Decal, Pioneer.....	2
15	<u>102044601</u>	Decal, Under Age Warning	1

WARNING



Rotating Parts

CCI 102224001

(ON PASSENGER SIDE REAR FENDER)

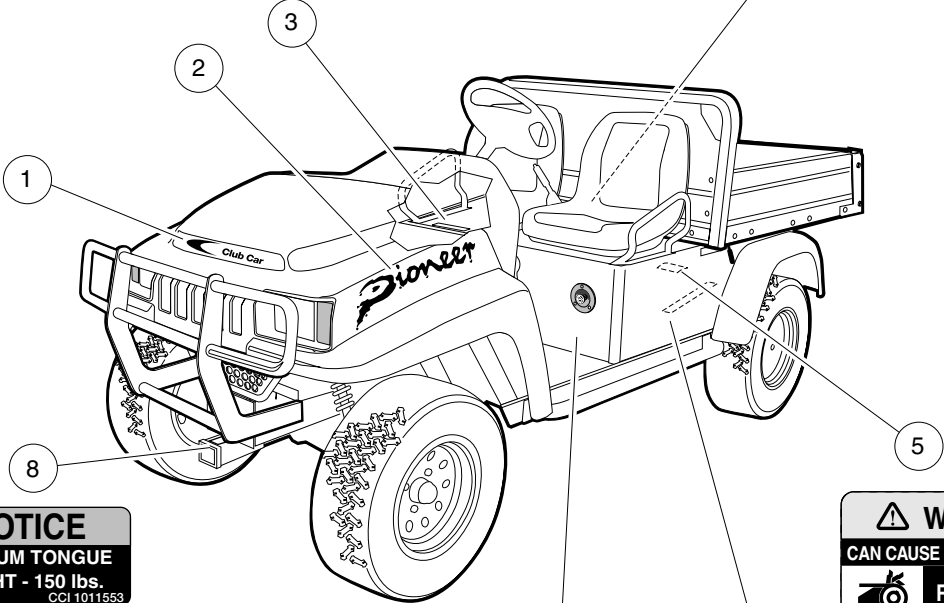
WARNING



- GASOLINE EXPLOSION / FIRE.
- CAN CAUSE SEVERE INJURY OR DEATH.
- NO SMOKING, SPARKS, OR OPEN FLAME.
- STOP ENGINE, ALLOW TO COOL BEFORE REFUELING.
- TURN FUEL VALVE () ON DURING OPERATION.
- () OFF DURING STORAGE OR TRANSPORT.

CCI 1015476-01

(ON PASSENGER SIDE SEAT SUPPORT)



NOTICE

MAXIMUM TONGUE WEIGHT - 150 lbs.

CCI 1011553

(ON FRONT RECEIVER HITCH AND REAR RECEIVER TRAILER HITCH)

(FOR VEHICLES WITH WINCH ACCESSORY)

WARNING



WINCH CABLE FRACTURE COULD RESULT IN SERIOUS INJURY OR DEATH.

- Do not use winch while persons are seated on the vehicle.
- Use remote operation switch for winch control.
- Stand to the side and away from the vehicle to operate winch.
- Read winch operator manual before operating winch.

CCI 102231601

(ON SEAT SUPPORT PANEL)

WARNING

CAN CAUSE SEVERE INJURY




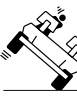
Rotating parts



HOT manifold & muffler

KEEP CLEAR CCI 1019605-01

(ON STARTER/GENERATOR AND ENGINE)

	<p>WARNING</p> <p>Negative frame ground. Can cause severe injury. Do not contact positive (+) battery post or cable to frame. Disconnect negative battery lead first.</p>		<p>WARNING</p> <p>Excessive speed. Can cause severe injury or death. Do not tamper with engine governor adjustment.</p> <p>CCI 1019152-01</p>
---	---	---	---

(ON FRAME)

DECALS, CONTINUED

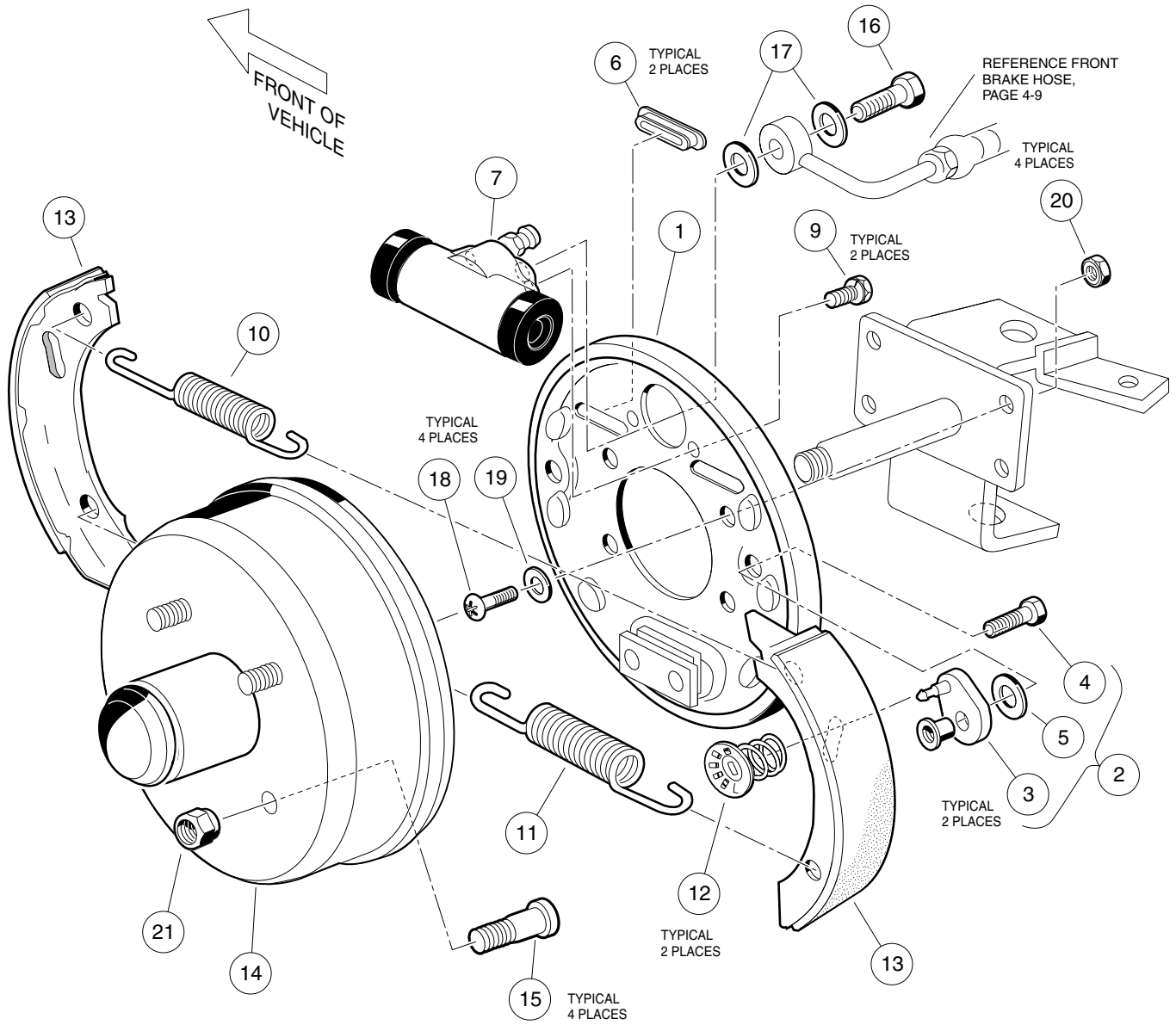
ITEM	PART NO.	DESCRIPTION	QTY
		1 2 3 4	
1	<u>102228001</u>	Decal, Club Car	1
2	<u>102228201</u>	Decal, Pioneer	2
3	<u>101547601</u>	Decal, Gasoline Warning	1
4	<u>102224001</u>	Decal, Rotating Parts	1
5	<u>101960501</u>	Decal, Rotating Parts and Hot Manifold	2
6	<u>101915201</u>	Decal, Frame Ground	1
7	<u>102231601</u>	Decal, Winch Cable Warning.....	1
8	<u>1011553</u>	Decal, Trailer Hitch	2

3
G

BRAKE SYSTEMS

4

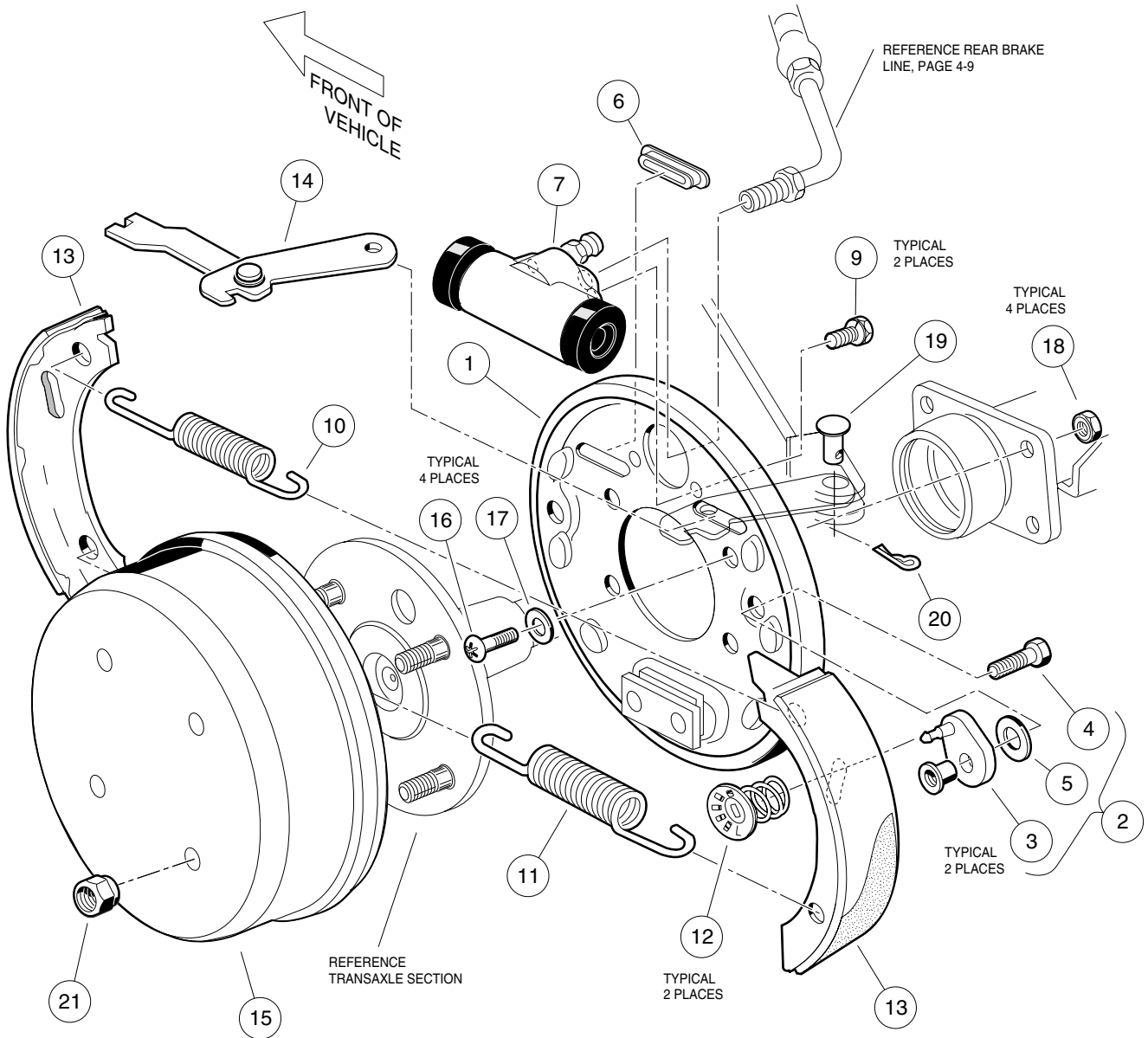
G



FRONT BRAKE ASSEMBLY



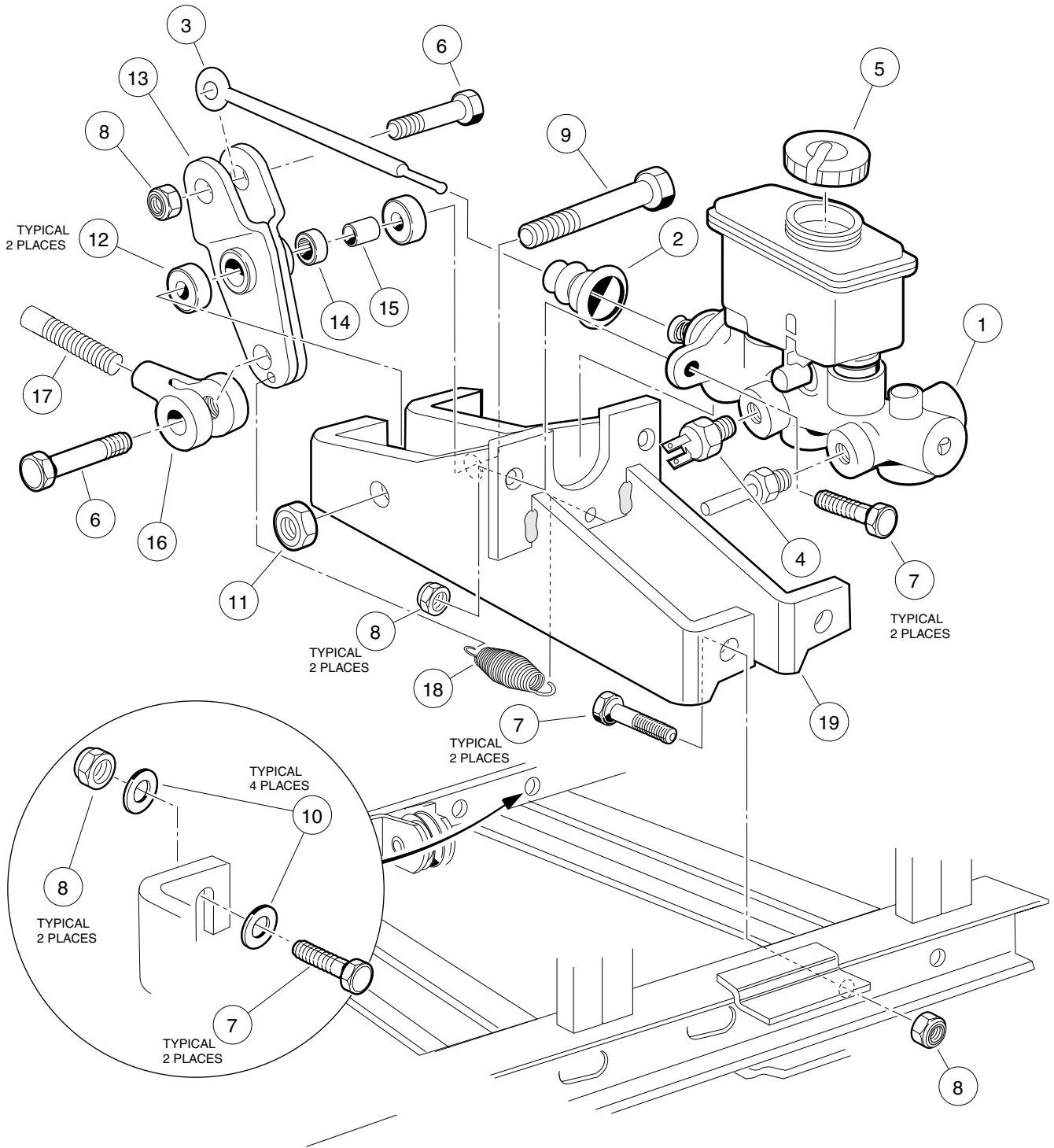
ITEM	PART NO.	DESCRIPTION	QTY
		1 2 3 4	
	<u>102033301</u>	Cluster, Brake (Includes Items 1 - 13)	2
1	<u>102049401</u>	Plate, Backing	1
2	<u>102049601</u>	Kit, Adjuster, Axle (Includes Items 3 - 6)	2
3	<u>102049501</u>	Assembly, Adjuster Lever	1
4	<u>102049901</u>	Bolt, 1/4-28 x .31	1
5	<u>102050001</u>	Washer, Bellville	1
6	<u>102050101</u>	Cover, Dust	2
7	<u>102050301</u>	Cylinder, Wheel, 5/8	1
8	<u>102049701</u>	Kit, Axle Hardware (Not Shown) (Includes Items 9 - 12)	1
9	<u>102050401</u>	Bolt, Wheel Cylinder, Self-Locking, M6 x 1	2
10	<u>102050601</u>	Spring, Shoe to Shoe (Upper)	1
11	<u>102050501</u>	Spring, Shoe to Shoe (Lower)	1
12	<u>102050701</u>	Hold-down, Shoe	2
13	<u>102050201</u>	Kit, Hydraulic Shoe (BPI 4070) (Four Shoes per Kit)	1
14	<u>102044201</u>	Assembly, Brake Drum and Hub (Includes Item 15)	2
15	<u>1013787</u>	Stud, Lug, 1/2-20	4
16	<u>102044401</u>	Bolt, Banjo, 3/8-24	2
17	<u>102045501</u>	Washer, Copper	4
18	<u>102051001</u>	Screw, Pan Head, Torx, 5/16-24 x 1	8
19	<u>1017233</u>	Washer, Flat, 5/16	8
20	<u>1013924</u>	Nut, Hex Head Lock, Grade 8, 5/16-24	8
21	<u>1010984</u>	Nut, Lug	8



REAR BRAKE ASSEMBLY

ITEM	PART NO.	DESCRIPTION	QTY
		1 2 3 4	
	<u>102033401</u>	Assembly, Brake, Driver Side (Includes Items 1 - 15)	1
	<u>102033501</u>	Assembly, Brake, Passenger Side (Includes Items 1 - 15)	1
1	<u>102049401</u>	Plate, Backing	1
2	<u>102049601</u>	Kit, Adjuster, Axle (Includes Items 3 - 6)	2
3	<u>102049501</u>	Lever, Adjuster	1
4	<u>102049901</u>	Bolt, 1/4-28 x .31	1
5	<u>102050001</u>	Washer, Bellville	1
6	<u>102050101</u>	Cover, Dust	1
7	<u>102050801</u>	Cylinder, Wheel, 7/8	1
8	<u>102049701</u>	Kit, Axle Hardware (Not Shown) (Includes Items 9 - 12)	1
9	<u>102050401</u>	Bolt, Wheel Cylinder, Self-Locking, M6 x 1	2
10	<u>102050601</u>	Spring, Shoe to Shoe (Upper)	1
11	<u>102050501</u>	Spring, Shoe to Shoe (Lower)	1
12	<u>102050701</u>	Hold-Down, Shoe	2
13	<u>102050201</u>	Kit, Hydraulic Shoe (BPI 4070) (Four Shoes per Kit)	1
14	<u>102050901</u>	Lever, Park Brake, Passenger Side	1
14	<u>102050902</u>	Lever, Park Brake, Driver Side	1
15	<u>102044101</u>	Drum, Brake	1
16	<u>102051001</u>	Screw, Pan Head, Torx, 5/16-24 x 1	8
17	<u>1017233</u>	Washer, Flat, 5/16	8
18	<u>1013924</u>	Nut, Hex Head Lock, Grade 8, 5/16-24	8
19	<u>1010829</u>	Pin, Clevis, 5/16	2
20	<u>1013366</u>	Pin, Hair Spring Cotter	2
21	<u>1010984</u>	Nut, Lug	8



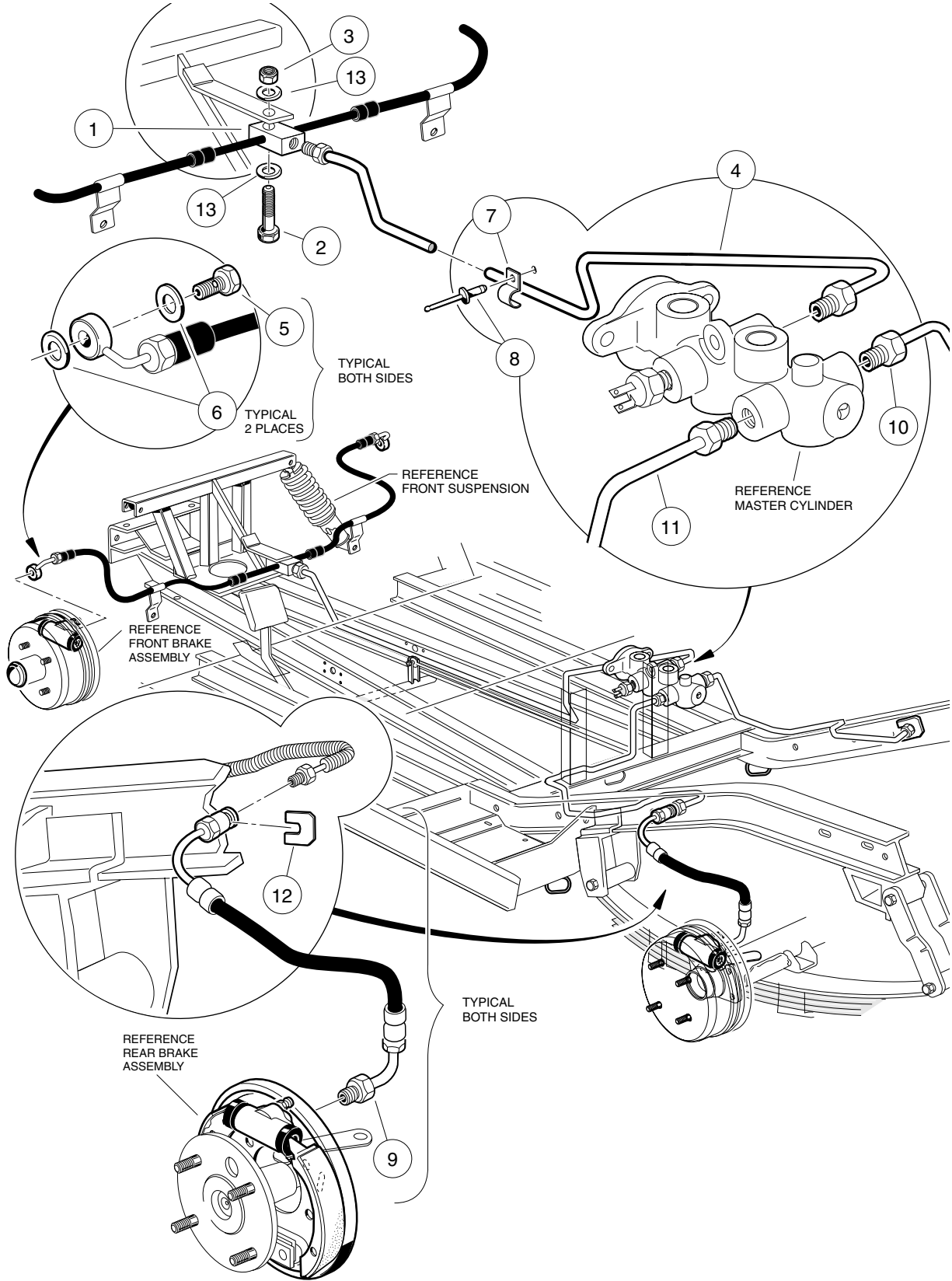


MASTER CYLINDER

4

G

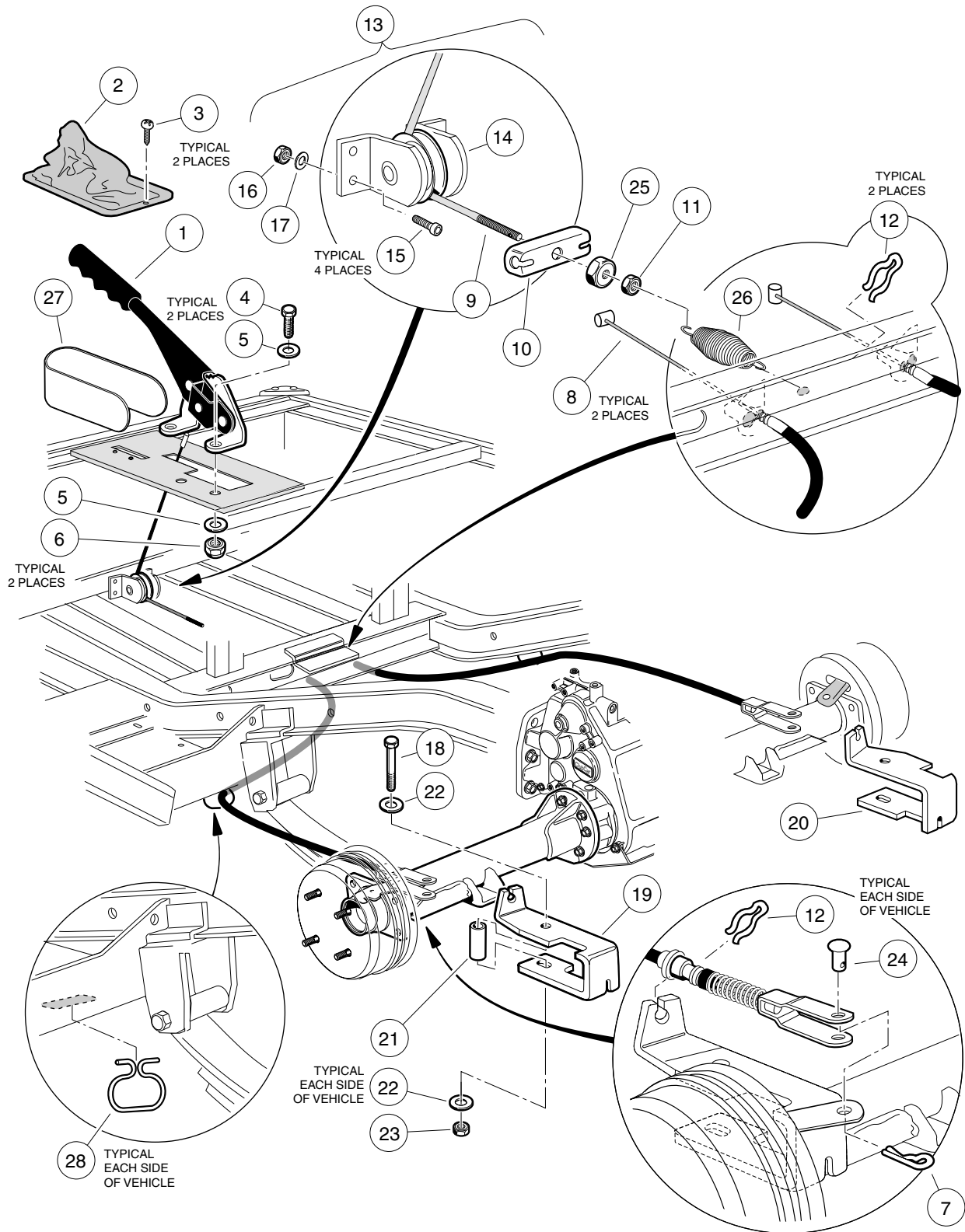
ITEM	PART NO.	DESCRIPTION	QTY
		1 2 3 4	
1	102033201	Assembly, Master Cylinder (Includes Items 2 - 5)	1
2	102051101	Boot	1
3	<u>102051201</u>	Rod, Push	1
4	<u>102051301</u>	Switch, Pressure	1
5	<u>102051401</u>	Cap, Filler	1
6	101953001	Bolt, Hex Head Shoulder, 3/8-16 x 1	2
7	<u>1010934</u>	Screw, Hex Head Cap, 5/16-18 x 1	6
8	<u>7473</u>	Nut, Nylon Lock, 5/16	7
9	<u>102057701</u>	Screw, Hex Head Cap, 1/2-13 x 3-1/2.....	1
10	<u>1241</u>	Washer, Flat, Type A, 5/16	4
11	<u>101903101</u>	Nut, Nylon Lock, 1/2-13	1
12	<u>102057801</u>	Spacer	2
13	102054201	Crank, Bell	1
14	<u>102057501</u>	Bearing, Roller	2
15	<u>102057601</u>	Race, Inner	1
16	<u>101806102</u>	Clevis, Rod	1
17	<u>101953105</u>	Rod, Equalizer	1
18	1013531	Spring, Brake Pedal Return	1
19	<u>102054401</u>	Bracket, Master Cylinder Mounting	1



HYDRAULIC BRAKE SYSTEM

ITEM	PART NO.	DESCRIPTION	QTY
		1 2 3 4	
1	102032801	Hose, Brake, Front	1
2	<u>7479</u>	Screw, Hex Head Cap, 1/4-20 x 1-1/4	1
3	<u>8233</u>	Nut, Nylon Lock, 1/4-20	1
4	<u>102032901</u>	Line, Brake, Front	1
5	<u>102044401</u>	Bolt, Banjo, 3/8-24	2
6	<u>102045501</u>	Washer, Copper	4
7	<u>102045801</u>	P-Clamp	3
8	1014136	Rivet, Pop, Stainless Steel, 3/16 x 1/2	3
9	<u>102033101</u>	Hose, Brake, Rear	2
10	<u>102033001</u>	Line, Brake, Rear (Passenger Side)	1
11	<u>102044001</u>	Line, Brake, Rear (Driver Side)	1
12	<u>102045701</u>	Clip, Horseshoe	2
13	<u>1014007</u>	Washer, Flat, 1/4	2





HAND PARK BRAKE ASSEMBLY

4

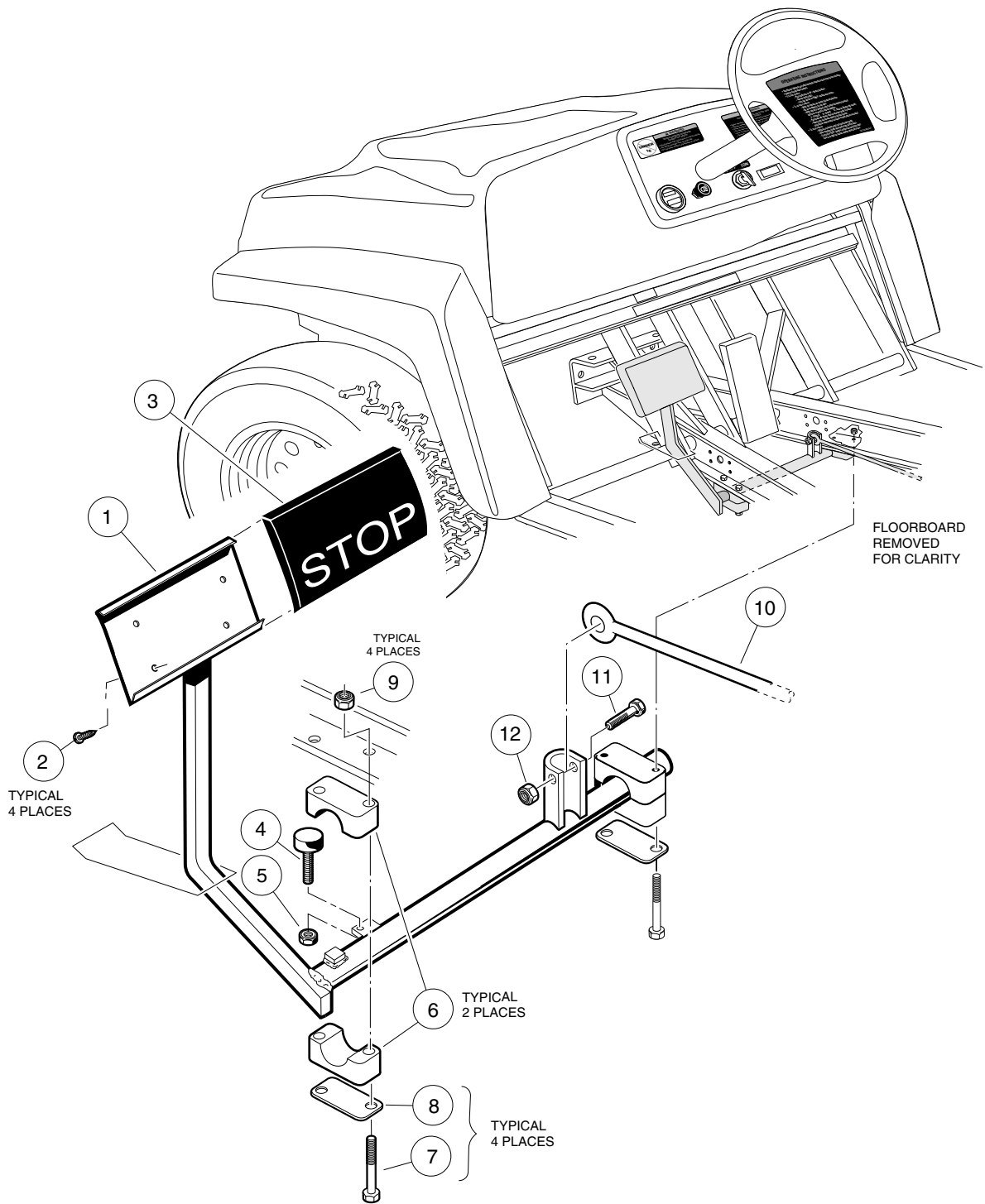
G

ITEM	PART NO.	DESCRIPTION	QTY
		1 2 3 4	
1	<u>54509823</u>	Lever, Park Brake	1
2	<u>102033701</u>	Boot, Park Brake Lever	1
3	<u>101832001</u>	Screw, Phillips Head, 5/16-18	2
4	705	Screw, Hex Head Cap, 3/8-16 x 1-1/4	2
5	<u>1011990</u>	Washer, Flat, 3/8	4
6	8754	Nut, Nylon Lock, 3/8-16	2
7	<u>1013366</u>	Pin, Hair Spring Cotter	2
8	<u>102033901</u>	Cable, Park Brake, Long	2
9	54512587	Cable, Park Brake, Short	1
10	<u>102052701</u>	Equalizer	1
11	<u>102160501</u>	Nut, Hex, 5/16-24	1
12	<u>102028401</u>	Clip, Park Brake Cable	4
13	<u>102242701</u>	Kit, Pulley (Includes Items 14 - 17)	
14	102028302	Pulley, Flat Mount, 2-inch	1
15	<u>101260202</u>	Screw, Socket Head, #10-24 x .75	4
16	<u>1012438</u>	Nut, Nylon Lock, #10-24	4
17	183	Washer, Flat, Type A, #10	4
18	7561	Screw, Hex Head Cap, 3/8-16 x 3	2
19	<u>102055001</u>	Bracket, Brake Cable (Driver Side)	1
20	<u>102055101</u>	Bracket, Brake Cable (Passenger Side)	1
21	<u>1016350</u>	Spacer	2
22	334	Washer, Flat, 7/16	4
23	8754	Nut, Nylon Lock, 3/8-16	2
24	<u>1010829</u>	Pin, Clevis, 5/16	2
25	102052801	Nut, Hex Cone, 5/16-24	1
26	<u>1013531</u>	Spring	1
27	<u>54562079</u>	Shield, Boot	1
28	101900802	Hanger, Brake Cable	2

PEDAL GROUP

5

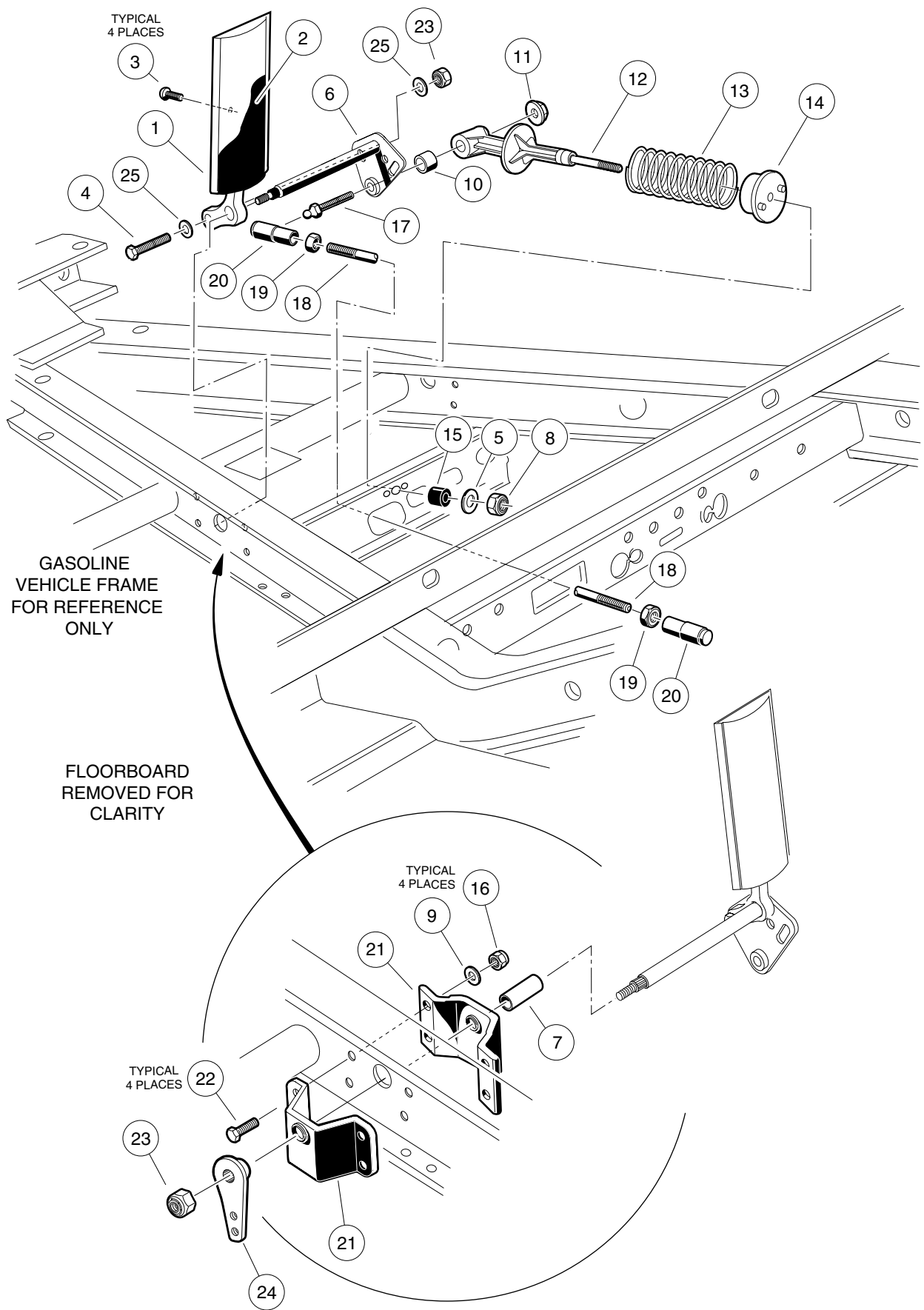
G



BRAKE PEDAL ASSEMBLY

ITEM	PART NO.	DESCRIPTION	QTY
		1 2 3 4	
1	<u>102028901</u>	Assembly, Brake Pedal (Includes Items 2 - 5)	1
2	7716	Screw, Slotted Hex Washer Head, #10-16 x 1/2	4
3	<u>102028601</u>	Pad, Brake Pedal	1
4	<u>1010878</u>	Bumper, Rubber	1
5	<u>1028</u>	Nut, Hex, 1/4-20	1
6	<u>1011402</u>	Package, Brake Mounting Block (Contains Upper and Lower for Driver and Passenger Sides)	1
7	<u>1010921</u>	Screw, Hex Head Cap, 5/16-18 x 2-1/2	4
8	101976301	Plate, Retainer	2
9	<u>7473</u>	Nut, Nylon Lock, 5/16-18	4
10	<u>101953105</u>	Rod, Equalizer	1
11	101953001	Bolt, Hex Head Shoulder, 3/8 x 1	1
12	<u>7473</u>	Nut, Nylon Lock, 5/16-18	1

5
G



ACCELERATOR PEDAL ASSEMBLY

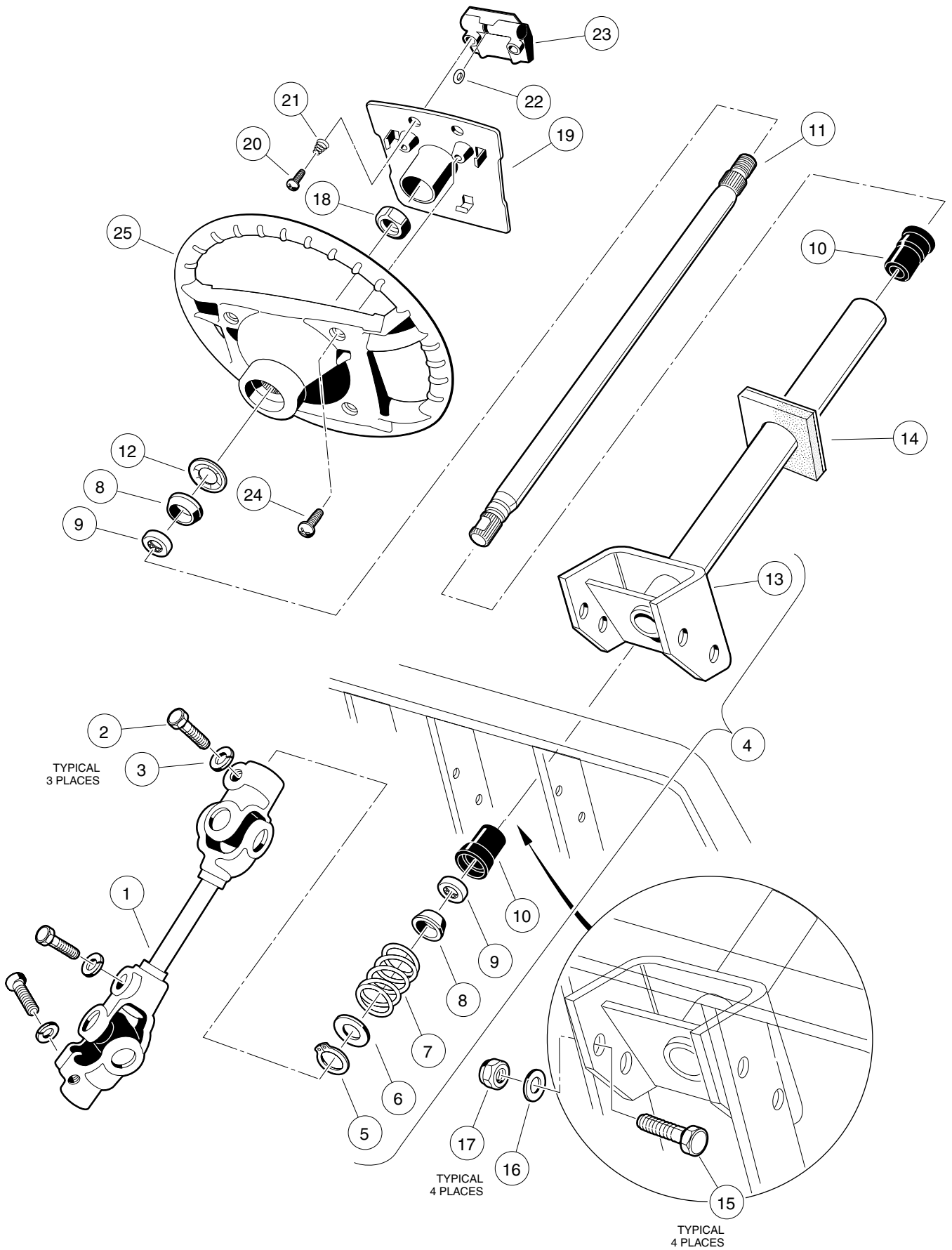
ITEM	PART NO.	DESCRIPTION	QTY
		1 2 3 4	
1	<u>1017696</u>	Assembly, Accelerator Pedal (Includes Item 2 and 3)	1
2	<u>1013871</u>	Pad, Pedal	1
3	<u>7716</u>	Screw, Slotted Hex Washer Head, #10-16 x 1/2	4
4	<u>1624</u>	Screw, Hex Head Cap, 3/8-16 x 1-1/2	1
5	<u>1241</u>	Washer, Flat, 5/16	1
6	<u>102026001</u>	Kit, Accelerator Pivot Rod (Includes Item 7)	1
7	<u>1011700</u>	Spacer	1
8	<u>7473</u>	Nut, Nylon Lock, 5/16-18	1
9	<u>332</u>	Washer, Flat, 1/4	4
10	<u>1017424</u>	Bearing, Pivot Support	1
11	<u>101966901</u>	Nut, Flanged Lock, 1/4-28	1
12	<u>101817401</u>	Retainer, Spring	1
13	<u>101796201</u>	Spring, Return	1
14	<u>1017378</u>	Cup, Spring	1
15	<u>1017380</u>	Bumper, Return Spring	1
16	<u>8233</u>	Nut, Nylon Lock, 1/4-20	4
17	<u>101818801</u>	Stud, Ball	1
18	<u>101822001</u>	Assembly, Accelerator Rod (Includes Items 19 and 20).....	1
19	<u>1011084</u>	Nut, UNF Hex Jam, 1/4-28	2
20	<u>1011734</u>	Joint, Spring-Loaded Ball	2
21	<u>1011694</u>	Support, Accelerator Pivot Rod	2
22	<u>101861901</u>	Screw, Hex Head Cap, 1/4-20 x 1-1/8	4
23	<u>8754</u>	Nut, Nylon Lock, 3/8-16	2
24	<u>101916901</u>	Spacer, Ratchet Support	1
25	<u>334</u>	Washer, Flat, 3/8	2



STEERING, FRONT AND REAR SUSPENSION

6

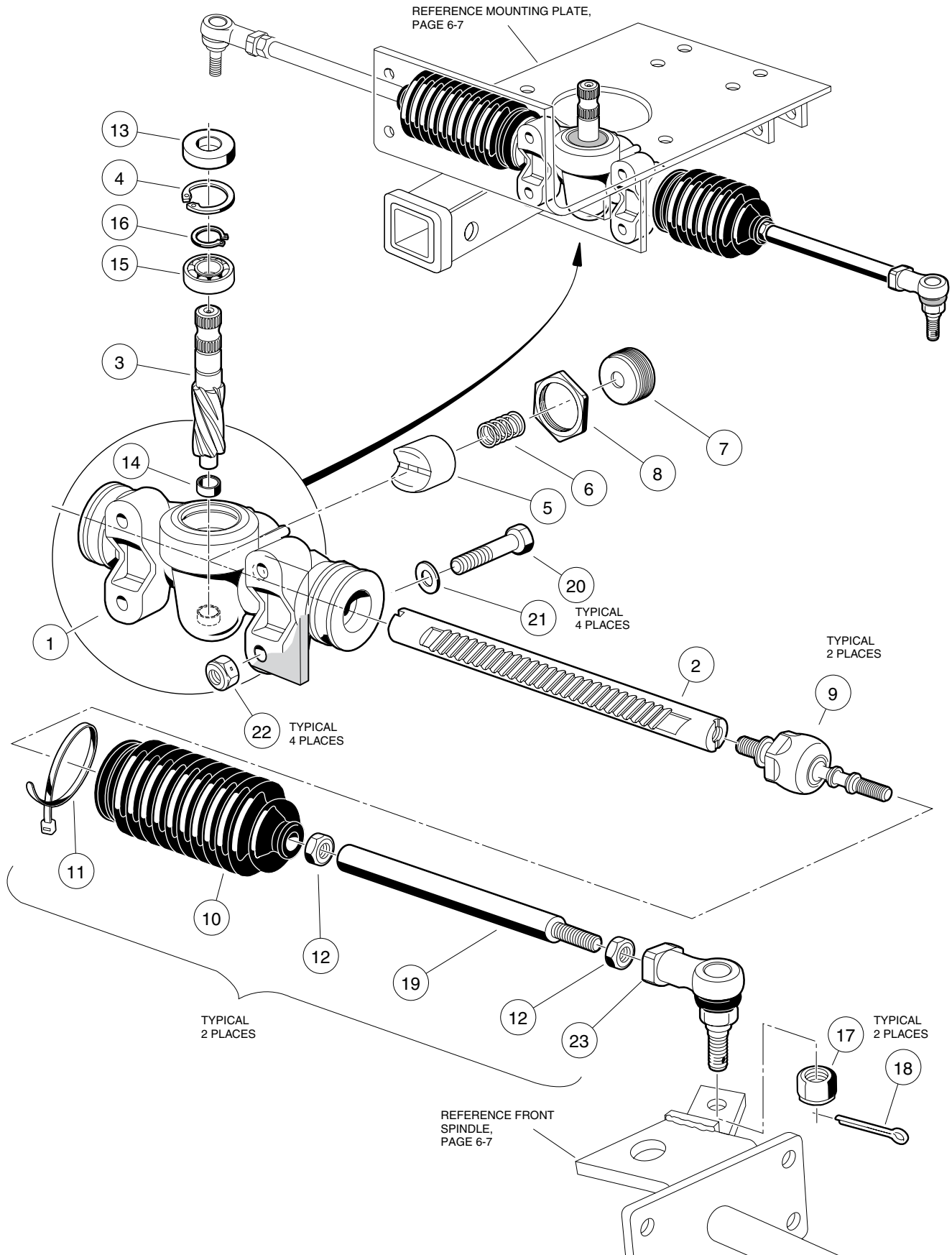
G



STEERING COLUMN

ITEM	PART NO.	DESCRIPTION	QTY
		1 2 3 4	
1	<u>102010201</u>	Joint, Steering (Includes Items 2 and 3)	1
2	<u>1017226</u>	Screw, Hex Head Cap, M8 x 1.25 x 30 mm	3
3	<u>7174</u>	Washer, Lock, 5/16	3
4	<u>102013101</u>	Assembly, Steering Column (Includes Items 5 - 13)	1
5	<u>1012605</u>	Ring, Retaining	1
6	<u>1012604</u>	Washer, Steel, 5/8	1
7	<u>1014217</u>	Spring, Compression	1
8	<u>1014125</u>	Wedge	2
9	<u>1014213</u>	Assembly, Bearing	2
10	<u>1014126</u>	Seat, Bearing	2
11	<u>1017315</u>	Shaft, Steering Column	1
12	<u>1014214</u>	Ring, Retaining	1
13	<u>102013001</u>	Weldment, Steering Column	1
14	<u>1012499</u>	Boot, Steering Column	1
15	<u>320</u>	Screw, Hex Head Cap, 3/8-16 x 1	4
16	<u>334</u>	Washer, Flat, 3/8	4
17	<u>8754</u>	Nut, Nylon Lock, 3/8-16	4
18	<u>1017273</u>	Nut, Nylon Lock, 5/8-18	1
19	<u>1016219</u>	Assembly, Scorecard Plate (Includes Items 20 - 23)	1
20	<u>1012565</u>	Screw, Round Head, #12-14 x 1	2
21	<u>1012566</u>	Spring, Tapered Compression	2
22	<u>1016214</u>	Grip, Pencil	1
23	<u>1016154</u>	Clip, Scorecard	1
24	<u>1016663</u>	Screw, Phillips, Type A, #12-14 x 5/8	2
25	<u>1016156</u>	Wheel, Steering	1

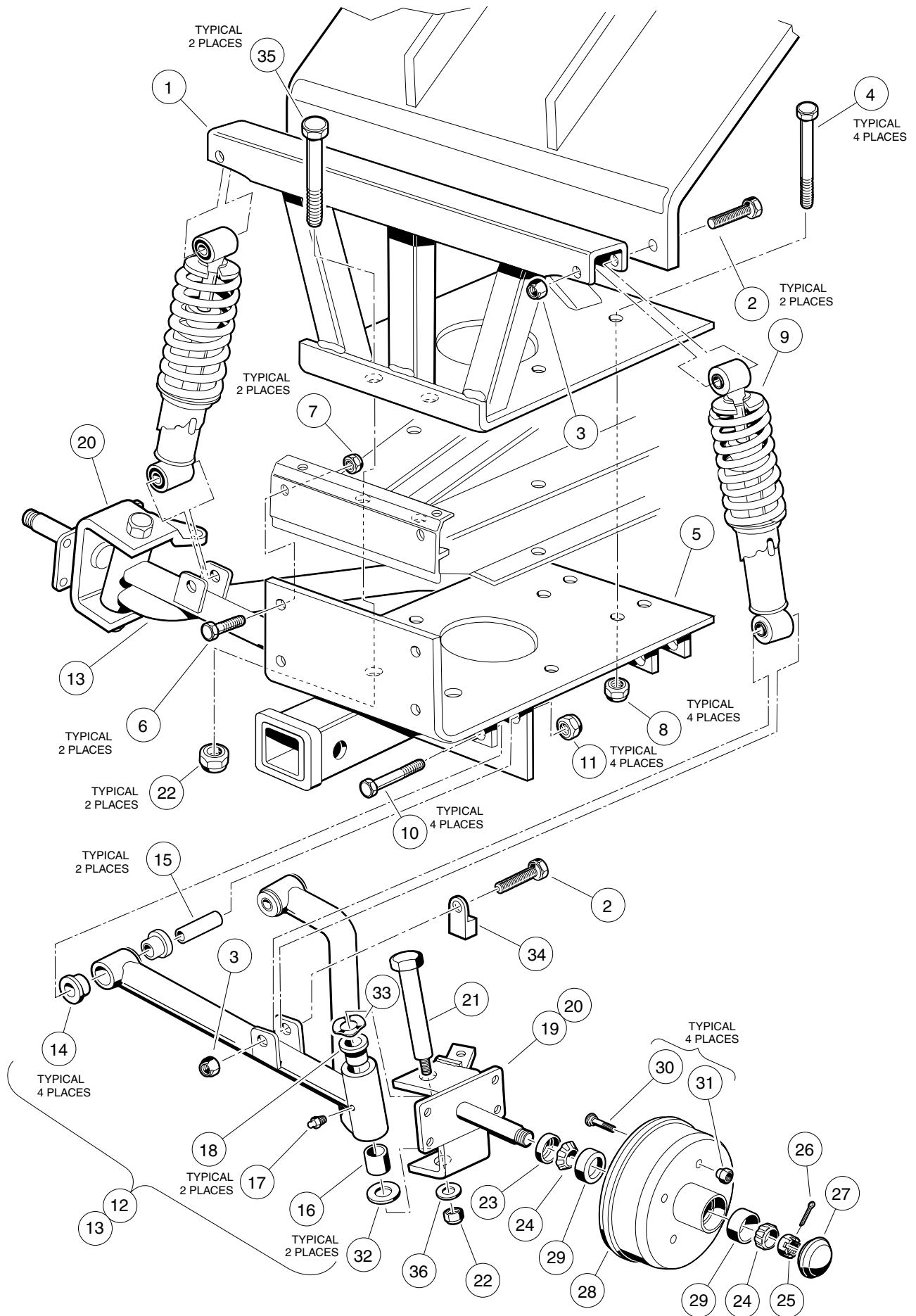




STEERING GEAR ASSEMBLY

6
G

ITEM	PART NO.	DESCRIPTION	QTY
		1 2 3 4	
	<u>102010101</u>	Assembly, Steering Gear Box (Includes Items 1 - 16)	1
1	N/A	Box, Steering Gear	1
2	N/A	Rack, Steering	1
3	N/A	Pinion, Steering	1
4	1013051	Ring, Snap	1
5	<u>101879701</u>	Guide, Steering Rack	1
6	<u>101879801</u>	Spring, Yoke	1
7	N/A	Screw, Rack Guide	1
8	<u>1013044</u>	Nut, Hex Jam, M30 x 2.....	1
9	<u>101880201</u>	Assembly, Inner Ball Joint	2
10	<u>1013035</u>	Seal, Dust	2
11	<u>8990</u>	Tie, Wire	2
12	1013042	Nut, Hex Jam, M12 x 1.25	4
13	<u>1013052</u>	Seal, Dust, Steering Pinion	1
14	N/A	Bearing, Lower Pinion	1
15	<u>101879401</u>	Bearing, Upper Pinion	1
16	<u>101879901</u>	Ring, C-Type Stop	1
17	<u>102022901</u>	Nut, Nylon Lock, M12 x 1.25	2
18	<u>102023301</u>	Pin, Cotter	2
19	<u>102022801</u>	Link, Rack and Pinion Drag	2
20	<u>1624</u>	Screw, Hex Head Cap, 3/8-16 x 1-1/2	4
21	<u>334</u>	Washer, Flat, Type A, 3/8	4
22	<u>1010138</u>	Nut, Dimpled Lock, 3/8-16	4
23	<u>102022601</u>	Joint, Ball	2

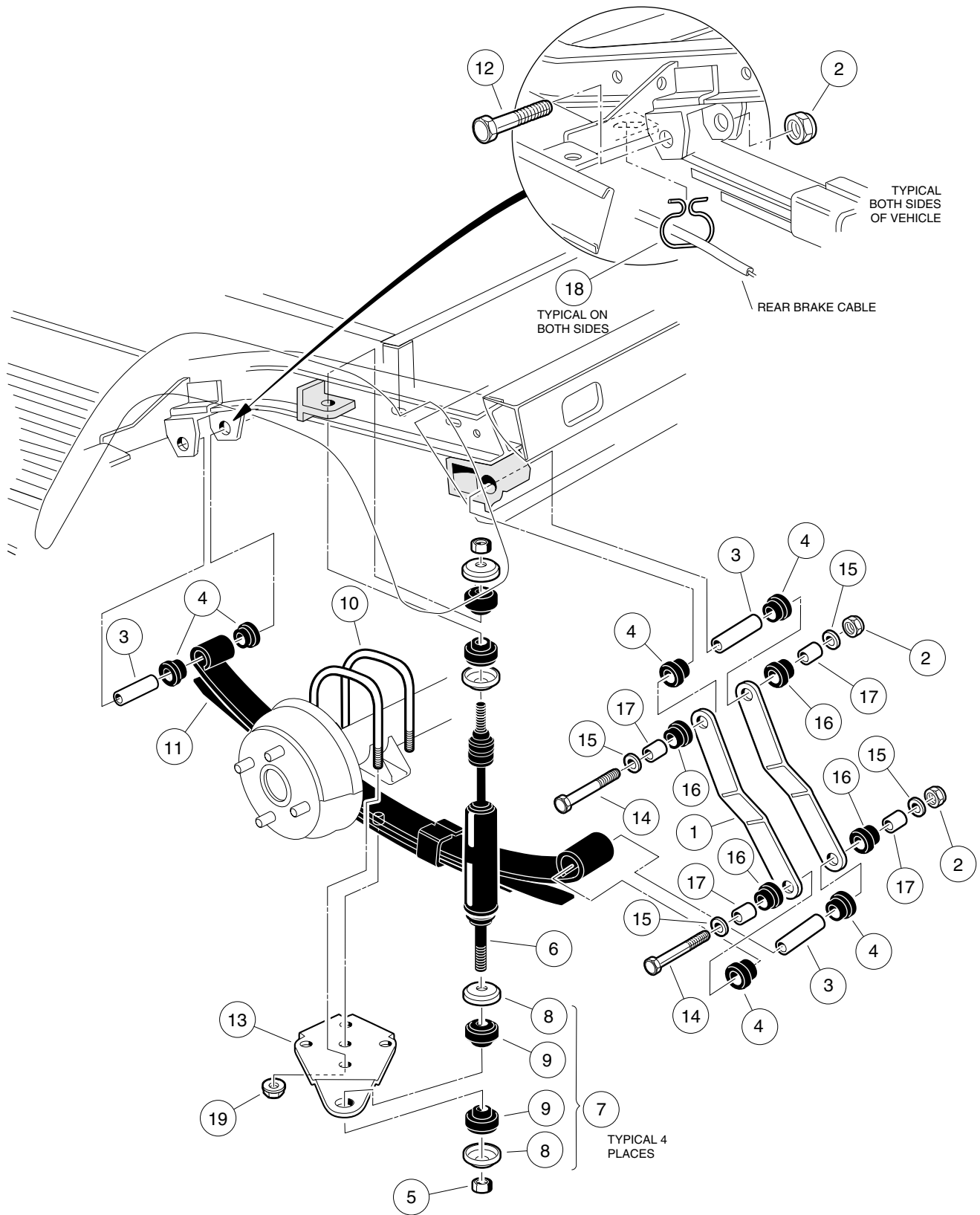


FRONT SUSPENSION

6

G

ITEM	PART NO.	DESCRIPTION	QTY
		1 2 3 4	
1	<u>102012301</u>	Tower, Shock	1
2	<u>102023101</u>	Screw, Hex Head Cap, 7/16-14 x 2-1/4	4
3	<u>1014555</u>	Nut, Nylon Lock, 7/16-14	4
4	<u>7270</u>	Screw, Hex Head Cap, 3/8-16 x 4-1/2	4
5	102016801	Plate, Suspension Mounting	1
6	<u>1010934</u>	Screw, Hex Head Cap, 5/16-18 x 1	2
7	<u>7473</u>	Nut, Nylon Lock, 5/16-18	2
8	<u>8754</u>	Nut, Nylon Lock, 3/8-16	4
9	<u>102017601</u>	Shock, Coil Over	2
10	<u>1016387</u>	Screw, Hex Head Cap, 3/8-16 x 2-3/4	4
11	<u>8754</u>	Nut, Nylon Lock, 3/8-16	4
12	102052401	Assembly, A-Arm, Driver Side (Includes Items 14 - 18)	1
13	102052301	Assembly, A-Arm, Passenger Side (Includes Items 14 - 18)	1
14	<u>1016346</u>	Bushing, Urethane	4
15	<u>102066701</u>	Sleeve, Steel	2
16	<u>7048</u>	Bushing, Bronze	1
17	1015587	Fitting, Grease, Thread-Forming, 1/4-28	1
18	<u>8067</u>	Bushing, Bronze Spindle	1
19	102016701	Spindle, Driver Side	1
20	<u>102016501</u>	Spindle, Passenger Side	1
21	<u>102048601</u>	Bolt, Kingpin	2
22	<u>101903101</u>	Nut, Nylon Lock, 1/2-20	4
23	<u>102023001</u>	Seal, Double Lip	2
24	<u>102013701</u>	Bearing, Hub	4
25	<u>102013801</u>	Nut, Slotted Hex	2
26	102048001	Pin, Cotter, 5/32 x 1/2	2
27	<u>102013601</u>	Cover, Dust	2
28	102044201	Assembly, Brake Drum (Includes Items 29 and 30)	2
29	N/A	Cup, Bearing	2
30	<u>1013787</u>	Stud, Lug, 1/2-20	4
31	<u>1010984</u>	Nut, Lug, 1/2-20	8
32	<u>1010150</u>	Bearing, Thrust	2
33	<u>1016389</u>	Washer, Kingpin Wave	2
34	102100201	Stop, Steering	2
35	<u>102067001</u>	Screw, Hex Head Cap, 1/2-20 x 4-1/2	2
36	<u>1010028</u>	Washer, Flat, 1/2	2



REAR SUSPENSION

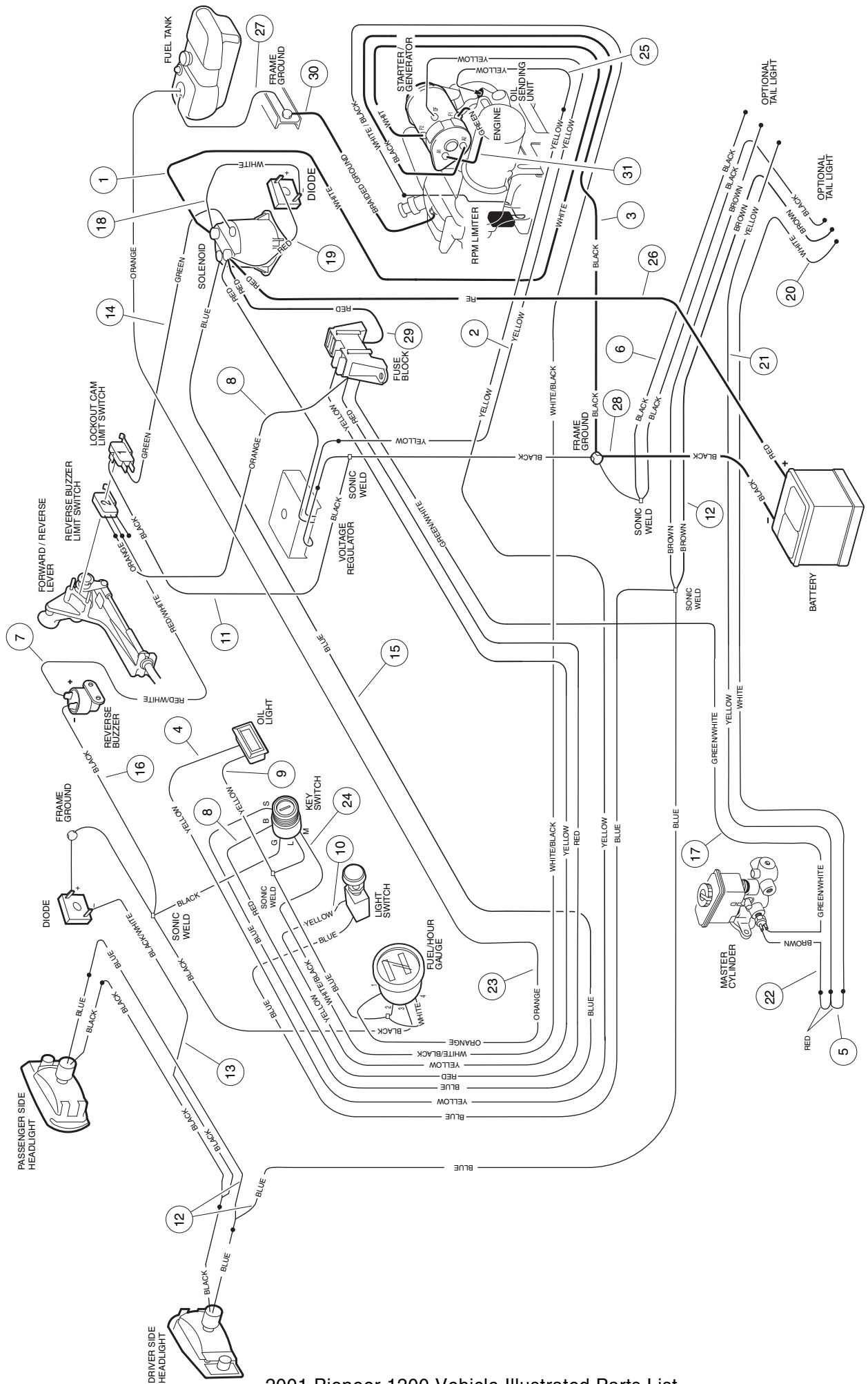
ITEM	PART NO.	DESCRIPTION	QTY
		1 2 3 4	
1	<u>1012304</u>	Shackle, Rear Spring	4
2	<u>8754</u>	Nut, Nylon Lock, 3/8-16	6
3	<u>1012303</u>	Bushing, Steel	6
4	<u>1015583</u>	Bushing, Urethane	12
5	<u>1010145</u>	Nut, UNF Hex, 3/8-24	4
6	<u>102006601</u>	Shock Absorber, Rear	2
7	<u>1011415</u>	Kit, Shock Absorber Cushion (Includes Items 8 and 9)	4
8	N/A	Retainer, Shock Absorber Cushion	2
9	N/A	Cushion, Shock Absorber	2
10	102032301	U-Bolt	4
11	<u>102006501</u>	Spring, Rear Four-leaf	2
12	<u>102066201</u>	Screw, Hex Head Cap, Grade 8, 3/8-16 x 3-1/2	2
13	<u>102032201</u>	Pad, Spring	2
14	<u>7270</u>	Screw, Hex Head Cap, 3/8-16 x 4-1/2	4
15	<u>808</u>	Washer, Flat, 3/8	8
16	<u>1015453</u>	Mount, Compression	8
17	<u>102045601</u>	Spacer	8
18	101900802	Hanger, Brake Cable	2
19	<u>102065001</u>	Nut, Flange, 7/16-14	8



ELECTRICAL SYSTEM

7

G

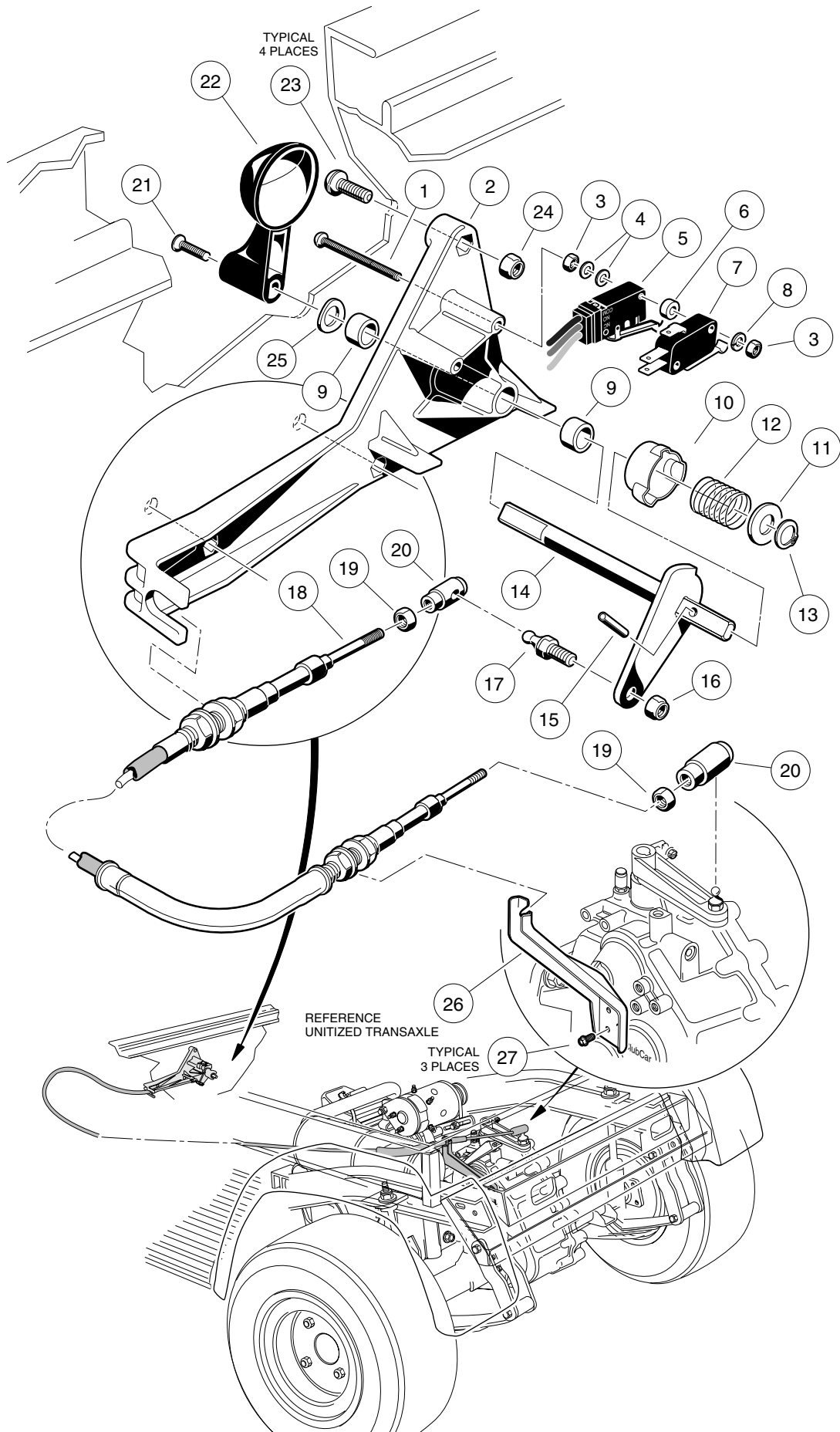


WIRING

7

G

ITEM	PART NO.	DESCRIPTION	QTY
		1 2 3 4	
	<u>102223601</u>	Wire Harness Assembly (Includes Items 1 - 24)	1
1	<u>1015769</u>	Wire Assembly, #6 White	1
2	N/A	Wire Assembly, #18 Yellow	1
3	<u>1016380</u>	Wire Assembly, #6 Black	1
4	N/A	Wire Assembly, #18 Yellow	1
5	N/A	Wire Assembly, #18 Red	1
6	N/A	Wire Assembly, #18 Black, #16 Black	1
7	N/A	Wire Assembly, #18 Red/white	1
8	N/A	Wire Assembly, #14 Red, #18 Orange	1
9	N/A	Wire Assembly, #18 Yellow	1
10	N/A	Wire Assembly, #14 Yellow	1
11	N/A	Wire Assembly, #18 Black	1
12	N/A	Wire Assembly, #16 Blue, #14 Blue, #18 Brown, #16 Brown	1
13	N/A	Wire Assembly, #16 Black, #16 Black/white	1
14	N/A	Wire Assembly, #18 Green	1
15	N/A	Wire Assembly, #18 Blue	1
16	N/A	Wire Assembly, #18 Black, #16 Black	1
17	N/A	Wire Assembly, #18 Green/white	1
18	N/A	Wire Assembly, #12 White	1
19	N/A	Wire Assembly, #12 Red	1
20	N/A	Wire Assembly, #18 White	1
21	N/A	Wire Assembly, #18 Yellow	1
22	N/A	Wire Assembly, #18 Brown	1
23	N/A	Wire Assembly, #18 Orange	1
24	N/A	Wire Assembly, #18 White/Black	1
25	N/A	Wire Assembly, #18 Yellow	1
26	<u>1014119</u>	Wire Assembly, #6 Red	1
27	N/A	Wire Assembly, #18 Black	1
28	<u>1012382</u>	Wire Assembly, #6 Black	1
29	<u>1015737</u>	Wire Assembly, #10 Red (Part of Electrical Component Box)	1
30	<u>1015332</u>	Wire Assembly, #10 Braided Ground	1
31	<u>101837301</u>	Wire Assembly, #6 Green	1
32	N/A	Wire Assembly, #18 Yellow	1



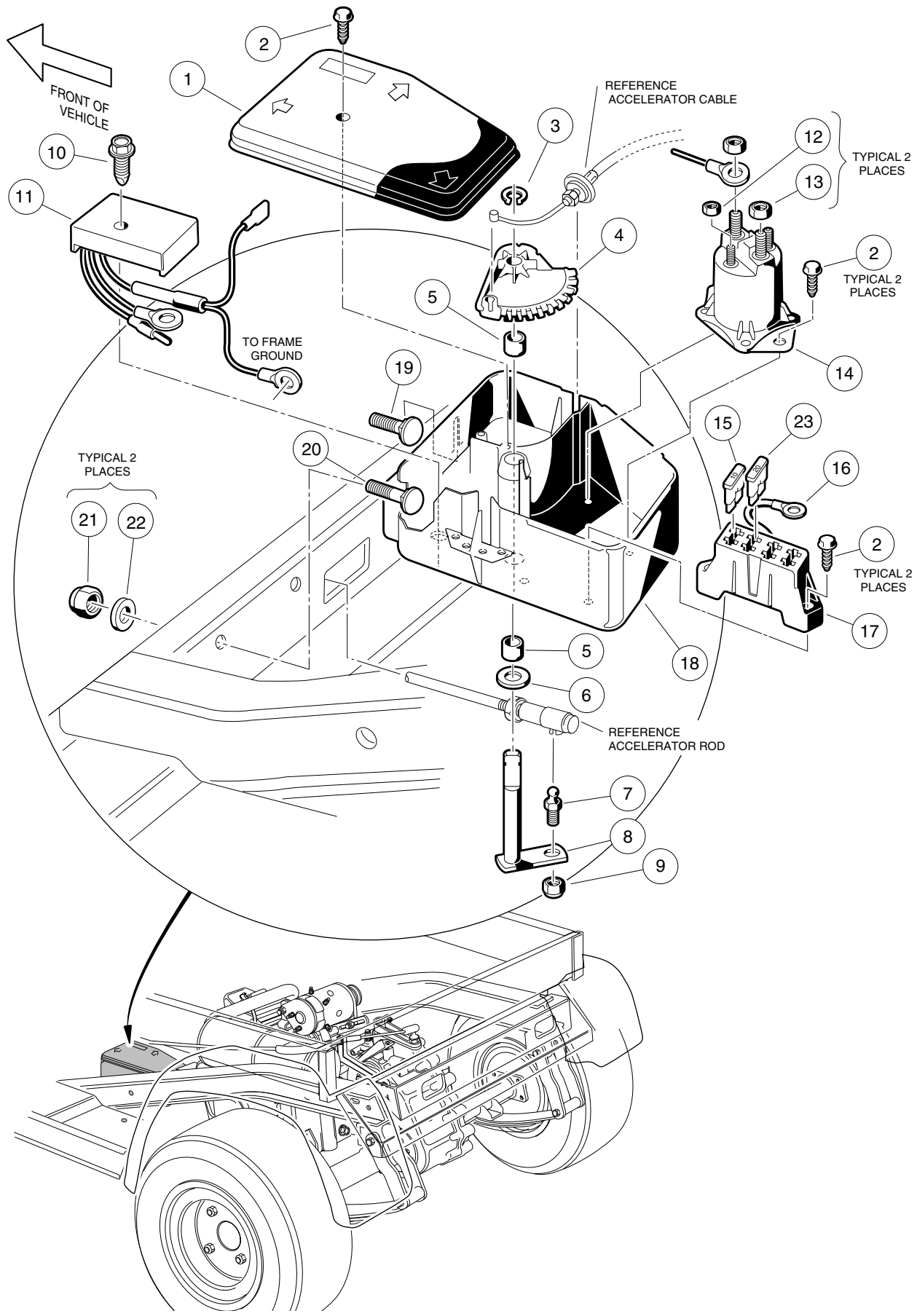
FORWARD/REVERSE SHIFTER ASSEMBLY

7

G

ITEM	PART NO.	DESCRIPTION	QTY
		1 2 3 4	
	1016947	Assembly, Forward/Reverse Shifter (Includes Items 1 - 17)	1
1	<u>1012594</u>	Screw, Machine, #4-40 x 1-1/2	2
2	<u>1016342</u>	Base, Forward/Reverse Shifter	1
3	<u>8057</u>	Nut, Hex Head, #4-40	4
4	1012431	Washer, Flat, #4	4
5	<u>101979101</u>	Switch, Limit	1
6	<u>1014727</u>	Washer, Nylon Flat, #4	2
7	<u>1014807</u>	Switch, Limit	1
8	<u>8058</u>	Washer, Lock, #4	2
9	<u>1014145</u>	Bushing, Bronze	2
10	1014089	Kit, Neutral Lockout Cam (Includes Item 11)	1
11	<u>1014065</u>	Washer, Flat, Delrin	1
12	<u>1013590</u>	Spring, Forward/Reverse Cam	1
13	<u>1013589</u>	Ring, Retaining	1
14	1013587	Weldment, Forward/Reverse Bell Crank	1
15	<u>1013591</u>	Pin, Roll, 1/8	1
16	<u>8717</u>	Nut, Nylon Lock, 1/4-28	1
17	<u>1010954</u>	Stud, Ball, 1/4-28 x 1/4	1
18	<u>1015409</u>	Cable, Transmission (Includes Items 19 and 20)	1
19	<u>7893</u>	Nut, Hex, #10-32	2
20	<u>1012333</u>	Joint, Ball	2
21	<u>1013198</u>	Screw, Phillips Oval Countersunk Machine, #8-32 x 5/8	1
22	<u>1012987</u>	Handle, Forward/Reverse Switch	1
23	<u>8248</u>	Screw, Phillips Truss Head, 1/4-20 x 3/4	4
24	<u>8233</u>	Nut, Nylon Lock, 1/4-20	4
25	<u>1016201</u>	Washer, Wave, 3/8	1
26	<u>102045901</u>	Bracket, Transmission Cable Support	1
27	<u>1012285</u>	Screw, Thread-Rolling, 1/4-20 x 5/8	3

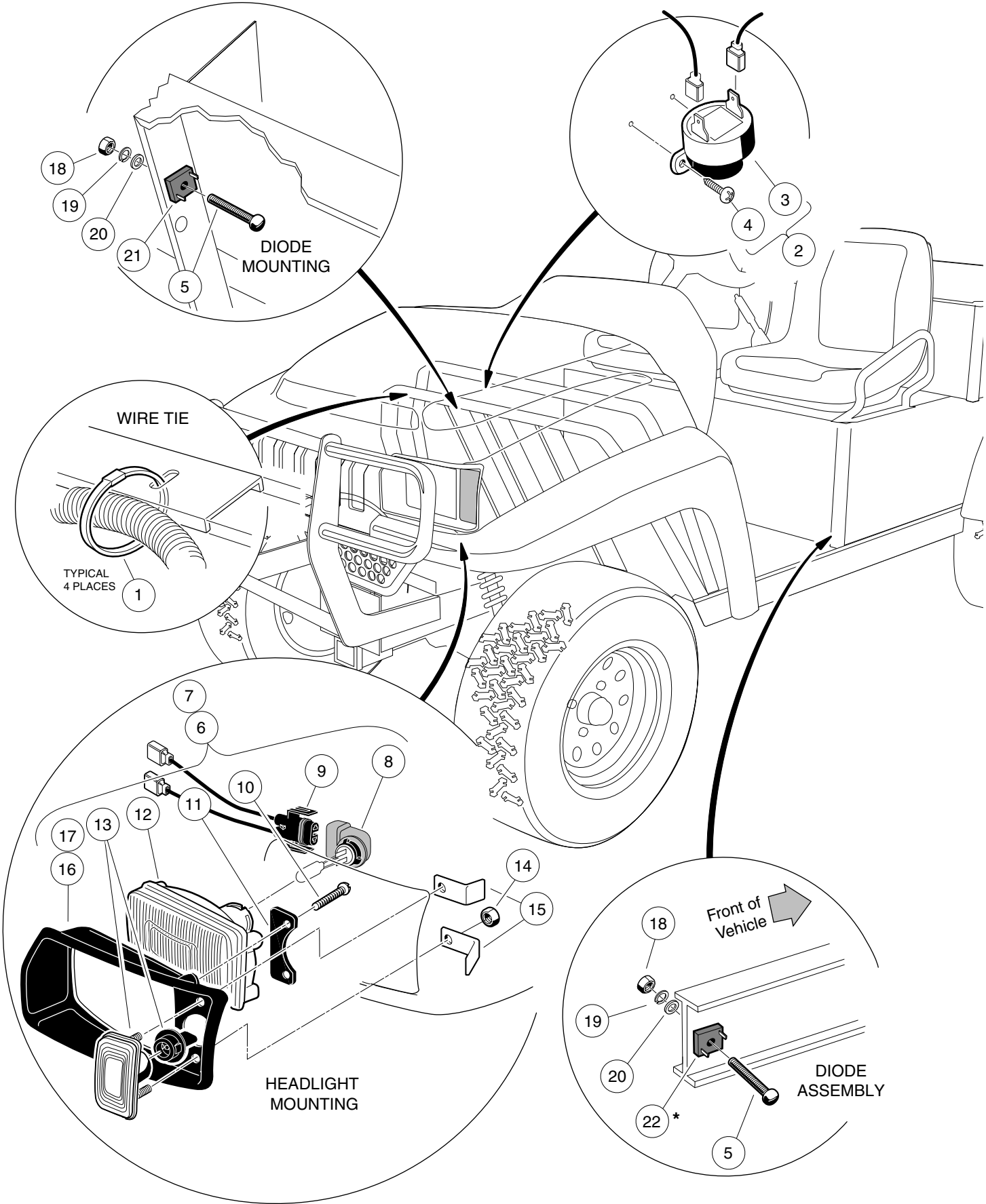
7
G



ELECTRICAL COMPONENT BOX

ITEM	PART NO.	DESCRIPTION	QTY
		1 2 3 4	
	101992603	Box, Electrical Component, Complete (Includes Items 1 - 18).....	1
1	<u>1015372</u>	Cover, Electrical Component Box	1
2	<u>1015752</u>	Screw, Hi-Lo, #12-16 x 5/8	5
3	<u>1013589</u>	Ring, Retaining	1
4	<u>1015373</u>	Cam, Electrical Box	1
5	<u>1014145</u>	Bushing, Bronze	2
6	<u>1014065</u>	Washer, Flat, Delrin	1
7	<u>1010954</u>	Stud, Ball, 1/4-28	1
8	1015345	Assembly, Bell Crank and Shaft	1
9	<u>8717</u>	Nut, Nylon Lock, 1/4-28	1
10	<u>101856102</u>	Screw, Hex Washer Head Hi-Lo, 1/4-15 x 1-1/2	1
11	<u>1015777</u>	Regulator, Voltage	1
12	<u>7893</u>	Nut, Hex, #10-32	2
13	<u>1242</u>	Nut, Hex, 5/16-18	2
14	<u>1013609</u>	Solenoid, 12-Volt	1
15	<u>1012295</u>	Fuse, 10-Amp	1
16	<u>1015737</u>	Wire Assembly, #10 Red	1
17	<u>1015741</u>	Block, Fuse	1
18	<u>1015371</u>	Box, Electrical Component	1
19	<u>1015405</u>	Screw, Round-Head Square-Neck, 5/16-18 x 2	1
20	<u>1241</u>	Washer, Flat, 5/16	2
21	<u>7473</u>	Nut, Nylon Lock, 5/16-18	2
22	<u>7818</u>	Screw, Round-Head Square-Neck, 5/16-18 x 1-1/2	1
23	<u>1016423</u>	Fuse, 20-Amp	1

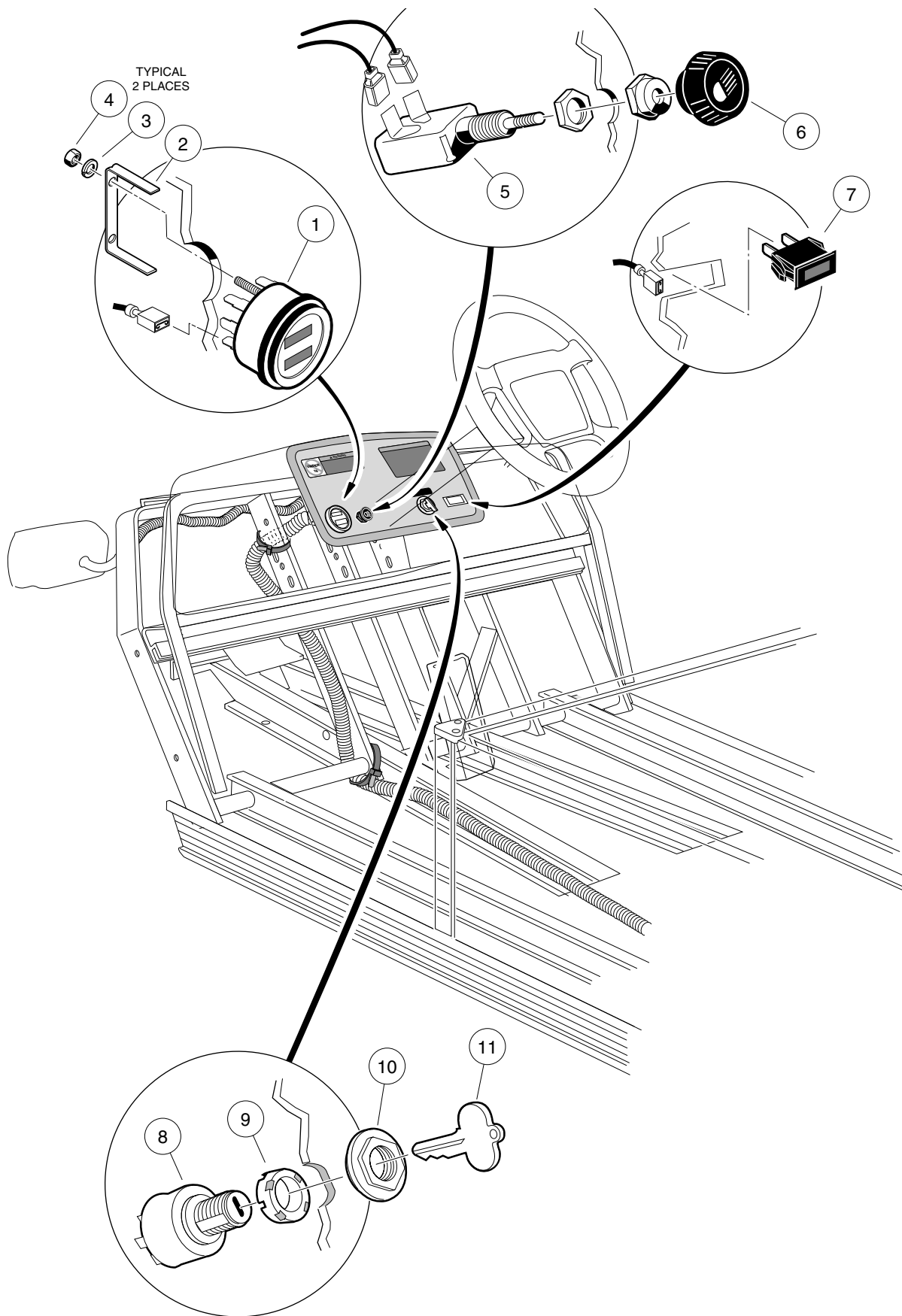
7
G



ELECTRICAL COMPONENTS, FRONT BODY

7
G

ITEM	PART NO.	DESCRIPTION	QTY
		1 2 3 4	
1	<u>8639</u>	Tie, Wire	4
2	<u>1016859</u>	Kit, Reverse Buzzer (Includes Items 3 and 4)	1
3	<u>1016851</u>	Buzzer, Reverse	1
4	<u>1016849</u>	Screw, Pan Head Hi-Lo, #4-24 x 5/16	2
5	<u>1010909</u>	Screw, Machine Head, #10-32 x 1-1/4	2
6	<u>101988001</u>	Assembly, Headlight, Driver Side (Includes Items 8 - 16)	1
7	<u>101988002</u>	Assembly, Headlight, Passenger Side (Includes Items 8 - 15 and 17)	1
8	<u>101988101</u>	Bulb, Halogen	1
9	<u>101987901</u>	Harness, Headlight Wire	1
10	<u>1013461</u>	Screw, Hi-Lo, #10-16	2
11	<u>1017065</u>	Retainer, Headlight	1
12	<u>101988201</u>	Lens, Headlight	1
13	<u>1017062</u>	Assembly, Turn Signal Lens	1
14	<u>7893</u>	Nut, Hex, #10-32	2
15	<u>1017064</u>	Bracket, Mounting	2
16	<u>1016880</u>	Bezel, Headlight, Driver Side	1
17	<u>1016879</u>	Bezel, Headlight, Passenger Side	1
18	<u>7893</u>	Nut, Hex, #10-32	2
19	<u>1016</u>	Washer, Lock, #10	2
20	<u>183</u>	Washer, Flat, #10	2
21	<u>1017721</u>	Diode	1
22	102272501	Kit, Diode	1
		* Some vehicles have as standard equipment a diode that looks different from that shown for item 22 in the illustration.	

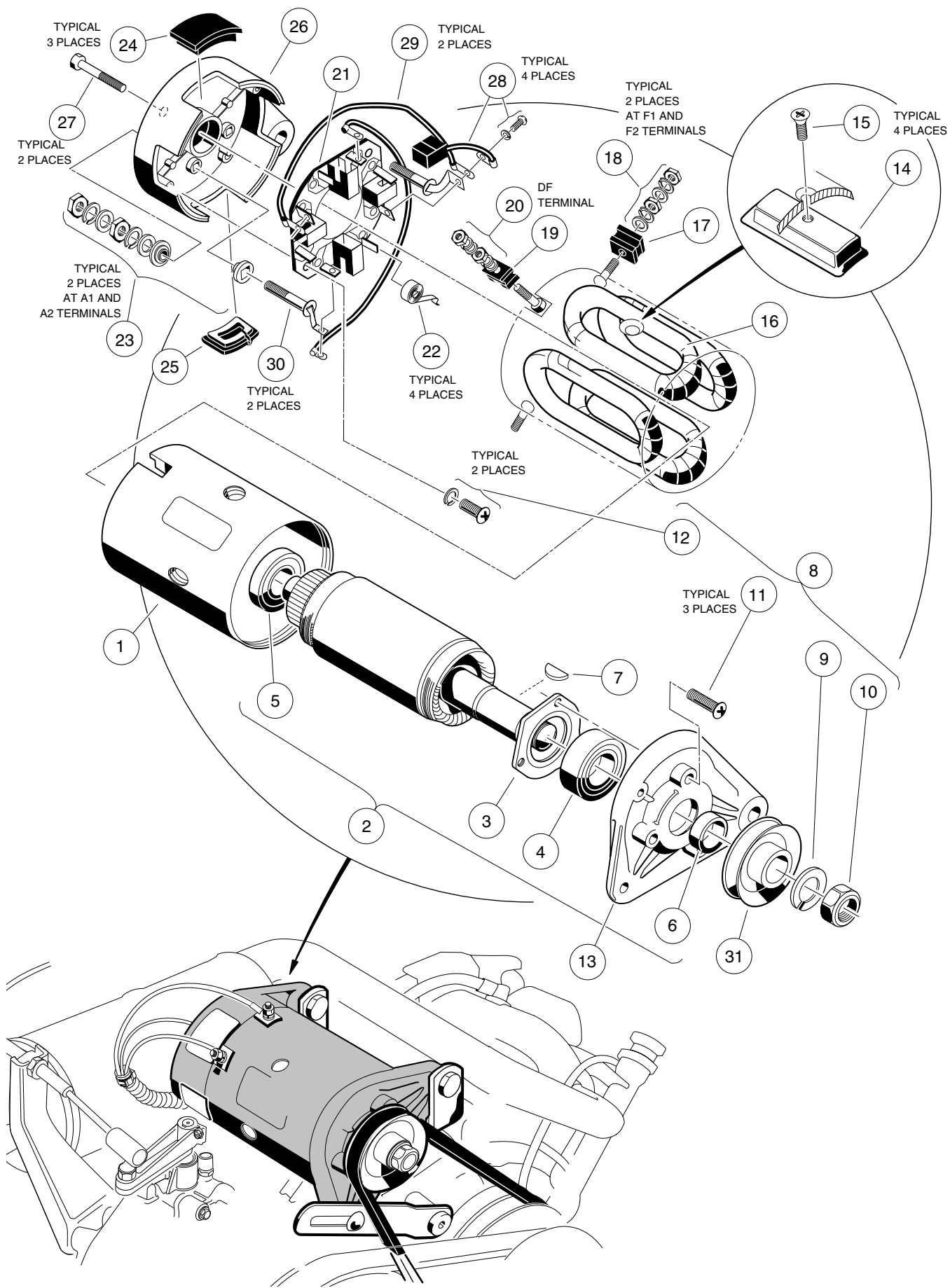


ELECTRICAL COMPONENTS, DASH PANEL

ITEM	PART NO.	DESCRIPTION	QTY
		1 2 3 4	
1	<u>101990701</u>	Gauge, Fuel/Hour (Includes Item 2)	1
2	102025901	Bracket	1
3	<u>1012986</u>	Washer, Lock, M4	2
4	<u>101991101</u>	Nut, M4 x .7	2
5	<u>102051901</u>	Switch, Light (Includes Item 6)	1
6	<u>1013857</u>	Knob, Light Switch	1
7	<u>1016630</u>	Light, Oil Warning	1
8	<u>102044702</u>	Switch, Key	1
9	<u>102051601</u>	Spacer, Key Switch	1
10	<u>102051701</u>	Nut, Key Switch	1
11	102044801	Key (Pair)	1

7
G

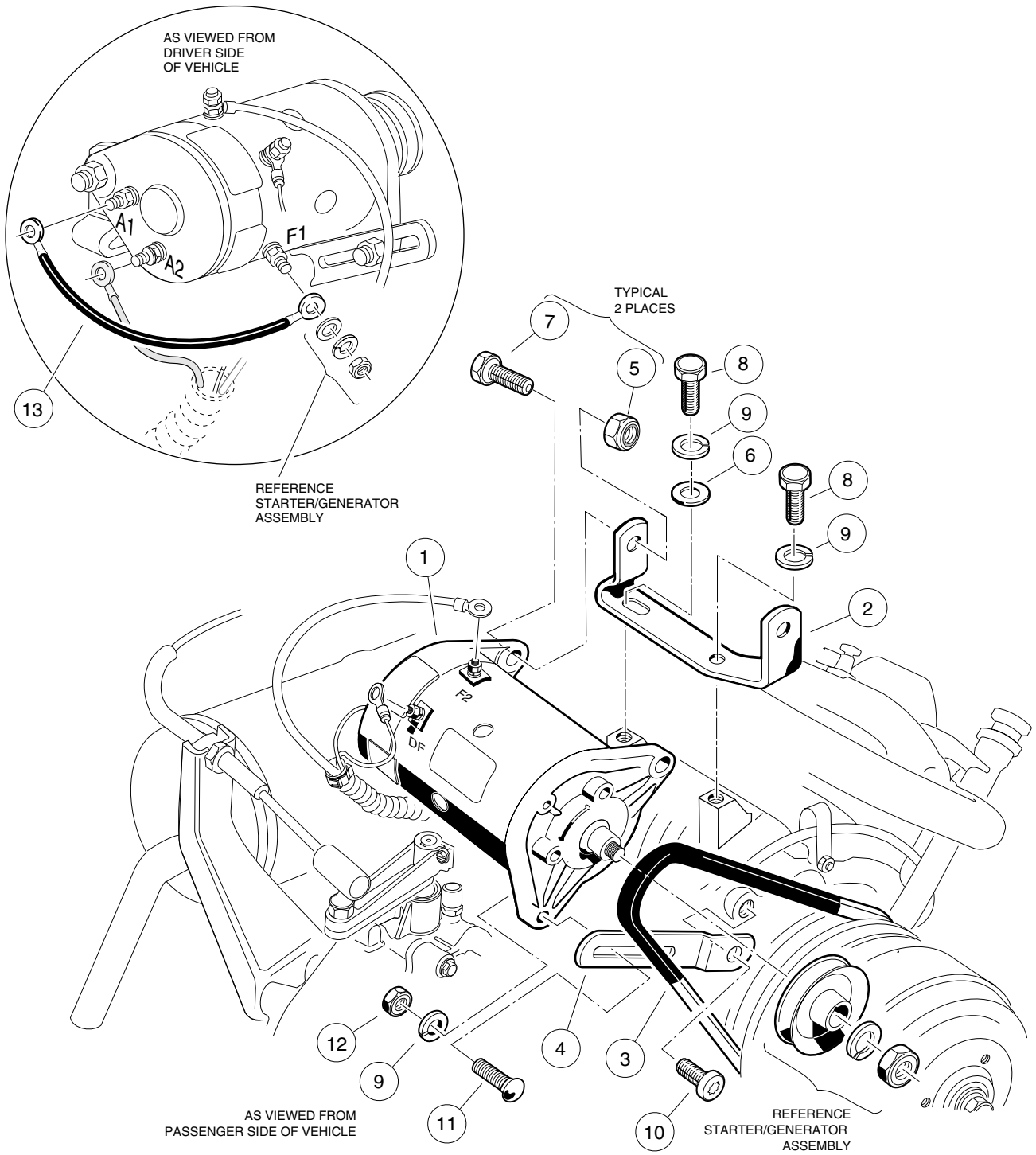
7
G



STARTER/GENERATOR ASSEMBLY

7
G

ITEM	PART NO.	DESCRIPTION	QTY
		1 2 3 4	
	<u>101833701</u>	Starter/Generator (Clockwise Rotation) (Includes Items 1 - 30)	1
1	<u>101875201</u>	Housing, Field Coil	1
2	<u>101875101</u>	Assembly, Armature (Includes Items 3 - 6)	1
3	<u>101875001</u>	Retainer, Bearing	1
4	<u>1013001</u>	Ball Bearing, Output Shaft	1
5	<u>1013005</u>	Commutator, Ball Bearing	1
6	<u>101939901</u>	Spacer, 5/16	1
7	<u>1013003</u>	Key, Woodruff	1
8	<u>101876501</u>	Kit, Pulley Nut and Screw (Includes Items 9 - 12)	1
9	N/A	Washer, Lock, M14	1
10	N/A	Nut, Hex, M14 x 2	1
11	N/A	Screw, Cross-Recessed, M5 x .8 x 18 mm	3
12	<u>101896501</u>	Screw, Cross-Recessed, M5 x .8 x 16 mm (with Lock Washer)	2
13	<u>101874901</u>	End Bell, Output Shaft	1
14	<u>101875301</u>	Set, Pole (Set of 4)	1
15	<u>101875401</u>	Screw, Pole Piece (Set of 4)	1
16	<u>101875501</u>	Coil, Field	1
17	<u>101875601</u>	Insulator, F Terminal	2
18	<u>101877601</u>	Package, Terminal Hardware (F1 and F2)	2
19	<u>101875701</u>	Insulator, DF Terminal	1
20	<u>101877701</u>	Package, Terminal Hardware (DF)	1
21	<u>101301102</u>	Holder, Brush (Includes Item 22)	1
22	<u>101878101</u>	Spring, Brush	4
23	<u>101876001</u>	Package, Terminal Hardware (A1 and A2)	2
24	<u>101876301</u>	Cover, Brush Inspection Port (Set of 4) (Includes Item 25)	1
25	<u>1017653</u>	Cover, Brush Inspection Port, with Drain	1
26	<u>101876402</u>	End Bell, Commutator	1
27	<u>101879001</u>	Bolt, Clamp, M6 x 1 x 180 mm	2
28	<u>101869302</u>	Package, Brush (Includes 4 Brushes, 4 Screws, 4 Washers)	1
29	<u>101876202</u>	Connector, Brush	2
30	<u>101875802</u>	A Connector (Set of 2)	1
31	<u>1014289</u>	Pulley	1

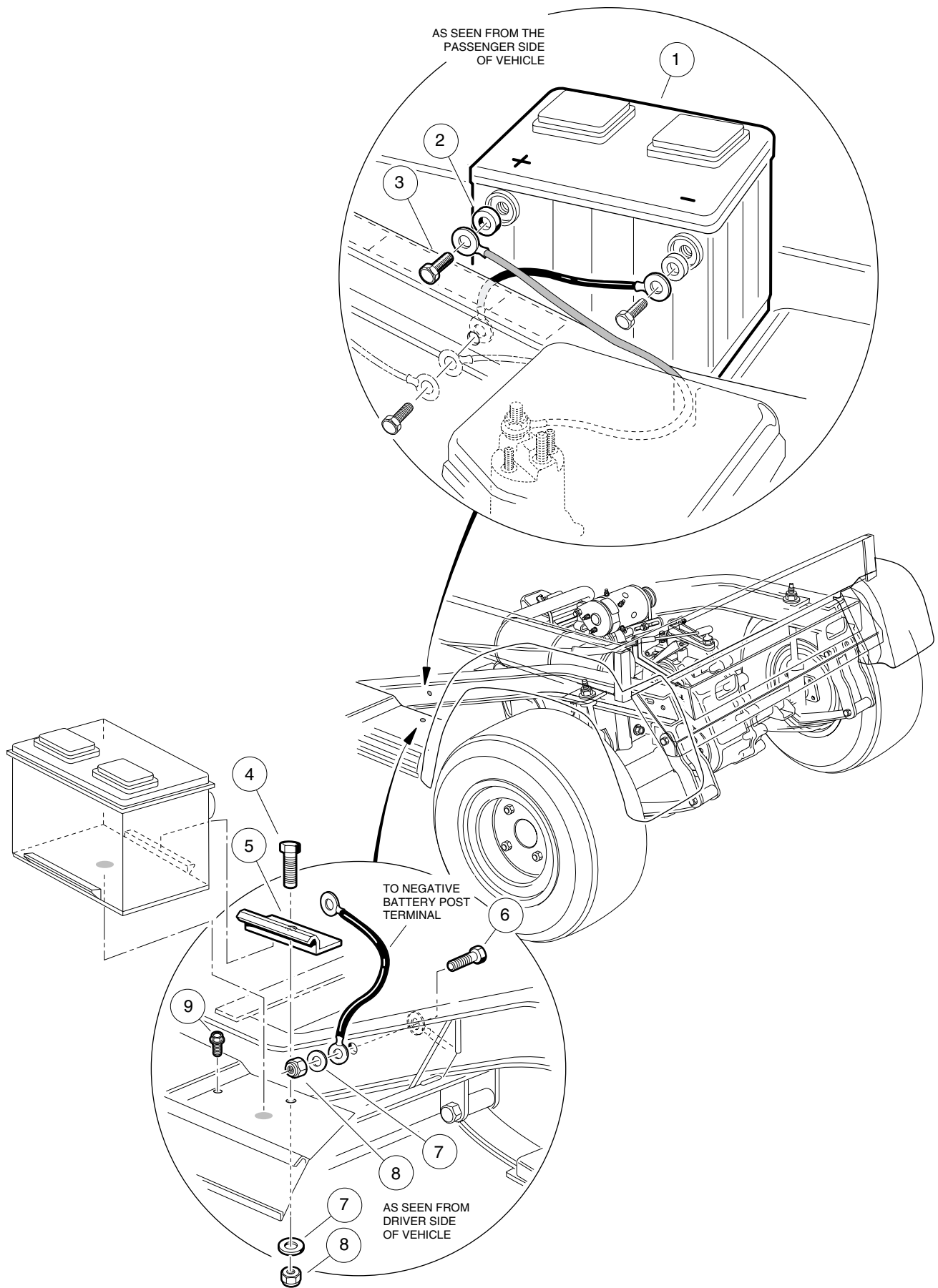


STARTER/GENERATOR MOUNTING

ITEM	PART NO.	DESCRIPTION	QTY
		1 2 3 4	
1	<u>101833701</u>	Starter/Generator (Clockwise Rotation)	1
2	<u>101524002</u>	Bracket, Mounting, FE350	1
3	<u>101916701</u>	Belt, Starter/Generator	1
4	<u>1016883</u>	Bracket, Adjusting	1
5	<u>8754</u>	Nut, Nylon Lock, 3/8-16	2
6	<u>1015075</u>	Washer, Flat, 5/16	1
7	<u>705</u>	Screw, Hex Head Cap, 3/8-16 x 1-1/4	2
8	<u>1012830</u>	Screw, Hex Head Cap, M8 x 1.25 x 22 mm	2
9	<u>7174</u>	Washer, Lock, 5/16	3
10	<u>1016074</u>	Screw, Torx Head, M8 x 1.25 x 18 mm	1
11	<u>1015932</u>	Screw, Round-Head Square-Neck, 5/16-18 x 1	1
12	<u>1242</u>	Nut, Hex, 5/16-18	1
13	<u>101837301</u>	Wire Assembly, #6 Green	1



7
G



BATTERY

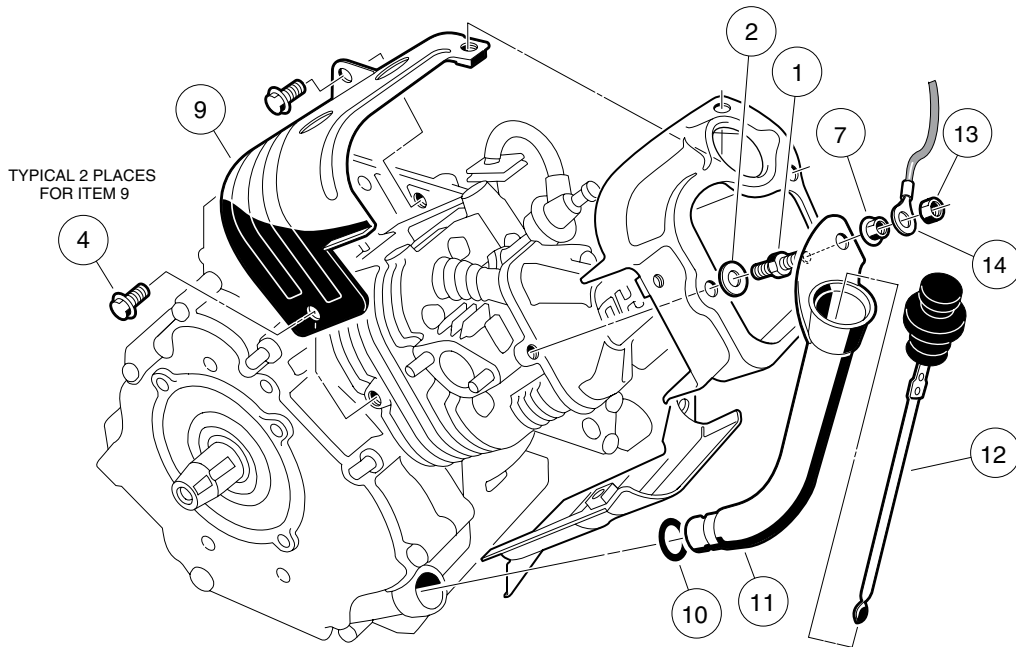
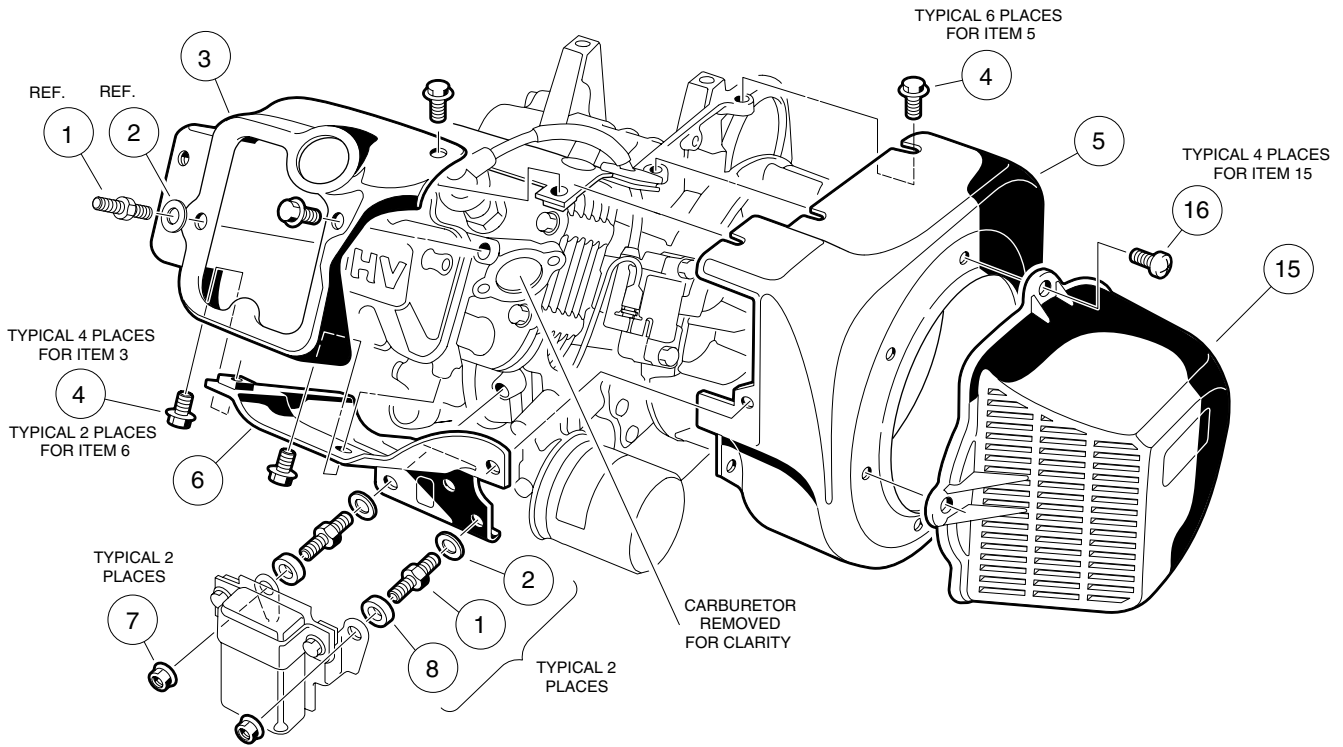
7
G

ITEM	PART NO.	DESCRIPTION	QTY
		1 2 3 4	
1	<u>1012328</u>	Battery, 12-Volt	1
2	<u>1014374</u>	Spacer, Battery Terminal Bolt	2
3	<u>1014375</u>	Screw, Hex Head Cap, Stainless Steel, 3/8-16 x 1/2	2
4	<u>1010934</u>	Screw, Hex Head Cap, 5/16-18 x 1	1
5	<u>101898001</u>	Clamp, Battery	1
6	<u>7173</u>	Screw, Hex Head Cap, 5/16-18 x 3/4	1
7	<u>1241</u>	Washer, Flat, 5/16	2
8	<u>7473</u>	Nut, Nylon Lock, 5/16-18	2
9	<u>1014288</u>	Screw, Thread-Forming, 5/16-18 x 3/4	1

FE350 ENGINE

8

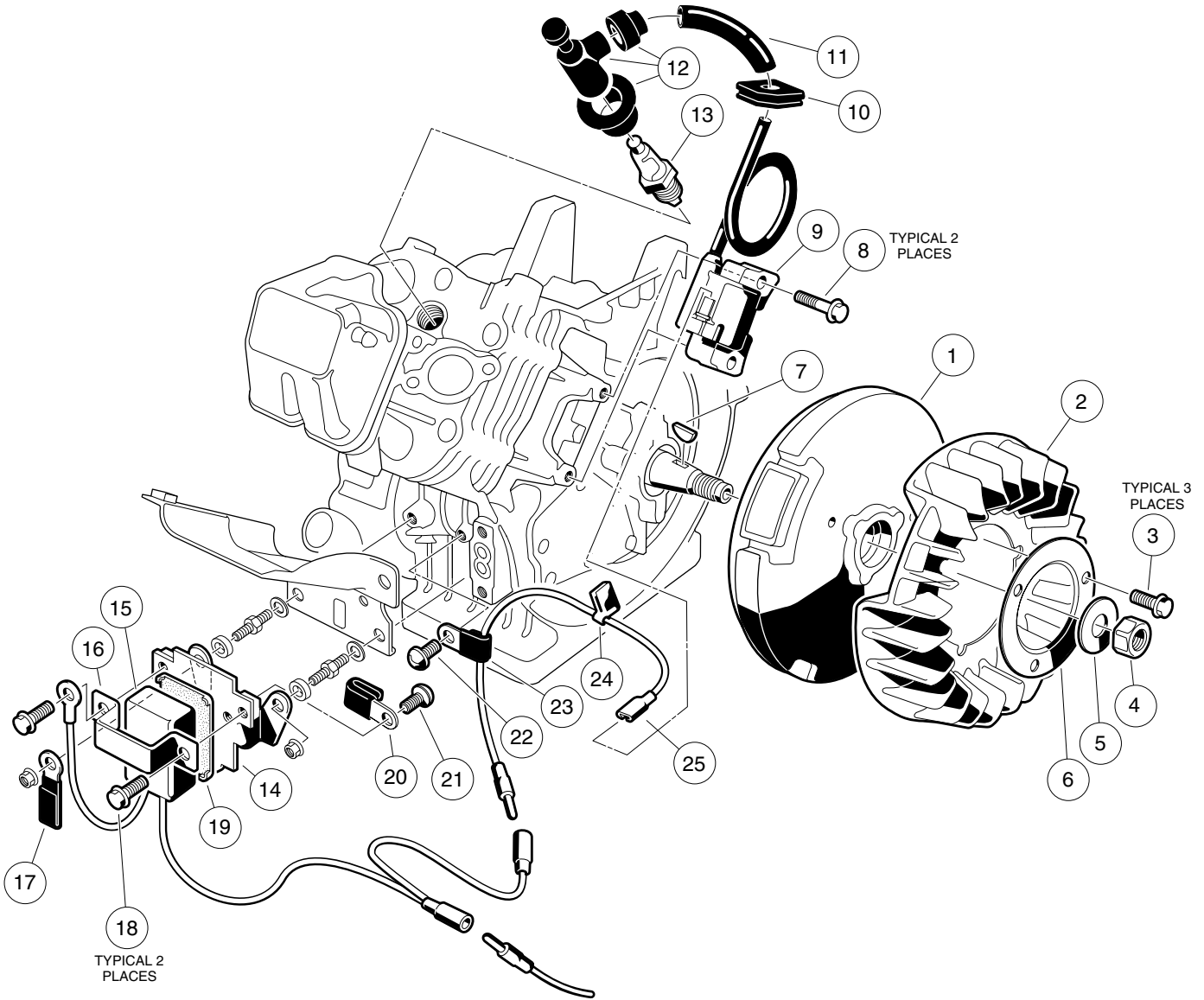
G



FE350 ENGINE – SHROUDS AND BRACKETS

ITEM	PART NO.	DESCRIPTION	QTY
		1 2 3 4	
	<u>101953801</u>	FE350 OHV Gasoline Engine, Complete (Clockwise Rotation) with Carburetor (With Compression Release) (Does Not Include Items 13 - 16)	1
1	<u>1016507</u>	Bolt, 2-Ended, M6 x 1 x 29 mm	3
2	<u>1016512</u>	Washer, Flat, 6 mm	3
3	<u>1017474</u>	Shroud, Cylinder Head	1
4	1016456	Bolt, Flanged, M6 x 1 x 12 mm	14
5	<u>101916101</u>	Housing, Fan	1
6	<u>1017476</u>	Shroud, Lower Cylinder	1
7	1016547	Nut, Flanged, M6 x 1	3
8	<u>1017500</u>	Spacer	2
9	<u>1017475</u>	Shroud, Upper Cylinder	1
10	<u>1016539</u>	O-Ring	1
11	<u>1017486</u>	Tube, Oil Filler	1
12	1016531	Dipstick	1
13	<u>101887601</u>	Nut, Nylon Lock, M6 x 1	1
14	<u>1015332</u>	Wire Assembly, #10 Braided Ground	1
15	<u>1015649</u>	Shroud, Fan	1
16	<u>1015969</u>	Screw, Pan Head, M6 x 1 x 14 mm	4

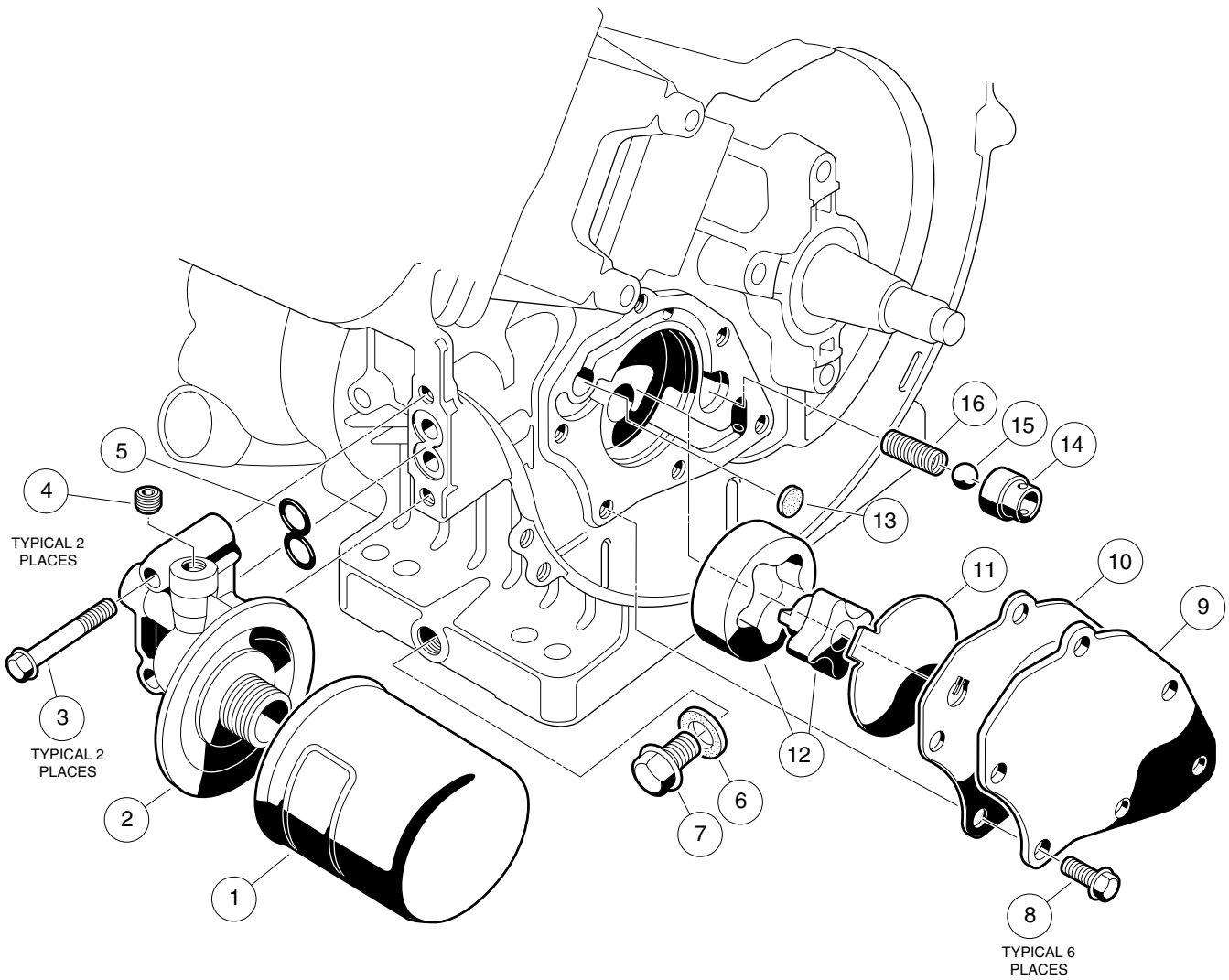




FE350 ENGINE – IGNITION COMPONENTS AND FLYWHEEL

ITEM	PART NO.	DESCRIPTION	QTY
		1 2 3 4	
1	<u>101916201</u>	Flywheel	1
2	<u>101916301</u>	Fan, Flywheel – Gray	1
3	<u>1017448</u>	Screw, Flanged Hex Head, M6 x 1 x 10 mm	3
4	<u>1017467</u>	Nut, Hex, Fine, 18 mm	1
5	<u>1017490</u>	Washer, Flat, 18 mm	1
6	<u>1017455</u>	Plate, Flywheel Fan	1
7	<u>1016562</u>	Key	1
8	<u>1016455</u>	Screw, Hex Head Flanged, M5 x 0.8 x 25 mm	2
9	<u>101909201</u>	Coil, Ignition (with Internal Igniter)	1
10	<u>1016578</u>	Grommet	1
11	<u>1016588</u>	Tube, 7 mm I.D. x 10 mm O.D. x 70 mm Long	1
12	<u>1017463</u>	Cap, Plug	1
13	<u>101881101</u>	Plug, Spark, OHV	1
14	1016445	Bracket, RPM Limiter	1
15	101909401	Limiter, RPM	1
16	<u>1016579</u>	Band, RPM Limiter Mount	1
17	<u>1012981</u>	Clamp	1
18	1016456	Screw, Flanged Hex Head, M6 x 1 x 12 mm	2
19	1016586	Damper	1
20	101909501	Clamp	1
21	<u>1016497</u>	Screw, Cross Pan Head, M5 x .08 x 8 mm	1
22	<u>1016544</u>	Screw, Cross Pan Head Self-Tapping, M5 x 12 mm	1
23	<u>1016561</u>	Clamp	1
24	<u>1016587</u>	Clamp	1
25	<u>101909301</u>	Wire, Lead	1

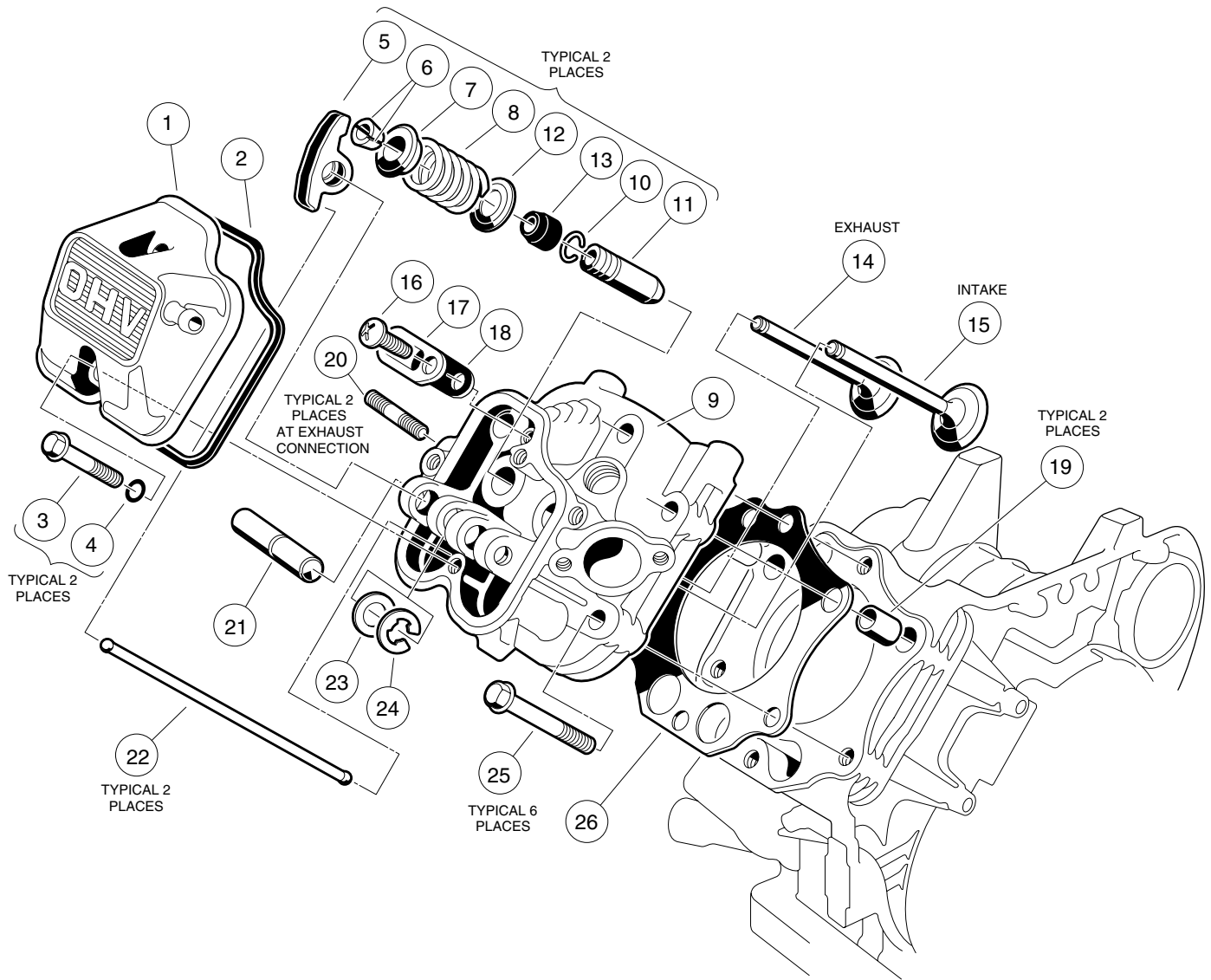
8
G



FE350 ENGINE – OIL CIRCULATION

8
G

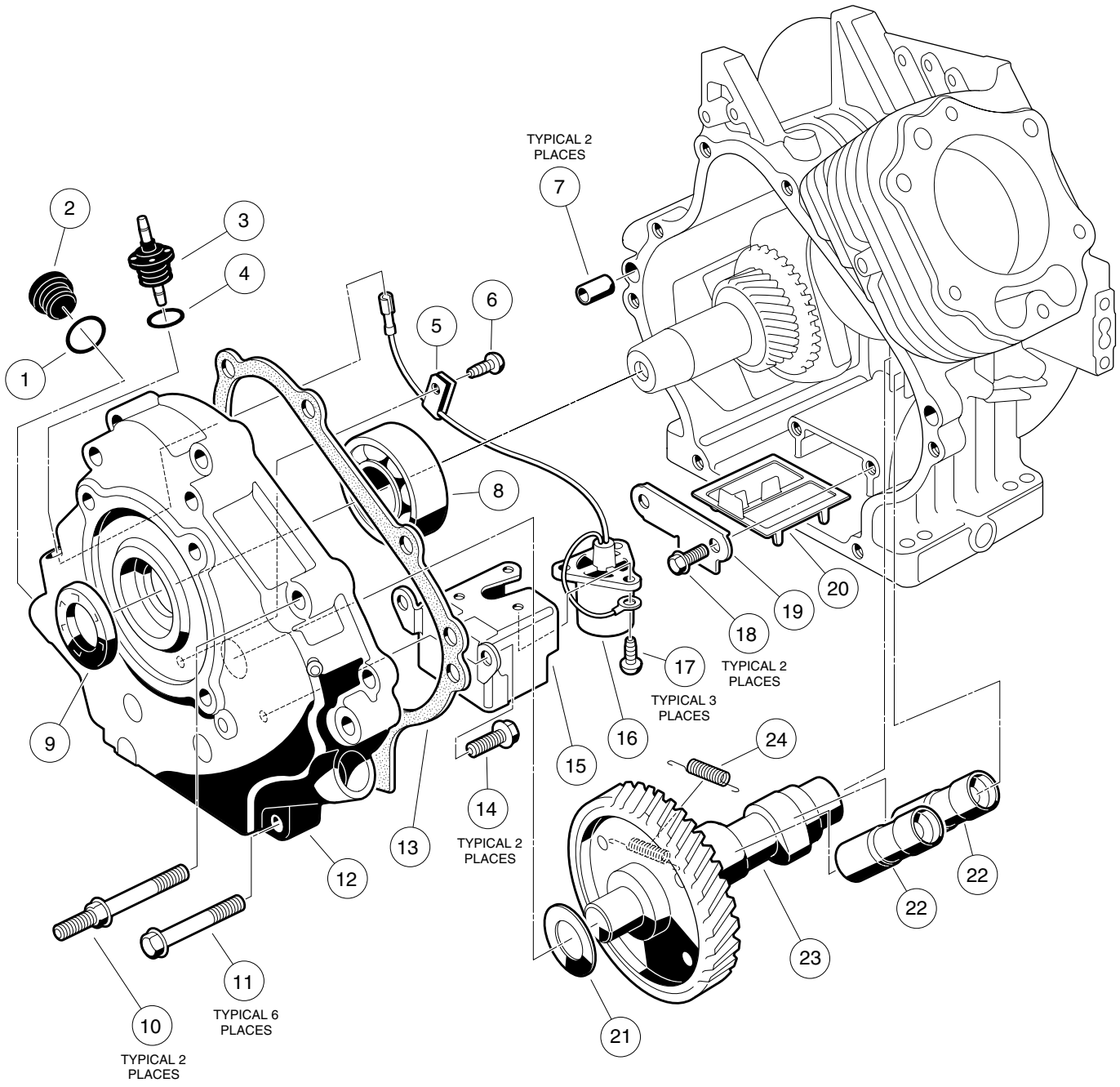
ITEM	PART NO.	DESCRIPTION	QTY
		1 2 3 4	
1	<u>1016467</u>	Oil Filter	1
2	<u>1016502</u>	Bracket, Oil Filter	1
3	<u>1016457</u>	Bolt, Flanged Hex Head, M6 x 1 x 40 mm	2
4	<u>1017507</u>	Plug	2
5	<u>1016570</u>	O-Ring	1
6	<u>1016432</u>	Gasket, Drain Plug	1
7	<u>1016576</u>	Plug, Drain	1
8	<u>1017456</u>	Screw, Flanged Hex Head, M6 x 1 x 12 mm	6
9	<u>1017460</u>	Cover, Pump	1
10	<u>1017442</u>	Gasket, Oil Pump	1
11	<u>1016473</u>	Plate, Oil Pump	1
12	<u>101648203</u>	Pump, Oil and Rotor	1
13	<u>1017458</u>	Filter	1
14	<u>1016429</u>	Seat, Valve	1
15	<u>1016537</u>	Ball, Steel Pressure Relief	1
16	<u>1016581</u>	Spring	1



FE350 ENGINE – CYLINDER HEAD

8
G

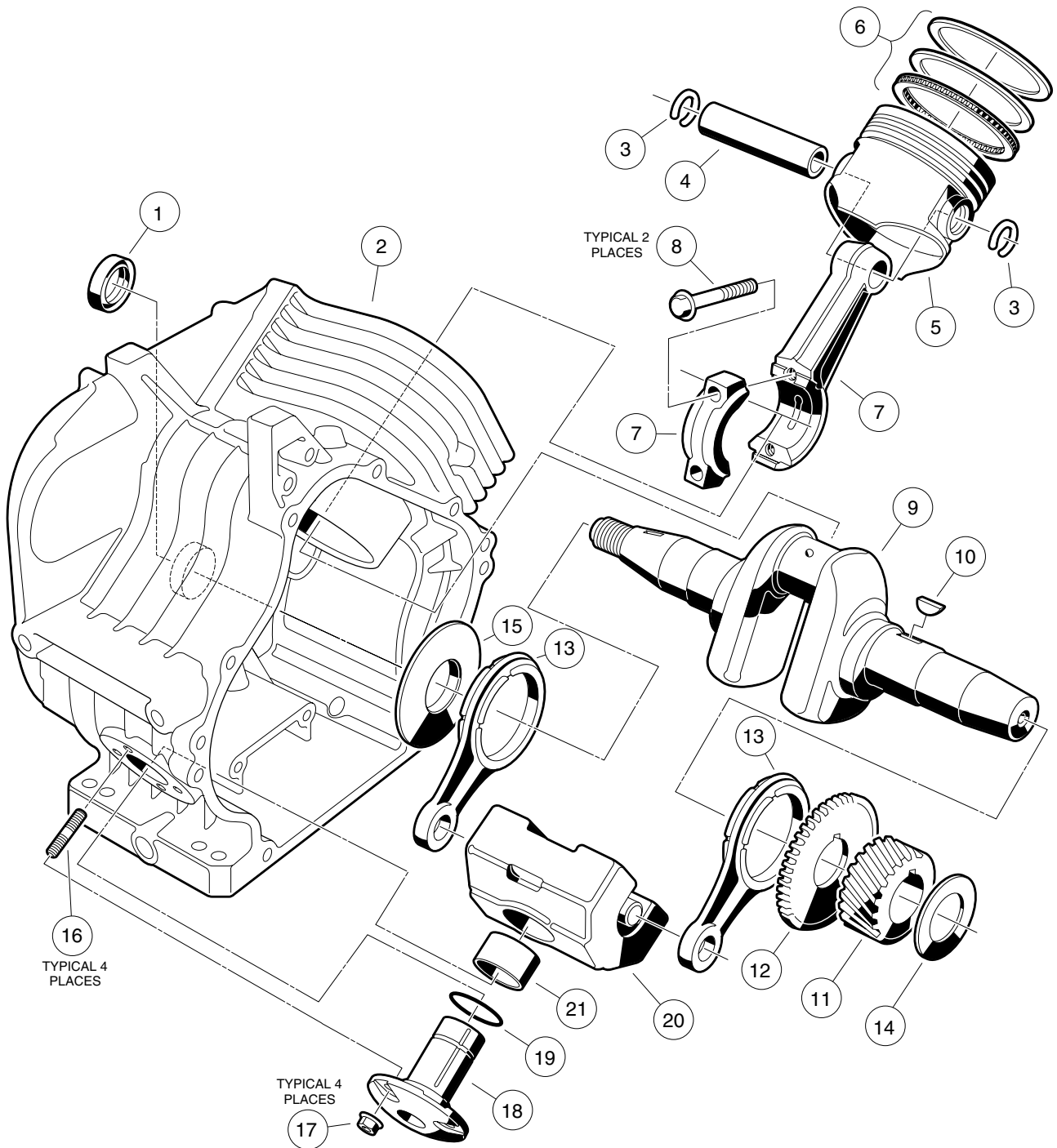
ITEM	PART NO.	DESCRIPTION	QTY
		1 2 3 4	
1	<u>1016442</u>	Case, Rocker	1
2	<u>1016436</u>	Gasket, Rocker Case	1
3	<u>1016583</u>	Bolt, Flanged, M6 x 1 x 35 mm	2
4	<u>1016569</u>	O-Ring	2
5	<u>1017446</u>	Arm, Rocker	2
6	<u>1016450</u>	Collet	4
7	<u>1016449</u>	Retainer, Valve Spring	2
8	<u>1017473</u>	Spring, Engine Valve	2
9	<u>1017435</u>	Assembly, Cylinder Head, FE350 (Includes Items 10 and 11)	1
10	<u>1016560</u>	Ring, Snap	2
11	<u>1016519</u>	Guide, Valve	2
12	<u>1016479</u>	Seat, Spring	2
13	<u>1016566</u>	Seal, Valve	2
14	<u>1017445</u>	Valve, Exhaust	1
15	<u>1017444</u>	Valve, Intake	1
16	<u>1016544</u>	Screw, Cross Pan Head Self-Tapping, M5 x .8 x 12 mm	1
17	<u>1016474</u>	Plate	1
18	<u>1016483</u>	Valve	1
19	<u>1016563</u>	Pin, Hollow	2
20	<u>1016489</u>	Bolt, Stud, M8 x 1.25 x 29 mm	2
21	<u>1016452</u>	Shaft, Rocker	1
22	<u>1017454</u>	Rod, Push	2
23	<u>1016549</u>	Washer, Flat, M12	1
24	<u>1016517</u>	Circlip, Type-E	1
25	<u>1016458</u>	Bolt, Flanged, M8 x 1.25 x 45 mm	6
26	<u>1017434</u>	Gasket, Head	1



FE350 ENGINE – CRANKCASE, CAMSHAFT AND OIL SENSOR

ITEM	PART NO.	DESCRIPTION	QTY
		1 2 3 4	
1	<u>1016538</u>	O-Ring	1
2	<u>1017508</u>	Plug	1
3	<u>1016535</u>	Connector, Oil Sending Unit	1
4	<u>1016538</u>	O-Ring	1
5	<u>1016506</u>	Clamp	1
6	<u>1016544</u>	Screw, Cross Pan Head Self-Tapping, M5 x .8 x 12 mm	1
7	<u>1016564</u>	Pin, Hollow	2
8	<u>1017487</u>	Bearing, Crankshaft	1
9	<u>1017504</u>	Seal, Crankshaft	1
10	<u>1016584</u>	Bolt, 2-Ended Flanged, M8 x 1.25 x 69 mm	2
11	<u>1017514</u>	Bolt, Flanged, M8 x 1.25 x 45 mm	6
12	<u>1017472</u>	Cover, Crankcase	1
13	<u>1017443</u>	Gasket, Crankcase Cover	1
14	<u>1017513</u>	Bolt, Flanged, M6 x 1 x 12 mm	2
15	<u>1016510</u>	Bracket, Oil Level Switch	1
16	<u>1016494</u>	Sensor, Oil Level	1
17	<u>1016496</u>	Screw, Cross Pan Head, M4 x .7 x 8 mm	3
18	<u>1016454</u>	Bolt, Flanged, M5 x .8 x 8 mm	2
19	<u>1016472</u>	Plate, Oil Filter Screen	1
20	<u>1016521</u>	Screen, Oil Filter	1
21	<u>101751801</u>	Shim, 0.3 mm Thick	A/R
21	<u>101751802</u>	Shim, 0.4 mm Thick	A/R
21	<u>101751803</u>	Shim, 0.5 mm Thick	A/R
22	<u>1017447</u>	Lifter, Hydraulic	2
23	<u>101915901</u>	Camshaft (With Compression Release) (Includes Item 24)	1
24	<u>1017511</u>	Spring	1

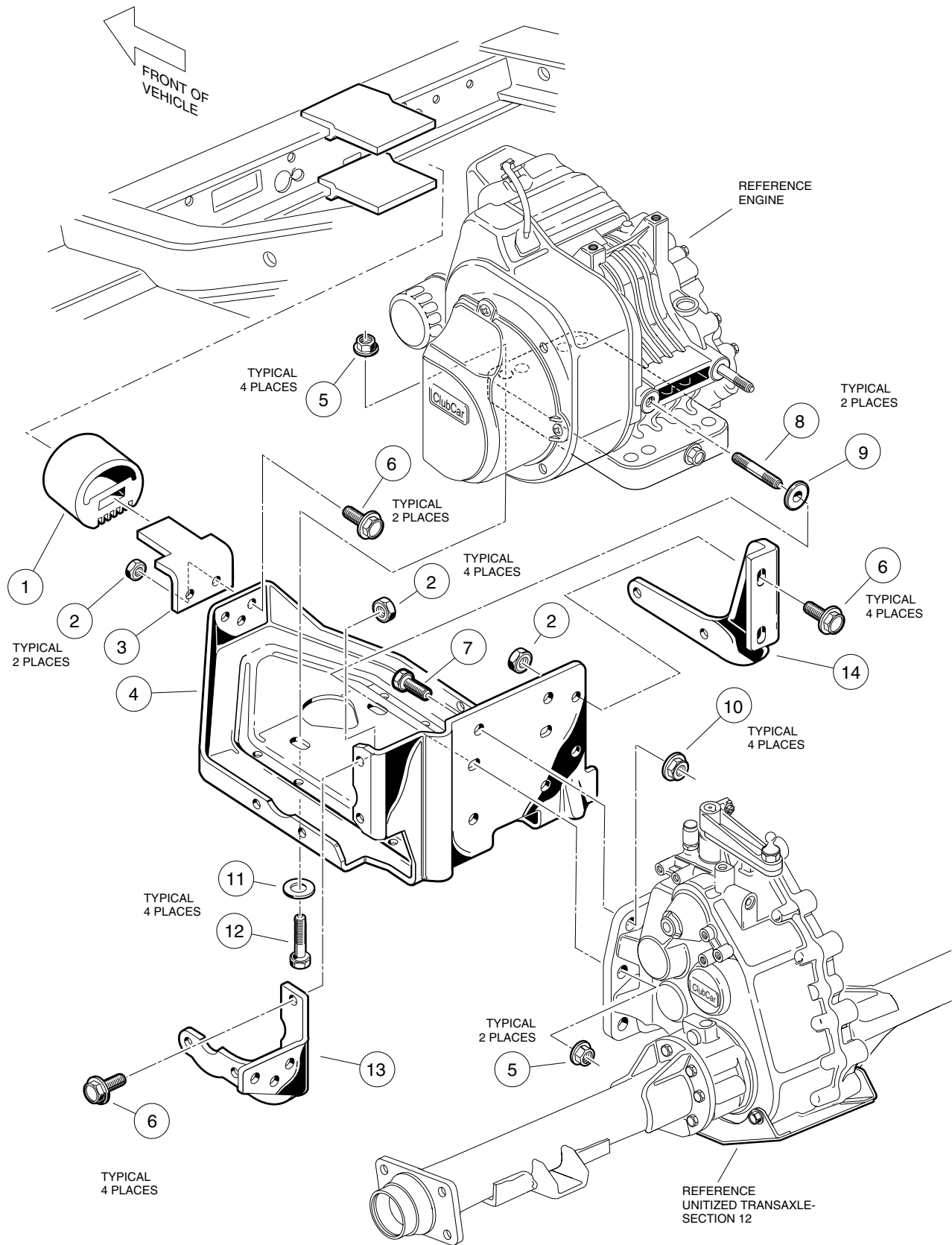
8
G



FE350 ENGINE – CRANKCASE AND CRANKSHAFT

ITEM	PART NO.	DESCRIPTION	QTY
		1 2 3 4	
1	<u>1017503</u>	Seal, Oil	1
2	<u>101916001</u>	Crankcase, Complete, FE350 (Clockwise Rotation)	1
3	<u>1017502</u>	Ring, Snap	2
4	<u>1017450</u>	Pin, Piston	1
5	<u>101744901</u>	Piston, Standard	1
5	<u>101744902</u>	Piston, .50 mm Oversized	1
6	<u>101745101</u>	Ring Set, Piston, Standard	1
6	<u>101745102</u>	Ring Set, Piston, .50 mm Oversized	1
7	<u>101745701</u>	Assembly, Connecting Rod, Standard (Includes 2 Each of Item 8)	1
7	<u>101745702</u>	Assembly, Connecting Rod, .50 mm Undersized (Includes 2 Each of Item 8)	1
8	<u>1017512</u>	Bolt, Hex Head, M7 x 1 x 36 mm	2
9	<u>101922302</u>	Crankshaft, FE350 (Left-Hand Threads) (Includes Items 10 - 12 and One Each of Item 13)	1
10	<u>1016562</u>	Key	1
11	<u>1017484</u>	Gear, Helical	1
12	<u>1017483</u>	Gear, Spur	1
13	<u>1017471</u>	Rod, Connecting	2
14	<u>101773301</u>	Shim, Crankshaft, 1.18 mm Thick	A/R
14	<u>101773302</u>	Shim, Crankshaft, 1.25 mm Thick	A/R
14	<u>101773303</u>	Shim, Crankshaft, 1.32 mm Thick	A/R
14	<u>101773304</u>	Shim, Crankshaft, 1.39 mm Thick	A/R
14	<u>101773305</u>	Shim, Crankshaft, 1.46 mm Thick	A/R
14	<u>101773306</u>	Shim, Crankshaft, 1.53 mm Thick	A/R
14	<u>101773307</u>	Shim, Crankshaft, 1.60 mm Thick	A/R
14	<u>101773308</u>	Shim, Crankshaft, 1.67 mm Thick	A/R
14	<u>101773309</u>	Shim, Crankshaft, 1.74 mm Thick	A/R
14	<u>101773310</u>	Shim, Crankshaft, 1.11 mm Thick	A/R
14	<u>101773311</u>	Shim, Crankshaft, 1.81 mm Thick	A/R
15	<u>1017501</u>	Spacer	1
16	<u>1016541</u>	Bolt, Stud, M6 x 1 x 22 mm	4
17	<u>1016547</u>	Nut, Flanged, M6 x 1	4
18	<u>1016470</u>	Shaft, Guide Counterbalance	1
19	<u>1016571</u>	O-Ring	1
20	<u>1017453</u>	Weight, Counterbalance (Includes Item 21)	1
21	<u>1017510</u>	Bearing	1





ENGINE MOUNTING

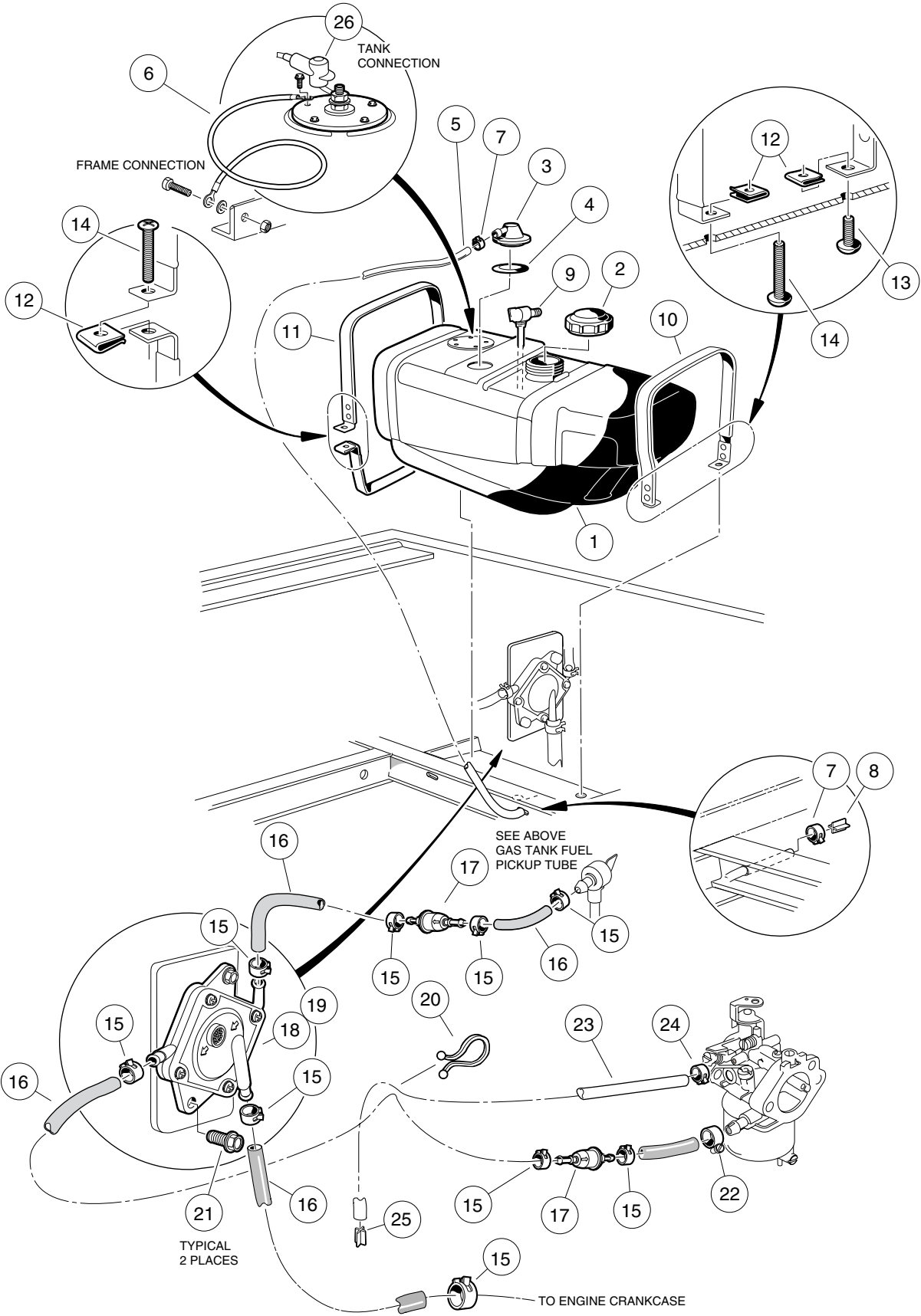
ITEM	PART NO.	DESCRIPTION	QTY
		1 2 3 4	
1	1012164	Snubber	1
2	<u>1013924</u>	Nut, Hex Lock, UNF, 5/16-24	10
3	<u>101834601</u>	Bracket, Snubber	1
4	<u>101827101</u>	Plate, Mounting	1
5	101833001	Nut, Flanged, M8 x 1.25	6
6	<u>101884801</u>	Screw, Hex Washer, 5/16-24 x 7/8	10
7	<u>101833301</u>	Screw, Hex Head Cap, M10 x 1.25 x 30 mm	4
8	<u>101833101</u>	Stud, M8 x 1.25 x 50 mm	2
9	<u>101832101</u>	Washer, Flat, 5/16	2
10	<u>101832901</u>	Nut, Flanged, M10 x 1.25	4
11	1012571	Washer, Heavy Flat, 5/16	4
12	<u>101855901</u>	Screw, Hex Head Cap, M8 x 1.25 x 43 mm	4
13	<u>101832701</u>	Stiffener, Flywheel Side	1
14	<u>101832601</u>	Stiffener, PTO Side	1



FUEL, INTAKE, AND GOVERNOR SYSTEMS

9

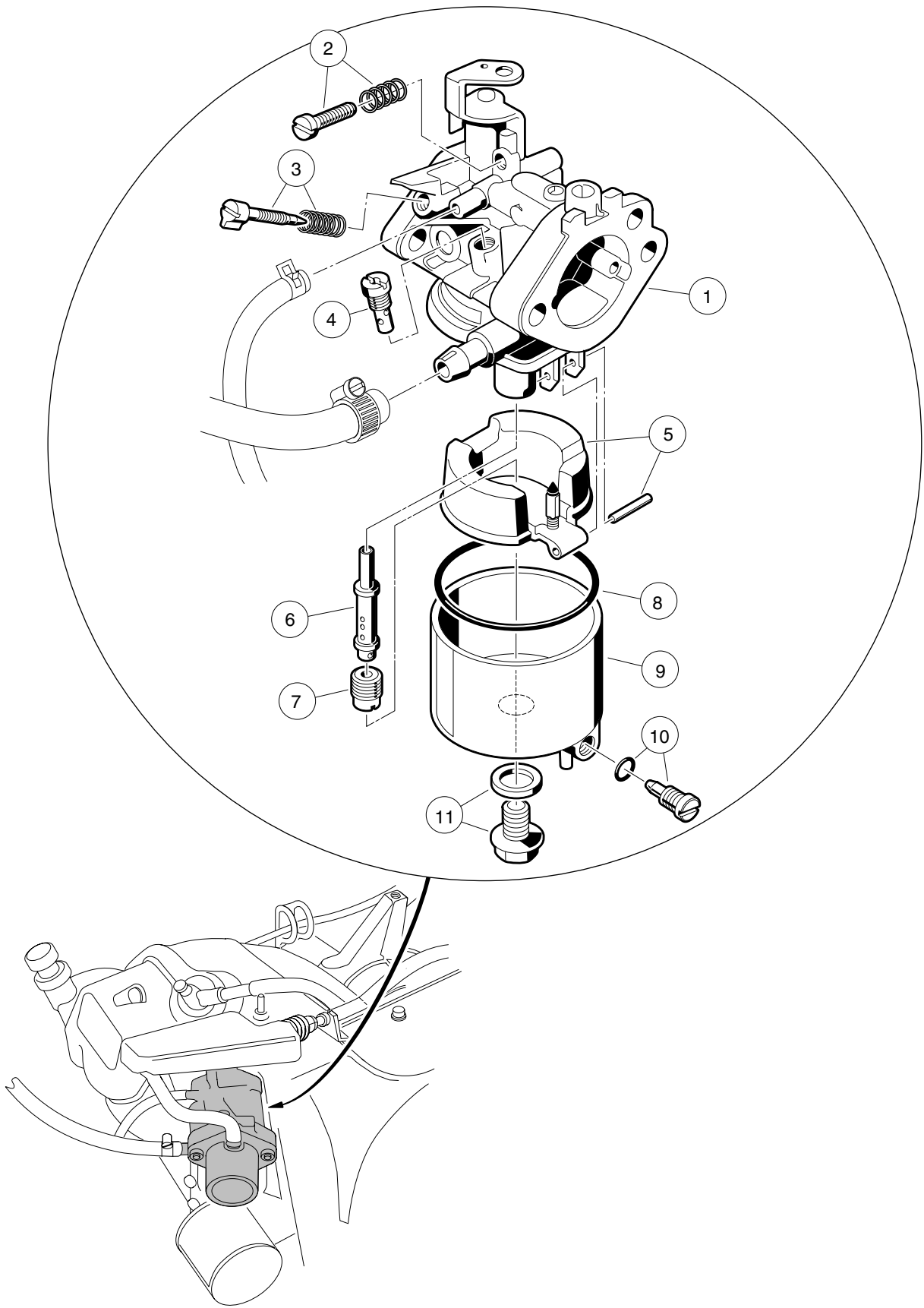
G



FUEL SYSTEM

9
G

ITEM	PART NO.	DESCRIPTION	QTY
		1 2 3 4	
1	1016004	Kit, Fuel Tank, with Sending Unit (Includes Items 2 - 9)	1
2	<u>1015188</u>	Cap, Fuel Tank, Nonvented	1
3	<u>1015143</u>	Vent, Fuel Tank	1
4	<u>1015139</u>	Grommet, Insulation	1
5	<u>1015137</u>	Line, Bulk Vent (Available by the Foot)	A/R
6	N/A	Wire Assembly, #16 Black	1
7	<u>1013746</u>	Clamp, Hose (Gray)	2
8	<u>101824401</u>	Barb, Vent	1
9	101896901	Valve, Fuel Pickup Tube with Shut-Off	1
10	<u>1014928</u>	Fuel Strap, Rear	1
11	<u>101955301</u>	Fuel Strap, Front	1
12	<u>1014116</u>	Nut, U-Type Speed, 1/4-20	3
13	<u>8248</u>	Screw, Phillips Truss Head, 1/4-20 x 3/4	1
14	<u>1011988</u>	Screw, Phillips Truss Head, 1/4-20 x 2	2
15	<u>1012649</u>	Clamp, Hose (Red)	9
16	<u>1013692</u>	Line, Bulk Fuel	A/R
17	<u>102003201</u>	Filter, Fuel	2
18	<u>1014523</u>	Pump, Fuel Impulse	1
19	<u>1014524</u>	Kit, Rebuild, Fuel Impulse Pump.....	A/R
20	<u>101987701</u>	Clamp, Plastic	1
21	<u>1012285</u>	Screw, Thread-Rolling, 1/4-20 x 5/8	2
22	<u>1013687</u>	Clamp, Hose (Screw Type)	1
23	<u>1015137</u>	Line, Bulk Vent (Available by the Foot)	A/R
24	<u>1013746</u>	Clamp, Hose (Gray)	1
25	<u>101824401</u>	Barb, Vent	1
26	102048501	Boot, Rubber	1

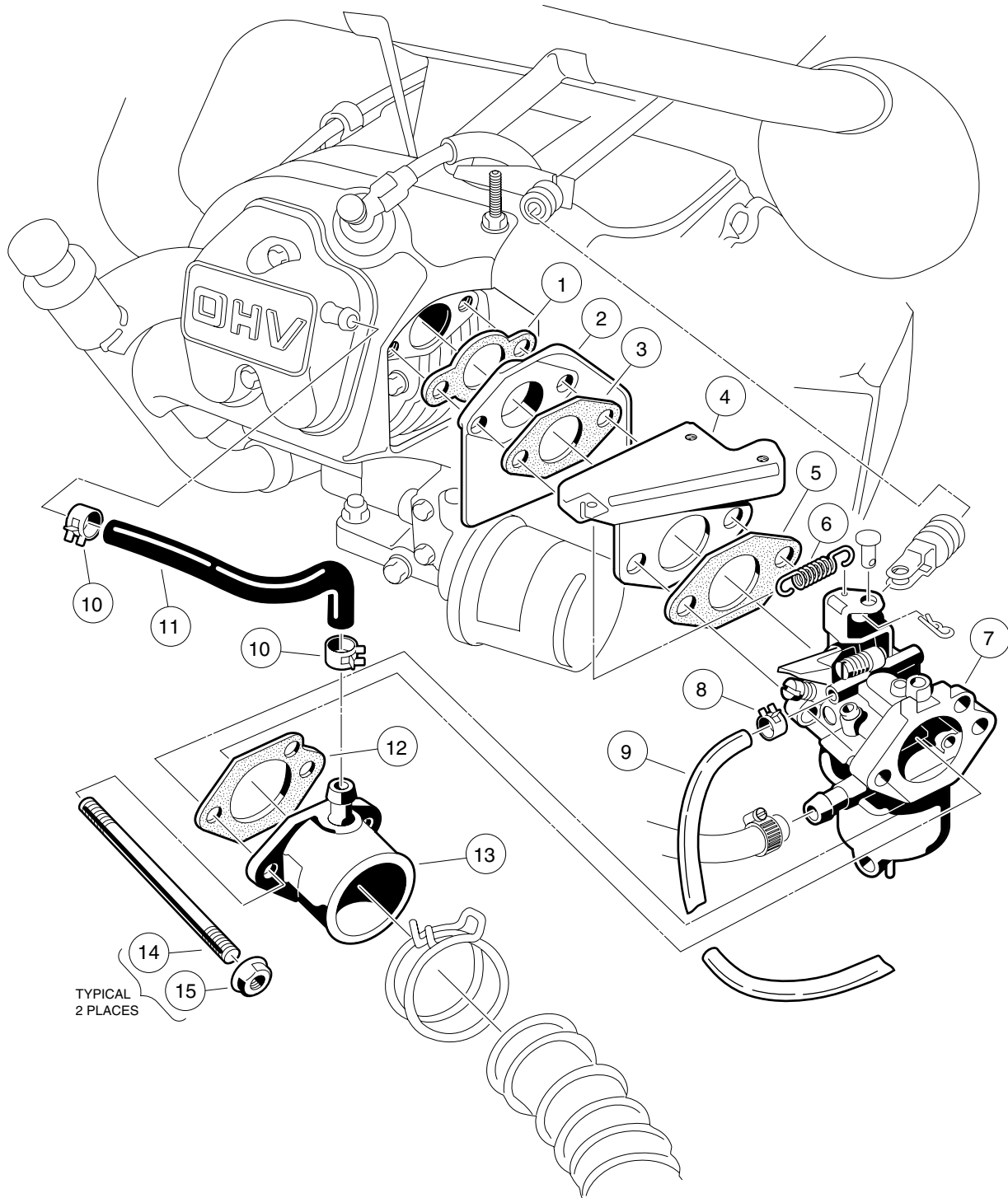


CARBURETOR ASSEMBLY

9

G

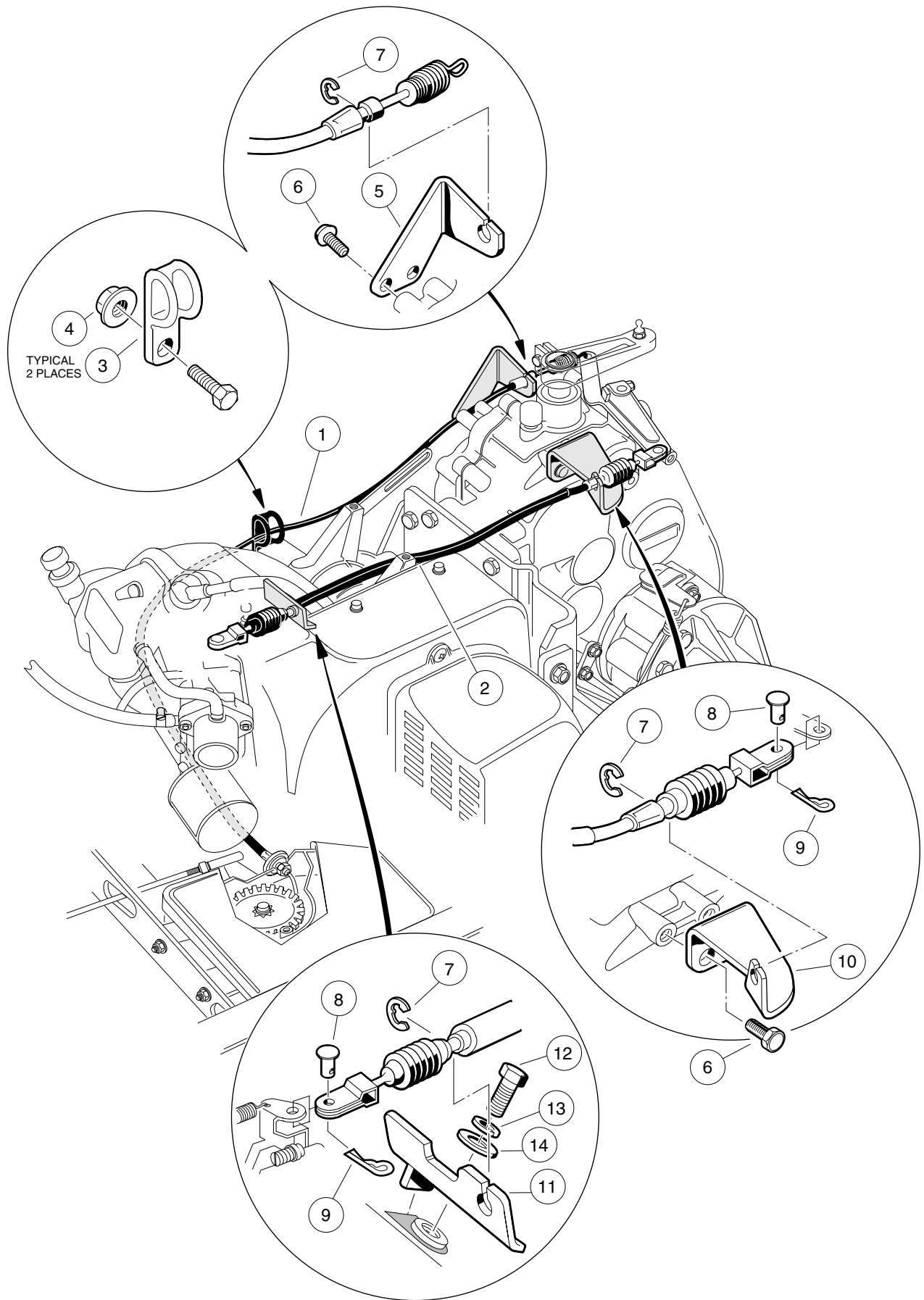
ITEM	PART NO.	DESCRIPTION	QTY
		1 2 3 4	
1	<u>101905901</u>	Assembly, Carburetor (Includes Items 2 - 11)	1
2	<u>1016501</u>	Assembly, Idle Screw	1
3	N/A	Assembly, Pilot Air Screw	1
4	<u>101973101</u>	Jet, Pilot, #40	1
5	1016486	Assembly, Float	1
6	<u>101973301</u>	Nozzle, Main	1
		Standard Jetting:	
7	<u>101642585</u>	Jet, Main, 0 - 3,000 feet	1
7	<u>101642582</u>	Jet, Main, 3,000 - 5,000 feet	A/R
7	<u>101642580</u>	Jet, Main, 5,000 - 8,000 feet	A/R
7	<u>101642578</u>	Jet, Main, 8,000 - 10,000 feet	A/R
7	<u>101642575</u>	Jet, Main, 10,000 Feet and Above	A/R
8	<u>1016437</u>	Gasket, Float Chamber	1
9	<u>1017461</u>	Assembly, Float Chamber (Includes Item 10)	1
10	<u>1016499</u>	Assembly, Screw	1
11	1016585	Assembly, Bolt	1



CARBURETOR INSTALLATION

9
G

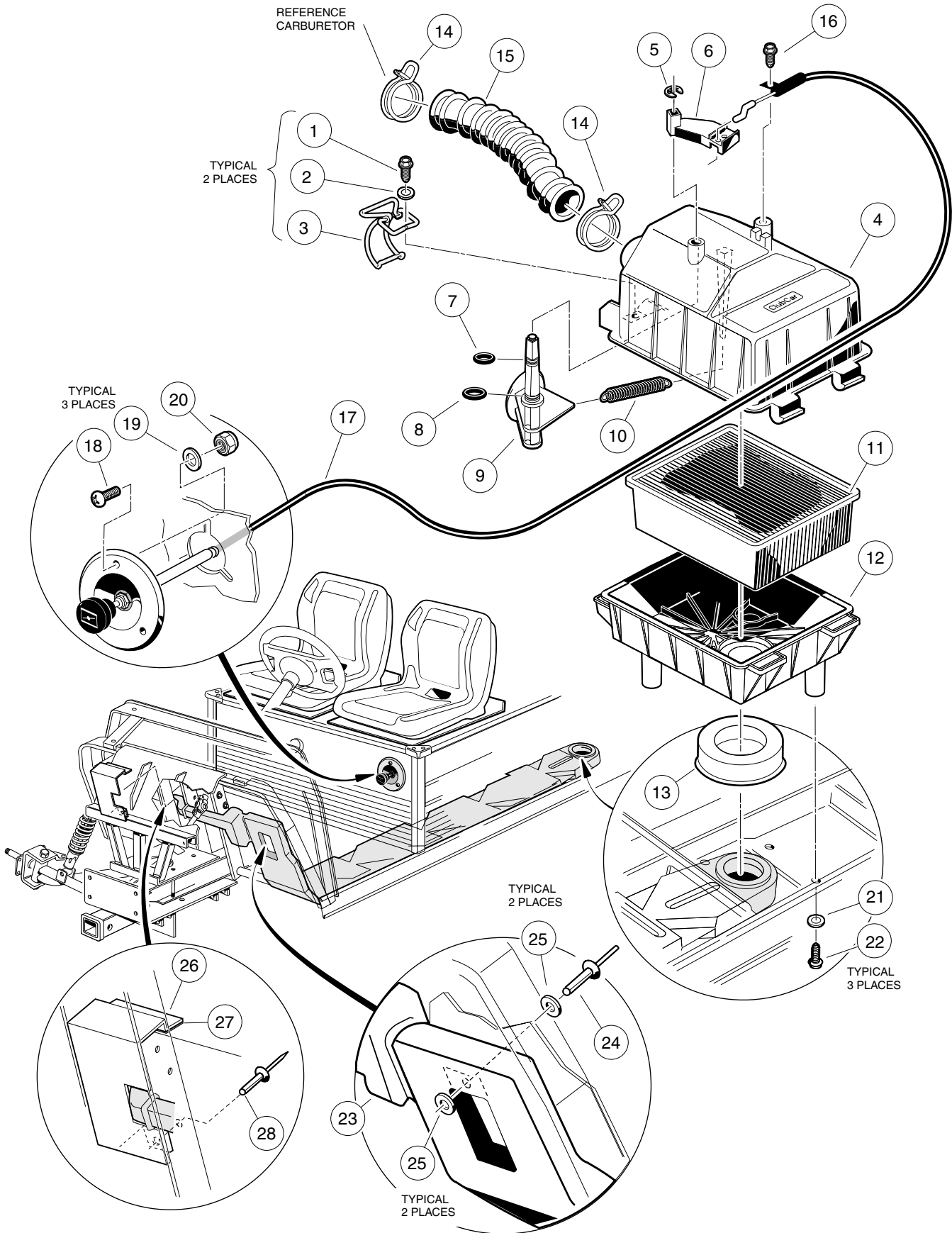
ITEM	PART NO.	DESCRIPTION	QTY
		1 2 3 4	
1	<u>1016440</u>	Gasket, Insulator	1
2	101648102	Insulator, Carburetor	1
3	<u>101973401</u>	Gasket, Carburetor Insulator to Throttle Bracket	1
4	<u>1016444</u>	Bracket, Throttle	1
5	<u>1016441</u>	Gasket, Throttle Bracket to Carburetor	1
6	<u>1016582</u>	Spring, Throttle Return	1
7	<u>101905901</u>	Assembly, Carburetor	1
8	<u>1013746</u>	Clamp, Hose (Gray)	1
9	<u>1015137</u>	Line, Bulk Vent	A/R
10	<u>1017466</u>	Clamp, Hose (Bronze)	2
11	<u>1016572</u>	Tube, Crankcase Vent	1
12	<u>1016438</u>	Gasket, Carburetor to Intake Manifold	1
13	1016480	Pipe, Intake	1
14	<u>101649002</u>	Screw, 2-Ended Stud, M6 x 1 x 90 mm	2
15	1016547	Nut, Flanged, M6 x 1	2



GOVERNOR AND ACCELERATOR CABLES

ITEM	PART NO.	DESCRIPTION	QTY
		1 2 3 4	
1	<u>101832501</u>	Cable, Accelerator	1
2	<u>101832402</u>	Cable, Governor	1
3	<u>1013700</u>	Clamp, Cable Retaining	2
4	<u>1016546</u>	Nut, Flanged Hex, M8 x 1.25	2
5	101832301	Bracket, Accelerator Support	1
6	<u>1012285</u>	Screw, Thread-Rolling, 1/4-20 x 5/8	4
7	<u>1016202</u>	E-Ring	3
8	<u>1015408</u>	Pin, Governor Cable Clevis	2
9	<u>1014413</u>	Pin, Hair Spring Cotter, 1/8 I.D. x 5/8	2
10	101832201	Bracket, Support	1
11	<u>1015845</u>	Bracket, Governor Cable Engine	1
12	101903501	Screw, Hex Head Cap, M8 x 1.25 x 24 mm	1
13	<u>7174</u>	Washer, Lock, 5/16	1
14	<u>1011697</u>	Washer, Flat, 5/16	1



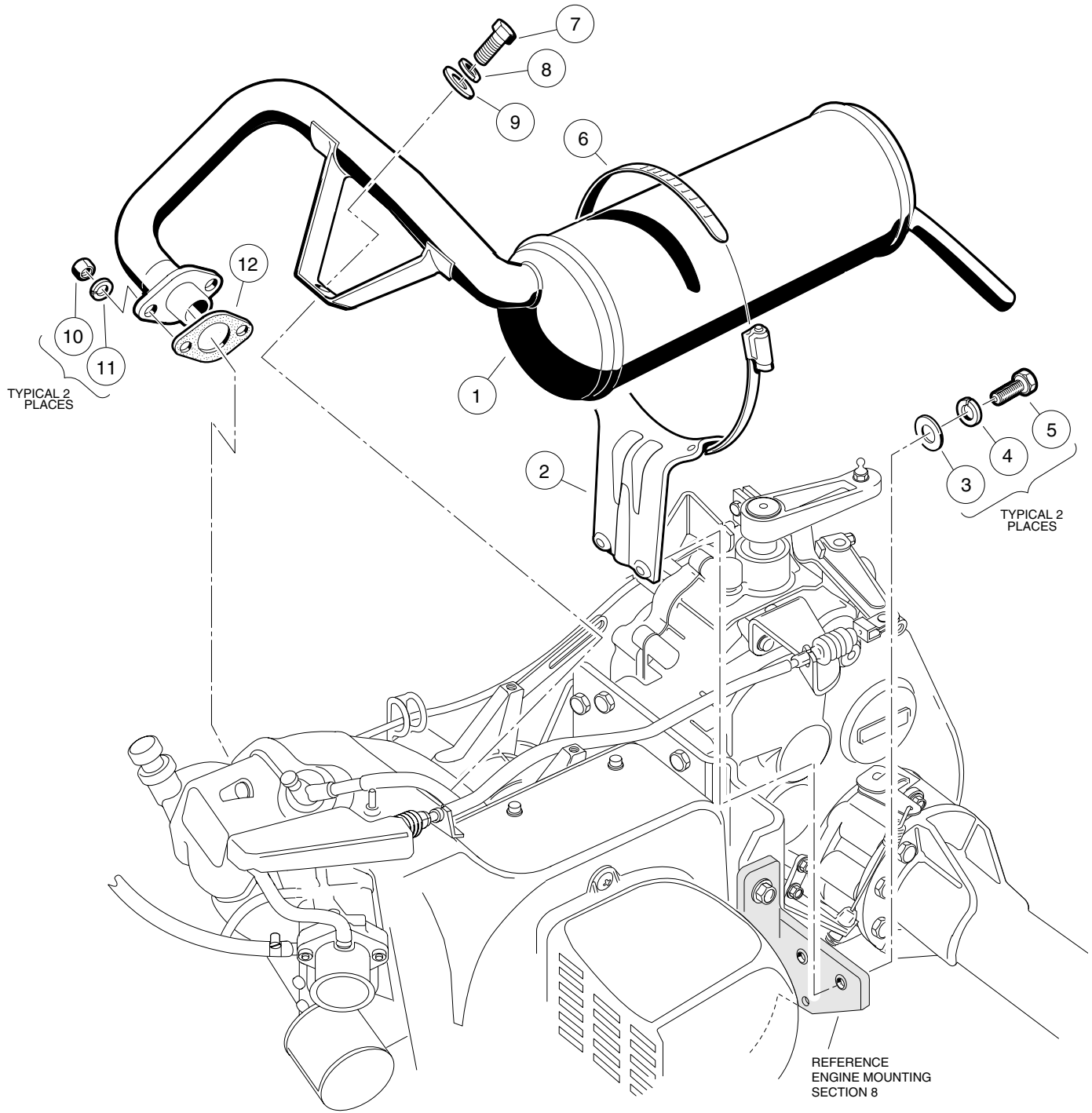


INTAKE DUCT, CHOKE, AND AIR BOX ASSEMBLY

9
G

ITEM	PART NO.	DESCRIPTION	QTY
		1 2 3 4	
	<u>101821501</u>	Assembly, Air Box (Includes Items 1 - 13).....	1
1	<u>101804301</u>	Screw, Hi-Lo Hex Head, #8 x 1/2	2
2	<u>101881701</u>	Washer, Stainless Steel, #8	2
3	<u>101925701</u>	Latch, Wire	2
4	<u>101972801</u>	Assembly, Air Box Top (Includes Items 5 - 10)	1
5	<u>101813001</u>	E-Clip	1
6	<u>101917601</u>	Lever, Choke	1
7	N/A	O-Ring, 5/16 (Red)	1
8	N/A	O-Ring, 3/8 (Green)	1
9	N/A	Valve, Choke	1
10	<u>101812301</u>	Spring, Return	1
11	<u>1015426</u>	Filter, Air	1
12	<u>101811901</u>	Bottom, Air Box	1
13	<u>101921501</u>	Seal, Intake	1
14	<u>101971301</u>	Clamp, Hose (Air Intake)	2
15	<u>101837101</u>	Hose, Intake	1
16	<u>101804301</u>	Screw, Hex Head Hi-Lo, #8 x 1/2	1
17	<u>101926801</u>	Cable, Choke	1
18	<u>1631</u>	Screw, Pan Head, #10-24 x 3/4	3
19	<u>183</u>	Washer, #10	3
20	<u>1012438</u>	Nut, Nylon Lock, #10-24	3
21	<u>332</u>	Washer, Flat, 1/4	3
22	<u>1015752</u>	Screw, Hi-Lo, #12-16 x 5/8	3
23	<u>101958102</u>	Duct, Air	1
24	<u>1606</u>	Rivet, Pop, 3/16	2
25	<u>183</u>	Washer, Flat, #10	4
26	<u>102195201</u>	Shield, Air Duct (Includes Item 27)	1
27	N/A	Tape, VHB 4950, 4-1/2 inches	1
28	<u>7973</u>	Rivet, Pop, 3/16	1
	<u>101971001</u>	Air Duct Repair Kit (Not Shown)	A/R

EXHAUST SYSTEM



EXHAUST SYSTEM

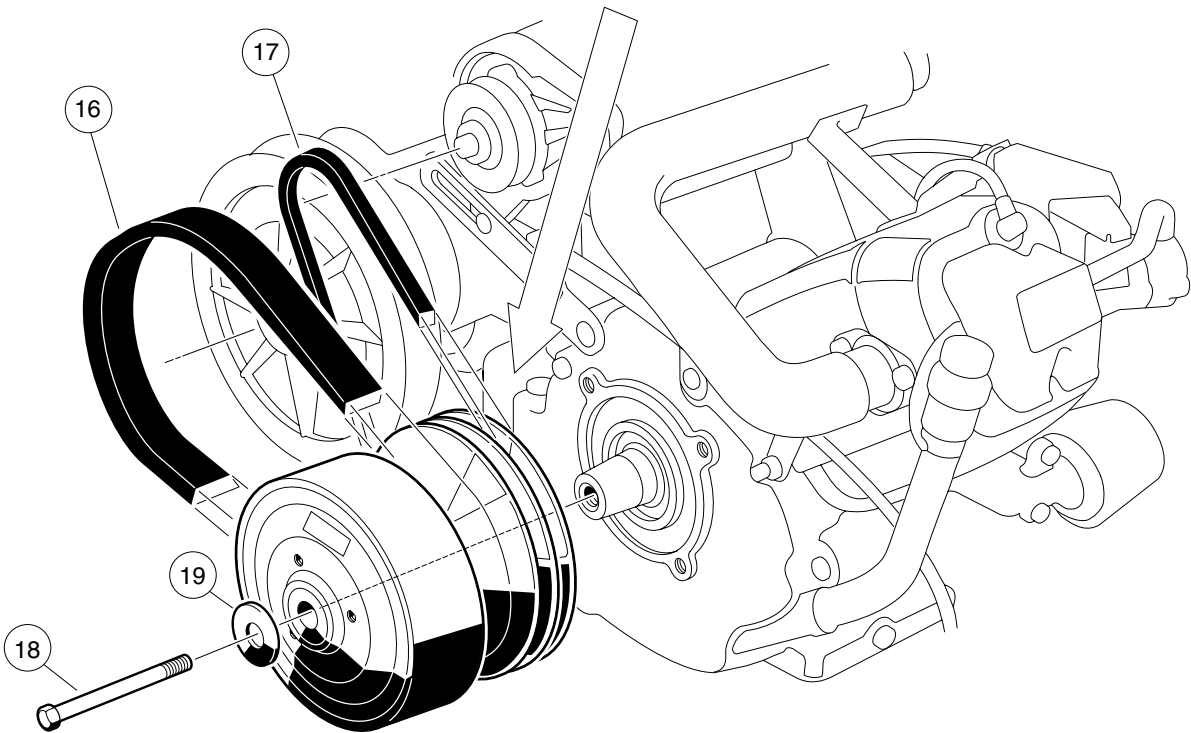
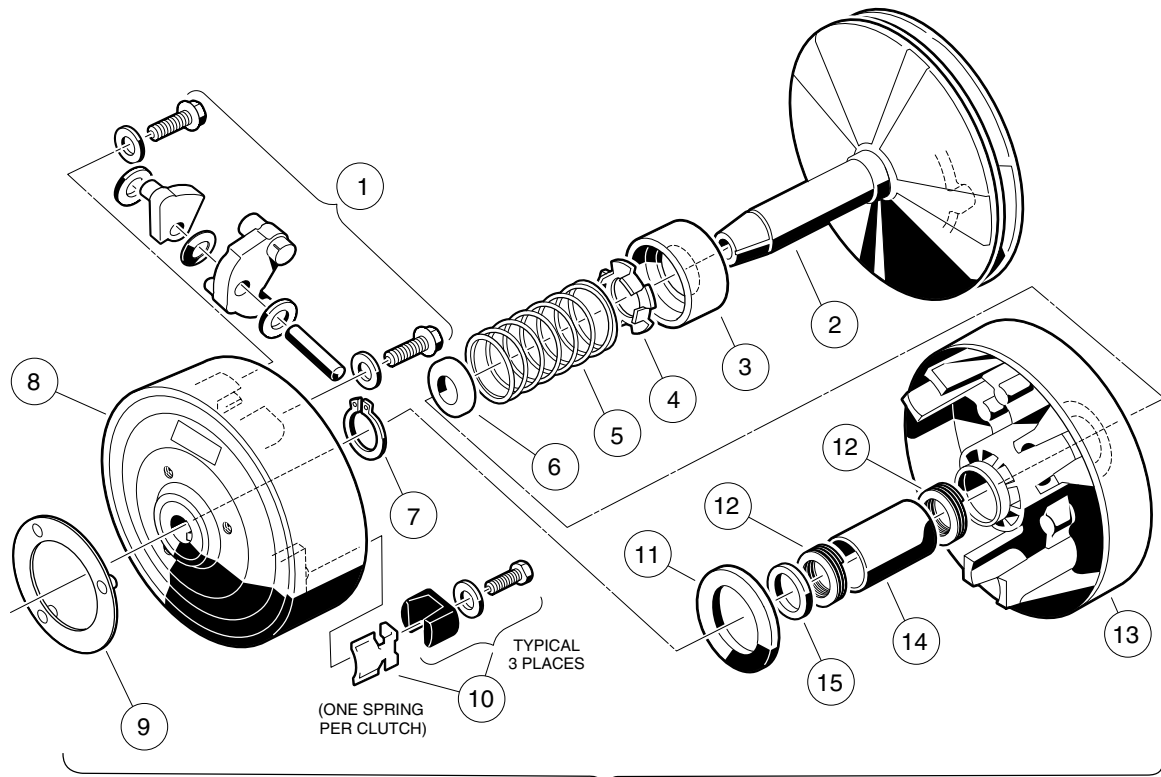
ITEM	PART NO.	DESCRIPTION	QTY
		1 2 3 4	
1	<u>101859401</u>	System, Exhaust	1
2	<u>1015814</u>	Bracket, Muffler Mounting	1
3	<u>332</u>	Washer, Flat, 1/4	2
4	<u>451</u>	Washer, Lock, 1/4	2
5	<u>7847</u>	Screw, Hex Head, 1/4-20 x 3/4	2
6	1017689	Clamp, Muffler	1
7	<u>1012830</u>	Screw, Hex Head Cap, M8 x 1.25 x 22 mm	1
8	<u>7174</u>	Washer, Lock, 5/16	1
9	1015075	Washer, Flat, 5/16	1
10	<u>1012528</u>	Nut, Hex, M8 x 1.25	2
11	<u>1013734</u>	Washer, Lock, 8 mm	2
12	<u>1016904</u>	Gasket, Exhaust	1

10
G

TORQUE CONVERTER

11

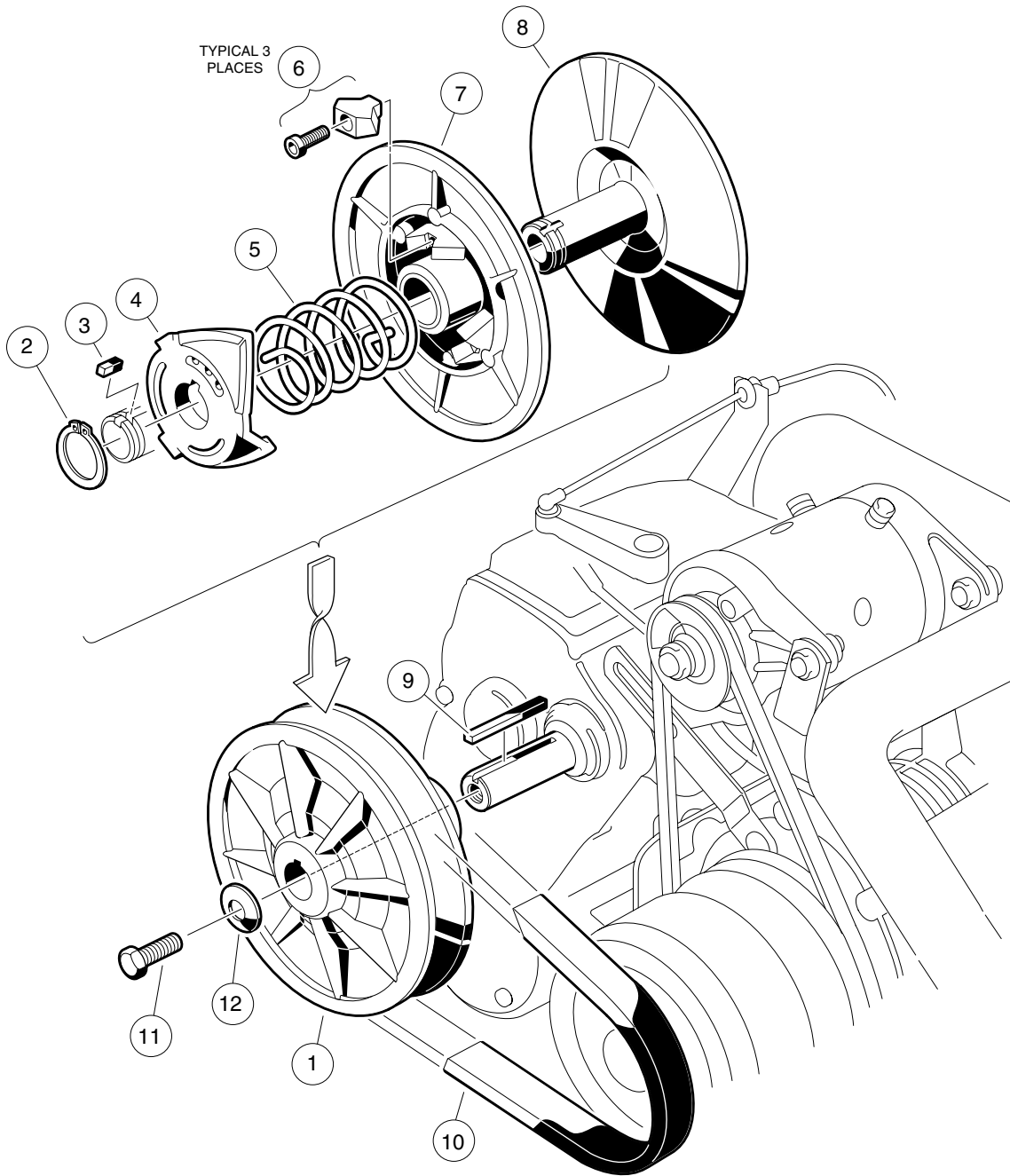
G



DRIVE CLUTCH

11
G

ITEM	PART NO.	DESCRIPTION	QTY
		1 2 3 4	
	<u>101833904</u>	Assembly, Drive Clutch (Includes Items 1 - 15)	1
1	<u>1016801</u>	Kit, Drive Clutch Weight	1
2	<u>101738301</u>	Assembly, Fixed Face	1
3	1014049	Bearing, Idler	1
4	<u>1014050</u>	Retainer, Spring	1
5	101690s1	Spring, Drive Clutch – Green	1
6	<u>1016289</u>	Spacer, Fixed Face Shaft	1
7	<u>1014057</u>	Ring, Retaining	1
8	1014059	Assembly, Drive Hub	1
9	<u>101925601</u>	Plug, Drive Clutch	1
10	<u>1014453</u>	Kit, Drive Clutch Button (Includes One Spring and Three Each of the Screw, Washer, and Button)	1
11	1014058	Washer, Thrust	1
12	<u>1014056</u>	Ring, Spiral Back-Up	2
13	1014052	Assembly, Moveable Face (Includes Items 14 and 15)	1
14	N/A	Bushing	1
15	<u>1014055</u>	Retainer	1
16	102188401	Belt, Drive	1
17	<u>101916701</u>	Belt, Starter/Generator	1
18	<u>101916501</u>	Screw, Hex Head Cap, 3/8-24 x 5-1/2 (Left-Hand Threads)	1
19	<u>1017328</u>	Washer, Drive Clutch – Green	1



DRIVEN CLUTCH

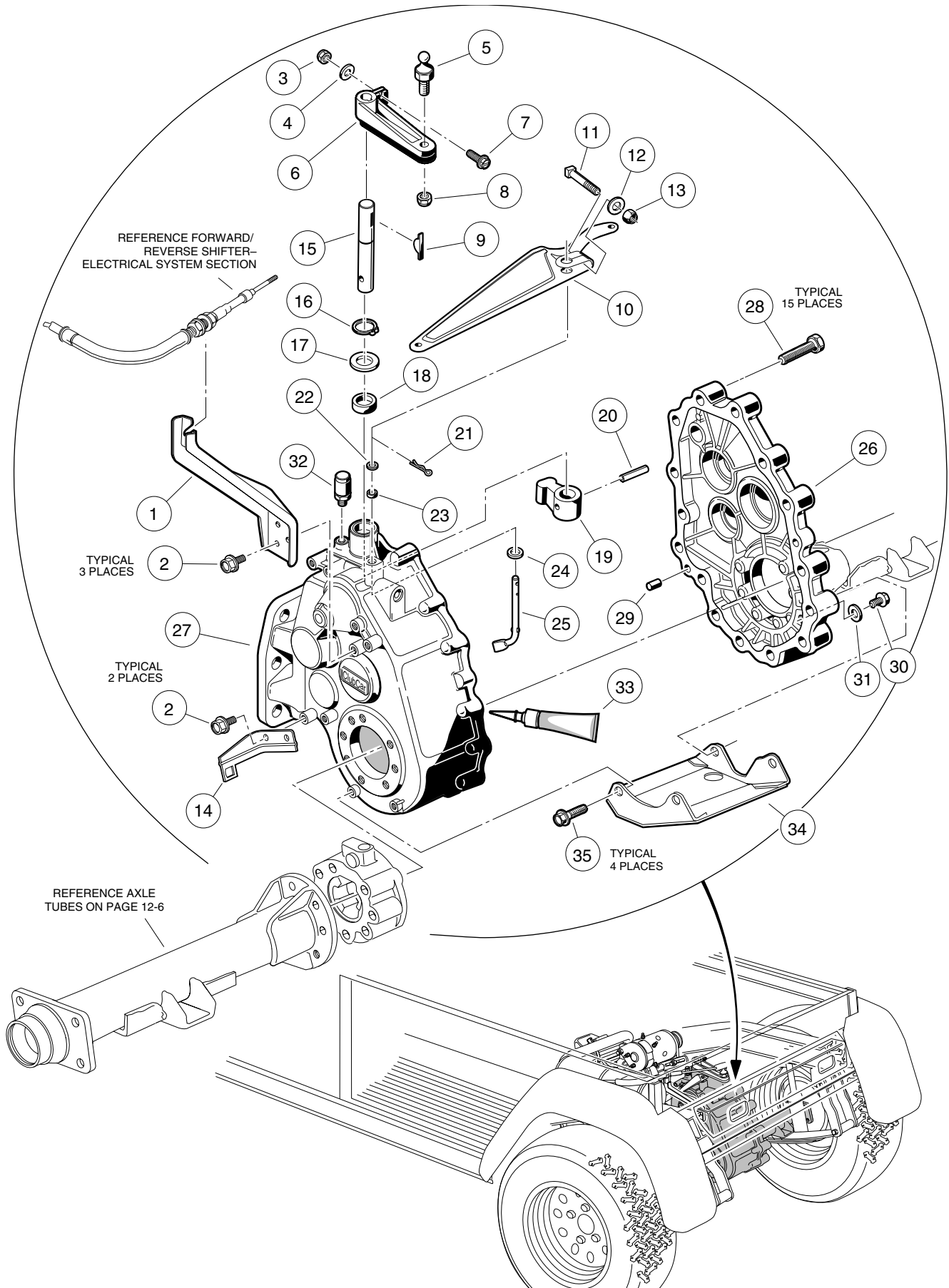
11
G

ITEM	PART NO.	DESCRIPTION	QTY
		1 2 3 4	
1	<u>101834001</u>	Assembly, Driven Clutch (Includes Items 2 - 8)	1
2	<u>1014080</u>	Ring, Retaining	1
3	<u>1014078</u>	Key	1
4	<u>1017686</u>	Cam	1
5	<u>101836201</u>	Spring – Green	1
6	<u>1014454</u>	Kit, Driven Clutch Button (Includes 3 Screws and 3 Buttons)	1
7	<u>1014072</u>	Assembly, Moveable Face with Bushing	1
8	<u>1014070</u>	Face, Fixed	1
9	<u>101833401</u>	Key, Square Transmission	1
10	<u>102188401</u>	Belt, Drive	1
11	<u>102242101</u>	Screw, Hex Head Cap, Thread-Locking, 5/16-18 x 3/4	1
12	<u>102155801</u>	Washer, Driven Clutch – Yellow	1

UNITIZED TRANSAXLE

12

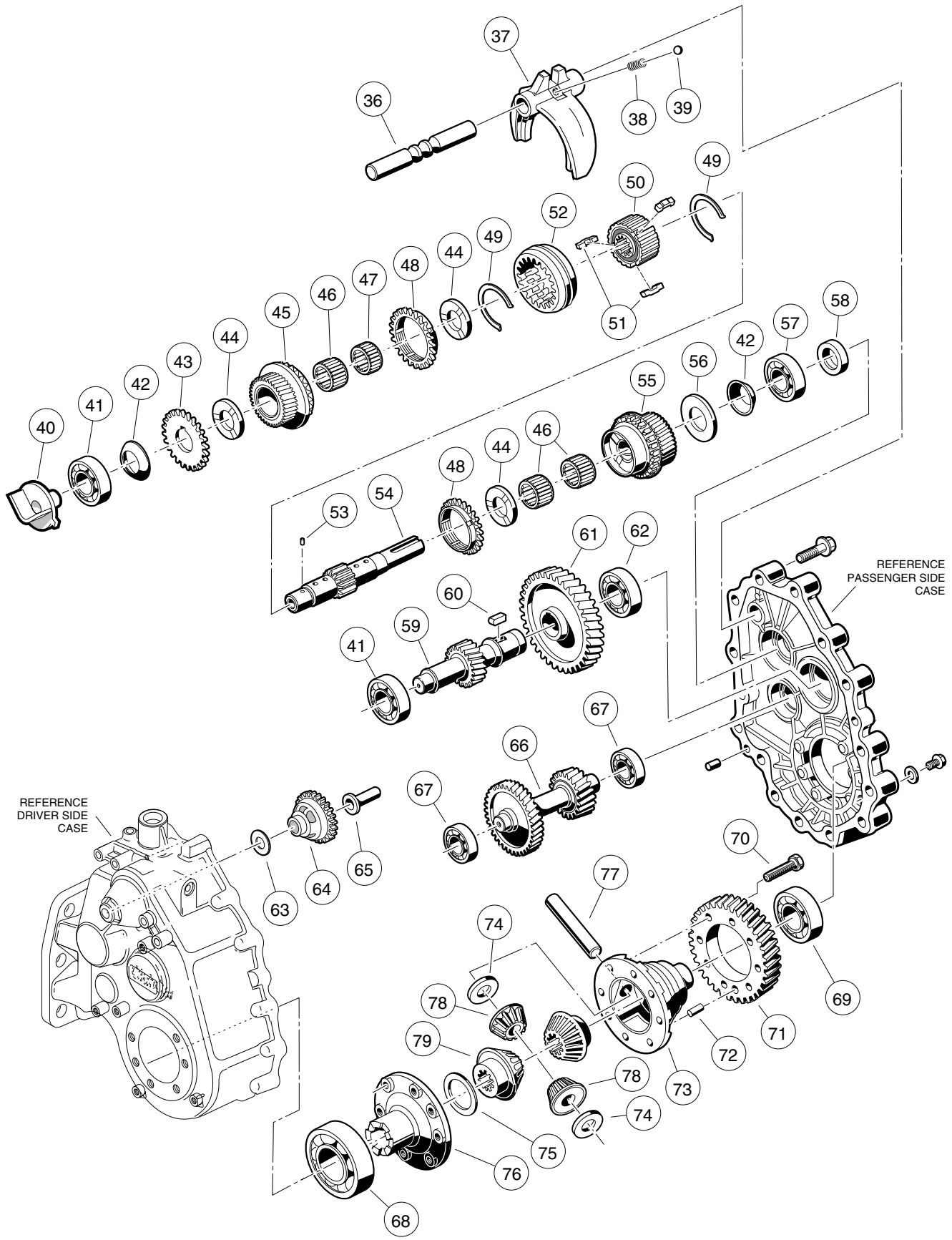
G



UNITIZED TRANSAXLE – GEAR CASES, BRACKETS AND GUARD

12
G

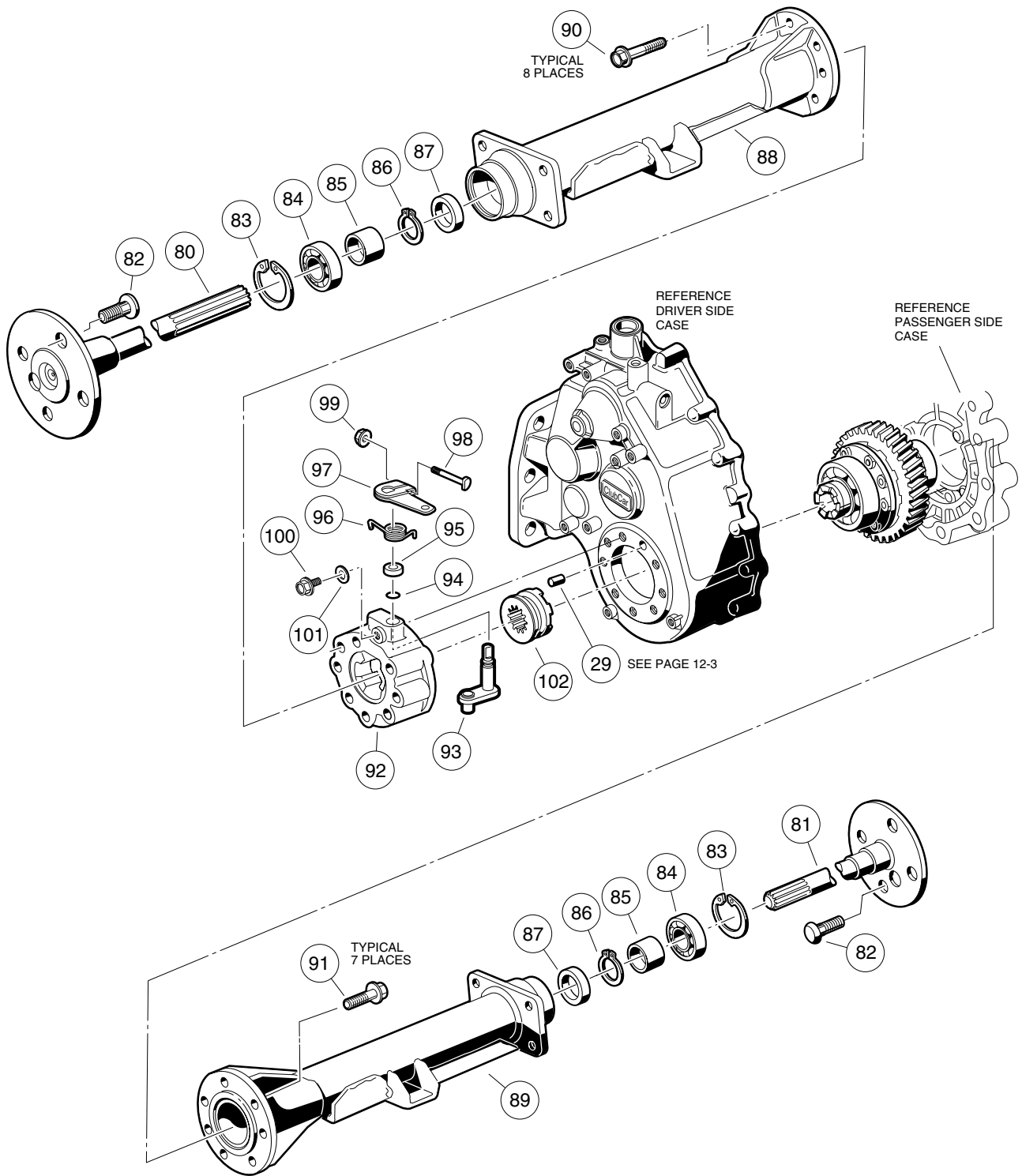
ITEM	PART NO.	DESCRIPTION	QTY
		1 2 3 4	
1	<u>102045901</u>	Bracket, Transmission Cable Support	1
2	<u>1012285</u>	Screw, Thread-Rolling, 1/4-20 x 5/8	5
3	<u>1013061</u>	Nut, Nylon Lock, #10-32	1
4	<u>183</u>	Washer, Flat, #10	1
5	<u>1010954</u>	Stud, Ball, 1/4-28 x 9/16	1
6	<u>1016341</u>	Lever, Transmission Shifter	1
7	<u>1017082</u>	Screw, Hex Washer Head, #10-32 x 3/4	1
8	<u>8717</u>	Nut, Nylon Lock, 1/4-28	1
9	<u>1017231</u>	Key, Woodruff	1
10	<u>101834801</u>	Arm, Governor Lever	1
11	<u>101886101</u>	Screw, Square Head, 1/4-20 x 1	1
12	<u>1014007</u>	Washer, Type B, 1/4	1
13	<u>8233</u>	Nut, Nylon Lock, 1/4-20	1
14	<u>102018701</u>	Bracket, Differential Lock	1
	<u>102018401</u>	Transaxle, Unitized (Includes Items 15 - 102)	1
15	<u>101890201</u>	Shaft, Shifter	1
16	<u>101927301</u>	Ring, Snap	1
17	<u>101892901</u>	Washer, Flat	1
18	<u>101927201</u>	Seal, Oil	1
19	<u>101890101</u>	Lever, Shifter	1
20	<u>1012752</u>	Pin, Roll	1
21	<u>101928601</u>	Pin, Cotter	1
22	<u>1016513</u>	Washer, Flat	1
23	<u>101927101</u>	Seal, Oil	1
24	<u>101893801</u>	Washer	1
25	<u>101891301</u>	Arm, Pivot	1
26	<u>102018501</u>	Gear Case (Passenger Side)	1
27	<u>102018601</u>	Gear Case (Driver Side)	1
28	<u>101926901</u>	Bolt, Flanged, M8 x 1.25 x 40 mm	15
29	<u>1012896</u>	Pin, Dowel (See Also Page 12-6).....	3
30	<u>1013759</u>	Plug, Drain (Includes Item 31)	2
31	<u>1016432</u>	Gasket	1
32	<u>1012711</u>	Breather	1
33	<u>101928701</u>	Gasket, Liquid, 8.8 oz. (250 grams)	A/R
34	<u>102031501</u>	Guard, Unitized Transaxle	1
35	<u>102031601</u>	Bolt, M8 x 1.25 x 20 mm	4



UNITIZED TRANSAXLE – F&R TRANSMISSION AND GEAR REDUCTION

ITEM	PART NO.	DESCRIPTION	QTY
		1 2 3 4	
36	101892001	Rod, Shift	1
37	<u>101890001</u>	Fork, Shift	1
38	<u>1012748</u>	Spring	1
39	<u>1012747</u>	Ball, Steel	1
40	<u>101889401</u>	Guide	1
41	<u>7336</u>	Bearing, Ball	2
42	<u>1016338</u>	Washer, Spring	2
43	<u>101892401</u>	Gear, Spur	1
44	<u>101892201</u>	Plate, Thrust	3
45	<u>102018801</u>	Gear, Input, 25 Tooth (16°)	1
46	<u>101927601</u>	Bearing, Needle	3
47	<u>101927501</u>	Bearing, Needle	1
48	<u>101981001</u>	Ring, Synchronizer (16°)	2
49	<u>1012741</u>	Spring, Synchronizer	2
50	<u>101928001</u>	Hub, Synchronizer Clutch	1
51	<u>1012740</u>	Insert, Synchronizer	3
52	<u>101927901</u>	Sleeve, Synchronizer	1
53	<u>101927701</u>	Pin, Dowel	1
54	<u>101889901</u>	Shaft, Input	1
55	<u>101980801</u>	Gear, Input, 25 Tooth (16°)	1
56	<u>1016337</u>	Washer, Thrust	1
57	<u>101927801</u>	Bearing, Ball	1
58	<u>1012714</u>	Seal, Oil, Input Shaft	1
59	102100701	Gear, 17 Tooth	1
60	<u>101893201</u>	Key	1
61	<u>102018901</u>	Gear, 70 Tooth	1
62	101928101	Bearing, Ball	1
63	<u>101893901</u>	Washer.....	1
64	<u>101892301</u>	Governor	1
65	<u>101891601</u>	Sleeve	1
66	<u>102019001</u>	Gear, Cluster Idler	1
67	<u>7335</u>	Bearing, Ball	2
68	102032001	Bearing, Inner Axle Tube, Driver Side	1
69	<u>7330</u>	Bearing, Inner Axle Tube, Passenger Side	1
70	102100801	Bolt, M8 x 1.25 x 37 mm	8
71	<u>102019701</u>	Gear, 91 Tooth, Output	1
72	<u>102031701</u>	Pin, Dowel	1
73	<u>102031801</u>	Case, Gear Carrier	1
74	<u>1013774</u>	Plate, Thrust (Idler Gear)	2
75	<u>1013773</u>	Plate, Thrust (Differential Gear)	1
76	<u>102019901</u>	Cover, Gear Case	1
77	<u>1013772</u>	Pin, Differential	1
78	<u>1013770</u>	Gear, Differential Idler	2
79	1013771	Gear, Differential	2

12
G

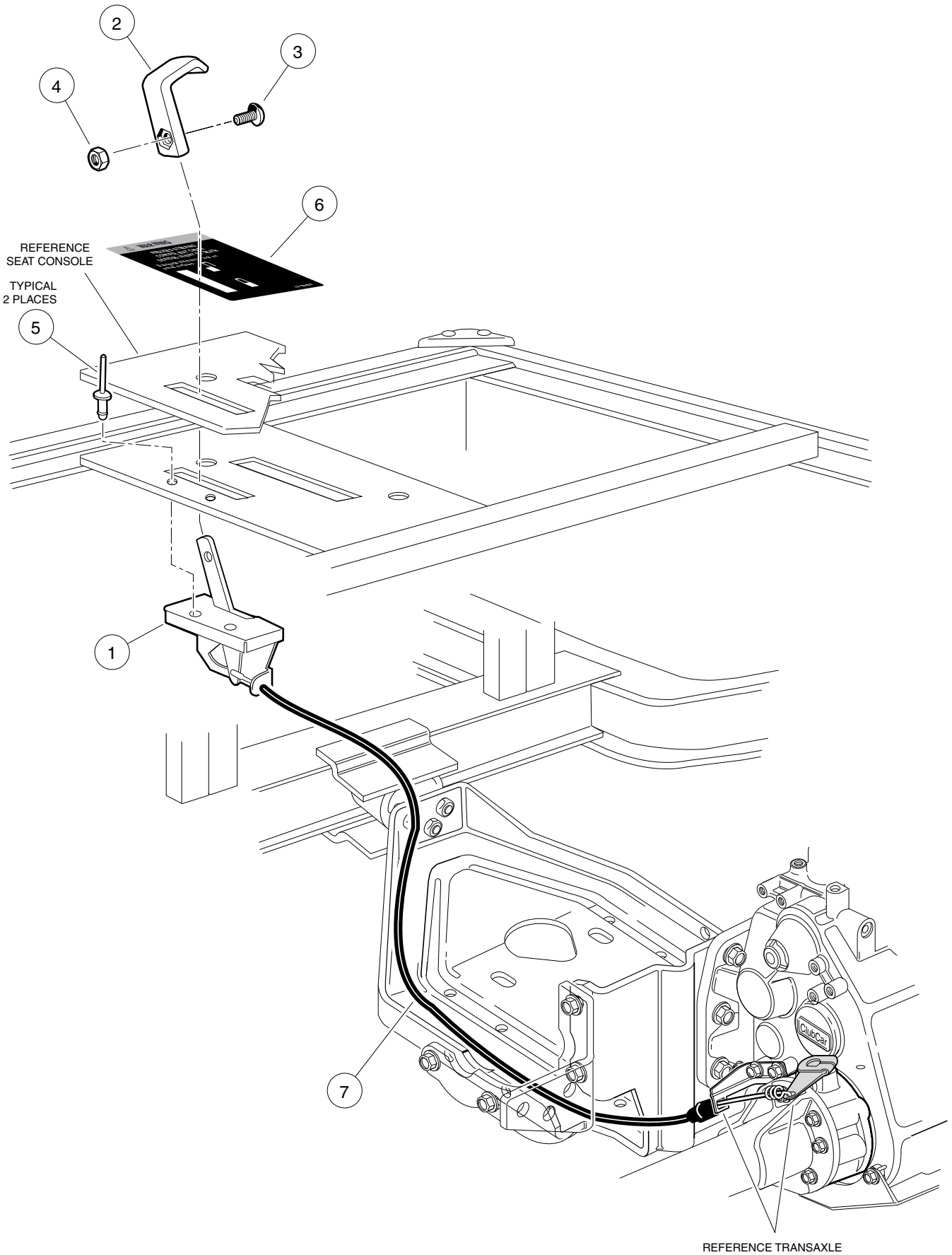


UNITIZED TRANSAXLE – DIFFERENTIAL LOCK AND AXLES

ITEM	PART NO.	DESCRIPTION	QTY
		1 2 3 4	
80	<u>102019101</u>	Assembly, Axle, Driver Side (Includes Items 82 - 86)	1
81	<u>102019201</u>	Assembly, Axle, Passenger Side (Includes Items 82 - 86)	1
82	<u>1013787</u>	Stud, Lug	4
83	<u>1013792</u>	Ring, Retaining	1
84	<u>1011291</u>	Bearing, Outer Axle Tube	1
85	<u>1014207</u>	Collar, 25 mm I.D.	1
86	<u>1016672</u>	Ring, Retaining	1
87	<u>1013794</u>	Seal, Oil	2
88	<u>102019401</u>	Assembly, Axle Tube, Driver Side	1
89	<u>102019501</u>	Assembly, Axle Tube, Passenger Side	1
90	<u>102019601</u>	Bolt, M10 x 1.5 x 70 mm	8
91	<u>102031901</u>	Bolt, M10 x 1.5 x 30 mm	7
92	<u>102020101</u>	Housing, Differential Lock	1
93	<u>102020201</u>	Lever, Differential Lock	1
94	<u>102020301</u>	O-Ring, Differential Lock	1
95	<u>102020401</u>	Spacer, Differential Lock	1
96	<u>102020501</u>	Spring, Differential Lock	1
97	<u>102020901</u>	Arm, Differential Lock Lever	1
98	<u>1016686</u>	Bolt, Differential Lock Pinch	1
99	<u>1016547</u>	Nut, Flange, M6 x 1	1
100	<u>102022301</u>	Screw, M6 x 1 x 10 mm	1
101	<u>102022401</u>	Washer, M6	1
102	<u>102020001</u>	Cog, Differential Lock	1

12

G



UNITIZED TRANSAXLE – DIFFERENTIAL LOCK CABLE ASSEMBLY AND SHIFTER

ITEM	PART NO.	DESCRIPTION	QTY
		1 2 3 4	
1	<u>102025101</u>	Control, Differential Lock	1
2	<u>102022201</u>	Handle, Differential Lock	1
3	<u>1011017</u>	Bolt, Hex Washer Head, #8-32 x 3/8	1
4	<u>1011571</u>	Nut, Hex, #8-32	1
5	<u>101880901</u>	Rivet, Pop	2
6	<u>102046601</u>	Decal, Differential Lock Control Warning	1
7	<u>102031201</u>	Cable, Differential Lock	1

12

G

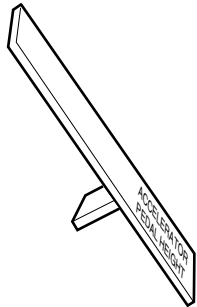
MAINTENANCE AND SERVICE TOOLS

13

G

E

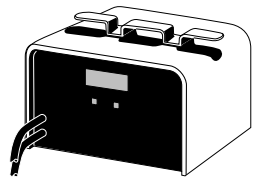
**13
G
E**



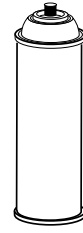
1



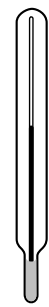
2



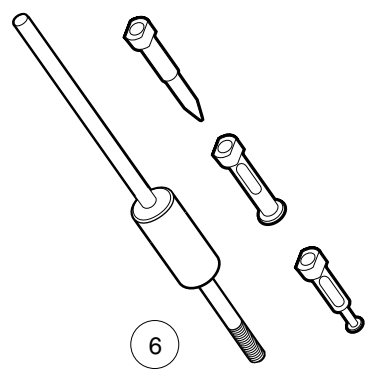
3



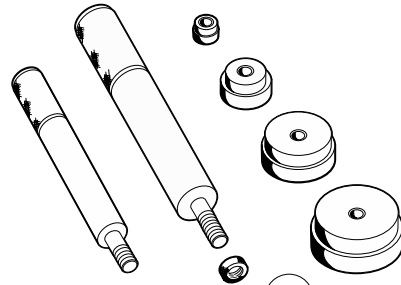
4



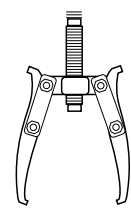
5



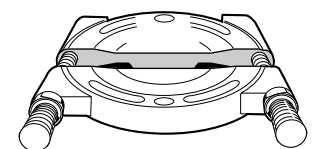
6



7



8



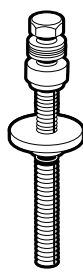
9



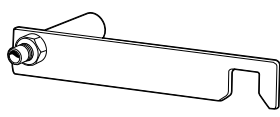
10



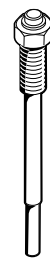
11



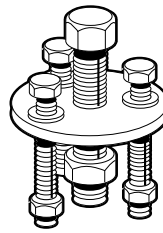
12



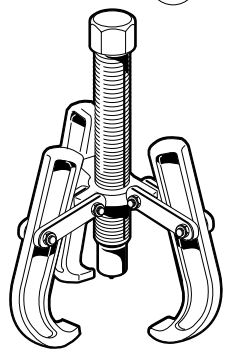
13



14



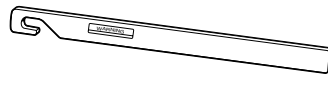
15



16



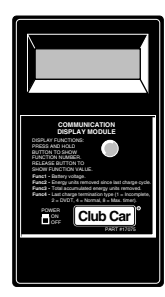
17



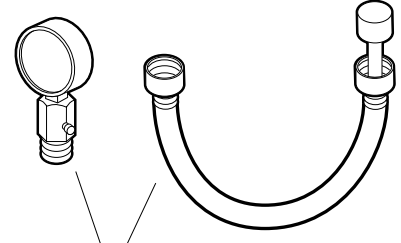
18



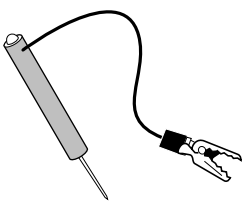
19



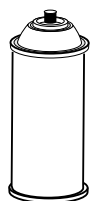
20



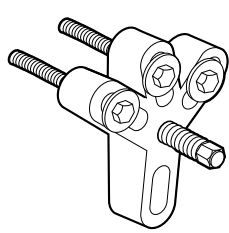
21



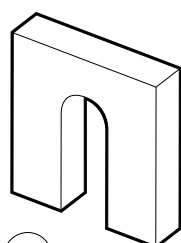
22



23



24



25



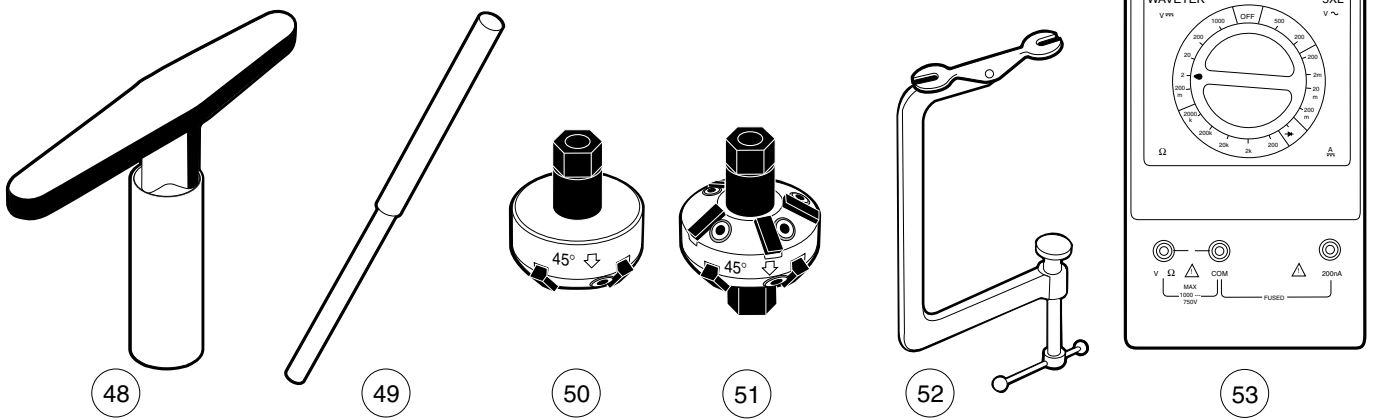
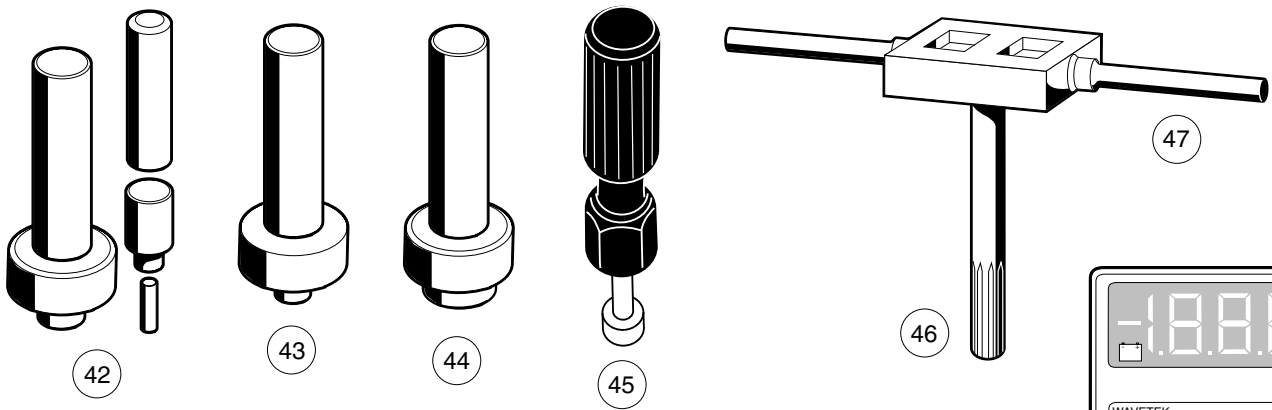
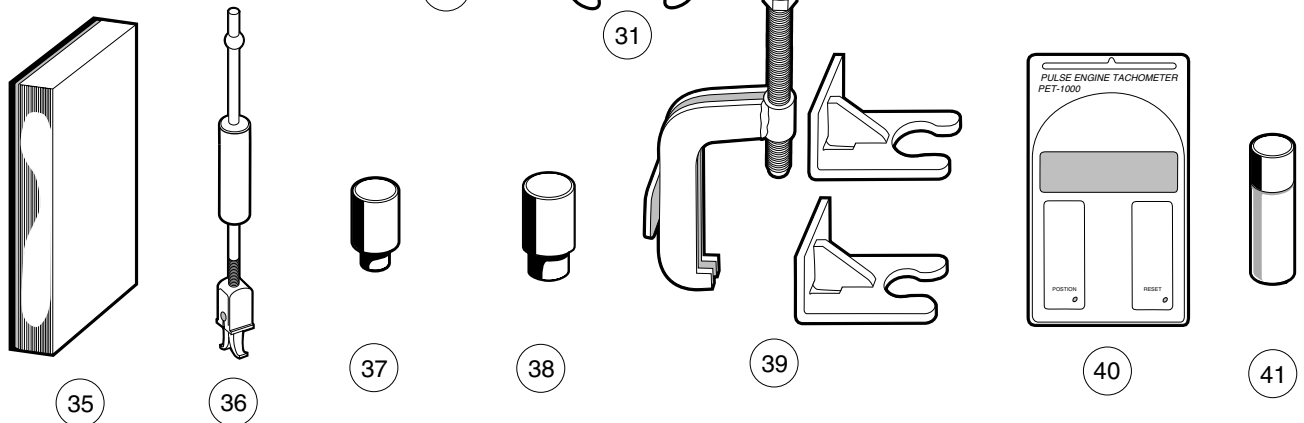
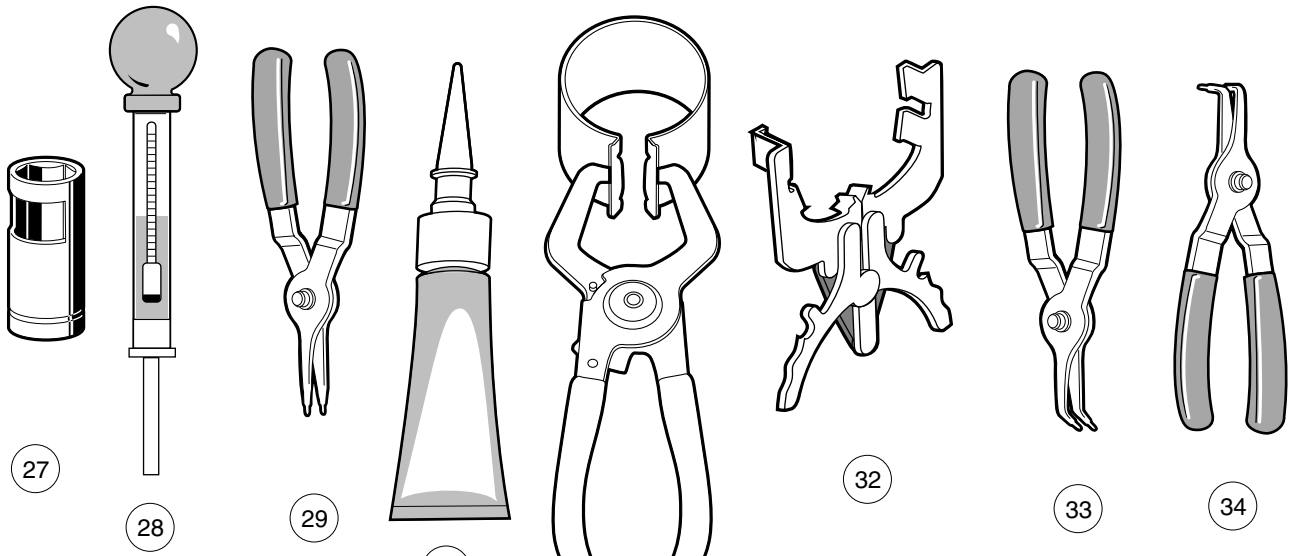
26

MAINTENANCE AND SERVICE TOOLS

ITEM	PART NO.	DESCRIPTION	QTY GAS	QTY ELEC
		1 2 3 4 The following tool list includes all tools available from Club Car for maintenance and service procedures for gasoline and/or electric vehicles, both past and present models. Be sure to carefully examine the tool list for applicability to your vehicle before ordering.		
1	<u>101871001</u>	Accelerator Pedal Adjustment Tool	1	1
2	<u>101813202</u>	Adhesive, Guide Ring, 3-Gram Tube	1	1
3	<u>101831901</u>	Battery Discharge Machine, 36/48 Volt		1
4	<u>1014305</u>	Battery Terminal Protector Spray	1	1
5	<u>1011767</u>	Battery Thermometer		1
6	<u>1016417</u>	Bearing and Oil Seal Remover Assembly	1	1
7	<u>1016416</u>	Bearing Driver Set	1	1
8	<u>1012811</u>	Bearing Puller	1	1
9	<u>1012812</u>	Bearing Puller Wedge Attachment	1	1
10	<u>1013582</u>	Brake Adjustment Tool (Used only on Vehicles with Manually Adjusted Mechanical Brakes)	1	1
11	<u>101887101</u>	Calibration Test Module		1
12	<u>101808401</u>	Cam Installation Tool	1	
	<u>1014510</u>	Clutch Tool Kit (Includes Items 13 - 19)	1	
13	<u>1014498</u>	Clutch Alignment Tool (For Pre-Unitized Transaxle Vehicles Built prior to 1997 Model Year)	1	
14	<u>1014496</u>	Drive Clutch Puller	1	
15	<u>1014497</u>	Drive Clutch Hub Puller	1	
16	<u>1014508</u>	Driven Clutch Cam Puller	1	
17	<u>1014507</u>	Driven Clutch Puller Plug	1	
18	<u>1015524</u>	Drive Clutch Holder Tool Assembly	1	
19	<u>101809101</u>	Press Weldment	1	
20	<u>101831801</u>	Communication Display Module		1
21	<u>101641002</u>	Compression Gauge And Adapter	1	
22	<u>1011273</u>	Continuity Tester	1	1
23	<u>1012151</u>	Dry Moly Lubricant	1	1
24	<u>1016627</u>	Flywheel Puller Kit	1	
25	<u>1016418</u>	Gear Yoke	1	1
26	<u>101933101</u>	Governor Shaft Installation Tool	1	
		Please refer to the maintenance and service manual for proper tool application.		

13
G
E

**13
G
E**



MAINTENANCE AND SERVICE TOOLS, CONTINUED

ITEM	PART NO.	DESCRIPTION	QTY GAS	QTY ELEC
		1 2 3 4		
27	102169401	Hydraulic Brake Adjuster (For Vehicles Equipped with Hydraulic Brakes)	1	
28	<u>1011478</u>	Hydrometer	1	1
29	<u>1013593</u>	Internal Retaining Ring Pliers	1	1
30	<u>101928701</u>	Liquid Gasket (Transaxle Case)	1	1
31	<u>1016414</u>	Piston Ring Compressor Kit	1	
32	<u>1016415</u>	Piston Ring Pliers	1	
33	<u>1012549</u>	Retaining Ring Pliers, 45° External	1	1
34	<u>1012560</u>	Retaining Ring Pliers, 90° Internal	1	1
35	<u>101823101</u>	Safety First Card (50 per pack)	1	1
36	<u>1012809</u>	Seal Puller	1	1
37	<u>1014264</u>	Steering Column Bearing Press Tool	1	1
38	<u>1014259</u>	Steering Column Retaining Ring Tool	1	1
39	102061201	Steering Wheel Puller Tool	1	1
40	1016112	Tachometer	1	
41	<u>101997201</u>	Paint, Touch-Up – Beige	1	1
41	<u>101997202</u>	Paint, Touch-Up – White	1	1
41	<u>101997204</u>	Paint, Touch-Up – Gray	1	1
41	<u>101997209</u>	Paint, Touch-Up – Dark Green	1	1
41	<u>101997211</u>	Paint, Touch-Up – Classic Blue	1	1
41	<u>101997212</u>	Paint, Touch-Up – Burgundy	1	1
42	<u>1014115</u>	Transmission Tool Kit	1	
43	1014161	Transaxle Pinion Seal Tool	1	
44	<u>1014162</u>	Transaxle Axle Seal Tool	1	
45	<u>1016413</u>	Valve Clearance Adjuster Screw Holder (For FE290 Engines only)	1	
46	101641201	Valve Guide Reamer	1	
47	<u>101641202</u>	Arbor	1	
48	<u>1016551</u>	Valve Seat Cutter T-Wrench	1	
49	<u>1016552</u>	Valve Seat Cutter Guide	1	
50	<u>1016553</u>	Valve Seat Cutter, 45° (32 mm Diameter) (For FE290 Engines only)	1	
51	<u>1016554</u>	Valve Seat Cutter, 45°/30° (35 mm Diameter)	1	
52	<u>101641101</u>	Valve Spring Compressor	1	
53	1011480	Volt Ohm Meter	1	1
54	<u>101611003</u>	Tune-Up Kit, All OHV (Includes Air Filter, Spark Plug, Oil Filter, Fuel Filters) (Not Shown)	1	
		Please refer to the maintenance and service manual for proper tool application.		

13
G
E

INDEX

Part Number and Page

183	1-3, 7-9, 9-11, 12-3	1010436	1-11	1012752	12-3
304	1-13	1010545	1-3	1012809	13-5
320	6-3	1010829	4-5, 4-11	1012811	13-3
332	1-3, 1-5, 1-7, 1-11, 5-5, 9-11, 10-3	1010878	1-7, 5-3	1012812	13-3
334	1-7, 4-11, 5-5, 6-3, 6-5	1010909	7-9	1012830	1-5, 7-15, 10-3
357	1-13	1010921	1-3, 5-3	1012896	12-3
403	1-9	1010934	1-13, 4-7, 6-7, 7-17	1012981	8-5
451	1-5, 10-3	1010954	7-5, 7-7, 12-3	1012986	7-11
705	1-9, 1-13, 4-11, 7-15	1010984	2-3, 4-3, 4-5, 6-7	1012987	7-5
706	1-13	1011017	12-9	1013001	7-13
808	6-9	1011084	5-5	1013003	7-13
1016	7-9	1011273	13-3	1013005	7-13
1028	5-3	1011291	12-7	101301102	7-13
1035	1-7	1011402	5-3	1013035	6-5
1241	1-3, 1-13, 4-7, 5-5, 7-7, 7-17	1011415	6-9	1013042	6-5
1242	1-13, 7-7, 7-15	1011478	13-5	1013044	6-5
1606	1-3, 9-11	1011480	13-5	1013051	6-5
1624	5-5, 6-5	1011553	1-13, 3-5	1013052	6-5
1631	9-11	1011571	12-9	1013061	12-3
7048	6-7	1011652	1-5	1013198	7-5
7173	7-17, 11-5	1011694	5-5	1013366	1-11, 4-5, 4-11
7174	1-3, 1-13, 6-3, 7-15, 9-9, 10-3	1011697	1-5, 9-9	1013461	7-9
7270	6-7, 6-9	1011700	5-5	1013483	1-13
7310	2-3	1011734	5-5	1013531	4-7, 4-11
7311	1-5	1011767	13-3	1013582	13-3
7330	12-5	1011988	9-3	1013587	7-5
7335	12-5	1011990	1-13, 4-11	1013589	7-5, 7-7
7336	12-5	1012151	13-3	1013590	7-5
7410	1-3	1012164	8-15	1013591	7-5
7473	1-3, 1-5, 1-9, 1-11, 4-7, 5-3, 5-5, 6-7, 7-7, 7-17	1012285	1-3, 1-13, 7-5, 9-3, 9-9, 12-3	1013593	13-5
7479	4-9	1012295	7-7	1013609	7-7
7561	4-11	1012303	1-9, 6-9	1013687	9-3
7716	5-3, 5-5	1012304	6-9	1013692	9-3
7818	7-7	1012328	7-17	1013700	9-9
7847	1-5, 1-7, 10-3	1012333	7-5	1013734	1-5, 10-3
7893	7-5, 7-7, 7-9	1012382	7-3	1013746	9-3, 9-7
7973	9-11	1012412	1-5	1013759	12-3
8057	7-5	1012431	7-5	1013770	12-5
8058	7-5	1012438	9-11	1013771	12-5
8067	6-7	1012499	6-3	1013772	12-5
8233	1-7, 1-11, 1-13, 4-9, 5-5, 7-5, 12-3	1012528	10-3	1013773	12-5
8248	7-5, 9-3	1012549	13-5	1013774	12-5
8419	1-11	1012560	13-5	1013787	4-3, 6-7, 12-7
8639	7-9	1012565	6-3	1013792	12-7
8717	7-5, 7-7, 12-3	1012566	6-3	1013794	12-7
8754	1-9, 4-11, 5-5, 6-3, 6-7, 6-9, 7-15	1012571	8-15	1013857	7-11
8755	1-9	1012594	7-5	1013871	5-5
8935	1-5	1012604	6-3	1013924	4-3, 4-5, 8-15
8990	6-5	1012605	6-3	1014007	4-9, 12-3
1010028	6-7	1012649	9-3	1014049	11-3
1010138	6-5	1012711	12-3	1014050	11-3
1010145	6-9	1012714	12-5	1014052	11-3
1010150	6-7	1012740	12-5	1014055	11-3
1010435	1-9, 1-11	1012741	12-5	1014056	11-3
		1012747	12-5	1014057	11-3
		1012748	12-5	1014058	11-3

INDEX

1014059	11-3	1015332	7-3, 8-3	101641101	13-5
1014065	7-5, 7-7	1015345	7-7	101641201	13-5
1014070	11-5	1015356	1-9	101641202	13-5
1014072	11-5	1015371	7-7	1016413	13-5
1014078	11-5	1015372	7-7	1016414	13-5
1014080	11-5	1015373	7-7	1016415	13-5
1014089	7-5	1015391	1-9	1016416	13-3
1014115	13-5	1015399	1-9, 1-11	1016417	13-3
1014116	9-3	1015400	1-9	1016418	13-3
1014119	7-3	1015405	7-7	1016423	7-7
1014125	6-3	1015408	9-9	101642575	9-5
1014126	6-3	1015409	7-5	101642578	9-5
1014136	4-9	1015426	9-11	101642580	9-5
1014145	7-5, 7-7	101542901	1-9	101642582	9-5
1014161	13-5	1015453	6-9	101642585	9-5
1014162	13-5	101547601	3-5	1016429	8-7
1014207	12-7	1015507	1-9	1016432	8-7, 12-3
1014213	6-3	1015524	13-3	1016436	8-9
1014214	6-3	1015530	1-13	1016437	9-5
1014217	6-3	101553901	1-11, 3-3	1016438	9-7
1014259	13-5	1015583	1-9, 6-9	1016440	9-7
1014264	13-5	1015587	6-7	1016441	9-7
1014288	7-17	1015649	8-3	1016442	8-9
1014289	7-13	1015737	7-3, 7-7	1016444	9-7
1014305	13-3	1015741	7-7	1016445	8-5
1014306	1-11, 1-13	1015752	7-7, 9-11	1016449	8-9
1014321	1-5	1015769	7-3	1016450	8-9
1014374	7-17	1015777	7-7	1016452	8-9
1014375	7-17	1015814	10-3	1016454	8-11
1014387	1-5	1015845	9-9	1016455	8-5
1014413	9-9	1015932	7-15	1016456	8-3, 8-5
1014415	1-11	1015969	8-3	1016457	8-7
1014453	11-3	1016004	9-3	1016458	8-9
1014454	11-5	1016060	1-7	1016467	8-7
1014471	1-9	1016074	7-15	1016470	8-13
1014496	13-3	1016078	1-7	1016472	8-11
1014497	13-3	101609401	3-3	1016473	8-7
1014498	13-3	101611003	13-5	1016474	8-9
1014507	13-3	1016112	13-5	1016479	8-9
1014508	13-3	1016154	6-3	1016480	9-7
1014510	13-3	1016156	6-3	101648102	9-7
1014523	9-3	1016201	1-7, 7-5	101648203	8-7
1014524	9-3	1016202	9-9	1016483	8-9
1014537	1-11	1016214	6-3	1016486	9-5
1014555	6-7	1016219	6-3	1016489	8-9
1014727	7-5	1016289	11-3	101649002	9-7
1014807	7-5	1016337	12-5	1016494	8-11
1014928	9-3	1016338	12-5	1016496	8-11
1015075	7-15, 10-3	1016341	12-3	1016497	8-5
1015137	9-3, 9-7	1016342	7-5	1016499	9-5
1015139	9-3	1016346	6-7	1016501	9-5
1015143	9-3	1016350	4-11	1016502	8-7
1015188	9-3	1016380	7-3	1016506	8-11
101524002	7-15	1016387	6-7	1016507	8-3
1015252	1-9	1016389	6-7	1016510	8-11
1015277	1-7	101641002	13-3	1016512	8-3

INDEX

1016513	12-3	1017082	12-3	1017512	8-13
1016517	8-9	1017226	6-3	1017513	8-11
1016519	8-9	1017231	12-3	1017514	8-11
1016521	8-11	1017233	4-3, 4-5	101751801	8-11
1016531	8-3	1017273	6-3	101751802	8-11
1016535	8-11	1017315	6-3	101751803	8-11
1016537	8-7	1017328	1-7, 11-3	1017653	7-13
1016538	8-11	1017378	5-5	1017686	11-5
1016539	8-3	1017380	5-5	1017689	10-3
1016541	8-13	1017384	1-3	1017696	5-5
1016544	8-5, 8-9, 8-11	1017424	5-5	101773301	8-13
1016546	9-9	1017434	8-9	101773302	8-13
1016547	8-3, 8-13, 9-7	1017435	8-9	101773303	8-13
1016549	8-9	1017442	8-7	101773304	8-13
1016551	13-5	1017443	8-11	101773305	8-13
1016552	13-5	1017444	8-9	101773306	8-13
1016553	13-5	1017445	8-9	101773307	8-13
1016554	13-5	1017446	8-9	101773308	8-13
1016560	8-9	1017447	8-11	101773309	8-13
1016561	8-5	1017448	8-5	101773310	8-13
1016562	8-5, 8-13	101744901	8-13	101773311	8-13
1016563	8-9	101744902	8-13	101796201	5-5
1016564	8-11	1017450	8-13	101804301	9-11
1016566	8-9	101745101	8-13	101806102	4-7
1016569	8-9	101745102	8-13	101808401	13-3
1016570	8-7	1017453	8-13	101809101	13-3
1016571	8-13	1017454	8-9	101811901	9-11
1016572	9-7	1017455	8-5	101812301	9-11
1016576	8-7	1017456	8-7	101813001	9-11
1016578	8-5	101745701	8-13	101813202	13-3
1016579	8-5	101745702	8-13	101817401	5-5
1016581	8-7	1017458	8-7	101818801	5-5
1016582	9-7	1017460	8-7	101821501	9-11
1016583	8-9	1017461	9-5	101822001	5-5
1016584	8-11	1017463	8-5	101823101	13-5
1016585	9-5	1017466	9-7	101824401	9-3
1016586	8-5	1017467	8-5	101825102	3-3
1016587	8-5	1017471	8-13	101827101	8-15
1016588	8-5	1017472	8-11	101831801	13-3
1016627	13-3	1017473	8-9	101831901	13-3
1016630	7-11	1017474	8-3	101832001	4-11
1016663	6-3	1017475	8-3	101832101	8-15
1016672	12-7	1017476	8-3	101832201	9-9
1016801	11-3	1017483	8-13	101832301	9-9
1016849	7-9	1017484	8-13	101832402	9-9
1016851	7-9	1017486	8-3	101832501	9-9
1016859	7-9	1017487	8-11	101832601	8-15
1016879	7-9	1017490	8-5	101832701	8-15
1016880	7-9	1017500	8-3	101832901	8-15
1016883	7-15	1017501	8-13	101833001	8-15
1016901	11-3	1017502	8-13	101833101	8-15
1016904	10-3	1017503	8-13	101833301	8-15
1016947	7-5	1017504	8-11	101833401	11-5
1017062	7-9	1017507	8-7	101833701	7-13, 7-15
1017064	7-9	1017508	8-11	101833906	11-3
1017065	7-9	1017510	8-13	101834001	11-5

INDEX

101834601	8-15	101893801	12-3	101971001	9-11
101834801	12-3	101893901	12-5	101971301	9-11
101835601	1-7, 1-9	101894304	1-11	101972801	9-11
101836201	11-5	101896501	7-13	101973101	9-5
101837101	9-11	101896901	9-3	101973301	9-5
101837301	7-3, 7-15	101898001	7-17	101973401	9-7
101855901	8-15	101900802	4-11, 6-9	101976301	5-3
101856102	7-7	101903101	4-7, 6-7	101979101	7-5
101859401	10-3	101903501	9-9	101980901	12-5
101861901	5-5	101905901	9-5, 9-7	101981001	12-5
101869302	7-13	101909201	8-5	101987701	9-3
101871001	13-3	101909301	8-5	101987901	7-9
101874901	7-13	101909401	8-5	101988001	7-9
101875001	7-13	101909501	8-5	101988002	7-9
101875101	7-13	101915201	3-5	101988101	7-9
101875201	7-13	101915901	8-11	101988201	7-9
101875301	7-13	101916001	8-13	101990701	7-11
101875401	7-13	101916101	8-3	101991101	7-11
101875501	7-13	101916201	8-5	101992603	7-7
101875601	7-13	101916301	8-5	101997201	13-5
101875701	7-13	101916501	11-3	101997202	13-5
101875802	7-13	101916701	7-15, 11-3	101997204	13-5
101876001	7-13	101916901	5-5	101997209	13-5
101876202	7-13	101917601	9-11	101997211	13-5
101876301	7-13	101921501	9-11	101997212	13-5
101876402	7-13	101922302	8-13	102003201	9-3
101876501	7-13	101922801	1-7	102006501	6-9
101877601	7-13	101925601	11-3	102006601	6-9
101877701	7-13	101925701	9-11	102010101	6-5
101878101	7-13	101926801	9-11	102010201	6-3
101879001	7-13	101926901	12-3	102012301	6-7
101879401	6-5	101927101	12-3	102013001	6-3
101879701	6-5	101927201	12-3	102013101	6-3
101879801	6-5	101927301	12-3	102013201	1-3
101879901	6-5	101927501	12-5	102013601	6-7
101880201	6-5	101927601	12-5	102013701	6-7
101880901	4-11, 12-9	101927701	12-5	102013801	6-7
101881101	8-5	101927801	12-5	102013901	1-3
101881701	9-11	101927901	12-5	102015701	1-3
101884801	8-15	101928001	12-5	102015801	1-3
101886101	12-3	101928101	12-5	102016501	6-7
101887101	13-3	101928601	12-3	102016701	6-7
101887601	1-5, 8-3	101928701	12-3, 13-5	102016801	6-7
101889401	12-5	101929801	11-3	102017601	6-7
101889901	12-5	101933101	13-3	102018401	12-3
101890001	12-5	101939901	7-13	102018501	12-3
101890101	12-3	101953001	4-7, 5-3	102018601	12-3
101890201	12-3	101953105	4-7, 5-3	102018701	12-3
101891301	12-3	101953801	8-3	102018801	12-5
101891601	12-5	101955301	9-3	102018901	12-5
101892001	12-5	101958102	9-11	102019001	12-5
101892201	12-5	101958602	1-7	102019101	12-7
101892301	12-5	101960201	3-3	102019201	12-7
101892401	12-5	101960501	3-5	102019401	12-7
101892901	12-3	101963401	1-11	102019501	12-7
101893201	12-5	101966901	5-5	102019601	12-7

INDEX

102019701	12-5	102032801	4-9	102054201	4-7
102019901	12-5	102032901	4-9	102054401	4-7
102020001	12-7	102033001	4-9	102055001	4-11
102020101	12-7	102033101	4-9	102055101	4-11
102020201	12-7	102033201	4-7	102056201	1-5
102020301	12-7	102033301	4-3	102056901	1-3
102020401	12-7	102033401	4-5	102057501	4-7
102020501	12-7	102033501	4-5	102057601	4-7
102020601	12-7	102033701	4-11	102057701	4-7
102020801	12-7	102033801	4-11	102057801	4-7
102020901	12-7	102033901	4-11	102059001	1-5
102021401	2-3	102044001	4-9	102059401	1-5
102021402	2-3	102044101	4-5	102059501	1-5
102021403	2-3	102044201	4-3, 6-7	102060201	1-5
102021404	2-3	102044401	4-3, 4-9	102061101	1-5
102021501	1-3	102044601	3-3	102061201	13-5
102021601	1-3	102044702	7-11	102065001	6-9
102021715	1-3	102044801	7-11	102065901	1-9
102021801	1-3	102045501	4-3, 4-9	102066001	1-9
102021901	1-13	102045601	6-9	102066701	6-7
102022001	1-13	102045701	4-9	102067001	6-7
102022201	12-9	102045801	4-9	102068501	1-5
102022301	12-7	102045901	7-5, 12-3	102078101	1-3
102022401	12-7	102046601	3-3, 12-9	102100201	6-7
102022601	6-5	102047001	1-5	102100701	12-5
102022801	6-5	102048001	6-7	102100801	12-5
102022901	6-5	102048501	9-3	102155801	11-5
102023001	6-7	102048601	6-7	102160101	1-3
102023101	6-7	102049401	4-3, 4-5	102160501	4-11
102023301	6-5	102049501	4-3, 4-5	102169401	13-5
102023701	1-5	102049601	4-3, 4-5	102188401	11-3, 11-5
102024901	1-5	102049701	4-3, 4-5	102195201	9-11
102025001	1-5	102049901	4-3, 4-5	102221301	1-11
102025101	12-9	102050001	4-3, 4-5	102221401	1-11
102025701	1-3	102050101	4-3, 4-5	102221501	1-11
102025901	7-11	102050201	4-3, 4-5	102221701	1-11
102026001	5-5	102050301	4-3	102221801	1-11
102026401	1-5	102050401	4-3, 4-5	102222001	1-11
102026501	1-5	102050501	4-3, 4-5	102222101	1-11
102026901	1-5	102050601	4-3, 4-5	102222201	1-11
102028301	4-11	102050701	4-3, 4-5	102223601	7-3
102028401	4-11	102050801	4-5	102224001	3-5
102028601	5-3	102050901	4-5	102224301	3-3
102028901	5-3	102050902	4-5	102227801	3-3
102029101	3-3	102051001	4-3, 4-5	102228001	1-3, 3-5
102029501	1-5	102051101	4-7	102228201	1-3, 3-3, 3-5
102030501	1-3	102051201	4-7	102228501	3-3
102031201	12-9	102051301	4-7	102229901	1-11
102031501	12-3	102051401	4-7	102230601	1-11
102031601	12-3	102051601	7-11	102230901	7-9
102031701	12-5	102051701	7-11	102231601	3-5
102031801	12-5	102051901	7-11	102234001	2-3
102031901	12-7	102052301	6-7	102234801	1-11, 3-3
102032001	12-5	102052401	6-7	102234901	1-11, 3-3
102032201	6-9	102052701	4-11	54509823	4-11
102032301	6-9	102052801	4-11	54562079	4-11

INDEX

58644956 1-13

58645318 1-13

A

a-arm 6-7
accelerator cable 9-9
accelerator pedal 5-5
accelerator pedal adjustment tool 13-3
accelerator pivot rod 5-5
accelerator rod 5-5
a-connector (starter/generator) 7-13
adhesive, guide ring 13-3
adjuster, axle (brake) 4-3, 4-5
adjuster, hydraulic brake 13-5
air box 9-11
air duct 9-11
air filter 9-11
arbor 13-5
arm, differential lock lever 12-7
arm, governor lever 12-3
arm, pivot 12-3
arm, rocker 8-9
armature 7-13
armrest 1-5
assembly
 a-arm 6-7
 accelerator pedal 5-5
 accelerator rod 5-5
 air box 9-11
 air box top 9-11
 armature 7-13
 axle 12-7
 bearing (steering column) 6-3
 bolt (float chamber) 9-5
 brake 4-5
 brake drum 6-7
 brake drum and hub 4-3
 brake pedal 5-3
 carburetor 9-5, 9-7
 connecting rod 8-13
 drive clutch 11-3
 drive hub 11-3
 driven clutch 11-5
 fe350 cylinder head 8-9
 fixed face (drive clutch) 11-3
 float (carburetor) 9-5
 float chamber 9-5
 headlight 7-9
 idle screw 9-5
 inner ball joint 6-5
 master cylinder 4-7
 moveable face (drive clutch) 11-3
 moveable face (driven clutch) 11-5
 pilot air screw 9-5
 scorecard plate 6-3
 screw (float chamber) 9-5

steering column 6-3

steering gear box 6-5

tilt bed 1-9

turn signal lens 7-9

wheel and tire 2-3

wire 7-15

wire harness 7-3

axle 12-7

axle adjuster (brake) 4-3, 4-5

axle hardware 4-3, 4-5

axle tube 12-7

B

backing plate (brake) 4-3, 4-5

ball bearing (transaxle) 12-5

ball bearing, output shaft 7-13

ball joint 6-5, 7-5

ball stud 5-5, 7-5, 7-7, 12-3

ball, steel (transaxle) 12-5

ball, steel pressure relief 8-7

band, rpm limiter mount 8-5

barb, vent 9-3

base, forward/reverse shifter 7-5

battery clamp 7-17

battery discharge machine 13-3

battery terminal protector spray 13-3

battery thermometer 13-3

battery, 12-volt 7-17

bearing

 ball (transaxle) 12-5

 crankshaft 8-11

 hub 6-7

 idler (drive clutch) 11-3

 inner axle tube 12-5

 lower pinion (steering) 6-5

 needle 12-5

 outer axle tube 12-7

 pivot support 5-5

 roller 4-7

 thrust 6-7

 upper pinion (steering) 6-5

bearing and oil seal remover 13-3

bearing cup 6-7

bearing driver set 13-3

bearing puller 13-3

bearing puller wedge 13-3

bearing retainer (starter/generator) 7-13

bearing seat (steering column) 6-3

bell crank 4-7

bell crank and shaft 7-7

bell crank, forward/reverse 7-5

belt, drive 11-3, 11-5

belt, starter/generator 7-15, 11-3

bezel, headlight 7-9

block, fuse 7-7

body, front 1-3

bolt

 banjo (brake) 4-3, 4-9

 differential lock pinch 12-7

 kingpin 6-7

 u- 6-9

 wheel cylinder 4-3, 4-5

boot (master cylinder) 4-7

boot shield 4-11

boot, park brake lever 4-11

boot, rubber 9-3

boot, steering column 6-3

box, electrical component 7-7

brace, trailer hitch 1-13

bracket

 accelerator support 9-9

 adjusting (starter/generator) 7-15

 brake cable 4-11

 differential lock 12-3

 fe350 mounting 7-15

 governor cable engine 9-9

 master cylinder mounting 4-7

 mounting (headlight) 7-9

 muffler mounting 10-3

 oil filter 8-7

 oil level switch 8-11

 rpm limiter 8-5

 snubber 8-15

 support (governor cable) 9-9

 throttle 9-7

 transmission cable support 7-5, 12-3

bracket (fuel/hour gauge) 7-11

brake 4-5

brake adjustment tool 13-3

brake cable hanger 6-9

brake cluster 4-3

brake drum 4-3, 4-5, 6-7

brake hose 4-9

brake line 4-9

brake mounting block 5-3

brake pedal 5-3

breather (transaxle) 12-3

bronze bushing 6-7, 7-5, 7-7

brush 7-13

brush connector 7-13

brush holder 7-13

brush inspection port cover 7-13

brush spring 7-13

bucket seat 1-5

bulb, halogen 7-9

bumper, return spring 5-5

bumper, rubber 1-7, 5-3

bushing

 bronze 6-7, 7-5, 7-7

 bronze spindle 6-7

 steel 1-9, 6-9

 urethane 1-9, 6-7, 6-9

INDEX

C

cable
 accelerator 9-9
 choke 9-11
 differential lock 12-9
 governor 9-9
 park brake 4-11
 transmission 7-5
calibration test module 13-3
cam (driven clutch) 11-5
cam installation tool 13-3
cam, electrical box 7-7
cam, neutral lockout 7-5
camshaft 8-11
cap
 corner 1-5
 filler 4-7
 front corner 1-11
 fuel tank 9-3
 plug 8-5
carburetor 9-5, 9-7
card, safety first 13-5
front panel 1-11
side panel 1-11
case, gear 12-3
case, gear carrier 12-5
case, rocker 8-9
choke cable 9-11
circlip, type-e 8-9
clamp
 battery 7-17
 cable retaining 9-9
 hose 9-3
 hose (air intake) 9-11
 hose (bronze) 9-7
 hose (gray) 9-3, 9-7
 hose (red) 9-3
 muffler 10-3
 p- 4-9
 plastic (fuel line) 9-3
clevis pin 4-5, 4-11
clevis, rod 4-7
clip
 horseshoe 4-9
 park brake cable 4-11
 scorecard 6-3
cluster, brake 4-3
clutch alignment tool 13-3
clutch tool kit 13-3
clutch, drive 11-3
clutch, driven 11-5
cog, differential lock 12-7
coil cover shock 6-7
coil, field 7-13
coil, ignition 8-5
collet (cylinder head) 8-9

communication display module 13-3
compression gauge 13-3
compression mount 6-9
compressor, piston ring 13-5
compressor, valve spring 13-5
connecting rod 8-13
connecting rod (crankshaft) 8-13
connector, oil sending unit 8-11
console cover 1-5
continuity tester 13-3
control, differential lock 12-9
corner cap 1-5
counterbalance weight 8-13
cover
 brush inspection port 7-13
 console 1-5
 crankcase 8-11
 dust 4-3, 4-5, 6-7
 electrical component box 7-7
 gear case 12-5
 pump 8-7
crank, bell 4-7
crankcase, fe350 8-13
crankshaft, fe350 8-13
cup, bearing 6-7
cup, seat holder 1-5
cup, spring 5-5
cushion, shock absorber 6-9
cutter, valve seat 13-5
cylinder head shroud 8-3
cylinder head, fe350 8-9
cylinder, master 4-7
cylinder, wheel 4-3, 4-5

D

damper 8-5
dash hardware 1-3
dash panel 1-3
dashboard 1-3
decal
 bed latch warning 3-3
 bed load warning 1-11, 3-3
 brake warning 2-3
 club car 1-3, 3-3, 3-5
 club car tailgate 1-11
 crush area warning 3-3
 differential lock control warning 3-3, 12-9
 driver/passenger warning 3-3
 frame ground 3-5
 gasoline warning 3-5
 ingersoll-rand (gold) 3-3
 key switch 3-3
 operating instructions 3-3
 pioneer 1-3, 3-3, 3-5
 pioneer 1200 3-3
 pioneer tailgate 1-11, 3-3

rotating parts 3-5
rotating parts and hot manifold 3-5
trailer hitch 1-13
trailer hitch 3-5
 under age warning 3-3
 vehicle loading 3-3
 winch cable warning 3-5
differential gear 12-5
differential lock 12-7, 12-9
differential pin 12-5
diode 7-9
dipstick 8-3
double lip seal 6-7
drain plug 8-7
drain plug (transaxle) 12-3
drive belt 11-3, 11-5
drive clutch 11-3
drive clutch holder tool 13-3
drive clutch hub puller 13-3
drive clutch puller 13-3
drive hub 11-3
driven clutch 11-5
driven clutch cam puller 13-3
driven clutch puller plug 13-3
drum, brake 4-3, 4-5, 6-7
dry moly lubricant 13-3
duct, air 9-11
dust cover 4-3, 4-5, 6-7
dust seal 6-5
dust seal, steering pinion 6-5

E

e-clip (air box top) 9-11
electrical box cam 7-7
electrical component box 7-7
end bell, commutator 7-13
end bell, output shaft 7-13
engine, fe350 ohv gasoline 8-3
equalizer 4-11
equalizer rod 4-7, 5-3
e-ring (governor cable) 9-9
exhaust system 10-3
exhaust valve 8-9

F

fan housing 8-3
fan shroud 8-3
fan, flywheel 8-5
fe350 ohv gasoline engine 8-3
fender guard 1-13
fender, front 1-3
fender, rear 1-13
field coil (starter/generator) 7-13
filler cap 4-7
filter, air 9-11
filter, fuel 9-3

INDEX

filter, oil 8-7
fitting, grease 6-7
fixed face (drive clutch) 11-3
fixed face (driven clutch) 11-5
float (carburetor) 9-5
float chamber 9-5
floor mat 1-3
flywheel 8-5
flywheel puller 13-3
fork, shift 12-5
forward/reverse shifter 7-5
f-terminal insulator 7-13
fuel impulse pump 9-3
fuel line 9-3
fuel strap 9-3
fuel tank 9-3
fuel/hour gauge 7-11
fuse block 7-7
fuse, 10-amp 7-7
fuse, 20-amp 7-7

G

gasket
 carburetor insulator 9-7
 crankcase cover 8-11
 drain plug 8-7
 exhaust 10-3
 float chamber 9-5
 head 8-9
 insulator 9-7
 liquid 12-3, 13-5
 oil pump 8-7
 rocker case 8-9
 throttle bracket 9-7

gauge, compression 13-3
gauge, fuel/hour 7-11

gear
 17 tooth 12-5
 cluster idler 12-5
 differential 12-5
 differential idler 12-5
 helical (crankshaft) 8-13
 input 12-5
 spur (crankshaft) 8-13
 spur (transaxle) 12-5

gear case 12-3
gear case cover 12-5
gear yoke 13-3
governor 12-5
governor cable 9-9
governor lever arm 12-3
governor shaft installation tool 13-3
grease fitting 6-7
grill (front body) 1-3
grip, pencil 6-3
grommet (flywheel) 8-5

grommet, insulation 9-3
guard, fender 1-13
guard, unitized transaxle 12-3
guide (transaxle) 12-5
guide ring adhesive 13-3
guide, steering 6-5
guide, valve 8-9
guide, valve seat cutter 13-5

H

halogen bulb 7-9
hand grip, tilt latch 1-9
handle, differential lock 12-9
handle, forward/reverse switch 7-5
hanger, brake cable 4-11, 6-9
hardware, terminal (starter/generator) 7-13
harness, headlight wire 7-9
harness, wire 7-3
headlight 7-9
headlight lens 7-9
hinge plate 1-5
hinge plate, body 1-5
hinge, tilt bed 1-9
hitch, receiver trailer 1-13
hold-down, (brake) shoe 4-3, 4-5
holder, radio/beverage 1-5
horseshoe clip 4-9
hose, brake 4-9
hose, intake 9-11
housing, differential lock 12-7
housing, fan 8-3
housing, field coil (starter/generator) 7-13
hub bearing 6-7
hub, drive 11-3
hub, synchronizer clutch 12-5
hydraulic brake adjuster 13-5
hydraulic lifter 8-11
hydraulic shoe 4-3, 4-5
hydrometer 13-5

I

idle screw 9-5
ignition coil 8-5
insert, synchronizer 12-5
insert, threaded 1-5
insulation, bulk 1-9
insulator, carburetor 9-7
insulator, f-terminal 7-13
intake pipe 9-7
intake valve 8-9
internal retaining ring pliers 13-5

J

jet, main 9-5
jet, pilot 9-5

joint
 ball 6-5, 7-5
 inner ball 6-5
 spring-loaded ball 5-5
 steering 6-3

K

key (crankshaft) 8-13
key (dash panel) 7-11
key (driven clutch) 11-5
key (flywheel) 8-5
key switch 7-11
key, square transmission 11-5
key, woodruff 7-13, 12-3
kingpin bolt 6-7
kit

 accelerator pivot rod 5-5
 air duct repair 9-11
 axle adjuster 4-3, 4-5
 axle hardware 4-3, 4-5
 dash hardware 1-3
 drive clutch button 11-3
 drive clutch weight 11-3
 driven clutch button 11-5
 fuel tank 9-3
 hydraulic shoe 4-3, 4-5
 prop rod 1-7
 pulley nut and screw 7-13
 reverse buzzer 7-9
 shock absorber cushion 6-9
 tune-up 13-5

knob, light switch 7-11

L

latch weld (cargo bed) 1-9
latch, slam 1-11
latch, wire 9-11
lead wire 8-5
lens, headlight 7-9
lens, turn signal 7-9
lever
 adjuster (brake) 4-3, 4-5
 choke 9-11
 differential lock 12-7
 park brake 4-5, 4-11
 shifter 12-3
 transmission shifter 12-3

lifter, hydraulic 8-11
light switch 7-11
light switch knob 7-11
light, oil warning 7-11
limit switch 7-5
limiter, rpm 8-5
line
 brake 4-9
 fuel 9-3

INDEX

vent 9-3, 9-7
link, rack and pinion drag 6-5
liquid gasket 13-5
lubricant, dry moly 13-3
lug nut 2-3, 4-3, 4-5, 6-7
lug stud 4-3, 6-7, 12-7

M

main jet 9-5
master cylinder 4-7
mat, floor 1-3
meter, volt ohm 13-3
module, calibration test 13-3
module, communication display 13-3
mount, compression 6-9
moveable face (drive clutch) 11-3
moveable face (driven clutch) 11-5

N

neutral lockout cam 7-5
nozzle, main 9-5
nut, key switch 7-11
nut, lug 2-3, 4-3, 4-5, 6-7

O

oil and rotor pump 8-7
oil filler tube 8-3
oil filter 8-7
oil level sensor 8-11
oil seal 8-13, 12-3
oil seal (axle tube) 12-7
oil warning light 7-11
o-ring 8-7, 8-11, 8-13, 9-11, 12-7

P

pad
accelerator pedal 5-5
brake pedal 5-3
spring 6-9
paint, touch-up 13-5
panel, dash 1-3
panel, seat 1-5
park brake 4-11
p-clamp 4-9
pedal, accelerator 5-5
pedal, brake 5-3
pencil grip 6-3
pilot air screw 9-5
pilot jet 9-5
pin
clevis 4-5, 4-11
differential 12-5
governor cable clevis 9-9
hair spring cotter 4-11, 9-9
piston 8-13

pinion, steering 6-5
pipe, intake 9-7
piston 8-13
piston pin 8-13
piston ring compressor 13-5
piston ring pliers 13-5
piston ring set 8-13
pivot arm 12-3
plate 8-9
backing (brake) 4-3, 4-5
body hinge 1-5
flywheel fan 8-5
hinge 1-5
mounting 8-15
oil filter screen 8-11
oil pump 8-7
retainer 5-3
scorecard 6-3
suspension mounting 6-7
thrust 12-5
thrust (differential gear) 12-5
thrust (idler gear) 12-5
tilt bed latch 1-7
pliers, internal retaining ring 13-5
pliers, piston ring 13-5
pliers, retaining ring 13-5
plug
drain 8-7
drain (transaxle) 12-3
drive clutch 11-3
driven clutch puller 13-3
spark (ohv) 8-5
plug cap 8-5
pole set (starter/generator) 7-13
pop rivet 1-5, 4-9, 4-11, 9-11, 12-9
press weldment 13-3
pressure switch 4-7
prop rod 1-7
protector spray, battery terminal 13-3
puller
bearing 13-3
drive clutch 13-3
drive clutch hub 13-3
driven clutch cam 13-3
flywheel 13-3
seal 13-5
pulley (starter/generator) 7-13
pulley nut and screw (starter/generator) 7-13
pulley, flat mount 4-11
pump cover 8-7
pump, fuel impluse 9-3
pump, oil and rotor 8-7
push rod 4-7, 8-9

R

race, inner 4-7

rack and pinion drag link 6-5
rack, steering 6-5
radio/beverage holder 1-5
reamer, valve guide 13-5
regulator, voltage 7-7
remover, bearing and oil seal 13-3
retainer
bearing (starter/generator) 7-13
headlight 7-9
shock absorber cushion 6-9
spring 5-5
spring (drive clutch) 11-3
valve spring 8-9
retaining ring (drive clutch) 11-3
retaining ring (driven clutch) 11-5
retaining ring pliers 13-5
return spring bumper 5-5
reverse buzzer 7-9
ring
retaining (drive clutch) 11-3
retaining (driven clutch) 11-5
snap 8-13
snap (steering) 6-5
spiral back-up 11-3
synchronizer 12-5
ring set, piston 8-13
rivet, blind 1-3
rivet, pop 1-5, 4-9, 4-11, 9-11, 12-9
rocker arm 8-9
rocker case 8-9
rocker shaft 8-9
rod
accelerator 5-5
accelerator pivot 5-5
connecting 8-13
connecting (crankshaft) 8-13
equalizer 4-7, 5-3
prop 1-7
push 4-7, 8-9
shift 12-5
rpm limiter 8-5
rubber boot 9-3
rubber bumper 1-7, 5-3

S

safety first card 13-5
scorecard clip 6-3
scorecard plate 6-3
screen, oil filter 8-11
screw
idle 9-5
pilot air 9-5
pole piece (starter/generator) 7-13
rack guide 6-5
tuflok 1-3
valve clearance adjuster 13-5

INDEX

- seal
 - bed 1-5
 - crankshaft 8-11
 - double lip 6-7
 - dust 6-5
 - input shaft oil 12-5
 - intake (air box) 9-11
 - oil 8-13, 12-3
 - oil (axle tube) 12-7
 - steering pinion dust 6-5
 - valve 8-9
 - seal puller 13-5
 - seat panel 1-5
 - seat support 1-5
 - seat, bucket 1-5
 - seat, spring 8-9
 - sensor, oil level 8-11
 - set, pole 7-13
 - shackle, rear spring 6-9
 - shaft
 - guide counterbalance 8-13
 - input (synchronizer) 12-5
 - rocker 8-9
 - shifter 12-3
 - steering column 6-3
 - shield, air duct 9-11
 - shield, boot 4-11
 - shift fork 12-5
 - shift rod 12-5
 - shifter shaft 12-3
 - shifter, forward/reverse 7-5
 - shim (camshaft) 8-11
 - shim, crankshaft 8-13
 - shim, latch plate 1-7
 - shock absorber cushion 6-9
 - shock absorber, rear 6-9
 - shock tower 6-7
 - shock, coil cover 6-7
 - shroud, cylinder head 8-3
 - shroud, fan 8-3
 - shroud, lower cylinder 8-3
 - shroud, upper cylinder 8-3
 - slam latch 1-11
 - sleeve (governor) 12-5
 - sleeve, steel 6-7
 - sleeve, synchronizer 12-5
 - snap ring 8-13
 - snap ring (steering) 6-5
 - snubber 8-15
 - solenoid, 12-volt 7-7
 - spacer
 - accelerator pedal 5-5
 - battery terminal bolt 7-17
 - differential lock 12-7
 - fixed face shaft 11-3
 - key switch 7-11
 - ratchet support 5-5
 - rear suspension 6-9
 - spark plug (ohv) 8-5
 - spindle 6-7
 - spray, battery terminal protector 13-3
 - spring
 - brake pedal return 4-7
 - brush 7-13
 - compression 6-3
 - differential lock 12-7
 - drive clutch 11-3
 - engine valve 8-9
 - forward/reverse cam 7-5
 - latch extension 1-9
 - rear four-leaf 6-9
 - return 5-5
 - return (air box) 9-11
 - shoe to shoe 4-3, 4-5
 - synchronizer 12-5
 - tapered compression 6-3
 - throttle return 9-7
 - yoke (steering) 6-5
 - spring cup 5-5
 - spring pad 6-9
 - spring seat 8-9
 - starter/generator 7-13, 7-15
 - steel ball (transaxle) 12-5
 - steel bushing 1-9, 6-9
 - steel sleeve 6-7
 - steering column 6-3
 - steering column bearing press tool 13-5
 - steering column retaining ring tool 13-5
 - steering gear box 6-5
 - steering guide 6-5
 - steering pinion 6-5
 - steering rack 6-5
 - steering stop 6-7
 - steering wheel 6-3
 - steering wheel puller tool 13-5
 - stiffener, flywheel side 8-15
 - stiffener, pto side 8-15
 - stop, steering 6-7
 - stud
 - ball 5-5, 7-5, 7-7, 12-3
 - lug 4-3, 6-7, 12-7
 - support
 - accelerator pivot rod 5-5
 - latch plate 1-7
 - lower fender 1-3
 - seat 1-5
 - upper front body 1-3
 - suspension mounting plate 6-7
 - switch
 - key 7-11
 - light 7-11
 - limit 7-5
 - pressure 4-7
 - synchronizer clutch hub 12-5
 - synchronizer ring 12-5
 - system, exhaust 10-3
- ## T
- 10-amp fuse 7-7
 - 12-volt battery 7-17
 - 12-volt solenoid 7-7
 - 20-amp fuse 7-7
 - tachometer 13-5
 - tailgate 1-11
 - tailgate angle 1-11
 - tailskirt 1-13
 - tape, vhb 1-5
 - tape, vhb (air duct shield) 9-11
 - terminal hardware (starter/generator) 7-13
 - tester, continuity 13-3
 - tether 1-11
 - thermometer, battery 13-3
 - thrust bearing 6-7
 - thrust plate 12-5
 - thrust plate (differential gear) 12-5
 - thrust plate (idler gear) 12-5
 - tie, wire 6-5, 7-9
 - tilt bed, manual lift 1-9
 - tire 2-3
 - tool
 - accelerator pedal adjustment 13-3
 - brake adjustment 13-3
 - cam installation 13-3
 - clutch alignment 13-3
 - drive clutch holder 13-3
 - governor shaft installation 13-3
 - steering column bearing press 13-5
 - steering column retaining ring 13-5
 - steering wheel puller 13-5
 - transaxle axle seal 13-5
 - transaxle pinion seal 13-5
 - transmission 13-5
 - tool kit, clutch 13-3
 - top, air box 9-11
 - touch-up paint 13-5
 - tower, shock 6-7
 - track, prop rod 1-7
 - trailer hitch, receiver 1-13
 - transaxle axle seal tool 13-5
 - transaxle pinion seal tool 13-5
 - transaxle, unitized 12-3
 - transmission cable 7-5
 - transmission shifter lever 12-3
 - transmission tool 13-5
 - tube
 - 7 mm (flywheel) 8-5
 - axle 12-7
 - crankcase vent 9-7

INDEX

oil filler 8-3
tune-up kit 13-5
turn signal lens 7-9

U

u-bolt 6-9
unitized transaxle 12-3
urethane bushing 1-9, 6-7, 6-9

V

valve 8-9
 choke 9-11
 exhaust 8-9
 fuel pickup tube 9-3
 intake 8-9
valve clearance adjuster screw 13-5
valve guide 8-9
valve guide reamer 13-5
valve seal 8-9
valve seat cutter 13-5
valve seat cutter guide 13-5
valve seat cutter t-wrench 13-5
valve spring compressor 13-5
vent line 9-7
vent, fuel tank 9-3
volt ohm meter 13-5
voltage regulator 7-7

W

warning light, oil 7-11
washer
 copper (brake) 4-3, 4-9
 delrin flat 7-5, 7-7
 drive clutch 11-3
 driven clutch 11-5
 kingpin wave 6-7
 nylon flat 7-5
 spring 12-5
 thrust 12-5
 wave 7-5
wedge (steering column) 6-3
wedge, bearing puller 13-3
weight, counterbalance 8-13
weight, drive clutch 11-3
weldment, forward/reverse bell crank 7-5
weldment, press 13-3
wheel 2-3
wheel cylinder 4-3, 4-5
wheel, steering 6-3
wire harness 7-3
wire latch 9-11
wire tie 6-5, 7-9
wire, lead 8-5
woodruff key 7-13, 12-3

Y

yoke spring (steering) 6-5
yoke, gear 13-3



Club Car, Inc.
P.O. Box 204658
Augusta, GA 30917-4658
USA

Web www.clubcar.com
Phone 1.706.863.3000
1.800.ClubCar
Int'l +1 706.863.3000
Fax 1.706.863.5808