



# **2019 Carryall 300 Illustrated Parts List**



**Gasoline and Electric Vehicles**

Manual Number 105355005  
Edition Code \_C



# USING THE ILLUSTRATED PARTS LIST

---

## **⚠ WARNING**

- **This manual is to be used only for identification and ordering of service parts. Be sure to read and use the maintenance and service manual before attempting any vehicle repairs.**

The manual is divided into sections. Note that there are two flags on the outside edge of each page. The first flag contains the section number of which that page is a part. The other flag (or flags) contains the letter E or G, signifying that the page pertains to the diesel, electric, or gasoline vehicles only.

Use the Table of Contents to find the sections and pages that contain the parts and assemblies you seek. The Table of Contents lists section numbers, and under them, the individual page titles and numbers to be found in that section. The index can be used to find specific parts and assemblies. The index is divided into numerical and alphabetical listings with the page numbers in italic text.

There is a two-page spread for each individual page title in the Table of Contents. On the left-hand page is an illustration showing the parts in their relative positions; the parts are each tagged with an item number in a balloon. The right-hand page is the parts list page, and gives the page title at the top, then the item numbers (corresponding to the numbers on the illustration), part descriptions, and quantity of parts used.

Note that a part description may be indented. This indentation corresponds to a parts assembly level indicated by the numbers 1, 2, 3, and 4 at the top left corner of the parts description area of the parts list page. A part that is indented to *level 2* is a component of the *level 1* part (assembly) that it is listed under. A *level 3* part is a component of the *level 2* part that it is listed under, and a *level 4* part is a component of the *level 3* part preceding it. In each case, the part quantity given for a level 2, 3, or 4 part is *the quantity used per next higher level assembly of which it is a component*. A part that is not indented is a *level 1* part. This means that the quantity given is the quantity used per the portion of the vehicle illustrated on that particular spread.



**P. O. Box 204658  
Augusta, Georgia 30917-4658 USA  
Telephone 706-863-3000  
Service Parts Fax 706-855-7413  
[www.clubcar.com](http://www.clubcar.com)**

## HOW TO ORDER PARTS

Replacement parts and accessories can be obtained from our network of authorized dealers and distributors. You can obtain the name and phone number of your closest authorized Club Car dealer or distributor by visiting our web site at [www.clubcardealer.com](http://www.clubcardealer.com), by calling our toll-free Service Parts and Technical Assistance hotline at (800) 872-2246 or (706) 863-3000, extension 3887, or by scanning this Quick Response (QR) code to be taken to the Club Car dealer locator. **Refer to Figure 1.** Download a QR code reader such as RedLaser or Barcode Scanner to your cell phone or tablet.



Figure 1 Dealer Locator QR Code

## CUSTOMER SATISFACTION SURVEY

Let your voice be heard!

Please take time to participate in the Technical Publications satisfaction survey. Obtaining feedback from our customers is important to the department's continuous improvement process. The online survey takes less than five minutes and responses will help the department to examine current performance as well as identify areas for future improvement.

Our top priority is to provide timely, accurate, and user friendly manuals.

The online satisfaction survey can be found at: <http://bit.ly/1w9uFMh>



Figure 2 Survey QR Code

**NOTE:** *This illustrated parts list represents the most current information at the time of publication. Club Car, LLC is continually working to further improve its vehicles and other products. These improvements may affect the parts used to service the vehicle. Any modification and/or significant change in specifications will be forwarded to all Club Car and Carryall distributors/dealers and will, when applicable, appear in future editions of this illustrated parts list.*

*Club Car, LLC reserves the right to change specifications and designs at any time without notice and without the obligation of making changes to units previously sold.*

Copyright © 2018 Club Car, LLC.  
Club Car is a registered trademark of Club Car, LLC.  
This manual effective July 1, 2020.

# CONTENTS

## SECTION 1 – BODY AND TRIM

|   |      |
|---|------|
| Brush Guards .....                                    | 1-3  |
| Headlight Guard .....                                 | 1-5  |
| Fender Guard .....                                    | 1-7  |
| Front License Plate Holder .....                      | 1-9  |
| Front Body .....                                      | 1-11 |
| Body Touch-Up Paint .....                             | 1-13 |
| Front Bumper, Grille, and Fenders .....               | 1-15 |
| Headlight Bezels .....                                | 1-17 |
| Dash, Glovebox Door, and Floormat .....               | 1-19 |
| Front Frame, Standard .....                           | 1-21 |
| Seat Bottom .....                                     | 1-23 |
| Seat Back .....                                       | 1-25 |
| Seat Frame and Hip-Restraint .....                    | 1-27 |
| Rear Facing Fold Down Seat .....                      | 1-29 |
| Rear Seats – Vehicle with Fold-Down Rear Seat .....   | 1-33 |
| Windshield, Hinged .....                              | 1-35 |
| Windshield, Non-Hinged .....                          | 1-37 |
| Canopy Kit, White .....                               | 1-39 |
| Canopy Kit, Biege .....                               | 1-41 |
| Canopy Kit, Black .....                               | 1-43 |
| Mirrors .....   | 1-45 |
| Inner Rear Fenders .....                              | 1-47 |
| Rear Fenders and Tail Skirt .....                     | 1-49 |
| Rear Fenders – Vehicle with Fold-Down Rear Seat ..... | 1-51 |
| Rear Bumper Guards .....                              | 1-53 |
| Rear License Plate Holder .....                       | 1-55 |
| Bed Hinge and Latch .....                             | 1-57 |
| Tilt Bed and Latch .....                              | 1-59 |
| Latch Plate .....                                     | 1-61 |
| Flat Bed Trim (Short Bed) .....                       | 1-63 |
| Cargo Box Kit – Short (Page 1 of 2) .....             | 1-65 |
| Cargo Box Kit (Page 2 of 2) .....                     | 1-67 |
| Tailgate Teather .....                                | 1-69 |
| Modular Bed Accessories .....                         | 1-71 |
| Modular Bed Accessories .....                         | 1-73 |
| Modular Bed Accessories .....                         | 1-75 |
| Stake Side Kit - Short .....                          | 1-77 |
| Heavy Duty Trailer Hitch .....                        | 1-79 |

# CONTENTS

|  |       |
|--|-------|
| Rear Reciever Hitch .....  | 1-81  |
| Trailer Hitch Ball .....   | 1-83  |
| Range Picker Adapter .....   | 1-85  |
| Cab Doors – Glass with LH Sliding Window .....                     | 1-87  |
| Cab Roof .....   | 1-89  |
| Cab Doors – Glass with LH & RH Sliding Windows .....               | 1-91  |
| Hardware Kit, Door Striker .....                                   | 1-93  |
| Cab Doors – Soft .....   | 1-95  |
| Cab Doors – Range, Driver-Side .....                               | 1-97  |
| Cab Doors – Range, Passenger-Side .....                            | 1-99  |
| Cab Doors – Vent .....   | 1-101 |
| Cab – Windshield .....   | 1-103 |
| Cab – Windshield, Range, (Poly) .....                              | 1-105 |
| Cab – 2-Point Seat Belts .....                                     | 1-107 |
| Cab – Electrical, Power Harness, Electric Vehicle to Cab .....     | 1-109 |
| Cab – Electrical, Overhead Console .....                           | 1-111 |
| Cab – Electrical, Windshield Wiper .....                           | 1-113 |
| Cab – Electrical, Cab Power Harness, Gasoline Vehicle to Cab ..... | 1-115 |
| Cab – Electrical, Windshield Washer .....                          | 1-117 |
| Cab – Electrical, Work Lights .....                                | 1-119 |
| Cab – Electrical, Warning Beacon .....                             | 1-121 |
| Cab – Mirrors .....  | 1-123 |
| Cab – Rear Window Screen .....                                     | 1-125 |
| Cab – Rear Window with Slider .....                                | 1-127 |
| Cab – Rear Window, One-Piece .....                                 | 1-129 |
| Cab – Exhaust .....  | 1-131 |
| Toolboxes .....  | 1-133 |

## SECTION 2 – WHEELS AND TIRES

|  |     |
|--|-----|
| 10 Inch Wheels and 20 Inch Tires .....   | 2-3 |
| 8 Inch Wheels and 18 Inch Tires – Vehicles with Small-Wheel Turf Package ..... | 2-5 |
| Front Wheel Spacer Plate .....   | 2-7 |
| Wheel Covers .....   | 2-9 |

## SECTION 3 – DECALS

|   |     |
|---|-----|
| Decals - Electric Vehicle .....                 | 3-3 |
| Decals – Electric Carryall 300, Continued ..... | 3-5 |
| Decals – Gasoline Carryall 300 .....            | 3-7 |
| Decals – Gasoline Carryall 300, Continued ..... | 3-9 |

# CONTENTS

|                                     |      |
|-------------------------------------|------|
| Badging Decals – Carryall 300 ..... | 3-11 |
|-------------------------------------|------|

## SECTION 4 – LIGHTS, CONTROLS, AND INDICATORS

|   |      |
|---|------|
| Headlights .....  | 4-3  |
| 12-Volt Fuse Block and Fuses – Electric Vehicle .....                     | 4-5  |
| Horn, Turn Signals, and Taillights – Electric and Gasoline Vehicles ..... | 4-7  |
| Horn and Tail Light Kit – Electric and Gasoline Vehicles .....            | 4-9  |
| Instrument Panel – Electric Vehicle .....                                 | 4-11 |
| Instrument Panel – Gasoline Vehicle .....                                 | 4-13 |
| Keyswitch – Electric Vehicle .....  | 4-15 |
| Keyswitch, Pedal-Start – Gasoline Vehicle .....                           | 4-17 |
| Keyswitch, Key-start – Gasoline Vehicle .....                             | 4-19 |
| DC Converter – Electric Vehicle .....                                     | 4-21 |
| Voltage Limiter – Gasoline Vehicle .....                                  | 4-23 |
| Strobe Light, Post Mounted – Gasoline Vehicles .....                      | 4-25 |
| Strobe Light, Post Mounted – Electric Vehicles .....                      | 4-27 |
| Strobe Light – Canopy Mounted .....                                       | 4-29 |
| Reflectors .....  | 4-31 |
| Heater Defogger – Electric Vehicle .....                                  | 4-33 |

## SECTION 5 – BRAKES, PEDALS, AND CABLE ASSEMBLIES

|  |      |
|--|------|
| Brake Pedal Assembly – Vehicles with 2-Wheel Brakes and 4-Wheel Brakes ..... | 5-3  |
| Accelerator Pedal Assembly – Electric Vehicles .....                         | 5-5  |
| Accelerator Pedal and Rod Assembly – Gasoline Vehicle .....                  | 5-7  |
| Pedal Close-Out Kit .....  | 5-9  |
| Brake Cables and Equalizer .....   | 5-11 |
| Rear Brakes, Self-Adjusting – Electric Vehicle .....                         | 5-13 |
| Rear Brakes, Self-Adjusting – Gasoline Vehicle .....                         | 5-15 |

## SECTION 6 – STEERING, FRONT AND REAR SUSPENSION

|  |      |
|--|------|
| Steering Gear Assembly .....                         | 6-3  |
| Steering Column .....                                | 6-5  |
| Steering Wheel .....                                 | 6-7  |
| Steering Wheel with Clip .....                       | 6-9  |
| Front Suspension, Upper .....                        | 6-11 |
| Front Suspension, Lower, STD, 1 Leaf, 3 Plates ..... | 6-13 |
| Front Suspension, Lower, HD, 2 Leaf-2 Plates .....   | 6-15 |
| Front Wheel Hubs .....                               | 6-17 |
| Rear Suspension Components .....                     | 6-19 |

# CONTENTS

---

## SECTION 7 – ELECTRICAL SYSTEM – GASOLINE EFI

---

|  |      |
|--|------|
| Wiring, Fuses, and Diodes, Key-and-Pedal-Start – EFI ..... | 7-3  |
| Starter/Generator, Key and Pedal Start – EFI .....         | 7-5  |
| Starter/Generator Mounting – ECH440 .....                  | 7-7  |
| Operation and Maintenance Switch .....                     | 7-9  |
| Electrical Component Box, Key-Start .....                  | 7-11 |
| Electrical Component Box, Pedal-Start .....                | 7-13 |
| Forward/Reverse Shifter Switches, Key-Start – EFI .....    | 7-15 |
| Forward/Reverse Shifter Switches, Pedal-Start – EFI .....  | 7-17 |
| Battery – Gasoline Utility Vehicles .....                  | 7-19 |
| Top-Post Battery – Gasoline Utility Vehicles .....         | 7-21 |

---

## SECTION 8 – ENGINE (KOHLER ECH440)

---

|   |      |
|---|------|
| Tune-Up Parts .....                             | 8-3  |
| Engine and Engine Mounting .....                | 8-5  |
| Engine Pan and Snubber Mounting .....           | 8-7  |
| Blower Housing and Heat Shield – ECH440 .....   | 8-9  |
| Ignition Components and Flywheel – ECH440 ..... | 8-11 |
| Cylinder Head and Valve – ECH440 .....          | 8-13 |
| Crankcase and Piston – ECH440 .....             | 8-15 |
| Oil Sensor and Lubrication – ECH440 .....       | 8-17 |
| Crankshaft – ECH440 .....                       | 8-19 |

---

## SECTION 9 – FUEL SYSTEM – EFI

---

|   |      |
|---|------|
| Fuel Tank with Pump, Side Fill – EFI .....    | 9-3  |
| Carbon Canister – EFI .....                   | 9-5  |
| Throttle Body and Mounting .....              | 9-7  |
| Governor Bracket and Cover – EFI .....        | 9-9  |
| Governor and Accelerator Cables – EFI .....   | 9-11 |
| Air Intake Elbow – EFI .....                  | 9-13 |
| Air Filter System and Intake Hose – EFI ..... | 9-15 |

---

## SECTION 10 – EXHAUST SYSTEM – ECH440

---

|                      |      |
|----------------------|------|
| Exhaust System ..... | 10-3 |
|----------------------|------|

---

## SECTION 11 – DRIVE BELT AND CLUTCHES – EFI GASOLINE VEHICLES

---

|   |      |
|---|------|
| Drive Belts – EFI .....                 | 11-3 |
| Drive Clutch – Key-Start Vehicles ..... | 11-5 |



# CONTENTS

|   |      |
|---|------|
| Drive Clutch – Pedal-Start Vehicles .....       | 11-7 |
| Driven Clutch – Key Start and Pedal Start ..... | 11-9 |

## SECTION 12 – TRANSAXLE (FUJI ED65)

|   |       |
|---|-------|
| Forward/Reverse Shifter Assembly .....                      | 12-3  |
| Shifter Cable – CA300 .....                                 | 12-5  |
| Shift Lever and Bracket – Pedal-Start Engines .....         | 12-7  |
| Shift Lever and Bracket – Key-Start Engines .....           | 12-9  |
| Governor Arm and Brackets – Utility Vehicles .....          | 12-11 |
| Transaxle (ED65), Limited Slip – Page 1 of 3 .....          | 12-13 |
| Transaxle (ED65), Open – Page 1 of 3 .....                  | 12-15 |
| Transaxle (ED65), Limited Slip and Open – Page 2 of 3 ..... | 12-17 |
| Transaxle (ED65), Limited Slip – Page 3 of 3 .....          | 12-19 |
| Transaxle (ED65), Open – Page 3 of 3 .....                  | 12-21 |
| Hub, Rear .....   | 12-23 |
| Differential Guard, ED65 – Gasoline Vehicle .....           | 12-25 |

## SECTION 13 – ELECTRICAL SYSTEM – ELECTRIC VEHICLES

|   |       |
|---|-------|
| Motor Controller Output Regulator (MCOR) .....                  | 13-3  |
| Main Wiring Harness,48-Volt Fuse Block - Electric Vehicle ..... | 13-5  |
| Tow/Run Switch and Hour Meter .....                             | 13-7  |
| Electric Components .....                                       | 13-9  |
| Batteries 8-Volt,Heavy Duty .....                               | 13-11 |
| Single Point Watering System (SPWS) .....                       | 13-13 |
| Hand Pump and Deionizer (Battery-Powered Quality Light) .....   | 13-15 |

## SECTION 14 – ELECTRIC MOTOR

|                               |      |
|-------------------------------|------|
| Motor (Model EJ8-4001A) ..... | 14-3 |
|-------------------------------|------|

## SECTION 15 – TRANSAXLE – ELECTRIC VEHICLES

|  |      |
|--|------|
| Transaxle – Electric Vehicles .....          | 15-3 |
| Differential Guard – Electric Vehicles ..... | 15-5 |

## SECTION 16 – BATTERY CHARGERS – E.R.I.C.HIGH-FREQUENCY

|  |      |
|--|------|
| Battery Charger, High-Frequency – U.S./Canada .....        | 16-3 |
| Battery Charger, High-Freq., 2.74 m DC Cord – Global ..... | 16-5 |
| Battery Charger, High-Freq., 3.66 m DC Cord – Global ..... | 16-7 |
| Battery Charger, High-Freq., 6.1 m DC Cord – Global .....  | 16-9 |

# CONTENTS

---

|   |       |
|---|-------|
| Cords – Battery Charger, High-Frequency ..... | 16-11 |
|---|-------|

## **SECTION 17 – MAINTENANCE AND SERVICE TOOLS**

---

|  |      |
|--|------|
| Maintenance and Service Tools .....            | 17-3 |
| Maintenance and Service Tools, Continued ..... | 17-5 |
| Maintenance and Service Tools, Continued ..... | 17-7 |

## **SECTION i – INDEX**

---

# BODY AND TRIM

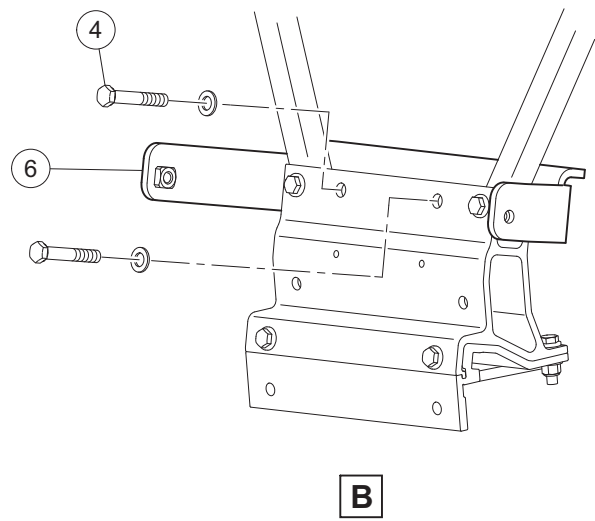
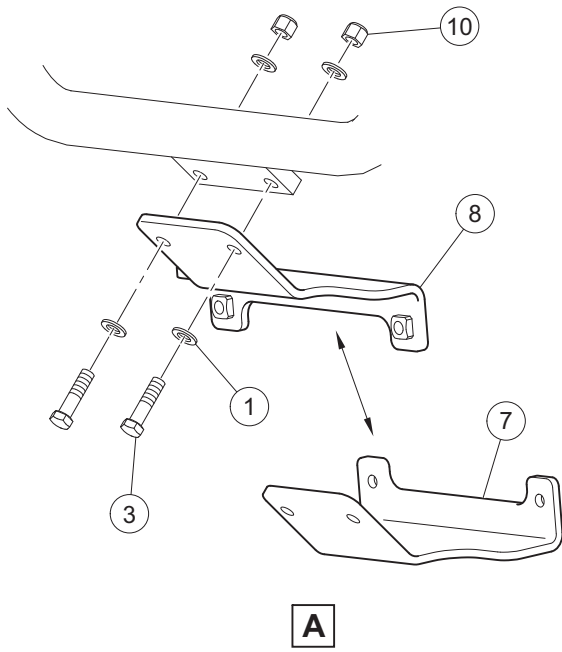
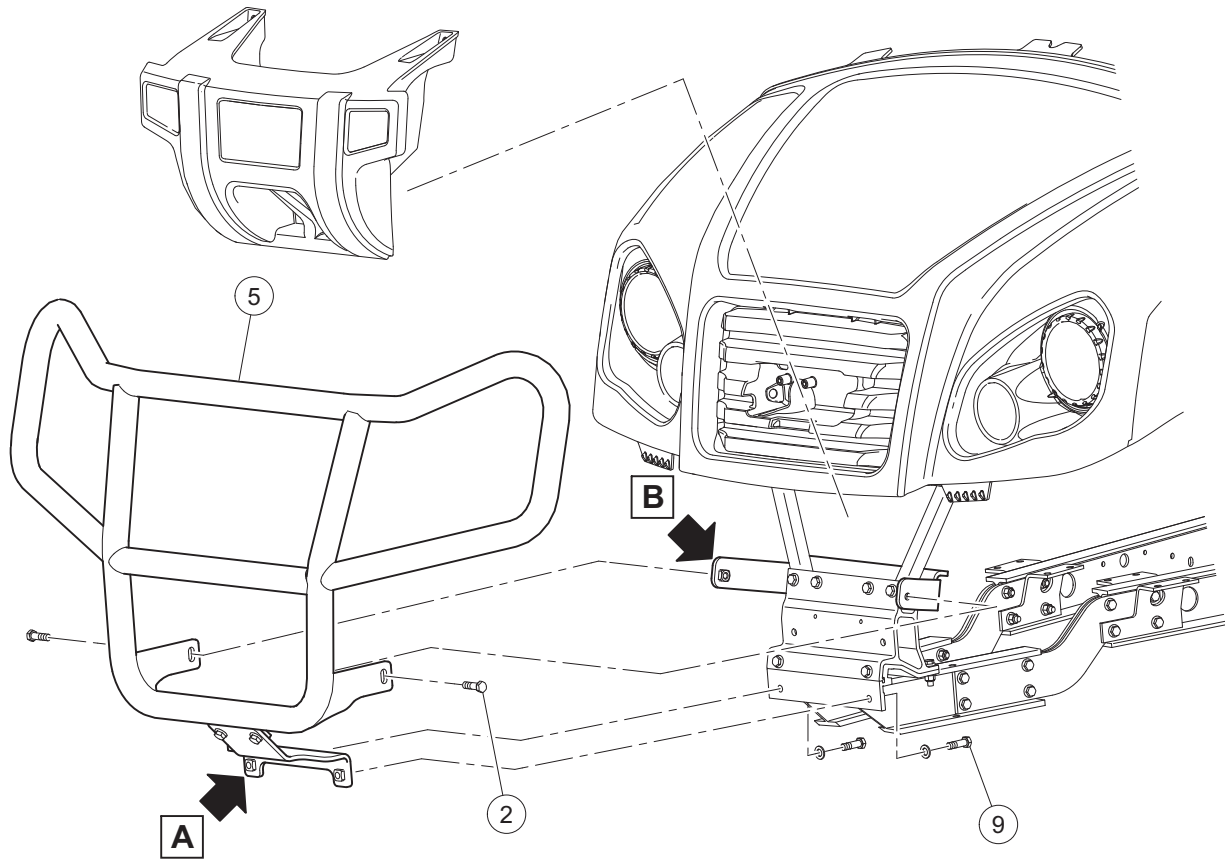
---

1

G

E

**1**  
**G**  
**E**



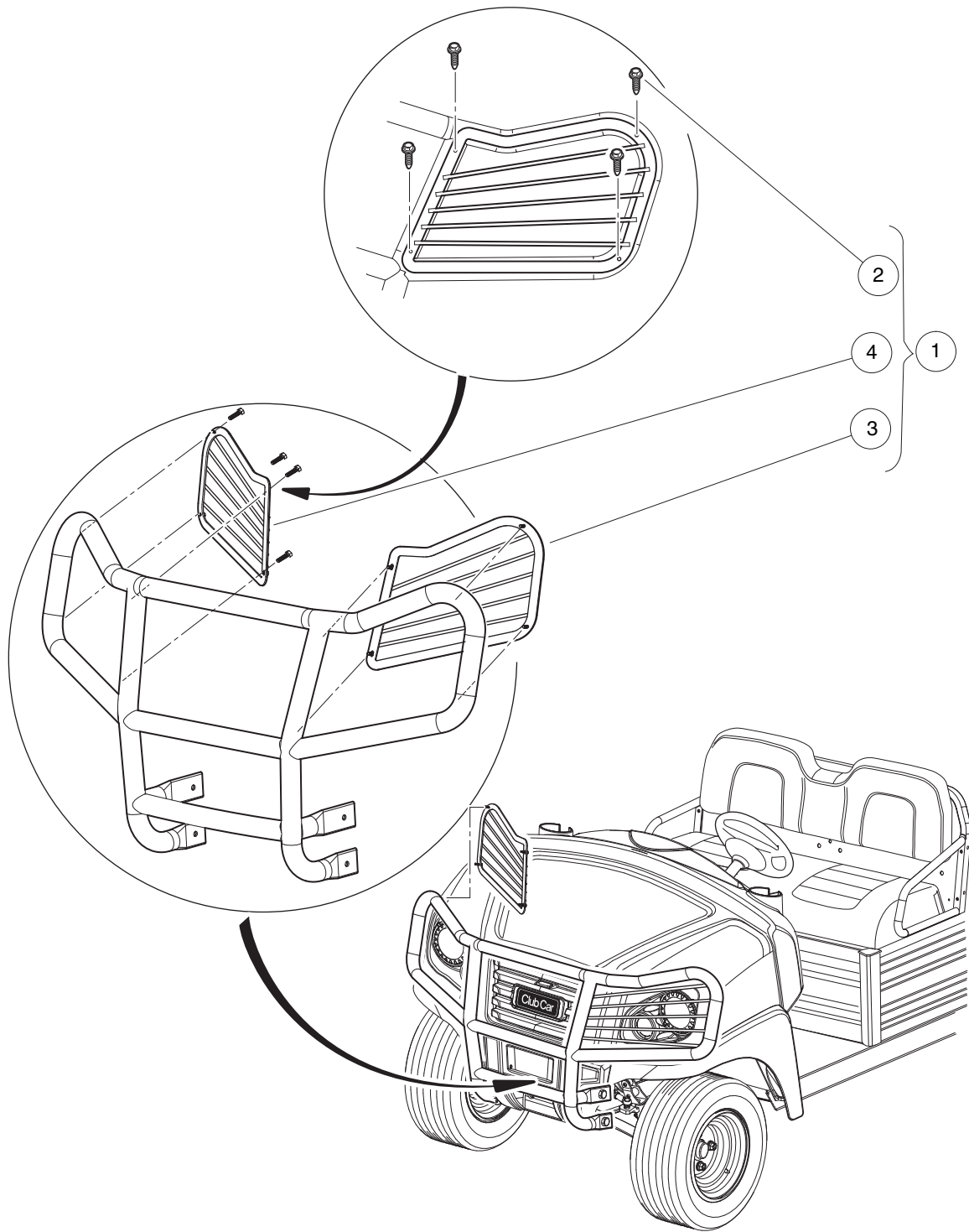
G-140199-000006

# BRUSH GUARDS

| ITEM   | PART NO.         | DESCRIPTION                              | QTY |
|--|------------------|--|-----|
|  |                  | 1 2 3 4                                  |     |
| 1  | <u>1011990</u>   | Washer, 3/8 Flat .....                   | 8   |
| 2  | <u>105197401</u> | Bolt, Flg, 3/8-16 X 1" Loc .....         | 2   |
| 3  | <u>1624</u>      | Screw, 3/8-16 X 1.50, Hex-Head Cap ..... | 2   |
| 4  | <u>2402</u>      | Screw, 3/8-16 X 2.25 Hx Hd Cap .....     | 2   |
| 5  | 47600627001      | Weldment, Hd Bumper, Hb, Res .....       | 1   |
| 6  | 47600628001      | Asm,bkt,back Spt,bg,common .....         | 1   |
| 7  | 47600629001      | Asm,bkt,btm Spt,bg,non-lifted .....      | 1   |
| 8  | 47600630001      | Asm,bkt,btm Spt,bg,lifted .....          | 1   |
| 9  | 705              | Screw, Cap-hex Hd 3/8-16x1.25 .....      | 2   |
| 10   | <u>8754</u>      | Locknut, 3/8-16 Hex .....                | 2   |
| <p>Note: For complete brush guard kits order kit part number 47605991002 for non-lifted vehicles or kit part number 47605991004 for lifted vehicles.</p> |                  |  |     |

1  
G  
E

**1**  
**G**  
**E**



001300-017

# HEADLIGHT GUARD

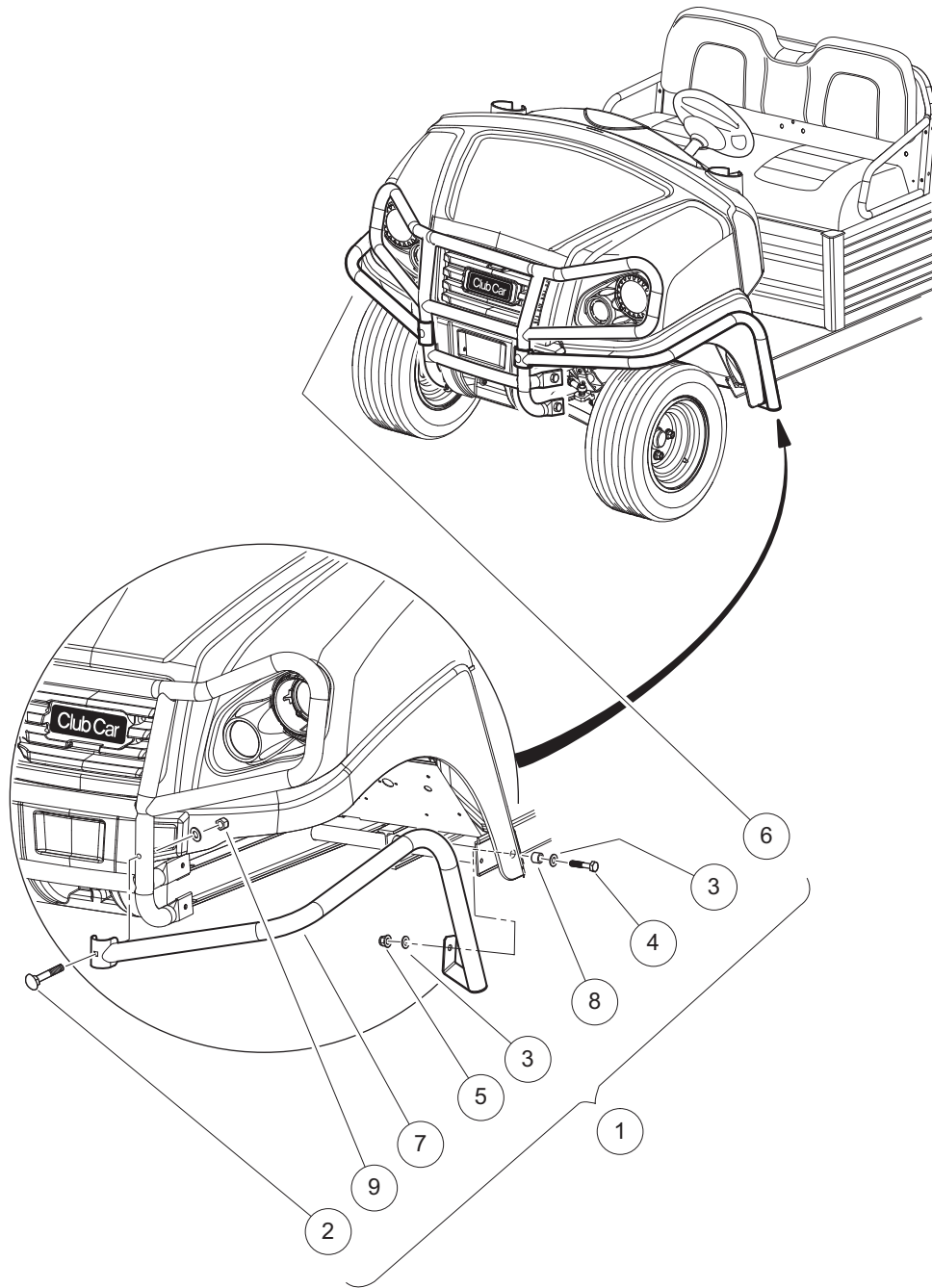
| ITEM | PART NO.         | DESCRIPTION   | QTY |
|------|------------------|---|-----|
|      |                  | 1 2 3 4   |     |
| 1    | <u>105156301</u> | Kit, Head Light Guard, Utl Res (includes items 2 through 4) ..... | 1   |
| 2    | <u>102296819</u> | Screw-M6 x 19 .....   | 8   |
| 3    | <u>105156701</u> | Guard, Headlight, UTL,LH .....                                    | 1   |
| 4    | <u>105156702</u> | Guard, Head Light, Utl, Rh .....                                  | 1   |

1

G

E

**1**  
**G**  
**E**



001300-002

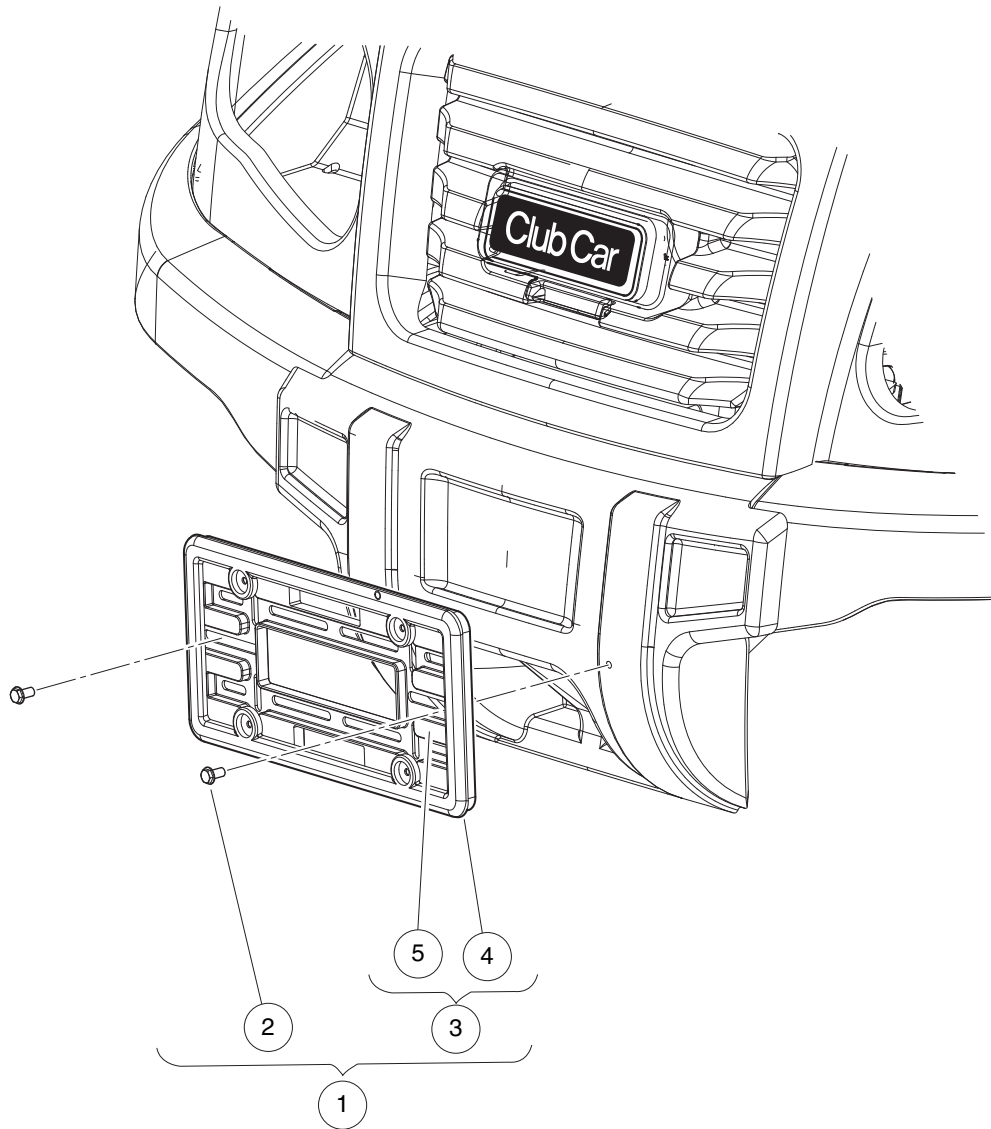


# FENDER GUARD

| ITEM | PART NO.         | DESCRIPTION  | QTY |
|------|------------------|--|-----|
|      |                  | <b>1 2 3 4</b>   |     |
| 1    | <u>105124001</u> | Kit, Fender Guard, Hb Res (includes items 2 through 9) ..... | 1   |
| 2    | 101242802        | Bolt, 3/8-16 X 2.25 Rd Hd Sq Bk .....                        | 2   |
| 3    | <u>102323501</u> | Washer, Flat, 3/8, Blk Fin .....                             | 6   |
| 4    | <u>102621601</u> | Bolt, M10 X 1.50 X 45 Black .....                            | 2   |
| 5    | <u>102670701</u> | Nut, Flange, M10 X 1.5 Nylon .....                           | 2   |
| 6    | 105074501        | Weldment, Fender Guard, Hb, Rh .....                         | 1   |
| 7    | 105074502        | Weldment, Fender Guard, Hb, Lh .....                         | 1   |
| 8    | <u>105094001</u> | Spacer, Canopy Support, Dash .....                           | 2   |
| 9    | <u>8754</u>      | Locknut, 3/8-16 Hex .....                                    | 2   |

**1**  
**G**  
**E**

**1**  
**G**  
**E**

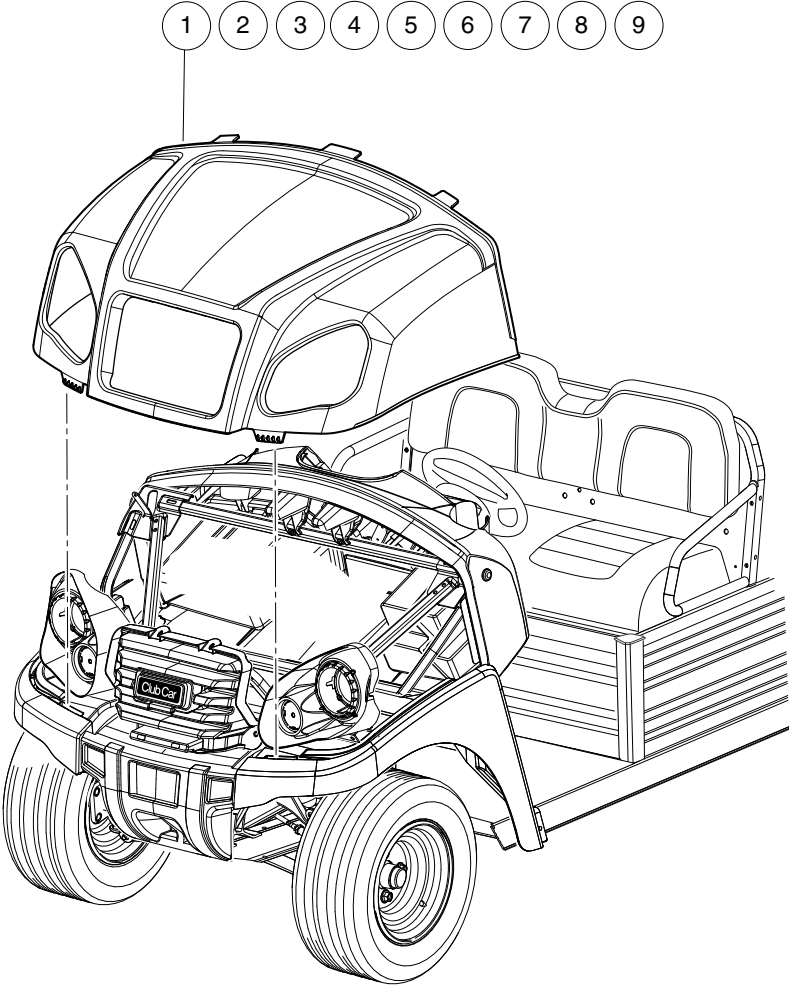


001155-001

# FRONT LICENSE PLATE HOLDER

| ITEM | PART NO.         | DESCRIPTION   | QTY |
|------|------------------|---|-----|
|      |                  | <b>1 2 3 4</b>  |     |
| 1    | <u>105124901</u> | Kit, Front, License Pl, Lsv (includes items 2 and 3) .....  | 1   |
| 2    | <u>101856101</u> | Screw, 1/4-15 X .50 Hi-lo Hex .....                         | 2   |
| 3    | <u>102311501</u> | Front License Plate Assembly (includes items 4 and 5) ..... | 1   |
| 4    | N/A              | Frame, License Plate .....                                  | 1   |
| 5    | N/A              | Mount, License Plate .....                                  | 1   |

**1**  
**G**  
**E**



001300-003

# FRONT BODY

| ITEM | PART NO.         | DESCRIPTION                        | QTY |
|------|------------------|------------------------------------|-----|
|      |                  | 1 2 3 4                            |     |
| 1    | <u>105034321</u> | Cowl, Ca, Serv, Dk Green .....     | 1   |
| 2    | <u>105034322</u> | Cowl, Ca, Serv, Dk Gray .....      | 1   |
| 3    | <u>105034323</u> | Cowl, Ca, Serv, White .....        | 1   |
| 4    | <u>105034324</u> | Cowl, Ca, Serv, Bright Blue .....  | 1   |
| 5    | <u>105034325</u> | Cowl, Ca, Serv, Titn Silver .....  | 1   |
| 6    | <u>105034326</u> | Cowl, Ca, Serv, Beige .....        | 1   |
| 7    | <u>105034327</u> | Cowl, Ca, Serv, Red .....          | 1   |
| 8    | <u>105034328</u> | Cowl, Ca, Serv, Black .....        | 1   |
| 9    | <u>105034329</u> | Cowl, Ca, Serv, Classic Blue ..... | 1   |

1  
G  
E

1

G

E

- 1
- 2
- 3
- 4
- 5
- 6
- 7
- 8
- 9
- 10

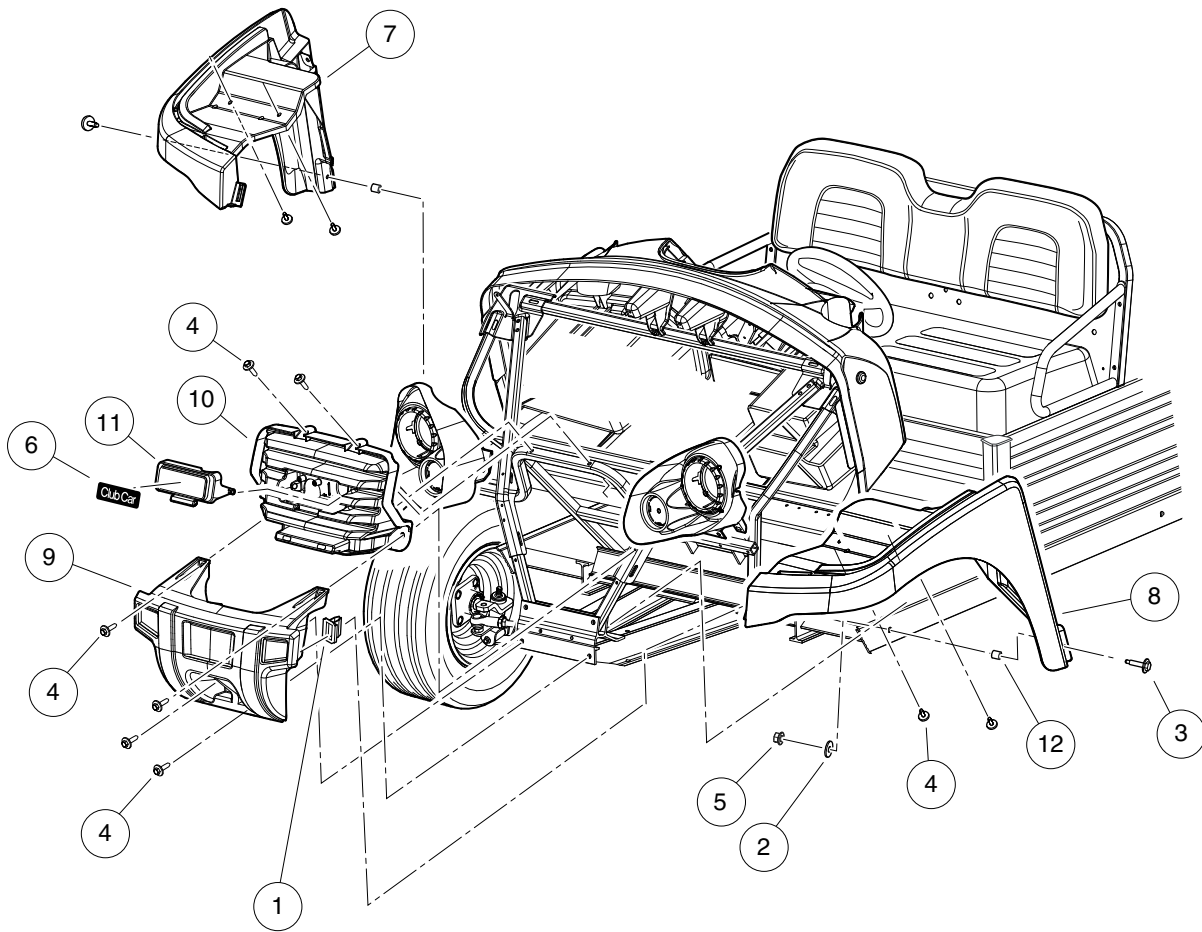


001300-020

# BODY TOUCH-UP PAINT

| ITEM | PART NO.         | DESCRIPTION                         | QTY |
|------|------------------|-------------------------------------|-----|
|      |                  | <b>1 2 3 4</b>                      |     |
| 1    | <u>105117701</u> | Paint, Touch-up, White .....        | 1   |
| 2    | <u>105117702</u> | Paint, Touch-up, Classic Blue ..... | 1   |
| 3    | <u>105117703</u> | Paint, Touch-up, Dark Green .....   | 1   |
| 4    | <u>105117704</u> | Paint, Touch-up, Red .....          | 1   |
| 5    | <u>105117705</u> | Paint, Touch-up, Dark Gray .....    | 1   |
| 6    | <u>105117706</u> | Paint, Touch-up, Black .....        | 1   |
| 7    | <u>105117707</u> | Paint, Touch-up, Tan .....          | 1   |
| 8    | <u>105117708</u> | Paint, Touch-up, Bright Blue .....  | 1   |
| 9    | <u>105117709</u> | Paint, Touch-up, Titn Silver .....  | 1   |
| 10   | <u>105117710</u> | Paint, Touch-up, Light Gray .....   | 1   |

**1**  
**G**  
**E**



001300-004

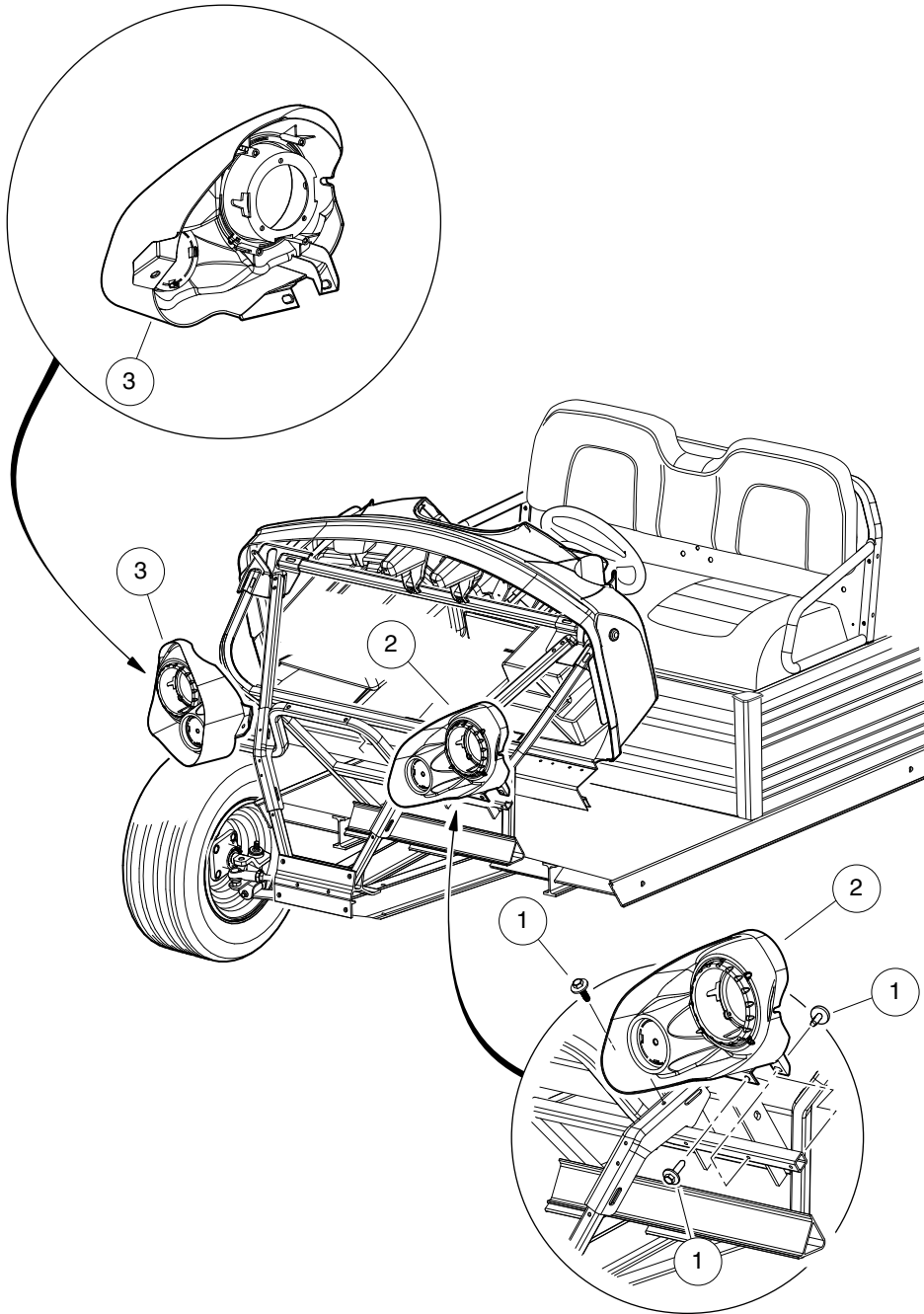


# FRONT BUMPER, GRILLE, AND FENDERS

| ITEM | PART NO.         | DESCRIPTION                                    | QTY |
|------|------------------|--|-----|
|      |                  | 1 2 3 4  |     |
| 1    | <u>102292701</u> | Clip-body-trim .....                           | 2   |
| 2    | <u>102296301</u> | Washer, M6x18x1.6 Flat .....                   | 2   |
| 3    | <u>102296530</u> | Screw - M6 X 1.0 X 30 Sems .....               | 6   |
| 4    | <u>102297125</u> | Screw, M6-1.0x25.4, Thread-Forming, SEMS ..... | 8   |
| 5    | <u>102541501</u> | Nut-m6x1.0 Fl Mtl Lock,blk .....               | 2   |
| 6    | <u>102883601</u> | Decal, Nameplate, CCI, Front .....             | 1   |
| 7    | <u>105034401</u> | Fender, Front, Rh, Ca .....                    | 1   |
| 8    | <u>105034501</u> | Fender, Front, Lh, Ca .....                    | 1   |
| 9    | <u>105034601</u> | Bumper, Front, Plastic, Ca .....               | 1   |
| 10   | <u>105034701</u> | Grille, Ca .....                               | 1   |
| 11   | <u>105034801</u> | Door, Charger Port, Ca .....                   | 1   |
| 12   | <u>105036701</u> | Spacer, Frt Fender, Ca .....                   | 2   |

1  
G  
E

**1**  
**G**  
**E**



001300-005

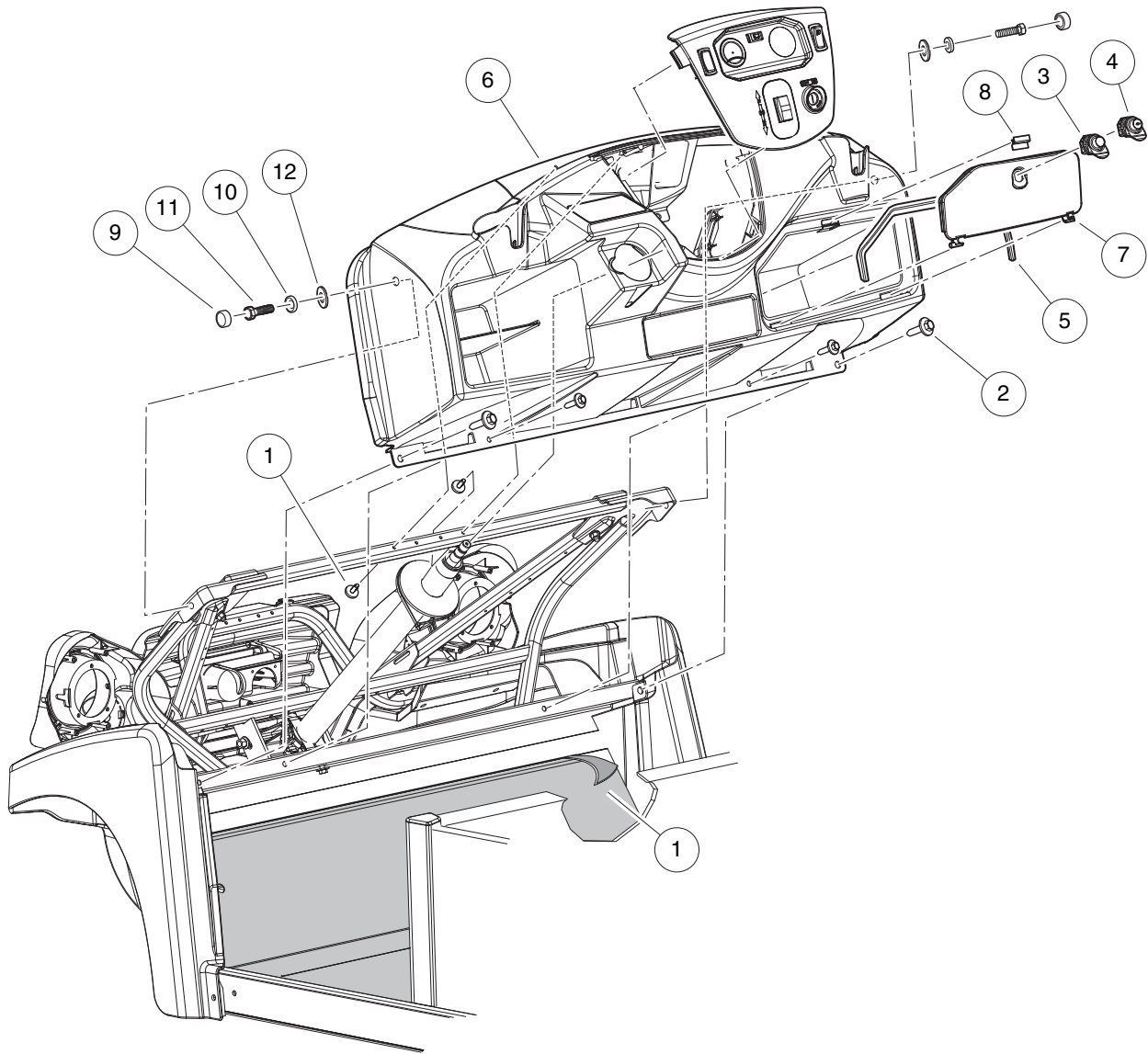
# HEADLIGHT BEZELS

| ITEM | PART NO.         | DESCRIPTION                                    | QTY |
|------|------------------|--|-----|
|      |                  | 1 2 3 4  |     |
| 1    | <u>102297125</u> | Screw, M6-1.0x25.4, Thread-Forming, SEMS ..... | 6   |
| 2    | <u>105034901</u> | Bezel, Hl, Lh, Ca .....                        | 1   |
| 3    | <u>105035001</u> | Bezel, Hl, Rh, Ca .....                        | 1   |

**1**

**G**

**E**



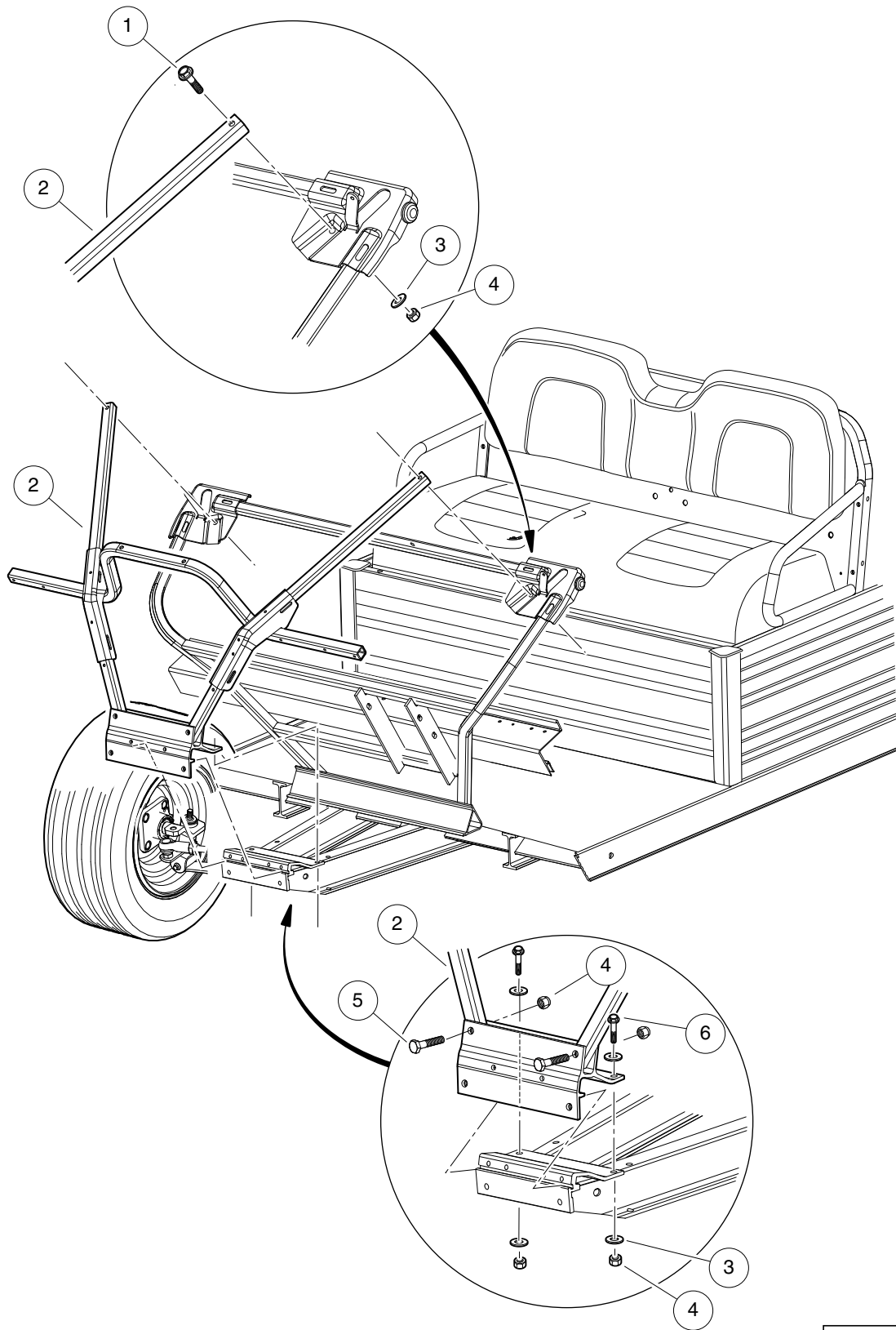
001300-006

# DASH, GLOVEBOX DOOR, AND FLOORMAT

| ITEM | PART NO.         | DESCRIPTION                                    | QTY |
|------|------------------|--|-----|
|      |                  | 1 2 3 4  |     |
| 1    | <u>101503202</u> | Floormat .....                                 | 1   |
| 2    | <u>102297125</u> | Screw, M6-1.0x25.4, Thread-Forming, SEMS ..... | 6   |
| 3    | <u>103182701</u> | Latch, Push Close .....                        | 1   |
| 4    | <u>103182702</u> | Latch, Push Close W/ Key .....                 | 1   |
| 5    | 103540203        | Seal, Bulb, 13 X 27 X 579 Mm .....             | 1   |
| 6    | <u>105034001</u> | Dash, Ca .....                                 | 1   |
| 7    | <u>105034201</u> | Door, Glove Box, Ca .....                      | 1   |
| 8    | <u>105035701</u> | Keeper, Latch, Ca .....                        | 1   |
| 9    | <u>105049201</u> | Cover, Bolt, Rh Series .....                   | 2   |
| 10   | <u>105049301</u> | Cover, Washer, Rhw Series .....                | 2   |
| 11   | 320              | Screw, 3/8-16 X 1.00 Hex-Head Cap .....        | 2   |
| 12   | <u>334</u>       | Washer, 3/8, Type A, Flat .....                | 2   |

**1**  
**G**  
**E**

**1**  
**G**  
**E**



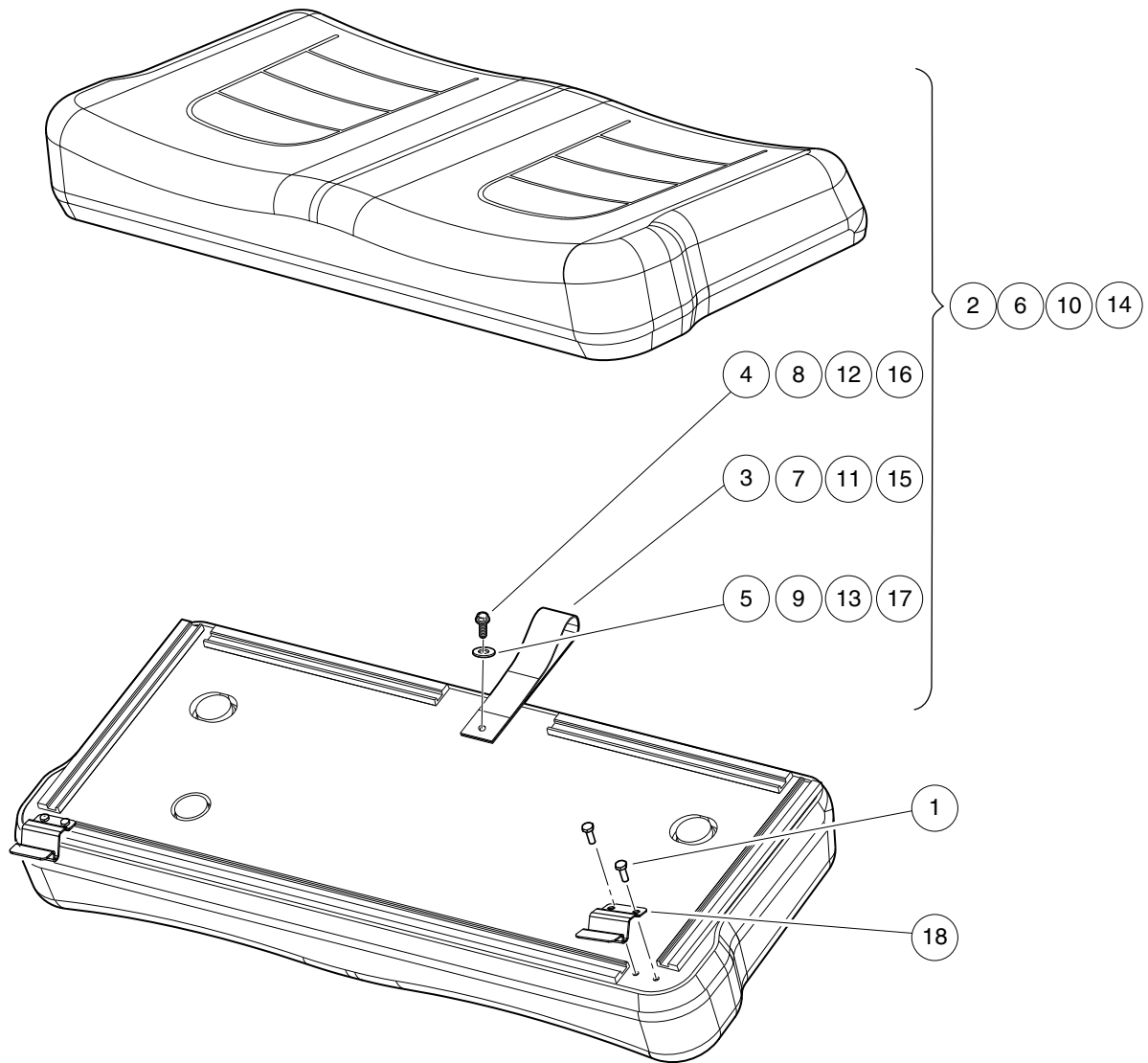
001107-001

# FRONT FRAME, STANDARD

| ITEM | PART NO.         | DESCRIPTION                              | QTY |
|------|------------------|--|-----|
|      |                  | <b>1 2 3 4</b>                           |     |
| 1    | <u>1011937</u>   | Bolt, 5/16-18 X 1.25 Hex Head .....      | 2   |
| 2    | <u>105007001</u> | Weldment, Front, Util, Std .....         | 1   |
| 3    | <u>1241</u>      | Washer, 5/16 Type A Flat .....           | 6   |
| 4    | <u>7473</u>      | Locknut, 5/16-18 Nylon Insert .....      | 6   |
| 5    | <u>8935</u>      | Screw, 5/16-18 X 2.25 Hex-Head Cap ..... | 2   |
| 6    | <u>8963</u>      | Screw, 5/16-18 X 1.75 Hex-Head Cap ..... | 2   |

1  
G  
E

**1**  
**G**  
**E**



001300-021



# SEAT BOTTOM

| ITEM | PART NO.         | DESCRIPTION  | QTY |
|------|------------------|--|-----|
|      |                  | <b>1 2 3 4</b>   |     |
| 1    | <u>101954301</u> | Screw, 1/4-20 X 0.75 Hex-Head Cap .....                            | 4   |
| 2    | <u>105064521</u> | Asm, Seatbottom, White, Ca, Sp (includes items 3 through 5) .....  | 1   |
| 3    | <u>1013309</u>   | Strap, Utility Seat .....  | 1   |
| 4    | <u>101954301</u> | Screw, 1/4-20 X 0.75 Hex-Head Cap .....                            | 1   |
| 5    | <u>332</u>       | Washer, 1/4 Type A Narrow Flat .....                               | 1   |
| 6    | <u>105064522</u> | Asm, Seatbottom, Black, Ca, Sp (includes items 7 through 9) .....  | 1   |
| 7    | <u>1013309</u>   | Strap, Utility Seat .....  | 1   |
| 8    | <u>101954301</u> | Screw, 1/4-20 X 0.75 Hex-Head Cap .....                            | 1   |
| 9    | <u>332</u>       | Washer, 1/4 Type A Narrow Flat .....                               | 1   |
| 10   | <u>105064523</u> | Asm, Seatbottom, Gray, Ca, Sp (includes items 11 through 13) ..... | 1   |
| 11   | <u>1013309</u>   | Strap, Utility Seat .....  | 1   |
| 12   | <u>101954301</u> | Screw, 1/4-20 X 0.75 Hex-Head Cap .....                            | 1   |
| 13   | <u>332</u>       | Washer, 1/4 Type A Narrow Flat .....                               | 1   |
| 14   | <u>105064524</u> | Asm, Seatbottom, Beige,ca, Sp (includes items 15 through 17) ..... | 1   |
| 15   | <u>1013309</u>   | Strap, Utility Seat .....  | 1   |
| 16   | <u>101954301</u> | Screw, 1/4-20 X 0.75 Hex-Head Cap .....                            | 1   |
| 17   | <u>332</u>       | Washer, 1/4 Type A Narrow Flat .....                               | 1   |
| 18   | <u>105200401</u> | Bracket,Hinge, Seat,CA .....                                       | 2   |

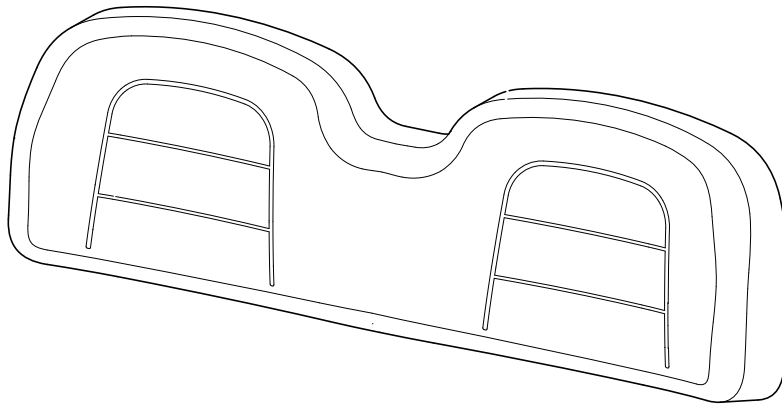
**1**  
**G**  
**E**

1

G

E

1 2 3 4



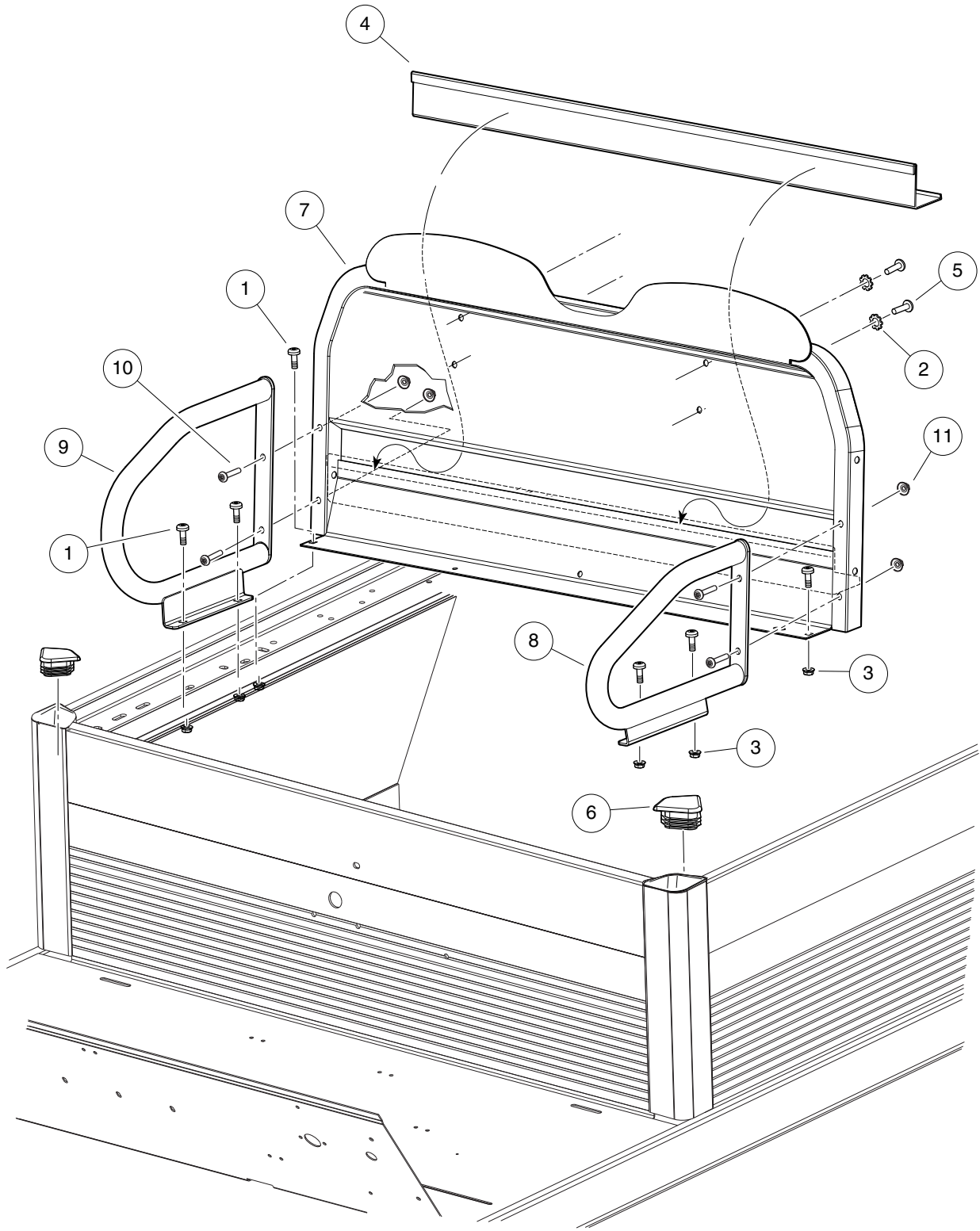
001300-022

# SEAT BACK

| ITEM | PART NO.         | DESCRIPTION                        | QTY |
|------|------------------|------------------------------------|-----|
|      |                  | <b>1 2 3 4</b>                     |     |
| 1    | <u>105064121</u> | Asm, Seatback, White, Ca, Sp ..... | 1   |
| 2    | <u>105064122</u> | Asm, Seatback, Black, Ca, Sp ..... | 1   |
| 3    | <u>105064123</u> | Asm, Seatback, Gray, Ca, Sp .....  | 1   |
| 4    | <u>105064124</u> | Asm, Seatback, Beige, Ca, Sp ..... | 1   |

**1**  
**G**  
**E**

**1**  
**G**  
**E**



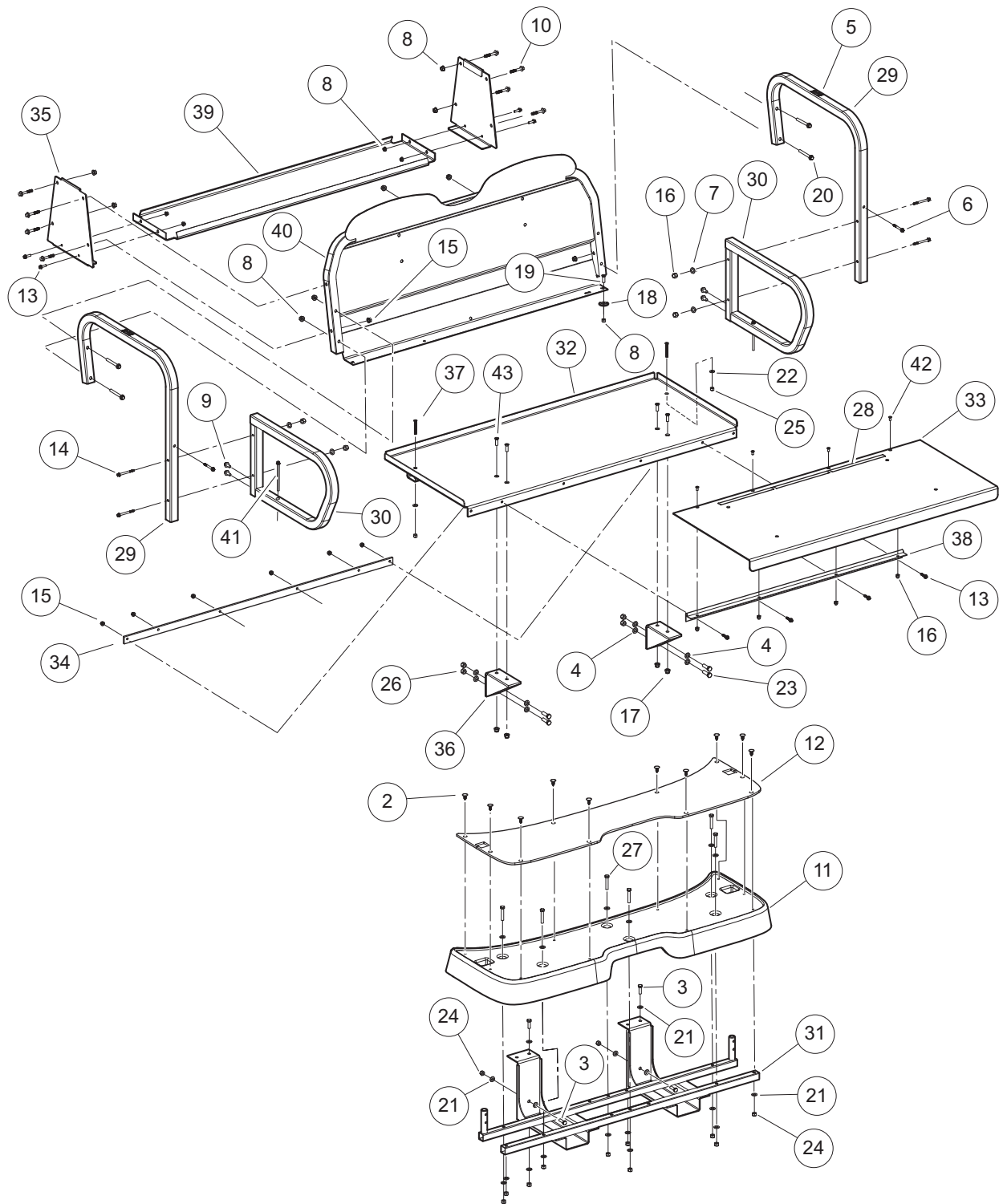
001161-003

# SEAT FRAME AND HIP-RESTRAINT

| ITEM | PART NO.         | DESCRIPTION                                 | QTY |
|------|------------------|---|-----|
|      |                  | 1 2 3 4                                     |     |
| 1    | 1015399          | Screw, 5/16-18 X 0.88 Torx Truss-Head ..... | 6   |
| 2    | <u>101946201</u> | Washer, Lock, 0.250 External-Tooth .....    | 4   |
| 3    | <u>101963401</u> | Locknut, 5/16-18 Hex Flange .....           | 6   |
| 4    | <u>102989501</u> | Seal, Bed, 41-Inch .....                    | 1   |
| 5    | <u>103487501</u> | Screw, 1/4-20 X 1.0, Black .....            | 4   |
| 6    | <u>105006501</u> | Cap, Corner, Frame .....                    | 2   |
| 7    | <u>105062401</u> | Seatback, Weldment, Ca .....                | 1   |
| 8    | <u>105063001</u> | Wldmnt, Hip Restraint, Sml, Lh .....        | 1   |
| 9    | <u>105063002</u> | Wldmnt, Hip Restraint, Lrg, Rh .....        | 1   |
| 10   | <u>105078401</u> | Scrw, 5/16-18 X 1.75, Tr Tx Hd .....        | 4   |
| 11   | <u>105194301</u> | Nut, 5/16-18, Conical Washer .....          | 4   |

**1**  
**G**  
**E**

**1**  
**G**  
**E**



001166-001

## REAR FACING FOLD DOWN SEAT

| ITEM | PART NO.         | DESCRIPTION  | QTY |
|------|------------------|--|-----|
|      |                  | 1 2 3 4  |     |
| 1    | <u>SVP777501</u> | Kit, Fold Down, Ca300 (includes items 2 through 46) .....          | 1   |
| 2    | <u>1010434</u>   | Barrel - Plastic .....   | 10  |
| 3    | <u>1010934</u>   | Screw, 5/16-18 X 1.00 Hex Cap .....                                | 4   |
| 4    | <u>1011990</u>   | Washer, 3/8 Flat .....   | 8   |
| 5    | <u>101609401</u> | Decal, Crush Area Warning .....                                    | 2   |
| 6    | <u>102296150</u> | Bolt - M6x1.0x50 Hex Flng Hd .....                                 | 2   |
| 7    | <u>102296301</u> | Washer, M6x18x1.6 Flat .....                                       | 4   |
| 8    | <u>102298401</u> | Nut, M8, All Metal Lock .....                                      | 14  |
| 9    | <u>102298720</u> | Screw, M8-1.25x20, Taptite .....                                   | 4   |
| 10   | <u>102299550</u> | Screw, m8x50, sems, tx, btt, plt .....                             | 8   |
| 11   | <u>102531402</u> | Footdeck, 4-Passenger, Black .....                                 | 1   |
| 12   | <u>102531601</u> | Floormat, 4-Passenger, Rear .....                                  | 1   |
| 13   | <u>102541401</u> | Bolt-m6x1.0x20 Hex Flhd Blk-l .....                                | 8   |
| 14   | <u>102541470</u> | Bolt-m6x1.0x70 Hex Flhd, Blk-l .....                               | 4   |
| 15   | <u>102541501</u> | Nut-m6x1.0 Fl Mtl Lock, blk .....                                  | 12  |
| 16   | <u>102582401</u> | Cap Nut M6, Sp .....   | 8   |
| 17   | <u>102618601</u> | Lock Nut, Flange, M8 X 1.25 Nylon .....                            | 4   |
| 18   | <u>103201101</u> | Washer, Step, CVT Primary .....                                    | 2   |
| 19   | <u>103262201</u> | Bolt Flg Blk, M8 X 25, Loctite .....                               | 2   |
| 20   | <u>105188185</u> | Bolt, M8 X 85mm, 10.9 Grade .....                                  | 4   |
| 21   | <u>1241</u>      | Washer, 5/16 Type A Flat .....                                     | 20  |
| 22   | <u>332</u>       | Washer, 1/4 Type A Narrow Flat .....                               | 2   |
| 23   | <u>705</u>       | Screw, Cap-hex Hd 3/8-16x1.25 .....                                | 4   |
| 24   | <u>7473</u>      | Locknut, 5/16-18 Nylon Insert .....                                | 10  |
| 25   | <u>8233</u>      | Locknut, 1/4-20, Nylon Insert .....                                | 2   |
| 26   | <u>8754</u>      | Locknut, 3/8-16 Hex .....  | 4   |
| 27   | <u>8963</u>      | Screw, 5/16-18 X 1.75 Hex-Head Cap .....                           | 6   |
| 28   | <u>SVP370901</u> | Asm, Decal, Warn 800 850 Prec (includes items 29 through 31) ..... | 1   |
| 29   | <u>SVP370601</u> | Decal, Warn 800 850 Prec Fld L .....                               | A/R |
| 30   | <u>SVP370701</u> | Decal, Warn 800 850 Prec Fld M .....                               | A/R |
| 31   | <u>SVP370801</u> | Decal, Warn 800 850 Prec Fld R .....                               | A/R |
| 32   | <u>SVP658101</u> | Hip Restraint, Folddown, Ca .....                                  | 2   |
| 33   | <u>SVP658401</u> | Asm, D-ring, Folddown, Ca .....                                    | 2   |
| 34   | <u>SVP658602</u> | Wldmnt, Support, Foot Deck .....                                   | 1   |
| 35   | <u>SVP659001</u> | Channel, Support, Panel, Fixed .....                               | 1   |
| 36   | <u>SVP659101</u> | Panel, Flip Folddown, Ca .....                                     | 1   |
| 37   | <u>SVP659301</u> | Plate, Back, Hinge, Folddown .....                                 | 1   |
| 38   | <u>SVP659401</u> | Panel, Support, Seat, Side, Fl .....                               | 2   |
| 39   | <u>SVP659503</u> | Wldmnt, Support, Fixed Panel .....                                 | 2   |
| 40   | <u>SVP664101</u> | Screw, 1/4-20x2.0, Csfh, Ss .....                                  | 2   |
| 41   | <u>SVP713301</u> | Hinge, 2 In Open X 25 In Long .....                                | 1   |
| 42   | <u>SVP732201</u> | Panel, Closeout, Folddown, 300 .....                               | 1   |
| 43   | <u>SVP732901</u> | Weldment, Seat Back, Fold Down .....                               | 1   |
| 44   | <u>SVP736801</u> | Screw, M6-1.0x100 .....  | 2   |

**1**  
**G**  
**E**

**1**

**G**

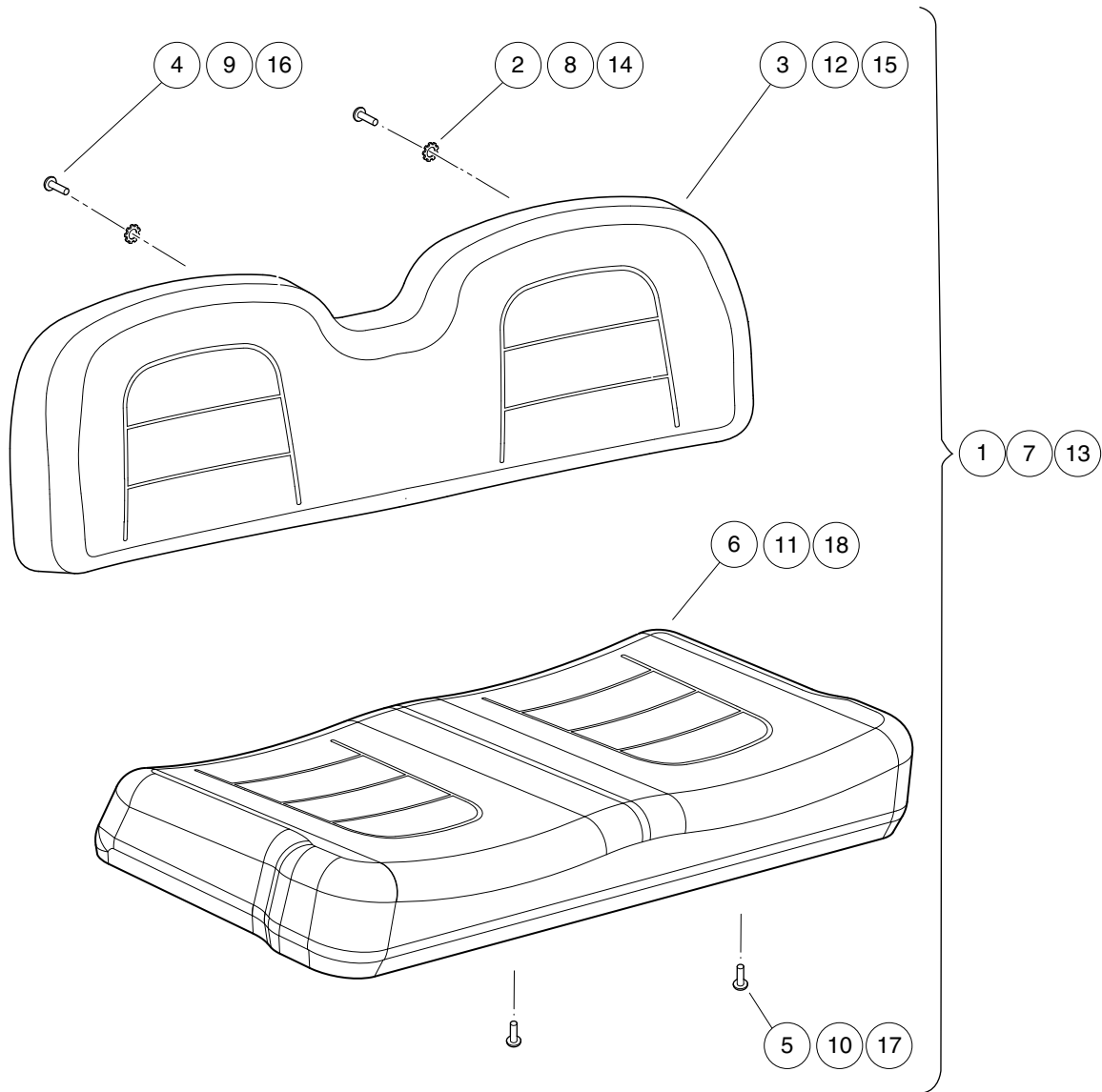
**E**



| ITEM | PART NO. | DESCRIPTION | QTY |
|------|----------|-------------|-----|
|      |          | 1 2 3 4     |     |

**1**  
**G**  
**E**

**1**  
**G**  
**E**

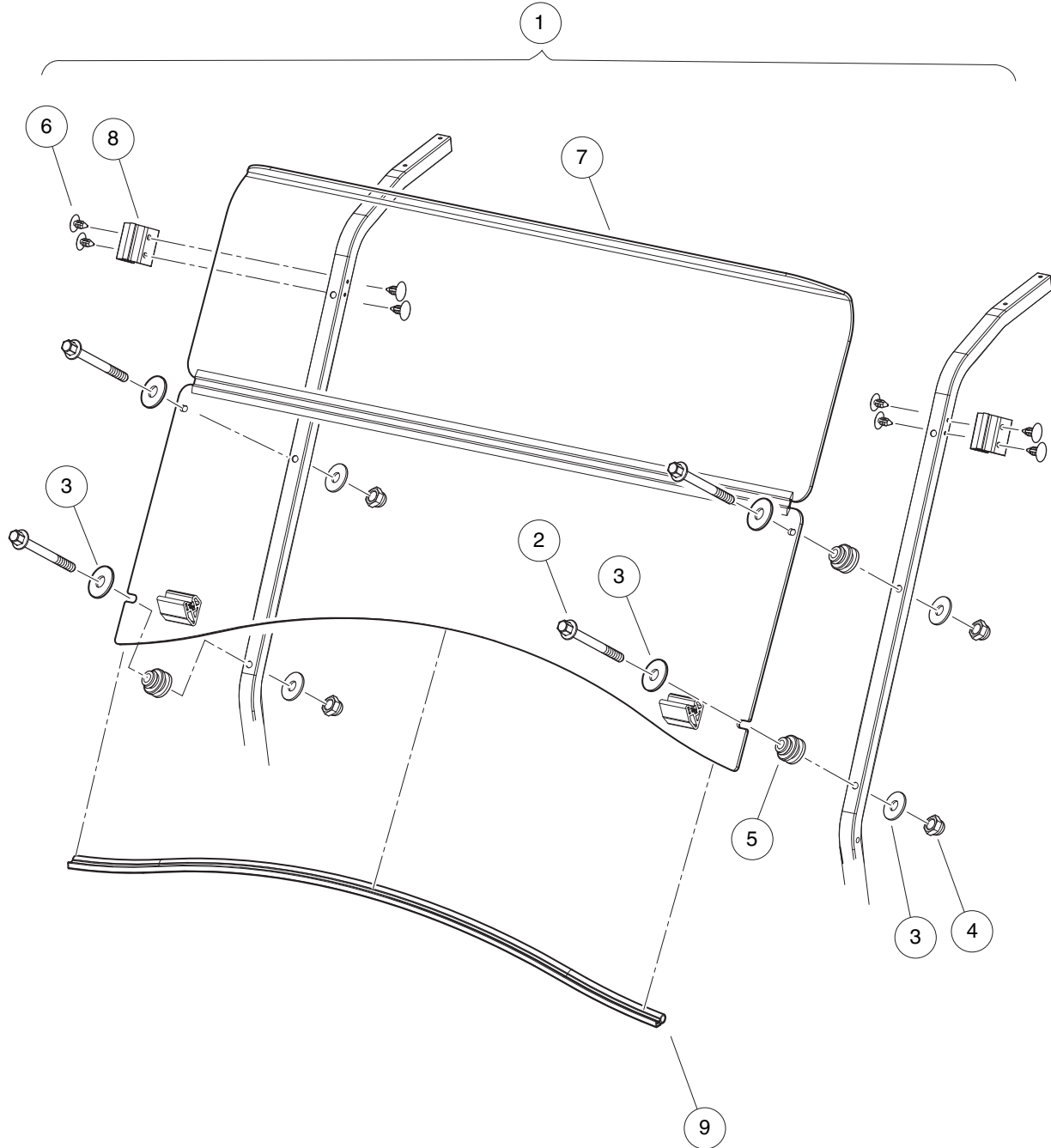


001300-025

## REAR SEATS – VEHICLE WITH FOLD-DOWN REAR SEAT

| ITEM | PART NO.         | DESCRIPTION  | QTY |
|------|------------------|--|-----|
|      |                  | 1 2 3 4  |     |
| 1    | <u>SVP777401</u> | Kit, Seats, Fold Down, Black (includes items 2 through 6) .....  | 1   |
| 2    | <u>101946201</u> | Washer, Lock, 0.250 External-Tooth .....                         | 4   |
| 3    | 105064102        | Asm, Seatback, Black, Ca .....                                   | 1   |
| 4    | <u>8251</u>      | Screw, 1/4-20 X 1.0 Truss-Head Machine .....                     | 4   |
| 5    | <u>SVP387901</u> | 1/4-20x1.00 Fl Hd Mach Scr Ss .....                              | 4   |
| 6    | SVP716903        | Asm, Seat, Fold Down, Black .....                                | 1   |
| 7    | <u>SVP777402</u> | Kit, Seats, Fold Down, Beige (includes items 8 through 12) ..... | 1   |
| 8    | <u>101946201</u> | Washer, Lock, 0.250 External-Tooth .....                         | 4   |
| 9    | <u>8251</u>      | Screw, 1/4-20 X 1.0 Truss-Head Machine .....                     | 4   |
| 10   | <u>SVP387901</u> | 1/4-20x1.00 Fl Hd Mach Scr Ss .....                              | 4   |
| 11   | SVP716905        | Asm, Seat, Fold Down, Bge .....                                  | 1   |
| 12   | <u>SVP860101</u> | Asm, Seatback, Biege, Ca .....                                   | 1   |
| 13   | <u>SVP777403</u> | Kit, Seats, Fold Down, Gray (includes items 14 through 18) ..... | 1   |
| 14   | <u>101946201</u> | Washer, Lock, 0.250 External-Tooth .....                         | 4   |
| 15   | 105064103        | Asm, Seatback, Gray, Ca .....                                    | 1   |
| 16   | <u>8251</u>      | Screw, 1/4-20 X 1.0 Truss-Head Machine .....                     | 4   |
| 17   | <u>SVP387901</u> | 1/4-20x1.00 Fl Hd Mach Scr Ss .....                              | 4   |
| 18   | <u>SVP716902</u> | Asm, Seat, Fold Down, Gray .....                                 | 1   |

**1**  
**G**  
**E**



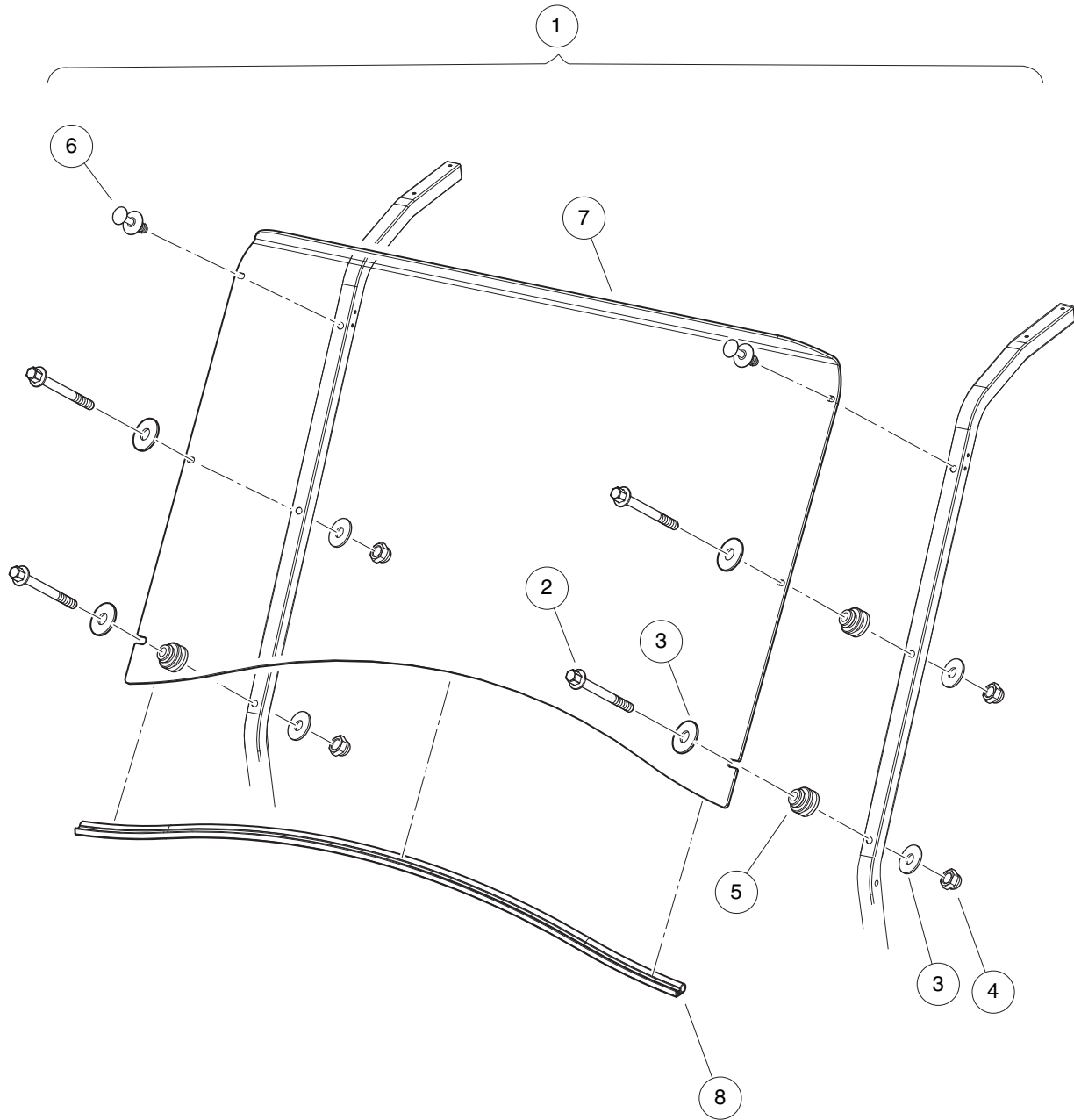
001114-001

# WINDSHIELD, HINGED

| ITEM | PART NO.         | DESCRIPTION  | QTY |
|------|------------------|--|-----|
|      |                  | <b>1 2 3 4</b>   |     |
| 1    | <u>105109101</u> | Kit, Windshield, Hinged, Hb (includes items 2 through 9) ..... | 1   |
| 2    | <u>102296150</u> | Bolt - M6x1.0x50 Hex Flng Hd .....                             | 4   |
| 3    | <u>102296301</u> | Washer, M6x18x1.6 Flat .....                                   | 4   |
| 4    | <u>102582401</u> | Cap Nut M6, Sp .....   | 4   |
| 5    | <u>102947601</u> | Grommet, Windshield .....                                      | 4   |
| 6    | <u>103754901</u> | Fastener, Barrel - .610 X .25 .....                            | 8   |
| 7    | <u>105060901</u> | Windshield, Hinged, Utility Hb .....                           | 1   |
| 8    | <u>105069901</u> | Clip, Retainer, W/s 1.25" .....                                | 2   |
| 9    | <u>105196001</u> | seal,windshield .....  | 1   |

1  
G  
E

**1**  
**G**  
**E**



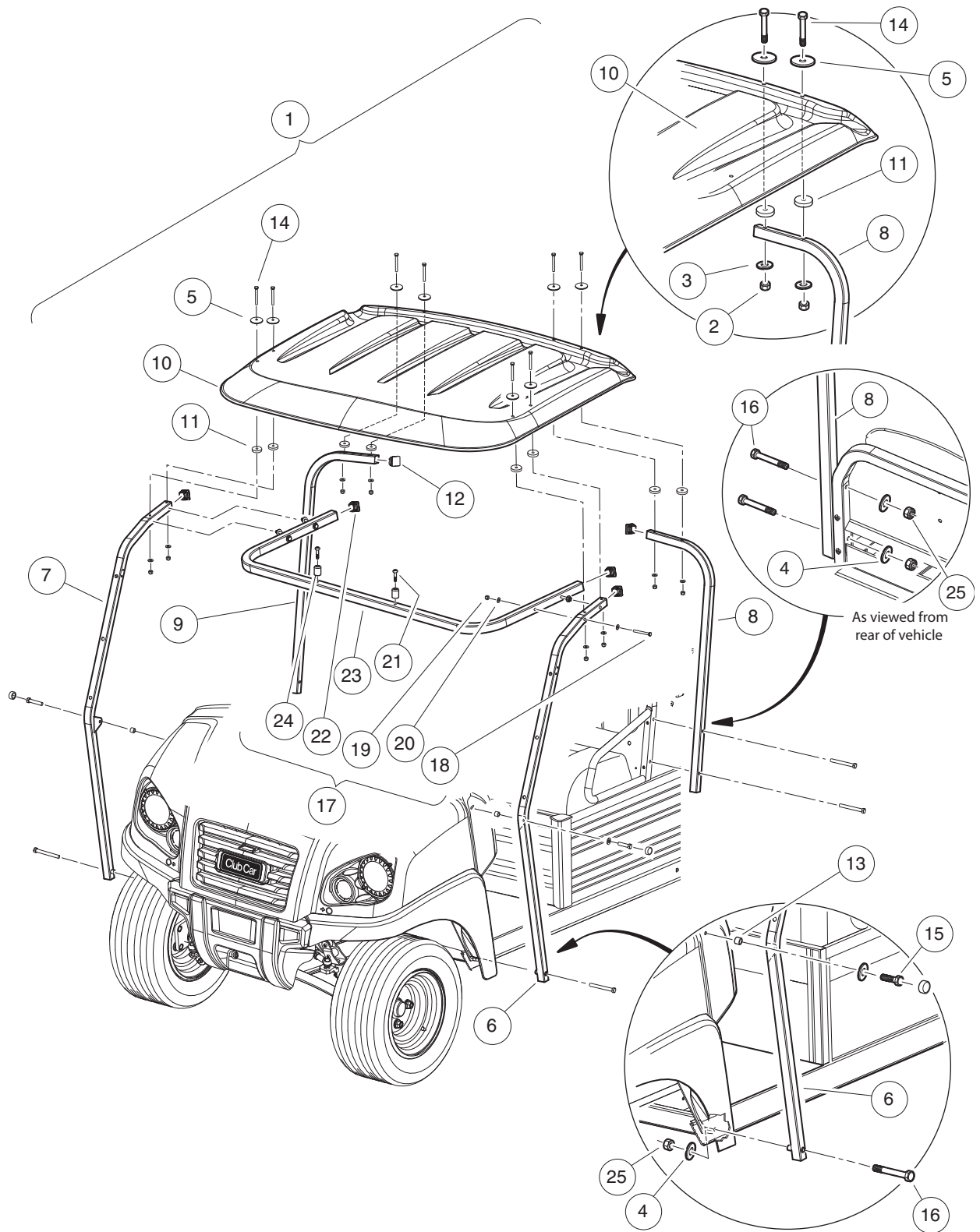
001115-001

# WINDSHIELD, NON-HINGED

| ITEM | PART NO.         | DESCRIPTION  | QTY |
|------|------------------|--|-----|
|      |                  | <b>1 2 3 4</b>   |     |
| 1    | <u>105109201</u> | Kit, Windshield, Single, Hb (includes items 2 through 8) ..... | 1   |
| 2    | <u>102296150</u> | Bolt - M6x1.0x50 Hex Flng Hd .....                             | 4   |
| 3    | <u>102296301</u> | Washer, M6x18x1.6 Flat .....                                   | 8   |
| 4    | <u>102582401</u> | Cap Nut M6, Sp .....   | 4   |
| 5    | <u>102947601</u> | Grommet, Windshield .....                                      | 4   |
| 6    | <u>105093501</u> | Blind Rivet, Push, 3-10 Panel .....                            | 2   |
| 7    | <u>105102301</u> | Windshield, Single, Hb .....                                   | 1   |
| 8    | <u>105196001</u> | seal,windshield .....  | 1   |

**1**  
**G**  
**E**

**1**  
**G**  
**E**



001300-014

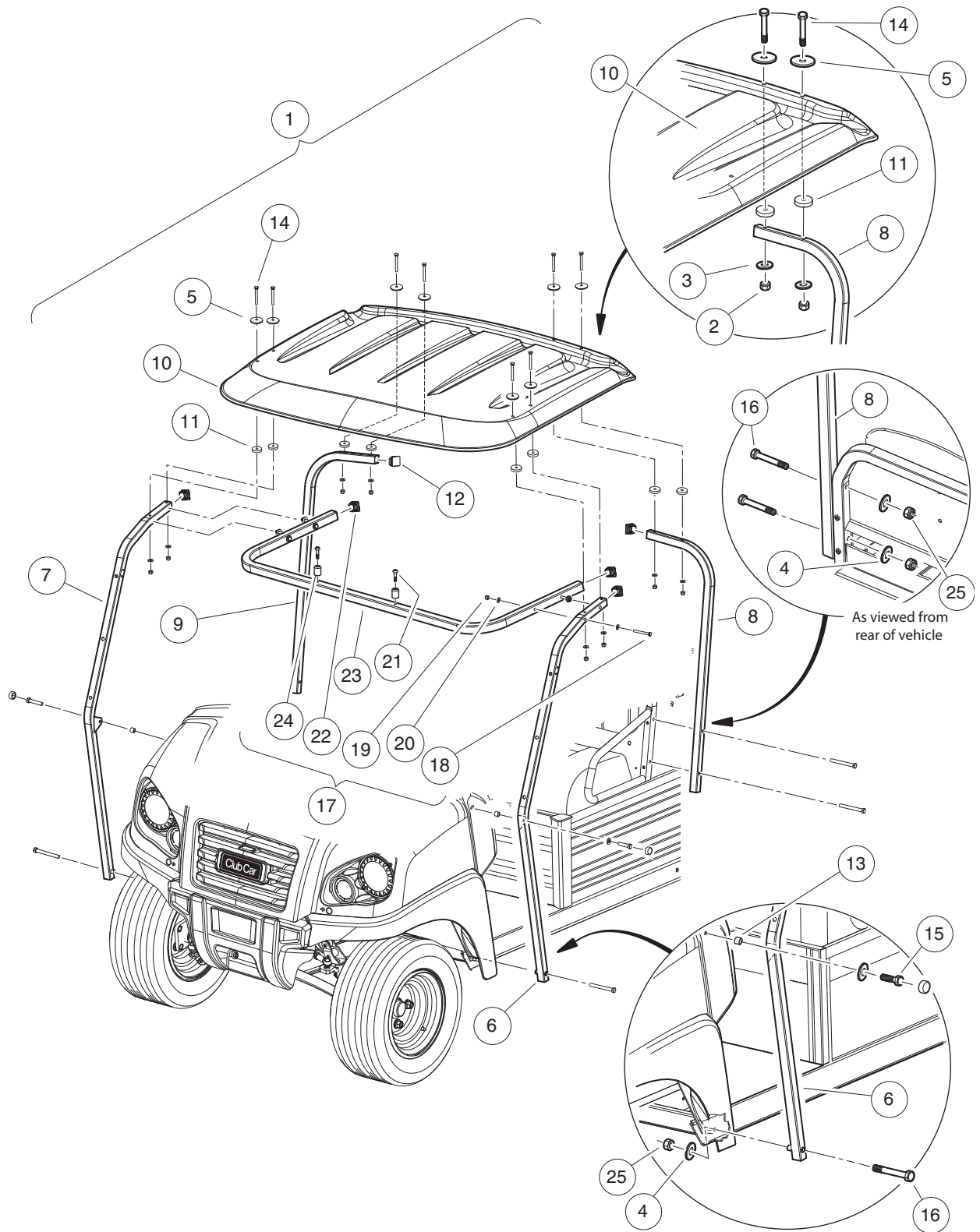


# CANOPY KIT, WHITE

| ITEM | PART NO.         | DESCRIPTION   | QTY |
|------|------------------|---|-----|
|      |                  | 1 2 3 4   |     |
| 1    | <u>105063301</u> | Kit, Canopy, Hb, White (includes items 2 through 25) .....      | 1   |
| 2    | <u>102242401</u> | Nut - Nylon Insert W/cap .....                                  | 8   |
| 3    | <u>102296301</u> | Washer, M6x18x1.6 Flat .....                                    | 8   |
| 4    | <u>102323501</u> | Washer, Flat, 3/8, Blk Fin .....                                | 6   |
| 5    | <u>103196001</u> | Washer, Conical Spring, Canopy .....                            | 8   |
| 6    | <u>105063201</u> | Weldment, Strut, Ds, Hb .....                                   | 1   |
| 7    | <u>105063202</u> | Weldment, Strut, Ps, Hb .....                                   | 1   |
| 8    | <u>105063401</u> | Rear, Strut, Bent, Ds .....                                     | 1   |
| 9    | <u>105063402</u> | Rear, Strut, Bent, Ps .....                                     | 1   |
| 10   | <u>105072001</u> | Canopy, Short, Restyle, White .....                             | 1   |
| 11   | <u>105086101</u> | Spacer, Rubber,7.1i D-6.35 Thk .....                            | 8   |
| 12   | <u>105092601</u> | Plug, Square -31.75mm .....                                     | 4   |
| 13   | <u>105094001</u> | Spacer, Canopy Support, Dash .....                              | 2   |
| 14   | <u>105197301</u> | 1/4-20 x 2.25,BHCS,6-LOBE .....                                 | 8   |
| 15   | <u>105197401</u> | BOLT,FLG,3/8-16 X 1.00 LOC .....                                | 2   |
| 16   | <u>105197402</u> | BOLT,FLG,3/8-16 X 3.00 .....                                    | 6   |
| 17   | <u>105251901</u> | Kit, Canopy Support, Front (includes items 18 through 24) ..... | 1   |
| 18   | <u>1012159</u>   | Bolt, 1/4-20 X 2.75 Hex-Head .....                              | 4   |
| 19   | <u>102242401</u> | Nut - Nylon Insert W/cap .....                                  | 4   |
| 20   | <u>102296301</u> | Washer, M6x18x1.6 Flat .....                                    | 8   |
| 21   | <u>102557201</u> | Screw, #6-20 Type Abx1.00 Pan .....                             | 2   |
| 22   | <u>102581201</u> | Plug, Square - 25.4 mm .....                                    | 2   |
| 23   | <u>105249901</u> | Tube, Front Support, Canopy, Utility .....                      | 1   |
| 24   | <u>105250501</u> | Bumper, Rubber, 3/4-in. Round .....                             | 2   |
| 25   | <u>8754</u>      | Locknut, 3/8-16 Hex .....                                       | 6   |

1  
G  
E

**1**  
**G**  
**E**



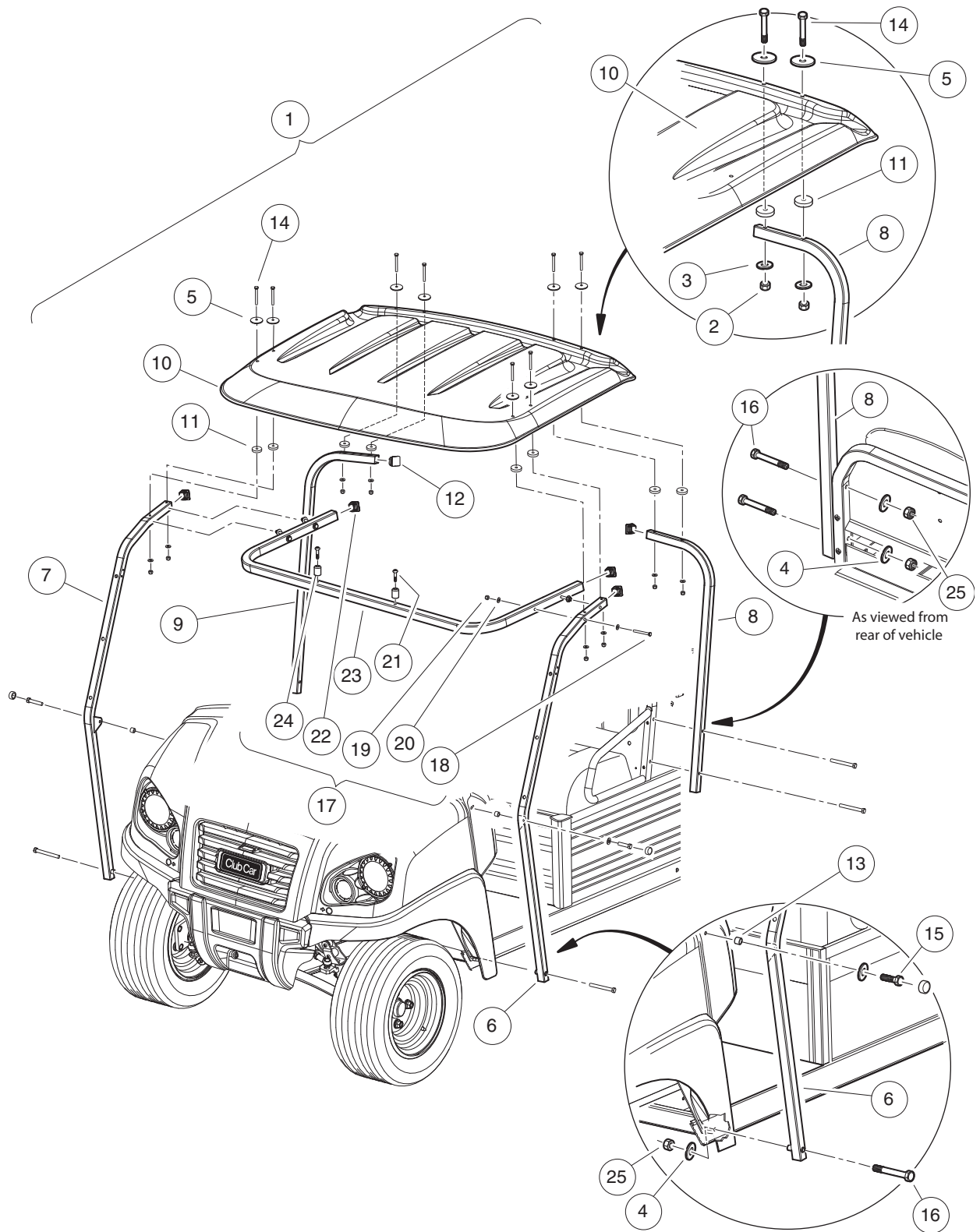
001300-014

# CANOPY KIT, BIEGE

| ITEM | PART NO.         | DESCRIPTION   | QTY |
|------|------------------|---|-----|
|      |                  | <b>1 2 3 4</b>  |     |
| 1    | <u>105063302</u> | Kit, Canopy, Hb, Beige (includes items 2 through 25) .....      | 1   |
| 2    | <u>102242401</u> | Nut - Nylon Insert W/cap .....                                  | 8   |
| 3    | <u>102296301</u> | Washer, M6x18x1.6 Flat .....                                    | 8   |
| 4    | <u>102323501</u> | Washer, Flat, 3/8, Blk Fin .....                                | 6   |
| 5    | <u>103196001</u> | Washer, Conical Spring, Canopy .....                            | 8   |
| 6    | <u>105063201</u> | Weldment, Strut, Ds, Hb .....                                   | 1   |
| 7    | <u>105063202</u> | Weldment, Strut, Ps, Hb .....                                   | 1   |
| 8    | <u>105063401</u> | Rear, Strut, Bent, Ds .....                                     | 1   |
| 9    | <u>105063402</u> | Rear, Strut, Bent, Ps .....                                     | 1   |
| 10   | <u>105072002</u> | Canopy, Short, Restyle, Beige .....                             | 1   |
| 11   | <u>105086101</u> | Spacer, Rubber, 7.1i D-6.35 Thk .....                           | 8   |
| 12   | <u>105092601</u> | Plug, Square -31.75mm .....                                     | 8   |
| 13   | <u>105094001</u> | Spacer, Canopy Support, Dash .....                              | 4   |
| 14   | <u>105197301</u> | 1/4-20 x 2.25, BHCS, 6-LOBE .....                               | 8   |
| 15   | <u>105197401</u> | BOLT, FLG, 3/8-16 X 1.00 LOC .....                              | 2   |
| 16   | <u>105197402</u> | BOLT, FLG, 3/8-16 X 3.00 .....                                  | 6   |
| 17   | <u>105251901</u> | Kit, Canopy Support, Front (includes items 18 through 24) ..... | 1   |
| 18   | <u>1012159</u>   | Bolt, 1/4-20 X 2.75 Hex-Head .....                              | 4   |
| 19   | <u>102242401</u> | Nut - Nylon Insert W/cap .....                                  | 4   |
| 20   | <u>102296301</u> | Washer, M6x18x1.6 Flat .....                                    | 8   |
| 21   | <u>102557201</u> | Screw, #6-20 Type Abx1.00 Pan .....                             | 2   |
| 22   | <u>102581201</u> | Plug, Square - 25.4 mm .....                                    | 2   |
| 23   | <u>105249901</u> | Tube, Front Support, Canopy, Utility .....                      | 1   |
| 24   | <u>105250501</u> | Bumper, Rubber, 3/4-in. Round .....                             | 2   |
| 25   | <u>8754</u>      | Locknut, 3/8-16 Hex .....                                       | 6   |

**1**  
**G**  
**E**

**1**  
**G**  
**E**



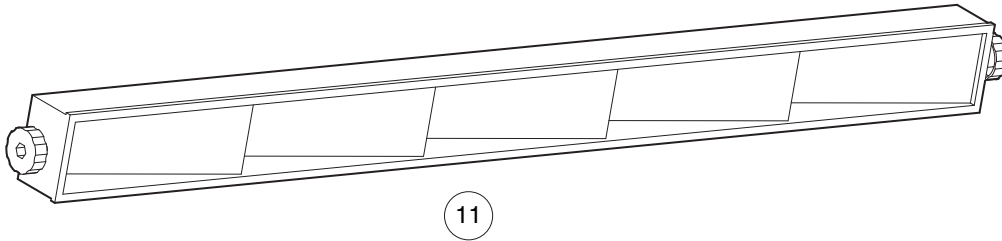
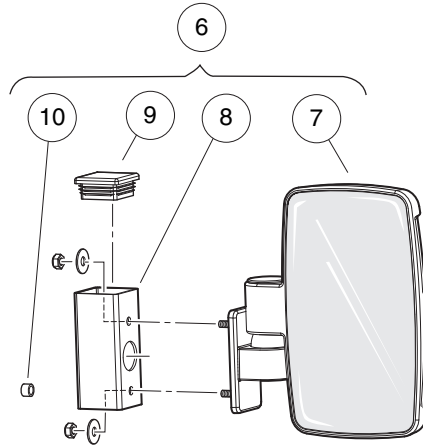
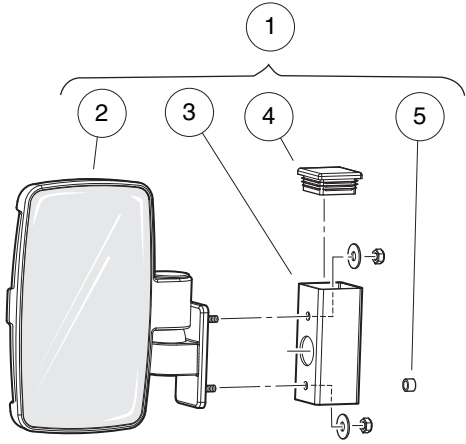
001300-014

# CANOPY KIT, BLACK

| ITEM | PART NO.         | DESCRIPTION   | QTY |
|------|------------------|---|-----|
|      |                  | <b>1 2 3 4</b>  |     |
| 1    | <u>105063303</u> | Kit, Canopy, Hb, Black (includes items 2 through 25) .....      | 1   |
| 2    | <u>102242401</u> | Nut - Nylon Insert W/cap .....                                  | 8   |
| 3    | <u>102296301</u> | Washer, M6x18x1.6 Flat .....                                    | 8   |
| 4    | <u>102323501</u> | Washer, Flat, 3/8, Blk Fin .....                                | 6   |
| 5    | <u>103196001</u> | Washer, Conical Spring, Canopy .....                            | 8   |
| 6    | <u>105063201</u> | Weldment, Strut, Ds, Hb .....                                   | 1   |
| 7    | <u>105063202</u> | Weldment, Strut, Ps, Hb .....                                   | 1   |
| 8    | <u>105063401</u> | Rear, Strut, Bent, Ds .....                                     | 1   |
| 9    | <u>105063402</u> | Rear, Strut, Bent, Ps .....                                     | 1   |
| 10   | <u>105072003</u> | Canopy, Short, Restyle, Blk .....                               | 1   |
| 11   | <u>105086101</u> | Spacer, Rubber, 7.1i D-6.35 Thk .....                           | 8   |
| 12   | <u>105092601</u> | Plug, Square -31.75mm .....                                     | 4   |
| 13   | <u>105094001</u> | Spacer, Canopy Support, Dash .....                              | 2   |
| 14   | <u>105197301</u> | 1/4-20 x 2.25, BHCS, 6-LOBE .....                               | 8   |
| 15   | <u>105197401</u> | BOLT, FLG, 3/8-16 X 1.00 LOC .....                              | 2   |
| 16   | <u>105197402</u> | BOLT, FLG, 3/8-16 X 3.00 .....                                  | 6   |
| 17   | <u>105251901</u> | Kit, Canopy Support, Front (includes items 18 through 24) ..... | 1   |
| 18   | <u>1012159</u>   | Bolt, 1/4-20 X 2.75 Hex-Head .....                              | 4   |
| 19   | <u>102242401</u> | Nut - Nylon Insert W/cap .....                                  | 4   |
| 20   | <u>102296301</u> | Washer, M6x18x1.6 Flat .....                                    | 8   |
| 21   | <u>102557201</u> | Screw, #6-20 Type Abx1.00 Pan .....                             | 2   |
| 22   | <u>102581201</u> | Plug, Square - 25.4 mm .....                                    | 2   |
| 23   | <u>105249901</u> | Tube, Front Support, Canopy, Utility .....                      | 1   |
| 24   | <u>105250501</u> | Bumper, Rubber, 3/4-in. Round .....                             | 2   |
| 25   | <u>8754</u>      | Locknut, 3/8-16 Hex .....                                       | 6   |

**1**  
**G**  
**E**

**1**  
**G**  
**E**



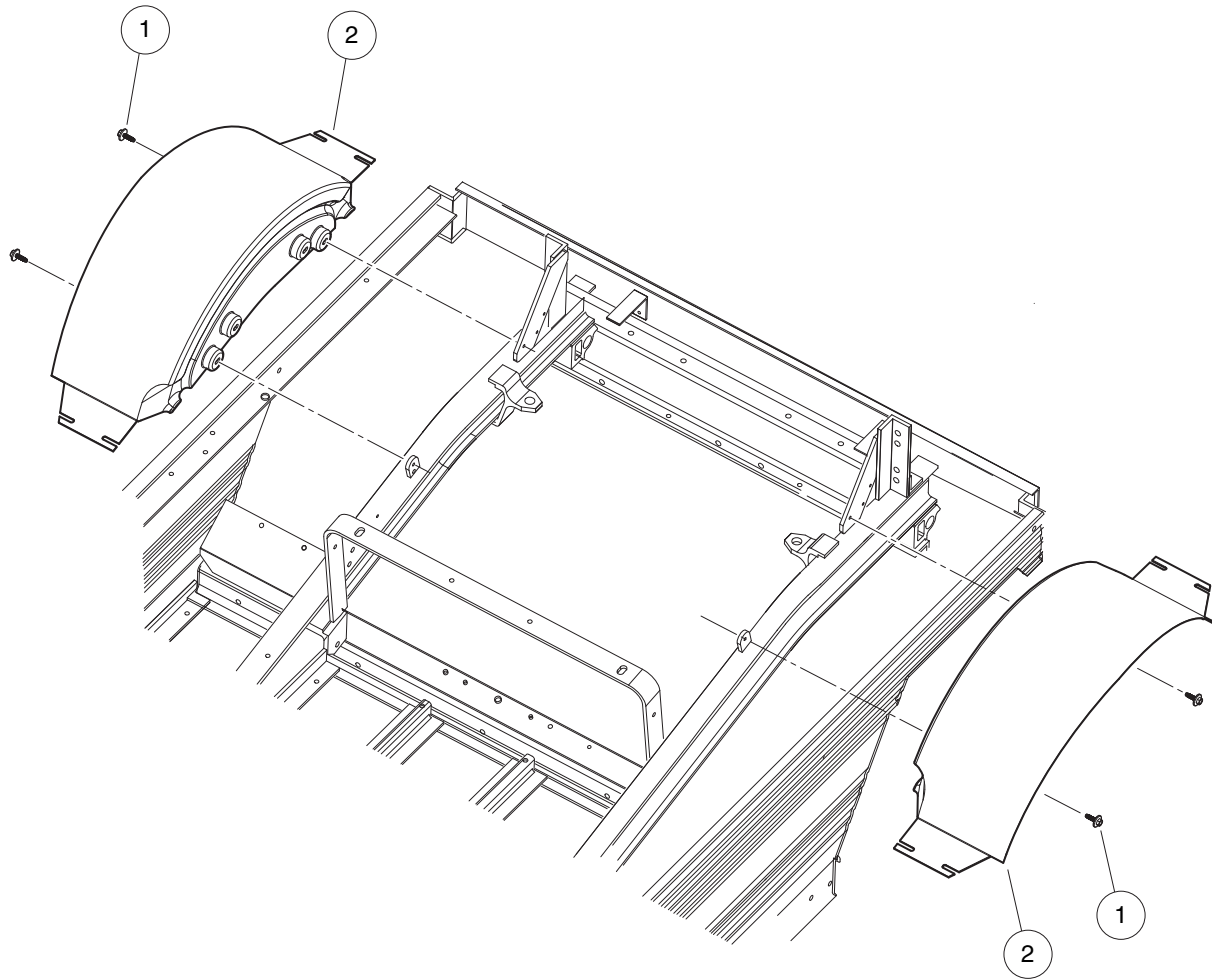
001300-019

# MIRRORS

| ITEM | PART NO.         | DESCRIPTION  | QTY |
|------|------------------|--|-----|
|      |                  | <b>1 2 3 4</b>   |     |
| 1    | <u>105124201</u> | Kit, Mirror, Hb, Res, Ds (includes items 2 through 5) .....  | 1   |
| 2    | <u>105128801</u> | Asm, Mirror, Utl Res, Ds .....                               | 1   |
| 3    | 105128901        | Tube, Mirror, Support .....                                  | 1   |
| 4    | 105129001        | Plug, Square 38.1 Mm .....                                   | 1   |
| 5    | 105170101        | Spacer, M6, Plastic .....                                    | 1   |
| 6    | <u>105124202</u> | Kit, Mirror, Hb, Res, Ps (includes items 7 through 10) ..... | 1   |
| 7    | <u>105128802</u> | Asm, Mirror, Utl Res, Ps .....                               | 1   |
| 8    | 105128901        | Tube, Mirror, Support .....                                  | 1   |
| 9    | 105129001        | Plug, Square 38.1 Mm .....                                   | 1   |
| 10   | 105170101        | Spacer, M6, Plastic .....                                    | 1   |
| 11   | <u>105288801</u> | Kit, Mirror, 5 Panel, Canopy .....                           | 1   |

**1**  
**G**  
**E**

**1**  
**G**  
**E**



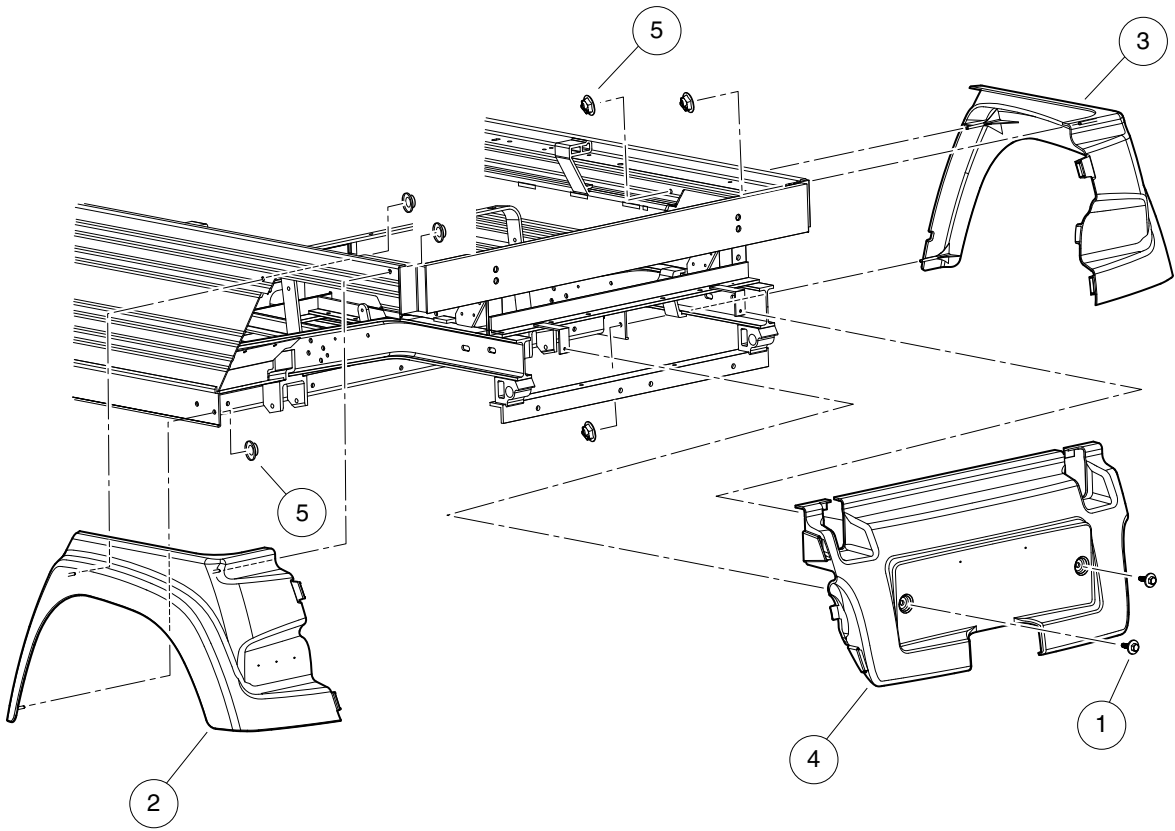
001123-001



# INNER REAR FENDERS

| ITEM | PART NO.         | DESCRIPTION   | QTY |
|------|------------------|---|-----|
| 1    | <u>102297125</u> | 1 2 3 4<br>Screw, M6-1.0x25.4, Thread-Forming, SEMS ..... | 4   |
| 2    | <u>105035801</u> | Fender, Inner, Ca .....                                   | 2   |

1  
G  
E



001124-001

# REAR FENDERS AND TAIL SKIRT

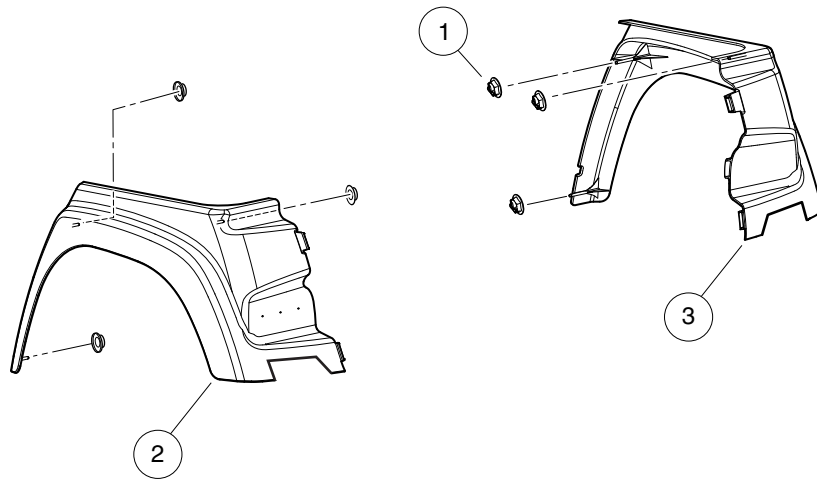
| ITEM | PART NO.         | DESCRIPTION                                    | QTY |
|------|------------------|--|-----|
|      |                  | 1 2 3 4  |     |
| 1    | <u>102297125</u> | Screw, M6-1.0x25.4, Thread-Forming, SEMS ..... | 2   |
| 2    | <u>105035101</u> | Fender, Rear, Lh, Ca .....                     | 1   |
| 3    | <u>105035201</u> | Fender, Rear, Rh, Ca .....                     | 1   |
| 4    | <u>105035301</u> | Tailskirt, Ca .....                            | 1   |
| 5    | <u>105066401</u> | Nut, Self Thread, 5x10x15 .....                | 6   |

1  
G  
E

1

G

E



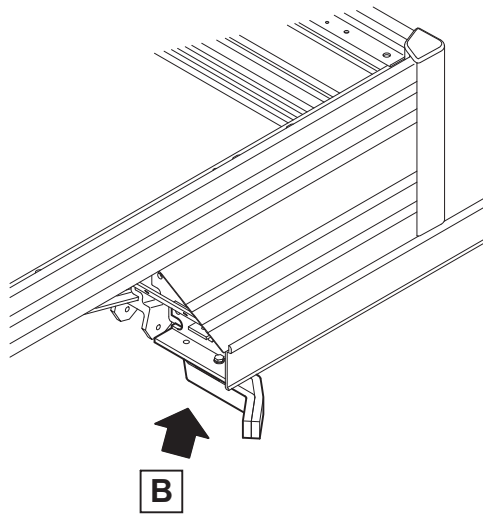
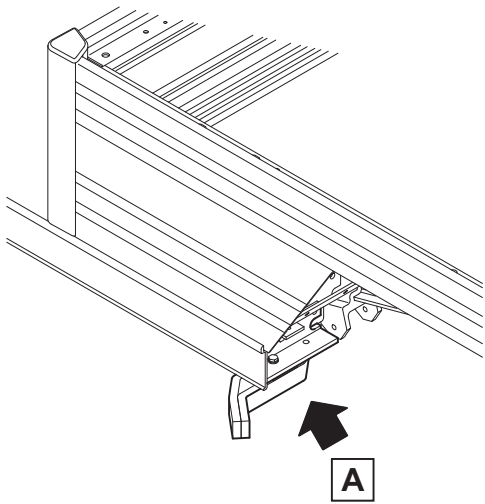
001125-001

# REAR FENDERS – VEHICLE WITH FOLD-DOWN REAR SEAT

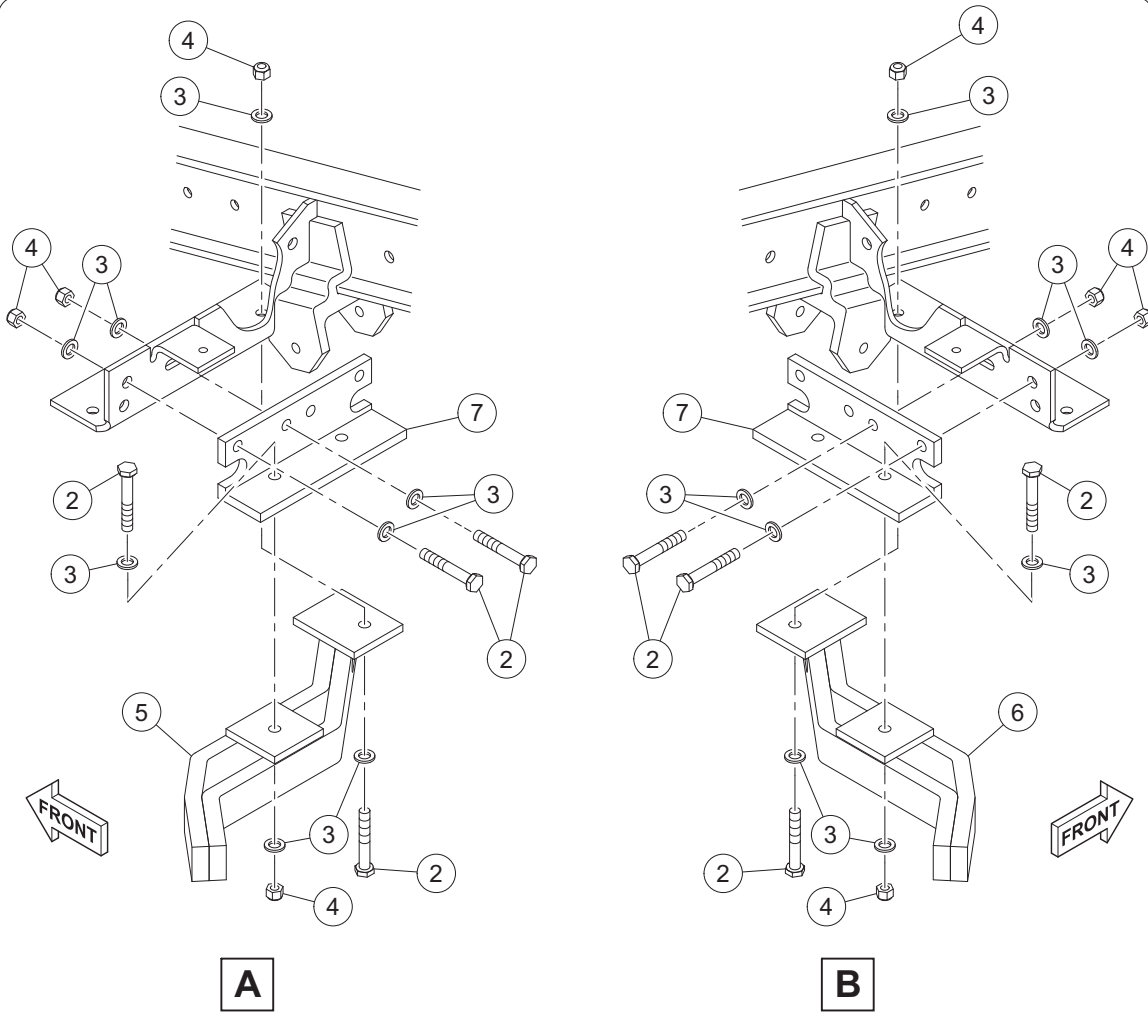
| ITEM | PART NO.         | DESCRIPTION                         | QTY |
|------|------------------|-------------------------------------|-----|
|      |                  | 1 2 3 4                             |     |
| 1    | <u>105066401</u> | Nut, Self Thread, 5x10x15 .....     | 6   |
| 2    | <u>SVP826501</u> | Fender Lh W Fold Down Seat Ca ..... | 1   |
| 3    | <u>SVP826502</u> | Fender Rh W Fold Down Seat Ca ..... | 1   |

**1**  
**G**  
**E**

**1**  
**G**  
**E**



1



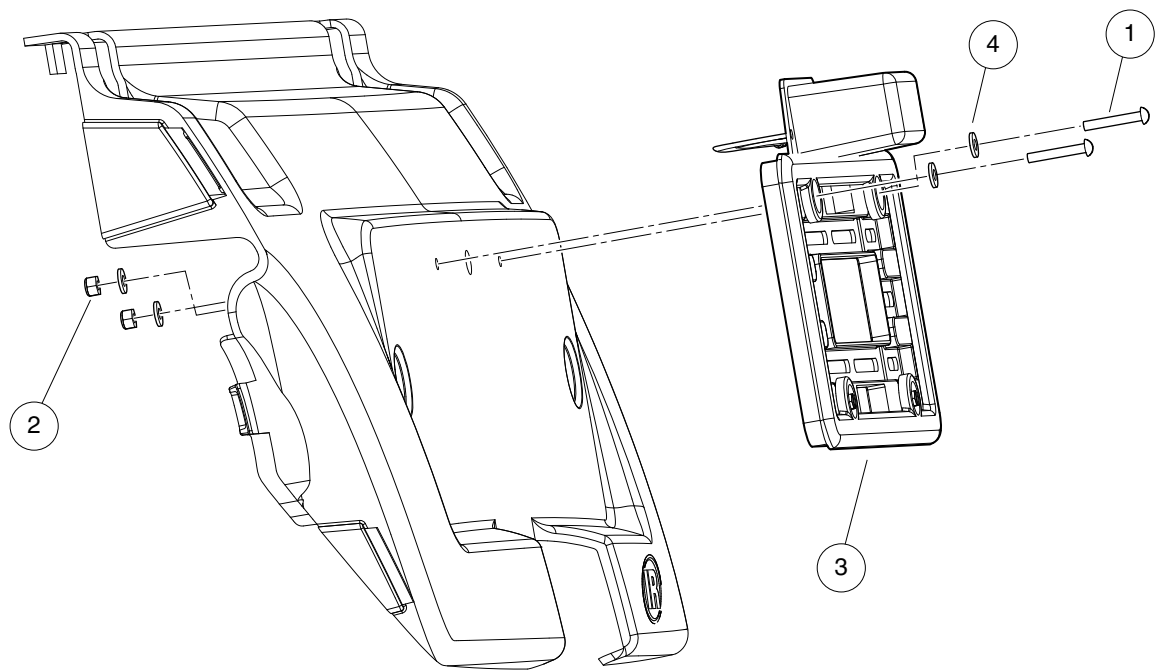
G-141199-000003

# REAR BUMPER GUARDS

| ITEM | PART NO.    | DESCRIPTION   | QTY |
|------|-------------|---|-----|
|      |             | 1 2 3 4   |     |
| 1    | 47654580002 | Kit, Bumper Guard, Rear, CA300 (includes items 2 through 7) ..... | 1   |
| 2    | 1218        | Screw, 5/16-18 X 1.25 Hex-Head Cap .....                          | 8   |
| 3    | <u>1241</u> | Washer, 5/16 Type A Flat .....                                    | 16  |
| 4    | <u>7473</u> | Locknut, 5/16-18 Nylon Insert .....                               | 8   |
| 5    | SVP707608   | Wldmnt, Bumper Guard, Dr 300 .....                                | 1   |
| 6    | SVP707609   | Wldmnt, Bumper Guard, Ps, 300 .....                               | 1   |
| 7    | SVP912901   | Angle, Bumper Guard, Ca300 .....                                  | 2   |

1  
G  
E

**1**  
**G**  
**E**



001170-001

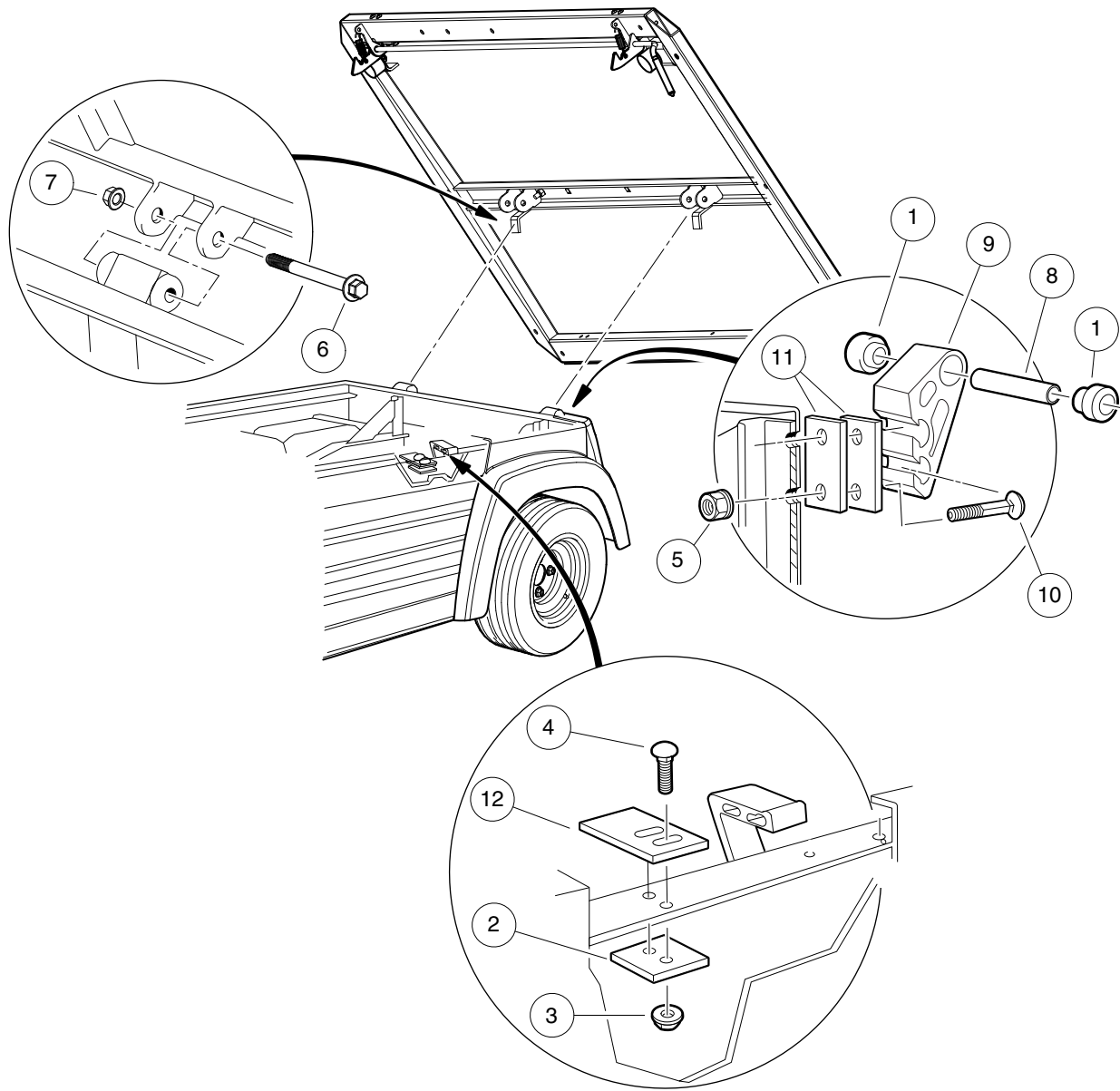


# REAR LICENSE PLATE HOLDER

| ITEM | PART NO.       | DESCRIPTION                          | QTY |
|------|----------------|--------------------------------------|-----|
|      |                | 1 2 3 4                              |     |
| 1    | <u>1010909</u> | Screw, #10-32 X 1.25 Rd Hd Mch ..... | 2   |
| 2    | <u>1013061</u> | Locknut, #10-32 Nylon Insert .....   | 2   |
| 3    | N/A            | License Plate,ASM, Rear .....        | 1   |
| 4    | <u>183</u>     | Washer, #10, Type A, Flat .....      | 4   |

1  
G  
E

**1**  
**G**  
**E**



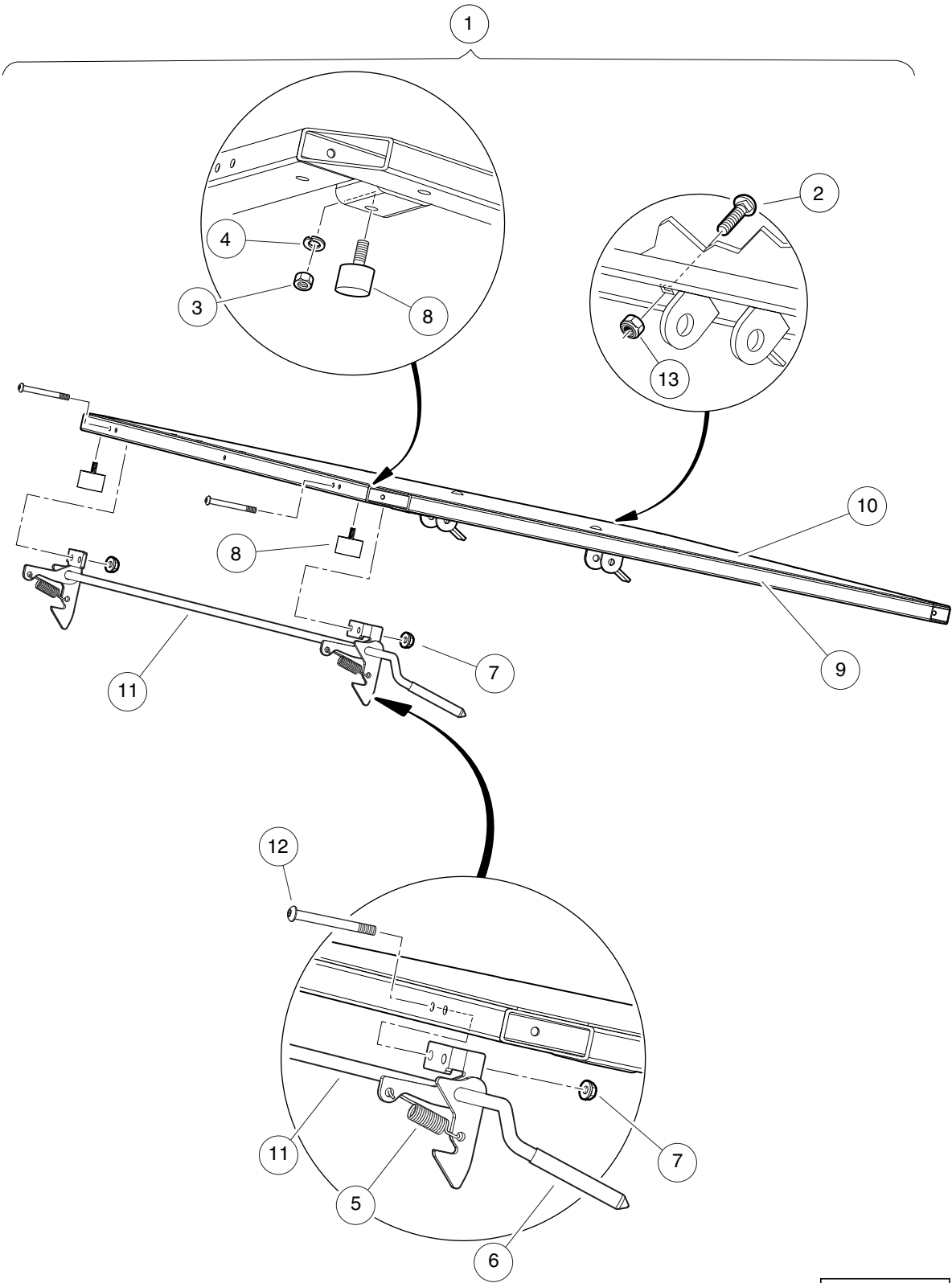
001145-001

# BED HINGE AND LATCH

| ITEM | PART NO.         | DESCRIPTION                          | QTY |
|------|------------------|--------------------------------------|-----|
|      |                  | 1 2 3 4                              |     |
| 1    | <u>1015583</u>   | Bushing, Urethane .....              | 4   |
| 2    | <u>1016060</u>   | Plate, Latch Support .....           | 2   |
| 3    | <u>101835601</u> | Locknut, 1/4-20 Hex Whiz .....       | 4   |
| 4    | <u>101958602</u> | Bolt, Carriage, 1/4-20 X 1.0 .....   | 4   |
| 5    | <u>102065901</u> | Locknut, 3/8-16 Flanged Dimple ..... | 4   |
| 6    | <u>102298185</u> | Bolt - Flange Hd, M8 X 85.0 .....    | 2   |
| 7    | <u>102298401</u> | Nut,m8,all Metal Lock .....          | 2   |
| 8    | <u>102506401</u> | Sleeve - Spring Eye Mounts .....     | 2   |
| 9    | <u>103538701</u> | Bracket, Bed Hinge, Extruded .....   | 2   |
| 10   | <u>103539001</u> | 3/8-16 X 1.25 Carr Blt Gr5 Zn .....  | 4   |
| 11   | <u>103575801</u> | Shim, Bed Hinge, .125 Thick .....    | 4   |
| 12   | <u>105110801</u> | Plate, Latch, Ca .....               | 2   |

1  
G  
E

**1**  
**G**  
**E**



001146-001

# TILT BED AND LATCH

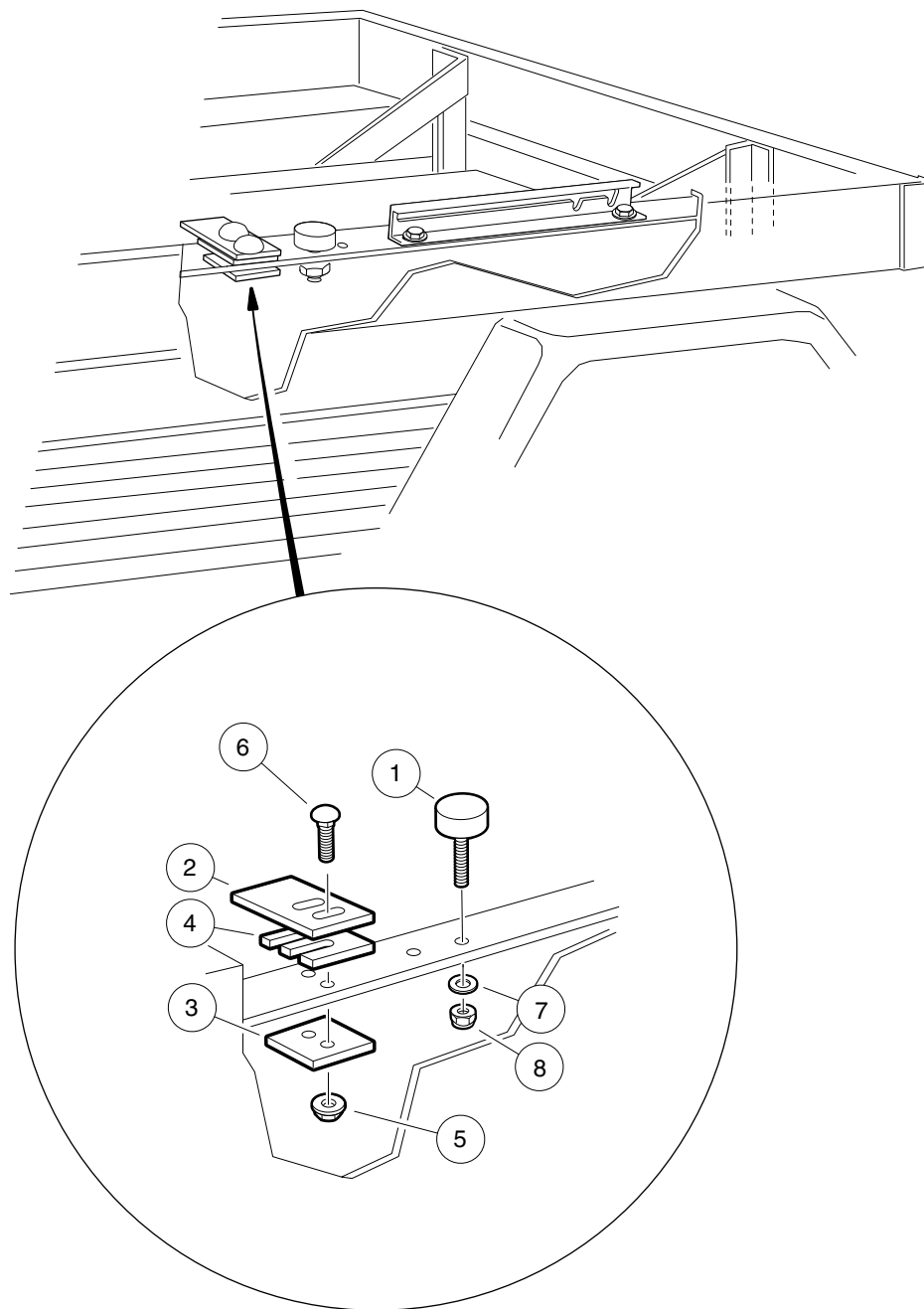
| ITEM | PART NO.         | DESCRIPTION   | QTY |
|------|------------------|---|-----|
|      |                  | <b>1 2 3 4</b>  |     |
| 1    | <u>105197001</u> | Kit, Bed Floor, Short (includes items 2 through 13) ..... | 1   |
| 2    | <u>101043502</u> | Bolt, Carriage, 5/16-18x1 blk .....                       | 2   |
| 3    | <u>1012528</u>   | Nut, M8-1.25 Hex .....                                    | 2   |
| 4    | <u>1013734</u>   | Lockwasher, 8mm Split .....                               | 2   |
| 5    | <u>1015391</u>   | Extension, Spring Latch .....                             | 2   |
| 6    | <u>1015400</u>   | Grip, Tilt Latch Hand .....                               | 1   |
| 7    | <u>1015661</u>   | Nut, Lock Hx Flanged 1/4-20 .....                         | 4   |
| 8    | <u>105036601</u> | Bumper, Bedfloor, Ca .....                                | 2   |
| 9    | N/A              | Frame, Weldment, Bed, Short .....                         | 1   |
| 10   | N/A              | Plate, Flr, Bed Utl, Sht Rhino .....                      | 1   |
| 11   | <u>105169101</u> | Weldment, Bed Latch, CA .....                             | 1   |
| 12   | <u>105194101</u> | 1/4-20 X 2.5, Bhcs, 6-lobe .....                          | 4   |
| 13   | <u>7473</u>      | Locknut, 5/16-18 Nylon Insert .....                       | 2   |

**1**  
**G**  
**E**

1

G

E



000258-002

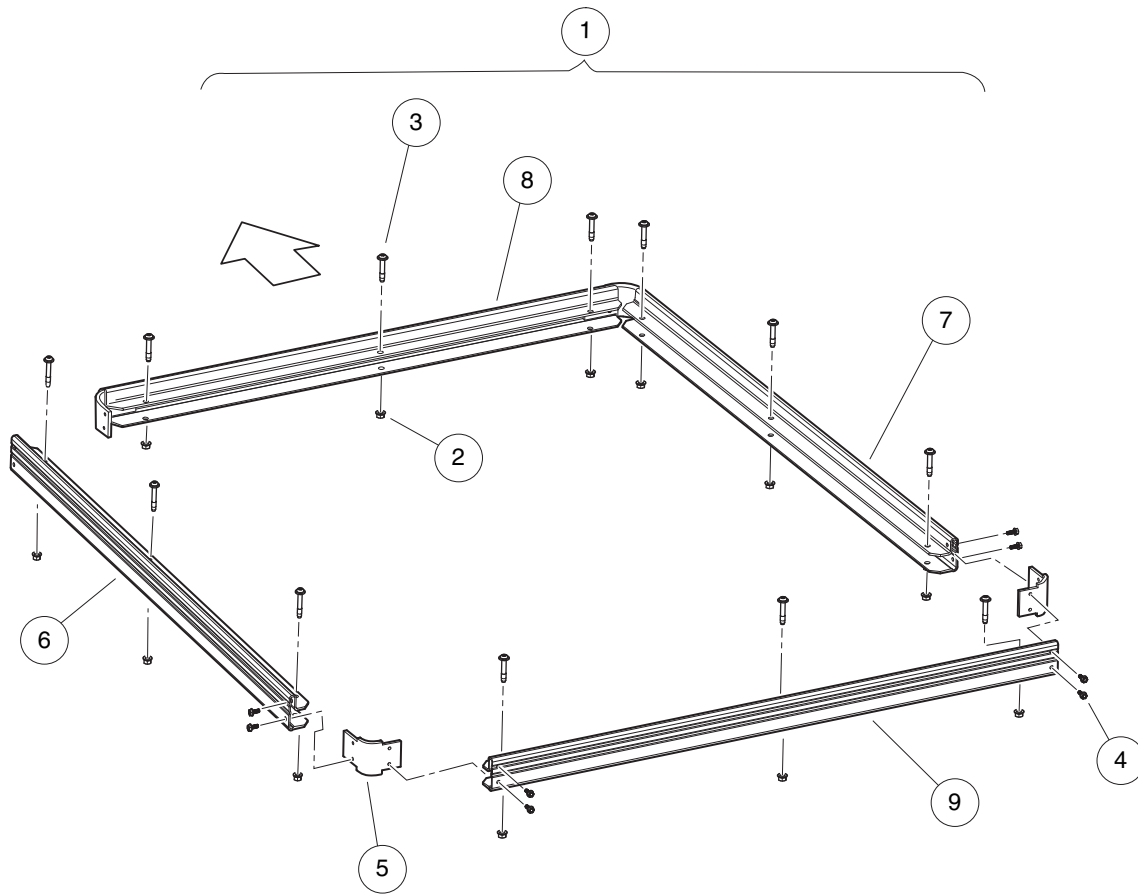
# LATCH PLATE

| ITEM | PART NO.         | DESCRIPTION                          | QTY |
|------|------------------|--------------------------------------|-----|
|      |                  | <b>1 2 3 4</b>                       |     |
| 1    | <u>1010878</u>   | Bumper, Rubber .....                 | 2   |
| 2    | <u>1015277</u>   | Latch Plate, Tilt Bed .....          | 2   |
| 3    | <u>1016060</u>   | Plate, Latch Support .....           | 2   |
| 4    | <u>1016078</u>   | Latch Plate Shim .....               | 1   |
| 5    | <u>101835601</u> | Locknut, 1/4-20 Hex Whiz .....       | 4   |
| 6    | <u>101958601</u> | Carriage Bolt, 1/4-20 X 0.75 .....   | 4   |
| 7    | <u>332</u>       | Washer, 1/4 Type A Narrow Flat ..... | 4   |
| 8    | <u>8233</u>      | Locknut, 1/4-20, Nylon Insert .....  | 4   |

**1**

**G**

**E**



001126-002

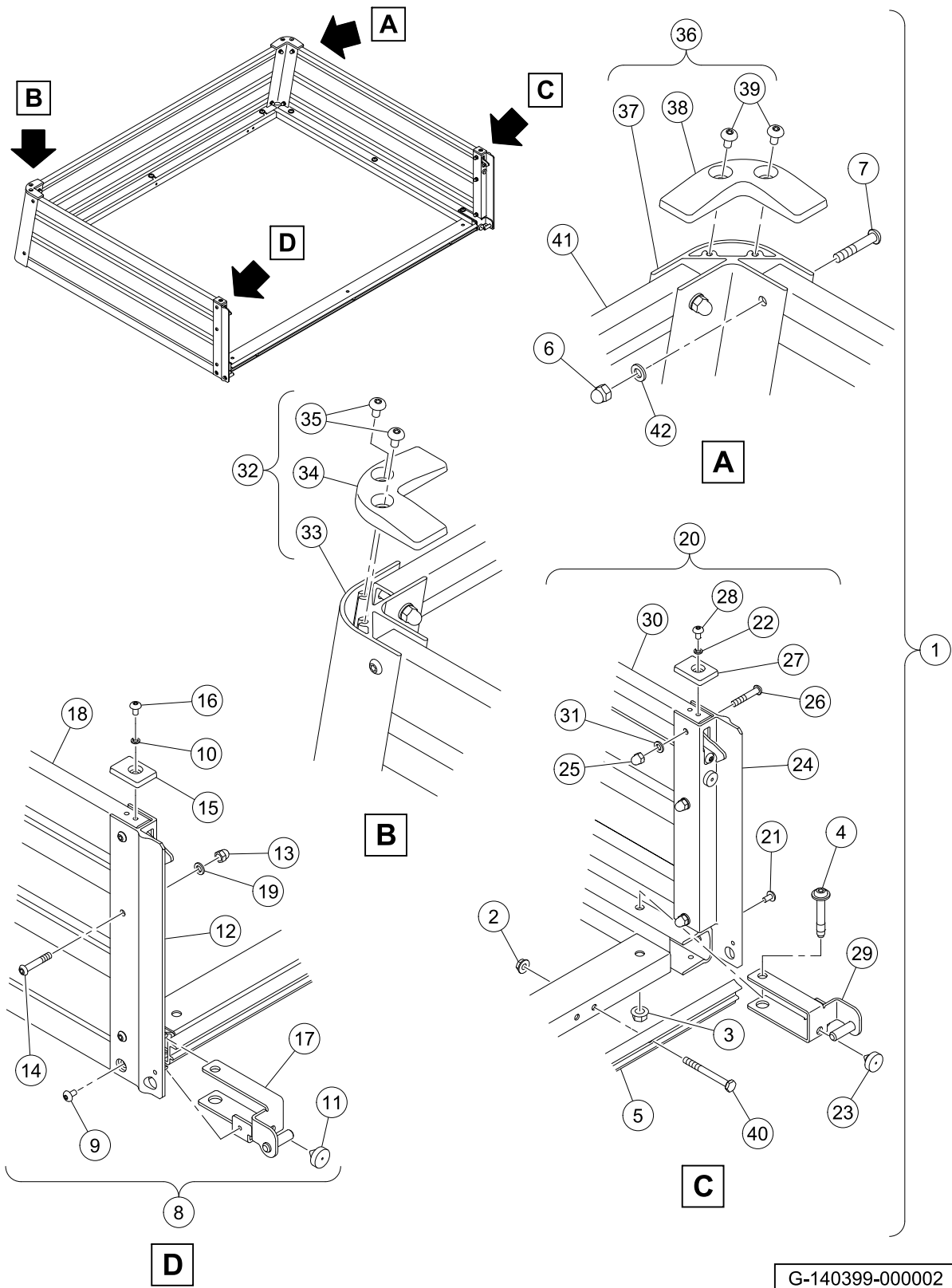


## FLAT BED TRIM (SHORT BED)

| ITEM | PART NO.         | DESCRIPTION  | QTY |
|------|------------------|--|-----|
|      |                  | 1 2 3 4  |     |
| 1    | <u>105122204</u> | Kit, Flat Trim, Ca, Short (includes items 2 through 9) ..... | 1   |
| 2    | <u>102298401</u> | Nut,m8,all Metal Lock .....                                  | 12  |
| 3    | <u>102299550</u> | Screw,m8x50,sems,tx,bttn,plt .....                           | 12  |
| 4    | <u>105185701</u> | Pan Head Screw, M6 X 16 Tt .....                             | 16  |
| 5    | <u>105185801</u> | Bracket,Bed Corner,CA .....                                  | 4   |
| 6    | <u>105194701</u> | Trim, Bed, Shrt, Lh .....                                    | 1   |
| 7    | <u>105194702</u> | Trim, Bed, Shrt, Rh .....                                    | 1   |
| 8    | <u>105194801</u> | Trim, Bed, Cntr, Front .....                                 | 1   |
| 9    | <u>105194802</u> | Trim, Bed, Cntr, Rear .....                                  | 1   |

**1**  
**G**  
**E**

**1**  
**G**  
**E**



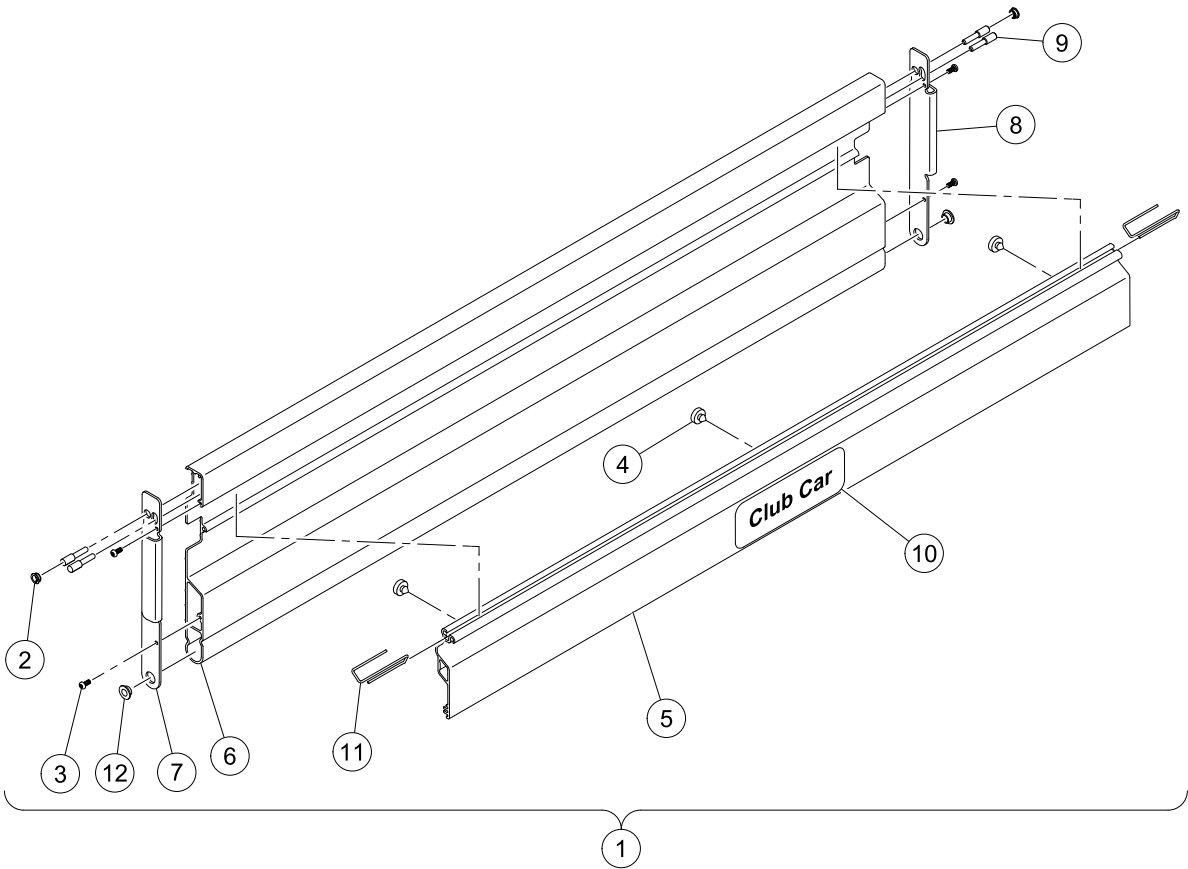
G-140399-000002

## CARGO BOX KIT – SHORT (PAGE 1 OF 2)

| ITEM | PART NO.           | DESCRIPTION  | QTY |
|------|--------------------|--|-----|
|      |                    | 1 2 3 4  |     |
| 1    | <u>105122104</u>   | Kit, Cargo Box, Short (includes items 2 through 42) .....      | 1   |
| 2    | <u>1015661</u>     | Nut, Lock Hx Flanged 1/4-20 .....                              | 3   |
| 3    | <u>102298401</u>   | Nut,m8,all Metal Lock .....                                    | 9   |
| 4    | <u>102299550</u>   | Screw,m8x50,sems,tx,bttn,plt .....                             | 9   |
| 5    | <u>105192301</u>   | Extr, Bed, Cargo, Rear .....                                   | 1   |
| 6    | <u>105192901</u>   | Nut, Acorn, M6, Lock, Silver .....                             | 8   |
| 7    | <u>105193001</u>   | Screw, 6 Lobe, M6 X 35 .....                                   | 8   |
| 8    | <u>105200701</u>   | Asm, Cargo Box, DS, Short (includes items 9 through 19) .....  | 1   |
| 9    | <u>1014321</u>     | Screw, #10 Truss-Head Torx .....                               | 1   |
| 10   | <u>1016</u>        | Lockwasher, #10 Split .....                                    | 1   |
| 11   | <u>102590801</u>   | Bumper, Rubber .....   | 1   |
| 12   | <u>105127401</u>   | Asm, Latch, Tailgate, Lh .....                                 | 1   |
| 13   | <u>105192901</u>   | Nut, Acorn, M6, Lock, Silver .....                             | 2   |
| 14   | <u>105193001</u>   | Screw, 6 Lobe, M6 X 35 .....                                   | 2   |
| 15   | <u>105196201</u>   | Cap, Corner, Rear, Cargo Bed .....                             | 1   |
| 16   | <u>105205201</u>   | Screw, 10-24 X .36, St Torx .....                              | 1   |
| 17   | <u>47563313001</u> | Weldment, Pivot, Tailgate, Lh .....                            | 1   |
| 18   | N/A                | Panel, Cargo Box, Lh, Shrt .....                               | 1   |
| 19   | <u>96705199</u>    | Washer, M6 .....   | 2   |
| 20   | <u>105200801</u>   | Asm, Cargo Box, PS, Short (includes items 21 through 31) ..... | 1   |
| 21   | <u>1014321</u>     | Screw, #10 Truss-Head Torx .....                               | 1   |
| 22   | <u>1016</u>        | Lockwasher, #10 Split .....                                    | 1   |
| 23   | <u>102590801</u>   | Bumper, Rubber .....   | 1   |
| 24   | <u>105127402</u>   | Asm, Latch, Tailgate, Rh .....                                 | 1   |
| 25   | <u>105192901</u>   | Nut, Acorn, M6, Lock, Silver .....                             | 2   |
| 26   | <u>105193001</u>   | Screw, 6 Lobe, M6 X 35 .....                                   | 2   |
| 27   | <u>105196201</u>   | Cap, Corner, Rear, Cargo Bed .....                             | 1   |
| 28   | <u>105205201</u>   | Screw, 10-24 X .36, St Torx .....                              | 1   |
| 29   | <u>47563313002</u> | Weldment, Pivot, Tailgate, Rh .....                            | 1   |
| 30   | N/A                | Panel, Cargo Box, Rh, Shrt .....                               | 1   |
| 31   | <u>96705199</u>    | Washer, M6 .....   | 2   |
| 32   | <u>105200901</u>   | Asm, Cargo Box,Corner,DS (includes items 33 through 35) .....  | 1   |
| 33   | N/A                | Extr, Bed Corner, Lh .....                                     | 1   |
| 34   | <u>105196101</u>   | Cap, Corner, Frt, Cargo Bed .....                              | 1   |
| 35   | <u>105205201</u>   | Screw, 10-24 X .36, St Torx .....                              | 2   |
| 36   | <u>105201001</u>   | Asm,Cargo Box,Corner,PS (includes items 37 through 39) .....   | 1   |
| 37   | N/A                | Extr, Bed Corner, Rh .....                                     | 1   |
| 38   | <u>105196101</u>   | Cap, Corner, Frt, Cargo Bed .....                              | 1   |
| 39   | <u>105205201</u>   | Screw, 10-24 X .36, St Torx .....                              | 2   |
| 40   | <u>324</u>         | Screw, 1/4-20 X 2.50 Hx Hd Cap .....                           | 3   |
| 41   | <u>47621599001</u> | Panel, Cargo Box, Frt .....                                    | 1   |
| 42   | <u>96705199</u>    | Washer, M6 .....   | 8   |

**1**  
**G**  
**E**

**1**  
**G**  
**E**

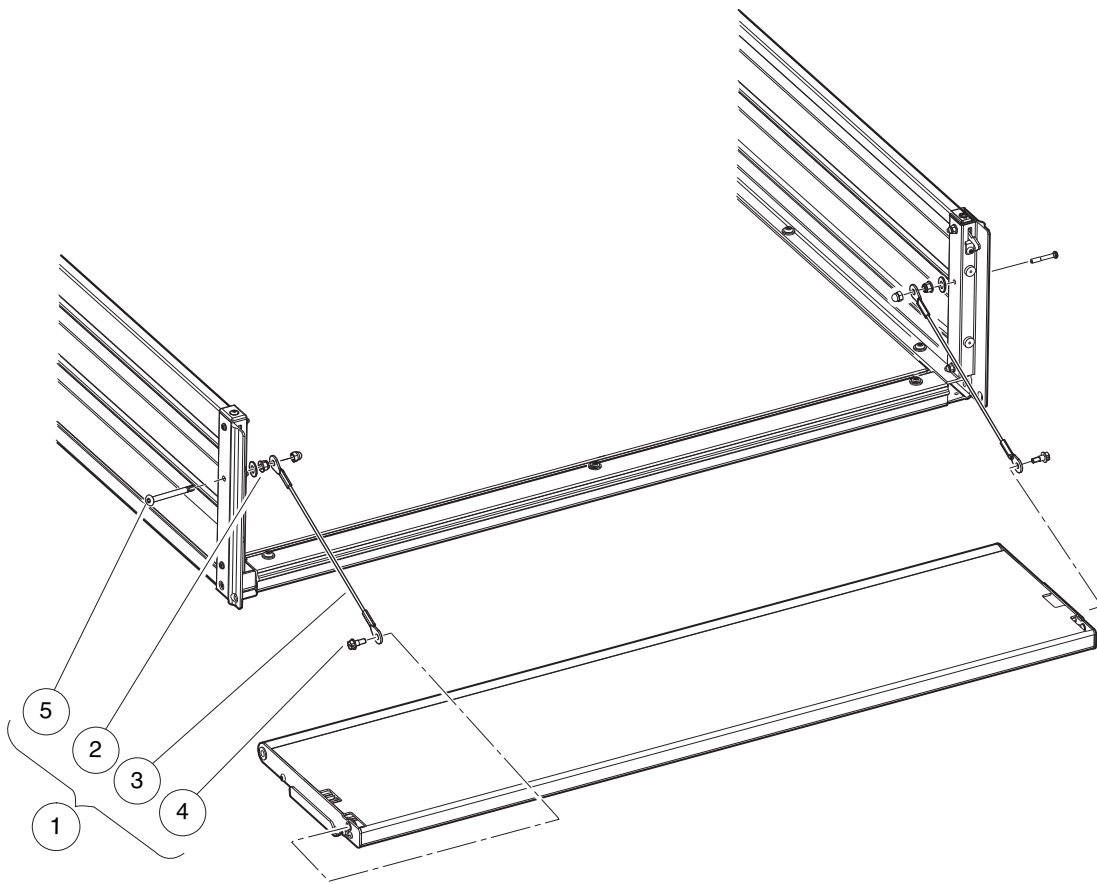


G-140399-000001

## CARGO BOX KIT (PAGE 2 OF 2)

| ITEM | PART NO.         | DESCRIPTION  | QTY |
|------|------------------|--|-----|
|      |                  | 1 2 3 4  |     |
| 1    | <u>105128101</u> | Asm, Tailgate, Wide Handle (includes items 2 through 12) ..... | 1   |
| 2    | <u>1015363</u>   | Bushing, Snap-In .....   | 2   |
| 3    | <u>102554512</u> | Screw M5-08x12 Torx Pn Trs .....                               | 4   |
| 4    | <u>102590801</u> | Bumper, Rubber .....   | 3   |
| 5    | <u>105128201</u> | Handle, Tailgate, Wide .....                                   | 1   |
| 6    | N/A              | Panel, Tailgate, Wide .....                                    | 1   |
| 7    | <u>105130301</u> | Bracket, End, Tailgate, Lh .....                               | 1   |
| 8    | <u>105130302</u> | Bracket, End, Tailgate, Rh .....                               | 1   |
| 9    | <u>105130501</u> | Pin, Latch, Tailgate .....                                     | 4   |
| 10   | <u>105165901</u> | Decal, Branding, Club Car Logo .....                           | 1   |
| 11   | <u>105216201</u> | Spring, Return, Handle .....                                   | 2   |
| 12   | <u>7049</u>      | Bushing, Nylon .....   | 2   |

**1**  
**G**  
**E**



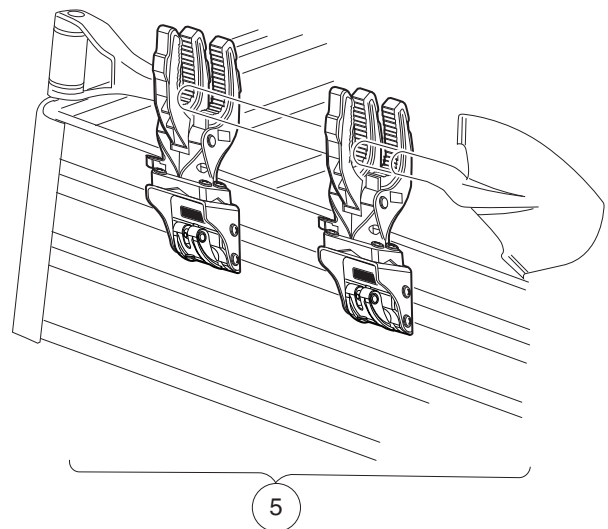
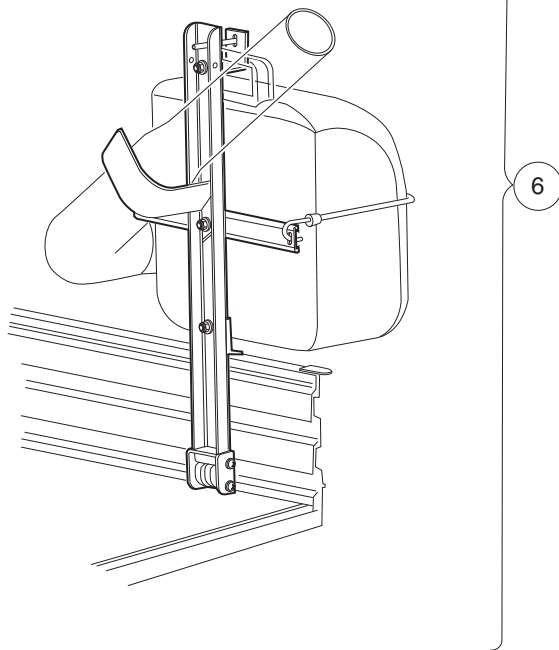
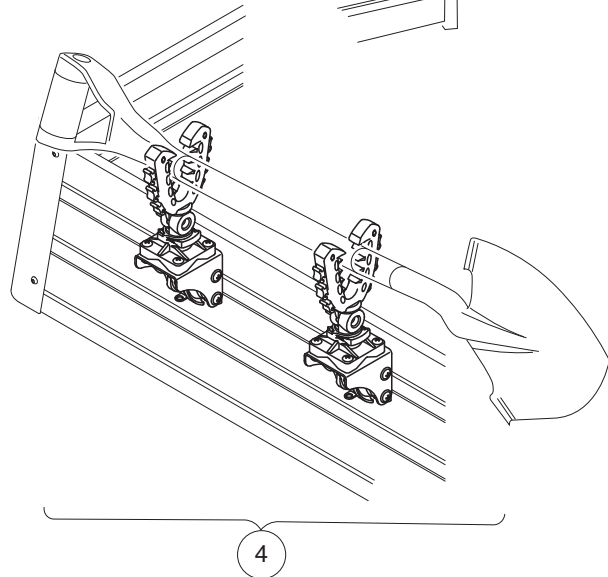
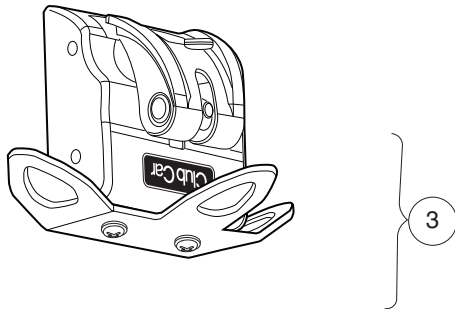
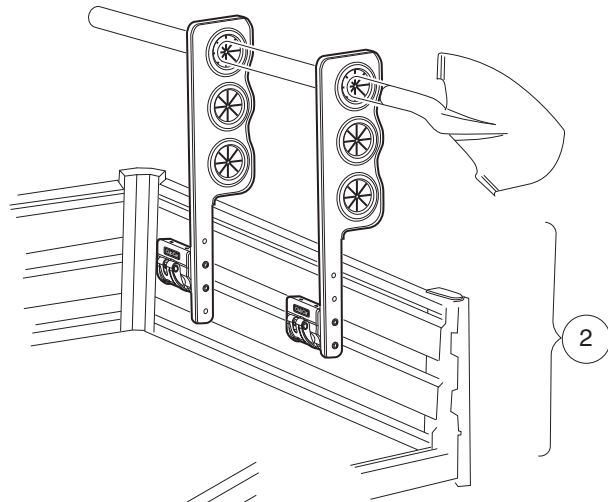
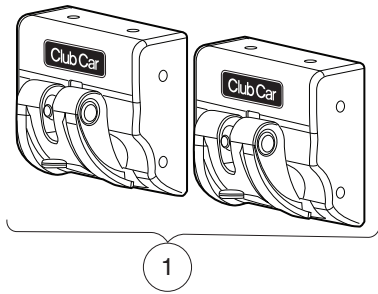
001160-002

# TAILGATE TEATHER

| ITEM | PART NO.         | DESCRIPTION   | QTY |
|------|------------------|---|-----|
| 1    | <u>105127302</u> | 1 2 3 4<br>Kit, Tether, Tailgate (includes items 2 through 5) ..... | 1   |
| 2    | <u>102621501</u> | Nut, Flange, M6 X 1.0, Nylon .....                                  | 2   |
| 3    | <u>105128001</u> | Cable, Tether, Tailgate .....                                       | 2   |
| 4    | <u>105129901</u> | Screw, Shoulder, Self Thread .....                                  | 2   |
| 5    | <u>105193101</u> | Screw, 6 Lobe, M6 X 50 .....  | 2   |

**1**  
**G**  
**E**

**1**  
**G**  
**E**



001167-003

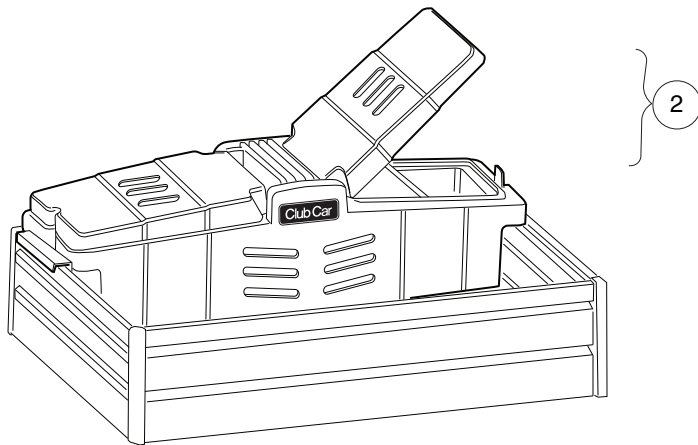
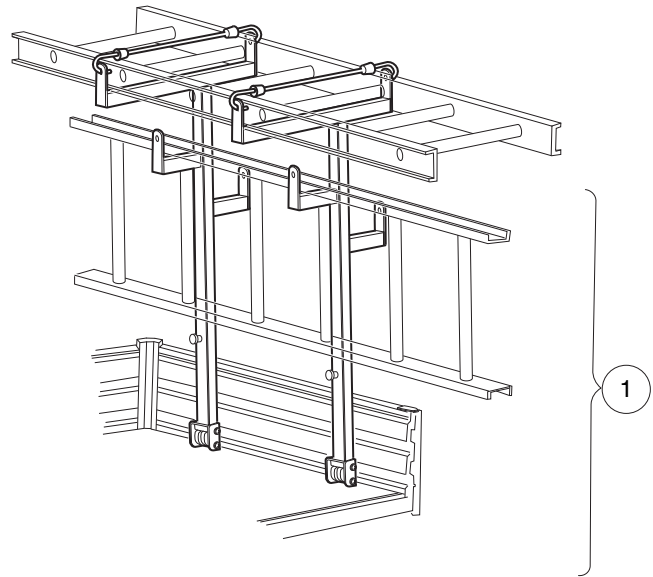


# MODULAR BED ACCESSORIES

| ITEM   | PART NO.         | DESCRIPTION                    | QTY |
|--|------------------|--------------------------------|-----|
|  |                  | 1 2 3 4                        |     |
| 1  | <u>105160401</u> | Bed Clamp, Set .....           | 1   |
| 2  | <u>105160801</u> | Kit, Tool Rack .....           | 1   |
| 3  | <u>105160901</u> | Kit, Tie Down .....            | 1   |
| 4  | <u>105161001</u> | Kit, Ratcheting Grip .....     | 1   |
| 5  | <u>105161101</u> | Kit, Static Grip .....         | 1   |
| 6  | <u>105161401</u> | Kit, Holder, Leaf Blower ..... | 1   |
| Note: Component part numbers unavailable at publication. |                  |                                |     |

1  
G  
E

**1**  
**G**  
**E**



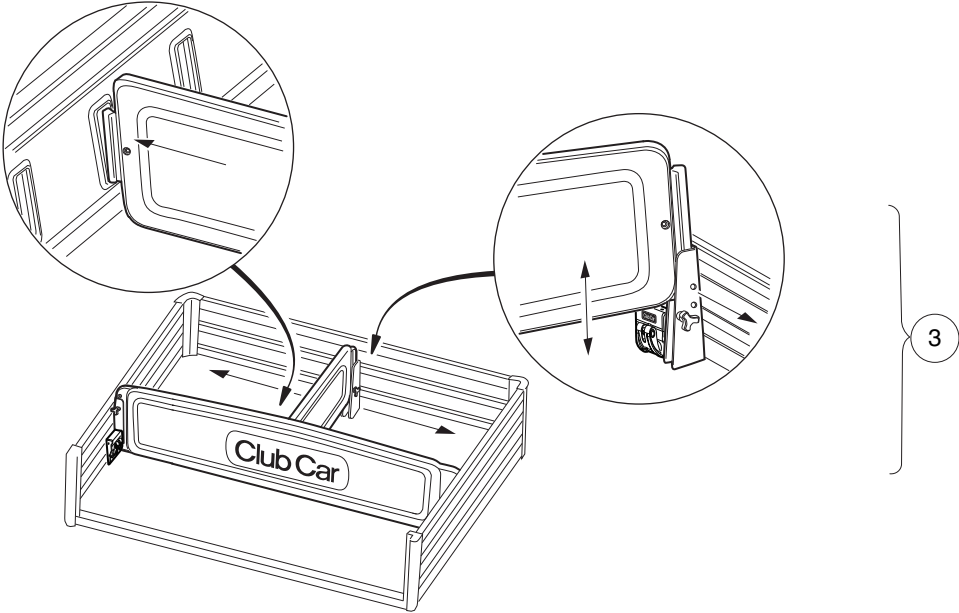
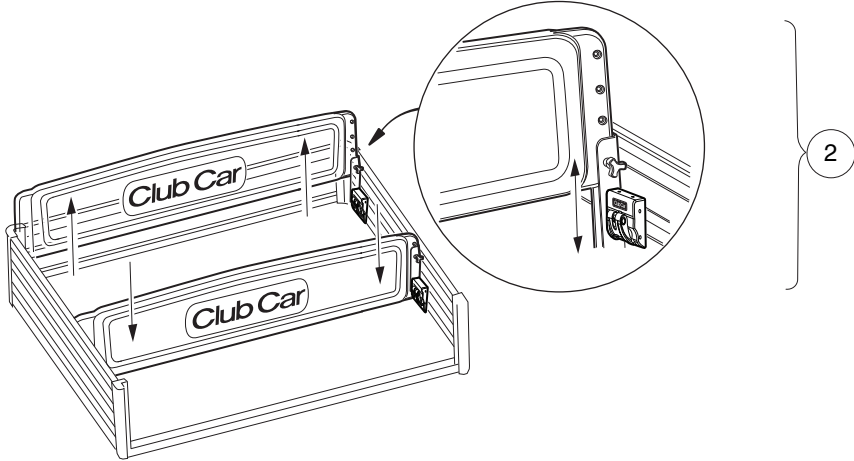
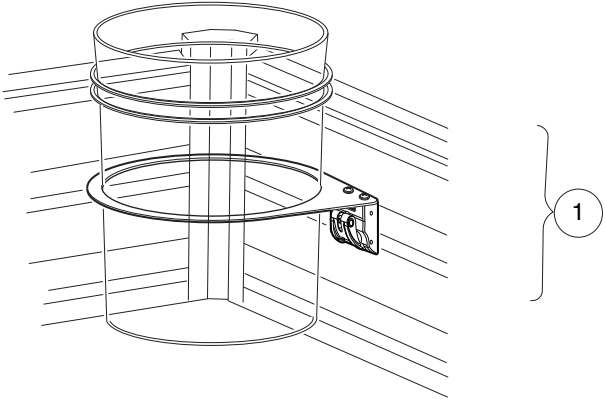
001168-001

# MODULAR BED ACCESSORIES

| ITEM  | PART NO.         | DESCRIPTION                        | QTY |
|---|------------------|------------------------------------|-----|
| 1   | <u>105161501</u> | 1 2 3 4<br>Kit, Rack, Ladder ..... | 1   |
| 2   | 105161601        | Kit, Toolbox .....                 | 1   |
| <p>Note: Component part numbers unavailable at publication.</p> |                  |                                    |     |

**1**  
**G**  
**E**

**1**  
**G**  
**E**

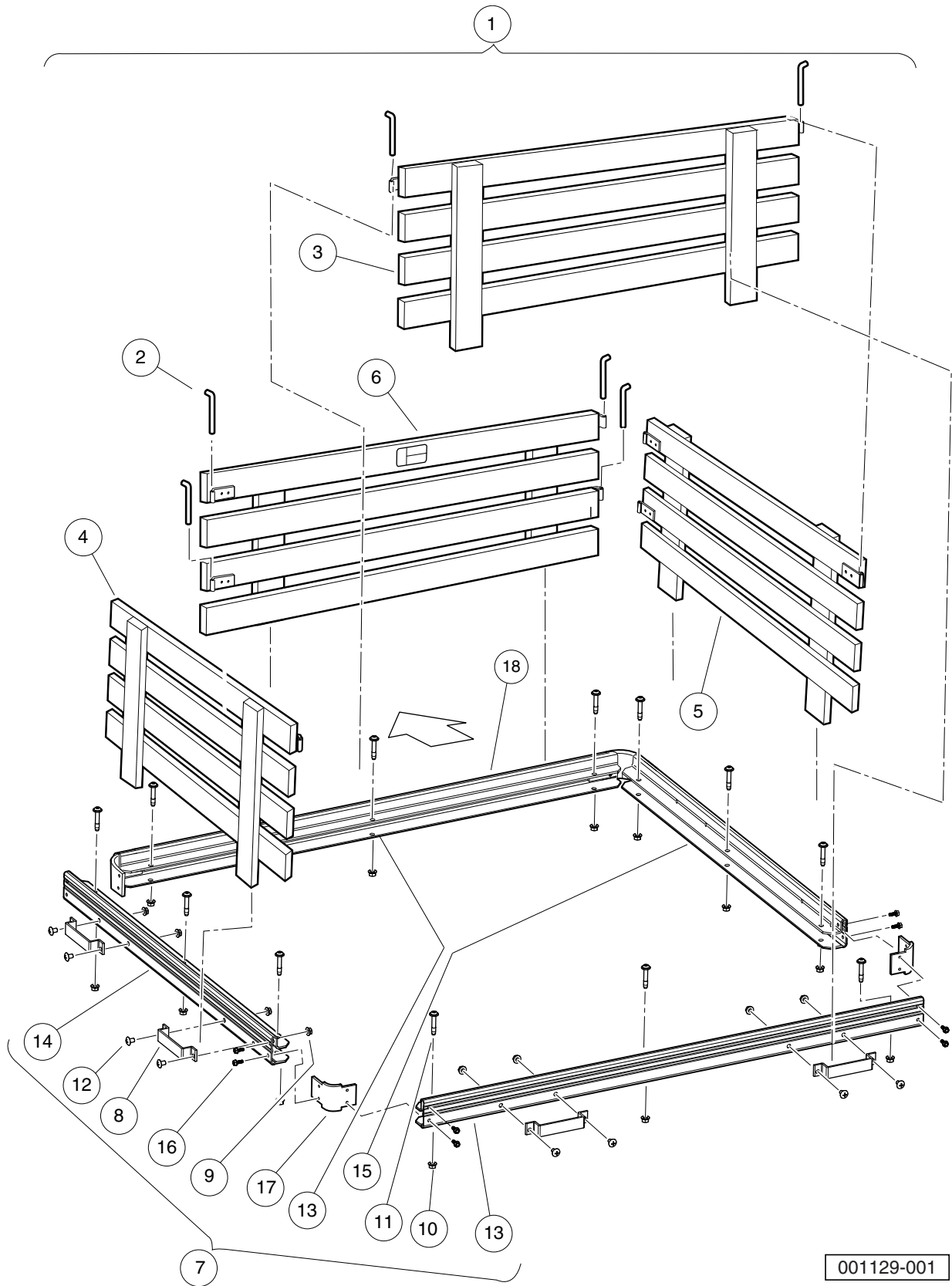


001169-001

# MODULAR BED ACCESSORIES

| ITEM  | PART NO.         | DESCRIPTION                          | QTY |
|---|------------------|--------------------------------------|-----|
| 1   | <u>105160501</u> | 1 2 3 4<br>Kit, Holder, Bucket ..... | 1   |
| 2   | <u>105161201</u> | Kit, Bed Divider/extension .....     | 1   |
| 3   | <u>105161301</u> | Kit, Bed Divider, Short .....        | 1   |
| <p>Note: Component part numbers unavailable at publication.</p> |                  |                                      |     |

**1**  
**G**  
**E**

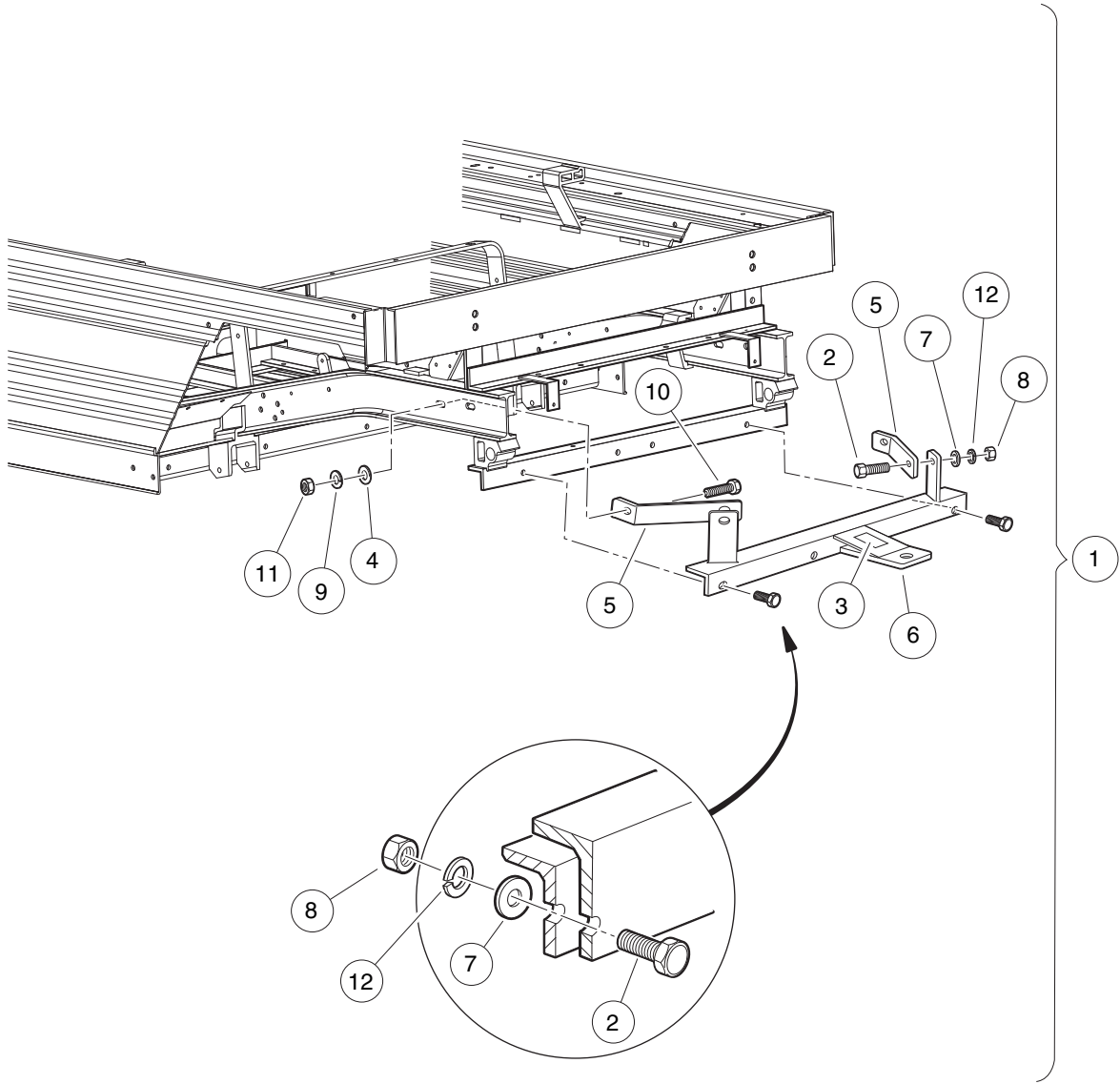


# STAKE SIDE KIT - SHORT

| ITEM | PART NO.         | DESCRIPTION  | QTY |
|------|------------------|--|-----|
|      |                  | <b>1 2 3 4</b>   |     |
| 1    | <u>105109401</u> | Kit, Stake Side, Short (includes items 2 through 7) .....        | 1   |
| 2    | <u>1015656</u>   | Pin, hinge .....   | 6   |
| 3    | <u>102847603</u> | Asm, Stake Side, 48 X 19 Rear .....                              | 1   |
| 4    | <u>105113201</u> | Stake Side, Ca Small, Lh .....                                   | 1   |
| 5    | <u>105113202</u> | Stake Side, Ca Small, Rh .....                                   | 1   |
| 6    | <u>105129501</u> | Stake Side, Front, Ca, 50" .....                                 | 1   |
| 7    | <u>105148501</u> | Asm, Trim, Stake Side, Short (includes items 8 through 18) ..... | 1   |
| 8    | <u>1016077</u>   | Bracket, Stake Side .....  | 6   |
| 9    | <u>101963401</u> | Locknut, 5/16-18 Hex Flange .....                                | 12  |
| 10   | <u>102298401</u> | Nut,m8,all Metal Lock .....                                      | 14  |
| 11   | <u>102299550</u> | Screw,m8x50,sems,tx,bttn,plt .....                               | 14  |
| 12   | <u>105129601</u> | Screw, Phl Trus Hd, 5/16-18x.5 .....                             | 12  |
| 13   | <u>105148601</u> | Trim, Stake Side, Cen, Rear .....                                | 1   |
| 14   | <u>105148701</u> | Trim, Stake Side, Shrt, Lh .....                                 | 1   |
| 15   | <u>105148702</u> | Trim, Stake Side, Shrt, Rh .....                                 | 1   |
| 16   | <u>105185701</u> | Pan Head Screw, M6 X 16 Tt .....                                 | 16  |
| 17   | <u>105185801</u> | Bracket,Bed Corner,CA .....                                      | 4   |
| 18   | <u>105194801</u> | Trim, Bed, Cntr, Front .....                                     | 1   |

**1**  
**G**  
**E**

**1**  
**G**  
**E**



001132-001

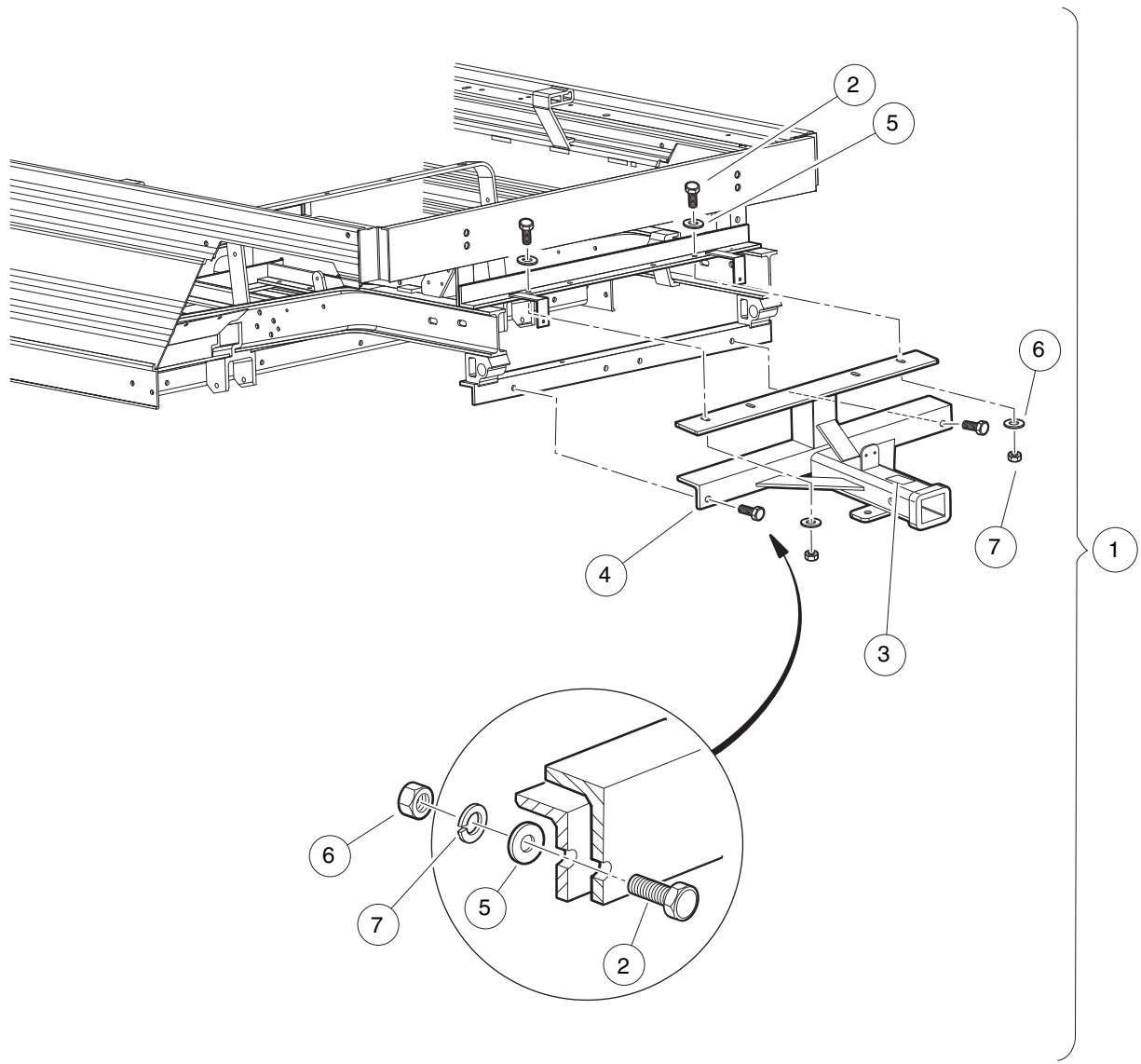


# HEAVY DUTY TRAILER HITCH

| ITEM | PART NO.       | DESCRIPTION  | QTY |
|------|----------------|--|-----|
|      |                | 1 2 3 4  |     |
| 1    | <u>1015445</u> | Kit, Trailer Hitch (includes items 2 through 12) ..... | 1   |
| 2    | <u>1010934</u> | Screw, 5/16-18 X 1.00 Hex Cap .....                    | 4   |
| 3    | <u>1011553</u> | Decal, Trailer Hitch .....                             | 1   |
| 4    | <u>1011990</u> | Washer, 3/8 Flat .....                                 | 2   |
| 5    | <u>1013483</u> | Brace, Trailer Hitch .....                             | 2   |
| 6    | N/A            | Asm, Trailer Hitch .....                               | 1   |
| 7    | <u>1241</u>    | Washer, 5/16 Type A Flat .....                         | 4   |
| 8    | <u>1242</u>    | Nut, 5/16-18 Hex .....                                 | 4   |
| 9    | <u>357</u>     | Lockwasher, 3/8 Split .....                            | 2   |
| 10   | 705            | Screw, Cap-hex Hd 3/8-16x1.25 .....                    | 2   |
| 11   | <u>706</u>     | Nut, Hex 3/8-16 .....                                  | 2   |
| 12   | <u>7174</u>    | Lockwasher, 5/16 Split .....                           | 4   |

**1**  
**G**  
**E**

**1**  
**G**  
**E**

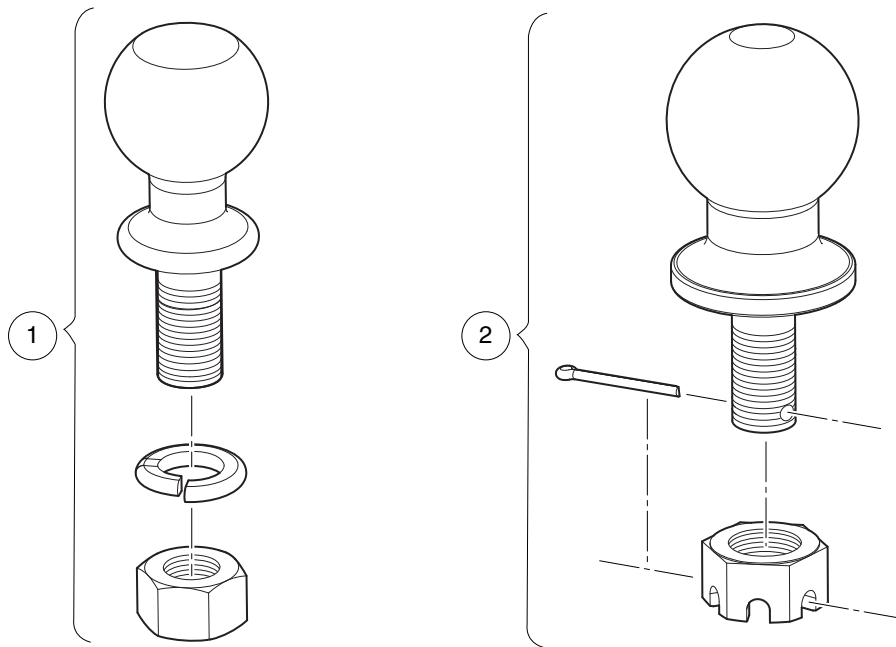


001133-001

# REAR RECIEVER HITCH

| ITEM | PART NO.         | DESCRIPTION   | QTY |
|------|------------------|---|-----|
|      |                  | <b>1 2 3 4</b>  |     |
| 1    | <u>102065103</u> | Kit, Rear Receiver (includes items 2 through 7) ..... | 1   |
| 2    | <u>1010934</u>   | Screw, 5/16-18 X 1.00 Hex Cap .....                   | 6   |
| 3    | <u>1011553</u>   | Decal, Trailer Hitch .....                            | 1   |
| 4    | <u>102056001</u> | Rear Receiver Weld Asm .....                          | 1   |
| 5    | <u>1241</u>      | Washer, 5/16 Type A Flat .....                        | 6   |
| 6    | <u>1242</u>      | Nut, 5/16-18 Hex .....                                | 6   |
| 7    | <u>7174</u>      | Lockwasher, 5/16 Split .....                          | 6   |

1  
G  
E

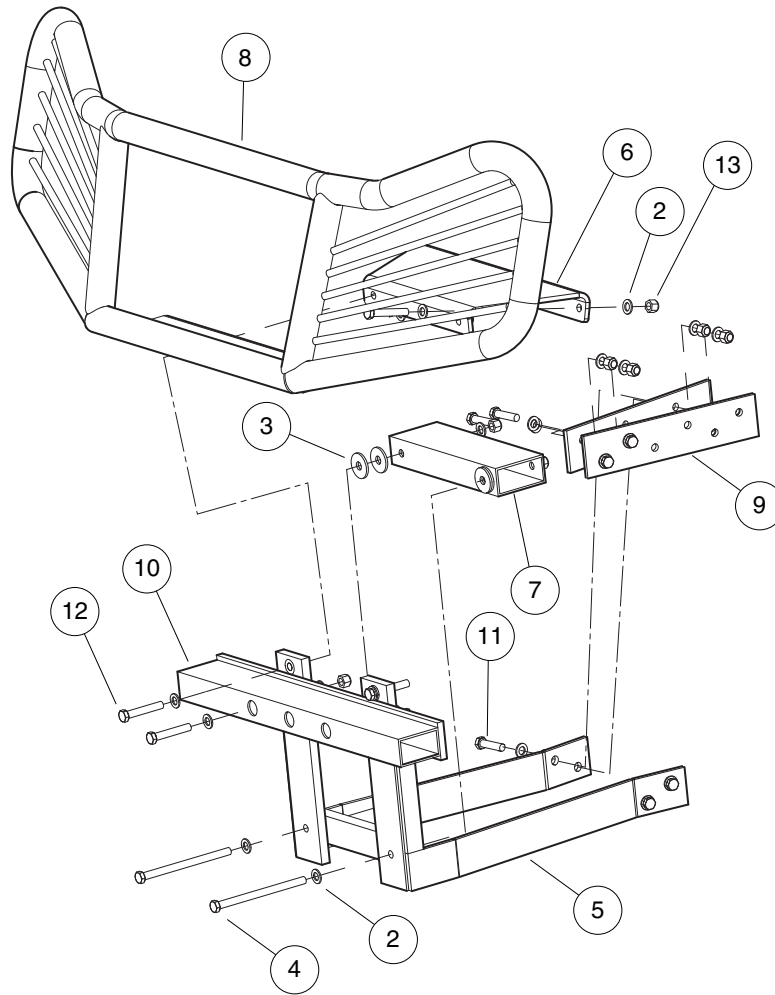


001137-001

# TRAILER HITCH BALL

| ITEM | PART NO.         | DESCRIPTION                                  | QTY |
|------|------------------|--|-----|
| 1    | <u>1011546</u>   | 1 2 3 4<br>Trailer Hitch Ball - 1 7/8" ..... | 1   |
| 2    | <u>104033601</u> | Ball, Trailer Hitch, 50mm .....              | 1   |

**1**  
**G**  
**E**



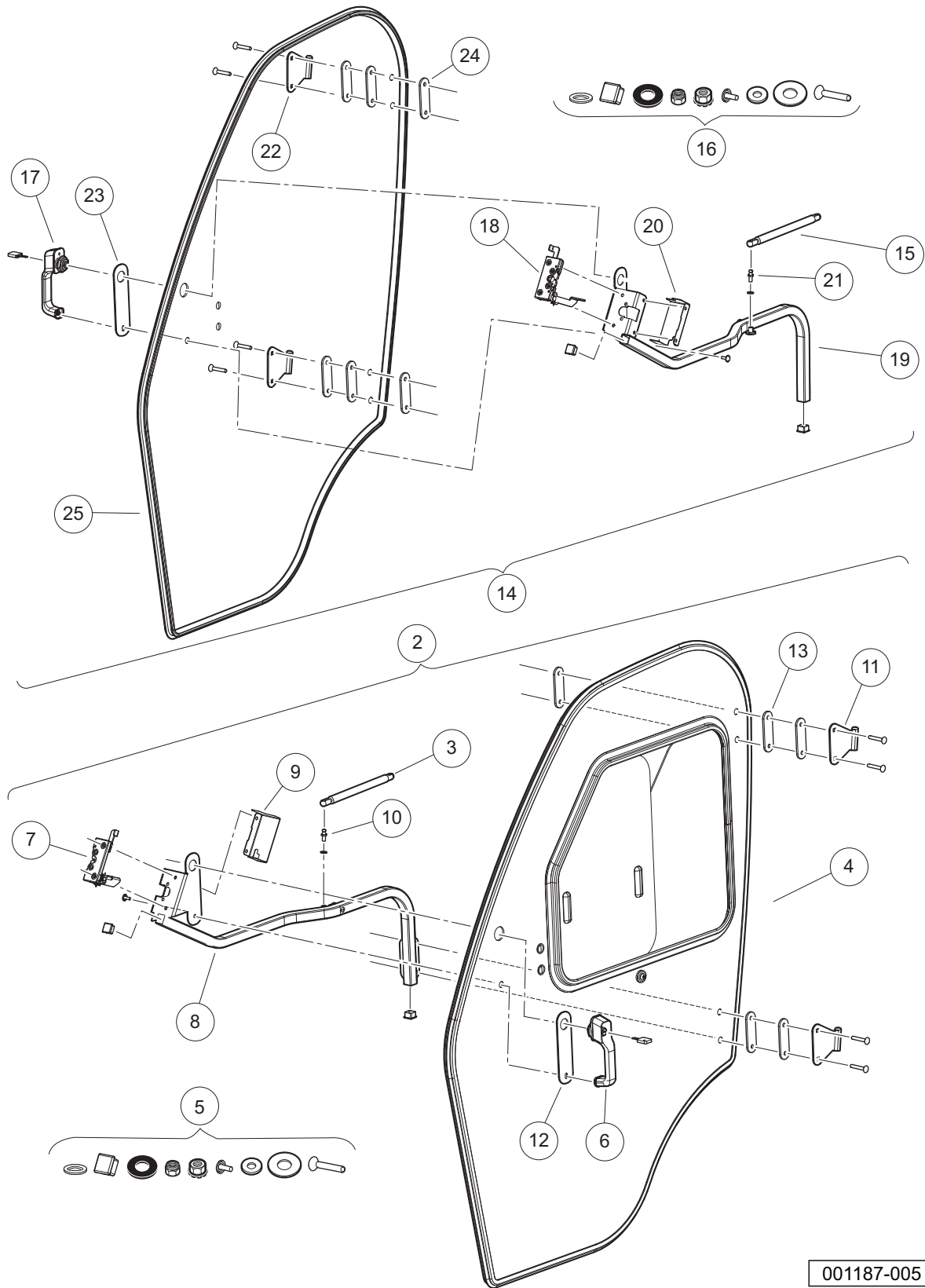
001138-002

# RANGE PICKER ADAPTER

| ITEM | PART NO.         | DESCRIPTION  | QTY |
|------|------------------|--|-----|
|      |                  | 1 2 3 4  |     |
| 1    | <u>105124101</u> | Kit, Adapter, Range Picker (includes items 2 through 13) ..... | 1   |
| 2    | <u>1011990</u>   | Washer, 3/8 Flat .....   | 32  |
| 3    | <u>102491501</u> | Washer, Hard, M10 .....  | 4   |
| 4    | <u>102913601</u> | Screw, 3/8-16 X 5.50 Hx Hd Cap .....                           | 2   |
| 5    | <u>104033701</u> | Weldment, Adapter, Rp .....                                    | 1   |
| 6    | <u>105145401</u> | Bracket, Top Support, Rp .....                                 | 1   |
| 7    | <u>105145501</u> | Tube, Btm Support, Rp .....                                    | 1   |
| 8    | <u>105216701</u> | Wldmnt, Guard, Hdlight, Range .....                            | 1   |
| 9    | <u>105233701</u> | Plate, Support, I-beam .....                                   | 2   |
| 10   | <u>105248201</u> | Tube, 1.5" X 2.5", 19.5" Long .....                            | 1   |
| 11   | <u>1624</u>      | Screw, 3/8-16 X 1.50, Hex-Head Cap .....                       | 8   |
| 12   | <u>2402</u>      | Screw, 3/8-16 X 2.25 Hx Hd Cap .....                           | 6   |
| 13   | <u>8754</u>      | Locknut, 3/8-16 Hex .....                                      | 16  |

1  
G  
E

**1**  
**G**  
**E**



001187-005

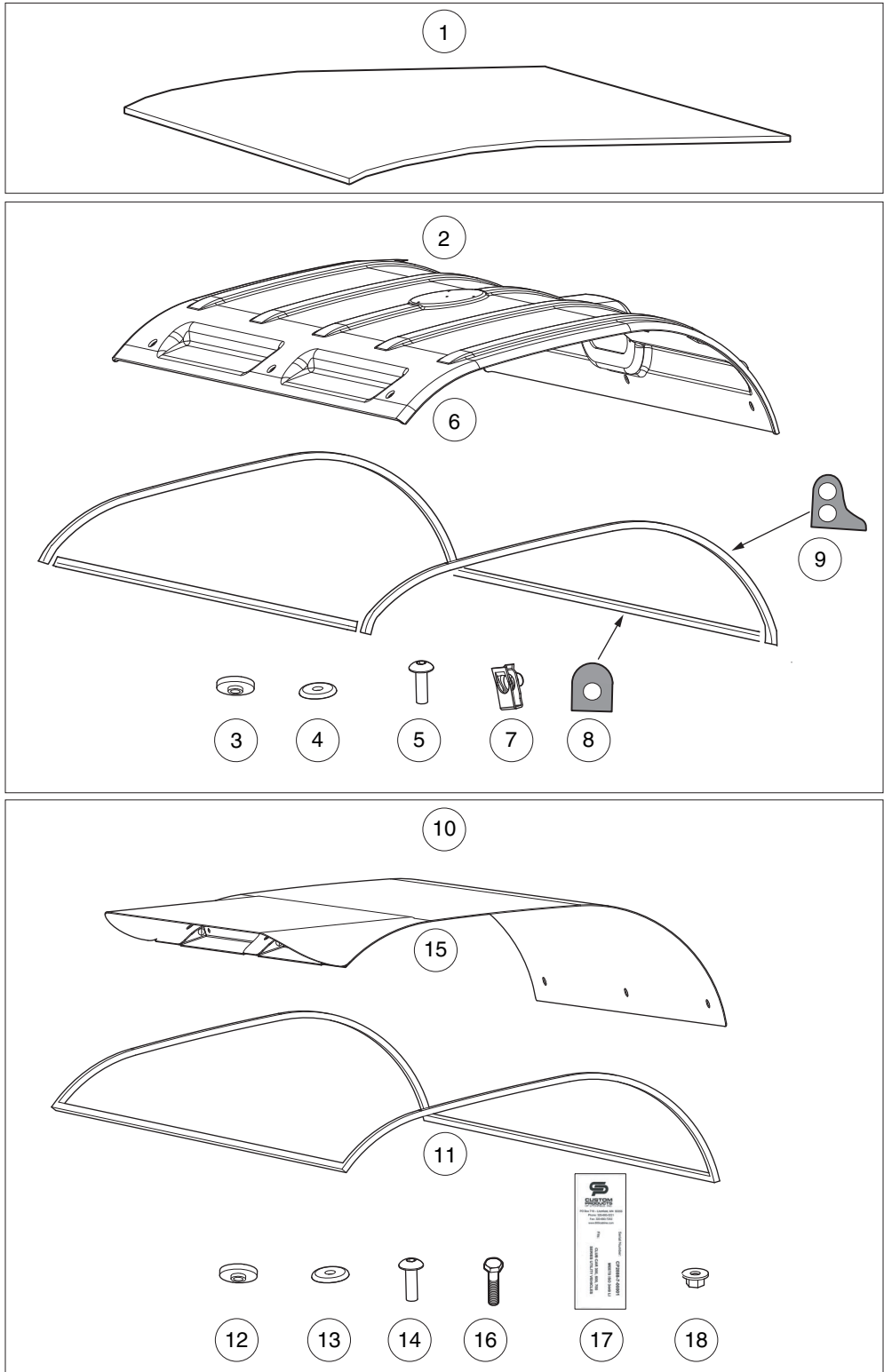


## CAB DOORS – GLASS WITH LH SLIDING WINDOW

| ITEM | PART NO.         | DESCRIPTION   | QTY |
|------|------------------|---|-----|
|      |                  | 1 2 3 4   |     |
| 1    | <u>105097301</u> | Kit, Doors, Glass, w/Sliding Windows, LH only (includes items 2 through 14) ..... | 1   |
| 2    | <u>105181701</u> | Glass Door Asm, Lh (includes items 3 through 13) .....                            | 1   |
| 3    | <u>104001201</u> | Gas Spring .....  | 1   |
| 4    | <u>105181801</u> | Glass Door Replacement, Lh .....  | 1   |
| 5    | <u>105181901</u> | Hardware Kit, Glass Door .....  | 1   |
| 6    | <u>105182001</u> | Handle, Push Button .....   | 1   |
| 7    | <u>105182101</u> | Latch, Glass Door, Lh .....   | 1   |
| 8    | <u>105182201</u> | Handle, Glass Door, Lh .....  | 1   |
| 9    | <u>105182301</u> | Cover, Latch, Lh .....  | 1   |
| 10   | <u>105182401</u> | Spring, Ball Stud .....   | 1   |
| 11   | <u>105182501</u> | Hinge, Door .....   | 2   |
| 12   | <u>105182601</u> | Spacer, Handle .....  | 1   |
| 13   | <u>105182701</u> | Plate, Upper Hinge .....  | 1   |
| 14   | <u>105182901</u> | Glass Door Asm, Rh (includes items 15 through 25) .....                           | 1   |
| 15   | <u>104001201</u> | Gas Spring .....  | 1   |
| 16   | <u>105181901</u> | Hardware Kit, Glass Door .....  | 1   |
| 17   | <u>105182001</u> | Handle, Push Button .....   | 1   |
| 18   | <u>105182102</u> | Latch, Glass Door, Rh .....   | 1   |
| 19   | <u>105182202</u> | Handle, Glass Door, Rh .....  | 1   |
| 20   | <u>105182302</u> | Cover, Latch, Rh .....  | 1   |
| 21   | <u>105182401</u> | Spring, Ball Stud .....   | 1   |
| 22   | <u>105182501</u> | Hinge, Door .....   | 2   |
| 23   | <u>105182601</u> | Spacer, Handle .....  | 1   |
| 24   | <u>105182701</u> | Plate, Upper Hinge .....  | 1   |
| 25   | <u>105183001</u> | Glass Door Replacement, Rh .....  | 1   |

1  
G  
E

**1**  
**G**  
**E**

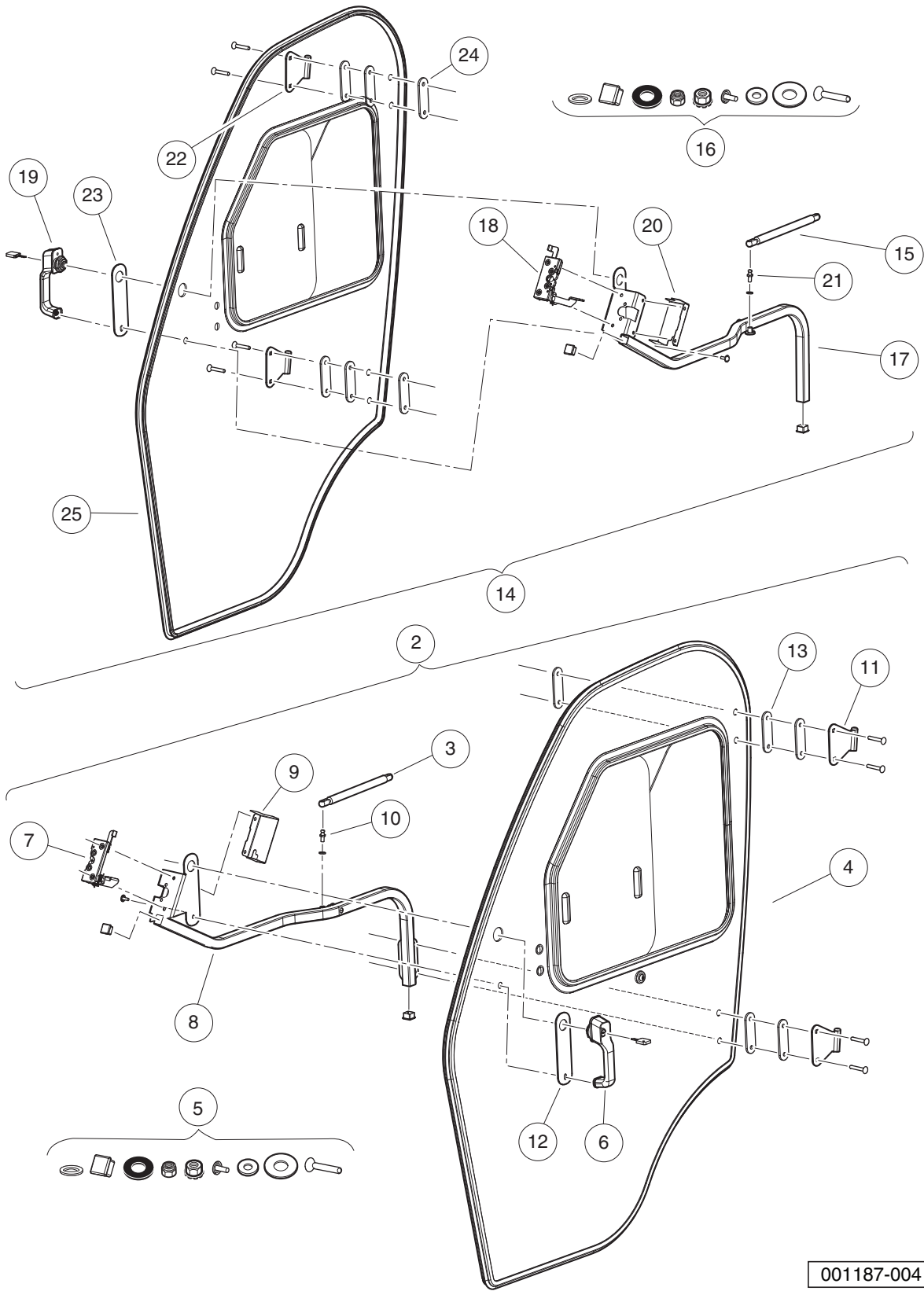


001182-002

# CAB ROOF

| ITEM | PART NO.           | DESCRIPTION  | QTY |
|------|--------------------|--|-----|
|      |                    | 1 2 3 4  |     |
| 1    | <u>105097001</u>   | Kit, Cab, Canopy, Liner .....                              | 1   |
| 2    | <u>47552858001</u> | Kit, Cab Roof, Standard (includes items 3 through 9) ..... | 1   |
| 3    | <u>47553013001</u> | Washer, Rubber, 5/16 ID-1-1/4 OD in. ....                  | 10  |
| 4    | <u>47553014001</u> | Washer, Chamfered, 5/16 ID-1-1/4 OD in. ....               | 10  |
| 5    | <u>47553015001</u> | Screw, Torx, Pan-Hed, 5/16-18 x 1-1/4 in. ....             | 10  |
| 6    | <u>47553777001</u> | Roof, Cab, Standard .....                                  | 1   |
| 7    | <u>47554192001</u> | Clip Nut, 5/16-18 .....                                    | 10  |
| 8    | <u>47570761001</u> | D-Seal, Roof .....   | 2   |
| 9    | <u>47570762001</u> | P-Seal, Roof .....   | 2   |
| 10   | <u>47552859001</u> | Kit, Cab, FOPS (includes items 11 through 18) .....        | A/R |
| 11   | <u>47553012001</u> | Seal, Roof .....   | 1   |
| 12   | <u>47553013001</u> | Washer, Rubber, 5/16 ID-1-1/4 OD in. ....                  | 10  |
| 13   | <u>47553014001</u> | Washer, Chamfered, 5/16 ID-1-1/4 OD in. ....               | 10  |
| 14   | <u>47553015001</u> | Screw, Torx, Pan-Hed, 5/16-18 x 1-1/4 in. ....             | 7   |
| 15   | <u>47553824001</u> | Roof, Cab, FOPS .....                                      | 1   |
| 16   | <u>47553825001</u> | Screw, 5/16-18 x 1-1/4 in. Hex-Head Cap .....              | 3   |
| 17   | <u>47555699001</u> | Decal, Fops, Cab .....                                     | 1   |
| 18   | <u>47573611001</u> | Locknut, 5/16-18, Hex-Flange .....                         | 10  |

1  
G  
E

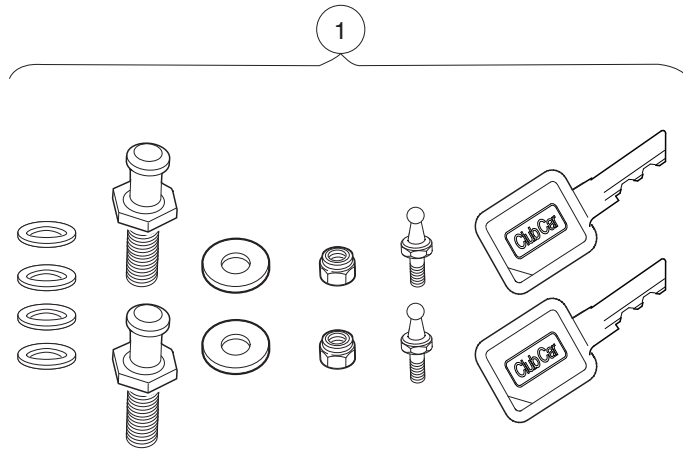


001187-004

# CAB DOORS – GLASS WITH LH & RH SLIDING WINDOWS

| ITEM | PART NO.         | DESCRIPTION   | QTY |
|------|------------------|---|-----|
|      |                  | 1 2 3 4   |     |
| 1    | <u>105245901</u> | Kit, Doors, Glass, w/Sliding Windows, LH/RH (includes items 2 through 14) ..... | 1   |
| 2    | <u>105181701</u> | Glass Door Asm, Lh (includes items 3 through 13) .....                          | 1   |
| 3    | <u>104001201</u> | Gas Spring .....  | 1   |
| 4    | <u>105181801</u> | Glass Door Replacement, Lh .....  | 1   |
| 5    | <u>105181901</u> | Hardware Kit, Glass Door .....  | 1   |
| 6    | <u>105182001</u> | Handle, Push Button .....   | 1   |
| 7    | <u>105182101</u> | Latch, Glass Door, Lh .....   | 1   |
| 8    | <u>105182201</u> | Handle, Glass Door, Lh .....  | 1   |
| 9    | <u>105182301</u> | Cover, Latch, Lh .....  | 1   |
| 10   | <u>105182401</u> | Spring, Ball Stud .....   | 1   |
| 11   | <u>105182501</u> | Hinge, Door .....   | 2   |
| 12   | <u>105182601</u> | Spacer, Handle .....  | 1   |
| 13   | <u>105182701</u> | Plate, Upper Hinge .....  | 1   |
| 14   | <u>105265301</u> | Asm, Glass Door, Rh, W/slider (includes items 15 through 25) .....              | 1   |
| 15   | <u>104001201</u> | Gas Spring .....  | 1   |
| 16   | <u>105181901</u> | Hardware Kit, Glass Door .....  | 1   |
| 17   | <u>105182002</u> | Handle, Glass Door, RH .....  | 1   |
| 18   | <u>105182102</u> | Latch, Glass Door, Rh .....   | 1   |
| 19   | <u>105182202</u> | Handle, Glass Door, Rh .....  | 1   |
| 20   | <u>105182302</u> | Cover, Latch, Rh .....  | 1   |
| 21   | <u>105182401</u> | Spring, Ball Stud .....   | 1   |
| 22   | <u>105182501</u> | Hinge, Door .....   | 2   |
| 23   | <u>105182601</u> | Spacer, Handle .....  | 1   |
| 24   | <u>105182701</u> | Plate, Upper Hinge .....  | 1   |
| 25   | <u>105265401</u> | Asm, Glass Dr Repl, Rh, W/sldr .....  | 1   |

**1**  
**G**  
**E**



001438-001

# HARDWARE KIT, DOOR STRIKER

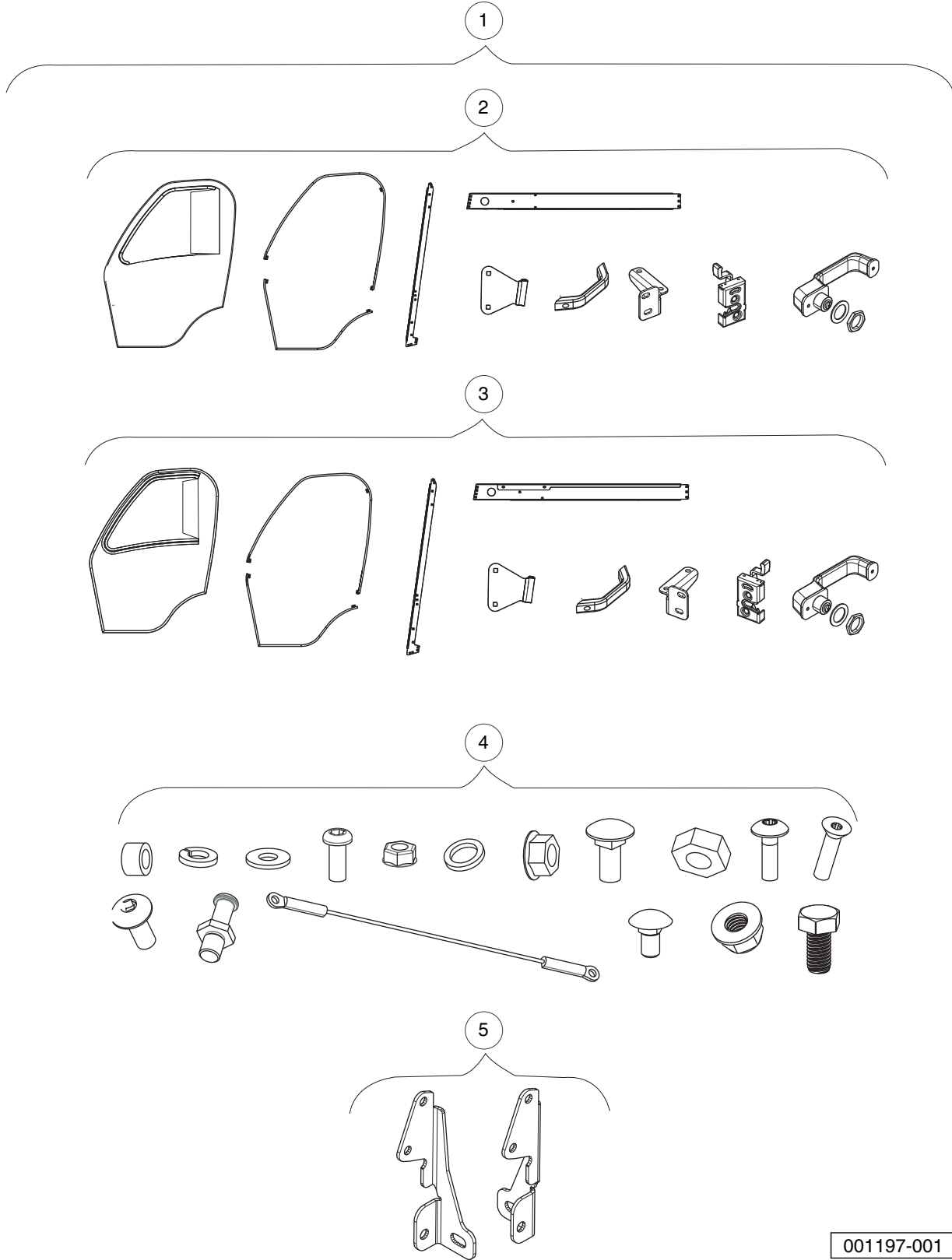
| ITEM | PART NO.         | DESCRIPTION  | QTY |
|------|------------------|--|-----|
| 1    | <u>105182801</u> | <div style="display: flex; justify-content: space-between; margin-bottom: 5px;"> <span>1</span> <span>2</span> <span>3</span> <span>4</span> </div> Hardware Kit, Door Striker ..... | 1   |

1

G

E

**1**  
**G**  
**E**



001197-001



# CAB DOORS – SOFT

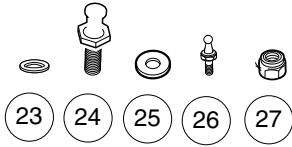
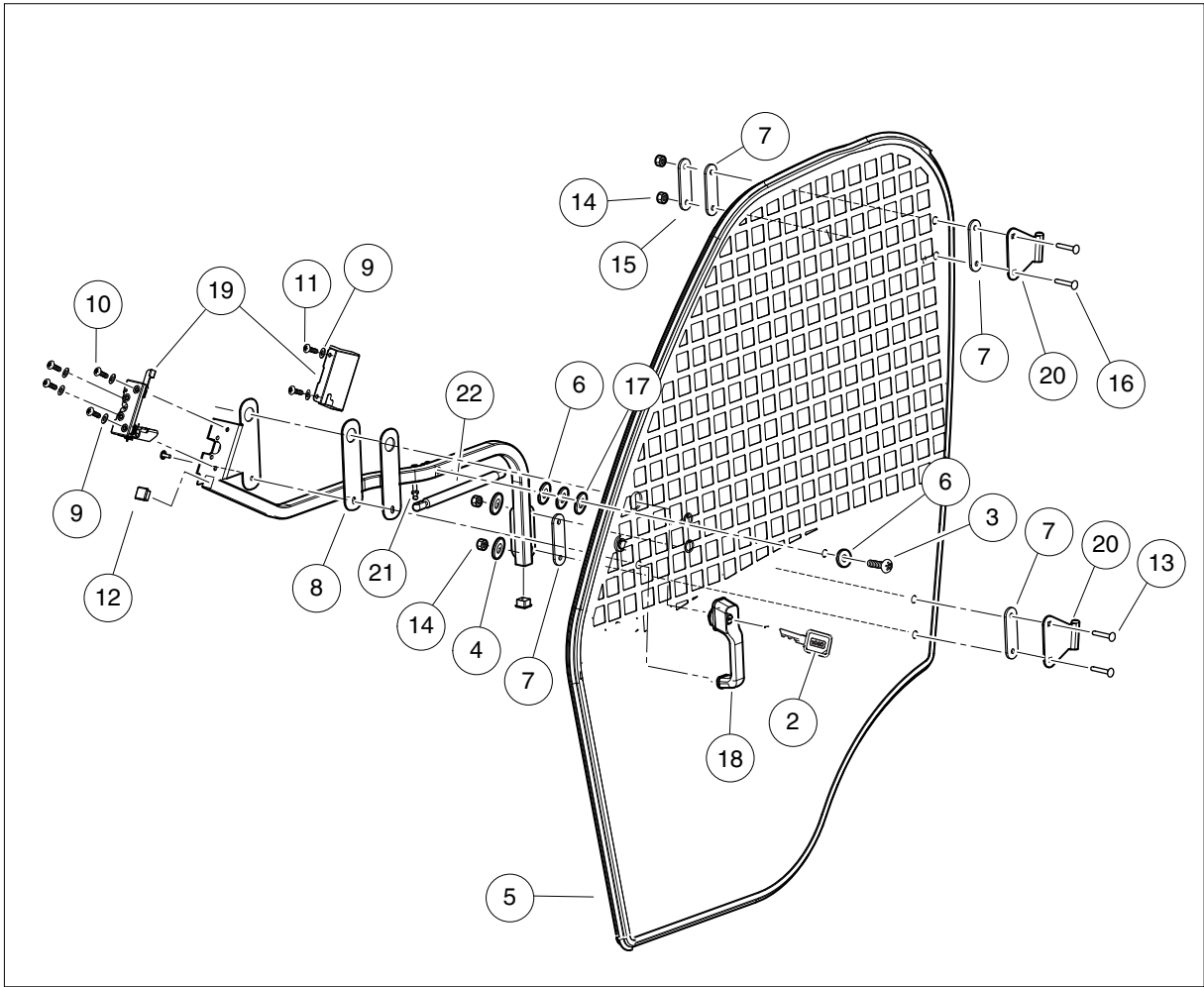
| ITEM | PART NO.         | DESCRIPTION   | QTY |
|------|------------------|---|-----|
|      |                  | 1 2 3 4   |     |
| 1    | <u>105097401</u> | Cab, Doors, Soft Kit (includes items 2 through 5) ..... | 1   |
| 2    | <u>105183101</u> | Soft Door Asm, Lh .....                                 | 1   |
| 3    | <u>105183201</u> | Soft Door Asm, Rh .....                                 | 1   |
| 4    | <u>105183301</u> | Hardware, Soft Door .....                               | 1   |
| 5    | <u>105183401</u> | Hardware Kit, Soft Door Strike .....                    | 1   |

1

G

E

1



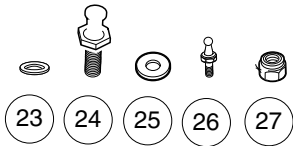
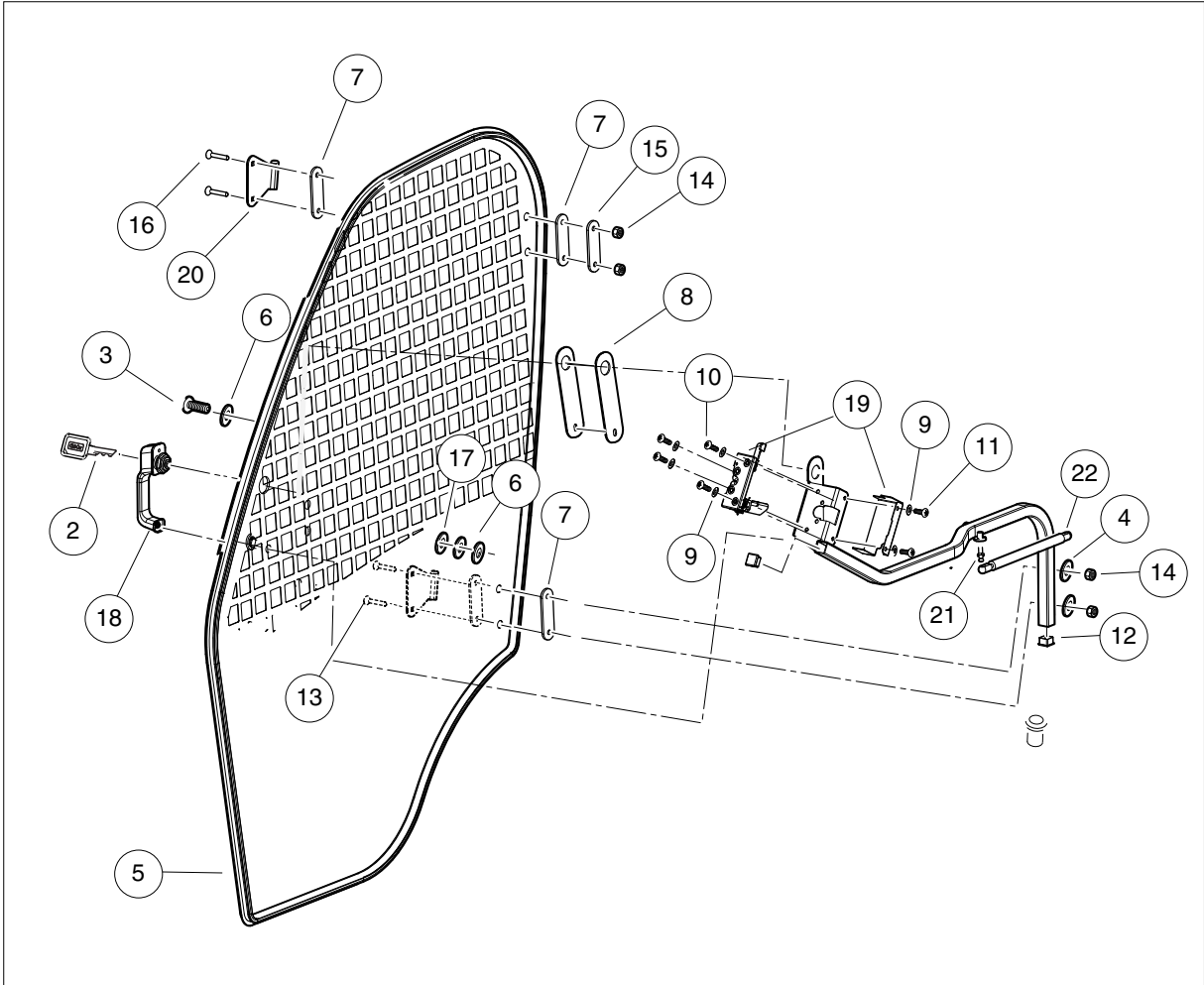
001195-003

## CAB DOORS – RANGE, DRIVER-SIDE

| ITEM | PART NO.           | DESCRIPTION  | QTY |
|------|--------------------|--|-----|
|      |                    | 1 2 3 4  |     |
| 1    | <u>47555423001</u> | Asm, Door, Range, Lh (includes items 2 through 22) ..... | 1   |
| 2    | <u>105068001</u>   | Key, Uncommon, Padded 1a .....                           | 1   |
| 3    | <u>47553026001</u> | Scrw, 5/16-18x1.50", Pn Hd Trx .....                     | 3   |
| 4    | <u>47553027001</u> | Washer, 5/16" id X .875" od, Fw .....                    | 3   |
| 5    | <u>47553942001</u> | Seal, Windshld Frame, Lamntd .....                       | 1   |
| 6    | <u>47554388001</u> | Washer, 11/32" id X 1.25" od, Fw .....                   | 6   |
| 7    | <u>47555424001</u> | Shim, Door Hinge, Rubr, Range .....                      | 4   |
| 8    | <u>47555425001</u> | Shim, Dr Handle, Foam, Range .....                       | 2   |
| 9    | <u>47555426001</u> | Washer, 1/4" id X .485" od, Lw .....                     | 7   |
| 10   | <u>47555427001</u> | Scrw, M6-1.0 X 20", Pn Hd Trx .....                      | 4   |
| 11   | <u>47555428001</u> | Scrw, M6-1.0 X 10", Pn Hd Trx .....                      | 2   |
| 12   | <u>47555429001</u> | Plug, Cap, 1" Sq. Tube .....                             | 2   |
| 13   | <u>47555430001</u> | Bolt, 5/16-18 X 1.50", Carr .....                        | 2   |
| 14   | <u>47555431001</u> | Locknut, 5/16-18, Hex .....                              | 5   |
| 15   | <u>47555432001</u> | Plate, Door Hinge, Range .....                           | 1   |
| 16   | <u>47555433001</u> | Bolt, 5/16-18 X 1.25", Carr .....                        | 2   |
| 17   | <u>47555434001</u> | Washer, 5/16" id X 1.25" od, Rbr .....                   | 2   |
| 18   | <u>47555435001</u> | Asm, Door Handle, Range .....                            | 1   |
| 19   | <u>47555436001</u> | Asm, Latch Mech, Door, Rng, Lh .....                     | 1   |
| 20   | <u>47555437001</u> | Wldmnt, Door Hinge, Range .....                          | 2   |
| 21   | <u>47555446001</u> | Stud, Ball, Gas Spring .....                             | 1   |
| 22   | <u>47555451001</u> | Spring, Gas, Cab .....                                   | 1   |
| 23   | <u>47555441001</u> | Washer, .443" id X .630" od .....                        | 2   |
| 24   | <u>47555442001</u> | Striker, Latch, Door, Cab .....                          | 1   |
| 25   | <u>47555443001</u> | Washer, 1/2" id X 1.25" od, Fw .....                     | 2   |
| 26   | <u>47555446001</u> | Stud, Ball, Gas Spring .....                             | 1   |
| 27   | <u>47555447001</u> | Nut, 7/16-14, Hex Hd Flng .....                          | 1   |

**1**  
**G**  
**E**

1



001195-004

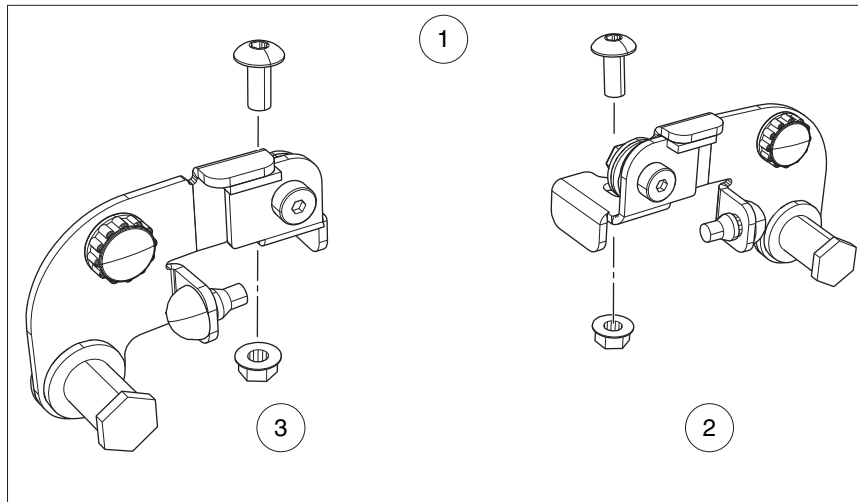
## CAB DOORS – RANGE, PASSENGER-SIDE

| ITEM | PART NO.           | DESCRIPTION  | QTY |          |
|------|--------------------|--|-----|----------|
|      |                    | 1 2 3 4  |     | <b>1</b> |
| 1    | <u>47555423002</u> | Asm, Door, Range, Rh (includes items 2 through 22) ..... | 1   | <b>G</b> |
| 2    | <u>105068001</u>   | Key, Uncommon, Padded 1a .....                           | 1   | <b>E</b> |
| 3    | <u>47553026001</u> | Scrw, 5/16-18x1.50", Pn Hd Trx .....                     | 3   |          |
| 4    | <u>47553027001</u> | Washer, 5/16" id X .875" od, Fw .....                    | 3   |          |
| 5    | <u>47553942001</u> | Seal, Windshld Frame, Lamntd .....                       | 1   |          |
| 6    | <u>47554388001</u> | Washer, 11/32" id X 1.25" od, Fw .....                   | 6   |          |
| 7    | <u>47555424001</u> | Shim, Door Hinge, Rubr, Range .....                      | 4   |          |
| 8    | <u>47555425001</u> | Shim, Dr Handle, Foam, Range .....                       | 2   |          |
| 9    | <u>47555426001</u> | Washer, 1/4" id X .485" od, Lw .....                     | 7   |          |
| 10   | <u>47555427001</u> | Scrw, M6-1.0 X 20", Pn Hd Trx .....                      | 4   |          |
| 11   | <u>47555428001</u> | Scrw, M6-1.0 X 10", Pn Hd Trx .....                      | 2   |          |
| 12   | <u>47555429001</u> | Plug, Cap, 1" Sq. Tube .....                             | 2   |          |
| 13   | <u>47555430001</u> | Bolt, 5/16-18 X 1.50", Carr .....                        | 2   |          |
| 14   | <u>47555431001</u> | Locknut, 5/16-18, Hex .....                              | 5   |          |
| 15   | <u>47555432001</u> | Plate, Door Hinge, Range .....                           | 1   |          |
| 16   | <u>47555433001</u> | Bolt, 5/16-18 X 1.25", Carr .....                        | 2   |          |
| 17   | <u>47555434001</u> | Washer, 5/16" id X 1.25" od, Rbr .....                   | 2   |          |
| 18   | <u>47555435001</u> | Asm, Door Handle, Range .....                            | 1   |          |
| 19   | <u>47555436002</u> | Asm, Latch Mech, Door, Rng, Rh .....                     | 1   |          |
| 20   | <u>47555437001</u> | Wldmnt, Door Hinge, Range .....                          | 2   |          |
| 21   | <u>47555446001</u> | Stud, Ball, Gas Spring .....                             | 1   |          |
| 22   | <u>47555451001</u> | Spring, Gas, Cab .....                                   | 1   |          |
| 23   | <u>47555441001</u> | Washer, .443" id X .630" od .....                        | 4   |          |
| 24   | <u>47555442001</u> | Striker, Latch, Door, Cab .....                          | 2   |          |
| 25   | <u>47555443001</u> | Washer, 1/2" id X 1.25" od, Fw .....                     | 4   |          |
| 26   | <u>47555446001</u> | Stud, Ball, Gas Spring .....                             | 2   |          |
| 27   | <u>47555447001</u> | Nut, 7/16-14, Hex Hd Flng .....                          | 2   |          |

1

G

E



001143-002

# CAB DOORS – VENT

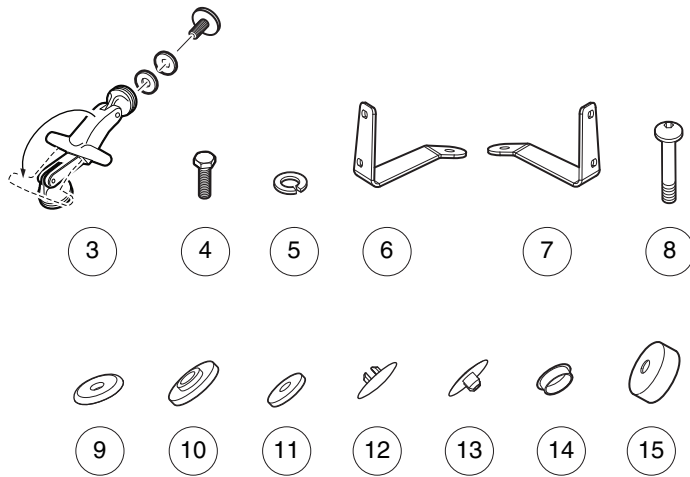
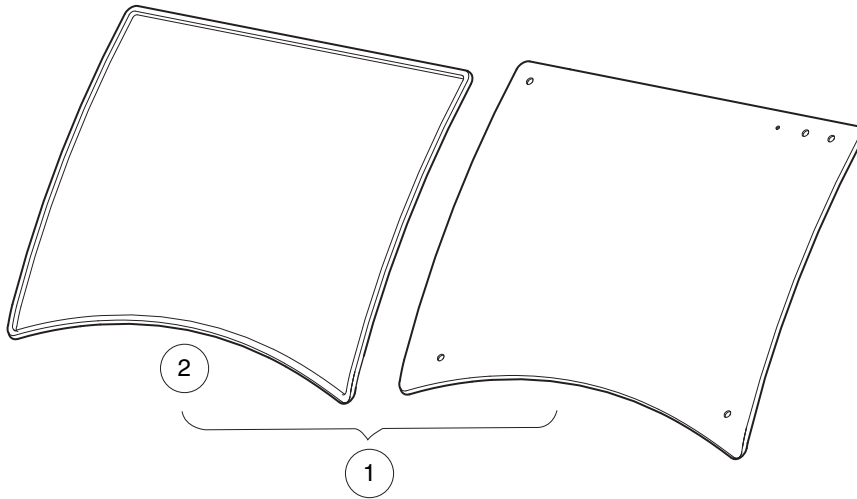
| ITEM | PART NO.         | DESCRIPTION  | QTY |
|------|------------------|--|-----|
|      |                  | 1 2 3 4  |     |
| 1    | 105097501        | Cab, Door, Vent Kit (includes items 2 and 3) ..... | 1   |
| 2    | <u>105178301</u> | Door Vent Lh .....                                 | 1   |
| 3    | <u>105178401</u> | Door Vent Rh .....                                 | 1   |

1

G

E

**1**  
**G**  
**E**



001184-003

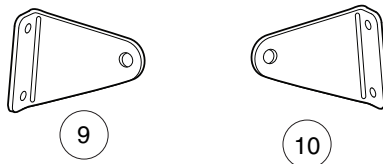
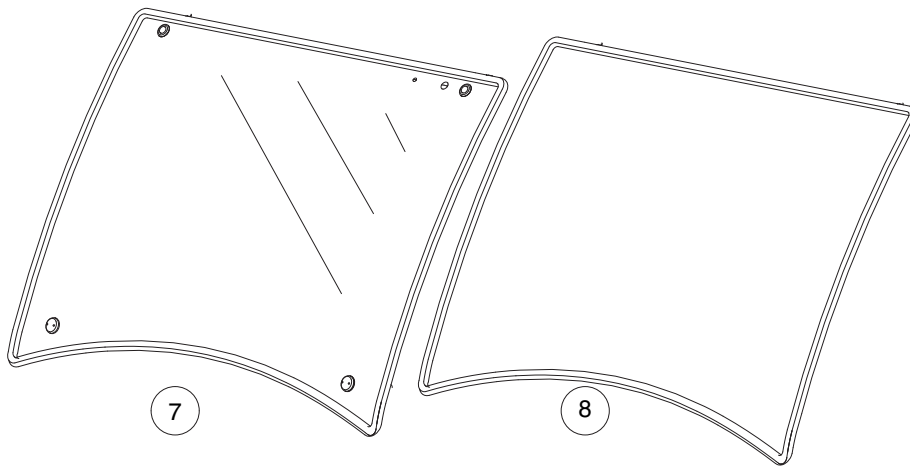
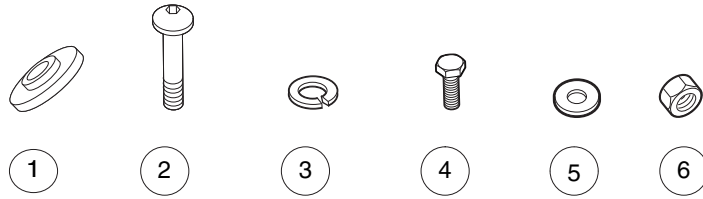


# CAB – WINDSHIELD

| ITEM | PART NO.         | DESCRIPTION  | QTY |
|------|------------------|--|-----|
|      |                  | 1 2 3 4  |     |
| 1    | <u>105097101</u> | Cab, Windshield Kit (includes items 2 through 5) ..... | 1   |
| 2    | <u>104003901</u> | Handle, Tee .....                                      | 2   |
| 3    | <u>105177101</u> | Seal, Rubber Windshield .....                          | 1   |
| 4    | <u>105177901</u> | Cab, Windshield, Tempered .....                        | 1   |
| 5    | <u>105178001</u> | Hardware Kit, Windshield .....                         | 1   |
| 6    | <u>105177001</u> | Front Window Polycarb (Range) .....                    | 1   |
| 7    | <u>105177101</u> | Seal, Rubber Windshield .....                          | 1   |

1  
G  
E

**1**  
**G**  
**E**



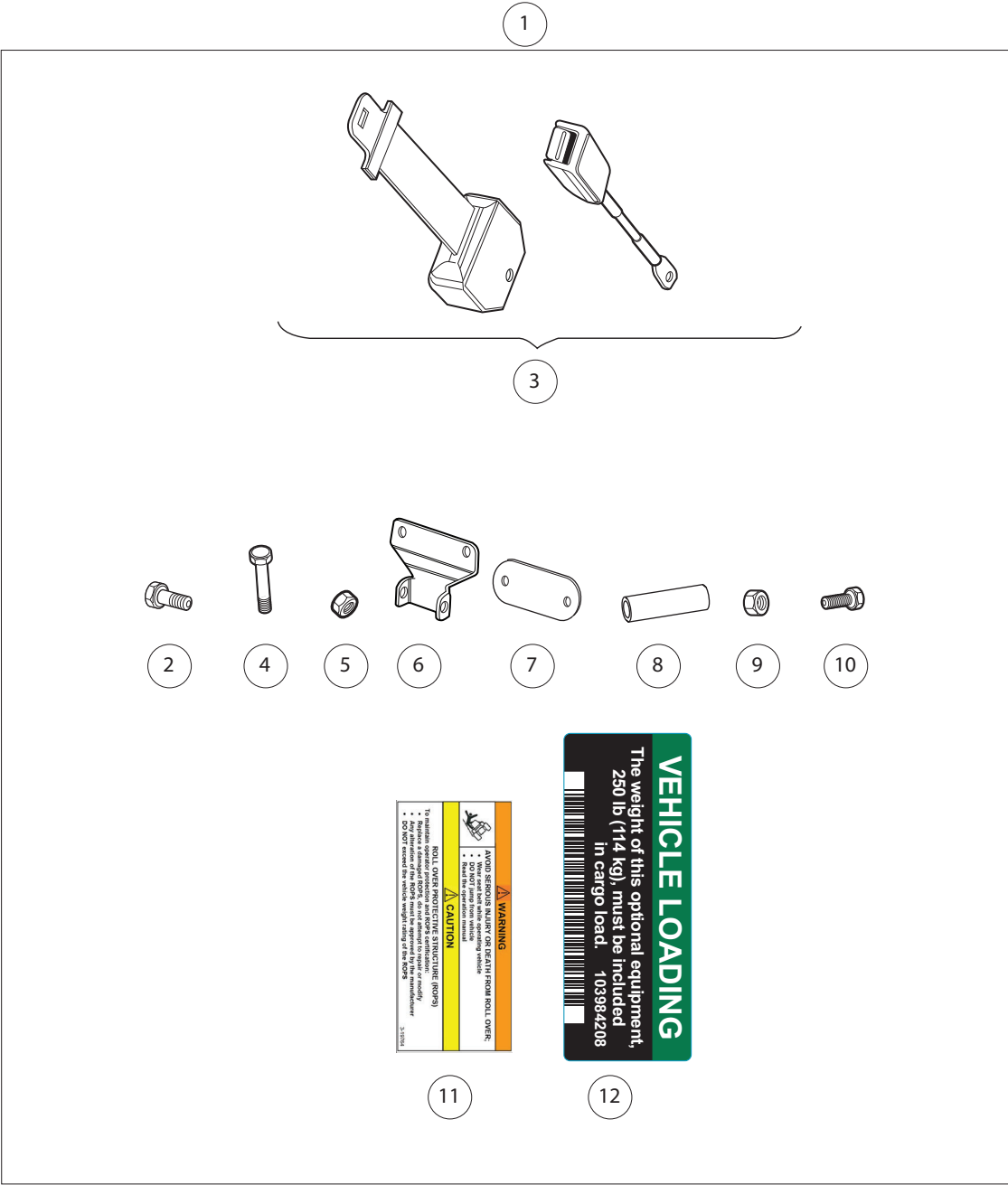
001186-003

## CAB – WINDSHIELD, RANGE, (POLY)

| ITEM | PART NO.           | DESCRIPTION  | QTY |
|------|--------------------|--|-----|
|      |                    | 1 2 3 4  |     |
| 1    | <u>47553013001</u> | Washer, Rubber, 5/16 ID-1-1/4 OD in. ....          | 22  |
| 2    | <u>47553015001</u> | Screw, Torx, Pan-Hed, 5/16-18 x 1-1/4 in. ....     | 4   |
| 3    | <u>47553028001</u> | Washer, Lock, 5/16 in. ....                        | 4   |
| 4    | <u>47553029001</u> | Screw, Hex-Head, M8 x 16 mm ....                   | 4   |
| 5    | <u>47554388001</u> | Washer, Flat, 11/35 x 1-1/4 in. ....               | 8   |
| 6    | <u>47555431001</u> | Locknut, 5/16-18 in. ....                          | 2   |
| 7    | <u>47555438001</u> | ASM, Windshield and Seal, Polycarb ....            | 1   |
| 8    | <u>47555439001</u> | Seal, Window Trim, Polycarb ....                   | 1   |
| 9    | <u>47555440001</u> | Bracket, Windshield, Polycarb, Driver-side ....    | 1   |
| 10   | <u>47555440002</u> | Bracket, Windshield, Polycarb, Passenger side .... | 1   |

**1**  
**G**  
**E**

**1**  
**G**  
**E**



**WARNING**  
 AVOID SEVERE INJURY OR DEATH FROM ROLL-OVER.  
 Do not use the ROPS if it is damaged or if it is not properly installed.  
 Do not use the ROPS if it is not properly maintained.

**CAUTION**  
 ROPS OVER PROTECTIVE STRUCTURE (ROPS)  
 To maintain operator protection and ROPS availability:  
 • Do not use the ROPS if it is damaged or if it is not properly maintained.  
 • Do not exceed the vehicle weight rating of the ROPS.

**VEHICLE LOADING**  
 The weight of this optional equipment,  
 250 lb (114 kg), must be included  
 in cargo load. 103984208

001180-002

## CAB – 2-POINT SEAT BELTS

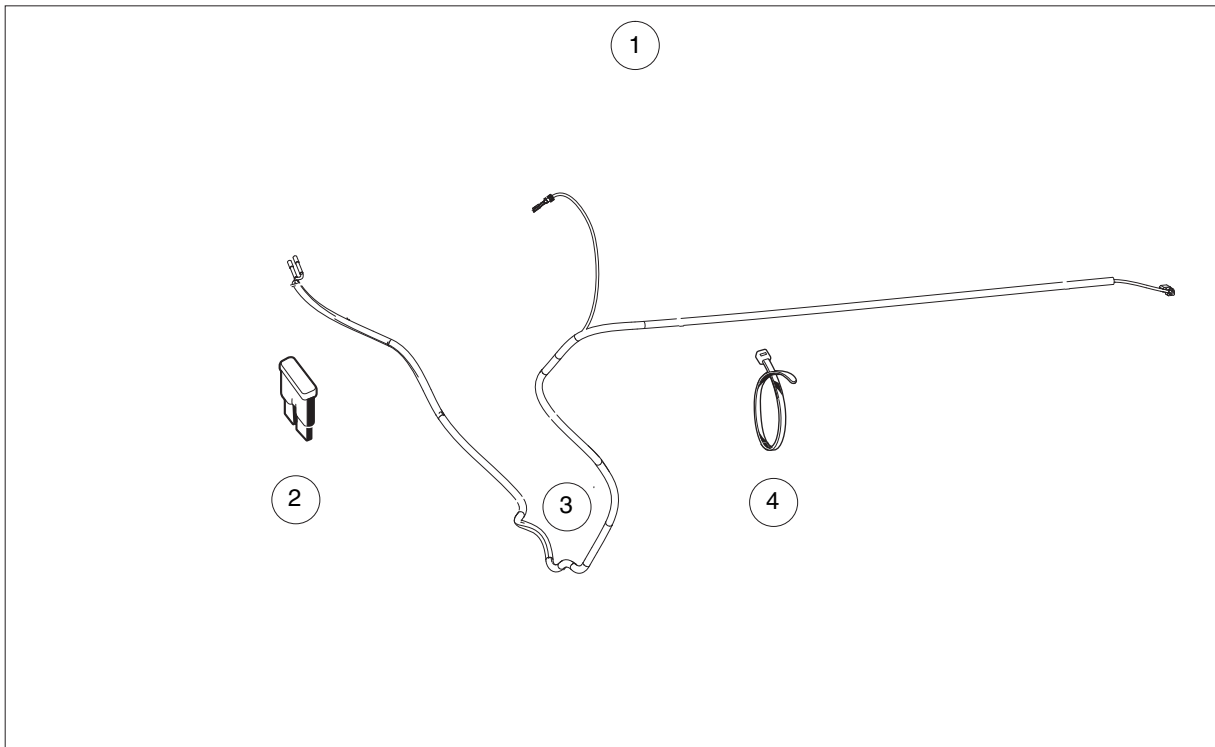
| ITEM | PART NO.           | DESCRIPTION  | QTY |
|------|--------------------|--|-----|
|      |                    | 1 2 3 4  |     |
| 1    | <u>47552865001</u> | Kit, 2-Point Seat Belt (includes items 2 through 12) ..... | 1   |
| 2    | 47552872001        | Screw, Hex-Head Cap, 3/8-16 x 1 in. ....                   | 2   |
| 3    | 47554720001        | ASM, Seat Belt, 2-Point .....                              | 2   |
| 4    | 47554721001        | Screw, Cap, Hex-Head, 7/16-14 x 2-1/2 in. ....             | 2   |
| 5    | 47554722001        | Locknut, Hex, 7/16-14 .....                                | 4   |
| 6    | 47554723001        | Bracket, Center Mount, 2-Point Seat Belt .....             | 1   |
| 7    | 47554724001        | Plate, Backing, Center Mount, 2-Point Seat Belt .....      | 1   |
| 8    | 47554726001        | Spacer, Retractor, 1/2 x 9/16 in. ....                     | 2   |
| 9    | 47554727001        | Locknut, Center, 3/8-16 in. ....                           | 2   |
| 10   | 47554728001        | Screw, Cap, Hex-Head, 7/16-14 x 1 in. ....                 | 2   |
| 11   | 47554730001        | Decal, Warn, Rops .....                                    | 1   |
| 12   | 47554731001        | Decal, Weight, Reduce .....                                | 1   |

1  
G  
E

1

G

E



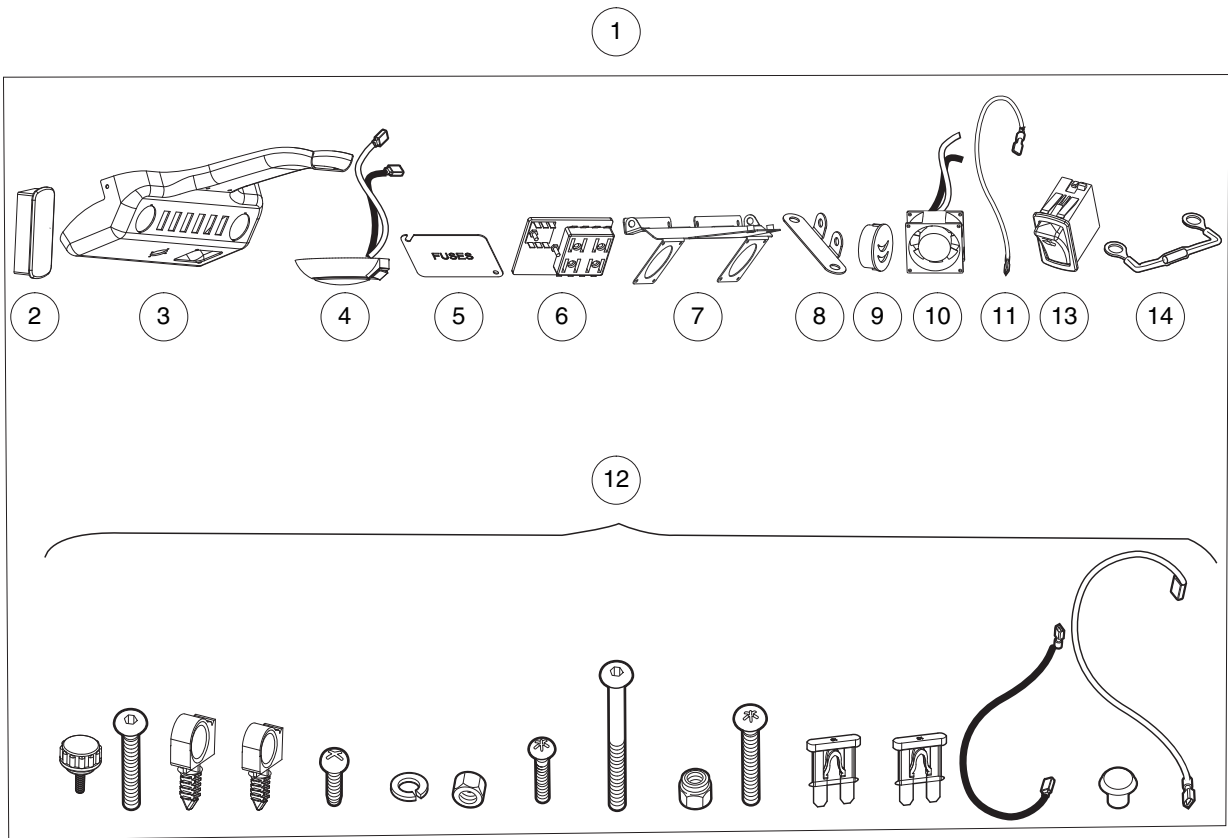
001193-001

# CAB – ELECTRICAL, POWER HARNESS, ELECTRIC VEHICLE TO CAB

| ITEM | PART NO.         | DESCRIPTION   | QTY |
|------|------------------|---|-----|
|      |                  | 1 2 3 4   |     |
| 1    | <u>105234002</u> | Kit, Cab Pwr Harness, Elec (includes items 2 through 4) ..... | 1   |
| 2    | <u>105114807</u> | Fuse, Mini, Atm, 15 Amp .....                                 | 1   |
| 3    | <u>105205501</u> | Harn, Pwr Supply, Cab .....                                   | 1   |
| 4    | <u>8639</u>      | Tie Wrap, 11" Nylon .....                                     | 5   |

1  
G  
E

**1**  
**G**  
**E**



001188-002

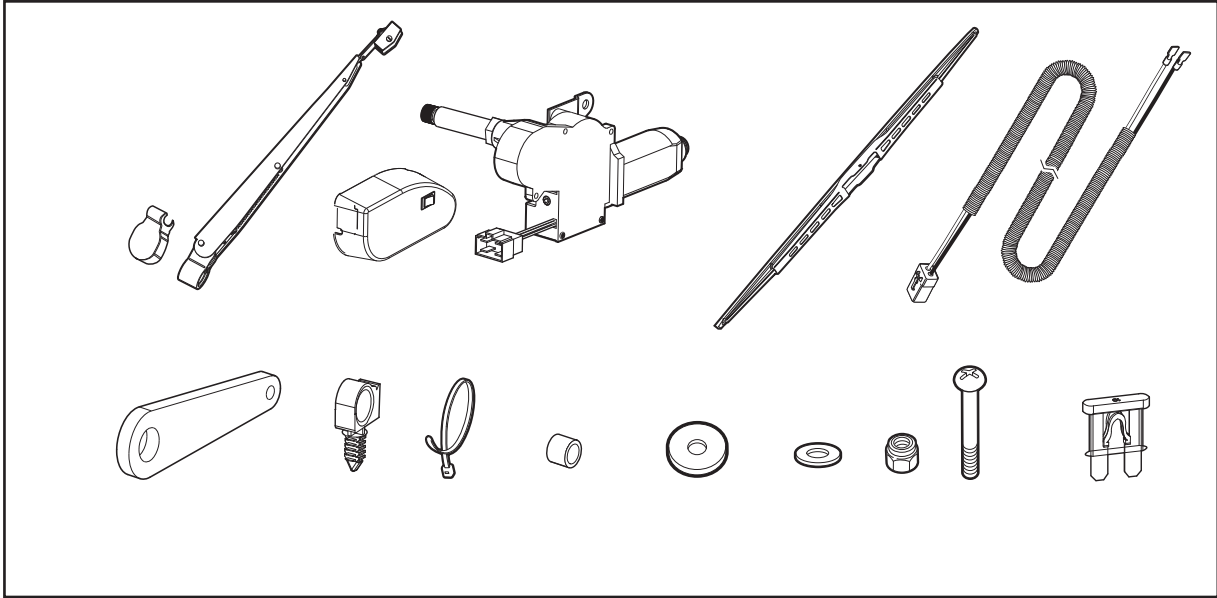


# CAB – ELECTRICAL, OVERHEAD CONSOLE

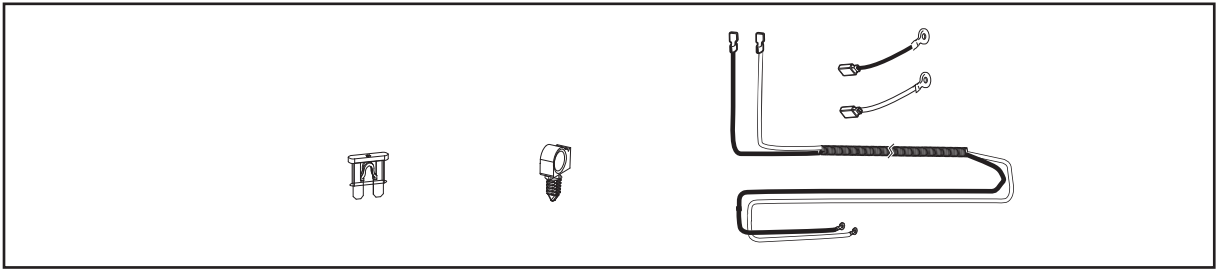
| ITEM | PART NO.         | DESCRIPTION  | QTY |
|------|------------------|--|-----|
|      |                  | 1 2 3 4  |     |
| 1    | <u>105097901</u> | Cab, Overhead Console, Kit (includes items 2 through 14) ..... | 1   |
| 2    | <u>103180101</u> | Cover, Hole, Switch, Rocker .....                              | 5   |
| 3    | <u>105179001</u> | Overhead Console Asm .....                                     | 1   |
| 4    | <u>105179101</u> | Cab, Dome Light .....  | 1   |
| 5    | <u>105179201</u> | Cab, Fuse Cover .....  | 1   |
| 6    | <u>105179301</u> | Cab, Fuse Holder 8 W Grnd .....                                | 1   |
| 7    | <u>105179401</u> | Front Fan Bracket, Asm .....                                   | 1   |
| 8    | <u>105179501</u> | Rear Oh Console Bracket .....                                  | 1   |
| 9    | <u>105179601</u> | Fan Louver .....   | 2   |
| 10   | <u>105179701</u> | Oh Console Fan .....   | 1   |
| 11   | <u>105179801</u> | Wire Jumper, Fan .....   | 1   |
| 12   | <u>105179901</u> | Hardware Kit, Oh Console .....                                 | 1   |
| 13   | <u>105183501</u> | Rocker, Fan .....  | 1   |
| 14   | <u>105295301</u> | Asm, Capacitor, 0.47uf .....                                   | 1   |

1  
G  
E

**1**  
**G**  
**E**



1



2

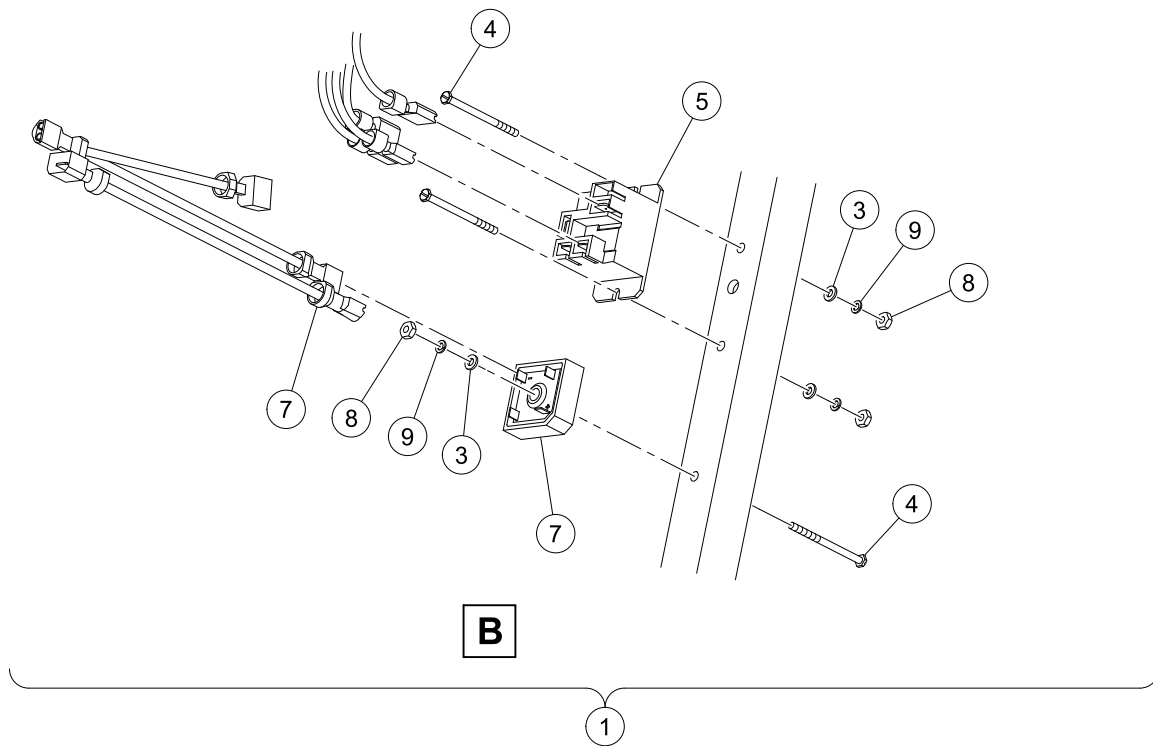
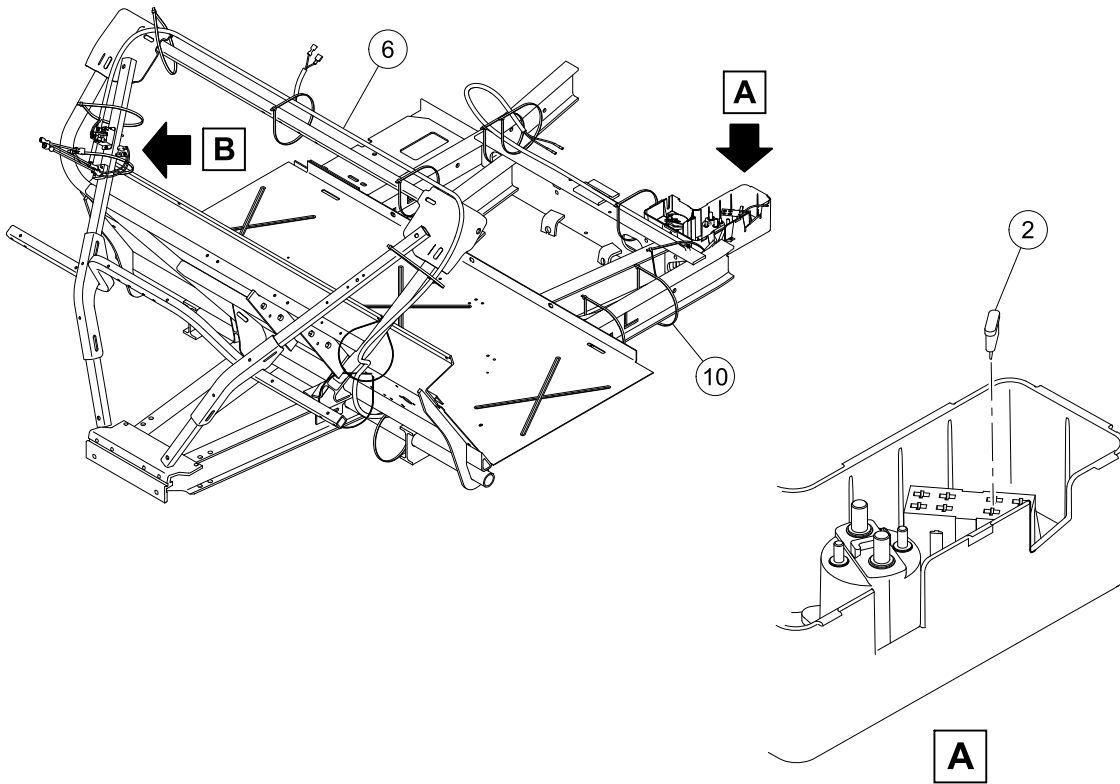
001190-001

# CAB – ELECTRICAL, WINDSHIELD WIPER

| ITEM  | PART NO.         | DESCRIPTION                                      | QTY |
|---|------------------|--|-----|
| 1   | <u>105098001</u> | 1 2 3 4<br>Cab, Front Wiper Kit .....            | 1   |
| 2   | <u>105098002</u> | Cab, Wiper Power Harness Kit (w/o Console) ..... | A/R |
| <p>Note: Vehicles not equipped with an overhead console will require kit part number <u>105098001</u>, Front Wiper Kit, and <u>105098002</u>, Cab Wiper Power Harness Kit. Vehicles equipped with an overhead console are wired for wiper power and require only the <u>105098001</u>, Front Wiper Kit.</p> |                  |  |     |

1  
G  
E

**1**  
**G**  
**E**



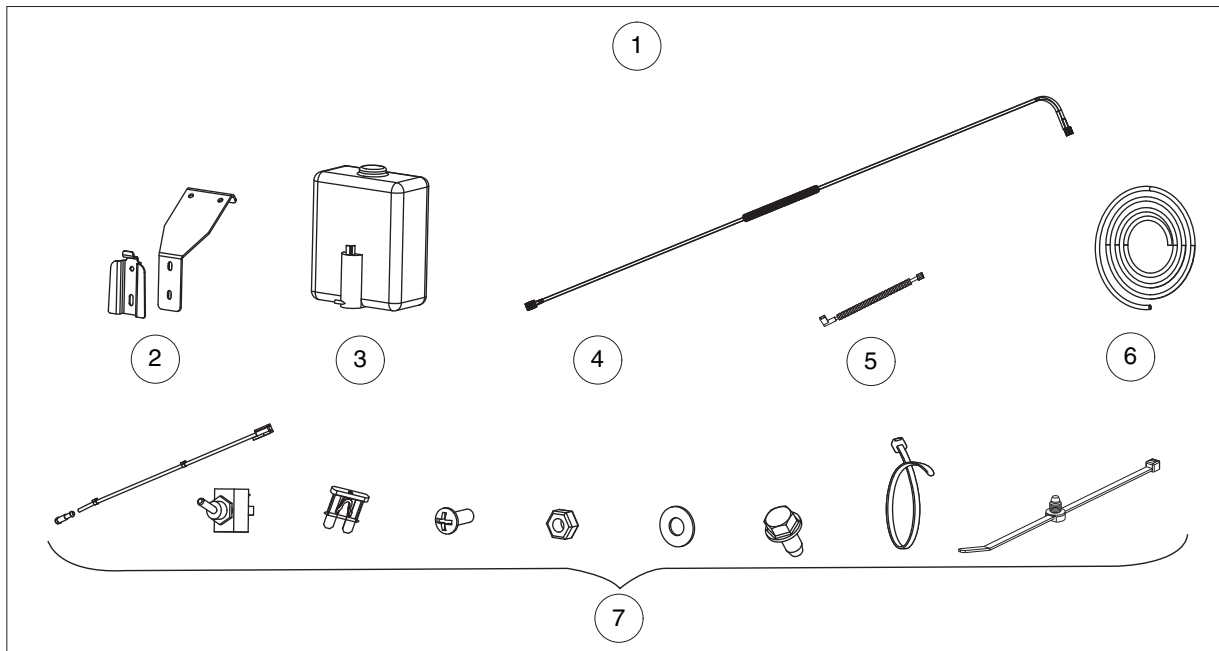
G-131099-000004

# CAB – ELECTRICAL, CAB POWER HARNESS, GASOLINE VEHICLE TO CAB

| ITEM | PART NO.           | DESCRIPTION   | QTY |
|------|--------------------|---|-----|
|      |                    | 1 2 3 4   |     |
| 1    | <u>105234102</u>   | Kit, Cab Pwr Harness, Gas (includes items 2 through 10) ..... | 1   |
| 2    | <u>1012295</u>     | Fuse, 10-Amp .....  | 1   |
| 3    | <u>1012431</u>     | Washer, #4 Flat .....   | 3   |
| 4    | <u>1015878</u>     | Screw, #4-40 Hex Head Machine .....                           | 3   |
| 5    | <u>102199001</u>   | Relay, 12-Volt .....  | 1   |
| 6    | <u>105236301</u>   | Harness, Pwr, Cab, Gas .....                                  | 1   |
| 7    | <u>47604303001</u> | Voltage Limiter, Gas .....                                    | 1   |
| 8    | <u>8057</u>        | Nut, #4-40 Hex Machine .....                                  | 3   |
| 9    | <u>8058</u>        | Lockwasher, #4 Split .....                                    | 3   |
| 10   | <u>8639</u>        | Tie Wrap, 11" Nylon .....                                     | 17  |

1  
G  
E

**1**  
**G**  
**E**



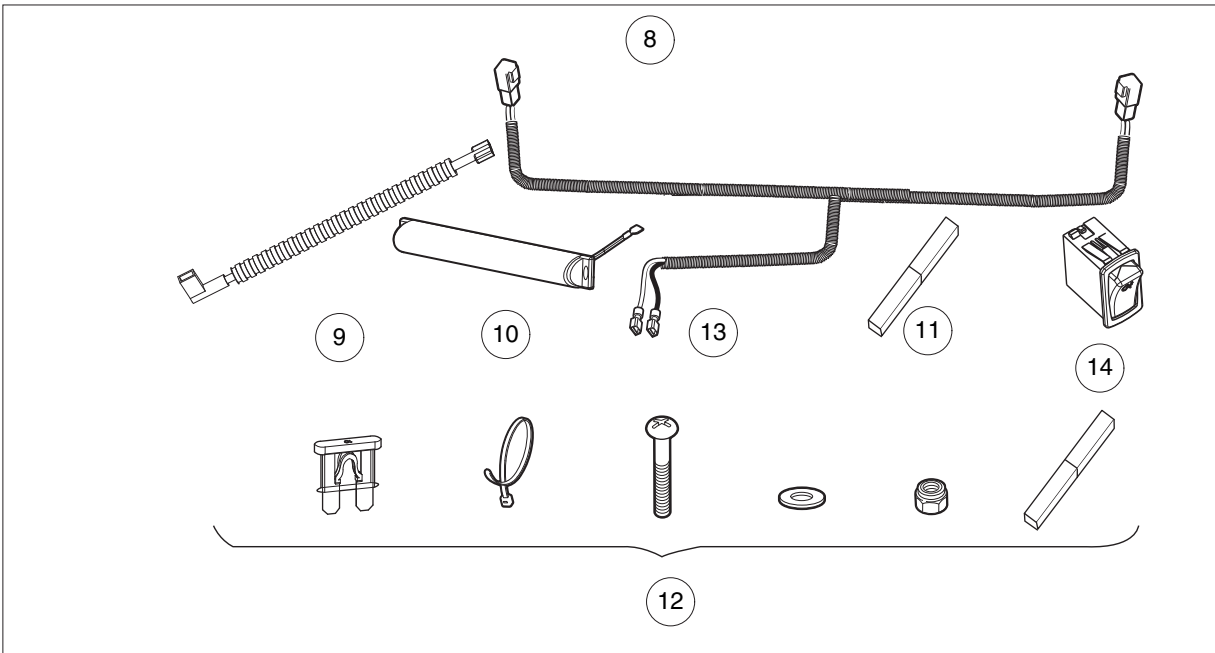
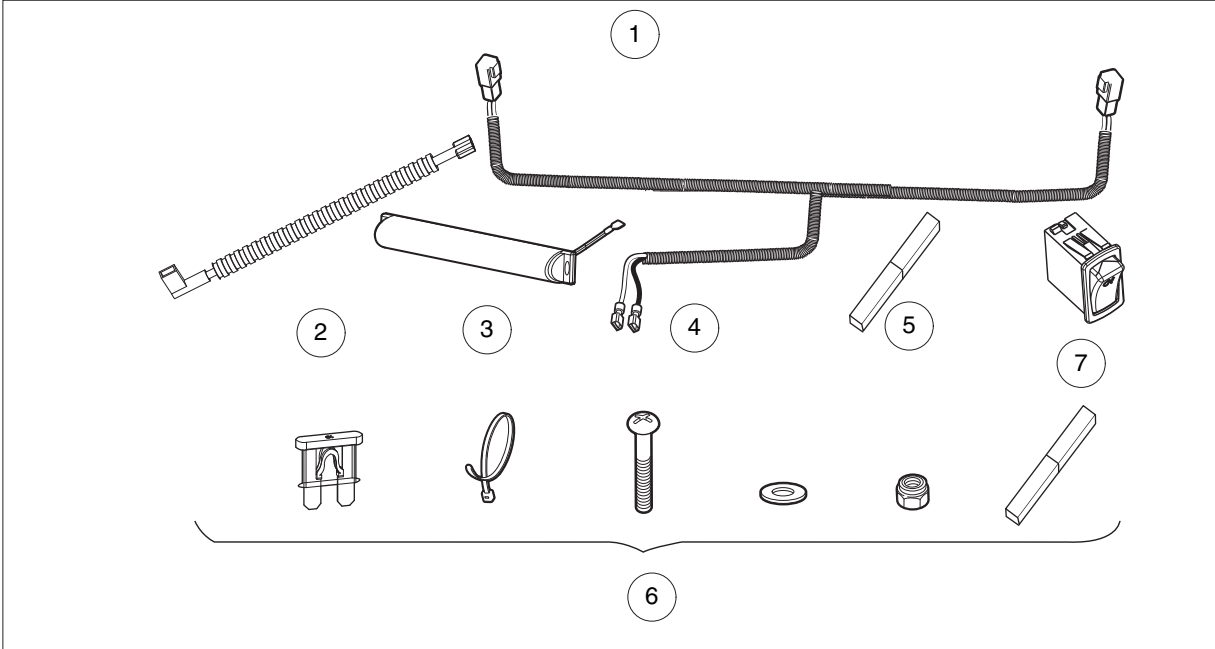
001189-001

# CAB – ELECTRICAL, WINDSHIELD WASHER

| ITEM | PART NO.         | DESCRIPTION   | QTY |
|------|------------------|---|-----|
|      |                  | 1 2 3 4   |     |
| 1    | <u>105098101</u> | Cab, Front Wiper, Washer Kit (includes items 2 through 7) ..... | 1   |
| 2    | <u>105180301</u> | Washer Tank Mount Plate .....                                   | 1   |
| 3    | <u>105180401</u> | Wash Tank Asm .....   | 1   |
| 4    | <u>105180501</u> | Wire Harness Sw To Pump .....                                   | 1   |
| 5    | <u>105180601</u> | Wire Harness Fb To Sw .....                                     | 1   |
| 6    | <u>105180701</u> | Hose 18x31x17ft .....   | 1   |
| 7    | <u>105180801</u> | Hardware Kit, Wiper Washer .....                                | 1   |

1  
G  
E

**1**  
**G**  
**E**



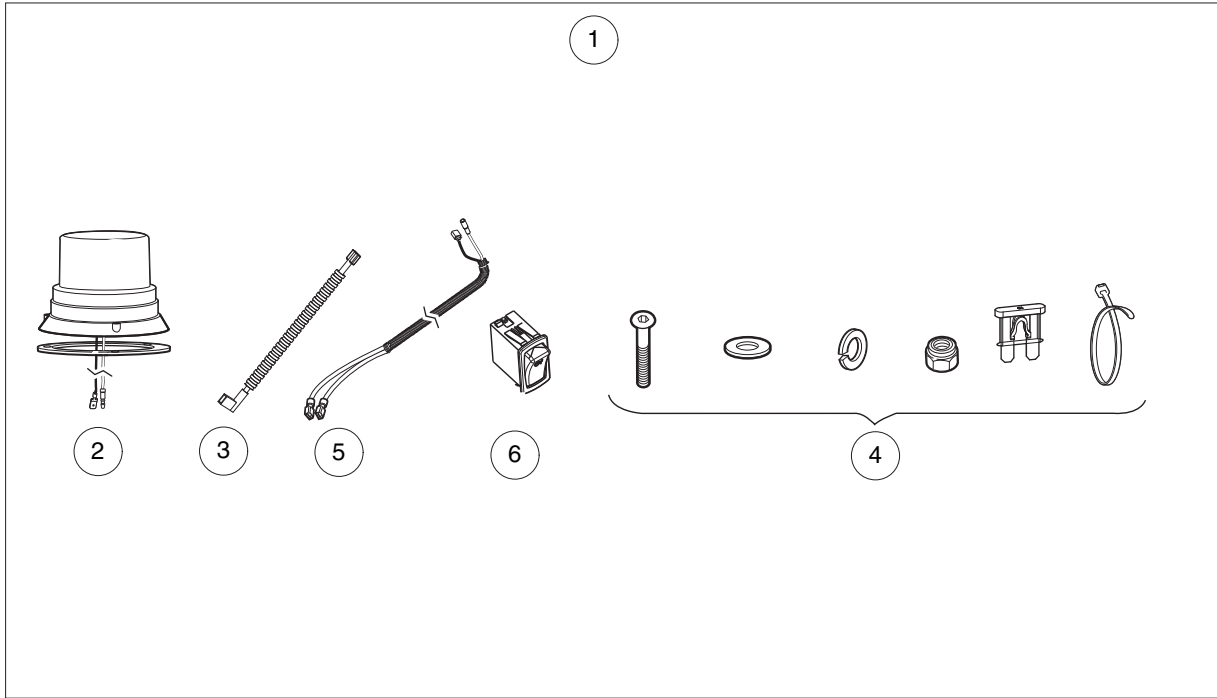
001191-001



## CAB – ELECTRICAL, WORK LIGHTS

| ITEM | PART NO.         | DESCRIPTION  | QTY |          |
|------|------------------|--|-----|----------|
|      |                  | 1 2 3 4  |     | <b>1</b> |
| 1    | <u>105098201</u> | Cab, Front Work Light Kit (includes items 2 through 7) ..... | 1   | <b>G</b> |
| 2    | <u>105180601</u> | Wire Harness Fb To Sw .....                                  | 1   | <b>E</b> |
| 3    | <u>105180901</u> | Cab Work Light Led .....                                     | 2   |          |
| 4    | <u>105181001</u> | Wire Harn Front WI .....                                     | 1   |          |
| 5    | <u>105181101</u> | Work Light Tape .....  | 2   |          |
| 6    | <u>105181301</u> | Hardware Kit, Work Light .....                               | 1   |          |
| 7    | <u>105183601</u> | Switch, Rocker, Front Work Light .....                       | 1   |          |
| 8    | <u>105098301</u> | Cab, Rear Work Light Kit (includes items 9 through 14) ..... | 1   |          |
| 9    | <u>105180601</u> | Wire Harness Fb To Sw .....                                  | 1   |          |
| 10   | <u>105180901</u> | Cab Work Light Led .....                                     | 2   |          |
| 11   | <u>105181101</u> | Work Light Tape .....  | 2   |          |
| 12   | <u>105181301</u> | Hardware Kit, Work Light .....                               | 1   |          |
| 13   | <u>105181401</u> | Wire Harn Rear WI .....                                      | 1   |          |
| 14   | <u>105181501</u> | Rocker Rear WI .....   | 1   |          |

**1**  
**G**  
**E**

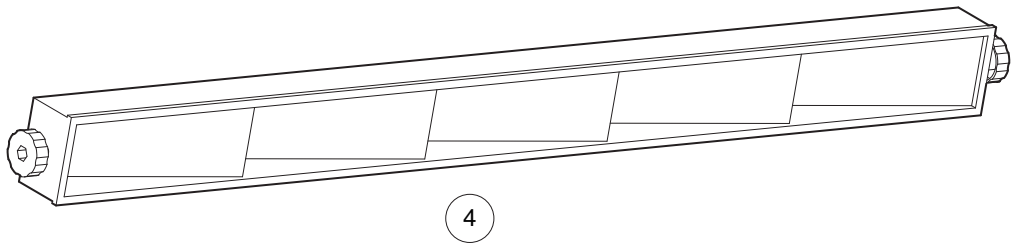
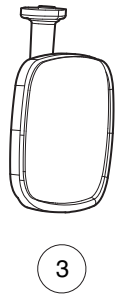
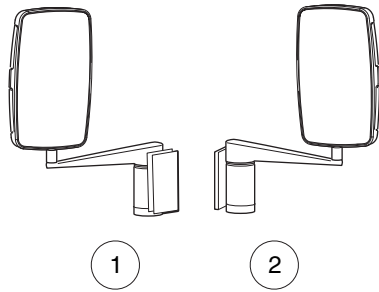


001192-001

# CAB – ELECTRICAL, WARNING BEACON

| ITEM | PART NO.         | DESCRIPTION  | QTY |
|------|------------------|--|-----|
|      |                  | 1 2 3 4  |     |
| 1    | <u>105098401</u> | Cab, Warning Beacon Kit (includes items 2 through 6) ..... | 1   |
| 2    | <u>104002101</u> | Light, Strobe, Amber .....                                 | 1   |
| 3    | <u>105180601</u> | Wire Harness Fb To Sw .....                                | 1   |
| 4    | <u>105181201</u> | Hardware Kit, Beacon Kit .....                             | 1   |
| 5    | <u>105181601</u> | Wire Harness Sw To Beac .....                              | 1   |
| 6    | <u>105183801</u> | Rocker Beacon .....  | 1   |

1  
G  
E



001198-001

# CAB – MIRRORS

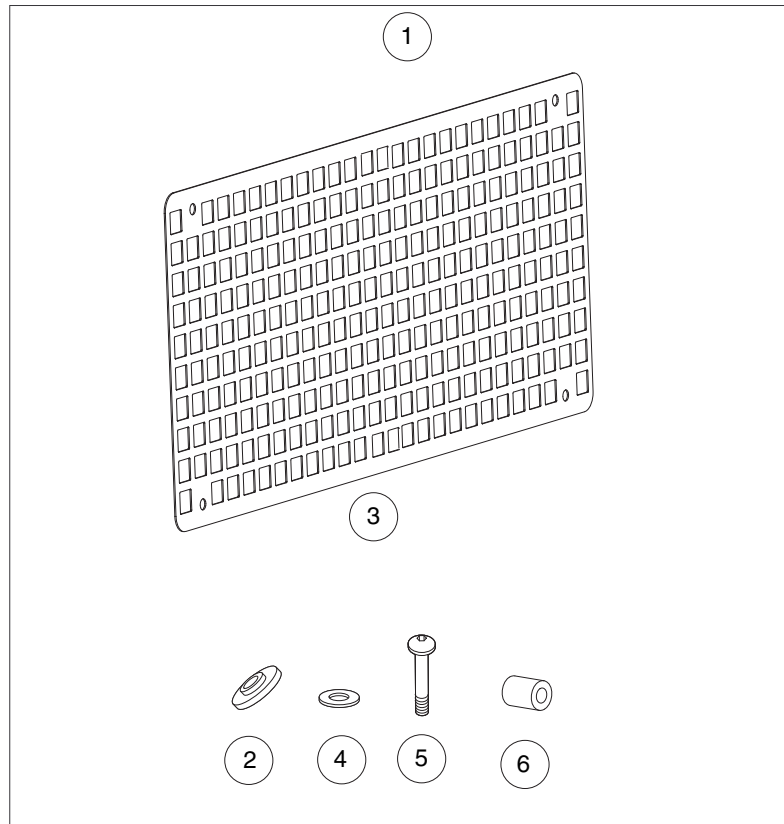
| ITEM | PART NO.         | DESCRIPTION                         | QTY |
|------|------------------|-------------------------------------|-----|
|      |                  | 1 2 3 4                             |     |
| 1    | <u>105098501</u> | Cab, Mirror, Left Hand Kit .....    | 1   |
| 2    | <u>105098502</u> | Cab Passenger Side Mirror Kit ..... | 1   |
| 3    | <u>105098701</u> | Cab, Mirror, Interior Kit .....     | 1   |
| 4    | <u>105289301</u> | Kit, Mirror, 5 Panel, Cab .....     | 1   |

1  
G  
E

1

G

E

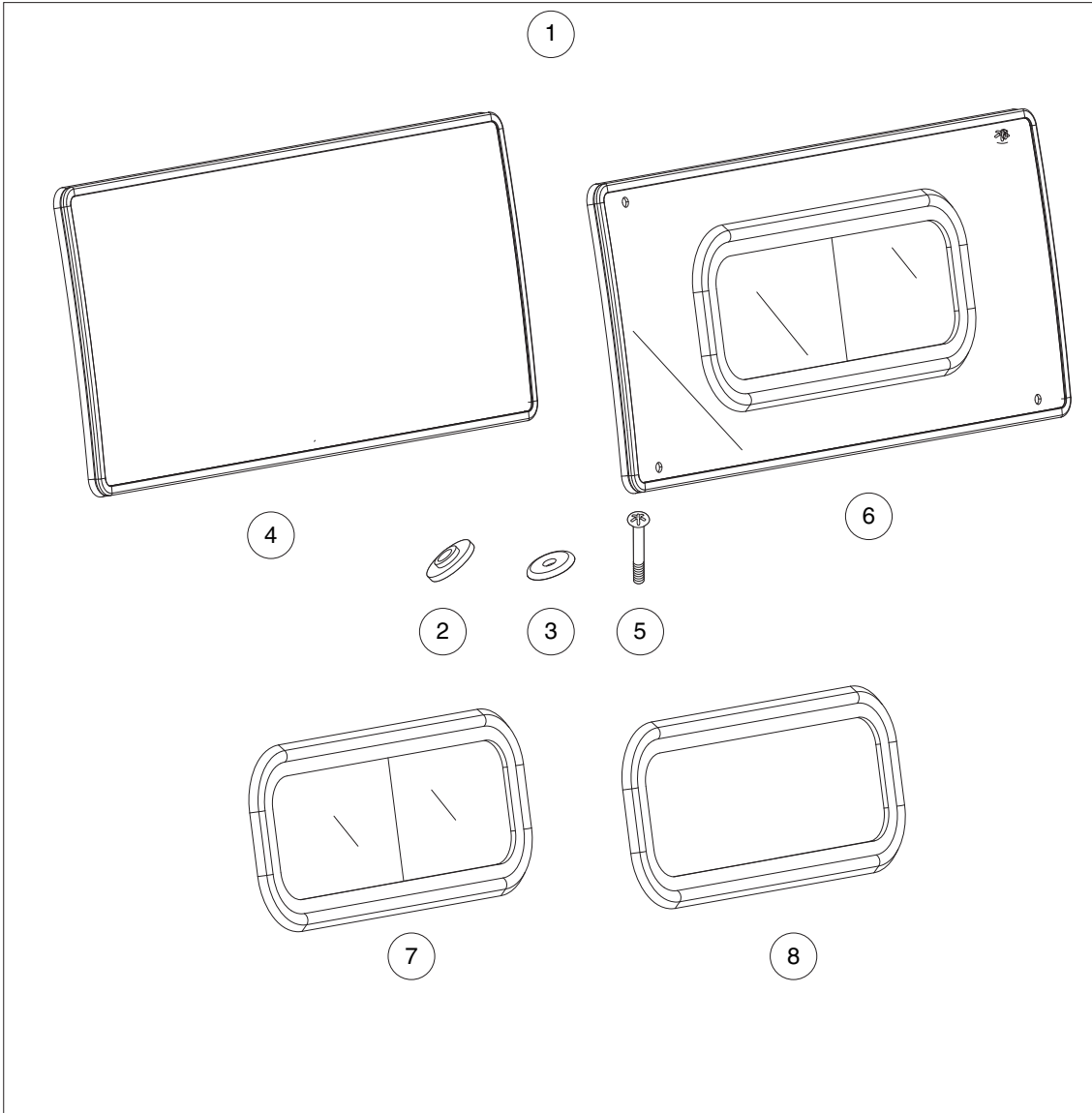


001185-004

## CAB – REAR WINDOW SCREEN

| ITEM | PART NO.    | DESCRIPTION  | QTY |
|------|-------------|--|-----|
|      |             | 1 2 3 4  |     |
| 1    | 47552864001 | Kit, Cab Rear Window Screen (includes items 2 through 6) ..... | 1   |
| 2    | 47553013001 | Washer, Rubber, 5/16 ID-1-1/4 OD in. ....                      | 4   |
| 3    | 47554387001 | Rear Window Screen, Cab .....                                  | 1   |
| 4    | 47554388001 | Washer, Flat, 11/35 x 1-1/4 in. ....                           | 4   |
| 5    | 47554389001 | Screw, Pan-Head, Torx, 5/16-18 x 2-1/2 in. ....                | 4   |
| 6    | 47554390001 | Spacer, 3/8 x 1 in. ....                                       | 4   |

**1**  
**G**  
**E**



001185-003

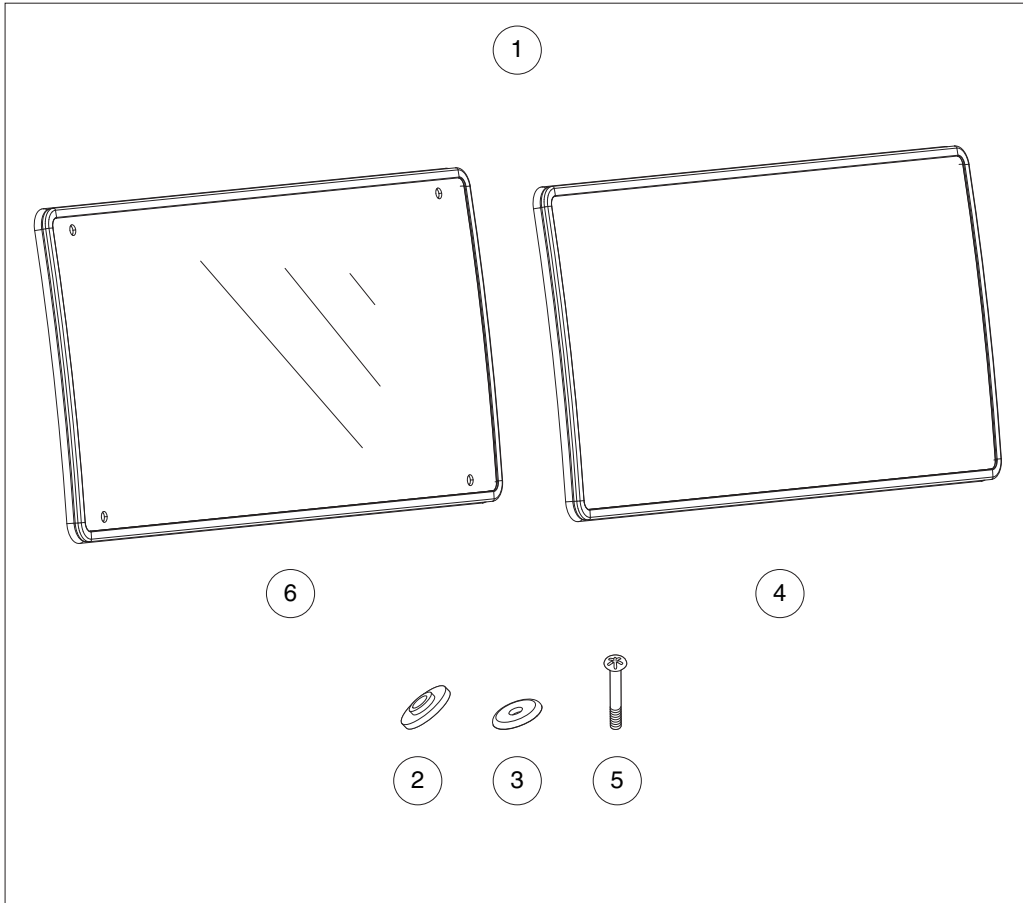


# CAB – REAR WINDOW WITH SLIDER

| ITEM | PART NO.           | DESCRIPTION   | QTY |
|------|--------------------|---|-----|
|      |                    | 1 2 3 4   |     |
| 1    | <u>47552863001</u> | Kit, Cab Rear Window with Slider (includes items 2 through 8) ..... | 1   |
| 2    | <u>47553013001</u> | Washer, Rubber, 5/16 ID-1-1/4 OD in. ....                           | 12  |
| 3    | <u>47553014001</u> | Washer, Chamfered, 5/16 ID-1-1/4 OD in. ....                        | 4   |
| 4    | <u>47553024001</u> | Seal, Window Trim, Tempered .....                                   | 1   |
| 5    | <u>47553026001</u> | Screw, Pan-Head Torx, 5/16-18 x 1-1/2 in. ....                      | 4   |
| 6    | <u>47554309001</u> | Asm, Rear Window with Slider Window and Seal .....                  | 1   |
| 7    | <u>47554310001</u> | Rear Slider Window with Seal, Cab .....                             | 1   |
| 8    | <u>47554311001</u> | Seal, Rear Slider Window, Cab .....                                 | 1   |

1  
G  
E

**1**  
**G**  
**E**



001185-002

# CAB – REAR WINDOW, ONE-PIECE

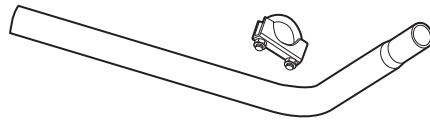
| ITEM | PART NO.           | DESCRIPTION   | QTY |
|------|--------------------|---|-----|
|      |                    | <b>1 2 3 4</b>  |     |
| 1    | <u>47552862001</u> | Kit, Cab Rear Window (includes items 2 through 6) ..... | 1   |
| 2    | <u>47553013001</u> | Washer, Rubber, 5/16 ID-1-1/4 OD in. ....               | 12  |
| 3    | <u>47553014001</u> | Washer, Chamfered, 5/16 ID-1-1/4 OD in. ....            | 4   |
| 4    | <u>47553024001</u> | Seal, Window Trim, Tempered .....                       | 1   |
| 5    | <u>47553026001</u> | Screw, Pan-Head Torx, 5/16-18 x 1-1/2 in. ....          | 4   |
| 6    | <u>47553950001</u> | Rear Window with Seal, One-Piece .....                  | 1   |

**1**  
**G**  
**E**

1

G

E



1

001199-001

# CAB – EXHAUST

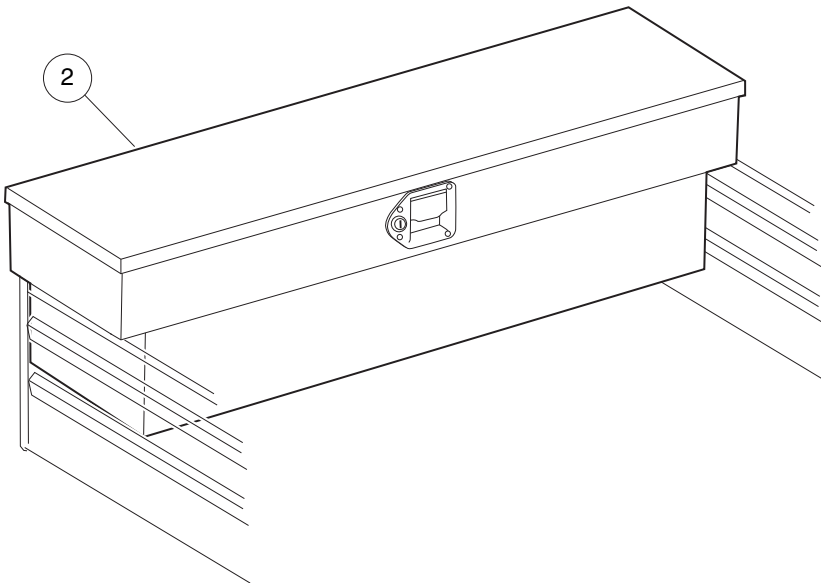
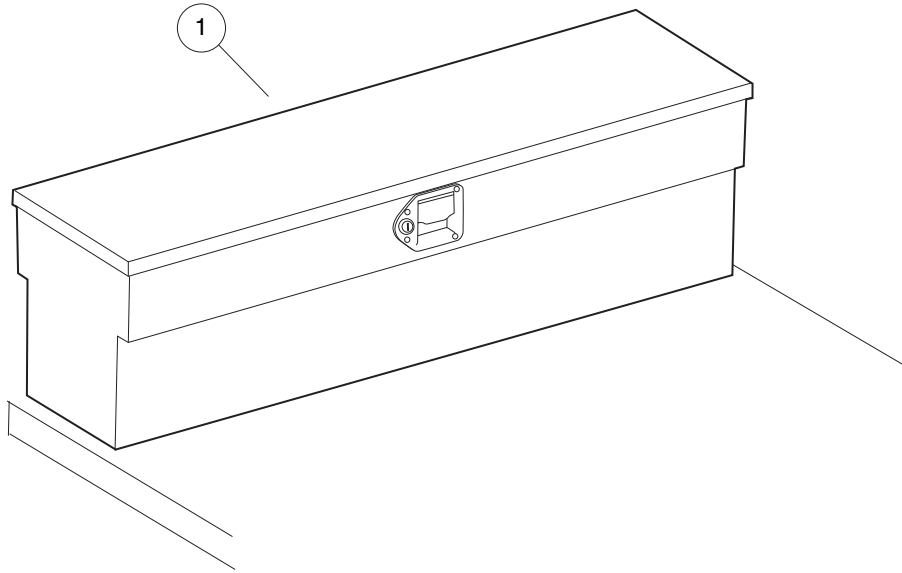
| ITEM | PART NO.         | DESCRIPTION   | QTY |
|------|------------------|---|-----|
| 1    | <u>105143401</u> | <div style="display: flex; justify-content: space-between; margin-bottom: 5px;"> <span>1</span> <span>2</span> <span>3</span> <span>4</span> </div> Kit, Exhaust Extension, 400cc ..... | 1   |

**1**

**G**

**E**

**1**  
**G**  
**E**



001157-001

# TOOLBOXES

| ITEM | PART NO.         | DESCRIPTION                        | QTY |
|------|------------------|------------------------------------|-----|
| 1    | <u>101837401</u> | 1 2 3 4<br>Toolbox, Flat Bed ..... | 1   |
| 2    | <u>101837502</u> | Toolbox, Box Bed .....             | 1   |

**1**  
**G**  
**E**

**1**

**G**

**E**



# WHEELS AND TIRES

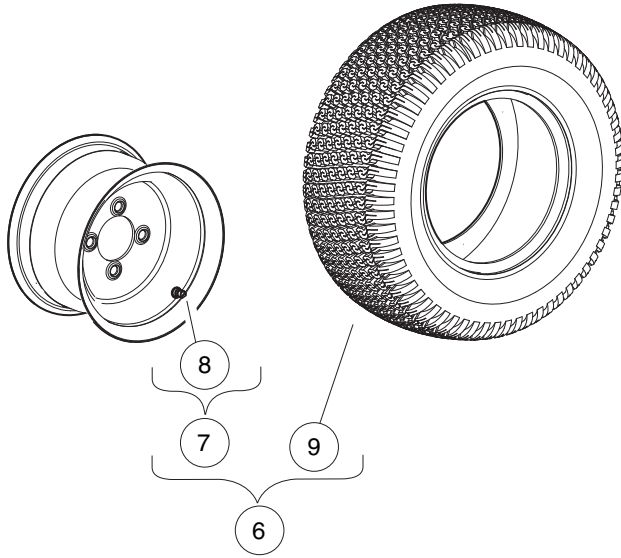
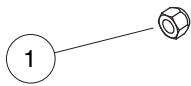
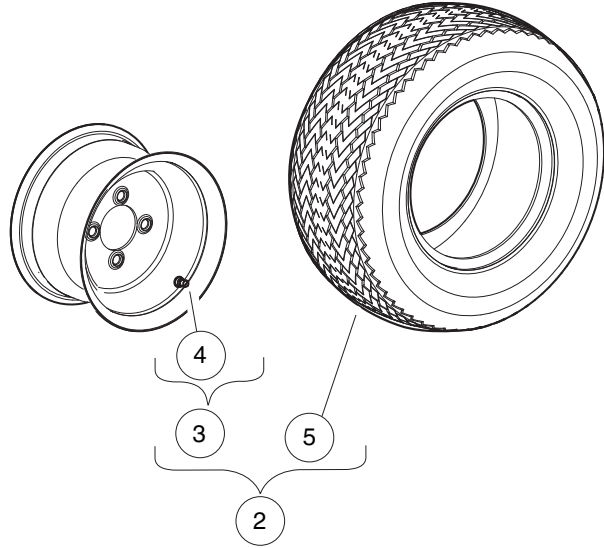
---

2

G

E

**2**  
**G**  
**E**



001320-001

# 10 INCH WHEELS AND 20 INCH TIRES

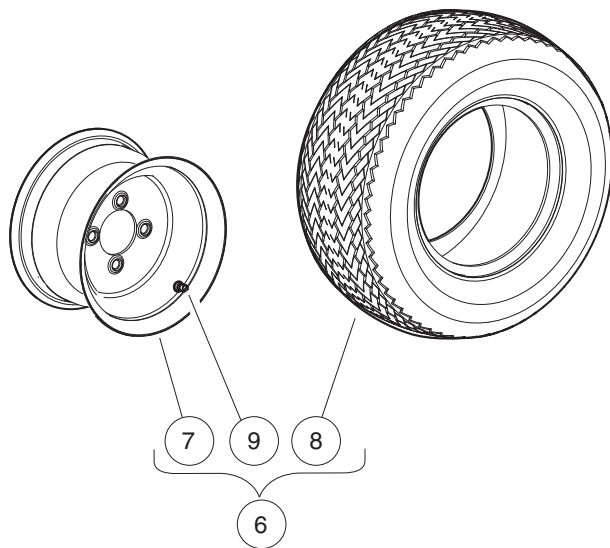
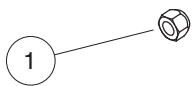
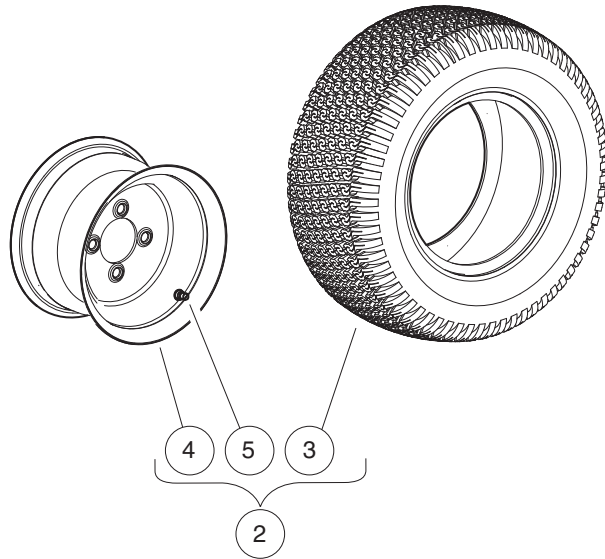
| ITEM | PART NO.         | DESCRIPTION  | QTY |
|------|------------------|--|-----|
|      |                  | 1 2 3 4  |     |
| 1    | <u>1010984</u>   | .500-20 Unf Lug Nut .....  | 16  |
| 2    | <u>105078809</u> | Asm,whl,hn1,20x10-10,6pl (includes items 3 through 5) .....                | 4   |
| 3    | <u>105079204</u> | Wheel, 10"x6", Gray, 0 Offset, RR, with Valve Stem (includes item 4) ..... | 1   |
| 4    | <u>105078901</u> | Valve Stem, Kenda, Tr 412 .....  | 1   |
| 5    | <u>105079301</u> | Tire, Hole-n-1, 20x10-10, 6pl .....  | 1   |
| 6    | <u>105078810</u> | Asm,whl,st,20x10-10,6pl (includes items 7 through 9) .....                 | 4   |
| 7    | <u>105079204</u> | Wheel, 10"x6", Gray, 0 Offset, RR, with Valve Stem (includes item 8) ..... | 1   |
| 8    | <u>105078901</u> | Valve Stem, Kenda, Tr 412 .....  | 1   |
| 9    | <u>105079401</u> | Tire, Superturf, 20x10-10, 6pl .....                                       | 1   |

**2**  
**G**  
**E**

2

G

E

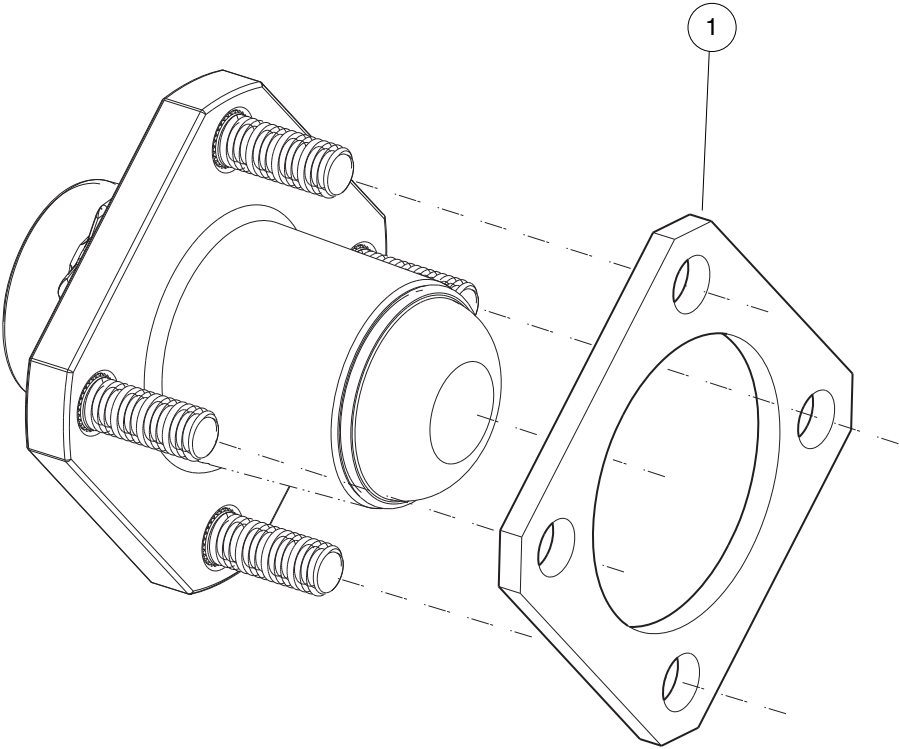


001320-002

# 8 INCH WHEELS AND 18 INCH TIRES – VEHICLES WITH SMALL-WHEEL TURF PACKAGE

| ITEM | PART NO.         | DESCRIPTION   | QTY |
|------|------------------|---|-----|
|      |                  | 1 2 3 4   |     |
| 1    | <u>1010984</u>   | .500-20 Unf Lug Nut .....   | 16  |
| 2    | <u>103951002</u> | Assembly, Silver Wheel Kenda, X/t 6ply (includes items 3 through 5) ..... | 4   |
| 3    | <u>102569302</u> | Tire, Kenda, 18x8.5-8, 6-ply Xtr .....                                    | 1   |
| 4    | <u>103459104</u> | Wheel Rim, 8"x7", Silver, Std .....                                       | 1   |
| 5    | <u>7310</u>      | Valve Stem, Black Plastic .....   | 1   |
| 6    | <u>103951003</u> | Asm,silver Whl Kenda, Hn1 6pl (includes items 7 through 9) .....          | 4   |
| 7    | <u>103459104</u> | Wheel Rim, 8"x7", Silver, Std .....                                       | 1   |
| 8    | <u>103658601</u> | Tire, Kenda Hn1, 6pl .....  | 1   |
| 9    | <u>7310</u>      | Valve Stem, Black Plastic .....   | 1   |

2  
G  
E

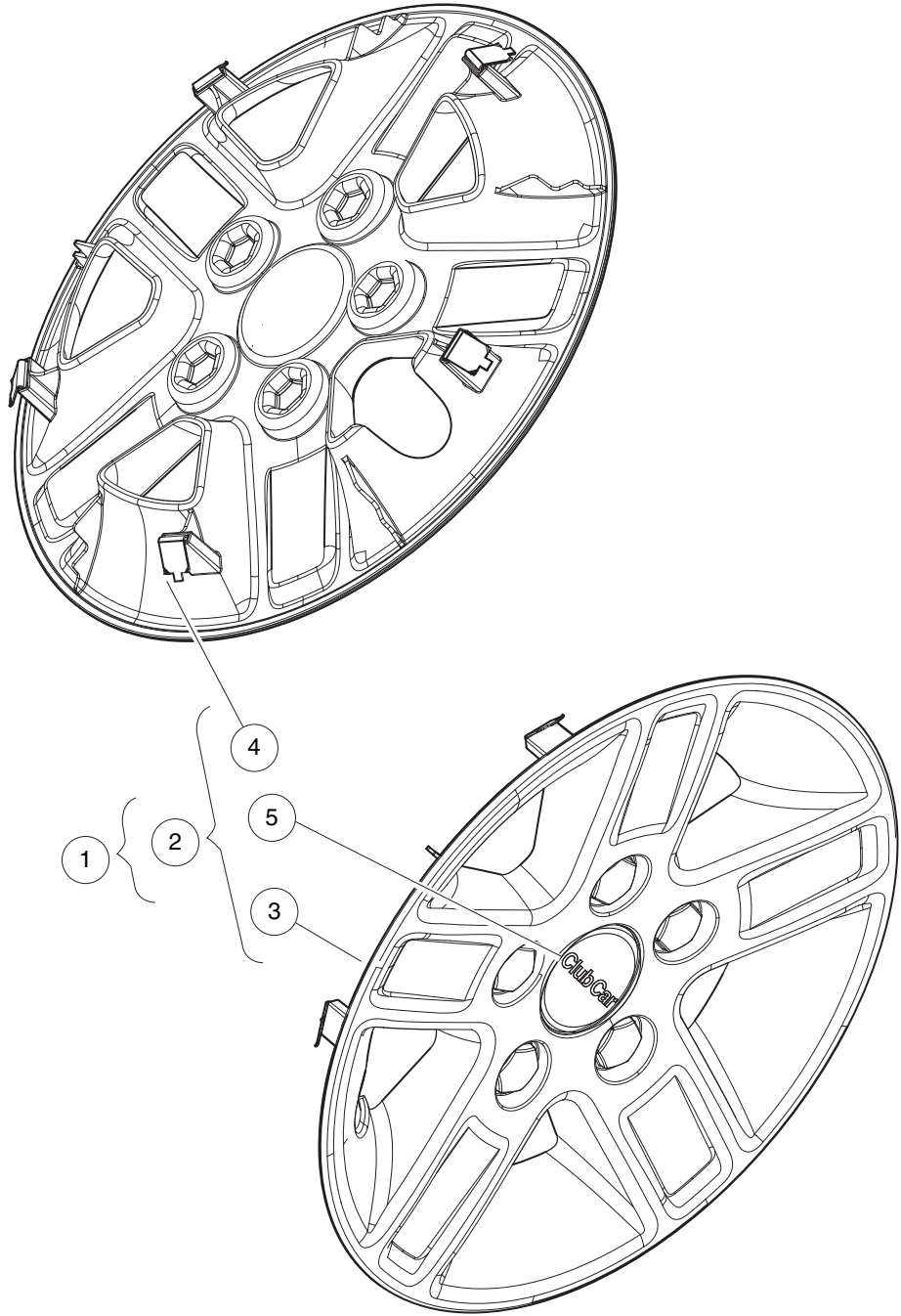


001322-001

# FRONT WHEEL SPACER PLATE

| ITEM | PART NO.         | DESCRIPTION                                  | QTY |
|------|------------------|--|-----|
| 1    | <u>105243301</u> | 1 2 3 4<br>Plate, Spacer, Wheel, Front ..... | 2   |

2  
G  
E



001350-002



# WHEEL COVERS

| ITEM | PART NO.         | DESCRIPTION   | QTY |
|------|------------------|---|-----|
|      |                  | 1 2 3 4   |     |
| 1    | <u>105106501</u> | Kit, Wheel Cover, 10x6" (includes item 2) .....                   | 1   |
| 2    | <u>105106301</u> | Asm, Whl Cover, 5 Spoke, 10x6" (includes items 3 through 5) ..... | 4   |
| 3    | N/A              | Wheel Cover, 5 Spoke, 10x7" .....                                 | 1   |
| 4    | 105106101        | Wheel Cover, Clip .....   | 5   |
| 5    | 105106201        | Decal, Wheel Cover, Club Car .....                                | 1   |

2

G

E

**2**

**G**

**E**

# DECALS

---

3

G

E

**⚠ WARNING**

Unintended vehicle movement may cause severe injury or death. Before using vehicle, read owner's manual and vehicle safety warnings.

Before leaving vehicle:

- Engage park brake to lock wheels.
- Place vehicle in NEUTRAL.
- Turn key to OFF and remove key.

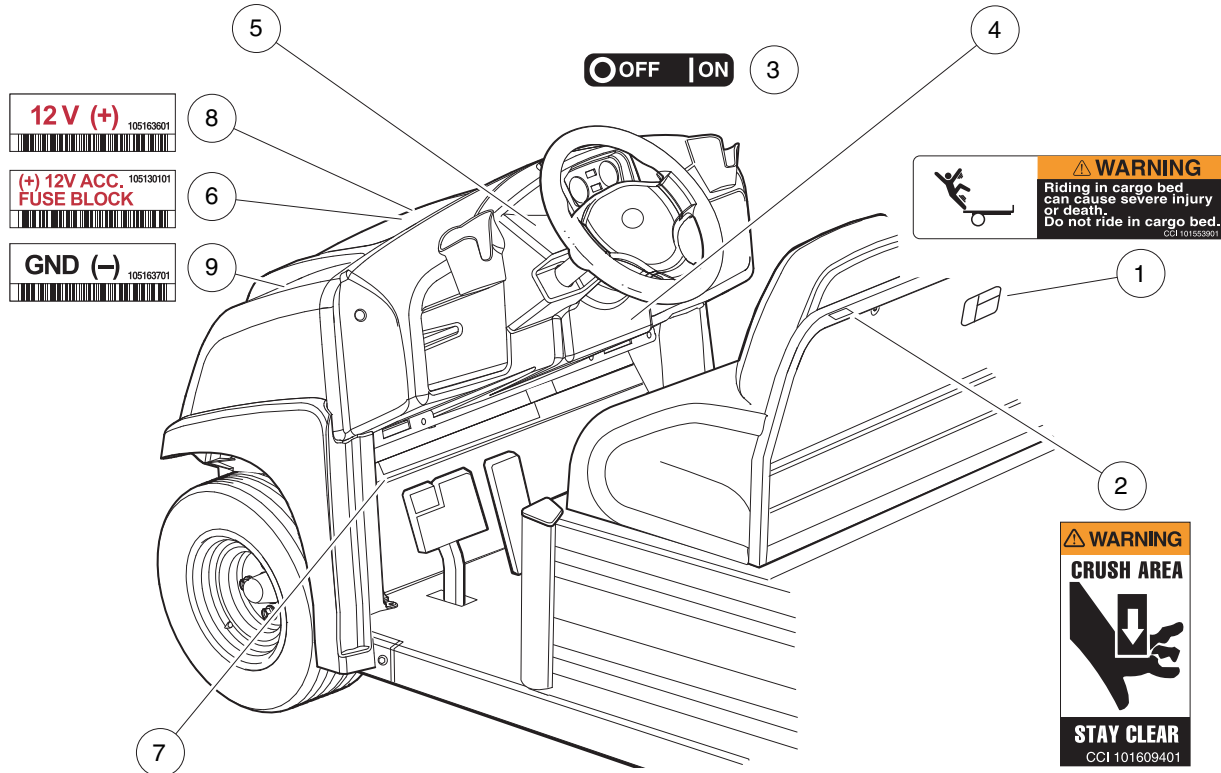
105046101

**⚠ WARNING**

**UNINTENDED MOVEMENT, ROLLOVER, OR FALLING OUT CAN CAUSE SERIOUS INJURY OR DEATH.**

- Vehicle to be operated by licensed and authorized persons only.
- Use in authorized areas only. Do not operate on public roads.
- One (1) person per bucket seat maximum.
- Two (2) persons per bench seat maximum.
- Operate from driver's seat only.
- Do not start vehicle until all occupants are fully seated.
- Drive slowly in turns and straight up and down slopes.
- Remain fully seated while moving.
- Hold on and keep entire body inside vehicle while moving.
- Never attempt jumps and avoid extreme braking in reverse.
- Do not leave children unattended in vehicle at any time.
- Children requiring a child safety seat must not ride in vehicle.
- Never operate under the influence of alcohol or drugs.

104026801



**VEHICLE LOADING**

Read owner's manual and warnings on dash.

- Vehicle rated capacity: 800 lb (363 kg) on level surface only.
- Includes occupants and cargo load.
- Maximum cargo load: 300 lb (136 kg)
- Includes cargo, bed load, and optional equipment.
- Vehicle combination rated capacity: 800 lb (363 kg)
- Includes vehicle rated capacity and gross trailer weight.

**⚠ WARNING**

**ROLLOVER CAN CAUSE SERIOUS INJURY OR DEATH.**

- Place cargo forward in the cargo bed and distribute evenly side to side. Secure load.
- On uneven or steep terrain, reduce speed and load.
- Avoid stopping on or backing down steep hills.
- Avoid top-heavy loads.

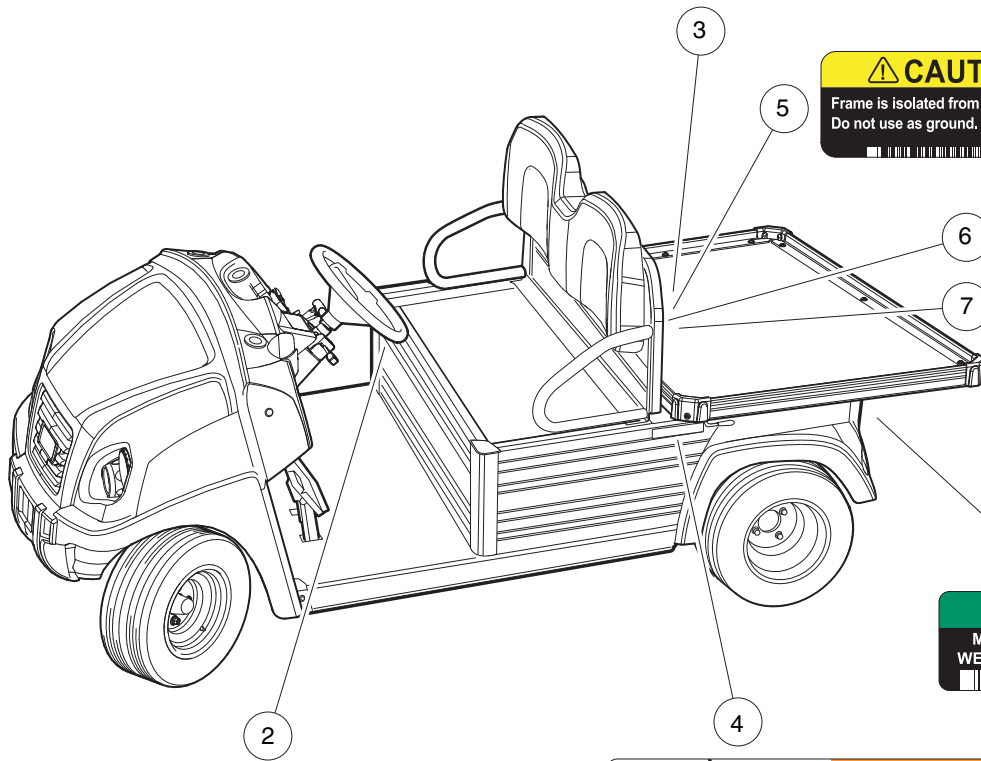
105137101

2773

## DECALS - ELECTRIC VEHICLE

| ITEM | PART NO.         | DESCRIPTION                         | QTY |
|------|------------------|-------------------------------------|-----|
|      |                  | 1 2 3 4                             |     |
| 1    | <u>101553901</u> | Decal, Bed Load Warning .....       | 1   |
| 2    | <u>101609401</u> | Decal, Crush Area Warning .....     | 1   |
| 3    | <u>101825101</u> | Decal, Off/On .....                 | 1   |
| 4    | <u>104026801</u> | Decal, Oc, Warning, Ca .....        | 1   |
| 5    | <u>105046101</u> | Decal, Op, Instructions, Ca .....   | 1   |
| 6    | <u>105130101</u> | Decal, Fuse Block, Acc, 12v .....   | 1   |
| 7    | <u>105137101</u> | Decal, Vehicle Loading, 800lb ..... | 1   |
| 8    | <u>105163601</u> | Decal, 12v (+) .....                | 1   |
| 9    | <u>105163701</u> | Decal, Gnd (-) .....                | 1   |

3  
G  
E



**NOTICE**  
Do not operate vehicle without this cover properly installed.  
Do not direct water stream in this area, will cause damage to components.  
See vehicle maintenance and service manual before servicing. CCI 101931501

**CAUTION**  
Frame is isolated from power system.  
Do not use as ground.  
105124701

**(+ 48V ACC. FUSE BLOCK** 105130001

**GND (-)** 105163701

**NOTICE**  
MAXIMUM TONGUE WEIGHT-150 lb. (667 N)  
1011553

**WARNING** TOW RUN  
Place Tow/Run switch in TOW position before:  
• Disconnecting or connecting batteries  
• Towing  
• Extended storage  
• Servicing  
**FAILURE TO HEED THIS WARNING COULD RESULT IN A BATTERY EXPLOSION OR SEVERE PERSONAL INJURY.**  
CCI 101908001

**LATCH** **OPEN** **WARNING**  
Crush area. Can cause severe injury.  
Stay clear when closing bed.  
CCI 102455001

2774

## DECALS – ELECTRIC CARRYALL 300, CONTINUED

| ITEM | PART NO.         | DESCRIPTION                          | QTY |
|------|------------------|--------------------------------------|-----|
|      |                  | 1 2 3 4                              |     |
| 1    | <u>1011553</u>   | Decal, Trailer Hitch .....           | 1   |
| 2    | <u>101908601</u> | Decal, Tow/Run Switch Warning .....  | 1   |
| 3    | <u>101931501</u> | Decal, Component Cover .....         | 1   |
| 4    | <u>102459301</u> | Decal, Bed Crush Area Warning .....  | 1   |
| 5    | 105124701        | Decal, Caution, Not Use As Gnd ..... | 1   |
| 6    | 105130001        | Decal, Fuse Block, Acc, 48v .....    | 1   |
| 7    | <u>105163701</u> | Decal, Gnd (-) .....                 | 1   |

**3**  
**G**  
**E**

**WARNING**

Unintended vehicle movement may cause severe injury or death. Before using vehicle, read owner's manual and vehicle safety warnings.

Before leaving vehicle:

- Engage park brake to lock wheels.
- Place vehicle in NEUTRAL.
- Turn key to OFF and remove key.

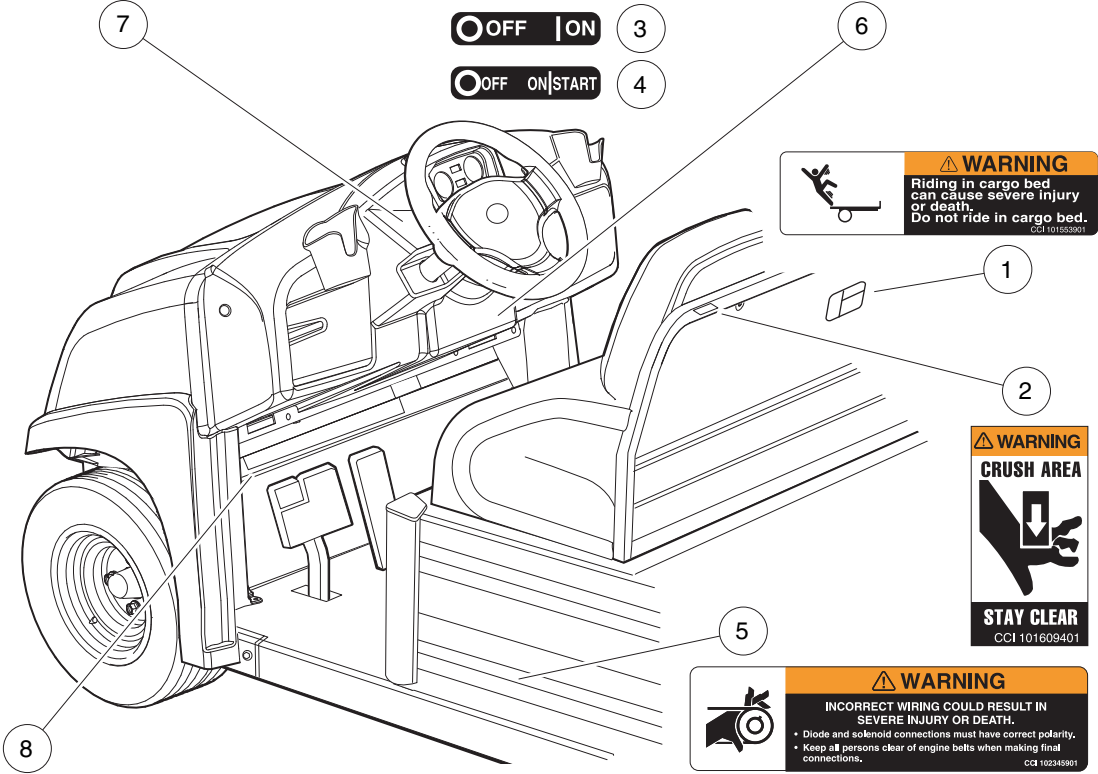
105046101

**WARNING**

**UNINTENDED MOVEMENT, ROLLOVER, OR FALLING OUT CAN CAUSE SERIOUS INJURY OR DEATH.**

- Vehicle to be operated by licensed and authorized persons only.
- Use in authorized areas only. Do not operate on public roads.
- One (1) person per bucket seat maximum.
- Two (2) persons per bench seat maximum.
- Operate from driver's seat only.
- Do not start vehicle until all occupants are fully seated.
- Drive slowly in turns and straight up and down slopes.
- Remain fully seated while moving.
- Hold on and keep entire body inside vehicle while moving.
- Never attempt jumps and avoid extreme braking in reverse.
- Do not leave children unattended in vehicle at any time.
- Children requiring a child safety seat must not ride in vehicle.
- Never operate under the influence of alcohol or drugs.

104025901



**VEHICLE LOADING**

Read owner's manual and warnings on dash.

- Vehicle rated capacity: 800 lb (363 kg) on level surface only.
- Includes occupants and cargo load.
- Maximum cargo load: 300 lb (136 kg)
- Includes cargo, bed load, and optional equipment.
- Vehicle combination rated capacity: 800 lb (363 kg)
- Includes vehicle rated capacity and gross trailer weight.

**WARNING**

**ROLLOVER CAN CAUSE SERIOUS INJURY OR DEATH.**

- Place cargo forward in the cargo bed and distribute evenly side to side. Secure load.
- On uneven or steep terrain, reduce speed and load.
- Avoid stopping on or backing down steep hills.
- Avoid top-heavy loads.

105137101

2775



## DECALS – GASOLINE CARRYALL 300

| ITEM | PART NO.         | DESCRIPTION                         | QTY |
|------|------------------|-------------------------------------|-----|
|      |                  | 1 2 3 4                             |     |
| 1    | <u>101553901</u> | Decal, Bed Load Warning .....       | 1   |
| 2    | <u>101609401</u> | Decal, Crush Area Warning .....     | 1   |
| 3    | <u>101825101</u> | Decal, Off/On .....                 | 1   |
| 4    | <u>101825102</u> | Decal, Off/On/Start .....           | 1   |
| 5    | <u>102345901</u> | Decal, Diode Safety .....           | 1   |
| 6    | <u>104026801</u> | Decal, Oc, Warning, Ca .....        | 1   |
| 7    | <u>105046101</u> | Decal, Op, Instructions, Ca .....   | 1   |
| 8    | <u>105137101</u> | Decal, Vehicle Loading, 800lb ..... | 1   |

3  
G  
E

**WARNING**

**GASOLINE EXPLOSION / FIRE CAN CAUSE SERIOUS INJURY OR DEATH**

- No sparks or open flame near fuel or fuel tank.
- No smoking near fuel or fuel tank.
- Stop engine and allow to cool before refueling.
- Do not disconnect pressurized fuel lines.

105082301

**WARNING**

**GASOLINE EXPLOSION / FIRE CAN CAUSE SERIOUS INJURY OR DEATH.**

- No sparks or open flame near fuel or fuel tank.
- No smoking near fuel or fuel tank.
- Stop engine and allow to cool before refueling.

105084701

**WARNING**

**CAN CAUSE SEVERE BURNS**

Hot Surface

102466001

**WARNING**

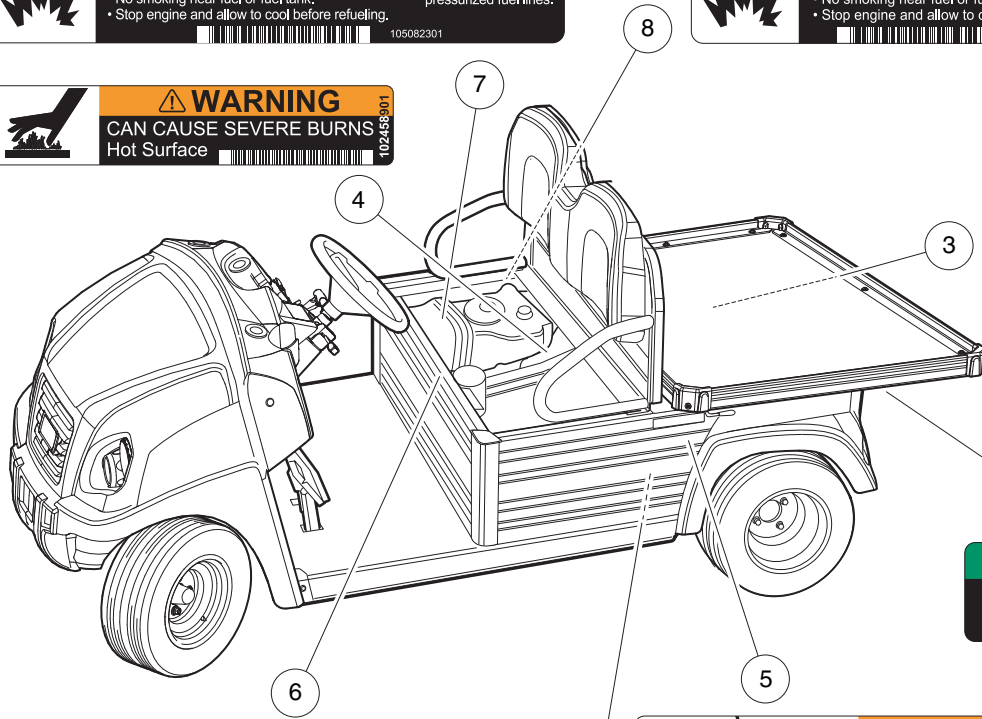
**CAN CAUSE SEVERE INJURY**

Rotating parts

HOT manifold & muffler

KEEP CLEAR

CCI 101960501



**NOTICE**

**MAXIMUM TONGUE WEIGHT—150 lb. (667 N)**

1011553

Maintenance Operate

**WARNING**

**VEHICLE MOVEMENT MAY CAUSE SERIOUS INJURY**

When switch is in Maintenance position, chock wheels and firmly set park brake.

CCI 103205501

LATCH OPEN

**WARNING**

Crush area. Can cause severe injury. Stay clear when closing bed.

CCI 102493001

**WARNING**

Negative frame ground. Can cause severe injury. Do not contact positive (+) battery post or cable to frame. Disconnect negative battery lead first.

**WARNING**

Excessive speed. Can cause severe injury or death. Do not tamper with engine governor adjustment.

CCI 101915201

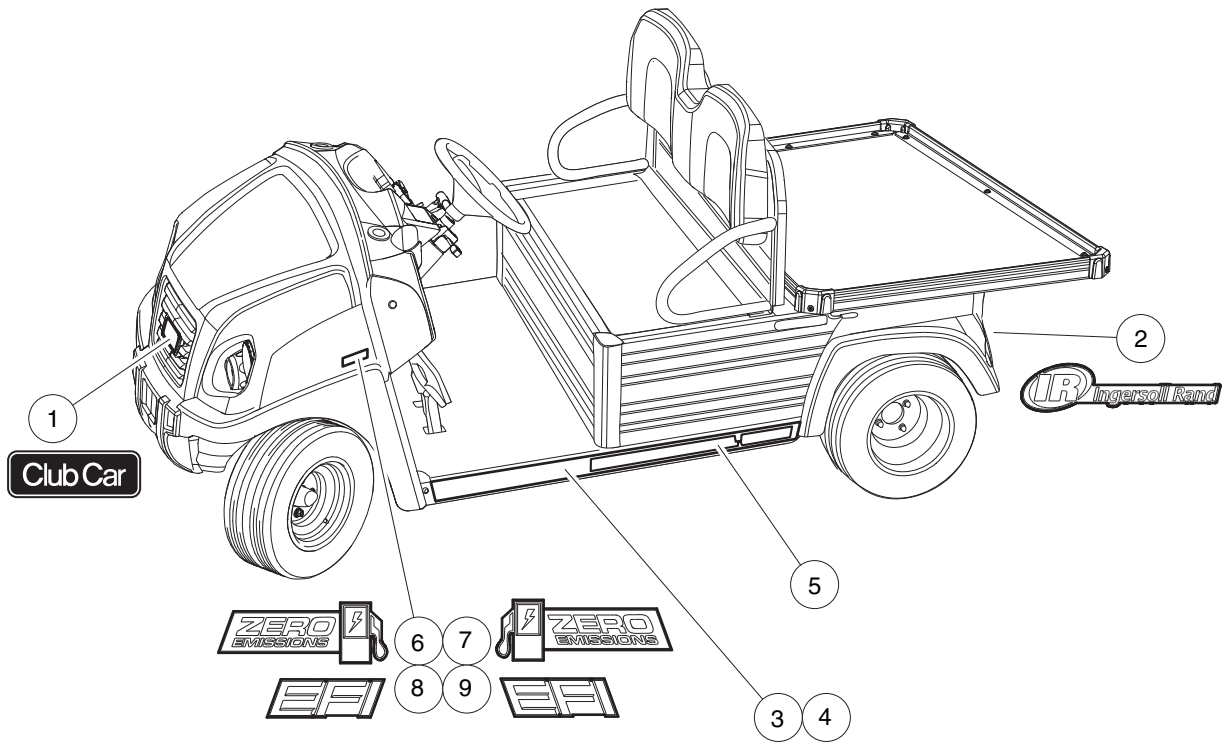
2776

## DECALS – GASOLINE CARRYALL 300, CONTINUED

| ITEM | PART NO.         | DESCRIPTION                                    | QTY |
|------|------------------|--|-----|
|      |                  | 1 2 3 4  |     |
| 1    | <u>1011553</u>   | Decal, Trailer Hitch .....                     | 1   |
| 2    | <u>101915201</u> | Decal, Frame Ground and Governor Warning ..... | 1   |
| 3    | <u>101960501</u> | Decal, Rotating Parts/Hot Manifold .....       | 1   |
| 4    | <u>102458901</u> | Decal, Hot Surface Warning .....               | 1   |
| 5    | <u>102459301</u> | Decal, Bed Crush Area Warning .....            | 1   |
| 6    | <u>103205501</u> | Decal, Maintenance/Operate Switch .....        | 1   |
| 7    | <u>105082301</u> | Decal, Warn, Gas Pressure .....                | 1   |
| 8    | <u>105084701</u> | Decal, Warn Gas Side Fill .....                | 1   |

**3**  
**G**  
**E**

**3**  
**G**  
**E**



001025-001

## BADGING DECALS – CARRYALL 300

| ITEM | PART NO.         | DESCRIPTION                          | QTY |
|------|------------------|--------------------------------------|-----|
|      |                  | 1 2 3 4                              |     |
| 1    | <u>102883601</u> | Decal, Nameplate, CCI, Front .....   | 1   |
| 2    | <u>103234304</u> | Decal, Badge, Ir, Red .....          | 1   |
| 3    | <u>105115001</u> | Decal, Side Stringer, Short .....    | 1   |
| 4    | 105115004        | Decal, R Side Stringer, Short .....  | 1   |
| 5    | 105152401        | Decal, Branding, Ca 300 .....        | 2   |
| 6    | <u>105153201</u> | Decal, Zero Emission Vhcle, Lh ..... | 1   |
| 7    | <u>105153202</u> | Decal, Zero Emission Vhcle, Rh ..... | 1   |
| 8    | <u>105153301</u> | Decal, Efi, Italic, Lh .....         | 1   |
| 9    | <u>105153302</u> | Decal, Efi, Italic, Rh .....         | 1   |

3  
G  
E

**3**

**G**

**E**

# LIGHTS, CONTROLS, AND INDICATORS

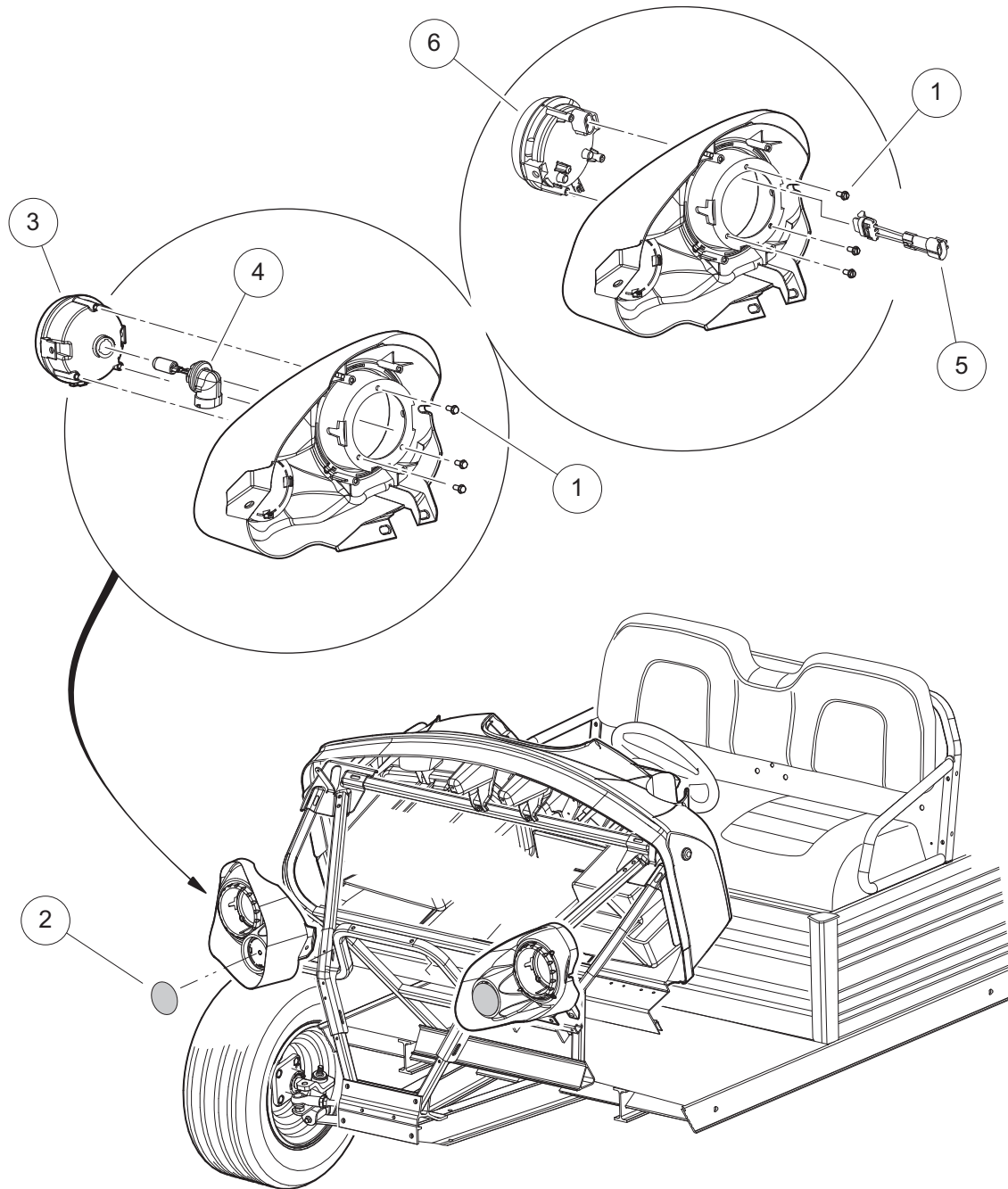
---

4

G

E

**4**  
**G**  
**E**



001370-002

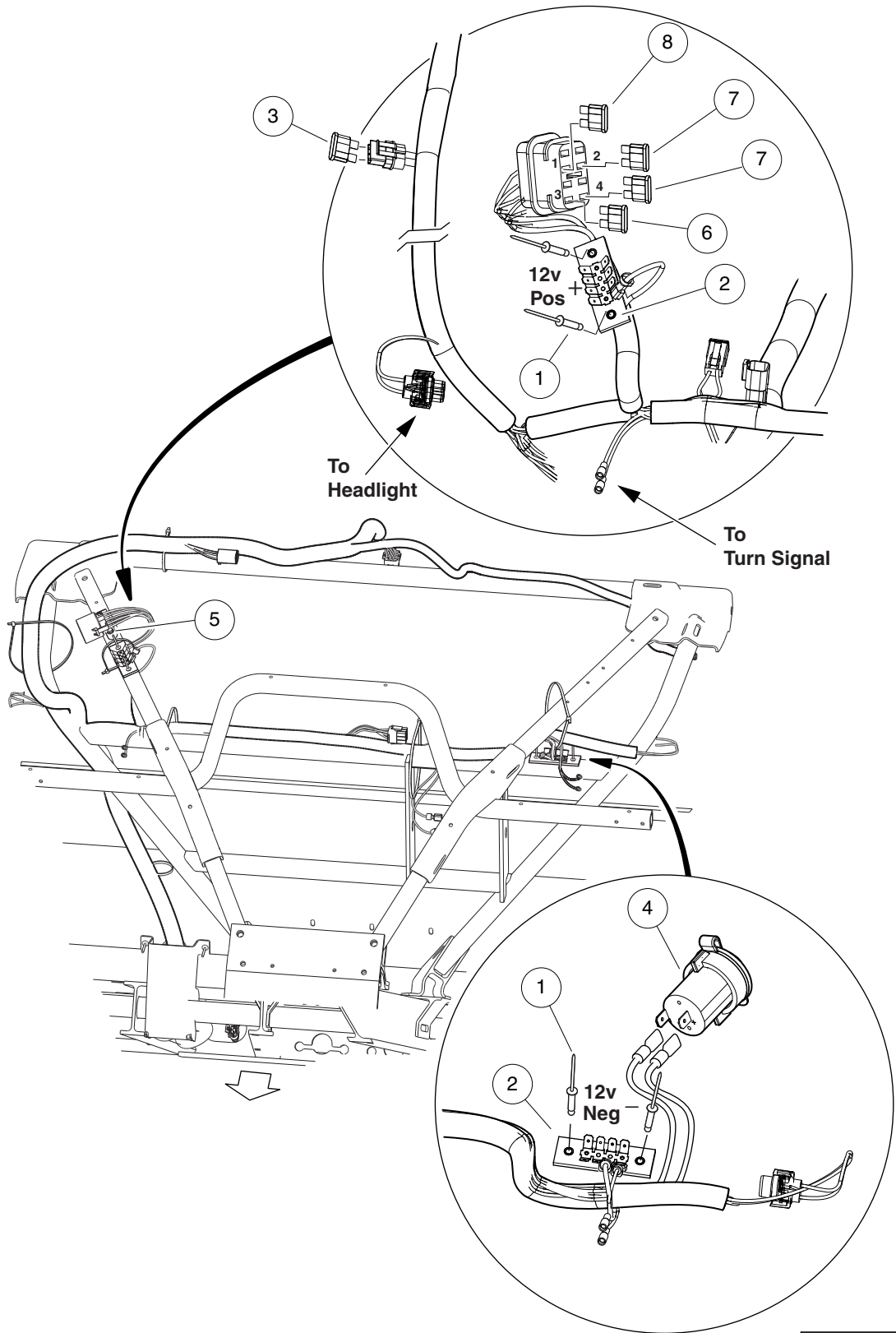


# HEADLIGHTS

| ITEM | PART NO.           | DESCRIPTION  | QTY |
|------|--------------------|--|-----|
|      |                    | 1 2 3 4  |     |
| 1    | <u>101850301</u>   | Screw, #12-16 X 0.50 Washer-Head Hi-Lo .....               | 6   |
| 2    | <u>105036801</u>   | Reflector, Decal, 3.20", Amber .....                       | 2   |
| 3    | <u>105073401</u>   | Hdlight, Round, 4.5", Utl .....                            | 2   |
| 4    | <u>105093801</u>   | Bulb, Halogen, 862 .....                                   | 2   |
| 5    | 47579923001        | Jmpr, Head Lt, Led, Ca .....                               | 2   |
| 6    | <u>47583907001</u> | Headlight, Led, 4.5", Ca .....                             | 2   |
|      |                    | Note: Item 5 only applies to vehicles with LED headlights. |     |

**4**  
**G**  
**E**

**4**  
**G**  
**E**



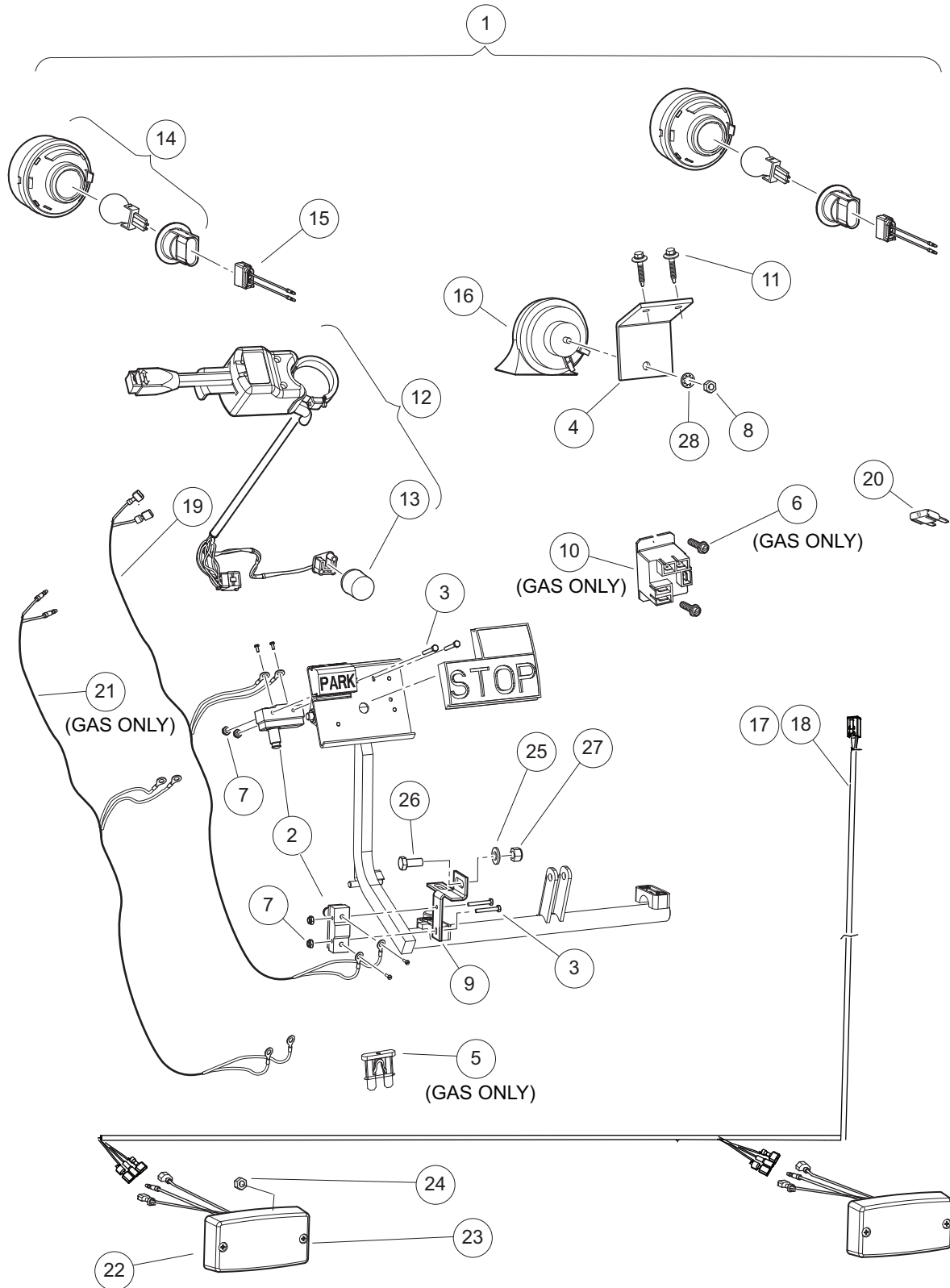
001360-002

# 12-VOLT FUSE BLOCK AND FUSES – ELECTRIC VEHICLE

| ITEM | PART NO.         | DESCRIPTION                         | QTY |
|------|------------------|-------------------------------------|-----|
|      |                  | 1 2 3 4                             |     |
| 1    | <u>1013357</u>   | Rivet, 5/32 Aluminum Pop .....      | 4   |
| 2    | <u>1016356</u>   | Terminal Block with Insulator ..... | 2   |
| 3    | <u>1016423</u>   | Fuse, 20-Amp .....                  | 1   |
| 4    | <u>102198001</u> | Receptacle, Accessory .....         | 1   |
| 5    | <u>102238001</u> | #10-24 Taptite Screw .....          | 1   |
| 6    | <u>105114805</u> | Fuse, Mini, Atm, 7.5 Amp .....      | 1   |
| 7    | <u>105114806</u> | Fuse, Mini, Atm, 10 Amp .....       | 2   |
| 8    | <u>105114807</u> | Fuse, Mini, Atm, 15 Amp .....       | 1   |

4  
G  
E

**4**  
**G**  
**E**



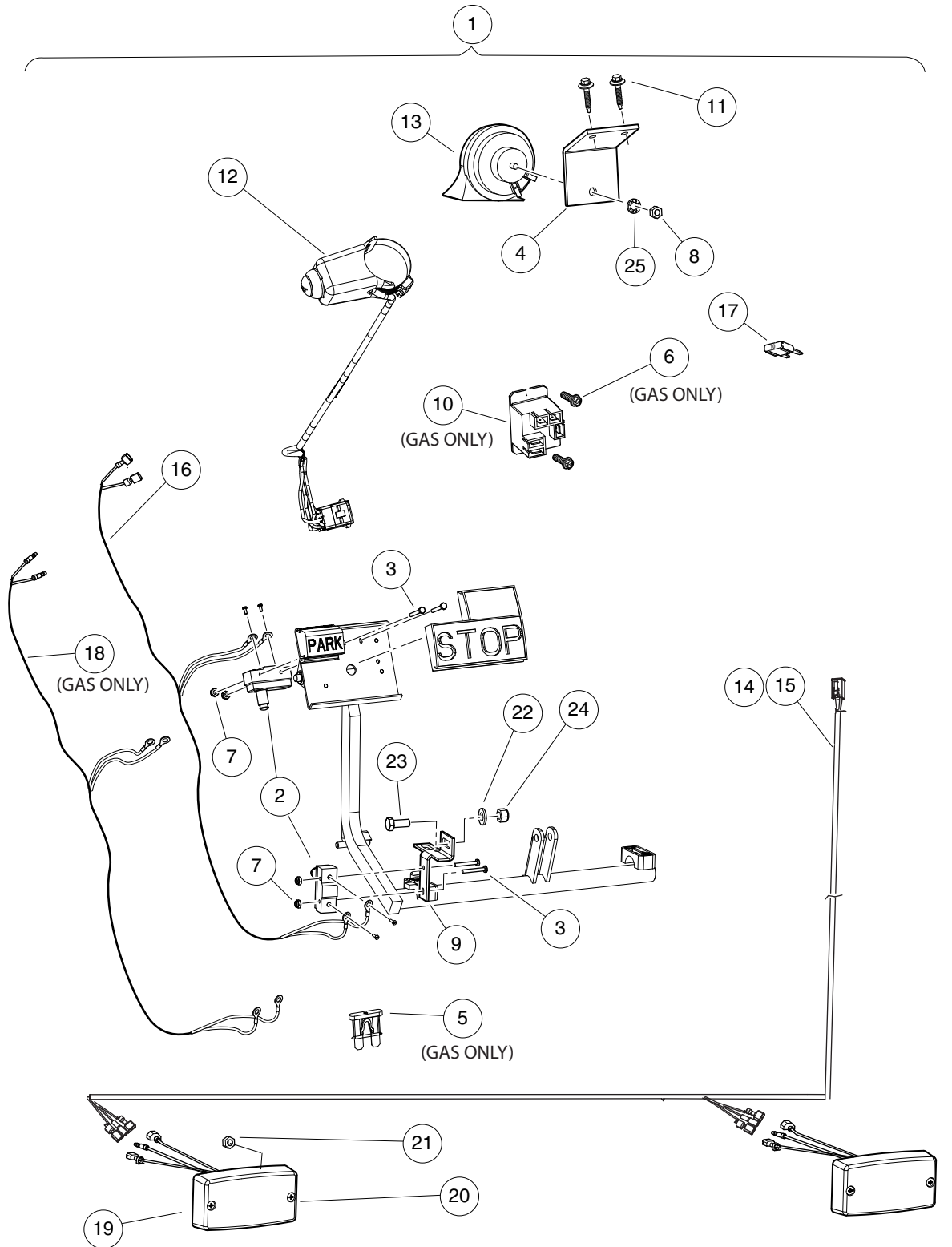
001368-002

# HORN, TURN SIGNALS, AND TAILLIGHTS – ELECTRIC AND GASOLINE VEHICLES

| ITEM | PART NO.         | DESCRIPTION  | QTY |
|------|------------------|--|-----|
|      |                  | 1 2 3 4  |     |
| 1    | <u>105122808</u> | Kit, Horn/Tail Light/Turn (includes items 2 through 28) .....  | 1   |
| 2    | <u>1011439</u>   | Switch, Limit .....  | 2   |
| 3    | <u>1011557</u>   | Screw, #6-32 X 1.00 Hex-Head Machine .....   | 4   |
| 4    | <u>1011825</u>   | Horn Bracket .....   | 1   |
| 5    | <u>1012295</u>   | Fuse, 10-Amp .....   | 1   |
| 6    | <u>1016849</u>   | Screw, #4-24 X 0.33, Pan-Head, Machine .....   | 2   |
| 7    | <u>101932201</u> | Locknut, #6-32 Nylon .....   | 4   |
| 8    | <u>101955101</u> | Nut, M6 Hex .....  | 1   |
| 9    | <u>101957101</u> | Bracket, Brake Light Switch .....  | 1   |
| 10   | <u>102199001</u> | Relay, 12-Volt .....   | 1   |
| 11   | <u>102297125</u> | Screw, M6-1.0x25.4, Thread-Forming, SEMS .....   | 2   |
| 12   | <u>102517501</u> | Turn Signal Asm (includes item 13) .....   | 1   |
| 13   | <u>102546401</u> | Flasher Unit, Prec .....   | 1   |
| 14   | <u>102894503</u> | Light, Turn Sig, Round 3", Utl .....   | 2   |
| 15   | <u>103245001</u> | Jumper, Turn Signal, Ca/xrt/hu .....   | 2   |
| 16   | <u>103484301</u> | Horn, 12v, Gnd Isolated .....  | 1   |
| 17   | <u>105108201</u> | Harness, Tail Light, Utility, Short .....  | 1   |
| 18   | <u>105108301</u> | Harness, Tail Light, Utility, Long .....   | 1   |
| 19   | <u>105108401</u> | Harness, Brk, Pedal Switch Utl .....   | 1   |
| 20   | <u>105114806</u> | Fuse, Mini, Atm, 10 Amp .....  | 1   |
| 21   | <u>105135201</u> | Jumper, Hill Brake, Switch .....   | 1   |
| 22   | <u>105165801</u> | Lamp, Stop/trn/tail, Footdeck .....  | 2   |
| 23   | <u>105190601</u> | Screw, #8-32 X 0.625, Clr Znc .....  | 4   |
| 24   | <u>105190701</u> | Nut, Flanged, #8-32, Serrated .....  | 4   |
| 25   | <u>1241</u>      | Washer, 5/16 Type A Flat .....   | 1   |
| 26   | <u>7173</u>      | Screw, 5/16-18 X 0.75, Hex-Head Cap .....  | 1   |
| 27   | <u>7473</u>      | Locknut, 5/16-18 Nylon Insert .....  | 2   |
| 28   | <u>7820</u>      | Washer, 5/16 Internal-Tooth .....  | 1   |
|      |                  | Note: 1051082, Harness, Tail Light, Utility, Short, fits the following vehicles<br>with serial prefix: MA, MB, MC, MD, ME, MF, MK, ML, MM, MP, MU. |     |

**4**  
**G**  
**E**

**4**  
**G**  
**E**



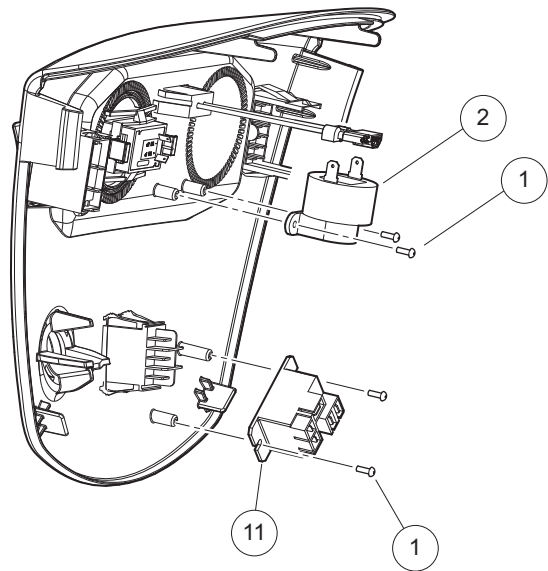
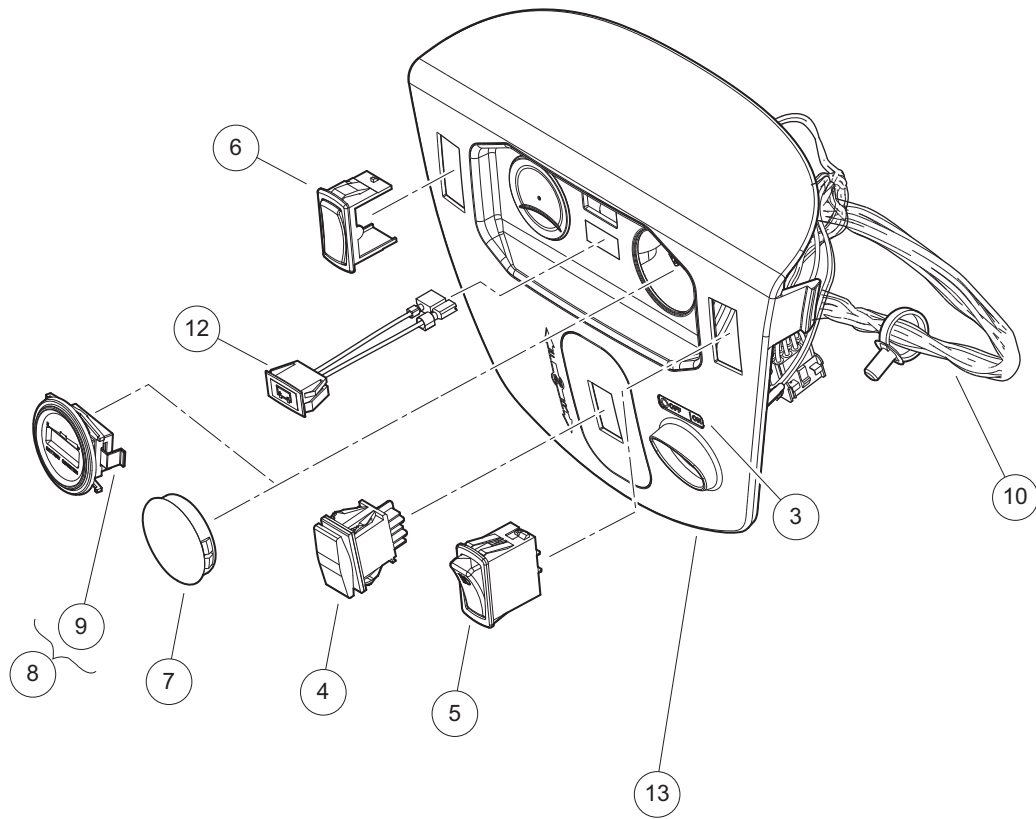
001367-002

# HORN AND TAIL LIGHT KIT – ELECTRIC AND GASOLINE VEHICLES

| ITEM   | PART NO.         | DESCRIPTION   | QTY |
|--|------------------|---|-----|
|  |                  | 1 2 3 4   |     |
| 1  | <u>105122807</u> | Kit, Horn/Tail Light/Turn (includes items 2 through 25) ..... | 1   |
| 2  | <u>1011439</u>   | Switch, Limit .....   | 2   |
| 3  | <u>1011557</u>   | Screw, #6-32 X 1.00 Hex-Head Machine .....                    | 4   |
| 4  | <u>1011825</u>   | Horn Bracket .....  | 1   |
| 5  | <u>1012295</u>   | Fuse, 10-Amp .....  | 1   |
| 6  | <u>1016849</u>   | Screw, #4-24 X 0.33, Pan-Head, Machine .....                  | 2   |
| 7  | <u>101932201</u> | Locknut, #6-32 Nylon .....                                    | 4   |
| 8  | <u>101955101</u> | Nut, M6 Hex .....   | 1   |
| 9  | <u>101957101</u> | Bracket, Brake Light Switch .....                             | 1   |
| 10   | <u>102199001</u> | Relay, 12-Volt .....  | 1   |
| 11   | <u>102297125</u> | Screw, M6-1.0x25.4, Thread-Forming, SEMS .....                | 2   |
| 12   | <u>102517601</u> | Subasm, Horn Button Harness .....                             | 1   |
| 13   | <u>103484301</u> | Horn, 12v, Gnd Isolated .....                                 | 1   |
| 14   | <u>105108201</u> | Harness, Tail Light, Utility, Short .....                     | 1   |
| 15   | <u>105108301</u> | Harness, Tail Light, Utility, Long .....                      | 1   |
| 16   | <u>105108401</u> | Harness, Brk, Pedal Switch Utl .....                          | 1   |
| 17   | <u>105114806</u> | Fuse, Mini, Atm, 10 Amp .....                                 | 1   |
| 18   | <u>105135201</u> | Jumper, Hill Brake, Switch .....                              | 1   |
| 19   | <u>105165801</u> | Lamp, Stop/trn/tail, Footdeck .....                           | 2   |
| 20   | <u>105190601</u> | Screw, #8-32 X 0.625, Clr Znc .....                           | 4   |
| 21   | <u>105190701</u> | Nut, Flanged, #8-32, Serrated .....                           | 4   |
| 22   | <u>1241</u>      | Washer, 5/16 Type A Flat .....                                | 1   |
| 23   | <u>7173</u>      | Screw, 5/16-18 X 0.75, Hex-Head Cap .....                     | 1   |
| 24   | <u>7473</u>      | Locknut, 5/16-18 Nylon Insert .....                           | 1   |
| 25   | <u>7820</u>      | Washer, 5/16 Internal-Tooth .....                             | 1   |
| <p>Note: <u>105108201</u> Harness, Tail Light, Utility, Short, fits the following vehicles with serial prefix: MA, MB, MC, MD, ME, MF, MK, ML, MM, MP, MU.</p> |                  |   |     |

4  
G  
E

**4**  
**G**  
**E**



001371-003

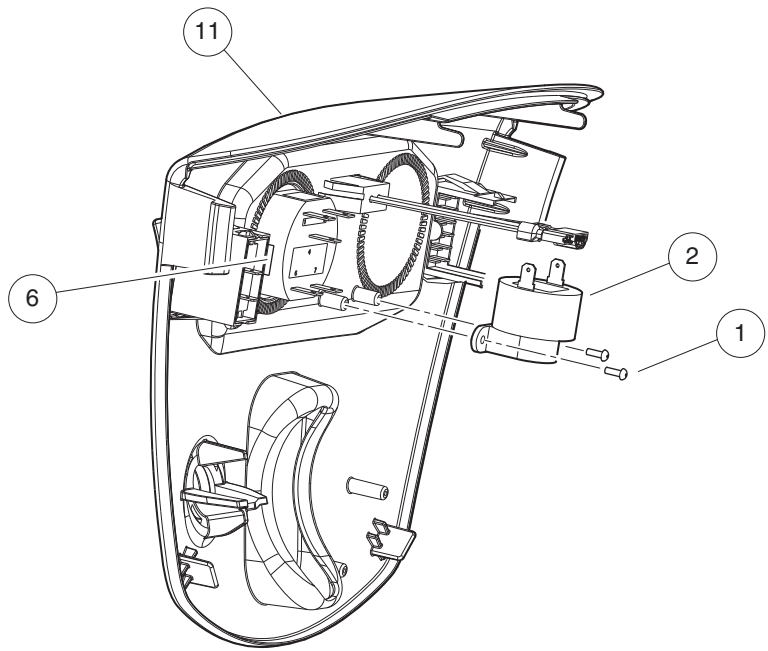
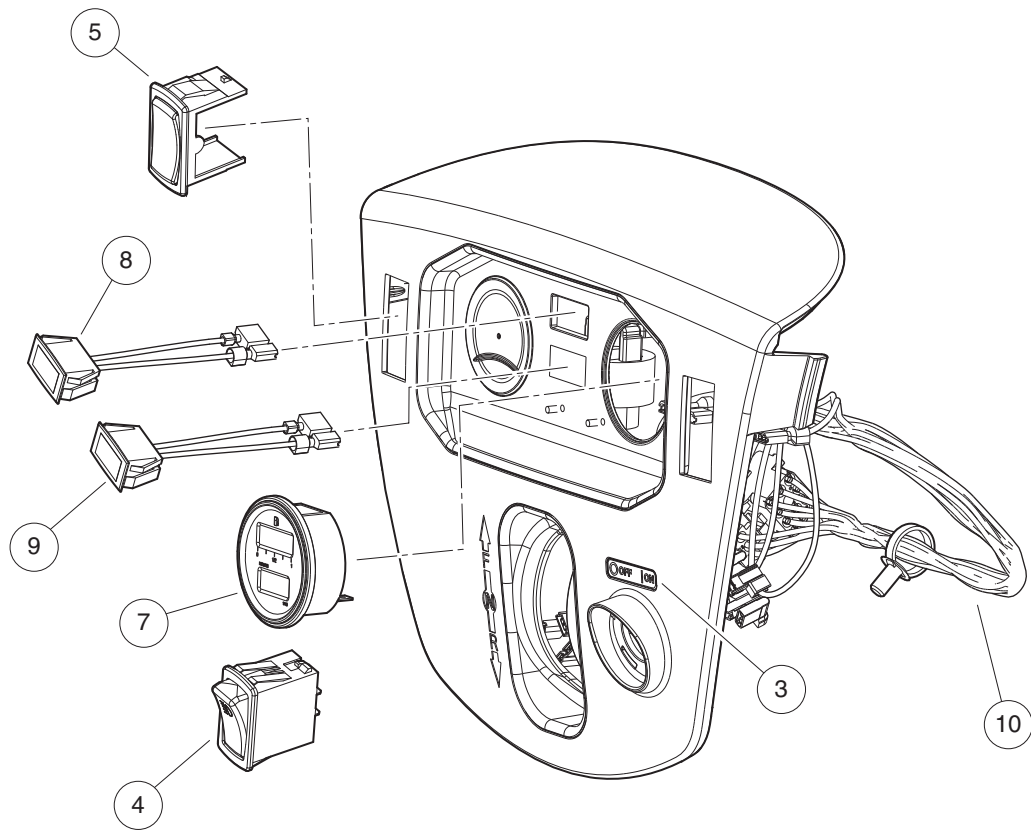


# INSTRUMENT PANEL – ELECTRIC VEHICLE

| ITEM | PART NO.         | DESCRIPTION  | QTY |
|------|------------------|--|-----|
|      |                  | 1 2 3 4  |     |
| 1    | <u>1016849</u>   | Screw, #4-24 X 0.33, Pan-Head, Machine .....         | 2   |
| 2    | <u>1016851</u>   | Multi-Purpose Buzzer (9-48 VDC) .....                | 1   |
| 3    | <u>101825101</u> | Decal, Off/On .....                                  | 1   |
| 4    | <u>101856002</u> | Switch, Rocker, Single-Pole .....                    | 1   |
| 5    | <u>102869401</u> | Switch, Rocker, Light .....                          | 1   |
| 6    | <u>103180101</u> | Cover, Hole, Switch, Rocker .....                    | 1   |
| 7    | <u>103198301</u> | Plug, Hole, Round, 2.0 In .....                      | 1   |
| 8    | <u>103354401</u> | Gauge, Battery Cond Ind, Rnd (includes item 9) ..... | 1   |
| 9    | <u>103348202</u> | Clip, Bci, Round .....                               | 1   |
| 10   | <u>105082101</u> | Harness, Ip, Elec, Util .....                        | 1   |
| 11   | <u>105112401</u> | Relay, Spdt Nc, 48v 30a, Pmt .....                   | 1   |
| 12   | <u>105152301</u> | Indicator, Charger, Dash, Cap .....                  | 1   |
| 13   | 47631907001      | Instrument Panel, Ca, Elec, Uv .....                 | 1   |

**4**  
**G**  
**E**

**4**  
**G**  
**E**



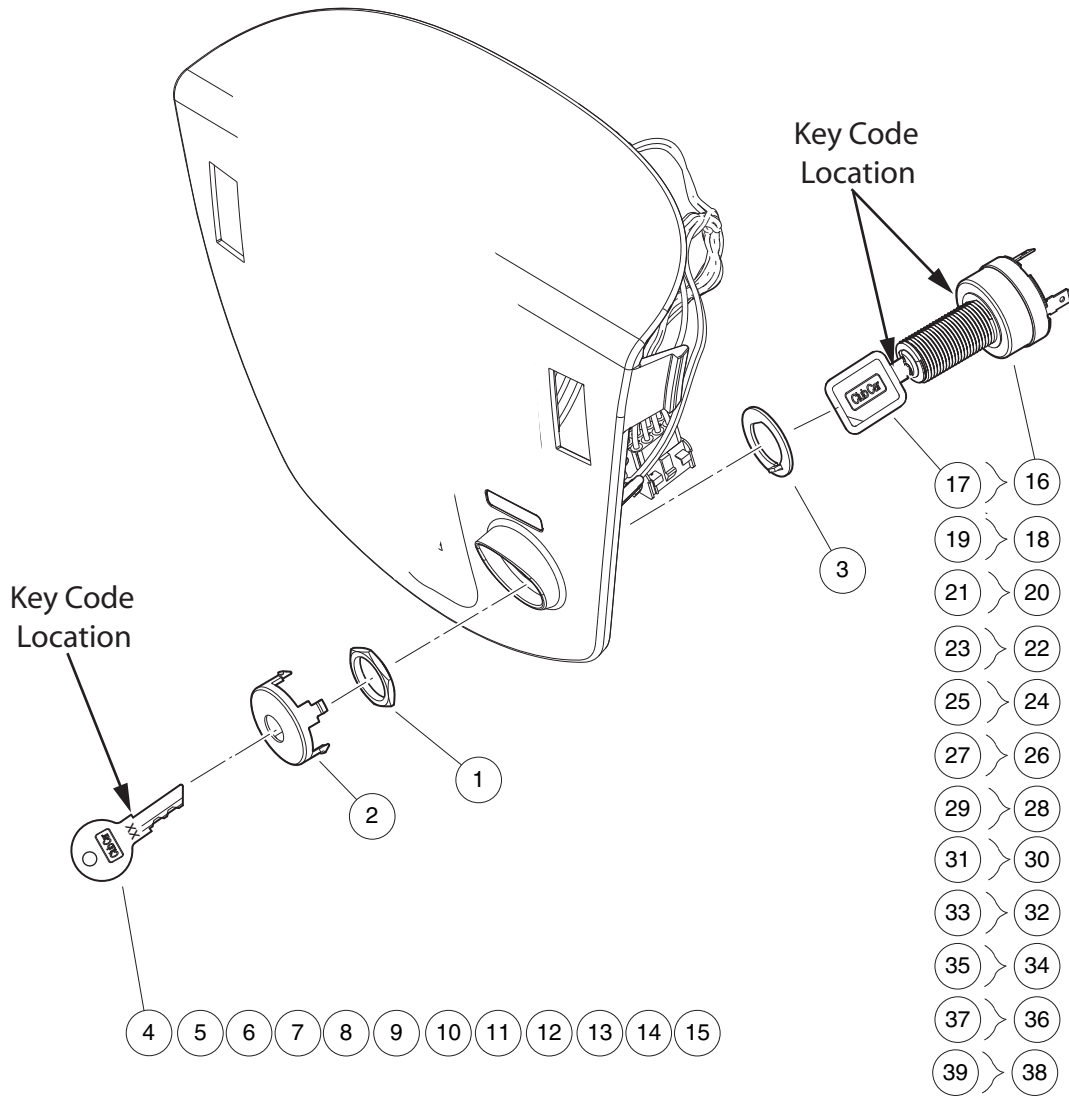
001372-002

# INSTRUMENT PANEL – GASOLINE VEHICLE

| ITEM | PART NO.         | DESCRIPTION                                  | QTY |
|------|------------------|--|-----|
|      |                  | 1 2 3 4                                      |     |
| 1    | <u>1016849</u>   | Screw, #4-24 X 0.33, Pan-Head, Machine ..... | 2   |
| 2    | <u>1016851</u>   | Multi-Purpose Buzzer (9-48 VDC) .....        | 1   |
| 3    | <u>101825101</u> | Decal, Off/On .....                          | 1   |
| 4    | <u>102869401</u> | Switch, Rocker, Light .....                  | 1   |
| 5    | <u>103180101</u> | Cover, Hole, Switch, Rocker .....            | 1   |
| 6    | <u>103348201</u> | Clip, Meter, Round .....                     | 1   |
| 7    | <u>103348602</u> | Gauge, Fuel-hour,sep Gnd, Ds .....           | 1   |
| 8    | <u>105037101</u> | Light, Oil (LED) .....                       | 1   |
| 9    | 47598441001      | Light, Dash, Led, Mil .....                  | 1   |
| 10   | 47609057001      | Harness, Ip, Gas, Ca, Com .....              | 1   |
| 11   | 47631907002      | Instrument Panel, Ca, Gas, Uv .....          | 1   |

**4**  
**G**  
**E**

**4**  
**G**  
**E**



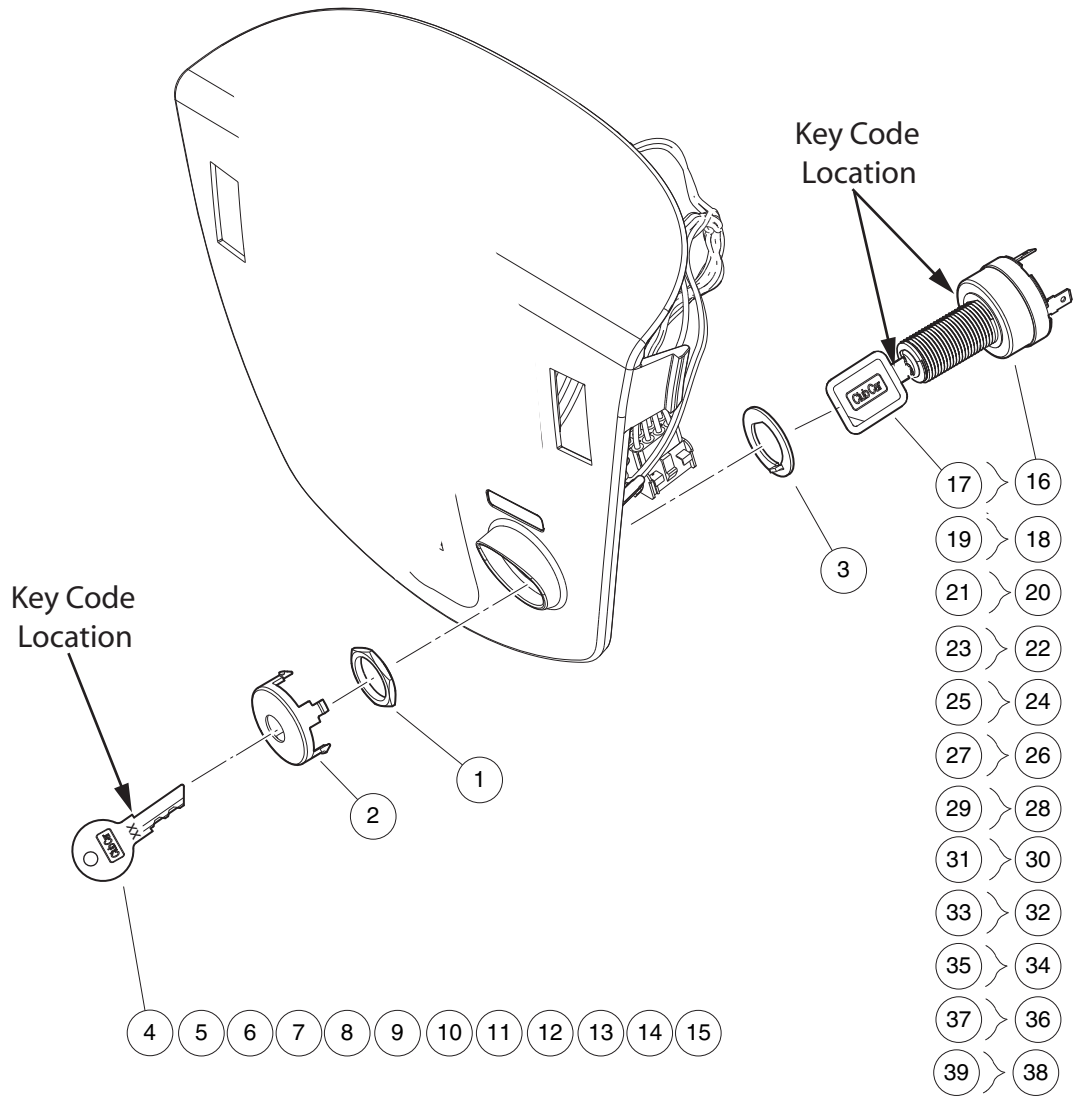
001355-001

# KEYSWITCH – ELECTRIC VEHICLE

| ITEM | PART NO.         | DESCRIPTION   | QTY |
|------|------------------|---|-----|
|      |                  | 1 2 3 4   |     |
| 1    | <u>101830701</u> | Nut, Key Switch .....   | 1   |
| 2    | <u>101834502</u> | Cap, Black Key Switch .....   | 1   |
| 3    | <u>101851101</u> | Washer, Key Switch .....  | 1   |
| 4    | <u>101974701</u> | Key, Uncommon 1a .....  | 1   |
| 5    | <u>101974702</u> | Key, Uncommon 1b .....  | 1   |
| 6    | <u>101974703</u> | Key, Uncommon 1c .....  | 1   |
| 7    | <u>101974704</u> | Key, Uncommon 1d .....  | 1   |
| 8    | <u>101974705</u> | Key, Uncommon 2a .....  | 1   |
| 9    | <u>101974706</u> | Key, Uncommon 2b .....  | 1   |
| 10   | <u>101974707</u> | Key, Uncommon 2c .....  | 1   |
| 11   | <u>101974708</u> | Key, Uncommon 2d .....  | 1   |
| 12   | <u>101974709</u> | Key, Uncommon 1e .....  | 1   |
| 13   | <u>101974710</u> | Key, Uncommon 1f .....  | 1   |
| 14   | <u>101974711</u> | Key, Uncommon 2e .....  | 1   |
| 15   | <u>101974712</u> | Key, Uncommon 2f .....  | 1   |
| 16   | <u>105081701</u> | Keysw, Uncom, 4t, Off/on 1a, E (includes item 17) .....   | 1   |
| 17   | <u>105068001</u> | Key, Uncommon, Padded 1a .....  | 1   |
| 18   | <u>105081702</u> | Keysw, Uncom, 4t, Off/on 1b, E (includes item 19) .....   | 1   |
| 19   | <u>105068002</u> | Key, Uncommon, Padded 1b .....  | 1   |
| 20   | <u>105081703</u> | Keysw, Uncom, 4t, Off/on 1c, E (includes item 21) .....   | 1   |
| 21   | <u>105068003</u> | Key, Uncommon, Padded 1c .....  | 1   |
| 22   | <u>105081704</u> | Keysw, Uncom, 4t, Off/on 1d, E (includes item 23) .....   | 1   |
| 23   | <u>105068004</u> | Key, Uncommon, Padded 1d .....  | 1   |
| 24   | <u>105081705</u> | Keysw, Uncom, 4t, Off/on 1e, E (includes item 25) .....   | 1   |
| 25   | <u>105068005</u> | Key, Uncommon, Padded 1e .....  | 1   |
| 26   | <u>105081706</u> | Keysw, Uncom, 4t, Off/on 1f, E (includes item 27) .....   | 1   |
| 27   | <u>105068006</u> | Key, Uncommon, Padded 1f .....  | 1   |
| 28   | <u>105081707</u> | Keysw, Uncom, 4t, Off/on 2a, E (includes item 29) .....   | 1   |
| 29   | <u>105068007</u> | Key, Uncommon, Padded 2a .....  | 1   |
| 30   | <u>105081708</u> | Keysw, Uncom, 4t, Off/on 2b, E (includes item 31) .....   | 1   |
| 31   | <u>105068008</u> | Key, Uncommon, Padded 2b .....  | 1   |
| 32   | <u>105081709</u> | Keysw, Uncom, 4t, Off/on 2c, E (includes item 33) .....   | 1   |
| 33   | <u>105068009</u> | Key, Uncommon, Padded 2c .....  | 1   |
| 34   | <u>105081710</u> | Keysw, Uncom, 4t, Off/on 2d, E (includes item 35) .....   | 1   |
| 35   | <u>105068010</u> | Key, Uncommon, Padded 2d .....  | 1   |
| 36   | <u>105081711</u> | Keysw, Uncom, 4t, Off/on 2e, E (includes item 37) .....   | 1   |
| 37   | <u>105068011</u> | Key, Uncommon, Padded 2e .....  | 1   |
| 38   | <u>105081712</u> | Keysw, Uncom, 4t, Off/on 2f, E (includes item 39) .....   | 1   |
| 39   | <u>105068012</u> | Key, Uncommon, Padded 2f .....  | 1   |
|      |                  | Note: Keyswitch <u>105081701</u> , is standard for electric vehicles equipped with a cab. Keyswitch <u>105081702</u> , is standard for electric vehicles without a cab. Keyswitches <u>105081703</u> through <u>105081712</u> allows different key code combinations for electric fleet vehicles. |     |

4  
G  
E

**4**  
**G**  
**E**



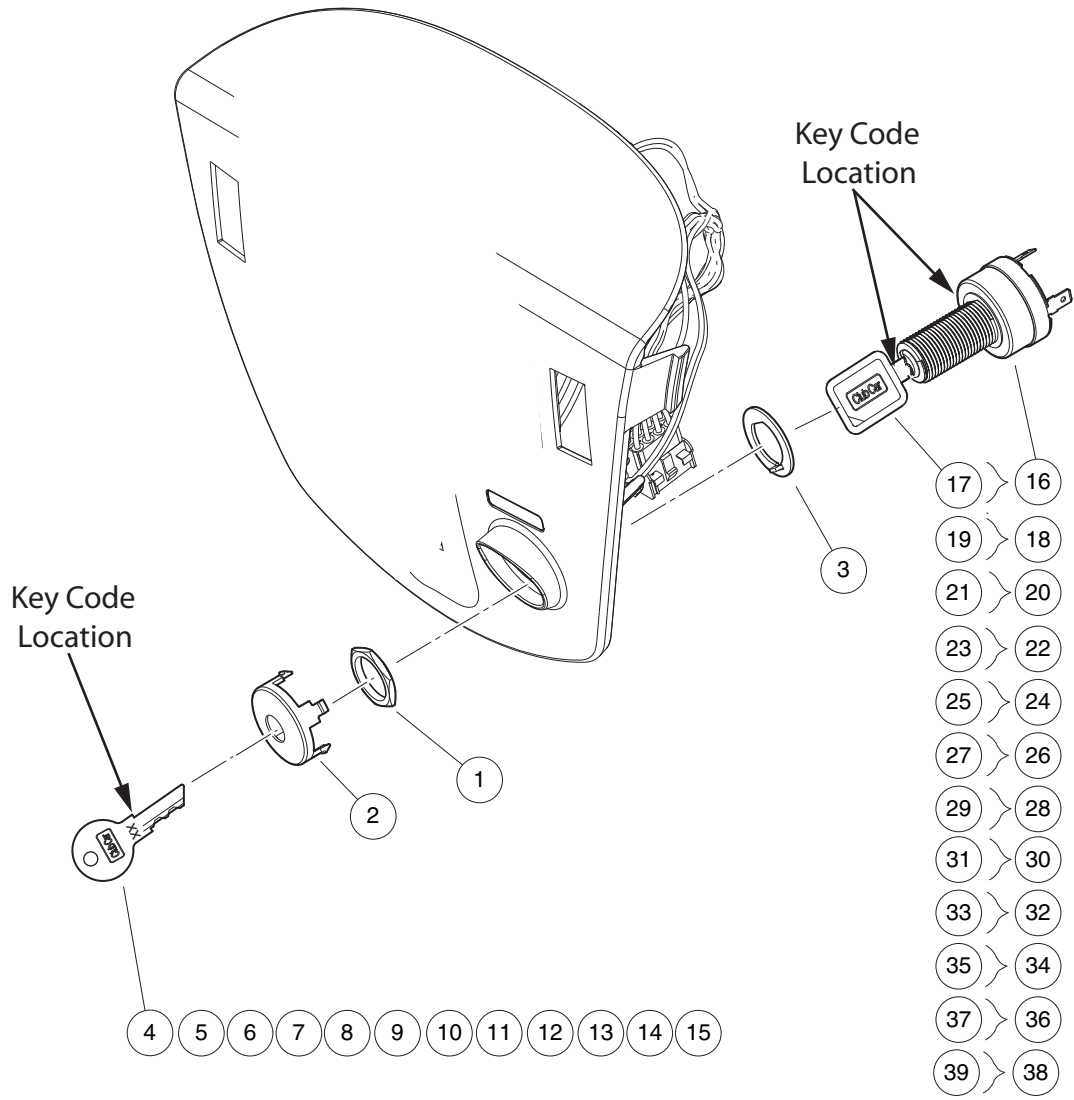
001355-001

## KEYSWITCH, PEDAL-START – GASOLINE VEHICLE

| ITEM | PART NO.         | DESCRIPTION   | QTY |
|------|------------------|---|-----|
|      |                  | 1 2 3 4   |     |
| 1    | <u>101830701</u> | Nut, Key Switch .....   | 1   |
| 2    | <u>101834502</u> | Cap, Black Key Switch .....   | 1   |
| 3    | <u>101851101</u> | Washer, Key Switch .....  | 1   |
| 4    | <u>101974701</u> | Key, Uncommon 1a .....  | 1   |
| 5    | <u>101974702</u> | Key, Uncommon 1b .....  | 1   |
| 6    | <u>101974703</u> | Key, Uncommon 1c .....  | 1   |
| 7    | <u>101974704</u> | Key, Uncommon 1d .....  | 1   |
| 8    | <u>101974705</u> | Key, Uncommon 2a .....  | 1   |
| 9    | <u>101974706</u> | Key, Uncommon 2b .....  | 1   |
| 10   | <u>101974707</u> | Key, Uncommon 2c .....  | 1   |
| 11   | <u>101974708</u> | Key, Uncommon 2d .....  | 1   |
| 12   | <u>101974709</u> | Key, Uncommon 1e .....  | 1   |
| 13   | <u>101974710</u> | Key, Uncommon 1f .....  | 1   |
| 14   | <u>101974711</u> | Key, Uncommon 2e .....  | 1   |
| 15   | <u>101974712</u> | Key, Uncommon 2f .....  | 1   |
| 16   | <u>105081801</u> | Keysw, Uncom, 4t, Off/on 1a, G (includes item 17) .....   | 1   |
| 17   | <u>105068001</u> | Key, Uncommon, Padded 1a .....  | 1   |
| 18   | <u>105081802</u> | Keysw, Uncom, 4t, Off/on 1b, G (includes item 19) .....   | 1   |
| 19   | <u>105068002</u> | Key, Uncommon, Padded 1b .....  | 1   |
| 20   | <u>105081803</u> | Keysw, Uncom, 4t, Off/on 1c, G (includes item 21) .....   | A/R |
| 21   | <u>105068003</u> | Key, Uncommon, Padded 1c .....  | 1   |
| 22   | <u>105081804</u> | Keysw, Uncom, 4t, Off/on 1d, G (includes item 23) .....   | 1   |
| 23   | <u>105068004</u> | Key, Uncommon, Padded 1d .....  | 1   |
| 24   | <u>105081805</u> | Keysw, Uncom, 4t, Off/on 1e, G (includes item 25) .....   | 1   |
| 25   | <u>105068005</u> | Key, Uncommon, Padded 1e .....  | 1   |
| 26   | <u>105081806</u> | Keysw, Uncom, 4t, Off/on 1f, G (includes item 27) .....   | 1   |
| 27   | <u>105068006</u> | Key, Uncommon, Padded 1f .....  | 1   |
| 28   | <u>105081807</u> | Keysw, Uncom, 4t, Off/on 2a, G (includes item 29) .....   | 1   |
| 29   | <u>105068007</u> | Key, Uncommon, Padded 2a .....  | 1   |
| 30   | <u>105081808</u> | Keysw, Uncom, 4t, Off/on 2b, G (includes item 31) .....   | 1   |
| 31   | <u>105068008</u> | Key, Uncommon, Padded 2b .....  | 1   |
| 32   | <u>105081809</u> | Keysw, Uncom, 4t, Off/on 2c, G (includes item 33) .....   | 1   |
| 33   | <u>105068009</u> | Key, Uncommon, Padded 2c .....  | 1   |
| 34   | <u>105081810</u> | Keysw, Uncom, 4t, Off/on 2d, G (includes item 35) .....   | 1   |
| 35   | <u>105068010</u> | Key, Uncommon, Padded 2d .....  | 1   |
| 36   | <u>105081811</u> | Keysw, Uncom, 4t, Off/on 2e, G (includes item 37) .....   | 1   |
| 37   | <u>105068011</u> | Key, Uncommon, Padded 2e .....  | 1   |
| 38   | <u>105081812</u> | Keysw, Uncom, 4t, Off/on 2f, G (includes item 39) .....   | 1   |
| 39   | <u>105068012</u> | Key, Uncommon, Padded 2f .....  | 1   |
|      |                  | Note: Keyswitch <u>105081801</u> , is standard for pedal-start gasoline vehicles equipped with a cab. Keyswitch <u>105081802</u> , is standard for pedal-start gasoline vehicles without a cab. Keyswitches <u>105081803</u> through <u>105081812</u> allows different key code combinations for pedal-start gasoline fleet vehicles. |     |

4  
G  
E

**4**  
**G**  
**E**



001355-001



# KEYSWITCH, KEY-START – GASOLINE VEHICLE

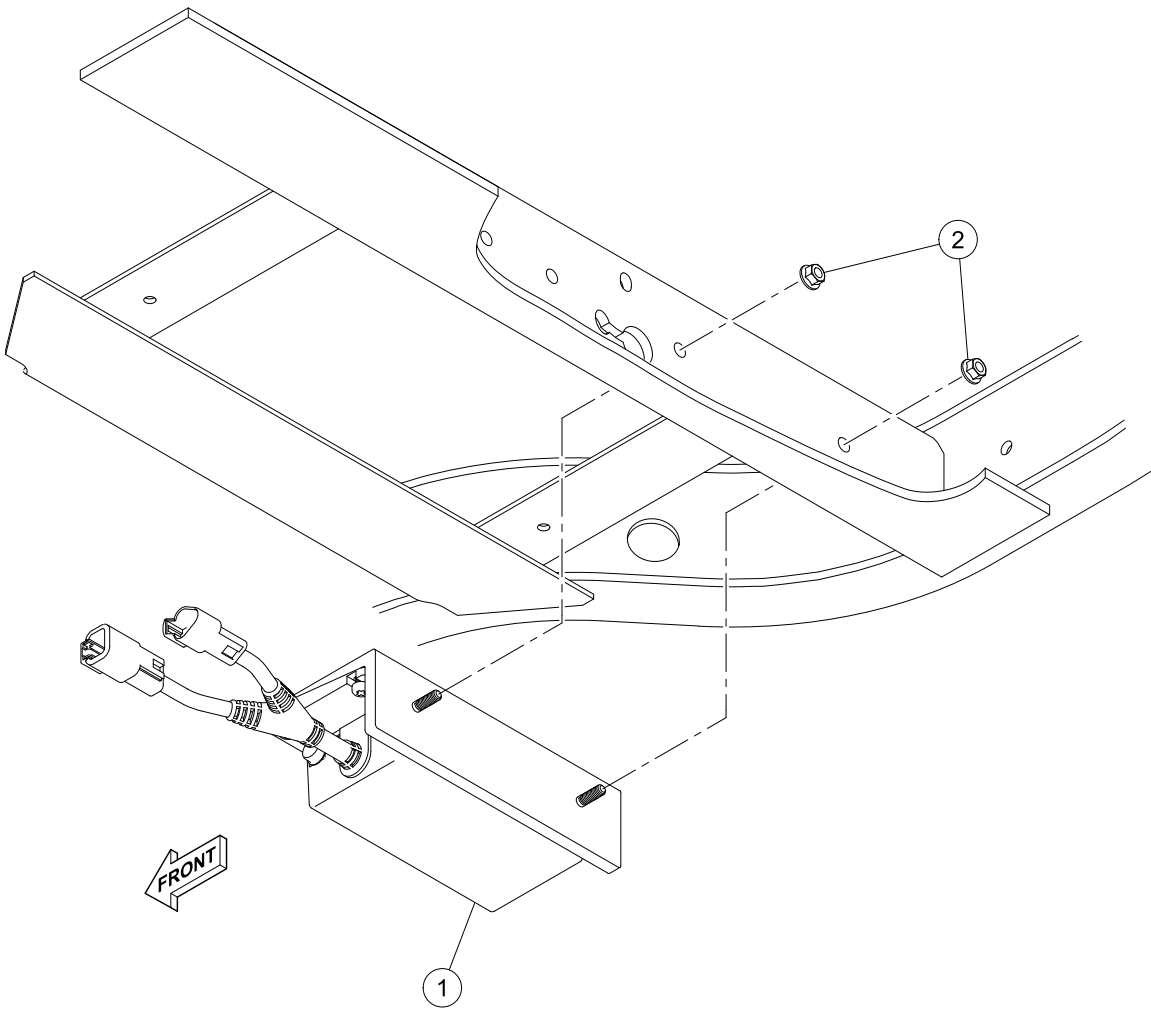
| ITEM | PART NO.         | DESCRIPTION   | QTY |
|------|------------------|---|-----|
|      |                  | 1 2 3 4   |     |
| 1    | <u>101830701</u> | Nut, Key Switch .....   | 1   |
| 2    | <u>101834502</u> | Cap, Black Key Switch .....   | 1   |
| 3    | <u>101851101</u> | Washer, Key Switch .....  | 1   |
| 4    | <u>101974701</u> | Key, Uncommon 1a .....  | 1   |
| 5    | <u>101974702</u> | Key, Uncommon 1b .....  | 1   |
| 6    | <u>101974703</u> | Key, Uncommon 1c .....  | 1   |
| 7    | <u>101974704</u> | Key, Uncommon 1d .....  | 1   |
| 8    | <u>101974705</u> | Key, Uncommon 2a .....  | 1   |
| 9    | <u>101974706</u> | Key, Uncommon 2b .....  | 1   |
| 10   | <u>101974707</u> | Key, Uncommon 2c .....  | 1   |
| 11   | <u>101974708</u> | Key, Uncommon 2d .....  | 1   |
| 12   | <u>101974709</u> | Key, Uncommon 1e .....  | 1   |
| 13   | <u>101974710</u> | Key, Uncommon 1f .....  | 1   |
| 14   | <u>101974711</u> | Key, Uncommon 2e .....  | 1   |
| 15   | <u>101974712</u> | Key, Uncommon 2f .....  | 1   |
| 16   | <u>105081901</u> | Keysw, Uncom, 4t, Off/on/st 1a (includes item 17) .....   | 1   |
| 17   | <u>105068001</u> | Key, Uncommon, Padded 1a .....  | 1   |
| 18   | <u>105081902</u> | Keysw, Uncom, 4t, Off/on/st 1b (includes item 19) .....   | 1   |
| 19   | <u>105068002</u> | Key, Uncommon, Padded 1b .....  | 1   |
| 20   | <u>105081903</u> | Keysw, Uncom, 4t, Off/on/st 1c (includes item 21) .....   | 1   |
| 21   | <u>105068003</u> | Key, Uncommon, Padded 1c .....  | 1   |
| 22   | <u>105081904</u> | Keysw, Uncom, 4t, Off/on/st 1d (includes item 23) .....   | 1   |
| 23   | <u>105068004</u> | Key, Uncommon, Padded 1d .....  | 1   |
| 24   | <u>105081905</u> | Keysw, Uncom, 4t, Off/on/st 1e (includes item 25) .....   | 1   |
| 25   | <u>105068005</u> | Key, Uncommon, Padded 1e .....  | 1   |
| 26   | <u>105081906</u> | Keysw, Uncom, 4t, Off/on/st 1f (includes item 27) .....   | 1   |
| 27   | <u>105068006</u> | Key, Uncommon, Padded 1f .....  | 1   |
| 28   | <u>105081907</u> | Keysw, Uncom, 4t, Off/on/st 2a (includes item 29) .....   | 1   |
| 29   | <u>105068007</u> | Key, Uncommon, Padded 2a .....  | 1   |
| 30   | <u>105081908</u> | Keysw, Uncom, 4t, Off/on/st 2b (includes item 31) .....   | 1   |
| 31   | <u>105068008</u> | Key, Uncommon, Padded 2b .....  | 1   |
| 32   | <u>105081909</u> | Keysw, Uncom, 4t, Off/on/st 2c (includes item 33) .....   | 1   |
| 33   | <u>105068009</u> | Key, Uncommon, Padded 2c .....  | 1   |
| 34   | <u>105081910</u> | Keysw, Uncom, 4t, Off/on/st 2d (includes item 35) .....   | 1   |
| 35   | <u>105068010</u> | Key, Uncommon, Padded 2d .....  | 1   |
| 36   | <u>105081911</u> | Keysw, Uncom, 4t, Off/on/st 2e (includes item 37) .....   | 1   |
| 37   | <u>105068011</u> | Key, Uncommon, Padded 2e .....  | 1   |
| 38   | <u>105081912</u> | Keysw, Uncom, 4t, Off/on/st 2f (includes item 39) .....   | 1   |
| 39   | <u>105068012</u> | Key, Uncommon, Padded 2f .....  | 1   |
|      |                  | Note: Keyswitch <u>105081901</u> , is standard for key-start gasoline vehicles equipped with a cab. Keyswitch <u>105081902</u> , is standard for key-start gasoline vehicles without a cab. Keyswitches <u>105081903</u> through <u>105081912</u> allows different key code combinations for key-start gasoline fleet vehicles. |     |

4  
G  
E

4

G

E



G-130299-000002

# DC CONVERTER – ELECTRIC VEHICLE

| ITEM | PART NO.           | DESCRIPTION                          | QTY |
|------|--------------------|--------------------------------------|-----|
| 1    | <u>47594727001</u> | 1 2 3 4<br>Converter, Dc/dc .....    | 1   |
| 2    | <u>96704176</u>    | Nut, Flanged, M6 X 1, Serrated ..... | 2   |

4

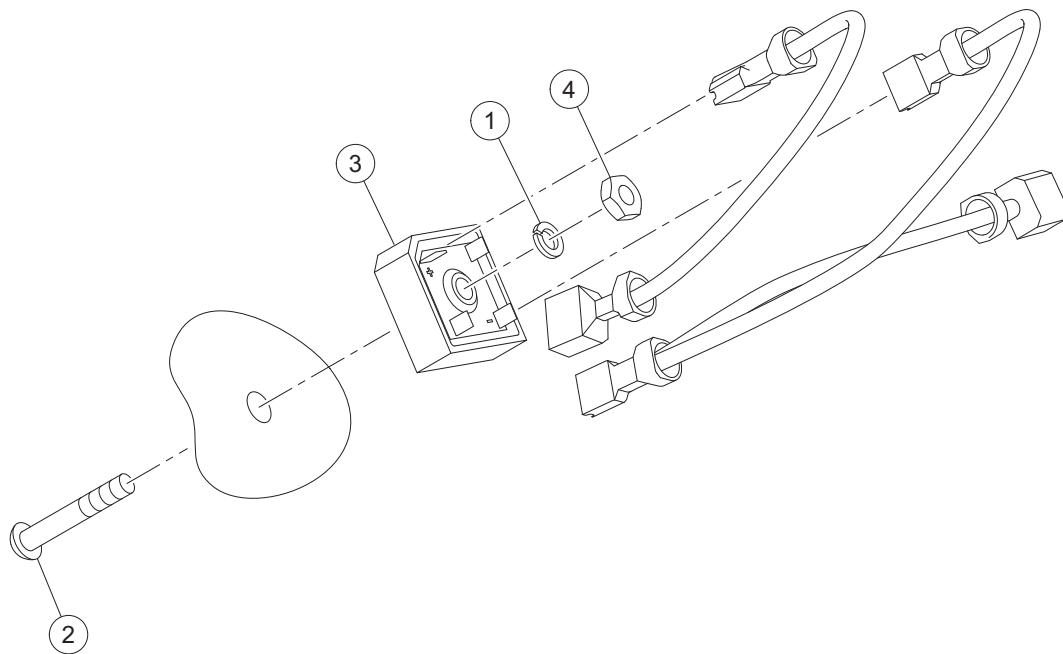
G

E

4

G

E



001365-003

## VOLTAGE LIMITER – GASOLINE VEHICLE

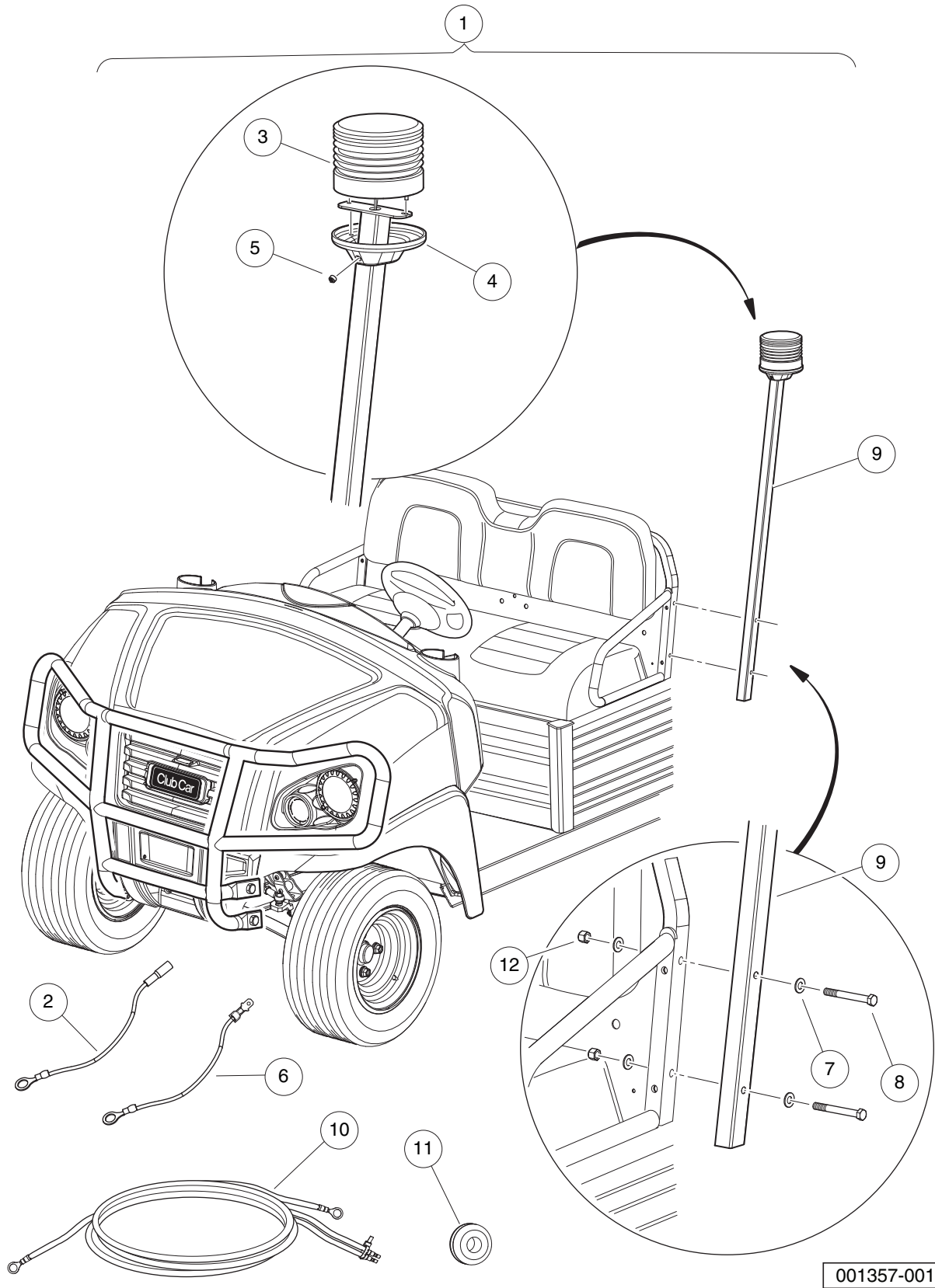
| ITEM | PART NO.           | DESCRIPTION                        | QTY |
|------|--------------------|------------------------------------|-----|
|      |                    | 1 2 3 4                            |     |
| 1    | <u>1016</u>        | Lockwasher, #10 Split .....        | 1   |
| 2    | <u>103821301</u>   | Screw, Panhead #10-32 X 1.75 ..... | 1   |
| 3    | <u>47604303001</u> | Voltage Limiter, Gas .....         | 1   |
| 4    | <u>7893</u>        | Nut, #10-32 Hex .....              | 1   |

4

G

E

**4**  
**G**  
**E**



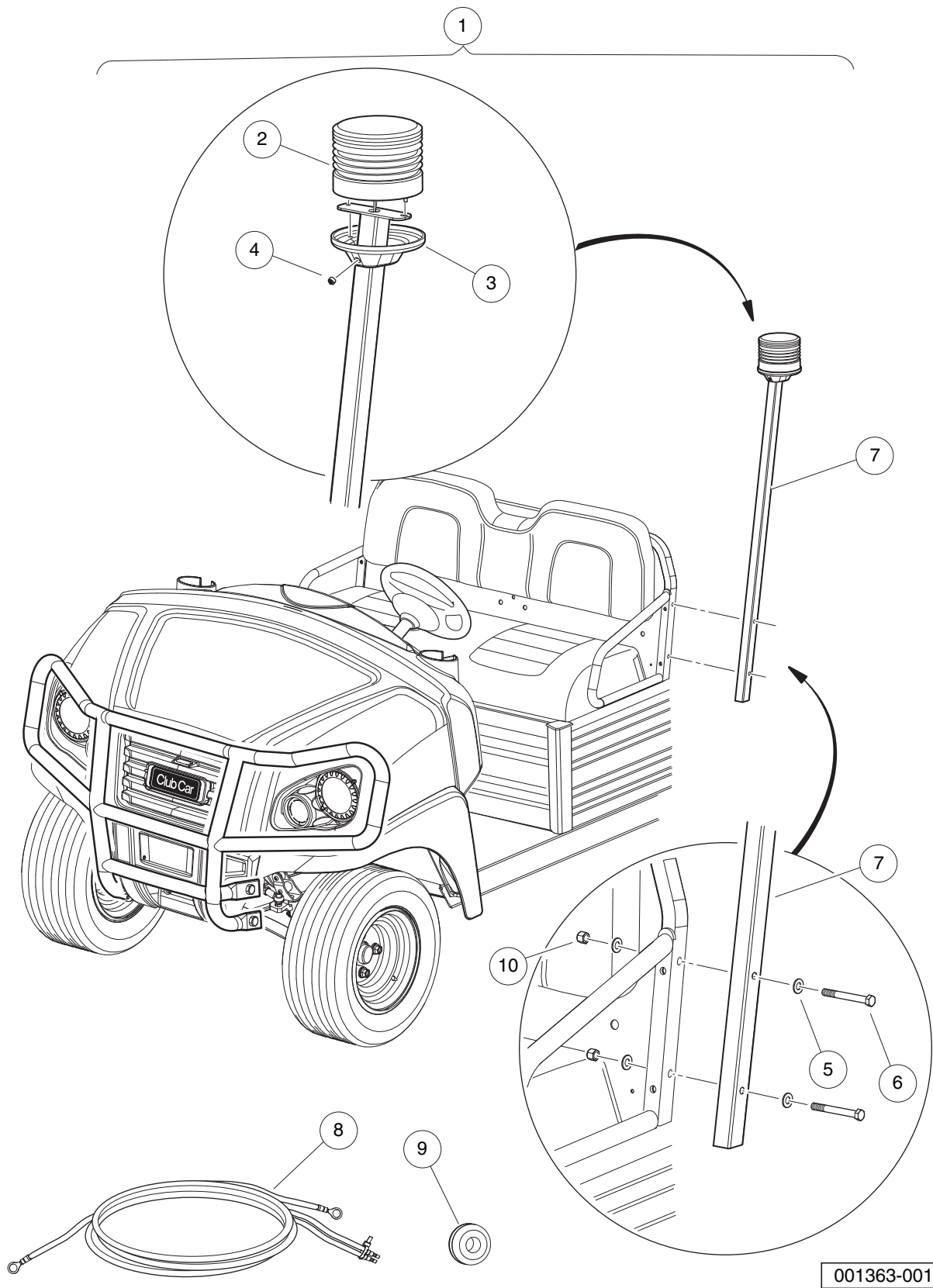
001357-001

# STROBE LIGHT, POST MOUNTED – GASOLINE VEHICLES

| ITEM | PART NO.         | DESCRIPTION  | QTY |
|------|------------------|--|-----|
|      |                  | 1 2 3 4  |     |
| 1    | <u>105155601</u> | Kit, Post Mtd. Strobe, Gas (includes items 2 through 12) ..... | 1   |
| 2    | 1015154          | Wire Assembly Blue Ca #16 .....                                | 1   |
| 3    | <u>1015156</u>   | Light Assembly, Strobe .....                                   | 1   |
| 4    | 1015157          | Cover Plate Switch - Pole Ca .....                             | 1   |
| 5    | <u>1015187</u>   | Switch Assembly .....  | 1   |
| 6    | 1016929          | Wire Assembly Black #16 .....                                  | 1   |
| 7    | <u>102323501</u> | Washer, Flat, 3/8, Blk Fin .....                               | 4   |
| 8    | <u>105088601</u> | Hhcs, 3/8 - 16 X 3.25, Black .....                             | 2   |
| 9    | 105118601        | Weldment, Post Mtd. Strobe .....                               | 1   |
| 10   | <u>105204401</u> | Wire Harness Asm,PM Strobe .....                               | 1   |
| 11   | <u>105205301</u> | Grommet,1/8-in groove .....                                    | 1   |
| 12   | <u>8754</u>      | Locknut, 3/8-16 Hex .....                                      | 2   |

4  
G  
E

**4**  
**G**  
**E**



001363-001



# STROBE LIGHT, POST MOUNTED – ELECTRIC VEHICLES

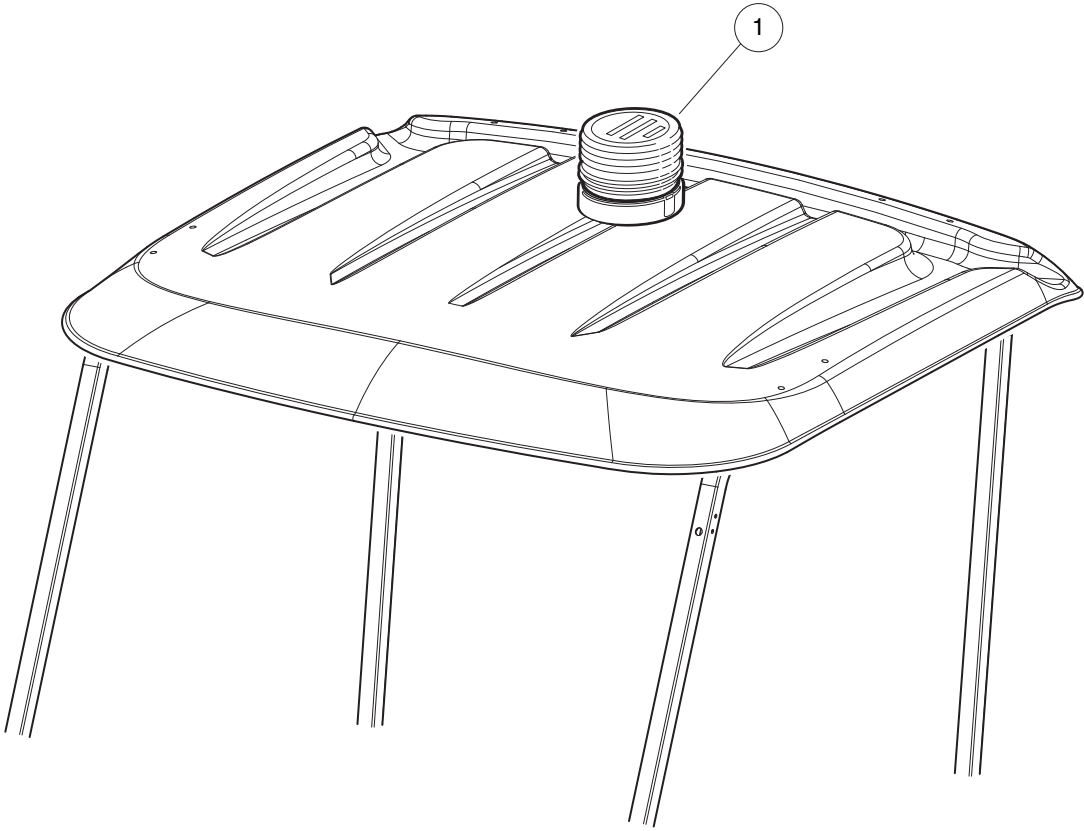
| ITEM | PART NO.         | DESCRIPTION   | QTY |
|------|------------------|---|-----|
|      |                  | 1 2 3 4   |     |
| 1    | <u>105155501</u> | Kit, Post Mtd. Strobe, Elec (includes items 2 through 10) ..... | 1   |
| 2    | <u>1015156</u>   | Light Assembly, Strobe .....                                    | 1   |
| 3    | 1015157          | Cover Plate Switch - Pole Ca .....                              | 1   |
| 4    | <u>1015187</u>   | Switch Assembly .....   | 1   |
| 5    | <u>102323501</u> | Washer, Flat, 3/8, Blk Fin .....                                | 4   |
| 6    | <u>105088601</u> | Hhcs, 3/8 - 16 X 3.25, Black .....                              | 2   |
| 7    | 105118601        | Weldment, Post Mtd. Strobe .....                                | 1   |
| 8    | <u>105204401</u> | Wire Harness Asm,PM Strobe .....                                | 1   |
| 9    | <u>105205301</u> | Grommet,1/8-in groove .....                                     | 1   |
| 10   | <u>8754</u>      | Locknut, 3/8-16 Hex .....                                       | 2   |

4  
G  
E

4

G

E



001364-001

# STROBE LIGHT – CANOPY MOUNTED

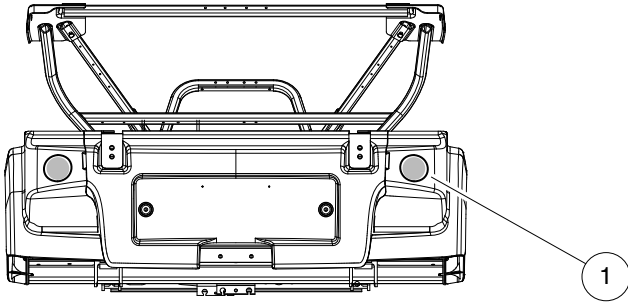
| ITEM | PART NO.    | DESCRIPTION  | QTY |
|------|-------------|--|-----|
| 1    | SVP12987001 | <div style="display: flex; justify-content: space-between; margin-bottom: 5px;"> <span>1</span> <span>2</span> <span>3</span> <span>4</span> </div> Kit, Strobe, Canopy, Led ..... | 1   |

**4**

**G**

**E**

**4**  
**G**  
**E**



001362-001

# REFLECTORS

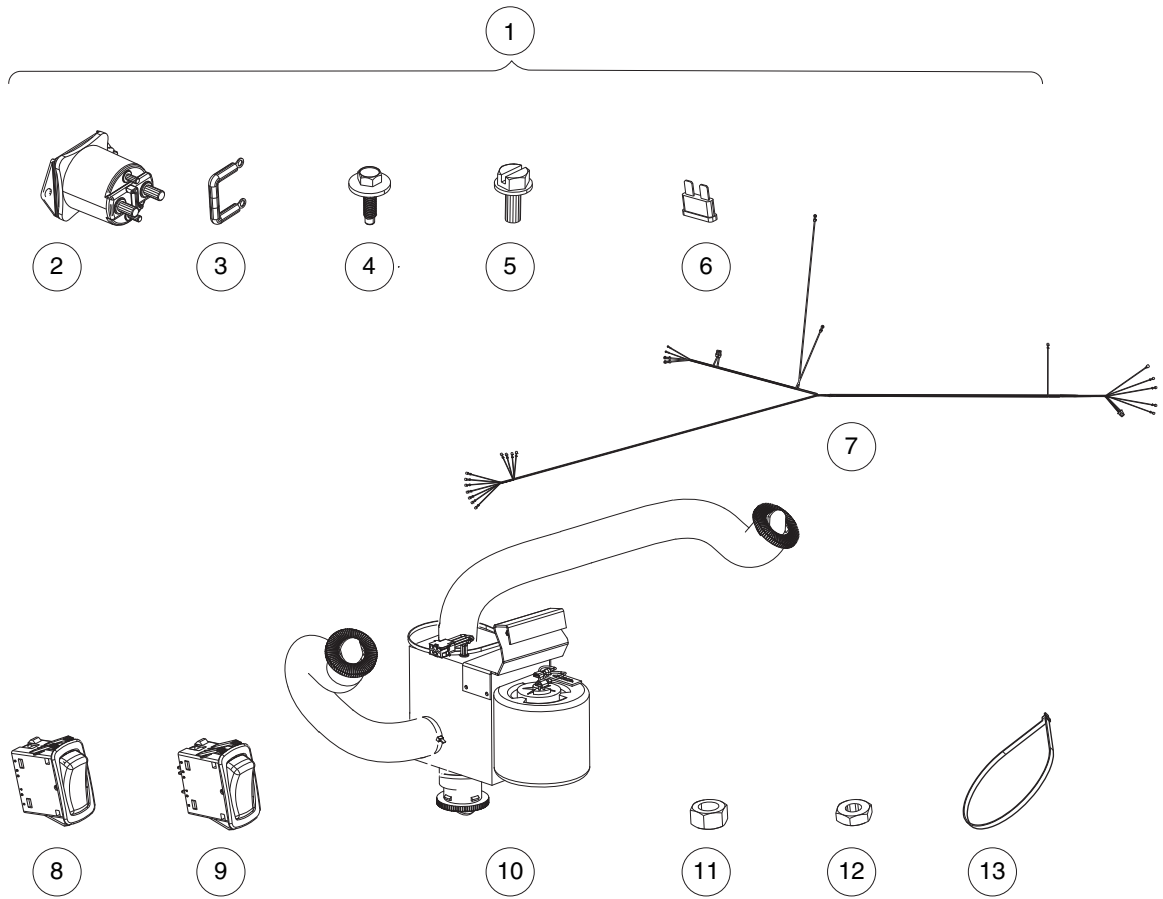
| ITEM | PART NO.         | DESCRIPTION                                 | QTY |
|------|------------------|---|-----|
| 1    | <u>103832501</u> | 1 2 3 4<br>Reflector, Red, Round, Sae ..... | 2   |
| 2    | <u>103832601</u> | Reflector, Yell, Rect, Sae .....            | 2   |
| 3    | <u>105144801</u> | Reflector, Red, Rect, Sae .....             | 2   |

**4**  
**G**  
**E**

4

G

E



001366-002

## HEATER DEFOGGER – ELECTRIC VEHICLE

| ITEM | PART NO.         | DESCRIPTION   | QTY |
|------|------------------|---|-----|
|      |                  | 1 2 3 4   |     |
| 1    | <u>105135802</u> | Kit, Defogger, Heater (includes items 2 through 13) ..... | 1   |
| 2    | <u>1013609</u>   | Solenoid, 12-Volt .....                                   | 1   |
| 3    | 1014948          | Diode .....   | 1   |
| 4    | <u>102297125</u> | Screw, M6-1.0x25.4, Thread-Forming, SEMS .....            | 2   |
| 5    | <u>102817101</u> | Screw, 1/4-20 X .50 Hex Wsh Hd .....                      | 2   |
| 6    | <u>103541401</u> | Fuse, Atc, 5 Amp .....                                    | 1   |
| 7    | <u>105108801</u> | Harness, Heater, Cab, Util .....                          | 1   |
| 8    | <u>105112501</u> | Switch, Heater, 12vdc .....                               | 1   |
| 9    | <u>105112601</u> | Switch, Blower, 12vdc .....                               | 1   |
| 10   | N/A              | Heater, Defogger .....                                    | 1   |
| 11   | <u>1242</u>      | Nut, 5/16-18 Hex .....                                    | 2   |
| 12   | <u>7893</u>      | Nut, #10-32 Hex .....                                     | 2   |
| 13   | <u>8639</u>      | Tie Wrap, 11" Nylon .....                                 | 8   |

4

G

E

**4**

**G**

**E**



# **BRAKES, PEDALS, AND CABLE ASSEMBLIES**

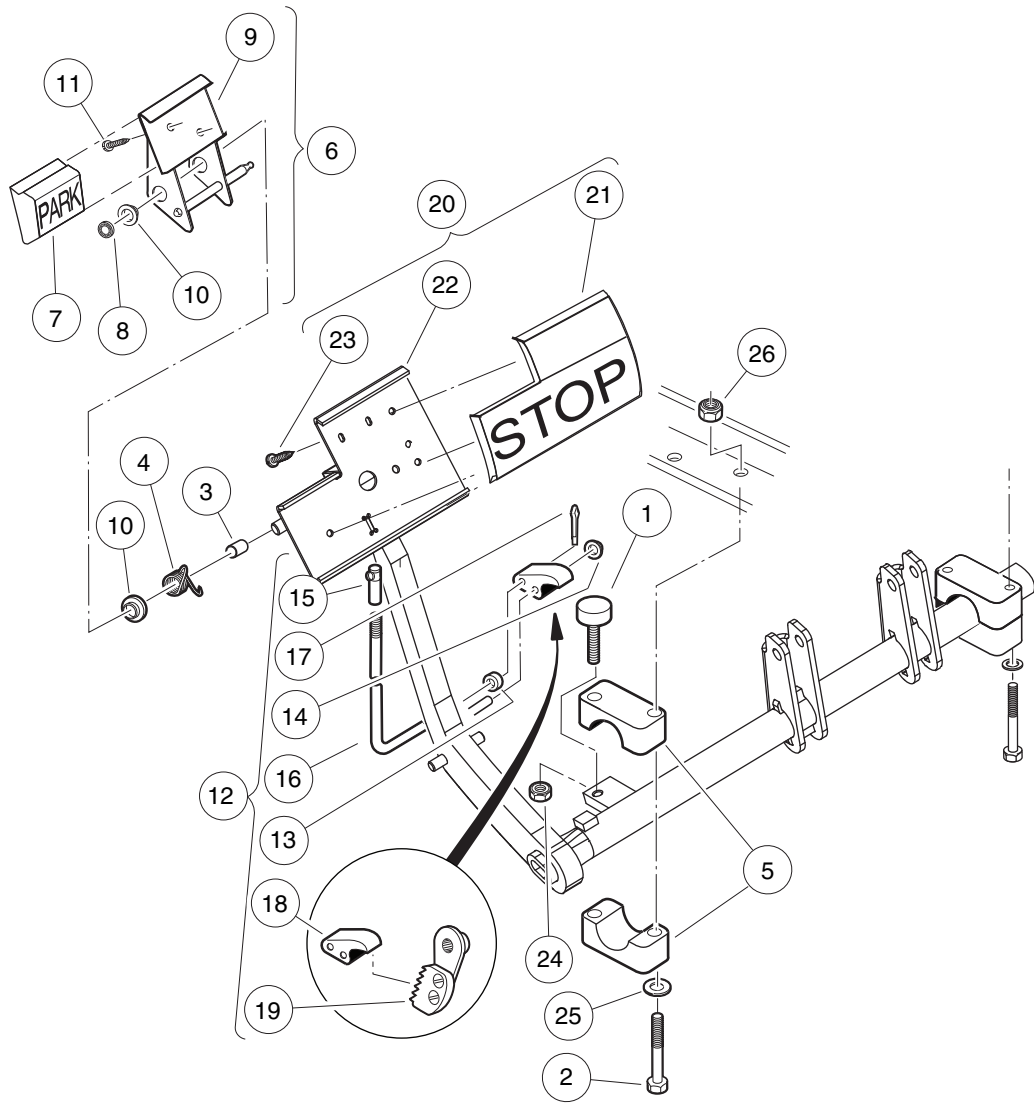
---

**5**

**G**

**E**

**5**  
**G**  
**E**



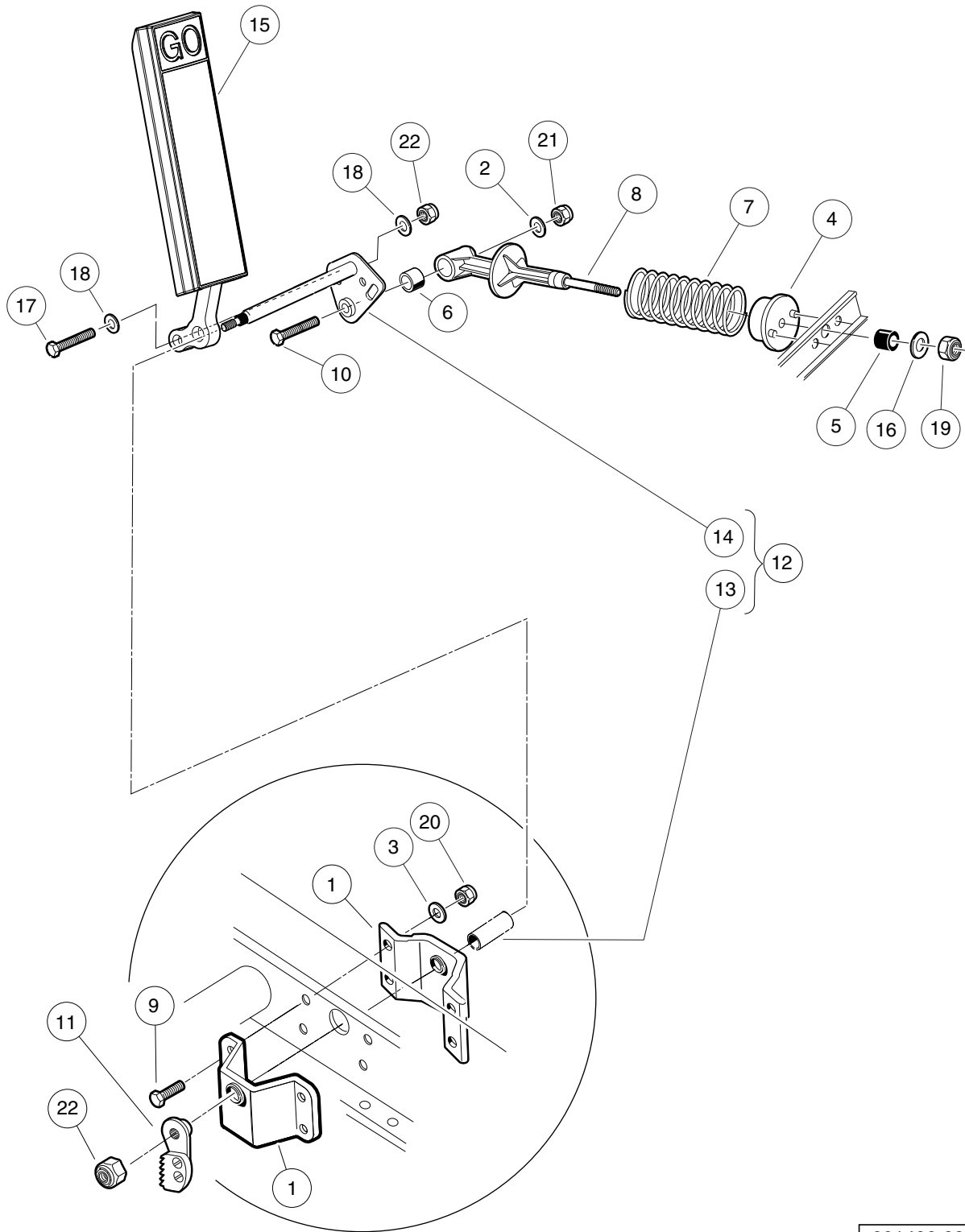
001405-002

# BRAKE PEDAL ASSEMBLY – VEHICLES WITH 2-WHEEL BRAKES AND 4-WHEEL BRAKES

| ITEM | PART NO.         | DESCRIPTION  | QTY |
|------|------------------|--|-----|
|      |                  | <b>1 2 3 4</b>   |     |
| 1    | <u>1010878</u>   | Bumper, Rubber .....                                       | 1   |
| 2    | <u>1010921</u>   | Screw, 5/16-18 X 2.50 Hex Cap .....                        | 4   |
| 3    | <u>1010927</u>   | Hill Brake Spacer .....                                    | 1   |
| 4    | <u>1010933</u>   | Spring, Hill Brake Torsion .....                           | 1   |
| 5    | <u>1011402</u>   | Package, Brake Mounting Block .....                        | 1   |
| 6    | <u>1011418</u>   | Kit, Hill Brake Pedal (includes items 7 through 11) .....  | 1   |
| 7    | <u>1013870</u>   | Pad, Hill Brake .....                                      | 1   |
| 8    | <u>1013876</u>   | Pushnut, 3/8 .....   | 1   |
| 9    | N/A              | Hill Brake Weld Assembly .....                             | 1   |
| 10   | <u>1032</u>      | Bushing, Nylon .....                                       | 2   |
| 11   | 7716             | Screw, #10-16 Type AB, Sheet Metal .....                   | 2   |
| 12   | <u>101187702</u> | Kit, Hill Brake Latch (includes items 13 through 19) ..... | 1   |
| 13   | <u>1010805</u>   | Sleeve, Hill Brake Rod .....                               | 1   |
| 14   | <u>1010877</u>   | Pushnut, 3/8 .....   | 1   |
| 15   | 1010932          | Ball Joint, 1/4-28 .....                                   | 1   |
| 16   | N/A              | Rod, Hill Brake .....                                      | 1   |
| 17   | <u>1017029</u>   | Pin, Cotter, 7/64 x 1/2 Stainless-Steel .....              | 1   |
| 18   | N/A              | Pawl, Hill Brake .....                                     | 1   |
| 19   | 101918501        | Ratchet Assembly .....                                     | 1   |
| 20   | <u>101878201</u> | Brake Pedal Kit (includes items 21 through 23) .....       | 1   |
| 21   | <u>1013869</u>   | Pad, Brake Pedal .....                                     | 1   |
| 22   | N/A              | Weldment, Brake Pedal, 2wr Std .....                       | 1   |
| 23   | 7716             | Screw, #10-16 Type AB, Sheet Metal .....                   | 3   |
| 24   | <u>1028</u>      | Nut, 1/4-20 Hex .....                                      | 1   |
| 25   | <u>1241</u>      | Washer, 5/16 Type A Flat .....                             | 4   |
| 26   | <u>7473</u>      | Locknut, 5/16-18 Nylon Insert .....                        | 4   |

**5**  
**G**  
**E**

**5**  
**G**  
**E**



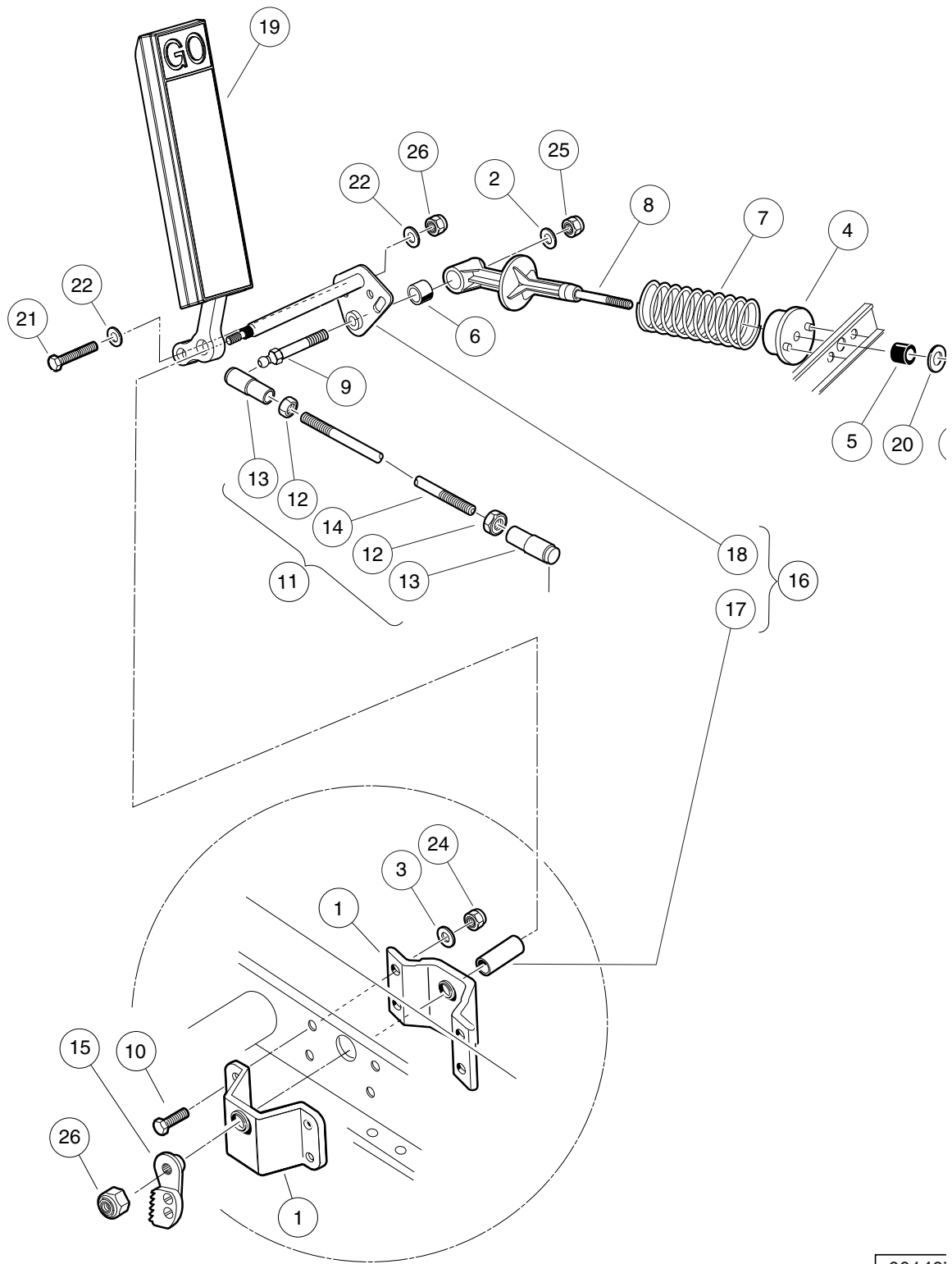
001406-001

# ACCELERATOR PEDAL ASSEMBLY – ELECTRIC VEHICLES

| ITEM | PART NO.         | DESCRIPTION  | QTY |
|------|------------------|--|-----|
|      |                  | 1 2 3 4  |     |
| 1    | <u>1011694</u>   | Accelerator Bracket and Bearing Assembly .....                       | 2   |
| 2    | <u>1011931</u>   | Washer, 1/4 Flat .....   | 1   |
| 3    | <u>1014007</u>   | Washer, 1/4, Flat .....  | 4   |
| 4    | <u>1017378</u>   | Cup, Spring .....  | 1   |
| 5    | <u>1017380</u>   | Bumper, Spring Return .....  | 1   |
| 6    | <u>1017424</u>   | Bearing, Pivot Support .....   | 1   |
| 7    | 101796201        | Spring, Accelerator Return .....                                     | 1   |
| 8    | <u>101817401</u> | Retainer, Spring .....   | 1   |
| 9    | <u>101861901</u> | Screw, 1/4-20 X 1.125 Hex Cap .....                                  | 4   |
| 10   | <u>101862001</u> | Screw, 1/4-20 X 1.500 Flange .....                                   | 1   |
| 11   | 101918501        | Ratchet Assembly .....   | 1   |
| 12   | <u>102026001</u> | Kit, Accelerator Pivot Rod Assembly (includes items 13 and 14) ..... | 1   |
| 13   | 101919801        | Spacer, Accelerator .....  | 1   |
| 14   | <u>102158901</u> | Pivot Rod Weldment .....   | 1   |
| 15   | <u>103865101</u> | Pedal, Accel, Insert .....   | A/R |
| 16   | <u>1241</u>      | Washer, 5/16 Type A Flat .....                                       | 1   |
| 17   | <u>1624</u>      | Screw, 3/8-16 X 1.50, Hex-Head Cap .....                             | 1   |
| 18   | <u>334</u>       | Washer, 3/8, Type A, Flat .....                                      | 2   |
| 19   | <u>7473</u>      | Locknut, 5/16-18 Nylon Insert .....                                  | 1   |
| 20   | <u>8233</u>      | Locknut, 1/4-20, Nylon Insert .....                                  | 4   |
| 21   | <u>8717</u>      | Locknut, Nylon Insert, 1/4-28 .....                                  | 1   |
| 22   | <u>8754</u>      | Locknut, 3/8-16 Hex .....  | 2   |

5  
G  
E

**5**  
**G**  
**E**



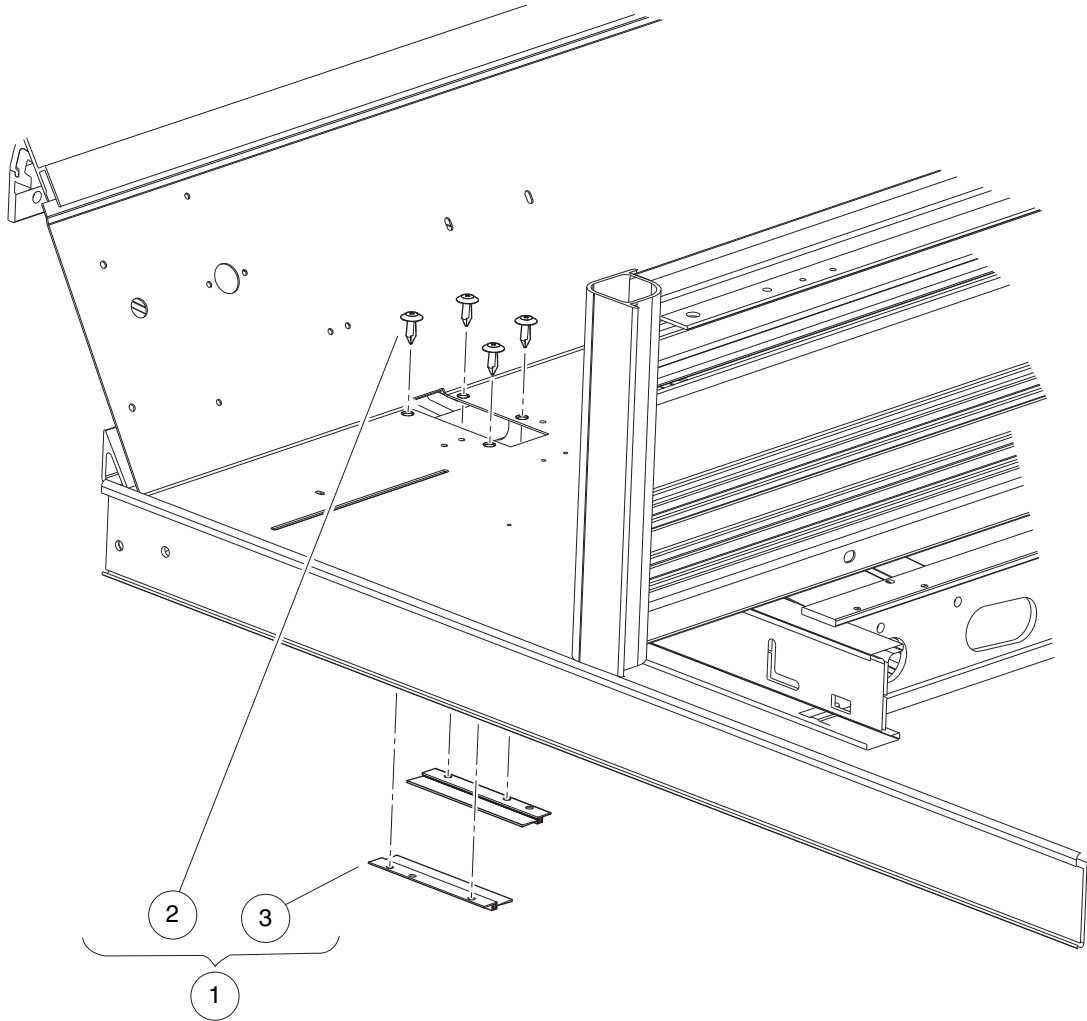
00140

# ACCELERATOR PEDAL AND ROD ASSEMBLY – GASOLINE VEHICLE

| ITEM | PART NO.         | DESCRIPTION  | QTY |
|------|------------------|--|-----|
|      |                  | <b>1 2 3 4</b>   |     |
| 1    | <u>1011694</u>   | Accelerator Bracket and Bearing Assembly .....                       | 2   |
| 2    | <u>1011931</u>   | Washer, 1/4 Flat .....   | 1   |
| 3    | <u>1014007</u>   | Washer, 1/4, Flat .....  | 4   |
| 4    | <u>1017378</u>   | Cup, Spring .....  | 1   |
| 5    | <u>1017380</u>   | Bumper, Spring Return .....  | 1   |
| 6    | <u>1017424</u>   | Bearing, Pivot Support .....   | 1   |
| 7    | 101796201        | Spring, Accelerator Return .....                                     | 1   |
| 8    | <u>101817401</u> | Retainer, Spring .....   | 1   |
| 9    | 101818801        | Stud, 1/4-28 X 1.35 Ball .....                                       | 1   |
| 10   | <u>101861901</u> | Screw, 1/4-20 X 1.125 Hex Cap .....                                  | 4   |
| 11   | 101912401        | Rod, Accelerator (includes items 12 through 14) .....                | 1   |
| 12   | <u>1011084</u>   | Nut, 1/4-28 Hex Jam .....  | 2   |
| 13   | <u>1011734</u>   | Joint, Ball .....  | 2   |
| 14   | N/A              | Accelerator Rod .....  | 1   |
| 15   | 101918501        | Ratchet Assembly .....   | 1   |
| 16   | <u>102026001</u> | Kit, Accelerator Pivot Rod Assembly (includes items 17 and 18) ..... | 1   |
| 17   | 101919801        | Spacer, Accelerator .....  | 1   |
| 18   | <u>102158901</u> | Pivot Rod Weldment .....   | 1   |
| 19   | <u>103865101</u> | Pedal, Accel, Insert .....   | 1   |
| 20   | <u>1241</u>      | Washer, 5/16 Type A Flat .....                                       | 1   |
| 21   | <u>1624</u>      | Screw, 3/8-16 X 1.50, Hex-Head Cap .....                             | 1   |
| 22   | <u>334</u>       | Washer, 3/8, Type A, Flat .....                                      | 2   |
| 23   | <u>7473</u>      | Locknut, 5/16-18 Nylon Insert .....                                  | 1   |
| 24   | <u>8233</u>      | Locknut, 1/4-20, Nylon Insert .....                                  | 4   |
| 25   | <u>8717</u>      | Locknut, Nylon Insert, 1/4-28 .....                                  | 1   |
| 26   | <u>8754</u>      | Locknut, 3/8-16 Hex .....  | 2   |

**5**  
**G**  
**E**

**5**  
**G**  
**E**



001418-001

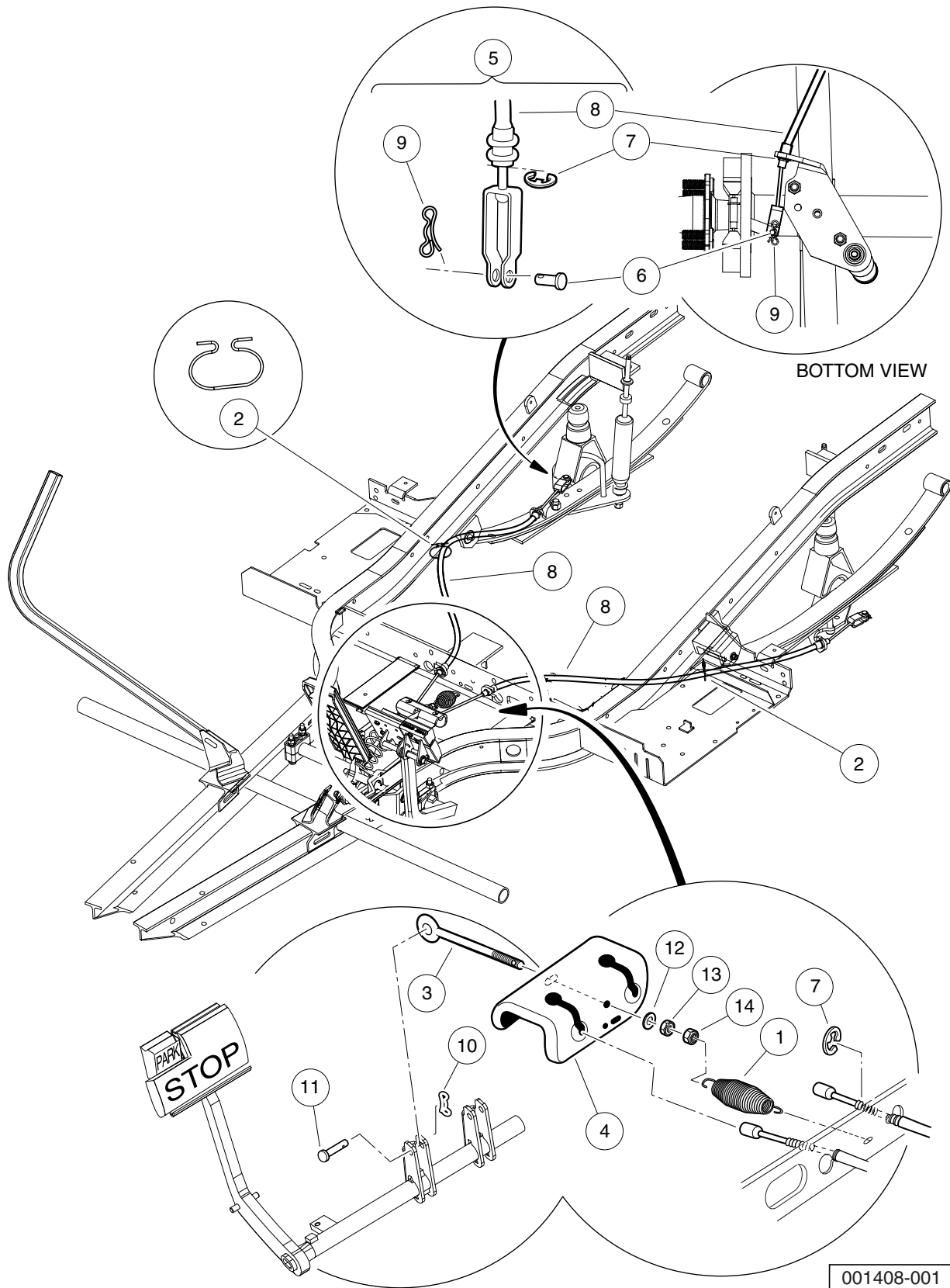


# PEDAL CLOSE-OUT KIT

| ITEM | PART NO.         | DESCRIPTION   | QTY |
|------|------------------|---|-----|
|      |                  | <b>1 2 3 4</b>  |     |
| 1    | <u>105149101</u> | Kit, Close Out, Pedal, Utl (includes items 2 and 3) ..... | 1   |
| 2    | <u>102025701</u> | Screw, Tuflok Panel, 1/4 .....                            | 4   |
| 3    | <u>105149201</u> | Asm, Brush, Pedal Close Out .....                         | 2   |

5  
G  
E

**5**  
**G**  
**E**

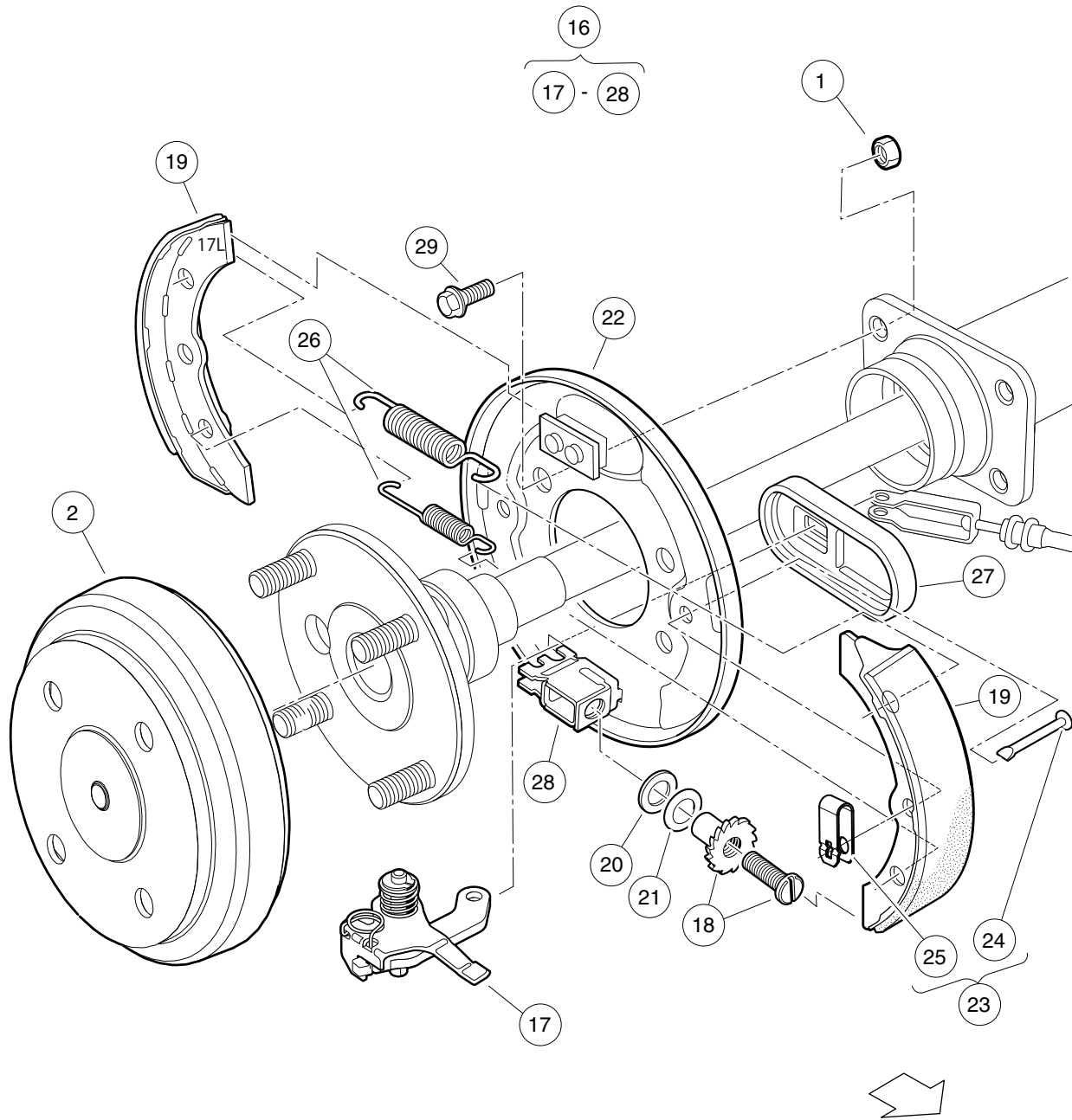


# BRAKE CABLES AND EQUALIZER

| ITEM | PART NO.         | DESCRIPTION  | QTY |
|------|------------------|--|-----|
|      |                  | <b>1 2 3 4</b>   |     |
| 1    | <u>1013531</u>   | Spring, Brake Return .....                               | 1   |
| 2    | 101900801        | Hanger, Brake Cable .....                                | 2   |
| 3    | <u>101953101</u> | Rod, Equalizer, 8.91" .....                              | 1   |
| 4    | <u>101990801</u> | Equalizer Bracket .....                                  | 1   |
| 5    | <u>102166901</u> | Kit, Brake Cable Rear (includes items 6 through 9) ..... | 1   |
| 6    | <u>1010829</u>   | Pin, Clevis, 5/16 X 3/4 .....                            | 2   |
| 7    | <u>1011779</u>   | E-Clip, 1/2 .....  | 4   |
| 8    | 102162601        | Cable, Brake .....                                       | 2   |
| 9    | <u>102292801</u> | Pin, Bow Tie Locking - .072 .....                        | 2   |
| 10   | <u>102323101</u> | Pin, Bow Tie Locking .....                               | 1   |
| 11   | <u>102323201</u> | Pin, 3/8 X 1-5/16 Clevis .....                           | 1   |
| 12   | <u>1241</u>      | Washer, 5/16 Type A Flat .....                           | 5   |
| 13   | <u>1242</u>      | Nut, 5/16-18 Hex .....                                   | 1   |
| 14   | <u>7473</u>      | Locknut, 5/16-18 Nylon Insert .....                      | 5   |

**5**  
**G**  
**E**

**5**  
**G**  
**E**

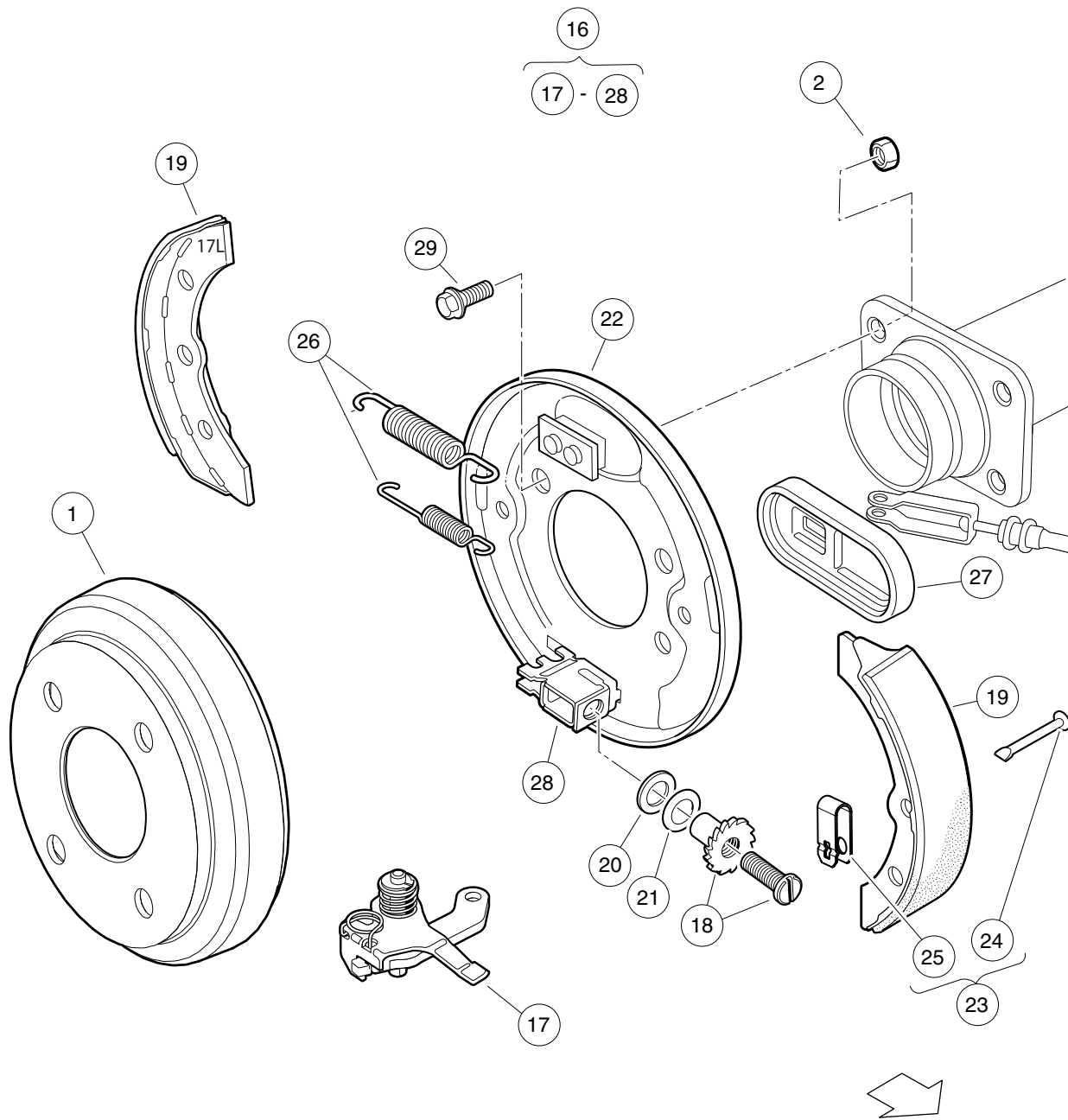


000186-006

## REAR BRAKES, SELF-ADJUSTING – ELECTRIC VEHICLE

| ITEM | PART NO.           | DESCRIPTION   | QTY |          |
|------|--------------------|---|-----|----------|
|      |                    | 1 2 3 4   |     | <b>5</b> |
| 1    | <u>1013924</u>     | Nut, 5/16-24, Hex Head Cone .....   | 8   | <b>G</b> |
| 2    | <u>101791101</u>   | Drum without Center Hole, Brake .....   | 2   | <b>E</b> |
| 3    | <u>103380201</u>   | Asm, Brake Cluster, Mech, Drvr (includes items 4 through 15) .....  | 1   |          |
| 4    | <u>101815502</u>   | Lever Assembly, Self-Adjusting Brake, Left .....  | 1   |          |
| 5    | <u>101816502</u>   | Adjusting Mechanism, Self-Adjusting Brake, Left .....   | 1   |          |
| 6    | <u>101823201</u>   | Package, Brake Shoe, Self-Adjusting .....   | 1   |          |
| 7    | <u>101823801</u>   | Plate, Washer, Brake, Self-Adjusting .....  | 1   |          |
| 8    | <u>101823901</u>   | Washer, Brake, Self-Adjusting .....   | 1   |          |
| 9    | <u>103483102</u>   | Backing Plate, Driver-side .....  | 1   |          |
| 10   | <u>103483201</u>   | Kit, Shoe Retainer (includes items 11 and 12) .....   | 1   |          |
| 11   | N/A                | Pin .....   | 2   |          |
| 12   | N/A                | Spring, Shoe, Clamp .....   | 2   |          |
| 13   | <u>103483401</u>   | Package Brake Spring Self Adj .....   | 1   |          |
| 14   | <u>103483601</u>   | Cover, Dust .....   | 1   |          |
| 15   | <u>103483701</u>   | Brake Block .....   | 1   |          |
| 16   | <u>103380202</u>   | Asm, Brake Cluster, Mech, Pass (includes items 17 through 28) .....   | 1   |          |
| 17   | <u>101815501</u>   | Lever Assembly, Self-Adjusting Brake, Right (Passenger) .....   | 1   |          |
| 18   | <u>101816501</u>   | Adj Mechanism, S.A. Brakes, Right (Passenger) .....   | 1   |          |
| 19   | <u>101823201</u>   | Package, Brake Shoe, Self-Adjusting .....   | 1   |          |
| 20   | <u>101823801</u>   | Plate, Washer, Brake, Self-Adjusting .....  | 1   |          |
| 21   | <u>101823901</u>   | Washer, Brake, Self-Adjusting .....   | 1   |          |
| 22   | <u>103483101</u>   | Backing Plate, Passenger-side .....   | 1   |          |
| 23   | <u>103483201</u>   | Kit, Shoe Retainer (includes items 24 and 25) .....   | 1   |          |
| 24   | N/A                | Pin .....   | 2   |          |
| 25   | N/A                | Spring, Shoe, Clamp .....   | 2   |          |
| 26   | <u>103483401</u>   | Package Brake Spring Self Adj .....   | 1   |          |
| 27   | <u>103483601</u>   | Cover, Dust .....   | 1   |          |
| 28   | <u>103483701</u>   | Brake Block .....   | 1   |          |
| 29   | <u>47542195001</u> | Bolt, Brake Cluster Mnt .....   | 8   |          |
|      |                    | Note: Driver-side brake cluster (items 4 -16) not shown. Components have a similar appearance to passenger-side brake cluster components. |     |          |

**5**  
**G**  
**E**



000186-007

## REAR BRAKES, SELF-ADJUSTING – GASOLINE VEHICLE

| ITEM | PART NO.           | DESCRIPTION   | QTY |
|------|--------------------|---|-----|
|      |                    | 1 2 3 4   |     |
| 1    | <u>1011137</u>     | Drum, Brake .....   | 2   |
| 2    | <u>1013924</u>     | Nut, 5/16-24, Hex Head Cone .....   | 8   |
| 3    | <u>103380201</u>   | Asm, Brake Cluster, Mech, Drvr (includes items 4 through 15) .....  | 1   |
| 4    | <u>101815502</u>   | Lever Assembly, Self-Adjusting Brake, Left .....  | 1   |
| 5    | <u>101816502</u>   | Adjusting Mechanism, Self-Adjusting Brake, Left .....   | 1   |
| 6    | <u>101823201</u>   | Package, Brake Shoe, Self-Adjusting .....   | 1   |
| 7    | <u>101823801</u>   | Plate, Washer, Brake, Self-Adjusting .....  | 1   |
| 8    | <u>101823901</u>   | Washer, Brake, Self-Adjusting .....   | 1   |
| 9    | <u>103483102</u>   | Backing Plate, Driver-side .....  | 1   |
| 10   | <u>103483201</u>   | Kit, Shoe Retainer (includes items 11 and 12) .....   | 1   |
| 11   | N/A                | Pin .....   | 2   |
| 12   | N/A                | Spring, Shoe, Clamp .....   | 2   |
| 13   | <u>103483401</u>   | Package Brake Spring Self Adj .....   | 1   |
| 14   | <u>103483601</u>   | Cover, Dust .....   | 1   |
| 15   | <u>103483701</u>   | Brake Block .....   | 1   |
| 16   | <u>103380202</u>   | Asm, Brake Cluster, Mech, Pass (includes items 17 through 28) .....   | 1   |
| 17   | <u>101815501</u>   | Lever Assembly, Self-Adjusting Brake, Right (Passenger) .....   | 1   |
| 18   | <u>101816501</u>   | Adj Mechanism, S.A. Brakes, Right (Passenger) .....   | 1   |
| 19   | <u>101823201</u>   | Package, Brake Shoe, Self-Adjusting .....   | 1   |
| 20   | <u>101823801</u>   | Plate, Washer, Brake, Self-Adjusting .....  | 1   |
| 21   | <u>101823901</u>   | Washer, Brake, Self-Adjusting .....   | 1   |
| 22   | <u>103483101</u>   | Backing Plate, Passenger-side .....   | 1   |
| 23   | <u>103483201</u>   | Kit, Shoe Retainer (includes items 24 and 25) .....   | 1   |
| 24   | N/A                | Pin .....   | 2   |
| 25   | N/A                | Spring, Shoe, Clamp .....   | 2   |
| 26   | <u>103483401</u>   | Package Brake Spring Self Adj .....   | 1   |
| 27   | <u>103483601</u>   | Cover, Dust .....   | 1   |
| 28   | <u>103483701</u>   | Brake Block .....   | 1   |
| 29   | <u>47542195001</u> | Bolt, Brake Cluster Mnt .....   | 8   |
|      |                    | Note: Driver-side brake cluster (items 4 -16) not shown. Components have a similar appearance to passenger-side brake cluster components. |     |

5  
G  
E

**5**

**G**

**E**



# STEERING, FRONT AND REAR SUSPENSION

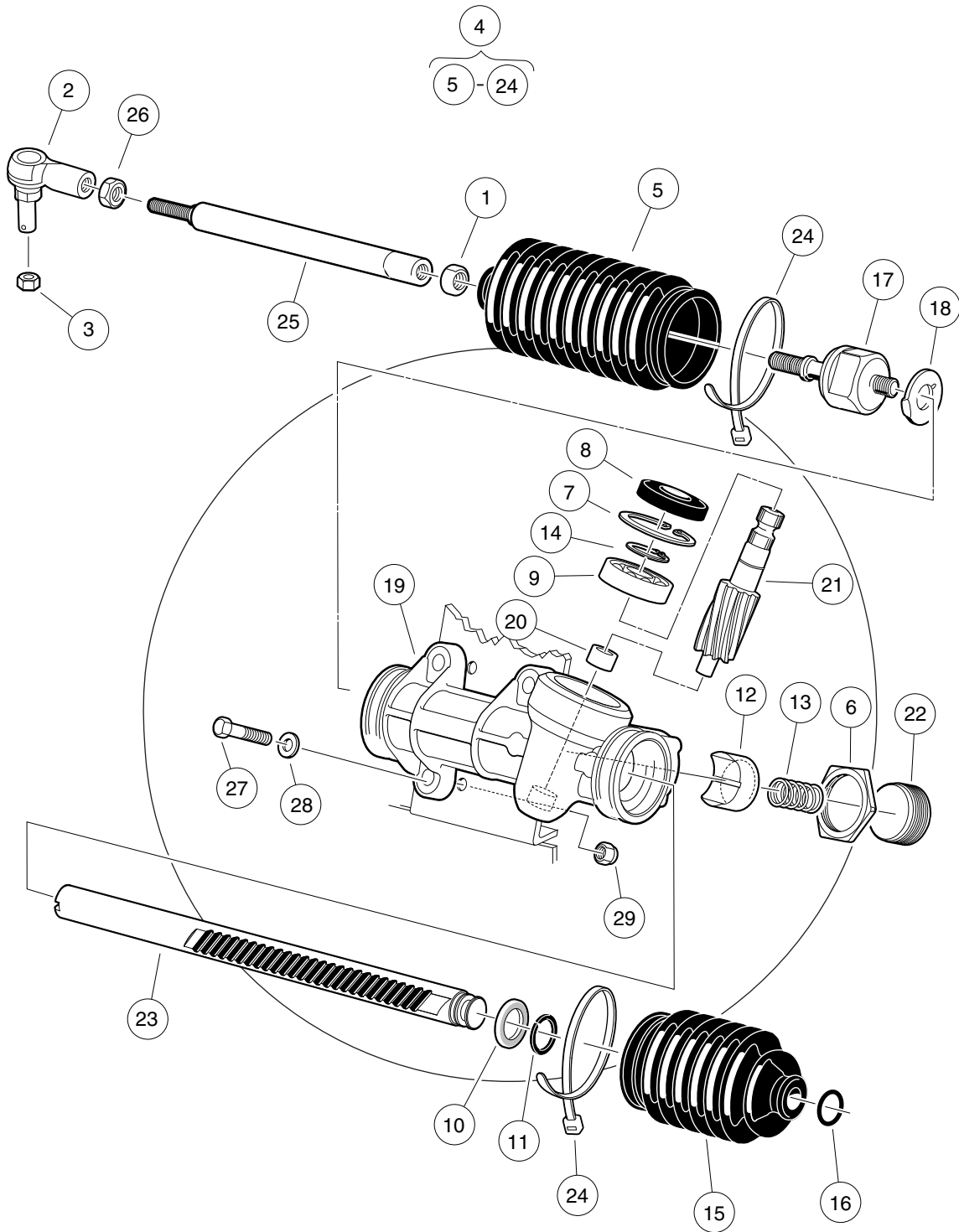
---

6

G

E

**6**  
**G**  
**E**



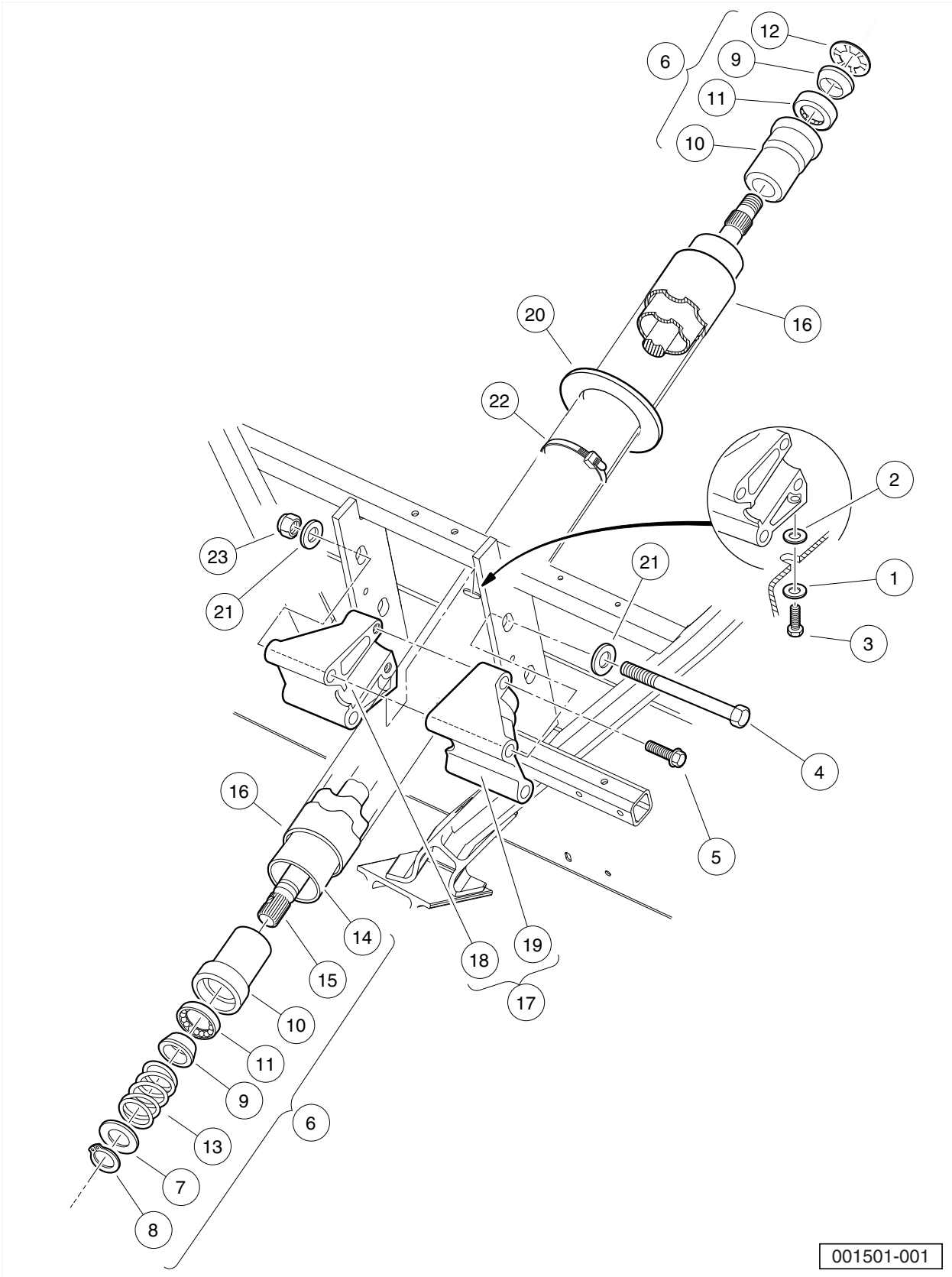
001500-002

# STEERING GEAR ASSEMBLY

| ITEM | PART NO.         | DESCRIPTION   | QTY |
|------|------------------|---|-----|
|      |                  | <b>1 2 3 4</b>  |     |
| 1    | 1013042          | Nut, 12mm Hex .....   | 1   |
| 2    | <u>102022602</u> | End, Tie Rod, M12 X 1.25, Lh .....                                | 1   |
| 3    | <u>102289201</u> | Nut - Hex Locking, M12 X 1.25 .....                               | 1   |
| 4    | <u>103601501</u> | Asm, Steering Rack And Pinion (includes items 5 through 24) ..... | 1   |
| 5    | <u>1013035</u>   | Bellows, Long .....   | 1   |
| 6    | <u>1013044</u>   | Rack Screw Locknut .....  | 1   |
| 7    | N/A              | Snap Ring .....   | 1   |
| 8    | <u>1013052</u>   | Seal, Steering Pinion Dust .....                                  | 1   |
| 9    | <u>101879401</u> | Bearing, Ball .....   | 1   |
| 10   | <u>101879501</u> | Stop Washer .....   | 1   |
| 11   | 101879601        | Stop Ring, C-Type .....   | 1   |
| 12   | <u>101879701</u> | Support Yoke .....  | 1   |
| 13   | <u>101879801</u> | Rack Guide Pressure Spring .....                                  | 1   |
| 14   | <u>101879901</u> | Ring, Stop, C-Type .....  | 1   |
| 15   | <u>101880001</u> | Bellows, Short .....  | 1   |
| 16   | 101880101        | Dust Seal Retaining Ring .....                                    | 1   |
| 17   | <u>101880201</u> | Inner Ball Joint Asm .....  | 1   |
| 18   | 101880301        | Washer, Tab .....   | 1   |
| 19   | N/A              | Box, Steering Gear .....  | 1   |
| 20   | N/A              | Bearing, Lower Pinion .....                                       | 1   |
| 21   | N/A              | Pinion, Steering .....  | 1   |
| 22   | N/A              | Screw, Rack Guide .....   | 1   |
| 23   | N/A              | Rack, Steering .....  | 1   |
| 24   | <u>8990</u>      | Tie Wrap, 8" Nylon .....  | 2   |
| 25   | <u>103653401</u> | Link, Drag, Male Thd .....  | 1   |
| 26   | <u>103653501</u> | Nut, Jam, M12-1.25, Lh .....                                      | 1   |
| 27   | <u>1624</u>      | Screw, 3/8-16 X 1.50, Hex-Head Cap .....                          | 3   |
| 28   | <u>334</u>       | Washer, 3/8, Type A, Flat .....                                   | 3   |
| 29   | <u>8754</u>      | Locknut, 3/8-16 Hex .....   | 3   |

**6**  
**G**  
**E**

**6**  
**G**  
**E**

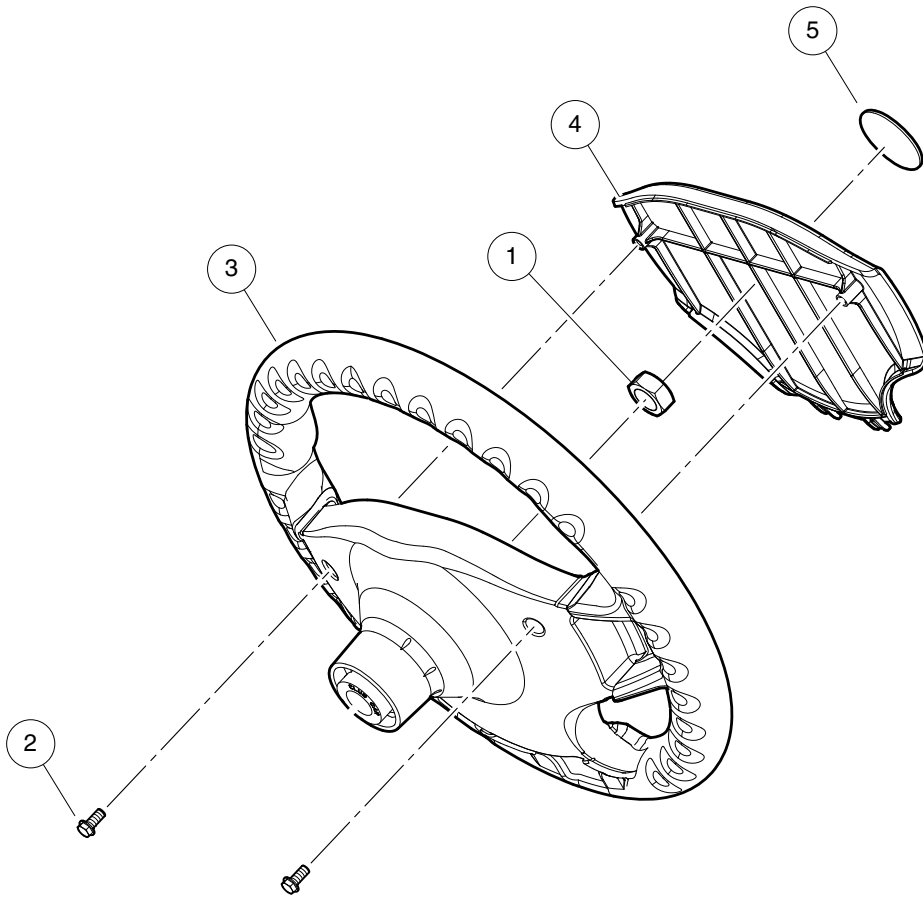
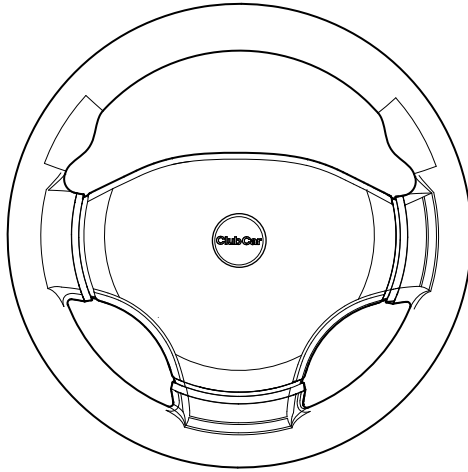


# STEERING COLUMN

| ITEM | PART NO.         | DESCRIPTION  | QTY |
|------|------------------|--|-----|
|      |                  | <b>1 2 3 4</b>   |     |
| 1    | <u>1011697</u>   | Washer, 5/16 Flat .....  | 1   |
| 2    | <u>1012571</u>   | Washer, 5/16 Extra Thick Flat .....                                    | 1   |
| 3    | <u>1014288</u>   | Screw, 5/16-18 X 0.75, Thread-Forming .....                            | 1   |
| 4    | <u>1016183</u>   | Screw, 3/8-16 X 7.00 Hex Cap .....                                     | 2   |
| 5    | <u>1016269</u>   | Screw, 5/16-18 Thrd Forming .....                                      | 2   |
| 6    | <u>1017313</u>   | Steering Shaft Assembly (includes items 7 through 15) .....            | 1   |
| 7    | <u>1012604</u>   | Washer, 0.675 ID X 1.19 OD .....                                       | 1   |
| 8    | <u>1012605</u>   | Ring, 0.579 Internal Retaining .....                                   | 1   |
| 9    | <u>1014125</u>   | Wedge, Molded .....  | 2   |
| 10   | <u>1014126</u>   | Seat, Plastic Bearing .....  | 2   |
| 11   | <u>1014213</u>   | Bearing, Ball .....  | 2   |
| 12   | <u>1014214</u>   | Ring, Retaining .....  | 1   |
| 13   | <u>1014217</u>   | Spring, Steering Shaft .....   | 1   |
| 14   | <u>1017314</u>   | Column, Aluminum Steering .....  | 1   |
| 15   | <u>1017315</u>   | Shaft Steering Column .....  | 1   |
| 16   | <u>1017317</u>   | Tube Cover, Steering Column .....                                      | 1   |
| 17   | 101984801        | Kit, Steering Column Mounting Bracket (includes items 18 and 19) ..... | 1   |
| 18   | N/A              | Bracket, RH Steering Column Mount .....                                | 1   |
| 19   | N/A              | Bracket, LH Steering column mount .....                                | 1   |
| 20   | <u>102278001</u> | Boot, Steering Column Round .....                                      | 1   |
| 21   | <u>334</u>       | Washer, 3/8, Type A, Flat .....  | 4   |
| 22   | <u>8639</u>      | Tie Wrap, 11" Nylon .....  | 1   |
| 23   | <u>8754</u>      | Locknut, 3/8-16 Hex .....  | 2   |

**6**  
**G**  
**E**

**6**  
**G**  
**E**



001503-001

# STEERING WHEEL

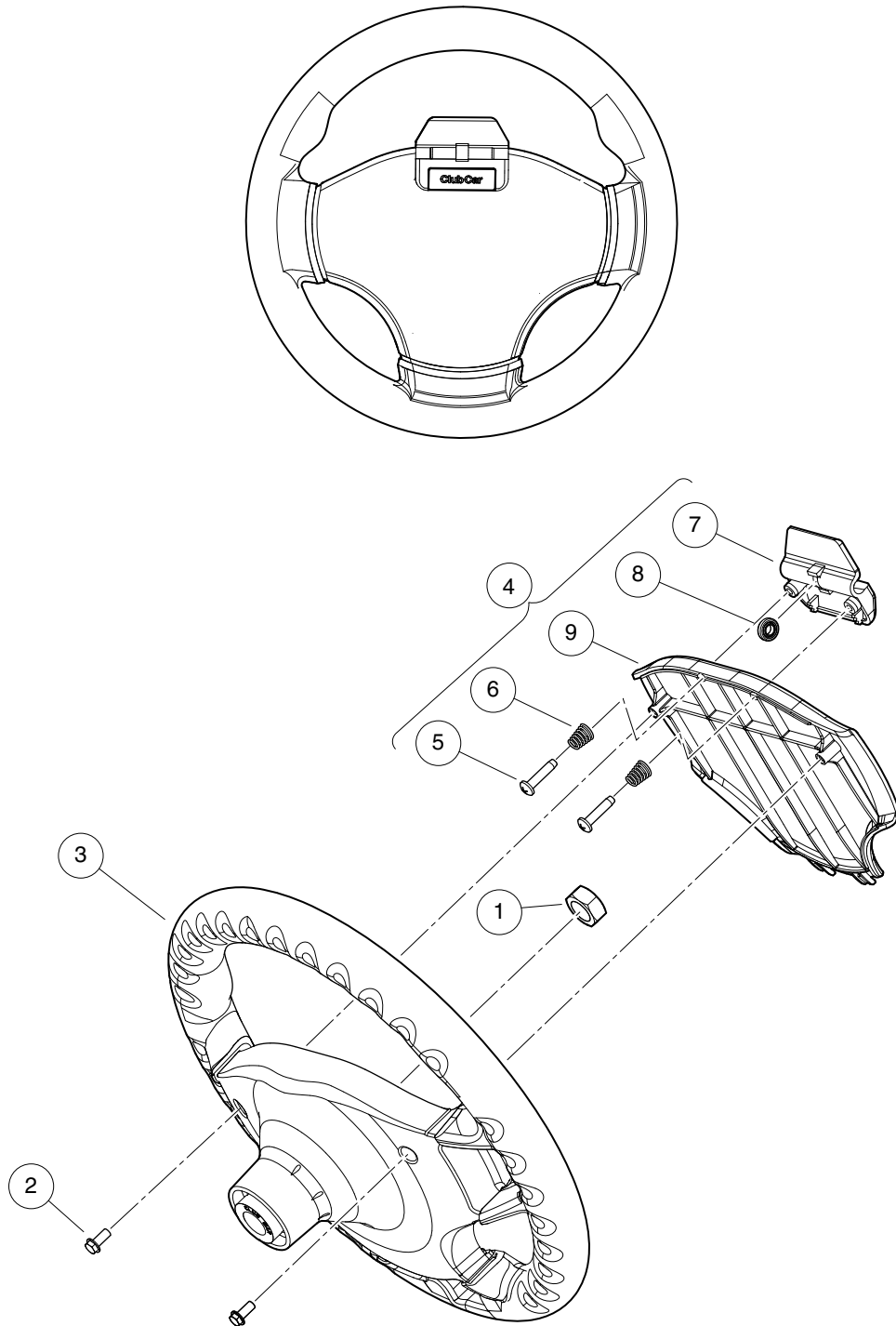
| ITEM | PART NO.         | DESCRIPTION                                  | QTY |
|------|------------------|--|-----|
|      |                  | 1 2 3 4                                      |     |
| 1    | <u>1017273</u>   | Nut, 5/8-18 Nylon Insert Jam .....           | 1   |
| 2    | <u>101850301</u> | Screw, #12-16 X 0.50 Washer-Head Hi-Lo ..... | 2   |
| 3    | <u>103724504</u> | Steering Wheel, Soft Spl .....               | 1   |
| 4    | <u>103724602</u> | Cover, Steering Wheel, Generic .....         | 1   |
| 5    | <u>103829401</u> | Logo, Cci, Steer Wheel .....                 | 1   |

6

G

E

**6**  
**G**  
**E**



001504-001

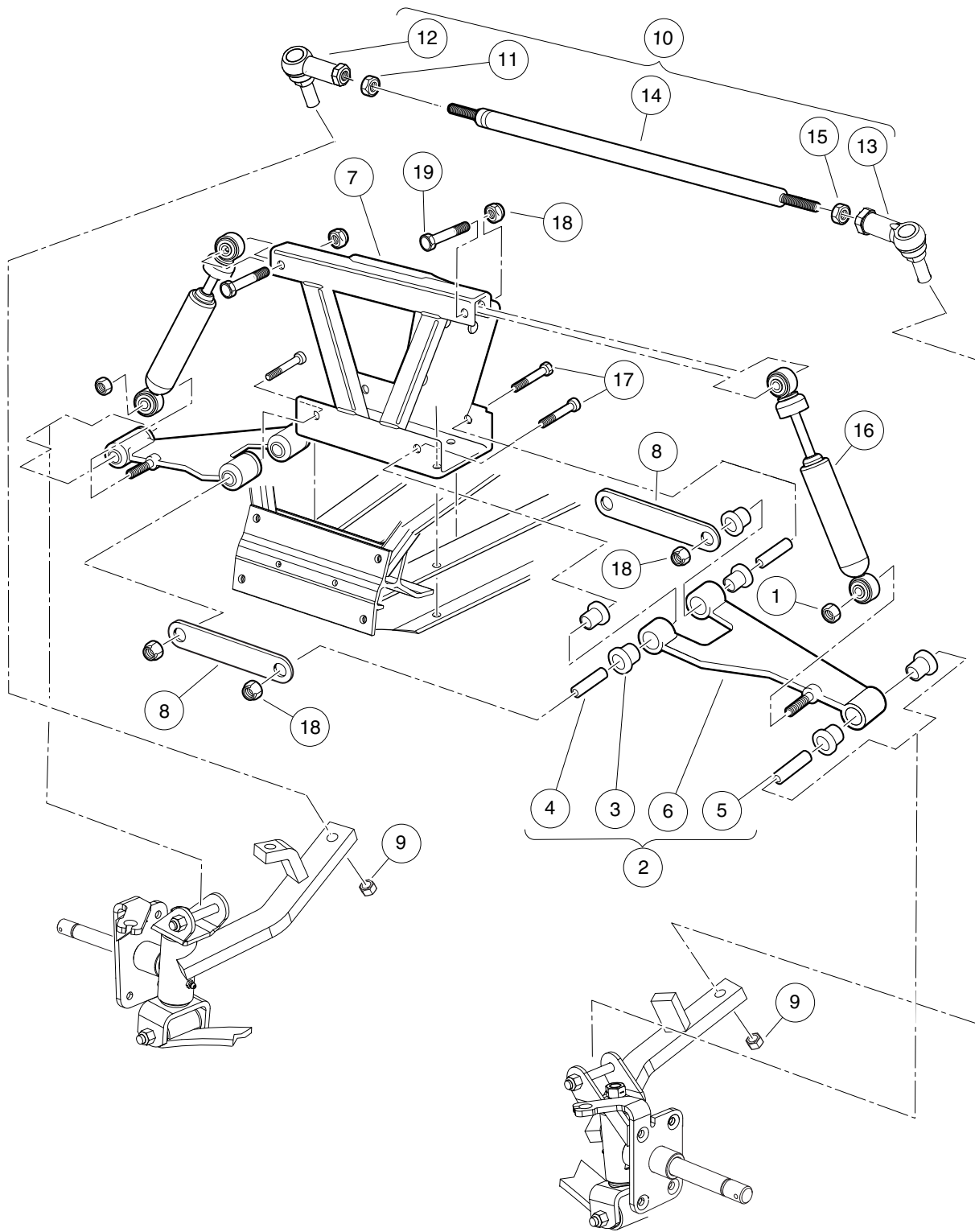


# STEERING WHEEL WITH CLIP

| ITEM | PART NO.         | DESCRIPTION   | QTY |
|------|------------------|---|-----|
|      |                  | 1 2 3 4   |     |
| 1    | <u>1017273</u>   | Nut, 5/8-18 Nylon Insert Jam .....                      | 1   |
| 2    | <u>101850301</u> | Screw, #12-16 X 0.50 Washer-Head Hi-Lo .....            | 2   |
| 3    | <u>103724504</u> | Steering Wheel, Soft Spl .....                          | 1   |
| 4    | <u>103724901</u> | Asm, Scorecard, Clip (includes items 5 through 9) ..... | 1   |
| 5    | <u>1012565</u>   | Screw, #12 Phillips Round Head .....                    | 2   |
| 6    | <u>1012566</u>   | Tapered Compression Spring .....                        | 2   |
| 7    | 1016154          | Clip, Scorecard .....                                   | 1   |
| 8    | <u>1016214</u>   | Pencil Grip .....                                       | 1   |
| 9    | 103724601        | Cover, Steering Wheel, Clip .....                       | 1   |

**6**  
**G**  
**E**

**6**  
**G**  
**E**



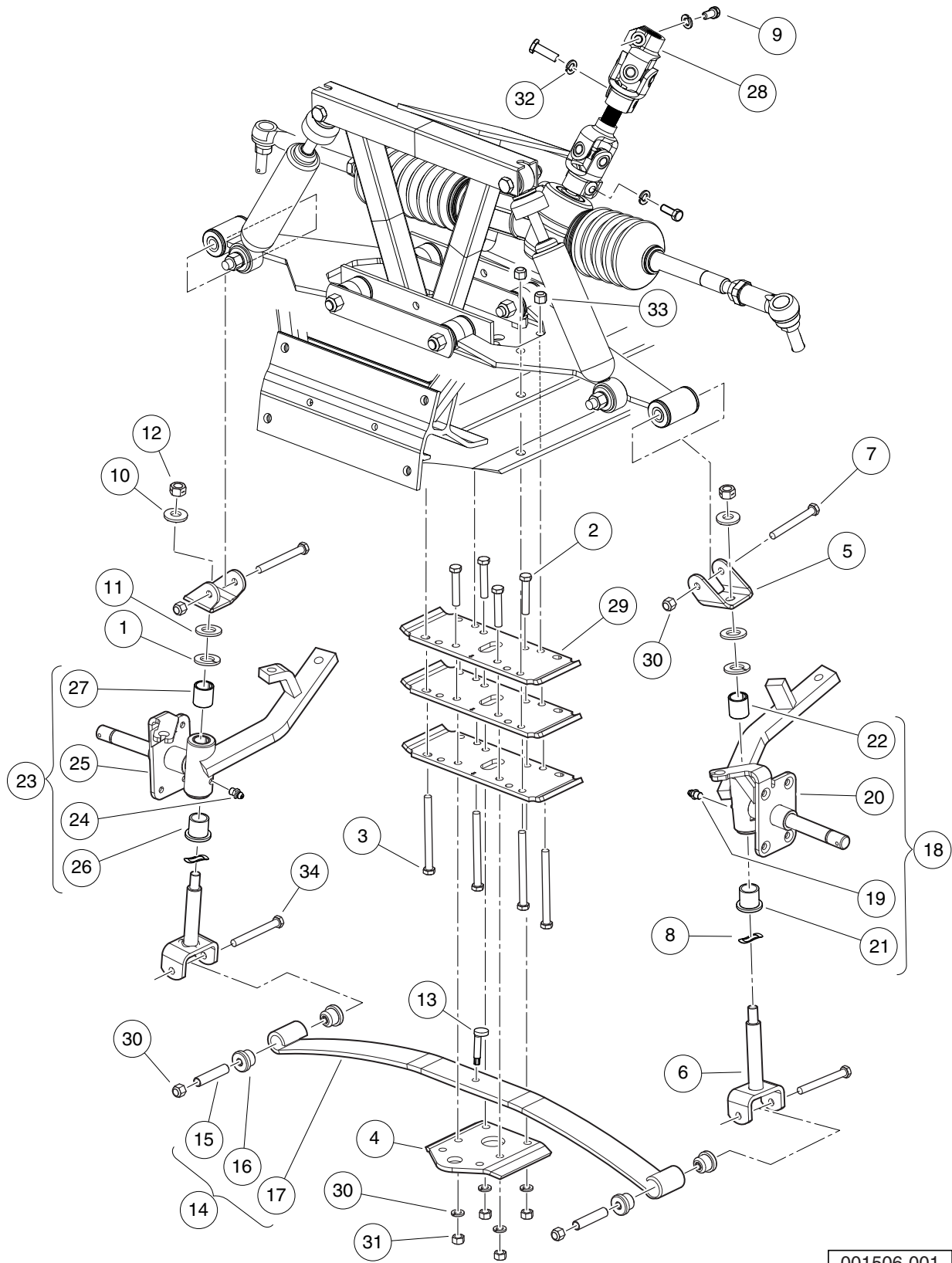
001505-001

## FRONT SUSPENSION, UPPER

| ITEM | PART NO.         | DESCRIPTION  | QTY |
|------|------------------|--|-----|
|      |                  | 1 2 3 4  |     |
| 1    | <u>1010138</u>   | Locknut, 3/8-16 Dimpled .....                                  | 2   |
| 2    | <u>1016353</u>   | Sub-Assembly, Delta A-Plate (includes items 3 through 6) ..... | 2   |
| 3    | <u>1016346</u>   | Bushing, Urethane .....  | 6   |
| 4    | <u>1016349</u>   | Sleeve, Delta Inner .....                                      | 2   |
| 5    | <u>1016350</u>   | Sleeve, Delta Outer .....                                      | 1   |
| 6    | <u>1016351</u>   | Delta A-Plate .....  | 1   |
| 7    | <u>101638502</u> | Weldment, Shock & Gear, Ca .....                               | 1   |
| 8    | <u>1017266</u>   | A-Plate Strap .....  | 2   |
| 9    | <u>102289201</u> | Nut - Hex Locking, M12 X 1.25 .....                            | 2   |
| 10   | <u>103653601</u> | Asm, Tie Rod (includes items 11 through 15) .....              | 1   |
| 11   | 1013042          | Nut, 12mm Hex .....  | 1   |
| 12   | <u>102022601</u> | End, Tie Rod M12 X 1.25 Rh .....                               | 1   |
| 13   | <u>102022602</u> | End, Tie Rod, M12 X 1.25, Lh .....                             | 1   |
| 14   | <u>103354701</u> | Rod, Tie, Male Thd .....                                       | 1   |
| 15   | <u>103653501</u> | Nut, Jam, M12-1.25, Lh .....                                   | 1   |
| 16   | <u>105106601</u> | Shock Absorber, Front, 1 Bumper .....                          | 2   |
| 17   | <u>2402</u>      | Screw, 3/8-16 X 2.25 Hx Hd Cap .....                           | 4   |
| 18   | <u>8754</u>      | Locknut, 3/8-16 Hex .....                                      | 6   |
| 19   | <u>8861</u>      | Bolt, 3/8-16 X 1.75 Hex .....                                  | 2   |

**6**  
**G**  
**E**

**6**  
**G**  
**E**

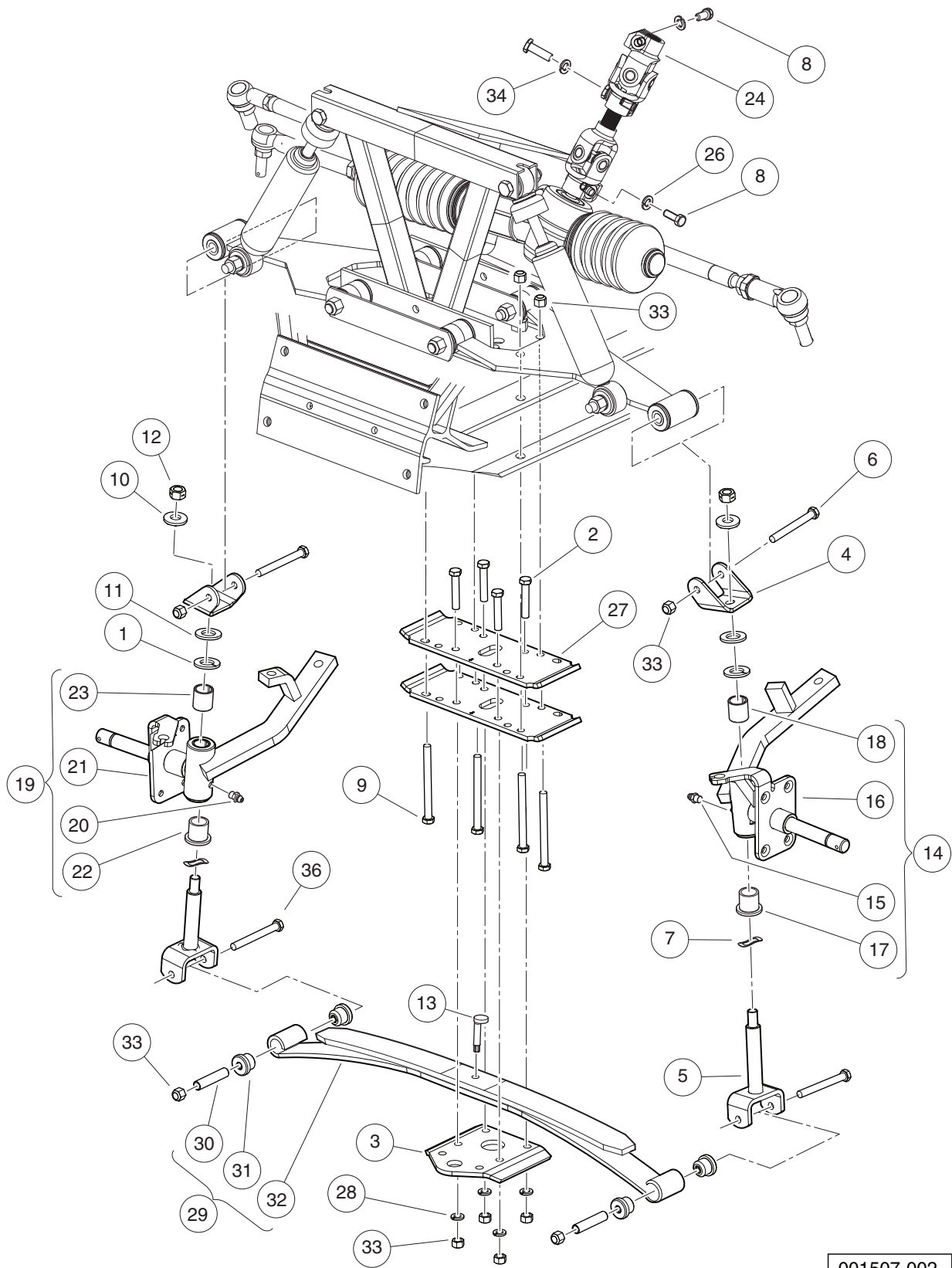


001506-001

## FRONT SUSPENSION, LOWER, STD, 1 LEAF, 3 PLATES

| ITEM | PART NO.         | DESCRIPTION  | QTY |
|------|------------------|--|-----|
|      |                  | <b>1 2 3 4</b>   |     |
| 1    | <u>1010150</u>   | Bearing, Thrust .....  | 2   |
| 2    | <u>1010177</u>   | Bolt, 3/8-16 X 2.00 Hex Head .....                             | 4   |
| 3    | <u>1010200</u>   | Bolt, 3/8-16 X 4.25 Hex Head .....                             | 4   |
| 4    | <u>1014276</u>   | Plate, Front Spring Retainer .....                             | 1   |
| 5    | <u>1016384</u>   | Clevis, Delta Upper .....                                      | 2   |
| 6    | <u>1016386</u>   | King Pin Assembly .....  | 2   |
| 7    | <u>1016387</u>   | Screw, 3/8-16 X 2.75 Hx Hd Cap .....                           | 2   |
| 8    | <u>1016389</u>   | Washer, 1.125 Od Wave .....                                    | 2   |
| 9    | <u>1017226</u>   | Bolt, Hex-Head, 8mm X 1.25 - 30 .....                          | 3   |
| 10   | <u>102564002</u> | Washer-1/2 Conical, Yellow .....                               | 2   |
| 11   | <u>102684501</u> | Washer, M12 Hard Regular .....                                 | 2   |
| 12   | <u>102766301</u> | Nut, 1/2-20, Center Lock .....                                 | 2   |
| 13   | <u>103507001</u> | Eccentric Bolt Common .....                                    | 1   |
| 14   | <u>103628701</u> | Spring Asm, Front, 1 Leaf (includes items 15 through 17) ..... | 1   |
| 15   | <u>1012303</u>   | Bushing, Steel .....   | 2   |
| 16   | <u>101558302</u> | Bushing, Urethane, Soft .....                                  | 4   |
| 17   | 103502601        | Spring, Front, 1 Leaf .....                                    | 1   |
| 18   | <u>103717302</u> | Asm, Spindle, Lh, 4wb, Sp (includes items 19 through 22) ..... | 1   |
| 19   | <u>1015597</u>   | Fitting, 1/4-28 Thread-Forming Grease .....                    | 1   |
| 20   | N/A              | Subasm, Spindle, Lh, 4wb .....                                 | 1   |
| 21   | <u>7048</u>      | Bushing, Flanged Bronze .....                                  | 1   |
| 22   | <u>8067</u>      | Bushing, Bronze Spindle .....                                  | 1   |
| 23   | <u>103717402</u> | Asm, Spindle, Rh, 4wb, Sp (includes items 24 through 27) ..... | 1   |
| 24   | <u>1015597</u>   | Fitting, 1/4-28 Thread-Forming Grease .....                    | 1   |
| 25   | N/A              | Subasm, Spindle, Rh, 4wb .....                                 | 1   |
| 26   | <u>7048</u>      | Bushing, Flanged Bronze .....                                  | 1   |
| 27   | <u>8067</u>      | Bushing, Bronze Spindle .....                                  | 1   |
| 28   | <u>105074201</u> | Shaft, Int, Steering, Sus Fwd .....                            | 1   |
| 29   | <u>105083301</u> | Plate, Spring Mount, Restyle .....                             | 3   |
| 30   | <u>357</u>       | Lockwasher, 3/8 Split .....                                    | 4   |
| 31   | <u>706</u>       | Nut, Hex 3/8-16 .....  | 5   |
| 32   | <u>7174</u>      | Lockwasher, 5/16 Split .....                                   | 3   |
| 33   | <u>8754</u>      | Locknut, 3/8-16 Hex .....                                      | 8   |
| 34   | <u>8755</u>      | Screw, 3/8-16 X 3.375 Hex Cap .....                            | 2   |

**6**  
**G**  
**E**

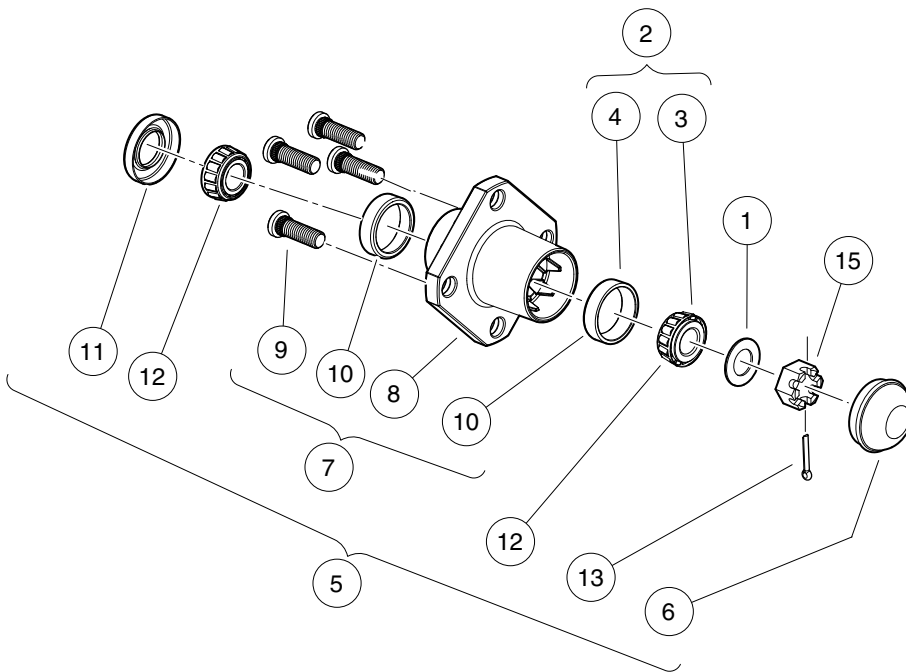


001507-002

# FRONT SUSPENSION, LOWER, HD, 2 LEAF-2 PLATES

| ITEM | PART NO.           | DESCRIPTION   | QTY |
|------|--------------------|---|-----|
|      |                    | 1 2 3 4   |     |
| 1    | <u>1010150</u>     | Bearing, Thrust .....   | 2   |
| 2    | <u>1010177</u>     | Bolt, 3/8-16 X 2.00 Hex Head .....                                | 4   |
| 3    | <u>1014276</u>     | Plate, Front Spring Retainer .....                                | 1   |
| 4    | <u>1016384</u>     | Clevis, Delta Upper .....   | 2   |
| 5    | <u>1016386</u>     | King Pin Assembly .....   | 2   |
| 6    | <u>1016387</u>     | Screw, 3/8-16 X 2.75 Hx Hd Cap .....                              | 2   |
| 7    | <u>1016389</u>     | Washer, 1.125 Od Wave .....                                       | 2   |
| 8    | <u>1017226</u>     | Bolt, Hex-Head, 8mm X 1.25 - 30 .....                             | 3   |
| 9    | <u>101870501</u>   | Screw, 3/8-16 X 4.75 Hx Hd Cap .....                              | 4   |
| 10   | <u>102564002</u>   | Washer-1/2 Conical, Yellow .....                                  | 2   |
| 11   | <u>102684501</u>   | Washer, M12 Hard Regular .....                                    | 2   |
| 12   | <u>102766301</u>   | Nut, 1/2-20, Center Lock .....                                    | 2   |
| 13   | <u>103507001</u>   | Eccentric Bolt Common .....                                       | 1   |
| 14   | <u>103717302</u>   | Asm, Spindle, Lh, 4wb, Sp (includes items 15 through 18) .....    | 1   |
| 15   | <u>1015597</u>     | Fitting, 1/4-28 Thread-Forming Grease .....                       | 1   |
| 16   | N/A                | Subasm, Spindle, Lh, 4wb .....                                    | 1   |
| 17   | <u>7048</u>        | Bushing, Flanged Bronze .....                                     | 1   |
| 18   | <u>8067</u>        | Bushing, Bronze Spindle .....                                     | 1   |
| 19   | <u>103717402</u>   | Asm, Spindle, Rh, 4wb, Sp (includes items 20 through 23) .....    | 1   |
| 20   | <u>1015597</u>     | Fitting, 1/4-28 Thread-Forming Grease .....                       | 1   |
| 21   | N/A                | Subasm, Spindle, Rh, 4wb .....                                    | 1   |
| 22   | <u>7048</u>        | Bushing, Flanged Bronze .....                                     | 1   |
| 23   | <u>8067</u>        | Bushing, Bronze Spindle .....                                     | 1   |
| 24   | <u>105074201</u>   | Shaft, Int, Steering, Sus Fwd (includes items 25 and 26) .....    | 1   |
| 25   | <u>1017226</u>     | Bolt, Hex-Head, 8mm X 1.25 - 30 .....                             | 3   |
| 26   | <u>7174</u>        | Lockwasher, 5/16 Split .....                                      | 3   |
| 27   | <u>105083301</u>   | Plate, Spring Mount, Restyle .....                                | 2   |
| 28   | <u>357</u>         | Lockwasher, 3/8 Split .....                                       | 4   |
| 29   | <u>47585213001</u> | Spring Asm, Front 2 Leaf, Hd (includes items 30 through 32) ..... | 1   |
| 30   | <u>1012303</u>     | Bushing, Steel .....  | 2   |
| 31   | <u>101558302</u>   | Bushing, Urethane, Soft .....                                     | 4   |
| 32   | <u>105187801</u>   | Spring, Front 2 Leaf, Hd .....                                    | 1   |
| 33   | <u>706</u>         | Nut, Hex 3/8-16 .....   | 5   |
| 34   | <u>7174</u>        | Lockwasher, 5/16 Split .....                                      | 3   |
| 35   | <u>8754</u>        | Locknut, 3/8-16 Hex .....   | 8   |
| 36   | <u>8755</u>        | Screw, 3/8-16 X 3.375 Hex Cap .....                               | 2   |

**6**  
**G**  
**E**



001520-002

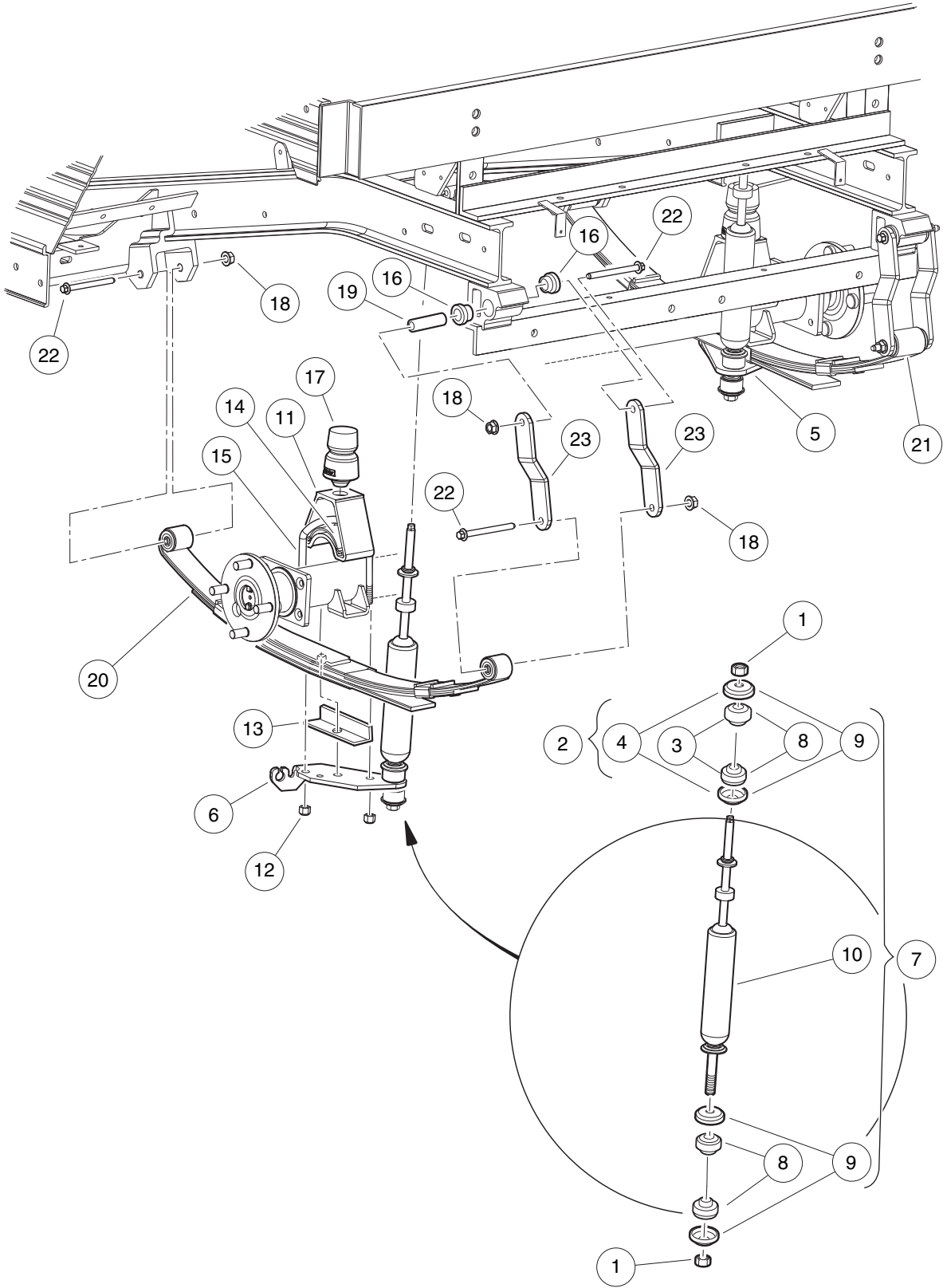


# FRONT WHEEL HUBS

| ITEM | PART NO.         | DESCRIPTION  | QTY |
|------|------------------|--|-----|
|      |                  | 1 2 3 4  |     |
| 1    | <u>1010005</u>   | Washer, 3/4 Flat .....                             | 2   |
| 2    | <u>1011393</u>   | Hub Bearing Package (includes items 3 and 4) ..... | 4   |
| 3    | 7274             | Bearing, Front Hub Wheel .....                     | 1   |
| 4    | 7308             | Race, Front Hub Bearing .....                      | 1   |
| 5    | <u>1011892</u>   | Hub Assembly (includes items 6 through 13) .....   | 1   |
| 6    | <u>1011887</u>   | Dust Cover .....                                   | 1   |
| 7    | N/A              | Hub (includes items 8 through 10) .....            | 1   |
| 8    | N/A              | Front Hub .....                                    | 1   |
| 9    | <u>103477901</u> | Lug Stud, 1/2-20 Unf, 4037 .....                   | 4   |
| 10   | 7308             | Race, Front Hub Bearing .....                      | 2   |
| 11   | <u>1013135</u>   | Seal, Double Lip .....                             | 1   |
| 12   | 7274             | Bearing, Front Hub Wheel .....                     | 2   |
| 13   | <u>7910</u>      | Pin, 5/32 X 1.00 Cotter .....                      | 1   |
| 14   | <u>1013135</u>   | Seal, Double Lip .....                             | 2   |
| 15   | <u>7840</u>      | Nut, 3/4-16 Hex Slotted .....                      | 2   |

6  
G  
E

**6**  
**G**  
**E**



001522-001

# REAR SUSPENSION COMPONENTS

| ITEM  | PART NO.           | DESCRIPTION  | QTY |
|---|--------------------|--|-----|
|   |                    | <b>1 2 3 4</b>   |     |
| 1   | <u>1010145</u>     | Nut, 3/8-24 Hex .....                                      | 4   |
| 2   | <u>1011415</u>     | Kit, Shock Absorber Cushion (includes items 3 and 4) ..... | 4   |
| 3   | N/A                | Retainer, Shock Absorber Cushion .....                     | 2   |
| 4   | <u>47579096001</u> | Isolator, Shock Damper .....                               | 2   |
| 5   | <u>1012181</u>     | Bracket, Shock Mounting, Right (Passenger) .....           | 1   |
| 6   | <u>1012182</u>     | Bracket, Shock Mounting, Left (Driver) .....               | 1   |
| 7   | <u>1013164</u>     | Shock Absorber Kit (includes items 8 through 10) .....     | 1   |
| 8   | N/A                | Cushion, Shock Absorber .....                              | 8   |
| 9   | N/A                | Retainer, Shock Absorber Cushion .....                     | 8   |
| 10  | <u>102706401</u>   | Shock Absorber Rear .....                                  | 2   |
| 11  | <u>101454602</u>   | Bumper Mount .....   | 2   |
| 12  | <u>1014555</u>     | Locknut, 7/16-14 Nylon Hex .....                           | 4   |
| 13  | <u>1014573</u>     | Spring Retainer .....                                      | 2   |
| 14  | <u>1014901</u>     | Spacer, Overload Bumper .....                              | 2   |
| 15  | <u>1014902</u>     | U-Bolt .....   | 2   |
| 16  | <u>101558302</u>   | Bushing, Urethane, Soft .....                              | 4   |
| 17  | <u>1017235</u>     | Bumper, Jounce .....                                       | 2   |
| 18  | <u>102298401</u>   | Nut,m8,all Metal Lock .....                                | 6   |
| 19  | <u>102506401</u>   | Sleeve - Spring Eye Mounts .....                           | 2   |
| 20  | <u>105186001</u>   | Asm, Spring 260lb Nr Light, Lh .....                       | 1   |
| 21  | <u>105186002</u>   | Asm, Spring 260lb Nr Light, Rh .....                       | 1   |
| 22  | <u>105188185</u>   | Bolt, M8x85mm,10.9 Grade .....                             | 6   |
| 23  | <u>105188201</u>   | Shackle,Steel Standard,M8 .....                            | 4   |
| <p>Note: Only the driver-side rear suspension is shown. Parts for the passenger-side rear suspension are identical except for the shock mounting bracket (RH-1012181 and LH-1012182).</p> |                    |  |     |

**6**  
**G**  
**E**

**6**

**G**

**E**

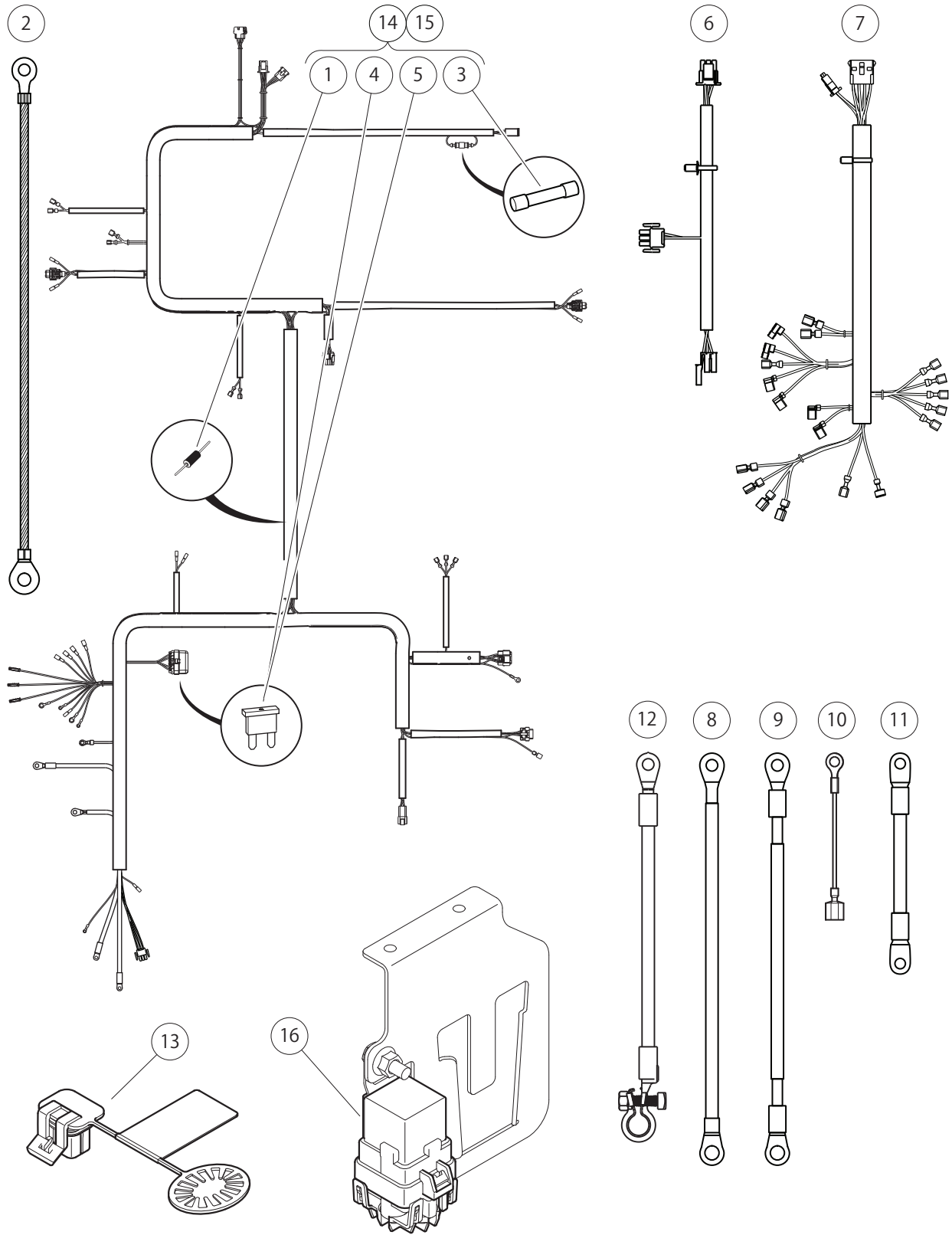
# **ELECTRICAL SYSTEM – GASOLINE EFI**

---

**7**

**G**

**7**  
**G**



000994-007

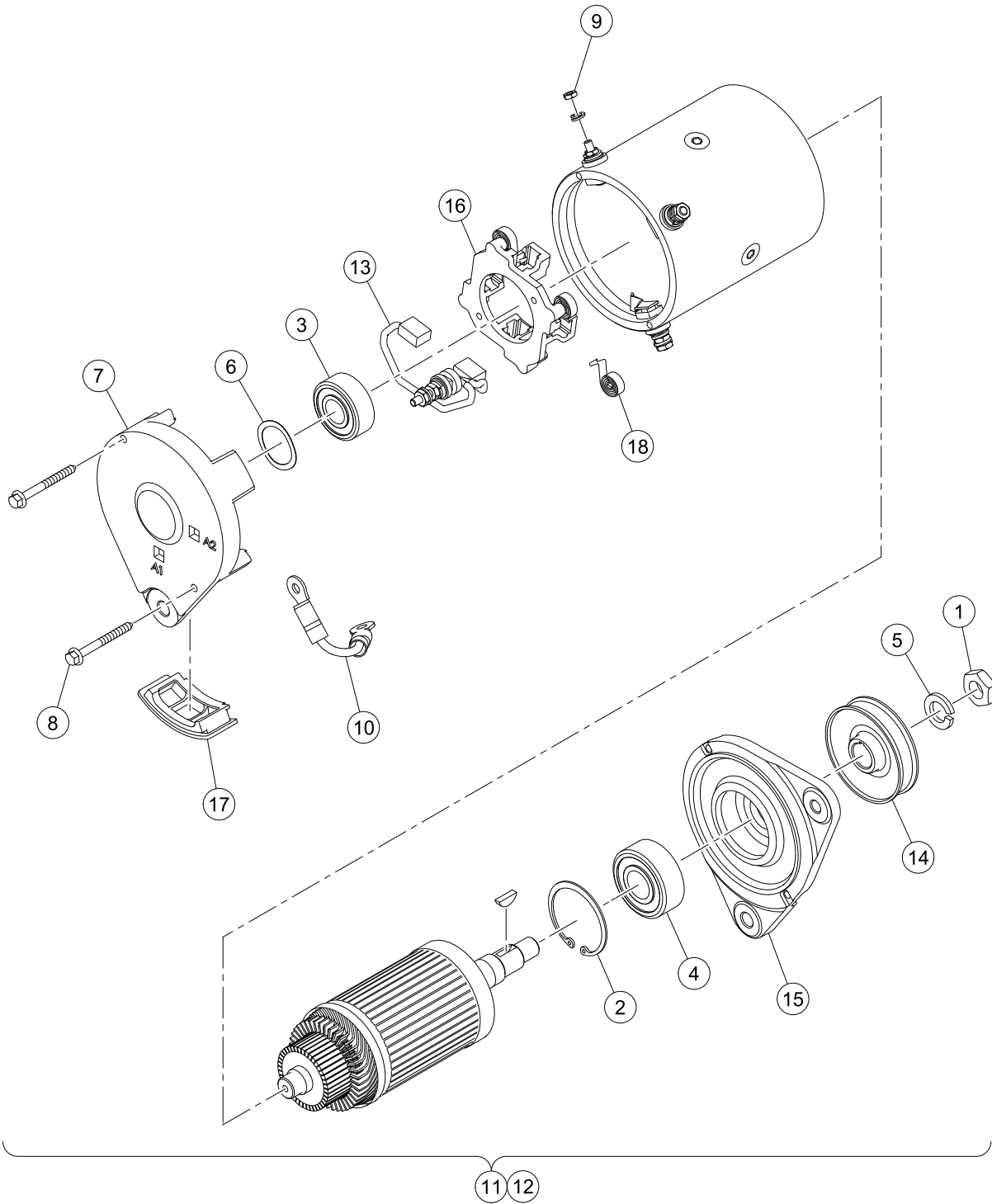
# WIRING, FUSES, AND DIODES, KEY-AND-PEDAL-START – EFI

| ITEM   | PART NO.           | DESCRIPTION                                       | QTY |
|--|--------------------|---|-----|
|  |                    | 1 2 3 4   |     |
| 1  | <u>1014789</u>     | Diode, General Purpose, 3.0-Amp .....             | 2   |
| 2  | <u>1015332</u>     | Wire, Ground, #10, Uninsulated .....              | 1   |
| 3  | <u>103924801</u>   | Fuse, Glass, 2-Amp .....                          | 1   |
| 4  | <u>105081501</u>   | Fuse, ATM, 5-Amp .....                            | 1   |
| 5  | <u>105081601</u>   | Fuse, ATM, 10-Amp .....                           | 1   |
| 6  | <u>105093301</u>   | Harness, Wire, FNR Connector, CA300-700 .....     | 1   |
| 7  | <u>105095101</u>   | Harness, Wire, Instr. Panel, Gas, CA300-700 ..... | 1   |
| 8  | <u>105135901</u>   | Wire, Battery (side-post), B-, Gas .....          | 1   |
| 9  | <u>105136001</u>   | Wire, Battery (side-post), B+, Gas .....          | 1   |
| 10   | <u>105143301</u>   | Wire, Ground, Fuel Tank .....                     | 1   |
| 11   | <u>105161701</u>   | Wire, 4-Ga, Green, Starter/Generator .....        | 1   |
| 12   | <u>105256801</u>   | Wire Assy, 4ga, Battery, (top-post) B+, Gas ..... | 1   |
| 13   | <u>47611208001</u> | Cap, Diagnostic Port .....                        | 1   |
| 14   | <u>47612348001</u> | Harness, Main, Gas, Ca300, Ks .....               | 1   |
| 15   | <u>47612349001</u> | Harness, Main, Gas, Ca300, Ps .....               | 1   |
| 16   | <u>47623281001</u> | Relay, Mini 630 Spdt,40a/30a .....                | 1   |
| Note: For ECU, see Engine Ignition Components section. |                    |   |     |

7

G

**7**  
**G**



G-130199-000001

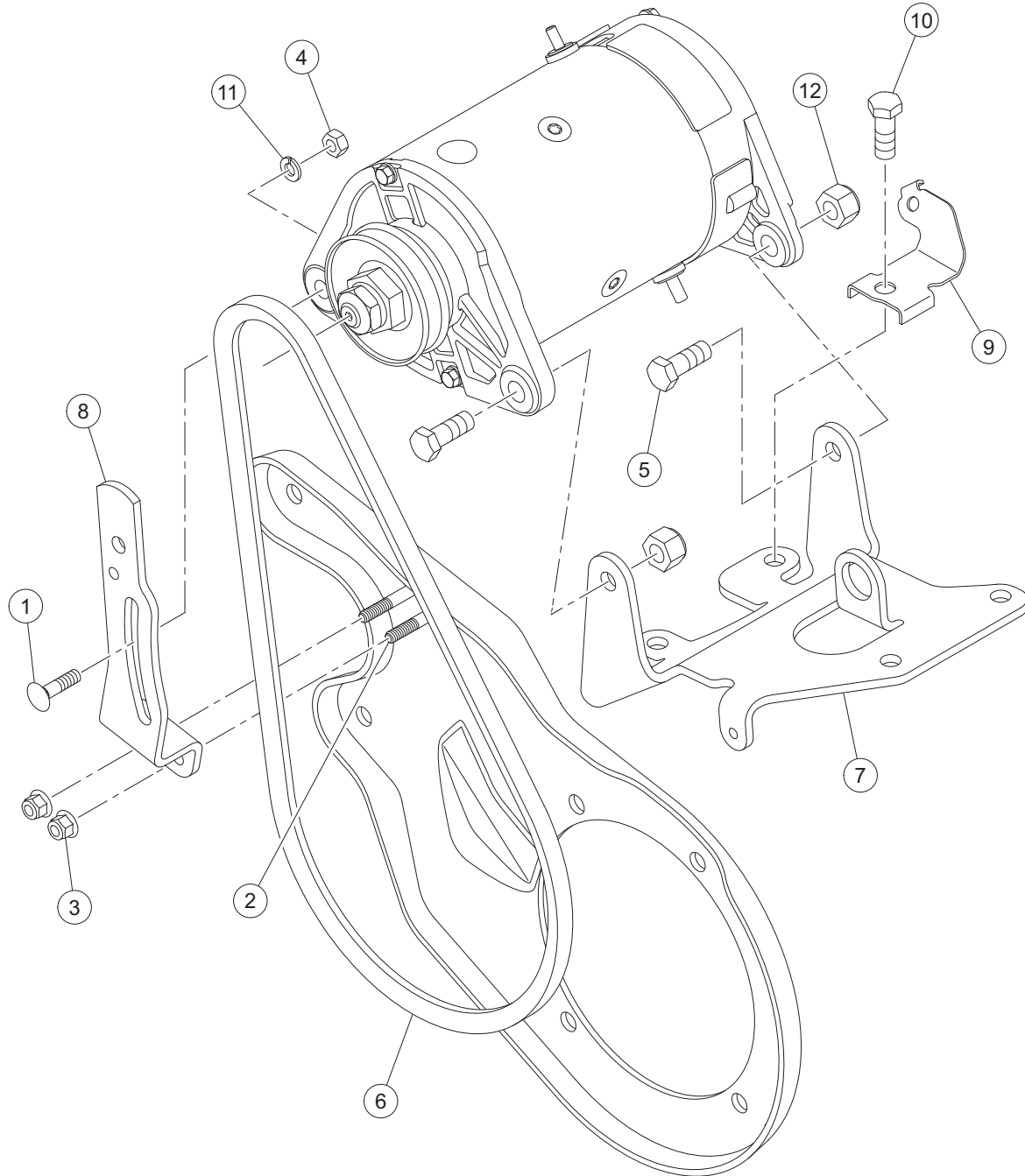


# STARTER/GENERATOR, KEY AND PEDAL START – EFI

| ITEM | PART NO.           | DESCRIPTION                                | QTY |
|------|--------------------|--|-----|
|      |                    | 1 2 3 4                                    |     |
| 1    | <u>102838701</u>   | Nut, Hex, M14x2, S/G .....                 | 1   |
| 2    | <u>102838801</u>   | Retainer, Front, S/G .....                 | 1   |
| 3    | <u>102838901</u>   | Bearing, Ball, Rear, S-g .....             | 1   |
| 4    | <u>102839001</u>   | Bearing, Ball, Front, S-g .....            | 1   |
| 5    | <u>102839301</u>   | Washer, Lock M14x2, S-g .....              | 1   |
| 6    | <u>102841101</u>   | Washer, Wave, S-g .....                    | 1   |
| 7    | <u>103347601</u>   | Head, Comm End, S-g .....                  | 1   |
| 8    | <u>103347701</u>   | Set, Fast, Ceh Deh, S-g .....              | 1   |
| 9    | <u>103347801</u>   | Set, Term Hardware, S/G .....              | 1   |
| 10   | <u>105161701</u>   | Wire, 4-Ga, Green, Starter/Generator ..... | 1   |
| 11   | <u>47559475001</u> | Starter Generator, Ps .....                | 1   |
| 12   | <u>47559475002</u> | Starter Generator, Ks .....                | 1   |
| 13   | <u>47583000001</u> | Set, Brush Term, S-g .....                 | 1   |
| 14   | <u>47583790001</u> | Pulley, Starter-generator .....            | 1   |
| 15   | <u>47583791001</u> | Head, Drive End, S-g .....                 | 1   |
| 16   | <u>47583794001</u> | Kit, Brush And Brush Holder .....          | 1   |
| 17   | <u>47584178001</u> | Kit, Cover, Brush Insp, S-g .....          | 1   |
| 18   | <u>47584179001</u> | Kit, Spring Brush, S-g .....               | 1   |

**7**  
**G**

**7**  
**G**



G-130199-00002

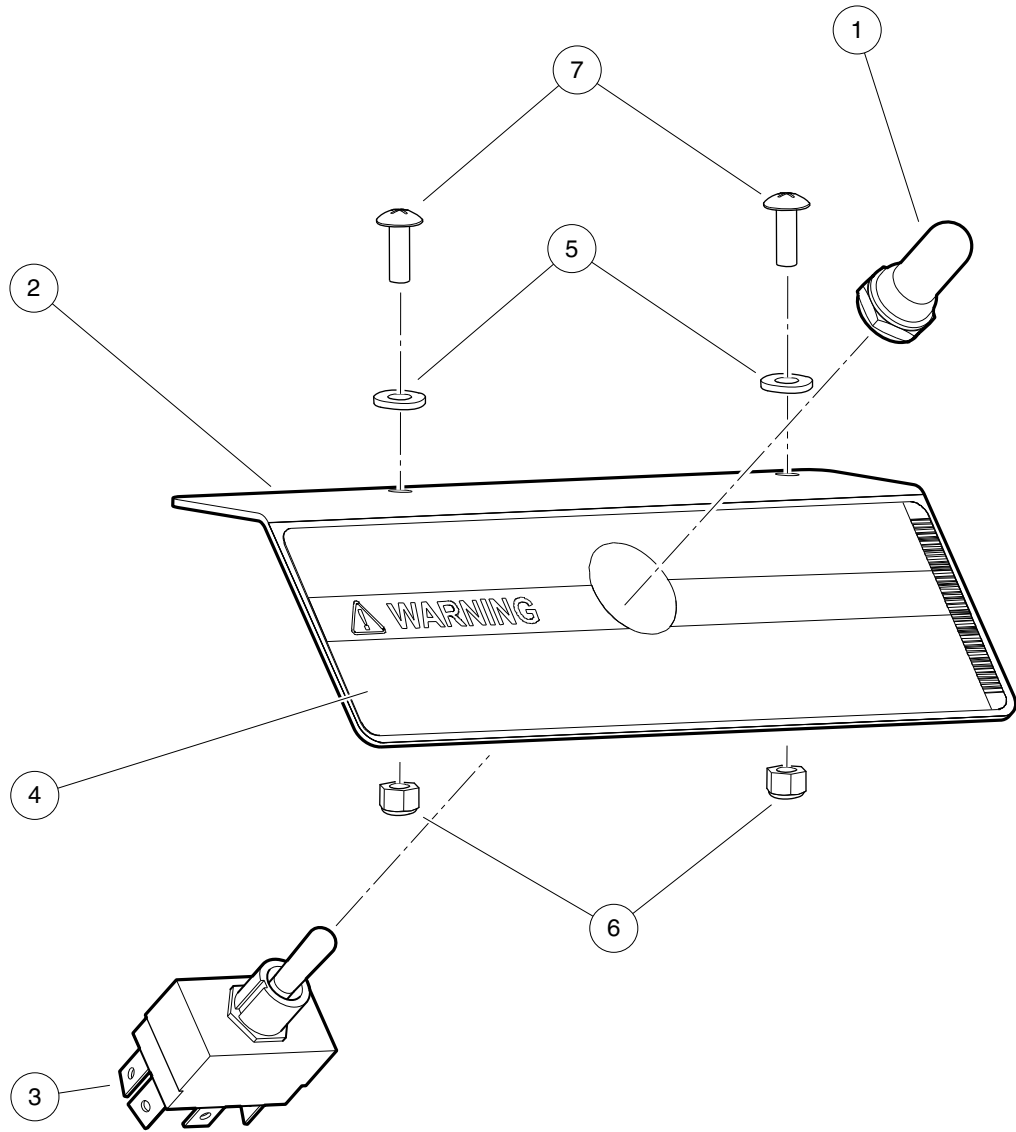
# STARTER/GENERATOR MOUNTING – ECH440

| ITEM | PART NO.         | DESCRIPTION                              | QTY |
|------|------------------|--|-----|
|      |                  | 1 2 3 4                                  |     |
| 1    | <u>1015932</u>   | Bolt, Carriage, 5/16-18 .....            | 1   |
| 2    | <u>102541401</u> | Bolt-m6x1.0x20 Hex Flhd Blk-I .....      | 2   |
| 3    | <u>102621501</u> | Nut, Flange, M6 X 1.0, Nylon .....       | 2   |
| 4    | <u>1242</u>      | Nut, 5/16-18 Hex .....                   | 1   |
| 5    | <u>1624</u>      | Screw, 3/8-16 X 1.50, Hex-Head Cap ..... | 2   |
| 6    | 47539338002      | Belt, Sg, Ech440, #5a .....              | 1   |
| 7    | 47611868001      | Bracket, Mounting, S/g .....             | 1   |
| 8    | 47611869001      | Bracket, Tensioner, S/g .....            | 1   |
| 9    | 47611870001      | Bracket, Mtg, Gov Cable Clip .....       | 1   |
| 10   | 47617345001      | Screw, M8-1.25x20, Hex Hd Flg .....      | 4   |
| 11   | <u>7174</u>      | Lockwasher, 5/16 Split .....             | 1   |
| 12   | <u>8754</u>      | Locknut, 3/8-16 Hex .....                | 2   |

7

G

**7**  
**G**

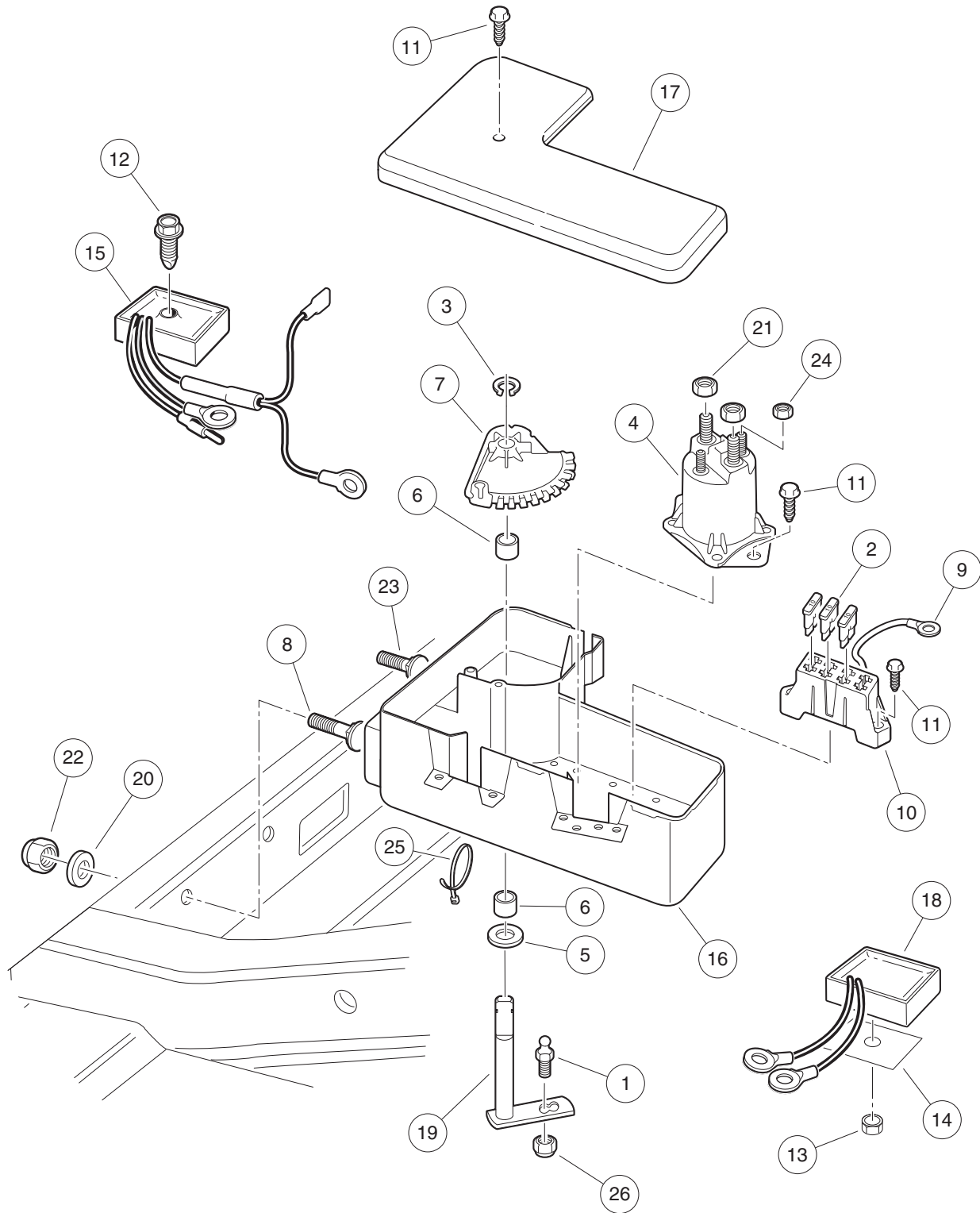


000755-003

# OPERATION AND MAINTENANCE SWITCH

| ITEM | PART NO.         | DESCRIPTION                                    | QTY |
|------|------------------|--|-----|
|      |                  | 1 2 3 4  |     |
| 1    | <u>101908401</u> | Boot, Switch .....                             | 1   |
| 2    | <u>101922501</u> | Bracket, Tow/Run Switch Mounting .....         | 1   |
| 3    | <u>103198401</u> | Switch, Toggle, SPDT .....                     | 1   |
| 4    | <u>103205501</u> | Decal, Maintenance/Operate Switch .....        | 1   |
| 5    | <u>332</u>       | Washer, 1/4 Type A Narrow Flat .....           | 2   |
| 6    | <u>8233</u>      | Locknut, 1/4-20, Nylon Insert .....            | 2   |
| 7    | <u>8248</u>      | Screw, 1/4-20 X 0.75, Truss-Head Machine ..... | 2   |

**7**  
**G**



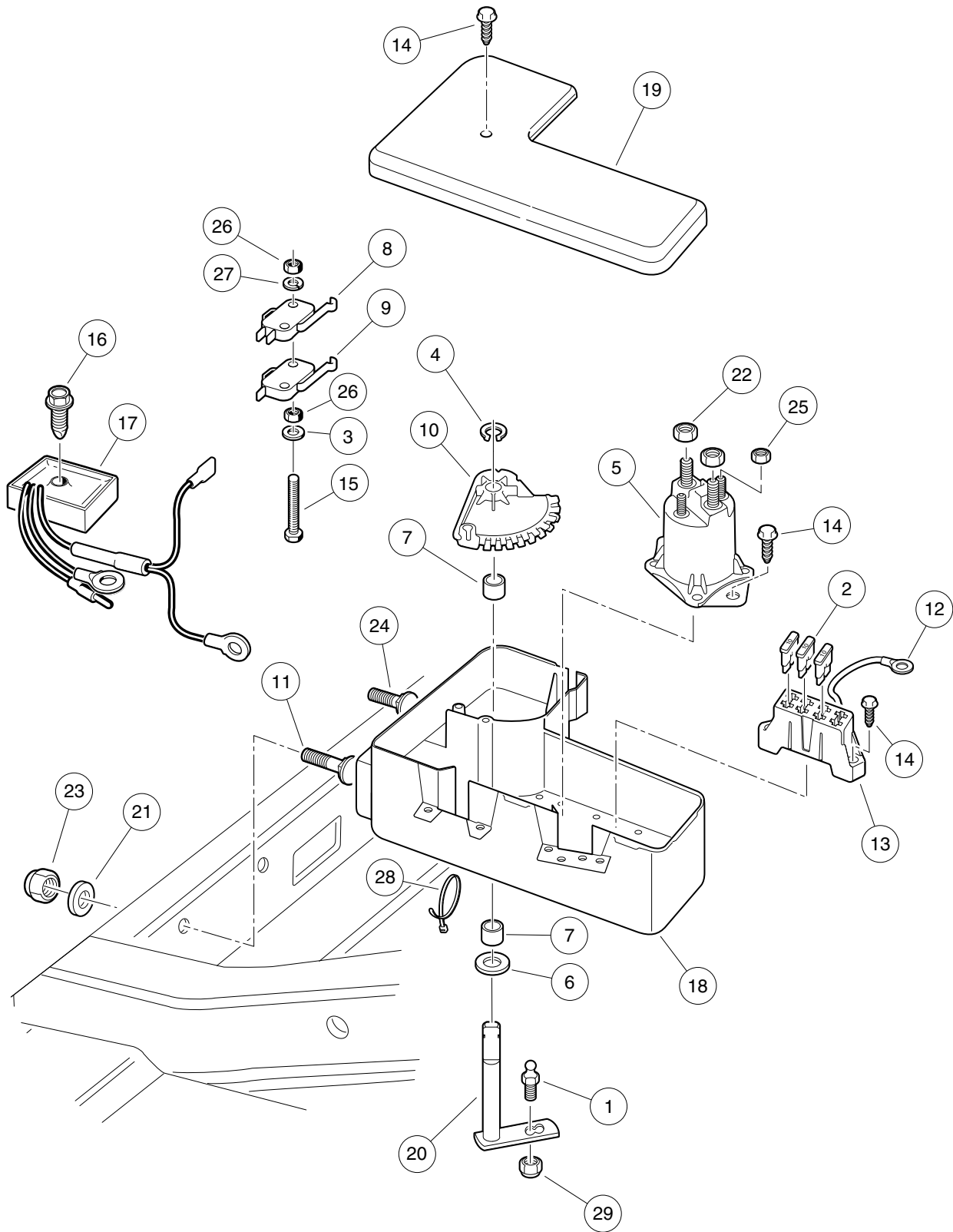
001014-005

# ELECTRICAL COMPONENT BOX, KEY-START

| ITEM | PART NO.         | DESCRIPTION                            | QTY |
|------|------------------|--|-----|
|      |                  | <b>1 2 3 4</b>                         |     |
| 1    | <u>1010954</u>   | Stud, Ball, 1/4-28 X 0.560 .....       | 1   |
| 2    | <u>1012295</u>   | Fuse, 10-Amp .....                     | 3   |
| 3    | <u>1013589</u>   | Ring, Retaining, 0.338" Internal ..... | 1   |
| 4    | <u>1013609</u>   | Solenoid, 12-Volt .....                | 1   |
| 5    | <u>1014065</u>   | Washer, Flat, 0.38" ID, Delrin .....   | 1   |
| 6    | <u>1014145</u>   | Bushing, Secondary Weight, Split ..... | 2   |
| 7    | <u>1015373</u>   | Cam, Electric Box .....                | 1   |
| 8    | <u>1015405</u>   | Bolt, Carriage, 5/16-18 X 2.0 .....    | 1   |
| 9    | <u>1015737</u>   | Wire Assy, #10 Red .....               | 1   |
| 10   | <u>1015741</u>   | Fuse Block .....                       | 1   |
| 11   | <u>1015752</u>   | Screw, #12-16 X 0.625, Hi-Lo .....     | 5   |
| 12   | <u>101856102</u> | Screw, 1/4-15 X 1.50, Hi-lo, Hex ..... | 1   |
| 13   | <u>101963401</u> | Locknut, 5/16-18 Hex Flange .....      | 1   |
| 14   | <u>102269701</u> | Thermal Pad .....                      | 1   |
| 15   | <u>102711201</u> | Voltage Regulator .....                | 1   |
| 16   | <u>105000301</u> | Box, Component, Electrical .....       | 1   |
| 17   | <u>105000401</u> | Cover, Box, Component, Elec .....      | 1   |
| 18   | <u>105037201</u> | Diode, Charging .....                  | 1   |
| 19   | <u>105037401</u> | Weldment, Bellcrank, Comp Box .....    | 1   |
| 20   | <u>1241</u>      | Washer, 5/16 Type A Flat .....         | 2   |
| 21   | <u>1242</u>      | Nut, 5/16-18 Hex .....                 | 2   |
| 22   | <u>7473</u>      | Locknut, 5/16-18 Nylon Insert .....    | 2   |
| 23   | <u>7818</u>      | Bolt, Carriage, 5/16-18 X 1.5 .....    | 1   |
| 24   | <u>7893</u>      | Nut, #10-32 Hex .....                  | 2   |
| 25   | <u>8639</u>      | Tie Wrap, 11" Nylon .....              | 6   |
| 26   | <u>8717</u>      | Locknut, Nylon Insert, 1/4-28 .....    | 1   |

**7**  
**G**

**7**  
**G**



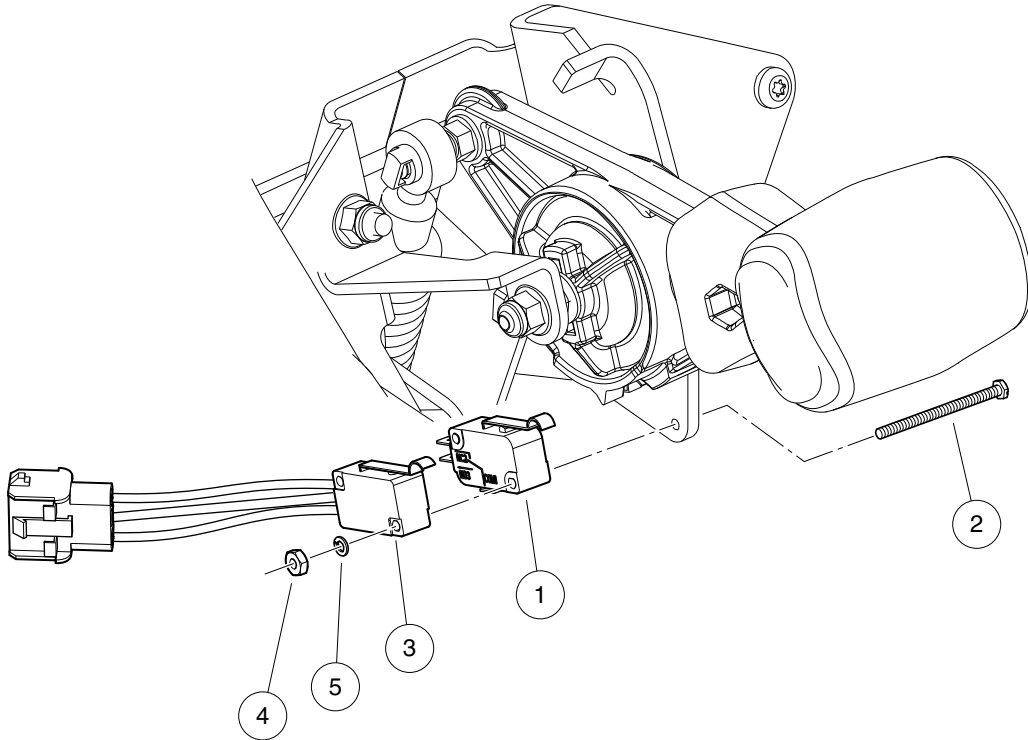
001014-001



# ELECTRICAL COMPONENT BOX, PEDAL-START

| ITEM | PART NO.         | DESCRIPTION                            | QTY |
|------|------------------|--|-----|
|      |                  | 1 2 3 4                                |     |
| 1    | <u>1010954</u>   | Stud, Ball, 1/4-28 X 0.560 .....       | 1   |
| 2    | <u>1012295</u>   | Fuse, 10-Amp .....                     | 3   |
| 3    | <u>1012431</u>   | Washer, #4 Flat .....                  | 2   |
| 4    | <u>1013589</u>   | Ring, Retaining, 0.338" Internal ..... | 1   |
| 5    | <u>1013609</u>   | Solenoid, 12-Volt .....                | 1   |
| 6    | <u>1014065</u>   | Washer, Flat, 0.38" ID, Delrin .....   | 1   |
| 7    | <u>1014145</u>   | Bushing, Secondary Weight, Split ..... | 2   |
| 8    | <u>1014807</u>   | Switch, Limit .....                    | 1   |
| 9    | <u>1014808</u>   | Switch, Limit .....                    | 1   |
| 10   | <u>1015373</u>   | Cam, Electric Box .....                | 1   |
| 11   | <u>1015405</u>   | Bolt, Carriage, 5/16-18 X 2.0 .....    | 1   |
| 12   | <u>1015737</u>   | Wire Assy, #10 Red .....               | 1   |
| 13   | <u>1015741</u>   | Fuse Block .....                       | 1   |
| 14   | <u>1015752</u>   | Screw, #12-16 X 0.625, Hi-Lo .....     | 5   |
| 15   | <u>1015878</u>   | Screw, #4-40 Hex Head Machine .....    | 2   |
| 16   | <u>101856102</u> | Screw, 1/4-15 X 1.50, Hi-lo, Hex ..... | 1   |
| 17   | <u>102711201</u> | Voltage Regulator .....                | 1   |
| 18   | <u>105000301</u> | Box, Component, Electrical .....       | 1   |
| 19   | <u>105000401</u> | Cover, Box, Component, Elec .....      | 1   |
| 20   | <u>105037401</u> | Weldment, Bellcrank, Comp Box .....    | 1   |
| 21   | <u>1241</u>      | Washer, 5/16 Type A Flat .....         | 2   |
| 22   | <u>1242</u>      | Nut, 5/16-18 Hex .....                 | 2   |
| 23   | <u>7473</u>      | Locknut, 5/16-18 Nylon Insert .....    | 2   |
| 24   | <u>7818</u>      | Bolt, Carriage, 5/16-18 X 1.5 .....    | 1   |
| 25   | <u>7893</u>      | Nut, #10-32 Hex .....                  | 2   |
| 26   | <u>8057</u>      | Nut, #4-40 Hex Machine .....           | 4   |
| 27   | <u>8058</u>      | Lockwasher, #4 Split .....             | 2   |
| 28   | <u>8639</u>      | Tie Wrap, 11" Nylon .....              | 6   |
| 29   | <u>8717</u>      | Locknut, Nylon Insert, 1/4-28 .....    | 1   |

**7**  
**G**



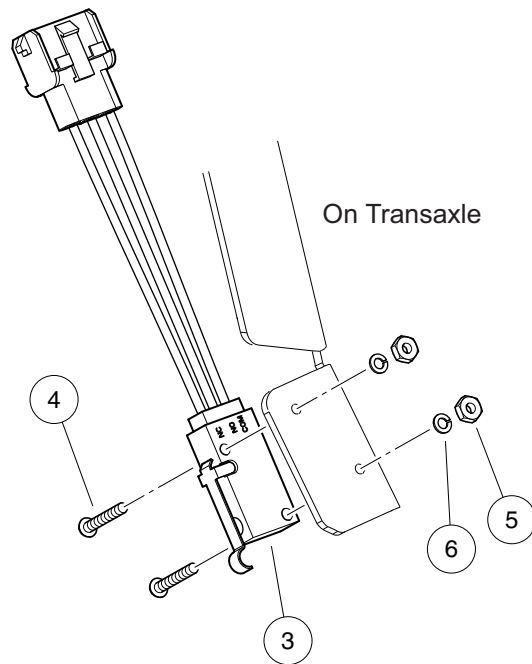
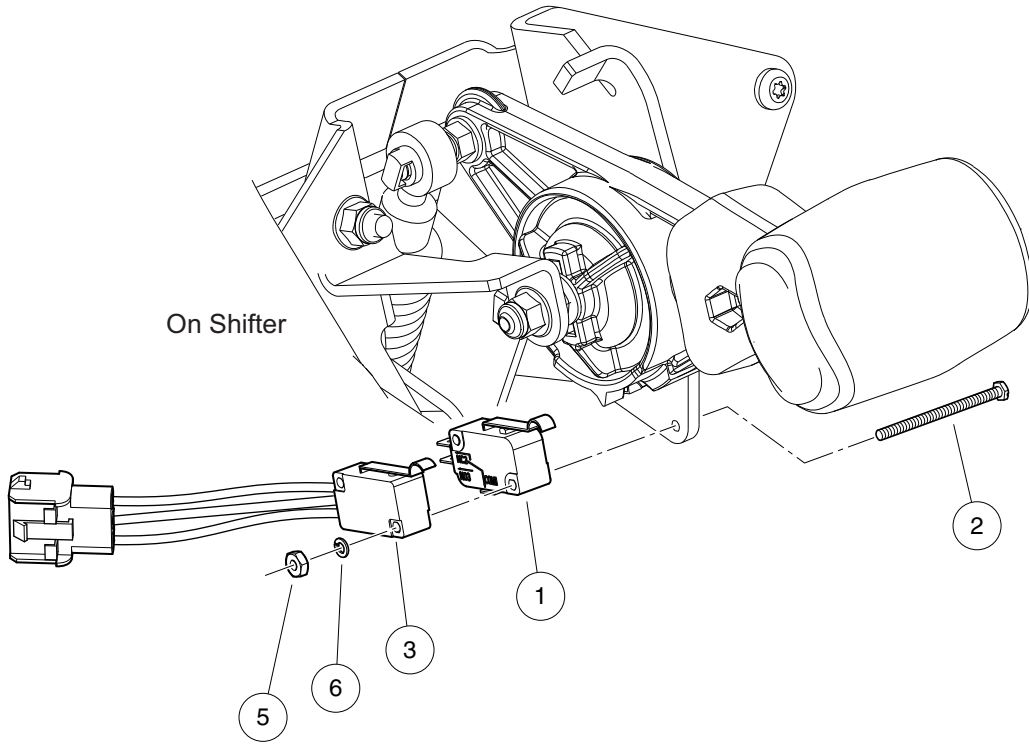
000999-002

# FORWARD/REVERSE SHIFTER SWITCHES, KEY-START – EFI

| ITEM | PART NO.         | DESCRIPTION                                   | QTY |
|------|------------------|---|-----|
|      |                  | 1 2 3 4                                       |     |
| 1    | <u>1014807</u>   | Switch, Limit .....                           | 1   |
| 2    | <u>1015878</u>   | Screw, #4-40 Hex Head Machine .....           | 2   |
| 3    | <u>105102601</u> | Switch, Limit, Sealed, with 3-Wire Lead ..... | 1   |
| 4    | <u>8057</u>      | Nut, #4-40 Hex Machine .....                  | 2   |
| 5    | <u>8058</u>      | Lockwasher, #4 Split .....                    | 2   |

7

G



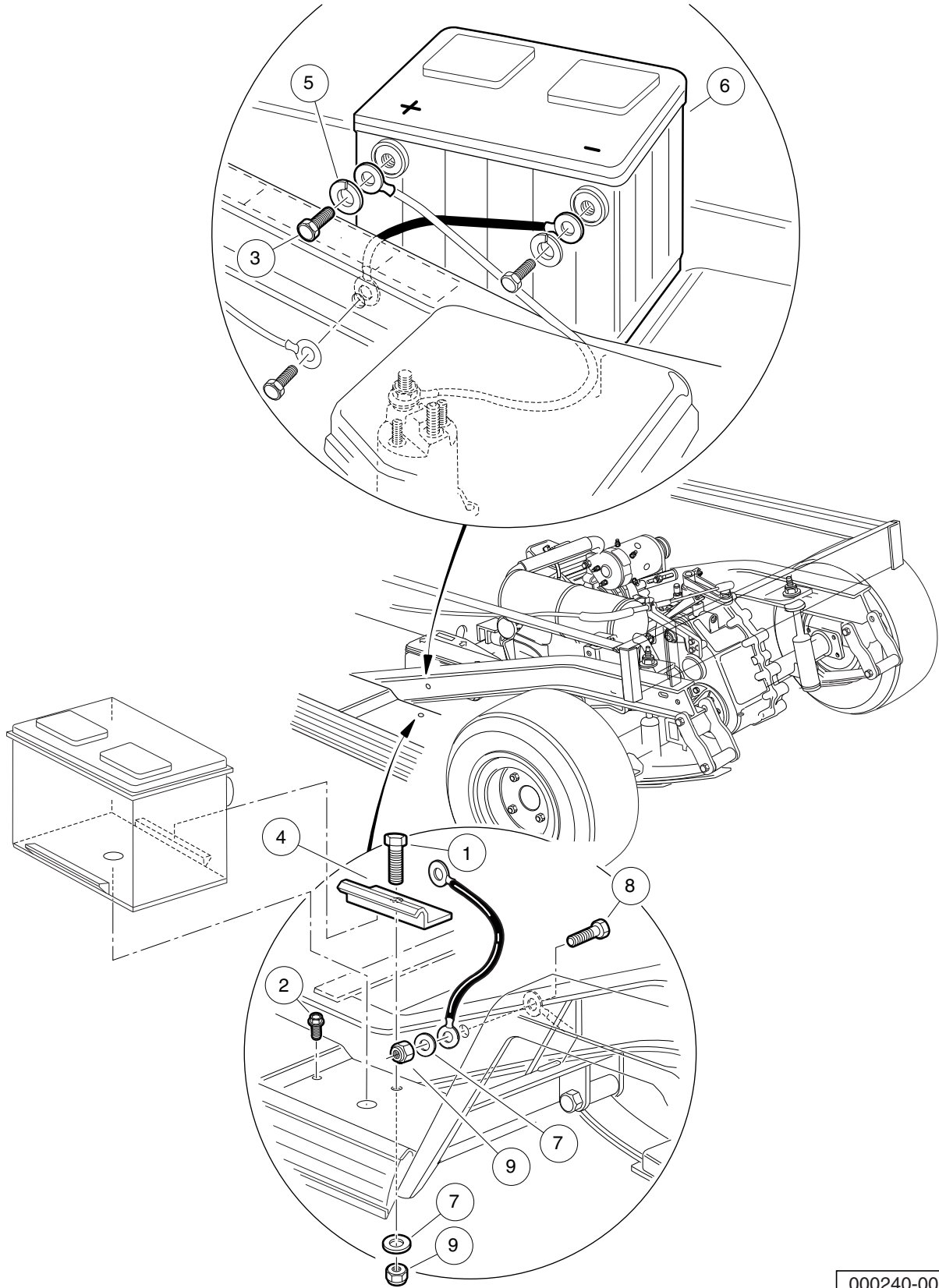
000999-001

# FORWARD/REVERSE SHIFTER SWITCHES, PEDAL-START – EFI

| ITEM | PART NO.         | DESCRIPTION                                   | QTY |
|------|------------------|---|-----|
|      |                  | <b>1 2 3 4</b>                                |     |
| 1    | <u>1014807</u>   | Switch, Limit .....                           | 1   |
| 2    | <u>1015878</u>   | Screw, #4-40 Hex Head Machine .....           | 2   |
| 3    | <u>105102601</u> | Switch, Limit, Sealed, with 3-Wire Lead ..... | 2   |
| 4    | <u>8056</u>      | Screw, #4-40 X 0.75 Round-Head Machine .....  | 2   |
| 5    | <u>8057</u>      | Nut, #4-40 Hex Machine .....                  | 4   |
| 6    | <u>8058</u>      | Lockwasher, #4 Split .....                    | 4   |

**7**  
**G**

**7**  
**G**



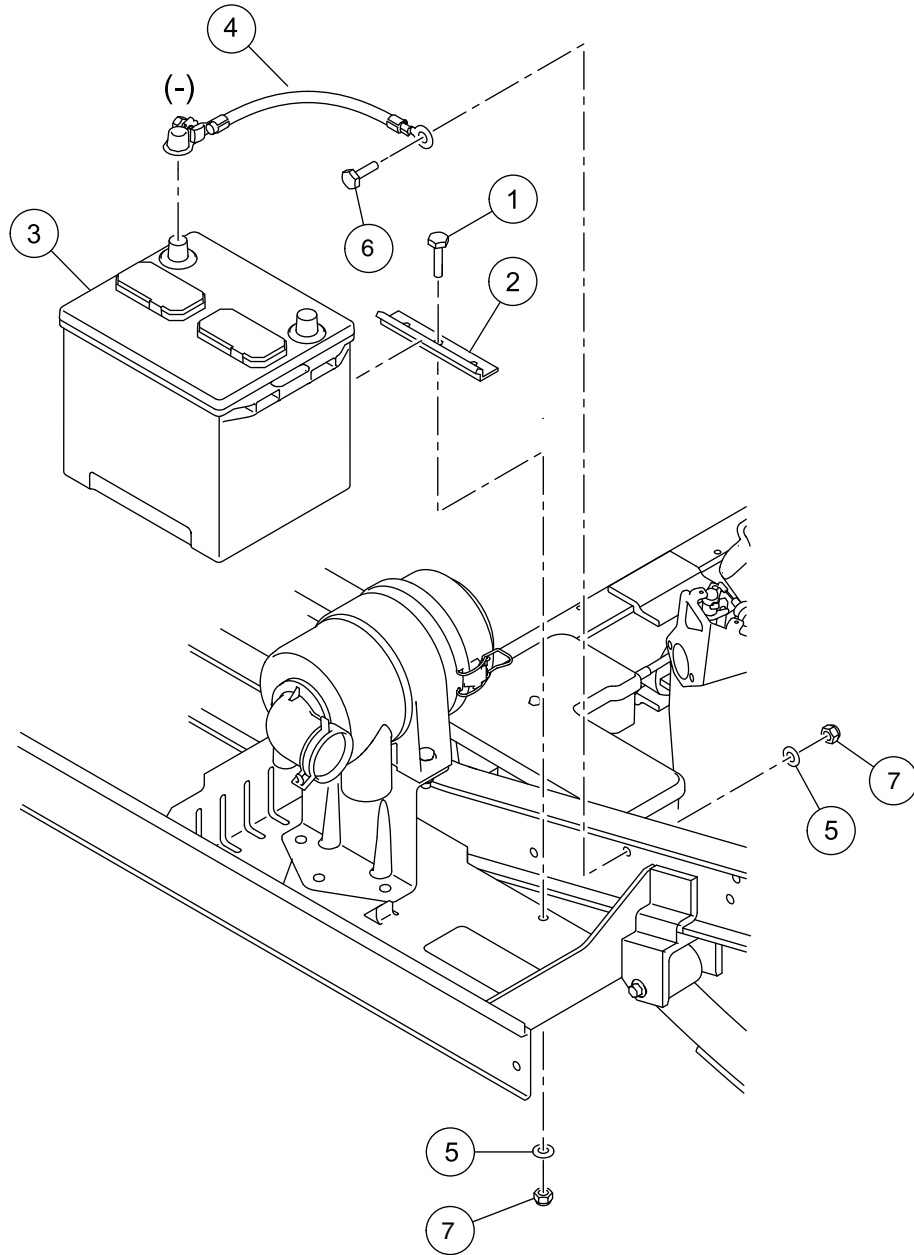
000240-001

## BATTERY – GASOLINE UTILITY VEHICLES

| ITEM | PART NO.         | DESCRIPTION   | QTY |
|------|------------------|---|-----|
|      |                  | 1 2 3 4   |     |
| 1    | <u>1010934</u>   | Screw, 5/16-18 X 1.00 Hex Cap .....                   | 1   |
| 2    | <u>1014288</u>   | Screw, 5/16-18 X 0.75, Thread-Forming .....           | 1   |
| 3    | <u>1014375</u>   | Screw, 3/8-16 X 0.50, Stainless Steel, Hex-Head ..... | 2   |
| 4    | <u>101898001</u> | Clamp, Battery .....                                  | 1   |
| 5    | <u>101898101</u> | Retainer - Battery .....                              | 1   |
| 6    | <u>102355301</u> | Lockwasher, 3/8 Split Ss .....                        | 2   |
| 7    | <u>103496801</u> | Battery, Start, 12v .....                             | 1   |
| 8    | <u>1241</u>      | Washer, 5/16 Type A Flat .....                        | 2   |
| 9    | <u>1606</u>      | Rivet, 3/16 X .500 Alum Pop .....                     | 2   |
| 10   | <u>7173</u>      | Screw, 5/16-18 X 0.75, Hex-Head Cap .....             | 1   |
| 11   | <u>7473</u>      | Locknut, 5/16-18 Nylon Insert .....                   | 2   |

7

G



000250-001



## TOP-POST BATTERY – GASOLINE UTILITY VEHICLES

| ITEM | PART NO.         | DESCRIPTION                                       | QTY |
|------|------------------|---|-----|
|      |                  | 1 2 3 4   |     |
| 1    | <u>1010934</u>   | Screw, 5/16-18 X 1.00 Hex Cap .....               | 1   |
| 2    | <u>101898001</u> | Clamp, Battery .....                              | 1   |
| 3    | <u>105237301</u> | Battery, Start, 12v, Type 26 .....                | 1   |
| 4    | 105256701        | Wire Assy, 4ga, Battery, (top-post) B-, Gas ..... | 1   |
| 5    | <u>1241</u>      | Washer, 5/16 Type A Flat .....                    | 2   |
| 6    | <u>7173</u>      | Screw, 5/16-18 X 0.75, Hex-Head Cap .....         | 1   |
| 7    | <u>7473</u>      | Locknut, 5/16-18 Nylon Insert .....               | 2   |

7

G

7

G

# ENGINE (KOHLER ECH440)

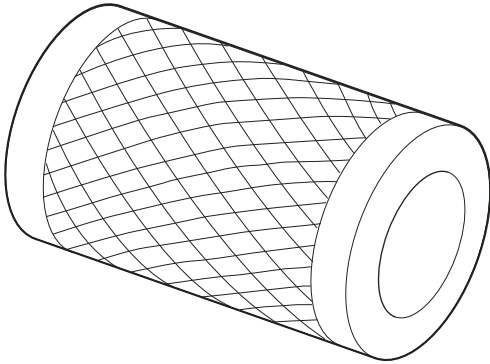
---

8

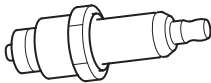
G

8

G



1



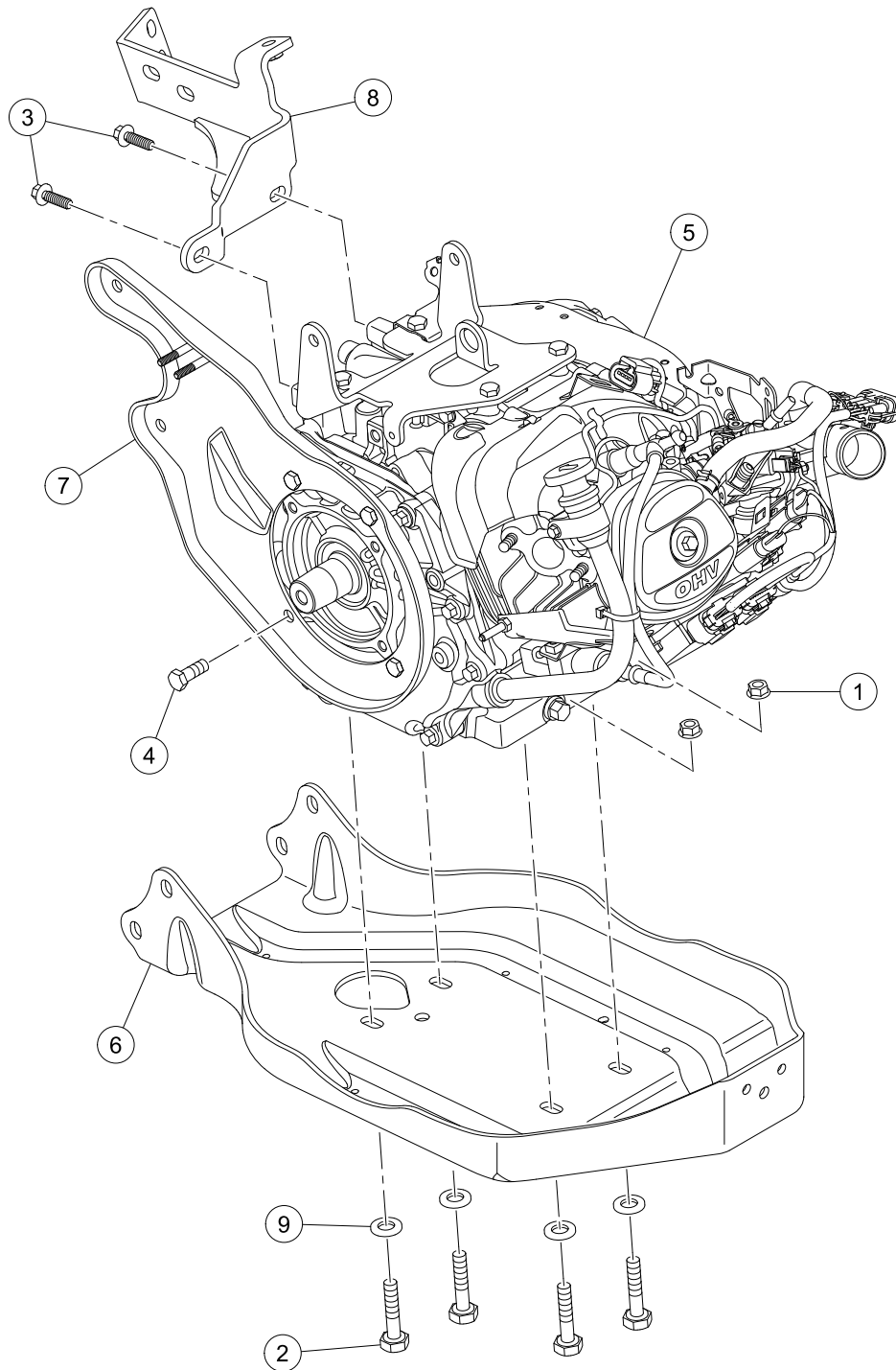
2

000992-003

# TUNE-UP PARTS

| ITEM | PART NO.           | DESCRIPTION                         | QTY |
|------|--------------------|-------------------------------------|-----|
| 1    | <u>102558201</u>   | 1 2 3 4<br>Air Filter, 4 Inch ..... | 1   |
| 2    | <u>47640281001</u> | Plug, Spark, Kohler .....           | 1   |

**8**  
**G**



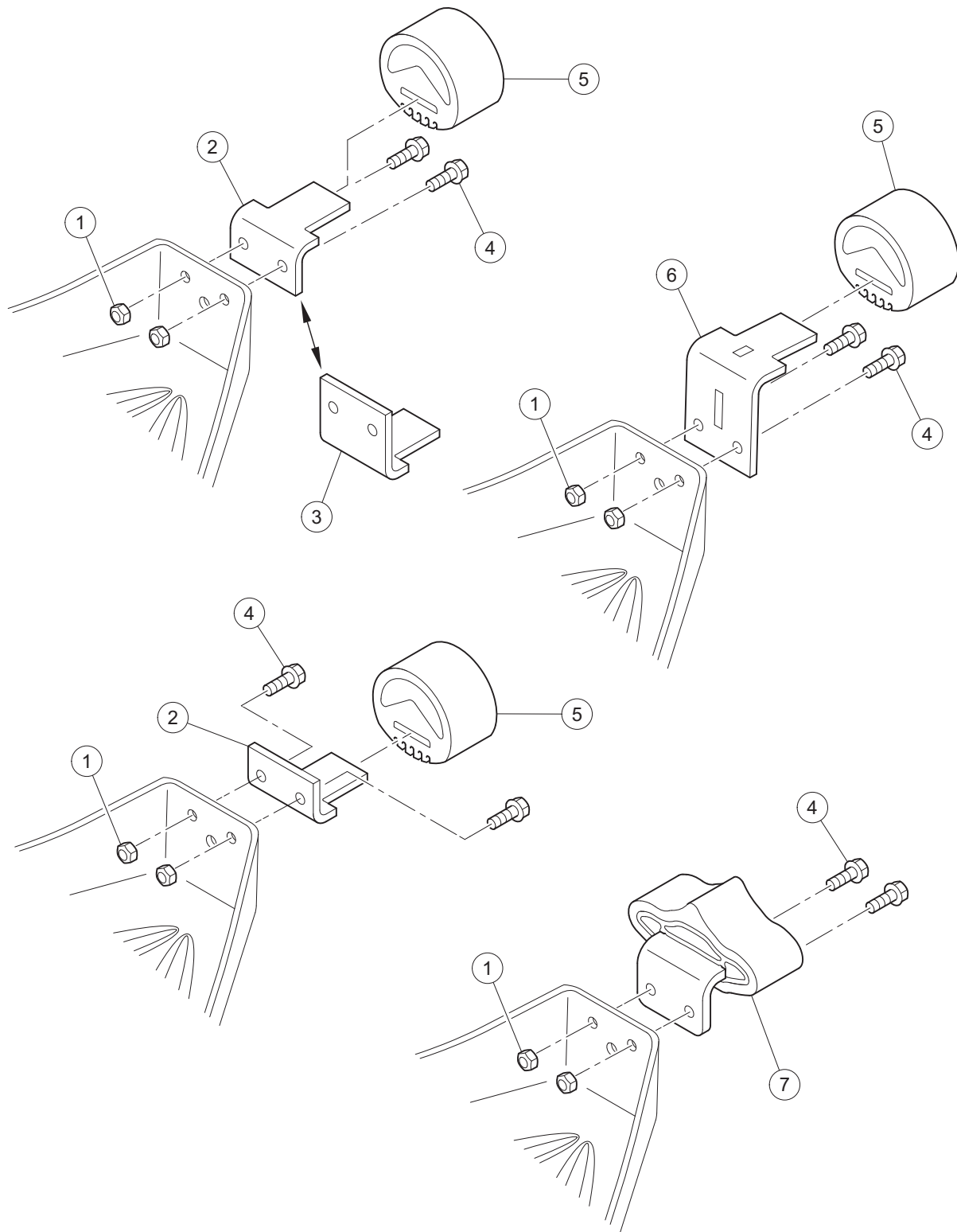
G-110199-000002

# ENGINE AND ENGINE MOUNTING

| ITEM | PART NO.           | DESCRIPTION  | QTY |
|------|--------------------|--|-----|
|      |                    | 1 2 3 4  |     |
| 1    | <u>102617201</u>   | Nut, Flanged, M10 X 1.5, Mechanically Deformed ..... | 4   |
| 2    | <u>102732401</u>   | Bolt, M10 X 45, Zn-Ni (Black) .....                  | 4   |
| 3    | <u>103262201</u>   | Bolt Flg Blk, M8 X 25, Loctite .....                 | 2   |
| 4    | <u>103508101</u>   | Bolt, 3/8-16 X .75 Lock Patch .....                  | 4   |
| 5    | <u>47598099001</u> | Engine, Gas, Ech440 .....                            | 1   |
| 6    | <u>47611483001</u> | Plate, Mtg, Engine/axle, Pan .....                   | 1   |
| 7    | 47611484001        | Plate, Mtg, Engine/axle, Cvt .....                   | 1   |
| 8    | 47611648001        | Weldment, Mtg, Exhaust .....                         | 1   |
| 9    | <u>96741046</u>    | Washer, M10, Hard .....                              | 4   |

**8**

**G**



G-010299-000001

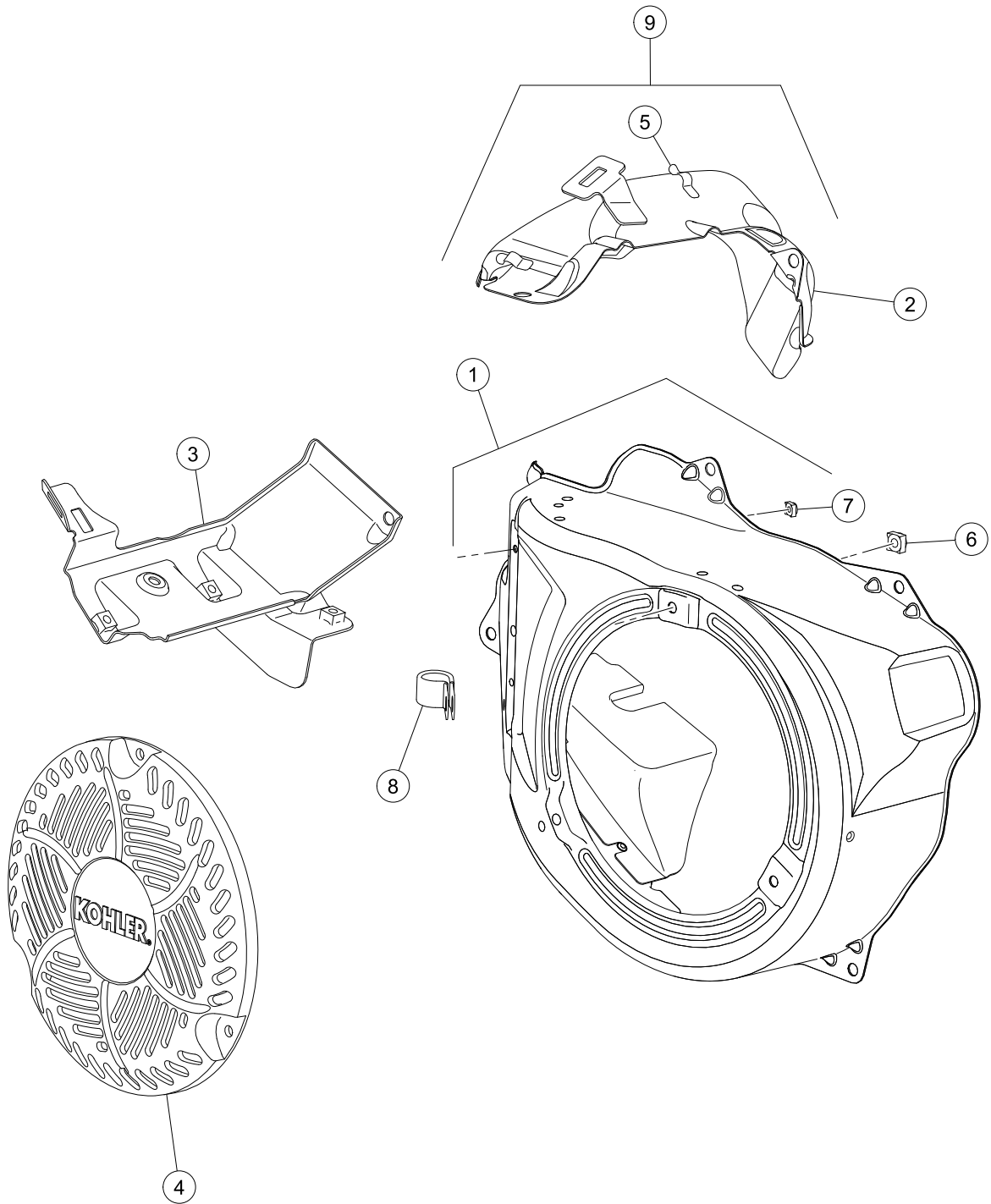


# ENGINE PAN AND SNUBBER MOUNTING

| ITEM   | PART NO.         | DESCRIPTION                                      | QTY |
|--|------------------|--|-----|
|  |                  | 1 2 3 4  |     |
| 1  | <u>1013924</u>   | Nut, 5/16-24, Hex Head Cone .....                | 2   |
| 2  | <u>101834601</u> | Bracket, Snubber .....                           | 1   |
| 3  | <u>101834602</u> | Bracket, Snubber, Tall .....                     | 1   |
| 4  | <u>101884801</u> | Screw, 5/16-24 X 0.875, Grade-8 .....            | 2   |
| 5  | <u>102540301</u> | Snubber, Inner Frame .....                       | 1   |
| 6  | 47564890001      | Bracket, Snubber, Csmr, Lifted .....             | 1   |
| 7  | 47587701001      | Asm, Dual Snubber (includes items 8 and 9) ..... | 1   |
| 8  | 47583795001      | Bracket, Dual Snubber .....                      | 1   |
| 9  | 47584184001      | Snubber, Dual .....                              | 1   |
| <p style="margin-left: 40px;">Note: Items 8 and 9 are not illustrated.</p> |                  |  |     |

8

G



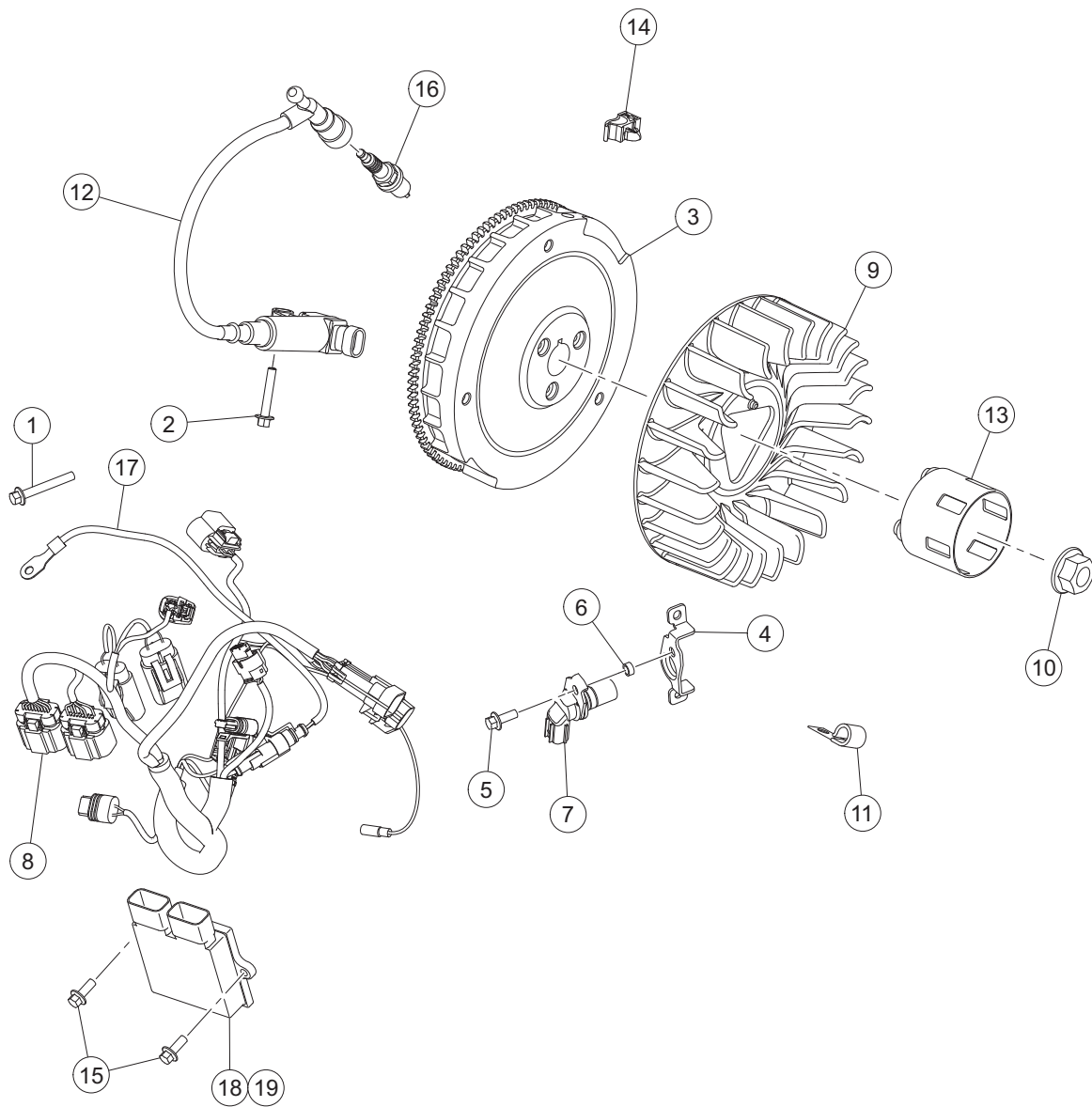
G-040899-000001

# BLOWER HOUSING AND HEAT SHIELD – ECH440

| ITEM | PART NO.           | DESCRIPTION                          | QTY |
|------|--------------------|--------------------------------------|-----|
|      |                    | 1 2 3 4                              |     |
| 1    | <u>47629844001</u> | Kit, Blower Housing, Kohler .....    | 1   |
| 2    | <u>47629845001</u> | Shield, Upper Heater, Kohler .....   | 1   |
| 3    | <u>47629846001</u> | Shield Assembly, Cylinder, Koh ..... | 1   |
| 4    | <u>47629847001</u> | Screen, Blower Housing, Kohler ..... | 1   |
| 5    | <u>47629848001</u> | Clip, Wire, Kohler .....             | 2   |
| 6    | <u>47629851001</u> | Nut, Blower Housing (cky), Koh ..... | 1   |
| 7    | <u>47629853001</u> | Nut, Blower Housing (cky), Koh ..... | 1   |
| 8    | <u>47629855001</u> | Clamp, Insulator, Kohler .....       | 1   |
| 9    | <u>47629856001</u> | Assembly, Heat Shield, Kohler .....  | 1   |

**8**

**G**



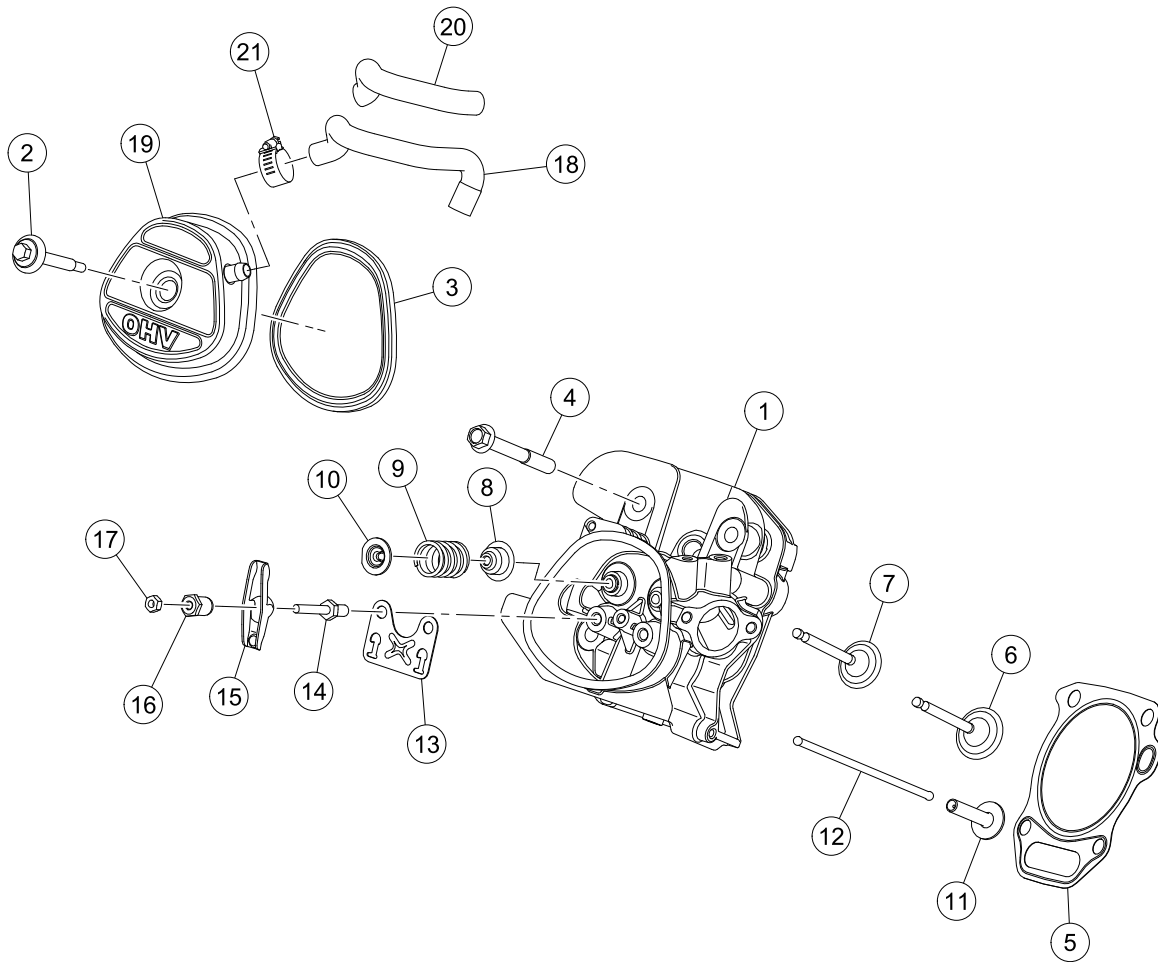
G-040799-000003

# IGNITION COMPONENTS AND FLYWHEEL – ECH440

| ITEM  | PART NO.    | DESCRIPTION                          | QTY |
|---|-------------|--------------------------------------|-----|
|   |             | 1 2 3 4                              |     |
| 1   | 47629702001 | Screw, Hex Flange (m6), Kohler ..... | 1   |
| 2   | 47629702001 | Screw, Hex Flange (m6), Kohler ..... | 3   |
| 3   | 47629826001 | Flywheel Assy, Electric Start .....  | 1   |
| 4   | 47629828001 | Bracket, Crank Sensor, Kohler .....  | 1   |
| 5   | 47629831001 | Screw, Hex Flange, Kohler .....      | 1   |
| 6   | 47629832001 | Spacer, Kohler .....                 | 1   |
| 7   | 47629833001 | Sensor, Speed, Kohler .....          | 1   |
| 8   | 47629834001 | Harness, Wiring Assy, Kohler .....   | 1   |
| 9   | 47629835001 | Fan, Flywheel, Kohler .....          | 1   |
| 10  | 47629836001 | Nut, Flywheel, Kohler .....          | 1   |
| 11  | 47629837001 | Clip, Cable, Kohler .....            | 1   |
| 12  | 47629838001 | Coil, Ignition-efi, Kohler .....     | 1   |
| 13  | 47629841001 | Cup, Starter Drive, Kohler .....     | 1   |
| 14  | 47629843001 | Clip, Wiring Harness, Kohler .....   | 1   |
| 15  | 47640021001 | Screw, M6x16, Kohler .....           | 2   |
| 16  | 47640281001 | Plug, Spark, Kohler .....            | 1   |
| 17  | 47650647001 | Sensor, Temperature .....            | 1   |
| 18  | 47664335001 | Module, Ecu, Kohler, O2 Update ..... | A/R |
| 19  | 47676897001 | Module, ECU, Kohler .....            | A/R |
| Note: Item 19 (47676897001) only applies to vehicles that have had kit p/n<br>47649794001 installed. Make sure to validate and order correct ECU p/n. |             |                                      |     |

8

G



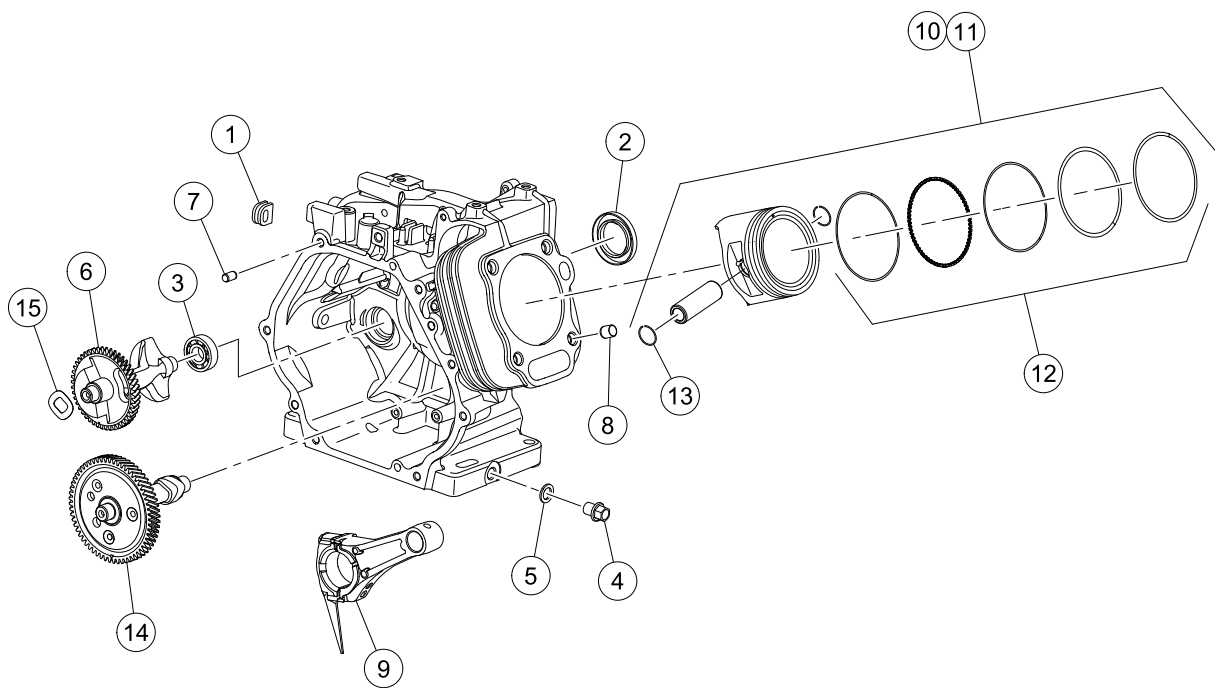
G-040599-000001

# CYLINDER HEAD AND VALVE – ECH440

| ITEM | PART NO.           | DESCRIPTION                          | QTY |
|------|--------------------|--------------------------------------|-----|
|      |                    | 1 2 3 4                              |     |
| 1    | <u>47629711001</u> | Assembly, Cylinder Head, Kohle ..... | 1   |
| 2    | <u>47629714001</u> | Screw, Valve Cover Seal Assy, .....  | 1   |
| 3    | <u>47629716001</u> | Gasket, Valve Cover, Kohler .....    | 1   |
| 4    | <u>47629717001</u> | Screw, Hex Flange Cylinder Hea ..... | 4   |
| 5    | <u>47629718001</u> | Kit, Head Gasket, Kohler .....       | 1   |
| 6    | <u>47629719001</u> | Valve, Intake, Kohler .....          | 1   |
| 7    | <u>47629720001</u> | Valve, Exhaust, Kohler .....         | 1   |
| 8    | <u>47629722001</u> | Seal, Valve Stem, Kohler .....       | 2   |
| 9    | <u>47629723001</u> | Spring, Valve, Kohler .....          | 2   |
| 10   | <u>47629724001</u> | Retainer, Valve Spring, Kohler ..... | 2   |
| 11   | <u>47629725001</u> | Lifter, Valve, Kohler .....          | 2   |
| 12   | <u>47629726001</u> | Rod, Push, Kohler .....              | 2   |
| 13   | <u>47629727001</u> | Plate, Pushrod Guide, Kohler .....   | 1   |
| 14   | <u>47629728001</u> | Stud, Rocker, Kohler .....           | 2   |
| 15   | <u>47629729001</u> | Arm, Rocker, Kohler .....            | 2   |
| 16   | <u>47629730001</u> | Pivot, Rocker Arm, Kohler .....      | 2   |
| 17   | <u>47629768001</u> | Nut, Hex Jam, Kohler .....           | 2   |
| 18   | <u>47629822001</u> | Hose, Breather, Kohler .....         | 1   |
| 19   | <u>47629823001</u> | Valve Cover Assembly, Kohler .....   | 1   |
| 20   | <u>47629824001</u> | Sleeve, Anti Abrasion, Kohler .....  | 1   |
| 21   | <u>47629825001</u> | Clamp, Hose, Kohler .....            | 1   |

**8**

**G**



G-040399-000001



# CRANKCASE AND PISTON – ECH440

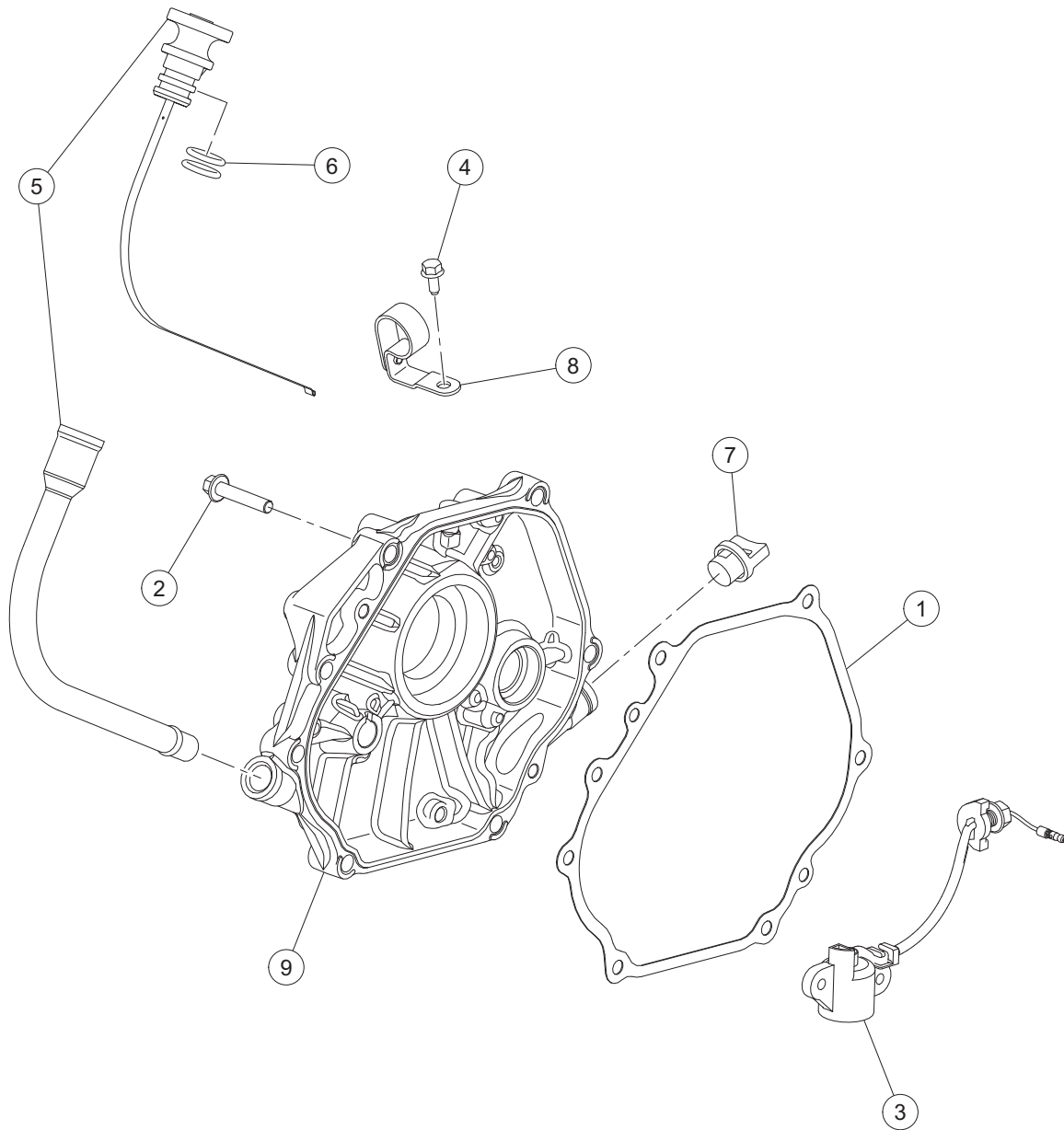
| ITEM | PART NO.           | DESCRIPTION                          | QTY |
|------|--------------------|--------------------------------------|-----|
|      |                    | 1 2 3 4                              |     |
| 1    | <u>47629677001</u> | Grommet, Crankcase,kohler .....      | 1   |
| 2    | <u>47629680001</u> | Seal, Crankcase, Kohler .....        | 2   |
| 3    | <u>47629682001</u> | Bearing, Balancing Shaft, Kohl ..... | 2   |
| 4    | <u>47629685001</u> | Kit, Drain Plug, Kohler .....        | 2   |
| 5    | <u>47629686001</u> | Washer, Drain Plug, Kohler .....     | 2   |
| 6    | <u>47629687001</u> | Shaft, Balance, Kohler .....         | 1   |
| 7    | <u>47629688001</u> | Pin, Dowel, Kohler .....             | 2   |
| 8    | <u>47629689001</u> | Pin, Dowel Cylinder Head, Kohl ..... | 2   |
| 9    | <u>47629690001</u> | Rod, Connecting Assembly,kohle ..... | 1   |
| 10   | <u>47629691001</u> | Kit, Piston Wing Set (std), Ko ..... | 1   |
| 11   | <u>47629693001</u> | Kit, Piston (0.25 O.s.), Kohle ..... | 1   |
| 12   | <u>47629694001</u> | Ring Set, Kohler .....               | 2   |
| 13   | <u>47629696001</u> | Retainer, Piston, Kohler .....       | 2   |
| 14   | <u>47629697001</u> | Camshaft Assembly, Kohler .....      | 1   |
| 15   | <u>47629698001</u> | Spring, Wave, Kohler .....           | 1   |

**8**

**G**

8

G

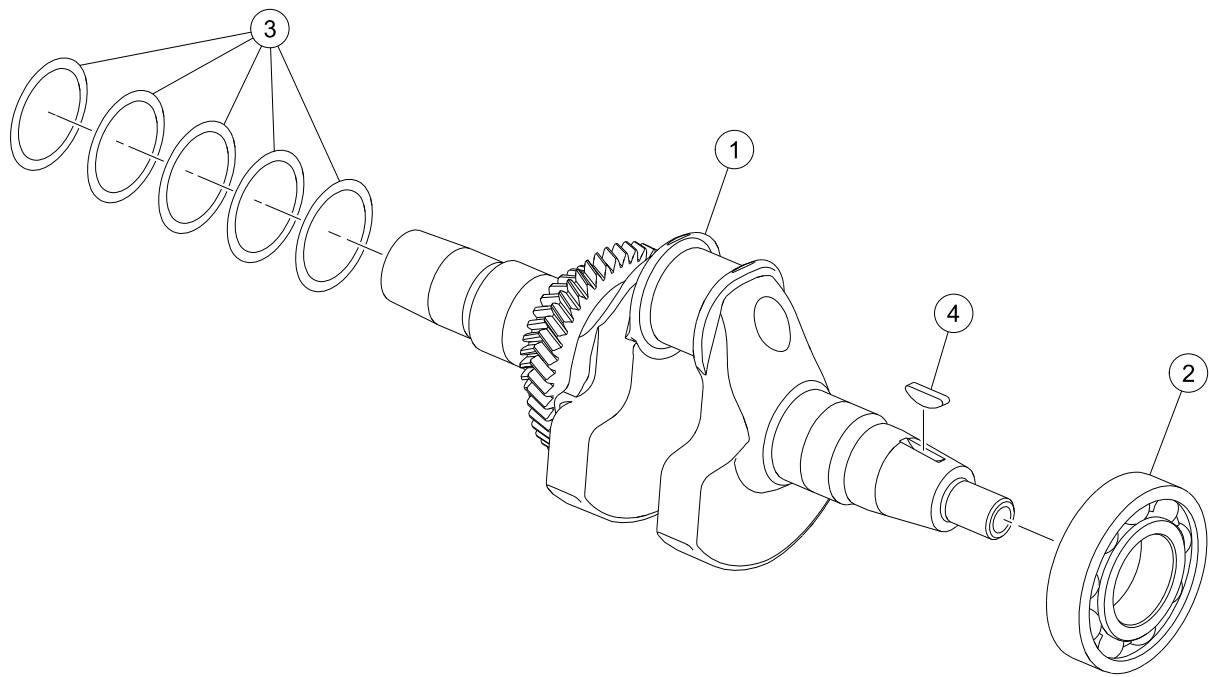


G-040699-000001

# OIL SENSOR AND LUBRICATION – ECH440

| ITEM | PART NO.           | DESCRIPTION                          | QTY |
|------|--------------------|--------------------------------------|-----|
|      |                    | 1 2 3 4                              |     |
| 1    | <u>47629699001</u> | Gasket, Closure Plate, Kohler .....  | 1   |
| 2    | <u>47629700001</u> | Screw, Closure Plate, Kohler .....   | 7   |
| 3    | <u>47629701001</u> | Switch, Oil Sensor Assembly, K ..... | 1   |
| 4    | <u>47629702001</u> | Screw, Hex Flange (m6), Kohler ..... | 18  |
| 5    | <u>47629703001</u> | Dipstick, Assembly, Kohler .....     | 1   |
| 6    | <u>47629705001</u> | O-ring, Dipstick Cap, Kohler .....   | 2   |
| 7    | <u>47629707001</u> | Cap Assy, Oil Fill, Kohler .....     | 1   |
| 8    | <u>47629709001</u> | Bracket, Dipstick Tub, Kohler .....  | 1   |
| 9    | <u>47640020001</u> | Plate, Closure, Kohler .....         | 1   |

**8**  
**G**



G-040299-000001

# CRANKSHAFT – ECH440

| ITEM | PART NO.           | DESCRIPTION                       | QTY |
|------|--------------------|-----------------------------------|-----|
|      |                    | 1 2 3 4                           |     |
| 1    | <u>47629583001</u> | Crankshaft Assembly, Kohler ..... | 1   |
| 2    | <u>47629585001</u> | Bearing, Crankshaft, Kohler ..... | 2   |
| 3    | <u>47629588001</u> | Kit, Shims, Kohler .....          | 5   |
| 4    | <u>47629589001</u> | Key, Flywheel, Kohler .....       | 1   |

**8**

**G**

8

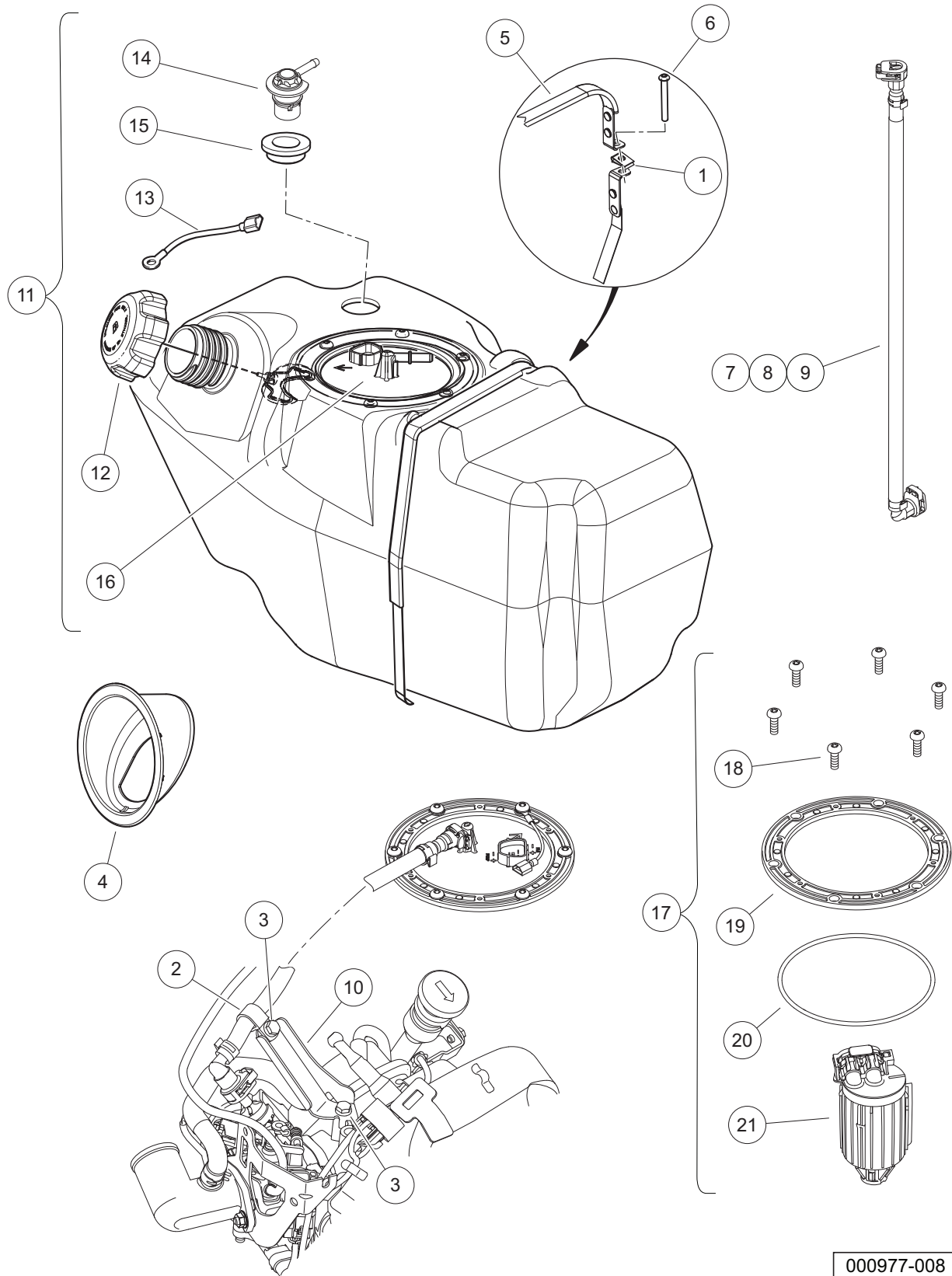
G

# FUEL SYSTEM – EFI

---

9

G



000977-008

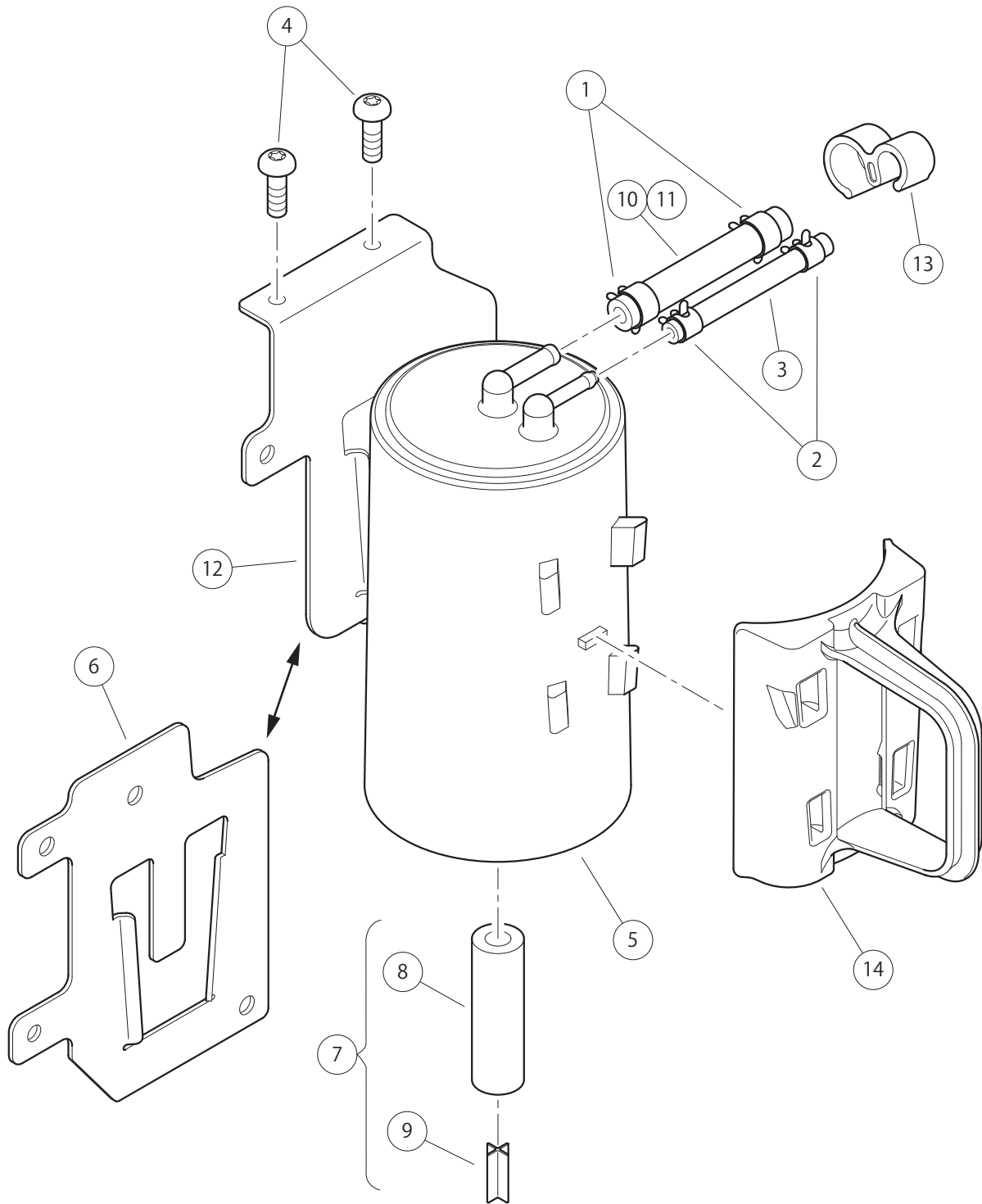


## FUEL TANK WITH PUMP, SIDE FILL – EFI

| ITEM   | PART NO.           | DESCRIPTION  | QTY |
|--|--------------------|--|-----|
|  |                    | 1 2 3 4  |     |
| 1  | <u>1014116</u>     | Nut, 1/4-20 Speed .....  | 1   |
| 2  | 102410607          | P-clamp, Insulated .500 In .....                               | 1   |
| 3  | <u>102490301</u>   | Bolt, M6 X 1 X 16, Loctite .....                               | 2   |
| 4  | <u>102977901</u>   | Bezel, Fuel Fill, 5.0 Dia .....                                | 1   |
| 5  | <u>105093601</u>   | Retention Strap, Tank .....                                    | 1   |
| 6  | <u>105194101</u>   | 1/4-20 X 2.5, Bhcs, 6-lobe .....                               | 1   |
| 7  | 47606233001        | Asm, Fuel Line, Util .....                                     | 1   |
| 8  | 47606233002        | Asm, Fuel Line, Util .....                                     | 1   |
| 9  | 47606233004        | Asm, Fuel Line, Uff, Hb, Lwb .....                             | 1   |
| 10   | 47634448002        | Bracket, Support .....   | 1   |
| 11   | 47664037001        | Asm, Tank, Fuel, Side, Su (includes items 12 through 17) ..... | 1   |
| 12   | <u>103372101</u>   | Cap, Fuel Tank, Gas, Ratchet .....                             | 1   |
| 13   | <u>105143301</u>   | Wire, Ground, Fuel Tank .....                                  | 1   |
| 14   | 47611876001        | Vent Rov, Fuel Tank, Precedent .....                           | 1   |
| 15   | 47611877001        | Grommet, Fuel Tank, Vent .....                                 | 1   |
| 16   | N/A                | Fuel Pump Module Su 50psi .....                                | 1   |
| 17   | <u>47623339001</u> | Kit, Fuel Filter, 50 Psi (includes items 18 through 21) .....  | 1   |
| 18   | <u>102025801</u>   | Screw, 1/4-20 X .75 Torx Pn Hd .....                           | 6   |
| 19   | <u>105043801</u>   | Fuel Module, Hold Down Ring .....                              | 1   |
| 20   | <u>105043901</u>   | O-Ring, Fuel Module .....                                      | 1   |
| 21   | N/A                | Fuel Filter, 50psi .....                                       | 1   |
| <p>Note: Item 7 applies to short wheel base vehicles only. Item 8 applies to medium wheel base vehicles only. Item 9 applies to long wheel base vehicles only.</p> |                    |  |     |

9

G



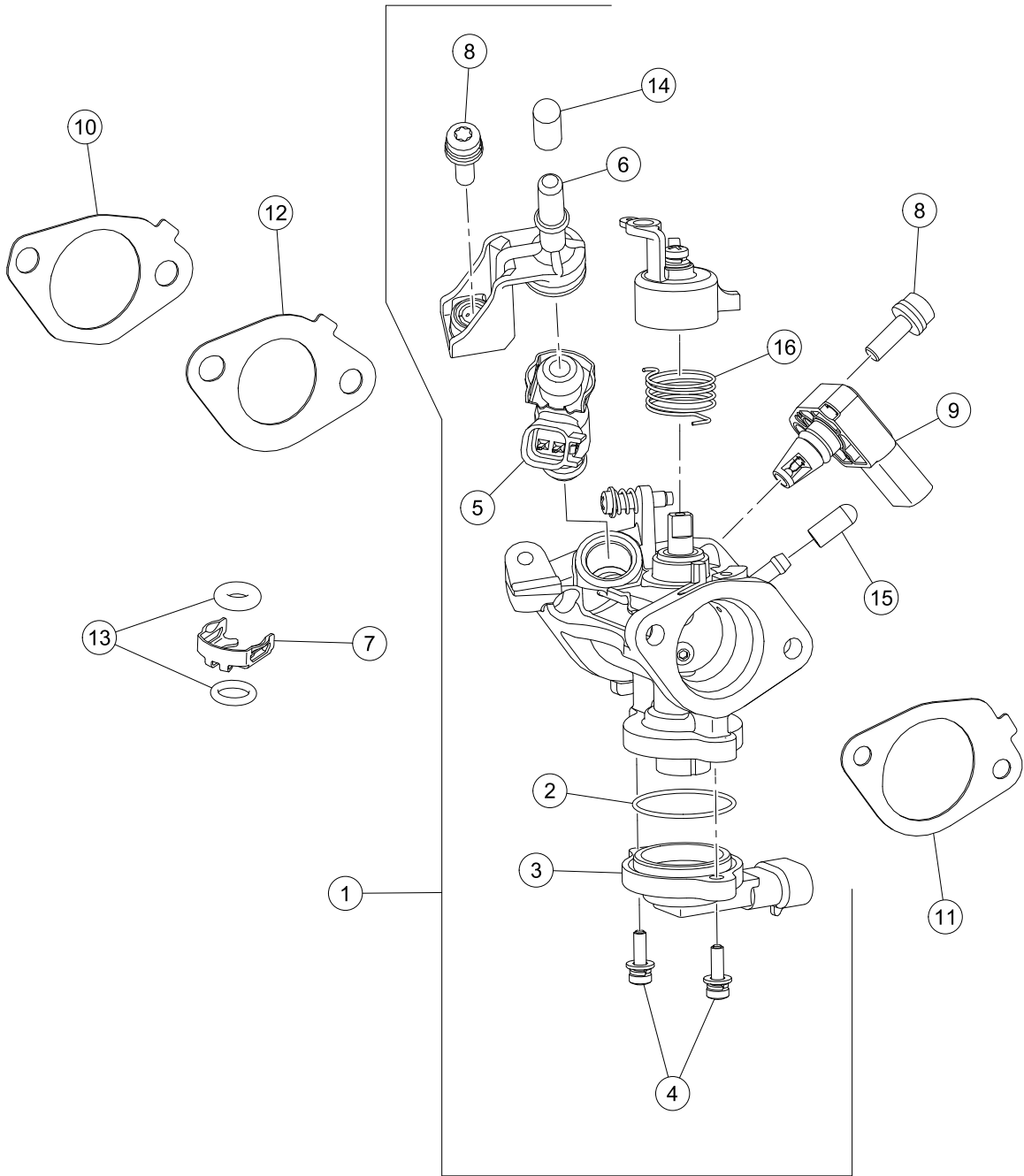
000980-014

# CARBON CANISTER – EFI

| ITEM   | PART NO.         | DESCRIPTION  | QTY |
|--|------------------|--|-----|
|  |                  | 1 2 3 4  |     |
| 1  | <u>1012649</u>   | Clamp, 0.460 Red Hose .....                                    | 2   |
| 2  | <u>1013746</u>   | Clamp, 0.301 ID Hose .....                                     | 2   |
| 3  | 101587714        | Hose, Fuel, Vent, 34" Long .....                               | 1   |
| 4  | <u>102025801</u> | Screw, 1/4-20 X .75 Torx Pn Hd .....                           | 2   |
| 5  | <u>103372401</u> | Canister, Carbon .....   | 1   |
| 6  | <u>103452001</u> | Brkt, Mtg, Carbon Canister .....                               | 1   |
| 7  | <u>103756401</u> | Asm, Vent Line, Carbon Canister (includes items 8 and 9) ..... | 1   |
| 8  | N/A              | Hose, Vent, 5/16 I.D., Bulk .....                              | 1   |
| 9  | N/A              | Vent, Barb, 5/16 I.D. Hose .....                               | 1   |
| 10   | 103896604        | Hose, Vent, 1/4 Id, 17 In (SWB and Utility) .....              | 1   |
| 11   | 103896605        | Hose, Vent, 1/4 Id, 23.5 In .....                              | 1   |
| 12   | 47606257001      | Brkt, Mtg, Carbon Canister .....                               | 1   |
| 13   | 47619701001      | Clip, Purge Line, Util .....                                   | 2   |
| 14   | 47637087001      | Bracket, fuel line routing .....                               | 1   |
| <p>Note: Items 6 and 14 apply to short wheel base vehicles only. Item 12 applies to utility and long wheel base vehicles only.</p> |                  |  |     |

9

G

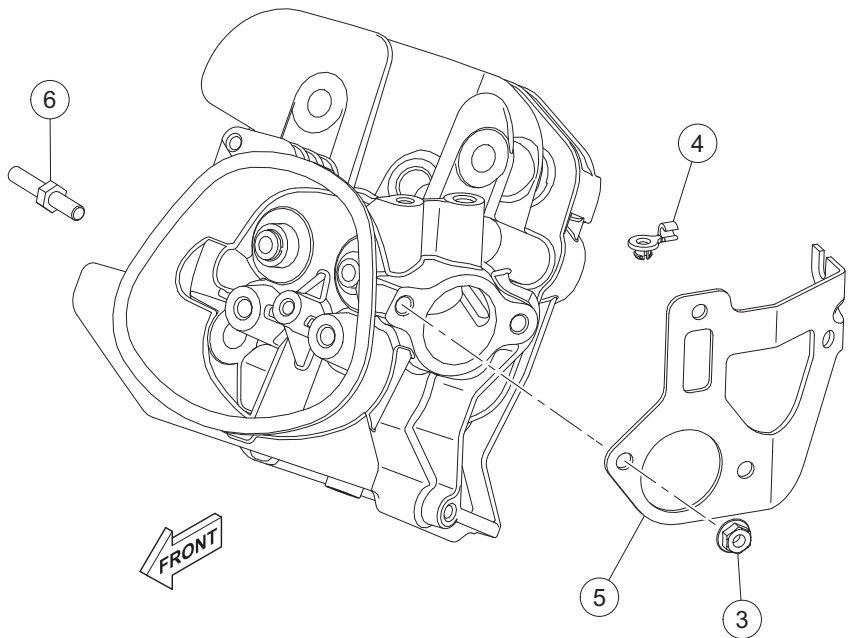
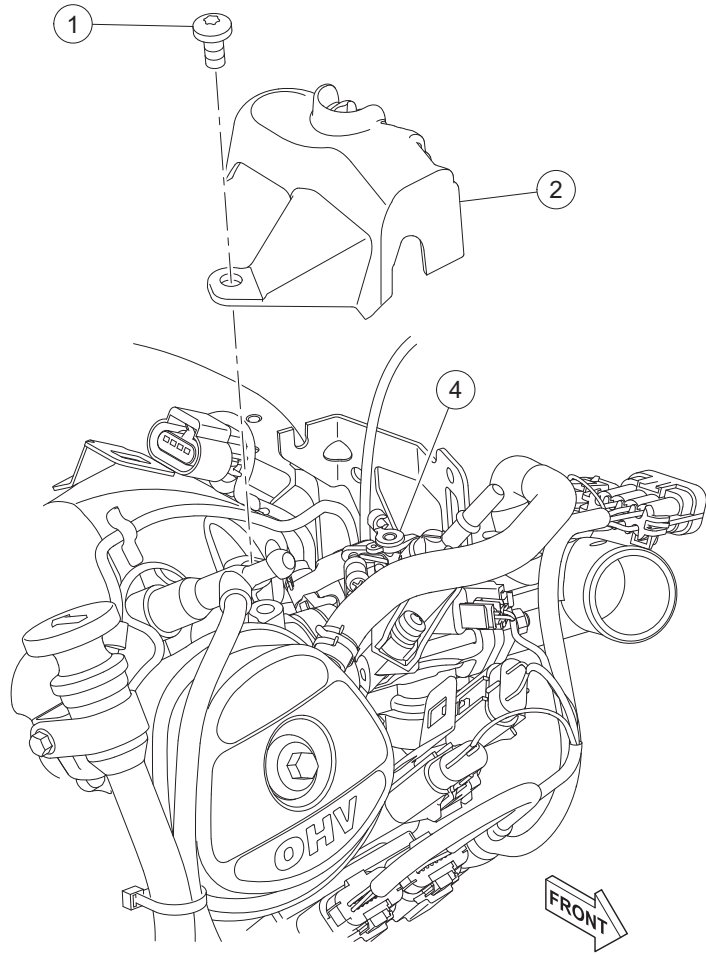


G-100199-000001

# THROTTLE BODY AND MOUNTING

| ITEM | PART NO.           | DESCRIPTION                           | QTY |
|------|--------------------|---------------------------------------|-----|
|      |                    | 1 2 3 4                               |     |
| 1    | <u>47629857001</u> | Throttle Body, Assembly, Kohler ..... | 1   |
| 2    | <u>47629858001</u> | O-ring, Kohler .....                  | 1   |
| 3    | <u>47629859001</u> | Kit, Tps, Kohler .....                | 1   |
| 4    | <u>47629860001</u> | Screw, Hexalobular, M4 X 0.7 X .....  | 2   |
| 5    | <u>47629861001</u> | Injector, Fuel, Kohler .....          | 1   |
| 6    | <u>47629862001</u> | Cap, Fuel Inector, Kohler .....       | 1   |
| 7    | <u>47629864001</u> | Clip, Retainer, Kohler .....          | 1   |
| 8    | <u>47629865001</u> | Screw, Hexalobular, M6 X 1 Sem .....  | 2   |
| 9    | <u>47629866001</u> | Sensor, T-map, Kohler .....           | 1   |
| 10   | <u>47629867001</u> | Kit, Gasket Intake, Kohler .....      | 1   |
| 11   | <u>47629868001</u> | Gasket, Throttle Body, Kohler .....   | 1   |
| 12   | <u>47629869001</u> | Gasket, Insulator To T-body, K .....  | 1   |
| 13   | <u>47629870001</u> | Kit, Fuel Injector O-ring, Koh .....  | 1   |
| 14   | <u>47629871001</u> | Cap, Masking, Kohler .....            | 1   |
| 15   | <u>47629872001</u> | Cap, Masking, Kohler .....            | 1   |
| 16   | <u>47629874001</u> | Spring, Return, Kohler .....          | 1   |

**9**  
**G**



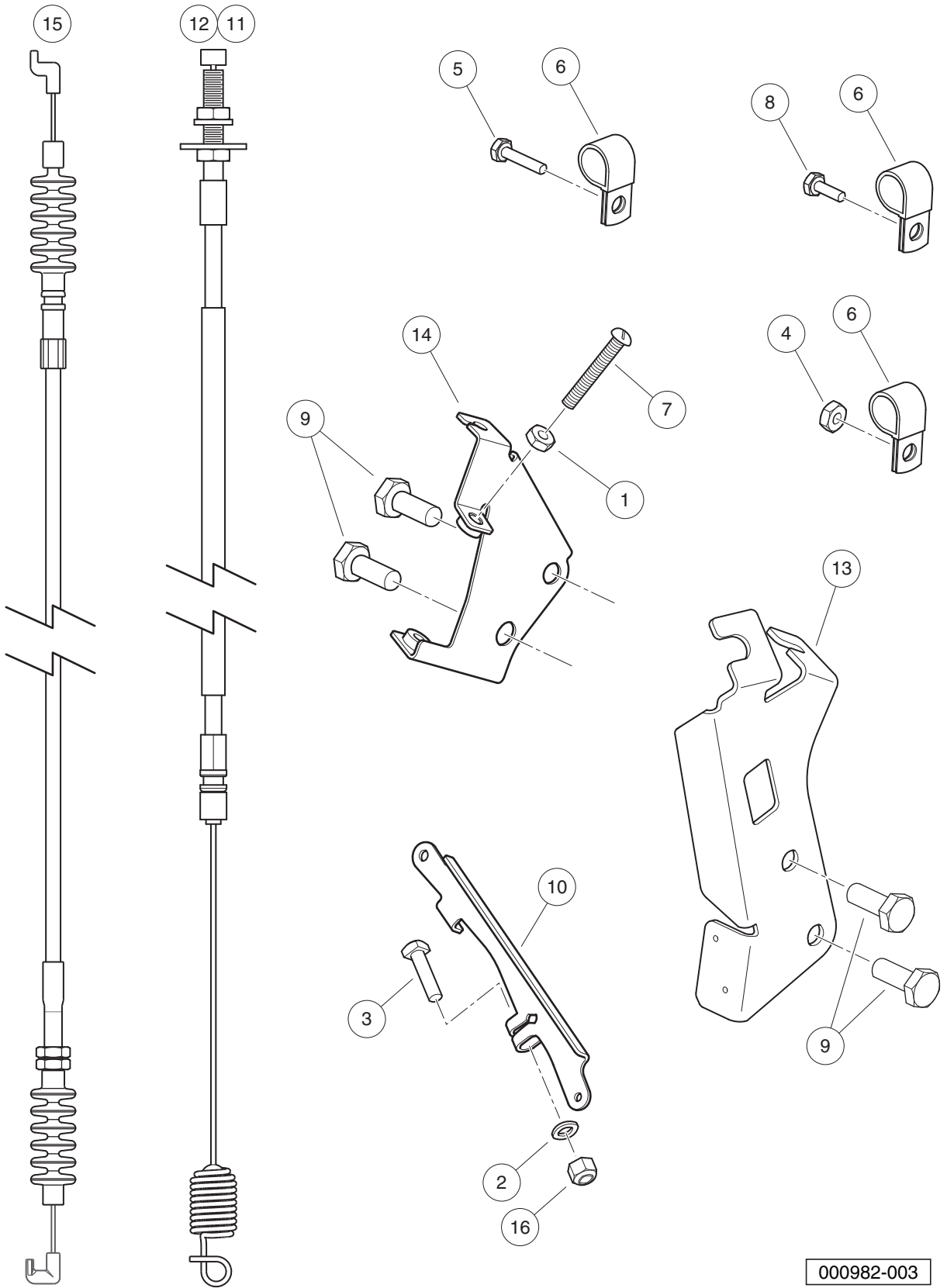
G-040999-000004

# GOVERNOR BRACKET AND COVER – EFI

| ITEM | PART NO.           | DESCRIPTION                          | QTY |
|------|--------------------|--------------------------------------|-----|
|      |                    | 1 2 3 4                              |     |
| 1    | <u>102298116</u>   | Bolt, Flanged Head, M8 X 16.0 .....  | 1   |
| 2    | <u>47612352001</u> | Cover, Governor, Ech 440 .....       | 1   |
| 3    | <u>47629875001</u> | Nut, Hex Flange Lock (m6), Koh ..... | 2   |
| 4    | <u>47629876001</u> | Bushing, Linkage Retainer, Koh ..... | 1   |
| 5    | <u>47629877001</u> | Bracket, Governor, Kohler .....      | 1   |
| 6    | <u>47629878001</u> | Stud, Ground, Kohler .....           | 1   |

**9**

**G**



000982-003

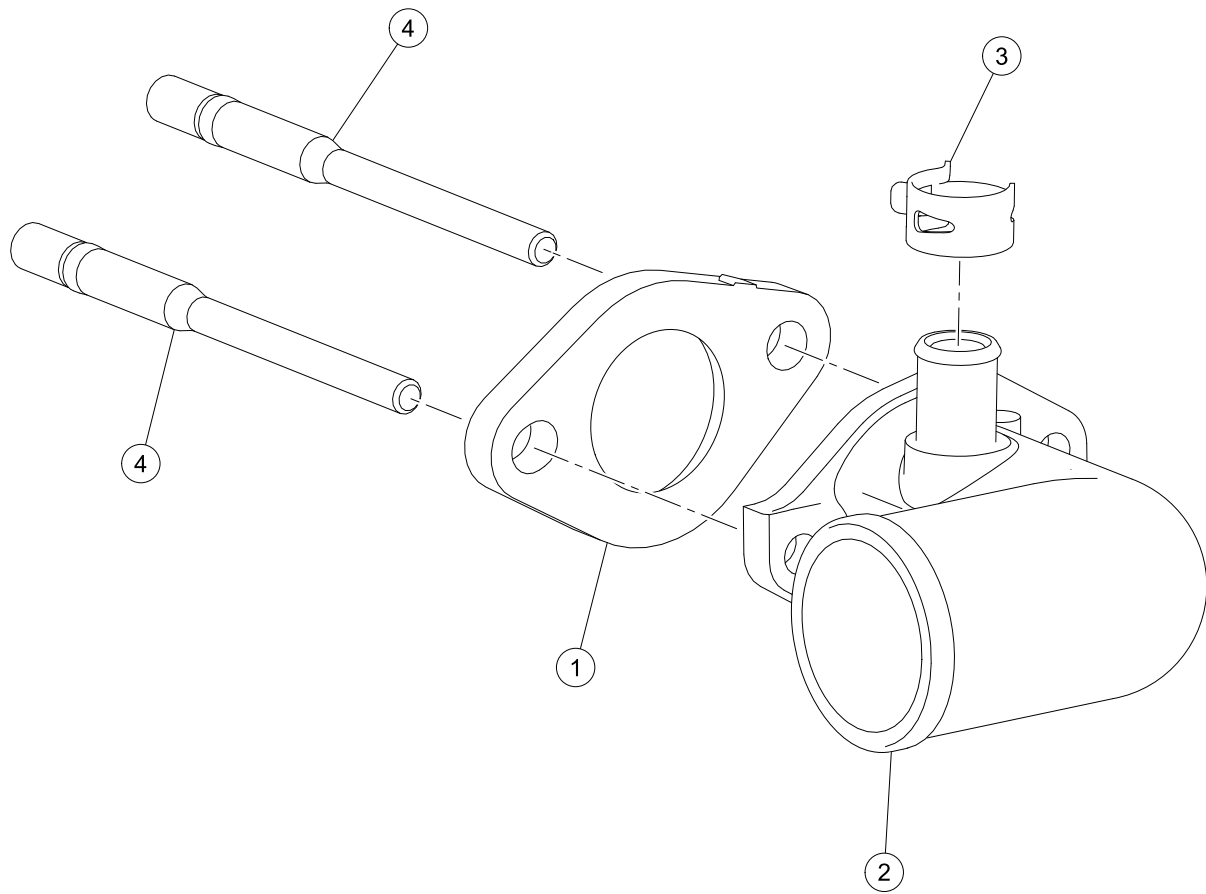


## GOVERNOR AND ACCELERATOR CABLES – EFI

| ITEM | PART NO.           | DESCRIPTION                                  | QTY |
|------|--------------------|--|-----|
|      |                    | 1 2 3 4                                      |     |
| 1    | <u>1011114</u>     | Nut, M6-1.00 Hex .....                       | 2   |
| 2    | <u>1014007</u>     | Washer, 1/4, Flat .....                      | 1   |
| 3    | <u>101886101</u>   | Screw, 1/4-20 X 1.00, Square-Head .....      | 1   |
| 4    | <u>101887601</u>   | Locknut, M6-1.00 Nylon Insert .....          | 1   |
| 5    | <u>102296716</u>   | Screw, M6 X 16 Tt Hx Fl Hd .....             | 1   |
| 6    | <u>102410604</u>   | P-clamp, Insulated, 0.625 Inch .....         | 3   |
| 7    | <u>102476401</u>   | Bolt, Stop, Pedal .....                      | 1   |
| 8    | <u>102490301</u>   | Bolt, M6 X 1 X 16, Loctite .....             | 1   |
| 9    | <u>102498201</u>   | Bolt, M10 X 1.25 X 25, Loctite .....         | 2   |
| 10   | <u>104023501</u>   | Arm, Governor, ED65 .....                    | 1   |
| 11   | <u>105007402</u>   | Cable, Accelerator, Utility, Low-Speed ..... | 1   |
| 12   | <u>105007403</u>   | Cable, Accelerator, Utility, Std-Speed ..... | 1   |
| 13   | <u>105135101</u>   | Bracket, Cable, FNR/Accelerator, ED65 .....  | 1   |
| 14   | <u>105144401</u>   | Weldment, Governor Bracket .....             | 1   |
| 15   | <u>47601355001</u> | Cable, Governor, Z Fit 90 Fit .....          | 1   |
| 16   | <u>8233</u>        | Locknut, 1/4-20, Nylon Insert .....          | 1   |

9

G



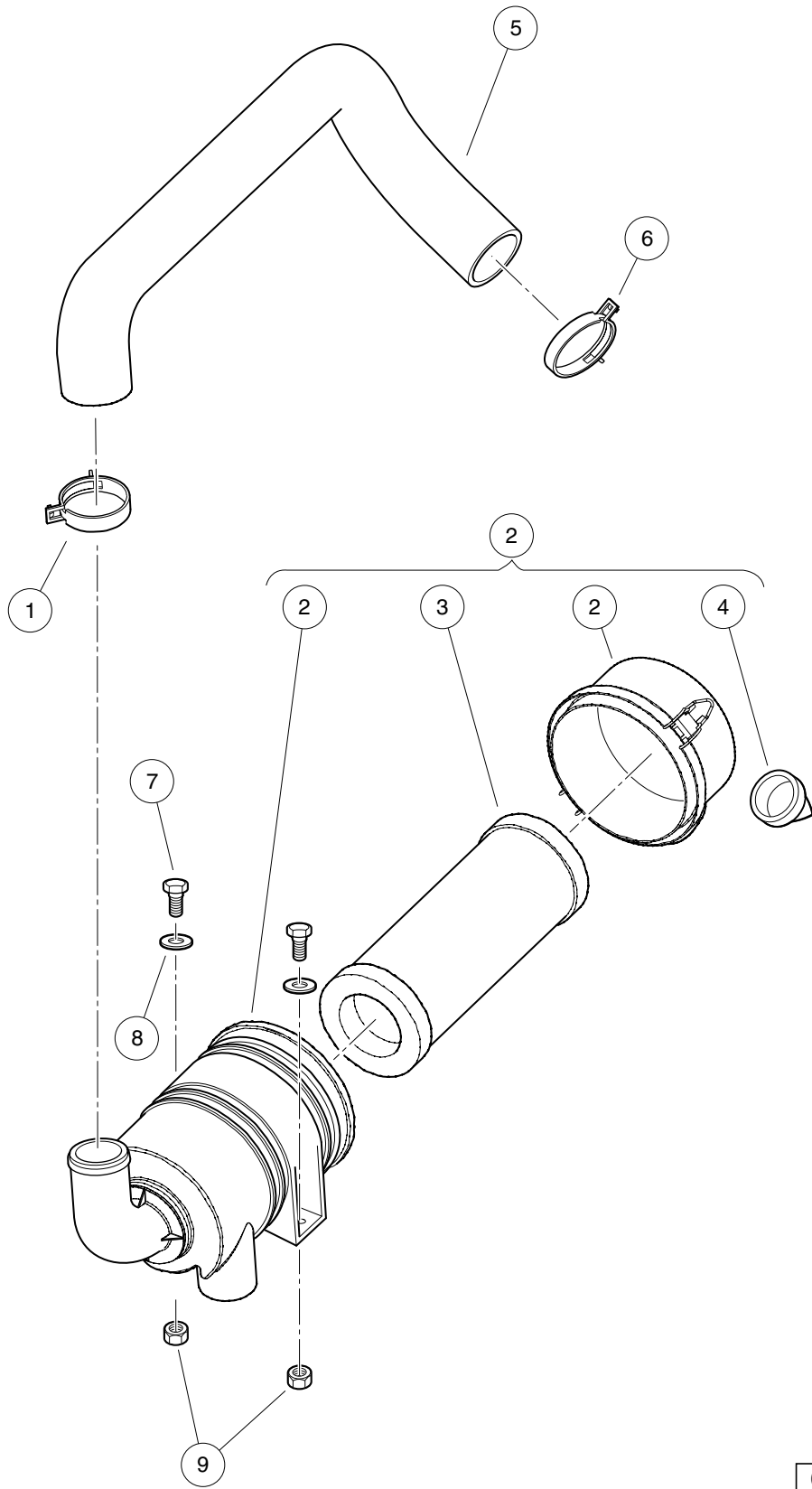
G-040999-000003

# AIR INTAKE ELBOW – EFI

| ITEM | PART NO.           | DESCRIPTION                           | QTY |
|------|--------------------|---------------------------------------|-----|
|      |                    | 1 2 3 4                               |     |
| 1    | <u>47629879001</u> | Insulator Throttle Body, Kohler ..... | 1   |
| 2    | <u>47629880001</u> | Elbow, Air Inlet, Kohler .....        | 1   |
| 3    | <u>47629881001</u> | Clamp, Breather Hose, Kohler .....    | 1   |
| 4    | <u>47629882001</u> | Stud, Intake, Kohler .....            | 2   |

9

G



000983-001

## AIR FILTER SYSTEM AND INTAKE HOSE – EFI

| ITEM | PART NO.         | DESCRIPTION   | QTY |
|------|------------------|---|-----|
|      |                  | <b>1 2 3 4</b>  |     |
| 1    | <u>102411209</u> | Clamp, Hose, Ctb 55mm Dia. ....                             | 1   |
| 2    | <u>105009101</u> | Air Cleaner, Utility with EFI (includes items 3 and 4) .... | 1   |
| 3    | <u>102558201</u> | Air Filter, 4 Inch ....                                     | 1   |
| 4    | <u>102725501</u> | Valve, Evacuator, Filter Air ....                           | 1   |
| 5    | <u>105043001</u> | Hose, Air Intake, Utility with EFI ....                     | 1   |
| 6    | <u>105088501</u> | Clamp, Ctb, 49mm Dia, W/clip ....                           | 1   |
| 7    | 1218             | Screw, 5/16-18 X 1.25 Hex-Head Cap ....                     | 2   |
| 8    | <u>1241</u>      | Washer, 5/16 Type A Flat ....                               | 2   |
| 9    | <u>7473</u>      | Locknut, 5/16-18 Nylon Insert ....                          | 2   |

**9**  
**G**

9

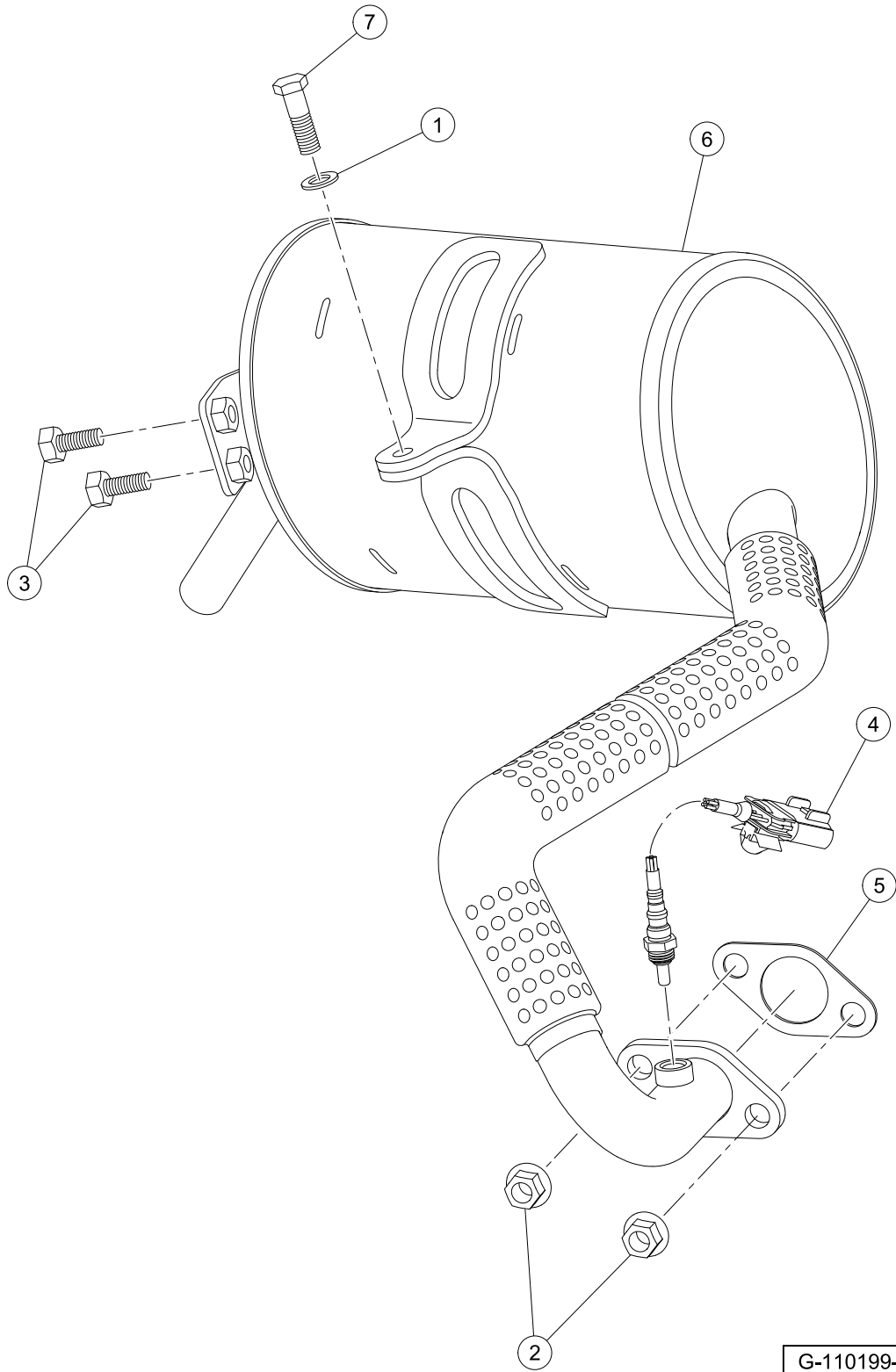
G

# EXHAUST SYSTEM – ECH440

---

10

G



G-110199-000001



# EXHAUST SYSTEM

| ITEM | PART NO.           | DESCRIPTION                                     | QTY |
|------|--------------------|---|-----|
|      |                    | 1 2 3 4   |     |
| 1    | <u>1011697</u>     | Washer, 5/16 Flat .....                         | 1   |
| 2    | <u>102298401</u>   | Nut, M8, All Metal Lock .....                   | 2   |
| 3    | <u>102922701</u>   | Bolt, Flanged Head, M8x1.25x20 Lock Patch ..... | 2   |
| 4    | <u>47611209001</u> | Asm, Sensor, Oxygen, Heated .....               | 1   |
| 5    | <u>47611210001</u> | Gasket, Exhaust, Grpht, Ech440 .....            | 1   |
| 6    | <u>47613047002</u> | Exhaust, Ech440, Utility .....                  | 1   |
| 7    | <u>96705587</u>    | Bolt, M8 X 1.25 X 30 .....                      | 1   |

10

G

**10**

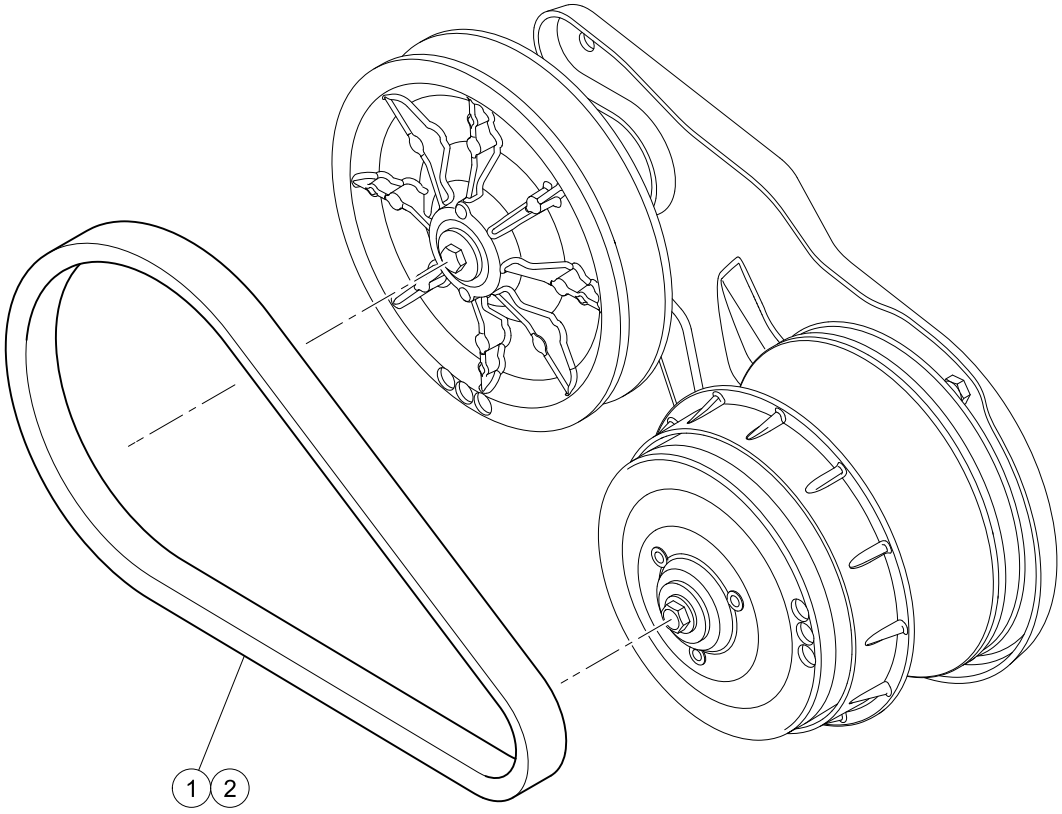
**G**

# DRIVE BELT AND CLUTCHES – EFI GASOLINE VEHICLES

---

11

G

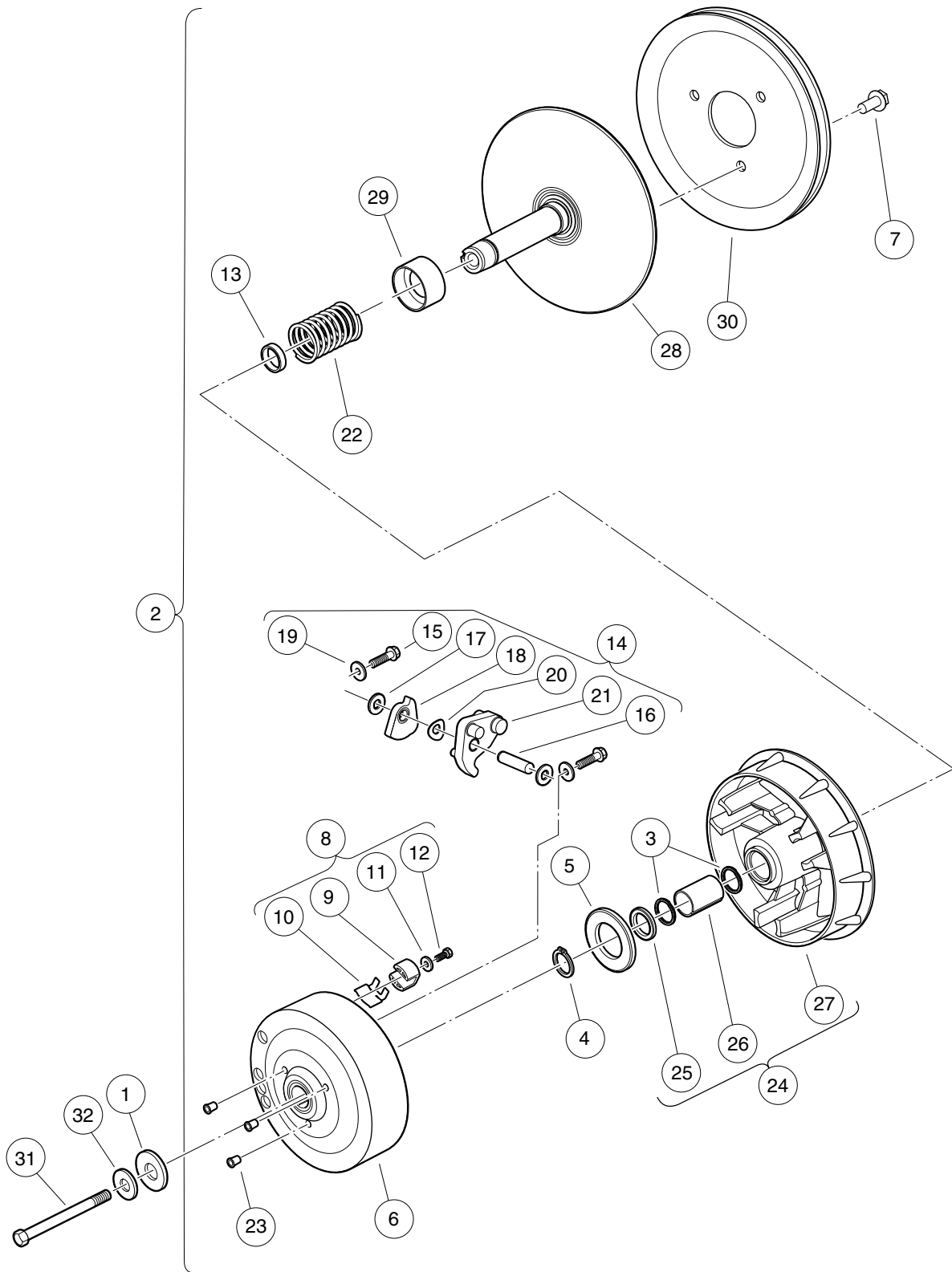


G-060099-000001

# DRIVE BELTS – EFI

| ITEM | PART NO.         | DESCRIPTION                             | QTY |
|------|------------------|---|-----|
| 1    | <u>103974102</u> | 1 2 3 4<br>Belt, Drive, Key-Start ..... | 1   |
| 2    | <u>105245801</u> | Belt, Drive, Pedal-Start .....          | 1   |

**11**  
**G**



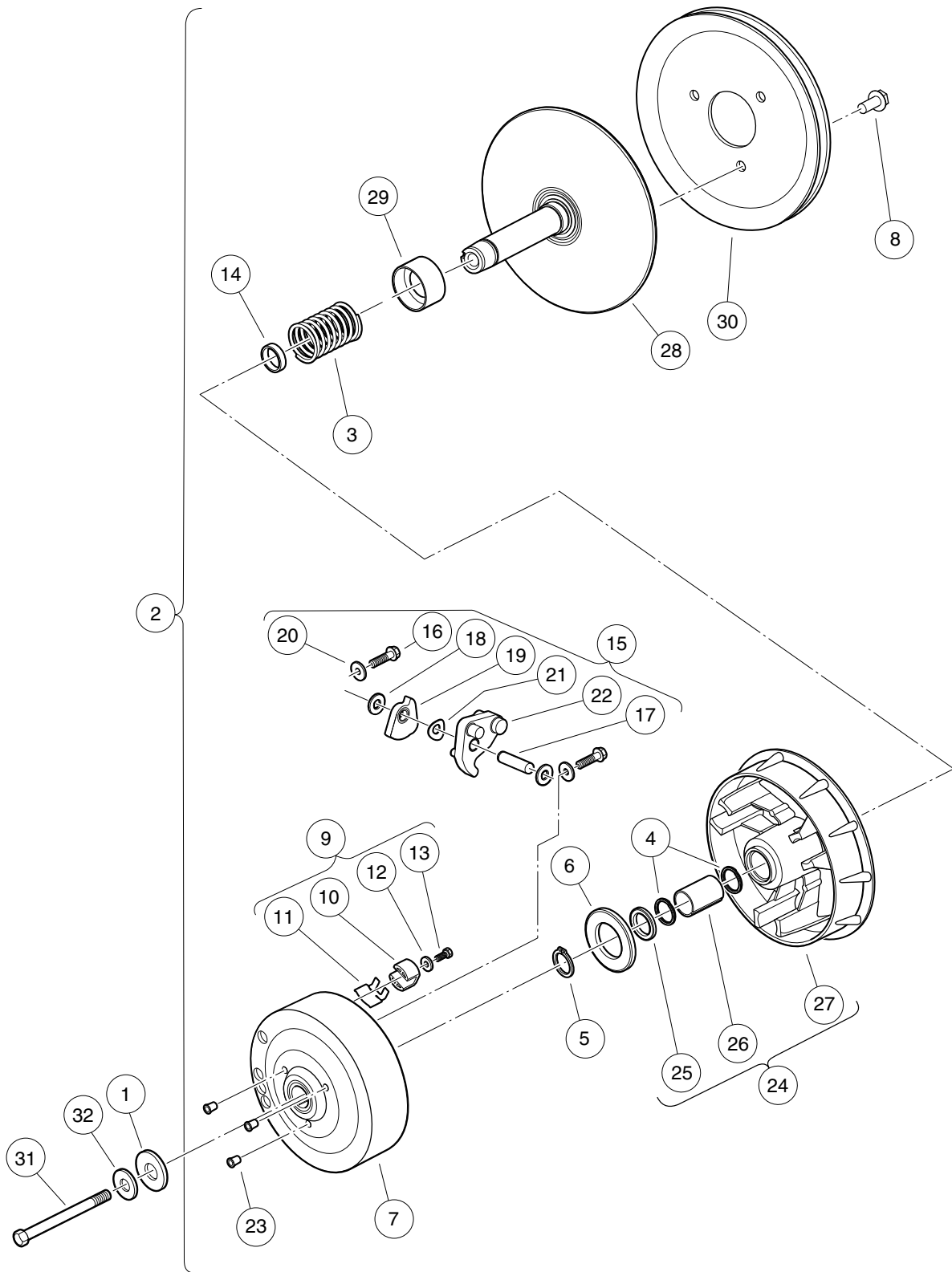
000958-002

# DRIVE CLUTCH – KEY-START VEHICLES

| ITEM | PART NO.         | DESCRIPTION   | QTY |
|------|------------------|---|-----|
|      |                  | <b>1 2 3 4</b>  |     |
| 1    | <u>102491501</u> | Washer, Hard, M10 .....   | 1   |
| 2    | <u>103973902</u> | Clutch, Drive, Key-Start (includes items 3 through 30) .....          | 1   |
| 3    | <u>1014056</u>   | Ring, Spiral Backup .....   | 2   |
| 4    | <u>1014057</u>   | Ring, 0.810" Internal Retaining .....                                 | 1   |
| 5    | <u>1014058</u>   | Thrust Washer .....   | 1   |
| 6    | <u>1014059</u>   | Drive Hub Assy, Drive Clutch .....                                    | 1   |
| 7    | <u>1014288</u>   | Screw, 5/16-18 X 0.75, Thread-Forming .....                           | 3   |
| 8    | <u>1014453</u>   | Kit, Drive Clutch Button (includes items 9 through 12) .....          | 1   |
| 9    | <u>1014062</u>   | Driver, Drive Clutch .....  | 3   |
| 10   | <u>1014287</u>   | Spring, Drive Button .....  | 3   |
| 11   | <u>183</u>       | Washer, #10, Type A, Flat .....                                       | 3   |
| 12   | <u>8450</u>      | Screw, #10-24 X 0.50, Hex-Head .....                                  | 3   |
| 13   | <u>1016289</u>   | Spacer, Fixed Face Shaft .....  | 1   |
| 14   | <u>1016801</u>   | Kit, Drive Clutch Weight (includes items 15 through 21) .....         | 1   |
| 15   | <u>1014063</u>   | Screw, 1/4-20 X 1.00, Hex Head .....                                  | 6   |
| 16   | N/A              | Pin, Dowel, 0.3752 x 1.50 .....                                       | 3   |
| 17   | <u>1014065</u>   | Washer, Flat, 0.38" ID, Delrin .....                                  | 6   |
| 18   | N/A              | Clutch Weight, Secondary .....  | 3   |
| 19   | N/A              | Washer .....  | 6   |
| 20   | <u>1016201</u>   | Washer, Wave .....  | 3   |
| 21   | N/A              | Weight, Primary .....   | 3   |
| 22   | <u>1016901</u>   | Spring, Drive Clutch .....  | 1   |
| 23   | N/A              | Cap Plug .....  | 3   |
| 24   | <u>103974201</u> | Asm, Sheave, Moveable, Drive, Wr (includes items 25 through 27) ..... | 1   |
| 25   | <u>1014055</u>   | Retainer .....  | 1   |
| 26   | N/A              | Bushing, Split, Drive Clutch .....                                    | 1   |
| 27   | N/A              | Sheave, Moveable, Drive, Wr .....                                     | 1   |
| 28   | <u>103974401</u> | Sheave, Fixed, Drive, Wr .....  | 1   |
| 29   | <u>103984601</u> | Spacer, Idler, Drive .....  | 1   |
| 30   | <u>105096101</u> | Pulley, 7.3 Inch Effective Dia .....                                  | 1   |
| 31   | <u>103976101</u> | Screw, 3/8-24x5.75, Patch .....                                       | 1   |
| 32   | <u>334</u>       | Washer, 3/8, Type A, Flat .....                                       | 1   |

11

G



000958-001



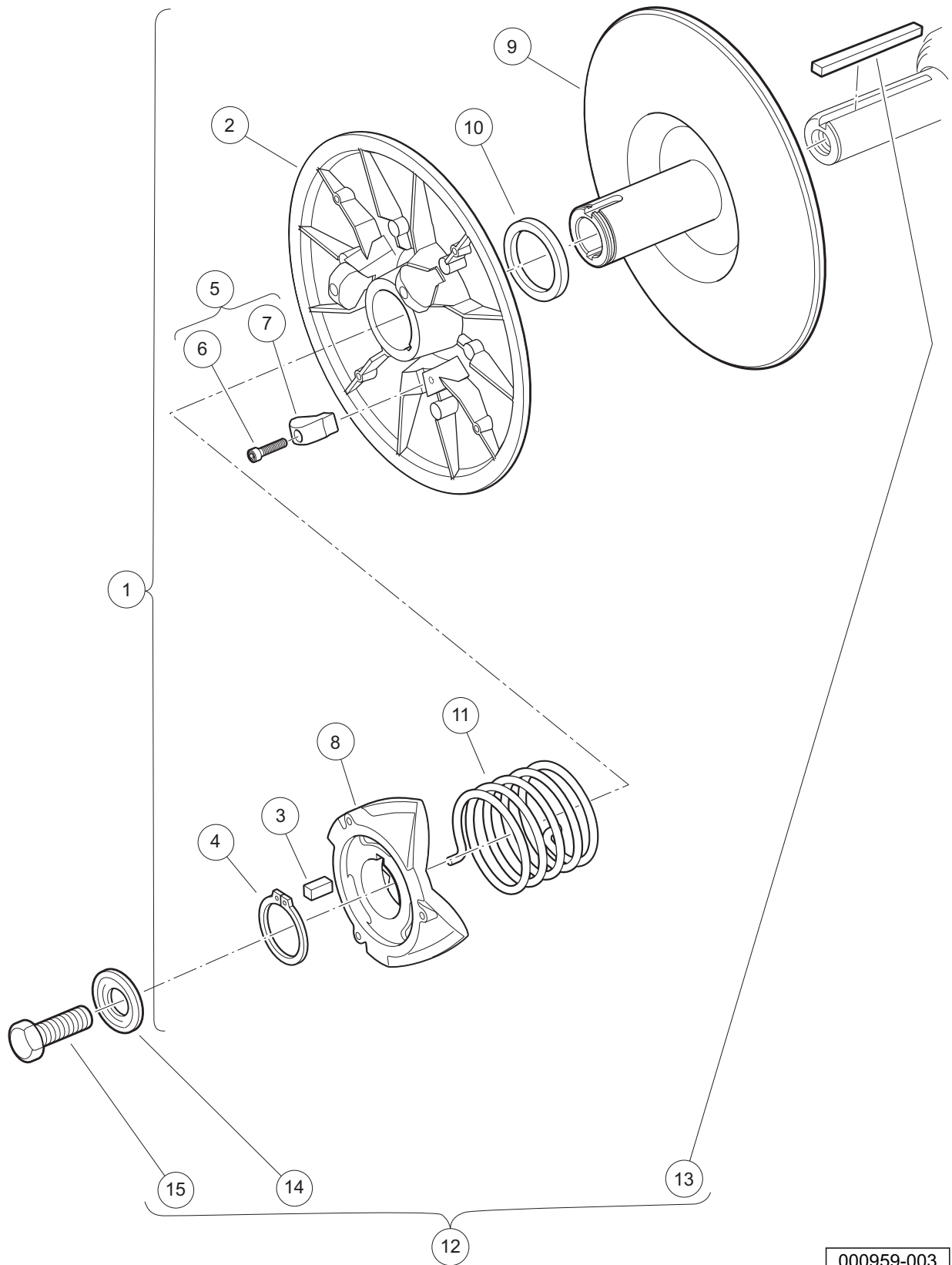
# DRIVE CLUTCH – PEDAL-START VEHICLES

| ITEM | PART NO.         | DESCRIPTION   | QTY |
|------|------------------|---|-----|
|      |                  | 1 2 3 4   |     |
| 1    | <u>102491501</u> | Washer, Hard, M10 .....   | 1   |
| 2    | <u>103973901</u> | Clutch, Drive, Pedal-Start (includes items 3 through 30) .....        | 1   |
| 3    | <u>1014051</u>   | Spring, Drive Clutch .....  | 1   |
| 4    | <u>1014056</u>   | Ring, Spiral Backup .....   | 2   |
| 5    | <u>1014057</u>   | Ring, 0.810" Internal Retaining .....                                 | 1   |
| 6    | <u>1014058</u>   | Thrust Washer .....   | 1   |
| 7    | <u>1014059</u>   | Drive Hub Assy, Drive Clutch .....                                    | 1   |
| 8    | <u>1014288</u>   | Screw, 5/16-18 X 0.75, Thread-Forming .....                           | 3   |
| 9    | <u>1014453</u>   | Kit, Drive Clutch Button (includes items 10 through 13) .....         | 1   |
| 10   | <u>1014062</u>   | Driver, Drive Clutch .....  | 3   |
| 11   | <u>1014287</u>   | Spring, Drive Button .....  | 3   |
| 12   | <u>183</u>       | Washer, #10, Type A, Flat .....                                       | 3   |
| 13   | <u>8450</u>      | Screw, #10-24 X 0.50, Hex-Head .....                                  | 3   |
| 14   | <u>1016289</u>   | Spacer, Fixed Face Shaft .....  | 1   |
| 15   | <u>1016801</u>   | Kit, Drive Clutch Weight (includes items 16 through 22) .....         | 1   |
| 16   | <u>1014063</u>   | Screw, 1/4-20 X 1.00, Hex Head .....                                  | 6   |
| 17   | N/A              | Pin, Dowel, 0.3752 x 1.50 .....                                       | 3   |
| 18   | <u>1014065</u>   | Washer, Flat, 0.38" ID, Delrin .....                                  | 6   |
| 19   | N/A              | Clutch Weight, Secondary .....  | 3   |
| 20   | N/A              | Washer .....  | 6   |
| 21   | <u>1016201</u>   | Washer, Wave .....  | 3   |
| 22   | N/A              | Weight, Primary .....   | 3   |
| 23   | N/A              | Cap Plug .....  | 3   |
| 24   | <u>103974201</u> | Asm, Sheave, Moveable, Drive, Wr (includes items 25 through 27) ..... | 1   |
| 25   | <u>1014055</u>   | Retainer .....  | 1   |
| 26   | N/A              | Bushing, Split, Drive Clutch .....                                    | 1   |
| 27   | N/A              | Sheave, Moveable, Drive, Wr .....                                     | 1   |
| 28   | <u>103974401</u> | Sheave, Fixed, Drive, Wr .....  | 1   |
| 29   | <u>103984601</u> | Spacer, Idler, Drive .....  | 1   |
| 30   | <u>105096101</u> | Pulley, 7.3 Inch Effective Dia .....                                  | 1   |
| 31   | <u>103976101</u> | Screw, 3/8-24x5.75, Patch .....                                       | 1   |
| 32   | <u>334</u>       | Washer, 3/8, Type A, Flat .....                                       | 1   |

11

G

**11**  
**G**



000959-003

## DRIVEN CLUTCH – KEY START AND PEDAL START

| ITEM | PART NO.         | DESCRIPTION   | QTY |
|------|------------------|---|-----|
|      |                  | 1 2 3 4   |     |
| 1    | 47601767002      | Asm, Clutch, Driven, Ccw, Red (includes items 2 through 11) ..... | 1   |
| 2    | <u>1014072</u>   | Movable-Face Assembly with Bushing .....                          | 1   |
| 3    | <u>1014078</u>   | Key, Driven Clutch .....  | 1   |
| 4    | <u>1014080</u>   | Ring, Retaining .....   | 1   |
| 5    | <u>1014454</u>   | Kit, Driven Clutch Button (includes items 6 and 7) .....          | 1   |
| 6    | <u>1012836</u>   | Screw, #8-32 X 3/4, Socket-Head Cap .....                         | 3   |
| 7    | N/A              | Button, Drive .....   | 3   |
| 8    | <u>1017686</u>   | Cam, Driven Clutch .....  | 1   |
| 9    | <u>103975301</u> | Sheave, Fixed, Driven, Wr .....                                   | 1   |
| 10   | <u>104025101</u> | Washer, Acetal, Driven Clutch .....                               | 1   |
| 11   | 47601832001      | Spring, Drvn Clutch, Ccw, Red .....                               | 1   |
| 12   | <u>AM10419</u>   | Kit, Clutch Repair (includes items 13 through 15) .....           | 1   |
| 13   | <u>101833401</u> | Key, 3/16 Sq X 1.50" .....  | 1   |
| 14   | <u>102155801</u> | Washer, Driven Clutch .....                                       | 1   |
| 15   | <u>102242101</u> | Screw, 5/16-18 X 3/4 Hex-Head with Patch .....                    | 1   |

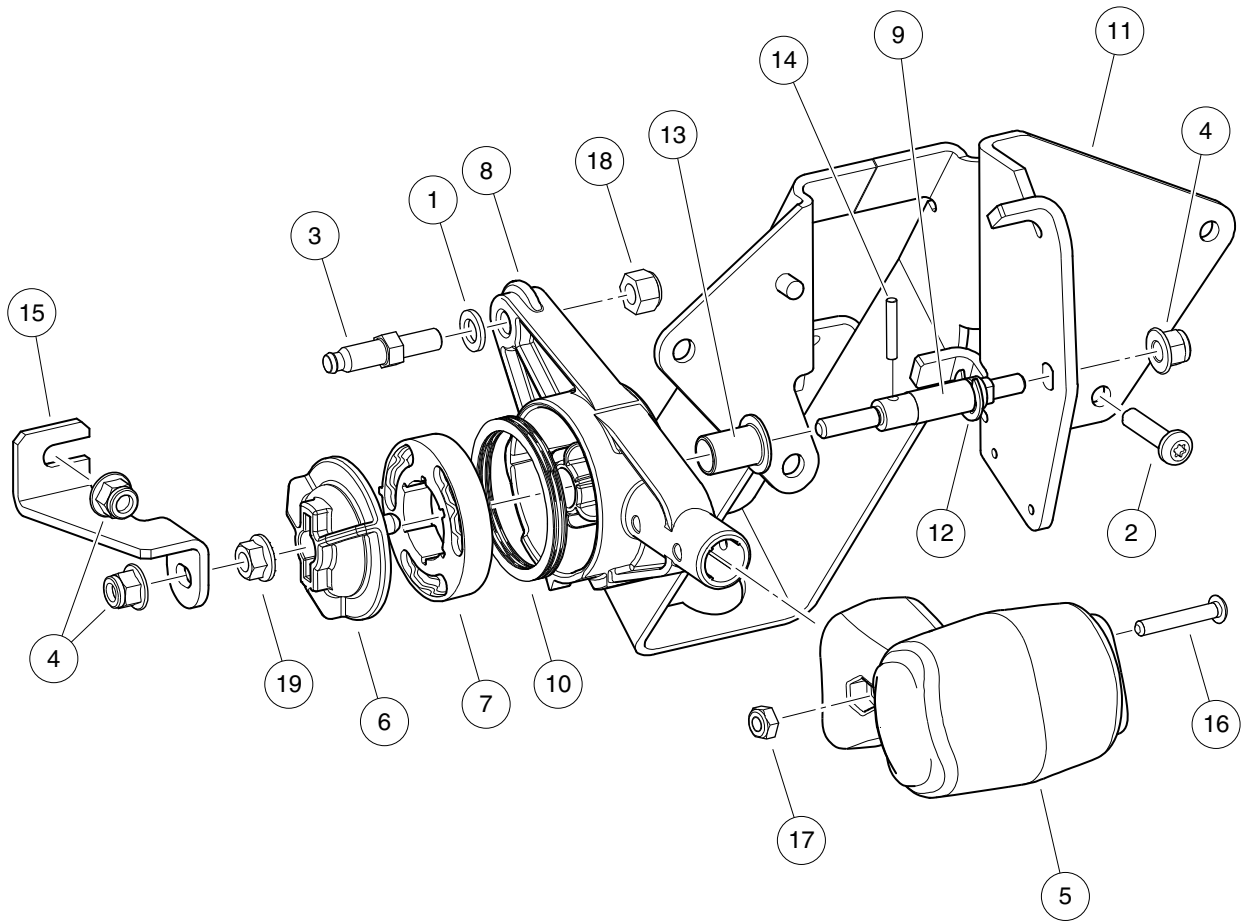
**11**  
**G**

11

G

# TRANSAXLE (FUJI ED65)

---



000987-001

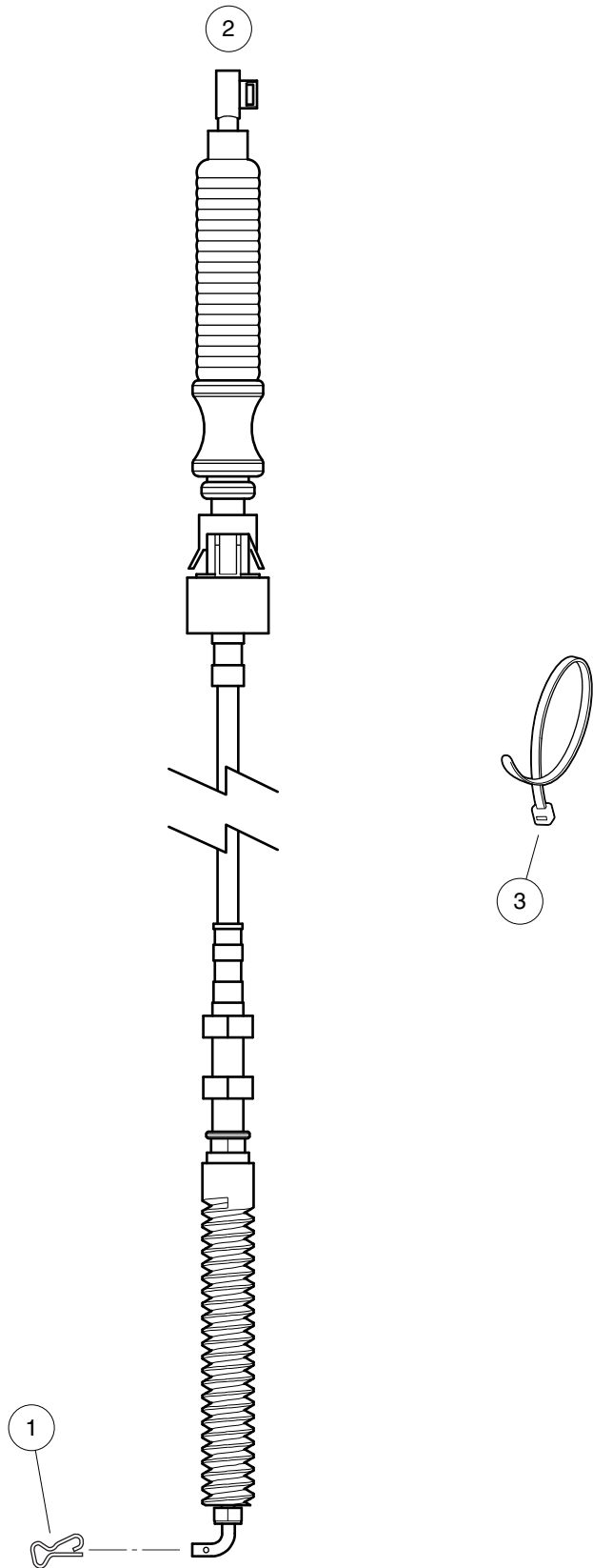
## FORWARD/REVERSE SHIFTER ASSEMBLY

| ITEM | PART NO.         | DESCRIPTION                          | QTY |
|------|------------------|--------------------------------------|-----|
|      |                  | 1 2 3 4                              |     |
| 1    | <u>1014007</u>   | Washer, 1/4, Flat .....              | 1   |
| 2    | <u>102296020</u> | Screw, Torx Pan Hd Pt, M6 X 20 ..... | 4   |
| 3    | <u>102526201</u> | Stud, Thread, 1/4-28 .....           | 1   |
| 4    | <u>102621501</u> | Nut, Flange, M6 X 1.0, Nylon .....   | 3   |
| 5    | <u>105036301</u> | Shifter, Soft, Gas, CA300-700 .....  | 1   |
| 6    | <u>105037701</u> | Follower, FNR Detent .....           | 1   |
| 7    | <u>105038001</u> | Cam, FNR Detent, Alternate .....     | 1   |
| 8    | <u>105038101</u> | Housing, FNR, Gas, CA300-700 .....   | 1   |
| 9    | <u>105038201</u> | Shaft, FNR, Dash .....               | 1   |
| 10   | <u>105038501</u> | Spring, Wave, Gas FNR Shifter .....  | 1   |
| 11   | <u>105039401</u> | Bracket, Shifter, Dash Mount .....   | 1   |
| 12   | <u>105039801</u> | E-Clip, External, 8mm Groove .....   | 1   |
| 13   | <u>105039901</u> | Bushing, Dash Shifter, Gas .....     | 1   |
| 14   | <u>105040401</u> | Pin, Round, 0.125 Dia x 0.625 .....  | 1   |
| 15   | <u>105040501</u> | Bracket, Shifter, Brace, Dash .....  | 1   |
| 16   | <u>105083701</u> | Bolt, 10-24 X 1.25", But Head .....  | 1   |
| 17   | <u>105083801</u> | Nut, Nylon Lock, #10-24, Blk .....   | 1   |
| 18   | <u>8717</u>      | Locknut, Nylon Insert, 1/4-28 .....  | 1   |
| 19   | <u>96704176</u>  | Nut, Flanged, M6 X 1, Serrated ..... | 1   |

**12**

**G**

12  
G



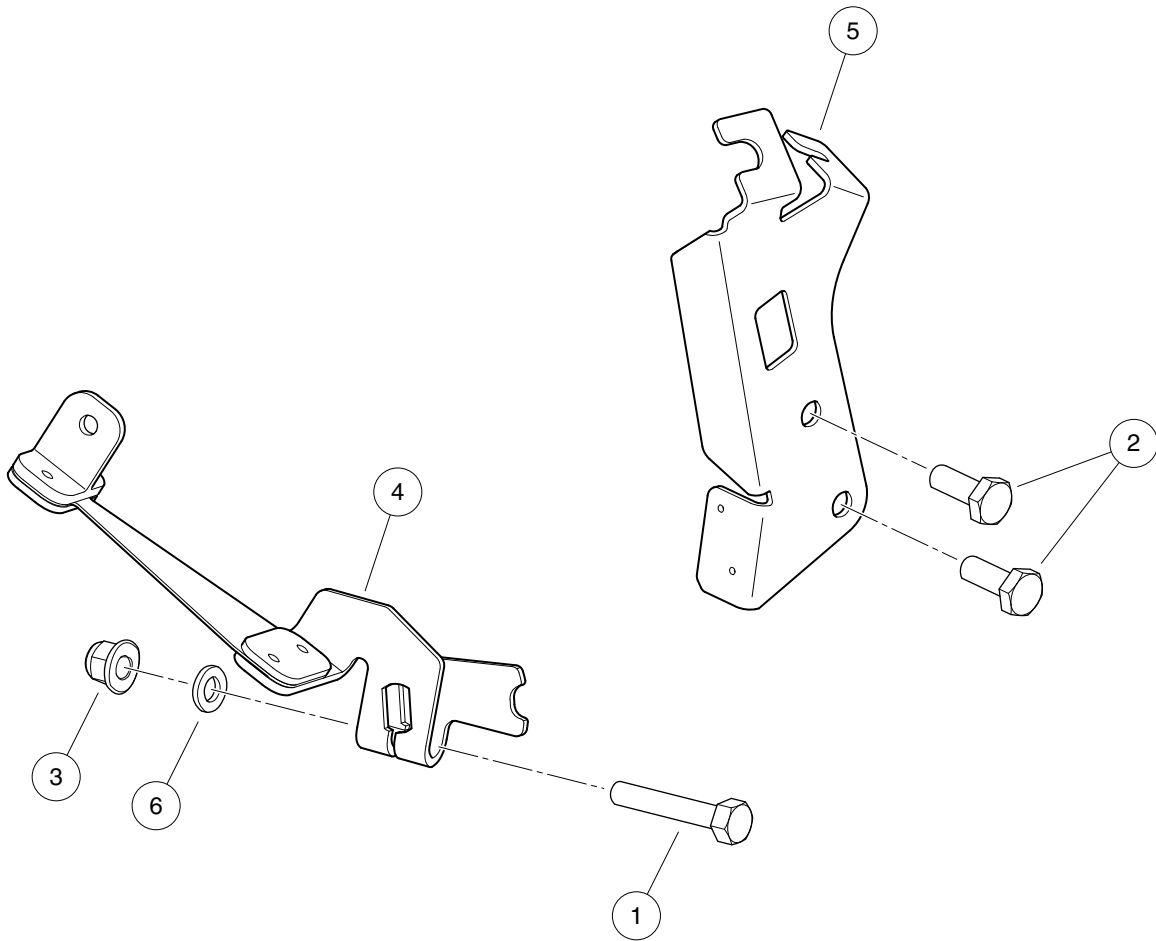
000988-001



# SHIFTER CABLE – CA300

| ITEM | PART NO.         | DESCRIPTION                   | QTY |
|------|------------------|-------------------------------|-----|
| 1    | <u>103886601</u> | 1 2 3 4<br>Clip, Bowtie ..... | 1   |
| 2    | <u>105038802</u> | Cable, Shifter, CA300 .....   | 1   |
| 3    | <u>8990</u>      | Tie Wrap, 8" Nylon .....      | A/R |

**12**  
**G**



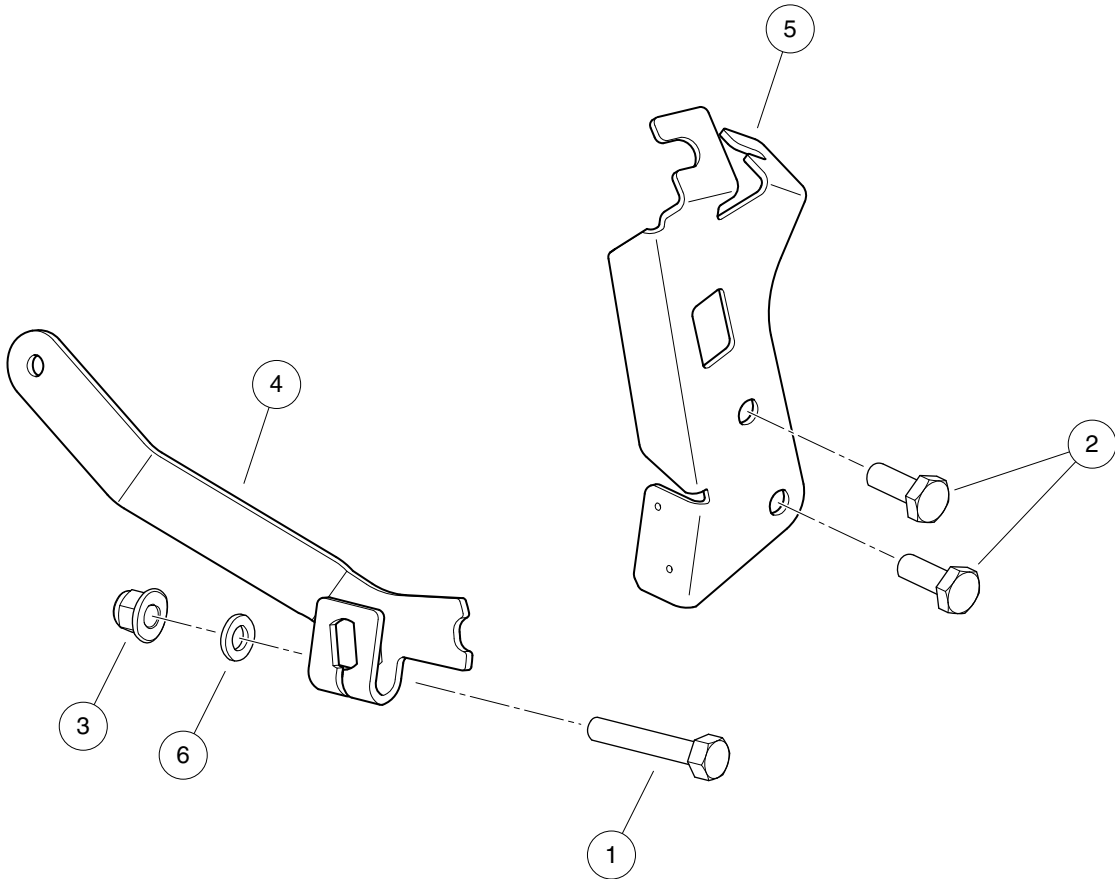
000965-001

## SHIFT LEVER AND BRACKET – PEDAL-START ENGINES

| ITEM | PART NO.         | DESCRIPTION                                      | QTY |
|------|------------------|--|-----|
|      |                  | 1 2 3 4  |     |
| 1    | <u>102059501</u> | Screw, 6M-1.00 X 35mm, Hex Head .....            | 1   |
| 2    | <u>102498201</u> | Bolt, M10 X 1.25 X 25, Loctite .....             | 2   |
| 3    | <u>102621501</u> | Nut, Flange, M6 X 1.0, Nylon .....               | 1   |
| 4    | <u>105040901</u> | Lever, Shift, Flex, Transaxle, Pedal-Start ..... | 1   |
| 5    | <u>105135101</u> | Bracket, Cable, FNR/Accelerator, ED65 .....      | 1   |
| 6    | <u>96705199</u>  | Washer, M6 .....                                 | 1   |

12

G



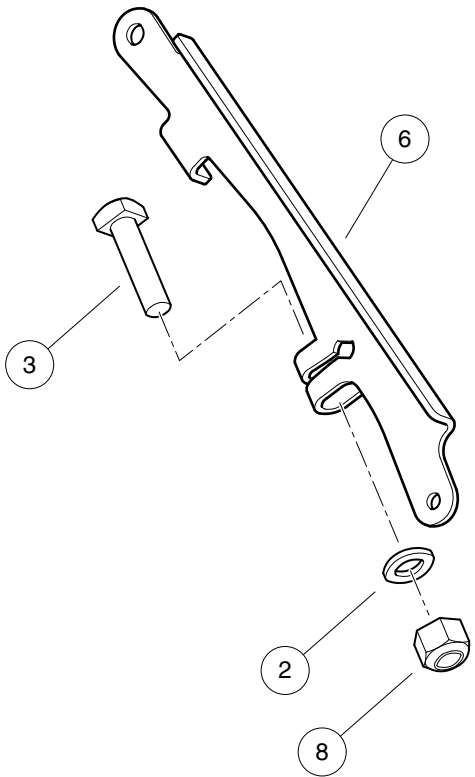
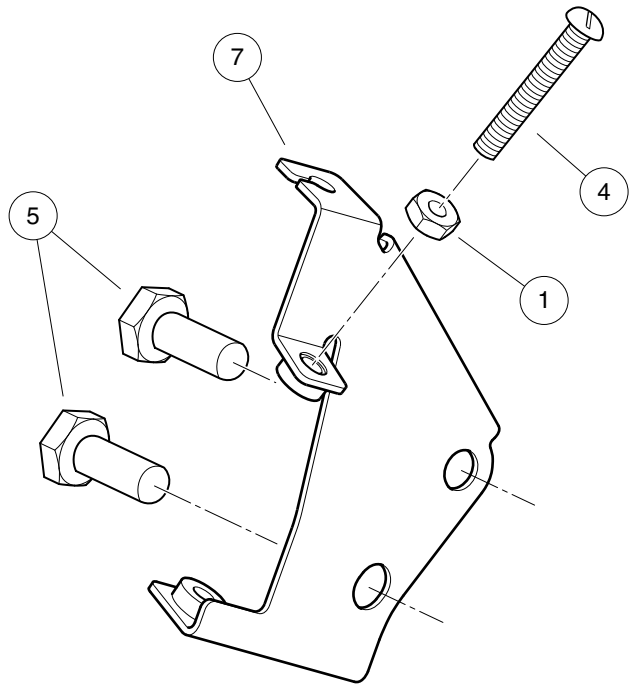
000965-002

## SHIFT LEVER AND BRACKET – KEY-START ENGINES

| ITEM | PART NO.         | DESCRIPTION                                 | QTY |
|------|------------------|---|-----|
|      |                  | 1 2 3 4                                     |     |
| 1    | <u>102059501</u> | Screw, 6M-1.00 X 35mm, Hex Head .....       | 1   |
| 2    | <u>102498201</u> | Bolt, M10 X 1.25 X 25, Loctite .....        | 2   |
| 3    | <u>102621501</u> | Nut, Flange, M6 X 1.0, Nylon .....          | 1   |
| 4    | <u>105134901</u> | Lever, Shift, Transaxle, Key-Start .....    | 1   |
| 5    | <u>105135101</u> | Bracket, Cable, FNR/Accelerator, ED65 ..... | 1   |
| 6    | <u>96705199</u>  | Washer, M6 .....                            | 1   |

**12**  
**G**

**12**  
**G**



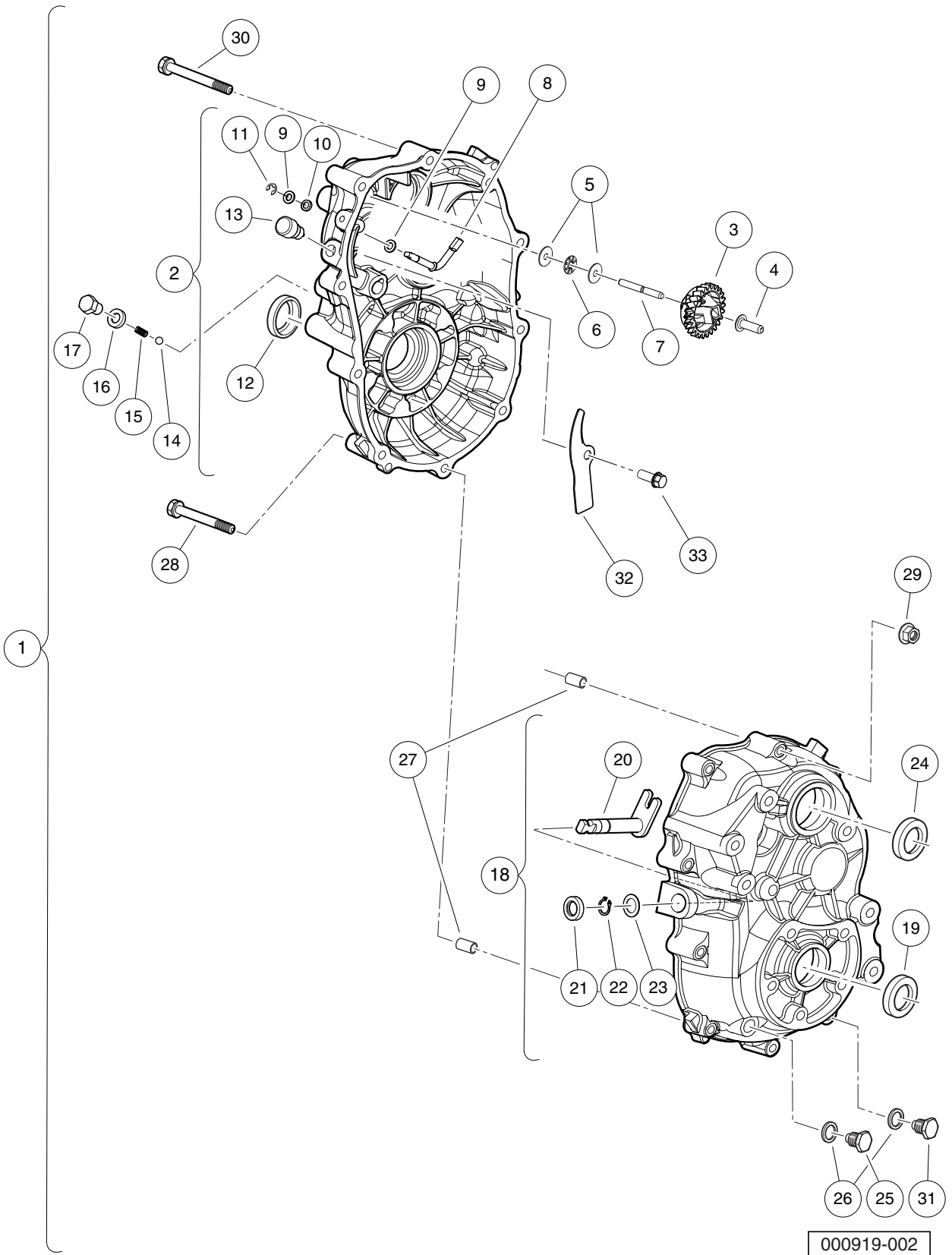
000966-002

# GOVERNOR ARM AND BRACKETS – UTILITY VEHICLES

| ITEM | PART NO.         | DESCRIPTION                             | QTY |
|------|------------------|---|-----|
|      |                  | 1 2 3 4                                 |     |
| 1    | <u>1011114</u>   | Nut, M6-1.00 Hex .....                  | 1   |
| 2    | <u>1014007</u>   | Washer, 1/4, Flat .....                 | 1   |
| 3    | <u>101886101</u> | Screw, 1/4-20 X 1.00, Square-Head ..... | 1   |
| 4    | <u>102476401</u> | Bolt, Stop, Pedal .....                 | 1   |
| 5    | <u>102498201</u> | Bolt, M10 X 1.25 X 25, Loctite .....    | 2   |
| 6    | <u>104023501</u> | Arm, Governor, ED65 .....               | 1   |
| 7    | <u>105144401</u> | Weldment, Governor Bracket .....        | 1   |
| 8    | <u>8233</u>      | Locknut, 1/4-20, Nylon Insert .....     | 1   |

12

G



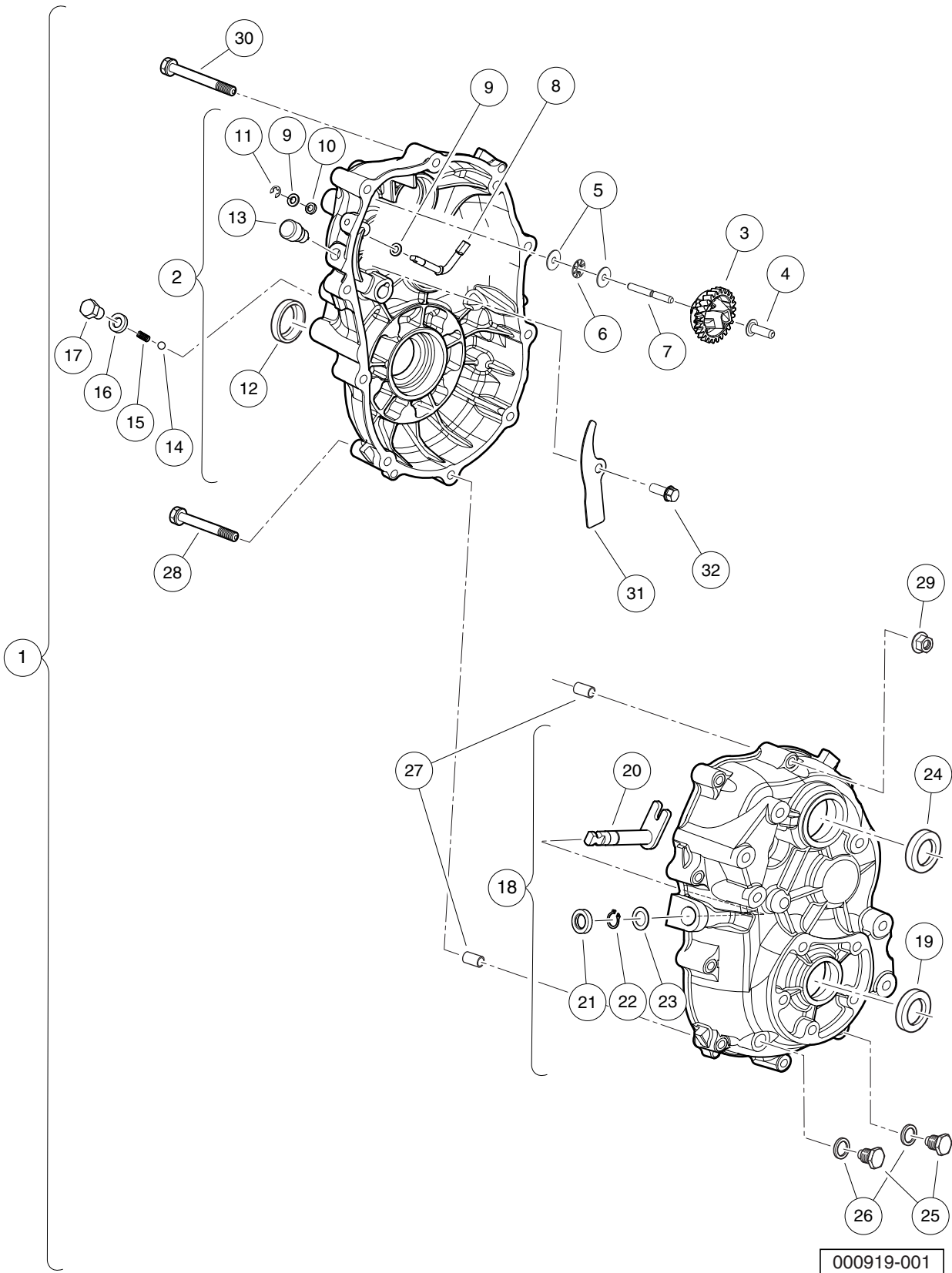


## TRANSAXLE (ED65), LIMITED SLIP – PAGE 1 OF 3

| ITEM   | PART NO.         | DESCRIPTION  | QTY |
|--|------------------|--|-----|
|  |                  | 1 2 3 4  |     |
| 1  | <u>103879702</u> | Transaxle, ED65, Limited-Slip Differential (includes items 2 through 33) ..... | 1   |
| 2  | <u>105025001</u> | Case, Transaxle, Left, Complete, ED65 (includes items 3 through 13) .....      | 1   |
| 3  | <u>105025101</u> | Gear, Governor, Complete, ED65 .....   | 1   |
| 4  | <u>105025201</u> | Sleeve, Governor, ED65 .....   | 1   |
| 5  | <u>105025301</u> | Washer, ED65 .....   | 2   |
| 6  | <u>105025401</u> | Bearing, Thrust, ED65 .....  | 1   |
| 7  | <u>105025501</u> | Shaft, Governor Gear, ED65 .....   | 1   |
| 8  | <u>105025601</u> | Shaft, Governor, ED65 .....  | 1   |
| 9  | <u>105025701</u> | Washer, 6mm, ED65 .....  | 2   |
| 10   | <u>105025801</u> | Seal, Oil, 6x10x2.5, ED65 .....  | 1   |
| 11   | <u>105025901</u> | Retaining Ring, E5, ED65 .....   | 1   |
| 12   | <u>105026001</u> | Seal, Oil, 24x40x9, ED65 .....   | 1   |
| 13   | <u>105027101</u> | Vent, Breather, ED65 .....   | 1   |
| 14   | <u>105026101</u> | Ball, Steel, ED65 .....  | 1   |
| 15   | <u>105026201</u> | Spring, ED65 .....   | 1   |
| 16   | <u>105026301</u> | Gasket, 10, ED65 .....   | 1   |
| 17   | <u>105026401</u> | Bolt, M10-1.25x12mm Lg, ED65 .....   | 1   |
| 18   | <u>105026501</u> | Case, Transaxle, Right, Complete, ED65 (includes items 19 through 24) .....    | 1   |
| 19   | <u>105026001</u> | Seal, Oil, 24x40x9, ED65 .....   | 1   |
| 20   | <u>105026601</u> | Shaft, Select, ED65 .....  | 1   |
| 21   | <u>105026701</u> | Seal, Oil, 13x22x5, ED65 .....   | 1   |
| 22   | <u>105026801</u> | Snap Ring, 13mm, ED65 .....  | 1   |
| 23   | <u>105026901</u> | Spacer, 13x1, ED65 .....   | 1   |
| 24   | <u>105027001</u> | Seal, Oil, 25x45x7, ED65 .....   | 1   |
| 25   | <u>105027201</u> | Plug, Oil Drain, ED65 .....  | 1   |
| 26   | <u>105027301</u> | Gasket, 14, ED65 .....   | 2   |
| 27   | <u>105028301</u> | Pin, Guide, ED65 .....   | 2   |
| 28   | <u>105028501</u> | Bolt, Flange, M8-1.25x65mm, ED65 .....   | 1   |
| 29   | <u>105030001</u> | Nut, Flange, M8-1.25, ED65 .....   | 10  |
| 30   | <u>105030701</u> | Bolt, Flanged, M8-1.25x80mm, ED65 .....  | 9   |
| 31   | <u>105063501</u> | Plug, Oil Drain, Magnetic, ED65 .....  | 1   |
| 32   | <u>105234801</u> | Plate, Ed65 Splash .....   | 1   |
| 33   | <u>105234901</u> | Bolt, M6-1 X 12mm Lg, Ed65 .....   | 1   |
| Note: Fuji transaxle component listings span three pages. To identify your transaxle, locate the serial number decal on the axle tube. |                  |  |     |

12

G



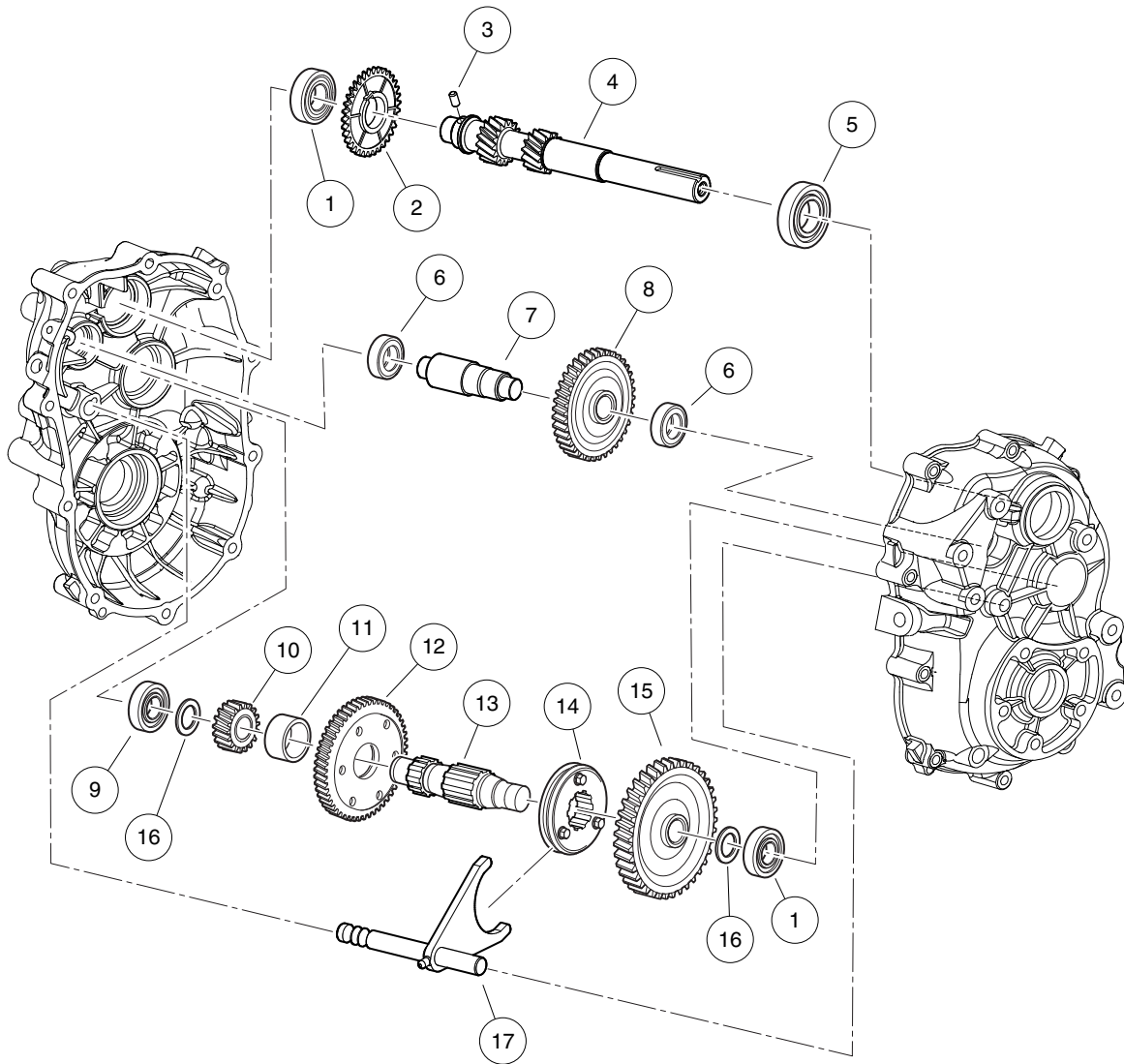
000919-001

# TRANSAXLE (ED65), OPEN – PAGE 1 OF 3

| ITEM  | PART NO.         | DESCRIPTION   | QTY |
|---|------------------|---|-----|
|   |                  | 1 2 3 4   |     |
| 1   | <u>103879701</u> | Transaxle, ED65, Open Differential (includes items 2 through 32) .....      | 1   |
| 2   | <u>105025001</u> | Case, Transaxle, Left, Complete, ED65 (includes items 3 through 13) .....   | 1   |
| 3   | <u>105025101</u> | Gear, Governor, Complete, ED65 .....  | 1   |
| 4   | <u>105025201</u> | Sleeve, Governor, ED65 .....  | 1   |
| 5   | <u>105025301</u> | Washer, ED65 .....  | 2   |
| 6   | <u>105025401</u> | Bearing, Thrust, ED65 .....   | 1   |
| 7   | <u>105025501</u> | Shaft, Governor Gear, ED65 .....  | 1   |
| 8   | <u>105025601</u> | Shaft, Governor, ED65 .....   | 1   |
| 9   | <u>105025701</u> | Washer, 6mm, ED65 .....   | 2   |
| 10  | <u>105025801</u> | Seal, Oil, 6x10x2.5, ED65 .....   | 1   |
| 11  | <u>105025901</u> | Retaining Ring, E5, ED65 .....  | 1   |
| 12  | <u>105026001</u> | Seal, Oil, 24x40x9, ED65 .....  | 1   |
| 13  | <u>105027101</u> | Vent, Breather, ED65 .....  | 1   |
| 14  | <u>105026101</u> | Ball, Steel, ED65 .....   | 1   |
| 15  | <u>105026201</u> | Spring, ED65 .....  | 1   |
| 16  | <u>105026301</u> | Gasket, 10, ED65 .....  | 1   |
| 17  | <u>105026401</u> | Bolt, M10-1.25x12mm Lg, ED65 .....  | 1   |
| 18  | <u>105026501</u> | Case, Transaxle, Right, Complete, ED65 (includes items 19 through 24) ..... | 1   |
| 19  | <u>105026001</u> | Seal, Oil, 24x40x9, ED65 .....  | 1   |
| 20  | <u>105026601</u> | Shaft, Select, ED65 .....   | 1   |
| 21  | <u>105026701</u> | Seal, Oil, 13x22x5, ED65 .....  | 1   |
| 22  | <u>105026801</u> | Snap Ring, 13mm, ED65 .....   | 1   |
| 23  | <u>105026901</u> | Spacer, 13x1, ED65 .....  | 1   |
| 24  | <u>105027001</u> | Seal, Oil, 25x45x7, ED65 .....  | 1   |
| 25  | <u>105027201</u> | Plug, Oil Drain, ED65 .....   | 2   |
| 26  | <u>105027301</u> | Gasket, 14, ED65 .....  | 2   |
| 27  | <u>105028301</u> | Pin, Guide, ED65 .....  | 2   |
| 28  | <u>105028501</u> | Bolt, Flange, M8-1.25x65mm, ED65 .....                                      | 1   |
| 29  | <u>105030001</u> | Nut, Flange, M8-1.25, ED65 .....  | 10  |
| 30  | <u>105030701</u> | Bolt, Flanged, M8-1.25x80mm, ED65 .....                                     | 9   |
| 31  | <u>105234801</u> | Plate, Ed65 Splash .....  | 1   |
| 32  | <u>105234901</u> | Bolt, M6-1 X 12mm Lg, Ed65 .....  | 1   |
| <p>Note: Fuji transaxle component listings span three pages. To identify your transaxle, locate the serial number decal on the axle tube.</p> |                  |   |     |

12

G



000919-003

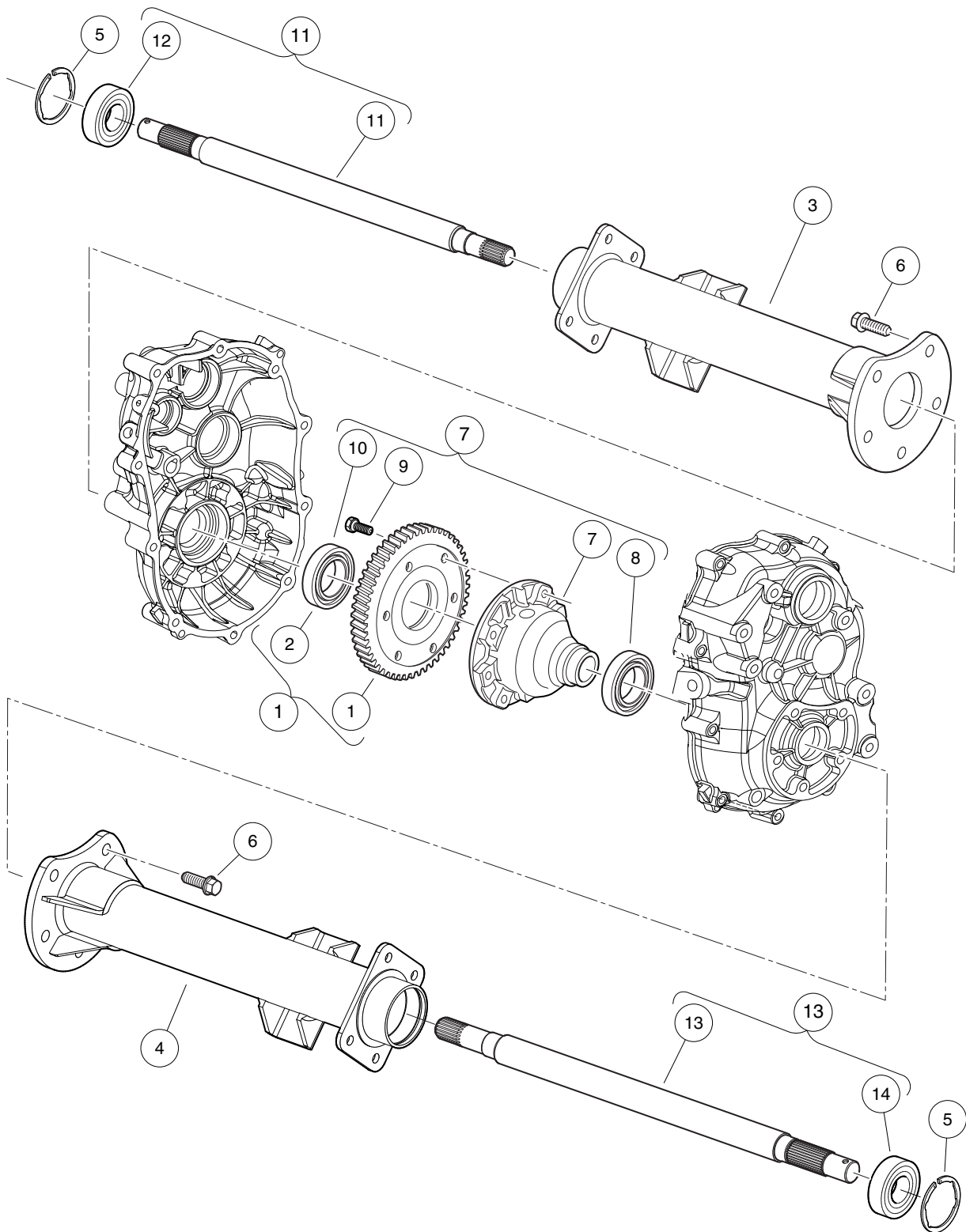
# TRANSAXLE (ED65), LIMITED SLIP AND OPEN – PAGE 2 OF 3

| ITEM | PART NO.         | DESCRIPTION   | QTY |
|------|------------------|---|-----|
|      |                  | 1 2 3 4   |     |
| 1    | <u>105027401</u> | Bearing, Ball (6204) .....  | 2   |
| 2    | <u>105027501</u> | Gear, Governor, 34 Tooth, ED65 .....  | 1   |
| 3    | <u>105027601</u> | Pin, 6x12 Long, ED65 .....  | 1   |
| 4    | 105027701        | Shaft, Input, ED65 .....  | 1   |
| 5    | 105027801        | Bearing, Ball (6205 seal) .....   | 1   |
| 6    | <u>105027901</u> | Bearing, Ball (6202) .....  | 2   |
| 7    | 105028001        | Shaft, Counter, ED65 .....  | 1   |
| 8    | 105028201        | Gear, 34 Tooth, ED65 .....  | 1   |
| 9    | <u>105028401</u> | Bearing, Ball (6304) .....  | 1   |
| 10   | 105028601        | Gear, 17 Tooth, ED65 .....  | 1   |
| 11   | <u>105028701</u> | Collar, 24 x 12, ED65 .....   | 1   |
| 12   | <u>105028801</u> | Gear, 52 Tooth, ED65 .....  | 1   |
| 13   | 105028901        | Shaft, Center, ED65 .....   | 1   |
| 14   | <u>105029001</u> | Clutch, Pin, ED65 .....   | 1   |
| 15   | 105029101        | Gear, 62 Tooth, ED65 .....  | 1   |
| 16   | <u>105029201</u> | Spacer, 20x2, ED65 .....  | 2   |
| 17   | <u>105030901</u> | Shaft, Shift, ED65 .....  | 1   |
|      |                  | <p>Note: To identify your transaxle, locate the serial number decal on the axle tube.</p> |     |

12

G

**12**  
**G**



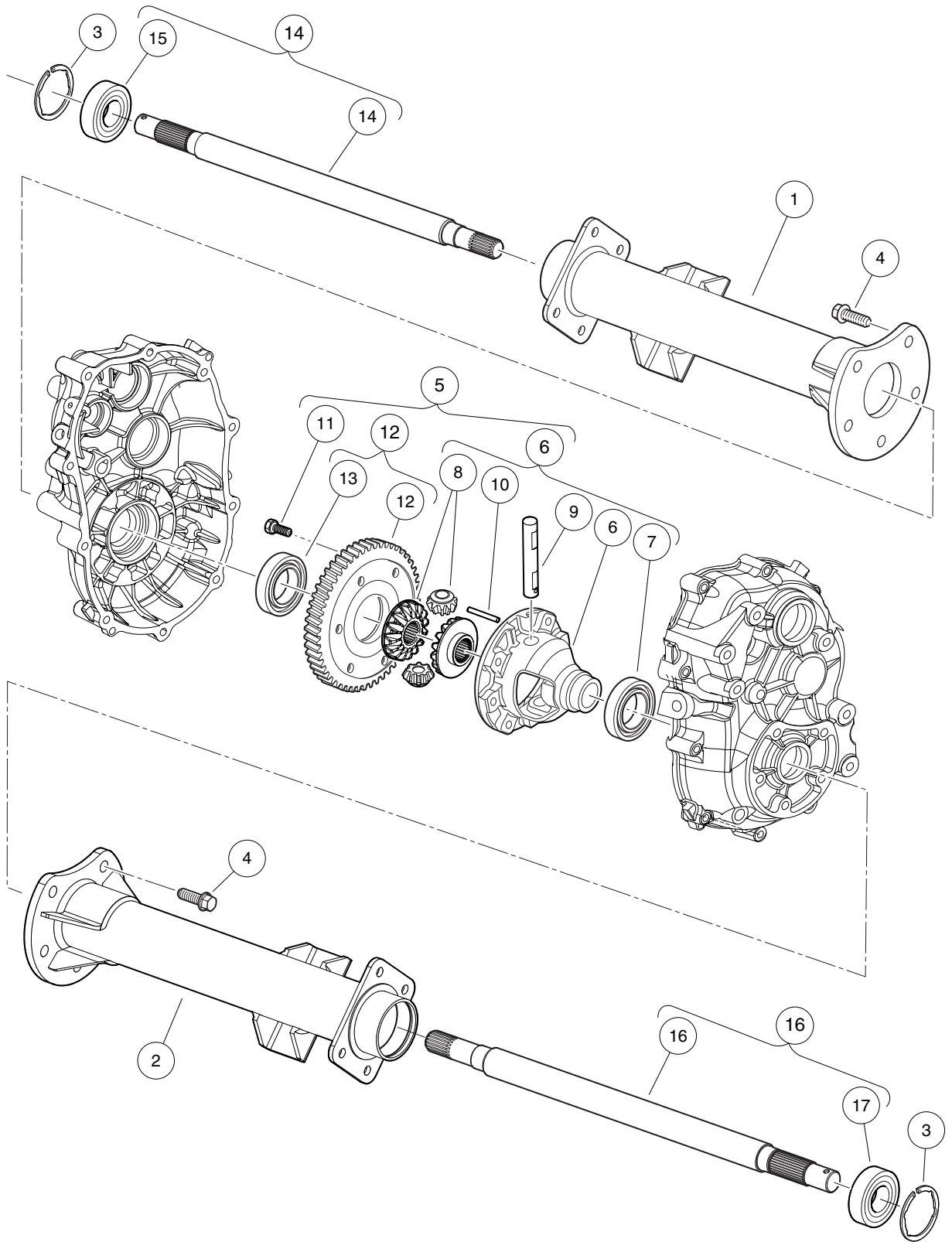
000919-005

## TRANSAXLE (ED65), LIMITED SLIP – PAGE 3 OF 3

| ITEM   | PART NO.         | DESCRIPTION  | QTY |
|--|------------------|--|-----|
|  |                  | 1 2 3 4  |     |
| 1  | 105029901        | Gear, 60 Tooth, Complete, ED65 (includes item 2) .....               | 1   |
| 2  | <u>105029801</u> | Bearing, Ball (6007) .....   | 1   |
| 3  | 105030401        | Axle Tube, Driver-Side, ED65 .....                                   | 1   |
| 4  | 105030501        | Axle Tube, Passenger-Side, ED65 .....                                | 1   |
| 5  | <u>105030601</u> | Snap Ring, 52mm, ED65 .....  | 2   |
| 6  | <u>105030801</u> | Bolt, Flange, M10-1.25x25, ED65 .....                                | 10  |
| 7  | <u>105063601</u> | Differential, Limited-Slip, ED65 (includes items 8 through 10) ..... | 1   |
| 8  | <u>105028101</u> | Bearing, Ball (6006) .....   | 1   |
| 9  | <u>105029501</u> | Bolt, M10-1.25x26mm Lg, ED65 .....                                   | 6   |
| 10   | <u>105029801</u> | Bearing, Ball (6007) .....   | 1   |
| 11   | <u>105066001</u> | Axle Shaft, Driver-Side, Complete, ED65 (includes item 12) .....     | 1   |
| 12   | <u>105030301</u> | Bearing, Ball (6205DD) .....   | 1   |
| 13   | <u>105066101</u> | Axle Shaft, Passenger-Side, Complete, ED65 (includes item 14) .....  | 1   |
| 14   | <u>105030301</u> | Bearing, Ball (6205DD) .....   | 1   |
| <p style="margin-left: 40px;">Note: To identify your transaxle, locate the serial number decal on the axle tube.</p> |                  |  |     |

12

G



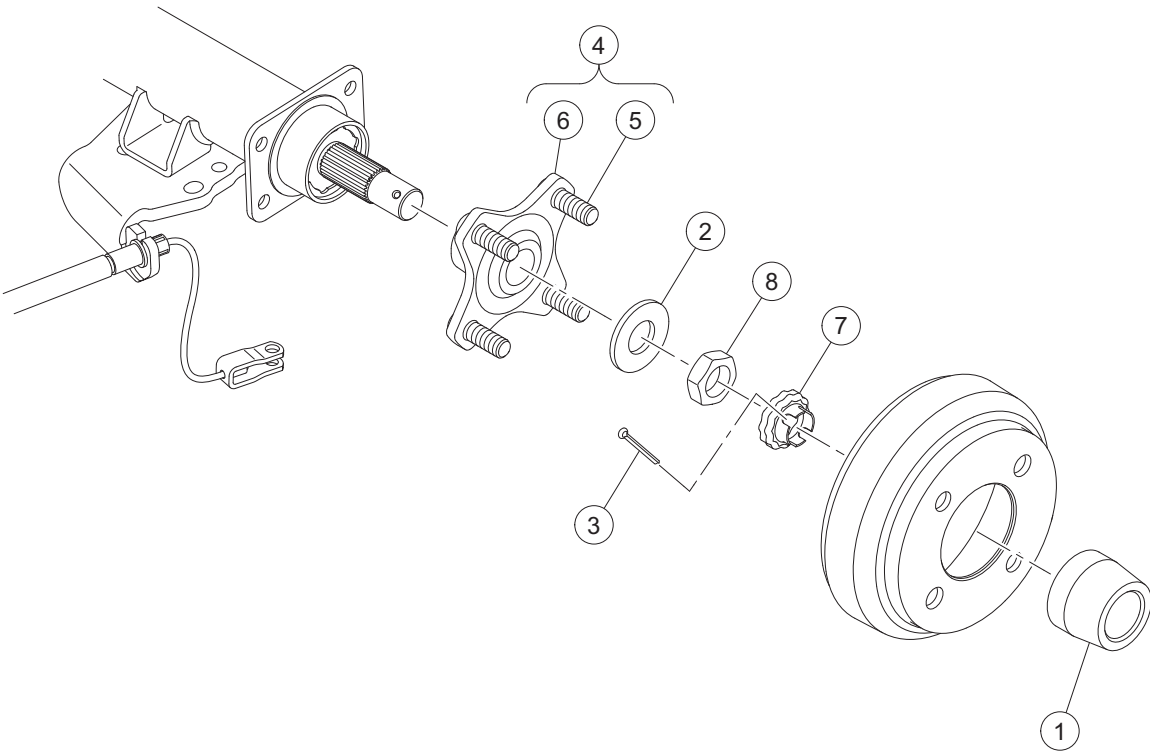
000919-004



## TRANSAXLE (ED65), OPEN – PAGE 3 OF 3

| ITEM | PART NO.         | DESCRIPTION  | QTY |
|------|------------------|--|-----|
|      |                  | <b>1 2 3 4</b>   |     |
| 1    | 105030401        | Axle Tube, Driver-Side, ED65 .....   | 1   |
| 2    | 105030501        | Axle Tube, Passenger-Side, ED65 .....  | 1   |
| 3    | <u>105030601</u> | Snap Ring, 52mm, ED65 .....  | 2   |
| 4    | <u>105030801</u> | Bolt, Flange, M10-1.25x25, ED65 .....  | 10  |
| 5    | <u>105031001</u> | Differential, Open, ED65 (includes items 6 through 12) .....                       | 1   |
| 6    | <u>105029301</u> | Case, Differential, Complete, ED65 (includes items 7 through 10) .....             | 1   |
| 7    | <u>105028101</u> | Bearing, Ball (6006) .....   | 1   |
| 8    | 105029401        | Gear Set, Differential, ED65 .....   | 1   |
| 9    | <u>105029601</u> | Shaft, Differential, ED65 .....  | 1   |
| 10   | <u>105029701</u> | Pin, 4x40 Long, ED65 .....   | 1   |
| 11   | <u>105029501</u> | Bolt, M10-1.25x26mm Lg, ED65 .....   | 6   |
| 12   | 105029901        | Gear, 60 Tooth, Complete, ED65 (includes item 13) .....                            | 1   |
| 13   | <u>105029801</u> | Bearing, Ball (6007) .....   | 1   |
| 14   | <u>105066001</u> | Axle Shaft, Driver-Side, Complete, ED65 (includes item 15) .....                   | 1   |
| 15   | <u>105030301</u> | Bearing, Ball (6205DD) .....   | 1   |
| 16   | <u>105066101</u> | Axle Shaft, Passenger-Side, Complete, ED65 (includes item 17) .....                | 1   |
| 17   | <u>105030301</u> | Bearing, Ball (6205DD) .....   | 1   |
|      |                  | Note: To identify your transaxle, locate the serial number decal on the axle tube. |     |

**12**  
**G**



G-070199-000003

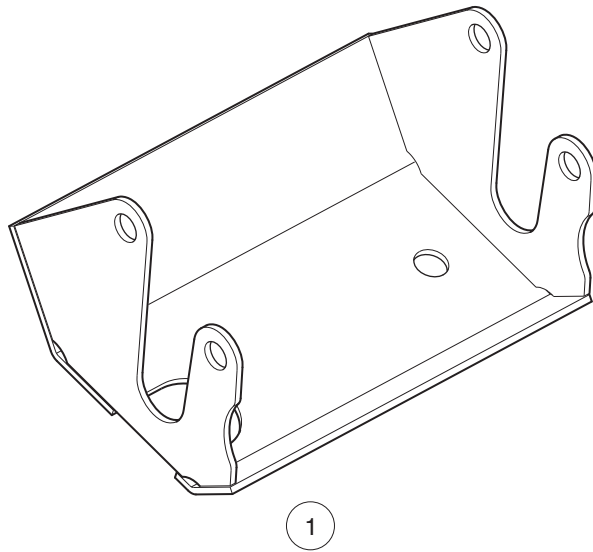
# HUB, REAR

| ITEM | PART NO.         | DESCRIPTION                                       | QTY |
|------|------------------|---|-----|
|      |                  | <b>1 2 3 4</b>                                    |     |
| 1    | 102274101        | Center Cap, Rubber .....                          | 2   |
| 2    | <u>102617801</u> | Washer, Hard, M22 .....                           | 2   |
| 3    | <u>103989501</u> | Pin, Cotter, 9/64 X 1.75" .....                   | 2   |
| 4    | <u>103995001</u> | Asm, Hub, Machined (includes items 5 and 6) ..... | 2   |
| 5    | <u>103951501</u> | Lug Stud, 1/2-20 UNF, SAE J1102 .....             | 4   |
| 6    | <u>103979301</u> | Hub, Machined .....                               | 1   |
| 7    | <u>104021701</u> | Retaining Ring, Hex Nut, M22 .....                | 2   |
| 8    | <u>104027101</u> | Nut, Hex, M22x1.5, Thin .....                     | 2   |

**12**  
**G**

12

G



001436-001

# DIFFERENTIAL GUARD, ED65 – GASOLINE VEHICLE

| ITEM | PART NO.    | DESCRIPTION                          | QTY |
|------|-------------|--------------------------------------|-----|
| 1    | 47662588001 | 1 2 3 4<br>Guard, Differential ..... | 1   |

12

G

12

G

# ELECTRICAL SYSTEM – ELECTRIC VEHICLES

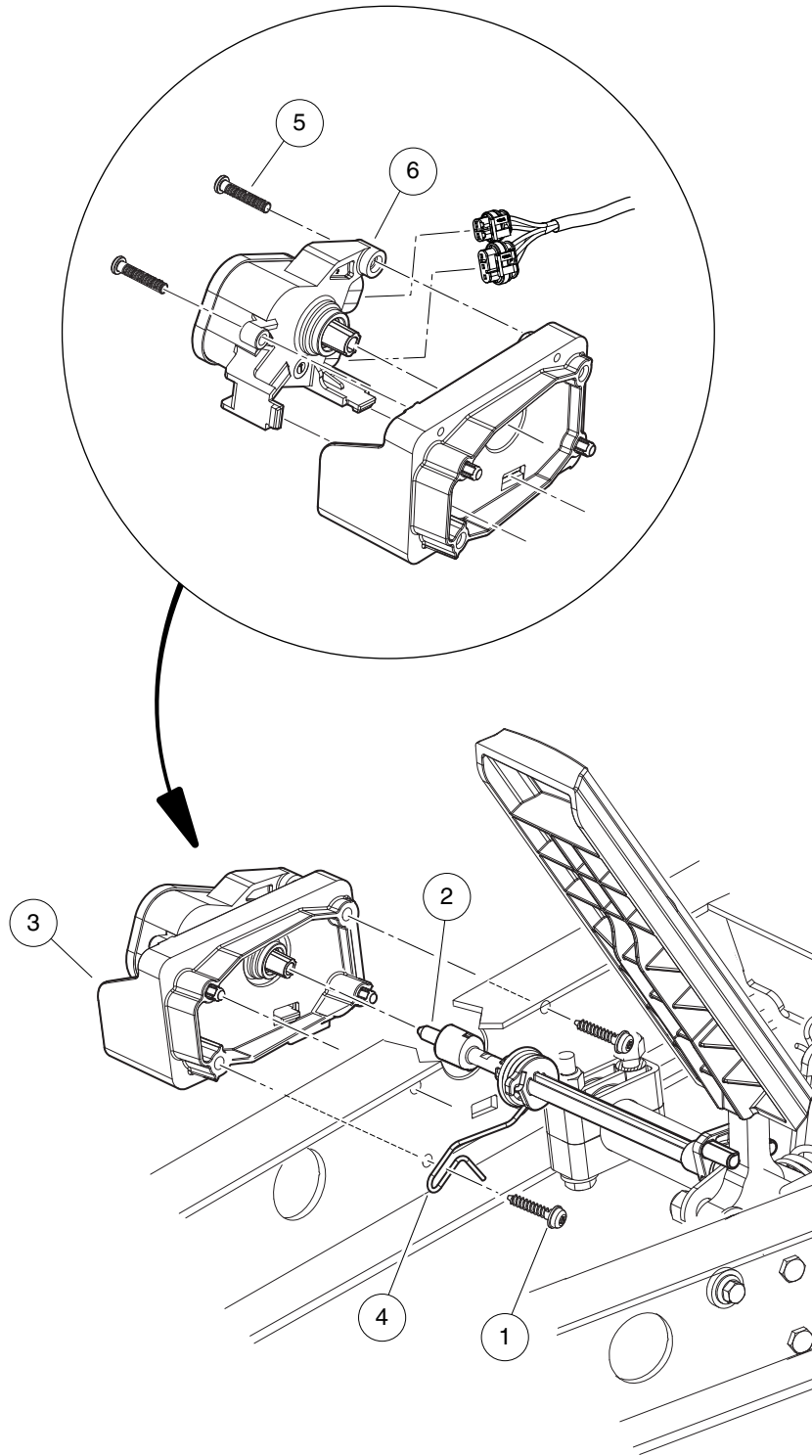
---

13

*E*

13

E



002522-001



# MOTOR CONTROLLER OUTPUT REGULATOR (MCOR)

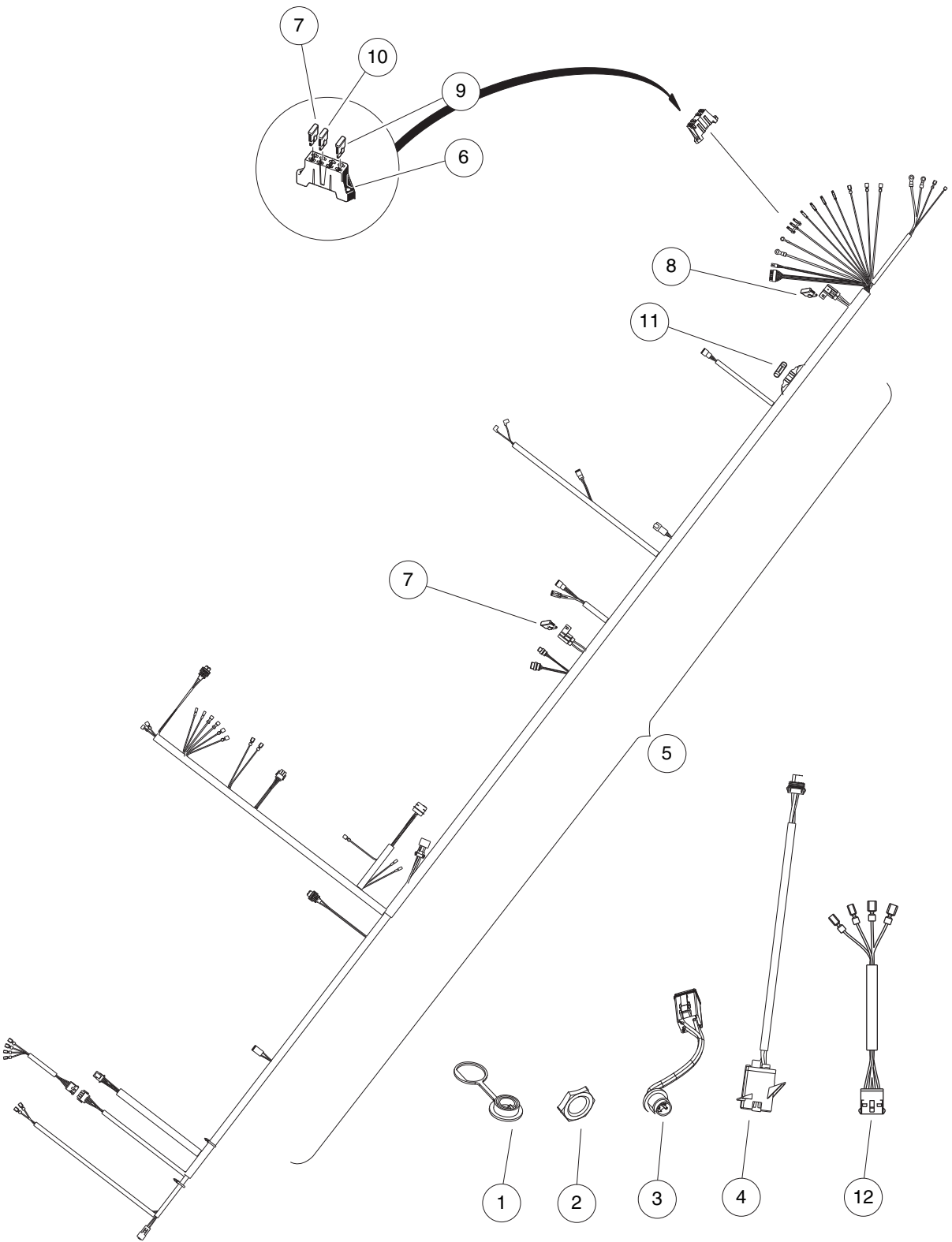
| ITEM | PART NO.         | DESCRIPTION                             | QTY |
|------|------------------|---|-----|
|      |                  | 1 2 3 4                                 |     |
| 1    | <u>102297230</u> | Screw, M6, Torx, Interlock Thread ..... | 2   |
| 2    | <u>103902101</u> | Bar, Drive, Cast .....                  | 1   |
| 3    | <u>103902301</u> | Housing, Mcor .....                     | 1   |
| 4    | <u>103902401</u> | Spring, Torsion .....                   | 1   |
| 5    | <u>103943401</u> | Screw, Pan, #10 X 1.00 Hi-lo .....      | 2   |
| 6    | <u>105116301</u> | MCOR4, Type 16 Switch .....             | 1   |

13

E

13

E



002534-003

# MAIN WIRING HARNESS,48-VOLT FUSE BLOCK - ELECTRIC VEHICLE

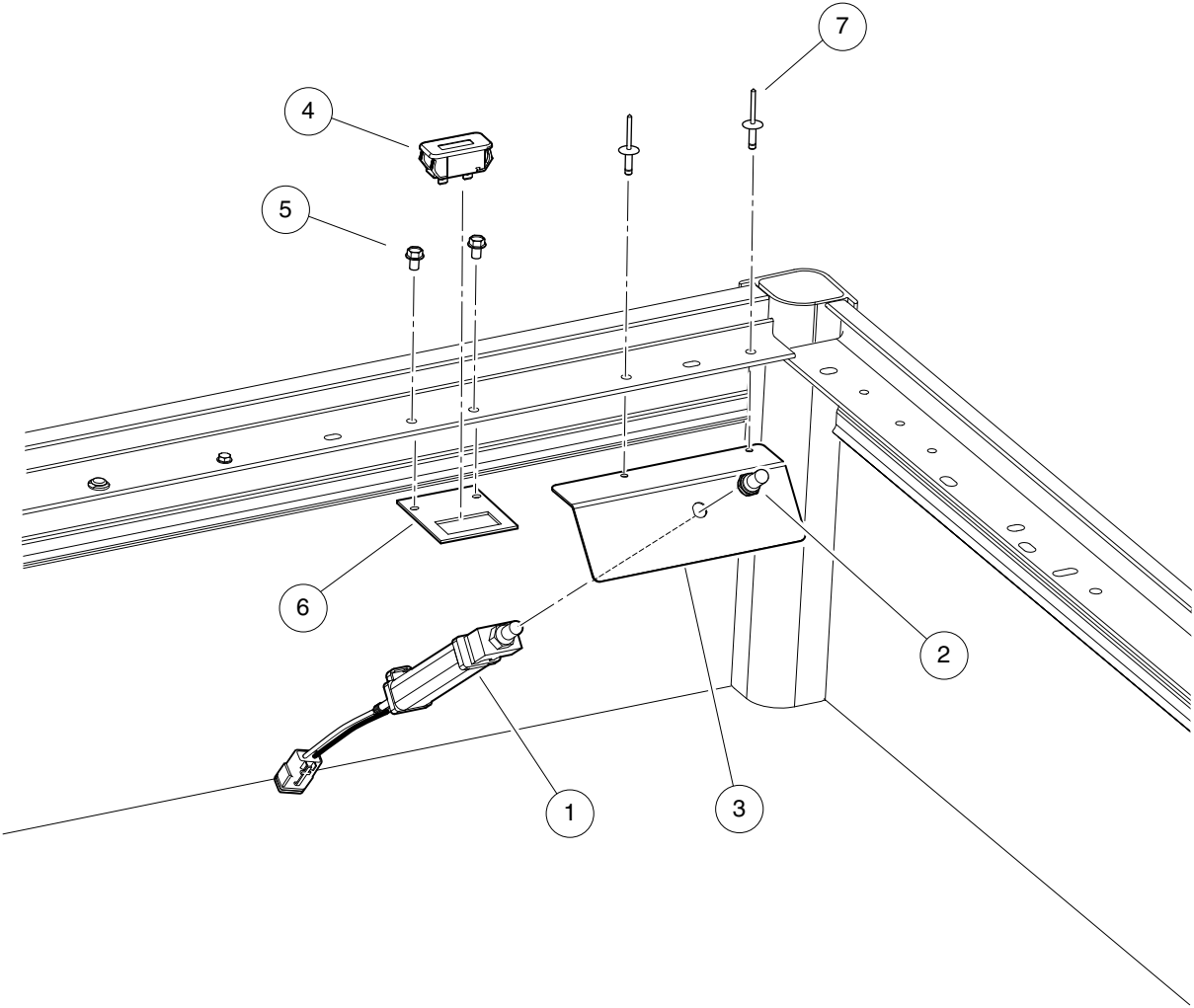
| ITEM | PART NO.         | DESCRIPTION   | QTY |
|------|------------------|---|-----|
|      |                  | 1 2 3 4   |     |
| 1    | <u>102196901</u> | Dust Cap .....  | 1   |
| 2    | <u>102572401</u> | Nut, Diagnostic Port .....                                    | 1   |
| 3    | <u>103218601</u> | Harness, Diagnostic Port .....                                | 1   |
| 4    | <u>105070401</u> | Harness, Recept, Charge, Util .....                           | 1   |
| 5    | <u>105077201</u> | Asm, Harness, Ca300, Elec (includes items 6 through 11) ..... | 1   |
| 6    | <u>1015741</u>   | Fuse Block .....  | 1   |
| 7    | <u>1016423</u>   | Fuse, 20-Amp .....  | 2   |
| 8    | <u>102492301</u> | Fuse, 30-Amp .....  | 1   |
| 9    | <u>102538601</u> | 15 Amp Fuse .....   | 2   |
| 10   | <u>105167201</u> | Fuse, Atc, 2 Amp .....  | 1   |
| 11   | <u>105173901</u> | Fuse, Agc, 1 Amp .....  | 1   |
| 12   | <u>105243501</u> | Harn, Acc Lockout, Ca300e .....                               | 1   |

13

E

13

E



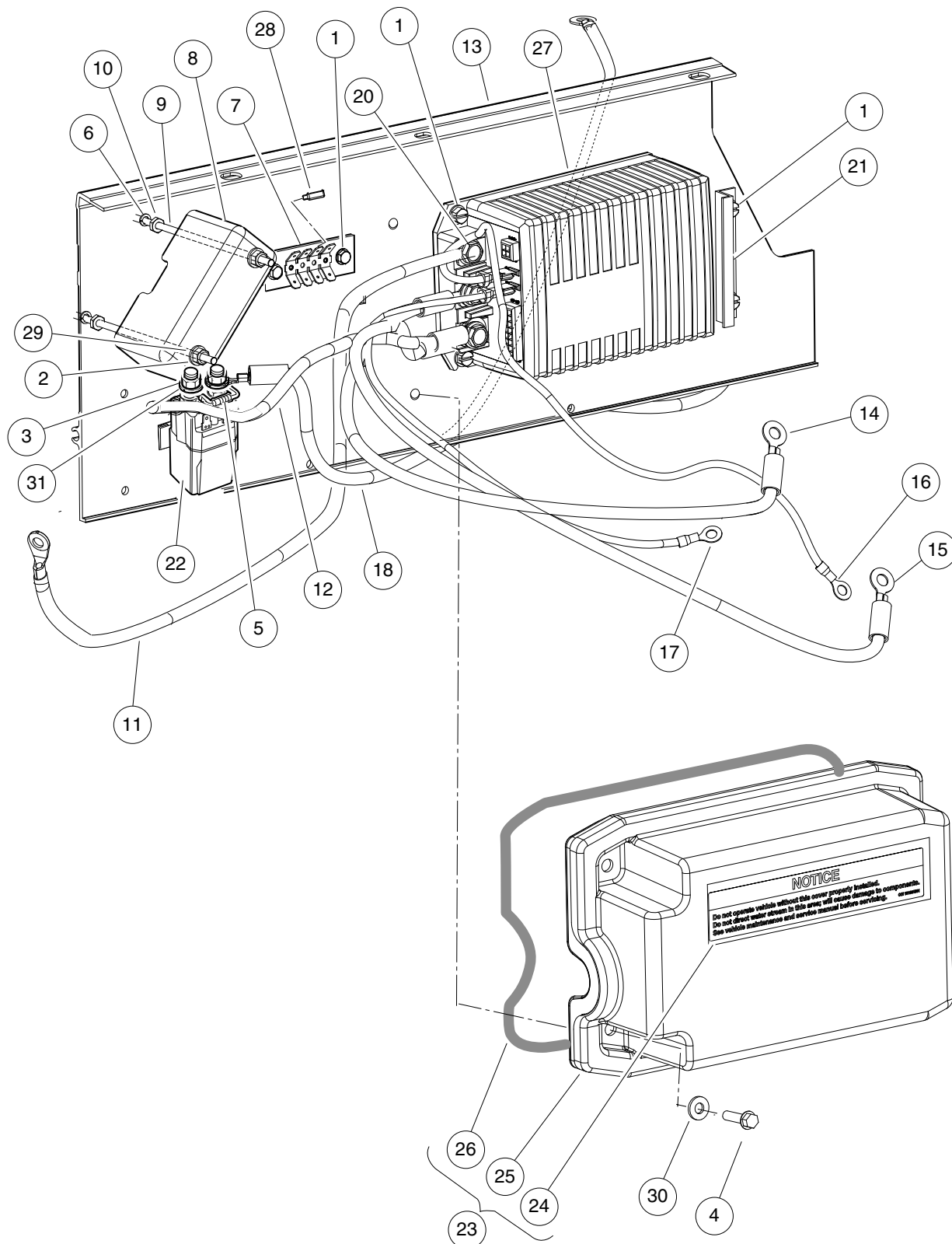
002519-001

# TOW/RUN SWITCH AND HOUR METER

| ITEM | PART NO.         | DESCRIPTION                            | QTY |
|------|------------------|--|-----|
|      |                  | 1 2 3 4                                |     |
| 1    | <u>101908101</u> | Switch Assembly, Tow/Run .....         | 1   |
| 2    | <u>101908401</u> | Boot, Switch .....                     | 1   |
| 3    | <u>101922501</u> | Bracket, Tow/Run Switch Mounting ..... | 1   |
| 4    | <u>103510301</u> | Meter, Hour .....                      | 1   |
| 5    | <u>103541501</u> | Screw, Tapping, 1/4-20 X .375 .....    | 2   |
| 6    | <u>105145201</u> | Bracket, Hour Meter Sq, Short .....    | 1   |
| 7    | <u>7973</u>      | Rivet, 3/16 X .400 Blind .....         | 2   |

13

E



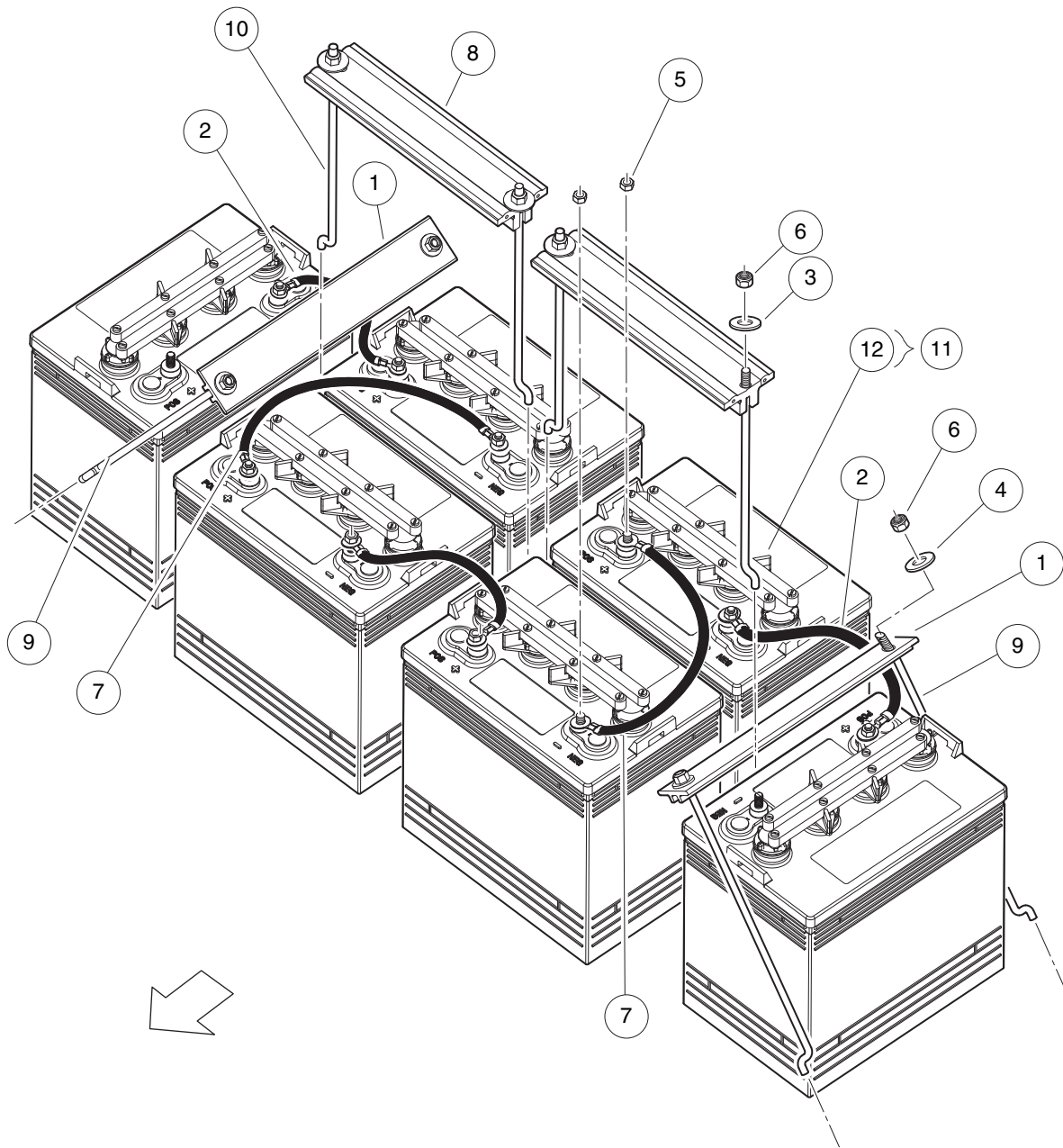
002514-001

# ELECTRIC COMPONENTS

| ITEM | PART NO.         | DESCRIPTION   | QTY |
|------|------------------|---|-----|
|      |                  | 1 2 3 4   |     |
| 1    | <u>1012285</u>   | Screw, 1/4 X 0.625 Hex-Head .....                           | 5   |
| 2    | <u>1012438</u>   | Locknut, #10-24 Nylon Insert .....                          | 2   |
| 3    | <u>1012528</u>   | Nut, M8-1.25 Hex .....                                      | 2   |
| 4    | <u>1014063</u>   | Screw, 1/4-20 X 1.00, Hex Head .....                        | 2   |
| 5    | <u>1014947</u>   | Resistor Assembly .....                                     | 1   |
| 6    | <u>1016</u>      | Lockwasher, #10 Split .....                                 | 2   |
| 7    | <u>1016356</u>   | Terminal Block with Insulator .....                         | 1   |
| 8    | <u>1016363</u>   | Fuse Block Cover .....                                      | 1   |
| 9    | <u>1016366</u>   | Screw, #10-24 X 3.0 Pan-Head Machine .....                  | 2   |
| 10   | <u>1017</u>      | Nut, #10-24 Stainless-Steel Hex Machine .....               | 2   |
| 11   | <u>101795705</u> | Asm, Wire, #6blk, 37 In .....                               | 1   |
| 12   | <u>101903001</u> | Wire Assembly #6 Yellow .....                               | 1   |
| 13   | <u>101965206</u> | Plate, Component, No Obc, Lt .....                          | 1   |
| 14   | <u>101968701</u> | Wire Assy, #6 White .....                                   | 1   |
| 15   | <u>101978001</u> | Wire Assy, #6 Green .....                                   | 1   |
| 16   | <u>101978102</u> | Asm, Wire, #10 Orange 1/4 .....                             | 1   |
| 17   | <u>101978202</u> | Asm, Wire, #10 Blue 1/4 .....                               | 1   |
| 18   | <u>102199601</u> | Wire Asm, #6 Red, 37.7 .....                                | 1   |
| 19   | <u>102238001</u> | #10-24 Taptite Screw .....                                  | 2   |
| 20   | <u>102240501</u> | Bolt, Controller, Terminal .....                            | 3   |
| 21   | <u>102243101</u> | Extrusion, Cover Support .....                              | 1   |
| 22   | <u>102865901</u> | Solenoid 48v Slot Mt No Diode .....                         | 1   |
| 23   | <u>103316901</u> | Cover Asm - Controller (includes items 24 through 26) ..... | 1   |
| 24   | <u>101931501</u> | Decal, Component Cover .....                                | 1   |
| 25   | <u>103316701</u> | Cover - Controller, Deep .....                              | 1   |
| 26   | <u>103316801</u> | Gasket - Controller Cover .....                             | 1   |
| 27   | <u>103982301</u> | Controller, 1515, 250A, White .....                         | 1   |
| 28   | <u>105195501</u> | Cap, Quick Conn Tab, 1/4 In .....                           | 5   |
| 29   | <u>183</u>       | Washer, #10, Type A, Flat .....                             | 2   |
| 30   | <u>332</u>       | Washer, 1/4 Type A Narrow Flat .....                        | 2   |
| 31   | <u>7174</u>      | Lockwasher, 5/16 Split .....                                | 2   |

13

E



002515-002



## BATTERIES 8-VOLT, HEAVY DUTY

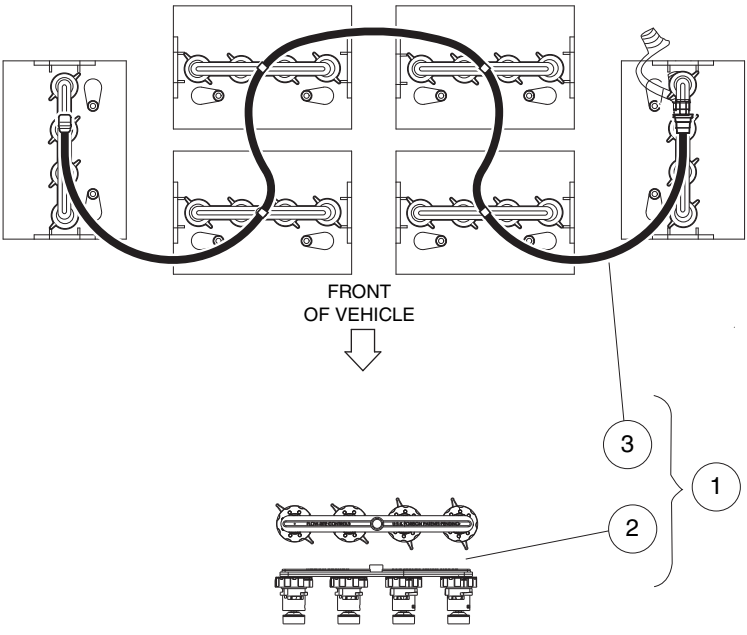
| ITEM | PART NO.         | DESCRIPTION  | QTY |
|------|------------------|--|-----|
|      |                  | 1 2 3 4  |     |
| 1    | <u>101090802</u> | Hold-Down, Battery .....                                 | 2   |
| 2    | <u>1010958</u>   | Asm, Wire, #6blk 8in .....                               | 3   |
| 3    | <u>1011578</u>   | Washer, 5/16 Type B Flat .....                           | 4   |
| 4    | <u>1011697</u>   | Washer, 5/16 Flat .....                                  | 4   |
| 5    | <u>1014304</u>   | Nut, 5/16-18 Stainless-Steel Hex .....                   | 12  |
| 6    | <u>1015072</u>   | Locknut, 5/16-18 Nylon Insert .....                      | 8   |
| 7    | <u>101795701</u> | Asm, Wire, #6blk, 15 In .....                            | 2   |
| 8    | <u>103504301</u> | Tee, Batt Ret Ctr Short .....                            | 2   |
| 9    | <u>103696801</u> | J Bolt, Batt Hold Down 12" .....                         | 4   |
| 10   | <u>103958101</u> | J-bolt 10.75" .....                                      | 4   |
| 11   | <u>105138301</u> | Battery, 8-Volt, JCI GC8 Type E (includes item 12) ..... | 6   |
| 12   | <u>103765601</u> | Cap, Spin, 8-Volt Battery .....                          | 1   |

13

E

13

E



002526-001

# SINGLE POINT WATERING SYSTEM (SPWS)

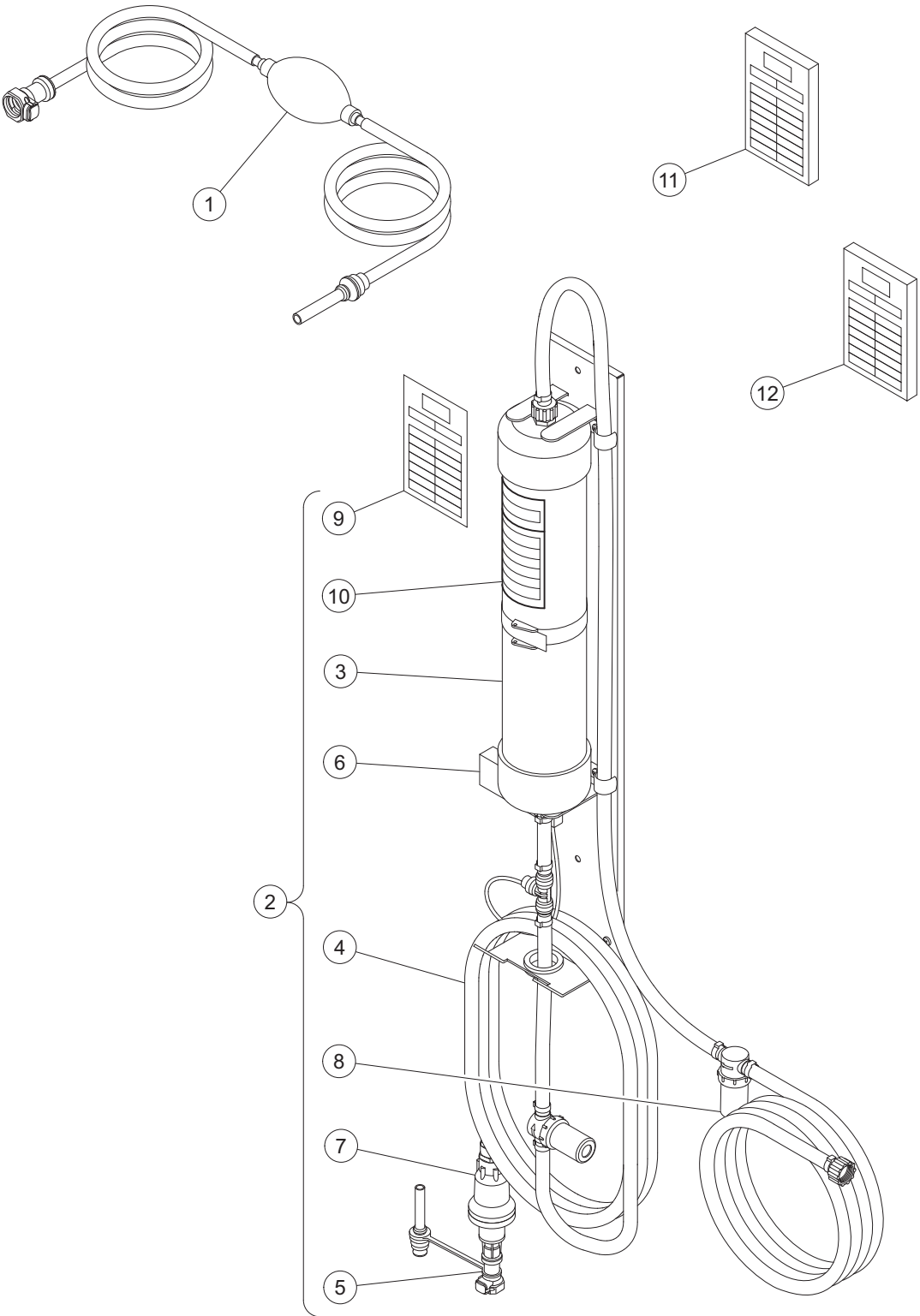
| ITEM | PART NO.         | DESCRIPTION   | QTY |
|------|------------------|---|-----|
|      |                  | 1 2 3 4   |     |
| 1    | <u>103711302</u> | Kit, Spws, Us 8v, Ds (includes items 2 and 3) ..... | 1   |
| 2    | <u>103510602</u> | Spws, Manifold Asm, 8v Non-Trojan .....             | 6   |
| 3    | <u>103864601</u> | Asm, Hose, Spws, Ds 8v .....                        | 1   |

13

E

13

E



002523-003

# HAND PUMP AND DEIONIZER (BATTERY-POWERED QUALITY LIGHT)

| ITEM | PART NO.         | DESCRIPTION  | QTY |
|------|------------------|--|-----|
|      |                  | 1 2 3 4  |     |
| 1    | <u>104006101</u> | Kit, Hand Pump, Spws .....   | 1   |
| 2    | <u>105166801</u> | Deionizer, w/Battery-Powered Water Quality Light (includes items 3 through 10) ..... | 1   |
| 3    | <u>104005901</u> | Cartridge, Deionizer .....   | 1   |
| 4    | <u>105166901</u> | Hose,outlet,deionizer .....  | 1   |
| 5    | <u>105167001</u> | Flow Ind, W/coupler, Deionizer .....   | 1   |
| 6    | <u>105167101</u> | Light, Quality, Battery-Powered, w/T-Fitting .....                                   | 1   |
| 7    | <u>105168501</u> | Regulator, Pressure, Deionizer .....   | 1   |
| 8    | <u>105168601</u> | Strainer, In-line, Deionizer .....   | 1   |
| 9    | <u>AM1300001</u> | Decal, Filter Log, Blue .....  | 1   |
| 10   | <u>AM1300201</u> | Decal, Inspect Log, Yellow .....   | 1   |
| 11   | AM1300101        | Decal, Filter Log, Blue, Pack of 100 .....   | A/R |
| 12   | AM1300301        | Decal, Inspect Log, Yellow, Pack of 100 .....  | A/R |

13

E

**13**

***E***

# ELECTRIC MOTOR

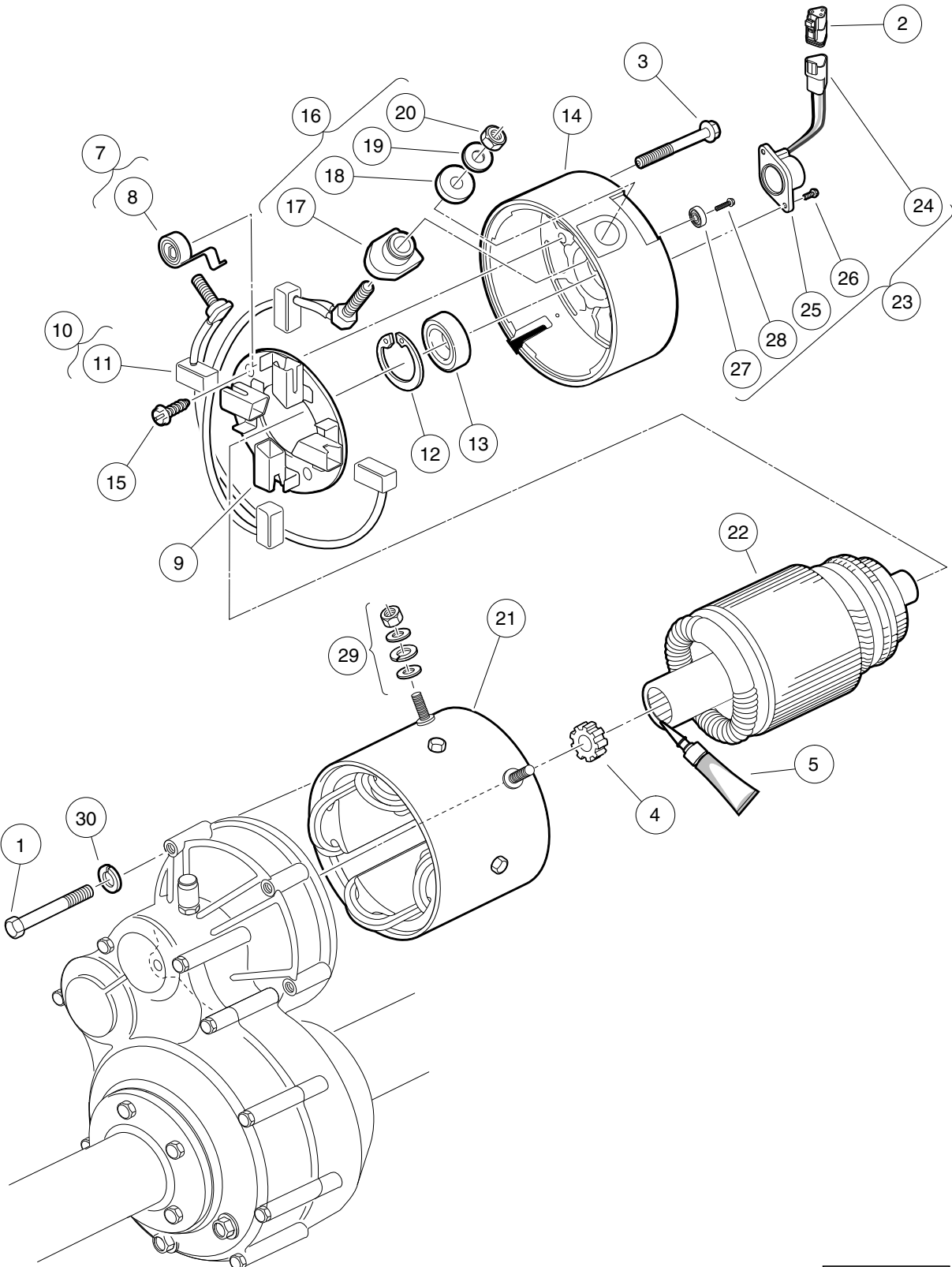
---

14

*E*

14

E



000185-004



# MOTOR (MODEL EJ8-4001A)

14

E

| ITEM | PART NO.         | DESCRIPTION   | QTY |
|------|------------------|---|-----|
|      |                  | <b>1 2 3 4</b>  |     |
| 1    | 1014201          | Screw, 1/4-20 X 2.25 Hex Cap .....  | 3   |
| 2    | <u>101920101</u> | Kit, 3-Pin Wedge Lock .....   | 1   |
| 3    | N/A              | Screw, 1/4-20 X 2.25 Hex-Head Washer .....                                      | 2   |
| 4    | <u>102235201</u> | Bumper, Drive Unit .....  | 1   |
| 5    | <u>102243403</u> | Lubricant, Moly-Teflon (Single-Use Tube) .....                                  | 1   |
| 6    | <u>103572501</u> | IQ Electric Motor, 48-VDC 3.3 hp (includes items 7 through 23) .....            | 1   |
| 7    | <u>102186001</u> | Spring Kit, Motor Brush (includes item 8) .....                                 | 1   |
| 8    | N/A              | Spring, Brush, S-g .....  | 4   |
| 9    | <u>102186101</u> | Brush Box Assembly .....  | 1   |
| 10   | <u>102186201</u> | Brush Kit, Motor (includes item 11) .....                                       | 1   |
| 11   | N/A              | Assembly, Brush and Terminal .....  | 2   |
| 12   | N/A              | Ring, 2.24" Internal Retaining .....  | 1   |
| 13   | <u>102186401</u> | Bearing, Ball .....   | 1   |
| 14   | <u>102186701</u> | End Cap, Motor .....  | 1   |
| 15   | <u>102186901</u> | Screw, #8-32 X .5 Hex-Head .....  | 2   |
| 16   | <u>102187101</u> | Hardware Kit, Motor Terminal (includes items 17 through 20) .....               | 2   |
| 17   | N/A              | Insulator .....   | 2   |
| 18   | N/A              | Washer, Nylon Flat .....  | 2   |
| 19   | N/A              | Washer, Flat, 5/16 Steel .....  | 2   |
| 20   | N/A              | Nut, Brass Hex, 5/16 - 18 .....   | 2   |
| 21   | <u>102704701</u> | Frame and Field Assembly .....  | 1   |
| 22   | <u>102704801</u> | Armature Assembly .....   | 1   |
| 23   | <u>102704901</u> | Kit, Speed Sensor (includes items 24 through 28) .....                          | 1   |
| 24   | <u>101942301</u> | Kit, 3-Pin Wedge Lock .....   | 1   |
| 25   | N/A              | Sensor, Motor Speed, ADC .....  | 1   |
| 26   | N/A              | Screw, #8-32, Taptite Thread .....  | 2   |
| 27   | N/A              | Magnet, ADC Motor .....   | 1   |
| 28   | N/A              | Screw, 1/4-20 x 0.5 .....   | 1   |
| 29   | <u>103615001</u> | Kit, Motor F1 and F2 Terminal Adapter .....                                     | 1   |
| 30   | <u>451</u>       | Lockwasher, 1/4 Split .....   | 3   |
|      |                  | Note: The F1 and F2 terminal posts on the EJ8-4001A motor have 1/4 - 20 thread. |     |

**14**

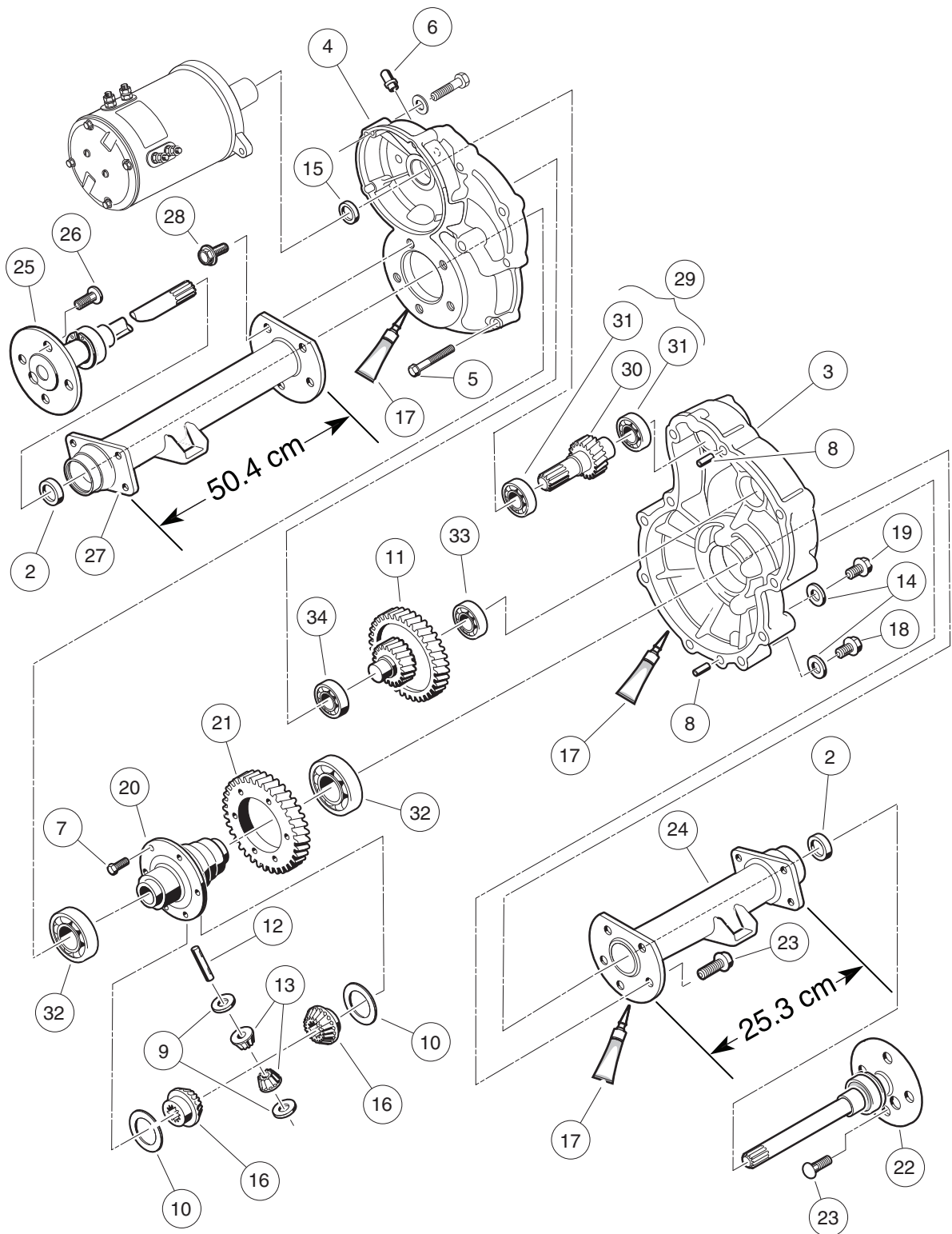
***E***

# TRANSAXLE – ELECTRIC VEHICLES

---

15

*E*



000223-005

# TRANSAXLE – ELECTRIC VEHICLES

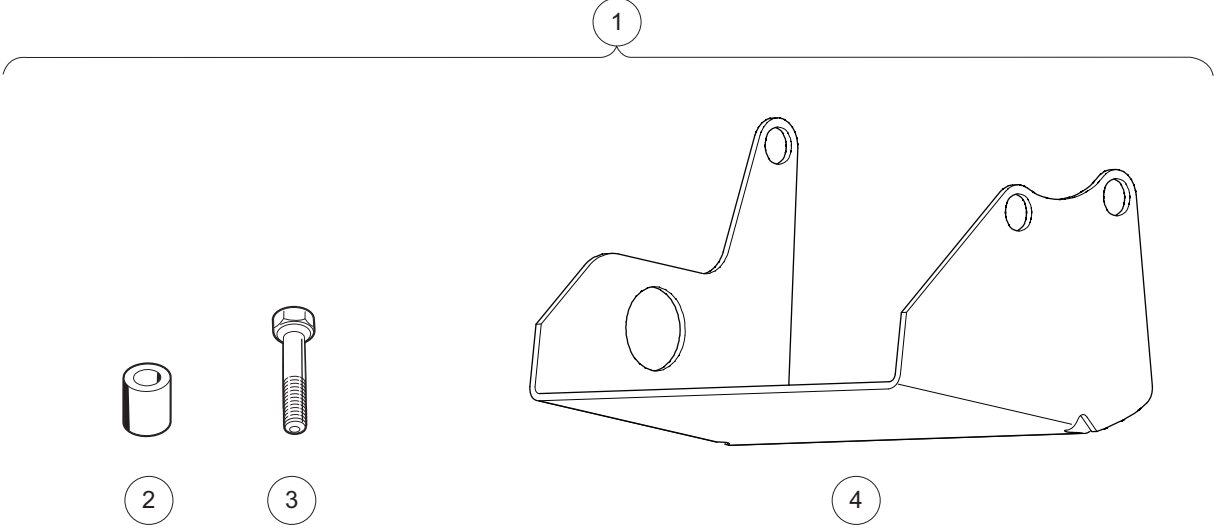
| ITEM | PART NO.         | DESCRIPTION   | QTY |
|------|------------------|---|-----|
|      |                  | <b>1 2 3 4</b>  |     |
| 1    | <u>102771701</u> | Transaxle, Electric (includes items 2 through 34) .....     | 1   |
| 2    | <u>1013794</u>   | Axle Shaft Oil Seal .....                                   | 2   |
| 3    | <u>101895401</u> | Gear Case, Driver-Side .....                                | 1   |
| 4    | <u>101895501</u> | Gear Case, Passenger-Side .....                             | 1   |
| 5    | <u>101897001</u> | Screw, M8-1.25 X 60mm Hex-Head .....                        | 11  |
| 6    | <u>101897201</u> | Breather .....  | 1   |
| 7    | <u>101897401</u> | Screw, M10-1.25 X 25mm .....                                | 6   |
| 8    | <u>101897601</u> | Pin, 11mm OD X 8.5mm ID X 10mm .....                        | 2   |
| 9    | <u>101903601</u> | Washer, Thrust .....  | 2   |
| 10   | <u>101903701</u> | Washer, Thrust .....  | 2   |
| 11   | <u>101906901</u> | Intermediate Shaft Assembly .....                           | 1   |
| 12   | <u>101922101</u> | Pin, 15.99mm X 88.7mm Dowel .....                           | 1   |
| 13   | <u>101923001</u> | Gear, Differential Idler .....                              | 2   |
| 14   | <u>101923201</u> | Gasket .....  | 2   |
| 15   | <u>101923501</u> | Seal, Lip .....   | 1   |
| 16   | <u>101923901</u> | Gear, Differential .....                                    | 2   |
| 17   | <u>101928701</u> | Liquid Gasket (Transaxle case) .....                        | 1   |
| 18   | <u>101972101</u> | Plug, M14-1.5 X 12mm Magnetic .....                         | 1   |
| 19   | <u>101972201</u> | Plug, M14-1.5 X 12mm Hex .....                              | 1   |
| 20   | <u>102356601</u> | Housing, Differential, 6 Bolt .....                         | 6   |
| 21   | <u>102356801</u> | Gear, Differential Output, 6-Bolt .....                     | 6   |
| 22   | <u>102886301</u> | Axle Assembly, Driver-Side (includes item 23) .....         | 1   |
| 23   | <u>101922201</u> | Lug Stud .....  | 4   |
| 24   | <u>102886401</u> | Tube, Axle, Driver-Side .....                               | 1   |
| 25   | <u>102886501</u> | Axle Assembly, Passenger-Side (includes item 26) .....      | 1   |
| 26   | <u>101922201</u> | Lug Stud .....  | 4   |
| 27   | <u>102886601</u> | Tube, Axle, Passenger-Side .....                            | 1   |
| 28   | <u>102902801</u> | Screw, M10 X 30 .....                                       | 10  |
| 29   | <u>103582801</u> | Asm, E Trans Shaft/bearing (includes items 30 and 31) ..... | 1   |
| 30   | N/A              | Shaft, Input .....  | 1   |
| 31   | <u>7335</u>      | Bearing .....   | 2   |
| 32   | <u>7330</u>      | Inner Axle Tube Bearing .....                               | 2   |
| 33   | <u>7335</u>      | Bearing .....   | 1   |
| 34   | <u>7336</u>      | Bearing .....   | 1   |

**15**

**E**

15

E



000365-002

## DIFFERENTIAL GUARD – ELECTRIC VEHICLES

| ITEM | PART NO.         | DESCRIPTION   | QTY |
|------|------------------|---|-----|
|      |                  | 1 2 3 4   |     |
| 1    | <u>101611402</u> | Kit, Differential Guard, Elec Vehicles (includes items 2 through 4) ..... | 1   |
| 2    | <u>101914001</u> | Spacer, Steel .....   | 2   |
| 3    | <u>101936101</u> | Screw, M10-1.50 X 60mm Hex Cap .....                                      | 2   |
| 4    | <u>101978601</u> | Guard, Differential, Electric Vehicle Transaxle .....                     | 1   |

15

E

**15**

***E***

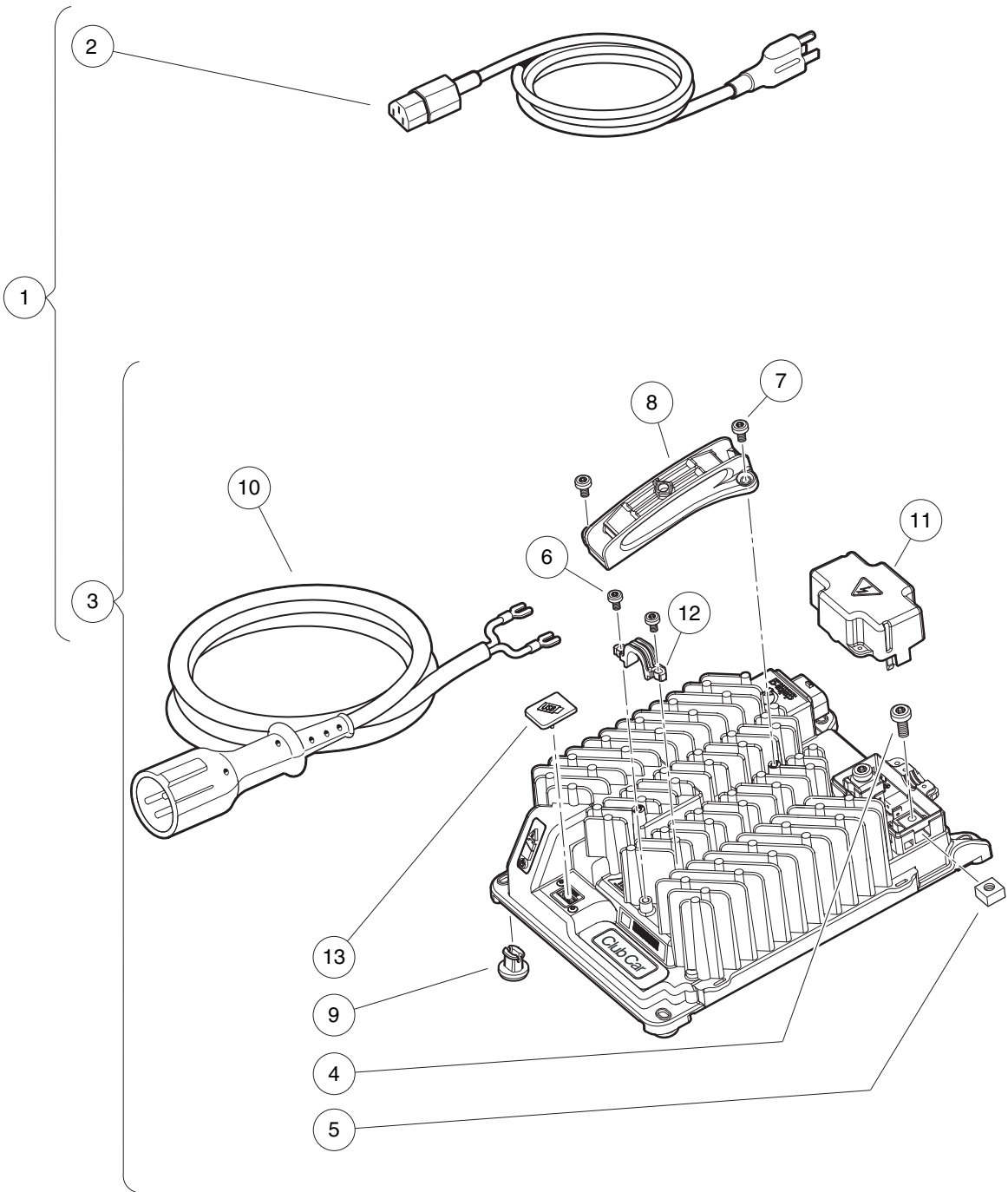


# BATTERY CHARGERS – E.R.I.C.HIGH-FREQUENCY

---

16

E



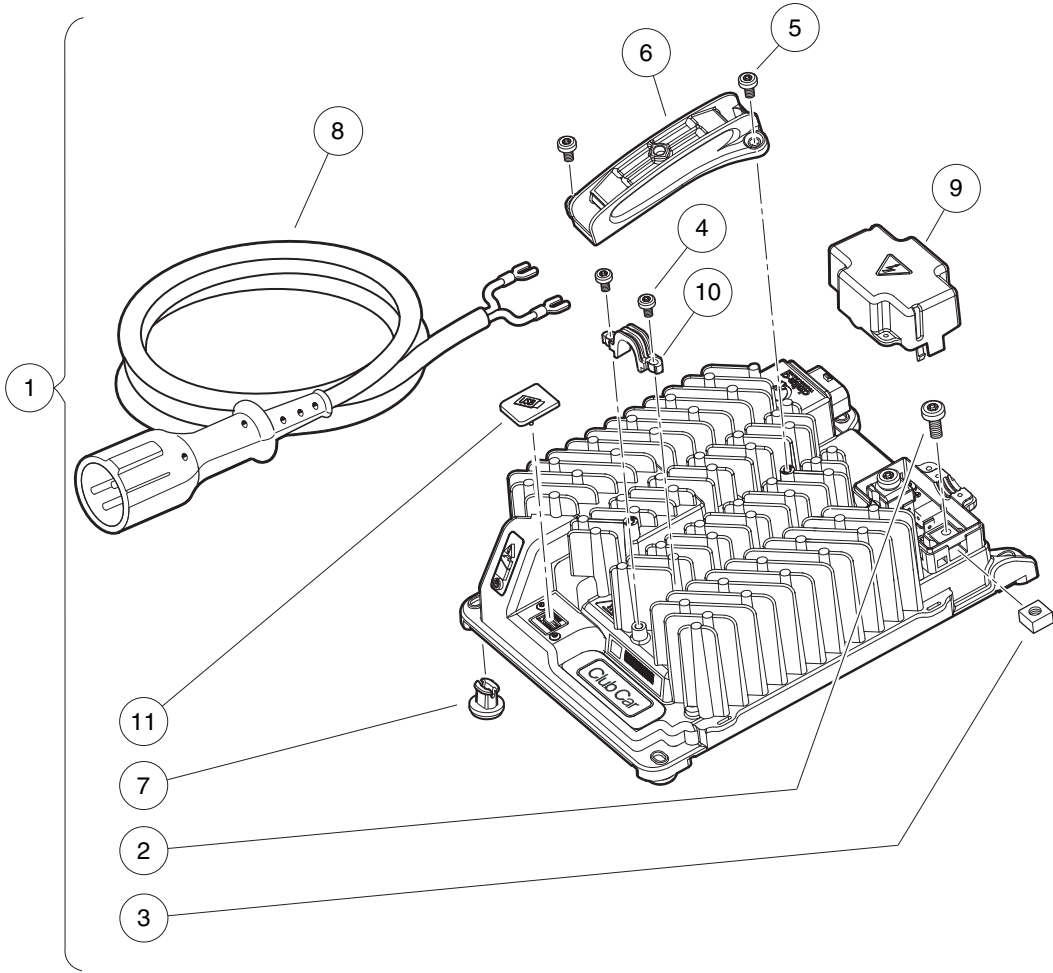
000610-002

## BATTERY CHARGER, HIGH-FREQUENCY – U.S./CANADA

| ITEM  | PART NO.         | DESCRIPTION   | QTY |
|---|------------------|---|-----|
|   |                  | 1 2 3 4   |     |
| 1   | <u>105095201</u> | Charger, High-Freq, Service, 9ft Yel DC, 6ft AC, US/Canada (includes items 2 and 3) ..... | 1   |
| 2   | <u>104024201</u> | Cord, AC, Nema To Iec320, 6ft (1.83 m), U.S./Canada .....                                 | 1   |
| 3   | <u>104029601</u> | Charger, Asm, High-Freq, 9ft (2.74 m) Yellow DC Cord (includes items 4 through 13)        | 1   |
| 4   | <u>104024501</u> | Screw, M6, Torx Head .....  | 2   |
| 5   | <u>104024601</u> | Nut, M6, Square, Captured .....   | 2   |
| 6   | <u>104028901</u> | Screw, M4 X .70, Pan Hd, Torx .....   | 2   |
| 7   | <u>104029001</u> | Screw, M5 X .80, Pan Hd, Torx .....   | 2   |
| 8   | <u>105003601</u> | Handle, Charger, High-Freq .....  | 1   |
| 9   | <u>105003701</u> | Foot, Charger, High-Freq .....  | 4   |
| 10  | <u>105070101</u> | Cord, DC, Yellow, 9ft (2.74 m) .....  | 1   |
| 11  | <u>105092301</u> | Cover, DC Terminal Block, High-Freq Charger .....   | 1   |
| 12  | <u>105093101</u> | Strain Relief, High-Freq, External, Charger .....   | 1   |
| 13  | <u>105123801</u> | Cover, USB .....  | 1   |
| <p>Note: This charger includes both an AC cord and DC cord. For additional cord lengths that may be used with this charger, see the Battery Charger Cords page.</p> |                  |   |     |

16

E



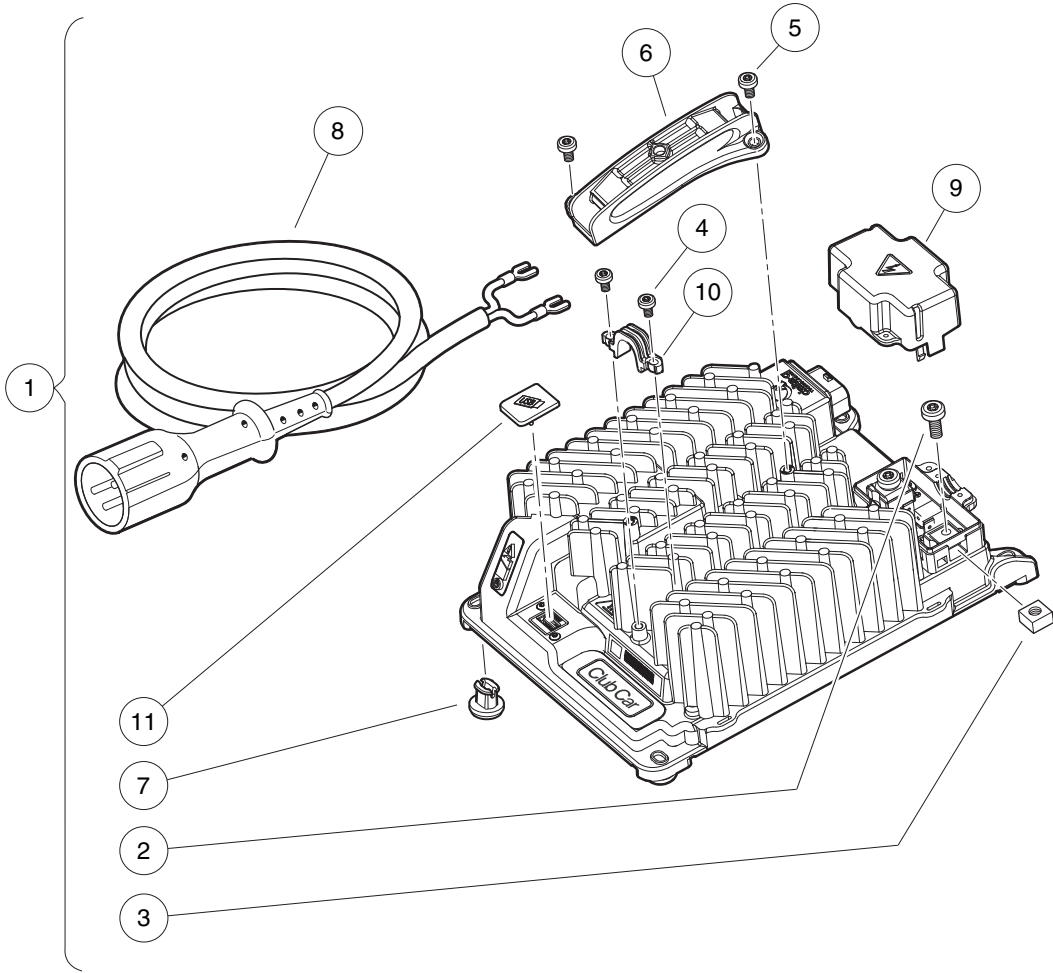
000610-003

# BATTERY CHARGER, HIGH-FREQ., 2.74 M DC CORD – GLOBAL

| ITEM  | PART NO.         | DESCRIPTION  | QTY |
|---|------------------|--|-----|
|   |                  | 1 2 3 4  |     |
| 1   | <u>104029601</u> | Charger, Asm, High-Freq, 9ft (2.74 m) Yellow DC Cord (includes items 2 through 11) ..... | 1   |
| 2   | <u>104024501</u> | Screw, M6, Torx Head .....   | 2   |
| 3   | <u>104024601</u> | Nut, M6, Square, Captured .....  | 2   |
| 4   | <u>104028901</u> | Screw, M4 X .70, Pan Hd, Torx .....  | 2   |
| 5   | <u>104029001</u> | Screw, M5 X .80, Pan Hd, Torx .....  | 2   |
| 6   | <u>105003601</u> | Handle, Charger, High-Freq .....   | 1   |
| 7   | <u>105003701</u> | Foot, Charger, High-Freq .....   | 4   |
| 8   | <u>105070101</u> | Cord, DC, Yellow, 9ft (2.74 m) .....   | 1   |
| 9   | <u>105092301</u> | Cover, DC Terminal Block, High-Freq Charger .....  | 1   |
| 10  | <u>105093101</u> | Strain Relief, High-Freq, External, Charger .....  | 1   |
| 11  | <u>105123801</u> | Cover, USB .....   | 1   |
| <p>Note: This charger does not include the AC cord. To complete the charger, choose the appropriate type and length of AC cord found on the Battery Charger Cords page.</p> |                  |  |     |

**16**

**E**



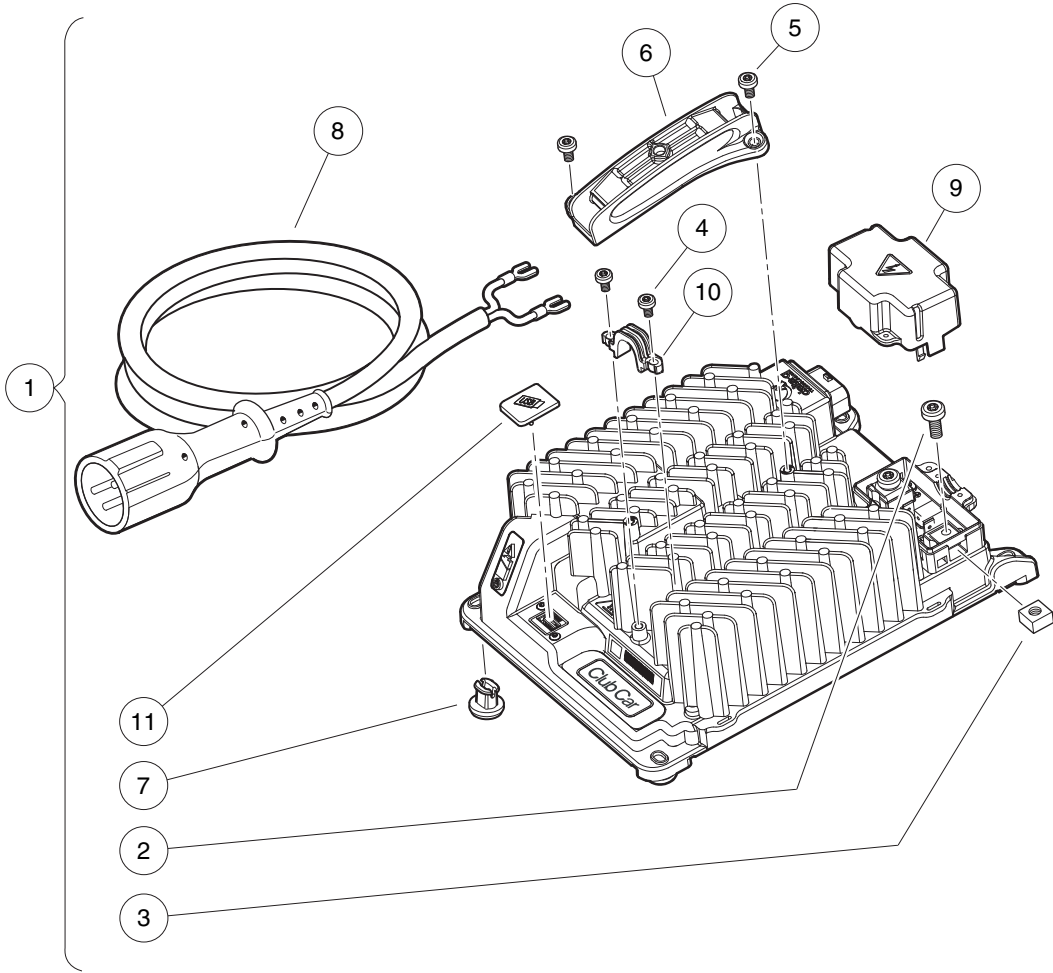
000610-003

# BATTERY CHARGER, HIGH-FREQ., 3.66 M DC CORD – GLOBAL

| ITEM  | PART NO.         | DESCRIPTION  | QTY |
|---|------------------|--|-----|
|   |                  | 1 2 3 4  |     |
| 1   | <u>104029602</u> | Charger, Asm, High-Freq, 12ft (3.66 m) Yellow DC Cord (includes items 2 through 11) .. | 1   |
| 2   | <u>104024501</u> | Screw, M6, Torx Head .....   | 2   |
| 3   | <u>104024601</u> | Nut, M6, Square, Captured .....  | 2   |
| 4   | <u>104028901</u> | Screw, M4 X .70, Pan Hd, Torx .....  | 2   |
| 5   | <u>104029001</u> | Screw, M5 X .80, Pan Hd, Torx .....  | 2   |
| 6   | <u>105003601</u> | Handle, Charger, High-Freq .....   | 1   |
| 7   | <u>105003701</u> | Foot, Charger, High-Freq .....   | 4   |
| 8   | <u>105070102</u> | Cord, DC, Yellow, 12ft (3.66 m) .....  | 1   |
| 9   | <u>105092301</u> | Cover, DC Terminal Block, High-Freq Charger .....                                      | 1   |
| 10  | <u>105093101</u> | Strain Relief, High-Freq, External, Charger .....                                      | 1   |
| 11  | <u>105123801</u> | Cover, USB .....   | 1   |
| <p>Note: This charger does not include the AC cord. To complete the charger, choose the appropriate type and length of AC cord found on the Battery Charger Cords page.</p> |                  |  |     |

**16**

**E**



000610-003

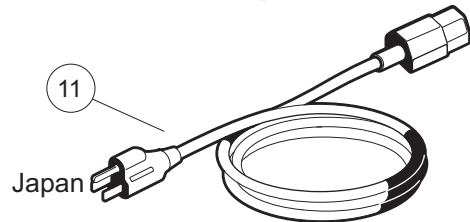
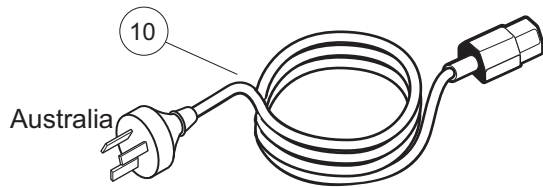
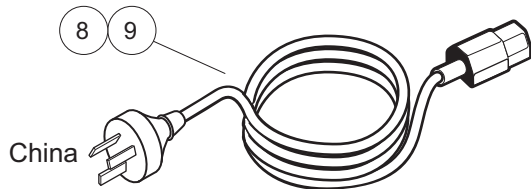
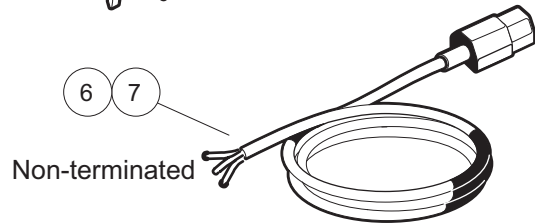
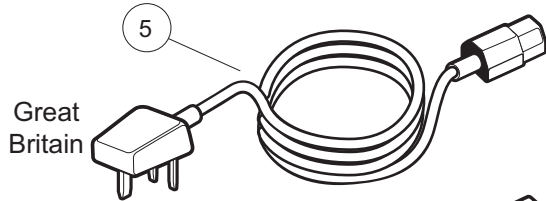
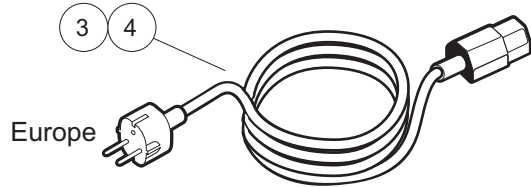
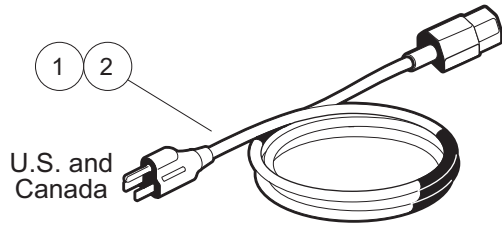


# BATTERY CHARGER, HIGH-FREQ., 6.1 M DC CORD – GLOBAL

| ITEM  | PART NO.         | DESCRIPTION  | QTY |
|---|------------------|--|-----|
|   |                  | 1 2 3 4  |     |
| 1   | <u>104029603</u> | Charger, Asm, High-Freq, 20ft (6.1 m) Yellow DC Cord (includes items 2 through 11) ..... | 1   |
| 2   | <u>104024501</u> | Screw, M6, Torx Head .....   | 2   |
| 3   | <u>104024601</u> | Nut, M6, Square, Captured .....  | 2   |
| 4   | <u>104028901</u> | Screw, M4 X .70, Pan Hd, Torx .....  | 2   |
| 5   | <u>104029001</u> | Screw, M5 X .80, Pan Hd, Torx .....  | 2   |
| 6   | <u>105003601</u> | Handle, Charger, High-Freq .....   | 1   |
| 7   | <u>105003701</u> | Foot, Charger, High-Freq .....   | 4   |
| 8   | <u>105070103</u> | Cord, DC, Yellow, 20ft (6.1 m) .....   | 1   |
| 9   | <u>105092301</u> | Cover, DC Terminal Block, High-Freq Charger .....  | 1   |
| 10  | <u>105093101</u> | Strain Relief, High-Freq, External, Charger .....  | 1   |
| 11  | <u>105123801</u> | Cover, USB .....   | 1   |
| <p>Note: This charger does not include the AC cord. To complete the charger, choose the appropriate type and length of AC cord found on the Battery Charger Cords page.</p> |                  |  |     |

**16**

**E**



002808-001

## CORDS – BATTERY CHARGER, HIGH-FREQUENCY

| ITEM | PART NO.         | DESCRIPTION   | QTY |
|------|------------------|---|-----|
|      |                  | 1 2 3 4   |     |
| 1    | 104024201        | Cord, AC, Nema To lec320, 6ft (1.83 m), U.S./Canada ..... | 1   |
| 2    | 104024202        | Cord, AC, Nema To lec320, 9ft (2.74 m), U.S./Canada ..... | 1   |
| 3    | <u>104024401</u> | Cord, AC, lec320, 6ft (1.83 m), Europe .....              | 1   |
| 4    | <u>104024402</u> | Cord, AC, lec320, 9ft (2.74 m), Europe .....              | 1   |
| 5    | <u>104028502</u> | Cord, AC, lec320, 9ft (2.74 m), Great Britain .....       | 1   |
| 6    | 104028601        | Cord, AC, lec320, 6ft (1.83 m), Non-terminated .....      | 1   |
| 7    | 104028602        | Cord, AC, lec320, 9ft (2.74 m), Non-terminated .....      | 1   |
| 8    | 105068201        | Cord, AC, lec320, 6ft (1.83 m), China .....               | 1   |
| 9    | 105068202        | Cord, AC, lec320, 9ft (2.74 m), China .....               | 1   |
| 10   | 105068302        | Cord, AC, lec320, 9ft (2.74 m), Australia .....           | 1   |
| 11   | 105068402        | Cord, AC, lec320, 9ft (2.74 m), Japan .....               | 1   |

16

E

**16**

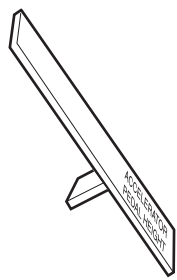
***E***

# MAINTENANCE AND SERVICE TOOLS

---

17  
G  
E

**17**  
**G**  
**E**



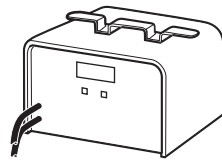
1



2



3



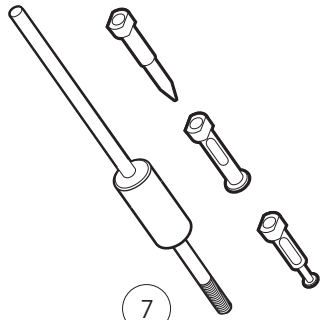
4



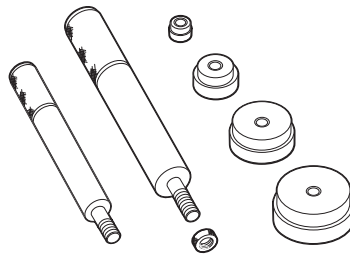
5



6



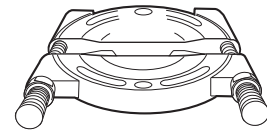
7



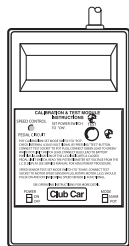
8



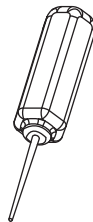
9



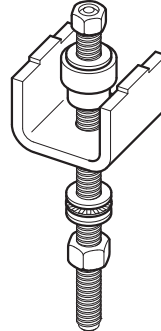
10



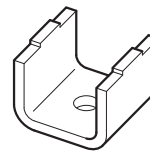
11



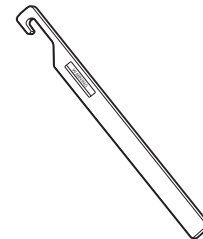
12



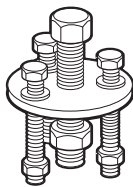
13



14



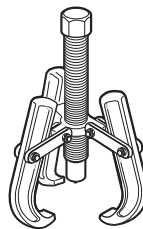
15



16



17



18



19

001060-003

# MAINTENANCE AND SERVICE TOOLS

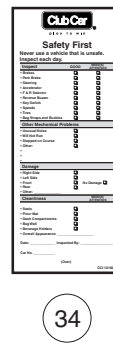
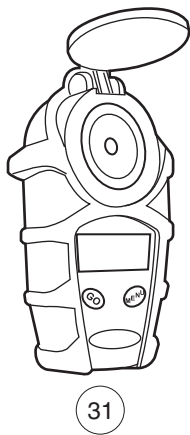
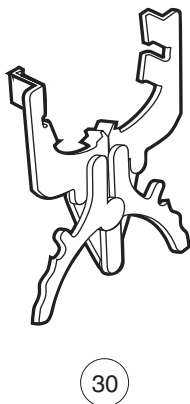
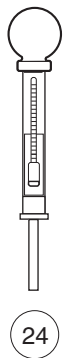
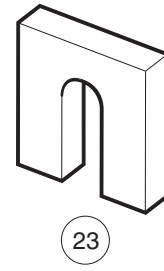
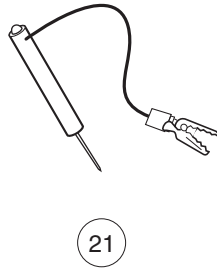
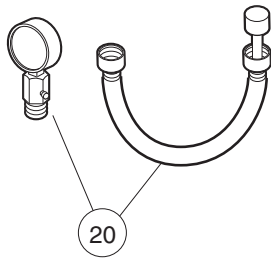
| ITEM | PART NO.         | DESCRIPTION   | QTY<br>GAS | QTY<br>ELEC |
|------|------------------|---|------------|-------------|
|      |                  | <p><b>1 2 3 4</b></p> <p>The following tool list includes all tools available from Club Car for maintenance and service procedures for gasoline and electric golf and utility vehicles. Be sure to carefully examine the tool list for applicability to your vehicle before ordering.</p> |            |             |
| 1    | <u>101871001</u> | Accelerator Pedal Adjustment Tool (Utility Vehicles).....   | 1          | 1           |
| 2    | <u>101813202</u> | Adhesive, Guide Ring, 3-Gram Tube .....   |            | 1           |
| 3    | <u>101641202</u> | Arbor .....   | 1          |             |
| 4    | <u>101831901</u> | Battery Discharge Machine, 36/48 Volt .....   |            | 1           |
| 5    | <u>1014305</u>   | Battery Terminal Protector Spray .....  | 1          | 1           |
| 6    | 1011767          | Battery Thermometer .....   | 1          | 1           |
| 7    | <u>1016417</u>   | Bearing and Oil Seal Remover Assembly .....   | 1          | 1           |
| 8    | <u>1016416</u>   | Bearing Driver Set .....  | 1          | 1           |
| 9    | <u>1012811</u>   | Bearing Puller .....  | 1          | 1           |
| 10   | <u>1012812</u>   | Bearing Puller Wedge Attachment .....   | 1          | 1           |
| 11   | <u>101887101</u> | Calibration Test Module .....   |            | 1           |
| 12   | <u>102562401</u> | Charger Bezel Tool .....  |            | 1           |
|      |                  | Clutch Tools (items 13 - 19) .....  | 1          |             |
| 13   | 47568549001      | Driven Clutch Tool .....  | 1          |             |
| 14   | 47568246001      | Plate, Cam Press (supplied with item 13).....   | 1          |             |
| 15   | <u>105072501</u> | Drive Clutch Holder Tool Assembly .....   | 1          |             |
| 16   | <u>1014497</u>   | Drive Clutch Hub Puller .....   | 1          |             |
| 17   | <u>1014496</u>   | Drive Clutch Puller .....   | 1          |             |
| 18   | <u>1014508</u>   | Driven Clutch Cam Puller .....  | 1          |             |
| 19   | <u>1014507</u>   | Driven Clutch Puller Plug .....   | 1          |             |
|      |                  | <p>Please refer to the maintenance and service manual for proper tool application.</p>  |            |             |

**17**

**G**

**E**

**17**  
**G**  
**E**



001061-003



## MAINTENANCE AND SERVICE TOOLS, CONTINUED

| ITEM | PART NO.         | DESCRIPTION  | QTY<br>GAS | QTY<br>ELEC |
|------|------------------|--|------------|-------------|
|      |                  | 1 2 3 4  |            |             |
| 20   | 101641002        | Compression Gauge and Adapter .....  | 1          |             |
| 21   | 1011273          | Continuity Tester .....  | 1          | 1           |
| 22   | <u>1012151</u>   | Dry Moly Lubricant .....   | 1          | 1           |
| 23   | <u>1016418</u>   | Gear Yoke .....  | 1          | 1           |
| 24   | <u>1011478</u>   | Hydrometer .....   | 1          | 1           |
| 25   | <u>1013593</u>   | Internal Retaining Ring Pliers .....   | 1          | 1           |
| 26   | <u>101928701</u> | Liquid Gasket (transaxle case) .....   | 1          | 1           |
| 27   | <u>102243402</u> | Moly-Teflon Lubricant (4-oz. (113-gram) tube) .....                                |            | 1           |
| 28   | <u>102587201</u> | Paint Pen, Touch-Up, Underbody ,Black .....  | 1          | 1           |
| 29   | <u>1016414</u>   | Piston Ring Compressor Kit .....   | 1          |             |
| 30   | <u>1016415</u>   | Piston Ring Pliers .....   | 1          |             |
| 31   | <u>AM1285701</u> | Refractometer .....  | 1          | 1           |
| 32   | <u>1012549</u>   | Retaining Ring Pliers, 45 External .....   | 1          | 1           |
| 33   | <u>1012560</u>   | Retaining Ring Pliers, 90 Internal .....   | 1          | 1           |
| 34   | <u>101823101</u> | Safety First Card (50 per pack) .....  | 1          | 1           |
| 35   | <u>1012809</u>   | Seal Puller .....  | 1          | 1           |
|      |                  | Please refer to the maintenance and service manual<br>for proper tool application. |            |             |

17

G

E

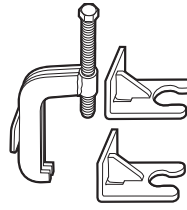
**17**  
**G**  
**E**



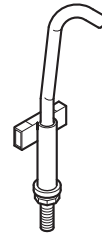
36



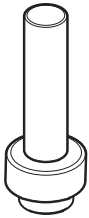
37



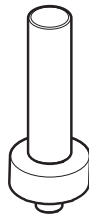
38



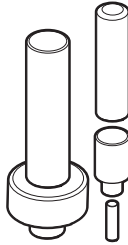
39



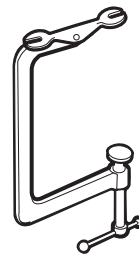
40



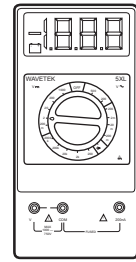
41



42



43



44



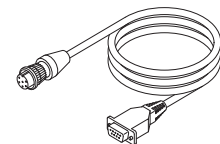
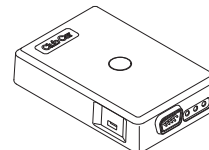
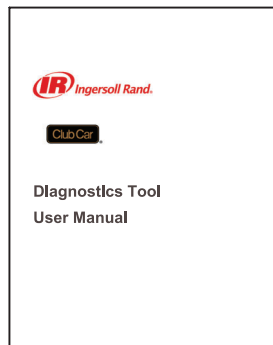
45



46



47



48

001062-002

## MAINTENANCE AND SERVICE TOOLS, CONTINUED

| ITEM | PART NO.           | DESCRIPTION  | QTY<br>GAS | QTY<br>ELEC |
|------|--------------------|--|------------|-------------|
|      |                    | 1 2 3 4  |            |             |
| 36   | <u>1014264</u>     | Steering Column Bearing Press Tool .....   | 1          | 1           |
| 37   | <u>1014259</u>     | Steering Column Retaining Ring Tool .....  | 1          | 1           |
| 38   | 102061201          | Steering Wheel Puller Tool .....   | 1          | 1           |
| 39   | <u>102570401</u>   | Tool, Tensioning, Starter Generator .....  | 1          |             |
| 40   | <u>1014162</u>     | Transaxle Axle Seal Tool .....   |            | 1           |
| 41   | 1014161            | Transaxle Pinion Seal Tool .....   |            | 1           |
| 42   | <u>1014115</u>     | Transmission Tool Kit .....  |            | 1           |
| 43   | <u>101641101</u>   | Valve Spring Compressor .....  | 1          |             |
| 44   | 1011480            | Volt Ohm Meter .....   | 1          | 1           |
| 45   | <u>47631025001</u> | Kit, EFI Diagnostics .....   | 1          |             |
| 46   | <u>47631026001</u> | Kit, Bluetooth EFI Diagnostics .....   | 1          |             |
| 47   | <u>47631075001</u> | Kit, EFI Tool .....  | 1          |             |
|      |                    | Please refer to the maintenance and service manual<br>for proper tool application. |            |             |

17

G

E



# INDEX

## Part Number and Page

|             |   |           |   |           |                              |
|-------------|---|-----------|---|-----------|------------------------------|
| AM10419     | 11-9  | 1242      | 1-79, 1-81, 4-33, 5-11, 7-7, 7-11, 7-13   | 1010932   | 5-3                          |
| AM1300001   | 13-15   | 1606      | 7-19  | 1010933   | 5-3                          |
| AM1300101   | 13-15   | 1624      | 1-3, 1-85, 5-5, 5-7, 6-3, 7-7   | 1010934   | 1-29, 1-79, 1-81, 7-19, 7-21 |
| AM1300201   | 13-15   | 2402      | 1-3, 1-85, 6-11   | 1010954   | 7-11, 7-13                   |
| AM1300301   | 13-15   | 7048      | 6-13, 6-15  | 1010958   | 13-11                        |
| SVP12987001 | 4-29  | 7049      | 1-67  | 1010984   | 2-3, 2-5                     |
| SVP370601   | 1-29  | 7173      | 4-7, 4-9, 7-19, 7-21  | 1011084   | 5-7                          |
| SVP370701   | 1-29  | 7174      | 1-79, 1-81, 6-13, 6-15, 7-7, 13-9   | 1011114   | 9-11, 12-11                  |
| SVP370801   | 1-29  | 7274      | 6-17  | 1011137   | 5-15                         |
| SVP370901   | 1-29  | 7308      | 6-17  | 1011273   | 17-5                         |
| SVP387901   | 1-33  | 7310      | 2-5   | 1011393   | 6-17                         |
| SVP658101   | 1-29  | 7330      | 15-3  | 1011402   | 5-3                          |
| SVP658401   | 1-29  | 7335      | 15-3  | 1011415   | 6-19                         |
| SVP658602   | 1-29  | 7336      | 15-3  | 1011418   | 5-3                          |
| SVP659001   | 1-29  | 7473      | 1-21, 1-29, 1-53, 1-59, 4-7, 4-9, 5-3, 5-5, 5-7, 5-11, 7-11, 7-13, 7-19, 7-21, 9-15           | 1011439   | 4-7, 4-9                     |
| SVP659101   | 1-29  | 7716      | 5-3   | 1011478   | 17-5                         |
| SVP659301   | 1-29  | 7818      | 7-11, 7-13  | 1011480   | 17-7                         |
| SVP659401   | 1-29  | 7820      | 4-7, 4-9  | 1011546   | 1-83                         |
| SVP659503   | 1-29  | 7840      | 6-17  | 1011553   | 1-79, 1-81, 3-5, 3-9         |
| SVP664101   | 1-29  | 7893      | 4-23, 4-33, 7-11, 7-13  | 1011557   | 4-7, 4-9                     |
| SVP707608   | 1-53  | 7910      | 6-17  | 1011578   | 13-11                        |
| SVP707609   | 1-53  | 7973      | 13-7  | 1011694   | 5-5, 5-7                     |
| SVP713301   | 1-29  | 8056      | 7-17  | 1011697   | 6-5, 10-3, 13-11             |
| SVP716902   | 1-33  | 8057      | 1-115, 7-13, 7-15, 7-17   | 1011734   | 5-7                          |
| SVP716903   | 1-33  | 8058      | 1-115, 7-13, 7-15, 7-17   | 1011767   | 17-3                         |
| SVP716905   | 1-33  | 8067      | 6-13, 6-15  | 1011779   | 5-11                         |
| SVP732201   | 1-29  | 8233      | 1-29, 1-61, 5-5, 5-7, 7-9, 9-11, 12-11  | 1011825   | 4-7, 4-9                     |
| SVP732901   | 1-29  | 8248      | 7-9   | 101187702 | 5-3                          |
| SVP736801   | 1-29  | 8251      | 1-33  | 1011887   | 6-17                         |
| SVP777401   | 1-33  | 8450      | 11-5, 11-7  | 1011892   | 6-17                         |
| SVP777402   | 1-33  | 8639      | 1-109, 1-115, 4-33, 6-5, 7-11, 7-13   | 1011931   | 5-5, 5-7                     |
| SVP777403   | 1-33  | 8717      | 5-5, 5-7, 7-11, 7-13, 12-3  | 1011937   | 1-21                         |
| SVP777501   | 1-29  | 8754      | 1-3, 1-7, 1-29, 1-39, 1-41, 1-43, 1-85, 4-25, 4-27, 5-5, 5-7, 6-3, 6-5, 6-11, 6-13, 6-15, 7-7 | 1011990   | 1-3, 1-29, 1-79, 1-85        |
| SVP826501   | 1-51  | 8755      | 6-13, 6-15  | 1012151   | 17-5                         |
| SVP826502   | 1-51  | 8861      | 6-11  | 1012159   | 1-39, 1-41, 1-43             |
| SVP860101   | 1-33  | 8935      | 1-21  | 1012181   | 6-19                         |
| SVP912901   | 1-53  | 8963      | 1-21, 1-29  | 1012182   | 6-19                         |
| SVPP229901  | 1-31  | 8990      | 6-3, 12-5   | 1012285   | 13-9                         |
| SVPP234001  | 1-31  | 1010005   | 6-17  | 1012295   | 1-115, 4-7, 4-9, 7-11, 7-13  |
| 183         | 1-55, 11-5, 11-7, 13-9  | 1010138   | 6-11  | 1012303   | 6-13, 6-15                   |
| 320         | 1-19  | 1010145   | 6-19  | 101242802 | 1-7                          |
| 324         | 1-65  | 1010150   | 6-13, 6-15  | 1012431   | 1-115, 7-13                  |
| 332         | 1-23, 1-29, 1-61, 7-9, 13-9   | 1010177   | 6-13, 6-15  | 1012438   | 13-9                         |
| 334         | 1-19, 5-5, 5-7, 6-3, 6-5, 11-5, 11-7  | 1010200   | 6-13  | 1012528   | 1-59, 13-9                   |
| 357         | 1-79, 6-13, 6-15  | 1010434   | 1-29  | 1012549   | 17-5                         |
| 451         | 14-3  | 101043502 | 1-59  | 1012560   | 17-5                         |
| 705         | 1-3, 1-29, 1-79   | 1010805   | 5-3   | 1012565   | 6-9                          |
| 706         | 1-79, 6-13, 6-15  | 1010829   | 5-11  | 1012566   | 6-9                          |
| 1016        | 1-65, 4-23, 13-9  | 1010877   | 5-3   | 1012571   | 6-5                          |
| 1017        | 13-9  | 1010878   | 1-61, 5-3   | 1012604   | 6-5                          |
| 1028        | 5-3   | 101090802 | 13-11   | 1012605   | 6-5                          |
| 1032        | 5-3   | 1010909   | 1-55  | 1012649   | 9-5                          |
| 1218        | 1-53, 9-15  | 1010921   | 5-3   | 1012809   | 17-5                         |
| 1241        | 1-21, 1-29, 1-53, 1-79, 1-81, 4-7, 4-9, 5-3, 5-5, 5-7, 5-11, 7-11, 7-13, 7-19, 7-21, 9-15 | 1010927   | 5-3   | 1012811   | 17-3                         |
|             |   |           |   | 1012812   | 17-3                         |
|             |   |           |   | 1012836   | 11-9                         |

# INDEX

|         |                             |           |                         |           |                      |
|---------|-----------------------------|-----------|-------------------------|-----------|----------------------|
| 1013035 | 6-3                         | 1014496   | 17-3                    | 1016351   | 6-11                 |
| 1013042 | 6-3, 6-11                   | 1014497   | 17-3                    | 1016353   | 6-11                 |
| 1013044 | 6-3                         | 1014507   | 17-3                    | 1016356   | 4-5, 13-9            |
| 1013052 | 6-3                         | 1014508   | 17-3                    | 1016363   | 13-9                 |
| 1013061 | 1-55                        | 101454602 | 6-19                    | 1016366   | 13-9                 |
| 1013135 | 6-17                        | 1014555   | 6-19                    | 1016384   | 6-13, 6-15           |
| 1013164 | 6-19                        | 1014573   | 6-19                    | 101638502 | 6-11                 |
| 1013309 | 1-23                        | 1014789   | 7-3                     | 1016386   | 6-13, 6-15           |
| 1013357 | 4-5                         | 1014807   | 7-13, 7-15, 7-17        | 1016387   | 6-13, 6-15           |
| 1013483 | 1-79                        | 1014808   | 7-13                    | 1016389   | 6-13, 6-15           |
| 1013531 | 5-11                        | 1014901   | 6-19                    | 101641002 | 17-5                 |
| 1013589 | 7-11, 7-13                  | 1014902   | 6-19                    | 101641101 | 17-7                 |
| 1013593 | 17-5                        | 1014947   | 13-9                    | 101641202 | 17-3                 |
| 1013609 | 4-33, 7-11, 7-13            | 1014948   | 4-33                    | 1016414   | 17-5                 |
| 1013734 | 1-59                        | 101503202 | 1-19                    | 1016415   | 17-5                 |
| 1013746 | 9-5                         | 1015072   | 13-11                   | 1016416   | 17-3                 |
| 1013794 | 15-3                        | 1015154   | 4-25                    | 1016417   | 17-3                 |
| 1013869 | 5-3                         | 1015156   | 4-25, 4-27              | 1016418   | 17-5                 |
| 1013870 | 5-3                         | 1015157   | 4-25, 4-27              | 1016423   | 4-5, 13-5            |
| 1013876 | 5-3                         | 1015187   | 4-25, 4-27              | 1016801   | 11-5, 11-7           |
| 1013924 | 5-13, 5-15, 8-7             | 1015277   | 1-61                    | 1016849   | 4-7, 4-9, 4-11, 4-13 |
| 1014007 | 5-5, 5-7, 9-11, 12-3, 12-11 | 1015332   | 7-3                     | 1016851   | 4-11, 4-13           |
| 1014051 | 11-7                        | 1015363   | 1-67                    | 1016901   | 11-5                 |
| 1014055 | 11-5, 11-7                  | 1015373   | 7-11, 7-13              | 1016929   | 4-25                 |
| 1014056 | 11-5, 11-7                  | 1015391   | 1-59                    | 1017029   | 5-3                  |
| 1014057 | 11-5, 11-7                  | 1015399   | 1-27                    | 1017226   | 6-13, 6-15           |
| 1014058 | 11-5, 11-7                  | 1015400   | 1-59                    | 1017235   | 6-19                 |
| 1014059 | 11-5, 11-7                  | 1015405   | 7-11, 7-13              | 1017266   | 6-11                 |
| 1014062 | 11-5, 11-7                  | 1015445   | 1-79                    | 1017273   | 6-7, 6-9             |
| 1014063 | 11-5, 11-7, 13-9            | 1015524   | 17-3                    | 1017313   | 6-5                  |
| 1014065 | 7-11, 7-13, 11-5, 11-7      | 101553901 | 3-3, 3-7                | 1017314   | 6-5                  |
| 1014072 | 11-9                        | 1015583   | 1-57                    | 1017315   | 6-5                  |
| 1014078 | 11-9                        | 101558302 | 6-13, 6-15, 6-19        | 1017317   | 6-5                  |
| 1014080 | 11-9                        | 1015597   | 6-13, 6-15              | 1017378   | 5-5, 5-7             |
| 1014115 | 17-7                        | 1015656   | 1-77                    | 1017380   | 5-5, 5-7             |
| 1014116 | 9-3                         | 1015661   | 1-59, 1-65              | 1017424   | 5-5, 5-7             |
| 1014125 | 6-5                         | 1015737   | 7-11, 7-13              | 1017686   | 11-9                 |
| 1014126 | 6-5                         | 1015741   | 7-11, 7-13, 13-5        | 101791101 | 5-13                 |
| 1014145 | 7-11, 7-13                  | 1015752   | 7-11, 7-13              | 101795701 | 13-11                |
| 1014161 | 17-7                        | 101587714 | 9-5                     | 101795705 | 13-9                 |
| 1014162 | 17-7                        | 1015878   | 1-115, 7-13, 7-15, 7-17 | 101796201 | 5-5, 5-7             |
| 1014201 | 14-3                        | 1015932   | 7-7                     | 101808401 | 17-3                 |
| 1014213 | 6-5                         | 1016060   | 1-57, 1-61              | 101813202 | 17-3                 |
| 1014214 | 6-5                         | 1016077   | 1-77                    | 101815501 | 5-13, 5-15           |
| 1014217 | 6-5                         | 1016078   | 1-61                    | 101815502 | 5-13, 5-15           |
| 1014259 | 17-7                        | 101609401 | 1-29, 3-3, 3-7          | 101816501 | 5-13, 5-15           |
| 1014264 | 17-7                        | 101611402 | 15-5                    | 101816502 | 5-13, 5-15           |
| 1014276 | 6-13, 6-15                  | 1016154   | 6-9                     | 101817401 | 5-5, 5-7             |
| 1014287 | 11-5, 11-7                  | 1016183   | 6-5                     | 101818801 | 5-7                  |
| 1014288 | 6-5, 7-19, 11-5, 11-7       | 1016201   | 11-5, 11-7              | 101823101 | 17-5                 |
| 1014304 | 13-11                       | 1016214   | 6-9                     | 101823201 | 5-13, 5-15           |
| 1014305 | 17-3                        | 1016269   | 6-5                     | 101823801 | 5-13, 5-15           |
| 1014321 | 1-65                        | 1016289   | 11-5, 11-7              | 101823901 | 5-13, 5-15           |
| 1014375 | 7-19                        | 1016346   | 6-11                    | 101825101 | 3-3, 3-7, 4-11, 4-13 |
| 1014453 | 11-5, 11-7                  | 1016349   | 6-11                    | 101825102 | 3-7                  |
| 1014454 | 11-9                        | 1016350   | 6-11                    | 101830701 | 4-15, 4-17, 4-19     |

# INDEX

|           |                  |           |                  |           |  |
|-----------|------------------|-----------|------------------|-----------|--|
| 101831901 | 17-3             | 101922501 | 7-9, 13-7        | 102186101 | 14-3   |
| 101833401 | 11-9             | 101923001 | 15-3             | 102186201 | 14-3   |
| 101834502 | 4-15, 4-17, 4-19 | 101923201 | 15-3             | 102186401 | 14-3   |
| 101834601 | 8-7              | 101923501 | 15-3             | 102186701 | 14-3   |
| 101834602 | 8-7              | 101923901 | 15-3             | 102186901 | 14-3   |
| 101835601 | 1-57, 1-61       | 101928701 | 15-3, 17-5       | 102187101 | 14-3   |
| 101837401 | 1-133            | 101931501 | 3-5, 13-9        | 102196901 | 13-5   |
| 101837502 | 1-133            | 101932201 | 4-7, 4-9         | 102198001 | 4-5  |
| 101850301 | 4-3, 6-7, 6-9    | 101936101 | 15-5             | 102199001 | 1-115, 4-7, 4-9                              |
| 101851101 | 4-15, 4-17, 4-19 | 101942301 | 14-3             | 102199601 | 13-9   |
| 101856002 | 4-11             | 101946201 | 1-27, 1-33       | 102235201 | 14-3   |
| 101856101 | 1-9              | 101953101 | 5-11             | 102238001 | 4-5, 13-9                                    |
| 101856102 | 7-11, 7-13       | 101954301 | 1-23             | 102240501 | 13-9   |
| 101861901 | 5-5, 5-7         | 101955101 | 4-7, 4-9         | 102242101 | 11-9   |
| 101862001 | 5-5              | 101957101 | 4-7, 4-9         | 102242401 | 1-39, 1-41, 1-43                             |
| 101870501 | 6-15             | 101958601 | 1-61             | 102243101 | 13-9   |
| 101871001 | 17-3             | 101958602 | 1-57             | 102243402 | 17-5   |
| 101878201 | 5-3              | 101960501 | 3-9              | 102243403 | 14-3   |
| 101879401 | 6-3              | 101963401 | 1-27, 1-77, 7-11 | 102269701 | 7-11   |
| 101879501 | 6-3              | 101965206 | 13-9             | 102274101 | 12-23  |
| 101879601 | 6-3              | 101968701 | 13-9             | 102278001 | 6-5  |
| 101879701 | 6-3              | 101972101 | 15-3             | 102289201 | 6-3, 6-11                                    |
| 101879801 | 6-3              | 101972201 | 15-3             | 102292701 | 1-15   |
| 101879901 | 6-3              | 101974701 | 4-15, 4-17, 4-19 | 102292801 | 5-11   |
| 101880001 | 6-3              | 101974702 | 4-15, 4-17, 4-19 | 102296020 | 12-3   |
| 101880101 | 6-3              | 101974703 | 4-15, 4-17, 4-19 | 102296150 | 1-29, 1-35, 1-37                             |
| 101880201 | 6-3              | 101974704 | 4-15, 4-17, 4-19 | 102296301 | 1-15, 1-29, 1-35, 1-37, 1-39, 1-41, 1-43     |
| 101880301 | 6-3              | 101974705 | 4-15, 4-17, 4-19 | 102296530 | 1-15   |
| 101884801 | 8-7              | 101974706 | 4-15, 4-17, 4-19 | 102296716 | 9-11   |
| 101886101 | 9-11, 12-11      | 101974707 | 4-15, 4-17, 4-19 | 102296819 | 1-5  |
| 101887101 | 17-3             | 101974708 | 4-15, 4-17, 4-19 | 102297125 | 1-15, 1-17, 1-19, 1-47, 1-49, 4-7, 4-9, 4-33 |
| 101887601 | 9-11             | 101974709 | 4-15, 4-17, 4-19 | 102297230 | 13-3   |
| 101895401 | 15-3             | 101974710 | 4-15, 4-17, 4-19 | 102298116 | 9-9  |
| 101895501 | 15-3             | 101974711 | 4-15, 4-17, 4-19 | 102298185 | 1-57   |
| 101897001 | 15-3             | 101974712 | 4-15, 4-17, 4-19 | 102298401 | 1-29, 1-57, 1-63, 1-65, 1-77, 6-19, 10-3     |
| 101897201 | 15-3             | 101978001 | 13-9             | 102298720 | 1-29   |
| 101897401 | 15-3             | 101978102 | 13-9             | 102299550 | 1-29, 1-63, 1-65, 1-77                       |
| 101897601 | 15-3             | 101978202 | 13-9             | 102311501 | 1-9  |
| 101898001 | 7-19, 7-21       | 101978601 | 15-5             | 102323101 | 5-11   |
| 101898101 | 7-19             | 101984801 | 6-5              | 102323201 | 5-11   |
| 101900801 | 5-11             | 101990801 | 5-11             | 102323501 | 1-7, 1-39, 1-41, 1-43, 4-25, 4-27            |
| 101903001 | 13-9             | 102022601 | 6-11             | 102345901 | 3-7  |
| 101903601 | 15-3             | 102022602 | 6-3, 6-11        | 102355301 | 7-19   |
| 101903701 | 15-3             | 102025701 | 5-9              | 102356601 | 15-3   |
| 101906901 | 15-3             | 102025801 | 9-3, 9-5         | 102356801 | 15-3   |
| 101908101 | 13-7             | 102026001 | 5-5, 5-7         | 102410604 | 9-11   |
| 101908401 | 7-9, 13-7        | 102056001 | 1-81             | 102410607 | 9-3  |
| 101908601 | 3-5              | 102059501 | 12-7, 12-9       | 102411209 | 9-15   |
| 101912401 | 5-7              | 102061201 | 17-7             | 102458901 | 3-9  |
| 101914001 | 15-5             | 102065103 | 1-81             | 102459301 | 3-5, 3-9                                     |
| 101915201 | 3-9              | 102065901 | 1-57             | 102476401 | 9-11, 12-11                                  |
| 101918501 | 5-3, 5-5, 5-7    | 102155801 | 11-9             | 102490301 | 9-3, 9-11                                    |
| 101919801 | 5-5, 5-7         | 102158901 | 5-5, 5-7         | 102491501 | 1-85, 11-5, 11-7                             |
| 101920101 | 14-3             | 102162601 | 5-11             |           |  |
| 101922101 | 15-3             | 102166901 | 5-11             |           |  |
| 101922201 | 15-3             | 102186001 | 14-3             |           |  |

# INDEX

|           |                             |           |                   |           |            |
|-----------|-----------------------------|-----------|-------------------|-----------|------------|
| 102492301 | 13-5                        | 102886601 | 15-3              | 103541401 | 4-33       |
| 102498201 | 9-11, 12-7, 12-9, 12-11     | 102894503 | 4-7               | 103541501 | 13-7       |
| 102506401 | 1-57, 6-19                  | 102902801 | 15-3              | 103572501 | 14-3       |
| 102517501 | 4-7                         | 102913601 | 1-85              | 103575801 | 1-57       |
| 102517601 | 4-9                         | 102922701 | 10-3              | 103582801 | 15-3       |
| 102526201 | 12-3                        | 102947601 | 1-35, 1-37        | 103601501 | 6-3        |
| 102531402 | 1-29                        | 102977901 | 9-3               | 103615001 | 14-3       |
| 102531601 | 1-29                        | 102989501 | 1-27              | 103628701 | 6-13       |
| 102538601 | 13-5                        | 103180101 | 1-111, 4-11, 4-13 | 103653401 | 6-3        |
| 102540301 | 8-7                         | 103182701 | 1-19              | 103653501 | 6-3, 6-11  |
| 102541401 | 1-29, 7-7                   | 103182702 | 1-19              | 103653601 | 6-11       |
| 102541470 | 1-29                        | 103196001 | 1-39, 1-41, 1-43  | 103658601 | 2-5        |
| 102541501 | 1-15, 1-29                  | 103198301 | 4-11              | 103696801 | 13-11      |
| 102546401 | 4-7                         | 103198401 | 7-9               | 103711302 | 13-13      |
| 102554512 | 1-67                        | 103201101 | 1-29              | 103717302 | 6-13, 6-15 |
| 102557201 | 1-39, 1-41, 1-43            | 103205501 | 3-9, 7-9          | 103717402 | 6-13, 6-15 |
| 102558201 | 8-3, 9-15                   | 103218601 | 13-5              | 103724504 | 6-7, 6-9   |
| 102562401 | 17-3                        | 103234304 | 3-11              | 103724601 | 6-9        |
| 102564002 | 6-13, 6-15                  | 103245001 | 4-7               | 103724602 | 6-7        |
| 102569302 | 2-5                         | 103262201 | 1-29, 8-5         | 103724901 | 6-9        |
| 102570401 | 17-7                        | 103316701 | 13-9              | 103754901 | 1-35       |
| 102572401 | 13-5                        | 103316801 | 13-9              | 103756401 | 9-5        |
| 102581201 | 1-39, 1-41, 1-43            | 103316901 | 13-9              | 103765601 | 13-11      |
| 102582401 | 1-29, 1-35, 1-37            | 103347601 | 7-5               | 103821301 | 4-23       |
| 102587201 | 17-5                        | 103347701 | 7-5               | 103829401 | 6-7        |
| 102590801 | 1-65, 1-67                  | 103347801 | 7-5               | 103832501 | 4-31       |
| 102617201 | 8-5                         | 103348201 | 4-13              | 103832601 | 4-31       |
| 102617801 | 12-23                       | 103348202 | 4-11              | 103864601 | 13-13      |
| 102618601 | 1-29                        | 103348602 | 4-13              | 103865101 | 5-5, 5-7   |
| 102621501 | 1-69, 7-7, 12-3, 12-7, 12-9 | 103354401 | 4-11              | 103879701 | 12-15      |
| 102621601 | 1-7                         | 103354701 | 6-11              | 103879702 | 12-13      |
| 102670701 | 1-7                         | 103372101 | 9-3               | 103886601 | 12-5       |
| 102684501 | 6-13, 6-15                  | 103372401 | 9-5               | 103896604 | 9-5        |
| 102704701 | 14-3                        | 103380201 | 5-13, 5-15        | 103896605 | 9-5        |
| 102704801 | 14-3                        | 103380202 | 5-13, 5-15        | 103902101 | 13-3       |
| 102704901 | 14-3                        | 103452001 | 9-5               | 103902301 | 13-3       |
| 102706401 | 6-19                        | 103459104 | 2-5               | 103902401 | 13-3       |
| 102711201 | 7-11, 7-13                  | 103477901 | 6-17              | 103924801 | 7-3        |
| 102725501 | 9-15                        | 103483101 | 5-13, 5-15        | 103943401 | 13-3       |
| 102732401 | 8-5                         | 103483102 | 5-13, 5-15        | 103951002 | 2-5        |
| 102766301 | 6-13, 6-15                  | 103483201 | 5-13, 5-15        | 103951003 | 2-5        |
| 102771701 | 15-3                        | 103483401 | 5-13, 5-15        | 103951501 | 12-23      |
| 102817101 | 4-33                        | 103483601 | 5-13, 5-15        | 103958101 | 13-11      |
| 102838701 | 7-5                         | 103483701 | 5-13, 5-15        | 103973901 | 11-7       |
| 102838801 | 7-5                         | 103484301 | 4-7, 4-9          | 103973902 | 11-5       |
| 102838901 | 7-5                         | 103487501 | 1-27              | 103974102 | 11-3       |
| 102839001 | 7-5                         | 103496801 | 7-19              | 103974201 | 11-5, 11-7 |
| 102839301 | 7-5                         | 103502601 | 6-13              | 103974401 | 11-5, 11-7 |
| 102841101 | 7-5                         | 103504301 | 13-11             | 103975301 | 11-9       |
| 102847603 | 1-77                        | 103507001 | 6-13, 6-15        | 103976101 | 11-5, 11-7 |
| 102865901 | 13-9                        | 103508101 | 8-5               | 103979301 | 12-23      |
| 102869401 | 4-11, 4-13                  | 103510301 | 13-7              | 103982301 | 13-9       |
| 102883601 | 1-15, 3-11                  | 103510602 | 13-13             | 103984601 | 11-5, 11-7 |
| 102886301 | 15-3                        | 103538701 | 1-57              | 103989501 | 12-23      |
| 102886401 | 15-3                        | 103539001 | 1-57              | 103995001 | 12-23      |
| 102886501 | 15-3                        | 103540203 | 1-19              | 104001201 | 1-87, 1-91 |



# INDEX

|           |                        |           |              |           |                              |
|-----------|------------------------|-----------|--------------|-----------|------------------------------|
| 104002101 | 1-121                  | 105027201 | 12-13, 12-15 | 105035201 | 1-49                         |
| 104003901 | 1-103                  | 105027301 | 12-13, 12-15 | 105035301 | 1-49                         |
| 104005901 | 13-15                  | 105027401 | 12-17        | 105035701 | 1-19                         |
| 104006101 | 13-15                  | 105027501 | 12-17        | 105035801 | 1-47                         |
| 104021701 | 12-23                  | 105027601 | 12-17        | 105036301 | 12-3                         |
| 104023501 | 9-11, 12-11            | 105027701 | 12-17        | 105036601 | 1-59                         |
| 104024201 | 16-3, 16-11            | 105027801 | 12-17        | 105036701 | 1-15                         |
| 104024202 | 16-11                  | 105027901 | 12-17        | 105036801 | 4-3                          |
| 104024401 | 16-11                  | 105028001 | 12-17        | 105037101 | 4-13                         |
| 104024402 | 16-11                  | 105028101 | 12-19, 12-21 | 105037201 | 7-11                         |
| 104024501 | 16-3, 16-5, 16-7, 16-9 | 105028201 | 12-17        | 105037401 | 7-11, 7-13                   |
| 104024601 | 16-3, 16-5, 16-7, 16-9 | 105028301 | 12-13, 12-15 | 105037701 | 12-3                         |
| 104025101 | 11-9                   | 105028401 | 12-17        | 105038001 | 12-3                         |
| 104026801 | 3-3, 3-7               | 105028501 | 12-13, 12-15 | 105038101 | 12-3                         |
| 104027101 | 12-23                  | 105028601 | 12-17        | 105038201 | 12-3                         |
| 104028502 | 16-11                  | 105028701 | 12-17        | 105038501 | 12-3                         |
| 104028601 | 16-11                  | 105028801 | 12-17        | 105038802 | 12-5                         |
| 104028602 | 16-11                  | 105028901 | 12-17        | 105039401 | 12-3                         |
| 104028901 | 16-3, 16-5, 16-7, 16-9 | 105029001 | 12-17        | 105039801 | 12-3                         |
| 104029001 | 16-3, 16-5, 16-7, 16-9 | 105029101 | 12-17        | 105039901 | 12-3                         |
| 104029601 | 16-3, 16-5             | 105029201 | 12-17        | 105040401 | 12-3                         |
| 104029602 | 16-7                   | 105029301 | 12-21        | 105040501 | 12-3                         |
| 104029603 | 16-9                   | 105029401 | 12-21        | 105040901 | 12-7                         |
| 104033601 | 1-83                   | 105029501 | 12-19, 12-21 | 105043001 | 9-15                         |
| 104033701 | 1-85                   | 105029601 | 12-21        | 105043801 | 9-3                          |
| 105000301 | 7-11, 7-13             | 105029701 | 12-21        | 105043901 | 9-3                          |
| 105000401 | 7-11, 7-13             | 105029801 | 12-19, 12-21 | 105046101 | 3-3, 3-7                     |
| 105003601 | 16-3, 16-5, 16-7, 16-9 | 105029901 | 12-19, 12-21 | 105049201 | 1-19                         |
| 105003701 | 16-3, 16-5, 16-7, 16-9 | 105030001 | 12-13, 12-15 | 105049301 | 1-19                         |
| 105006501 | 1-27                   | 105030301 | 12-19, 12-21 | 105060901 | 1-35                         |
| 105007001 | 1-21                   | 105030401 | 12-19, 12-21 | 105062401 | 1-27                         |
| 105007402 | 9-11                   | 105030501 | 12-19, 12-21 | 105063001 | 1-27                         |
| 105007403 | 9-11                   | 105030601 | 12-19, 12-21 | 105063002 | 1-27                         |
| 105009101 | 9-15                   | 105030701 | 12-13, 12-15 | 105063201 | 1-39, 1-41, 1-43             |
| 105025001 | 12-13, 12-15           | 105030801 | 12-19, 12-21 | 105063202 | 1-39, 1-41, 1-43             |
| 105025101 | 12-13, 12-15           | 105030901 | 12-17        | 105063301 | 1-39                         |
| 105025201 | 12-13, 12-15           | 105031001 | 12-21        | 105063302 | 1-41                         |
| 105025301 | 12-13, 12-15           | 105034001 | 1-19         | 105063303 | 1-43                         |
| 105025401 | 12-13, 12-15           | 105034201 | 1-19         | 105063401 | 1-39, 1-41, 1-43             |
| 105025501 | 12-13, 12-15           | 105034321 | 1-11         | 105063402 | 1-39, 1-41, 1-43             |
| 105025601 | 12-13, 12-15           | 105034322 | 1-11         | 105063501 | 12-13                        |
| 105025701 | 12-13, 12-15           | 105034323 | 1-11         | 105063601 | 12-19                        |
| 105025801 | 12-13, 12-15           | 105034324 | 1-11         | 105064102 | 1-33                         |
| 105025901 | 12-13, 12-15           | 105034325 | 1-11         | 105064103 | 1-33                         |
| 105026001 | 12-13, 12-15           | 105034326 | 1-11         | 105064121 | 1-25                         |
| 105026101 | 12-13, 12-15           | 105034327 | 1-11         | 105064122 | 1-25                         |
| 105026201 | 12-13, 12-15           | 105034328 | 1-11         | 105064123 | 1-25                         |
| 105026301 | 12-13, 12-15           | 105034329 | 1-11         | 105064124 | 1-25                         |
| 105026401 | 12-13, 12-15           | 105034401 | 1-15         | 105064521 | 1-23                         |
| 105026501 | 12-13, 12-15           | 105034501 | 1-15         | 105064522 | 1-23                         |
| 105026601 | 12-13, 12-15           | 105034601 | 1-15         | 105064523 | 1-23                         |
| 105026701 | 12-13, 12-15           | 105034701 | 1-15         | 105064524 | 1-23                         |
| 105026801 | 12-13, 12-15           | 105034801 | 1-15         | 105066001 | 12-19, 12-21                 |
| 105026901 | 12-13, 12-15           | 105034901 | 1-17         | 105066101 | 12-19, 12-21                 |
| 105027001 | 12-13, 12-15           | 105035001 | 1-17         | 105066401 | 1-49, 1-51                   |
| 105027101 | 12-13, 12-15           | 105035101 | 1-49         | 105068001 | 1-97, 1-99, 4-15, 4-17, 4-19 |

# INDEX

|           |                  |           |                        |           |                        |
|-----------|------------------|-----------|------------------------|-----------|------------------------|
| 105068002 | 4-15, 4-17, 4-19 | 105081808 | 4-17                   | 105106301 | 2-9                    |
| 105068003 | 4-15, 4-17, 4-19 | 105081809 | 4-17                   | 105106501 | 2-9                    |
| 105068004 | 4-15, 4-17, 4-19 | 105081810 | 4-17                   | 105106601 | 6-11                   |
| 105068005 | 4-15, 4-17, 4-19 | 105081811 | 4-17                   | 105108201 | 4-7, 4-9               |
| 105068006 | 4-15, 4-17, 4-19 | 105081812 | 4-17                   | 105108301 | 4-7, 4-9               |
| 105068007 | 4-15, 4-17, 4-19 | 105081901 | 4-19                   | 105108401 | 4-7, 4-9               |
| 105068008 | 4-15, 4-17, 4-19 | 105081902 | 4-19                   | 105108801 | 4-33                   |
| 105068009 | 4-15, 4-17, 4-19 | 105081903 | 4-19                   | 105109101 | 1-35                   |
| 105068010 | 4-15, 4-17, 4-19 | 105081904 | 4-19                   | 105109201 | 1-37                   |
| 105068011 | 4-15, 4-17, 4-19 | 105081905 | 4-19                   | 105109401 | 1-77                   |
| 105068012 | 4-15, 4-17, 4-19 | 105081906 | 4-19                   | 105110801 | 1-57                   |
| 105068201 | 16-11            | 105081907 | 4-19                   | 105112401 | 4-11                   |
| 105068202 | 16-11            | 105081908 | 4-19                   | 105112501 | 4-33                   |
| 105068302 | 16-11            | 105081909 | 4-19                   | 105112601 | 4-33                   |
| 105068402 | 16-11            | 105081910 | 4-19                   | 105113201 | 1-77                   |
| 105069901 | 1-35             | 105081911 | 4-19                   | 105113202 | 1-77                   |
| 105070101 | 16-3, 16-5       | 105081912 | 4-19                   | 105114805 | 4-5                    |
| 105070102 | 16-7             | 105082101 | 4-11                   | 105114806 | 4-5, 4-7, 4-9          |
| 105070103 | 16-9             | 105082301 | 3-9                    | 105114807 | 1-109, 4-5             |
| 105070401 | 13-5             | 105083301 | 6-13, 6-15             | 105115001 | 3-11                   |
| 105072001 | 1-39             | 105083701 | 12-3                   | 105115004 | 3-11                   |
| 105072002 | 1-41             | 105083801 | 12-3                   | 105116301 | 13-3                   |
| 105072003 | 1-43             | 105084701 | 3-9                    | 105117701 | 1-13                   |
| 105073401 | 4-3              | 105086101 | 1-39, 1-41, 1-43       | 105117702 | 1-13                   |
| 105074201 | 6-13, 6-15       | 105088501 | 9-15                   | 105117703 | 1-13                   |
| 105074501 | 1-7              | 105088601 | 4-25, 4-27             | 105117704 | 1-13                   |
| 105074502 | 1-7              | 105092301 | 16-3, 16-5, 16-7, 16-9 | 105117705 | 1-13                   |
| 105077201 | 13-5             | 105092601 | 1-39, 1-41, 1-43       | 105117706 | 1-13                   |
| 105078401 | 1-27             | 105093101 | 16-3, 16-5, 16-7, 16-9 | 105117707 | 1-13                   |
| 105078809 | 2-3              | 105093301 | 7-3                    | 105117708 | 1-13                   |
| 105078810 | 2-3              | 105093501 | 1-37                   | 105117709 | 1-13                   |
| 105078901 | 2-3              | 105093601 | 9-3                    | 105117710 | 1-13                   |
| 105079204 | 2-3              | 105093801 | 4-3                    | 105118601 | 4-25, 4-27             |
| 105079301 | 2-3              | 105094001 | 1-7, 1-39, 1-41, 1-43  | 105122104 | 1-65                   |
| 105079401 | 2-3              | 105095101 | 7-3                    | 105122204 | 1-63                   |
| 105081501 | 7-3              | 105095201 | 16-3                   | 105122807 | 4-9                    |
| 105081601 | 7-3              | 105096101 | 11-5, 11-7             | 105122808 | 4-7                    |
| 105081701 | 4-15             | 105097001 | 1-89                   | 105123801 | 16-3, 16-5, 16-7, 16-9 |
| 105081702 | 4-15             | 105097101 | 1-103                  | 105124001 | 1-7                    |
| 105081703 | 4-15             | 105097301 | 1-87                   | 105124101 | 1-85                   |
| 105081704 | 4-15             | 105097401 | 1-95                   | 105124201 | 1-45                   |
| 105081705 | 4-15             | 105097501 | 1-101                  | 105124202 | 1-45                   |
| 105081706 | 4-15             | 105097901 | 1-111                  | 105124701 | 3-5                    |
| 105081707 | 4-15             | 105098001 | 1-113                  | 105124901 | 1-9                    |
| 105081708 | 4-15             | 105098002 | 1-113                  | 105127302 | 1-69                   |
| 105081709 | 4-15             | 105098101 | 1-117                  | 105127401 | 1-65                   |
| 105081710 | 4-15             | 105098201 | 1-119                  | 105127402 | 1-65                   |
| 105081711 | 4-15             | 105098301 | 1-119                  | 105128001 | 1-69                   |
| 105081712 | 4-15             | 105098401 | 1-121                  | 105128101 | 1-67                   |
| 105081801 | 4-17             | 105098501 | 1-123                  | 105128201 | 1-67                   |
| 105081802 | 4-17             | 105098502 | 1-123                  | 105128801 | 1-45                   |
| 105081803 | 4-17             | 105098701 | 1-123                  | 105128802 | 1-45                   |
| 105081804 | 4-17             | 105102301 | 1-37                   | 105128901 | 1-45                   |
| 105081805 | 4-17             | 105102601 | 7-15, 7-17             | 105129001 | 1-45                   |
| 105081806 | 4-17             | 105106101 | 2-9                    | 105129501 | 1-77                   |
| 105081807 | 4-17             | 105106201 | 2-9                    | 105129601 | 1-77                   |

# INDEX

|           |                  |           |                     |           |                       |
|-----------|------------------|-----------|---------------------|-----------|-----------------------|
| 105129901 | 1-69             | 105167001 | 13-15               | 105183101 | 1-95                  |
| 105130001 | 3-5              | 105167101 | 13-15               | 105183201 | 1-95                  |
| 105130101 | 3-3              | 105167201 | 13-5                | 105183301 | 1-95                  |
| 105130301 | 1-67             | 105168501 | 13-15               | 105183401 | 1-95                  |
| 105130302 | 1-67             | 105168601 | 13-15               | 105183501 | 1-111                 |
| 105130501 | 1-67             | 105169101 | 1-59                | 105183601 | 1-119                 |
| 105134901 | 12-9             | 105170101 | 1-45                | 105183801 | 1-121                 |
| 105135101 | 9-11, 12-7, 12-9 | 105173901 | 13-5                | 105185701 | 1-63, 1-77            |
| 105135201 | 4-7, 4-9         | 105177001 | 1-103               | 105185801 | 1-63, 1-77            |
| 105135802 | 4-33             | 105177101 | 1-103               | 105186001 | 6-19                  |
| 105135901 | 7-3              | 105177901 | 1-103               | 105186002 | 6-19                  |
| 105136001 | 7-3              | 105178001 | 1-103               | 105187801 | 6-15                  |
| 105137101 | 3-3, 3-7         | 105178301 | 1-101               | 105188185 | 1-29, 6-19            |
| 105138301 | 13-11            | 105178401 | 1-101               | 105188201 | 6-19                  |
| 105143301 | 7-3, 9-3         | 105179001 | 1-111               | 105190601 | 4-7, 4-9              |
| 105143401 | 1-131            | 105179101 | 1-111               | 105190701 | 4-7, 4-9              |
| 105144401 | 9-11, 12-11      | 105179201 | 1-111               | 105192301 | 1-65                  |
| 105144801 | 4-31             | 105179301 | 1-111               | 105192901 | 1-65                  |
| 105145201 | 13-7             | 105179401 | 1-111               | 105193001 | 1-65                  |
| 105145401 | 1-85             | 105179501 | 1-111               | 105193101 | 1-69                  |
| 105145501 | 1-85             | 105179601 | 1-111               | 105194101 | 1-59, 9-3             |
| 105148501 | 1-77             | 105179701 | 1-111               | 105194301 | 1-27                  |
| 105148601 | 1-77             | 105179801 | 1-111               | 105194701 | 1-63                  |
| 105148701 | 1-77             | 105179901 | 1-111               | 105194702 | 1-63                  |
| 105148702 | 1-77             | 105180301 | 1-117               | 105194801 | 1-63, 1-77            |
| 105149101 | 5-9              | 105180401 | 1-117               | 105194802 | 1-63                  |
| 105149201 | 5-9              | 105180501 | 1-117               | 105195501 | 13-9                  |
| 105152301 | 4-11             | 105180601 | 1-117, 1-119, 1-121 | 105196001 | 1-35, 1-37            |
| 105152401 | 3-11             | 105180701 | 1-117               | 105196101 | 1-65                  |
| 105153201 | 3-11             | 105180801 | 1-117               | 105196201 | 1-65                  |
| 105153202 | 3-11             | 105180901 | 1-119               | 105197001 | 1-59                  |
| 105153301 | 3-11             | 105181001 | 1-119               | 105197301 | 1-39, 1-41, 1-43      |
| 105153302 | 3-11             | 105181101 | 1-119               | 105197401 | 1-3, 1-39, 1-41, 1-43 |
| 105155501 | 4-27             | 105181201 | 1-121               | 105197402 | 1-39, 1-41, 1-43      |
| 105155601 | 4-25             | 105181301 | 1-119               | 105200401 | 1-23                  |
| 105156301 | 1-5              | 105181401 | 1-119               | 105200701 | 1-65                  |
| 105156701 | 1-5              | 105181501 | 1-119               | 105200801 | 1-65                  |
| 105156702 | 1-5              | 105181601 | 1-121               | 105200901 | 1-65                  |
| 105160401 | 1-71             | 105181701 | 1-87, 1-91          | 105201001 | 1-65                  |
| 105160501 | 1-75             | 105181801 | 1-87, 1-91          | 105204401 | 4-25, 4-27            |
| 105160801 | 1-71             | 105181901 | 1-87, 1-91          | 105205201 | 1-65                  |
| 105160901 | 1-71             | 105182001 | 1-87, 1-91          | 105205301 | 4-25, 4-27            |
| 105161001 | 1-71             | 105182002 | 1-91                | 105205501 | 1-109                 |
| 105161101 | 1-71             | 105182101 | 1-87, 1-91          | 105216201 | 1-67                  |
| 105161201 | 1-75             | 105182102 | 1-87, 1-91          | 105216701 | 1-85                  |
| 105161301 | 1-75             | 105182201 | 1-87, 1-91          | 105233701 | 1-85                  |
| 105161401 | 1-71             | 105182202 | 1-87, 1-91          | 105234002 | 1-109                 |
| 105161501 | 1-73             | 105182301 | 1-87, 1-91          | 105234102 | 1-115                 |
| 105161601 | 1-73             | 105182302 | 1-87, 1-91          | 105234801 | 12-13, 12-15          |
| 105161701 | 7-3, 7-5         | 105182401 | 1-87, 1-91          | 105234901 | 12-13, 12-15          |
| 105163601 | 3-3              | 105182501 | 1-87, 1-91          | 105236301 | 1-115                 |
| 105163701 | 3-3, 3-5         | 105182601 | 1-87, 1-91          | 105237301 | 7-21                  |
| 105165801 | 4-7, 4-9         | 105182701 | 1-87, 1-91          | 105243301 | 2-7                   |
| 105165901 | 1-67             | 105182801 | 1-93                | 105243501 | 13-5                  |
| 105166801 | 13-15            | 105182901 | 1-87                | 105245801 | 11-3                  |
| 105166901 | 13-15            | 105183001 | 1-87                | 105245901 | 1-91                  |

# INDEX

|             |                                  |             |                   |             |            |
|-------------|----------------------------------|-------------|-------------------|-------------|------------|
| 105248201   | 1-85                             | 47555426001 | 1-97, 1-99        | 47606233001 | 9-3        |
| 105249901   | 1-39, 1-41, 1-43                 | 47555427001 | 1-97, 1-99        | 47606233002 | 9-3        |
| 105250501   | 1-39, 1-41, 1-43                 | 47555428001 | 1-97, 1-99        | 47606233004 | 9-3        |
| 105251901   | 1-39, 1-41, 1-43                 | 47555429001 | 1-97, 1-99        | 47606257001 | 9-5        |
| 105256701   | 7-21                             | 47555430001 | 1-97, 1-99        | 47609057001 | 4-13       |
| 105256801   | 7-3                              | 47555431001 | 1-97, 1-99, 1-105 | 47611208001 | 7-3        |
| 105265301   | 1-91                             | 47555432001 | 1-97, 1-99        | 47611209001 | 10-3       |
| 105265401   | 1-91                             | 47555433001 | 1-97, 1-99        | 47611210001 | 10-3       |
| 105288801   | 1-45                             | 47555434001 | 1-97, 1-99        | 47611483001 | 8-5        |
| 105289301   | 1-123                            | 47555435001 | 1-97, 1-99        | 47611484001 | 8-5        |
| 105295301   | 1-111                            | 47555436001 | 1-97              | 47611648001 | 8-5        |
| 47539338002 | 7-7                              | 47555436002 | 1-99              | 47611868001 | 7-7        |
| 47542195001 | 5-13, 5-15                       | 47555437001 | 1-97, 1-99        | 47611869001 | 7-7        |
| 47552858001 | 1-89                             | 47555438001 | 1-105             | 47611870001 | 7-7        |
| 47552859001 | 1-89                             | 47555439001 | 1-105             | 47611876001 | 9-3        |
| 47552862001 | 1-129                            | 47555440001 | 1-105             | 47611877001 | 9-3        |
| 47552863001 | 1-127                            | 47555440002 | 1-105             | 47612348001 | 7-3        |
| 47552864001 | 1-125                            | 47555441001 | 1-97, 1-99        | 47612349001 | 7-3        |
| 47552865001 | 1-107                            | 47555442001 | 1-97, 1-99        | 47612352001 | 9-9        |
| 47552872001 | 1-107                            | 47555443001 | 1-97, 1-99        | 47613047002 | 10-3       |
| 47553012001 | 1-89                             | 47555446001 | 1-97, 1-99        | 47617345001 | 7-7        |
| 47553013001 | 1-89, 1-105, 1-125, 1-127, 1-129 | 47555447001 | 1-97, 1-99        | 47619701001 | 9-5        |
| 47553014001 | 1-89, 1-127, 1-129               | 47555451001 | 1-97, 1-99        | 47621599001 | 1-65       |
| 47553015001 | 1-89, 1-105                      | 47555699001 | 1-89              | 47623281001 | 7-3        |
| 47553024001 | 1-127, 1-129                     | 47559475001 | 7-5               | 47623339001 | 9-3        |
| 47553026001 | 1-97, 1-99, 1-127, 1-129         | 47559475002 | 7-5               | 47629583001 | 8-19       |
| 47553027001 | 1-97, 1-99                       | 47563313001 | 1-65              | 47629585001 | 8-19       |
| 47553028001 | 1-105                            | 47563313002 | 1-65              | 47629588001 | 8-19       |
| 47553029001 | 1-105                            | 47564890001 | 8-7               | 47629589001 | 8-19       |
| 47553777001 | 1-89                             | 47570761001 | 1-89              | 47629677001 | 8-15       |
| 47553824001 | 1-89                             | 47570762001 | 1-89              | 47629680001 | 8-15       |
| 47553825001 | 1-89                             | 47573611001 | 1-89              | 47629682001 | 8-15       |
| 47553942001 | 1-97, 1-99                       | 47579096001 | 6-19              | 47629685001 | 8-15       |
| 47553950001 | 1-129                            | 47579923001 | 4-3               | 47629686001 | 8-15       |
| 47554192001 | 1-89                             | 47583000001 | 7-5               | 47629687001 | 8-15       |
| 47554309001 | 1-127                            | 47583790001 | 7-5               | 47629688001 | 8-15       |
| 47554310001 | 1-127                            | 47583791001 | 7-5               | 47629689001 | 8-15       |
| 47554311001 | 1-127                            | 47583794001 | 7-5               | 47629690001 | 8-15       |
| 47554387001 | 1-125                            | 47583795001 | 8-7               | 47629691001 | 8-15       |
| 47554388001 | 1-97, 1-99, 1-105, 1-125         | 47583907001 | 4-3               | 47629693001 | 8-15       |
| 47554389001 | 1-125                            | 47584178001 | 7-5               | 47629694001 | 8-15       |
| 47554390001 | 1-125                            | 47584179001 | 7-5               | 47629696001 | 8-15       |
| 47554720001 | 1-107                            | 47584184001 | 8-7               | 47629697001 | 8-15       |
| 47554721001 | 1-107                            | 47585213001 | 6-15              | 47629698001 | 8-15       |
| 47554722001 | 1-107                            | 47587701001 | 8-7               | 47629699001 | 8-17       |
| 47554723001 | 1-107                            | 47594727001 | 4-21              | 47629700001 | 8-17       |
| 47554724001 | 1-107                            | 47598099001 | 8-5               | 47629701001 | 8-17       |
| 47554726001 | 1-107                            | 47598441001 | 4-13              | 47629702001 | 8-11, 8-17 |
| 47554727001 | 1-107                            | 47600627001 | 1-3               | 47629703001 | 8-17       |
| 47554728001 | 1-107                            | 47600628001 | 1-3               | 47629705001 | 8-17       |
| 47554730001 | 1-107                            | 47600629001 | 1-3               | 47629707001 | 8-17       |
| 47554731001 | 1-107                            | 47600630001 | 1-3               | 47629709001 | 8-17       |
| 47555423001 | 1-97                             | 47601355001 | 9-11              | 47629711001 | 8-13       |
| 47555423002 | 1-99                             | 47601767002 | 11-9              | 47629714001 | 8-13       |
| 47555424001 | 1-97, 1-99                       | 47601832001 | 11-9              | 47629716001 | 8-13       |
| 47555425001 | 1-97, 1-99                       | 47604303001 | 1-115, 4-23       | 47629717001 | 8-13       |

# INDEX

- 47629718001 8-13  
47629719001 8-13  
47629720001 8-13  
47629722001 8-13  
47629723001 8-13  
47629724001 8-13  
47629725001 8-13  
47629726001 8-13  
47629727001 8-13  
47629728001 8-13  
47629729001 8-13  
47629730001 8-13  
47629768001 8-13  
47629822001 8-13  
47629823001 8-13  
47629824001 8-13  
47629825001 8-13  
47629826001 8-11  
47629828001 8-11  
47629831001 8-11  
47629832001 8-11  
47629833001 8-11  
47629834001 8-11  
47629835001 8-11  
47629836001 8-11  
47629837001 8-11  
47629838001 8-11  
47629841001 8-11  
47629843001 8-11  
47629844001 8-9  
47629845001 8-9  
47629846001 8-9  
47629847001 8-9  
47629848001 8-9  
47629851001 8-9  
47629853001 8-9  
47629855001 8-9  
47629856001 8-9  
47629857001 9-7  
47629858001 9-7  
47629859001 9-7  
47629860001 9-7  
47629861001 9-7  
47629862001 9-7  
47629864001 9-7  
47629865001 9-7  
47629866001 9-7  
47629867001 9-7  
47629868001 9-7  
47629869001 9-7  
47629870001 9-7  
47629871001 9-7  
47629872001 9-7  
47629874001 9-7  
47629875001 9-9  
47629876001 9-9
- 47629877001 9-9  
47629878001 9-9  
47629879001 9-13  
47629880001 9-13  
47629881001 9-13  
47629882001 9-13  
47631907001 4-11  
47631907002 4-13  
47634448002 9-3  
47637087001 9-5  
47640020001 8-17  
47640021001 8-11  
47640281001 8-3, 8-11  
47650647001 8-11  
47654580002 1-53  
47662588001 12-25  
47664037001 9-3  
47664335001 8-11  
47676897001 8-11  
96704176 4-21, 12-3  
96705199 1-65, 12-7, 12-9  
96705587 10-3  
96741046 8-5
- ## A
- AC cord 16-3, 16-11  
accelerator bracket and bearing assembly 5-5, 5-7  
accelerator cable 9-11  
accelerator pedal adjustment tool 17-3  
accelerator pivot rod 5-5, 5-7  
accelerator return spring 5-5, 5-7  
accelerator rod 5-7  
accessory receptacle 4-5  
adhesive, guide ring 17-3  
air cleaner assembly 9-15  
air filter 8-3, 9-15  
air filter evacuator 9-15  
air intake hose 9-15  
AM1285701 17-5  
Angle, Bumper Guard, Ca300 1-53  
A-plate strap 6-11  
A-plate, delta 6-11  
arbor 17-3  
arm  
    governor 9-11, 12-11  
armature 14-3  
assembly  
    accelerator bracket and bearing 5-5, 5-7  
    accelerator pivot rod 5-5, 5-7  
    bearing, steering shaft 6-5  
    brake lever 5-13, 5-15  
    delta A-plate 6-11  
    drive hub 11-5, 11-7  
    frame and field (motor) 14-3  
    fuel cap 9-3  
    inner ball joint 6-3  
    kingpin 6-13, 6-15  
    moveable-face 11-5, 11-7, 11-9  
    ratchet 5-3, 5-5, 5-7  
    secondary clutch weight 11-5, 11-7  
    steering shaft 6-5  
axle 15-3  
axle guard 15-5  
axle shaft 12-19, 12-21  
axle shaft oil seal 15-3  
axle tube 12-19, 12-21, 15-3
- ## B
- backing plate, brake 5-13, 5-15  
ball bearing 7-5, 12-17, 12-19, 12-21  
ball joint 5-3, 5-7  
ball stud 7-11, 7-13  
ball, trailer hitch 1-83  
barrel, plastic 1-29  
battery  
    12-volt, side-post 7-19  
    12-volt, top-post 7-21  
    8-volt, GC8 Type E 13-11  
battery charger 16-3, 16-5, 16-7, 16-9  
battery clamp 7-19, 7-21  
battery condition indicator 4-11  
battery discharge machine 17-3  
battery hold-down 13-11  
battery retainer 7-19  
battery terminal protector spray 17-3  
battery thermometer 17-3  
battery, top-post, wire, 4ga, B+ 7-3  
battery, top-post, wire, B- 4ga, 7-21  
bearing 15-3  
    ball 7-5, 12-17, 12-19, 12-21  
    ball (motor) 14-3  
    ball (steering pinion) 6-3  
    front wheel hub 6-17  
    hub 6-17  
    inner axle tube 15-3  
    lower pinion (steering) 6-3  
    pivot support 5-5, 5-7  
    steering shaft 6-5  
    thrust 6-13, 6-15, 12-13, 12-15  
bearing and oil seal remover 17-3  
bearing driver set 17-3  
bearing puller 17-3  
bearing puller wedge 17-3  
bearing seat 6-5  
bed clamp kit 1-71  
bed floor 1-59  
bed floor kit 1-59  
bed latch weldment 1-59  
bed seal 1-27  
bellows 6-3  
belt, drive 11-3

# INDEX

- block, brake-mounting 5-3
  - block, fuse 7-11, 7-13, 13-5
  - block, terminal 4-5, 13-9
  - bolt, U- 6-19
  - boot, steering column 6-5
  - boot, switch 7-9, 13-7
  - box
    - steering gear 6-3
    - tool 1-133
  - brace, trailer hitch 1-79
  - bracket
    - accel.cable 9-11, 12-7, 12-9
    - brake light switch 4-7, 4-9
    - carbon canister 9-5
    - FNR cable 9-11, 12-7, 12-9
    - governor 9-11, 12-11
    - horn 4-7, 4-9
    - shifter 12-3
    - shock mounting, drv 6-19
    - shock mounting, pas 6-19
    - snubber 8-7
    - stake side 1-77
    - steering column 6-5
    - steering column mounting 6-5
    - Tow/Run switch 7-9, 13-7
  - bracket, hinge, bed 1-57
  - bracket,tailgate Lh 1-67
  - bracket,tailgate Rh 1-67
  - brake adjusting mechanism 5-13, 5-15
  - brake backing plate 5-13, 5-15
  - brake cable 5-11
  - brake cable equalizer 5-11
  - brake cable hanger 5-11
  - brake cluster 5-13, 5-15
  - brake drum 5-13, 5-15
  - brake lever 5-13, 5-15
  - brake light switch bracket 4-7, 4-9
  - brake mounting block 5-3
  - brake pedal 5-3
  - brake pedal pad 5-3
  - brake return spring 5-11
  - brake self-adjusting mechanism 5-13, 5-15
  - brake shoe 5-13, 5-15
  - brake spring 5-13, 5-15
  - breather 12-13, 12-15, 15-3
  - brush 14-3
  - brush box assembly 14-3
  - brush rigging 14-3
  - brush spring 14-3
  - bucket holder kit 1-75
  - bulb,halogen 4-3
  - bumper
    - drive unit (motor) 14-3
    - jounce 6-19
    - rubber 1-61, 5-3
    - spring return 5-5, 5-7
  - bumper mount 6-19
  - bumper,bedfloor 1-59
  - bushing 7-11, 7-13, 11-5, 11-7, 12-3
    - bronze 6-13, 6-15
    - nylon 1-67, 5-3
    - snap-in 1-67
    - spindle 6-13, 6-15
    - steel 6-13, 6-15
    - urethane 1-57, 6-11, 6-13, 6-15, 6-19
  - button, drive 11-9
  - buzzer, reverse 4-11, 4-13
- ## C
- cab door 1-87, 1-91
  - cab liner 1-89
  - cab mirror 1-123
  - cab mirror lh 1-123
  - cab overhead console 1-111
  - cab roof, standard 1-89
  - cab windshield kit 1-103
  - cab wiper kit 1-113
  - cable
    - accelerator 9-11
    - brake 5-11
    - FNR shifter 12-5
  - calibration test module 17-3
  - cam
    - driven clutch 11-9
    - electrical component box 7-11, 7-13
  - canister, carbon, fuel tank 9-5
  - canopy
    - short 1-39
  - canopy kit 1-39
  - cap
    - dust 13-5
    - fuel, gas, ratchet 9-3
    - key switch 4-15, 4-17, 4-19
    - rubber 12-23
  - cap,quick connector 13-9
  - carbon canister 9-5
  - card, safety first 17-5
  - cargo box kit 1-65
  - cargo box, corner,ds 1-65
  - cargo box, side panel,ds,short 1-65
  - cargo box,corner,ps 1-65
  - cargo box,side panel,ps,short 1-65
  - case
    - gear 15-3
    - transaxle 12-13, 12-15
  - center shaft 12-17
  - charge receptacle 13-5
  - charger bezel tool 17-3
  - charger, battery, Hi-Freq 16-3, 16-5, 16-7, 16-9
  - charging diode 7-11
  - clamp
    - battery 7-19, 7-21
    - hose 9-5, 9-15
    - p- (fuel filter) 9-11
  - clevis, upper delta 6-13, 6-15
  - clip
    - body trim 1-15
    - meter 4-13
    - wheel cover 2-9
  - clip, score card 6-9
  - cluster, brake 5-13, 5-15
  - clutch
    - pin 12-17
  - clutch cam installation tool 17-3
  - clutch repair kit 11-9
  - clutch tool kit 17-3
  - clutch weight 11-5, 11-7
  - clutch, drive 11-5, 11-7
  - collar 12-17
  - column, steering 6-5
  - compression gauge 17-5
  - compressor, piston ring 17-5
  - compressor, valve spring 17-7
  - continuity tester 17-5
  - controller cover 13-9
  - controller cover gasket 13-9
  - controller, motor speed
    - Excel w/Hi-Freq 13-9
  - cord set, DC 16-3, 16-5, 16-7, 16-9
  - cord, AC 16-3, 16-11
  - counter shaft 12-17
  - cover
    - DC terminal block 16-3, 16-5, 16-7, 16-9
    - dust 5-13, 5-15, 6-17
    - fuse block 13-9
    - rocker switch hole 1-111, 4-11, 4-13
    - steering column 6-5
    - USB 16-3, 16-5, 16-7, 16-9
  - cover gasket, controller 13-9
  - cover, controller 13-9
  - cover, speed controller 13-9
  - cowl 1-11
  - C-type stop ring 6-3
  - cup, spring 5-5, 5-7
  - cushion, shock absorber 6-19
- ## D
- dash 1-19
  - DC cord set 16-3, 16-5, 16-7, 16-9
  - decal
    - bed load warning 3-3, 3-7
    - component cover 3-5, 13-9
    - crush area warning 1-29, 3-3, 3-5, 3-7, 3-9
    - diode safety 3-7
    - filter log 13-15
    - frame ground 3-9
    - hot surface warning 3-9
    - inspect log 13-15

# INDEX

key switch 3-7  
maintenance/operate switch 3-9, 7-9  
nameplate 1-15, 3-11  
on/off 3-3, 3-7, 4-11, 4-13  
rotating parts 3-9  
Tow/Run switch warning 3-5  
trailer hitch 1-79, 1-81, 3-5, 3-9  
wheel cover 2-9  
deionizer 13-15  
    cartridge 13-15  
delta A-plate 6-11  
delta A-plate sub-assembly 6-11  
diagnostic port 13-5  
differential 12-21  
    limited-slip 12-19  
    open 12-21  
differential drive unit 15-3  
differential gear 15-3  
differential gear set 12-21  
differential guard 15-5  
differential housing 15-3  
differential shaft 12-21  
diode 4-33, 7-3  
diode, charging 7-11  
door, charger port 1-15  
door, glove box 1-19  
doors, soft, cab 1-95  
drain plug 12-13, 12-15  
drive belt 11-3  
drive button 11-9  
drive clutch 11-5, 11-7  
drive clutch button 11-5, 11-7  
drive clutch holder tool 17-3  
drive clutch hub puller 17-3  
drive clutch puller 17-3  
drive clutch spring 11-5, 11-7  
drive clutch weight 11-5, 11-7  
drive hub 11-5, 11-7  
drive unit bumper 14-3  
drive unit guard 15-5  
driven clutch button 11-9  
driven clutch cam 11-9  
driven clutch cam puller 17-3  
driven clutch puller plug 17-3  
driver, drive clutch 11-5, 11-7  
drum, brake 5-13, 5-15  
dry moly lubricant 17-5  
dual snubber 8-7  
dust cap 13-5  
dust cover 5-13, 5-15, 6-17

## E

eccentric bolt 6-13, 6-15  
E-clip 5-11  
end cap, motor 14-3  
end, tie rod 6-11

engine  
    air cleaner 9-15  
    air filter 8-3, 9-15  
    air intake hose 9-15  
equalizer rod 5-11  
equalizer, brake cable 5-11  
exhaust extension 1-131  
extension, spring latch 1-59  
extrusion, cover support 13-9

## F

face, moveable 11-9  
fender, front, lh 1-15  
fender, front, rh 1-15  
fender, inner 1-47  
fender, rear 1-49  
filter  
    air 8-3, 9-15  
fitting, thread-forming grease 6-13, 6-15  
flasher, turn signal, 12-volt 4-7  
flat bed trim kit 1-63  
floor mat 1-19  
floodmat, 4 pass, rear 1-29  
fnr shaft 12-3  
FNR shift lever 12-7, 12-9  
FNR shifter base 12-3  
FNR shifter cable 12-5  
foot deck 1-29  
fops kit 1-89  
frame  
    corner cap 1-27  
frame and field assembly (motor) 14-3  
frame weldment, front 1-21  
front spring retainer plate 6-13, 6-15  
Fuel Module, Hold-Down Ring 9-3  
fuse  
    10-amp 1-115, 4-7, 4-9, 7-3, 7-11, 7-13  
    15-amp 13-5  
    1-amp 13-5  
    20-amp 4-5, 13-5  
    2-amp 7-3, 13-5  
    30-amp 13-5  
    5-amp 7-3  
fuse block 7-11, 7-13, 13-5  
fuse block cover 13-9  
fuse, mini, 7.5A 4-5  
fuse, mini, 10A 4-5, 4-7, 4-9  
fuse, mini, 15A 1-109, 4-5

## G

gasket 12-13, 12-15  
    liquid 15-3, 17-5  
    plug 15-3  
gasket, controller cover 13-9  
gauge, battery condition 4-11

gauge, compression 17-5  
gear  
    17 tooth 12-17  
    34 tooth 12-17  
    52 tooth 12-17  
    60 tooth 12-19, 12-21  
    62 tooth 12-17  
    differential 15-3  
    differential idler 15-3  
    differential output 15-3  
    governor 12-13, 12-15  
    governor, 34 tooth 12-17  
    set, differential 12-21  
gear yoke 17-5  
gearcase 15-3  
governor arm 9-11, 12-11  
governor gear shaft 12-13, 12-15  
governor shaft 12-13, 12-15  
grill 1-15  
grip, pencil 6-9  
grip, tilt latch hand 1-59  
guard, differential 15-5  
guide pin 12-13, 12-15  
guide ring adhesive 17-3

## H

handle, FNR 12-3  
handle, tee 1-103  
hanger, brake cable 5-11  
harness, wire 4-9  
harness, wire, gas FNR connector 7-3  
harness, wire, gas instr. panel 7-3  
harness, brake pedal switch 4-7, 4-9  
harness, taillight 4-7, 4-9  
headlight 4-3  
headlight bezel, lh 1-17  
headlight bezel, rh 1-17  
headlight guard kit 1-5  
heater, defogger 4-33  
heater, defogger kit 4-33  
hill brake rod 5-3  
hill brake weld assembly 5-3  
hinge pin 1-77  
hip restraint 1-27  
hitch, trailer 1-79  
hitch, trailer, ball 1-83  
hold-down, battery 13-11  
holder, license plate 1-9  
hole plug 4-11  
horn bracket 4-7, 4-9  
hose  
    air intake 9-15  
    vent 9-5  
hour meter 13-7  
hour meter bracket 13-7  
housing

# INDEX

3-pin 14-3  
differential 15-3  
hub 6-17, 12-23  
hub bearing 6-17  
hydrometer 17-5

## I

idler gear, differential 15-3  
indicator, battery condition 4-11  
indicator, charger 4-11  
inner frame snubber 8-7  
input shaft 12-17, 15-3  
instrument panel wire harness, electric vehicle 4-11  
intermediate shaft 15-3  
internal retaining ring pliers 17-5  
isolator, shock damper 6-19

## J

joint  
ball 5-3, 5-7  
jounce bumper 6-19

## K

key  
driven clutch 11-9  
square 11-9  
key switch cap 4-15, 4-17, 4-19  
key switch, uncommon 4-15, 4-17, 4-19  
keyswitch, uncommon 4-15  
kingpin 6-13, 6-15  
kit

3-pin housing 14-3  
accelerator pivot rod 5-5, 5-7  
brake pedal 5-3  
brake shoe retainer 5-13, 5-15  
clutch repair 11-9  
drive clutch button 11-5, 11-7  
drive clutch weight 11-5, 11-7  
driven clutch button 11-9  
glass doors 1-87, 1-91  
hand pump, SPWS 13-15  
motor brush 14-3  
motor brush spring 14-3  
motor speed sensor 14-3  
motor terminal adapter (EJ8-4001A) 14-3  
motor terminal hardware 14-3  
park brake latch 5-3  
park brake pedal 5-3  
rear receiver hitch 1-81  
shock absorber 6-19  
shock absorber cushion 6-19  
shoe retainer 5-13, 5-15  
steering column mounting bracket 6-5  
trailer hitch 1-79

Kit, Bumper Guard, Rear, CA300 1-53  
Kit, Horn/Tail Light/Turn 4-9

## L

ladder rack kit 1-73  
lamp, stop, turn, tail 4-7, 4-9  
latch 1-19  
latch plate 1-57  
latch plate, tilt bed 1-61  
latch, park brake 5-3  
leaf blower holder kit 1-71  
leaf spring, 260lb, lh 6-19  
leaf spring, 260lb, rh 6-19  
lever  
transaxle shift 12-7, 12-9  
license frame kit 1-9  
license plate 1-9  
license plate holder 1-9  
light  
oil 4-13  
strobe 1-121  
water quality 13-15  
light, strobe 4-25, 4-27  
limit switch 4-7, 4-9, 7-13, 7-15, 7-17  
liquid gasket 15-3, 17-5  
low oil warning light 4-13  
lubricant, dry moly 17-5  
lubricant, moly-teflon 14-3, 17-5  
lug nut 2-3, 2-5  
lug stud 12-23, 15-3

## M

magnet, speed sensor 14-3  
mat, floor 1-19  
mat, floor, 4 pass, rear 1-29  
MCOR 13-3  
mechanism, brake adjusting 5-13, 5-15  
meter clip 4-13  
meter, hour 13-7  
meter, volt ohm 17-7  
mirror 1-123  
mirror, exterior kit 1-45  
module  
calibration test 17-3  
Module, ECU 8-11  
moly-teflon lubricant 17-5  
motor  
48-volt IQ 14-3  
motor brush kit 14-3  
motor brush spring kit 14-3  
motor bumper 14-3  
motor end cap 14-3  
motor magnet, speed sensor 14-3  
motor speed controller  
Excel w/Hi-Freq 13-9

motor speed sensor 14-3  
motor speed sensor kit 14-3  
motor terminal adapter kit (EJ8-4001A) 14-3  
motor terminal hardware kit 14-3  
mount, bumper 6-19  
mounting block, brake 5-3  
moveable-face 11-5, 11-7, 11-9

## N

nameplate decal 1-15, 3-11  
nut, lug 2-3, 2-5

## O

oil seal 12-13, 12-15  
oil warning light, low 4-13  
O-Ring, Fuel Module 9-3  
overload bumper spacer 6-19

## P

pad  
brake pedal 5-3  
park brake 5-3  
thermal 7-11  
paint, underbody (black) 17-5  
paint, touch-up 1-13  
park brake latch 5-3  
park brake pedal 5-3  
park brake rod sleeve 5-3  
park brake spacer 5-3  
park brake torsion spring 5-3  
pawl 5-3  
p-clamp (fuel filter) 9-11  
pedal, brake 5-3  
pedal, park brake 5-3  
pencil grip 6-9  
pin  
bow tie locking 5-11  
clevis 5-11  
differential 12-21  
guide 12-13, 12-15  
input shaft 12-17  
pin, hinge 1-77  
pinion, steering 6-3  
piston ring compressor 17-5  
piston ring pliers 17-5  
pivot support bearing 5-5, 5-7  
plate  
backing (brake) 5-13, 5-15  
front spring retainer 6-13, 6-15  
latch 1-61  
license 1-9  
Plate, Closure, Kohler 8-17  
pliers  
internal retaining ring 17-5  
piston ring 17-5



# INDEX

retaining ring 17-5  
plug  
  drain 12-13, 12-15  
  driven clutch puller 17-3  
  hole 4-11  
port, diagnostic 13-5  
protector spray, battery terminal 17-3  
puller  
  bearing 17-3  
  drive clutch 17-3  
  drive clutch hub 17-3  
  driven clutch cam 17-3  
  seal 17-5

## R

race, front hub bearing 6-17  
rack guide pressure spring 6-3  
rack, steering 6-3  
range picker adapter 1-85  
ratchet, park brake 5-3, 5-5, 5-7  
rear shock absorber 6-19  
rear window screen, cab 1-125  
rear window with slider, cab 1-127  
rear window, cab 1-129  
receiver hitch 1-81  
receptacle, accessory 4-5  
reflector, yellow 4-31  
reflector, amber 4-3  
reflector, red 4-31  
reflector, red, rectangle 4-31  
refractometer 17-5  
regulator, voltage 7-11, 7-13  
relay 48v 4-11  
relay, 12-volt 1-115, 4-7, 4-9  
remover, bearing and oil seal 17-3  
resistor assembly 13-9  
retainer  
  accelerator pedal spring 5-5, 5-7  
  battery 7-19  
  brake shoe 5-13, 5-15  
  shock absorber cushion 6-19  
  spring 6-19  
retaining ring 6-5  
retaining ring pliers 17-5  
return spring bumper 5-5, 5-7  
reverse buzzer 4-11, 4-13  
rim (wheel) 2-5  
ring  
  C-type stop 6-3  
  retaining 6-5, 7-11, 7-13, 11-5, 11-7, 11-9,  
    12-13, 12-15, 12-23  
  snap 6-3  
  spiral backup 11-5, 11-7  
rock guard 15-5  
rocker switch 4-11  
rocker switch (lights) 4-11, 4-13

rod  
  accelerator 5-7  
  accelerator pivot 5-5, 5-7  
  equalizer 5-11  
  hill brake 5-3

## S

safety first card 17-5  
score card clip 6-9  
score card plate 6-9  
seal  
  lip 15-3  
  oil 12-13, 12-15, 15-3  
  steering pinion dust 6-3  
seal puller 17-5  
seal, bed 1-27  
sealant 15-3  
seat bottom 1-23  
seat strap 1-23  
seat, bearing 6-5  
seatback 1-25  
seatback weldment 1-27  
select shaft 12-13, 12-15  
sensor, motor speed 14-3  
Sensor, Temperature 8-11  
shackle 6-19  
shaft  
  axle 12-19, 12-21  
  center 12-17  
  counter 12-17  
  differential 12-21  
  governor 12-13, 12-15  
  governor gear 12-13, 12-15  
  input 12-17, 15-3  
  intermediate 15-3  
  select 12-13, 12-15  
  shift 12-17  
  steering column 6-5  
shift lever 12-7, 12-9  
shift shaft 12-3, 12-17  
shifter bracket 12-3  
shifter handle 12-3  
shifter, base 12-3  
shifter, FNR 12-3  
shim, latch plate 1-61  
shock absorber cushion 6-19  
shock absorber cushion retainer 6-19  
shock absorber, rear 6-19  
shock damper isolator 6-19  
shock mounting bracket, drv 6-19  
shock mounting bracket, pas 6-19  
shoe retainer kit 5-13, 5-15  
shoe, brake 5-13, 5-15  
sleeve 1-57, 6-19, 12-13, 12-15  
  delta A-plate 6-11  
  park brake rod 5-3  
snap ring 6-3  
snubber bracket 8-7  
snubber, dual 8-7  
snubber, inner frame 8-7  
solenoid, 12-volt 4-33, 7-11, 7-13  
spacer 12-13, 12-15, 12-17  
  accelerator pivot rod 5-5, 5-7  
  overload bumper 6-19  
  park brake 5-3  
speed controller  
  Excel w/Hi-Freq 13-9  
speed controller cover 13-9  
speed sensor 14-3  
speed sensor magnet 14-3  
speed sensor, motor 14-3  
spindle assembly 6-13, 6-15  
spiral backup ring 11-5, 11-7  
spray, battery terminal protector 17-3  
spring 12-13, 12-15  
  accelerator return 5-5, 5-7  
  brake 5-13, 5-15  
  brake return 5-11  
  brush 14-3  
  compression 6-9  
  drive button 11-5, 11-7  
  drive clutch 11-5, 11-7  
  extension 1-59  
  park brake torsion 5-3  
  rack guide pressure 6-3  
  steering shaft compression 6-5  
spring cup 5-5, 5-7  
spring mounting plate 6-13, 6-15  
spring retainer 6-19  
spring, leaf 6-13  
stake side 1-77  
stake side bracket 1-77  
stake side kit 1-77  
stake side panel, front 1-77  
stake side trim kit 1-77  
stake side trim, center 1-77  
static grip kit 1-71  
steel bushing 6-13, 6-15  
steering column 6-5  
steering column bearing press tool 17-7  
steering column retaining ring tool 17-7  
steering gear box 6-3  
steering pinion 6-3  
steering pinion dust seal 6-3  
steering rack 6-3  
steering shaft 6-13, 6-15  
steering shaft assembly 6-5  
steering shaft compression spring 6-5  
steering wheel puller tool 17-7  
stem, valve 2-5  
strap, A-plate 6-11  
strap, seat 1-23

# INDEX

strobe light 1-121, 4-25, 4-27  
strobe light, post mounted 4-25, 4-27  
strut, canopy front 1-39, 1-41, 1-43  
stud  
    lug 12-23, 15-3  
stud, ball 7-11, 7-13  
support yoke (steering) 6-3  
switch plate cover 4-25, 4-27  
switch  
    key, uncommon 4-15, 4-17, 4-19  
    light rocker 4-11, 4-13  
    limit 4-7, 4-9, 7-13, 7-15, 7-17  
    rocker 4-11  
    Tow/Run 13-7  
    turn signal 4-7  
switch assembly 4-25, 4-27  
switch rubber boot 7-9, 13-7  
switch, toggle 7-9

## T

12-volt solenoid 4-33, 7-11, 7-13  
tailgate 1-67  
tailgate handle 1-67  
tailgate latch, lh 1-65  
tailgate latch, rh 1-65  
tailgate teather kit 1-69  
taillskirt 1-49  
tee handle 1-103  
terminal block 4-5, 13-9  
tester, continuity 17-5  
thermal pad 7-11  
thermometer, battery 17-3  
thread-forming grease fitting 6-13, 6-15  
thrust bearing 6-13, 6-15  
tie down kit 1-71  
tie rod 6-11  
tie rod end 6-11  
tie wrap 1-109, 1-115, 4-33, 6-3, 6-5, 7-11, 7-13,  
    12-5  
tilt latch hand grip 1-59  
tire 2-3, 2-5  
toggle switch 7-9  
tool  
    accelerator pedal adjustment 17-3  
    belt tensioning, starter/generator 17-7  
    charger bezel 17-3  
    clutch cam installation 17-3  
    drive clutch holder 17-3  
    steering column bearing press 17-7  
    steering column retaining ring 17-7  
    steering wheel puller 17-7  
    transaxle axle seal 17-7  
    transaxle pinion seal 17-7  
    transmission 17-7  
tool kit, clutch 17-3  
tool rack kit 1-71

toolbox 1-133  
toolbox kit 1-73  
touch-up paint 17-5  
Tow/Run switch 13-7  
Tow/Run switch bracket 7-9, 13-7  
trailer hitch 1-79  
trailer hitch ball 1-83  
trailer hitch brace 1-79  
transaxle (Electric Vehicle) 15-3  
transaxle axle seal tool 17-7  
transaxle guard 15-5  
transaxle pinion seal tool 17-7  
transaxle, limited-slip (Gas Vehicle) 12-13  
transaxle, open-diff (Gas Vehicle) 12-15  
transmission tool 17-7  
tube  
    axle 12-19, 12-21, 15-3  
turn signal switch 4-7

## U

U-bolt 6-19  
upper delta clevis 6-13, 6-15  
urethane bushing 1-57, 6-11, 6-13, 6-15, 6-19  
USB  
    cover 16-3, 16-5, 16-7, 16-9  
USB cover 16-3, 16-5, 16-7, 16-9

## V

valve 9-15  
valve spring compressor 17-7  
valve stem 2-3, 2-5  
vent  
    transaxle 12-13, 12-15  
vent, barb 9-5  
vent, door, cab 1-101  
volt ohm meter 17-7  
voltage regulator 7-11, 7-13

## W

warning beacon, cab 1-121  
warning light, low oil 4-13  
washer, cab 1-117  
water quality light 13-15  
wedge, bearing puller 17-3  
weight  
    clutch 11-5, 11-7  
    secondary clutch 11-5, 11-7  
weldment  
    governor bracket 9-11, 12-11  
weldment, receiver hitch 1-81  
wheel 2-3, 2-5  
wheel cover 2-9  
wheel spacer 2-7  
windshield kit, hinged 1-35  
windshield kit, non-hinged 1-37

windshield, hinged 1-35  
windshield, non-hinged 1-37  
wire  
    green, starter/generator 7-3, 7-5  
    ground, fuel tank 7-3, 9-3  
wire harness 4-9, 7-3  
wire harness, main 13-5  
Wldmnt, Bumper Guard, Dr 1-53  
Wldmnt, Bumper Guard, Ps 1-53  
work light, front, cab 1-119  
work light, rear, cab 1-119  
wrap, tie 1-109, 1-115, 4-33, 6-3, 6-5, 7-11, 7-13,  
    12-5

## Y

yoke, gear 17-5  
yoke, support (steering) 6-3





**Club Car, Inc.**  
P.O. Box 204658  
Augusta, GA 30917-4658  
USA

**Web** [www.clubcar.com](http://www.clubcar.com)  
**Phone** 1.706.863.3000  
1.800.ClubCar  
**Int'l** +1 706.863.3000  
**Fax** 1.706.863.5808