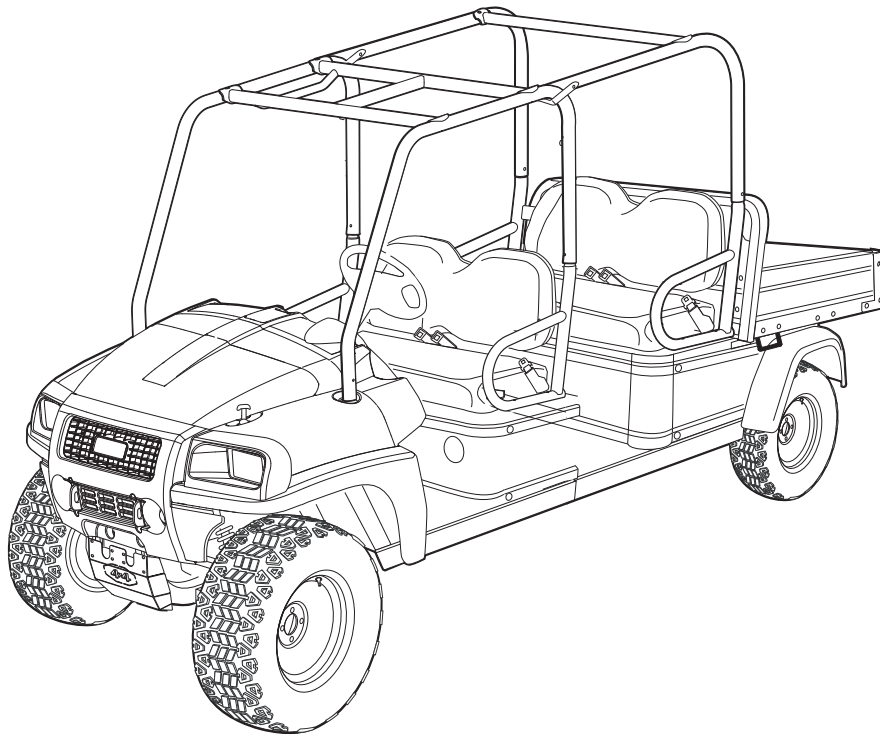




**2009-2011**  
**Carryall 295 SE**  
**and XRT 1550 SE**  
**Illustrated Parts List**



**Gasoline and Diesel Vehicles**

Manual Number 103472618  
Edition Code 0508K0112J



# USING THE ILLUSTRATED PARTS LIST

---

## **⚠ WARNING**

- **This manual is to be used only for identification and ordering of service parts. Be sure to read and use the maintenance and service manual before attempting any vehicle repairs.**

This manual covers all XRT1550 SE and Carryall 295 SE vehicles built during the 2009-2011 model years.

The manual is divided into sections. Note that there are two or three flags on the outside edge of each page. The first flag contains the section number of which that page is a part. The other flag (or flags) contains the letter D, E, or G, signifying that the page pertains to the diesel, electric, or gasoline vehicles only.

Use the Table of Contents to find the sections and pages that contain the parts and assemblies you seek. The Table of Contents lists section numbers, and under them, the individual page titles and numbers to be found in that section. The index can be used to find specific parts and assemblies. The index is divided into numerical and alphabetical listings with the page numbers in italic text.

There is a two-page spread for each individual page title in the Table of Contents. On the left-hand page is an illustration showing the parts in their relative positions; the parts are each tagged with an item number in a balloon. The right-hand page is the parts list page, and gives the page title at the top, then the item numbers (corresponding to the numbers on the illustration), part descriptions, and quantity of parts used.

Note that a part description may be indented. This indention corresponds to a parts assembly level indicated by the numbers 1, 2, 3, and 4 at the top left corner of the parts description area of the parts list page. A part that is indented to *level 2* is a component of the *level 1* part (assembly) that it is listed under. A *level 3* part is a component of the *level 2* part that it is listed under, and a *level 4* part is a component of the *level 3* part preceding it. In each case, the part quantity given for a level 2, 3, or 4 part is the *quantity used per next higher level assembly of which it is a component*. A part that is not indented is a *level 1* part. This means that the quantity given is the quantity used per the portion of the vehicle illustrated on that particular spread.

## **HOW TO ORDER PARTS**

Replacement parts and accessories can be obtained from our network of authorized dealers and distributors. You can obtain the name and phone number of your closest authorized Club Car dealer or distributor by visiting our web site at [www.clubcar.com](http://www.clubcar.com) and clicking on the "Distributor Search" link or by calling our toll-free Service Parts and Technical Assistance hotline at (800) 872-2246 or (706) 863-3000, extension 3887.



**P. O. Box 204658**  
**Augusta, Georgia 30917-4658 USA**  
**Telephone 706-863-3000**  
**Service Parts Fax 706-855-7413**  
**[www.clubcar.com](http://www.clubcar.com)**

**NOTE:** *This illustrated parts list represents the most current information at the time of publication. Club Car, LLC. is continually working to further improve its vehicles and other products. These improvements may affect the parts used to service the vehicle. Any modification and/or significant change in specifications will be forwarded to all Club Car and Carryall distributors/dealers and will, when applicable, appear in future editions of this illustrated parts list.*

*Club Car, LLC. reserves the right to change specifications and designs at any time without notice and without the obligation of making changes to units previously sold.*

Copyright © 2010 Club Car, LLC.  
Club Car is a registered trademark of Club Car, LLC.  
This manual effective October 1, 2010.

# CONTENTS

---

## SECTION 1 – BODY AND TRIM

---

|  |      |
|--|------|
| Brush Guard .....                            | 1-3  |
| Fascia and Fenders – Carryall Vehicles ..... | 1-5  |
| Fascia and Fenders – XRT Vehicles .....      | 1-7  |
| Cowl Assemblies – Carryall Vehicles .....    | 1-9  |
| Cowl Assemblies – XRT Vehicles .....         | 1-11 |
| Front Body Components .....                  | 1-13 |
| Plastic Skid Plate .....                     | 1-15 |
| Steel Skid Plate .....                       | 1-17 |
| Dash .....                                   | 1-19 |
| Glove Box .....                              | 1-21 |
| Side Stringers – 4 Passenger Vehicles .....  | 1-23 |
| Floor Mat .....                              | 1-25 |
| Floor Mat – Rear .....                       | 1-27 |
| Floorboard .....                             | 1-29 |
| Floorboard – Rear .....                      | 1-31 |
| Bench Seats .....                            | 1-33 |
| Bucket Seats – Gray .....                    | 1-35 |
| Bucket Seats – Black .....                   | 1-37 |
| Bench Seat Conversion Kit .....              | 1-39 |
| Seat Belts and Lower ROPS .....              | 1-41 |
| ROPS .....                                   | 1-43 |
| ROPS – Head Rests .....                      | 1-45 |
| Latch Plate and Prop Rod .....               | 1-47 |
| Tilt Bed, Hinge, and Latch .....             | 1-49 |
| Electric Bed Lift .....                      | 1-51 |
| Box Bed .....                                | 1-53 |
| Side Panels and Rear Fenders .....           | 1-55 |
| Cargo Box (Steel) .....                      | 1-57 |

---

## SECTION 2 – WHEELS AND TIRES

---

|                        |     |
|------------------------|-----|
| Wheels and Tires ..... | 2-3 |
|------------------------|-----|

---

## SECTION 3 – DECALS

---

|   |     |
|---|-----|
| Safety Decals – CA 295 SE and XRT 1550 SE Vehicles .....            | 3-3 |
| Safety Decals – CA 295 SE and XRT 1550 SE Vehicles, Continued ..... | 3-5 |
| Badging Decals – CA 295 SE Vehicles .....                           | 3-7 |
| Badging Decals – XRT 1550 SE Vehicles .....                         | 3-9 |

# CONTENTS

---

## SECTION 4 – BRAKE SYSTEMS

---

|   |      |
|---|------|
| Front Brake Assembly .....                    | 4-3  |
| Rear Brake Assembly .....                     | 4-5  |
| Master Cylinder with Remote Reservoir .....   | 4-7  |
| Master Cylinder with Integral Reservoir ..... | 4-9  |
| Hydraulic Brake Lines and Clips .....         | 4-11 |
| Brake Pedal Assembly .....                    | 4-13 |
| Park Brake System .....                       | 4-15 |
| Park Brake Pedal Assembly .....               | 4-17 |
| Front Brake Assembly (Style B) .....          | 4-19 |
| Rear Brake Assembly (Style B) .....           | 4-21 |

---

## SECTION 5 – STEERING AND SUSPENSION

---

|                                       |      |
|---------------------------------------|------|
| Steering Column .....                 | 5-3  |
| Steering Gear Assembly .....          | 5-5  |
| Front Suspension – A-Arms .....       | 5-7  |
| Cv Boot Repair Kits .....             | 5-9  |
| Shock Absorbers – Standard .....      | 5-11 |
| Shock Absorbers – High Capacity ..... | 5-13 |
| Rear Suspension – Standard .....      | 5-15 |

---

## SECTION 6 – ELECTRICAL SYSTEM

---

|   |      |
|---|------|
| Wiring – Gasoline Vehicles, Single Piece .....    | 6-5  |
| Wiring – Diesel Vehicle, Single Piece .....       | 6-9  |
| Electrical Component Box, Gasoline Vehicles ..... | 6-11 |
| Electrical Component Box, Diesel Vehicles .....   | 6-13 |
| Electrical Components – Gas .....                 | 6-15 |
| Electrical Components – Diesel .....              | 6-17 |
| Battery – Gasoline Vehicles .....                 | 6-19 |
| Battery – Diesel Vehicles .....                   | 6-21 |

---

## SECTION 7 – KAWASAKI FH680D GASOLINE ENGINE

---

|  |      |
|--|------|
| Shrouds and Brackets .....             | 7-3  |
| Ignition Components and Flywheel ..... | 7-5  |
| Governor Arm and Springs .....         | 7-7  |
| Oil and Lubrication Components .....   | 7-9  |
| Oil Filter Adapter .....               | 7-11 |
| Cylinder Head and Crankcase .....      | 7-13 |

# CONTENTS

---

|  |      |
|--|------|
| Valves and Camshaft .....                      | 7-15 |
| Pistons and Crankshaft .....                   | 7-17 |
| Kawasaki FH680D Gasoline Engine Mounting ..... | 7-19 |

## SECTION 8 – DIESEL ENGINE – CLOSED BREATHER

---

|  |      |
|--|------|
| Kubota D722 Diesel Engine Mounting ..... | 8-3  |
| Crankcase .....                          | 8-5  |
| Oil Pan .....                            | 8-7  |
| Cylinder Head .....                      | 8-9  |
| Gear Case .....                          | 8-11 |
| Head Cover .....                         | 8-13 |
| Dipstick and Guide .....                 | 8-15 |
| Oil Pump .....                           | 8-17 |
| Main Bearing Case .....                  | 8-19 |
| Camshaft and Idle Gear .....             | 8-21 |
| Piston and Crankshaft .....              | 8-23 |
| Flywheel .....                           | 8-25 |
| Shaft .....                              | 8-27 |
| Idle Apparatus .....                     | 8-29 |
| Stop Solenoid .....                      | 8-31 |
| 60-Amp Alternator .....                  | 8-33 |
| Injection Pump .....                     | 8-35 |
| Speed Control Plate .....                | 8-37 |
| Nozzle Holders and Glow Plugs .....      | 8-39 |
| Governor Components .....                | 8-41 |
| Starter .....                            | 8-43 |
| Valves and Rocker Arms .....             | 8-45 |
| Diesel Inlet Manifold .....              | 8-47 |
| Exhaust Manifold .....                   | 8-49 |
| Gasket Kits .....                        | 8-51 |
| Piston Kit .....                         | 8-53 |

## SECTION 9 – FUEL, INTAKE, AND GOVERNOR SYSTEM

---

|  |      |
|--|------|
| Fuel System – Kawasaki Gasoline Vehicles .....             | 9-3  |
| Fuel Tank – Gasoline Vehicles .....                        | 9-5  |
| Fuel System – Diesel .....                                 | 9-7  |
| Fuel Tank – Diesel Vehicles .....                          | 9-9  |
| Carburetor Installation – Kawasaki Gasoline Vehicles ..... | 9-11 |
| Cables – Kawasaki Gasoline Engine .....                    | 9-13 |

# CONTENTS

---

|   |      |
|---|------|
| Cables – Diesel Vehicles .....                                      | 9-15 |
| Accelerator Pedal Assembly .....                                    | 9-17 |
| Accelerator Pedal Assembly – Style B .....                          | 9-19 |
| Intake Duct and Air Box Assembly – Kawasaki Gasoline Vehicles ..... | 9-21 |
| Intake Duct and Air Box Assembly – Diesel Vehicles .....            | 9-23 |
| Carburetor Assembly, Kawasaki Gasoline Vehicles .....               | 9-25 |

## SECTION 10 – EXHAUST SYSTEM

---

|                                       |      |
|---------------------------------------|------|
| Exhaust System .....                  | 10-3 |
| Exhaust Header – Kawasaki Gas .....   | 10-5 |
| Exhaust Header – Honda Gas .....      | 10-7 |
| Exhaust Pipes – Diesel Vehicles ..... | 10-9 |

## SECTION 11 – CLUTCHES

---

|  |       |
|--|-------|
| Clutch Cover (Standard) .....          | 11-3  |
| Clutch Cover (Sealed) .....            | 11-5  |
| Drive Belt .....                       | 11-7  |
| Drive Clutch – Diesel Vehicles .....   | 11-9  |
| Driven Clutch .....                    | 11-11 |
| Drive Clutch – Gasoline Vehicles ..... | 11-13 |
| Drive Clutch – Gasoline Vehicles ..... | 11-15 |
| Drive Clutch – Diesel Vehicles .....   | 11-17 |
| Driven Clutch .....                    | 11-19 |

## SECTION 12 – DRIVETRAIN COMPONENTS

---

|  |       |
|--|-------|
| Forward/Reverse Shifter Assembly .....                           | 12-3  |
| Front Differential Mounting Plate .....                          | 12-5  |
| Front Differential (Output Components) .....                     | 12-7  |
| Front Differential (Input Components) .....                      | 12-9  |
| Prop Shafts .....  | 12-11 |
| Transmission – Gasoline Vehicles .....                           | 12-13 |
| Transmission, Continued .....                                    | 12-15 |
| Transmission Shift Shaft and Bell Crank .....                    | 12-17 |
| Rear Differential .....  | 12-19 |
| Rear Differential, Continued .....                               | 12-21 |
| Transmission – Diesel Vehicles .....                             | 12-23 |
| Transmission – Diesel Vehicles, Continued .....                  | 12-25 |
| Transmission – Diesel Vehicles, Shift Shaft and Bell Crank ..... | 12-27 |



# CONTENTS

---

## SECTION 13 – RADIATOR AND COOLANT SYSTEM (DIESEL VEHICLES)

---

|  |       |
|--|-------|
| Radiator .....                                   | 13-3  |
| Coolant Expansion Tank .....                     | 13-5  |
| Coolant Pipes and Hoses .....                    | 13-7  |
| Cooling System Clamps, Hoses, and Hardware ..... | 13-9  |
| Water Flange and Thermostat .....                | 13-11 |
| Water Pump .....                                 | 13-13 |
| Block Coolant Pipe .....                         | 13-15 |

## SECTION 14 – MAINTENANCE AND SERVICE TOOLS

---

|  |       |
|--|-------|
| Maintenance and Service Tools .....            | 14-3  |
| Maintenance and Service Tools, Continued ..... | 14-5  |
| Maintenance and Service Tools, Continued ..... | 14-7  |
| Maintenance and Service Tools, Continued ..... | 14-9  |
| Maintenance and Service Tools, Continued ..... | 14-11 |

## SECTION i – INDEX

---



# BODY AND TRIM

---

1

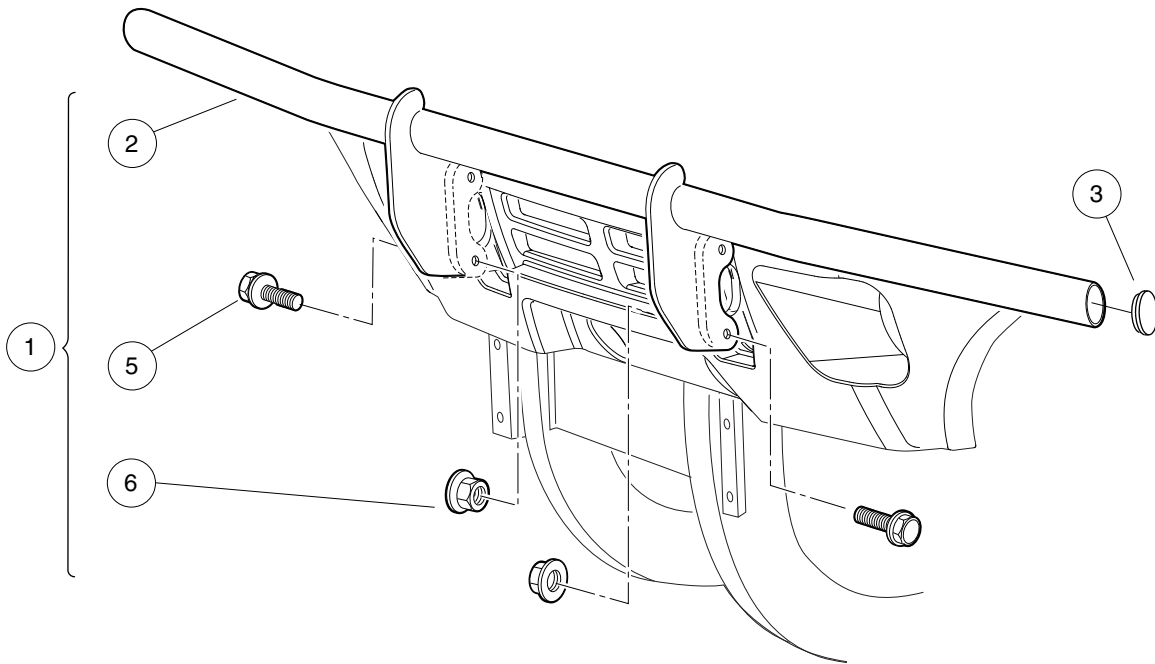
G

D

1

G

D



000526-001

# BRUSH GUARD

| ITEM | PART NO.  | DESCRIPTION  | QTY |
|------|-----------|--|-----|
|      |           | <b>1 2 3 4</b>   |     |
| 1    | 103236001 | Kit, Tube Bumper CCI (includes items 2 through 6) .....                            | 1   |
| 2    | N/A       | Weldment, Frt Bumper, Restyle .....  | 1   |
| 3    | 103215401 | Plug, Tube, Round, 1-3/4" .....  | 2   |
| 4    | N/A       | Instructions, Brushguard/Bumper .....  | 1   |
| 5    | 103231701 | Screw, M10 X 1.25 X 30 Hex Blk .....   | 4   |
| 6    | 103231801 | Nut, Flg, M10 X 1.25 Hex Blk .....   | 4   |
|      |           | Note: Brushguard is standard on XRT vehicles and is optional on Carryall vehicles. |     |

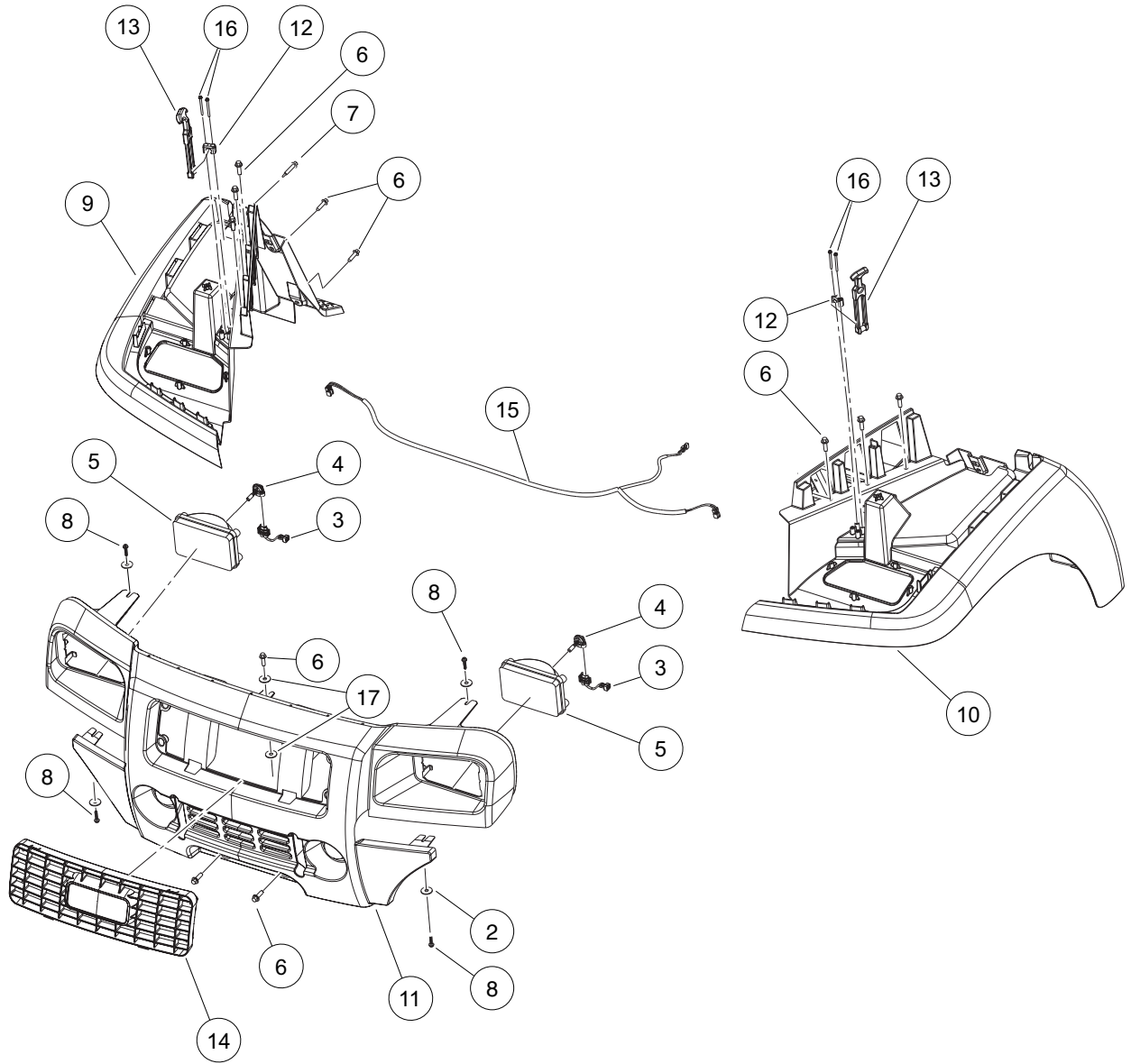
**1**

**G**

**D**

**1**  
**G**

**D**



000507-001

## FASCIA AND FENDERS – CARRYALL VEHICLES

| ITEM | PART NO.  | DESCRIPTION  | QTY |
|------|-----------|--|-----|
|      |           | 1 2 3 4  |     |
| 1    | N/A       | Instl, Fascia, Fenders, CA (includes items 2 through 17) ..... | 1   |
| 2    | 1011578   | Washer, 5/16 Type B Flat .....                                 | 4   |
| 3    | 101987901 | Connector Harness Assembly, Headlight .....                    | 2   |
| 4    | 101988101 | Bulb, Headlight .....  | 2   |
| 5    | 101988201 | Lens, Headlight .....  | 2   |
| 6    | 102289001 | Screw, M8X1.25X30, Hex .....                                   | 13  |
| 7    | 102292356 | Screw-1/4-20x56 Hwh Self Drill .....                           | 2   |
| 8    | 102297230 | Screw,m6,torx,interlock,thread .....                           | 4   |
| 9    | 102866901 | Fender, Front, Pass, AWD .....                                 | 1   |
| 10   | 102867001 | Fender, Front, Drv, AWD .....                                  | 1   |
| 11   | 102867501 | Fascia, Front, CA, AWD .....                                   | 1   |
| 12   | 102882401 | Bracket, Latch, Draw .....                                     | 2   |
| 13   | 102895101 | Latch, Draw, Hood .....  | 2   |
| 14   | 102979401 | Grill, CA295 .....   | 1   |
| 15   | 103213301 | Harness, XRT/CA Restyle HDL .....                              | 1   |
| 16   | 103218107 | Screw, #8x2.00 AB Thd, Hex Hd .....                            | 4   |
| 17   | 808       | Washer, 3/8 Type B Flat .....                                  | 2   |

**1**

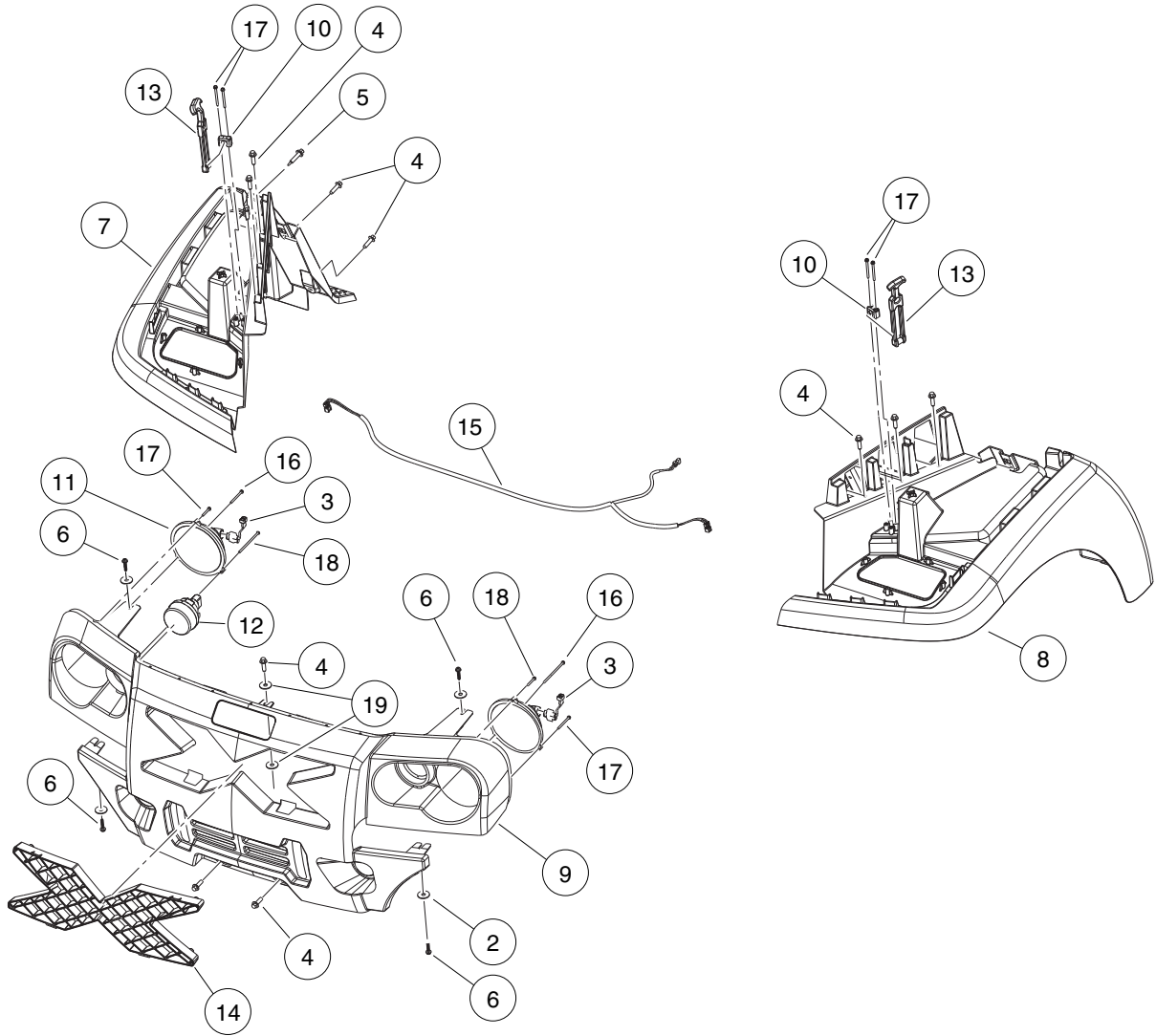
**G**

**D**

1

G

D



000522-001



# FASCIA AND FENDERS – XRT VEHICLES

| ITEM | PART NO.  | DESCRIPTION   | QTY |
|------|-----------|---|-----|
|      |           | <b>1 2 3 4</b>  |     |
| 1    | N/A       | Instl, Fascia, Fenders, XRT (includes items 2 through 19) ..... | 1   |
| 2    | 1011578   | Washer, 5/16 Type B Flat .....                                  | 4   |
| 3    | 101987901 | Connector Harness Assembly, Headlight .....                     | 2   |
| 4    | 102289001 | Screw, M8X1.25X30, Hex .....                                    | 13  |
| 5    | 102292356 | Screw-1/4-20x56 Hwh Self Drill .....                            | 2   |
| 6    | 102297230 | Screw,m6,torx,interlock,thread .....                            | 4   |
| 7    | 102866901 | Fender, Front, Pass, AWD .....                                  | 1   |
| 8    | 102867001 | Fender, Front, Drv, AWD .....                                   | 1   |
| 9    | 102867401 | Fascia, Front, XRT, AWD .....                                   | 1   |
| 10   | 102882401 | Bracket, Latch, Draw .....                                      | 2   |
| 11   | 102894401 | Headlight, 6 In Round .....                                     | 2   |
| 12   | 102894501 | Light, Turn Signal, Round, 3" .....                             | 2   |
| 13   | 102895101 | Latch, Draw, Hood .....   | 2   |
| 14   | 102979301 | Grill, XRT .....  | 1   |
| 15   | 103213301 | Harness, XRT/CA Restyle HDL .....                               | 1   |
| 16   | 103218104 | Screw, #8x1.25 Ab Thd, Hex Hd .....                             | 2   |
| 17   | 103218107 | Screw, #8x2.00 AB Thd, Hex Hd .....                             | 6   |
| 18   | 103218113 | Screw, #8x3.50 Ab Thd, Hex Hd .....                             | 2   |
| 19   | 808       | Washer, 3/8 Type B Flat .....                                   | 2   |

1

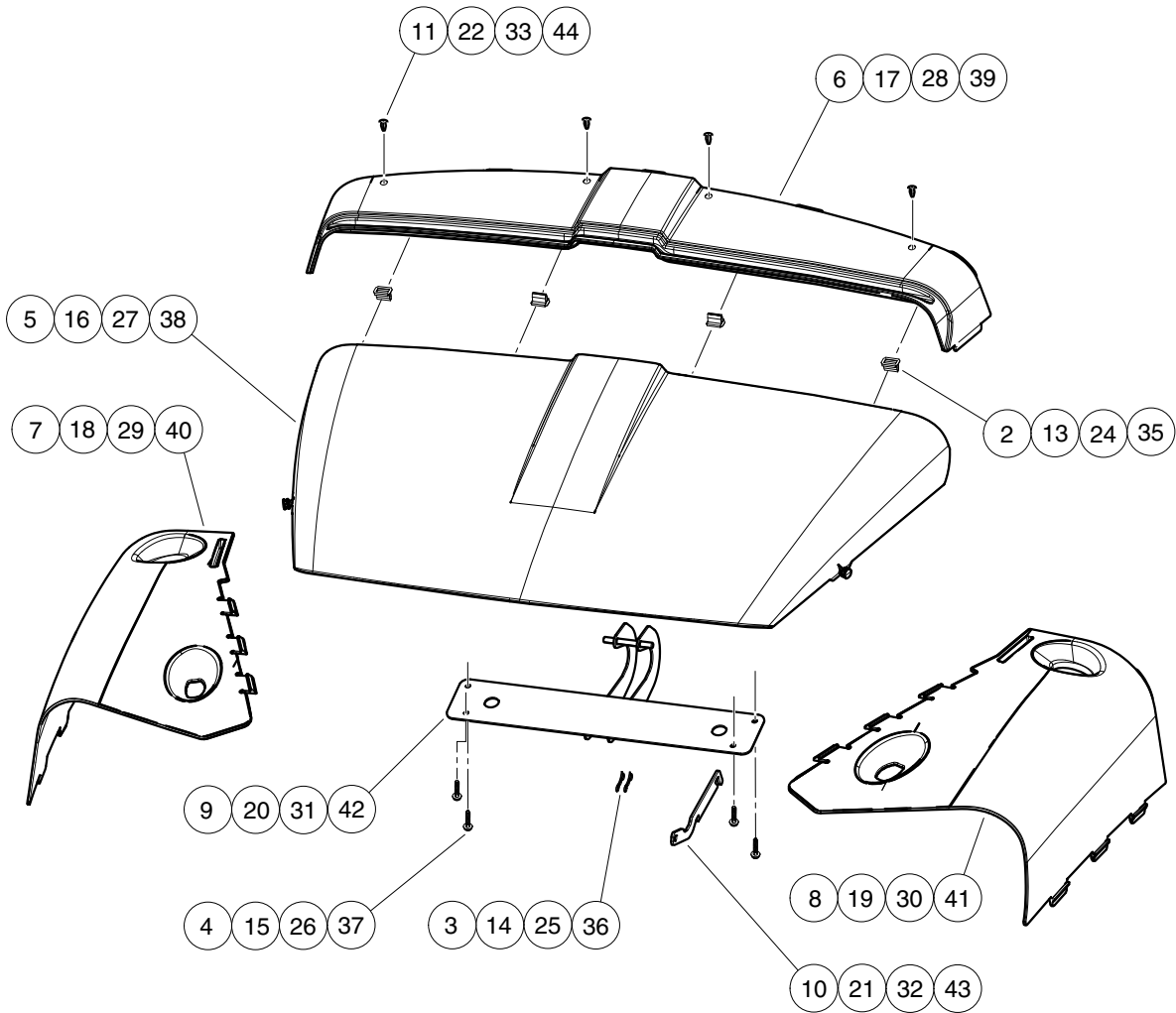
G

D

1

G

D



000508-001

## COWL ASSEMBLIES – CARRYALL VEHICLES

| ITEM | PART NO.  | DESCRIPTION  | QTY |
|------|-----------|--|-----|
|      |           | <b>1 2 3 4</b>   |     |
| 1    | N/A       | Option, Color, CA, Dark Grn (includes items 2 through 11) .....            | 1   |
| 2    | 102292701 | Clip-body-trim .....   | 4   |
| 3    | 102292801 | Pin, Bow Tie Locking - .072 .....  | 2   |
| 4    | 102297230 | Screw,m6,torx,interlock,thread .....                                       | 4   |
| 5    | 102866510 | Hood, Dark Green .....   | 1   |
| 6    | 102866610 | Panel, Cowl, Center, Dark Green .....                                      | 1   |
| 7    | 102866710 | Panel, Cowl, Passenger-Side, Dark Green .....                              | 1   |
| 8    | 102866810 | Panel, Cowl, Driver-Side, Dark Green .....                                 | 1   |
| 9    | 102896401 | Weldment, Hinge, Hood .....  | 1   |
| 10   | 102896501 | Prop, Hood .....   | 1   |
| 11   | 102967901 | Rivet, Removable, Tuflok 1/4" .....  | 4   |
| 12   | N/A       | Option, Color, CA, Dark Gray (includes items 13 through 22) .....          | 1   |
| 13   | 102292701 | Clip-body-trim .....   | 4   |
| 14   | 102292801 | Pin, Bow Tie Locking - .072 .....  | 2   |
| 15   | 102297230 | Screw,m6,torx,interlock,thread .....                                       | 4   |
| 16   | 102866514 | Hood, Dark Gray .....  | 1   |
| 17   | 102866614 | Panel, Cowl, Center, Dark Gray .....                                       | 1   |
| 18   | 102866714 | Panel, Cowl, Passenger-Side, Dark Gray .....                               | 1   |
| 19   | 102866814 | Panel, Cowl, Driver-Side, Gray .....                                       | 3   |
| 20   | 102896401 | Weldment, Hinge, Hood .....  | 2   |
| 21   | 102896501 | Prop, Hood .....   | 1   |
| 22   | 102967901 | Rivet, Removable, Tuflok 1/4" .....  | 4   |
| 23   | N/A       | Option, Color, CA, Real Tree Camo (includes items 24 through 33) .....     | 1   |
| 24   | 102292701 | Clip-body-trim .....   | 4   |
| 25   | 102292801 | Pin, Bow Tie Locking - .072 .....  | 2   |
| 26   | 102297230 | Screw,m6,torx,interlock,thread .....                                       | 4   |
| 27   | 102866518 | Hood, Real Tree Camo .....   | 1   |
| 28   | 102866618 | Panel, Cowl, Center, Real Tree Camo .....                                  | 1   |
| 29   | 102866718 | Panel, Cowl, Passenger-Side, Real Tree Camo .....                          | 1   |
| 30   | 102866818 | Panel, Cowl, Driver-Side, Real Tree Camo .....                             | 1   |
| 31   | 102896401 | Weldment, Hinge, Hood .....  | 1   |
| 32   | 102896501 | Prop, Hood .....   | 1   |
| 33   | 102967901 | Rivet, Removable, Tuflok 1/4" .....  | 4   |
| 34   | N/A       | Option, Color, CA, Dlx Real Tree Camo (includes items 35 through 44) ..... | 1   |
| 35   | 102292701 | Clip-body-trim .....   | 4   |
| 36   | 102292801 | Pin, Bow Tie Locking - .072 .....  | 2   |
| 37   | 102297230 | Screw,m6,torx,interlock,thread .....                                       | 4   |
| 38   | 102866518 | Hood, Real Tree Camo .....   | 1   |
| 39   | 102866618 | Panel, Cowl, Center, Real Tree Camo .....                                  | 1   |
| 40   | 102866718 | Panel, Cowl, Passenger-Side, Real Tree Camo .....                          | 1   |
| 41   | 102866818 | Panel, Cowl, Driver-Side, Real Tree Camo .....                             | 1   |
| 42   | 102896401 | Weldment, Hinge, Hood .....  | 1   |
| 43   | 102896501 | Prop, Hood .....   | 1   |
| 44   | 102967901 | Rivet, Removable, Tuflok 1/4" .....  | 4   |

1

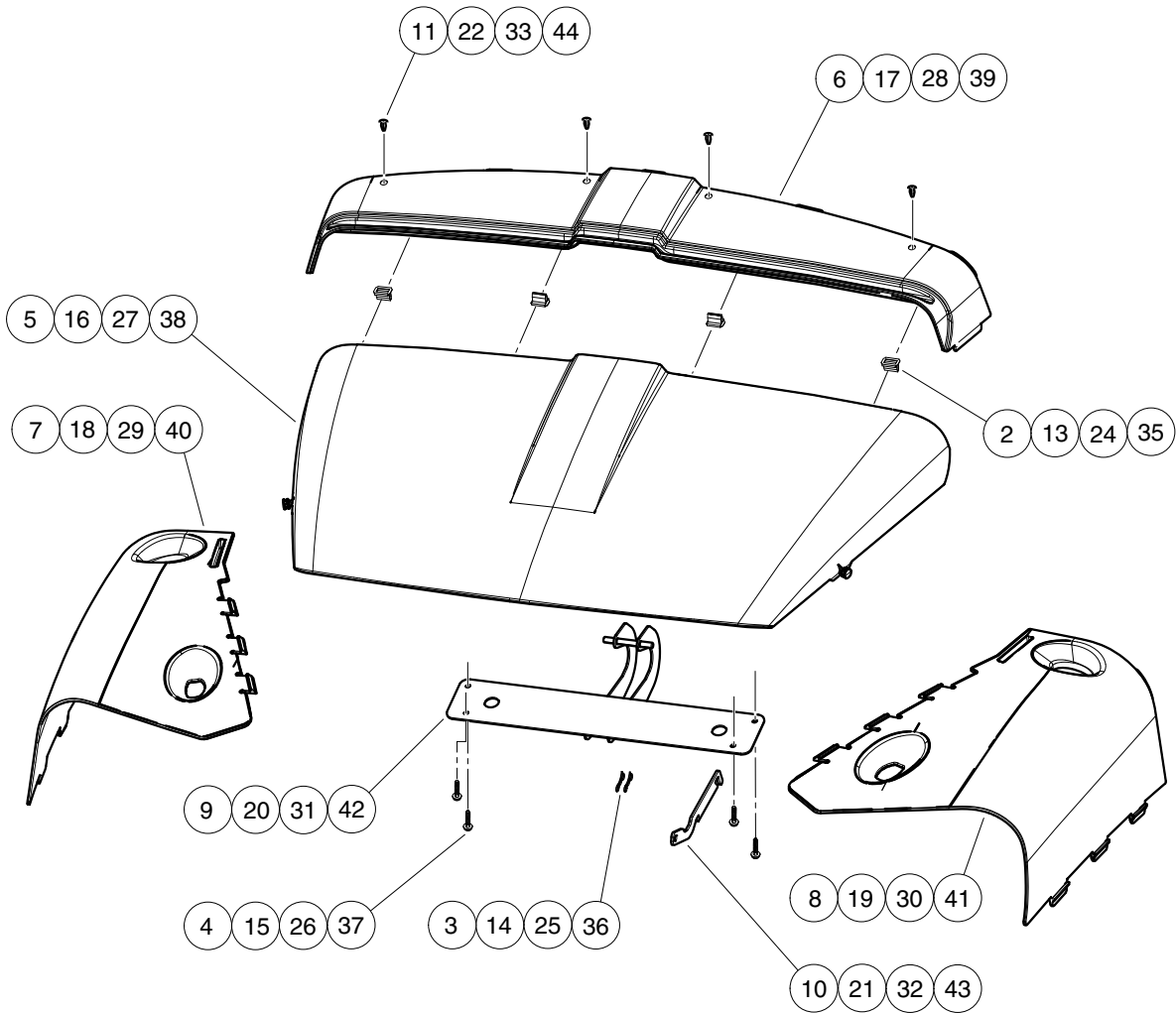
G

D

1

G

D



000508-001

# COWL ASSEMBLIES – XRT VEHICLES

| ITEM | PART NO.  | DESCRIPTION   | QTY |
|------|-----------|---|-----|
|      |           | <b>1 2 3 4</b>  |     |
| 1    | N/A       | Option, Color, XRT, Dark Green (includes items 2 through 11) .....          | 1   |
| 2    | 102292701 | Clip-body-trim .....  | 4   |
| 3    | 102292801 | Pin, Bow Tie Locking - .072 .....   | 2   |
| 4    | 102297230 | Screw,m6,torx,interlock,thread .....  | 4   |
| 5    | 102866510 | Hood, Dark Green .....  | 1   |
| 6    | 102866610 | Panel, Cowl, Center, Dark Green .....                                       | 1   |
| 7    | 102866710 | Panel, Cowl, Passenger-Side, Dark Green .....                               | 1   |
| 8    | 102866810 | Panel, Cowl, Driver-Side, Dark Green .....                                  | 1   |
| 9    | 102896401 | Weldment, Hinge, Hood .....   | 1   |
| 10   | 102896501 | Prop, Hood .....  | 1   |
| 11   | 102967901 | Rivet, Removable, Tuflok 1/4" .....   | 4   |
| 12   | N/A       | Option, Color, XRT, Red (includes items 13 through 22) .....                | 1   |
| 13   | 102292701 | Clip-body-trim .....  | 4   |
| 14   | 102292801 | Pin, Bow Tie Locking - .072 .....   | 2   |
| 15   | 102297230 | Screw,m6,torx,interlock,thread .....  | 4   |
| 16   | 102866515 | Hood, Red .....   | 1   |
| 17   | 102866615 | Panel, Cowl, Center, Red .....  | 1   |
| 18   | 102866715 | Panel, Cowl, Passenger-Side, Red .....                                      | 1   |
| 19   | 102866815 | Panel, Cowl, Driver-Side, Red .....   | 1   |
| 20   | 102896401 | Weldment, Hinge, Hood .....   | 2   |
| 21   | 102896501 | Prop, Hood .....  | 1   |
| 22   | 102967901 | Rivet, Removable, Tuflok 1/4" .....   | 4   |
| 23   | N/A       | Option, Color, XRT, Real Tree Camo (includes items 24 through 33) .....     | 1   |
| 24   | 102292701 | Clip-body-trim .....  | 4   |
| 25   | 102292801 | Pin, Bow Tie Locking - .072 .....   | 2   |
| 26   | 102297230 | Screw,m6,torx,interlock,thread .....  | 4   |
| 27   | 102866518 | Hood, Real Tree Camo .....  | 1   |
| 28   | 102866618 | Panel, Cowl, Center, Real Tree Camo .....                                   | 1   |
| 29   | 102866718 | Panel, Cowl, Passenger-Side, Real Tree Camo .....                           | 1   |
| 30   | 102866818 | Panel, Cowl, Driver-Side, Real Tree Camo .....                              | 1   |
| 31   | 102896401 | Weldment, Hinge, Hood .....   | 1   |
| 32   | 102896501 | Prop, Hood .....  | 1   |
| 33   | 102967901 | Rivet, Removable, Tuflok 1/4" .....   | 4   |
| 34   | N/A       | Option, Color, XRT, Dlx Real Tree Camo (includes items 35 through 44) ..... | 1   |
| 35   | 102292701 | Clip-body-trim .....  | 4   |
| 36   | 102292801 | Pin, Bow Tie Locking - .072 .....   | 2   |
| 37   | 102297230 | Screw,m6,torx,interlock,thread .....  | 4   |
| 38   | 102866518 | Hood, Real Tree Camo .....  | 1   |
| 39   | 102866618 | Panel, Cowl, Center, Real Tree Camo .....                                   | 1   |
| 40   | 102866718 | Panel, Cowl, Passenger-Side, Real Tree Camo .....                           | 1   |
| 41   | 102866818 | Panel, Cowl, Driver-Side, Real Tree Camo .....                              | 1   |
| 42   | 102896401 | Weldment, Hinge, Hood .....   | 1   |
| 43   | 102896501 | Prop, Hood .....  | 1   |
| 44   | 102967901 | Rivet, Removable, Tuflok 1/4" .....   | 4   |

1

G

D



# FRONT BODY COMPONENTS

| ITEM | PART NO.  | DESCRIPTION  | QTY |
|------|-----------|--|-----|
|      |           | 1 2 3 4  |     |
| 1    | N/A       | Instl, Cowl Weldmnt/Splash Guard (includes items 2 through 16) ..... | 1   |
| 2    | 1016967   | Blind Rivet, Push Type .....   | 4   |
| 3    | 102298401 | Nut,m8,all Metal Lock .....  | 2   |
| 4    | 102298720 | M8-1.25x20 Taptite .....   | 2   |
| 5    | 102323501 | Washer, Flat, 3/8, Blk Fin .....                                     | 2   |
| 6    | 102491301 | Bolt, M10x1.50x100 (Black) .....                                     | 3   |
| 7    | 102491302 | Bolt, M10 X 1.50 X 110 Black .....                                   | 1   |
| 8    | 102491501 | Washer Hard,m10 .....  | 12  |
| 9    | 102617201 | Nut Flg M10 X 1.5 Mech Def .....                                     | 10  |
| 10   | 102618301 | Bolt Flanged Head, M8 X 1.25 X 65 .....                              | 2   |
| 11   | 102935501 | Weldment, Dash, Front .....  | 1   |
| 12   | 102977201 | Bracket, Column, Steering .....                                      | 1   |
| 13   | 102983201 | Weldment, Front, Base, ROPS, Right-Hand .....                        | 1   |
| 14   | 102983601 | Weldment, Front, Base, ROPS, Left-Hand .....                         | 1   |
| 15   | 103296001 | Guard, Splash, Gas Injection .....                                   | 1   |
| 16   | 96715552  | Bolt, M10 X 1.50 X 65 .....  | 8   |

**1**

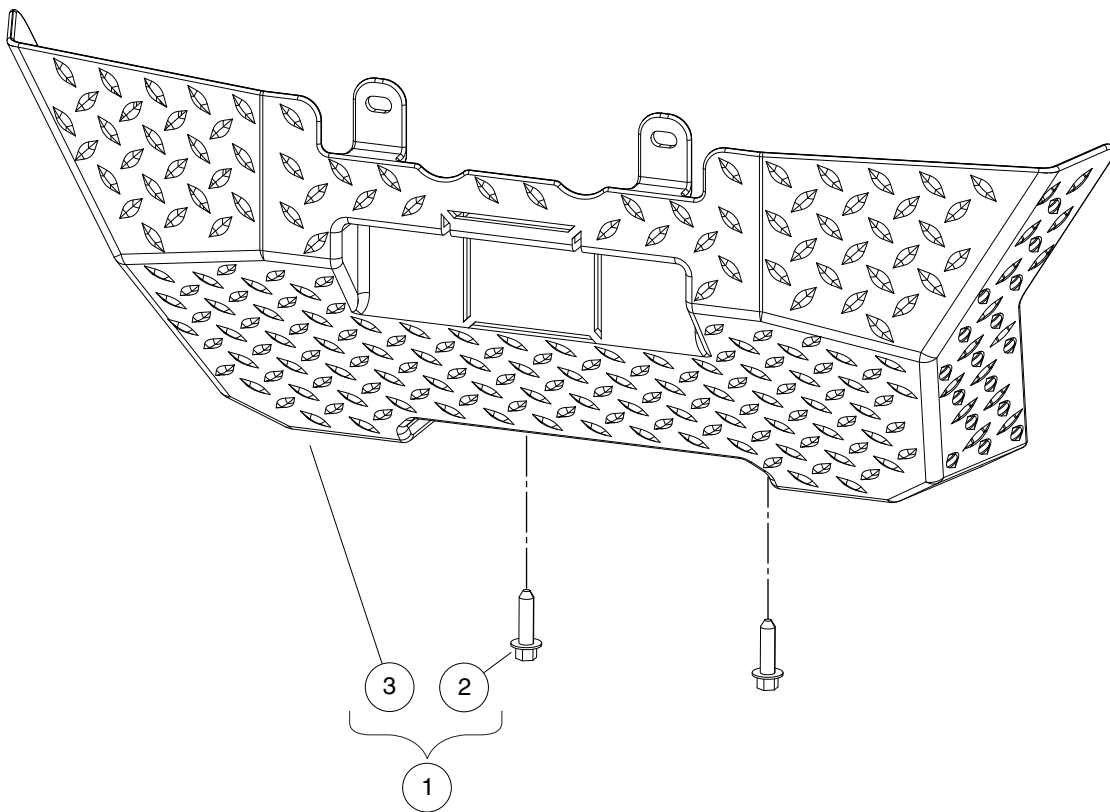
**G**

**D**

1

G

D



000537-002



# PLASTIC SKID PLATE

| ITEM | PART NO.  | DESCRIPTION                                     | QTY |
|------|-----------|---|-----|
|      |           | <b>1 2 3 4</b>                                  |     |
| 1    | N/A       | Instl, Skid, Std (includes items 2 and 3) ..... | 1   |
| 2    | 102289001 | Screw, M8X1.25X30, Hex .....                    | 2   |
| 3    | 102882301 | Plate, Skid, Std .....                          | 1   |

**1**

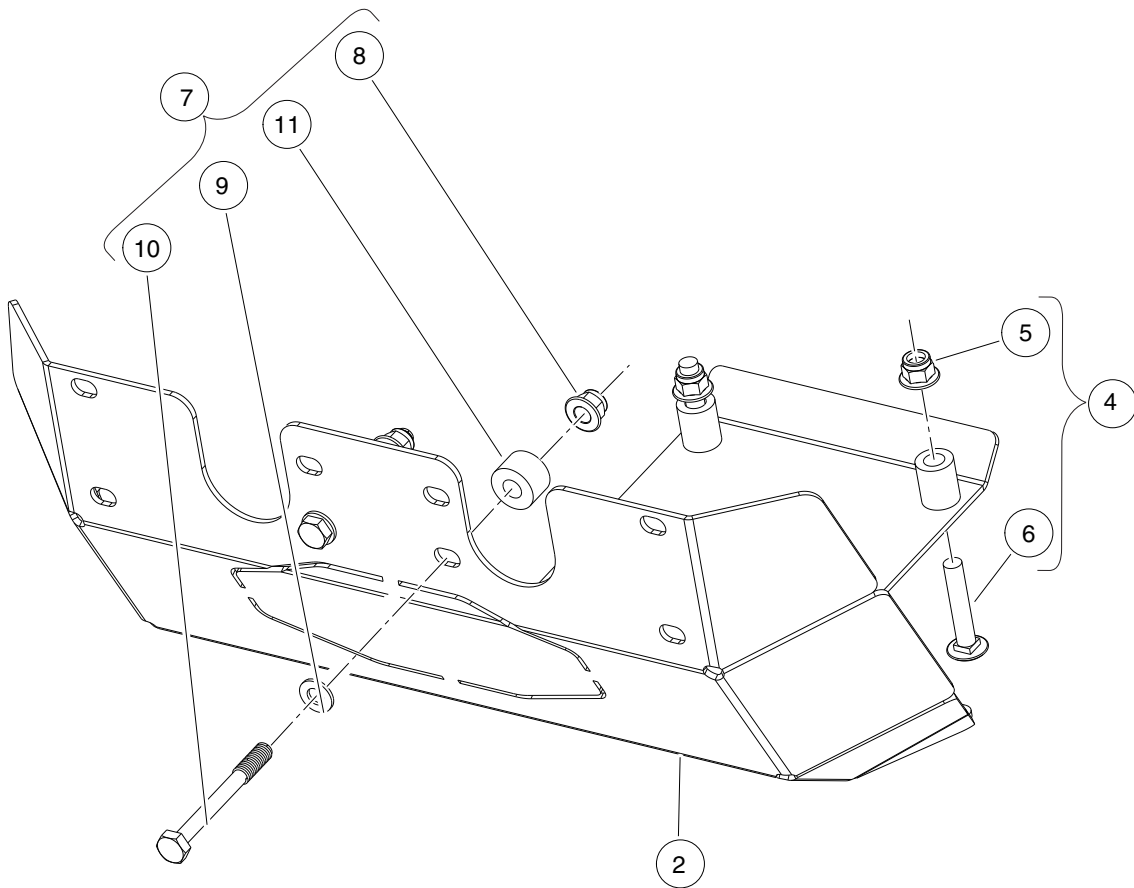
**G**

**D**

1

G

D



000537-001

# STEEL SKID PLATE

| ITEM | PART NO.  | DESCRIPTION  | QTY |
|------|-----------|--|-----|
|      |           | <b>1 2 3 4</b>   |     |
| 1    | AM1211003 | Kit, Skidplate, Front, Steel (includes items 2 through 7) .....        | 1   |
| 2    | AM1210002 | Skid Plate, Front, Steel .....   | 1   |
| 3    | N/A       | Instructions, Front Skidplate .....                                    | 1   |
| 4    | AM1215701 | Kit, Hardware, Skidplate, Front, A (includes items 5 and 6) .....      | 1   |
| 5    | 102670701 | Nut Flg M10 X 1.5 Nylon .....  | 2   |
| 6    | AM1210801 | Bolt, Carriage, M10x1.5x55 .....                                       | 2   |
| 7    | AM1215801 | Kit, Hardware, Skidplate, Front, B (includes items 8 through 11) ..... | 1   |
| 8    | 102670701 | Nut Flg M10 X 1.5 Nylon .....  | 2   |
| 9    | 102718101 | Washer, Hard, M10, Zn-Ni/Blk .....                                     | 2   |
| 10   | 102719301 | Bolt, M10 X 1.50 X 90, Loctite .....                                   | 2   |
| 11   | AM1211401 | Spacer, 17mm Long, Skidplate .....                                     | 2   |

**1**

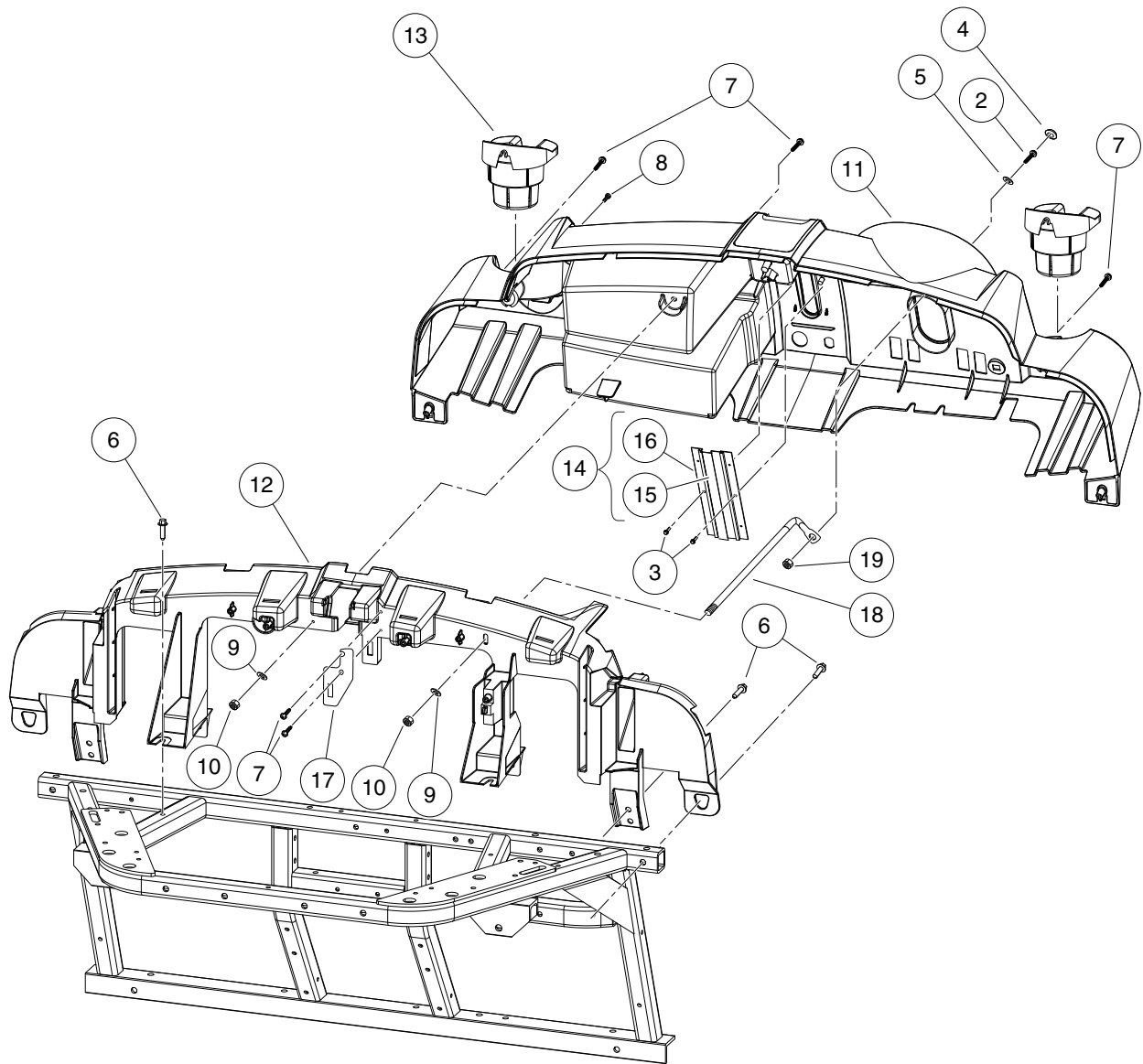
**G**

**D**

1

G

D



000519-001

**DASH**

| ITEM | PART NO.  | DESCRIPTION                                      | QTY |
|------|-----------|--|-----|
|      |           | <b>1 2 3 4</b>                                   |     |
| 1    | N/A       | Instl, Dash (includes items 2 through 19) .....  | 1   |
| 2    | 1016916   | Screw, 1/4-20 X 1.50 Hex-Head Cap .....          | 1   |
| 3    | 101804301 | Screw, #8 X 0.500, Hex-Head Hi-Lo .....          | 2   |
| 4    | 102045001 | Cap, 1/4" Plastic Screw Head .....               | 1   |
| 5    | 102048401 | Washer, 1/4 Id Scalloped Plast .....             | 1   |
| 6    | 102289001 | Screw, M8X1.25X30, Hex .....                     | 6   |
| 7    | 102297230 | Screw,m6,torx,interlock,thread .....             | 5   |
| 8    | 102298580 | M8-1.25 X 80 Sems .....                          | 1   |
| 9    | 102491501 | Washer Hard,m10 .....                            | 2   |
| 10   | 102618601 | Lock Nut, Flg M8 X 1.25 Nylon .....              | 2   |
| 11   | 102867101 | Dash, Design A .....                             | 1   |
| 12   | 102867301 | Support, Structural .....                        | 1   |
| 13   | 102883401 | Cup Holder, Utility .....                        | 2   |
| 14   | 103233001 | Asm, Brush, Fnr (includes items 15 and 16) ..... | 2   |
| 15   | 103179901 | Brush, Strip, FNR .....                          | 2   |
| 16   | 103180001 | Holder, Brush, Strip, Fnr .....                  | 2   |
| 17   | 103253801 | Bracket, Hood Support .....                      | 1   |
| 18   | 103268001 | Rod, Connection, Dash .....                      | 1   |
| 19   | 8233      | Locknut, 1/4-20 Nylon Insert .....               | 1   |

**1**

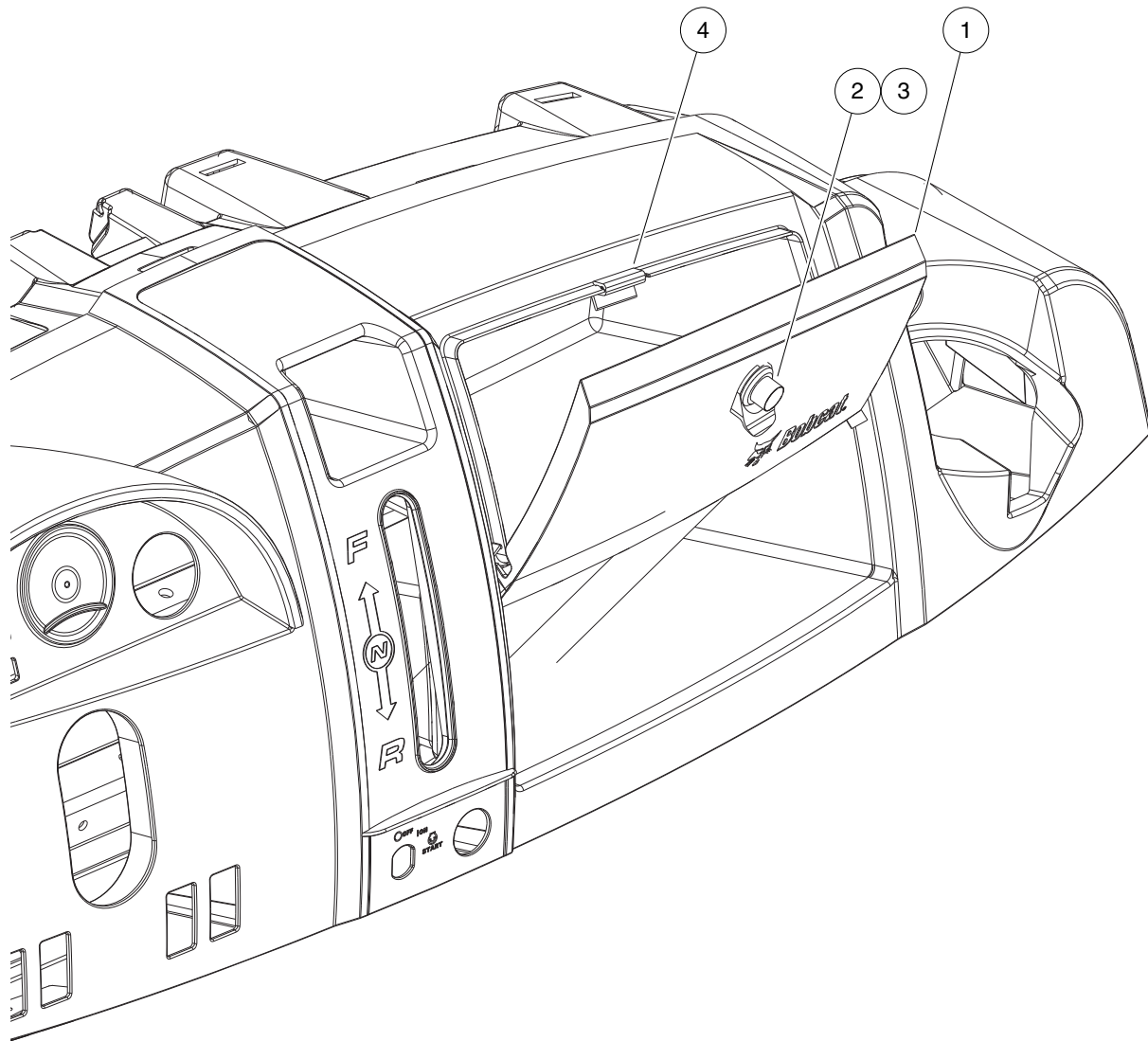
**G**

**D**

1

G

D



000789-002

# GLOVE BOX

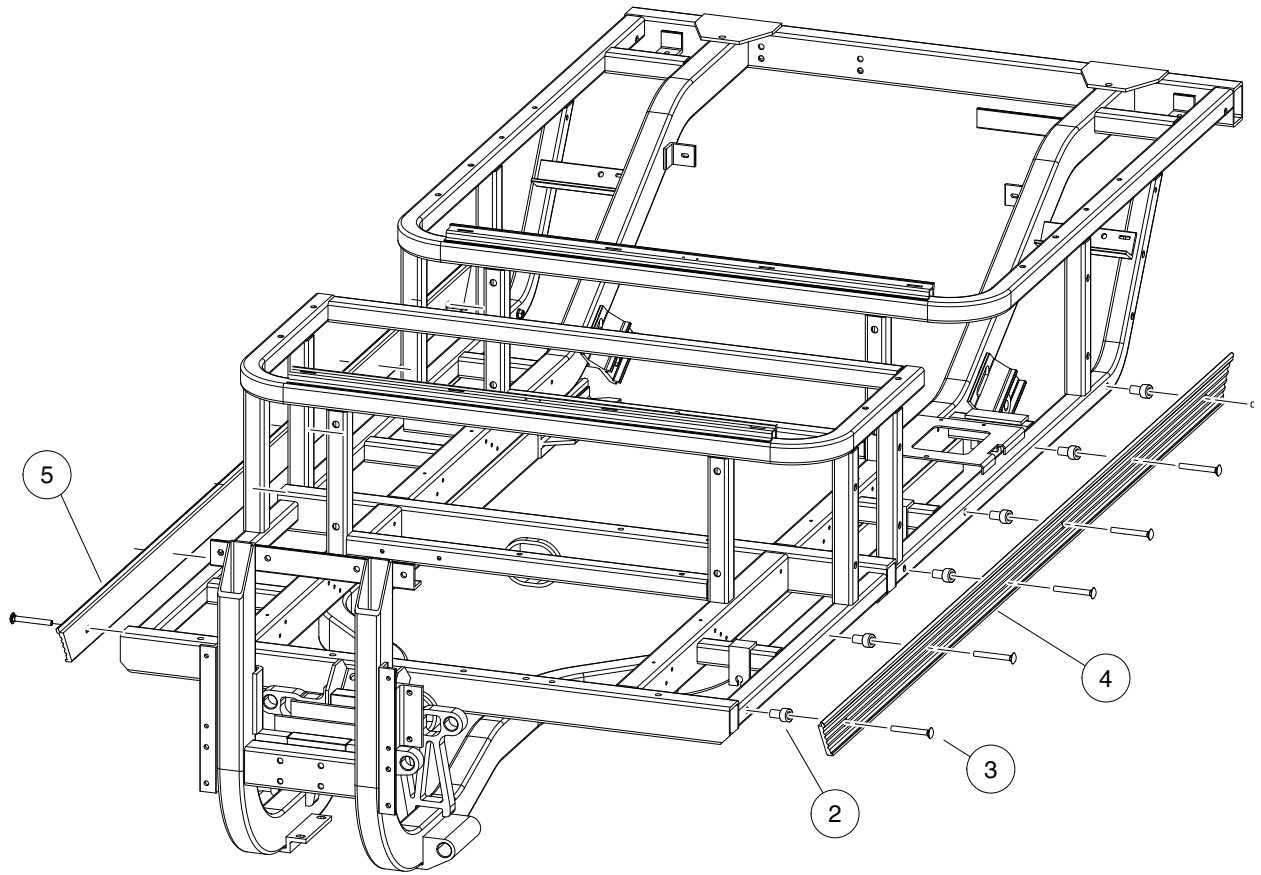
| ITEM | PART NO.  | DESCRIPTION                          | QTY |
|------|-----------|--------------------------------------|-----|
| 1    | 102867202 | Cover, Storage, Dash, Blk, Cci ..... | 1   |
| 2    | 103182701 | Latch, Push Close .....              | 1   |
| 3    | 103182702 | Latch, Push Close W/ Key .....       | 1   |
| 4    | 103182801 | Keeper, Latch, Push Close .....      | 1   |

**1**  
**G**  
**D**

1

G

D



000527-002



## SIDE STRINGERS – 4 PASSENGER VEHICLES

| ITEM | PART NO.  | DESCRIPTION   | QTY |
|------|-----------|---|-----|
|      |           | 1 2 3 4   |     |
| 1    | N/A       | Instl, Black Stringer, Stretch (includes items 2 through 5) ..... | 1   |
| 2    | 102491701 | Well Nut 1/4-20 .....   | 12  |
| 3    | 103487501 | Screw, 1/4-20 X 1.0, Black .....                                  | 12  |
| 4    | 103488801 | Stringer, Side, Awd, Se, Ds .....                                 | 1   |
| 5    | 103488802 | Stringer, Side, Awd, Se, Ps .....                                 | 1   |

**1**

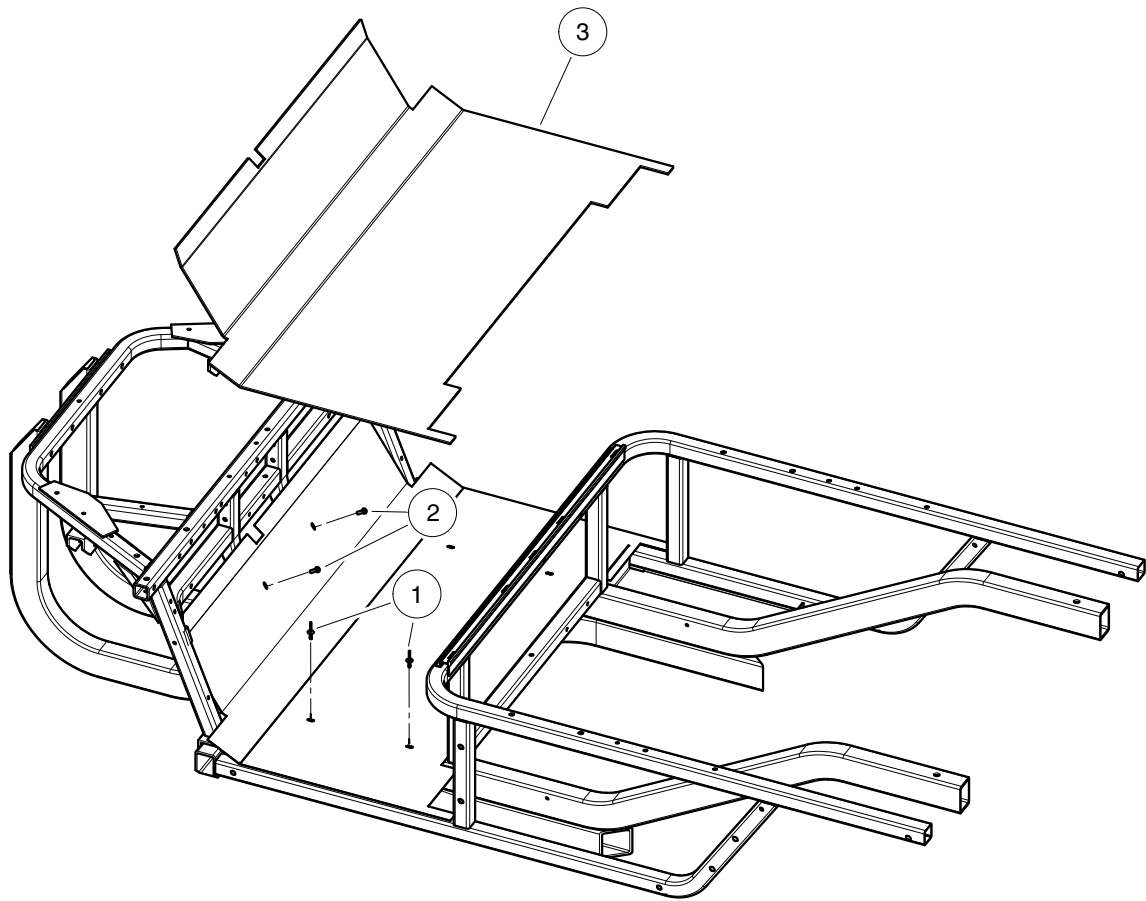
**G**

**D**

1

G

D



000520-001

# FLOOR MAT

| ITEM | PART NO.  | DESCRIPTION                          | QTY |
|------|-----------|--------------------------------------|-----|
|      |           | 1 2 3 4                              |     |
| 1    | 1015392   | Rivet, 3/16 Pop .....                | 4   |
| 2    | 102025801 | Screw, 1/4-20 X .75 Torx Pn Hd ..... | 2   |
| 3    | 102895701 | Floor Mat .....                      | 1   |

1

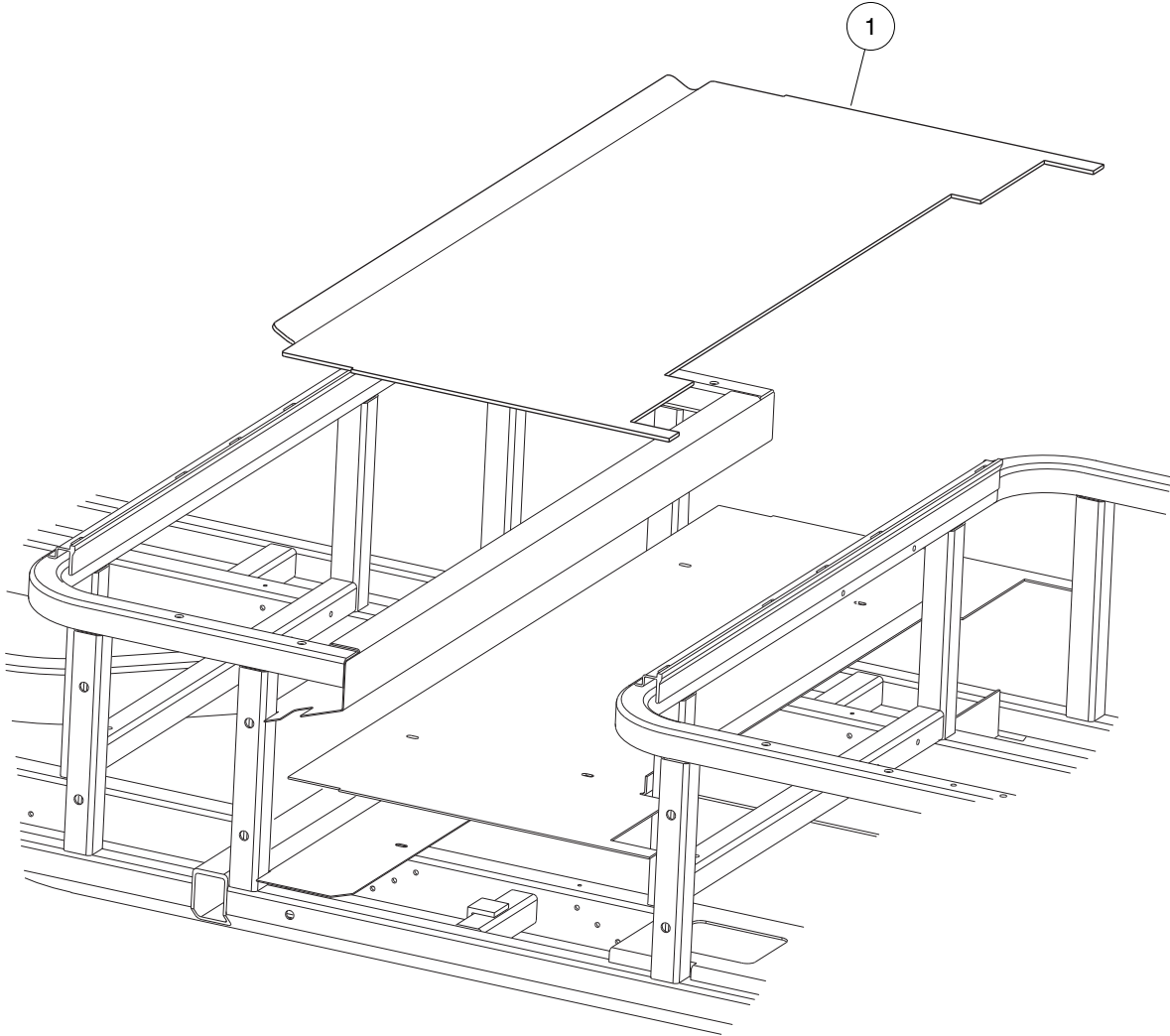
G

D

1

G

D



000520-002

# FLOOR MAT – REAR

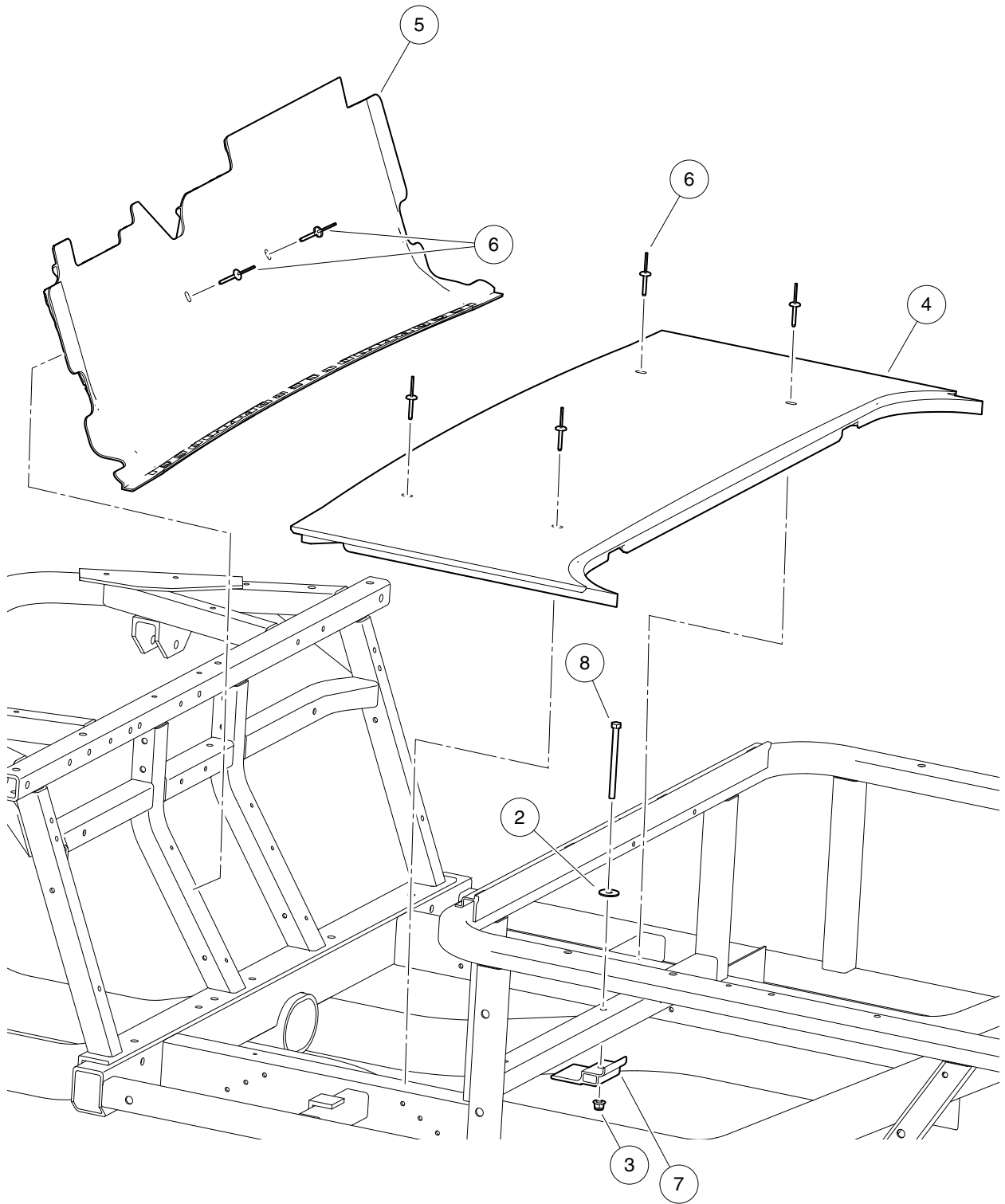
| ITEM | PART NO.  | DESCRIPTION                        | QTY |
|------|-----------|------------------------------------|-----|
| 1    | 103189501 | 1 2 3 4<br>Mat, Floor, Short ..... | 1   |

**1**  
**G**  
**D**

1

G

D



000790-001

# FLOORBOARD

| ITEM | PART NO.  | DESCRIPTION  | QTY |
|------|-----------|--|-----|
|      |           | <b>1 2 3 4</b>                                       |     |
| 1    | N/A       | Instl, Floorboard (includes items 2 through 8) ..... | 1   |
| 2    | 1011578   | Washer, 5/16 Type B Flat .....                       | 1   |
| 3    | 102618601 | Lock Nut, Flg M8 X 1.25 Nylon .....                  | 1   |
| 4    | 103319601 | Floorboard, Lower .....                              | 1   |
| 5    | 103319701 | Floorboard, Upper .....                              | 1   |
| 6    | 103400001 | 3/16 X 1.19 Alum Rivet, Blk .....                    | 6   |
| 7    | N/A       | Bracket, Support, Floorboard .....                   | 1   |
| 8    | 103423701 | Bolt, M8 X 1.25 X 110 .....                          | 1   |

**1**

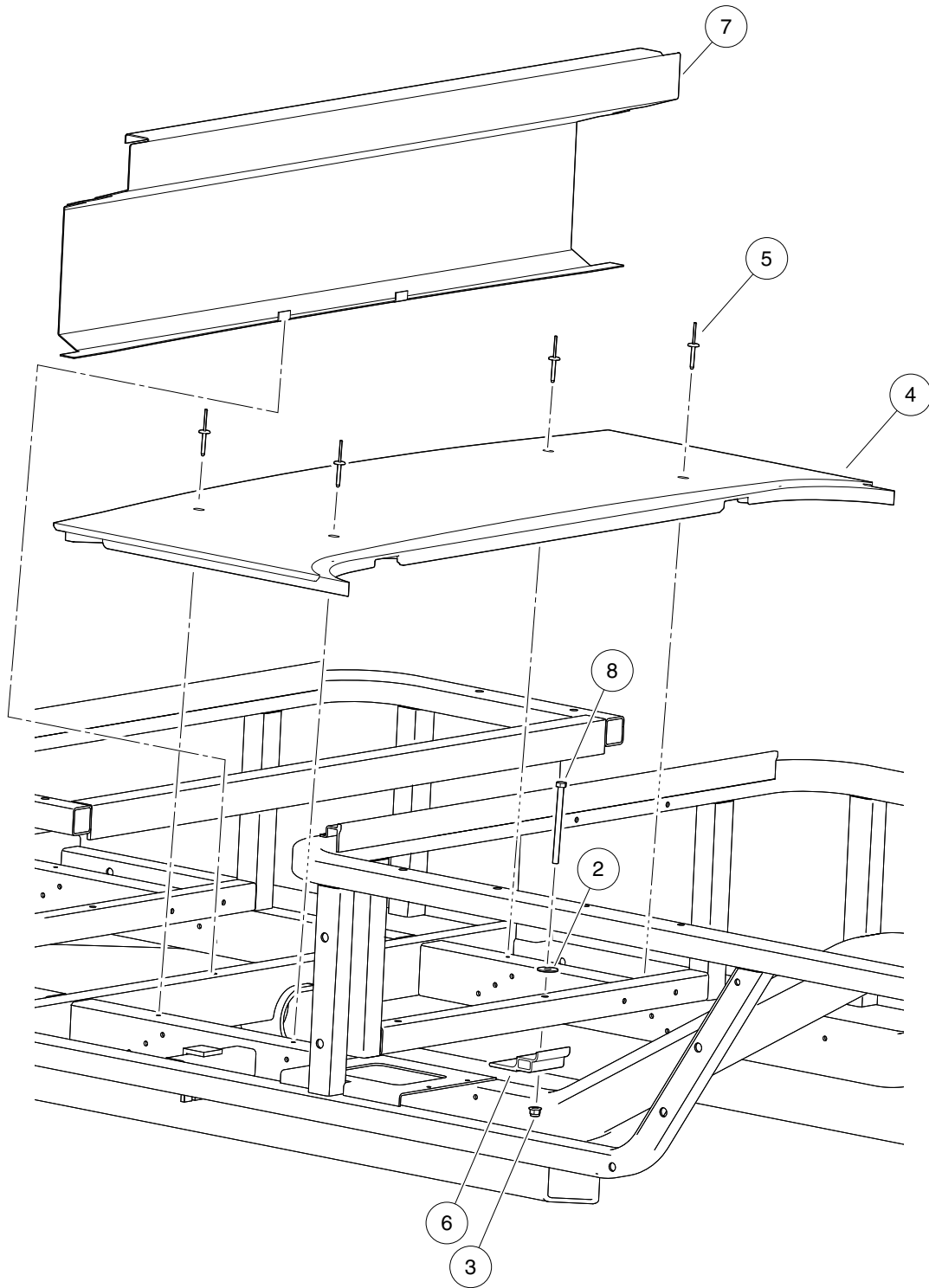
**G**

**D**

1

G

D



000790-002



# FLOORBOARD – REAR

| ITEM | PART NO.  | DESCRIPTION  | QTY |
|------|-----------|--|-----|
|      |           | <b>1 2 3 4</b>   |     |
| 1    | N/A       | Instl, Floorboard, Rear (includes items 2 through 8) ..... | 1   |
| 2    | 1011578   | Washer, 5/16 Type B Flat .....                             | 1   |
| 3    | 102618601 | Lock Nut, Flg M8 X 1.25 Nylon .....                        | 1   |
| 4    | 103319601 | Floorboard, Lower .....                                    | 1   |
| 5    | 103400001 | 3/16 X 1.19 Alum Rivet, Blk .....                          | 4   |
| 6    | N/A       | Bracket, Support, Floorboard .....                         | 1   |
| 7    | N/A       | Plate, Footwell, Rear .....                                | 1   |
| 8    | 103423701 | Bolt, M8 X 1.25 X 110 .....                                | 1   |

**1**

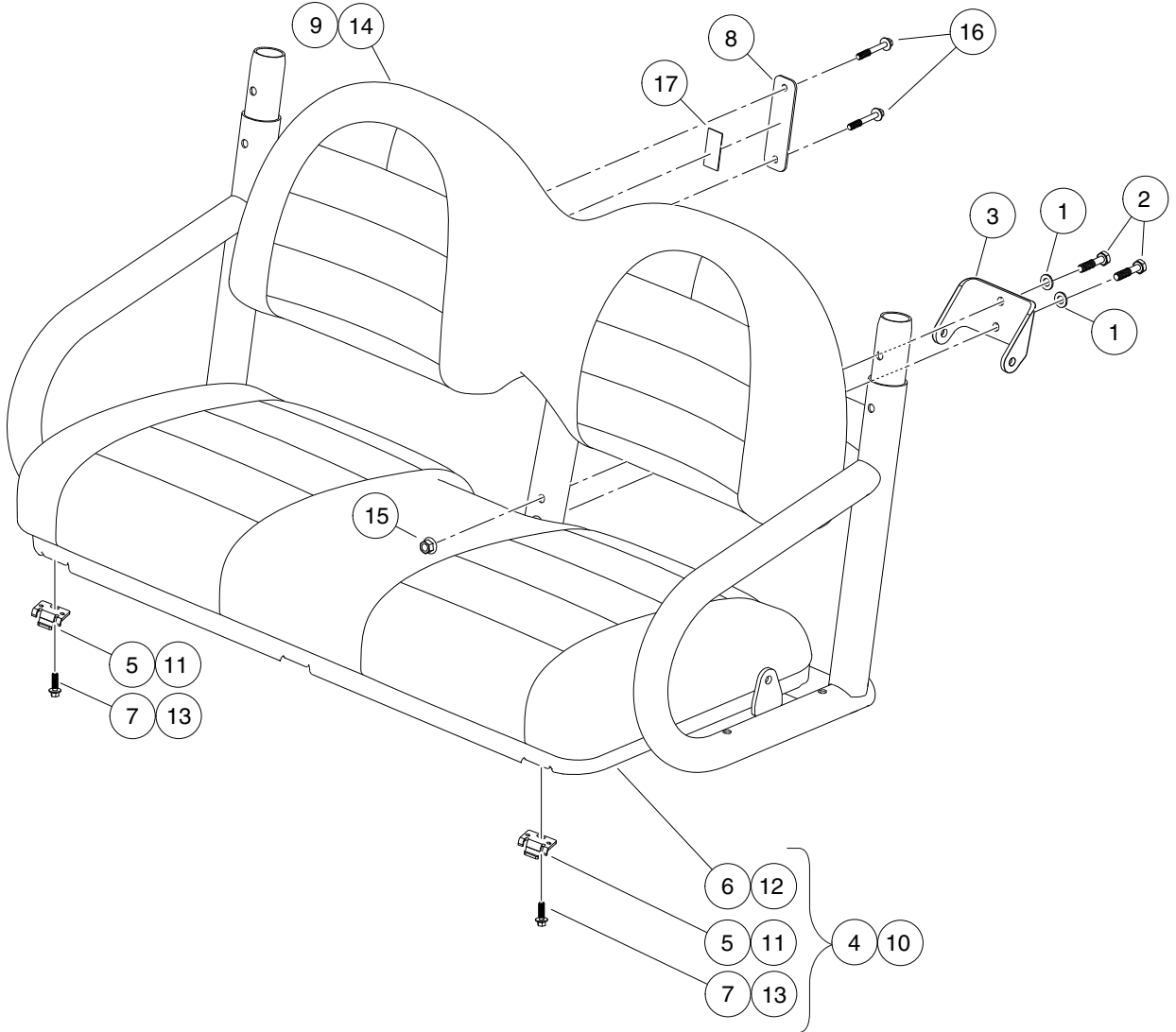
**G**

**D**

1

G

D



000523-001

# BENCH SEATS

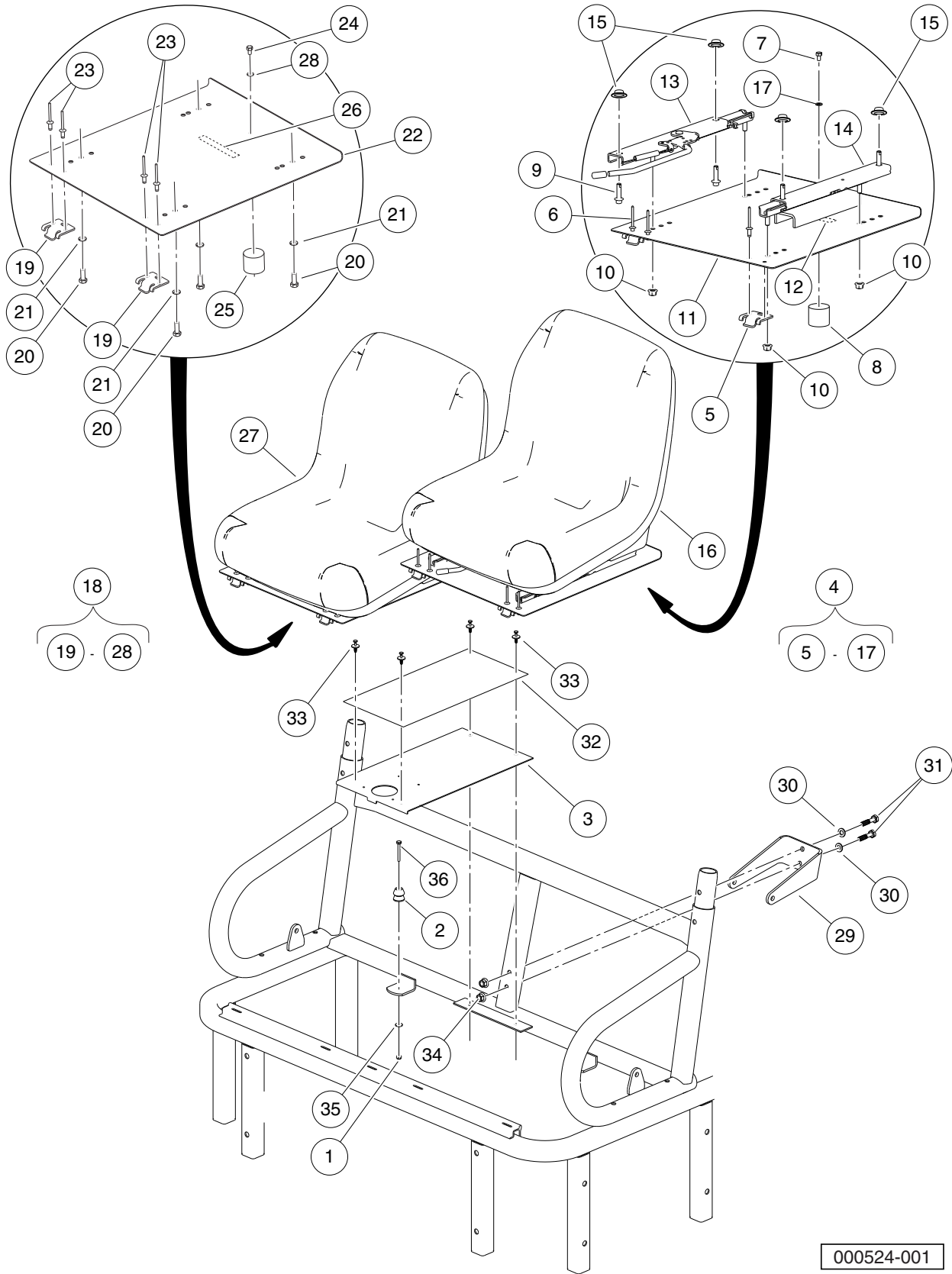
| ITEM | PART NO.  | DESCRIPTION   | QTY |
|------|-----------|---|-----|
|      |           | <b>1 2 3 4</b>  |     |
| 1    | 102718101 | Washer, Hard, M10, Zn-Ni/Blk .....                                  | 2   |
| 2    | 102732401 | Bolt, M10 X 45, Zn-Ni (Black) .....                                 | 2   |
| 3    | 102759901 | Bracket, Seat Belt, Bench .....                                     | 1   |
| 4    | 102879201 | Asm, Seat Bottom, Bench, Gray (includes items 5 through 7) .....    | 1   |
| 5    | 1011652   | Hinge Plate .....   | 2   |
| 6    | 102759601 | Asm, Seat Bottom, Bench .....                                       | 1   |
| 7    | 103262201 | Bolt Flg Blk, M8 X 25, Loctite .....                                | 2   |
| 8    | 102879401 | Bracket, Seat Back, AWD .....                                       | 2   |
| 9    | 102912301 | Seat Back, Bench, Gray .....  | 1   |
| 10   | 103181001 | Asm, Seat Bottom, Bench, Black (includes items 11 through 13) ..... | 1   |
| 11   | 1011652   | Hinge Plate .....   | 2   |
| 12   | N/A       | Seat Bottom, Bench, Black .....                                     | 1   |
| 13   | 103262201 | Bolt Flg Blk, M8 X 25, Loctite .....                                | 2   |
| 14   | 103181101 | Seat Back, Bench, Black .....                                       | 1   |
| 15   | 103216401 | Nut, Flanged, M10 x 1.5, Black .....                                | 2   |
| 16   | 103262601 | Bolt Flg Blk, M8 X 55, Loctite .....                                | 4   |
| 17   | N/A       | Tape, Double-Sided, VHB, 1"x 2" .....                               | 1   |

**1**  
**G**  
**D**

1

G

D



000524-001

# BUCKET SEATS – GRAY

| ITEM | PART NO.  | DESCRIPTION  | QTY |
|------|-----------|--|-----|
|      |           | <b>1 2 3 4</b>   |     |
| 1    | 101887601 | Locknut, M6-1.00 Nylon Insert .....                                  | 2   |
| 2    | 102059001 | Seat Holder Base .....   | 2   |
| 3    | 102442001 | Pan, Center, Closeout .....  | 1   |
| 4    | 102473701 | Asm, Bucket Seat Adjustable (includes items 5 through 17) .....      | 1   |
| 5    | 1011652   | Hinge Plate .....  | 2   |
| 6    | 102047001 | Rivet, 1/4 X .438 Blind .....  | 4   |
| 7    | 102059401 | Screw, 6m-1.00 X 10mm Hex Head .....                                 | 1   |
| 8    | 102061101 | Seat Holder Cup .....  | 1   |
| 9    | 102298130 | Bolt, Flange Head, M8 X 30.0 .....                                   | 4   |
| 10   | 102298401 | Nut, m8, all Metal Lock .....  | 4   |
| 11   | 102456001 | Pan, Seat, Driver Asm .....  | 1   |
| 12   | 102458901 | Decal, Hot Surface Warning .....                                     | 1   |
| 13   | 102473501 | Adjuster, Forward/Aft .....  | 1   |
| 14   | 102473601 | Adjuster, Slider .....   | 1   |
| 15   | 102475901 | Washer, Bell .....   | 4   |
| 16   | 103267001 | Seat, Bucket, Gray .....   | 1   |
| 17   | 451       | Lockwasher, 1/4 Split .....  | 1   |
| 18   | N/A       | Assembly, Bucket Seat w/Spacers (includes items 19 through 28) ..... | 1   |
| 19   | 1011652   | Hinge Plate .....  | 2   |
| 20   | 1012830   | Screw, M8-125 X 22 Hex-Head .....                                    | 4   |
| 21   | 1013734   | Lockwasher, 8mm Split .....  | 4   |
| 22   | 102023703 | Pan, Seat, Passenger .....   | 1   |
| 23   | 102047001 | Rivet, 1/4 X .438 Blind .....  | 4   |
| 24   | 102059401 | Screw, 6m-1.00 X 10mm Hex Head .....                                 | 1   |
| 25   | 102061101 | Seat Holder Cup .....  | 1   |
| 26   | 102458901 | Decal, Hot Surface Warning .....                                     | 1   |
| 27   | 103267001 | Seat, Bucket, Gray .....   | 1   |
| 28   | 451       | Lockwasher, 1/4 Split .....  | 1   |
| 29   | 102670601 | Bracket, Seatbelt, Bolt-On .....                                     | 1   |
| 30   | 102718101 | Washer, Hard, M10, Zn-Ni/Blk .....                                   | 2   |
| 31   | 102732401 | Bolt, M10 X 45, Zn-Ni (Black) .....                                  | 2   |
| 32   | 102763701 | Cover, Center Console .....  | 1   |
| 33   | 102967901 | Rivet, Removable, Tuflok 1/4" .....                                  | 4   |
| 34   | 103216401 | Nut, Flanged, M10 x 1.5, Black .....                                 | 2   |
| 35   | 332       | Washer, 1/4 Type A Narrow Flat .....                                 | 2   |
| 36   | 96742515  | Bolt, M6 X 1 X 45 .....  | 2   |

**1**

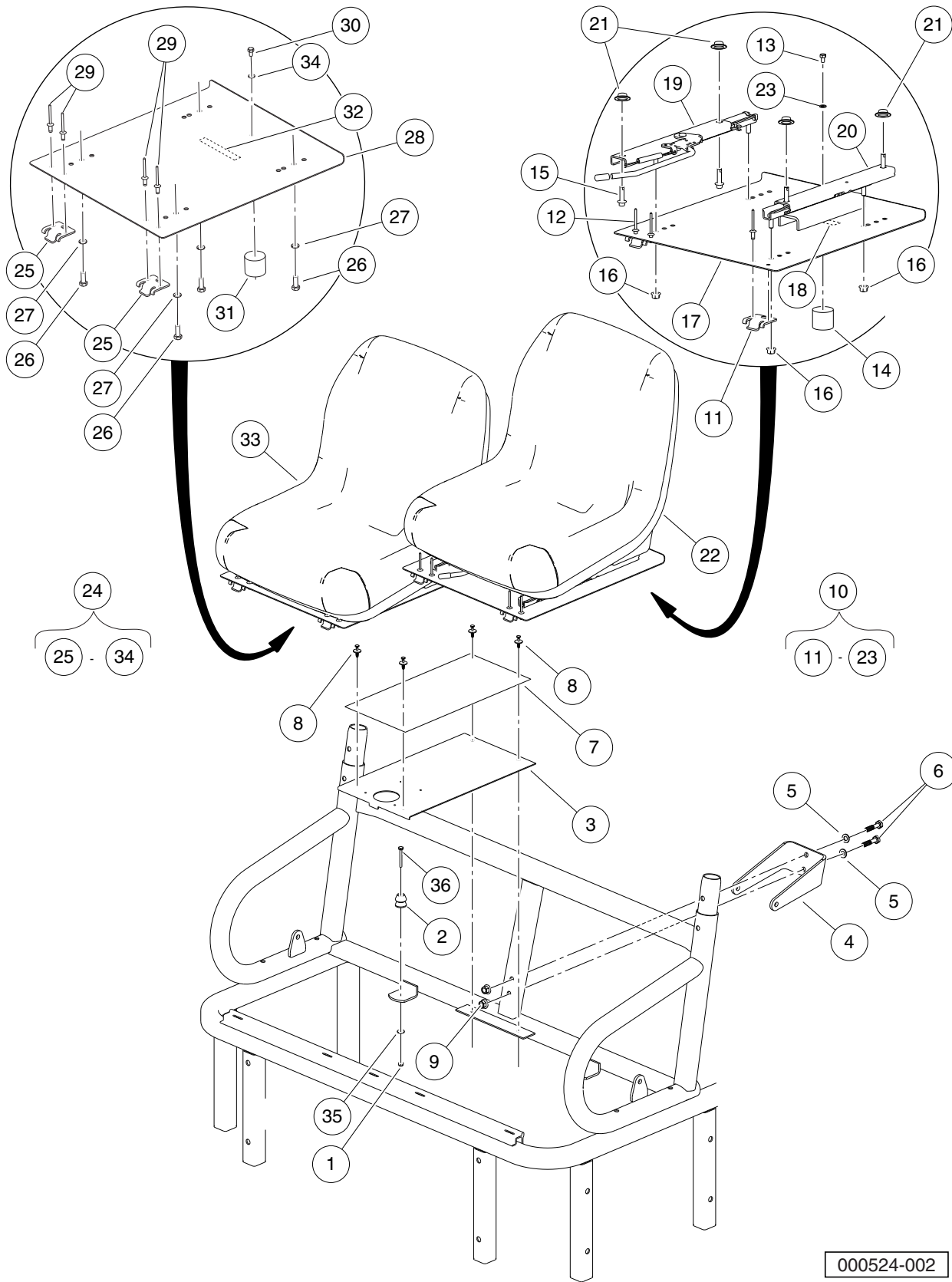
**G**

**D**

1

G

D



000524-002

# BUCKET SEATS – BLACK

| ITEM | PART NO.  | DESCRIPTION  | QTY |
|------|-----------|--|-----|
|      |           | <b>1 2 3 4</b>   |     |
| 1    | 101887601 | Locknut, M6-1.00 Nylon Insert .....                                    | 2   |
| 2    | 102059001 | Seat Holder Base .....   | 2   |
| 3    | 102442001 | Pan, Center, Closeout .....  | 1   |
| 4    | 102670601 | Bracket, Seatbelt, Bolt-On .....                                       | 1   |
| 5    | 102718101 | Washer, Hard, M10, Zn-Ni/Blk .....                                     | 2   |
| 6    | 102732401 | Bolt, M10 X 45, Zn-Ni (Black) .....                                    | 2   |
| 7    | 102763701 | Cover, Center Console .....  | 1   |
| 8    | 102967901 | Rivet, Removable, Tuflok 1/4" .....                                    | 4   |
| 9    | 103216401 | Nut, Flanged, M10 x 1.5, Black .....                                   | 2   |
| 10   | 103218901 | Asm, Bracket Seat, Adj, Blk (includes items 11 through 23) .....       | 1   |
| 11   | 1011652   | Hinge Plate .....  | 2   |
| 12   | 102047001 | Rivet, 1/4 X .438 Blind .....  | 4   |
| 13   | 102059401 | Screw, 6m-1.00 X 10mm Hex Head .....                                   | 1   |
| 14   | 102061101 | Seat Holder Cup .....  | 1   |
| 15   | 102298130 | Bolt, Flange Head, M8 X 30.0 .....                                     | 4   |
| 16   | 102298401 | Nut,m8,all Metal Lock .....  | 4   |
| 17   | 102456001 | Pan, Seat, Driver Asm .....  | 1   |
| 18   | 102458901 | Decal, Hot Surface Warning .....                                       | 1   |
| 19   | 102473501 | Adjuster, Forward/Aft .....  | 1   |
| 20   | 102473601 | Adjuster, Slider .....   | 1   |
| 21   | 102475901 | Washer, Bell .....   | 4   |
| 22   | 103267002 | Seat, Bucket, Black .....  | 1   |
| 23   | 451       | Lockwasher, 1/4 Split .....  | 1   |
| 24   | N/A       | Asm, Bracket Seat, Passenger, Blk (includes items 25 through 34) ..... | 1   |
| 25   | 1011652   | Hinge Plate .....  | 2   |
| 26   | 1012830   | Screw, M8-125 X 22 Hex-Head .....                                      | 4   |
| 27   | 1013734   | Lockwasher, 8mm Split .....  | 4   |
| 28   | 102023703 | Pan, Seat, Passenger .....   | 1   |
| 29   | 102047001 | Rivet, 1/4 X .438 Blind .....  | 4   |
| 30   | 102059401 | Screw, 6m-1.00 X 10mm Hex Head .....                                   | 1   |
| 31   | 102061101 | Seat Holder Cup .....  | 1   |
| 32   | 102458901 | Decal, Hot Surface Warning .....                                       | 1   |
| 33   | 103267002 | Seat, Bucket, Black .....  | 1   |
| 34   | 451       | Lockwasher, 1/4 Split .....  | 1   |
| 35   | 332       | Washer, 1/4 Type A Narrow Flat .....                                   | 2   |
| 36   | 96742515  | Bolt, M6 X 1 X 45 .....  | 2   |

**1**

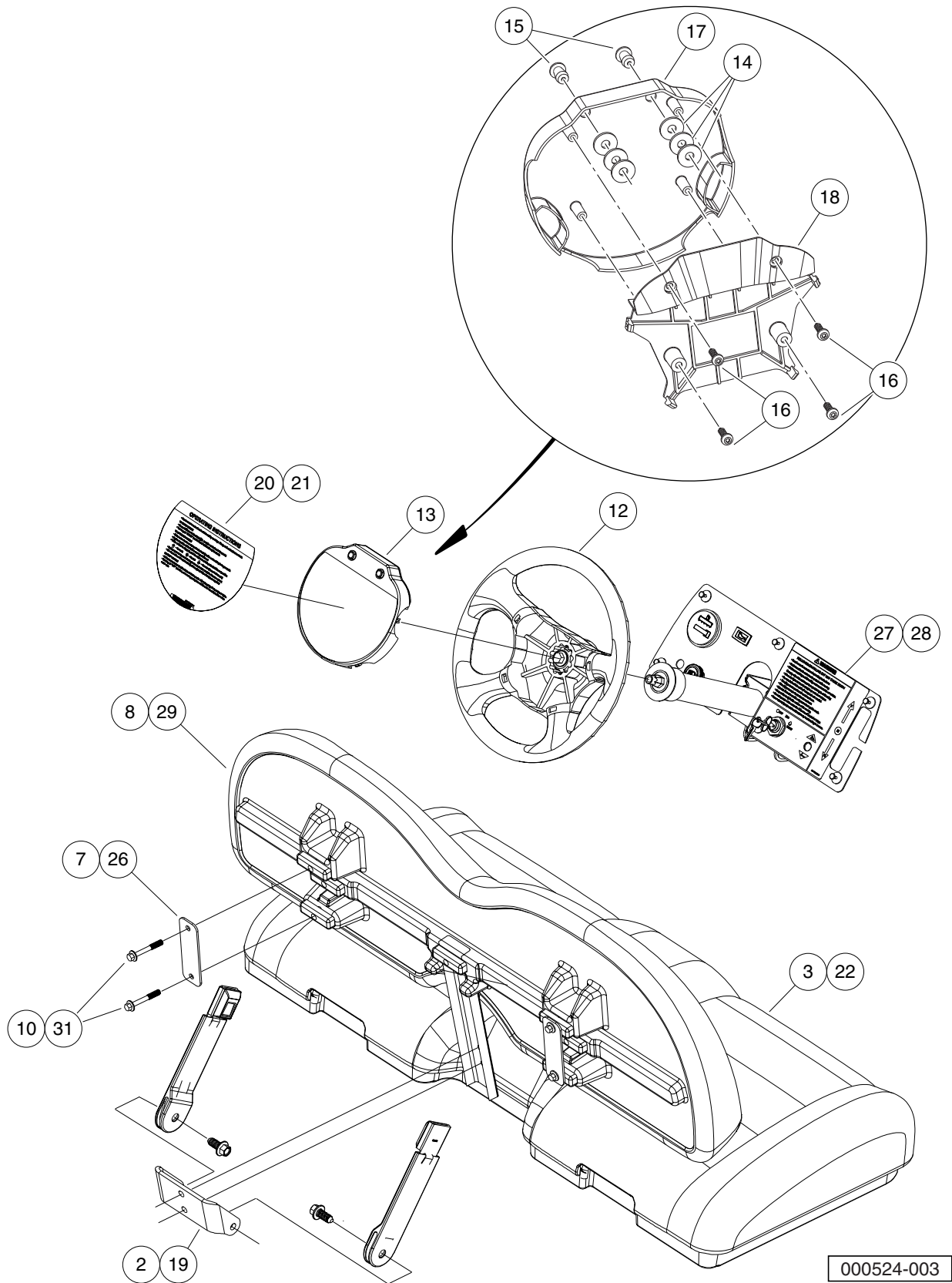
**G**

**D**

1

G

D



000524-003



# BENCH SEAT CONVERSION KIT

| ITEM | PART NO.  | DESCRIPTION  | QTY |
|------|-----------|--|-----|
|      |           | <b>1 2 3 4</b>   |     |
| 1    | 103183101 | Kit, Bench Seat, Seat Only (includes items 2 through 10) .....     | 1   |
| 2    | 102759901 | Bracket, Seat Belt, Bench .....                                    | 1   |
| 3    | 102879201 | Asm, Seat Bottom, Bench, Gray (includes items 4 through 6) .....   | 1   |
| 4    | 1011652   | Hinge Plate .....  | 2   |
| 5    | 102759601 | Asm, Seat Bottom, Bench .....                                      | 1   |
| 6    | 103262201 | Bolt Flg Blk, M8 X 25, Loctite .....                               | 2   |
| 7    | 102879401 | Bracket, Seat Back, AWD .....                                      | 2   |
| 8    | 102912301 | Seat Back, Bench, Gray .....                                       | 1   |
| 9    | N/A       | Instructions, Bench Seat .....                                     | 1   |
| 10   | 103262601 | Bolt Flg Blk, M8 X 55, Loctite .....                               | 4   |
| 11   | 103183201 | Kit, Bench Seat, Complete (includes items 12 through 31) .....     | 1   |
| 12   | 102537801 | Steering Wheel, Comfort Grip, Hex .....                            | 1   |
| 13   | 102540802 | Center, Plate, Steering Wheel (includes items 14 through 18) ..... | 1   |
| 14   | 1011697   | Washer, 5/16 Flat .....  | 6   |
| 15   | 1016967   | Blind Rivet, Push Type .....                                       | 2   |
| 16   | 102296020 | Screw, Torx Pan Hd Pt, M6 X 20 .....                               | 4   |
| 17   | N/A       | Scorecard Plate, Comfort Grip .....                                | 1   |
| 18   | N/A       | Scorecard Back Plate .....   | 1   |
| 19   | 102759901 | Bracket, Seat Belt, Bench .....                                    | 1   |
| 20   | 102873901 | Decal, Oper Instr, Awd Se Dsl .....                                | 1   |
| 21   | 102878301 | Decal, Oper Instr, Awd Se Gas .....                                | 1   |
| 22   | 102879201 | Asm, Seat Bottom, Bench, Gray (includes items 23 through 25) ..... | 1   |
| 23   | 1011652   | Hinge Plate .....  | 2   |
| 24   | 102759601 | Asm, Seat Bottom, Bench .....                                      | 1   |
| 25   | 103262201 | Bolt Flg Blk, M8 X 25, Loctite .....                               | 2   |
| 26   | 102879401 | Bracket, Seat Back, AWD .....                                      | 2   |
| 27   | 102889001 | Decal, Warning, Instrument Panel, AWD Gas .....                    | 1   |
| 28   | 102889101 | Decal, Warning, Instrument Panel, AWD Diesel .....                 | 1   |
| 29   | 102912301 | Seat Back, Bench, Gray .....                                       | 1   |
| 30   | N/A       | Instructions, Bench Seat .....                                     | 1   |
| 31   | 103262601 | Bolt Flg Blk, M8 X 55, Loctite .....                               | 4   |

1

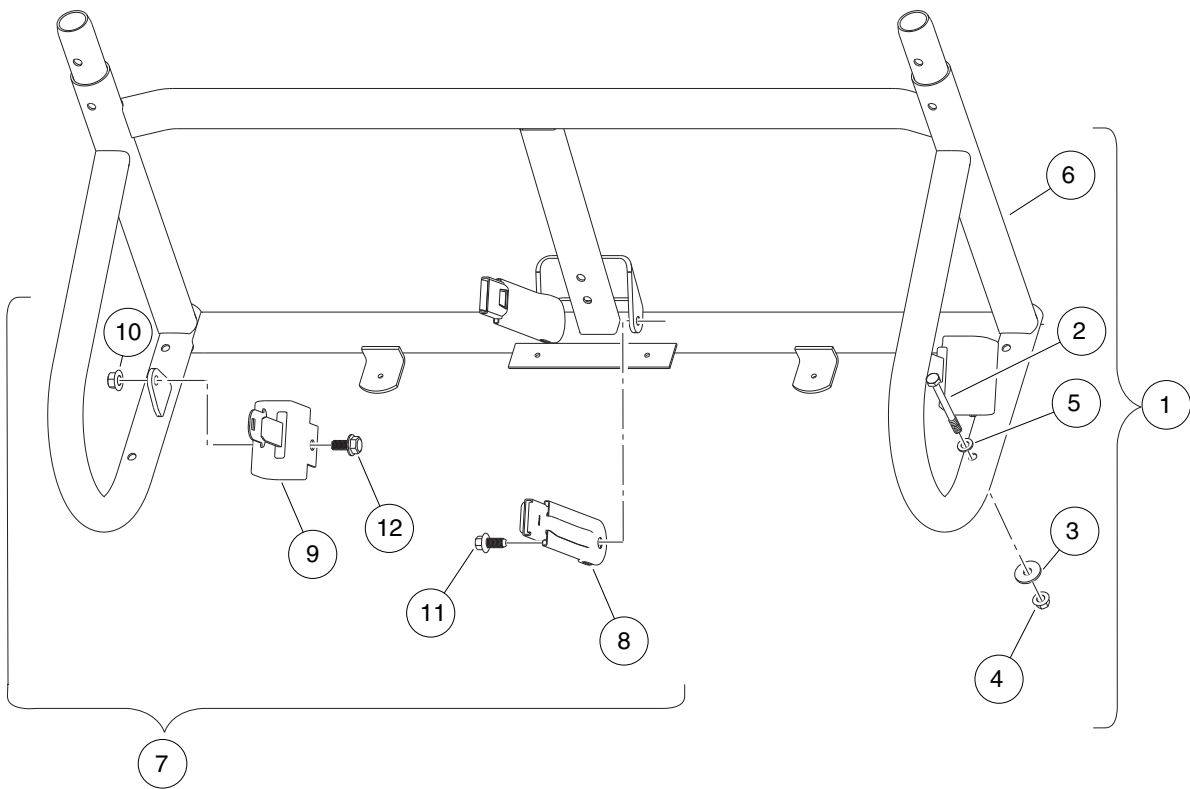
G

D

1

G

D



000029-002

# SEAT BELTS AND LOWER ROPS

| ITEM | PART NO.  | DESCRIPTION   | QTY |
|------|-----------|---|-----|
|      |           | <b>1 2 3 4</b>  |     |
| 1    | N/A       | Instl, Rops, Lower (includes items 2 through 6) .....         | 1   |
| 2    | 102491301 | Bolt, M10x1.50x100 (Black) .....                              | 4   |
| 3    | 102491501 | Washer Hard,m10 .....   | 4   |
| 4    | 102617201 | Nut Flg M10 X 1.5 Mech Def .....                              | 4   |
| 5    | 102718101 | Washer, Hard, M10, Zn-Ni/Blk .....                            | 4   |
| 6    | 103361701 | Weldment,seat Support,hs,rops .....                           | 1   |
| 7    | N/A       | Instl, Seat Belt, Restyle (includes items 8 through 12) ..... | 1   |
| 8    | 102447601 | Buckle, Seat Belt with Sleeve .....                           | 2   |
| 9    | 102447602 | Retractor, Seat Belt .....                                    | 2   |
| 10   | 102620301 | Ln Flg, M12 X 1.75, Md, Black .....                           | 2   |
| 11   | 102671201 | Screw,m12x1.75x30 Thd Form Blk .....                          | 2   |
| 12   | 103245101 | Bolt Flg, M12x1.75 X 25 Black .....                           | 2   |

**1**

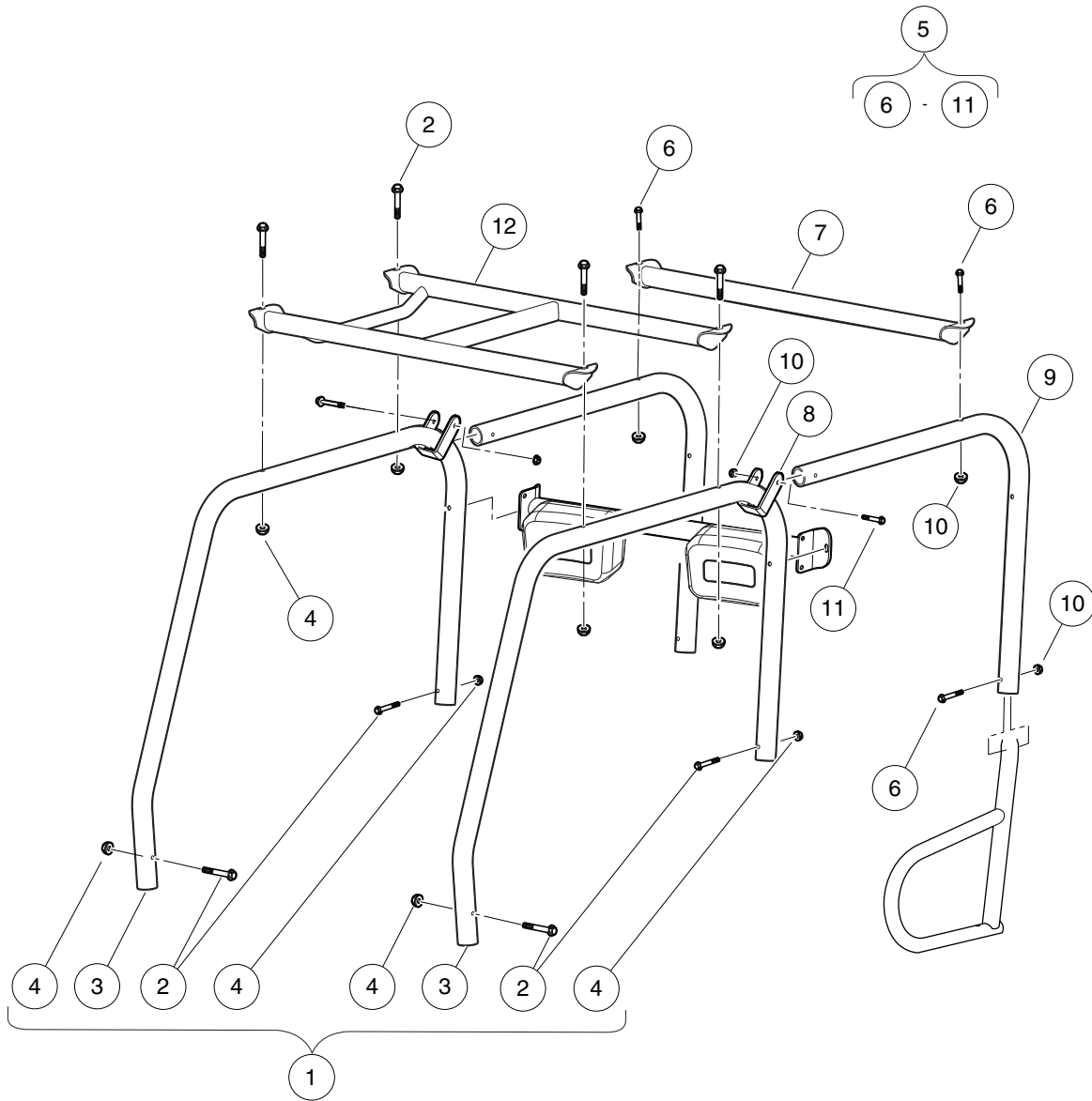
**G**

**D**

1

G

D



000029-004

# ROPS

| ITEM | PART NO.  | DESCRIPTION   | QTY |
|------|-----------|---|-----|
|      |           | <b>1 2 3 4</b>  |     |
| 1    | 103215901 | Kit, ROPS, Domestic (includes items 2 through 4) .....        | 1   |
| 2    | 102988701 | Bolt, Flanged, M10 X 1.5 X 65 .....                           | 8   |
| 3    | 103192101 | Tube, Side Support Short, ROPS .....                          | 2   |
| 4    | 103216401 | Nut, Flanged, M10 x 1.5, Black .....                          | 8   |
| 5    | 103216201 | Kit, ROPS, Four Passenger (includes items 6 through 11) ..... | 1   |
| 6    | 102988701 | Bolt, Flanged, M10 X 1.5 X 65 .....                           | 4   |
| 7    | 103214901 | Weldment, ROPS, Top, 4 Pass .....                             | 1   |
| 8    | 103215001 | Bracket, ROPS, Rear, 4 Pass .....                             | 2   |
| 9    | N/A       | Tube, Rear, 4 Pass .....                                      | 2   |
| 10   | 103216401 | Nut, Flanged, M10 x 1.5, Black .....                          | 6   |
| 11   | 103216801 | Bolt, Flanged, M10 X 1.5 X 70 .....                           | 2   |
| 12   | 103225801 | Asm, Top, ROPS .....  | 1   |

**1**

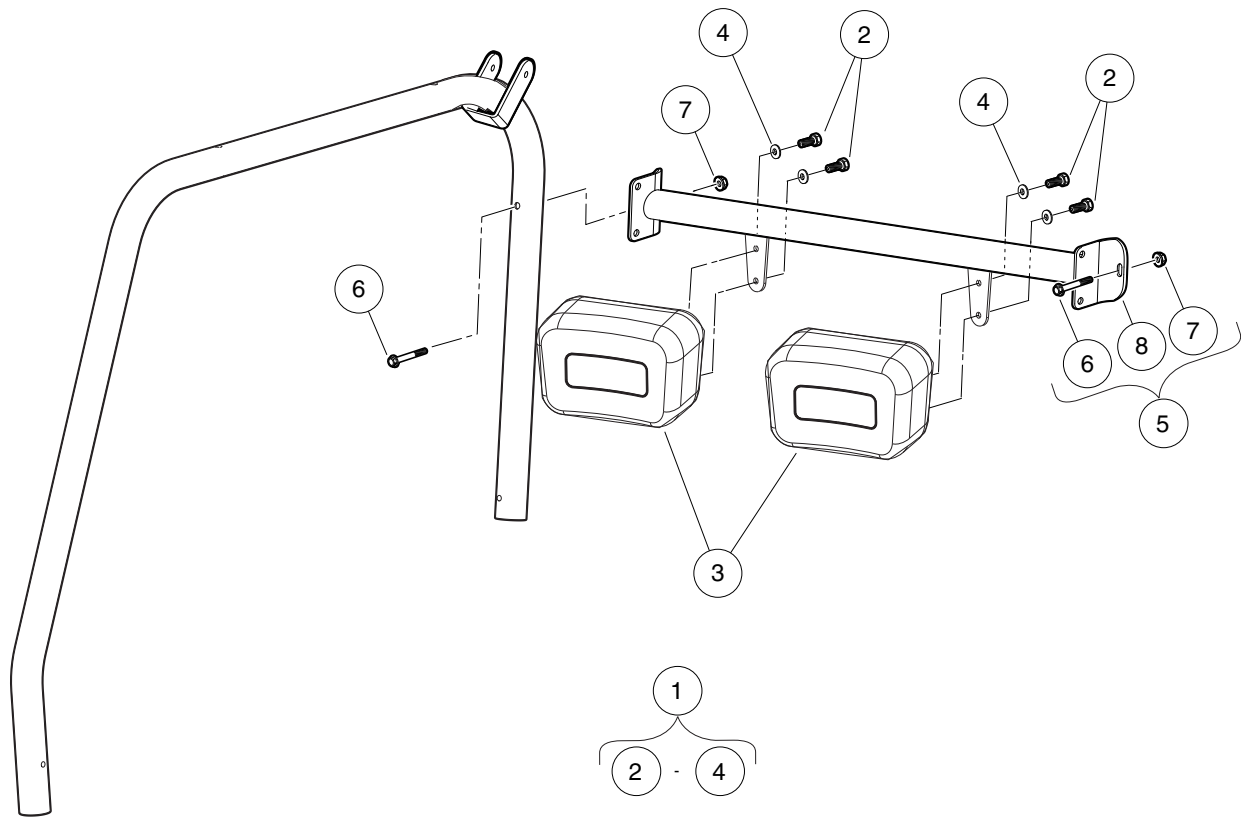
**G**

**D**

1

G

D



000029-005

# ROPS – HEAD RESTS

| ITEM | PART NO.  | DESCRIPTION   | QTY |
|------|-----------|---|-----|
|      |           | 1 2 3 4   |     |
| 1    | 103274602 | Kit, Head Restraint, Black (includes items 2 through 4) ..... | 1   |
| 2    | 102490101 | Bolt, M10 X 1.5 X 20 Loctite .....                            | 4   |
| 3    | 103274502 | Asm, Head Restraint, Black .....                              | 2   |
| 4    | 96741046  | Washer, M10 Hard .....  | 4   |
| 5    | N/A       | Kit, Rear Brace, ROPS (includes items 6 through 8) .....      | 1   |
| 6    | 102988701 | Bolt, Flanged, M10 X 1.5 X 65 .....                           | 2   |
| 7    | 103216401 | Nut, Flanged, M10 x 1.5, Black .....                          | 2   |
| 8    | 103283801 | Asm, Rear Brace .....   | 1   |

1

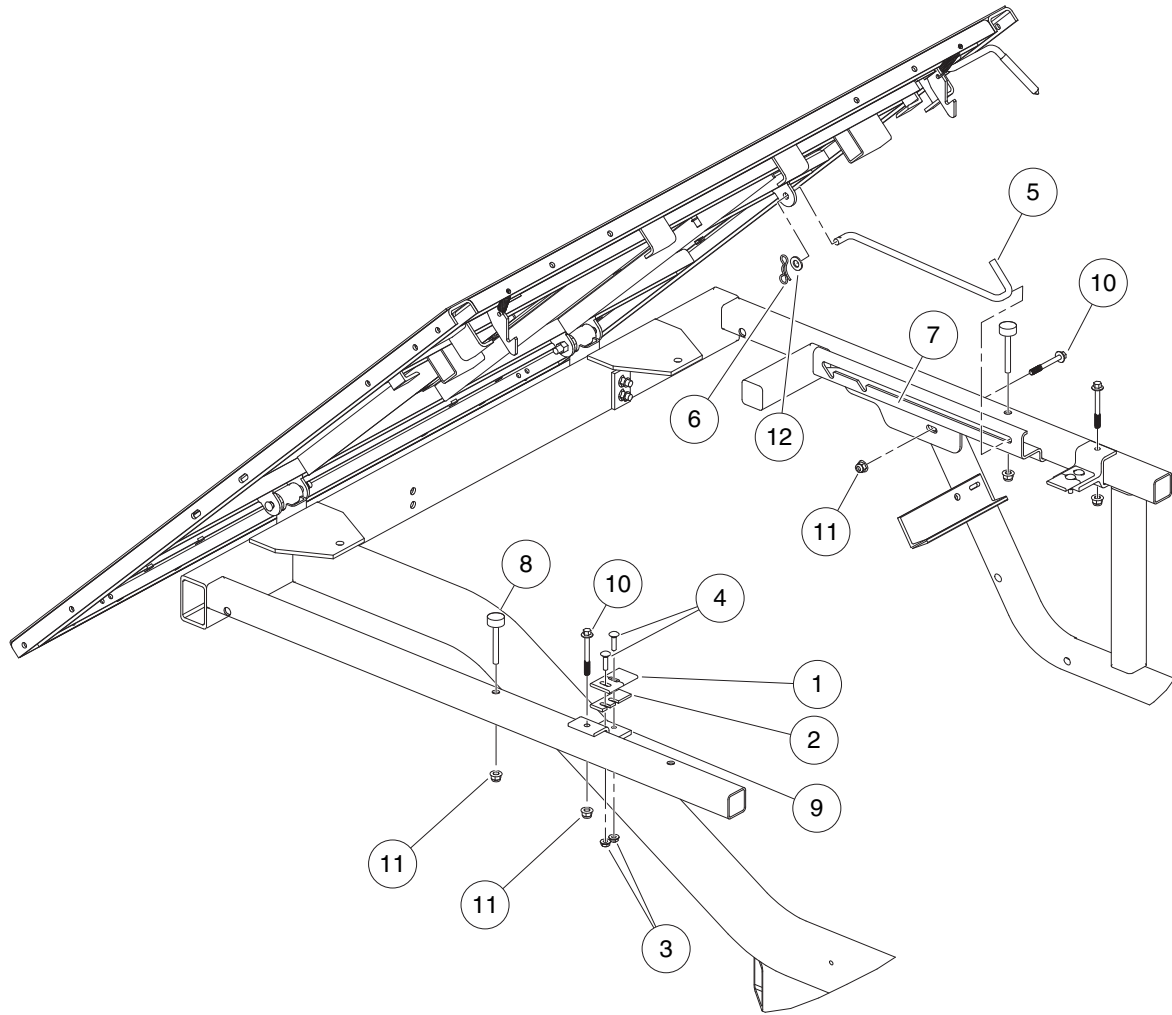
G

D

1

G

D



000036-001



# LATCH PLATE AND PROP ROD

| ITEM | PART NO.  | DESCRIPTION                             | QTY |
|------|-----------|---|-----|
|      |           | <b>1 2 3 4</b>                          |     |
| 1    | 1015277   | Latch Plate, Tilt Bed .....             | 2   |
| 2    | 1016078   | Latch Plate Shim .....                  | 1   |
| 3    | 101835601 | Locknut, 1/4-20 Hex Whiz .....          | 4   |
| 4    | 101958602 | Bolt, Carriage, 1/4-20 X 1.0 .....      | 4   |
| 5    | 102301401 | Rod, Prop .....                         | 1   |
| 6    | 102323101 | Pin, Bow Tie Locking .....              | 1   |
| 7    | 102418101 | Track, Prop Rod .....                   | 1   |
| 8    | 102426601 | Bumper, Bed, Mtg, Front .....           | 2   |
| 9    | 102493801 | Bracket, Latch, Bed .....               | 2   |
| 10   | 102618301 | Bolt Flanged Head, M8 X 1.25 X 65 ..... | 3   |
| 11   | 102618601 | Lock Nut, Flg M8 X 1.25 Nylon .....     | 5   |
| 12   | 334       | Washer, 3/8 Type A Flat .....           | 1   |

**1**

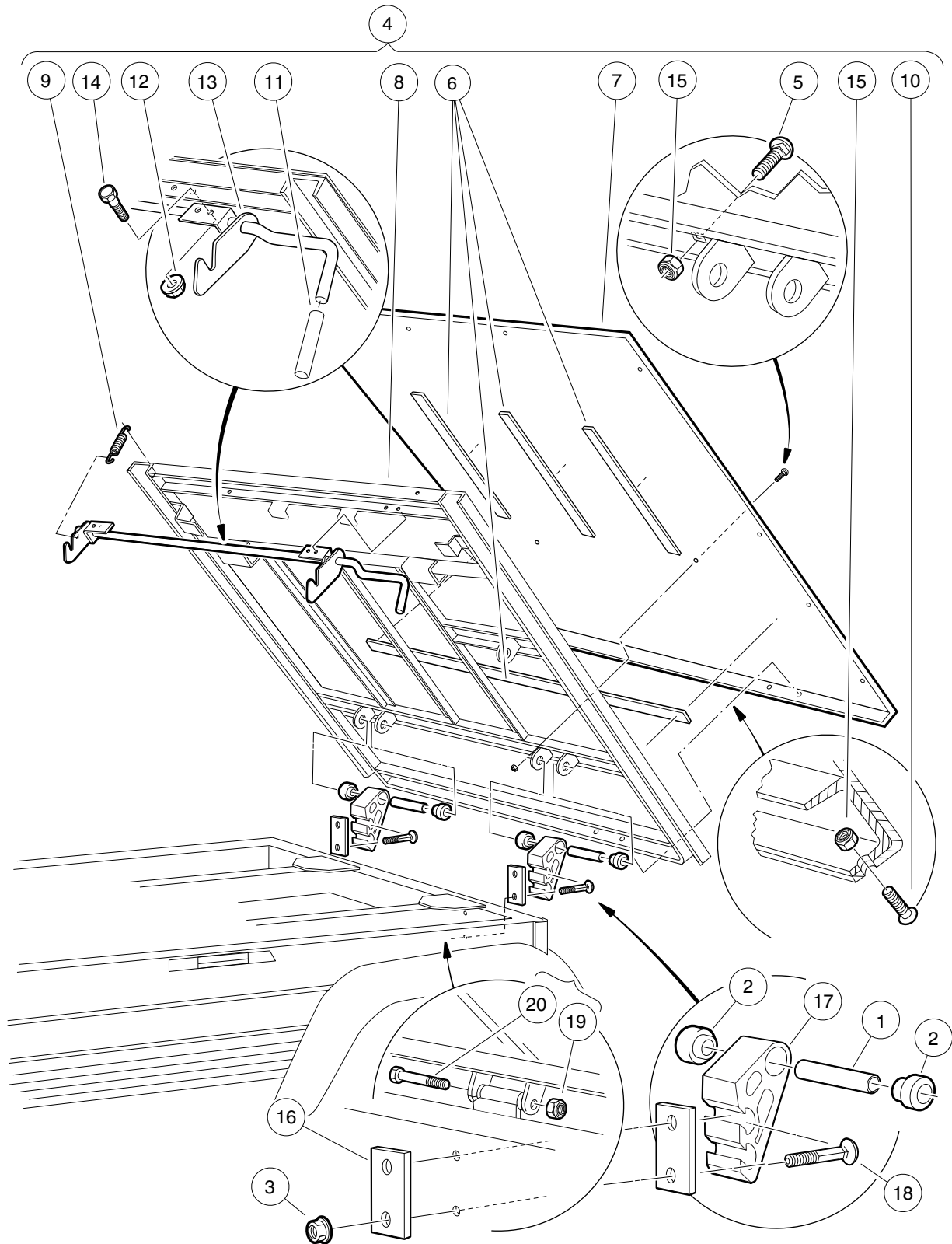
**G**

**D**

1

G

D



000037-001

# TILT BED, HINGE, AND LATCH

| ITEM | PART NO.  | DESCRIPTION   | QTY |
|------|-----------|---|-----|
|      |           | 1 2 3 4   |     |
| 1    | 1012303   | Bushing, Steel .....                                  | 2   |
| 2    | 1015583   | Bushing, Urethane .....                               | 2   |
| 3    | 102065901 | Locknut, 3/8-16 Flanged Dimple .....                  | 4   |
| 4    | 102171503 | Tilt Bed Assembly (includes items 5 through 15) ..... | 1   |
| 5    | 1010435   | Bolt, Carriage, 5/16-18 X 1.00 .....                  | 4   |
| 6    | 1014471   | Tape, Vinyl Foam 1/8" x 3/4" * .....                  | 1   |
| 7    | 1015258   | Plate, Floor Bed .....                                | 1   |
| 8    | N/A       | Frame Assembly .....                                  | 1   |
| 9    | N/A       | Extension, Spring Latch .....                         | 2   |
| 10   | 1015399   | Screw, 5/16-18 X 0.88 Torx Truss-Head .....           | 4   |
| 11   | 1015400   | Grip, Tilt Latch Hand .....                           | 1   |
| 12   | 101835601 | Locknut, 1/4-20 Hex Whiz .....                        | 4   |
| 13   | 102426901 | Ltch Weld Asm Tlt Bd .....                            | 1   |
| 14   | 403       | Screw, 1/4-20 X 0.625 Hex-Head Cap .....              | 4   |
| 15   | 7473      | Locknut, 5/16-18 Nylon Insert .....                   | 8   |
| 16   | 102614101 | Plate, Back .....                                     | 2   |
| 17   | 103538701 | Extra, Bracket, Hinge, Bed .....                      | 2   |
| 18   | 103538901 | 3/8-16 X 3.5 Carr Blt Gr5 Zn .....                    | 4   |
| 19   | 8754      | Locknut, 3/8-16 Hex .....                             | 2   |
| 20   | 8755      | Screw, 3/8-16 X 3.375 Hex Cap .....                   | 2   |
|      |           | * Note: Item not shown.                               |     |

**1**

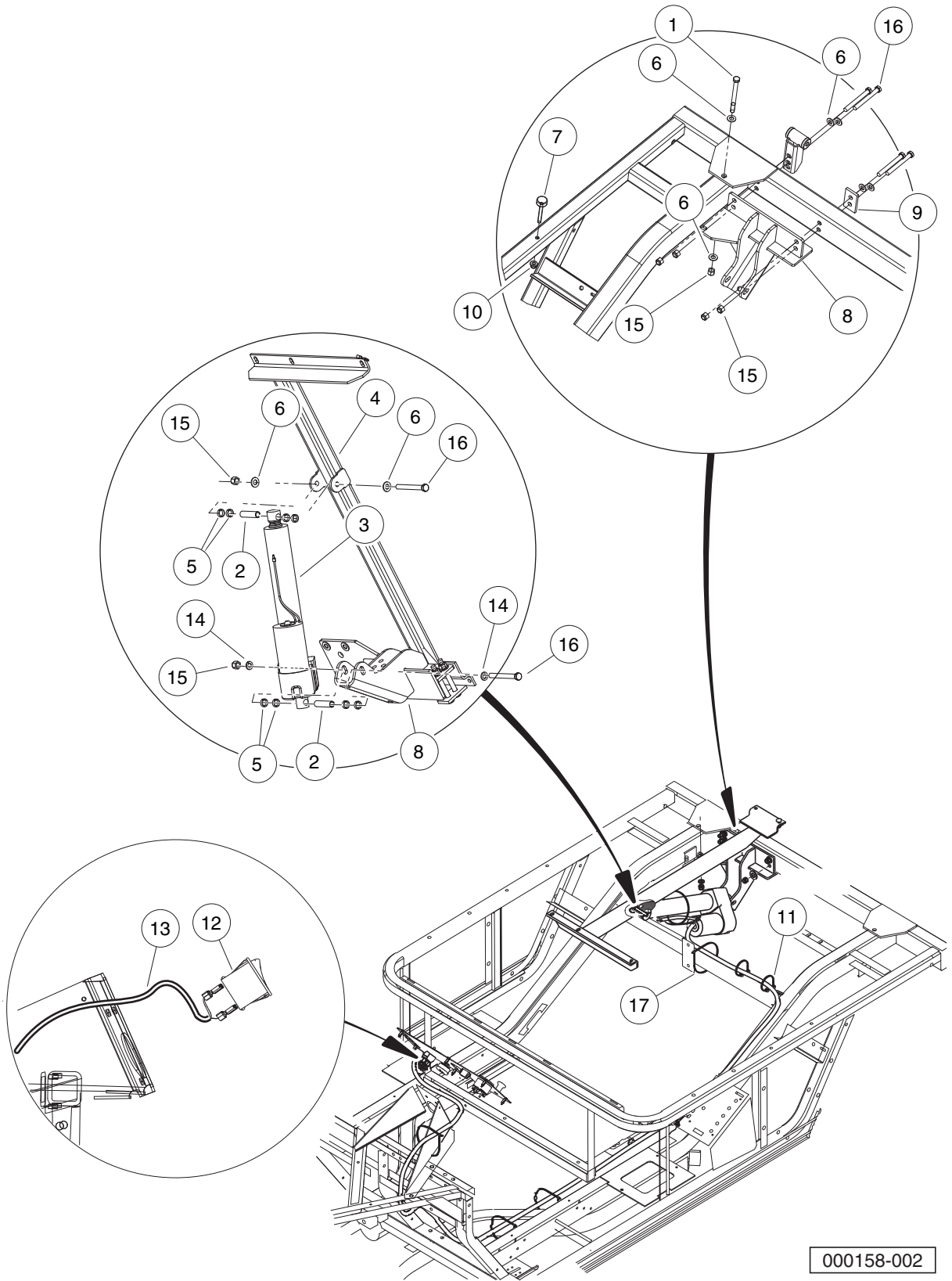
**G**

**D**

1

G

D



000158-002

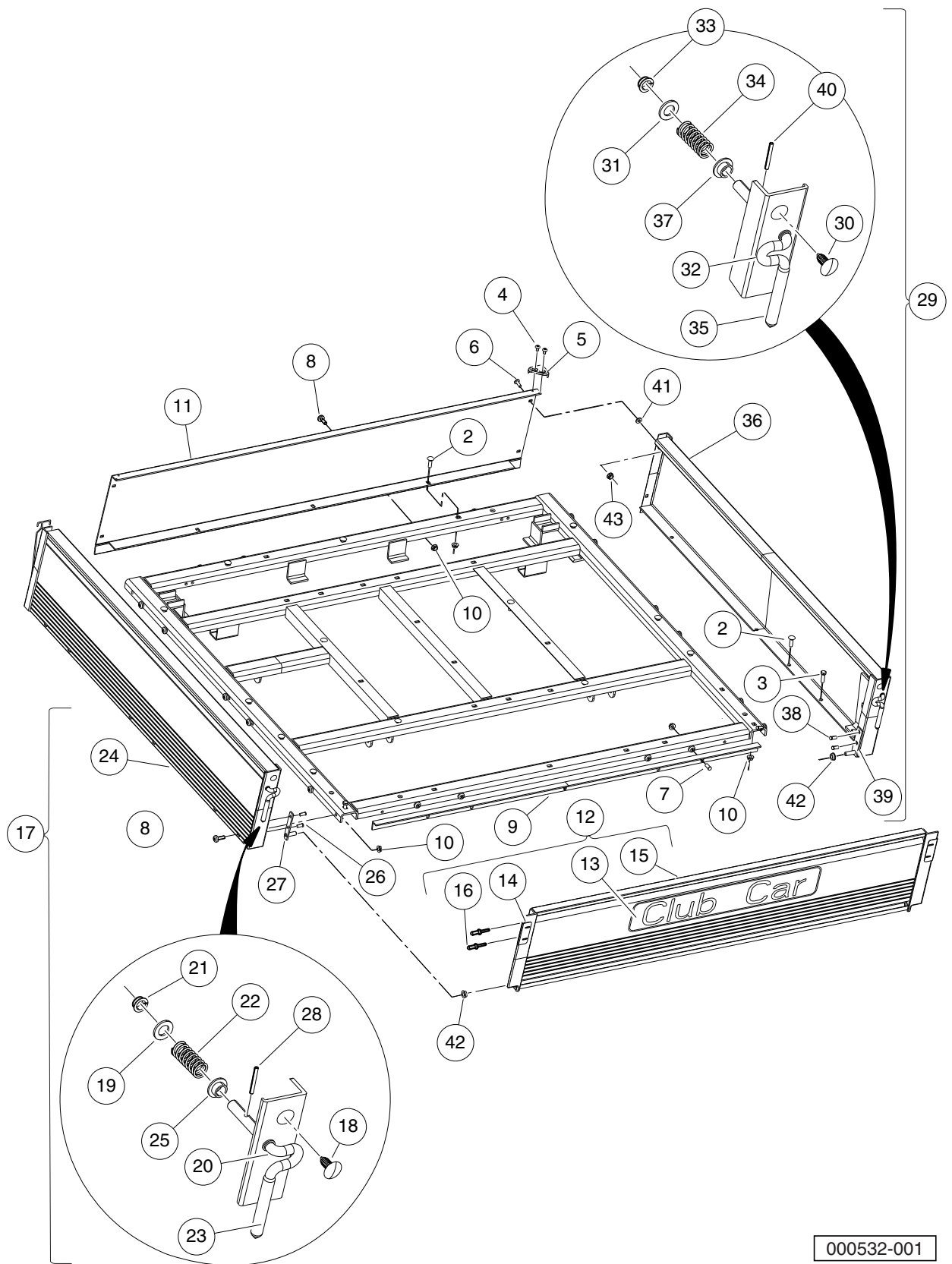
# ELECTRIC BED LIFT

| ITEM | PART NO.  | DESCRIPTION                         | QTY |          |
|------|-----------|-------------------------------------|-----|----------|
|      |           | <b>1 2 3 4</b>                      |     | <b>1</b> |
| 1    | 1010200   | Bolt, 3/8-16 X 4.25 Hex Head .....  | 1   | <b>G</b> |
| 2    | 1016603   | Bushing Long .....                  | 2   |          |
| 3    | 1017162   | Actuator Assembly, Electric .....   | 1   |          |
| 4    | 1017167   | Actuator Adapter .....              | 1   | <b>D</b> |
| 5    | 1017774   | Body Spacer .....                   | 8   |          |
| 6    | 102066001 | Washer, 3/8 Type B Hard Flat .....  | 8   |          |
| 7    | 102426601 | Bumper, Bed, Mtg, Front .....       | 2   |          |
| 8    | 102465701 | Weldment, Bracket, Actuator .....   | 1   |          |
| 9    | 102614101 | Plate, Back .....                   | 1   |          |
| 10   | 102618601 | Lock Nut, Flg M8 X 1.25 Nylon ..... | 2   |          |
| 11   | 102629001 | Tie Wrap, 8.00" With Mount .....    | 2   |          |
| 12   | 103227002 | Harness, Stretch AWD Bedlift .....  | 1   |          |
| 13   | 357       | Lockwasher, 3/8 Split .....         | 2   |          |
| 14   | 8754      | Locknut, 3/8-16 Hex .....           | 9   |          |
| 15   | 8755      | Screw, 3/8-16 X 3.375 Hex Cap ..... | 6   |          |
| 16   | 8990      | Tie Wrap, 8" Nylon .....            | 5   |          |

1

G

D



000532-001

# BOX BED

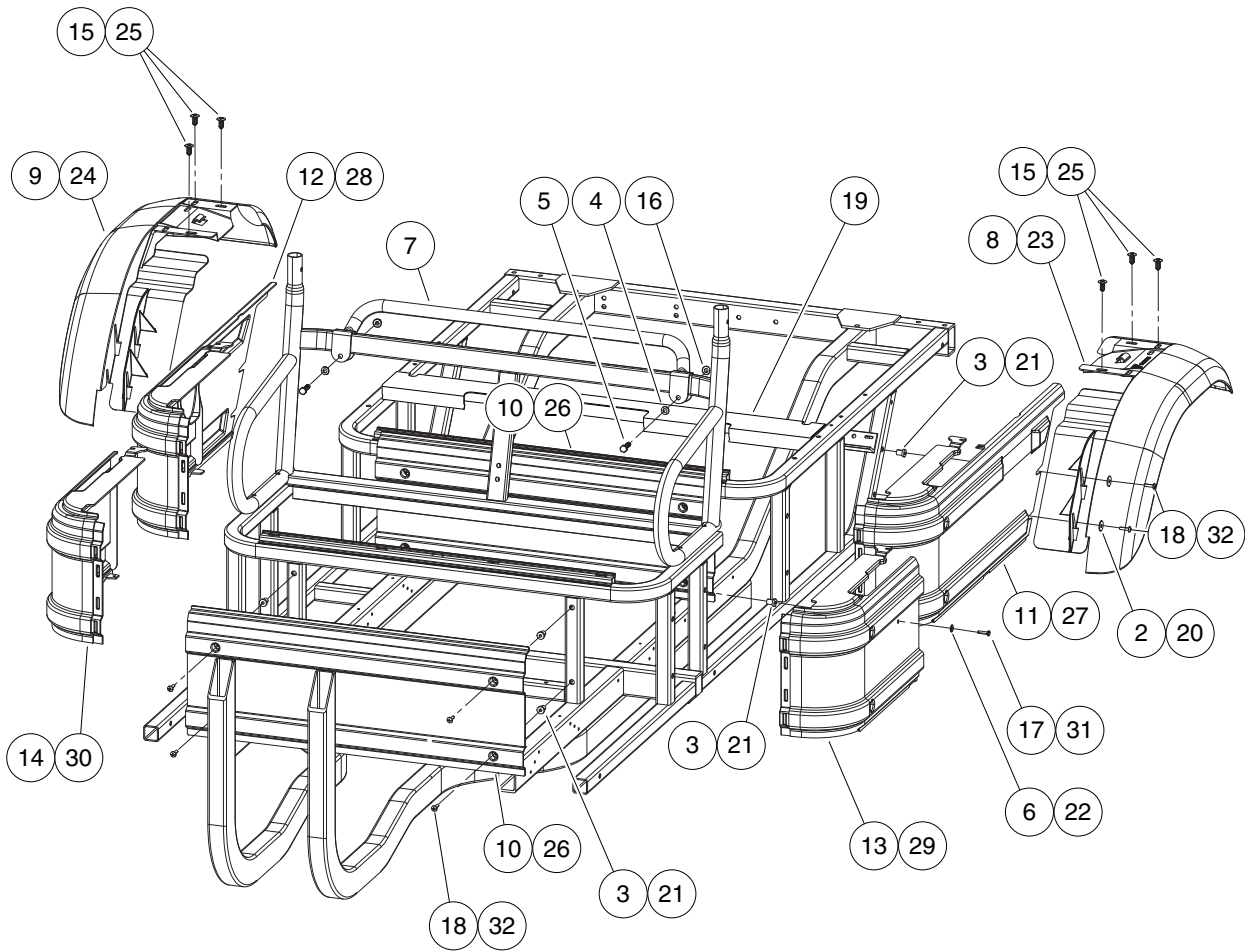
| ITEM | PART NO.  | DESCRIPTION  | QTY |
|------|-----------|--|-----|
|      |           | <b>1 2 3 4</b>   |     |
| 1    | N/A       | Install, Box Bed (includes items 2 through 43) .....         | 1   |
| 2    | 1010435   | Bolt, Carriage, 5/16-18 X 1.00 .....                         | 11  |
| 3    | 1010934   | Screw, 5/16-18 X 1.00 Hex Cap .....                          | 2   |
| 4    | 1014321   | Screw, #10 Truss-Head Torx .....                             | 4   |
| 5    | 1014387   | Cap, Corner .....  | 2   |
| 6    | 1014415   | Screw, 1/4-20 X 0.75 Torx Truss-Head .....                   | 4   |
| 7    | 1014537   | Stud, Self-Clinching Flush Head .....                        | 2   |
| 8    | 1015399   | Screw, 5/16-18 X 0.88 Torx Truss-Head .....                  | 16  |
| 9    | 101894302 | Box Bed Tailgate Angle .....                                 | 1   |
| 10   | 101963401 | Locknut, 5/16-18 Hex Flange .....                            | 33  |
| 11   | 102030101 | Panel, Front .....   | 1   |
| 12   | 102030201 | Tailgate Asm (includes items 13 through 16) .....            | 1   |
| 13   | 1013317   | Decal, Logo, Tailgate .....                                  | 1   |
| 14   | 1015246   | Plate, Tailgate Latch Wear .....                             | 2   |
| 15   | N/A       | Tailgate Weldment .....                                      | 1   |
| 16   | 7973      | Rivet, 3/16 X .400 Blind .....                               | 4   |
| 17   | 103191401 | Asm, Panel, Side, Left (includes items 18 through 28) .....  | 1   |
| 18   | 1010434   | Barrel - Plastic .....                                       | 1   |
| 19   | 1011990   | Washer, 3/8 Flat .....                                       | 1   |
| 20   | 1015313   | Latch, Tailgate, Left-Hand .....                             | 1   |
| 21   | 1015363   | Bushing, Snap-In .....                                       | 1   |
| 22   | 1015390   | Compression Spring Latch Tilt .....                          | 1   |
| 23   | 1015400   | Grip, Tilt Latch Hand .....                                  | 1   |
| 24   | 103191201 | Weldment, Panel, Side, Left .....                            | 1   |
| 25   | 1032      | Bushing, Nylon .....   | 1   |
| 26   | 103379401 | Rivet, 1/4 X 0.30, Blind .....                               | 2   |
| 27   | N/A       | Asm, Tlgt, Mtg Brkt, Ca Lh .....                             | 1   |
| 28   | 1231      | Pin, 1/8 X 1.00 Split Roll .....                             | 1   |
| 29   | 103191501 | Asm, Panel, Side, Right (includes items 30 through 40) ..... | 1   |
| 30   | 1010434   | Barrel - Plastic .....                                       | 1   |
| 31   | 1011990   | Washer, 3/8 Flat .....                                       | 1   |
| 32   | 1015245   | Latch, Tailgate, Right-Hand .....                            | 1   |
| 33   | 1015363   | Bushing, Snap-In .....                                       | 1   |
| 34   | 1015390   | Compression Spring Latch Tilt .....                          | 1   |
| 35   | 1015400   | Grip, Tilt Latch Hand .....                                  | 1   |
| 36   | 103191301 | Weldment, Panel, Side, Right .....                           | 1   |
| 37   | 1032      | Bushing, Nylon .....   | 1   |
| 38   | 103379401 | Rivet, 1/4 X 0.30, Blind .....                               | 2   |
| 39   | N/A       | Asm, Tlgt, Mtg Brkt, Ca Rh .....                             | 1   |
| 40   | 1231      | Pin, 1/8 X 1.00 Split Roll .....                             | 1   |
| 41   | 332       | Washer, 1/4 Type A Narrow Flat .....                         | 4   |
| 42   | 7049      | Bushing, Nylon .....   | 2   |
| 43   | 8233      | Locknut, 1/4-20 Nylon Insert .....                           | 4   |

**1**  
**G**  
**D**

1

G

D



000518-002



## SIDE PANELS AND REAR FENDERS

| ITEM | PART NO.  | DESCRIPTION   | QTY |
|------|-----------|---|-----|
|      |           | <b>1 2 3 4</b>  |     |
| 1    | N/A       | Instl, Panels, Fenders, 4 Pass, Black (includes items 2 through 18) .....           | 1   |
| 2    | 1014306   | Washer, 1/4" Type B Flat .....  | 4   |
| 3    | 102491701 | Well Nut 1/4-20 .....   | 14  |
| 4    | 102718101 | Washer, Hard, M10, Zn-Ni/Blk .....  | 2   |
| 5    | 102732401 | Bolt, M10 X 45, Zn-Ni (Black) .....   | 2   |
| 6    | 102772201 | Washer, Flat, 5/16, Black .....   | 2   |
| 7    | 102834401 | Weldment, Handle, ROPS, Rear .....  | 1   |
| 8    | 102913801 | Left Rear Fender (Black) .....  | 1   |
| 9    | 102913901 | Right Rear Fender (Black) .....   | 1   |
| 10   | 102914001 | Panel, Front, Kick (Black) .....  | 2   |
| 11   | 102914101 | Panel, Side, Molded, Driver (Black) .....   | 1   |
| 12   | 102914102 | Panel, Side, Molded, Passenger (Black) .....  | 1   |
| 13   | 102914104 | Panel, Side, Cut, Driver (Black) .....  | 1   |
| 14   | 102914105 | Panel, Side, Cut, Passenger (Black) .....   | 1   |
| 15   | 103200501 | Screw, Tuflok, 10mm .....   | 6   |
| 16   | 103216401 | Nut, Flanged, M10 x 1.5, Black .....  | 2   |
| 17   | 103319501 | Screw, Pn Hd Blk, 1/4 - 20 X 1 .....  | 2   |
| 18   | 8251      | Screw, 1/4-20 X 1.0 Truss-Head Machine .....  | 12  |
| 19   | N/A       | Instl, Panels, Fenders, 4 Pass (Realtree Camo) (includes items 20 through 32) ..... | 1   |
| 20   | 1014306   | Washer, 1/4" Type B Flat .....  | 4   |
| 21   | 102491701 | Well Nut 1/4-20 .....   | 14  |
| 22   | 102772201 | Washer, Flat, 5/16, Black .....   | 2   |
| 23   | 102913801 | Left Rear Fender (Black) .....  | 1   |
| 24   | 102913901 | Right Rear Fender (Black) .....   | 1   |
| 25   | 103200501 | Screw, Tuflok, 10mm .....   | 6   |
| 26   | 103289001 | Panel, Front, Kick (Realtree Camo) .....  | 2   |
| 27   | 103289101 | Panel, Side, Molded, Driver (Realtree Camo) .....                                   | 1   |
| 28   | 103289103 | Panel, Side, Molded, Passenger (Realtree Camo) .....                                | 1   |
| 29   | 103289107 | Panel, Cut, Driver (Realtree Camo) .....  | 1   |
| 30   | 103289109 | Panel, Cut, Passenger (Realtree Camo) .....   | 1   |
| 31   | 103319501 | Screw, Pn Hd Blk, 1/4 - 20 X 1 .....  | 2   |
| 32   | 8251      | Screw, 1/4-20 X 1.0 Truss-Head Machine .....  | 12  |
| 33   | 103331201 | Closeout, Extrusion .....   | 1   |

**1**

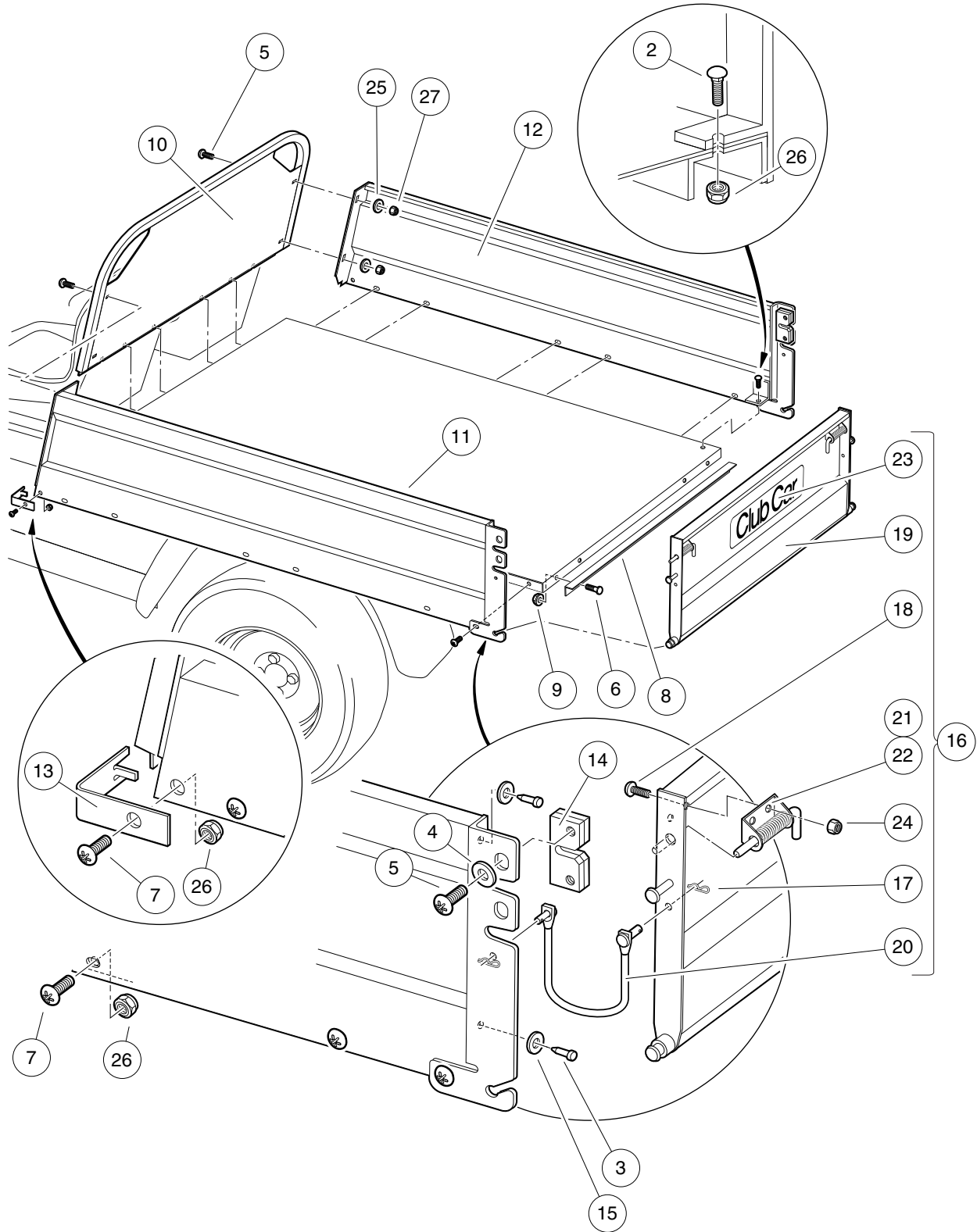
**G**

**D**

1

G

D



000038-001

# CARGO BOX (STEEL)

| ITEM | PART NO.  | DESCRIPTION   | QTY |
|------|-----------|---|-----|
|      |           | <b>1 2 3 4</b>  |     |
| 1    | N/A       | Instl, Steel Box, XRT (includes items 2 through 27) ..... | 1   |
| 2    | 1010435   | Bolt, Carriage, 5/16-18 X 1.00 .....                      | 13  |
| 3    | 1010436   | Bumper, Rubber .....                                      | 4   |
| 4    | 1014306   | Washer, 1/4" Type B Flat .....                            | 4   |
| 5    | 1014415   | Screw, 1/4-20 X 0.75 Torx Truss-Head .....                | 8   |
| 6    | 1014537   | Stud, Self-Clinching Flush Head .....                     | 4   |
| 7    | 1015399   | Screw, 5/16-18 X 0.88 Torx Truss-Head .....               | 18  |
| 8    | 101894304 | Box Bed Tailgate Angle .....                              | 1   |
| 9    | 101963401 | Locknut, 5/16-18 Hex Flange .....                         | 4   |
| 10   | 102221301 | Front Panel Weldment .....                                | 1   |
| 11   | 102221401 | Left Panel Weldment .....                                 | 1   |
| 12   | 102221501 | Right Panel Weldment .....                                | 1   |
| 13   | 102221701 | Front Corner Cap .....                                    | 2   |
| 14   | 102222001 | Slam Latch .....  | 2   |
| 15   | 102239901 | Washer, Rubber, 3/8 .....                                 | 4   |
| 16   | 102614401 | Assembly, Tailgate (includes items 17 through 24) .....   | 1   |
| 17   | 1013366   | Hair Pin Clip .....                                       | 4   |
| 18   | 1014415   | Screw, 1/4-20 X 0.75 Torx Truss-Head .....                | 4   |
| 19   | N/A       | Tailgate, Weldment .....                                  | 1   |
| 20   | 102221801 | Tether Assembly .....                                     | 2   |
| 21   | 102222101 | Spring Latch Left .....                                   | 1   |
| 22   | 102222201 | Spring Latch Right .....                                  | 1   |
| 23   | 102673201 | Decal, Club Car Tailgate .....                            | 1   |
| 24   | 8233      | Locknut, 1/4-20 Nylon Insert .....                        | 4   |
| 25   | 332       | Washer, 1/4 Type A Narrow Flat .....                      | 4   |
| 26   | 7473      | Locknut, 5/16-18 Nylon Insert .....                       | 31  |
| 27   | 8233      | Locknut, 1/4-20 Nylon Insert .....                        | 4   |

**1**

**G**

**D**

**1**

**G**

**D**

# WHEELS AND TIRES

---

2

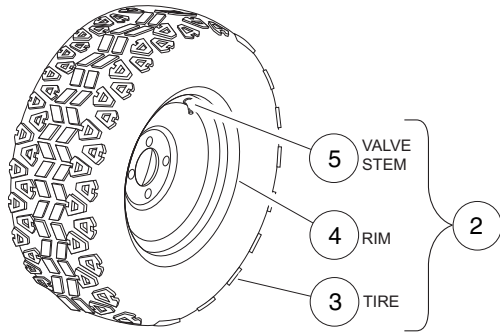
G

D

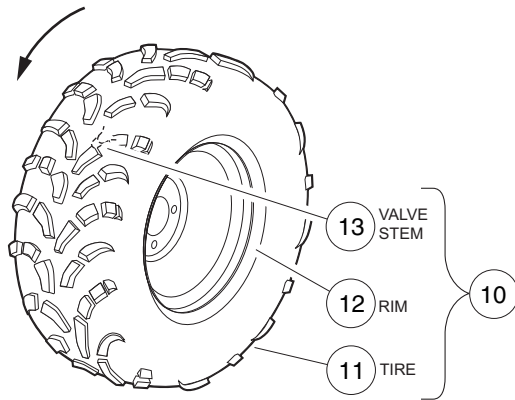
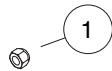
2

G

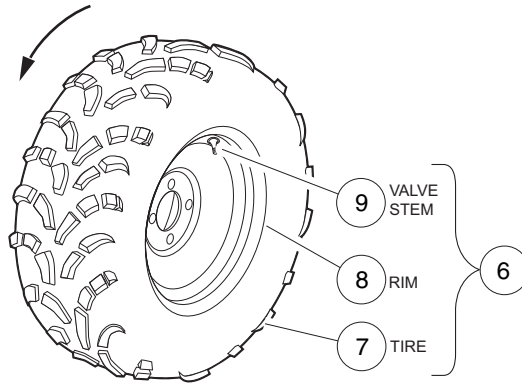
D



FOR DRIVERS OR PASSENGERS SIDE



FOR PASSENGERS SIDE ONLY



FOR DRIVERS SIDE ONLY

000506-001

# WHEELS AND TIRES

| ITEM | PART NO.  | DESCRIPTION  | QTY |
|------|-----------|--|-----|
|      |           | <b>1 2 3 4</b>   |     |
| 1    | 102736901 | Nut, Lug, 1/2-20 SAE J2283 .....   | 16  |
| 2    | 102943807 | Black Tire Asm HDAT 10.5 In (includes items 3 through 5) .....             | 4   |
| 3    | 102943101 | Heavy Duty All Terrain Tire, 25" .....                                     | 1   |
| 4    | 103234503 | Wheel, All trail, 10 Window, Black .....                                   | 1   |
| 5    | 7310      | Valve Stem .....   | 1   |
| 6    | N/A       | Black Tire Asm Mud 11.0 In Left-Hand (includes items 7 through 9) .....    | 2   |
| 7    | 102945701 | Mud Tire, 25" .....  | 1   |
| 8    | 103234503 | Wheel, All trail, 10 Window, Black .....                                   | 1   |
| 9    | 7310      | Valve Stem .....   | 1   |
| 10   | N/A       | Black Tire Asm Mud 11.0 In Right-Hand (includes items 11 through 13) ..... | 2   |
| 11   | 102945701 | Mud Tire, 25" .....  | 1   |
| 12   | 103234503 | Wheel, All trail, 10 Window, Black .....                                   | 1   |
| 13   | 7310      | Valve Stem .....   | 1   |

2

G

D

2

G

D



# DECALS

---

3

G

D

3

G

D

**OPERATING INSTRUCTIONS**

- Read owner's manual and vehicle safety warnings. Study and understand controls.

**TO START ENGINE**

- Place shift lever in NEUTRAL (N) and press brake pedal.
- Turn key to START and hold until engine starts.

**Diesel Vehicles Only:**

- If required, turn key to PREHEAT and hold for 10-15 seconds.

**TO OPERATE VEHICLE**

- Ensure wheels are turned in desired direction and path is clear.
- With vehicle stopped and engine at idle, select vehicle direction.

↑ - Forward    N - Neutral    ↓ - Reverse (Buzzer will sound)

- Release park brake and slowly press accelerator pedal to increase speed.
- All-wheel drive will automatically drive appropriate wheel(s).

**TO STOP VEHICLE**

- Release accelerator pedal and push brake pedal.

**BEFORE LEAVING VEHICLE**

- Turn key to OFF and remove key.
- Place shift lever in NEUTRAL (N).
- Firmly set park brake.

CCI 102284301

**WARNING**

**ROLLOVER OR FALLING OFF MAY CAUSE DEATH**

- Read owner's manual and operating instructions.
- Fasten seat belts and remain seated while moving.
- Children requiring a child safety seat must not ride on vehicle. Comply with state and local laws pertaining to child safety.
- Do not start vehicle until all occupants are seated.
- Drive slowly in turns and straight up and down slopes.
- Two (2) persons per bench seat maximum.
- One (1) person per bucket seat maximum.
- Operate from driver side only and not on public roads.
- Keep entire body inside vehicle while moving.
- Do not operate while under the influence of alcohol or drugs.
- Never attempt jumps and avoid extreme braking in reverse.

CCI 102284401

**WARNING**

**YOUNG DRIVERS INCREASE CHANCE OF DEATH**

- Young drivers may not be able to control vehicle.
- No drivers younger than 16 years old.
- Do not leave children unattended on vehicle.

CCI 10249401

**WARNING**

- Do not modify or remove Roll-over Protective Structure (ROPS).
- Replace ROPS if damaged. Do not attempt repair.
- Use seat belts during operation. Do not jump from vehicle.
- Keep away from drop-offs, steep slopes, and unstable surfaces.

CCI 102961201

**NOTICE**

**MAXIMUM TONGUE WEIGHT - 150 lbs.**

CCI 1011553

**WARNING**

**FALLING OFF COULD RESULT IN SEVERE INJURY OR DEATH**

- Fasten seat belt and remain seated while moving.
- Keep entire body inside vehicle at all times.
- Two (2) persons per bench seat maximum.
- One (1) person per bucket seat maximum.
- Do not leave children unattended on vehicle at any time.
- Never stand in front of or behind vehicle.

CCI 10288201-01

**WARNING**

**CRUSH AREA**

**STAY CLEAR**

CCI 101609401

**WARNING**

**Crush area. Can cause severe injury. Stay clear when closing bed.**

CCI 103495901

|  |   |   |  |
|--|---|---|--|
|  | <p><b>WARNING</b></p> <p><b>RIDING IN CARGO BED CAN CAUSE SEVERE INJURY OR DEATH.</b></p> <ul style="list-style-type: none"> <li>Do not ride in cargo bed.</li> </ul> | <p><b>VEHICLE LOADING</b></p> <ul style="list-style-type: none"> <li>Read owner's manual and warnings on dash.</li> <li>Maximum gross vehicle weight: 3350 lb. (1520 kg)</li> <li>Maximum cargo load: 800 lb. (363 kg)</li> <li>Includes cargo bed load and gross trailer weight.</li> <li>Maximum cargo load is reduced by the weight of optional equipment.</li> <li>Maximum trailer hitch tongue weight: 150 lb. force (667 N).</li> </ul> | <p><b>PREVENT VEHICLE ROLL-OVER.</b></p> <ul style="list-style-type: none"> <li>Place cargo forward in the cargo bed and distribute evenly side to side. Secure load.</li> <li>On uneven or steep terrain reduce speed and load. Avoid stopping on or backing down steep hills.</li> <li>Avoid top-heavy loads. See owner's manual.</li> </ul> |
|  | <p>CCI 103210501</p>  |   |  |

000515-001

## SAFETY DECALS – CA 295 SE AND XRT 1550 SE VEHICLES

| ITEM | PART NO.  | DESCRIPTION                          | QTY |
|------|-----------|--------------------------------------|-----|
|      |           | 1 2 3 4                              |     |
| 1    | 1011553   | Decal, Trailer Hitch .....           | 1   |
| 2    | 101609401 | Decal, Crush Area Warning .....      | 1   |
| 3    | 102459301 | Decal, Bed Crush Area Warning .....  | 1   |
| 4    | 102459401 | Decal, Young Driver Warning .....    | 1   |
| 5    | 102884301 | Decal, Operating Instr, AWD .....    | 1   |
| 6    | 102884401 | Decal, Warning, Rollover .....       | 1   |
| 7    | 102889201 | Decal, Warning, Passenger .....      | 1   |
| 8    | 102961201 | Decal, Warning, AWD ROPS .....       | 1   |
| 9    | 103210501 | Decal, Load, Vehicle, 3350 Lbs ..... | 1   |

**3**

**G**

**D**

3  
G

D

**WARNING**

**DIESEL FUEL EXPLOSION / FIRE.**

- Can cause severe injury or death.
- No smoking, sparks, or open flame.
- Stop engine, allow to cool before refueling.

CCI 102459201

**WARNING**

**GASOLINE EXPLOSION / FIRE.**

- Can cause severe injury or death.
- No smoking, sparks, or open flame.
- Stop engine, allow to cool before refueling.
- Turn fuel valve (—) on during operation. (→) off during storage or transport.

CCI 10157701

**WARNING**

**Rotating Parts**

CCI 102234001

**WARNING**

**CAN CAUSE SEVERE INJURY**  
Rotating parts. KEEP CLEAR.

CCI 102460201

**WARNING**

**CAN CAUSE SEVERE INJURY**  
**HOT manifold**  
KEEP CLEAR

CCI 102459001

**WARNING**

**CAN CAUSE SEVERE BURNS**  
Hot Surface

CCI 102458901

**WARNING**

**WINCH CABLE FRACTURE COULD RESULT IN SERIOUS INJURY OR DEATH.**

- Do not use winch while persons are seated on the vehicle.
- Use remote operation switch for winch control.
- Stand to the side and away from the vehicle to operate winch.
- Read winch operator manual before operating winch.

102231801

**WARNING**

**Negative frame ground. Can cause severe injury. Do not contact positive (+) battery post or cable to frame. Disconnect negative (-) battery cable first.**

CCI 102459101

**WARNING**

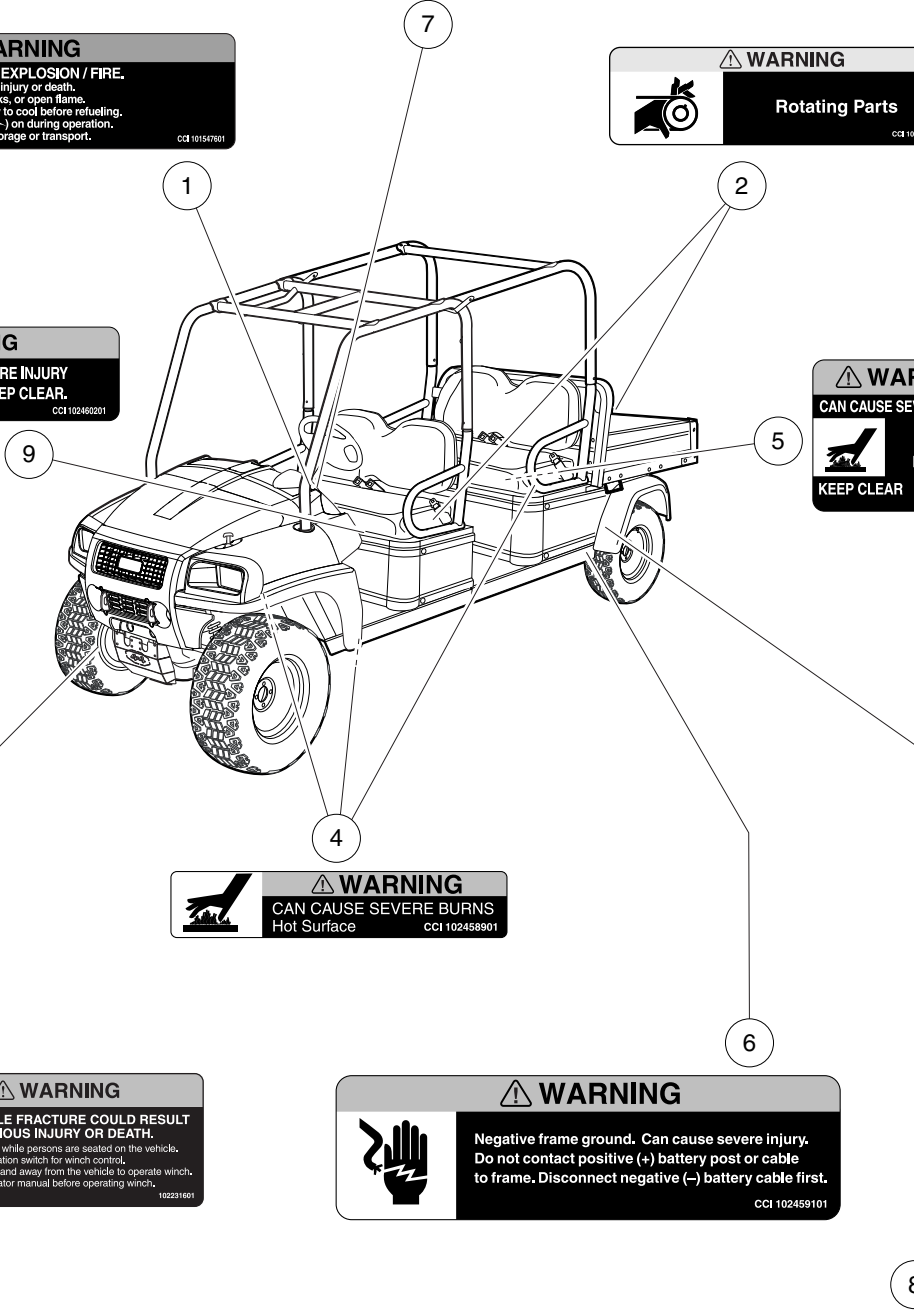
**CAN CAUSE SEVERE INJURY**  
Rotating parts, KEEP CLEAR.

**WARNING**

**CAN CAUSE SEVERE INJURY**  
Hot manifold and muffler, KEEP CLEAR.

CCI 102459501

000516-001



## SAFETY DECALS – CA 295 SE AND XRT 1550 SE VEHICLES, CONTINUED

| ITEM | PART NO.  | DESCRIPTION   | QTY |
|------|-----------|---|-----|
|      |           | 1 2 3 4   |     |
| 1    | 101547601 | Decal, Gasoline Explosion/Fire Warning .....        | 1   |
| 2    | 102224001 | Decal, Rotating Parts Warning .....                 | 2   |
| 3    | 102231601 | Decal, Winch Cable Fracture Warning .....           | 1   |
| 4    | 102458901 | Decal, Hot Surface Warning .....                    | 1   |
| 5    | 102459001 | Decal, Hot Manifold Warning .....                   | 1   |
| 6    | 102459101 | Decal, Frame Ground Warning .....                   | 1   |
| 7    | 102459201 | Decal, Diesel Explosion/Fire Warning .....          | 1   |
| 8    | 102459501 | Decal, Rotating Parts and Hot Exhaust Warning ..... | 1   |
| 9    | 102460201 | Decal, Rotating Parts Warning .....                 | 1   |

**3**

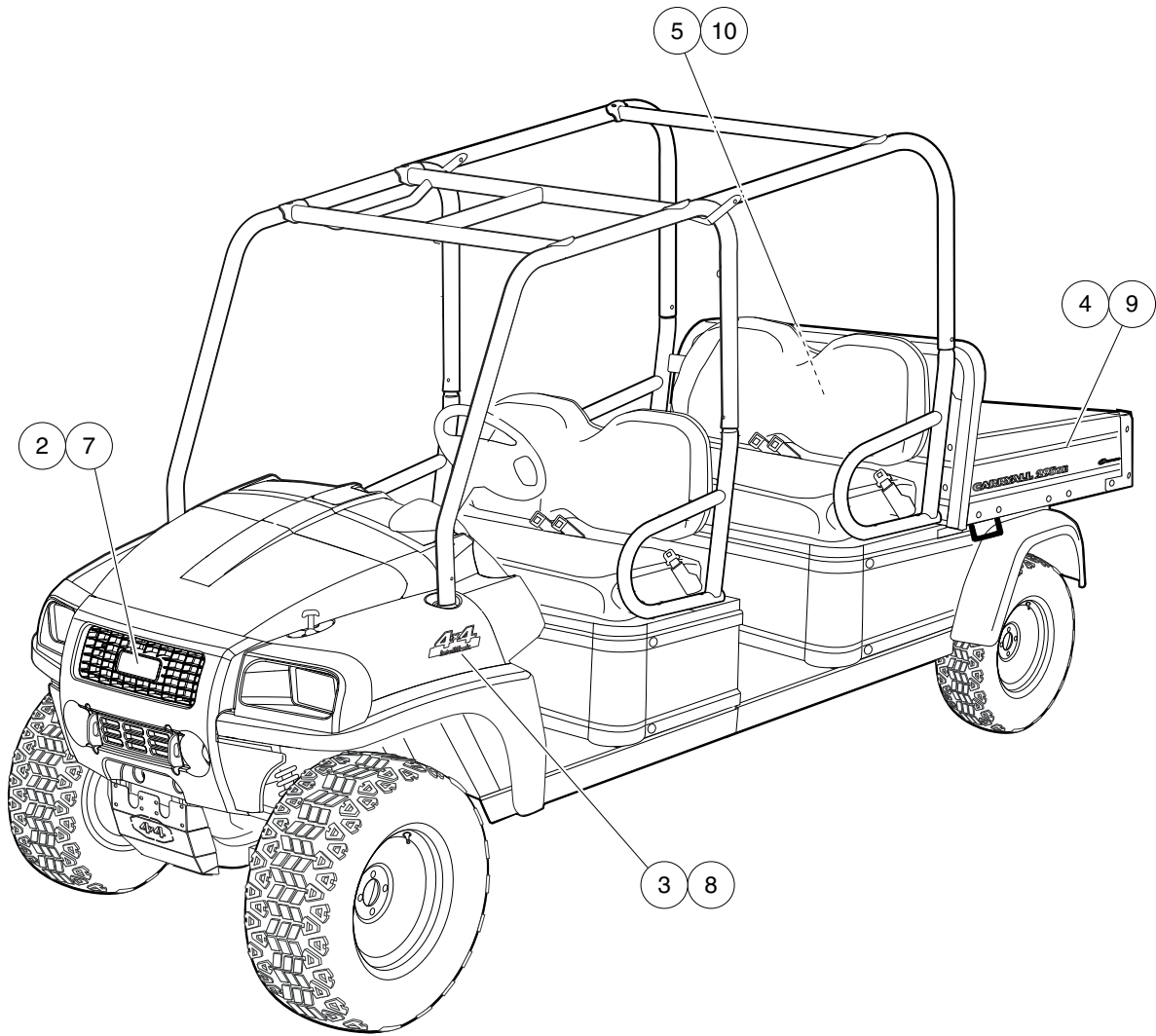
**G**

**D**

3

G

D



000547-001

## BADGING DECALS – CA 295 SE VEHICLES

| ITEM | PART NO.  | DESCRIPTION  | QTY |
|------|-----------|--|-----|
|      |           | 1 2 3 4  |     |
| 1    | N/A       | Instl, Decal, Bed, CA 295 SE, Dk Gray (includes items 2 through 5) ..... | 1   |
| 2    | 102883601 | Decal, Nameplate, CCI, Front .....                                       | 1   |
| 3    | 103234201 | Decal, Badge, 4x4 .....  | 2   |
| 4    | 103240814 | Decal, Ds, CA 295 SE, Dk Gray .....                                      | 1   |
| 5    | 103240914 | Decal, Ps, CA 295 SE, Dk Gray .....                                      | 1   |
| 6    | N/A       | Instl, Decal, CA 295 SE, Stl, Ntrl (includes items 7 through 10) .....   | 1   |
| 7    | 102883601 | Decal, Nameplate, CCI, Front .....                                       | 1   |
| 8    | 103234201 | Decal, Badge, 4x4 .....  | 2   |
| 9    | 103240817 | Decal, Ds, CA 295 SE, Ntrl .....   | 1   |
| 10   | 103240917 | Decal, Ps, CA 295 SE, Ntrl .....   | 1   |

**3**

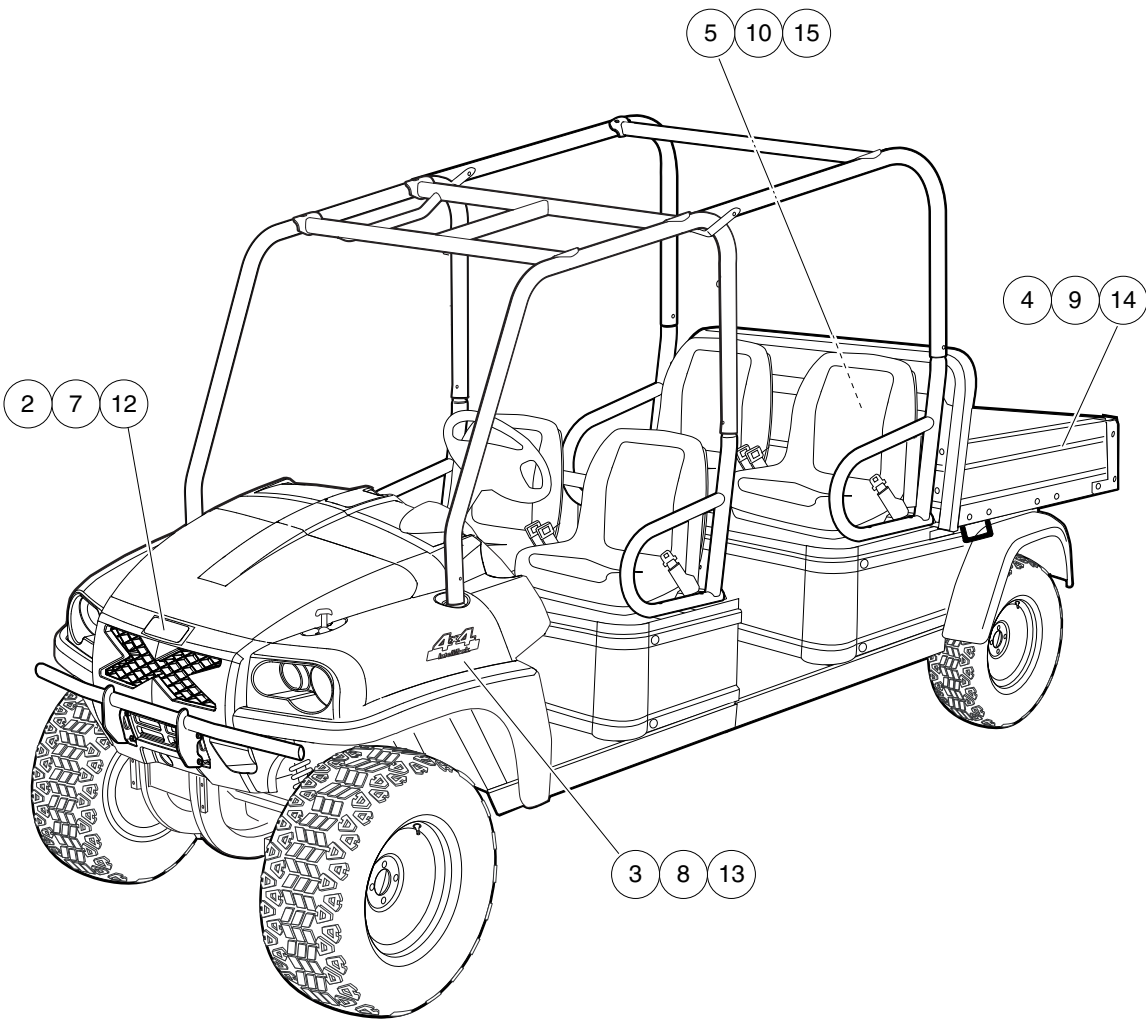
**G**

**D**

3

G

D



000547-002



## BADGING DECALS – XRT 1550 SE VEHICLES

| ITEM | PART NO.  | DESCRIPTION   | QTY |
|------|-----------|---|-----|
|      |           | 1 2 3 4   |     |
| 1    | N/A       | Instl, Decal, Bed, XRT 1550 SE, Dk Green (includes items 2 through 5) ..... | 1   |
| 2    | 102883601 | Decal, Nameplate, CCI, Front .....  | 1   |
| 3    | 103234201 | Decal, Badge, 4x4 .....   | 2   |
| 4    | 103241010 | Decal, Ds, XRT 1550 SE, Dk Green .....                                      | 1   |
| 5    | 103241110 | Decal, PS, XRT 1550 SE, Dk Green .....                                      | 1   |
| 6    | N/A       | Instl, Decal, Bed, XRT 1550 SE, Red (includes items 7 through 10) .....     | 1   |
| 7    | 102883601 | Decal, Nameplate, CCI, Front .....  | 1   |
| 8    | 103234201 | Decal, Badge, 4x4 .....   | 2   |
| 9    | 103241015 | Decal, Ds, XRT 1550 SE, Red .....   | 1   |
| 10   | 103241115 | Decal, Ps, XRT 1550 SE, Red .....   | 1   |
| 11   | N/A       | Instl, Decal, Bed, XRT 1550 SE, Ntrl (includes items 12 through 15) .....   | 1   |
| 12   | 102883601 | Decal, Nameplate, CCI, Front .....  | 1   |
| 13   | 103234201 | Decal, Badge, 4x4 .....   | 2   |
| 14   | 103241017 | Decal, Ds, XRT 1550 SE, Ntrl .....  | 1   |
| 15   | 103241117 | Decal, Ps, XRT 1550 SE, Ntrl .....  | 1   |

**3**

**G**

**D**

**3**

**G**

**D**

# BRAKE SYSTEMS

---

4

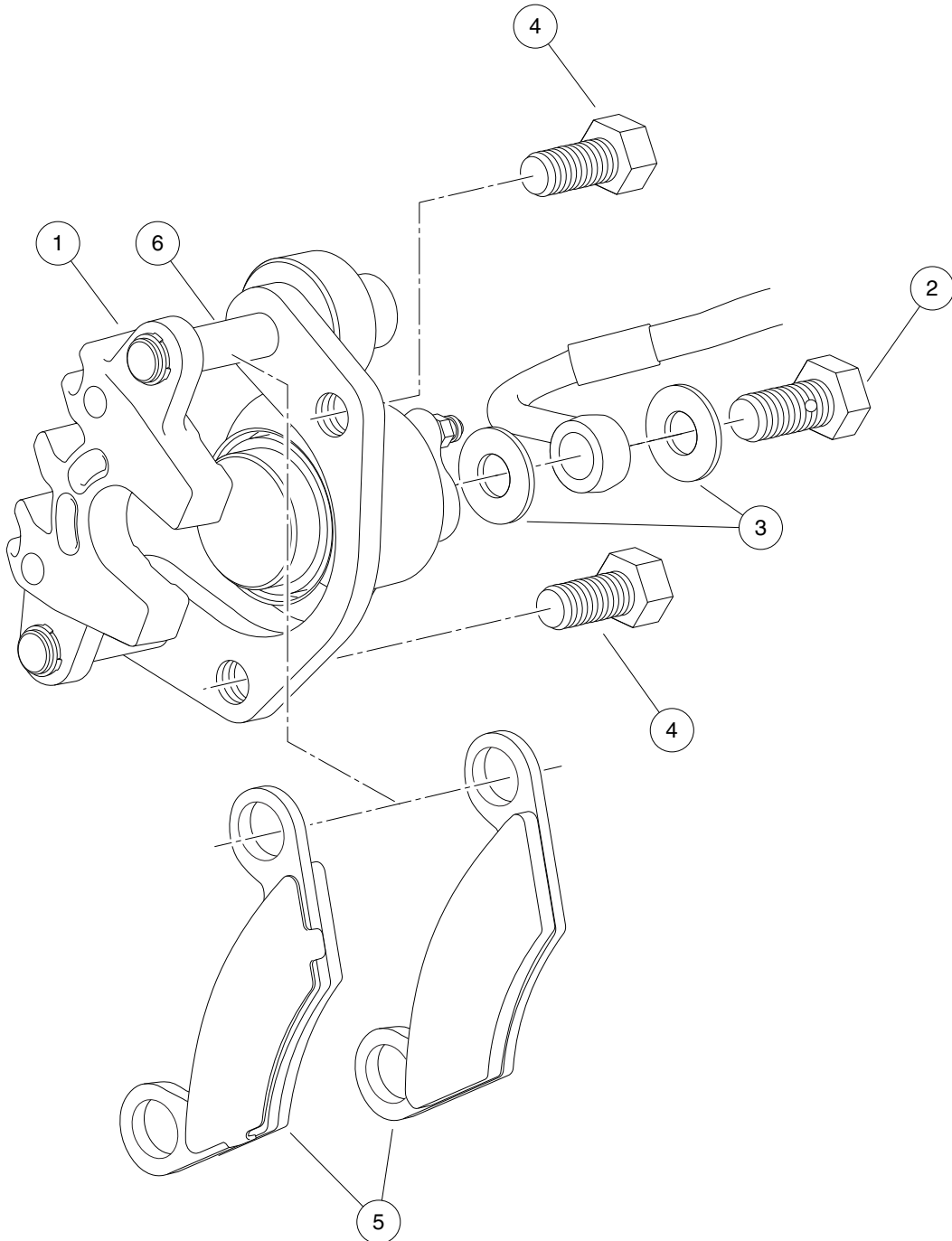
G

D

4

G

D



000067-001

# FRONT BRAKE ASSEMBLY

| ITEM | PART NO.  | DESCRIPTION                                      | QTY |
|------|-----------|--|-----|
|      |           | <b>1 2 3 4</b>                                   |     |
| 1    | 102367601 | Brake Caliper, Front, with Brake Pads .....      | 2   |
| 2    | 102488001 | Bolt, Banjo, M10x1x19 .....                      | 2   |
| 3    | 102491601 | Washer, Copper, M10 Crush .....                  | 4   |
| 4    | 102493301 | Bolt Flange Head, 3/8-24x.750 with Loctite ..... | 4   |
| 5    | 102714001 | Service Kit, Brake Pad (4 Pads) .....            | 1   |
| 6    | 103418801 | Pin, Slide, 7/16 .....                           | 2   |

**4**

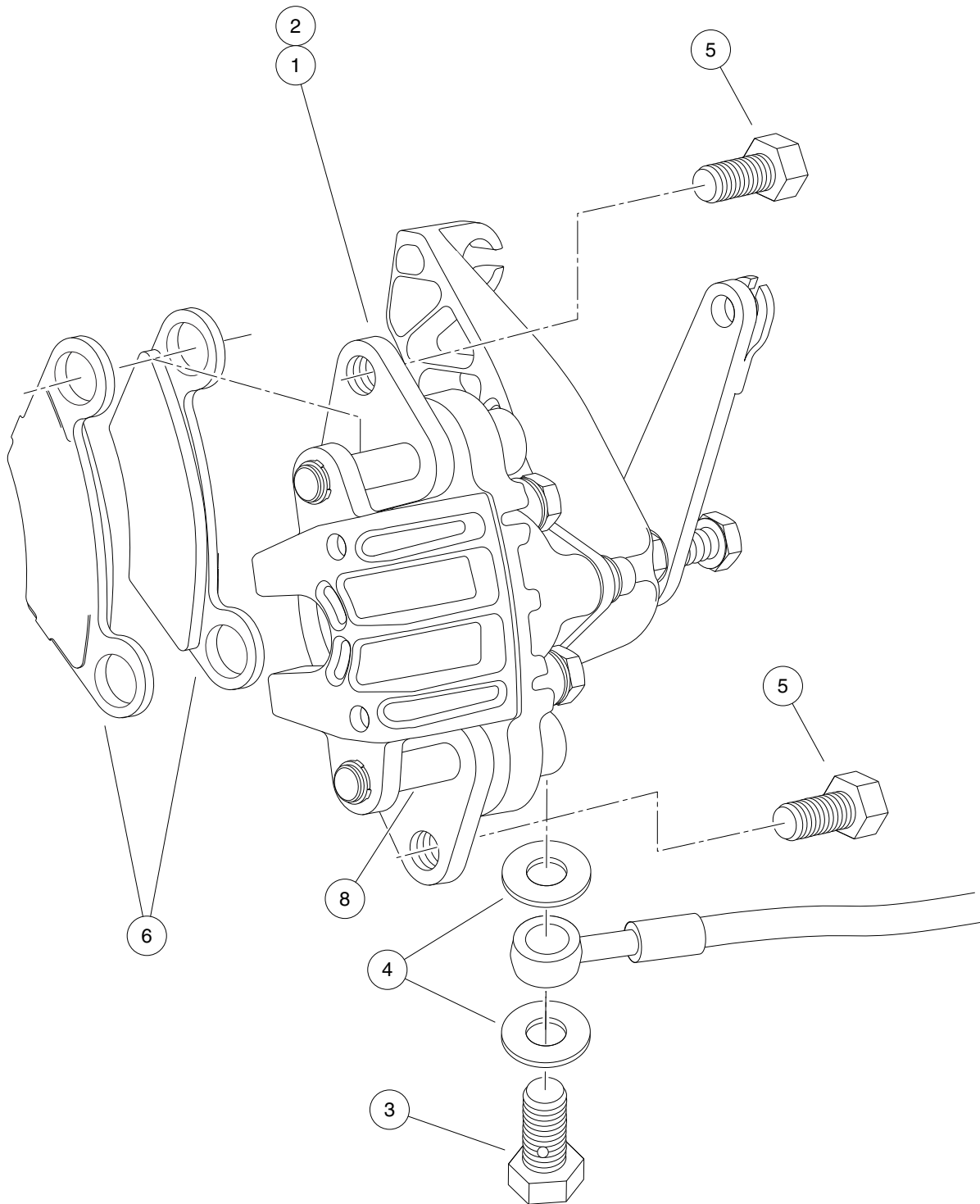
**G**

**D**

4

G

D



000068-001

## REAR BRAKE ASSEMBLY

| ITEM | PART NO.  | DESCRIPTION                                      | QTY |
|------|-----------|--|-----|
|      |           | <b>1 2 3 4</b>                                   |     |
| 1    | 102399201 | Caliper, Brake, Hydro-Mechanical, LH .....       | 1   |
| 2    | 102399202 | Caliper, Brake, Hydro-Mechanical, RH .....       | 1   |
| 3    | 102488001 | Bolt, Banjo, M10x1x19 .....                      | 2   |
| 4    | 102491601 | Washer, Copper, M10 Crush .....                  | 4   |
| 5    | 102493301 | Bolt Flange Head, 3/8-24x.750 with Loctite ..... | 4   |
| 6    | 102714001 | Service Kit, Brake Pad (4 Pads) .....            | 1   |
| 7    | 103418701 | Spring, Brake Caliper, Return .....              | 1   |
| 8    | 103418801 | Pin, Slide, 7/16 .....                           | 2   |

**4**

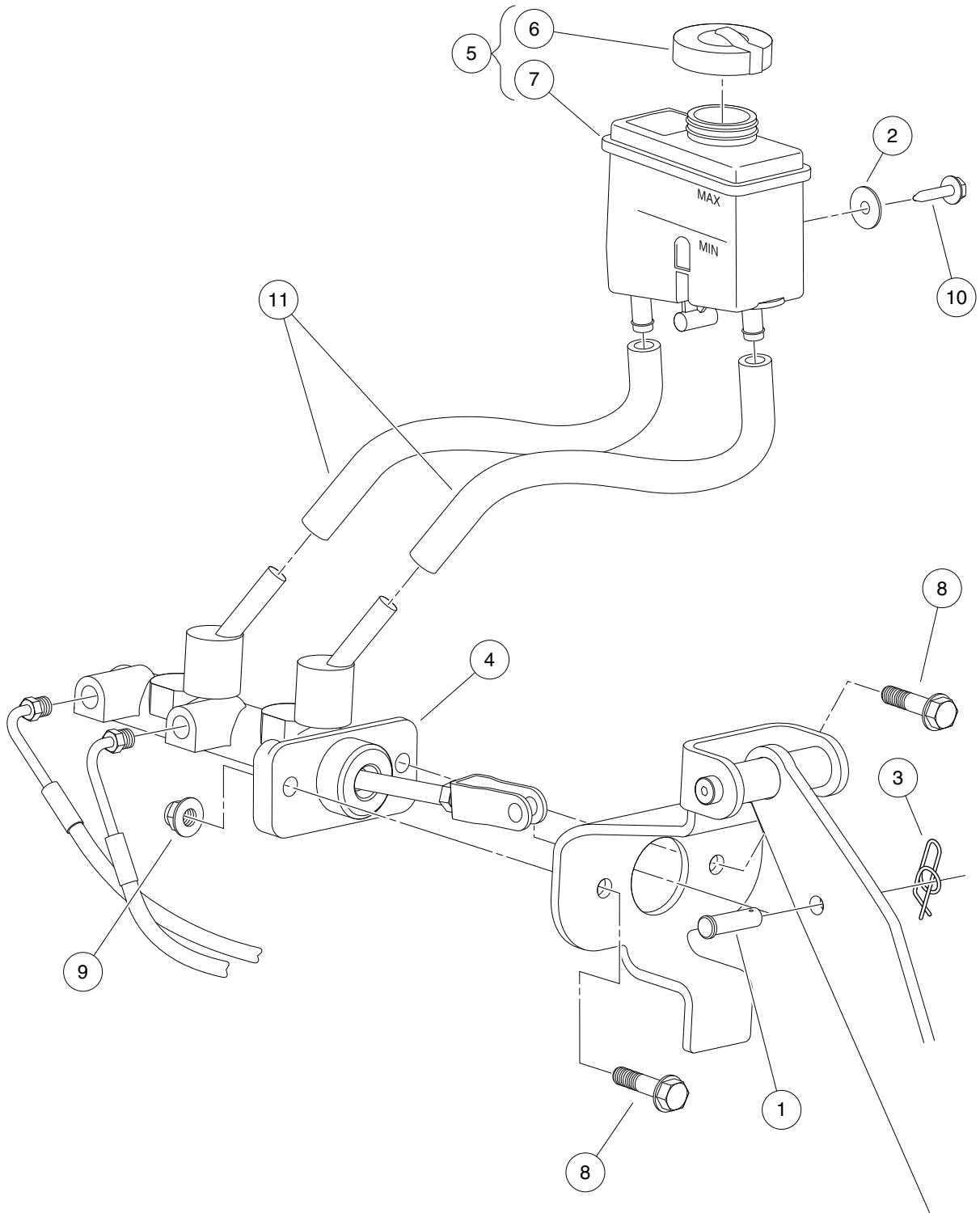
**G**

**D**

4

G

D



000069-002



# MASTER CYLINDER WITH REMOTE RESERVOIR

| ITEM | PART NO.  | DESCRIPTION  | QTY |
|------|-----------|--|-----|
|      |           | 1 2 3 4  |     |
| 1    | 101082903 | Clevis Pin, 5/16 X 1 .....                                 | 1   |
| 2    | 1014306   | Washer, 1/4" Type B Flat .....                             | 1   |
| 3    | 102176901 | Pin, Rue .....   | 1   |
| 4    | 102402801 | Cylinder, Master, Tandem .....                             | 1   |
| 5    | 102402901 | Assembly, Reservoir, Remote (includes items 6 and 7) ..... | 1   |
| 6    | 102051401 | Filler Cap Asm .....                                       | 1   |
| 7    | N/A       | Reservoir, Brake Fluid, Without Cap .....                  | 1   |
| 8    | 102618401 | Bolt Flanged Head, M8 X 1.25 X 35 .....                    | 2   |
| 9    | 102618601 | Lock Nut, Flg M8 X 1.25 Nylon .....                        | 2   |
| 10   | 103218213 | Screw, #10x3.50 Ab Thd, Hex Hd .....                       | 1   |
| 11   | 103293201 | Hose, Reservoir, Brake Fluid .....                         | 2   |

**4**

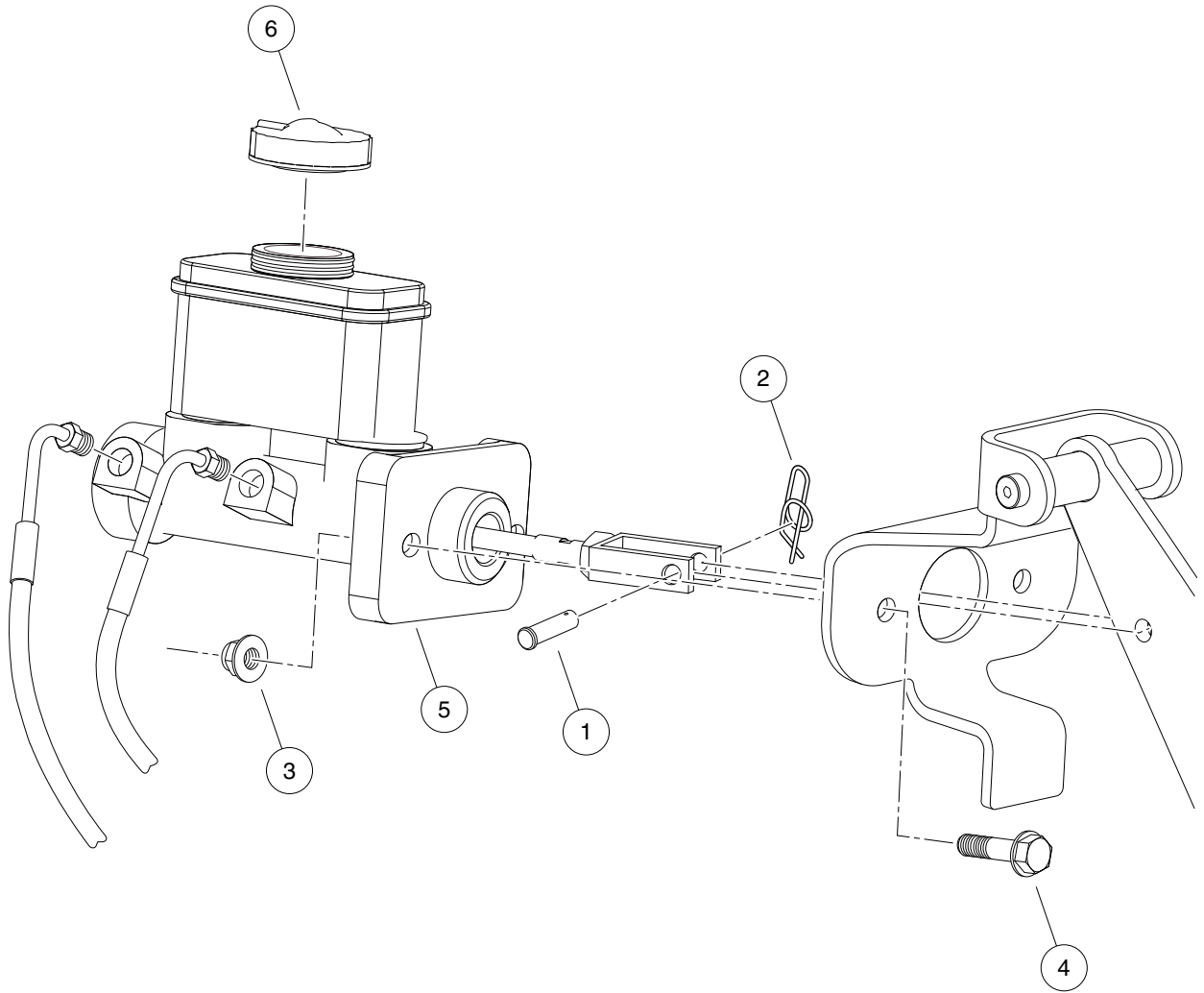
**G**

**D**

**4**  
**G**



**D**



000792-001

## MASTER CYLINDER WITH INTEGRAL RESERVOIR

| ITEM | PART NO.  | DESCRIPTION                             | QTY |
|------|-----------|---|-----|
|      |           | <b>1 2 3 4</b>                          |     |
| 1    | 101082903 | Clevis Pin, 5/16 X 1 .....              | 1   |
| 2    | 102176901 | Pin, Rue .....                          | 1   |
| 3    | 102298401 | Nut,m8,all Metal Lock .....             | 2   |
| 4    | 102618401 | Bolt Flanged Head, M8 X 1.25 X 35 ..... | 2   |
| 5    | 103376101 | Cylinder, Master, Integral Res .....    | 1   |
| 6    | 103380701 | Filler Cap Asm Integral Res .....       | 1   |

**4**

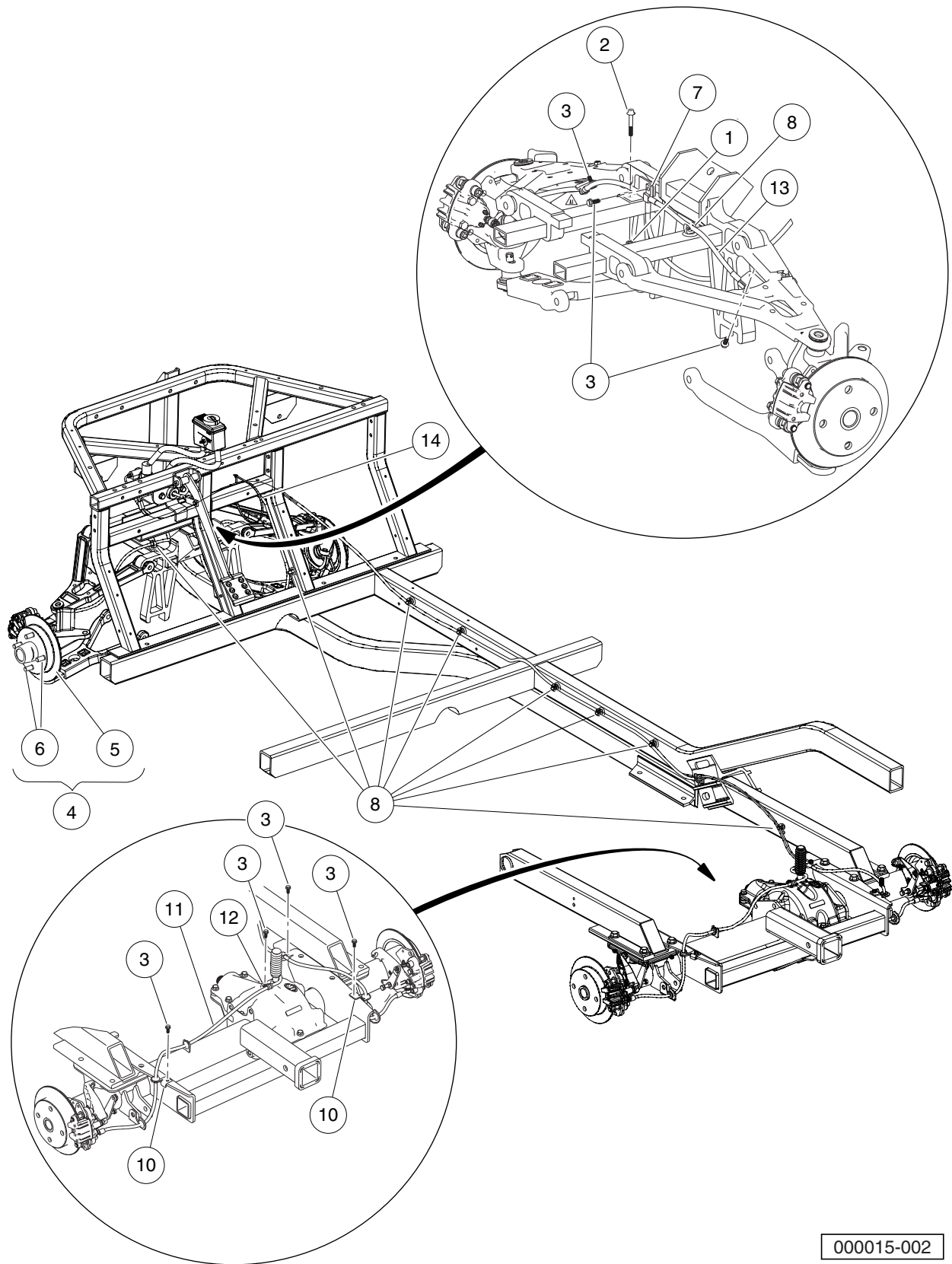
**G**

**D**

**4**

**G**

**D**



000015-002

## HYDRAULIC BRAKE LINES AND CLIPS

| ITEM | PART NO.  | DESCRIPTION  | QTY |
|------|-----------|--|-----|
|      |           | <b>1 2 3 4</b>   |     |
| 1    | 101887601 | Locknut, M6-1.00 Nylon Insert .....                          | 2   |
| 2    | 102296140 | Bolt, Flanged Head, M6x1.0x40 .....                          | 1   |
| 3    | 102296716 | Screw, M6 X 16 Tt Hx Fl Hd .....                             | 8   |
| 4    | 102376603 | Assy, Rotor, Brake, Front, Wt (includes items 5 and 6) ..... | 2   |
| 5    | N/A       | Rotor, Brake, Front, Wt .....                                | 1   |
| 6    | 102475801 | Stud, Wheel Lug .....  | 4   |
| 7    | 102474301 | Bracket, Tee, Brakeline .....                                | 1   |
| 8    | 102475701 | Clip, Brake Line .....                                       | 8   |
| 9    | 102541465 | Bolt, M 6 X 1.0 X 65 Hex, Flange, Head, Black .....          | 1   |
| 10   | 102689001 | Bracket, Line, Hydraulic .....                               | 2   |
| 11   | 102767001 | Assembly, Brakeline, Rear, Lng (includes item 12) .....      | 1   |
| 12   | 102410603 | P-Clamp, Insulated .312 In .....                             | 1   |
| 13   | 103174301 | Brakeline, Front, Assembly .....                             | 1   |
| 14   | 8639      | Tie Wrap, 11" Nylon .....                                    | 1   |

4

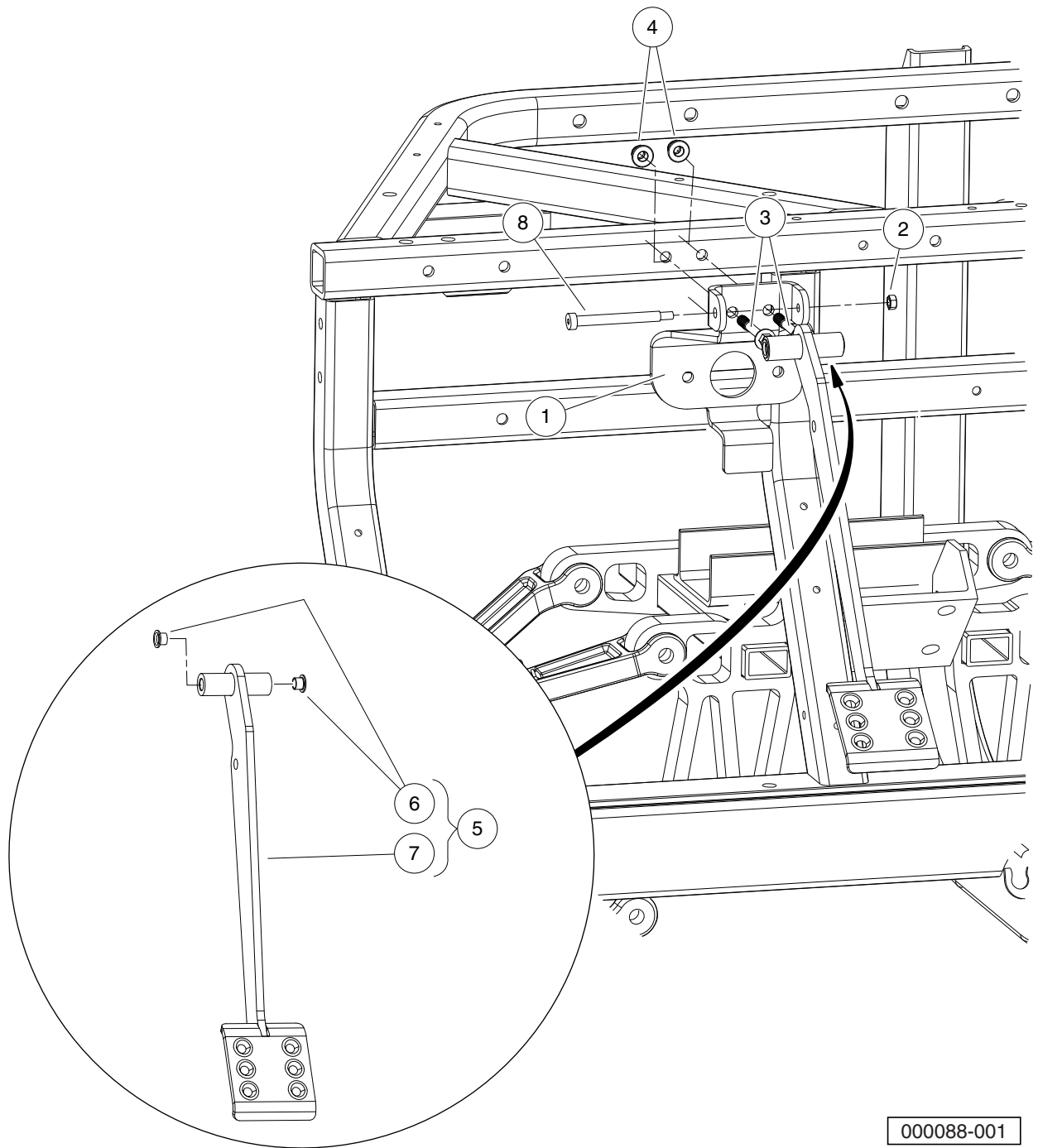
G

D

4

G

D



000088-001

# BRAKE PEDAL ASSEMBLY

| ITEM | PART NO.  | DESCRIPTION  | QTY |
|------|-----------|--|-----|
|      |           | <b>1 2 3 4</b>   |     |
| 1    | 102380601 | Bracket, Pedal, Brake .....                            | 1   |
| 2    | 102618101 | Nut M6x1 Mech Def Center .....                         | 1   |
| 3    | 102618301 | Bolt Flanged Head, M8 X 1.25 X 65 .....                | 2   |
| 4    | 102618601 | Lock Nut, Flg M8 X 1.25 Nylon .....                    | 2   |
| 5    | N/A       | Asm, Pedal, Brake, Hung (includes items 6 and 7) ..... | 1   |
| 6    | 102442901 | Bushing, Greaseless .....                              | 2   |
| 7    | 102626201 | Weldment, Pedal, Brake, Hung .....                     | 1   |
| 8    | 103273101 | Bolt, Shoulder, M8 X 70, Hc .....                      | 1   |

4

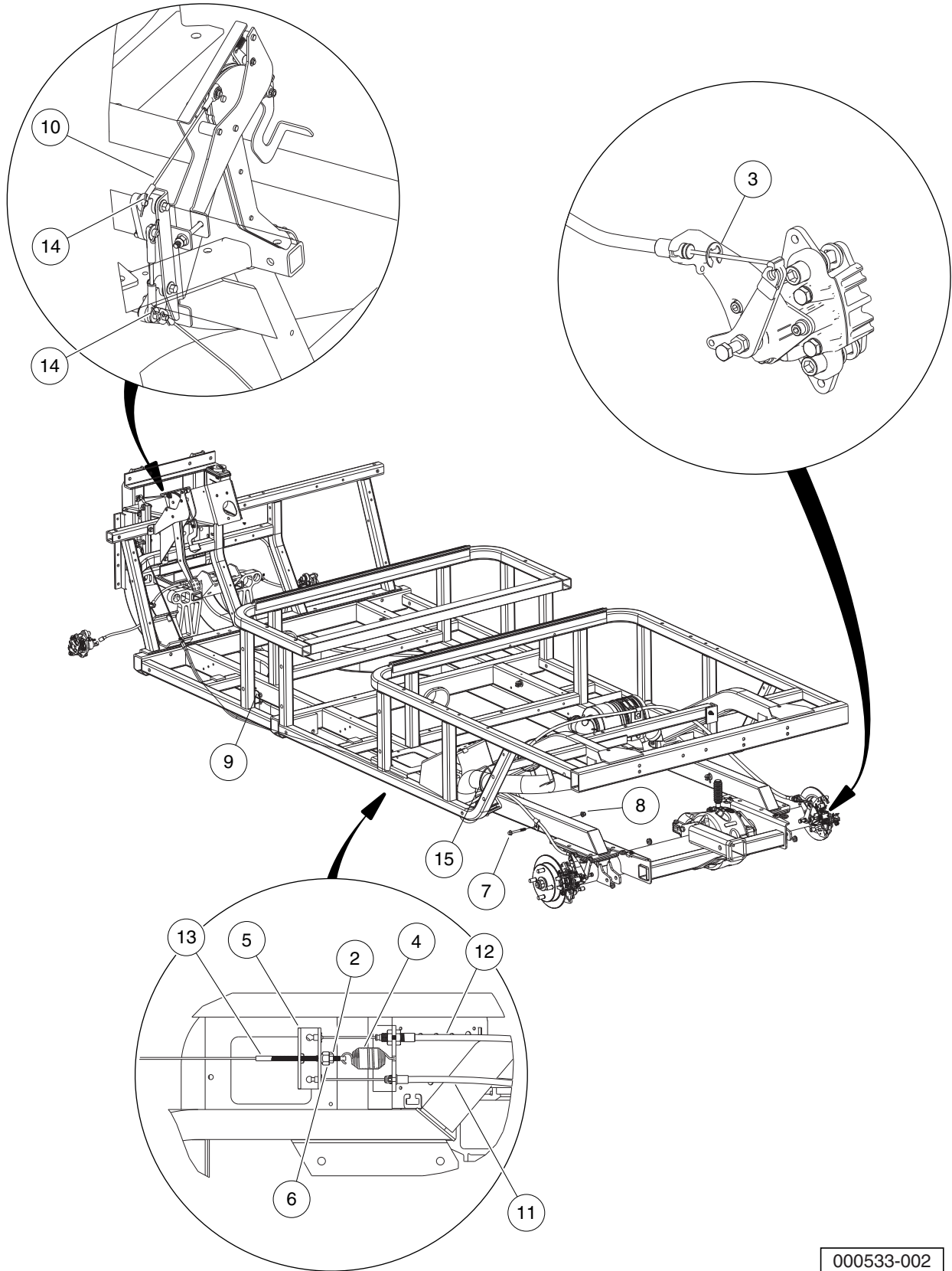
G

D

4

G

D



000533-002



# PARK BRAKE SYSTEM

| ITEM | PART NO.  | DESCRIPTION  | QTY |
|------|-----------|--|-----|
|      |           | <b>1 2 3 4</b>   |     |
| 1    | N/A       | Instl, Park, Brake, Util, 4pas (includes items 2 through 15) ..... | 1   |
| 2    | 1010521   | Nut, 5/16-24 Hex .....   | 1   |
| 3    | 1011779   | E-Clip, 1/2 .....  | 2   |
| 4    | 1013531   | Spring, Brake Return .....   | 1   |
| 5    | 101990802 | Equalizer Bracket .....  | 1   |
| 6    | 102052801 | Nut, 5/16-24 Hex Cone .....  | 1   |
| 7    | 102618301 | Bolt Flanged Head, M8 X 1.25 X 65 .....                            | 1   |
| 8    | 102618601 | Lock Nut, Flg M8 X 1.25 Nylon .....                                | 1   |
| 9    | 102629001 | Tie Wrap, 8.00" With Mount .....                                   | 1   |
| 10   | 102712601 | Cable, Crank, Bell, Front .....                                    | 1   |
| 11   | 102763301 | Cable, Noncoated, Pbrake, Left .....                               | 1   |
| 12   | 102763401 | Cable, Noncoated, Pbrake, Right .....                              | 1   |
| 13   | 103218501 | Cable, Crank, Bell, Main, Long .....                               | 1   |
| 14   | 1035      | Cotter Pin, 3/32 x 1 .....   | 2   |
| 15   | 8639      | Tie Wrap, 11" Nylon .....  | 2   |

**4**

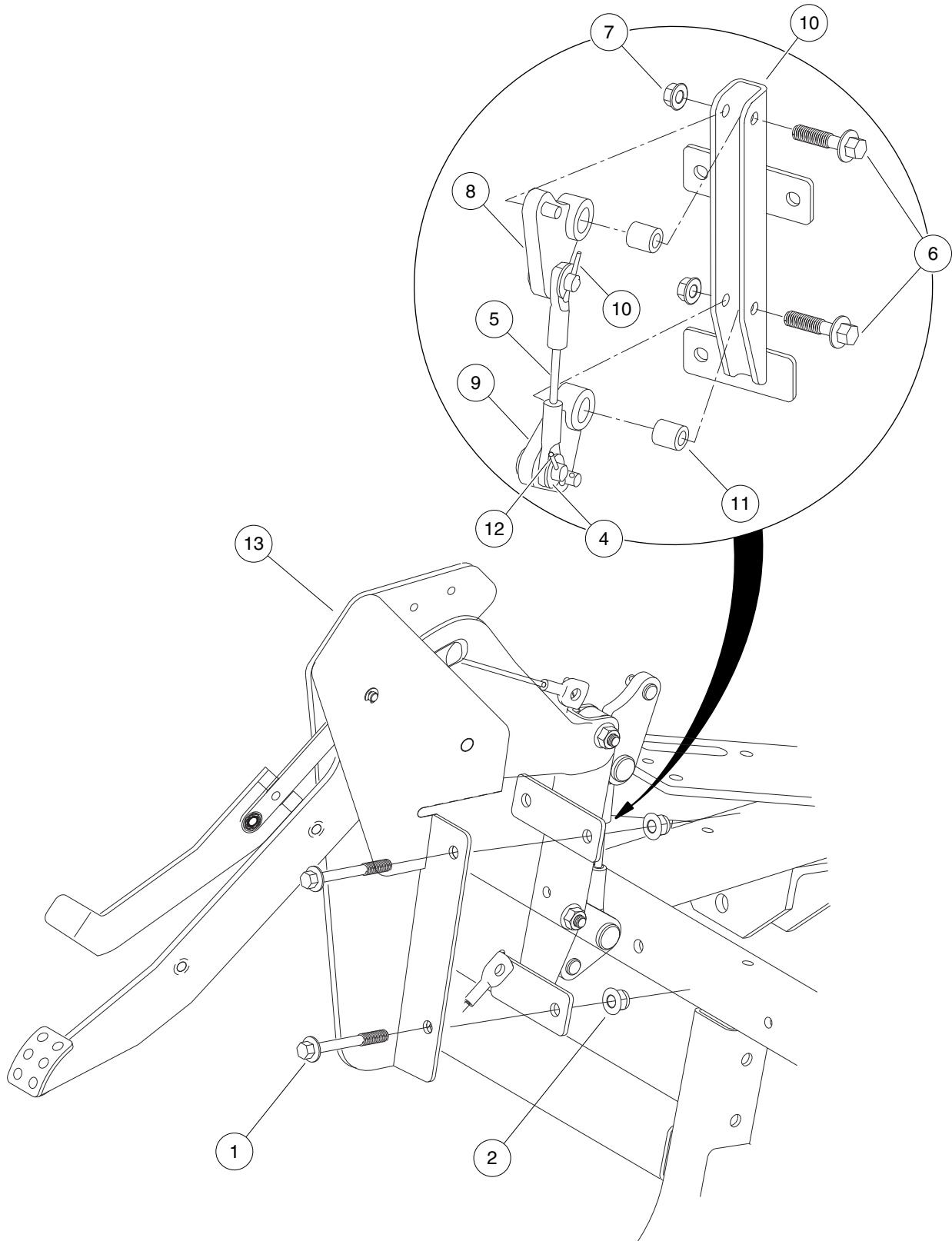
**G**

**D**

4

G

D



000086-002

## PARK BRAKE PEDAL ASSEMBLY

| ITEM | PART NO.  | DESCRIPTION   | QTY |
|------|-----------|---|-----|
|      |           | <b>1 2 3 4</b>  |     |
| 1    | 102618301 | Bolt Flanged Head, M8 X 1.25 X 65 .....                           | 3   |
| 2    | 102618601 | Lock Nut, Flg M8 X 1.25 Nylon .....                               | 3   |
| 3    | 102751501 | Asm, Sub, Bracket, Park Brake (includes items 4 through 12) ..... | 1   |
| 4    | 102323501 | Washer, Flat, 3/8, Blk Fin .....                                  | 2   |
| 5    | 102716001 | Cable, Crank, Bell .....  | 1   |
| 6    | 102741501 | Bolt Flg, M8x1.25 X 35, Gr10.9 .....                              | 2   |
| 7    | 102741601 | Nut Flg M8 X 1.25 Gr 10 .....                                     | 2   |
| 8    | 102751301 | Asm, Bellcrank, Upper .....                                       | 1   |
| 9    | 102751401 | Asm, Bellcrank, Lower .....                                       | 1   |
| 10   | 103305001 | Brkt, Bellcrank, Prk Brk, Awd .....                               | 1   |
| 11   | 103305101 | Spacer, Pivot, Park Brk, Awd .....                                | 2   |
| 12   | 1035      | Cotter Pin, 3/32 x 1 .....  | 2   |
| 13   | 103505401 | Asm, Pedal, Park Brake .....                                      | 1   |

**4**

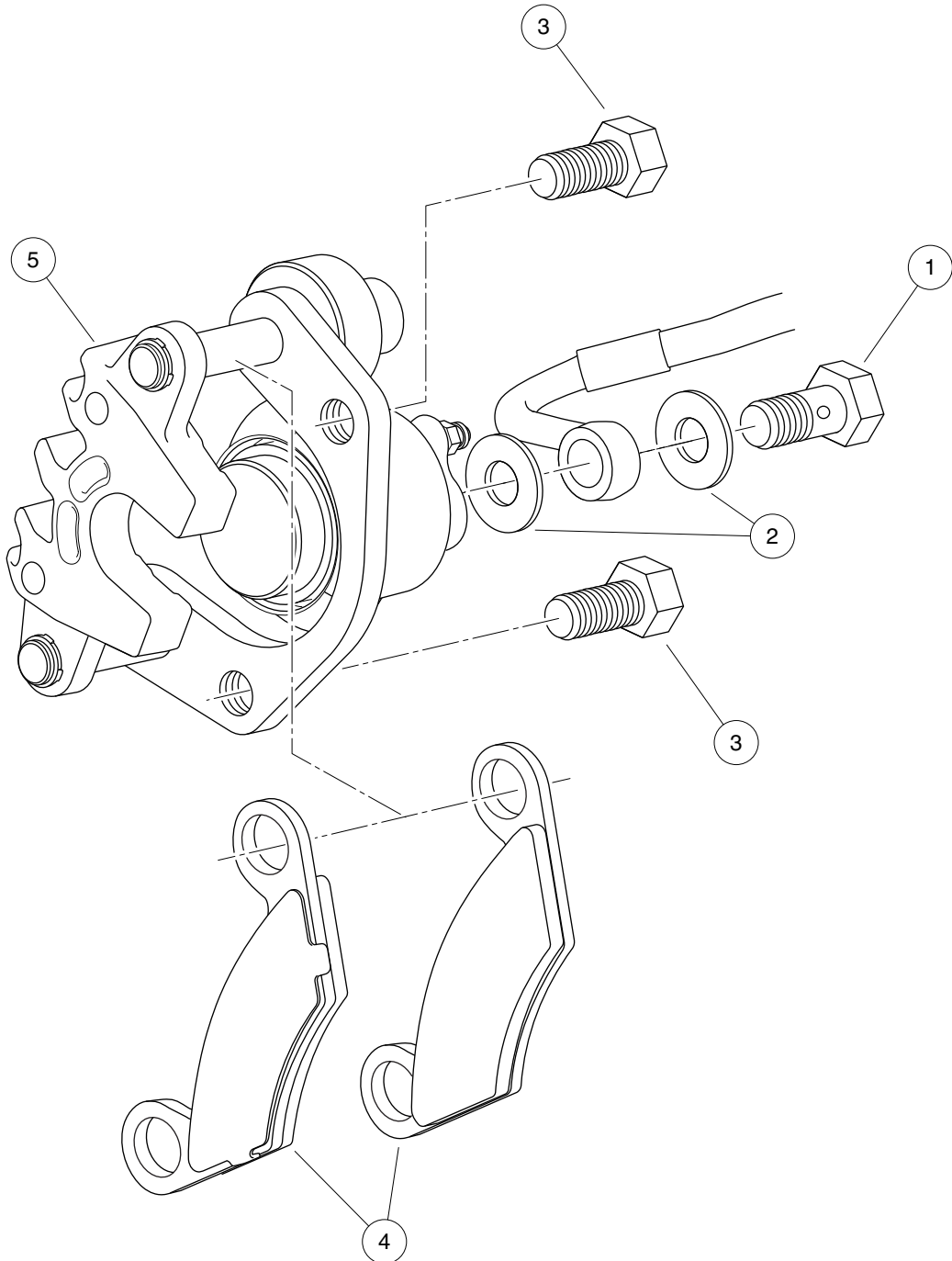
**G**

**D**

4

G

D



000067-002

## FRONT BRAKE ASSEMBLY (STYLE B)

| ITEM | PART NO.  | DESCRIPTION                                      | QTY |
|------|-----------|--|-----|
|      |           | 1 2 3 4  |     |
| 1    | 102488001 | Bolt, Banjo, M10x1x19 .....                      | 2   |
| 2    | 102491601 | Washer, Copper, M10 Crush .....                  | 2   |
| 3    | 102493301 | Bolt Flange Head, 3/8-24x.750 with Loctite ..... | 4   |
| 4    | 103160101 | Kit, Brake Pad, 7646 (not shown) .....           | 1   |
| 5    | 103574301 | Brk Caliper, Front, W/pad 7646 .....             | 2   |

4

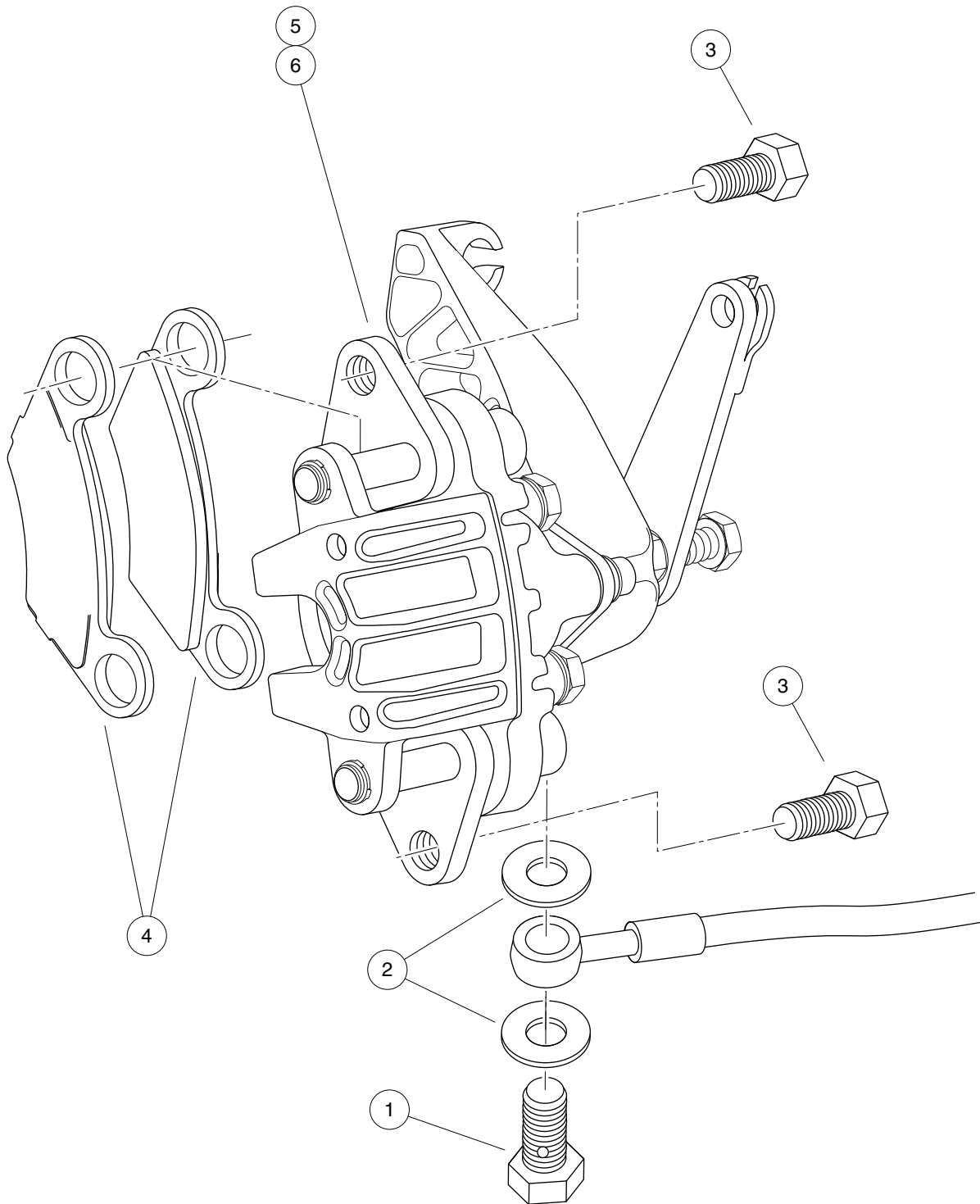
G

D

4

G

D



000068-002

## REAR BRAKE ASSEMBLY (STYLE B)

| ITEM | PART NO.  | DESCRIPTION                                      | QTY |
|------|-----------|--|-----|
|      |           | 1 2 3 4  |     |
| 1    | 102488001 | Bolt, Banjo, M10x1x19 .....                      | 2   |
| 2    | 102491601 | Washer, Copper, M10 Crush .....                  | 4   |
| 3    | 102493301 | Bolt Flange Head, 3/8-24x.750 with Loctite ..... | 4   |
| 4    | 102714001 | Service Kit, Brake Pad (4 Pads) .....            | 1   |
| 5    | 103523602 | Caliper, H-m, Rear, Lh, 1550 .....               | 1   |
| 6    | 103523702 | Caliper, H-m, Rear, Rh, 1550 .....               | 1   |

**4**

**G**

**D**

**4**

**G**

**D**



# STEERING AND SUSPENSION

---

5

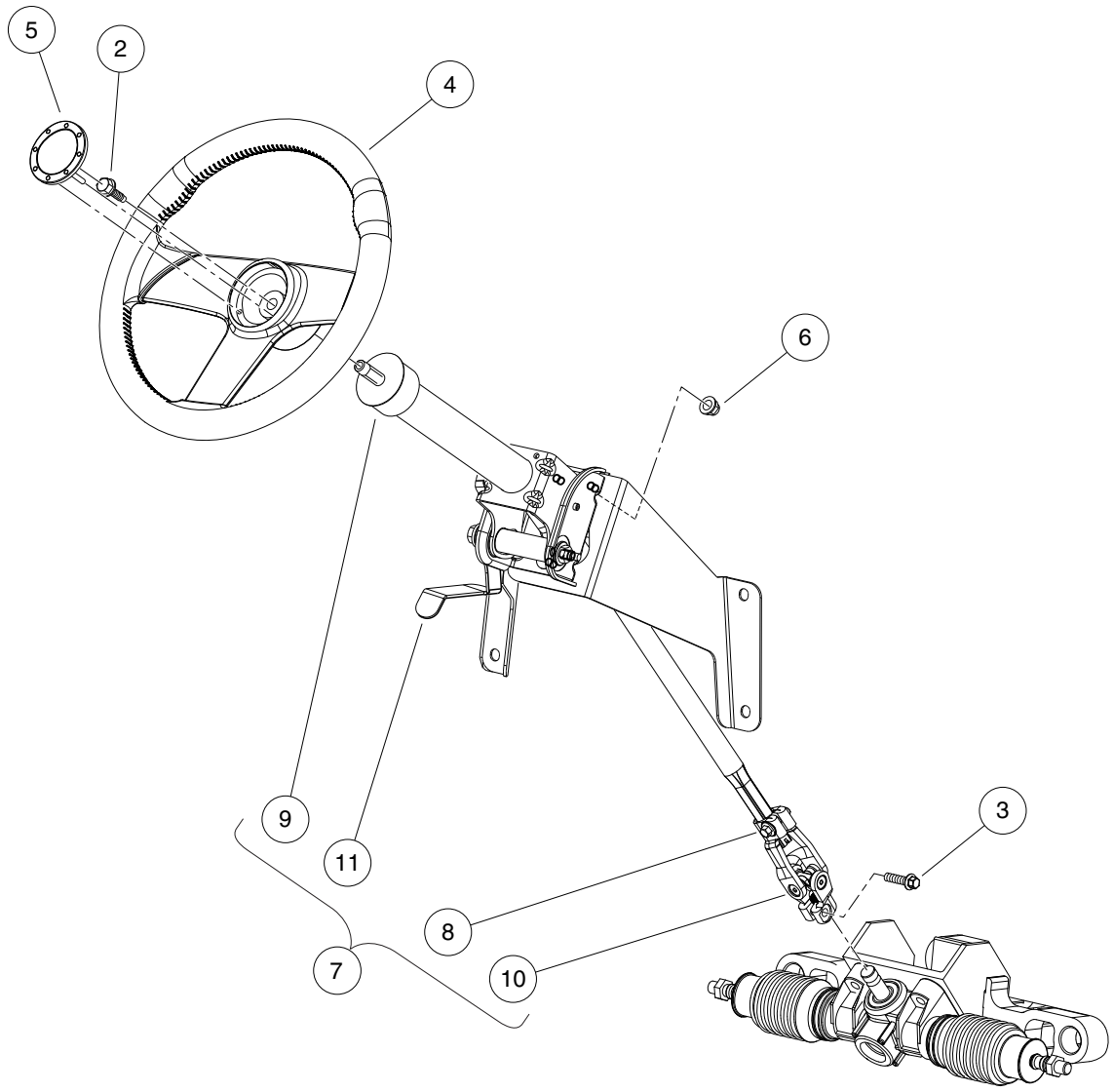
G

D

5

G

D



000070-002

# STEERING COLUMN

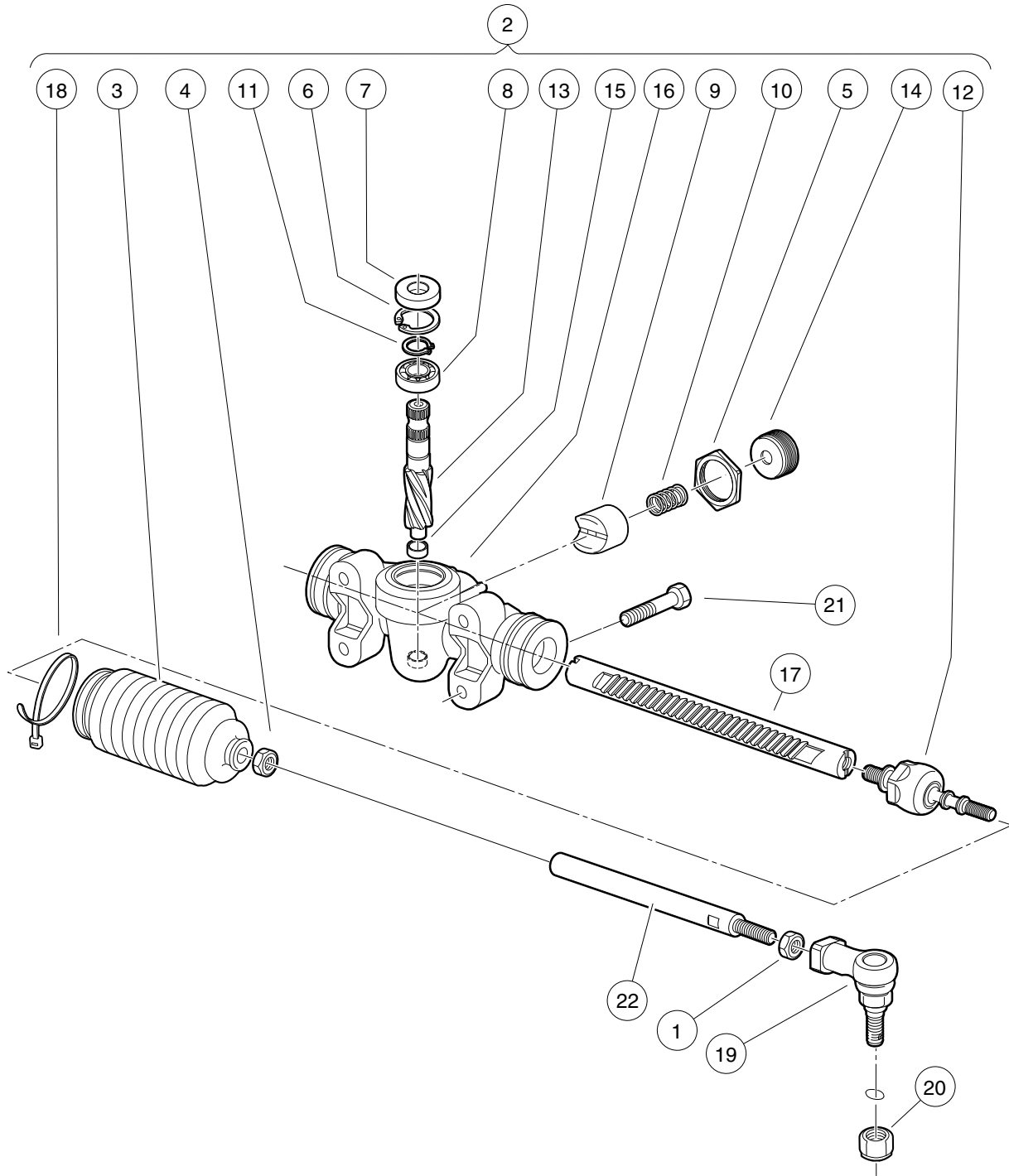
| ITEM | PART NO.  | DESCRIPTION   | QTY |
|------|-----------|---|-----|
|      |           | <b>1 2 3 4</b>  |     |
| 1    | N/A       | Instl, Steering System (includes items 2 through 7) ..... | 1   |
| 2    | 102290120 | Bolt, M10 X 20 Hex Washer Hd .....                        | 1   |
| 3    | 102298130 | Bolt, Flange Head, M8 X 30.0 .....                        | 1   |
| 4    | 102363802 | Steering Wheel, Viper, Hex Hub .....                      | 1   |
| 5    | 102367101 | Cap, Steering Wheel, Viper .....                          | 1   |
| 6    | 102618601 | Lock Nut, Flg M8 X 1.25 Nylon .....                       | 3   |
| 7    | 102989801 | Steering Column (includes items 8 through 11) .....       | 1   |
| 8    | 102298130 | Bolt, Flange Head, M8 X 30.0 .....                        | 1   |
| 9    | 102571301 | Shroud, Steering Column .....                             | 1   |
| 10   | 102616801 | Bolt, M4 X .7 X 60 .....                                  | 1   |
| 11   | 102977101 | Handle, Steering, Tilt .....                              | 1   |

**5**  
**G**  
**D**

5

G

D



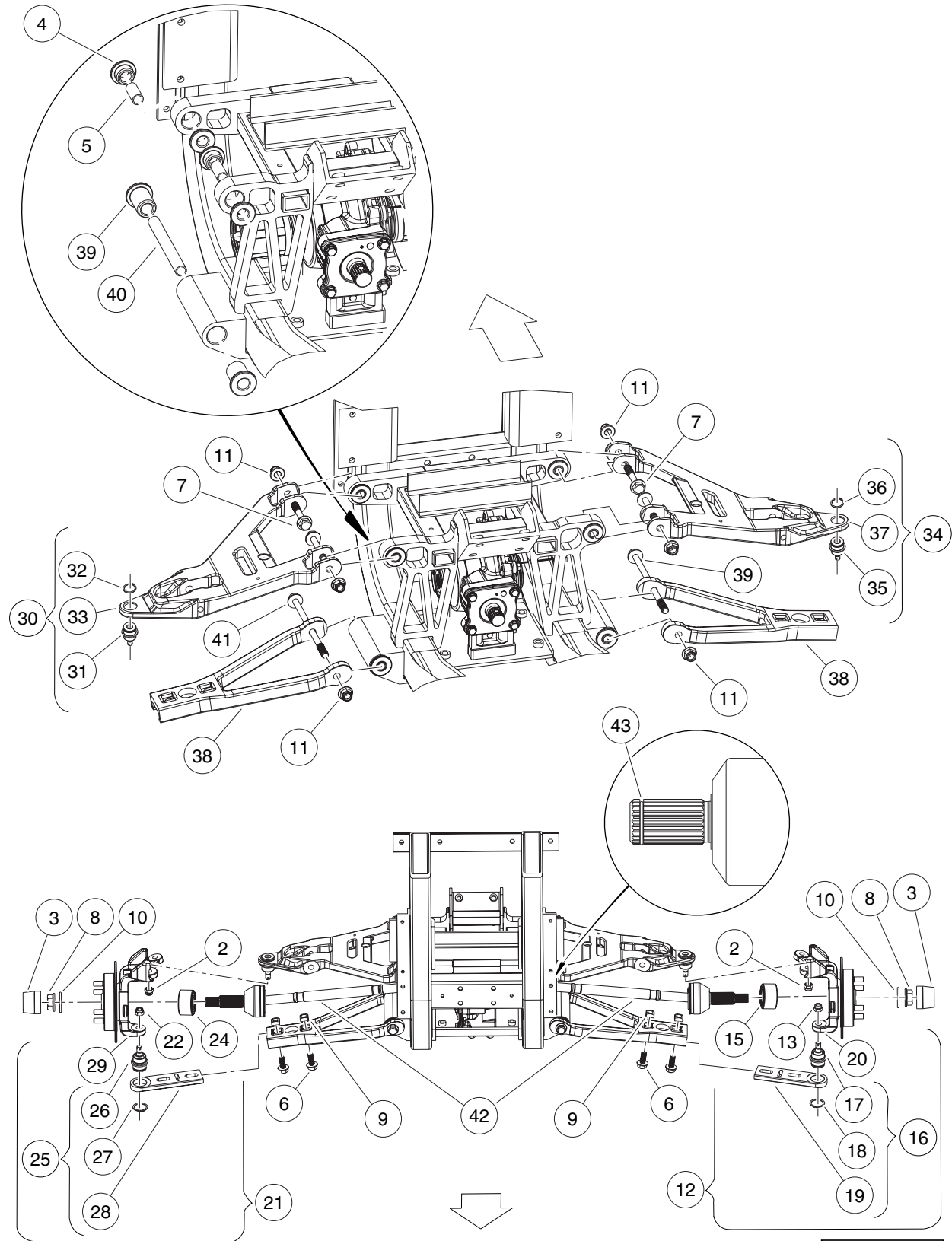
000071-001

# STEERING GEAR ASSEMBLY

| ITEM | PART NO.  | DESCRIPTION   | QTY |          |
|------|-----------|---|-----|----------|
|      |           | 1 2 3 4   |     | <b>5</b> |
| 1    | 1013042   | Nut, 12mm Hex .....                                 | 2   | <b>G</b> |
| 2    | 102010102 | Steering Rack (includes items 3 through 18) .....   | 1   |          |
| 3    | 1013035   | Bellows, Long .....                                 | 2   |          |
| 4    | 1013042   | Nut, 12mm Hex .....                                 | 2   | <b>D</b> |
| 5    | 1013044   | Rack Screw Locknut .....                            | 1   |          |
| 6    | 1013051   | Snap Ring .....                                     | 1   |          |
| 7    | 1013052   | Seal, Steering Pinion Dust .....                    | 1   |          |
| 8    | 101879401 | Bearing, Ball .....                                 | 1   |          |
| 9    | 101879701 | Support Yoke .....                                  | 1   |          |
| 10   | 101879801 | Rack Guide Pressure Spring .....                    | 1   |          |
| 11   | 101879901 | Ring, Stop, C-Type .....                            | 1   |          |
| 12   | 101880201 | Inner Ball Joint Asm .....                          | 2   |          |
| 13   | N/A       | Pinion, Steering .....                              | 1   |          |
| 14   | N/A       | Bearing, Lower Pinion .....                         | 1   |          |
| 15   | N/A       | Screw, Rack Guide .....                             | 1   |          |
| 16   | N/A       | Housing, Steering Gear .....                        | 1   |          |
| 17   | N/A       | Rack, Steering .....                                | 1   |          |
| 18   | 8990      | Tie Wrap, 8" Nylon .....                            | 2   |          |
| 19   | 102022601 | End, Tie Rod M12 X 1.25 Rh .....                    | 2   |          |
| 20   | 102022901 | Locknut, M12-1.25 Nylon .....                       | 2   |          |
| 21   | 102687801 | Bolt, Flange Head, M10x 1.5 X 40 with Loctite ..... | 4   |          |
| 22   | 102816801 | Link, Drag, Wt .....                                | 2   |          |

**5**  
**G**

**D**



000534-001

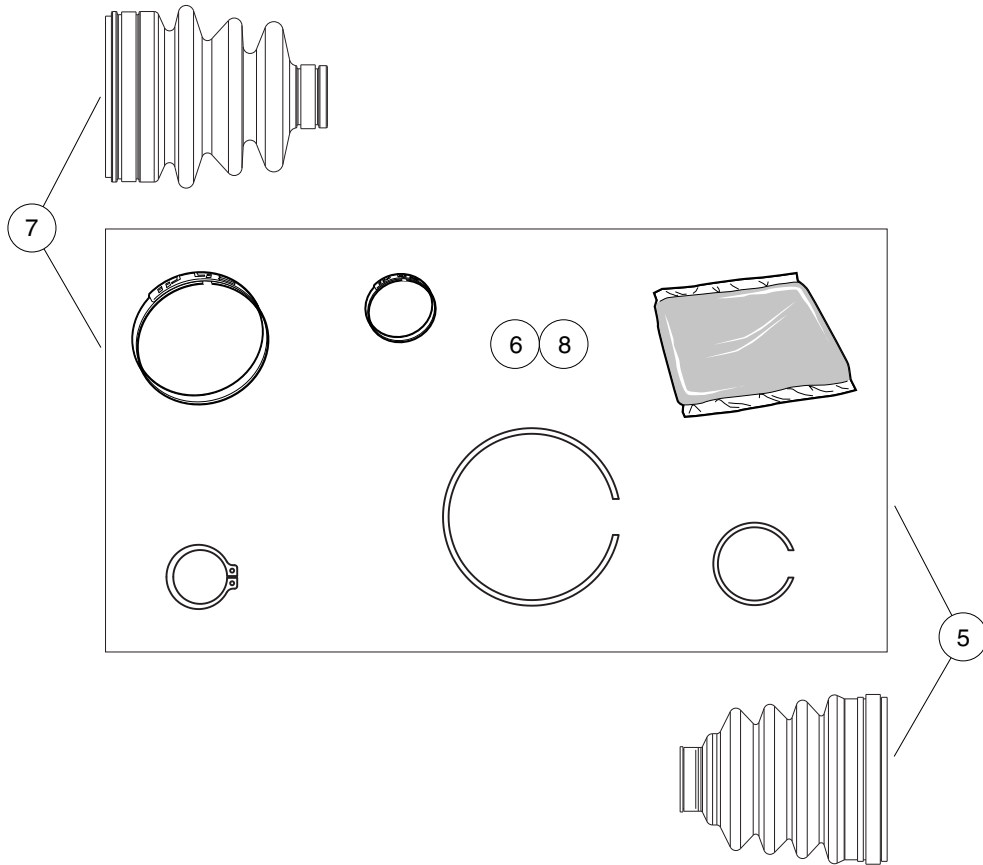
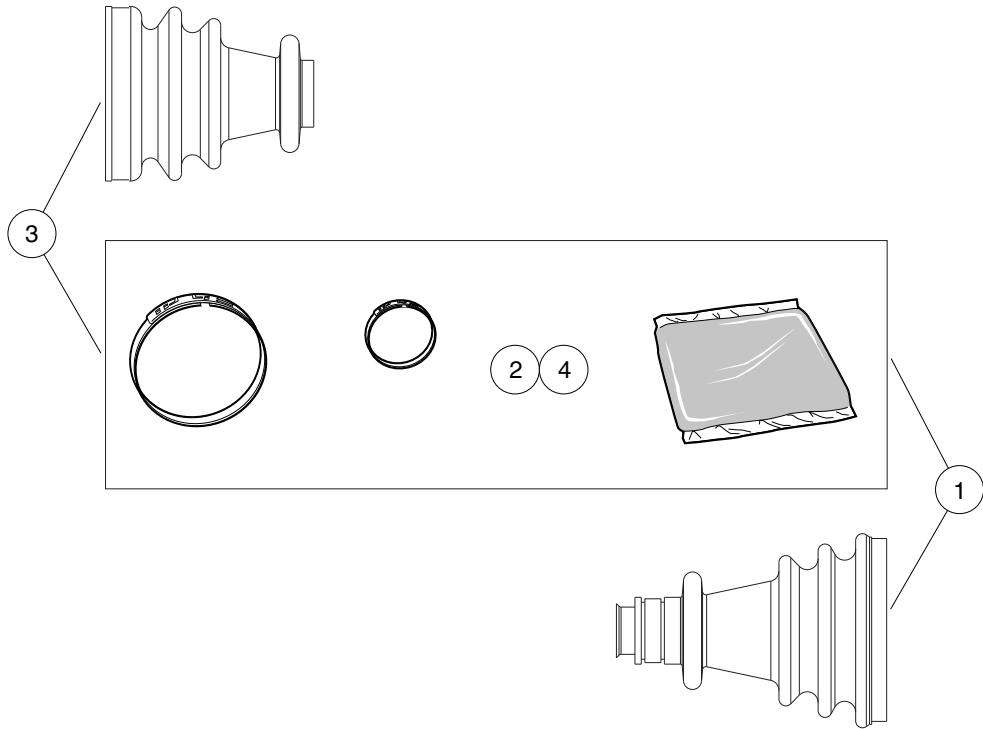
## FRONT SUSPENSION – A-ARMS

| ITEM | PART NO.  | DESCRIPTION   | QTY | 5 |
|------|-----------|---|-----|---|
|      |           | 1 2 3 4   |     | G |
| 1    | N/A       | Suspension, AWD, Wide (includes items 2 through 42) .....     | 1   |   |
| 2    | 102022901 | Locknut, M12-1.25 Nylon .....                                 | 2   |   |
| 3    | 102274101 | Center Cap, Rubber .....                                      | 2   |   |
| 4    | 102408401 | Bushing, A-Arm .....  | 8   | D |
| 5    | 102437001 | Sleeve, Upper .....   | 4   |   |
| 6    | 102490801 | Bolt, Flange Head, M12x 1.75x 30 with Loctite .....           | 4   |   |
| 7    | 102616301 | Bolt, Flange Head, M12 X 1.75 X 70 .....                      | 4   |   |
| 8    | 102617501 | Nut Flg, M22 X 1.5 Mech Def .....                             | 2   |   |
| 9    | 102617701 | Nut, Square, M12x 1.75 .....                                  | 4   |   |
| 10   | 102617801 | Washer Hard, M22 .....  | 2   |   |
| 11   | 102620501 | Nut Flg, M12x1.75, Nylon Gr 10 .....                          | 6   |   |
| 12   | 102791701 | Upright, Left-Hand (includes items 13 through 20) .....       | 1   |   |
| 13   | 102022901 | Locknut, M12-1.25 Nylon .....                                 | 1   |   |
| 14   | 102376605 | Assy, Rotor, Brake, Front, Gr .....                           | 1   |   |
| 15   | 102464301 | Bearing .....   | 1   |   |
| 16   | 102874301 | Asm, Adjuster, Slide (includes items 17 through 19) .....     | 1   |   |
| 17   | 102361901 | Joint, Ball .....   | 1   |   |
| 18   | 102722301 | Ring, Retaining, Ext, 1-1/4" .....                            | 1   |   |
| 19   | N/A       | Slide, Adjuster .....   | 1   |   |
| 20   | 103277001 | Upright, Finished, Lh .....                                   | 1   |   |
| 21   | 102791702 | Upright, Right-Hand (includes items 22 through 29) .....      | 1   |   |
| 22   | 102022901 | Locknut, M12-1.25 Nylon .....                                 | 1   |   |
| 23   | 102376605 | Assy, Rotor, Brake, Front, Gr .....                           | 1   |   |
| 24   | 102464301 | Bearing .....   | 1   |   |
| 25   | 102874301 | Asm, Adjuster, Slide (includes items 26 through 28) .....     | 1   |   |
| 26   | 102361901 | Joint, Ball .....   | 1   |   |
| 27   | 102722301 | Ring, Retaining, Ext, 1-1/4" .....                            | 1   |   |
| 28   | N/A       | Slide, Adjuster .....   | 1   |   |
| 29   | 103277002 | Upright, Finished, Rh .....                                   | 1   |   |
| 30   | 102792001 | Asm, A-Arm, Upper, Left (includes items 31 through 33) .....  | 1   |   |
| 31   | 102361901 | Joint, Ball .....   | 1   |   |
| 32   | 102722301 | Ring, Retaining, Ext, 1-1/4" .....                            | 1   |   |
| 33   | 102927101 | Arm, Upper, Wide, Machined, Lh .....                          | 1   |   |
| 34   | 102792002 | Asm, A-arm, Upper, Right (includes items 35 through 37) ..... | 1   |   |
| 35   | 102361901 | Joint, Ball .....   | 1   |   |
| 36   | 102722301 | Ring, Retaining, Ext, 1-1/4" .....                            | 1   |   |
| 37   | 102927102 | Arm, Upper, Wide, Machined,rh .....                           | 1   |   |
| 38   | 102874501 | A-Arm, Lower .....  | 2   |   |
| 39   | 103148501 | Bushing, A-arm Front .....                                    | 2   |   |
| 40   | 103256401 | Sleeve, Lower Arm .....                                       | 2   |   |
| 41   | 103256701 | Bolt Flg, M12 X 1.75 X 200 10. ....                           | 2   |   |
| 42   | 103762201 | Front Halfshaft, Awd .....                                    | 2   |   |
| 43   | 103345801 | Ring, Hog, Half Shaft .....                                   | 2   |   |

**5**

**G**

**D**



000791-001



# CV BOOT REPAIR KITS

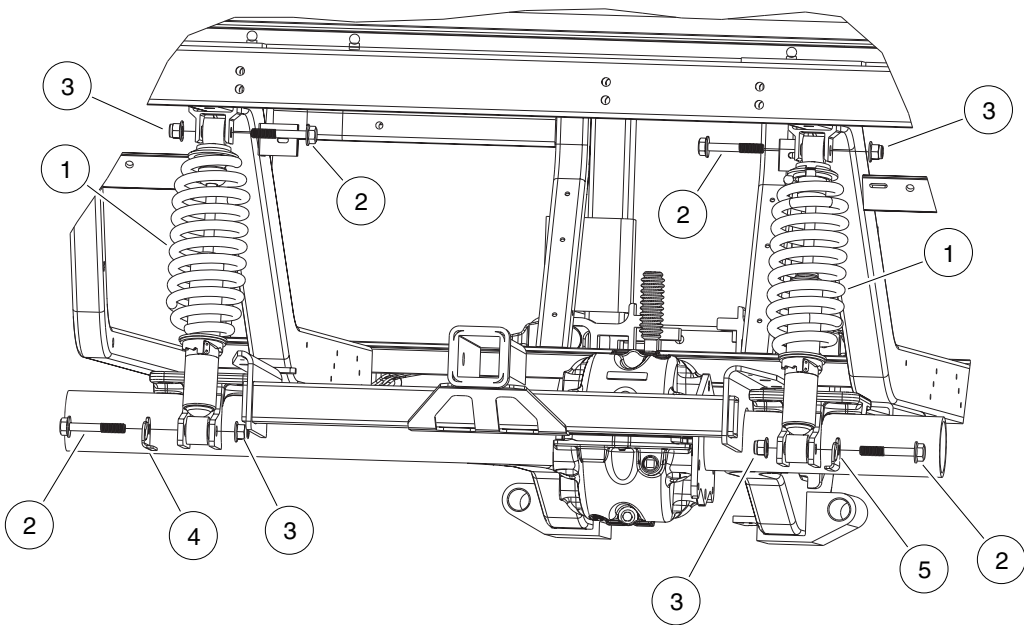
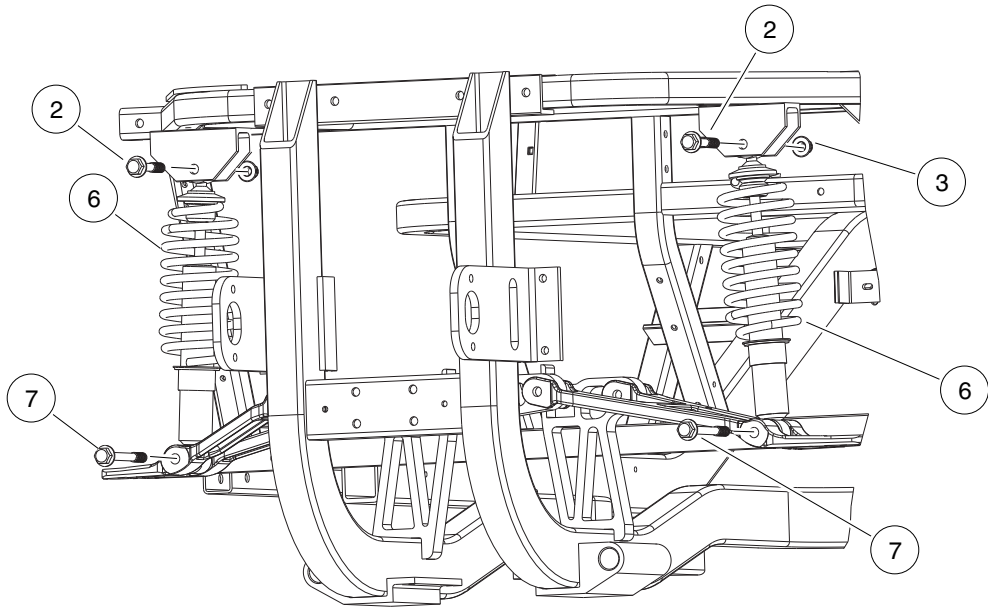
| ITEM | PART NO.  | DESCRIPTION                                     | QTY |
|------|-----------|---|-----|
|      |           | <b>1 2 3 4</b>                                  |     |
| 1    | AM11807   | Boxed Outboard Boot Kit (includes item 2) ..... | 1   |
| 2    | N/A       | Half Shaft Boot Instl. Instr. ....              | 1   |
| 3    | AM11808   | Boxed Inboard Boot Kit (includes item 4) .....  | 1   |
| 4    | N/A       | Half Shaft Boot Instl. Instr. ....              | 1   |
| 5    | AM1241201 | Kit, Outer Boot, Gen 2 (includes item 6) .....  | 1   |
| 6    | N/A       | Instructions, Boot Replacement .....            | 1   |
| 7    | AM1241301 | Kit, Inner Boot, Gen 2 (includes item 8) .....  | 1   |
| 8    | N/A       | Instructions, Boot Replacement .....            | 1   |

**5**  
**G**  
**D**

5

G

D



000530-001

## SHOCK ABSORBERS – STANDARD

| ITEM | PART NO.  | DESCRIPTION  | QTY |
|------|-----------|--|-----|
|      |           | 1 2 3 4  |     |
| 1    | 102365601 | Shock, Coil Over Rear .....  | 2   |
| 2    | 102616301 | Bolt, Flange Head, M12 X 1.75 X 70 .....   | 6   |
| 3    | 102620501 | Nut Flg, M12x1.75, Nylon Gr 10 .....   | 6   |
| 4    | 102689101 | Brkt, Line, Hyd, Shk Mnt, Drv .....  | 1   |
| 5    | 102689102 | Brkt, Line, Hyd, Shk Mnt, Pass .....   | 1   |
| 6    | 102786301 | Shock, Coil Over, 330 Lb/in .....  | 2   |
| 7    | 102788701 | Bolt Flg, M12x1.75x100, Patch .....  | 2   |
|      |           | <p>Note: Shock, coil over 102792101 has been superceded by 102786301 and must be installed as matched pairs.</p> |     |

**5**

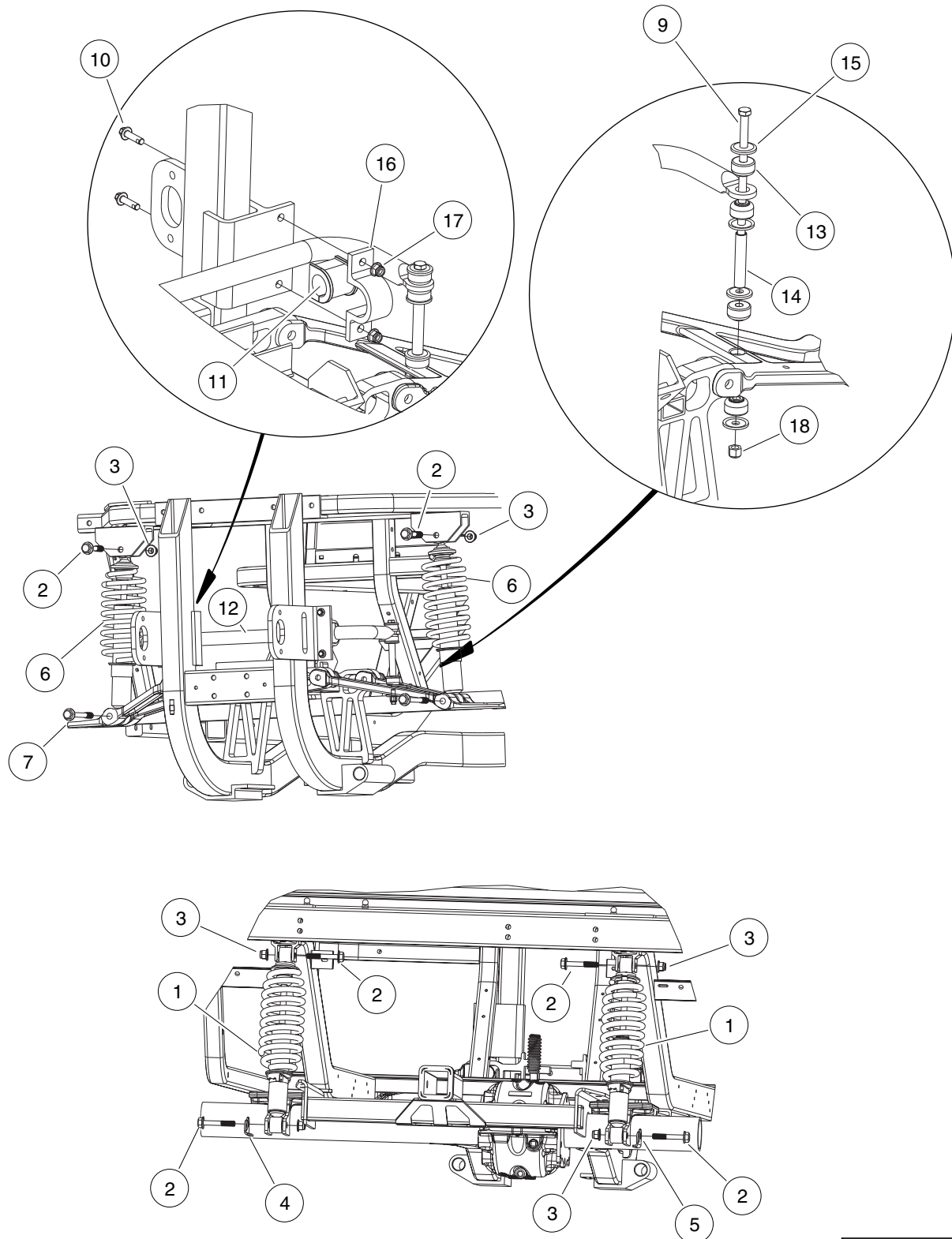
**G**

**D**

5

G

D



000530-002

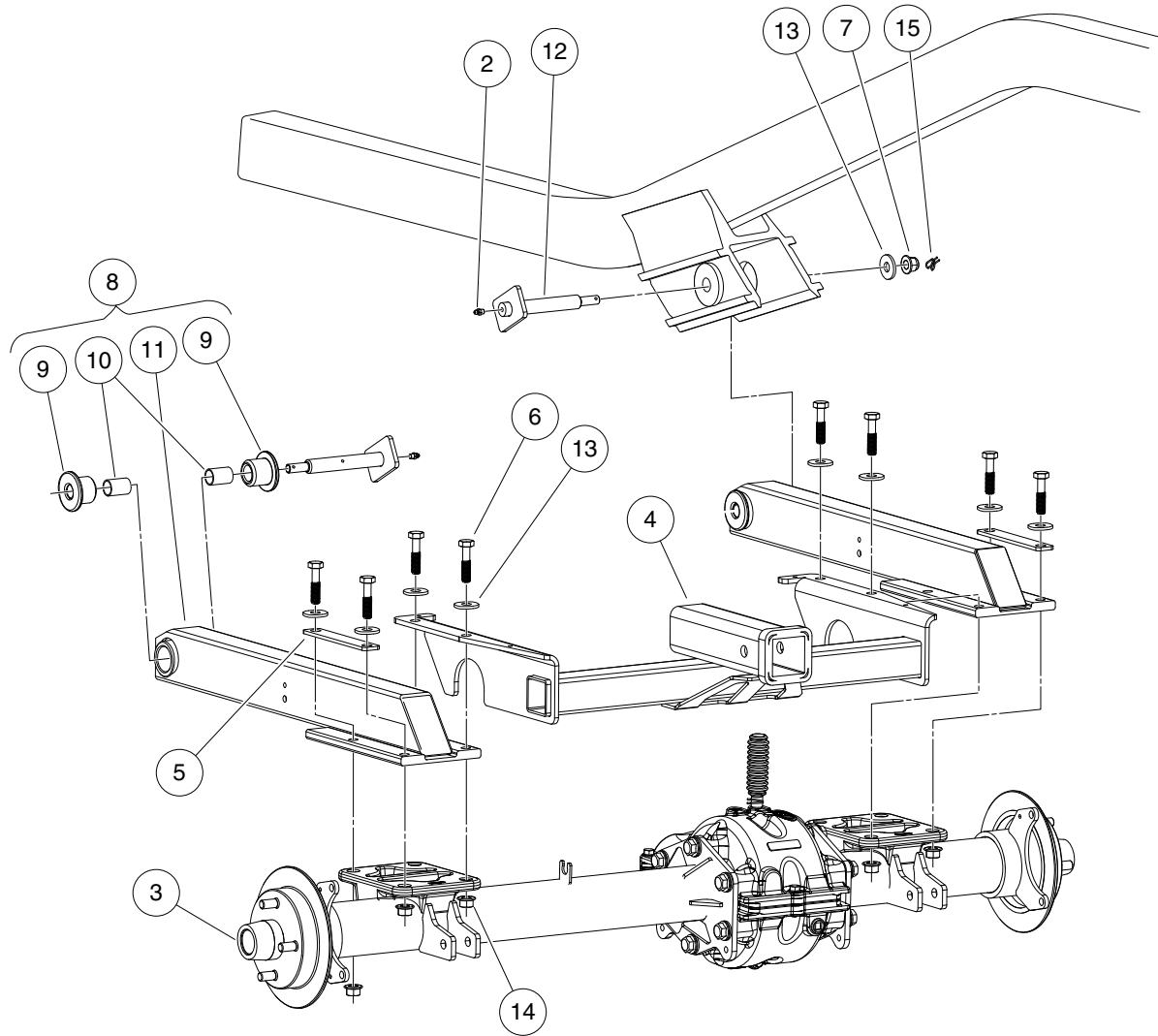
## SHOCK ABSORBERS – HIGH CAPACITY

| ITEM | PART NO.  | DESCRIPTION   | QTY |          |
|------|-----------|---|-----|----------|
|      |           | <b>1 2 3 4</b>  |     | <b>5</b> |
| 1    | 102365602 | Shock, Coil Over, Rear HD .....   | 2   | <b>G</b> |
| 2    | 102616301 | Bolt, Flange Head, M12 X 1.75 X 70 .....  | 6   |          |
| 3    | 102620501 | Nut Flg, M12x1.75, Nylon Gr 10 .....  | 6   |          |
| 4    | 102689101 | Brkt, Line, Hyd, Shk Mnt, Drv .....   | 1   | <b>D</b> |
| 5    | 102689102 | Brkt, Line, Hyd, Shk Mnt, Pass .....  | 1   |          |
| 6    | 102786301 | Shock, Coil Over, 330 Lb/in .....   | 2   |          |
| 7    | 102788701 | Bolt Flg, M12x1.75x100, Patch .....   | 2   |          |
| 8    | N/A       | Instl, Bar, Antisway, Wide Frt (includes items 9 through 18) .....  | 1   |          |
| 9    | 1016183   | Screw, 3/8-16 X 7.00 Hex Cap .....  | 2   |          |
| 10   | 102298130 | Bolt, Flange Head, M8 X 30.0 .....  | 4   |          |
| 11   | 102446601 | Bushing, Anti-Sway Bar, 1-1/8 .....   | 1   |          |
| 12   | 102464601 | Bar, Sway, Formed .....   | 1   |          |
| 13   | 102470101 | Bushing, Link .....   | 8   |          |
| 14   | 102470501 | Sleeve, Link .....  | 2   |          |
| 15   | 102470601 | Washer, Cup, Bushing .....  | 8   |          |
| 16   | 102495001 | Bracket, Anti-Sway Bar .....  | 2   |          |
| 17   | 102618601 | Lock Nut, Flg M8 X 1.25 Nylon .....   | 4   |          |
| 18   | 8754      | Locknut, 3/8-16 Hex .....   | 2   |          |
|      |           | Note: Shock, coil over 102792101 has been superceded by 102786301 and must be installed as matched pairs. |     |          |

5

G

D



000031-002

## REAR SUSPENSION – STANDARD

| ITEM | PART NO.  | DESCRIPTION  | QTY |
|------|-----------|--|-----|
|      |           | <b>1 2 3 4</b>   |     |
| 1    | N/A       | Instl, Rear Suspension (includes items 2 through 15) ..... | 1   |
| 2    | 1015597   | Fitting, 1/4-28 Thread-Forming Grease .....                | 2   |
| 3    | 102274101 | Center Cap, Rubber .....                                   | 2   |
| 4    | 102393501 | Weldment, Receiver, Rear .....                             | 1   |
| 5    | 102619801 | Washer, Strip, Swingarm .....                              | 2   |
| 6    | 102620401 | Bolt Flanged Head, M12 X 1.75 X 50 .....                   | 8   |
| 7    | 102620501 | Nut Flg, M12x1.75, Nylon Gr 10 .....                       | 2   |
| 8    | N/A       | Sub Asm Swingarm (includes items 9 through 11) .....       | 2   |
| 9    | 102398901 | Bushing, Pivot, Urethane .....                             | 2   |
| 10   | 102477001 | Bushing, Teflon .....                                      | 2   |
| 11   | 103282301 | Swingarm, Rear, Awd .....                                  | 1   |
| 12   | 102682901 | Pin, Swingarm, Weldment .....                              | 2   |
| 13   | 102684501 | Washer, M12 Hard Regular .....                             | 10  |
| 14   | 102685601 | Nut Flg M12 X 1.75 Cl10 .....                              | 8   |
| 15   | 102737101 | Cotter, Rue Ring, 1/2" .....                               | 2   |

**5**

**G**

**D**

**5**

**G**

**D**



# ELECTRICAL SYSTEM

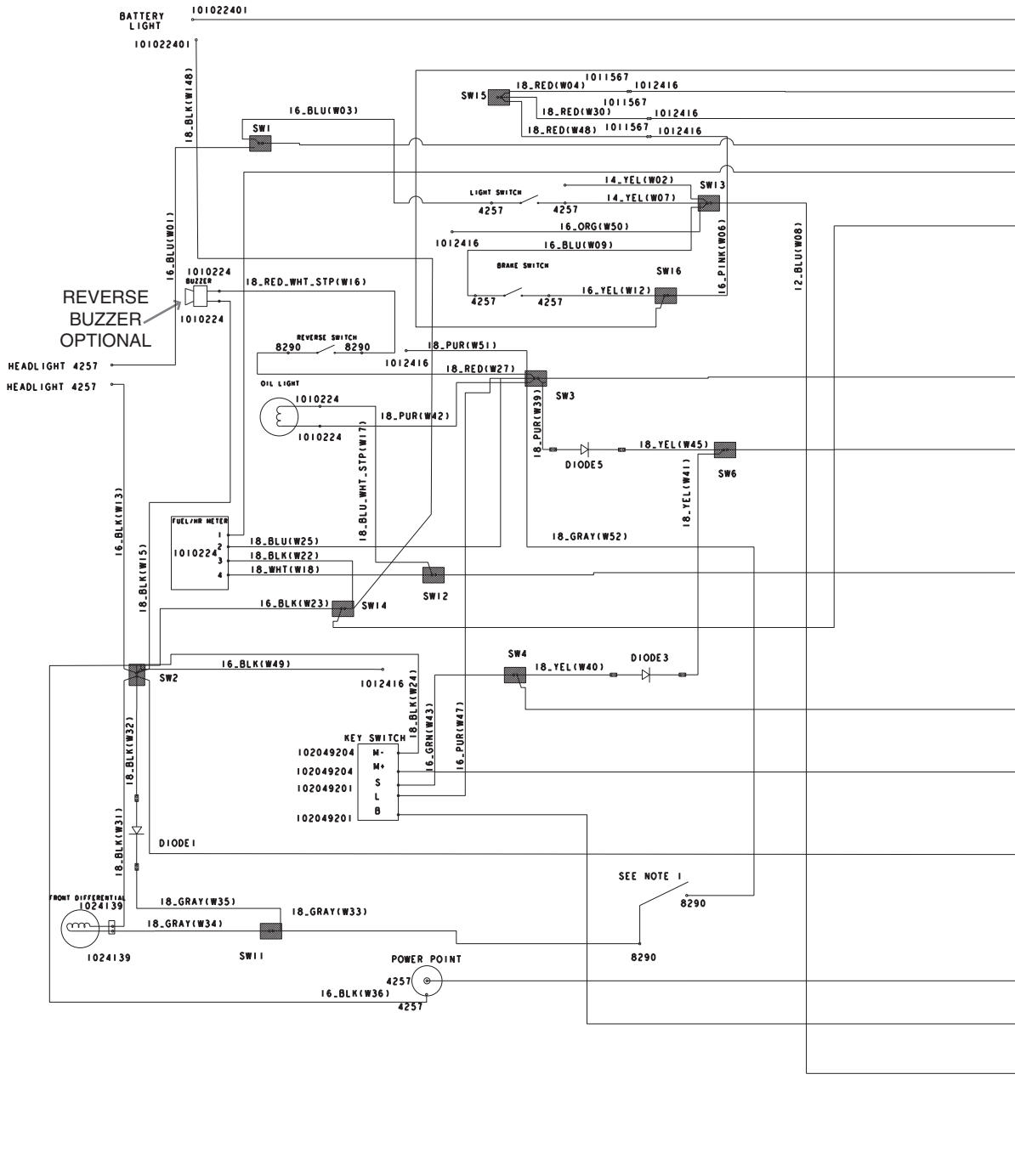
---

6

G

D

# KAWASAKI GASOLINE VEHICLE



000662-001



**6**

**G**

**D**

See previous two pages for illustration.

## WIRING – GASOLINE VEHICLES, SINGLE PIECE

| ITEM | PART NO.  | DESCRIPTION                           | QTY |
|------|-----------|---------------------------------------|-----|
|      |           | <b>1 2 3 4</b>                        |     |
| 1    | 102538501 | Diode, General Purpose, 6.0a .....    | 1   |
| 2    | 103305801 | Harness, AWD, Kawasaki, Stretch ..... | 1   |
| 3    | 103327201 | Asm, Switch, Limit, Awd .....         | 1   |

**6**

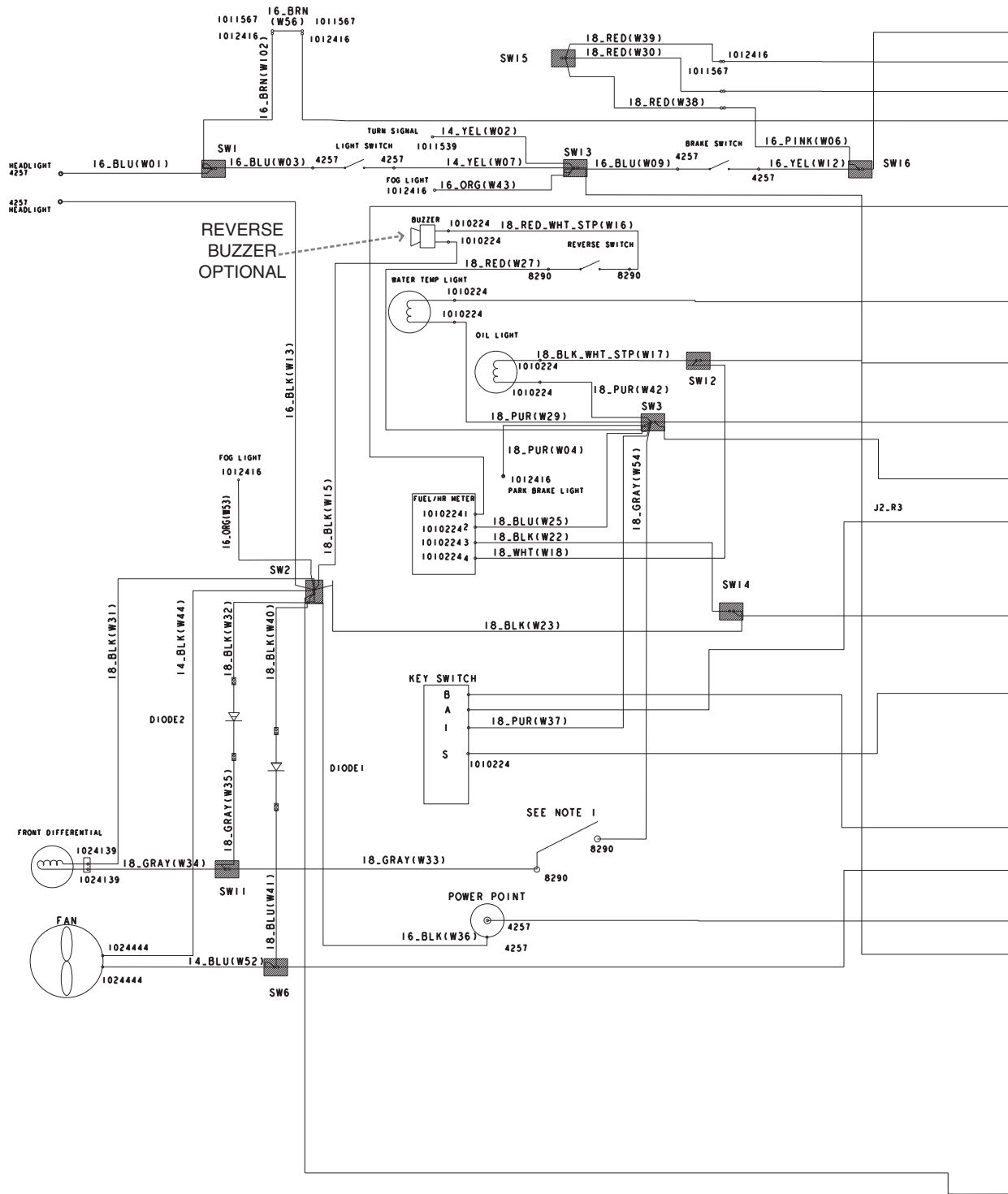
**G**

**D**

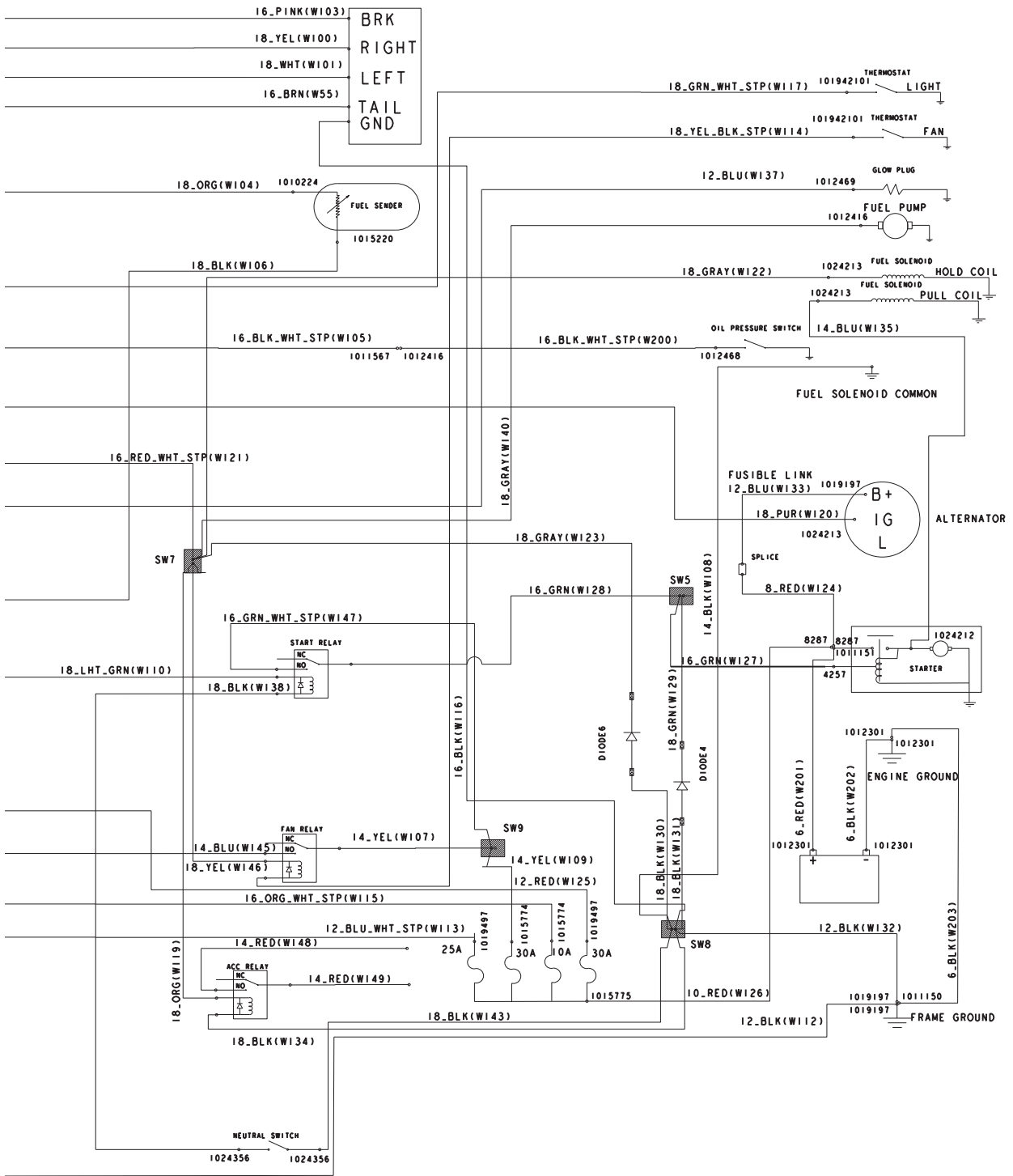
**6**  
**G**

**DIESEL VEHICLE**

**D**



000662-002



000662-002

**6**

**G**

**D**

See previous two pages for illustration.



## WIRING – DIESEL VEHICLE, SINGLE PIECE

| ITEM | PART NO.  | DESCRIPTION                         | QTY |
|------|-----------|-------------------------------------|-----|
|      |           | <b>1 2 3 4</b>                      |     |
| 1    | 102538501 | Diode, General Purpose, 6.0a .....  | 1   |
| 2    | 103277701 | Harness, Diesel, AWD, Stretch ..... | 1   |
| 3    | 103327201 | Asm, Switch, Limit, Awd .....       | 1   |

**6**

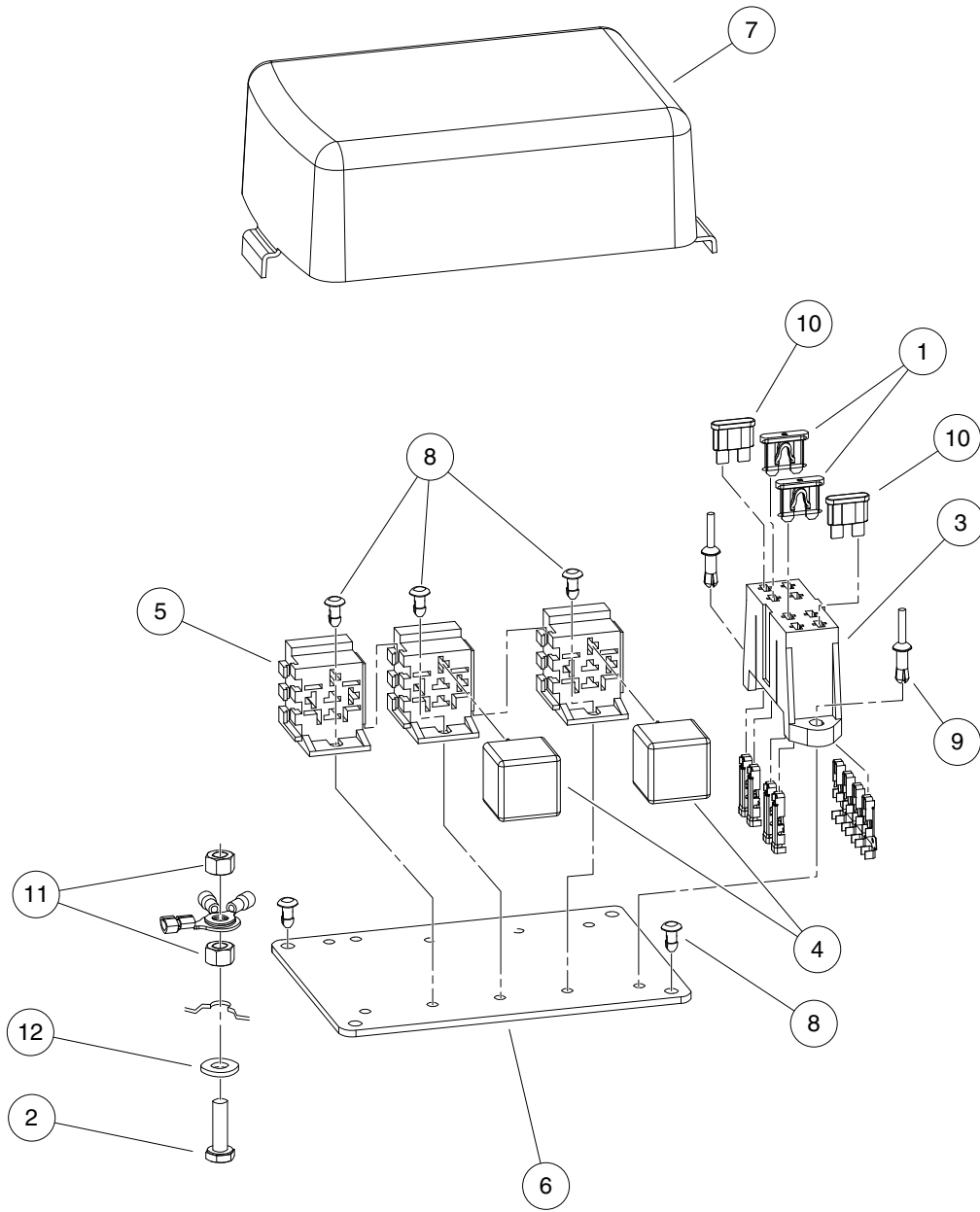
**G**

**D**

6

G

D



000076-001

# ELECTRICAL COMPONENT BOX, GASOLINE VEHICLES

| ITEM | PART NO.  | DESCRIPTION                                     | QTY |
|------|-----------|---|-----|
|      |           | 1 2 3 4   |     |
| 1    | 1012295   | Fuse, 10-Amp .....                              | 2   |
| 2    | 1015521   | Screw, 1/4-20 X .88 Hex Hd Cap .....            | 1   |
| 3    | 1015741   | Fuse Block .....                                | 1   |
| 4    | 102420201 | Relay, Mini ISO, SPDT .....                     | 2   |
| 5    | ****      | Connector, Relay .....                          | 3   |
| 6    | 102420401 | Plate, Electrical .....                         | 1   |
| 7    | 102420501 | Cover, Electrical .....                         | 1   |
| 8    | 102447901 | Fastener, Push-in .....                         | 7   |
| 9    | 102448001 | Rivet, Drive .....                              | 2   |
| 10   | 102492201 | Fuse, 25-Amp .....                              | 2   |
| 11   | 1108      | Locknut, 1/4-20 Dimpled .....                   | 2   |
| 12   | 332       | Washer, 1/4 Type A Narrow Flat .....            | 1   |
|      |           | **** Special order item available upon request. |     |

6

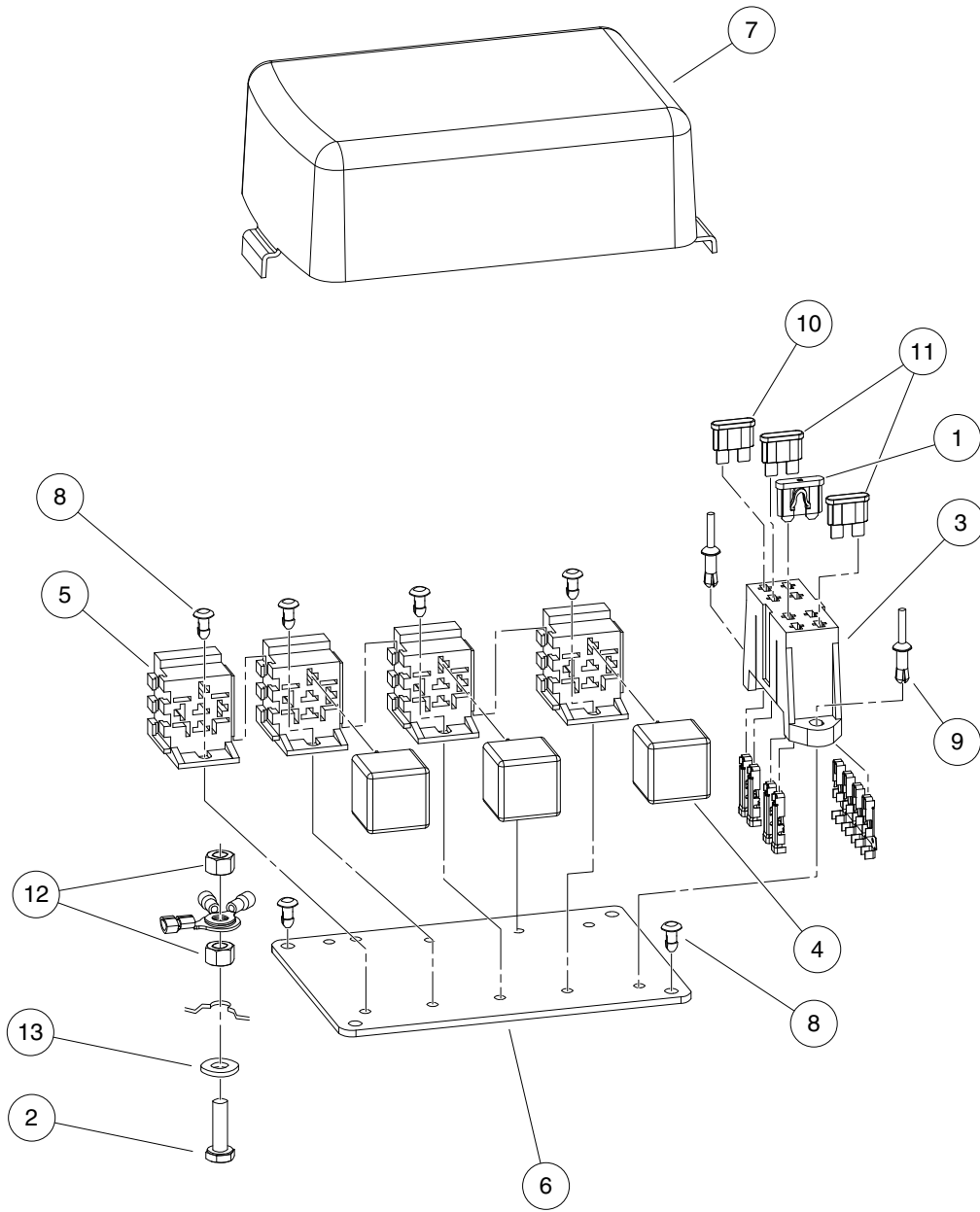
G

D

6

G

D



000076-002

## ELECTRICAL COMPONENT BOX, DIESEL VEHICLES

| ITEM  | PART NO.  | DESCRIPTION                          | QTY |
|---|-----------|--------------------------------------|-----|
|   |           | 1 2 3 4                              |     |
| 1   | 1012295   | Fuse, 10-Amp .....                   | 1   |
| 2   | 1015521   | Screw, 1/4-20 X .88 Hex Hd Cap ..... | 1   |
| 3   | 1015741   | Fuse Block .....                     | 1   |
| 4   | 102420201 | Relay, Mini ISO, SPDT .....          | 3   |
| 5   | ****      | Connector, Relay .....               | 4   |
| 6   | 102420401 | Plate, Electrical .....              | 1   |
| 7   | 102420501 | Cover, Electrical .....              | 1   |
| 8   | 102447901 | Fastener, Push-in .....              | 8   |
| 9   | 102448001 | Rivet, Drive .....                   | 2   |
| 10  | 102492201 | Fuse, 25-Amp .....                   | 1   |
| 11  | 102492301 | Fuse, 30-Amp .....                   | 2   |
| 12  | 1108      | Locknut, 1/4-20 Dimpled .....        | 2   |
| 13  | 332       | Washer, 1/4 Type A Narrow Flat ..... | 1   |
| **** Special order item available upon request. |           |                                      |     |

6

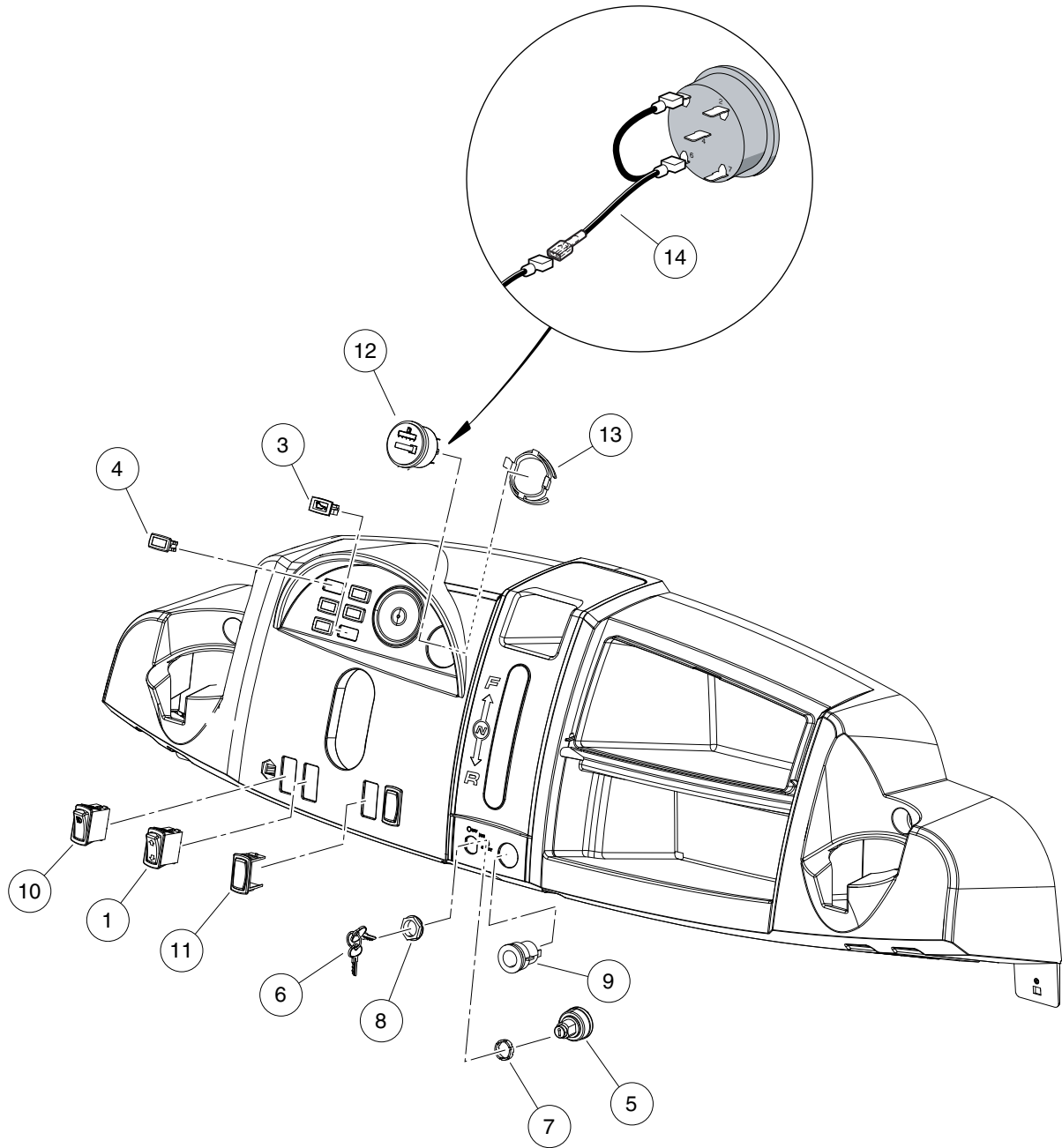
G

D

6

G

D



000543-003

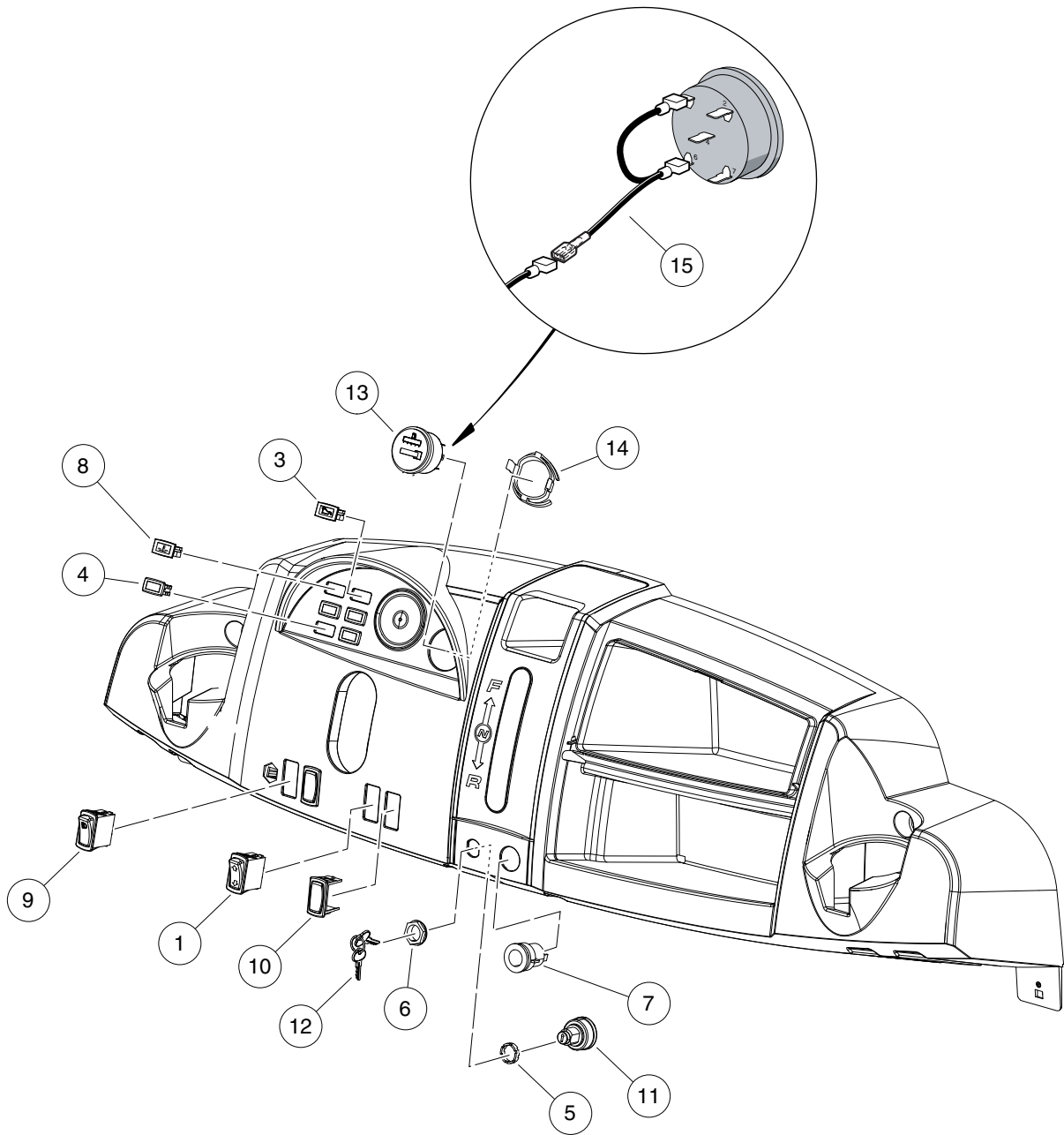
## ELECTRICAL COMPONENTS – GAS

| ITEM | PART NO.  | DESCRIPTION  | QTY | <b>6</b> |
|------|-----------|--|-----|----------|
|      |           | <b>1 2 3 4</b>   |     | <b>G</b> |
| 1    | 102882501 | Switch, Rocker, Spring Return, Bed Lift .....                      | 1   |          |
| 2    | N/A       | Instl, Elec Sys Awd Gas Fh680d (includes items 3 through 14) ..... | 1   |          |
| 3    | 1016630   | Light, Oil .....   | 1   |          |
| 4    | 101802601 | Plug, Hole .....   | 5   | <b>D</b> |
| 5    | 102044702 | Key Switch 12v Key Start .....                                     | 1   |          |
| 6    | 102044801 | Key Set .....  | 1   |          |
| 7    | 102051601 | Spacer, Keyswitch .....  | 1   |          |
| 8    | 102051701 | Nut, Key Switch .....  | 1   |          |
| 9    | 102198001 | Receptacle, Accessory .....  | 1   |          |
| 10   | 102869401 | Switch, Rocker, Light .....  | 1   |          |
| 11   | 103180101 | Cover, Hole, Switch, Rocker .....                                  | 3   |          |
| 12   | 103348101 | Gauge Fuel-hour Sep Gnd .....                                      | 1   |          |
| 13   | 103348201 | Clip, Meter, Round .....   | 1   |          |
| 14   | 103348501 | Asm Wire Meter F-h Jumper .....                                    | 1   |          |

6

G

D



000543-008



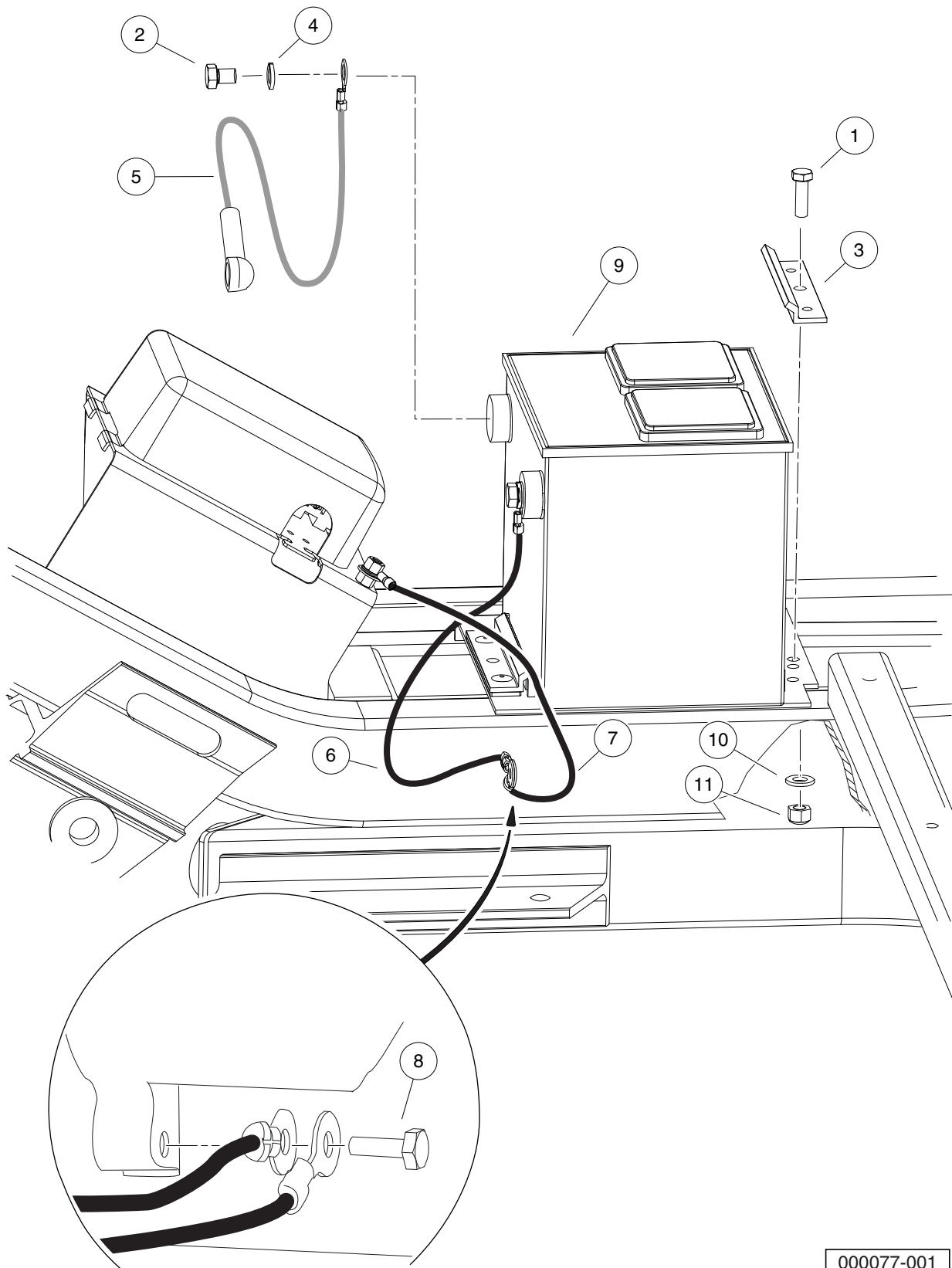
## ELECTRICAL COMPONENTS – DIESEL

| ITEM | PART NO.  | DESCRIPTION  | QTY | <b>6</b> |
|------|-----------|--|-----|----------|
|      |           | <b>1 2 3 4</b>   |     |          |
| 1    | 102882501 | Switch, Rocker, Spring Return, Bed Lift .....                      | 1   | <b>G</b> |
| 2    | N/A       | Instl, Elec, Restyle Diesel Se (includes items 3 through 15) ..... | 1   |          |
| 3    | 1016630   | Light, Oil .....   | 1   |          |
| 4    | 101802601 | Plug, Hole .....   | 4   | <b>D</b> |
| 5    | 102051601 | Spacer, Keyswitch .....  | 1   |          |
| 6    | 102051701 | Nut, Key Switch .....  | 1   |          |
| 7    | 102198001 | Receptacle, Accessory .....  | 1   |          |
| 8    | 102375401 | Light, Indicator, Coolant Temp .....                               | 1   |          |
| 9    | 102869401 | Switch, Rocker, Light .....  | 1   |          |
| 10   | 103180101 | Cover, Hole, Switch, Rocker .....                                  | 3   |          |
| 11   | 103208801 | Keyswitch, 12v, Diesel .....                                       | 1   |          |
| 12   | 103234401 | Keys (set of 2) .....  | 1   |          |
| 13   | 103348101 | Gauge Fuel-hour Sep Gnd .....                                      | 1   |          |
| 14   | 103348201 | Clip, Meter, Round .....   | 1   |          |
| 15   | 103348501 | Asm Wire Meter F-h Jumper .....                                    | 1   |          |

**6**

**G**

**D**



000077-001

## BATTERY – GASOLINE VEHICLES

| ITEM | PART NO.  | DESCRIPTION   | QTY |
|------|-----------|---|-----|
|      |           | 1 2 3 4   |     |
| 1    | 1010934   | Screw, 5/16-18 X 1.00 Hex Cap .....                 | 1   |
| 2    | 1014375   | Screw, 3/8-16 X 0.50 Stainless Steel Hex-Head ..... | 2   |
| 3    | 101898001 | Clamp, Battery .....                                | 1   |
| 4    | 102355301 | Lockwasher, #10 Split Ss .....                      | 2   |
| 5    | 102442201 | Asm, #6 Red Wire .....                              | 1   |
| 6    | 102442301 | Asm, #6 Blk Wire .....                              | 1   |
| 7    | 102442401 | Asm, #6 Blk Wire .....                              | 1   |
| 8    | 102490301 | Bolt, M6 X 1 X 16 Loctite .....                     | 1   |
| 9    | N/A       | Battery, Start, 12v .....                           | 1   |
| 10   | 1241      | Washer, 5/16 Type A Flat .....                      | 1   |
| 11   | 7473      | Locknut, 5/16-18 Nylon Insert .....                 | 1   |

**6**

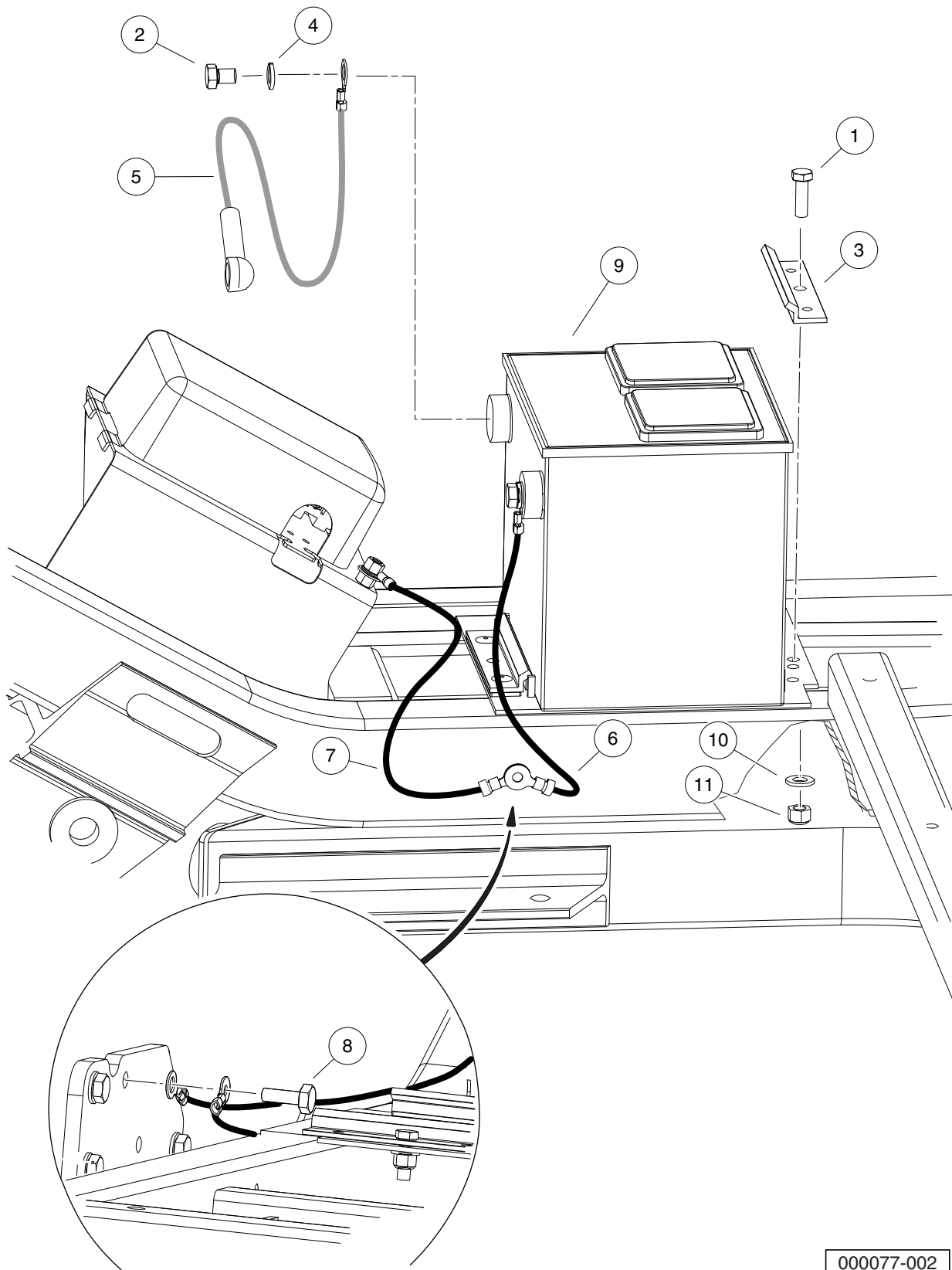
**G**

**D**

6

G

D



000077-002

## BATTERY – DIESEL VEHICLES

| ITEM | PART NO.  | DESCRIPTION   | QTY |
|------|-----------|---|-----|
|      |           | 1 2 3 4   |     |
| 1    | 1010934   | Screw, 5/16-18 X 1.00 Hex Cap .....                 | 1   |
| 2    | 1014375   | Screw, 3/8-16 X 0.50 Stainless Steel Hex-Head ..... | 2   |
| 3    | 101898001 | Clamp, Battery .....                                | 1   |
| 4    | 102355301 | Lockwasher, #10 Split Ss .....                      | 2   |
| 5    | 102442201 | Asm, #6 Red Wire .....                              | 1   |
| 6    | 102448401 | Wire Asm, #6 Blk, Awd, 350 .....                    | 1   |
| 7    | 102448501 | Wire Asm, #6 Blk, Awd, 325 .....                    | 1   |
| 8    | 102498201 | Bolt, M10 X 1.25 X 25 Loctite .....                 | 1   |
| 9    | N/A       | Battery, Start, 12v .....                           | 1   |
| 10   | 1241      | Washer, 5/16 Type A Flat .....                      | 1   |
| 11   | 7473      | Locknut, 5/16-18 Nylon Insert .....                 | 1   |

**6**

**G**

**D**

**6**

**G**

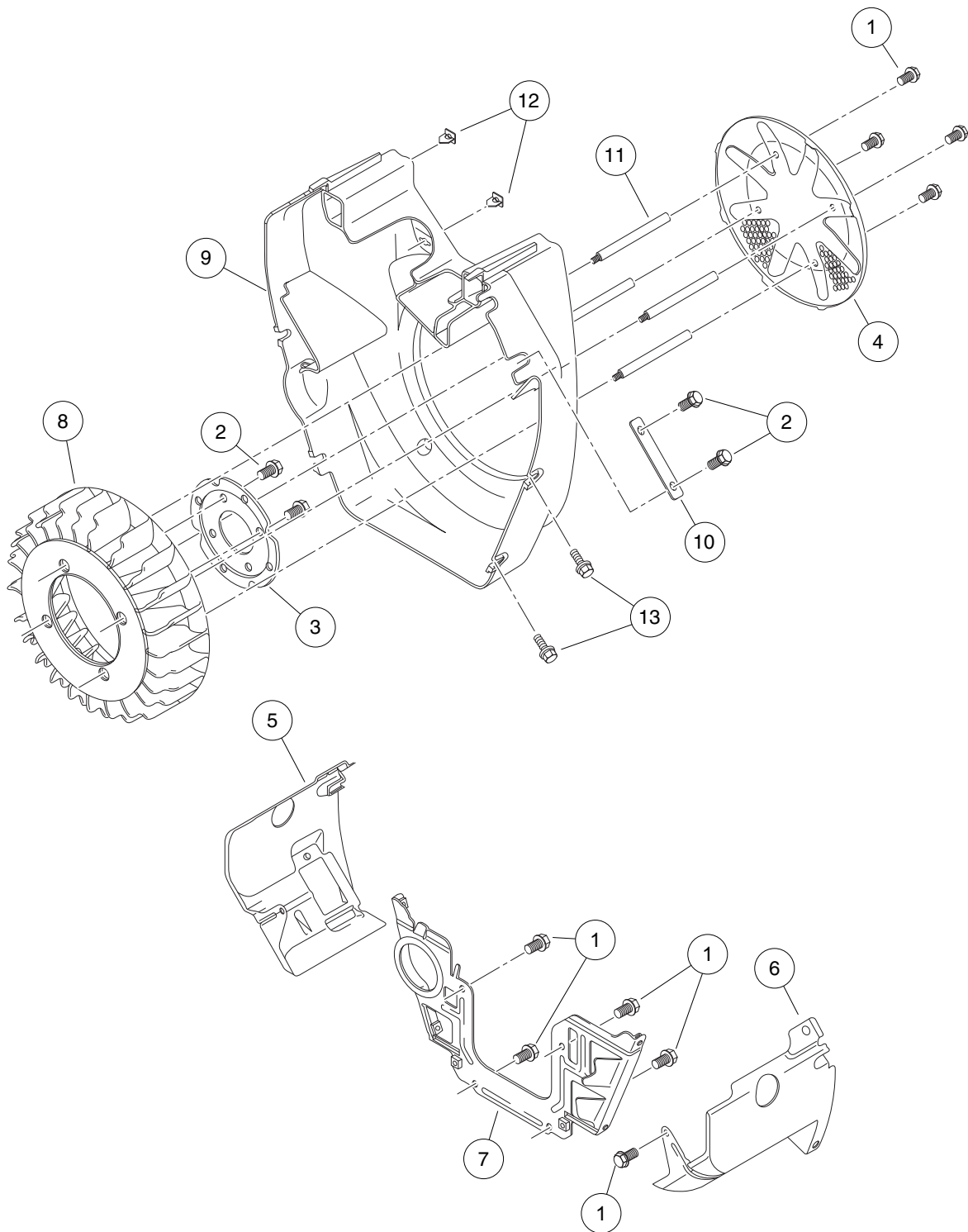
**D**

# KAWASAKI FH680D GASOLINE ENGINE

---

7

G



000625-001



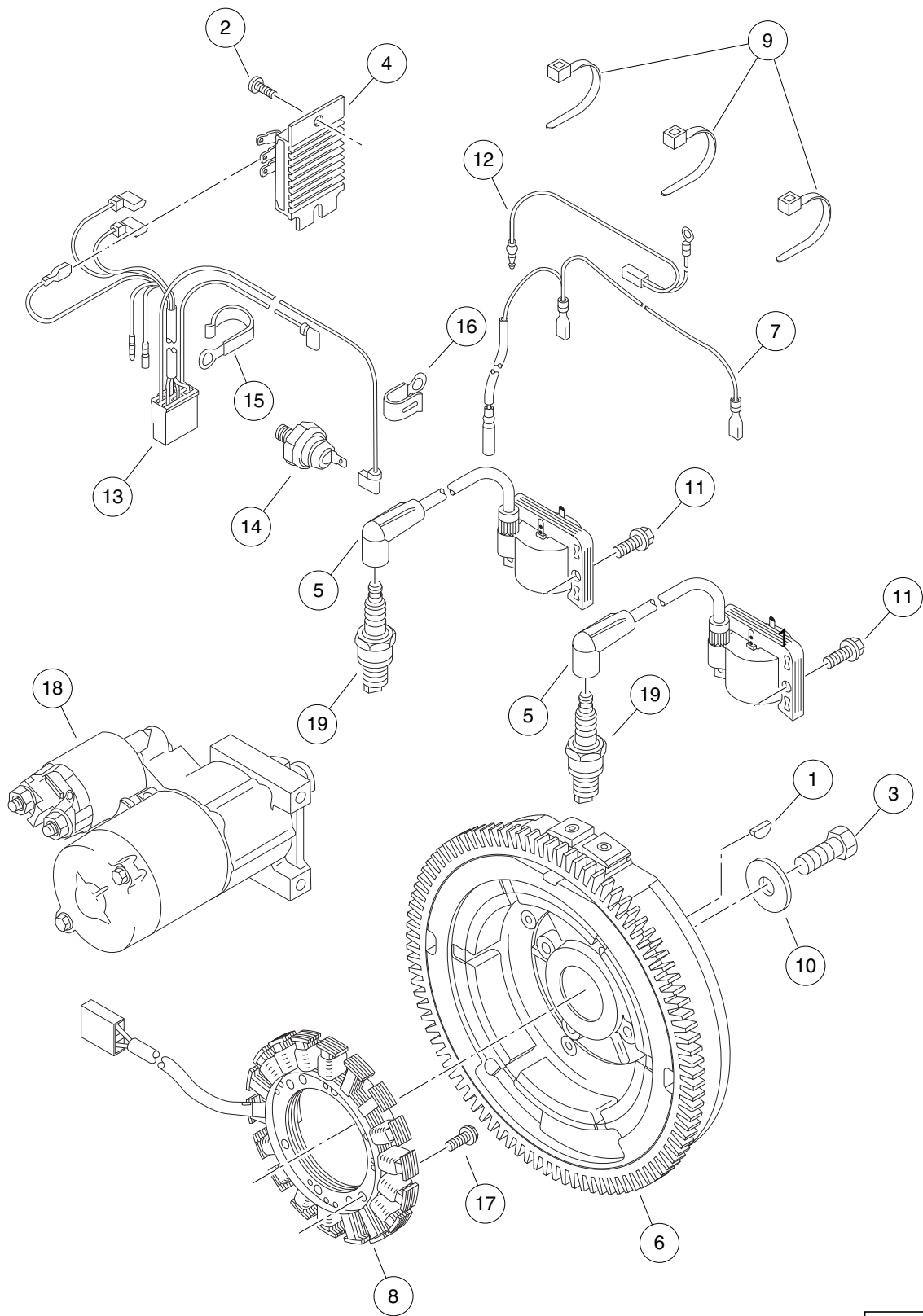
# SHROUDS AND BRACKETS

| ITEM | PART NO.  | DESCRIPTION                          | QTY |
|------|-----------|--------------------------------------|-----|
|      |           | 1 2 3 4                              |     |
| 1    | 102992401 | Bolt, Flg, M6 X 1.0 X 12 .....       | 9   |
| 2    | 102992501 | Bolt, Flg, M6 X 1.0 X 16 .....       | 4   |
| 3    | 102998601 | Plate, Housing, Fan, Fh .....        | 1   |
| 4    | 102998701 | Screen, Fan, Fh .....                | 1   |
| 5    | 102999101 | Shroud, Engine, Rh, Fh .....         | 1   |
| 6    | 102999201 | Shroud, Engine, Lh, Fh .....         | 1   |
| 7    | 102999301 | Shroud, Engine, Front, Fh .....      | 1   |
| 8    | 102999501 | Fan, Cooling, Fh .....               | 1   |
| 9    | 102999601 | Housing, Engine, Fh .....            | 1   |
| 10   | 103000001 | Washer, Housing, Fan, Fh .....       | 1   |
| 11   | 103299301 | Stud, Fan Screen, Fh .....           | 4   |
| 12   | 103299401 | Nut, Press In, Front Cover, Fh ..... | 4   |
| 13   | 103300301 | Bolt, Oil Pickup, Fh .....           | 4   |

7

G

**7**  
**G**



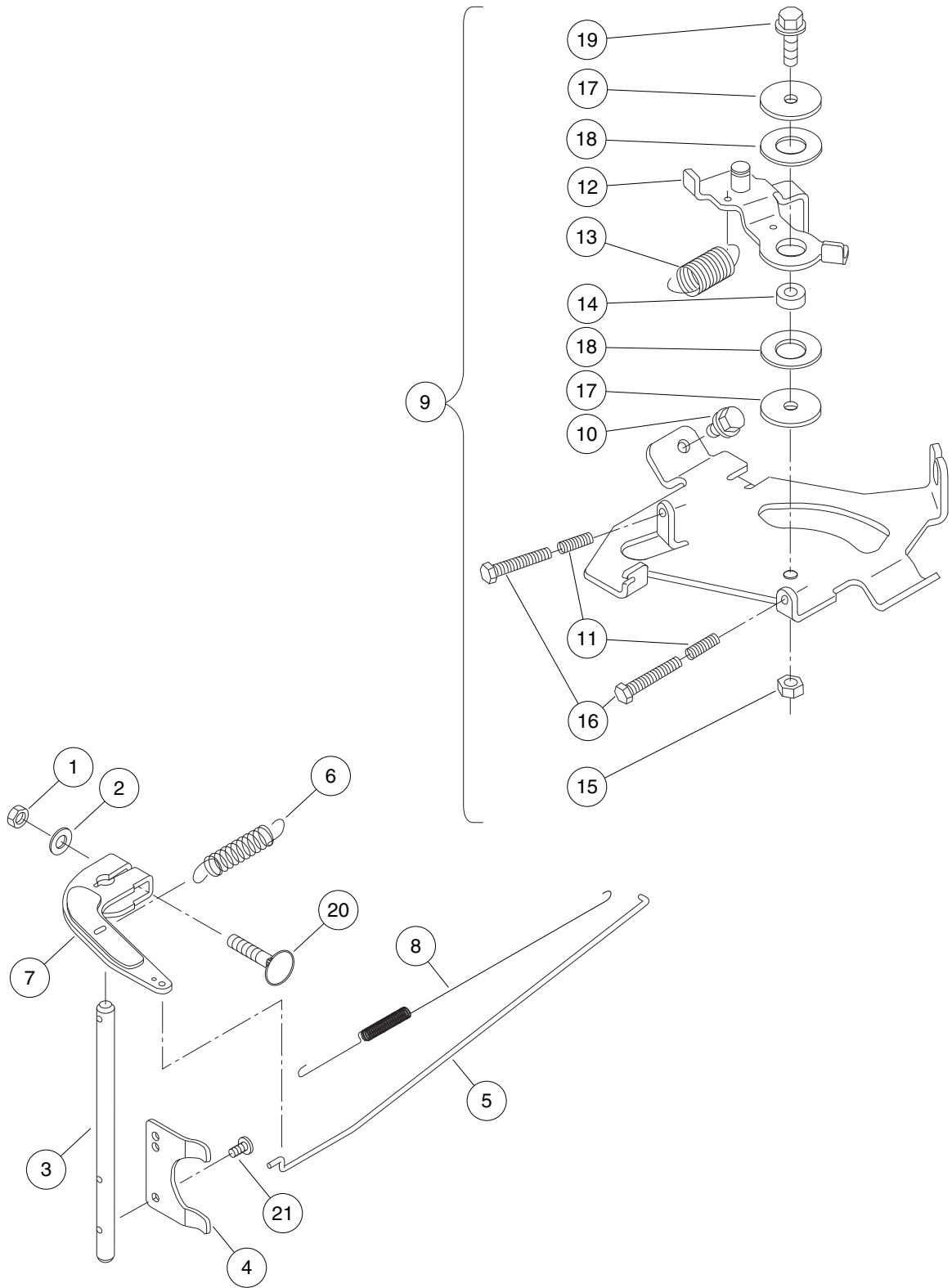
000626-001

## IGNITION COMPONENTS AND FLYWHEEL

| ITEM | PART NO.  | DESCRIPTION                       | QTY |
|------|-----------|-----------------------------------|-----|
|      |           | 1 2 3 4                           |     |
| 1    | 1012871   | Key .....                         | 1   |
| 2    | 1016544   | Screw .....                       | 1   |
| 3    | 102994301 | Bolt, Flg, M12 X 1.25 X 30 .....  | 1   |
| 4    | 103000401 | Regulator, Voltage, Fh .....      | 1   |
| 5    | 103000501 | Asm, Coil, Ignition, Fh .....     | 2   |
| 6    | 103000601 | Flywheel, Assy, Fh .....          | 1   |
| 7    | 103000801 | Harness, Regulator, Fh .....      | 1   |
| 8    | 103000901 | Coil, Charging, Fh .....          | 1   |
| 9    | 103001301 | Band, Harness, Fh .....           | 3   |
| 10   | 103001501 | Washer, Flywheel, Fh .....        | 1   |
| 11   | 103298501 | Bolt, Flanged, M6 X 20, Kaw ..... | 4   |
| 12   | 103299501 | Harness, Ignition, Fh .....       | 1   |
| 13   | 103299601 | Harness, Engine, Main, Fh .....   | 1   |
| 14   | 103299701 | Switch, Oil Pressure, Fh .....    | 1   |
| 15   | 103299801 | Clamp, Harness, Large, Fh .....   | 1   |
| 16   | 103299901 | Clamp, Harness, Small, Fh .....   | 1   |
| 17   | 103300101 | Screw, Pan, Coil Mount, Fh .....  | 4   |
| 18   | 103345501 | Starter, Electric, Fh680d .....   | 1   |
| 19   | AM1232301 | Spark Plug, BPR2ES .....          | 2   |

**7**  
**G**

**7**  
**G**



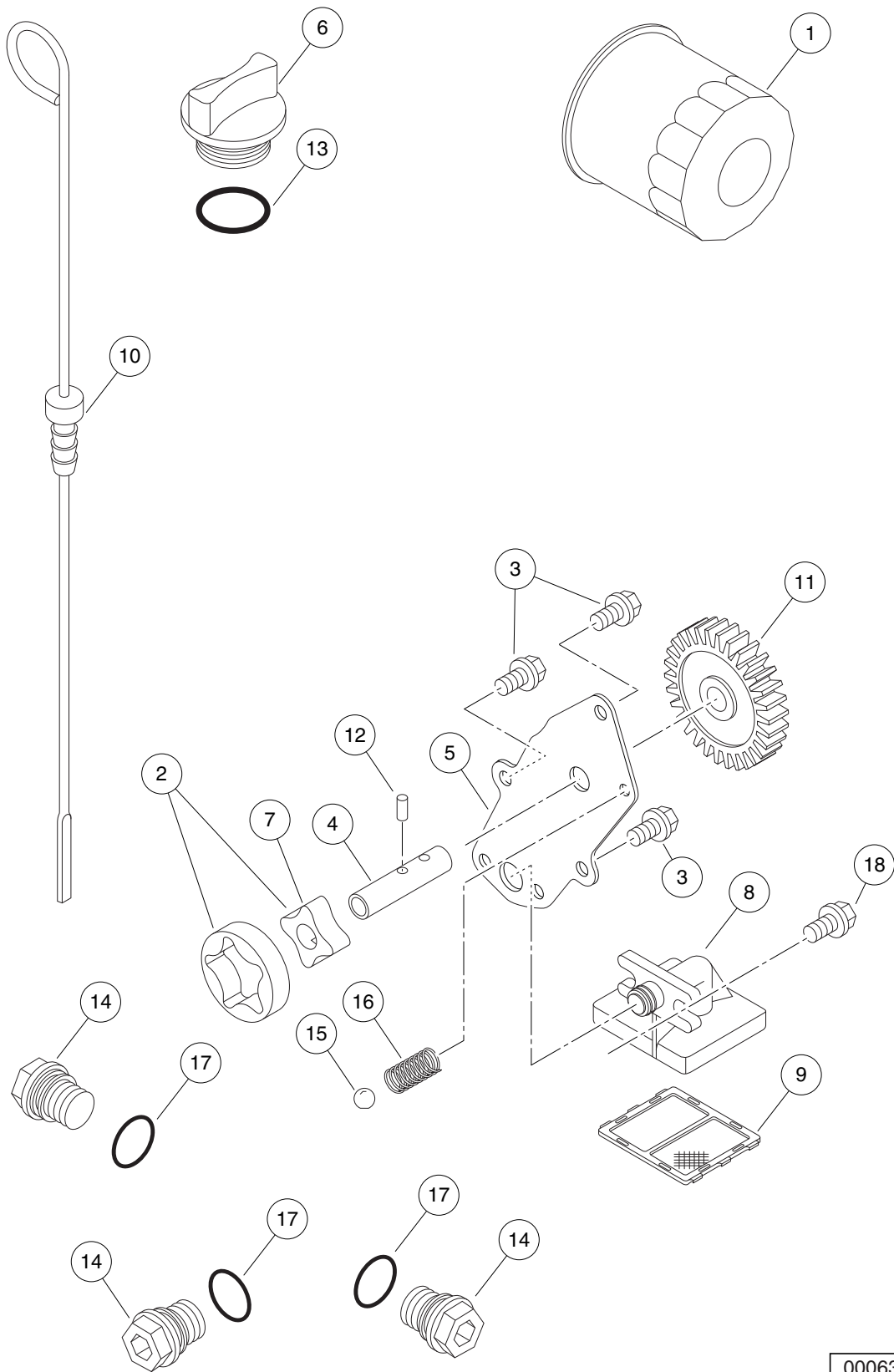
000636-001

# GOVERNOR ARM AND SPRINGS

| ITEM | PART NO.  | DESCRIPTION   | QTY |
|------|-----------|---|-----|
|      |           | 1 2 3 4   |     |
| 1    | 1012919   | Nut -6mm- .....   | 1   |
| 2    | 1016513   | Washer, M6 Flat .....   | 1   |
| 3    | 103002001 | Shaft, Governor, Fh .....   | 1   |
| 4    | 103002101 | Plate, Governor, Fh .....   | 1   |
| 5    | 103002301 | Link, Arm, Governor, Fh .....                                     | 1   |
| 6    | 103002401 | Spring, Governor, Fh .....  | 1   |
| 7    | 103002501 | Arm, Governor, Shaft .....  | 1   |
| 8    | 103002901 | Spring, Arm, Governor, Fh .....                                   | 1   |
| 9    | 103297701 | Panel, Control, Complete, Fh (includes items 10 through 19) ..... | 1   |
| 10   | 102992401 | Bolt, Flg, M6 X 1.0 X 12 .....                                    | 2   |
| 11   | 103002801 | Spring, Fh .....  | 2   |
| 12   | 103297401 | Lever, Governor, Control, Fh .....                                | 1   |
| 13   | 103297501 | Spring, Governor Return, Fh .....                                 | 1   |
| 14   | 103297601 | Collar, Governor, Fh .....  | 1   |
| 15   | 103297801 | Nut, Governor, Fh .....   | 1   |
| 16   | 103298001 | Bolt, Speed Control, Fh .....                                     | 2   |
| 17   | 103298201 | Washer, Governor, Lower, Fh .....                                 | 2   |
| 18   | 103298301 | Washer, Governor, Middle, Fh .....                                | 2   |
| 19   | 103298501 | Bolt, Flanged, M6 X 20, Kaw .....                                 | 1   |
| 20   | 103298101 | Bolt, M6 X 35, Kawasaki .....                                     | 1   |
| 21   | 103298601 | Screw, Pan, Governor, Fh .....                                    | 2   |

**7**  
**G**

**7**  
**G**



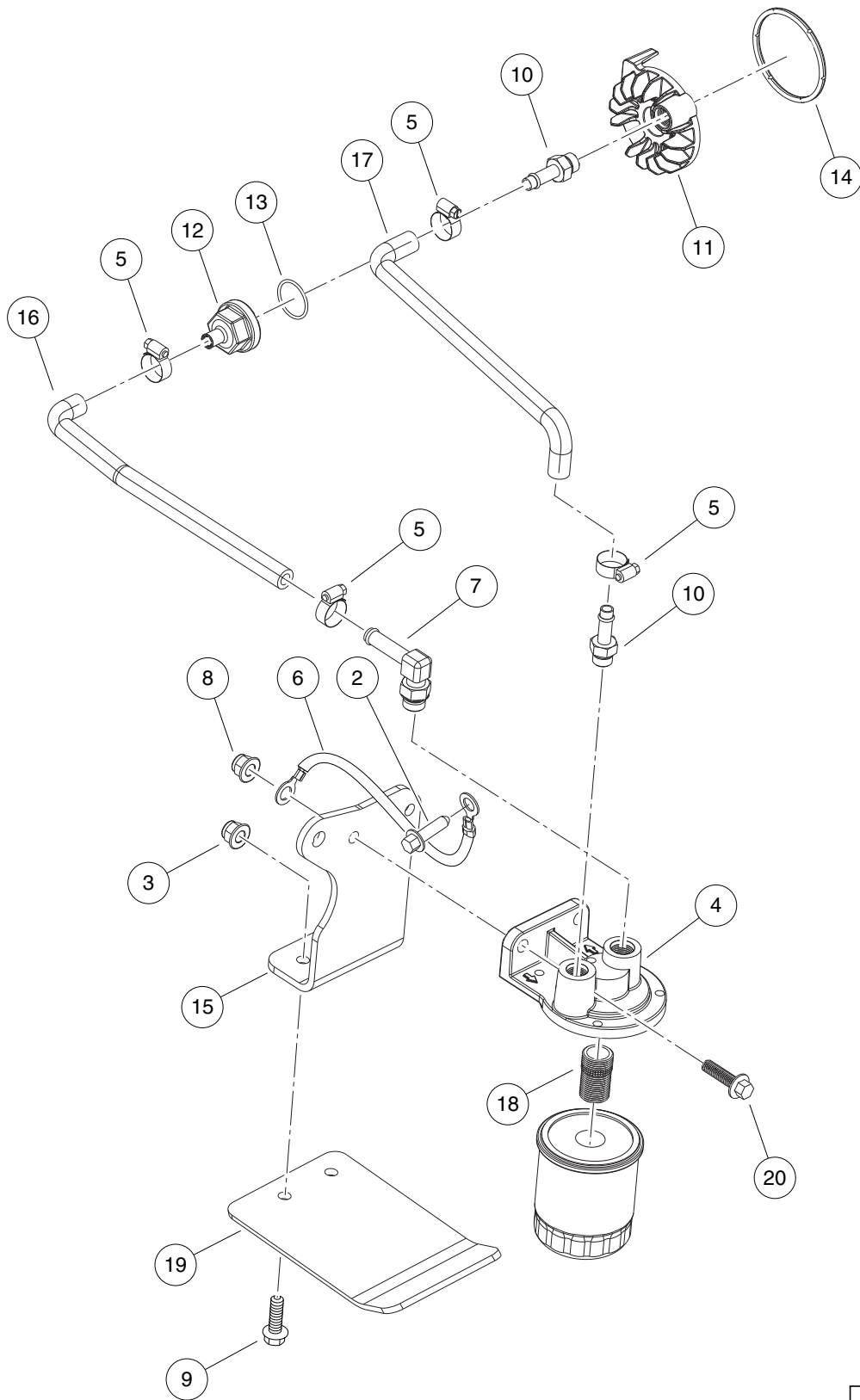
000637-001

## OIL AND LUBRICATION COMPONENTS

| ITEM | PART NO.  | DESCRIPTION                       | QTY |
|------|-----------|-----------------------------------|-----|
|      |           | 1 2 3 4                           |     |
| 1    | 1016467   | Filter, Oil .....                 | 1   |
| 2    | 101648203 | Oil Pump And Rotor .....          | 1   |
| 3    | 102992401 | Bolt, Flg, M6 X 1.0 X 12 .....    | 3   |
| 4    | 102996901 | Shaft, Oil Pump, Fh .....         | 1   |
| 5    | 102997001 | Plate, Oil Pump, Fh .....         | 1   |
| 6    | 102997101 | Cap, Oil, Fill, Fh .....          | 1   |
| 7    | 102997201 | Rotor, Pump, Oil, In, Fh .....    | 1   |
| 8    | 102997401 | Pickup, Oil, Fh .....             | 1   |
| 9    | 102997601 | Screen, Pickup, Oil, Fh .....     | 1   |
| 10   | 102997701 | Gauge, Oil, Fh .....              | 1   |
| 11   | 102997801 | Gear, Spur, Oil Pump, Fh .....    | 1   |
| 12   | 102997901 | Pin, Oil Pump, Fh .....           | 2   |
| 13   | 102998001 | O-ring, Cap, Oil, Fill, Fh .....  | 1   |
| 14   | 102998101 | Plug, Oil Drain, Fh .....         | 3   |
| 15   | 102998201 | Ball, Oil Pump, Fh .....          | 1   |
| 16   | 102998301 | Spring, Oil Pump, Fh .....        | 1   |
| 17   | 102998401 | O-ring, Drain Plug, Oil, Fh ..... | 3   |
| 18   | 103300301 | Bolt, Oil Pickup, Fh .....        | 2   |
|      |           | Note: Item 2 contains item 7.     |     |

**7**  
**G**

**7**  
**G**



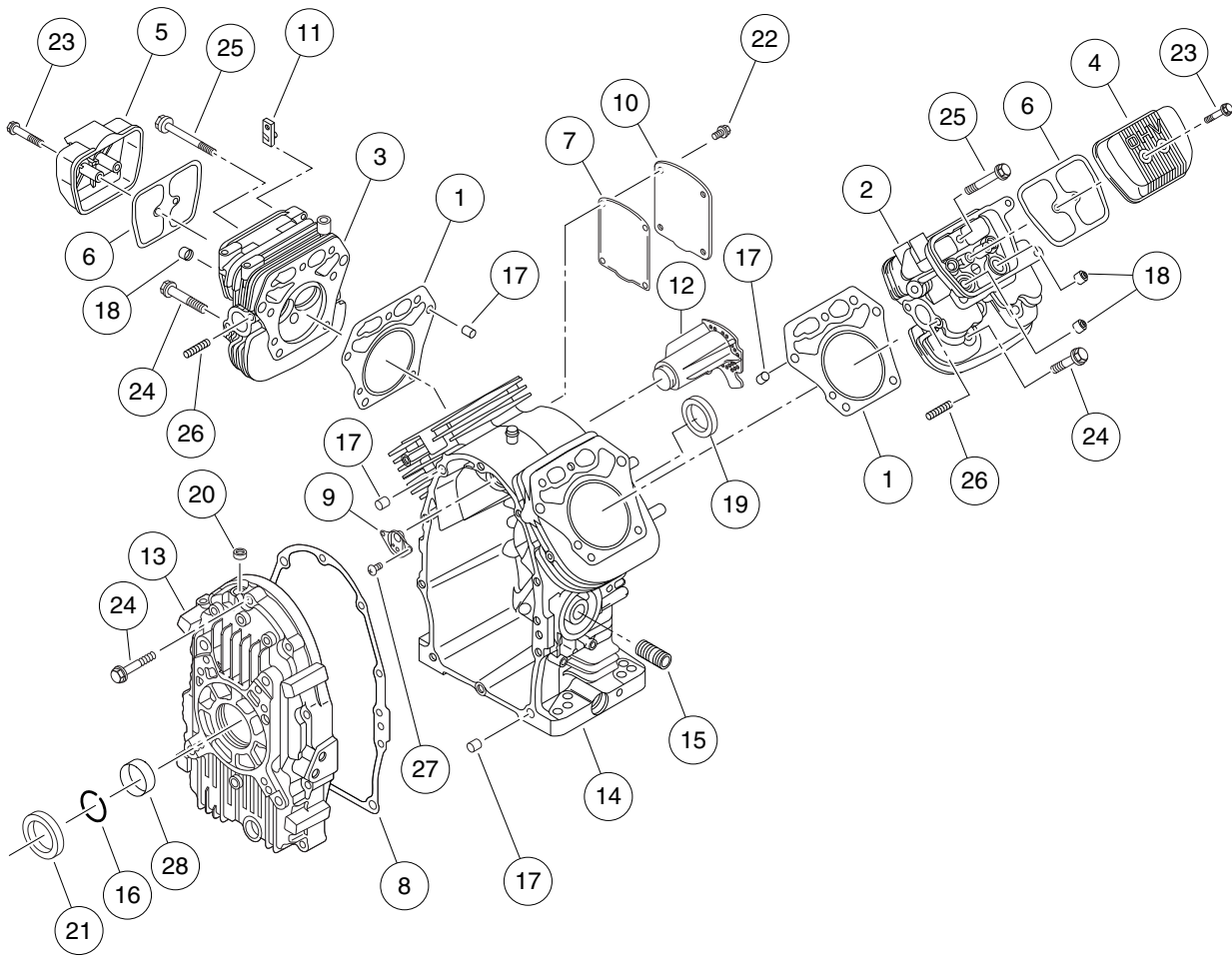
000671-001



# OIL FILTER ADAPTER

| ITEM | PART NO.  | DESCRIPTION  | QTY |
|------|-----------|--|-----|
|      |           | 1 2 3 4  |     |
| 1    | N/A       | Instl, Oil Fltr Adapter Fh680d (includes items 2 through 20) ..... | 1   |
| 2    | 102289001 | Screw, M8X1.25X30, Hex .....                                       | 1   |
| 3    | 102298401 | Nut,m8,all Metal Lock .....  | 2   |
| 4    | 102371401 | Bracket, Oil Filter Mount .....                                    | 1   |
| 5    | 102443601 | Clamp, Hose .....  | 4   |
| 6    | 102448501 | Wire Asm, #6 Blk, Awd, 325 .....                                   | 1   |
| 7    | 102457501 | Adapter, 90, 3/8 Tube .....  | 1   |
| 8    | 102618601 | Lock Nut, Flg M8 X 1.25 Nylon .....                                | 2   |
| 9    | 102621301 | Bolt, M8 X 1.25 X 40 with Loctite .....                            | 2   |
| 10   | 102722001 | Adapter, 5/16 Hose .....   | 2   |
| 11   | 102958301 | Adapter, Special, Oil Filter .....                                 | 1   |
| 12   | 102958401 | Nut, Special, Hose Adapter .....                                   | 1   |
| 13   | 102958501 | O-ring, 23.52 X 1.78mm .....                                       | 1   |
| 14   | 102958601 | O-ring, Oil Filter Adapter .....                                   | 1   |
| 15   | 103197201 | Bracket, Oil Filter, Fh680d .....                                  | 1   |
| 16   | 103240601 | Hose, Formed, Oil, 5/16" .....                                     | 1   |
| 17   | 103246901 | Hose, Formed, Oil, 5/16", Ret .....                                | 1   |
| 18   | 103276201 | Nipple, 3/4-16 X M20 X 1.5-6g .....                                | 1   |
| 19   | 103326401 | Guard, Oil Filter, Fh680d .....                                    | 1   |
| 20   | 96705587  | Bolt, M8 X 1.25 X 30 .....   | 2   |

7  
G

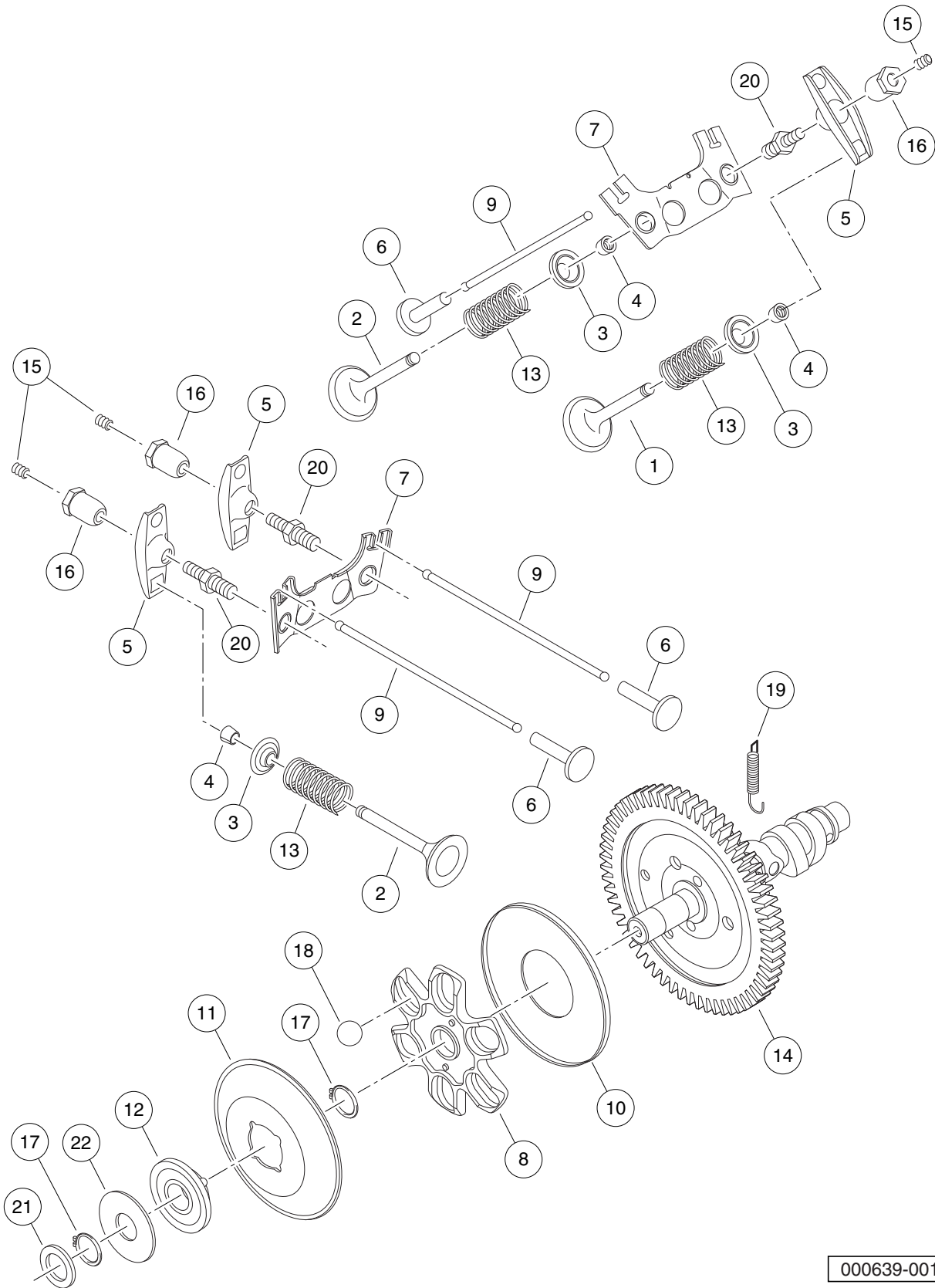


000638-001

# CYLINDER HEAD AND CRANKCASE

| ITEM | PART NO.  | DESCRIPTION                        | QTY |
|------|-----------|------------------------------------|-----|
|      |           | <b>1 2 3 4</b>                     |     |
| 1    | 102990101 | Gasket, Head, Cyl, Fh .....        | 2   |
| 2    | 102990201 | Head, Cyld 1, Fh .....             | 1   |
| 3    | 102990301 | Head, Cyld 2, Fh .....             | 1   |
| 4    | 102990401 | Cover, Rocker, Cyld 1, Fh .....    | 1   |
| 5    | 102990501 | Cover, Rocker, Cyld 2, Fh .....    | 1   |
| 6    | 102990601 | Gasket, Rocker, Cover, FH .....    | 2   |
| 7    | 102990701 | Gasket, Breather, Fh .....         | 1   |
| 8    | 102990801 | Gasket, Cover, Crank, Fh .....     | 1   |
| 9    | 102990901 | Valve, Assy, Reed, Fh .....        | 1   |
| 10   | 102991101 | Cover, Crkcase, Comp, Fh .....     | 1   |
| 11   | 102991201 | Pipe, Head, Comp, Clyd, Fh .....   | 1   |
| 12   | 102991301 | Pipe, Crkcase, Comp, Fh .....      | 1   |
| 13   | 102991401 | Cover, Crankcase, Fh .....         | 1   |
| 14   | 102991501 | Crankcase, Comp, Fh .....          | 1   |
| 15   | 102991601 | Nipple, Oil Filter, Fh .....       | 1   |
| 16   | 102991801 | Ring, Snap, Fh .....               | 1   |
| 17   | 102991901 | Pin, Head, Fh .....                | 6   |
| 18   | 102992001 | Seal, Oil, Valve, Fh .....         | 4   |
| 19   | 102992101 | Seal, Oil, Crank, Rear, Fh .....   | 1   |
| 20   | 102992201 | Seal, Oil, Governor, Fh .....      | 1   |
| 21   | 102992301 | Seal, Oil, Crank, Front, Fh .....  | 1   |
| 22   | 102992401 | Bolt, Flg, M6 X 1.0 X 12 .....     | 4   |
| 23   | 102992601 | Bolt, Flg, M6 X 1.0 X 40 .....     | 4   |
| 24   | 102992701 | Bolt, Flg, M8 X 1.25 X 50 .....    | 18  |
| 25   | 102992801 | Bolt, Flg, M8 X 1.25 X 75 .....    | 2   |
| 26   | 102992901 | Stud, M8 X 1.25, Exhaust, Fh ..... | 4   |
| 27   | 103298601 | Screw, Pan, Governor, Fh .....     | 2   |
| 28   | 103298901 | Bushing, Main, Fh .....            | 1   |

**7**  
**G**



000639-001

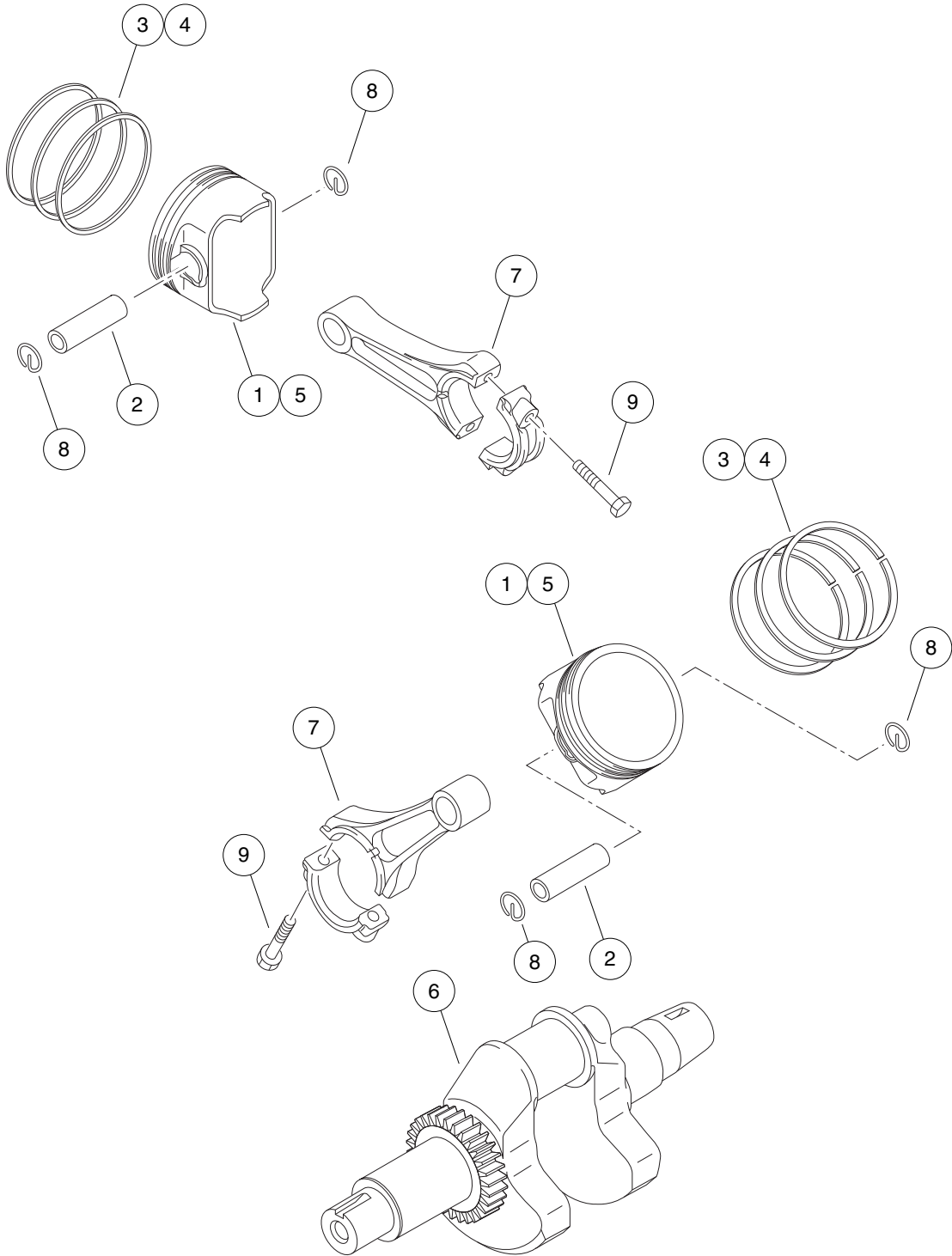
# VALVES AND CAMSHAFT

| ITEM | PART NO.  | DESCRIPTION                      | QTY |
|------|-----------|----------------------------------|-----|
|      |           | 1 2 3 4                          |     |
| 1    | 102994601 | Valve, Intake, Fh .....          | 2   |
| 2    | 102994701 | Valve, Exhaust, Fh .....         | 2   |
| 3    | 102994801 | Retainer, Valve Spring, Fh ..... | 4   |
| 4    | 102994901 | Collet, Spring, Valve, Fh .....  | 8   |
| 5    | 102995001 | Arm, Rocker .....                | 4   |
| 6    | 102995101 | Tappet, Rod, Push, Fh .....      | 4   |
| 7    | 102995201 | Guide, Arm, Rocker, Fh .....     | 2   |
| 8    | 102995301 | Guide, Camshaft, Gov, Fh .....   | 1   |
| 9    | 102995401 | Rod, Push, Fh .....              | 4   |
| 10   | 102995501 | Plate, Camshaft, Gov, Fh .....   | 1   |
| 11   | 102995601 | Plate, Ring, Gov, Fh .....       | 1   |
| 12   | 102995701 | Sleeve, Plate, Gov, Fh .....     | 1   |
| 13   | 102995801 | Spring, Valve, Fh .....          | 4   |
| 14   | 102995901 | Kit, Camshaft, Comp, Fh .....    | 1   |
| 15   | 102996001 | Screw, Rocker Arm, Fh .....      | 4   |
| 16   | 102996101 | Nut, Arm, Rocker, Fh .....       | 4   |
| 17   | 102996201 | Ring, Snap, Gov, Fh .....        | 2   |
| 18   | 102996301 | Ball, Guide, Gov, Fh .....       | 6   |
| 19   | 102996401 | Spring, Camshaft, Fh .....       | 1   |
| 20   | 102996501 | Stud, Rocker Arm, Fh .....       | 4   |
| 21   | 102996601 | Washer, Sleeve, Gov, Fh .....    | 1   |
| 22   | 102996701 | Washer, Gov, Fh .....            | 1   |

7

G

**7**  
**G**

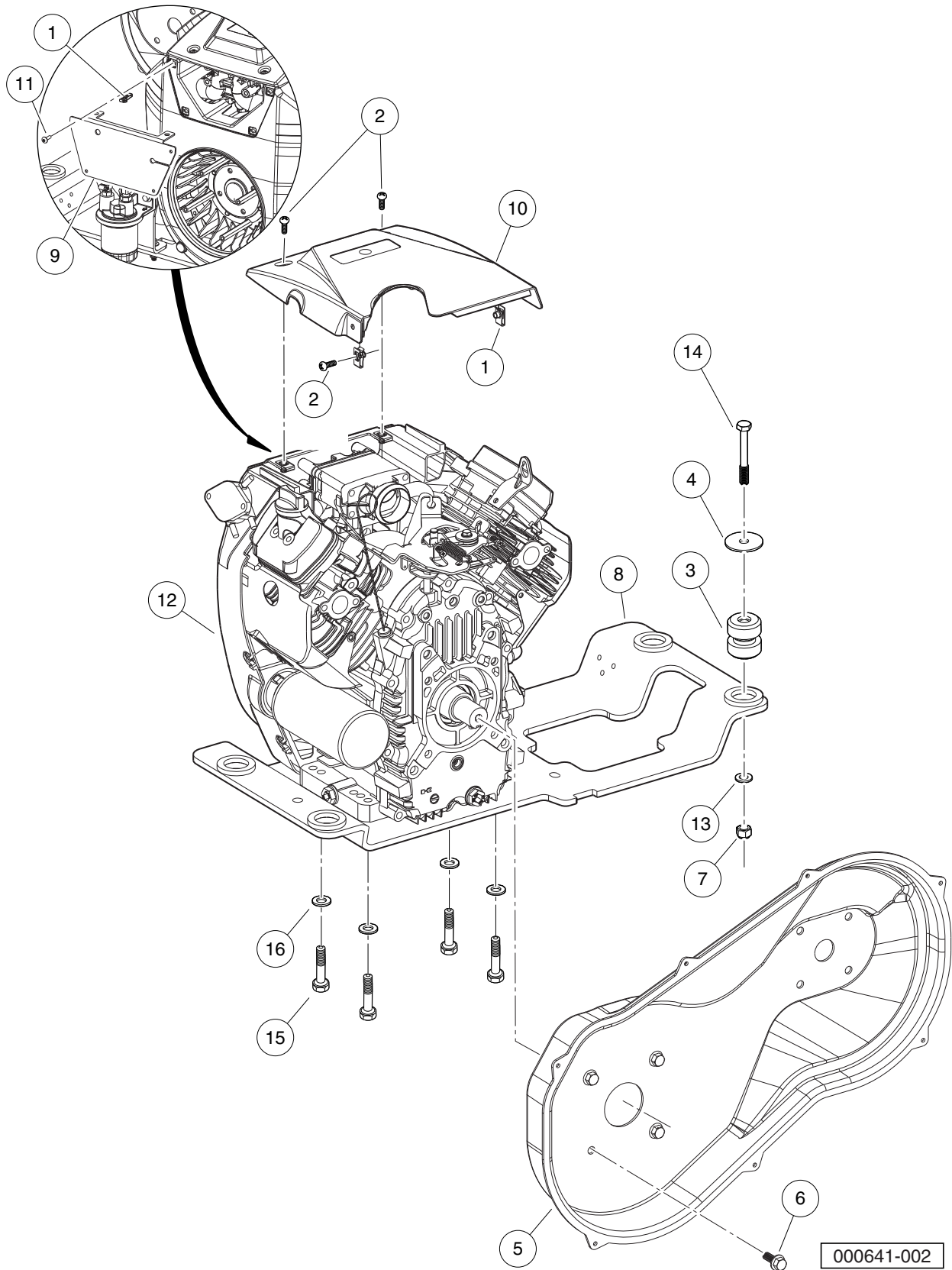


000640-001

# PISTONS AND CRANKSHAFT

| ITEM | PART NO.  | DESCRIPTION                         | QTY |
|------|-----------|-------------------------------------|-----|
|      |           | 1 2 3 4                             |     |
| 1    | 102993201 | Piston, Engine, Right, Fh .....     | 2   |
| 2    | 102993301 | Pin, Piston, Engine, Fh .....       | 2   |
| 3    | 102993401 | Ring, Set, Piston, Fh .....         | 2   |
| 4    | 102993501 | Ring, Set, Piston L, 0.50, Fh ..... | 1   |
| 5    | 102993601 | Piston, Engine L, 0.50, Fh .....    | 1   |
| 6    | 102993701 | Crankshaft, Comp, Fh .....          | 1   |
| 7    | 102993901 | Kit, Rod, Connecting, Fh .....      | 2   |
| 8    | 102994101 | Ring, Snap, Pin, Piston, Fh .....   | 4   |
| 9    | 102994401 | Bolt, Flg, M6 X 1.00 X 35 .....     | 4   |

**7**  
**G**



000641-002



# KAWASAKI FH680D GASOLINE ENGINE MOUNTING

| ITEM | PART NO.  | DESCRIPTION                                      | QTY |
|------|-----------|--|-----|
|      |           | 1 2 3 4  |     |
| 1    | 102296601 | U-nut, M6-1.0 Prev Torque .....                  | 4   |
| 2    | 102296920 | Screw, M6 Torx Bttn Hd Sems .....                | 4   |
| 3    | 102370501 | Isolator Ring and Bushing .....                  | 4   |
| 4    | 102370601 | Washer, Snubbing, Ring N Bush .....              | 4   |
| 5    | N/A       | Cover, CVT Inner, FH680D .....                   | 1   |
| 6    | 102491001 | Bolt Flanged Head, 3/8-16x1.0 with Loctite ..... | 4   |
| 7    | 102740401 | Locknut, M12x1.75 Nylon Insert .....             | 4   |
| 8    | 102951901 | Weldment, Eng Mnt, Kaw, Fh680d .....             | 1   |
| 9    | 103208701 | Engine, Front Cover, Fh680d .....                | 1   |
| 10   | 103262901 | Cover, Engine, Top .....                         | 1   |
| 11   | 103279201 | Screw, Pn Hd Blk, 10-16 X .625 .....             | 4   |
| 12   | 103528201 | Engine, Kawasaki, FH680D .....                   | 1   |
| 13   | 96701412  | Washer, M12 Hard .....                           | 4   |
| 14   | 96704721  | Bolt, M12 X 1.75 X 90 .....                      | 4   |
| 15   | 96704960  | Bolt, M10 X 1.5 X 60 .....                       | 4   |
| 16   | 96741046  | Washer, M10 Hard .....                           | 4   |

**7**  
**G**

7

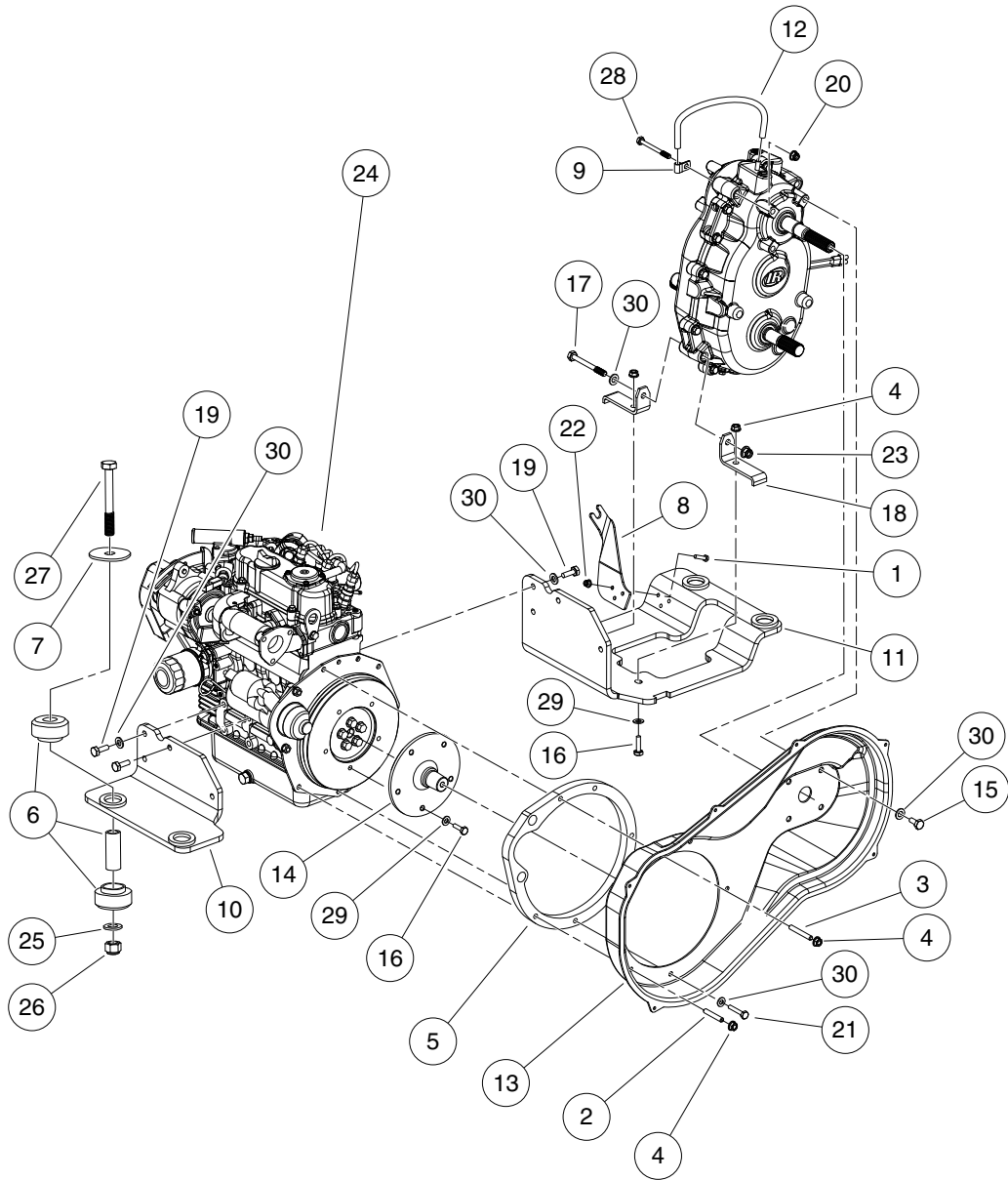
G

# DIESEL ENGINE – CLOSED BREATHER

---

8

*D*



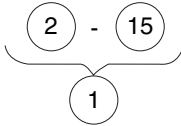
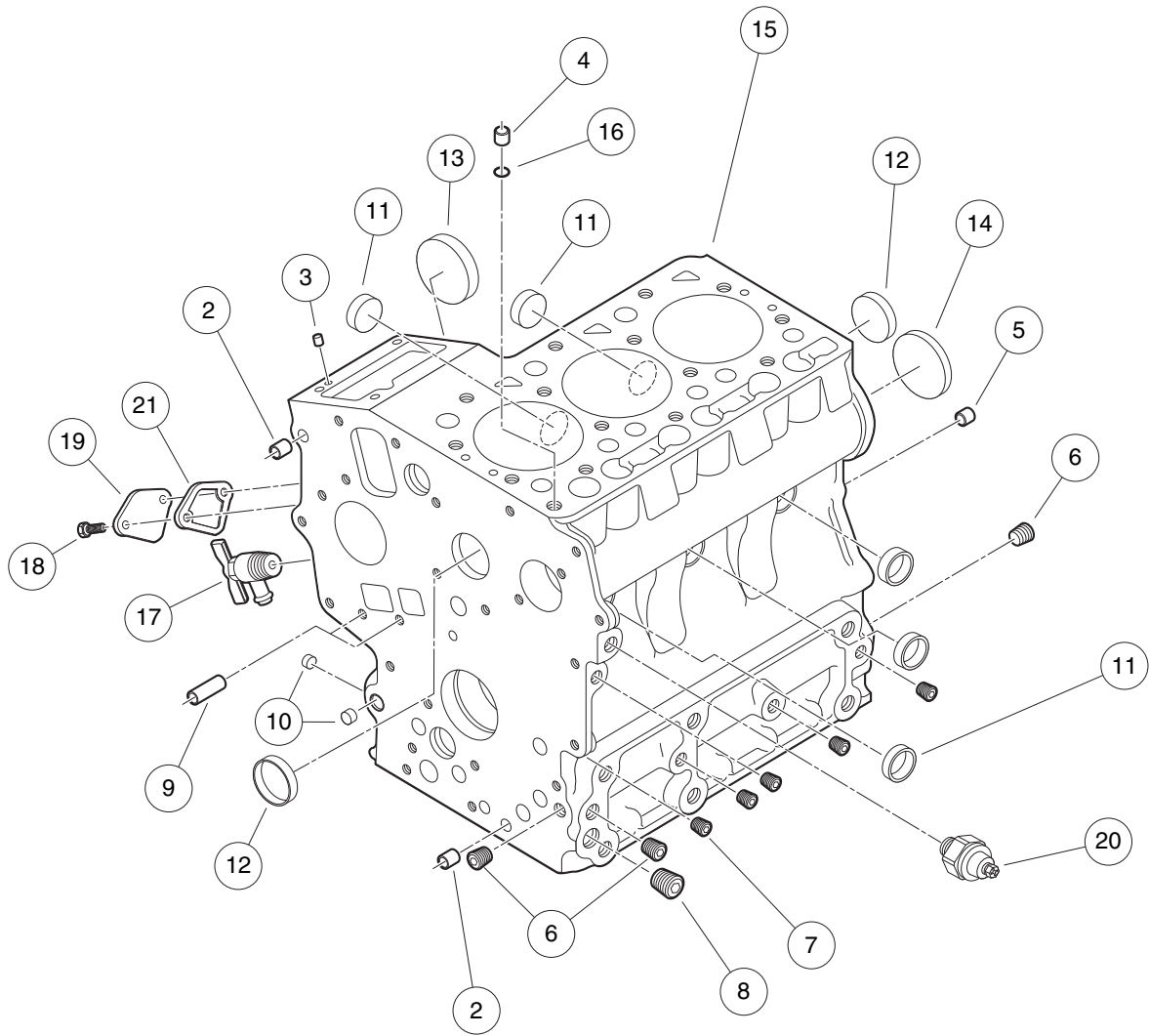
000025-002

# KUBOTA D722 DIESEL ENGINE MOUNTING

| ITEM | PART NO.  | DESCRIPTION   | QTY |
|------|-----------|---|-----|
|      |           | <b>1 2 3 4</b>  |     |
| 1    | 1012769   | Screw, M6-1.00 X 25mm Hex Cap .....                   | 3   |
| 2    | 101833101 | Stud, M8-1.25 X 50 mm Two-Ended .....                 | 1   |
| 3    | 101833201 | Stud, M8-1.25 X 60mm Two-Ended .....                  | 1   |
| 4    | 102298401 | Nut,m8,all Metal Lock .....                           | 7   |
| 5    | 102370101 | Spacer, Engine, Diesel .....                          | 1   |
| 6    | 102370501 | Isolator Ring and Bushing .....                       | 4   |
| 7    | 102370601 | Washer, Snubbing, Ring N Bush .....                   | 4   |
| 8    | 102382401 | Bracket, FNR Trans Cable .....                        | 1   |
| 9    | 102410603 | P-Clamp, Insulated .312 In .....                      | 1   |
| 10   | 102414701 | Plate, Engine Mounting, Weld, Left-Hand .....         | 1   |
| 11   | 102414801 | Plate, Engine Mounting, Weld, Right-Hand .....        | 1   |
| 12   | 102462301 | Hose, Vent, Transmission .....                        | 1   |
| 13   | 102462501 | Cover, CVT Inner, Diesel .....                        | 1   |
| 14   | 102465901 | Shaft, CVT Adapter .....                              | 1   |
| 15   | 102490101 | Bolt, M10 X 1.5 X 20 Loctite .....                    | 4   |
| 16   | 102490201 | Bolt, M8 X 1.25 X 25 Loctite .....                    | 7   |
| 17   | 102490501 | Bolt, M10 X 1.5 X 100 Loctite .....                   | 1   |
| 18   | 102494401 | Bracket, Transmission Mounting .....                  | 2   |
| 19   | 102498201 | Bolt, M10 X 1.25 X 25 Loctite .....                   | 8   |
| 20   | 102618601 | Lock Nut, Flg M8 X 1.25 Nylon .....                   | 1   |
| 21   | 102621301 | Bolt, M8 X 1.25 X 40 with Loctite .....               | 3   |
| 22   | 102621501 | Nut Flg, M6 X 1.0 Nylon .....                         | 3   |
| 23   | 102670701 | Nut Flg M10 X 1.5 Nylon .....                         | 1   |
| 24   | 102934601 | Engine, Kubota, D722, with Closed Breather, 60a ..... | 1   |
| 25   | 96701412  | Washer, M12 Hard .....                                | 4   |
| 26   | 96704622  | Locknut, M12x1.75 Nylon Insert .....                  | 4   |
| 27   | 96704721  | Bolt, M12 X 1.75 X 90 .....                           | 4   |
| 28   | 96718978  | Bolt, M8 X 1.25 X 80 .....                            | 1   |
| 29   | 96741038  | Washer, M8 Hard .....                                 | 10  |
| 30   | 96741046  | Washer, M10 Hard .....                                | 12  |

**8**

**D**



000039-001

# CRANKCASE

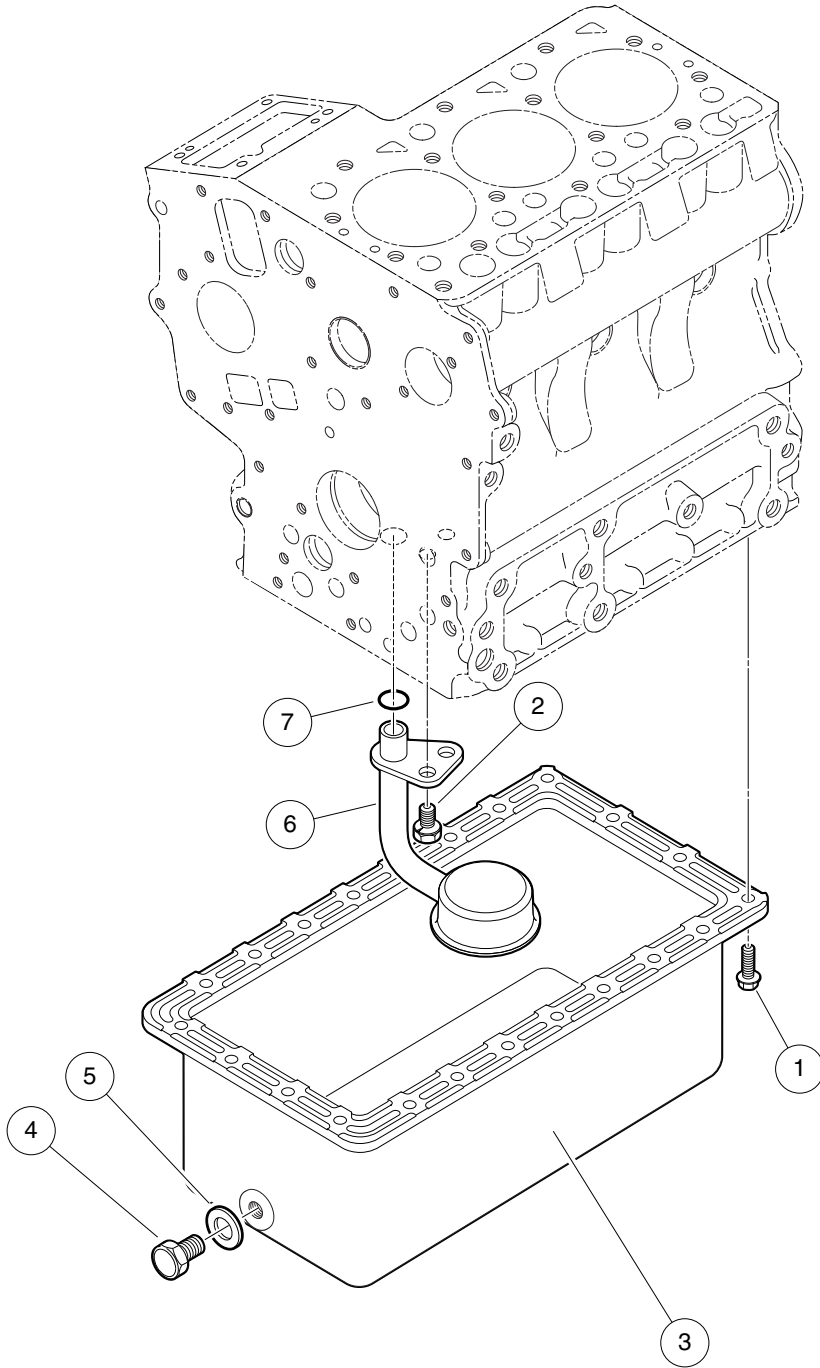
**8**

**D**

| ITEM | PART NO.  | DESCRIPTION                                      | QTY |
|------|-----------|--|-----|
|      |           | <b>1 2 3 4</b>                                   |     |
| 1    | 102600001 | Engine Block (includes items 2 through 15) ..... | 1   |
| 2    | 102600101 | Pin, Pipe, Dia 8 X 14 .....                      | 2   |
| 3    | 102600201 | Pin, Straight, Dia 5 X 10 .....                  | 2   |
| 4    | 102600401 | Pin, Pipe, Dia 7 X 14 .....                      | 1   |
| 5    | 102600601 | Pin, Straight, Dia 8 X 16 .....                  | 2   |
| 6    | 102600701 | Plug, 1/8" .....                                 | 3   |
| 7    | 102600801 | Plug, 3/32" .....                                | 5   |
| 8    | 102601001 | Plug, 1/4" .....                                 | 1   |
| 9    | 102601301 | Pin, Pipe, Dia 8 X 11 .....                      | 2   |
| 10   | 102726201 | Cap, Sealing, Small .....                        | 3   |
| 11   | 102726301 | Cap, Sealing, Med .....                          | 5   |
| 12   | 102726401 | Cap, Sealing, Large .....                        | 2   |
| 13   | 102726501 | Cover, Fuel Camshaft .....                       | 1   |
| 14   | 102726601 | Plug, Expansion .....                            | 1   |
| 15   | N/A       | Block, Engine .....                              | 1   |
| 16   | 102600301 | O Ring, 8 X 7 .....                              | 1   |
| 17   | 102601401 | Cock, Drain .....                                | 1   |
| 18   | 102631601 | Bolt, M6 X 1 X 20 .....                          | 2   |
| 19   | N/A       | Plate, Engine Block .....                        | 1   |
| 20   | 102730801 | Switch, Oil Pressure .....                       | 1   |
| 21   | 102732601 | Gasket, Fuel Pump, D722 .....                    | 1   |

8

D



000040-001



# OIL PAN

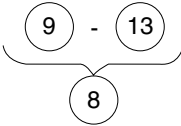
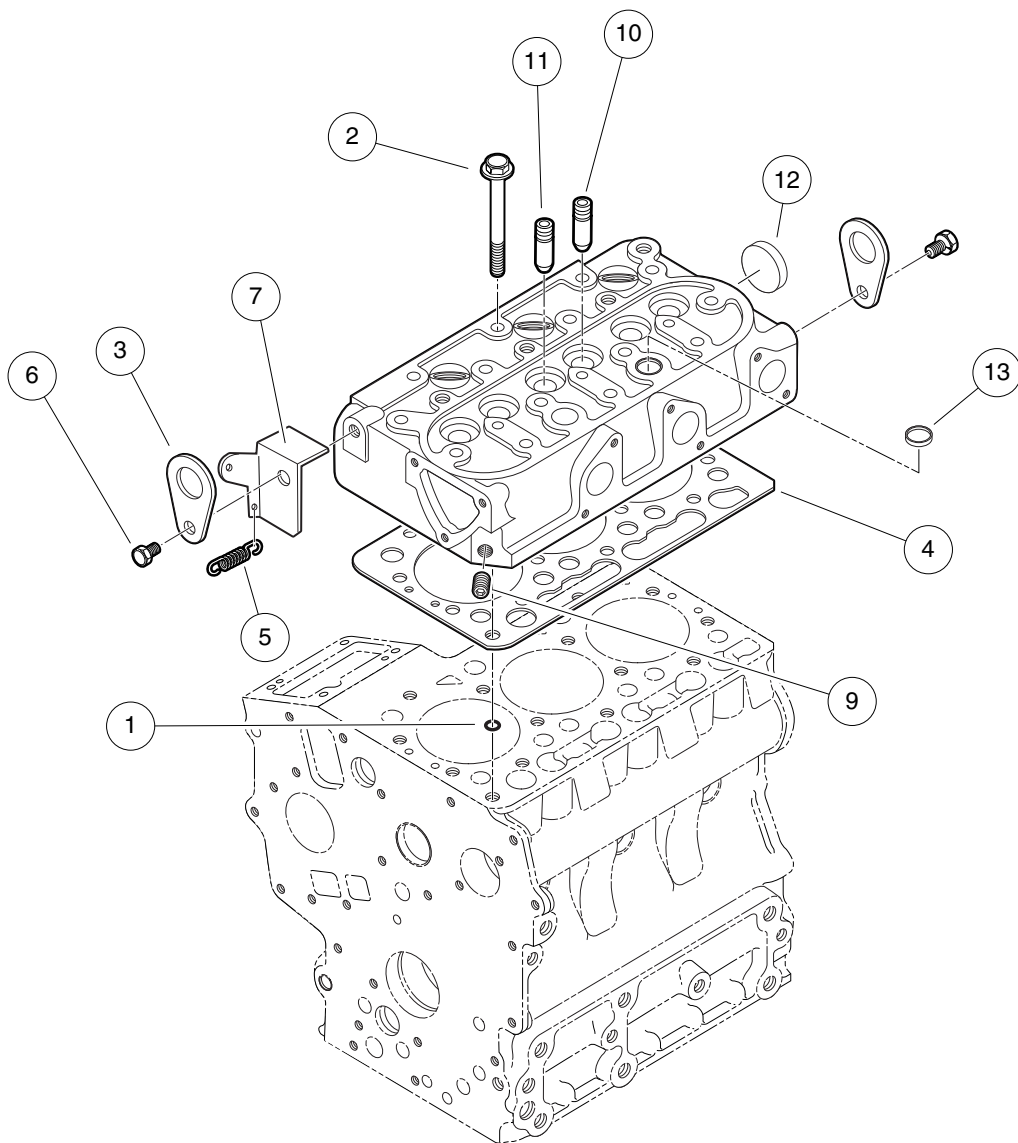
| ITEM | PART NO.  | DESCRIPTION                 | QTY |
|------|-----------|-----------------------------|-----|
|      |           | <b>1 2 3 4</b>              |     |
| 1    | 102605101 | Bolt, M6 X 1 X 14 .....     | 22  |
| 2    | 102606901 | Bolt, M8 X 1.25 X 15 .....  | 1   |
| 3    | 102607001 | Oil Pan .....               | 1   |
| 4    | 102607201 | Plug, Drain, M12 X 14 ..... | 1   |
| 5    | 102607301 | Gasket, 20 X 13 .....       | 1   |
| 6    | 102607401 | Filter, Oil, Pick Up .....  | 1   |
| 7    | 102654601 | O Ring, 20 X 17 .....       | 1   |

**8**

**D**

8

D



000041-002

# CYLINDER HEAD

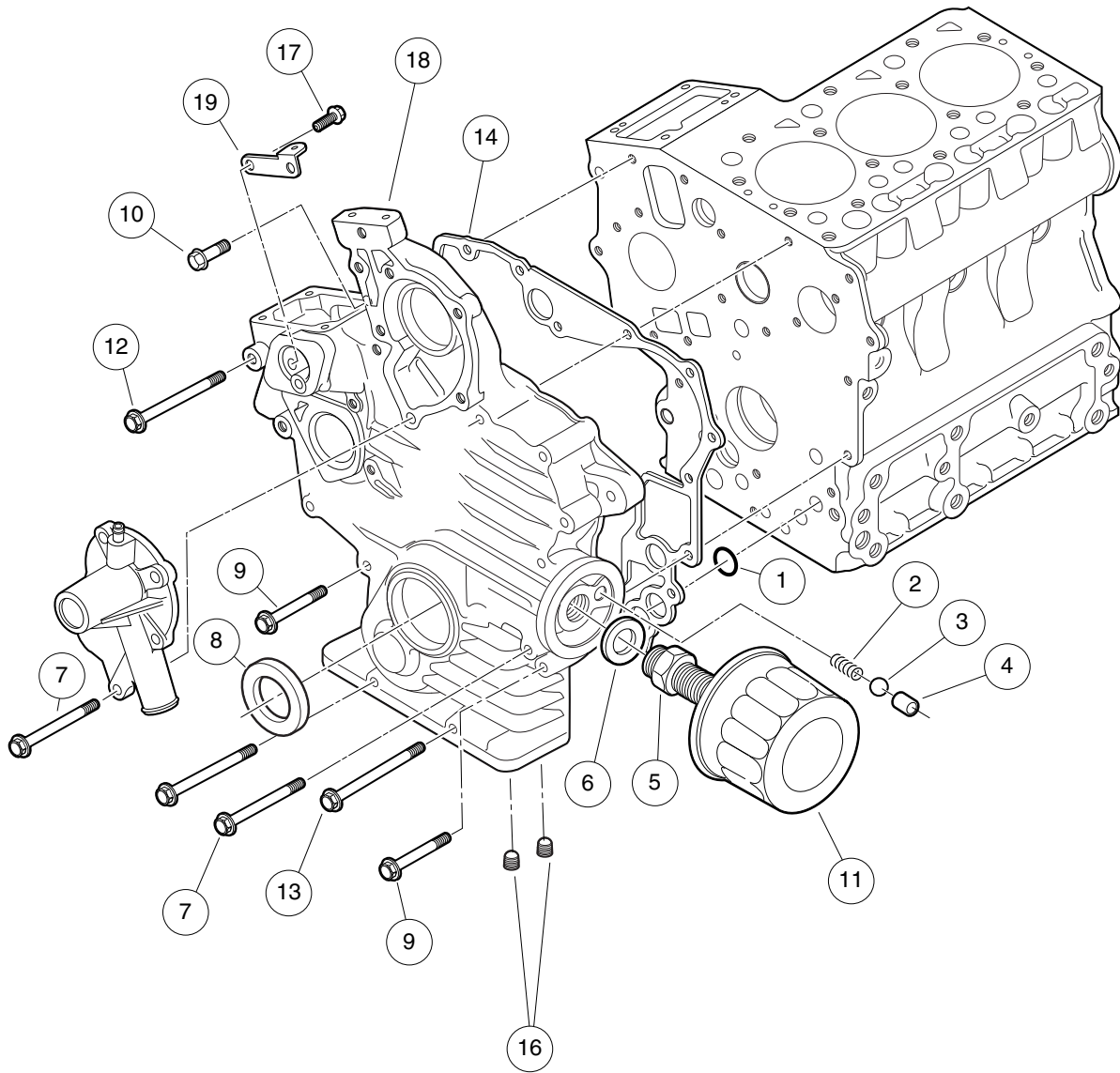
| ITEM | PART NO.  | DESCRIPTION  | QTY |
|------|-----------|--|-----|
|      |           | <b>1 2 3 4</b>   |     |
| 1    | 102600301 | O Ring, 8 X 7 .....  | 1   |
| 2    | 102652801 | Bolt, Cylinder Head .....                                    | 14  |
| 3    | 102653901 | Hook, Engine .....   | 2   |
| 4    | 102654101 | Gasket, Cylinder Head .....                                  | 1   |
| 5    | 102701001 | Spring, Start .....  | 1   |
| 6    | 102726701 | Bolt, Engine Hook .....                                      | 2   |
| 7    | 102727101 | Stay, Cylinder Head .....                                    | 1   |
| 8    | 102798001 | Head, Cylinder, Complete (includes items 9 through 13) ..... | 1   |
| 9    | 102600801 | Plug, 3/32" .....  | 1   |
| 10   | 102653401 | Guide, Exhaust Valve .....                                   | 3   |
| 11   | 102653501 | Guide, Inlet Valve .....                                     | 3   |
| 12   | 102726901 | Cap, Sealing, Head .....                                     | 1   |
| 13   | 102727001 | Cap, Sealing, Head, Top .....                                | 2   |

**8**

**D**

8

D



000042-002

# GEAR CASE

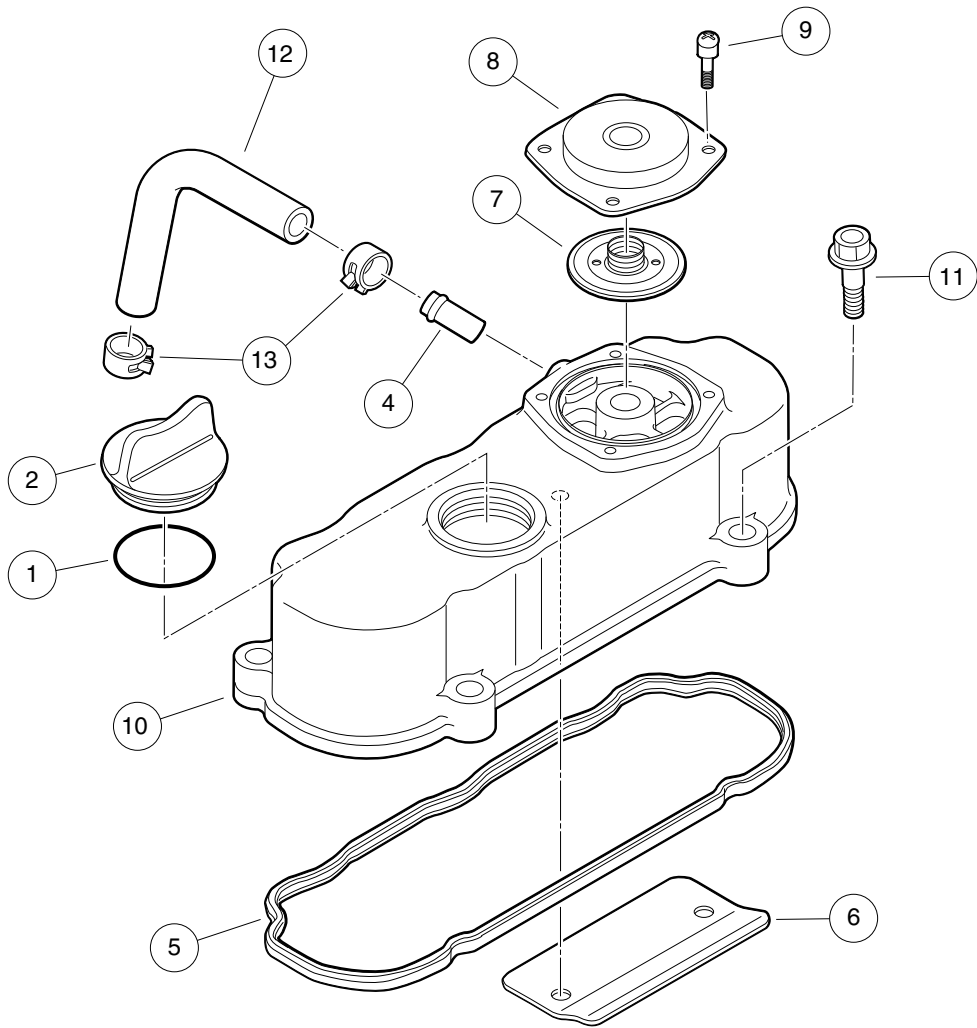
**8**

**D**

| ITEM | PART NO.  | DESCRIPTION                                     | QTY |
|------|-----------|---|-----|
|      |           | <b>1 2 3 4</b>                                  |     |
| 1    | 102601801 | O Ring, 18 X 13 .....                           | 3   |
| 2    | 102601901 | Spring, Valve .....                             | 1   |
| 3    | 102602001 | Ball, Valve .....                               | 1   |
| 4    | 102602101 | Seat, Valve .....                               | 1   |
| 5    | 102602301 | Joint, Pipe .....                               | 1   |
| 6    | 102602401 | Washer, Plain, Special .....                    | 1   |
| 7    | 102602601 | Bolt, M6 X 1 X 60 .....                         | 2   |
| 8    | 102602701 | Seal, Oil .....                                 | 1   |
| 9    | 102602801 | Bolt, D722, Front Case .....                    | 9   |
| 10   | 102654301 | Bolt, D722 Intake Manfld Lower .....            | 1   |
| 11   | 102703301 | Filter, Engine Oil, D722 .....                  | 1   |
| 12   | 102727401 | Bolt, Gearcase, Top .....                       | 2   |
| 13   | 102727501 | Bolt, Gearcase, Lower .....                     | 1   |
| 14   | 102729301 | Gasket, Gearcase, D722 .....                    | 1   |
| 15   | N/A       | Case, Gear (includes items 16 through 19) ..... | 1   |
| 16   | 102601001 | Plug, 1/4" .....                                | 2   |
| 17   | 102727601 | Screw, Breather .....                           | 2   |
| 18   | N/A       | Case, Gear .....                                | 1   |
| 19   | 102798201 | Stay, Spring .....                              | 1   |

8

D



000181-001

# HEAD COVER

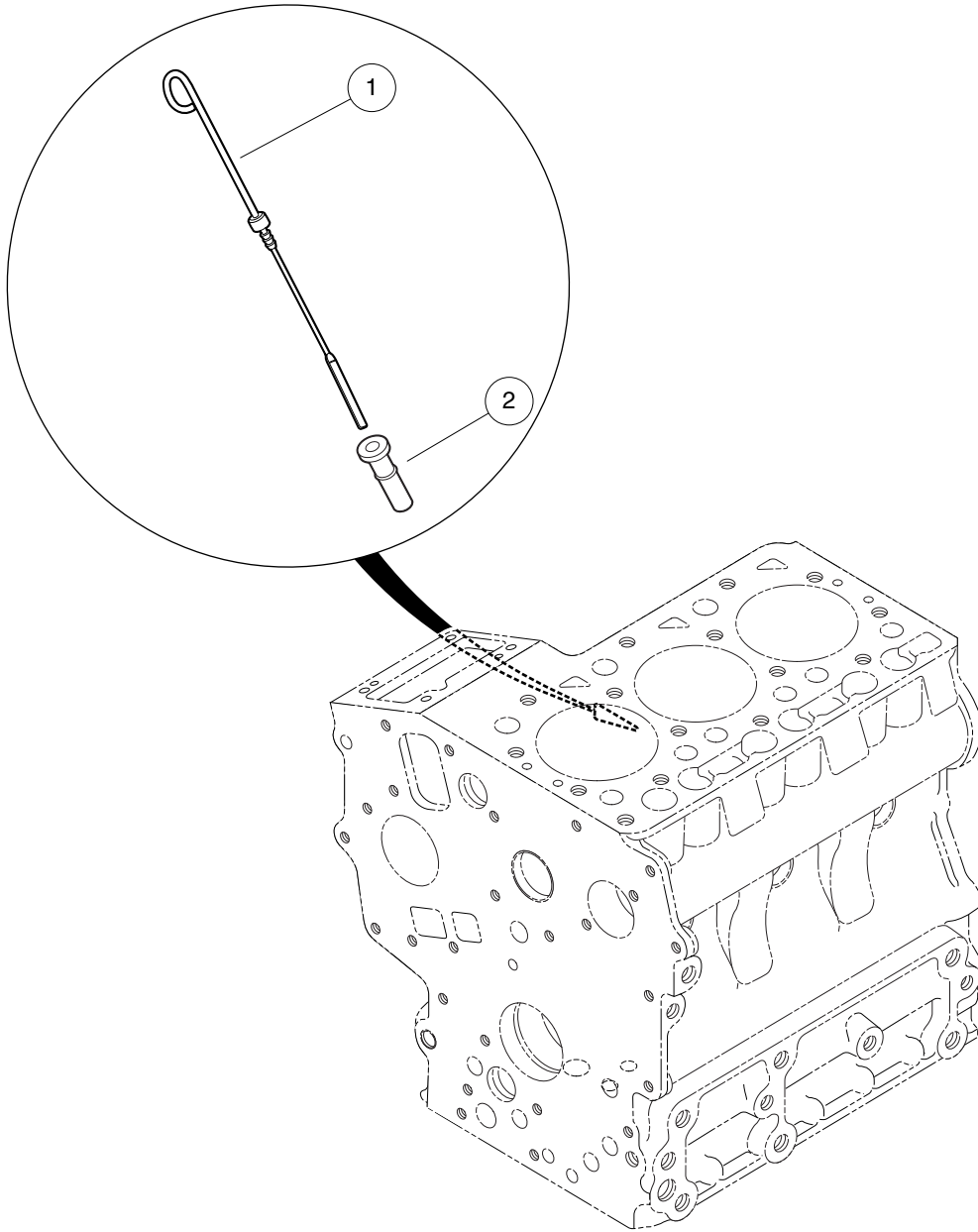
| ITEM | PART NO.  | DESCRIPTION   | QTY |
|------|-----------|---|-----|
|      |           | <b>1 2 3 4</b>  |     |
| 1    | 102644001 | O Ring, 30 X 36 .....   | 1   |
| 2    | 102644101 | Plug, Oil Filler .....  | 1   |
| 3    | 102798401 | Assembly, Cylinder Head Cover (includes items 4 through 10) ..... | 1   |
| 4    | 102633301 | Pipe, Water Return, D722 .....                                    | 1   |
| 5    | 102798501 | Gasket, Cylinder Head Cover .....                                 | 1   |
| 6    | 102798601 | Shield, Breather .....  | 1   |
| 7    | 102799001 | Valve, Breather .....   | 1   |
| 8    | 102799101 | Cover, Breather .....   | 1   |
| 9    | 102799201 | Screw, Breather .....   | 4   |
| 10   | N/A       | Cover, Cylinder Head .....  | 1   |
| 11   | 102798701 | Bolt, Cylinder Head Cover .....                                   | 4   |
| 12   | 102798801 | Tube, Breather .....  | 1   |
| 13   | 102798901 | Clamp, Breather Tube .....  | 2   |

**8**

**D**

8

D



000044-002



# DIPSTICK AND GUIDE

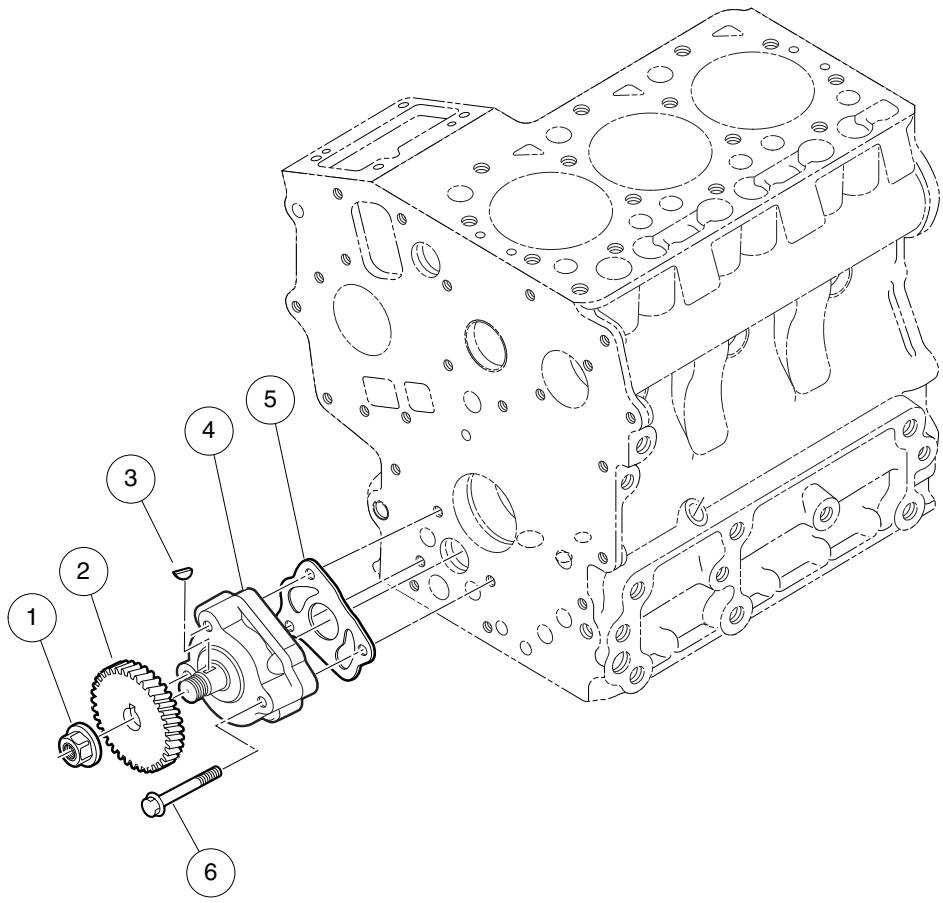
| ITEM | PART NO.  | DESCRIPTION                 | QTY |
|------|-----------|-----------------------------|-----|
| 1    | 102606701 | 1 2 3 4<br>Gauge, Oil ..... | 1   |
| 2    | 102727701 | Guide, Oil Gauge .....      | 1   |

**8**

**D**

8

D



000045-001

# OIL PUMP

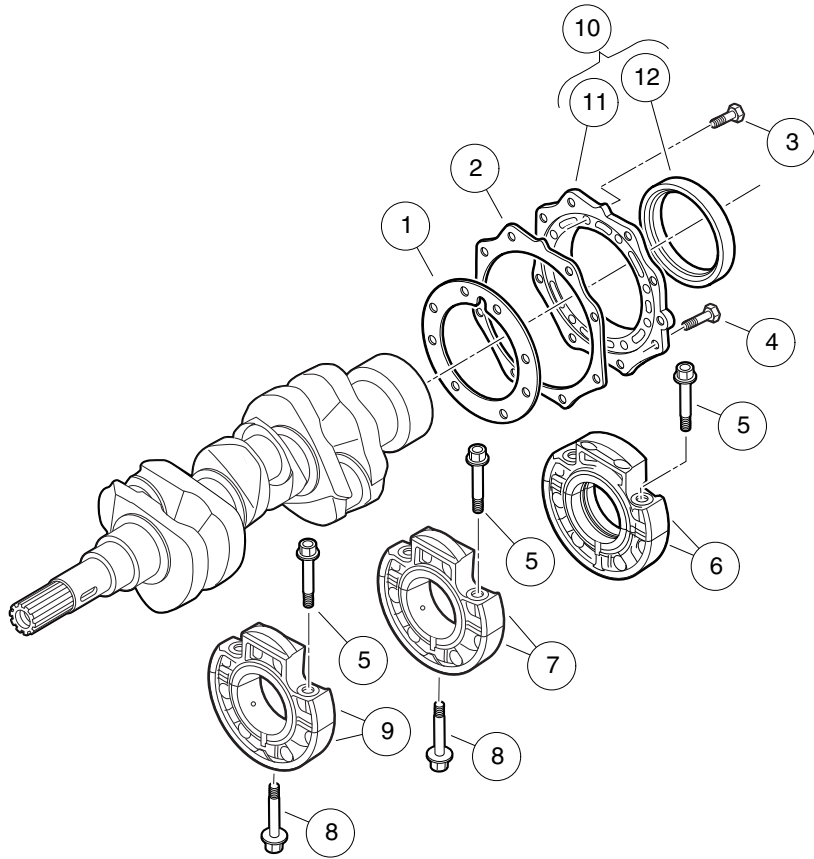
| ITEM | PART NO.  | DESCRIPTION                      | QTY |
|------|-----------|----------------------------------|-----|
|      |           | <b>1 2 3 4</b>                   |     |
| 1    | 102606201 | Nut, Flange, D722 Oil Pump ..... | 1   |
| 2    | 102606301 | Gear, Oil Pump Drive .....       | 1   |
| 3    | 102606401 | Key, Feather, 8x4 .....          | 1   |
| 4    | 102606501 | Assy, Pump, Oil .....            | 1   |
| 5    | 102606601 | Gasket, Oil Pump .....           | 1   |
| 6    | 102727901 | Bolt, Oil Pump .....             | 3   |

**8**

**D**

8

D



000046-001

# MAIN BEARING CASE

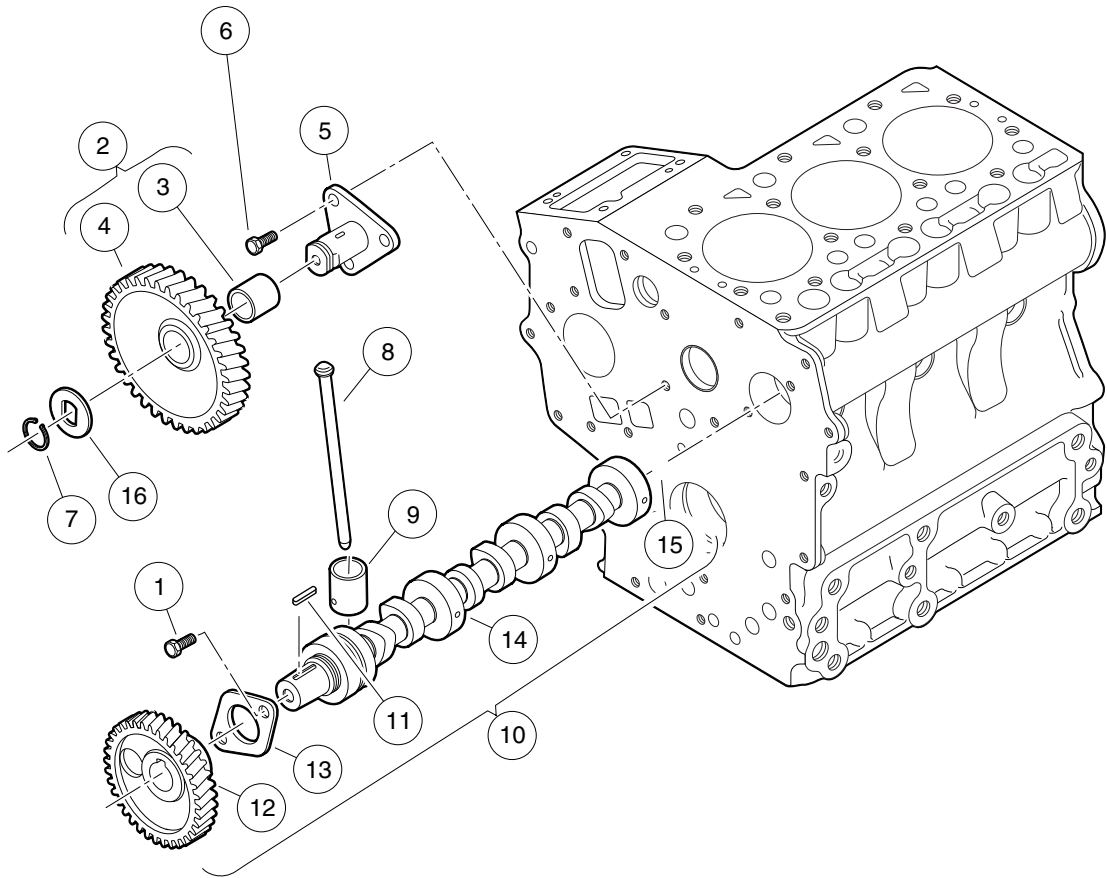
| ITEM | PART NO.  | DESCRIPTION  | QTY |
|------|-----------|--|-----|
|      |           | <b>1 2 3 4</b>   |     |
| 1    | 102608201 | Gasket, Bearing Case .....                                 | 1   |
| 2    | 102608301 | Gasket, Cover .....  | 1   |
| 3    | 102608601 | Bolt, M6 X 1 X 20 .....                                    | 8   |
| 4    | 102608701 | Bolt, M6 X 1 X 22 .....                                    | 8   |
| 5    | 102608901 | Bolt, Bearing Case, Top .....                              | 6   |
| 6    | 102609101 | Assy Case, Main Brg, First .....                           | 1   |
| 7    | 102609301 | Assy Case, Main Brg, Sec .....                             | 1   |
| 8    | 102609401 | Bolt, Bearing Case, Bottom .....                           | 2   |
| 9    | 102609601 | Assy Case, Main Brg, Third .....                           | 1   |
| 10   | 102728001 | Assy, Cover, Bearing Case (includes items 11 and 12) ..... | 1   |
| 11   | 102608401 | Cover, Bearing Case .....                                  | 1   |
| 12   | 102608501 | Seal, Oil .....  | 1   |

8

D

8

D



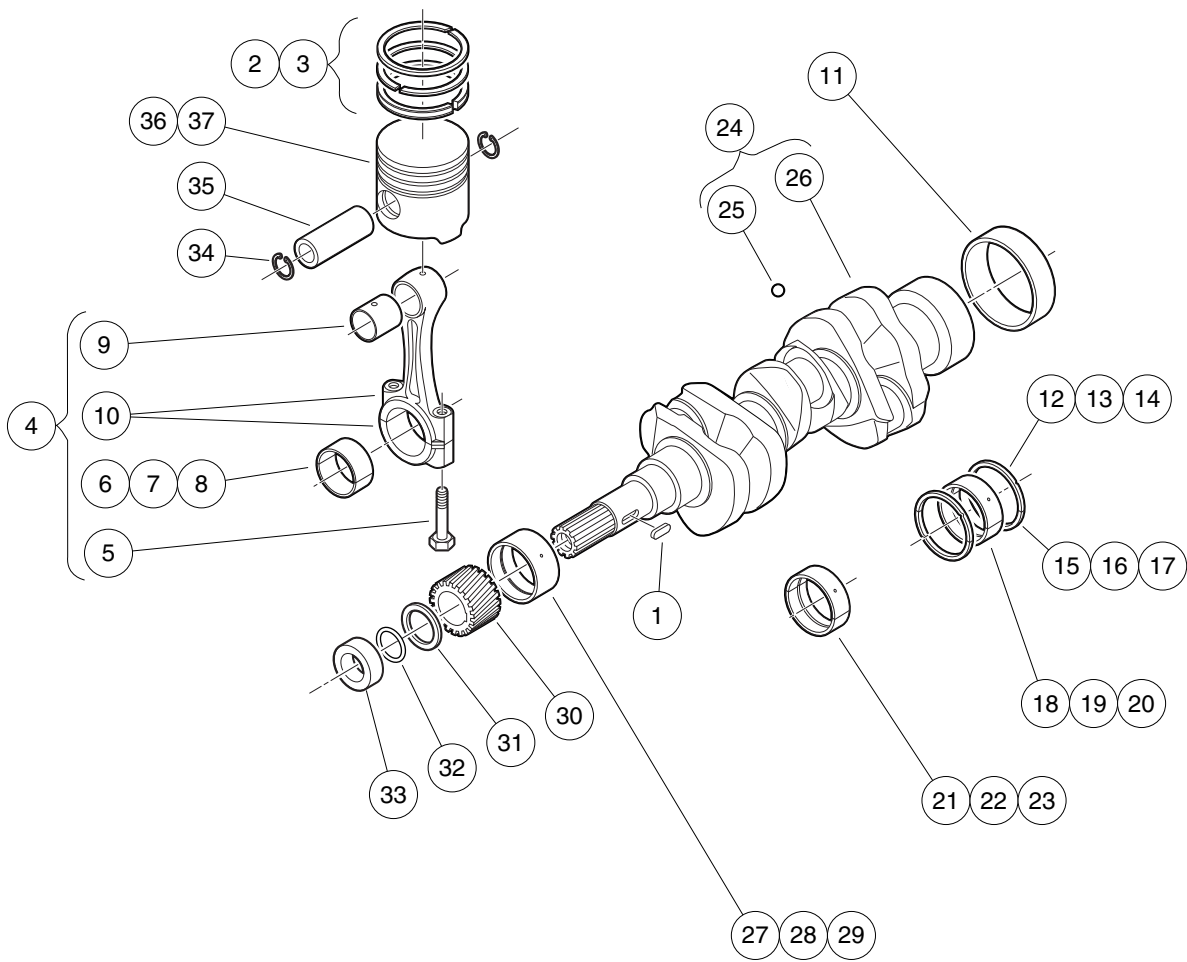
000047-002

## CAMSHAFT AND IDLE GEAR

| ITEM | PART NO.  | DESCRIPTION  | QTY |
|------|-----------|--|-----|
|      |           | <b>1 2 3 4</b>   |     |
| 1    | 102604201 | Bolt, D722, Cam End .....                                | 2   |
| 2    | 102604901 | Gear, Idle (includes items 3 and 4) .....                | 1   |
| 3    | 102603201 | Bushing, D722 Idle Gear .....                            | 1   |
| 4    | N/A       | Gear, Idle .....   | 1   |
| 5    | 102605001 | Shaft, Idle Gear .....                                   | 1   |
| 6    | 102605101 | Bolt, M6 X 1 X 14 .....                                  | 3   |
| 7    | 102605301 | Ring, Snap .....   | 1   |
| 8    | 102605401 | Push Rod .....   | 6   |
| 9    | 102605501 | Tappet .....   | 6   |
| 10   | 102605801 | Assy Camshaft, Long (includes items 11 through 15) ..... | 1   |
| 11   | 102605601 | Key, Feather, Long Camshaft .....                        | 1   |
| 12   | 102605901 | Gear, Cam .....  | 1   |
| 13   | 102606001 | Stopper, Camshaft .....                                  | 1   |
| 14   | N/A       | Camshaft .....   | 1   |
| 15   | 102799401 | Ball, Check .....  | 1   |
| 16   | 102654401 | Collar, Idle Gear .....                                  | 1   |

**8**

**D**



000048-002



# PISTON AND CRANKSHAFT

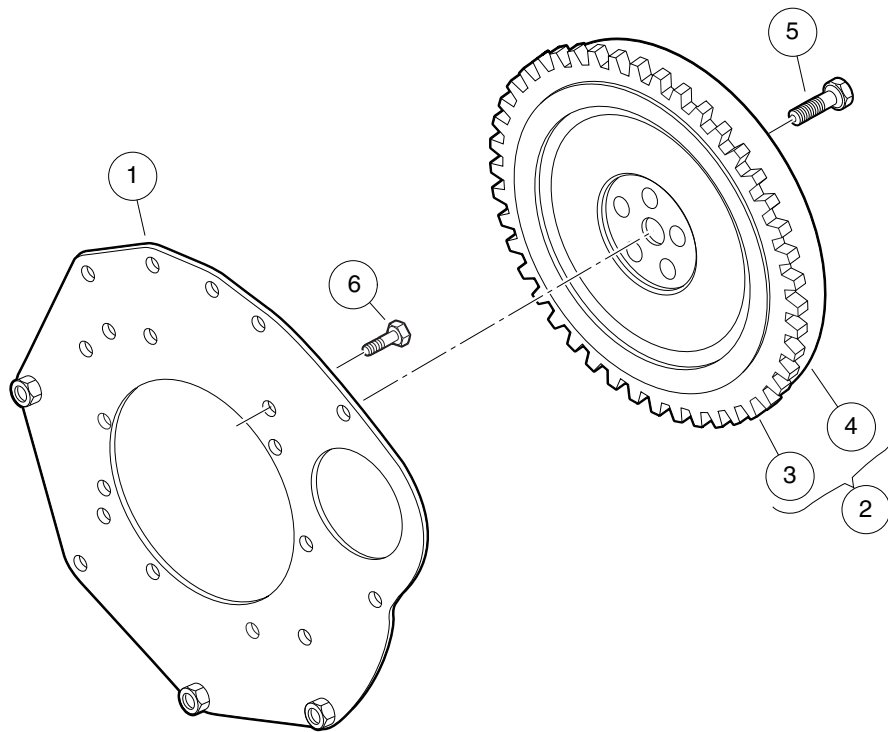
| ITEM | PART NO.  | DESCRIPTION  | QTY |
|------|-----------|--|-----|
|      |           | <b>1 2 3 4</b>   |     |
| 1    | 102604401 | Key, Feather, Short Camshaft .....                       | 1   |
| 2    | 102607601 | Assy Piston Ring, D722 Std .....                         | 3   |
| 3    | 102607602 | Assy Piston Ring, D722 +.025 .....                       | 3   |
| 4    | 102607801 | Assy, Connecting Rod (includes items 5 through 10) ..... | 3   |
| 5    | 102607901 | Bolt, Connecting Rod .....                               | 6   |
| 6    | 102630701 | Metal, Crank, Rod, D722, Std .....                       | 3   |
| 7    | N/A       | Metal, Crank, Rod, D722, .020 .....                      | 3   |
| 8    | 102630703 | Metal, Crank, Rod, D722, .040 .....                      | 3   |
| 9    | 102732201 | Bushing, Piston Pin, D722 .....                          | 3   |
| 10   | N/A       | Rod, Connecting .....                                    | 1   |
| 11   | 102608101 | Sleeve, Crankshaft .....                                 | 1   |
| 12   | 102608801 | Metal,crank, O Side, Std .....                           | 2   |
| 13   | N/A       | Metal,crank, O Side, +.020 .....                         | 2   |
| 14   | 102608803 | Metal,crank, O Side, +.040 .....                         | 2   |
| 15   | 102608804 | Metal,crank, I Side, Std .....                           | 2   |
| 16   | N/A       | Metal,crank, I Side, +.020 .....                         | 2   |
| 17   | 102608806 | Metal,crank, I Side, +.040 .....                         | 2   |
| 18   | 102609001 | Metal, Crank, Main, Rear Std .....                       | 1   |
| 19   | N/A       | Metal, Crank, Main, Rear -.020 .....                     | 1   |
| 20   | 102609003 | Metal, Crank, Main, Rear -.040 .....                     | 1   |
| 21   | 102609801 | Metal, Crank, Main, Mid Std .....                        | 4   |
| 22   | N/A       | Metal, Crank, Main, Mid +.020 .....                      | 2   |
| 23   | 102609803 | Metal, Crank, Main, Mid +.040 .....                      | 2   |
| 24   | 102610001 | Crankshaft (includes items 25 and 26) .....              | 1   |
| 25   | 102608001 | Ball, Crankshaft .....                                   | 3   |
| 26   | N/A       | Crankshaft .....   | 1   |
| 27   | 102630001 | Metal, Crank, D722, Frnt, Std .....                      | 1   |
| 28   | N/A       | Metal, Crank, 722, Frnt, -.020 .....                     | 1   |
| 29   | 102630003 | Metal, Crank, 722, Frnt, -.040 .....                     | 1   |
| 30   | 102630101 | Gear, Crank .....  | 1   |
| 31   | 102630201 | Slinger, Oil .....                                       | 1   |
| 32   | 102630301 | O Ring, 23 X 26 .....                                    | 1   |
| 33   | 102630401 | Collar, Crankshaft .....                                 | 1   |
| 34   | 102630901 | Circlip, Piston Pin .....                                | 6   |
| 35   | 102631001 | Pin, Piston .....  | 3   |
| 36   | 102728101 | Piston, D722, Std .....                                  | 3   |
| 37   | 102728102 | Piston, D722, +0.25 .....                                | 3   |

8

D

8

D



000049-001

# FLYWHEEL

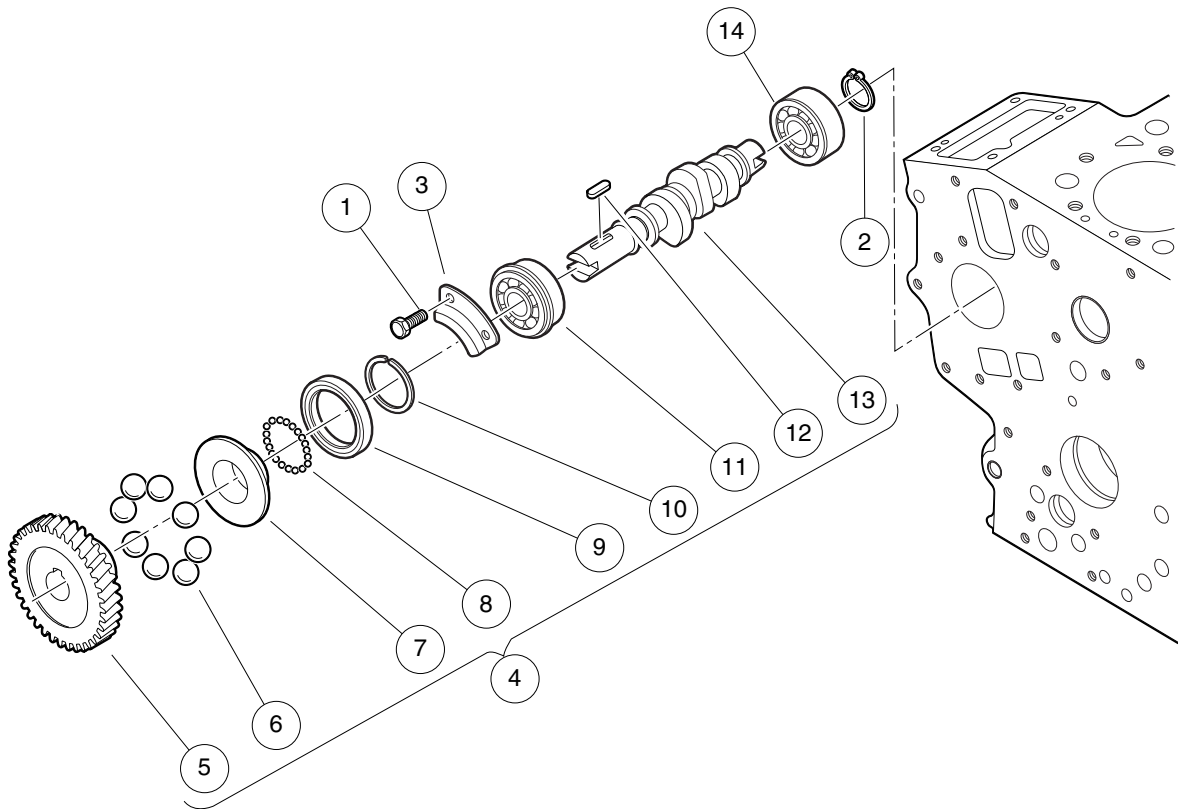
| ITEM | PART NO.  | DESCRIPTION                             | QTY |
|------|-----------|---|-----|
|      |           | <b>1 2 3 4</b>                          |     |
| 1    | 102647501 | Plate, Rear End .....                   | 1   |
| 2    | 102647801 | Flywheel (includes items 3 and 4) ..... | 1   |
| 3    | 102647901 | Gear, Ring, D722 .....                  | 1   |
| 4    | N/A       | Flywheel .....                          | 1   |
| 5    | 102648001 | Bolt, Flange Head, M10 X 1.5 X 25 ..... | 5   |
| 6    | 102728301 | Bolt, End Plate .....                   | 10  |

**8**

**D**

8

D



000050-001

# SHAFT

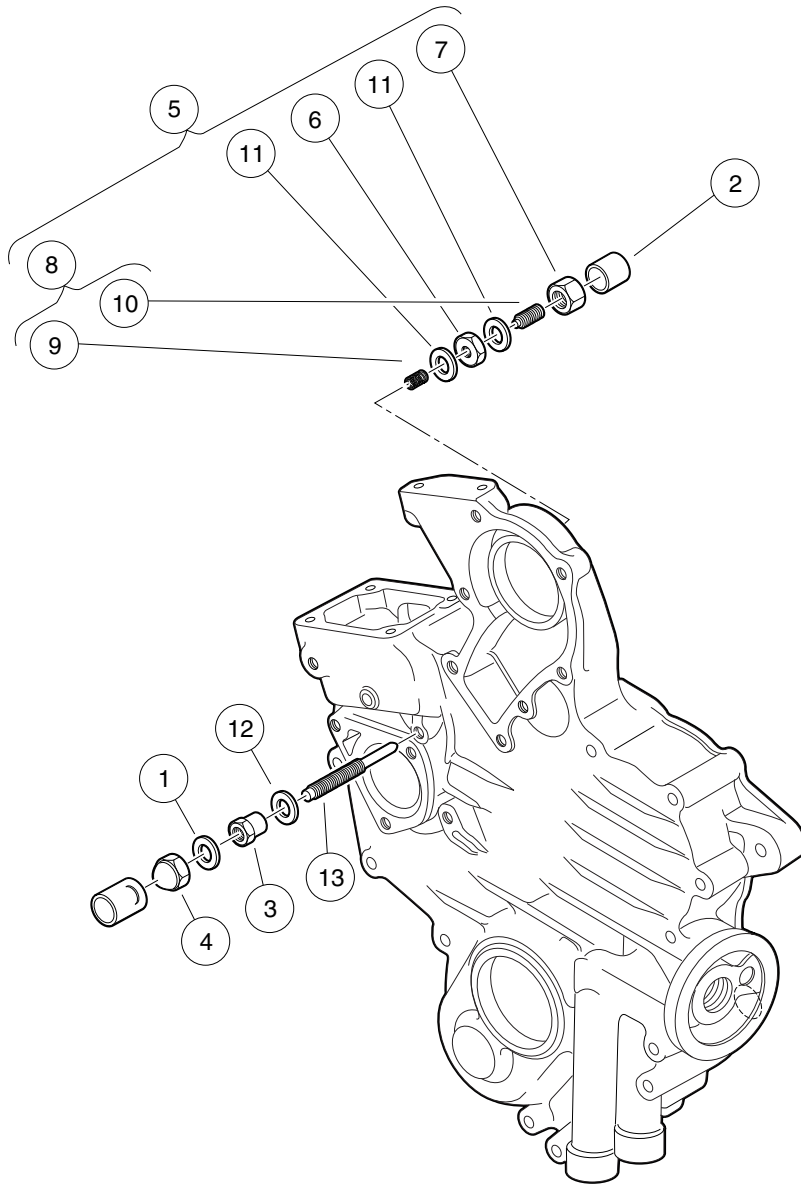
**8**

| ITEM | PART NO.  | DESCRIPTION   | QTY |
|------|-----------|---|-----|
|      |           | <b>1 2 3 4</b>  |     |
| 1    | 102604201 | Bolt, D722, Cam End .....                               | 2   |
| 2    | 102604701 | Circlip, External .....                                 | 1   |
| 3    | N/A       | Stopper, Fuel, C/shaft .....                            | 1   |
| 4    | 102728401 | Assy, Fuel Camshaft (includes items 5 through 13) ..... | 1   |
| 5    | 102603601 | Gear, Injection Pump .....                              | 1   |
| 6    | 102603701 | Ball, Injection Pump .....                              | 8   |
| 7    | 102603801 | Sleeve, Governor .....                                  | 1   |
| 8    | 102603901 | Ball, Governor .....                                    | 32  |
| 9    | 102604001 | Case, Governor Ball .....                               | 1   |
| 10   | 102604101 | Circlip .....   | 1   |
| 11   | 102604301 | Bearing, Ball .....                                     | 1   |
| 12   | 102604401 | Key, Feather, Short Camshaft .....                      | 1   |
| 13   | 102604501 | Camshaft, Fuel, Short .....                             | 1   |
| 14   | 102728501 | Bearing, Ball .....                                     | 1   |

**D**

8

D



000051-002

# IDLE APPARATUS

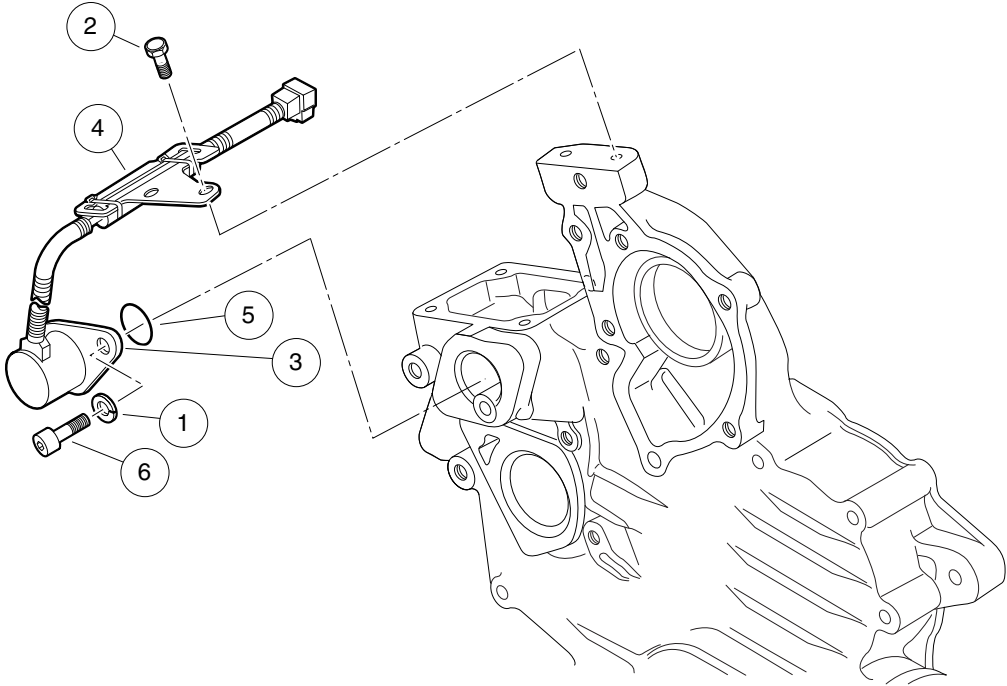
| ITEM | PART NO.  | DESCRIPTION  | QTY |
|------|-----------|--|-----|
|      |           | <b>1 2 3 4</b>   |     |
| 1    | 102635301 | Gasket, 6 X 10 .....                                     | 1   |
| 2    | 102635701 | Cap, Bolt Assy .....                                     | 1   |
| 3    | 102637001 | Nut, Lock, Special .....                                 | 1   |
| 4    | 102637101 | Nut, Special .....                                       | 1   |
| 5    | 102728601 | Assy, Idle Apparatus (includes items 6 through 11) ..... | 1   |
| 6    | 102635501 | Nut, M8, D722 Idle App, Specl .....                      | 1   |
| 7    | 102635801 | Nut, M8, D722 Idle App .....                             | 1   |
| 8    | 102635901 | Assy, Bolt, Adjusting (includes items 9 and 10) .....    | 1   |
| 9    | 102728701 | Spring, Idle Apparatus .....                             | 1   |
| 10   | N/A       | Stud, Idle Adjustment .....                              | 1   |
| 11   | 102728801 | Gasket, Idle Apparatus, Rear .....                       | 2   |
| 12   | 102728901 | Gasket, Idle Apparatus, Front .....                      | 1   |
| 13   | 102799501 | Bolt, Idle Adjusting .....                               | 1   |

8

D

8

D



000182-001



# STOP SOLENOID

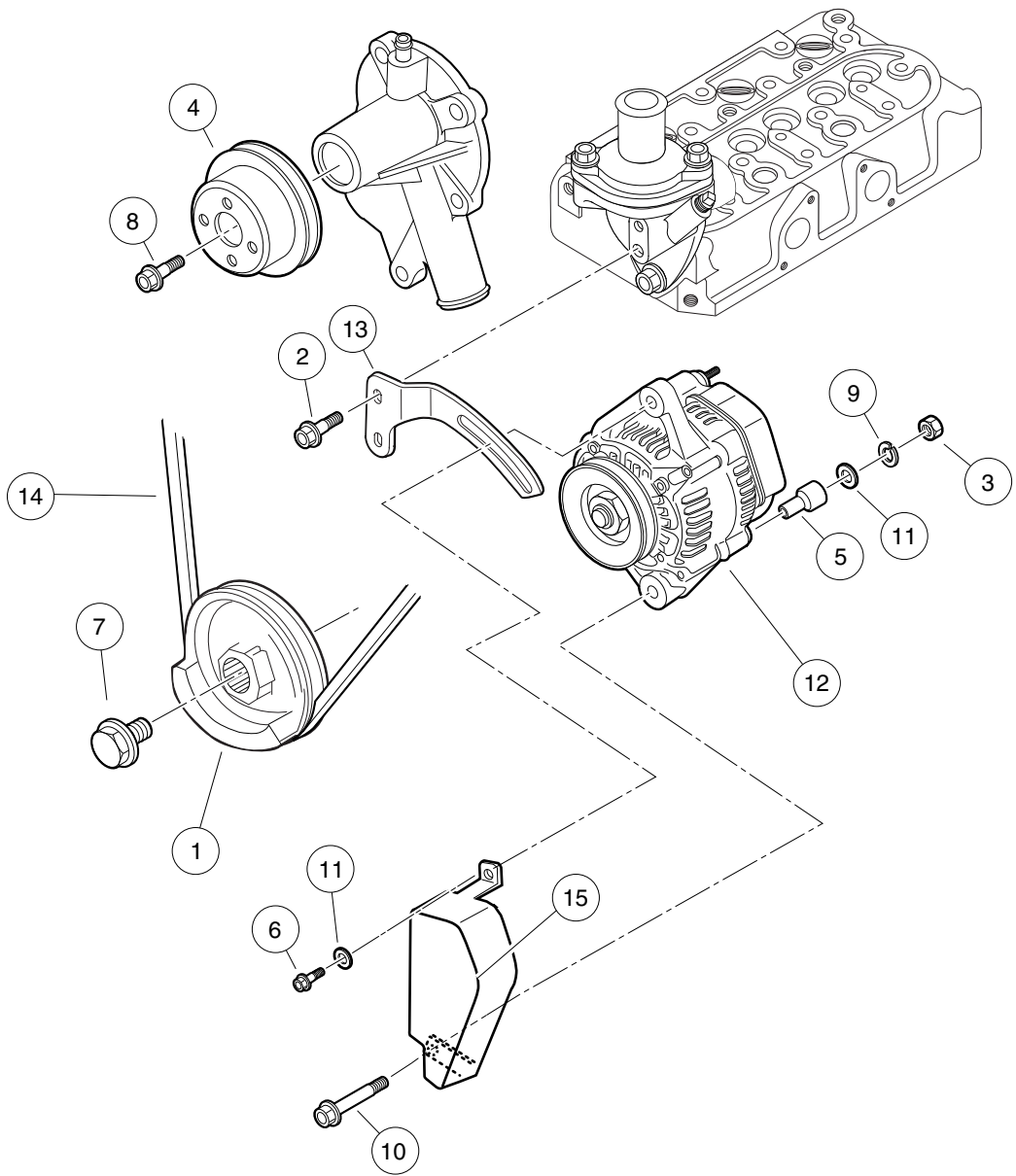
| ITEM | PART NO.  | DESCRIPTION                      | QTY |
|------|-----------|----------------------------------|-----|
|      |           | <b>1 2 3 4</b>                   |     |
| 1    | 102640601 | Washer, Spring, M6, D722 .....   | 2   |
| 2    | 102729101 | Bolt, Solenoid, Stop, D722 ..... | 2   |
| 3    | 102799601 | Solenoid, Stop .....             | 1   |
| 4    | 102799701 | Stay, Stop Solenoid .....        | 1   |
| 5    | 102799801 | O-Ring, Stop Solenoid .....      | 1   |
| 6    | N/A       | Bolt, Stop Solenoid .....        | 2   |

**8**

**D**

8

D



000057-003

# 60-AMP ALTERNATOR

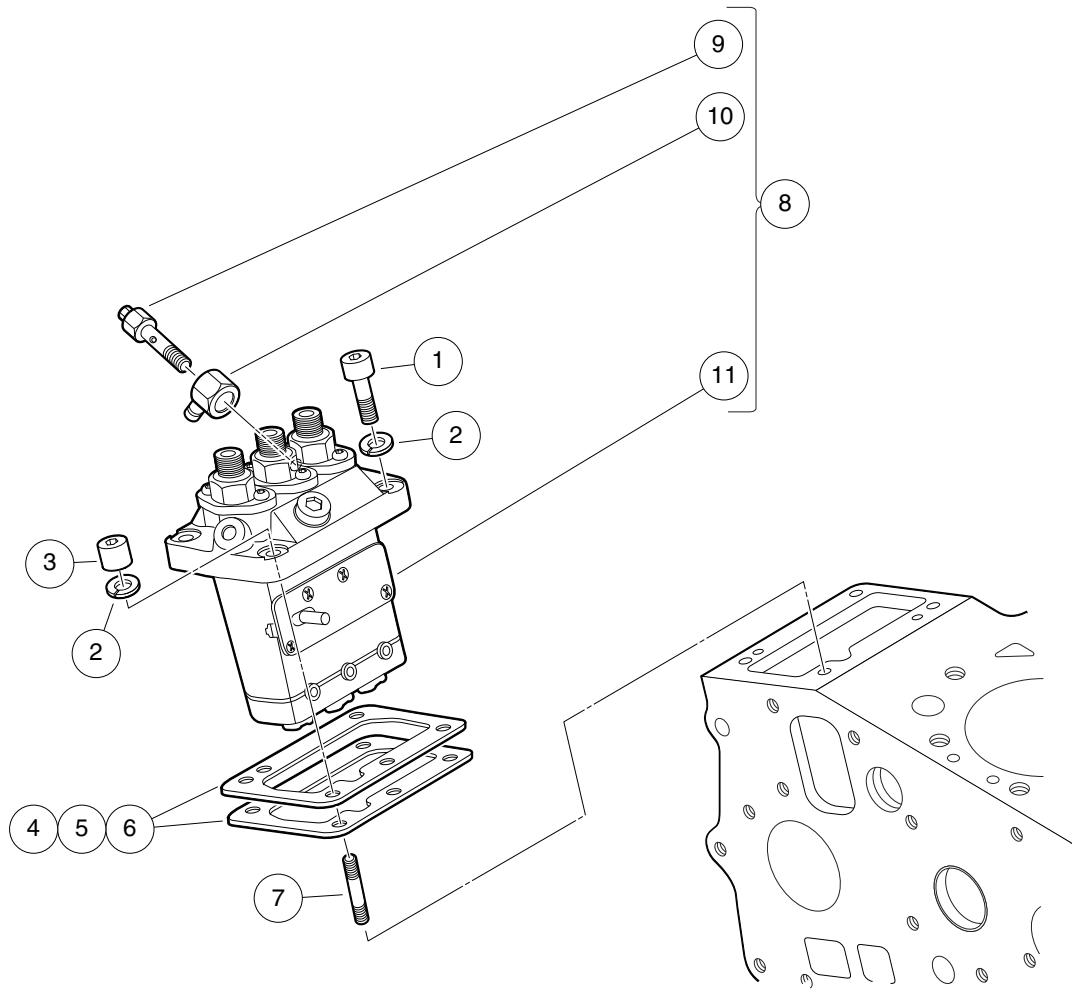
| ITEM | PART NO.  | DESCRIPTION                         | QTY |
|------|-----------|-------------------------------------|-----|
|      |           | <b>1 2 3 4</b>                      |     |
| 1    | 102630601 | Pulley, Fan Drive .....             | 1   |
| 2    | 102631601 | Bolt, M6 X 1 X 20 .....             | 2   |
| 3    | 102647701 | Nut, M8, Plate .....                | 1   |
| 4    | 102701201 | Pulley, Water Pump .....            | 1   |
| 5    | 102730201 | Collar, Alternator Assy, D722 ..... | 1   |
| 6    | 102730401 | Bolt, Alt, D722, Adjuster .....     | 1   |
| 7    | 102730601 | Bolt, Alt, D722, Drive Pulley ..... | 1   |
| 8    | 102731301 | Bolt, D722, Drive Pulley .....      | 4   |
| 9    | 102732501 | Washer, Spring, D722, Starter ..... | 1   |
| 10   | 102800701 | Bolt, Alternator, Lower .....       | 1   |
| 11   | 102801001 | Washer, Alternator, Upper .....     | 2   |
| 12   | 102934701 | Alternator, 60 Amp .....            | 1   |
| 13   | 102934801 | Brkt, Alt, D722, 60 Amp .....       | 1   |
| 14   | 102934901 | Belt, Acc Drive, D722, 60 Amp ..... | 1   |
| 15   | 103239901 | Guard, Acc Belt .....               | 1   |

**8**

**D**

8

D



000053-002

# INJECTION PUMP

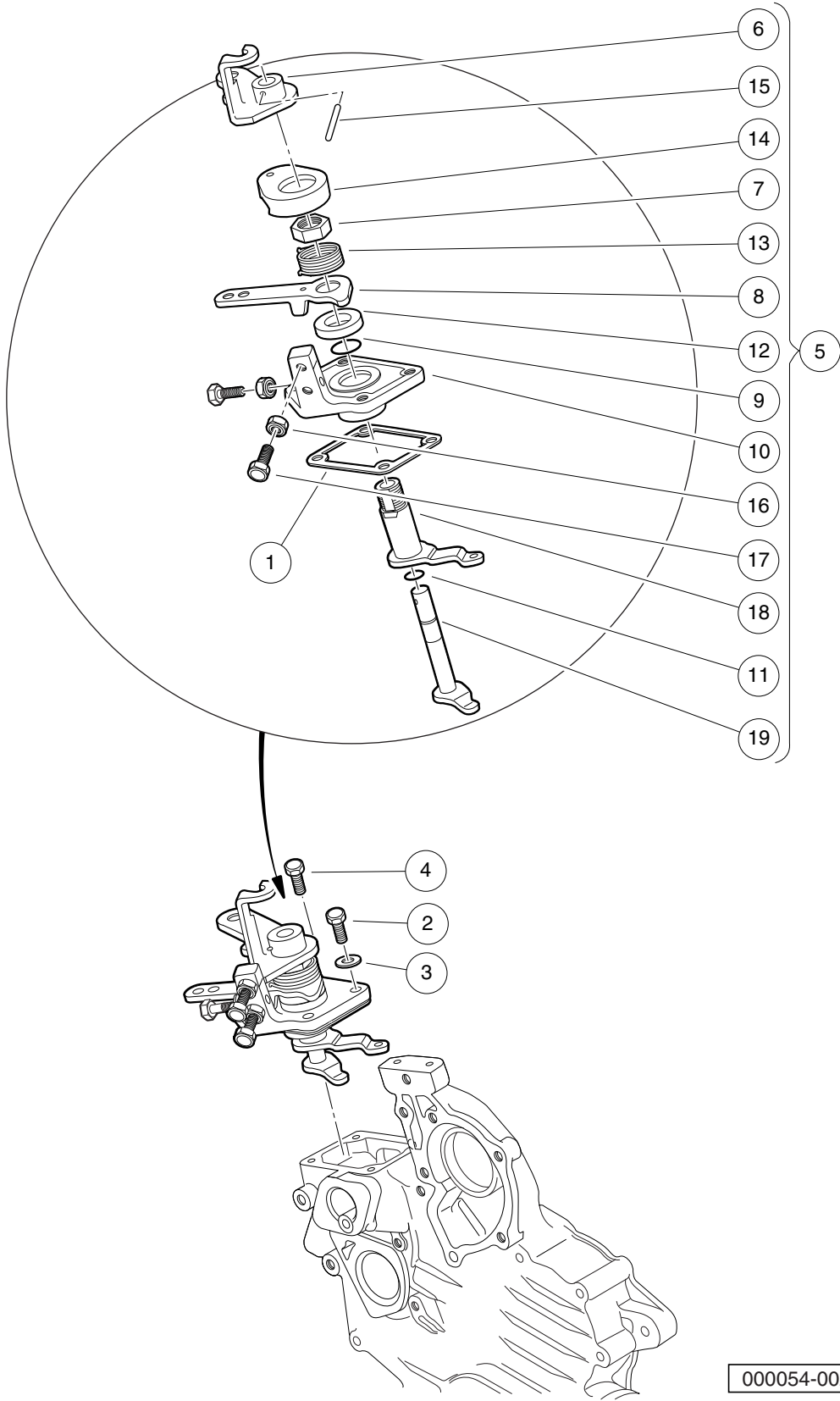
| ITEM | PART NO.  | DESCRIPTION   | QTY |
|------|-----------|---|-----|
|      |           | <b>1 2 3 4</b>  |     |
| 1    | 102640501 | Bolt, Hex-Head, M5 X 0.75 X .....                                 | 2   |
| 2    | 102640601 | Washer, Spring, M6, D722 .....                                    | 4   |
| 3    | 102640701 | Nut, Special .....  | 2   |
| 4    | 102640901 | Shim, Injection Pump, 0.20 mm .....                               | 1   |
| 5    | 102641001 | Shim, Injection Pump, 0.25 mm .....                               | 1   |
| 6    | 102641101 | Shim, Injection Pump, 0.30 mm .....                               | 1   |
| 7    | 102641201 | Stud, M5 X 25 .....   | 2   |
| 8    | 102800101 | Assembly, Fuel Injection Pump (includes items 9 through 11) ..... | 1   |
| 9    | 102637701 | Screw, Hollow, D722, Inj Pump .....                               | 1   |
| 10   | 102640401 | Joint, Eye .....  | 1   |
| 11   | N/A       | Pump, Injection .....   | 1   |

**8**

**D**

8

D



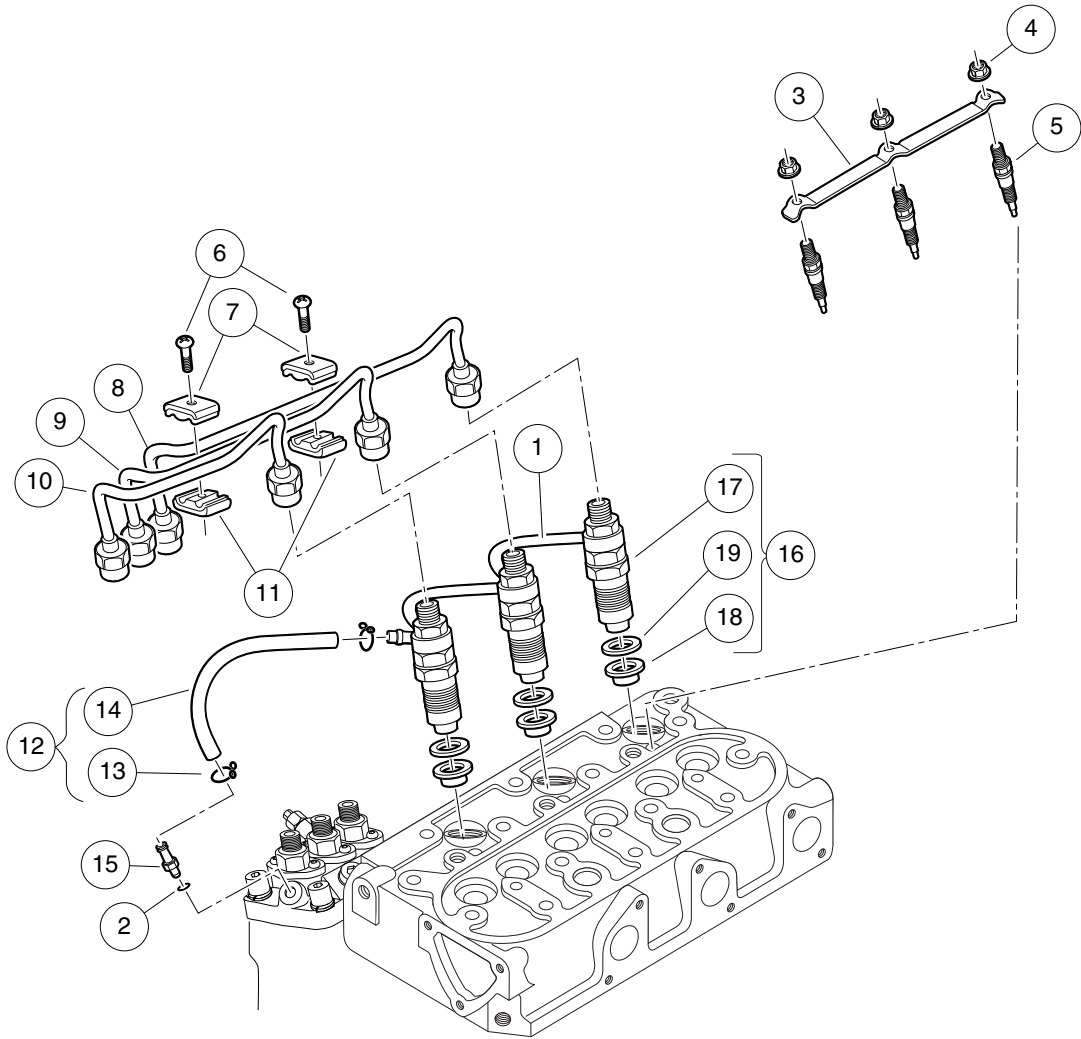
000054-002

# SPEED CONTROL PLATE

| ITEM | PART NO.  | DESCRIPTION   | QTY |
|------|-----------|---|-----|
|      |           | <b>1 2 3 4</b>  |     |
| 1    | 102634501 | Gasket, Control Plate .....                               | 1   |
| 2    | 102635201 | Bolt, M6 X 1 X 30 .....                                   | 2   |
| 3    | 102635301 | Gasket, 6 X 10 .....                                      | 2   |
| 4    | 102654301 | Bolt, D722 Intake Manfld Lower .....                      | 2   |
| 5    | 102800401 | Assembly, Speed Plate (includes items 6 through 19) ..... | 1   |
| 6    | 102633701 | Lever, Engine Stop .....                                  | 1   |
| 7    | 102633801 | Nut, Speed Control .....                                  | 1   |
| 8    | 102633901 | Lever, Speed Control .....                                | 1   |
| 9    | 102634001 | O Ring, 19 X 16 .....                                     | 1   |
| 10   | 102634101 | Plate, Speed Control .....                                | 1   |
| 11   | 102634401 | O Ring, 9 X 7 .....                                       | 1   |
| 12   | 102634601 | Collar, Lever .....                                       | 1   |
| 13   | 102634701 | Spring, Return .....                                      | 1   |
| 14   | 102729401 | Cap, Speed Cntrl Plate Rtrn .....                         | 1   |
| 15   | 102729501 | Pin, Spring, Speed Plate .....                            | 1   |
| 16   | N/A       | Nut, Speed Control .....                                  | 2   |
| 17   | N/A       | Bolt, Speed Control .....                                 | 2   |
| 18   | 102800501 | Lever, Governor .....                                     | 1   |
| 19   | 102800601 | Shaft, Governor Lever .....                               | 1   |

8

D



000055-001



## NOZZLE HOLDERS AND GLOW PLUGS

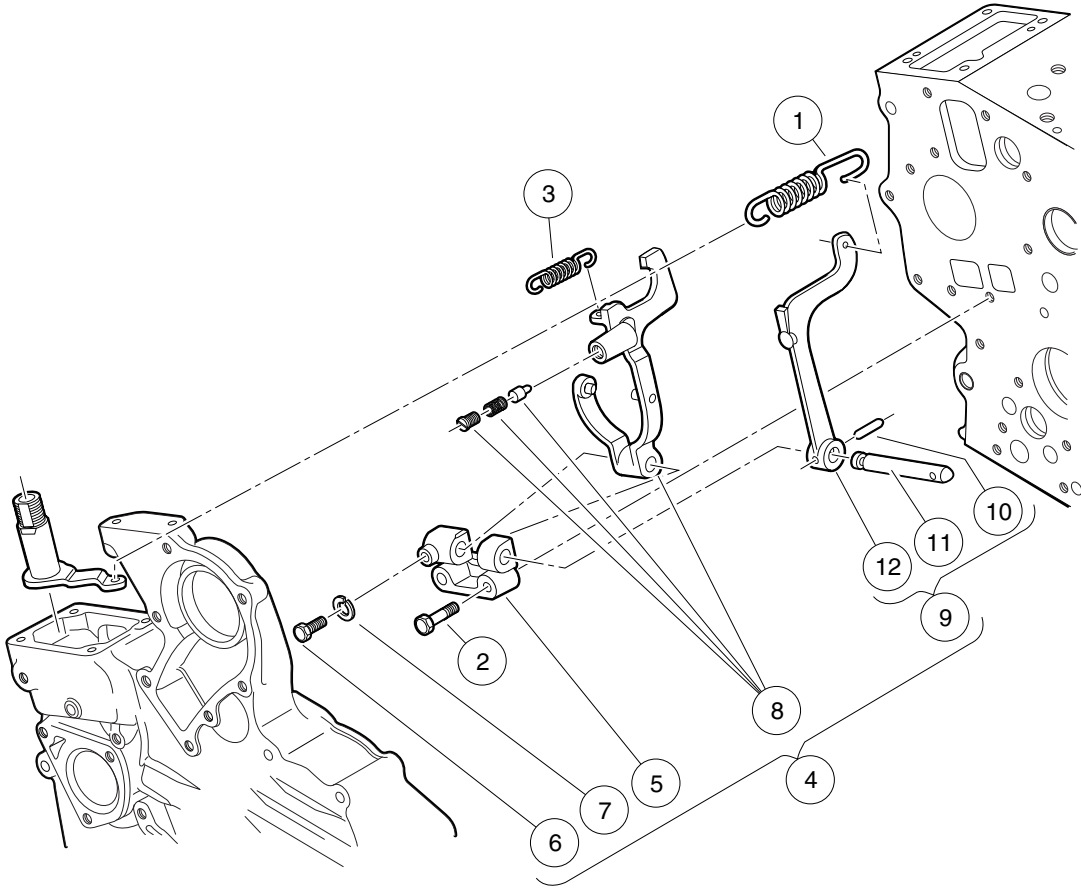
| ITEM | PART NO.  | DESCRIPTION  | QTY |
|------|-----------|--|-----|
|      |           | 1 2 3 4  |     |
| 1    | 102605701 | Assy Pipe, D722 Fuel Over Flow .....                     | 1   |
| 2    | 102635301 | Gasket, 6 X 10 .....                                     | 1   |
| 3    | 102642401 | Cord, Glow Plug .....                                    | 1   |
| 4    | 102642501 | Nut, Flange,m4 .....                                     | 3   |
| 5    | 102642601 | Glow Plug .....  | 3   |
| 6    | 102642801 | Screw, Washer .....                                      | 2   |
| 7    | 102642901 | Clamp, Pipe, Top .....                                   | 2   |
| 8    | 102643001 | Pipe, Injection, Left .....                              | 1   |
| 9    | 102643101 | Pipe, Injection, Right .....                             | 1   |
| 10   | 102643201 | Pipe, Injection, Middle .....                            | 1   |
| 11   | 102643301 | Clamp, Pipe, Bottom .....                                | 2   |
| 12   | 102643401 | Assy Pipe, Over Flow (includes items 13 and 14) .....    | 1   |
| 13   | 102729601 | Clip, Pipe, Return .....                                 | 2   |
| 14   | N/A       | Hose, Overflow .....                                     | 1   |
| 15   | 102643701 | Screw, Air Bleeder .....                                 | 1   |
| 16   | 102729701 | Kit, Holder, Nozzle (includes items 17 through 19) ..... | 3   |
| 17   | 102641501 | Assembly, Nozzle Holder .....                            | 3   |
| 18   | 102642701 | Seal, Heat .....   | 3   |
| 19   | 102643601 | Gasket, Nozzle .....                                     | 3   |

**8**

**D**

8

D



000056-002

# GOVERNOR COMPONENTS

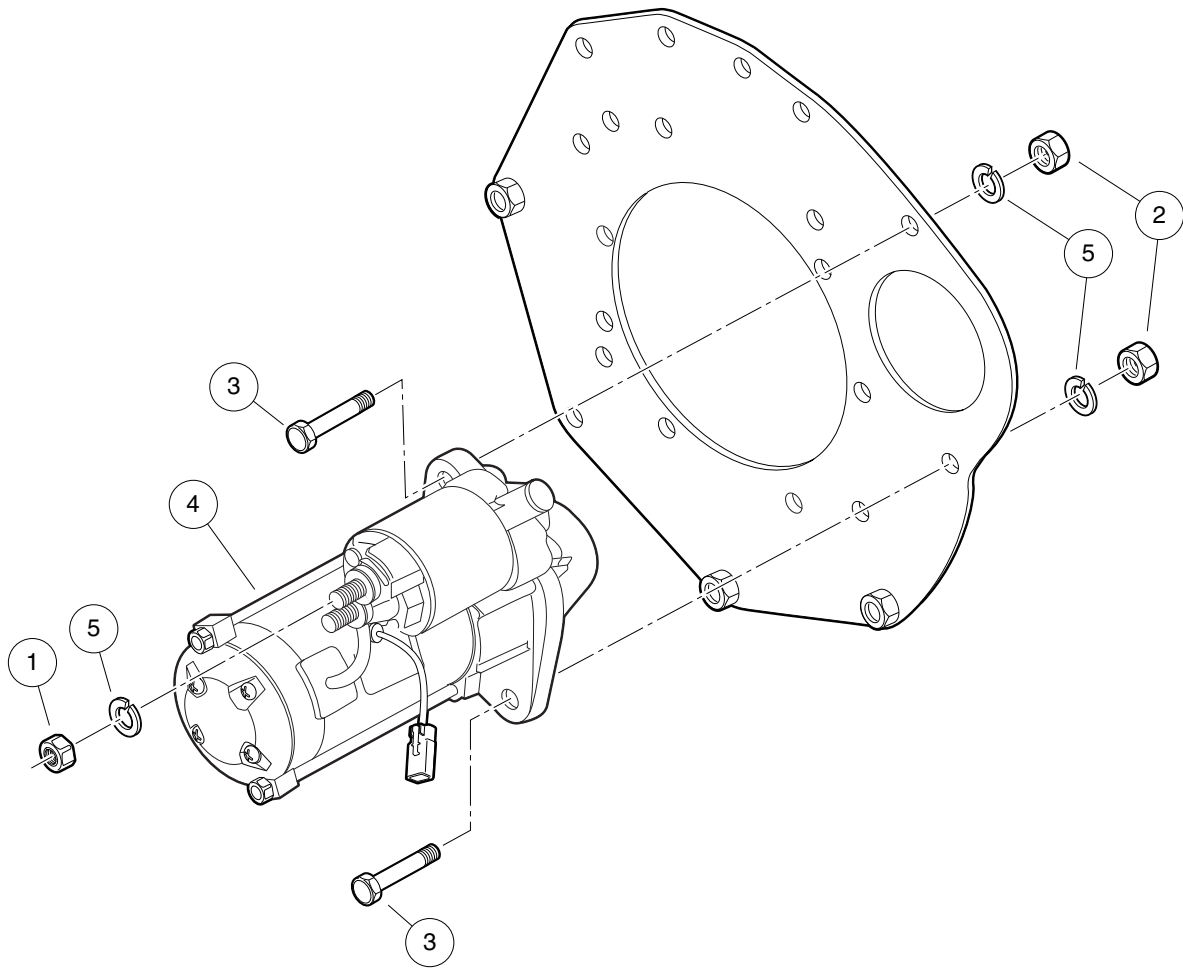
| ITEM | PART NO.  | DESCRIPTION  | QTY |
|------|-----------|--|-----|
|      |           | <b>1 2 3 4</b>   |     |
| 1    | 102635101 | Spring, Governor .....   | 1   |
| 2    | 102636301 | Bolt, M5 X 0.75 X 25 .....   | 2   |
| 3    | 102800201 | Spring, Start .....  | 1   |
| 4    | 102800301 | Assembly, Governor Fork (includes items 5 through 9) .....                         | 1   |
| 5    | 102636201 | Holder, Fork Lever .....   | 1   |
| 6    | 102636401 | Bolt, M5 X 0.75 X 11 .....   | 1   |
| 7    | 102636501 | Washer, Spring, M5 .....   | 1   |
| 8    | N/A       | Lever, Fork, Middle, D722 CB .....   | 1   |
| 9    | N/A       | Assembly, Governor Fork Level, Lower, D722 CB (includes items 10 through 12) ..... | 1   |
| 10   | 102633601 | Pin, Spring .....  | 1   |
| 11   | 102636601 | Shaft, Fork Lever .....  | 1   |
| 12   | N/A       | Lever, Fork, End, D722 CB .....  | 1   |

**8**

**D**

8

D



000058-001

# STARTER

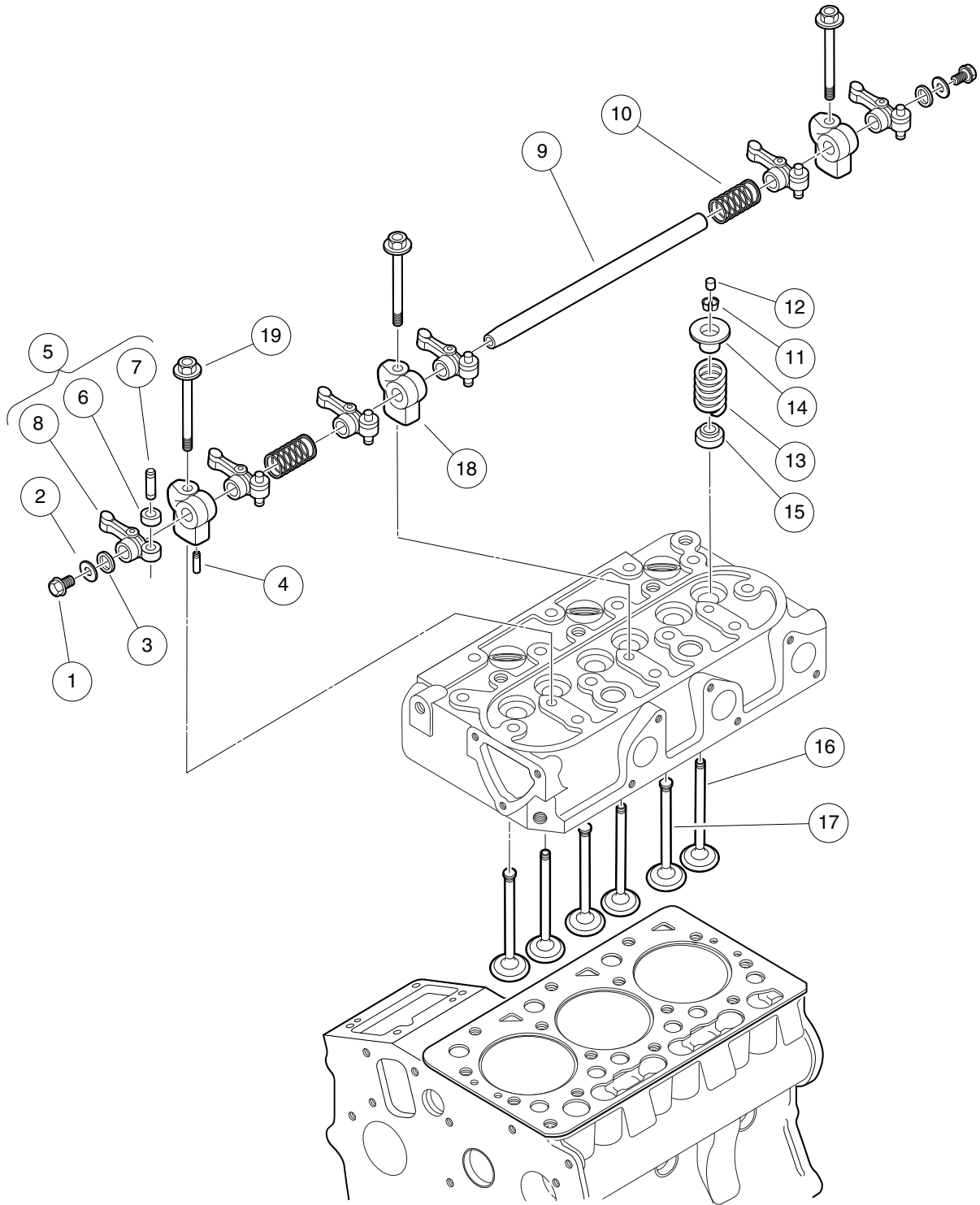
| ITEM | PART NO.  | DESCRIPTION                         | QTY |
|------|-----------|-------------------------------------|-----|
|      |           | <b>1 2 3 4</b>                      |     |
| 1    | 102645501 | Nut, D722, Starter .....            | 2   |
| 2    | 102647701 | Nut, M8, Plate .....                | 2   |
| 3    | 102648401 | Bolt, M8 X 1.25 X 28 .....          | 2   |
| 4    | 102648501 | Motor, Starter .....                | 1   |
| 5    | 102732501 | Washer, Spring, D722, Starter ..... | 4   |

**8**

**D**

8

D



000062-002

## VALVES AND ROCKER ARMS

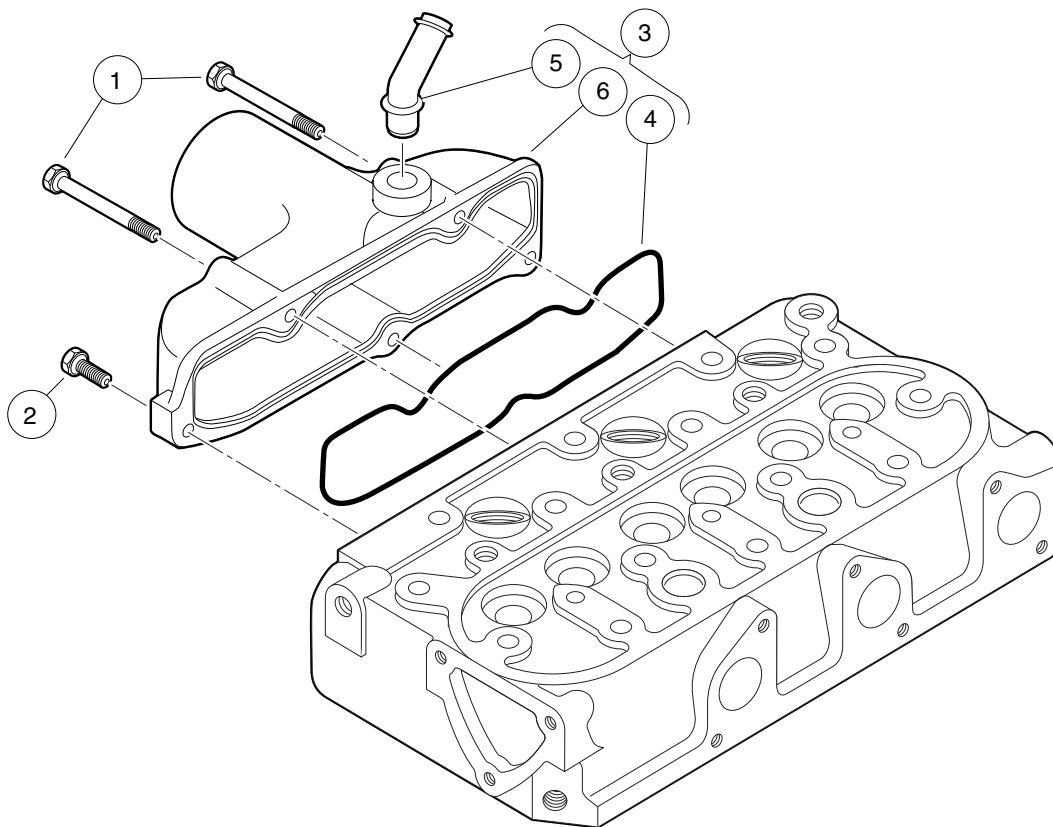
| ITEM | PART NO.  | DESCRIPTION  | QTY |
|------|-----------|--|-----|
|      |           | <b>1 2 3 4</b>                                     |     |
| 1    | 102646401 | Bolt, M6 X 1 X 8 .....                             | 2   |
| 2    | 102651301 | Washer, D722, Plain, Rocker .....                  | 2   |
| 3    | 102651601 | Washer, Rocker Arm .....                           | 2   |
| 4    | 102651801 | Pin, Spring, D722, Rocker .....                    | 1   |
| 5    | 102652001 | Assy Rocker Arm (includes items 6 through 8) ..... | 6   |
| 6    | 102651501 | Nut, M6 .....                                      | 6   |
| 7    | 102651701 | Screw-Adjusting .....                              | 6   |
| 8    | N/A       | Arm, Rocker .....                                  | 1   |
| 9    | 102652601 | Shaft, Rocker Arm .....                            | 1   |
| 10   | 102652701 | Spring, Rocker Arm .....                           | 2   |
| 11   | 102652901 | Collet, Valve Spring, Set .....                    | 6   |
| 12   | 102653001 | Cap, Valve, D722 .....                             | 6   |
| 13   | 102653101 | Spring, Valve .....                                | 6   |
| 14   | 102653201 | Retainer, Spring .....                             | 6   |
| 15   | 102653301 | Seal, Valve Stem .....                             | 6   |
| 16   | 102653601 | Valve, Exhaust .....                               | 3   |
| 17   | 102653701 | Valve, Inlet .....                                 | 3   |
| 18   | 102801101 | Bracket, Rocker Arm, D722 Closed-Breather .....    | 3   |
| 19   | 102801201 | Bolt, Rocker Arm .....                             | 3   |

**8**

**D**

8

D



000063-002



# DIESEL INLET MANIFOLD

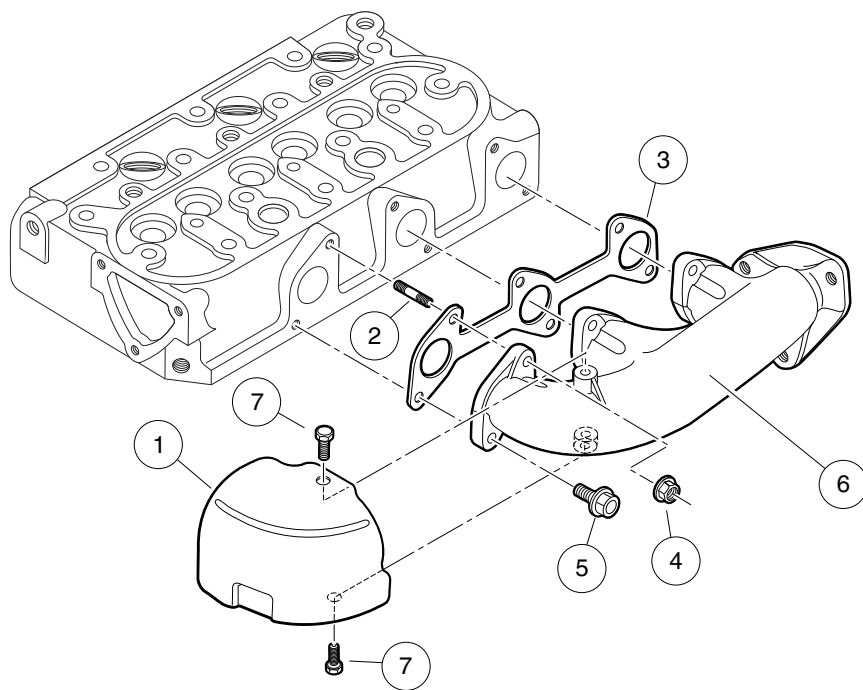
| ITEM | PART NO.  | DESCRIPTION  | QTY |
|------|-----------|--|-----|
|      |           | <b>1 2 3 4</b>   |     |
| 1    | 102646101 | Bolt, M6 X 1 X 45 .....                                      | 3   |
| 2    | 102654301 | Bolt, D722 Intake Manfld Lower .....                         | 2   |
| 3    | 102801301 | Assembly, Intake Manifold (includes items 4 through 6) ..... | 1   |
| 4    | 102646001 | Gasket, Intake Manifold .....                                | 1   |
| 5    | 102801401 | Pipe, Breather .....   | 1   |
| 6    | 102801501 | Manifold, Intake .....                                       | 1   |

**8**

**D**

8

D



000064-001

# EXHAUST MANIFOLD

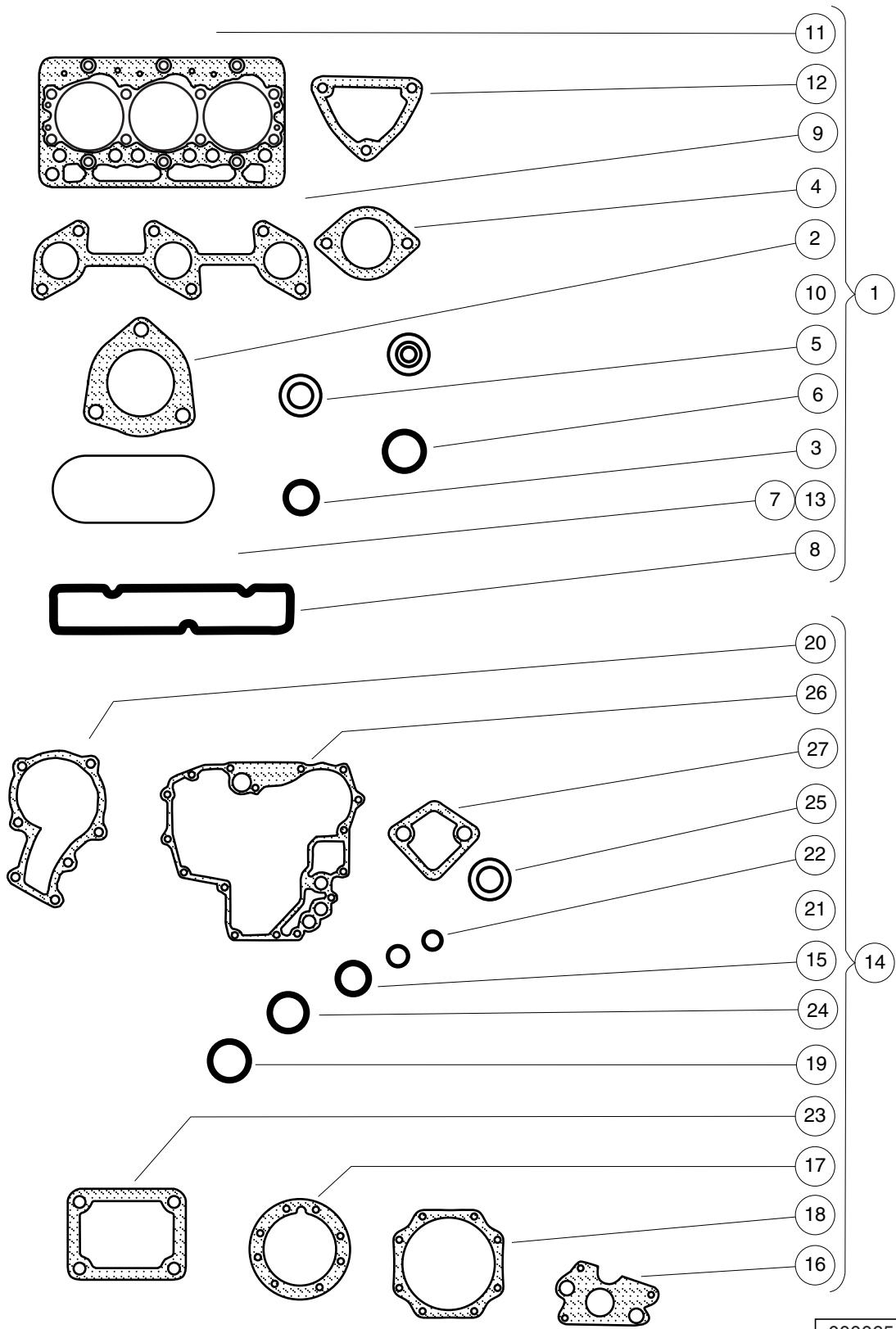
| ITEM | PART NO.  | DESCRIPTION                          | QTY |
|------|-----------|--------------------------------------|-----|
|      |           | <b>1 2 3 4</b>                       |     |
| 1    | 102646301 | Cover, Heat Proof .....              | 1   |
| 2    | 102646501 | Stud, M6 X 26 .....                  | 3   |
| 3    | 102646601 | Gasket, Ex-manifold .....            | 1   |
| 4    | 102647101 | Nut, Flange, M6, Ubs .....           | 3   |
| 5    | 102647201 | Bolt, Flange Head, M6 X 1 X 16 ..... | 3   |
| 6    | 102731501 | Manifold, Exhaust, D722 .....        | 1   |
| 7    | 102731601 | Bolt, D722, Exhst Manfld Cover ..... | 2   |

**8**

**D**

8

D



000065-001

# GASKET KITS

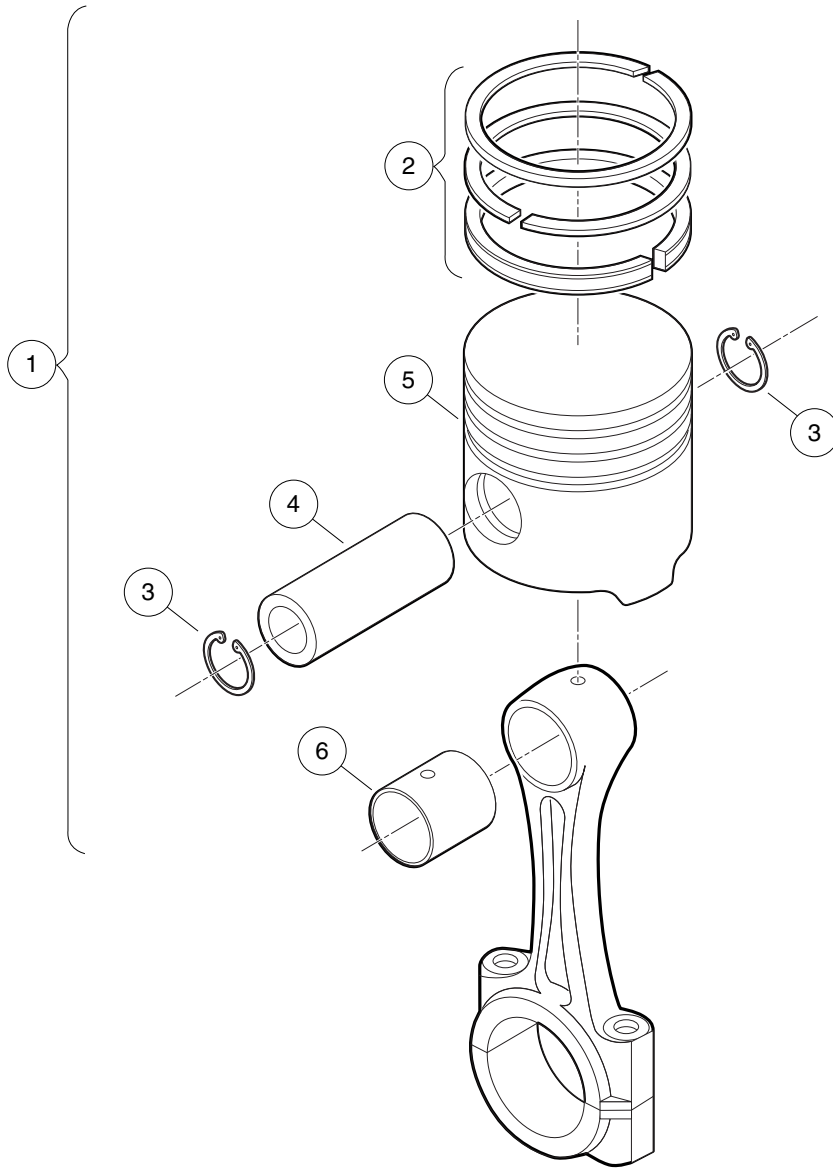
| ITEM | PART NO.  | DESCRIPTION  | QTY |
|------|-----------|--|-----|
|      |           | <b>1 2 3 4</b>   |     |
| 1    | 102731801 | Kit, Gasket Upper, D722 (includes items 2 through 13) .....  | 1   |
| 2    | 102422301 | Gasket, Exhaust Diesel .....                                 | 1   |
| 3    | 102600301 | O Ring, 8 X 7 .....  | 1   |
| 4    | 102633401 | Gasket, Thermostat .....                                     | 1   |
| 5    | 102635301 | Gasket, 6 X 10 .....   | 3   |
| 6    | 102644001 | O Ring, 30 X 36 .....  | 1   |
| 7    | 102644501 | Gasket, Head Cover .....                                     | 1   |
| 8    | 102646001 | Gasket, Intake Manifold .....                                | 1   |
| 9    | 102646601 | Gasket, Ex-manifold .....                                    | 1   |
| 10   | 102653301 | Seal, Valve Stem .....                                       | 6   |
| 11   | 102654101 | Gasket, Cylinder Head .....                                  | 1   |
| 12   | 102654701 | Gasket, Water Flange .....                                   | 1   |
| 13   | 102798501 | Gasket, Cylinder Head Cover .....                            | 1   |
| 14   | 102731901 | Kit, Gasket Lower, D722 (includes items 15 through 27) ..... | 1   |
| 15   | 102601801 | O Ring, 18 X 13 .....  | 3   |
| 16   | 102606601 | Gasket, Oil Pump .....                                       | 1   |
| 17   | 102608201 | Gasket, Bearing Case .....                                   | 1   |
| 18   | 102608301 | Gasket, Cover .....  | 1   |
| 19   | 102630301 | O Ring, 23 X 26 .....  | 1   |
| 20   | 102632701 | Gasket, Water Pump, D722 .....                               | 1   |
| 21   | 102634001 | O Ring, 19 X 16 .....  | 1   |
| 22   | 102634401 | O Ring, 9 X 7 .....  | 1   |
| 23   | 102634501 | Gasket, Control Plate .....                                  | 1   |
| 24   | 102654601 | O Ring, 20 X 17 .....  | 1   |
| 25   | 102728801 | Gasket, Idle Apparatus, Rear .....                           | 2   |
| 26   | 102729301 | Gasket, Gearcase, D722 .....                                 | 1   |
| 27   | 102732601 | Gasket, Fuel Pump, D722 .....                                | 1   |

**8**

**D**

8

D



000066-001

# PISTON KIT

| ITEM | PART NO.  | DESCRIPTION  | QTY |
|------|-----------|--|-----|
|      |           | 1 2 3 4  |     |
| 1    | 102732001 | Kit, Piston Rebuild, D722 (includes items 2 through 6) ..... | 1   |
| 2    | 102607601 | Assy Piston Ring, D722 Std .....                             | 1   |
| 3    | 102630901 | Circlip, Piston Pin .....                                    | 2   |
| 4    | 102631001 | Pin, Piston .....  | 1   |
| 5    | 102728101 | Piston, D722, Std .....                                      | 1   |
| 6    | 102732201 | Bushing, Piston Pin, D722 .....                              | 1   |

8

D

8

*D*



# FUEL, INTAKE, AND GOVERNOR SYSTEM

---

9

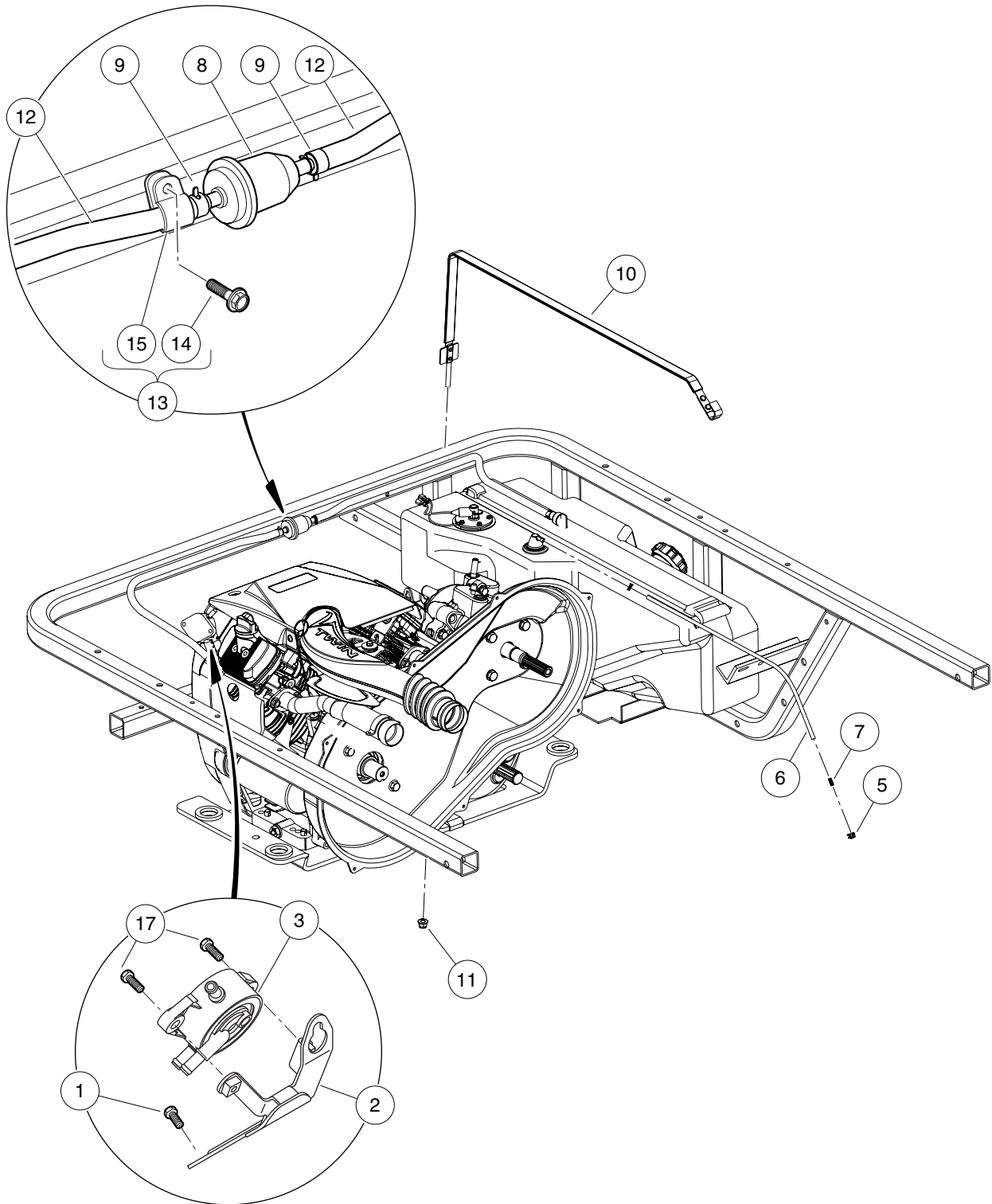
G

D

9

G

D



000672-002

## FUEL SYSTEM – KAWASAKI GASOLINE VEHICLES

| ITEM | PART NO.  | DESCRIPTION  | QTY |
|------|-----------|--|-----|
|      |           | 1 2 3 4  |     |
| 1    | 102992501 | Bolt, Flg, M6 X 1.0 X 16 .....                                     | 1   |
| 2    | 103009901 | Bracket, Fuel Pump, Fh .....                                       | 1   |
| 3    | 103010101 | Pump, Fuel, Impulse, Fh .....                                      | 1   |
| 4    | N/A       | Instl, Fuel System, Fh680d (includes items 5 through 13) .....     | 1   |
| 5    | 1013746   | Clamp, 0.301 ID Hose .....   | 2   |
| 6    | 101587703 | Hose, Fuel, Vent, 22" Long .....                                   | 1   |
| 7    | 101824401 | Vent Barb .....  | 1   |
| 8    | 102003201 | Filter, Fuel, 30 Micron .....                                      | 1   |
| 9    | 102411202 | Clamp, Hose, Ctb 13mm .....  | 4   |
| 10   | 102426301 | Strap, Tank, Fuel .....  | 1   |
| 11   | 102618601 | Lock Nut, Flg M8 X 1.25 Nylon .....                                | 1   |
| 12   | 102865101 | Fuel Line .....  | 1   |
| 13   | 103387501 | Kit, Fuel Line Clamp, 4x4 Khi (includes items 14 through 16) ..... | 1   |
| 14   | 102289001 | Screw, M8X1.25X30, Hex .....                                       | 1   |
| 15   | 102410604 | P-clamp, Insulated 0.625 In .....                                  | 1   |
| 16   | N/A       | Instr, Kit Fuel Line 4x4 Khi .....                                 | 1   |
| 17   | 103298501 | Bolt, Flanged, M6 X 20, Kaw .....                                  | 2   |

**9**

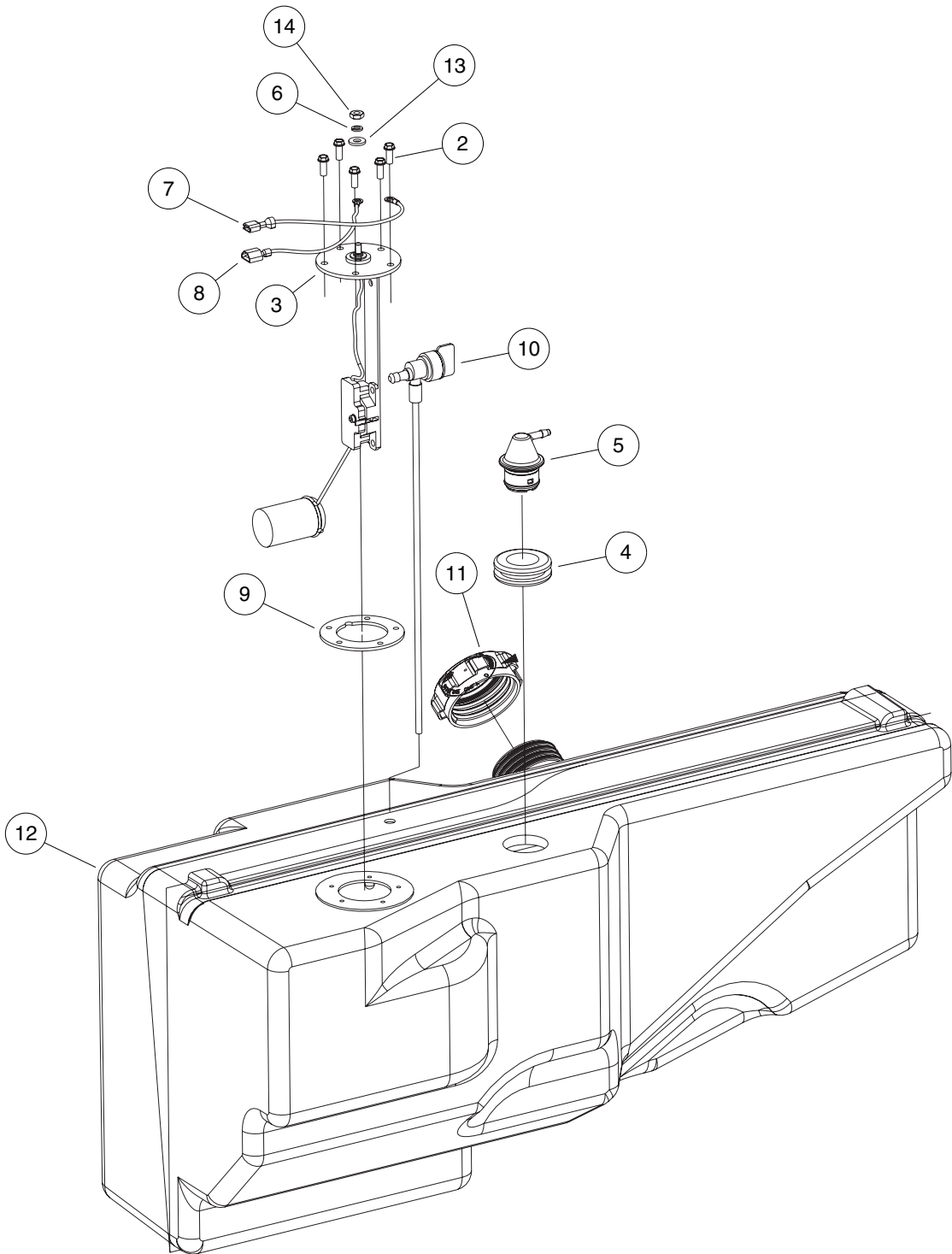
**G**

**D**

9

G

D



000082-004

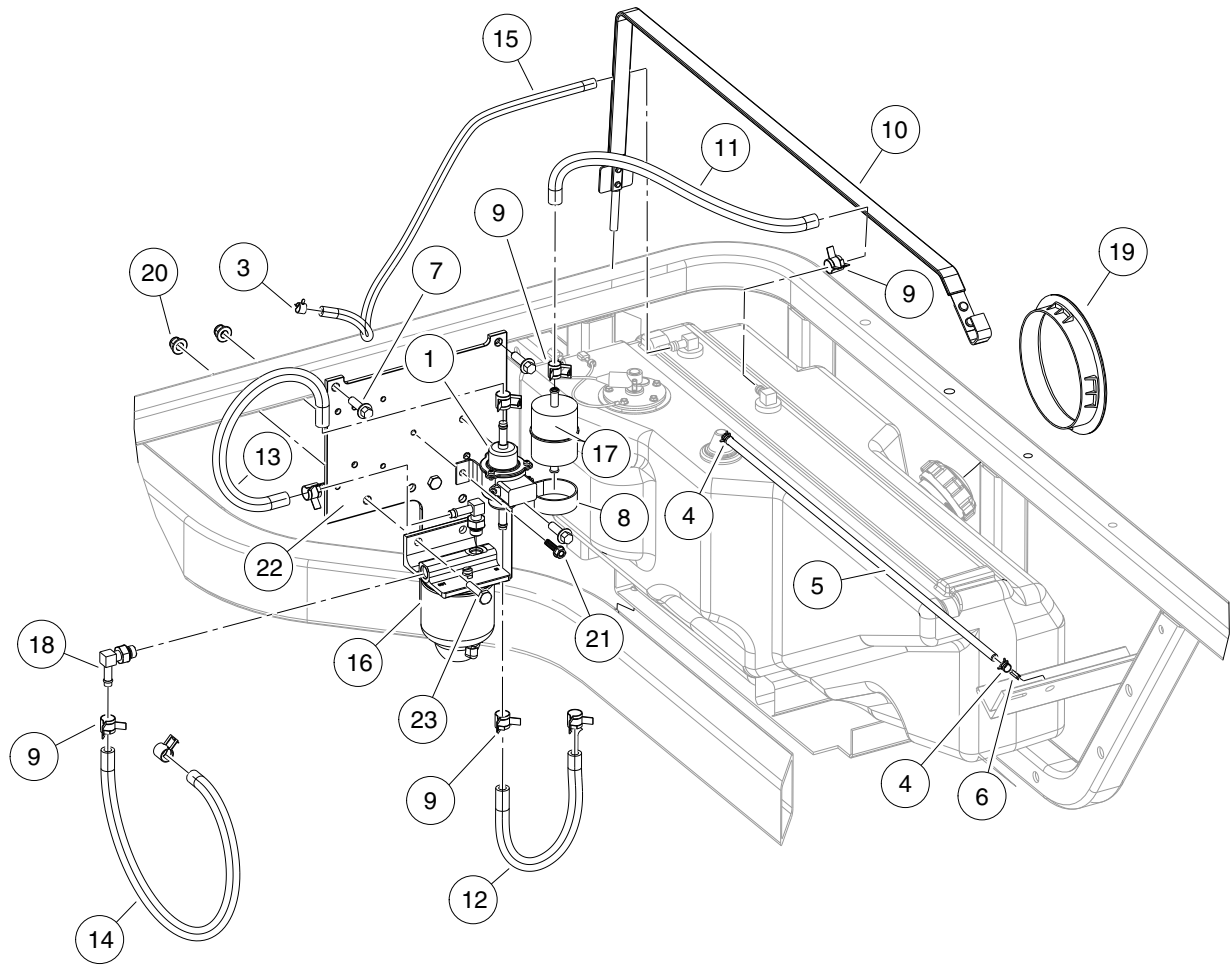
## FUEL TANK – GASOLINE VEHICLES

| ITEM | PART NO.  | DESCRIPTION  | QTY |          |
|------|-----------|--|-----|----------|
|      |           | 1 2 3 4  |     | <b>9</b> |
| 1    | 102952102 | Asm, Tank, Fuel, Gas, 4x4 (includes items 2 through 14) .....                | 1   | <b>G</b> |
| 2    | 1013461   | Screw, #10-16 Hex-Head Hi-Lo .....   | 5   |          |
| 3    | 1013462   | Sending Unit, Fuel Level * .....   | 1   |          |
| 4    | 1015139   | Insulation Grommet .....   | 1   | <b>D</b> |
| 5    | 1015143   | Vent, Fuel Tank .....  | 1   |          |
| 6    | 1016      | Lockwasher, #10 Split .....  | 1   |          |
| 7    | N/A       | Wire Asm, Blk, 170mm .....   | 1   |          |
| 8    | N/A       | Wire Asm, Org, 170mm .....   | 1   |          |
| 9    | 102522001 | Gasket, Rubber .....   | 1   |          |
| 10   | 102670901 | Valve, Pickup Tube, Fuel .....   | 1   |          |
| 11   | 102751601 | Cap, Fuel Tank, Gasoline .....   | 1   |          |
| 12   | N/A       | Tank, Fuel, Gas, 4x4 .....   | 1   |          |
| 13   | 183       | Washer, #10 Type A Flat .....  | 1   |          |
| 14   | 8797      | Nut, #10-32 Brass Hex .....  | 1   |          |
|      |           | * Note: Must replace fuel sending unit gasket when servicing this component. |     |          |

9

G

D



000081-003

# FUEL SYSTEM – DIESEL

| ITEM | PART NO.  | DESCRIPTION  | QTY |
|------|-----------|--|-----|
|      |           | 1 2 3 4  |     |
| 1    | 102410801 | Pump, Diesel Fuel Electric .....                             | 1   |
| 2    | N/A       | Asm, Fuel System, Kubota (includes items 3 through 23) ..... | 1   |
| 3    | 101313402 | Clamp, Green Hose .....                                      | 1   |
| 4    | 1013746   | Clamp, 0.301 ID Hose .....                                   | 2   |
| 5    | 101587703 | Hose, Fuel, Vent, 22" Long .....                             | 1   |
| 6    | 101824401 | Vent Barb .....  | 1   |
| 7    | 102289001 | Screw, M8X1.25X30, Hex .....                                 | 5   |
| 8    | 102410602 | P-Clamp, Insulated 1.75 In .....                             | 1   |
| 9    | 102411203 | Clamp, Hose, Ctb 14mm .....                                  | 6   |
| 10   | 102426301 | Strap, Tank, Fuel .....                                      | 1   |
| 11   | 102430001 | Hose, Tank To Prefilter Diesel .....                         | 1   |
| 12   | 102430101 | Hose, Fuel Prefilter To Pump .....                           | 1   |
| 13   | 102430201 | Hose, Fuel Pump To Filter .....                              | 1   |
| 14   | 102430301 | Hose, Fuel Filter To Eng .....                               | 1   |
| 15   | 102430401 | Hose, Fuel Return .....                                      | 1   |
| 16   | 102434601 | Filter Assy, Fuel .....                                      | 1   |
| 17   | 102434701 | Filter, Fuel .....   | 1   |
| 18   | 102434801 | Adapter, 90, 5/16 Tube .....                                 | 2   |
| 19   | 102466201 | Bezel, Fuel Fill .....                                       | 1   |
| 20   | 102618601 | Lock Nut, Flg M8 X 1.25 Nylon .....                          | 3   |
| 21   | 102670801 | Screw, M6 X 1 X 25 Thd Form .....                            | 1   |
| 22   | 102710301 | Plate, Fuel/Oil System .....                                 | 1   |
| 23   | 96705587  | Bolt, M8 X 1.25 X 30 .....                                   | 2   |

9

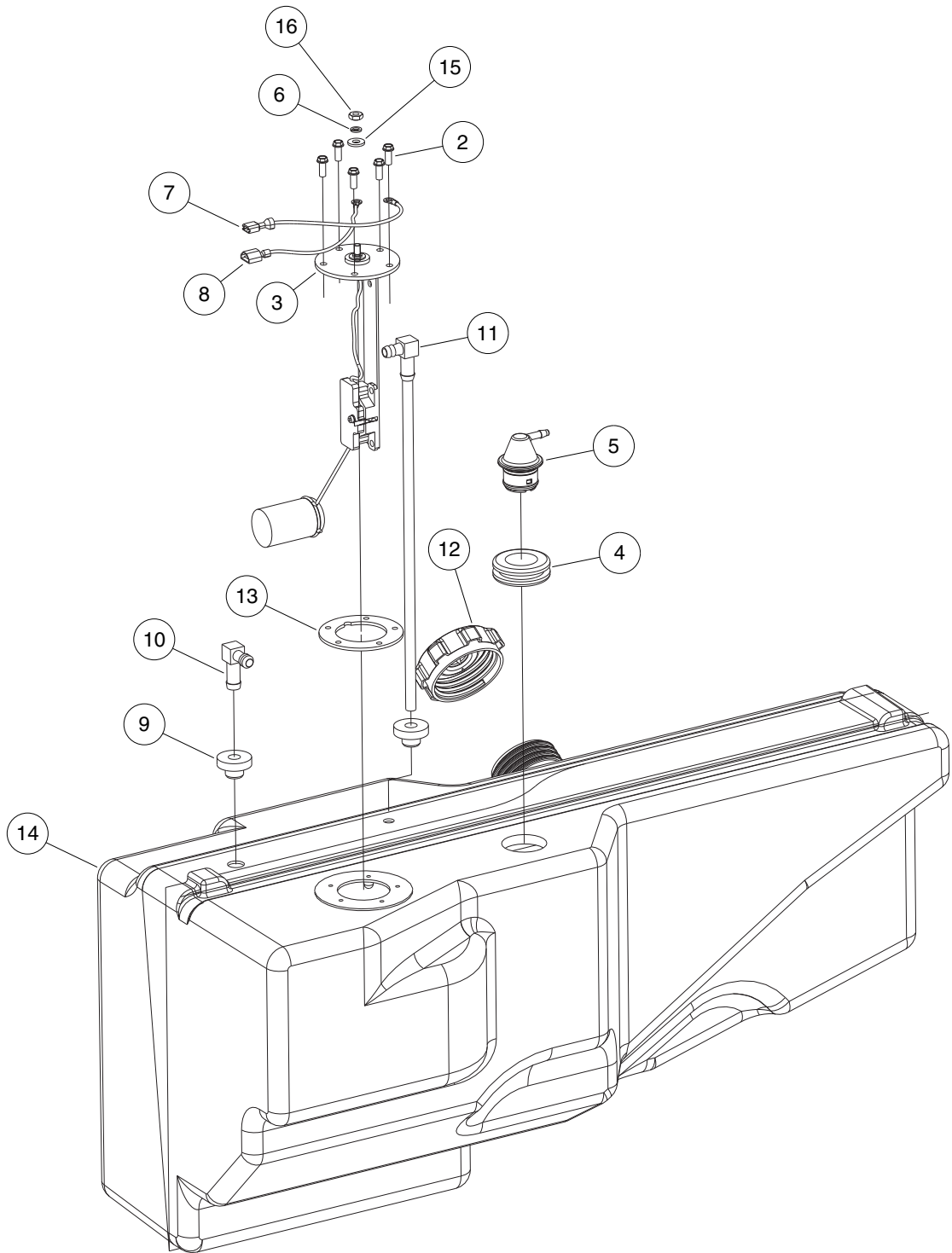
G

D

9

G

D



000082-005



## FUEL TANK – DIESEL VEHICLES

| ITEM | PART NO.  | DESCRIPTION  | QTY |
|------|-----------|--|-----|
|      |           | 1 2 3 4  |     |
| 1    | 102952101 | Asm, Tank, Fuel, Diesel, 4x4 (includes items 2 through 16) .....             | 1   |
| 2    | 1013461   | Screw, #10-16 Hex-Head Hi-Lo .....   | 5   |
| 3    | 1013462   | Sending Unit, Fuel Level * .....   | 1   |
| 4    | 1015139   | Insulation Grommet .....   | 1   |
| 5    | 1015143   | Vent, Fuel Tank .....  | 1   |
| 6    | 1016      | Lockwasher, #10 Split .....  | 1   |
| 7    | N/A       | Wire Asm, Blk, 170mm .....   | 1   |
| 8    | N/A       | Wire Asm, Org, 170mm .....   | 1   |
| 9    | 102406701 | Bushing, Line, Return .....  | 2   |
| 10   | 102406801 | Elbow, 90 Barbed .....   | 1   |
| 11   | 102478501 | Pickup Tube, Fuel .....  | 1   |
| 12   | 102494701 | Cap, Fuel (Diesel) .....   | 1   |
| 13   | 102522001 | Gasket, Rubber .....   | 1   |
| 14   | N/A       | Tank, Fuel, Diesel, 4x4 .....  | 1   |
| 15   | 183       | Washer, #10 Type A Flat .....  | 1   |
| 16   | 8797      | Nut, #10-32 Brass Hex .....  | 1   |
|      |           | * Note: Must replace fuel sending unit gasket when servicing this component. |     |

9

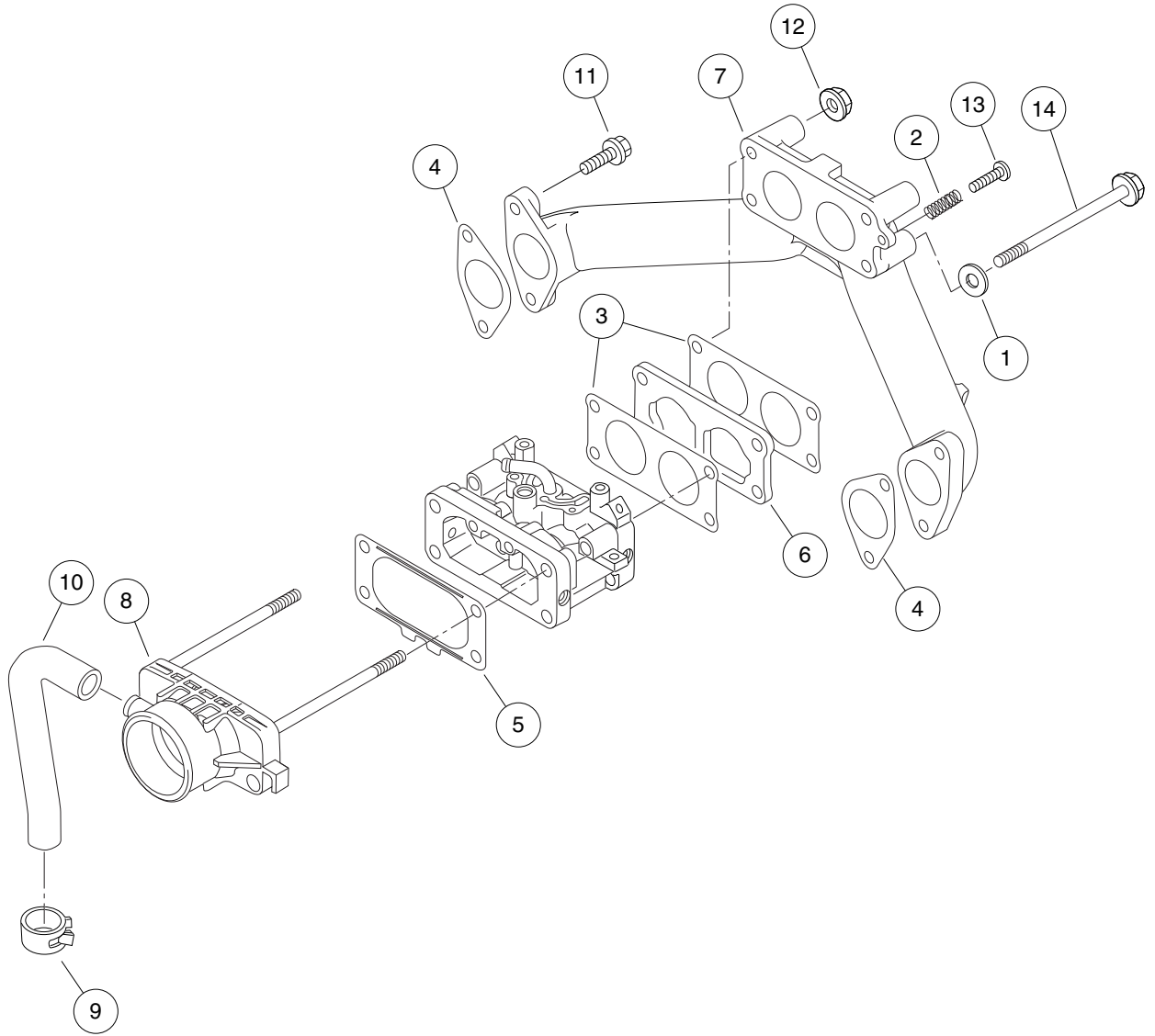
G

D

9

G

D



000673-002

# CARBURETOR INSTALLATION – KAWASAKI GASOLINE VEHICLES

| ITEM | PART NO.  | DESCRIPTION                         | QTY |
|------|-----------|-------------------------------------|-----|
|      |           | <b>1 2 3 4</b>                      |     |
| 1    | 1016513   | Washer, M6 Flat .....               | 2   |
| 2    | 103002801 | Spring, Fh .....                    | 1   |
| 3    | 103003801 | Gasket, Carburetor, Fh .....        | 2   |
| 4    | 103003901 | Gasket, Manifold, Fh .....          | 2   |
| 5    | 103004201 | Gasket, Air Filter, Fh .....        | 1   |
| 6    | 103005001 | Insulator, Manifold, Fh .....       | 1   |
| 7    | 103005601 | Manifold, Intake, Fh .....          | 1   |
| 8    | 103297101 | Pipe, Intake Adapter, Fh .....      | 1   |
| 9    | 103297201 | Clamp, Crankcase Vent, Fh .....     | 1   |
| 10   | 103297301 | Tube, Crankcase Vent, Fh .....      | 1   |
| 11   | 103298501 | Bolt, Flanged, M6 X 20, Kaw .....   | 4   |
| 12   | 103320201 | Nut, Carburetor, M6 .....           | 2   |
| 13   | 103320301 | Screw, Carburetor, M4 X 20 .....    | 1   |
| 14   | 103320401 | Bolt, Flg, Carburetor, M6x105 ..... | 2   |

**9**

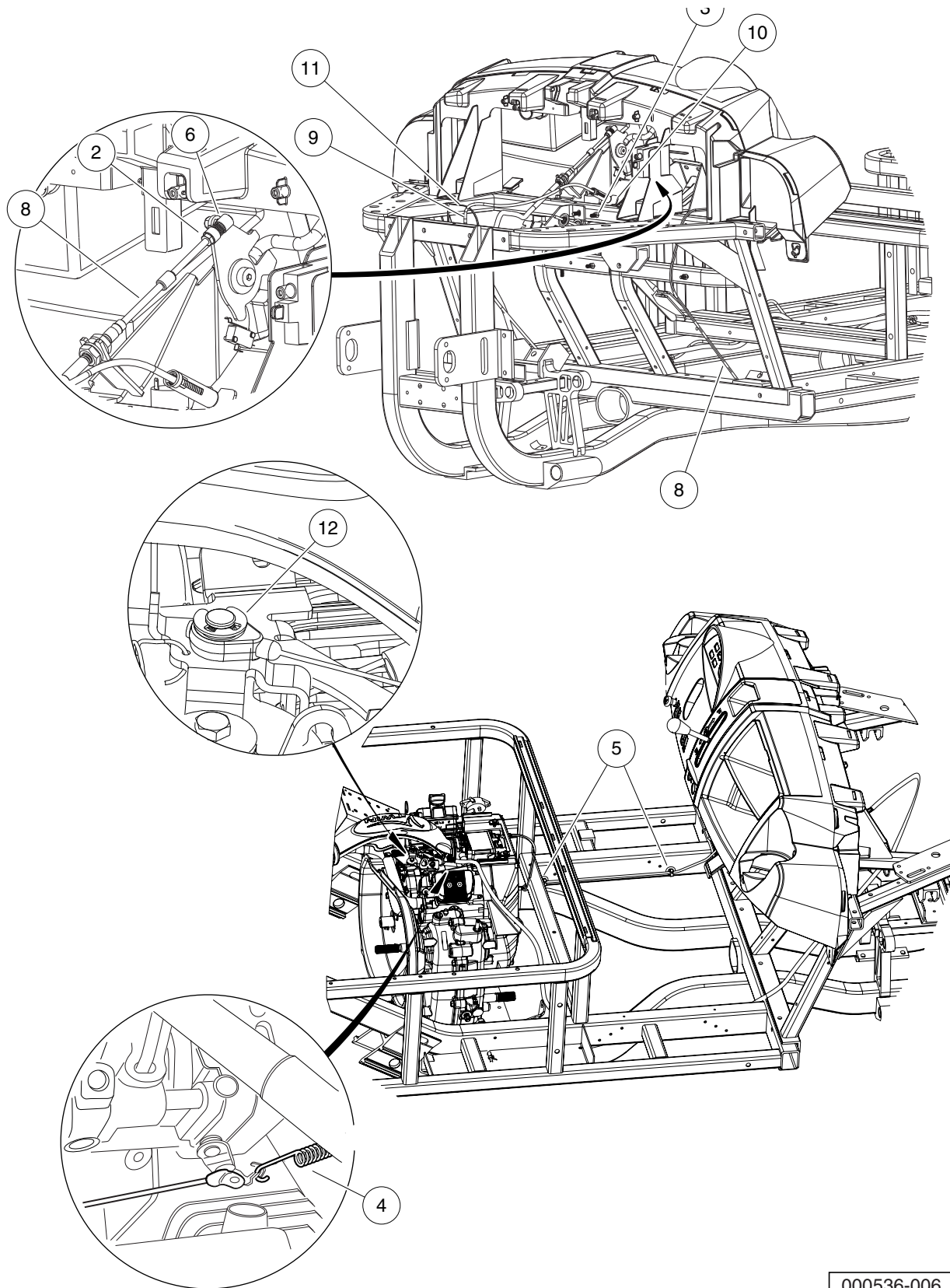
**G**

**D**

9

G

D



000536-006

## CABLES – KAWASAKI GASOLINE ENGINE

| ITEM | PART NO.  | DESCRIPTION  | QTY |
|------|-----------|--|-----|
|      |           | 1 2 3 4  |     |
| 1    | N/A       | Instl, Cables, Gas, Se, Fh680d (includes items 2 through 12) ..... | 1   |
| 2    | 1011084   | Nut, 1/4-28 Hex Jam .....  | 2   |
| 3    | 102298401 | Nut,m8,all Metal Lock .....  | 1   |
| 4    | 102457001 | Spring .....   | 1   |
| 5    | 102475701 | Clip, Brake Line .....   | 9   |
| 6    | 102615801 | Joint, Ball, .346 Dia .....  | 2   |
| 7    | 102767101 | Cable, Trans Shift, AWD, Long .....                                | 1   |
| 8    | 103293401 | Cable, Choke, Awd, Fh680d, Se .....                                | 1   |
| 9    | 103650201 | Cable, Accel, Awd, Fh680d, Se .....                                | 1   |
| 10   | 103795901 | Bkt, Accel, Cable, Common .....                                    | 1   |
| 11   | 8990      | Tie Wrap, 8" Nylon .....   | 1   |
| 12   | 96950126  | Ring, Retaining .....  | 1   |

**9**

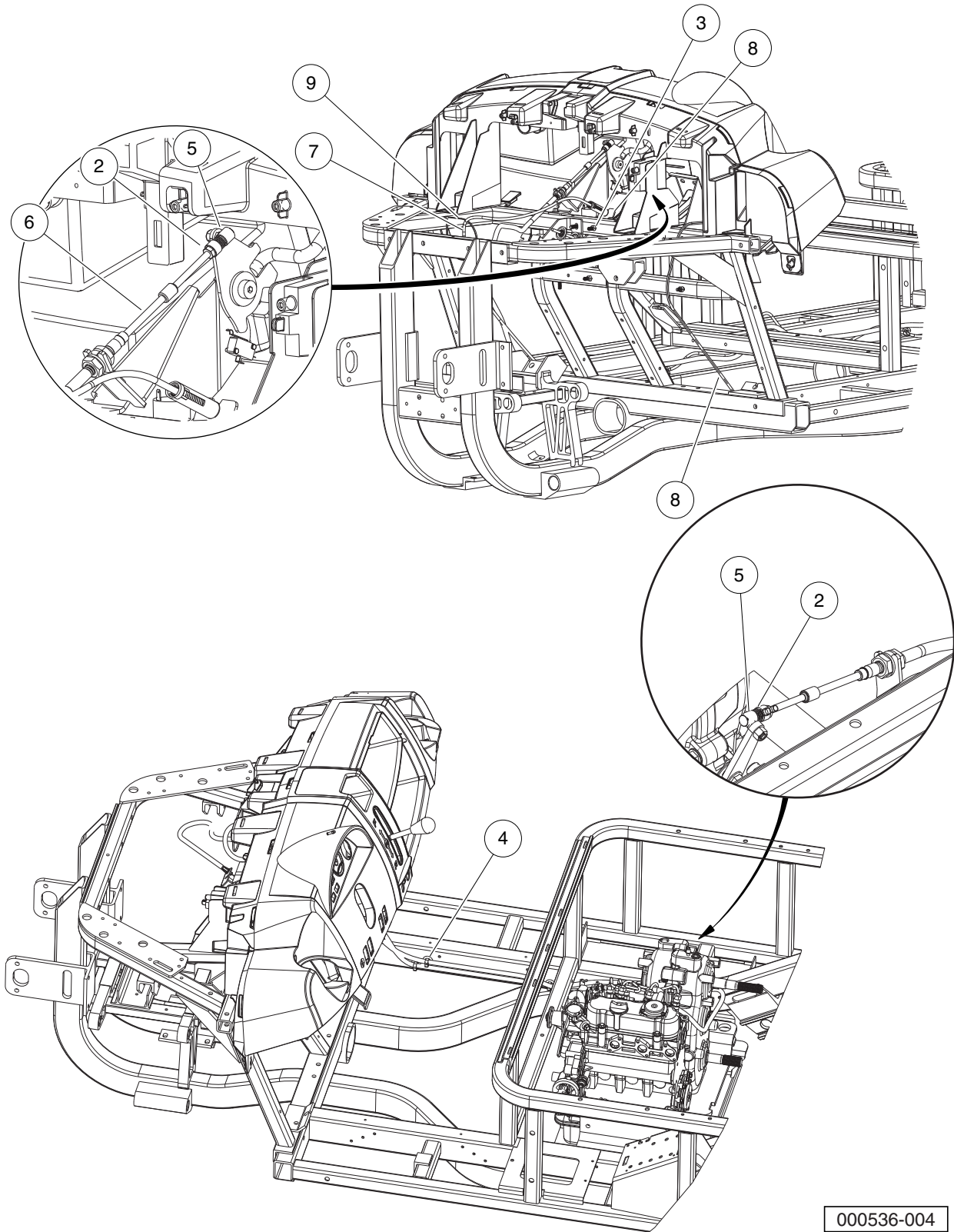
**G**

**D**

9

G

D



000536-004

## CABLES – DIESEL VEHICLES

| ITEM | PART NO.  | DESCRIPTION   | QTY |
|------|-----------|---|-----|
|      |           | 1 2 3 4   |     |
| 1    | N/A       | Instl, Cable, Long, Diesel (includes items 2 through 9) ..... | 1   |
| 2    | 1011084   | Nut, 1/4-28 Hex Jam .....                                     | 2   |
| 3    | 102298401 | Nut,m8,all Metal Lock .....                                   | 1   |
| 4    | 102475701 | Clip, Brake Line .....  | 3   |
| 5    | 102615801 | Joint, Ball, .346 Dia .....                                   | 2   |
| 6    | 102767101 | Cable, Trans Shift, AWD, Long .....                           | 1   |
| 7    | 103650301 | Cable, Accel, Awd, Diesel, Se .....                           | 1   |
| 8    | 103795901 | Bkt, Accel, Cable, Common .....                               | 1   |
| 9    | 8990      | Tie Wrap, 8" Nylon .....                                      | 1   |

**9**

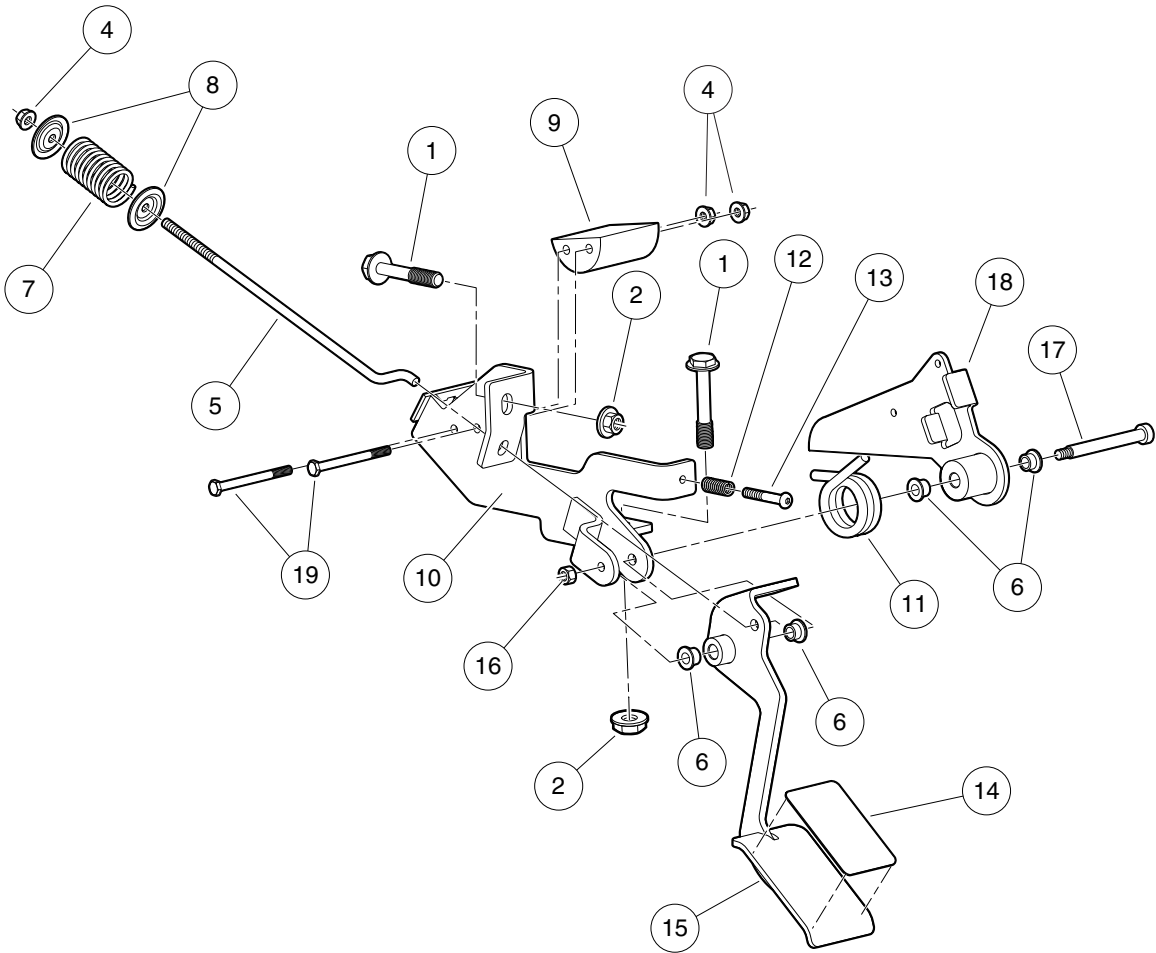
**G**

**D**

9

G

D



000026-002



# ACCELERATOR PEDAL ASSEMBLY

| ITEM | PART NO.  | DESCRIPTION  | QTY |
|------|-----------|--|-----|
|      |           | <b>1 2 3 4</b>   |     |
| 1    | 102618301 | Bolt Flanged Head, M8 X 1.25 X 65 .....                    | 2   |
| 2    | 102618601 | Lock Nut, Flg M8 X 1.25 Nylon .....                        | 2   |
| 3    | 103278101 | Asm, Accelerator Pedal (includes items 4 through 19) ..... | 1   |
| 4    | 102296401 | Nut-m6x1.0 Flng All Mtl Lock .....                         | 3   |
| 5    | N/A       | Pullrod, Spring, Compression .....                         | 1   |
| 6    | 102442901 | Bushing, Greaseless .....                                  | 4   |
| 7    | 102445201 | Spring, Comp, Pedal, Pullrod .....                         | 1   |
| 8    | N/A       | Washer, Retaining Spring, 7mm .....                        | 2   |
| 9    | N/A       | Guide, Cable, Accelerator .....                            | 1   |
| 10   | N/A       | Weldment, Bracket, Pedal .....                             | 1   |
| 11   | N/A       | Spring, Torsion .....                                      | 1   |
| 12   | 102476301 | Spring, Stop, Pedal .....                                  | 1   |
| 13   | 102476401 | Bolt, Stop, Pedal .....                                    | 1   |
| 14   | 102479301 | Pad, Grip Tape, Accelerator .....                          | 1   |
| 15   | N/A       | Weldment, Pedal, Accel .....                               | 1   |
| 16   | 102618101 | Nut M6x1 Mech Def Center .....                             | 1   |
| 17   | 103273101 | Bolt, Shoulder, M8 X 70, Hc .....                          | 1   |
| 18   | 103283201 | Weldment, Lever, Lost Motion .....                         | 1   |
| 19   | 96706825  | Bolt, M6 X 1 X 70 .....                                    | 2   |

**9**

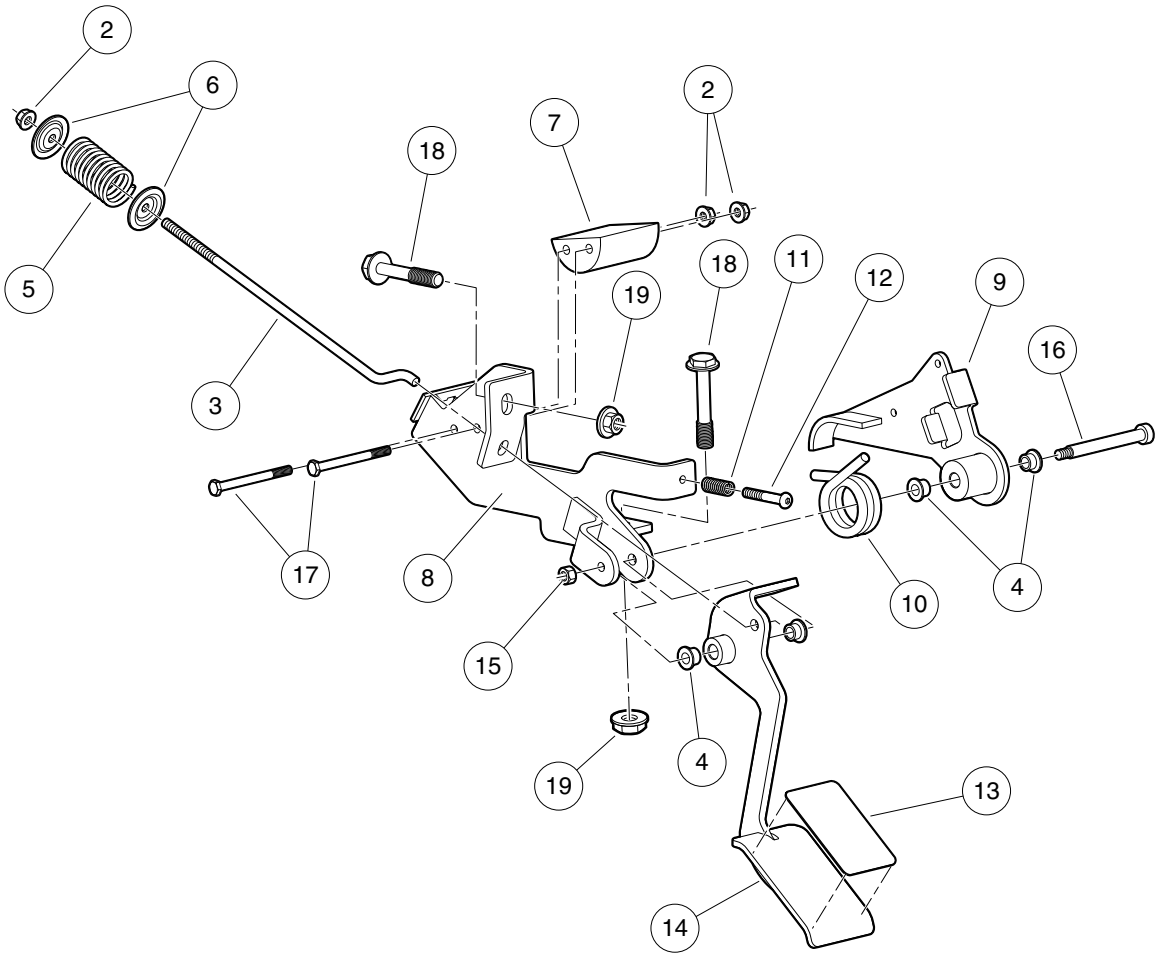
**G**

**D**

9

G

D



000026-001

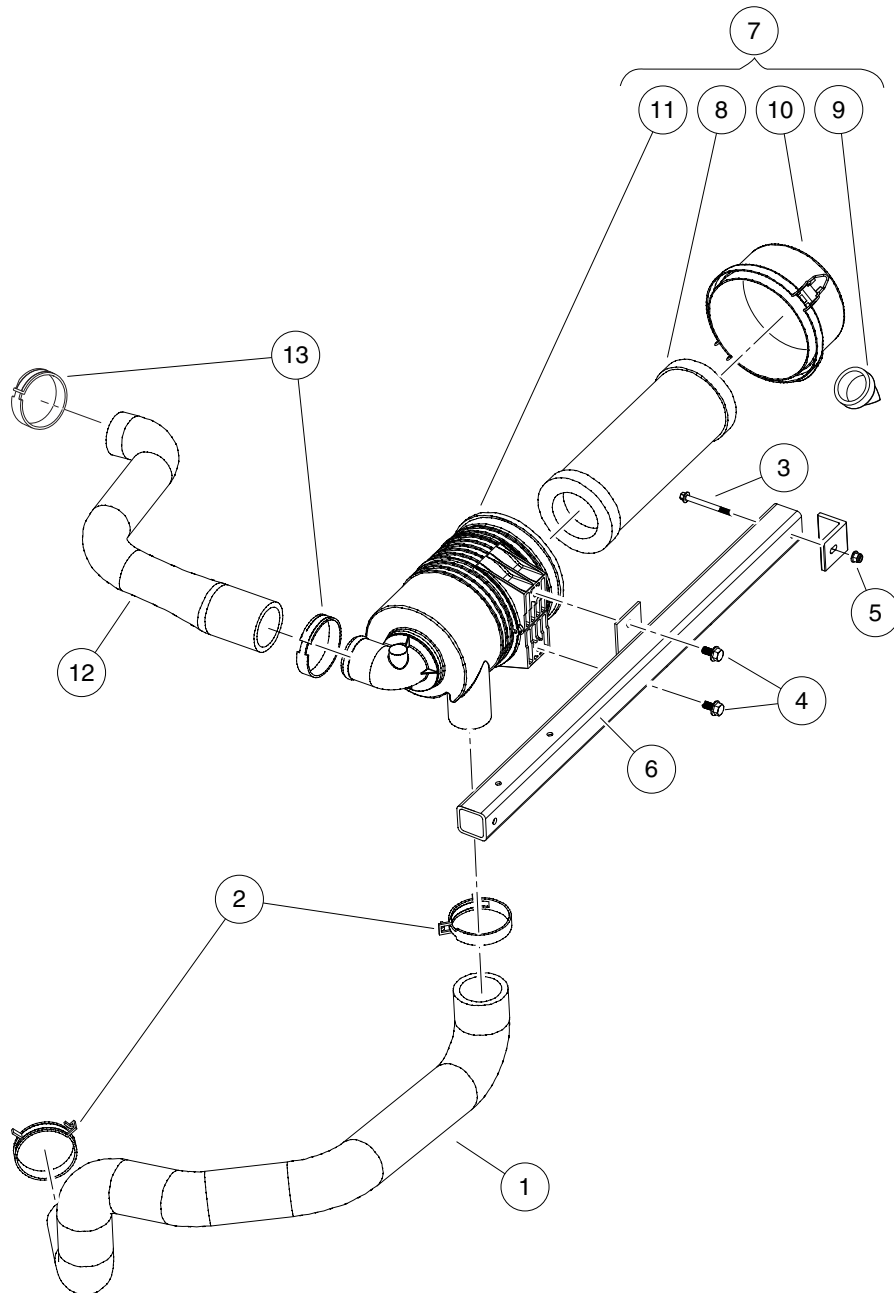
## ACCELERATOR PEDAL ASSEMBLY – STYLE B

| ITEM | PART NO.  | DESCRIPTION   | QTY |          |
|------|-----------|---|-----|----------|
|      |           | 1 2 3 4   |     | <b>9</b> |
| 1    | 102489901 | Asm, Pedal, Accelerator (includes items 2 through 17) ..... | 1   | <b>G</b> |
| 2    | 102296401 | Nut-m6x1.0 Flng All Mtl Lock .....                          | 3   |          |
| 3    | N/A       | Pullrod, Spring, Compression .....                          | 1   |          |
| 4    | 102442901 | Bushing, Greaseless .....                                   | 4   | <b>D</b> |
| 5    | 102445201 | Spring, Comp, Pedal, Pullrod .....                          | 1   |          |
| 6    | N/A       | Washer, Retaining Spring, 7mm .....                         | 2   |          |
| 7    | N/A       | Guide, Cable, Accelerator .....                             | 1   |          |
| 8    | N/A       | Weldment, Bracket, Pedal .....                              | 1   |          |
| 9    | 102469401 | Weldment, Lever, Motion, Lost .....                         | 1   |          |
| 10   | N/A       | Spring, Torsion .....                                       | 1   |          |
| 11   | 102476301 | Spring, Stop, Pedal .....                                   | 1   |          |
| 12   | 102476401 | Bolt, Stop, Pedal .....                                     | 1   |          |
| 13   | 102479301 | Pad, Grip Tape, Accelerator .....                           | 1   |          |
| 14   | N/A       | Weldment, Pedal, Accel .....                                | 1   |          |
| 15   | 102618101 | Nut M6x1 Mech Def Center .....                              | 1   |          |
| 16   | 103273101 | Bolt, Shoulder, M8 X 70, Hc .....                           | 1   |          |
| 17   | 96706825  | Bolt, M6 X 1 X 70 .....                                     | 2   |          |
| 18   | 102618301 | Bolt Flanged Head, M8 X 1.25 X 65 .....                     | 2   |          |
| 19   | 102618601 | Lock Nut, Flg M8 X 1.25 Nylon .....                         | 2   |          |

9

G

D



000090-005

# INTAKE DUCT AND AIR BOX ASSEMBLY – KAWASAKI GASOLINE VEHICLES

| ITEM | PART NO.  | DESCRIPTION   | QTY |
|------|-----------|---|-----|
|      |           | 1 2 3 4   |     |
| 1    | 102395601 | Hose, Intake, Primary .....                                       | 1   |
| 2    | 102411210 | Clamp, Hose, Ctb 64mm .....                                       | 2   |
| 3    | 102541465 | Bolt, M 6 X 1.0 X 65 Hex, Flange, Head, Black .....               | 2   |
| 4    | 102621201 | Bolt Flanged Head, M8 X1.25x 16 with Loctite .....                | 2   |
| 5    | 102621501 | Nut Flg, M6 X 1.0 Nylon .....                                     | 2   |
| 6    | N/A       | Weldment, Support, Air Cleaner .....                              | 1   |
| 7    | 102810701 | Filter, Air, Canister, W/labe (includes items 8 through 11) ..... | 1   |
| 8    | 102498601 | Element, Filter, Air, 5 In .....                                  | 1   |
| 9    | 102725501 | Valve, Evacuator, Filter Air .....                                | 1   |
| 10   | 102725601 | Cap, Latch Lock, Filter, Air .....                                | 1   |
| 11   | N/A       | Body, Canister, Filter, Air .....                                 | 1   |
| 12   | 103438201 | Intake Awd Hose Gas .....   | 1   |
| 13   | 103441401 | Clamp, Worm Screw, Hose, 2" .....                                 | 2   |

**9**

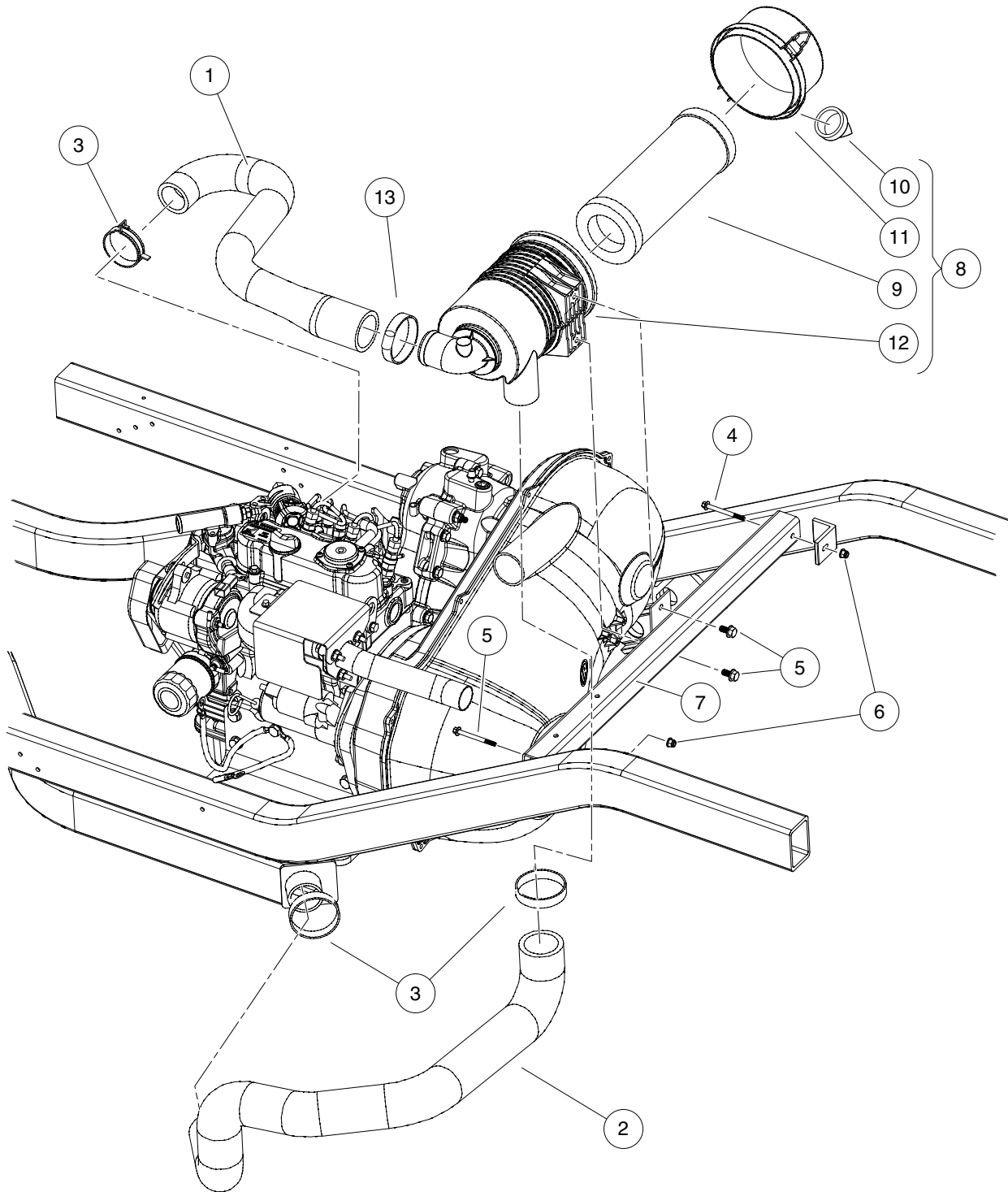
**G**

**D**

9

G

D



000090-002

# INTAKE DUCT AND AIR BOX ASSEMBLY – DIESEL VEHICLES

| ITEM | PART NO.  | DESCRIPTION   | QTY |
|------|-----------|---|-----|
|      |           | 1 2 3 4   |     |
| 1    | 102379001 | Hose, Intake, D722 .....  | 1   |
| 2    | 102395601 | Hose, Intake, Primary .....                                       | 1   |
| 3    | 102411209 | Clamp, Hose, Ctb 55mm .....                                       | 3   |
| 4    | 102541465 | Bolt, M 6 X 1.0 X 65 Hex, Flange, Head, Black .....               | 2   |
| 5    | 102621201 | Bolt Flanged Head, M8 X1.25x 16 with Loctite .....                | 2   |
| 6    | 102621501 | Nut Flg, M6 X 1.0 Nylon .....                                     | 2   |
| 7    | N/A       | Weldment, Support, Air Cleaner .....                              | 1   |
| 8    | 102810701 | Filter, Air, Canister, W/labe (includes items 9 through 12) ..... | 1   |
| 9    | 102498601 | Element, Filter, Air, 5 In .....                                  | 1   |
| 10   | 102725501 | Valve, Evacuator, Filter Air .....                                | 1   |
| 11   | 102725601 | Cap, Latch Lock, Filter, Air .....                                | 1   |
| 12   | N/A       | Body, Canister, Filter, Air .....                                 | 1   |
| 13   | 103441401 | Clamp, Worm Screw, Hose, 2" .....                                 | 1   |

**9**

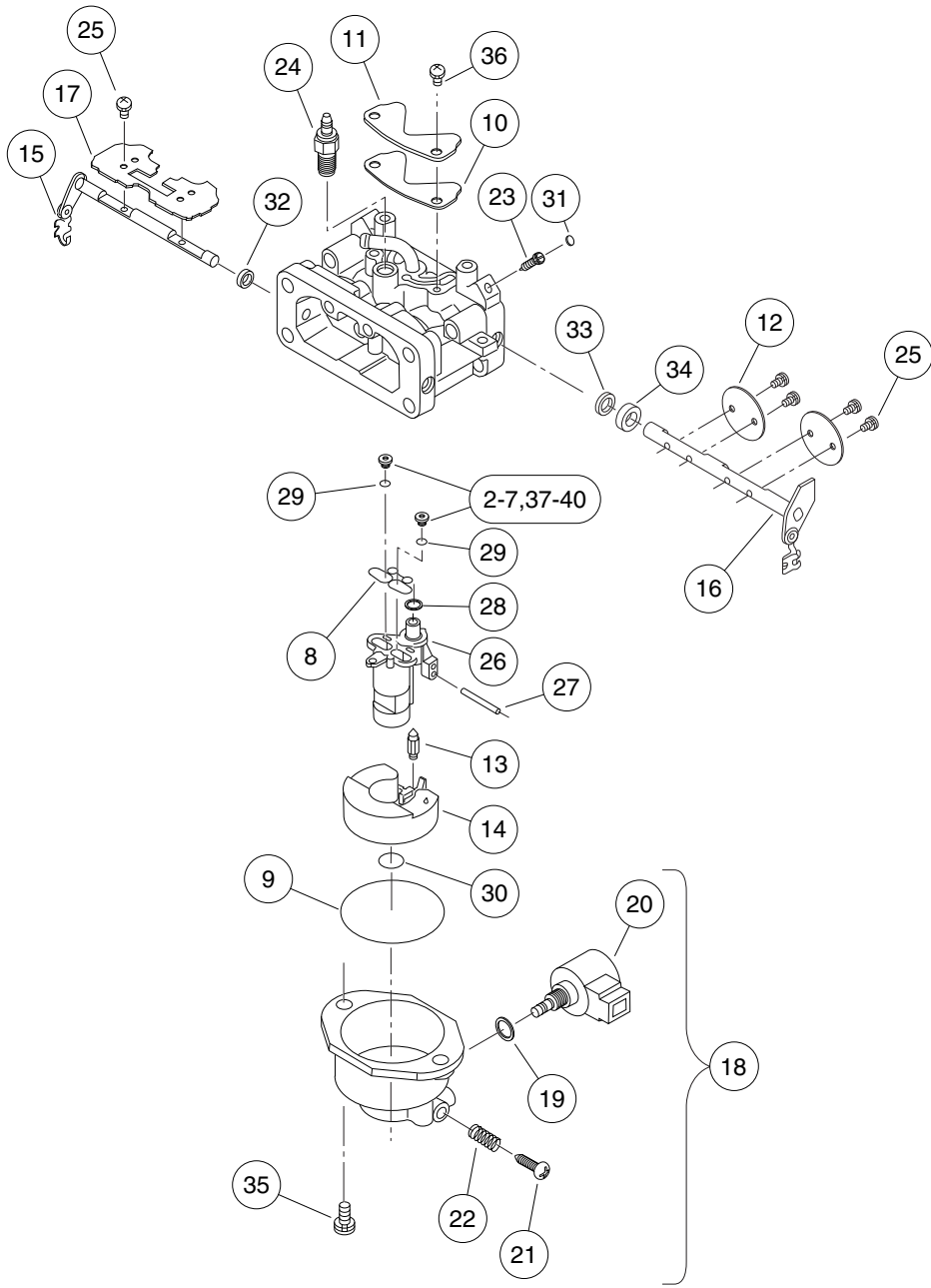
**G**

**D**

9

G

D



000673-003



# CARBURETOR ASSEMBLY, KAWASAKI GASOLINE VEHICLES

| ITEM | PART NO.  | DESCRIPTION   | QTY |
|------|-----------|---|-----|
|      |           | 1 2 3 4   |     |
| 1    | 103596801 | Asm, Carburetor, FH680D (includes items 2 through 37) .....             | 1   |
| 2    | 103307201 | Kit, Jet, 6600 Ft +, Fh680d (includes items 3 and 4) .....              | 1   |
| 3    | 103306801 | Jet, Push In #96, FH680D (6600 ft and higher (2000 m and higher)) ..... | 2   |
| 4    | N/A       | Instructions, Kit, Jet, Push In .....                                   | 1   |
| 5    | 103307301 | Kit, Jet, 3300-6600 Ft, Fh680d (includes items 6 and 7) .....           | 1   |
| 6    | 103306901 | Jet, Push In #99, FH680D (3300-6600 ft (1000-2000 m)) .....             | 2   |
| 7    | N/A       | Instructions, Kit, Jet, Push In .....                                   | 1   |
| 8    | 103340601 | Gasket, Fh680d .....  | 1   |
| 9    | 103340701 | Gasket, Carburetor, Dia. 52 .....                                       | 1   |
| 10   | 103340801 | Gasket, Cover, Fh680d .....   | 1   |
| 11   | 103340901 | Cover, Slow Passage, Fh680d .....                                       | 1   |
| 12   | 103341101 | Valve, Throttle, Fh680d .....   | 2   |
| 13   | 103341201 | Valve, Float, Fh680d .....  | 1   |
| 14   | 103341301 | Float, Carburetor, Fh680d .....   | 1   |
| 15   | 103341401 | Shaft, Carburetor, Fh680d .....   | 1   |
| 16   | 103341501 | Shaft, Carburetor, Throttle .....                                       | 1   |
| 17   | 103341601 | Valve, Carburetor, Fh680d .....   | 1   |
| 18   | 103341701 | Asm, Chamber, Float, Fh680d (includes items 19 through 22) .....        | 1   |
| 19   | 103340501 | Gasket, Carburetor, Fh680d .....  | 1   |
| 20   | 103341901 | Solenoid, Carburetor, Fh680d .....                                      | 1   |
| 21   | 103342201 | Screw, Drain, Carburetor .....  | 1   |
| 22   | 103343601 | Spring, Carburetor, Fh680d .....  | 1   |
| 23   | 103341801 | Needle, Jet, Fh680d .....   | 2   |
| 24   | 103342001 | Heater, Carburetor, Fh680d .....  | 1   |
| 25   | 103342101 | Screw, Carburetor, M3 X 6 .....   | 6   |
| 26   | 103342301 | Spacer, Carburetor, Fh680d .....  | 1   |
| 27   | N/A       | Pin, Carburetor, Fh680d .....   | 1   |
| 28   | 103342501 | O-ring, Carburetor, Dia. 6.5 .....                                      | 1   |
| 29   | 103342601 | O-ring, Carburetor, Fh680d .....  | 2   |
| 30   | 103342701 | O-ring, Carburetor, Dia. 9 .....  | 1   |
| 31   | 103343301 | Plug, Expansion, Carburetor .....                                       | 2   |
| 32   | 103343401 | Seal, Carburetor, Dia. 5.9 .....  | 1   |
| 33   | 103343501 | Seal, Carburetor, Fh680d .....  | 1   |
| 34   | 103343701 | Collar, Carburetor, Fh680d .....  | 1   |
| 35   | 103343801 | Screw, Carburetor, M5 .....   | 2   |
| 36   | 103343901 | Screw, Carburetor, M4 .....   | 2   |
| 37   | 103596701 | Kit, Jet, 0-3300 ft. FH680D (includes items 38 through 40) .....        | 1   |
| 38   | 103307001 | Jet, Push In #102, FH680D (0-3300 ft (0-1000 m)) .....                  | 1   |
| 39   | N/A       | Instructions, Kit, Jet, Push In .....                                   | 1   |
| 40   | N/A       | Jet, Push In, #104 FH680D (0-3000 ft (0-1000m)) .....                   | 1   |

**9**  
**G**  
**D**

9

G

D

# EXHAUST SYSTEM

---

*10*

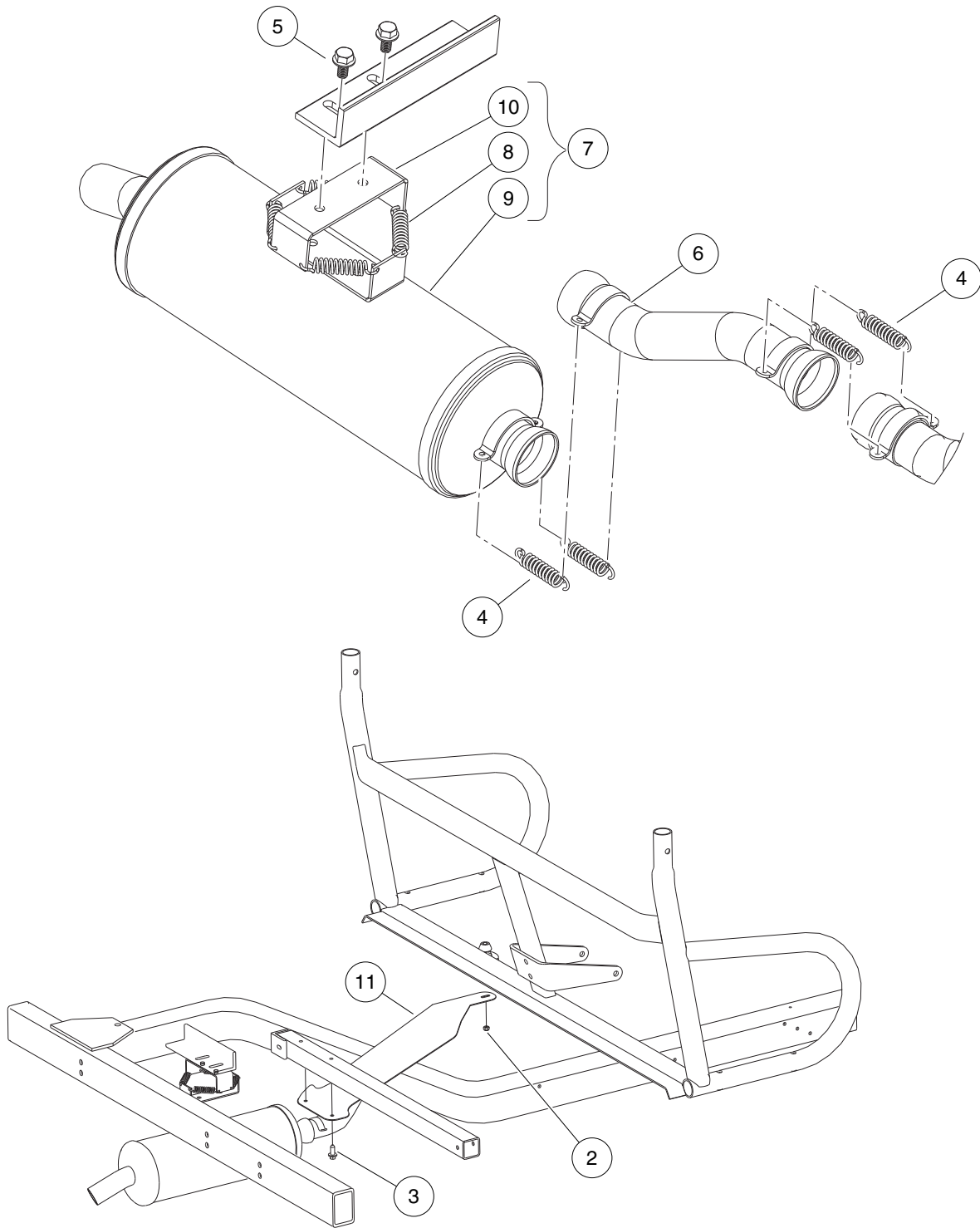
*G*

*D*

10

G

D



000538-001

# EXHAUST SYSTEM

| ITEM | PART NO.  | DESCRIPTION  | QTY |
|------|-----------|--|-----|
|      |           | <b>1 2 3 4</b>   |     |
| 1    | N/A       | Instl, Exhaust, AWD (includes items 2 through 11) .....            | 1   |
| 2    | 101887601 | Locknut, M6-1.00 Nylon Insert .....                                | 1   |
| 3    | 102298720 | M8-1.25x20 Taptite .....   | 2   |
| 4    | 102409501 | Spring, Exhaust .....  | 4   |
| 5    | 102621201 | Bolt Flanged Head, M8 X1.25x 16 with Loctite .....                 | 2   |
| 6    | 102786201 | Pipe, Exhaust, Int, Offset .....                                   | 1   |
| 7    | 102812801 | Asm, Muffler, AWD Homologation (includes items 8 through 10) ..... | 1   |
| 8    | 102409501 | Spring, Exhaust .....  | 4   |
| 9    | N/A       | Muffler .....  | 1   |
| 10   | N/A       | Bracket, Muffler .....   | 1   |
| 11   | 102930901 | Shield, Exhaust, Clearance .....                                   | 1   |

10

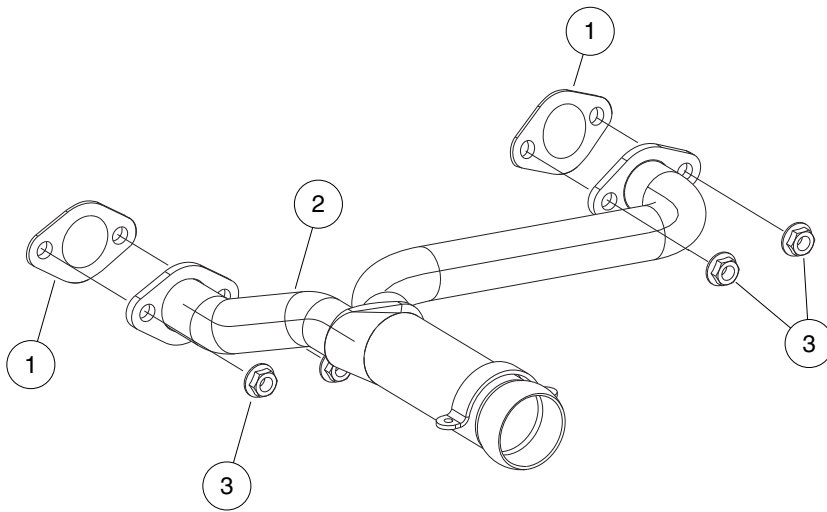
G

D

10

G

D



000538-004

## EXHAUST HEADER – KAWASAKI GAS

| ITEM | PART NO.  | DESCRIPTION                          | QTY |
|------|-----------|--------------------------------------|-----|
|      |           | 1 2 3 4                              |     |
| 1    | 102949301 | Gasket, Exhaust Header, Fh680d ..... | 2   |
| 2    | 103268101 | Header, Exhaust, Gas, Fh680d .....   | 1   |
| 3    | 96704416  | Nut Flg, M8 X 1.25 Serrated .....    | 4   |

10

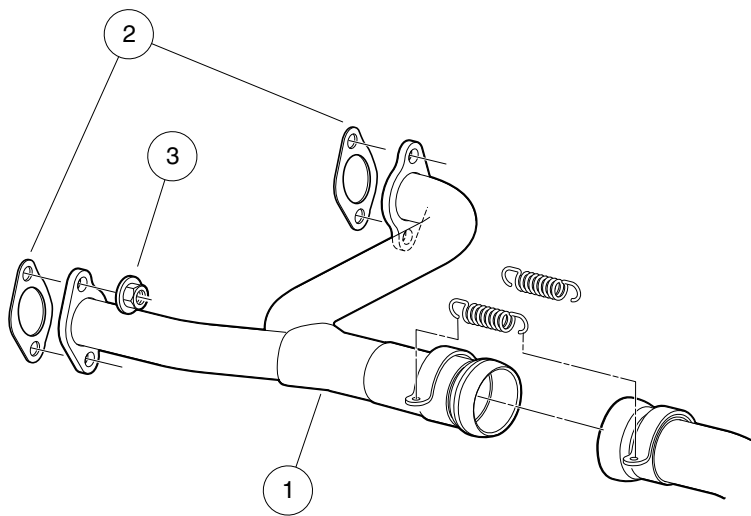
G

D

10

G

D



000538-002



# EXHAUST HEADER – HONDA GAS

| ITEM | PART NO.  | DESCRIPTION                       | QTY |
|------|-----------|-----------------------------------|-----|
|      |           | 1 2 3 4                           |     |
| 1    | 102409601 | Header, Exhaust, Gas .....        | 1   |
| 2    | 102834901 | Gasket, Exhaust, Gx620 .....      | 2   |
| 3    | 96704416  | Nut Flg, M8 X 1.25 Serrated ..... | 4   |

10

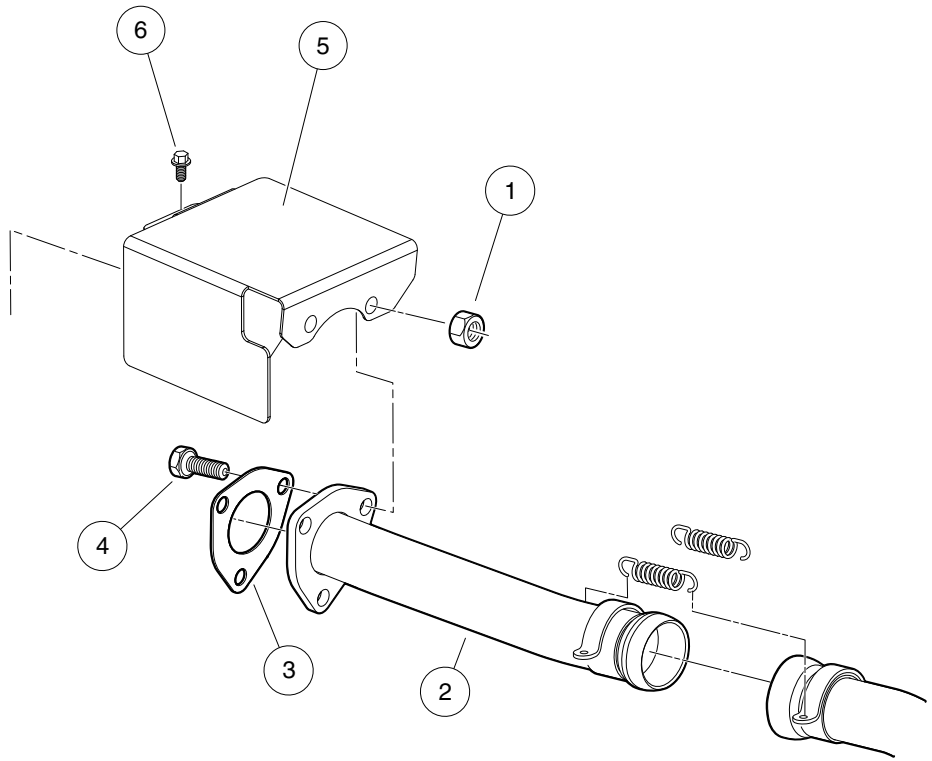
G

D

10

G

D



000538-003

## EXHAUST PIPES – DIESEL VEHICLES

| ITEM | PART NO.  | DESCRIPTION                             | QTY |
|------|-----------|---|-----|
|      |           | <b>1 2 3 4</b>                          |     |
| 1    | 102298401 | Nut,m8,all Metal Lock .....             | 3   |
| 2    | 102409301 | Pipe, Exhaust Diesel Main .....         | 1   |
| 3    | 102422301 | Gasket, Exhaust Diesel .....            | 1   |
| 4    | 102621301 | Bolt, M8 X 1.25 X 40 with Loctite ..... | 3   |
| 5    | 102628101 | Shield, Diesel Exhaust .....            | 1   |
| 6    | 102731601 | Bolt, D722, Exhst Manfld Cover .....    | 1   |

**10**

**G**

**D**

**10**

**G**

**D**

# CLUTCHES

---

11

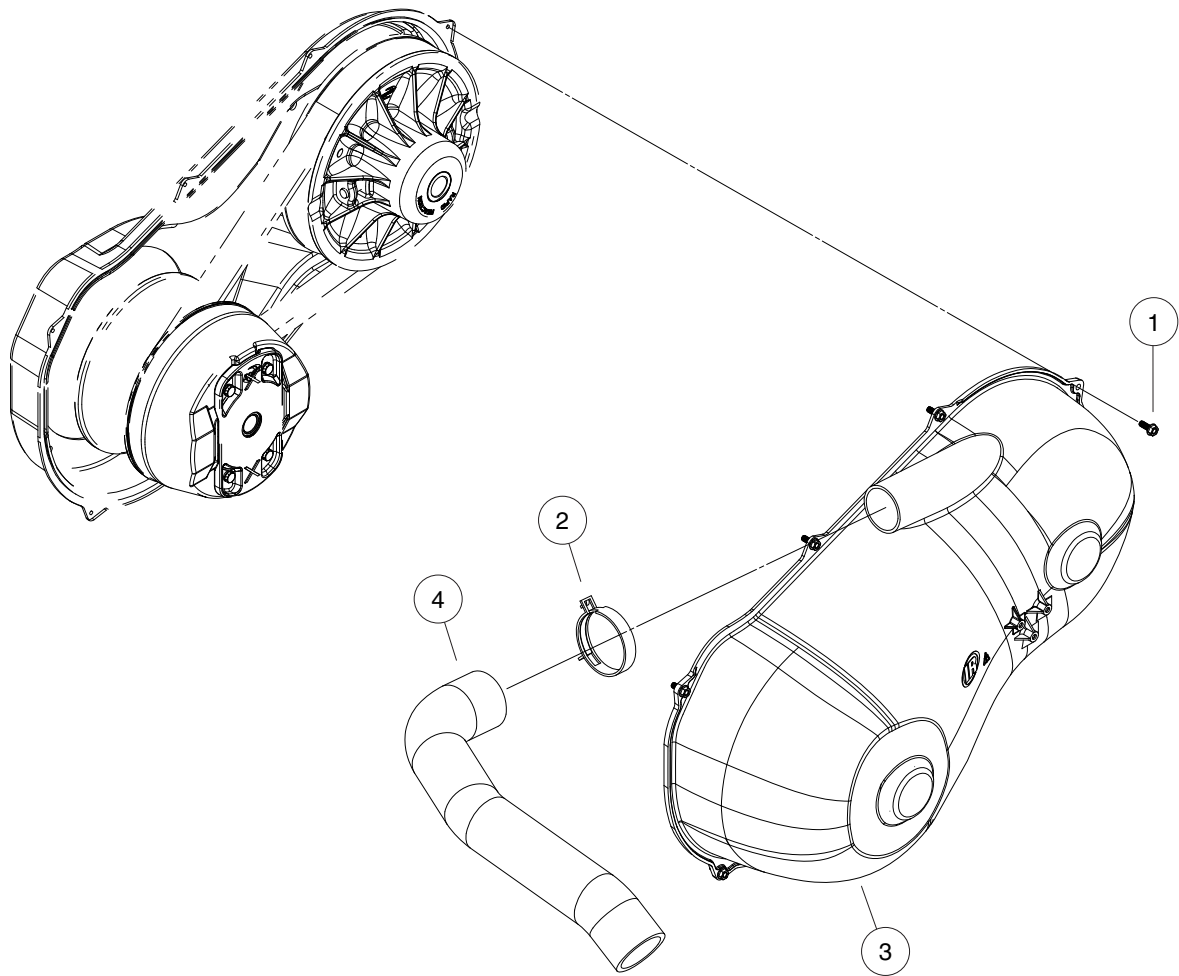
G

D

11

G

D



000008-002

## CLUTCH COVER (STANDARD)

| ITEM | PART NO.  | DESCRIPTION                      | QTY |
|------|-----------|----------------------------------|-----|
|      |           | <b>1 2 3 4</b>                   |     |
| 1    | 102296716 | Screw, M6 X 16 Tt Hx Fl Hd ..... | 7   |
| 2    | 102411210 | Clamp, Hose, Ctb 64mm .....      | 1   |
| 3    | N/A       | Cover, Cvt, Open .....           | 1   |
| 4    | 103320601 | Hose, Outlet, Cvt .....          | 1   |

**11**

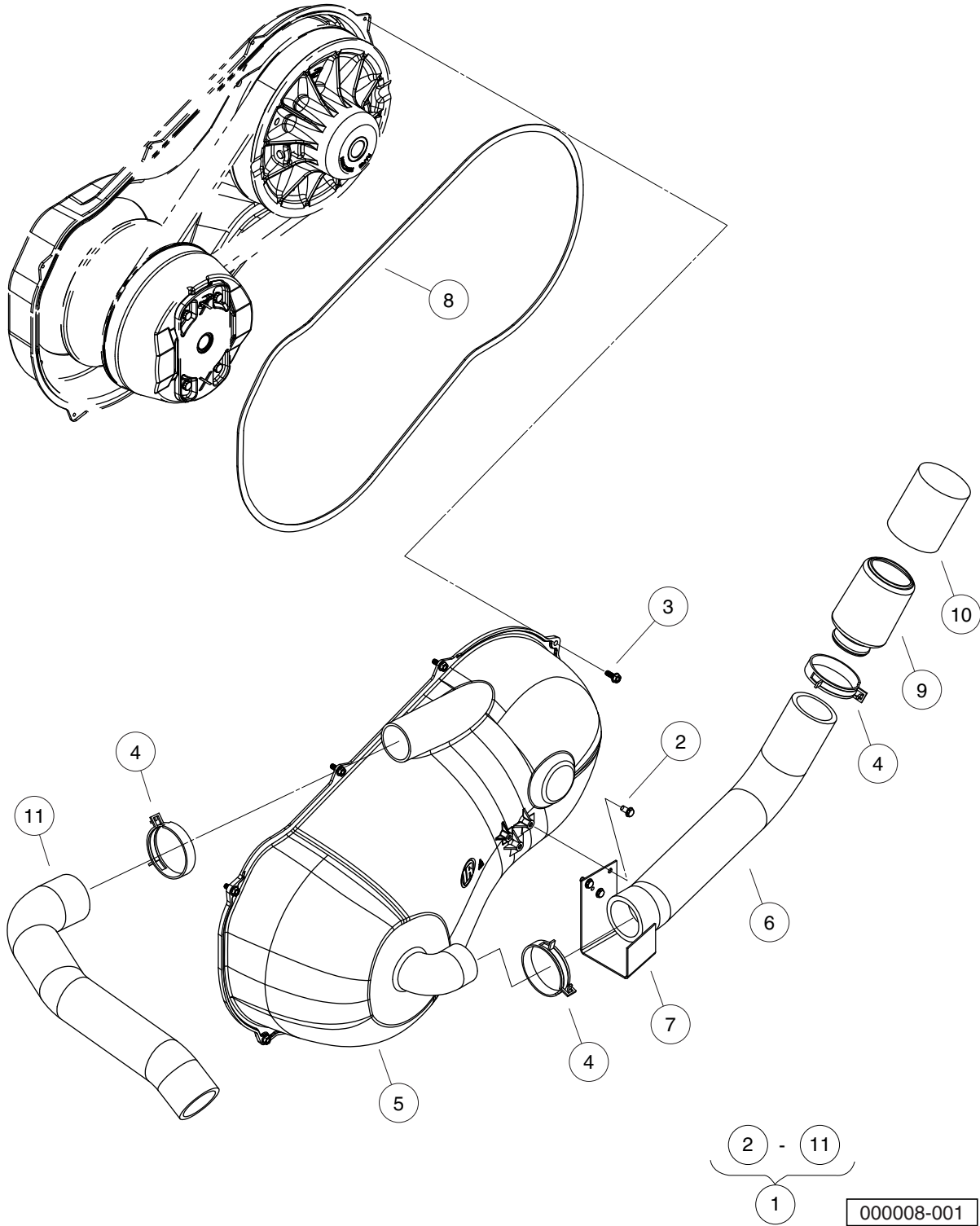
**G**

**D**

11

G

D





# CLUTCH COVER (SEALED)

| ITEM | PART NO.  | DESCRIPTION   | QTY |
|------|-----------|---|-----|
|      |           | <b>1 2 3 4</b>  |     |
| 1    | 102616003 | Kit, Sealed CVT Cover (includes items 2 through 11) ..... | 1   |
| 2    | 101856102 | Screw, 1/4-15 X 1.50 Hi-lo Hex .....                      | 3   |
| 3    | 102296716 | Screw, M6 X 16 Tt Hx Fl Hd .....                          | 7   |
| 4    | 102411210 | Clamp, Hose, Ctb 64mm .....                               | 2   |
| 5    | 102414501 | Cover, CVT Outer .....                                    | 1   |
| 6    | 102481001 | Hose, Inlet, Cover, CVT .....                             | 1   |
| 7    | 102481201 | Bracket, Inlet, Cover, CVT .....                          | 1   |
| 8    | 102481301 | Gasket, Cover, CVT .....                                  | 1   |
| 9    | 102616101 | Cap, Inlet, Cover, CVT .....                              | 1   |
| 10   | 102628001 | Filter, Inlet, Cover, CVT .....                           | 1   |
| 11   | 103320601 | Hose, Outlet, Cvt .....                                   | 1   |

11

G

D

11

G

D



000084-001

# DRIVE BELT

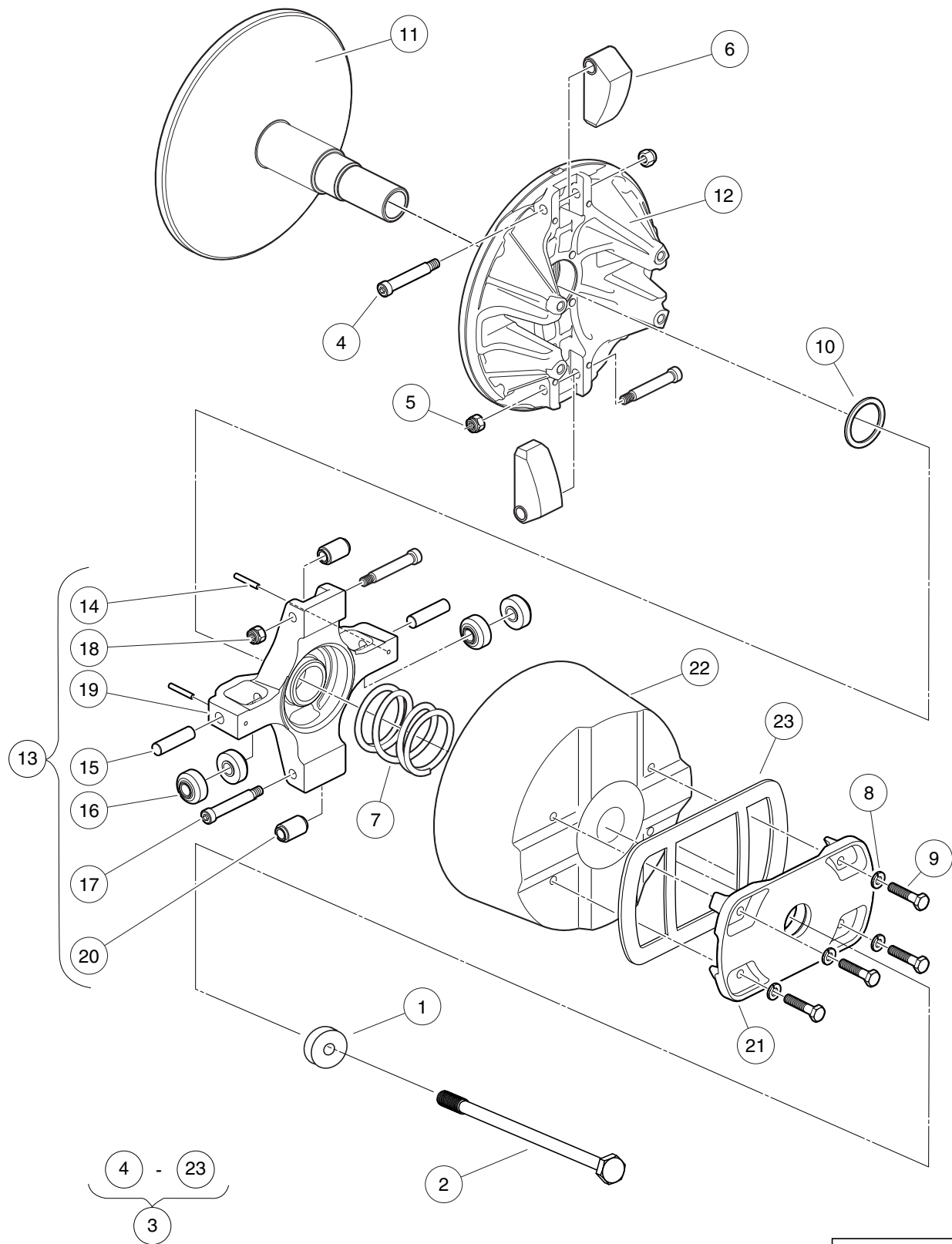
| ITEM | PART NO.  | DESCRIPTION                  | QTY |
|------|-----------|------------------------------|-----|
| 1    | 102374901 | 1 2 3 4<br>Belt, Drive ..... | 1   |

**11**  
**G**  
**D**

11

G

D



000007-004

## DRIVE CLUTCH – DIESEL VEHICLES

| ITEM | PART NO.  | DESCRIPTION  | QTY |
|------|-----------|--|-----|
|      |           | <b>1 2 3 4</b>   |     |
| 1    | 102385601 | Washer, Stepped .....  | 1   |
| 2    | 102616501 | Bolt, M10 X 1.5 X 160 .....  | 1   |
| 3    | 103185501 | Clutch, 4x4, Diesel, W/cover (includes items 4 through 23) .....         | 1   |
| 4    | 102690501 | Screw, Shlder Hex, .312 X 1.75 .....                                     | 2   |
| 5    | 102690701 | Nut, Lock Hex, 1/14-20, Flexlc .....                                     | 2   |
| 6    | 102690801 | Sub Assy, Wt Clutch, Diesel .....  | 2   |
| 7    | 102691401 | Spring, Compression, Primary .....                                       | 1   |
| 8    | 102691601 | Washer, Lock, H-Spring, 1/4 .....  | 4   |
| 9    | 102691701 | Screw, Cap, Hex Hd, 1/4 X 1.25 .....                                     | 4   |
| 10   | 102691801 | Shim, 1.63 X 1.33 .....  | 1   |
| 11   | N/A       | Subassembly, Drive Clutch .....  | 1   |
| 12   | N/A       | Subassembly, Moveable, Drive Clutch .....                                | 1   |
| 13   | N/A       | Subassembly, Spider Utility, Diesel (includes items 14 through 20) ..... | 1   |
| 14   | 102690201 | Pin, Spring Slotted, 1.25 X 1.0 .....                                    | 2   |
| 15   | 102690301 | Pin, Dowel, .375 X 1.50 .....  | 2   |
| 16   | 102690401 | Roller, Torque, Diesel .....   | 4   |
| 17   | 102690501 | Screw, Shlder Hex, .312 X 1.75 .....                                     | 2   |
| 18   | 102690701 | Nut, Lock Hex, 1/14-20, Flexlc .....                                     | 2   |
| 19   | N/A       | Spider, Drive Clutch .....   | 1   |
| 20   | 102839401 | Sub Assy, Roller Weight .....  | 2   |
| 21   | N/A       | Cover, Drive Clutch .....  | 1   |
| 22   | 103185801 | Cover, Clutch, 4x4 .....   | 1   |
| 23   | 103185901 | Gasket, Cover, Clutch, 4x4 .....   | 1   |

**11**

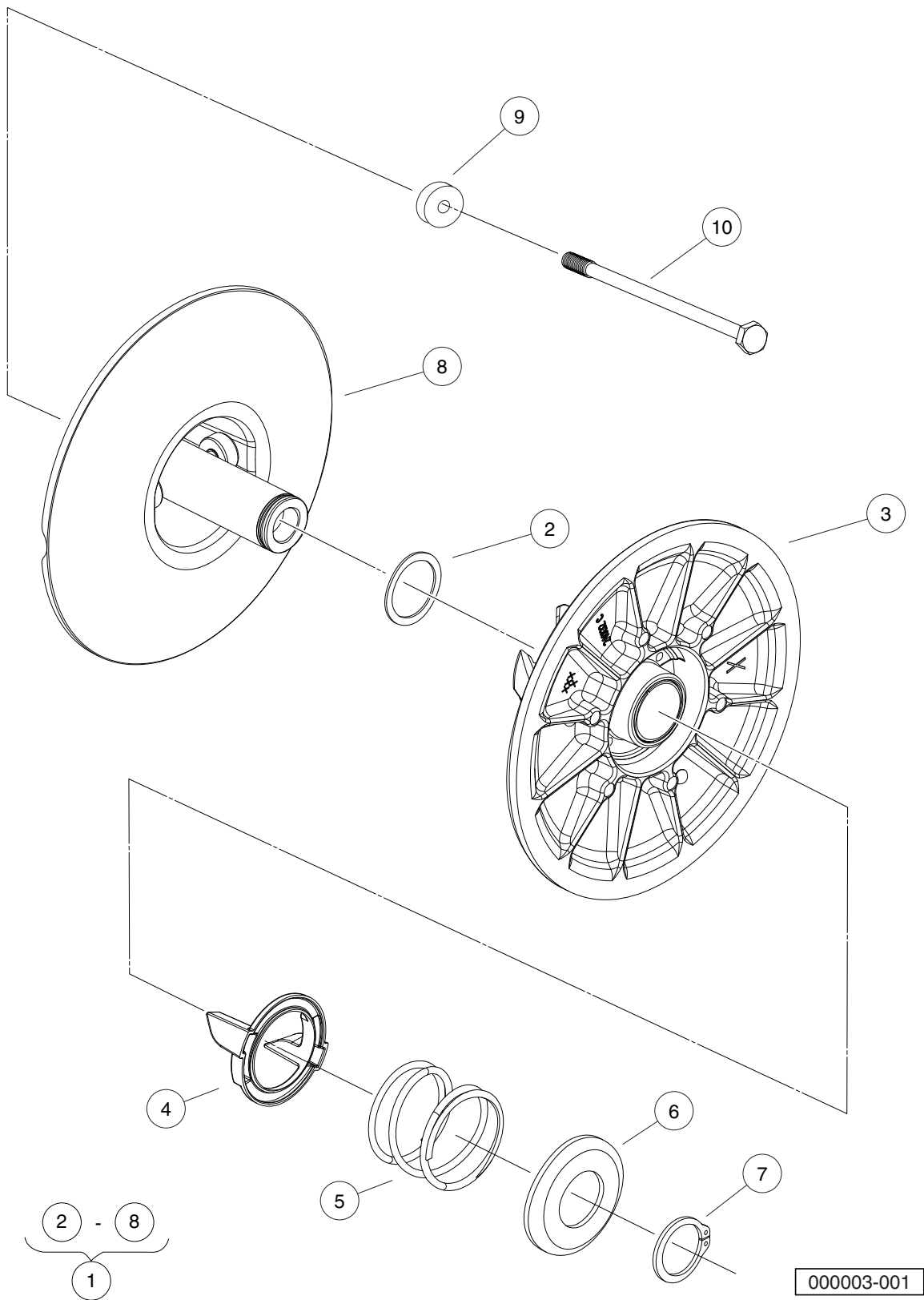
**G**

**D**

11

G

D



000003-001

# DRIVEN CLUTCH

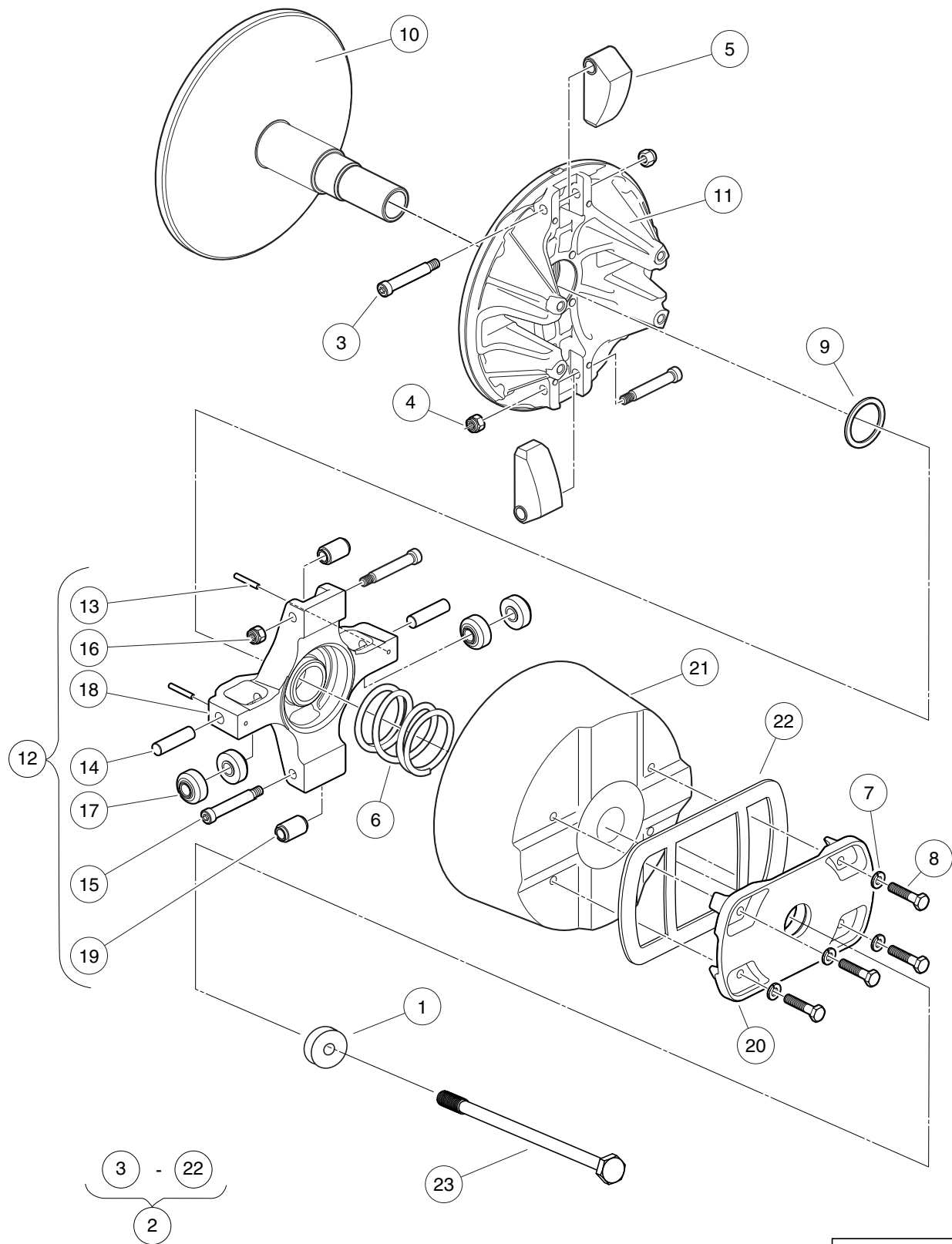
| ITEM | PART NO.  | DESCRIPTION                                       | QTY |
|------|-----------|---|-----|
|      |           | <b>1 2 3 4</b>                                    |     |
| 1    | 102369901 | CVT, Secondary (includes items 2 through 8) ..... | 1   |
| 2    | 102695401 | Washer, Thrust, 1.53 X 1.92 .....                 | 1   |
| 3    | N/A       | Sheave, Driven Clutch .....                       | 1   |
| 4    | 102695601 | Retainer, Spring, Inner .....                     | 1   |
| 5    | 102695701 | Spring, Compression, Secondary .....              | 1   |
| 6    | 102695801 | Retainer, Spring, Outer .....                     | 1   |
| 7    | 102695901 | Ring, Retaining, External .....                   | 1   |
| 8    | N/A       | Driven Clutch Base Sheave .....                   | 1   |
| 9    | 102385701 | Washer, Stepped .....                             | 1   |
| 10   | 102719301 | Bolt, M10 X 1.50 X 90, Loctite .....              | 1   |

**11**  
**G**  
**D**

11

G

D



000007-005



## DRIVE CLUTCH – GASOLINE VEHICLES

| ITEM | PART NO.  | DESCRIPTION  | QTY |
|------|-----------|--|-----|
|      |           | <b>1 2 3 4</b>   |     |
| 1    | 102385601 | Washer, Stepped .....  | 1   |
| 2    | 103185401 | Clutch, 4x4, Gas, W/cover (includes items 3 through 22) .....      | 1   |
| 3    | 102690501 | Screw, Shlder Hex, .312 X 1.75 .....                               | 2   |
| 4    | 102690701 | Nut, Lock Hex, 1/14-20, Flexlc .....                               | 2   |
| 5    | 102691001 | Sub Assy, Wt Clutch, Gas .....                                     | 2   |
| 6    | 102691401 | Spring, Compression, Primary .....                                 | 1   |
| 7    | 102691601 | Washer, Lock, H-Spring, 1/4 .....                                  | 4   |
| 8    | 102691701 | Screw, Cap, Hex Hd, 1/4 X 1.25 .....                               | 4   |
| 9    | 102691801 | Shim, 1.63 X 1.33 .....  | 1   |
| 10   | N/A       | Subassembly, Drive Clutch .....                                    | 1   |
| 11   | N/A       | Subassembly, Moveable, Drive Clutch .....                          | 1   |
| 12   | N/A       | Spider Subassembly (Gasoline) (includes items 13 through 19) ..... | 1   |
| 13   | 102690201 | Pin, Spring Slotted, 1.25 X 1.0 .....                              | 2   |
| 14   | 102690301 | Pin, Dowel, .375 X 1.50 .....                                      | 2   |
| 15   | 102690501 | Screw, Shlder Hex, .312 X 1.75 .....                               | 2   |
| 16   | 102690701 | Nut, Lock Hex, 1/14-20, Flexlc .....                               | 2   |
| 17   | 102691901 | Roller, Torque, Gas .....  | 4   |
| 18   | N/A       | Spider, Drive Clutch .....   | 1   |
| 19   | 102839401 | Sub Assy, Roller Weight .....                                      | 2   |
| 20   | N/A       | Cover, Drive Clutch .....  | 1   |
| 21   | 103185801 | Cover, Clutch, 4x4 .....   | 1   |
| 22   | 103185901 | Gasket, Cover, Clutch, 4x4 .....                                   | 1   |
| 23   | 103201501 | Bolt, M8 X 1.25 X 200, Loctite .....                               | 1   |

11

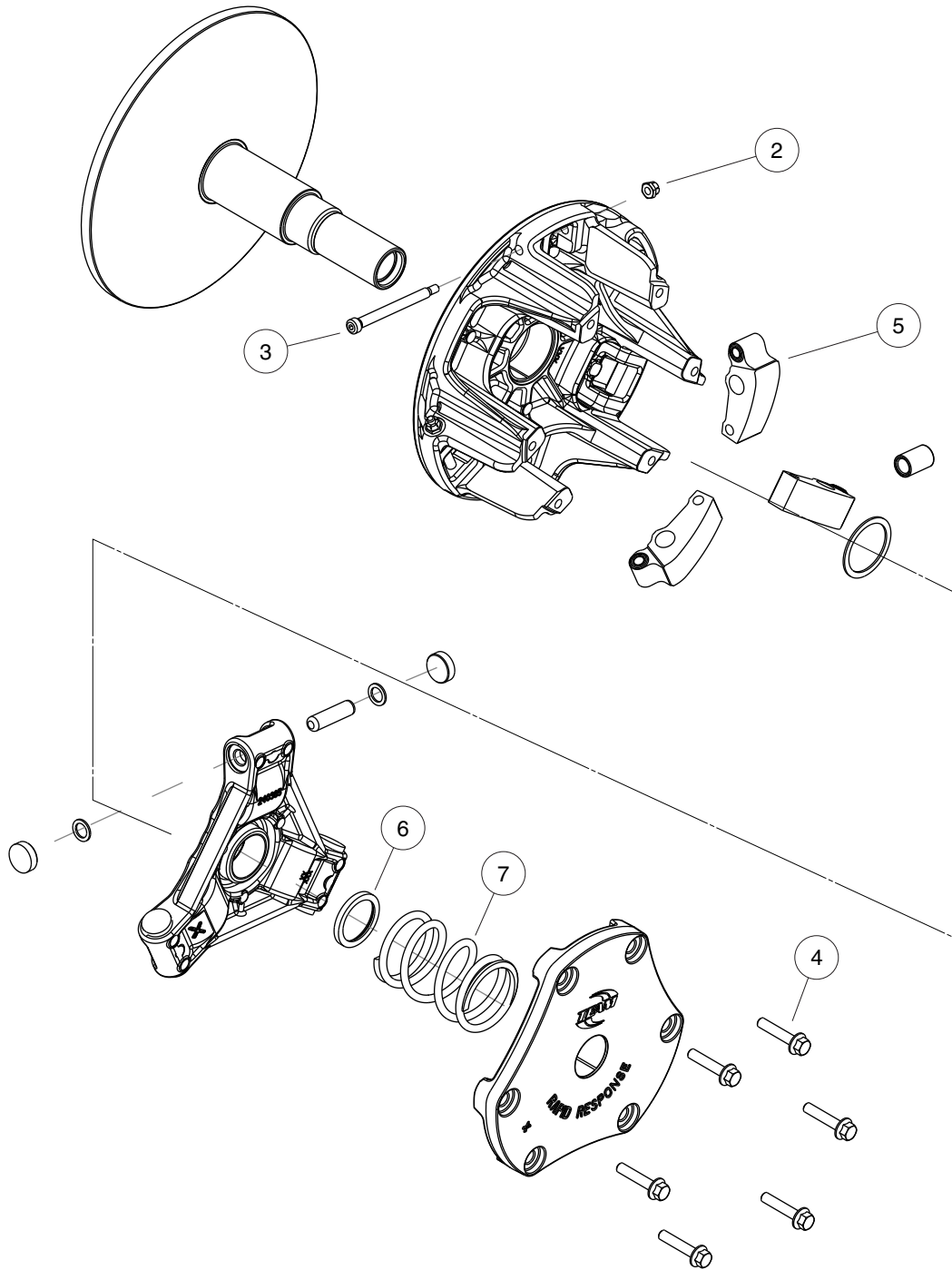
G

D

11

G

D



000007-006

## DRIVE CLUTCH – GASOLINE VEHICLES

| ITEM | PART NO.  | DESCRIPTION   | QTY |
|------|-----------|---|-----|
|      |           | <b>1 2 3 4</b>  |     |
| 1    | 103848001 | Clutch, Drive, Gas, 3 Weight (includes items 2 through 7) ..... | 1   |
| 2    | 103829601 | Nut, Lock, Hex #10-24 Flexloc .....                             | 3   |
| 3    | 103829701 | Screw, Shldr, Hex Skt .25x2.5 .....                             | 1   |
| 4    | 103829801 | Screw, Hex Flg Hd, 1/4-20x1.25 .....                            | 6   |
| 5    | 103829901 | Weight, Clutch, D-153 G .....                                   | 3   |
| 6    | 103830001 | Spacer, Clutch 1.44x1.125x.150 .....                            | 1   |
| 7    | 103856101 | Spring, Comp, 2.0 Od Black/slv .....                            | 1   |

11

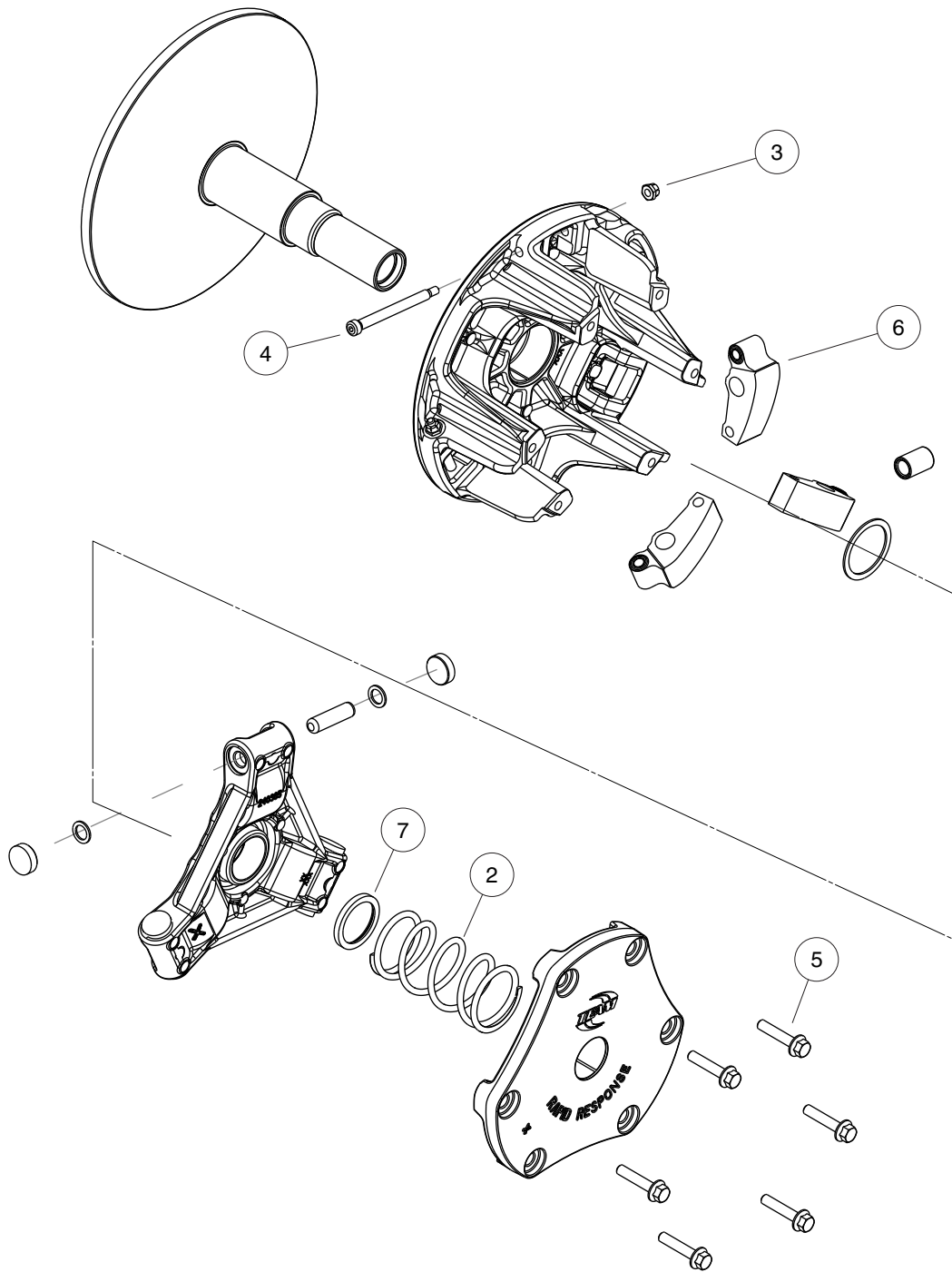
G

D

11

G

D



000007-007

# DRIVE CLUTCH – DIESEL VEHICLES

| ITEM | PART NO.  | DESCRIPTION   | QTY |
|------|-----------|---|-----|
|      |           | <b>1 2 3 4</b>  |     |
| 1    | 103828101 | Clutch, Drive, Dsl, 3 Weight (includes items 2 through 7) ..... | 1   |
| 2    | 103829501 | Spring, Comp, 2.0 Od Black/or .....                             | 1   |
| 3    | 103829601 | Nut, Lock, Hex #10-24 Flexloc .....                             | 3   |
| 4    | 103829701 | Screw, Shldr, Hex Skt .25x2.5 .....                             | 3   |
| 5    | 103829801 | Screw, Hex Flg Hd, 1/4-20x1.25 .....                            | 6   |
| 6    | 103829901 | Weight, Clutch, D-153 G .....                                   | 3   |
| 7    | 103830001 | Spacer, Clutch 1.44x1.125x.150 .....                            | 1   |

11

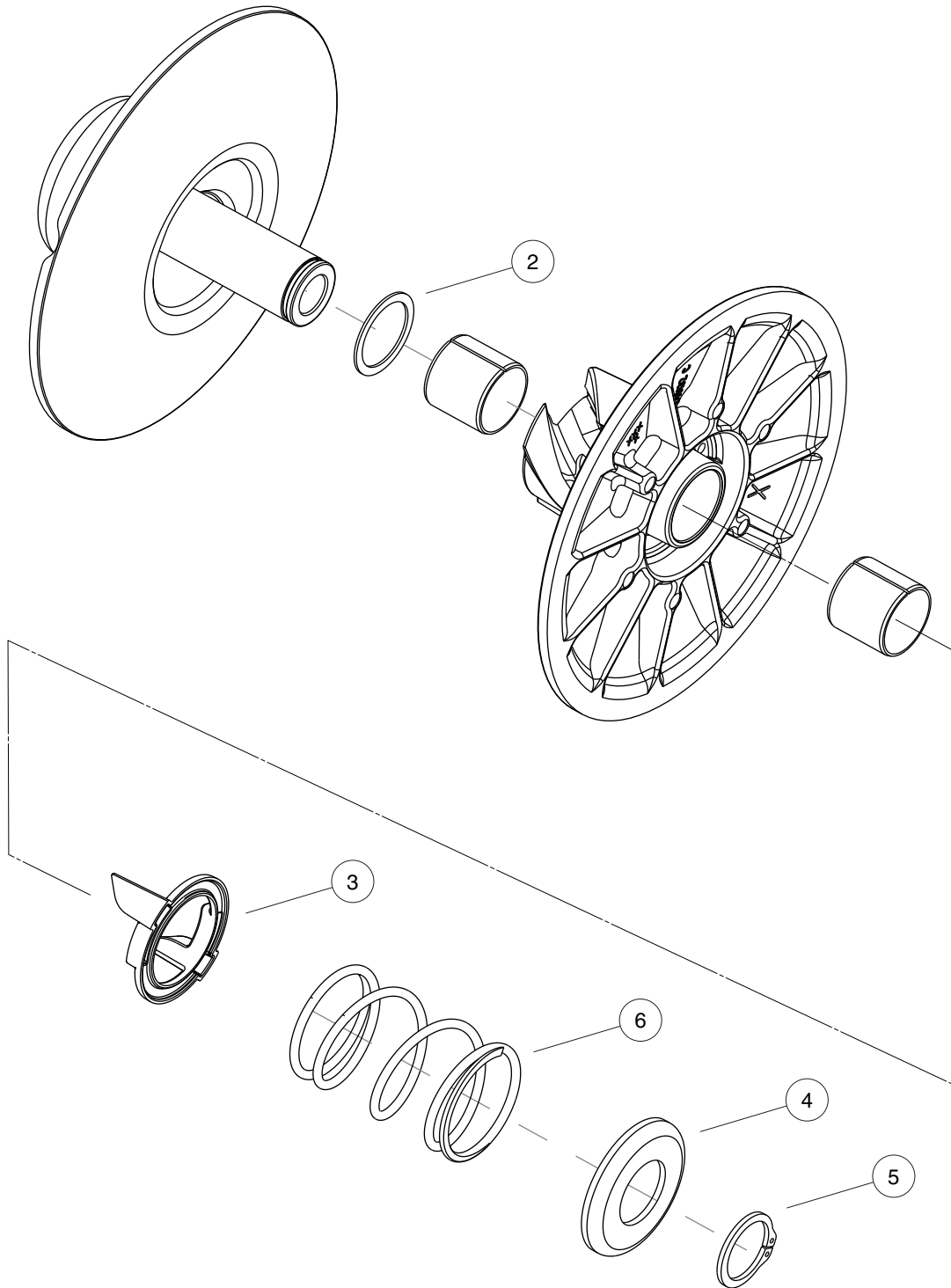
G

D

11

G

D



000003-002

# DRIVEN CLUTCH

| ITEM | PART NO.  | DESCRIPTION   | QTY |
|------|-----------|---|-----|
|      |           | <b>1 2 3 4</b>  |     |
| 1    | 103828201 | Clutch, Driven, 3 Weight (includes items 2 through 6) ..... | 1   |
| 2    | 102695401 | Washer, Thrust, 1.53 X 1.92 .....                           | 1   |
| 3    | 102695601 | Retainer, Spring, Inner .....                               | 1   |
| 4    | 102695801 | Retainer, Spring, Outer .....                               | 1   |
| 5    | 102695901 | Ring, Retaining, External .....                             | 1   |
| 6    | 103829001 | Spring, Comp, 2.7 Od, Almd/blk .....                        | 1   |

**11**

**G**

**D**

**11**

**G**

**D**



# DRIVETRAIN COMPONENTS

---

12

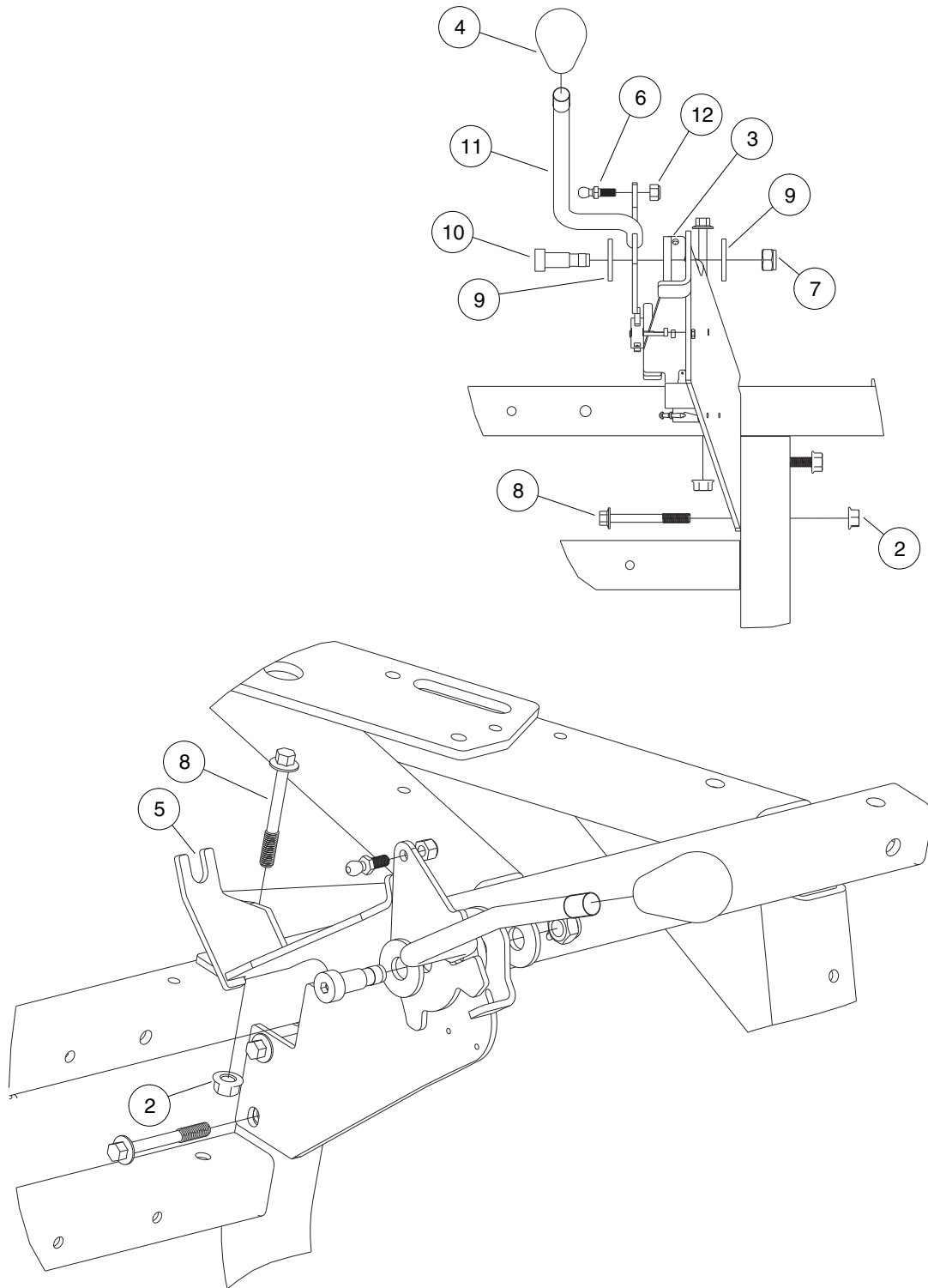
G

D

12

G

D



000030-003

## FORWARD/REVERSE SHIFTER ASSEMBLY

| ITEM | PART NO.  | DESCRIPTION  | QTY |
|------|-----------|--|-----|
|      |           | 1 2 3 4  |     |
| 1    | N/A       | Instl, Fnr, Shifter, Dom (includes items 2 through 13) ..... | 1   |
| 2    | 102298401 | Nut,m8,all Metal Lock .....                                  | 3   |
| 3    | 102375901 | Bushing, Fnr .....   | 1   |
| 4    | 102376001 | Knob, Fnr .....  | 1   |
| 5    | N/A       | Weldment, FNR Shifter Bracket .....                          | 1   |
| 6    | 102615701 | Stud, Ball, .346 Dia .....                                   | 1   |
| 7    | 102616701 | Locknut, M10x1.5 Nylon Insert .....                          | 1   |
| 8    | 102618301 | Bolt Flanged Head, M8 X 1.25 X 65 .....                      | 3   |
| 9    | 102684501 | Washer, M12 Hard Regular .....                               | 2   |
| 10   | 102684601 | Shoulder Bolt,m12 X 20 M10 Thd .....                         | 1   |
| 11   | 103187501 | Weldment, FNR Shifter .....                                  | 1   |
| 12   | 8717      | Locknut, 1/4-28 Nylon Insert .....                           | 1   |
| 13   | 8990      | Tie Wrap, 8" Nylon .....                                     | 2   |

**12**

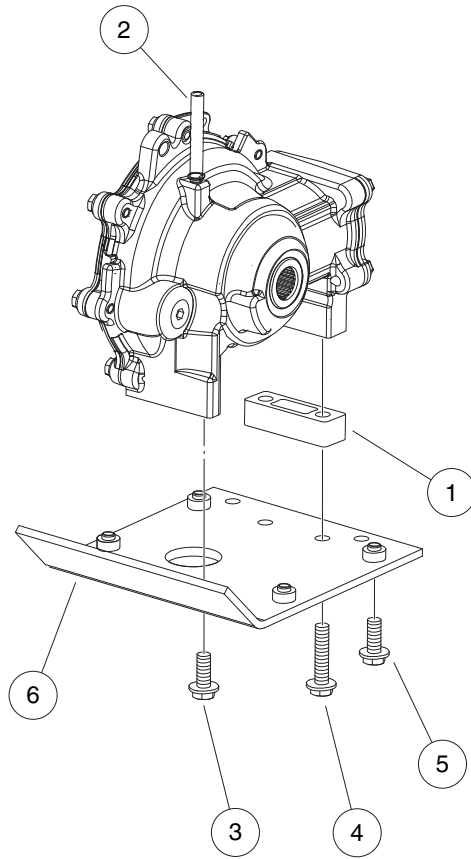
**G**

**D**

12

G

D



000012-003

# FRONT DIFFERENTIAL MOUNTING PLATE

| ITEM | PART NO.  | DESCRIPTION  | QTY |
|------|-----------|--|-----|
|      |           | 1 2 3 4  |     |
| 1    | 102381701 | Spacer Block, Diff .....                           | 1   |
| 2    | 102462401 | Hose, Vent, Front Diff .....                       | 1   |
| 3    | 102491001 | Bolt Flanged Head, 3/8-16x1.0 with Loctite .....   | 2   |
| 4    | 102491101 | Bolt Flanged Head, 3/8-16x1.500 with Loctite ..... | 2   |
| 5    | 102711601 | Bolt, Flange Head, M10 X 1.5 X 25 .....            | 4   |
| 6    | 103244701 | Asm, Mount, Diff Plate .....                       | 1   |

**12**

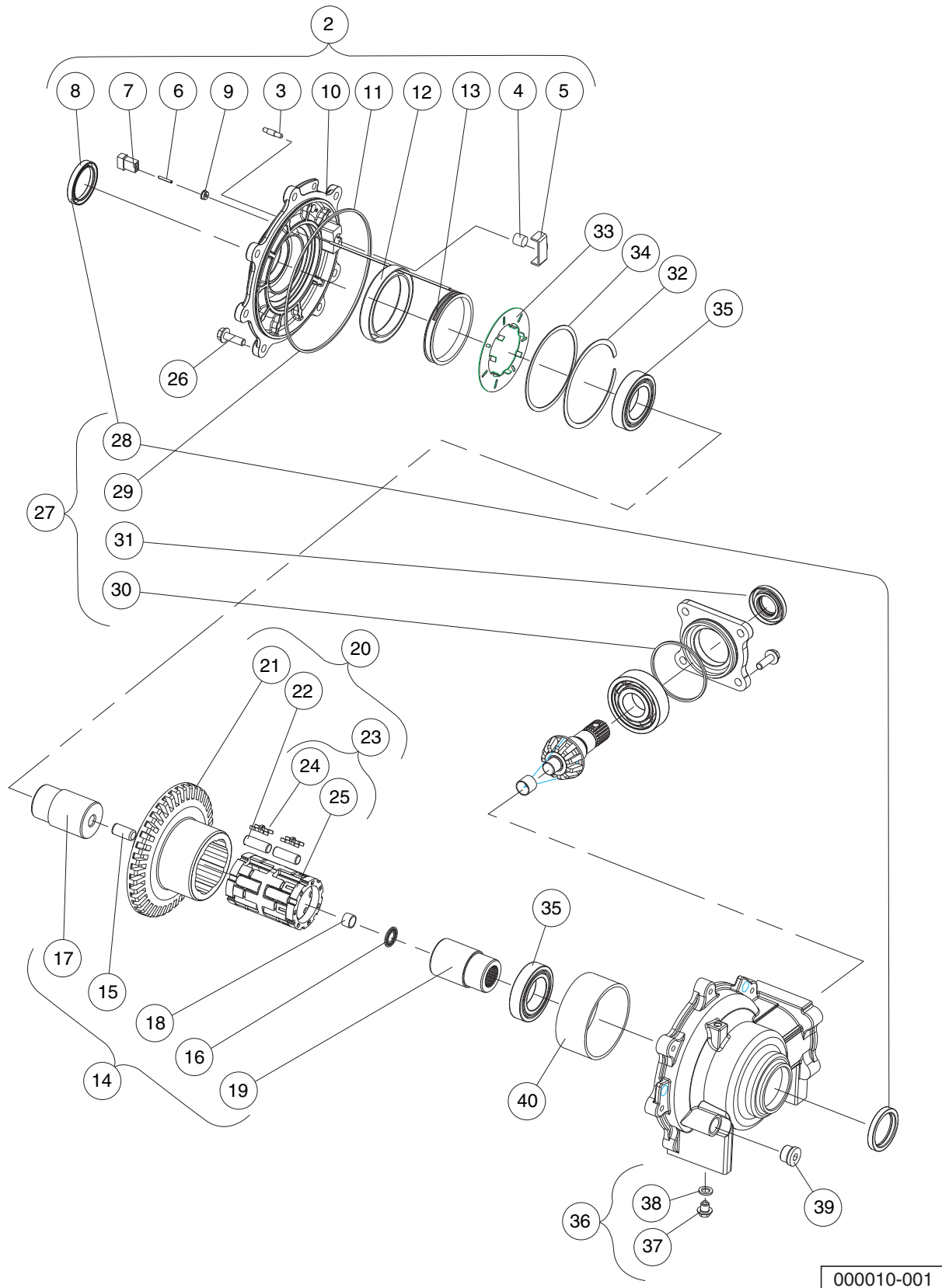
**G**

**D**

12

G

D



## FRONT DIFFERENTIAL (OUTPUT COMPONENTS)

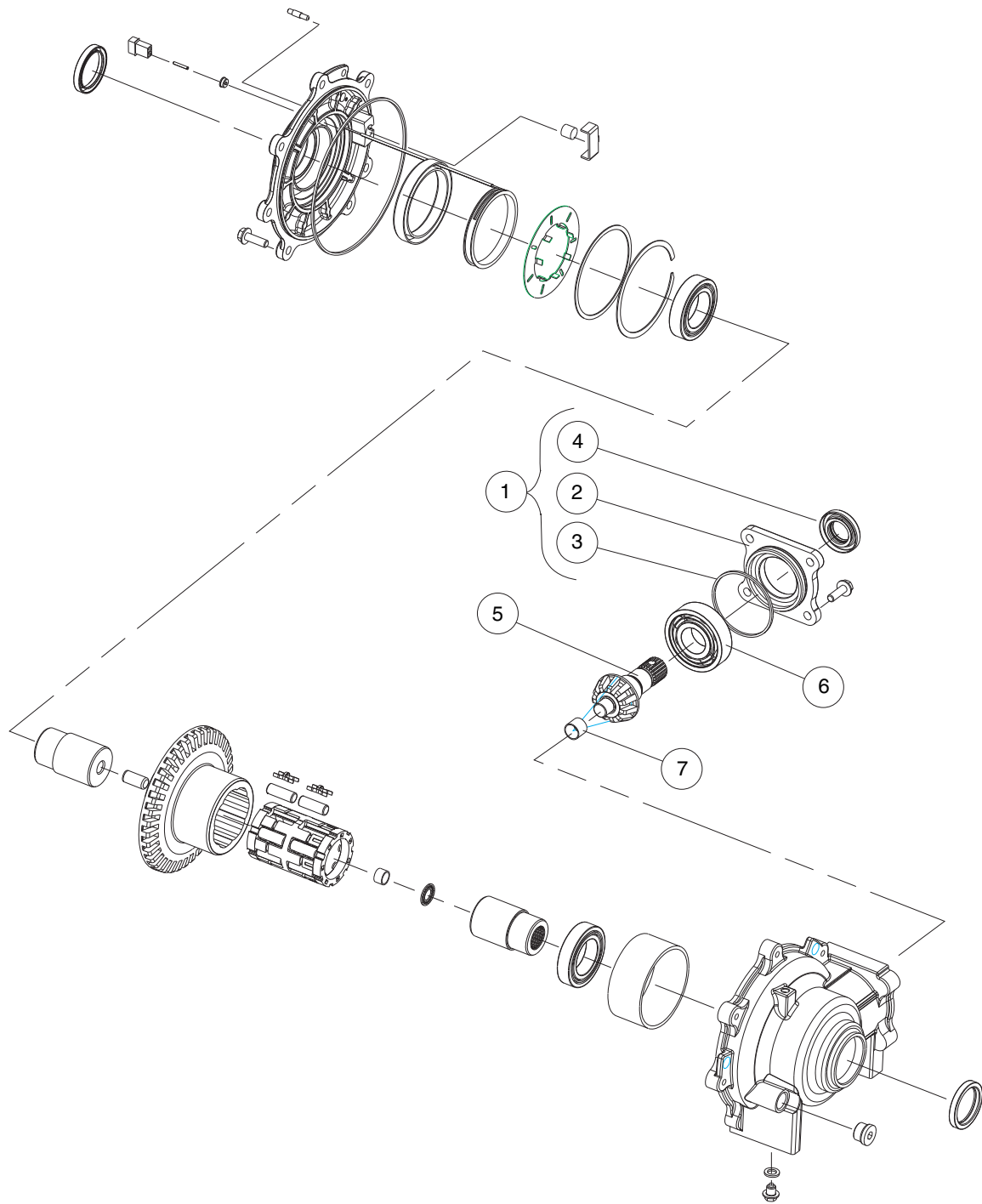
| ITEM | PART NO.  | DESCRIPTION   | QTY |
|------|-----------|---|-----|
|      |           | 1 2 3 4   |     |
| 1    | 102371801 | Differential, Front * (includes items 2 through 40) .....                         | 1   |
| 2    | 102438201 | Kit, Assy, Output Cover Plate (includes items 3 through 13) .....                 | 1   |
| 3    | 102439001 | Set Screw, #10-24 UNC-3A with Patch .....   | 1   |
| 4    | 102439101 | Thrust Button .....   | 1   |
| 5    | 102439201 | Thrust Plate .....  | 1   |
| 6    | N/A       | Mate-N-Lock Pin .....   | 2   |
| 7    | N/A       | Mate-N-Lock Housing .....   | 1   |
| 8    | N/A       | Oil Seal .....  | 1   |
| 9    | N/A       | Grommet .....   | 1   |
| 10   | N/A       | Plate, Output Cover .....   | 1   |
| 11   | N/A       | O-Ring .....  | 1   |
| 12   | N/A       | Coil, Pocket Insert .....   | 1   |
| 13   | N/A       | Coil with Press-Fit Bobbin .....  | 1   |
| 14   | 102438301 | Kit, Assy, Race Output Hub (includes items 15 through 19) .....                   | 1   |
| 15   | 102439401 | Pin, Dowel .....  | 1   |
| 16   | 102439501 | Bearing, Needle .....   | 1   |
| 17   | N/A       | Race/Output Hub, Male .....   | 1   |
| 18   | N/A       | Bushing, PermiGlide .....   | 1   |
| 19   | N/A       | Race/Output Hub, Female .....   | 1   |
| 20   | 102438401 | Kit, Assy, Clutch (includes items 21 through 23) .....                            | 1   |
| 21   | 102439601 | Clutch Hsg/Ring Gear, Machined .....  | 1   |
| 22   | 102439801 | Kit, Roller (contains 14 rollers) .....   | 1   |
| 23   | 102439901 | Kit, Assy, Roll Cage (includes items 24 and 25) .....                             | 1   |
| 24   | 102439701 | Kit, H-Clip Spring (contains 14 clips) .....                                      | 1   |
| 25   | N/A       | Roll Cage, Plastic .....  | 1   |
| 26   | 102438501 | Kit, Bolt (contains 7 bolts) .....  | 1   |
| 27   | 102438601 | Kit, Minor Repair (includes items 28 through 31) .....                            | 1   |
| 28   | N/A       | Oil Seal .....  | 1   |
| 29   | N/A       | O-Ring .....  | 1   |
| 30   | N/A       | O-Ring .....  | 1   |
| 31   | N/A       | Oil Seal, Triple-Lipped .....   | 1   |
| 32   | 102438701 | Retaining, Ring Internal .....  | 1   |
| 33   | 102438801 | Plate, Armature .....   | 1   |
| 34   | 102438901 | Shim, Armature, Plate .....   | 1   |
| 35   | 102439301 | Bearing, Ball .....   | 12  |
| 36   | 102440101 | Kit, Assy, Drain Plug (includes items 37 and 38) .....                            | 1   |
| 37   | N/A       | Plug, Oil Drain .....   | 1   |
| 38   | N/A       | Washer, Nylon, 0.625 x 0.382 x 0.06 .....   | 1   |
| 39   | 102440301 | Plug, Oil Fill .....  | 1   |
| 40   | N/A       | Bushing, Self-Lubricating, 80 x 85 x 20 .....                                     | 1   |
|      |           | * Note: This assembly also contains components listed on the following two pages. |     |

**12**  
**G**  
**D**

12

G

D



000010-002



## FRONT DIFFERENTIAL (INPUT COMPONENTS)

| ITEM   | PART NO.  | DESCRIPTION   | QTY |
|--|-----------|---|-----|
|  |           | 1 2 3 4   |     |
| 1  | 102440201 | Kit, Assy, Input Cover Plate (includes items 2 through 4) ..... | 1   |
| 2  | 102440601 | Cover, Input, Machined .....                                    | 1   |
| 3  | N/A       | O-Ring .....  | 1   |
| 4  | N/A       | Oil Seal, Triple-Lipped .....                                   | 1   |
| 5  | 102440401 | Shaft, Pinion, Machined .....                                   | 1   |
| 6  | 102440501 | Bearing, Ball .....   | 1   |
| 7  | N/A       | Bushing, Plain 16 Id X 15 Wide .....                            | 1   |
| <p>Note: This page contains a list of components internal to the front differential. See the previous pages for other front differential components.</p> |           |   |     |

12

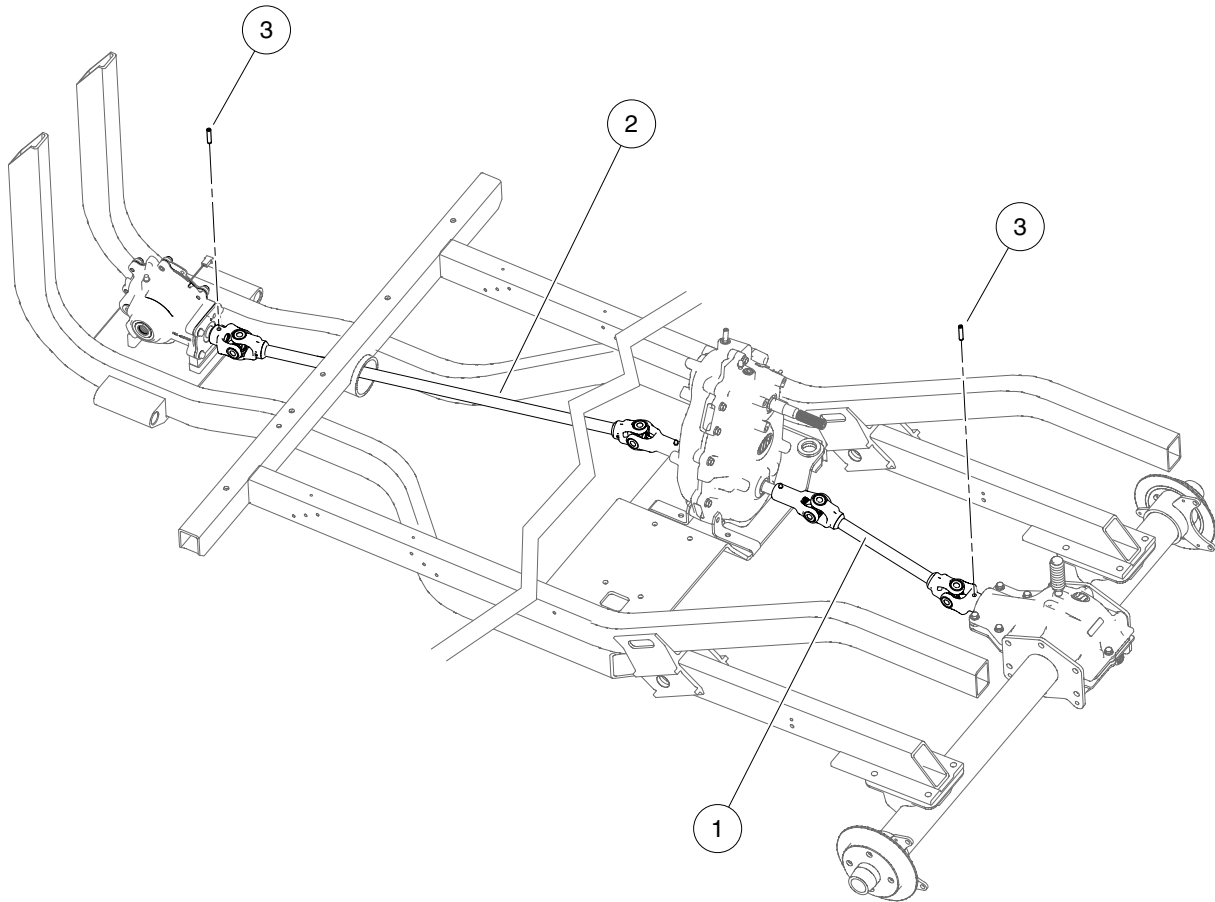
G

D

12

G

D



000091-002

# PROP SHAFTS

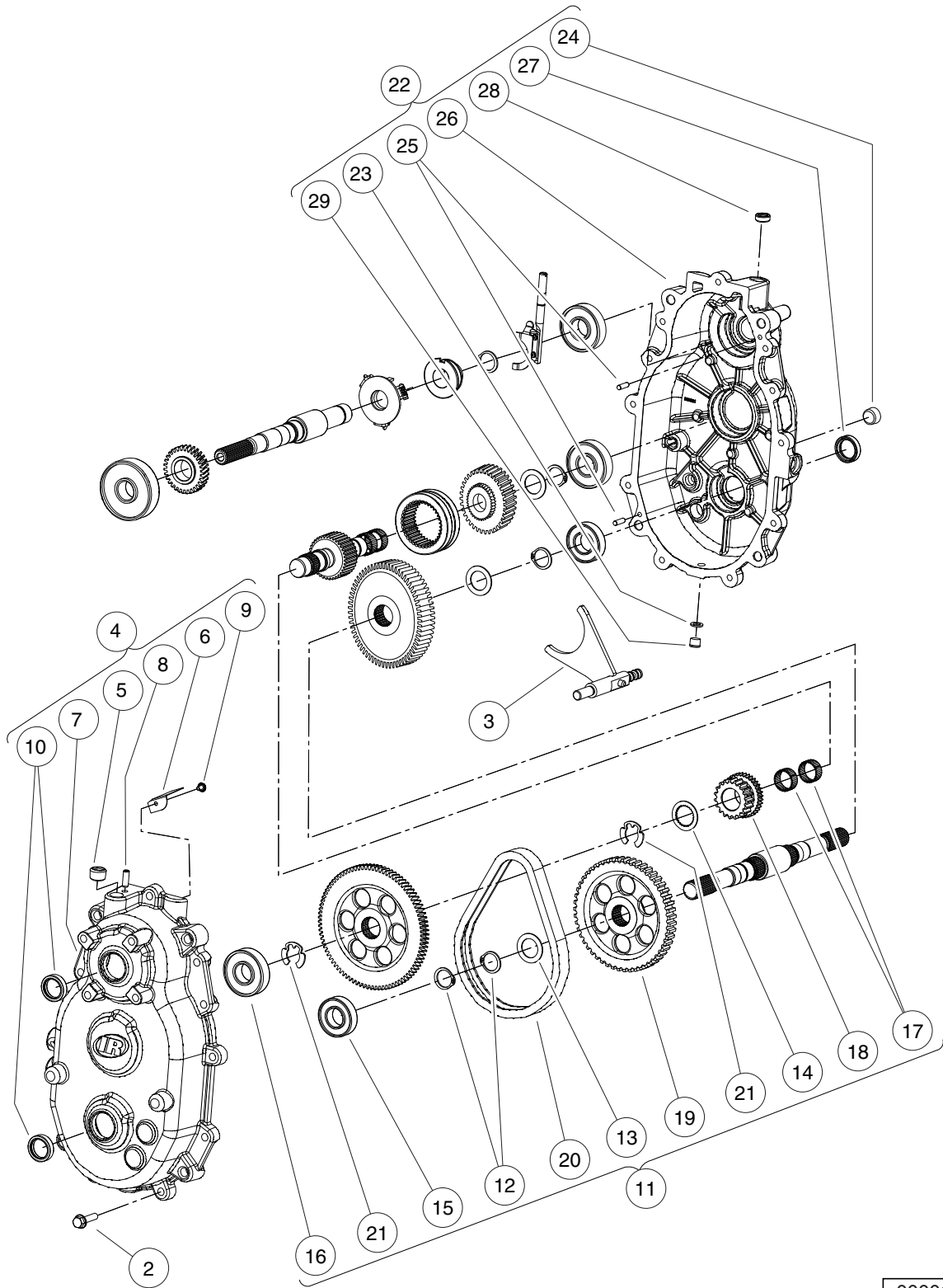
| ITEM | PART NO.  | DESCRIPTION                        | QTY |
|------|-----------|------------------------------------|-----|
| 1    | 102372101 | 1 2 3 4<br>Prop Shaft, Rear .....  | 1   |
| 2    | 102767701 | Prop Shaft, Front, Long .....      | 1   |
| 3    | 95293643  | Pin, Spring, 5/16 X 1-1/2 Hd ..... | 2   |

**12**  
**G**  
**D**

12

G

D



000016-004

# TRANSMISSION – GASOLINE VEHICLES

| ITEM | PART NO.  | DESCRIPTION  | QTY |
|------|-----------|--|-----|
|      |           | <b>1 2 3 4</b>   |     |
| 1    | 103178401 | Transmission, Parallel Shaft (includes items 2 through 22) ..... | 1   |
| 2    | 102693301 | Screw,hex Flange, M8 X 35 .....                                  | 11  |
| 3    | 102697801 | Fork, Transmission .....   | 1   |
| 4    | 102764201 | Asm, Gear Case, Rear (includes items 5 through 10) .....         | 1   |
| 5    | 102694201 | Plug, Square Skt, 1/12-14, Ptf .....                             | 1   |
| 6    | 102696301 | Oil, Deflector .....   | 1   |
| 7    | 102697401 | Gearcase, Rear .....   | 1   |
| 8    | 102698301 | Vent, Trans .....  | 1   |
| 9    | 102698901 | Screw, Tapping # 10-24 X .375 .....                              | 1   |
| 10   | 102699401 | Seal, Triple, 25 X 35 X 7.8 .....                                | 2   |
| 11   | 102765201 | Kit, Reverse Gear Repair (includes items 12 through 21) .....    | 1   |
| 12   | 102696201 | Ring, Retaining, Basic External .....                            | 2   |
| 13   | 102696501 | Washer, Thrust, 1.007 X .062 .....                               | 1   |
| 14   | 102696701 | Washer, 26.231 X 39.167 X 1.57 .....                             | 1   |
| 15   | 102696801 | Bearing, Ball .....  | 1   |
| 16   | 102696901 | Bearing, Ball .....  | 1   |
| 17   | 102697101 | Bearing, Needle .....  | 2   |
| 18   | 102697601 | Sprocket, 19-Tooth .....   | 1   |
| 19   | 102697701 | Sprocket, 51-Tooth .....   | 1   |
| 20   | 102699201 | Chain, .375p, .75 Wide, 60ptch .....                             | 1   |
| 21   | 102699701 | Ring, Retaining, E-Ring .....                                    | 2   |
| 22   | 103250301 | Asm, Case, Gear, Front (includes items 23 through 29) .....      | 1   |
| 23   | 102693501 | Washer, .625 X .382 X .60 .....                                  | 1   |
| 24   | 102694201 | Plug, Square Skt, 1/12-14, Ptf .....                             | 1   |
| 25   | 102696101 | Pin, Dowel, 6 X 20 .....   | 2   |
| 26   | 102697301 | Gearcase, Front .....  | 1   |
| 27   | 102699401 | Seal, Triple, 25 X 35 X 7.8 .....                                | 1   |
| 28   | 102721501 | Seal, Dual-Lip .....   | 1   |
| 29   | 103250401 | Plug, 3/4-16 .....   | 1   |

12

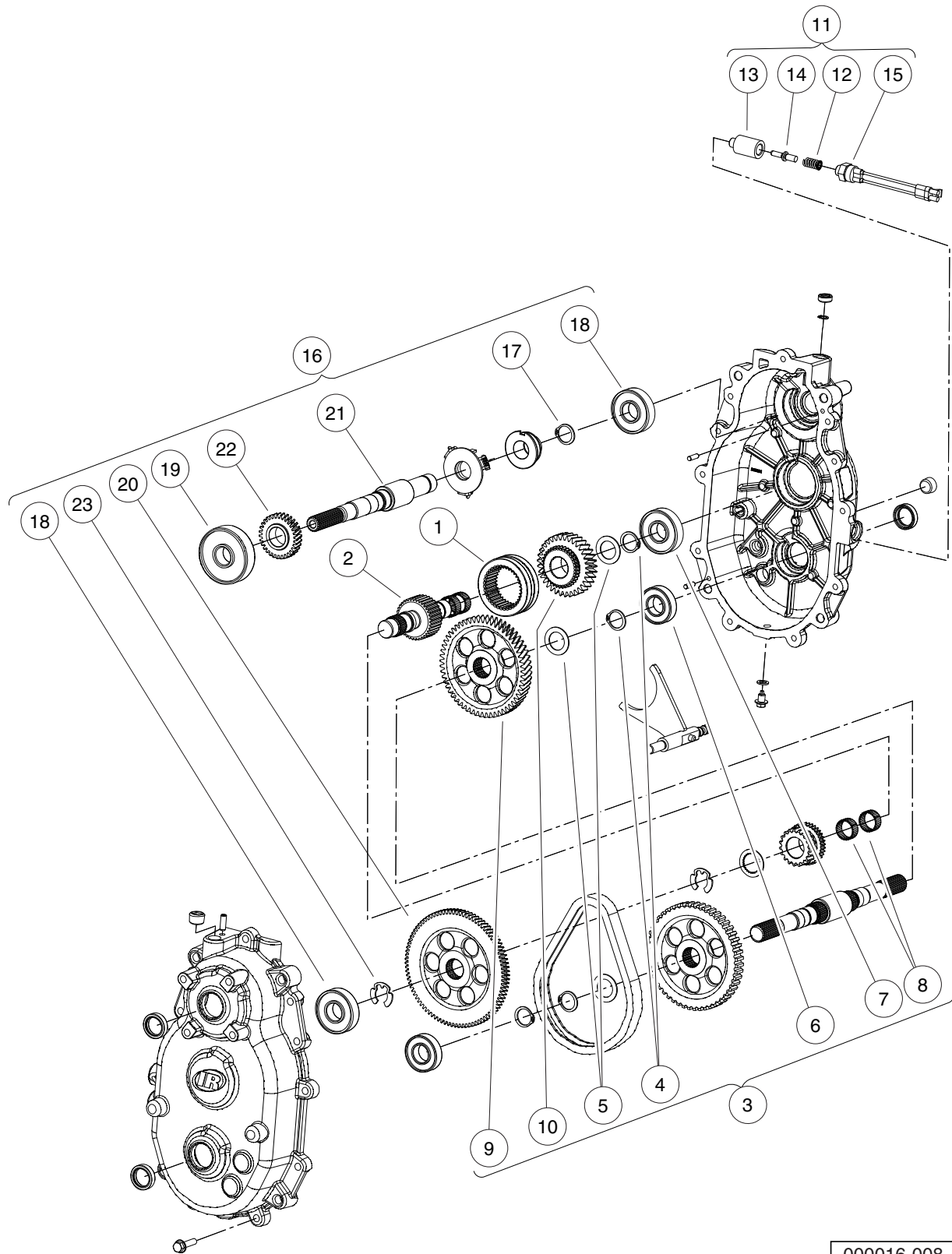
G

D

12

G

D



000016-008

## TRANSMISSION, CONTINUED

| ITEM  | PART NO.  | DESCRIPTION   | QTY |
|---|-----------|---|-----|
|   |           | <b>1 2 3 4</b>  |     |
| 1   | 102697501 | Dog, Engagement .....   | 1   |
| 2   | 102698701 | Shaft, Intermediate .....                                       | 1   |
| 3   | 102764901 | Kit, Forward Gear Repair (includes items 4 through 10) .....    | 1   |
| 4   | 102696201 | Ring, Retaining, Basic External .....                           | 2   |
| 5   | 102696501 | Washer, Thrust, 1.007 X .062 .....                              | 2   |
| 6   | 102696801 | Bearing, Ball .....   | 1   |
| 7   | 102696901 | Bearing, Ball .....   | 1   |
| 8   | 102697101 | Bearing, Needle .....   | 2   |
| 9   | 102697901 | Gear, Helical 58-Tooth .....                                    | 1   |
| 10  | 102698001 | Gear, Helical 34-Tooth .....                                    | 1   |
| 11  | 102765101 | Kit, Neutral Switch Repair (includes items 12 through 15) ..... | 1   |
| 12  | 102697201 | Spring, .484 X .340 X 1.076 .....                               | 1   |
| 13  | N/A       | Guide, Detent Bullet .....                                      | 1   |
| 14  | 102698601 | Bullet, Detent .....  | 1   |
| 15  | 102699301 | Switch, Indicator, Pollak .....                                 | 1   |
| <p style="margin: 0;">Note: This page contains a list of components internal to the transmission.<br/>See the previous pages for other transmission components.</p> |           |   |     |

12

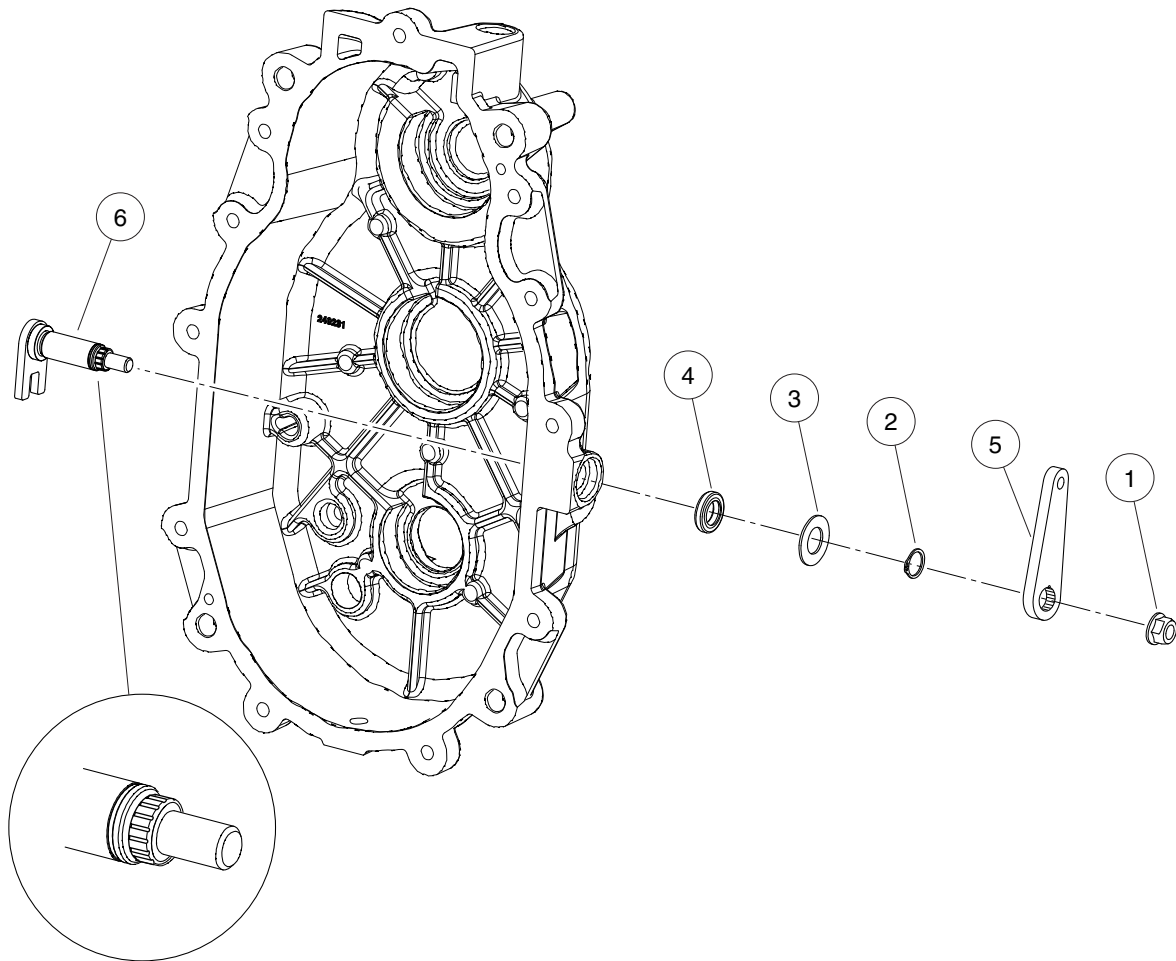
G

D

12

G

D



000016-010



# TRANSMISSION SHIFT SHAFT AND BELL CRANK

| ITEM | PART NO.  | DESCRIPTION                          | QTY |
|------|-----------|--------------------------------------|-----|
|      |           | 1 2 3 4                              |     |
| 1    | 102696001 | Nut, Lock Hex, Nylon, 5/16-24 .....  | 1   |
| 2    | 102696401 | Ring, Retaining, External 9/16 ..... | 1   |
| 3    | 102696601 | Washer, Flat, .58 X 1.08 X .05 ..... | 1   |
| 4    | 102699601 | Seal, Dul Lip, .88 X .56 X .19 ..... | 1   |
| 5    | 103239501 | Bellcrank, Alum .....                | 1   |
| 6    | 103239801 | Shaft, Shift .....                   | 1   |

12

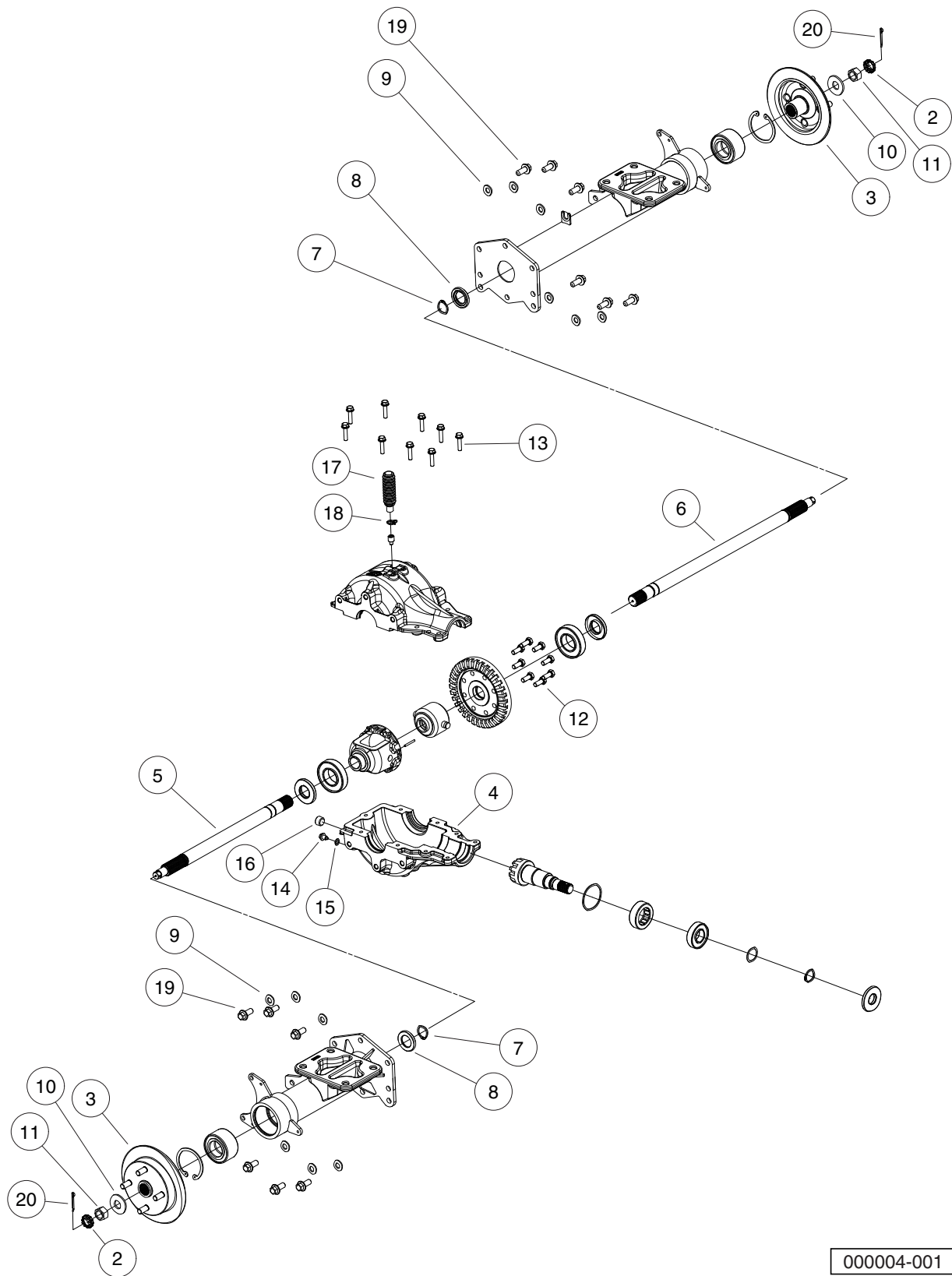
G

D

12

G

D



000004-001

# REAR DIFFERENTIAL

| ITEM | PART NO.  | DESCRIPTION  | QTY |
|------|-----------|--|-----|
|      |           | <b>1 2 3 4</b>   |     |
| 1    | 102831501 | Axle, Rear, Guard Mounts (Complete Assembly) (includes items 2 through 20) ..... | 1   |
| 2    | 102276001 | Locking Cap, Nut .....   | 2   |
| 3    | 102376602 | Assy, Rotor, Brake, Rear .....   | 2   |
| 4    | 102449101 | Gearcase, Lower, Machined .....  | 1   |
| 5    | 102463501 | Axle, Right-hand .....   | 1   |
| 6    | 102463601 | Axle, Left-Hand .....  | 1   |
| 7    | 102463801 | Ring, Retaining, Internal .....  | 2   |
| 8    | 102672101 | Washer, counterbored 51 X 30 .....   | 2   |
| 9    | 102672201 | Washer, Belleville, 1.063 X .043 .....   | 12  |
| 10   | 102672301 | Washer, Belleville, 49 X 4 .....   | 2   |
| 11   | 102672401 | Nut, Hex, M20 X 1.5 , Modified .....   | 2   |
| 12   | N/A       | Screw, M10 X 25 .....  | 8   |
| 13   | 102693301 | Screw, hex Flange, M8 X 35 .....   | 9   |
| 14   | 102693401 | Plug, 3/8-16, Hex Flange .....   | 1   |
| 15   | 102693501 | Washer, .625 X .382 X .60 .....  | 1   |
| 16   | 102694201 | Plug, Square Skt, 1/12-14, Ptf .....   | 1   |
| 17   | 102694301 | Bellows, Vent, Upper Housing .....   | 1   |
| 18   | 102694401 | Clamp, Hose, Dw-9.5 .....  | 1   |
| 19   | 102694701 | Screw, Hex Fl, M12 X 1.75 X 30 .....   | 12  |
| 20   | 102694801 | Pin, Cotter, 5/32 X 1.25 .....   | 2   |

12

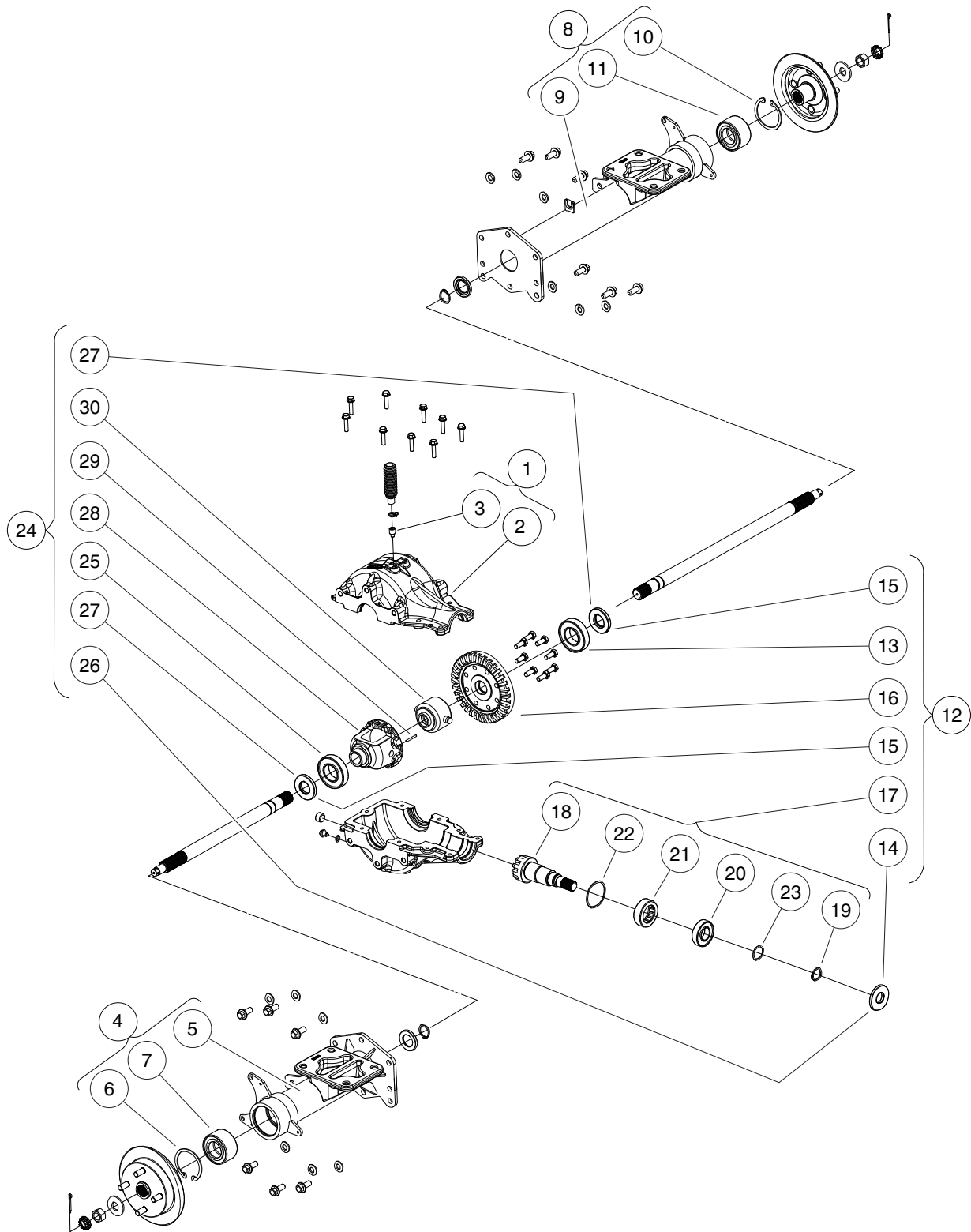
G

D

12

G

D



000004-002

## REAR DIFFERENTIAL, CONTINUED

| ITEM | PART NO.  | DESCRIPTION  | QTY |
|------|-----------|--|-----|
|      |           | 1 2 3 4  |     |
| 1    | 102765301 | Asm, Gearcase, Upper (includes items 2 and 3) .....              | 1   |
| 2    | 102449201 | Gearcase, Upper, Machined .....                                  | 1   |
| 3    | 102694001 | Vent, Top, Upper Housing .....                                   | 1   |
| 4    | 102765401 | Asm, Axle Tube, RH (includes items 5 through 7) .....            | 1   |
| 5    | 102463401 | Weldment, Axle Tube Rh .....                                     | 1   |
| 6    | 102463801 | Ring, Retaining, Internal .....                                  | 1   |
| 7    | 102464301 | Bearing .....  | 1   |
| 8    | 102765501 | Asm, Axle Tube, LH (includes items 9 through 11) .....           | 1   |
| 9    | 102463301 | Weldment, Axle Tube Lh .....                                     | 1   |
| 10   | 102463801 | Ring, Retaining, Internal .....                                  | 1   |
| 11   | 102464301 | Bearing .....  | 1   |
| 12   | 102765801 | Kit, Rear Axle Gear Repair (includes items 13 through 17) .....  | 1   |
| 13   | 102464201 | Bearing, Ball .....  | 1   |
| 14   | 102464401 | Seal, Dual-Lip 25x 62x 7tc .....                                 | 1   |
| 15   | 102464501 | Seal, Dual-Lip 30x 62x 8tc .....                                 | 2   |
| 16   | 102762601 | Gear, Ring, 33-Tooth .....                                       | 1   |
| 17   | 102765701 | Asm, Pinion W/ Bearings (includes items 18 through 23) .....     | 1   |
| 18   | 102463101 | Pinion, 10t Machined .....                                       | 1   |
| 19   | 102463901 | Ring, Retaining, External .....                                  | 1   |
| 20   | 102464001 | Bearing, Ball .....  | 1   |
| 21   | 102464101 | Bearing, Needle, Drawn Shell .....                               | 1   |
| 22   | 102693601 | Washer, 2.625 X 2.367 X .06 .....                                | 1   |
| 23   | 102694502 | Shim, 1.50 X 1.189 X .008 .....                                  | 1   |
| 24   | 102961501 | Asm, Differential & Carrier (includes items 25 through 30) ..... | 1   |
| 25   | 102464201 | Bearing, Ball .....  | 1   |
| 26   | 102464401 | Seal, Dual-Lip 25x 62x 7tc .....                                 | 1   |
| 27   | 102464501 | Seal, Dual-Lip 30x 62x 8tc .....                                 | 2   |
| 28   | 102961301 | Housing, Differential, Mach .....                                | 1   |
| 29   | 102961401 | Pin, Dowel, 4 X 35 .....   | 1   |
| 30   | 102961601 | Asm, Locker, Nongrease/Spacers .....                             | 1   |

**12**

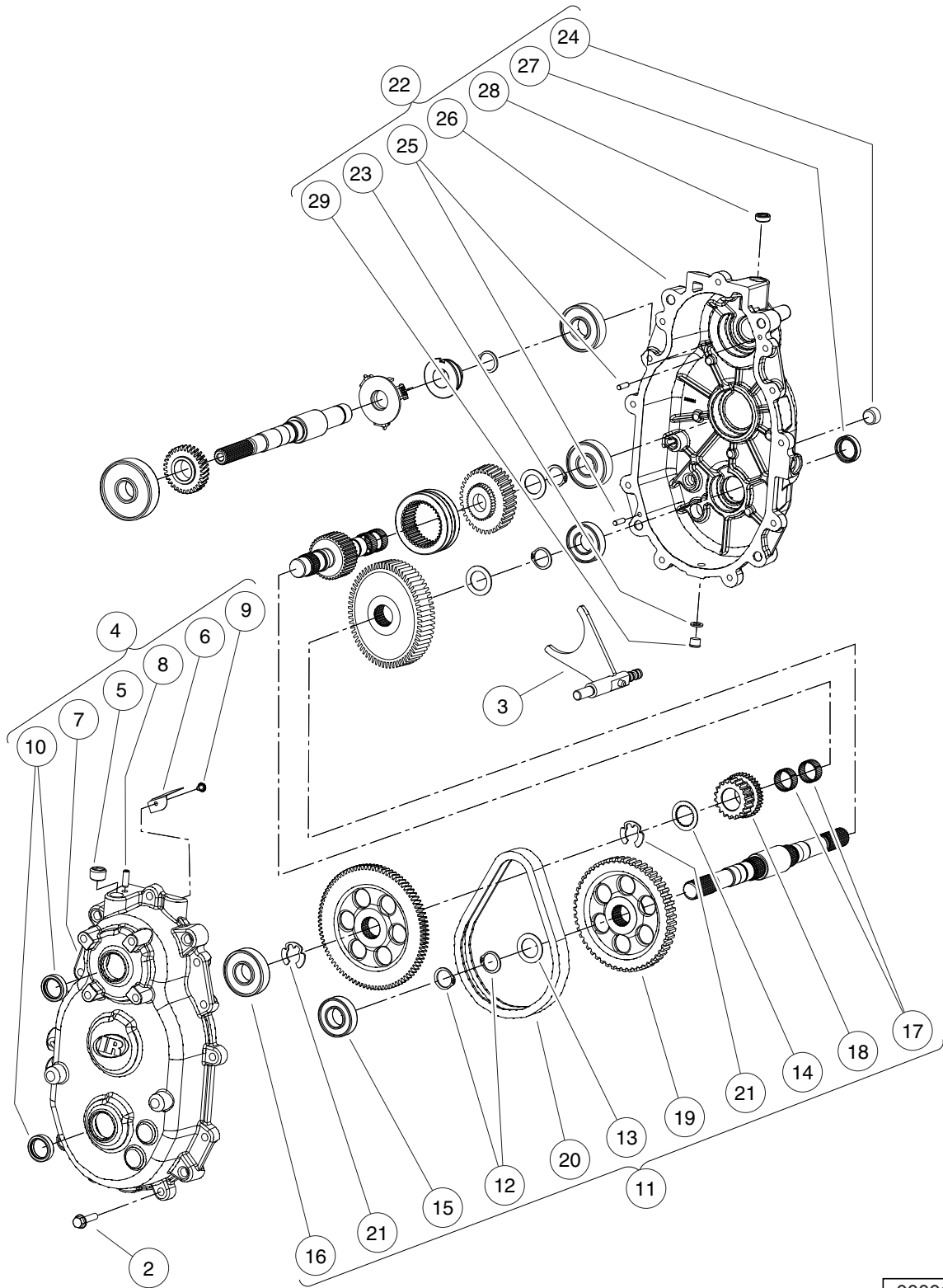
**G**

**D**

12

G

D



000016-006

## TRANSMISSION – DIESEL VEHICLES

| ITEM | PART NO.  | DESCRIPTION  | QTY |
|------|-----------|--|-----|
|      |           | 1 2 3 4  |     |
| 1    | 102943201 | Transmission, Diesel, Parallel Shaft (includes items 2 through 22) ..... | 1   |
| 2    | 102693301 | Screw,hex Flange, M8 X 35 .....  | 11  |
| 3    | 102697801 | Fork, Transmission .....   | 1   |
| 4    | 102764201 | Asm, Gear Case, Rear (includes items 5 through 10) .....                 | 1   |
| 5    | 102694201 | Plug, Square Skt, 1/12-14, Ptf .....                                     | 1   |
| 6    | 102696301 | Oil, Deflector .....   | 1   |
| 7    | 102697401 | Gearcase, Rear .....   | 1   |
| 8    | 102698301 | Vent, Trans .....  | 1   |
| 9    | 102698901 | Screw, Tapping # 10-24 X .375 .....                                      | 1   |
| 10   | 102699401 | Seal, Triple, 25 X 35 X 7.8 .....  | 2   |
| 11   | 102765201 | Kit, Reverse Gear Repair (includes items 12 through 21) .....            | 1   |
| 12   | 102696201 | Ring, Retaining, Basic External .....                                    | 2   |
| 13   | 102696501 | Washer, Thrust, 1.007 X .062 .....                                       | 1   |
| 14   | 102696701 | Washer, 26.231 X 39.167 X 1.57 .....                                     | 1   |
| 15   | 102696801 | Bearing, Ball .....  | 1   |
| 16   | 102696901 | Bearing, Ball .....  | 1   |
| 17   | 102697101 | Bearing, Needle .....  | 2   |
| 18   | 102697601 | Sprocket, 19-Tooth .....   | 1   |
| 19   | 102697701 | Sprocket, 51-Tooth .....   | 1   |
| 20   | 102699201 | Chain, .375p, .75 Wide, 60ptch .....                                     | 1   |
| 21   | 102699701 | Ring, Retaining, E-Ring .....  | 2   |
| 22   | 103250301 | Asm, Case, Gear, Front (includes items 23 through 29) .....              | 1   |
| 23   | 102693501 | Washer, .625 X .382 X .60 .....  | 1   |
| 24   | 102694201 | Plug, Square Skt, 1/12-14, Ptf .....                                     | 1   |
| 25   | 102696101 | Pin, Dowel, 6 X 20 .....   | 2   |
| 26   | 102697301 | Gearcase, Front .....  | 1   |
| 27   | 102699401 | Seal, Triple, 25 X 35 X 7.8 .....  | 1   |
| 28   | 102721501 | Seal, Dual-Lip .....   | 1   |
| 29   | 103250401 | Plug, 3/4-16 .....   | 1   |

**12**

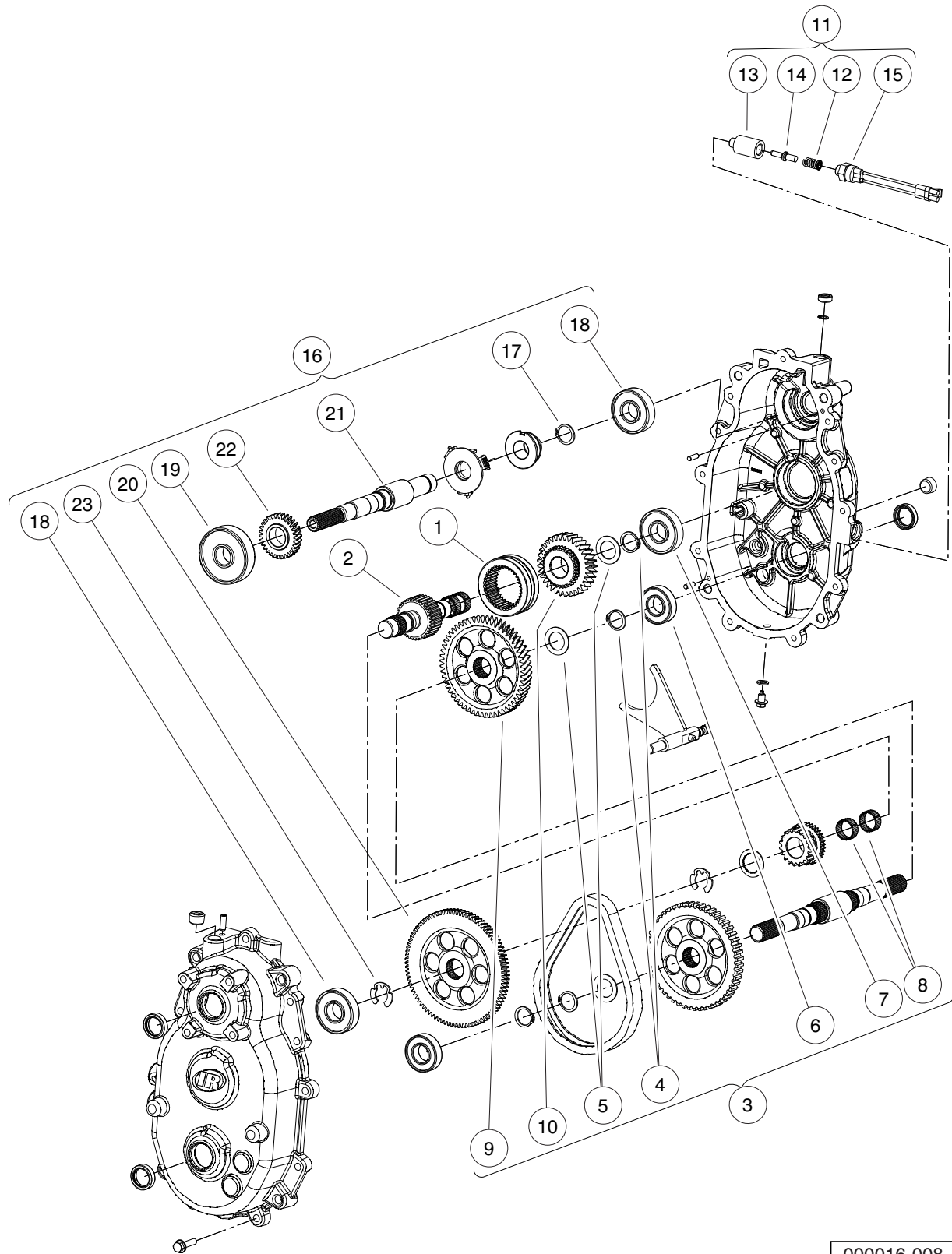
**G**

**D**

12

G

D



000016-008



## TRANSMISSION – DIESEL VEHICLES, CONTINUED

| ITEM | PART NO.  | DESCRIPTION   | QTY |
|------|-----------|---|-----|
|      |           | 1 2 3 4   |     |
| 1    | 102697501 | Dog, Engagement .....   | 1   |
| 2    | 102698701 | Shaft, Intermediate .....                                       | 1   |
| 3    | 102764901 | Kit, Forward Gear Repair (includes items 4 through 10) .....    | 1   |
| 4    | 102696201 | Ring, Retaining, Basic External .....                           | 2   |
| 5    | 102696501 | Washer, Thrust, 1.007 X .062 .....                              | 2   |
| 6    | 102696801 | Bearing, Ball .....   | 1   |
| 7    | 102696901 | Bearing, Ball .....   | 1   |
| 8    | 102697101 | Bearing, Needle .....   | 2   |
| 9    | 102697901 | Gear, Helical 58-Tooth .....                                    | 1   |
| 10   | 102698001 | Gear, Helical 34-Tooth .....                                    | 1   |
| 11   | 102765101 | Kit, Neutral Switch Repair (includes items 12 through 15) ..... | 1   |
| 12   | 102697201 | Spring, .484 X .340 X 1.076 .....                               | 1   |
| 13   | N/A       | Guide, Detent Bullet .....                                      | 1   |
| 14   | 102698601 | Bullet, Detent .....  | 1   |
| 15   | 102699301 | Switch, Indicator, Pollak .....                                 | 1   |
| 16   | 103721801 | Kit, Input Shaft Repair (includes items 17 through 23) .....    | 1   |
| 17   | 102696201 | Ring, Retaining, Basic External .....                           | 1   |
| 18   | 102696901 | Bearing, Ball .....   | 1   |
| 19   | 102697001 | Bearing, Ball .....   | 2   |
| 20   | 102698101 | Gear, Helical 90-Tooth .....                                    | 1   |
| 21   | 102698401 | Shaft, Input .....  | 1   |
| 22   | 102699001 | Gear, Helical, 31-tooth .....                                   | 1   |
| 23   | 102699701 | Ring, Retaining, E-Ring .....                                   | 1   |

**12**

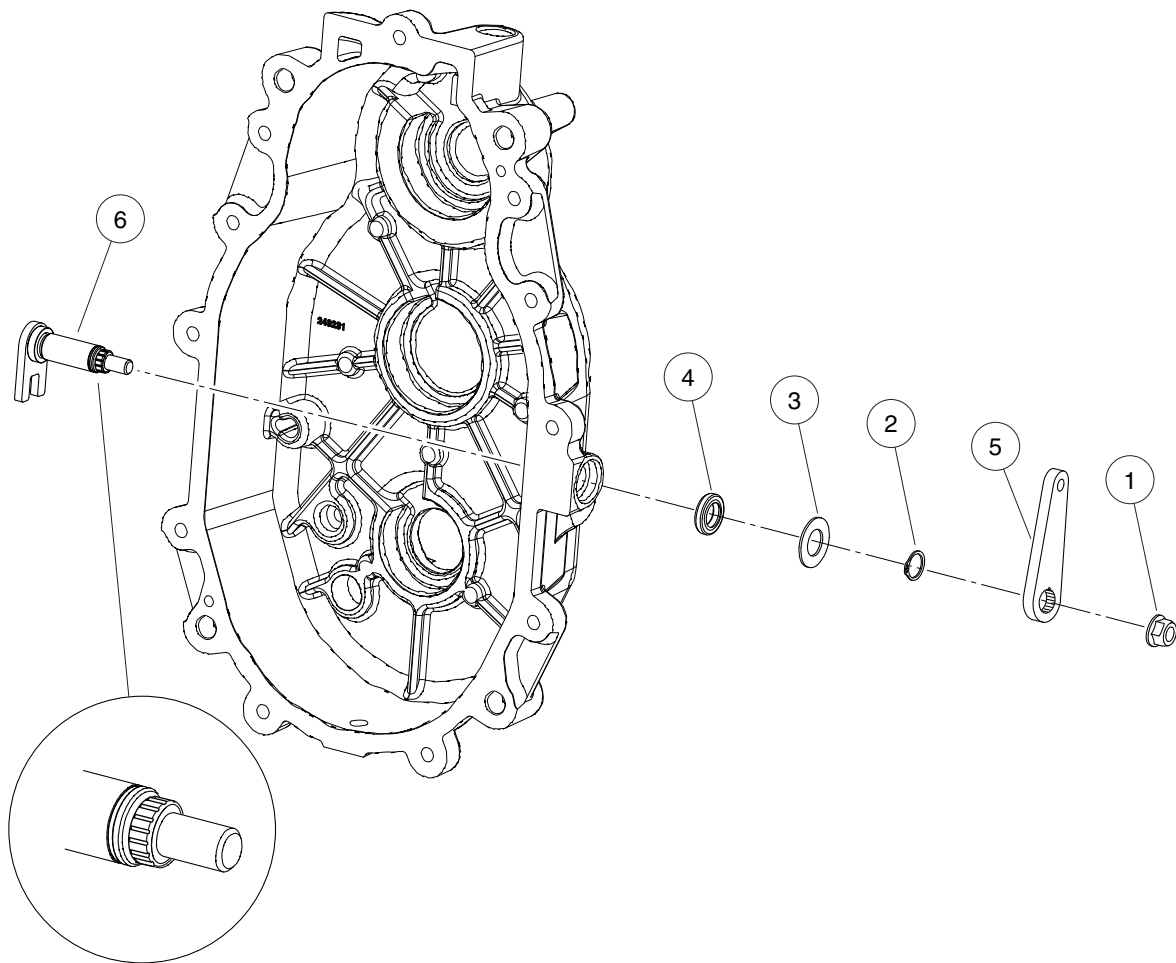
**G**

**D**

12

G

D



000016-010

# TRANSMISSION – DIESEL VEHICLES, SHIFT SHAFT AND BELL CRANK

| ITEM | PART NO.  | DESCRIPTION                          | QTY |
|------|-----------|--------------------------------------|-----|
|      |           | 1 2 3 4                              |     |
| 1    | 102696001 | Nut, Lock Hex, Nylon, 5/16-24 .....  | 1   |
| 2    | 102696401 | Ring, Retaining, External 9/16 ..... | 1   |
| 3    | 102696601 | Washer, Flat, .58 X 1.08 X .05 ..... | 1   |
| 4    | 102699601 | Seal, Dul Lip, .88 X .56 X .19 ..... | 1   |
| 5    | 103239501 | Bellcrank, Alum .....                | 1   |
| 6    | 103239801 | Shaft, Shift .....                   | 1   |

**12**

**G**

**D**

12

G

D

# RADIATOR AND COOLANT SYSTEM (DIESEL VEHICLES)

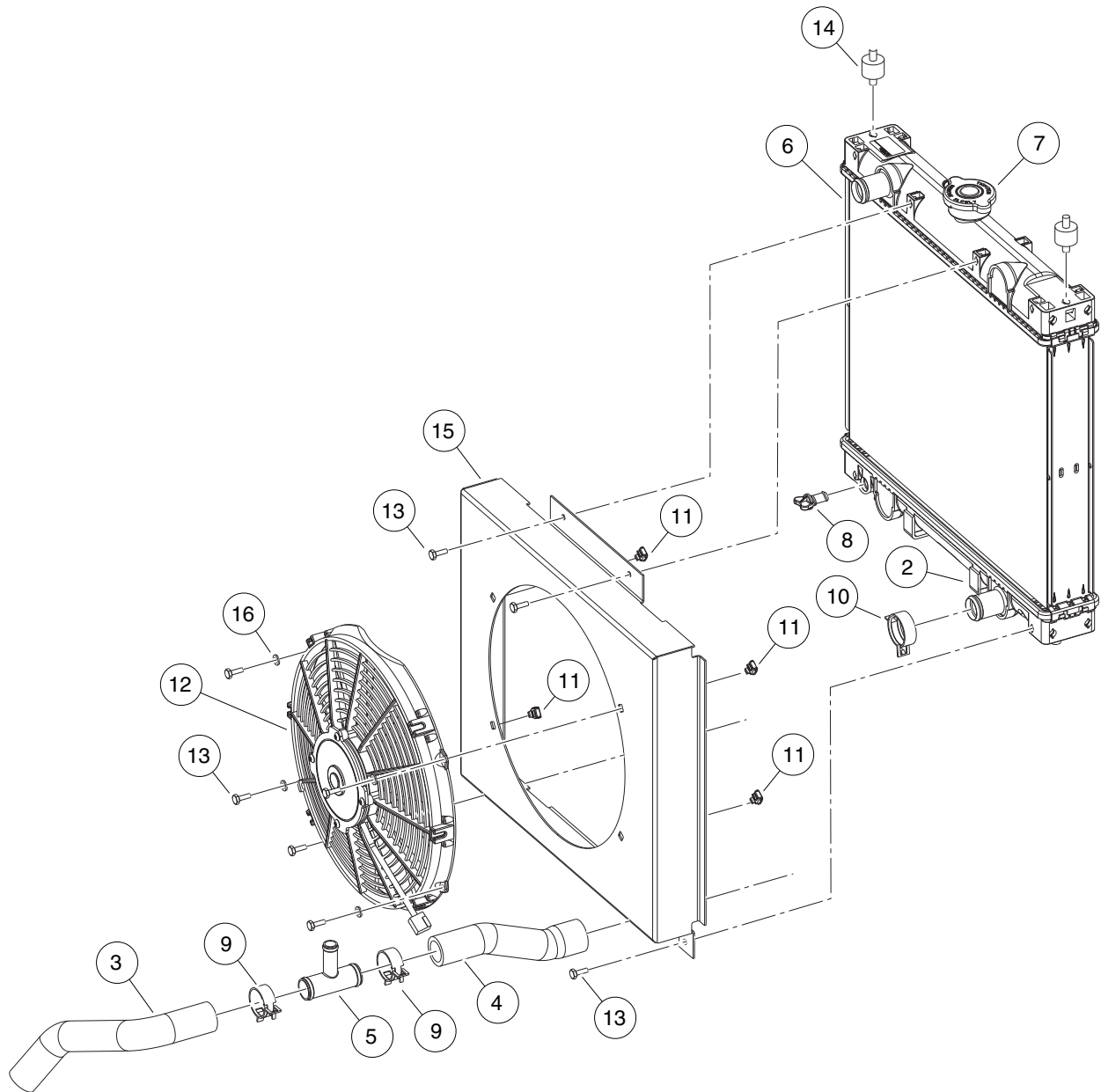
---

13

D

13

D



000541-001

# RADIATOR

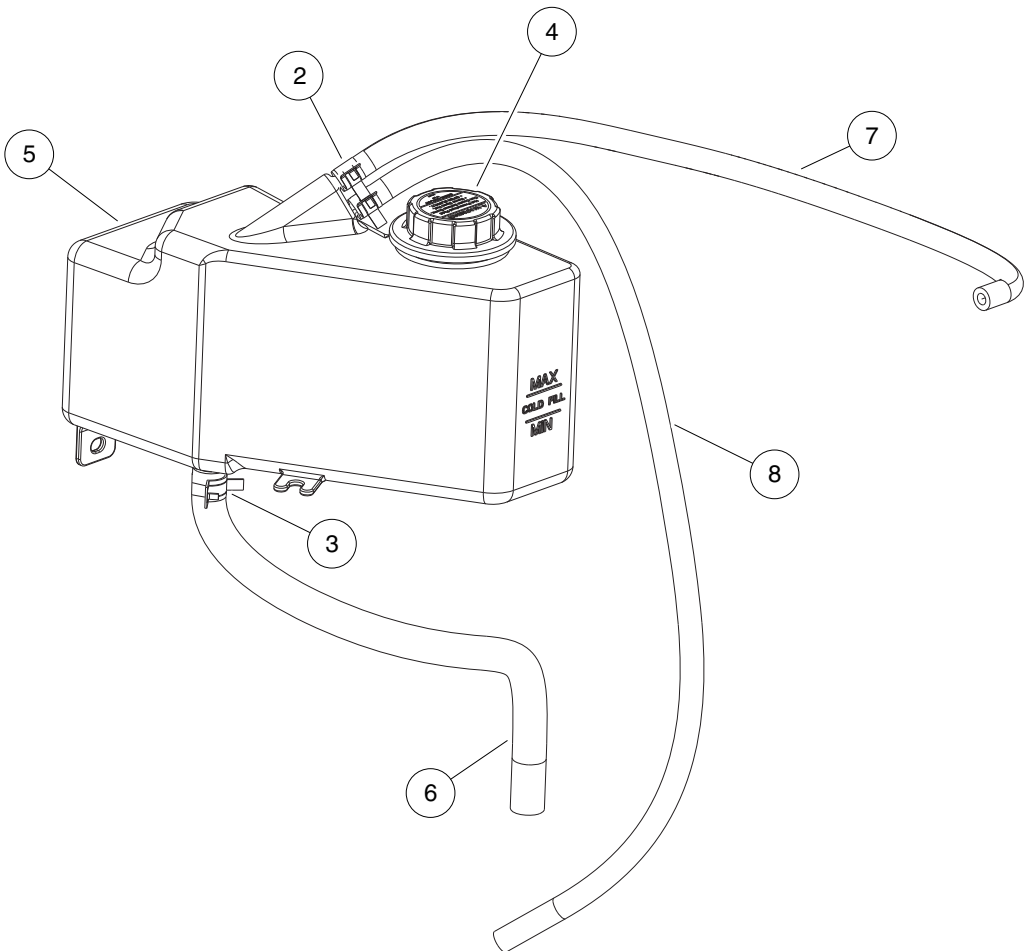
**13**

**D**

| ITEM | PART NO.  | DESCRIPTION  | QTY |
|------|-----------|--|-----|
|      |           | <b>1 2 3 4</b>   |     |
| 1    | N/A       | Asm, Radiator (includes items 2 through 16) .....        | 1   |
| 2    | 1014471   | Tape, Vinyl Foam 1/8" x 3/4" * .....                     | 1   |
| 3    | 102377801 | Hose, Coolant Lower Pipe .....                           | 1   |
| 4    | 102377901 | Hose, Coolant Lower Rad .....                            | 1   |
| 5    | 102380301 | Tee, Coolant Fill .....                                  | 1   |
| 6    | 102410301 | Exchanger, Engine Coolant (includes items 7 and 8) ..... | 1   |
| 7    | 102737301 | Cap, Radiator .....                                      | 1   |
| 8    | 102737401 | Drain Cock, Radiator .....                               | 1   |
| 9    | 102411207 | Clamp, Hose, Ctb 35mm .....                              | 2   |
| 10   | 102411208 | Clamp, Hose, Ctb 38mm .....                              | 1   |
| 11   | 102411301 | Nut, Self Retaining .....                                | 4   |
| 12   | 102436701 | Fan, Cooling 12 In Elect .....                           | 1   |
| 13   | 102490301 | Bolt, M6 X 1 X 16 Loctite .....                          | 8   |
| 14   | 102685001 | Isolator, Twin-Stud .....                                | 2   |
| 15   | 102855501 | Shroud, Radiator Fan .....                               | 1   |
| 16   | 96705199  | Washer, M6 .....   | 4   |
|      |           | <br>* Note: Item not shown.                              |     |

13

D



000540-001



# COOLANT EXPANSION TANK

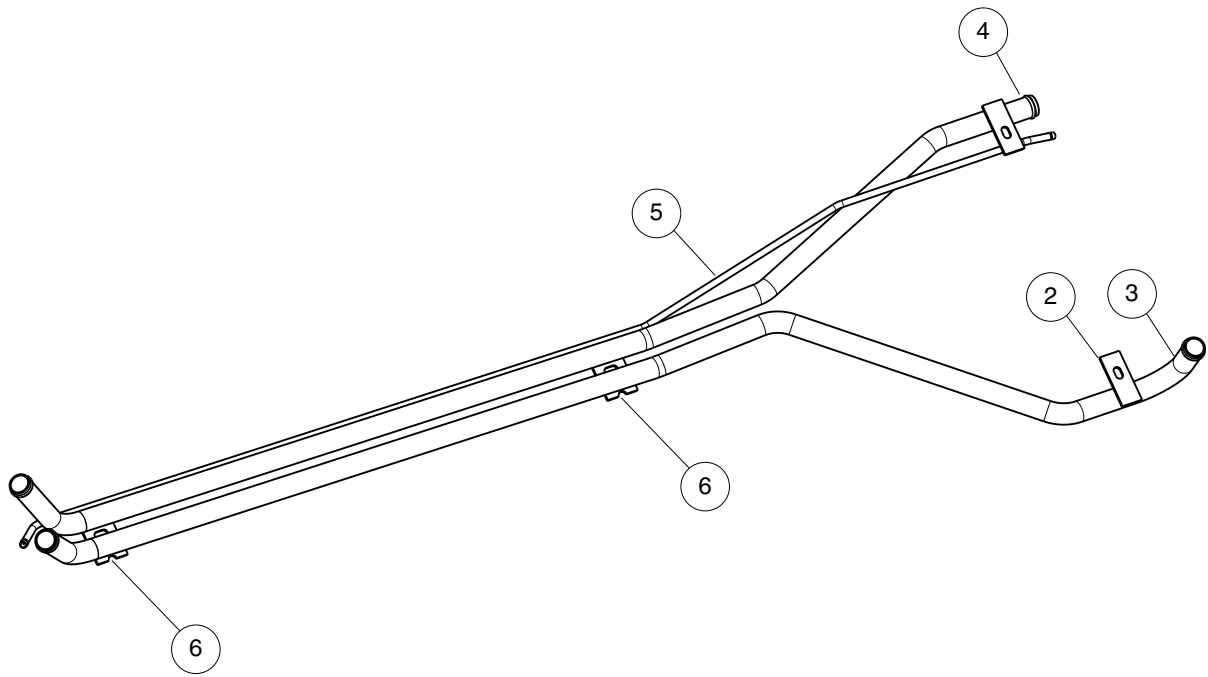
| ITEM | PART NO.  | DESCRIPTION  | QTY |
|------|-----------|--|-----|
|      |           | 1 2 3 4  |     |
| 1    | N/A       | Asm, Coolant Bottle (includes items 2 through 8) ..... | 1   |
| 2    | 102411204 | Clamp, Hose, CTB 15mm .....                            | 2   |
| 3    | N/A       | Clamp, Hose, Ctb 25mm .....                            | 1   |
| 4    | 102427501 | Cap, Radiator .....                                    | 1   |
| 5    | 102973201 | Bottle, Coolant .....                                  | 1   |
| 6    | N/A       | Hose, Cut, 5/8, 445 .....                              | 1   |
| 7    | N/A       | Hose, Cut, Coolant, 700 .....                          | 1   |
| 8    | N/A       | Hose, Cut, Coolant, 1100 .....                         | 1   |

13

D

13

D



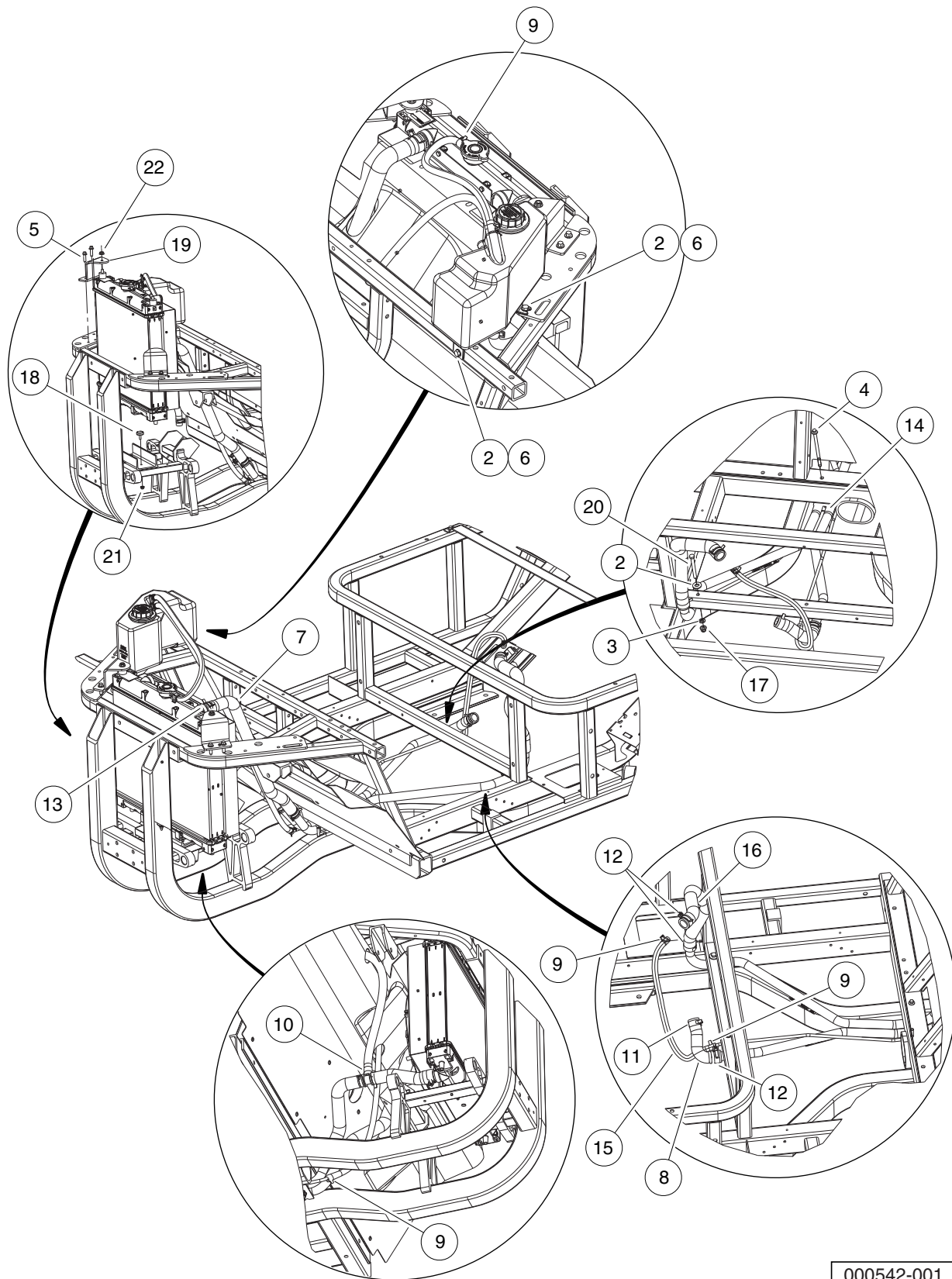
000539-002

## COOLANT PIPES AND HOSES

| ITEM | PART NO.  | DESCRIPTION   | QTY |
|------|-----------|---|-----|
|      |           | <b>1 2 3 4</b>  |     |
| 1    | 102767601 | Weldment, Coolant Pipe, Long (includes items 2 through 6) ..... | 1   |
| 2    | N/A       | Tab, Rear Mntg, Coolant Pipe .....                              | 2   |
| 3    | 102767901 | Pipe, Coolant Upper, Stretch .....                              | 1   |
| 4    | 102768001 | Pipe, Coolant Lower, Stretch .....                              | 1   |
| 5    | N/A       | Pipe, Vent, Coolant, Stretch .....                              | 1   |
| 6    | N/A       | Tab, Cooling Pipe Mount .....                                   | 2   |

13

D



000542-001

# COOLING SYSTEM CLAMPS, HOSES, AND HARDWARE

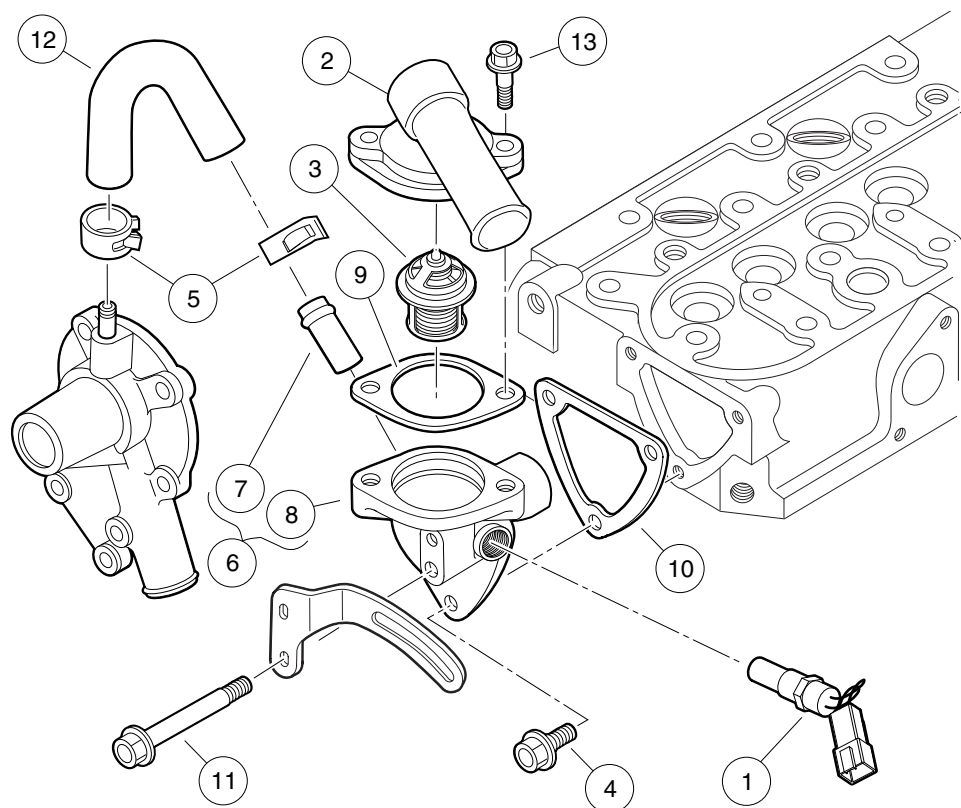
| ITEM | PART NO.  | DESCRIPTION  | QTY |
|------|-----------|--|-----|
|      |           | 1 2 3 4  |     |
| 1    | N/A       | Instl, System, Cooling, Diesel (includes items 2 through 22) ..... | 1   |
| 2    | 1011578   | Washer, 5/16 Type B Flat .....                                     | 3   |
| 3    | 1015457   | Spacer, 0.720" .....   | 1   |
| 4    | 102288901 | Bolt - Hex, M8x1.25 X 135 .....                                    | 1   |
| 5    | 102289001 | Screw, M8X1.25X30, Hex .....                                       | 4   |
| 6    | 102298720 | M8-1.25x20 Taptite .....   | 2   |
| 7    | 102377501 | Hose, Coolant Upper Rad .....                                      | 1   |
| 8    | 102377601 | Hose, Coolant Lower Eng .....                                      | 1   |
| 9    | 102411204 | Clamp, Hose, CTB 15mm .....  | 4   |
| 10   | 102411205 | Clamp, Hose, CTB 22mm .....  | 1   |
| 11   | 102411206 | Clamp, Hose, Ctb 30mm .....  | 1   |
| 12   | 102411207 | Clamp, Hose, Ctb 35mm .....  | 5   |
| 13   | 102411208 | Clamp, Hose, Ctb 38mm .....  | 1   |
| 14   | 102427601 | Clamp, Bar .....   | 1   |
| 15   | 102435001 | Hose, Vent Tube To Eng, Coolnt .....                               | 1   |
| 16   | 102480501 | Hose, Coolant, Return, Engine .....                                | 1   |
| 17   | 102618601 | Lock Nut, Flg M8 X 1.25 Nylon .....                                | 3   |
| 18   | 102684901 | Bumper, 19mm Stud .....  | 2   |
| 19   | 102946701 | Bracket, Radiator Support .....                                    | 2   |
| 20   | 103423701 | Bolt, M8 X 1.25 X 110 .....  | 1   |
| 21   | 96704176  | Nut Flg, M6 X 1 Serrated .....                                     | 2   |
| 22   | 96704416  | Nut Flg, M8 X 1.25 Serrated .....                                  | 2   |

13

D

13

D



000059-001

# WATER FLANGE AND THERMOSTAT

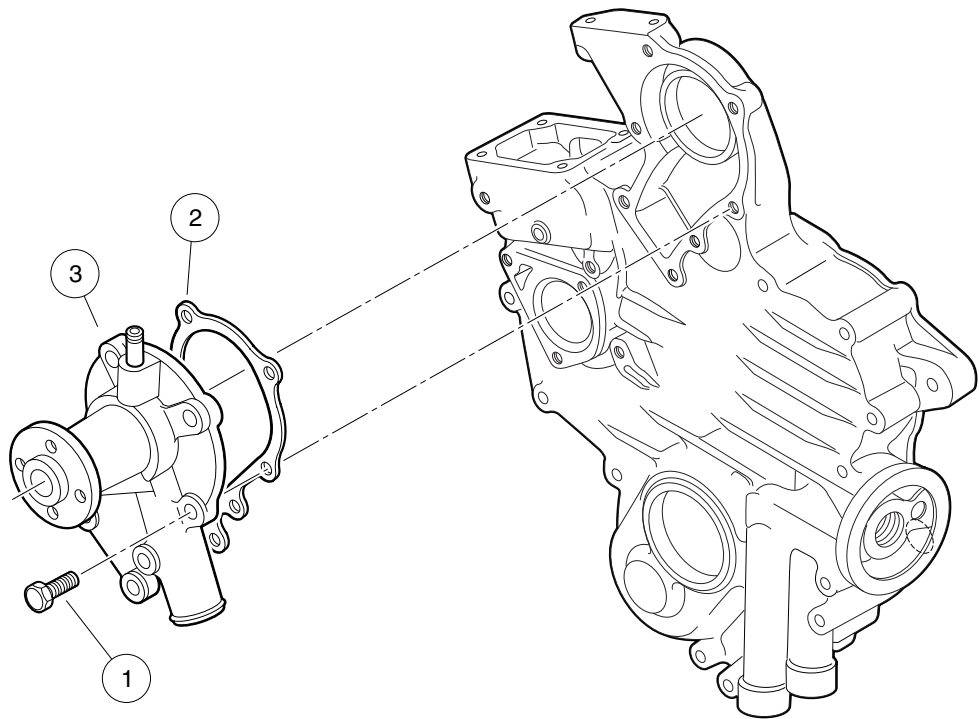
| ITEM | PART NO.  | DESCRIPTION                                  | QTY |
|------|-----------|--|-----|
|      |           | 1 2 3 4                                      |     |
| 1    | 102410001 | Sensor, Coolant Temp .....                   | 1   |
| 2    | 102631301 | Cover, Thermostat .....                      | 1   |
| 3    | 102631401 | Assy, Thermostat .....                       | 1   |
| 4    | 102631601 | Bolt, M6 X 1 X 20 .....                      | 2   |
| 5    | 102633001 | Band, Pipe .....                             | 2   |
| 6    | 102633201 | Flange, Water (includes items 7 and 8) ..... | 1   |
| 7    | 102633301 | Pipe, Water Return, D722 .....               | 1   |
| 8    | N/A       | Flange, Water .....                          | 1   |
| 9    | 102633401 | Gasket, Thermostat .....                     | 1   |
| 10   | 102654701 | Gasket, Water Flange .....                   | 1   |
| 11   | 102730901 | Bolt, Alt, D722, Stay Lower .....            | 1   |
| 12   | 102731001 | Pipe, Water Return, D722 .....               | 1   |
| 13   | 102731101 | Bolt, D722, Thermostat Cover .....           | 2   |

13

D

13

D



000060-001



# WATER PUMP

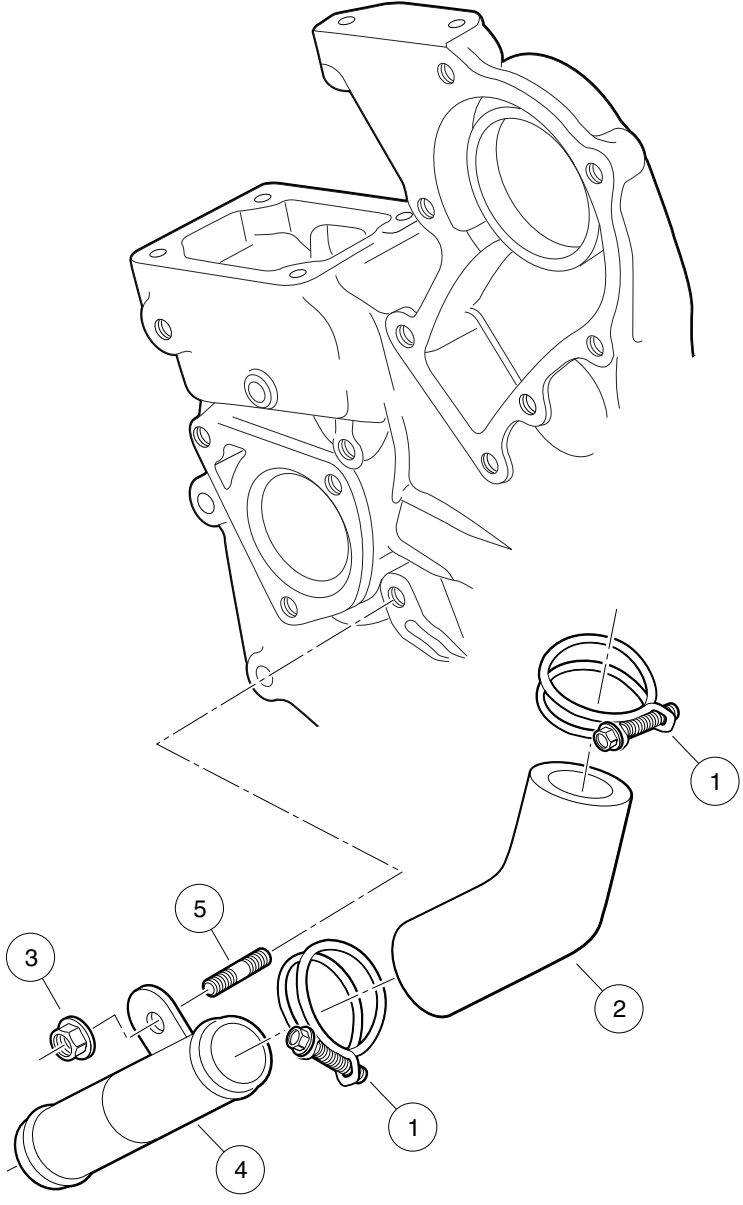
| ITEM | PART NO.  | DESCRIPTION                    | QTY |
|------|-----------|--------------------------------|-----|
|      |           | 1 2 3 4                        |     |
| 1    | 102608701 | Bolt, M6 X 1 X 22 .....        | 4   |
| 2    | 102632701 | Gasket, Water Pump, D722 ..... | 1   |
| 3    | 102731201 | Water Pump Assembly .....      | 1   |

13

D

13

D



000061-001

# BLOCK COOLANT PIPE

| ITEM | PART NO.  | DESCRIPTION                | QTY |
|------|-----------|----------------------------|-----|
|      |           | <b>1 2 3 4</b>             |     |
| 1    | 102631701 | Band, Pipe, with Nut ..... | 2   |
| 2    | 102631801 | Pipe, Water, Bent .....    | 1   |
| 3    | 102632001 | Nut, Flange, M6 .....      | 1   |
| 4    | 102632101 | Pipe, Water, Bent .....    | 1   |
| 5    | 102632201 | Stud, M6 X 15 .....        | 1   |

**13**

**D**

13

*D*

# MAINTENANCE AND SERVICE TOOLS

---

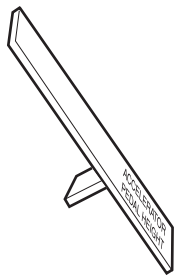
14

G

E

D

**14**  
**G**  
**E**  
**D**



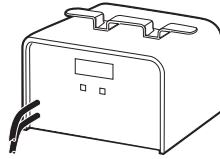
1



2



3



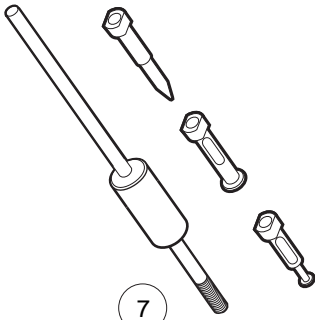
4



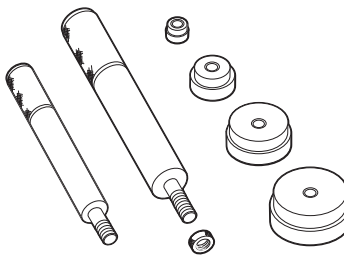
5



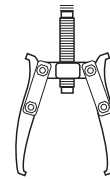
6



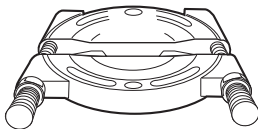
7



8



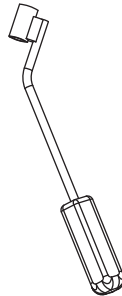
9



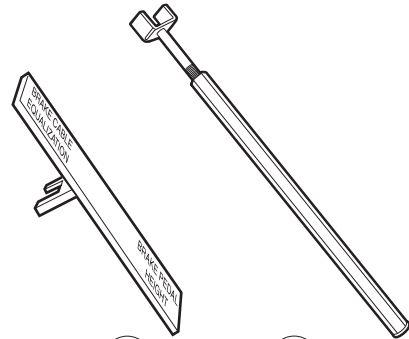
10



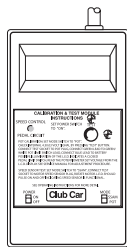
11



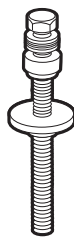
12



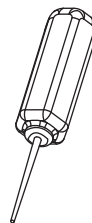
14 15  
13



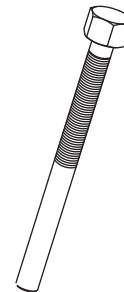
16



17



18



19

# MAINTENANCE AND SERVICE TOOLS

| ITEM | PART NO.  | DESCRIPTION  | QTY<br>DIESEL | QTY<br>GAS | QTY<br>ELEC |
|------|-----------|--|---------------|------------|-------------|
|      |           | <p><b>1 2 3 4</b></p> <p>The following tool list includes all tools available from Club Car for maintenance and service procedures for gasoline, electric, and/or diesel vehicles, both past and present models. Be sure to carefully examine the tool list for applicability to your vehicle before ordering.</p> |               |            |             |
| 1    | 101871001 | Accelerator Pedal Adjustment Tool .....  |               | 1          | 1           |
| 2    | 101813202 | Adhesive, Guide Ring, 3-Gram Tube .....  |               |            | 1           |
| 3    | 101641202 | Arbor .....  |               | 1          |             |
| 4    | 101831901 | Battery Discharge Machine, 36/48 Volt .....  |               |            | 1           |
| 5    | 1014305   | Battery Terminal Protector Spray .....   | 1             | 1          | 1           |
| 6    | 1011767   | Battery Thermometer .....  | 1             | 1          | 1           |
| 7    | 1016417   | Bearing and Oil Seal Remover Assembly .....  | 1             | 1          | 1           |
| 8    | 1016416   | Bearing Driver Set .....   | 1             | 1          | 1           |
| 9    | 1012811   | Bearing Puller .....   | 1             | 1          | 1           |
| 10   | 1012812   | Bearing Puller Wedge Attachment .....  | 1             | 1          | 1           |
| 11   | 1013582   | Brake Adjustment Tool (used only on vehicles with manually adjusted mechanical brakes) .....   |               | 1          | 1           |
| 12   | 102555501 | Brake Cable Release Tool .....   | 1             | 1          | 1           |
| 13   | 102249901 | Brake Pedal Adjustment Tool Kit (used for the Carryall Electric Industrial Truck only) (includes items 14 and 15).....   |               |            | 1           |
| 14   | ****      | Brake Pedal Adjustment Tool .....  |               |            | 1           |
| 15   | ****      | Brake Pedal Tension Tool .....   |               |            | 1           |
| 16   | 101887101 | Calibration Test Module .....  |               |            | 1           |
| 17   | 101808401 | Cam Installation Tool .....  |               | 1          |             |
| 18   | 102562401 | Charger Bezel Tool .....   |               |            | 1           |
| 19   | 102686101 | Clutch Removal Tool (for 4x4 vehicles) .....   | 1             | 1          |             |
|      |           | <p>Please refer to the maintenance and service manual for proper tool application.</p> <p>**** Special order item available upon request</p>   |               |            |             |

14

G

E

D



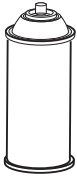


## MAINTENANCE AND SERVICE TOOLS, CONTINUED

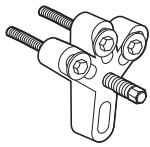
| ITEM | PART NO.  | DESCRIPTION   | QTY<br>DIESEL | QTY<br>GAS | QTY<br>ELEC |
|------|-----------|---|---------------|------------|-------------|
|      |           | <b>1 2 3 4</b>  |               |            |             |
| 20   | 1014510   | Clutch Tool Kit (includes items 21 - 27) .....  |               | 1          |             |
| 21   | 1014498   | Clutch Alignment Tool (for pre-unitized transaxle<br>vehicles built prior to 1997 model year) ..... |               | 1          |             |
| 22   | 1014496   | Drive Clutch Puller (for Kawasaki engines only) .....   |               | 1          |             |
| 23   | 1014497   | Drive Clutch Hub Puller (for Kawasaki engines only) .....   |               | 1          |             |
| 24   | 1014508   | Driven Clutch Cam Puller (for Kawasaki engines only) .....  |               | 1          |             |
| 25   | 1014507   | Driven Clutch Puller Plug (for Kawasaki engines only) .....   |               | 1          |             |
| 26   | 1015524   | Drive Clutch Holder Tool Assembly (for Kawasaki engines only) .....                                 |               | 1          |             |
| 27   | 101809101 | Press Weldment (for Kawasaki engines only) .....  |               | 1          |             |
| 28   | 102601501 | Drive ClutchFixed Sheave Tool<br>(for 4x4 vehicles) .....   | 1             | 1          |             |
| 29   | 102603501 | Driven Clutch Spring Compression Base (for use with items 30<br>and 31) (for 4x4 vehicles) .....    | 1             | 1          |             |
| 30   | 102605201 | Driven Clutch Spring Compression Collar (for use with items 29<br>and 31) (for 4x4 vehicles) .....  | 1             | 1          |             |
| 31   | 102606101 | Driven Clutch Spring Compression Nut (for use with items 29<br>and 30) (for 4x4 vehicles) .....     | 1             | 1          |             |
| 32   | 102607501 | Drive Clutch Spider Removal Tool<br>(for 4x4 vehicles) .....  | 1             | 1          |             |
| 33   | 101831801 | Communication Display Module .....  |               |            | 1           |
| 34   | 101641002 | Compression Gauge and Adapter .....   |               | 1          |             |
| 35   | 1011273   | Continuity Tester .....   |               | 1          | 1           |
| 36   | 102773801 | Cutter, Valve Seat, #122 .....  |               | 1          |             |
| 37   | 102773901 | Cutter, Valve Seat #115 .....   |               | 1          |             |
| 38   | 102774101 | Wrench, T, #505.....  |               | 1          |             |
| 39   | 102774101 | Adapter, T-Wrench.....  |               | 1          |             |
| 40   | 102675401 | Cutter, Valve Seat, 60 Degree (requires item 51)<br>(for Honda GX620 Gasoline Engines) .....        |               | 1          |             |
| 41   | 102774201 | Pilot, 6.6 MM .....   |               | 1          |             |
| 42   | 102774301 | Pilot, 6.62 MM.....   |               | 1          |             |
| 43   | 102774401 | Pilot, 6.65 MM.....   |               | 1          |             |
|      |           | Please refer to the maintenance and service manual<br>for proper tool application.                  |               |            |             |

**14**  
**G**  
**E**  
**D**

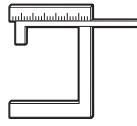
**14**  
**G**  
**E**  
**D**



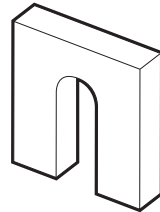
44



45



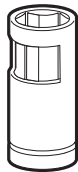
46



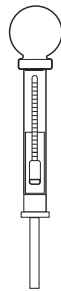
47



48



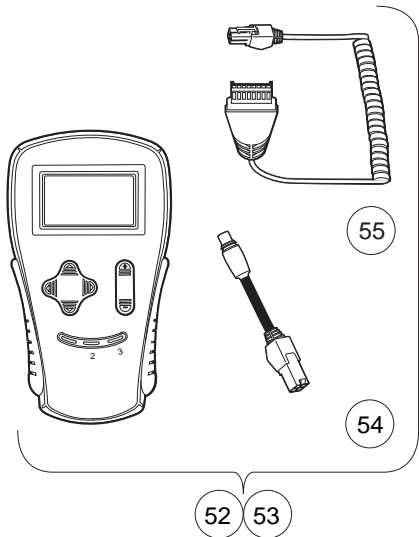
49



50



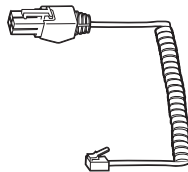
51



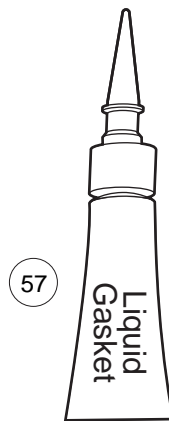
52 53

55

54



56



57



58



59 60



61

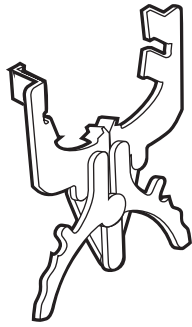
## MAINTENANCE AND SERVICE TOOLS, CONTINUED

| ITEM | PART NO.  | DESCRIPTION  | QTY<br>DIESEL | QTY<br>GAS | QTY<br>ELEC | <b>14</b> |
|------|-----------|--|---------------|------------|-------------|-----------|
|      |           | 1 2 3 4  |               |            |             | <b>G</b>  |
| 44   | 1012151   | Dry Moly Lubricant .....   | 1             | 1          | 1           | <b>E</b>  |
| 45   | 1016627   | Flywheel Puller Kit (for Kawasaki Engines) .....   |               | 1          |             | <b>D</b>  |
| 46   | 102669901 | Gauge, Carburetor Float Level<br>(for Honda GX620 Gasoline Engines) .....                              |               | 1          |             |           |
| 47   | 1016418   | Gear Yoke .....  | 1             | 1          | 1           |           |
| 48   | 101933101 | Governor Shaft Installation Tool (for Kawasaki Engine Vehicles) .....                                  |               | 1          |             |           |
| 49   | 102169401 | Hydraulic Brake Adjuster (for Turf/CA 272/472, Pioneer/XRT 1200,<br>Bobcat 2100, HUV 4213) .....       |               |            | 1           |           |
| 50   | 1011478   | Hydrometer .....   | 1             | 1          | 1           |           |
| 51   | 1013593   | Internal Retaining Ring Pliers .....   | 1             | 1          | 1           |           |
| 52   | 102248803 | IQ Display Module (IQDM) Kit (IQ System and IQ Plus vehicles) .....                                    |               |            | 1           |           |
|      |           | (includes items 54 and 55)   |               |            |             |           |
| 53   | 102248804 | IQ Display Module (IQDM-P) Kit (IQ System and IQ Plus vehicles) .....                                  |               |            | 1           |           |
|      |           | (includes items 54 and 55)   |               |            |             |           |
| 54   | 102251501 | Adaptor, Cable .....   |               |            | 1           |           |
| 55   | 102241502 | IQDM Series 2 Cable .....  |               |            | 1           |           |
| 56   | 102241501 | IQDM Series 1 Cable (replacement) .....  |               |            | 1           |           |
| 57   | 101928701 | Liquid Gasket (transaxle case) .....   | 1             | 1          | 1           |           |
| 58   | 102243402 | Moly-Teflon Lubricant (4-oz. (113-gram) tube) .....  |               |            | 1           |           |
| 59   | 101997201 | Paint, Touch-Up – Beige* .....   |               | 1          | 1           |           |
| 59   | 101997207 | Paint, Touch-Up – Black* .....   |               | 1          | 1           |           |
| 59   | 101997212 | Paint, Touch-Up – Burgundy* .....  |               | 1          | 1           |           |
| 59   | 101997211 | Paint, Touch-Up – Classic Blue (Navy)* .....   |               | 1          | 1           |           |
| 59   | 101997205 | Paint, Touch-Up – Dark Gray* .....   | 1             | 1          | 1           |           |
| 59   | 101997209 | Paint, Touch-Up – Dark Green* .....  | 1             | 1          | 1           |           |
| 59   | 101997204 | Paint, Touch-Up – Gray* .....  | 1             | 1          | 1           |           |
| 59   | 101997203 | Paint, Touch-Up – Red* .....   | 1             | 1          | 1           |           |
| 59   | 101997206 | Paint, Touch-Up – Royal Blue (Pacific Blue)* .....   |               | 1          | 1           |           |
| 59   | 101997202 | Paint, Touch-Up – White* .....   | 1             | 1          | 1           |           |
| 60   | 102562301 | Paint, Precedent Underbody – Gray .....  |               | 1          | 1           |           |
| 61   | 102587201 | Paint Pen, Touch-Up, Precedent Underbody – Black .....   |               | 1          | 1           |           |
|      |           | Please refer to the maintenance and service manual<br>for proper tool application.                     |               |            |             |           |
|      |           | * Item 59 is not for use on Surlyn <sup>®</sup> body material, which is used<br>on Precedent vehicles. |               |            |             |           |

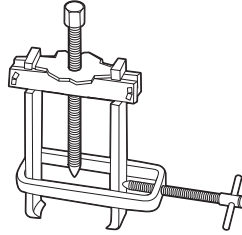
**14**  
**G**  
**E**  
**D**



62



63



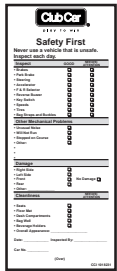
64



65



66



67



68



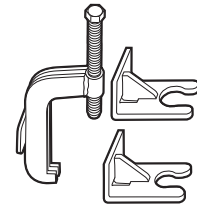
69



70



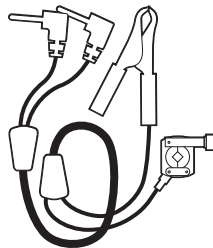
71



72



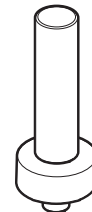
73



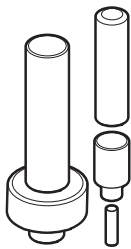
74



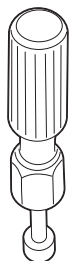
75



76



77



83



84



85



86

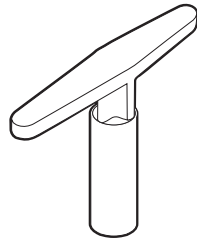
## MAINTENANCE AND SERVICE TOOLS, CONTINUED

| ITEM | PART NO.  | DESCRIPTION   | QTY    | QTY | QTY  | 14 |
|------|-----------|---|--------|-----|------|----|
|      |           |   | DIESEL | GAS | ELEC |    |
|      |           | 1 2 3 4   |        |     |      | G  |
| 62   | 1016414   | Piston Ring Compressor Kit (FE290, FE350 and FE400 engines) .....   |        | 1   |      | E  |
| 63   | 1016415   | Piston Ring Pliers (for Kawasaki Engines) .....   |        | 1   |      | D  |
| 64   | 102668801 | Puller, Special Use (for Kubota D722 Diesel Engines) .....  | 1      |     |      |    |
| 65   | 1012549   | Retaining Ring Pliers, 45° External .....   | 1      | 1   | 1    |    |
| 66   | 1012560   | Retaining Ring Pliers, 90° Internal .....   | 1      | 1   | 1    |    |
| 67   | 101823101 | Safety First Card (50 per pack) .....   | 1      | 1   | 1    |    |
| 68   | 1012809   | Seal Puller .....   | 1      | 1   | 1    |    |
| 69   | 102330901 | Spanner Wrench (for coil over shock front suspension vehicles only) .....   | 1      | 1   |      |    |
| 70   | 1014264   | Steering Column Bearing Press Tool .....  |        | 1   | 1    |    |
| 71   | 1014259   | Steering Column Retaining Ring Tool .....   |        | 1   | 1    |    |
| 72   | 102061201 | Steering Wheel Puller Tool .....  | 1      | 1   | 1    |    |
| 73   | AM10753   | Tachometer (includes gasoline engine pick up lead only) .....   | 1      | 1   |      |    |
| 74   | AM10771   | Tachometer Diesel Probe (for use with item 73) .....  | 1      |     |      |    |
| 75   | 1014162   | Transaxle Axle Seal Tool .....  |        | 1   |      |    |
| 76   | 1014161   | Transaxle Pinion Seal Tool .....  |        | 1   |      |    |
| 77   | 1014115   | Transmission Tool Kit .....   |        | 1   |      |    |
| 78   | 101611003 | Tune-Up Kit, All OHV (for FE290, FE350, FE400 only) (includes air filter, spark plug, oil filter, fuel filters) (not shown) .....   |        | 1   |      |    |
| 79   | AM11804   | Tune-Up Kit, Gx620 (for Honda Engines) (includes air filter, spark plug, oil filter, fuel filters) (not shown) .....                |        | 1   |      |    |
| 80   | AM11805   | Tune-Up Kit, D722 (for Kubota Engines) (includes air filter, oil filter, fuel filters, water separator filter) (not shown) .....    | 1      |     |      |    |
| 81   | AM1220301 | Tune-Up Kit, Precedent (for FE290/350 Engines) (includes air filter, spark plug, oil filter, fuel filters) (not shown) .....        |        | 1   |      |    |
| 82   | AM1232401 | Tune-Up Kit, FH680D (for Kawasaki V-Twin Engines) (includes oil filter, fuel filter, air filter, and spark plugs) (not shown) ..... |        | 1   |      |    |
| 83   | 1016413   | Valve Clearance Adjuster Screw Holder (for FE290 engines only) .....  |        | 1   |      |    |
| 84   | 102674601 | Valve Guide Driver (for Honda GX620 Gasoline Engines) .....   |        | 1   |      |    |
| 85   | 101641201 | Valve Guide Reamer (FE290, FE350, and FE400 only) .....   |        | 1   |      |    |
| 86   | 102674401 | Valve Guide Reamer, 6.6 mm (for Honda GX620 Gasoline Engines) .....   |        | 1   |      |    |

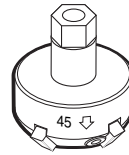
**14**  
**G**  
**E**  
**D**



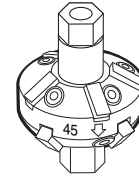
87



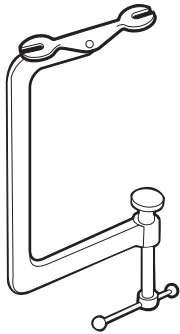
88



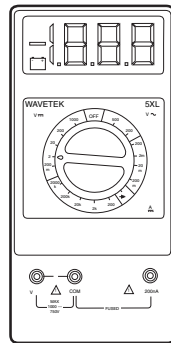
89



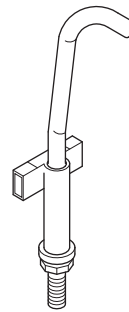
90



91



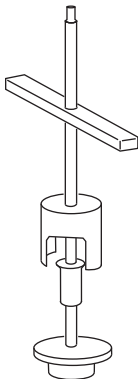
92



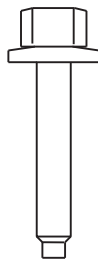
93



94



95



96

## MAINTENANCE AND SERVICE TOOLS, CONTINUED

| ITEM   | PART NO.  | DESCRIPTION  | QTY<br>DIESEL | QTY<br>GAS | QTY<br>ELEC | <b>14</b> |
|--|-----------|--|---------------|------------|-------------|-----------|
|  |           | <b>1 2 3 4</b>   |               |            |             | <b>G</b>  |
| 87   | 1016552   | Valve Seat Cutter Guide .....  |               | 1          |             | <b>E</b>  |
| 88   | 1016551   | Valve Seat Cutter T-Wrench .....                                       |               | 1          |             | <b>D</b>  |
| 89   | 1016553   | Valve Seat Cutter, 45° (32 mm diameter) (for FE290 engines only) ..... |               | 1          |             |           |
| 90   | 1016554   | Valve Seat Cutter, 45°/30° (35 mm diameter) .....                      |               | 1          |             |           |
| 91   | 101641101 | Valve Spring Compressor .....  |               | 1          |             |           |
| 92   | 1011480   | Volt Ohm Meter .....   | 1             | 1          | 1           |           |
| 93   | 102570401 | Tool, Tensioning, Starter Generator (For Precedent vehicles) .....     |               | 1          |             |           |
| 94   | 103601401 | Puller, Drive Clutch, XRT 950* .....                                   |               | 1          |             |           |
| 95   | 103601701 | Tool, Disassembly, Driven Clutch, XRT 950 .....                        |               | 1          |             |           |
| 96   | 103600501 | Screw, Driven Clutch Disassembly, M6, XRT 950 .....                    |               | 1          |             |           |
| <p>*Note: The XRT 950 Drive Clutch Puller requires the use of Screw, Driven Clutch Disassembly, CCI Part Number 103600501.</p> |           |  |               |            |             |           |





# INDEX

## Part Number and Page

|           |                                    |           |                 |           |                  |
|-----------|------------------------------------|-----------|-----------------|-----------|------------------|
| AM10753   | 14-9                               | 1011779   | 4-15            | 1015390   | 1-53             |
| AM10771   | 14-9                               | 1011990   | 1-53            | 1015392   | 1-25             |
| AM11807   | 5-9                                | 1012151   | 14-7            | 1015399   | 1-49, 1-53, 1-57 |
| AM11808   | 5-9                                | 1012295   | 6-11, 6-13      | 1015400   | 1-49, 1-53       |
| AM1210002 | 1-17                               | 1012303   | 1-49            | 1015457   | 13-9             |
| AM1210801 | 1-17                               | 1012549   | 14-9            | 101547601 | 3-5              |
| AM1211003 | 1-17                               | 1012560   | 14-9            | 1015521   | 6-11, 6-13       |
| AM1211401 | 1-17                               | 1012769   | 8-3             | 1015524   | 14-5             |
| AM1215701 | 1-17                               | 1012809   | 14-9            | 1015583   | 1-49             |
| AM1215801 | 1-17                               | 1012811   | 14-3            | 1015597   | 5-15             |
| AM1232301 | 7-5                                | 1012812   | 14-3            | 1015741   | 6-11, 6-13       |
| AM1241201 | 5-9                                | 1012830   | 1-35, 1-37      | 101587703 | 9-3, 9-7         |
| AM1241301 | 5-9                                | 1012871   | 7-5             | 1016078   | 1-47             |
| 183       | 9-5, 9-9                           | 1012919   | 7-7             | 101609401 | 3-3              |
| 332       | 1-35, 1-37, 1-53, 1-57, 6-11, 6-13 | 1013035   | 5-5             | 101611003 | 14-9             |
| 334       | 1-47                               | 1013042   | 5-5             | 1016183   | 5-13             |
| 357       | 1-51                               | 1013044   | 5-5             | 101641002 | 14-5             |
| 403       | 1-49                               | 1013051   | 5-5             | 101641101 | 14-11            |
| 451       | 1-35, 1-37                         | 1013052   | 5-5             | 101641201 | 14-9             |
| 808       | 1-5, 1-7                           | 101313402 | 9-7             | 101641202 | 14-3             |
| 1016      | 9-5, 9-9                           | 1013317   | 1-53            | 1016413   | 14-9             |
| 1032      | 1-53                               | 1013366   | 1-57            | 1016414   | 14-9             |
| 1035      | 4-15, 4-17                         | 1013461   | 9-5, 9-9        | 1016415   | 14-9             |
| 1108      | 6-11, 6-13                         | 1013462   | 9-5, 9-9        | 1016416   | 14-3             |
| 1231      | 1-53                               | 1013531   | 4-15            | 1016417   | 14-3             |
| 1241      | 6-19, 6-21                         | 1013582   | 14-3            | 1016418   | 14-7             |
| 7049      | 1-53                               | 1013593   | 14-7            | 1016467   | 7-9              |
| 7310      | 2-3                                | 1013734   | 1-35, 1-37      | 101648203 | 7-9              |
| 7473      | 1-49, 1-57, 6-19, 6-21             | 1013746   | 9-3, 9-7        | 1016513   | 7-7, 9-11        |
| 7973      | 1-53                               | 1014115   | 14-9            | 1016544   | 7-5              |
| 8233      | 1-19, 1-53, 1-57                   | 1014161   | 14-9            | 1016551   | 14-11            |
| 8251      | 1-55                               | 1014162   | 14-9            | 1016552   | 14-11            |
| 8639      | 4-11, 4-15                         | 1014259   | 14-9            | 1016553   | 14-11            |
| 8717      | 12-3                               | 1014264   | 14-9            | 1016554   | 14-11            |
| 8754      | 1-49, 1-51, 5-13                   | 1014305   | 14-3            | 1016603   | 1-51             |
| 8755      | 1-49, 1-51                         | 1014306   | 1-55, 1-57, 4-7 | 1016627   | 14-7             |
| 8797      | 9-5, 9-9                           | 1014321   | 1-53            | 1016630   | 6-15, 6-17       |
| 8990      | 1-51, 5-5, 9-13, 9-15, 12-3        | 1014375   | 6-19, 6-21      | 1016916   | 1-19             |
| 1010200   | 1-51                               | 1014387   | 1-53            | 1016967   | 1-13, 1-39       |
| 1010434   | 1-53                               | 1014415   | 1-53, 1-57      | 1017162   | 1-51             |
| 1010435   | 1-49, 1-53, 1-57                   | 1014471   | 1-49, 13-3      | 1017167   | 1-51             |
| 1010436   | 1-57                               | 1014496   | 14-5            | 1017774   | 1-51             |
| 1010521   | 4-15                               | 1014497   | 14-5            | 101802601 | 6-15, 6-17       |
| 101082903 | 4-7, 4-9                           | 1014498   | 14-5            | 101804301 | 1-19             |
| 1010934   | 1-53, 6-19, 6-21                   | 1014507   | 14-5            | 101808401 | 14-3             |
| 1011084   | 9-13, 9-15                         | 1014508   | 14-5            | 101809101 | 14-5             |
| 1011273   | 14-5                               | 1014510   | 14-5            | 101813202 | 14-3             |
| 1011478   | 14-7                               | 1014537   | 1-53, 1-57      | 101823101 | 14-9             |
| 1011480   | 14-11                              | 1015139   | 9-5, 9-9        | 101824401 | 9-3, 9-7         |
| 1011553   | 3-3                                | 1015143   | 9-5, 9-9        | 101831801 | 14-5             |
| 1011578   | 1-5, 1-7, 1-29, 1-31, 13-9         | 1015245   | 1-53            | 101831901 | 14-3             |
| 1011652   | 1-33, 1-35, 1-37, 1-39             | 1015246   | 1-53            | 101833101 | 8-3              |
| 1011697   | 1-39                               | 1015258   | 1-49            | 101833201 | 8-3              |
| 1011767   | 14-3                               | 1015277   | 1-47            | 101835601 | 1-47, 1-49       |
|           |                                    | 1015313   | 1-53            | 101856102 | 11-5             |
|           |                                    | 1015363   | 1-53            | 101871001 | 14-3             |

# INDEX

|           |                        |           |  |           |                  |
|-----------|------------------------|-----------|--|-----------|------------------|
| 101879401 | 5-5                    | 102221401 | 1-57   | 102375401 | 6-17             |
| 101879701 | 5-5                    | 102221501 | 1-57   | 102375901 | 12-3             |
| 101879801 | 5-5                    | 102221701 | 1-57   | 102376001 | 12-3             |
| 101879901 | 5-5                    | 102221801 | 1-57   | 102376602 | 12-19            |
| 101880201 | 5-5                    | 102222001 | 1-57   | 102376603 | 4-11             |
| 101887101 | 14-3                   | 102222101 | 1-57   | 102376605 | 5-7              |
| 101887601 | 1-35, 1-37, 4-11, 10-3 | 102222201 | 1-57   | 102377501 | 13-9             |
| 101894302 | 1-53                   | 102224001 | 3-5  | 102377601 | 13-9             |
| 101894304 | 1-57                   | 102231601 | 3-5  | 102377801 | 13-3             |
| 101898001 | 6-19, 6-21             | 102239901 | 1-57   | 102377901 | 13-3             |
| 101928701 | 14-7                   | 102241501 | 14-7   | 102379001 | 9-23             |
| 101933101 | 14-7                   | 102241502 | 14-7   | 102380301 | 13-3             |
| 101958602 | 1-47                   | 102243402 | 14-7   | 102380601 | 4-13             |
| 101963401 | 1-53, 1-57             | 102248803 | 14-7   | 102381701 | 12-5             |
| 101972001 | 14-7                   | 102249901 | 14-3   | 102382401 | 8-3              |
| 101972002 | 14-7                   | 102251501 | 14-7   | 102385601 | 11-9, 11-13      |
| 101972003 | 14-7                   | 102274101 | 5-7, 5-15  | 102385701 | 11-11            |
| 101972004 | 14-7                   | 102276001 | 12-19  | 102393501 | 5-15             |
| 101972005 | 14-7                   | 102288901 | 13-9   | 102395601 | 9-21, 9-23       |
| 101972006 | 14-7                   | 102289001 | 1-5, 1-7, 1-15, 1-19, 7-11, 9-3, 9-7, 13-9               | 102398901 | 5-15             |
| 101972007 | 14-7                   | 102290120 | 5-3  | 102399201 | 4-5              |
| 101972009 | 14-7                   | 102292356 | 1-5, 1-7   | 102399202 | 4-5              |
| 101972011 | 14-7                   | 102292701 | 1-9, 1-11  | 102402801 | 4-7              |
| 101972012 | 14-7                   | 102292801 | 1-9, 1-11  | 102402901 | 4-7              |
| 101987901 | 1-5, 1-7               | 102296020 | 1-39   | 102406701 | 9-9              |
| 101988101 | 1-5                    | 102296140 | 4-11   | 102406801 | 9-9              |
| 101988201 | 1-5                    | 102296401 | 9-17, 9-19   | 102408401 | 5-7              |
| 101990802 | 4-15                   | 102296601 | 7-19   | 102409301 | 10-9             |
| 102003201 | 9-3                    | 102296716 | 4-11, 11-3, 11-5   | 102409501 | 10-3             |
| 102010102 | 5-5                    | 102296920 | 7-19   | 102409601 | 10-7             |
| 102022601 | 5-5                    | 102297230 | 1-5, 1-7, 1-9, 1-11, 1-19                                | 102410001 | 13-11            |
| 102022901 | 5-5, 5-7               | 102298130 | 1-35, 1-37, 5-3, 5-13                                    | 102410301 | 13-3             |
| 102023703 | 1-35, 1-37             | 102298401 | 1-13, 1-35, 1-37, 4-9, 7-11, 8-3, 9-13, 9-15, 10-9, 12-3 | 102410602 | 9-7              |
| 102025801 | 1-25                   | 102298580 | 1-19   | 102410603 | 4-11, 8-3        |
| 102030101 | 1-53                   | 102298720 | 1-13, 10-3, 13-9   | 102410604 | 9-3              |
| 102030201 | 1-53                   | 102301401 | 1-47   | 102410801 | 9-7              |
| 102044702 | 6-15                   | 102323101 | 1-47   | 102411202 | 9-3              |
| 102044801 | 6-15                   | 102323501 | 1-13, 4-17   | 102411203 | 9-7              |
| 102045001 | 1-19                   | 102330901 | 14-9   | 102411204 | 13-5, 13-9       |
| 102047001 | 1-35, 1-37             | 102355301 | 6-19, 6-21   | 102411205 | 13-9             |
| 102048401 | 1-19                   | 102361901 | 5-7  | 102411206 | 13-9             |
| 102051401 | 4-7                    | 102363802 | 5-3  | 102411207 | 13-3, 13-9       |
| 102051601 | 6-15, 6-17             | 102365601 | 5-11   | 102411208 | 13-3, 13-9       |
| 102051701 | 6-15, 6-17             | 102365602 | 5-13   | 102411209 | 9-23             |
| 102052801 | 4-15                   | 102367101 | 5-3  | 102411210 | 9-21, 11-3, 11-5 |
| 102059001 | 1-35, 1-37             | 102367601 | 4-3  | 102411301 | 13-3             |
| 102059401 | 1-35, 1-37             | 102369901 | 11-11  | 102414501 | 11-5             |
| 102061101 | 1-35, 1-37             | 102370101 | 8-3  | 102414701 | 8-3              |
| 102061201 | 14-9                   | 102370501 | 7-19, 8-3  | 102414801 | 8-3              |
| 102065901 | 1-49                   | 102370601 | 7-19, 8-3  | 102418101 | 1-47             |
| 102066001 | 1-51                   | 102371401 | 7-11   | 102420201 | 6-11, 6-13       |
| 102169401 | 14-7                   | 102371801 | 12-7   | 102420401 | 6-11, 6-13       |
| 102171503 | 1-49                   | 102372101 | 12-11  | 102420501 | 6-11, 6-13       |
| 102176901 | 4-7, 4-9               | 102374901 | 11-7   | 102422301 | 8-51, 10-9       |
| 102198001 | 6-15, 6-17             |           |  | 102426301 | 9-3, 9-7         |
| 102221301 | 1-57                   |           |  | 102426601 | 1-47, 1-51       |

# INDEX

|           |                  |           |                      |           |                      |
|-----------|------------------|-----------|----------------------|-----------|----------------------|
| 102426901 | 1-49             | 102457501 | 7-11                 | 102491001 | 7-19, 12-5           |
| 102427501 | 13-5             | 102458901 | 1-35, 1-37, 3-5      | 102491101 | 12-5                 |
| 102427601 | 13-9             | 102459001 | 3-5                  | 102491301 | 1-13, 1-41           |
| 102430001 | 9-7              | 102459101 | 3-5                  | 102491302 | 1-13                 |
| 102430101 | 9-7              | 102459201 | 3-5                  | 102491501 | 1-13, 1-19, 1-41     |
| 102430201 | 9-7              | 102459301 | 3-3                  | 102491601 | 4-3, 4-5, 4-19, 4-21 |
| 102430301 | 9-7              | 102459401 | 3-3                  | 102491701 | 1-23, 1-55           |
| 102430401 | 9-7              | 102459501 | 3-5                  | 102492201 | 6-11, 6-13           |
| 102434601 | 9-7              | 102460201 | 3-5                  | 102492301 | 6-13                 |
| 102434701 | 9-7              | 102462301 | 8-3                  | 102493301 | 4-3, 4-5, 4-19, 4-21 |
| 102434801 | 9-7              | 102462401 | 12-5                 | 102493801 | 1-47                 |
| 102435001 | 13-9             | 102462501 | 8-3                  | 102494401 | 8-3                  |
| 102436701 | 13-3             | 102463101 | 12-21                | 102494701 | 9-9                  |
| 102437001 | 5-7              | 102463301 | 12-21                | 102495001 | 5-13                 |
| 102438201 | 12-7             | 102463401 | 12-21                | 102498201 | 6-21, 8-3            |
| 102438301 | 12-7             | 102463501 | 12-19                | 102498601 | 9-21, 9-23           |
| 102438401 | 12-7             | 102463601 | 12-19                | 102522001 | 9-5, 9-9             |
| 102438501 | 12-7             | 102463801 | 12-19, 12-21         | 102537801 | 1-39                 |
| 102438601 | 12-7             | 102463901 | 12-21                | 102538501 | 6-5, 6-9             |
| 102438701 | 12-7             | 102464001 | 12-21                | 102540802 | 1-39                 |
| 102438801 | 12-7             | 102464101 | 12-21                | 102541465 | 4-11, 9-21, 9-23     |
| 102438901 | 12-7             | 102464201 | 12-21                | 102555501 | 14-3                 |
| 102439001 | 12-7             | 102464301 | 5-7, 12-21           | 102562401 | 14-3                 |
| 102439101 | 12-7             | 102464401 | 12-21                | 102570401 | 14-11                |
| 102439201 | 12-7             | 102464501 | 12-21                | 102571301 | 5-3                  |
| 102439301 | 12-7             | 102464601 | 5-13                 | 102600001 | 8-5                  |
| 102439401 | 12-7             | 102465701 | 1-51                 | 102600101 | 8-5                  |
| 102439501 | 12-7             | 102465901 | 8-3                  | 102600201 | 8-5                  |
| 102439601 | 12-7             | 102466201 | 9-7                  | 102600301 | 8-5, 8-9, 8-51       |
| 102439701 | 12-7             | 102469401 | 9-19                 | 102600401 | 8-5                  |
| 102439801 | 12-7             | 102470101 | 5-13                 | 102600601 | 8-5                  |
| 102439901 | 12-7             | 102470501 | 5-13                 | 102600701 | 8-5                  |
| 102440101 | 12-7             | 102470601 | 5-13                 | 102600801 | 8-5, 8-9             |
| 102440201 | 12-9             | 102473501 | 1-35, 1-37           | 102601001 | 8-5, 8-11            |
| 102440301 | 12-7             | 102473601 | 1-35, 1-37           | 102601301 | 8-5                  |
| 102440401 | 12-9             | 102473701 | 1-35                 | 102601401 | 8-5                  |
| 102440501 | 12-9             | 102474301 | 4-11                 | 102601501 | 14-5                 |
| 102440601 | 12-9             | 102475701 | 4-11, 9-13, 9-15     | 102601801 | 8-11, 8-51           |
| 102442001 | 1-35, 1-37       | 102475801 | 4-11                 | 102601901 | 8-11                 |
| 102442201 | 6-19, 6-21       | 102475901 | 1-35, 1-37           | 102602001 | 8-11                 |
| 102442301 | 6-19             | 102476301 | 9-17, 9-19           | 102602101 | 8-11                 |
| 102442401 | 6-19             | 102476401 | 9-17, 9-19           | 102602301 | 8-11                 |
| 102442901 | 4-13, 9-17, 9-19 | 102477001 | 5-15                 | 102602401 | 8-11                 |
| 102443601 | 7-11             | 102478501 | 9-9                  | 102602601 | 8-11                 |
| 102445201 | 9-17, 9-19       | 102479301 | 9-17, 9-19           | 102602701 | 8-11                 |
| 102446601 | 5-13             | 102480501 | 13-9                 | 102602801 | 8-11                 |
| 102447601 | 1-41             | 102481001 | 11-5                 | 102603201 | 8-21                 |
| 102447602 | 1-41             | 102481201 | 11-5                 | 102603501 | 14-5                 |
| 102447901 | 6-11, 6-13       | 102481301 | 11-5                 | 102603601 | 8-27                 |
| 102448001 | 6-11, 6-13       | 102488001 | 4-3, 4-5, 4-19, 4-21 | 102603701 | 8-27                 |
| 102448401 | 6-21             | 102489901 | 9-19                 | 102603801 | 8-27                 |
| 102448501 | 6-21, 7-11       | 102490101 | 1-45, 8-3            | 102603901 | 8-27                 |
| 102449101 | 12-19            | 102490201 | 8-3                  | 102604001 | 8-27                 |
| 102449201 | 12-21            | 102490301 | 6-19, 13-3           | 102604101 | 8-27                 |
| 102456001 | 1-35, 1-37       | 102490501 | 8-3                  | 102604201 | 8-21, 8-27           |
| 102457001 | 9-13             | 102490801 | 5-7                  | 102604301 | 8-27                 |

# INDEX

|           |             |           |   |           |                        |
|-----------|-------------|-----------|---|-----------|------------------------|
| 102604401 | 8-23, 8-27  | 102615701 | 12-3  | 102633801 | 8-37                   |
| 102604501 | 8-27        | 102615801 | 9-13, 9-15  | 102633901 | 8-37                   |
| 102604701 | 8-27        | 102616003 | 11-5  | 102634001 | 8-37, 8-51             |
| 102604901 | 8-21        | 102616101 | 11-5  | 102634101 | 8-37                   |
| 102605001 | 8-21        | 102616301 | 5-7, 5-11, 5-13   | 102634401 | 8-37, 8-51             |
| 102605101 | 8-7, 8-21   | 102616501 | 11-9  | 102634501 | 8-37, 8-51             |
| 102605201 | 14-5        | 102616701 | 12-3  | 102634601 | 8-37                   |
| 102605301 | 8-21        | 102616801 | 5-3   | 102634701 | 8-37                   |
| 102605401 | 8-21        | 102617201 | 1-13, 1-41  | 102635101 | 8-41                   |
| 102605501 | 8-21        | 102617501 | 5-7   | 102635201 | 8-37                   |
| 102605601 | 8-21        | 102617701 | 5-7   | 102635301 | 8-29, 8-37, 8-39, 8-51 |
| 102605701 | 8-39        | 102617801 | 5-7   | 102635501 | 8-29                   |
| 102605801 | 8-21        | 102618101 | 4-13, 9-17, 9-19  | 102635701 | 8-29                   |
| 102605901 | 8-21        | 102618301 | 1-13, 1-47, 4-13, 4-15, 4-17, 9-17, 9-19, 12-3  | 102635801 | 8-29                   |
| 102606001 | 8-21        | 102618401 | 4-7, 4-9  | 102635901 | 8-29                   |
| 102606101 | 14-5        | 102618601 | 1-19, 1-29, 1-31, 1-47, 1-51, 4-7, 4-13, 4-15, 4-17, 5-3, 5-13, 7-11, 8-3, 9-3, 9-7, 9-17, 9-19, 13-9 | 102636201 | 8-41                   |
| 102606201 | 8-17        | 102619801 | 5-15  | 102636301 | 8-41                   |
| 102606301 | 8-17        | 102620301 | 1-41  | 102636401 | 8-41                   |
| 102606401 | 8-17        | 102620401 | 5-15  | 102636501 | 8-41                   |
| 102606501 | 8-17        | 102620501 | 5-7, 5-11, 5-13, 5-15   | 102636601 | 8-41                   |
| 102606601 | 8-17, 8-51  | 102621201 | 9-21, 9-23, 10-3  | 102637001 | 8-29                   |
| 102606701 | 8-15        | 102621301 | 7-11, 8-3, 10-9   | 102637101 | 8-29                   |
| 102606901 | 8-7         | 102621501 | 8-3, 9-21, 9-23   | 102637701 | 8-35                   |
| 102607001 | 8-7         | 10262201  | 4-13  | 102640401 | 8-35                   |
| 102607201 | 8-7         | 102628001 | 11-5  | 102640501 | 8-35                   |
| 102607301 | 8-7         | 102628101 | 10-9  | 102640601 | 8-31, 8-35             |
| 102607401 | 8-7         | 102629001 | 1-51, 4-15  | 102640701 | 8-35                   |
| 102607501 | 14-5        | 102630001 | 8-23  | 102640901 | 8-35                   |
| 102607601 | 8-23, 8-53  | 102630003 | 8-23  | 102641001 | 8-35                   |
| 102607602 | 8-23        | 102630101 | 8-23  | 102641101 | 8-35                   |
| 102607801 | 8-23        | 102630201 | 8-23  | 102641201 | 8-35                   |
| 102607901 | 8-23        | 102630301 | 8-23, 8-51  | 102641501 | 8-39                   |
| 102608001 | 8-23        | 102630401 | 8-23  | 102642401 | 8-39                   |
| 102608101 | 8-23        | 102630601 | 8-33  | 102642501 | 8-39                   |
| 102608201 | 8-19, 8-51  | 102630701 | 8-23  | 102642601 | 8-39                   |
| 102608301 | 8-19, 8-51  | 102630703 | 8-23  | 102642701 | 8-39                   |
| 102608401 | 8-19        | 102630901 | 8-23, 8-53  | 102642801 | 8-39                   |
| 102608501 | 8-19        | 102631001 | 8-23, 8-53  | 102642901 | 8-39                   |
| 102608601 | 8-19        | 102631301 | 13-11   | 102643001 | 8-39                   |
| 102608701 | 8-19, 13-13 | 102631401 | 13-11   | 102643101 | 8-39                   |
| 102608801 | 8-23        | 102631601 | 8-5, 8-33, 13-11  | 102643201 | 8-39                   |
| 102608803 | 8-23        | 102631701 | 13-15   | 102643301 | 8-39                   |
| 102608804 | 8-23        | 102631801 | 13-15   | 102643401 | 8-39                   |
| 102608806 | 8-23        | 102632001 | 13-15   | 102643601 | 8-39                   |
| 102608901 | 8-19        | 102632101 | 13-15   | 102643701 | 8-39                   |
| 102609001 | 8-23        | 102632201 | 13-15   | 102644001 | 8-13, 8-51             |
| 102609003 | 8-23        | 102632701 | 8-51, 13-13   | 102644101 | 8-13                   |
| 102609101 | 8-19        | 102633001 | 13-11   | 102644501 | 8-51                   |
| 102609301 | 8-19        | 102633201 | 13-11   | 102645501 | 8-43                   |
| 102609401 | 8-19        | 102633301 | 8-13, 13-11   | 102646001 | 8-47, 8-51             |
| 102609601 | 8-19        | 102633401 | 8-51, 13-11   | 102646101 | 8-47                   |
| 102609801 | 8-23        | 102633601 | 8-41  | 102646301 | 8-49                   |
| 102609803 | 8-23        | 102633701 | 8-37  | 102646401 | 8-45                   |
| 102610001 | 8-23        |           |   | 102646501 | 8-49                   |
| 102614101 | 1-49, 1-51  |           |   | 102646601 | 8-49, 8-51             |
| 102614401 | 1-57        |           |   | 102647101 | 8-49                   |

# INDEX

|           |                  |           |                            |           |                                    |
|-----------|------------------|-----------|----------------------------|-----------|------------------------------------|
| 102647201 | 8-49             | 102684601 | 12-3                       | 102697901 | 12-15, 12-25                       |
| 102647501 | 8-25             | 102684901 | 13-9                       | 102698001 | 12-15, 12-25                       |
| 102647701 | 8-33, 8-43       | 102685001 | 13-3                       | 102698101 | 12-25                              |
| 102647801 | 8-25             | 102685601 | 5-15                       | 102698301 | 12-13, 12-23                       |
| 102647901 | 8-25             | 102686101 | 14-3                       | 102698401 | 12-25                              |
| 102648001 | 8-25             | 102687801 | 5-5                        | 102698601 | 12-15, 12-25                       |
| 102648401 | 8-43             | 102689001 | 4-11                       | 102698701 | 12-15, 12-25                       |
| 102648501 | 8-43             | 102689101 | 5-11, 5-13                 | 102698901 | 12-13, 12-23                       |
| 102651301 | 8-45             | 102689102 | 5-11, 5-13                 | 102699001 | 12-25                              |
| 102651501 | 8-45             | 102690201 | 11-9, 11-13                | 102699201 | 12-13, 12-23                       |
| 102651601 | 8-45             | 102690301 | 11-9, 11-13                | 102699301 | 12-15, 12-25                       |
| 102651701 | 8-45             | 102690401 | 11-9                       | 102699401 | 12-13, 12-23                       |
| 102651801 | 8-45             | 102690501 | 11-9, 11-13                | 102699601 | 12-17, 12-27                       |
| 102652001 | 8-45             | 102690701 | 11-9, 11-13                | 102699701 | 12-13, 12-23, 12-25                |
| 102652601 | 8-45             | 102690801 | 11-9                       | 102701001 | 8-9                                |
| 102652701 | 8-45             | 102691001 | 11-13                      | 102701201 | 8-33                               |
| 102652801 | 8-9              | 102691401 | 11-9, 11-13                | 102703301 | 8-11                               |
| 102652901 | 8-45             | 102691601 | 11-9, 11-13                | 102710301 | 9-7                                |
| 102653001 | 8-45             | 102691701 | 11-9, 11-13                | 102711601 | 12-5                               |
| 102653101 | 8-45             | 102691801 | 11-9, 11-13                | 102712601 | 4-15                               |
| 102653201 | 8-45             | 102691901 | 11-13                      | 102714001 | 4-3, 4-5, 4-21                     |
| 102653301 | 8-45, 8-51       | 102693301 | 12-13, 12-19, 12-23        | 102716001 | 4-17                               |
| 102653401 | 8-9              | 102693401 | 12-19                      | 102718101 | 1-17, 1-33, 1-35, 1-37, 1-41, 1-55 |
| 102653501 | 8-9              | 102693501 | 12-13, 12-19, 12-23        | 102719301 | 1-17, 11-11                        |
| 102653601 | 8-45             | 102693601 | 12-21                      | 102721501 | 12-13, 12-23                       |
| 102653701 | 8-45             | 102694001 | 12-21                      | 102722001 | 7-11                               |
| 102653901 | 8-9              | 102694201 | 12-13, 12-19, 12-23        | 102722301 | 5-7                                |
| 102654101 | 8-9, 8-51        | 102694301 | 12-19                      | 102725501 | 9-21, 9-23                         |
| 102654301 | 8-11, 8-37, 8-47 | 102694401 | 12-19                      | 102725601 | 9-21, 9-23                         |
| 102654401 | 8-21             | 102694502 | 12-21                      | 102726201 | 8-5                                |
| 102654601 | 8-7, 8-51        | 102694701 | 12-19                      | 102726301 | 8-5                                |
| 102654701 | 8-51, 13-11      | 102694801 | 12-19                      | 102726401 | 8-5                                |
| 102668801 | 14-9             | 102695401 | 11-11, 11-19               | 102726501 | 8-5                                |
| 102669901 | 14-7             | 102695601 | 11-11, 11-19               | 102726601 | 8-5                                |
| 102670601 | 1-35, 1-37       | 102695701 | 11-11                      | 102726701 | 8-9                                |
| 102670701 | 1-17, 8-3        | 102695801 | 11-11, 11-19               | 102726901 | 8-9                                |
| 102670801 | 9-7              | 102695901 | 11-11, 11-19               | 102727001 | 8-9                                |
| 102670901 | 9-5              | 102696001 | 12-17, 12-27               | 102727101 | 8-9                                |
| 102671201 | 1-41             | 102696101 | 12-13, 12-23               | 102727401 | 8-11                               |
| 102672101 | 12-19            | 102696201 | 12-13, 12-15, 12-23, 12-25 | 102727501 | 8-11                               |
| 102672201 | 12-19            | 102696301 | 12-13, 12-23               | 102727601 | 8-11                               |
| 102672301 | 12-19            | 102696401 | 12-17, 12-27               | 102727701 | 8-15                               |
| 102672401 | 12-19            | 102696501 | 12-13, 12-15, 12-23, 12-25 | 102727901 | 8-17                               |
| 102673201 | 1-57             | 102696601 | 12-17, 12-27               | 102728001 | 8-19                               |
| 102674001 | 14-5             | 102696701 | 12-13, 12-23               | 102728101 | 8-23, 8-53                         |
| 102674101 | 14-5             | 102696801 | 12-13, 12-15, 12-23, 12-25 | 102728102 | 8-23                               |
| 102674201 | 14-5             | 102696901 | 12-13, 12-15, 12-23, 12-25 | 102728301 | 8-25                               |
| 102674401 | 14-9             | 102697001 | 12-25                      | 102728401 | 8-27                               |
| 102674601 | 14-9             | 102697101 | 12-13, 12-15, 12-23, 12-25 | 102728501 | 8-27                               |
| 102675001 | 14-5             | 102697201 | 12-15, 12-25               | 102728601 | 8-29                               |
| 102675101 | 14-5             | 102697301 | 12-13, 12-23               | 102728701 | 8-29                               |
| 102675201 | 14-5             | 102697401 | 12-13, 12-23               | 102728801 | 8-29, 8-51                         |
| 102675301 | 14-5             | 102697501 | 12-15, 12-25               | 102728901 | 8-29                               |
| 102675401 | 14-5             | 102697601 | 12-13, 12-23               | 102729101 | 8-31                               |
| 102682901 | 5-15             | 102697701 | 12-13, 12-23               | 102729301 | 8-11, 8-51                         |
| 102684501 | 5-15, 12-3       | 102697801 | 12-13, 12-23               | 102729401 | 8-37                               |

# INDEX

|           |                        |           |             |           |            |
|-----------|------------------------|-----------|-------------|-----------|------------|
| 102729501 | 8-37                   | 102788701 | 5-11, 5-13  | 102866814 | 1-9        |
| 102729601 | 8-39                   | 102791701 | 5-7         | 102866815 | 1-11       |
| 102729701 | 8-39                   | 102791702 | 5-7         | 102866818 | 1-9, 1-11  |
| 102730201 | 8-33                   | 102792001 | 5-7         | 102866901 | 1-5, 1-7   |
| 102730401 | 8-33                   | 102792002 | 5-7         | 102867001 | 1-5, 1-7   |
| 102730601 | 8-33                   | 102798001 | 8-9         | 102867101 | 1-19       |
| 102730801 | 8-5                    | 102798201 | 8-11        | 102867202 | 1-21       |
| 102730901 | 13-11                  | 102798401 | 8-13        | 102867301 | 1-19       |
| 102731001 | 13-11                  | 102798501 | 8-13, 8-51  | 102867401 | 1-7        |
| 102731101 | 13-11                  | 102798601 | 8-13        | 102867501 | 1-5        |
| 102731201 | 13-13                  | 102798701 | 8-13        | 102869401 | 6-15, 6-17 |
| 102731301 | 8-33                   | 102798801 | 8-13        | 102873901 | 1-39       |
| 102731501 | 8-49                   | 102798901 | 8-13        | 102874301 | 5-7        |
| 102731601 | 8-49, 10-9             | 102799001 | 8-13        | 102874501 | 5-7        |
| 102731801 | 8-51                   | 102799101 | 8-13        | 102878301 | 1-39       |
| 102731901 | 8-51                   | 102799201 | 8-13        | 102879201 | 1-33, 1-39 |
| 102732001 | 8-53                   | 102799401 | 8-21        | 102879401 | 1-33, 1-39 |
| 102732201 | 8-23, 8-53             | 102799501 | 8-29        | 102882301 | 1-15       |
| 102732401 | 1-33, 1-35, 1-37, 1-55 | 102799601 | 8-31        | 102882401 | 1-5, 1-7   |
| 102732501 | 8-33, 8-43             | 102799701 | 8-31        | 102882501 | 6-15, 6-17 |
| 102732601 | 8-5, 8-51              | 102799801 | 8-31        | 102883401 | 1-19       |
| 102736901 | 2-3                    | 102800101 | 8-35        | 102883601 | 3-7, 3-9   |
| 102737101 | 5-15                   | 102800201 | 8-41        | 102884301 | 3-3        |
| 102737301 | 13-3                   | 102800301 | 8-41        | 102884401 | 3-3        |
| 102737401 | 13-3                   | 102800401 | 8-37        | 102889001 | 1-39       |
| 102740401 | 7-19                   | 102800501 | 8-37        | 102889101 | 1-39       |
| 102741501 | 4-17                   | 102800601 | 8-37        | 102889201 | 3-3        |
| 102741601 | 4-17                   | 102800701 | 8-33        | 102894401 | 1-7        |
| 102751301 | 4-17                   | 102801001 | 8-33        | 102894501 | 1-7        |
| 102751401 | 4-17                   | 102801101 | 8-45        | 102895101 | 1-5, 1-7   |
| 102751501 | 4-17                   | 102801201 | 8-45        | 102895701 | 1-25       |
| 102751601 | 9-5                    | 102801301 | 8-47        | 102896401 | 1-9, 1-11  |
| 102759601 | 1-33, 1-39             | 102801401 | 8-47        | 102896501 | 1-9, 1-11  |
| 102759901 | 1-33, 1-39             | 102801501 | 8-47        | 102912301 | 1-33, 1-39 |
| 102762601 | 12-21                  | 102810701 | 9-21, 9-23  | 102913801 | 1-55       |
| 102763301 | 4-15                   | 102812801 | 10-3        | 102913901 | 1-55       |
| 102763401 | 4-15                   | 102816801 | 5-5         | 102914001 | 1-55       |
| 102763701 | 1-35, 1-37             | 102831501 | 12-19       | 102914101 | 1-55       |
| 102764201 | 12-13, 12-23           | 102834401 | 1-55        | 102914102 | 1-55       |
| 102764901 | 12-15, 12-25           | 102834901 | 10-7        | 102914104 | 1-55       |
| 102765101 | 12-15, 12-25           | 102839401 | 11-9, 11-13 | 102914105 | 1-55       |
| 102765201 | 12-13, 12-23           | 102855501 | 13-3        | 102927101 | 5-7        |
| 102765301 | 12-21                  | 102865101 | 9-3         | 102927102 | 5-7        |
| 102765401 | 12-21                  | 102866510 | 1-9, 1-11   | 102930901 | 10-3       |
| 102765501 | 12-21                  | 102866514 | 1-9         | 102934601 | 8-3        |
| 102765701 | 12-21                  | 102866515 | 1-11        | 102934701 | 8-33       |
| 102765801 | 12-21                  | 102866518 | 1-9, 1-11   | 102934801 | 8-33       |
| 102767001 | 4-11                   | 102866610 | 1-9, 1-11   | 102934901 | 8-33       |
| 102767101 | 9-13, 9-15             | 102866614 | 1-9         | 102935501 | 1-13       |
| 102767601 | 13-7                   | 102866615 | 1-11        | 102943101 | 2-3        |
| 102767701 | 12-11                  | 102866618 | 1-9, 1-11   | 102943201 | 12-23      |
| 102767901 | 13-7                   | 102866710 | 1-9, 1-11   | 102943807 | 2-3        |
| 102768001 | 13-7                   | 102866714 | 1-9         | 102945701 | 2-3        |
| 102772201 | 1-55                   | 102866715 | 1-11        | 102946701 | 13-9       |
| 102786201 | 10-3                   | 102866718 | 1-9, 1-11   | 102949301 | 10-5       |
| 102786301 | 5-11, 5-13             | 102866810 | 1-9, 1-11   | 102951901 | 7-19       |

# INDEX

|           |                       |           |      |           |                                    |
|-----------|-----------------------|-----------|------|-----------|------------------------------------|
| 102952101 | 9-9                   | 102994301 | 7-5  | 103002401 | 7-7                                |
| 102952102 | 9-5                   | 102994401 | 7-17 | 103002501 | 7-7                                |
| 102958301 | 7-11                  | 102994601 | 7-15 | 103002801 | 7-7, 9-11                          |
| 102958401 | 7-11                  | 102994701 | 7-15 | 103002901 | 7-7                                |
| 102958501 | 7-11                  | 102994801 | 7-15 | 103003801 | 9-11                               |
| 102958601 | 7-11                  | 102994901 | 7-15 | 103003901 | 9-11                               |
| 102961201 | 3-3                   | 102995001 | 7-15 | 103004201 | 9-11                               |
| 102961301 | 12-21                 | 102995101 | 7-15 | 103005001 | 9-11                               |
| 102961401 | 12-21                 | 102995201 | 7-15 | 103005601 | 9-11                               |
| 102961501 | 12-21                 | 102995301 | 7-15 | 103009901 | 9-3                                |
| 102961601 | 12-21                 | 102995401 | 7-15 | 103010101 | 9-3                                |
| 102967901 | 1-9, 1-11, 1-35, 1-37 | 102995501 | 7-15 | 103148501 | 5-7                                |
| 102973201 | 13-5                  | 102995601 | 7-15 | 103160101 | 4-19                               |
| 102977101 | 5-3                   | 102995701 | 7-15 | 103174301 | 4-11                               |
| 102977201 | 1-13                  | 102995801 | 7-15 | 103178401 | 12-13                              |
| 102979301 | 1-7                   | 102995901 | 7-15 | 103179901 | 1-19                               |
| 102979401 | 1-5                   | 102996001 | 7-15 | 103180001 | 1-19                               |
| 102983201 | 1-13                  | 102996101 | 7-15 | 103180101 | 6-15, 6-17                         |
| 102983601 | 1-13                  | 102996201 | 7-15 | 103181001 | 1-33                               |
| 102988701 | 1-43, 1-45            | 102996301 | 7-15 | 103181101 | 1-33                               |
| 102989801 | 5-3                   | 102996401 | 7-15 | 103182701 | 1-21                               |
| 102990101 | 7-13                  | 102996501 | 7-15 | 103182702 | 1-21                               |
| 102990201 | 7-13                  | 102996601 | 7-15 | 103182801 | 1-21                               |
| 102990301 | 7-13                  | 102996701 | 7-15 | 103183101 | 1-39                               |
| 102990401 | 7-13                  | 102996901 | 7-9  | 103183201 | 1-39                               |
| 102990501 | 7-13                  | 102997001 | 7-9  | 103185401 | 11-13                              |
| 102990601 | 7-13                  | 102997101 | 7-9  | 103185501 | 11-9                               |
| 102990701 | 7-13                  | 102997201 | 7-9  | 103185801 | 11-9, 11-13                        |
| 102990801 | 7-13                  | 102997401 | 7-9  | 103185901 | 11-9, 11-13                        |
| 102990901 | 7-13                  | 102997601 | 7-9  | 103187501 | 12-3                               |
| 102991101 | 7-13                  | 102997701 | 7-9  | 103189501 | 1-27                               |
| 102991201 | 7-13                  | 102997801 | 7-9  | 103191201 | 1-53                               |
| 102991301 | 7-13                  | 102997901 | 7-9  | 103191301 | 1-53                               |
| 102991401 | 7-13                  | 102998001 | 7-9  | 103191401 | 1-53                               |
| 102991501 | 7-13                  | 102998101 | 7-9  | 103191501 | 1-53                               |
| 102991601 | 7-13                  | 102998201 | 7-9  | 103192101 | 1-43                               |
| 102991801 | 7-13                  | 102998301 | 7-9  | 103197201 | 7-11                               |
| 102991901 | 7-13                  | 102998401 | 7-9  | 103200501 | 1-55                               |
| 102992001 | 7-13                  | 102998601 | 7-3  | 103201501 | 11-13                              |
| 102992101 | 7-13                  | 102998701 | 7-3  | 103208701 | 7-19                               |
| 102992201 | 7-13                  | 102999101 | 7-3  | 103208801 | 6-17                               |
| 102992301 | 7-13                  | 102999201 | 7-3  | 103210501 | 3-3                                |
| 102992401 | 7-3, 7-7, 7-9, 7-13   | 102999301 | 7-3  | 103213301 | 1-5, 1-7                           |
| 102992501 | 7-3, 9-3              | 102999501 | 7-3  | 103214901 | 1-43                               |
| 102992601 | 7-13                  | 102999601 | 7-3  | 103215001 | 1-43                               |
| 102992701 | 7-13                  | 103000001 | 7-3  | 103215401 | 1-3                                |
| 102992801 | 7-13                  | 103000401 | 7-5  | 103215901 | 1-43                               |
| 102992901 | 7-13                  | 103000501 | 7-5  | 103216201 | 1-43                               |
| 102993201 | 7-17                  | 103000601 | 7-5  | 103216401 | 1-33, 1-35, 1-37, 1-43, 1-45, 1-55 |
| 102993301 | 7-17                  | 103000801 | 7-5  | 103216801 | 1-43                               |
| 102993401 | 7-17                  | 103000901 | 7-5  | 103218104 | 1-7                                |
| 102993501 | 7-17                  | 103001301 | 7-5  | 103218107 | 1-5, 1-7                           |
| 102993601 | 7-17                  | 103001501 | 7-5  | 103218113 | 1-7                                |
| 102993701 | 7-17                  | 103002001 | 7-7  | 103218213 | 4-7                                |
| 102993901 | 7-17                  | 103002101 | 7-7  | 103218501 | 4-15                               |
| 102994101 | 7-17                  | 103002301 | 7-7  | 103218901 | 1-37                               |

# INDEX

|           |                  |           |                     |           |                  |
|-----------|------------------|-----------|---------------------|-----------|------------------|
| 103225801 | 1-43             | 103293401 | 9-13                | 103341801 | 9-25             |
| 103227002 | 1-51             | 103296001 | 1-13                | 103341901 | 9-25             |
| 103231701 | 1-3              | 103297101 | 9-11                | 103342001 | 9-25             |
| 103231801 | 1-3              | 103297201 | 9-11                | 103342101 | 9-25             |
| 103233001 | 1-19             | 103297301 | 9-11                | 103342201 | 9-25             |
| 103234201 | 3-7, 3-9         | 103297401 | 7-7                 | 103342301 | 9-25             |
| 103234401 | 6-17             | 103297501 | 7-7                 | 103342501 | 9-25             |
| 103234503 | 2-3              | 103297601 | 7-7                 | 103342601 | 9-25             |
| 103236001 | 1-3              | 103297701 | 7-7                 | 103342701 | 9-25             |
| 103239501 | 12-17, 12-27     | 103297801 | 7-7                 | 103343301 | 9-25             |
| 103239801 | 12-17, 12-27     | 103298001 | 7-7                 | 103343401 | 9-25             |
| 103239901 | 8-33             | 103298101 | 7-7                 | 103343501 | 9-25             |
| 103240601 | 7-11             | 103298201 | 7-7                 | 103343601 | 9-25             |
| 103240814 | 3-7              | 103298301 | 7-7                 | 103343701 | 9-25             |
| 103240817 | 3-7              | 103298501 | 7-5, 7-7, 9-3, 9-11 | 103343801 | 9-25             |
| 103240914 | 3-7              | 103298601 | 7-7, 7-13           | 103343901 | 9-25             |
| 103240917 | 3-7              | 103298901 | 7-13                | 103345501 | 7-5              |
| 103241010 | 3-9              | 103299301 | 7-3                 | 103345801 | 5-7              |
| 103241015 | 3-9              | 103299401 | 7-3                 | 103348101 | 6-15, 6-17       |
| 103241017 | 3-9              | 103299501 | 7-5                 | 103348201 | 6-15, 6-17       |
| 103241110 | 3-9              | 103299601 | 7-5                 | 103348501 | 6-15, 6-17       |
| 103241115 | 3-9              | 103299701 | 7-5                 | 103361701 | 1-41             |
| 103241117 | 3-9              | 103299801 | 7-5                 | 103376101 | 4-9              |
| 103244701 | 12-5             | 103299901 | 7-5                 | 103379401 | 1-53             |
| 103245101 | 1-41             | 103300101 | 7-5                 | 103380701 | 4-9              |
| 103246901 | 7-11             | 103300301 | 7-3, 7-9            | 103387501 | 9-3              |
| 103250301 | 12-13, 12-23     | 103305001 | 4-17                | 103400001 | 1-29, 1-31       |
| 103250401 | 12-13, 12-23     | 103305101 | 4-17                | 103418701 | 4-5              |
| 103253801 | 1-19             | 103305801 | 6-5                 | 103418801 | 4-3, 4-5         |
| 103256401 | 5-7              | 103306801 | 9-25                | 103423701 | 1-29, 1-31, 13-9 |
| 103256701 | 5-7              | 103306901 | 9-25                | 103438201 | 9-21             |
| 103262201 | 1-33, 1-39       | 103307001 | 9-25                | 103441401 | 9-21, 9-23       |
| 103262601 | 1-33, 1-39       | 103307201 | 9-25                | 103487501 | 1-23             |
| 103262901 | 7-19             | 103307301 | 9-25                | 103488801 | 1-23             |
| 103267001 | 1-35             | 103319501 | 1-55                | 103488802 | 1-23             |
| 103267002 | 1-37             | 103319601 | 1-29, 1-31          | 103505401 | 4-17             |
| 103268001 | 1-19             | 103319701 | 1-29                | 103523602 | 4-21             |
| 103268101 | 10-5             | 103320201 | 9-11                | 103523702 | 4-21             |
| 103273101 | 4-13, 9-17, 9-19 | 103320301 | 9-11                | 103528201 | 7-19             |
| 103274502 | 1-45             | 103320401 | 9-11                | 103538701 | 1-49             |
| 103274602 | 1-45             | 103320601 | 11-3, 11-5          | 103538901 | 1-49             |
| 103276201 | 7-11             | 103326401 | 7-11                | 103574301 | 4-19             |
| 103277001 | 5-7              | 103327201 | 6-5, 6-9            | 103596701 | 9-25             |
| 103277002 | 5-7              | 103331201 | 1-55                | 103596801 | 9-25             |
| 103277701 | 6-9              | 103340501 | 9-25                | 103650201 | 9-13             |
| 103278101 | 9-17             | 103340601 | 9-25                | 103650301 | 9-15             |
| 103279201 | 7-19             | 103340701 | 9-25                | 103721801 | 12-25            |
| 103282301 | 5-15             | 103340801 | 9-25                | 103762201 | 5-7              |
| 103283201 | 9-17             | 103340901 | 9-25                | 103795901 | 9-13, 9-15       |
| 103283801 | 1-45             | 103341101 | 9-25                | 103828101 | 11-17            |
| 103289001 | 1-55             | 103341201 | 9-25                | 103828201 | 11-19            |
| 103289101 | 1-55             | 103341301 | 9-25                | 103829001 | 11-19            |
| 103289103 | 1-55             | 103341401 | 9-25                | 103829501 | 11-17            |
| 103289107 | 1-55             | 103341501 | 9-25                | 103829601 | 11-15, 11-17     |
| 103289109 | 1-55             | 103341601 | 9-25                | 103829701 | 11-15, 11-17     |
| 103293201 | 4-7              | 103341701 | 9-25                | 103829801 | 11-15, 11-17     |



# INDEX

103829901 11-15, 11-17  
103830001 11-15, 11-17  
103848001 11-15  
103856101 11-15  
95293643 12-11  
96701412 7-19, 8-3  
96704176 13-9  
96704416 10-5, 10-7, 13-9  
96704622 8-3  
96704721 7-19, 8-3  
96704960 7-19  
96705199 13-3  
96705587 7-11, 9-7  
96706825 9-17, 9-19  
96715552 1-13  
96718978 8-3  
96741038 8-3  
96741046 1-45, 7-19, 8-3  
96742515 1-35, 1-37  
96950126 9-13

## A

A-arm 5-7  
accelerator pedal 9-17, 9-19  
accelerator pedal adjustment tool 14-3  
accessory receptacle 6-15, 6-17  
actuator 1-51  
adapter  
    actuator 1-51  
    cable (IQDM) 14-7  
    hose 7-11  
    tube 7-11, 9-7  
adapter, oil filter 7-11  
adhesive, guide ring 14-3  
adjuster  
    hydraulic brake 14-7  
adjuster, forward/aft 1-35, 1-37  
adjuster, slide 5-7  
adjuster, slider 1-35, 1-37  
air clean support 9-21, 9-23  
air filter 9-21, 9-23  
air filter canister 9-21, 9-23  
air filter evacuator 9-21, 9-23  
air filter gasket 9-11  
alternator 8-33  
alternator belt 8-33  
arbor 14-3  
arm  
    A- 5-7  
    governor shaft 7-7  
    rocker 7-15, 8-45  
arm, governor lock 7-7  
arm, swing 5-15  
assembly  
    accelerator pedal 9-19  
    adjusting bolt 8-29

bearing case cover 8-19  
brake pedal 4-13  
brake rotor 4-11, 12-19  
bucket seat 1-35  
camshaft 8-21  
case, main bearing 8-19  
connecting rod 8-23  
cylinder head cover 8-13  
drain cock 8-5  
filler cap 4-7  
fuel camshaft 8-27  
fuel cap 9-9  
fuel filter 9-7  
fuel injection pump 8-35  
fuel pump 9-7  
fuel tank vent 9-5, 9-9  
gear case 12-13, 12-21, 12-23  
governor fork 8-41  
governor fork lever 8-41  
headlight 1-7  
headlight harness 1-5, 1-7  
idle apparatus 8-29  
inner ball joint 5-5  
intake manifold 8-47  
latch, tilt bed 1-49  
muffler 12-5  
nozzle holder 8-39  
oil pump 8-17  
overflow pipe 8-39  
pinion 12-21  
piston ring 8-23, 8-53  
reservoir, remote 4-7  
rocker arm 8-45  
speed plate 8-37  
tailgate 1-57  
tether 1-57  
thermostat 13-11  
tilt bed 1-49  
tire 2-3  
water pump 13-13  
wire 6-19, 6-21, 7-11, 9-5, 9-9  
assembly, sub-  
    gear case 12-13, 12-23  
    moveable drive clutch 11-9, 11-13  
    spider 11-9, 11-13  
    stationary 11-9, 11-13  
    swingarm 5-15  
    weight clutch 11-9, 11-13  
axle 12-19  
axle tube 12-21  
axle, rear, guard mounts 12-19

## B

ball  
    check 8-21  
    crankshaft 8-23

governor 8-27  
    injection pump 8-27  
    valve 8-11  
ball joint 5-7, 9-13, 9-15  
ball stud 12-3  
band, pipe 13-11, 13-15  
banjo bolt 4-3, 4-5, 4-19, 4-21  
bar clamp 13-9  
bar, sway 5-13  
barb, vent 9-3, 9-7  
barrel, plastic 1-53  
base, seat holder 1-35, 1-37  
battery 6-19, 6-21  
battery clamp 6-19, 6-21  
battery discharge machine 14-3  
battery terminal protector spray 14-3  
battery thermometer 14-3  
bearing 5-7, 12-21  
    ball (steering pinion) 5-5  
    lower pinion 5-5  
    needle 12-7, 12-13, 12-15, 12-21, 12-23,  
        12-25  
bearing and oil seal remover 14-3  
bearing case cover 8-19  
bearing case, main 8-19  
bearing driver set 14-3  
bearing puller 14-3  
bearing puller wedge 14-3  
bed floor plate 1-49  
bed latch 1-53  
bed latch spring 1-53  
bed lift harness 1-51  
bed, tilt 1-49  
bell crank cable 4-15  
bellcrank 4-17, 12-17, 12-27  
bellows 5-5, 12-19  
belt guard 8-33  
belt, alternator 8-33  
belt, drive 11-7  
bench seat back 1-33, 1-39  
bench seat bottom 1-33, 1-39  
bench seat kit 1-39  
bezel, fuel fill 9-7  
block, differential spacer 12-5  
block, engine 8-5  
block, fuse 6-11, 6-13  
bobbin, coil with press fit 12-7  
bolt  
    adjusting 8-29  
    banjo 4-3, 4-5, 4-19, 4-21  
boot kit, boxed 5-9  
boot replacement kit 5-9  
boot, half shaft 5-9  
bottle, coolant 13-5  
box  
    cargo 1-57

# INDEX

- bracket
    - actuator 1-51
    - anti-sway bar 5-13
    - bed latch 1-47
    - brake line 4-11
    - brake pedal 4-13
    - cover inlet 11-5
    - draw latch 1-5, 1-7
    - equalizer 4-15
    - hood support 1-19
    - hydraulic line 4-11, 5-11, 5-13
    - muffler 10-3
    - oil filter mount 7-11
    - park brake 4-17
    - radiator support 13-9
    - rocker arm 8-45
    - seat back 1-33, 1-39
    - seat belt 1-33, 1-39
    - seatbelt 1-35, 1-37
    - steering column 1-13
    - transmission cable 8-3
    - transmission mounting 8-3
  - bracket caliper, front 4-19
  - bracket, oil filter 7-11
  - brake adjustment tool 14-3
  - brake cable 4-15
  - brake cable release tool 14-3
  - brake caliper 4-3, 4-5
  - brake caliper return spring 4-5
  - brake fluid reservoir 4-7
  - brake line, front 4-11
  - brake line, rear 4-11
  - brake pad service kit 4-3, 4-5, 4-21
  - brake pedal 4-13
  - brake pedal adjustment tool 14-3
  - brake pedal tension tool 14-3
  - brake return spring 4-15
  - brake rotor 4-11, 12-19
  - breather cover 8-13
  - breather gasket 7-13
  - breather shield 8-13
  - breather tube 8-13
  - breather valve 8-13
  - brush, FNR 1-19
  - bucket seat 1-35, 1-37
  - buckle, seatbelt 1-41
  - bulb, headlight 1-5
  - bullet, detent 12-15, 12-25
  - bumper 13-9
    - bed 1-47, 1-51
    - rubber 1-57
  - bumper, front 1-3
  - bushing 1-51
    - A-arm 5-7
    - anti-sway bar 5-13
    - flanged bronze 8-21
  - forward/reverse 12-3
  - greaseless 4-13, 9-17, 9-19
  - link 5-13
  - nylon 1-53
  - Permgilide 12-7
  - piston pin 8-23, 8-53
  - pivot, urethane 5-15
  - plain 12-9
  - return line 9-9
  - self-lubricating 12-7
  - snap-in 1-53
  - steel 1-49
  - teflon 5-15
  - urethane 1-49
- button, thrust 12-7
- ## C
- cable
    - bell crank 4-15, 4-17
    - brake 4-15
    - choke 9-13
    - FNR shifter 9-13, 9-15
    - IQDM 14-7
  - cable, bell crank 4-15
  - cage, roll 12-7
  - calibration test module 14-3
  - caliper bracket, front 4-19
  - caliper, brake 4-3, 4-5
  - cam installation tool 14-3
  - camshaft 7-15, 8-21
  - camshaft guide 7-15
  - camshaft kit 7-15
  - camshaft plate 7-15
  - camshaft spring 7-15
  - camshaft, fuel 8-27
  - canister, air filter 9-21, 9-23
  - cap
    - air filter 9-21, 9-23
    - bolt assembly 8-29
    - corner 1-53
    - filler 4-7
    - fuel 9-9
    - fuel tank 9-5
    - inlet 11-5
    - oil fill 7-9
    - pressure 13-5
    - radiator 13-3
    - rubber 5-7, 5-15
    - sealing 8-5, 8-9
    - speed control plate 8-37
    - steering wheel 5-3
    - valve 8-45
  - cap, filler 4-9
  - cap, front corner 1-57
  - carburetor 9-25
  - carburetor air vent tube 9-3, 9-7
  - carburetor float level tool 14-7
  - carburetor gasket 9-11, 9-25
  - carburetor heater 9-25
  - carburetor jet 9-25
  - carburetor seal 9-25
  - carburetor shaft 9-25
  - carburetor solenoid 9-25
  - carburetor spring 9-25
  - carburetor throttle shaft 9-25
  - carburetor valve 9-25
  - card, safety first 14-9
  - cargo box 1-57
  - case
    - gear 8-11, 12-13, 12-19, 12-21, 12-23
    - governor ball 8-27
    - main bearing 8-19
  - case cover, bearing 8-19
  - center console cover 1-35, 1-37
  - chain, transmission 12-13, 12-23
  - charge coil 7-5
  - charger bezel tool 14-3
  - choke cable 9-13
  - clamp
    - bar 13-9
    - battery 6-19, 6-21
    - breather tube 8-13
    - hose 9-3, 9-7
    - p- (fuel filter) 4-11, 8-3, 9-3, 9-7
    - pipe 8-39
  - clevis pin 4-7, 4-9
  - clip
    - hair pin 1-57
  - clip, body trim 1-9, 1-11
  - clip, brake line 4-11, 9-13, 9-15
  - clip, meter 6-15, 6-17
  - clip, return pipe 8-39
  - closeout 1-55
  - clutch 11-11
  - clutch alignment tool 14-5
  - clutch cover 11-9, 11-13
  - clutch housing 12-7
  - clutch removal tool 14-3
  - clutch tool kit 14-5
  - clutch, diesel 11-9
  - clutch, gas 11-13
  - coil
    - charge 7-5
    - ignition 7-5
    - pocket insert 12-7
  - coil over shock 5-11, 5-13
  - coil with press-fit bobbin 12-7
  - collar, alternator assembly 8-33
  - collar, crankshaft 8-23
  - collar, idle gear 8-21
  - collar, lever 8-37
  - collet 8-45

# INDEX

- column, steering 5-3
  - communication display module 14-5
  - compression gauge 14-5
  - compressor, piston ring 14-9
  - compressor, valve spring 14-11
  - connecting rod 8-23
  - connecting rod kit 7-17
  - connector, relay 6-11, 6-13
  - continuity tester 14-5
  - control panel 7-7
  - coolant bottle 13-5
  - coolant exchanger 13-3
  - coolant fill tee 13-3
  - coolant lamp sensor 13-11
  - coolant pipe 13-7
  - coolant pipe assembly 13-7
  - coolant pipe mounting tab 13-7
  - coolant temperature indicator light 6-17
  - cooling fan 7-3, 13-3
  - cord, glow plug 8-39
  - corner cap 1-57
  - cotter, rue ring 5-15
  - cover
    - bearing case 8-19
    - breather 8-13
    - CCI dash storage 1-21
    - clutch 11-9, 11-13
    - CVT 7-19, 8-3, 11-3, 11-5, 11-9, 11-13
    - cylinder head 8-13
    - electrical 6-11, 6-13
    - engine 7-19
    - fuel camshaft 8-5
    - heat proof 8-49
    - input 12-9
    - rocker 7-13
    - rocker switch hole 6-15, 6-17
    - thermostat 13-11
  - cover gasket 9-25
  - cover plate, output 12-7
  - cover, crankcase 7-13
  - cover, steering column 5-3
  - cowl panel 1-9, 1-11
  - cowl panel, driver-side 1-9, 1-11
  - cowl panel, passenger-side 1-9, 1-11
  - crank 8-23
  - crank oil seal 7-13
  - crankcase 7-13
  - crankcase cover 7-13
  - crankcase cover gasket 7-13
  - crankcase vent tube 9-11
  - crankshaft 7-17, 8-23
  - C-type stop ring 5-5
  - cup holder 1-19
  - cup holder, seat 1-35, 1-37
  - cutter, valve seat 14-5, 14-11
  - CVT 11-11
  - CVT cover 11-3
  - CVT cover kit, sealed 11-5
  - CVT cover kit, unsealed 11-5
  - cylinder head 7-13, 8-9
  - cylinder head cover 8-13
  - cylinder, master 4-7, 4-9
- ## D
- dash 1-19
  - decal
    - 4x4 3-7, 3-9
    - CA 295 SE 3-7
    - CA 295SE 3-7
    - Club Car tailgate 1-57
    - crush area warning 3-3
    - driver/passenger 3-5
    - ground warning 3-5
    - hot manifold warning 3-5
    - hot surface warning 1-35, 1-37, 3-5
    - instrument panel warning 1-39
    - nameplate 3-7, 3-9
    - operating instructions 1-39, 3-3
    - operator warning 3-3
    - ROPS warning 3-3
    - rotating parts 3-5
    - rotating parts and hot manifold 3-5
    - rotating parts warning 3-5
    - tailgate 1-53
    - trailer hitch 3-3
    - under 16 warning 3-3
    - vehicle loading 3-3
    - warning 3-3
    - winch cable warning 3-5
    - XRT 1550SE 3-9
  - deflector oil 12-13, 12-23
  - diesel tachometer probe 14-9
  - differential housing 12-21
  - differential, front 12-7
  - diode 6-5, 6-9
  - dowel pin 12-7
  - drag link 5-5
  - drain cock 8-5
  - drive belt 11-7
  - drive clutch fixed sheave tool 14-5
  - drive clutch holder tool 14-5
  - drive clutch hub puller 14-5
  - drive clutch puller 14-5
  - drive clutch spider removal tool 14-5
  - drive clutch, moveable 11-9, 11-13
  - drive shaft 12-11
  - driven clutch base sheave 11-11
  - driven clutch cam puller 14-5
  - driven clutch puller plug 14-5
  - driven clutch spring compression base tool 14-5
  - driven clutch spring compression collar tool 14-5
- ## E
- E-clip 4-15
  - elbow 9-9
  - end, tie rod 5-5
  - engine block 8-5
  - engine cover 7-19
  - engine shroud 7-3
  - engine starter motor 7-5
  - engine, diesel, Kubota D722 with closed breather 8-3
  - equalizer 4-15
  - exchanger, engine coolant 13-3
  - exhaust header 10-5, 10-7
  - exhaust header gasket 10-5
  - exhaust installation 10-3
  - exhaust pipe 10-3
  - exhaust valve 7-15, 8-45
  - extension, spring latch 1-49
- ## F
- fan housing plate 7-3
  - fan shroud 13-3
  - fan, cooling 7-3, 13-3
  - fascia 1-5, 1-7
  - fastener, push-in 6-11, 6-13
  - fender, front 1-5, 1-7
  - fender, left rear 1-55
  - fender, rear 1-55
  - filler cap 4-7, 4-9
  - filter
    - air 9-21, 9-23
    - fuel 9-3, 9-7
    - inlet cover 11-5
    - oil 7-9, 8-7, 8-11
  - filter, air, canister 9-21, 9-23
  - fitting, thread-forming grease 5-15
  - flange, water 13-11
  - float valve 9-25
  - floor mat 1-25, 1-27
  - floor plate, bed 1-49
  - floorboard 1-29, 1-31
  - flywheel 7-5, 8-25
  - flywheel puller 14-7
  - FNR brush 1-19
  - FNR brush strip 1-19
  - FNR shifter bracket 8-3
  - FNR shifter cable 9-13, 9-15
  - foot well plate 1-31
  - fork, transmission 12-13, 12-23
  - Forward/Reverse shifter 12-3
  - frame, tilt bed 1-49

# INDEX

front brake line 4-11  
front bumper 1-3  
front differential 12-7  
front gear case 12-13, 12-23  
front panel 1-53, 1-55  
fuel camshaft 8-27  
fuel cap 9-9  
fuel filter 9-3, 9-7  
fuel gauge sending unit 9-5, 9-9  
fuel injection pump 8-35  
fuel line 9-3  
fuel pickup tube 9-9  
fuel pump 9-7  
fuel system 9-7  
fuel tank (diesel) 9-9  
fuel tank (gasoline) 9-5  
fuel tank cap 9-5  
fuel tank strap 9-3, 9-7  
fuel tank vent 9-5, 9-9  
fuel tank, diesel 9-9  
fuel tank, gas 9-5  
fuel-hour gauge 6-15, 6-17  
fuse  
    10-amp 6-11, 6-13  
    25-amp 6-11, 6-13  
    30-amp 6-13  
fuse block 6-11, 6-13

## G

gasket 9-25  
    air filter 9-11  
    bearing case 8-19, 8-51  
    breather 7-13  
    carburetor 9-11, 9-25  
    clutch cover 11-9, 11-13  
    control plate 8-37, 8-51  
    cover 8-19, 8-51, 9-25, 11-5  
    crankcase cover 7-13  
    cylinder head 8-9, 8-51  
    cylinder head cover 8-13, 8-51  
    drain plug 8-7  
    exhaust 8-51, 10-7, 10-9  
    exhaust header 10-5  
    ex-manifold 8-49, 8-51  
    fuel pump 8-5, 8-51  
    gearcase 8-11, 8-51  
    head 7-13  
    head cover 8-51  
    head cover nut 8-29, 8-37, 8-39, 8-51  
    idle apparatus 8-29, 8-51  
    intake manifold 8-47, 8-51  
    liquid 14-7  
    manifold 9-11  
    nozzle 8-39  
    oil pump 8-17, 8-51  
    rocker cover 7-13

    sending unit 9-5, 9-9  
    thermostat 8-51, 13-11  
    water flange 8-51, 13-11  
    water pump 8-51, 13-13  
gasket, carburetor 9-25  
gauge, compression 14-5  
gauge, fuel-hour 6-15, 6-17  
gauge, oil 7-9, 8-15  
gear  
    cam 8-21  
    case 8-11, 12-13, 12-19, 12-21, 12-23  
    crank 8-23  
    helical 12-15, 12-25  
    idle 8-21  
    injection pump 8-27  
    oil pump drive 8-17  
    ring 8-25, 12-7, 12-21  
gear case, front 12-13, 12-23  
gear ring engagement 12-15, 12-25  
gear yoke 14-7  
gear, oil pump 7-9  
glow plug 8-39  
glow plug cord 8-39  
governor control lever 7-7  
governor fork lever 8-41  
governor lever 8-37  
governor lock arm 7-7  
governor oil seal 7-13  
governor plate 7-7  
governor return spring 7-7  
governor shaft 7-7  
governor shaft arm 7-7  
governor shaft installation tool 14-7  
governor shield 10-3  
governor spring 7-7  
grill 1-5, 1-7  
grip tape, accelerator pad 9-17, 9-19  
grip, tilt latch hand 1-49, 1-53  
grommet 9-5, 9-9, 12-7  
guard, belt 8-33  
guard, oil filet 7-11  
guard, splash 1-13  
guide  
    accelerator cable 9-17, 9-19  
    detent bullet 12-15, 12-25  
    exhaust valve 8-9  
    inlet valve 8-9  
    oil gauge 8-15  
    valve seat cutter 14-11  
guide ring adhesive 14-3  
guide, camshaft 7-15  
guide, rocker arm 7-15

## H

hair pin clip 1-57  
half shaft boot 5-9

handle, tilt steering 5-3  
harness 6-5, 6-9, 7-5  
harness, bed lift 1-51  
harness, wire 1-5, 1-7  
head gasket 7-13  
head restraint 1-45  
head restraint kit 1-45  
head, cylinder 7-13, 8-9  
header, exhaust 10-5, 10-7  
headlight assembly 1-7  
headlight bulb 1-5  
headlight harness 1-5, 1-7  
heat seal 8-39  
heater, carburetor 9-25  
helical gear 12-15, 12-25  
hinge plate 1-33, 1-35, 1-37, 1-39  
hinge, hood 1-9, 1-11  
holder  
    FNR strip brush 1-19  
    fork lever 8-41  
holder, cup 1-19  
hood 1-9, 1-11  
hood hinge 1-9, 1-11  
hood latch 1-5, 1-7  
hood prop 1-9, 1-11  
hook, engine 8-9  
hose 13-5  
    coolant 13-3, 13-5, 13-9  
    fuel filter 9-7  
    fuel pump 9-7  
    fuel return 9-7  
    inlet cover 11-5  
    intake 9-21, 9-23  
    overflow 8-39  
    vent 8-3, 12-5, 13-9  
hose, fuel 9-3  
hose, outlet 11-3, 11-5  
housing  
    clutch 12-7  
    differential 12-21  
    Mate-N-Lock 12-7  
    steering gear 5-5  
hub, race/output 12-7  
hydraulic brake adjuster 14-7  
hydrometer 14-7

## I

idle apparatus 8-29  
idle gear 8-21  
ignition coil 7-5  
injection pump gear 8-27  
inlet valve 8-45  
instructions, bench seat 1-39  
instructions, brush guard/bumper 1-3  
instructions, front skidplate 1-17  
insulator, manifold 9-11

# INDEX

intake adapter pipe 9-11  
intake manifold 8-47, 9-11  
intake valve 7-15  
internal retaining ring pliers 14-7  
IQ display module (IQDM) 14-7  
isolator ring and bushing 7-19, 8-3  
isolator, twin stud 13-3

## J

jet kit  
    3300-6600 ft 9-25  
    6600+ ft 9-25  
jet needle 9-25  
jet, carburetor 9-25  
joint  
    ball 5-7, 9-13, 9-15  
    eye 8-35  
    pipe 8-11

## K

keeper, push-close latch 1-21  
key 7-5  
    feather 8-17, 8-21, 8-23, 8-27  
key (pair) 6-15, 6-17  
key switch 6-15, 6-17  
key switch spacer 6-15, 6-17  
keyswitch nut 6-15, 6-17  
kick panel 1-55  
kit  
    bench seat 1-39  
    bolt 12-7  
    brake pad service 4-3, 4-5, 4-21  
    brake pedal adjustment tool 14-3  
    clutch 12-7  
    complete bench seat 1-39  
    cover plate, input 12-9  
    cover plate, output 12-7  
    drain plug 12-7  
    forward gear repair 12-15, 12-25  
    front skidplate hardware 1-17  
    front steel skidplate 1-17  
    gasket 8-51  
    H-clip spring 12-7  
    head restraint 1-45  
    IQ display module (IQDM) 14-7  
    neutral switch repair 12-15, 12-25  
    nozzle holder 8-39  
    piston rebuild 8-53  
    race output hub 12-7  
    rear axle gear repair 12-21  
    repair, minor 12-7  
    reverse gear repair 12-13, 12-23  
    roll cage 12-7  
    roller 12-7  
    ROPS 1-43

tube bumper 1-3  
tune-up 14-9  
kit, boot replacement 5-9  
kit, carburetor jet 9-25  
knob, forward/reverse 12-3

## L

latch 1-21  
latch bracket 1-5, 1-7  
latch keeper 1-21  
latch plate, tilt bed 1-47  
latch, bed 1-53  
latch, hood draw 1-5, 1-7  
latch, slam 1-57  
latch, spring 1-57  
latch, tilt bed 1-49  
lens, headlight 1-5  
lever  
    engine stop 8-37  
    fork 8-41  
    governor 8-37  
    lost motion 9-19  
    speed control 8-37  
lever, governor control 7-7  
light  
    oil 6-15, 6-17  
light, coolant temperature indicator 6-17  
light, turn signal 1-7  
line, brake reservoir 4-7  
line, fuel 9-3  
link, drag 5-5  
liquid gasket 14-7  
low oil warning light 6-15, 6-17  
lubricant, dry moly 14-7  
lubricant, moly-teflon 14-7

## M

manifold  
    exhaust 8-49  
    intake 8-47  
manifold gasket 9-11  
manifold insulator 9-11  
manifold, intake 9-11  
master cylinder 4-9  
mat, floor 1-27  
mat, floor 1-25  
Mate-N-Lock housing 12-7  
Mate-N-Lock pin 12-7  
meter clip 6-15, 6-17  
meter, volt ohm 14-11  
module  
    calibration test 14-3  
    communication display 14-5  
moly-teflon lubricant 14-7  
motor

starter 8-43  
moveable drive clutch 11-9, 11-13  
muffler 10-3, 12-5

## N

nameplate decal 3-7, 3-9  
needle, jet 9-25  
nongrease/spacers locker 12-21  
nozzle holder 8-39  
nut, keyswitch 6-15, 6-17

## O

oil cap 7-9  
oil deflector 12-13, 12-23  
oil drain plug 7-9  
oil filter 7-9, 8-7, 8-11  
oil filter adapter 7-11  
oil filter bracket 7-11  
oil filter guard 7-11  
oil filter nipple 7-13  
oil gauge 7-9  
oil pan 8-7  
oil pickup 7-9  
oil pickup screen 7-9  
oil pressure switch 7-5, 8-5  
oil pump 7-9, 8-17  
oil pump and rotor 7-9  
oil pump drive gear 8-17  
oil pump plate 7-9  
oil pump rotor 7-9  
oil pump shaft 7-9  
oil pump spring 7-9  
oil pump spur gear 7-9  
oil seal 8-11, 8-19, 12-7, 12-9  
oil seal, crank 7-13  
oil seal, governor 7-13  
oil slinger 8-23  
oil valve seal 7-13  
oil warning light, low 6-15, 6-17  
O-ring 7-9, 7-11, 8-5, 8-7, 8-9, 8-11, 8-13, 8-23,  
    8-31, 8-37, 8-51, 9-25, 12-7, 12-9  
overflow pipe 8-39

## P

paint, touch-up 14-7  
pan  
    center 1-35, 1-37  
    oil 8-7  
    seat 1-35, 1-37  
panel  
    center cowl 1-9, 1-11  
    driver-side 1-55  
    driver-side cowl 1-9, 1-11  
    front kick 1-55  
    left 1-57

# INDEX

- passenger-side 1-55
  - passenger-side cowl 1-9, 1-11
  - right 1-57
  - side 1-53
  - panel, control 7-7
  - panel, front 1-53, 1-55, 1-57
  - panel, side 1-55
  - p-clamp (fuel filter) 4-11, 8-3, 9-3, 9-7
  - pedal, accelerator 9-17, 9-19
  - pedal, brake 4-13
  - pickup, oil 7-9
  - pin, clevis 4-7, 4-9
  - pin, dowel 12-7
  - pin, Mate-N-Lock 12-7
  - pin, piston 8-23, 8-53
  - pin, slide, caliper slide pin 4-3, 4-5
  - pinion 12-21
  - pinion, steering 5-5
  - pipe
    - breather 8-47
    - exhaust 10-3, 10-9
    - injection 8-39
    - overflow 8-39
    - water 13-15
    - water return 8-13, 13-11
  - pipe band 13-11, 13-15
  - pipe clamp 8-39
  - pipe, coolant 13-7
  - pipe, intake adapter 9-11
  - piston 7-17, 8-23, 8-53
  - piston pin 8-23, 8-53
  - piston ring 8-23, 8-53
  - piston ring compressor 14-9
  - piston ring pliers 14-9
  - plate
    - armature 12-7
    - back 1-49, 1-51
    - camshaft 7-15
    - cover, output 12-7
    - electrical 6-11, 6-13
    - engine block 8-5
    - engine mounting 8-3
    - fan housing 7-3
    - fuel/oil 9-7
    - governor 7-7
    - hinge 1-33, 1-35, 1-37, 1-39
    - latch 1-47
    - oil pump 7-9
    - shroud 8-25
    - skid 1-15, 1-17
    - speed 8-37
    - speed control 8-37
    - tailgate latch wear 1-53
    - thrust 12-7
  - plate, closeout 1-55
  - plate, foot well 1-31
  - plate, steering wheel center 1-39
  - pliers
    - internal retaining ring 14-7
    - piston ring 14-9
    - retaining ring 14-9
  - plug 12-13, 12-23
    - drain 8-7
    - driven clutch puller 14-5
    - engine block 8-5, 8-9, 8-11, 12-19
    - expansion 8-5
    - gearcase 12-13, 12-19, 12-23
    - glow 8-39
    - hole 6-15, 6-17
    - oil drain 12-7
    - oil fill 12-7
    - oil filler 8-13
    - tube 1-3
  - plug, oil drain 7-9
  - plug, spark 7-5
  - press weldment 14-5
  - prop rod 1-47
  - prop shaft 12-11
  - prop, hood 1-9, 1-11
  - protector spray, battery terminal 14-3
  - puller
    - bearing 14-3
    - clutch 14-3
    - drive clutch 14-5
    - drive clutch hub 14-5
    - driven clutch cam 14-5
    - flywheel 14-7
    - seal 14-9
    - special use tool 14-9
  - pulley
    - fan drive 8-33
    - water pump 8-33
  - pullrod, compression spring 9-17, 9-19
  - pump
    - fuel 9-7
    - fuel injection 8-35
    - oil 8-17
    - water 13-13
  - push rod 7-15, 8-21
  - push rod tappet 7-15
- ## R
- rack guide pressure spring 5-5
  - rack, steering 5-5
  - radiator 13-3
  - radiator cap 13-3
  - radiator pipe 13-7
  - radiator pipe assembly 13-7
  - reamer, valve guide 14-9
  - receiver, rear 5-15
  - receptacle, accessory 6-15, 6-17
  - reed valve assembly 7-13
  - regulator, voltage 7-5
  - relay 6-11, 6-13
  - relay connector 6-11, 6-13
  - remover, bearing and oil seal 14-3
  - reservoir, brake fluid 4-7
  - reservoir, remote 4-7
  - restraint, head 1-45
  - retainer
    - spring (driven clutch) 11-11, 11-19
    - valve spring 8-45
  - retainer, valve spring 7-15
  - retaining ring pliers 14-9
  - retractor, seat belt 1-41
  - ring
    - piston 8-23, 8-53
    - snap 5-5
  - ring gear 8-25, 12-7, 12-21
  - ring, C-type stop 5-5
  - ring, retaining, ext 5-7
  - rivet, blind push 1-13, 1-39
  - rocker arm 7-15, 8-45
  - rocker arm guide 7-15
  - rocker arm stud 7-15
  - rocker cover 7-13
  - rocker cover gasket 7-13
  - rocker switch 6-15, 6-17
  - rocker switch (lights) 6-15, 6-17
  - rod
    - connecting 8-23
    - crank crank rod 8-23
    - prop 1-47
    - push 8-21
  - rod, push 7-15
  - roll cage 12-7
  - roller weight 11-9, 11-13
  - roller, torque 11-9, 11-13
  - ROPS front base weldment 1-13
  - ROPS kit 1-43
  - ROPS support tube 1-43
  - ROPS top 1-43
  - ROPS warning decal 3-3
  - ROPS weldment 1-43
  - rotor, brake 4-11, 12-19
  - rotor, oil pump 7-9
  - rotor, oil pump and 7-9
  - rubber bumper 1-57
- ## S
- safety first card 14-9
  - score card plate 1-39
  - screen, oil pickup 7-9
  - screw, valve clearance adjuster 14-9
  - seal
    - dual lip 12-13, 12-17, 12-21, 12-23, 12-27
    - heat 8-39
    - oil 8-11, 8-19, 12-7, 12-9

# INDEX

- oil valve 7-13
- steering pinion dust 5-5
- triple lip 12-13, 12-23
- valve stem 8-45, 8-51
- seal puller 14-9
- seal, carburetor 9-25
- seat
  - bucket 1-35
  - valve 8-11
- seat back, bench 1-33, 1-39
- seat belt retractor 1-41
- seat bottom 1-33, 1-39
- seat bottom, bench 1-33, 1-39
- seat holder base 1-35, 1-37
- seat, bucket 1-35, 1-37
  - bucket seat 1-37
- seatbelt buckle 1-41
- sending unit, fuel gauge 9-5, 9-9
- sensor, coolant lamp 13-11
- service kit, brake pad 4-3, 4-5, 4-21
- shaft
  - carburetor 9-25
  - CVT adapter 8-3
  - drive 12-11
  - fork lever 8-41
  - governor 7-7
  - governor lever 8-37
  - idle gear 8-21
  - input 12-25
  - intermediate 12-15, 12-25
  - oil pump 7-9
  - output 12-25
  - pinion 12-9
  - prop 12-11
  - rock arm 8-45
  - shift 12-17, 12-27
- shaft, prop 12-11
- sheave, drive clutch base 11-11
- sheave, driven clutch 11-11
- shield, breather 8-13
- shield, exhaust 10-9
- shield, governor 10-3
- shim 11-9, 11-13, 12-21
- shim, armature plate 12-7
- shim, injection pump 8-35
- shim, latch plate 1-47
- shock absorber 5-11, 5-13
- shock absorber, coil over 5-11, 5-13
- shroud, engine 7-3
- shroud, fan 13-3
- side panel 1-55
- side panel weldment 1-53
- skid plate 1-15, 1-17
- skidplate hardware kit 1-17
- skidplate kit 1-17
- slam latch 1-57
- sleeve
  - crankshaft 8-23
  - governor 8-27
  - link 5-13
  - lower arm 5-7
  - upper suspension 5-7
- slide adjuster 5-7
- slide pin 4-3, 4-5
- slide, adjuster 5-7
- slinger, oil 8-23
- snap ring 5-5
- solenoid, carburetor 9-25
- solenoid, stop 8-31
- spacer 1-17
  - engine 8-3
  - key switch 6-15, 6-17
- spacer block, differential 12-5
- spanner wrench 14-9
- spark plug 7-5
- speed plate 8-37
- spider 11-9, 11-13
- splash guard 1-13
- spray, battery terminal protector 14-3
- spring 7-9, 7-15
  - brake caliper return 4-5
  - brake return 4-15
  - carburetor 9-25
  - choke spring 9-13
  - compression 11-9, 11-11, 11-13
  - detent bullet 12-15, 12-25
  - exhaust 10-3
  - governor 7-7, 8-41
  - governor idle 9-13
  - governor return 7-7
  - idle apparatus 8-29
  - latch tilt 1-53
  - pedal 9-17, 9-19
  - pedal stop 9-17, 9-19
  - rack guide pressure 5-5
  - return 8-37
  - rocker arm 8-45
  - start 8-9, 8-41
  - torsion 9-17, 9-19
  - valve 7-15, 8-11, 8-45
- spring latch 1-57
- sprocket 12-13, 12-23
- start spring 8-41
- starter motor 8-43
- starter motor, engine 7-5
- stay
  - cylinder head 8-9
  - spring 8-11
  - stop solenoid 8-31
- steel bushing 1-49
- steering column 5-3
- steering column bearing press tool 14-9
- steering column bracket 1-13
- steering column cover 5-3
- steering column retaining ring tool 14-9
- steering gear housing 5-5
- steering pinion dust seal 5-5
- steering rack 5-5
- steering wheel 1-39, 5-3
- steering wheel puller tool 14-9
- stem, valve 2-3
- stop solenoid stay 8-31
- stopper, camshaft 8-21
- stopper, fuel camshaft 8-27
- strap, fuel tank 9-3, 9-7
- strip, FNR brush 1-19
- stud 8-3, 8-35, 8-49, 13-15
  - idle adjustment 8-29
  - self-clinching 1-53, 1-57
- stud, ball 12-3
- support yoke (steering) 5-5
- support, structural 1-19
- sway bar 5-13
- swingarm 5-15
- switch
  - indicator (transmission) 12-15, 12-25
  - key 6-15, 6-17
  - light rocker 6-15, 6-17
  - oil pressure 7-5, 8-5
  - switch, rocker 6-15, 6-17

## T

- tab, coolant pipe mounting 13-7
- tachometer 14-9
- tachometer probe, diesel 14-9
- tailgate 1-53, 1-57
- tailgate angle 1-53, 1-57
- tailgate latch wear plate 1-53
- taligate 1-53
- tank, fuel 9-5, 9-9
- tank, fuel (diesel) 9-9
- tank, fuel (gasoline) 9-5
- tape, double-sided 1-33
- tape, grip, accelerator pad 9-17, 9-19
- tape, vinyl foam 1-49, 13-3
- tappet 8-21
- tappet, push rod 7-15
- tee, coolant fill 13-3
- temperature indicator light, coolant 6-17
- tester, continuity 14-5
- tether 1-57
- thermometer, battery 14-3
- thermostat 13-11
- thread-forming grease fitting 5-15
- throttle shaft, carburetor 9-25
- throttle valve 9-25
- thrust button 12-7
- thrust plate 12-7

# INDEX

- tie rod end 5-5
- tie wrap 1-51, 4-11, 4-15, 5-5, 9-13, 9-15, 12-3
- tilt bed 1-49
- tilt bed frame 1-49
- tilt latch hand grip 1-49, 1-53
- tire 2-3
- tire assembly, black 2-3
- tire, mud 2-3
- tool
  - accelerator pedal adjustment 14-3
  - belt tensioning, starter/generator 14-11
  - brake adjustment 14-3
  - brake cable release 14-3
  - brake pedal adjustment 14-3
  - brake pedal tension 14-3
  - cam installation 14-3
  - carburetor float level 14-7
  - charger bezel 14-3
  - clutch alignment 14-5
  - cT-wrench 14-5
  - drive clutch fixed sheave 14-5
  - drive clutch holder 14-5
  - drive clutch spider removal 14-5
  - driven clutch spring compression base 14-5
  - driven clutch spring compression collar 14-5
  - driven clutch spring compression nut 14-5
  - governor shaft installation 14-7
  - puller, special use 14-9
  - steering column bearing press 14-9
  - steering column retaining ring 14-9
  - steering wheel puller 14-9
  - transaxle axle seal 14-9
  - transaxle pinion seal 14-9
  - transmission 14-9
  - valve guide driver 14-9
  - valve seat cutter 14-5
- tool kit, clutch 14-5
- torque converter 11-11
- torque roller 11-9, 11-13
- touch-up paint 14-7
- track, prop rod 1-47
- transaxle axle seal tool 14-9
- transaxle housing 12-21
- transaxle pinion seal tool 14-9
- transmission cable bracket 8-3
- transmission chain 12-13, 12-23
- transmission fork 12-13, 12-23
- transmission tool 14-9
- transmission, diesel, parallel shaft 12-23
- transmission, gasoline, parallel shaft 12-13
- tube
  - axle 12-21
  - breather 8-13
  - carburetor air vent 9-3, 9-7
  - crankcase vent 9-11
  - fuel pickup 9-9
  - ROPS support 1-43
- tube bumper kit 1-3
- tune-up kit 14-9
- turn signal light 1-7
- T-wrench tool 14-5
- U**
  - upright 5-7
  - urethane bushing 1-49
- V**
  - valve 9-21, 9-23
    - breather 8-13
    - exhaust 8-45
    - fuel pickup tube 9-5
    - inlet 8-45
    - seat 8-11
  - valve assembly, reed 7-13
  - valve clearance adjuster screw 14-9
  - valve guide driver tool 14-9
  - valve guide reamer 14-9
  - valve seat cutter 14-5, 14-11
  - valve seat cutter guide 14-11
  - valve seat cutter tool 14-5
  - valve seat t-wrench 14-11
  - valve spring 7-15
  - valve spring compressor 14-11
  - valve spring retainer 7-15
  - valve stem 2-3
  - valve, carburetor 9-25
  - valve, exhaust 7-15
  - valve, float 9-25
  - valve, intake 7-15
  - valve, throttle 9-25
  - vent barb 9-3, 9-7
  - vent, housing, upper 12-21
  - vent, transmission 12-13, 12-23
  - volt ohm meter 14-11
  - voltage regulator 7-5
- W**
  - warning light, low oil 6-15, 6-17
  - water flange 13-11
  - water pump 13-13
  - wedge, bearing puller 14-3
  - weight clutch 11-9, 11-13
  - weldment
    - air cleaner support 9-21, 9-23
    - brake pedal 4-13
    - Forward/Reverse shifter 12-3
    - Forward/Reverse shifter bracket 12-3
    - front dash
      - dash weldment 1-13
    - lever, lost motion 9-19
    - receiver 5-15
    - tilt bed frame 1-49
  - weldment, air cleaner support 9-21, 9-23
  - weldment, brake pedal 4-13
  - weldment, Forward/Reverse shifter 12-3
  - weldment, Forward/Reverse shifter bracket 12-3
  - weldment, front dash
    - dash weldment 1-13
  - weldment, lever, lost motion 9-19
  - weldment, receiver 5-15
  - weldment, tilt bed frame 1-49
  - wheel 2-3
  - wheel, steering 1-39, 5-3
  - wire assembly 6-19, 6-21, 7-11, 9-5, 9-9
  - wire harness 1-5, 1-7, 6-5, 6-9, 7-5
  - wire harness, bed lift 1-51
  - wrap, tie 1-51, 4-11, 4-15, 5-5, 9-13, 9-15, 12-3
  - wrench, spanner 14-9
- Y**
  - yoke, gear 14-7
  - yoke, support (steering) 5-5











**Club Car, Inc.**  
P.O. Box 204658  
Augusta, GA 30917-4658  
USA

**Web** [www.clubcar.com](http://www.clubcar.com)  
**Phone** 1.706.863.3000  
1.800.ClubCar  
**Int'l** +1 706.863.3000  
**Fax** 1.706.863.5808