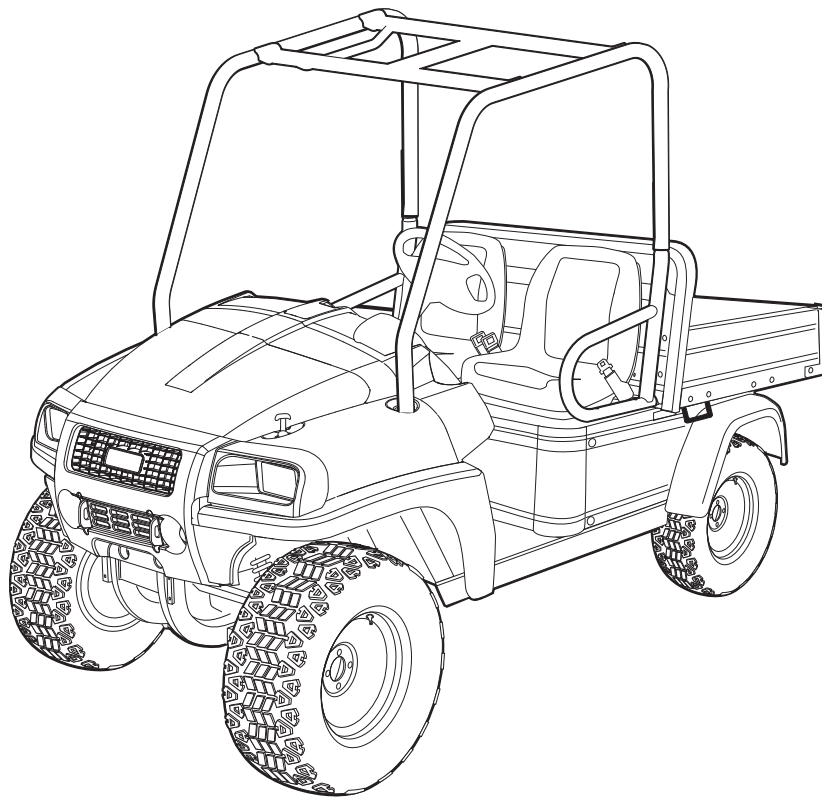




**2014**  
**Carryall 295 and XRT 1550**  
**Illustrated Parts List**



**Carryall 295/295 SE and XRT 1550/1550 SE**  
**Gasoline, Diesel and IntelliTach Vehicles**

Manual Number 105062818  
Edition Code D



# USING THE ILLUSTRATED PARTS LIST

---

## **⚠ WARNING**

- **This manual is to be used only for identification and ordering of service parts. Be sure to read and use the maintenance and service manual before attempting any vehicle repairs.**

This manual covers 2014 XRT 1550, 1550 SE, 1550 IntelliTach, and Carryall 295, 295 SE, 295 IntelliTach vehicles.

The manual is divided into sections. Note that there are two or three flags on the outside edge of each page. The first flag contains the section number of which that page is a part. The other flag (or flags) contains the letter D, E, or G, signifying that the page pertains to the diesel, electric, or gasoline vehicles only.

Use the Table of Contents to find the sections and pages that contain the parts and assemblies you seek. The Table of Contents lists section numbers, and under them, the individual page titles and numbers to be found in that section. The index can be used to find specific parts and assemblies. The index is divided into numerical and alphabetical listings with the page numbers in italic text.

There is a two-page spread for each individual page title in the Table of Contents. On the left-hand page is an illustration showing the parts in their relative positions; the parts are each tagged with an item number in a balloon. The right-hand page is the parts list page, and gives the page title at the top, then the item numbers (corresponding to the numbers on the illustration), part descriptions, and quantity of parts used.

Note that a part description may be indented. This indention corresponds to a parts assembly level indicated by the numbers 1, 2, 3, and 4 at the top left corner of the parts description area of the parts list page. A part that is indented to *level 2* is a component of the *level 1* part (assembly) that it is listed under. A *level 3* part is a component of the *level 2* part that it is listed under, and a *level 4* part is a component of the *level 3* part preceding it. In each case, the part quantity given for a level 2, 3, or 4 part is the quantity used per next higher level assembly of which it is a component. A part that is not indented is a *level 1* part. This means that the quantity given is the quantity used per the portion of the vehicle illustrated on that particular spread.



P. O. Box 204658  
Augusta, Georgia 30917-4658 USA  
Telephone 706-863-3000  
Service Parts Fax 706-855-7413  
[www.clubcar.com](http://www.clubcar.com)

## HOW TO ORDER PARTS

Replacement parts and accessories can be obtained from our network of authorized dealers and distributors. You can obtain the name and phone number of your closest authorized Club Car dealer or distributor by visiting our web site at [www.clubcardealer.com](http://www.clubcardealer.com), by calling our toll-free Service Parts and Technical Assistance hotline at (800) 872-2246 or (706) 863-3000, extension 3887, or by scanning this Quick Response (QR) code to be taken to the Club Car dealer locator. **Refer to Figure 1.** Download a QR code reader such as RedLaser or Barcode Scanner to your cell phone or tablet.



Figure 1 Dealer Locator QR Code

## CUSTOMER SATISFACTION SURVEY

Let your voice be heard!

Please take time to participate in the Technical Publications satisfaction survey. Obtaining feedback from our customers is important to the department's continuous improvement process. The online survey takes less than five minutes and responses will help the department to examine current performance as well as identify areas for future improvement.

Our top priority is to provide timely, accurate, and user friendly manuals.

The online satisfaction survey can be found at: <http://bit.ly/1w9uFMh>



Figure 2 Survey QR Code

**NOTE:** *This illustrated parts list represents the most current information at the time of publication. Club Car, LLC is continually working to further improve its vehicles and other products. These improvements may affect the parts used to service the vehicle. Any modification and/or significant change in specifications will be forwarded to all Club Car and Carryall distributors/dealers and will, when applicable, appear in future editions of this illustrated parts list.*

*Club Car, LLC reserves the right to change specifications and designs at any time without notice and without the obligation of making changes to units previously sold.*

Copyright © 2018 Club Car, LLC

Club Car is a registered trademark of Club Car, LLC.

This manual effective January 3, 2018

2014 XRT 1550/1550 SE and Carryall 295/295 SE Gasoline, Diesel and IntelliTach Vehicles

# CONTENTS

---

## SECTION 1 – BODY AND TRIM

---

Brush Guard .....	1-3
Glove Box .....	1-5
Tilt Bed, Hinge, and Latch .....	1-7
Electric Bed Lift .....	1-9
Tow Hook Plates .....	1-11
Plastic Skid Plate .....	1-13
Steel Skid Plate .....	1-15
Fascia, Fenders, and Cowls (Molded in Color) – Carryall .....	1-17
Dash and Splash Guard .....	1-19
Fascia, Fenders, and Cowls (Molded in Color) – XRT .....	1-21
Fascia, Fenders, and Cowl (Molded in Color) – IntelliTach .....	1-23
Side Stringers – 2 Passenger .....	1-25
Side Stringers – 4 Passenger .....	1-27
Floorboard .....	1-29
Floorboard – Rear .....	1-31
Bench Seat .....	1-33
Bench Seat, Rear – 4 Pass .....	1-35
Bucket Seats – Gray .....	1-37
Bucket Seats – Black .....	1-39
2-Point Seat Belts .....	1-41
3-Point Seat Belts .....	1-43
ROPS – 4 Pass .....	1-45
ROPS and Seat Support .....	1-47
Head Rests and Rear Seat Handle – 4 Pass .....	1-49
Canopy (Vehicle with ROPS) .....	1-51
Side Panels and Rear Fenders – 2 Pass .....	1-53
Side Panels and Rear Fenders – 4 Pass .....	1-55
Latch Plates and Prop Rod .....	1-57
Box Bed – Aluminum .....	1-59
Box Bed – Steel .....	1-61

---

## SECTION 2 – WHEELS AND TIRES

---

Wheels and Tires – Kenda .....	2-3
Wheels and Tires – OTR .....	2-5

---

## SECTION 3 – DECALS

---

Safety Decals – Carryall and XRT 2-Passenger .....	3-3
--	-----

Safety Decals – Carryall and XRT 2-Passenger, Continued .....	3-5
Badging Decals – Carryall 2-Passenger .....	3-7
Badging Decals – XRT 2-Passenger .....	3-9
Safety Decals – Carryall and XRT 4-Passenger .....	3-11
Safety Decals – Carryall and XRT 4-Passenger, Continued .....	3-13
Badging Decals – Carryall 4-Passenger .....	3-15
Badging Decals – XRT 4-Passenger .....	3-17
Safety Decals – IntelliTach .....	3-19
Safety Decals – IntelliTach, Continued .....	3-21
Badging Decals – Carryall Intellitach .....	3-23
Badging Decals – XRT Intellitach .....	3-25
Badging Decals – Intellitach .....	3-27

## **SECTION 4 – BRAKE SYSTEMS AND PEDALS**

---

Master Cylinder with Integral Reservoir .....	4-3
Front Brakes .....	4-5
Hydraulic Brake Lines and Clips .....	4-7
Brake Pedal .....	4-9
Park Brake System .....	4-11
Rear Brakes .....	4-13

## **SECTION 5 – STEERING AND SUSPENSION**

---

Steering Wheel and Column .....	5-3
Steering Gear .....	5-5
Front Suspension – Page 1 of 2 .....	5-7
Front Suspension – Page 2 of 2 .....	5-9
Shock Absorbers – 800 lb. Capacity .....	5-11
Shock Absorbers – 1050 lb. Capacity .....	5-13
Rear Suspension (4-Link) .....	5-15

## **SECTION 6 – ELECTRICAL SYSTEM – GAS VEHICLES**

---

Headlights – Carryall .....	6-3
Headlights – XRT .....	6-5
Electrical Component Box, Gasoline Vehicle .....	6-7
Battery – Gasoline Vehicle .....	6-9
Wiring – Kawasaki Gas Engine .....	6-11
Electrical Components, Front Body – Gas Vehicle .....	6-13
Top-Post Battery – Gasoline Vehicle .....	6-15

# CONTENTS

---

## SECTION 7 – ELECTRICAL SYSTEM – DIESEL VEHICLES

---

Headlights – Carryall .....	7-3
Headlights – XRT .....	7-5
Headlights – IntelliTach .....	7-7
Wiring – Kubota Diesel Engine, One-Piece Harness .....	7-9
Wiring – Hydraulic Attachment (IntelliTach) .....	7-11
Wiring – Seat Belt Reminder (IntelliTach) .....	7-13
Electrical Components, Front Body – Diesel Vehicle .....	7-15
Electrical Components, Front Body – IntelliTach .....	7-17
Electrical Component Box, Diesel Vehicle .....	7-19
Battery – Diesel Vehicle .....	7-21
Top-Post Battery – Diesel Vehicle .....	7-23

---

## SECTION 8 – ENGINE – KAWASAKI FH680D GASOLINE

---

Shrouds and Brackets .....	8-3
Valves and Camshaft .....	8-5
Tune-Up Kit – Kawasaki FH680 .....	8-7
Kawasaki FH680D Gasoline Engine and Mounting .....	8-9
Oil and Lubrication Components .....	8-11
Oil Filter Adapter – Kawasaki FH680 .....	8-13
Ignition Components and Flywheel – Kawasaki FH680 .....	8-15
Cylinder Head and Crankcase .....	8-17
Pistons and Crankshaft .....	8-19

---

## SECTION 9 – ENGINE – KUBOTA DIESEL, D722, E3B SERIES

---

Tune-Up Kit – Kubota D722 .....	9-3
DIESEL ENGINE AND ENGINE MOUNTING (D722 – E3B) .....	9-5
Crankcase (D722 – E3B) .....	9-7
Oil Pan (D722 – E3B) .....	9-9
Cylinder Head (D722 – E3B) .....	9-11
Gear Case (D722 – E3B) .....	9-13
Head Cover (D722 – E3B) .....	9-15
Dipstick and Guide (D722 – E3B) .....	9-17
Oil Pump (D722 – E3B) .....	9-19
Main Bearing Case (D722 – E3B) .....	9-21
Camshaft and Idle Gear (D722 – E3B) .....	9-23
Piston and Crankshaft (D722 – E3B) .....	9-25
Flywheel (D722 – E3B) .....	9-27

# CONTENTS

---

Fuel Camshaft (D722 – E3B) .....	9-29
Idle Apparatus (D722 – E3B) .....	9-31
Stop Solenoid (D722 – E3B) .....	9-33
40-Amp Alternator, Belt and Pulleys (D722 – E3B) .....	9-35
60-Amp Alternator, Belt and Pulleys (D722 – E3B) .....	9-37
Fuel Injection Pump (D722 – E3B) .....	9-39
Speed Control (D722 – E3B) .....	9-41
Nozzle Holders and Glow Plugs (D722 – E3B) .....	9-43
Governor Components (D722 – E3B) .....	9-45
Starter – Sealed (D722 – E3B) .....	9-47
Valves and Rocker Arms (D722 – E3B) .....	9-49
Intake Manifold (D722 – E3B) .....	9-51
Exhaust Manifold (D722 – E3B) .....	9-53
Gasket Kits (D722 – E3B) .....	9-55
Piston Rebuild Kit (D722 – E3B) .....	9-57

## **SECTION 10 – FUEL, INTAKE, ACCELERATOR & GOVERNOR SYSTEMS – KAWASAKI GAS ENGINES**

---

Governor Arm and Springs .....	10-3
Fuel Tank – Gasoline Vehicle .....	10-5
Fuel Pump, Filter and Hose – Kawasaki FH680 .....	10-7
Carbon Canister – Gasoline Vehicle .....	10-9
Intake Hoses and Air Filter – Kawasaki FH680 .....	10-11
Carburetor – Kawasaki FH680 .....	10-13
Intake Manifold and Carburetor Mounting – Kawasaki FH680 .....	10-15
Accelerator Pedal .....	10-17
Accelerator and Choke Cables – Kawasaki FH680 .....	10-19

## **SECTION 11 – FUEL, INTAKE & ACCELERATOR SYSTEMS – KUBOTA DIESEL ENGINE**

---

Fuel Tank – Diesel Vehicle .....	11-3
Fuel Pump, Filter and Hose – Diesel .....	11-5
Intake Hoses and Air Filter – Diesel Vehicle .....	11-7
Accelerator Pedal .....	11-9
Accelerator Cable – Diesel Vehicle .....	11-11

## **SECTION 12 – EXHAUST SYSTEM – GAS & DIESEL**

---

Exhaust Pipes – Diesel Vehicles .....	12-3
Exhaust Pipe and Muffler .....	12-5
Exhaust Header – Kawasaki FH680 .....	12-7



# CONTENTS

---

## SECTION 13 – CLUTCHES – KAWASAKI GAS ENGINE

---

Drive Belt .....	13-3
Drive Clutch (3 Weight) – Gas Vehicle .....	13-5
Driven Clutch (for 3 Weight Drive Clutch) .....	13-7
Clutch Cover (Non-Sealed) .....	13-9
Clutch Cover (Sealed) .....	13-11

---

## SECTION 14 – CLUTCHES – KUBOTA DIESEL ENGINE

---

Drive Belt .....	14-3
Drive Clutch (3 Weight) – Diesel Vehicle .....	14-5
Driven Clutch (for 3 Weight Drive Clutch) .....	14-7
Clutch Cover (Non-Sealed) .....	14-9
Clutch Cover (Sealed) .....	14-11

---

## SECTION 15 – DRIVETRAIN COMPONENTS – GAS & DIESEL

---

Front Differential (Output Components) – To S/N SY1434-483716 .....	15-3
Front Differential (Input Components) – To S/N SY1434-483716 .....	15-5
Front Differential – From S/N SY1434-483717 .....	15-7
Front Differential Output Cover Assembly – From S/N SY1434-483717 .....	15-9
Front Differential Race/Output Assembly – From S/N SY1434-483717 .....	15-11
Front Differential Minor Repair Kit – From S/N SY1434-483717 .....	15-13
Front Differential Input Cover Assembly – From S/N SY1434-483717 .....	15-15
Front Differential Gear Kit – From S/N SY1434-483717 .....	15-17
Front Differential Gearcase Assembly – From S/N SY1434-483717 .....	15-19
Oil, Differential and Transmission .....	15-21
Forward/Reverse Shifter .....	15-23
Shifter Cable .....	15-25
Front Differential Mounting and Half Shafts .....	15-27
CV Boot Repair Kits .....	15-29
Transmission – Page 1 of 3 .....	15-31
Transmission – Page 2 of 3 .....	15-33
Transmission – Page 3 of 3 .....	15-35
Prop Shafts .....	15-37
Rear Differential and Axles – Page 1 of 2 .....	15-39
Rear Differential and Axles – Page 2 of 2 .....	15-41

---

## SECTION 16 – RADIATOR AND COOLANT SYSTEM – DIESEL VEHICLES

---

Water Pump .....	16-3
------------------	------

# CONTENTS

---

Block Coolant Pipe .....	16-5
Radiator .....	16-7
Coolant Expansion Tank .....	16-9
Coolant Pipes, Clamps, Hoses and Hardware, 2-Passenger .....	16-11
Coolant Pipes, Clamps, Hoses and Hardware, 4-Passenger .....	16-13
Water Flange and Thermostat .....	16-15

## SECTION 17 – HYDRAULIC ATTACHMENT SYSTEM AND ACCESSORIES

---

Handbook .....	17-3
Attachment – Pallet Fork .....	17-5
Attachment – Bucket .....	17-7
Attachment – Snow Blade .....	17-9
Attachment – Broom .....	17-11
Accessory Mounting Weldment .....	17-13
Attachment Arm Kit .....	17-15
Attachment Interface .....	17-17
Hydraulic Controls .....	17-19
Hydraulic Cylinders .....	17-21
Hydraulic Hoses .....	17-23
Hydraulic Attachment Angle Kit .....	17-25
Hydraulic Power Unit – Standard .....	17-27
Hydraulic Power Unit – with Auxiliary .....	17-29
Standard to Auxiliary Hydraulic Conversion Kit .....	17-31

## SECTION 18 – MAINTENANCE AND SERVICE TOOLS

---

Maintenance and Service Tools – 295/1550 .....	18-3
Maintenance and Service Tools – 295/1550, Continued .....	18-5

## SECTION i – INDEX

---

# BODY AND TRIM

---

1

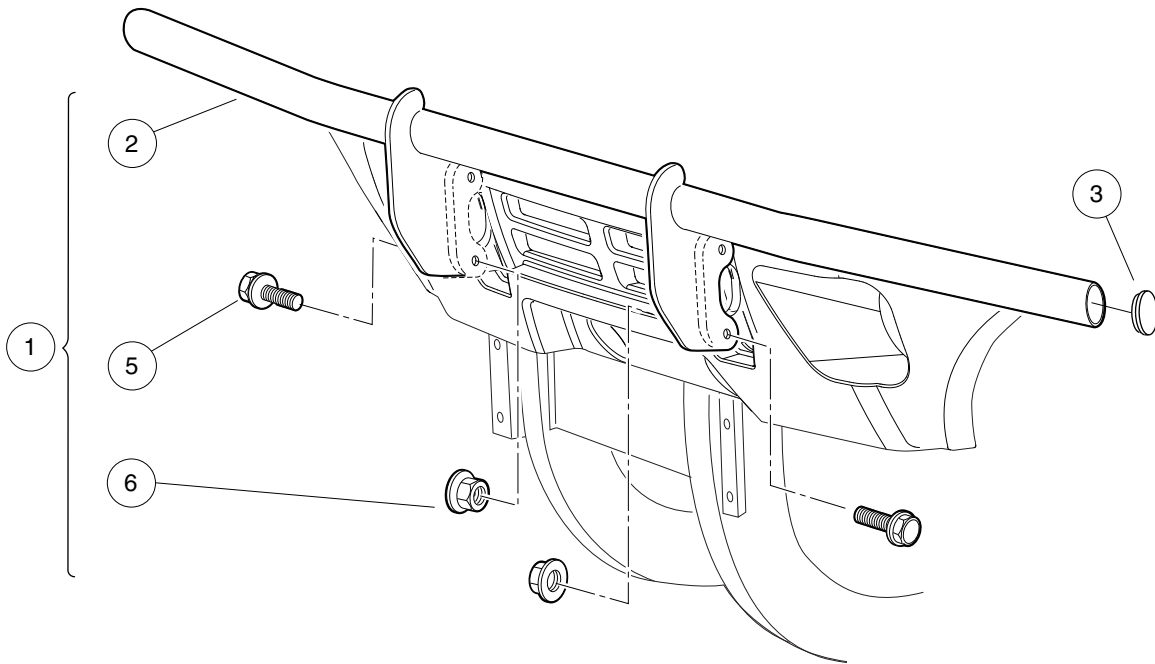
G

D

1

G

D



000526-001

# BRUSH GUARD

ITEM	PART NO.	DESCRIPTION	QTY
		1 2 3 4	
1	<u>103236001</u>	Kit, Tube Bumper CCI (includes items 2 through 5) .....	1
2	N/A	Weldment, Frt Bumper, Restyle .....	1
3	<u>103215401</u>	Plug, Tube, Round, 1-3/4" .....	2
4	<u>103231701</u>	Screw, M10 X 1.25 X 30 Hex Blk .....	4
5	<u>103231801</u>	Nut, Flg, M10 X 1.25 Hex Blk .....	4
		Note: Brushguard is standard on XRT vehicles and is optional on Carryall vehicles.	

1

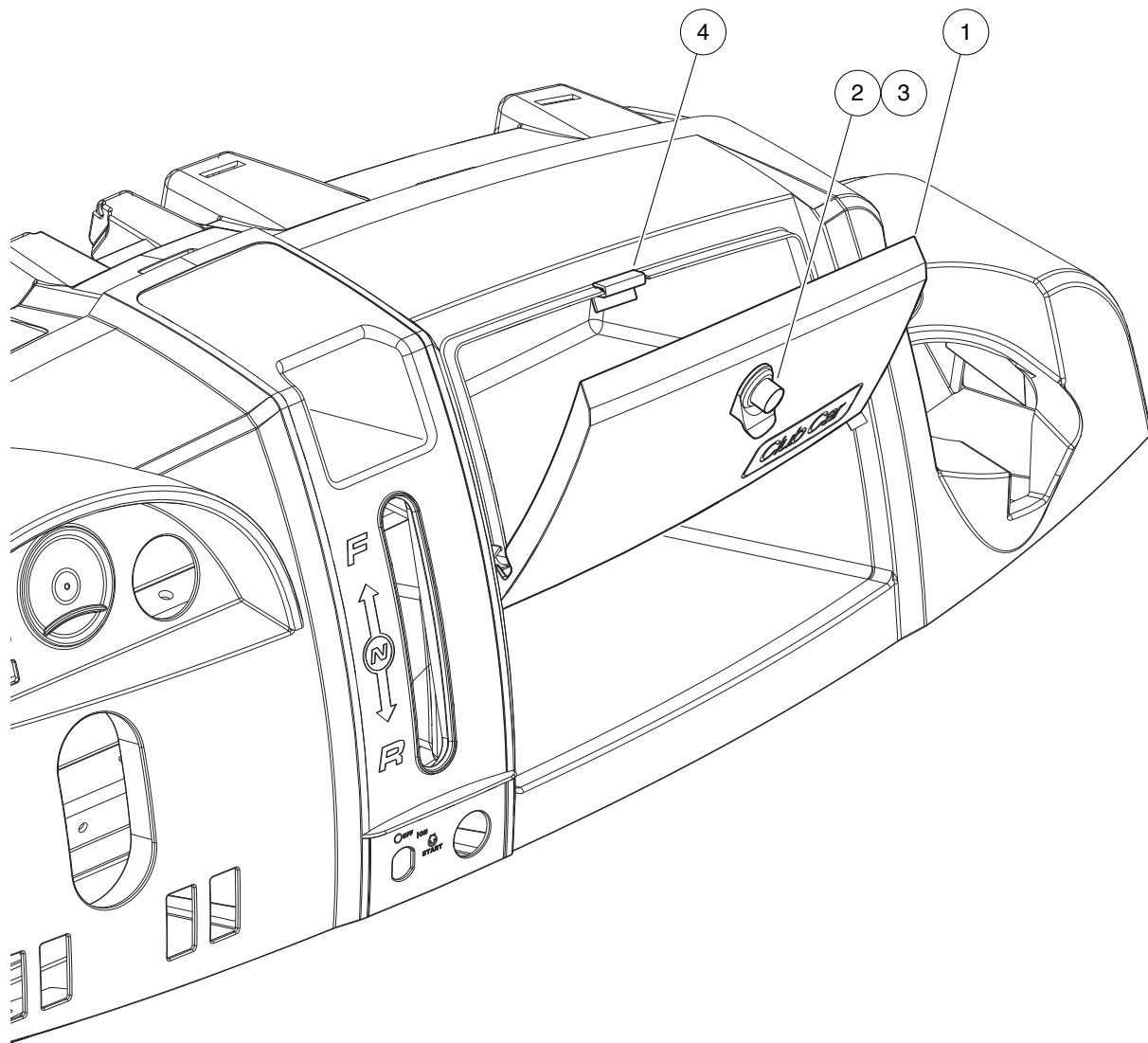
G

D

1

G

D



000789-001

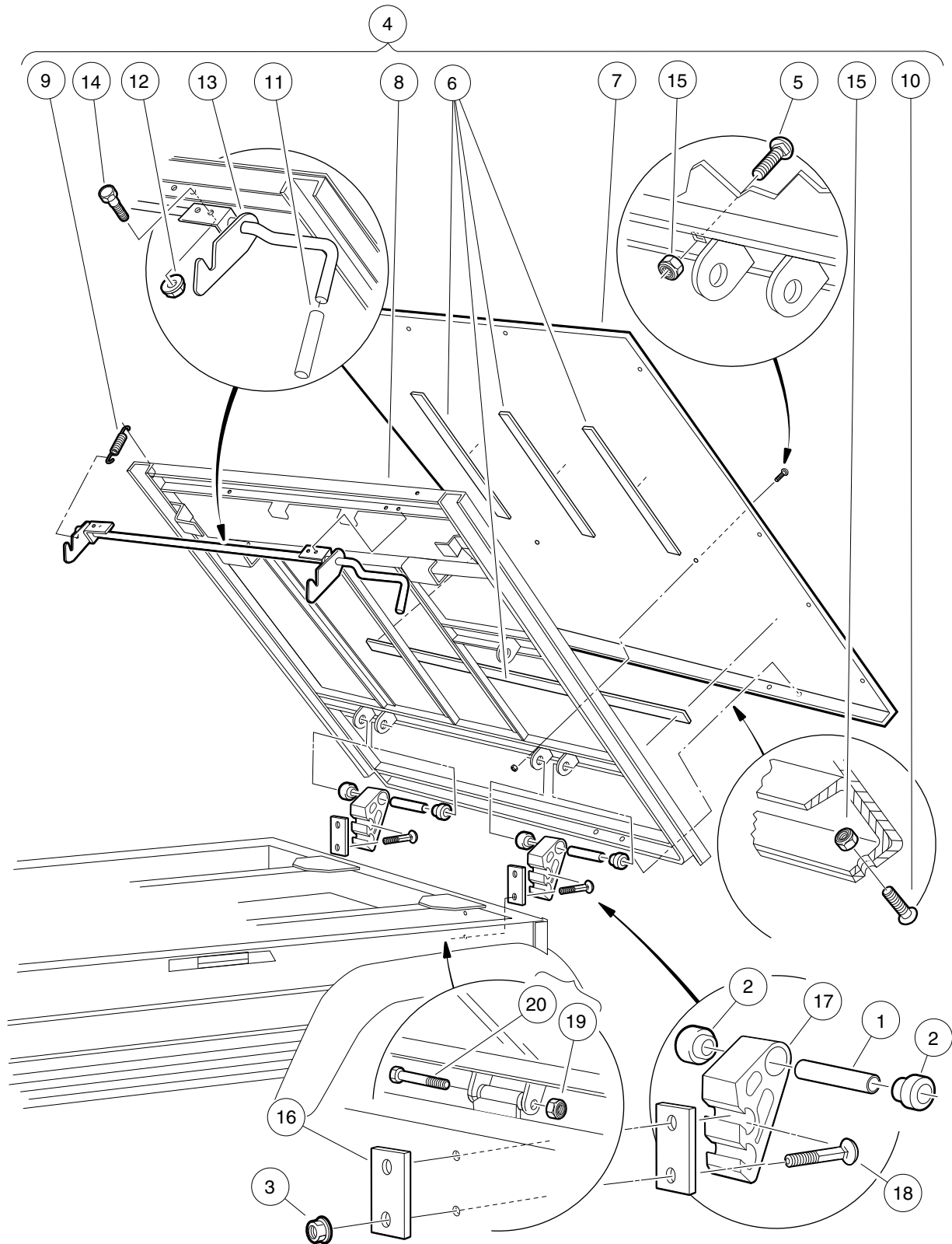
# GLOVE BOX

ITEM	PART NO.	DESCRIPTION	QTY
		<b>1 2 3 4</b>	
1	<u>102867202</u>	Cover, Storage, Dash, Blk, Cci .....	1
2	<u>103182701</u>	Latch, Push Close .....	1
3	<u>103182702</u>	Latch, Push Close W/ Key .....	1
4	<u>103182801</u>	Keeper, Latch, Push Close .....	1

**1**  
**G**  
**D**

**1**  
**G**

**D**



000037-001



# TILT BED, HINGE, AND LATCH

ITEM	PART NO.	DESCRIPTION	QTY
		<b>1 2 3 4</b>	
1	<u>1012303</u>	Bushing, Steel .....	2
2	<u>1015583</u>	Bushing, Urethane .....	2
3	<u>102065901</u>	Locknut, 3/8-16 Flanged Dimple .....	4
4	<u>102171503</u>	Tilt Bed Assembly (includes items 5 through 15) .....	1
5	<u>1010435</u>	Bolt, Carriage, 5/16-18 X 1.00 .....	4
6	<u>1014471</u>	Tape, Vinyl Foam 1/8" x 3/4" .....	1
7	<u>1015258</u>	Plate, Floor Bed .....	1
8	N/A	Frame Assembly .....	1
9	<u>1015391</u>	Extension, Spring Latch .....	2
10	<u>1015399</u>	Screw, 5/16-18 X 0.88 Torx Truss-Head .....	4
11	<u>1015400</u>	Grip, Tilt Latch Hand .....	1
12	<u>101835601</u>	Locknut, 1/4-20 Hex Whiz .....	4
13	<u>102426901</u>	Ltch Weld Asm Tlt Bd .....	1
14	<u>403</u>	Screw, 1/4-20 X 0.625 Hex-Head Cap .....	4
15	<u>7473</u>	Locknut, 5/16-18 Nylon Insert .....	8
16	<u>102614101</u>	Plate, Back .....	2
17	<u>103538701</u>	Bracket, Bed Hinge, Extruded .....	2
18	<u>103538901</u>	Bolt, Carriage, 3/8-16 x 3.5" Grade 5 .....	4
19	<u>8754</u>	Locknut, 3/8-16 Hex .....	2
20	<u>8755</u>	Screw, 3/8-16 X 3.375 Hex Cap .....	2

**1**

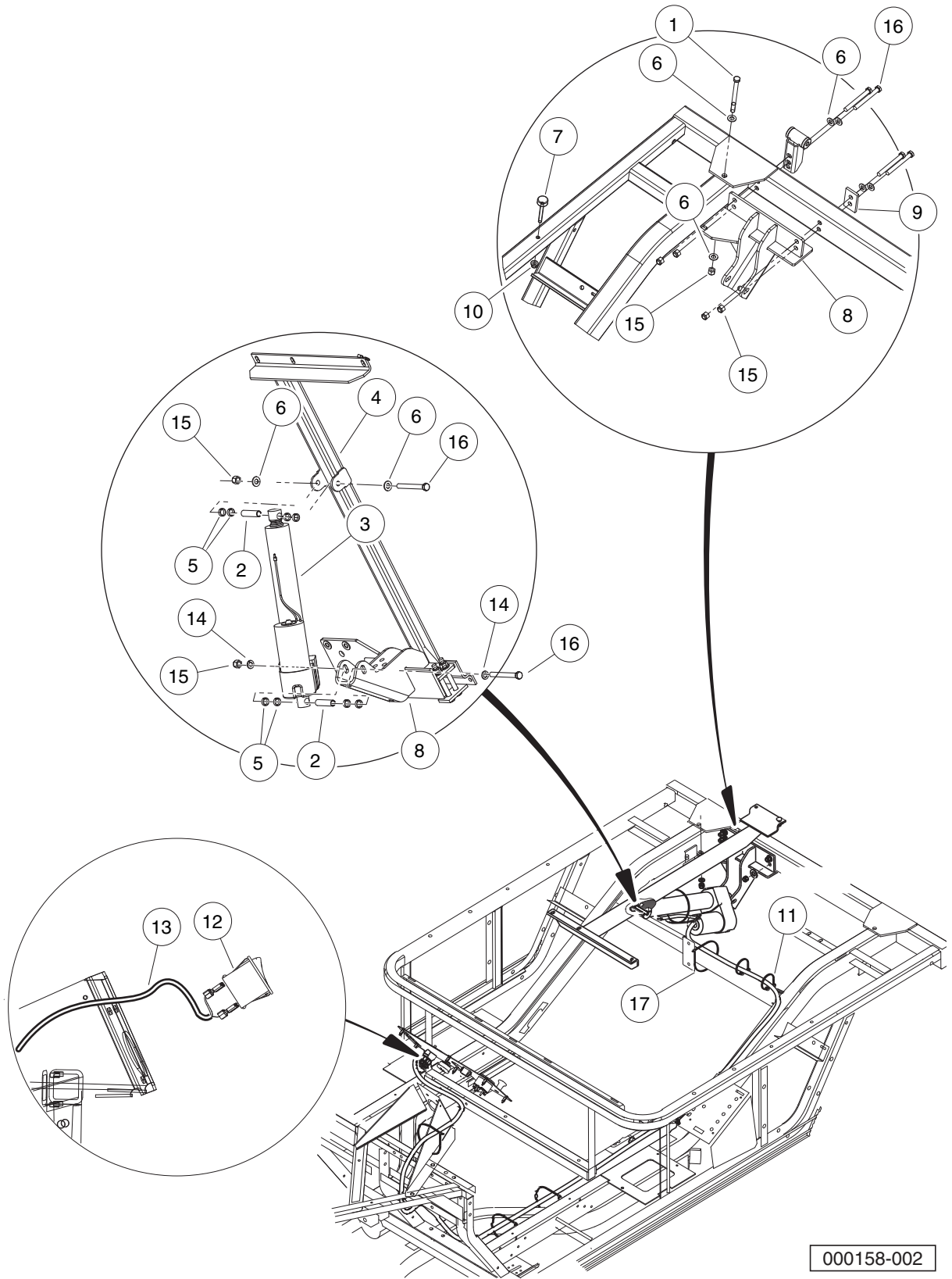
**G**

**D**

1

G

D



000158-002

# ELECTRIC BED LIFT

ITEM	PART NO.	DESCRIPTION	QTY
		1 2 3 4	
1	<u>1010200</u>	Bolt, 3/8-16 X 4.25 Hex Head .....	1
2	<u>1016603</u>	Bushing Long .....	2
3	<u>1017162</u>	Actuator Assembly, Electric .....	1
4	<u>1017167</u>	Actuator Adapter .....	1
5	1017774	Body Spacer .....	8
6	<u>102066001</u>	Washer, 3/8 Type B Hard Flat .....	8
7	<u>102426601</u>	Bumper, Bed, Mtg, Front .....	2
8	<u>102465701</u>	Weldment, Bracket, Actuator .....	1
9	<u>102614101</u>	Plate, Back .....	1
10	102618601	Lock Nut, Flange, M8 X 1.25 Nylon .....	2
11	<u>102629001</u>	Tie Wrap, 8.00" With Mount .....	2
12	<u>102882501</u>	Switch, Rocker, Bed Lift .....	1
13	<u>103227001</u>	Harness, AWD Bedlift .....	1
14	<u>357</u>	Lockwasher, 3/8 Split .....	2
15	<u>8754</u>	Locknut, 3/8-16 Hex .....	9
16	<u>8755</u>	Screw, 3/8-16 X 3.375 Hex Cap .....	6
17	<u>8990</u>	Tie Wrap, 8" Nylon .....	5

**1**

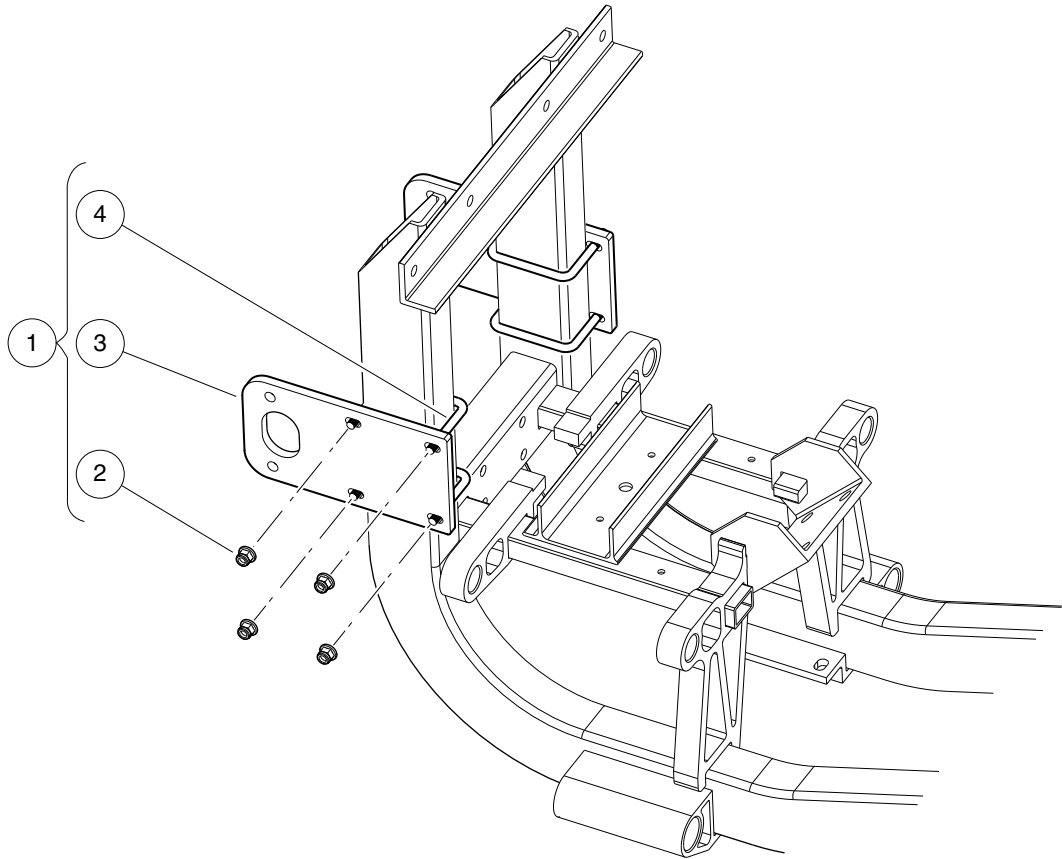
**G**

**D**

1

G

D



001068-001

# TOW HOOK PLATES

ITEM	PART NO.	DESCRIPTION	QTY
		<b>1 2 3 4</b>	
1	103947102	Kit, Tow Hook (includes items 2 through 4) .....	1
2	102618601	Lock Nut, Flange, M8 X 1.25 Nylon .....	8
3	103892501	Plate, Tow Hook .....	2
4	103892601	Bolt, U, Sq. Bend, M8-1.25 .....	4

**1**

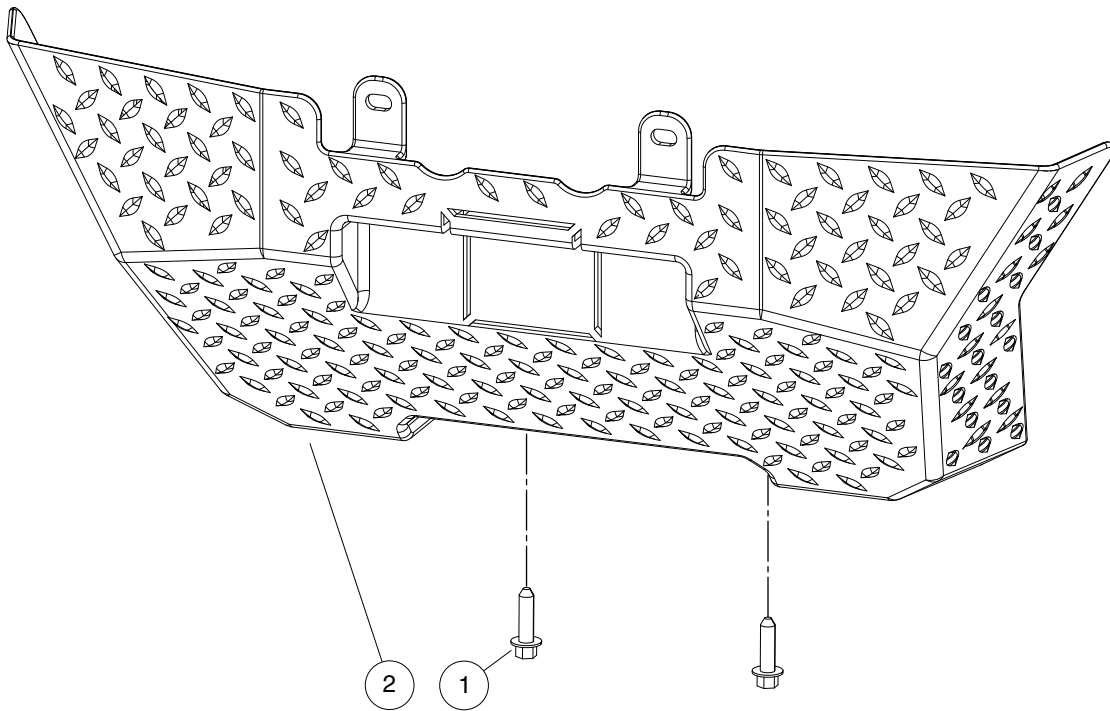
**G**

**D**

1

G

D



000537-003

# PLASTIC SKID PLATE

ITEM	PART NO.	DESCRIPTION	QTY
1	<u>102289001</u>	1 2 3 4 Screw, M8X1.25X30, Hex .....	2
2	<u>102882301</u>	Plate, Skid, Std .....	1

**1**

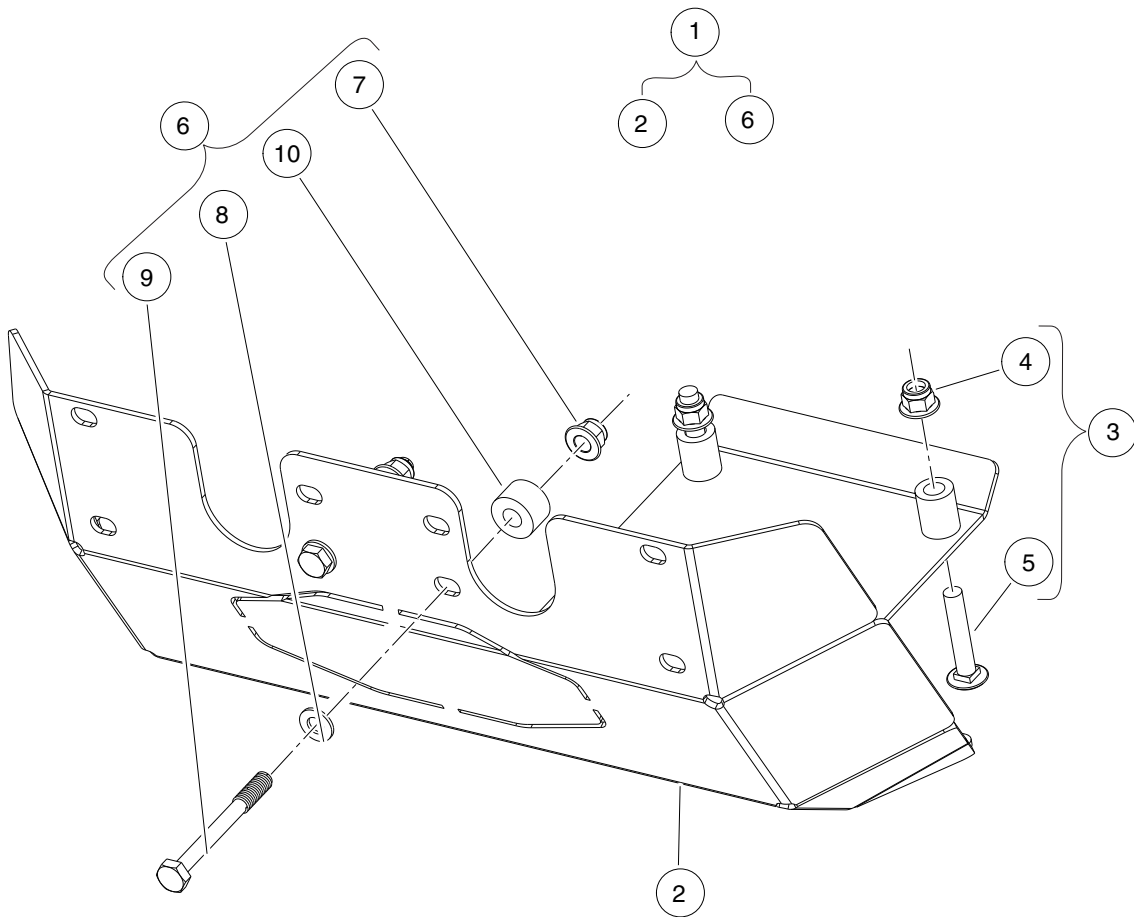
**G**

**D**

1

G

D



000537-004



# STEEL SKID PLATE

ITEM	PART NO.	DESCRIPTION	QTY
		<b>1 2 3 4</b>	
1	AM1211003	Kit, Skidplate, Front, Steel (includes items 2 through 6) .....	1
2	<u>AM1210002</u>	Skid Plate, Front, Steel .....	1
3	<u>AM1215701</u>	Kit, Hardware, Skidplate, Front, A (includes items 4 and 5) .....	1
4	<u>102670701</u>	Nut, Flange, M10 X 1.5 Nylon .....	2
5	AM1210801	Bolt, Carriage, M10x1.5x55 .....	2
6	<u>AM1215801</u>	Kit, Hardware, Skidplate, Front, B (includes items 7 through 10) .....	1
7	<u>102670701</u>	Nut, Flange, M10 X 1.5 Nylon .....	2
8	<u>102718101</u>	Washer, Hard, M10, Zn-Ni/Blk .....	2
9	<u>102719301</u>	Bolt, M10 X 1.50 X 90, Loctite .....	2
10	AM1211401	Spacer, 17mm Long, Skidplate .....	2

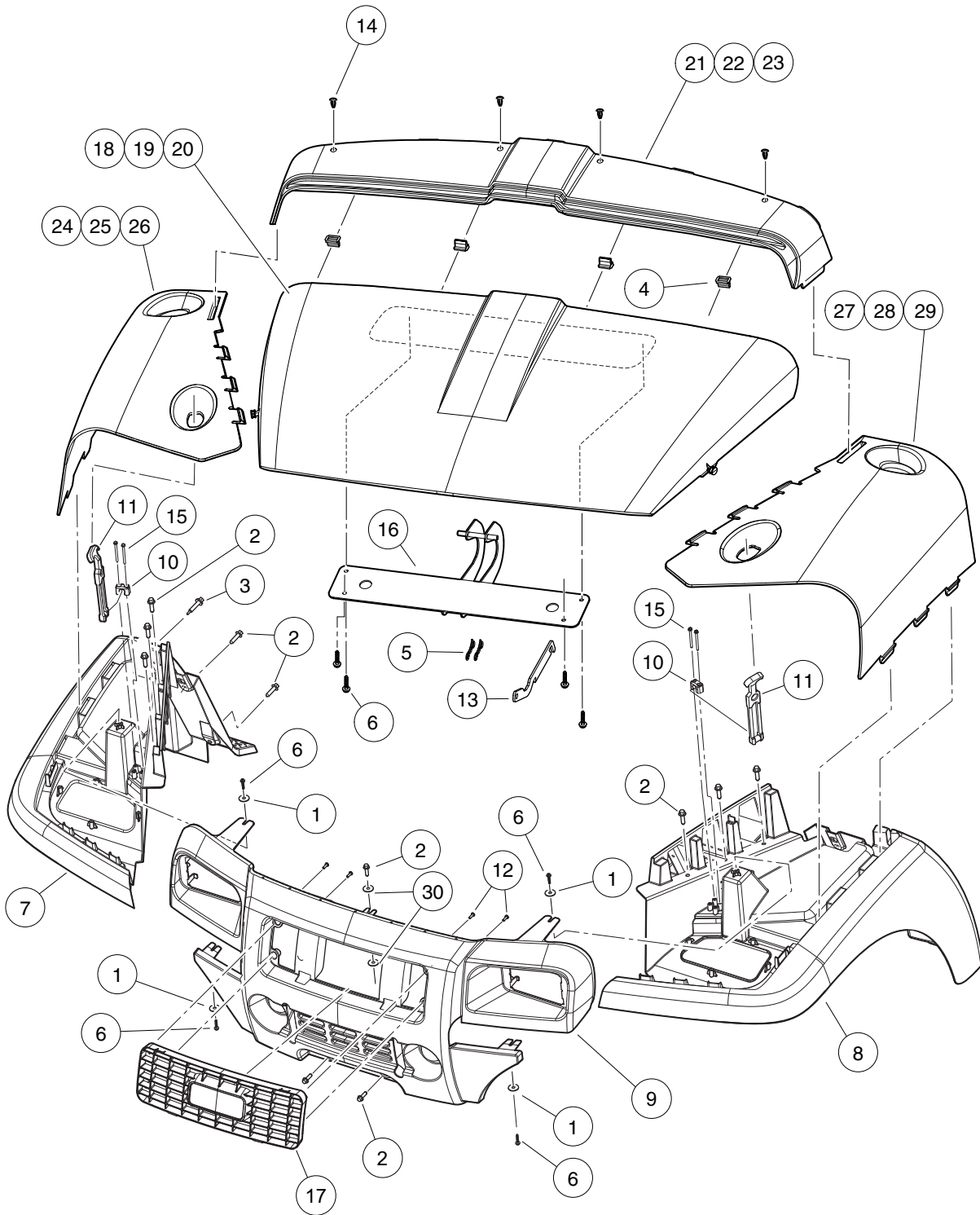
**1**

**G**

**D**

**1**  
**G**

**D**



000507-006

# FASCIA, FENDERS, AND COWLS (MOLDED IN COLOR) – CARRYALL

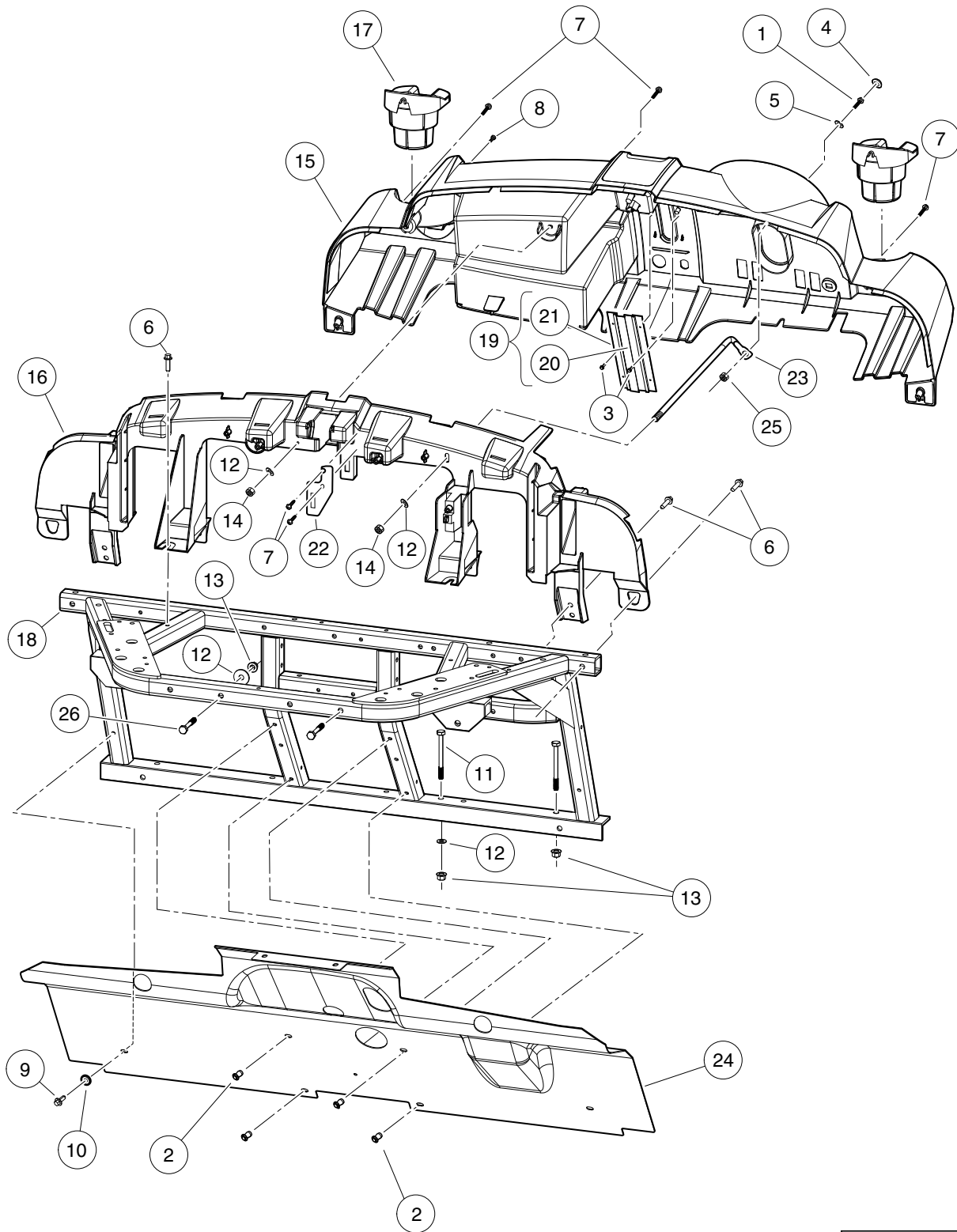
ITEM	PART NO.	DESCRIPTION	QTY
		1 2 3 4	
1	<u>1011578</u>	Washer, 5/16 Type B Flat .....	4
2	<u>102289001</u>	Screw, M8X1.25X30, Hex .....	13
3	<u>102292356</u>	Screw-1/4-20x56 Hwh Self Drill .....	2
4	<u>102292701</u>	Clip-body-trim .....	4
5	<u>102292801</u>	Pin, Bow Tie Locking - .072 .....	2
6	<u>102297230</u>	Screw, M6, Torx, Interlock Thread .....	8
7	<u>102866901</u>	Fender, Front, Pass, AWD .....	1
8	<u>102867001</u>	Fender, Front, Drv, AWD .....	1
9	<u>102867501</u>	Fascia, Front, CA, AWD .....	1
10	<u>102882401</u>	Bracket, Latch, Draw .....	2
11	<u>102895101</u>	Latch, Draw, Hood .....	2
12	<u>102895401</u>	Screw, D50x16, Torx PN Hd PT .....	4
13	<u>102896501</u>	Prop, Hood .....	1
14	<u>102967901</u>	Rivet, Removable, Tuflok 1/4" .....	4
15	<u>103218107</u>	Screw, #8x2.00 AB Thd, Hex Hd .....	4
16	<u>103588001</u>	Asm, Hood Hinge .....	1
17	<u>103760601</u>	Grill, Carryall .....	1
18	<u>103959210</u>	Hood, Dark Green .....	1
19	<u>103959214</u>	Hood, Dark Gray .....	1
20	<u>103959218</u>	Hood, Real Tree Camo .....	1
21	<u>103959310</u>	Panel, Cowl, Center, Dark Green .....	1
22	<u>103959314</u>	Panel, Cowl, Center, Dark Gray .....	1
23	<u>103959318</u>	Panel, Cowl, Center, Real Tree Camo .....	1
24	<u>103959410</u>	Panel, Cowl, Passenger-Side, Dark Green .....	1
25	<u>103959414</u>	Panel, Cowl, Passenger-Side, Dark Gray .....	1
26	<u>103959418</u>	Panel, Cowl, Passenger-Side, Real Tree Camo .....	1
27	<u>103959510</u>	Panel, Cowl, Driver-Side, Dark Green .....	1
28	<u>103959514</u>	Panel, Cowl, Driver-Side, Dark Gray .....	1
29	<u>103959518</u>	Panel, Cowl, Driver-Side, Real Tree Camo .....	1
30	<u>808</u>	Washer, 3/8 Type B Flat .....	2
		Note: These color body panels are molded in color except for black and camo.	

**1**  
**G**  
**D**

1

G

D



000519-003

# DASH AND SPLASH GUARD

ITEM	PART NO.	DESCRIPTION	QTY
		<b>1 2 3 4</b>	
1	1016916	Screw, 1/4-20 X 1.50 Hex-Head Cap .....	1
2	1016967	Blind Rivet, Push Type .....	4
3	101804301	Screw, #8 X 0.500, Hex-Head Hi-Lo .....	2
4	102045001	Cap, 1/4" Plastic Screw Head .....	1
5	102048401	Washer, 1/4 Id Scalloped Plast .....	1
6	102289001	Screw, M8X1.25X30, Hex .....	6
7	102297230	Screw, M6, Torx, Interlock Thread .....	5
8	102298580	M8-1.25 X 80 Sems .....	1
9	102298720	Screw, M8-1.25x20, Taptite .....	2
10	102323501	Washer, Flat, 3/8, Blk Fin .....	2
11	102491301	Bolt, M10x1.50x100 (Black) .....	4
12	102491501	Washer, Hard, M10 .....	10
13	102617201	Nut, Flanged, M10 X 1.5, Mechanically Deformed .....	8
14	102618601	Lock Nut, Flange, M8 X 1.25 Nylon .....	2
15	102867101	Dash, Design A .....	1
16	102867301	Support, Structural .....	1
17	102883401	Cup Holder, Utility .....	2
18	102935501	Weldment, Dash, Front .....	1
19	103233001	Asm, Brush, Fnr (includes items 20 and 21) .....	2
20	N/A	Brush, Strip, FNR .....	2
21	N/A	Holder, Brush, Strip, FNR .....	2
22	103253801	Bracket, Hood Support .....	1
23	103268001	Rod, Connection, Dash .....	1
24	103296001	Guard, Splash, Gas Injection .....	1
25	8233	Locknut, 1/4-20, Nylon Insert .....	1
26	96715552	Bolt, M10 X 1.50 X 65 .....	4

1

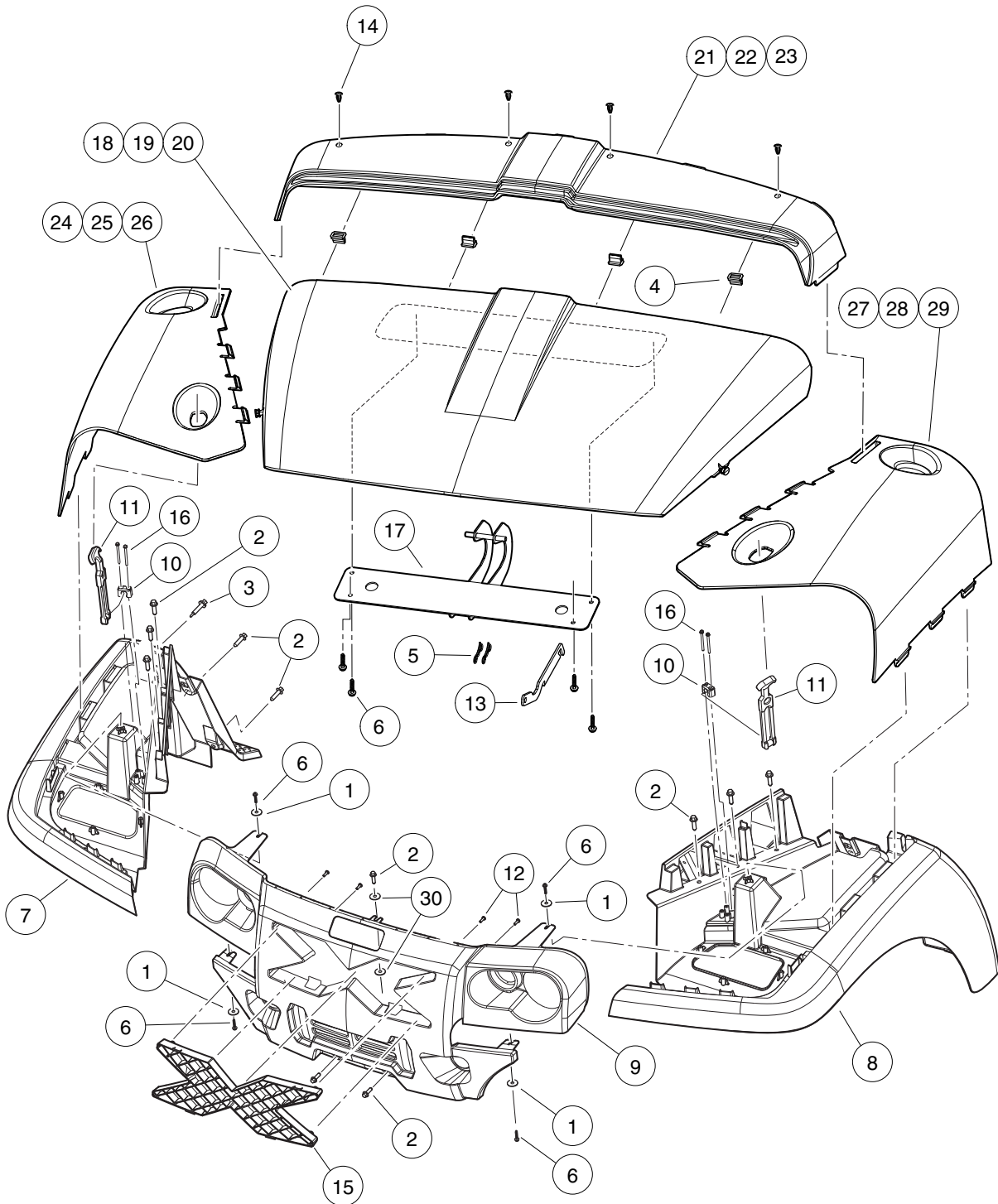
G

D

1

G

D



000522-004

# FASCIA, FENDERS, AND COWLS (MOLDED IN COLOR) – XRT

ITEM	PART NO.	DESCRIPTION	QTY
		1 2 3 4	
1	<u>1011578</u>	Washer, 5/16 Type B Flat .....	4
2	<u>102289001</u>	Screw, M8X1.25X30, Hex .....	13
3	<u>102292356</u>	Screw-1/4-20x56 Hwh Self Drill .....	2
4	<u>102292701</u>	Clip-body-trim .....	4
5	<u>102292801</u>	Pin, Bow Tie Locking - .072 .....	2
6	<u>102297230</u>	Screw, M6, Torx, Interlock Thread .....	8
7	<u>102866901</u>	Fender, Front, Pass, AWD .....	1
8	<u>102867001</u>	Fender, Front, Drv, AWD .....	1
9	<u>102867401</u>	Fascia, Front, XRT, AWD .....	1
10	<u>102882401</u>	Bracket, Latch, Draw .....	2
11	<u>102895101</u>	Latch, Draw, Hood .....	2
12	<u>102895401</u>	Screw, D50x16, Torx PN Hd PT .....	4
13	<u>102896501</u>	Prop, Hood .....	1
14	<u>102967901</u>	Rivet, Removable, Tuflok 1/4" .....	4
15	<u>102979301</u>	Grill, XRT .....	1
16	<u>103218107</u>	Screw, #8x2.00 AB Thd, Hex Hd .....	4
17	<u>103588001</u>	Asm, Hood Hinge .....	1
18	<u>103959210</u>	Hood, Dark Green .....	1
19	<u>103959218</u>	Hood, Real Tree Camo .....	1
20	<u>103959230</u>	Hood, Awd Red .....	1
21	<u>103959310</u>	Panel, Cowl, Center, Dark Green .....	1
22	<u>103959318</u>	Panel, Cowl, Center, Real Tree Camo .....	1
23	<u>103959330</u>	Panel, Cowl, Center, Awd Red .....	1
24	<u>103959410</u>	Panel, Cowl, Passenger-Side, Dark Green .....	1
25	<u>103959418</u>	Panel, Cowl, Passenger-Side, Real Tree Camo .....	1
26	<u>103959430</u>	Panel, Cowl, Passenger-Side, Awd Red .....	1
27	<u>103959510</u>	Panel, Cowl, Driver-Side, Dark Green .....	1
28	<u>103959518</u>	Panel, Cowl, Driver-Side, Real Tree Camo .....	1
29	<u>103959530</u>	Panel, Cowl, Driver-Side, Awd Red .....	1
30	<u>808</u>	Washer, 3/8 Type B Flat .....	2
		Note: These color body panels are molded in color except for black and camo.	

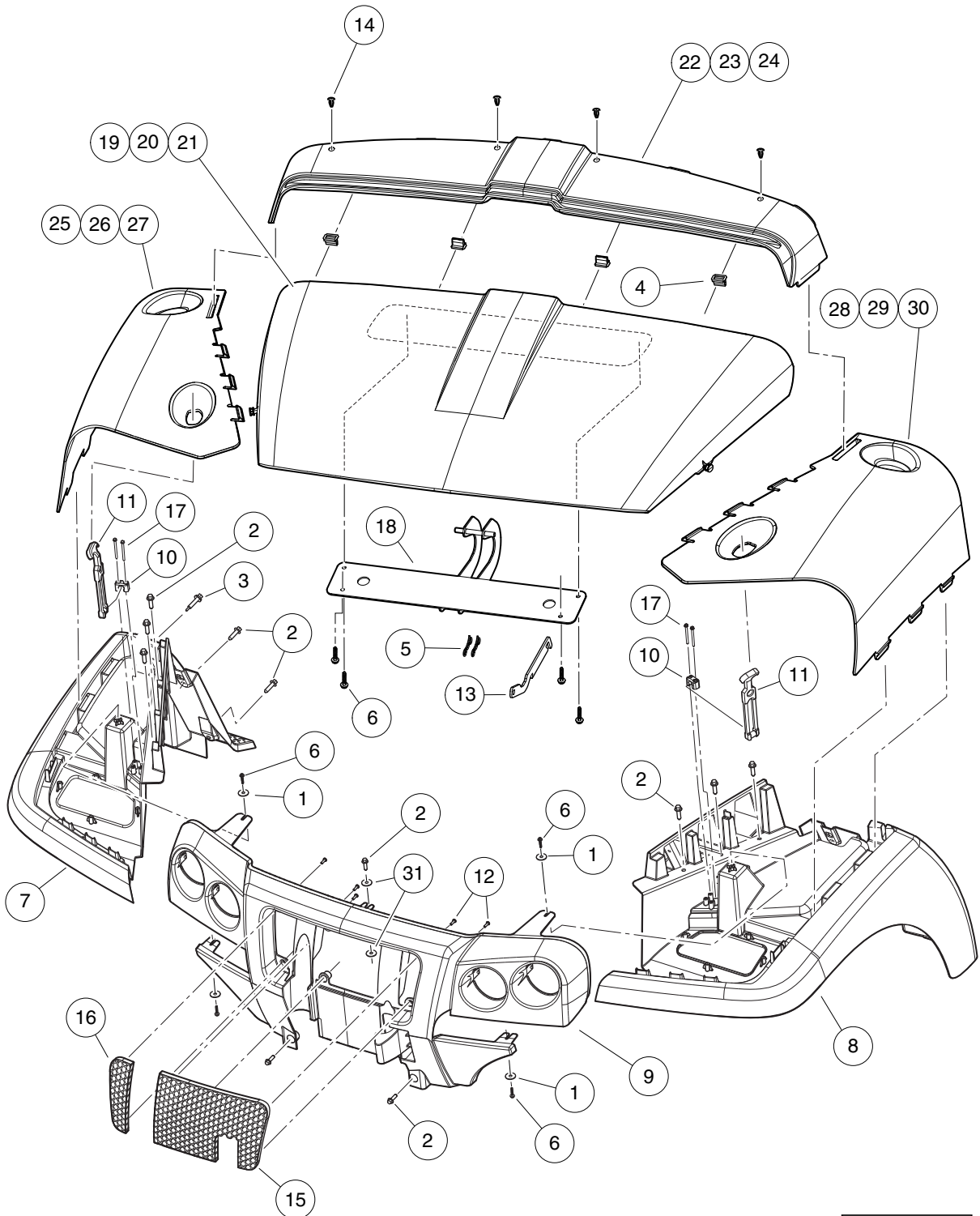
1

G

D

**1**  
**G**

**D**



000559-006



# FASCIA, FENDERS, AND COWL (MOLDED IN COLOR) – INTELLITACH

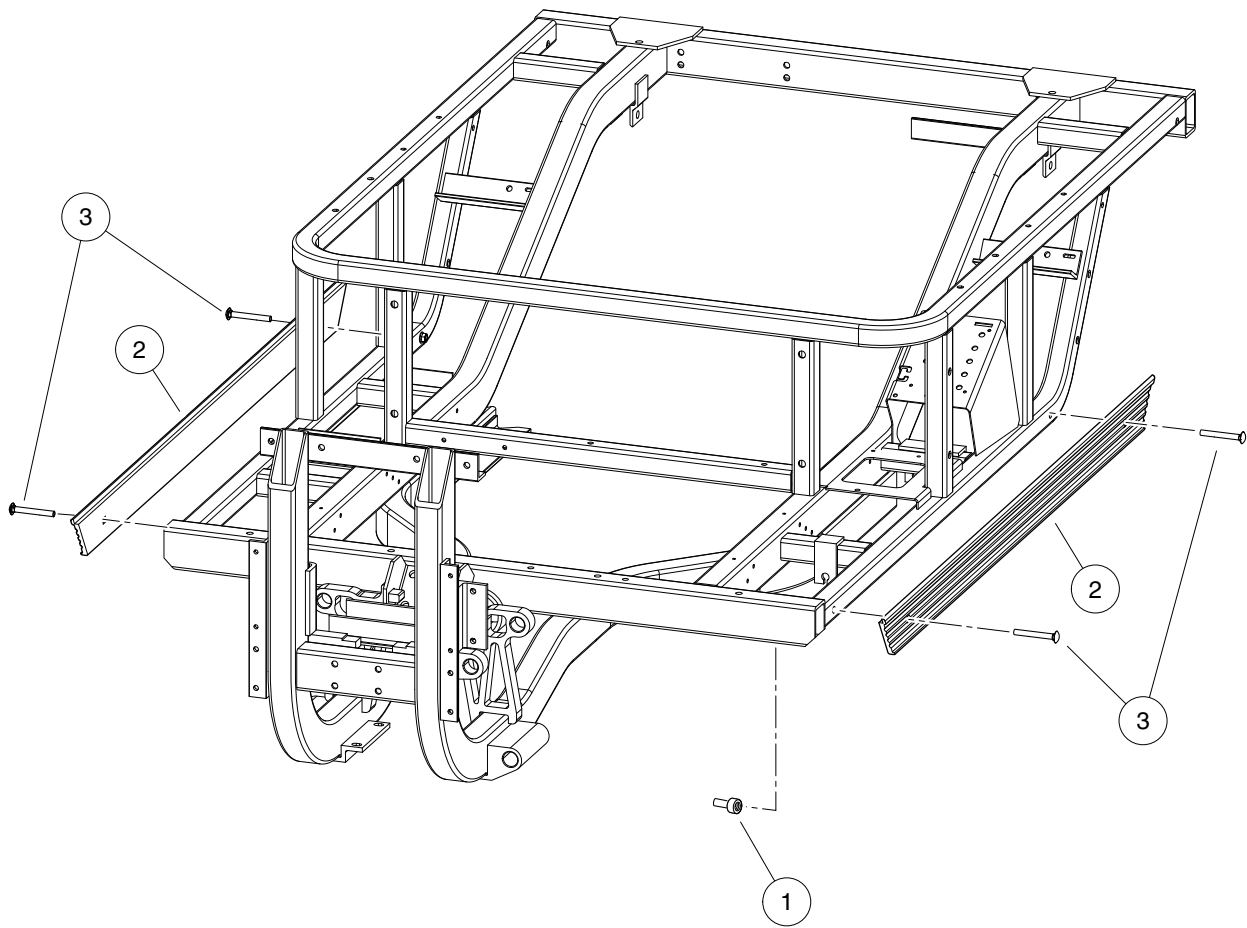
ITEM	PART NO.	DESCRIPTION	QTY
		1 2 3 4	
1	<u>1011578</u>	Washer, 5/16 Type B Flat .....	4
2	<u>102289001</u>	Screw, M8X1.25X30, Hex .....	13
3	<u>102292356</u>	Screw-1/4-20x56 Hwh Self Drill .....	2
4	<u>102292701</u>	Clip-body-trim .....	4
5	<u>102292801</u>	Pin, Bow Tie Locking - .072 .....	2
6	<u>102297230</u>	Screw, M6, Torx, Interlock Thread .....	8
7	<u>102866901</u>	Fender, Front, Pass, AWD .....	1
8	<u>102867001</u>	Fender, Front, Drv, AWD .....	1
9	<u>102867602</u>	Fascia, Dual Round w/ Cut .....	1
10	<u>102882401</u>	Bracket, Latch, Draw .....	2
11	<u>102895101</u>	Latch, Draw, Hood .....	2
12	<u>102895401</u>	Screw, D50x16, Torx PN Hd PT .....	6
13	<u>102896501</u>	Prop, Hood .....	1
14	<u>102967901</u>	Rivet, Removable, Tuflok 1/4" .....	4
15	<u>102978801</u>	Grill, Hex Cut, DS .....	1
16	<u>102978901</u>	Grill, Hex, Cut, PS .....	1
17	<u>103218107</u>	Screw, #8x2.00 AB Thd, Hex Hd .....	4
18	<u>103588001</u>	Asm, Hood Hinge .....	1
19	<u>103959210</u>	Hood, Dark Green .....	1
20	<u>103959214</u>	Hood, Dark Gray .....	1
21	<u>103959218</u>	Hood, Real Tree Camo .....	1
22	<u>103959310</u>	Panel, Cowl, Center, Dark Green .....	1
23	<u>103959314</u>	Panel, Cowl, Center, Dark Gray .....	1
24	<u>103959318</u>	Panel, Cowl, Center, Real Tree Camo .....	1
25	<u>103959410</u>	Panel, Cowl, Passenger-Side, Dark Green .....	1
26	<u>103959414</u>	Panel, Cowl, Passenger-Side, Dark Gray .....	1
27	<u>103959418</u>	Panel, Cowl, Passenger-Side, Real Tree Camo .....	1
28	<u>103959510</u>	Panel, Cowl, Driver-Side, Dark Green .....	1
29	<u>103959514</u>	Panel, Cowl, Driver-Side, Dark Gray .....	1
30	<u>103959518</u>	Panel, Cowl, Driver-Side, Real Tree Camo .....	1
31	<u>808</u>	Washer, 3/8 Type B Flat .....	2
		Note: These color body panels are molded in color except for black and camo.	

**1**  
**G**  
**D**

1

G

D



000527-001

# SIDE STRINGERS – 2 PASSENGER

ITEM	PART NO.	DESCRIPTION	QTY
		1 2 3 4	
1	<u>102491701</u>	Well Nut 1/4-20 .....	8
2	<u>103485501</u>	Stringer, Side, 1200mm .....	2
3	<u>103487501</u>	Screw, 1/4-20 X 1.0, Black .....	8

**1**

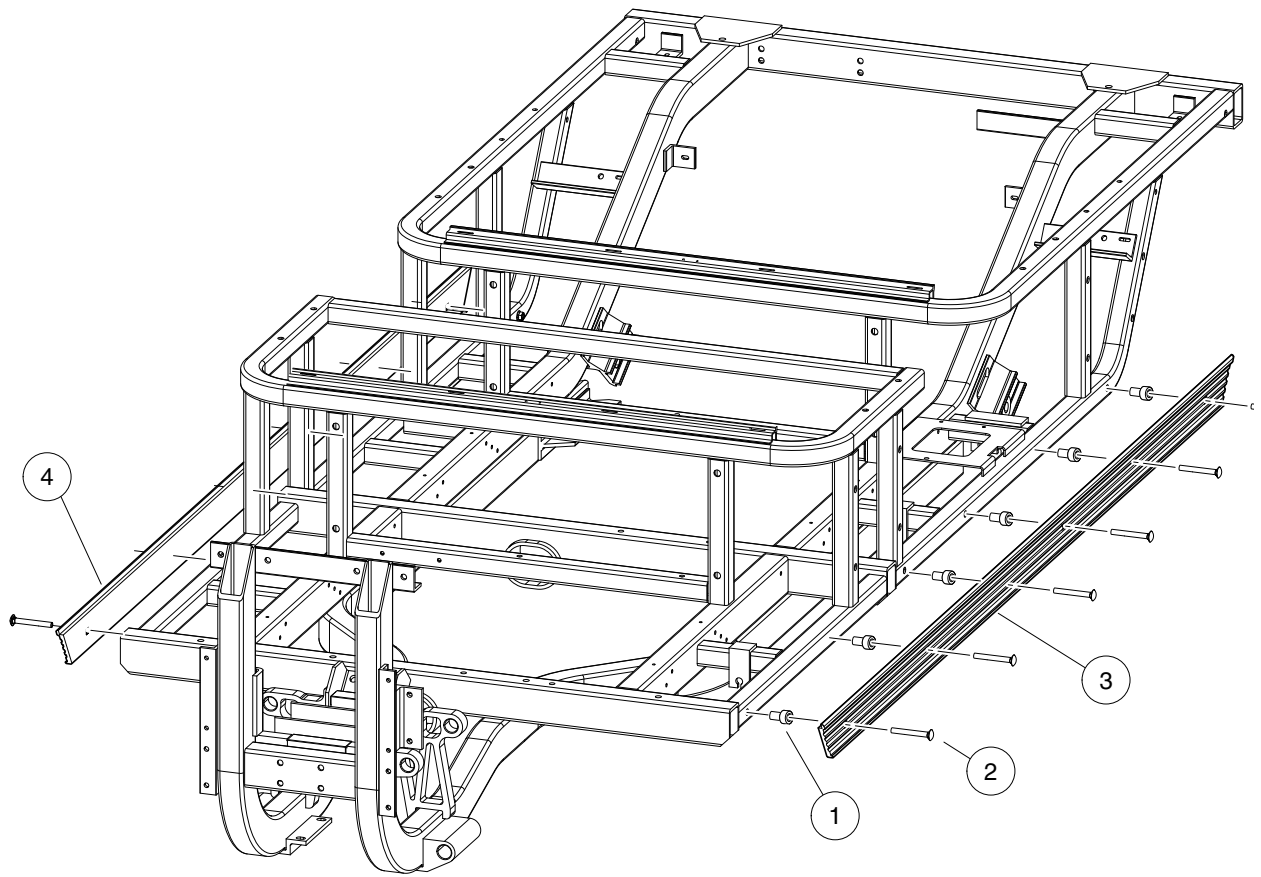
**G**

**D**

1

G

D



000527-003

# SIDE STRINGERS – 4 PASSENGER

ITEM	PART NO.	DESCRIPTION	QTY
		1 2 3 4	
1	<u>102491701</u>	Well Nut 1/4-20 .....	12
2	<u>103487501</u>	Screw, 1/4-20 X 1.0, Black .....	12
3	<u>103488801</u>	Stringer, Side, Awd, Se, Ds .....	1
4	<u>103488802</u>	Stringer, Side, Awd, Se, Ps .....	1

**1**

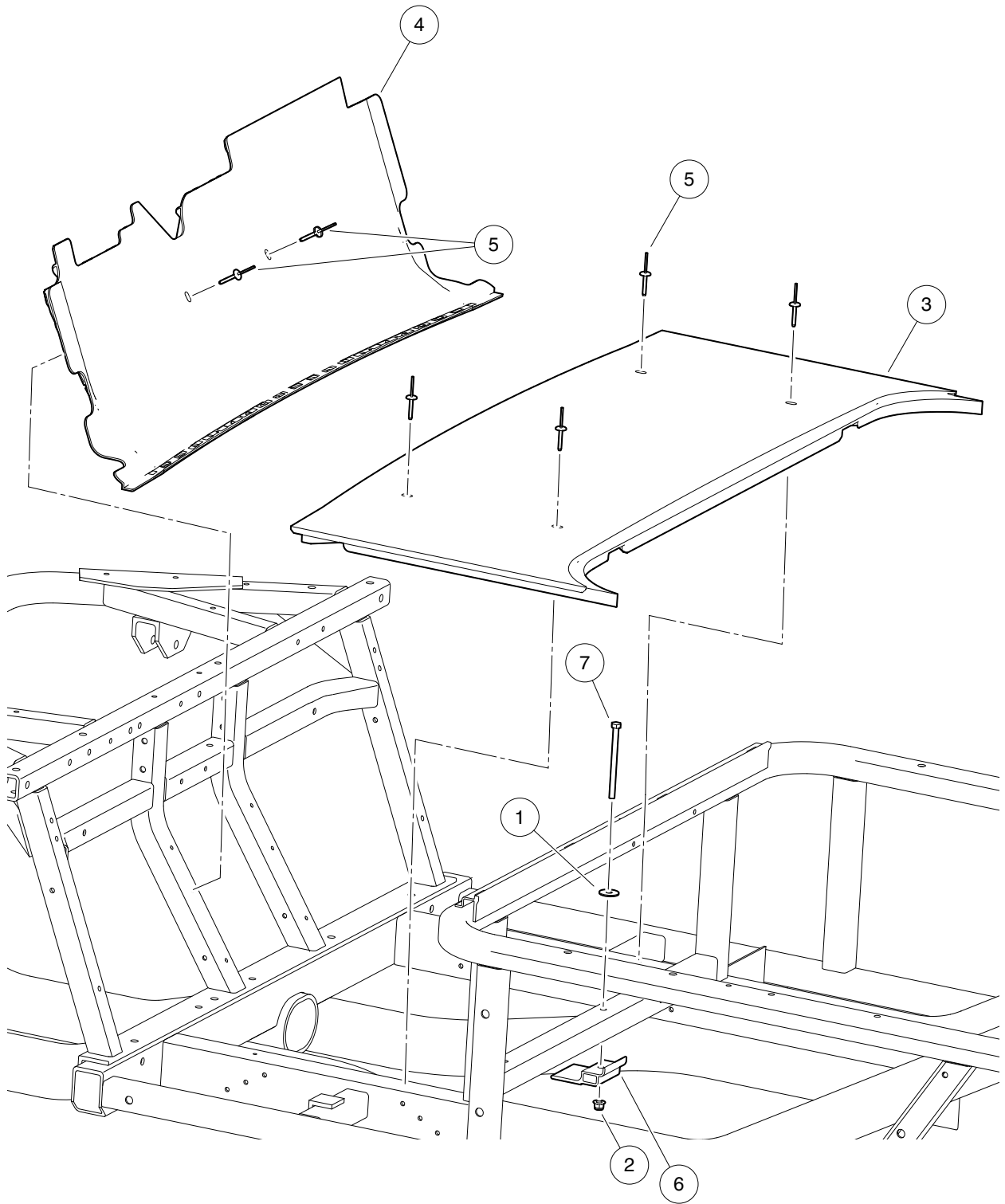
**G**

**D**

1

G

D



000790-003

# FLOORBOARD

ITEM	PART NO.	DESCRIPTION	QTY
		<b>1 2 3 4</b>	
1	<u>1011578</u>	Washer, 5/16 Type B Flat .....	1
2	102618601	Lock Nut, Flange, M8 X 1.25 Nylon .....	1
3	<u>103319601</u>	Floorboard, Lower .....	1
4	<u>103319701</u>	Floorboard, Upper .....	1
5	<u>103400001</u>	3/16 X 1.19 Alum Rivet, Blk .....	6
6	<u>103417401</u>	Bracket, Support, Floorboard .....	1
7	<u>103423701</u>	Bolt, M8 X 1.25 X 110 .....	1

**1**

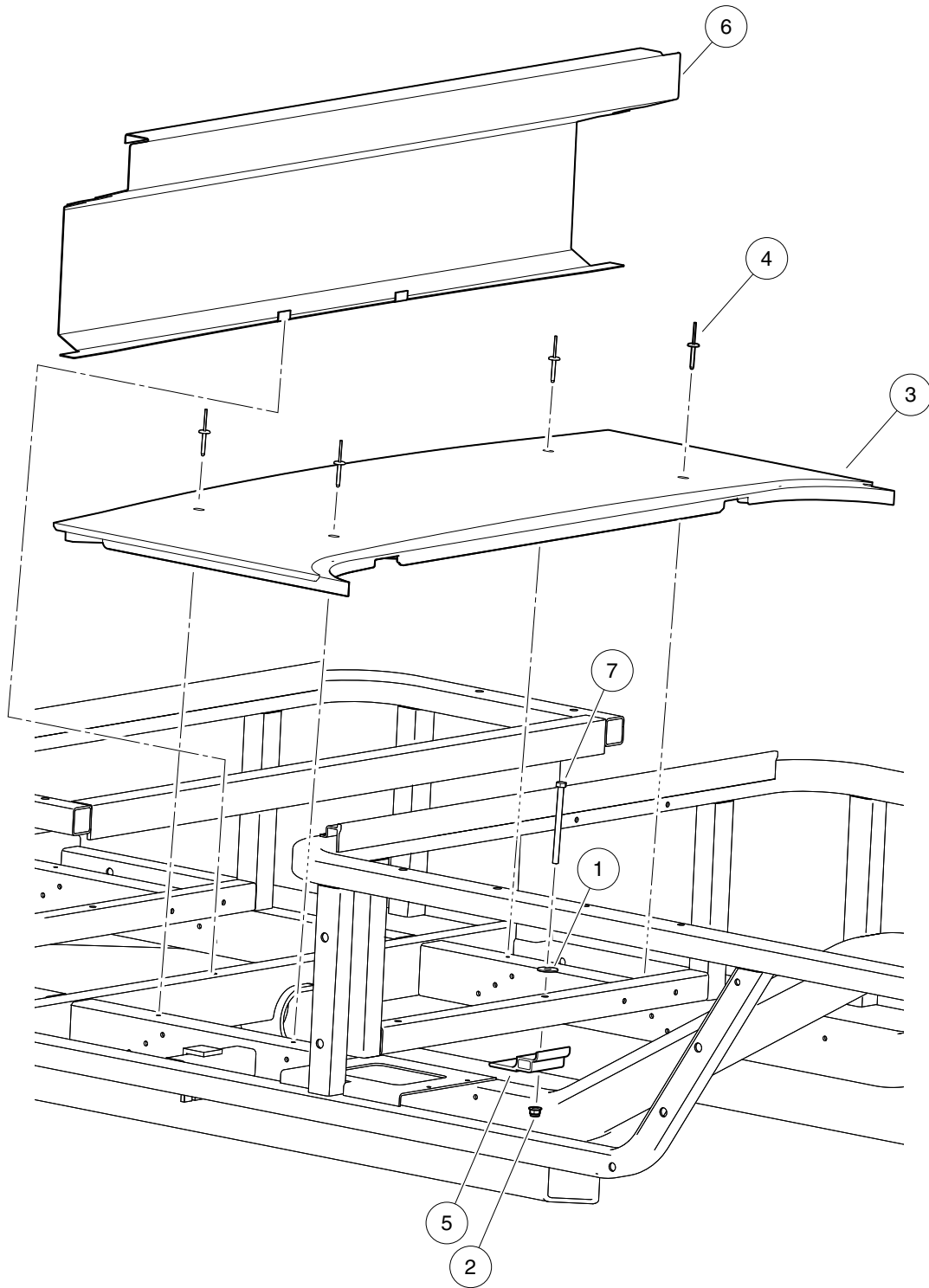
**G**

**D**

**1**

**G**

**D**



000790-004



# FLOORBOARD – REAR

ITEM	PART NO.	DESCRIPTION	QTY
		1 2 3 4	
1	<u>1011578</u>	Washer, 5/16 Type B Flat .....	1
2	102618601	Lock Nut, Flange, M8 X 1.25 Nylon .....	1
3	<u>103319601</u>	Floorboard, Lower .....	1
4	<u>103400001</u>	3/16 X 1.19 Alum Rivet, Blk .....	4
5	<u>103417401</u>	Bracket, Support, Floorboard .....	1
6	103418001	Plate, Footwell, Rear .....	1
7	<u>103423701</u>	Bolt, M8 X 1.25 X 110 .....	1

1

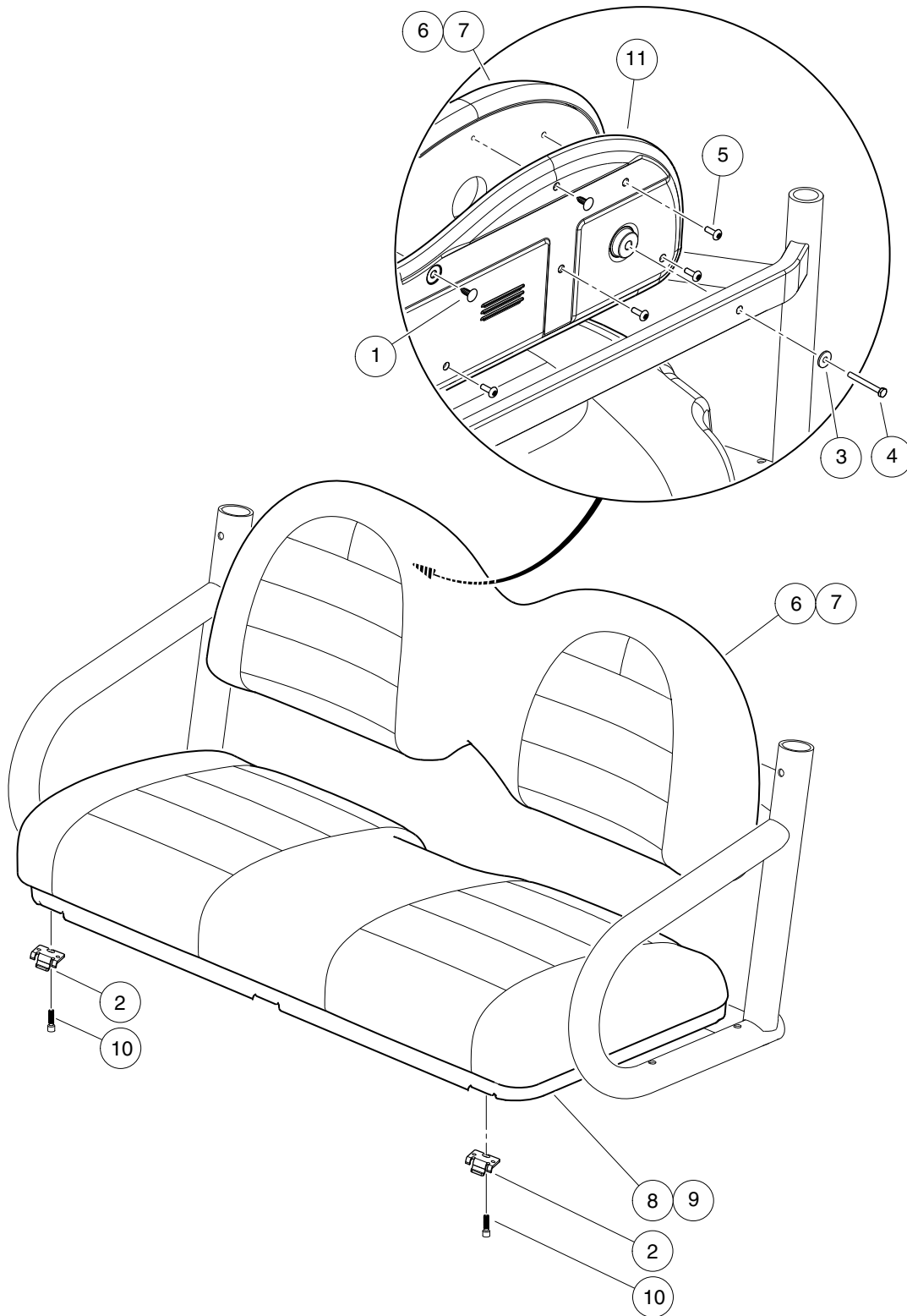
G

D

1

G

D



000523-005

# BENCH SEAT

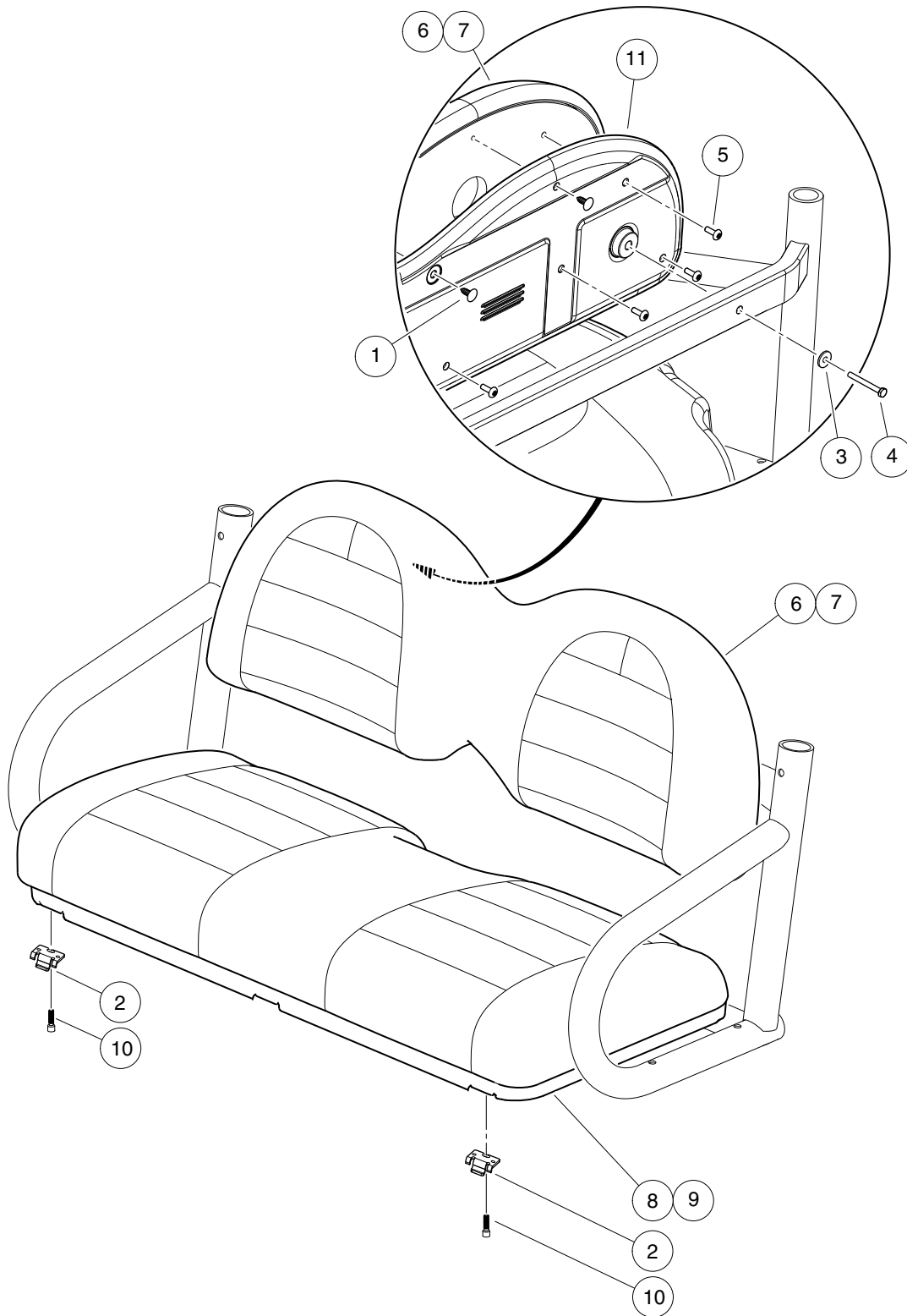
ITEM	PART NO.	DESCRIPTION	QTY
		<b>1 2 3 4</b>	
1	<u>1010434</u>	Barrel - Plastic .....	8
2	<u>1011652</u>	Hinge Plate .....	2
3	<u>1011697</u>	Washer, 5/16 Flat .....	3
4	1014201	Screw, 1/4-20 X 2.25 Hex Cap .....	3
5	<u>1014415</u>	Screw, 1/4-20 X 0.75 Torx Truss-Head .....	4
6	<u>103456001</u>	Seat Back, Bench, Gray .....	1
7	<u>103456002</u>	Seat Back, Bench, Black .....	1
8	<u>103629101</u>	Seat, Bench, Bottom, Blk .....	1
9	<u>103629102</u>	Seat, Bench, Bottom, Gray .....	1
10	<u>103629501</u>	Screw, 1/4-20 X .75 Shcs .....	4
11	<u>103831101</u>	Cap, Seatback, Vented .....	1

**1**  
**G**  
**D**

1

G

D



000523-005

# BENCH SEAT, REAR – 4 PASS

ITEM	PART NO.	DESCRIPTION	QTY
		1 2 3 4	
1	<u>1010434</u>	Barrel - Plastic .....	8
2	<u>1011652</u>	Hinge Plate .....	2
3	<u>1011697</u>	Washer, 5/16 Flat .....	3
4	1014201	Screw, 1/4-20 X 2.25 Hex Cap .....	3
5	<u>1014415</u>	Screw, 1/4-20 X 0.75 Torx Truss-Head .....	4
6	<u>103456001</u>	Seat Back, Bench, Gray .....	1
7	<u>103456002</u>	Seat Back, Bench, Black .....	1
8	<u>103629101</u>	Seat, Bench, Bottom, Blk .....	1
9	<u>103629102</u>	Seat, Bench, Bottom, Gray .....	1
10	<u>103629501</u>	Screw, 1/4-20 X .75 Shcs .....	4
11	<u>103831101</u>	Cap, Seatback, Vented .....	1

1

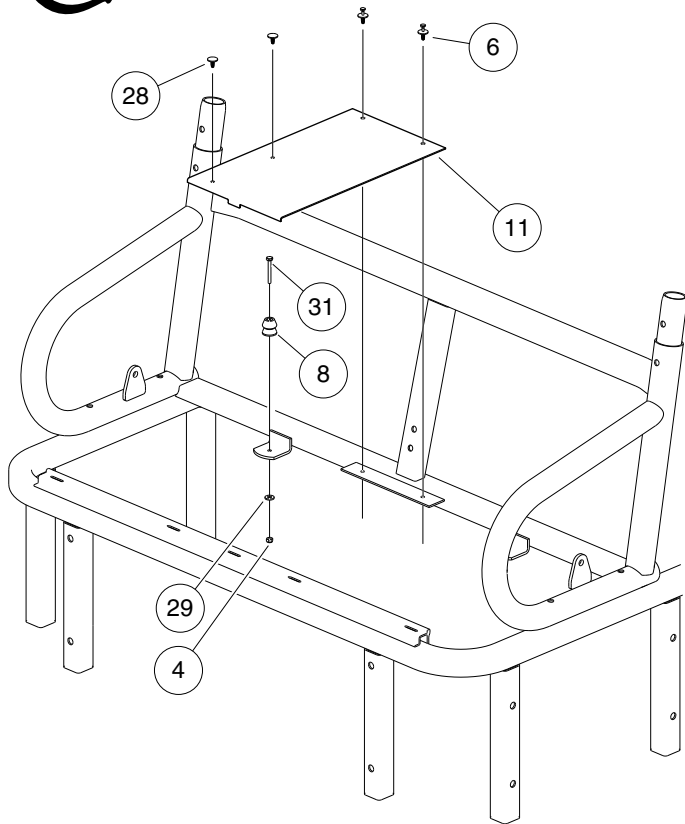
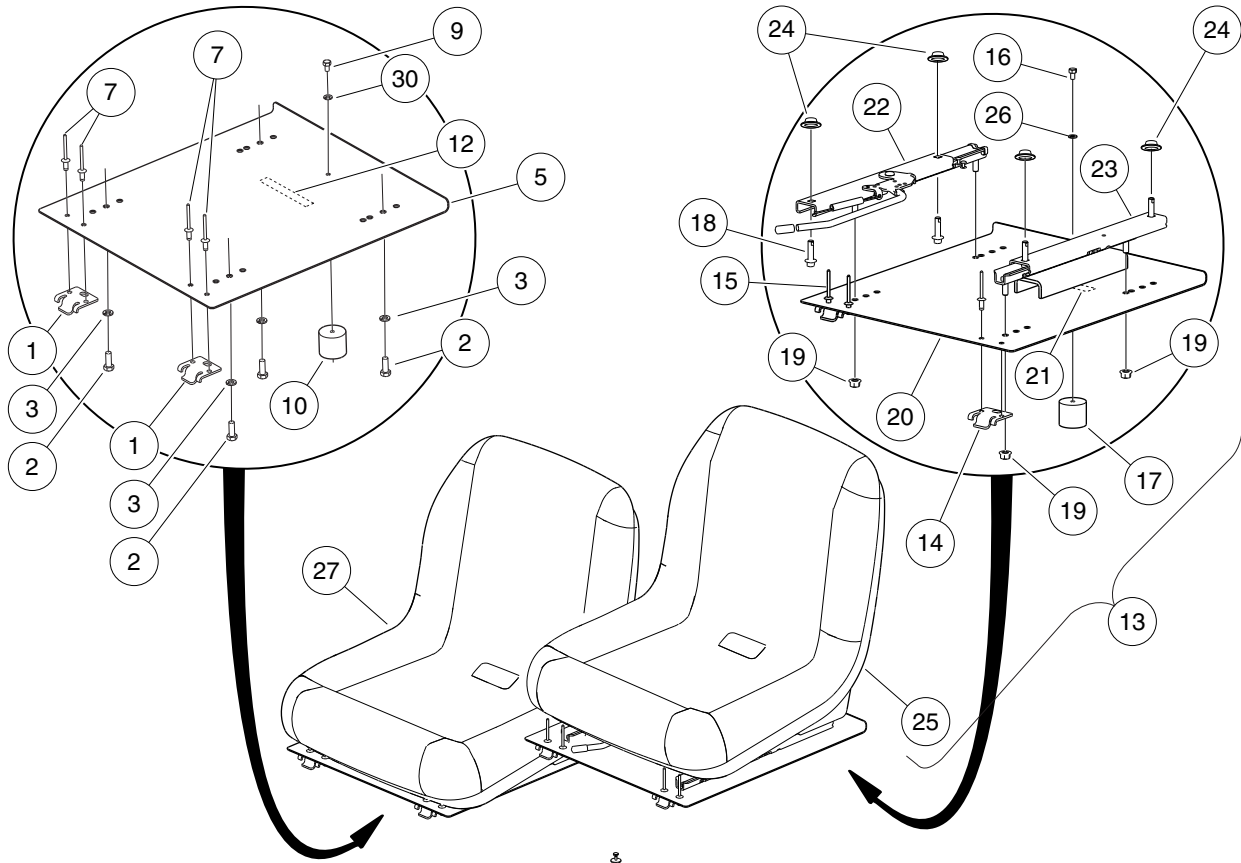
G

D

1

G

D



000524-011

# BUCKET SEATS – GRAY

ITEM	PART NO.	DESCRIPTION	QTY
		<b>1 2 3 4</b>	
1	<u>1011652</u>	Hinge Plate .....	2
2	<u>1012830</u>	Screw, M8-125 X 22 Hex-Head .....	4
3	<u>1013734</u>	Lockwasher, 8mm Split .....	4
4	<u>101887601</u>	Locknut, M6-1.00 Nylon Insert .....	2
5	<u>102023703</u>	Pan, Seat, Passenger .....	1
6	<u>102025701</u>	Screw, Tuflok Panel, 1/4 .....	2
7	<u>102047001</u>	Rivet, 1/4 X .438 Blind .....	4
8	<u>102059001</u>	Seat Holder Base .....	2
9	<u>102059401</u>	Screw, 6m-1.00 X 10mm Hex Head .....	1
10	<u>102061101</u>	Seat Holder Cup .....	1
11	<u>102442002</u>	Pan, Center, Closeout, Pfex .....	1
12	<u>102458901</u>	Decal, Hot Surface Warning .....	1
13	<u>102473701</u>	Asm, Bucket Seat Adjustable (includes items 14 through 26) .....	1
14	<u>1011652</u>	Hinge Plate .....	2
15	<u>102047001</u>	Rivet, 1/4 X .438 Blind .....	4
16	<u>102059401</u>	Screw, 6m-1.00 X 10mm Hex Head .....	1
17	<u>102061101</u>	Seat Holder Cup .....	1
18	<u>102298130</u>	Bolt, Flange Head, M8 X 30.0 .....	4
19	<u>102298401</u>	Nut,m8,all Metal Lock .....	4
20	<u>102456001</u>	Pan, Seat, Driver Asm .....	1
21	<u>102458901</u>	Decal, Hot Surface Warning .....	1
22	<u>102473501</u>	Adjuster, Forward/Aft .....	1
23	<u>102473601</u>	Adjuster, Slider .....	1
24	<u>102475901</u>	Washer, Bell .....	4
25	<u>103267001</u>	Seat, Bucket, Gray .....	1
26	<u>451</u>	Lockwasher, 1/4 Split .....	1
27	<u>103267001</u>	Seat, Bucket, Gray .....	1
28	<u>103978801</u>	Barrel-push 6mm .....	2
29	<u>332</u>	Washer, 1/4 Type A Narrow Flat .....	2
30	<u>451</u>	Lockwasher, 1/4 Split .....	1
31	<u>96742515</u>	Bolt, M6 X 1 X 45 .....	2

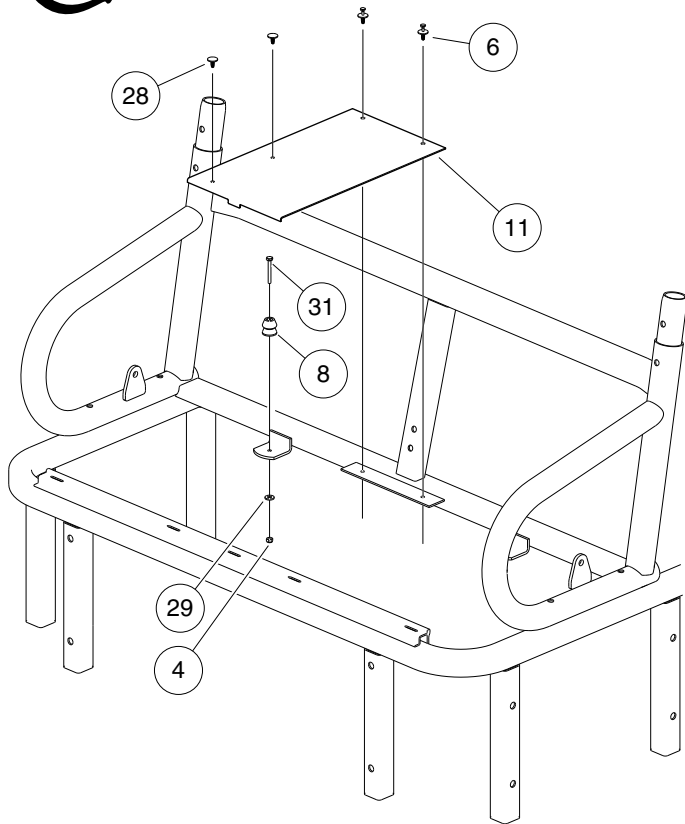
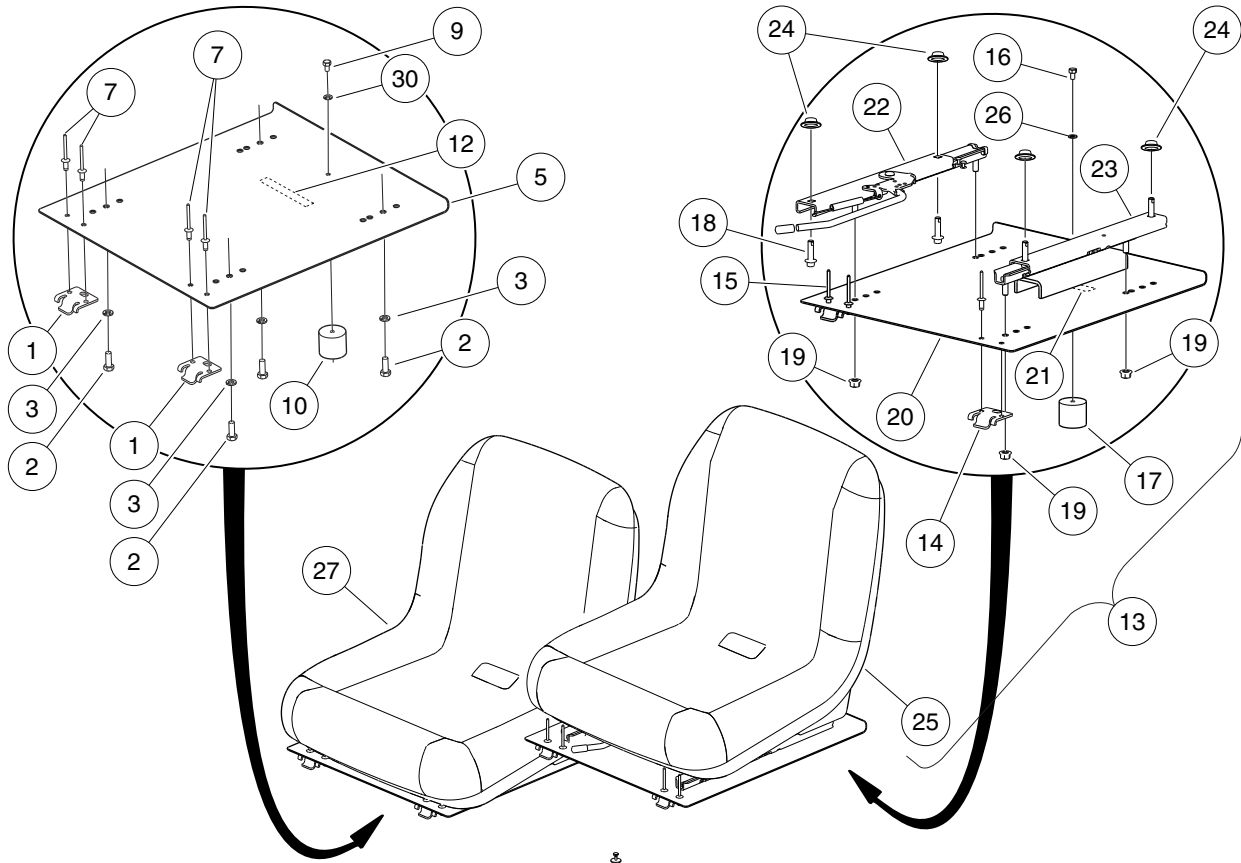
**1**

**G**

**D**

**1**  
**G**

**D**



000524-011



# BUCKET SEATS – BLACK

ITEM	PART NO.	DESCRIPTION	QTY
		<b>1 2 3 4</b>	
1	<u>1011652</u>	Hinge Plate .....	2
2	<u>1012830</u>	Screw, M8-125 X 22 Hex-Head .....	4
3	<u>1013734</u>	Lockwasher, 8mm Split .....	4
4	<u>101887601</u>	Locknut, M6-1.00 Nylon Insert .....	2
5	<u>102023703</u>	Pan, Seat, Passenger .....	1
6	<u>102025701</u>	Screw, Tuflok Panel, 1/4 .....	2
7	<u>102047001</u>	Rivet, 1/4 X .438 Blind .....	4
8	<u>102059001</u>	Seat Holder Base .....	2
9	<u>102059401</u>	Screw, 6m-1.00 X 10mm Hex Head .....	1
10	<u>102061101</u>	Seat Holder Cup .....	1
11	<u>102442002</u>	Pan, Center, Closeout, Pfex .....	1
12	<u>102458901</u>	Decal, Hot Surface Warning .....	1
13	<u>103218901</u>	Asm, Bucket Seat, Adj, Blk (includes items 14 through 26) .....	1
14	<u>1011652</u>	Hinge Plate .....	2
15	<u>102047001</u>	Rivet, 1/4 X .438 Blind .....	4
16	<u>102059401</u>	Screw, 6m-1.00 X 10mm Hex Head .....	1
17	<u>102061101</u>	Seat Holder Cup .....	1
18	<u>102298130</u>	Bolt, Flange Head, M8 X 30.0 .....	4
19	<u>102298401</u>	Nut,m8,all Metal Lock .....	4
20	<u>102456001</u>	Pan, Seat, Driver Asm .....	1
21	<u>102458901</u>	Decal, Hot Surface Warning .....	1
22	<u>102473501</u>	Adjuster, Forward/Aft .....	1
23	<u>102473601</u>	Adjuster, Slider .....	1
24	<u>102475901</u>	Washer, Bell .....	4
25	<u>103267002</u>	Seat, Bucket, Black .....	1
26	<u>451</u>	Lockwasher, 1/4 Split .....	1
27	<u>103267002</u>	Seat, Bucket, Black .....	1
28	<u>103978801</u>	Barrel-push 6mm .....	2
29	<u>332</u>	Washer, 1/4 Type A Narrow Flat .....	2
30	<u>451</u>	Lockwasher, 1/4 Split .....	1
31	<u>96742515</u>	Bolt, M6 X 1 X 45 .....	2

**1**

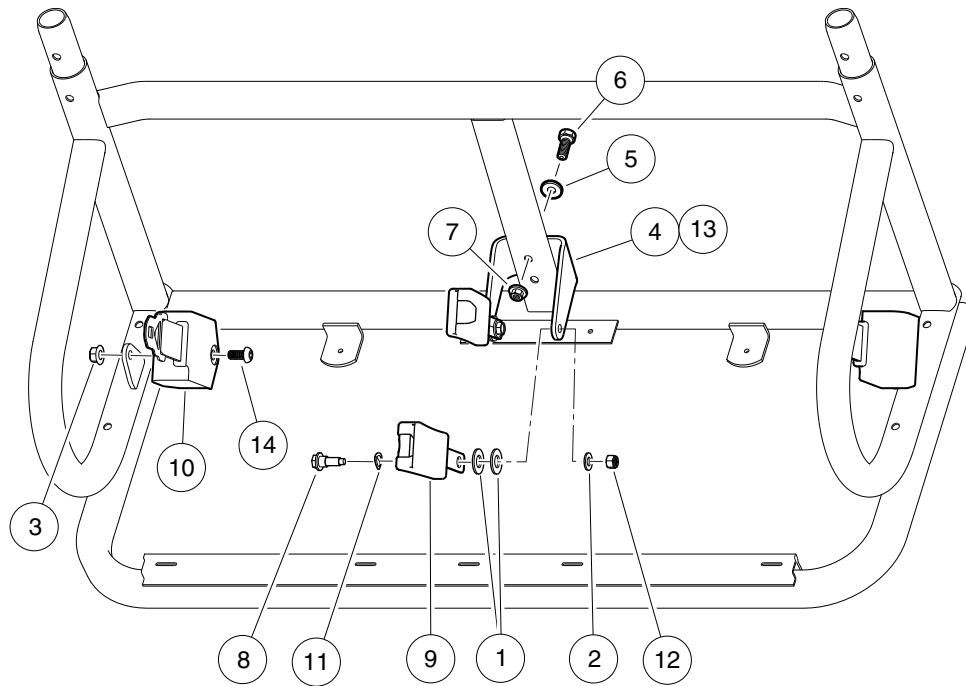
**G**

**D**

1

G

D



000029-007

## 2-POINT SEAT BELTS

ITEM	PART NO.	DESCRIPTION	QTY
		1 2 3 4	
1	<u>1010193</u>	Washer, 5/8 Type A Plain Flat .....	4
2	<u>1014557</u>	Washer, 7/16 Flat .....	2
3	<u>102620301</u>	Ln Flg, M12 X 1.75, Md, Black .....	2
4	<u>102670601</u>	Bracket, Seatbelt, Bolt-On (for Bucket Seats) .....	1
5	<u>102718101</u>	Washer, Hard, M10, Zn-Ni/Blk .....	2
6	<u>102732401</u>	Bolt, M10 X 45, Zn-Ni (Black) .....	2
7	<u>103216401</u>	Nut, Flanged, M10 x 1.5, Black .....	2
8	<u>103529601</u>	Bolt, Shoulder, 15 Mm .....	2
9	<u>103529701</u>	Asm, Buckle, Seat-belt .....	2
10	<u>103529801</u>	Retractor, Seat-belt .....	2
11	<u>103530701</u>	Washer, Spring, 15 Mm Id .....	2
12	<u>103534201</u>	Lock Nut, 7/16-20 Nylon .....	2
13	<u>103635101</u>	Bracket, Seatbelt, Style H, Bolt-On (for Bench Seat) .....	1
14	<u>103806401</u>	Bolt Btn, M12x1.75 X 25 Black .....	2
Note: Item 4 bracket is for bucket seats. Item 13 bracket is for bench seat.			

1

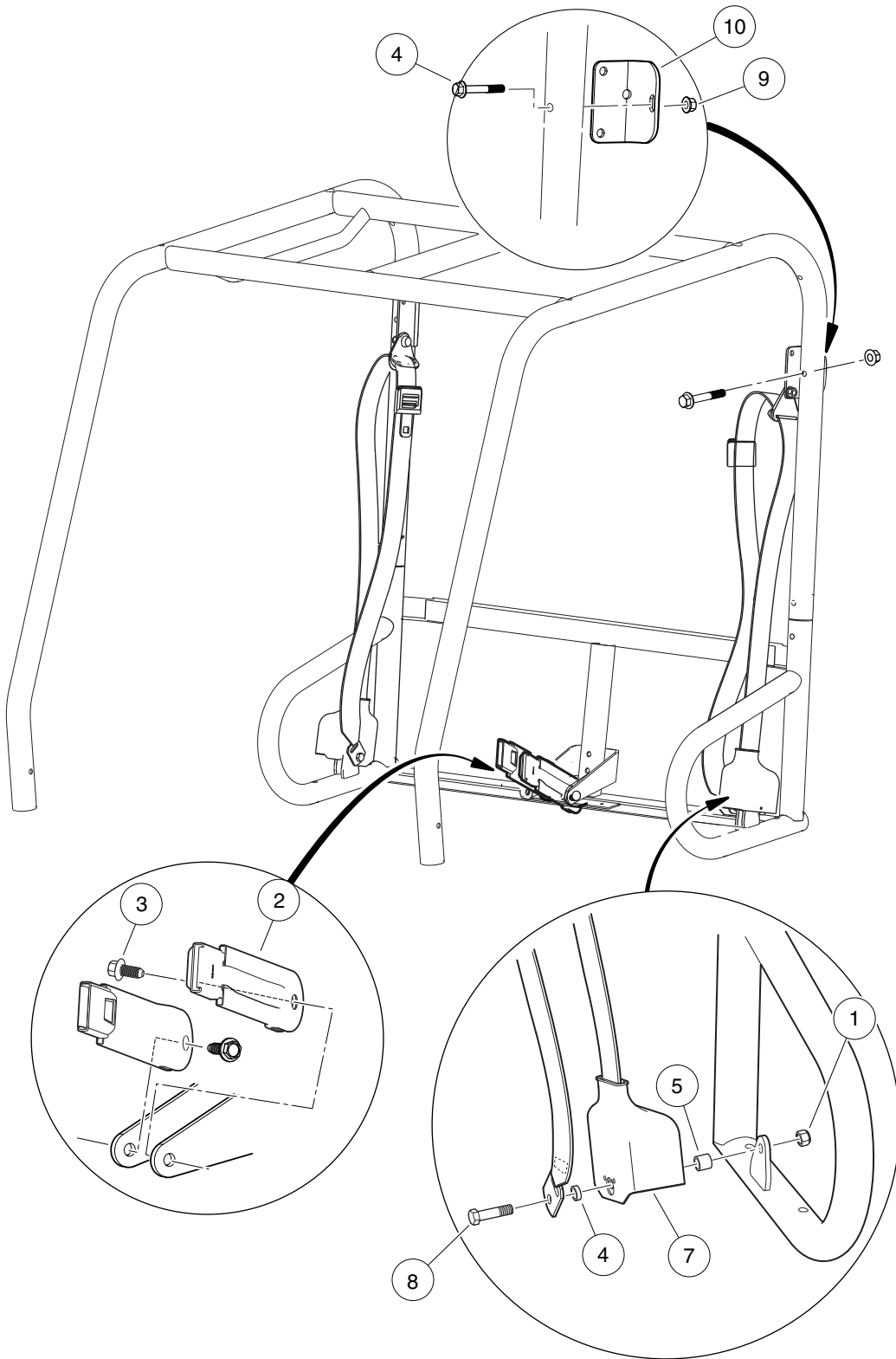
G

D

**1**

**G**

**D**



000560-002

### 3-POINT SEAT BELTS

ITEM	PART NO.	DESCRIPTION	QTY
		1 2 3 4	
1	<u>102324401</u>	Lock Nut, 7/16-20 Nylon Black .....	2
2	<u>102447601</u>	Buckle, Seat Belt with Sleeve .....	2
3	<u>102671201</u>	Screw,m12x1.75x30 Thd Form Blk .....	2
4	<u>102988701</u>	Bolt, Flanged, M10 X 1.5 X 65 .....	2
5	<u>103210801</u>	Spacer, .69 Od X .5 Id X .60 .....	2
6	<u>103210802</u>	Spacer, .69 Od X .5 Id X .20 .....	2
7	<u>103210901</u>	Seat Belt, 3 Pt, Lock Tongue .....	2
8	<u>103211101</u>	Screw, 7/16-20 X 1.75 .....	2
9	<u>103216401</u>	Nut, Flanged, M10 x 1.5, Black .....	2
10	<u>103377501</u>	Bracket, Support, Rear, ROPS .....	2

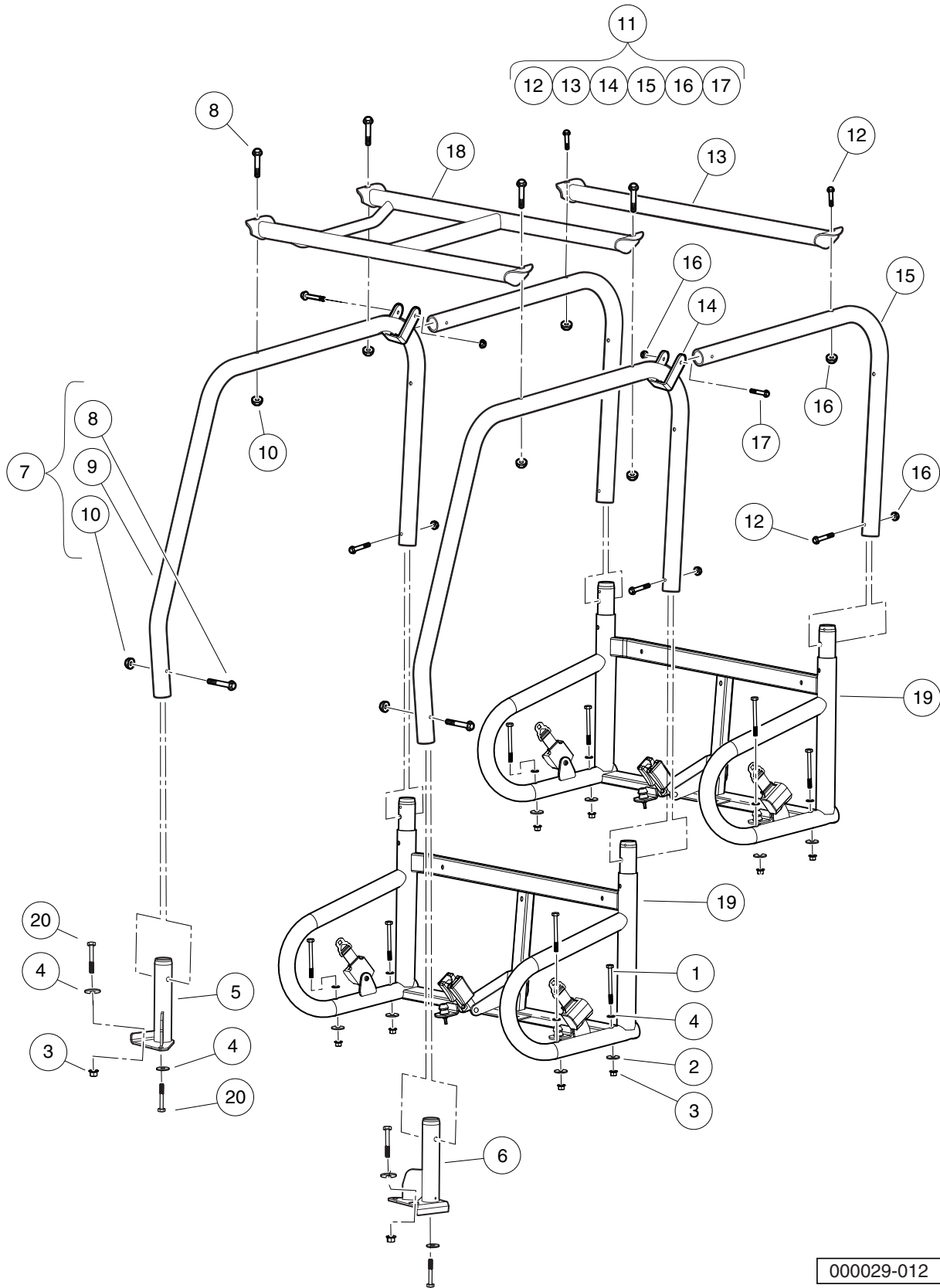
**1**

**G**

**D**

**1**  
**G**

**D**



000029-012

# ROPS – 4 PASS

ITEM	PART NO.	DESCRIPTION	QTY
		<b>1 2 3 4</b>	
1	<u>102491301</u>	Bolt, M10x1.50x100 (Black) .....	8
2	<u>102491501</u>	Washer, Hard, M10 .....	10
3	<u>102617201</u>	Nut, Flanged, M10 X 1.5, Mechanically Deformed .....	10
4	<u>102718101</u>	Washer, Hard, M10, Zn-Ni/Blk .....	10
5	<u>102983201</u>	Weldment, Front, Base, ROPS, Right-Hand .....	1
6	<u>102983601</u>	Weldment, Front, Base, ROPS, Left-Hand .....	1
7	<u>103215901</u>	Kit, ROPS Sides, Domestic (includes items 8 through 10) .....	1
8	<u>102988701</u>	Bolt, Flanged, M10 X 1.5 X 65 .....	8
9	<u>103192101</u>	Tube, Side Support Short, ROPS .....	2
10	<u>103216401</u>	Nut, Flanged, M10 x 1.5, Black .....	8
11	<u>103216201</u>	Kit, ROPS, Four Passenger (includes items 12 through 17) .....	1
12	<u>102988701</u>	Bolt, Flanged, M10 X 1.5 X 65 .....	4
13	<u>103214901</u>	Weldment, ROPS, Top, 4 Pass .....	1
14	<u>103215001</u>	Bracket, ROPS, Rear, 4 Pass .....	2
15	<u>103215101</u>	Tube, Rear, 4 Pass .....	2
16	<u>103216401</u>	Nut, Flanged, M10 x 1.5, Black .....	6
17	<u>103216801</u>	Bolt, Flanged, M10 X 1.5 X 70 .....	2
18	<u>103225801</u>	Asm, Top, ROPS .....	1
19	<u>103361701</u>	Weldment, Seat Support, ROPS .....	2
20	<u>96715552</u>	Bolt, M10 X 1.50 X 65 .....	4

**1**

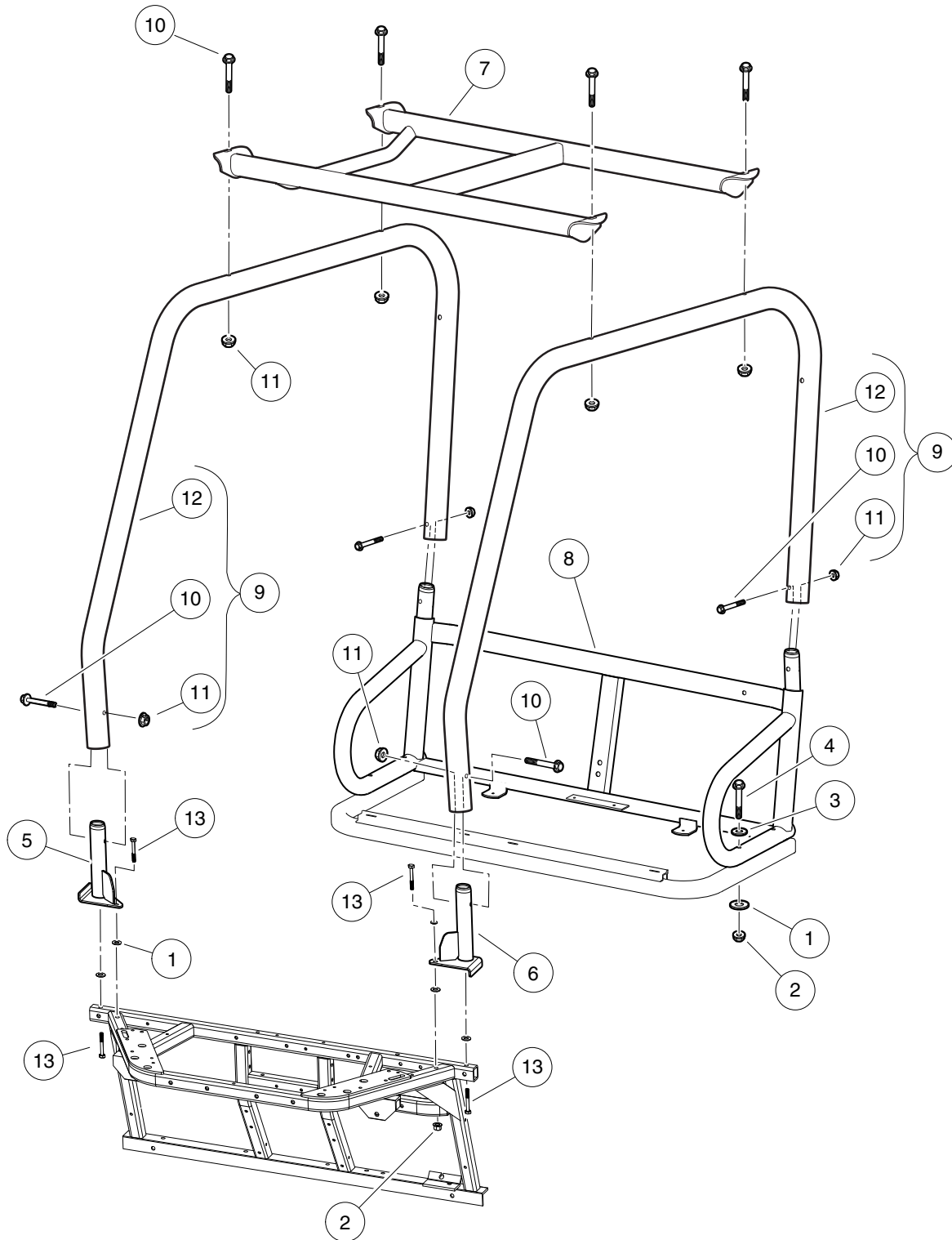
**G**

**D**

1

G

D



000029-008



# ROPS AND SEAT SUPPORT

ITEM	PART NO.	DESCRIPTION	QTY
		1 2 3 4	
1	<u>102491501</u>	Washer, Hard, M10 .....	8
2	<u>102617201</u>	Nut, Flanged, M10 X 1.5, Mechanically Deformed .....	4
3	<u>102718101</u>	Washer, Hard, M10, Zn-Ni/Blk .....	4
4	<u>102732301</u>	Bolt, M10 X 100, Zn-Ni (Black) .....	4
5	<u>102983201</u>	Weldment, Front, Base, ROPS, Right-Hand .....	1
6	<u>102983601</u>	Weldment, Front, Base, ROPS, Left-Hand .....	1
7	<u>103225801</u>	Asm, Top, ROPS .....	1
8	<u>103361701</u>	Weldment, Seat Support, ROPS .....	1
9	<u>103511201</u>	Kit, Side Rops, Awd, Domestic (includes items 10 through 12) .....	1
10	<u>102988701</u>	Bolt, Flanged, M10 X 1.5 X 65 .....	8
11	<u>103216401</u>	Nut, Flanged, M10 x 1.5, Black .....	8
12	N/A	Tube, Rops, Side Support, Awd .....	2
13	<u>96715552</u>	Bolt, M10 X 1.50 X 65 .....	4

**1**

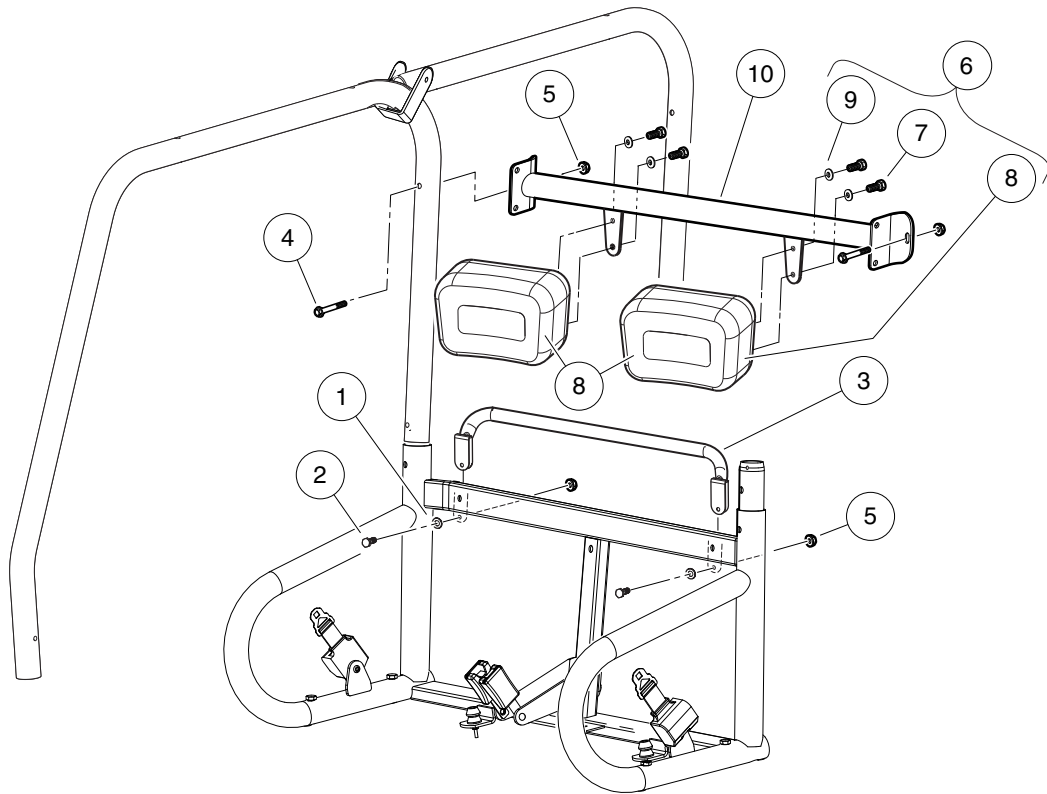
**G**

**D**

1

G

D



000029-013

## HEAD RESTS AND REAR SEAT HANDLE – 4 PASS

ITEM	PART NO.	DESCRIPTION	QTY
		1 2 3 4	
1	<u>102718101</u>	Washer, Hard, M10, Zn-Ni/Blk .....	2
2	<u>102732401</u>	Bolt, M10 X 45, Zn-Ni (Black) .....	2
3	<u>102834401</u>	Weldment, Handle, ROPS, Rear .....	1
4	<u>102988701</u>	Bolt, Flanged, M10 X 1.5 X 65 .....	2
5	<u>103216401</u>	Nut, Flanged, M10 x 1.5, Black .....	4
6	<u>103274602</u>	Kit, Head Restraint, Black (includes items 7 through 9) .....	1
7	<u>102490101</u>	Bolt, M10 X 1.5 X 20 Loctite .....	4
8	<u>103274502</u>	Asm, Head Restraint, Black .....	2
9	<u>96741046</u>	Washer, M10, Hard .....	4
10	<u>103283801</u>	Asm, Rear Brace .....	1

1

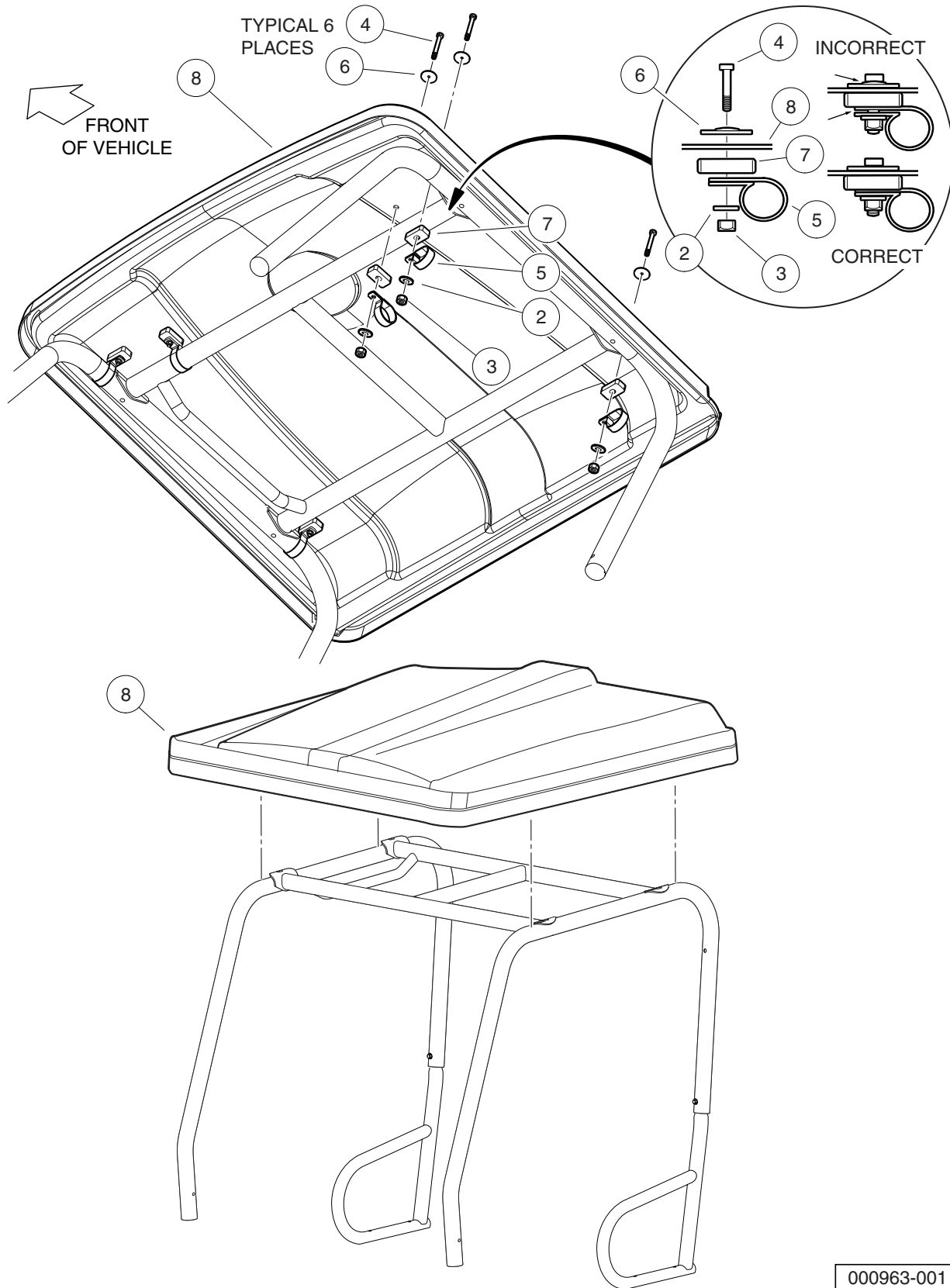
G

D

**1**

**G**

**D**



## CANOPY (VEHICLE WITH ROPS)

ITEM	PART NO.	DESCRIPTION	QTY
		1 2 3 4	
1	<u>103955901</u>	Kit, Canopy, Black, 4wd (includes items 2 through 8) .....	1
2	1011964	Washer, 1/4 Flat .....	6
3	1015068	Locknut, 1/4-20 Nylon .....	6
4	<u>102343601</u>	Screw, 1/4-20 X 1 3/4 Ss Hx Ca .....	6
5	<u>103223101</u>	P Clamp Insul 50.8 Dia .....	6
6	<u>103844301</u>	Washer, Sealing, 0.25 X 1.50 .....	6
7	<u>103844401</u>	Spacer, 0.625 X 2.25 X 1.25 .....	6
8	N/A	Canopy, Black, 4wd .....	1

**1**

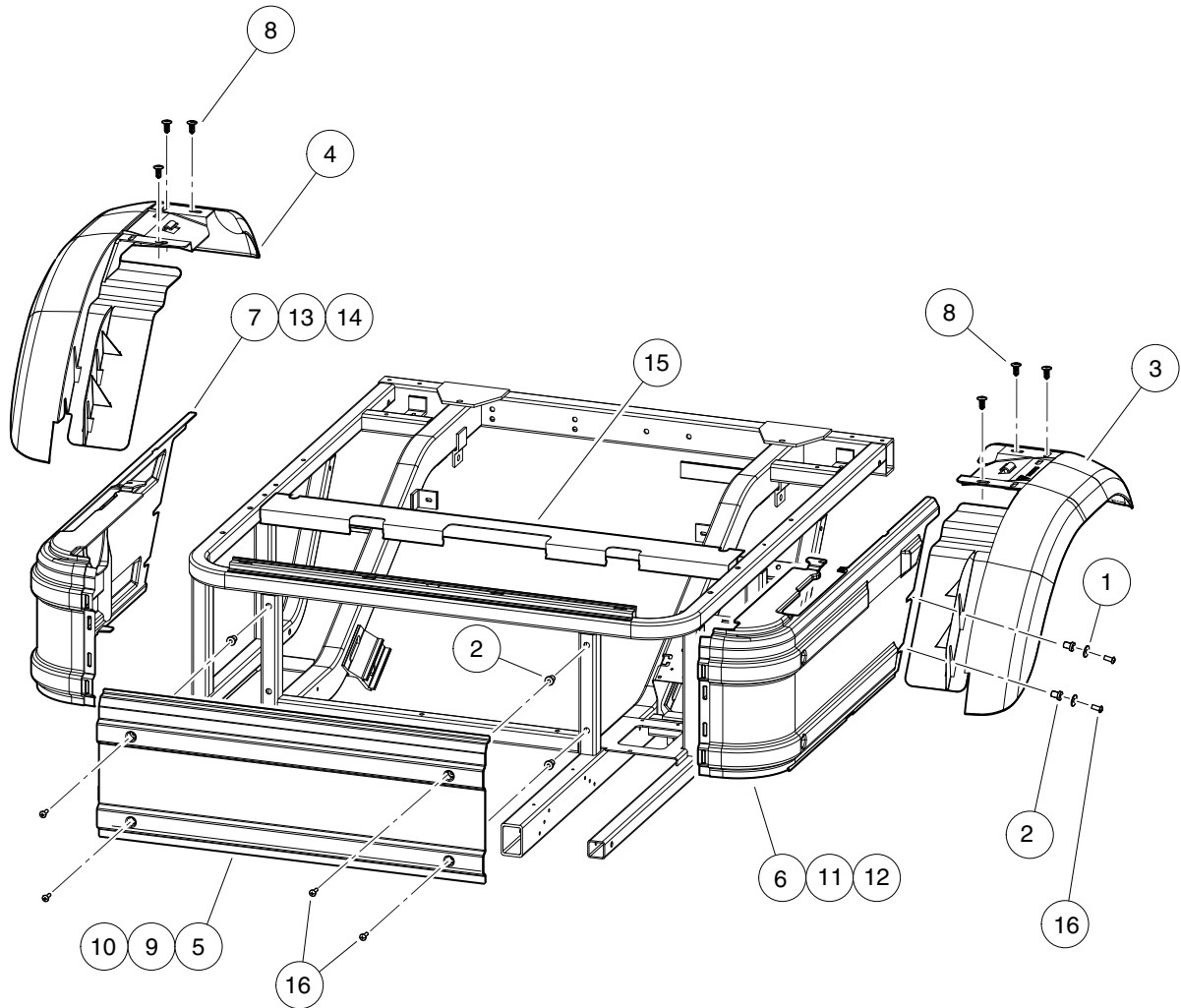
**G**

**D**

1

G

D



000518-006

## SIDE PANELS AND REAR FENDERS – 2 PASS

ITEM	PART NO.	DESCRIPTION	QTY
		1 2 3 4	
1	<u>1014306</u>	Washer, 1/4" Type B Flat .....	4
2	<u>102491701</u>	Well Nut 1/4-20 .....	8
3	<u>102913801</u>	Left Rear Fender (Black) .....	1
4	<u>102913901</u>	Right Rear Fender (Black) .....	1
5	<u>102914001</u>	Panel, Front, Kick (Black) .....	1
6	<u>102914101</u>	Panel, Side, Molded, Driver (Black) .....	1
7	<u>102914102</u>	Panel, Side, Molded, Passenger (Black) .....	1
8	<u>103200501</u>	Screw, Tuflok, 10mm .....	6
9	<u>103289001</u>	Panel, Front, Kick (Realtree Camo) .....	1
10	103289002	Panel, Front, Kick, Moff .....	1
11	<u>103289101</u>	Panel, Side, Molded, Driver (Realtree Camo) .....	1
12	103289102	Panel, Side, Molded, Drv, Moff .....	1
13	<u>103289103</u>	Panel, Side, Molded, Passenger (Realtree Camo) .....	1
14	103289104	Panel, Side, Molded, Pass, Moff .....	1
15	<u>103331201</u>	Closeout, Extrusion .....	1
16	<u>8251</u>	Screw, 1/4-20 X 1.0 Truss-Head Machine .....	8

**1**

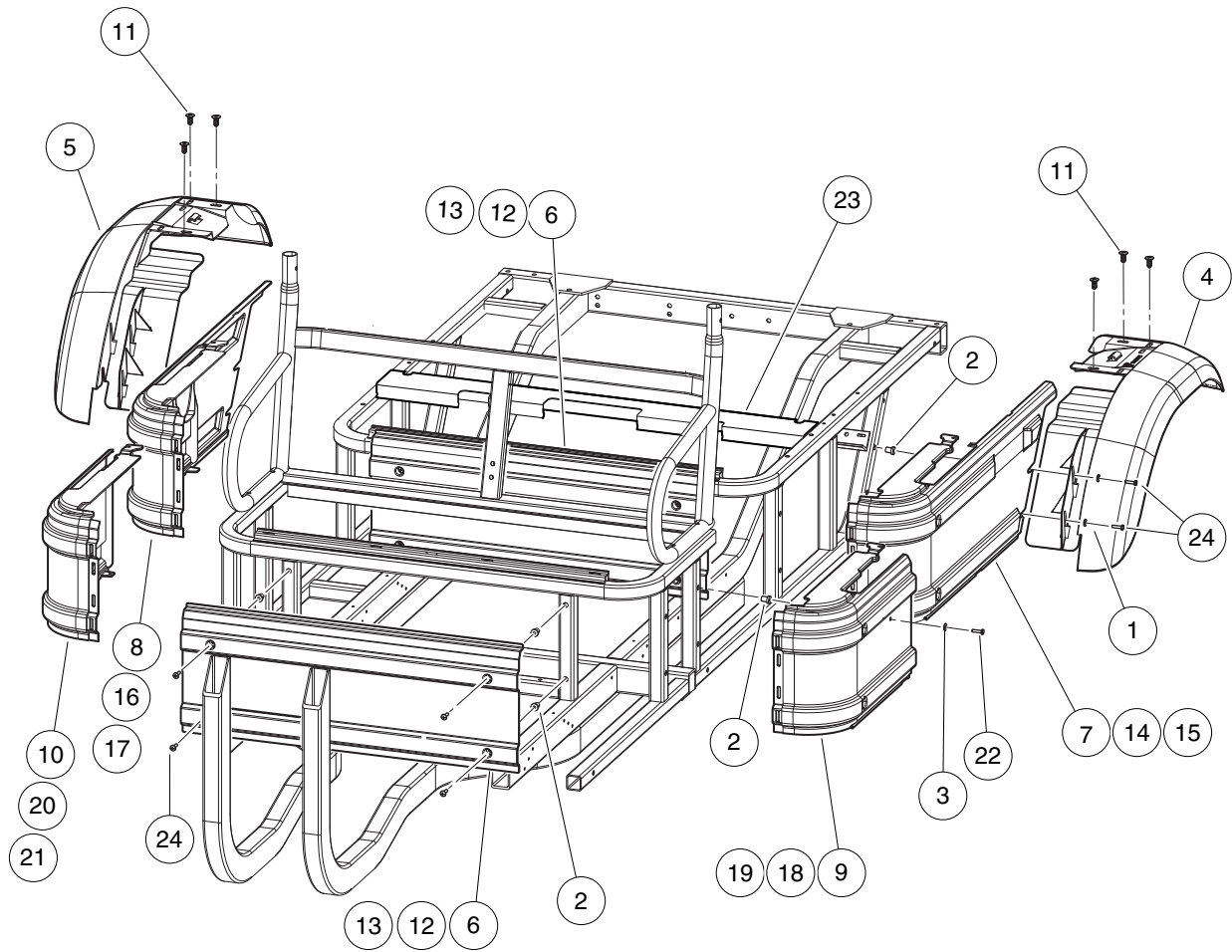
**G**

**D**

1

G

D



000518-007



## SIDE PANELS AND REAR FENDERS – 4 PASS

ITEM	PART NO.	DESCRIPTION	QTY
		<b>1 2 3 4</b>	
1	<u>1014306</u>	Washer, 1/4" Type B Flat .....	4
2	<u>102491701</u>	Well Nut 1/4-20 .....	14
3	<u>102772201</u>	Washer, Flat, 5/16, Black .....	2
4	<u>102913801</u>	Left Rear Fender (Black) .....	1
5	<u>102913901</u>	Right Rear Fender (Black) .....	1
6	<u>102914001</u>	Panel, Front, Kick (Black) .....	2
7	<u>102914101</u>	Panel, Side, Molded, Driver (Black) .....	1
8	<u>102914102</u>	Panel, Side, Molded, Passenger (Black) .....	1
9	<u>102914104</u>	Panel, Side, Cut, Driver (Black) .....	1
10	<u>102914105</u>	Panel, Side, Cut, Passenger (Black) .....	1
11	<u>103200501</u>	Screw, Tuflok, 10mm .....	6
12	<u>103289001</u>	Panel, Front, Kick (Realtree Camo) .....	2
13	103289002	Panel, Front, Kick, Moff .....	2
14	<u>103289101</u>	Panel, Side, Molded, Driver (Realtree Camo) .....	1
15	103289102	Panel, Side, Molded, Drv, Moff .....	1
16	<u>103289103</u>	Panel, Side, Molded, Passenger (Realtree Camo) .....	1
17	103289104	Panel, Side, Molded, Pass, Moff .....	1
18	<u>103289107</u>	Panel, Cut, Driver (Realtree Camo) .....	1
19	103289108	Panel, Side, Cut, Drv, Moff .....	1
20	<u>103289109</u>	Panel, Cut, Passenger (Realtree Camo) .....	1
21	103289110	Panel, Side, Cut, Pass, Moff .....	1
22	<u>103319501</u>	Screw, Pn Hd Blk, 1/4 - 20 X 1 .....	2
23	<u>103331201</u>	Closeout, Extrusion .....	1
24	<u>8251</u>	Screw, 1/4-20 X 1.0 Truss-Head Machine .....	12

**1**

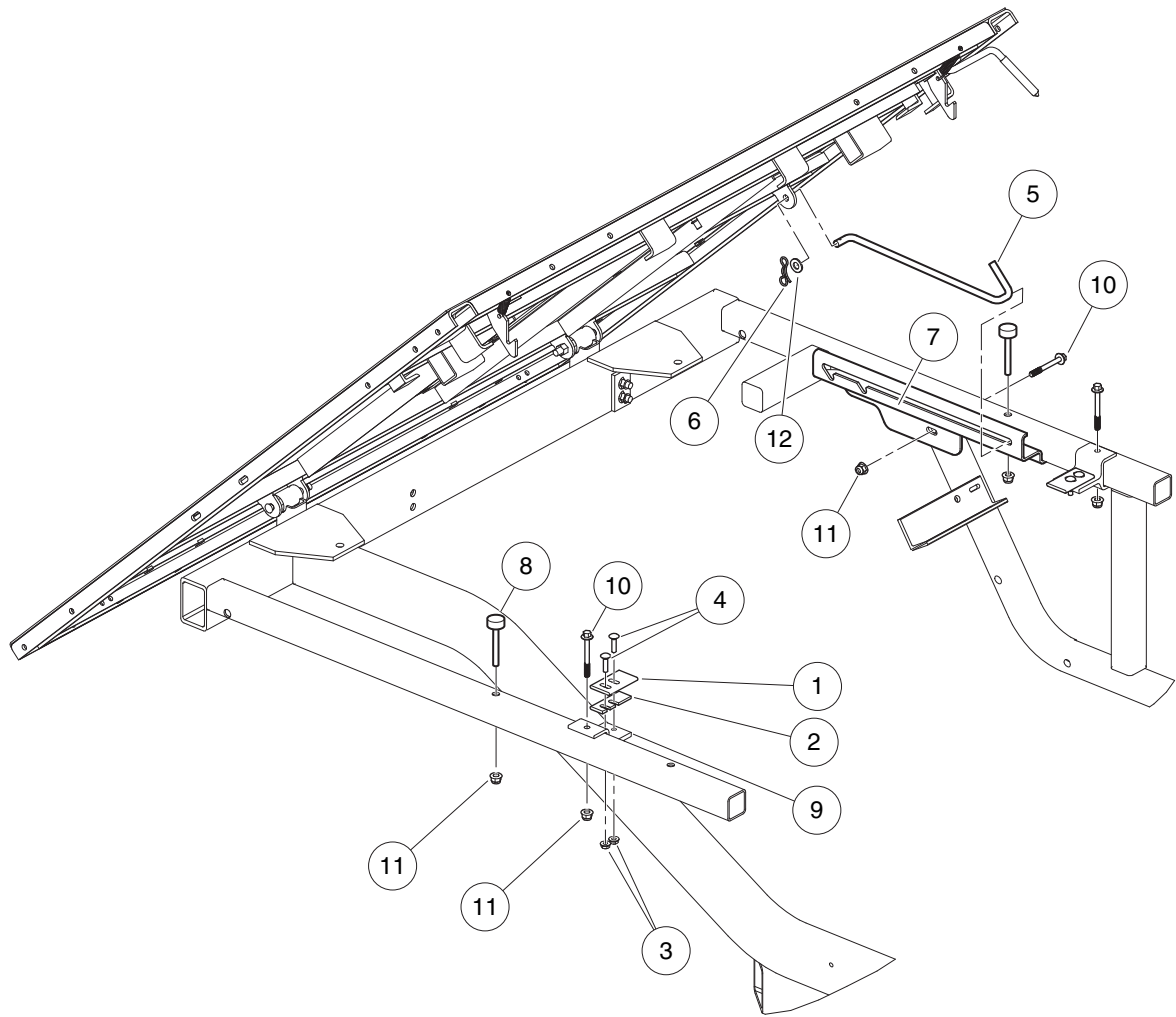
**G**

**D**

1

G

D



000036-001

# LATCH PLATES AND PROP ROD

ITEM	PART NO.	DESCRIPTION	QTY
		<b>1 2 3 4</b>	
1	<u>1015277</u>	Latch Plate, Tilt Bed .....	2
2	<u>1016078</u>	Latch Plate Shim .....	1
3	<u>101835601</u>	Locknut, 1/4-20 Hex Whiz .....	4
4	<u>101958602</u>	Bolt, Carriage, 1/4-20 X 1.0 .....	4
5	<u>102301401</u>	Rod, Prop .....	1
6	<u>102323101</u>	Pin, Bow Tie Locking .....	1
7	<u>102418101</u>	Track, Prop Rod .....	1
8	<u>102426601</u>	Bumper, Bed, Mtg, Front .....	2
9	<u>102493801</u>	Bracket, Latch, Bed .....	2
10	<u>102618301</u>	Bolt, Flanged Head, M8 X 1.25 X 65 .....	3
11	<u>102618601</u>	Lock Nut, Flange, M8 X 1.25 Nylon .....	5
12	<u>334</u>	Washer, 3/8, Type A, Flat .....	1

**1**

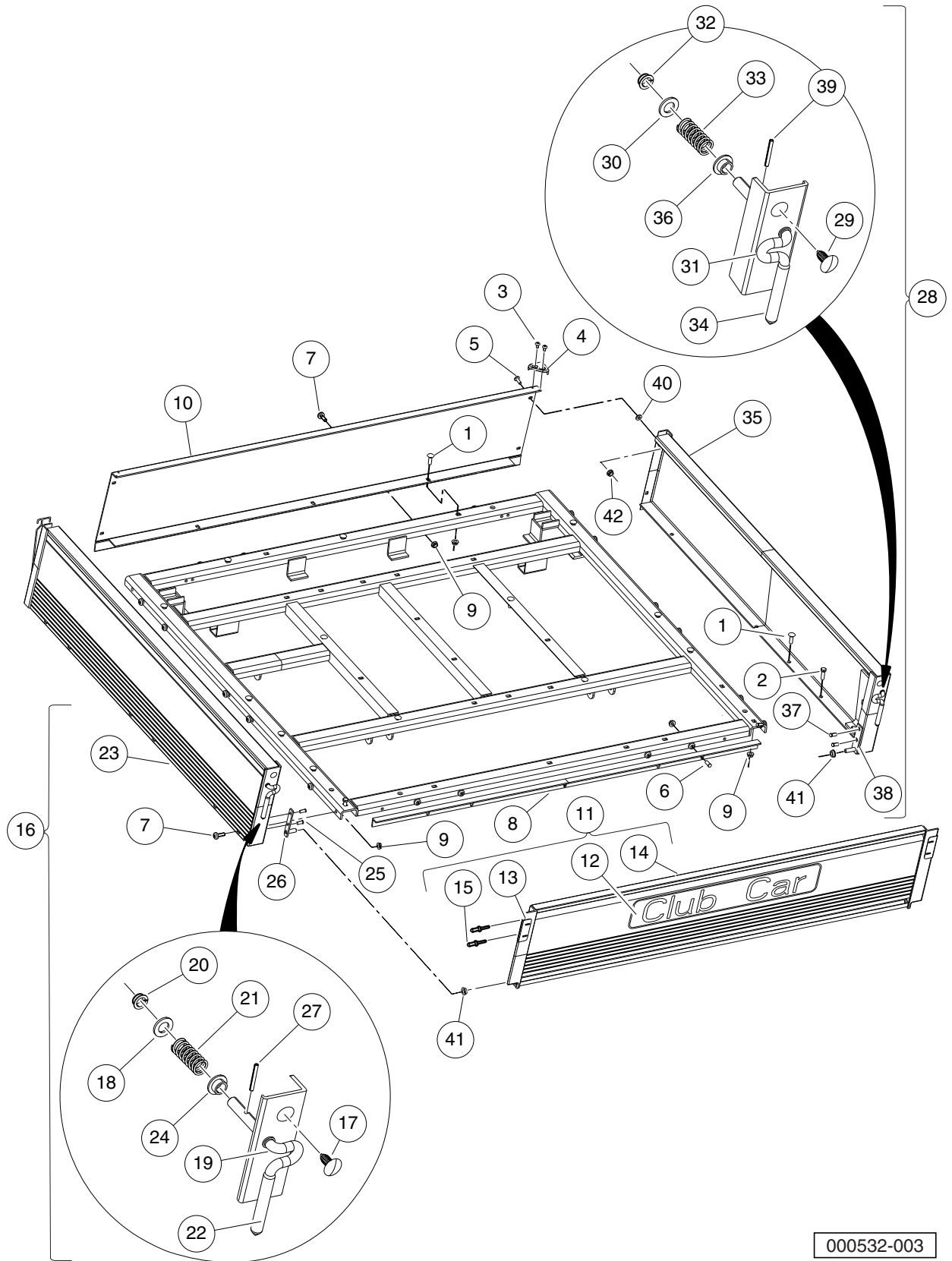
**G**

**D**

1

G

D



000532-003

# BOX BED – ALUMINUM

ITEM	PART NO.	DESCRIPTION	QTY
		<b>1 2 3 4</b>	
1	<u>1010435</u>	Bolt, Carriage, 5/16-18 X 1.00 .....	11
2	<u>1010934</u>	Screw, 5/16-18 X 1.00 Hex Cap .....	2
3	<u>1014321</u>	Screw, #10 Truss-Head Torx .....	4
4	<u>1014387</u>	Cap, Corner .....	2
5	<u>1014415</u>	Screw, 1/4-20 X 0.75 Torx Truss-Head .....	4
6	<u>1014537</u>	Stud, Self-Clinching Flush Head .....	2
7	<u>1015399</u>	Screw, 5/16-18 X 0.88 Torx Truss-Head .....	16
8	N/A	Box Bed Tailgate Angle .....	1
9	<u>101963401</u>	Locknut, 5/16-18 Hex Flange .....	33
10	<u>102030101</u>	Panel, Front .....	1
11	<u>102030201</u>	Tailgate Asm (includes items 12 through 15) .....	1
12	<u>1013317</u>	Decal, Logo, Tailgate .....	1
13	<u>1015246</u>	Plate, Tailgate Latch Wear .....	2
14	N/A	Tailgate Weldment .....	1
15	<u>7973</u>	Rivet, 3/16 X .400 Blind .....	4
16	<u>103191401</u>	Asm, Panel, Side, Left (includes items 17 through 28) .....	1
17	<u>1010434</u>	Barrel - Plastic .....	1
18	<u>1011990</u>	Washer, 3/8 Flat .....	1
19	<u>1015313</u>	Latch, Tailgate, Left-Hand .....	1
20	<u>1015363</u>	Bushing, Snap-In .....	1
21	<u>1015390</u>	Compression Spring Latch Tilt .....	1
22	<u>1015400</u>	Grip, Tilt Latch Hand .....	1
23	<u>103191201</u>	Weldment, Panel, Side, Left .....	1
24	<u>1032</u>	Bushing, Nylon .....	1
25	<u>103379401</u>	Rivet, 1/4 X 0.30, Blind .....	2
26	<u>103406501</u>	Kit, Tailgate Mounting Bracket, CA, LH (includes item 27) .....	1
27	<u>103406601</u>	Stud, 1/4 Self-clnchg Flush .....	2
28	<u>1231</u>	Pin, 1/8 X 1.00 Split Roll .....	1
29	<u>103191501</u>	Asm, Panel, Side, Right (includes items 30 through 41) .....	1
30	<u>1010434</u>	Barrel - Plastic .....	1
31	<u>1011990</u>	Washer, 3/8 Flat .....	1
32	<u>1015245</u>	Latch, Tailgate, Right-Hand .....	1
33	<u>1015363</u>	Bushing, Snap-In .....	1
34	<u>1015390</u>	Compression Spring Latch Tilt .....	1
35	<u>1015400</u>	Grip, Tilt Latch Hand .....	1
36	<u>103191301</u>	Weldment, Panel, Side, Right .....	1
37	<u>1032</u>	Bushing, Nylon .....	1
38	<u>103379401</u>	Rivet, 1/4 X 0.30, Blind .....	2
39	<u>103406502</u>	Kit, Tailgate Mounting Bracket, CA, RH (includes item 40) .....	1
40	<u>103406601</u>	Stud, 1/4 Self-clnchg Flush .....	2
41	<u>1231</u>	Pin, 1/8 X 1.00 Split Roll .....	1
42	<u>332</u>	Washer, 1/4 Type A Narrow Flat .....	4
43	<u>7049</u>	Bushing, Nylon .....	2
44	<u>8233</u>	Locknut, 1/4-20, Nylon Insert .....	4

**1**

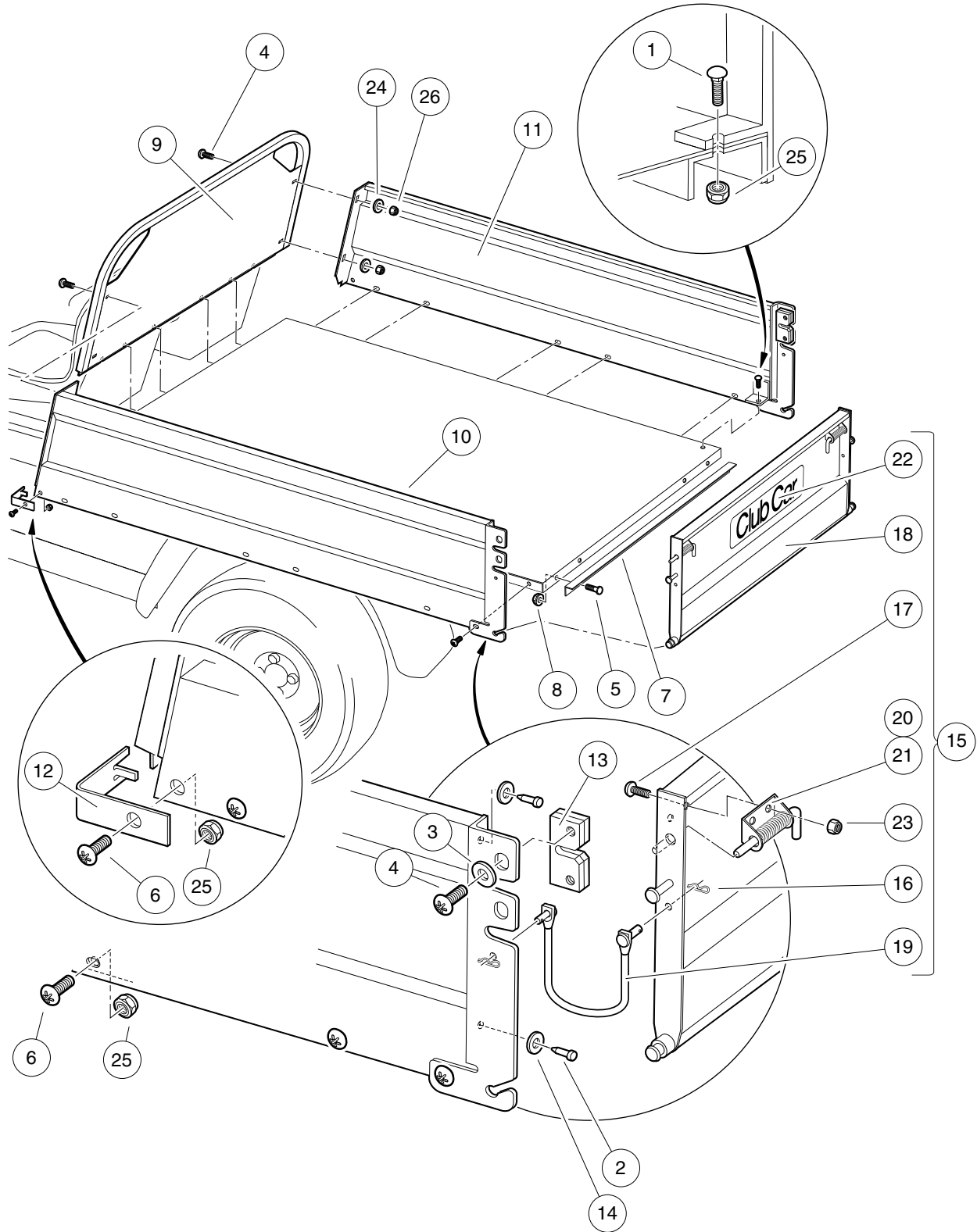
**G**

**D**

1

G

D



000038-006

## BOX BED – STEEL

ITEM	PART NO.	DESCRIPTION	QTY
		<b>1 2 3 4</b>	
1	<u>1010435</u>	Bolt, Carriage, 5/16-18 X 1.00 .....	13
2	<u>1010436</u>	Bumper, Rubber .....	4
3	<u>1014306</u>	Washer, 1/4" Type B Flat .....	4
4	<u>1014415</u>	Screw, 1/4-20 X 0.75 Torx Truss-Head .....	8
5	<u>1014537</u>	Stud, Self-Clinching Flush Head .....	4
6	<u>1015399</u>	Screw, 5/16-18 X 0.88 Torx Truss-Head .....	18
7	<u>101894304</u>	Box Bed Tailgate Angle .....	1
8	<u>101963401</u>	Locknut, 5/16-18 Hex Flange .....	4
9	<u>102221301</u>	Front Panel Weldment .....	1
10	<u>102221401</u>	Left Panel Weldment .....	1
11	<u>102221501</u>	Right Panel Weldment .....	1
12	<u>102221701</u>	Front Corner Cap .....	2
13	<u>102222001</u>	Slam Latch .....	2
14	<u>102239901</u>	Washer, Rubber, 3/8 .....	4
15	<u>102614401</u>	Assembly, Tailgate (includes items 16 through 23) .....	1
16	<u>1013366</u>	Hair Pin Clip .....	4
17	<u>1014415</u>	Screw, 1/4-20 X 0.75 Torx Truss-Head .....	4
18	N/A	Tailgate, Weldment .....	1
19	<u>102221801</u>	Tether Assembly .....	2
20	<u>102222101</u>	Spring Latch Right .....	1
21	<u>102222201</u>	Spring Latch Left .....	1
22	<u>102673201</u>	Decal, Club Car Tailgate .....	1
23	<u>8233</u>	Locknut, 1/4-20, Nylon Insert .....	4
24	<u>332</u>	Washer, 1/4 Type A Narrow Flat .....	4
25	<u>7473</u>	Locknut, 5/16-18 Nylon Insert .....	31
26	<u>8233</u>	Locknut, 1/4-20, Nylon Insert .....	4

**1**

**G**

**D**

**1**

**G**

**D**



# WHEELS AND TIRES

---

2

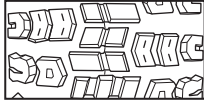
G

D

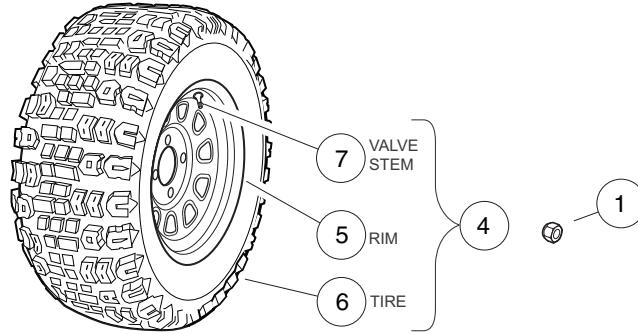
2

G

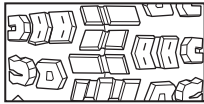
D



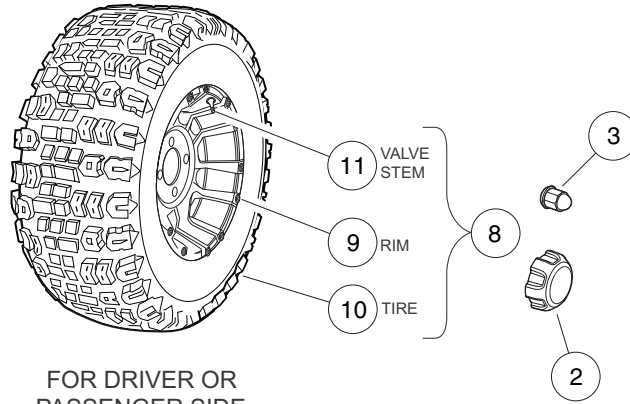
Kenda  
All-Terrain  
Tread



FOR DRIVER OR  
PASSENGER SIDE



Kenda  
All-Terrain  
Tread



FOR DRIVER OR  
PASSENGER SIDE

000506-006

## WHEELS AND TIRES – KENDA

ITEM	PART NO.	DESCRIPTION	QTY
		1 2 3 4	
1	<u>102736901</u>	Nut, Lug, 1/2-20 SAE J2283 .....	16
2	<u>103532801</u>	Cap, Center, Chrome .....	4
3	<u>103699801</u>	Lug Nut, 13/16 X 1/2-20, CE .....	16
4	<u>103779001</u>	Wheel/Tire Assy, All Terrain, 25x11-12 K502, Black Wheel (includes items 5 through 7) .	4
5	<u>103234503</u>	Wheel, 10 Window, Black .....	1
6	<u>103778601</u>	Tire, All Terrain, K502, 25x11-12 .....	1
7	<u>7310</u>	Valve Stem, Black Plastic .....	1
8	<u>103779004</u>	Wheel/Tire Assy, All Terrain, 25x11-12 K502, Alloy Wheel (includes items 9 through 11)	4
9	<u>103525002</u>	Wheel, Alloy .....	1
10	<u>103778601</u>	Tire, All Terrain, K502, 25x11-12 .....	1
11	<u>7310</u>	Valve Stem, Black Plastic .....	1
Note: The tires listed above are Kenda brand.			

2

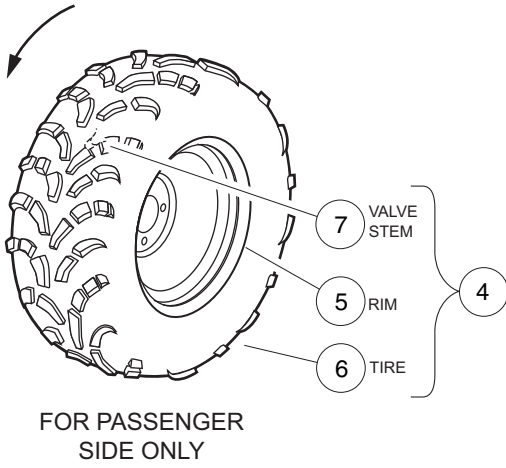
G

D

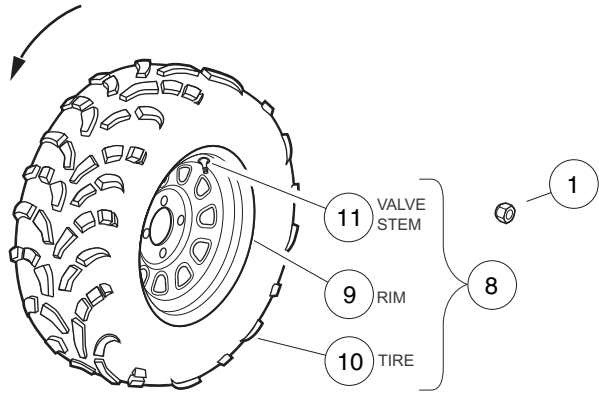
2

G

D



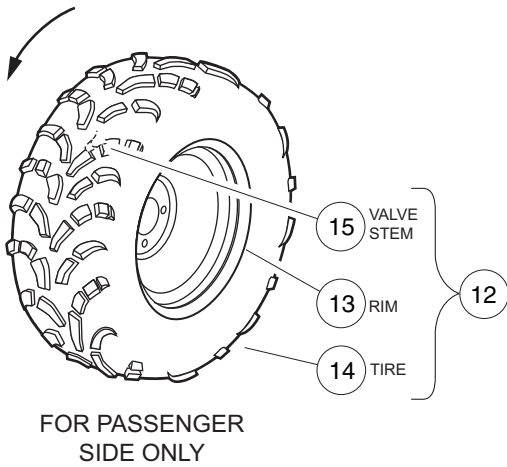
FOR PASSENGER SIDE ONLY



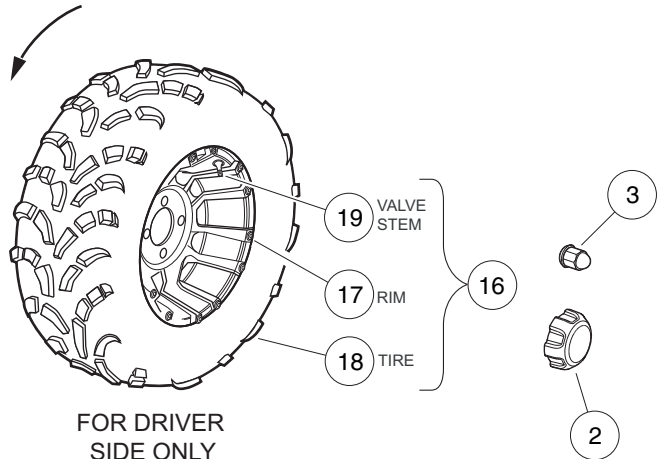
FOR DRIVER SIDE ONLY



OTR Mud Tread



FOR PASSENGER SIDE ONLY



FOR DRIVER SIDE ONLY



OTR Mud Tread

000506-007

## WHEELS AND TIRES – OTR

ITEM	PART NO.	DESCRIPTION	QTY
		<b>1 2 3 4</b>	
1	<u>102736901</u>	Nut, Lug, 1/2-20 SAE J2283 .....	16
2	<u>103532801</u>	Cap, Center, Chrome .....	4
3	<u>103699801</u>	Lug Nut, 13/16 X 1/2-20, CE .....	16
4	<u>103901101</u>	Wheel/Tire Assy, Pass. Side, Mud, 25x11-12 OTR 440, Black (includes items 5 through 7)	2
5	<u>103234503</u>	Wheel, 10 Window, Black .....	1
6	<u>103901001</u>	Tire, Mud, 6ply, 25x11-12, 440 .....	1
7	<u>7310</u>	Valve Stem, Black Plastic .....	1
8	<u>103901102</u>	Wheel/Tire Assy, Driver Side, Mud, 25x11-12 OTR 440, Black (includes items 9 through 11)	2
9	<u>103234503</u>	Wheel, 10 Window, Black .....	1
10	<u>103901001</u>	Tire, Mud, 6ply, 25x11-12, 440 .....	1
11	<u>7310</u>	Valve Stem, Black Plastic .....	1
12	<u>103901107</u>	Wheel/Tire Assy, Pass. Side, Mud, 25x11-12 OTR 440, Alloy (includes items 13 through 15)	2
13	<u>103525002</u>	Wheel, Alloy .....	1
14	<u>103901001</u>	Tire, Mud, 6ply, 25x11-12, 440 .....	1
15	<u>7310</u>	Valve Stem, Black Plastic .....	1
16	<u>103901108</u>	Wheel/Tire Assy, Driver Side, Mud, 25x11-12 OTR 440, Alloy (includes items 17 through 19)	2
17	<u>103525002</u>	Wheel, Alloy .....	1
18	<u>103901001</u>	Tire, Mud, 6ply, 25x11-12, 440 .....	1
19	<u>7310</u>	Valve Stem, Black Plastic .....	1
Note: The tires listed above are OTR brand. NOTE 2: Must use Items 4 and 12 on passenger side; Items 8 and 16 on driver side.			

2

G

D

**2**

**G**

**D**

# DECALS

---

3

G

D

3

G

D

**WARNING**  
**GASOLINE EXPLOSION / FIRE.**  
 • Can cause severe injury or death.  
 • No smoking, sparks, or open flames.  
 • Stop engine, allow to cool before refueling.  
 • Turn fuel valve (—) on during operation.  
 • (→) off during storage or transport.

**WARNING**  
**DIESEL FUEL EXPLOSION / FIRE.**  
 • Can cause severe injury or death.  
 • No smoking, sparks, or open flames.  
 • Stop engine, allow to cool before refueling.

**OPERATING INSTRUCTIONS**

- Read owner's manual and vehicle safety warnings. Study and understand controls.

**TO START ENGINE**

- Place shift lever in NEUTRAL (N) and press brake pedal.
- Turn key to START and hold until engine starts.

**Diesel Vehicles Only:**

- If required, turn key to PREHEAT and hold for 10-15 seconds.

**TO OPERATE VEHICLE**

- Ensure wheels are turned in desired direction and path is clear.
- With vehicle stopped and engine at idle, select vehicle direction.

↑ Forward    N Neutral    ↓ Reverse (Buzzer will sound)

- Release park brake and slowly press accelerator pedal to increase speed.
- All-wheel drive will automatically drive appropriate wheel(s).

**TO STOP VEHICLE**

- Release accelerator pedal and push brake pedal.

**BEFORE LEAVING VEHICLE**

- Turn key to OFF and remove key.
- Place shift lever in NEUTRAL (N).
- Firmly set park brake.

CCI 102459201



**WARNING**  
**CAN CAUSE SEVERE INJURY**  
**HOT manifold**  
**KEEP CLEAR**

**WARNING**  
**WINCH CABLE FRACTURE COULD RESULT IN SERIOUS INJURY OR DEATH.**  
 • Do not use winch while persons are seated on the vehicle.  
 • Use remote operation switch for winch control.  
 • Stand to the side and away from the vehicle to operate winch.  
 • Read winch operator manual before operating winch.

**WARNING**  
**CAN CAUSE SEVERE BURNS**  
**Hot Surface**

**WARNING**  
**Negative frame ground. Can cause severe injury. Do not contact positive (+) battery post or cable to frame. Disconnect negative (-) battery cable first.**

**WARNING**  
**CAN CAUSE SEVERE INJURY**  
**Rotating parts. KEEP CLEAR.**

**WARNING**  
**CAN CAUSE SEVERE INJURY**  
**Hot manifold and muffler. KEEP CLEAR.**



3006



## SAFETY DECALS – CARRYALL AND XRT 2-PASSENGER

ITEM	PART NO.	DESCRIPTION	QTY
		1 2 3 4	
1	<u>101547601</u>	Decal, Gasoline Explosion/Fire Warning .....	1
2	<u>102231601</u>	Decal, Winch Cable Fracture Warning .....	1
3	<u>102427501</u>	Cap, Radiator .....	1
4	<u>102458901</u>	Decal, Hot Surface Warning .....	2
5	<u>102459001</u>	Decal, Hot Manifold Warning .....	1
6	<u>102459101</u>	Decal, Frame Ground Warning .....	1
7	<u>102459201</u>	Decal, Diesel Explosion/Fire Warning .....	1
8	<u>102459501</u>	Decal, Rotating Parts and Hot Exhaust Warning .....	1
9	<u>102884301</u>	Decal, Operating Instr, AWD .....	1

**3**

**G**

**D**

3

G

D

**WARNING**

**ROLLOVER OR FALLING OFF MAY CAUSE DEATH**

- Read owner's manual and operating instructions.
- Fasten seat belts and remain seated while moving.
- Children requiring a child safety seat must not ride on vehicle.
- Comply with state and local laws pertaining to child safety.
- Drive slowly in turns and straight up and down slopes.
- Do not start vehicle until all occupants are seated.
- Two (2) persons per bench seat maximum.
- One (1) person per bucket seat maximum.
- Operate from driver side only and not on public roads.
- Keep entire body inside vehicle while moving.
- Do not operate while under the influence of alcohol or drugs.
- Never attempt jumps and avoid extreme braking in reverse.

CCI 10288461

**UNDER 16**

**WARNING**

**YOUNG DRIVERS INCREASE CHANCE OF DEATH**

- Young drivers may not be able to control vehicle.
- No drivers younger than 16 years old.
- Do not leave children unattended on vehicle.

CCI 10288461

**WARNING**

- Do not modify or remove Roll-over Protective Structure (ROPS).
- Replace ROPS if damaged. Do not attempt repair.
- Use seat belts during operation. Do not jump from vehicle.
- Keep away from drop-offs, steep slopes, and unstable surfaces.

CCI 102961201

**WARNING**

**CAN CAUSE SEVERE INJURY**

Rotating parts. KEEP CLEAR.

CCI 101040201

**NOTICE**

**MAXIMUM TONGUE WEIGHT - 150 lbs.**

CCI 1011553

**WARNING**

**CRUSH AREA**

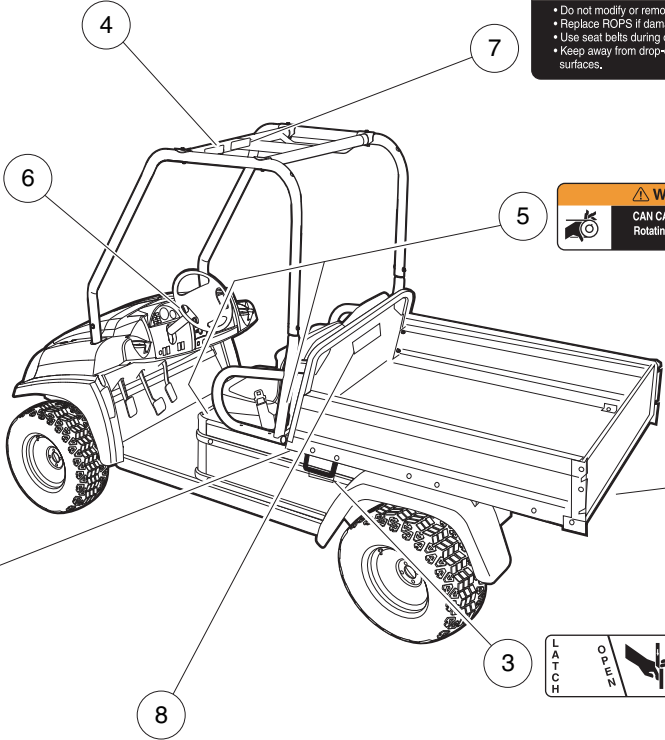
**STAY CLEAR**

CCI 101609401

**WARNING**

Crush area. Can cause severe injury. Stay clear when closing bed.

CCI 10105801



<p><b>WARNING</b></p> <p><b>RIDING IN CARGO BED CAN CAUSE SERIOUS INJURY OR DEATH.</b></p> <ul style="list-style-type: none"> <li>• Do not ride in cargo bed.</li> </ul>	<p><b>WARNING</b></p> <p><b>ROLLOVER CAN CAUSE SERIOUS INJURY OR DEATH.</b></p> <ul style="list-style-type: none"> <li>• Place cargo forward in the cargo bed and distribute evenly side to side. Secure load.</li> <li>• On uneven or steep terrain, reduce speed and load.</li> <li>• Avoid stopping on or backing down steep hills.</li> <li>• Avoid top-heavy loads.</li> </ul>	<p><b>VEHICLE LOADING</b></p> <ul style="list-style-type: none"> <li>• Read owner's manual and warnings on dash.</li> <li>• Vehicle rated capacity: 1200 lb. (544 kg) on level surface only.</li> <li>• Includes occupants and cargo load.</li> <li>• Maximum cargo load: 800 lb. (363 kg).</li> <li>• Includes cargo, bed load, optional equipment, and trailer tongue weight.</li> </ul> <p>102322691</p>
--	---	---

<p><b>WARNING</b></p> <p><b>RIDING IN CARGO BED CAN CAUSE SERIOUS INJURY OR DEATH.</b></p> <ul style="list-style-type: none"> <li>• Do not ride in cargo bed.</li> </ul>	<p><b>WARNING</b></p> <p><b>ROLLOVER CAN CAUSE SERIOUS INJURY OR DEATH.</b></p> <ul style="list-style-type: none"> <li>• Place cargo forward in the cargo bed and distribute evenly side to side. Secure load.</li> <li>• On uneven or steep terrain, reduce speed and load.</li> <li>• Avoid stopping on or backing down steep hills.</li> <li>• Avoid top-heavy loads.</li> </ul>	<p><b>HIGH-CAPACITY VEHICLE LOADING</b></p> <ul style="list-style-type: none"> <li>• Read owner's manual and warnings on dash.</li> <li>• Vehicle rated capacity: 1450 lb. (658 kg) on level surface only.</li> <li>• Includes occupants and cargo load.</li> <li>• Maximum cargo load: 1050 lb. (476 kg).</li> <li>• Includes cargo, bed load, optional equipment, and trailer tongue weight.</li> </ul> <p>103210401</p>
--	---	--

2705

# SAFETY DECALS – CARRYALL AND XRT 2-PASSENGER, CONTINUED

ITEM	PART NO.	DESCRIPTION	QTY
		1 2 3 4	
1	<u>1011553</u>	Decal, Trailer Hitch .....	1
2	<u>101609401</u>	Decal, Crush Area Warning .....	2
3	<u>102459301</u>	Decal, Bed Crush Area Warning .....	1
4	<u>102459401</u>	Decal, Young Driver Warning .....	1
5	<u>102460201</u>	Decal, Rotating Parts Warning .....	2
6	<u>102884401</u>	Decal, Warning, Rollover .....	1
7	<u>102961201</u>	Decal, Warning, AWD ROPS .....	1
8	<u>103202601</u>	Decal, Vehicle Loading, 800 lbs .....	1
9	<u>103210401</u>	Decal, Vehicle Loading, 1050 lbs .....	1

**3**

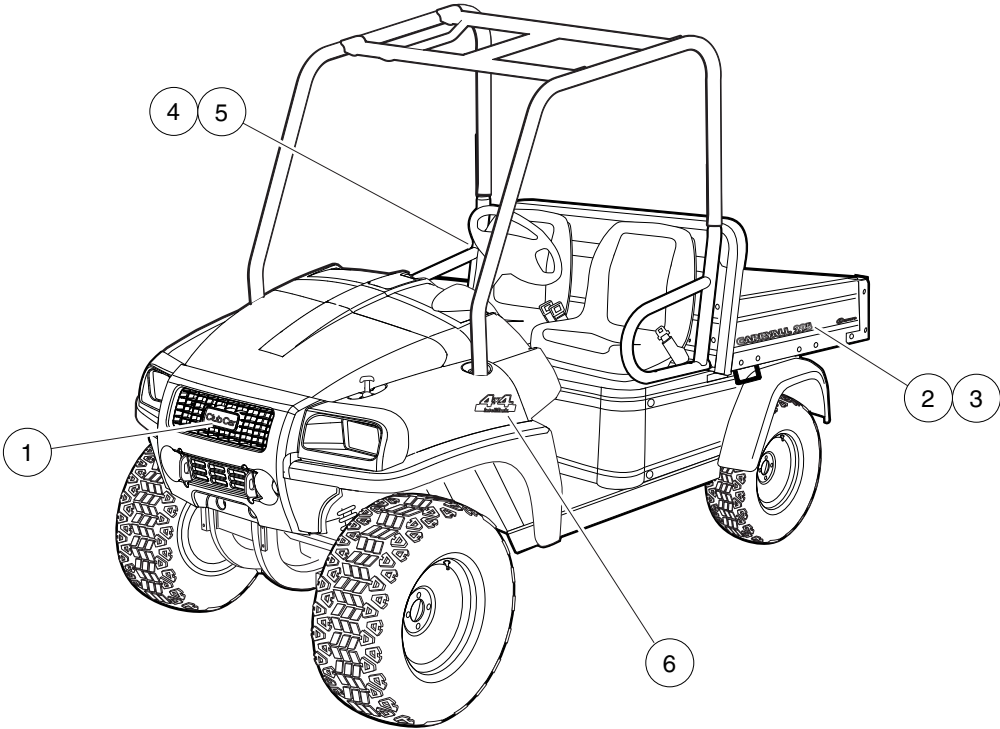
**G**

**D**

3

G

D



000531-005

## BADGING DECALS – CARRYALL 2-PASSENGER

ITEM	PART NO.	DESCRIPTION	QTY
		1 2 3 4	
1	<u>102883601</u>	Decal, Nameplate, CCI, Front .....	1
2	<u>103233614</u>	Decal, Badge, CA 295, Driver-Side, Dk Gray .....	1
3	<u>103233617</u>	Decal, Badge, CA 295, Driver-Side, Ntrl .....	1
4	<u>103233714</u>	Decal, Badge, CA 295, Passenger-Side, Dk Gray .....	1
5	<u>103233717</u>	Decal, Badge, CA 295, Passenger-Side, Ntrl .....	1
6	<u>103234201</u>	Decal, Badge, 4x4 .....	2
7	<u>103234304</u>	Decal, Badge, lr, Red .....	2

3

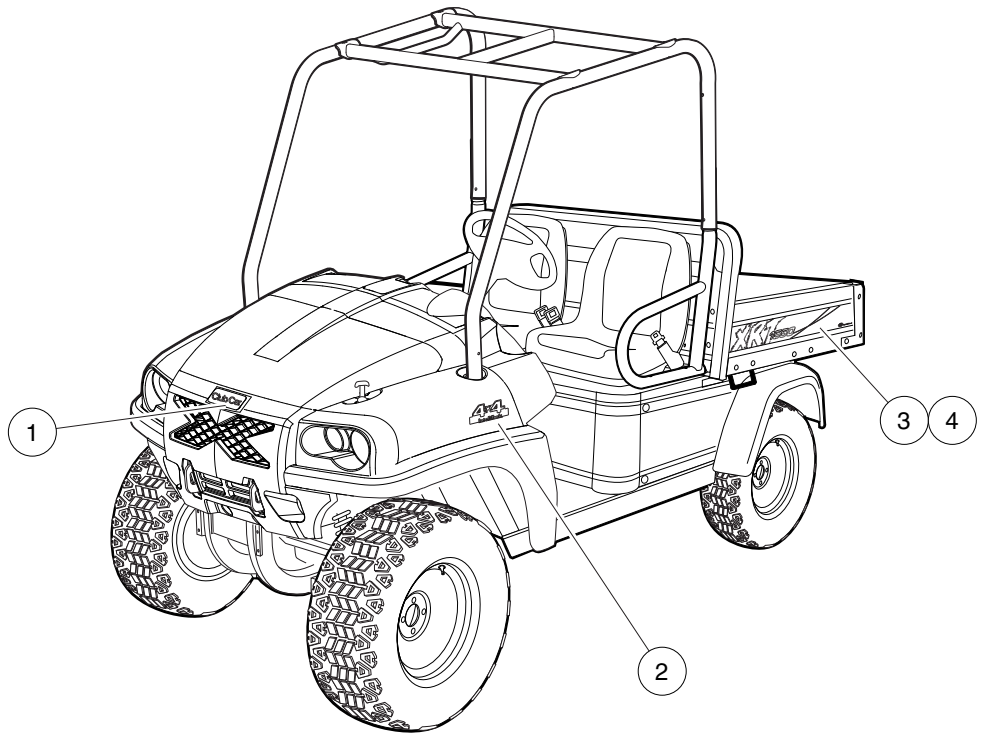
G

D

3

G

D



000531-008

## BADGING DECALS – XRT 2-PASSENGER

ITEM	PART NO.	DESCRIPTION	QTY
		1 2 3 4	
1	<u>102883601</u>	Decal, Nameplate, CCI, Front .....	1
2	<u>103234201</u>	Decal, Badge, 4x4 .....	2
3	<u>103945601</u>	Decal, Side, Bed, 1550, Ds .....	1
4	<u>103945602</u>	Decal, Side, Bed, 1550, Ps .....	1

**3**

**G**

**D**

3

G

D

**WARNING**

**DIESEL FUEL EXPLOSION / FIRE.**

- Can cause severe injury or death.
- No smoking, sparks, or open flame.
- Stop engine, allow to cool before refueling.

CCI 102459201

**WARNING**

**GASOLINE EXPLOSION / FIRE.**

- Can cause severe injury or death.
- No smoking, sparks, or open flame.
- Stop engine, allow to cool before refueling.
- Turn fuel valve (-) on during operation.
- (-) off during storage or transport.

CCI 101459201

14 psi / 97 kPa

CCI 101459201

**WARNING**

**CAN CAUSE SEVERE INJURY**

Rotating parts. KEEP CLEAR.

CCI 102459201

**WARNING**

**CAN CAUSE SEVERE INJURY**

**HOT manifold**

KEEP CLEAR

CCI 102459001

**WARNING**

**WINCH CABLE FRACTURE COULD RESULT IN SERIOUS INJURY OR DEATH.**

- Do not use winch while persons are seated on the vehicle.
- Use remote operation switch for winch control.
- Stand to the side and away from the vehicle to operate winch.
- Read winch operator manual before operating winch.

10221691

**WARNING**

**CAN CAUSE SEVERE BURNS**

Hot Surface

CCI 102458901

**WARNING**

Negative frame ground. Can cause severe injury. Do not contact positive (+) battery post or cable to frame. Disconnect negative (-) battery cable first.

CCI 102459101

**WARNING**

**CAN CAUSE SEVERE INJURY**

Rotating parts. KEEP CLEAR.

**WARNING**

**CAN CAUSE SEVERE INJURY**

Hot manifold and muffler. KEEP CLEAR.

CCI 102459501

3007



## SAFETY DECALS – CARRYALL AND XRT 4-PASSENGER

ITEM	PART NO.	DESCRIPTION	QTY
		1 2 3 4	
1	<u>101547601</u>	Decal, Gasoline Explosion/Fire Warning .....	1
2	<u>102231601</u>	Decal, Winch Cable Fracture Warning .....	1
3	<u>102427501</u>	Cap, Radiator .....	1
4	<u>102458901</u>	Decal, Hot Surface Warning .....	3
5	<u>102459001</u>	Decal, Hot Manifold Warning .....	1
6	<u>102459101</u>	Decal, Frame Ground Warning .....	1
7	<u>102459201</u>	Decal, Diesel Explosion/Fire Warning .....	1
8	<u>102459501</u>	Decal, Rotating Parts and Hot Exhaust Warning .....	1
9	<u>102460201</u>	Decal, Rotating Parts Warning .....	2

**3**

**G**

**D**

3

G

D

**OPERATING INSTRUCTIONS**

- Read owner's manual and vehicle safety warnings. Study and understand controls.

**TO START ENGINE**

- Place shift lever in NEUTRAL (N) and press brake pedal.
- Turn key to START and hold until engine starts.

**Diesel Vehicles Only:**

- If required, turn key to PREHEAT and hold for 10-15 seconds.

**TO OPERATE VEHICLE**

- Ensure wheels are turned in desired direction and path is clear.
- With vehicle stopped and engine at idle, select vehicle direction.

Forward  
 Neutral  
 Reverse (Buzzer will sound)

- Release park brake and slowly press accelerator pedal to increase speed.
- Allowed drive will automatically drive appropriate wheel(s).

**TO STOP VEHICLE**

- Release accelerator pedal and push brake pedal.

**BEFORE LEAVING VEHICLE**

- Turn key to OFF and remove key.
- Place shift lever in NEUTRAL (N).
- Firmly set park brake.

CCI 10284301

**WARNING**

**ROLLOVER OR FALLING OFF MAY CAUSE DEATH**

- Read owner's manual and operating instructions.
- Fasten seat belts and remain seated while moving.
- Children requiring a child safety seat must not ride on vehicle.

Comply with state and local laws pertaining to child safety.

- Drive slowly in turns and straight up and down slopes.
- Do not start vehicle until all occupants are seated.
- Two (2) persons per bench seat maximum.
- One (1) person per bucket seat maximum.
- Operate from driver side only and not on public roads.
- Keep entire body inside vehicle while moving.
- Do not operate while under the influence of alcohol or drugs.
- Never attempt jumps and avoid extreme braking in reverse.

CCI 10284301

**UNDER 16**

**WARNING**

**YOUNG DRIVERS INCREASE CHANCE OF DEATH**

- Young drivers may not be able to control vehicle.
- No drivers younger than 16 years old.
- Do not leave children unattended on vehicle.

CCI 10284301

**WARNING**

- Do not modify or remove Roll-Over Protective Structure (ROPS).
- Replace ROPS if damaged. Do not attempt repair.
- Use seat belts during operation. Do not jump from vehicle.
- Keep away from drop-offs, steep slopes, and unstable surfaces.

CCI 10284301

**WARNING**

**CAN CAUSE SEVERE INJURY**

Rotating parts, KEEP CLEAR.

CCI 102460201

**NOTICE**

**MAXIMUM TONGUE WEIGHT - 150 lbs.**

CCI 1011553

**WARNING**

**FALLING OFF COULD RESULT IN SEVERE INJURY OR DEATH**

- Fasten seat belt and remain seated while moving.
- One (1) person per bucket seat maximum.
- Do not leave children unattended on vehicle at any time.
- Two (2) persons per bench seat maximum.
- Never drive in front of or behind vehicle.

CCI 101609401

**WARNING**

**CRUSH AREA**

**STAY CLEAR**

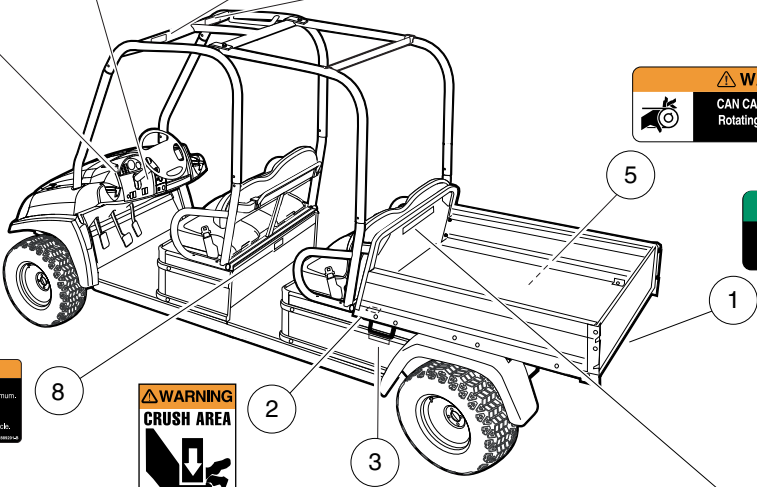
CCI 101609401

**WARNING**

**Crush area. Can cause severe injury. Stay clear when closing bed.**

CCI 101609401

<p><b>WARNING</b></p> <p><b>RIDING IN CARGO BED CAN CAUSE SERIOUS INJURY OR DEATH.</b></p> <ul style="list-style-type: none"> <li>• Do not ride in cargo bed.</li> </ul>	<p><b>WARNING</b></p> <p><b>ROLLOVER CAN CAUSE SERIOUS INJURY OR DEATH.</b></p> <ul style="list-style-type: none"> <li>• Place cargo forward in the cargo bed and distribute evenly side to side. Secure load.</li> <li>• On uneven or steep terrain, reduce speed and load.</li> <li>• Avoid stopping on or backing down steep hills.</li> <li>• Avoid top-heavy loads.</li> </ul>	<p><b>VEHICLE LOADING</b></p> <ul style="list-style-type: none"> <li>• Read owner's manual and warnings on dash.</li> <li>• Vehicle rated capacity: 1600 lb. (726 kg) on level surface only.</li> <li>• Includes occupants and cargo load.</li> <li>• Maximum cargo load: 800 lb. (363 kg).</li> <li>• Includes cargo, bed load, optional equipment, and trailer tongue weight.</li> </ul> <p>103219501</p>
--	---	---



2706

# SAFETY DECALS – CARRYALL AND XRT 4-PASSENGER, CONTINUED

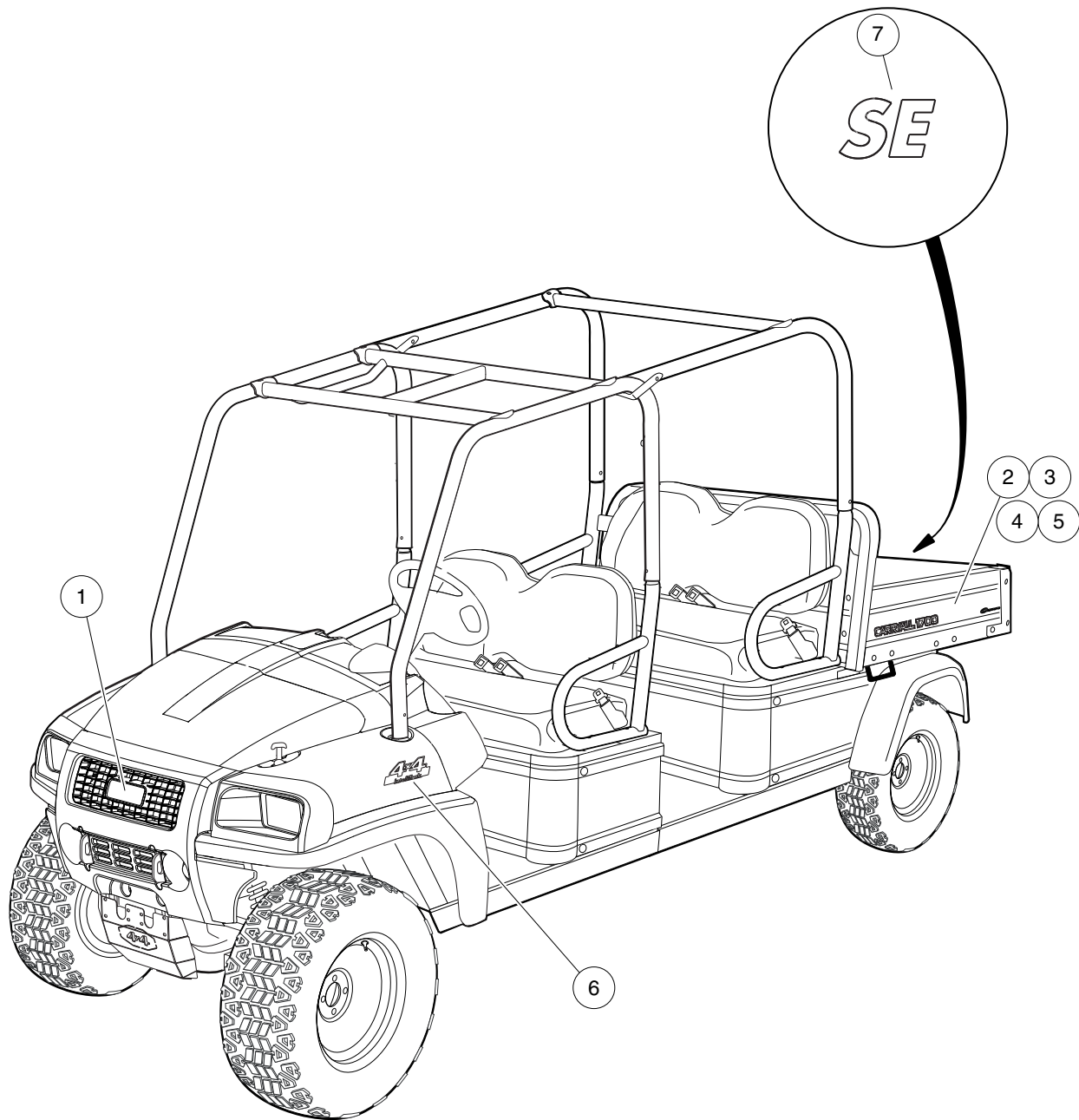
ITEM	PART NO.	DESCRIPTION	QTY
		1 2 3 4	
1	<u>1011553</u>	Decal, Trailer Hitch .....	1
2	<u>101609401</u>	Decal, Crush Area Warning .....	2
3	<u>102459301</u>	Decal, Bed Crush Area Warning .....	1
4	<u>102459401</u>	Decal, Young Driver Warning .....	1
5	<u>102460201</u>	Decal, Rotating Parts Warning .....	2
6	<u>102884301</u>	Decal, Operating Instr, AWD .....	1
7	<u>102884401</u>	Decal, Warning, Rollover .....	1
8	<u>102889201</u>	Decal, Warning, Passenger .....	1
9	<u>102961201</u>	Decal, Warning, AWD ROPS .....	1
10	<u>103210501</u>	Decal, Load, Vehicle, 3350 Lbs .....	1

**3**  
**G**  
**D**

3

G

D



000547-007

## BADGING DECALS – CARRYALL 4-PASSENGER

ITEM	PART NO.	DESCRIPTION	QTY
		1 2 3 4	
1	<u>102883601</u>	Decal, Nameplate, CCI, Front .....	1
2	<u>103233614</u>	Decal, Badge, CA 295, Driver-Side, Dk Gray .....	1
3	<u>103233617</u>	Decal, Badge, CA 295, Driver-Side, Ntrl .....	1
4	<u>103233714</u>	Decal, Badge, CA 295, Passenger-Side, Dk Gray .....	1
5	<u>103233717</u>	Decal, Badge, CA 295, Passenger-Side, Ntrl .....	1
6	<u>103234201</u>	Decal, Badge, 4x4 .....	2
7	103945701	Decal, Se .....	1

**3**

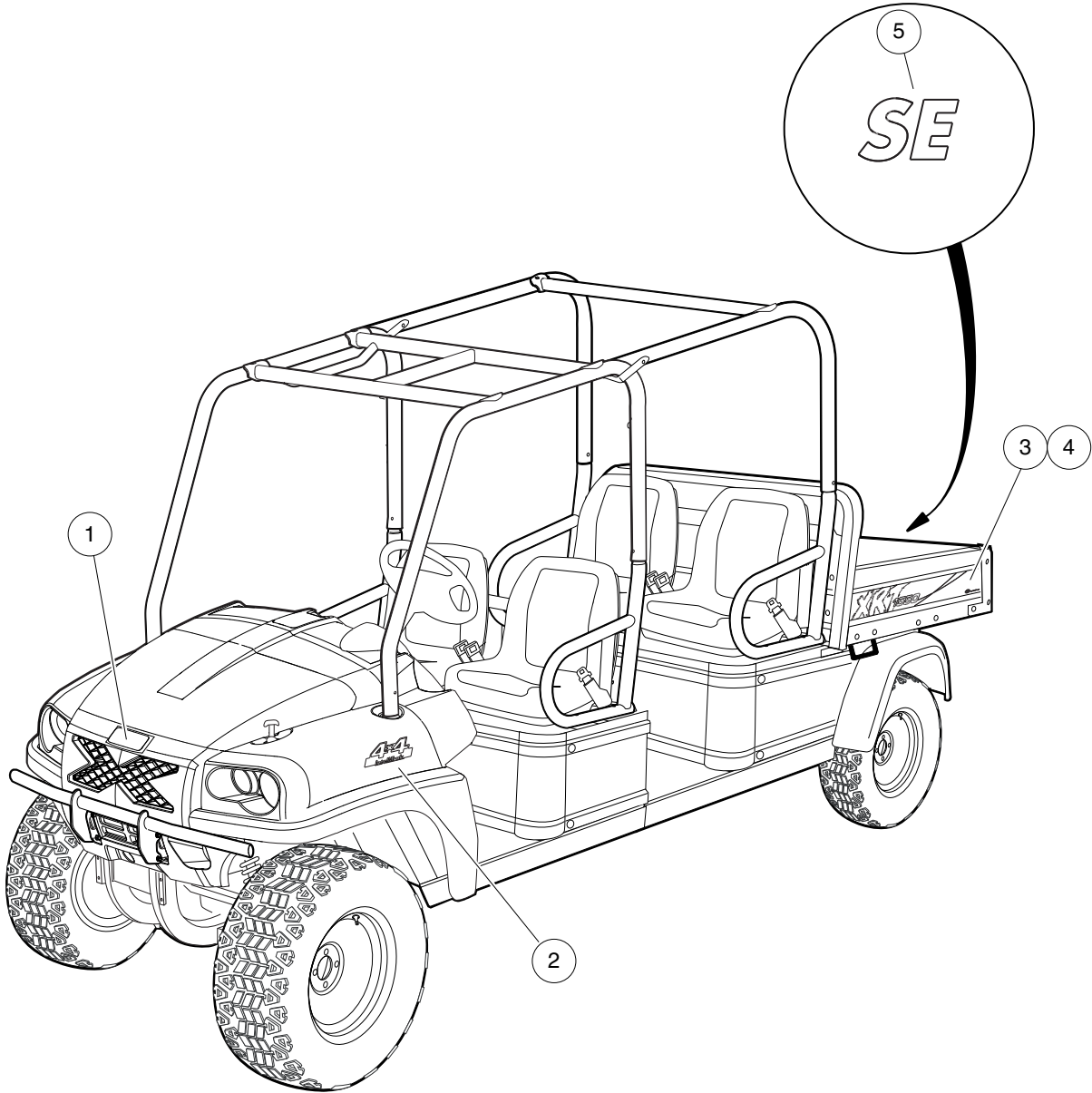
**G**

**D**

3

G

D



000547-006

## BADGING DECALS – XRT 4-PASSENGER

ITEM	PART NO.	DESCRIPTION	QTY
		1 2 3 4	
1	<u>102883601</u>	Decal, Nameplate, CCI, Front .....	1
2	<u>103234201</u>	Decal, Badge, 4x4 .....	2
3	<u>103945601</u>	Decal, Side, Bed, 1550, Ds .....	1
4	<u>103945602</u>	Decal, Side, Bed, 1550, Ps .....	1
5	103945701	Decal, Se .....	1

3

G

D

3

G

D

**WARNING**  
CAN CAUSE SEVERE INJURY  
Rotating parts. KEEP CLEAR.  
CCI 102459201

14 psi 97 kPa

**WARNING**  
**DIESEL FUEL EXPLOSION / FIRE.**  
• Can cause severe injury or death.  
• No smoking, sparks, or open flame.  
• Stop engine, allow to cool before refueling.  
CCI 102459201

**OPERATING INSTRUCTIONS**

- Read owner's manual, HANDBOOK, and vehicle safety warnings. Study and understand controls.

**TO START ENGINE**

- Place shift lever in NEUTRAL (N) and press brake pedal.
- If required, turn key to PREHEAT and hold for 10-15 seconds.
- Turn key to START and hold until engine starts.

**TO OPERATE VEHICLE**

- Ensure wheels are turned in desired direction and path is clear.
- Raise attachment to provide adequate ground clearance.
- With vehicle stopped and engine at idle, select vehicle direction.  
↑ - Forward    N - Neutral    ↓ - Reverse (Buzzer will sound)
- Release park brake and slowly press accelerator pedal to increase speed.
- All-wheel drive will automatically drive appropriate wheel(s).

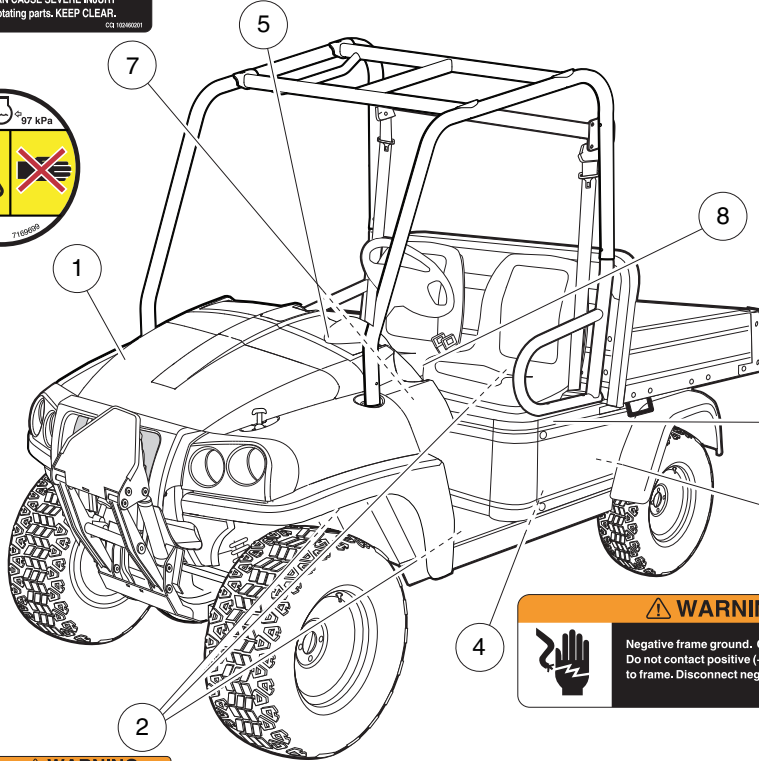
**TO STOP VEHICLE**

- Release accelerator pedal and push brake pedal.

**BEFORE LEAVING VEHICLE**

- Lower attachment arm until attachment is flat on the ground.
- Turn key to OFF and remove key.
- Place shift lever in NEUTRAL (N).
- Firmly set park brake.

CCI 103185701



**WARNING**  
CAN CAUSE SEVERE INJURY  
**HOT manifold**  
KEEP CLEAR  
CCI 102459001

**WARNING**  
Negative frame ground. Can cause severe injury. Do not contact positive (+) battery post or cable to frame. Disconnect negative (-) battery cable first.  
CCI 102459101

**WARNING**  
CAN CAUSE SEVERE BURNS  
Hot Surface  
CCI 102458901

**WARNING**  
CAN CAUSE SEVERE INJURY  
Rotating parts. KEEP CLEAR.  
CCI 102459501

**WARNING**  
CAN CAUSE SEVERE INJURY  
Hot manifold and muffler. KEEP CLEAR.  
CCI 102459501

6  
3010



## SAFETY DECALS – INTELLITACH

ITEM	PART NO.	DESCRIPTION	QTY
		1 2 3 4	
1	<u>102427501</u>	Cap, Radiator .....	1
2	<u>102458901</u>	Decal, Hot Surface Warning .....	3
3	<u>102459001</u>	Decal, Hot Manifold Warning .....	1
4	<u>102459101</u>	Decal, Frame Ground Warning .....	1
5	<u>102459201</u>	Decal, Diesel Explosion/Fire Warning .....	1
6	<u>102459501</u>	Decal, Rotating Parts and Hot Exhaust Warning .....	1
7	<u>102460201</u>	Decal, Rotating Parts Warning .....	1
8	<u>103188701</u>	Decal, Operator Instructions, Intellitach .....	1

**3**

**G**

**D**

3

G

D

**WARNING**

**ROLLOVER OR FALLING OFF MAY CAUSE DEATH**

- Read owner's manual and HANDBOOK.
- Fasten seat belts and remain seated while moving.
- Children requiring a child safety seat must not ride on vehicle.
- Comply with state and local laws pertaining to child safety.
- Drive slowly in turns and straight up and down slopes.
- Do not start vehicle until all occupants are seated.
- One (1) person per bucket seat maximum.
- Operate from driver side only and not on public roads.
- Keep entire body inside vehicle while moving.
- Do not operate while under the influence of alcohol or drugs.
- Never attempt jumps and avoid extreme braking in reverse.

**ATTACHMENT ARM CAN CAUSE SEVERE INJURY OR DEATH**

- Keep bystanders away.
- Keep hands and body from under attachment.
- Always carry attachment as low as possible.
- Do not exceed attachment arm rated capacity.
- Do not modify the attachment arm or attachments.
- Before leaving vehicle, lower attachment arm until attachment is flat on the ground.

CCI 10318801

**UNDER 16**

**WARNING**

**YOUNG DRIVERS INCREASE CHANCE OF DEATH**

- Young drivers may not be able to control vehicle.
- No drivers younger than 16 years old.
- Do not leave children unattended on vehicle.

CCI 10309401

**WARNING**

- Do not modify or remove Roll-over Protective Structure (ROPS).
- Replace ROPS if damaged. Do not attempt repair.
- Use seat belts during operation. Do not jump from vehicle.
- Keep away from drop-offs, steep slopes, and unstable surfaces.

CCI 102561201

**WARNING**

**Crush area. Can cause severe injury. Stay clear when closing bed.**

CCI 10256001

**FULLY ENGAGE LOCKING LEVER**

LEVER

PINS MUST EXTEND THROUGH MOUNTING FRAME HOLES

CCI 10256001

**WARNING**

**CAN CAUSE SEVERE INJURY**

Rotating parts. KEEP CLEAR.

CCI 10256001

**NOTICE**

**MAXIMUM TONGUE WEIGHT - 150 lbs.**

CCI 1011553

**WARNING**

**CRUSH AREA**

**STAY CLEAR**

CCI 101029401

**WARNING**

**HIGH PRESSURE FLUIDS COULD CAUSE SERIOUS INJURY OR DEATH**

- Read maintenance and service manual before performing repairs on hydraulic system.
- Do not attempt to repair hydraulic pump or lines while engine or pump is in operation.
- Relieve pressure before disconnecting hydraulic lines or fittings.

102950601

**WARNING**

**RIDING IN CARGO BED CAN CAUSE SERIOUS INJURY OR DEATH.**

- Do not ride in cargo bed.

**WARNING**

**ROLLOVER CAN CAUSE SERIOUS INJURY OR DEATH.**

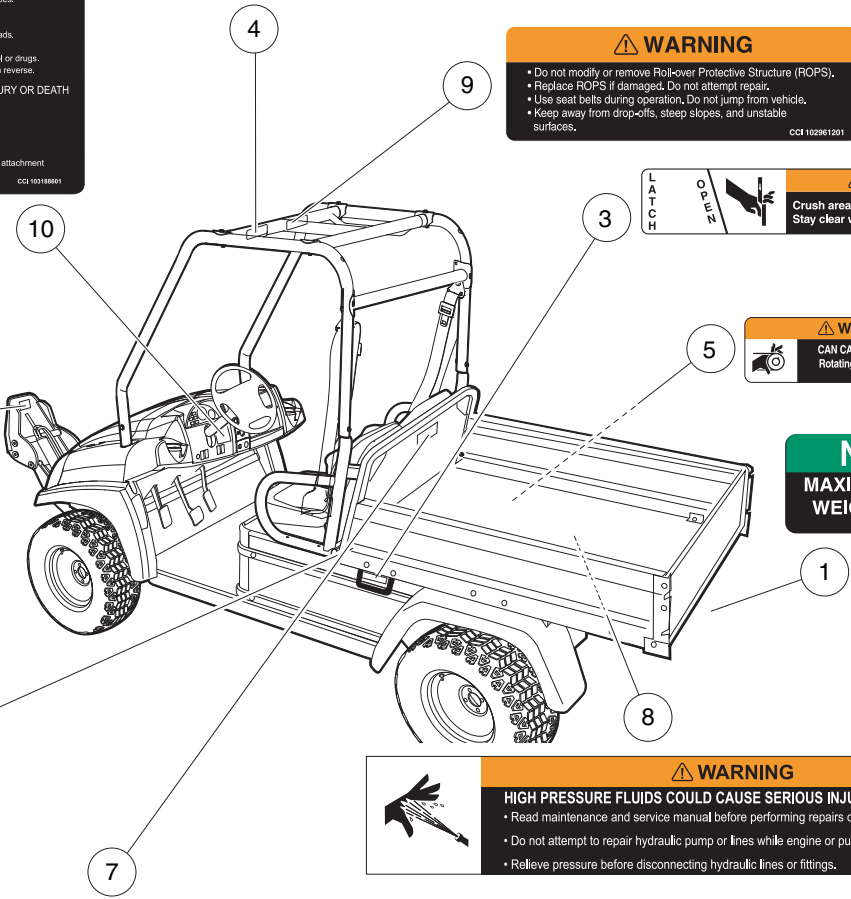
- Place cargo forward in the cargo bed and distribute evenly side to side. Secure load.
- On uneven or steep terrain, reduce speed and load.
- Avoid stopping on or backing down steep hills.
- Avoid top-heavy loads.

**VEHICLE LOADING**

- Read owner's manual, HANDBOOK, and warnings on dash.
- Vehicle rated capacity: 1500 lbs. (684 kg) on level surface only.
- Includes occupants and cargo load.
- Maximum attachment arm load: 500 lbs. (227 kg).
- Includes attachment weight and attachment load.

- Maximum cargo load: 800 lbs. (363 kg).
- Includes cargo, bed load, attachment arm load, optional equipment, and trailer tongue weight.

102950001



## SAFETY DECALS – INTELLITACH, CONTINUED

ITEM	PART NO.	DESCRIPTION	QTY
		1 2 3 4	
1	<u>1011553</u>	Decal, Trailer Hitch .....	1
2	<u>101609401</u>	Decal, Crush Area Warning .....	2
3	<u>102459301</u>	Decal, Bed Crush Area Warning .....	1
4	<u>102459401</u>	Decal, Young Driver Warning .....	1
5	<u>102460201</u>	Decal, Rotating Parts Warning .....	2
6	N/A	Decal, Attachment Locking .....	1
7	<u>102930801</u>	Decal, Loading, Intellitach .....	1
8	<u>102950601</u>	Decal, Hydra Pump .....	1
9	<u>102961201</u>	Decal, Warning, AWD ROPS .....	1
10	<u>103188601</u>	Decal, Warn, Rollover & Attach .....	1

**3**

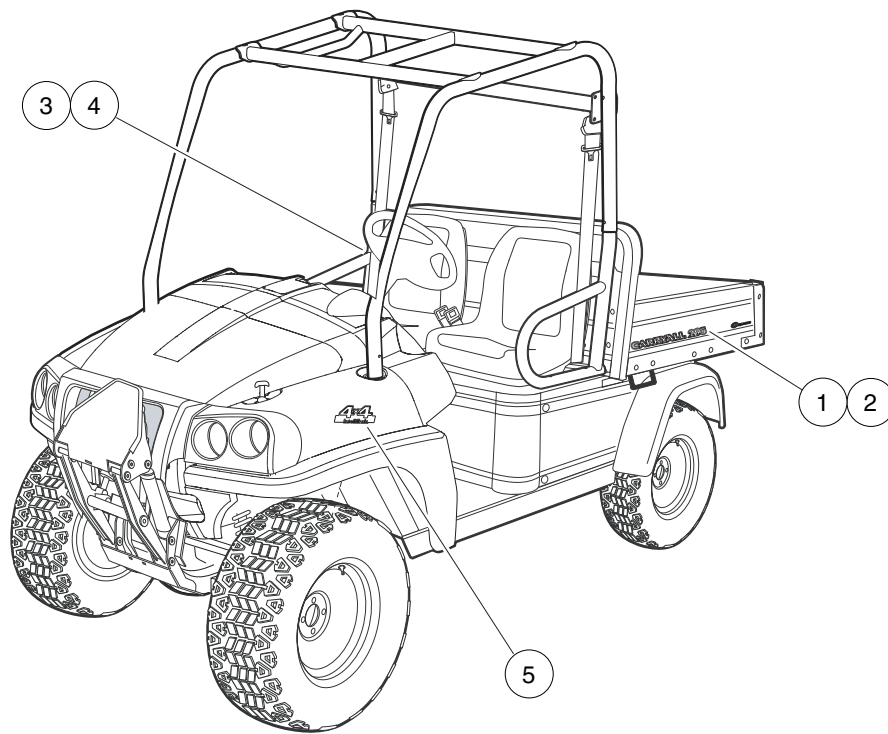
**G**

**D**

3

G

D



000562-004

## BADGING DECALS – CARRYALL INTELLITACH

ITEM	PART NO.	DESCRIPTION	QTY
		1 2 3 4	
1	<u>103233614</u>	Decal, Badge, CA 295, Driver-Side, Dk Gray .....	1
2	<u>103233617</u>	Decal, Badge, CA 295, Driver-Side, Ntrl .....	1
3	<u>103233714</u>	Decal, Badge, CA 295, Passenger-Side, Dk Gray .....	1
4	<u>103233717</u>	Decal, Badge, CA 295, Passenger-Side, Ntrl .....	1
5	<u>103234201</u>	Decal, Badge, 4x4 .....	2

3

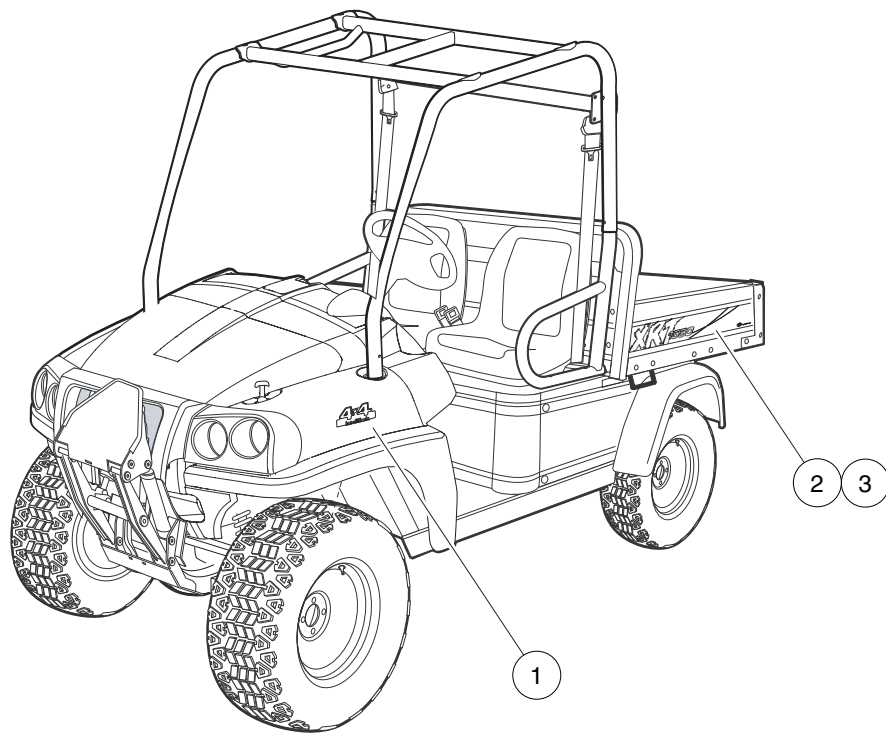
G

D

3

G

D



000562-007

## BADGING DECALS – XRT INTELLITACH

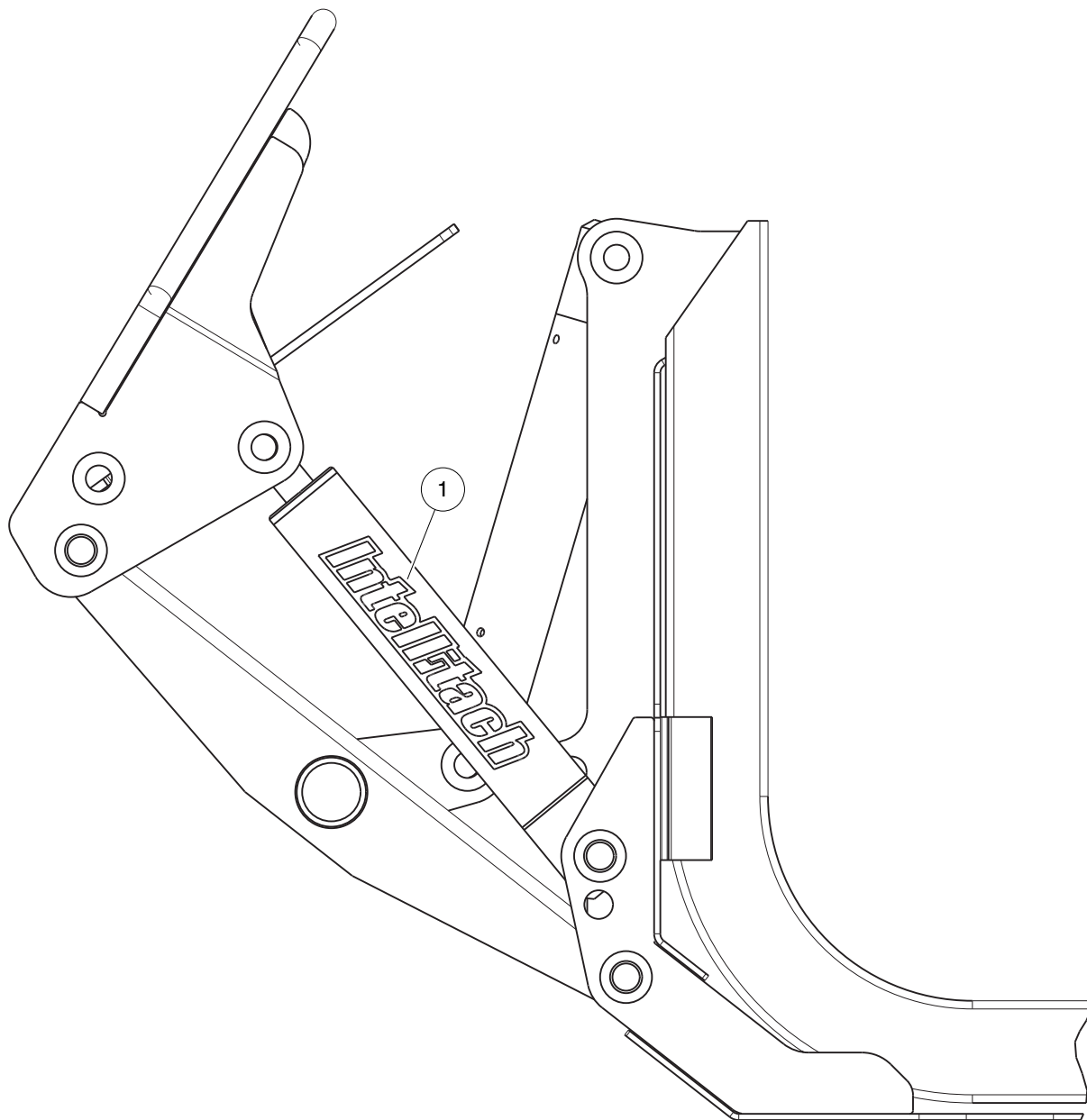
ITEM	PART NO.	DESCRIPTION	QTY
		1 2 3 4	
1	<u>103234201</u>	Decal, Badge, 4x4 .....	2
2	<u>103945601</u>	Decal, Side, Bed, 1550, Ds .....	1
3	<u>103945602</u>	Decal, Side, Bed, 1550, Ps .....	1

**3**  
**G**  
**D**

3

G

D



000562-006



## BADGING DECALS – INTELLITACH

ITEM	PART NO.	DESCRIPTION	QTY
1	<u>102925601</u>	1 2 3 4 Decal, Brand, IntelliTach .....	1

3

G

D

3

G

D

# BRAKE SYSTEMS AND PEDALS

---

4

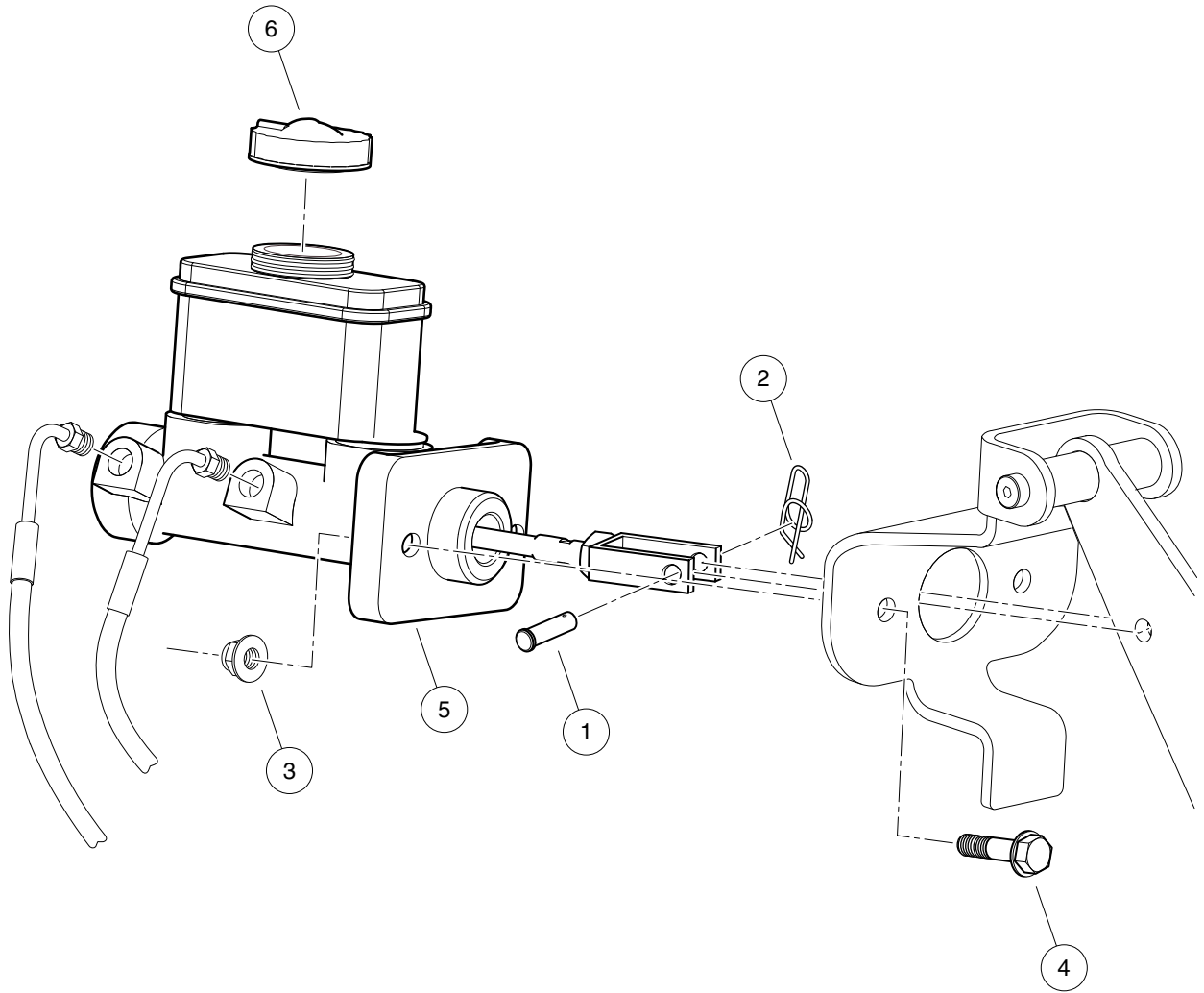
G

D

4

G

D



000792-001

## MASTER CYLINDER WITH INTEGRAL RESERVOIR

ITEM	PART NO.	DESCRIPTION	QTY
		<b>1 2 3 4</b>	
1	<u>101082903</u>	Pin, Clevis, 5/16 X 1 .....	1
2	<u>102176901</u>	Pin, Rue .....	1
3	<u>102298401</u>	Nut,m8,all Metal Lock .....	2
4	<u>102618401</u>	Bolt Flanged Head, M8 X 1.25 X 35 .....	2
5	<u>103376101</u>	Cylinder, Master, Integral Res .....	1
6	<u>103380701</u>	Cap, Filler, Master Cylinder .....	1

**4**

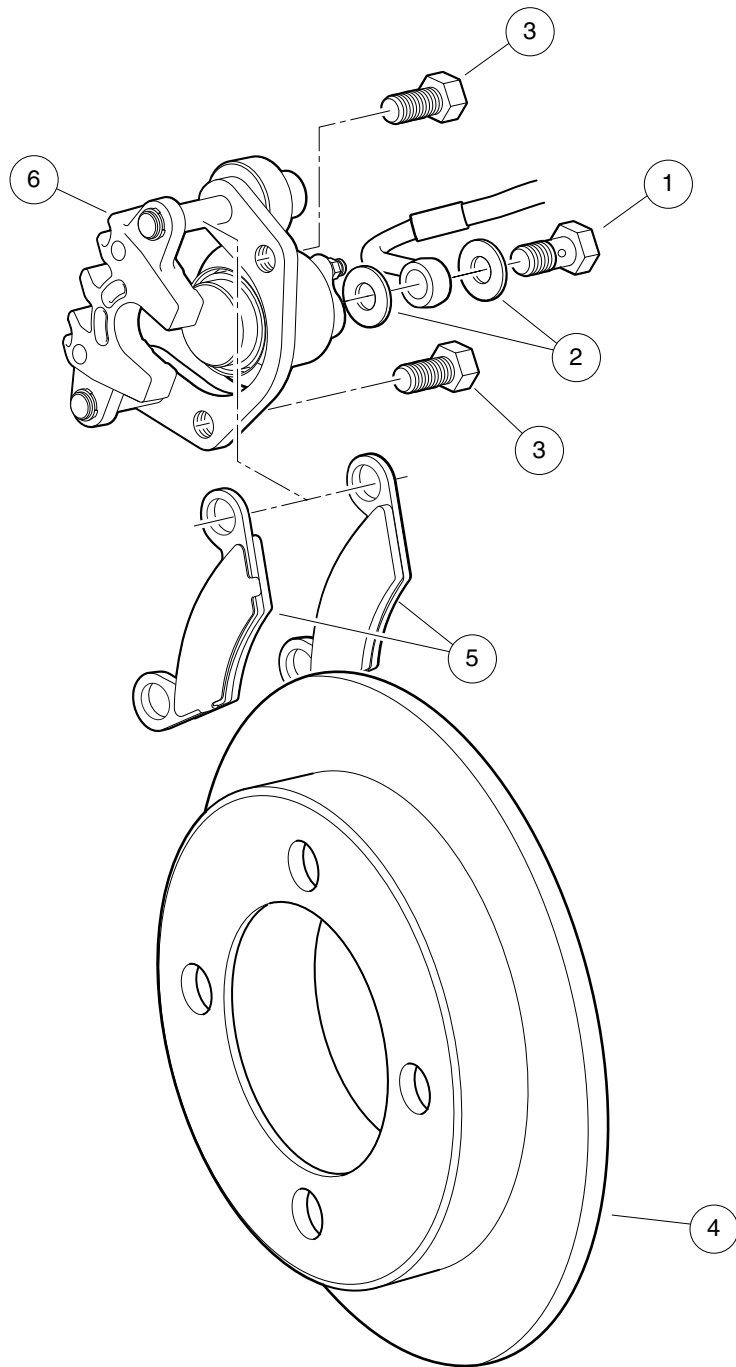
**G**

**D**

4

G

D



000067-003

# FRONT BRAKES

ITEM	PART NO.	DESCRIPTION	QTY
		1 2 3 4	
1	<u>102488001</u>	Bolt, Banjo, M10x1x19 .....	2
2	<u>102491601</u>	Washer, Copper, M10 Crush .....	2
3	<u>102493301</u>	Bolt, Flange Head, 3/8-24x.750 with Loctite .....	4
4	<u>103077501</u>	Rotor, Disc, Brake .....	2
5	<u>103160101</u>	Kit, Brake Pad, 7646 .....	1
6	<u>103574301</u>	Caliper, Brake, Front, w/pad 7646 .....	2

4

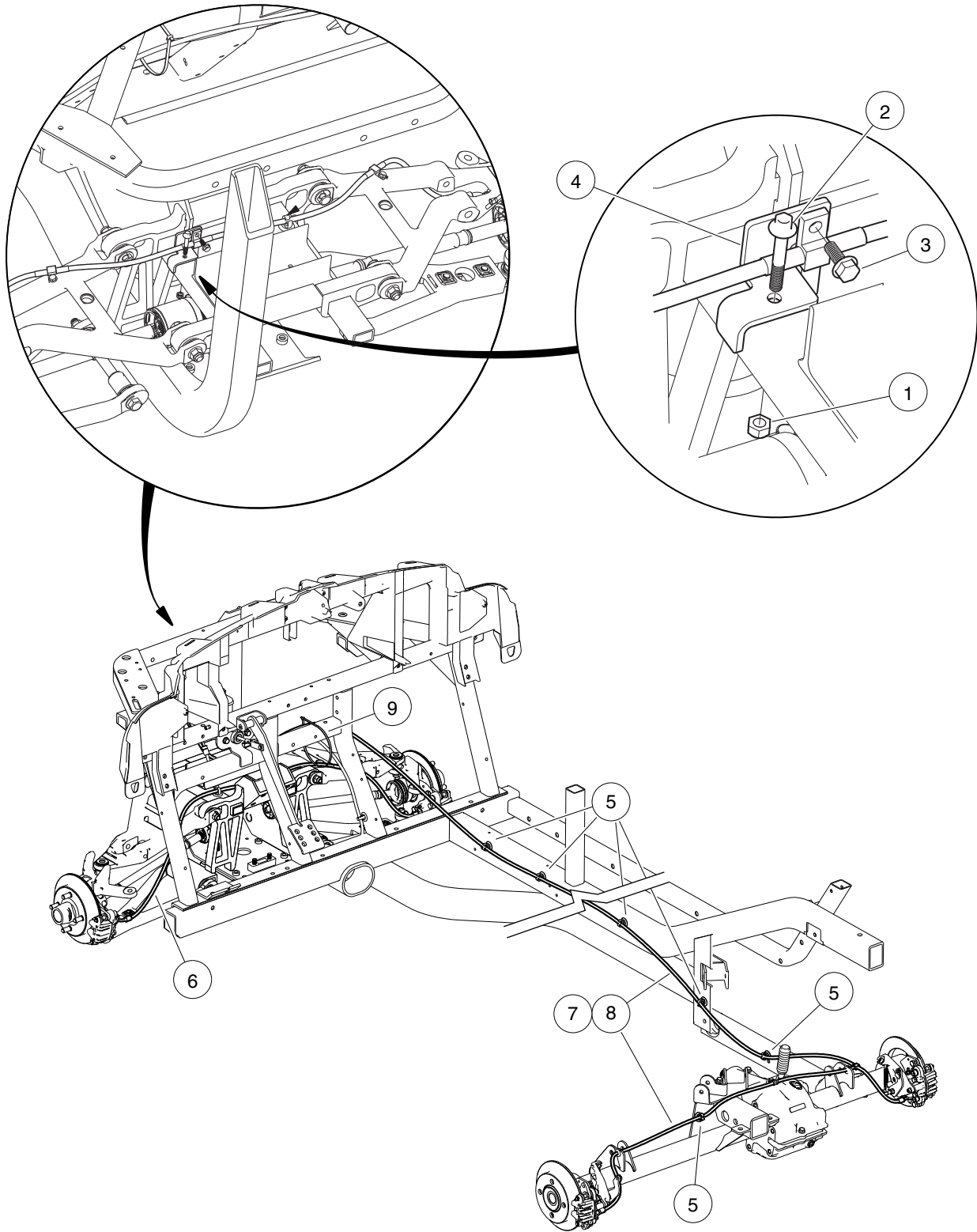
G

D

4

G

D



000015-007



# HYDRAULIC BRAKE LINES AND CLIPS

ITEM	PART NO.	DESCRIPTION	QTY
		<b>1 2 3 4</b>	
1	<u>101887601</u>	Locknut, M6-1.00 Nylon Insert .....	1
2	<u>102296140</u>	Bolt, Flanged Head, M6x1.0x40 .....	1
3	<u>102296716</u>	Screw, M6 X 16 Tt Hx Fl Hd .....	4
4	<u>102474301</u>	Bracket, Tee, Brakeline .....	1
5	<u>102475701</u>	Clip, Brake Line .....	9
6	<u>103174302</u>	Brake Line, Front, 295/295 SE/1550/1550 SE .....	1
7	<u>103842501</u>	Brake Line, Rear, 295/1550 .....	1
8	<u>103847101</u>	Brake Line, Rear, Long, 295 SE/1550 SE .....	1
9	<u>8639</u>	Tie Wrap, 11" Nylon .....	1

4

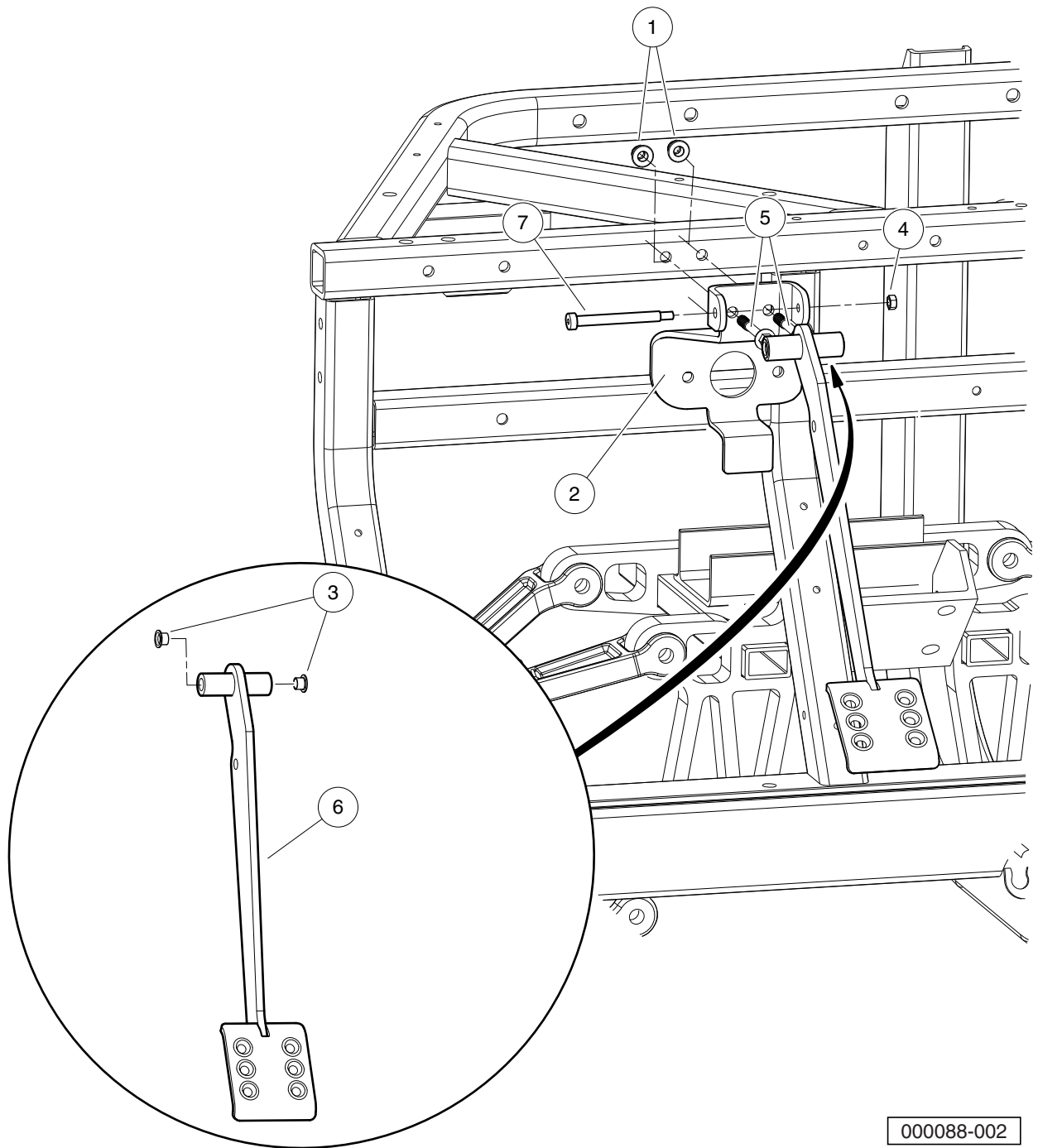
G

D

4

G

D



000088-002

# BRAKE PEDAL

ITEM	PART NO.	DESCRIPTION	QTY
		<b>1 2 3 4</b>	
1	<u>102298401</u>	Nut,m8,all Metal Lock .....	2
2	<u>102380601</u>	Bracket, Pedal, Brake .....	1
3	<u>102442901</u>	Bushing, Greaseless .....	2
4	<u>102618101</u>	Nut, M6x1, Mechanically Deformed .....	1
5	<u>102618301</u>	Bolt, Flanged Head, M8 X 1.25 X 65 .....	2
6	<u>102626201</u>	Weldment, Pedal, Brake, Hung .....	1
7	<u>103273101</u>	Bolt, Shoulder, M8 X 70, Hc .....	1

**4**

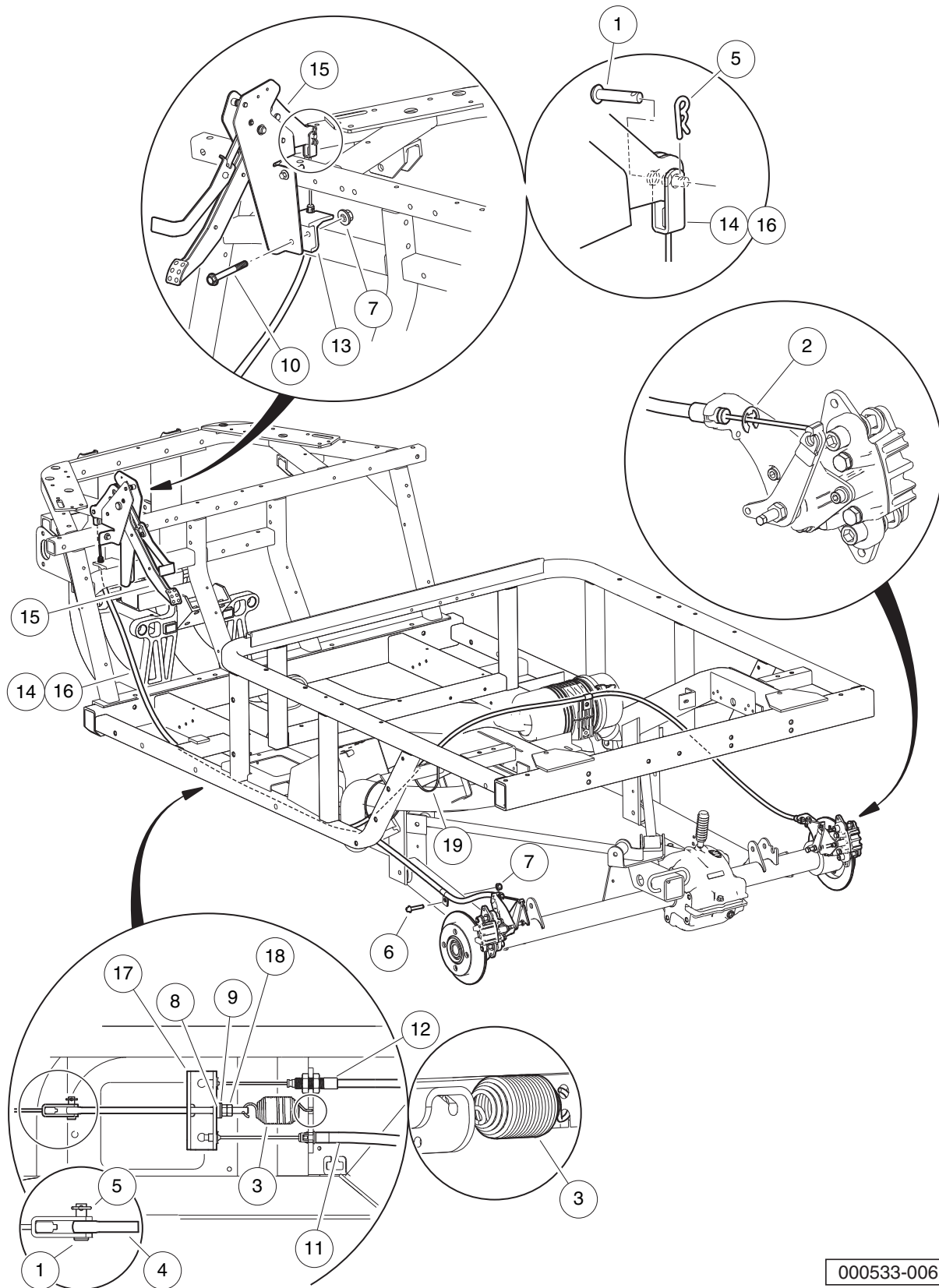
**G**

**D**

4

G

D



000533-006

# PARK BRAKE SYSTEM

ITEM	PART NO.	DESCRIPTION	QTY
		1 2 3 4	
1	<u>101082903</u>	Pin, Clevis, 5/16 X 1 .....	2
2	<u>1011779</u>	E-Clip, 1/2 .....	2
3	<u>1013531</u>	Spring, Brake Return .....	1
4	<u>101953101</u>	Rod, Equalizer, 8.91" .....	1
5	<u>102292801</u>	Pin, Bow Tie Locking - .072 .....	2
6	<u>102298240</u>	Bolt, Flange Head, M8-1.25 X 40 .....	1
7	<u>102298401</u>	Nut,m8,all Metal Lock .....	4
8	<u>102551901</u>	Washer, 5/16, Self Comp, Cup .....	1
9	<u>102552001</u>	Washer, 5/16, Self Comp, Cone .....	1
10	<u>102618301</u>	Bolt, Flanged Head, M8 X 1.25 X 65 .....	3
11	<u>102763301</u>	Cable, Noncoated, Pbrake, Left .....	1
12	<u>102763401</u>	Cable, Noncoated, Pbrake, Right .....	1
13	<u>103500901</u>	Bracket, Cable, Park Brake .....	1
14	<u>103505301</u>	Cable, Main Park Brake, 295/1550 .....	1
15	<u>103505401</u>	Asm, Pedal, Park Brake .....	1
16	<u>103529501</u>	Cable, Main Park Brake, Long, 295 SE/1550 SE .....	1
17	<u>103535001</u>	Bracket, Equalizer .....	1
18	<u>1242</u>	Nut, 5/16-18 Hex .....	2
19	<u>8639</u>	Tie Wrap, 11" Nylon .....	2

4

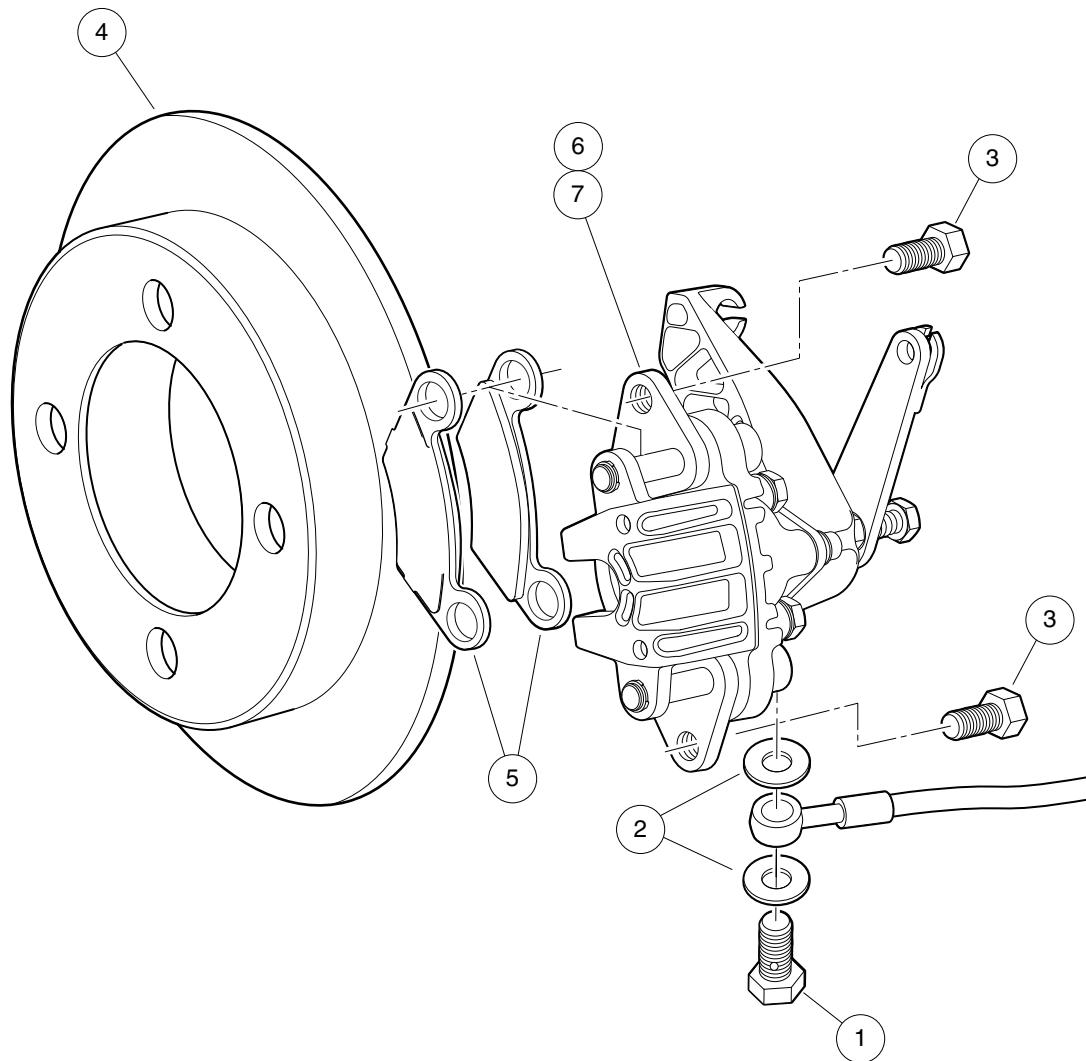
G

D

4

G

D



000068-005

# REAR BRAKES

ITEM	PART NO.	DESCRIPTION	QTY
		<b>1 2 3 4</b>	
1	<u>102488001</u>	Bolt, Banjo, M10x1x19 .....	2
2	<u>102491601</u>	Washer, Copper, M10 Crush .....	4
3	<u>102493301</u>	Bolt, Flange Head, 3/8-24x.750 with Loctite .....	4
4	<u>103077501</u>	Rotor, Disc, Brake .....	2
5	<u>103160101</u>	Kit, Brake Pad, 7646 .....	1
6	<u>103523602</u>	Caliper, Brake, Rear, LH, with Park Brake .....	1
7	<u>103523702</u>	Caliper, Brake, Rear, RH, with Park Brake .....	1

**4**

**G**

**D**

**4**

**G**

**D**



# STEERING AND SUSPENSION

---

5

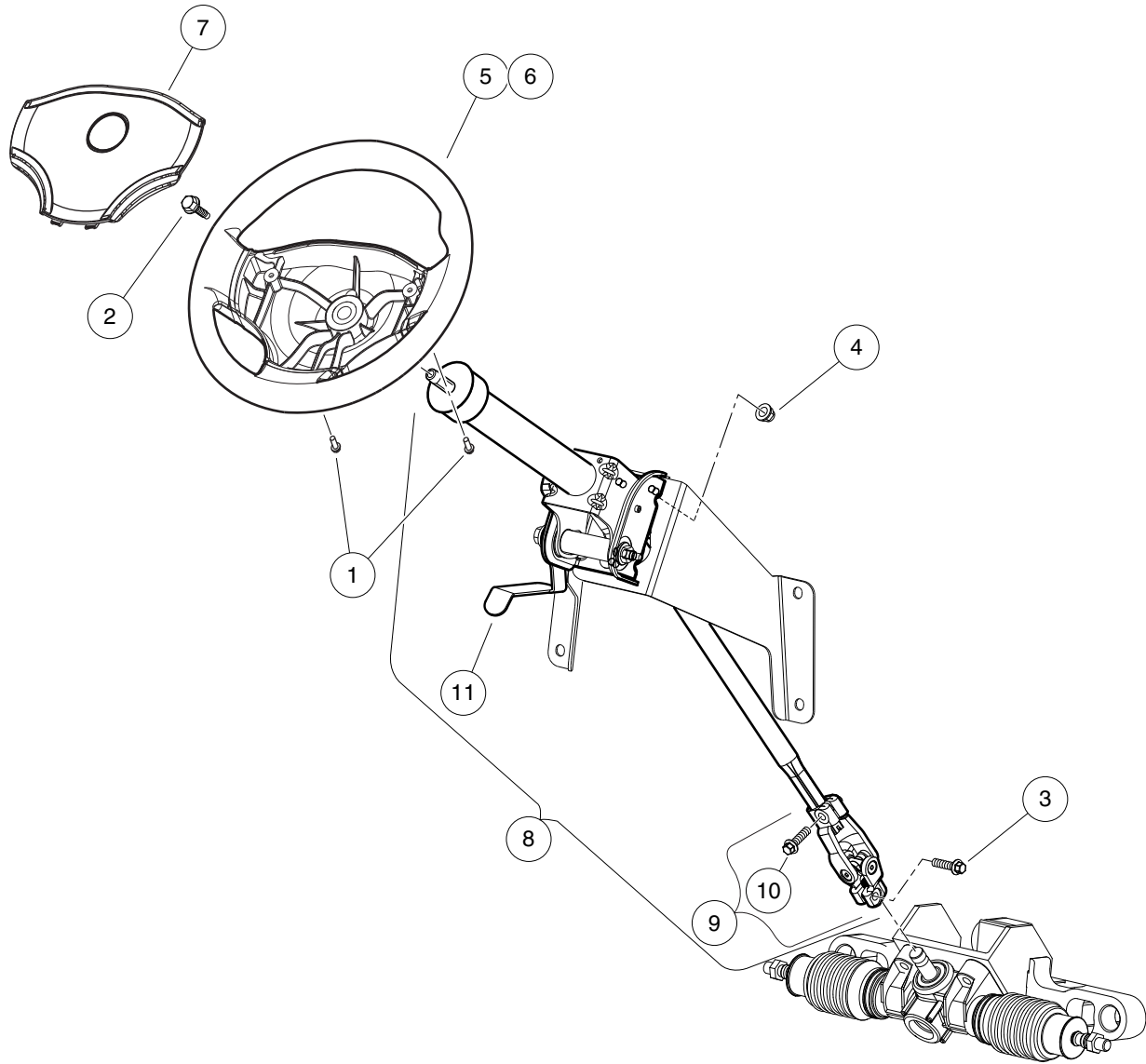
G

D

5

G

D



000070-006

## STEERING WHEEL AND COLUMN

ITEM	PART NO.	DESCRIPTION	QTY
		1 2 3 4	
1	<u>101850301</u>	Screw, #12-16 X 0.50 Washer-Head Hi-Lo .....	2
2	<u>102290120</u>	Bolt, M10 X 20 Hex Washer Hd .....	1
3	<u>102298130</u>	Bolt, Flange Head, M8 X 30.0 .....	1
4	<u>102298401</u>	Nut,m8,all Metal Lock .....	3
5	<u>103724501</u>	Steering Wheel, Hex .....	1
6	<u>103724503</u>	Steering Wheel, Soft Grip, Hex .....	1
7	<u>103724602</u>	Cover, Steering Wheel, Generic .....	1
8	<u>103859901</u>	Column, Steering, Awd (includes items 9 through 11) .....	1
9	<u>103810201</u>	Kit, Lower Yoke, Wanda (includes item 10) .....	1
10	<u>102298130</u>	Bolt, Flange Head, M8 X 30.0 .....	1
11	<u>103862701</u>	Handle, Steering, Tilt, Awd .....	1

**5**

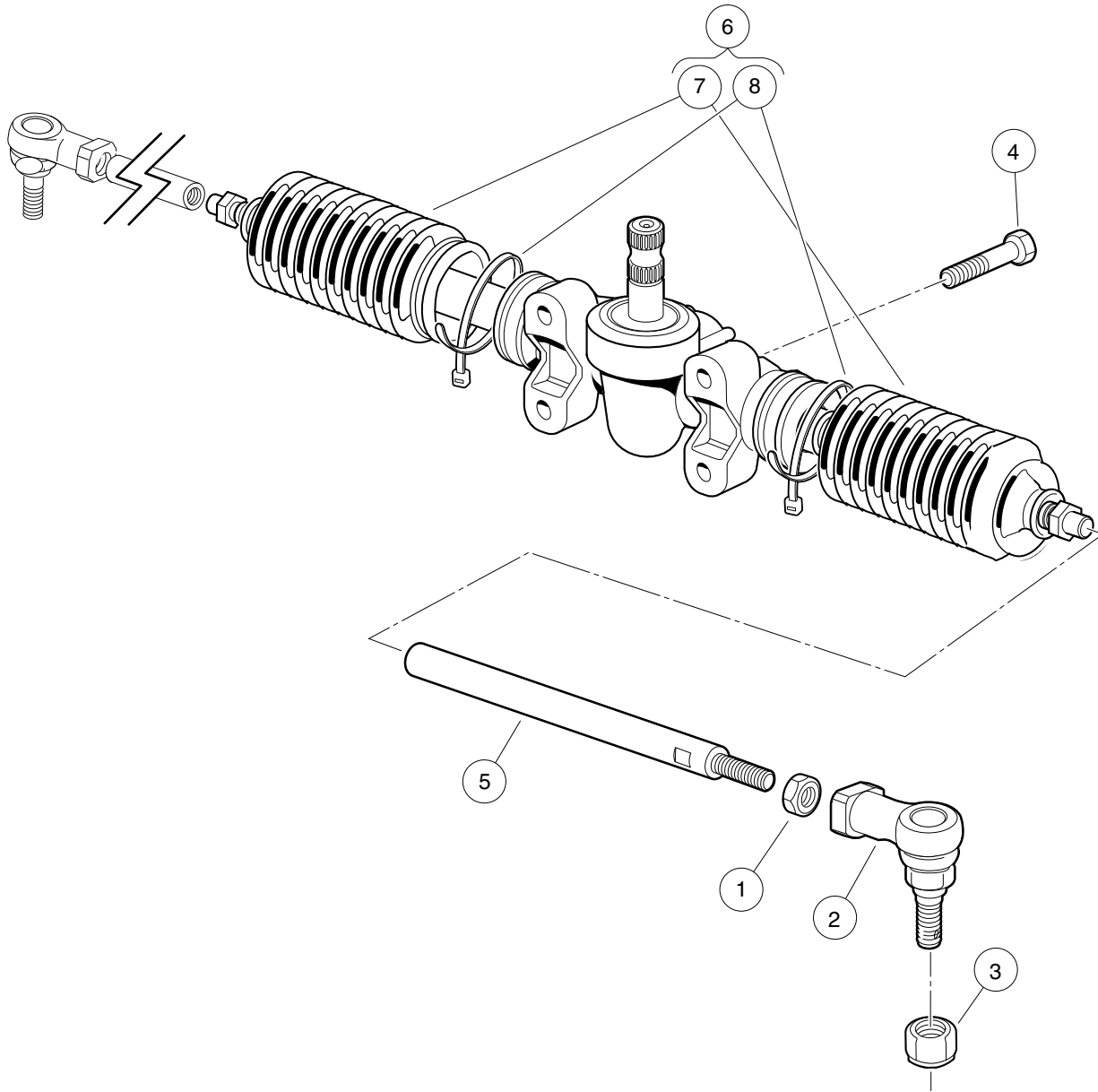
**G**

**D**

5

G

D



000071-004

# STEERING GEAR

ITEM	PART NO.	DESCRIPTION	QTY
		<b>1 2 3 4</b>	
1	1013042	Nut, 12mm Hex .....	2
2	<u>102022601</u>	End, Tie Rod M12 X 1.25 Rh .....	2
3	<u>102022901</u>	Locknut, M12-1.25 Nylon .....	2
4	<u>102687801</u>	Bolt, Flange Head, M10x 1.5 X 40 with Loctite .....	4
5	<u>102816801</u>	Link, Drag, Wt .....	2
6	<u>103866601</u>	Gear, Steering, AWD (includes items 7 and 8) .....	1
7	<u>1013035</u>	Bellows, Long .....	2
8	<u>8990</u>	Tie Wrap, 8" Nylon .....	2

**5**

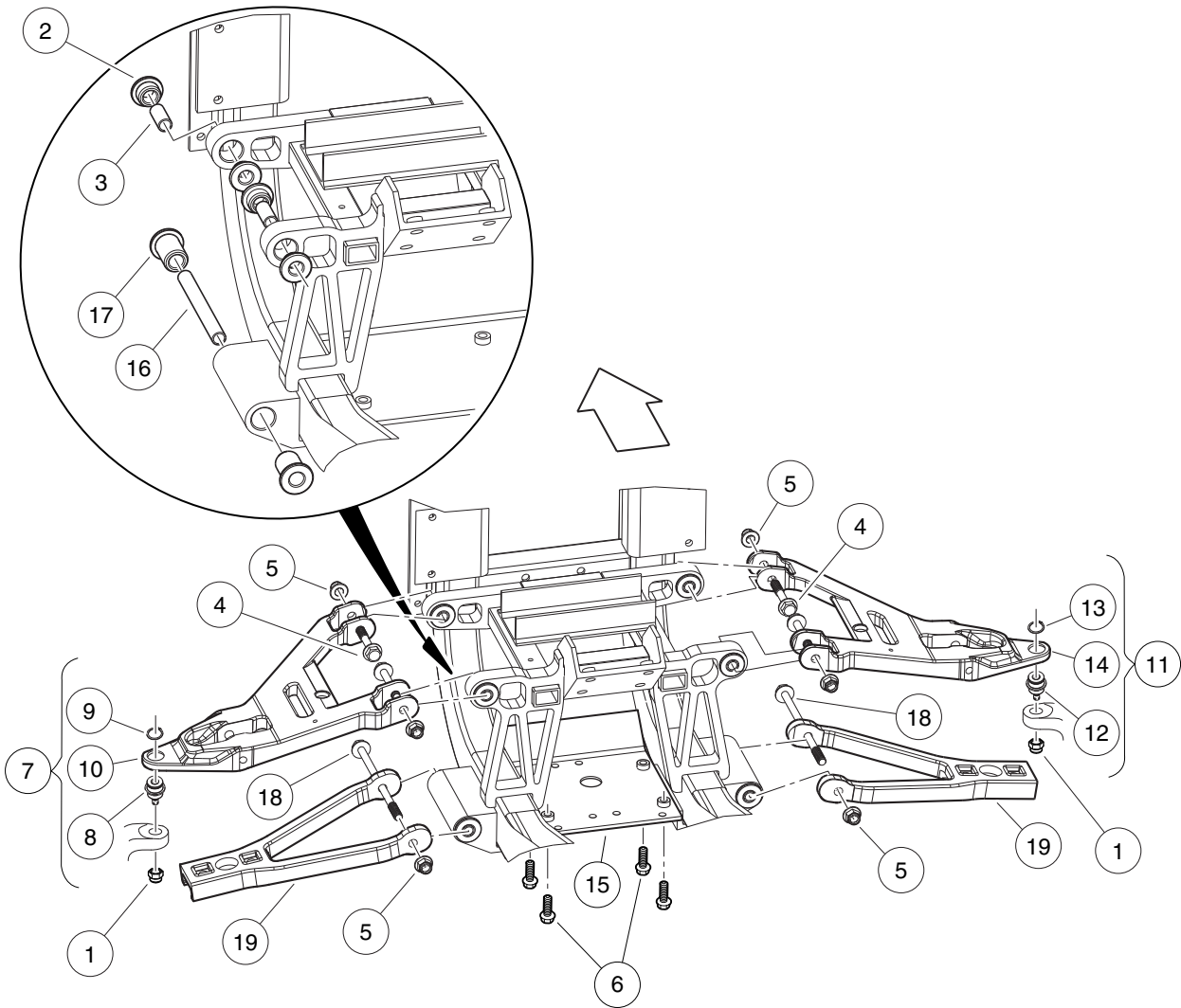
**G**

**D**

5

G

D



000534-011

## FRONT SUSPENSION – PAGE 1 OF 2

ITEM	PART NO.	DESCRIPTION	QTY
		<b>1 2 3 4</b>	
1	<u>102022901</u>	Locknut, M12-1.25 Nylon .....	2
2	<u>102408401</u>	Bushing, A-Arm .....	8
3	<u>102437001</u>	Sleeve, Upper .....	4
4	<u>102616301</u>	Bolt, Flange Head, M12 X 1.75 X 70 .....	4
5	<u>102620501</u>	Nut, Flange, M12x1.75, Nylon Grade 10 .....	6
6	<u>102711601</u>	Bolt, Flange Head, M10 X 1.5 X 25 .....	4
7	<u>102792001</u>	Asm, A-Arm, Upper, Left (includes items 8 through 10) .....	1
8	<u>102361901</u>	Joint, Ball .....	1
9	<u>102722301</u>	Ring, Retaining, Ext, 1-1/4" .....	1
10	<u>102927101</u>	Arm, Upper, Wide, Machined, LH .....	1
11	<u>102792002</u>	Asm, A-arm, Upper, Right (includes items 12 through 14) .....	1
12	<u>102361901</u>	Joint, Ball .....	1
13	<u>102722301</u>	Ring, Retaining, Ext, 1-1/4" .....	1
14	<u>102927102</u>	Arm, Upper, Wide, Machined, RH .....	1
15	<u>103244701</u>	Asm, Mount, Diff Plate .....	1
16	<u>103256401</u>	Sleeve, Lower Arm .....	2
17	<u>103256501</u>	Bushing, Lower Arm .....	4
18	<u>103256701</u>	Bolt, Flange, M12 X 1.75 X 200 10 .....	2
19	<u>103969801</u>	Lower Control Arm, Machined .....	2

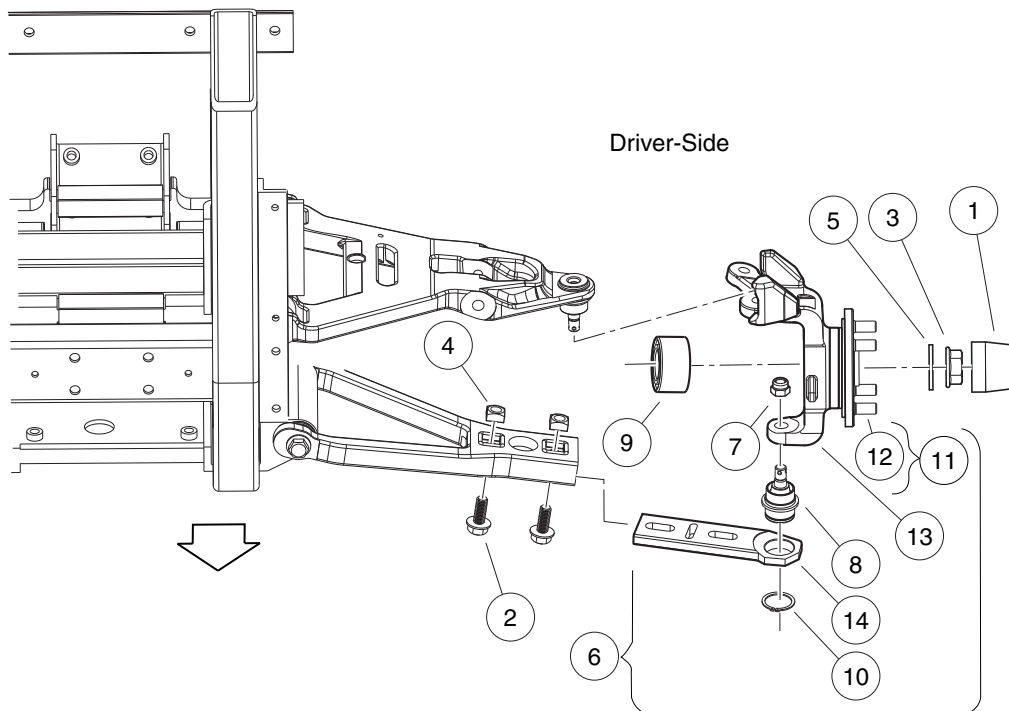
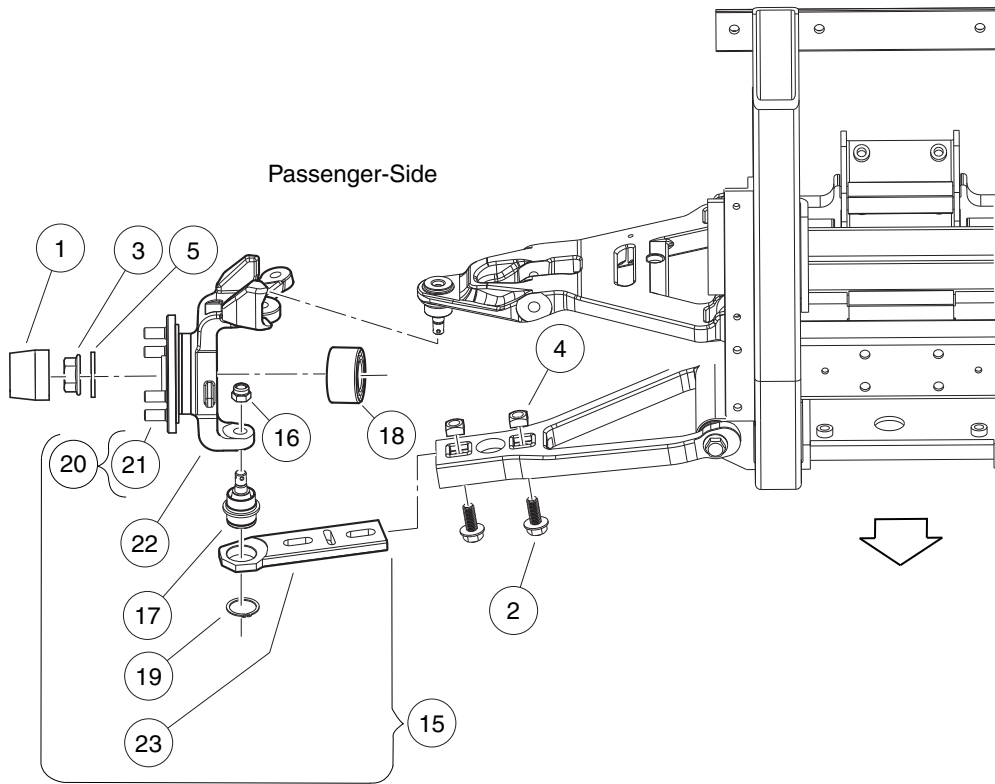
**5**

**G**

**D**

**5**  
**G**

**D**



000534-010



## FRONT SUSPENSION – PAGE 2 OF 2

ITEM	PART NO.	DESCRIPTION	QTY
		<b>1 2 3 4</b>	
1	102274101	Center Cap, Rubber .....	2
2	<u>102490801</u>	Bolt, Flange Head, M12x 1.75x 30 with Loctite .....	4
3	<u>102617501</u>	Nut, Flange, M22 X 1.5 Mech Def .....	2
4	<u>102617701</u>	Nut, Square, M12x 1.75 .....	4
5	<u>102617801</u>	Washer, Hard, M22 .....	2
6	<u>103980901</u>	Asm, Upright, AWD, Caster, Driver-Side, for Single-Piston Caliper (includes items 7 through 14) 1	
7	<u>102022901</u>	Locknut, M12-1.25 Nylon .....	1
8	<u>102361901</u>	Joint, Ball .....	1
9	<u>102464301</u>	Bearing .....	1
10	<u>102722301</u>	Ring, Retaining, Ext, 1-1/4" .....	1
11	<u>103146204</u>	Wheel Hub, Front, 1550, Service (includes item 12) .....	1
12	<u>103951501</u>	Lug Stud, 1/2-20 UNF, SAE J1102 .....	4
13	N/A	Upright, Finished, LH .....	1
14	103939301	Slide, Adjuster, 5 Degree, Ds .....	1
15	<u>103980902</u>	Asm, Upright, AWD, Caster, Passenger-Side, for Single-Piston Caliper (includes items 16 through 23) 1	
16	<u>102022901</u>	Locknut, M12-1.25 Nylon .....	1
17	<u>102361901</u>	Joint, Ball .....	1
18	<u>102464301</u>	Bearing .....	1
19	<u>102722301</u>	Ring, Retaining, Ext, 1-1/4" .....	1
20	<u>103146204</u>	Wheel Hub, Front, 1550, Service (includes item 21) .....	1
21	<u>103951501</u>	Lug Stud, 1/2-20 UNF, SAE J1102 .....	4
22	N/A	Upright, Finished, RH .....	1
23	103939302	Slide, Adjuster, 5 Degree, Ps .....	1

**5**

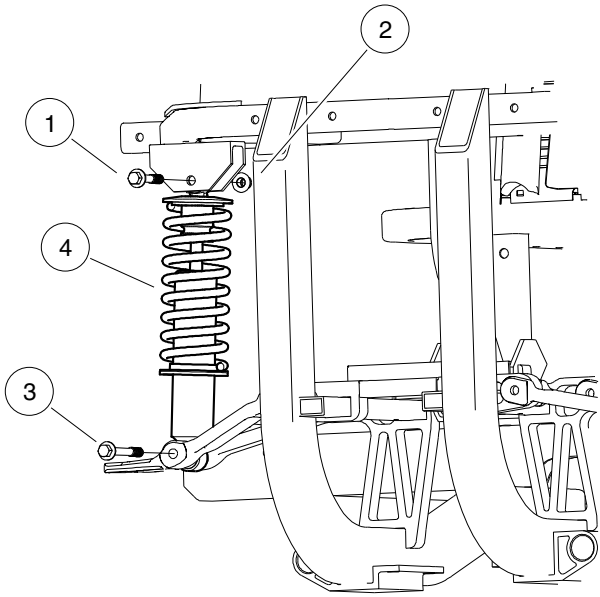
**G**

**D**

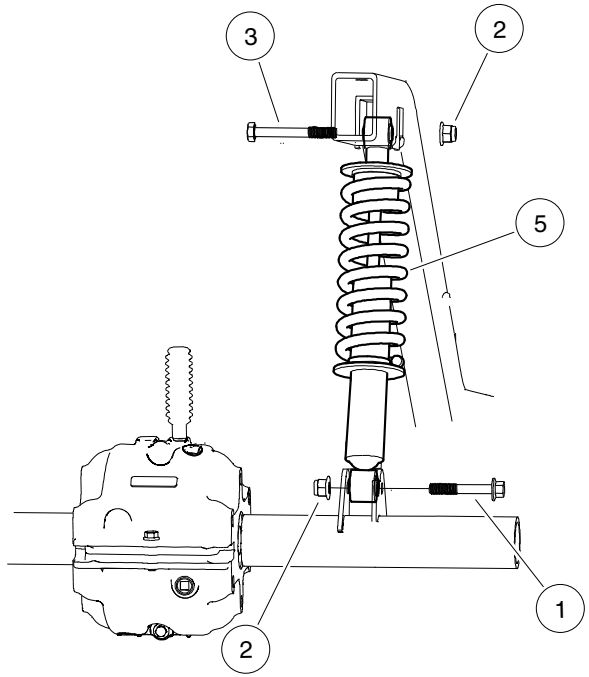
5

G

D



Front



Rear

000530-005

## SHOCK ABSORBERS – 800 LB. CAPACITY

ITEM	PART NO.	DESCRIPTION	QTY
		1 2 3 4	
1	<u>102616301</u>	Bolt, Flange Head, M12 X 1.75 X 70 .....	4
2	<u>102620501</u>	Nut, Flange, M12x1.75, Nylon Grade 10 .....	6
3	<u>102788701</u>	Bolt, Flange, M12x1.75x100, Patch .....	4
4	<u>103841701</u>	Shock Absorber, Coil-over, Front, 800 lb Capacity .....	2
5	<u>103930401</u>	Shock Absorber, Coil-over, Rear, 800 lb Capacity .....	2
		Note: Shocks must be installed as matched pairs.	

**5**

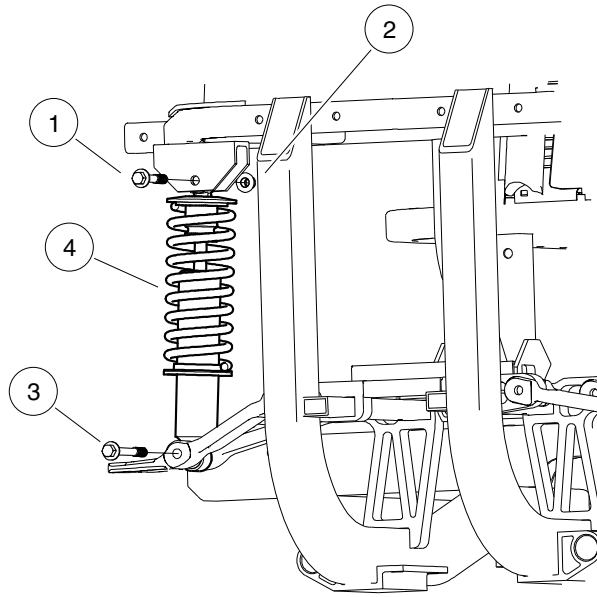
**G**

**D**

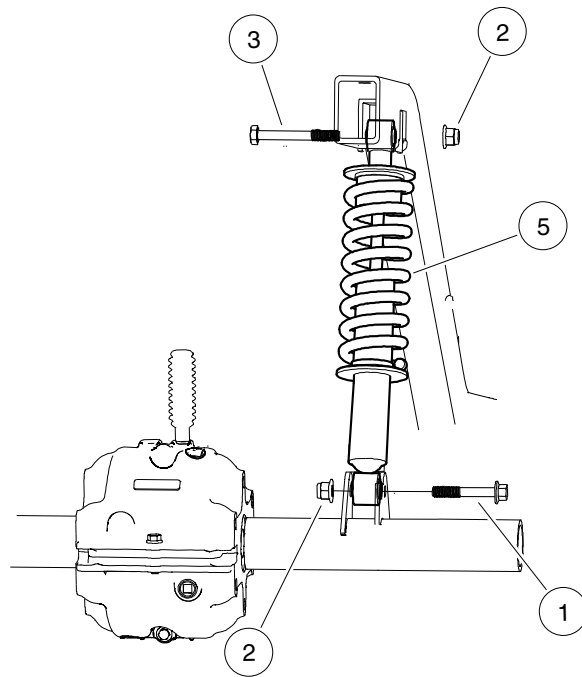
5

G

D



Front



Rear

000530-005

## SHOCK ABSORBERS – 1050 LB. CAPACITY

ITEM	PART NO.	DESCRIPTION	QTY
		1 2 3 4	
1	<u>102616301</u>	Bolt, Flange Head, M12 X 1.75 X 70 .....	4
2	<u>102620501</u>	Nut, Flange, M12x1.75, Nylon Grade 10 .....	6
3	<u>102788701</u>	Bolt, Flange, M12x1.75x100, Patch .....	4
4	<u>103841801</u>	Shock Absorber, Coil-over, Front, 1050 lb Capacity .....	2
5	<u>103930501</u>	Shock Absorber, Coil-over, Rear, 1050 lb Capacity .....	2
		Note: Shocks must be installed as matched pairs.	

**5**

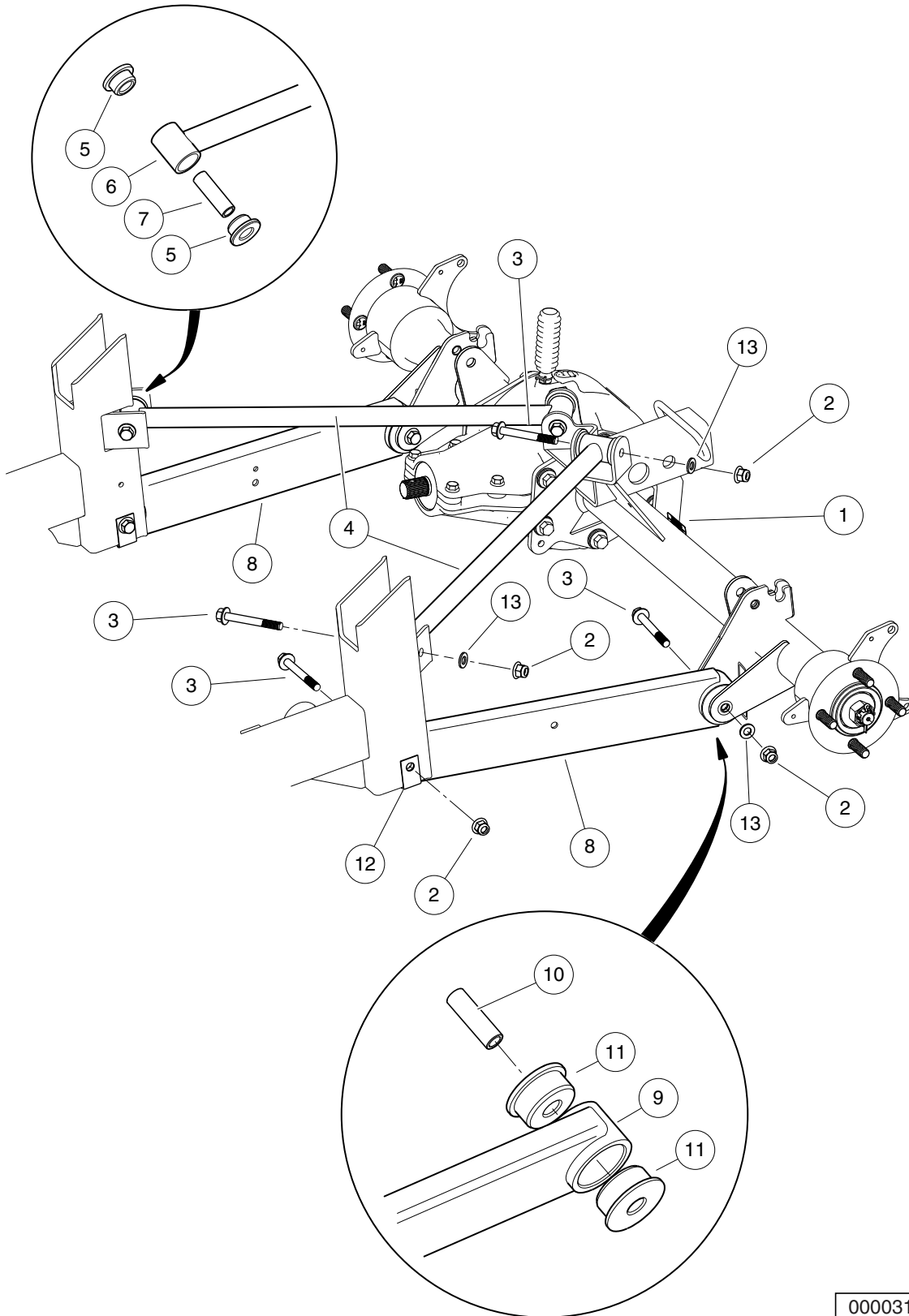
**G**

**D**

5

G

D



000031-005

# REAR SUSPENSION (4-LINK)

ITEM	PART NO.	DESCRIPTION	QTY
		1 2 3 4	
1	<u>1011553</u>	Decal, Trailer Hitch .....	1
2	<u>102670701</u>	Nut, Flange, M10 X 1.5 Nylon .....	8
3	<u>103147001</u>	Bolt, Flg, M10 X 1.5 X 80 .....	8
4	103860302	Assy, Lateral Link, Service Replacement, 4-Link Susp (includes items 5 through 7) .....	2
5	<u>102408401</u>	Bushing, A-Arm .....	4
6	N/A	Link, Lateral, Awd .....	1
7	<u>103845501</u>	Sleeve, Inner, 4link .....	2
8	103860402	Assy, Trailing Link, Service Replacement, 4-Link Susp (includes items 9 through 11) .....	2
9	N/A	Link, Trailing, Awd .....	1
10	<u>103845501</u>	Sleeve, Inner, 4link .....	2
11	<u>103886201</u>	Bushing, Poly, 4-link .....	4
12	<u>103923001</u>	Clip, Wear, Trail Link .....	4
13	<u>96741046</u>	Washer, M10, Hard .....	6

**5**

**G**

**D**

**5**

**G**

**D**



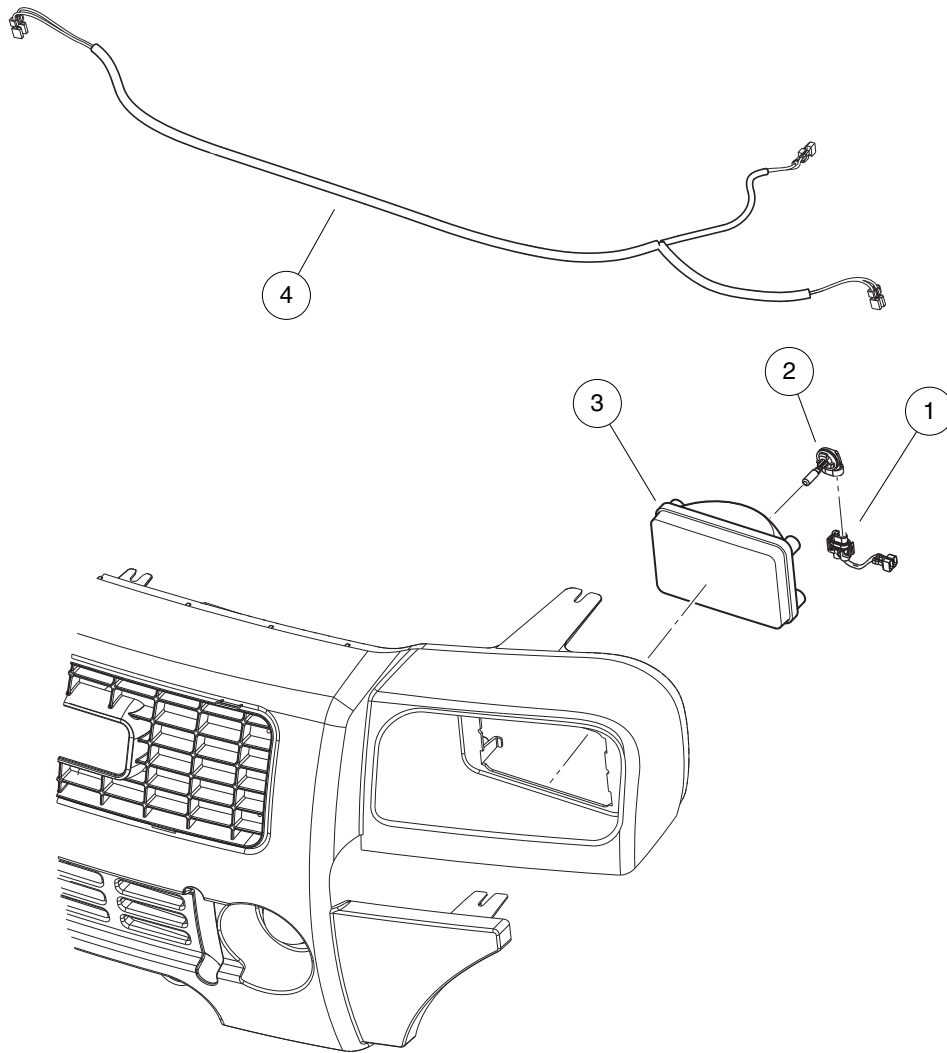
# **ELECTRICAL SYSTEM – GAS VEHICLES**

---

**6**

**G**

**6**  
**G**



000880-003

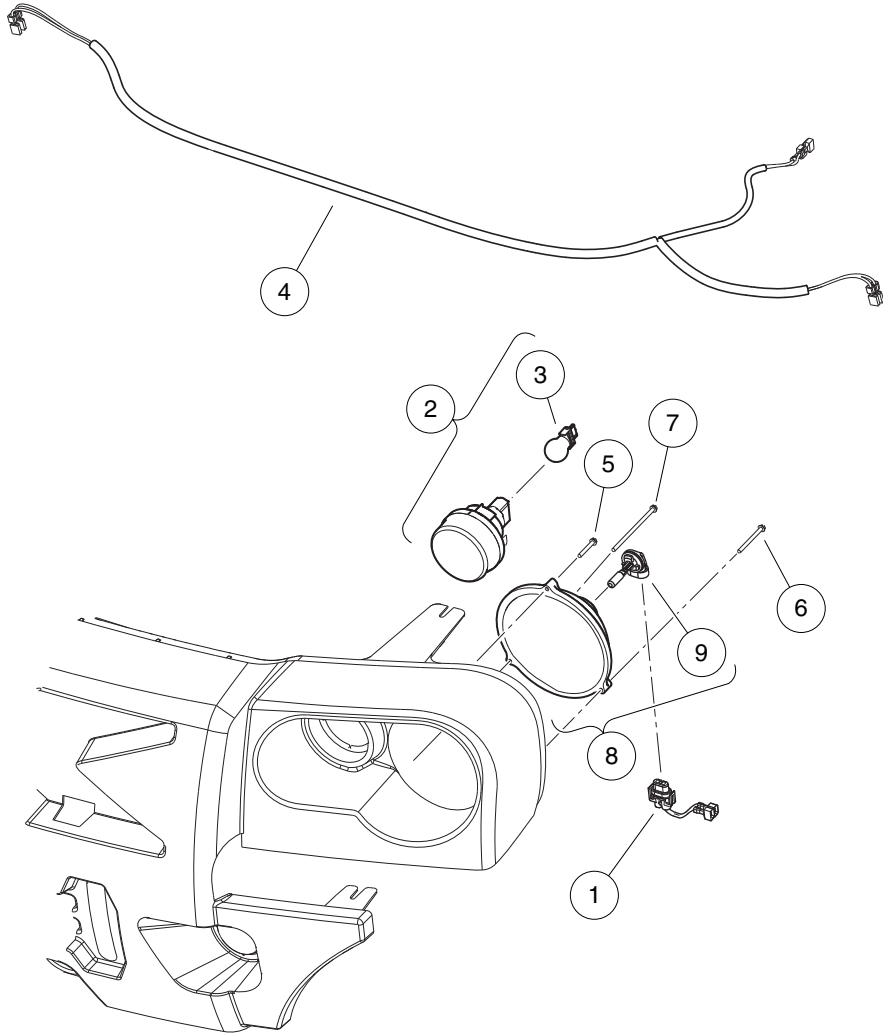
# HEADLIGHTS – CARRYALL

ITEM	PART NO.	DESCRIPTION	QTY
		1 2 3 4	
1	<u>101987901</u>	Connector, Harness Assembly, Headlight .....	2
2	<u>101988101</u>	Bulb, Headlight .....	2
3	<u>101988201</u>	Lens, Headlight .....	2
4	<u>103213301</u>	Harness, Wire, XRT/CA Restyle Headlights .....	1

6

G

**6**  
**G**



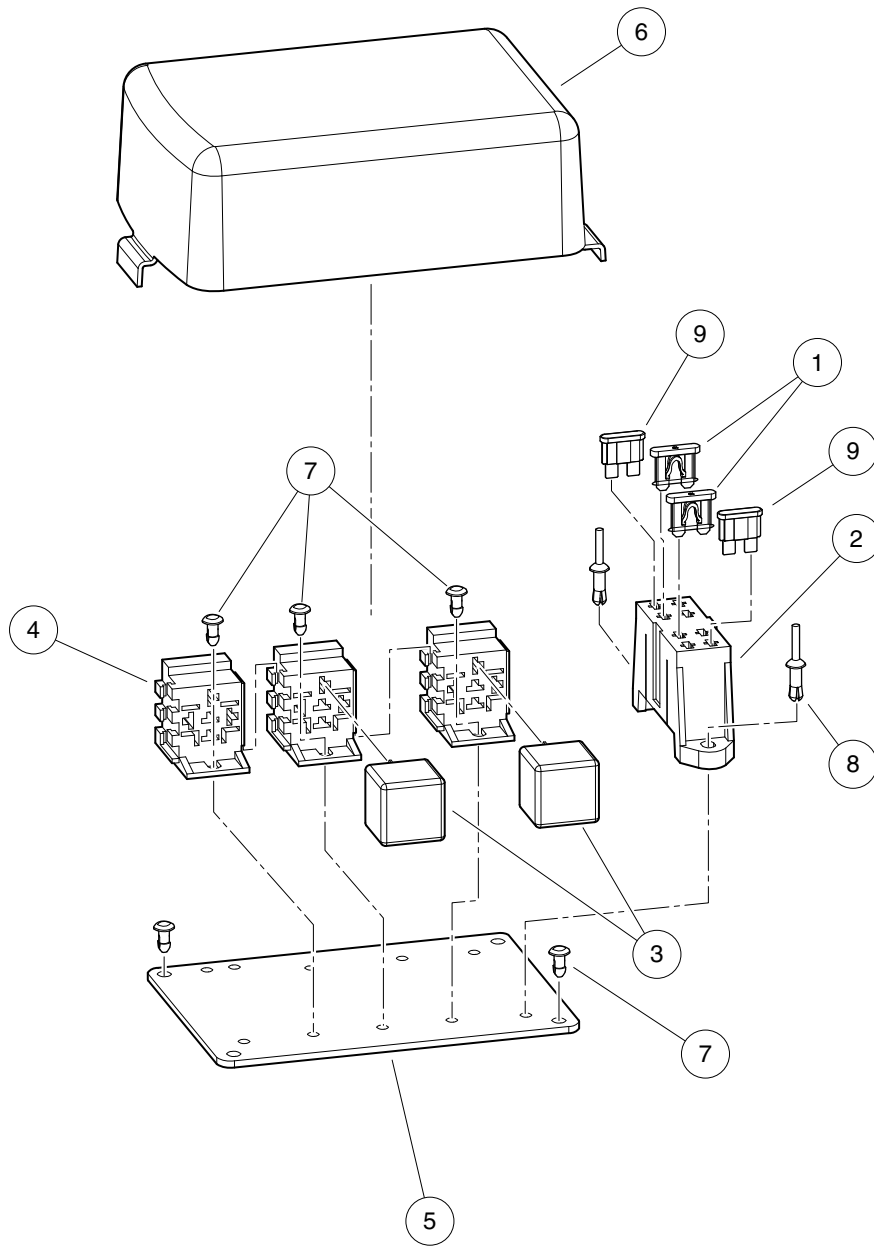
000880-008

# HEADLIGHTS – XRT

ITEM	PART NO.	DESCRIPTION	QTY
		1 2 3 4	
1	<u>101987901</u>	Connector, Harness Assembly, Headlight .....	2
2	<u>102894501</u>	Light, Turn Signal, Round, 3" (includes item 3) .....	2
3	<u>103521001</u>	Bulb, Signal, Marker .....	1
4	<u>103213301</u>	Harness, Wire, XRT/CA Restyle Headlights .....	1
5	<u>103218104</u>	Screw, #8x1.25 Ab Thd, Hex Hd .....	2
6	<u>103218107</u>	Screw, #8x2.00 AB Thd, Hex Hd .....	2
7	<u>103218113</u>	Screw, #8x3.50 Ab Thd, Hex Hd .....	2
8	<u>103966401</u>	Headlight, Round, 6", 8610 (includes item 9) .....	2
9	<u>102535101</u>	Bulb, Headlight, 37.5 W .....	1
		Note: This headlight is made of polycarbonate.	

6

G



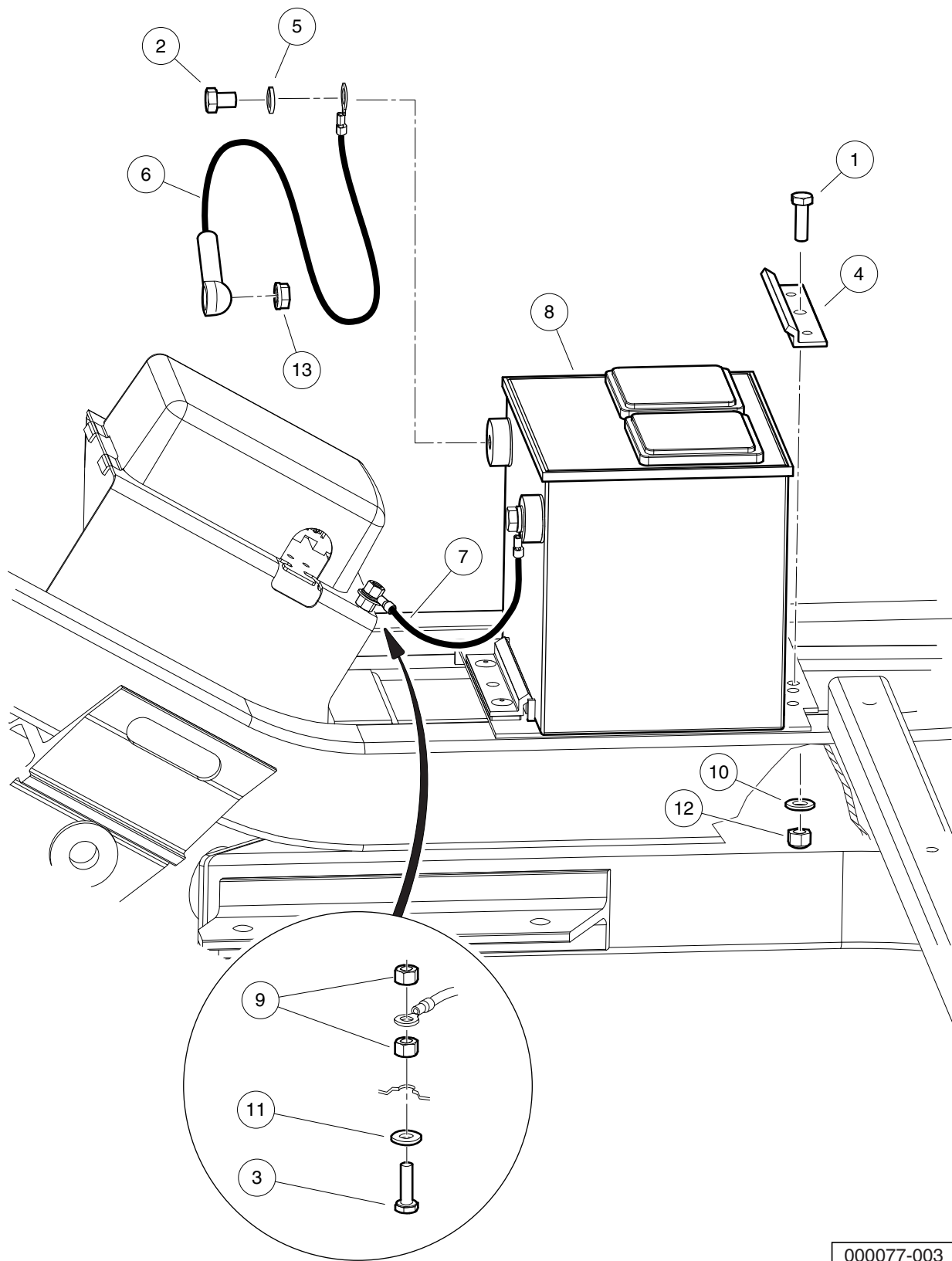
000076-003

# ELECTRICAL COMPONENT BOX, GASOLINE VEHICLE

ITEM	PART NO.	DESCRIPTION	QTY
		1 2 3 4	
1	<u>1012295</u>	Fuse, 10-Amp .....	2
2	<u>1015741</u>	Fuse Block .....	1
3	<u>102420201</u>	Relay, Mini ISO, SPDT .....	3
4	<u>102420301</u>	Connector, Relay .....	3
5	<u>102420401</u>	Plate, Electrical .....	1
6	<u>102420501</u>	Cover, Electrical .....	1
7	<u>102447901</u>	Fastener, Push-in .....	7
8	<u>102448001</u>	Rivet, Drive .....	2
9	<u>102492201</u>	Fuse, 25-Amp .....	2

**6**  
**G**

**6**  
**G**



000077-003

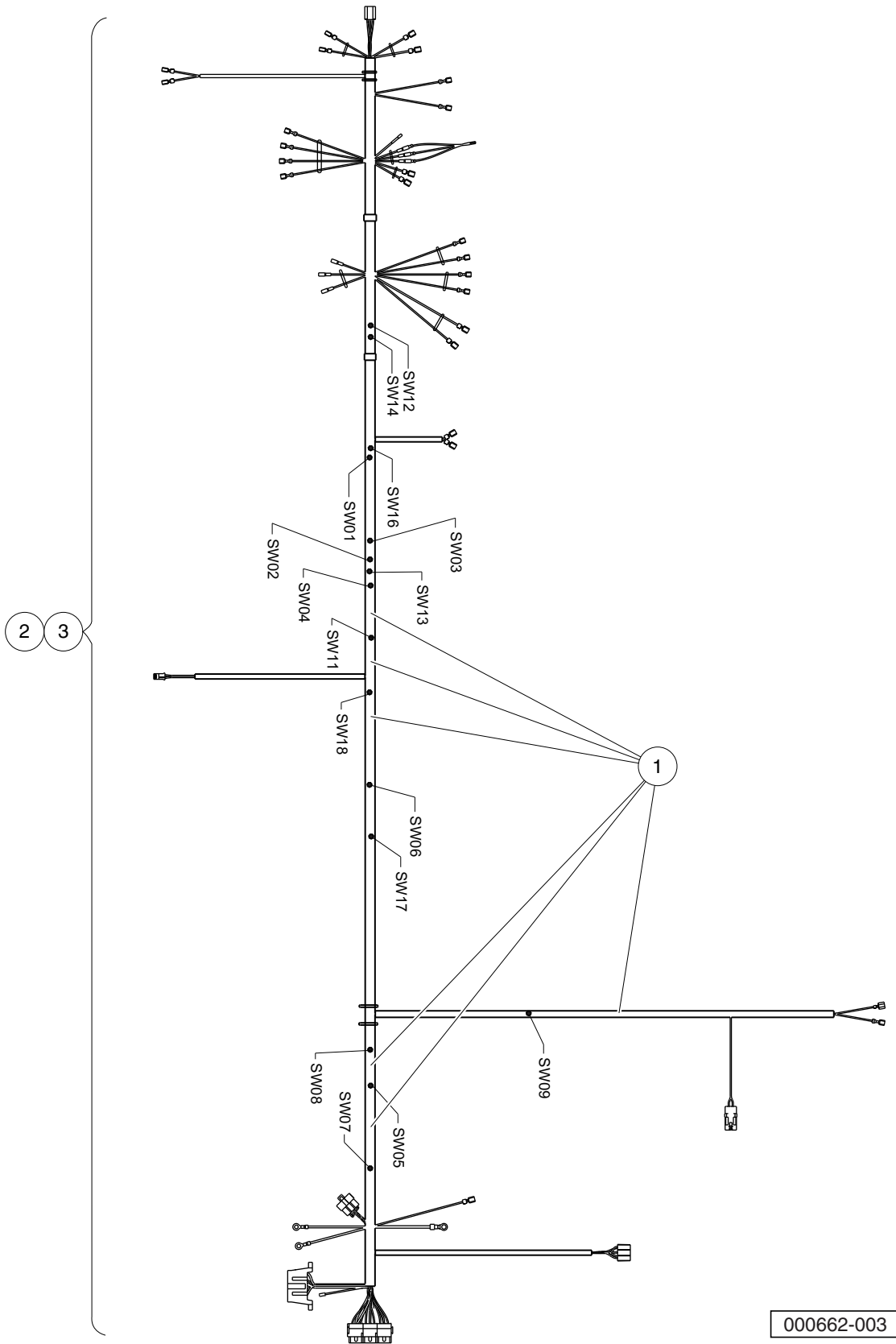


## BATTERY – GASOLINE VEHICLE

ITEM	PART NO.	DESCRIPTION	QTY
		1 2 3 4	
1	<u>1010934</u>	Screw, 5/16-18 X 1.00 Hex Cap .....	1
2	<u>1014375</u>	Screw, 3/8-16 X 0.50, Stainless Steel, Hex-Head .....	2
3	<u>1015521</u>	Screw, 1/4-20 X .88 Hex Hd Cap .....	1
4	<u>101898001</u>	Clamp, Battery .....	1
5	<u>102355301</u>	Lockwasher, 3/8 Split Ss .....	2
6	<u>102442201</u>	Asm, #6 Red Wire .....	1
7	<u>102448401</u>	Wire Asm, #6 Blk, Awd, 350 .....	1
8	<u>103496801</u>	Battery, Start, 12v .....	1
9	<u>1108</u>	Locknut, 1/4-20 Dimpled .....	2
10	<u>1241</u>	Washer, 5/16 Type A Flat .....	1
11	<u>332</u>	Washer, 1/4 Type A Narrow Flat .....	1
12	<u>7473</u>	Locknut, 5/16-18 Nylon Insert .....	1
13	<u>96704416</u>	Nut, Flange, M8 X 1.25 Serrated .....	1

6

G

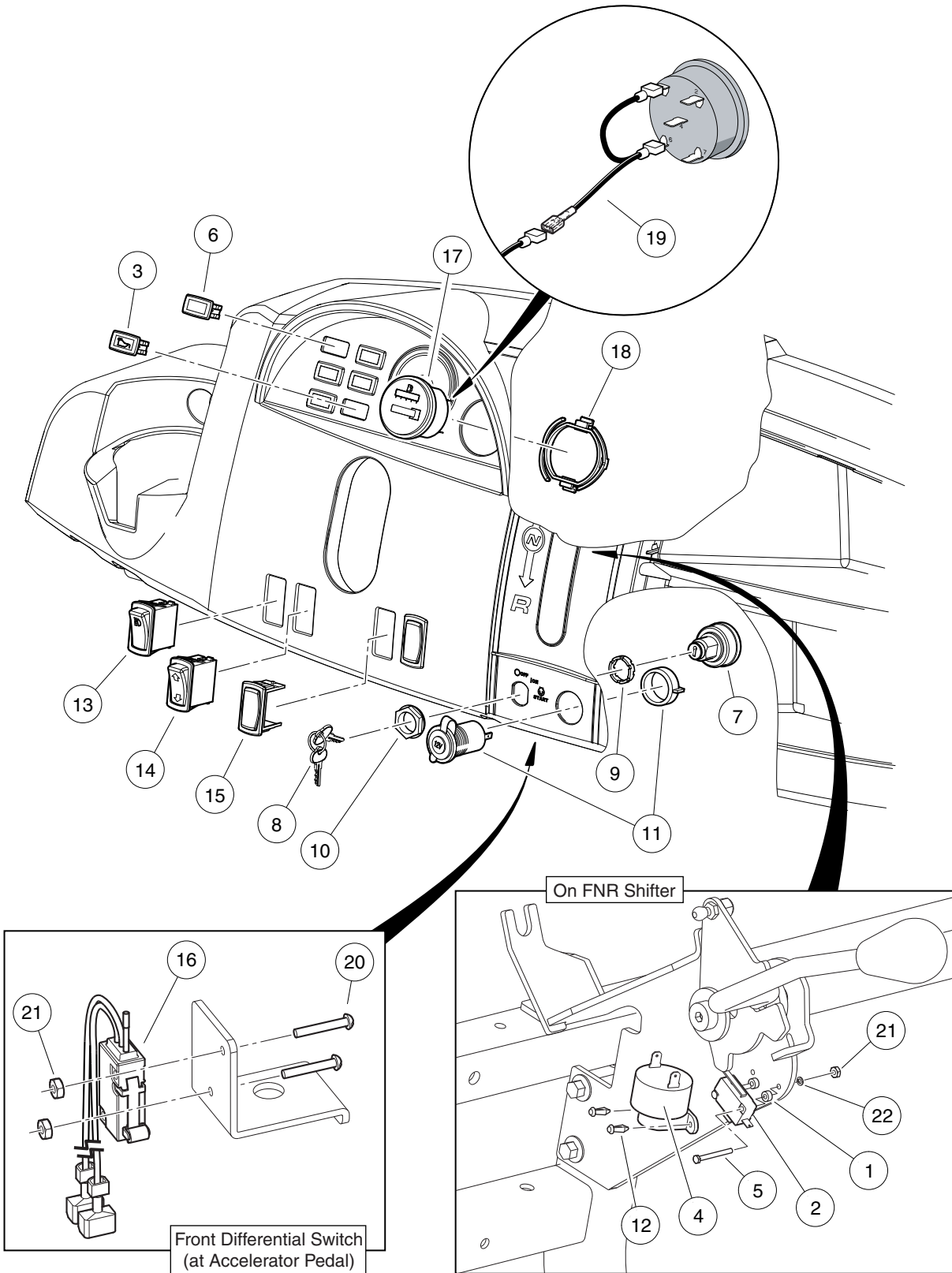


# WIRING – KAWASAKI GAS ENGINE

ITEM	PART NO.	DESCRIPTION	QTY
		1 2 3 4	
1	<u>1014789</u>	Diode, General Purpose, 3.0-Amp .....	6
2	<u>103305701</u>	Harness, Wire, AWD, Kawasaki FH680, 295/1550 .....	1
3	<u>103305801</u>	Harness, Wire, AWD, Kawasaki FH680, 295 SE/1550 SE .....	1
<p style="text-align: center;">Note: Item 2 is for use with 81.5 in. (207 cm) wheelbase vehicle. Item 3 is for use with 114 in. (289.5 cm) wheelbase vehicle.</p>			

6

G



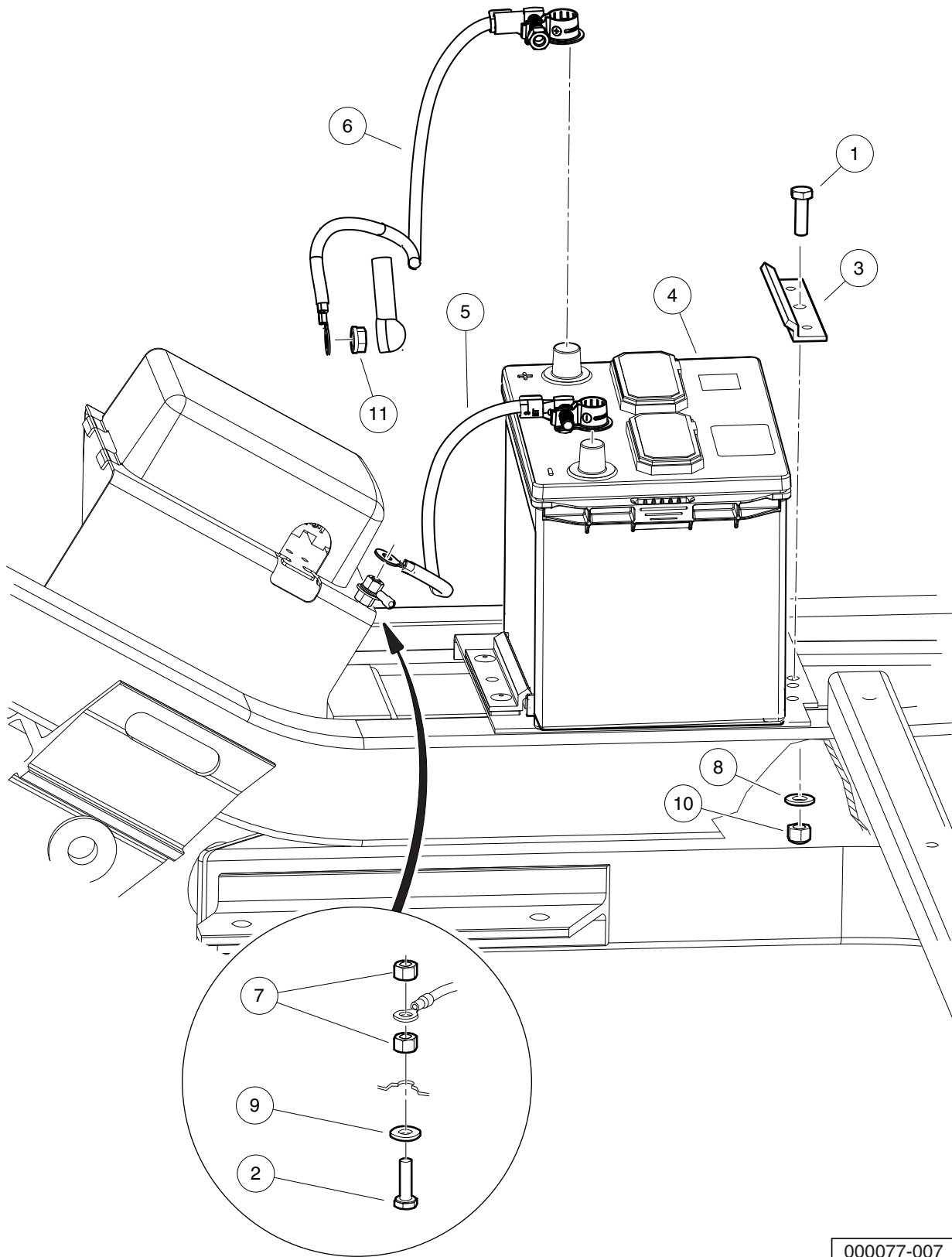
000543-013

# ELECTRICAL COMPONENTS, FRONT BODY – GAS VEHICLE

ITEM	PART NO.	DESCRIPTION	QTY
		1 2 3 4	
1	<u>1014727</u>	Washer, Flat, #4, Nylon .....	2
2	<u>1014808</u>	Switch, Limit .....	1
3	<u>1016630</u>	Light, Oil .....	1
4	<u>1016851</u>	Buzzer, Reverse (9-48 VDC) .....	1
5	<u>1016896</u>	Screw, #4-40 X 1.125 Hx Hd Mch .....	2
6	<u>101802601</u>	Plug, Hole .....	5
7	<u>102044702</u>	Key Switch 12v Key Start .....	1
8	<u>102044801</u>	Key Set .....	1
9	<u>102051601</u>	Spacer, Keyswitch .....	1
10	<u>102051701</u>	Nut, Key Switch .....	1
11	<u>102198001</u>	Receptacle, Accessory .....	1
12	<u>102499001</u>	Rivet, Micro Tuflok .....	2
13	<u>102869401</u>	Switch, Rocker, Light .....	1
14	<u>102882501</u>	Switch, Rocker, Bed Lift .....	1
15	<u>103180101</u>	Cover, Hole, Switch, Rocker .....	3
16	<u>103327201</u>	Asm, Switch, Limit, Awd .....	1
17	<u>103348101</u>	Gauge, Fuel-hour, Sep Gnd .....	1
18	<u>103348201</u>	Clip, Meter, Round .....	1
19	<u>103348501</u>	Asm, Wire Meter, F-h Jumper .....	1
20	<u>8056</u>	Screw, #4-40 X 0.75 Round-Head Machine .....	2
21	<u>8057</u>	Nut, #4-40 Hex Machine .....	4
22	<u>8058</u>	Lockwasher, #4 Split .....	2
<p>Note: Item 4, reverse buzzer, is only if equipped. NOTE 2: Item 14, bed lift switch, is only if equipped. NOTE 3: Items 18, clip, and 19, jumper wire, are required with item 17, fuel/hour gauge.</p>			

6  
G

**6**  
**G**



000077-007

## TOP-POST BATTERY – GASOLINE VEHICLE

ITEM	PART NO.	DESCRIPTION	QTY
		1 2 3 4	
1	<u>1010934</u>	Screw, 5/16-18 X 1.00 Hex Cap .....	1
2	<u>1015521</u>	Screw, 1/4-20 X .88 Hex Hd Cap .....	1
3	<u>101898001</u>	Clamp, Battery .....	1
4	<u>105237301</u>	Battery, Start, 12v, Type 26 .....	1
5	105256201	Wire Asm, #6 Blk, (top-post battery) Awd, 426 .....	1
6	105256601	Wire Asm, #6 Red, (top-post battery) Awd, 476 .....	1
7	<u>1108</u>	Locknut, 1/4-20 Dimpled .....	2
8	<u>1241</u>	Washer, 5/16 Type A Flat .....	1
9	<u>332</u>	Washer, 1/4 Type A Narrow Flat .....	1
10	<u>7473</u>	Locknut, 5/16-18 Nylon Insert .....	1
11	<u>96704416</u>	Nut, Flange, M8 X 1.25 Serrated .....	1

**6**

**G**

6

G



# ELECTRICAL SYSTEM – DIESEL VEHICLES

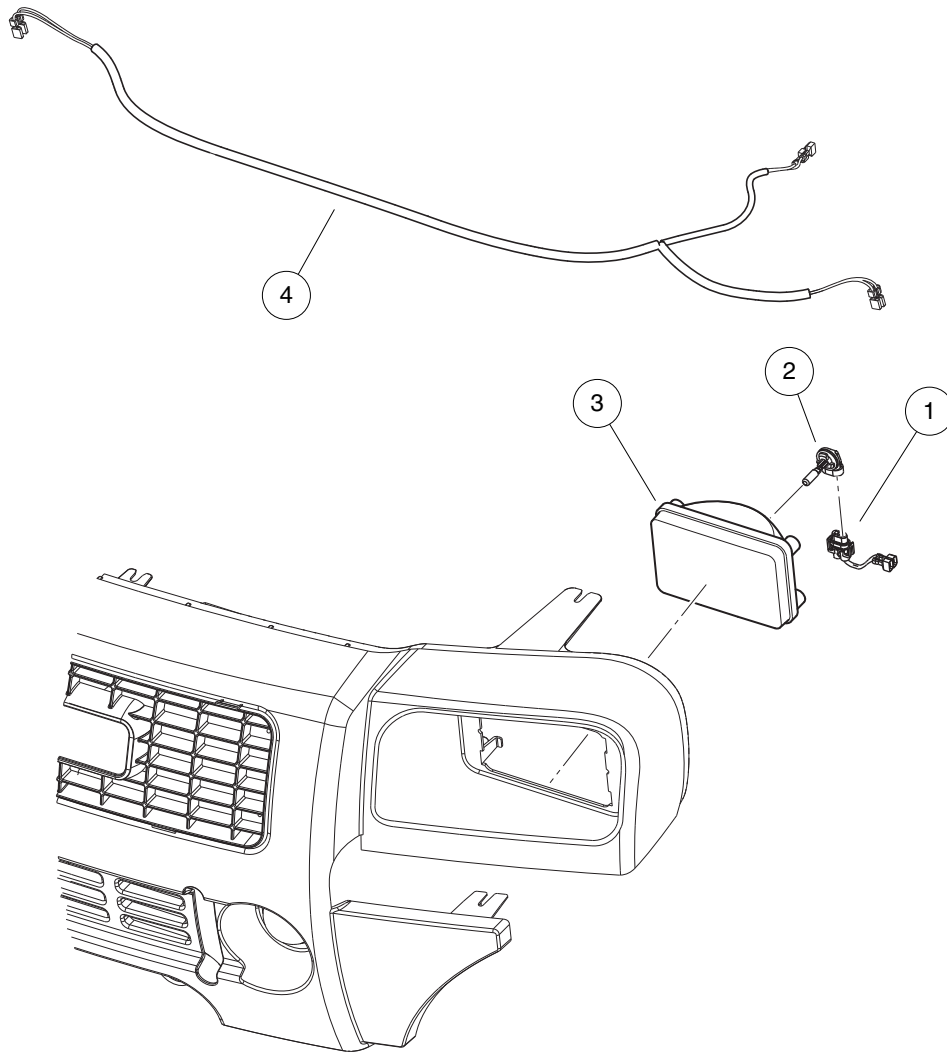
---

7

D

7

D



000880-003

# HEADLIGHTS – CARRYALL

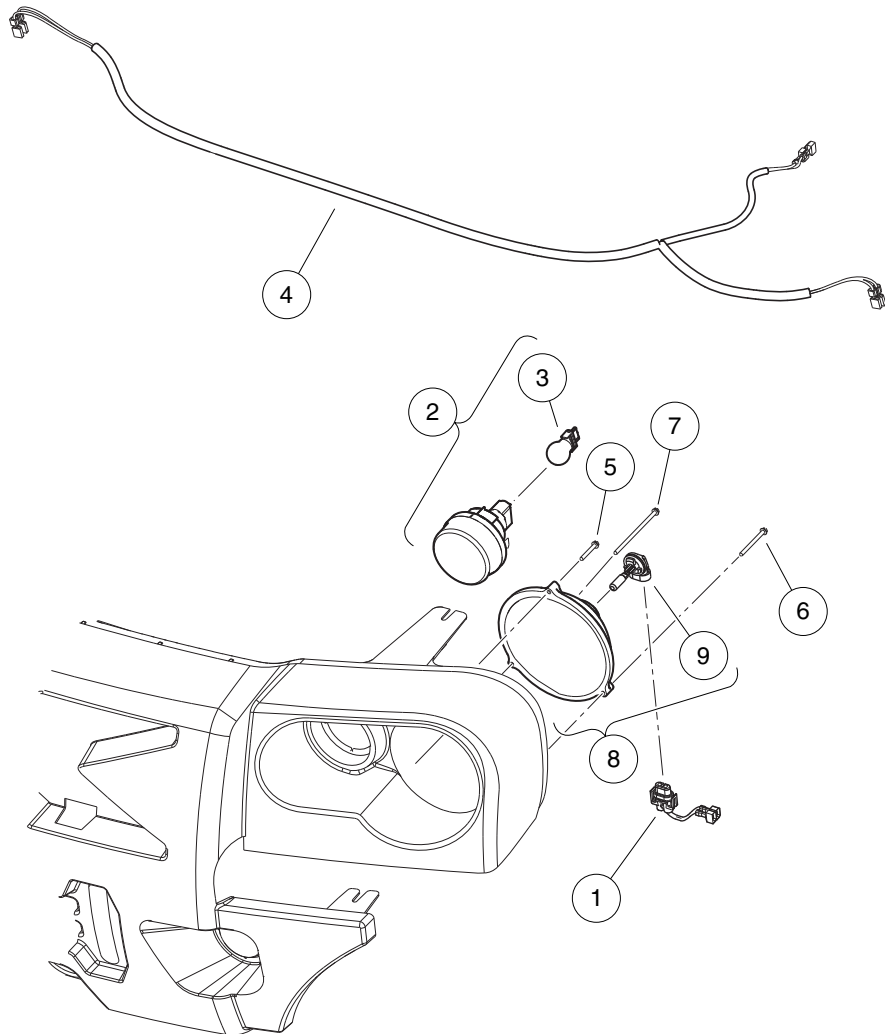
ITEM	PART NO.	DESCRIPTION	QTY
		1 2 3 4	
1	<u>101987901</u>	Connector, Harness Assembly, Headlight .....	2
2	<u>101988101</u>	Bulb, Headlight .....	2
3	<u>101988201</u>	Lens, Headlight .....	2
4	<u>103213301</u>	Harness, Wire, XRT/CA Restyle Headlights .....	1

**7**

**D**

7

D



000880-008

# HEADLIGHTS – XRT

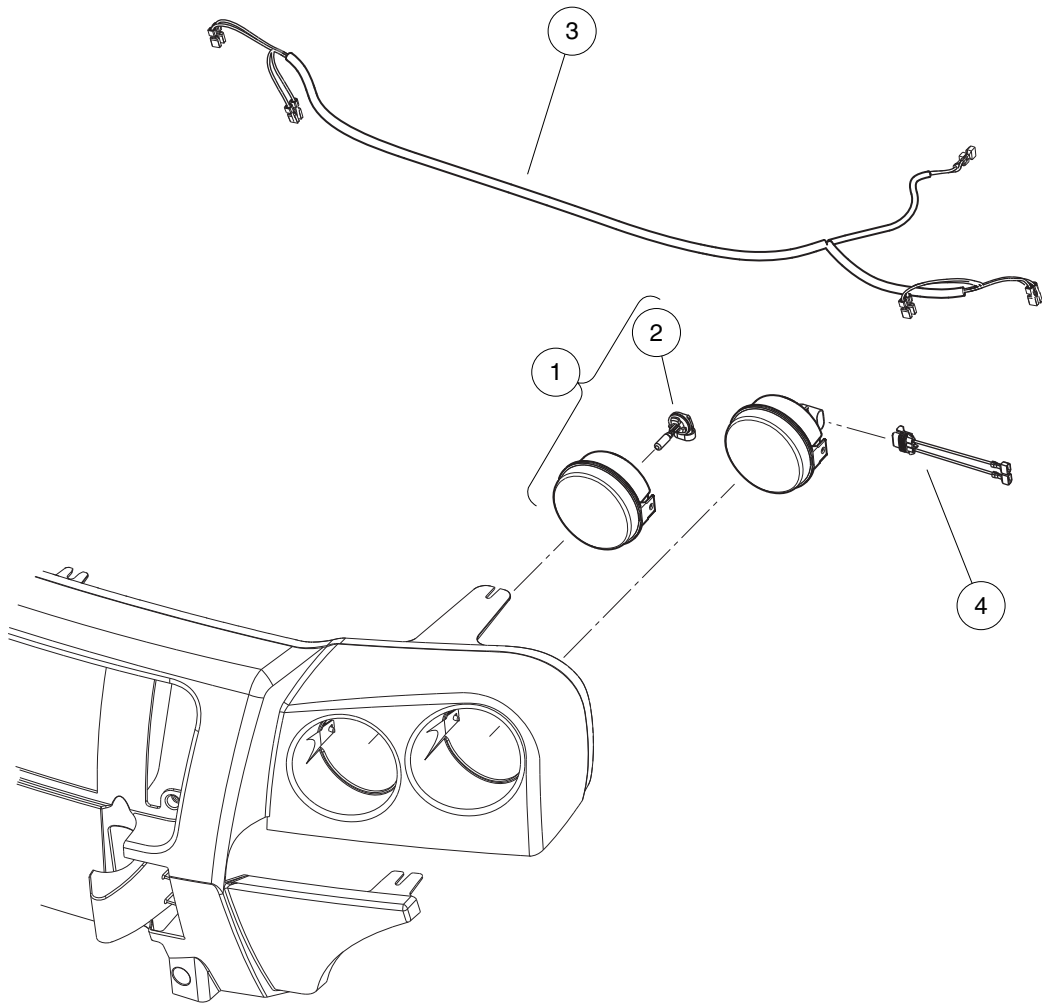
ITEM	PART NO.	DESCRIPTION	QTY
		1 2 3 4	
1	<u>101987901</u>	Connector, Harness Assembly, Headlight .....	2
2	<u>102894501</u>	Light, Turn Signal, Round, 3" (includes item 3) .....	2
3	<u>103521001</u>	Bulb, Signal, Marker .....	1
4	<u>103213301</u>	Harness, Wire, XRT/CA Restyle Headlights .....	1
5	<u>103218104</u>	Screw, #8x1.25 Ab Thd, Hex Hd .....	2
6	<u>103218107</u>	Screw, #8x2.00 AB Thd, Hex Hd .....	2
7	<u>103218113</u>	Screw, #8x3.50 Ab Thd, Hex Hd .....	2
8	<u>103966401</u>	Headlight, Round, 6", 8610 (includes item 9) .....	2
9	<u>102535101</u>	Bulb, Headlight, 37.5 W .....	1
<p style="margin-left: 40px;">Note: This headlight is made of polycarbonate.</p>			

7

D

7

D



000880-009

# HEADLIGHTS – INTELLITACH

ITEM	PART NO.	DESCRIPTION	QTY
		1 2 3 4	
1	<u>102885001</u>	Headlight, Round, 4" (includes item 2) .....	4
2	<u>103762501</u>	Bulb, Halogen, 35/35 Hi/lo .....	1
3	<u>103213201</u>	Harness, Wire, IntelliTach Headlights .....	1
4	<u>103213501</u>	Harness, Wire, Headlight Connector .....	4

**7**

**D**





# WIRING – KUBOTA DIESEL ENGINE, ONE-PIECE HARNESS

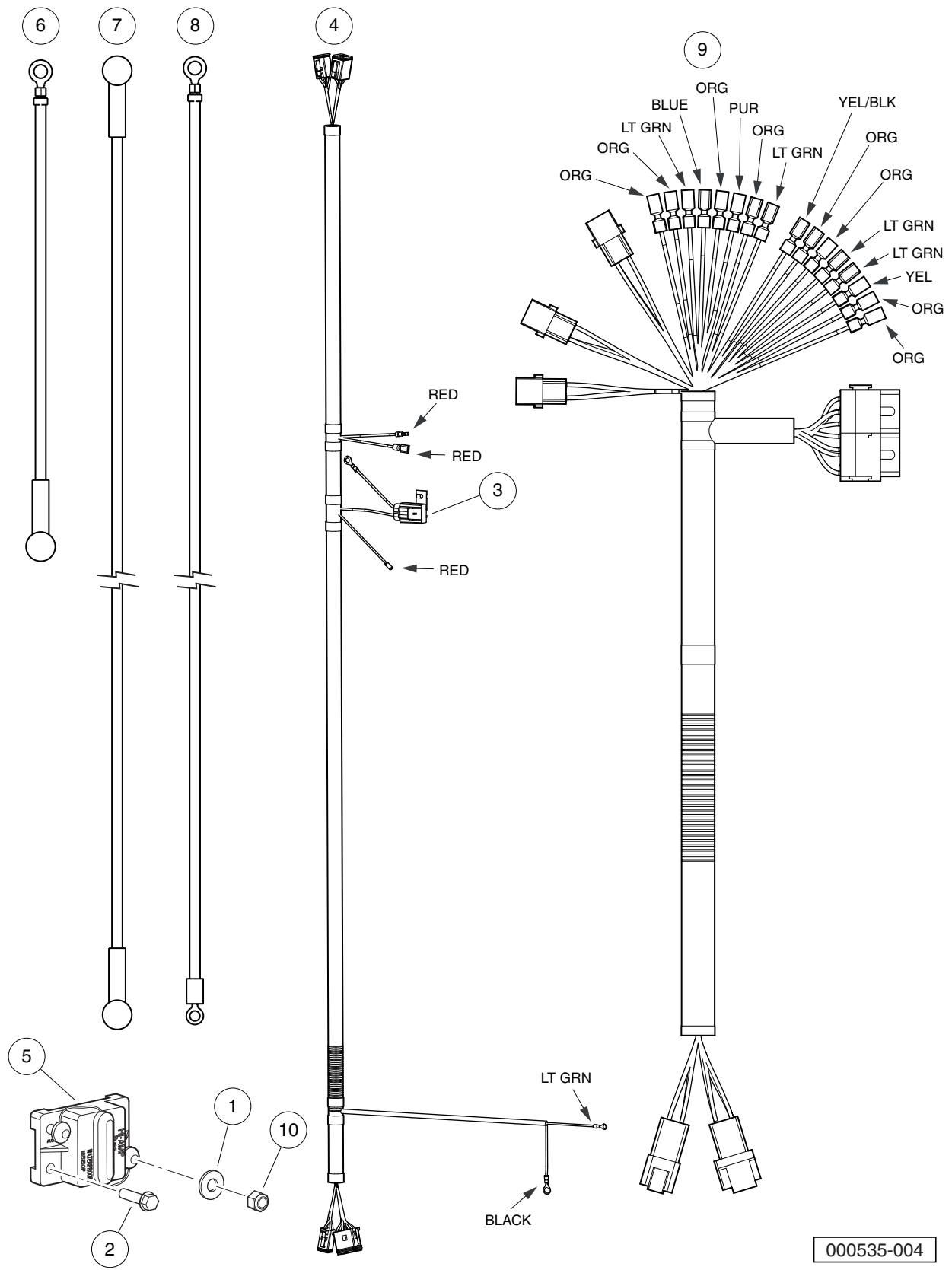
ITEM	PART NO.	DESCRIPTION	QTY
		1 2 3 4	
1	<u>1014789</u>	Diode, General Purpose, 3.0-Amp .....	4
2	<u>103277501</u>	Harness, Wire, AWD, Diesel, 295/1550 .....	1
3	<u>103277701</u>	Harness, Wire, AWD, Diesel, 295 SE/1550 SE .....	1
<p>Note: Item 2 is for use with 81.5 in. (207 cm) wheelbase vehicle. Item 3 is for use with 114 in. (289.5 cm) wheelbase vehicle.</p>			

7

D

7

D



000535-004

## WIRING – HYDRAULIC ATTACHMENT (INTELLITACH)

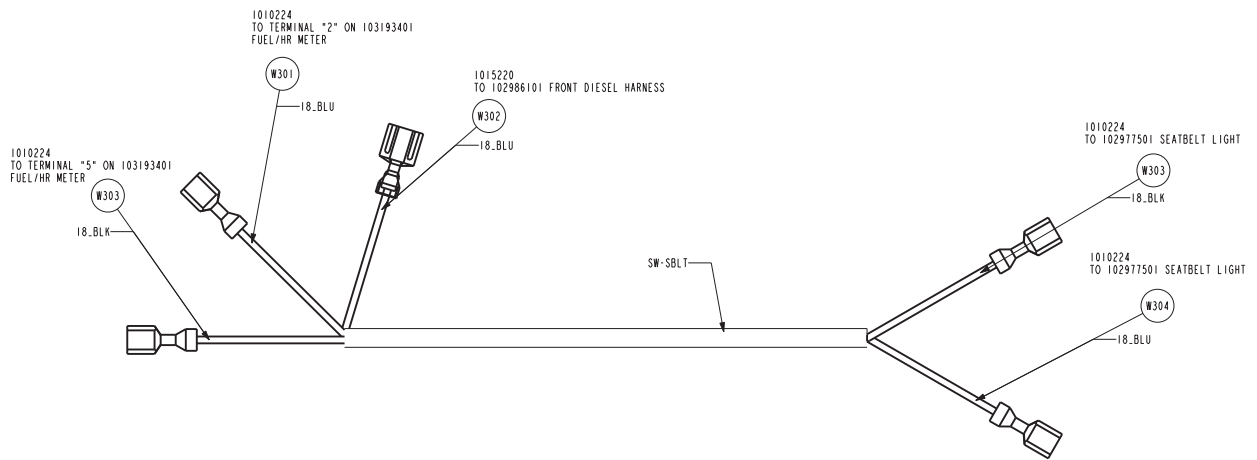
ITEM	PART NO.	DESCRIPTION	QTY
		1 2 3 4	
1	<u>1011931</u>	Washer, 1/4 Flat .....	2
2	<u>1014063</u>	Screw, 1/4-20 X 1.00, Hex Head .....	2
3	<u>1016423</u>	Fuse, 20-Amp .....	1
4	<u>102786401</u>	Wire Harness, Powerunit .....	1
5	<u>102936801</u>	Breaker, Circuit, 150-Amp .....	1
6	<u>102937401</u>	Wire Asm, #6, Red, Bt .....	1
7	<u>102937501</u>	Wire Asm, #6, Red, Bt .....	1
8	<u>102937601</u>	Wire Asm, #6, Black, Bt .....	1
9	<u>103245801</u>	Wire Harness, Control Panel .....	1
10	<u>8717</u>	Locknut, Nylon Insert, 1/4-28 .....	2

7

D

7

D



000535-005

## WIRING – SEAT BELT REMINDER (INTELLITACH)

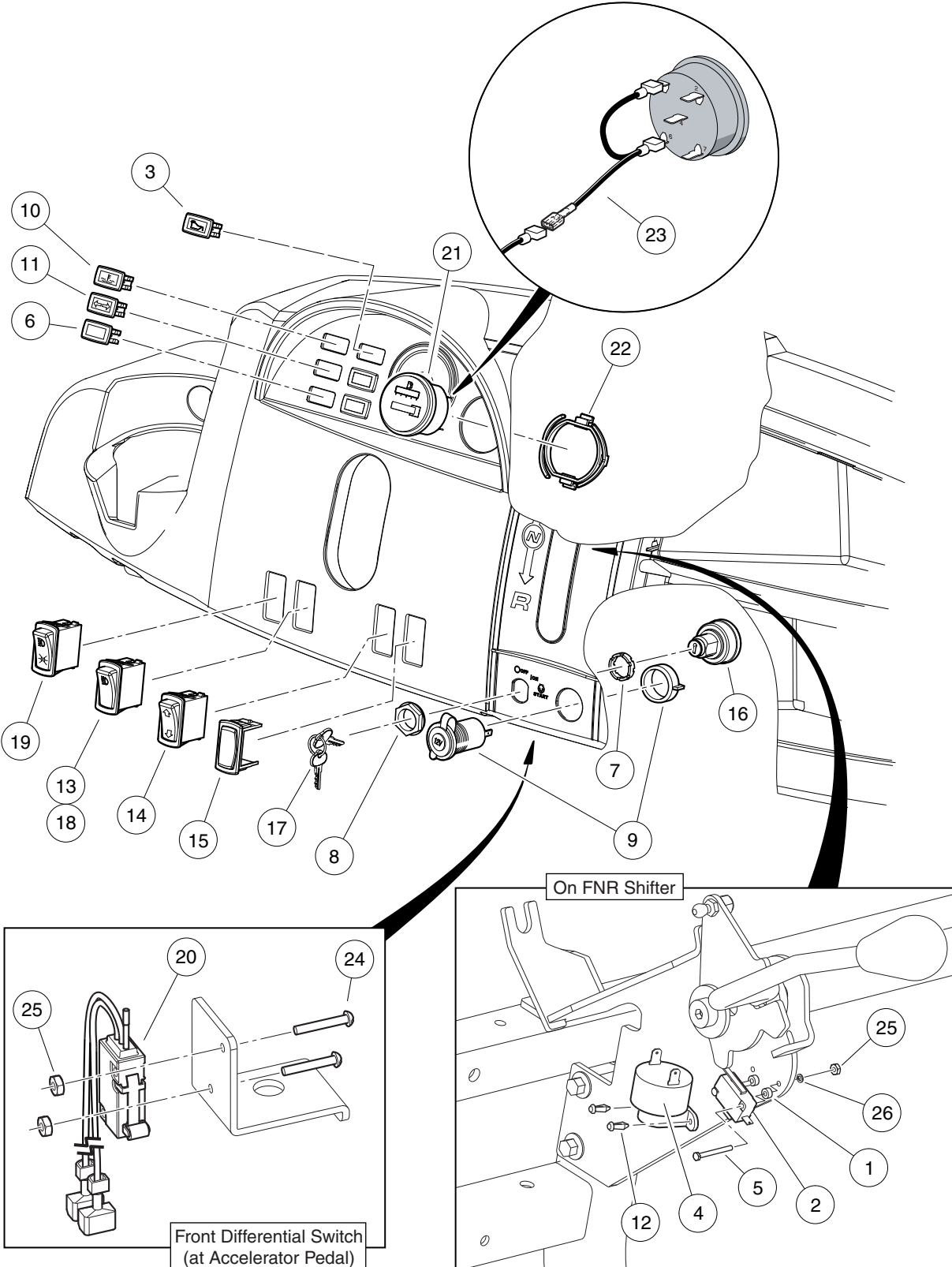
ITEM	PART NO.	DESCRIPTION	QTY
1	<u>103213401</u>	1 2 3 4 Harness, Wire, Seatbelt Light .....	1

**7**

**D**

7

D



000543-014

# ELECTRICAL COMPONENTS, FRONT BODY – DIESEL VEHICLE

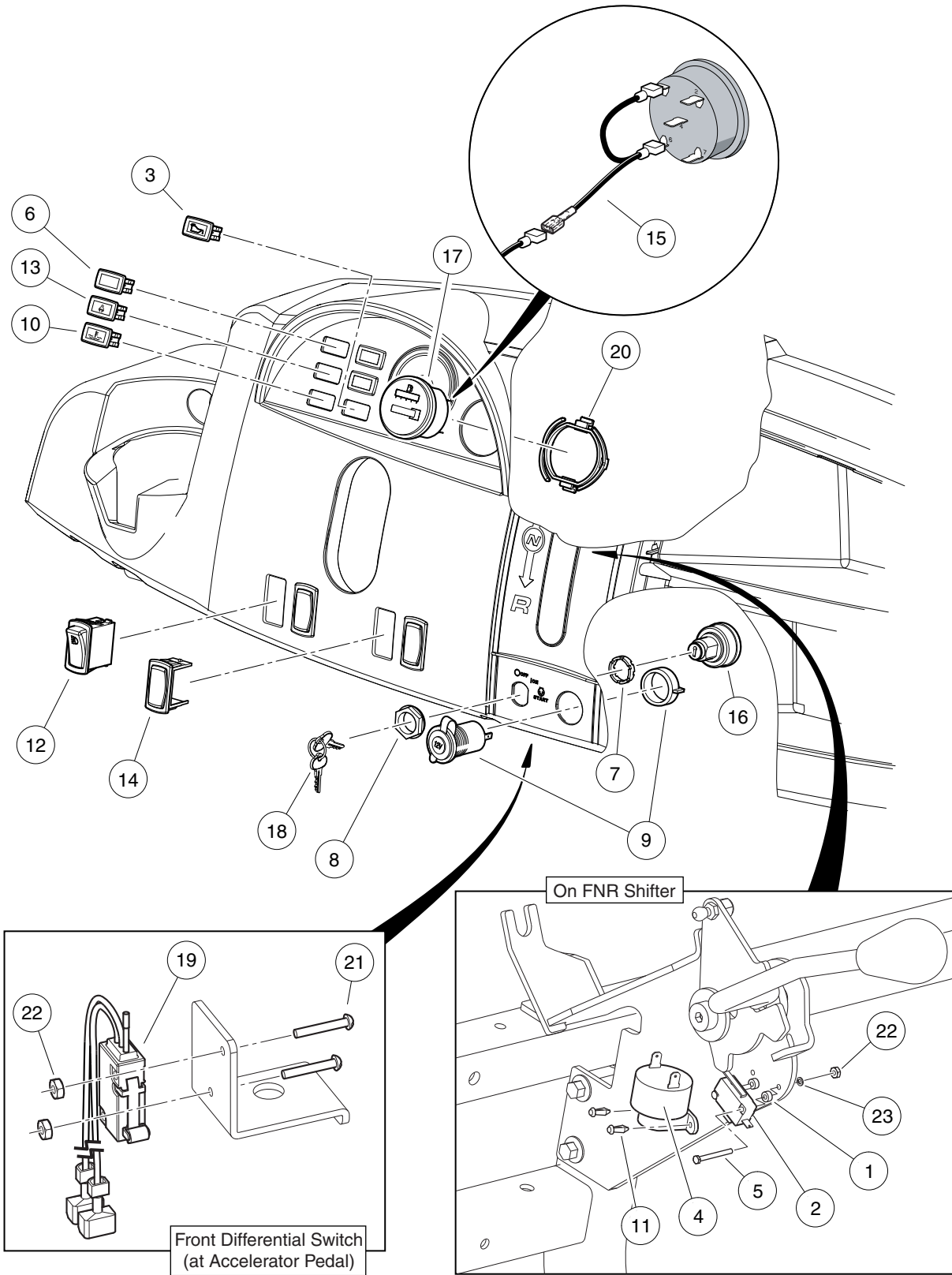
ITEM	PART NO.	DESCRIPTION	QTY
		<b>1 2 3 4</b>	
1	<u>1014727</u>	Washer, Flat, #4, Nylon .....	2
2	<u>1014808</u>	Switch, Limit .....	1
3	<u>1016630</u>	Light, Oil .....	1
4	<u>1016851</u>	Buzzer, Reverse (9-48 VDC) .....	1
5	<u>1016896</u>	Screw, #4-40 X 1.125 Hx Hd Mch .....	2
6	<u>101802601</u>	Plug, Hole .....	5
7	<u>102051601</u>	Spacer, Keyswitch .....	1
8	<u>102051701</u>	Nut, Key Switch .....	1
9	<u>102198001</u>	Receptacle, Accessory .....	1
10	<u>102375401</u>	Light, Indicator, Coolant Temp .....	1
11	<u>102495701</u>	Light, Indicator, Turn Signals .....	1
12	<u>102499001</u>	Rivet, Micro Tuflok .....	2
13	<u>102869401</u>	Switch, Rocker, Light .....	1
14	<u>102882501</u>	Switch, Rocker, Bed Lift .....	1
15	<u>103180101</u>	Cover, Hole, Switch, Rocker .....	3
16	<u>103208801</u>	Keyswitch, 12v, Diesel .....	1
17	<u>103234401</u>	Keys (set of 2) .....	1
18	<u>103310701</u>	Switch, High Beam, Homologatn .....	1
19	<u>103324901</u>	Switch, 3-pos, Euro, Restyle .....	1
20	<u>103327201</u>	Asm, Switch, Limit, Awd .....	1
21	<u>103348101</u>	Gauge, Fuel-hour, Sep Gnd .....	1
22	<u>103348201</u>	Clip, Meter, Round .....	1
23	<u>103348501</u>	Asm, Wire Meter, F-h Jumper .....	1
24	<u>8056</u>	Screw, #4-40 X 0.75 Round-Head Machine .....	2
25	<u>8057</u>	Nut, #4-40 Hex Machine .....	4
26	<u>8058</u>	Lockwasher, #4 Split .....	2
<p>Note: Item 4, reverse buzzer, is only if equipped. NOTE 2: Items 22, clip, and 23, jumper wire, are required with item 21, fuel/hour gauge. NOTE 3: Item 14, bed lift switch, is only if equipped.</p>			

7

D

7

D



000543-015



# ELECTRICAL COMPONENTS, FRONT BODY – INTELLITACH

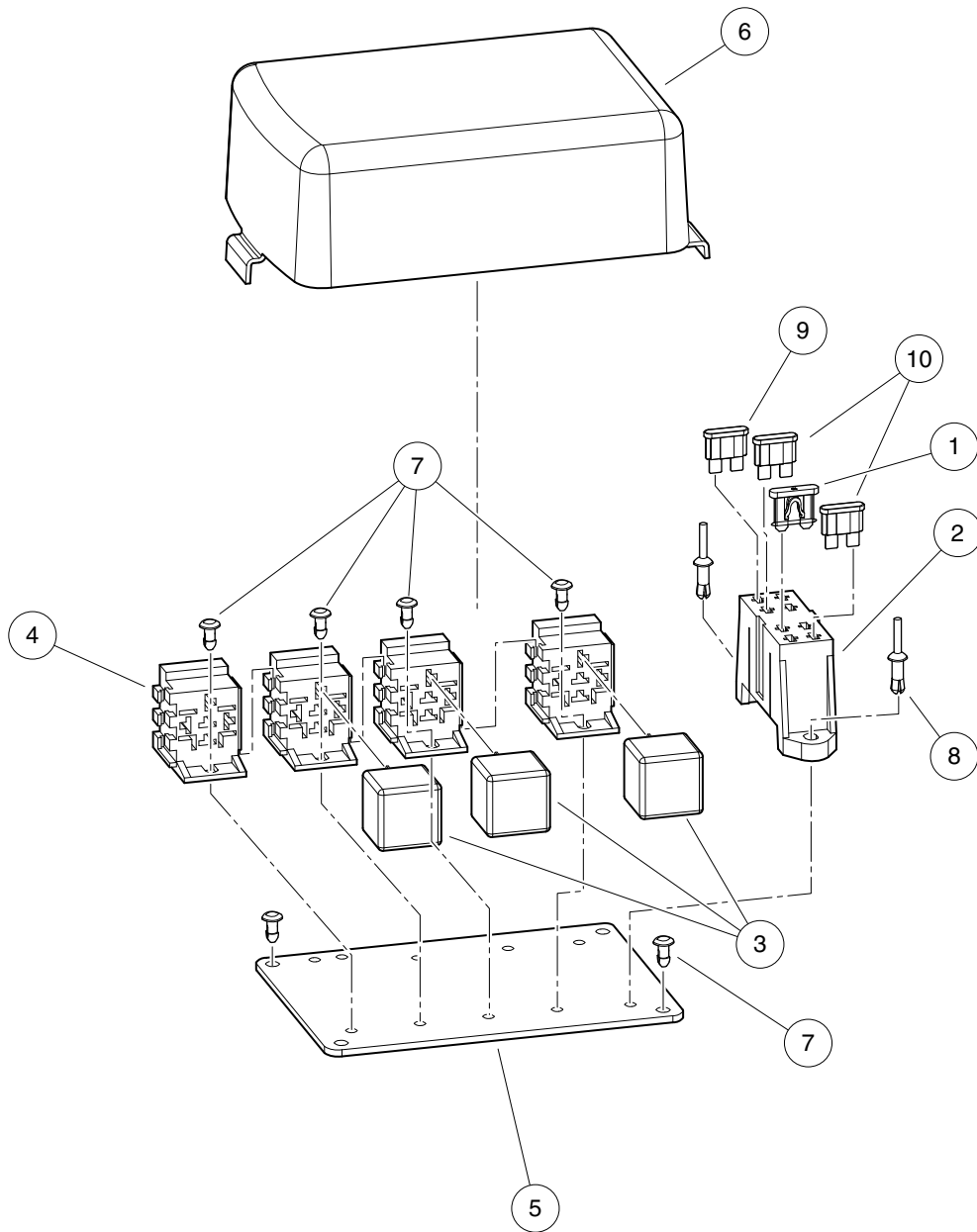
ITEM	PART NO.	DESCRIPTION	QTY
		1 2 3 4	
1	<u>1014727</u>	Washer, Flat, #4, Nylon .....	2
2	<u>1014808</u>	Switch, Limit .....	1
3	<u>1016630</u>	Light, Oil .....	1
4	<u>1016851</u>	Buzzer, Reverse (9-48 VDC) .....	1
5	<u>1016896</u>	Screw, #4-40 X 1.125 Hx Hd Mch .....	2
6	<u>101802601</u>	Plug, Hole .....	5
7	<u>102051601</u>	Spacer, Keyswitch .....	1
8	<u>102051701</u>	Nut, Key Switch .....	1
9	<u>102198001</u>	Receptacle, Accessory .....	1
10	<u>102375401</u>	Light, Indicator, Coolant Temp .....	1
11	<u>102499001</u>	Rivet, Micro Tuflok .....	2
12	<u>102869401</u>	Switch, Rocker, Light .....	1
13	<u>102977501</u>	Light, Indicator, Seat Belt .....	1
14	<u>103180101</u>	Cover, Hole, Switch, Rocker .....	3
15	<u>103205801</u>	Asm, Wire, Meter F/h/sb Jumpr .....	1
16	<u>103208801</u>	Keyswitch, 12v, Diesel .....	1
17	<u>103234001</u>	Gauge, F/h, Sep Gnd Timer .....	1
18	<u>103234401</u>	Keys (set of 2) .....	1
19	<u>103327201</u>	Asm, Switch, Limit, Awd .....	1
20	<u>103348201</u>	Clip, Meter, Round .....	1
21	<u>8056</u>	Screw, #4-40 X 0.75 Round-Head Machine .....	2
22	<u>8057</u>	Nut, #4-40 Hex Machine .....	4
23	<u>8058</u>	Lockwasher, #4 Split .....	2
Note: Item 4, reverse buzzer, is only if equipped. NOTE 2: Items 15, jumper wire, and 20, clip, are required with item 17, fuel/hour gauge.			

7

D

7

D



000076-004

## ELECTRICAL COMPONENT BOX, DIESEL VEHICLE

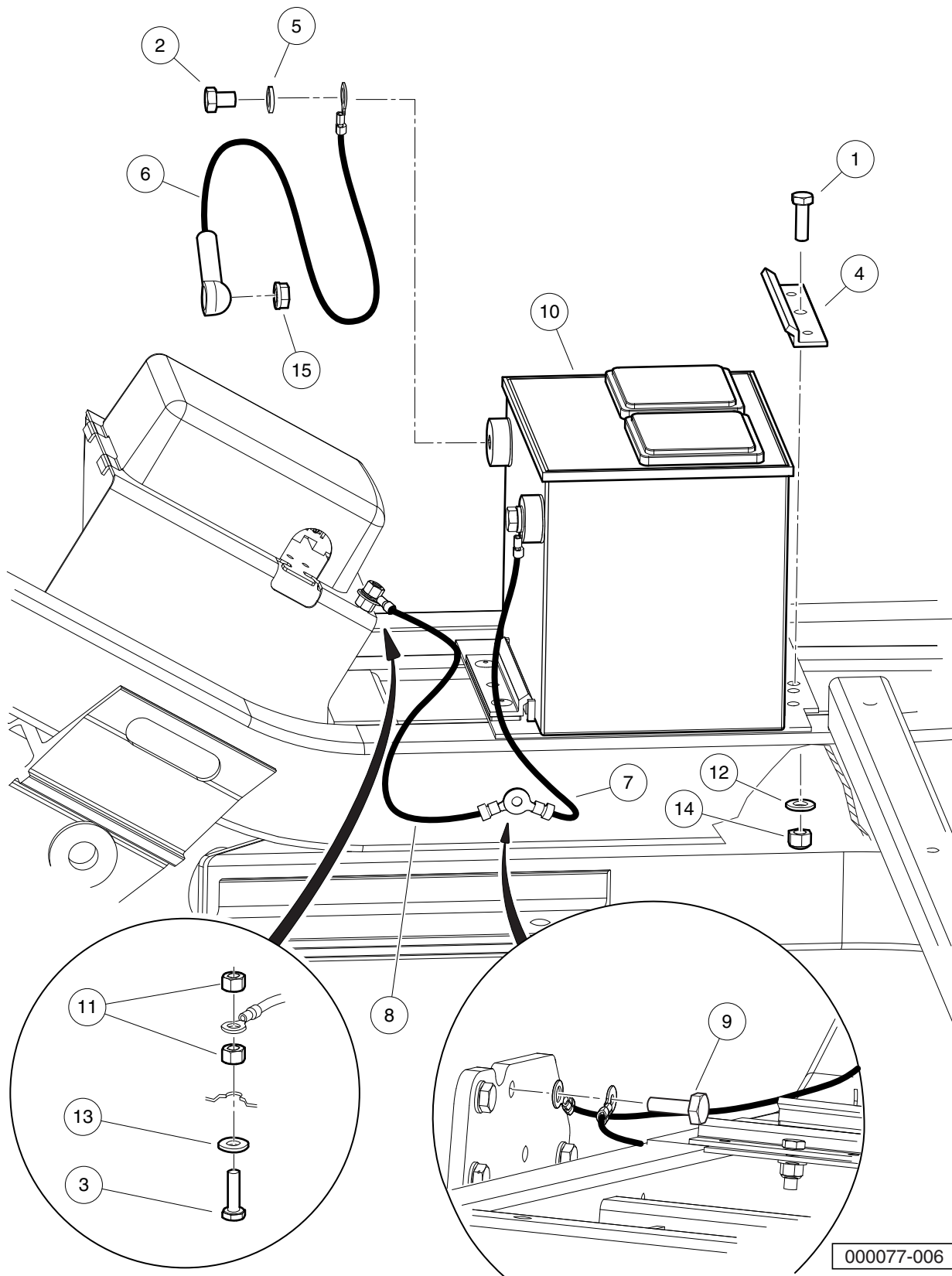
ITEM	PART NO.	DESCRIPTION	QTY
		1 2 3 4	
1	<u>1012295</u>	Fuse, 10-Amp .....	1
2	<u>1015741</u>	Fuse Block .....	1
3	<u>102420201</u>	Relay, Mini ISO, SPDT .....	3
4	<u>102420301</u>	Connector, Relay .....	4
5	<u>102420401</u>	Plate, Electrical .....	1
6	<u>102420501</u>	Cover, Electrical .....	1
7	<u>102447901</u>	Fastener, Push-in .....	8
8	<u>102448001</u>	Rivet, Drive .....	2
9	<u>102492201</u>	Fuse, 25-Amp .....	1
10	<u>102492301</u>	Fuse, 30-Amp .....	2

7

D

7

D



## BATTERY – DIESEL VEHICLE

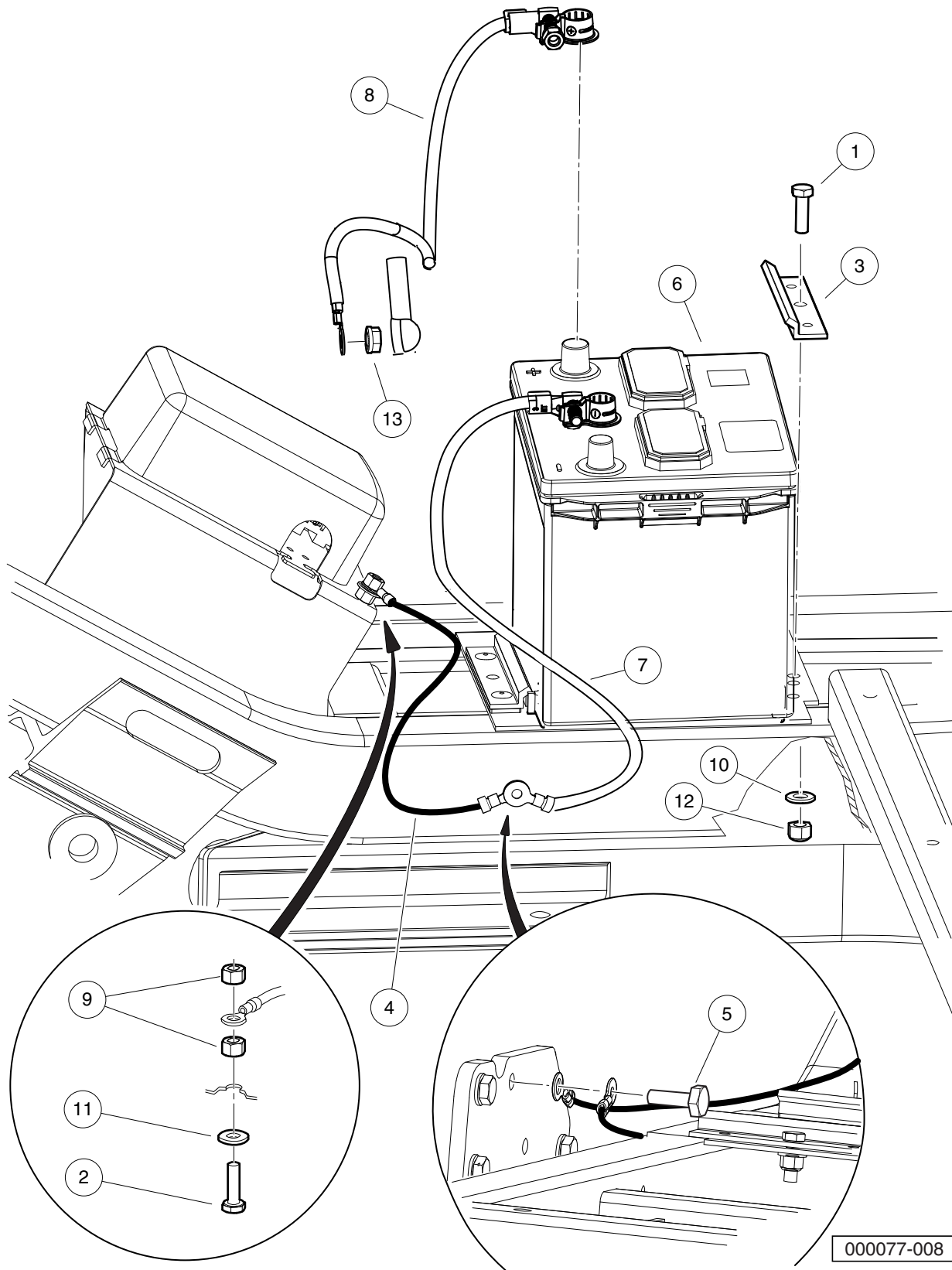
ITEM	PART NO.	DESCRIPTION	QTY
		1 2 3 4	
1	<u>1010934</u>	Screw, 5/16-18 X 1.00 Hex Cap .....	1
2	<u>1014375</u>	Screw, 3/8-16 X 0.50, Stainless Steel, Hex-Head .....	2
3	<u>1015521</u>	Screw, 1/4-20 X .88 Hex Hd Cap .....	1
4	<u>101898001</u>	Clamp, Battery .....	1
5	<u>102355301</u>	Lockwasher, 3/8 Split Ss .....	2
6	<u>102442201</u>	Asm, #6 Red Wire .....	1
7	<u>102448401</u>	Wire Asm, #6 Blk, Awd, 350 .....	1
8	<u>102448501</u>	Wire Asm, #6 Blk, Awd, 325 .....	1
9	<u>102498201</u>	Bolt, M10 X 1.25 X 25, Loctite .....	1
10	<u>103496801</u>	Battery, Start, 12v .....	1
11	<u>1108</u>	Locknut, 1/4-20 Dimpled .....	2
12	<u>1241</u>	Washer, 5/16 Type A Flat .....	1
13	<u>332</u>	Washer, 1/4 Type A Narrow Flat .....	1
14	<u>7473</u>	Locknut, 5/16-18 Nylon Insert .....	1
15	<u>96704416</u>	Nut, Flange, M8 X 1.25 Serrated .....	1

7

D

7

D



000077-008

## TOP-POST BATTERY – DIESEL VEHICLE

ITEM	PART NO.	DESCRIPTION	QTY
		1 2 3 4	
1	<u>1010934</u>	Screw, 5/16-18 X 1.00 Hex Cap .....	1
2	<u>1015521</u>	Screw, 1/4-20 X .88 Hex Hd Cap .....	1
3	<u>101898001</u>	Clamp, Battery .....	1
4	<u>102448501</u>	Wire Asm, #6 Blk, Awd, 325 .....	1
5	<u>102498201</u>	Bolt, M10 X 1.25 X 25, Loctite .....	1
6	<u>105237301</u>	Battery, Start, 12v, Type 26 .....	1
7	105256201	Wire Asm, #6 Blk, (top-post battery) Awd, 426 .....	1
8	105256601	Wire Asm, #6 Red, (top-post battery) Awd, 476 .....	1
9	<u>1108</u>	Locknut, 1/4-20 Dimpled .....	2
10	<u>1241</u>	Washer, 5/16 Type A Flat .....	1
11	<u>332</u>	Washer, 1/4 Type A Narrow Flat .....	1
12	<u>7473</u>	Locknut, 5/16-18 Nylon Insert .....	1
13	<u>96704416</u>	Nut, Flange, M8 X 1.25 Serrated .....	1

7

D

7

D

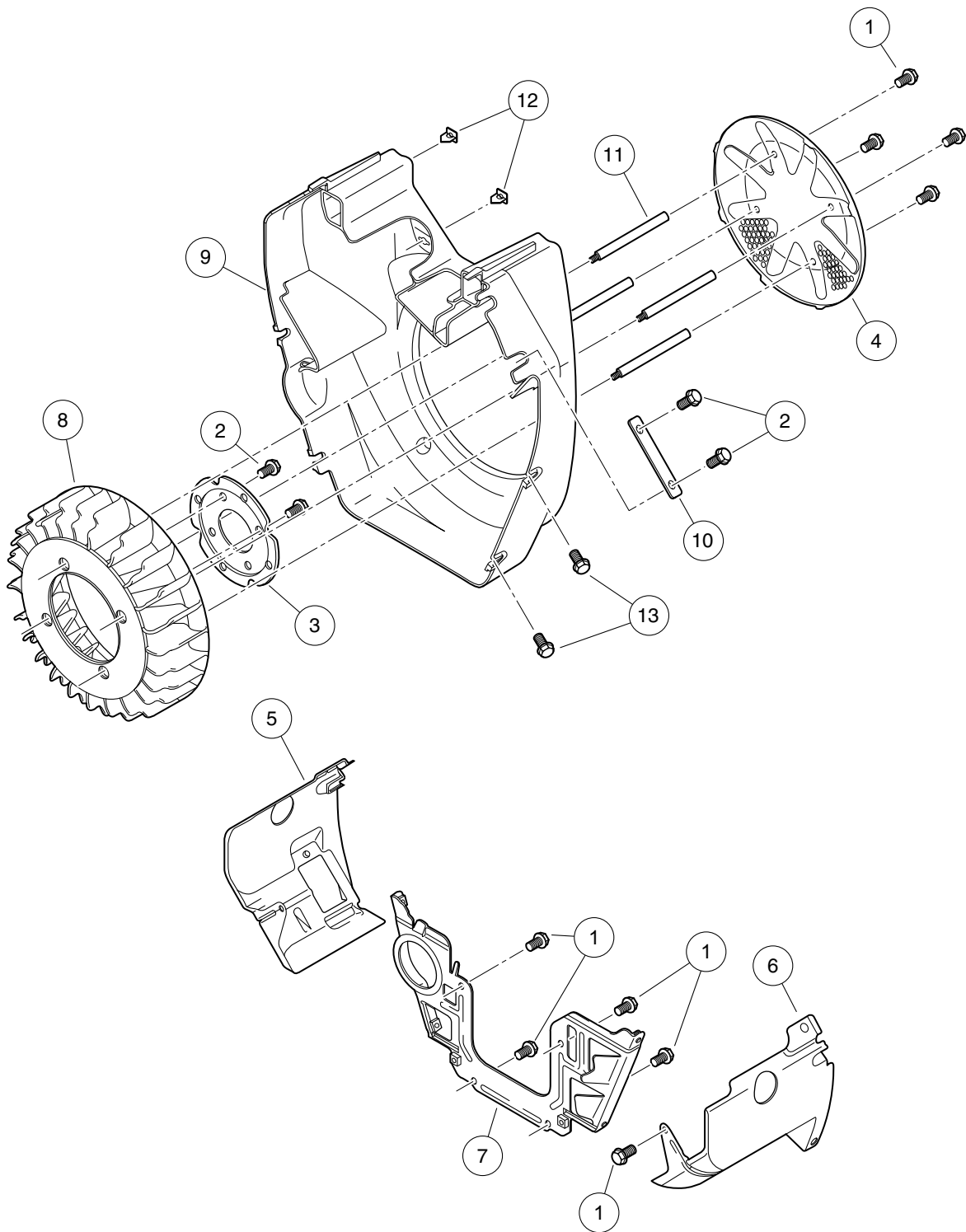


# ENGINE – KAWASAKI FH680D GASOLINE

---

8

G

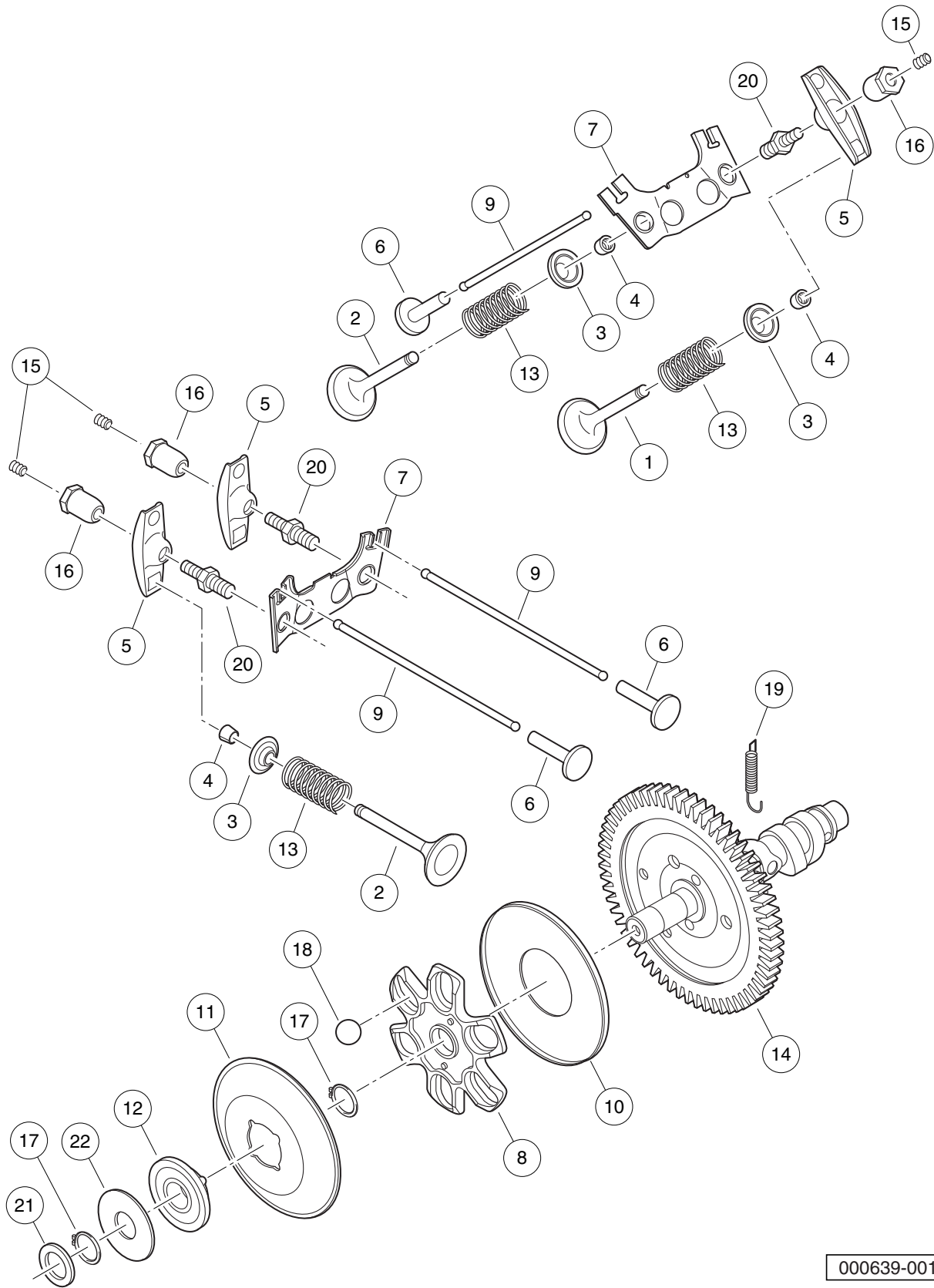


000625-001

# SHROUDS AND BRACKETS

ITEM	PART NO.	DESCRIPTION	QTY
		1 2 3 4	
1	<u>102992401</u>	Bolt, Flg, M6 X 1.0 X 12 .....	9
2	<u>102992501</u>	Bolt, Flg, M6 X 1.0 X 16 .....	4
3	<u>102998601</u>	Plate, Housing, Fan, Fh .....	1
4	<u>102998701</u>	Screen, Fan, Fh .....	1
5	<u>102999101</u>	Shroud, Engine, Rh, Fh .....	1
6	<u>102999201</u>	Shroud, Engine, Lh, Fh .....	1
7	<u>102999301</u>	Shroud, Engine, Front, Fh .....	1
8	<u>102999501</u>	Fan, Cooling, Fh .....	1
9	<u>102999601</u>	Housing, Engine, Fh .....	1
10	<u>103000001</u>	Washer, Housing, Fan, Fh .....	1
11	<u>103299301</u>	Stud, Fan Screen, Fh .....	4
12	<u>103299401</u>	Nut, Press In, Front Cover, Fh .....	4
13	<u>103300301</u>	Bolt, Oil Pickup, Fh .....	4

**8**  
**G**



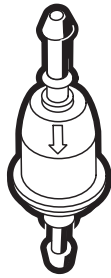
000639-001

## VALVES AND CAMSHAFT

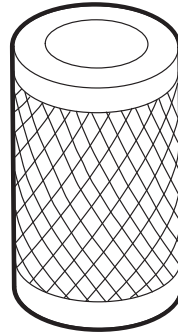
ITEM	PART NO.	DESCRIPTION	QTY
		1 2 3 4	
1	<u>102994601</u>	Valve, Intake, Fh .....	2
2	<u>102994701</u>	Valve, Exhaust, Fh .....	2
3	<u>102994801</u>	Retainer, Valve Spring, Fh .....	4
4	<u>102994901</u>	Collet, Spring, Valve, Fh .....	8
5	<u>102995001</u>	Arm, Rocker .....	4
6	<u>102995101</u>	Tappet, Rod, Push, Fh .....	4
7	<u>102995201</u>	Guide, Arm, Rocker, Fh .....	2
8	<u>102995301</u>	Guide, Camshaft, Gov, Fh .....	1
9	<u>102995401</u>	Rod, Push, Fh .....	4
10	<u>102995501</u>	Plate, Camshaft, Gov, Fh .....	1
11	<u>102995601</u>	Plate, Ring, Gov, Fh .....	1
12	<u>102995701</u>	Sleeve, Plate, Gov, Fh .....	1
13	<u>102995801</u>	Spring, Valve, Fh .....	4
14	<u>102995901</u>	Kit, Camshaft, Comp, Fh .....	1
15	<u>102996001</u>	Screw, Rocker Arm, Fh .....	4
16	<u>102996101</u>	Nut, Arm, Rocker, Fh .....	4
17	<u>102996201</u>	Ring, Snap, Gov, Fh .....	2
18	<u>102996301</u>	Ball, Guide, Gov, Fh .....	6
19	<u>102996401</u>	Spring, Camshaft, Fh .....	1
20	<u>102996501</u>	Stud, Rocker Arm, Fh .....	4
21	<u>102996601</u>	Washer, Sleeve, Gov, Fh .....	1
22	<u>102996701</u>	Washer, Gov, Fh .....	1

**8**

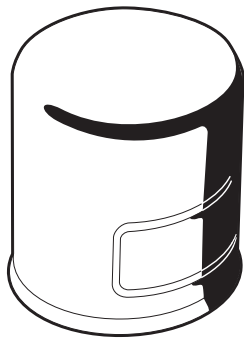
**G**



2



3



4



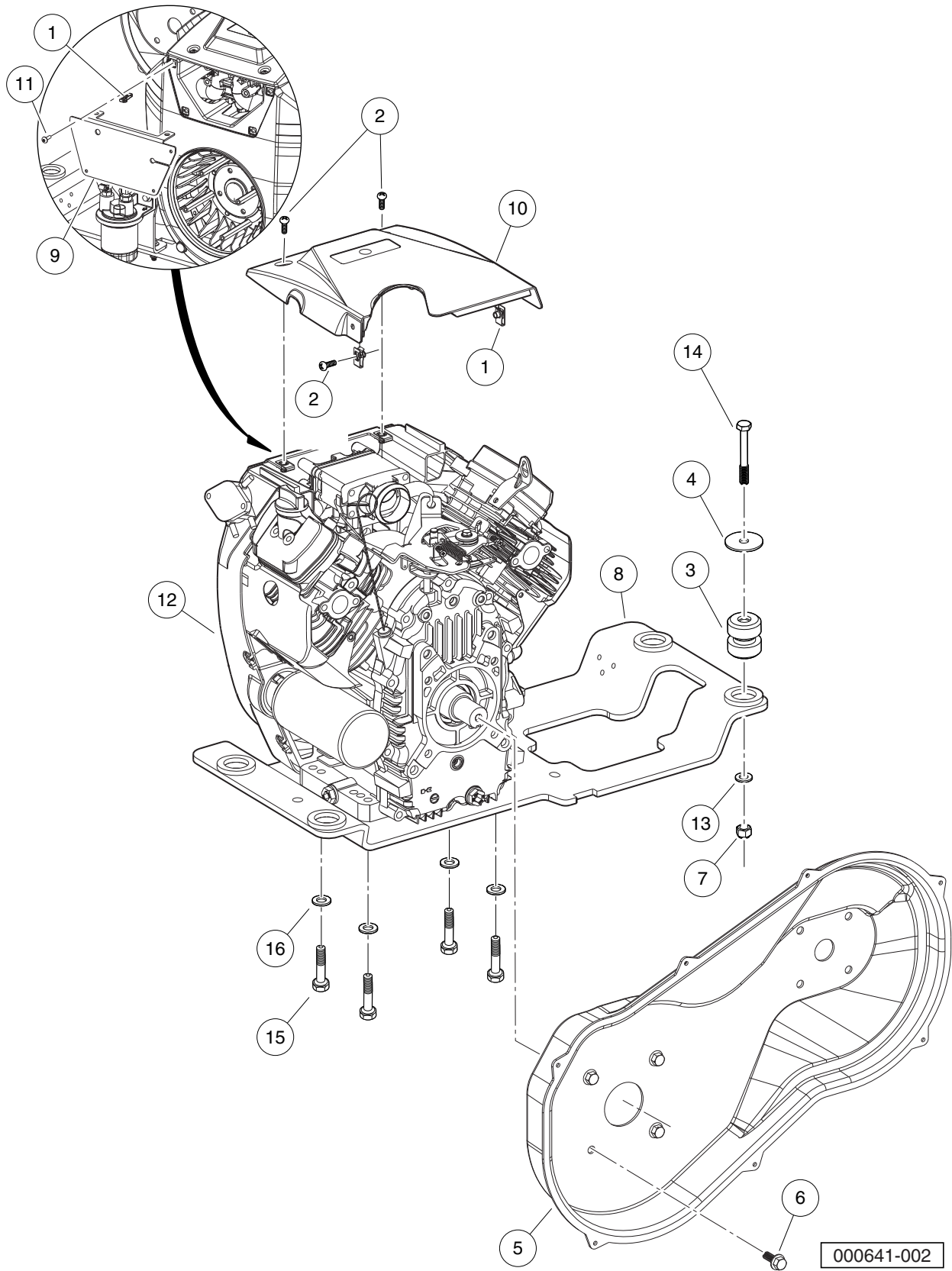
5

000992-001

## TUNE-UP KIT – KAWASAKI FH680

ITEM	PART NO.	DESCRIPTION	QTY
		1 2 3 4	
1	<u>AM1232401</u>	Kit, Tune-Up (For Kawasaki V-twin engines) (includes items 2 through 5) .....	1
2	<u>102003201</u>	Filter, Fuel, 30 Micron .....	1
3	<u>102498601</u>	Element, Filter, Air, 5 Inch .....	1
4	<u>103887901</u>	Filter, Oil, Kawasaki .....	1
5	<u>AM1232301</u>	Spark Plug, BPR2ES .....	2

**8**  
**G**



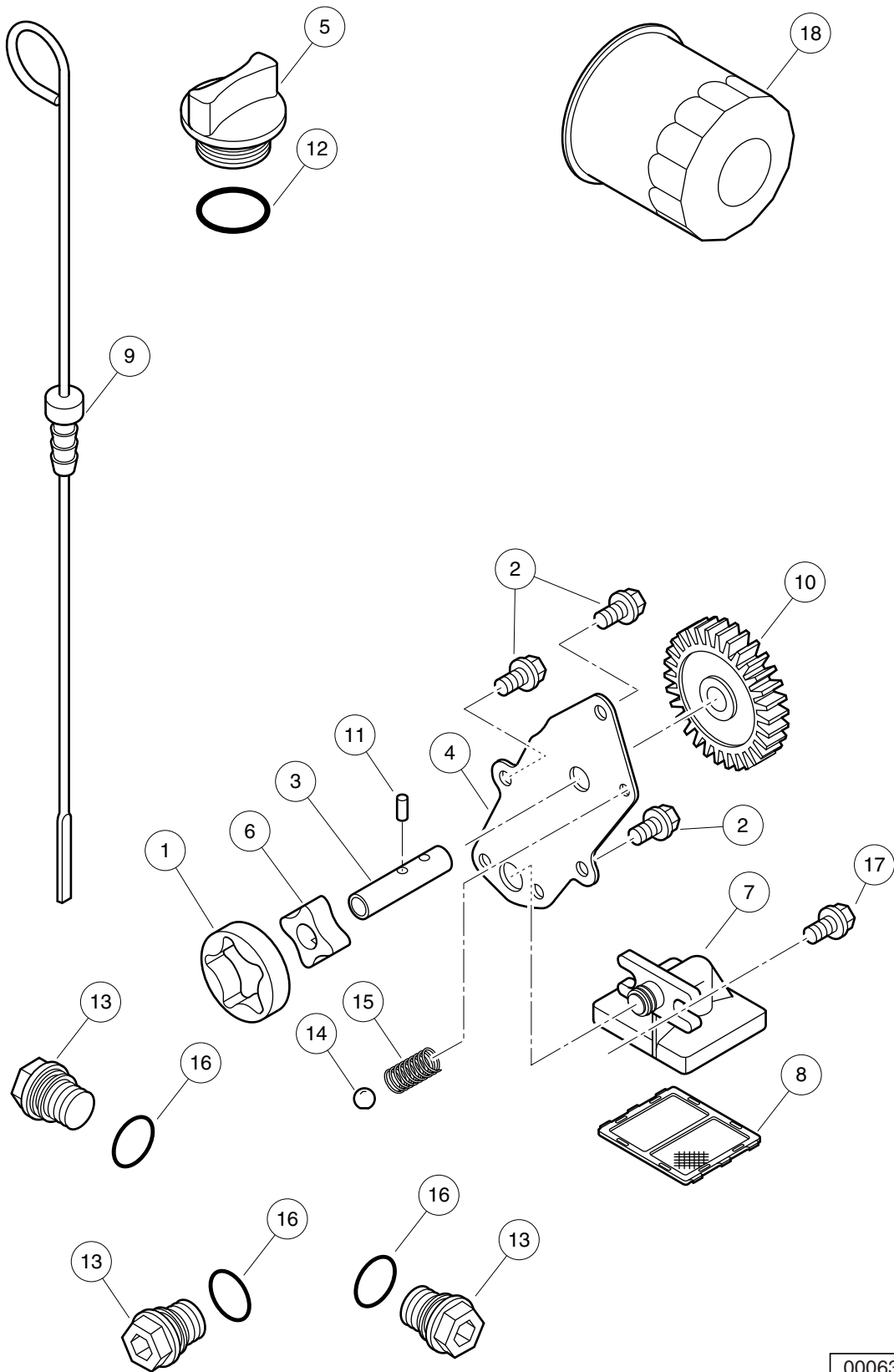
000641-002



# KAWASAKI FH680D GASOLINE ENGINE AND MOUNTING

ITEM	PART NO.	DESCRIPTION	QTY
		1 2 3 4	
1	<u>102296601</u>	U-Nut, M6-1.0, Prevailing Torque .....	4
2	<u>102296920</u>	Screw, M6, Torx Button Head, Sems .....	4
3	<u>102370501</u>	Isolator Ring and Bushing .....	4
4	<u>102370601</u>	Washer, Snubbing, Ring N Bush .....	4
5	<u>102462504</u>	Cover, Cvt, Inner Fh680d .....	1
6	<u>102491001</u>	Bolt, Flanged Head, 3/8-16x1.0 with Loctite .....	4
7	<u>102740401</u>	Locknut, M12x1.75 Nylon Insert .....	4
8	<u>102951901</u>	Weldment, Eng Mnt, Kaw, Fh680d .....	1
9	<u>103208701</u>	Engine, Front Cover, Fh680d .....	1
10	<u>103262901</u>	Cover, Engine, Top .....	1
11	<u>103279201</u>	Screw, Pn Hd Blk, 10-16 X .625 .....	4
12	<u>103528201</u>	Engine, Kawasaki, FH680D .....	1
13	<u>96701412</u>	Washer, M12 Hard .....	4
14	<u>96704721</u>	Bolt, M12 X 1.75 X 90 .....	4
15	<u>96704960</u>	Bolt, M10 X 1.5 X 60 .....	4
16	<u>96741046</u>	Washer, M10, Hard .....	4

**8**  
**G**



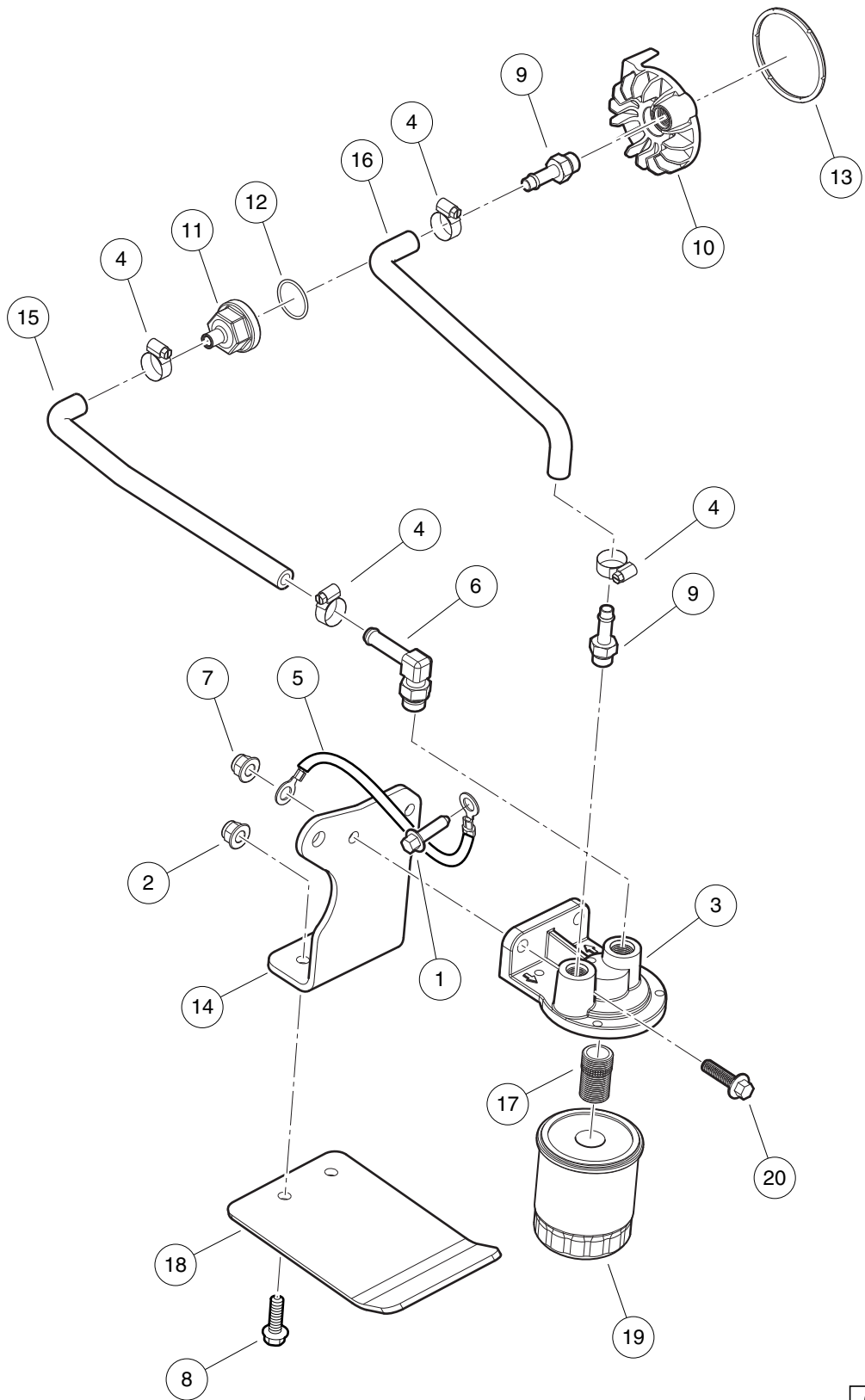
000637-004

# OIL AND LUBRICATION COMPONENTS

ITEM	PART NO.	DESCRIPTION	QTY
		1 2 3 4	
1	101648201	Rotor, Pump, Oil, Outer .....	1
2	<u>102992401</u>	Bolt, Flg, M6 X 1.0 X 12 .....	3
3	<u>102996901</u>	Shaft, Oil Pump, Fh .....	1
4	<u>102997001</u>	Plate, Oil Pump, Fh .....	1
5	<u>102997101</u>	Cap, Oil, Fill, Fh .....	1
6	<u>102997201</u>	Rotor, Pump, Oil, Inner, Fh .....	1
7	<u>102997401</u>	Pickup, Oil, Fh .....	1
8	<u>102997601</u>	Screen, Pickup, Oil, Fh .....	1
9	<u>102997701</u>	Gauge, Oil, Fh .....	1
10	<u>102997801</u>	Gear, Spur, Oil Pump, Fh .....	1
11	<u>102997901</u>	Pin, Oil Pump, Fh .....	2
12	<u>102998001</u>	O-ring, Cap, Oil, Fill, Fh .....	1
13	<u>102998101</u>	Plug, Oil Drain, Fh .....	3
14	<u>102998201</u>	Ball, Oil Pump, Fh .....	1
15	<u>102998301</u>	Spring, Oil Pump, Fh .....	1
16	<u>102998401</u>	O-ring, Drain Plug, Oil, Fh .....	3
17	<u>103300301</u>	Bolt, Oil Pickup, Fh .....	2
18	<u>103887901</u>	Filter, Oil, Kawasaki .....	1

**8**

**G**



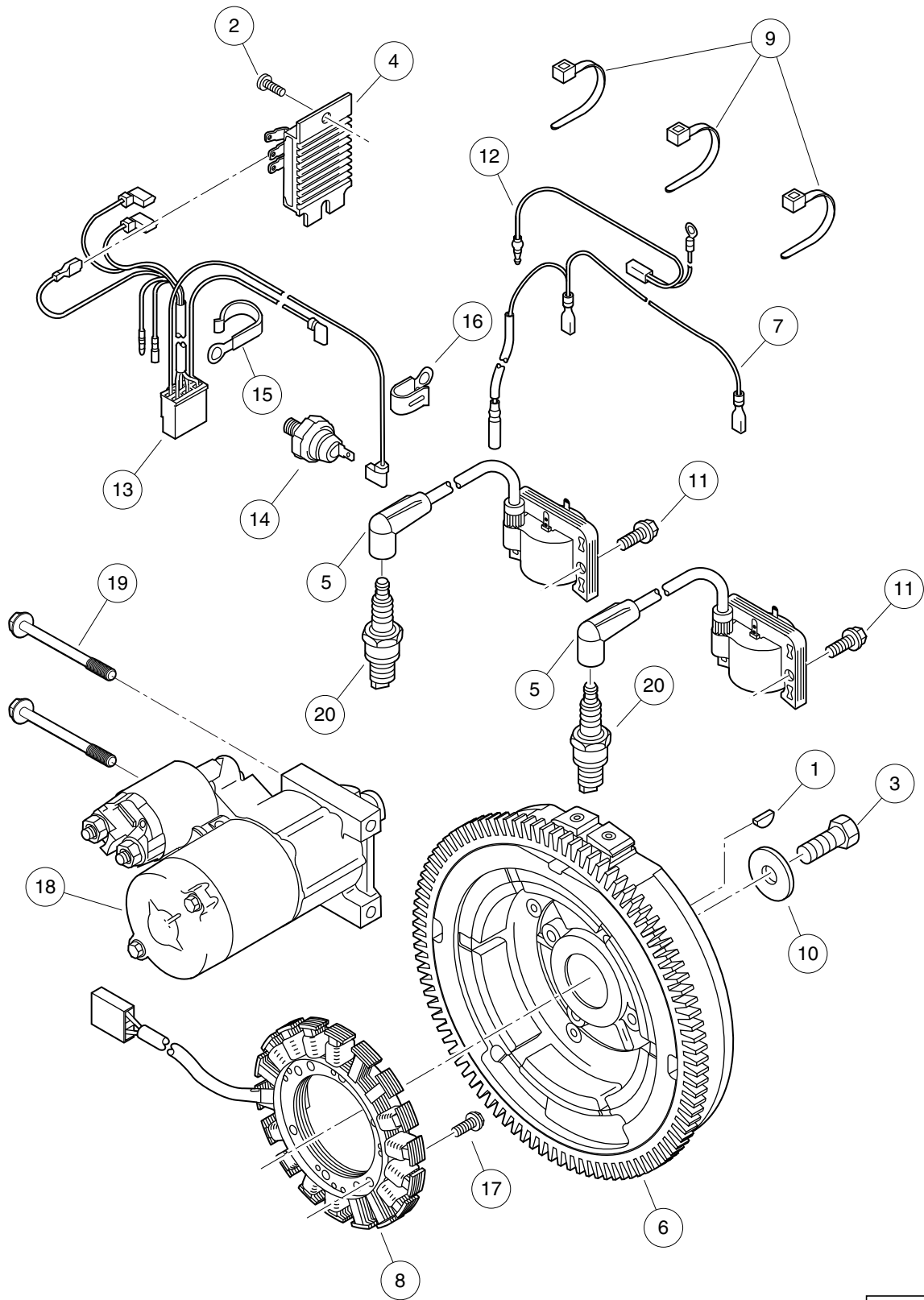
000671-004

## OIL FILTER ADAPTER – KAWASAKI FH680

ITEM	PART NO.	DESCRIPTION	QTY
		1 2 3 4	
1	<u>102289001</u>	Screw, M8X1.25X30, Hex .....	1
2	<u>102298401</u>	Nut,m8,all Metal Lock .....	2
3	<u>102371401</u>	Bracket, Oil Filter Mount .....	1
4	<u>102443601</u>	Clamp, Hose .....	4
5	<u>102448501</u>	Wire Asm, #6 Blk, Awd, 325 .....	1
6	<u>102457501</u>	Adapter, 90, 3/8 Tube .....	1
7	<u>102618601</u>	Lock Nut, Flange, M8 X 1.25 Nylon .....	2
8	<u>102621301</u>	Bolt, M8 X 1.25 X 40 with Loctite .....	2
9	<u>102722001</u>	Adapter, 5/16 Hose .....	2
10	<u>102958301</u>	Adapter, Special, Oil Filter .....	1
11	<u>102958401</u>	Nut, Special, Hose Adapter .....	1
12	<u>102958501</u>	O-ring, 23.52 X 1.78mm .....	1
13	<u>102958601</u>	O-ring, Oil Filter Adapter .....	1
14	<u>103197201</u>	Bracket, Oil Filter, Fh680d .....	1
15	<u>103240601</u>	Hose, Formed, Oil, 5/16" .....	1
16	<u>103246901</u>	Hose, Formed, Oil, 5/16", Ret .....	1
17	<u>103276201</u>	Nipple, 3/4-16 X M20 X 1.5-6g .....	1
18	<u>103326401</u>	Guard, Oil Filter, Fh680d .....	1
19	<u>103887901</u>	Filter, Oil, Kawasaki .....	1
20	<u>96705587</u>	Bolt, M8 X 1.25 X 30 .....	2

**8**

**G**



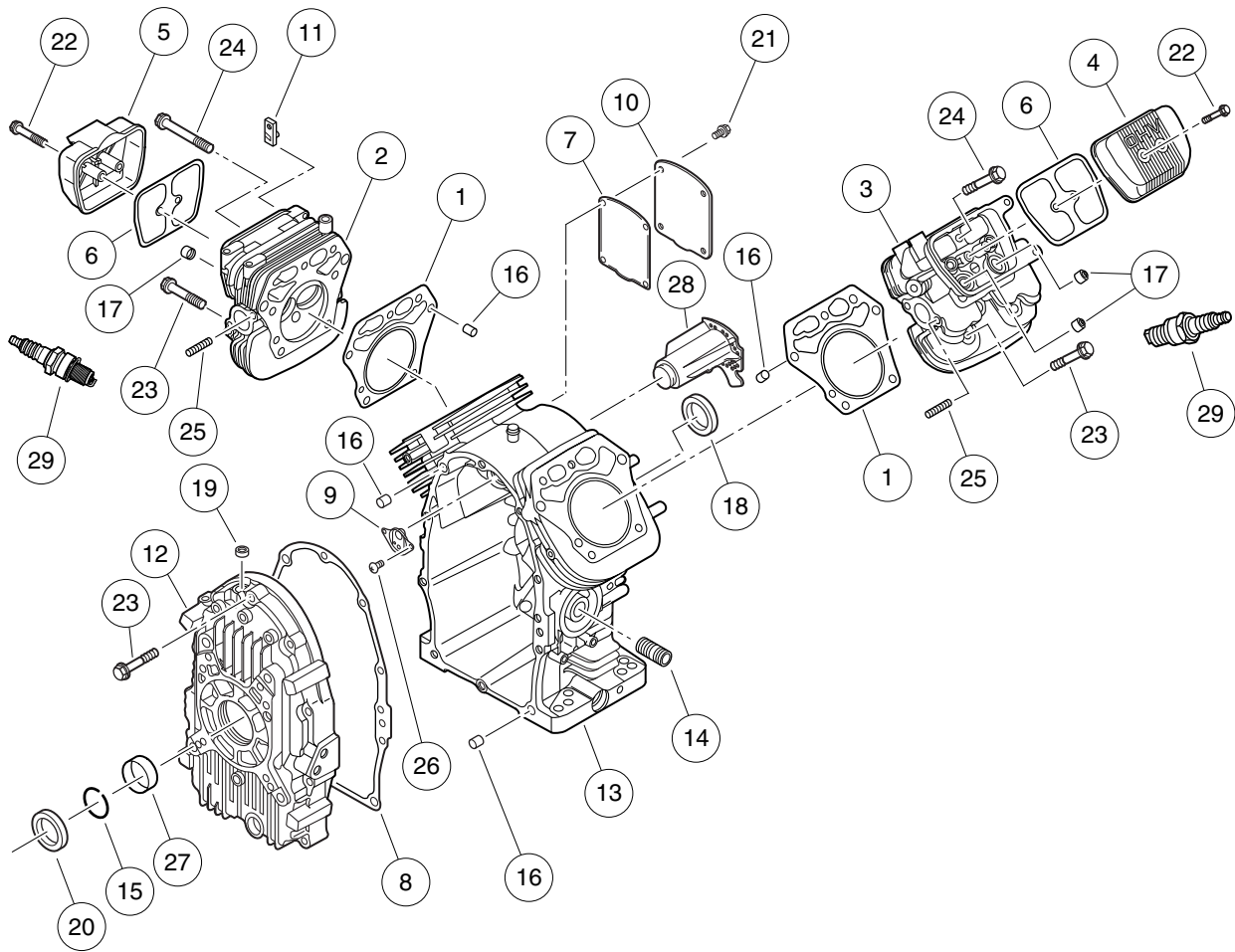
000626-002

# IGNITION COMPONENTS AND FLYWHEEL – KAWASAKI FH680

ITEM	PART NO.	DESCRIPTION	QTY
		1 2 3 4	
1	N/A	Key .....	1
2	<u>1016544</u>	Screw .....	1
3	<u>102994301</u>	Bolt, Flg, M12 X 1.25 X 30 .....	1
4	<u>103000401</u>	Regulator, Voltage, Fh .....	1
5	<u>103000501</u>	Asm, Coil, Ignition, Fh .....	2
6	<u>103000601</u>	Flywheel, Assy, Fh .....	1
7	<u>103000801</u>	Harness, Regulator, Fh .....	1
8	<u>103000901</u>	Coil, Charging, Fh .....	1
9	<u>103001301</u>	Band, Harness, Fh .....	3
10	<u>103001501</u>	Washer, Flywheel, Fh .....	1
11	<u>103298501</u>	Bolt, Flanged, M6 X 20, Kaw .....	4
12	<u>103299501</u>	Harness, Ignition, Fh .....	1
13	<u>103299601</u>	Harness, Engine, Main, Fh .....	1
14	<u>103299701</u>	Switch, Oil Pressure, Fh .....	1
15	<u>103299801</u>	Clamp, Harness, Large, Fh .....	1
16	<u>103299901</u>	Clamp, Harness, Small, Fh .....	1
17	<u>103300101</u>	Screw, Pan, Coil Mount, Fh .....	4
18	<u>103345501</u>	Starter, Electric, Fh680d .....	1
19	<u>103687401</u>	Bolt, Flg, M8 X 1.25 X 83 .....	2
20	<u>AM1232301</u>	Spark Plug, BPR2ES .....	2

**8**

**G**



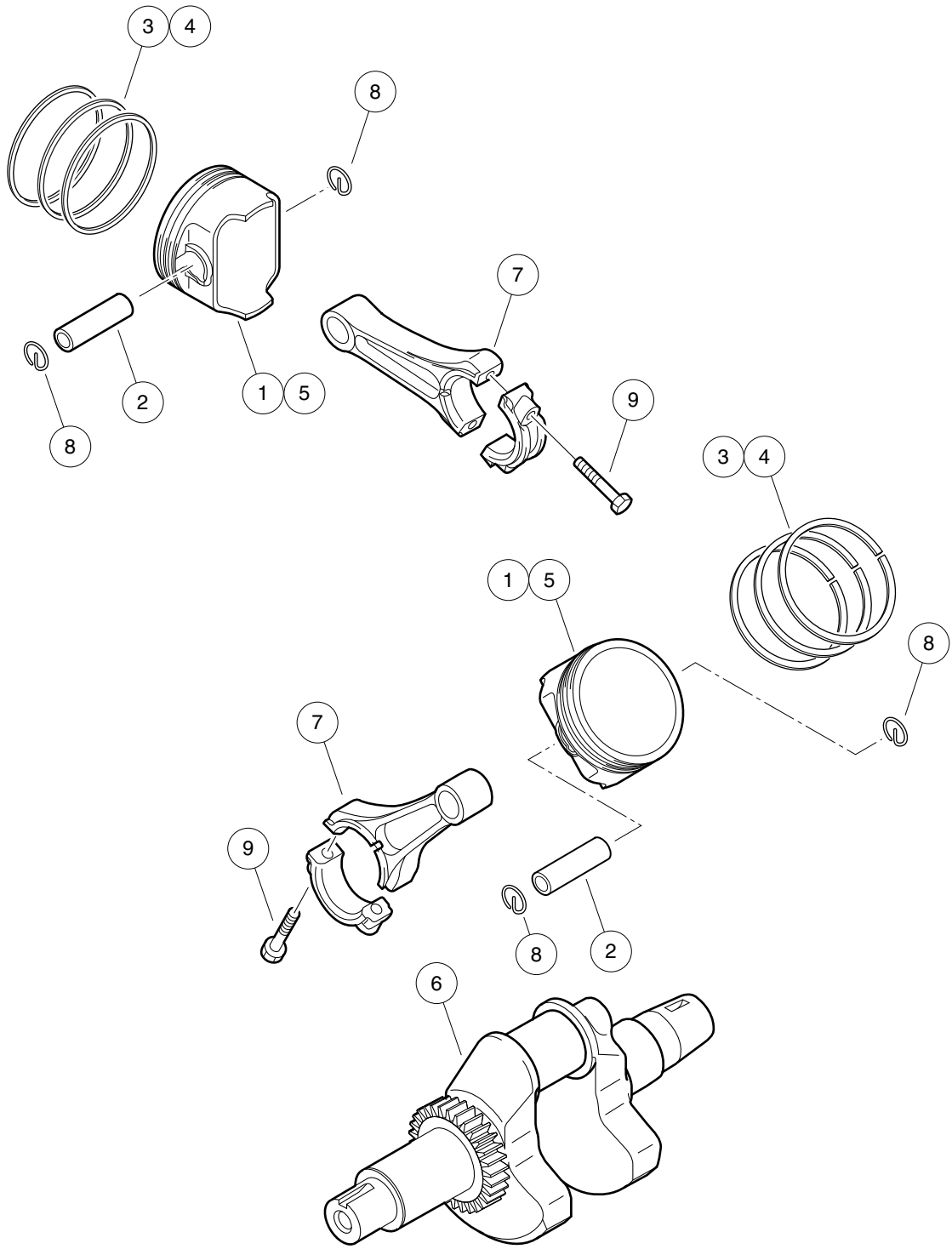
000638-003



# CYLINDER HEAD AND CRANKCASE

ITEM	PART NO.	DESCRIPTION	QTY
		<b>1 2 3 4</b>	
1	<u>102990101</u>	Gasket, Head, Cyl, Fh .....	2
2	<u>102990201</u>	Head, Cyld 1, Fh .....	1
3	<u>102990301</u>	Head, Cyld 2, Fh .....	1
4	<u>102990401</u>	Cover, Rocker, Cyld 1, Fh .....	1
5	<u>102990501</u>	Cover, Rocker, Cyld 2, Fh .....	1
6	<u>102990601</u>	Gasket, Rocker, Cover, FH .....	2
7	<u>102990701</u>	Gasket, Breather, Fh .....	1
8	<u>102990801</u>	Gasket, Cover, Crank, Fh .....	1
9	<u>102990901</u>	Valve, Assy, Reed, Fh .....	1
10	<u>102991101</u>	Cover, Crkcase, Comp, Fh .....	1
11	<u>102991201</u>	Pipe, Head, Comp, Clyd, Fh .....	1
12	<u>102991401</u>	Cover, Crankcase, Fh .....	1
13	<u>102991501</u>	Crankcase, Comp, Fh .....	1
14	<u>102991601</u>	Nipple, Oil Filter, Fh .....	1
15	<u>102991801</u>	Ring, Snap, Fh .....	1
16	<u>102991901</u>	Pin, Head, Fh .....	6
17	<u>102992001</u>	Seal, Oil, Valve, Fh .....	4
18	<u>102992101</u>	Seal, Oil, Crank, Rear, Fh .....	1
19	<u>102992201</u>	Seal, Oil, Governor, Fh .....	1
20	<u>102992301</u>	Seal, Oil, Crank, Front, Fh .....	1
21	<u>102992401</u>	Bolt, Flg, M6 X 1.0 X 12 .....	4
22	<u>102992601</u>	Bolt, Flg, M6 X 1.0 X 40 .....	4
23	<u>102992701</u>	Bolt, Flg, M8 X 1.25 X 50 .....	18
24	<u>102992801</u>	Bolt, Flg, M8 X 1.25 X 75 .....	2
25	<u>102992901</u>	Stud, M8 X 1.25, Exhaust, Fh .....	4
26	<u>103298601</u>	Screw, Pan, Governor, Fh .....	2
27	<u>103298901</u>	Bushing, Main, Fh .....	1
28	<u>103981201</u>	Pipe, Crankcase Breather, Fh680 (with O-Ring) .....	1
29	<u>AM1232301</u>	Spark Plug, BPR2ES .....	2

**8**  
**G**



000640-001

## PISTONS AND CRANKSHAFT

ITEM	PART NO.	DESCRIPTION	QTY
		1 2 3 4	
1	<u>102993201</u>	Piston, Engine, Fh .....	2
2	<u>102993301</u>	Pin, Piston, Engine, Fh .....	2
3	<u>102993401</u>	Ring, Set, Piston, Fh .....	2
4	<u>102993501</u>	Ring, Set, Piston, 0.50, Fh .....	A/R
5	<u>102993601</u>	Piston, Engine, 0.50, Fh .....	A/R
6	<u>102993701</u>	Crankshaft, Comp, Fh .....	1
7	<u>102993901</u>	Kit, Rod, Connecting, Fh .....	2
8	<u>102994101</u>	Ring, Snap, Pin, Piston, Fh .....	4
9	<u>102994401</u>	Bolt, Flg, M6 X 1.00 X 35 .....	4

**8**

**G**

8

G

# ENGINE – KUBOTA DIESEL, D722, E3B SERIES

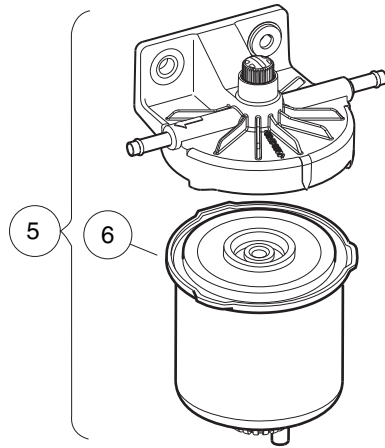
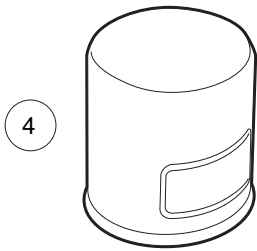
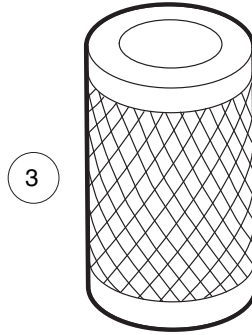
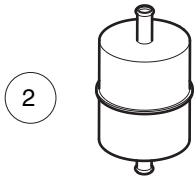
---

9

D

9

D



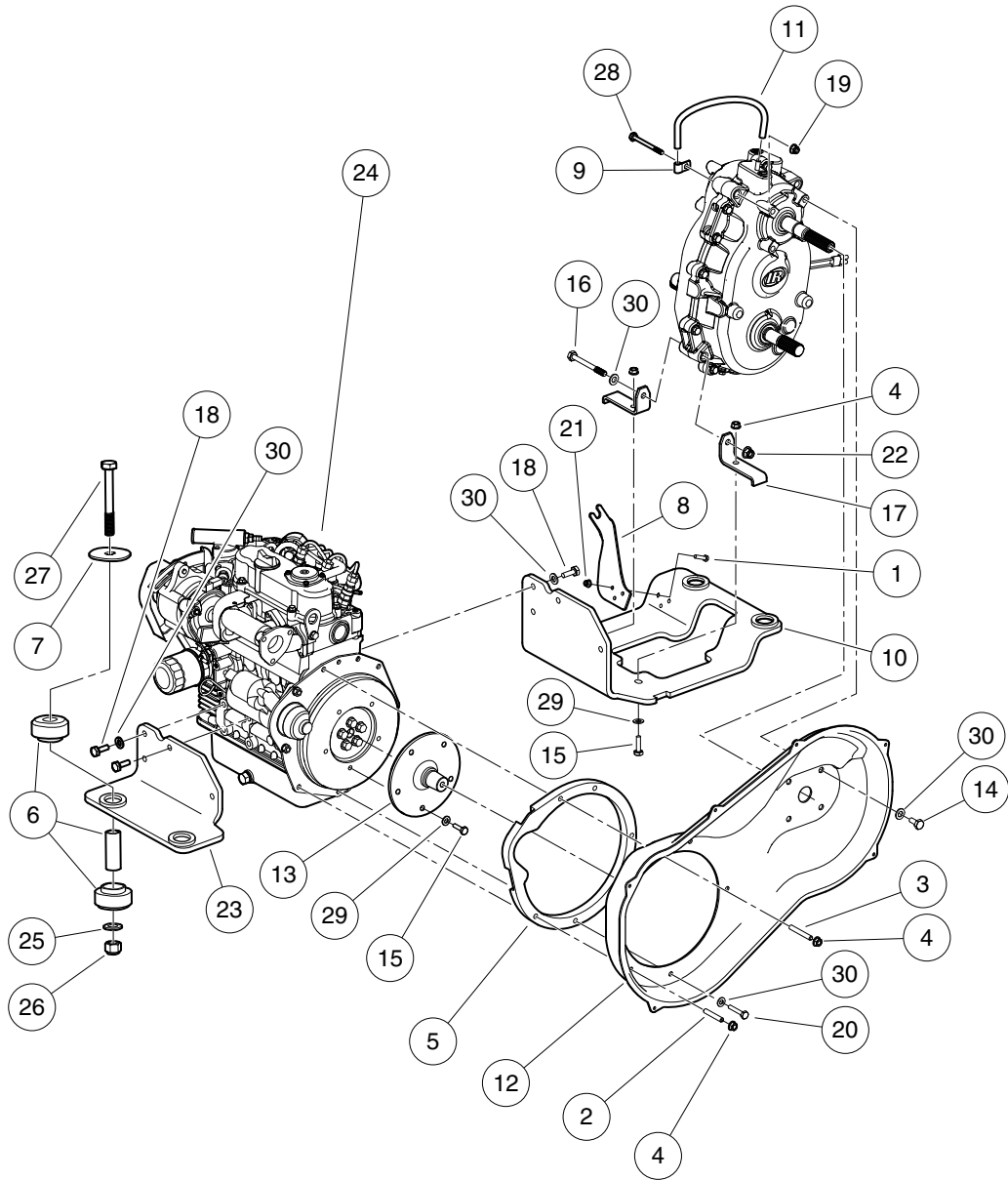
000992-002

## TUNE-UP KIT – KUBOTA D722

ITEM	PART NO.	DESCRIPTION	QTY
		<b>1 2 3 4</b>	
1	<u>AM11805</u>	Kit, Tune-Up (For Kubota engines) (includes items 2 through 5) .....	1
2	<u>102434701</u>	Filter, Fuel .....	1
3	<u>102498601</u>	Element, Filter, Air, 5 Inch .....	1
4	<u>102703301</u>	Filter, Engine Oil, D722 .....	1
5	<u>103747301</u>	Assembly, Filter/Bracket, Fuel, Diesel (includes item 6) .....	1
6	<u>103761801</u>	Filter, Fuel, Diesel .....	1

**9**

**D**



000025-005



## DIESEL ENGINE AND ENGINE MOUNTING (D722 – E3B)

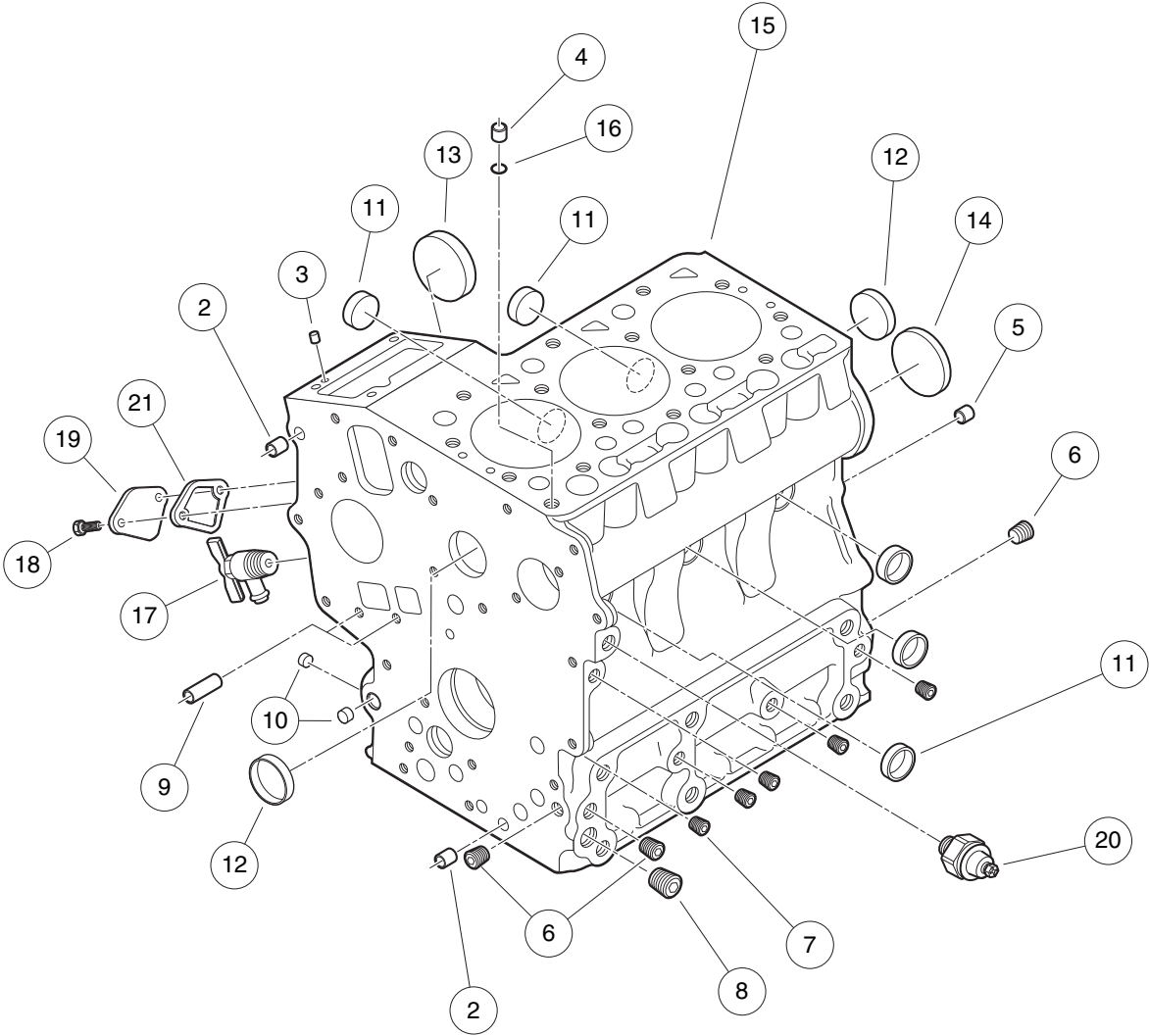
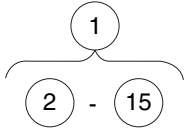
ITEM	PART NO.	DESCRIPTION	QTY
		1 2 3 4	
1	<u>1012769</u>	Screw, M6-1.00 X 25mm Hex Cap .....	3
2	<u>101833101</u>	Stud, M8-1.25 X 50 mm Two-Ended .....	1
3	<u>101833201</u>	Stud, M8-1.25 X 60mm Two-Ended .....	1
4	<u>102298401</u>	Nut,m8,all Metal Lock .....	7
5	<u>102370101</u>	Spacer, Engine, Diesel .....	1
6	<u>102370501</u>	Isolator Ring and Bushing .....	4
7	<u>102370601</u>	Washer, Snubbing, Ring N Bush .....	4
8	<u>102382401</u>	Bracket, FNR Trans Cable .....	1
9	<u>102410603</u>	P-Clamp, Insulated .312 In .....	1
10	<u>102414801</u>	Plate, Engine Mounting, Weld, Right-Hand .....	1
11	<u>102462301</u>	Hose, Vent, Transmission .....	1
12	<u>102462501</u>	Cover, CVT Inner, Diesel .....	1
13	<u>102465901</u>	Shaft, CVT Adapter .....	1
14	<u>102490101</u>	Bolt, M10 X 1.5 X 20 Loctite .....	4
15	<u>102490201</u>	Bolt, M8 X 1.25 X 25 Loctite .....	7
16	<u>102490501</u>	Bolt, M10 X 1.5 X 100 Loctite .....	1
17	<u>102494401</u>	Bracket, Transmission Mounting .....	2
18	<u>102498201</u>	Bolt, M10 X 1.25 X 25, Loctite .....	8
19	<u>102618601</u>	Lock Nut, Flange, M8 X 1.25 Nylon .....	1
20	<u>102621301</u>	Bolt, M8 X 1.25 X 40 with Loctite .....	3
21	<u>102621501</u>	Nut, Flange, M6 X 1.0, Nylon .....	3
22	<u>102670701</u>	Nut, Flange, M10 X 1.5 Nylon .....	1
23	<u>102959001</u>	Plate, Eng Mtg, Diesel, Lh .....	1
24	<u>103883801</u>	Engine, Kubota, D722, Mech, Ss .....	1
25	<u>96701412</u>	Washer, M12 Hard .....	4
26	<u>96704622</u>	Locknut, M12x1.75 Nylon Insert .....	4
27	<u>96704721</u>	Bolt, M12 X 1.75 X 90 .....	4
28	<u>96718978</u>	Bolt, M8 X 1.25 X 80 .....	1
29	<u>96741038</u>	Washer, M8 Hard .....	10
30	<u>96741046</u>	Washer, M10, Hard .....	12

9

D

9

D



000039-001

## CRANKCASE (D722 – E3B)

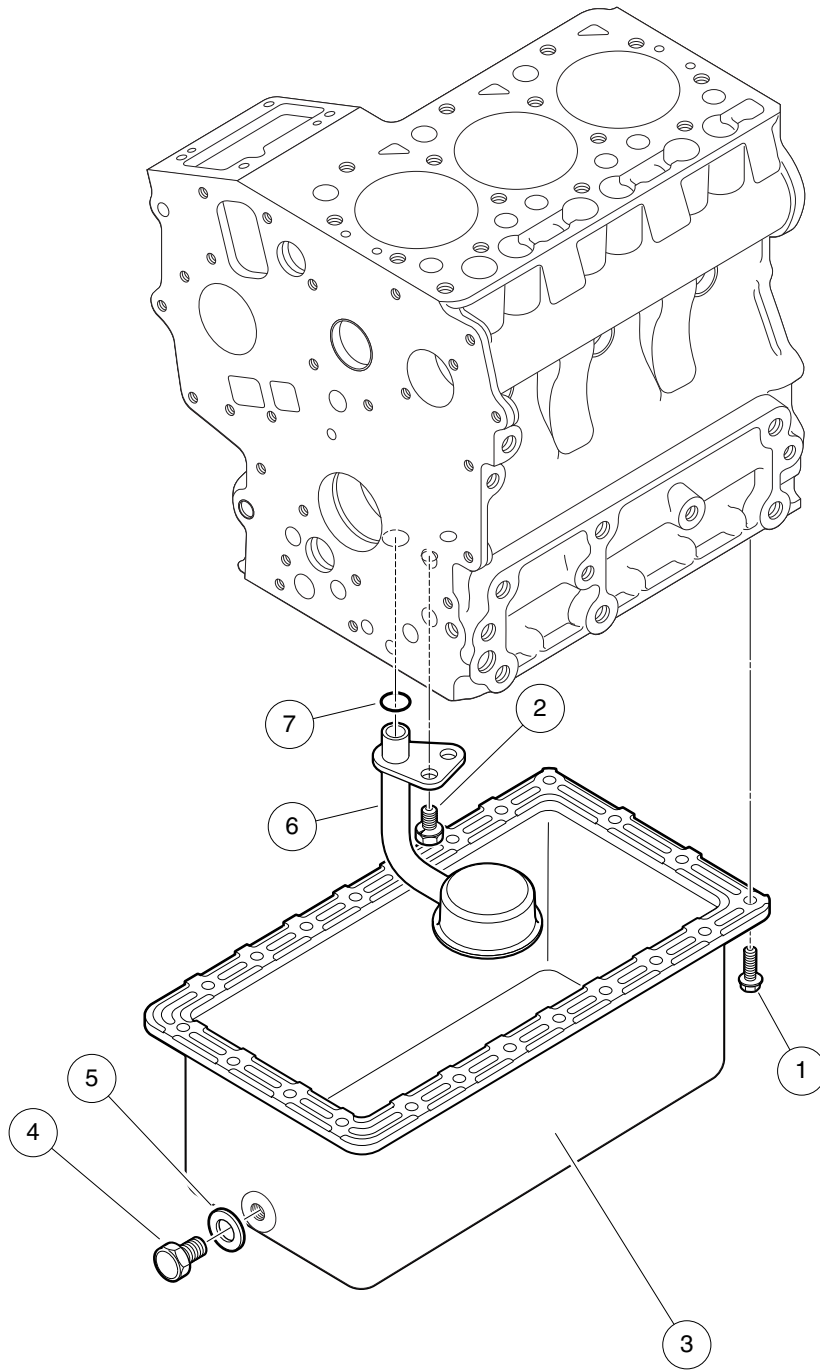
ITEM	PART NO.	DESCRIPTION	QTY
		1 2 3 4	
1	<u>102600001</u>	Engine Block (includes items 2 through 15) .....	1
2	<u>102600101</u>	Pin, Pipe, Dia 8 X 14 .....	2
3	<u>102600201</u>	Pin, Straight, Dia 5 X 10 .....	2
4	<u>102600401</u>	Pin, Pipe, Dia 7 X 14 .....	1
5	<u>102600601</u>	Pin, Straight, Dia 8 X 16 .....	2
6	<u>102600701</u>	Plug, 1/8" .....	3
7	<u>102600801</u>	Plug, 3/32" .....	5
8	<u>102601001</u>	Plug, 1/4" .....	1
9	<u>102601301</u>	Pin, Pipe, Dia 8 X 11 .....	2
10	<u>102726201</u>	Cap, Sealing, Small .....	3
11	<u>102726301</u>	Cap, Sealing, Med .....	5
12	<u>102726401</u>	Cap, Sealing, Large .....	2
13	<u>102726501</u>	Cover, Fuel Camshaft .....	1
14	<u>102726601</u>	Plug, Expansion .....	1
15	N/A	Block, Engine .....	1
16	<u>102600301</u>	O Ring, 8 X 7 .....	1
17	<u>102601401</u>	Cock, Drain .....	1
18	<u>102631601</u>	Bolt, M6 X 1 X 20 .....	2
19	<u>102700801</u>	Plate, Engine Block .....	1
20	<u>102730801</u>	Switch, Oil Pressure .....	1
21	<u>102732601</u>	Gasket, Fuel Pump, D722 .....	1

9

D

9

D



000040-001

# OIL PAN (D722 – E3B)

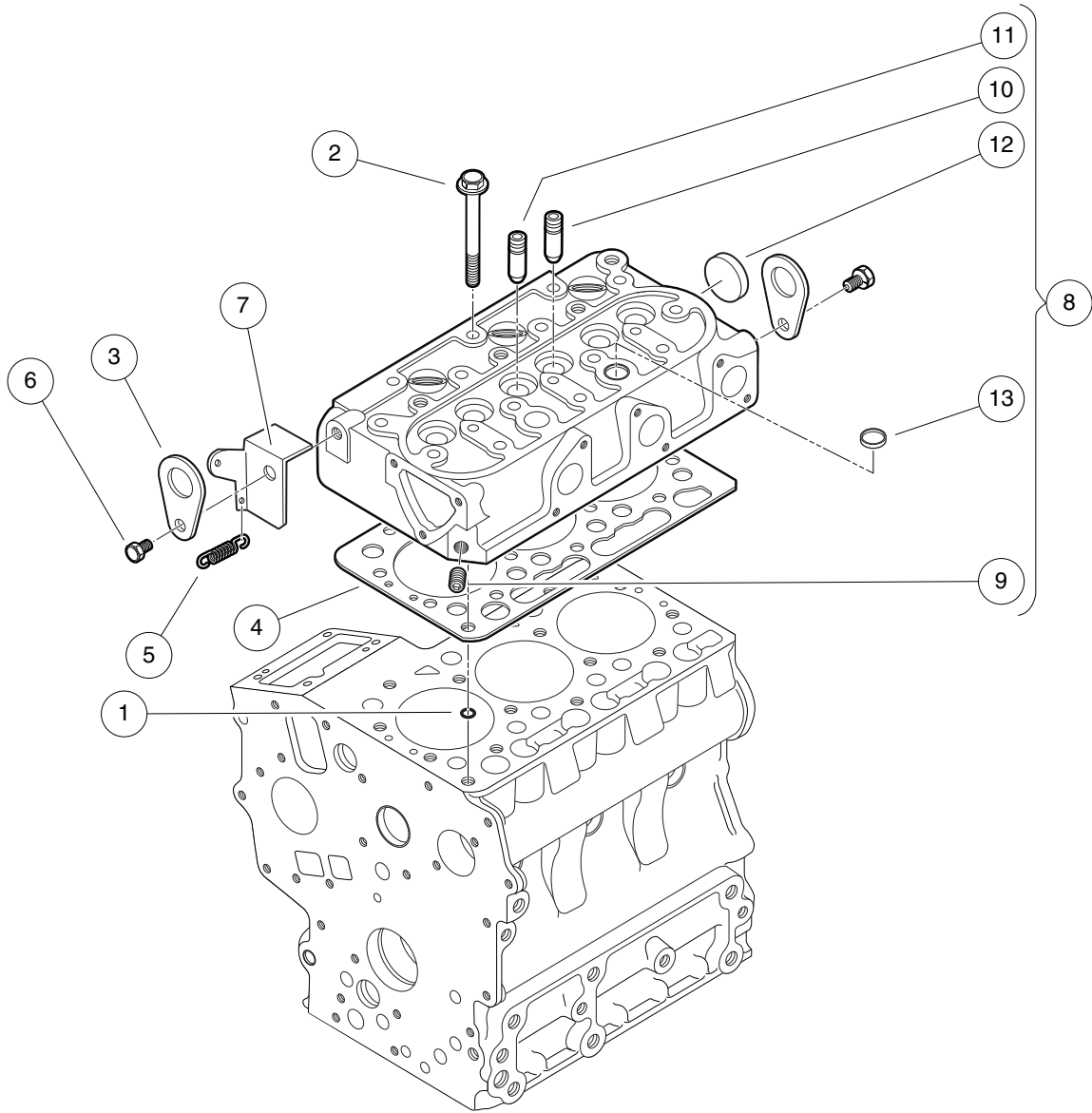
ITEM	PART NO.	DESCRIPTION	QTY
		1 2 3 4	
1	<u>102605101</u>	Bolt, M6 X 1 X 14 .....	22
2	<u>102606901</u>	Bolt, M8 X 1.25 X 15 .....	1
3	<u>102607001</u>	Oil Pan .....	1
4	<u>102607201</u>	Plug, Drain, M12 X 14 .....	1
5	<u>102607301</u>	Gasket, 20 X 13 .....	1
6	<u>102607401</u>	Filter, Oil, Pick Up .....	1
7	<u>102654601</u>	O Ring, 20 X 17 .....	1

**9**

**D**

9

D



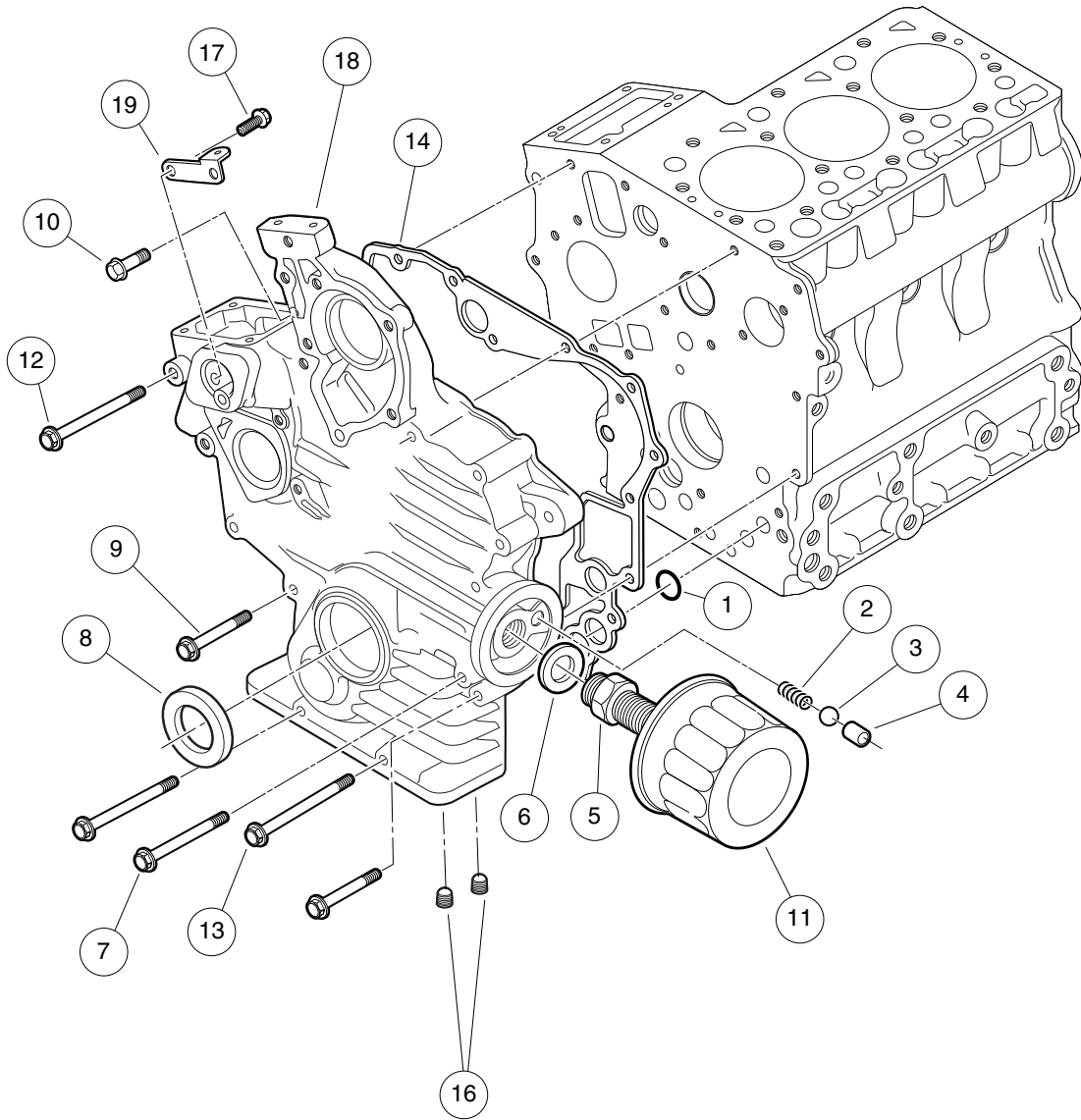
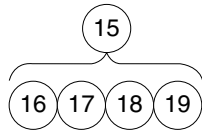
000041-002

## CYLINDER HEAD (D722 – E3B)

ITEM	PART NO.	DESCRIPTION	QTY
		1 2 3 4	
1	<u>102600301</u>	O Ring, 8 X 7 .....	1
2	<u>102652801</u>	Bolt, Cylinder Head .....	14
3	<u>102653901</u>	Hook, Engine .....	2
4	<u>102654101</u>	Gasket, Cylinder Head .....	1
5	<u>102701001</u>	Spring, Start .....	1
6	<u>102726701</u>	Bolt, Engine Hook .....	2
7	<u>102727101</u>	Stay, Cylinder Head .....	1
8	<u>102798001</u>	Head, Cylinder, Complete (includes items 9 through 13) .....	1
9	<u>102600801</u>	Plug, 3/32" .....	1
10	<u>102653401</u>	Guide, Exhaust Valve .....	3
11	<u>102653501</u>	Guide, Inlet Valve .....	3
12	<u>102726901</u>	Cap, Sealing, Head .....	1
13	<u>102727001</u>	Cap, Sealing, Head, Top .....	2

**9**

**D**



000042-003



# GEAR CASE (D722 – E3B)

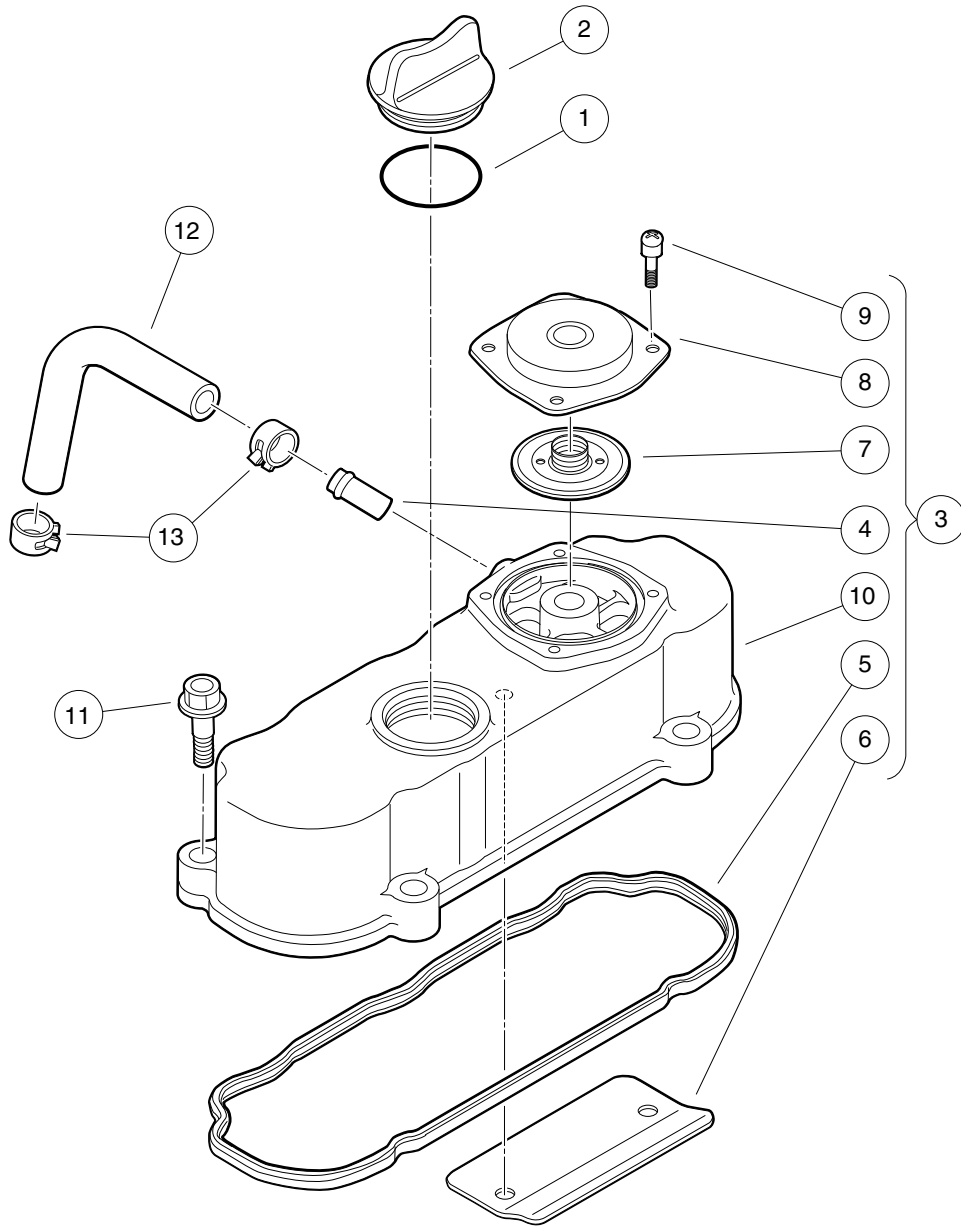
ITEM	PART NO.	DESCRIPTION	QTY
		<b>1 2 3 4</b>	
1	<u>102601801</u>	O Ring, 18 X 13 .....	3
2	<u>102601901</u>	Spring, Valve .....	1
3	<u>102602001</u>	Ball, Valve .....	1
4	<u>102602101</u>	Seat, Valve .....	1
5	<u>102602301</u>	Joint, Pipe .....	1
6	<u>102602401</u>	Washer, Plain, Special .....	1
7	<u>102602601</u>	Bolt, M6 X 1 X 60 .....	2
8	<u>102602701</u>	Seal, Oil .....	1
9	<u>102602801</u>	Bolt, D722, Front Case .....	9
10	<u>102654301</u>	Bolt, D722 Intake Manifold Lower .....	1
11	<u>102703301</u>	Filter, Engine Oil, D722 .....	1
12	<u>102727401</u>	Bolt, Gearcase, Top .....	2
13	<u>102727501</u>	Bolt, Gearcase, Lower .....	1
14	<u>102729301</u>	Gasket, Gearcase, D722 .....	1
15	<u>102798101</u>	Case, Gear (includes items 16 through 19) .....	1
16	<u>102601001</u>	Plug, 1/4" .....	2
17	<u>102727601</u>	Screw, Breather .....	2
18	N/A	Case, Gear .....	1
19	<u>102798201</u>	Stay, Spring .....	1

**9**

**D**

9

D



000181-001

## HEAD COVER (D722 – E3B)

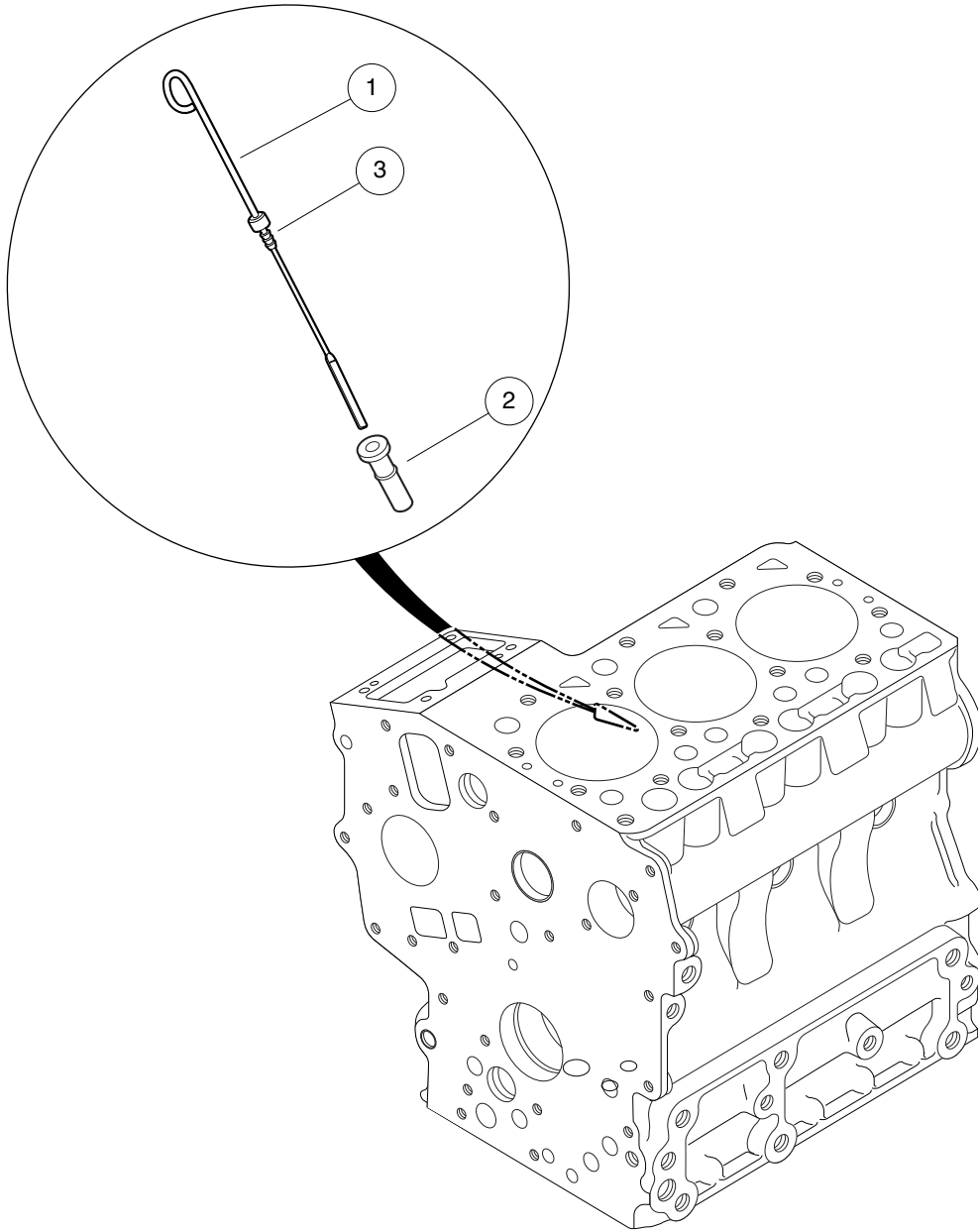
ITEM	PART NO.	DESCRIPTION	QTY
		<b>1 2 3 4</b>	
1	<u>102644001</u>	O Ring, 30 X 36 .....	1
2	<u>102644101</u>	Plug, Oil Filler .....	1
3	<u>102798401</u>	Assembly, Cylinder Head Cover (includes items 4 through 10) .....	1
4	<u>102633301</u>	Pipe, Water Return, D722 .....	1
5	<u>102798501</u>	Gasket, Cylinder Head Cover .....	1
6	<u>102798601</u>	Shield, Breather .....	1
7	<u>102799001</u>	Valve, Breather .....	1
8	<u>102799101</u>	Cover, Breather .....	1
9	<u>102799201</u>	Screw, Breather .....	4
10	N/A	Cover, Cylinder Head .....	1
11	<u>102798701</u>	Bolt, Cylinder Head Cover .....	4
12	<u>102798801</u>	Tube, Breather .....	1
13	<u>102798901</u>	Clamp, Breather Tube .....	2

**9**

**D**

9

D



000044-003

## DIPSTICK AND GUIDE (D722 – E3B)

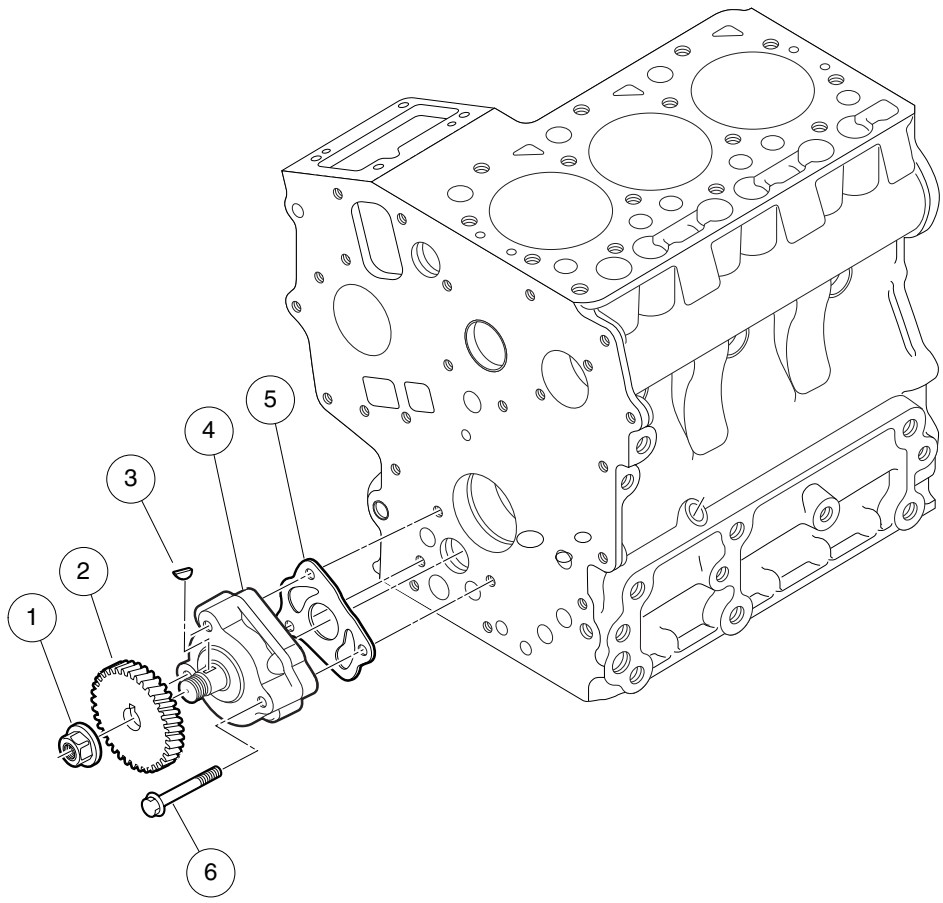
ITEM	PART NO.	DESCRIPTION	QTY
		1 2 3 4	
1	<u>102606701</u>	Dipstick, Oil .....	1
2	<u>102727701</u>	Guide, Oil Dipstick .....	1
3	103941901	Plug, Dipstick, Kubota .....	1

**9**

**D**

9

D



000045-001

# OIL PUMP (D722 – E3B)

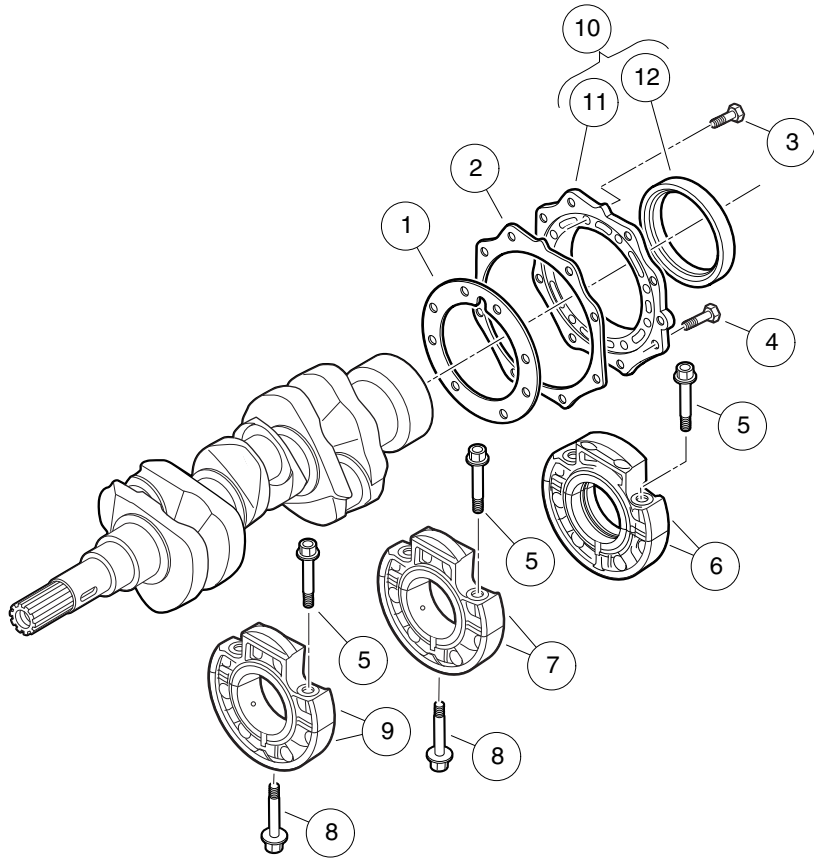
ITEM	PART NO.	DESCRIPTION	QTY
		1 2 3 4	
1	<u>102606201</u>	Nut, Flange, D722 Oil Pump .....	1
2	<u>102606301</u>	Gear, Oil Pump Drive .....	1
3	<u>102606401</u>	Key, Feather, 8x4 .....	1
4	<u>102606501</u>	Assy, Pump, Oil .....	1
5	<u>102606601</u>	Gasket, Oil Pump .....	1
6	<u>102727901</u>	Bolt, Oil Pump .....	3

**9**

**D**

9

D



000046-001



## MAIN BEARING CASE (D722 – E3B)

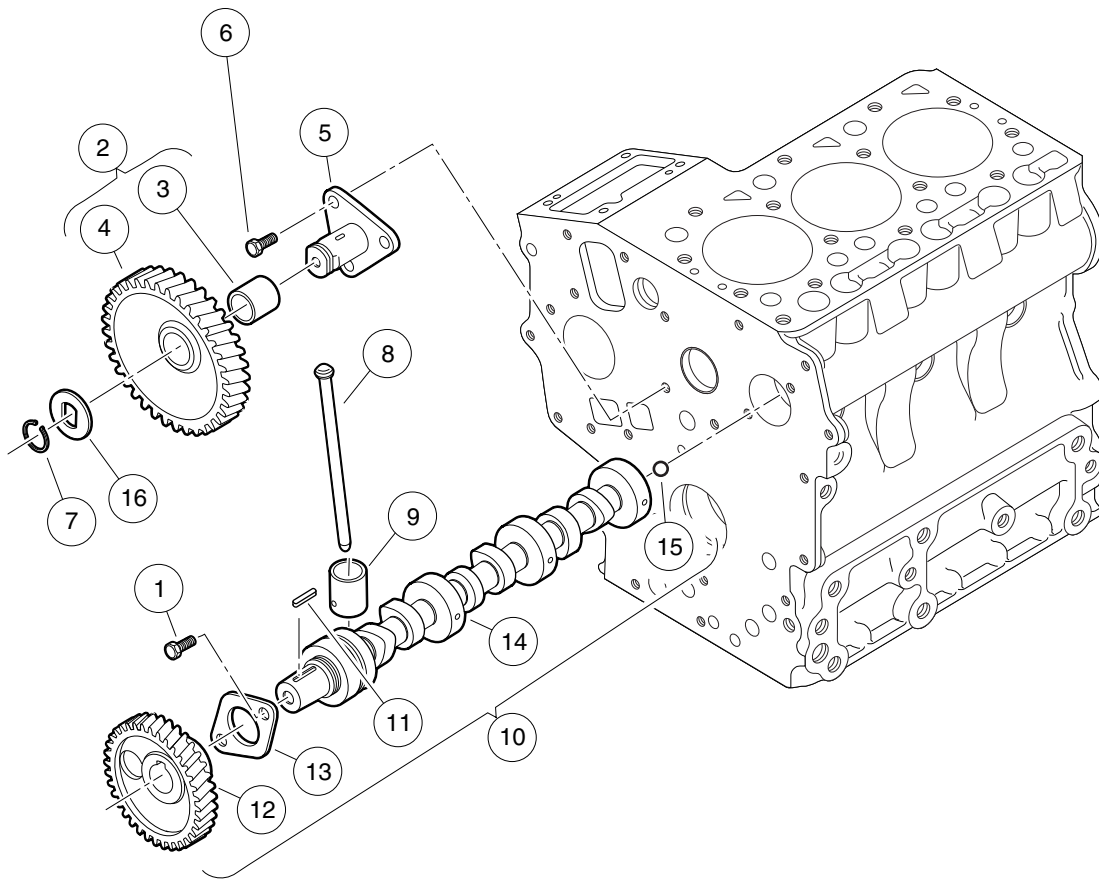
ITEM	PART NO.	DESCRIPTION	QTY
		<b>1 2 3 4</b>	
1	<u>102608201</u>	Gasket, Bearing Case .....	1
2	<u>102608301</u>	Gasket, Cover .....	1
3	<u>102608601</u>	Bolt, M6 X 1 X 20 .....	8
4	<u>102608701</u>	Bolt, M6 X 1 X 22 .....	8
5	<u>102608901</u>	Bolt, Bearing Case, Top .....	6
6	<u>102609101</u>	Assy Case, Main Brg, First .....	1
7	<u>102609301</u>	Assy, Case, Main Bearing, Second .....	1
8	<u>102609401</u>	Bolt, Bearing Case, Bottom .....	2
9	<u>102609601</u>	Assy Case, Main Brg, Third .....	1
10	<u>102728001</u>	Assy, Cover, Bearing Case (includes items 11 and 12) .....	1
11	<u>102608401</u>	Cover, Bearing Case .....	1
12	<u>102608501</u>	Seal, Oil .....	1

**9**

**D**

9

D



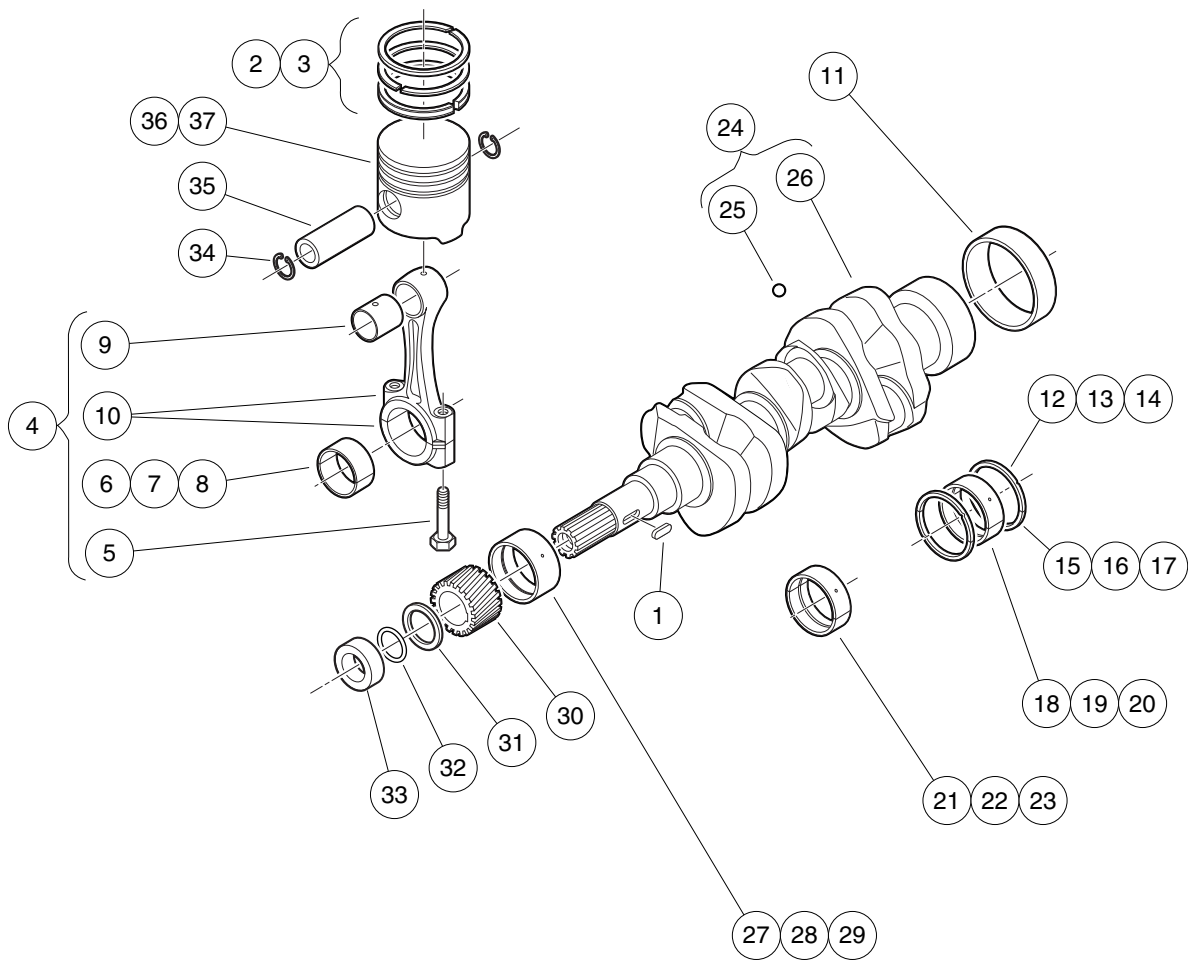
000047-002

## CAMSHAFT AND IDLE GEAR (D722 – E3B)

ITEM	PART NO.	DESCRIPTION	QTY
		<b>1 2 3 4</b>	
1	<u>102604201</u>	Bolt, D722, Cam End .....	2
2	<u>102604901</u>	Gear, Idle (includes items 3 and 4) .....	1
3	<u>102603201</u>	Bushing, D722 Idle Gear .....	1
4	N/A	Gear, Idle .....	1
5	<u>102605001</u>	Shaft, Idle Gear .....	1
6	<u>102605101</u>	Bolt, M6 X 1 X 14 .....	3
7	<u>102605301</u>	Ring, Snap .....	1
8	<u>102605401</u>	Push Rod .....	6
9	<u>102605501</u>	Tappet .....	6
10	<u>102605801</u>	Assy Camshaft, Long (includes items 11 through 15) .....	1
11	<u>102605601</u>	Key, Feather, Long Camshaft .....	1
12	<u>102605901</u>	Gear, Cam .....	1
13	<u>102606001</u>	Stopper, Camshaft .....	1
14	N/A	Camshaft .....	1
15	<u>102799401</u>	Ball, Check .....	1
16	<u>102654401</u>	Collar, Idle Gear .....	1

**9**

**D**



000048-002

## PISTON AND CRANKSHAFT (D722 – E3B)

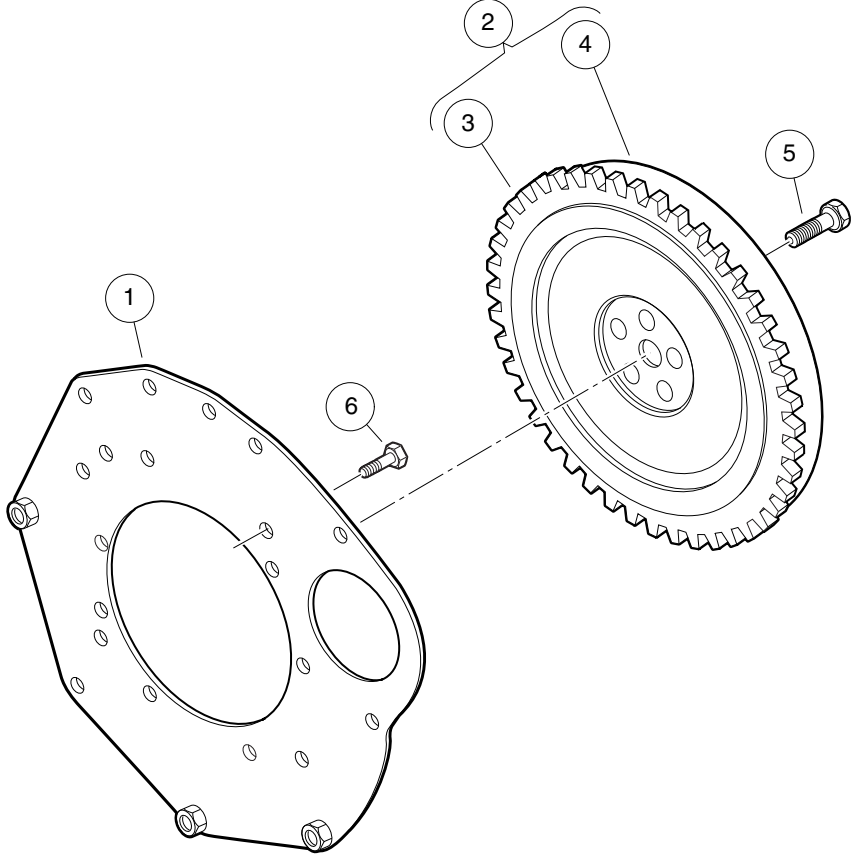
ITEM	PART NO.	DESCRIPTION	QTY
		1 2 3 4	
1	<u>102604401</u>	Key, Feather, Short Camshaft .....	1
2	<u>102607601</u>	Assy Piston Ring, D722 Std .....	3
3	<u>102607602</u>	Assy Piston Ring, D722 +.025 .....	3
4	<u>102607801</u>	Assy, Connecting Rod (includes items 5 through 10) .....	3
5	<u>102607901</u>	Bolt, Connecting Rod .....	6
6	<u>102630701</u>	Metal, Crank, Rod, D722, Std .....	3
7	<u>102630702</u>	Metal, Crank, Rod, D722, .020 .....	3
8	<u>102630703</u>	Metal, Crank, Rod, D722, .040 .....	3
9	<u>102732201</u>	Bushing, Piston Pin, D722 .....	3
10	N/A	Rod, Connecting .....	1
11	<u>102608101</u>	Sleeve, Crankshaft .....	1
12	<u>102608801</u>	Metal,crank, O Side, Std .....	2
13	<u>102608802</u>	Metal,crank, O Side, +.020 .....	2
14	<u>102608803</u>	Metal,crank, O Side, +.040 .....	2
15	<u>102608804</u>	Metal,crank, I Side, Std .....	2
16	<u>102608805</u>	Metal,crank, I Side, +.020 .....	2
17	<u>102608806</u>	Metal,crank, I Side, +.040 .....	2
18	<u>102609001</u>	Metal, Crank, Main, Rear Std .....	1
19	<u>102609002</u>	Metal, Crank, Main, Rear -.020 .....	1
20	<u>102609003</u>	Metal, Crank, Main, Rear -.040 .....	1
21	<u>102609801</u>	Metal, Crank, Main, Mid Std .....	4
22	<u>102609802</u>	Metal, Crank, Main, Mid +.020 .....	2
23	<u>102609803</u>	Metal, Crank, Main, Mid +.040 .....	2
24	<u>102610001</u>	Crankshaft (includes items 25 and 26) .....	1
25	<u>102608001</u>	Ball, Crankshaft .....	3
26	N/A	Crankshaft .....	1
27	<u>102630001</u>	Metal, Crank, D722, Frnt, Std .....	1
28	<u>102630002</u>	Metal, Crank, 722, Frnt, -.020 .....	1
29	<u>102630003</u>	Metal, Crank, 722, Frnt, -.040 .....	1
30	<u>102630101</u>	Gear, Crank .....	1
31	<u>102630201</u>	Slinger, Oil .....	1
32	<u>102630301</u>	O Ring, 23 X 26 .....	1
33	<u>102630401</u>	Collar, Crankshaft .....	1
34	<u>102630901</u>	Circlip, Piston Pin .....	6
35	<u>102631001</u>	Pin, Piston .....	3
36	<u>102728101</u>	Piston, D722, Std .....	3
37	<u>102728102</u>	Piston, D722, +0.25 .....	3

9

D

9

D



000049-001

# FLYWHEEL (D722 – E3B)

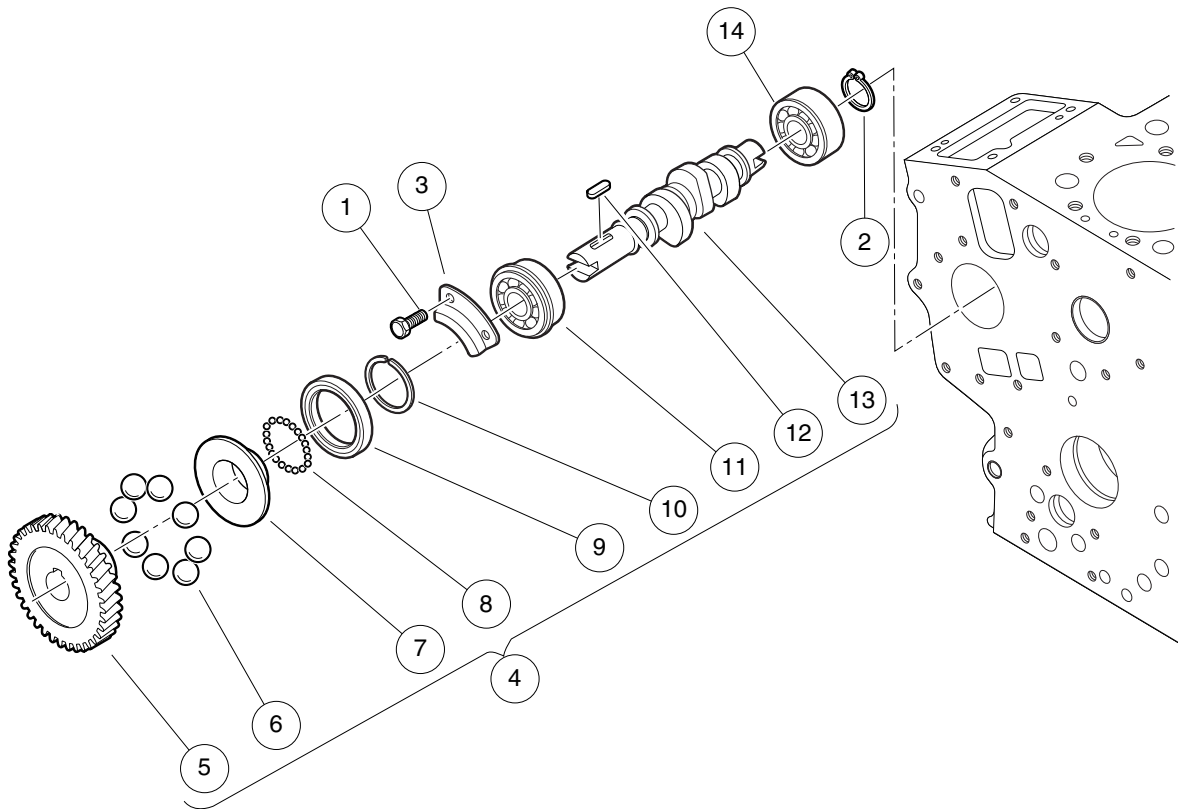
ITEM	PART NO.	DESCRIPTION	QTY
		<b>1 2 3 4</b>	
1	<u>102647501</u>	Plate, Rear End .....	1
2	<u>102647801</u>	Flywheel (includes items 3 and 4) .....	1
3	<u>102647901</u>	Gear, Ring, D722 .....	1
4	N/A	Flywheel .....	1
5	<u>102648001</u>	Bolt, Flange Head, M10 X 1.5 X 25 .....	5
6	<u>102728301</u>	Bolt, End Plate .....	10

**9**

**D**

9

D



000050-001



## FUEL CAMSHAFT (D722 – E3B)

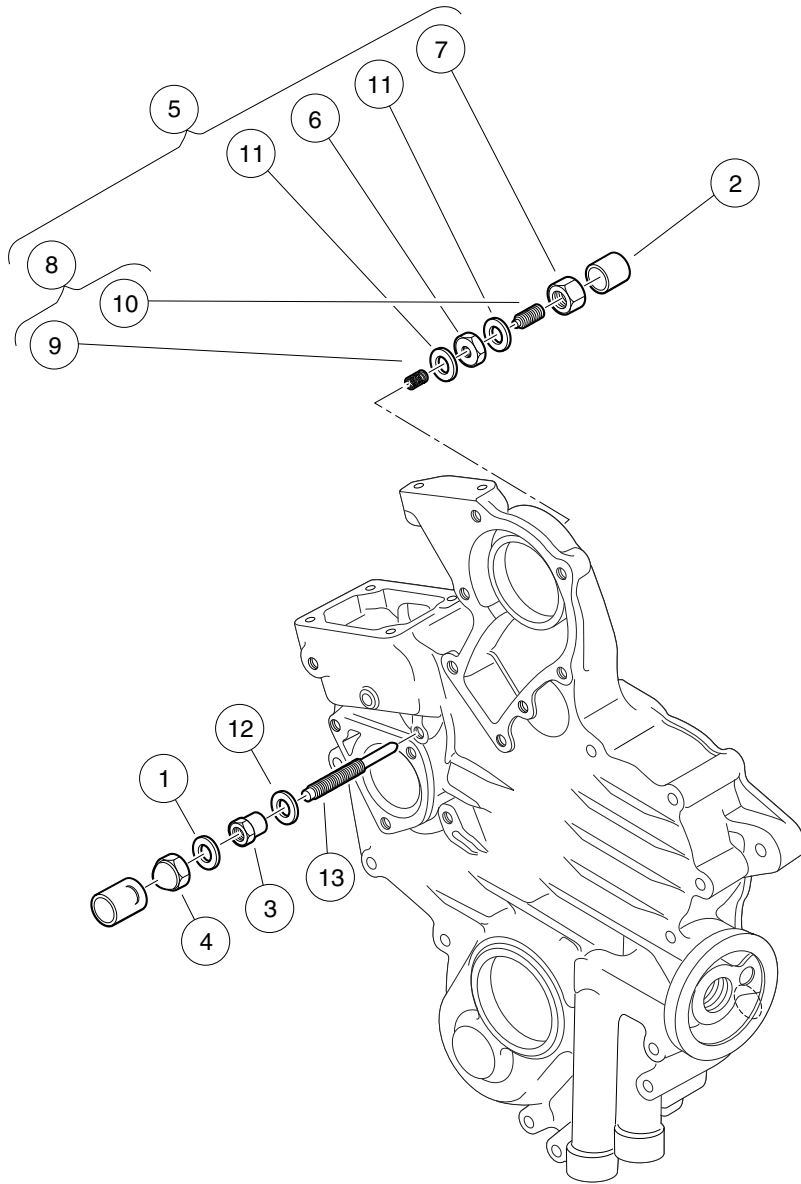
ITEM	PART NO.	DESCRIPTION	QTY
		1 2 3 4	
1	<u>102604201</u>	Bolt, D722, Cam End .....	2
2	<u>102604701</u>	Circlip, External .....	1
3	<u>102604801</u>	Stopper, Fuel, Camshaft .....	1
4	<u>102728401</u>	Assy, Fuel Camshaft (includes items 5 through 13) .....	1
5	<u>102603601</u>	Gear, Injection Pump .....	1
6	<u>102603701</u>	Ball, Injection Pump .....	8
7	<u>102603801</u>	Sleeve, Governor .....	1
8	<u>102603901</u>	Ball, Governor .....	32
9	<u>102604001</u>	Case, Governor Ball .....	1
10	<u>102604101</u>	Circlip .....	1
11	<u>102604301</u>	Bearing, Ball .....	1
12	<u>102604401</u>	Key, Feather, Short Camshaft .....	1
13	<u>102604501</u>	Camshaft, Fuel, Short .....	1
14	<u>102728501</u>	Bearing, Ball .....	1

9

D

9

D



000051-002

## IDLE APPARATUS (D722 – E3B)

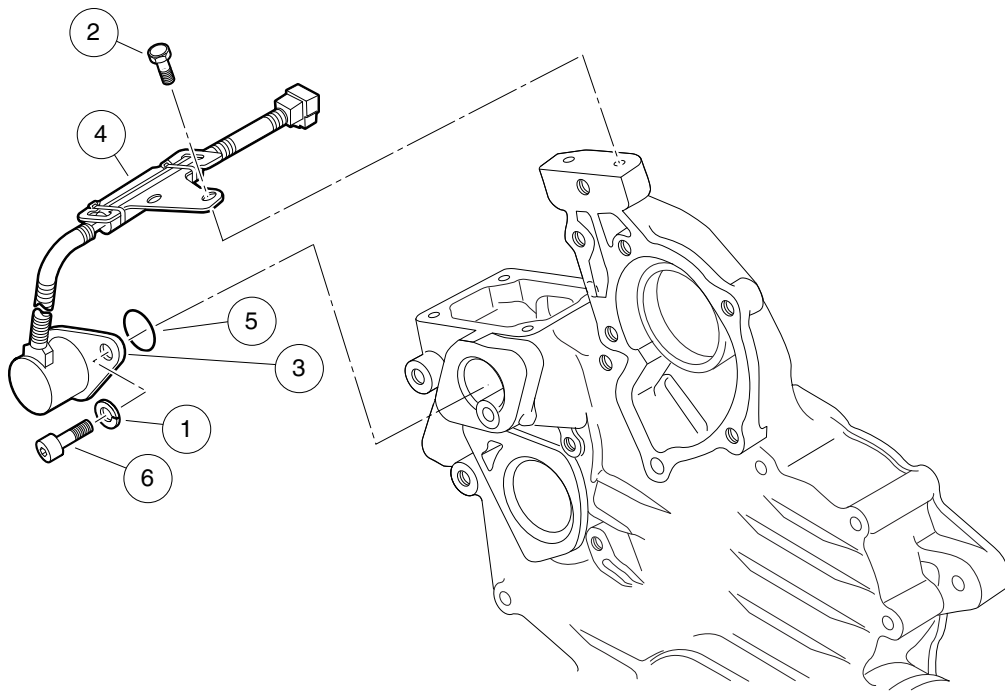
ITEM	PART NO.	DESCRIPTION	QTY
		<b>1 2 3 4</b>	
1	<u>102635301</u>	Gasket, 6 X 10 .....	1
2	<u>102635701</u>	Cap, Bolt Assy .....	1
3	<u>102637001</u>	Nut, Lock, Special .....	1
4	<u>102637101</u>	Nut, Special .....	1
5	<u>102728601</u>	Assy, Idle Apparatus (includes items 6 through 11) .....	1
6	<u>102635501</u>	Nut, M8, D722 Idle App, Specl .....	1
7	<u>102635801</u>	Nut, M8, D722 Idle App .....	1
8	<u>102635901</u>	Assy, Bolt, Adjusting (includes items 9 and 10) .....	1
9	<u>102728701</u>	Spring, Idle Apparatus .....	1
10	N/A	Stud, Idle Adjustment .....	1
11	<u>102728801</u>	Gasket, Idle Apparatus, Rear .....	2
12	<u>102728901</u>	Gasket, Idle Apparatus, Front .....	1
13	<u>102799501</u>	Bolt, Idle Adjusting .....	1

9

D

9

D



000182-001

## STOP SOLENOID (D722 – E3B)

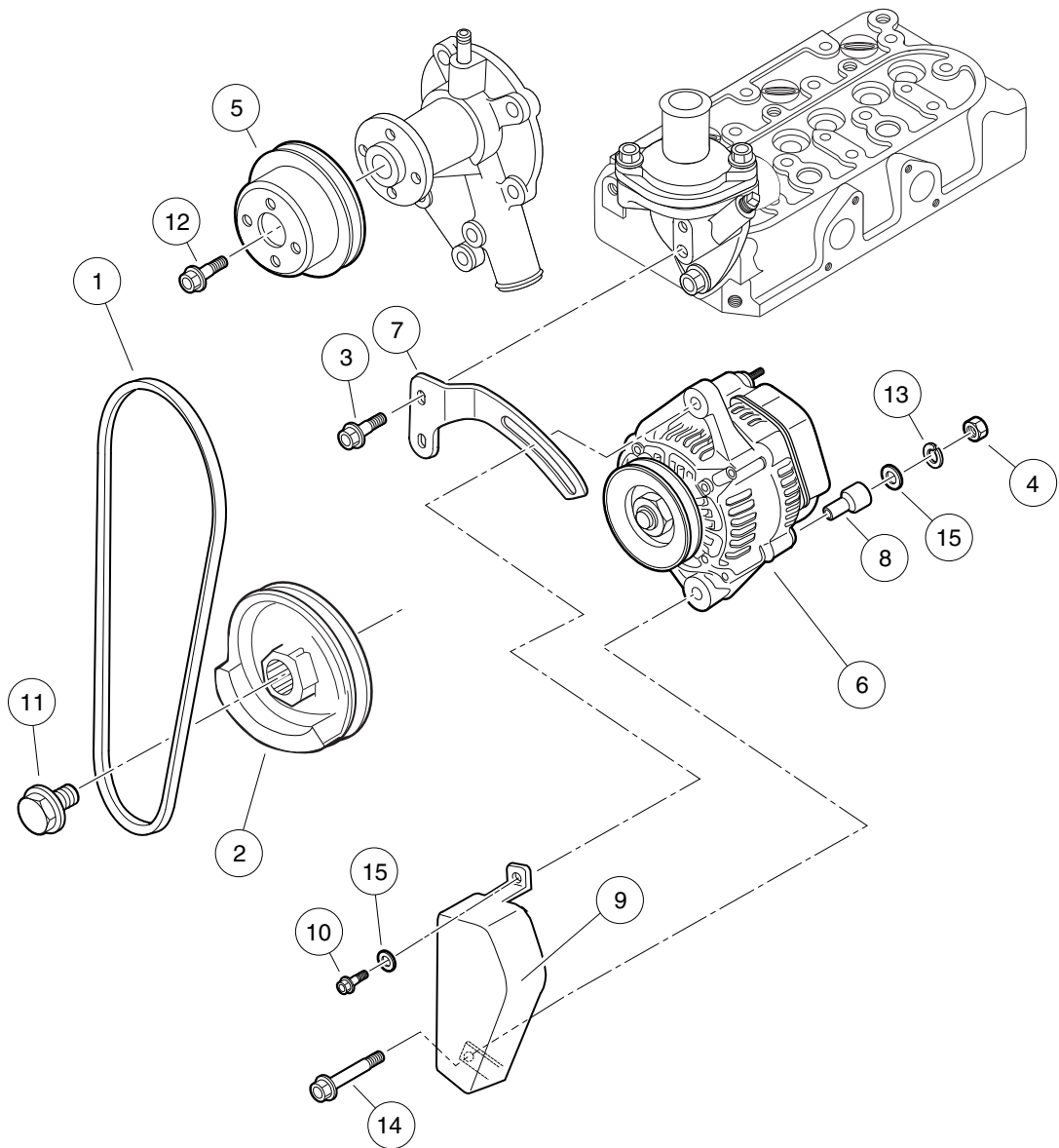
ITEM	PART NO.	DESCRIPTION	QTY
		1 2 3 4	
1	<u>102640601</u>	Washer, Spring, M6, D722 .....	2
2	<u>102729101</u>	Bolt, Solenoid, Stop, D722 .....	2
3	<u>102799601</u>	Solenoid, Stop .....	1
4	<u>102799701</u>	Stay, Stop Solenoid .....	1
5	<u>102799801</u>	O-Ring, Stop Solenoid .....	1
6	<u>102799901</u>	Bolt, Stop Solenoid .....	2

**9**

**D**

9

D



000057-002

## 40-AMP ALTERNATOR, BELT AND PULLEYS (D722 – E3B)

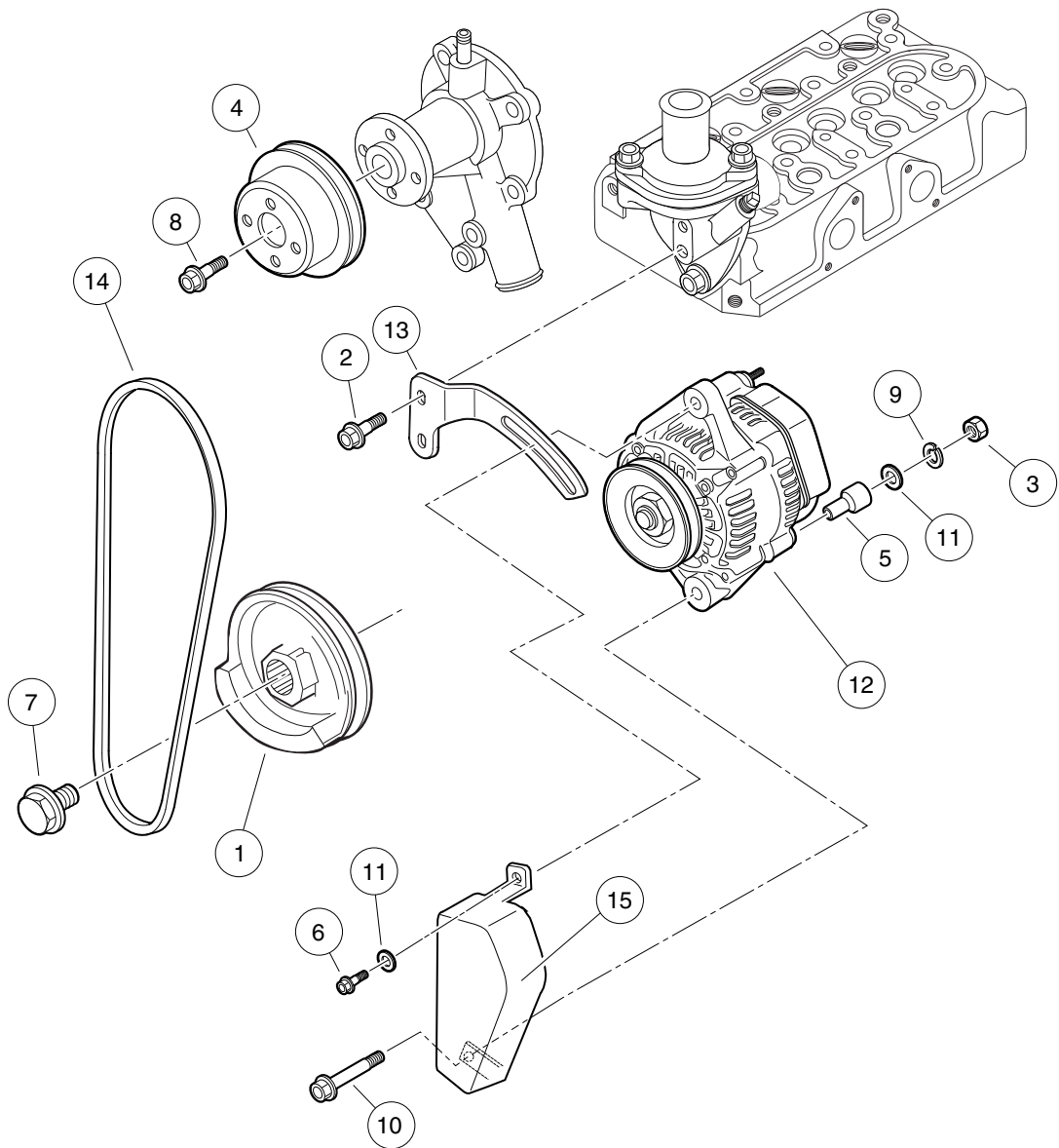
ITEM	PART NO.	DESCRIPTION	QTY
		1 2 3 4	
1	<u>102601101</u>	V-Belt .....	1
2	<u>102630601</u>	Pulley, Fan Drive .....	1
3	<u>102631601</u>	Bolt, M6 X 1 X 20 .....	2
4	<u>102647701</u>	Nut, M8, Plate .....	1
5	<u>102701201</u>	Pulley, Water Pump .....	1
6	<u>102730001</u>	Alternator, 40-Amp .....	1
7	<u>102730101</u>	Stay, Alternator Assy, D722 .....	1
8	<u>102730201</u>	Collar, Alternator Assy, D722 .....	1
9	<u>102730301</u>	Cover, Alternator Assy, D722 .....	1
10	<u>102730401</u>	Bolt, Alt, D722, Adjuster .....	1
11	<u>102730601</u>	Bolt, Alt, D722, Drive Pulley .....	1
12	<u>102731301</u>	Bolt, D722, Drive Pulley .....	4
13	<u>102732501</u>	Washer, Spring, D722, Starter .....	1
14	<u>102800701</u>	Bolt, Alternator, Lower .....	1
15	<u>102801001</u>	Washer, Alternator, Upper .....	2

9

D

9

D



000057-003



## 60-AMP ALTERNATOR, BELT AND PULLEYS (D722 – E3B)

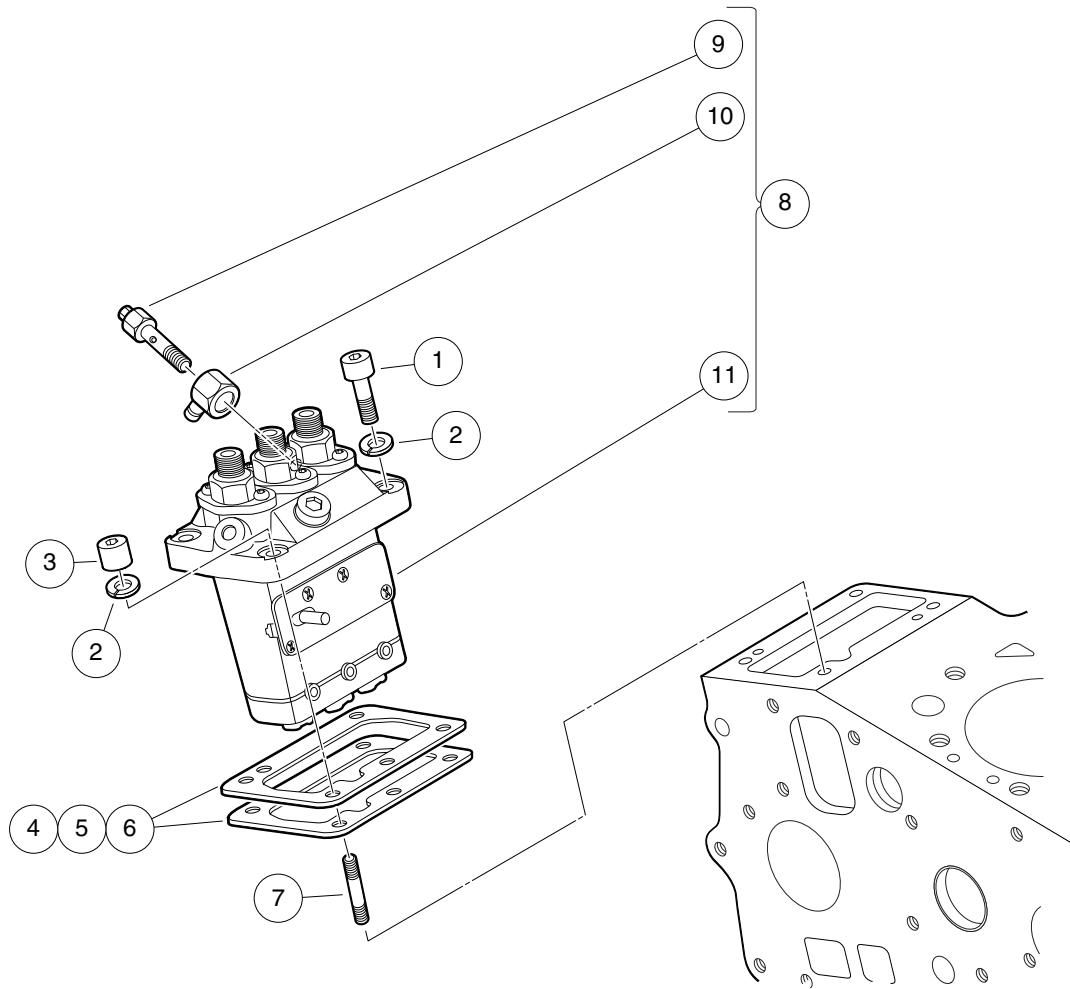
ITEM	PART NO.	DESCRIPTION	QTY
		1 2 3 4	
1	<u>102630601</u>	Pulley, Fan Drive .....	1
2	<u>102631601</u>	Bolt, M6 X 1 X 20 .....	2
3	<u>102647701</u>	Nut, M8, Plate .....	1
4	<u>102701201</u>	Pulley, Water Pump .....	1
5	<u>102730201</u>	Collar, Alternator Assy, D722 .....	1
6	<u>102730401</u>	Bolt, Alt, D722, Adjuster .....	1
7	<u>102730601</u>	Bolt, Alt, D722, Drive Pulley .....	1
8	<u>102731301</u>	Bolt, D722, Drive Pulley .....	4
9	<u>102732501</u>	Washer, Spring, D722, Starter .....	1
10	<u>102800701</u>	Bolt, Alternator, Lower .....	1
11	<u>102801001</u>	Washer, Alternator, Upper .....	2
12	<u>102934701</u>	Alternator, 60 Amp .....	1
13	<u>102934801</u>	Bracket, Alternator, D722, 60 Amp .....	1
14	<u>102934901</u>	Belt, Accessory Drive, D722, 60 Amp .....	1
15	<u>103239901</u>	Guard, Accessory Belt .....	1

**9**

**D**

9

D



000053-002

## FUEL INJECTION PUMP (D722 – E3B)

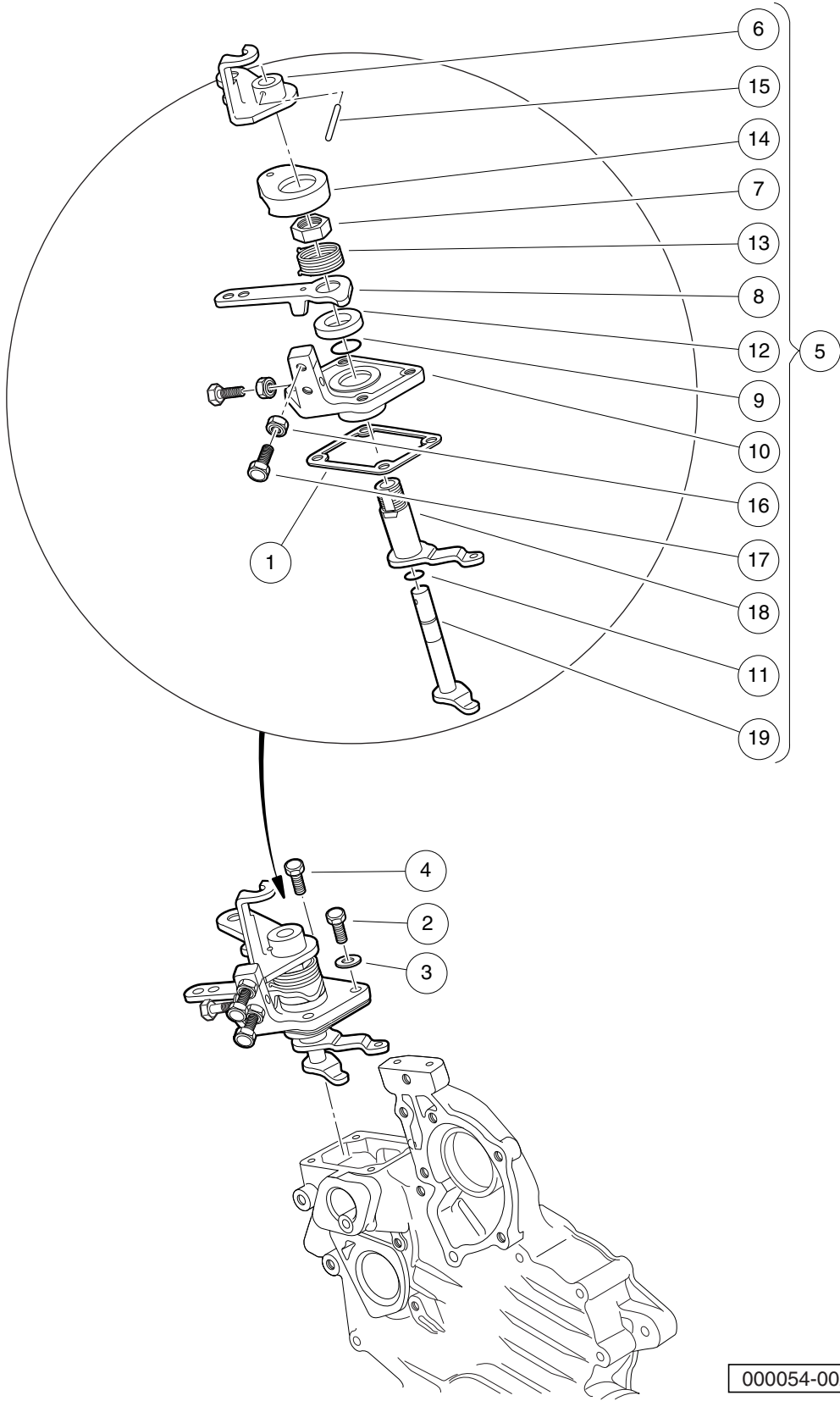
ITEM	PART NO.	DESCRIPTION	QTY
		1 2 3 4	
1	<u>102640501</u>	Bolt, Hex-Head, M5 X 0.75 X .....	2
2	<u>102640601</u>	Washer, Spring, M6, D722 .....	4
3	<u>102640701</u>	Nut, Special .....	2
4	<u>102640901</u>	Shim, Injection Pump, 0.20 mm .....	1
5	<u>102641001</u>	Shim, Injection Pump, 0.25 mm .....	1
6	102641101	Shim, Injection Pump, 0.30 mm .....	1
7	<u>102641201</u>	Stud, M5 X 25 .....	2
8	<u>102800101</u>	Assembly, Fuel Injection Pump (includes items 9 through 11) .....	1
9	<u>102637701</u>	Screw, Hollow, D722, Inj Pump .....	1
10	<u>102640401</u>	Joint, Eye .....	1
11	N/A	Pump, Injection .....	1

**9**

**D**

9

D



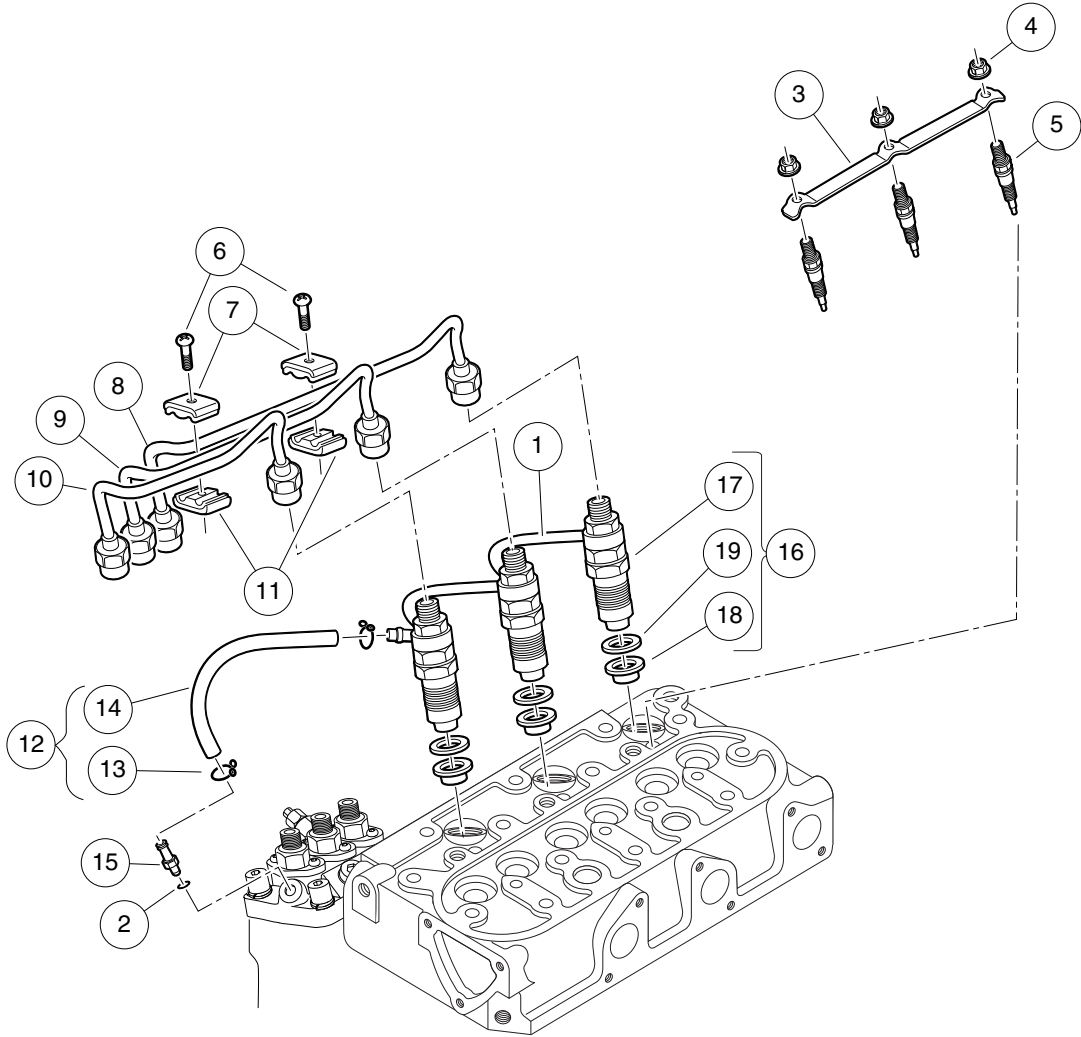
000054-002

## SPEED CONTROL (D722 – E3B)

ITEM	PART NO.	DESCRIPTION	QTY
		1 2 3 4	
1	<u>102634501</u>	Gasket, Control Plate .....	1
2	<u>102635201</u>	Bolt, M6 X 1 X 30 .....	2
3	<u>102635301</u>	Gasket, 6 X 10 .....	2
4	<u>102654301</u>	Bolt, D722 Intake Manifold Lower .....	2
5	<u>102800401</u>	Assembly, Speed Plate (includes items 6 through 20) .....	1
6	<u>102633701</u>	Lever, Engine Stop .....	1
7	<u>102633801</u>	Nut, Speed Control .....	1
8	<u>102633901</u>	Lever, Speed Control .....	1
9	<u>102634001</u>	O Ring, 19 X 16 .....	1
10	<u>102634101</u>	Plate, Speed Control .....	1
11	<u>102634401</u>	O Ring, 9 X 7 .....	1
12	<u>102634601</u>	Collar, Lever .....	1
13	<u>102634701</u>	Spring, Return .....	1
14	<u>102729401</u>	Cap, Speed Cntrl Plate Rtrn .....	1
15	<u>102729501</u>	Pin, Spring, Speed Plate .....	1
16	<u>102800501</u>	Lever, Governor .....	1
17	<u>102800601</u>	Shaft, Governor Lever .....	1
18	<u>105222301</u>	Bolt, Speed Control, D722 .....	1
19	<u>105222401</u>	Nut, Speed Control, D722 .....	3
20	<u>105222501</u>	Bolt, Speed Control, D722 .....	2

**9**

**D**



000055-001

## NOZZLE HOLDERS AND GLOW PLUGS (D722 – E3B)

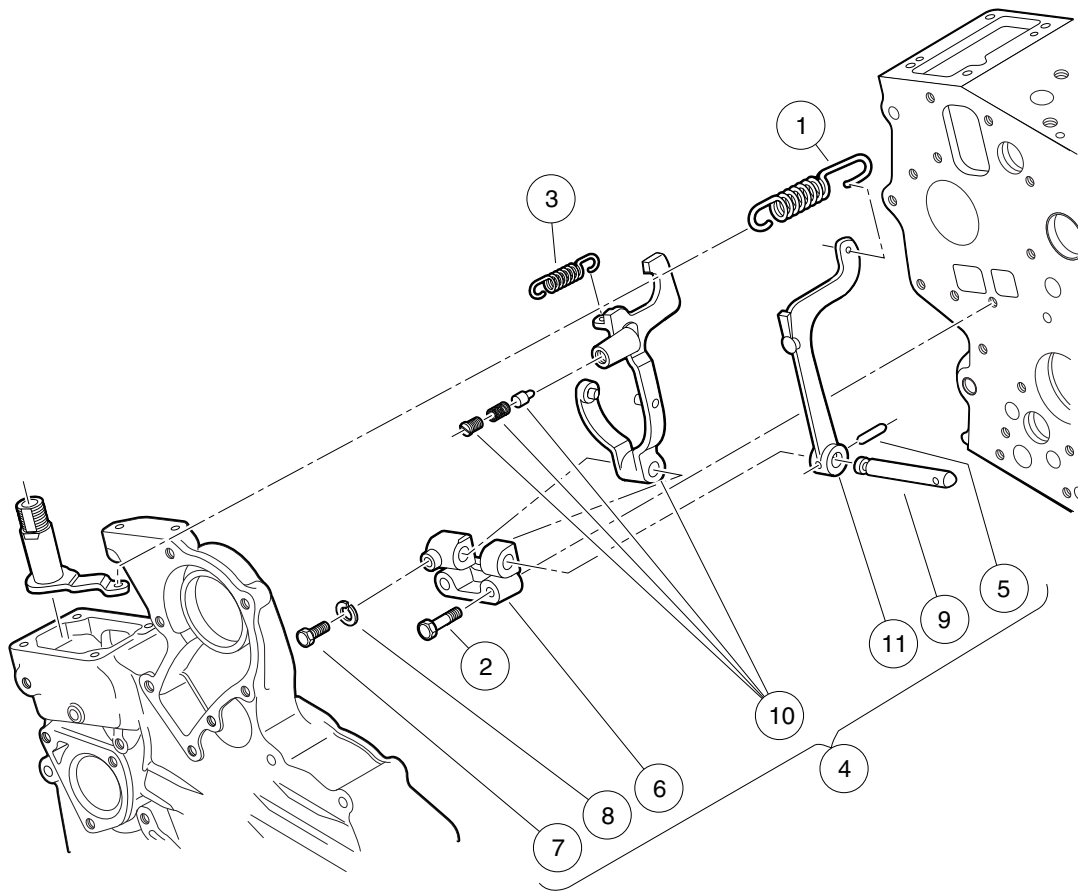
ITEM	PART NO.	DESCRIPTION	QTY
		1 2 3 4	
1	<u>102605701</u>	Assy Pipe, D722 Fuel Over Flow .....	1
2	<u>102635301</u>	Gasket, 6 X 10 .....	1
3	<u>102642401</u>	Cord, Glow Plug .....	1
4	<u>102642501</u>	Nut, Flange,m4 .....	3
5	<u>102642601</u>	Glow Plug .....	3
6	<u>102642801</u>	Screw, Washer .....	2
7	<u>102642901</u>	Clamp, Pipe, Top .....	2
8	<u>102643001</u>	Pipe, Injection, Left .....	1
9	<u>102643101</u>	Pipe, Injection, Right .....	1
10	<u>102643201</u>	Pipe, Injection, Middle .....	1
11	<u>102643301</u>	Clamp, Pipe, Bottom .....	2
12	<u>102643401</u>	Assy Pipe, Over Flow (includes items 13 and 14) .....	1
13	<u>102729601</u>	Clip, Pipe, Return .....	2
14	<u>105222901</u>	Pipe, Fuel Overflow, D722 .....	1
15	<u>102643701</u>	Screw, Air Bleeder .....	1
16	<u>102729701</u>	Kit, Holder, Nozzle (includes items 17 through 19) .....	3
17	<u>102641501</u>	Assembly, Nozzle Holder .....	3
18	<u>102642701</u>	Seal, Heat .....	3
19	<u>102643601</u>	Gasket, Nozzle .....	3

9

D

9

D



000056-003



## GOVERNOR COMPONENTS (D722 – E3B)

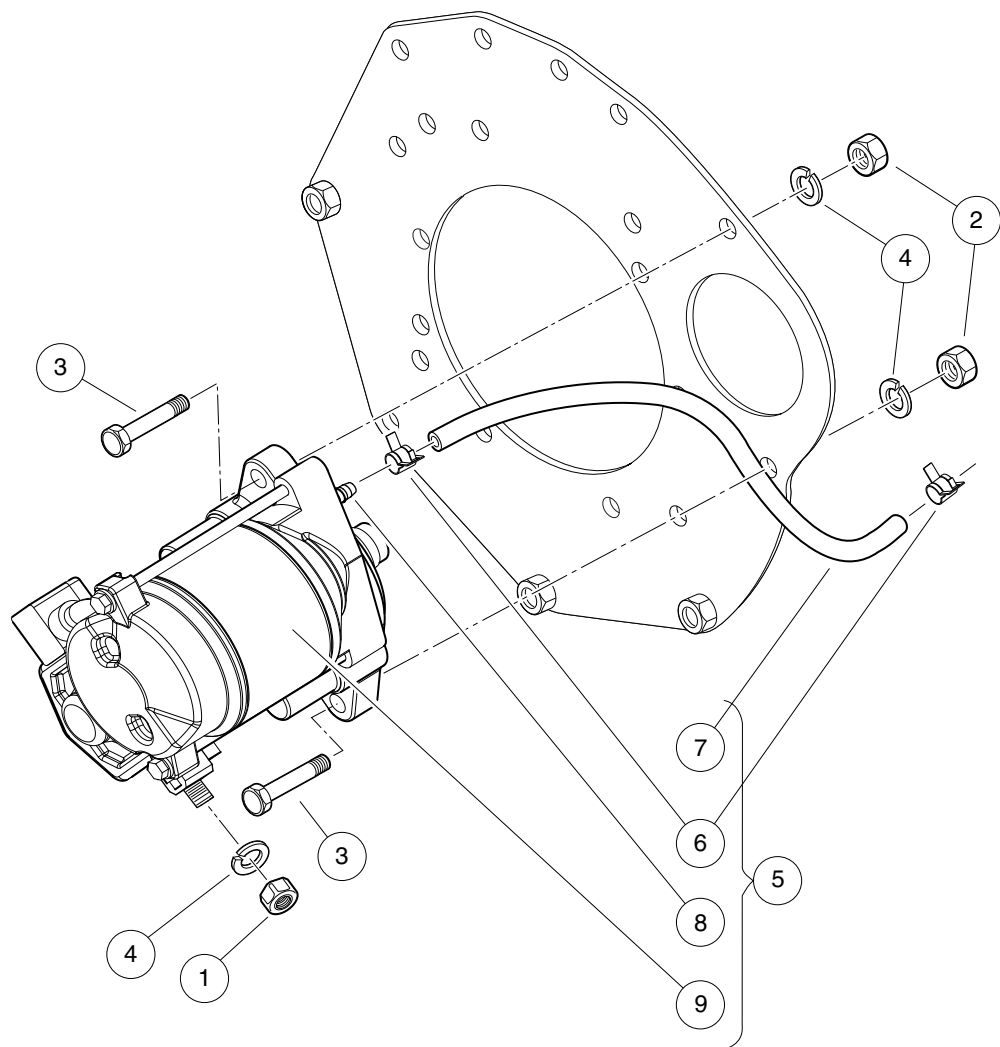
ITEM	PART NO.	DESCRIPTION	QTY
		1 2 3 4	
1	<u>102635101</u>	Spring, Governor .....	1
2	<u>102636301</u>	Bolt, M5 X 0.75 X 25 .....	2
3	<u>102800201</u>	Spring, Start .....	1
4	<u>102800301</u>	Assembly, Governor Fork (includes items 5 through 12) .....	1
5	<u>102633601</u>	Pin, Spring .....	1
6	<u>102636201</u>	Holder, Fork Lever .....	1
7	<u>102636401</u>	Bolt, M5 X 0.75 X 11 .....	1
8	<u>102636501</u>	Washer, Spring, M5 .....	1
9	<u>102636601</u>	Shaft, Fork Lever .....	1
10	N/A	Lever, Fork, Middle, D722 CB (includes item 11) .....	1
11	<u>102701601</u>	Spring, Lever .....	1
12	N/A	Lever, Fork, End, D722 CB .....	1

**9**

**D**

9

D



000058-002

## STARTER – SEALED (D722 – E3B)

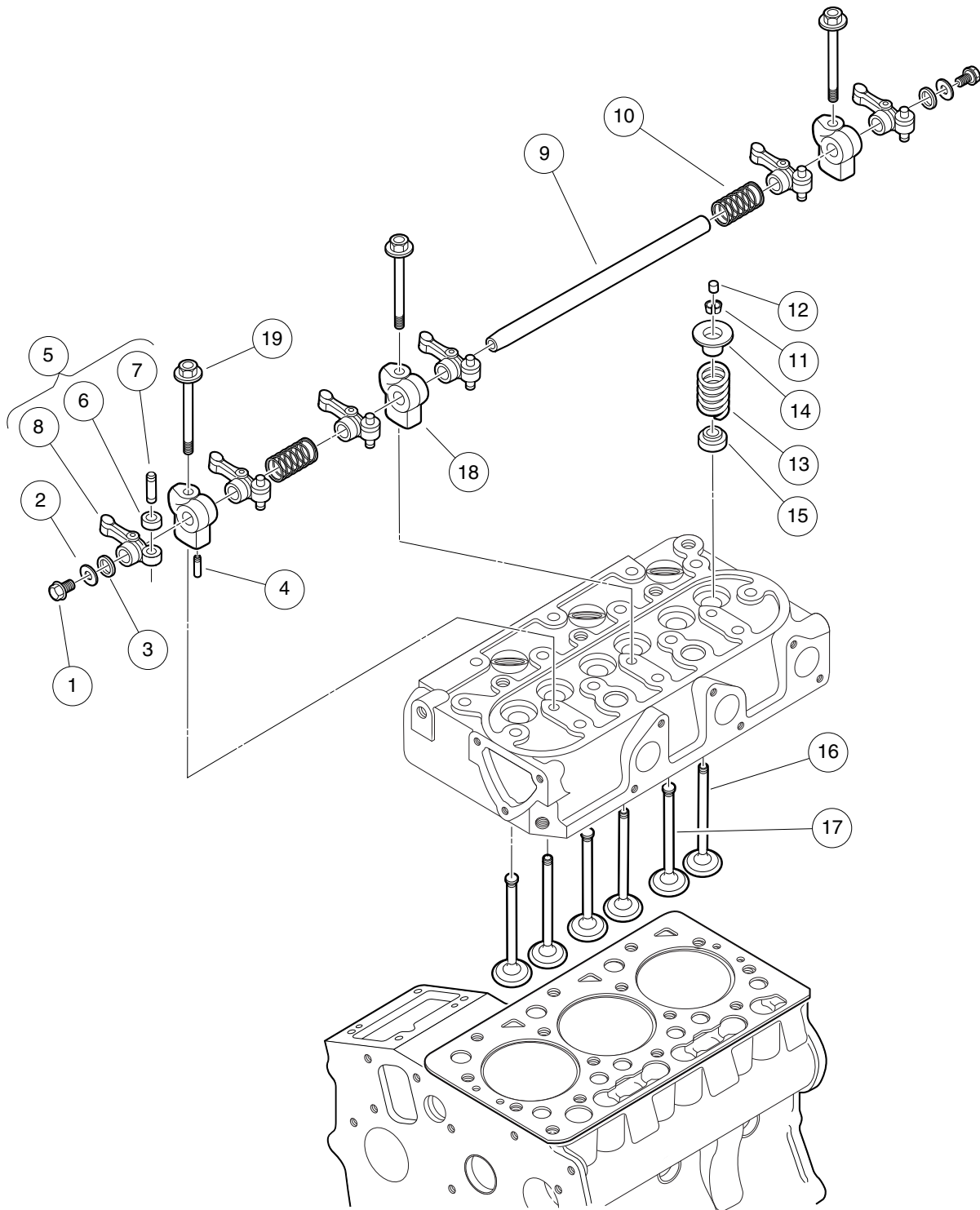
ITEM	PART NO.	DESCRIPTION	QTY
		<b>1 2 3 4</b>	
1	<u>102645501</u>	Nut, D722, Starter .....	2
2	<u>102647701</u>	Nut, M8, Plate .....	2
3	<u>102648401</u>	Bolt, M8 X 1.25 X 28 .....	2
4	<u>102732501</u>	Washer, Spring, D722, Starter .....	3
5	103886501	Kit, Asm, Sealed Starter (includes items 6 through 9) .....	1
6	<u>1013746</u>	Clamp, 0.301 ID Hose .....	2
7	<u>101587703</u>	Hose, Fuel, Vent, 22" Long .....	1
8	<u>101824401</u>	Vent Barb .....	1
9	<u>103855901</u>	Asm, Sealed Starter .....	1

**9**

**D**

9

D



000062-002

## VALVES AND ROCKER ARMS (D722 – E3B)

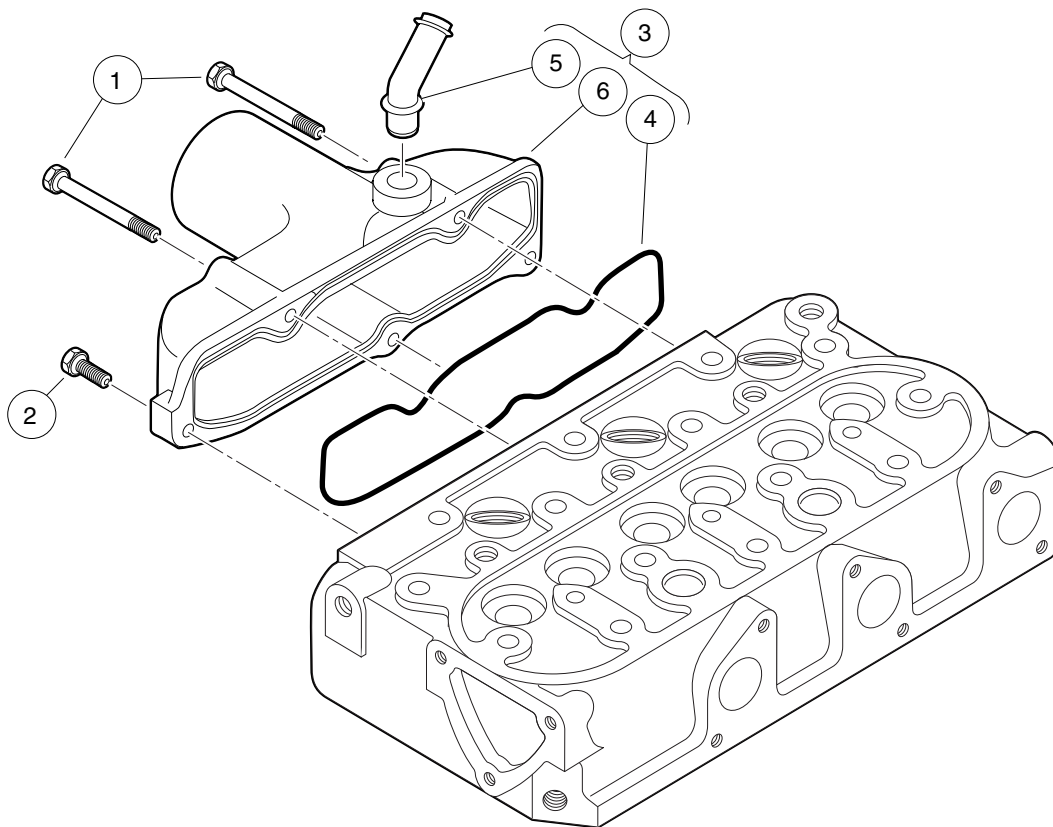
ITEM	PART NO.	DESCRIPTION	QTY
		1 2 3 4	
1	<u>102646401</u>	Bolt, M6 X 1 X 8 .....	2
2	<u>102651301</u>	Washer, D722, Plain, Rocker .....	2
3	<u>102651601</u>	Washer, Rocker Arm .....	2
4	<u>102651801</u>	Pin, Spring, D722, Rocker .....	1
5	<u>102652001</u>	Assy, Rocker Arm (includes items 6 through 8) .....	6
6	<u>102651501</u>	Nut, M6 .....	6
7	<u>102651701</u>	Screw-Adjusting .....	6
8	N/A	Arm, Rocker .....	1
9	<u>102652601</u>	Shaft, Rocker Arm .....	1
10	<u>102652701</u>	Spring, Rocker Arm .....	2
11	<u>102652901</u>	Collet, Valve Spring, Set .....	6
12	<u>102653001</u>	Cap, Valve, D722 .....	6
13	<u>102653101</u>	Spring, Valve .....	6
14	<u>102653201</u>	Retainer, Spring .....	6
15	<u>102653301</u>	Seal, Valve Stem .....	6
16	<u>102653601</u>	Valve, Exhaust .....	3
17	<u>102653701</u>	Valve, Intake .....	3
18	<u>102801101</u>	Bracket, Rocker Arm, D722 Closed-Breather .....	3
19	<u>102801201</u>	Bolt, Rocker Arm .....	3

**9**

**D**

9

D



000063-002

## INTAKE MANIFOLD (D722 – E3B)

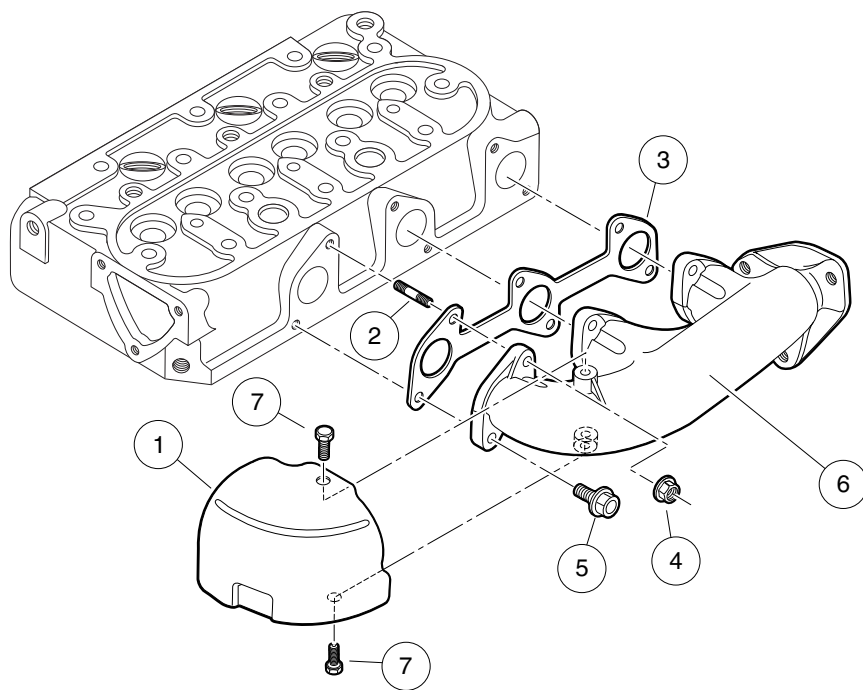
ITEM	PART NO.	DESCRIPTION	QTY
		<b>1 2 3 4</b>	
1	<u>102646101</u>	Bolt, M6 X 1 X 45 .....	3
2	<u>102654301</u>	Bolt, D722 Intake Manifold Lower .....	2
3	<u>102801301</u>	Assembly, Intake Manifold (includes items 4 through 6) .....	1
4	<u>102801401</u>	Pipe, Breather .....	1
5	<u>102801501</u>	Manifold, Intake .....	1
6	<u>105226501</u>	Gasket, Intake Manifold, D722 .....	1

**9**

**D**

9

D



000064-001



## EXHAUST MANIFOLD (D722 – E3B)

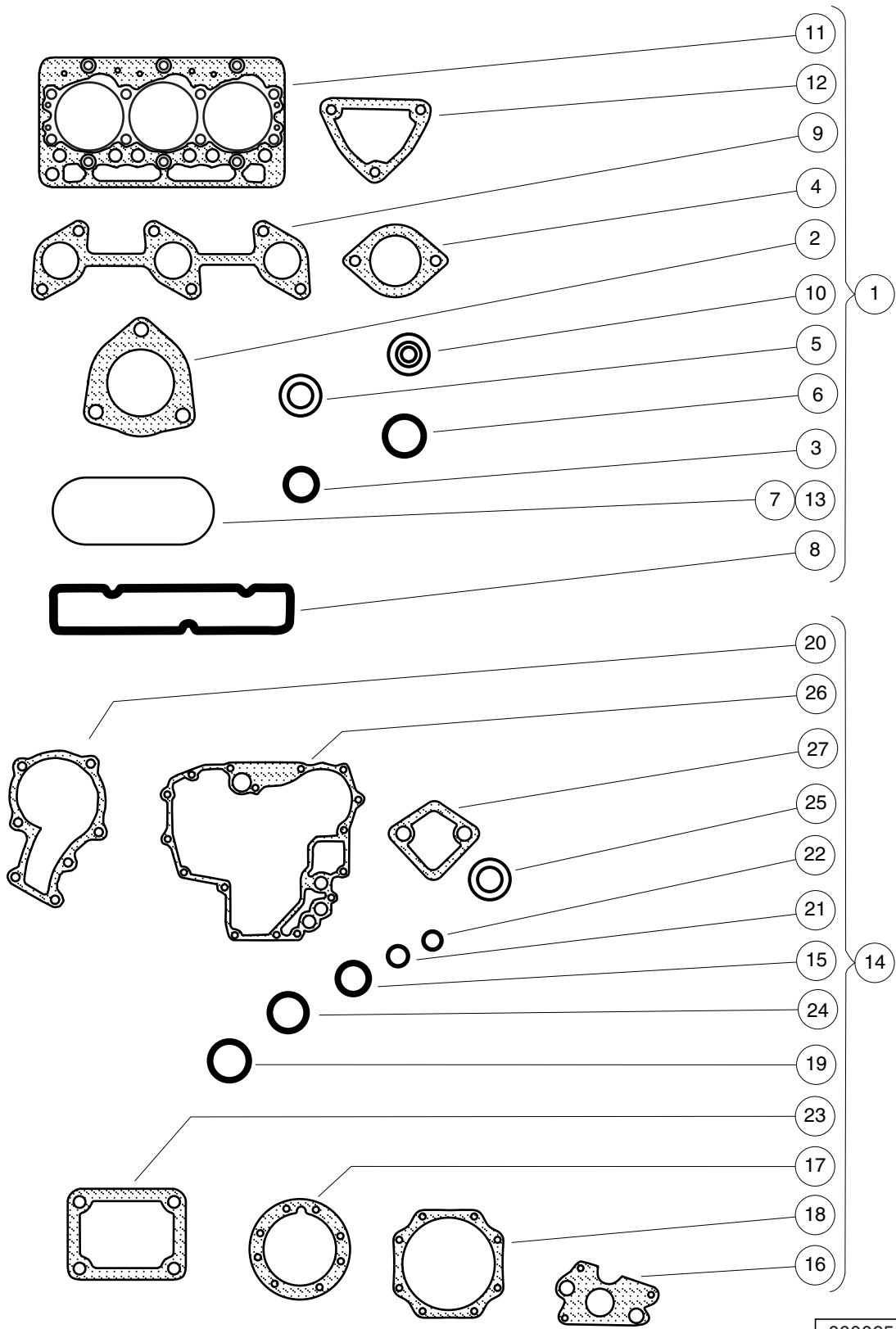
ITEM	PART NO.	DESCRIPTION	QTY
		1 2 3 4	
1	<u>102646301</u>	Cover, Heat Proof .....	1
2	<u>102646501</u>	Stud, M6 X 26 .....	3
3	<u>102646601</u>	Gasket, Exhaust Manifold .....	1
4	<u>102647101</u>	Nut, Flange, M6, Ubs .....	3
5	<u>102647201</u>	Bolt, Flange Head, M6 X 1 X 16 .....	3
6	<u>102731501</u>	Manifold, Exhaust, D722 .....	1
7	<u>102731601</u>	Bolt, D722, Exhaust Manifold Cover .....	2

**9**

**D**

9

D



000065-001

## GASKET KITS (D722 – E3B)

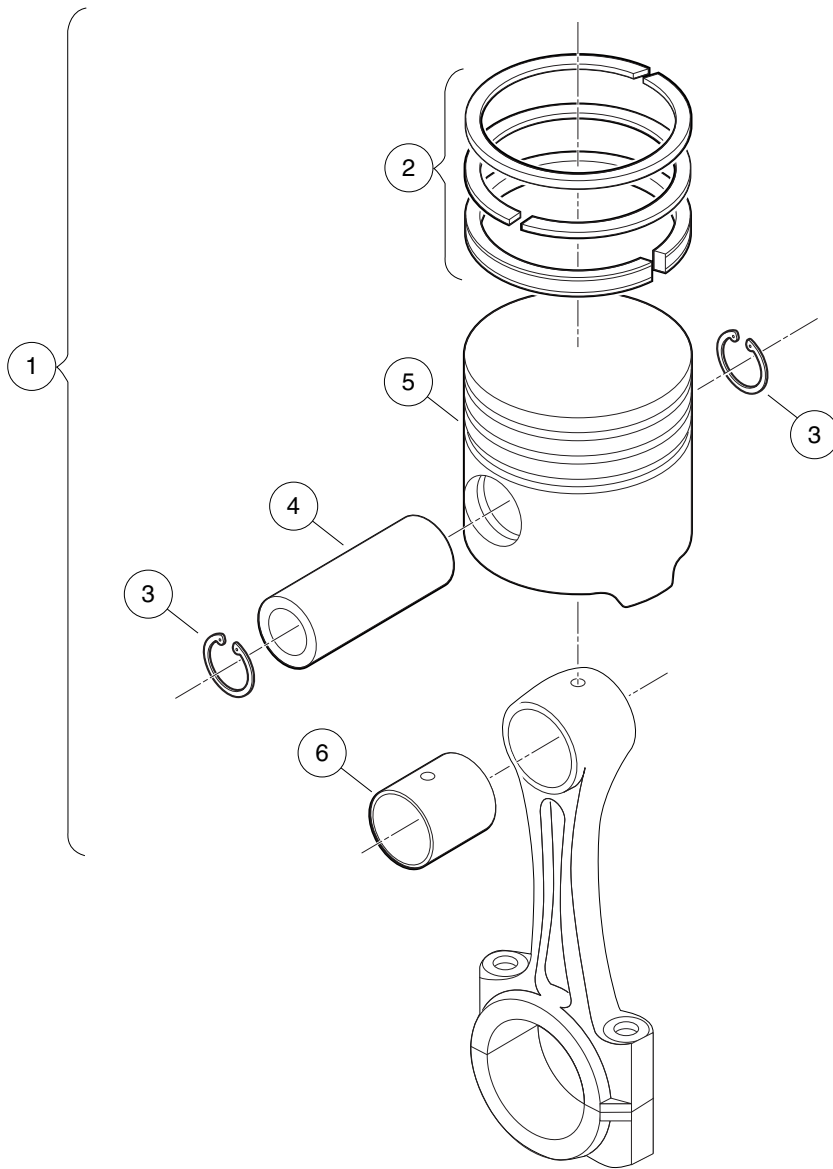
ITEM	PART NO.	DESCRIPTION	QTY
		1 2 3 4	
1	<u>102731801</u>	Kit, Gasket Upper, D722 (includes items 2 through 13) .....	1
2	<u>102422301</u>	Gasket, Exhaust Diesel .....	1
3	<u>102600301</u>	O Ring, 8 X 7 .....	1
4	<u>102633401</u>	Gasket, Thermostat .....	1
5	<u>102635301</u>	Gasket, 6 X 10 .....	3
6	<u>102644001</u>	O Ring, 30 X 36 .....	1
7	<u>102644501</u>	Gasket, Head Cover .....	1
8	<u>102646001</u>	Gasket, Intake Manifold .....	1
9	<u>102646601</u>	Gasket, Exhaust Manifold .....	1
10	<u>102653301</u>	Seal, Valve Stem .....	6
11	<u>102654101</u>	Gasket, Cylinder Head .....	1
12	<u>102654701</u>	Gasket, Water Flange .....	1
13	<u>102798501</u>	Gasket, Cylinder Head Cover .....	1
14	<u>102731901</u>	Kit, Gasket Lower, D722 (includes items 15 through 27) .....	1
15	<u>102601801</u>	O Ring, 18 X 13 .....	3
16	<u>102606601</u>	Gasket, Oil Pump .....	1
17	<u>102608201</u>	Gasket, Bearing Case .....	1
18	<u>102608301</u>	Gasket, Cover .....	1
19	<u>102630301</u>	O Ring, 23 X 26 .....	1
20	<u>102632701</u>	Gasket, Water Pump, D722 .....	1
21	<u>102634001</u>	O Ring, 19 X 16 .....	1
22	<u>102634401</u>	O Ring, 9 X 7 .....	1
23	<u>102634501</u>	Gasket, Control Plate .....	1
24	<u>102654601</u>	O Ring, 20 X 17 .....	1
25	<u>102728801</u>	Gasket, Idle Apparatus, Rear .....	2
26	<u>102729301</u>	Gasket, Gearcase, D722 .....	1
27	<u>102732601</u>	Gasket, Fuel Pump, D722 .....	1

9

D

9

D



000066-001

## PISTON REBUILD KIT (D722 – E3B)

ITEM	PART NO.	DESCRIPTION	QTY
		1 2 3 4	
1	<u>102732001</u>	Kit, Piston Rebuild, D722 (includes items 2 through 6) .....	1
2	<u>102607601</u>	Assy Piston Ring, D722 Std .....	1
3	<u>102630901</u>	Circlip, Piston Pin .....	2
4	<u>102631001</u>	Pin, Piston .....	1
5	<u>102728101</u>	Piston, D722, Std .....	1
6	<u>102732201</u>	Bushing, Piston Pin, D722 .....	1

**9**

**D**

9

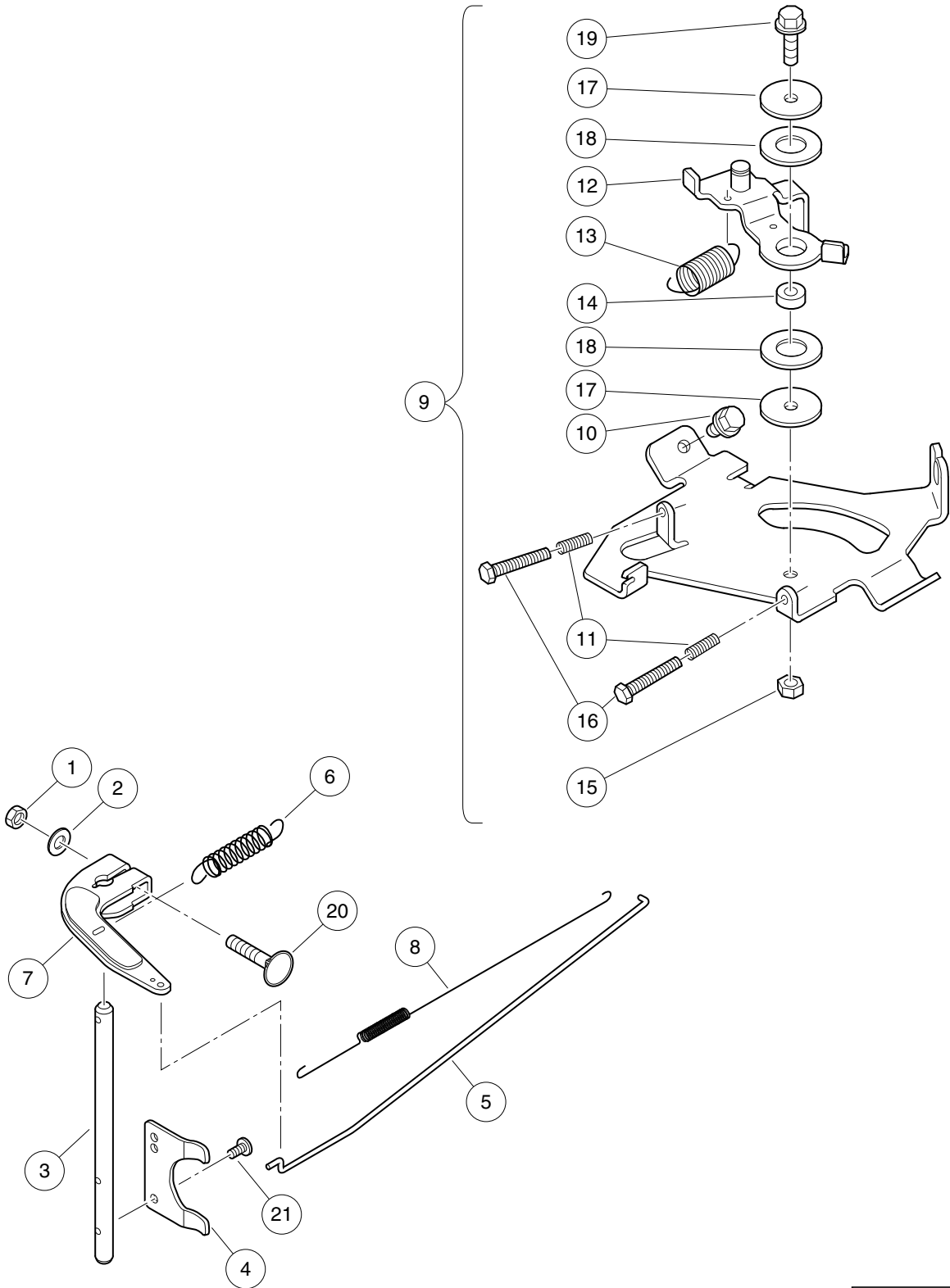
D

# FUEL, INTAKE, ACCELERATOR & GOVERNOR SYSTEMS – KAWASAKI

---

10

G



000636-001

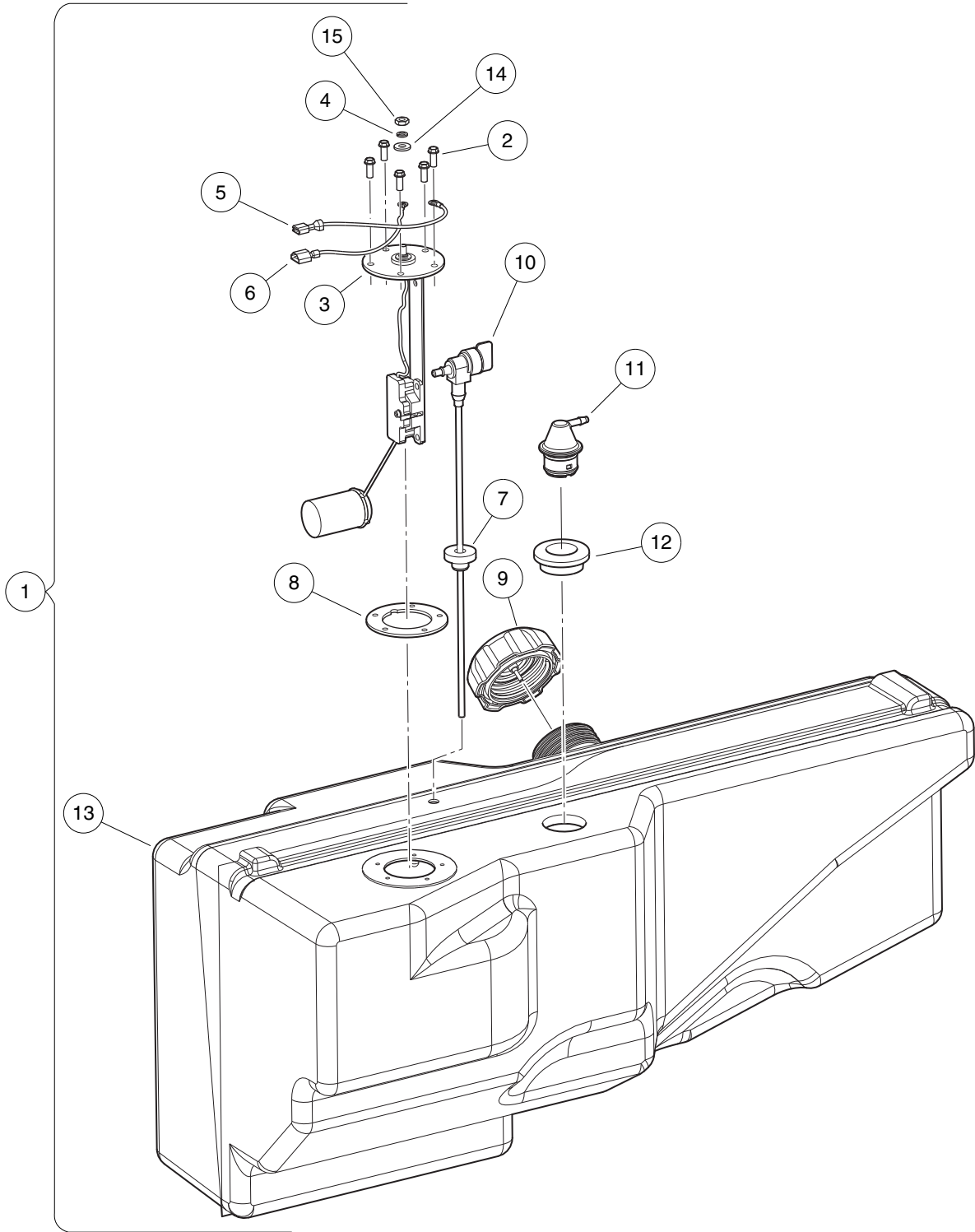


# GOVERNOR ARM AND SPRINGS

ITEM	PART NO.	DESCRIPTION	QTY
		1 2 3 4	
1	N/A	Nut, M6 .....	1
2	<u>1016513</u>	Washer, M6 Flat .....	1
3	<u>103002001</u>	Shaft, Governor, Fh .....	1
4	<u>103002101</u>	Plate, Governor, Fh .....	1
5	<u>103002301</u>	Link, Arm, Governor, Fh .....	1
6	<u>103002401</u>	Spring, Governor, Fh .....	1
7	<u>103002501</u>	Arm, Governor, Shaft .....	1
8	<u>103002901</u>	Spring, Arm, Governor, Fh .....	1
9	<u>103297701</u>	Panel, Control, Complete, Fh (includes items 10 through 19) .....	1
10	<u>102992401</u>	Bolt, Flg, M6 X 1.0 X 12 .....	2
11	<u>103002801</u>	Spring, Fh .....	2
12	<u>103297401</u>	Lever, Governor, Control, Fh .....	1
13	<u>103297501</u>	Spring, Governor Return, Fh .....	1
14	<u>103297601</u>	Collar, Governor, Fh .....	1
15	<u>103297801</u>	Nut, Governor, Fh .....	1
16	<u>103298001</u>	Bolt, Speed Control, Fh .....	2
17	<u>103298201</u>	Washer, Governor, Lower, Fh .....	2
18	<u>103298301</u>	Washer, Governor, Middle, Fh .....	2
19	<u>103298501</u>	Bolt, Flanged, M6 X 20, Kaw .....	1
20	<u>103298101</u>	Bolt, M6 X 35, Kawasaki .....	1
21	<u>103298601</u>	Screw, Pan, Governor, Fh .....	2

10

G



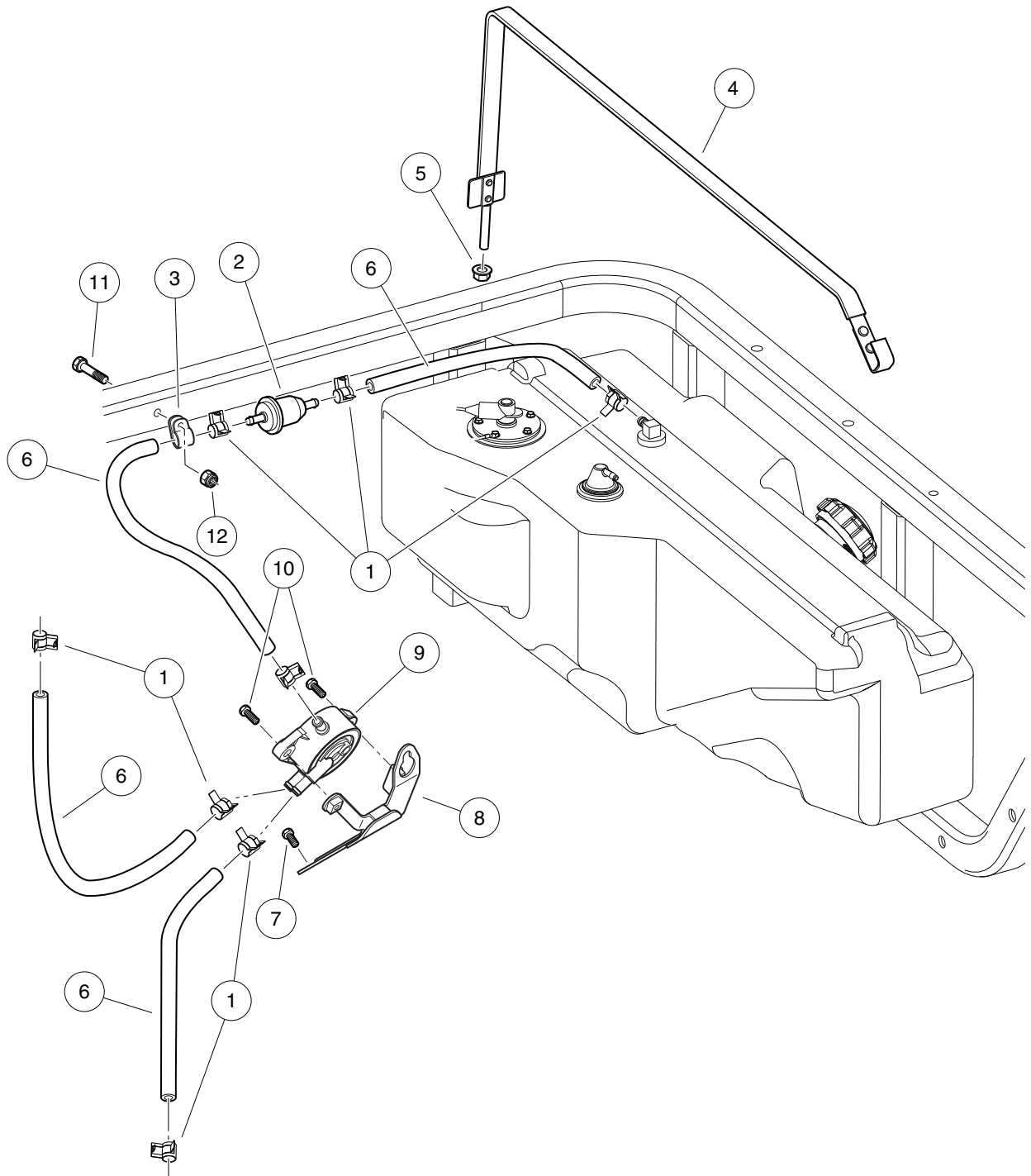
000082-008

## FUEL TANK – GASOLINE VEHICLE

ITEM	PART NO.	DESCRIPTION	QTY
		1 2 3 4	
1	<u>103963701</u>	Asm, Tank Fuel, Gas 4x4 Nano (includes items 2 through 15) .....	1
2	<u>1013461</u>	Screw, #10-16 Hex-Head Hi-Lo .....	5
3	<u>1013462</u>	Sending Unit, Fuel Level * .....	1
4	<u>1016</u>	Lockwasher, #10 Split .....	1
5	N/A	Wire Asm, Blk, 170mm .....	1
6	N/A	Wire Asm, Org, 170mm .....	1
7	<u>102406701</u>	Bushing, Line, Return .....	1
8	<u>102522001</u>	Gasket, Rubber .....	1
9	<u>103372101</u>	Cap, Fuel Tank, Gas, Ratchet .....	1
10	<u>103372302</u>	Valve, Fuel, 288mm .....	1
11	<u>103905201</u>	Assembly, Vent, Fuel, 1/4 Inch O.D. ....	1
12	<u>103944301</u>	Grommet, Fuel Tank, Vent .....	1
13	N/A	Tank, Fuel, Gas, 4x4 Nano .....	1
14	<u>183</u>	Washer, #10, Type A, Flat .....	1
15	<u>8797</u>	Nut, #10-32 Brass Hex .....	1
		* Note: Must replace fuel sending unit gasket when servicing this component.	

10

G



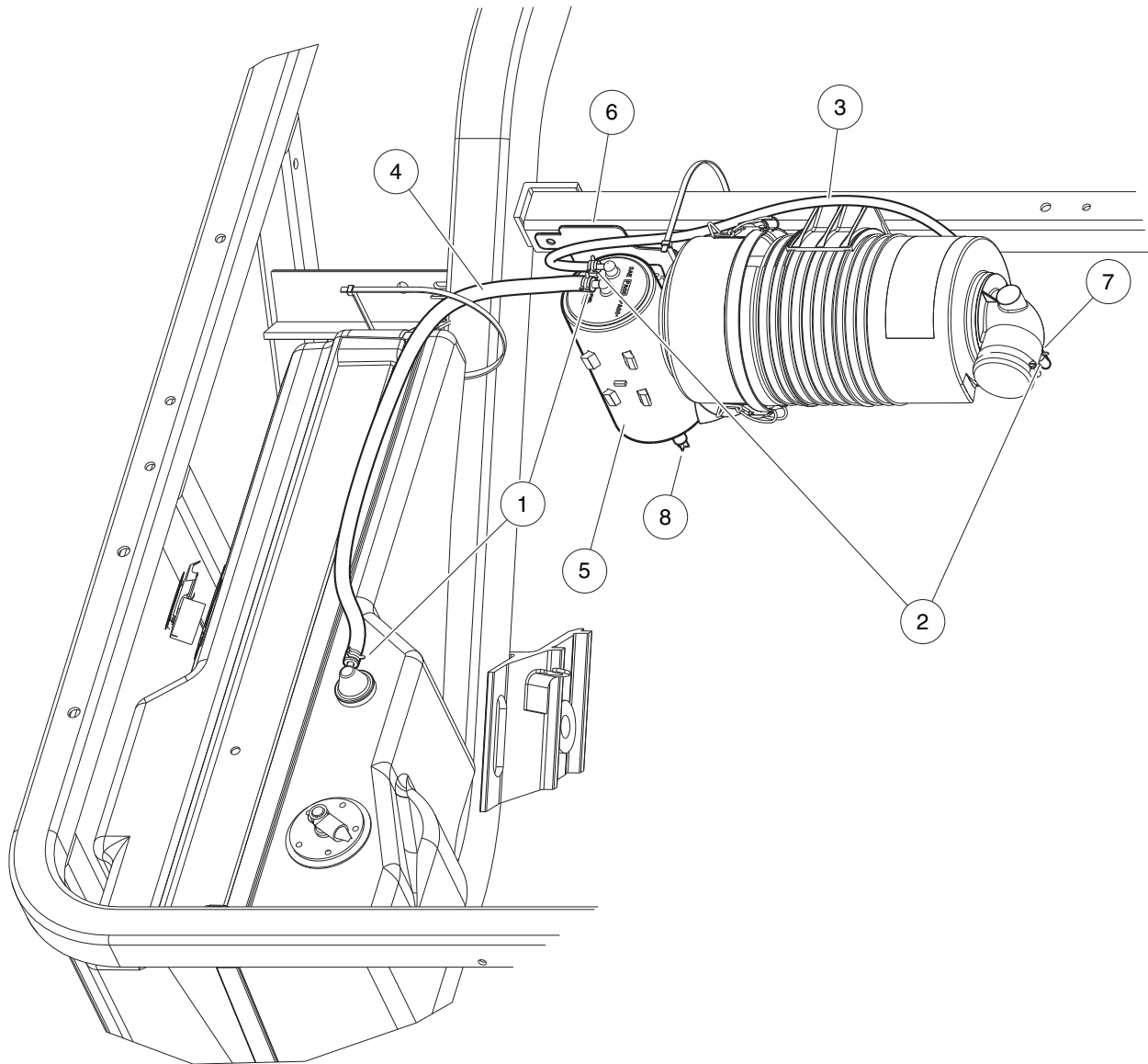
000672-003

## FUEL PUMP, FILTER AND HOSE – KAWASAKI FH680

ITEM	PART NO.	DESCRIPTION	QTY
		1 2 3 4	
1	<u>1012649</u>	Clamp, 0.460 Red Hose .....	4
2	<u>102003201</u>	Filter, Fuel, 30 Micron .....	1
3	<u>102410604</u>	P-clamp, Insulated, 0.625 Inch .....	1
4	<u>102426301</u>	Strap, Tank, Fuel .....	1
5	<u>102618601</u>	Lock Nut, Flange, M8 X 1.25 Nylon .....	1
6	<u>102865101</u>	Fuel Line, 1/4 (available by the foot) .....	A/R
7	<u>102992501</u>	Bolt, Flg, M6 X 1.0 X 16 .....	1
8	<u>103009901</u>	Bracket, Fuel Pump, Fh .....	1
9	<u>103010101</u>	Pump, Fuel, Impulse, Fh .....	1
10	<u>103298501</u>	Bolt, Flanged, M6 X 20, Kaw .....	2
11	<u>324</u>	Screw, 1/4-20 X 2.50 Hx Hd Cap .....	1
12	<u>8233</u>	Locknut, 1/4-20, Nylon Insert .....	1

10

G

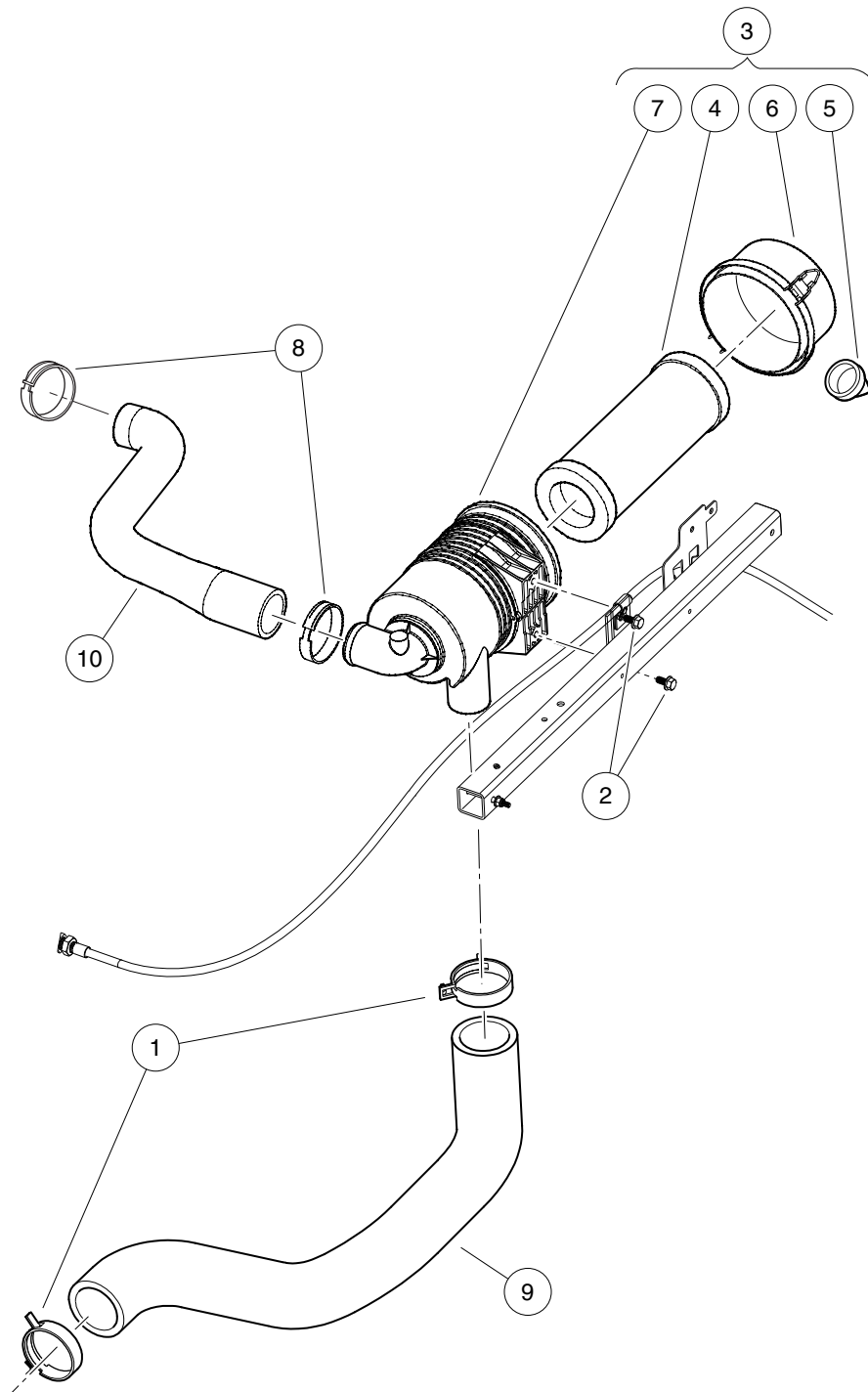


000972-001

## CARBON CANISTER – GASOLINE VEHICLE

ITEM	PART NO.	DESCRIPTION	QTY
		1 2 3 4	
1	<u>1012649</u>	Clamp, 0.460 Red Hose .....	2
2	<u>101313402</u>	Clamp, Green Hose .....	2
3	<u>1015137</u>	Fuel Line, 3/16 (available by the foot) .....	3
4	<u>102865101</u>	Fuel Line, 1/4 (available by the foot) .....	2
5	<u>103372401</u>	Canister, Carbon .....	1
6	<u>103452001</u>	Brkt, Mtg, Carbon Canister .....	1
7	<u>103701301</u>	Adapter, 1/8 Npt X 3/16 Barb .....	1
8	<u>103756401</u>	Asm, Vent Line, Carbon Canister (includes items 9 and 10) .....	1
9	N/A	Hose, Vent, 5/16 I.D., Bulk .....	1
10	N/A	Vent, Barb, 5/16 I.D. Hose .....	1

**10**  
**G**



000090-006

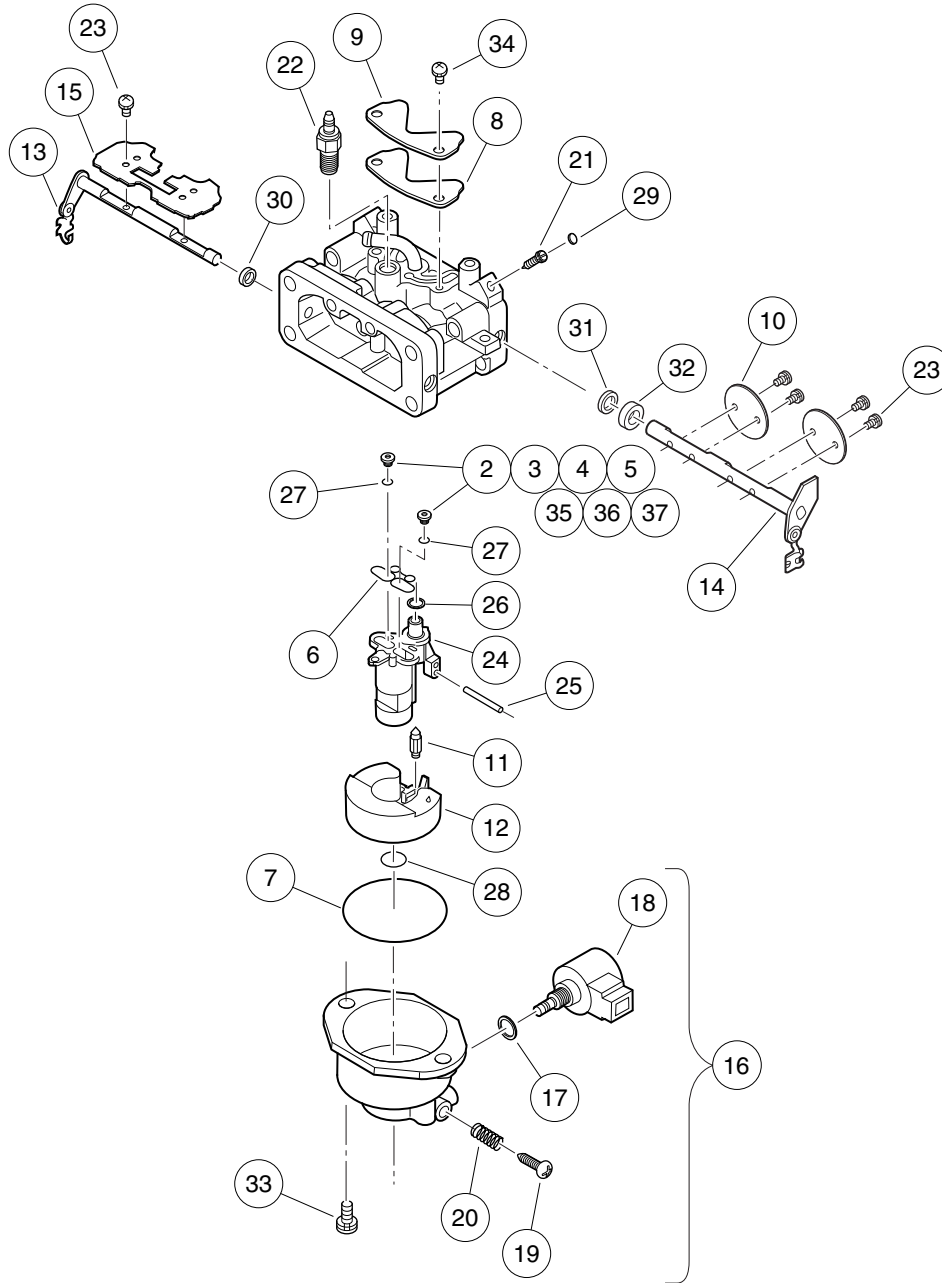


# INTAKE HOSES AND AIR FILTER – KAWASAKI FH680

ITEM	PART NO.	DESCRIPTION	QTY
		1 2 3 4	
1	<u>102411210</u>	Clamp, Hose, Ctb 64mm .....	2
2	<u>102621201</u>	Bolt, Flanged Head, M8 X1.25x 16, with Loctite .....	2
3	<u>102810701</u>	Filter, Air, Canister, with Label (includes items 4 through 7) .....	1
4	<u>102498601</u>	Element, Filter, Air, 5 Inch .....	1
5	<u>102725501</u>	Valve, Evacuator, Filter Air .....	1
6	<u>102725601</u>	Cap, Latch Lock, Filter, Air .....	1
7	N/A	Body, Canister, Filter, Air .....	1
8	<u>103441401</u>	Clamp, Worm Screw, Hose, 2" .....	2
9	<u>103848401</u>	Hose, Intake, Air .....	1
10	<u>103924701</u>	Hose, Air Intake, Awd, Gas .....	1

10

G

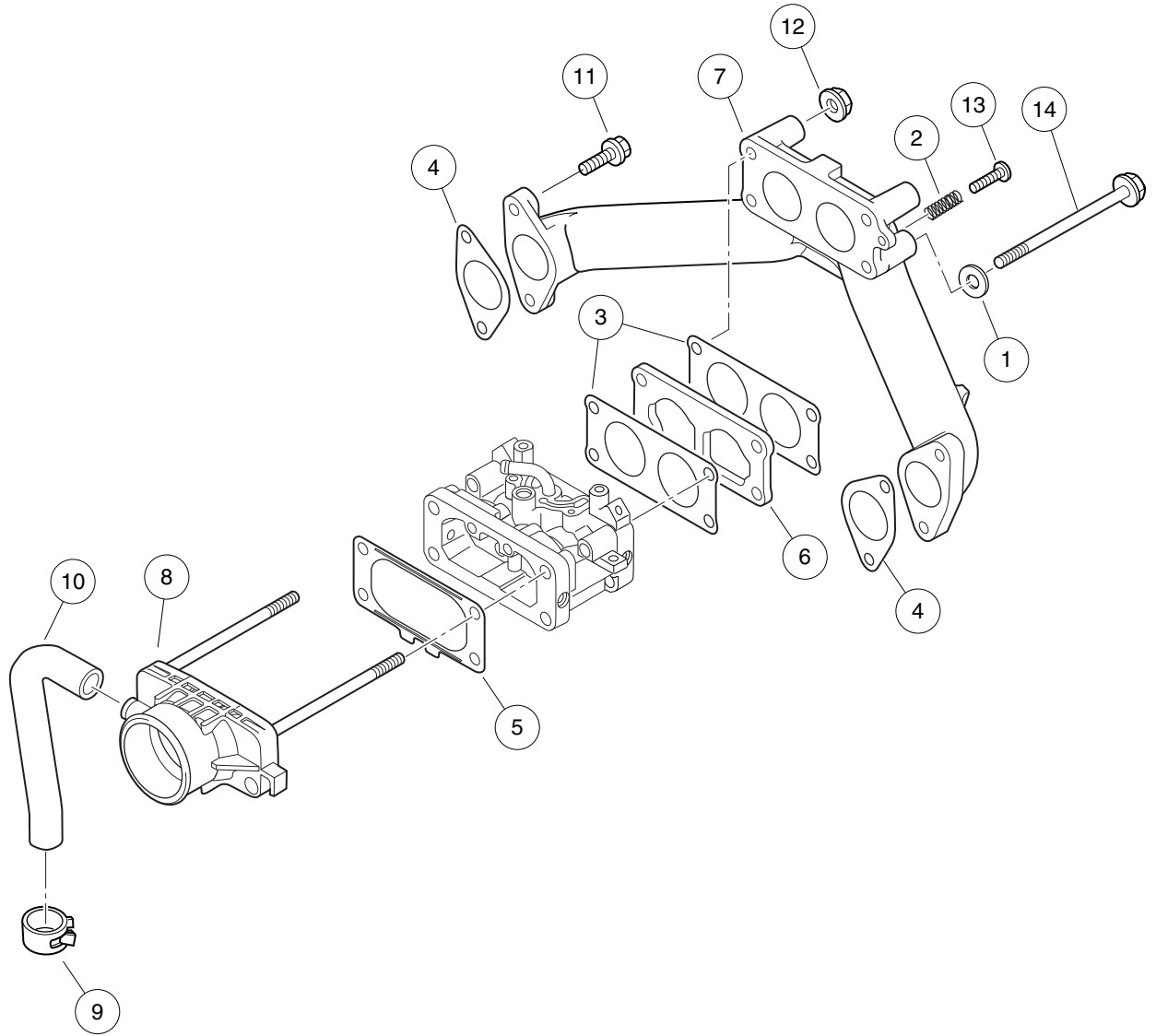


000673-004

# CARBURETOR – KAWASAKI FH680

ITEM	PART NO.	DESCRIPTION	QTY
		1 2 3 4	
1	<u>103596801</u>	Asm, Carburetor, FH680D (includes items 2 through 35) .....	1
2	<u>103307201</u>	Kit, Jet, 6600 Ft +, Fh680d (includes item 3) .....	1
3	<u>103306801</u>	Jet, Push In #96, FH680D (6600 ft and higher (2000 m and higher)) .....	2
4	<u>103307301</u>	Kit, Jet, 3300-6600 Ft, Fh680d (includes item 5) .....	1
5	<u>103306901</u>	Jet, Push In #99, FH680D (3300-6600 ft (1000-2000 m)) .....	2
6	<u>103340601</u>	Gasket, Fh680d .....	1
7	<u>103340701</u>	Gasket, Carburetor, Dia. 52 .....	1
8	<u>103340801</u>	Gasket, Cover, Fh680d .....	1
9	<u>103340901</u>	Cover, Slow Passage, Fh680d .....	1
10	<u>103341101</u>	Valve, Throttle, Fh680d .....	2
11	<u>103341201</u>	Valve, Float, Fh680d .....	1
12	<u>103341301</u>	Float, Carburetor, Fh680d .....	1
13	<u>103341401</u>	Shaft, Carburetor, Fh680d .....	1
14	<u>103341501</u>	Shaft, Carburetor, Throttle .....	1
15	<u>103341601</u>	Valve, Carburetor, Fh680d .....	1
16	<u>103341701</u>	Asm, Chamber, Float, Fh680d (includes items 17 through 20) .....	1
17	<u>103340501</u>	Gasket, Carburetor, Fh680d .....	1
18	<u>103341901</u>	Solenoid, Carburetor, Fh680d .....	1
19	<u>103342201</u>	Screw, Drain, Carburetor .....	1
20	<u>103343601</u>	Spring, Carburetor, Fh680d .....	1
21	<u>103341801</u>	Needle, Jet, Fh680d .....	2
22	<u>103342001</u>	Heater, Carburetor, Fh680d .....	1
23	<u>103342101</u>	Screw, Carburetor, M3 X 6 .....	6
24	<u>103342301</u>	Spacer, Carburetor, Fh680d .....	1
25	N/A	Pin, Carburetor, Fh680d .....	1
26	<u>103342501</u>	O-ring, Carburetor, Dia. 6.5 .....	1
27	<u>103342601</u>	O-ring, Carburetor, Fh680d .....	2
28	<u>103342701</u>	O-ring, Carburetor, Dia. 9 .....	1
29	<u>103343301</u>	Plug, Expansion, Carburetor .....	2
30	<u>103343401</u>	Seal, Carburetor, Dia. 5.9 .....	1
31	<u>103343501</u>	Seal, Carburetor, Fh680d .....	1
32	<u>103343701</u>	Collar, Carburetor, Fh680d .....	1
33	<u>103343801</u>	Screw, Carburetor, M5 .....	2
34	<u>103343901</u>	Screw, Carburetor, M4 .....	2
35	<u>103596701</u>	Kit, Jet, 0-3300 ft. FH680D (includes items 36 and 37) .....	1
36	<u>103307001</u>	Jet, Push In #102, FH680D (0-3300 ft (0-1000 m)) .....	1
37	<u>103596601</u>	Jet, Push In, #104 FH680D (0-3000 ft (0-1000m)) .....	1

**10**  
**G**



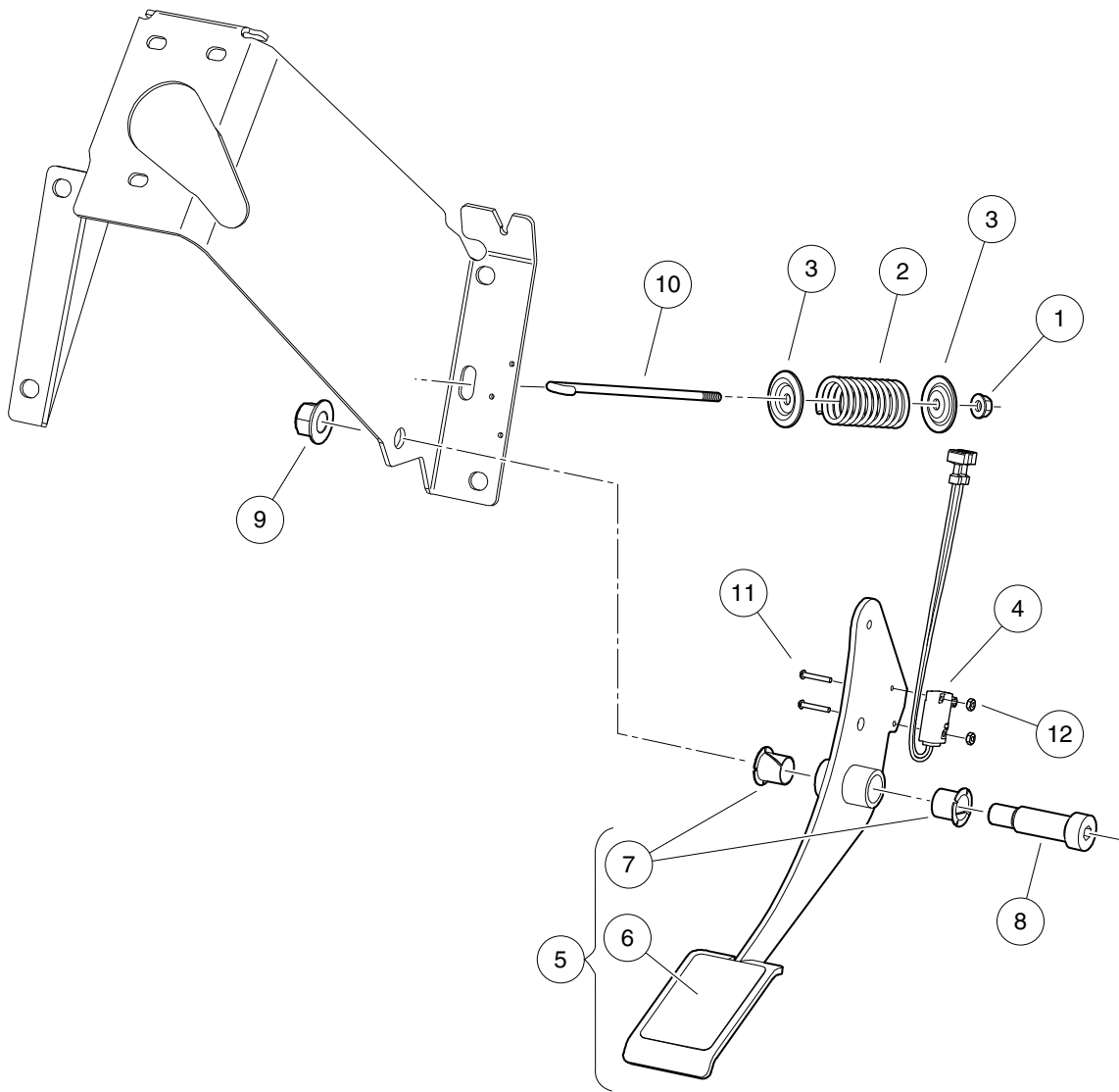
000673-002

# INTAKE MANIFOLD AND CARBURETOR MOUNTING – KAWASAKI FH680

ITEM	PART NO.	DESCRIPTION	QTY
		1 2 3 4	
1	<u>1016513</u>	Washer, M6 Flat .....	2
2	<u>103002801</u>	Spring, Fh .....	1
3	<u>103003801</u>	Gasket, Carburetor, Fh .....	2
4	<u>103003901</u>	Gasket, Manifold, Fh .....	2
5	<u>103004201</u>	Gasket, Air Filter, Fh .....	1
6	<u>103005001</u>	Insulator, Manifold, Fh .....	1
7	<u>103005601</u>	Manifold, Intake, Fh .....	1
8	<u>103297101</u>	Pipe, Intake Adapter, Fh .....	1
9	<u>103297201</u>	Clamp, Crankcase Vent, Fh .....	1
10	<u>103297301</u>	Tube, Crankcase Vent, Fh .....	1
11	<u>103298501</u>	Bolt, Flanged, M6 X 20, Kaw .....	4
12	<u>103320201</u>	Nut, Carburetor, M6 .....	2
13	<u>103320301</u>	Screw, Carburetor, M4 X 20 .....	1
14	<u>103320401</u>	Bolt, Flg, Carburetor, M6x105 .....	2

**10**  
**G**

**10**  
**G**



000026-003

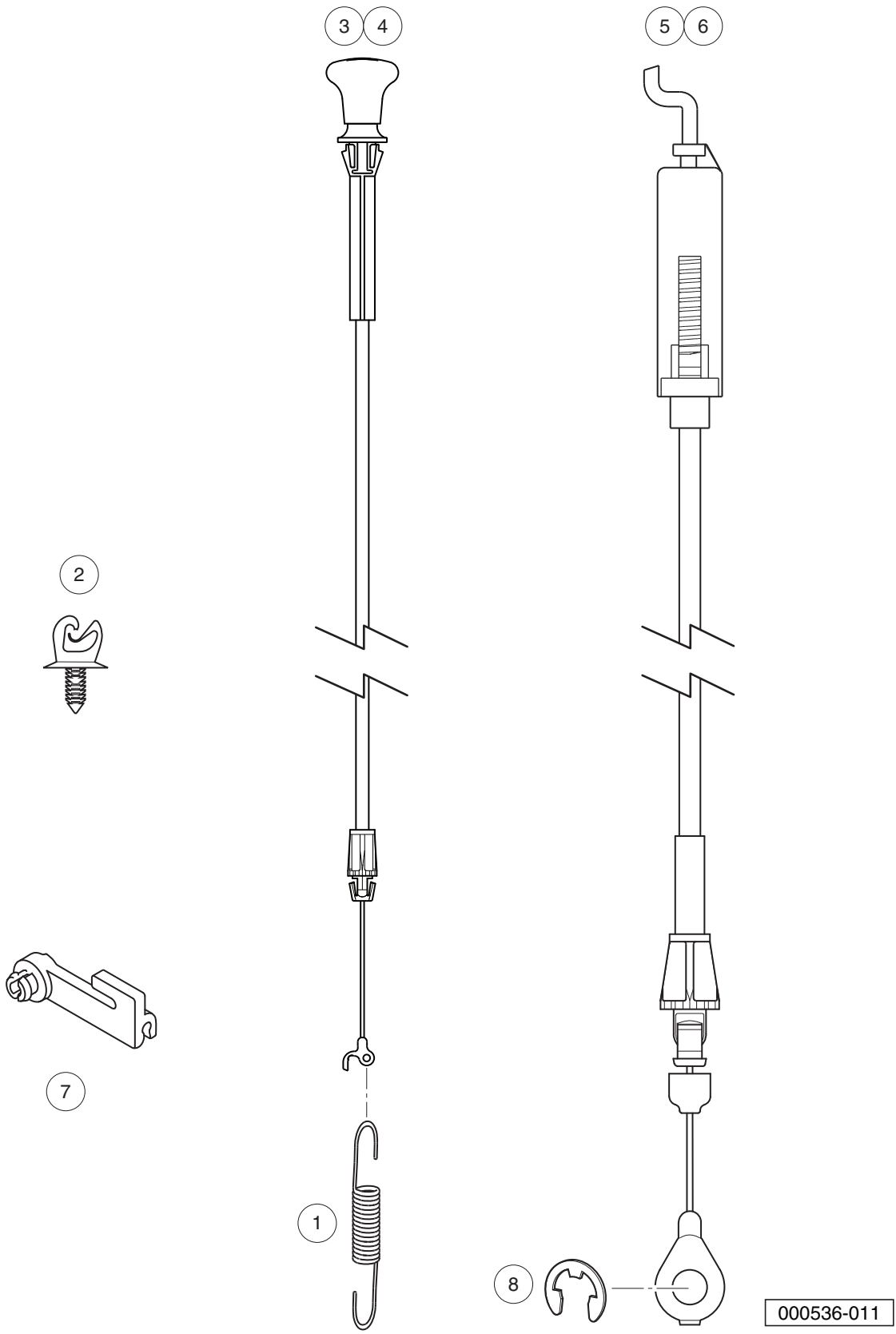
# ACCELERATOR PEDAL

ITEM	PART NO.	DESCRIPTION	QTY
		1 2 3 4	
1	<u>102296401</u>	Nut, M6x1.0, Flange, Metal Lock .....	1
2	<u>102445201</u>	Spring, Comp, Pedal, Pullrod .....	1
3	<u>102461401</u>	Washer, Retaining Spring, 7mm .....	2
4	<u>103327201</u>	Asm, Switch, Limit, Awd .....	1
5	<u>103478901</u>	Asm, Pedal, Accelerator (includes items 6 and 7) .....	1
6	<u>102479301</u>	Pad, Grip Tape, Accelerator .....	1
7	<u>103479101</u>	Bushing, Nyliner, 5/8" .....	2
8	<u>103479201</u>	Bolt, Shoulder, 5/8 X 1 1/2 .....	1
9	<u>103479301</u>	Nut Hex Flg 1/2-13 Nylock Gr G .....	1
10	103883201	Rod, Accelerator Return, J .....	1
11	<u>8056</u>	Screw, #4-40 X 0.75 Round-Head Machine .....	2
12	<u>8057</u>	Nut, #4-40 Hex Machine .....	2
		Note: Items 4 (switch), 11 (screw) and 12 (nut) are not used in two-wheel drive vehicle.	

10

G

**10**  
**G**



000536-011



# ACCELERATOR AND CHOKE CABLES – KAWASAKI FH680

ITEM	PART NO.	DESCRIPTION	QTY
		1 2 3 4	
1	<u>102457001</u>	Spring .....	1
2	<u>102475701</u>	Clip, Brake Line .....	4
3	<u>103277401</u>	Cable, Choke, AWD, FH680D, 295/1550 .....	1
4	<u>103293401</u>	Cable, Choke, AWD, FH680D, 295 SE/1550 SE .....	1
5	<u>103921801</u>	Cable, Accelerator, AWD, Gas, SE .....	1
6	<u>103922001</u>	Cable, Accelerator, AWD, Gas .....	1
7	<u>105315101</u>	Clip, Choke Cable, Fh680d .....	1
8	<u>96950126</u>	Ring, Retaining .....	1

10

G

**10**

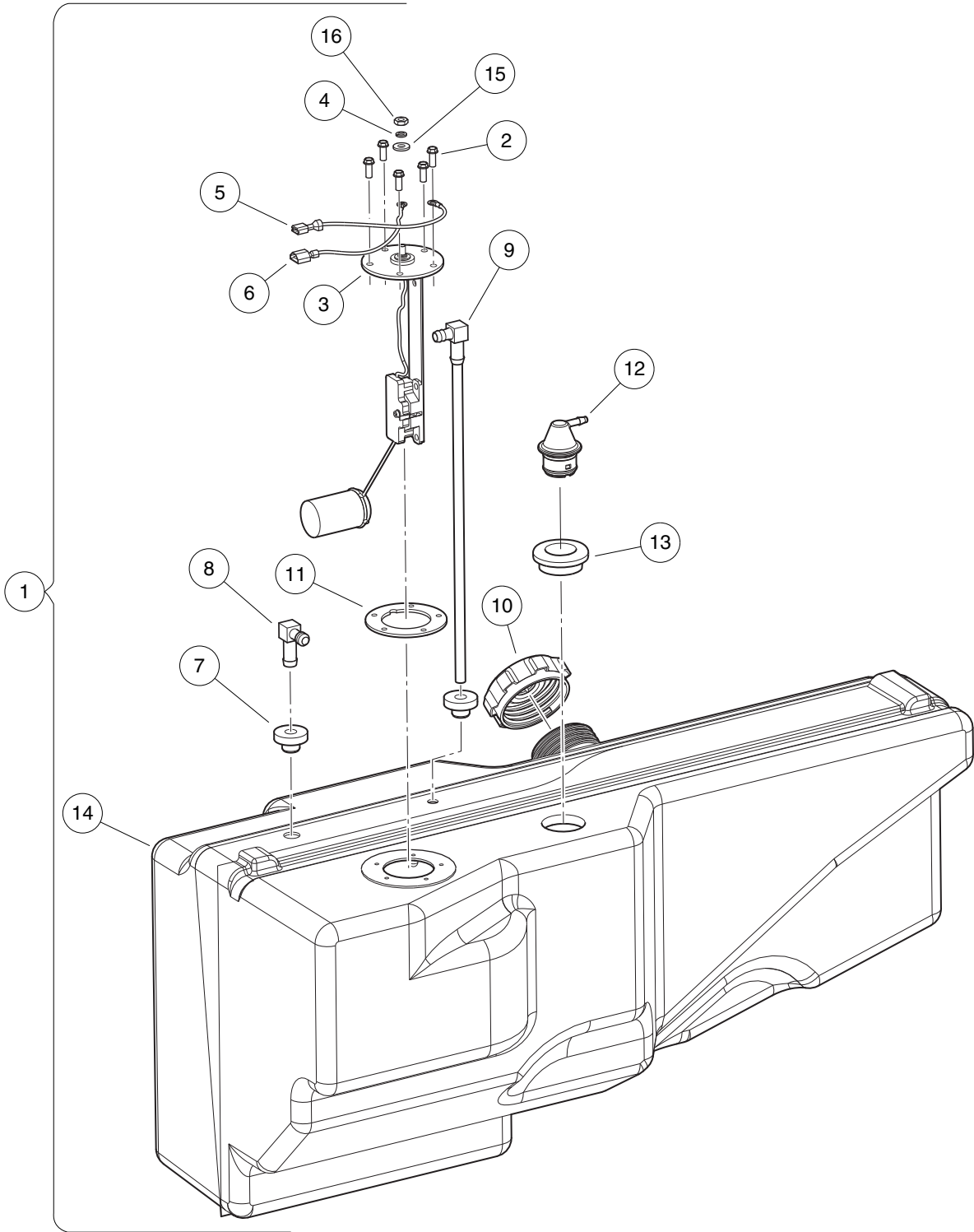
**G**

# FUEL, INTAKE & ACCELERATOR SYSTEMS – KUBOTA DIESEL ENGINE

---

11

D



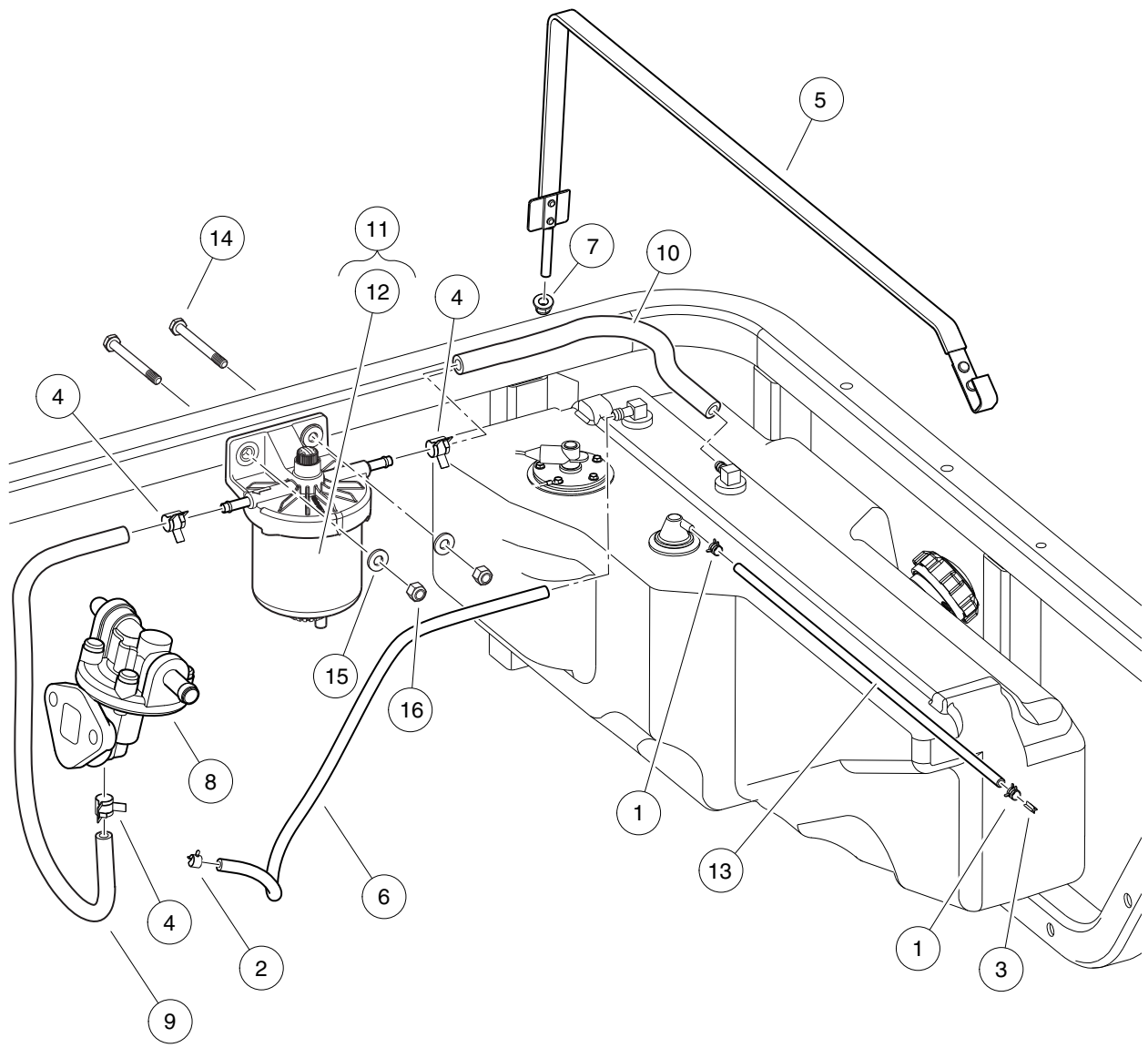
000082-011

## FUEL TANK – DIESEL VEHICLE

ITEM	PART NO.	DESCRIPTION	QTY
		1 2 3 4	
1	<u>103963501</u>	Asm, Tank Fuel, Diesel, 4x4 (includes items 2 through 16) .....	1
2	<u>1013461</u>	Screw, #10-16 Hex-Head Hi-Lo .....	5
3	<u>1013462</u>	Sending Unit, Fuel Level * .....	1
4	<u>1016</u>	Lockwasher, #10 Split .....	1
5	N/A	Wire Asm, Blk, 170mm .....	1
6	N/A	Wire Asm, Org, 170mm .....	1
7	<u>102406701</u>	Bushing, Line, Return .....	2
8	<u>102406801</u>	Elbow, 90 Degree, Barbed .....	1
9	<u>102478501</u>	Pickup Tube, Fuel .....	1
10	<u>102494701</u>	Cap, Fuel (Diesel) .....	1
11	<u>102522001</u>	Gasket, Rubber .....	1
12	<u>103905201</u>	Assembly, Vent, Fuel, 1/4 Inch O.D. ....	1
13	<u>103944301</u>	Grommet, Fuel Tank, Vent .....	1
14	103950101	Tank, Fuel, Dsl, 4x4 .....	1
15	<u>183</u>	Washer, #10, Type A, Flat .....	1
16	<u>8797</u>	Nut, #10-32 Brass Hex .....	1
		* Note: Must replace fuel sending unit gasket when servicing this component.	

11

D



000081-008

## FUEL PUMP, FILTER AND HOSE – DIESEL

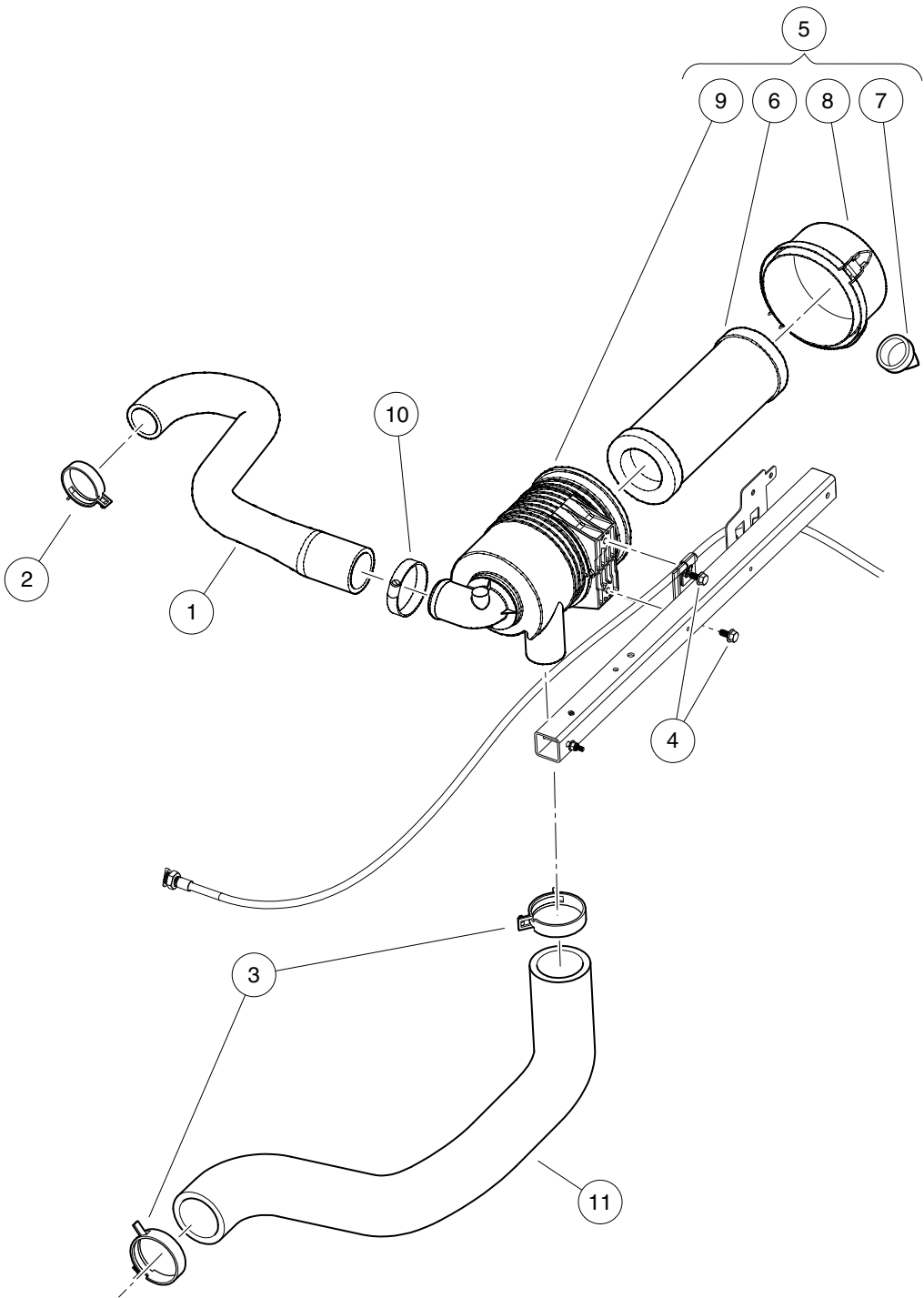
ITEM	PART NO.	DESCRIPTION	QTY
		1 2 3 4	
1	<u>1012649</u>	Clamp, 0.460 Red Hose .....	2
2	<u>101313402</u>	Clamp, Green Hose .....	1
3	<u>101824401</u>	Vent Barb .....	1
4	<u>102411203</u>	Clamp, Hose, Ctb 14mm Dia. ....	3
5	<u>102426301</u>	Strap, Tank, Fuel .....	1
6	<u>102430401</u>	Hose, Fuel Return .....	1
7	102618601	Lock Nut, Flange, M8 X 1.25 Nylon .....	1
8	<u>103591301</u>	Pump, Diesel Fuel, Mechanical .....	1
9	<u>103593201</u>	Hose, Awd Water Sep To Mech Fp .....	1
10	<u>103593301</u>	Hose, Awd Water Sep To Tank .....	1
11	<u>103747301</u>	Assembly, Filter/Bracket, Fuel, Diesel (includes item 12) .....	1
12	<u>103761801</u>	Filter, Fuel, Diesel .....	1
13	103896603	Hose, Vent, 1/4 Id, 22 In .....	1
14	<u>324</u>	Screw, 1/4-20 X 2.50 Hx Hd Cap .....	2
15	<u>332</u>	Washer, 1/4 Type A Narrow Flat .....	2
16	<u>8233</u>	Locknut, 1/4-20, Nylon Insert .....	2

11

D

11

D



000090-010



## INTAKE HOSES AND AIR FILTER – DIESEL VEHICLE

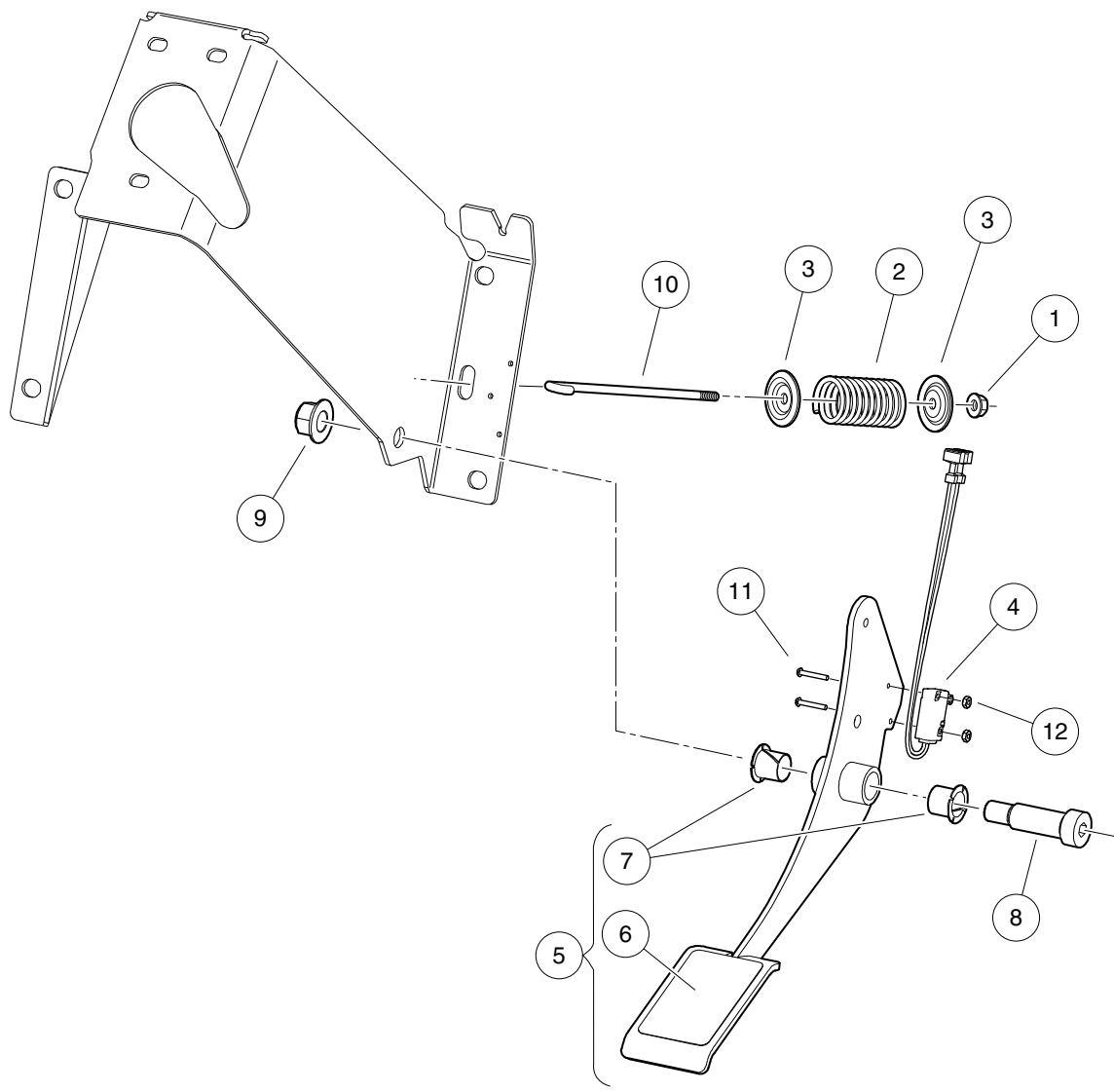
ITEM	PART NO.	DESCRIPTION	QTY
		1 2 3 4	
1	<u>102379001</u>	Hose, Intake, Kubota, Diesel, Engine .....	1
2	<u>102411209</u>	Clamp, Hose, Ctb 55mm Dia. ....	1
3	<u>102411210</u>	Clamp, Hose, Ctb 64mm .....	2
4	<u>102621201</u>	Bolt, Flanged Head, M8 X1.25x 16, with Loctite .....	2
5	<u>102810701</u>	Filter, Air, Canister, with Label (includes items 6 through 9) .....	1
6	<u>102498601</u>	Element, Filter, Air, 5 Inch .....	1
7	<u>102725501</u>	Valve, Evacuator, Filter Air .....	1
8	<u>102725601</u>	Cap, Latch Lock, Filter, Air .....	1
9	N/A	Body, Canister, Filter, Air .....	1
10	<u>103441401</u>	Clamp, Worm Screw, Hose, 2" .....	1
11	<u>103848401</u>	Hose, Intake, Air .....	1

11

D

11

D



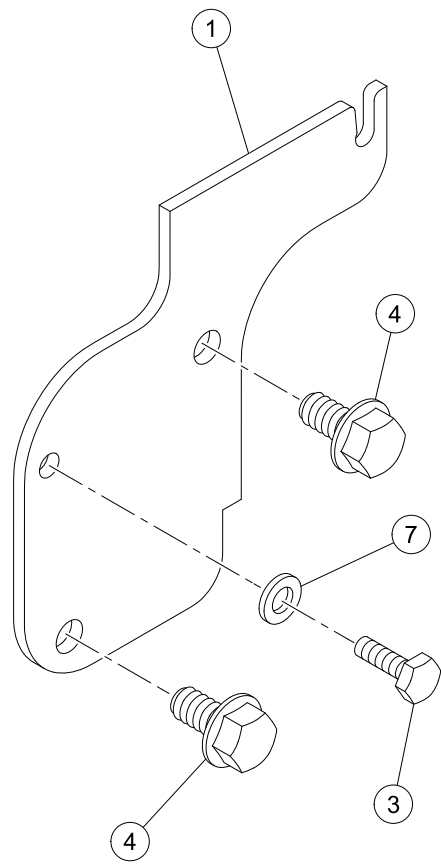
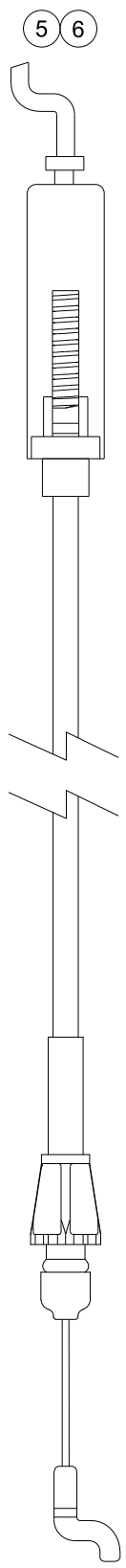
000026-003

# ACCELERATOR PEDAL

ITEM	PART NO.	DESCRIPTION	QTY
		<b>1 2 3 4</b>	
1	<u>102296401</u>	Nut, M6x1.0, Flange, Metal Lock .....	1
2	<u>102445201</u>	Spring, Comp, Pedal, Pullrod .....	1
3	<u>102461401</u>	Washer, Retaining Spring, 7mm .....	2
4	<u>103327201</u>	Asm, Switch, Limit, Awd .....	1
5	<u>103478901</u>	Asm, Pedal, Accelerator (includes items 6 and 7) .....	1
6	<u>102479301</u>	Pad, Grip Tape, Accelerator .....	1
7	<u>103479101</u>	Bushing, Nyliner, 5/8" .....	2
8	<u>103479201</u>	Bolt, Shoulder, 5/8 X 1 1/2 .....	1
9	<u>103479301</u>	Nut Hex Flg 1/2-13 Nylock Gr G .....	1
10	103883201	Rod, Accelerator Return, J .....	1
11	<u>8056</u>	Screw, #4-40 X 0.75 Round-Head Machine .....	2
12	<u>8057</u>	Nut, #4-40 Hex Machine .....	2
		Note: Items 4 (switch), 11 (screw) and 12 (nut) are not used in two-wheel drive vehicle.	

**11**

**D**



000536-014

## ACCELERATOR CABLE – DIESEL VEHICLE

ITEM	PART NO.	DESCRIPTION	QTY
		1 2 3 4	
1	<u>102423201</u>	Bracket, Accel Cable, Diesel .....	1
2	<u>102475701</u>	Clip, Brake Line .....	3
3	<u>102490301</u>	Bolt, M6 X 1 X 16, Loctite .....	1
4	<u>102621201</u>	Bolt, Flanged Head, M8 X1.25x 16, with Loctite .....	2
5	<u>103921701</u>	Cable, Accelerator, AWD, Diesel, 295 SE/1550 SE .....	1
6	<u>103921901</u>	Cable, Accelerator, AWD, Diesel, 295/1550 .....	1
7	<u>96705199</u>	Washer, M6 .....	1

11

D

11

*D*

# EXHAUST SYSTEM – GAS & DIESEL

---

12

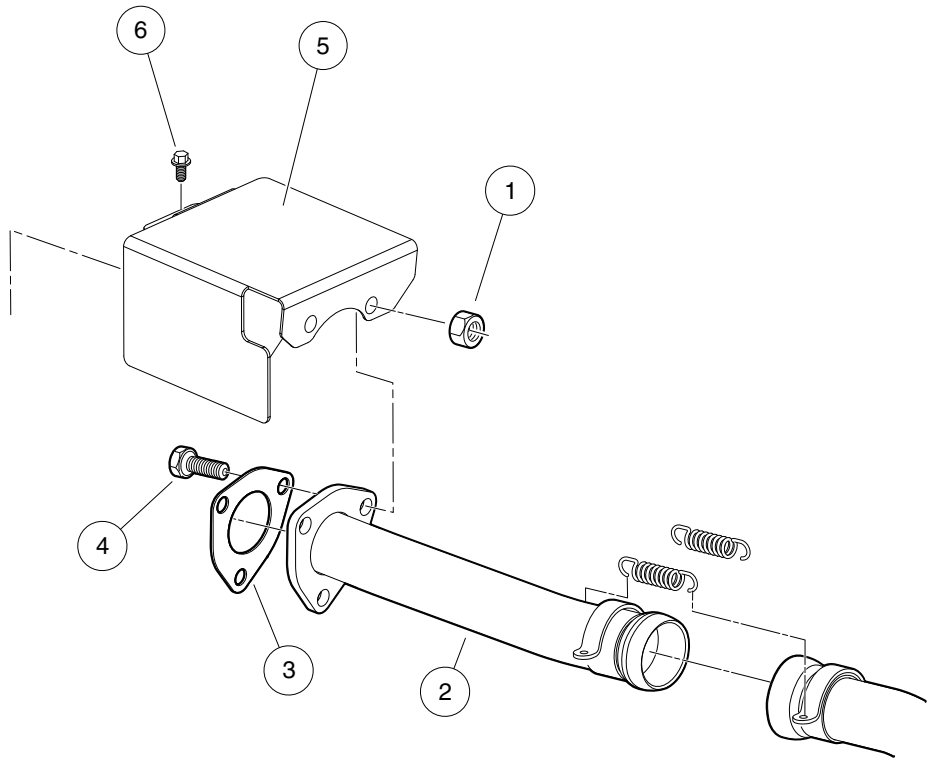
G

D

12

G

D



000538-003



## EXHAUST PIPES – DIESEL VEHICLES

ITEM	PART NO.	DESCRIPTION	QTY
		1 2 3 4	
1	<u>102298401</u>	Nut,m8,all Metal Lock .....	3
2	<u>102409301</u>	Pipe, Exhaust Diesel Main .....	1
3	<u>102422301</u>	Gasket, Exhaust Diesel .....	1
4	<u>102621301</u>	Bolt, M8 X 1.25 X 40 with Loctite .....	3
5	<u>102628101</u>	Shield, Diesel Exhaust .....	1
6	<u>102731601</u>	Bolt, D722, Exhaust Manifold Cover .....	1

12

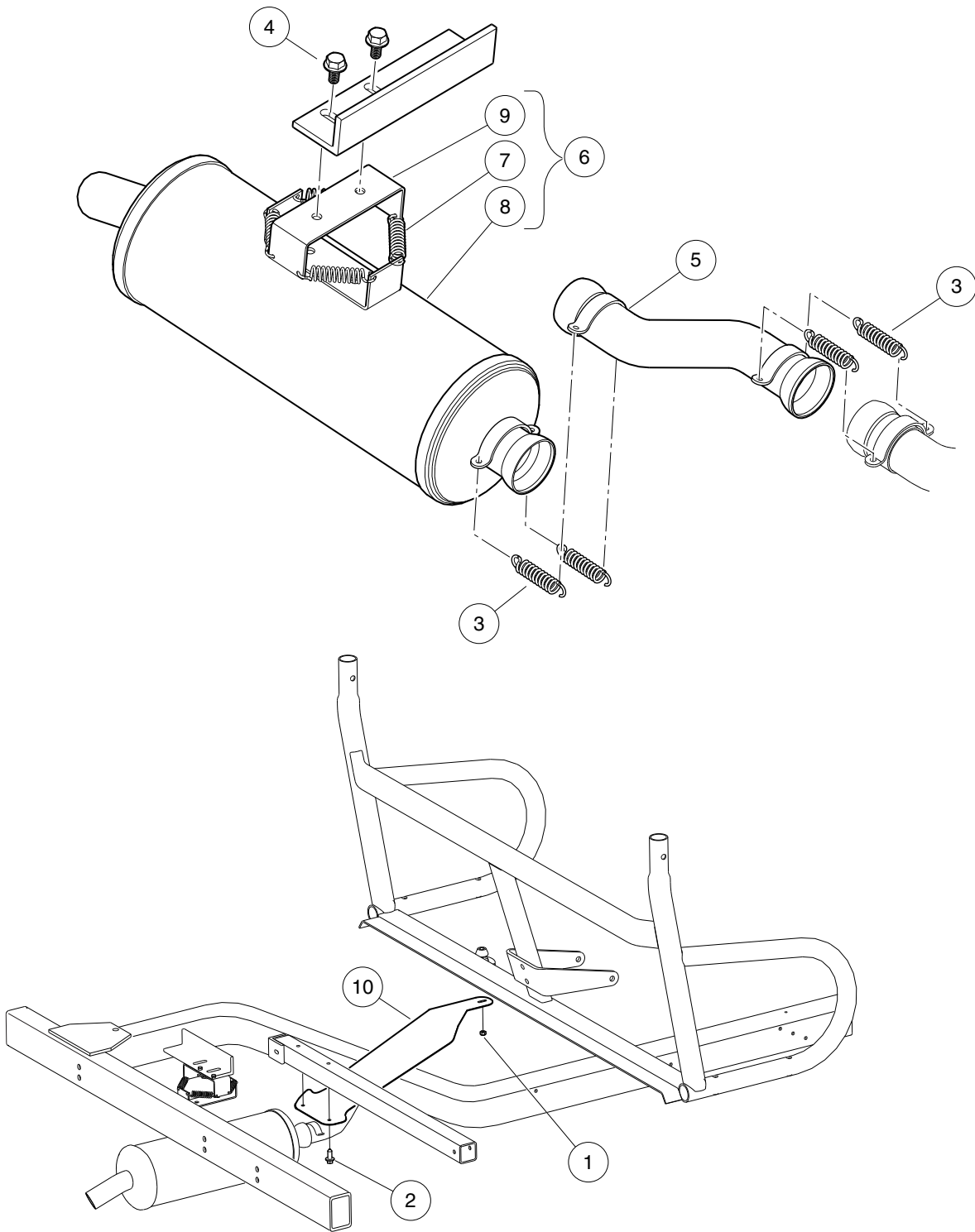
G

D

12

G

D



000538-005

## EXHAUST PIPE AND MUFFLER

ITEM	PART NO.	DESCRIPTION	QTY
		1 2 3 4	
1	<u>101887601</u>	Locknut, M6-1.00 Nylon Insert .....	1
2	<u>102298720</u>	Screw, M8-1.25x20, Taptite .....	2
3	<u>102409501</u>	Spring, Exhaust .....	4
4	<u>102621201</u>	Bolt, Flanged Head, M8 X1.25x 16, with Loctite .....	2
5	<u>102786201</u>	Pipe, Exhaust, Int, Offset .....	1
6	<u>102812801</u>	Asm, Muffler, AWD Homologation (includes items 7 through 9) .....	1
7	<u>102409501</u>	Spring, Exhaust .....	4
8	N/A	Muffler .....	1
9	N/A	Bracket, Muffler .....	1
10	<u>102930901</u>	Shield, Exhaust, Clearance .....	1

**12**

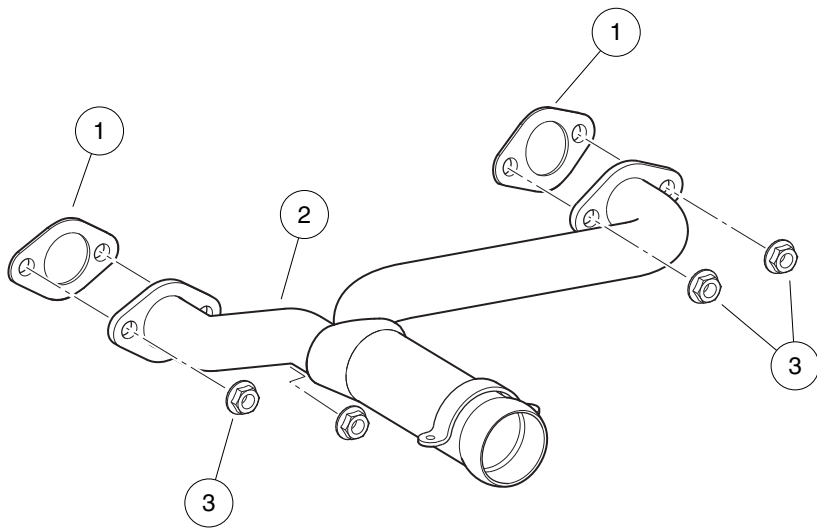
**G**

**D**

12

G

D



000538-004

# EXHAUST HEADER – KAWASAKI FH680

ITEM	PART NO.	DESCRIPTION	QTY
		1 2 3 4	
1	<u>102949301</u>	Gasket, Exhaust Header, Fh680d .....	2
2	<u>103268101</u>	Header, Exhaust, Gas, Fh680d .....	1
3	<u>96704416</u>	Nut, Flange, M8 X 1.25 Serrated .....	4

**12**

**G**

**D**

12

G

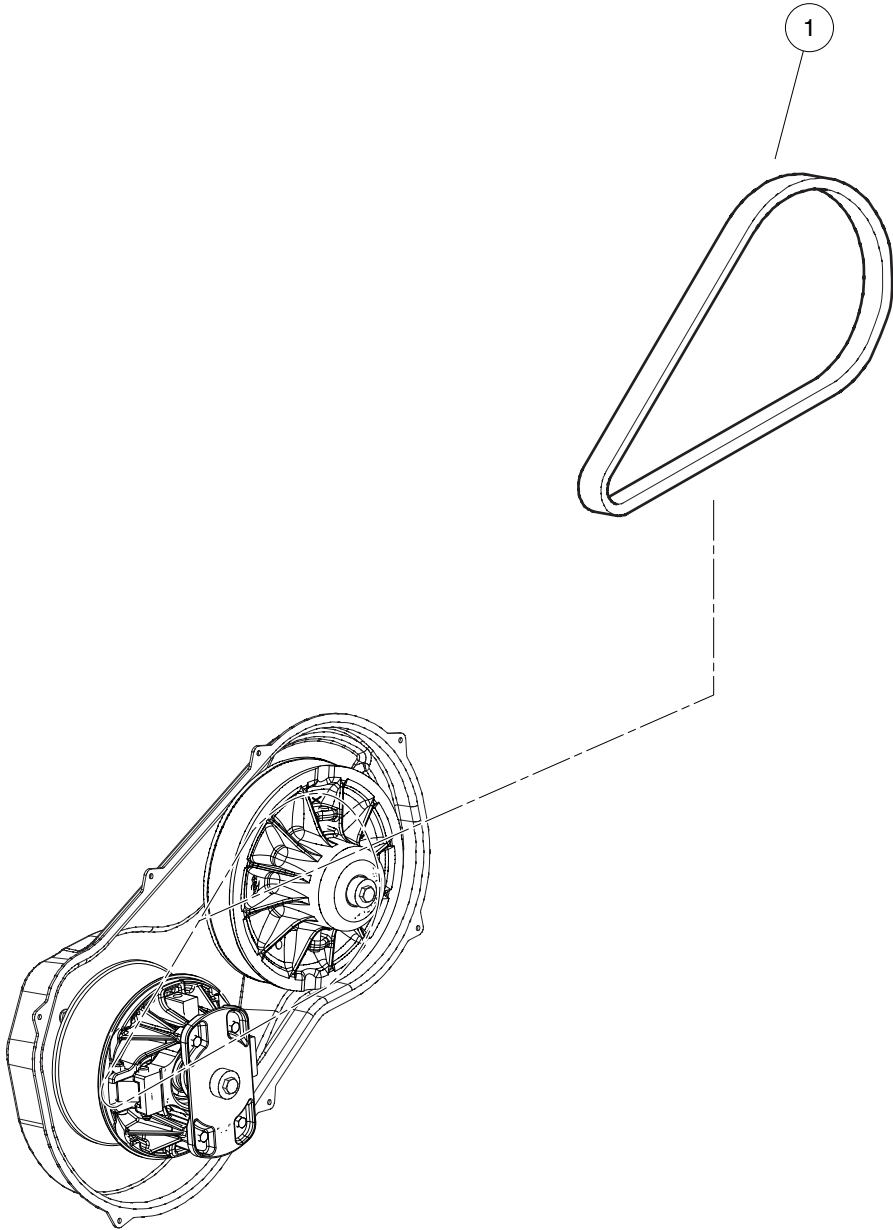
D

# CLUTCHES – KAWASAKI GAS ENGINE

---

13

G



000084-001

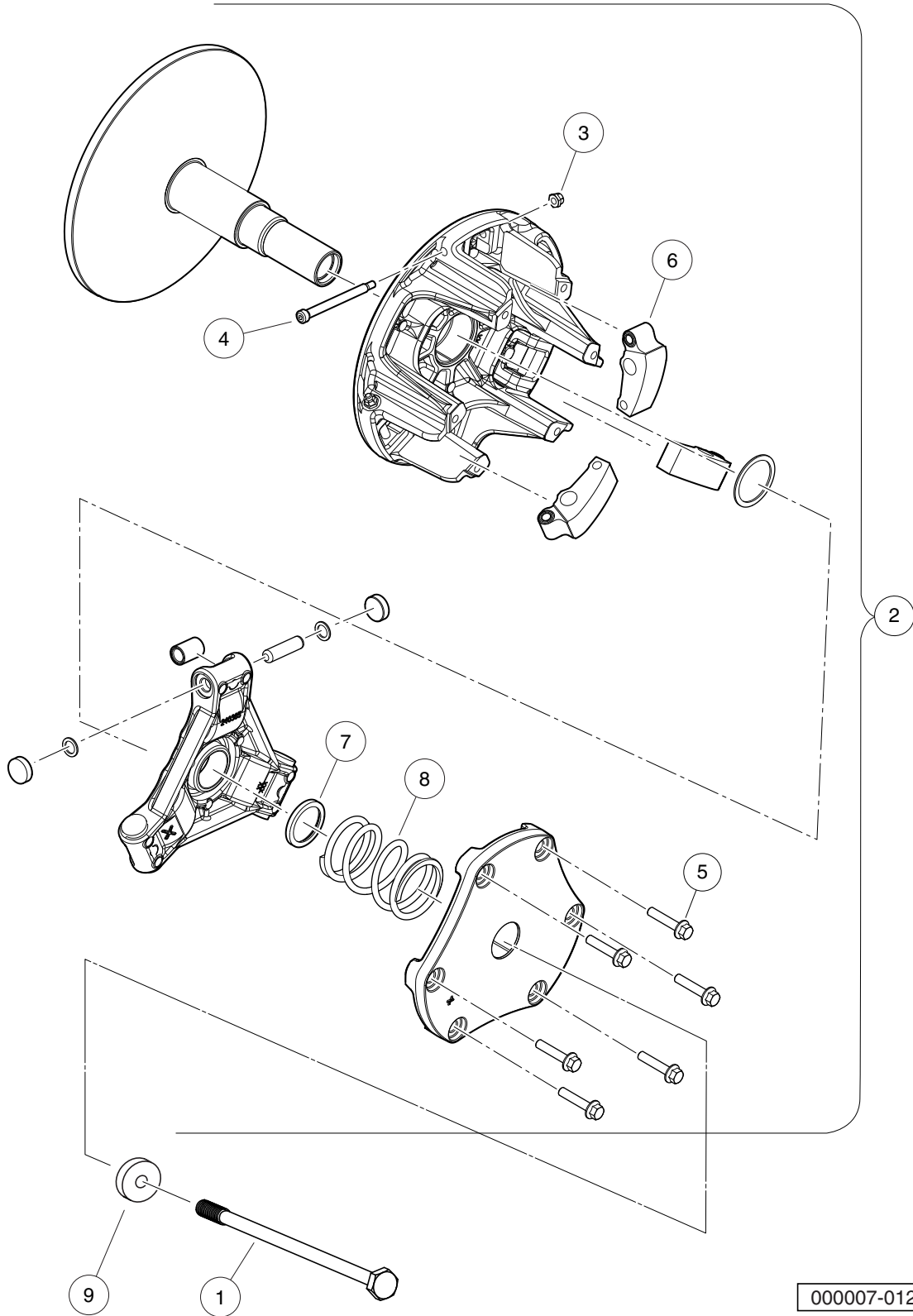


# DRIVE BELT

**13**

**G**

ITEM	PART NO.	DESCRIPTION	QTY
1	<u>102374901</u>	1 2 3 4 Belt, Drive .....	1

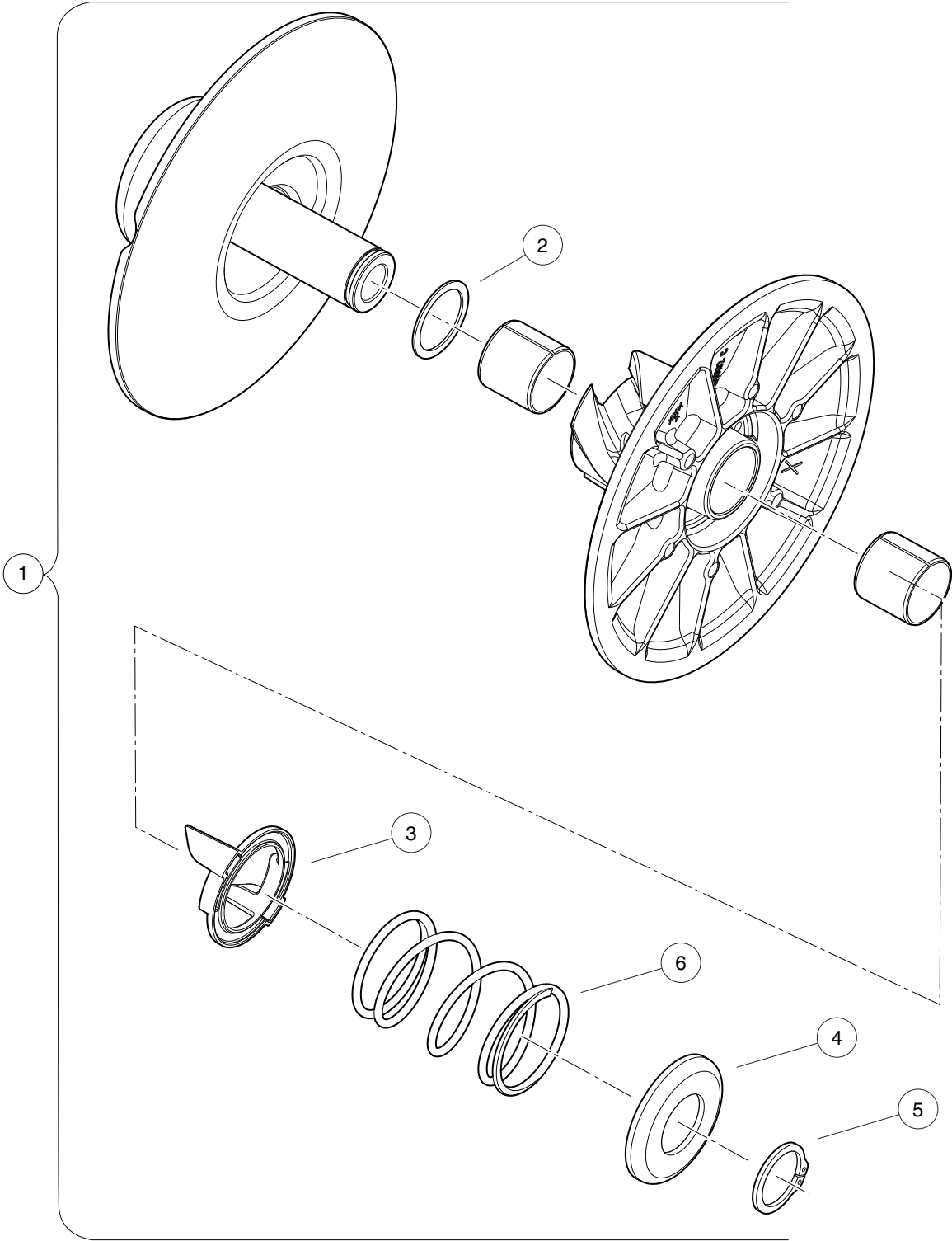


000007-012

## DRIVE CLUTCH (3 WEIGHT) – GAS VEHICLE

ITEM	PART NO.	DESCRIPTION	QTY
		1 2 3 4	
1	<u>103201501</u>	Bolt, M8 X 1.25 X 200, Loctite .....	1
2	<u>103848001</u>	Clutch, Drive, Gas, 3 Weight (includes items 3 through 8) .....	1
3	<u>103829601</u>	Nut, Lock, Hex #10-24 Flexloc .....	3
4	<u>103829701</u>	Screw, Shldr, Hex Skt .25x2.5 .....	3
5	<u>103829801</u>	Screw, Hex Flg Hd, 1/4-20x1.25 .....	6
6	<u>103829901</u>	Weight, Clutch, D-153 G .....	3
7	<u>103830001</u>	Spacer, Clutch 1.44x1.125x.150 .....	1
8	<u>103856101</u>	Spring, Comp, 2.0 Od Black/slv .....	1
9	<u>103856501</u>	Washer, Drv, 3-post, Gas .....	1

**13**  
**G**



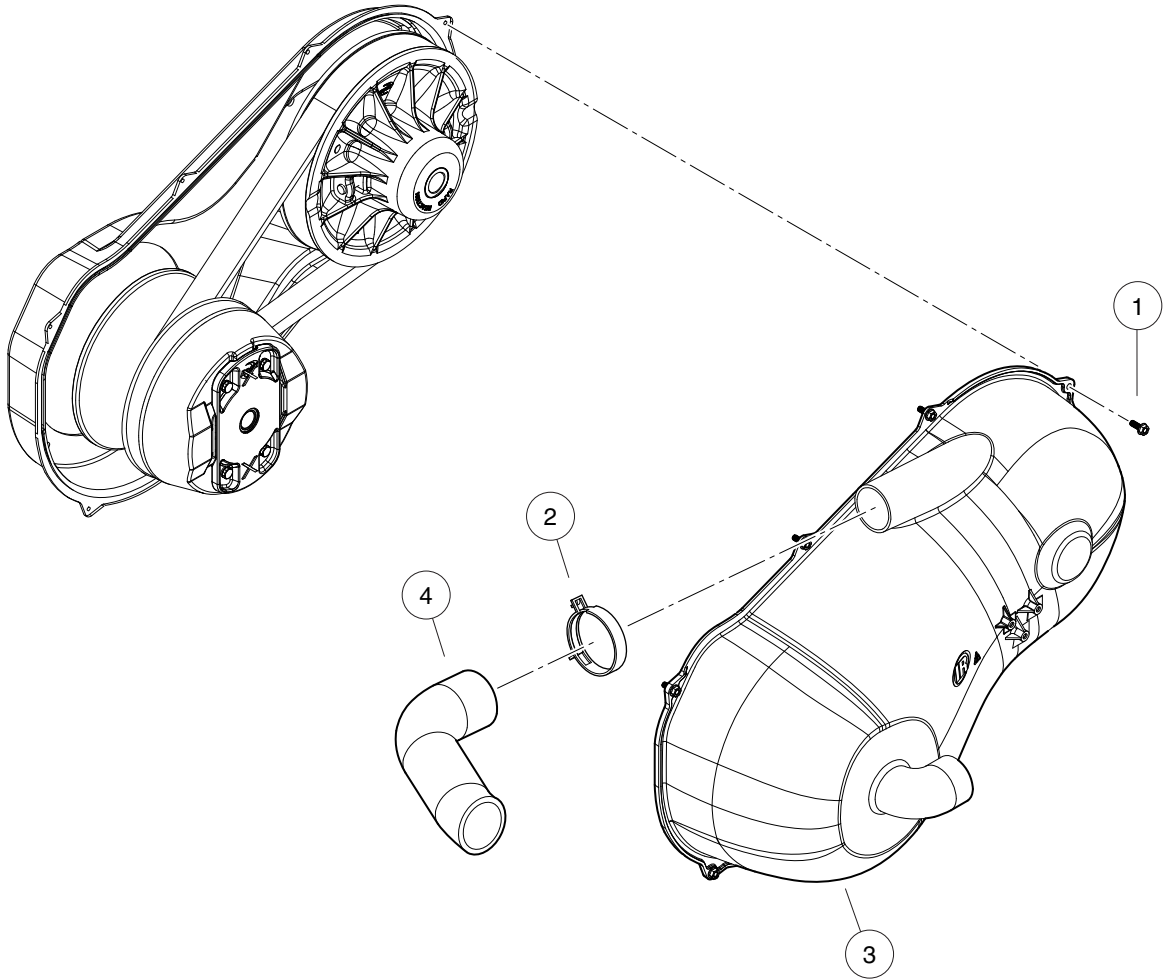
000003-002

## DRIVEN CLUTCH (FOR 3 WEIGHT DRIVE CLUTCH)

ITEM	PART NO.	DESCRIPTION	QTY
		<b>1 2 3 4</b>	
1	<u>103828201</u>	Clutch, Driven, 3 Weight (includes items 2 through 6) .....	1
2	<u>102695401</u>	Washer, Thrust, 1.53 X 1.92 .....	1
3	<u>102695601</u>	Retainer, Spring, Inner .....	1
4	<u>102695801</u>	Retainer, Spring, Outer .....	1
5	<u>102695901</u>	Ring, Retaining, External .....	1
6	<u>103829001</u>	Spring, Comp, 2.7 Od, Almd/blk .....	1

13

G



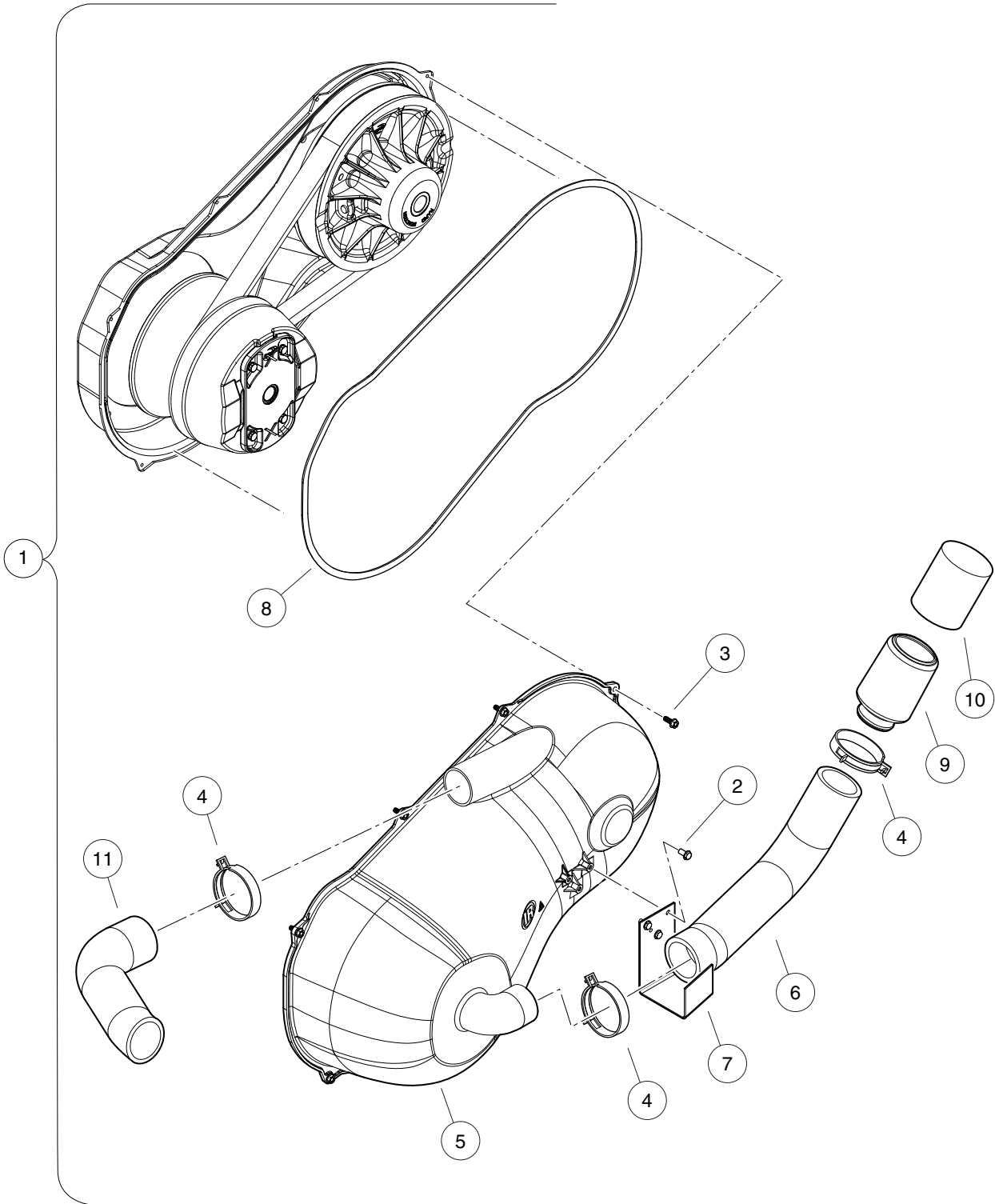
000008-003

## CLUTCH COVER (NON-SEALED)

ITEM	PART NO.	DESCRIPTION	QTY
		1 2 3 4	
1	<u>102296716</u>	Screw, M6 X 16 Tt Hx Fl Hd .....	7
2	<u>102411210</u>	Clamp, Hose, Ctb 64mm .....	1
3	<u>102628301</u>	Cover, Cvt, Open .....	1
4	<u>103320601</u>	Hose, Outlet, Cvt .....	1

13

G



000008-004



## CLUTCH COVER (SEALED)

ITEM	PART NO.	DESCRIPTION	QTY
		1 2 3 4	
1	<u>102616003</u>	Kit, Sealed CVT Cover (includes items 2 through 11) .....	1
2	<u>101856101</u>	Screw, 1/4-15 X .50 Hi-lo Hex .....	3
3	<u>102296716</u>	Screw, M6 X 16 Tt Hx Fl Hd .....	7
4	<u>102411210</u>	Clamp, Hose, Ctb 64mm .....	2
5	<u>102414501</u>	Cover, CVT Outer .....	1
6	<u>102481001</u>	Hose, Inlet, Cover, CVT .....	1
7	<u>102481201</u>	Bracket, Inlet, Cover, CVT .....	1
8	<u>102481301</u>	Gasket, Cover, CVT .....	1
9	<u>102616101</u>	Cap, Inlet, Cover, CVT .....	1
10	<u>102628001</u>	Filter, Inlet, Cover, CVT .....	1
11	<u>103320601</u>	Hose, Outlet, Cvt .....	1

13

G

13

G

# CLUTCHES – KUBOTA DIESEL ENGINE

---

14

*D*

14

D



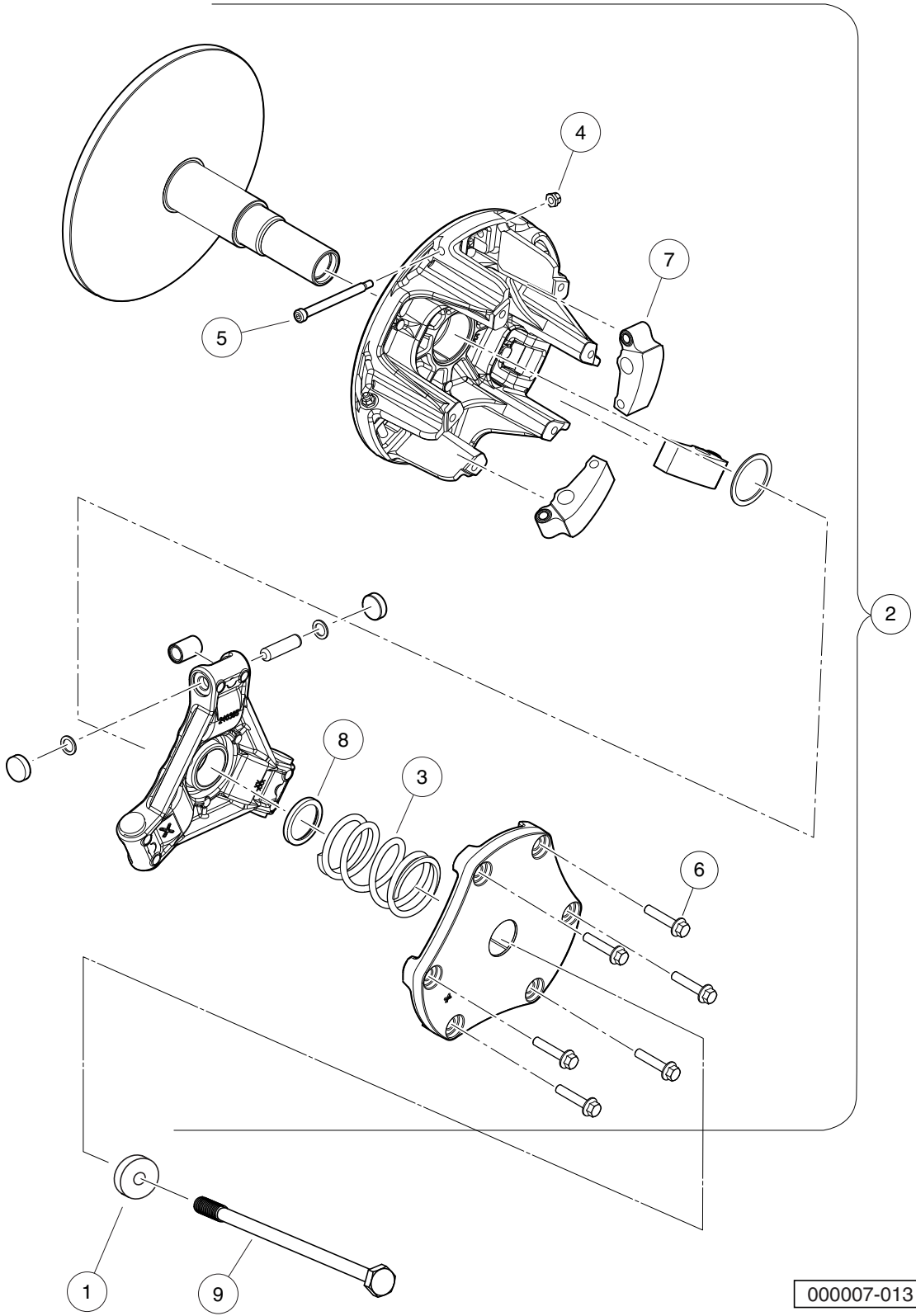
000084-001

# DRIVE BELT

**14**

ITEM	PART NO.	DESCRIPTION	QTY
1	<u>102374901</u>	1 2 3 4 Belt, Drive .....	1

**D**



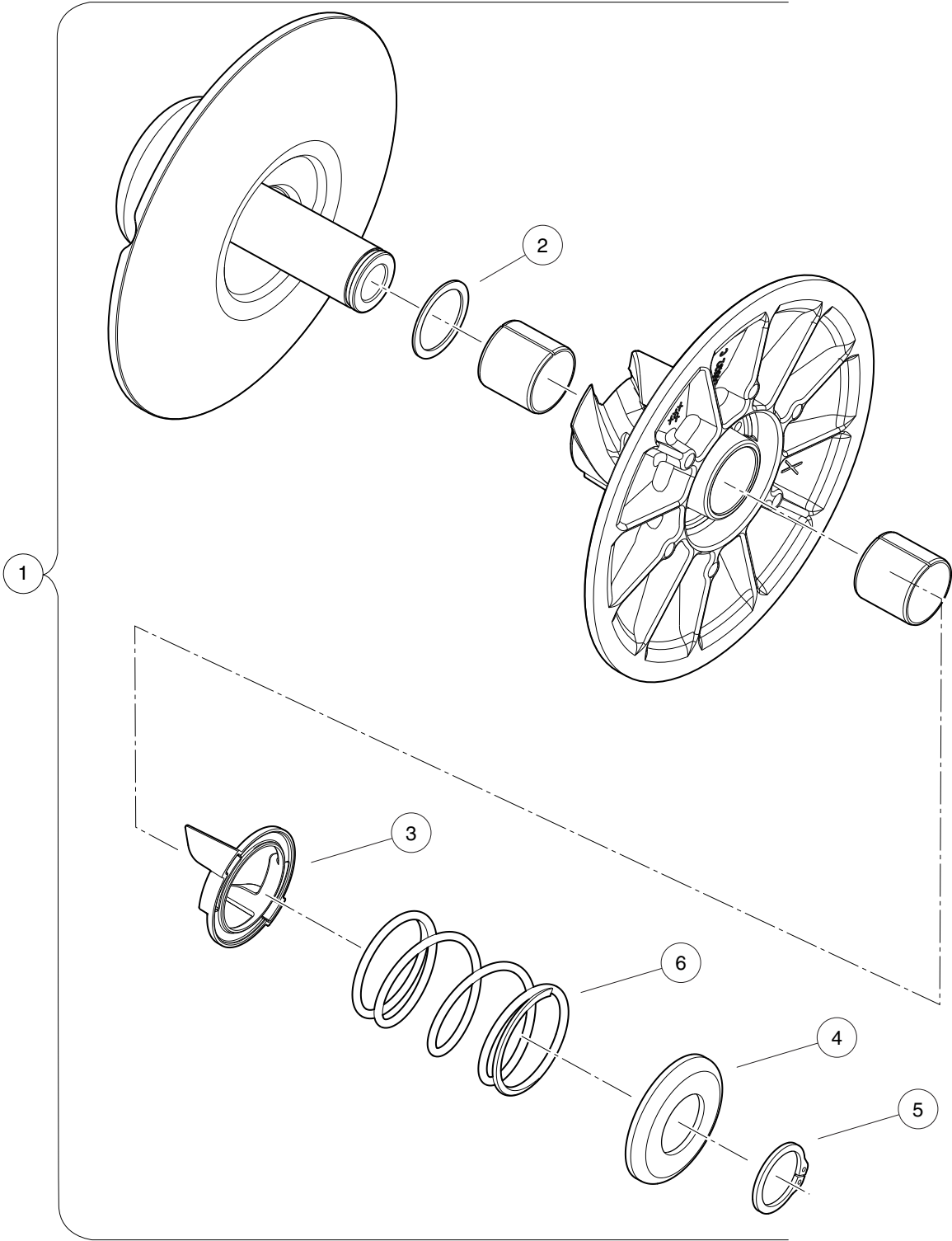
000007-013

## DRIVE CLUTCH (3 WEIGHT) – DIESEL VEHICLE

ITEM	PART NO.	DESCRIPTION	QTY
		1 2 3 4	
1	<u>102385601</u>	Washer, Stepped .....	1
2	<u>103828101</u>	Clutch, Drive, Dsl, 3 Weight (includes items 3 through 8) .....	1
3	<u>103829501</u>	Spring, Comp, 2.0 Od Black/or .....	1
4	<u>103829601</u>	Nut, Lock, Hex #10-24 Flexloc .....	3
5	<u>103829701</u>	Screw, Shldr, Hex Skt .25x2.5 .....	3
6	<u>103829801</u>	Screw, Hex Flg Hd, 1/4-20x1.25 .....	6
7	<u>103829901</u>	Weight, Clutch, D-153 G .....	3
8	<u>103830001</u>	Spacer, Clutch 1.44x1.125x.150 .....	1
9	<u>103884001</u>	Bolt, M10 X 1.5 X 170 Patch .....	1

14

D



000003-002

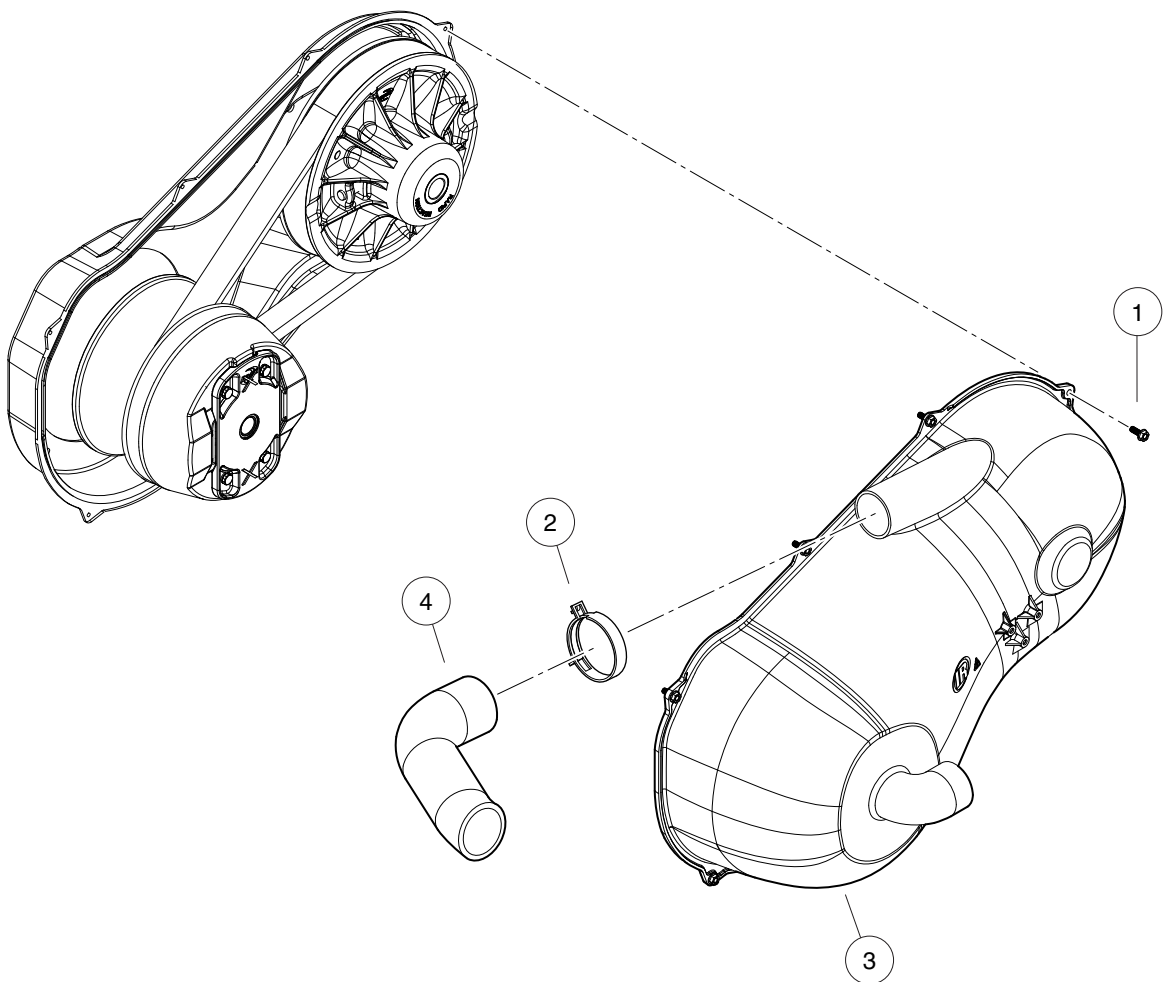


## DRIVEN CLUTCH (FOR 3 WEIGHT DRIVE CLUTCH)

ITEM	PART NO.	DESCRIPTION	QTY
		1 2 3 4	
1	<u>103828201</u>	Clutch, Driven, 3 Weight (includes items 2 through 6) .....	1
2	<u>102695401</u>	Washer, Thrust, 1.53 X 1.92 .....	1
3	<u>102695601</u>	Retainer, Spring, Inner .....	1
4	<u>102695801</u>	Retainer, Spring, Outer .....	1
5	<u>102695901</u>	Ring, Retaining, External .....	1
6	<u>103829001</u>	Spring, Comp, 2.7 Od, Almd/blk .....	1

14

D



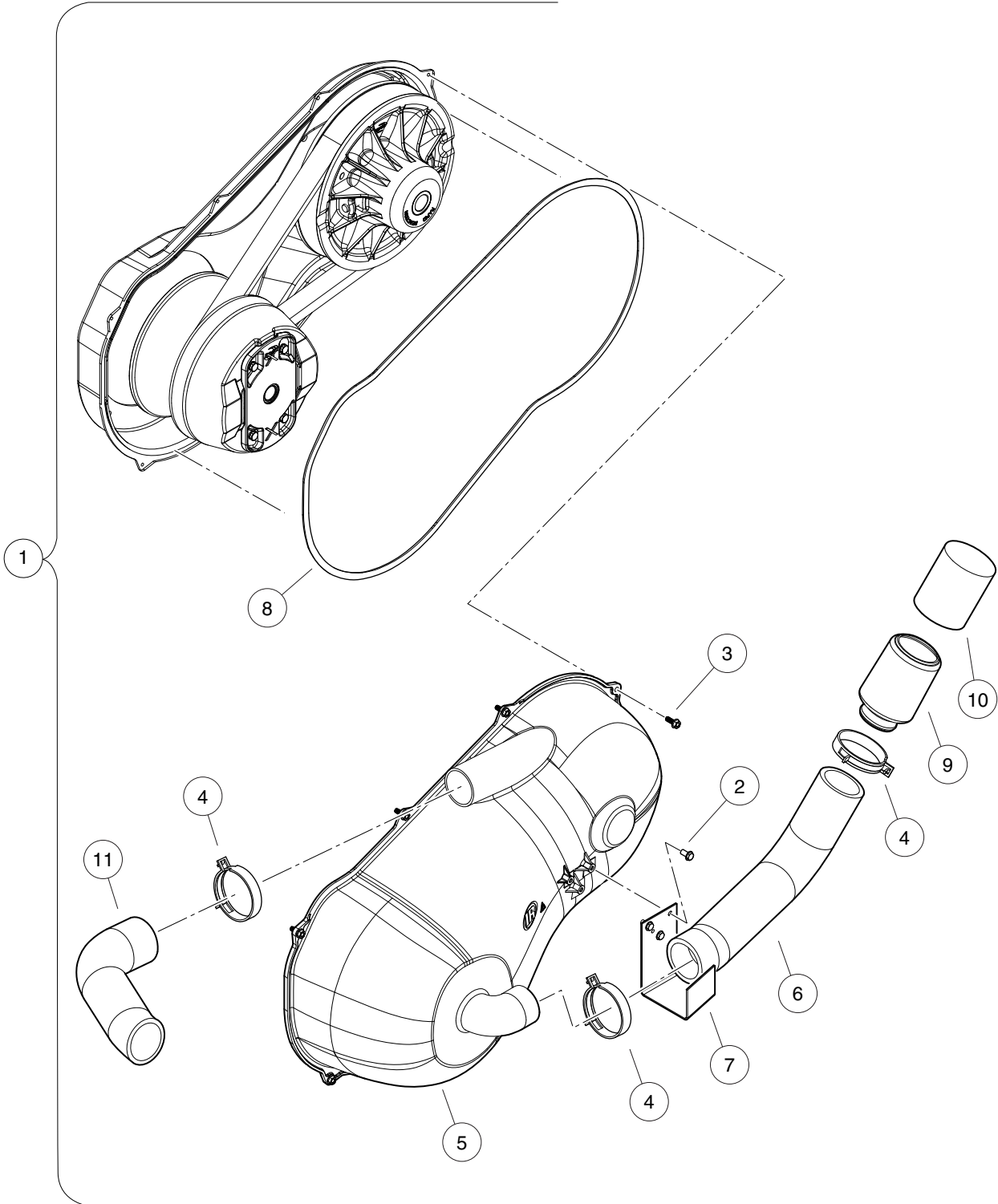
000008-003

# CLUTCH COVER (NON-SEALED)

ITEM	PART NO.	DESCRIPTION	QTY
		1 2 3 4	
1	<u>102296716</u>	Screw, M6 X 16 Tt Hx Fl Hd .....	7
2	<u>102411210</u>	Clamp, Hose, Ctb 64mm .....	1
3	<u>102628301</u>	Cover, Cvt, Open .....	1
4	<u>103320601</u>	Hose, Outlet, Cvt .....	1

14

D



000008-004

## CLUTCH COVER (SEALED)

ITEM	PART NO.	DESCRIPTION	QTY
		1 2 3 4	
1	<u>102616003</u>	Kit, Sealed CVT Cover (includes items 2 through 11) .....	1
2	<u>101856101</u>	Screw, 1/4-15 X .50 Hi-lo Hex .....	3
3	<u>102296716</u>	Screw, M6 X 16 Tt Hx Fl Hd .....	7
4	<u>102411210</u>	Clamp, Hose, Ctb 64mm .....	2
5	<u>102414501</u>	Cover, CVT Outer .....	1
6	<u>102481001</u>	Hose, Inlet, Cover, CVT .....	1
7	<u>102481201</u>	Bracket, Inlet, Cover, CVT .....	1
8	<u>102481301</u>	Gasket, Cover, CVT .....	1
9	<u>102616101</u>	Cap, Inlet, Cover, CVT .....	1
10	<u>102628001</u>	Filter, Inlet, Cover, CVT .....	1
11	<u>103320601</u>	Hose, Outlet, Cvt .....	1

14

D

14

*D*

# DRIVETRAIN COMPONENTS – GAS & DIESEL

---

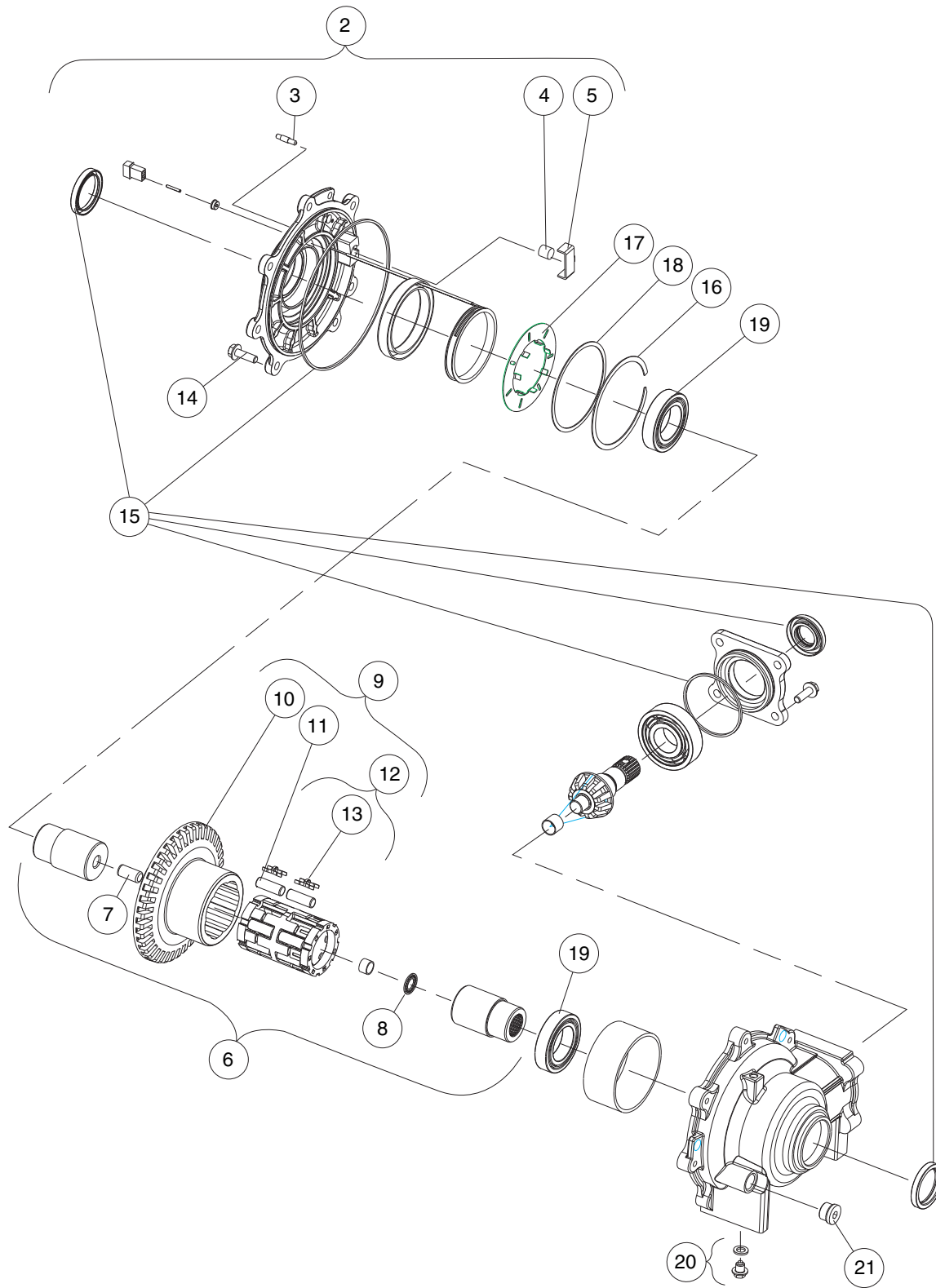
15

G

D

**15**  
**G**

**D**



000010-003



# FRONT DIFFERENTIAL (OUTPUT COMPONENTS) – TO S/N SY1434-483716

ITEM	PART NO.	DESCRIPTION	QTY
		1 2 3 4	
1	<u>102371801</u>	Differential, Front * (includes items 2 through 21) .....	1
2	<u>102438201</u>	Kit, Assy, Output Cover Plate (includes items 3 through 5) .....	1
3	<u>102439001</u>	Set Screw, #10-24 UNC-3A with Patch .....	1
4	<u>102439101</u>	Thrust Button .....	1
5	<u>102439201</u>	Thrust Plate .....	1
6	<u>102438301</u>	Kit, Assy, Race Output Hub (includes items 7 and 8) .....	1
7	<u>102439401</u>	Pin, Dowel .....	1
8	<u>102439501</u>	Bearing, Needle .....	1
9	<u>102438401</u>	Kit, Assy, Clutch (includes items 10 through 12) .....	1
10	<u>102439601</u>	Clutch Hsg/Ring Gear, Machined .....	1
11	<u>102439801</u>	Kit, Roller (contains 14 rollers) .....	1
12	<u>102439901</u>	Kit, Assy, Roll Cage (includes item 13) .....	1
13	<u>102439701</u>	Kit, H-Clip Spring (contains 14 clips) .....	1
14	<u>102438501</u>	Kit, Bolt (contains 7 bolts) .....	1
15	<u>102438601</u>	Kit, Minor Repair (contains oil seals and O-rings) .....	1
16	<u>102438701</u>	Retaining, Ring Internal .....	1
17	<u>102438801</u>	Plate, Armature .....	1
18	<u>102438901</u>	Shim, Armature, Plate .....	1
19	<u>102439301</u>	Bearing, Ball .....	12
20	<u>102440101</u>	Kit, Assy, Drain Plug .....	1
21	<u>102440301</u>	Plug, Oil Fill .....	1
		* Note: This assembly also contains components listed on the following two pages.	

15

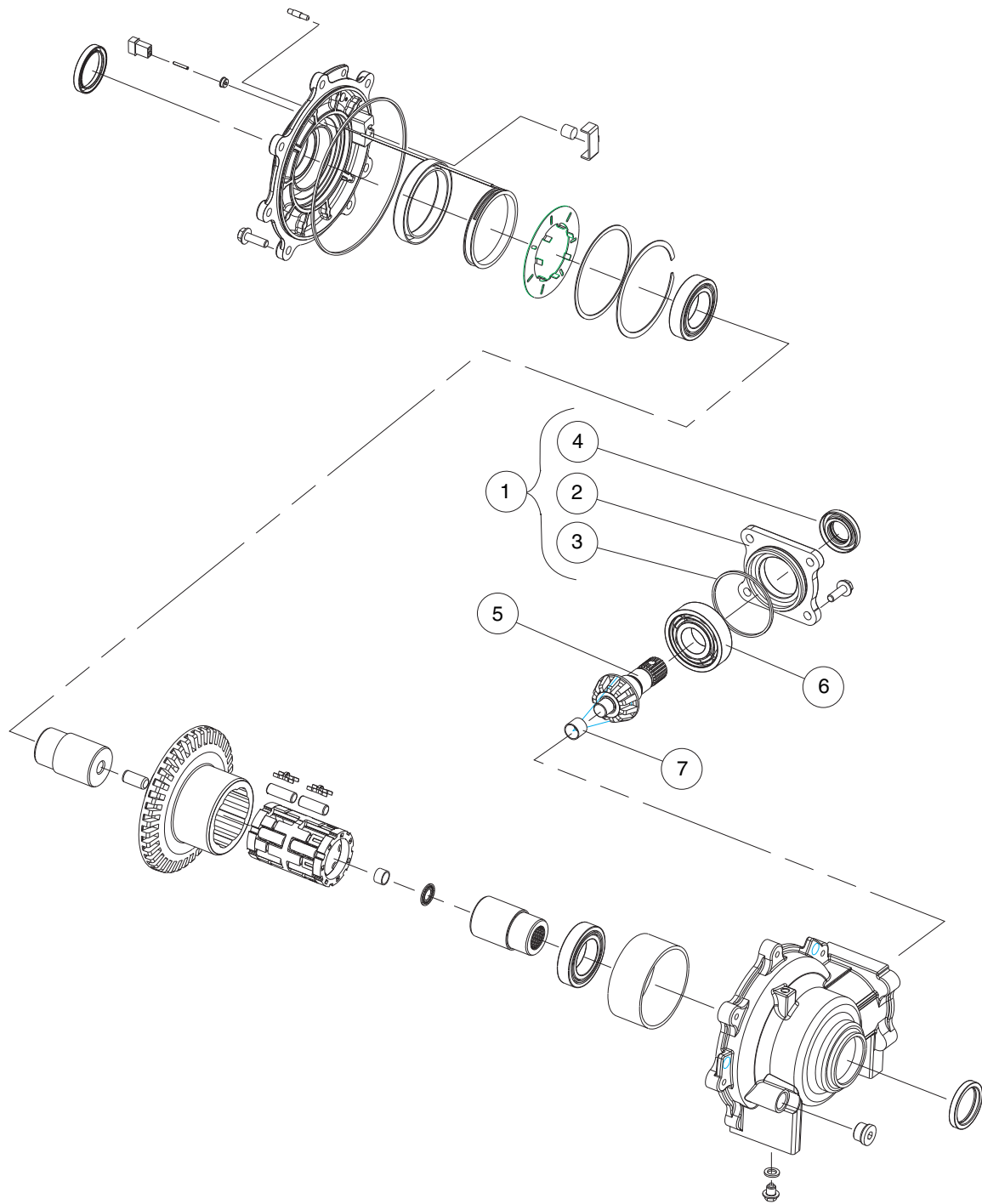
G

D

15

G

D



000010-002

# FRONT DIFFERENTIAL (INPUT COMPONENTS) – TO S/N SY1434-483716

ITEM	PART NO.	DESCRIPTION	QTY
		1 2 3 4	
1	<u>102440201</u>	Kit, Assy, Input Cover Plate (includes items 2 through 4) .....	1
2	<u>102440601</u>	Cover, Input, Machined .....	1
3	N/A	O-Ring .....	1
4	N/A	Oil Seal, Triple-Lipped .....	1
5	<u>102440401</u>	Shaft, Pinion, Machined .....	1
6	<u>102440501</u>	Bearing, Ball .....	1
7	N/A	Bushing, Plain 16 Id X 15 Wide .....	1
<p>Note: This page contains a list of components internal to the front differential. See the previous pages for other front differential components.</p>			

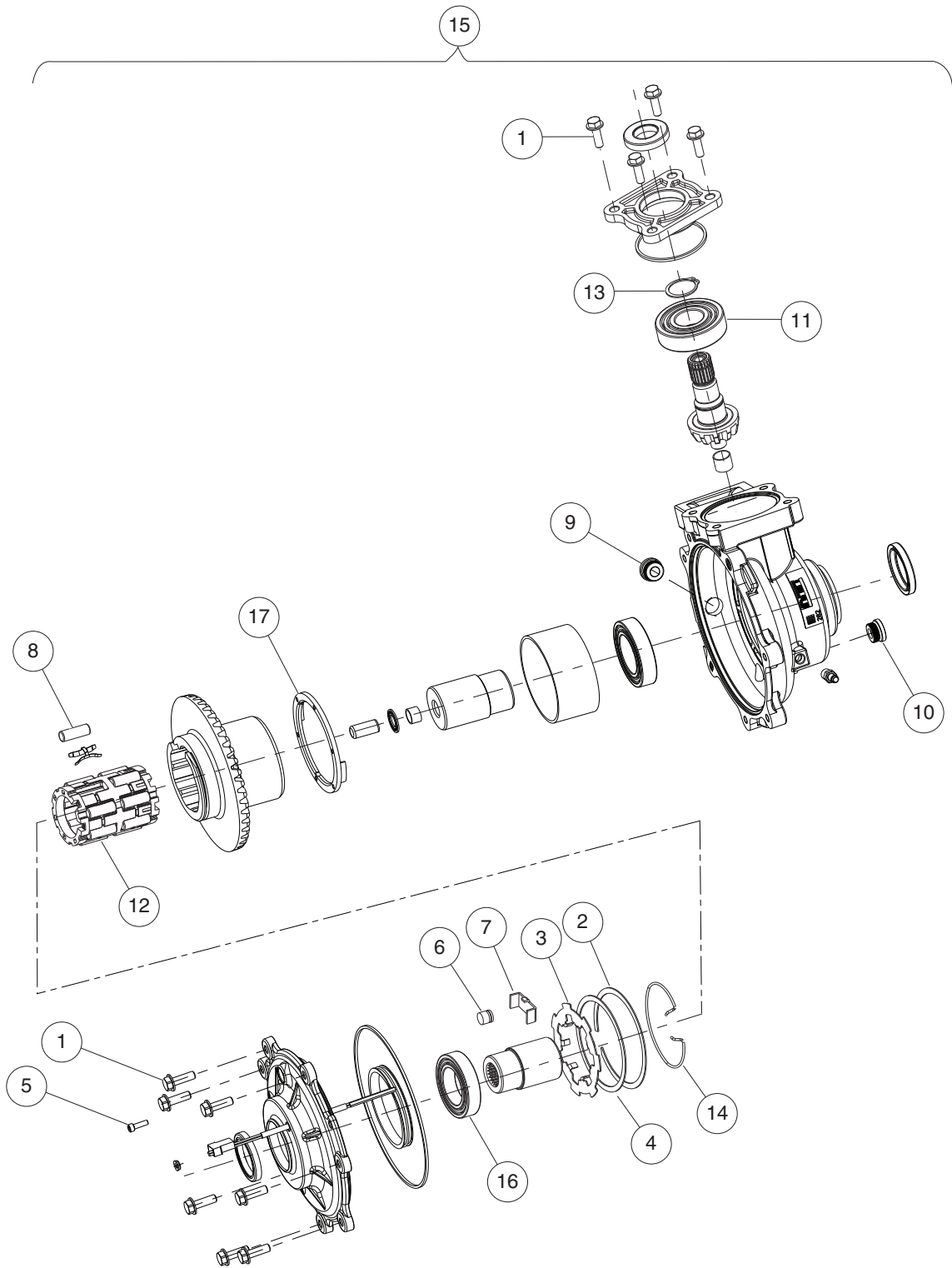
15

G

D

**15**  
**G**

**D**



104025601

## FRONT DIFFERENTIAL – FROM S/N SY1434-483717

ITEM	PART NO.	DESCRIPTION	QTY
		1 2 3 4	
1	<u>102438501</u>	Kit, Bolt (contains 7 bolts) .....	1
2	<u>102438701</u>	Retaining, Ring Internal .....	1
3	<u>102438801</u>	Plate, Armature .....	1
4	<u>102438901</u>	Shim, Armature, Plate .....	1
5	<u>102439001</u>	Set Screw, #10-24 UNC-3A with Patch .....	1
6	<u>102439101</u>	Thrust Button .....	1
7	<u>102439201</u>	Thrust Plate .....	1
8	<u>102439801</u>	Kit, Roller (contains 14 rollers) .....	1
9	<u>102440101</u>	Kit, Assy, Drain Plug .....	1
10	<u>102440301</u>	Plug, Oil Fill .....	1
11	<u>102440501</u>	Bearing, Ball .....	1
12	<u>103898801</u>	Roll Cage Assembly, Front Diff .....	1
13	<u>103898901</u>	Retaining Ring, Input Shaft .....	1
14	<u>103899201</u>	Torsion Return Spring, Fd .....	1
15	<u>104025601</u>	Diff, Front, Auto, Ccw .....	1
16	<u>104026301</u>	Kit, Bearing, Ccw Fd Output .....	1
17	<u>104026501</u>	Kit, Shim, Gear, Ccw Fd .....	1

15

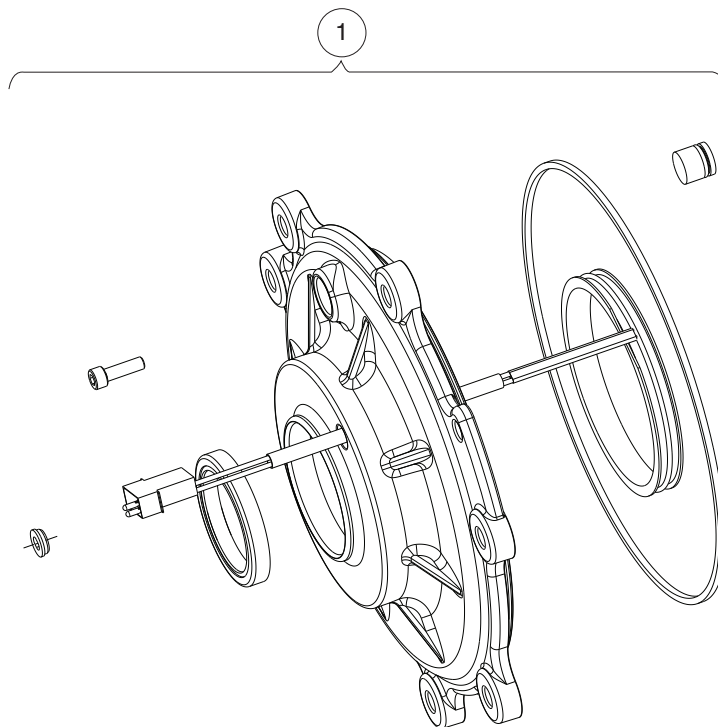
G

D

15

G

D



104026201

# FRONT DIFFERENTIAL OUTPUT COVER ASSEMBLY – FROM S/N SY1434-483717

ITEM	PART NO.	DESCRIPTION	QTY
1	<u>104026201</u>	<div style="display: flex; justify-content: space-between; margin-bottom: 5px;"> <span>1</span> <span>2</span> <span>3</span> <span>4</span> </div> Kit, Output Cover Asm, Ccw Fd .....	1

15

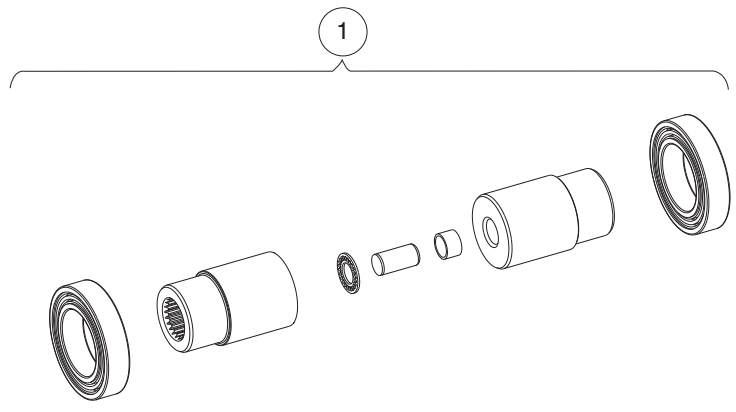
G

D

15

G

D



103898601



# FRONT DIFFERENTIAL RACE/OUTPUT ASSEMBLY – FROM S/N SY1434-483717

ITEM	PART NO.	DESCRIPTION	QTY
1	<u>103898601</u>	<div style="display: flex; justify-content: space-between; margin-bottom: 5px;"> <span>1</span> <span>2</span> <span>3</span> <span>4</span> </div> Race/output Hub Assy, Frt Diff .....	1

15

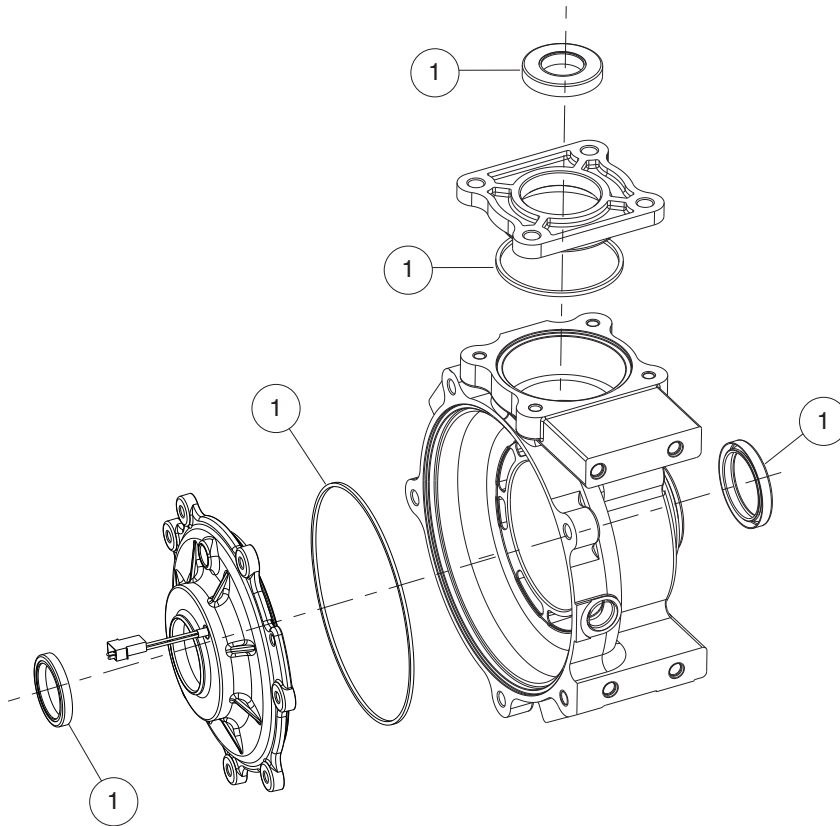
G

D

15

G

D



102438601

# FRONT DIFFERENTIAL MINOR REPAIR KIT – FROM S/N SY1434-483717

ITEM	PART NO.	DESCRIPTION	QTY
1	<u>102438601</u>	<p>1 2 3 4</p> <p>Kit, Minor Repair (contains oil seals and O-rings) .....</p>	1

15

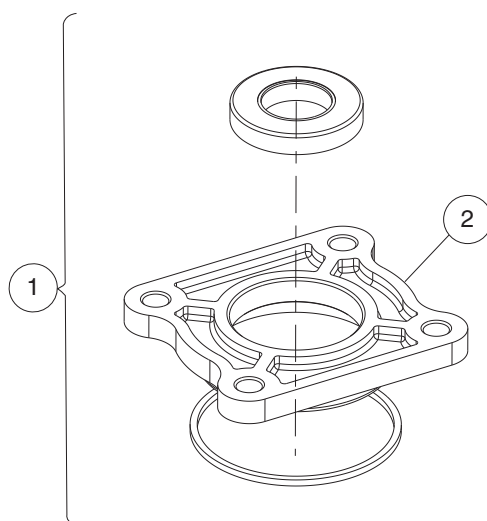
G

D

15

G

D



102440201

# FRONT DIFFERENTIAL INPUT COVER ASSEMBLY – FROM S/N SY1434-483717

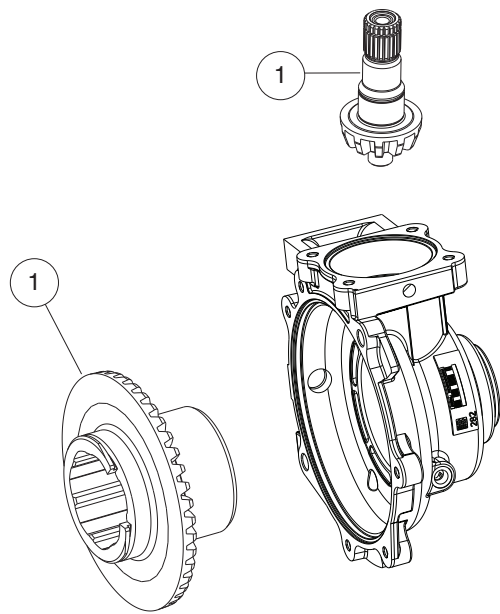
ITEM	PART NO.	DESCRIPTION	QTY
		1 2 3 4	
1	<u>102440201</u>	Kit, Assy, Input Cover Plate (includes items 2 through 4) .....	1
2	<u>102440601</u>	Cover, Input, Machined .....	1
3	N/A	O-Ring .....	1
4	N/A	Oil Seal, Triple-Lipped .....	1

**15**  
**G**  
**D**

15

G

D



104026401

# FRONT DIFFERENTIAL GEAR KIT – FROM S/N SY1434-483717

ITEM	PART NO.	DESCRIPTION	QTY
1	<u>104026401</u>	<div style="display: flex; justify-content: space-between; margin-bottom: 5px;"> <span>1</span> <span>2</span> <span>3</span> <span>4</span> </div> Kit, Gear, Ccw Fd .....	1

**15**

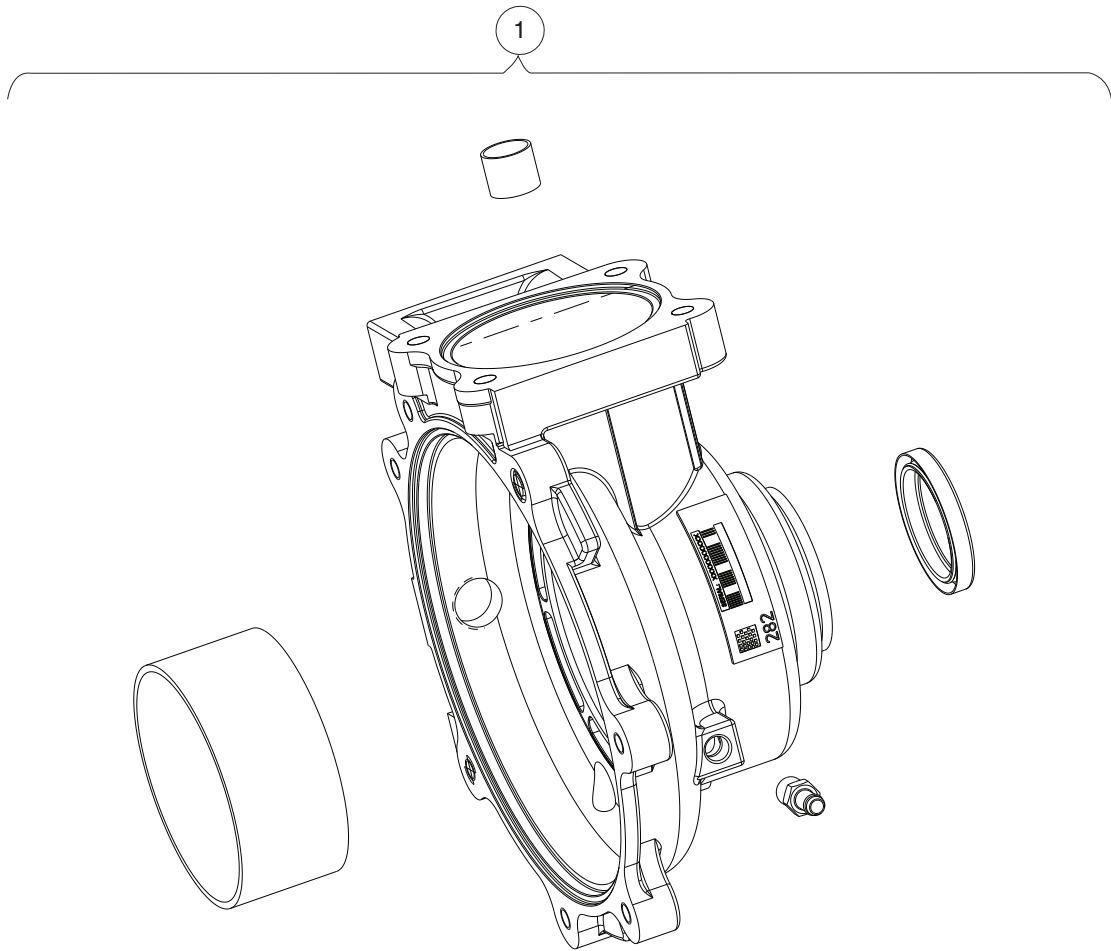
**G**

**D**

15

G

D



104026601



# FRONT DIFFERENTIAL GEARCASE ASSEMBLY – FROM S/N SY1434-483717

ITEM	PART NO.	DESCRIPTION	QTY
1	<u>104026601</u>	1 2 3 4 Kit, Gearcase Asm, Ccw Fd .....	1

15

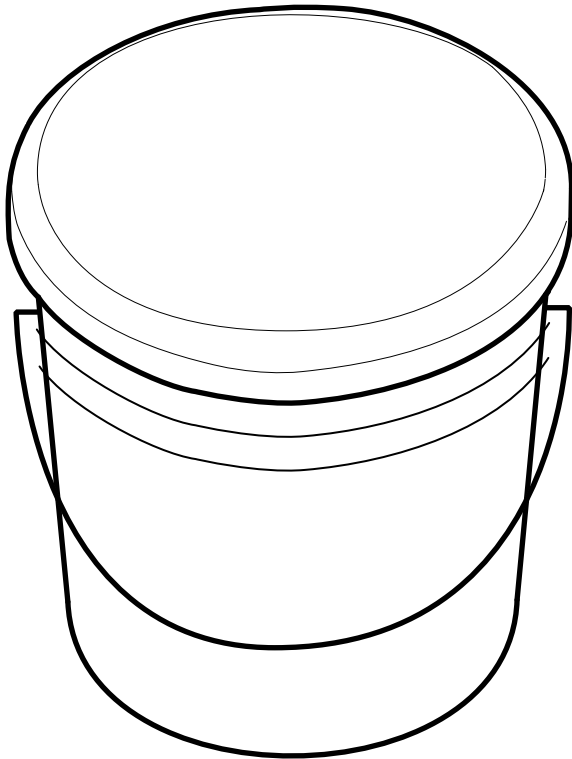
G

D

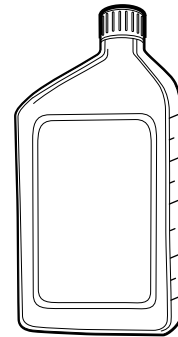
15

G

D



1



2

001069-001

# OIL, DIFFERENTIAL AND TRANSMISSION

ITEM	PART NO.	DESCRIPTION	QTY
1	<u>102723901</u>	1 2 3 4 Oil, Locking Diff, 5 Gallon .....	A/R
2	<u>AM1216101</u>	Oil, Locking Diff, Quart .....	A/R
		<p>Note: Use this oil for both front and rear differentials and the transmission. Available in 5-Gallon or Quart.</p>	

15

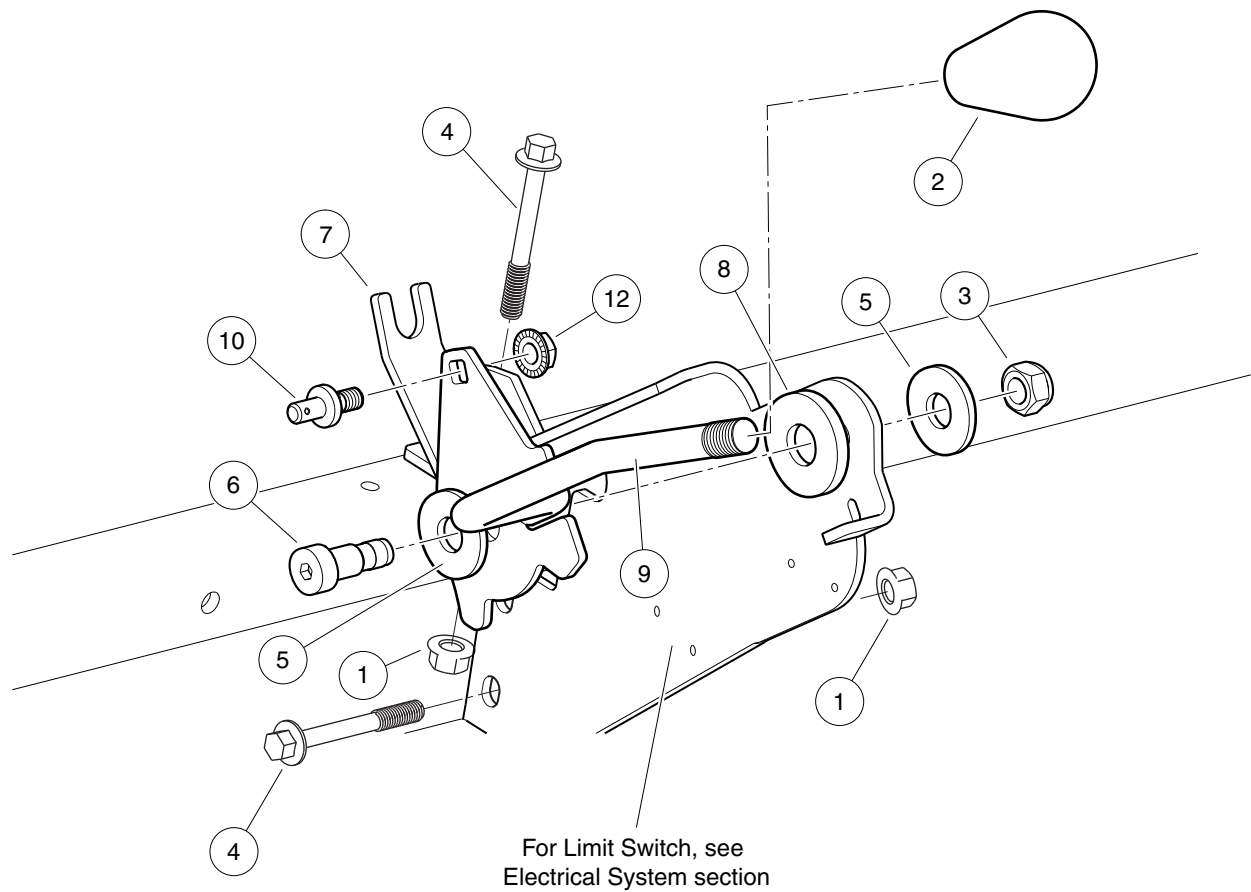
G

D

15

G

D



000030-004

# FORWARD/REVERSE SHIFTER

ITEM	PART NO.	DESCRIPTION	QTY
		1 2 3 4	
1	<u>102298401</u>	Nut,m8,all Metal Lock .....	3
2	<u>102376001</u>	Knob, FNR, Shifter .....	1
3	<u>102616701</u>	Locknut, M10x1.5 Nylon Insert .....	1
4	<u>102618301</u>	Bolt, Flanged Head, M8 X 1.25 X 65 .....	3
5	<u>102684501</u>	Washer, M12 Hard Regular .....	2
6	<u>102684603</u>	Shoulder Bolt, M12 X 16 .....	1
7	N/A	Weldment, FNR Shift-Bracket, AWD .....	1
8	<u>103873001</u>	Bushing, Fnr, Awd .....	1
9	<u>103886001</u>	Weldment, Shifter, FNR, AWD .....	1
10	<u>103886101</u>	Pin, Cable, Fnr .....	1
11	<u>8990</u>	Tie Wrap, 8" Nylon .....	2
12	<u>96704416</u>	Nut, Flange, M8 X 1.25 Serrated .....	1
		Note: Item 11 not shown.	

15

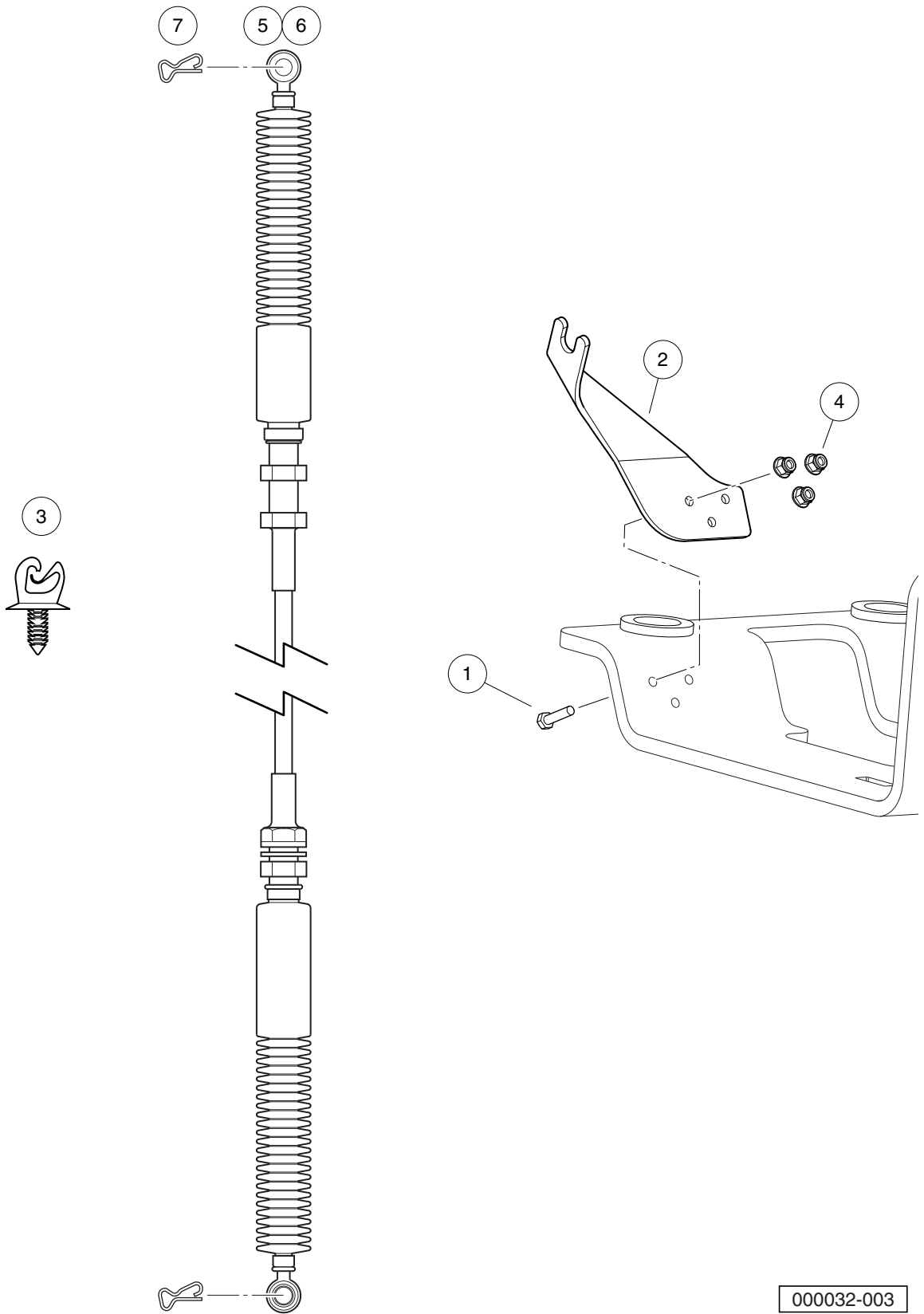
G

D

15

G

D



000032-003

# SHIFTER CABLE

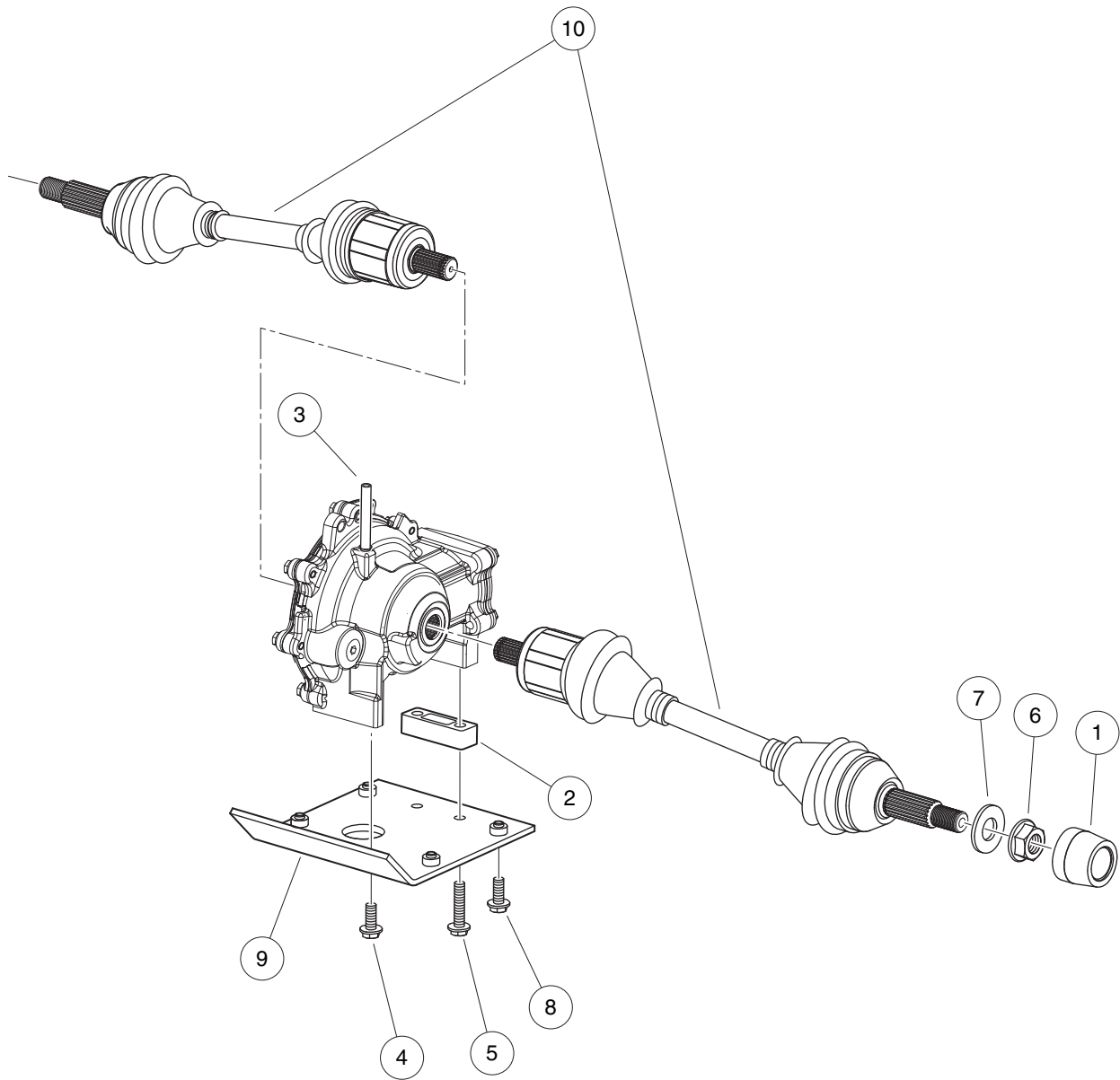
ITEM	PART NO.	DESCRIPTION	QTY
		<b>1 2 3 4</b>	
1	<u>1012769</u>	Screw, M6-1.00 X 25mm Hex Cap .....	3
2	<u>102382401</u>	Bracket, FNR Trans Cable .....	1
3	<u>102475701</u>	Clip, Brake Line .....	1
4	<u>102621501</u>	Nut, Flange, M6 X 1.0, Nylon .....	3
5	<u>103879301</u>	Cable, Transmission Shift, 295/1550 .....	1
6	<u>103879401</u>	Cable, Transmission Shift, 295 SE/1550 SE .....	1
7	<u>103886601</u>	Clip, Bowtie .....	2

**15**  
**G**  
**D**

**15**

**G**

**D**



000012-006



# FRONT DIFFERENTIAL MOUNTING AND HALF SHAFTS

ITEM	PART NO.	DESCRIPTION	QTY
		1 2 3 4	
1	102274101	Center Cap, Rubber .....	2
2	<u>102381701</u>	Spacer Block, Diff .....	1
3	<u>102462401</u>	Hose, Vent, Front Diff .....	1
4	<u>102491001</u>	Bolt, Flanged Head, 3/8-16x1.0 with Loctite .....	2
5	<u>102491101</u>	Bolt, Flanged Head, 3/8-16x1.500 with Loctite .....	2
6	<u>102617501</u>	Nut, Flange, M22 X 1.5 Mech Def .....	2
7	<u>102617801</u>	Washer, Hard, M22 .....	2
8	<u>102711601</u>	Bolt, Flange Head, M10 X 1.5 X 25 .....	4
9	<u>103244701</u>	Asm, Mount, Diff Plate .....	1
10	<u>103762201</u>	Half Shaft, Front, AWD .....	2

**15**

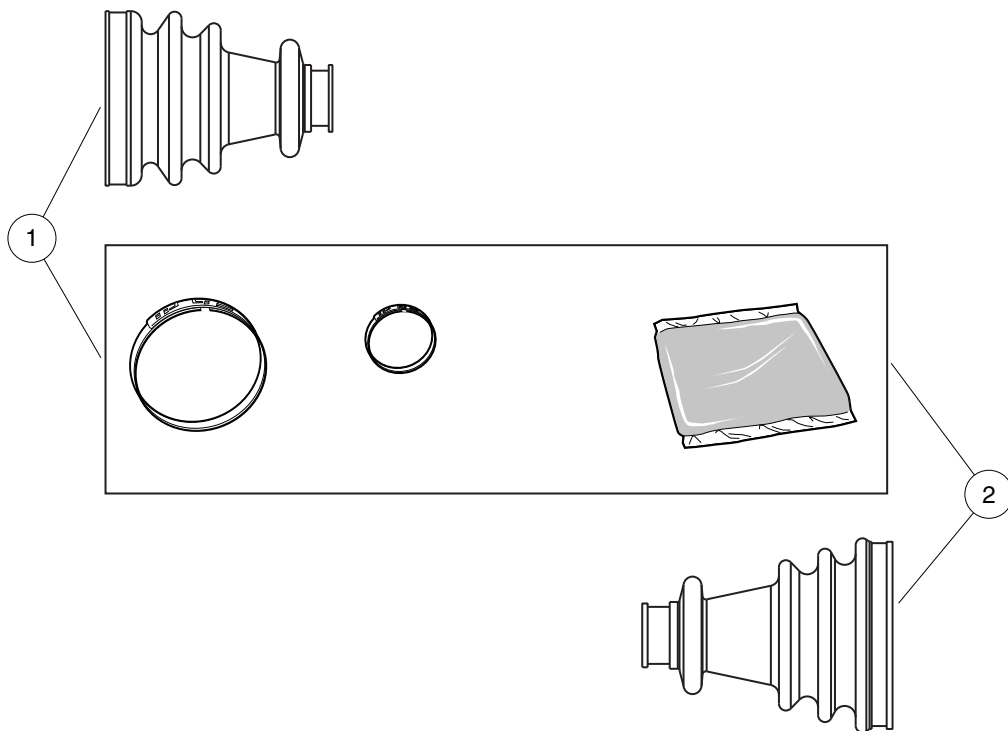
**G**

**D**

15

G

D



000791-004

# CV BOOT REPAIR KITS

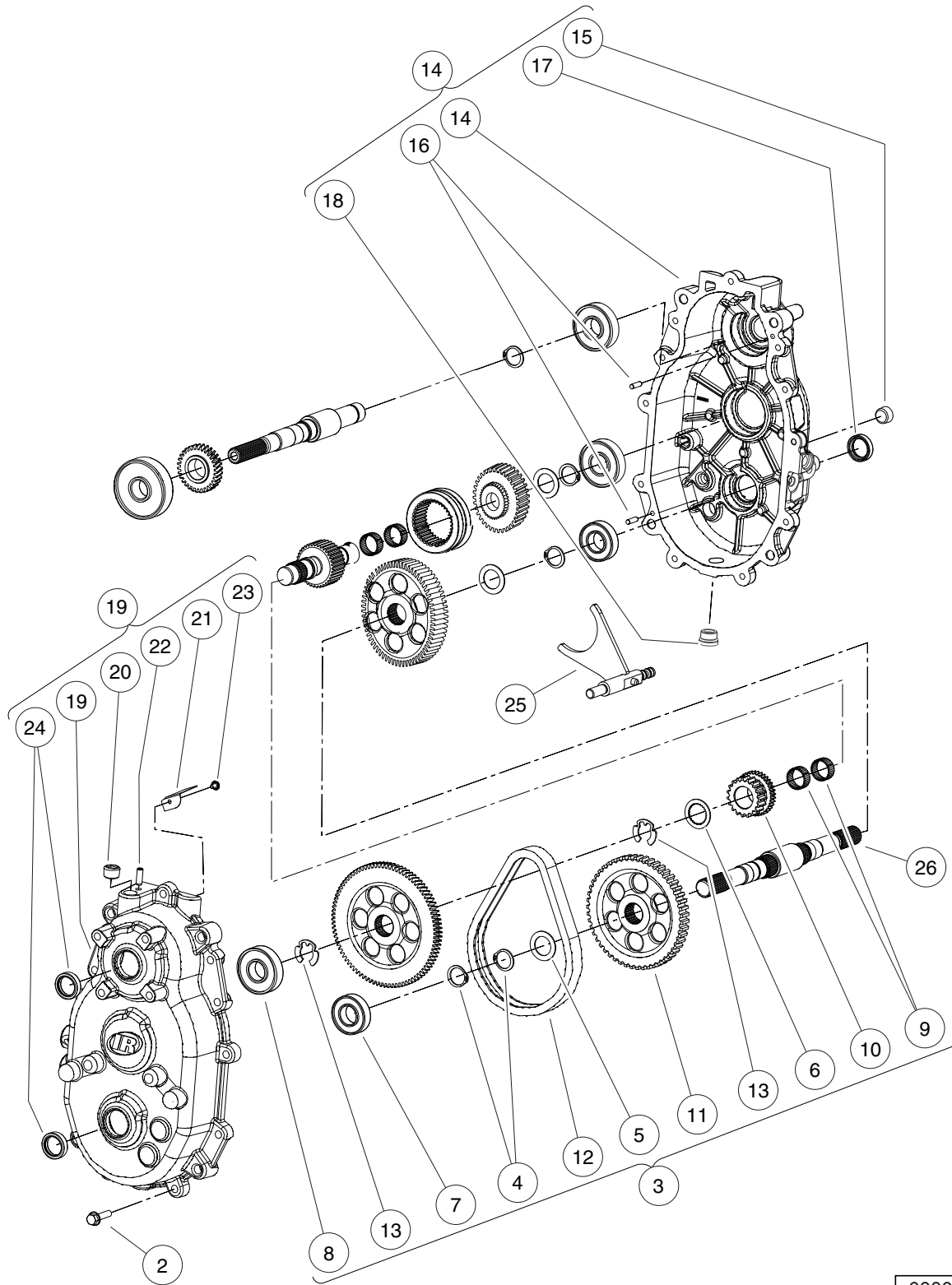
ITEM	PART NO.	DESCRIPTION	QTY
1	<u>AM1291501</u>	1 2 3 4 Kit, Inner Boot .....	1
2	<u>AM1291601</u>	Kit, Outer Boot .....	1

**15**  
**G**  
**D**

15

G

D



000016-018

## TRANSMISSION – PAGE 1 OF 3

ITEM	PART NO.	DESCRIPTION	QTY
		<b>1 2 3 4</b>	
1	103969001	Transmission, Awd, 422046 (includes items 2 through 26) .....	1
2	<u>102693301</u>	Screw, hex Flange, M8 X 35 .....	11
3	102765201	Kit, Reverse Gear Repair (includes items 4 through 13) .....	1
4	<u>102696201</u>	Ring, Retaining, Basic External .....	2
5	<u>102696501</u>	Washer, Thrust, 1.007 X .062 .....	1
6	<u>102696701</u>	Washer, 26.231 X 39.167 X 1.57 .....	1
7	<u>102696801</u>	Bearing, Ball .....	1
8	<u>102696901</u>	Bearing, Ball .....	1
9	<u>102697101</u>	Bearing, Needle .....	2
10	N/A	Sprocket, 19-Tooth .....	1
11	N/A	Sprocket, 51-Tooth .....	1
12	N/A	Chain, .375p, .75 Wide, 60ptch .....	1
13	<u>102699701</u>	Ring, Retaining, E-Ring .....	2
14	<u>105125301</u>	Asm, Gear Case, Front (includes items 15 through 18) .....	1
15	<u>102694201</u>	Plug, Square Skt, 1/12-14, Ptf .....	1
16	<u>102696101</u>	Pin, Dowel, 6 X 20 .....	2
17	<u>102699401</u>	Seal, Triple, 25 X 35 X 7.8 .....	1
18	<u>103250401</u>	Plug, 3/4-16 .....	1
19	<u>105125401</u>	Asm, Gear Case, Rear (includes items 20 through 24) .....	1
20	<u>102694201</u>	Plug, Square Skt, 1/12-14, Ptf .....	1
21	N/A	Oil, Deflector .....	1
22	N/A	Vent, Trans .....	1
23	N/A	Screw, Tapping # 10-24 X .375 .....	1
24	<u>102699401</u>	Seal, Triple, 25 X 35 X 7.8 .....	2
25	<u>105125701</u>	Fork,Transmission .....	1
26	<u>105125801</u>	Shaft,Output .....	1

**15**

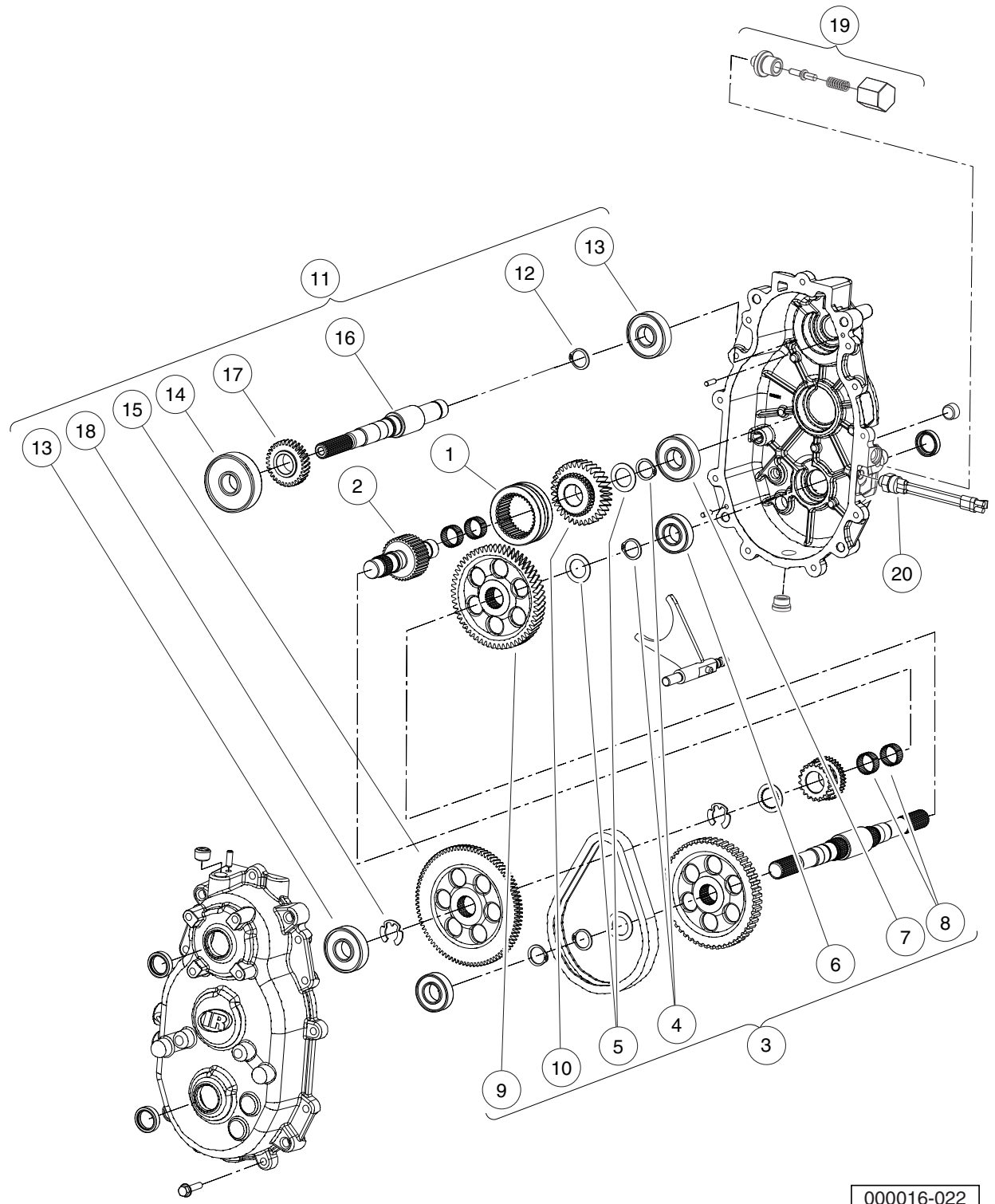
**G**

**D**

15

G

D



000016-022

## TRANSMISSION – PAGE 2 OF 3

ITEM	PART NO.	DESCRIPTION	QTY
		1 2 3 4	
1	<u>102697501</u>	Dog, Engagement .....	1
2	<u>102698701</u>	Shaft, Intermediate .....	1
3	102764901	Kit, Forward Gear Repair (includes items 4 through 10) .....	1
4	<u>102696201</u>	Ring, Retaining, Basic External .....	2
5	<u>102696501</u>	Washer, Thrust, 1.007 X .062 .....	2
6	<u>102696801</u>	Bearing, Ball .....	1
7	<u>102696901</u>	Bearing, Ball .....	1
8	<u>102697101</u>	Bearing, Needle .....	2
9	N/A	Gear, Helical 58-Tooth .....	1
10	N/A	Gear, Helical 34-Tooth .....	1
11	<u>103721801</u>	Kit, Input Shaft Repair (includes items 12 through 18) .....	1
12	<u>102696201</u>	Ring, Retaining, Basic External .....	1
13	<u>102696901</u>	Bearing, Ball .....	2
14	<u>102697001</u>	Bearing, Ball .....	1
15	N/A	Gear, Helical 90-Tooth .....	1
16	N/A	Shaft, Input .....	1
17	N/A	Gear, Helical, 31-tooth .....	1
18	<u>102699701</u>	Ring, Retaining, E-Ring .....	1
19	<u>105125501</u>	Kit, Detent Repair .....	1
20	<u>105125601</u>	Switch, Indicator, Pollak .....	1

**15**

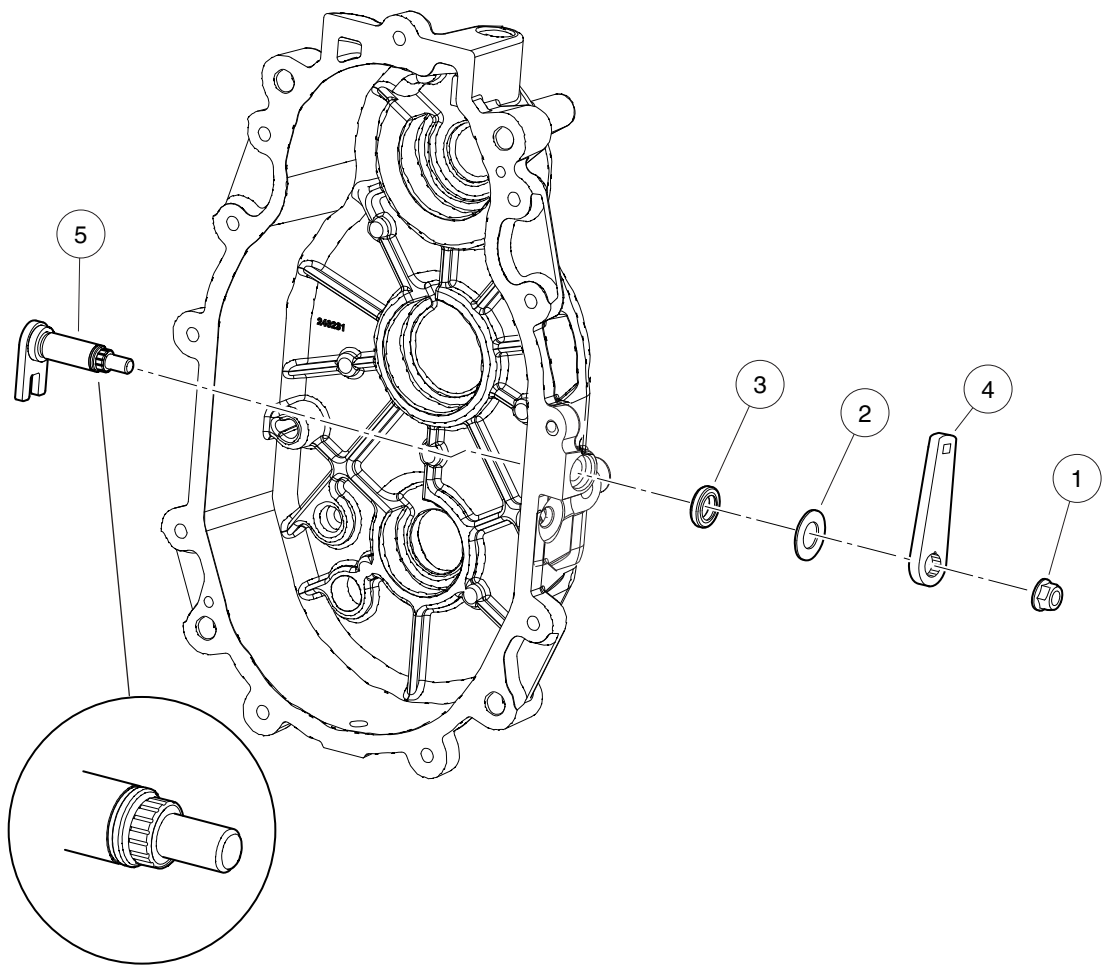
**G**

**D**

15

G

D



000016-021



**TRANSMISSION – PAGE 3 OF 3**

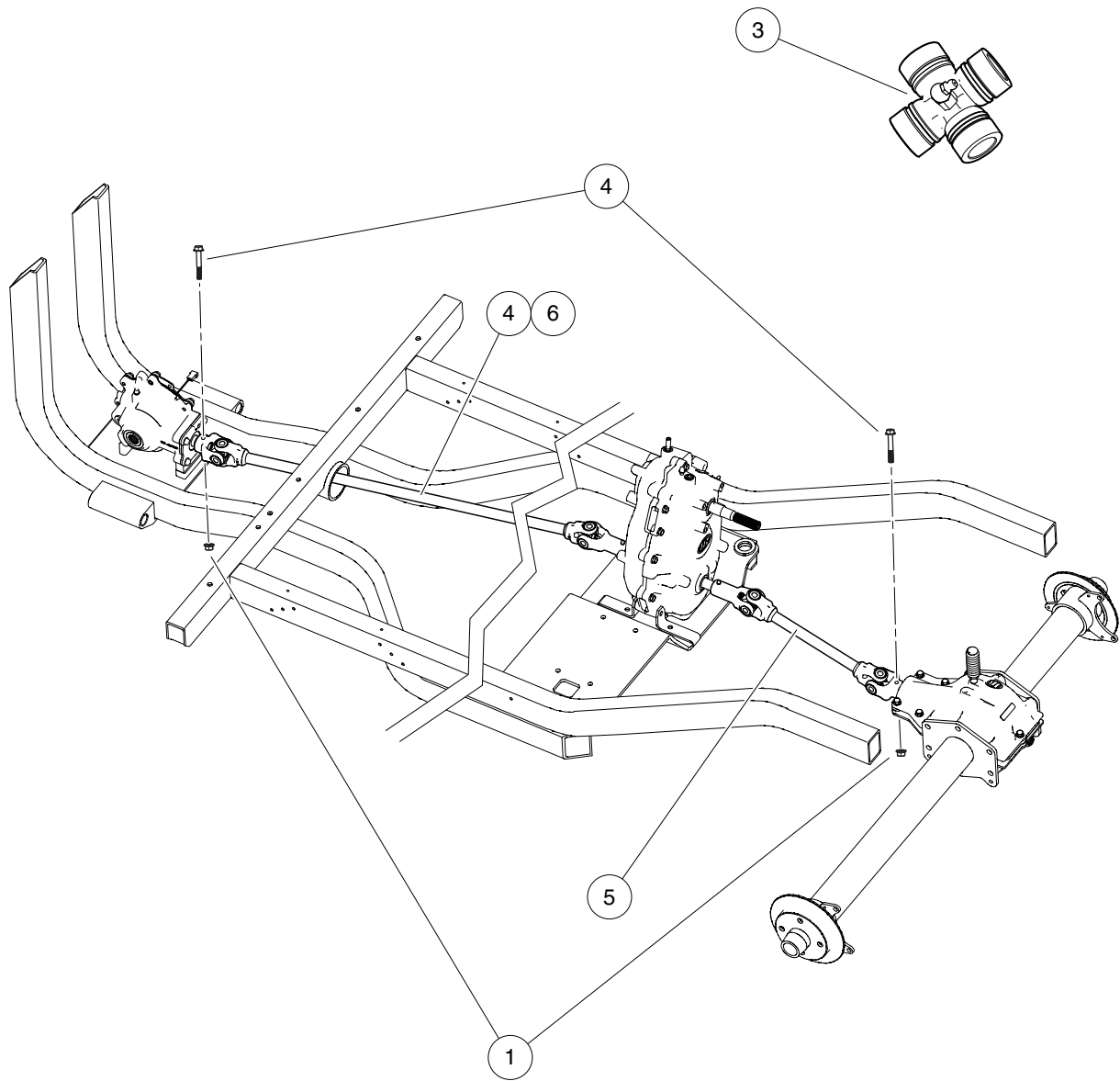
ITEM	PART NO.	DESCRIPTION	QTY
		<b>1 2 3 4</b>	
1	<u>102696001</u>	Nut, Lock Hex, Nylon, 5/16-24 .....	1
2	<u>102696601</u>	Washer, Flat, .58 X 1.08 X .05 .....	1
3	<u>102699601</u>	Seal, Dual Lip, .88 X .56 X .19 .....	1
4	<u>103883001</u>	Bellcrank, Square-hole .....	1
5	<u>105125901</u>	Shaft, Shift .....	1

**15**  
**G**  
**D**

15

G

D



000091-006

# PROP SHAFTS

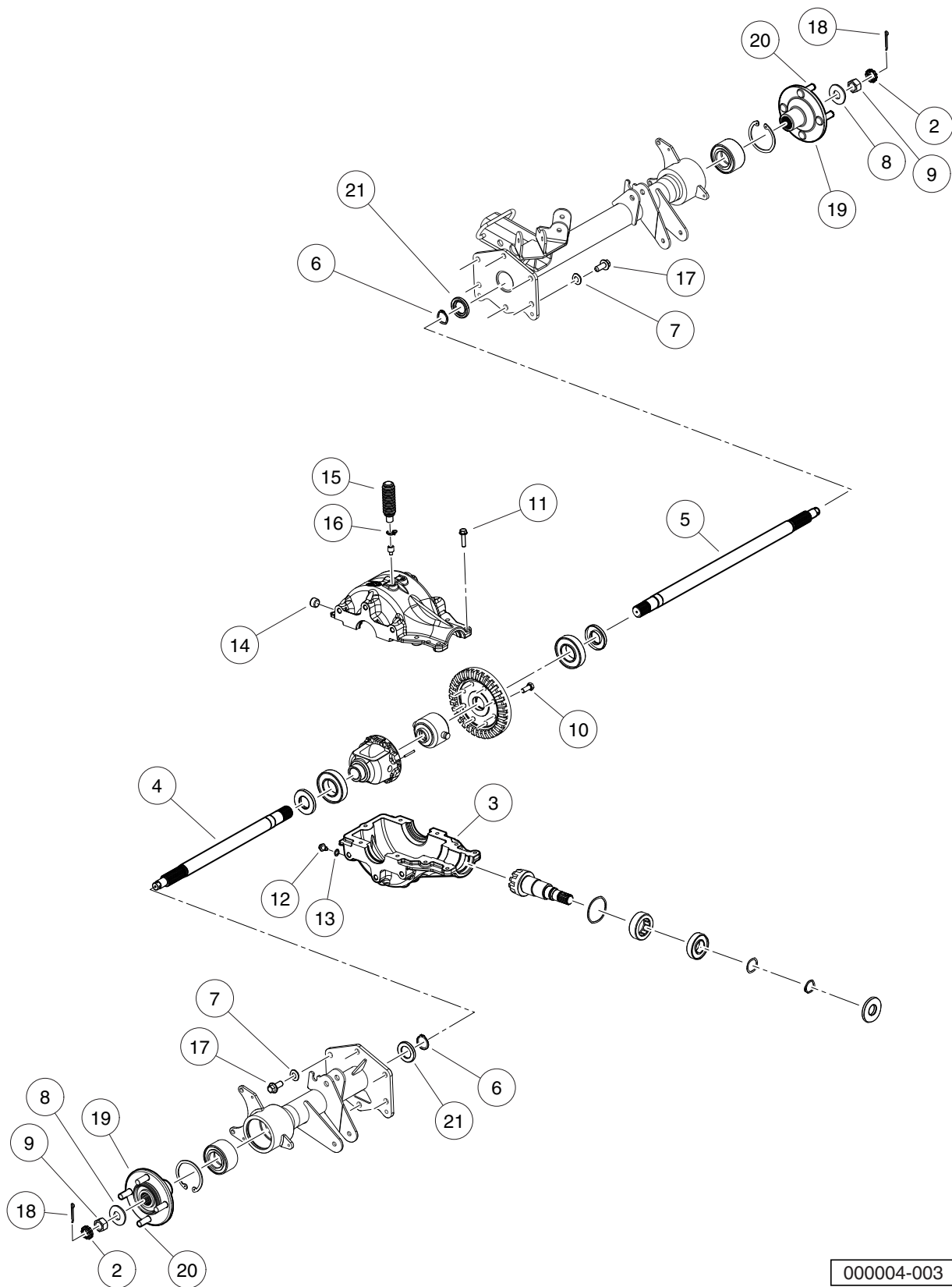
ITEM	PART NO.	DESCRIPTION	QTY
		<b>1 2 3 4</b>	
1	<u>102298401</u>	Nut,m8,all Metal Lock .....	2
2	<u>103990201</u>	Bolt, M8 X 1.25 X 50 Hh Cap .....	2
3	<u>105100901</u>	Kit, Universal Joint Replacement .....	A/R
4	<u>105173201</u>	Propshaft, Front, No Spln Zerk .....	1
5	<u>105173301</u>	Propshaft, Rear, No Spln Zerk .....	1
6	<u>105173401</u>	Propshaft,frnt,lng,no Spln Zrk .....	1
		Note: Item 4 is for 81.5 in. (207 cm) wheelbase vehicle only. Item 6 is for 114 in. (289.5 cm) wheelbase vehicle only.	

**15**  
**G**  
**D**

15

G

D



000004-003

## REAR DIFFERENTIAL AND AXLES – PAGE 1 OF 2

ITEM	PART NO.	DESCRIPTION	QTY
		1 2 3 4	
1	<u>103843901</u>	Axle, Rear, Awd, 4link (includes items 2 through 21) .....	1
2	<u>102276001</u>	Locking Cap, Nut .....	2
3	<u>102449101</u>	Gearcase, Lower, Machined .....	1
4	<u>102463501</u>	Axle, Right-hand .....	1
5	<u>102463601</u>	Axle, Left-Hand .....	1
6	<u>102463901</u>	Ring, Retaining, External .....	2
7	<u>102672201</u>	Washer, Belleville, 1.063 X .043 .....	12
8	<u>102672301</u>	Washer, Belleville, 49 X 4 .....	2
9	<u>102672401</u>	Nut, Hex, M20 X 1.5 , Modified .....	2
10	<u>102693201</u>	Screw, M10 X 25 .....	8
11	<u>102693301</u>	Screw, hex Flange, M8 X 35 .....	9
12	<u>102693401</u>	Plug,3/8-16, Hex Flange .....	1
13	<u>102693501</u>	Washer, .625 X .382 X .60 .....	1
14	<u>102694201</u>	Plug, Square Skt, 1/12-14, Ptf .....	1
15	<u>102694301</u>	Bellows, Vent, Upper Housing .....	1
16	<u>102694401</u>	Clamp, Hose, Dw-9.5 .....	1
17	<u>102694701</u>	Screw, Hex Fl, M12 X 1.75 X 30 .....	12
18	<u>102694801</u>	Pin, Cotter, 5/32 X 1.25 .....	2
19	<u>103146203</u>	Asm, Wheel Hub, Rear, 1550 (includes item 20) .....	2
20	<u>103951501</u>	Lug Stud, 1/2-20 UNF, SAE J1102 .....	4
21	<u>103879501</u>	Washer, C-bored 60.5 X 30.3 .....	2

**15**

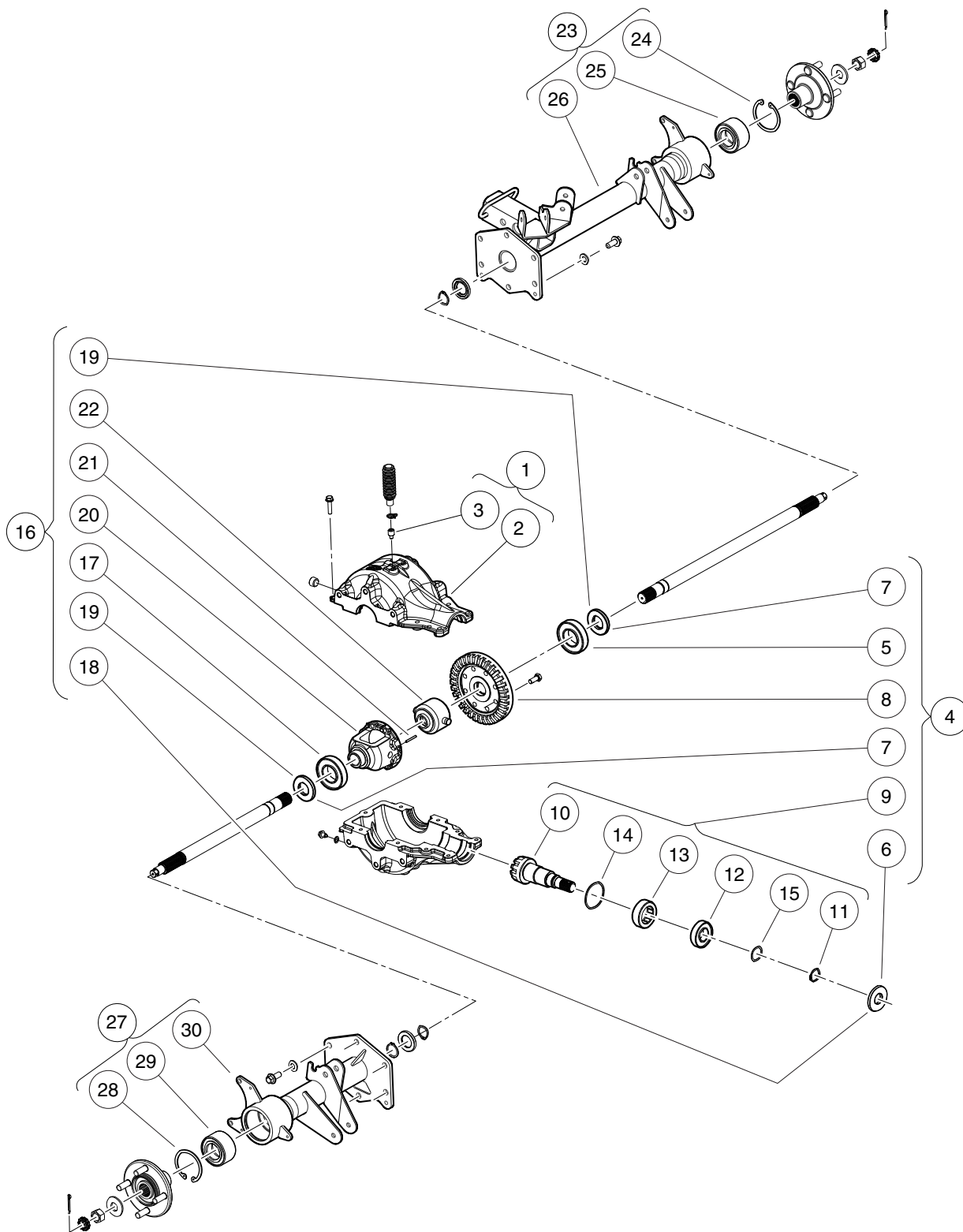
**G**

**D**

15

G

D



000004-004

## REAR DIFFERENTIAL AND AXLES – PAGE 2 OF 2

ITEM	PART NO.	DESCRIPTION	QTY
		1 2 3 4	
1	<u>102765301</u>	Asm, Gearcase, Upper (includes items 2 and 3) .....	1
2	N/A	Gearcase, Upper, Machined .....	1
3	<u>102694001</u>	Vent, Top, Upper Housing .....	1
4	<u>102765801</u>	Kit, Rear Axle Gear Repair (includes items 5 through 9) .....	1
5	<u>102464201</u>	Bearing, Ball .....	1
6	<u>102464401</u>	Seal, Dual-Lip 25x 62x 7tc .....	1
7	<u>102464501</u>	Seal, Dual-Lip 30x 62x 8tc .....	2
8	<u>102762601</u>	Gear, Ring, 33-Tooth .....	1
9	<u>102765701</u>	Asm, Pinion W/ Bearings (includes items 10 through 15) .....	1
10	<u>102463101</u>	Pinion, 10t Machined .....	1
11	<u>102463901</u>	Ring, Retaining, External .....	1
12	<u>102464001</u>	Bearing, Ball .....	1
13	<u>102464101</u>	Bearing, Needle, Drawn Shell .....	1
14	<u>102693601</u>	Washer, 2.625 X 2.367 X .06 .....	1
15	<u>102694502</u>	Shim, 1.50 X 1.189 X .008 .....	1
16	<u>103871801</u>	Asm, Carrier, Etched Locker (includes items 17 through 22) .....	1
17	<u>102464201</u>	Bearing, Ball .....	1
18	<u>102464401</u>	Seal, Dual-Lip 25x 62x 7tc .....	1
19	<u>102464501</u>	Seal, Dual-Lip 30x 62x 8tc .....	2
20	<u>102961301</u>	Housing, Differential, Mach .....	1
21	<u>102961401</u>	Pin, Dowel, 4 X 35 .....	1
22	N/A	Asm, Locker, Nongrease/Spacers .....	1
23	<u>103922801</u>	Assy, Axle Tube, Rear, LH (includes items 24 through 26) .....	1
24	<u>102463801</u>	Ring, Retaining, Internal .....	1
25	<u>102464301</u>	Bearing .....	1
26	<u>103868201</u>	Weldment, Axle Tube, LH, 4-Link Susp .....	1
27	<u>103922901</u>	Assy, Axle Tube, Rear, RH (includes items 28 through 30) .....	1
28	<u>102463801</u>	Ring, Retaining, Internal .....	1
29	<u>102464301</u>	Bearing .....	1
30	<u>103868301</u>	Weldment, Axle Tube, RH, 4-Link Susp .....	1

**15**

**G**

**D**

**15**

**G**

**D**

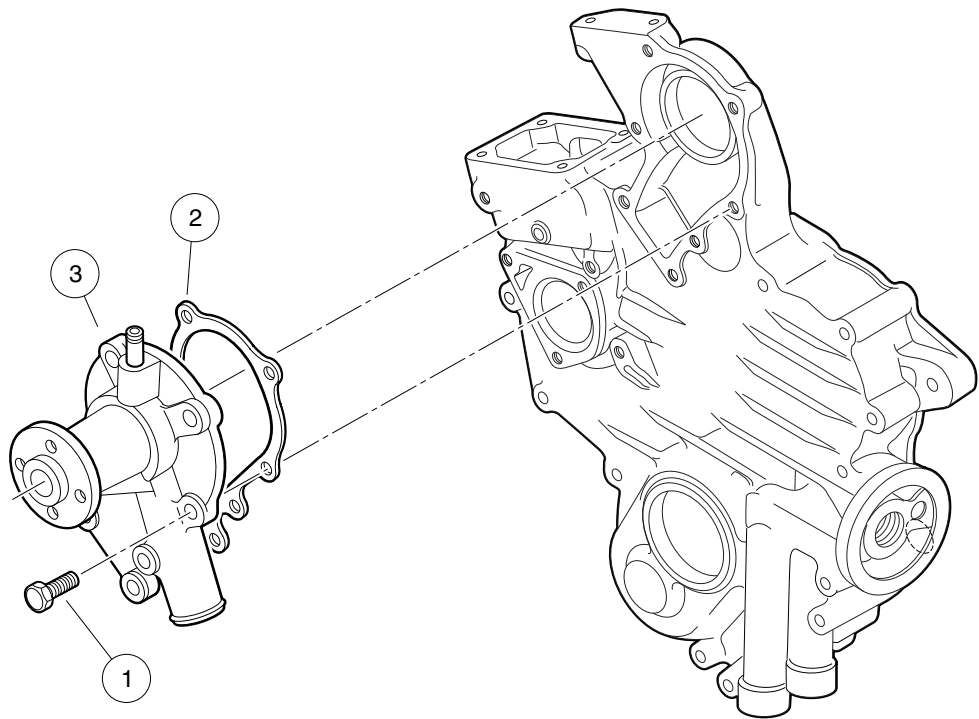


# RADIATOR AND COOLANT SYSTEM – DIESEL VEHICLES

---

16

*D*



000060-001

# WATER PUMP

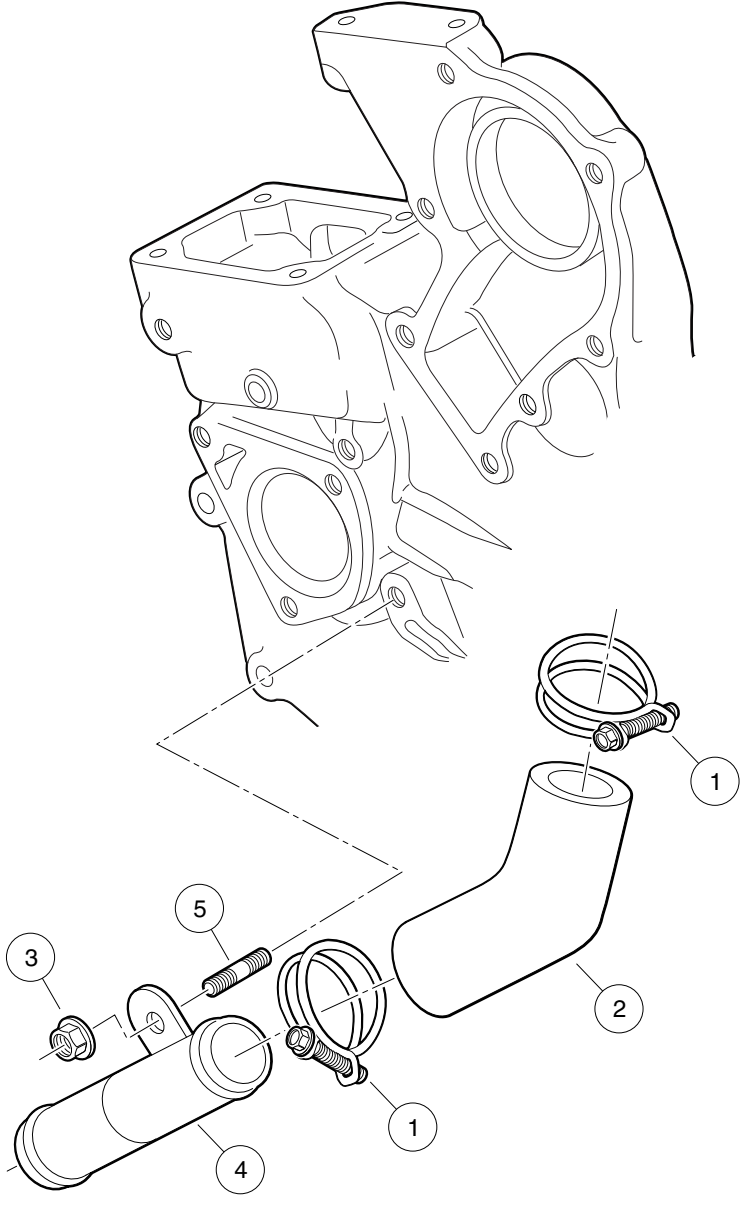
ITEM	PART NO.	DESCRIPTION	QTY
		1 2 3 4	
1	<u>102608701</u>	Bolt, M6 X 1 X 22 .....	4
2	<u>102632701</u>	Gasket, Water Pump, D722 .....	1
3	<u>102731201</u>	Water Pump Assembly .....	1

16

D

16

D



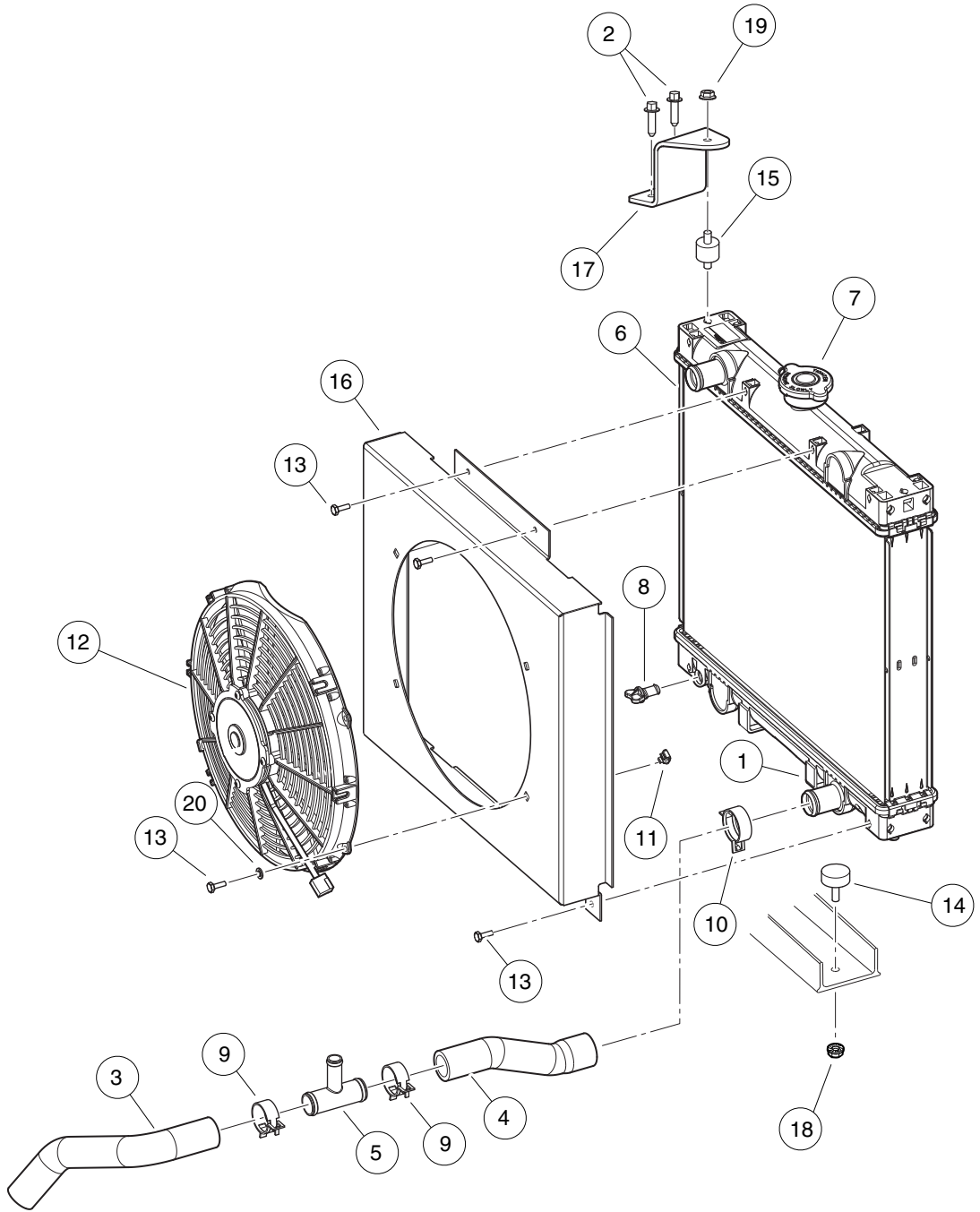
000061-001

# BLOCK COOLANT PIPE

ITEM	PART NO.	DESCRIPTION	QTY
		<b>1 2 3 4</b>	
1	<u>102631701</u>	Band, Pipe, with Nut .....	2
2	<u>102631801</u>	Hose, Coolant .....	1
3	<u>102632001</u>	Nut, Flange, M6 .....	1
4	<u>102632101</u>	Pipe, Coolant .....	1
5	<u>102632201</u>	Stud, M6 X 15 .....	1

**16**

**D**



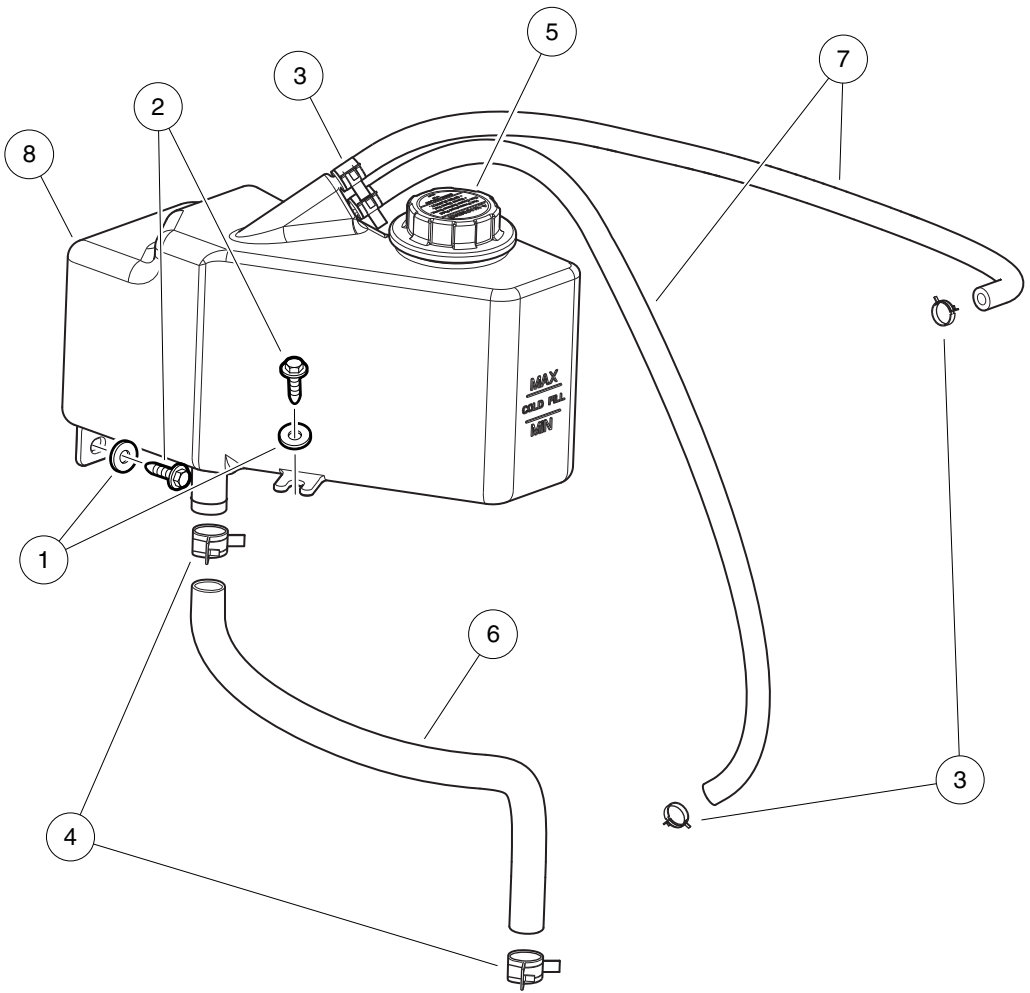
000541-002

# RADIATOR

**16**

**D**

ITEM	PART NO.	DESCRIPTION	QTY
		<b>1 2 3 4</b>	
1	<u>1014471</u>	Tape, Vinyl Foam 1/8" x 3/4" .....	1
2	<u>102289001</u>	Screw, M8X1.25X30, Hex .....	4
3	<u>102377801</u>	Hose, Coolant Lower Pipe .....	1
4	<u>102377901</u>	Hose, Coolant Lower Rad .....	1
5	<u>102380301</u>	Tee, Coolant Fill .....	1
6	<u>102410301</u>	Radiator (includes items 7 and 8) .....	1
7	<u>102737301</u>	Cap, Radiator .....	1
8	N/A	Drain Cock, Radiator .....	1
9	<u>102411207</u>	Clamp, Hose, Ctb 35mm .....	2
10	<u>102411208</u>	Clamp, Hose, Ctb 38mm .....	1
11	<u>102411301</u>	Nut, Self Retaining .....	4
12	<u>102436701</u>	Fan, Cooling 12 In Elect .....	1
13	<u>102490301</u>	Bolt, M6 X 1 X 16, Loctite .....	8
14	<u>102684901</u>	Bumper, 19mm Stud .....	2
15	<u>102685001</u>	Isolator, Twin-Stud .....	2
16	<u>102855501</u>	Shroud, Radiator Fan .....	1
17	<u>102946701</u>	Bracket, Radiator Support .....	2
18	<u>96704176</u>	Nut, Flanged, M6 X 1, Serrated .....	2
19	<u>96704416</u>	Nut, Flange, M8 X 1.25 Serrated .....	2
20	<u>96705199</u>	Washer, M6 .....	4



000540-003

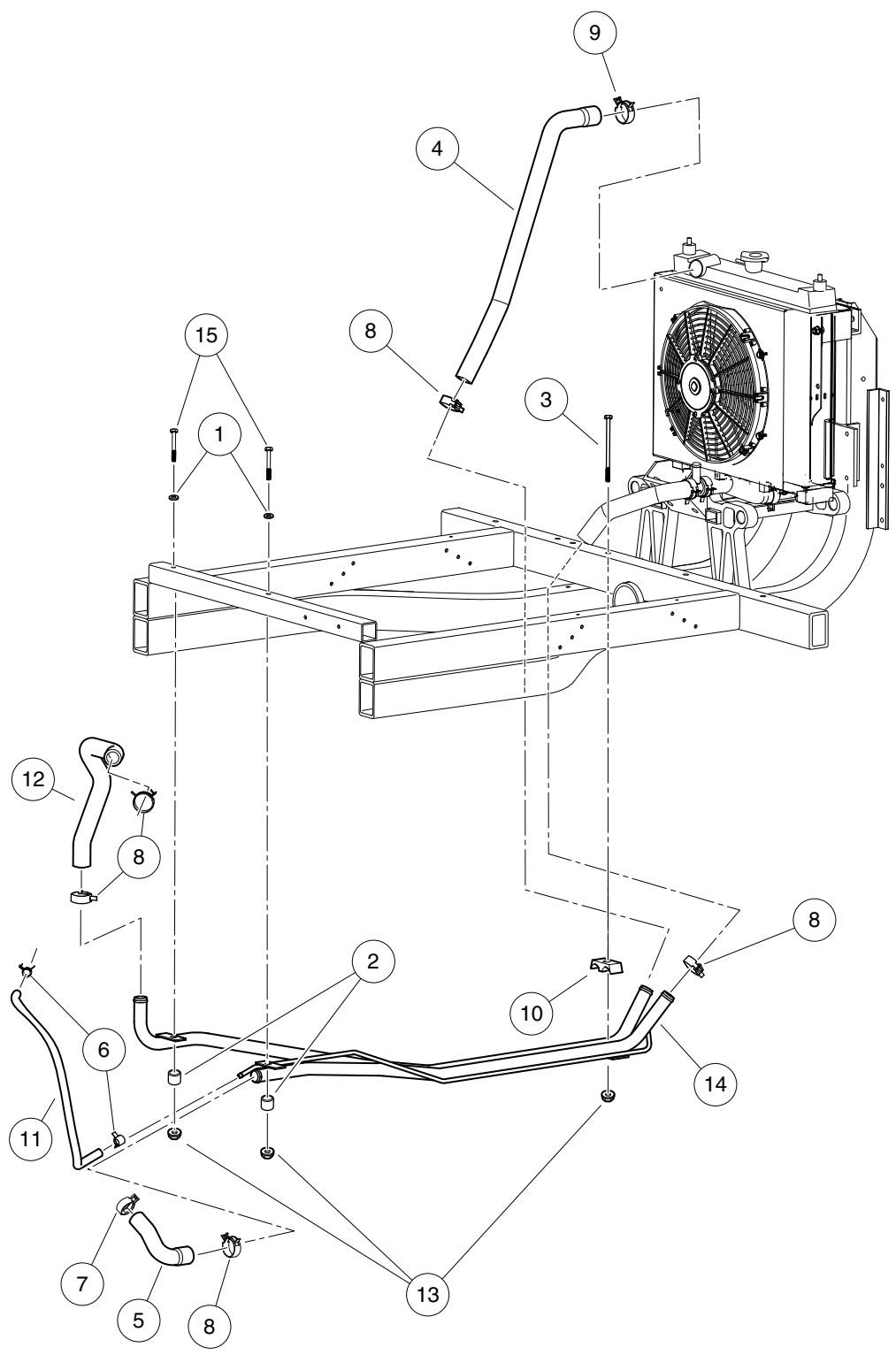


# COOLANT EXPANSION TANK

**16**

**D**

ITEM	PART NO.	DESCRIPTION	QTY
		1 2 3 4	
1	<u>1011578</u>	Washer, 5/16 Type B Flat .....	2
2	<u>102298720</u>	Screw, M8-1.25x20, Taptite .....	2
3	<u>102411204</u>	Clamp, Hose, CTB 15mm .....	4
4	<u>102411205</u>	Clamp, Hose, CTB 22mm .....	2
5	<u>102427501</u>	Cap, Radiator .....	1
6	<u>102807601</u>	Hose, Coolant, 5/8 SAE J20r3 Bulk .....	2
7	<u>102807801</u>	Hose, Coolant, 5/16 SAE J20r3 Bulk .....	8
8	<u>102973201</u>	Bottle, Coolant .....	1
<p>Note: For hoses (items 6 and 7), quantity shown is length in feet per vehicle.</p>			



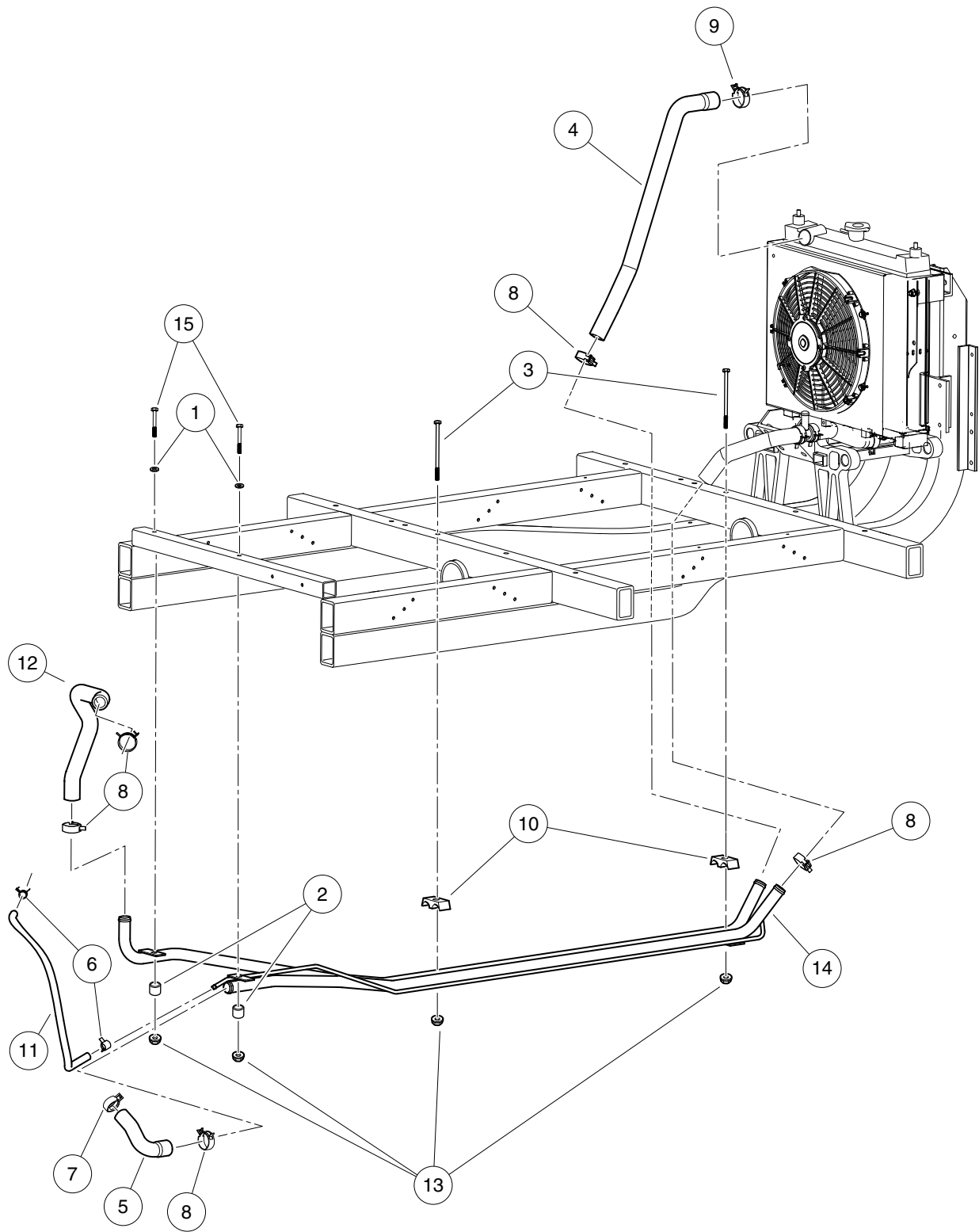
000079-004

# COOLANT PIPES, CLAMPS, HOSES AND HARDWARE, 2-PASSENGER

ITEM	PART NO.	DESCRIPTION	QTY
		<b>1 2 3 4</b>	
1	<u>1011578</u>	Washer, 5/16 Type B Flat .....	2
2	<u>1015457</u>	Spacer, 0.720" .....	2
3	<u>102288901</u>	Bolt, Hex, M8x1.25 X 135 .....	1
4	<u>102377501</u>	Hose, Coolant Upper Rad .....	1
5	<u>102377601</u>	Hose, Coolant Lower Eng .....	1
6	<u>102411204</u>	Clamp, Hose, CTB 15mm .....	2
7	<u>102411206</u>	Clamp, Hose, Ctb 30mm .....	1
8	<u>102411207</u>	Clamp, Hose, Ctb 35mm .....	5
9	<u>102411208</u>	Clamp, Hose, Ctb 38mm .....	1
10	<u>102427601</u>	Clamp, Bar .....	1
11	<u>102435001</u>	Hose, Vent Tube To Eng, Coolnt .....	1
12	<u>102480501</u>	Hose, Coolant, Return, Engine .....	1
13	<u>102618601</u>	Lock Nut, Flange, M8 X 1.25 Nylon .....	3
14	<u>102628701</u>	Coolant Pipe Assembly, 2-passenger .....	1
15	<u>103423701</u>	Bolt, M8 X 1.25 X 110 .....	2

**16**

**D**



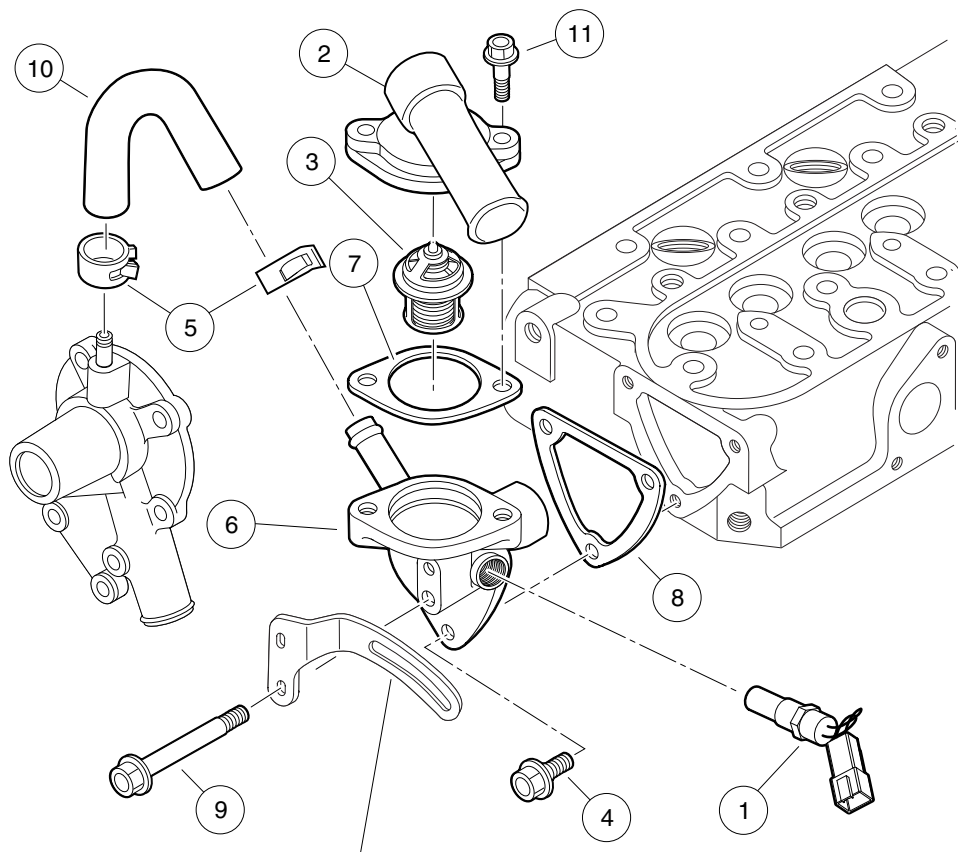
000079-005

# COOLANT PIPES, CLAMPS, HOSES AND HARDWARE, 4-PASSENGER

ITEM	PART NO.	DESCRIPTION	QTY
		1 2 3 4	
1	<u>1011578</u>	Washer, 5/16 Type B Flat .....	2
2	<u>1015457</u>	Spacer, 0.720" .....	2
3	<u>102288901</u>	Bolt, Hex, M8x1.25 X 135 .....	2
4	<u>102377501</u>	Hose, Coolant Upper Rad .....	1
5	<u>102377601</u>	Hose, Coolant Lower Eng .....	1
6	<u>102411204</u>	Clamp, Hose, CTB 15mm .....	2
7	<u>102411206</u>	Clamp, Hose, Ctb 30mm .....	1
8	<u>102411207</u>	Clamp, Hose, Ctb 35mm .....	5
9	<u>102411208</u>	Clamp, Hose, Ctb 38mm .....	1
10	<u>102427601</u>	Clamp, Bar .....	2
11	<u>102435001</u>	Hose, Vent Tube To Eng, Coolnt .....	1
12	<u>102480501</u>	Hose, Coolant, Return, Engine .....	1
13	<u>102618601</u>	Lock Nut, Flange, M8 X 1.25 Nylon .....	4
14	<u>102767601</u>	Coolant Pipe Assembly, 4-passenger .....	1
15	<u>103423701</u>	Bolt, M8 X 1.25 X 110 .....	2

16

D



For bracket, see  
Alternator pages  
in the Diesel Engine  
section

000059-002

# WATER FLANGE AND THERMOSTAT

ITEM	PART NO.	DESCRIPTION	QTY
		<b>1 2 3 4</b>	
1	<u>102410001</u>	Sensor, Coolant Temp .....	1
2	<u>102631301</u>	Cover, Thermostat .....	1
3	<u>102631401</u>	Thermostat .....	1
4	<u>102631601</u>	Bolt, M6 X 1 X 20 .....	2
5	<u>102633001</u>	Band, Pipe .....	2
6	<u>102633201</u>	Flange, Water .....	1
7	<u>102633401</u>	Gasket, Thermostat .....	1
8	<u>102654701</u>	Gasket, Water Flange .....	1
9	<u>102730901</u>	Bolt, Alt, D722, Stay Lower .....	1
10	<u>102731001</u>	Pipe, Water Return, D722 .....	1
11	<u>102731101</u>	Bolt, D722, Thermostat Cover .....	2

16

D

**16**

***D***



# HYDRAULIC ATTACHMENT SYSTEM AND ACCESSORIES

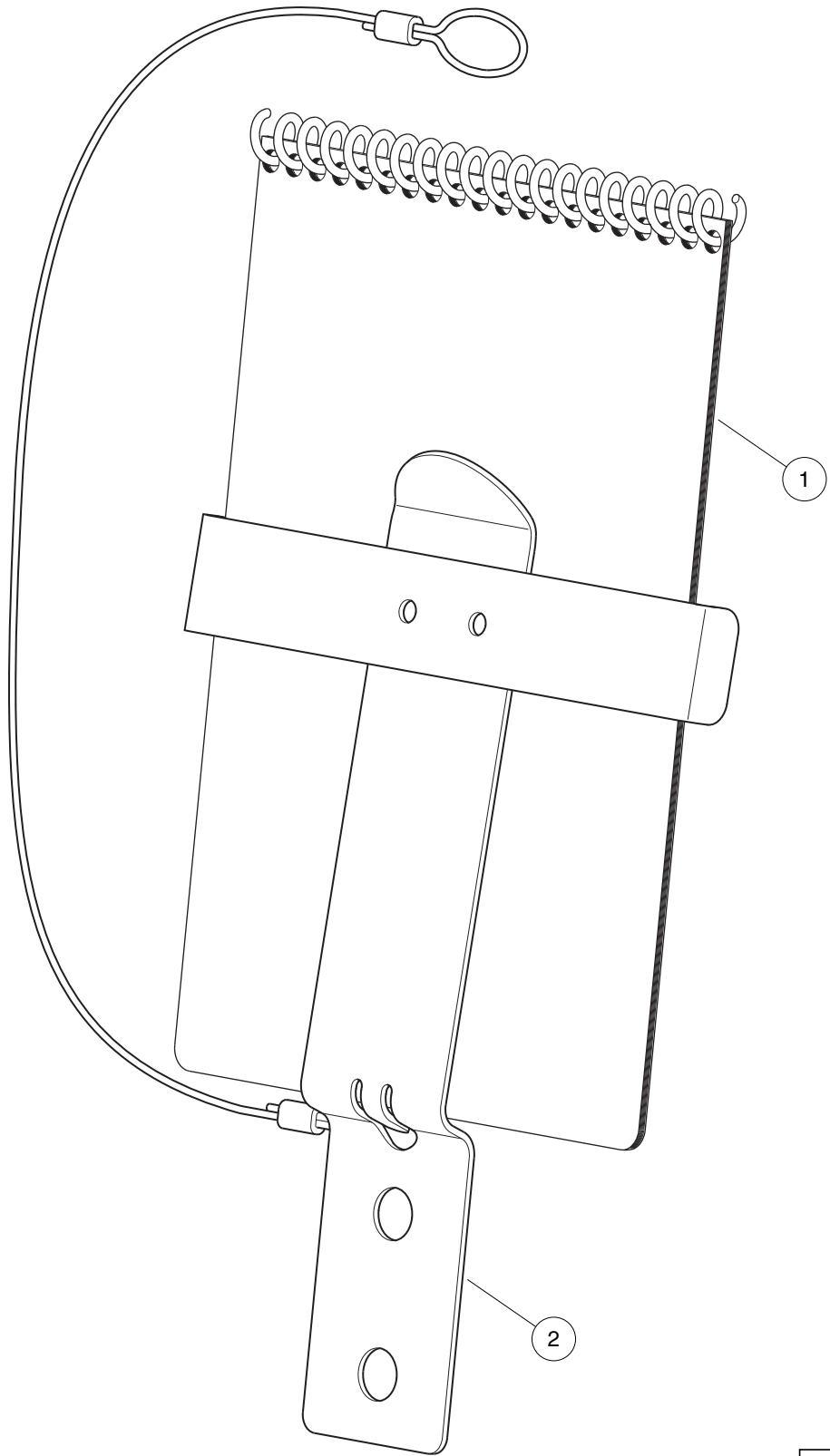
---

17

D

17

D



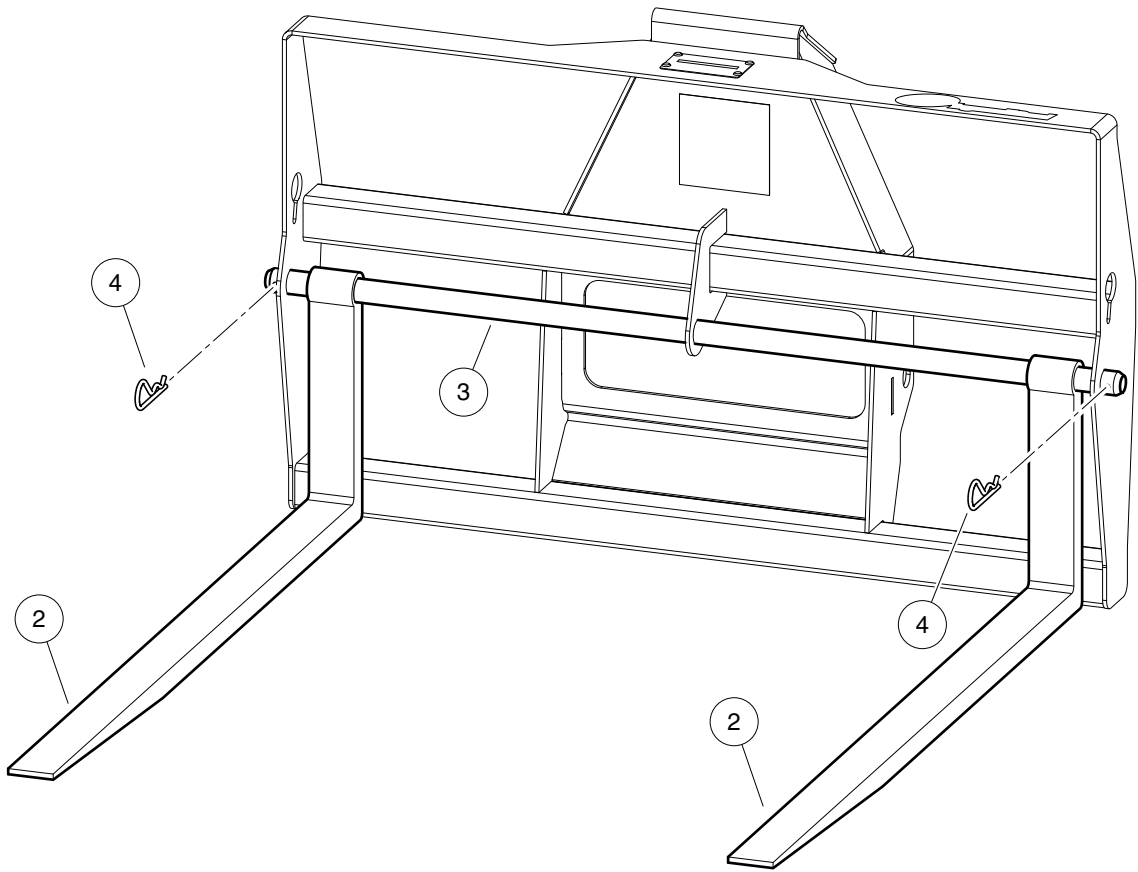
000558-002

# HANDBOOK

**17**

ITEM	PART NO.	DESCRIPTION	QTY
1	<u>103237501</u>	1 2 3 4 Handbook, Operator, Club Car .....	1
2	<u>103237701</u>	Weldment, Clip, Handbook .....	1

**D**



000555-001

# ATTACHMENT – PALLET FORK

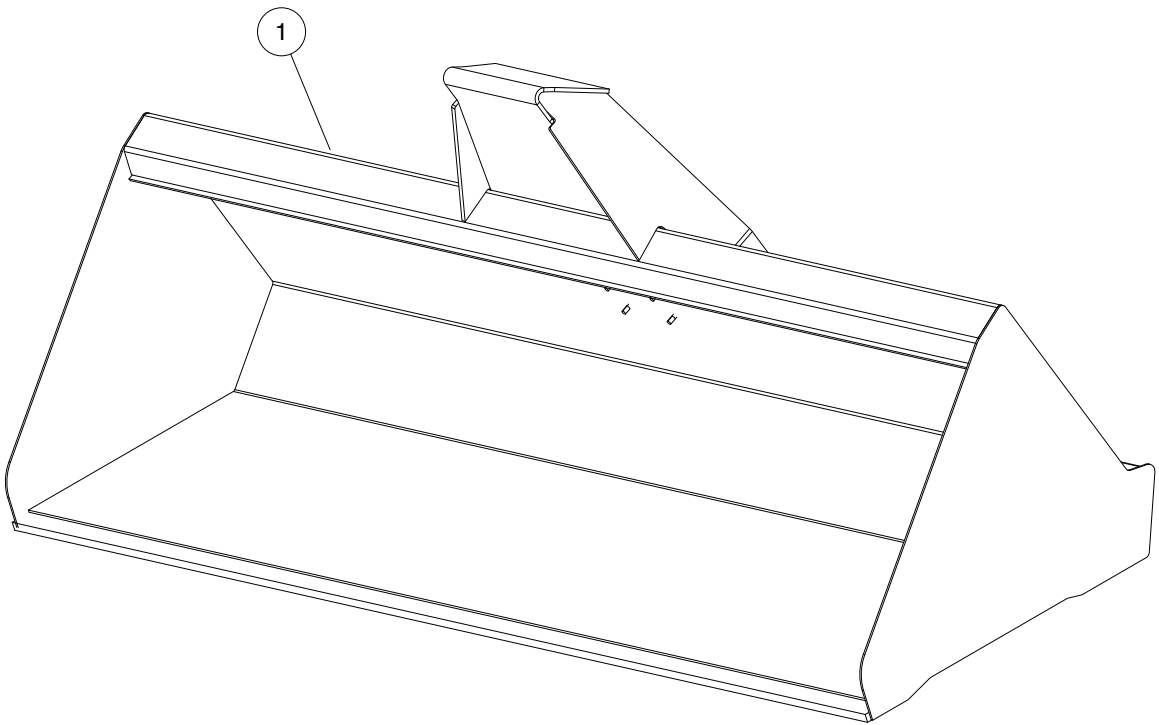
ITEM	PART NO.	DESCRIPTION	QTY
		1 2 3 4	
1	<u>102930001</u>	Attachment, Fork, Pallet (includes items 2 through 4) .....	1
2	<u>102927201</u>	Pallet Fork .....	2
3	<u>102927301</u>	Bar, Fork Mount .....	1
4	<u>102927401</u>	Pin, Hair .....	2

17

D

17

D



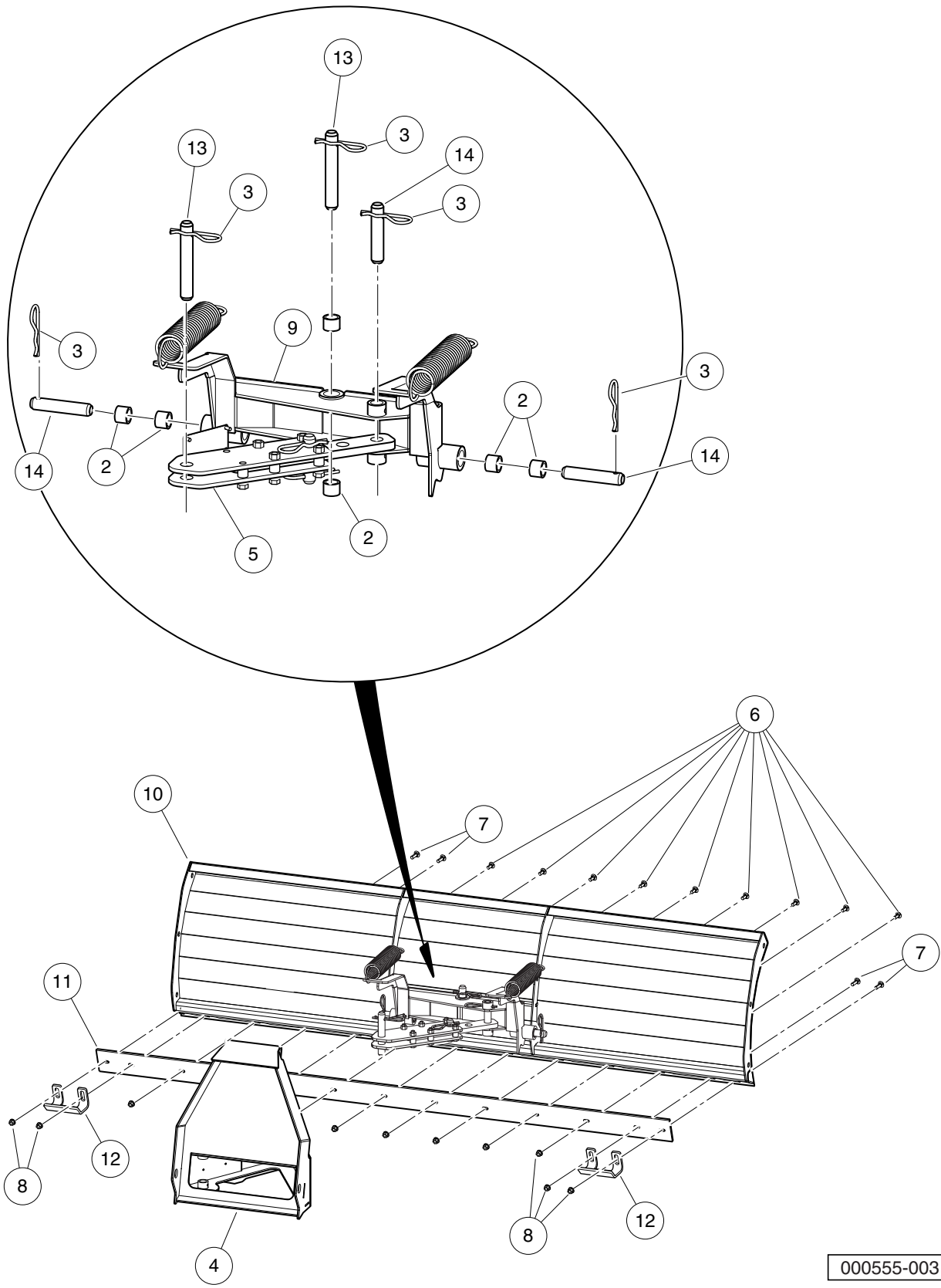
000555-002

# ATTACHMENT – BUCKET

ITEM	PART NO.	DESCRIPTION	QTY
1	<u>102930101</u>	1 2 3 4 Attachment, Bucket .....	1

17

D



000555-003

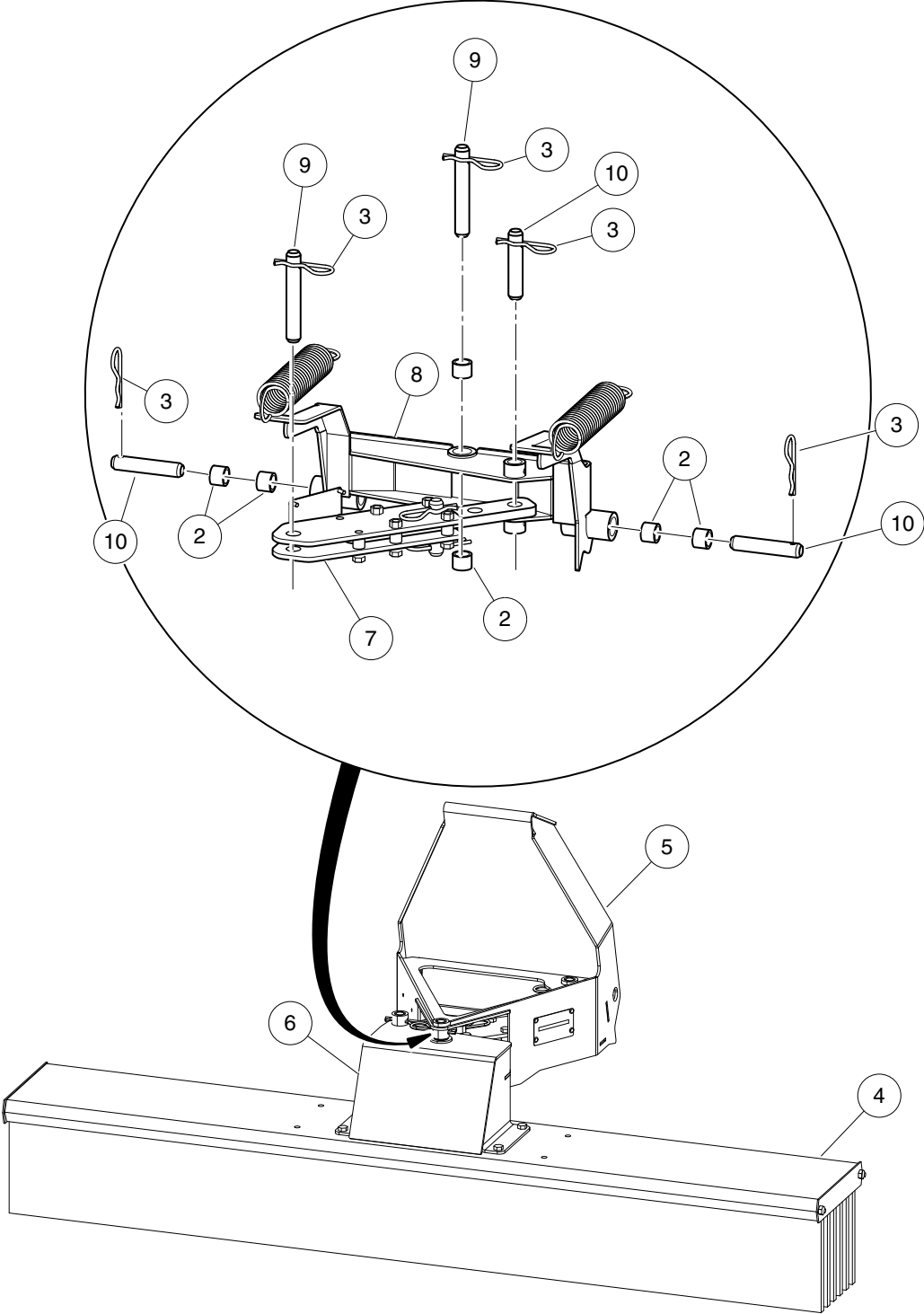


# ATTACHMENT – SNOW BLADE

ITEM	PART NO.	DESCRIPTION	QTY
		1 2 3 4	
1	<u>102930201</u>	Attachment, Blade, Snow (includes items 2 through 14) .....	1
2	<u>102926601</u>	Bearing, Fiber, -12 .....	6
3	<u>102927401</u>	Pin, Hair .....	5
4	<u>102929601</u>	Weldment, Mount, Angle .....	1
5	N/A	Asm, Adjust, Manual .....	1
6	<u>103243001</u>	Bolt, Carriage .....	9
7	<u>103243101</u>	Bolt, Carriage .....	4
8	<u>103243201</u>	Nut, Pretrq, Hex Lock .....	13
9	<u>103243501</u>	Weldment, Head, Angle .....	1
10	<u>103243601</u>	Weldment, Blade, Snow .....	1
11	<u>103243701</u>	Edge, Cutting .....	1
12	<u>103243801</u>	Shoe, Skid .....	2
13	<u>103243901</u>	Pin, 5 In .....	2
14	<u>103244001</u>	Pin, 3.9 In .....	3

17

D



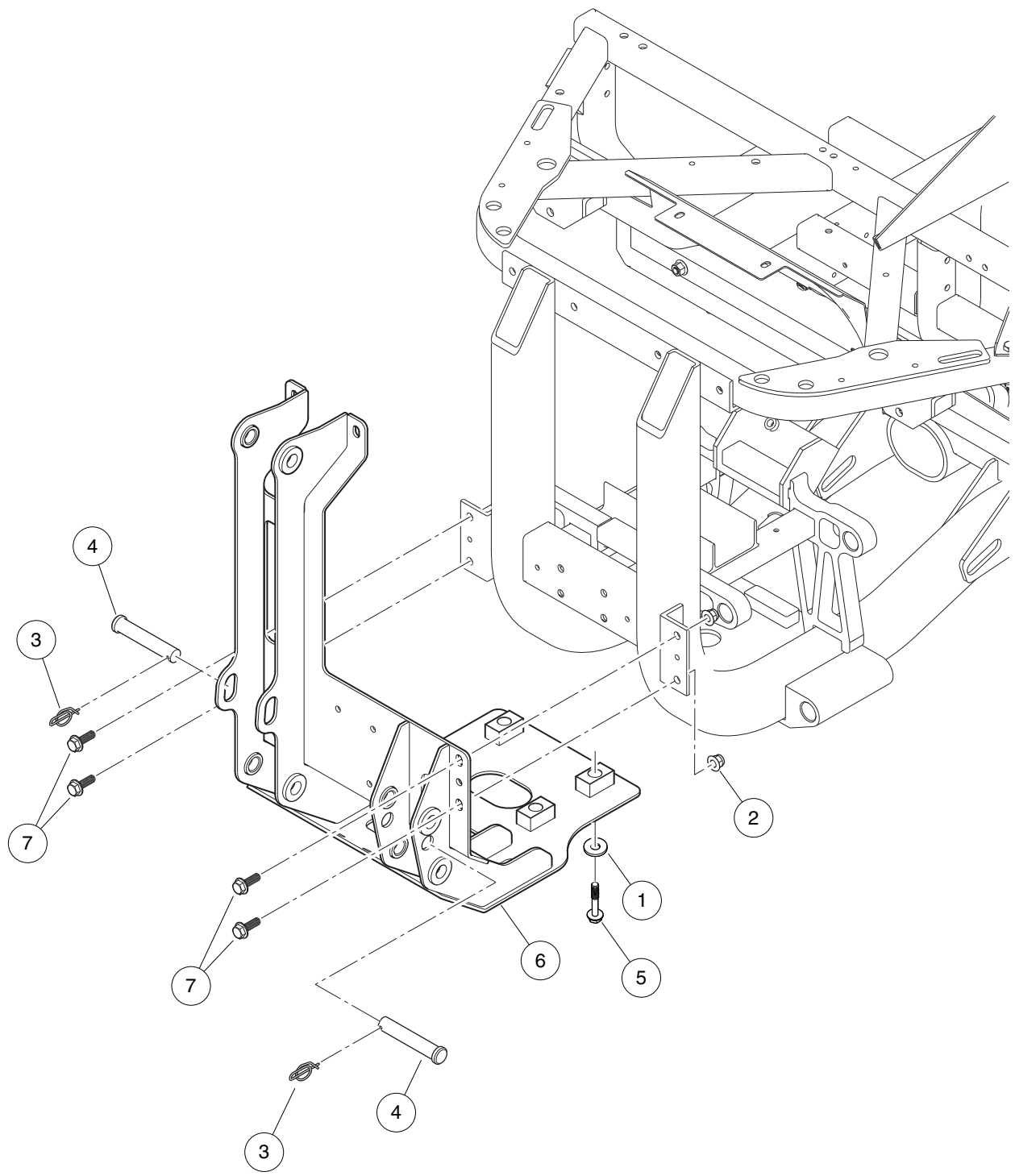
000555-004

# ATTACHMENT – BROOM

ITEM	PART NO.	DESCRIPTION	QTY
		<b>1 2 3 4</b>	
1	<u>102930301</u>	Attachment, Broom, Push (includes items 2 through 10) .....	1
2	<u>102926601</u>	Bearing, Fiber, -12 .....	6
3	<u>102927401</u>	Pin, Hair .....	5
4	<u>102929501</u>	Broom, Whisker, 60 In .....	1
5	<u>102929601</u>	Weldment, Mount, Angle .....	1
6	<u>102929701</u>	Wldmnt, Mount, Whisker .....	1
7	N/A	Asm, Adjust, Manual .....	1
8	<u>103243501</u>	Weldment, Head, Angle .....	1
9	<u>103243901</u>	Pin, 5 In .....	2
10	<u>103244001</u>	Pin, 3.9 In .....	3

**17**

**D**



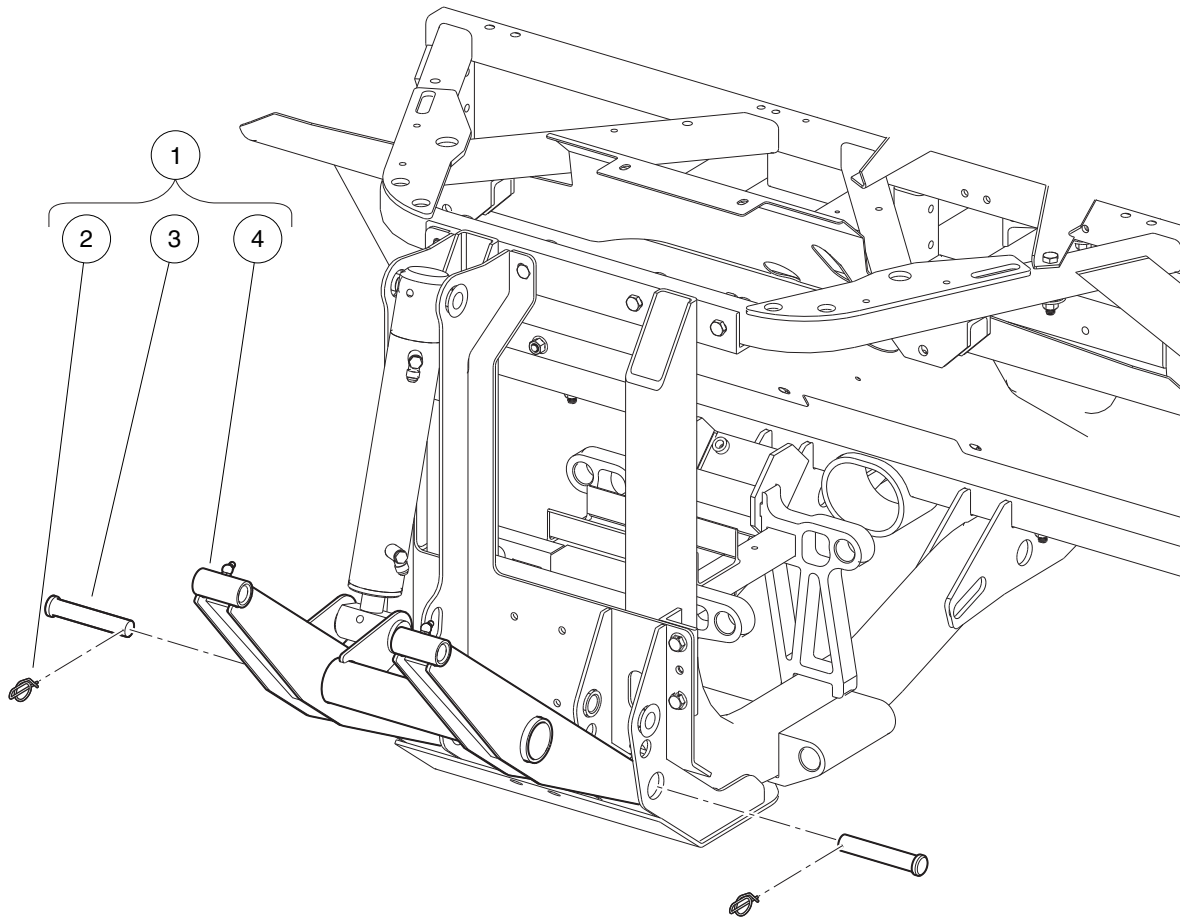
000552-002

# ACCESSORY MOUNTING WELDMENT

ITEM	PART NO.	DESCRIPTION	QTY
		1 2 3 4	
1	<u>102491501</u>	Washer, Hard, M10 .....	4
2	<u>102670701</u>	Nut, Flange, M10 X 1.5 Nylon .....	4
3	<u>102786101</u>	Ring, Rue, 3/4, Heavy .....	2
4	<u>102921601</u>	Pin, Clevis, 3/4 X 4 .....	2
5	<u>102925201</u>	Bolt, Flg, M10x1.5x55, Patch .....	4
6	<u>103355401</u>	Weldment, Front Mount .....	1
7	<u>96727003</u>	Bolt Flg, M10 X 1.5 X 30 .....	4

17

D



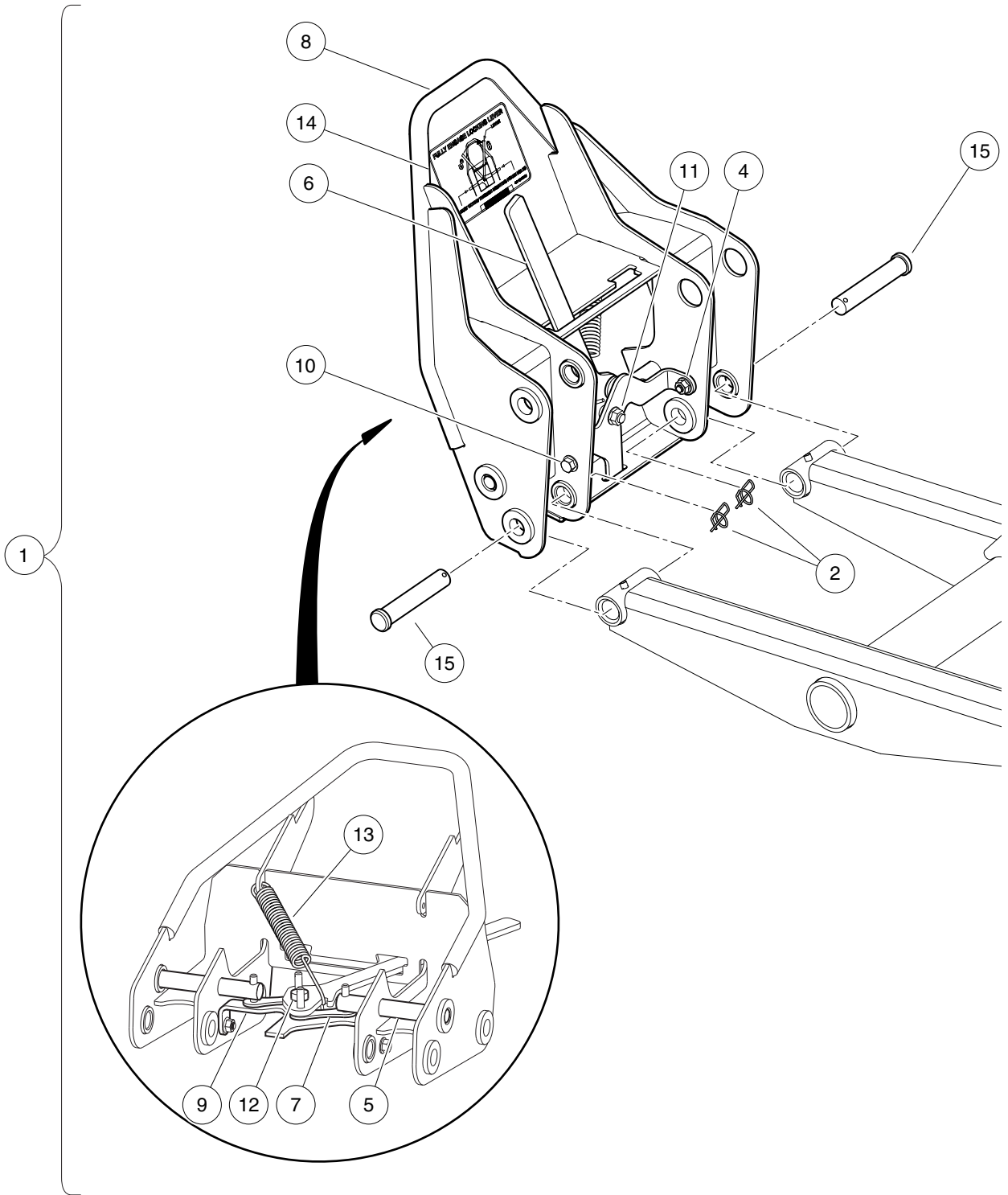
000786-001

# ATTACHMENT ARM KIT

ITEM	PART NO.	DESCRIPTION	QTY
		<b>1 2 3 4</b>	
1	<u>102923201</u>	Kit, Arm, Attachment (includes items 2 through 4) .....	1
2	<u>102786101</u>	Ring, Rue, 3/4, Heavy .....	2
3	<u>102921601</u>	Pin, Clevis, 3/4 X 4 .....	2
4	<u>102923401</u>	Asm, Arm, Attachment .....	1

**17**

**D**



000787-002

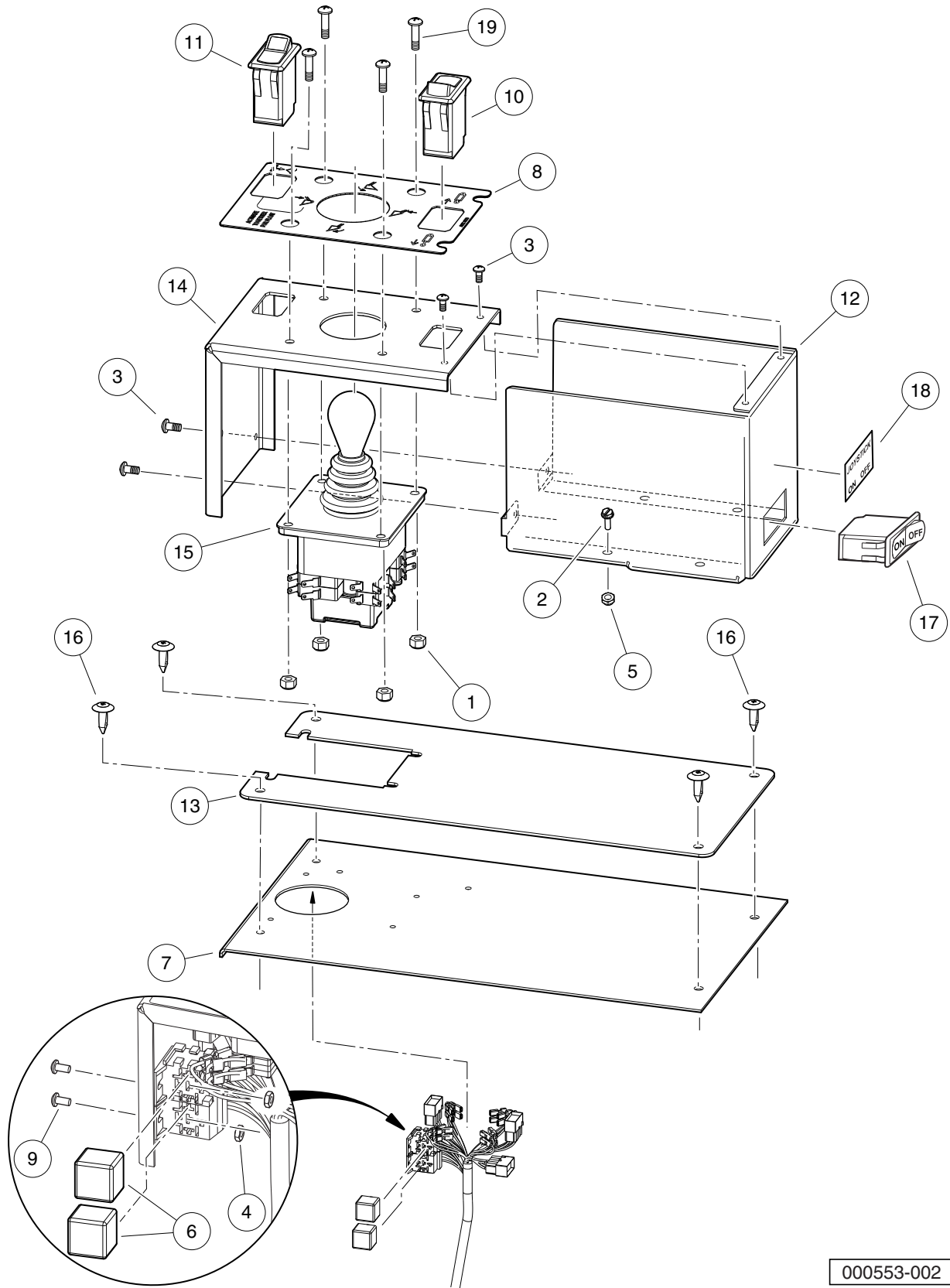


# ATTACHMENT INTERFACE

ITEM	PART NO.	DESCRIPTION	QTY
		1 2 3 4	
1	<u>102923301</u>	Kit, Interface, Attachment (includes items 2 through 15) .....	1
2	<u>102786101</u>	Ring, Rue, 3/4, Heavy .....	2
3	102789001	Asm, Interface, Attachment (includes items 4 through 14) .....	1
4	<u>102617001</u>	Nut Flg, M8 X 1.25 Mech Def .....	2
5	<u>102789101</u>	Pin, Latch .....	2
6	<u>102789201</u>	Lever, Release .....	1
7	<u>102789301</u>	Link, Chain 2080 .....	2
8	N/A	Interface, Attachment .....	1
9	<u>102790001</u>	Brace, Cross .....	1
10	<u>102790801</u>	Bolt Flg, M8 X 1.25 X 20 .....	2
11	<u>102790901</u>	Nut, Flg, 3/8-16 Gr8 .....	1
12	<u>102791001</u>	Screw, Shoulder Hex Skt .....	1
13	<u>102791301</u>	Spring, Ext, Interface .....	1
14	N/A	Decal, Attachment Locking .....	1
15	<u>102921601</u>	Pin, Clevis, 3/4 X 4 .....	2

17

D



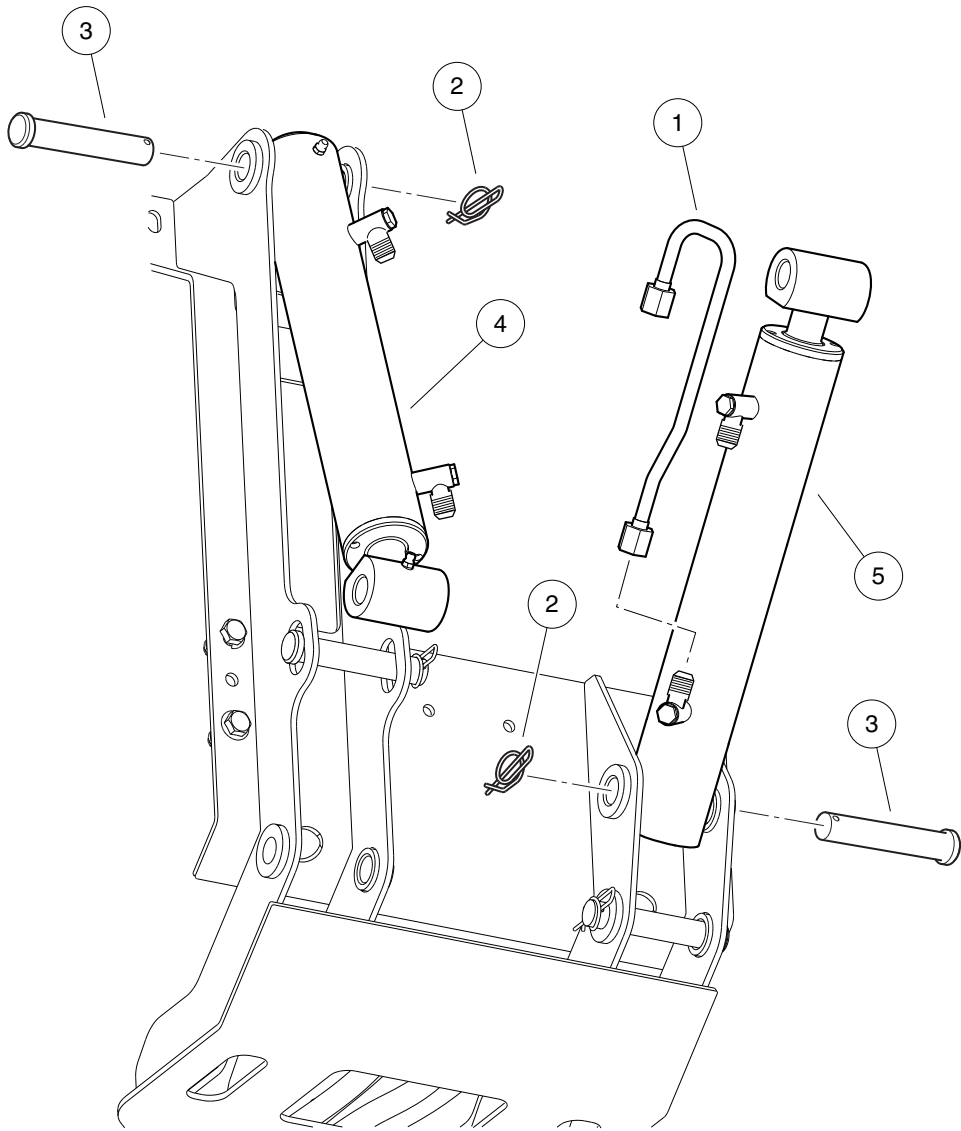
000553-002

# HYDRAULIC CONTROLS

17

D

ITEM	PART NO.	DESCRIPTION	QTY
		<b>1 2 3 4</b>	
1	<u>1012438</u>	Locknut, #10-24 Nylon Insert .....	4
2	<u>1015720</u>	Screw, #6-32 X 1/2 Hex Washer-Head .....	4
3	<u>1016103</u>	Screw, Pan Hd Tx, Taptite 6-32 .....	4
4	<u>1017</u>	Nut, #10-24 Stainless-Steel Hex Machine .....	2
5	<u>101932201</u>	Locknut, #6-32 Nylon .....	4
6	<u>102420201</u>	Relay, Mini ISO, SPDT .....	2
7	<u>102442001</u>	Pan, Center, Closeout .....	1
8	<u>102849801</u>	Decal, Controls, Bt .....	1
9	<u>102850501</u>	Screw, Phillips Pn Hd .....	2
10	<u>102854401</u>	Switch, Rocker, Sealed, DPDT Momentary .....	1
11	<u>102854501</u>	Switch, Rocker, Sealed, SPDT, Lighted .....	1
12	<u>102854601</u>	Base, Control Box, Joystick .....	1
13	<u>102854801</u>	Console, Center, Insulator .....	1
14	<u>102854901</u>	Cover, Control Box, Joystick .....	1
15	<u>102918501</u>	Joystick, 4 Way, W/ Boot .....	1
16	<u>102967901</u>	Rivet, Removable, Tuflok 1/4" .....	4
17	<u>103215201</u>	Switch, Rocker, Svr, On-off .....	1
18	<u>103319901</u>	Decal, Joystick, On Off .....	1
19	<u>1631</u>	Screw, #10-24 X 0.75 Phillips Pan-Head .....	4
20	<u>8990</u>	Tie Wrap, 8" Nylon .....	8
Note: Item 20, Tie Wrap, not shown.			



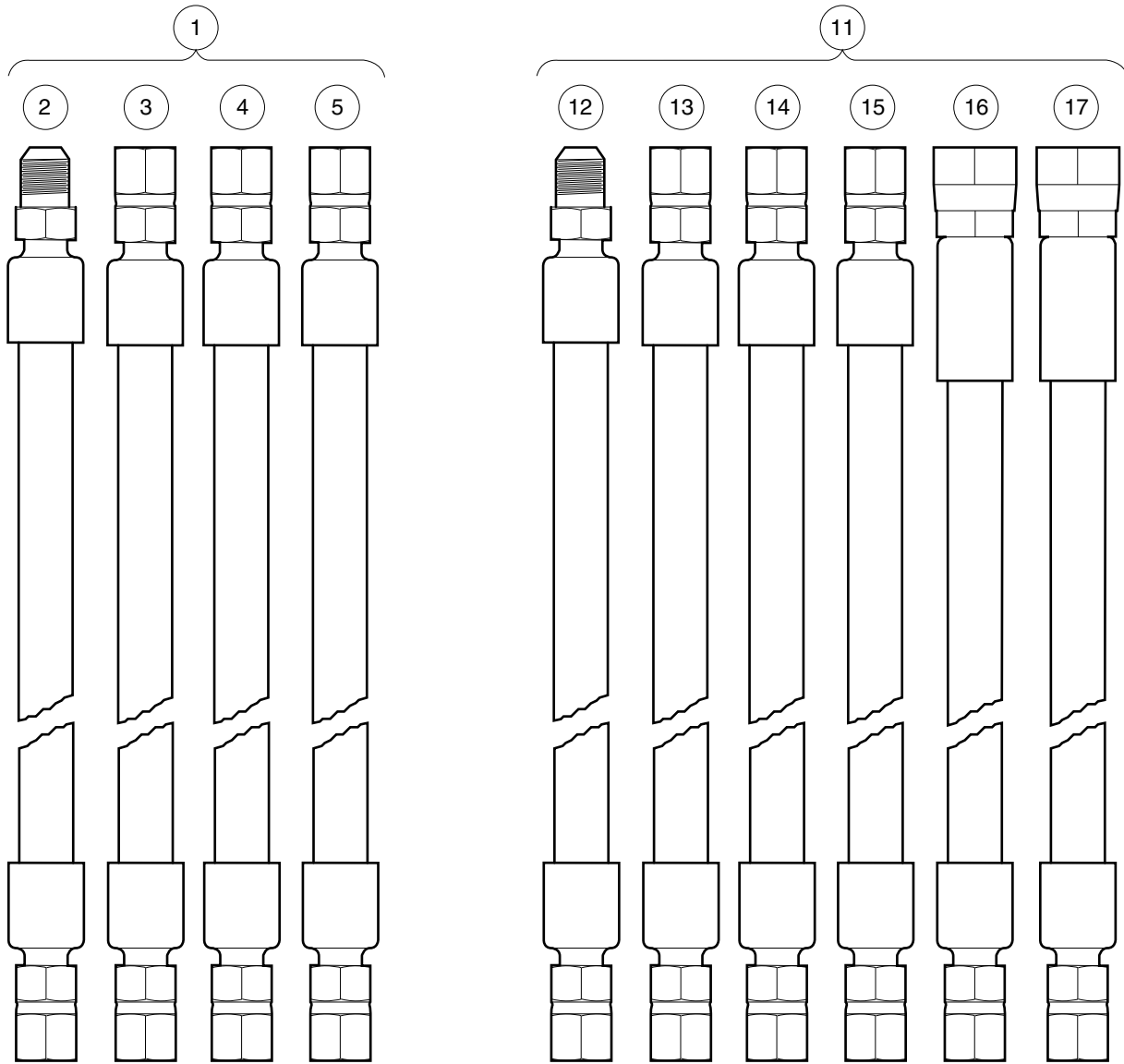
000990-001

# HYDRAULIC CYLINDERS

ITEM	PART NO.	DESCRIPTION	QTY
		<b>1 2 3 4</b>	
1	<u>102784201</u>	Tube, Hydraulic -6 JIC 180 End .....	1
2	<u>102786101</u>	Ring, Rue, 3/4, Heavy .....	2
3	<u>102921601</u>	Pin, Clevis, 3/4 X 4 .....	2
4	<u>102923001</u>	Cylinder, Hydraulic, Lift .....	1
5	<u>102923101</u>	Cylinder, Hydraulic, Tilt .....	1

**17**

**D**



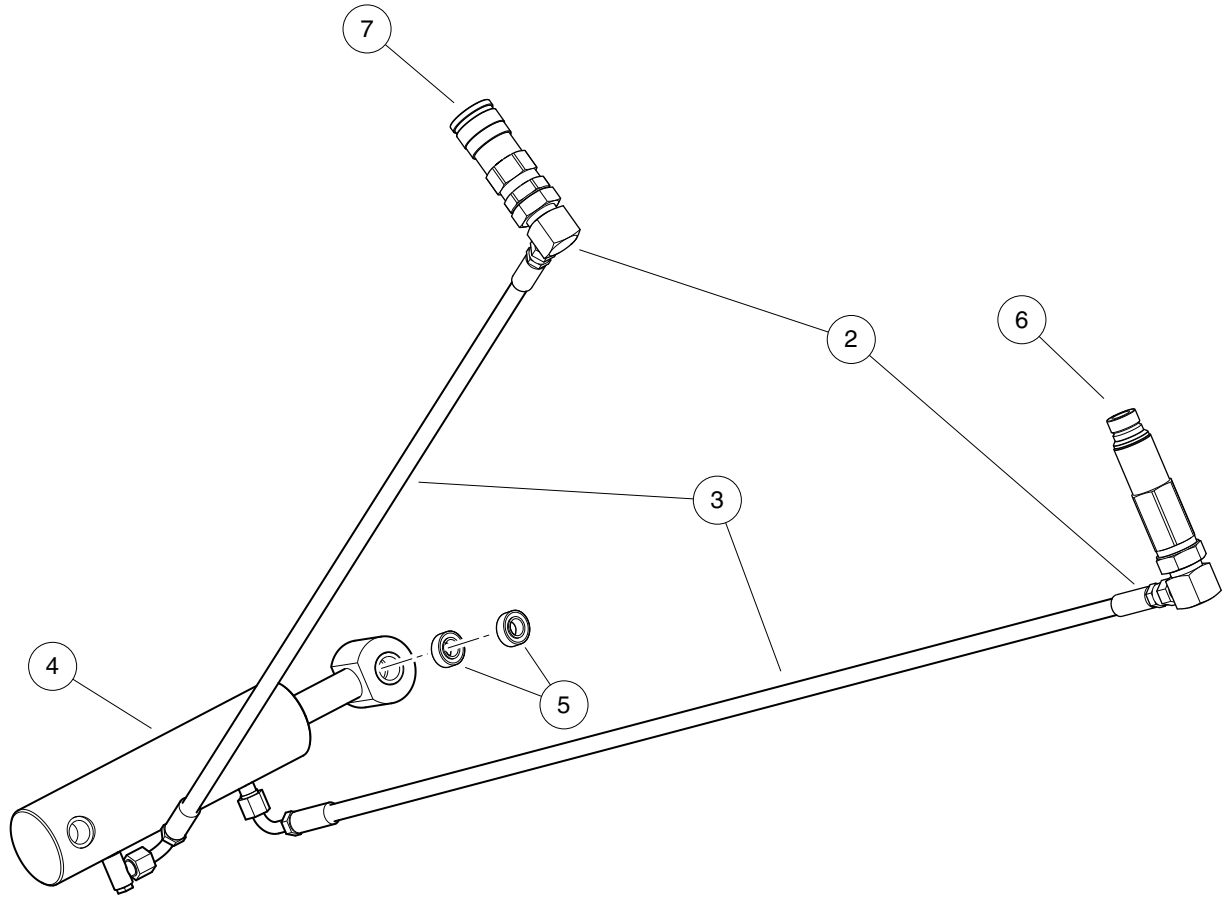
000991-001

# HYDRAULIC HOSES

**17**

**D**

ITEM	PART NO.	DESCRIPTION	QTY
		<b>1 2 3 4</b>	
1	<u>102787601</u>	Asm, Hoses, Hydraulic (includes items 2 through 10) .....	1
2	<u>102784601</u>	Hose, Hydraulic, Pink Marking .....	1
3	<u>102784701</u>	Hose, Hydraulic, w/o Marking .....	1
4	<u>102784801</u>	Hose, Hydraulic, Green Marking .....	1
5	<u>102784901</u>	Hose, Hydraulic, Blue Marking .....	1
6	N/A	Mount, Cable Tie, 8mm Std Trq .....	1
7	N/A	Mount, Hd, Cable Tie, 8mm Bolt .....	1
8	<u>102787101</u>	Mount, Fir Tree, Cable Tie .....	1
9	N/A	Mount, Standoff, Dual Tie .....	1
10	<u>102787701</u>	Tie, Wide Strap .....	2
11	<u>102787602</u>	Asm, Hoses, Hydraulic W/aux (includes items 12 through 22) .....	1
12	<u>102784601</u>	Hose, Hydraulic, Pink Marking .....	1
13	<u>102784701</u>	Hose, Hydraulic, w/o Marking .....	1
14	<u>102784801</u>	Hose, Hydraulic, Green Marking .....	1
15	<u>102784901</u>	Hose, Hydraulic, Blue Marking .....	1
16	<u>102785001</u>	Hose, Hydraulic, Auxiliary, White Marking .....	1
17	<u>102785101</u>	Hose, Hydraulic, Auxiliary, Red Marking .....	1
18	N/A	Mount, Cable Tie, 8mm Std Trq .....	1
19	N/A	Mount, Hd, Cable Tie, 8mm Bolt .....	1
20	<u>102787101</u>	Mount, Fir Tree, Cable Tie .....	1
21	N/A	Mount, Standoff, Dual Tie .....	1
22	<u>102787701</u>	Tie, Wide Strap .....	2
<p>Note: Items 6 - 10 and items 18 - 22 not shown.</p>			



000556-001



# HYDRAULIC ATTACHMENT ANGLE KIT

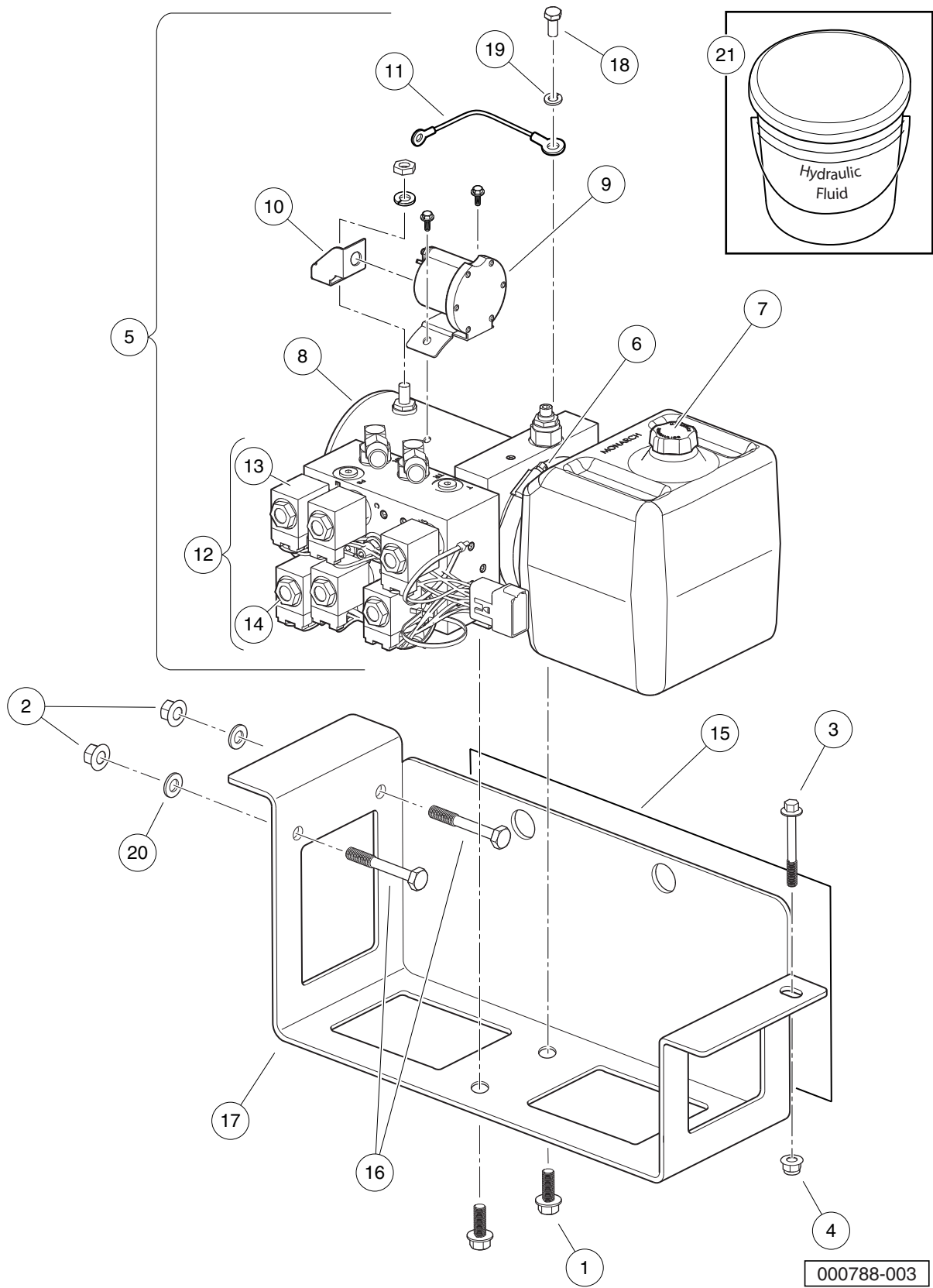
ITEM	PART NO.	DESCRIPTION	QTY
		<b>1 2 3 4</b>	
1	<u>102930501</u>	Kit, Angle, Hydraulic, Attachment (includes items 2 through 7) .....	1
2	<u>102926301</u>	Fitting, Elbow, 90, Hyd .....	2
3	<u>102926401</u>	Hose, Hydraulic, Angle kit .....	2
4	<u>102926501</u>	Cylinder, Hydraulic, Angle kit .....	1
5	<u>102926601</u>	Bearing, Fiber, -12 .....	4
6	<u>102926701</u>	Coupler, Ff, Male, 1/2 .....	1
7	<u>102926801</u>	Coupler, Ff, Fem, 1/2 .....	1

17

D

17

D



# HYDRAULIC POWER UNIT – STANDARD

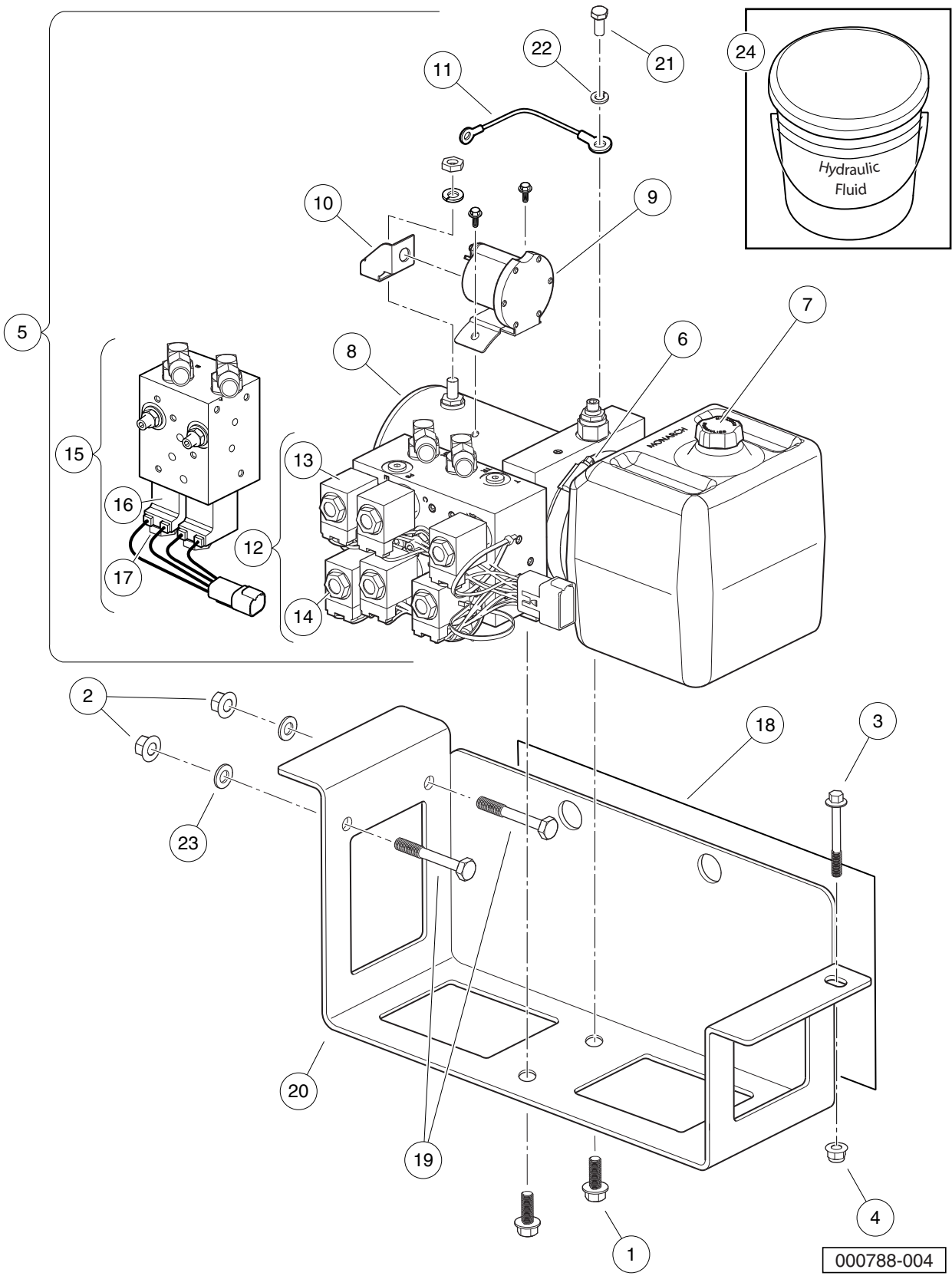
ITEM	PART NO.	DESCRIPTION	QTY
		1 2 3 4	
1	<u>102491001</u>	Bolt, Flanged Head, 3/8-16x1.0 with Loctite .....	2
2	<u>102617201</u>	Nut, Flanged, M10 X 1.5, Mechanically Deformed .....	2
3	<u>102618301</u>	Bolt, Flanged Head, M8 X 1.25 X 65 .....	1
4	<u>102618601</u>	Lock Nut, Flange, M8 X 1.25 Nylon .....	1
5	<u>102784001</u>	Power Unit, Hydraulic, Std (includes items 6 through 12) .....	1
6	<u>102928001</u>	Clamp .....	1
7	<u>102928101</u>	Plug, Reservoir, Breather-Filler .....	1
8	<u>102928201</u>	Motor, Electric, DC, 12v, 4.5 In .....	1
9	<u>102928301</u>	Switch, Solenoid, 12vdc .....	1
10	<u>102928401</u>	Strap, Motor-Solenoid Connector .....	1
11	<u>102928501</u>	Assembly, Control Wire, 16 GA, Hs, Ring .....	1
12	<u>102928601</u>	Assembly, Control Valve, Std (includes items 13 and 14) .....	1
13	<u>102928901</u>	Coil, 10vdc, #8, 2lead, Diode .....	6
14	<u>1308</u>	Nut, 1/2-20 Hex .....	6
15	<u>102785501</u>	Barrier, Heat, Powerunit .....	1
16	<u>102859101</u>	Bolt, M10 X 1.50 X 70 .....	2
17	<u>102921701</u>	Bracket, Mounting, Hydraulic Powerunit .....	1
18	<u>7173</u>	Screw, 5/16-18 X 0.75, Hex-Head Cap .....	1
19	<u>7174</u>	Lockwasher, 5/16 Split .....	1
20	<u>96741046</u>	Washer, M10, Hard .....	2
21	<u>AM1245401</u>	Fluid, Hydraulic, 5 Gallon .....	A/R

17

D

17

D

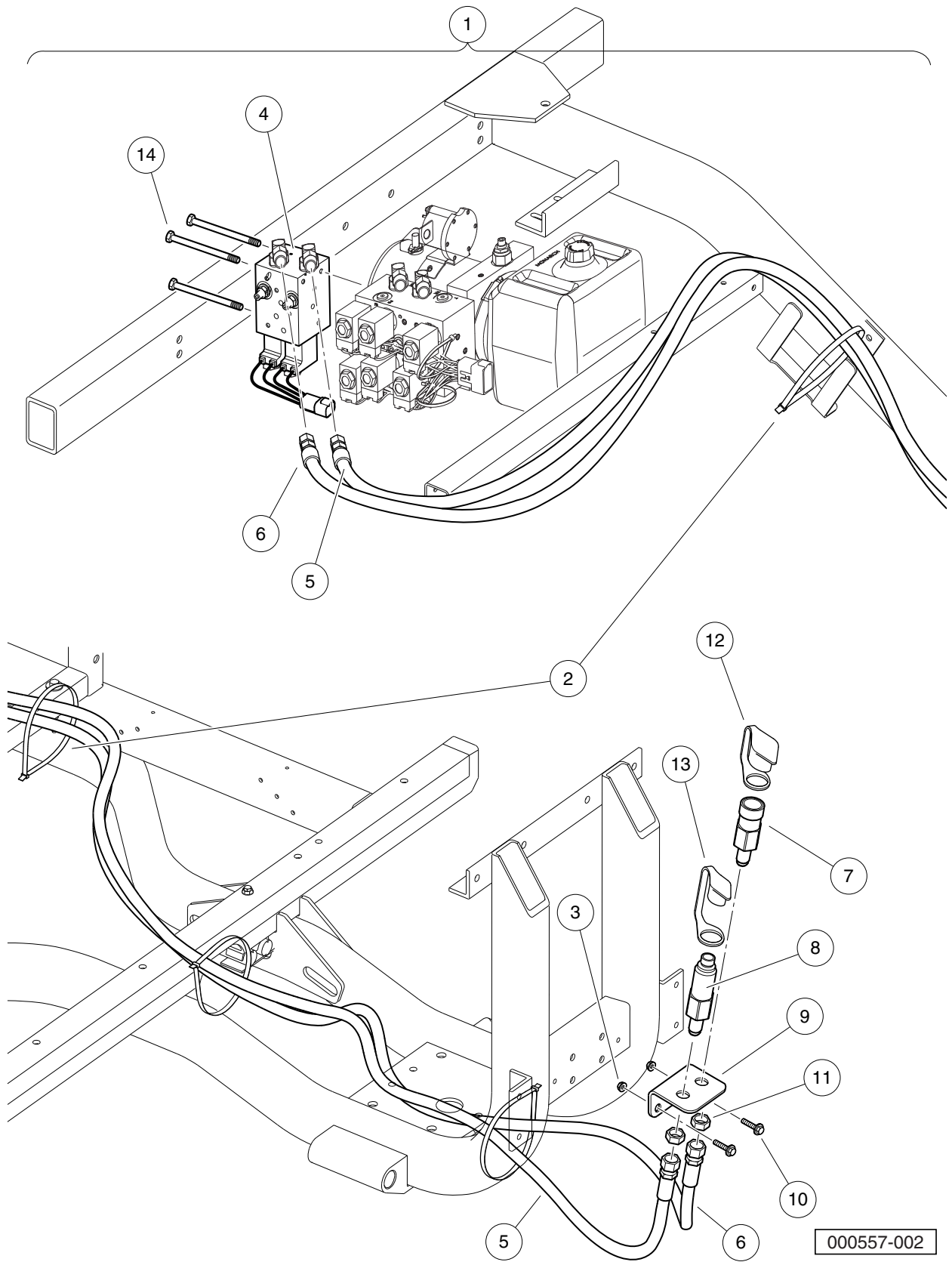


## HYDRAULIC POWER UNIT – WITH AUXILIARY

ITEM	PART NO.	DESCRIPTION	QTY
		1 2 3 4	
1	<u>102491001</u>	Bolt, Flanged Head, 3/8-16x1.0 with Loctite .....	2
2	<u>102617201</u>	Nut, Flanged, M10 X 1.5, Mechanically Deformed .....	2
3	<u>102618301</u>	Bolt, Flanged Head, M8 X 1.25 X 65 .....	1
4	<u>102618601</u>	Lock Nut, Flange, M8 X 1.25 Nylon .....	1
5	<u>102784002</u>	Power Unit, Hydraulic with Auxiliary (includes items 6 through 15) .....	1
6	<u>102928001</u>	Clamp .....	1
7	<u>102928101</u>	Plug, Reservoir, Breather-Filler .....	1
8	<u>102928201</u>	Motor, Electric, DC, 12v, 4.5 In .....	1
9	<u>102928301</u>	Switch, Solenoid, 12vdc .....	1
10	<u>102928401</u>	Strap, Motor-Solenoid Connector .....	1
11	<u>102928501</u>	Assembly, Control Wire, 16 GA, Hs, Ring .....	1
12	<u>102928601</u>	Assembly, Control Valve, Std (includes items 13 and 14) .....	1
13	<u>102928901</u>	Coil, 10vdc, #8, 2lead, Diode .....	6
14	<u>1308</u>	Nut, 1/2-20 Hex .....	6
15	<u>102928701</u>	Assembly, Control Valve, Auxiliary (includes items 16 and 17) .....	1
16	<u>102928901</u>	Coil, 10vdc, #8, 2lead, Diode .....	2
17	<u>1308</u>	Nut, 1/2-20 Hex .....	2
18	<u>102785501</u>	Barrier, Heat, Powerunit .....	1
19	<u>102859101</u>	Bolt, M10 X 1.50 X 70 .....	2
20	<u>102921701</u>	Bracket, Mounting, Hydraulic Powerunit .....	1
21	<u>7173</u>	Screw, 5/16-18 X 0.75, Hex-Head Cap .....	1
22	<u>7174</u>	Lockwasher, 5/16 Split .....	1
23	<u>96741046</u>	Washer, M10, Hard .....	2
24	<u>AM1245401</u>	Fluid, Hydraulic, 5 Gallon .....	A/R

17

D



000557-002

# STANDARD TO AUXILIARY HYDRAULIC CONVERSION KIT

ITEM	PART NO.	DESCRIPTION	QTY
		1 2 3 4	
1	<u>102785401</u>	Kit, Hydraulic, Aux (includes items 2 through 14) .....	1
2	<u>102025401</u>	Tie Wrap, Heavy Duty .....	8
3	<u>102741601</u>	Nut Flg M8 X 1.25 Gr 10 .....	2
4	<u>102784003</u>	Power Unit, DC Hydraulic, Auxillary .....	1
5	<u>102785001</u>	Hose, Hydraulic, Auxiliary, White Marking .....	1
6	<u>102785101</u>	Hose, Hydraulic, Auxiliary, Red Marking .....	1
7	<u>102794801</u>	Coupling, Female Quick -6jic .....	1
8	<u>102794901</u>	Coupling, Male Quick -6jic .....	1
9	<u>102922601</u>	Bracket, Hydraulic, Auxiliary .....	1
10	<u>102922701</u>	Bolt, Flanged Head, M8x1.25x20 Lock Patch .....	2
11	<u>102923801</u>	Nut, Lock, Hyd Tube, 3/4-16 .....	2
12	<u>102973501</u>	Cap, Quick Connect, Female .....	1
13	<u>102973601</u>	Cap, Quick Connect, Male .....	1
14	<u>103409001</u>	Screw, 1/4-20 X 3.5 Hex, Cap .....	3

17

D

17

*D*



# MAINTENANCE AND SERVICE TOOLS

---

18

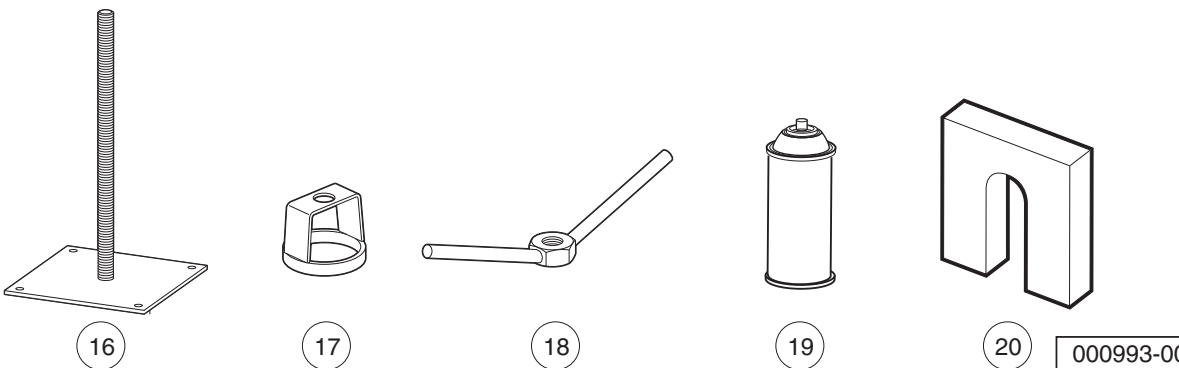
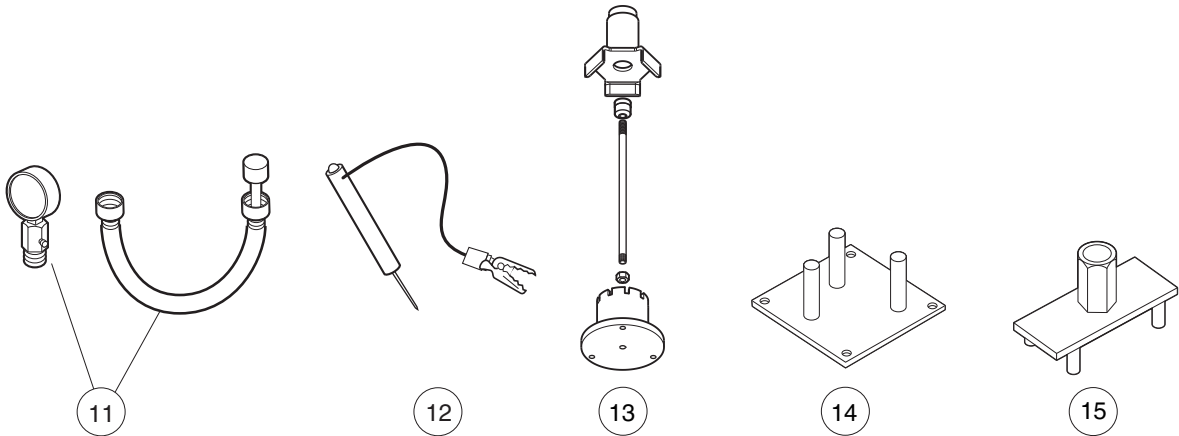
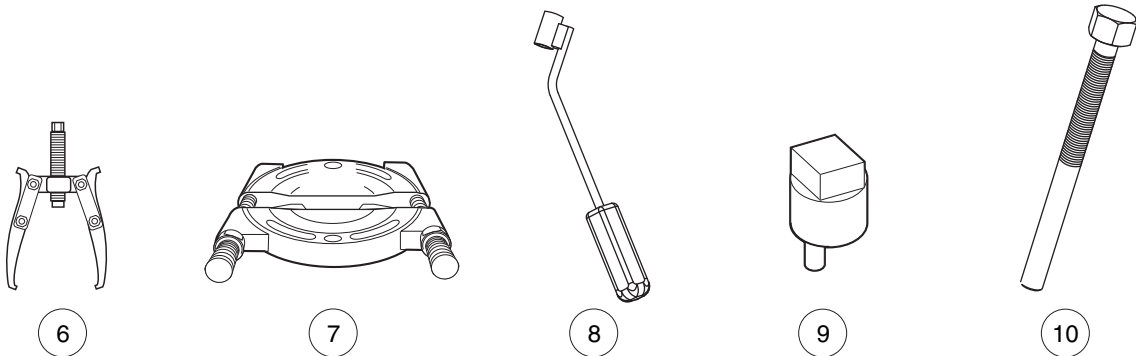
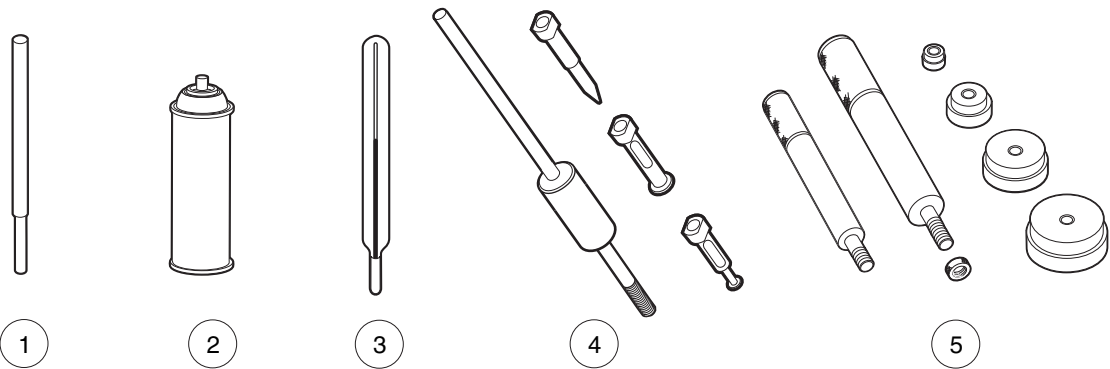
G

D

18

G

D



000993-001

# MAINTENANCE AND SERVICE TOOLS – 295/1550

ITEM	PART NO.	DESCRIPTION	QTY GAS	QTY DIESEL
		<p style="text-align: center;">1 2 3 4</p> <p>The following list includes all tools available from Club Car for maintenance and service procedures on all variants of the Carryall 295 and XRT 1550 utility vehicles equipped with either the Kawasaki FH680 or Kubota D722 engines, both past and present models. Be sure to carefully examine the tool list for applicability to your vehicle before ordering.</p>		
1	<u>101641202</u>	Arbor .....	1	1
2	<u>1014305</u>	Battery Terminal Protector Spray .....	1	1
3	1011767	Battery Thermometer .....	1	1
4	<u>1016417</u>	Bearing and Oil Seal Remover Assembly .....	1	1
5	<u>1016416</u>	Bearing Driver Set .....	1	1
6	<u>1012811</u>	Bearing Puller .....	1	1
7	<u>1012812</u>	Bearing Puller Wedge Attachment .....	1	1
8	<u>102555501</u>	Brake Cable Release Tool .....	1	1
9	<u>102447101</u>	Camber Adjustment Tool (for AWD vehicles).....	1	1
10	<u>102686101</u>	Clutch Removal Tool (for AWD vehicles).....	1	1
11	101641002	Compression Gauge and Adapter .....	1	
12	1011273	Continuity Tester .....	1	1
13	<u>103865301</u>	Drive Clutch Service Tool (for AWD vehicles with 3-weight drive clutch) .....	1	1
14	<u>102601501</u>	Drive ClutchFixed Sheave Tool (for AWD vehicles with 2-weight drive clutch) .....	1	1
15	<u>102607501</u>	Drive Clutch Spider Removal Tool (for AWD vehicles with 2-weight drive clutch) .....	1	1
16	<u>102603501</u>	Driven Clutch Spring Compression Base (for use with items 17 and 18) (for AWD vehicles) .....	1	1
17	<u>102605201</u>	Driven Clutch Spring Compression Collar (for use with items 16 and 18) (for AWD vehicles) .....	1	1
18	<u>102606101</u>	Driven Clutch Spring Compression Nut (for use with items 16 and 17) (for AWD vehicles) .....	1	1
19	<u>1012151</u>	Dry Moly Lubricant .....	1	1
20	<u>1016418</u>	Gear Yoke .....	1	1
		Please refer to the maintenance and service manual for proper tool application.		

18

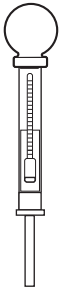
G

D

18

G

D



21



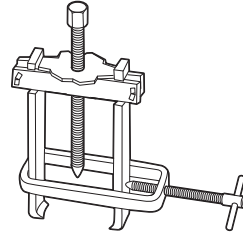
22



23



24



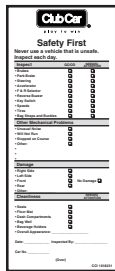
25



26



27



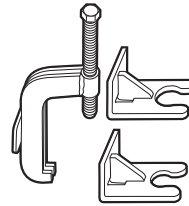
28



29



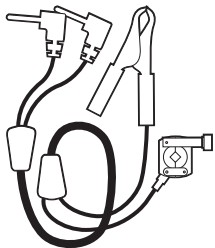
30



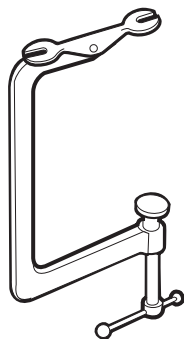
31



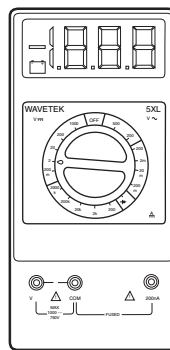
32



33



34



35

000993-002

# MAINTENANCE AND SERVICE TOOLS – 295/1550, CONTINUED

ITEM	PART NO.	DESCRIPTION	QTY GAS	QTY DIESEL
		1 2 3 4		
21	<u>1011478</u>	Hydrometer .....	1	1
22	<u>1013593</u>	Internal Retaining Ring Pliers .....	1	1
23	<u>101928701</u>	Liquid Gasket (transaxle case) .....	1	1
24	<u>101997207</u>	Paint, Touch-Up – Black .....	1	1
24	<u>101997205</u>	Paint, Touch-Up – Dark Gray .....	1	1
24	<u>101997209</u>	Paint, Touch-Up – Dark Green .....	1	1
24	<u>101997204</u>	Paint, Touch-Up – Gray.....	1	1
24	<u>101997203</u>	Paint, Touch-Up – Red .....	1	1
25	<u>102668801</u>	Puller, Special Use (for AWD vehicles with Kubota D722 Diesel Engines) .....		1
26	<u>1012549</u>	Retaining Ring Pliers, 45° External .....	1	1
27	<u>1012560</u>	Retaining Ring Pliers, 90° Internal .....	1	1
28	<u>101823101</u>	Safety First Card (50 per pack) .....	1	1
29	<u>1012809</u>	Seal Puller .....	1	1
30	<u>102330901</u>	Spanner Wrench (for coil over shock front suspension vehicles only) .....	1	1
31	<u>102061201</u>	Steering Wheel Puller Tool .....	1	1
32	<u>AM10753</u>	Tachometer (includes gasoline engine pick up lead only) .....	1	1
33	<u>AM10771</u>	Tachometer Diesel Probe (for use with item 32) .....		1
34	<u>101641101</u>	Valve Spring Compressor .....	1	
35	<u>1011480</u>	Volt Ohm Meter .....	1	1
		Please refer to the maintenance and service manual for proper tool application.		

18

G

D



# INDEX

## Part Number and Page

AM10753	18-5	101082903	4-3, 4-11	1015258	1-7
AM10771	18-5	1010934	1-59, 6-9, 6-15, 7-21, 7-23	1015277	1-57
AM11805	9-3	1011273	18-3	1015313	1-59
AM1210002	1-15	1011478	18-5	1015363	1-59
AM1210801	1-15	1011480	18-5	1015390	1-59
AM1211003	1-15	1011553	3-5, 3-13, 3-21, 5-15	1015391	1-7
AM1211401	1-15	1011578	1-17, 1-21, 1-23, 1-29, 1-31, 16-9, 16-11, 16-13	1015399	1-7, 1-59, 1-61
AM1215701	1-15	1011652	1-33, 1-35, 1-37, 1-39	1015400	1-7, 1-59
AM1215801	1-15	1011697	1-33, 1-35	1015457	16-11, 16-13
AM1216101	15-21	1011767	18-3	101547601	3-3, 3-11
AM1232301	8-7, 8-15, 8-17	1011779	4-11	1015521	6-9, 6-15, 7-21, 7-23
AM1232401	8-7	1011931	7-11	1015583	1-7
AM1245401	17-27, 17-29	1011964	1-51	1015720	17-19
AM1291501	15-29	1011990	1-59	1015741	6-7, 7-19
AM1291601	15-29	1012151	18-3	101587703	9-47
183	10-5, 11-3	1012295	6-7, 7-19	1016078	1-57
324	10-7, 11-5	1012303	1-7	101609401	3-5, 3-13, 3-21
332	1-37, 1-39, 1-59, 1-61, 6-9, 6-15, 7-21, 7-23, 11-5	1012438	17-19	1016103	17-19
334	1-57	1012549	18-5	101641002	18-3
357	1-9	1012560	18-5	101641101	18-5
403	1-7	1012649	10-7, 10-9, 11-5	101641202	18-3
451	1-37, 1-39	1012769	9-5, 15-25	1016416	18-3
808	1-17, 1-21, 1-23	1012809	18-5	1016417	18-3
1016	10-5, 11-3	1012811	18-3	1016418	18-3
1017	17-19	1012812	18-3	1016423	7-11
1032	1-59	1012830	1-37, 1-39	101648201	8-11
1108	6-9, 6-15, 7-21, 7-23	1012830	1-37, 1-39	1016513	10-3, 10-15
1231	1-59	1013035	5-5	1016544	8-15
1241	6-9, 6-15, 7-21, 7-23	1013042	5-5	1016603	1-9
1242	4-11	101313402	10-9, 11-5	1016630	6-13, 7-15, 7-17
1308	17-27, 17-29	1013317	1-59	1016851	6-13, 7-15, 7-17
1631	17-19	1013366	1-61	1016896	6-13, 7-15, 7-17
7049	1-59	1013461	10-5, 11-3	1016916	1-19
7173	17-27, 17-29	1013462	10-5, 11-3	1016967	1-19
7174	17-27, 17-29	1013531	4-11	1017162	1-9
7310	2-3, 2-5	1013593	18-5	1017167	1-9
7473	1-7, 1-61, 6-9, 6-15, 7-21, 7-23	1013734	1-37, 1-39	1017774	1-9
7973	1-59	1013746	9-47	101802601	6-13, 7-15, 7-17
8056	6-13, 7-15, 7-17, 10-17, 11-9	1014063	7-11	101804301	1-19
8057	6-13, 7-15, 7-17, 10-17, 11-9	1014201	1-33, 1-35	101823101	18-5
8058	6-13, 7-15, 7-17	1014305	18-3	101824401	9-47, 11-5
8233	1-19, 1-59, 1-61, 10-7, 11-5	1014306	1-53, 1-55, 1-61	101833101	9-5
8251	1-53, 1-55	1014321	1-59	101833201	9-5
8639	4-7, 4-11	1014375	6-9, 7-21	101835601	1-7, 1-57
8717	7-11	1014387	1-59	101850301	5-3
8754	1-7, 1-9	1014415	1-33, 1-35, 1-59, 1-61	101856101	13-11, 14-11
8755	1-7, 1-9	1014471	1-7, 16-7	101887601	1-37, 1-39, 4-7, 12-5
8797	10-5, 11-3	1014537	1-59, 1-61	101894304	1-61
8990	1-9, 5-5, 15-23, 17-19	1014557	1-41	101898001	6-9, 6-15, 7-21, 7-23
1010193	1-41	1014727	6-13, 7-15, 7-17	101928701	18-5
1010200	1-9	1014789	6-11, 7-9	101932201	17-19
1010434	1-33, 1-35, 1-59	1014808	6-13, 7-15, 7-17	101953101	4-11
1010435	1-7, 1-59, 1-61	1015068	1-51	101958602	1-57
1010436	1-61	1015137	10-9	101963401	1-59, 1-61
		1015245	1-59	101972003	18-5
		1015246	1-59	101972004	18-5

101972005	18-5	102298240	4-11	102420501	6-7, 7-19
101972007	18-5	102298401	1-37, 1-39, 4-3, 4-9, 4-11, 5-3, 8-13, 9-5, 12-3, 15-23, 15-37	102422301	9-55, 12-3
101972009	18-5	102298580	1-19	102423201	11-11
101987901	6-3, 6-5, 7-3, 7-5	102298720	1-19, 12-5, 16-9	102426301	10-7, 11-5
101988101	6-3, 7-3	102301401	1-57	102426601	1-9, 1-57
101988201	6-3, 7-3	102323101	1-57	102426901	1-7
102003201	8-7, 10-7	102323501	1-19	102427501	3-3, 3-11, 3-19, 16-9
102022601	5-5	102324401	1-43	102427601	16-11, 16-13
102022901	5-5, 5-7, 5-9	102330901	18-5	102430401	11-5
102023703	1-37, 1-39	102343601	1-51	102434701	9-3
102025401	17-31	102355301	6-9, 7-21	102435001	16-11, 16-13
102025701	1-37, 1-39	102361901	5-7, 5-9	102436701	16-7
102030101	1-59	102370101	9-5	102437001	5-7
102030201	1-59	102370501	8-9, 9-5	102438201	15-3
102044702	6-13	102370601	8-9, 9-5	102438301	15-3
102044801	6-13	102371401	8-13	102438401	15-3
102045001	1-19	102371801	15-3	102438501	15-3, 15-7
102047001	1-37, 1-39	102374901	13-3, 14-3	102438601	15-3, 15-13
102048401	1-19	102375401	7-15, 7-17	102438701	15-3, 15-7
102051601	6-13, 7-15, 7-17	102376001	15-23	102438801	15-3, 15-7
102051701	6-13, 7-15, 7-17	102377501	16-11, 16-13	102438901	15-3, 15-7
102059001	1-37, 1-39	102377601	16-11, 16-13	102439001	15-3, 15-7
102059401	1-37, 1-39	102377801	16-7	102439101	15-3, 15-7
102061101	1-37, 1-39	102377901	16-7	102439201	15-3, 15-7
102061201	18-5	102379001	11-7	102439301	15-3
102065901	1-7	102380301	16-7	102439401	15-3
102066001	1-9	102380601	4-9	102439501	15-3
102171503	1-7	102381701	15-27	102439601	15-3
102176901	4-3	102382401	9-5, 15-25	102439701	15-3
102198001	6-13, 7-15, 7-17	102385601	14-5	102439801	15-3, 15-7
102221301	1-61	102406701	10-5, 11-3	102439901	15-3
102221401	1-61	102406801	11-3	102440101	15-3, 15-7
102221501	1-61	102408401	5-7, 5-15	102440201	15-5, 15-15
102221701	1-61	102409301	12-3	102440301	15-3, 15-7
102221801	1-61	102409501	12-5	102440401	15-5
102222001	1-61	102410001	16-15	102440501	15-5, 15-7
102222101	1-61	102410301	16-7	102440601	15-5, 15-15
102222201	1-61	102410603	9-5	102442001	17-19
102231601	3-3, 3-11	102410604	10-7	102442002	1-37, 1-39
102239901	1-61	102411203	11-5	102442201	6-9, 7-21
102274101	5-9, 15-27	102411204	16-9, 16-11, 16-13	102442901	4-9
102276001	15-39	102411205	16-9	102443601	8-13
102288901	16-11, 16-13	102411206	16-11, 16-13	102445201	10-17, 11-9
102289001	1-13, 1-17, 1-19, 1-21, 1-23, 8-13, 16-7	102411207	16-7, 16-11, 16-13	102447101	18-3
102290120	5-3	102411208	16-7, 16-11, 16-13	102447601	1-43
102292356	1-17, 1-21, 1-23	102411209	11-7	102447901	6-7, 7-19
102292701	1-17, 1-21, 1-23	102411210	10-11, 11-7, 13-9, 13-11, 14-9, 14-11	102448001	6-7, 7-19
102292801	1-17, 1-21, 1-23, 4-11	102411301	16-7	102448401	6-9, 7-21
102296140	4-7	102414501	13-11, 14-11	102448501	7-21, 7-23, 8-13
102296401	10-17, 11-9	102414801	9-5	102449101	15-39
102296601	8-9	102418101	1-57	102456001	1-37, 1-39
102296716	4-7, 13-9, 13-11, 14-9, 14-11	102420201	6-7, 7-19, 17-19	102457001	10-19
102296920	8-9	102420301	6-7, 7-19	102457501	8-13
102297230	1-17, 1-19, 1-21, 1-23	102420401	6-7, 7-19	102458901	1-37, 1-39, 3-3, 3-11, 3-19
102298130	1-37, 1-39, 5-3			102459001	3-3, 3-11, 3-19
				102459101	3-3, 3-11, 3-19



# INDEX

102459201	3-3, 3-11, 3-19	102499001	6-13, 7-15, 7-17	102606301	9-19
102459301	3-5, 3-13, 3-21	102522001	10-5, 11-3	102606401	9-19
102459401	3-5, 3-13, 3-21	102535101	6-5, 7-5	102606501	9-19
102459501	3-3, 3-11, 3-19	102551901	4-11	102606601	9-19, 9-55
102460201	3-5, 3-11, 3-13, 3-19, 3-21	102552001	4-11	102606701	9-17
102461401	10-17, 11-9	102555501	18-3	102606901	9-9
102462301	9-5	102600001	9-7	102607001	9-9
102462401	15-27	102600101	9-7	102607201	9-9
102462501	9-5	102600201	9-7	102607301	9-9
102462504	8-9	102600301	9-7, 9-11, 9-55	102607401	9-9
102463101	15-41	102600401	9-7	102607501	18-3
102463501	15-39	102600601	9-7	102607601	9-25, 9-57
102463601	15-39	102600701	9-7	102607602	9-25
102463801	15-41	102600801	9-7, 9-11	102607801	9-25
102463901	15-39, 15-41	102601001	9-7, 9-13	102607901	9-25
102464001	15-41	102601101	9-35	102608001	9-25
102464101	15-41	102601301	9-7	102608101	9-25
102464201	15-41	102601401	9-7	102608201	9-21, 9-55
102464301	5-9, 15-41	102601501	18-3	102608301	9-21, 9-55
102464401	15-41	102601801	9-13, 9-55	102608401	9-21
102464501	15-41	102601901	9-13	102608501	9-21
102465701	1-9	102602001	9-13	102608601	9-21
102465901	9-5	102602101	9-13	102608701	9-21, 16-3
102473501	1-37, 1-39	102602301	9-13	102608801	9-25
102473601	1-37, 1-39	102602401	9-13	102608802	9-25
102473701	1-37	102602601	9-13	102608803	9-25
102474301	4-7	102602701	9-13	102608804	9-25
102475701	4-7, 10-19, 11-11, 15-25	102602801	9-13	102608805	9-25
102475901	1-37, 1-39	102603201	9-23	102608806	9-25
102478501	11-3	102603501	18-3	102608901	9-21
102479301	10-17, 11-9	102603601	9-29	102609001	9-25
102480501	16-11, 16-13	102603701	9-29	102609002	9-25
102481001	13-11, 14-11	102603801	9-29	102609003	9-25
102481201	13-11, 14-11	102603901	9-29	102609101	9-21
102481301	13-11, 14-11	102604001	9-29	102609301	9-21
102488001	4-5, 4-13	102604101	9-29	102609401	9-21
102490101	1-49, 9-5	102604201	9-23, 9-29	102609601	9-21
102490201	9-5	102604301	9-29	102609801	9-25
102490301	11-11, 16-7	102604401	9-25, 9-29	102609802	9-25
102490501	9-5	102604501	9-29	102609803	9-25
102490801	5-9	102604701	9-29	102610001	9-25
102491001	8-9, 15-27, 17-27, 17-29	102604801	9-29	102614101	1-7, 1-9
102491101	15-27	102604901	9-23	102614401	1-61
102491301	1-19, 1-45	102605001	9-23	102616003	13-11, 14-11
102491501	1-19, 1-45, 1-47, 17-13	102605101	9-9, 9-23	102616101	13-11, 14-11
102491601	4-5, 4-13	102605201	18-3	102616301	5-7, 5-11, 5-13
102491701	1-25, 1-27, 1-53, 1-55	102605301	9-23	102616701	15-23
102492201	6-7, 7-19	102605401	9-23	102617001	17-17
102492301	7-19	102605501	9-23	102617201	1-19, 1-45, 1-47, 17-27, 17-29
102493301	4-5, 4-13	102605601	9-23	102617501	5-9, 15-27
102493801	1-57	102605701	9-43	102617701	5-9
102494401	9-5	102605801	9-23	102617801	5-9, 15-27
102494701	11-3	102605901	9-23	102618101	4-9
102495701	7-15	102606001	9-23	102618301	1-57, 4-9, 4-11, 15-23, 17-27, 17-29
102498201	7-21, 7-23, 9-5	102606101	18-3	102618401	4-3
102498601	8-7, 9-3, 10-11, 11-7	102606201	9-19	102618601	1-9, 1-11, 1-19, 1-29, 1-31, 1-57,

# INDEX

8-13, 9-5, 10-7, 11-5, 16-11, 16-13, 17-27, 17-29	102636201	9-45	102652801	9-11	
102620301	1-41	102636301	9-45	102652901	9-49
102620501	5-7, 5-11, 5-13	102636401	9-45	102653001	9-49
102621201	10-11, 11-7, 11-11, 12-5	102636501	9-45	102653101	9-49
102621301	8-13, 9-5, 12-3	102636601	9-45	102653201	9-49
102621501	9-5, 15-25	102637001	9-31	102653301	9-49, 9-55
102626201	4-9	102637101	9-31	102653401	9-11
102628001	13-11, 14-11	102637701	9-39	102653501	9-11
102628101	12-3	102640401	9-39	102653601	9-49
102628301	13-9, 14-9	102640501	9-39	102653701	9-49
102628701	16-11	102640601	9-33, 9-39	102653901	9-11
102629001	1-9	102640701	9-39	102654101	9-11, 9-55
102630001	9-25	102640901	9-39	102654301	9-13, 9-41, 9-51
102630002	9-25	102641001	9-39	102654401	9-23
102630003	9-25	102641101	9-39	102654601	9-9, 9-55
102630101	9-25	102641201	9-39	102654701	9-55, 16-15
102630201	9-25	102641501	9-43	102668801	18-5
102630301	9-25, 9-55	102642401	9-43	102670601	1-41
102630401	9-25	102642501	9-43	102670701	1-15, 5-15, 9-5, 17-13
102630601	9-35, 9-37	102642601	9-43	102671201	1-43
102630701	9-25	102642701	9-43	102672201	15-39
102630702	9-25	102642801	9-43	102672301	15-39
102630703	9-25	102642901	9-43	102672401	15-39
102630901	9-25, 9-57	102643001	9-43	102673201	1-61
102631001	9-25, 9-57	102643101	9-43	102684501	15-23
102631301	16-15	102643201	9-43	102684603	15-23
102631401	16-15	102643301	9-43	102684901	16-7
102631601	9-7, 9-35, 9-37, 16-15	102643401	9-43	102685001	16-7
102631701	16-5	102643601	9-43	102686101	18-3
102631801	16-5	102643701	9-43	102687801	5-5
102632001	16-5	102644001	9-15, 9-55	102693201	15-39
102632101	16-5	102644101	9-15	102693301	15-31, 15-39
102632201	16-5	102644501	9-55	102693401	15-39
102632701	9-55, 16-3	102645501	9-47	102693501	15-39
102633001	16-15	102646001	9-55	102693601	15-41
102633201	16-15	102646101	9-51	102694001	15-41
102633301	9-15	102646301	9-53	102694201	15-31, 15-39
102633401	9-55, 16-15	102646401	9-49	102694301	15-39
102633601	9-45	102646501	9-53	102694401	15-39
102633701	9-41	102646601	9-53, 9-55	102694502	15-41
102633801	9-41	102647101	9-53	102694701	15-39
102633901	9-41	102647201	9-53	102694801	15-39
102634001	9-41, 9-55	102647501	9-27	102695401	13-7, 14-7
102634101	9-41	102647701	9-35, 9-37, 9-47	102695601	13-7, 14-7
102634401	9-41, 9-55	102647801	9-27	102695801	13-7, 14-7
102634501	9-41, 9-55	102647901	9-27	102695901	13-7, 14-7
102634601	9-41	102648001	9-27	102696001	15-35
102634701	9-41	102648401	9-47	102696101	15-31
102635101	9-45	102651301	9-49	102696201	15-31, 15-33
102635201	9-41	102651501	9-49	102696501	15-31, 15-33
102635301	9-31, 9-41, 9-43, 9-55	102651601	9-49	102696601	15-35
102635501	9-31	102651701	9-49	102696701	15-31
102635701	9-31	102651801	9-49	102696801	15-31, 15-33
102635801	9-31	102652001	9-49	102696901	15-31, 15-33
102635901	9-31	102652601	9-49	102697001	15-33
		102652701	9-49	102697101	15-31, 15-33

# INDEX

102697501	15-33	102731001	16-15	102791301	17-17
102698701	15-33	102731101	16-15	102792001	5-7
102699401	15-31	102731201	16-3	102792002	5-7
102699601	15-35	102731301	9-35, 9-37	102794801	17-31
102699701	15-31, 15-33	102731501	9-53	102794901	17-31
102700801	9-7	102731601	9-53, 12-3	102798001	9-11
102701001	9-11	102731801	9-55	102798101	9-13
102701201	9-35, 9-37	102731901	9-55	102798201	9-13
102701601	9-45	102732001	9-57	102798401	9-15
102703301	9-3, 9-13	102732201	9-25, 9-57	102798501	9-15, 9-55
102711601	5-7, 15-27	102732301	1-47	102798601	9-15
102718101	1-15, 1-41, 1-45, 1-47, 1-49	102732401	1-41, 1-49	102798701	9-15
102719301	1-15	102732501	9-35, 9-37, 9-47	102798801	9-15
102722001	8-13	102732601	9-7, 9-55	102798901	9-15
102722301	5-7, 5-9	102736901	2-3, 2-5	102799001	9-15
102723901	15-21	102737301	16-7	102799101	9-15
102725501	10-11, 11-7	102740401	8-9	102799201	9-15
102725601	10-11, 11-7	102741601	17-31	102799401	9-23
102726201	9-7	102762601	15-41	102799501	9-31
102726301	9-7	102763301	4-11	102799601	9-33
102726401	9-7	102763401	4-11	102799701	9-33
102726501	9-7	102764901	15-33	102799801	9-33
102726601	9-7	102765201	15-31	102799901	9-33
102726701	9-11	102765301	15-41	102800101	9-39
102726901	9-11	102765701	15-41	102800201	9-45
102727001	9-11	102765801	15-41	102800301	9-45
102727101	9-11	102767601	16-13	102800401	9-41
102727401	9-13	102772201	1-55	102800501	9-41
102727501	9-13	102784001	17-27	102800601	9-41
102727601	9-13	102784002	17-29	102800701	9-35, 9-37
102727701	9-17	102784003	17-31	102801001	9-35, 9-37
102727901	9-19	102784201	17-21	102801101	9-49
102728001	9-21	102784601	17-23	102801201	9-49
102728101	9-25, 9-57	102784701	17-23	102801301	9-51
102728102	9-25	102784801	17-23	102801401	9-51
102728301	9-27	102784901	17-23	102801501	9-51
102728401	9-29	102785001	17-23, 17-31	102807601	16-9
102728501	9-29	102785101	17-23, 17-31	102807801	16-9
102728601	9-31	102785401	17-31	102810701	10-11, 11-7
102728701	9-31	102785501	17-27, 17-29	102812801	12-5
102728801	9-31, 9-55	102786101	17-13, 17-15, 17-17, 17-21	102816801	5-5
102728901	9-31	102786201	12-5	102834401	1-49
102729101	9-33	102786401	7-11	102849801	17-19
102729301	9-13, 9-55	102787101	17-23	102850501	17-19
102729401	9-41	102787601	17-23	102854401	17-19
102729501	9-41	102787602	17-23	102854501	17-19
102729601	9-43	102787701	17-23	102854601	17-19
102729701	9-43	102788701	5-11, 5-13	102854801	17-19
102730001	9-35	102789001	17-17	102854901	17-19
102730101	9-35	102789101	17-17	102855501	16-7
102730201	9-35, 9-37	102789201	17-17	102859101	17-27, 17-29
102730301	9-35	102789301	17-17	102865101	10-7, 10-9
102730401	9-35, 9-37	102790001	17-17	102866901	1-17, 1-21, 1-23
102730601	9-35, 9-37	102790801	17-17	102867001	1-17, 1-21, 1-23
102730801	9-7	102790901	17-17	102867101	1-19
102730901	16-15	102791001	17-17	102867202	1-5

# INDEX

102867301	1-19	102928701	17-29	102991601	8-17
102867401	1-21	102928901	17-27, 17-29	102991801	8-17
102867501	1-17	102929501	17-11	102991901	8-17
102867602	1-23	102929601	17-9, 17-11	102992001	8-17
102869401	6-13, 7-15, 7-17	102929701	17-11	102992101	8-17
102882301	1-13	102930001	17-5	102992201	8-17
102882401	1-17, 1-21, 1-23	102930101	17-7	102992301	8-17
102882501	1-9, 6-13, 7-15	102930201	17-9	102992401	8-3, 8-11, 8-17, 10-3
102883401	1-19	102930301	17-11	102992501	8-3, 10-7
102883601	3-7, 3-9, 3-15, 3-17	102930501	17-25	102992601	8-17
102884301	3-3, 3-13	102930801	3-21	102992701	8-17
102884401	3-5, 3-13	102930901	12-5	102992801	8-17
102885001	7-7	102934701	9-37	102992901	8-17
102889201	3-13	102934801	9-37	102993201	8-19
102894501	6-5, 7-5	102934901	9-37	102993301	8-19
102895101	1-17, 1-21, 1-23	102935501	1-19	102993401	8-19
102895401	1-17, 1-21, 1-23	102936801	7-11	102993501	8-19
102896501	1-17, 1-21, 1-23	102937401	7-11	102993601	8-19
102913801	1-53, 1-55	102937501	7-11	102993701	8-19
102913901	1-53, 1-55	102937601	7-11	102993901	8-19
102914001	1-53, 1-55	102946701	16-7	102994101	8-19
102914101	1-53, 1-55	102949301	12-7	102994301	8-15
102914102	1-53, 1-55	102950601	3-21	102994401	8-19
102914104	1-55	102951901	8-9	102994601	8-5
102914105	1-55	102958301	8-13	102994701	8-5
102918501	17-19	102958401	8-13	102994801	8-5
102921601	17-13, 17-15, 17-17, 17-21	102958501	8-13	102994901	8-5
102921701	17-27, 17-29	102958601	8-13	102995001	8-5
102922601	17-31	102959001	9-5	102995101	8-5
102922701	17-31	102961201	3-5, 3-13, 3-21	102995201	8-5
102923001	17-21	102961301	15-41	102995301	8-5
102923101	17-21	102961401	15-41	102995401	8-5
102923201	17-15	102967901	1-17, 1-21, 1-23, 17-19	102995501	8-5
102923301	17-17	102973201	16-9	102995601	8-5
102923401	17-15	102973501	17-31	102995701	8-5
102923801	17-31	102973601	17-31	102995801	8-5
102925201	17-13	102977501	7-17	102995901	8-5
102925601	3-27	102978801	1-23	102996001	8-5
102926301	17-25	102978901	1-23	102996101	8-5
102926401	17-25	102979301	1-21	102996201	8-5
102926501	17-25	102983201	1-45, 1-47	102996301	8-5
102926601	17-9, 17-11, 17-25	102983601	1-45, 1-47	102996401	8-5
102926701	17-25	102988701	1-43, 1-45, 1-47, 1-49	102996501	8-5
102926801	17-25	102990101	8-17	102996601	8-5
102927101	5-7	102990201	8-17	102996701	8-5
102927102	5-7	102990301	8-17	102996901	8-11
102927201	17-5	102990401	8-17	102997001	8-11
102927301	17-5	102990501	8-17	102997101	8-11
102927401	17-5, 17-9, 17-11	102990601	8-17	102997201	8-11
102928001	17-27, 17-29	102990701	8-17	102997401	8-11
102928101	17-27, 17-29	102990801	8-17	102997601	8-11
102928201	17-27, 17-29	102990901	8-17	102997701	8-11
102928301	17-27, 17-29	102991101	8-17	102997801	8-11
102928401	17-27, 17-29	102991201	8-17	102997901	8-11
102928501	17-27, 17-29	102991401	8-17	102998001	8-11
102928601	17-27, 17-29	102991501	8-17	102998101	8-11

# INDEX

102998201	8-11	103210401	3-5	103253801	1-19
102998301	8-11	103210501	3-13	103256401	5-7
102998401	8-11	103210801	1-43	103256501	5-7
102998601	8-3	103210802	1-43	103256701	5-7
102998701	8-3	103210901	1-43	103262901	8-9
102999101	8-3	103211101	1-43	103267001	1-37
102999201	8-3	103213201	7-7	103267002	1-39
102999301	8-3	103213301	6-3, 6-5, 7-3, 7-5	103268001	1-19
102999501	8-3	103213401	7-13	103268101	12-7
102999601	8-3	103213501	7-7	103273101	4-9
103000001	8-3	103214901	1-45	103274502	1-49
103000401	8-15	103215001	1-45	103274602	1-49
103000501	8-15	103215101	1-45	103276201	8-13
103000601	8-15	103215201	17-19	103277401	10-19
103000801	8-15	103215401	1-3	103277501	7-9
103000901	8-15	103215901	1-45	103277701	7-9
103001301	8-15	103216201	1-45	103279201	8-9
103001501	8-15	103216401	1-41, 1-43, 1-45, 1-47, 1-49	103283801	1-49
103002001	10-3	103216801	1-45	103289001	1-53, 1-55
103002101	10-3	103218104	6-5, 7-5	103289002	1-53, 1-55
103002301	10-3	103218107	1-17, 1-21, 1-23, 6-5, 7-5	103289101	1-53, 1-55
103002401	10-3	103218113	6-5, 7-5	103289102	1-53, 1-55
103002501	10-3	103218901	1-39	103289103	1-53, 1-55
103002801	10-3, 10-15	103223101	1-51	103289104	1-53, 1-55
103002901	10-3	103225801	1-45, 1-47	103289107	1-55
103003801	10-15	103227001	1-9	103289108	1-55
103003901	10-15	103231701	1-3	103289109	1-55
103004201	10-15	103231801	1-3	103289110	1-55
103005001	10-15	103233001	1-19	103293401	10-19
103005601	10-15	103233614	3-7, 3-15, 3-23	103296001	1-19
103009901	10-7	103233617	3-7, 3-15, 3-23	103297101	10-15
103010101	10-7	103233714	3-7, 3-15, 3-23	103297201	10-15
103077501	4-5, 4-13	103233717	3-7, 3-15, 3-23	103297301	10-15
103146203	15-39	103234001	7-17	103297401	10-3
103146204	5-9	103234201	3-7, 3-9, 3-15, 3-17, 3-23, 3-25	103297501	10-3
103147001	5-15	103234304	3-7	103297601	10-3
103160101	4-5, 4-13	103234401	7-15, 7-17	103297701	10-3
103174302	4-7	103234503	2-3, 2-5	103297801	10-3
103180101	6-13, 7-15, 7-17	103236001	1-3	103298001	10-3
103182701	1-5	103237501	17-3	103298101	10-3
103182702	1-5	103237701	17-3	103298201	10-3
103182801	1-5	103239901	9-37	103298301	10-3
103188601	3-21	103240601	8-13	103298501	8-15, 10-3, 10-7, 10-15
103188701	3-19	103243001	17-9	103298601	8-17, 10-3
103191201	1-59	103243101	17-9	103298901	8-17
103191301	1-59	103243201	17-9	103299301	8-3
103191401	1-59	103243501	17-9, 17-11	103299401	8-3
103191501	1-59	103243601	17-9	103299501	8-15
103192101	1-45	103243701	17-9	103299601	8-15
103197201	8-13	103243801	17-9	103299701	8-15
103200501	1-53, 1-55	103243901	17-9, 17-11	103299801	8-15
103201501	13-5	103244001	17-9, 17-11	103299901	8-15
103202601	3-5	103244701	5-7, 15-27	103300101	8-15
103205801	7-17	103245801	7-11	103300301	8-3, 8-11
103208701	8-9	103246901	8-13	103305701	6-11
103208801	7-15, 7-17	103250401	15-31	103305801	6-11

# INDEX

103306801	10-13	103377501	1-43	103699801	2-3, 2-5
103306901	10-13	103379401	1-59	103701301	10-9
103307001	10-13	103380701	4-3	103721801	15-33
103307201	10-13	103400001	1-29, 1-31	103724501	5-3
103307301	10-13	103406501	1-59	103724503	5-3
103310701	7-15	103406502	1-59	103724602	5-3
103319501	1-55	103406601	1-59	103747301	9-3, 11-5
103319601	1-29, 1-31	103409001	17-31	103756401	10-9
103319701	1-29	103417401	1-29, 1-31	103760601	1-17
103319901	17-19	103418001	1-31	103761801	9-3, 11-5
103320201	10-15	103423701	1-29, 1-31, 16-11, 16-13	103762201	15-27
103320301	10-15	103441401	10-11, 11-7	103762501	7-7
103320401	10-15	103452001	10-9	103778601	2-3
103320601	13-9, 13-11, 14-9, 14-11	103456001	1-33, 1-35	103779001	2-3
103324901	7-15	103456002	1-33, 1-35	103779004	2-3
103326401	8-13	103478901	10-17, 11-9	103806401	1-41
103327201	6-13, 7-15, 7-17, 10-17, 11-9	103479101	10-17, 11-9	103810201	5-3
103331201	1-53, 1-55	103479201	10-17, 11-9	103828101	14-5
103340501	10-13	103479301	10-17, 11-9	103828201	13-7, 14-7
103340601	10-13	103485501	1-25	103829001	13-7, 14-7
103340701	10-13	103487501	1-25, 1-27	103829501	14-5
103340801	10-13	103488801	1-27	103829601	13-5, 14-5
103340901	10-13	103488802	1-27	103829701	13-5, 14-5
103341101	10-13	103496801	6-9, 7-21	103829801	13-5, 14-5
103341201	10-13	103500901	4-11	103829901	13-5, 14-5
103341301	10-13	103505301	4-11	103830001	13-5, 14-5
103341401	10-13	103505401	4-11	103831101	1-33, 1-35
103341501	10-13	103511201	1-47	103841701	5-11
103341601	10-13	103521001	6-5, 7-5	103841801	5-13
103341701	10-13	103523602	4-13	103842501	4-7
103341801	10-13	103523702	4-13	103843901	15-39
103341901	10-13	103525002	2-3, 2-5	103844301	1-51
103342001	10-13	103528201	8-9	103844401	1-51
103342101	10-13	103529501	4-11	103845501	5-15
103342201	10-13	103529601	1-41	103847101	4-7
103342301	10-13	103529701	1-41	103848001	13-5
103342501	10-13	103529801	1-41	103848401	10-11, 11-7
103342601	10-13	103530701	1-41	103855901	9-47
103342701	10-13	103532801	2-3, 2-5	103856101	13-5
103343301	10-13	103534201	1-41	103856501	13-5
103343401	10-13	103535001	4-11	103859901	5-3
103343501	10-13	103538701	1-7	103860302	5-15
103343601	10-13	103538901	1-7	103860402	5-15
103343701	10-13	103574301	4-5	103862701	5-3
103343801	10-13	103588001	1-17, 1-21, 1-23	103865301	18-3
103343901	10-13	103591301	11-5	103866601	5-5
103345501	8-15	103593201	11-5	103868201	15-41
103348101	6-13, 7-15	103593301	11-5	103868301	15-41
103348201	6-13, 7-15, 7-17	103596601	10-13	103871801	15-41
103348501	6-13, 7-15	103596701	10-13	103873001	15-23
103355401	17-13	103596801	10-13	103879301	15-25
103361701	1-45, 1-47	103629101	1-33, 1-35	103879401	15-25
103372101	10-5	103629102	1-33, 1-35	103879501	15-39
103372302	10-5	103629501	1-33, 1-35	103883001	15-35
103372401	10-9	103635101	1-41	103883201	10-17, 11-9
103376101	4-3	103687401	8-15	103883801	9-5

# INDEX

- 103884001 14-5  
103886001 15-23  
103886101 15-23  
103886201 5-15  
103886501 9-47  
103886601 15-25  
103887901 8-7, 8-11, 8-13  
103892501 1-11  
103892601 1-11  
103896603 11-5  
103898601 15-11  
103898801 15-7  
103898901 15-7  
103899201 15-7  
103901001 2-5  
103901101 2-5  
103901102 2-5  
103901107 2-5  
103901108 2-5  
103905201 10-5, 11-3  
103921701 11-11  
103921801 10-19  
103921901 11-11  
103922001 10-19  
103922801 15-41  
103922901 15-41  
103923001 5-15  
103924701 10-11  
103930401 5-11  
103930501 5-13  
103939301 5-9  
103939302 5-9  
103941901 9-17  
103944301 10-5, 11-3  
103945601 3-9, 3-17, 3-25  
103945602 3-9, 3-17, 3-25  
103945701 3-15, 3-17  
103947102 1-11  
103950101 11-3  
103951501 5-9, 15-39  
103955901 1-51  
103959210 1-17, 1-21, 1-23  
103959214 1-17, 1-23  
103959218 1-17, 1-21, 1-23  
103959230 1-21  
103959310 1-17, 1-21, 1-23  
103959314 1-17, 1-23  
103959318 1-17, 1-21, 1-23  
103959330 1-21  
103959410 1-17, 1-21, 1-23  
103959414 1-17, 1-23  
103959418 1-17, 1-21, 1-23  
103959430 1-21  
103959510 1-17, 1-21, 1-23  
103959514 1-17, 1-23  
103959518 1-17, 1-21, 1-23
- 103959530 1-21  
103963501 11-3  
103963701 10-5  
103966401 6-5, 7-5  
103969001 15-31  
103969801 5-7  
103978801 1-37, 1-39  
103980901 5-9  
103980902 5-9  
103981201 8-17  
103990201 15-37  
104025601 15-7  
104026201 15-9  
104026301 15-7  
104026401 15-17  
104026501 15-7  
104026601 15-19  
105100901 15-37  
105125301 15-31  
105125401 15-31  
105125501 15-33  
105125601 15-33  
105125701 15-31  
105125801 15-31  
105125901 15-35  
105173201 15-37  
105173301 15-37  
105173401 15-37  
105222301 9-41  
105222401 9-41  
105222501 9-41  
105222901 9-43  
105226501 9-51  
105237301 6-15, 7-23  
105256201 6-15, 7-23  
105256601 6-15, 7-23  
105315101 10-19  
96701412 8-9, 9-5  
96704176 16-7  
96704416 6-9, 6-15, 7-21, 7-23, 12-7, 15-23,  
16-7  
96704622 9-5  
96704721 8-9, 9-5  
96704960 8-9  
96705199 11-11, 16-7  
96705587 8-13  
96715552 1-19, 1-45, 1-47  
96718978 9-5  
96727003 17-13  
96741038 9-5  
96741046 1-49, 5-15, 8-9, 9-5, 17-27, 17-29  
96742515 1-37, 1-39  
96950126 10-19
- A**  
A-arm 5-7
- accelerator cable 10-19, 11-11  
accelerator cable bracket 11-11  
accelerator pedal 10-17, 11-9  
accessory receptacle 6-13, 7-15, 7-17  
actuator 1-9  
adapter  
actuator 1-9  
hose 8-13  
oil filter 8-13  
tube 8-13  
adjuster, forward/aft 1-37, 1-39  
adjuster, slider 1-37, 1-39  
air filter 8-7, 9-3, 10-11, 11-7  
air filter canister 10-11, 11-7  
air filter evacuator 10-11, 11-7  
air filter gasket 10-15  
alternator 9-35, 9-37  
alternator belt 9-35, 9-37  
arbor 18-3  
arm  
A 5-7  
A- 5-7  
governor link 10-3  
governor shaft 10-3  
rocker 8-5, 9-49  
arm attachment 17-15  
assembly  
accelerator pedal 10-17, 11-9  
adjusting bolt 9-31  
alternator 9-35, 9-37  
bearing case cover 9-21  
brake line 4-7  
brake pedal 4-9  
bucket seat 1-37  
camshaft 9-23  
case, main bearing 9-21  
connecting rod 9-25  
cylinder head cover 9-15  
drain cock 9-7  
filler cap 4-3  
forward/reverse 15-23  
fuel camshaft 9-29  
fuel cap 10-5, 11-3  
fuel filter/bracket 9-3, 11-5  
fuel injection pump 9-39  
fuel pump 10-7, 11-5  
gear case 15-41  
governor fork lever 9-45  
headlight harness 6-3, 6-5, 7-3, 7-5  
idle apparatus 9-31  
intake manifold 9-51  
latch, tilt bed 1-7  
muffler 5-7, 15-27  
nozzle holder 9-43  
oil pump 9-19  
overflow pipe 9-43

# INDEX

pinion 15-41  
piston ring 9-25, 9-57  
rocker arm 9-49  
speed plate 9-41  
tailgate 1-61  
tether 1-61  
thermostat 16-15  
tilt bed 1-7  
water pump 16-3  
wire 6-9, 7-21, 7-23, 8-13, 10-5, 11-3  
attachment  
  bucket 17-7  
  pallet fork 17-5  
  push broom 17-11  
  snow blade 17-9  
attachment arm 17-15  
attachment interface 17-17  
axle 15-39  
axle tube 15-41  
axle, rear 15-39

## B

ball  
  check 9-23  
  crankshaft 9-25  
  governor 9-29  
  injection pump 9-29  
  valve 9-13  
ball joint 5-7, 5-9  
band, pipe 16-5, 16-15  
banjo bolt 4-5, 4-13  
bar clamp 16-11, 16-13  
barb, vent 9-47, 11-5  
barrel, plastic 1-33, 1-35, 1-59  
barrier, heat 17-27, 17-29  
base, seat holder 1-37, 1-39  
battery  
  12-volt, side-post 6-9, 7-21  
  12-volt, top-post 6-15, 7-23  
battery clamp 6-9, 6-15, 7-21, 7-23  
battery terminal protector spray 18-3  
battery thermometer 18-3  
bearing  
  hub 5-9, 15-41  
  needle 15-3, 15-31, 15-33, 15-41  
bearing and oil seal remover 18-3  
bearing case cover 9-21  
bearing case, main 9-21  
bearing driver set 18-3  
bearing puller 18-3  
bearing puller wedge 18-3  
bed floor plate 1-7  
bed latch 1-59  
bed latch spring 1-59  
bed, tilt 1-7  
bellcrank 15-35

bellows 5-5, 15-39  
belt guard 9-37  
belt, alternator 9-35, 9-37  
belt, drive 13-3, 14-3  
belt, V- 9-35, 9-37  
bench seat back 1-33, 1-35  
bench seat back cap 1-33, 1-35  
bench seat bottom 1-33, 1-35  
blade, snow 17-9  
block, differential spacer 15-27  
block, engine 9-7  
block, fuse 6-7, 7-19  
bolt  
  adjusting 9-31  
  banjo 4-5, 4-13  
boot replacement kit, inner 15-29  
boot replacement kit, outer 15-29  
bottle, coolant 16-9  
box, hydraulic control 17-19  
bracket  
  actuator 1-9  
  bed latch 1-57  
  brake line 4-7  
  brake pedal 4-9  
  carbon canister 10-9  
  cover inlet 13-11, 14-11  
  draw latch 1-17, 1-21, 1-23  
  equalizer 4-11  
  hood support 1-19  
  muffler 12-5  
  oil filter 8-13  
  oil filter mount 8-13  
  radiator support 16-7  
  rocker arm 9-49  
  seatbelt 1-41  
  transmission cable 9-5, 15-25  
  transmission mounting 9-5  
bracket, hinge, bed 1-7  
brake cable 4-11  
brake cable release tool 18-3  
brake caliper, front 4-5  
brake caliper, rear 4-13  
brake line, front 4-7  
brake line, rear 4-7  
brake pad service kit 4-5, 4-13  
brake pedal 4-9  
brake return spring 4-11  
brake rotor 4-5, 4-13  
breaker, circuit 7-11  
breather cover 9-15  
breather gasket 8-17  
breather shield 9-15  
breather tube 9-15  
breather valve 9-15  
broom weldment 17-11  
broom, push 17-11

brush, FNR 1-19  
bucket attachment 17-7  
bucket seat 1-37, 1-39  
buckle, seat-belt 1-41  
buckle, seatbelt 1-43  
bulb, headlight 6-3, 6-5, 7-3, 7-5  
bulb, signal 6-5, 7-5  
bumper 16-7  
  bed 1-9, 1-57  
  front 1-3  
  rubber 1-61  
bushing 1-9  
  A-arm 5-7, 5-15  
  flanged bronze 9-23  
  forward/reverse 15-23  
  greaseless 4-9  
  lower arm 5-7  
  nylon 1-59  
  piston pin 9-25, 9-57  
  plain 15-5  
  return line 10-5, 11-3  
  snap-in 1-59  
  steel 1-7  
  urethane 1-7  
button, thrust 15-3, 15-7  
buzzer, reverse 6-13, 7-15, 7-17

## C

cable  
  accelerator 10-19, 11-11  
  brake 4-11  
  choke 10-19  
  FNR shifter 15-25  
  main park brake 4-11  
cable bracket, accelerator 11-11  
caliper, brake, front 4-5  
caliper, brake, rear 4-13  
camber adjustment tool 18-3  
camshaft 8-5, 9-23  
camshaft guide 8-5  
camshaft kit 8-5  
camshaft plate 8-5  
camshaft spring 8-5  
camshaft, fuel 9-29  
canister, air filter 10-11, 11-7  
canister, carbon, fuel tank 10-9  
canopy 1-51  
cap  
  air filter 10-11, 11-7  
  bolt assembly 9-31  
  center, alloy wheel 2-3, 2-5  
  corner 1-59  
  filler 4-3  
  front corner 1-61  
  fuel 11-3  
  fuel, gas, ratchet 10-5



# INDEX

- inlet 13-11, 14-11
  - oil fill 8-11
  - pressure 3-3, 3-11, 3-19, 16-9
  - radiator 16-7
  - rubber 5-9, 15-27
  - sealing 9-7, 9-11
  - speed control plate 9-41
  - valve 9-49
  - carbon canister 10-9
  - carburetor 10-13
  - carburetor air vent tube 9-47
  - carburetor gasket 10-13, 10-15
  - carburetor heater 10-13
  - carburetor jet 10-13
  - carburetor seal 10-13
  - carburetor shaft 10-13
  - carburetor solenoid 10-13
  - carburetor spring 10-13
  - carburetor throttle shaft 10-13
  - carburetor valve 10-13
  - card, safety first 18-5
  - carrier, differential 15-41
  - case
    - gear 9-13, 15-39, 15-41
    - governor ball 9-29
    - main bearing 9-21
  - case cover, bearing 9-21
  - center console 17-19
  - chain, transmission 15-31
  - charge coil 8-15
  - choke cable 10-19
  - circuit breaker 7-11
  - clamp
    - bar 16-11, 16-13
    - battery 6-9, 6-15, 7-21, 7-23
    - breather tube 9-15
    - hose 9-47, 10-7, 10-9, 11-5, 11-7
    - hose, green 10-9, 11-5
    - p- (fuel filter) 9-5, 10-7
    - pipe 9-43
  - clevis pin 4-3, 4-11
  - clip
    - body trim 1-17, 1-21, 1-23
    - brake line 4-7, 10-19, 11-11, 15-25
    - hair pin 1-61
    - meter 6-13, 7-15, 7-17
    - return pipe 9-43
    - wear 5-15
  - closeout 1-53, 1-55
  - clutch 13-5, 13-7, 14-5, 14-7
  - clutch cover (non-sealed)
    - CVT 13-9, 14-9
  - clutch cover (sealed) 13-11, 14-11
  - clutch housing 15-3
  - clutch removal tool 18-3
  - coil
    - charge 8-15
    - ignition 8-15
  - coil over shock 5-11, 5-13
  - collar, alternator assembly 9-35, 9-37
  - collar, crankshaft 9-25
  - collar, idle gear 9-23
  - collar, lever 9-41
  - collet 9-49
  - column, steering 5-3
  - compression gauge 18-3
  - compressor, valve spring 18-5
  - connecting rod 8-19, 9-25
  - connector, relay 6-7, 7-19
  - console, center 17-19
  - continuity tester 18-3
  - control box, hydraulic 17-19
  - control panel 10-3
  - coolant bottle 16-9
  - coolant exchanger 16-7
  - coolant fill tee 16-7
  - coolant lamp sensor 16-15
  - coolant pipe 16-11
  - coolant pipe assembly 16-13
  - coolant temperature indicator light 7-15, 7-17
  - cooling fan 8-3, 16-7
  - cord, glow plug 9-43
  - corner cap 1-61
  - coupling 17-25, 17-31
  - cover
    - alternator assembly 9-35
    - bearing case 9-21
    - breather 9-15
    - CCI dash storage 1-5
    - crankcase 8-17
    - CVT 8-9, 9-5, 13-11, 14-11
    - cylinder head 9-15
    - electrical 6-7, 7-19
    - engine 8-9
    - fuel camshaft 9-7
    - heat proof 9-53
    - input 15-5, 15-15
    - rocker 8-17
    - rocker switch hole 6-13, 7-15, 7-17
    - thermostat 16-15
  - cover gasket 10-13
  - cowl panel 1-17, 1-21, 1-23
  - cowl panel, driver-side 1-17, 1-21, 1-23
  - cowl panel, passenger-side 1-17, 1-21, 1-23
  - crank 9-25
  - crank oil seal 8-17
  - crankcase 8-17
  - crankcase cover 8-17
  - crankcase cover gasket 8-17
  - crankcase vent tube 10-15
  - crankshaft 8-19, 9-25
  - cup holder 1-19
  - cup holder, seat 1-37, 1-39
  - CVT cover 8-9, 13-9, 14-9
  - CVT cover kit, sealed 13-11, 14-11
  - CVT cover kit, unsealed 13-11, 14-11
  - cylinder head 8-17, 9-11
  - cylinder head cover 9-15
  - cylinder, hydraulic, lift 17-21
  - cylinder, hydraulic, tilt 17-21
  - cylinder, master 4-3
- ## D
- dash 1-19
  - dash weldment 1-19
  - decal
    - 4x4 3-7, 3-9, 3-15, 3-17, 3-23, 3-25
    - bed warning 3-21
    - CA 295 3-7, 3-15, 3-23
    - Club Car tailgate 1-61
    - crush area warning 3-5, 3-13, 3-21
    - driver/passenger 3-3, 3-11, 3-19
    - ground warning 3-3, 3-11, 3-19
    - hot manifold warning 3-3, 3-11, 3-19
    - hot surface warning 1-37, 1-39, 3-3, 3-11, 3-19
    - hydraulic controls 17-19
    - hydraulic pump 3-21
    - IntelliTach 3-27
    - joystick on/off 17-19
    - lock lever 3-21, 17-17
    - nameplate 3-7, 3-9, 3-15, 3-17
    - on/off 17-19
    - operating instructions 3-3, 3-13, 3-19
    - operator warning 3-5, 3-13
    - rollover warning 3-21
    - ROPS warning 3-5, 3-13, 3-21
    - rotating parts and hot manifold 3-3, 3-11, 3-19
    - rotating parts warning 3-5, 3-11, 3-13, 3-19, 3-21
    - tailgate 1-59
    - trailer hitch 3-5, 3-13, 3-21, 5-15
    - under 16 warning 3-5, 3-13, 3-21
    - vehicle loading 3-5, 3-13
    - warning 3-13
    - winch cable warning 3-3, 3-11
  - deflector oil 15-31
  - detent, repair 15-33
  - diesel tachometer probe 18-5
  - differential housing 15-41
  - differential oil 15-21
  - differential, front 15-3
  - differential, rear 15-39, 15-41
  - diode 6-11, 7-9
  - dipstick, oil 9-17
  - dowel pin 15-3
  - drag link 5-5

# INDEX

drain cock 9-7  
drive belt 13-3, 14-3  
drive clutch 13-5, 14-5  
drive clutch fixed sheave tool 18-3  
drive clutch service tool 18-3  
drive clutch spider removal tool 18-3  
driven clutch 13-7, 14-7  
driven clutch spring compression base tool 18-3  
driven clutch spring compression collar tool 18-3  
driven clutch spring compression nut tool 18-3  
dry moly lubricant 18-3

## E

E-clip 4-11  
elbow 11-3  
electric motor 17-27, 17-29  
end, tie rod 5-5  
engine block 9-7  
engine cover 8-9  
engine shroud 8-3  
engine starter motor 8-15  
engine, gasoline, Kawaski FH680 8-9  
equalizer 4-11  
equalizer rod 4-11  
exchanger, engine coolant 16-7  
exhaust gasket 9-55, 12-3, 12-7  
exhaust header 12-7  
exhaust header gasket 12-7  
exhaust pipe 12-3, 12-5  
exhaust shield 12-3, 12-5  
exhaust valve 8-5, 9-49  
extension, spring latch 1-7

## F

fan housing plate 8-3  
fan shroud 16-7  
fan, cooling 8-3, 16-7  
fascia 1-17, 1-21, 1-23  
fastener, push-in 6-7, 7-19  
fender, front 1-17, 1-21, 1-23  
fender, left rear 1-53, 1-55  
fender, rear 1-53, 1-55  
filler cap 4-3  
filter  
    air 8-7, 9-3, 10-11, 11-7  
    fuel 8-7, 9-3, 10-7, 11-5  
    inlet cover 13-11, 14-11  
    oil 8-7, 8-11, 8-13, 9-3, 9-13  
    oil pick up 9-9  
flange, water 16-15  
float valve 10-13  
floor plate, bed 1-7  
floorboard 1-29, 1-31

fluid, hydraulic 17-27, 17-29  
flywheel 8-15, 9-27  
FNR brush 1-19  
FNR brush strip 1-19  
FNR shifter 15-23  
FNR shifter bracket 9-5, 15-25  
FNR shifter cable 15-25  
foot well plate 1-31  
fork, pallet 17-5  
fork, transmission 15-31  
frame, tilt bed 1-7  
front bumper 1-3  
front differential 15-3  
front panel 1-59  
fuel camshaft 9-29  
fuel cap 11-3  
fuel filter 8-7, 9-3, 10-7, 11-5  
fuel gauge sending unit 10-5, 11-3  
fuel gauge/hour meter 6-13, 7-15  
fuel gauge/hour meter/seatbelt timer 7-17  
fuel injection pump 9-39  
fuel line 10-7, 10-9  
fuel pickup tube 11-3  
fuel pump 10-7, 11-5  
fuel tank (diesel) 11-3  
fuel tank (gasoline) 10-5  
fuel tank strap 10-7, 11-5  
fuse  
    10-amp 6-7, 7-19  
    20-amp 7-11  
    25-amp 6-7, 7-19  
    30-amp 7-19  
fuse block 6-7, 7-19

## G

gasket 10-13  
    air filter 10-15  
    bearing case 9-21, 9-55  
    breather 8-17  
    carburetor 10-13, 10-15  
    control plate 9-41, 9-55  
    cover 9-21, 9-55, 10-13, 13-11, 14-11  
    crankcase cover 8-17  
    cylinder head 9-11, 9-55  
    cylinder head cover 9-15, 9-55  
    drain plug 9-9  
    exhaust 9-55, 12-3  
    exhaust header 12-7  
    exhaust-manifold 9-53, 9-55  
    fuel pump 9-7, 9-55  
    gearcase 9-13, 9-55  
    head 8-17  
    head cover 9-55  
    head cover nut 9-31, 9-41, 9-43, 9-55  
    idle apparatus 9-31, 9-55  
    intake manifold 9-55  
    liquid 18-5  
    manifold 10-15  
    nozzle 9-43  
    oil pump 9-19, 9-55  
    rocker cover 8-17  
    sending unit 10-5, 11-3  
    thermostat 9-55, 16-15  
    water flange 9-55, 16-15  
    water pump 9-55, 16-3  
gauge  
    compression 18-3  
    fuel-hour 6-13, 7-15  
    fuel-hour-timer 7-17  
    oil dipstick 8-11  
gear  
    cam 9-23  
    case 9-13, 15-39, 15-41  
    crank 9-25  
    helical 15-33  
    idle 9-23  
    injection pump 9-29  
    oil pump 8-11  
    oil pump drive 9-19  
    ring 9-27, 15-3, 15-41  
    steering 5-5  
gear case assembly, rear 15-31  
gear case, front 15-31  
gear ring engagement 15-33  
gear yoke 18-3  
glow plug 9-43  
glow plug cord 9-43  
governor control lever 10-3  
governor fork lever 9-45  
governor lever 9-41  
governor link arm 10-3  
governor oil seal 8-17  
governor plate 10-3  
governor return spring 10-3  
governor shaft 10-3  
governor shaft arm 10-3  
governor spring 10-3  
grill 1-17, 1-21, 1-23  
grip tape, accelerator pad 10-17, 11-9  
grip, tilt latch hand 1-7, 1-59  
grommet 10-5, 11-3  
guard, belt 9-37  
guard, oil filter 8-13  
guard, splash 1-19  
guide  
    camshaft 8-5  
    exhaust valve 9-11  
    inlet valve 9-11  
    oil dipstick 9-17  
    rocker arm 8-5

# INDEX

## H

hair pin clip 1-61  
half shaft 15-27  
handbook, operator 17-3  
harness 1-9, 6-11, 7-7, 7-9, 8-15  
harness, control panel wire 7-11  
harness, headlight 7-7  
harness, hydraulic power unit 7-11  
harness, seatbelt light 7-13  
harness, wire 6-3, 6-5, 7-3, 7-5  
harness, wire - Kawasaki FH680 6-11  
head gasket 8-17  
head restraint 1-49  
head restraint kit 1-49  
head, cylinder 8-17, 9-11  
header, exhaust 12-7  
headlight 6-3, 6-5, 7-3, 7-5, 7-7  
headlight bulb 6-3, 6-5, 7-3, 7-5  
headlight harness 6-3, 6-5, 7-3, 7-5, 7-7  
heat barrier 17-27, 17-29  
heat seal 9-43  
heater, carburetor 10-13  
helical gear 15-33  
high beam switch 7-15  
hinge plate 1-33, 1-35, 1-37, 1-39  
hinge, hood 1-17, 1-21, 1-23  
holder  
    cup 1-19  
    FNR strip brush 1-19  
    fork lever 9-45  
hood 1-17, 1-21, 1-23  
hood latch 1-17, 1-21, 1-23  
hood prop 1-17, 1-21, 1-23  
hook, engine 9-11  
hose 16-9, 17-23, 17-31  
    coolant 16-5, 16-7, 16-11, 16-13  
    fuel 10-7, 10-9  
    fuel return 11-5  
    hydraulic 17-23, 17-25  
    inlet 13-11, 14-11  
    intake 10-11, 11-7  
    outlet 13-9, 13-11, 14-9, 14-11  
    vent 9-5, 10-9, 15-27, 16-11, 16-13  
hose clamp, green 10-9, 11-5  
hour meter 6-13, 7-15, 7-17  
housing  
    clutch 15-3  
    differential 15-41  
hub  
    wheel 5-9  
hydraulic control box 17-19  
hydraulic fluid 17-27, 17-29  
hydraulic hose 17-23, 17-25  
hydraulic power unit 17-27, 17-29, 17-31  
hydraulic power unit harness 7-11

hydraulic tube 17-21  
hydrometer 18-5

## I

idle apparatus 9-31  
idle gear 9-23  
ignition coil 8-15  
indicator, turn signal 7-15  
injection pump gear 9-29  
insulation, heat barrier 17-27, 17-29  
insulator, manifold 10-15  
intake adapter pipe 10-15  
intake hose 10-11, 11-7  
intake manifold 9-51, 10-15  
intake valve 8-5, 9-49  
internal retaining ring pliers 18-5  
isolator ring and bushing 8-9, 9-5  
isolator, twin stud 16-7

## J

jet kit  
    0-3300 ft 10-13  
    3300-6600 ft 10-13  
    6600+ ft 10-13  
jet needle 10-13  
jet, carburetor 10-13  
joint  
    ball 5-7, 5-9  
    eye 9-39  
    pipe 9-13  
joystick control 17-19  
joystick control box 17-19

## K

keeper, push-close latch 1-5  
key 8-15  
    feather 9-19, 9-23, 9-25, 9-29  
key (pair) 6-13, 7-15, 7-17  
key switch 6-13, 7-15, 7-17  
key switch spacer 6-13, 7-15, 7-17  
keyswitch nut 6-13, 7-15, 7-17  
kick panel 1-53, 1-55  
kit  
    auxiliary hydraulic 17-31  
    bolt 15-3, 15-7  
    brake pad service 4-5, 4-13  
    canopy 1-51  
    carburetor jet 10-13  
    clutch 15-3  
    connecting rod 8-19  
    cover plate, input 15-5, 15-15  
    cover plate, output 15-3  
    drain plug 15-3, 15-7  
    forward gear repair 15-33  
    front skidplate hardware 1-15

front steel skidplate 1-15  
gasket 9-55  
H-clip spring 15-3  
head restraint 1-49  
hydraulic angle attachment 17-25  
inner boot replacement 15-29  
nozzle holder 9-43  
outer boot replacement 15-29  
piston rebuild 9-57  
race output hub 15-3  
rear axle gear repair 15-41  
repair, minor 15-3, 15-13  
reverse gear repair 15-31  
roll cage 15-3  
roller 15-3, 15-7  
ROPS 1-45  
tailgate mounting 1-59  
tube bumper 1-3  
tune-up 8-7, 9-3  
knob, forward/reverse 15-23

## L

latch 1-5  
latch bracket 1-17, 1-21, 1-23  
latch keeper 1-5  
latch plate, tilt bed 1-57  
latch, bed 1-59  
latch, hood draw 1-17, 1-21, 1-23  
latch, slam 1-61  
latch, spring 1-61  
latch, tilt bed 1-7  
lateral link, rear suspension 5-15  
lens, headlight 6-3, 7-3  
lever  
    engine stop 9-41  
    fork 9-45  
    governor 9-41  
    governor control 10-3  
    speed control 9-41  
light  
    coolant temperature indicator 7-15, 7-17  
    oil 6-13, 7-15, 7-17  
    seat belt 7-17  
    turn signal 6-5, 7-5  
light switch, high beam 7-15  
limit switch 6-13, 7-15, 7-17, 10-17, 11-9  
line, fuel 10-9  
link, drag 5-5  
liquid gasket 18-5  
low oil warning light 6-13, 7-15, 7-17  
lubricant, dry moly 18-3  
lug stud 5-9, 15-39

## M

manifold

# INDEX

exhaust 9-53  
intake 9-51, 10-15  
manifold gasket 10-15  
manifold insulator 10-15  
master cylinder 4-3  
meter clip 6-13, 7-15, 7-17  
meter, volt ohm 18-5  
motor 17-27, 17-29  
starter 9-47  
muffler 5-7, 12-5, 15-27

## N

nameplate decal 3-7, 3-9, 3-15, 3-17  
needle, jet 10-13  
nongrease/spacers locker 15-41  
nozzle holder 9-43  
nut, keyswitch 6-13, 7-15, 7-17

## O

oil cap 8-11  
oil deflector 15-31  
oil dipstick gauge 8-11  
oil drain plug 8-11  
oil filter 8-7, 8-11, 8-13, 9-3, 9-13  
oil filter adapter 8-13  
oil filter bracket 8-13  
oil filter guard 8-13  
oil filter nipple 8-17  
oil filter pick up 9-9  
oil pan 9-9  
oil pickup 8-11  
oil pickup screen 8-11  
oil pressure switch 8-15, 9-7  
oil pump 8-11, 9-19  
oil pump drive gear 9-19  
oil pump plate 8-11  
oil pump rotor 8-11  
oil pump shaft 8-11  
oil pump spring 8-11  
oil pump spur gear 8-11  
oil seal 9-13, 9-21, 15-5, 15-15  
oil seal, crank 8-17  
oil seal, governor 8-17  
oil slinger 9-25  
oil valve seal 8-17  
oil warning light, low 6-13, 7-15, 7-17  
oil, locking differential 15-21  
operator handbook 17-3  
O-ring 8-11, 8-13, 9-7, 9-9, 9-11, 9-13, 9-15,  
9-25, 9-33, 9-41, 9-55, 10-13, 15-5, 15-15  
overflow pipe 9-43

## P

pallet fork 17-5  
pan

center 1-37, 1-39, 17-19  
oil 9-9  
seat 1-37, 1-39  
panel  
center cowl 1-17, 1-21, 1-23  
control 10-3  
driver-side 1-53, 1-55  
driver-side cowl 1-17, 1-21, 1-23  
front 1-59, 1-61  
front kick 1-53, 1-55  
left 1-61  
passenger-side 1-53, 1-55  
passenger-side cowl 1-17, 1-21, 1-23  
right 1-61  
side 1-53, 1-55, 1-59  
park brake cable 4-11  
p-clamp (fuel filter) 9-5, 10-7  
pedal, accelerator 10-17, 11-9  
pedal, brake 4-9  
pedal, park brake 4-11  
pickup, oil 8-11  
pin  
bow tie locking 1-17, 1-21, 1-23, 4-11  
pin, cable 15-23  
pin, clevis 4-3, 4-11  
pin, dowel 15-3  
pin, piston 9-25, 9-57  
pinion 15-41  
pipe  
breather 9-51  
coolant 16-5, 16-11  
exhaust 12-3, 12-5  
injection 9-43  
intake adapter 10-15  
overflow 9-43  
water return 9-15, 16-15  
pipe band 16-5, 16-15  
pipe clamp 9-43  
piston 8-19, 9-25, 9-57  
piston pin 9-25, 9-57  
piston ring 9-25, 9-57  
piston ring set 0.50 8-19  
plate  
armature 15-3, 15-7  
back 1-7, 1-9  
camshaft 8-5  
closeout 1-53, 1-55  
electrical 6-7, 7-19  
engine block 9-7  
engine mounting 9-5  
fan housing 8-3  
foot well 1-31  
governor 10-3  
hinge 1-33, 1-35, 1-37, 1-39  
latch 1-57  
oil pump 8-11

shroud 9-27  
skid 1-13, 1-15  
speed 9-41  
speed control 9-41  
tailgate latch wear 1-59  
thrust 15-3, 15-7  
pliers  
internal retaining ring 18-5  
retaining ring 18-5  
plug 15-31, 17-27, 17-29  
drain 9-9  
engine block 9-7, 9-11, 9-13, 15-39  
expansion 9-7  
gearcase 15-31, 15-39  
glow 9-43  
hole 6-13, 7-15, 7-17  
oil drain 8-11  
oil fill 15-3, 15-7  
oil filler 9-15  
spark 8-7, 8-15, 8-17  
tube 1-3  
power unit, hydraulic 17-29, 17-31  
prop rod 1-57  
prop, hood 1-17, 1-21, 1-23  
protector spray, battery terminal 18-3  
puller  
bearing 18-3  
clutch 18-3  
seal 18-5  
special use tool 18-5  
pulley  
fan drive 9-35, 9-37  
water pump 9-35, 9-37  
pump  
fuel 10-7, 11-5  
fuel injection 9-39  
oil 9-19  
water 16-3  
pump, oil 8-11  
push broom 17-11  
push rod 8-5, 9-23  
push rod tappet 8-5

## R

radiator 16-7  
radiator cap 16-7  
radiator pipe assembly 16-13  
rear axle 15-39  
rear differential 15-39, 15-41  
receptacle, accessory 6-13, 7-15, 7-17  
reed valve assembly 8-17  
regulator, voltage 8-15  
relay 6-7, 7-19, 17-19  
relay connector 6-7, 7-19  
remover, bearing and oil seal 18-3  
restraint, head 1-49

# INDEX

- retainer
  - spring (driven clutch) 13-7, 14-7
  - valve spring 8-5, 9-49
- retaining ring pliers 18-5
- retractor, seat-belt 1-41
- reverse buzzer 6-13, 7-15, 7-17
- ring
  - piston 9-25, 9-57
  - retaining, ext 5-7, 5-9
- ring gear 9-27, 15-3, 15-41
- rivet, blind push 1-19
- Rivet, Removable 1-17, 1-21, 1-23, 17-19
- rocker arm 8-5, 9-49
- rocker arm guide 8-5
- rocker arm stud 8-5
- rocker cover 8-17
- rocker cover gasket 8-17
- rocker switch 1-9, 6-13, 7-15, 17-19
- rocker switch (lights) 6-13, 7-15, 7-17
- rod
  - "J" 10-17, 11-9
  - connecting 9-25
  - crank crank rod 9-25
  - equalizer 4-11
  - prop 1-57
  - push 8-5, 9-23
- ROPS front base weldment 1-45, 1-47
- ROPS kit 1-45
- ROPS seat support 1-45, 1-47
- ROPS side 1-47
- ROPS support tube 1-45
- ROPS top 1-45, 1-47
- ROPS warning decal 3-5, 3-13, 3-21
- ROPS weldment 1-45
- ROPS, 4 Pass 1-45
- ROPS,Rear Handle 1-49
- rotor disc brake 4-5, 4-13
- rotor, oil pump 8-11
- rubber bumper 1-61
- S**
- safety first card 18-5
- screen, oil pickup 8-11
- seal
  - carburetor 10-13
  - dual lip 15-35, 15-41
  - heat 9-43
  - oil 9-13, 9-21, 15-5, 15-15
  - oil valve 8-17
  - triple lip 15-31
  - valve stem 9-49, 9-55
- seal puller 18-5
- seat
  - bucket 1-37, 1-39
  - valve 9-13
- seat back cap, bench 1-33, 1-35
- seat back, bench 1-33, 1-35
- seat belt buckle 1-41
- seat belt light 7-17
- seat bottom, bench 1-33, 1-35
- seat holder base 1-37, 1-39
- seat, bucket 1-39
- seatbelt buckle 1-43
- seatbelt light harness 7-13
- seat-belt retainer 1-41
- sending unit, fuel gauge 10-5, 11-3
- sensor, coolant lamp 16-15
- shaft
  - carburetor 10-13
  - CVT adapter 9-5
  - fork lever 9-45
  - governor 10-3
  - governor lever 9-41
  - half 15-27
  - idle gear 9-23
  - input 15-33
  - intermediate 15-33
  - oil pump 8-11
  - output 15-31
  - pinion 15-5
  - rock arm 9-49
  - shift 15-35
- shield, breather 9-15
- shield, exhaust 12-3, 12-5
- shim 15-41
- shim, armature plate 15-3, 15-7
- shim, injection pump 9-39
- shim, latch plate 1-57
- shock absorber, coil over 5-11, 5-13
- shoe, skid 17-9
- shroud, engine 8-3
- shroud, fan 16-7
- side panel 1-53, 1-55
- side panel weldment 1-59
- side stringer 1-25
- signal bulb 6-5, 7-5
- skid plate 1-13, 1-15
- skid shoe 17-9
- skidplate hardware kit 1-15
- skidplate kit 1-15
- slam latch 1-61
- sleeve
  - crankshaft 9-25
  - governor 9-29
  - lower arm 5-7
  - upper suspension 5-7
- slinger, oil 9-25
- snow blade 17-9
- snow blade weldment 17-9
- solenoid, carburetor 10-13
- solenoid, stop 9-33
- spacer 1-15
- 5/8 x 2 1/4 x 1 1/4 1-51
- engine 9-5
- key switch 6-13, 7-15, 7-17
- spacer block, differential 15-27
- spanner wrench 18-5
- spark plug 8-7, 8-15, 8-17
- speed plate 9-41
- splash guard 1-19
- spray, battery terminal protector 18-3
- spring 8-5, 8-11
  - brake return 4-11
  - carburetor 10-13
  - choke spring 10-19
  - compression 13-5, 13-7, 14-7
  - exhaust 12-5
  - extension 1-7
  - governor 9-45, 10-3
  - governor idle 10-19
  - governor return 10-3
  - idle apparatus 9-31
  - latch tilt 1-59
  - pedal 10-17, 11-9
  - return 9-41
  - rocker arm 9-49
  - start 9-11, 9-45
  - valve 8-5, 9-13, 9-49
- spring latch 1-61
- sprocket 15-31
- start spring 9-45
- starter motor 9-47
- starter motor, engine 8-15
- stay
  - alternator assembly 9-35
  - cylinder head 9-11
  - spring 9-13
  - stop solenoid 9-33
- steel bushing 1-7
- steering
  - lower control arm 5-7
  - slide adjuster 5-9
  - upper A-arm 5-7
  - upright 5-9
- steering column 5-3
- steering gear 5-5
- steering wheel 5-3
- steering wheel puller tool 18-5
- stem, valve 2-3, 2-5
- stop solenoid stay 9-33
- stopper, camshaft 9-23
- stopper, fuel camshaft 9-29
- strap, fuel tank 10-7, 11-5
- stringer, side 1-25, 1-27
- strip, FNR brush 1-19
- stud 9-5, 9-39, 9-53, 16-5
  - idle adjustment 9-31
  - lug 5-9, 15-39

# INDEX

self-clinching 1-59, 1-61  
support, structural 1-19  
switch 17-27, 17-29  
    high beam 7-15  
    key 6-13, 7-15, 7-17  
    light rocker 6-13, 7-15, 7-17  
    limit 6-13, 7-15, 7-17, 10-17, 11-9  
    oil pressure 8-15, 9-7  
    rocker 1-9, 6-13, 7-15  
    three-position 7-15  
switch, rocker 17-19  
switch, indicator 15-33

**T**

tachometer 18-5  
tachometer probe, diesel 18-5  
tailgate 1-59, 1-61  
tailgate angle 1-59, 1-61  
tailgate latch wear plate 1-59  
tailgate mounting kit 1-59  
tank, fuel (diesel) 11-3  
tank, fuel (gasoline) 10-5  
tape, grip, accelerator pad 10-17, 11-9  
tape, vinyl foam 1-7, 16-7  
tappet 9-23  
tappet, push rod 8-5  
tee, coolant fill 16-7  
temperature indicator light, coolant 7-15, 7-17  
tester, continuity 18-3  
tether 1-61  
thermometer, battery 18-3  
thermostat 16-15  
throttle shaft, carburetor 10-13  
throttle valve 10-13  
thrust button 15-3, 15-7  
thrust plate 15-3, 15-7  
tie rod end 5-5  
tie wrap 1-9, 4-7, 4-11, 5-5, 15-23, 17-19  
tilt bed 1-7  
tilt bed frame 1-7  
tilt latch hand grip 1-7, 1-59  
tire  
    all-terrain 2-3  
    mud 2-5  
tool  
    brake cable release 18-3  
    camber adjustment 18-3  
    drive clutch fixed sheave 18-3  
    drive clutch service 18-3  
    drive clutch spider removal 18-3  
    driven clutch spring compression base 18-3  
    driven clutch spring compression collar 18-3  
    driven clutch spring compression nut 18-3  
    puller, special use 18-5

steering wheel puller 18-5  
track, prop rod 1-57  
trailing link, rear suspension 5-15  
transaxle housing 15-41  
transmission 15-31  
transmission cable bracket 9-5, 15-25  
transmission chain 15-31  
transmission fork 15-31  
tube  
    axle 15-41  
    breather 9-15  
    carburetor air vent 9-47  
    crankcase vent 10-15  
    fuel pickup 11-3  
    hydraulic 17-21  
    ROPS support 1-45  
tube bumper kit 1-3  
Tuflok 1-17, 1-21, 1-23, 17-19  
tune-up kit 8-7, 9-3  
turn signal indicator 7-15  
turn signal light 6-5, 7-5

## U

u-joint  
    replacement kit 15-37  
urethane bushing 1-7

## V

valve 10-11, 11-7, 17-27, 17-29  
    breather 9-15  
    carburetor 10-13  
    exhaust 8-5, 9-49  
    float 10-13  
    intake 8-5, 9-49  
    seat 9-13  
    throttle 10-13  
valve assembly, reed 8-17  
valve spring 8-5  
valve spring compressor 18-5  
valve spring retainer 8-5  
valve stem 2-3, 2-5  
V-belt 9-35, 9-37  
vent  
    fuel tank 10-5, 11-3  
vent barb 9-47, 11-5  
vent, barb 10-9  
vent, housing, upper 15-41  
vent, transmission 15-31  
volt ohm meter 18-5  
voltage regulator 8-15

## W

warning light, low oil 6-13, 7-15, 7-17  
water flange 16-15  
water pump 16-3

wear clip 5-15  
wedge, bearing puller 18-3  
weldment  
    actuator bracket 1-9  
    brake pedal 4-9  
    coolant pipe 16-11  
    front dash 1-19  
    ROPS base front 1-45, 1-47  
    seat support ROPS 1-45, 1-47  
    tilt bed frame 1-7  
wheel  
    alloy 2-3, 2-5  
    hub 5-9  
    steel 2-3, 2-5  
    steering 5-3  
wheel cap, alloy 2-3, 2-5  
wire assembly 6-9, 7-21, 7-23, 8-13, 10-5, 11-3  
wire harness 1-9, 6-3, 6-5, 6-11, 7-3, 7-5, 7-7, 7-9, 8-15  
wire harness - Kawasaki FH680 6-11  
wire harness, control panel 7-11  
wire harness, headlight 7-7  
wire harness, hydraulic power unit 7-11  
wrap, tie 1-9, 4-7, 4-11, 5-5, 15-23, 17-19  
wrench, spanner 18-5

## Y

yoke, gear 18-3















**Club Car, Inc.**  
P.O. Box 204658  
Augusta, GA 30917-4658  
USA

**Web** [www.clubcar.com](http://www.clubcar.com)  
**Phone** 1.706.863.3000  
1.800.ClubCar  
**Int'l** +1 706.863.3000  
**Fax** 1.706.863.5808