



2014 Carryall 500 and 550 Illustrated Parts List



Gasoline and Electric Vehicles

Manual Number 105062822
Edition Code 1213D0616C

USING THE ILLUSTRATED PARTS LIST

WARNING

- **This manual is to be used only for identification and ordering of service parts. Be sure to read and use the maintenance and service manual before attempting any vehicle repairs.**

This manual covers all 2014 Carryall 500 and Carryall 550 gasoline and electric vehicles.

The manual is divided into sections. Note that there are two or three flags on the outside edge of each page. The first flag contains the section number of which that page is a part. The other flag (or flags) contains the letter D, E, or G, signifying that the page pertains to the diesel, electric, or gasoline vehicles only.

Use the Table of Contents to find the sections and pages that contain the parts and assemblies you seek. The Table of Contents lists section numbers, and under them, the individual page titles and numbers to be found in that section. The index can be used to find specific parts and assemblies. The index is divided into numerical and alphabetical listings with the page numbers in italic text.

There is a two-page spread for each individual page title in the Table of Contents. On the left-hand page is an illustration showing the parts in their relative positions; the parts are each tagged with an item number in a balloon. The right-hand page is the parts list page, and gives the page title at the top, then the item numbers (corresponding to the numbers on the illustration), part descriptions, and quantity of parts used.

Note that a part description may be indented. This indentation corresponds to a parts assembly level indicated by the numbers 1, 2, 3, and 4 at the top left corner of the parts description area of the parts list page. A part that is indented to *level 2* is a component of the *level 1* part (assembly) that it is listed under. A *level 3* part is a component of the *level 2* part that it is listed under, and a *level 4* part is a component of the *level 3* part preceding it. In each case, the part quantity given for a level 2, 3, or 4 part is the quantity used per next higher level assembly of which it is a component. A part that is not indented is a *level 1* part. This means that the quantity given is the quantity used per the portion of the vehicle illustrated on that particular spread.



P. O. Box 204658
Augusta, Georgia 30917-4658 USA
Telephone 706-863-3000
Service Parts Fax 706-855-7413
www.clubcar.com

HOW TO ORDER PARTS

Replacement parts and accessories can be obtained from our network of authorized dealers and distributors. You can obtain the name and phone number of your closest authorized Club Car dealer or distributor by visiting our web site at www.clubcardealer.com, by calling our toll-free Service Parts and Technical Assistance hotline at (800) 872-2246 or (706) 863-3000, extension 3887, or by scanning this Quick Response (QR) code to be taken to the Club Car dealer locator. **Refer to Figure 1.** Download a QR code reader such as RedLaser or Barcode Scanner to your cell phone or tablet.



Figure 1 Dealer Locator QR Code

CUSTOMER SATISFACTION SURVEY

Let your voice be heard!

Please take time to participate in the Technical Publications satisfaction survey. Obtaining feedback from our customers is important to the department's continuous improvement process. The online survey takes less than five minutes and responses will help the department to examine current performance as well as identify areas for future improvement.

Our top priority is to provide timely, accurate, and user friendly manuals.

The online satisfaction survey can be found at: <http://bit.ly/1w9uFMh>



Figure 2 Survey QR Code

NOTE: *This illustrated parts list represents the most current information at the time of publication. Club Car, LLC is continually working to further improve its vehicles and other products. These improvements may affect the parts used to service the vehicle. Any modification and/or significant change in specifications will be forwarded to all Club Car and Carryall distributors/dealers and will, when applicable, appear in future editions of this illustrated parts list.*

Club Car, LLC reserves the right to change specifications and designs at any time without notice and without the obligation of making changes to units previously sold.

Copyright © 2013 Club Car, LLC.

Club Car is a registered trademark of Club Car, LLC.

This manual effective January 1, 2014.

2014 Carryall 500 and 550 Illustrated Parts List

CONTENTS

SECTION 1 – BODY AND TRIM

Heavy Duty Front Bumper	1-3
Headlight Guard	1-5
Fender Guard	1-7
Front License Plate Holder	1-9
Front Body	1-11
Body Touch-Up Paint	1-13
Front Bumper, Grille, and Fenders	1-15
Headlight Bezels	1-17
Dash, Glovebox Door, and Floormat	1-19
Front Frame, Standard	1-21
Front Frame (Lifted) – CA550	1-23
Seat Bottom	1-25
Seat Back	1-27
Seat Frame and Hip-Restraint	1-29
Rear Facing Fold Down Seat	1-31
Rear Seats – Vehicle with Fold-Down Rear Seat	1-33
Windshield, Hinged	1-35
Windshield, Non-Hinged	1-37
Canopy Kit, White	1-39
Canopy Kit, Biege	1-41
Canopy Kit, Black	1-43
Mirrors	1-45
Canopy 5-Panel Mirror	1-47
Inner Rear Fenders	1-49
Rear Fenders and Tail Skirt	1-51
Rear License Plate Holder	1-53
Bed Hinge, Latch, and Prop Rod – Medium	1-55
Tilt Bed and Bed Latch – Medium	1-57
Electric Bed Lift – Medium, Electric Vehicles	1-59
Electric Bed Lift – Gasoline Vehicles	1-61
Flat Bed Trim – Medium	1-63
Cargo Box Kit – Medium (Page 1 of 2)	1-65
Cargo Box Kit (Page 2 of 2)	1-67
Tailgate Teather	1-69
Modular Bed Accessories	1-71
Modular Bed Accessories	1-73
Modular Bed Accessories	1-75
Stake Side Kit – Medium	1-77

CONTENTS

Heavy Duty Trailer Hitch	1-79
Rear Receiver Hitch	1-81
Trailer Hitch Ball	1-83
Range Picker Adapter	1-85
Cab Canopy	1-87
Cab Doors – Glass	1-89
Cab Doors – Soft	1-91
Cab Doors – Range	1-93
Cab Doors – Vent	1-95
Cab - Mirrors	1-97
Cab – Windshield	1-99
Cab – Seat Belts	1-101
Cab – Electrical, Power Harness, Electric Vehicle to Cab	1-103
Cab – Electrical, Cab Power Harness, Gasoline Vehicle to Cab	1-105
Cab – Electrical, Overhead Console	1-107
Cab – Electrical, Windshield Wiper	1-109
Cab – Electrical, Windshield Washer	1-111
Cab – Electrical, Work Lights	1-113
Cab – Electrical, Warning Beacon	1-115
Cab – Rear Window	1-117
Cab – Exhaust	1-119
Enclosures	1-121
Van Box – Gray	1-123
Van Box – White	1-125
Van Box, Medium – Service Parts	1-127
Toolboxes	1-129

SECTION 2 – WHEELS AND TIRES

Wheels and Tires	2-3
Wheels and Tires – Carryall 550	2-5
Wheels and Tires, Off-Road – Carryall 550	2-7
Wheel Covers	2-9
Wheel Covers – Carryall 550	2-11

SECTION 3 – DECALS

Decals – Electric Carryall 500	3-3
Decals – Electric Carryall 550	3-5
Decals – Electric Carryall 500/550, Continued	3-7
Decals – Gasoline Carryall 500	3-9

CONTENTS

Decals – Gasoline Carryall 550	3-11
Decals – Gasoline Carryall 500/550, Continued	3-13
Badging Decals – Carryall 500	3-15
Badging Decals – Carryall 550	3-17

SECTION 4 – LIGHTS, CONTROLS, AND INDICATORS

Headlights	4-3
12-Volt Fuse Block and Fuses – Electric Vehicle	4-5
Horn, Turn Signals, and Taillights – Electric and Gasoline Vehicles	4-7
Horn and Tail Light Kit – Electric and Gasoline Vehicles	4-9
Instrument Panel – Electric Vehicle	4-11
Instrument Panel – Gasoline Vehicle	4-13
Keyswitch – Electric Vehicle	4-15
Keyswitch, Private Speed Mode - Electric Vehicle	4-17
Keyswitch, Pedal-Start – Gasoline Vehicle	4-19
Keyswitch, Key-start – Gasoline Vehicle	4-21
DC Converter – Electric Vehicle	4-23
DC Converter, Heavy Duty – Electric Vehicle	4-25
Voltage Limiter – Gasoline Vehicle	4-27
Strobe Light, Post Mounted – Gasoline Vehicles	4-29
Strobe Light, Post Mounted – Electric Vehicles	4-31
Strobe Light – Canopy Mounted	4-33
Reflectors	4-35
Heater Defogger – Electric Vehicle	4-37

SECTION 5 – BRAKES, PEDALS, AND CABLE ASSEMBLIES

Brake Pedal Assembly – Vehicles with 2-Wheel Brakes and 4-Wheel Brakes	5-3
Accelerator Pedal Assembly – Electric Vehicles	5-5
Accelerator Pedal and Rod Assembly – Gasoline Vehicle	5-7
Pedal Close-Out Kit	5-9
Front Brake Assembly – Vehicles with 4-Wheel Brakes	5-11
Front Brake Cables and Equalizer – Gasoline Vehicle with 4-Wheel Brakes	5-13
Front Brake Cables and Equalizer – Electric Vehicle with 4-Wheel Brakes	5-15
Rear Brake Cables and Equalizer – Gasoline Vehicle with 4-Wheel Brakes	5-17
Rear Brake Cables and Equalizer – Electric Vehicle with 4-Wheel Brakes	5-19
Rear Brake Cables and Equalizer – Gasoline Vehicle with 4-Wheel Brakes	5-21
Rear Brakes, Manually-Adjusted – Elec. Vehicles with 4-Wheel Brakes	5-23
Rear Brakes, Manually-Adjusted – Gas Vehicles with 4-Wheel Brakes	5-25

CONTENTS

SECTION 6 – STEERING, FRONT AND REAR SUSPENSION

Steering Gear Assembly	6-3
Steering Column	6-5
Steering Wheel	6-7
Steering Wheel with Clip	6-9
Front Suspension, Upper, STD	6-11
Front Suspension, Lower, STD, 1 Leaf-3 Plates	6-13
Front Suspension, Upper, HD	6-15
Front Suspension, Lower, HD, 3 Leaf-1 Plate	6-17
Front Suspension, Upper, STD	6-19
Front Suspension, Lower, HD, 2 Leaf-2 Plates	6-21
Front Suspension, Upper, HD	6-23
Front Suspension, Lower, HD, 3 Leaf-1 Plate	6-25
Steering Stop	6-27
Front Wheel Hubs	6-29
Rear Suspension Components, Standard	6-31
Rear Suspension Components (Lifted)	6-33

SECTION 7 – ELECTRICAL SYSTEM – GASOLINE EFI

Wiring, Fuses, and Diodes, Pedal-Start – EFI	7-3
Wiring, Fuses, and Diodes, Key-Start – EFI	7-5
Starter/Generator (Model 114-04-4006), Key-Start – EFI	7-7
Starter/Generator (Model 114-05-4001) , Pedal-Start – EFI	7-9
Starter/Generator Mounting – EX40	7-11
Operation and Maintenance Switch	7-13
Electrical Component Box, Key-Start – EX40	7-15
Electrical Component Box, Pedal-Start – EX40	7-17
Forward/Reverse Shifter Switches, Key-Start – EFI	7-19
Forward/Reverse Shifter Switches, Pedal-Start – EFI	7-21
Charging Diode, Key-Start – EFI	7-23
Battery – Gasoline Utility Vehicles	7-25
Top-Post Battery - Gasoline Utility Vehicles	7-27

SECTION 8 – ENGINE (SUBARU EX40)

Tune-Up Parts – Subaru EX40	8-3
Engine and Engine Mounting, Utility – EX40	8-5
Fan and Shroud – EX40	8-7
Air Deflector – EX40	8-9

CONTENTS

Ignition Components and Flywheel – EX40	8-11
Sensors – EX40	8-13
Cylinder Head – EX40	8-15
Valvetrain and Timing Chain – EX40	8-17
Crankcase – EX40	8-19
Crankshaft and Piston – EX40	8-21

SECTION 9 – FUEL SYSTEM – EFI

Fuel Tank with Sending Unit, Side Fill – EFI	9-3
Fuel Tank Kits – EFI	9-5
Carbon Canister – EFI	9-7
Throttle Body and ECU – EFI	9-9
Throttle Body Mounting – EFI	9-11
Governor and Accelerator Cables – EFI	9-13
Air Filter System and Intake Hose – EFI	9-15
Air Filter System and Intake Hose – EFI, LWB Utility/Trans	9-17

SECTION 10 – EXHAUST SYSTEM – EX40 ENGINE

Exhaust System – Utility	10-3
--------------------------------	------

SECTION 11 – DRIVE BELT AND CLUTCHES – EX40

Drive Belt – Key-Start Vehicles with EFI	11-3
Drive Belt – Pedal-Start Vehicles with EFI	11-5
Drive Clutch – Key-Start Vehicles	11-7
Drive Clutch – Pedal-Start Vehicles	11-9
Driven Clutch (Standard Speed) – Key Start and Pedal Start	11-11

SECTION 12 – TRANSAXLE (FUJI ED65)

Forward/Reverse Shifter Assembly	12-3
Shifter Cable – CA500 & CA550	12-5
Shift Lever and Bracket – Pedal-Start Engines	12-7
Shift Lever and Bracket – Key-Start Engines	12-9
Governor Arm and Brackets – Utility Vehicles	12-11
Transaxle (ED65), Limited Slip – Page 1 of 3	12-13
Transaxle (ED65), Open – Page 1 of 3	12-15
Transaxle (ED65), Limited Slip and Open – Page 2 of 3	12-17
Transaxle (ED65), Limited Slip – Page 3 of 3	12-19
Transaxle (ED65), Open – Page 3 of 3	12-21

CONTENTS

Hub, Rear	12-23
-----------------	-------

SECTION 13 – ELECTRICAL SYSTEM – ELECTRIC VEHICLES

Motor Controller Output Regulator (MCOR)	13-3
Main Wiring Harness, 48-Volt Fuse Block – Electric Vehicle	13-5
Tow/Run Switch and Hour Meter	13-7
Electric Components – Electric Vehicle	13-9
Batteries 6-Volt, Standard Duty	13-11
Batteries 6-Volt, Heavy Duty	13-13
Single Point Watering System (SPWS)	13-15
Hand Pump and Deionizer (Battery-Powered Quality Light)	13-17

SECTION 14 – ELECTRIC MOTOR

Motor (Model DA5-4006) – IQ Plus	14-3
--	------

SECTION 15 – TRANSAXLE – ELECTRIC VEHICLES

Transaxle – Electric Vehicles	15-3
-------------------------------------	------

SECTION 16 – BATTERY CHARGERS – HIGH-FREQUENCY

On-Board Battery Charger, High-Freq.	16-3
--	------

SECTION 17 – MAINTENANCE AND SERVICE TOOLS

Maintenance and Service Tools	17-3
Maintenance and Service Tools, Continued	17-5
Maintenance and Service Tools, Continued	17-7

SECTION i – INDEX

BODY AND TRIM

1

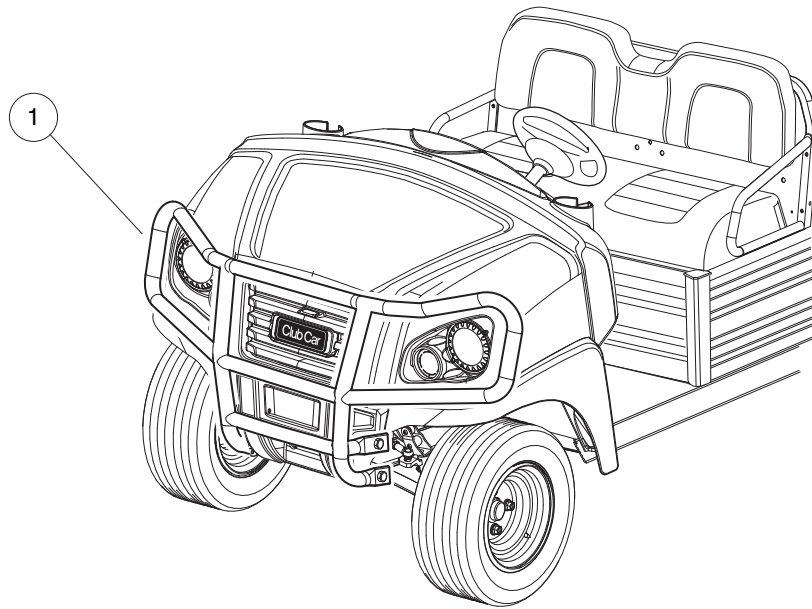
G

E

1

G

E



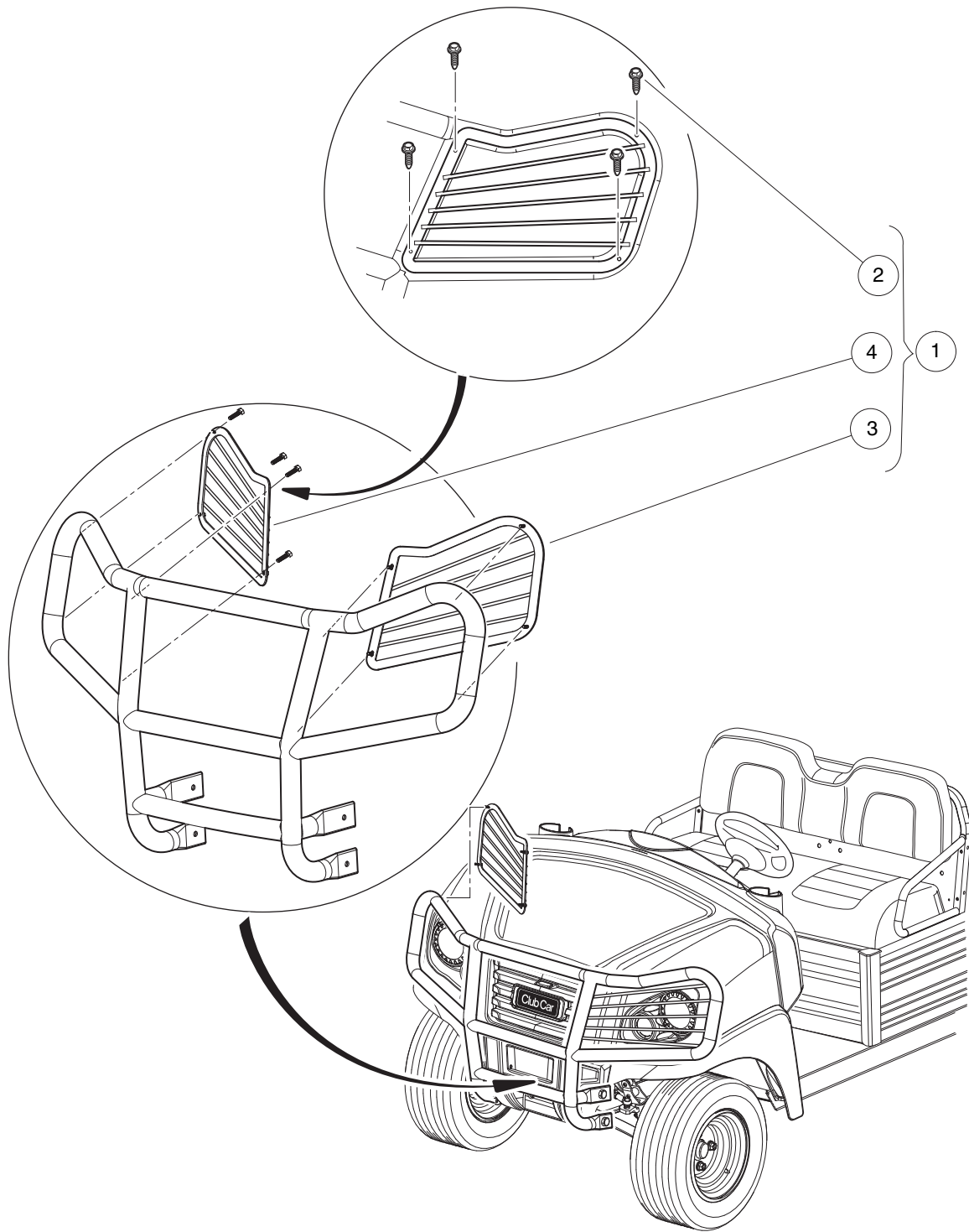
001100-002

HEAVY DUTY FRONT BUMPER

ITEM	PART NO.	DESCRIPTION	QTY
1	<u>105100601</u>	<p>1 2 3 4 Kit, Hd Bumper, Hb Res</p> <p>Note: Individual components are not procurable. Steering Stops, 105242801 and 105243001 are also required when installing the HD Bumper Kit.</p>	1

1
G
E

1
G
E



001300-017

HEADLIGHT GUARD

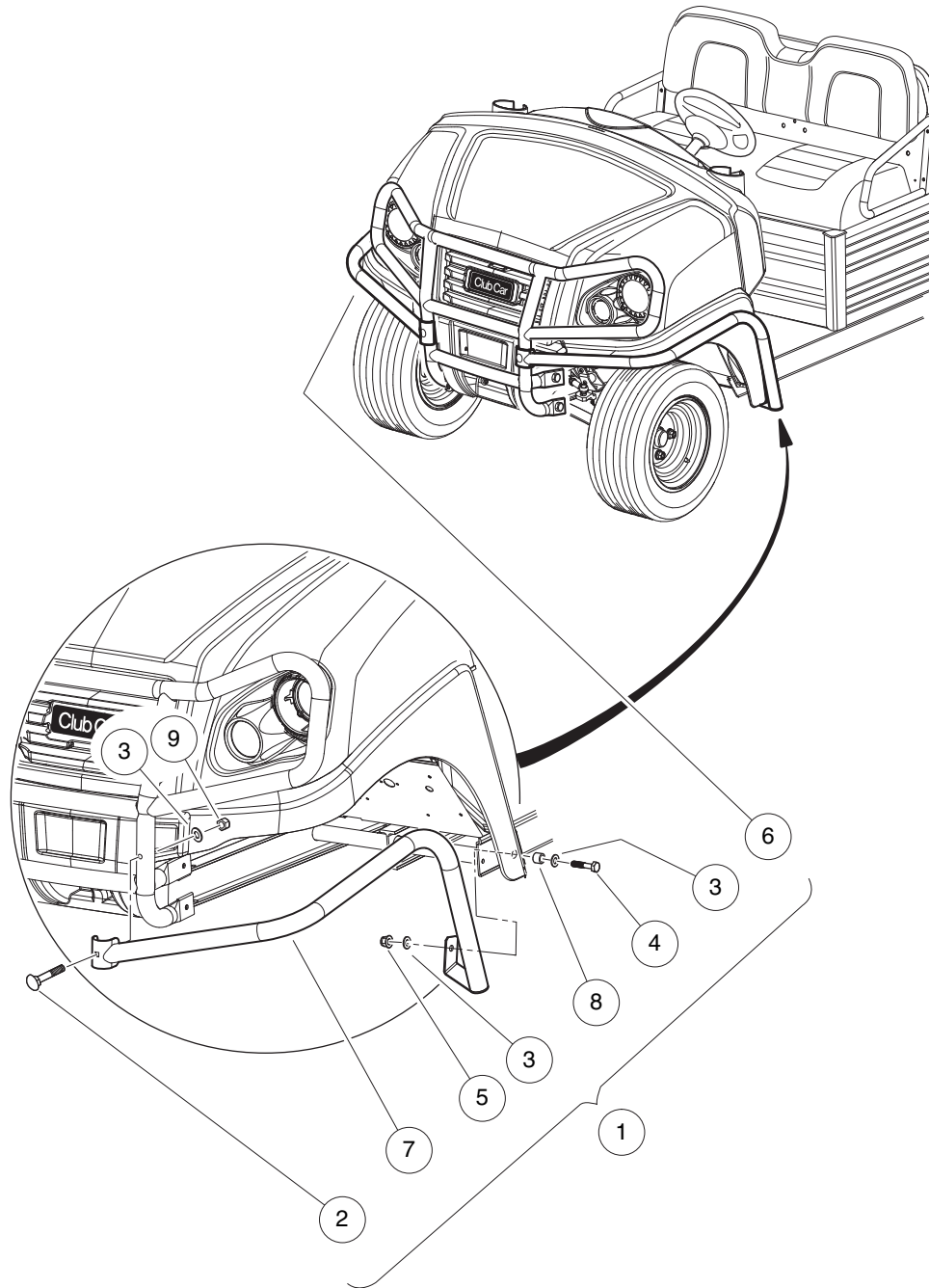
ITEM	PART NO.	DESCRIPTION	QTY
		1 2 3 4	
1	<u>105156301</u>	Kit, Head Light Guard, Utl Res (includes items 2 through 4)	1
2	<u>102296819</u>	Screw-M6 x 19	8
3	<u>105156701</u>	Guard, Headlight, UTL,LH	1
4	<u>105156702</u>	Guard, Head Light, Utl, Rh	1

1

G

E

1
G
E



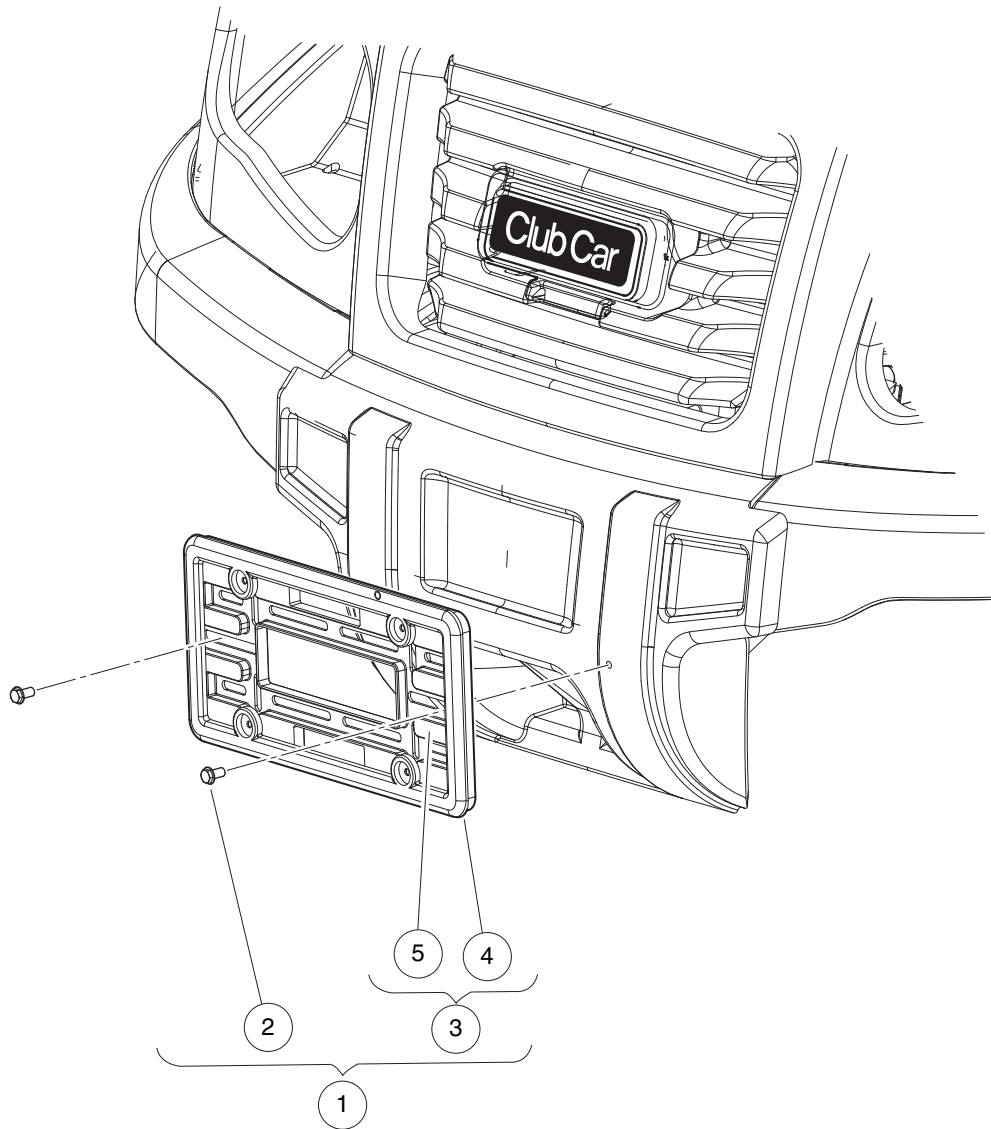
001300-002

FENDER GUARD

ITEM	PART NO.	DESCRIPTION	QTY
		1 2 3 4	
1	<u>105124001</u>	Kit, Fender Guard, Hb Res (includes items 2 through 9)	1
2	101242802	Bolt, 3/8-16 X 2.25 Rd Hd Sq Bk	2
3	<u>102323501</u>	Washer, Flat, 3/8, Blk Fin	6
4	<u>102621601</u>	Bolt, M10 X 1.50 X 45 Black	2
5	<u>102670701</u>	Nut, Flange, M10 X 1.5 Nylon	2
6	105074501	Weldment, Fender Guard, Hb, Rh	1
7	105074502	Weldment, Fender Guard, Hb, Lh	1
8	<u>105094001</u>	Spacer, Canopy Support, Dash	2
9	<u>8754</u>	Locknut, 3/8-16 Hex	2

1
G
E

1
G
E



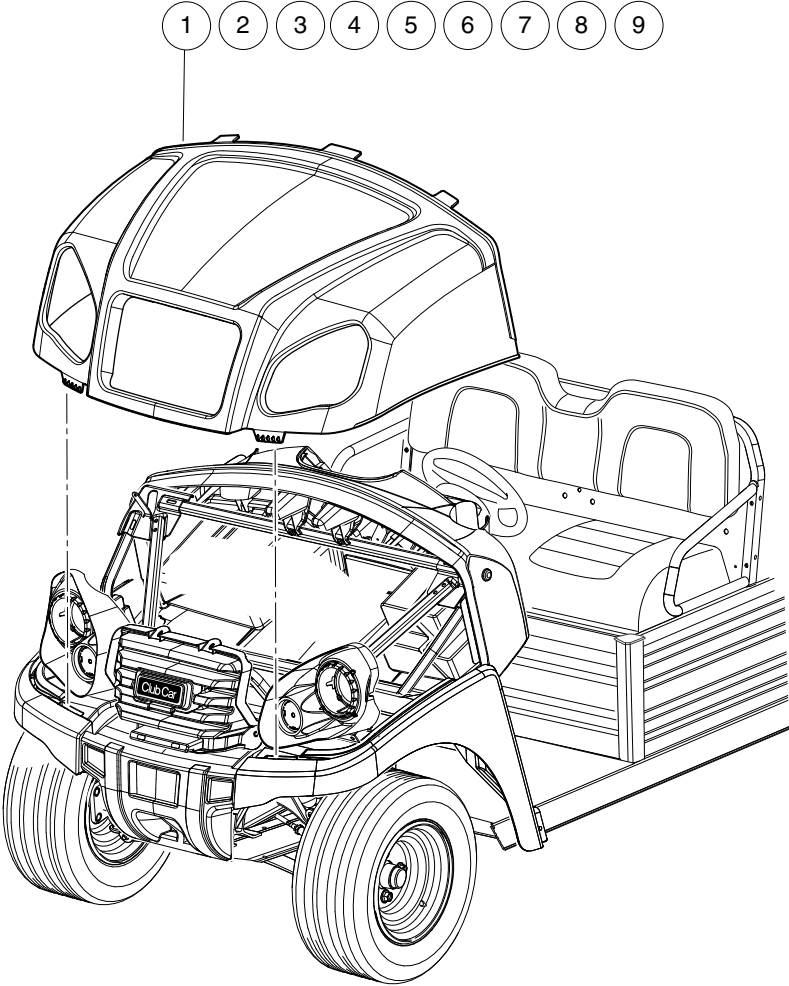
001155-001

FRONT LICENSE PLATE HOLDER

ITEM	PART NO.	DESCRIPTION	QTY
		1 2 3 4	
1	<u>105124901</u>	Kit, Front, License Pl, Lsv (includes items 2 and 3)	1
2	<u>101856101</u>	Screw, 1/4-15 X .50 Hi-lo Hex	2
3	<u>102311501</u>	Front License Plate Assembly (includes items 4 and 5)	1
4	N/A	Frame, License Plate	1
5	N/A	Mount, License Plate	1

1
G
E

1
G
E



001300-003

FRONT BODY

ITEM	PART NO.	DESCRIPTION	QTY
		1 2 3 4	
1	<u>105034321</u>	Cowl, Ca, Serv, Dk Green	1
2	<u>105034322</u>	Cowl, Ca, Serv, Dk Gray	1
3	<u>105034323</u>	Cowl, Ca, Serv, White	1
4	<u>105034324</u>	Cowl, Ca, Serv, Bright Blue	1
5	<u>105034325</u>	Cowl, Ca, Serv, Titn Silver	1
6	<u>105034326</u>	Cowl, Ca, Serv, Beige	1
7	<u>105034327</u>	Cowl, Ca, Serv, Red	1
8	<u>105034328</u>	Cowl, Ca, Serv, Black	1
9	<u>105034329</u>	Cowl, Ca, Serv, Classic Blue	1

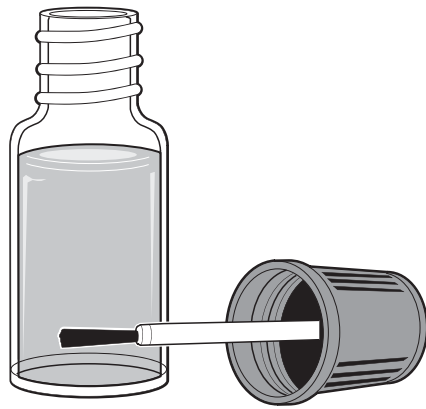
1
G
E

1

G

E

- 1
- 2
- 3
- 4
- 5
- 6
- 7
- 8
- 9
- 10

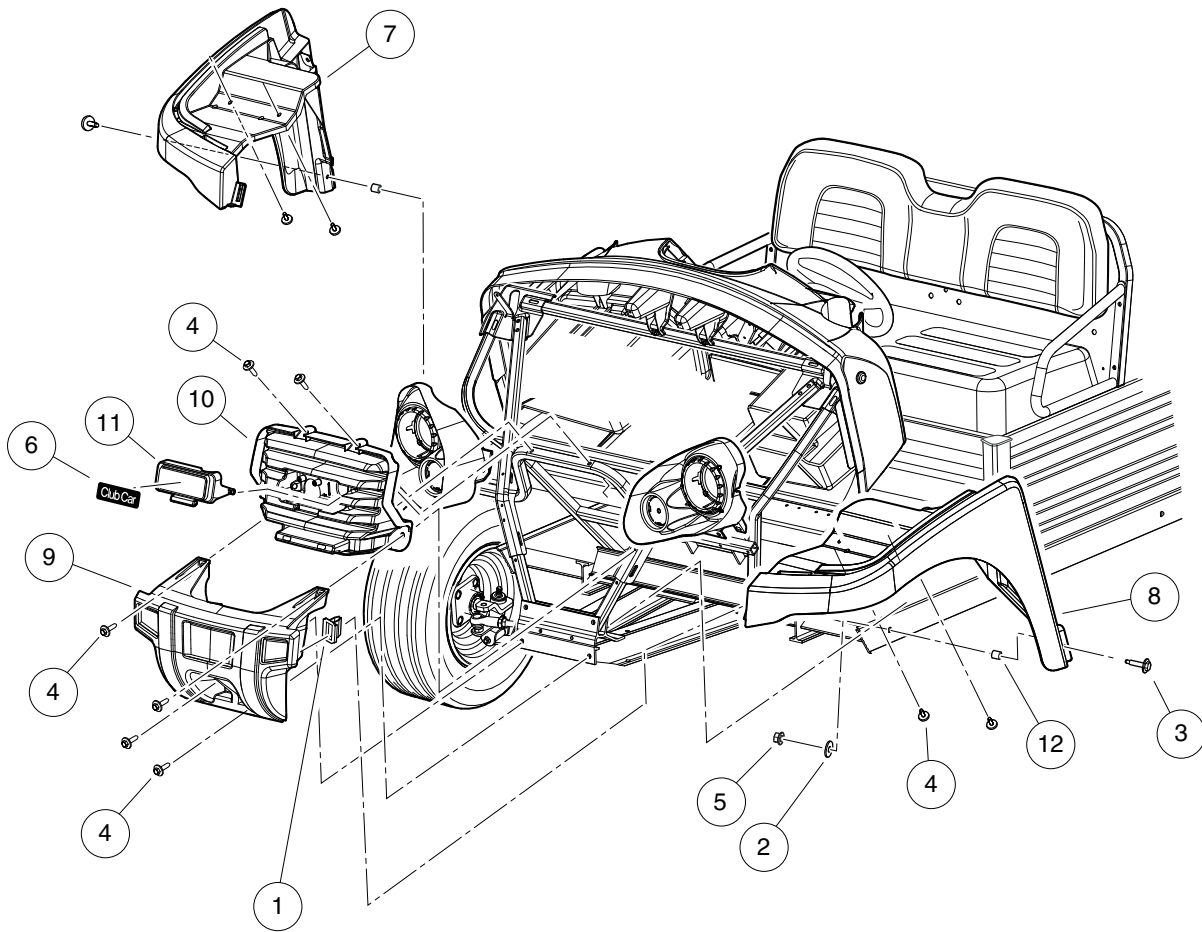


001300-020

BODY TOUCH-UP PAINT

ITEM	PART NO.	DESCRIPTION	QTY
		1 2 3 4	
1	<u>105117701</u>	Paint, Touch-up, White	1
2	<u>105117702</u>	Paint, Touch-up, Classic Blue	1
3	<u>105117703</u>	Paint, Touch-up, Dark Green	1
4	<u>105117704</u>	Paint, Touch-up, Red	1
5	<u>105117705</u>	Paint, Touch-up, Dark Gray	1
6	<u>105117706</u>	Paint, Touch-up, Black	1
7	<u>105117707</u>	Paint, Touch-up, Tan	1
8	<u>105117708</u>	Paint, Touch-up, Bright Blue	1
9	<u>105117709</u>	Paint, Touch-up, Titn Silver	1
10	<u>105117710</u>	Paint, Touch-up, Light Gray	1

1
G
E



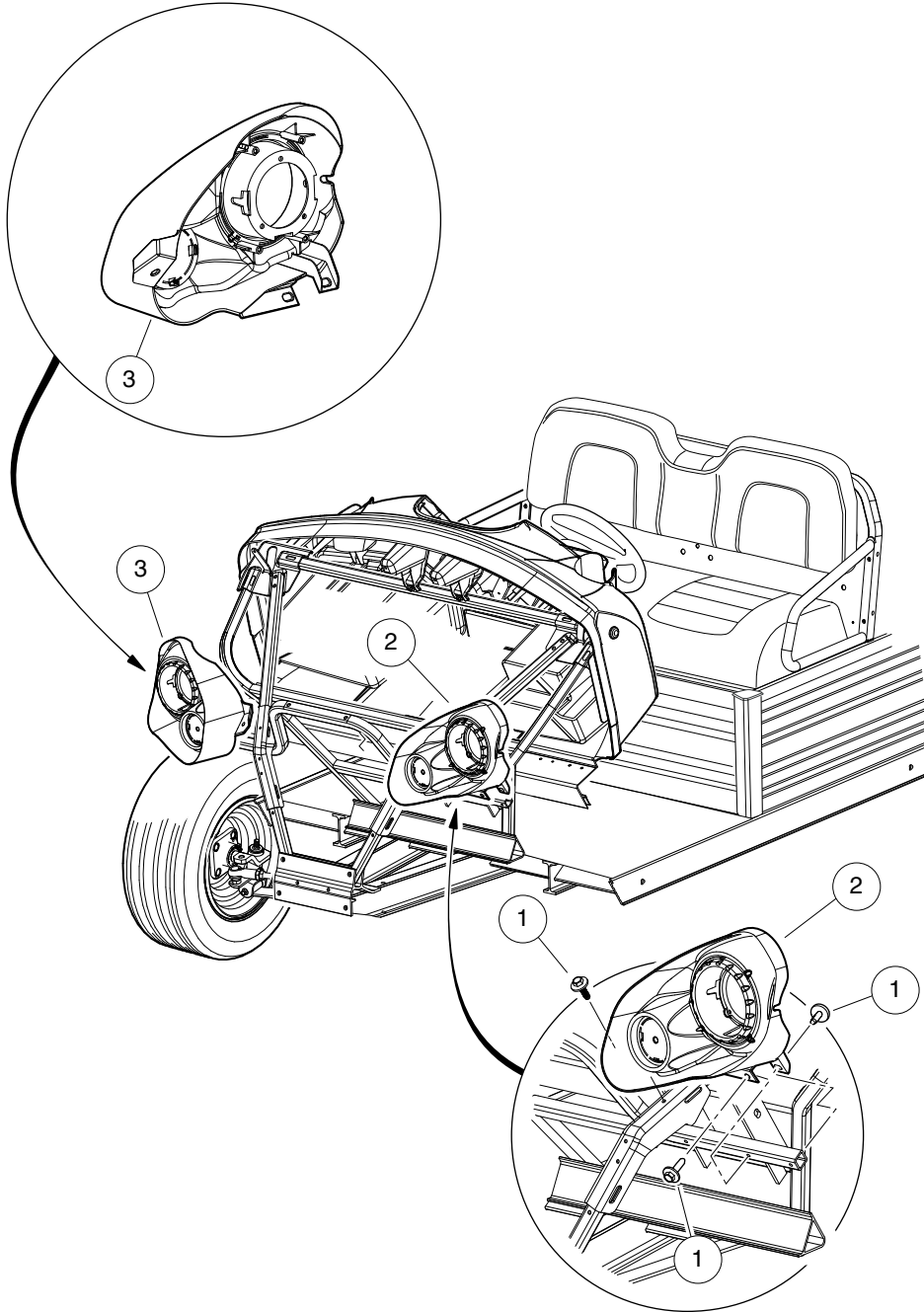
001300-004

FRONT BUMPER, GRILLE, AND FENDERS

ITEM	PART NO.	DESCRIPTION	QTY
		1 2 3 4	
1	<u>102292701</u>	Clip-body-trim	2
2	<u>102296301</u>	Washer, M6x18x1.6 Flat	2
3	<u>102296530</u>	Screw - M6 X 1.0 X 30 Sems	6
4	<u>102297125</u>	Screw, M6-1.0x25.4, Thread-Forming, SEMS	8
5	<u>102541501</u>	Nut-m6x1.0 Fl Mtl Lock,blk	2
6	<u>102883601</u>	Decal, Nameplate, CCI, Front	1
7	<u>105034401</u>	Fender, Front, Rh, Ca	1
8	<u>105034501</u>	Fender, Front, Lh, Ca	1
9	<u>105034601</u>	Bumper, Front, Plastic, Ca	1
10	<u>105034701</u>	Grille, Ca	1
11	<u>105034801</u>	Door, Charger Port, Ca	1
12	<u>105036701</u>	Spacer, Frt Fender, Ca	2

1
G
E

1
G
E



001300-005

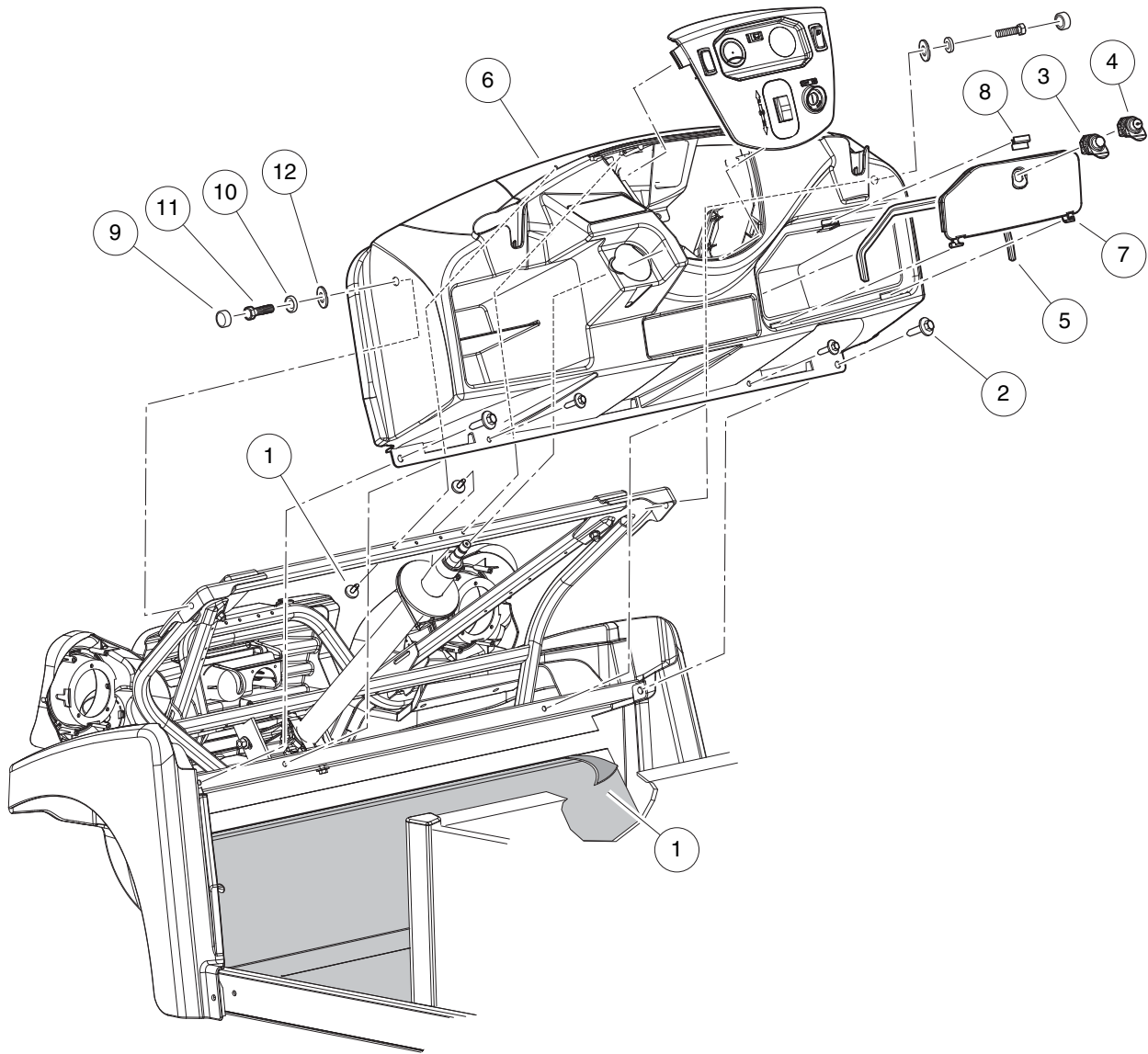
HEADLIGHT BEZELS

ITEM	PART NO.	DESCRIPTION	QTY
		1 2 3 4	
1	<u>102297125</u>	Screw, M6-1.0x25.4, Thread-Forming, SEMS	6
2	<u>105034901</u>	Bezel, Hl, Lh, Ca	1
3	<u>105035001</u>	Bezel, Hl, Rh, Ca	1

1

G

E



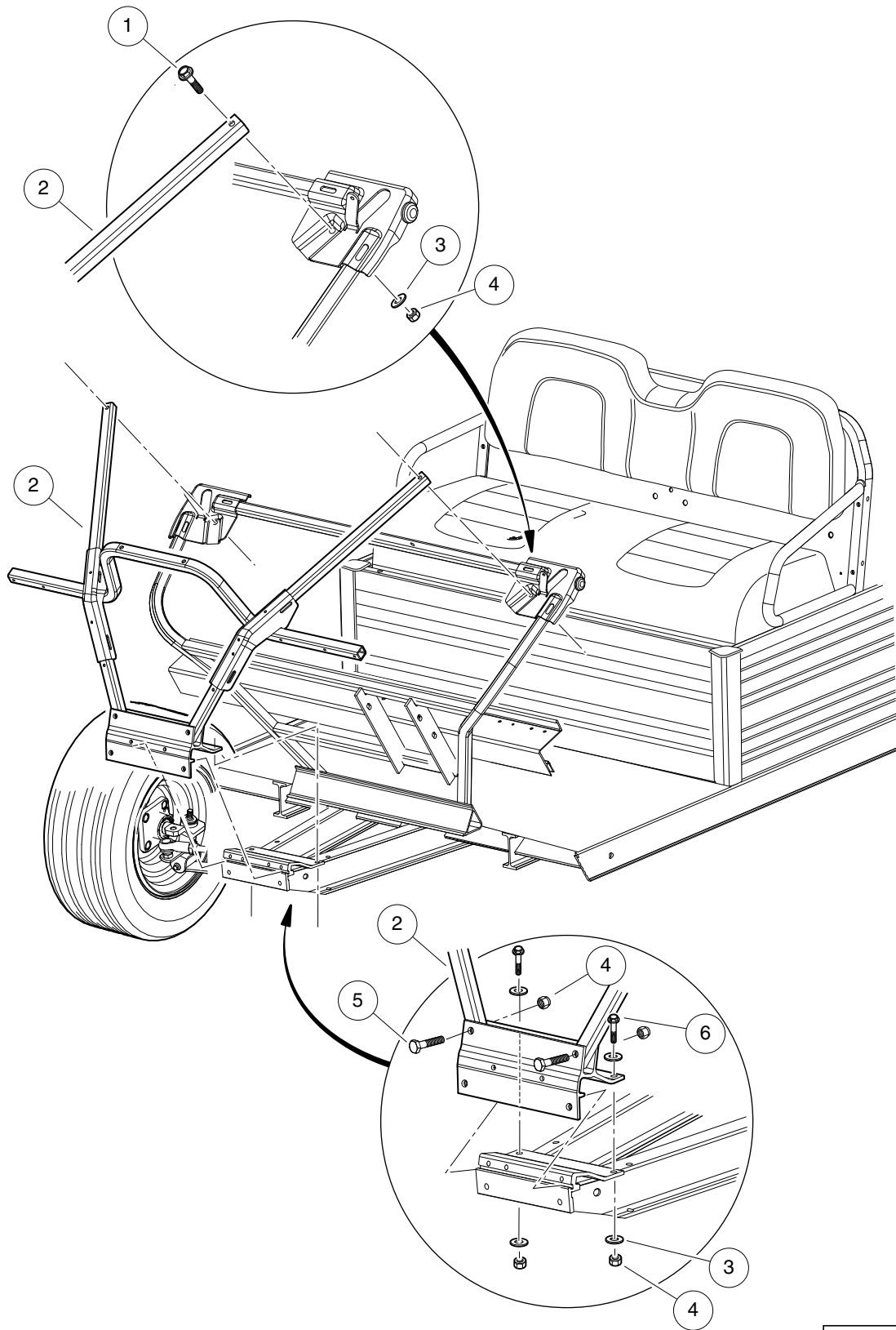
001300-006

DASH, GLOVEBOX DOOR, AND FLOORMAT

ITEM	PART NO.	DESCRIPTION	QTY
		1 2 3 4	
1	<u>101503202</u>	Floormat	1
2	<u>102297125</u>	Screw, M6-1.0x25.4, Thread-Forming, SEMS	6
3	<u>103182701</u>	Latch, Push Close	1
4	<u>103182702</u>	Latch, Push Close W/ Key	1
5	103540203	Seal, Bulb, 13 X 27 X 579 Mm	1
6	<u>105034001</u>	Dash, Ca	1
7	<u>105034201</u>	Door, Glove Box, Ca	1
8	<u>105035701</u>	Keeper, Latch, Ca	1
9	<u>105049201</u>	Cover, Bolt, Rh Series	2
10	<u>105049301</u>	Cover, Washer, Rhw Series	2
11	320	Screw, 3/8-16 X 1.00 Hex-Head Cap	2
12	<u>334</u>	Washer, 3/8, Type A, Flat	2

1
G
E

1
G
E



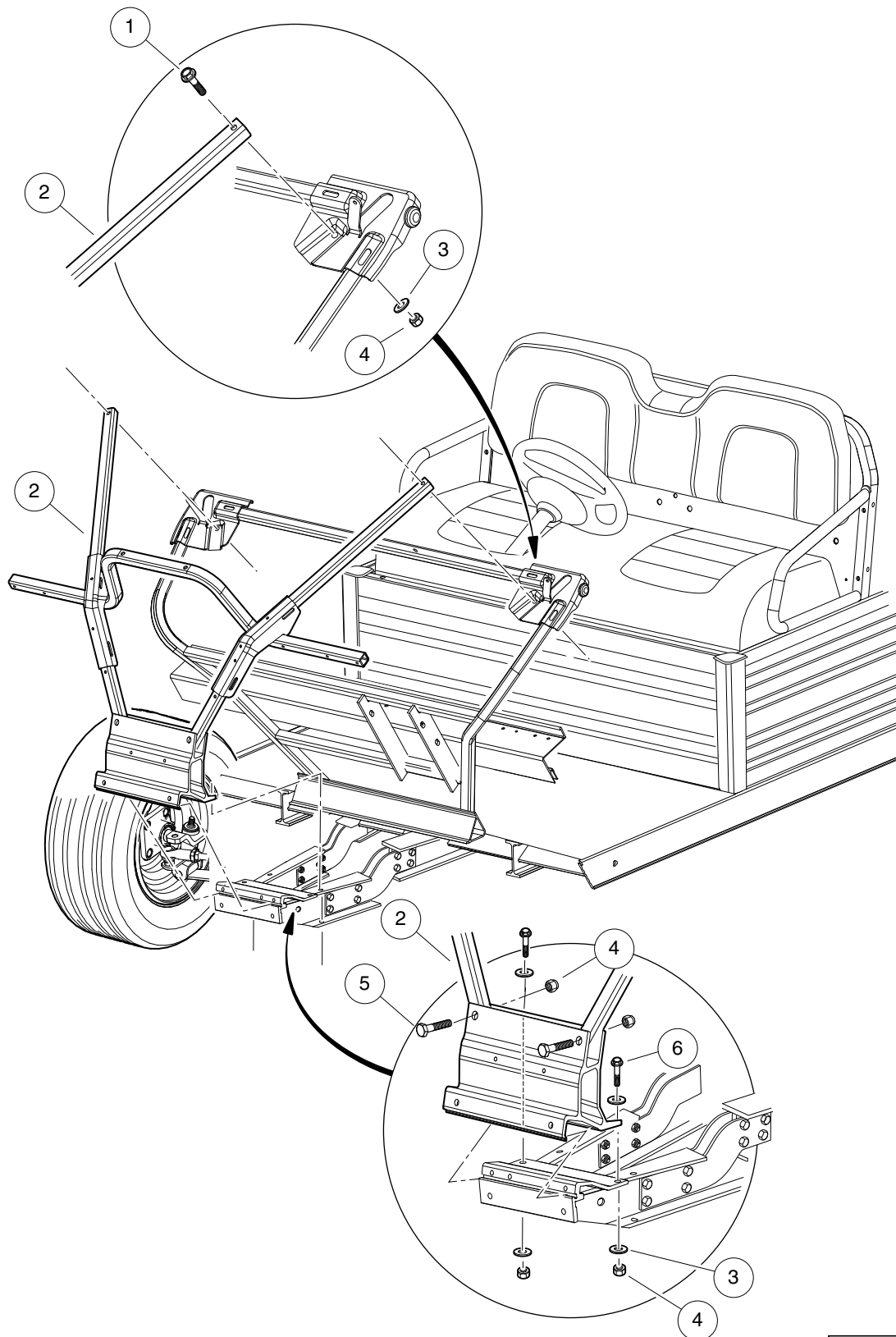
001107-001

FRONT FRAME, STANDARD

ITEM	PART NO.	DESCRIPTION	QTY
		1 2 3 4	
1	<u>1011937</u>	Bolt, 5/16-18 X 1.25 Hex Head	2
2	<u>105007001</u>	Weldment, Front, Util, Std	1
3	<u>1241</u>	Washer, 5/16 Type A Flat	6
4	<u>7473</u>	Locknut, 5/16-18 Nylon Insert	6
5	<u>8935</u>	Screw, 5/16-18 X 2.25 Hex-Head Cap	2
6	<u>8963</u>	Screw, 5/16-18 X 1.75 Hex-Head Cap	2

1
G
E

1
G
E



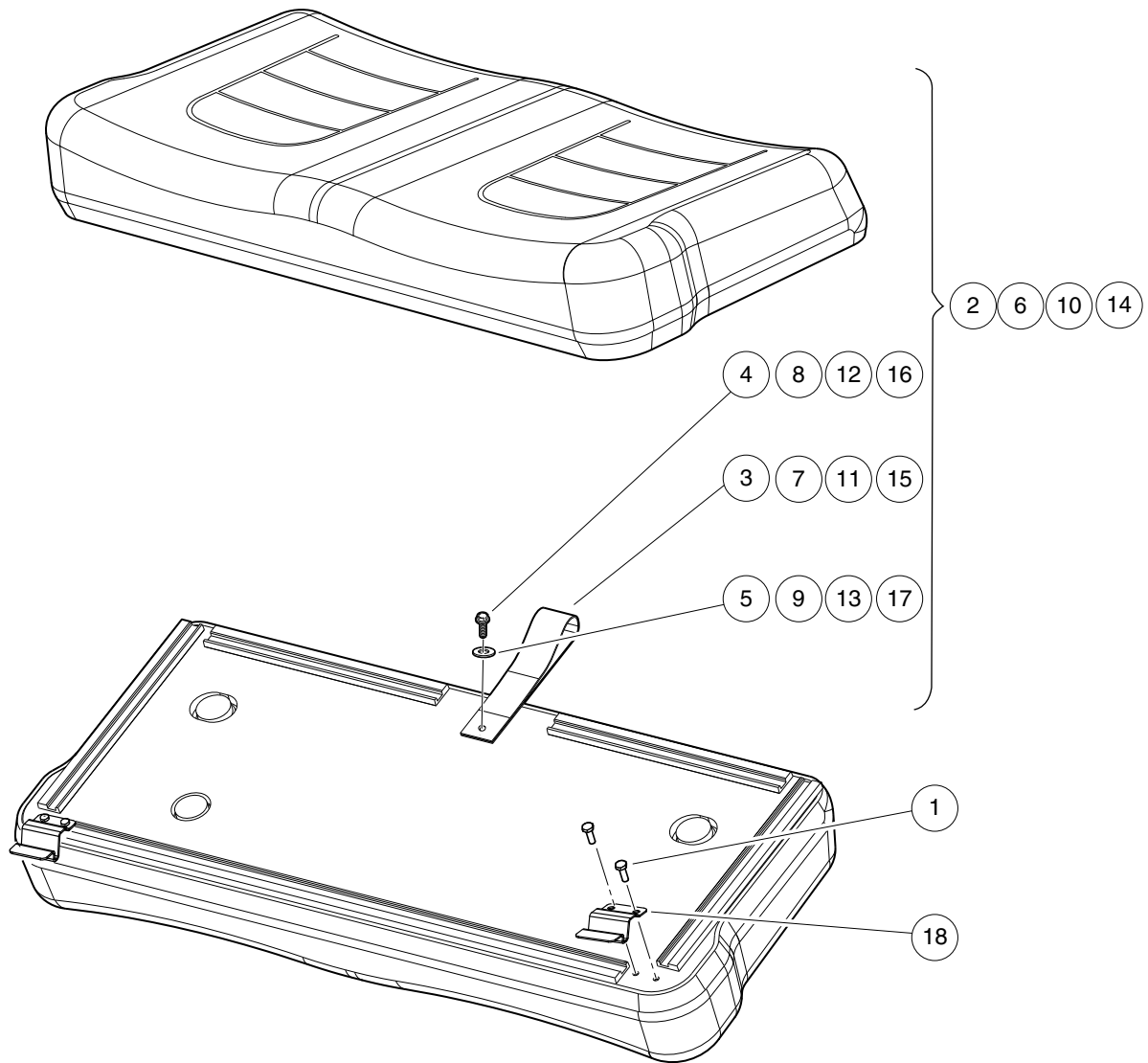
001108-001

FRONT FRAME (LIFTED) – CA550

ITEM	PART NO.	DESCRIPTION	QTY
		1 2 3 4	
1	<u>1011937</u>	Bolt, 5/16-18 X 1.25 Hex Head	2
2	<u>105007002</u>	Weldment, Front, Util, Drop	1
3	<u>1241</u>	Washer, 5/16 Type A Flat	8
4	<u>7473</u>	Locknut, 5/16-18 Nylon Insert	6
5	<u>8935</u>	Screw, 5/16-18 X 2.25 Hex-Head Cap	2
6	<u>8963</u>	Screw, 5/16-18 X 1.75 Hex-Head Cap	2

1
G
E

1
G
E



001300-021

SEAT BOTTOM

ITEM	PART NO.	DESCRIPTION	QTY
		1 2 3 4	
1	<u>101954301</u>	Screw, 1/4-20 X 0.75 Hex-Head Cap	4
2	<u>105064521</u>	Asm, Seatbottom, White, Ca, Sp (includes items 3 through 5)	1
3	<u>1013309</u>	Strap, Utility Seat	1
4	<u>101954301</u>	Screw, 1/4-20 X 0.75 Hex-Head Cap	1
5	<u>332</u>	Washer, 1/4 Type A Narrow Flat	1
6	<u>105064522</u>	Asm, Seatbottom, Black, Ca, Sp (includes items 7 through 9)	1
7	<u>1013309</u>	Strap, Utility Seat	1
8	<u>101954301</u>	Screw, 1/4-20 X 0.75 Hex-Head Cap	1
9	<u>332</u>	Washer, 1/4 Type A Narrow Flat	1
10	<u>105064523</u>	Asm, Seatbottom, Gray, Ca, Sp (includes items 11 through 13)	1
11	<u>1013309</u>	Strap, Utility Seat	1
12	<u>101954301</u>	Screw, 1/4-20 X 0.75 Hex-Head Cap	1
13	<u>332</u>	Washer, 1/4 Type A Narrow Flat	1
14	<u>105064524</u>	Asm, Seatbottom, Beige,ca, Sp (includes items 15 through 17)	1
15	<u>1013309</u>	Strap, Utility Seat	1
16	<u>101954301</u>	Screw, 1/4-20 X 0.75 Hex-Head Cap	1
17	<u>332</u>	Washer, 1/4 Type A Narrow Flat	1
18	<u>105200401</u>	Bracket,Hinge, Seat,CA	2

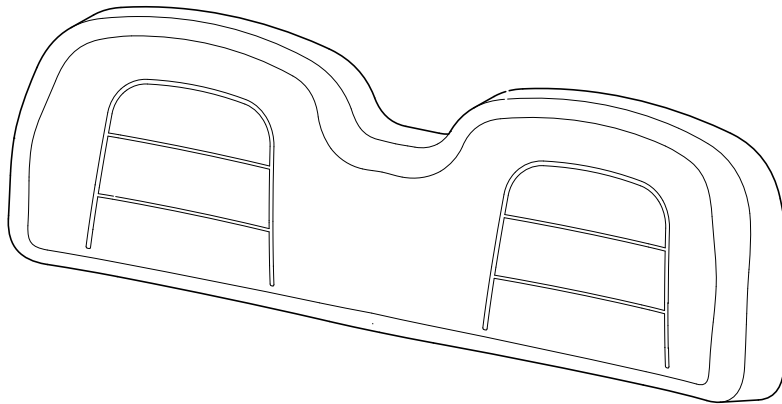
1
G
E

1

G

E

1 2 3 4



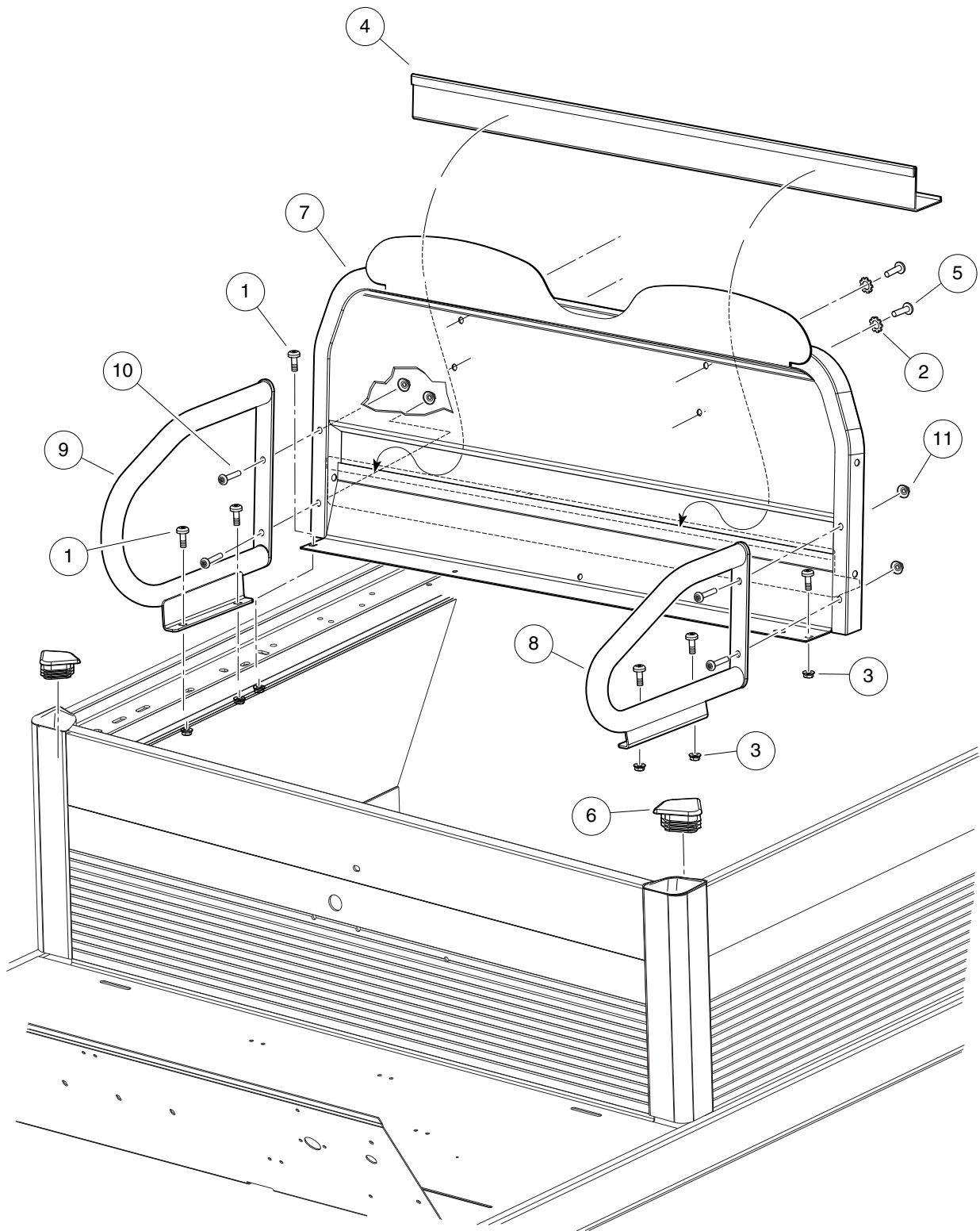
001300-022

SEAT BACK

ITEM	PART NO.	DESCRIPTION	QTY
		1 2 3 4	
1	<u>105064121</u>	Asm, Seatback, White, Ca, Sp	1
2	<u>105064122</u>	Asm, Seatback, Black, Ca, Sp	1
3	<u>105064123</u>	Asm, Seatback, Gray, Ca, Sp	1
4	<u>105064124</u>	Asm, Seatback, Beige, Ca, Sp	1

1
G
E

1
G
E



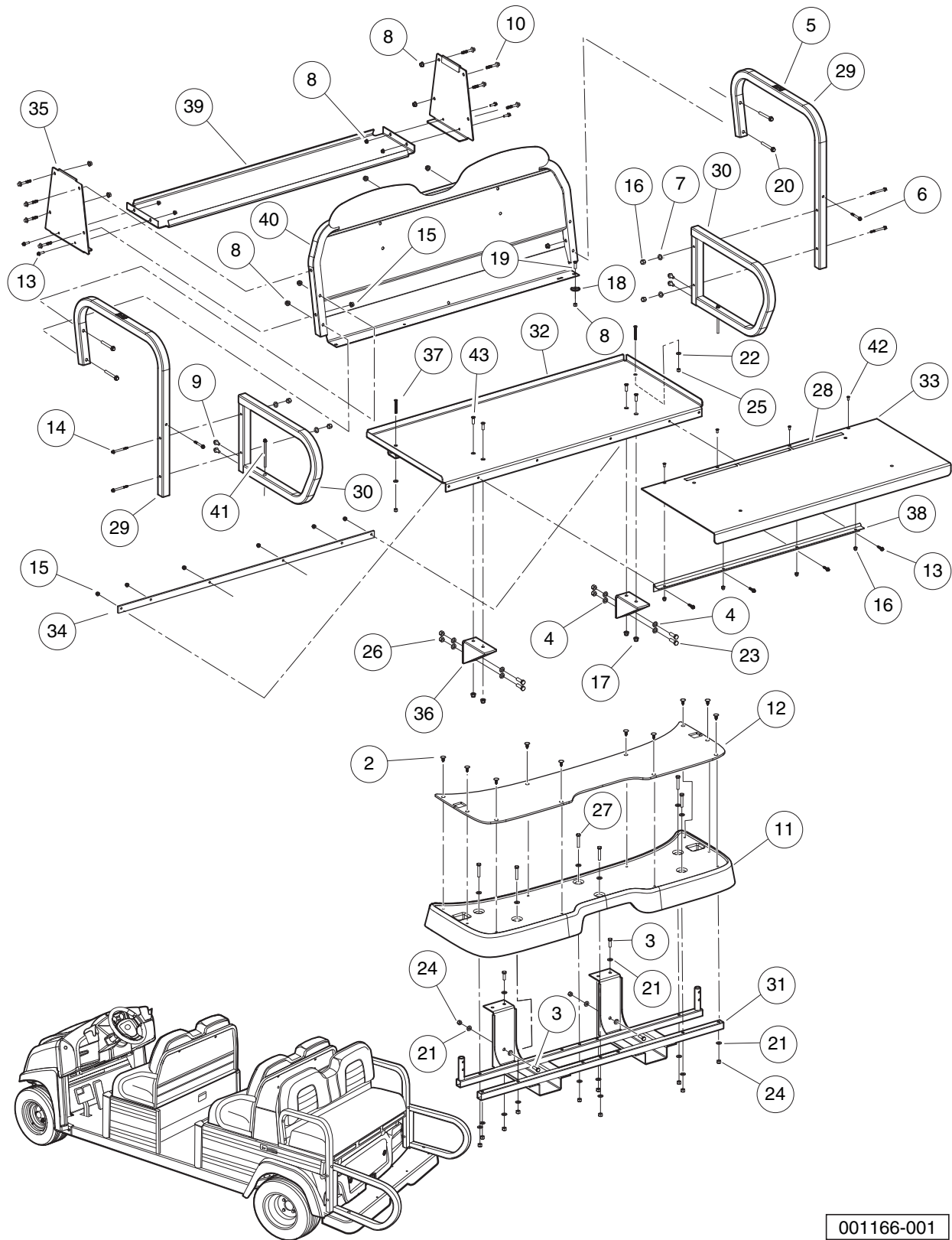
001161-003

SEAT FRAME AND HIP-RESTRAINT

ITEM	PART NO.	DESCRIPTION	QTY
		1 2 3 4	
1	1015399	Screw, 5/16-18 X 0.88 Torx Truss-Head	6
2	<u>101946201</u>	Washer, Lock, 0.250 External-Tooth	4
3	<u>101963401</u>	Locknut, 5/16-18 Hex Flange	6
4	<u>102989501</u>	Seal, Bed, 41-Inch	1
5	<u>103487501</u>	Screw, 1/4-20 X 1.0, Black	4
6	<u>105006501</u>	Cap, Corner, Frame	2
7	<u>105062401</u>	Seatback, Weldment, Ca	1
8	<u>105063001</u>	Wldmnt, Hip Restraint, Sml, Lh	1
9	<u>105063002</u>	Wldmnt, Hip Restraint, Lrg, Rh	1
10	<u>105078401</u>	Scrw, 5/16-18 X 1.75, Tr Tx Hd	4
11	<u>105194301</u>	Nut, 5/16-18, Conical Washer	4

1
G
E

1
G
E



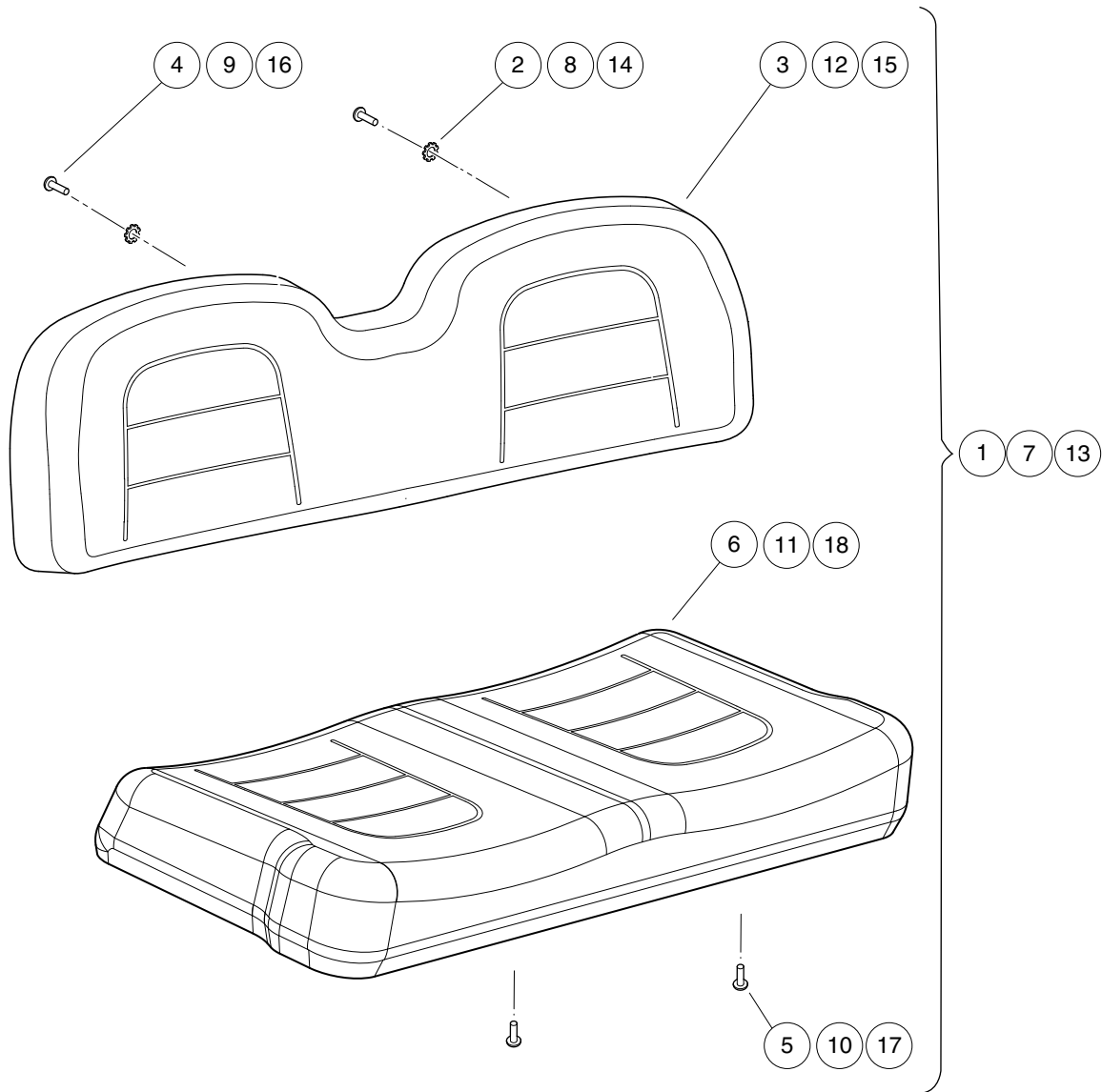
001166-001

REAR FACING FOLD DOWN SEAT

ITEM	PART NO.	DESCRIPTION	QTY
		1 2 3 4	
1	<u>SVP777502</u>	Kit, Fold Down, Ca500 (includes items 2 through 43)	1
2	<u>1010434</u>	Barrel - Plastic	10
3	<u>1010934</u>	Screw, 5/16-18 X 1.00 Hex Cap	4
4	<u>1011990</u>	Washer, 3/8 Flat	8
5	<u>101609401</u>	Decal, Crush Area Warning	2
6	<u>102296150</u>	Bolt - M6x1.0x50 Hex Flng Hd	2
7	<u>102296301</u>	Washer, M6x18x1.6 Flat	4
8	<u>102298401</u>	Nut, M8, All Metal Lock	14
9	<u>102298720</u>	Screw, M8-1.25x20, TapTite	4
10	<u>102299550</u>	Screw, m8x50, sems, tx, btt, plt	8
11	<u>102531402</u>	Footdeck, 4-Passenger, Black	1
12	<u>102531601</u>	Floormat, 4-Passenger, Rear	1
13	<u>102541401</u>	Bolt-m6x1.0x20 Hex Flhd Blk-l	8
14	<u>102541470</u>	Bolt-m6x1.0x70 Hex Flhd, Blk-l	4
15	<u>102541501</u>	Nut-m6x1.0 Fl Mtl Lock, blk	12
16	<u>102582401</u>	Cap Nut M6, Sp	8
17	<u>102618601</u>	Lock Nut, Flange, M8 X 1.25 Nylon	4
18	<u>103201101</u>	Washer, Step, CVT Primary	2
19	<u>103262201</u>	Bolt Flg Blk, M8 X 25, Loctite	2
20	<u>105188185</u>	Bolt, M8 X 85mm, 10.9 Grade	4
21	<u>1241</u>	Washer, 5/16 Type A Flat	20
22	<u>332</u>	Washer, 1/4 Type A Narrow Flat	2
23	<u>705</u>	Screw, Cap-hex Hd 3/8-16x1.25	4
24	<u>7473</u>	Locknut, 5/16-18 Nylon Insert	10
25	<u>8233</u>	Locknut, 1/4-20, Nylon Insert	2
26	<u>8754</u>	Locknut, 3/8-16 Hex	4
27	<u>8963</u>	Screw, 5/16-18 X 1.75 Hex-Head Cap	6
28	<u>SVP370901</u>	Asm, Decal, Warn 800 850 Prec	1
29	<u>SVP658101</u>	Hip Restraint, Folddown, Ca	2
30	<u>SVP658401</u>	Asm, D-ring, Folddown, Ca	2
31	<u>SVP658602</u>	Wldmnt, Support, Foot Deck	1
32	<u>SVP659001</u>	Channel, Support, Panel, Fixed	1
33	<u>SVP659101</u>	Panel, Flip Folddown, Ca	1
34	<u>SVP659301</u>	Plate, Back, Hinge, Folddown	1
35	<u>SVP659503</u>	Wldmnt, Support, Fixed Panel	2
36	<u>SVP664101</u>	Screw, 1/4-20x2.0, Csfh, Ss	2
37	<u>SVP713301</u>	Hinge, 2 In Open X 25 In Long	1
38	<u>SVP732202</u>	Panel, Closeout, Folddown, Med	1
39	<u>SVP732301</u>	Panel, Supprt, Side, Seat, Med	2
40	<u>SVP732901</u>	Weldment, Seat Back, Fold Down	1
41	<u>SVP736801</u>	Screw, M6-1.0x100	2
42	<u>SVPP229901</u>	M6x1.0x12 Fl Hd Mach Scr Ss	4
43	<u>SVPP234001</u>	M8x1.25x25 Fl Hd Mach Scr	4

1
G
E

1
G
E

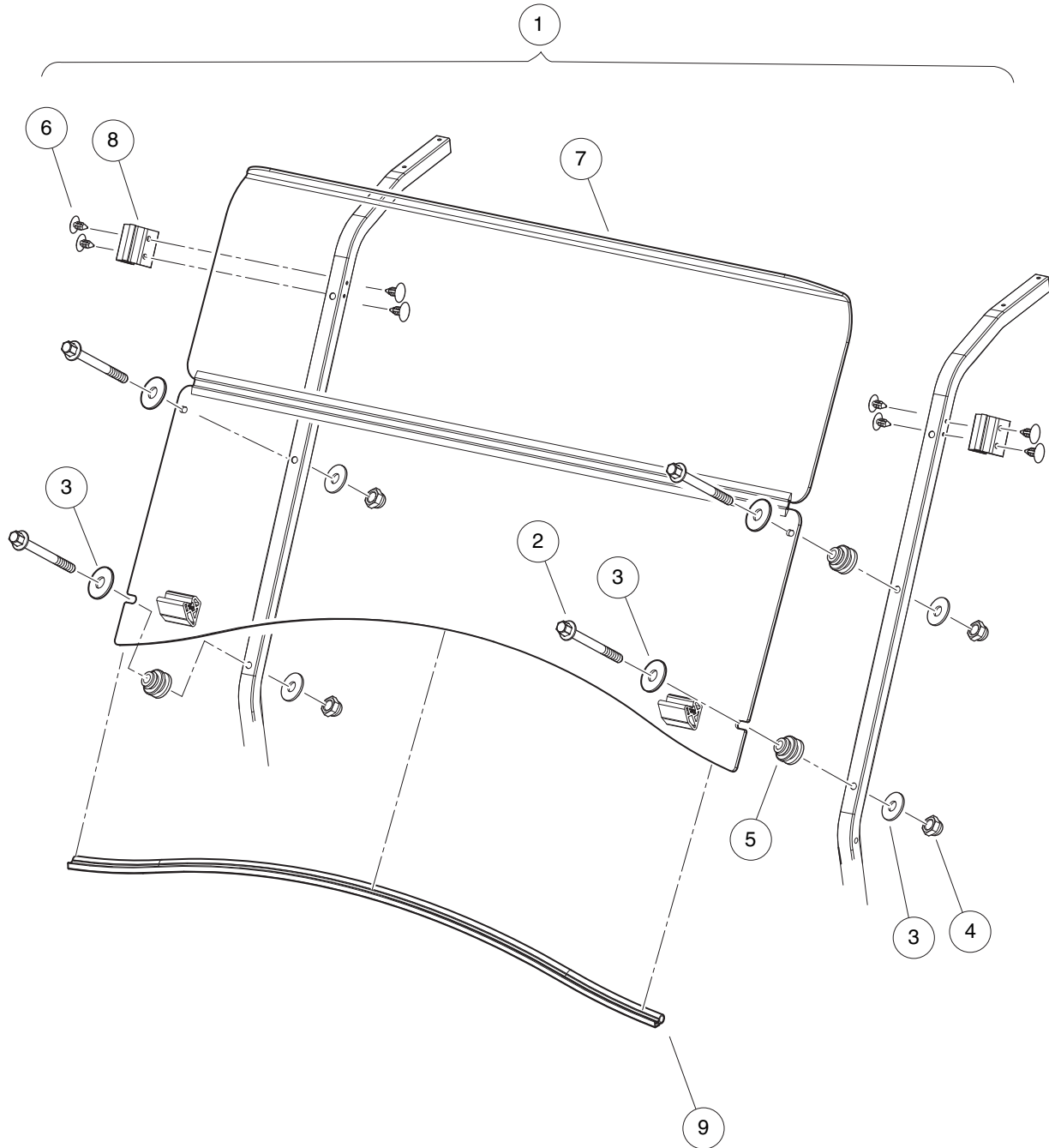


001300-025

REAR SEATS – VEHICLE WITH FOLD-DOWN REAR SEAT

ITEM	PART NO.	DESCRIPTION	QTY
		1 2 3 4	
1	<u>SVP777401</u>	Kit, Seats, Fold Down, Black (includes items 2 through 6)	1
2	<u>101946201</u>	Washer, Lock, 0.250 External-Tooth	4
3	105064102	Asm, Seatback, Black, Ca	1
4	<u>8251</u>	Screw, 1/4-20 X 1.0 Truss-Head Machine	4
5	<u>SVP387901</u>	1/4-20x1.00 Fl Hd Mach Scr Ss	4
6	SVP716903	Asm, Seat, Fold Down, Black	1
7	<u>SVP777402</u>	Kit, Seats, Fold Down, Beige (includes items 8 through 12)	1
8	<u>101946201</u>	Washer, Lock, 0.250 External-Tooth	4
9	<u>8251</u>	Screw, 1/4-20 X 1.0 Truss-Head Machine	4
10	<u>SVP387901</u>	1/4-20x1.00 Fl Hd Mach Scr Ss	4
11	SVP716905	Asm, Seat, Fold Down, Bge	1
12	<u>SVP860101</u>	Asm, Seatback, Biege, Ca	1
13	<u>SVP777403</u>	Kit, Seats, Fold Down, Gray (includes items 14 through 18)	1
14	<u>101946201</u>	Washer, Lock, 0.250 External-Tooth	4
15	105064103	Asm, Seatback, Gray, Ca	1
16	<u>8251</u>	Screw, 1/4-20 X 1.0 Truss-Head Machine	4
17	<u>SVP387901</u>	1/4-20x1.00 Fl Hd Mach Scr Ss	4
18	<u>SVP716902</u>	Asm, Seat, Fold Down, Gray	1

1
G
E

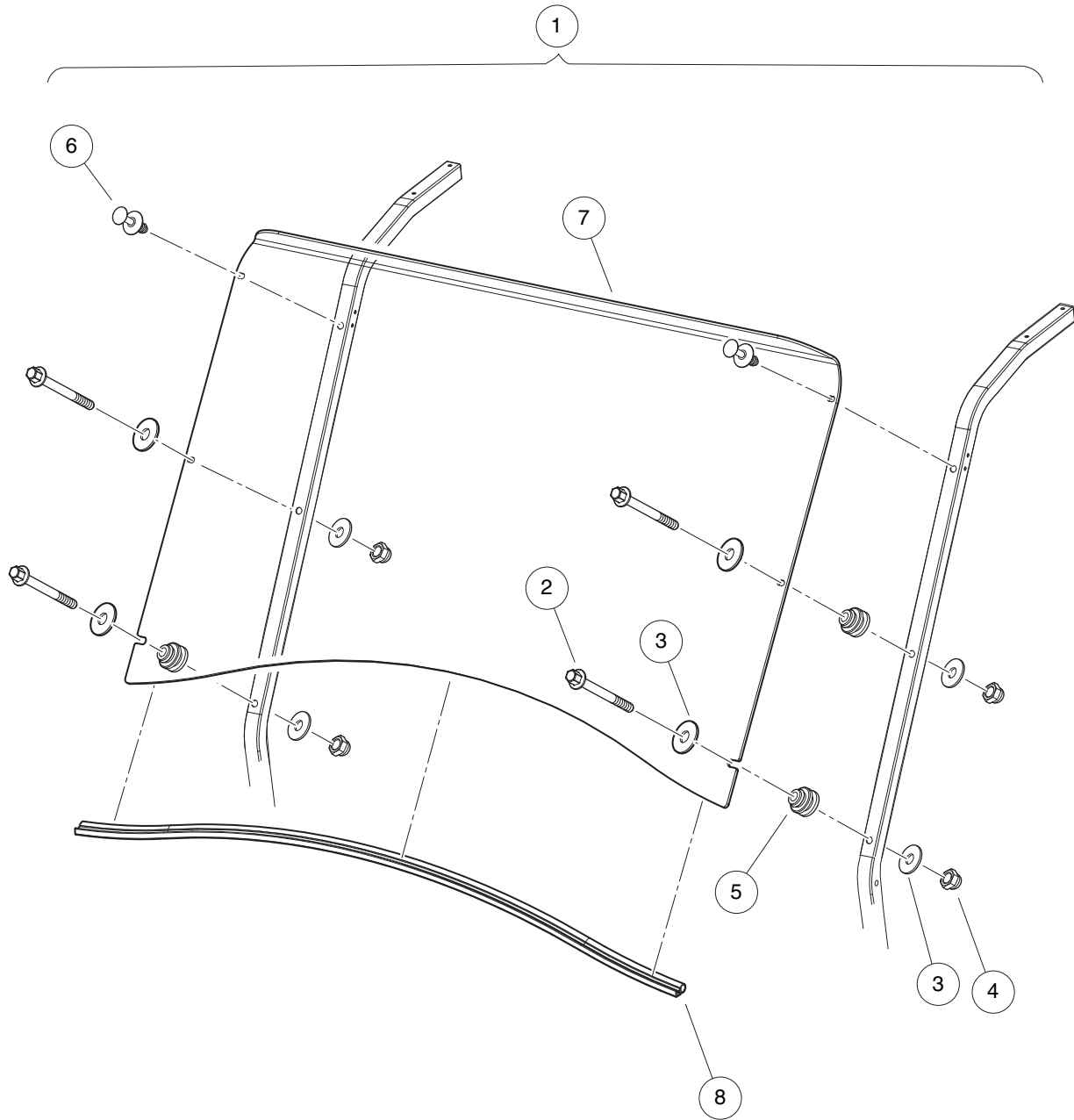


001114-001

WINDSHIELD, HINGED

ITEM	PART NO.	DESCRIPTION	QTY
		1 2 3 4	
1	<u>105109101</u>	Kit, Windshield, Hinged, Hb (includes items 2 through 9)	1
2	<u>102296150</u>	Bolt - M6x1.0x50 Hex Flng Hd	4
3	<u>102296301</u>	Washer, M6x18x1.6 Flat	4
4	<u>102582401</u>	Cap Nut M6, Sp	4
5	<u>102947601</u>	Grommet, Windshield, Prec	4
6	<u>103754901</u>	Fastener, Barrel - .610 X .25	8
7	<u>105060901</u>	Windshield, Hinged, Utility Hb	1
8	<u>105069901</u>	Clip, Retainer, W/s 1.25"	2
9	<u>105196001</u>	seal,windshield	1

1
G
E



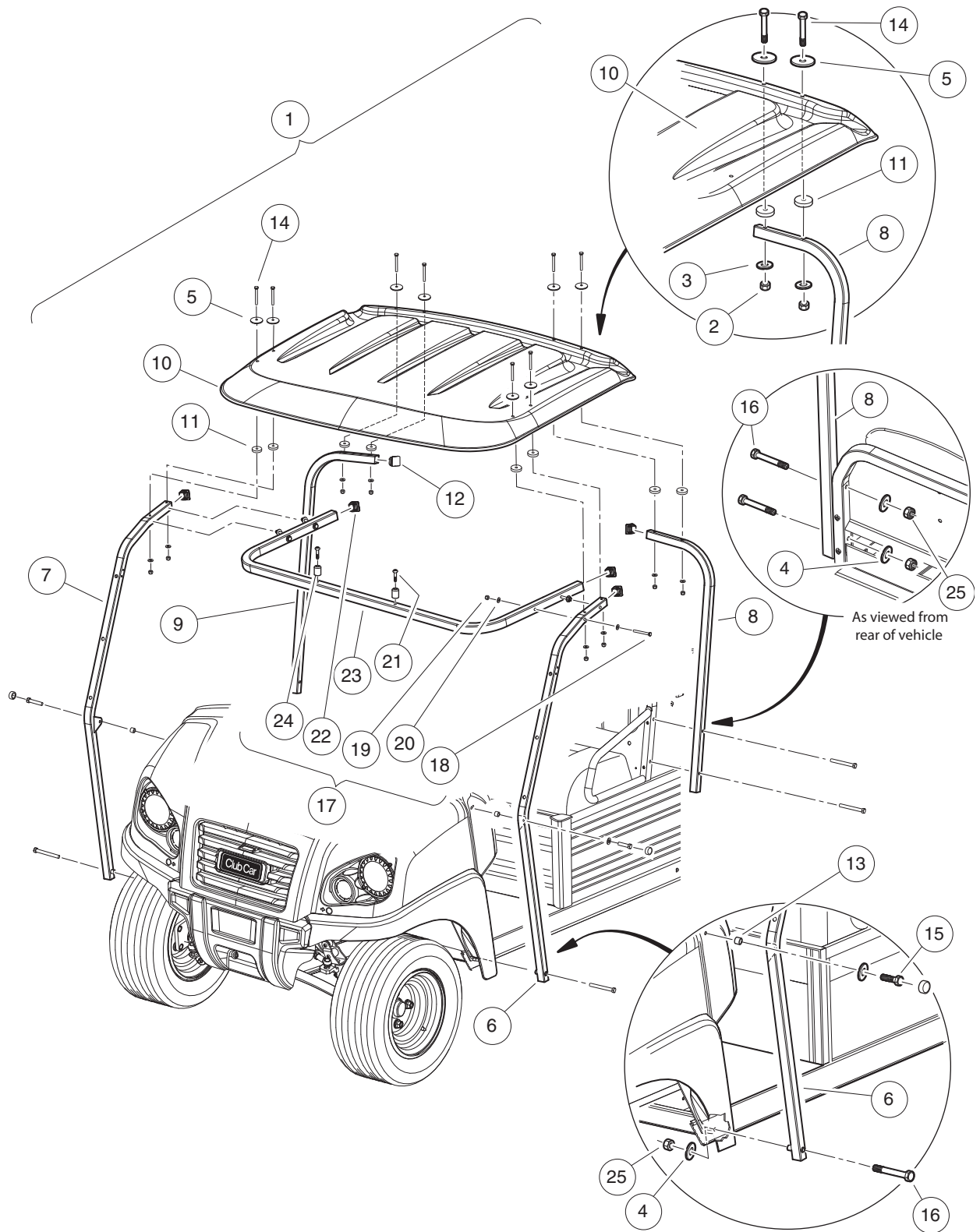
001115-001

WINDSHIELD, NON-HINGED

ITEM	PART NO.	DESCRIPTION	QTY
		1 2 3 4	
1	<u>105109201</u>	Kit, Windshield, Single, Hb (includes items 2 through 8)	1
2	<u>102296150</u>	Bolt - M6x1.0x50 Hex Flng Hd	4
3	<u>102296301</u>	Washer, M6x18x1.6 Flat	8
4	<u>102582401</u>	Cap Nut M6, Sp	4
5	<u>102947601</u>	Grommet, Windshield, Prec	4
6	<u>105093501</u>	Blind Rivet, Push, 3-10 Panel	2
7	<u>105102301</u>	Windshield, Single, Hb	1
8	<u>105196001</u>	seal,windshield	1

1
G
E

1
G
E



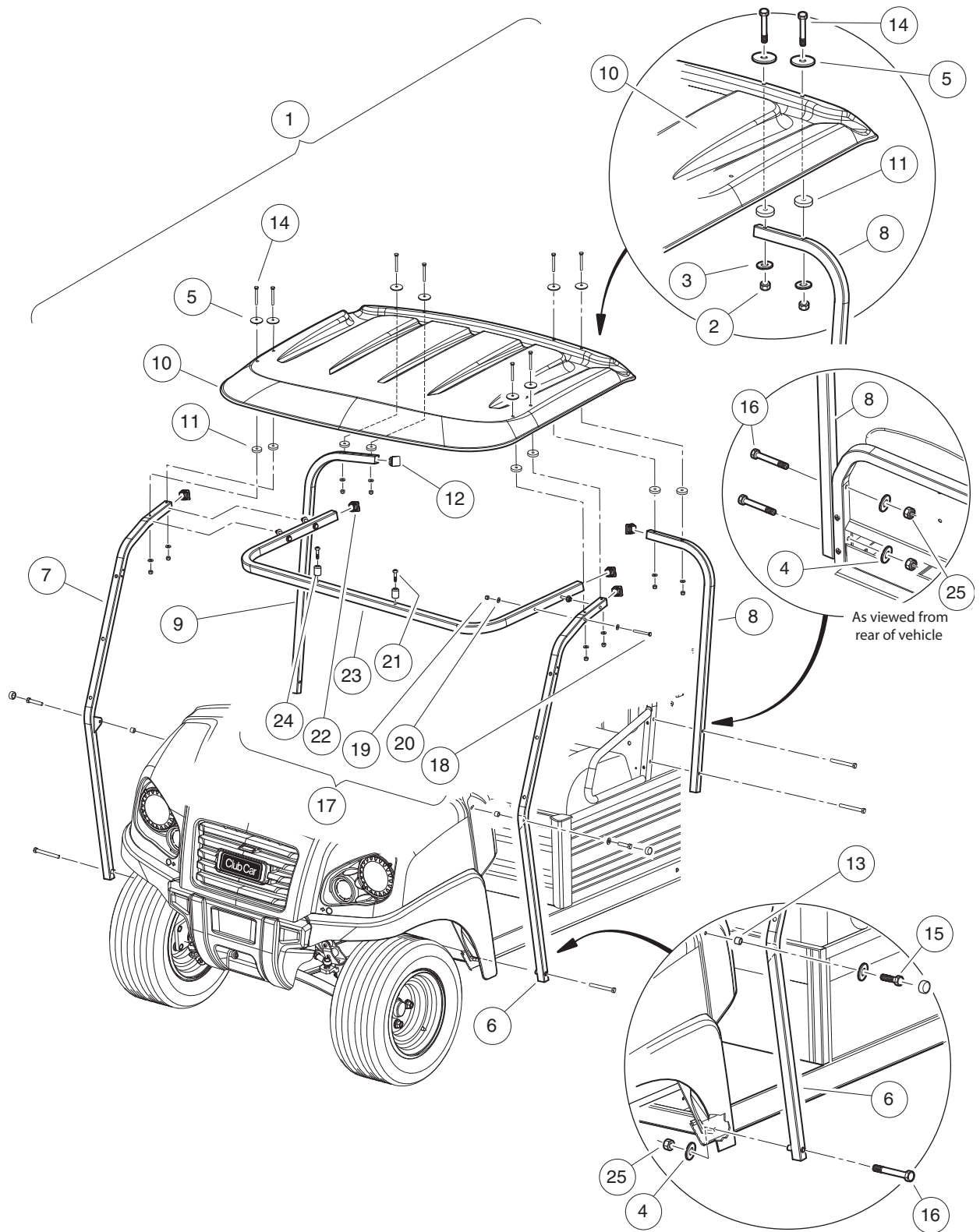
001300-014

CANOPY KIT, WHITE

ITEM	PART NO.	DESCRIPTION	QTY
		1 2 3 4	
1	<u>105063301</u>	Kit, Canopy, Hb, White (includes items 2 through 25)	1
2	<u>102242401</u>	Nut - Nylon Insert W/cap	8
3	<u>102296301</u>	Washer, M6x18x1.6 Flat	8
4	<u>102323501</u>	Washer, Flat, 3/8, Blk Fin	6
5	<u>103196001</u>	Washer, Conical Spring, Canopy	8
6	<u>105063201</u>	Weldment, Strut, Ds, Hb	1
7	<u>105063202</u>	Weldment, Strut, Ps, Hb	1
8	<u>105063401</u>	Rear, Strut, Bent, Ds	1
9	<u>105063402</u>	Rear, Strut, Bent, Ps	1
10	<u>105072001</u>	Canopy, Short, Restyle, White	1
11	<u>105086101</u>	Spacer, Rubber,7.1i D-6.35 Thk	8
12	<u>105092601</u>	Plug, Square -31.75mm	4
13	<u>105094001</u>	Spacer, Canopy Support, Dash	2
14	<u>105197301</u>	1/4-20 x 2.25,BHCS,6-LOBE	8
15	<u>105197401</u>	BOLT,FLG,3/8-16 X 1.00 LOC	2
16	<u>105197402</u>	BOLT,FLG,3/8-16 X 3.00	6
17	<u>105251901</u>	Kit, Canopy Support, Front (includes items 18 through 24)	1
18	<u>1012159</u>	Bolt, 1/4-20 X 2.75 Hex-Head	4
19	<u>102242401</u>	Nut - Nylon Insert W/cap	4
20	<u>102296301</u>	Washer, M6x18x1.6 Flat	8
21	<u>102557201</u>	Screw, #6-20 Type Abx1.00 Pan	2
22	<u>102581201</u>	Plug, Square - 25.4 mm	2
23	<u>105249901</u>	Tube, Front Support, Canopy, Utility	1
24	<u>105250501</u>	Bumper, Rubber, 3/4-in. Round	2
25	<u>8754</u>	Locknut, 3/8-16 Hex	6

1
G
E

1
G
E



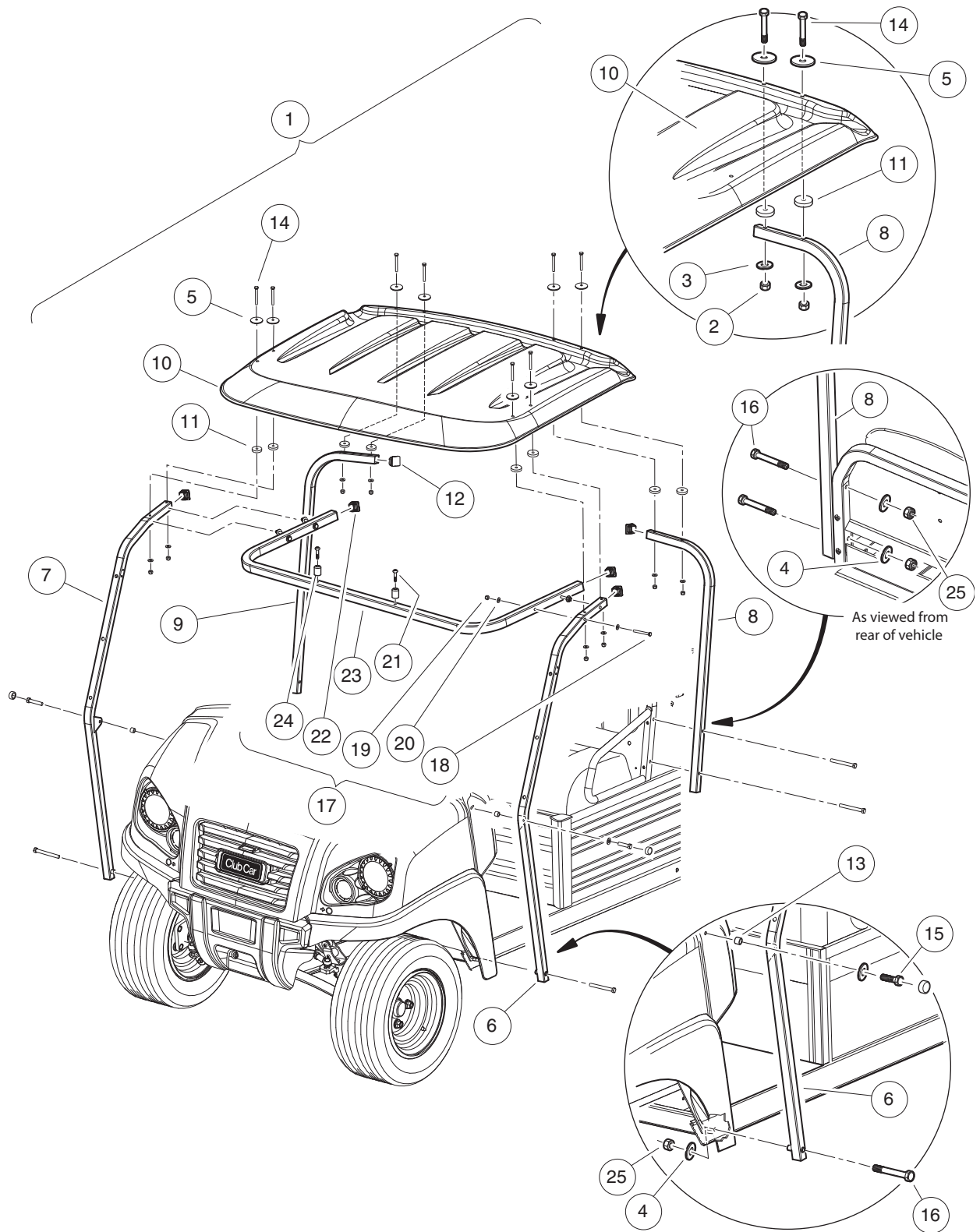
001300-014

CANOPY KIT, BIEGE

ITEM	PART NO.	DESCRIPTION	QTY
		1 2 3 4	
1	<u>105063302</u>	Kit, Canopy, Hb, Beige (includes items 2 through 25)	1
2	<u>102242401</u>	Nut - Nylon Insert W/cap	8
3	<u>102296301</u>	Washer, M6x18x1.6 Flat	8
4	<u>102323501</u>	Washer, Flat, 3/8, Blk Fin	6
5	<u>103196001</u>	Washer, Conical Spring, Canopy	8
6	<u>105063201</u>	Weldment, Strut, Ds, Hb	1
7	<u>105063202</u>	Weldment, Strut, Ps, Hb	1
8	<u>105063401</u>	Rear, Strut, Bent, Ds	1
9	<u>105063402</u>	Rear, Strut, Bent, Ps	1
10	<u>105072002</u>	Canopy, Short, Restyle, Beige	1
11	<u>105086101</u>	Spacer, Rubber, 7.1i D-6.35 Thk	8
12	<u>105092601</u>	Plug, Square -31.75mm	8
13	<u>105094001</u>	Spacer, Canopy Support, Dash	4
14	<u>105197301</u>	1/4-20 x 2.25, BHCS, 6-LOBE	8
15	<u>105197401</u>	BOLT, FLG, 3/8-16 X 1.00 LOC	2
16	<u>105197402</u>	BOLT, FLG, 3/8-16 X 3.00	6
17	<u>105251901</u>	Kit, Canopy Support, Front (includes items 18 through 24)	1
18	<u>1012159</u>	Bolt, 1/4-20 X 2.75 Hex-Head	4
19	<u>102242401</u>	Nut - Nylon Insert W/cap	4
20	<u>102296301</u>	Washer, M6x18x1.6 Flat	8
21	<u>102557201</u>	Screw, #6-20 Type Abx1.00 Pan	2
22	<u>102581201</u>	Plug, Square - 25.4 mm	2
23	<u>105249901</u>	Tube, Front Support, Canopy, Utility	1
24	<u>105250501</u>	Bumper, Rubber, 3/4-in. Round	2
25	<u>8754</u>	Locknut, 3/8-16 Hex	6

1
G
E

1
G
E



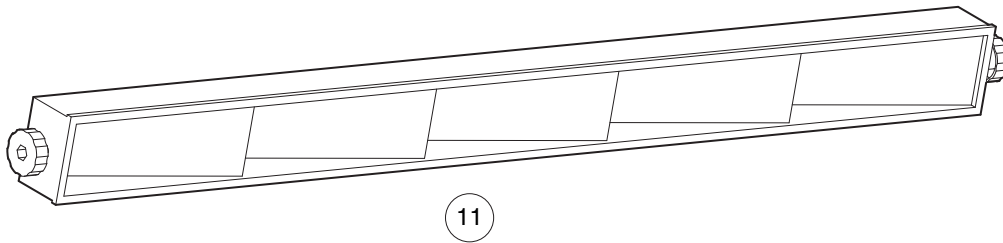
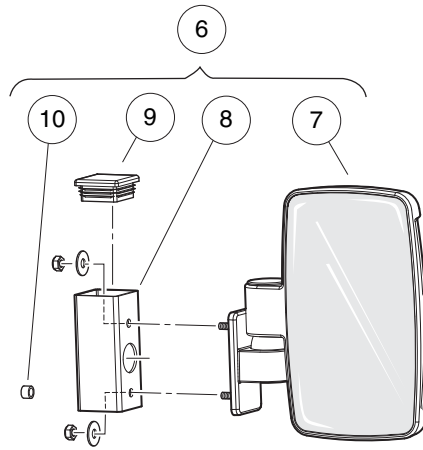
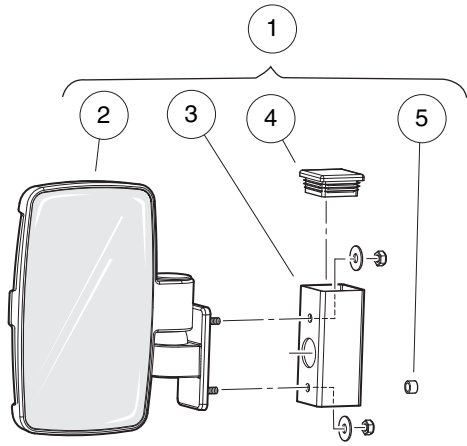
001300-014

CANOPY KIT, BLACK

ITEM	PART NO.	DESCRIPTION	QTY
		1 2 3 4	
1	<u>105063303</u>	Kit, Canopy, Hb, Black (includes items 2 through 25)	1
2	<u>102242401</u>	Nut - Nylon Insert W/cap	8
3	<u>102296301</u>	Washer, M6x18x1.6 Flat	8
4	<u>102323501</u>	Washer, Flat, 3/8, Blk Fin	6
5	<u>103196001</u>	Washer, Conical Spring, Canopy	8
6	<u>105063201</u>	Weldment, Strut, Ds, Hb	1
7	<u>105063202</u>	Weldment, Strut, Ps, Hb	1
8	<u>105063401</u>	Rear, Strut, Bent, Ds	1
9	<u>105063402</u>	Rear, Strut, Bent, Ps	1
10	<u>105072003</u>	Canopy, Short, Restyle, Blk	1
11	<u>105086101</u>	Spacer, Rubber, 7.1i D-6.35 Thk	8
12	<u>105092601</u>	Plug, Square -31.75mm	4
13	<u>105094001</u>	Spacer, Canopy Support, Dash	2
14	<u>105197301</u>	1/4-20 x 2.25, BHCS, 6-LOBE	8
15	<u>105197401</u>	BOLT, FLG, 3/8-16 X 1.00 LOC	2
16	<u>105197402</u>	BOLT, FLG, 3/8-16 X 3.00	6
17	<u>105251901</u>	Kit, Canopy Support, Front (includes items 18 through 24)	1
18	<u>1012159</u>	Bolt, 1/4-20 X 2.75 Hex-Head	4
19	<u>102242401</u>	Nut - Nylon Insert W/cap	4
20	<u>102296301</u>	Washer, M6x18x1.6 Flat	8
21	<u>102557201</u>	Screw, #6-20 Type Abx1.00 Pan	2
22	<u>102581201</u>	Plug, Square - 25.4 mm	2
23	<u>105249901</u>	Tube, Front Support, Canopy, Utility	1
24	<u>105250501</u>	Bumper, Rubber, 3/4-in. Round	2
25	<u>8754</u>	Locknut, 3/8-16 Hex	6

1
G
E

1
G
E



001300-019

MIRRORS

ITEM	PART NO.	DESCRIPTION	QTY
		1 2 3 4	
1	<u>105124201</u>	Kit, Mirror, Hb, Res, Ds (includes items 2 through 5)	1
2	<u>105128801</u>	Asm, Mirror, Utl Res, Ds	1
3	105128901	Tube, Mirror, Support	1
4	105129001	Plug, Square 38.1 Mm	1
5	105170101	Spacer, M6, Plastic	1
6	<u>105124202</u>	Kit, Mirror, Hb, Res, Ps (includes items 7 through 10)	1
7	<u>105128802</u>	Asm, Mirror, Utl Res, Ps	1
8	105128901	Tube, Mirror, Support	1
9	105129001	Plug, Square 38.1 Mm	1
10	105170101	Spacer, M6, Plastic	1
11	<u>105288801</u>	Kit, Mirror, 5 Panel, Canopy	1

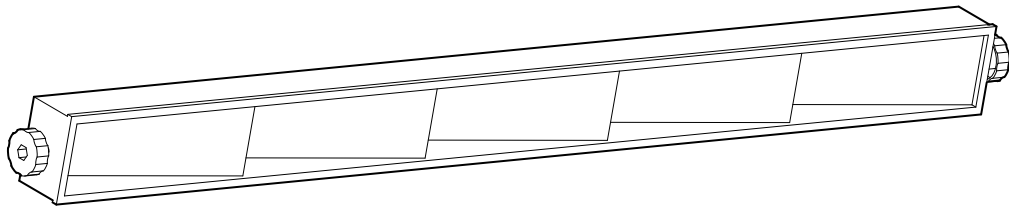
1
G
E

1

G

E

1 2



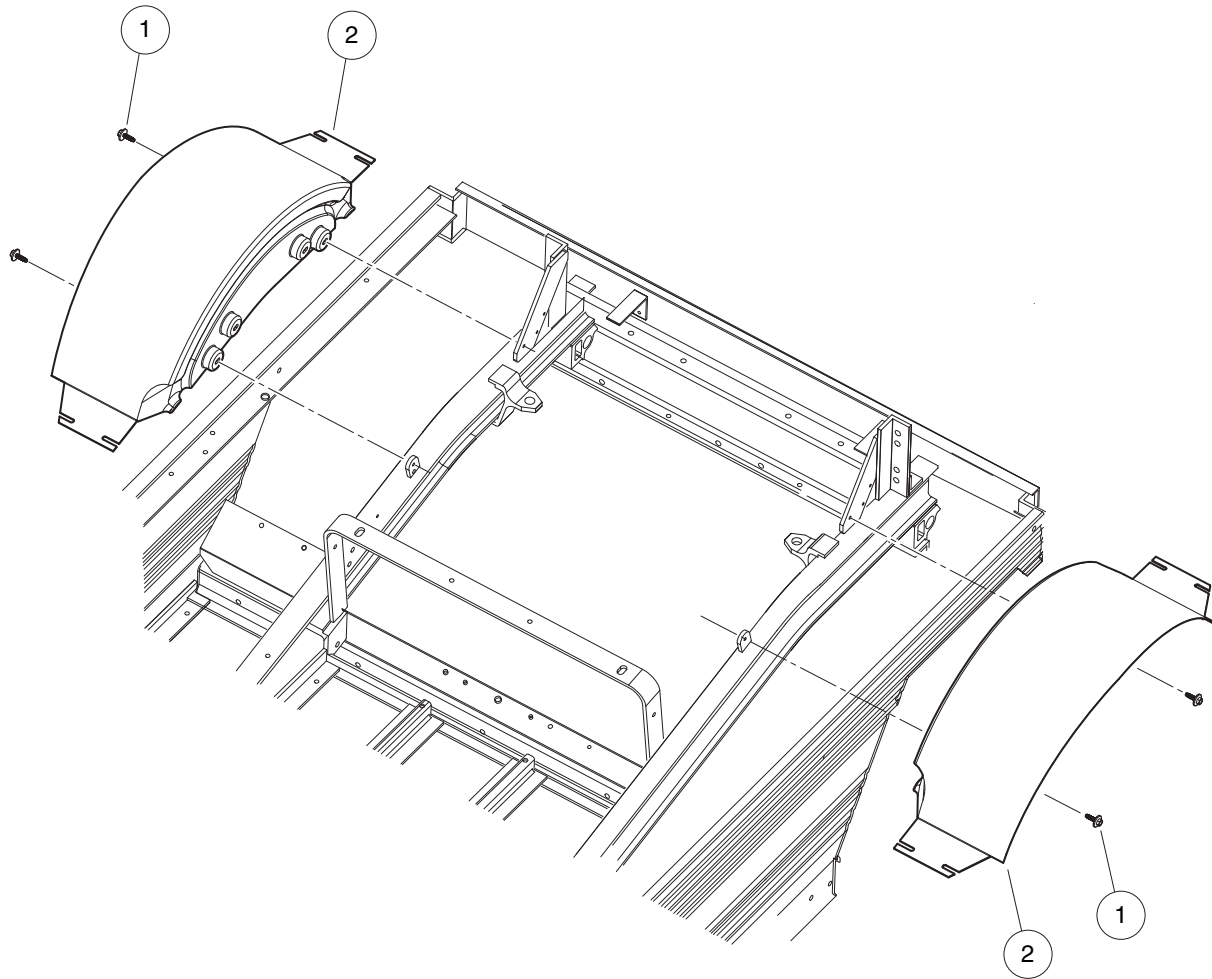
001300-023

CANOPY 5-PANEL MIRROR

ITEM	PART NO.	DESCRIPTION	QTY
1	<u>105288801</u>	1 2 3 4 Kit, Mirror, 5 Panel, Canopy	1
2	105289201	Kit, Mirror, 5 Panel Custom Canopy	1

1
G
E

1
G
E

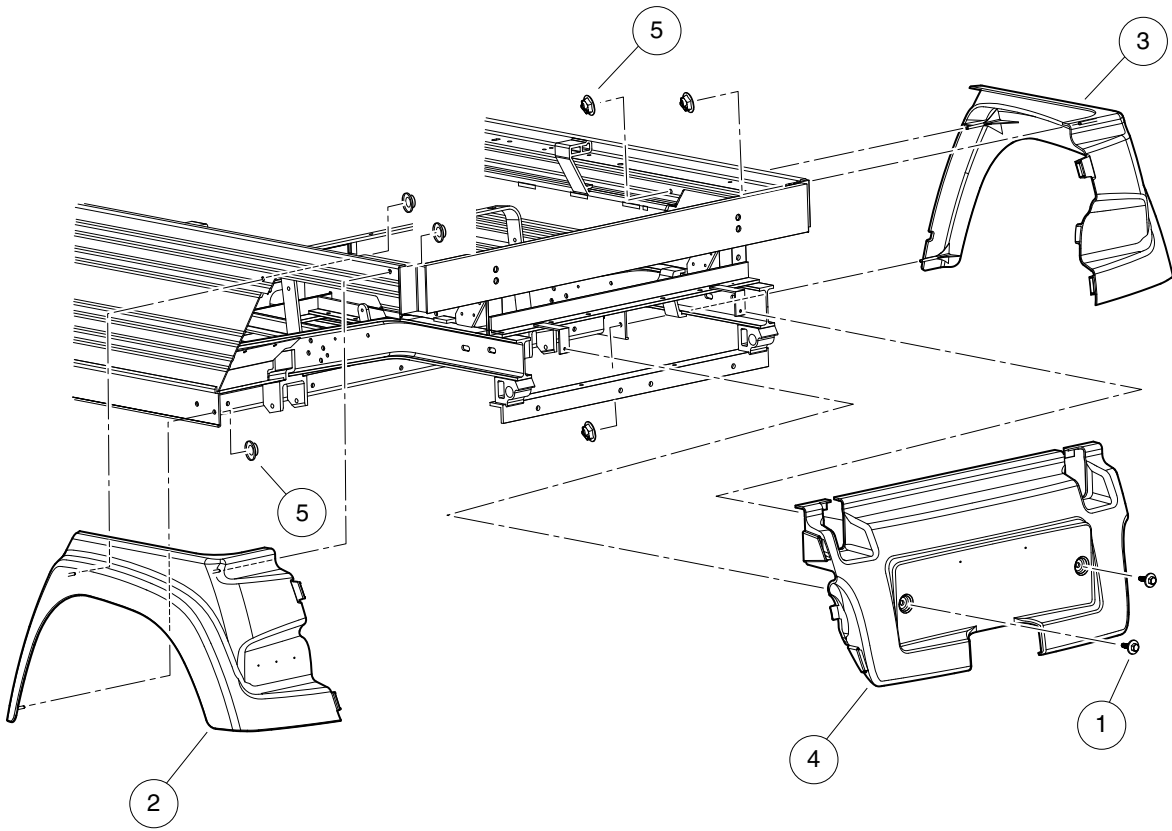


001123-001

INNER REAR FENDERS

ITEM	PART NO.	DESCRIPTION	QTY
1	<u>102297125</u>	1 2 3 4 Screw, M6-1.0x25.4, Thread-Forming, SEMS	4
2	<u>105035801</u>	Fender, Inner, Ca	2

1
G
E



001124-001

REAR FENDERS AND TAIL SKIRT

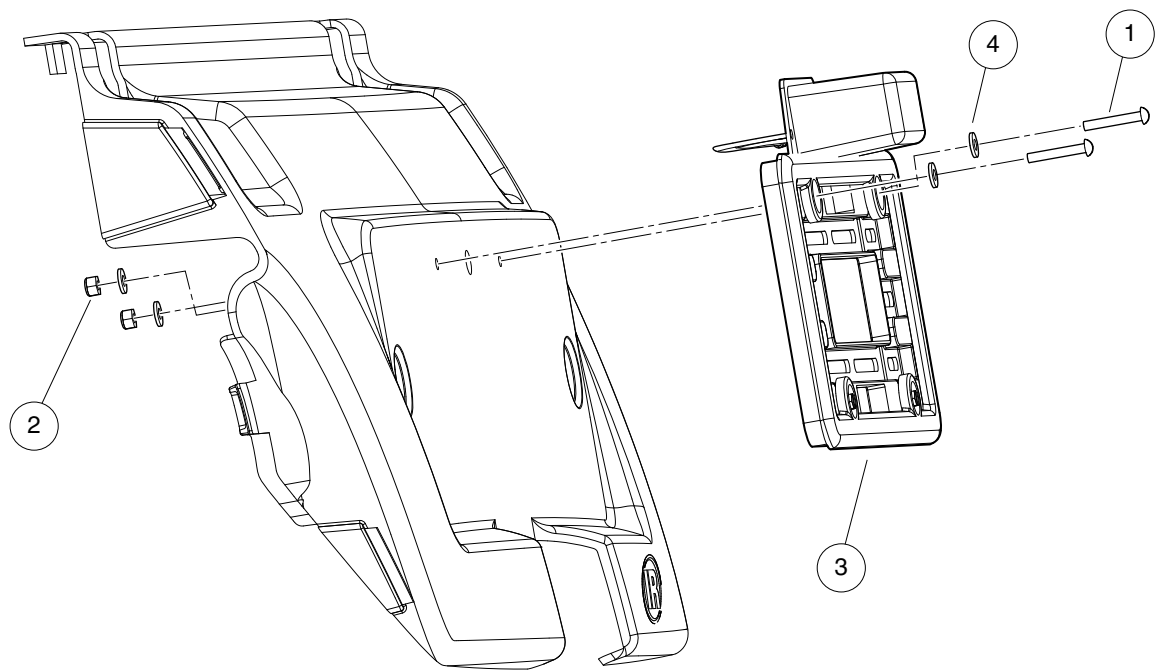
ITEM	PART NO.	DESCRIPTION	QTY
		1 2 3 4	
1	<u>102297125</u>	Screw, M6-1.0x25.4, Thread-Forming, SEMS	2
2	<u>105035101</u>	Fender, Rear, Lh, Ca	1
3	<u>105035201</u>	Fender, Rear, Rh, Ca	1
4	<u>105035301</u>	Tailskirt, Ca	1
5	<u>105066401</u>	Nut, Self Thread, 5x10x15	6

1
G
E

1

G

E



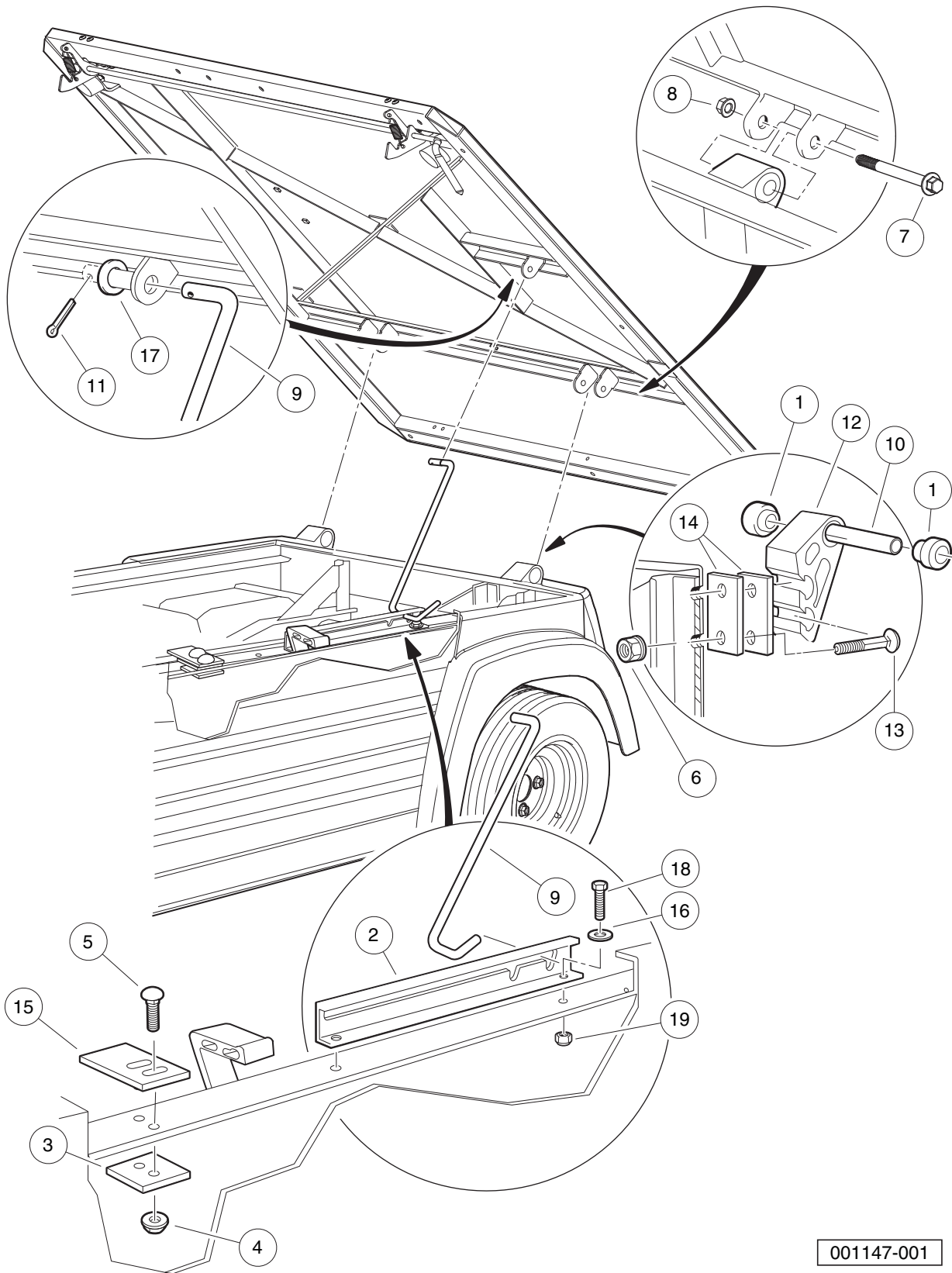
001170-001

REAR LICENSE PLATE HOLDER

ITEM	PART NO.	DESCRIPTION	QTY
		1 2 3 4	
1	<u>1010909</u>	Screw, #10-32 X 1.25 Rd Hd Mch	2
2	<u>1013061</u>	Locknut, #10-32 Nylon Insert	2
3	N/A	License Plate,ASM, Rear	1
4	<u>183</u>	Washer, #10, Type A, Flat	4

1
G
E

1
G
E



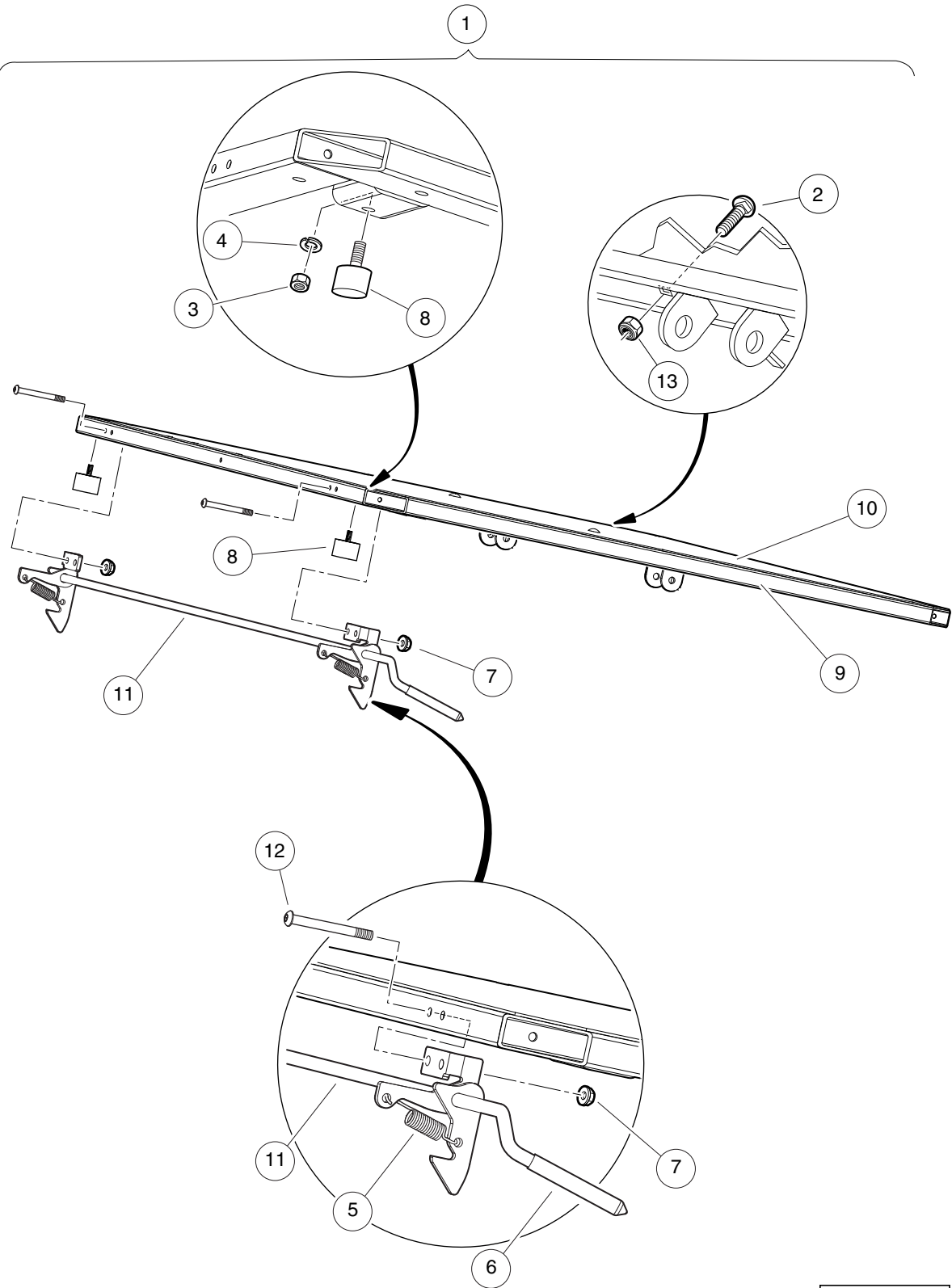
001147-001

BED HINGE, LATCH, AND PROP ROD – MEDIUM

ITEM	PART NO.	DESCRIPTION	QTY
		1 2 3 4	
1	<u>1015583</u>	Bushing, Urethane	4
2	<u>1015700</u>	Track Prop Rod Ca li	1
3	<u>1016060</u>	Plate, Latch Support	2
4	<u>101835601</u>	Locknut, 1/4-20 Hex Whiz	4
5	<u>101958602</u>	Bolt, Carriage, 1/4-20 X 1.0	4
6	<u>102065901</u>	Locknut, 3/8-16 Flanged Dimple	4
7	<u>102298185</u>	Bolt - Flange Hd, M8 X 85.0	2
8	<u>102298401</u>	Nut,m8,all Metal Lock	2
9	<u>102301401</u>	Rod, Prop	1
10	<u>102506401</u>	Sleeve - Spring Eye Mounts	2
11	<u>1035</u>	Cotter Pin, 3/32 x 1	1
12	<u>103538701</u>	Bracket, Bed Hinge, Extruded	2
13	<u>103539001</u>	3/8-16 X 1.25 Carr Blt Gr5 Zn	4
14	<u>103575801</u>	Shim, Bed Hinge, .125 Thick	4
15	<u>105110801</u>	Plate, Latch, Ca	2
16	<u>332</u>	Washer, 1/4 Type A Narrow Flat	2
17	<u>334</u>	Washer, 3/8, Type A, Flat	1
18	<u>7479</u>	Screw, 1/4-20 X 1.25 Hex-Head Cap	2
19	<u>8233</u>	Locknut, 1/4-20, Nylon Insert	2

1
G
E

1
G
E



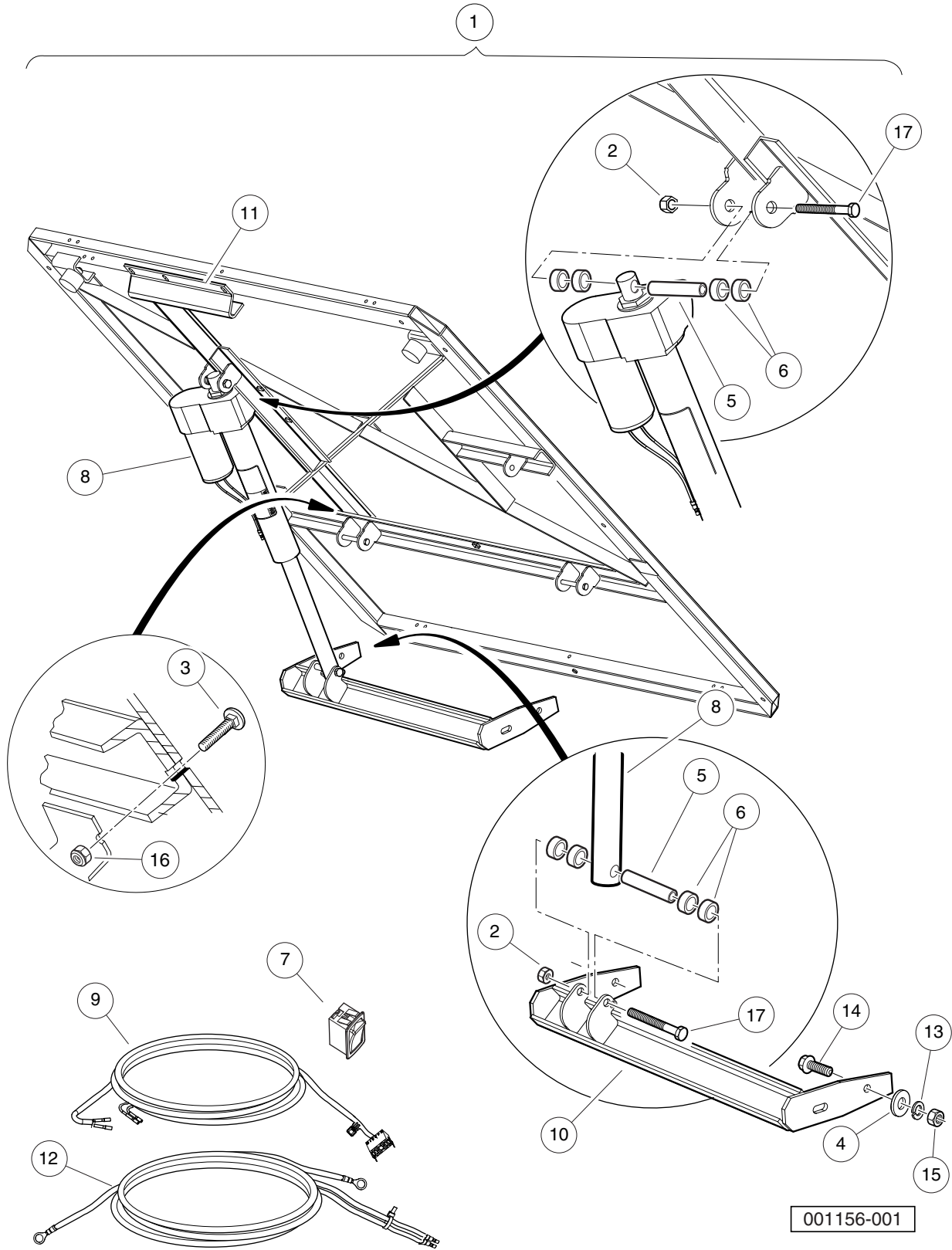
001148-001

TILT BED AND BED LATCH – MEDIUM

ITEM	PART NO.	DESCRIPTION	QTY
		1 2 3 4	
1	<u>105197101</u>	Kit, Bed Floor, Med (includes items 2 through 13)	1
2	<u>101043502</u>	Bolt, Carriage, 5/16-18x1 blk	4
3	<u>1012528</u>	Nut, M8-1.25 Hex	2
4	<u>1013734</u>	Lockwasher, 8mm Split	2
5	<u>1015391</u>	Extension, Spring Latch	2
6	<u>1015400</u>	Grip, Tilt Latch Hand	1
7	<u>1015661</u>	Nut, Lock Hx Flanged 1/4-20	4
8	<u>105036601</u>	Bumper, Bedfloor, Ca	2
9	N/A	Frame, Weldmnt, Bed, Medium	1
10	N/A	Plate, Floor, Bed, Rhino, Med	1
11	<u>105169101</u>	Weldment, Bed Latch, CA	1
12	<u>105194101</u>	1/4-20 X 2.5, Bhcs, 6-lobe	1
13	<u>7473</u>	Locknut, 5/16-18 Nylon Insert	4

1
G
E

1
G
E

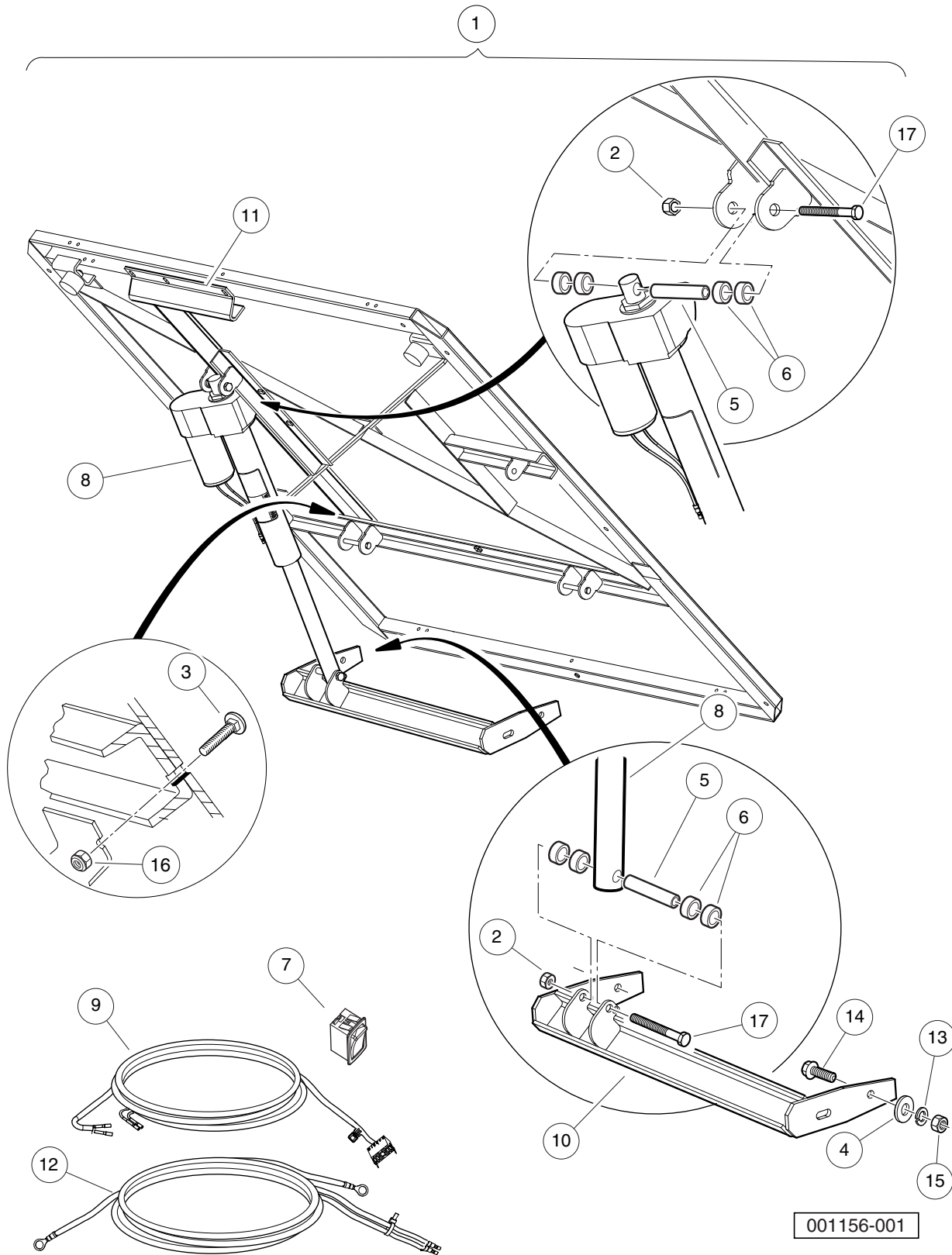


ELECTRIC BED LIFT – MEDIUM, ELECTRIC VEHICLES

ITEM	PART NO.	DESCRIPTION	QTY
		1 2 3 4	
1	<u>105170301</u>	Kit, Bed Lift, Elec, Med (includes items 2 through 17)	1
2	<u>1010138</u>	Locknut, 3/8-16 Dimpled	2
3	<u>101043502</u>	Bolt, Carriage, 5/16-18x1 blk	1
4	<u>1011990</u>	Washer, 3/8 Flat	4
5	<u>1016603</u>	Bushing, Long	2
6	1017774	Body Spacer	8
7	<u>102882501</u>	Switch, Rocker, Bed Lift	1
8	103951802	Actuator, Bed Lift, Elec, 48v	1
9	<u>105108901</u>	Harness, Bed Lift, Util	1
10	<u>105131001</u>	Weldment, Mnt, Bed Lift, Ca	1
11	<u>105193501</u>	Weldment, Bed Lift, Med	1
12	<u>105197601</u>	Asm, Jumper, Bedlift, Ca500	1
13	<u>357</u>	Lockwasher, 3/8 Split	4
14	705	Screw, Cap-hex Hd 3/8-16x1.25	4
15	<u>706</u>	Nut, Hex 3/8-16	4
16	<u>7473</u>	Locknut, 5/16-18 Nylon Insert	1
17	<u>7561</u>	Bolt, 3/8-16 X 3.00 Hex Head	2

1
G
E

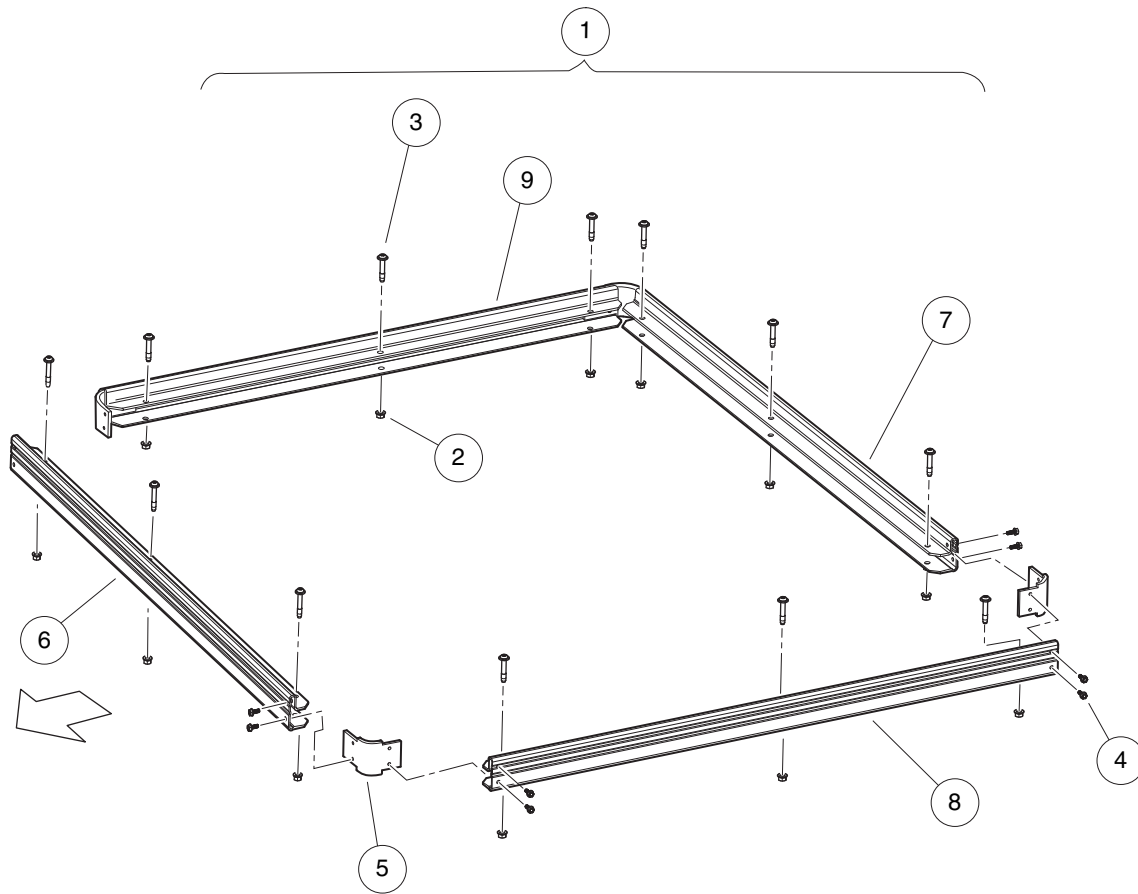
1
G
E



ELECTRIC BED LIFT – GASOLINE VEHICLES

ITEM	PART NO.	DESCRIPTION	QTY
		1 2 3 4	
1	<u>105170501</u>	Kit, Bed Lift, Gas, Med (includes items 2 through 17)	1
2	<u>1010138</u>	Locknut, 3/8-16 Dimpled	2
3	<u>101043502</u>	Bolt, Carriage, 5/16-18x1 blk	1
4	<u>1011990</u>	Washer, 3/8 Flat	4
5	<u>1016603</u>	Bushing, Long	2
6	1017774	Body Spacer	8
7	<u>102882501</u>	Switch, Rocker, Bed Lift	1
8	<u>103951801</u>	Actuator, Bed Lift, Electric	1
9	<u>105108901</u>	Harness, Bed Lift, Util	1
10	<u>105131001</u>	Weldment, Mnt, Bed Lift, Ca	1
11	<u>105193501</u>	Weldment, Bed Lift, Med	1
12	<u>105197601</u>	Asm, Jumper, Bedlift, Ca500	1
13	<u>357</u>	Lockwasher, 3/8 Split	4
14	705	Screw, Cap-hex Hd 3/8-16x1.25	4
15	<u>706</u>	Nut, Hex 3/8-16	4
16	<u>7473</u>	Locknut, 5/16-18 Nylon Insert	1
17	<u>7561</u>	Bolt, 3/8-16 X 3.00 Hex Head	2

1
G
E

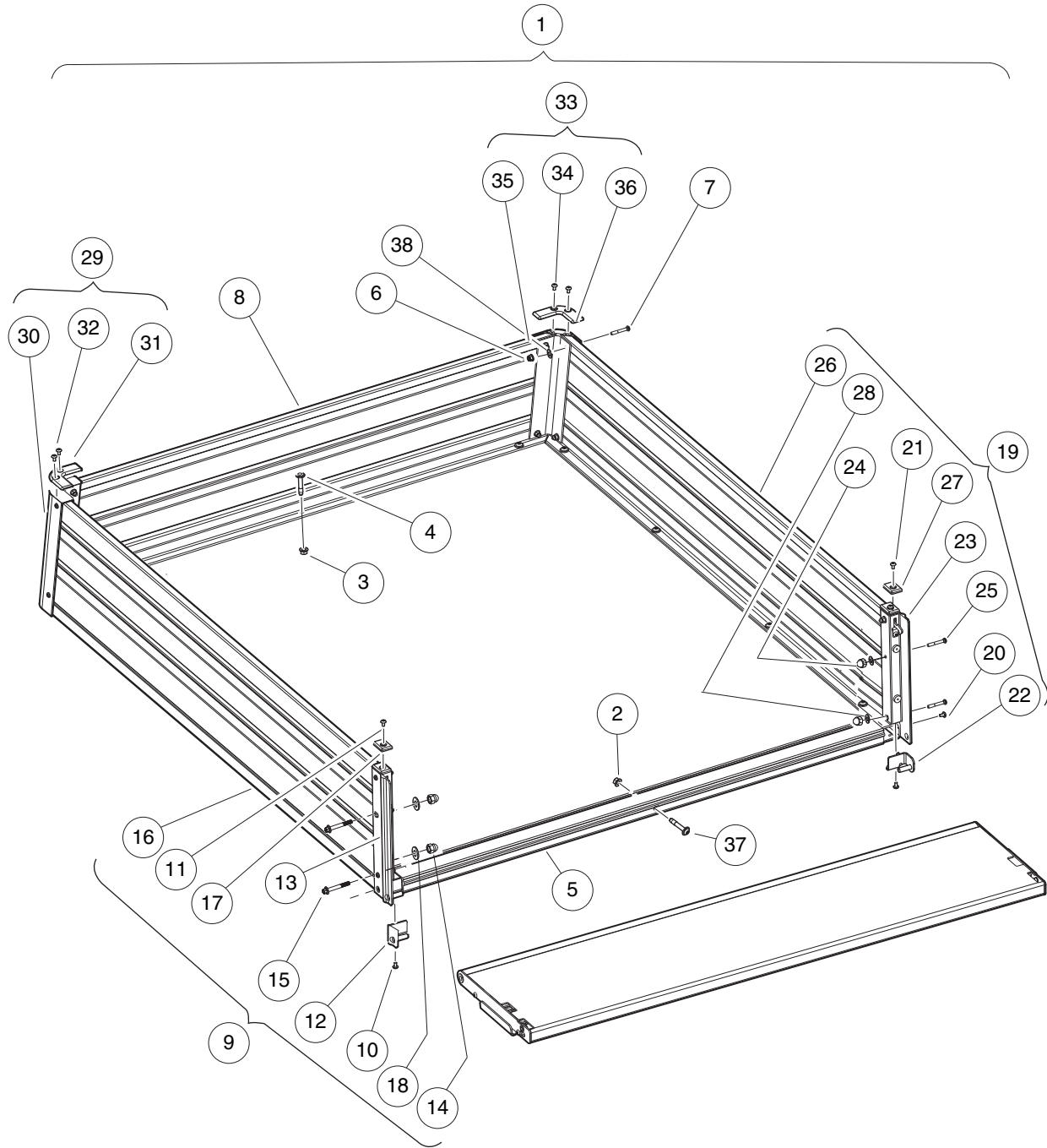


001126-001

FLAT BED TRIM – MEDIUM

ITEM	PART NO.	DESCRIPTION	QTY
		1 2 3 4	
1	105122205	Kit, Flat Trim, Ca, Med (includes items 2 through 9)	1
2	<u>102298401</u>	Nut,m8,all Metal Lock	12
3	<u>102299550</u>	Screw,m8x50,sems,tx,bttn,plt	12
4	<u>105185701</u>	Pan Head Screw, M6 X 16 Tt	16
5	<u>105185801</u>	Bracket,Bed Corner,CA	4
6	<u>105194801</u>	Trim, Bed, Cntr, Front	1
7	<u>105194802</u>	Trim, Bed, Cntr, Rear	1
8	<u>105194901</u>	Trim, Bed, Medium, Lh	1
9	<u>105194902</u>	Trim, Bed, Medium, Rh	1

1
G
E



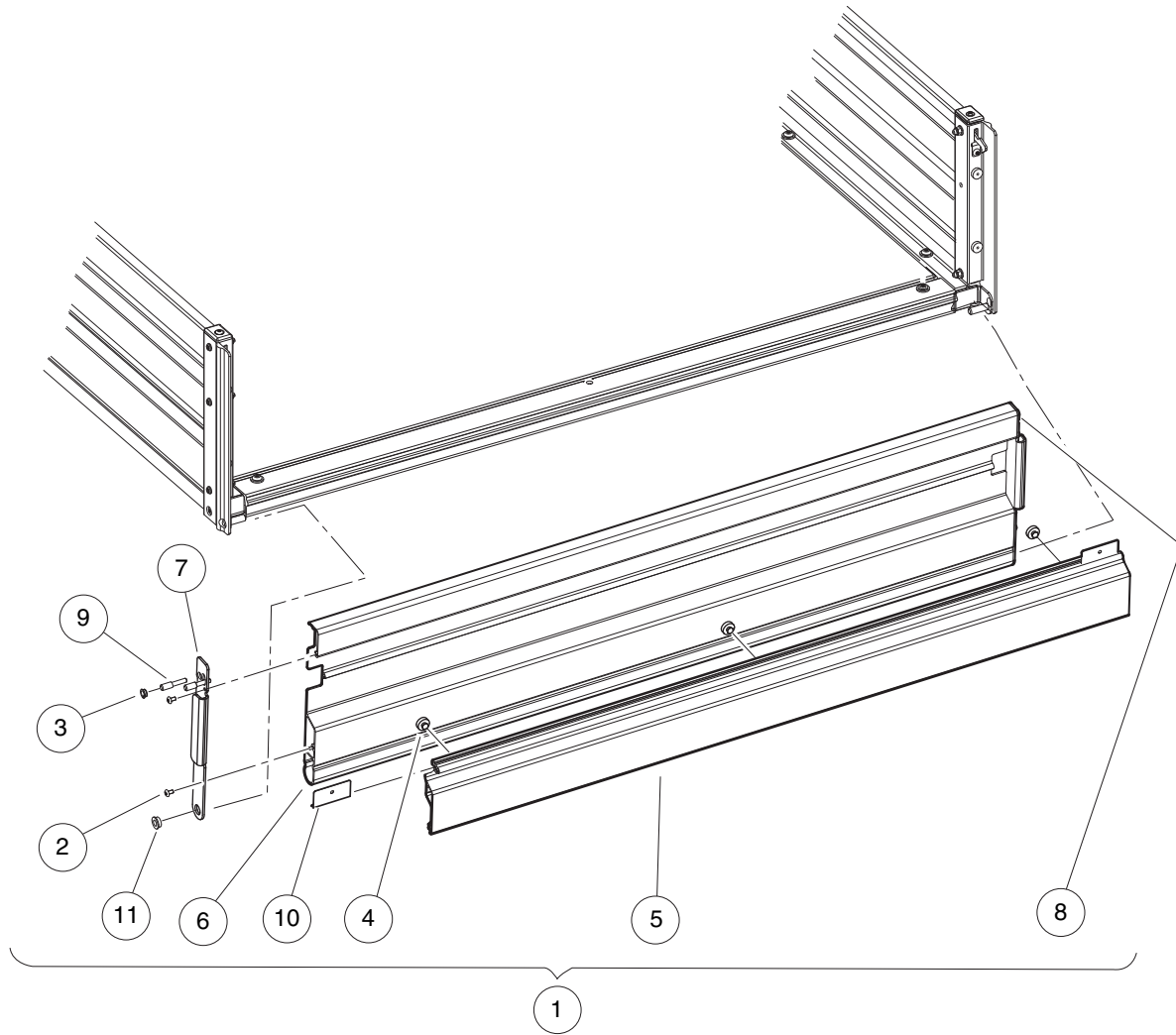
001136-002

CARGO BOX KIT – MEDIUM (PAGE 1 OF 2)

ITEM	PART NO.	DESCRIPTION	QTY
		1 2 3 4	
1	<u>105122105</u>	Kit, Cargo Box,Med (includes items 2 through 38)	1
2	<u>1015661</u>	Nut, Lock Hx Flanged 1/4-20	3
3	<u>102298401</u>	Nut,m8,all Metal Lock	9
4	<u>102299550</u>	Screw,m8x50,sems,tx,bttn,plt	9
5	<u>105192301</u>	Extr, Bed, Cargo, Rear	1
6	<u>105192901</u>	Nut, Acorn, M6, Lock, Silver	8
7	<u>105193001</u>	Screw, 6 Lobe, M6 X 35	8
8	<u>105194601</u>	Panel, Cargo Box, Frt	1
9	<u>105200702</u>	Asm,Cargo Box,Side Panel,DS,Medium (includes items 10 through 18)	1
10	<u>1014321</u>	Screw, #10 Truss-Head Torx	2
11	<u>105127201</u>	Weldment, Pivot, Tailgate, Lh	1
12	<u>105127401</u>	Asm, Latch, Tailgate, Lh	1
13	<u>105192901</u>	Nut, Acorn, M6, Lock, Silver	2
14	<u>105193001</u>	Screw, 6 Lobe, M6 X 35	2
15	<u>105194402</u>	Panel, Cargo Box, Lh, Med	1
16	<u>105196201</u>	Cap, Corner, Rear, Cargo Bed	1
17	<u>105205201</u>	Screw, 10-24 X .36, St Torx	1
18	<u>96705199</u>	Washer, M6	2
19	<u>105200802</u>	Asm,Cargo Box,Side Panel,PS,Medium (includes items 20 through 28)	1
20	<u>1014321</u>	Screw, #10 Truss-Head Torx	2
21	<u>102554512</u>	Screw M5-08x12 Torx Pn Trs	1
22	<u>105127202</u>	Weldment, Pivot, Tailgate, Rh	1
23	<u>105127402</u>	Asm, Latch, Tailgate, Rh	1
24	<u>105192901</u>	Nut, Acorn, M6, Lock, Silver	2
25	<u>105193001</u>	Screw, 6 Lobe, M6 X 35	2
26	N/A	Panel, Cargo Box, Rh Med	1
27	<u>105196201</u>	Cap, Corner, Rear, Cargo Bed	1
28	<u>96705199</u>	Washer, M6	2
29	<u>105200901</u>	Asm, Cargo Box,Corner,DS (includes items 30 through 32)	1
30	N/A	Extr, Bed Corner, Lh	1
31	<u>105196101</u>	Cap, Corner, Frt, Cargo Bed	1
32	<u>105205201</u>	Screw, 10-24 X .36, St Torx	2
33	<u>105201001</u>	Asm,Cargo Box,Corner,PS (includes items 34 through 36)	1
34	N/A	Extr, Bed Corner, Rh	1
35	<u>105196101</u>	Cap, Corner, Frt, Cargo Bed	1
36	<u>105205201</u>	Screw, 10-24 X .36, St Torx	2
37	<u>324</u>	Screw, 1/4-20 X 2.50 Hx Hd Cap	3
38	<u>96705199</u>	Washer, M6	8

1
G
E

1
G
E

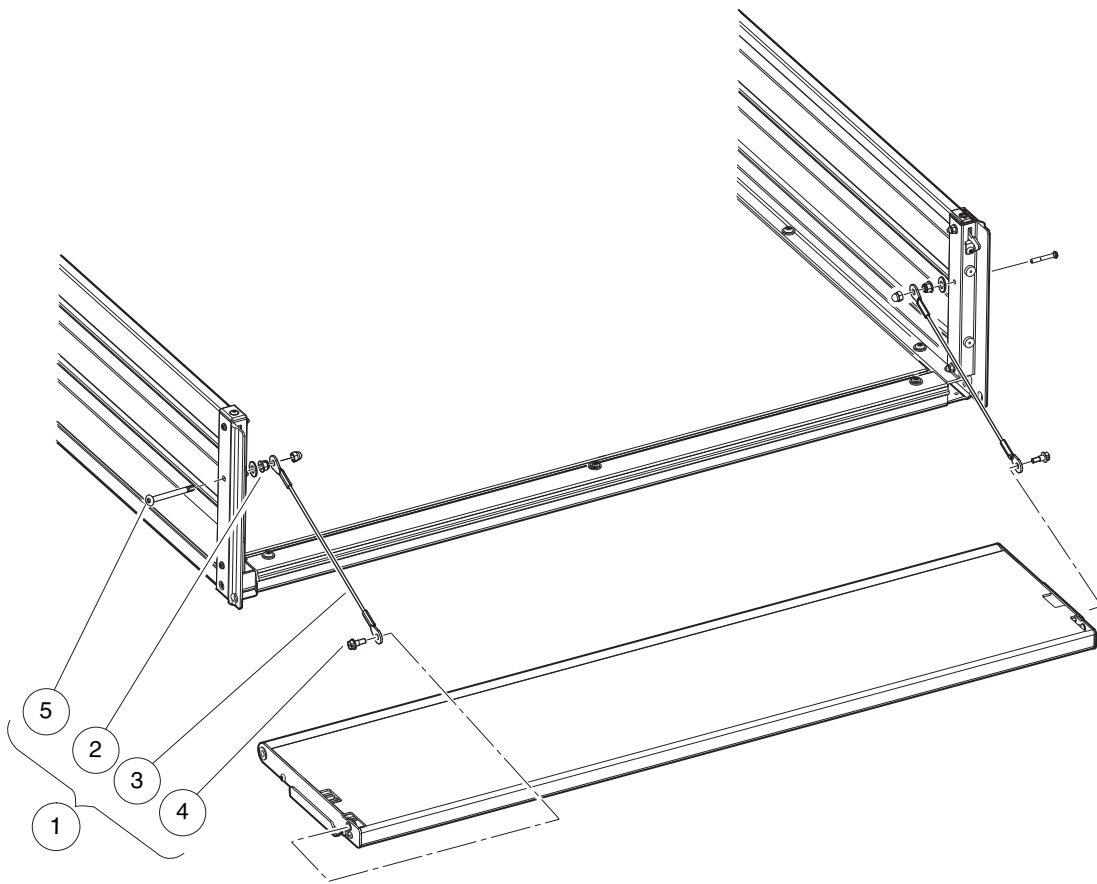


001152-001

CARGO BOX KIT (PAGE 2 OF 2)

ITEM	PART NO.	DESCRIPTION	QTY
		1 2 3 4	
1	<u>105128101</u>	Asm, Tailgate, Wide Handle (includes items 2 through 11)	1
2	<u>1014321</u>	Screw, #10 Truss-Head Torx	4
3	<u>1015363</u>	Bushing, Snap-In	2
4	<u>102590801</u>	Bumper, Rubber	3
5	<u>105128201</u>	Handle, Tailgate, Wide	1
6	N/A	Panel, Tailgate, Wide	1
7	<u>105130301</u>	Bracket, End, Tailgate, Lh	1
8	<u>105130302</u>	Bracket, End, Tailgate, Rh	1
9	<u>105130501</u>	Pin, Latch, Tailgate	4
10	105130601	Spring, Handle, Tailgate	2
11	<u>7049</u>	Bushing, Nylon	2

1
G
E



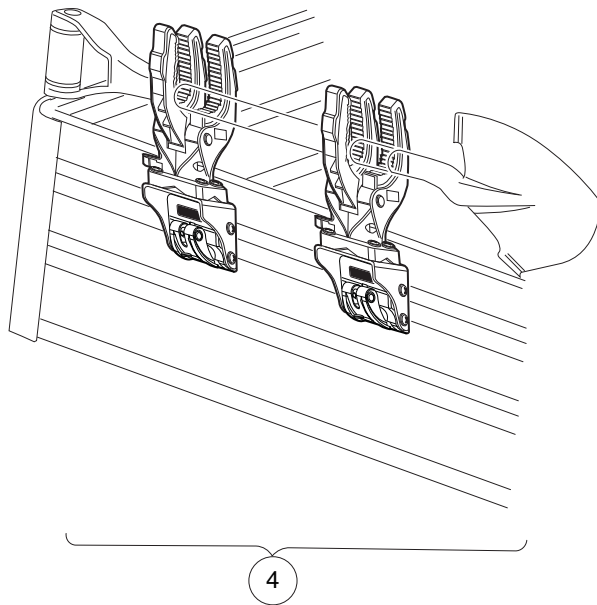
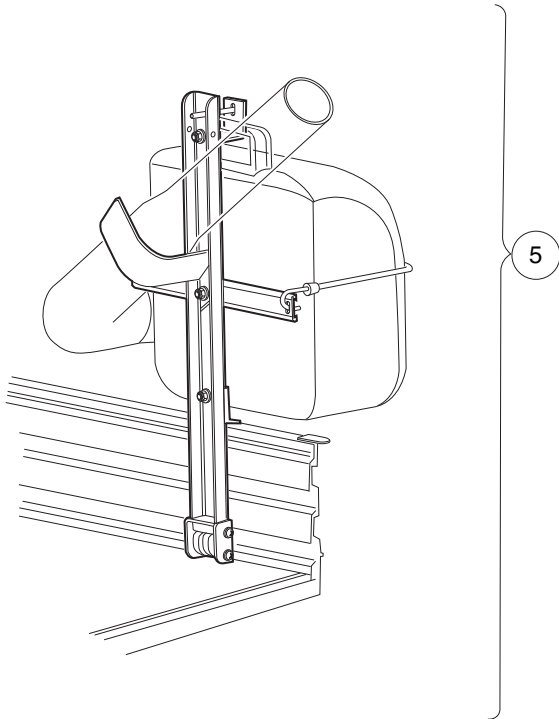
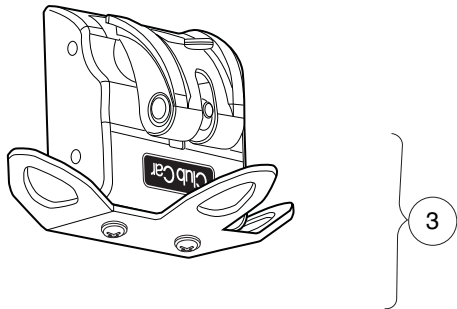
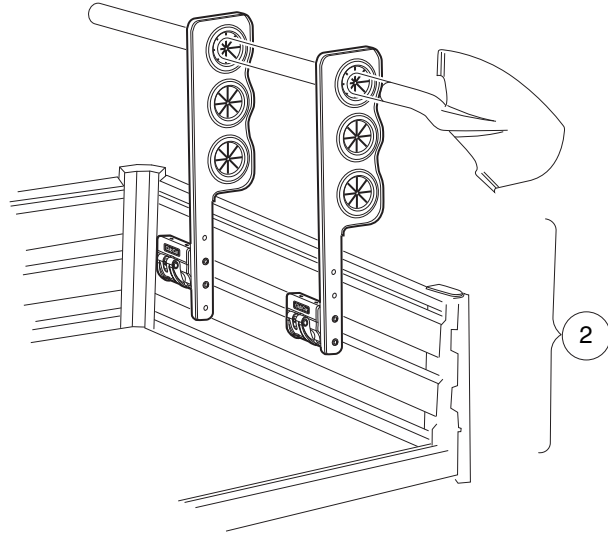
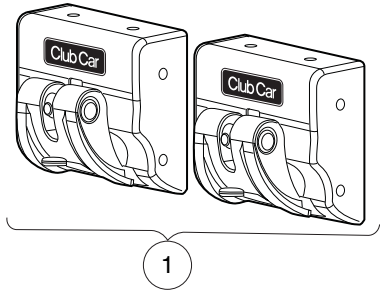
001160-002

TAILGATE TEATHER

ITEM	PART NO.	DESCRIPTION	QTY
		1 2 3 4	
1	<u>105127302</u>	Kit, Tether, Tailgate (includes items 2 through 5)	1
2	<u>102621501</u>	Nut, Flange, M6 X 1.0, Nylon	2
3	<u>105128001</u>	Cable, Tether, Tailgate	2
4	<u>105129901</u>	Screw, Shoulder, Self Thread	2
5	<u>105193101</u>	Screw, 6 Lobe, M6 X 50	2

1
G
E

1
G
E



001167-001

MODULAR BED ACCESSORIES

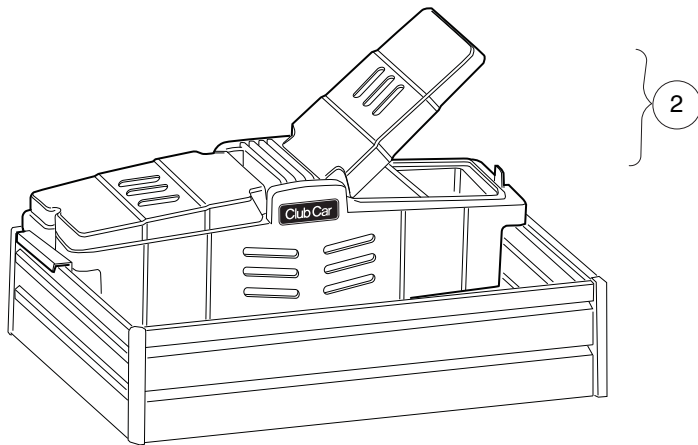
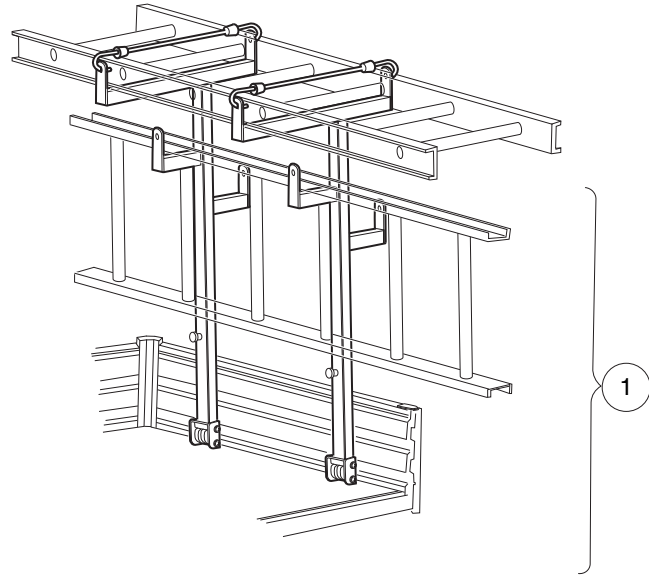
ITEM	PART NO.	DESCRIPTION	QTY
		1 2 3 4	
1	<u>105160401</u>	Bed Clamp, Set	1
2	<u>105160801</u>	Kit, Tool Rack	1
3	<u>105160901</u>	Kit, Tie Down	1
4	<u>105161101</u>	Kit, Static Grip	1
5	<u>105161401</u>	Kit, Holder, Leaf Blower	1
Note: Component part numbers unavailable at publication.			

1

G

E

1
G
E



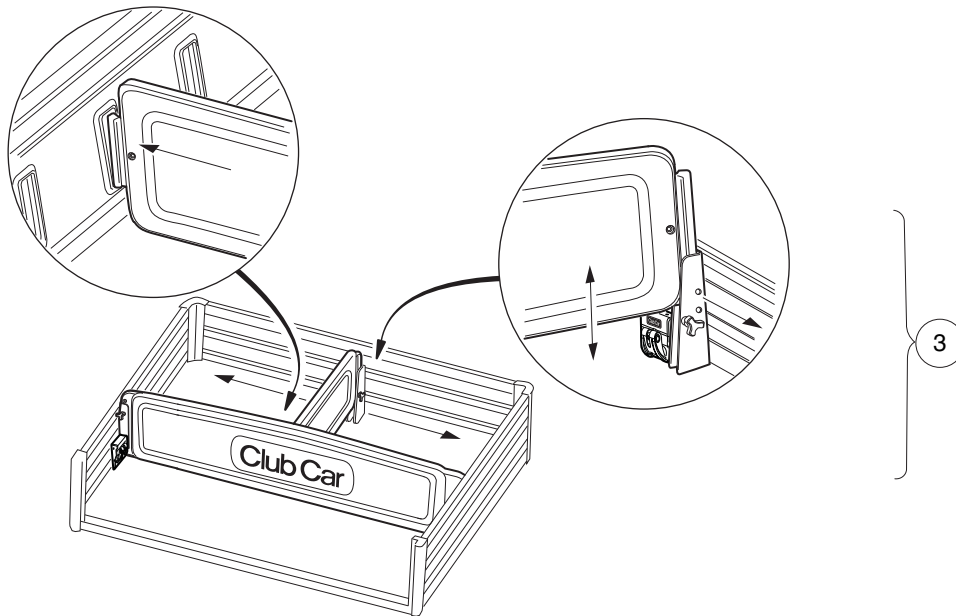
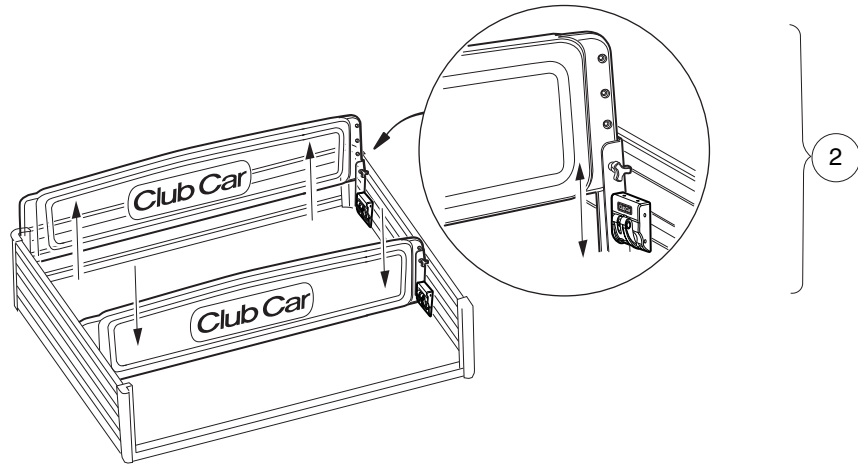
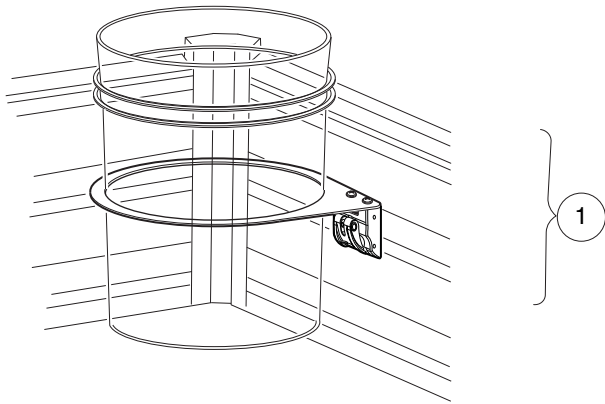
001168-001

MODULAR BED ACCESSORIES

ITEM	PART NO.	DESCRIPTION	QTY
1	<u>105161501</u>	1 2 3 4 Kit, Rack, Ladder	1
2	105161601	Kit, Toolbox	1
<p>Note: Component part numbers unavailable at publication.</p>			

1
G
E

1
G
E

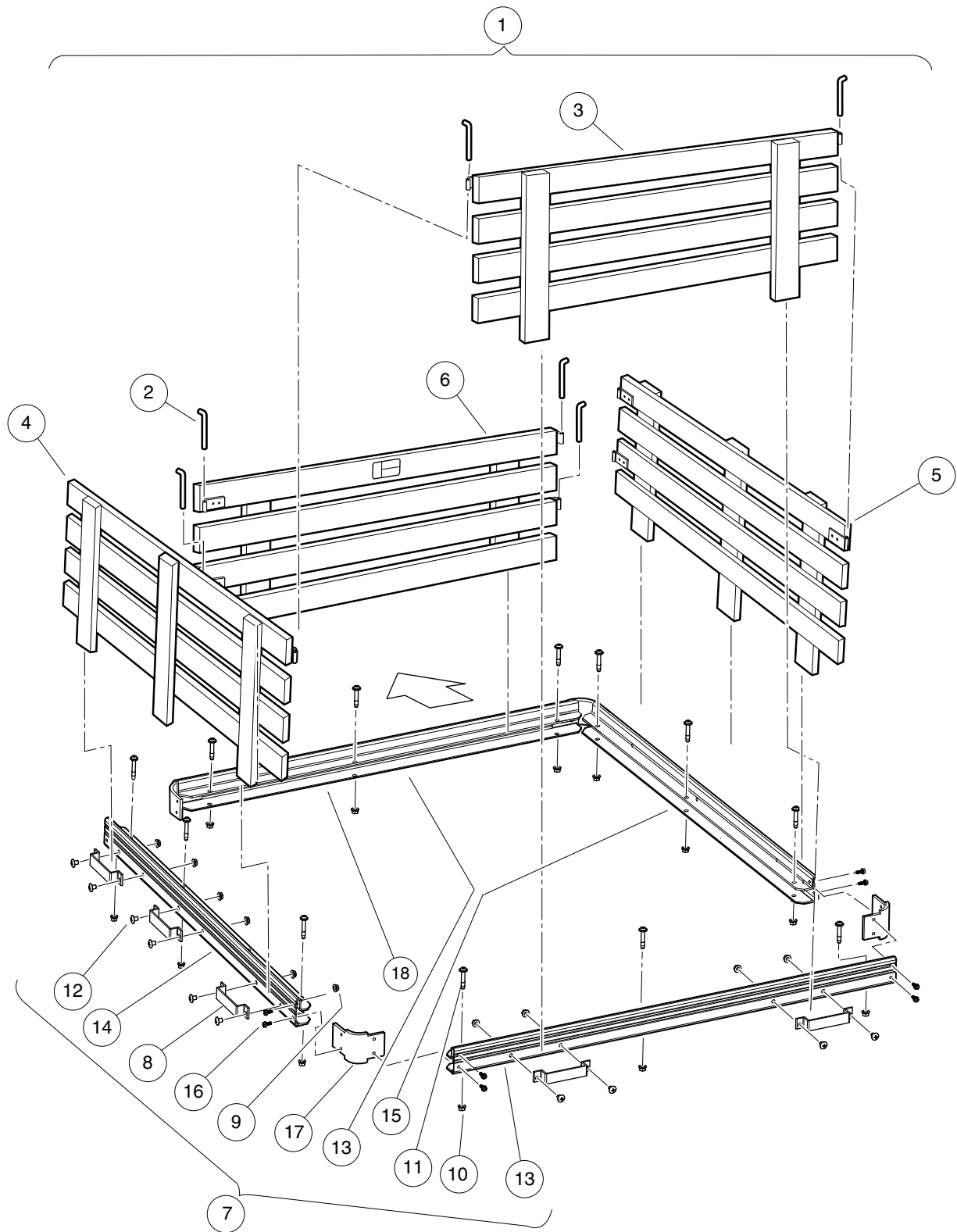


001169-001

MODULAR BED ACCESSORIES

ITEM	PART NO.	DESCRIPTION	QTY
1	<u>105160501</u>	1 2 3 4 Kit, Holder, Bucket	1
2	<u>105161201</u>	Kit, Bed Divider/extension	1
3	<u>105161301</u>	Kit, Bed Divider, Short	1
<p>Note: Component part numbers unavailable at publication.</p>			

1
G
E



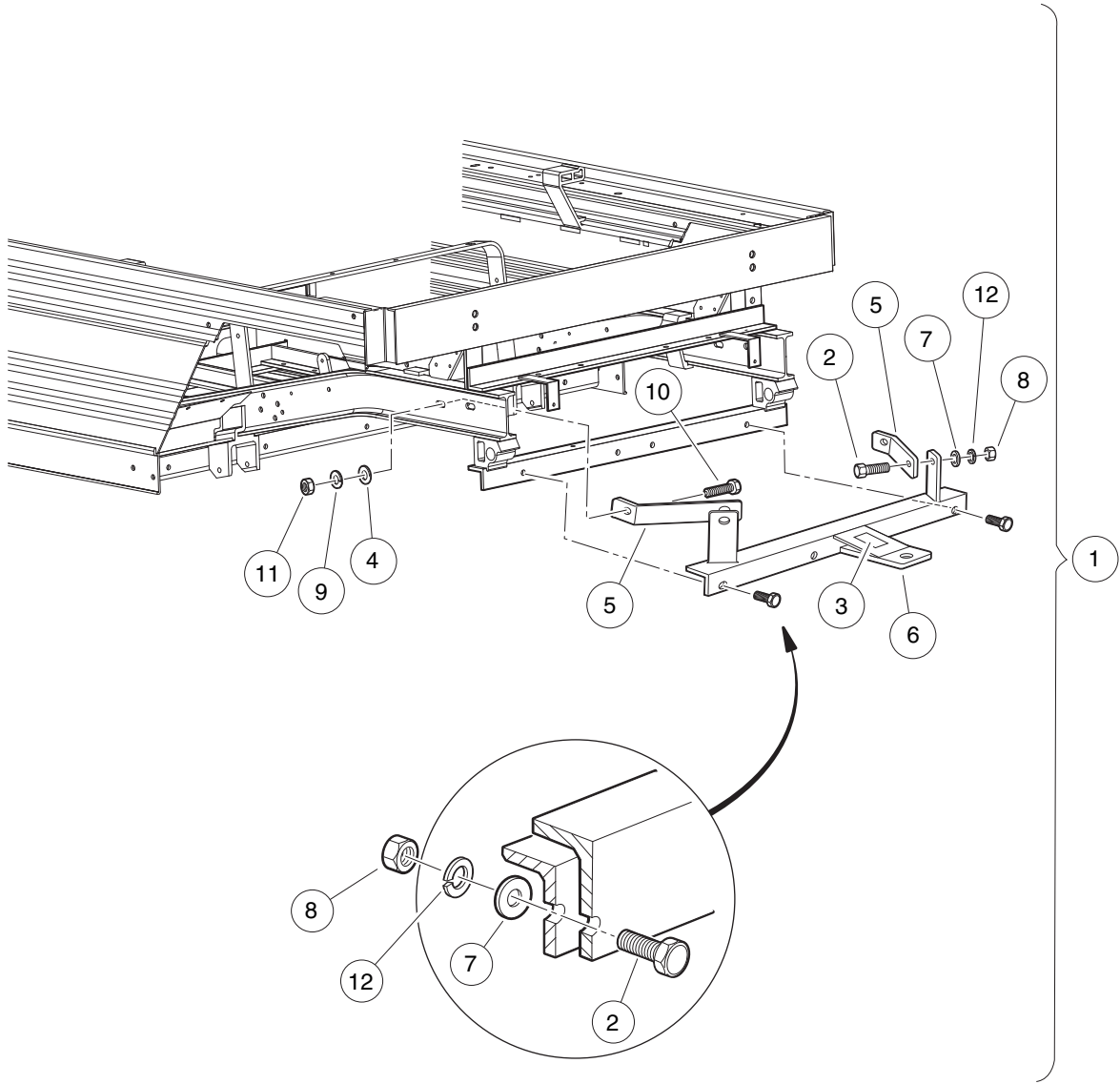
001130-001

STAKE SIDE KIT – MEDIUM

ITEM	PART NO.	DESCRIPTION	QTY
		1 2 3 4	
1	<u>105109501</u>	Kit, Stake Side, Med (includes items 2 through 7)	1
2	<u>1015656</u>	Pin, hinge	6
3	<u>102847603</u>	Asm, Stake Side, 48 X 19 Rear	1
4	<u>105113301</u>	Stake Side, Ca Med, Lh	1
5	<u>105113302</u>	Stake Side, Ca Med, Rh	1
6	<u>105129501</u>	Stake Side, Front, Ca, 50"	1
7	<u>105148502</u>	Asm, Trim, Stake Side, Med (includes items 8 through 18)	1
8	<u>1016077</u>	Bracket, Stake Side	8
9	<u>101963401</u>	Locknut, 5/16-18 Hex Flange	16
10	<u>102298401</u>	Nut,m8,all Metal Lock	14
11	<u>102299550</u>	Screw,m8x50,sems,tx,bttn,plt	14
12	<u>105129601</u>	Screw, Phl Trus Hd, 5/16-18x.5	16
13	<u>105148601</u>	Trim, Stake Side, Cen, Rear	1
14	<u>105148801</u>	Trim, Stake Side, Med, Lh	1
15	<u>105148802</u>	Trim, Stake Side, Med, Rh	1
16	<u>105185701</u>	Pan Head Screw, M6 X 16 Tt	16
17	<u>105185801</u>	Bracket,Bed Corner,CA	4
18	<u>105194801</u>	Trim, Bed, Cntr, Front	1

1
G
E

1
G
E



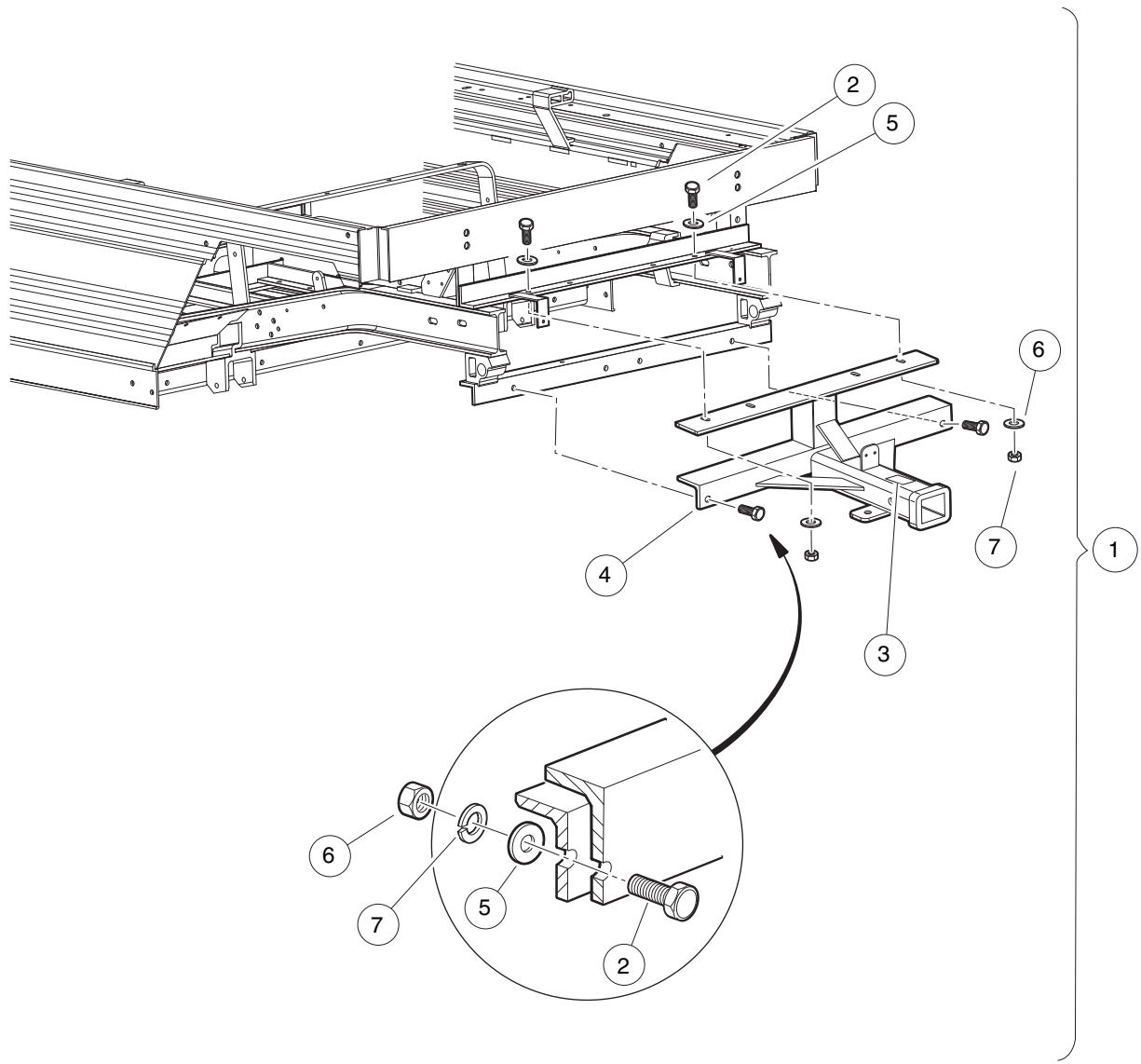
001132-001

HEAVY DUTY TRAILER HITCH

ITEM	PART NO.	DESCRIPTION	QTY
		1 2 3 4	
1	<u>1015445</u>	Kit, Trailer Hitch (includes items 2 through 12)	1
2	<u>1010934</u>	Screw, 5/16-18 X 1.00 Hex Cap	4
3	<u>1011553</u>	Decal, Trailer Hitch	1
4	<u>1011990</u>	Washer, 3/8 Flat	2
5	<u>1013483</u>	Brace, Trailer Hitch	2
6	N/A	Asm, Trailer Hitch	1
7	<u>1241</u>	Washer, 5/16 Type A Flat	4
8	<u>1242</u>	Nut, 5/16-18 Hex	4
9	<u>357</u>	Lockwasher, 3/8 Split	2
10	705	Screw, Cap-hex Hd 3/8-16x1.25	2
11	<u>706</u>	Nut, Hex 3/8-16	2
12	<u>7174</u>	Lockwasher, 5/16 Split	4

1
G
E

1
G
E



001133-001

REAR RECIEVER HITCH

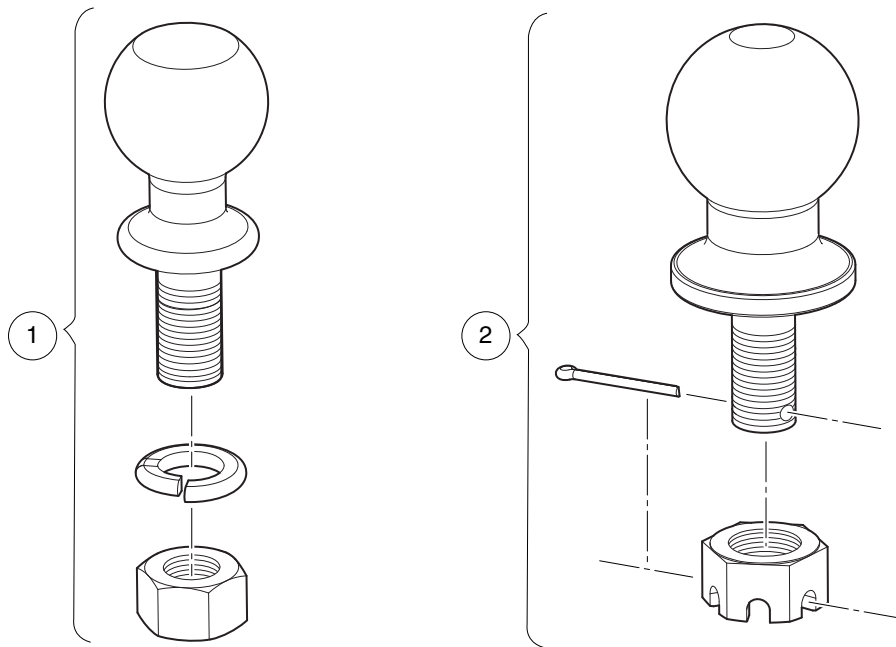
ITEM	PART NO.	DESCRIPTION	QTY
		1 2 3 4	
1	<u>102065103</u>	Kit, Rear Receiver (includes items 2 through 7)	1
2	<u>1010934</u>	Screw, 5/16-18 X 1.00 Hex Cap	6
3	<u>1011553</u>	Decal, Trailer Hitch	1
4	<u>102056001</u>	Rear Receiver Weld Asm	1
5	<u>1241</u>	Washer, 5/16 Type A Flat	6
6	<u>1242</u>	Nut, 5/16-18 Hex	6
7	<u>7174</u>	Lockwasher, 5/16 Split	6

1
G
E

1

G

E

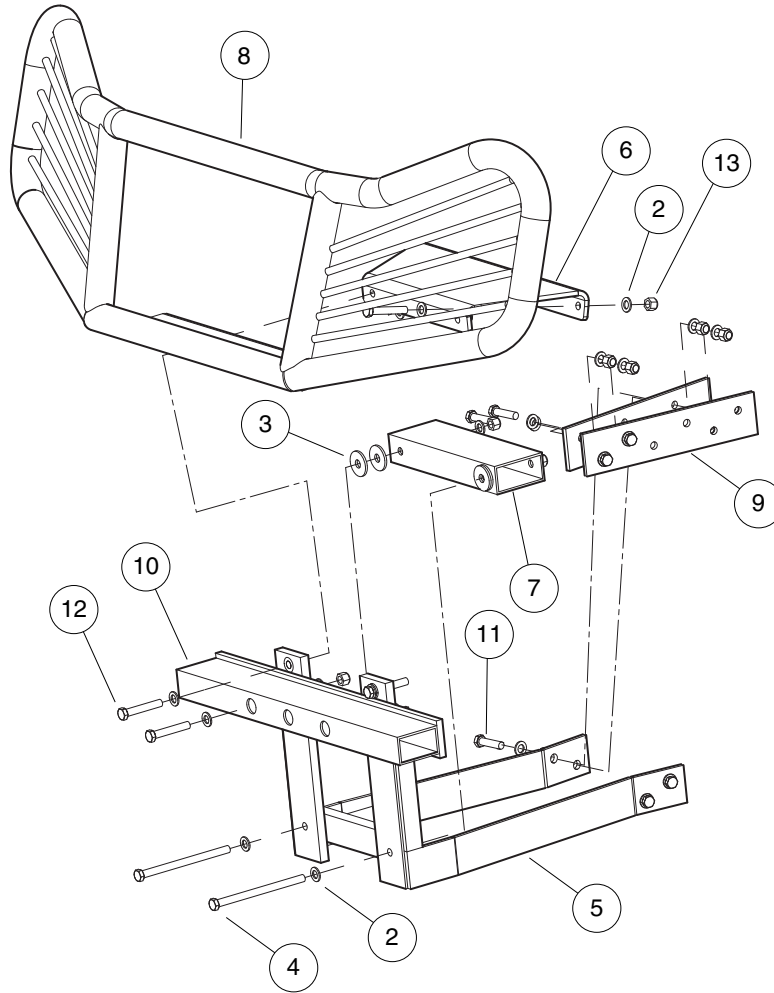


001137-001

TRAILER HITCH BALL

ITEM	PART NO.	DESCRIPTION	QTY
1	<u>1011546</u>	1 2 3 4 Trailer Hitch Ball - 1 7/8"	1
2	<u>104033601</u>	Ball, Trailer Hitch, 50mm	1

1
G
E



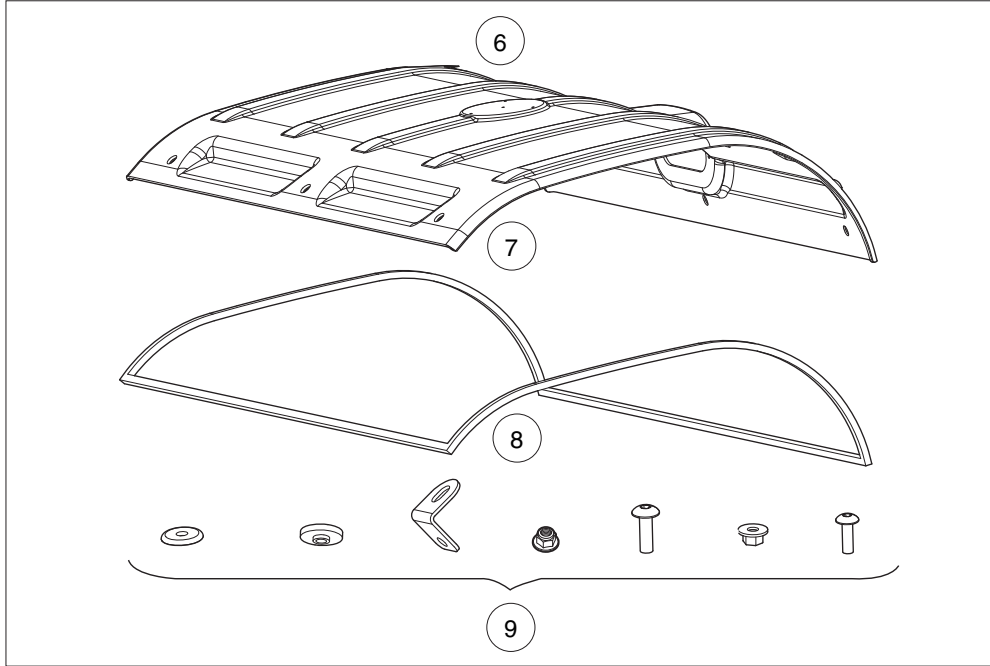
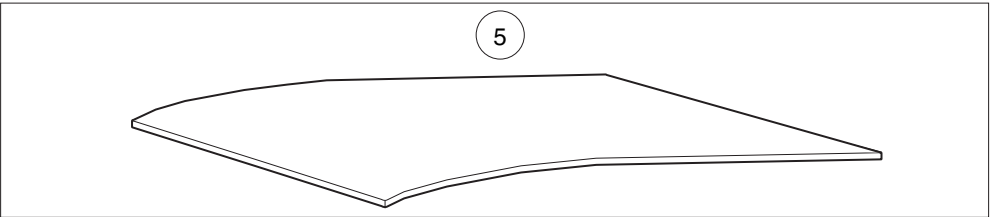
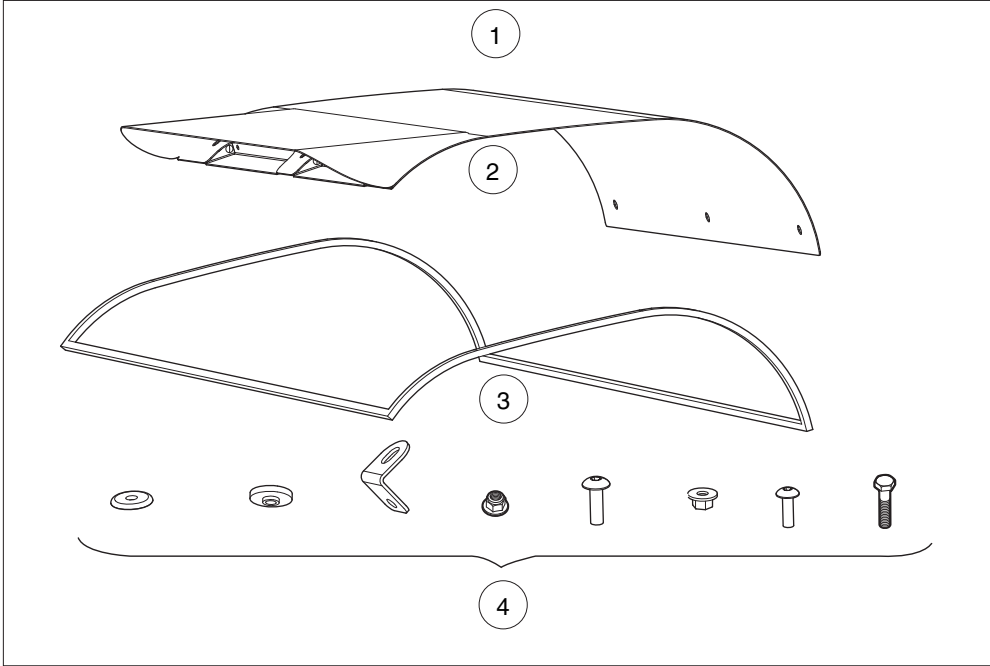
001138-002

RANGE PICKER ADAPTER

ITEM	PART NO.	DESCRIPTION	QTY
		1 2 3 4	
1	<u>105124101</u>	Kit, Adapter, Range Picker (includes items 2 through 13)	1
2	<u>1011990</u>	Washer, 3/8 Flat	32
3	<u>102491501</u>	Washer, Hard, M10	4
4	<u>102913601</u>	Screw, 3/8-16 X 5.50 Hx Hd Cap	2
5	<u>104033701</u>	Weldment, Adapter, Rp	1
6	<u>105145401</u>	Bracket, Top Support, Rp	1
7	<u>105145501</u>	Tube, Btm Support, Rp	1
8	<u>105216701</u>	Wldmnt, Guard, Hdlight, Range	1
9	<u>105233701</u>	Plate, Support, I-beam	2
10	<u>105248201</u>	Tube, 1.5" X 2.5", 19.5" Long	1
11	<u>1624</u>	Screw, 3/8-16 X 1.50, Hex-Head Cap	8
12	<u>2402</u>	Screw, 3/8-16 X 2.25 Hx Hd Cap	6
13	<u>8754</u>	Locknut, 3/8-16 Hex	16

1
G
E

1
G
E



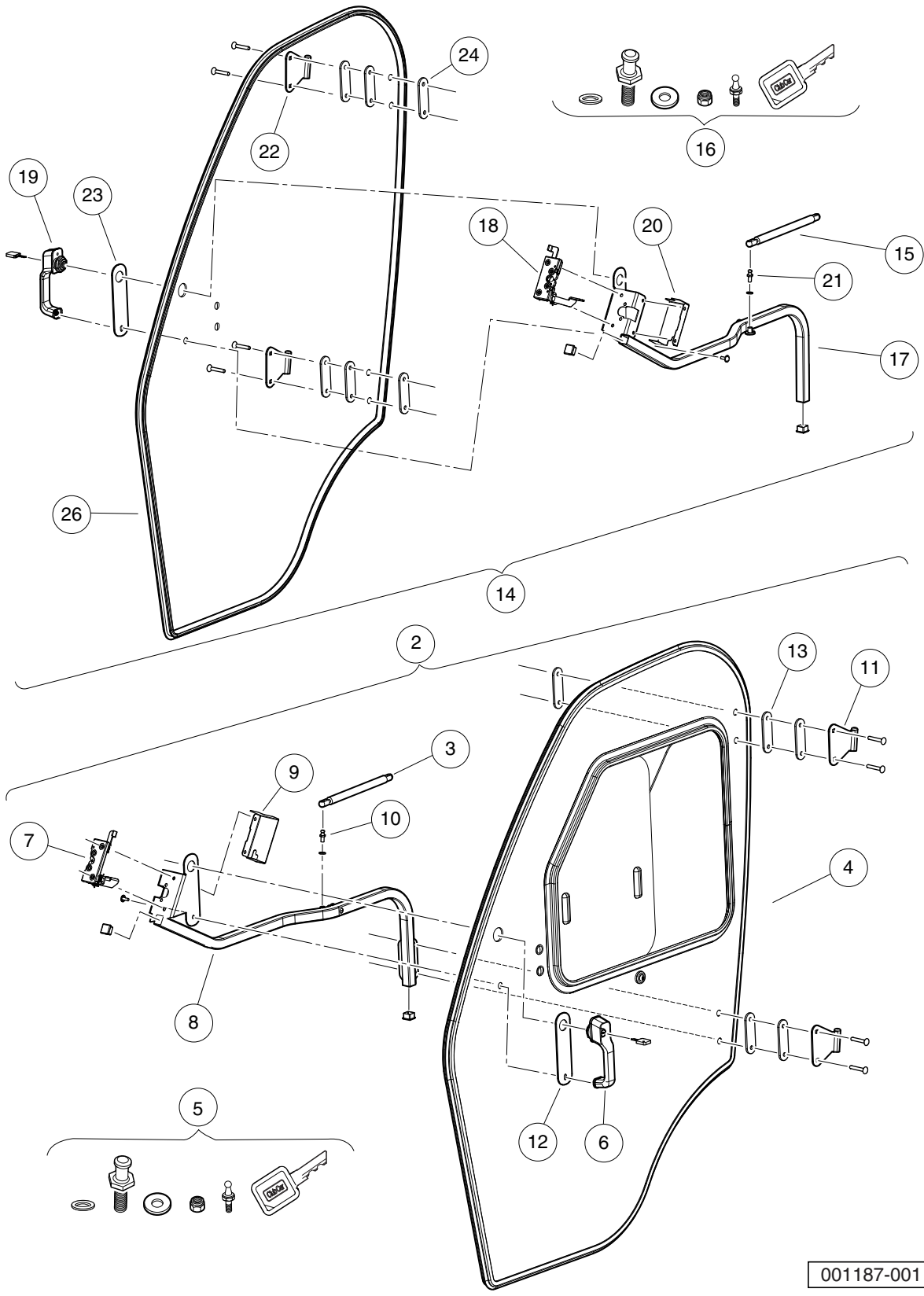
001182-001

CAB CANOPY

ITEM	PART NO.	DESCRIPTION	QTY
		1 2 3 4	
1	105096901	Cab, Canopy, Fops Kit (includes items 2 through 4)	1
2	<u>105177501</u>	Cab, Canopy Fops	1
3	<u>105177601</u>	Seal, Cab Canopy	1
4	<u>105177801</u>	Hardware Kit, Canopy Fops	1
5	<u>105097001</u>	Cab, Canopy, Liner Kit	1
6	105098801	Cab, Canopy Kit (includes items 7 through 9)	1
7	<u>105177301</u>	Cab, Canopy	1
8	<u>105177601</u>	Seal, Cab Canopy	1
9	<u>105177701</u>	Hardware Kit, Canopy	1

1
G
E

1
G
E



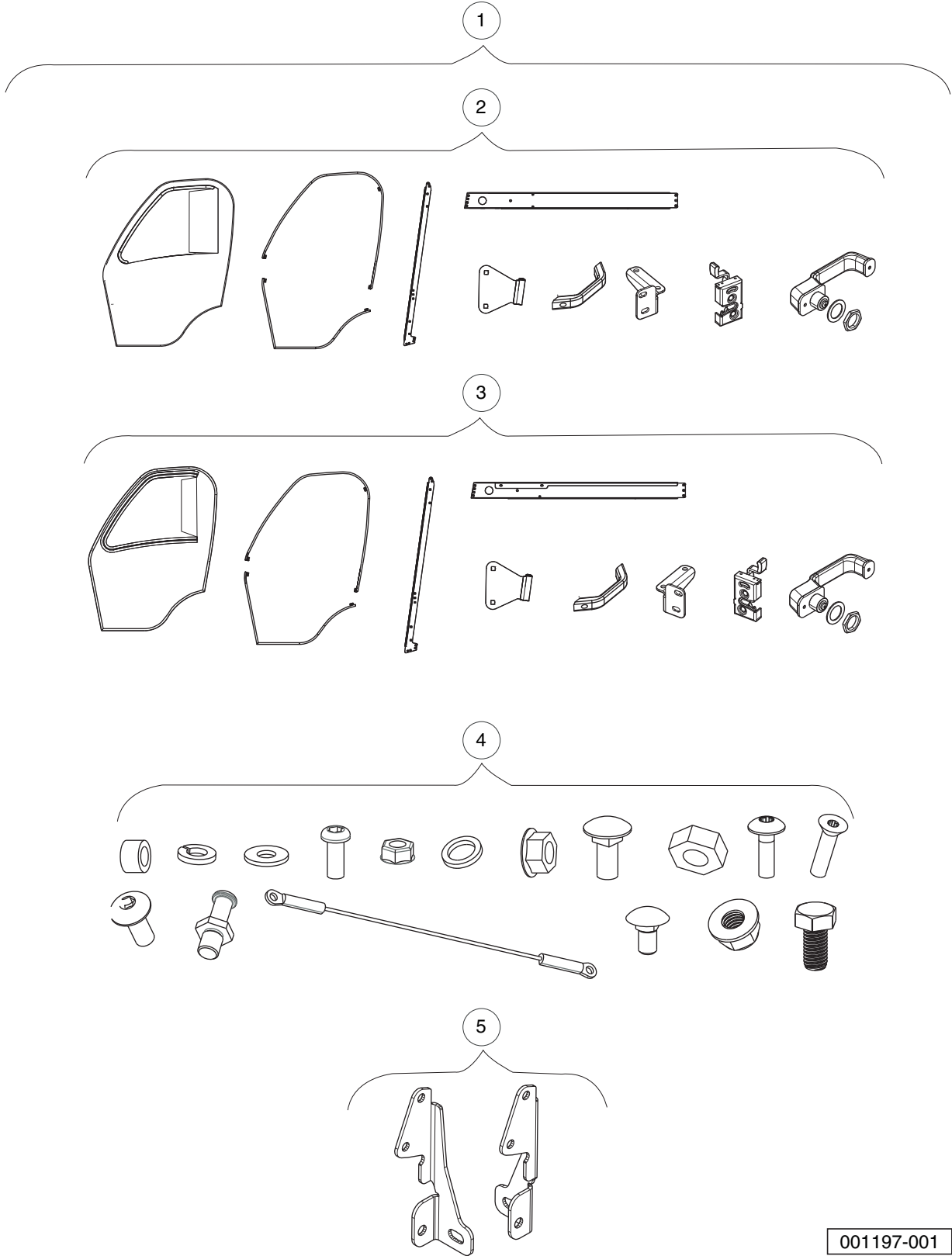
001187-001

CAB DOORS – GLASS

ITEM	PART NO.	DESCRIPTION	QTY
		1 2 3 4	
1	105097301	Cab, Doors, Glass Kit (includes items 2 through 14)	1
2	<u>105181701</u>	Glass Door Asm, Lh (includes items 3 through 13)	1
3	<u>104001201</u>	Gas Spring	1
4	<u>105181801</u>	Glass Door Replacement, Lh	1
5	<u>105181901</u>	Hardware Kit, Glass Door	1
6	<u>105182001</u>	Handle, Push Button	1
7	<u>105182101</u>	Latch, Glass Door, Lh	1
8	<u>105182201</u>	Handle, Glass Door, Lh	1
9	<u>105182301</u>	Cover, Latch, Lh	1
10	<u>105182401</u>	Spring, Ball Stud	1
11	<u>105182501</u>	Hinge, Door	2
12	<u>105182601</u>	Spacer, Handle	1
13	<u>105182701</u>	Plate, Upper Hinge	1
14	<u>105182901</u>	Glass Door Asm, Rh (includes items 15 through 26)	1
15	<u>104001201</u>	Gas Spring	1
16	<u>105181901</u>	Hardware Kit, Glass Door	1
17	<u>105182002</u>	Handle, Glass Door, RH	1
18	<u>105182102</u>	Latch, Glass Door, Rh	1
19	<u>105182202</u>	Handle, Glass Door, Rh	1
20	<u>105182302</u>	Cover, Latch, Rh	1
21	<u>105182401</u>	Spring, Ball Stud	1
22	<u>105182501</u>	Hinge, Door	2
23	<u>105182601</u>	Spacer, Handle	1
24	<u>105182701</u>	Plate, Upper Hinge	1
25	<u>105182801</u>	Hardware Kit, Door Striker	1
26	<u>105183001</u>	Glass Door Replacement, Rh	1

1
G
E

1
G
E



001197-001

CAB DOORS – SOFT

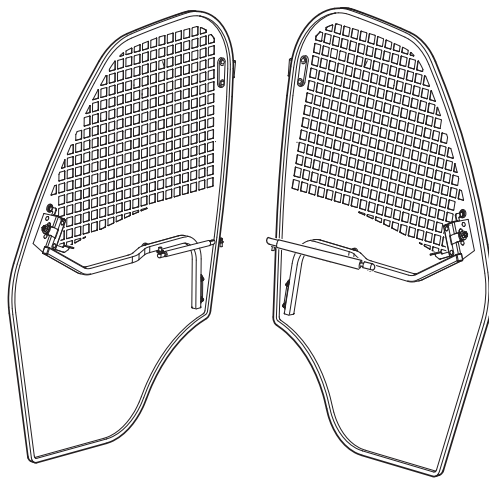
ITEM	PART NO.	DESCRIPTION	QTY
		1 2 3 4	
1	<u>105097401</u>	Cab, Doors, Soft Kit (includes items 2 through 5)	1
2	<u>105183101</u>	Soft Door Asm, Lh	1
3	<u>105183201</u>	Soft Door Asm, Rh	1
4	<u>105183301</u>	Hardware, Soft Door	1
5	<u>105183401</u>	Hardware Kit, Soft Door Strike	1

1

G

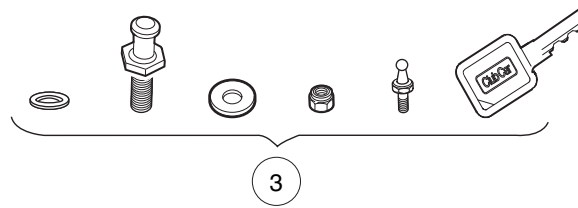
E

1
G
E



2

1



3

001195-001

CAB DOORS – RANGE

ITEM	PART NO.	DESCRIPTION	QTY
		1 2 3 4	
1	<u>105176701</u>	Door, Range, Lh Asm	1
2	<u>105176801</u>	Door, Range, Rh Asm	1
3	<u>105177201</u>	Hardware Kit, Range Cab	1

1

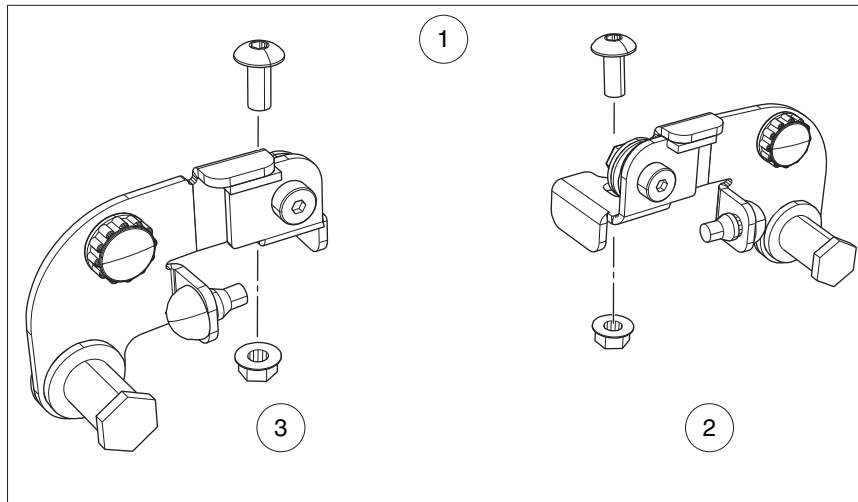
G

E

1

G

E



001143-002

CAB DOORS – VENT

ITEM	PART NO.	DESCRIPTION	QTY
		1 2 3 4	
1	105097501	Cab, Door, Vent Kit (includes items 2 and 3)	1
2	<u>105178301</u>	Door Vent Lh	1
3	<u>105178401</u>	Door Vent Rh	1

1

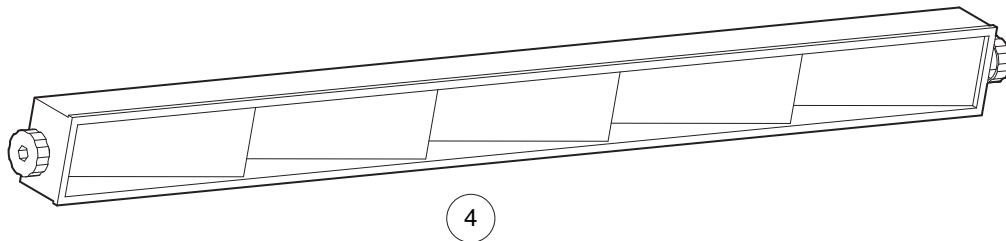
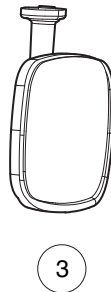
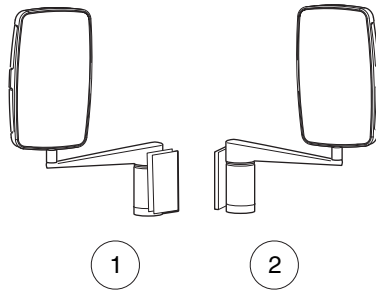
G

E

1

G

E



001198-001

CAB - MIRRORS

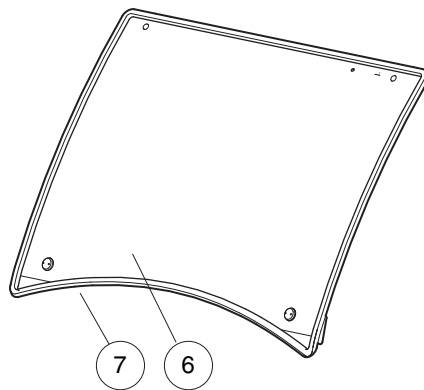
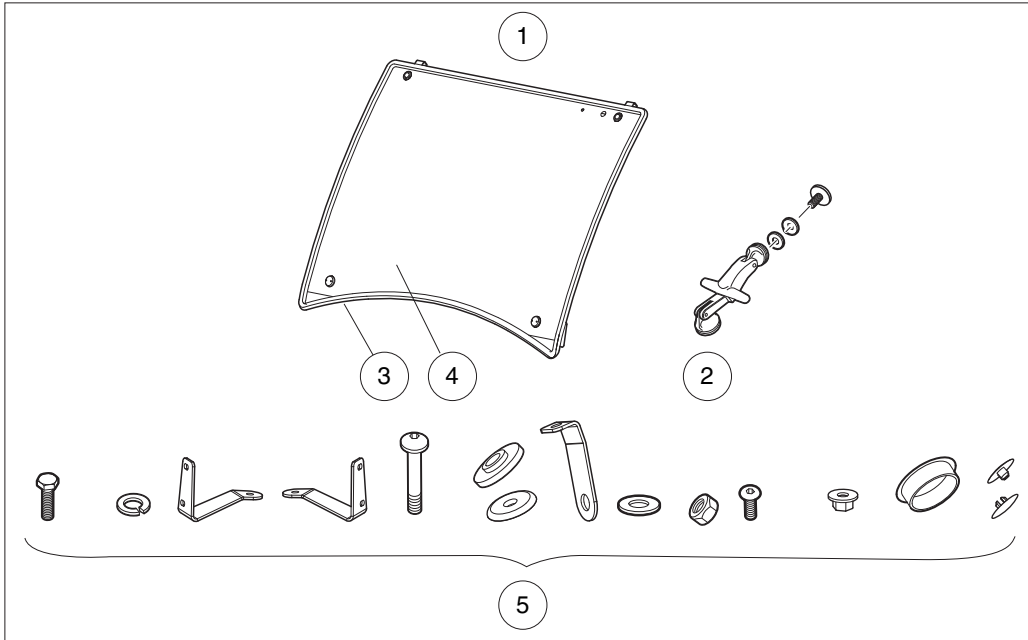
ITEM	PART NO.	DESCRIPTION	QTY
		1 2 3 4	
1	<u>105098501</u>	Cab, Mirror, Left Hand Kit	1
2	<u>105098502</u>	Cab Passenger Side Mirror Kit	1
3	<u>105098701</u>	Cab, Mirror, Interior Kit	1
4	<u>105289301</u>	Kit, Mirror, 5 Panel, Cab	1

1

G

E

1
G
E



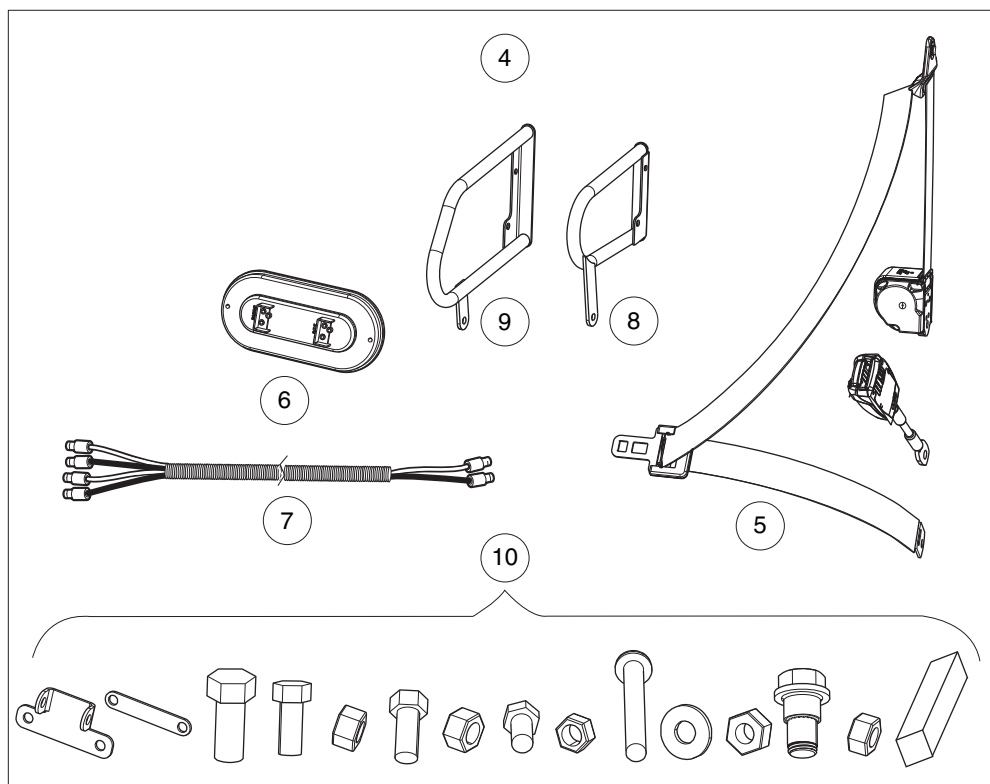
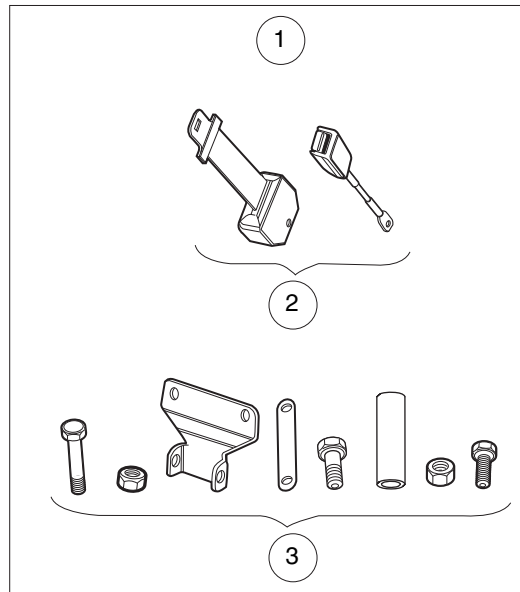
001184-001

CAB – WINDSHIELD

ITEM	PART NO.	DESCRIPTION	QTY
		1 2 3 4	
1	<u>105097101</u>	Cab, Windshield Kit (includes items 2 through 5)	1
2	<u>104003901</u>	Handle, Tee	2
3	<u>105177101</u>	Seal, Rubber Windshield	1
4	<u>105177901</u>	Cab, Windshield, Tempered	1
5	<u>105178001</u>	Hardware Kit, Windshield	1
6	<u>105177001</u>	Front Window Polycarb (Range)	1
7	<u>105177101</u>	Seal, Rubber Windshield	1

1
G
E

1
G
E



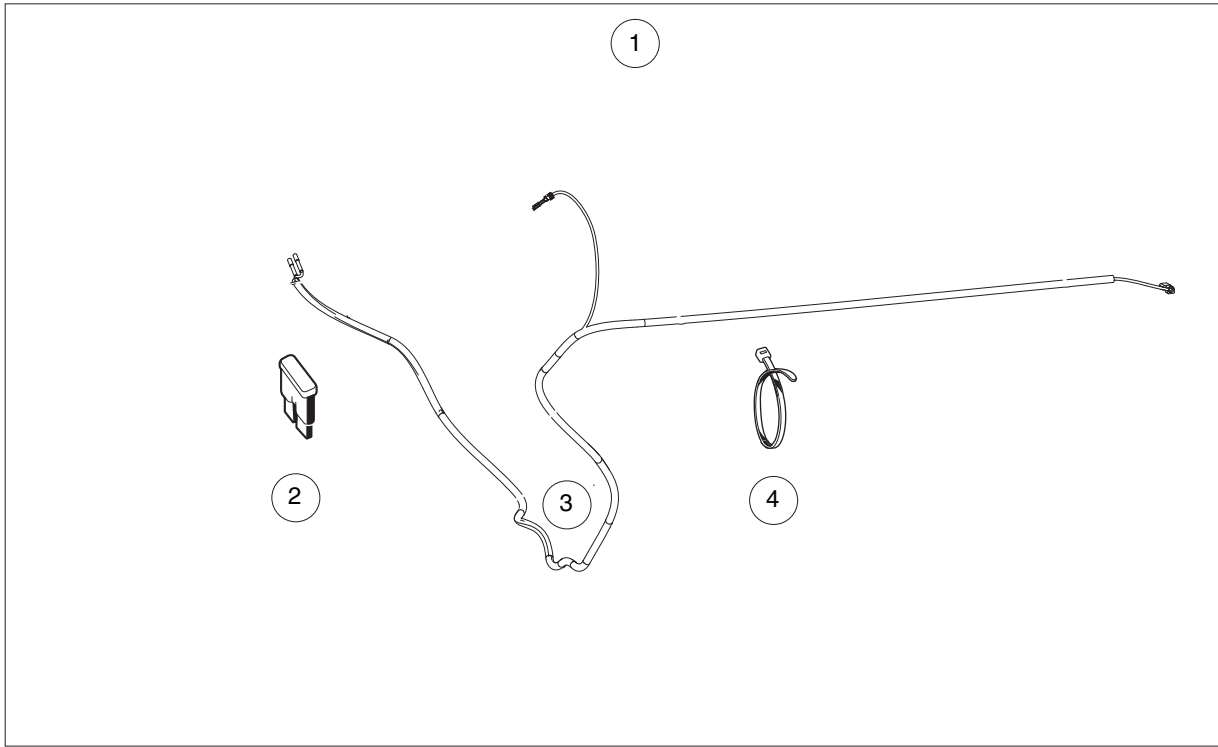
001180-001

CAB – SEAT BELTS

ITEM	PART NO.	DESCRIPTION	QTY
		1 2 3 4	
1	<u>105096401</u>	Cab, 2 Pt Seat Belt Kit (includes items 2 and 3)	1
2	<u>105175601</u>	Seatbelt Asm 2pt	2
3	<u>105175701</u>	Hardware Kit, 2pt Seat	1
4	<u>105096501</u>	Cab, 3 Pt Seat Belt, Lsv Kit (includes items 5 through 10)	1
5	<u>105175801</u>	Seat Belt Asm 3pt Dom	2
6	<u>105175901</u>	Light Chmsl, Cab	1
7	<u>105176001</u>	Chmsl Harness	1
8	<u>105176101</u>	Hip Restraint Ds, Cab	1
9	<u>105176201</u>	Hip Restraint Ps, Cab	1
10	<u>105176301</u>	Hardware Kit, 3pt Sbelt Dom	1

1
G
E

1
G
E



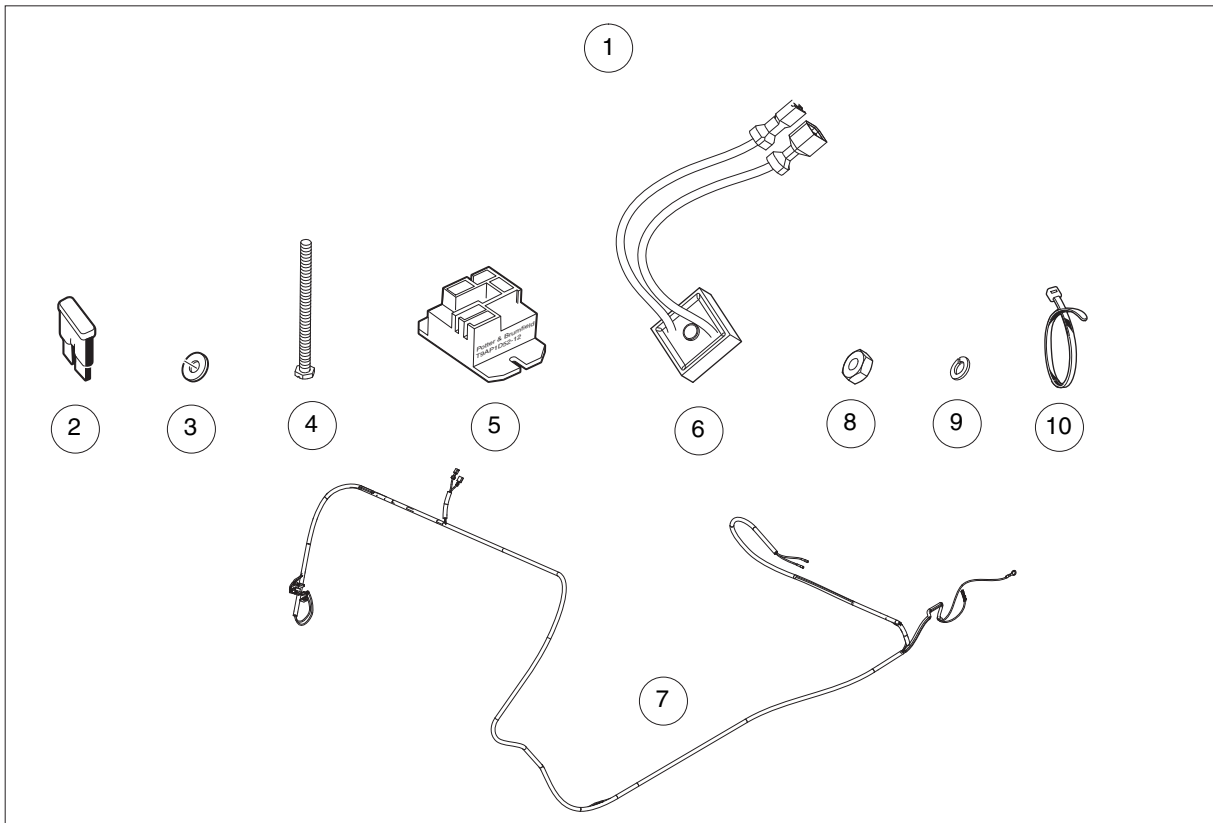
001193-001

CAB – ELECTRICAL, POWER HARNESS, ELECTRIC VEHICLE TO CAB

ITEM	PART NO.	DESCRIPTION	QTY
		1 2 3 4	
1	<u>105234002</u>	Kit, Cab Pwr Harness, Elec (includes items 2 through 4)	1
2	<u>105114807</u>	Fuse, Mini, Atm, 15 Amp	1
3	<u>105205501</u>	Harn, Pwr Supply, Cab	1
4	<u>8639</u>	Tie Wrap, 11" Nylon	5

1
G
E

1
G
E



001194-001

CAB – ELECTRICAL, CAB POWER HARNESS, GASOLINE VEHICLE TO CAB

ITEM	PART NO.	DESCRIPTION	QTY
		1 2 3 4	
1	<u>105234102</u>	Kit, Cab Pwr Harness, Gas (includes items 2 through 10)	1
2	<u>1012295</u>	Fuse, 10-Amp	1
3	<u>1012431</u>	Washer, #4 Flat	3
4	<u>1015878</u>	Screw, #4-40 Hex Head Machine	3
5	<u>102199001</u>	Relay, 12-Volt	1
6	<u>102529101</u>	Voltage Limiter, Prec	1
7	<u>105236301</u>	Harness, Pwr, Cab, Gas	1
8	<u>8057</u>	Nut, #4-40 Hex Machine	3
9	<u>8058</u>	Lockwasher, #4 Split	3
10	<u>8639</u>	Tie Wrap, 11" Nylon	17

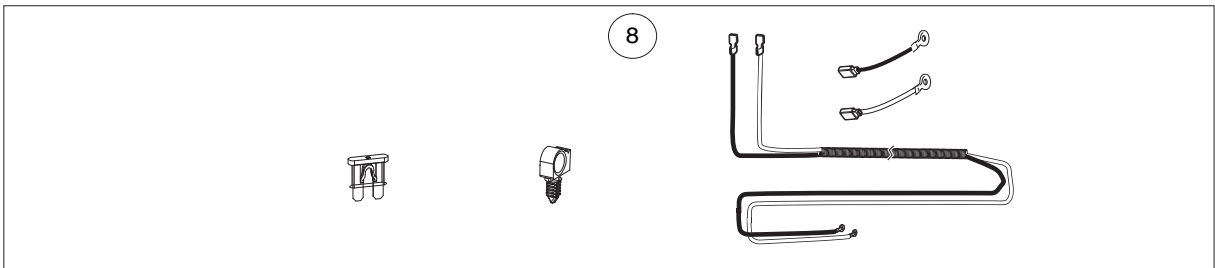
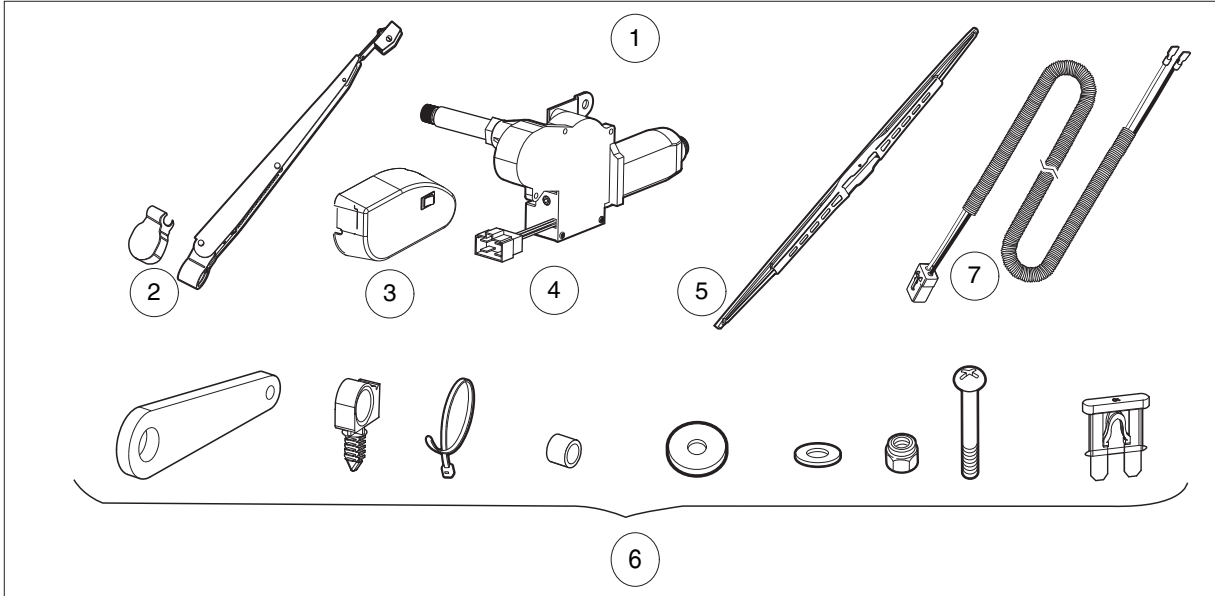
1
G
E

CAB – ELECTRICAL, OVERHEAD CONSOLE

ITEM	PART NO.	DESCRIPTION	QTY
		1 2 3 4	
1	<u>105097901</u>	Cab, Overhead Console, Kit (includes items 2 through 14)	1
2	<u>103180101</u>	Cover, Hole, Switch, Rocker	5
3	<u>105179001</u>	Overhead Console Asm	1
4	<u>105179101</u>	Cab, Dome Light	1
5	<u>105179201</u>	Cab, Fuse Cover	1
6	<u>105179301</u>	Cab, Fuse Holder 8 W Grnd	1
7	<u>105179401</u>	Front Fan Bracket, Asm	1
8	<u>105179501</u>	Rear Oh Console Bracket	1
9	<u>105179601</u>	Fan Louver	2
10	<u>105179701</u>	Oh Console Fan	1
11	<u>105179801</u>	Wire Jumper, Fan	1
12	<u>105179901</u>	Hardware Kit, Oh Console	1
13	<u>105183501</u>	Rocker, Fan	1
14	<u>105295301</u>	Asm, Capacitor, 0.47uf	1

1
G
E

1
G
E



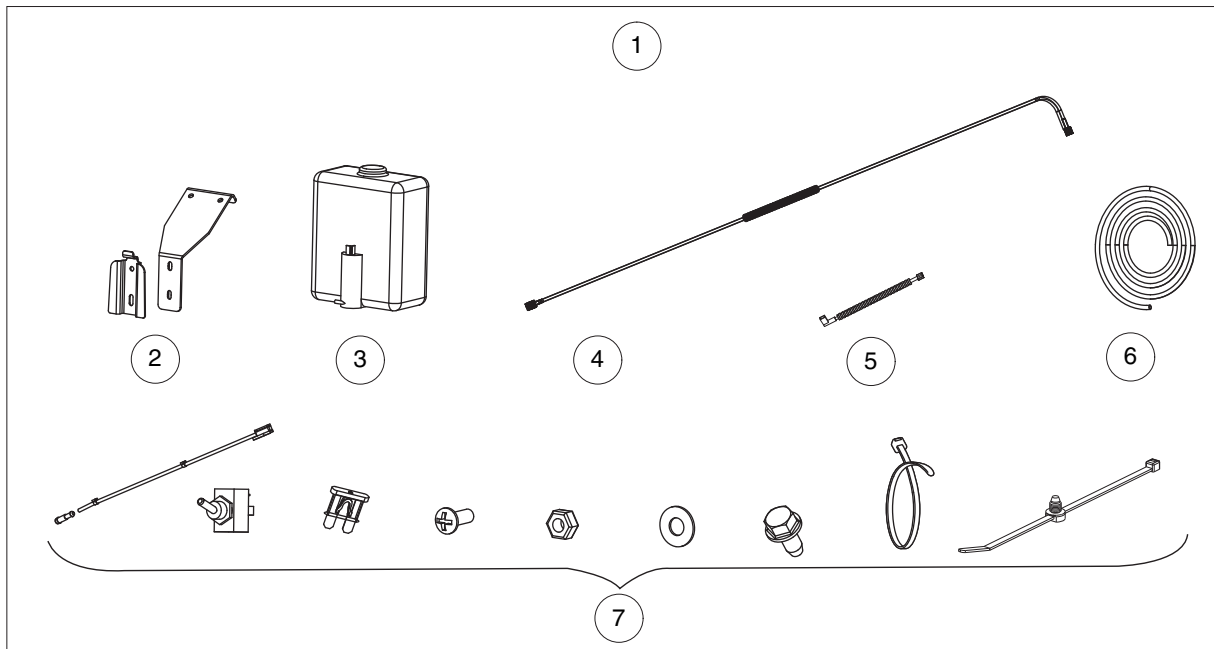
001190-001

CAB – ELECTRICAL, WINDSHIELD WIPER

ITEM	PART NO.	DESCRIPTION	QTY
		1 2 3 4	
1	<u>105098001</u>	Cab, Front Wiper Kit (includes items 2 through 7)	1
2	<u>104000901</u>	Wiper Arm, Modified	1
3	<u>104003501</u>	Cover, Wiper Mtr & Switch Asm	1
4	<u>105180001</u>	Wiper Motor, 85 Deg	1
5	<u>105180101</u>	Wiper Blade 18 inch	1
6	<u>105180201</u>	Hardware Kit, Wiper	1
7	<u>105183701</u>	Harness, Wiper	1
8	<u>105098002</u>	Cab, Wiper Power Harness Kit (w/o Console)	1
<p>Note: Vehicles not equipped with an overhead console will require kit part number <u>105098001</u>, Front Wiper Kit, and <u>105098002</u>, Cab Wiper Power Harness Kit. Vehicles equipped with an overhead console are wired for wiper power and require only the <u>105098001</u>, Front Wiper Kit.</p>			

1
G
E

1
G
E



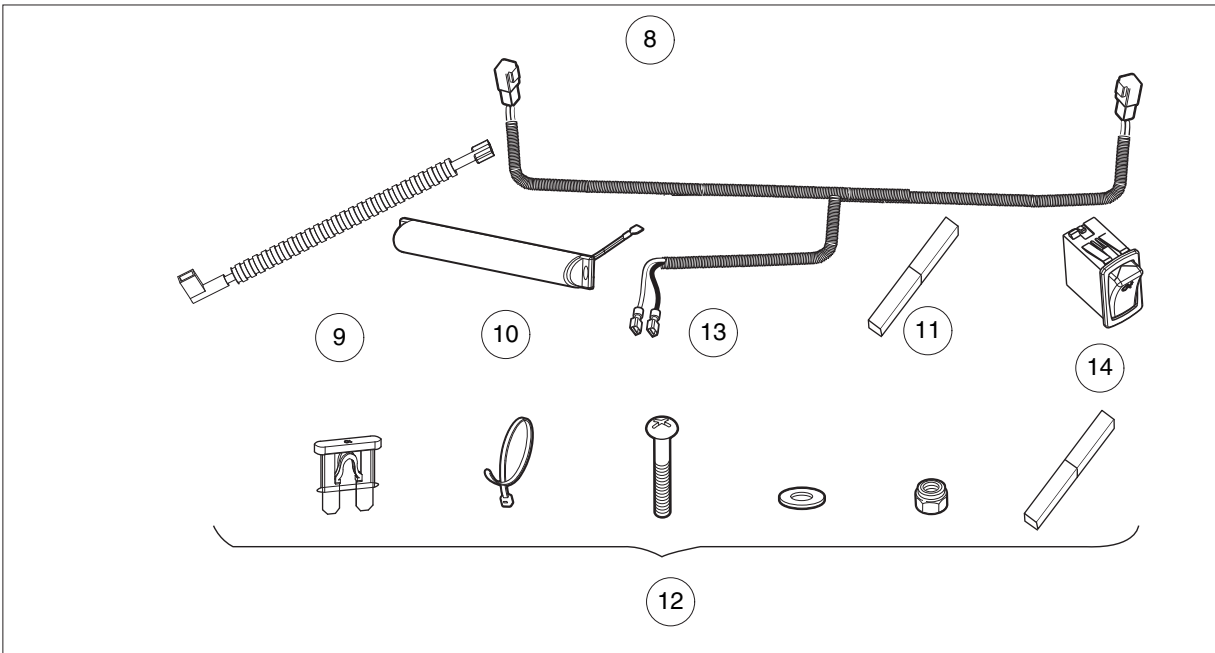
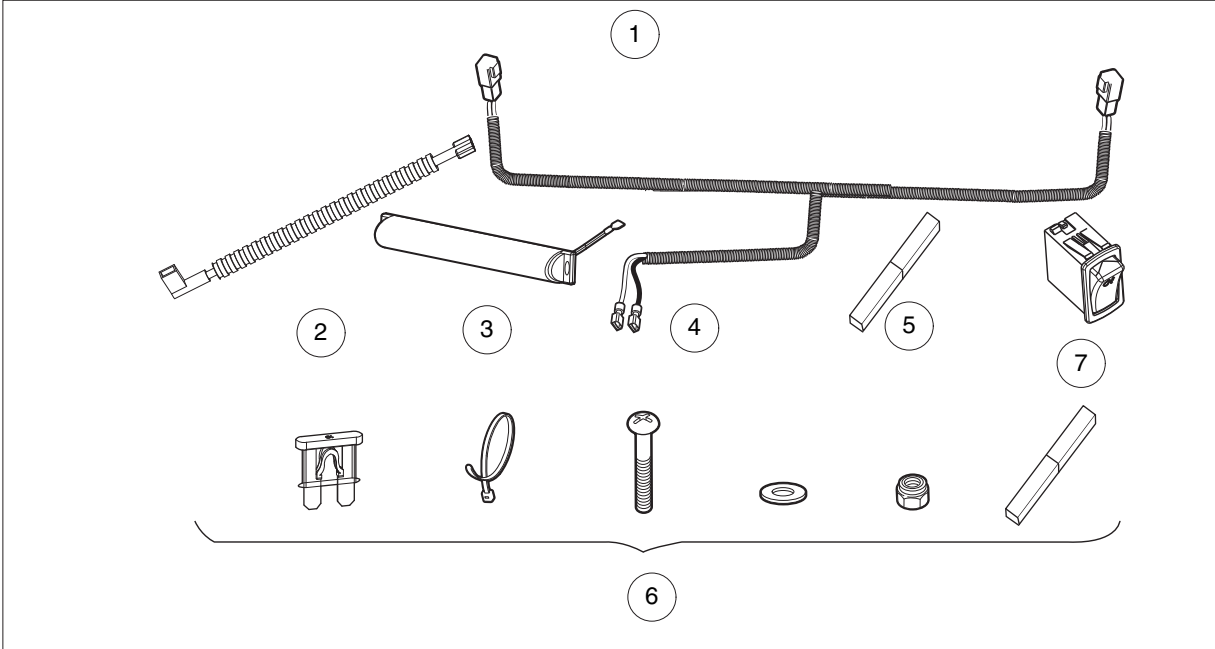
001189-001

CAB – ELECTRICAL, WINDSHIELD WASHER

ITEM	PART NO.	DESCRIPTION	QTY
		1 2 3 4	
1	<u>105098101</u>	Cab, Front Wiper, Washer Kit (includes items 2 through 7)	1
2	<u>105180301</u>	Washer Tank Mount Plate	1
3	<u>105180401</u>	Wash Tank Asm	1
4	<u>105180501</u>	Wire Harness Sw To Pump	1
5	<u>105180601</u>	Wire Harness Fb To Sw	1
6	<u>105180701</u>	Hose 18x31x17ft	1
7	<u>105180801</u>	Hardware Kit, Wiper Washer	1

1
G
E

1
G
E



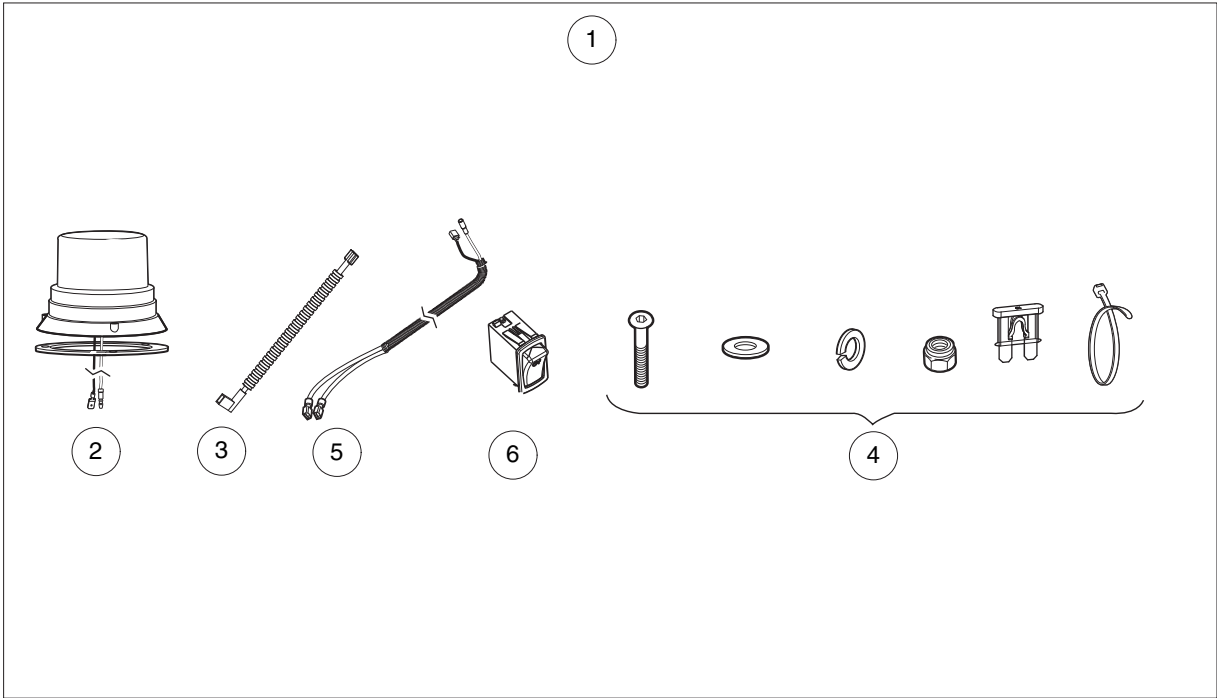
001191-001

CAB – ELECTRICAL, WORK LIGHTS

ITEM	PART NO.	DESCRIPTION	QTY
		1 2 3 4	
1	<u>105098201</u>	Cab, Front Work Light Kit (includes items 2 through 7)	1
2	<u>105180601</u>	Wire Harness Fb To Sw	1
3	<u>105180901</u>	Cab Work Light Led	2
4	<u>105181001</u>	Wire Harn Front WI	1
5	<u>105181101</u>	Work Light Tape	2
6	<u>105181301</u>	Hardware Kit, Work Light	1
7	<u>105183601</u>	Switch, Rocker, Front Work Light	1
8	<u>105098301</u>	Cab, Rear Work Light Kit (includes items 9 through 14)	1
9	<u>105180601</u>	Wire Harness Fb To Sw	1
10	<u>105180901</u>	Cab Work Light Led	2
11	<u>105181101</u>	Work Light Tape	2
12	<u>105181301</u>	Hardware Kit, Work Light	1
13	<u>105181401</u>	Wire Harn Rear WI	1
14	<u>105181501</u>	Rocker Rear WI	1

1
G
E

1
G
E



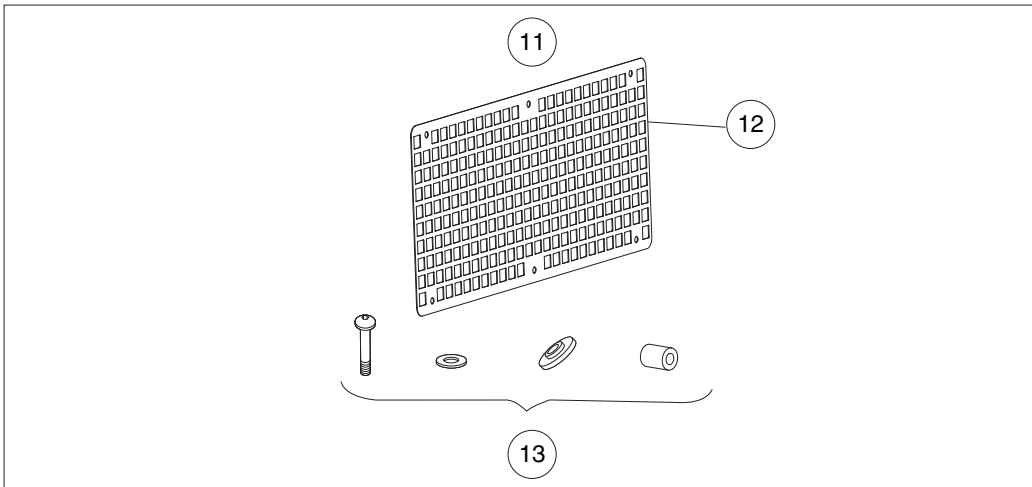
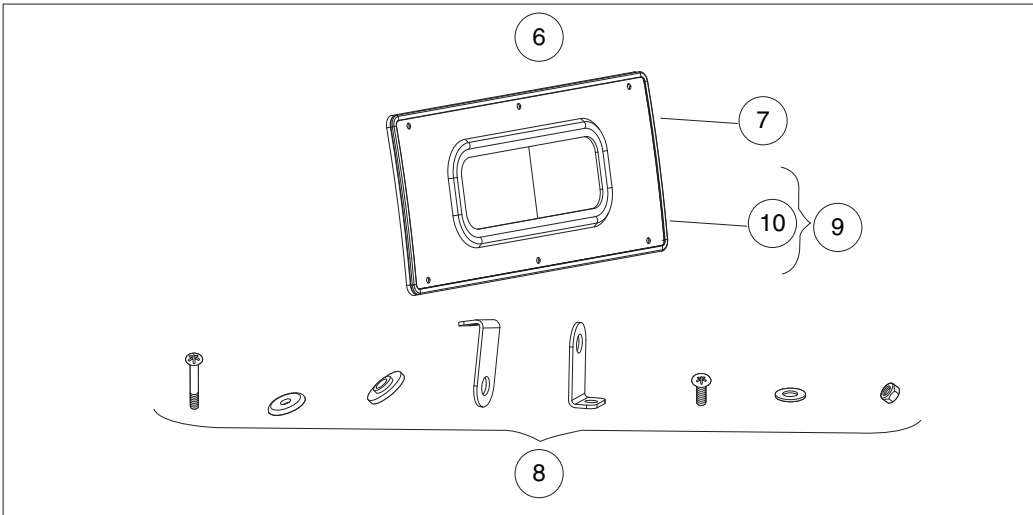
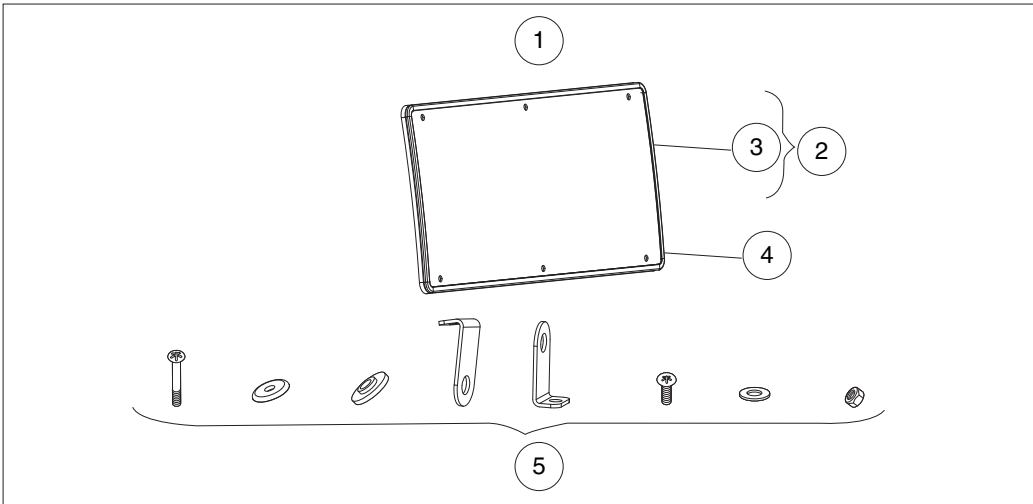
001192-001

CAB – ELECTRICAL, WARNING BEACON

ITEM	PART NO.	DESCRIPTION	QTY
		1 2 3 4	
1	<u>105098401</u>	Cab, Warning Beacon Kit (includes items 2 through 6)	1
2	<u>104002101</u>	Light, Strobe, Amber	1
3	<u>105180601</u>	Wire Harness Fb To Sw	1
4	<u>105181201</u>	Hardware Kit, Beacon Kit	1
5	<u>105181601</u>	Wire Harness Sw To Beac	1
6	<u>105183801</u>	Rocker Beacon	1

1
G
E

1
G
E



001185-001

CAB – REAR WINDOW

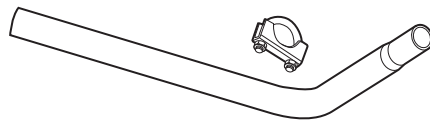
ITEM	PART NO.	DESCRIPTION	QTY
		1 2 3 4	
1	105097601	Cab, Rear Window Kit (includes items 2 through 5)	1
2	<u>105178501</u>	Rear Window W/ Seal (includes item 3)	1
3	<u>105178601</u>	Seal, Rubber Rear Window	1
4	<u>105178601</u>	Seal, Rubber Rear Window	1
5	<u>105178701</u>	Hardware Kit, Rear Window	1
6	<u>105097701</u>	Cab, Rear Window, Slider Kit (includes items 7 through 9)	1
7	<u>105178601</u>	Seal, Rubber Rear Window	1
8	<u>105178701</u>	Hardware Kit, Rear Window	1
9	<u>105178801</u>	Rear Slider Window W/ Seal (includes item 10)	1
10	<u>105178601</u>	Seal, Rubber Rear Window	1
11	<u>105097801</u>	Cab, Rear Window, Screen Kit (includes items 12 and 13)	1
12	<u>105176901</u>	Rear Screen	1
13	<u>105178901</u>	Hardware Kit, Rear Screen	1

1
G
E

1

G

E



1

001199-001

CAB – EXHAUST

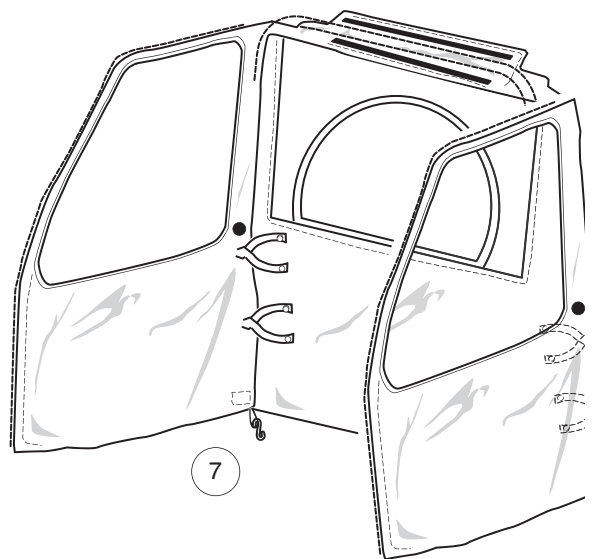
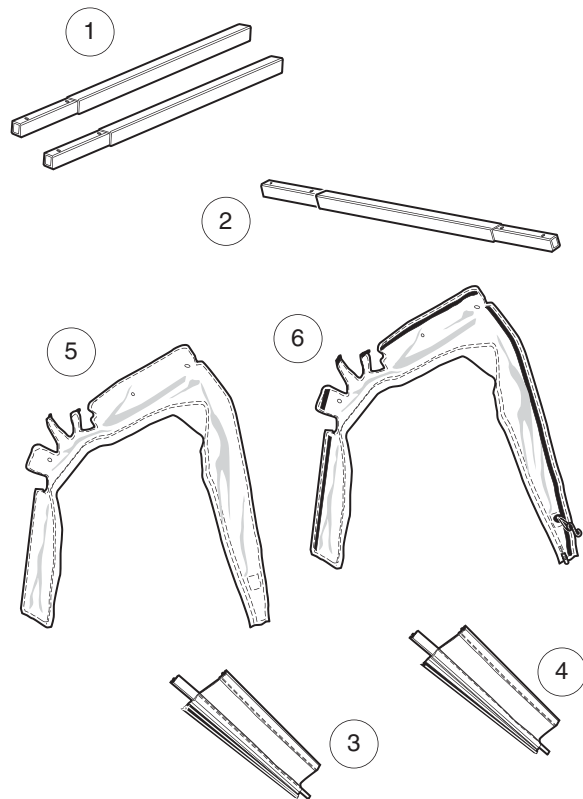
ITEM	PART NO.	DESCRIPTION	QTY
1	<u>105143401</u>	<div style="display: flex; justify-content: space-between; margin-bottom: 5px;"> 1 2 3 4 </div> Kit, Exhaust Extension, 400cc	1

1

G

E

1
G
E



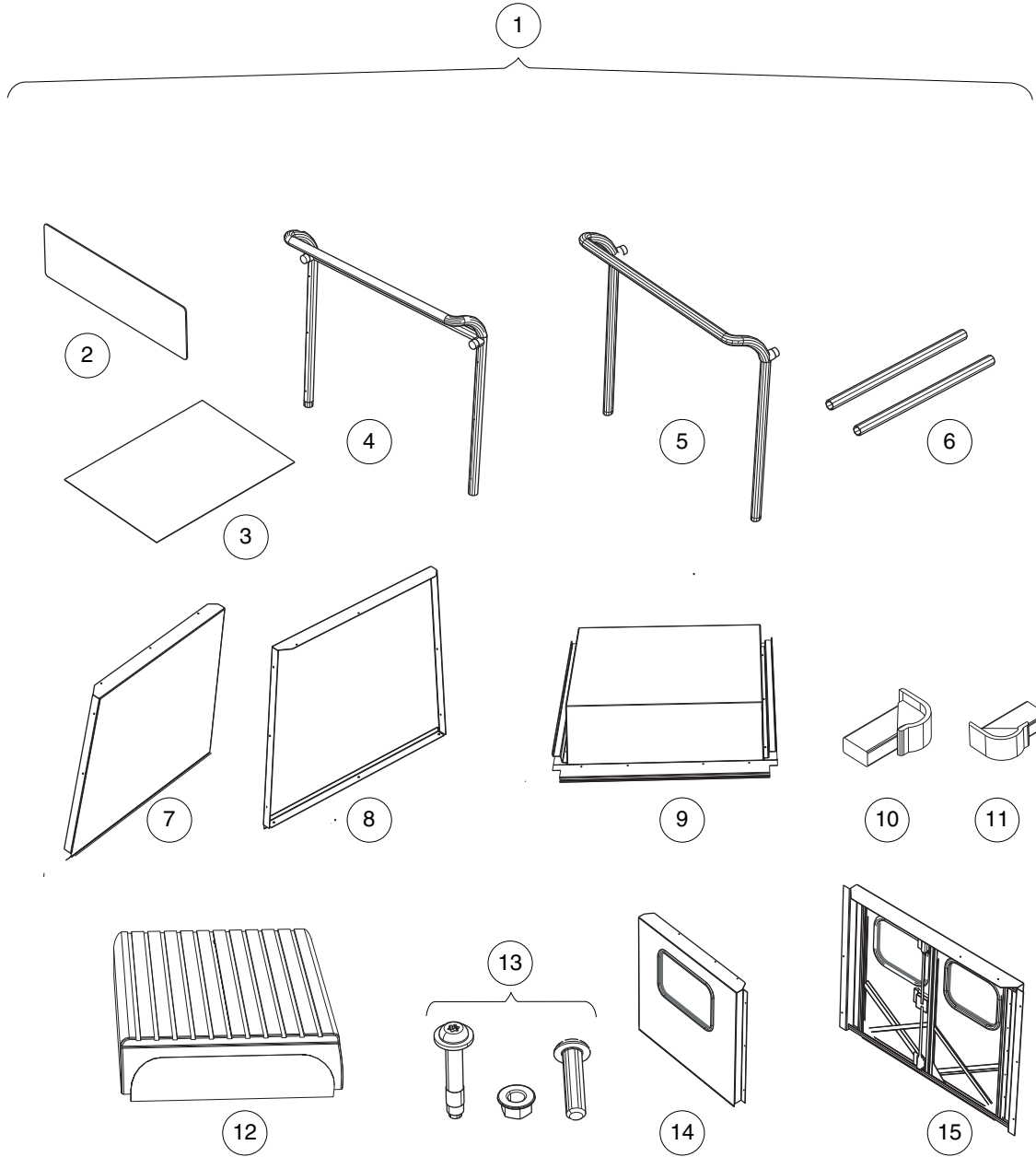
ENCLOSURES

ITEM	PART NO.	DESCRIPTION	QTY
		1 2 3 4	
1	<u>105124301</u>	Kit, Enclosure, White	1
2	<u>105124302</u>	Kit, Enclosure, Beige	1
3	<u>105124401</u>	Kit, Enclosure, Gray	1
4	<u>105124501</u>	Kit, Enclosure, Black	1

1

G

E

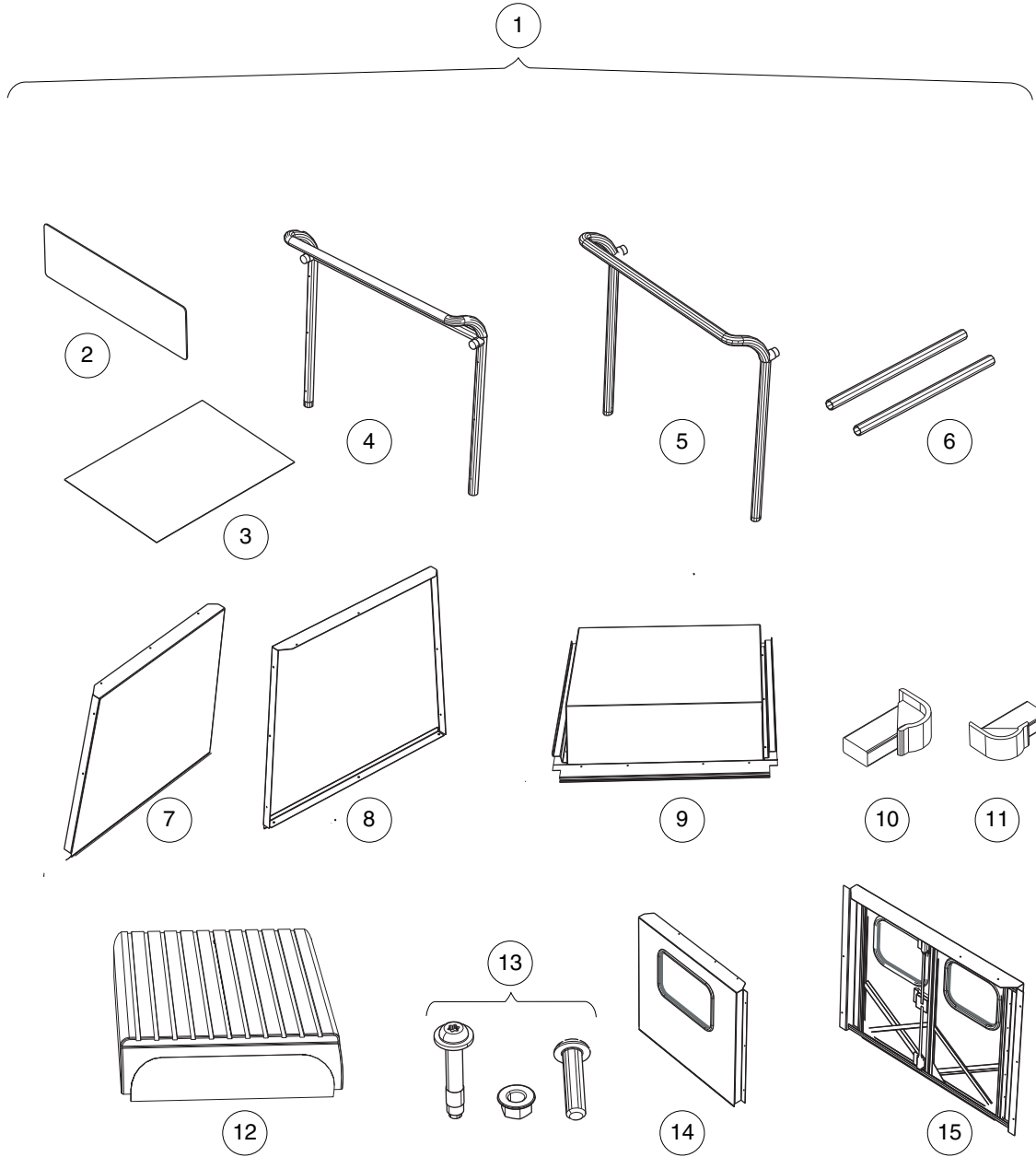


001173-001

VAN BOX – GRAY

ITEM	PART NO.	DESCRIPTION	QTY
		1 2 3 4	
1	<u>105158702</u>	Kit, Van Box, Med, Gray (includes items 2 through 15)	1
2	105237601	Decal, Warn Rollover Van Box	1
3	105237701	Kit, Decal, Vanbox, Roll -all	1
4	<u>105238001</u>	Asm, Rear Tubing, Van	1
5	<u>105238101</u>	Asm, Front Tubing, Van	1
6	105238701	Tubing, 500, Van	1
7	<u>105238802</u>	Panel Lh, 500, Van, Gray	1
8	105238902	Panel Rh, 500, Van, Gray	1
9	105239002	Panel Attic, 500, Van, Gray	1
10	105239101	Bumpers Front, Van	1
11	<u>105239201</u>	Bumpers Rear, Van	1
12	<u>105239301</u>	Roof 500, Van, White	1
13	105239401	Hardware, 500, Van	1
14	105241002	Panel Ft W Window, Van, Gray	1
15	105241102	Panel Rr W Window, Van, Gray	1

1
G
E



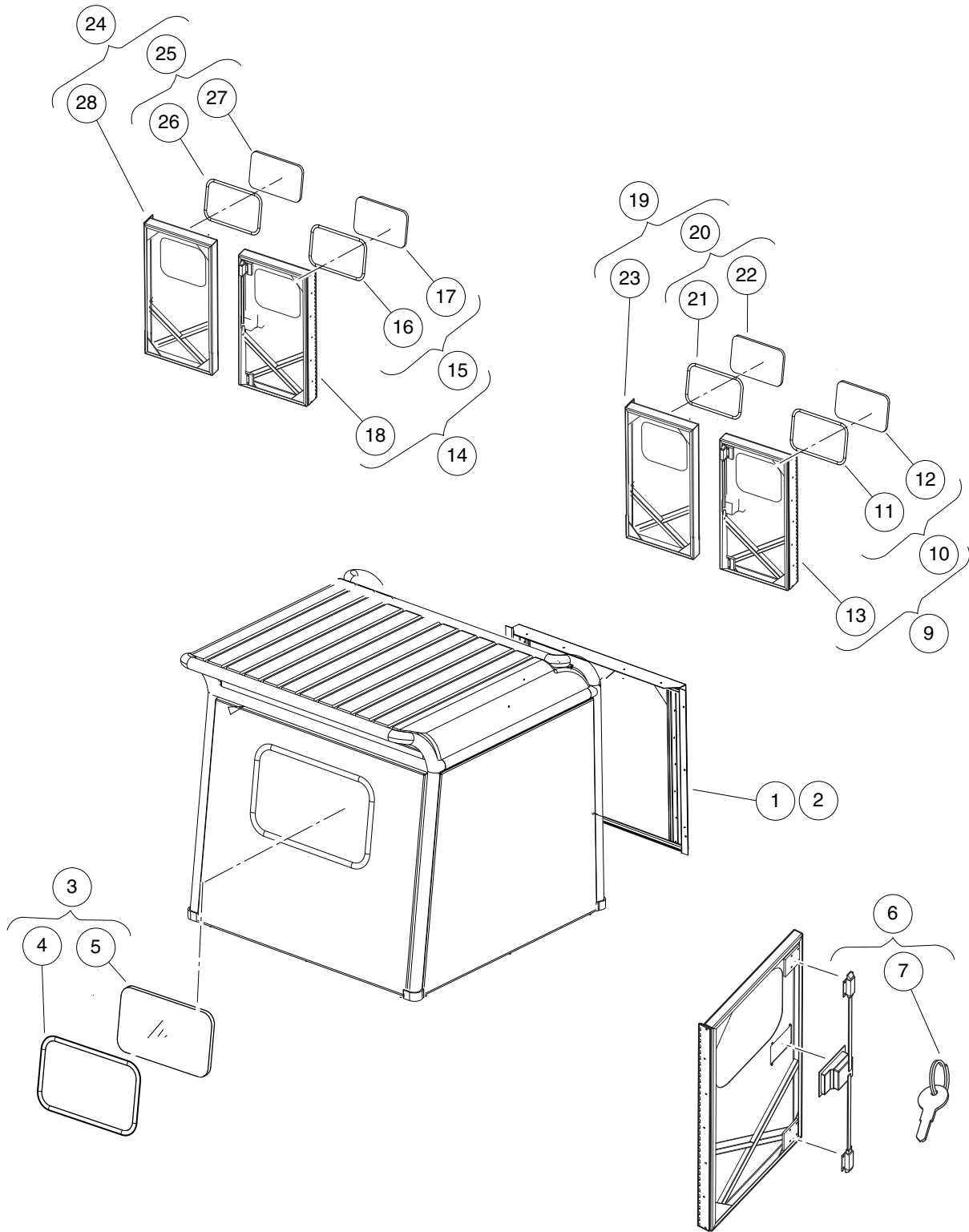
001173-001

VAN BOX – WHITE

ITEM	PART NO.	DESCRIPTION	QTY
		1 2 3 4	
1	<u>105158701</u>	Kit, Van Box, Med, White (includes items 2 through 15)	1
2	105237601	Decal, Warn Rollover Van Box	1
3	105237701	Kit, Decal, Vanbox, Roll -all	1
4	<u>105238001</u>	Asm, Rear Tubing, Van	1
5	<u>105238101</u>	Asm, Front Tubing, Van	1
6	105238701	Tubing, 500, Van	1
7	105238801	Panel Lh, 500, Van, White	1
8	105238901	Panel Rh, 500, Van, White	1
9	105239001	Panel Attic, 500, Van, White	1
10	105239101	Bumpers Front, Van	1
11	<u>105239201</u>	Bumpers Rear, Van	1
12	<u>105239301</u>	Roof 500, Van, White	1
13	105239401	Hardware, 500, Van	1
14	<u>105241001</u>	Panel Ft W Window, Van, White	1
15	<u>105241101</u>	Panel Rr W Window, Van, White	1

1
G
E

1
G
E



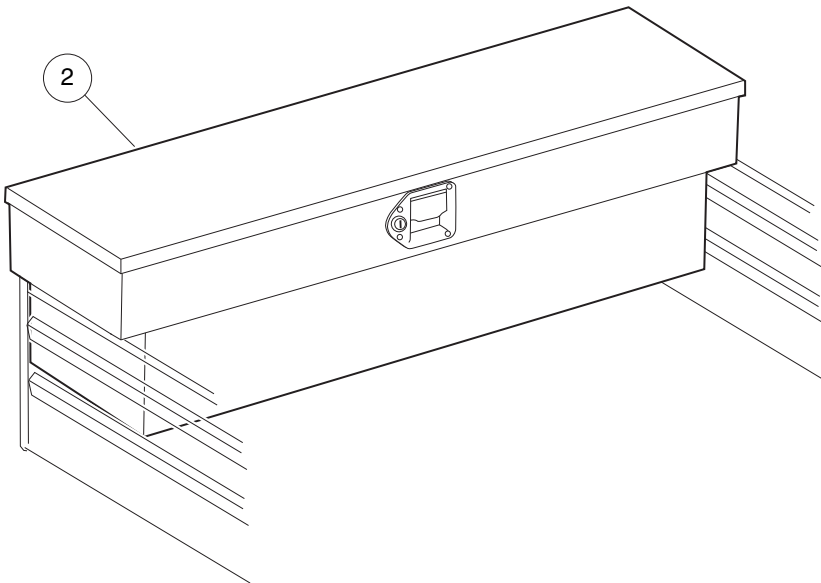
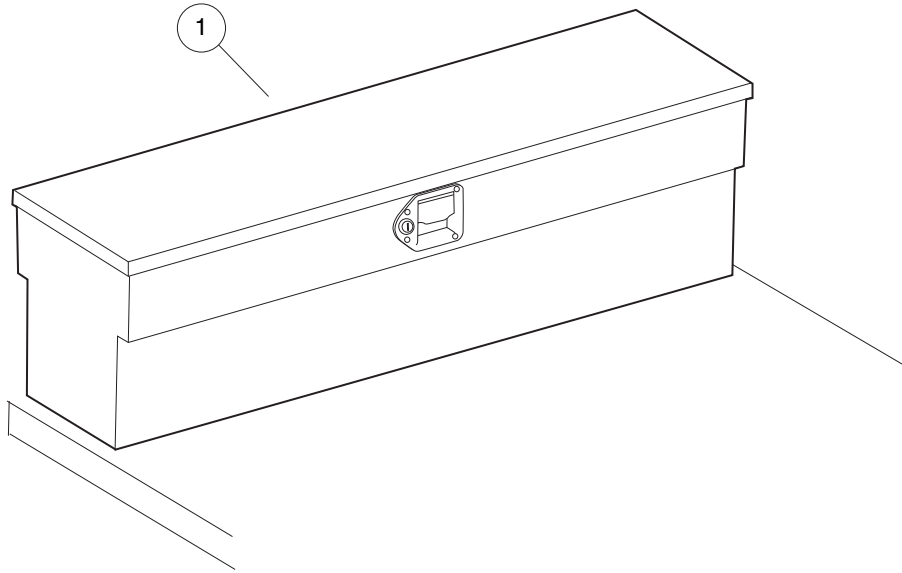
001178-002

VAN BOX, MEDIUM – SERVICE PARTS

ITEM	PART NO.	DESCRIPTION	QTY
		1 2 3 4	
1	105237801	Panel Rr, w/o Doors, Van, White	1
2	105237802	Panel Rr, w/o Doors, Van, Gray	1
3	105238301	Asm, Window, Frt Panel, Van (includes items 4 and 5)	1
4	<u>105241401</u>	Window Seal, Frt Panel, Van	1
5	105241501	Window Glass, Frt Panel, Van	1
6	105238603	Lock Mechanism, Door, Van (includes item 7)	1
7	105238604	Key, Van Box, 500, 700	1
8	<u>105241401</u>	Window Seal, Frt Panel, Van	1
9	105241601	Door, W Window, Lh, Van, White (includes items 10 through 13)	1
10	105238201	Asm, Window, Door, Van (includes items 11 and 12)	1
11	<u>105241201</u>	Window Seal, Door, Van	1
12	105241301	Window Glass, Door, Van	1
13	105238401	Door,w/o Window, Left, Van, White	1
14	105241602	Door, W Window, Lh, Van, Gray (includes items 15 through 18)	1
15	105238201	Asm, Window, Door, Van (includes items 16 and 17)	1
16	<u>105241201</u>	Window Seal, Door, Van	1
17	105241301	Window Glass, Door, Van	1
18	105238402	Door, w/o Window, Left, Van, Gray	1
19	<u>105241701</u>	Door, W Window, Rh, Van, White (includes items 20 through 23)	1
20	105238201	Asm, Window, Door, Van (includes items 21 and 22)	1
21	<u>105241201</u>	Window Seal, Door, Van	1
22	105241301	Window Glass, Door, Van	1
23	105238501	Door, w/o Window, Right, Van, White	1
24	105241702	Door, W Window, Rh, Van, Gray (includes items 25 through 28)	1
25	105238201	Asm, Window, Door, Van (includes items 26 and 27)	1
26	<u>105241201</u>	Window Seal, Door, Van	1
27	105241301	Window Glass, Door, Van	1
28	105238502	Door, w/o Window, Right, Van, Gray	1

1
G
E

1
G
E



001157-001

TOOLBOXES

ITEM	PART NO.	DESCRIPTION	QTY
1	<u>101837401</u>	1 2 3 4 Toolbox, Flat Bed	1
2	<u>101837502</u>	Toolbox, Box Bed	1

1

G

E

1

G

E

WHEELS AND TIRES

2

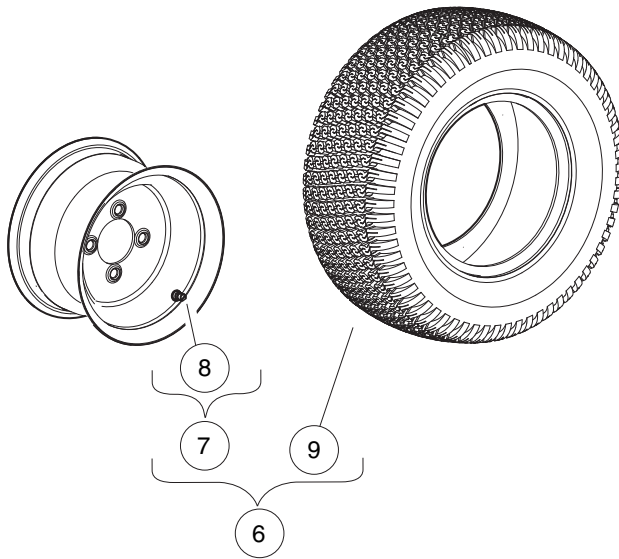
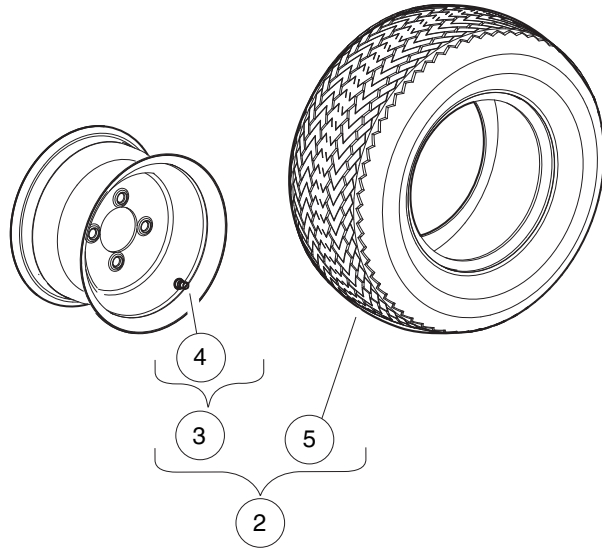
G

E

2

G

E



001320-001

WHEELS AND TIRES

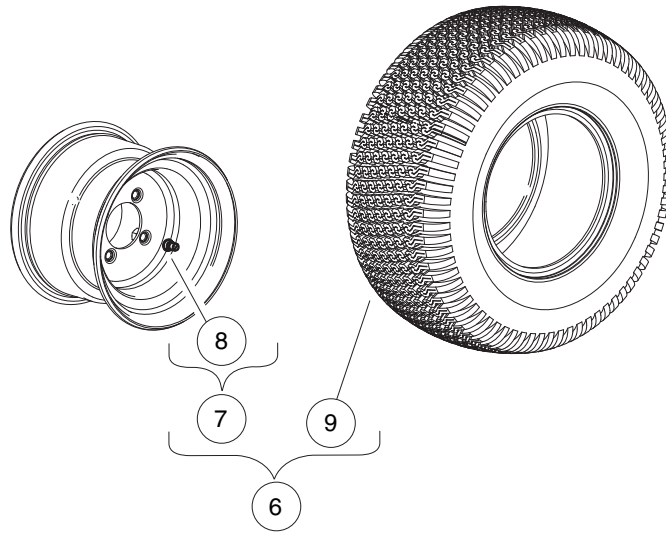
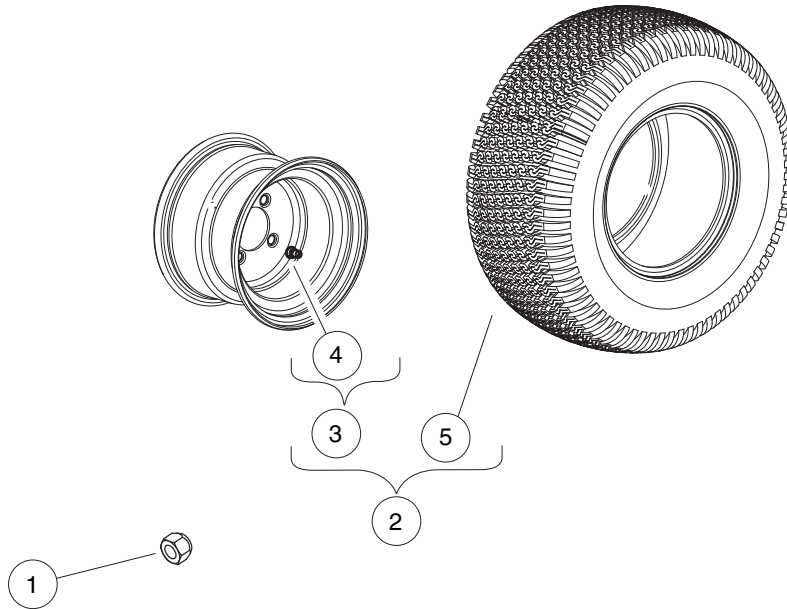
ITEM	PART NO.	DESCRIPTION	QTY
		1 2 3 4	
1	<u>1010984</u>	.500-20 Unf Lug Nut	16
2	<u>105078809</u>	Asm,whl,hn1,20x10-10,6pl (includes items 3 through 5)	4
3	<u>105079204</u>	Whl,10x6", Gray, 0 Os,rr W/ Vs (includes item 4)	1
4	<u>105078901</u>	Valve Stem, Kenda, Tr 412	1
5	<u>105079301</u>	Tire, Hole-n-1, 20x10-10, 6pl	1
6	<u>105078810</u>	Asm,whl,st,20x10-10,6pl (includes items 7 through 9)	4
7	<u>105079204</u>	Whl,10x6", Gray, 0 Os,rr W/ Vs (includes item 8)	1
8	<u>105078901</u>	Valve Stem, Kenda, Tr 412	1
9	<u>105079401</u>	Tire, Superturf, 20x10-10, 6pl	1

2
G
E

2

G

E



001321-001

WHEELS AND TIRES – CARRYALL 550

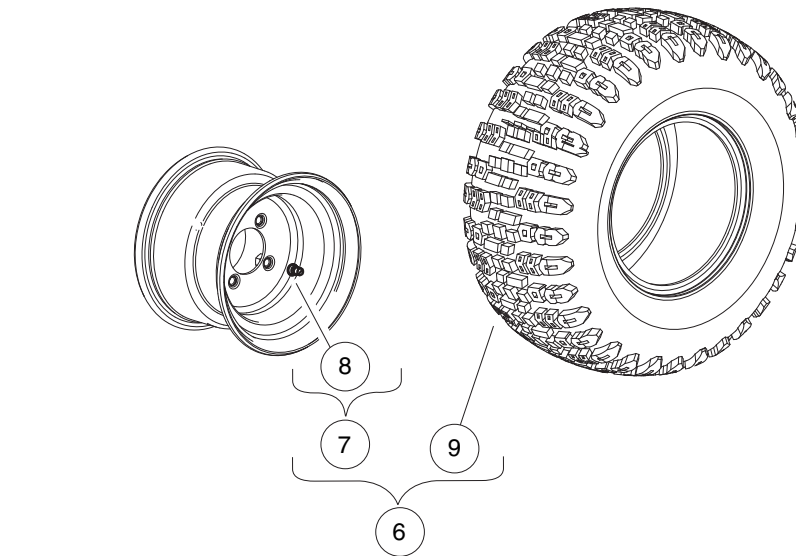
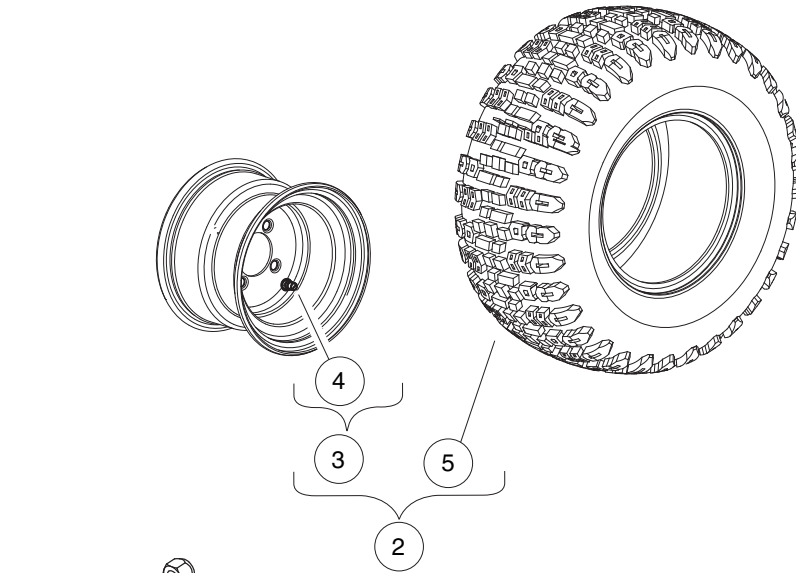
ITEM	PART NO.	DESCRIPTION	QTY
		1 2 3 4	
1	<u>1010984</u>	.500-20 Unf Lug Nut	16
2	<u>105078805</u>	Asm,whl,st,22x10-10,4pl,front (includes items 3 through 5)	2
3	<u>105079202</u>	Whl,10x7", Gray, 0 Os W/ Vs (includes item 4)	1
4	<u>105078901</u>	Valve Stem, Kenda, Tr 412	1
5	<u>105079701</u>	Tire, Superturf, 22x10-10, 4pl	1
6	<u>105078813</u>	Asm, Whl, ST, 22X10-10, 4PL Rear (includes items 7 through 10)	2
7	<u>105079205</u>	Whl, 10X7, Gray, 1 NOS, W/VS (includes item 8)	2
8	<u>105078901</u>	Valve Stem, Kenda, Tr 412	1
9	<u>105079701</u>	Tire, Superturf, 22x10-10, 4pl	2
10	105216602	Decal, Wheel, K500, Rear	2

2
G
E

2

G

E



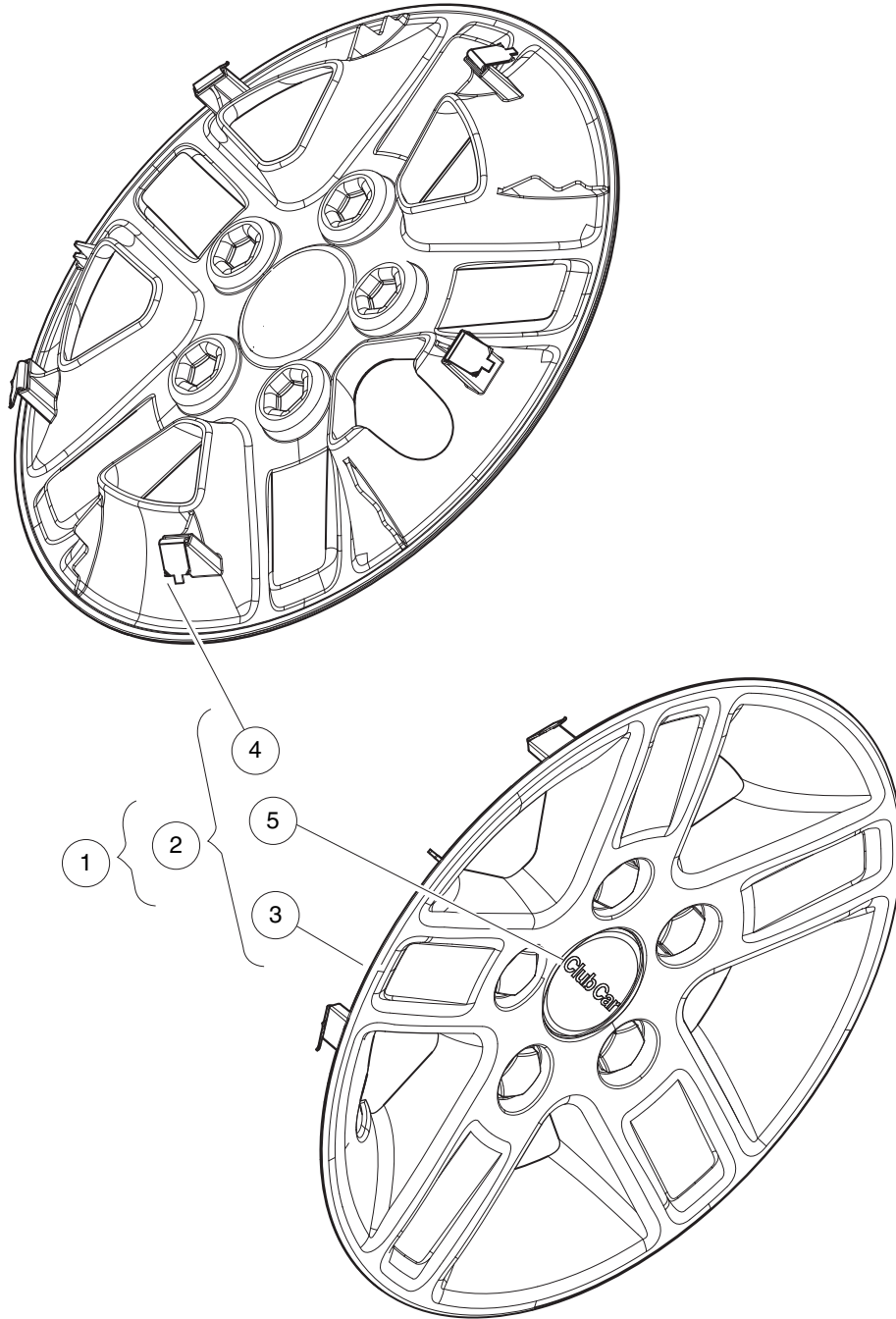
001323-001

WHEELS AND TIRES, OFF-ROAD – CARRYALL 550

ITEM	PART NO.	DESCRIPTION	QTY
		1 2 3 4	
1	<u>1010984</u>	.500-20 Unf Lug Nut	16
2	<u>105078807</u>	Asm,whl,or,22x10-10,6pl,front (includes items 3 through 5)	2
3	<u>105079202</u>	Whl,10x7", Gray, 0 Os W/ Vs (includes item 4)	1
4	<u>105078901</u>	Valve Stem, Kenda, Tr 412	1
5	<u>105079801</u>	Tire, Offroad, 22x10-10, 6pl	1
6	<u>105078814</u>	Asm, WHL, OR, 22X10-10, 4PL, Rear (includes items 7 through 10)	2
7	<u>105079205</u>	Whl, 10X7, Gray, 1 NOS, W/VS (includes item 8)	2
8	<u>105078901</u>	Valve Stem, Kenda, Tr 412	1
9	<u>105079801</u>	Tire, Offroad, 22x10-10, 6pl	2
10	<u>105216604</u>	Decal, Wheel, K502, Rear	2

2
G
E

2
G
E



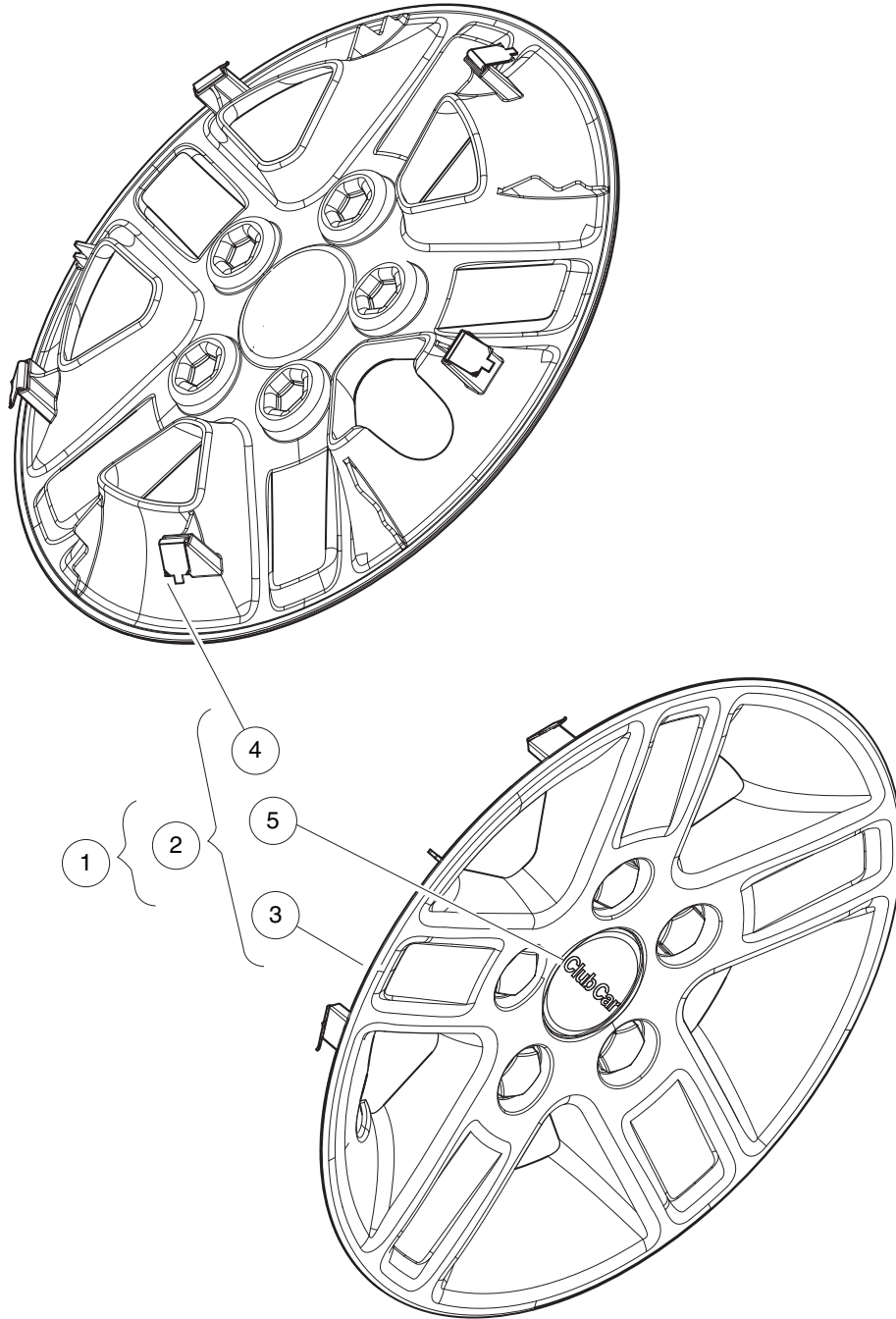
001350-002

WHEEL COVERS

ITEM	PART NO.	DESCRIPTION	QTY
		1 2 3 4	
1	<u>105106501</u>	Kit, Wheel Cover, 10x6" (includes item 2)	1
2	<u>105106301</u>	Asm, Whl Cover, 5 Spoke, 10x6" (includes items 3 through 5)	4
3	N/A	Wheel Cover, 5 Spoke, 10x7"	1
4	105106101	Wheel Cover, Clip	5
5	105106201	Decal, Wheel Cover, Club Car	1

2
G
E

2
G
E



001350-002

WHEEL COVERS – CARRYALL 550

ITEM	PART NO.	DESCRIPTION	QTY
		1 2 3 4	
1	<u>105106502</u>	Kit, Wheel Cover, 10x7" (includes item 2)	1
2	<u>105106302</u>	Asm, Whl Cover, 5 Spoke, 10x7" (includes items 3 through 5)	4
3	N/A	Wheel Cover, 5 Spoke, 10x7"	1
4	105106101	Wheel Cover, Clip	5
5	105106201	Decal, Wheel Cover, Club Car	1

2
G
E

2

G

E

DECALS

3

G

E

⚠ WARNING

Unintended vehicle movement may cause severe injury or death. Before using vehicle, read owner's manual and vehicle safety warnings.

Before leaving vehicle:

- Engage park brake to lock wheels.
- Place vehicle in NEUTRAL.
- Turn key to OFF and remove key.

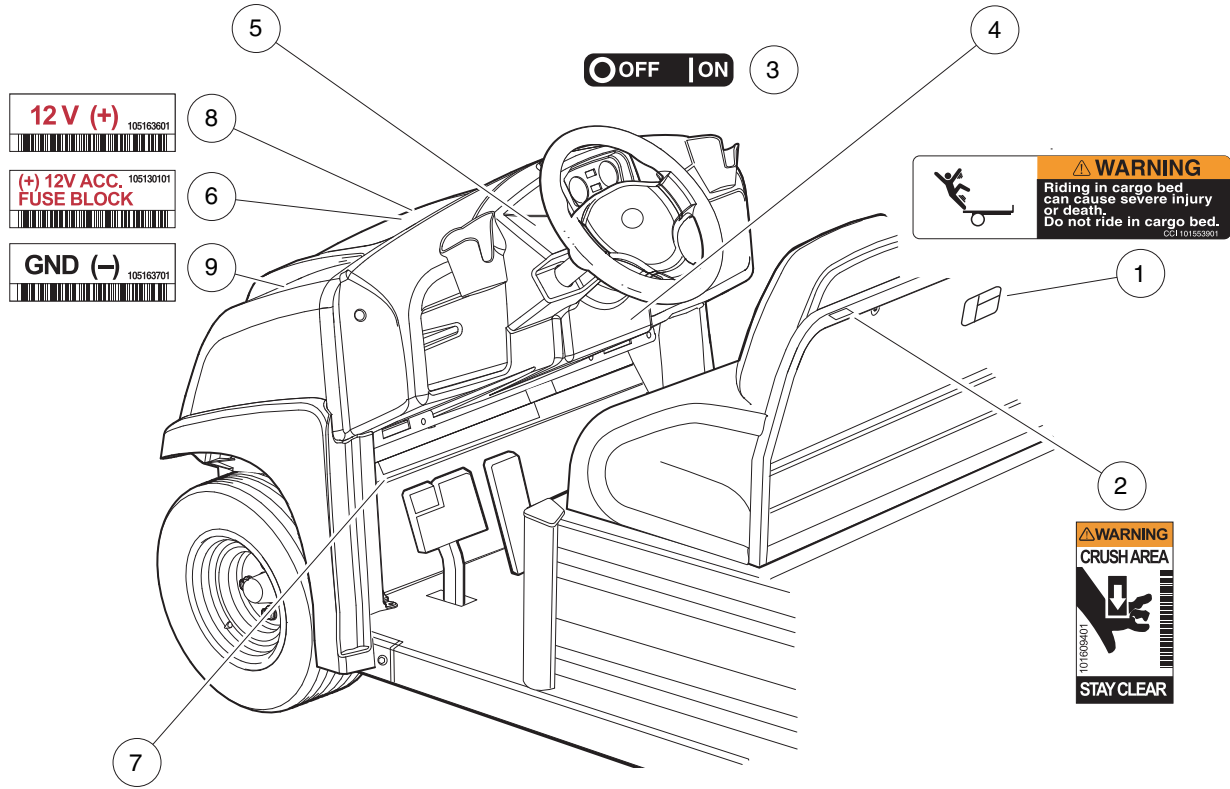
105046101

⚠ WARNING

UNINTENDED MOVEMENT, ROLLOVER, OR FALLING OUT CAN CAUSE SERIOUS INJURY OR DEATH.

- Vehicle to be operated by licensed and authorized persons only.
- Use in authorized areas only. Do not operate on public roads.
- One (1) person per bucket seat maximum.
- Two (2) persons per bench seat maximum.
- Operate from driver's seat only.
- Do not start vehicle until all occupants are fully seated.
- Drive slowly in turns and straight up and down slopes.
- Remain fully seated while moving.
- Hold on and keep entire body inside vehicle while moving.
- Never attempt jumps and avoid extreme braking in reverse.
- Do not leave children unattended in vehicle at any time.
- Children requiring a child safety seat must not ride in vehicle.
- Never operate under the influence of alcohol or drugs.

1044226501



VEHICLE LOADING

Read owner's manual and warnings on dash.

- Vehicle rated capacity: 1200 lb (544 kg) on level surface only.
 - Includes occupants and cargo load.
- Maximum cargo load: 800 lb (363 kg)
 - Includes cargo, bed load, and optional equipment.
- Vehicle combination rated capacity: 1500 lb (680 kg)
 - Includes vehicle rated capacity and gross trailer weight.

⚠ WARNING

ROLLOVER CAN CAUSE SERIOUS INJURY OR DEATH.

- Place cargo forward in the cargo bed and distribute evenly side to side. Secure load.
- On uneven or steep terrain, reduce speed and load.
- Avoid stopping on or backing down steep hills.
- Avoid top-heavy loads.

065137106

DECALS – ELECTRIC CARRYALL 500

ITEM	PART NO.	DESCRIPTION	QTY
		1 2 3 4	
1	<u>101553901</u>	Decal, Bed Load Warning	1
2	<u>101609401</u>	Decal, Crush Area Warning	2
3	<u>101825101</u>	Decal, Off/On	1
4	<u>104026801</u>	Decal, Oc, Warning, Ca	1
5	<u>105046101</u>	Decal, Op, Instructions, Ca	1
6	<u>105130101</u>	Decal, Fuse Block, Acc, 12v	1
7	105137106	Decal, Veh Load, Ca500 4wb	1
8	<u>105163601</u>	Decal, 12v (+)	1
9	<u>105163701</u>	Decal, Gnd (-)	1

3
G
E

⚠ WARNING

Unintended vehicle movement may cause severe injury or death. Before using vehicle, read owner's manual and vehicle safety warnings.

Before leaving vehicle:

- Engage park brake to lock wheels.
- Place vehicle in NEUTRAL.
- Turn key to OFF and remove key.

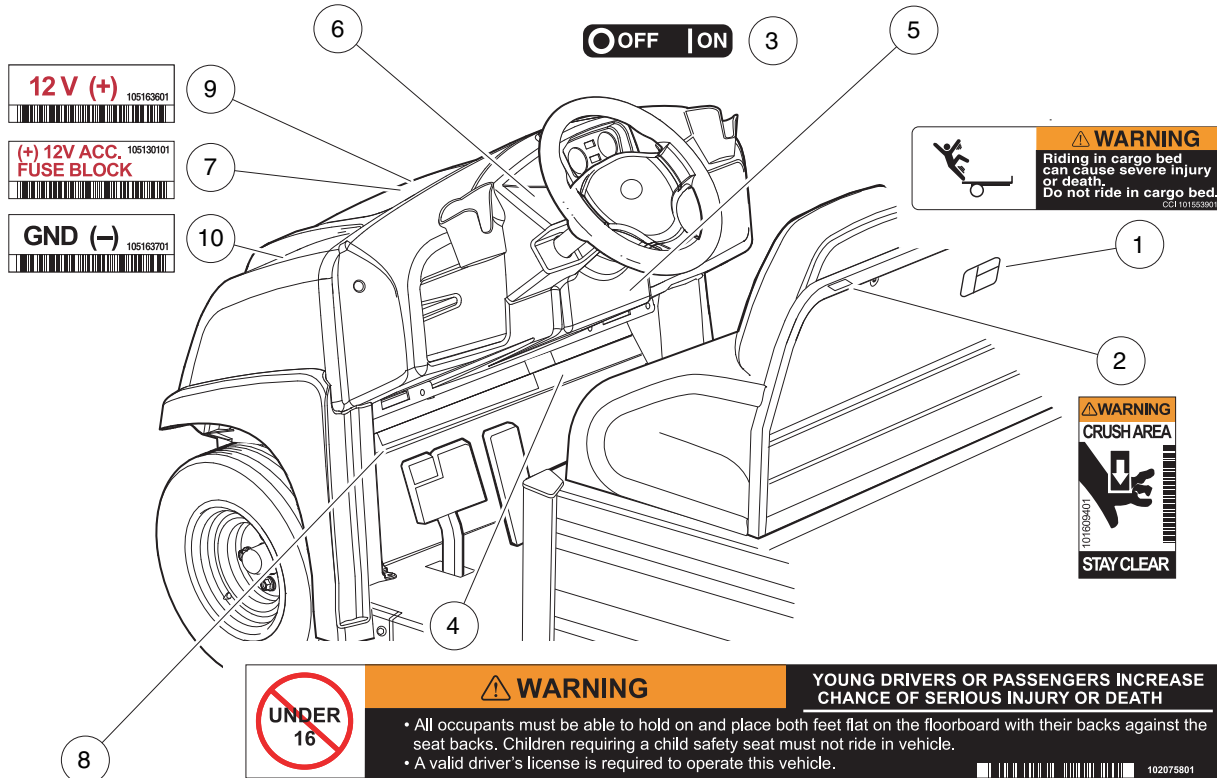
105046101

⚠ WARNING

UNINTENDED MOVEMENT, ROLLOVER, OR FALLING OUT CAN CAUSE SERIOUS INJURY OR DEATH.

- Vehicle to be operated by licensed and authorized persons only.
- Use in authorized areas only. Do not operate on public roads.
- One (1) person per bucket seat maximum.
- Two (2) persons per bench seat maximum.
- Operate from driver's seat only.
- Do not start vehicle until all occupants are fully seated.
- Drive slowly in turns and straight up and down slopes.
- Remain fully seated while moving.
- Hold on and keep entire body inside vehicle while moving.
- Never attempt jumps and avoid extreme braking in reverse.
- Do not leave children unattended in vehicle at any time.
- Children requiring a child safety seat must not ride in vehicle.
- Never operate under the influence of alcohol or drugs.

104026801



⚠ WARNING

YOUNG DRIVERS OR PASSENGERS INCREASE CHANCE OF SERIOUS INJURY OR DEATH

- All occupants must be able to hold on and place both feet flat on the floorboard with their backs against the seat backs. Children requiring a child safety seat must not ride in vehicle.
- A valid driver's license is required to operate this vehicle.

102075801

VEHICLE LOADING

Read owner's manual and warnings on dash.

- Vehicle rated capacity: 900 lb (408 kg) on level surface only.
- Includes occupants and cargo load.
- Maximum cargo load: 500 lb (227 kg)
- Includes cargo, bed load, and optional equipment.
- Vehicle combination rated capacity: 900 lb (408 kg)
- Includes vehicle rated capacity and gross trailer weight.

⚠ WARNING

ROLLOVER CAN CAUSE SERIOUS INJURY OR DEATH.

- Place cargo forward in the cargo bed and distribute evenly side to side. Secure load.
- On uneven or steep terrain, reduce speed and load.
- Avoid stopping on or backing down steep hills.
- Avoid top-heavy loads.

105137103

DECALS – ELECTRIC CARRYALL 550

ITEM	PART NO.	DESCRIPTION	QTY
		1 2 3 4	
1	<u>101553901</u>	Decal, Bed Load Warning	1
2	<u>101609401</u>	Decal, Crush Area Warning	2
3	<u>101825101</u>	Decal, Off/On	1
4	<u>102075801</u>	Decal, Young Driver Warning	1
5	<u>104026801</u>	Decal, Oc, Warning, Ca	1
6	<u>105046101</u>	Decal, Op, Instructions, Ca	1
7	<u>105130101</u>	Decal, Fuse Block, Acc, 12v	1
8	<u>105137103</u>	Decal, Loading Ca 252	1
9	<u>105163601</u>	Decal, 12v (+)	1
10	<u>105163701</u>	Decal, Gnd (-)	1

3
G
E

⚠ WARNING
AVOID FIRE HAZARD

- Replacement battery wires must be 4-gauge (AWG) with low-resistance terminals equivalent to factory-installed wires.
- Ensure that battery connections are clean and properly tightened. See owner's manual.

CCI 102987801

CAUTION
EXPOSURE TO WATER MAY DAMAGE ELECTRONIC COMPONENTS

- Do not operate vehicle without this cover properly installed.
- Do not direct water stream in the area of the cover without cover securely in place.
- See vehicle maintenance and service manual before servicing.

CCI 102518301

⚠ CAUTION
Frame is isolated from power system. Do not use as ground.

105124701

(+) 48V ACC. FUSE BLOCK

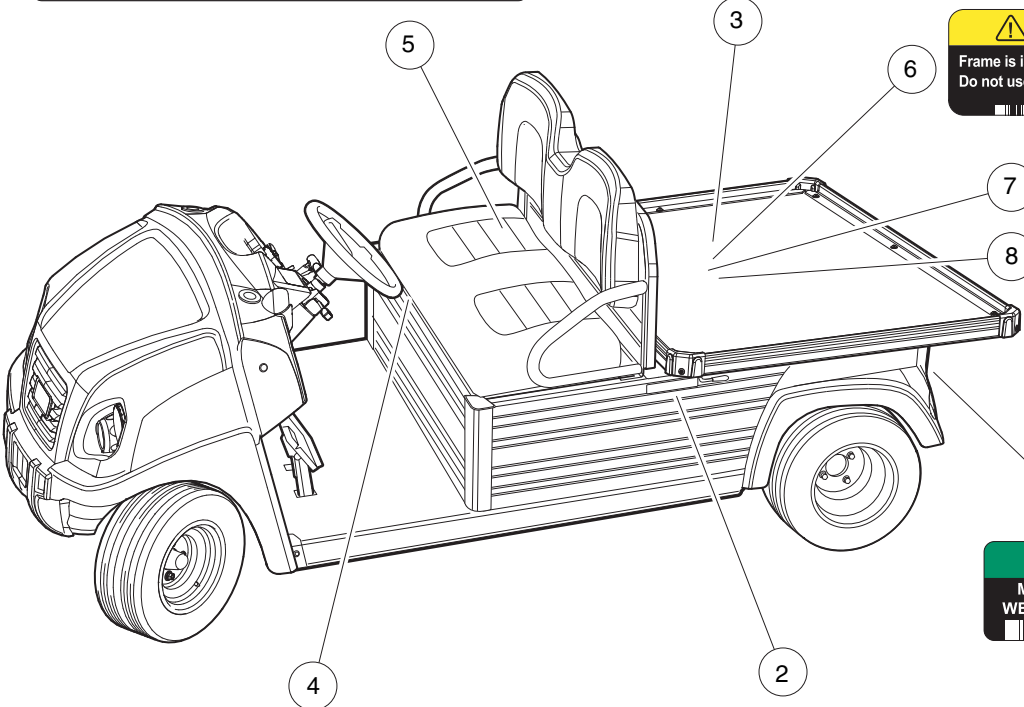
105130001

GND (-)

105163701

NOTICE
MAXIMUM TONGUE WEIGHT—150 lb. (667 N)

1011563



⚠ WARNING
BATTERY EXPLOSION COULD RESULT IN SEVERE PERSONAL INJURY.

- Do not store items in battery compartment.
- Place Run/Tow switch in TOW position before:
 - Disconnecting or connecting battery cables
 - Towing this vehicle
 - Extended storage
 - Servicing the vehicle

NORMAL TOW TRIPPED RUN

CCI 102845101



⚠ WARNING
Crush area. Can cause severe injury. Stay clear when closing bed.

CCI 102459301

2853

DECALS – ELECTRIC CARRYALL 500/550, CONTINUED

ITEM	PART NO.	DESCRIPTION	QTY
		1 2 3 4	
1	<u>1011553</u>	Decal, Trailer Hitch	1
2	<u>102459301</u>	Decal, Bed Crush Area Warning	1
3	<u>102518301</u>	Decal, Caution, Electrical Component Cover	1
4	<u>102845101</u>	Decal, Tow Switch	1
5	<u>102967601</u>	Decal, Warning, 4 Gauge Wire	1
6	<u>105124701</u>	Decal, Caution, Not Use As Gnd	1
7	<u>105130001</u>	Decal, Fuse Block, Acc, 48v	1
8	<u>105163701</u>	Decal, Gnd (-)	1

3
G
E

WARNING

Unintended vehicle movement may cause severe injury or death. Before using vehicle, read owner's manual and vehicle safety warnings.

Before leaving vehicle:

- Engage park brake to lock wheels.
- Place vehicle in NEUTRAL.
- Turn key to OFF and remove key.

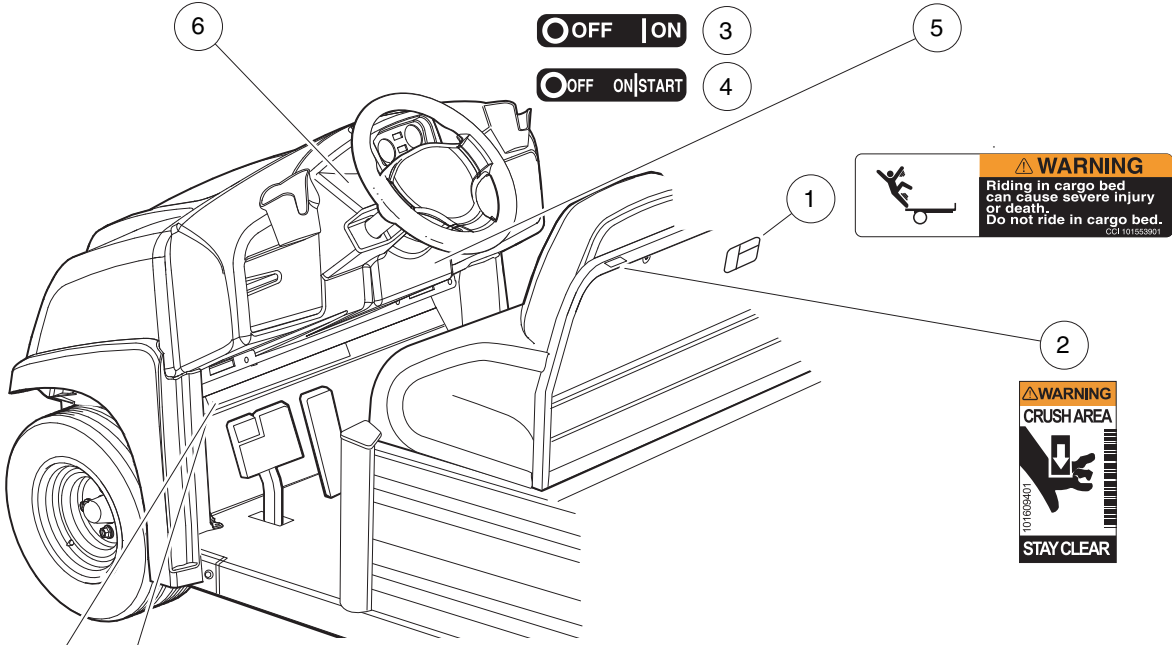
105046101

WARNING

UNINTENDED MOVEMENT, ROLLOVER, OR FALLING OUT CAN CAUSE SERIOUS INJURY OR DEATH.

- Vehicle to be operated by licensed and authorized persons only.
- Use in authorized areas only. Do not operate on public roads.
- One (1) person per bucket seat maximum.
- Two (2) persons per bench seat maximum.
- Operate from driver's seat only.
- Do not start vehicle until all occupants are fully seated.
- Drive slowly in turns and straight up and down slopes.
- Remain fully seated while moving.
- Hold on and keep entire body inside vehicle while moving.
- Never attempt jumps and avoid extreme braking in reverse.
- Do not leave children unattended in vehicle at any time.
- Children requiring a child safety seat must not ride in vehicle.
- Never operate under the influence of alcohol or drugs.

104026801



VEHICLE LOADING

Read owner's manual and warnings on dash.

VEHICLE LOADING

- Vehicle rated capacity: 1200 lb (544 kg) on level surface only.
- Includes occupants and cargo load.
- Maximum cargo load: 800 lb (363 kg)
- Includes cargo, bed load, and optional equipment.
- Vehicle combination rated capacity: 1200 lb (544 kg)
- Includes vehicle rated capacity and gross trailer weight.

WARNING

ROLLOVER CAN CAUSE SERIOUS INJURY OR DEATH.

- Place cargo forward in the cargo bed and distribute evenly side to side. Secure load.
- On uneven or steep terrain, reduce speed and load.
- Avoid stopping on or backing down steep hills.
- Avoid top-heavy loads.

105137102

VEHICLE LOADING

Read owner's manual and warnings on dash.

VEHICLE LOADING

- Vehicle rated capacity: 1200 lb (544 kg) on level surface only.
- Includes occupants and cargo load.
- Maximum cargo load: 800 lb (363 kg)
- Includes cargo, bed load, and optional equipment.
- Vehicle combination rated capacity: 1500 lb (680 kg)
- Includes vehicle rated capacity and gross trailer weight.

WARNING

ROLLOVER CAN CAUSE SERIOUS INJURY OR DEATH.

- Place cargo forward in the cargo bed and distribute evenly side to side. Secure load.
- On uneven or steep terrain, reduce speed and load.
- Avoid stopping on or backing down steep hills.
- Avoid top-heavy loads.

105137102

DECALS – GASOLINE CARRYALL 500

ITEM	PART NO.	DESCRIPTION	QTY
		1 2 3 4	
1	<u>101553901</u>	Decal, Bed Load Warning	1
2	<u>101609401</u>	Decal, Crush Area Warning	1
3	<u>101825101</u>	Decal, Off/On	1
4	<u>101825102</u>	Decal, Off/On/Start	1
5	<u>104026801</u>	Decal, Oc, Warning, Ca	1
6	<u>105046101</u>	Decal, Op, Instructions, Ca	1
7	105137102	Decal, Veh Load, Ca500 2wb	1
8	105137106	Decal, Veh Load, Ca500 4wb	1

3
G
E

WARNING

Unintended vehicle movement may cause severe injury or death. Before using vehicle, read owner's manual and vehicle safety warnings.

Before leaving vehicle:

- Engage park brake to lock wheels.
- Place vehicle in NEUTRAL.
- Turn key to OFF and remove key.

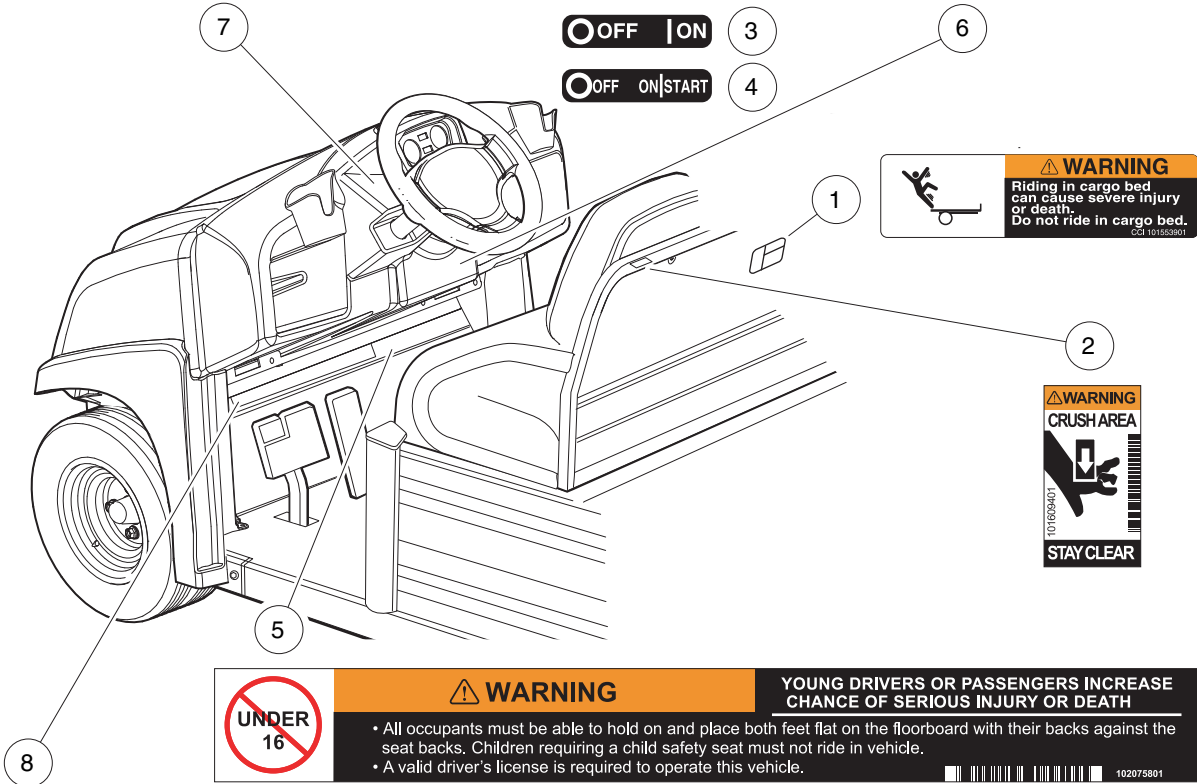
105046101

WARNING

UNINTENDED MOVEMENT, ROLLOVER, OR FALLING OUT CAN CAUSE SERIOUS INJURY OR DEATH.

- Vehicle to be operated by licensed and authorized persons only.
- Use in authorized areas only. Do not operate on public roads.
- One (1) person per bucket seat maximum.
- Two (2) persons per bench seat maximum.
- Operate from driver's seat only.
- Do not start vehicle until all occupants are fully seated.
- Drive slowly in turns and straight up and down slopes.
- Remain fully seated while moving.
- Hold on and keep entire body inside vehicle while moving.
- Never attempt jumps and avoid extreme braking in reverse.
- Do not leave children unattended in vehicle at any time.
- Children requiring a child safety seat must not ride in vehicle.
- Never operate under the influence of alcohol or drugs.

104026601



WARNING

Riding in cargo bed can cause severe injury or death. Do not ride in cargo bed.

1015553901

WARNING

CRUSH AREA

STAY CLEAR

101628403

WARNING

YOUNG DRIVERS OR PASSENGERS INCREASE CHANGE OF SERIOUS INJURY OR DEATH

UNDER 16

- All occupants must be able to hold on and place both feet flat on the floorboard with their backs against the seat backs. Children requiring a child safety seat must not ride in vehicle.
- A valid driver's license is required to operate this vehicle.

102075801

VEHICLE LOADING

Read owner's manual and warnings on dash.

- Vehicle rated capacity: 900 lb (408 kg) on level surface only.
 - Includes occupants and cargo load.
- Maximum cargo load: 500 lb (227 kg)
 - Includes cargo, bed load, and optional equipment.
- Vehicle combination rated capacity: 900 lb (408 kg)
 - Includes vehicle rated capacity and gross trailer weight.

WARNING

ROLLOVER CAN CAUSE SERIOUS INJURY OR DEATH.

- Place cargo forward in the cargo bed and distribute evenly side to side. Secure load.
- On uneven or steep terrain, reduce speed and load.
- Avoid stopping on or backing down steep hills.
- Avoid top-heavy loads.

105137103

2874

DECALS – GASOLINE CARRYALL 550

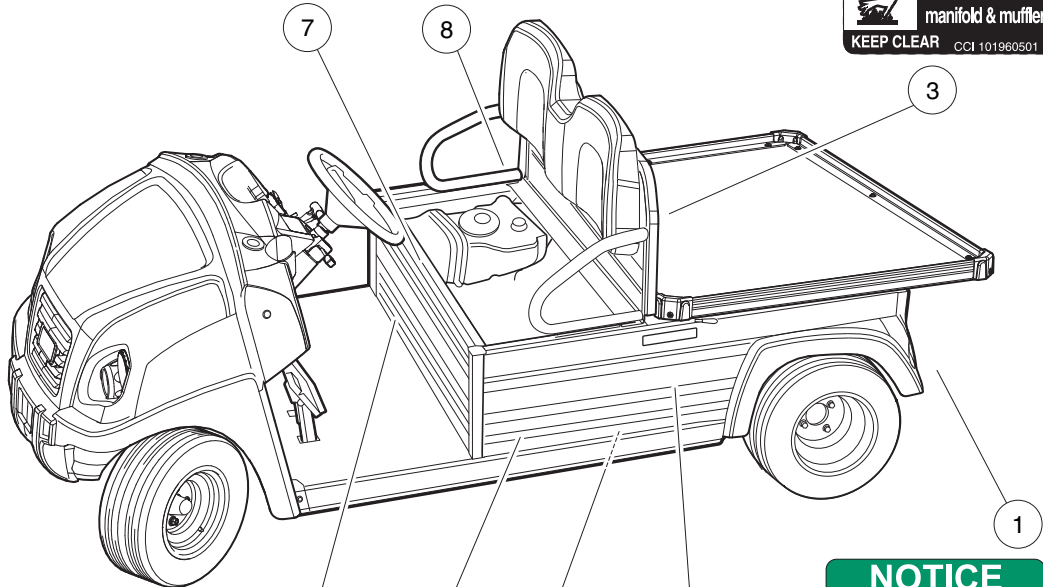
ITEM	PART NO.	DESCRIPTION	QTY
		1 2 3 4	
1	<u>101553901</u>	Decal, Bed Load Warning	1
2	<u>101609401</u>	Decal, Crush Area Warning	1
3	<u>101825101</u>	Decal, Off/On	1
4	<u>101825102</u>	Decal, Off/On/Start	1
5	<u>102075801</u>	Decal, Young Driver Warning	1
6	<u>104026801</u>	Decal, Oc, Warning, Ca	1
7	<u>105046101</u>	Decal, Op, Instructions, Ca	1
8	<u>105137103</u>	Decal, Loading Ca 252	1

3
G
E

WARNING
GASOLINE EXPLOSION / FIRE CAN CAUSE SERIOUS INJURY OR DEATH
 • No sparks or open flame near fuel or fuel tank.
 • No smoking near fuel or fuel tank.
 • Stop engine and allow to cool before refueling.
 • Do not disconnect pressurized fuel lines.
 105082301

WARNING
GASOLINE EXPLOSION / FIRE CAN CAUSE SERIOUS INJURY OR DEATH.
 • No sparks or open flame near fuel or fuel tank.
 • No smoking near fuel or fuel tank.
 • Stop engine and allow to cool before refueling.
 105084701

WARNING
CAN CAUSE SEVERE INJURY
Rotating parts
HOT manifold & muffler
KEEP CLEAR CCI 101960501



Maintenance Operate
WARNING
VEHICLE MOVEMENT MAY CAUSE SERIOUS INJURY
 When switch is in Maintenance position, chock wheels and firmly set park brake.
 CCI 102205901

NOTICE
MAXIMUM TONGUE WEIGHT—150 lb. (667 N)
 1071553

WARNING
INCORRECT WIRING COULD RESULT IN SEVERE INJURY OR DEATH.
 • Diode and solenoid connections must have correct polarity.
 • Keep persons clear of engine belts when making final connections.
 CCI 102240001

LATCH **OPEN**
WARNING
Crush area. Can cause severe injury. Stay clear when closing bed.
 CCI 102483001

WARNING
Negative frame ground. Can cause severe injury. Do not contact positive (+) battery post or cable to frame. Disconnect negative battery lead first.

WARNING
Excessive speed. Can cause severe injury or death. Do not tamper with engine governor adjustment.
 CCI 101915201

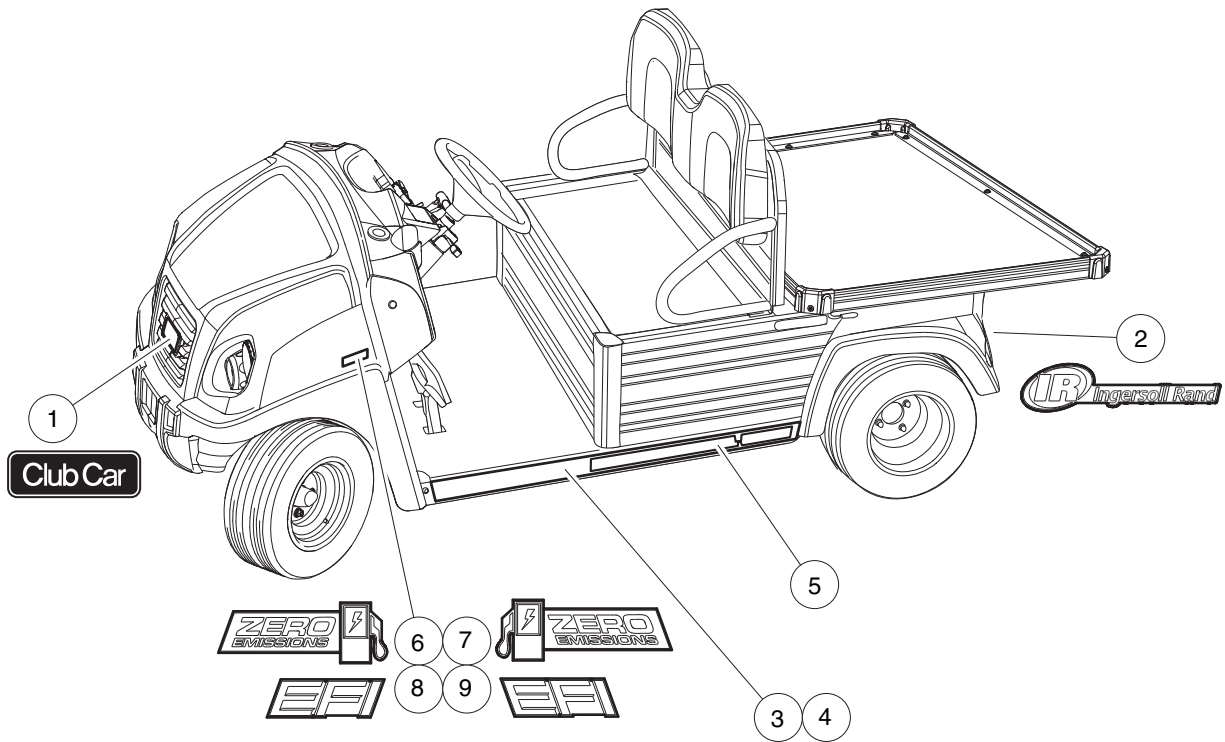
2857

DECALS – GASOLINE CARRYALL 500/550, CONTINUED

ITEM	PART NO.	DESCRIPTION	QTY
		1 2 3 4	
1	<u>1011553</u>	Decal, Trailer Hitch	1
2	<u>101915201</u>	Decal, Frame Ground and Governor Warning	1
3	<u>101960501</u>	Decal, Rotating Parts/Hot Manifold	1
4	<u>102345901</u>	Decal, Diode Safety	1
5	<u>102459301</u>	Decal, Bed Crush Area Warning	1
6	<u>103205501</u>	Decal, Run/Service Switch	1
7	<u>105082301</u>	Decal, Warn, Gas Pressure	1
8	<u>105084701</u>	Decal, Warn Gas Side Fill	1

3
G
E

3
G
E



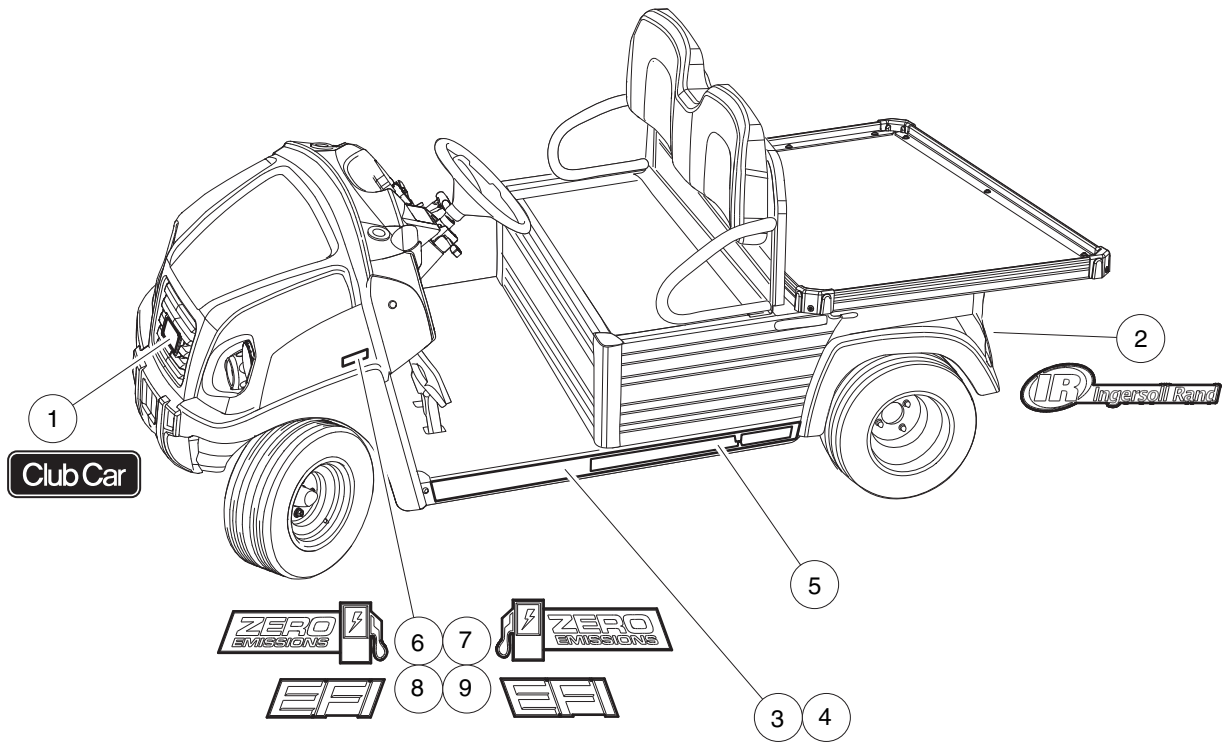
001025-001

BADGING DECALS – CARRYALL 500

ITEM	PART NO.	DESCRIPTION	QTY
		1 2 3 4	
1	<u>102883601</u>	Decal, Nameplate, CCI, Front	1
2	<u>103234304</u>	Decal, Badge, Ir, Red	1
3	<u>105115002</u>	Decal, Side Stringer, Medium	1
4	<u>105115005</u>	Decal, R Side Stringer, Medium	1
5	<u>105152501</u>	Decal, Branding, Ca 500	2
6	<u>105153201</u>	Decal, Zero Emission Vhcle, Lh	1
7	<u>105153202</u>	Decal, Zero Emission Vhcle, Rh	1
8	<u>105153301</u>	Decal, Efi, Italic, Lh	1
9	<u>105153302</u>	Decal, Efi, Italic, Rh	1

3
G
E

3
G
E



001025-001

BADGING DECALS – CARRYALL 550

ITEM	PART NO.	DESCRIPTION	QTY
		1 2 3 4	
1	<u>102883601</u>	Decal, Nameplate, CCI, Front	1
2	<u>103234304</u>	Decal, Badge, Ir, Red	1
3	<u>105115002</u>	Decal, Side Stringer, Medium	1
4	<u>105115005</u>	Decal, R Side Stringer, Medium	1
5	<u>105152701</u>	Decal, Branding, Ca 550	2
6	<u>105153201</u>	Decal, Zero Emission Vhcle, Lh	1
7	<u>105153202</u>	Decal, Zero Emission Vhcle, Rh	1
8	<u>105153301</u>	Decal, Efi, Italic, Lh	1
9	<u>105153302</u>	Decal, Efi, Italic, Rh	1

3
G
E

3

G

E

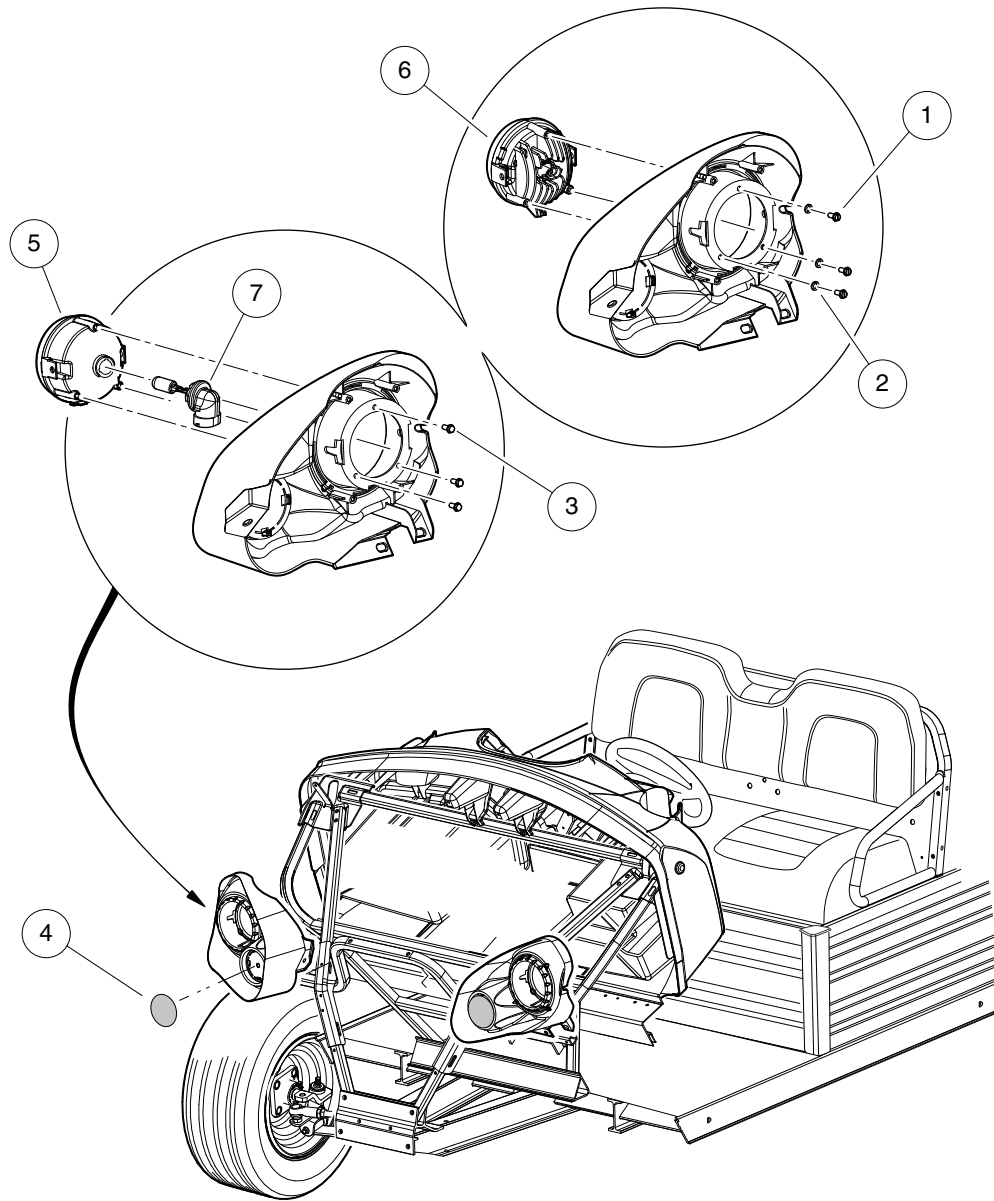
LIGHTS, CONTROLS, AND INDICATORS

4

G

E

4
G
E



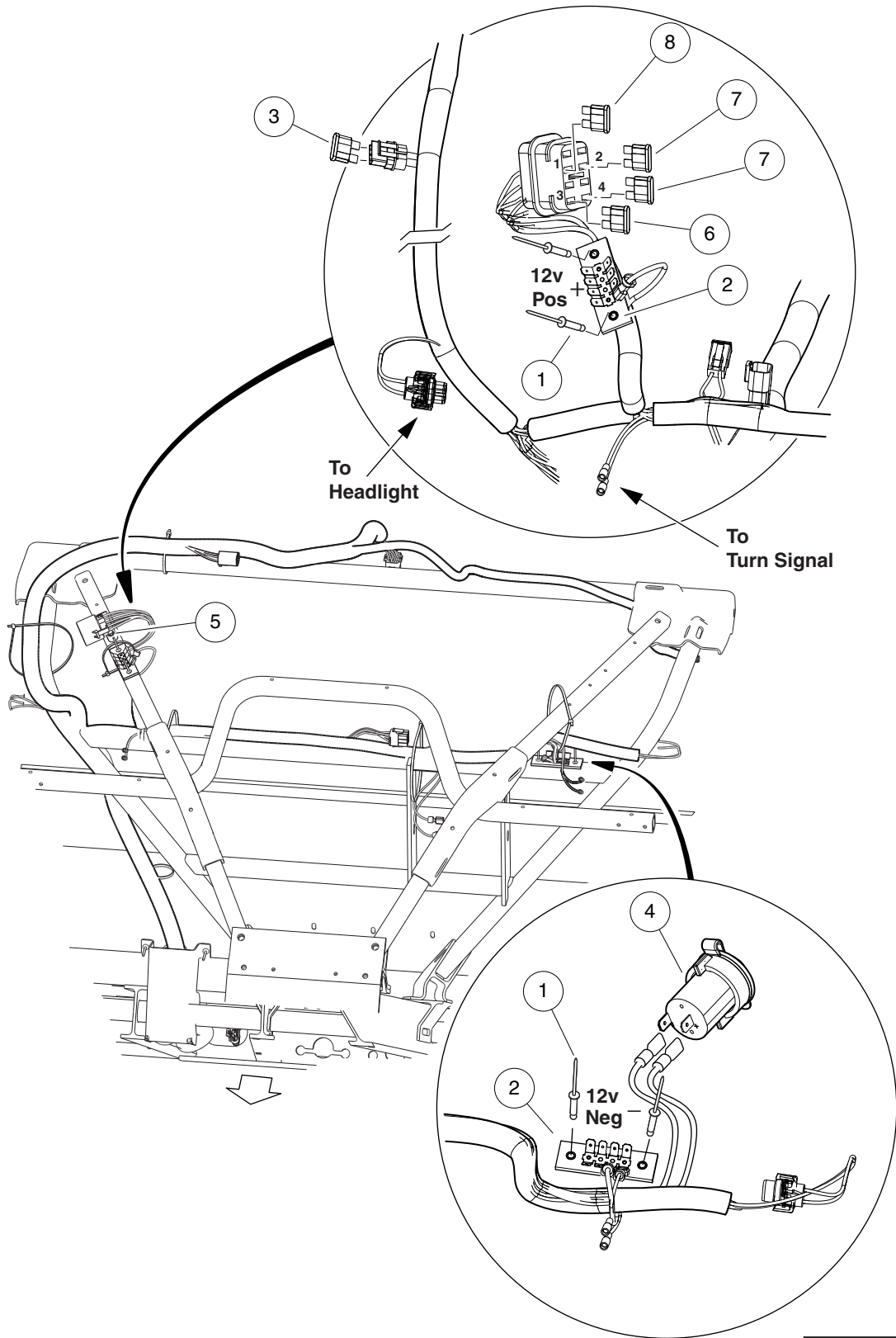
001370-001

HEADLIGHTS

ITEM	PART NO.	DESCRIPTION	QTY
		1 2 3 4	
1	<u>1011017</u>	Screw, #8-32 X 0.375	6
2	<u>1011610</u>	Lockwasher, #8 Split SS	6
3	<u>101850301</u>	Screw, #12-16 X 0.50 Washer-Head Hi-Lo	6
4	<u>105036801</u>	Reflector, Decal, 3.20", Amber	2
5	<u>105073401</u>	Hdlight, Round, 4.5", Utl	2
6	<u>105093701</u>	Hdlight, Round, 4.5", Led, Utl	2
7	<u>105093801</u>	Bulb, Halogen, 862	2

4
G
E

4
G
E



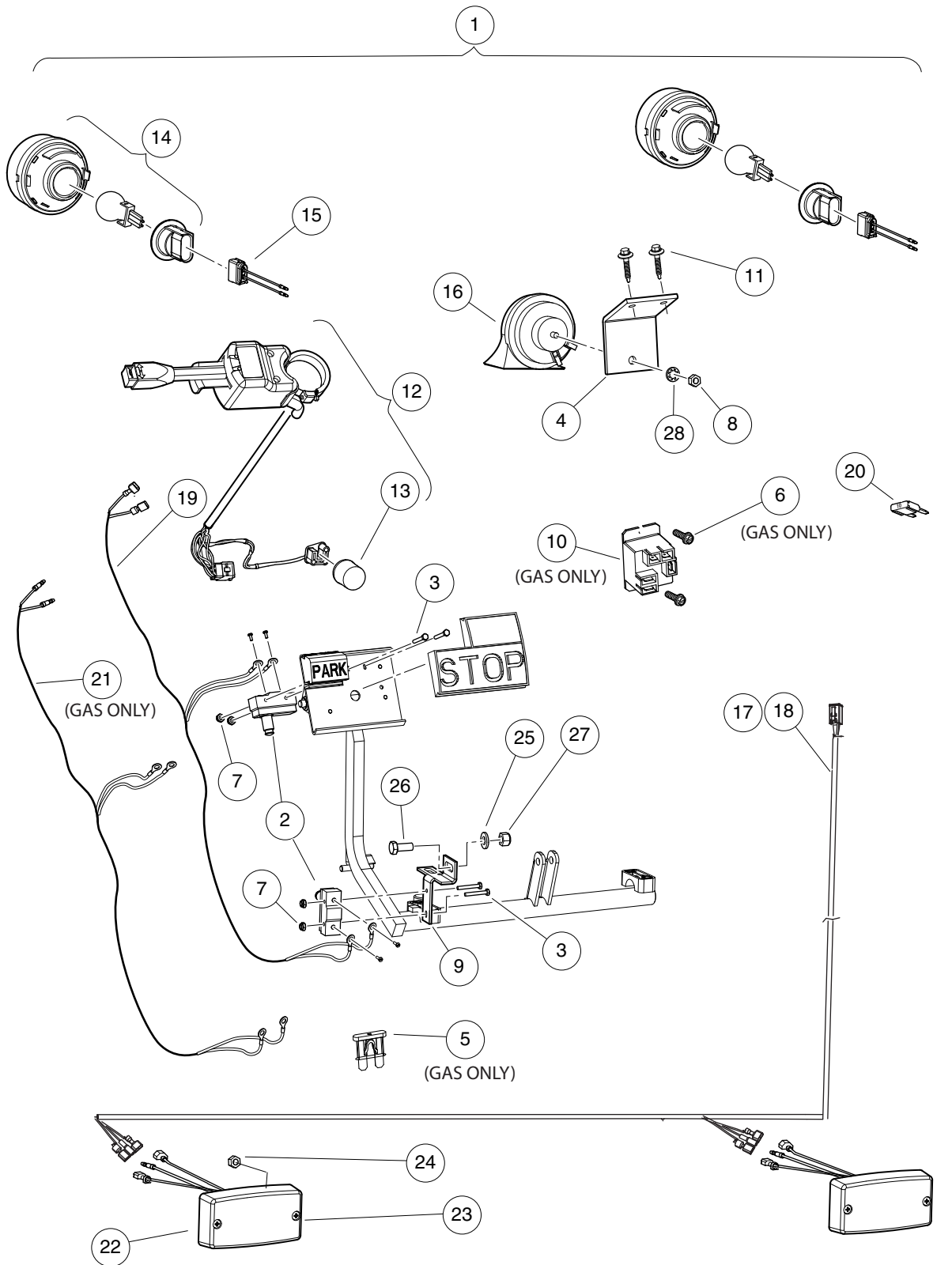
001360-002

12-VOLT FUSE BLOCK AND FUSES – ELECTRIC VEHICLE

ITEM	PART NO.	DESCRIPTION	QTY
		1 2 3 4	
1	<u>1013357</u>	Rivet, 5/32 Aluminum Pop	4
2	<u>1016356</u>	Terminal Block with Insulator	2
3	<u>1016423</u>	Fuse, 20-Amp	1
4	<u>102198001</u>	Receptacle, Accessory	1
5	<u>102238001</u>	#10-24 Taptite Screw	1
6	<u>105114805</u>	Fuse, Mini, Atm, 7.5 Amp	1
7	<u>105114806</u>	Fuse, Mini, Atm, 10 Amp	2
8	<u>105114807</u>	Fuse, Mini, Atm, 15 Amp	1

4
G
E

4
G
E



001368-002

HORN, TURN SIGNALS, AND TAILLIGHTS – ELECTRIC AND GASOLINE VEHICLES

ITEM	PART NO.	DESCRIPTION	QTY
		1 2 3 4	
1	<u>105122808</u>	Kit, Horn/Tail Light/Turn (includes items 2 through 28)	1
2	<u>1011439</u>	Switch, Limit	2
3	<u>1011557</u>	Screw, #6-32 X 1.00 Hex-Head Machine	4
4	<u>1011825</u>	Horn Bracket	1
5	<u>1012295</u>	Fuse, 10-Amp	1
6	<u>1016849</u>	Screw, #4-24 X 0.33, Pan-Head, Machine	2
7	<u>101932201</u>	Locknut, #6-32 Nylon	4
8	<u>101955101</u>	Nut, M6 Hex	1
9	<u>101957101</u>	Bracket, Brake Light Switch	1
10	<u>102199001</u>	Relay, 12-Volt	1
11	<u>102297125</u>	Screw, M6-1.0x25.4, Thread-Forming, SEMS	2
12	<u>102517501</u>	Turn Signal Asm (includes item 13)	1
13	<u>102546401</u>	Flasher Unit, Prec	1
14	<u>102894503</u>	Light, Turn Sig, Round 3", Utl	2
15	<u>103245001</u>	Jumper, Turn Signal, Ca/xrt/hu	2
16	<u>103484301</u>	Horn, 12v, Gnd Isolated	1
17	<u>105108201</u>	Harness, Tail Light, Utility, Short	1
18	<u>105108301</u>	Harness, Tail Light, Utility, Long	1
19	<u>105108401</u>	Harness, Brk, Pedal Switch Utl	1
20	<u>105114806</u>	Fuse, Mini, Atm, 10 Amp	1
21	<u>105135201</u>	Jumper, Hill Brake, Switch	1
22	<u>105165801</u>	Lamp, Stop/trn/tail, Footdeck	2
23	<u>105190601</u>	Screw, #8-32 X 0.625, Clr Znc	4
24	<u>105190701</u>	Nut, Flanged, #8-32, Serrated	4
25	<u>1241</u>	Washer, 5/16 Type A Flat	1
26	<u>7173</u>	Screw, 5/16-18 X 0.75, Hex-Head Cap	1
27	<u>7473</u>	Locknut, 5/16-18 Nylon Insert	2
28	<u>7820</u>	Washer, 5/16 Internal-Tooth	1
<p>Note: 1051082, Harness, Tail Light, Utility, Short, fits the following vehicles with serial prefix: MA, MB, MC, MD, ME, MF, MK, ML, MM, MP, MU.</p>			

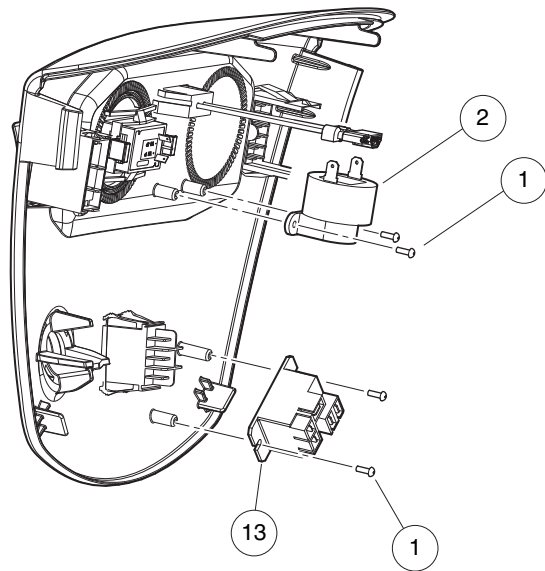
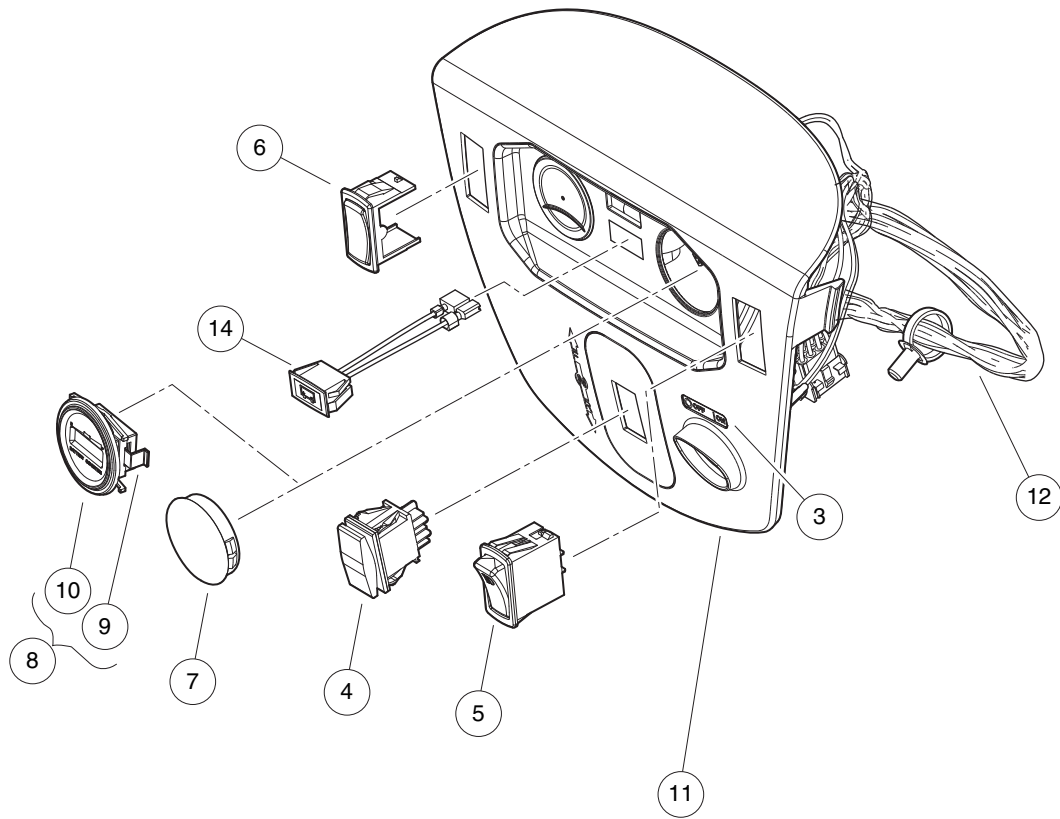
4
G
E

HORN AND TAIL LIGHT KIT – ELECTRIC AND GASOLINE VEHICLES

ITEM	PART NO.	DESCRIPTION	QTY
		1 2 3 4	
1	<u>105122807</u>	Kit, Horn/Tail Light/Turn (includes items 2 through 25)	1
2	<u>1011439</u>	Switch, Limit	2
3	<u>1011557</u>	Screw, #6-32 X 1.00 Hex-Head Machine	4
4	<u>1011825</u>	Horn Bracket	1
5	<u>1012295</u>	Fuse, 10-Amp	1
6	<u>1016849</u>	Screw, #4-24 X 0.33, Pan-Head, Machine	2
7	<u>101932201</u>	Locknut, #6-32 Nylon	4
8	<u>101955101</u>	Nut, M6 Hex	1
9	<u>101957101</u>	Bracket, Brake Light Switch	1
10	<u>102199001</u>	Relay, 12-Volt	1
11	<u>102297125</u>	Screw, M6-1.0x25.4, Thread-Forming, SEMS	2
12	<u>102517601</u>	Subasm, Horn Button Harness	1
13	<u>103484301</u>	Horn, 12v, Gnd Isolated	1
14	<u>105108201</u>	Harness, Tail Light, Utility, Short	1
15	<u>105108301</u>	Harness, Tail Light, Utility, Long	1
16	<u>105108401</u>	Harness, Brk, Pedal Switch Utl	1
17	<u>105114806</u>	Fuse, Mini, Atm, 10 Amp	1
18	<u>105135201</u>	Jumper, Hill Brake, Switch	1
19	<u>105165801</u>	Lamp, Stop/trn/tail, Footdeck	2
20	<u>105190601</u>	Screw, #8-32 X 0.625, Clr Znc	4
21	<u>105190701</u>	Nut, Flanged, #8-32, Serrated	4
22	<u>1241</u>	Washer, 5/16 Type A Flat	1
23	<u>7173</u>	Screw, 5/16-18 X 0.75, Hex-Head Cap	1
24	<u>7473</u>	Locknut, 5/16-18 Nylon Insert	1
25	<u>7820</u>	Washer, 5/16 Internal-Tooth	1
<p>Note: <u>105108201</u> Harness, Tail Light, Utility, Short, fits the following vehicles with serial prefix: MA, MB, MC, MD, ME, MF, MK, ML, MM, MP, MU.</p>			

4
G
E

4
G
E

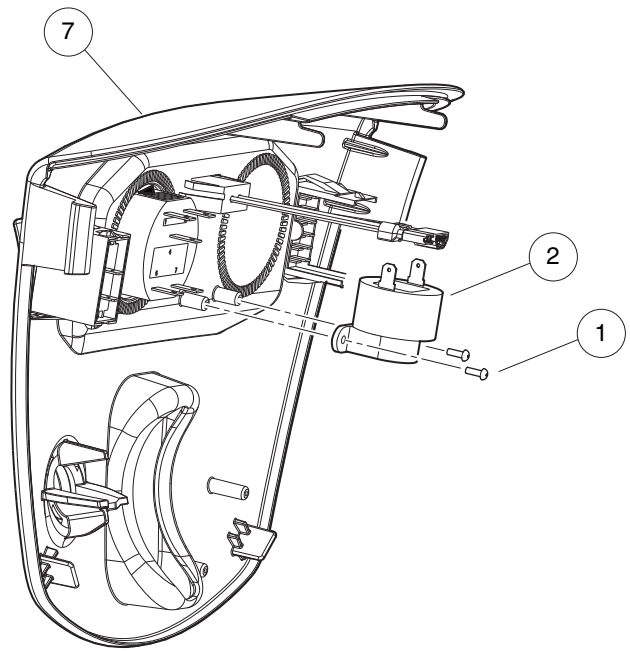
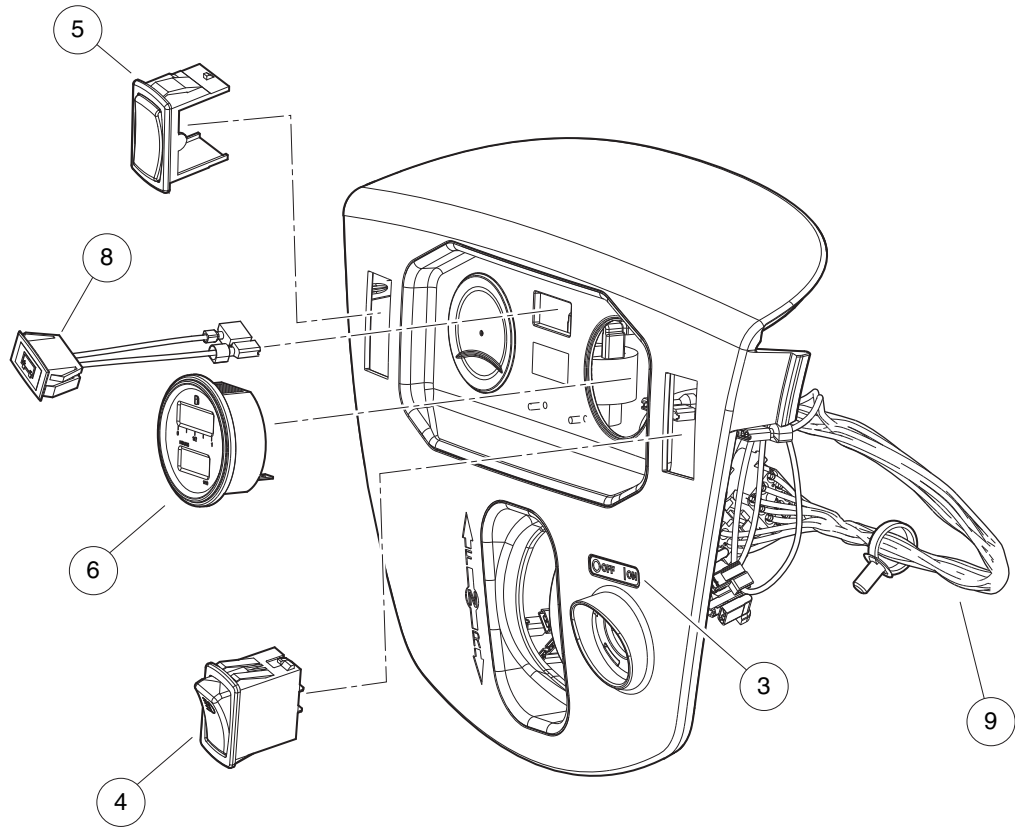


001371-001

INSTRUMENT PANEL – ELECTRIC VEHICLE

ITEM	PART NO.	DESCRIPTION	QTY	
		1 2 3 4		4
1	<u>1016849</u>	Screw, #4-24 X 0.33, Pan-Head, Machine	2	G
2	<u>1016851</u>	Buzzer, Reverse (9-48 VDC)	1	E
3	<u>101825101</u>	Decal, Off/On	1	
4	<u>101856002</u>	Switch, Rocker, Single-Pole	1	
5	<u>102869401</u>	Switch, Rocker, Light	1	
6	<u>103180101</u>	Cover, Hole, Switch, Rocker	1	
7	<u>103198301</u>	Plug, Hole, Round, 2.0 In	1	
8	<u>103354401</u>	Gauge, Battery Cond Ind, Rnd (includes item 9)	1	
9	<u>103348202</u>	Clip, Bci, Round	1	
10	<u>105034101</u>	Panel, Instrument, Elec, Ca	1	
11	<u>105082101</u>	Harness, Ip, Elec, Util	1	
12	<u>105112401</u>	Relay, Spdt Nc, 48v 30a, Pmt	1	
13	<u>105152301</u>	Indicator, Charger, Dash, Cap	1	

4
G
E



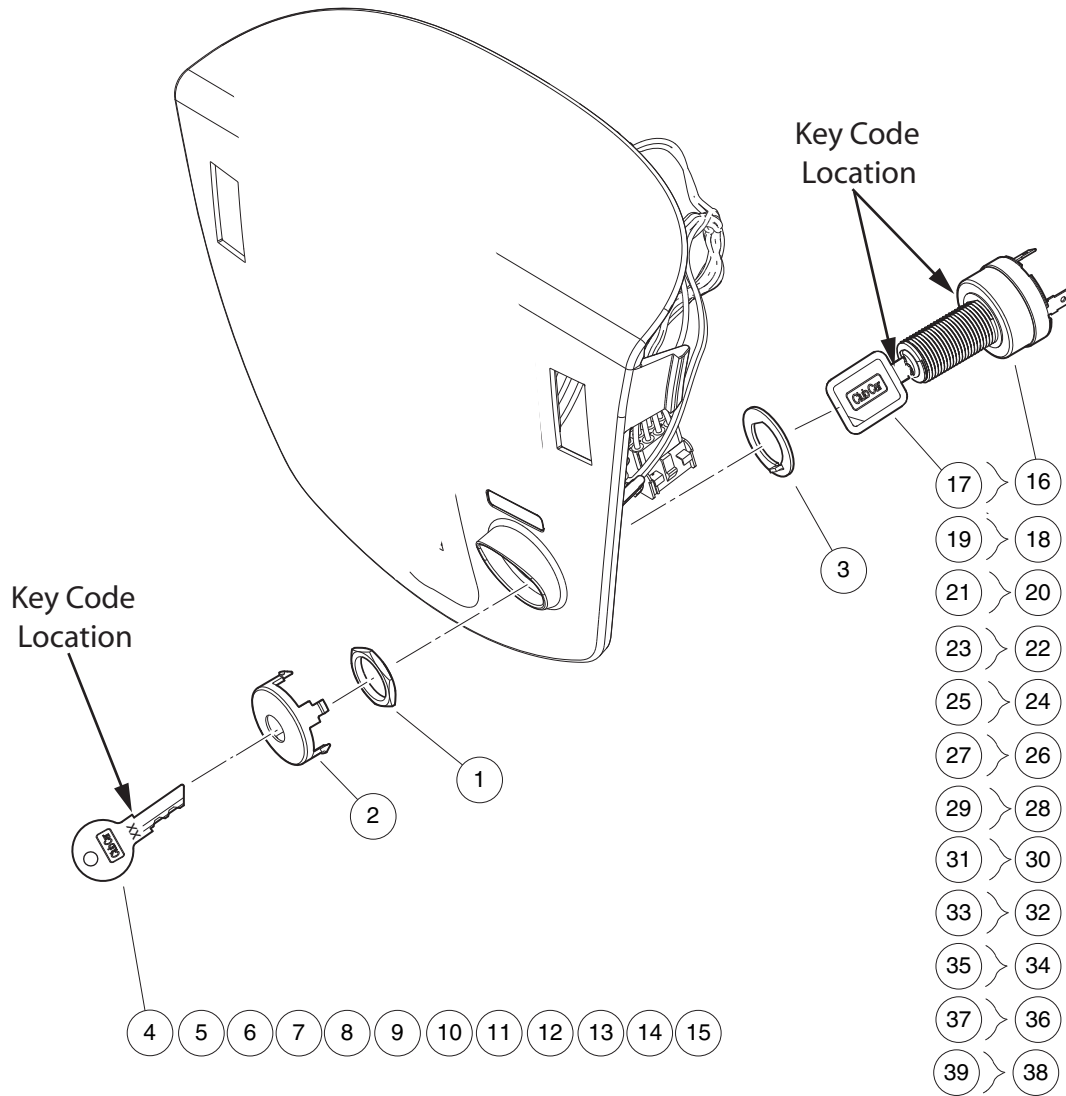
001372-001

INSTRUMENT PANEL – GASOLINE VEHICLE

ITEM	PART NO.	DESCRIPTION	QTY
		1 2 3 4	
1	<u>1016849</u>	Screw, #4-24 X 0.33, Pan-Head, Machine	2
2	<u>1016851</u>	Buzzer, Reverse (9-48 VDC)	1
3	<u>101825101</u>	Decal, Off/On	1
4	<u>102869401</u>	Switch, Rocker, Light	1
5	<u>103180101</u>	Cover, Hole, Switch, Rocker	1
6	<u>103348602</u>	Gauge, Fuel-hour,sep Gnd, Ds	1
7	<u>105034102</u>	Panel, Instrument, Gas, Ca	1
8	<u>105037101</u>	Light, Oil (LED)	1
9	<u>105095101</u>	Harness, Wire, Instr. Panel, Gas, CA300-700	1

4
G
E

4
G
E



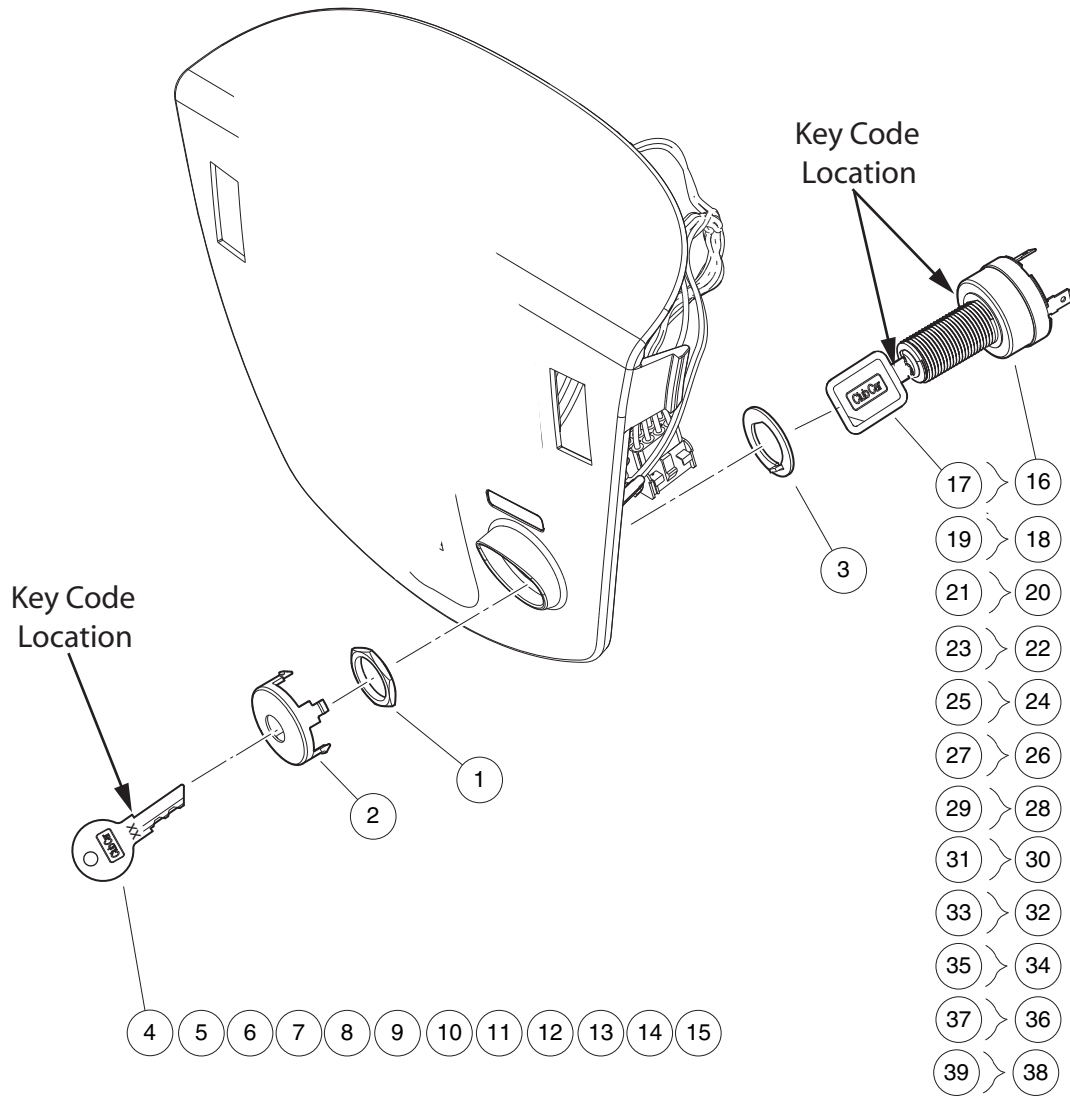
001355-001

KEYSWITCH – ELECTRIC VEHICLE

ITEM	PART NO.	DESCRIPTION	QTY
		1 2 3 4	
1	<u>101830701</u>	Nut, Key Switch	1
2	<u>101834502</u>	Cap, Black Key Switch	1
3	<u>101851101</u>	Washer, Key Switch	1
4	<u>101974701</u>	Key, Uncommon 1a	1
5	<u>101974702</u>	Key, Uncommon 1b	1
6	<u>101974703</u>	Key, Uncommon 1c	1
7	<u>101974704</u>	Key, Uncommon 1d	1
8	<u>101974705</u>	Key, Uncommon 2a	1
9	<u>101974706</u>	Key, Uncommon 2b	1
10	<u>101974707</u>	Key, Uncommon 2c	1
11	<u>101974708</u>	Key, Uncommon 2d	1
12	<u>101974709</u>	Key, Uncommon 1e	1
13	<u>101974710</u>	Key, Uncommon 1f	1
14	<u>101974711</u>	Key, Uncommon 2e	1
15	<u>101974712</u>	Key, Uncommon 2f	1
16	<u>105081701</u>	Keysw, Uncom, 4t, Off/on 1a, E (includes item 17)	1
17	<u>105068001</u>	Key, Uncommon, Padded 1a	1
18	<u>105081702</u>	Keysw, Uncom, 4t, Off/on 1b, E (includes item 19)	1
19	<u>105068002</u>	Key, Uncommon, Padded 1b	1
20	<u>105081703</u>	Keysw, Uncom, 4t, Off/on 1c, E (includes item 21)	1
21	<u>105068003</u>	Key, Uncommon, Padded 1c	1
22	<u>105081704</u>	Keysw, Uncom, 4t, Off/on 1d, E (includes item 23)	1
23	<u>105068004</u>	Key, Uncommon, Padded 1d	1
24	<u>105081705</u>	Keysw, Uncom, 4t, Off/on 1e, E (includes item 25)	1
25	<u>105068005</u>	Key, Uncommon, Padded 1e	1
26	<u>105081706</u>	Keysw, Uncom, 4t, Off/on 1f, E (includes item 27)	1
27	<u>105068006</u>	Key, Uncommon, Padded 1f	1
28	<u>105081707</u>	Keysw, Uncom, 4t, Off/on 2a, E (includes item 29)	1
29	<u>105068007</u>	Key, Uncommon, Padded 2a	1
30	<u>105081708</u>	Keysw, Uncom, 4t, Off/on 2b, E (includes item 31)	1
31	<u>105068008</u>	Key, Uncommon, Padded 2b	1
32	<u>105081709</u>	Keysw, Uncom, 4t, Off/on 2c, E (includes item 33)	1
33	<u>105068009</u>	Key, Uncommon, Padded 2c	1
34	<u>105081710</u>	Keysw, Uncom, 4t, Off/on 2d, E (includes item 35)	1
35	<u>105068010</u>	Key, Uncommon, Padded 2d	1
36	<u>105081711</u>	Keysw, Uncom, 4t, Off/on 2e, E (includes item 37)	1
37	<u>105068011</u>	Key, Uncommon, Padded 2e	1
38	<u>105081712</u>	Keysw, Uncom, 4t, Off/on 2f, E (includes item 39)	1
39	<u>105068012</u>	Key, Uncommon, Padded 2f	1
		<p>Note: Keyswitch <u>105081701</u>, is standard for electric vehicles equipped with a cab. Keyswitch <u>105081702</u>, is standard for electric vehicles without a cab. Keyswitches <u>105081703</u> through <u>105081712</u> allows different key code combinations for electric fleet vehicles.</p>	

4
G
E

4
G
E



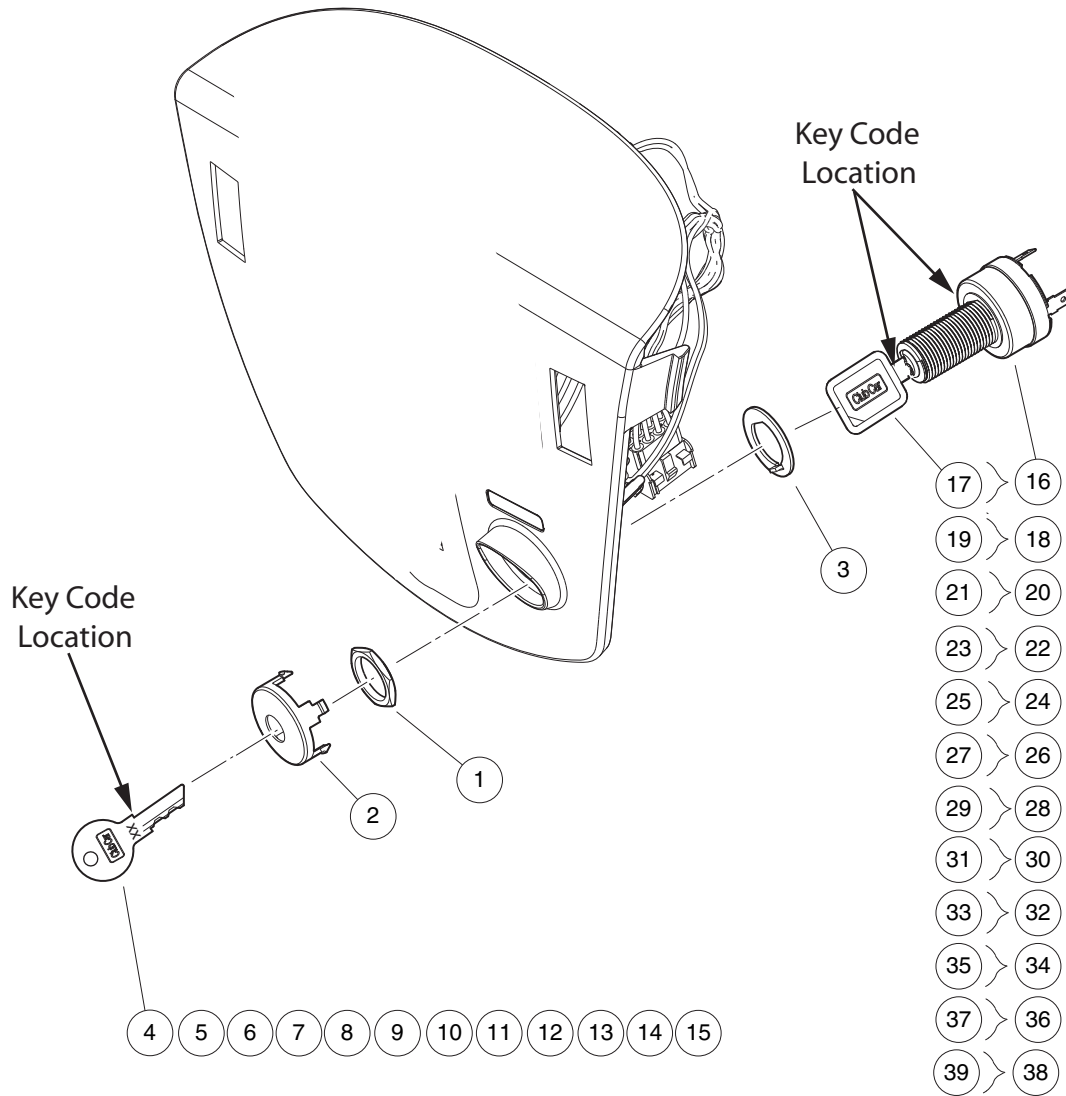
001355-001

KEYSWITCH, PRIVATE SPEED MODE - ELECTRIC VEHICLE

ITEM	PART NO.	DESCRIPTION	QTY
		1 2 3 4	
1	<u>101830701</u>	Nut, Key Switch	1
2	<u>101834502</u>	Cap, Black Key Switch	1
3	<u>101851101</u>	Washer, Key Switch	1
4	<u>101974701</u>	Key, Uncommon 1a	1
5	<u>101974702</u>	Key, Uncommon 1b	1
6	<u>101974703</u>	Key, Uncommon 1c	1
7	<u>101974704</u>	Key, Uncommon 1d	1
8	<u>101974705</u>	Key, Uncommon 2a	1
9	<u>101974706</u>	Key, Uncommon 2b	1
10	<u>101974707</u>	Key, Uncommon 2c	1
11	<u>101974708</u>	Key, Uncommon 2d	1
12	<u>101974709</u>	Key, Uncommon 1e	1
13	<u>101974710</u>	Key, Uncommon 1f	1
14	<u>101974711</u>	Key, Uncommon 2e	1
15	<u>101974712</u>	Key, Uncommon 2f	1
16	<u>105082001</u>	Keysw, Uncom, 4t, Off/p2/p3 1a (includes item 17)	1
17	<u>105068001</u>	Key, Uncommon, Padded 1a	1
18	<u>105082002</u>	Keysw, Uncom, 4t, Off/p2/p3 1b (includes item 19)	1
19	<u>105068002</u>	Key, Uncommon, Padded 1b	1
20	<u>105082003</u>	Keysw, Uncom, 4t, Off/p2/p3 1c (includes item 21)	1
21	<u>105068003</u>	Key, Uncommon, Padded 1c	1
22	<u>105082004</u>	Keysw, Uncom, 4t, Off/p2/p3 1d (includes item 23)	1
23	<u>105068004</u>	Key, Uncommon, Padded 1d	1
24	<u>105082005</u>	Keysw, Uncom, 4t, Off/p2/p3 1e (includes item 25)	1
25	<u>105068005</u>	Key, Uncommon, Padded 1e	1
26	<u>105082006</u>	Keysw, Uncom, 4t, Off/p2/p3 1f (includes item 27)	1
27	<u>105068006</u>	Key, Uncommon, Padded 1f	1
28	<u>105082007</u>	Keysw, Uncom, 4t, Off/p2/p3 2a (includes item 29)	1
29	<u>105068007</u>	Key, Uncommon, Padded 2a	1
30	<u>105082008</u>	Keysw, Uncom, 4t, Off/p2/p3 2b (includes item 31)	1
31	<u>105068008</u>	Key, Uncommon, Padded 2b	1
32	<u>105082009</u>	Keysw, Uncom, 4t, Off/p2/p3 2c (includes item 33)	1
33	<u>105068009</u>	Key, Uncommon, Padded 2c	1
34	<u>105082010</u>	Keysw, Uncom, 4t, Off/p2/p3 2d (includes item 35)	1
35	<u>105068010</u>	Key, Uncommon, Padded 2d	1
36	<u>105082011</u>	Keysw, Uncom, 4t, Off/p2/p3 2e (includes item 37)	1
37	<u>105068011</u>	Key, Uncommon, Padded 2e	1
38	<u>105082012</u>	Keysw, Uncom, 4t, Off/p2/p3 2f (includes item 39)	1
39	<u>105068012</u>	Key, Uncommon, Padded 2f	1
		Note: Keyswitch <u>105082001</u> , is standard for private speed mode electric vehicles equipped with a cab. Keyswitch <u>105082002</u> , is standard for private speed mode electric vehicles without a cab. Keyswitches <u>105082003</u> through <u>105082012</u> allows different key code combinations for private speed mode electric fleet vehicles.	

4
G
E

4
G
E



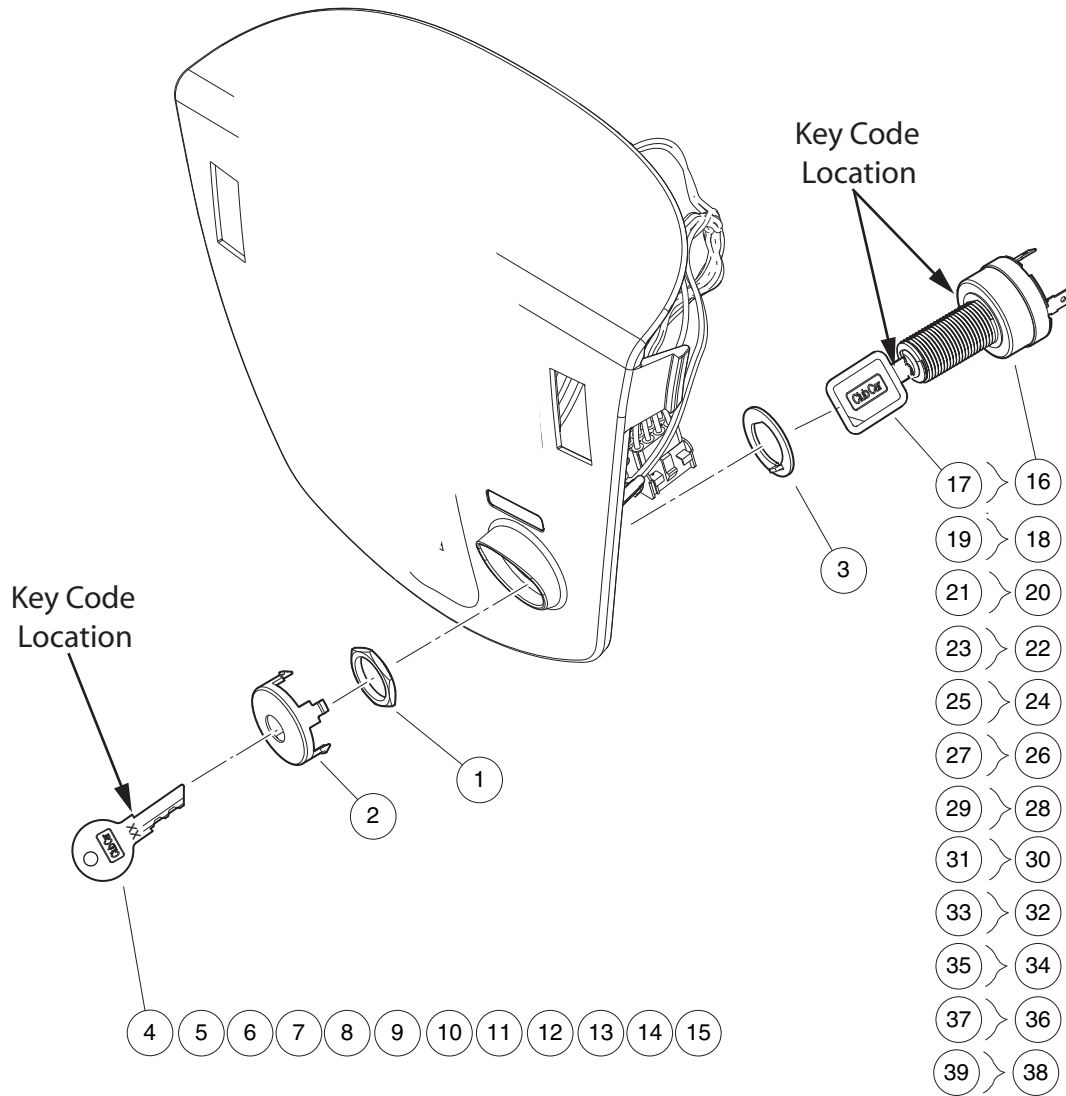
001355-001

KEYSWITCH, PEDAL-START – GASOLINE VEHICLE

ITEM	PART NO.	DESCRIPTION	QTY
		1 2 3 4	
1	<u>101830701</u>	Nut, Key Switch	1
2	<u>101834502</u>	Cap, Black Key Switch	1
3	<u>101851101</u>	Washer, Key Switch	1
4	<u>101974701</u>	Key, Uncommon 1a	1
5	<u>101974702</u>	Key, Uncommon 1b	1
6	<u>101974703</u>	Key, Uncommon 1c	1
7	<u>101974704</u>	Key, Uncommon 1d	1
8	<u>101974705</u>	Key, Uncommon 2a	1
9	<u>101974706</u>	Key, Uncommon 2b	1
10	<u>101974707</u>	Key, Uncommon 2c	1
11	<u>101974708</u>	Key, Uncommon 2d	1
12	<u>101974709</u>	Key, Uncommon 1e	1
13	<u>101974710</u>	Key, Uncommon 1f	1
14	<u>101974711</u>	Key, Uncommon 2e	1
15	<u>101974712</u>	Key, Uncommon 2f	1
16	<u>105081801</u>	Keysw, Uncom, 4t, Off/on 1a, G (includes item 17)	1
17	<u>105068001</u>	Key, Uncommon, Padded 1a	1
18	<u>105081802</u>	Keysw, Uncom, 4t, Off/on 1b, G (includes item 19)	1
19	<u>105068002</u>	Key, Uncommon, Padded 1b	1
20	<u>105081803</u>	Keysw, Uncom, 4t, Off/on 1c, G (includes item 21)	A/R
21	<u>105068003</u>	Key, Uncommon, Padded 1c	1
22	<u>105081804</u>	Keysw, Uncom, 4t, Off/on 1d, G (includes item 23)	1
23	<u>105068004</u>	Key, Uncommon, Padded 1d	1
24	<u>105081805</u>	Keysw, Uncom, 4t, Off/on 1e, G (includes item 25)	1
25	<u>105068005</u>	Key, Uncommon, Padded 1e	1
26	<u>105081806</u>	Keysw, Uncom, 4t, Off/on 1f, G (includes item 27)	1
27	<u>105068006</u>	Key, Uncommon, Padded 1f	1
28	<u>105081807</u>	Keysw, Uncom, 4t, Off/on 2a, G (includes item 29)	1
29	<u>105068007</u>	Key, Uncommon, Padded 2a	1
30	<u>105081808</u>	Keysw, Uncom, 4t, Off/on 2b, G (includes item 31)	1
31	<u>105068008</u>	Key, Uncommon, Padded 2b	1
32	<u>105081809</u>	Keysw, Uncom, 4t, Off/on 2c, G (includes item 33)	1
33	<u>105068009</u>	Key, Uncommon, Padded 2c	1
34	<u>105081810</u>	Keysw, Uncom, 4t, Off/on 2d, G (includes item 35)	1
35	<u>105068010</u>	Key, Uncommon, Padded 2d	1
36	<u>105081811</u>	Keysw, Uncom, 4t, Off/on 2e, G (includes item 37)	1
37	<u>105068011</u>	Key, Uncommon, Padded 2e	1
38	<u>105081812</u>	Keysw, Uncom, 4t, Off/on 2f, G (includes item 39)	1
39	<u>105068012</u>	Key, Uncommon, Padded 2f	1
		Note: Keyswitch <u>105081801</u> , is standard for pedal-start gasoline vehicles equipped with a cab. Keyswitch <u>105081802</u> , is standard for pedal-start gasoline vehicles without a cab. Keyswitches <u>105081803</u> through <u>105081812</u> allows different key code combinations for pedal-start gasoline fleet vehicles.	

4
G
E

4
G
E



001355-001

KEYSWITCH, KEY-START – GASOLINE VEHICLE

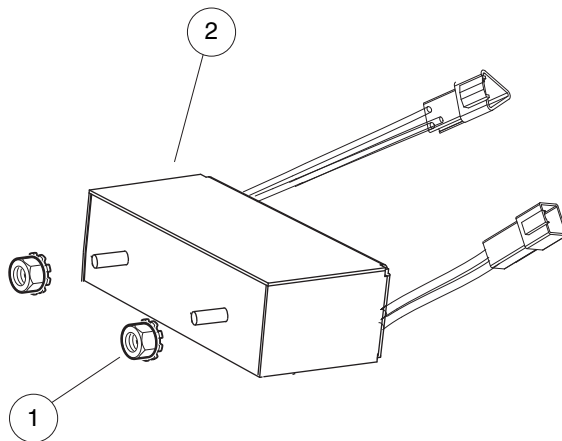
ITEM	PART NO.	DESCRIPTION	QTY
		1 2 3 4	
1	<u>101830701</u>	Nut, Key Switch	1
2	<u>101834502</u>	Cap, Black Key Switch	1
3	<u>101851101</u>	Washer, Key Switch	1
4	<u>101974701</u>	Key, Uncommon 1a	1
5	<u>101974702</u>	Key, Uncommon 1b	1
6	<u>101974703</u>	Key, Uncommon 1c	1
7	<u>101974704</u>	Key, Uncommon 1d	1
8	<u>101974705</u>	Key, Uncommon 2a	1
9	<u>101974706</u>	Key, Uncommon 2b	1
10	<u>101974707</u>	Key, Uncommon 2c	1
11	<u>101974708</u>	Key, Uncommon 2d	1
12	<u>101974709</u>	Key, Uncommon 1e	1
13	<u>101974710</u>	Key, Uncommon 1f	1
14	<u>101974711</u>	Key, Uncommon 2e	1
15	<u>101974712</u>	Key, Uncommon 2f	1
16	<u>105081901</u>	Keysw, Uncom, 4t, Off/on/st 1a (includes item 17)	1
17	<u>105068001</u>	Key, Uncommon, Padded 1a	1
18	<u>105081902</u>	Keysw, Uncom, 4t, Off/on/st 1b (includes item 19)	1
19	<u>105068002</u>	Key, Uncommon, Padded 1b	1
20	<u>105081903</u>	Keysw, Uncom, 4t, Off/on/st 1c (includes item 21)	1
21	<u>105068003</u>	Key, Uncommon, Padded 1c	1
22	<u>105081904</u>	Keysw, Uncom, 4t, Off/on/st 1d (includes item 23)	1
23	<u>105068004</u>	Key, Uncommon, Padded 1d	1
24	<u>105081905</u>	Keysw, Uncom, 4t, Off/on/st 1e (includes item 25)	1
25	<u>105068005</u>	Key, Uncommon, Padded 1e	1
26	<u>105081906</u>	Keysw, Uncom, 4t, Off/on/st 1f (includes item 27)	1
27	<u>105068006</u>	Key, Uncommon, Padded 1f	1
28	<u>105081907</u>	Keysw, Uncom, 4t, Off/on/st 2a (includes item 29)	1
29	<u>105068007</u>	Key, Uncommon, Padded 2a	1
30	<u>105081908</u>	Keysw, Uncom, 4t, Off/on/st 2b (includes item 31)	1
31	<u>105068008</u>	Key, Uncommon, Padded 2b	1
32	<u>105081909</u>	Keysw, Uncom, 4t, Off/on/st 2c (includes item 33)	1
33	<u>105068009</u>	Key, Uncommon, Padded 2c	1
34	<u>105081910</u>	Keysw, Uncom, 4t, Off/on/st 2d (includes item 35)	1
35	<u>105068010</u>	Key, Uncommon, Padded 2d	1
36	<u>105081911</u>	Keysw, Uncom, 4t, Off/on/st 2e (includes item 37)	1
37	<u>105068011</u>	Key, Uncommon, Padded 2e	1
38	<u>105081912</u>	Keysw, Uncom, 4t, Off/on/st 2f (includes item 39)	1
39	<u>105068012</u>	Key, Uncommon, Padded 2f	1
		Note: Keyswitch <u>105081901</u> , is standard for key-start gasoline vehicles equipped with a cab. Keyswitch <u>105081902</u> , is standard for key-start gasoline vehicles without a cab. Keyswitches <u>105081903</u> through <u>105081912</u> allows different key code combinations for key-start gasoline fleet vehicles.	

4
G
E

4

G

E



001358-001

DC CONVERTER – ELECTRIC VEHICLE

ITEM	PART NO.	DESCRIPTION	QTY
1	<u>101835601</u>	1 2 3 4 Locknut, 1/4-20 Hex Whiz	2
2	<u>103700301</u>	Converter, Dc/dc, Isoltd	1

4

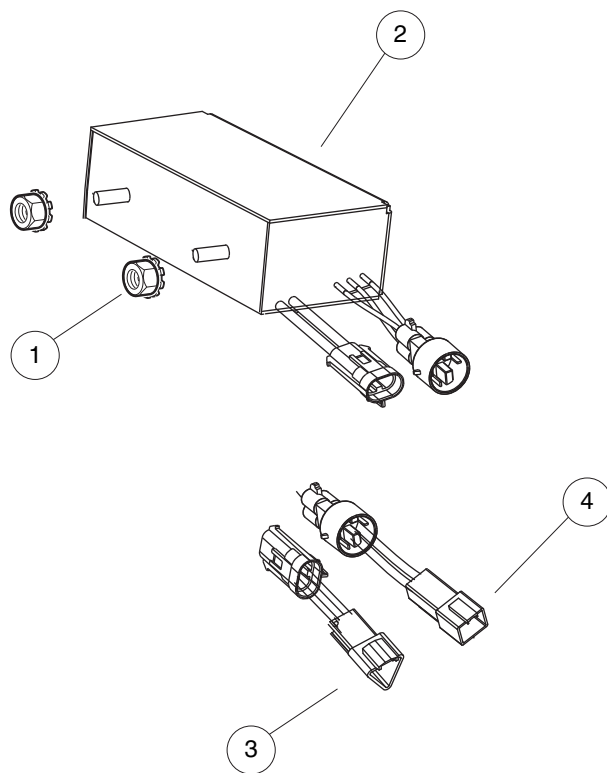
G

E

4

G

E



001359-001

DC CONVERTER, HEAVY DUTY – ELECTRIC VEHICLE

ITEM	PART NO.	DESCRIPTION	QTY
		1 2 3 4	
1	<u>101835601</u>	Locknut, 1/4-20 Hex Whiz	2
2	<u>103449501</u>	Bead, Ferrite, Tdk	1
3	<u>103804901</u>	Converter, 25a, Isolated, Ce	1
4	<u>105146901</u>	Jmpr, Dc Conv, Dt/mp480s, In	1
5	<u>105147001</u>	Jmpr, Dc Conv, Dt/mp480s, Out	1

4

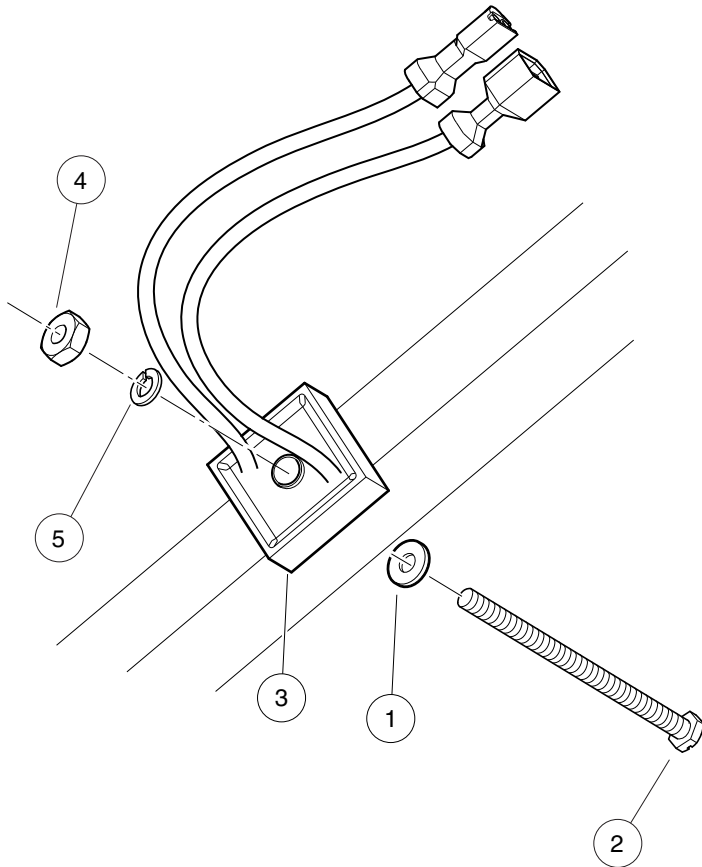
G

E

4

G

E



001365-001

VOLTAGE LIMITER – GASOLINE VEHICLE

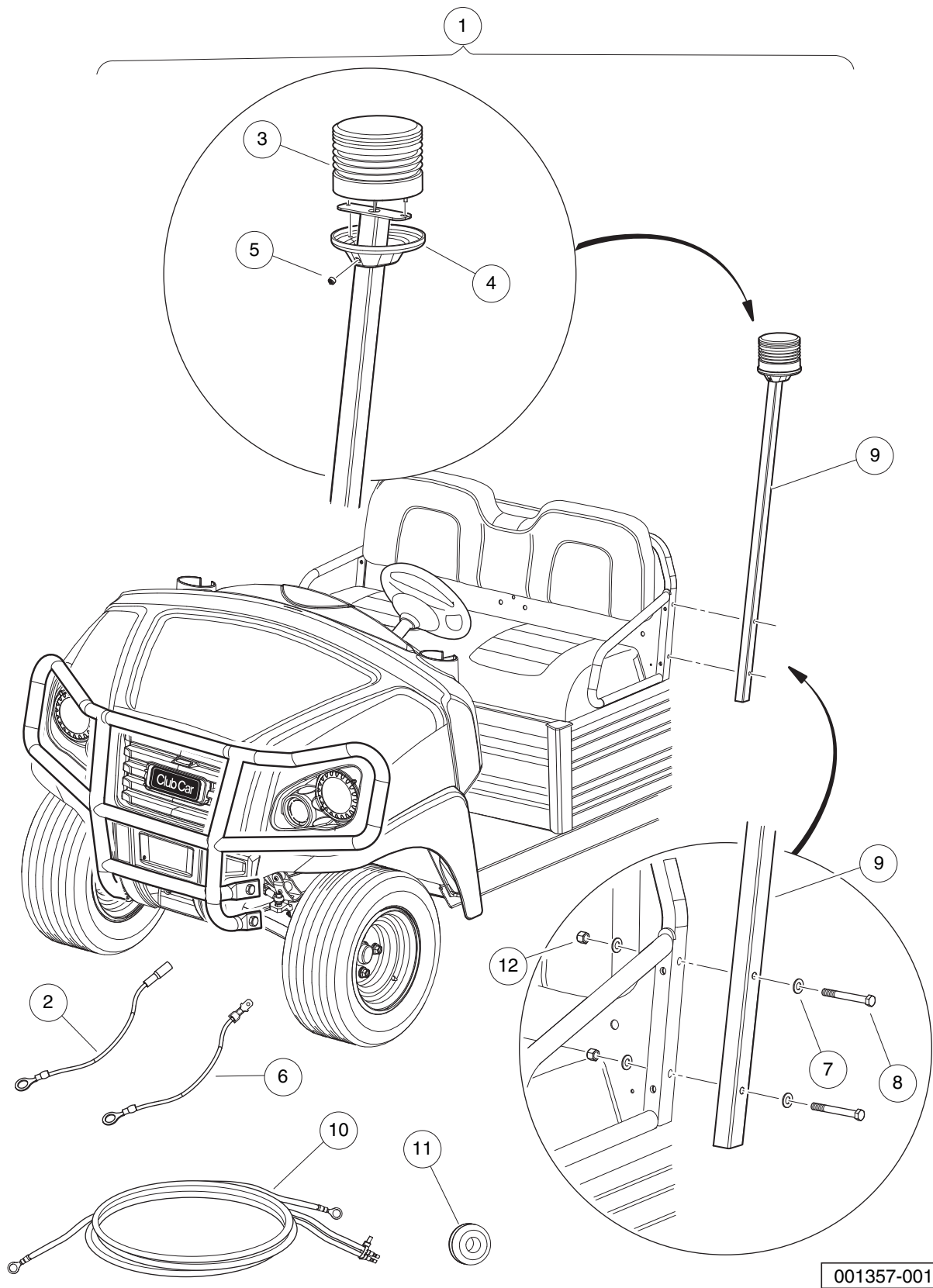
ITEM	PART NO.	DESCRIPTION	QTY
		1 2 3 4	
1	1012431	Washer, #4 Flat	1
2	<u>1015878</u>	Screw, #4-40 Hex Head Machine	1
3	<u>102529101</u>	Voltage Limiter, Prec	1
4	<u>8057</u>	Nut, #4-40 Hex Machine	1
5	<u>8058</u>	Lockwasher, #4 Split	1

4

G

E

4
G
E



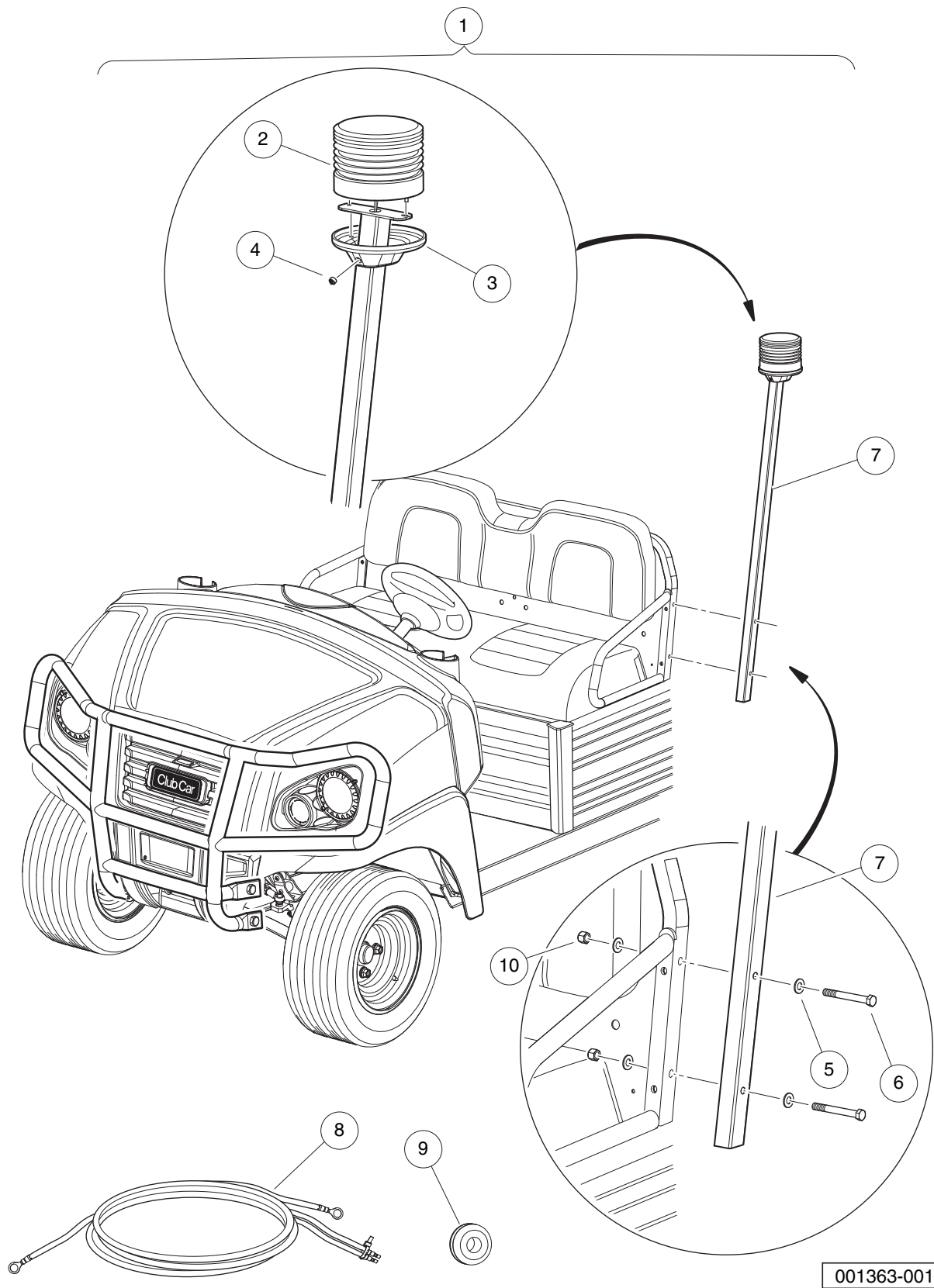
001357-001

STROBE LIGHT, POST MOUNTED – GASOLINE VEHICLES

ITEM	PART NO.	DESCRIPTION	QTY
		1 2 3 4	
1	<u>105155601</u>	Kit, Post Mtd. Strobe, Gas (includes items 2 through 12)	1
2	1015154	Wire Assembly Blue Ca #16	1
3	<u>1015156</u>	Light Assembly, Strobe	1
4	1015157	Cover Plate Switch - Pole Ca	1
5	<u>1015187</u>	Switch Assembly	1
6	1016929	Wire Assembly Black #16	1
7	<u>102323501</u>	Washer, Flat, 3/8, Blk Fin	4
8	<u>105088601</u>	Hhcs, 3/8 - 16 X 3.25, Black	2
9	105118601	Weldment, Post Mtd. Strobe	1
10	<u>105204401</u>	Wire Harness Asm,PM Strobe	1
11	<u>105205301</u>	Grommet,1/8-in groove	1
12	<u>8754</u>	Locknut, 3/8-16 Hex	2

4
G
E

4
G
E



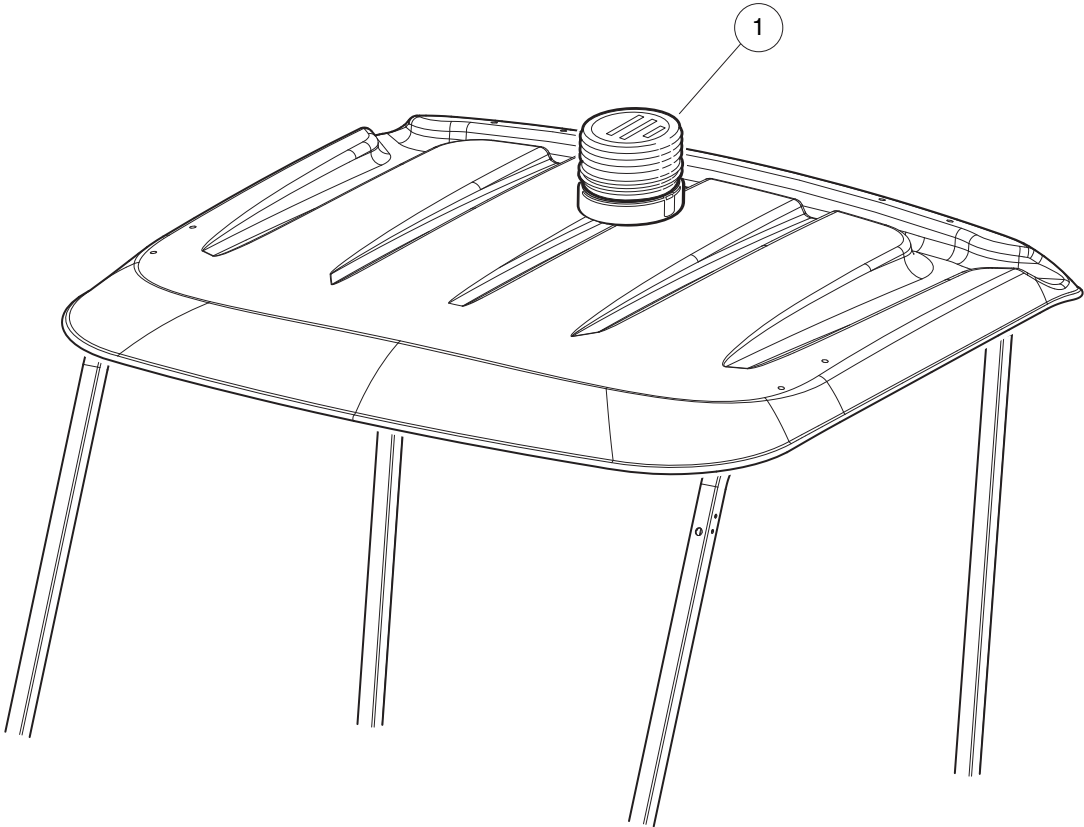
001363-001

STROBE LIGHT, POST MOUNTED – ELECTRIC VEHICLES

ITEM	PART NO.	DESCRIPTION	QTY
		1 2 3 4	
1	<u>105155501</u>	Kit, Post Mtd. Strobe, Elec (includes items 2 through 10)	1
2	<u>1015156</u>	Light Assembly, Strobe	1
3	<u>1015157</u>	Cover Plate Switch - Pole Ca	1
4	<u>1015187</u>	Switch Assembly	1
5	<u>102323501</u>	Washer, Flat, 3/8, Blk Fin	4
6	<u>105088601</u>	Hhcs, 3/8 - 16 X 3.25, Black	2
7	<u>105118601</u>	Weldment, Post Mtd. Strobe	1
8	<u>105204401</u>	Wire Harness Asm,PM Strobe	1
9	<u>105205301</u>	Grommet,1/8-in groove	1
10	<u>8754</u>	Locknut, 3/8-16 Hex	2

4
G
E

4
G
E



001364-001

STROBE LIGHT – CANOPY MOUNTED

ITEM	PART NO.	DESCRIPTION	QTY
1	<u>105185101</u>	<div style="display: flex; justify-content: space-between; margin-bottom: 5px;"> 1 2 3 4 </div> Kit, Strobe, Canopy	1

4

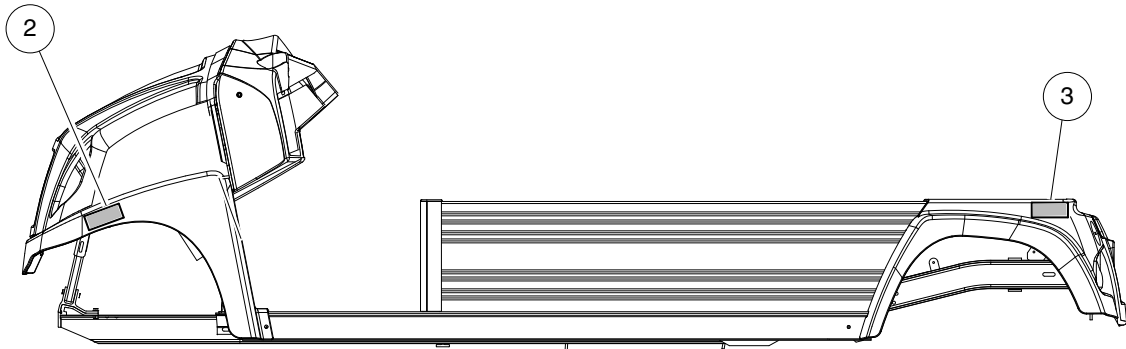
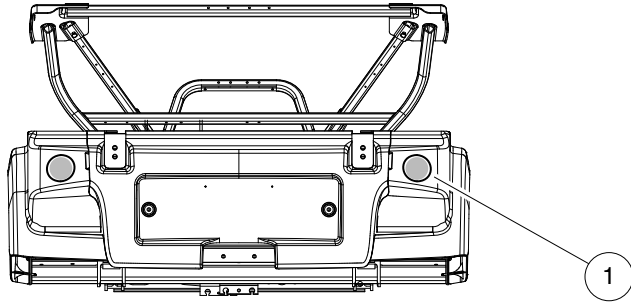
G

E

4

G

E



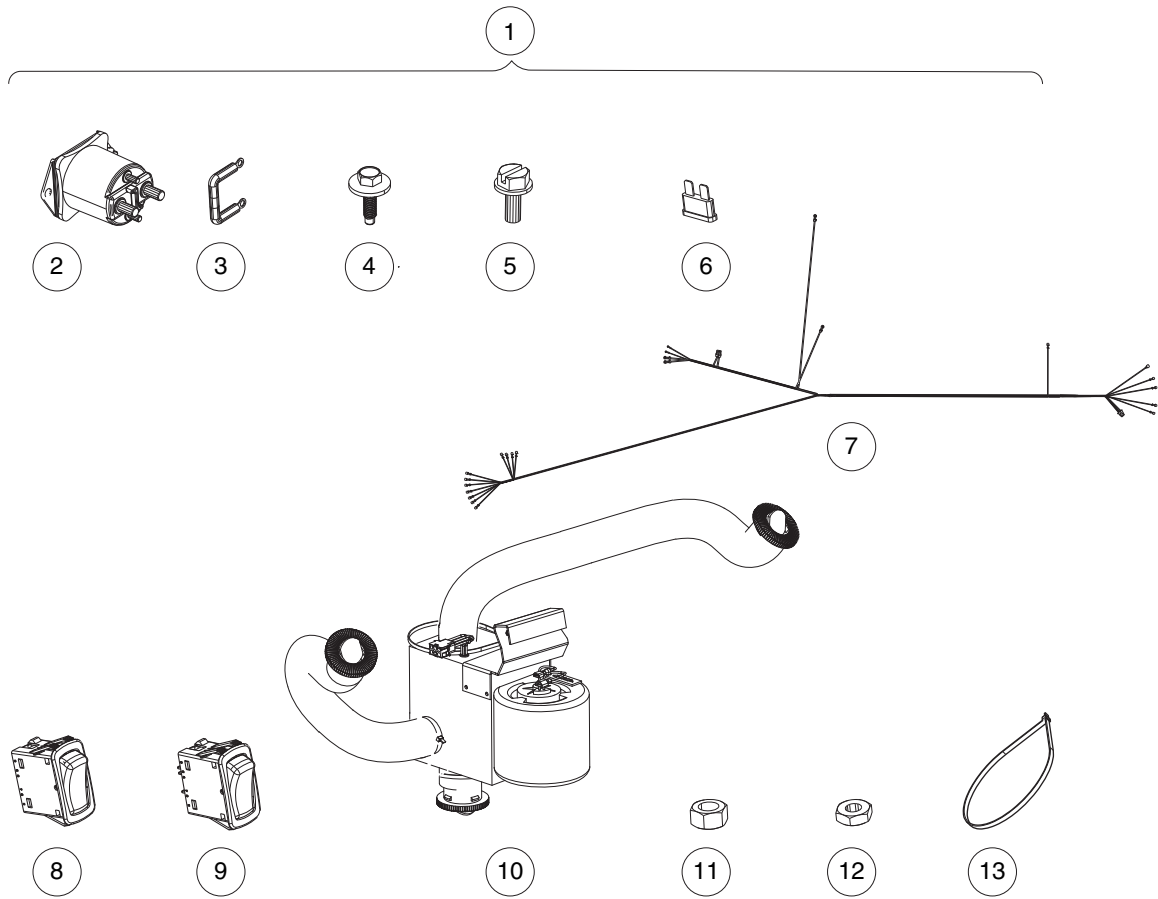
001362-001

REFLECTORS

ITEM	PART NO.	DESCRIPTION	QTY
1	<u>103832501</u>	1 2 3 4 Reflector, Red, Round, Sae	2
2	<u>103832601</u>	Reflector, Yell, Rect, Sae	2
3	<u>105144801</u>	Reflector, Red, Rect, Sae	2

4
G
E

4
G
E



001366-002

HEATER DEFOGGER – ELECTRIC VEHICLE

ITEM	PART NO.	DESCRIPTION	QTY
		1 2 3 4	
1	<u>105135802</u>	Kit, Defogger, Heater (includes items 2 through 13)	1
2	<u>1013609</u>	Solenoid, 12-Volt	1
3	<u>1014948</u>	Diode	1
4	<u>102297125</u>	Screw, M6-1.0x25.4, Thread-Forming, SEMS	2
5	<u>102817101</u>	Screw, 1/4-20 X .50 Hex Wsh Hd	2
6	<u>103541401</u>	Fuse, Atc, 5 Amp	1
7	<u>105108801</u>	Harness, Heater, Cab, Util	1
8	<u>105112501</u>	Switch, Heater, 12vdc	1
9	<u>105112601</u>	Switch, Blower, 12vdc	1
10	N/A	Heater, Defogger	1
11	<u>1242</u>	Nut, 5/16-18 Hex	2
12	<u>7893</u>	Nut, #10-32 Hex	2
13	<u>8639</u>	Tie Wrap, 11" Nylon	8

4
G
E

4

G

E

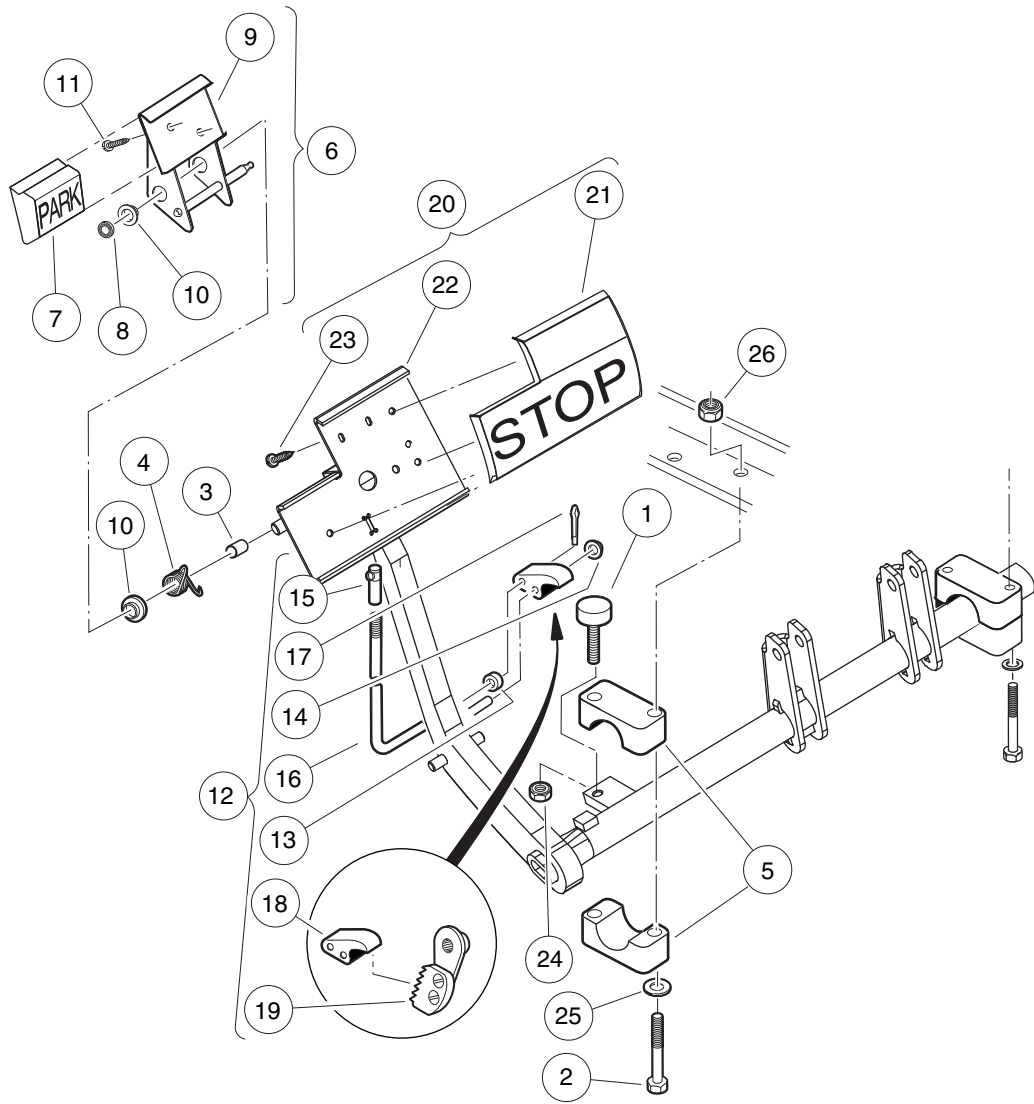
BRAKES, PEDALS, AND CABLE ASSEMBLIES

5

G

E

5
G
E



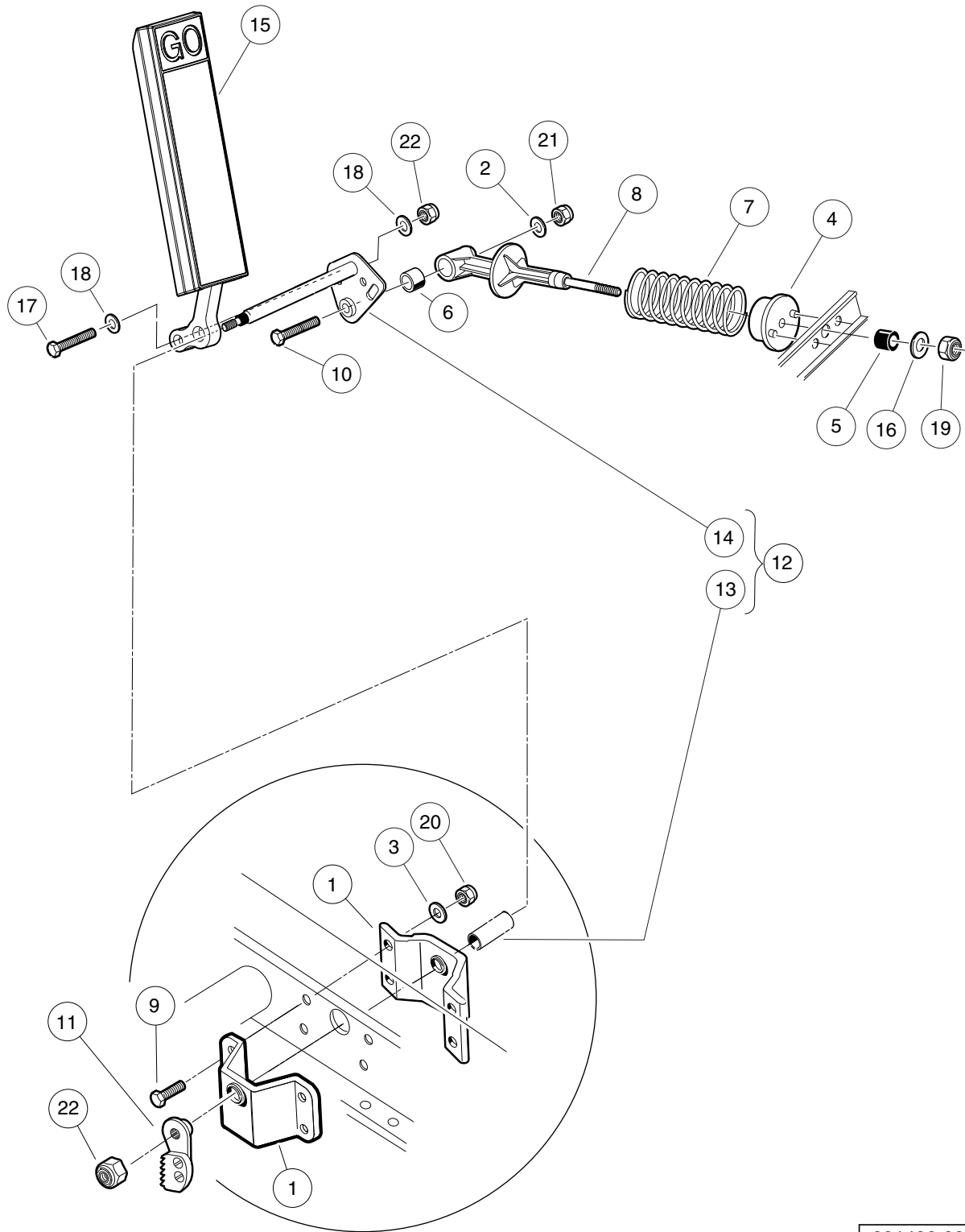
001405-002

BRAKE PEDAL ASSEMBLY – VEHICLES WITH 2-WHEEL BRAKES AND 4-WHEEL BRAKES

ITEM	PART NO.	DESCRIPTION	QTY
		1 2 3 4	
1	<u>1010878</u>	Bumper, Rubber	1
2	<u>1010921</u>	Screw, 5/16-18 X 2.50 Hex Cap	4
3	<u>1010927</u>	Hill Brake Spacer	1
4	<u>1010933</u>	Spring, Hill Brake Torsion	1
5	<u>1011402</u>	Package, Brake Mounting Block	1
6	<u>1011418</u>	Kit, Hill Brake Pedal (includes items 7 through 11)	1
7	<u>1013870</u>	Pad, Hill Brake	1
8	<u>1013876</u>	Pushnut, 3/8	1
9	N/A	Hill Brake Weld Assembly	1
10	<u>1032</u>	Bushing, Nylon	2
11	7716	Screw, #10-16 Type AB, Sheet Metal	2
12	<u>101187702</u>	Kit, Hill Brake Latch (includes items 13 through 19)	1
13	<u>1010805</u>	Sleeve, Hill Brake Rod	1
14	<u>1010877</u>	Pushnut, 3/8	1
15	1010932	Ball Joint, 1/4-28	1
16	N/A	Rod, Hill Brake	1
17	<u>1017029</u>	Pin, Cotter, 7/64 x 1/2 Stainless-Steel	1
18	N/A	Pawl, Hill Brake	1
19	101918501	Ratchet Assembly	1
20	<u>101878201</u>	Brake Pedal Kit (includes items 21 through 23)	1
21	<u>1013869</u>	Pad, Brake Pedal	1
22	N/A	Weldment, Brake Pedal, 2wr Std	1
23	7716	Screw, #10-16 Type AB, Sheet Metal	3
24	<u>1028</u>	Nut, 1/4-20 Hex	1
25	<u>1241</u>	Washer, 5/16 Type A Flat	4
26	<u>7473</u>	Locknut, 5/16-18 Nylon Insert	4

5
G
E

5
G
E



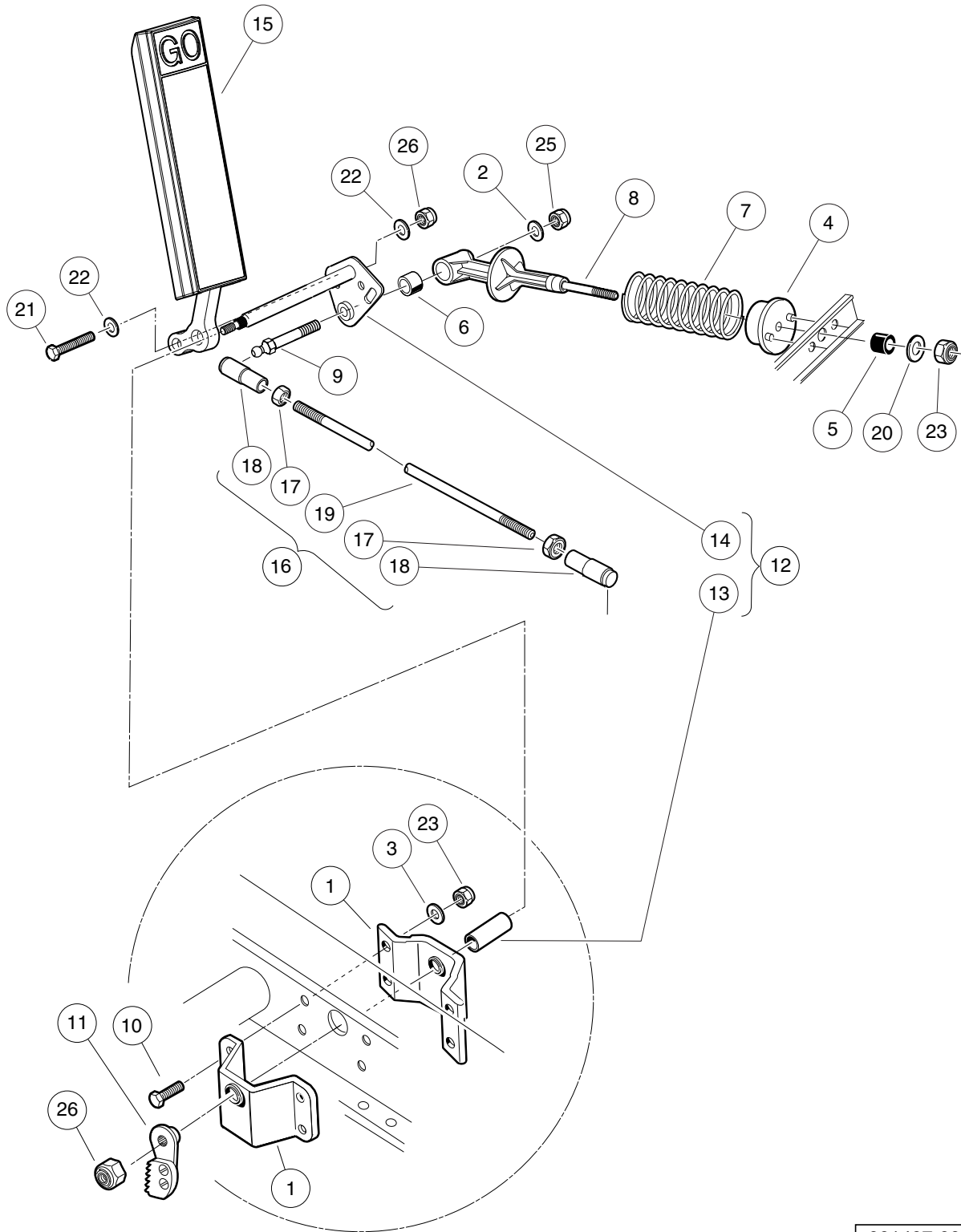
001406-001

ACCELERATOR PEDAL ASSEMBLY – ELECTRIC VEHICLES

ITEM	PART NO.	DESCRIPTION	QTY
		1 2 3 4	
1	<u>1011694</u>	Accelerator Bracket and Bearing Assembly	2
2	<u>1011931</u>	Washer, 1/4 Flat	1
3	<u>1014007</u>	Washer, 1/4, Flat	4
4	<u>1017378</u>	Cup, Spring	1
5	<u>1017380</u>	Bumper, Spring Return	1
6	<u>1017424</u>	Bearing, Pivot Support	1
7	101796201	Spring, Accelerator Return	1
8	<u>101817401</u>	Retainer, Spring	1
9	<u>101861901</u>	Screw, 1/4-20 X 1.125 Hex Cap	4
10	<u>101862001</u>	Screw, 1/4-20 X 1.500 Flange	1
11	101918501	Ratchet Assembly	1
12	<u>102026001</u>	Kit, Accelerator Pivot Rod Assembly (includes items 13 and 14)	1
13	101919801	Spacer, Accelerator	1
14	<u>102158901</u>	Pivot Rod Weldment	1
15	<u>103865101</u>	Pedal, Accel, Insert	A/R
16	<u>1241</u>	Washer, 5/16 Type A Flat	1
17	<u>1624</u>	Screw, 3/8-16 X 1.50, Hex-Head Cap	1
18	<u>334</u>	Washer, 3/8, Type A, Flat	2
19	<u>7473</u>	Locknut, 5/16-18 Nylon Insert	1
20	<u>8233</u>	Locknut, 1/4-20, Nylon Insert	4
21	<u>8717</u>	Locknut, Nylon Insert, 1/4-28	1
22	<u>8754</u>	Locknut, 3/8-16 Hex	2

5
G
E

5
G
E



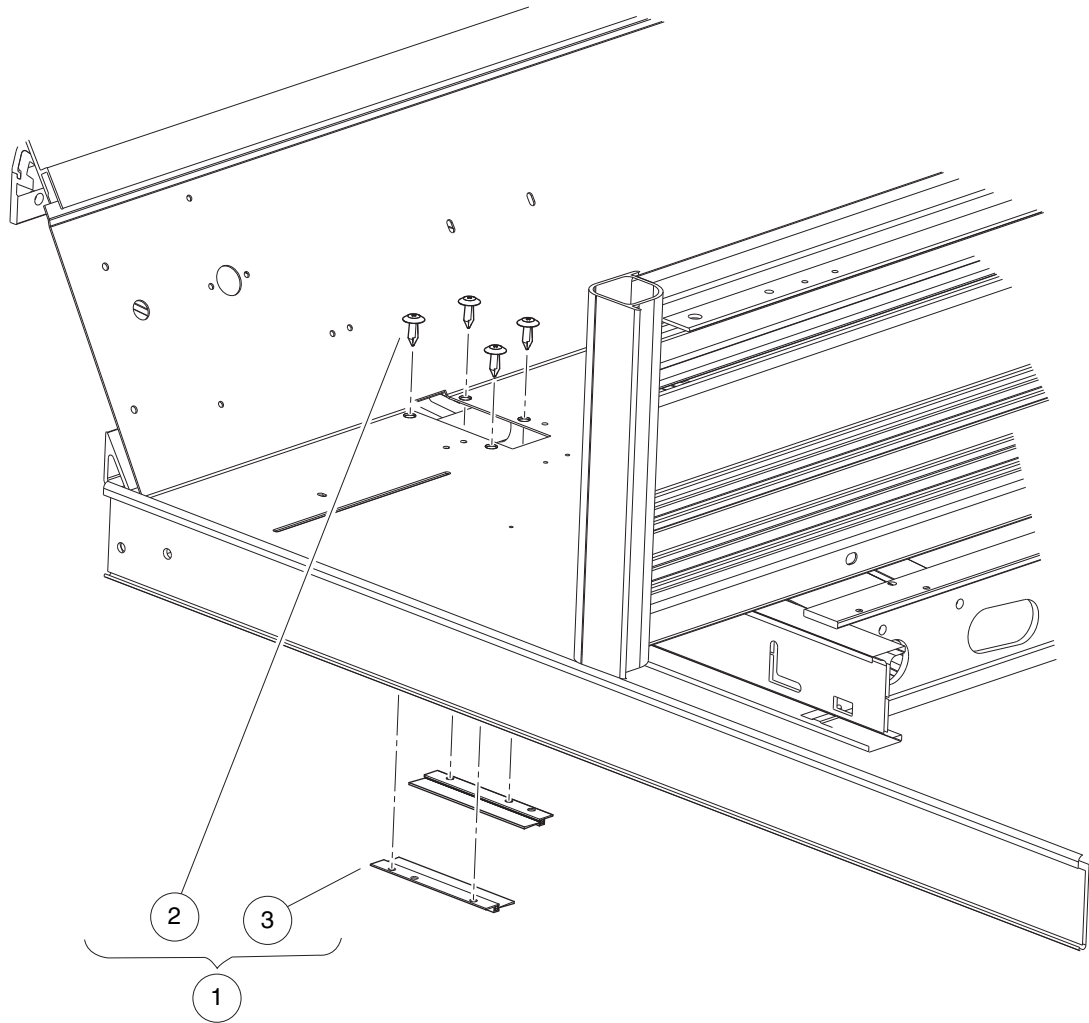
001407-001

ACCELERATOR PEDAL AND ROD ASSEMBLY – GASOLINE VEHICLE

ITEM	PART NO.	DESCRIPTION	QTY
		1 2 3 4	
1	<u>1011694</u>	Accelerator Bracket and Bearing Assembly	2
2	<u>1011931</u>	Washer, 1/4 Flat	1
3	<u>1014007</u>	Washer, 1/4, Flat	4
4	<u>1017378</u>	Cup, Spring	1
5	<u>1017380</u>	Bumper, Spring Return	1
6	<u>1017424</u>	Bearing, Pivot Support	1
7	101796201	Spring, Accelerator Return	1
8	<u>101817401</u>	Retainer, Spring	1
9	101818801	Stud, 1/4-28 X 1.35 Ball	1
10	<u>101861901</u>	Screw, 1/4-20 X 1.125 Hex Cap	4
11	101918501	Ratchet Assembly	1
12	<u>102026001</u>	Kit, Accelerator Pivot Rod Assembly (includes items 13 and 14)	1
13	101919801	Spacer, Accelerator	1
14	<u>102158901</u>	Pivot Rod Weldment	1
15	<u>103865101</u>	Pedal, Accel, Insert	1
16	<u>105100801</u>	Asm, Accel Rod, Utility (includes items 17 through 19)	1
17	<u>1011084</u>	Nut, 1/4-28 Hex Jam	2
18	<u>1011734</u>	Joint, Ball	2
19	<u>105100401</u>	Rod, Accel, Utility, Adj	1
20	<u>1241</u>	Washer, 5/16 Type A Flat	1
21	<u>1624</u>	Screw, 3/8-16 X 1.50, Hex-Head Cap	1
22	<u>334</u>	Washer, 3/8, Type A, Flat	2
23	<u>7473</u>	Locknut, 5/16-18 Nylon Insert	1
24	<u>8233</u>	Locknut, 1/4-20, Nylon Insert	4
25	<u>8717</u>	Locknut, Nylon Insert, 1/4-28	1
26	<u>8754</u>	Locknut, 3/8-16 Hex	2

5
G
E

5
G
E



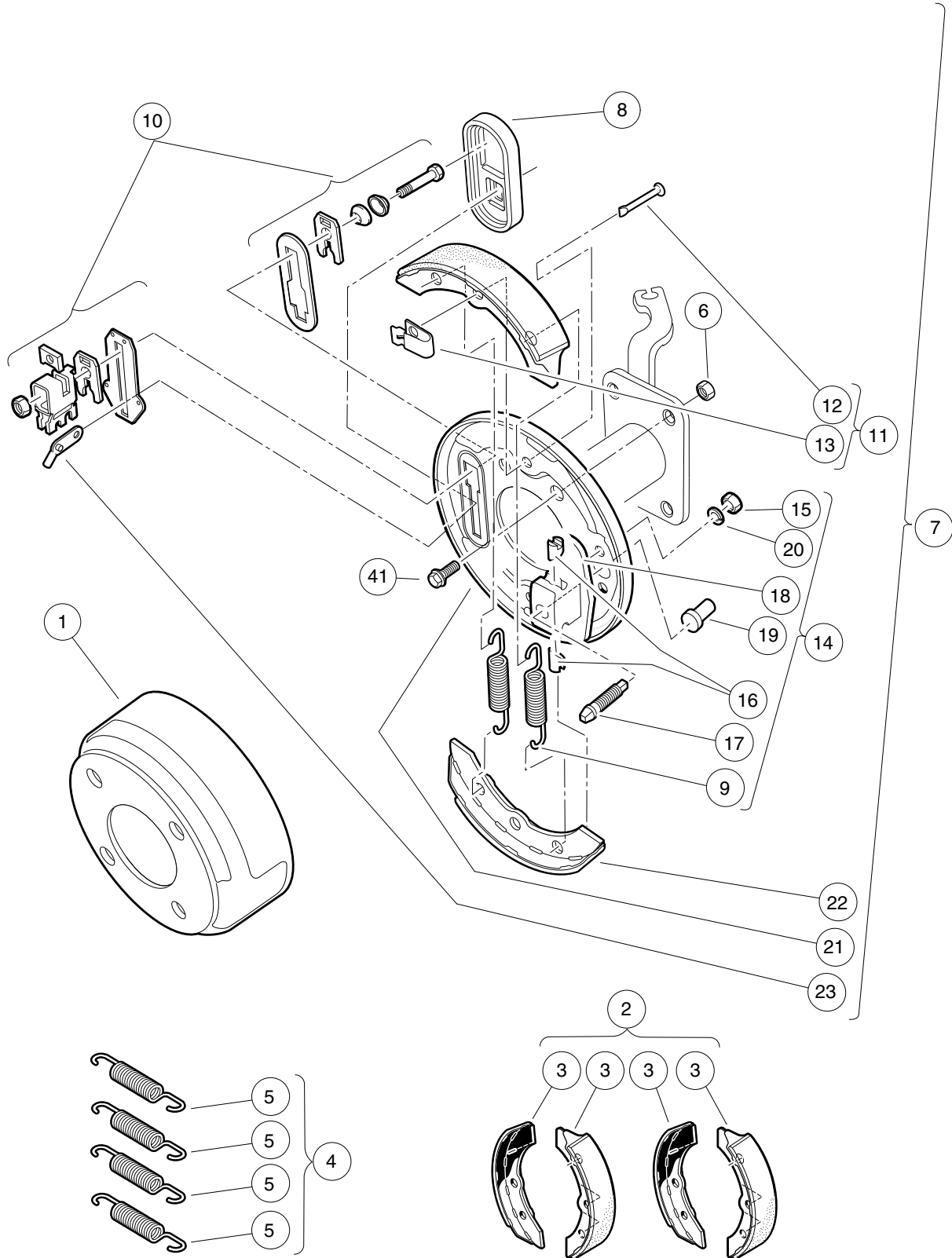
001418-001

PEDAL CLOSE-OUT KIT

ITEM	PART NO.	DESCRIPTION	QTY
		1 2 3 4	
1	<u>105149101</u>	Kit, Close Out, Pedal, Utl (includes items 2 and 3)	1
2	<u>102025701</u>	Screw, Tuflok Panel, 1/4	4
3	<u>105149201</u>	Asm, Brush, Pedal Close Out	2

5
G
E

5
G
E



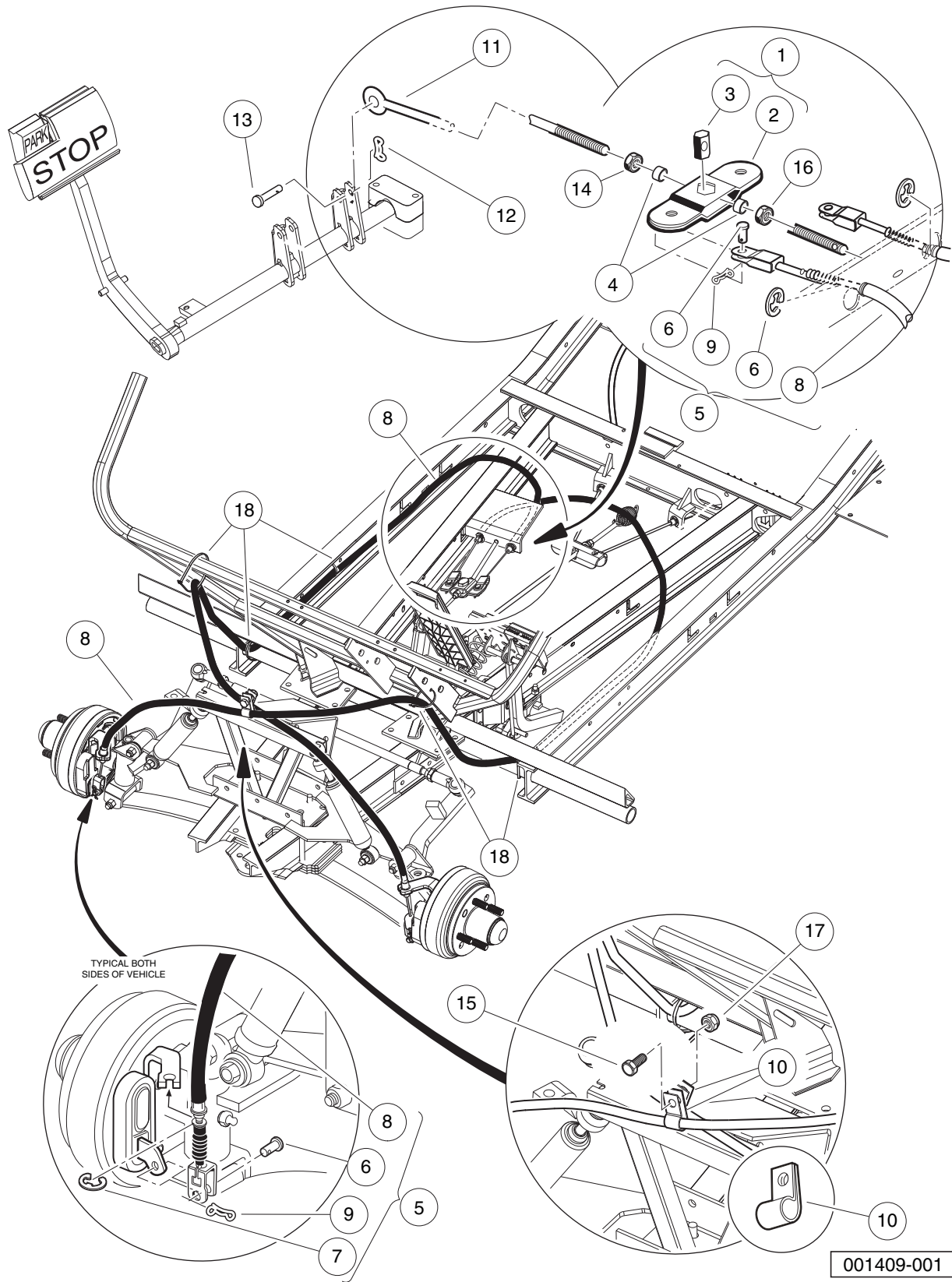
001402-002

FRONT BRAKE ASSEMBLY – VEHICLES WITH 4-WHEEL BRAKES

ITEM	PART NO.	DESCRIPTION	QTY
		1 2 3 4	
1	<u>1011137</u>	Drum, Brake	2
2	<u>101146302</u>	Kit, Non-Asbestos Brake Shoe (includes item 3)	1
3	101880701	Shoe Brake Manual Adj (Available in Kit, Non-Asbestos Brake Shoe)	4
4	<u>1011464</u>	Package, Brake Spring (includes item 5)	1
5	1011314	Brake Spring	4
6	<u>1013924</u>	Nut, 5/16-24, Hex Head Cone	8
7	<u>1016557</u>	Cluster, Brake, Driver-Side (includes items 8 through 23)	1
8	<u>1010850</u>	Dust Cover	1
9	1011314	Brake Spring	2
10	<u>1011465</u>	Kit, Brake Actuator	1
11	<u>1011466</u>	Kit, Shoe Retainer (includes items 12 and 13)	1
12	N/A	Pin	2
13	N/A	Shoe Clamp Spring	2
14	<u>1011467</u>	Kit, Anchor Body (includes items 15 through 20)	1
15	<u>1011114</u>	Nut, M6-1.00 Hex	2
16	1011298	Anchor Piston	2
17	N/A	Adjustment Bolt	1
18	N/A	Anchor Body Component	1
19	<u>1011303</u>	Adjustment Bolt Cap	1
20	<u>451</u>	Lockwasher, 1/4 Split	2
21	1011494	Backing Plate, Left-Hand	1
22	101880701	Shoe Brake Manual Adj (Available in Kit, Non-Asbestos Brake Shoe)	2
23	N/A	Arm, Brake Lever	1
24	<u>1016573</u>	Cluster, Brake, Passenger-Side (includes items 25 through 40)	1
25	<u>1010850</u>	Dust Cover	1
26	<u>1011154</u>	Backing Plate, Right-Hand	1
27	1011314	Brake Spring	2
28	<u>1011465</u>	Kit, Brake Actuator	1
29	<u>1011466</u>	Kit, Shoe Retainer (includes items 30 and 31)	1
30	N/A	Pin	2
31	N/A	Shoe Clamp Spring	2
32	<u>1011467</u>	Kit, Anchor Body (includes items 33 through 38)	1
33	<u>1011114</u>	Nut, M6-1.00 Hex	2
34	1011298	Anchor Piston	2
35	N/A	Adjustment Bolt	1
36	N/A	Anchor Body Component	1
37	<u>1011303</u>	Adjustment Bolt Cap	1
38	<u>451</u>	Lockwasher, 1/4 Split	2
39	101880701	Shoe Brake Manual Adj (Available in Kit, Non-Asbestos Brake Shoe)	2
40	N/A	Arm, Brake Lever	1
41	<u>47542195001</u>	Bolt, Brake Cluster Mnt	8
		Note: Passenger-side brake cluster (items 25-41) not shown. Components have a similar appearance to driver-side brake cluster components.	

5
G
E

5
G
E

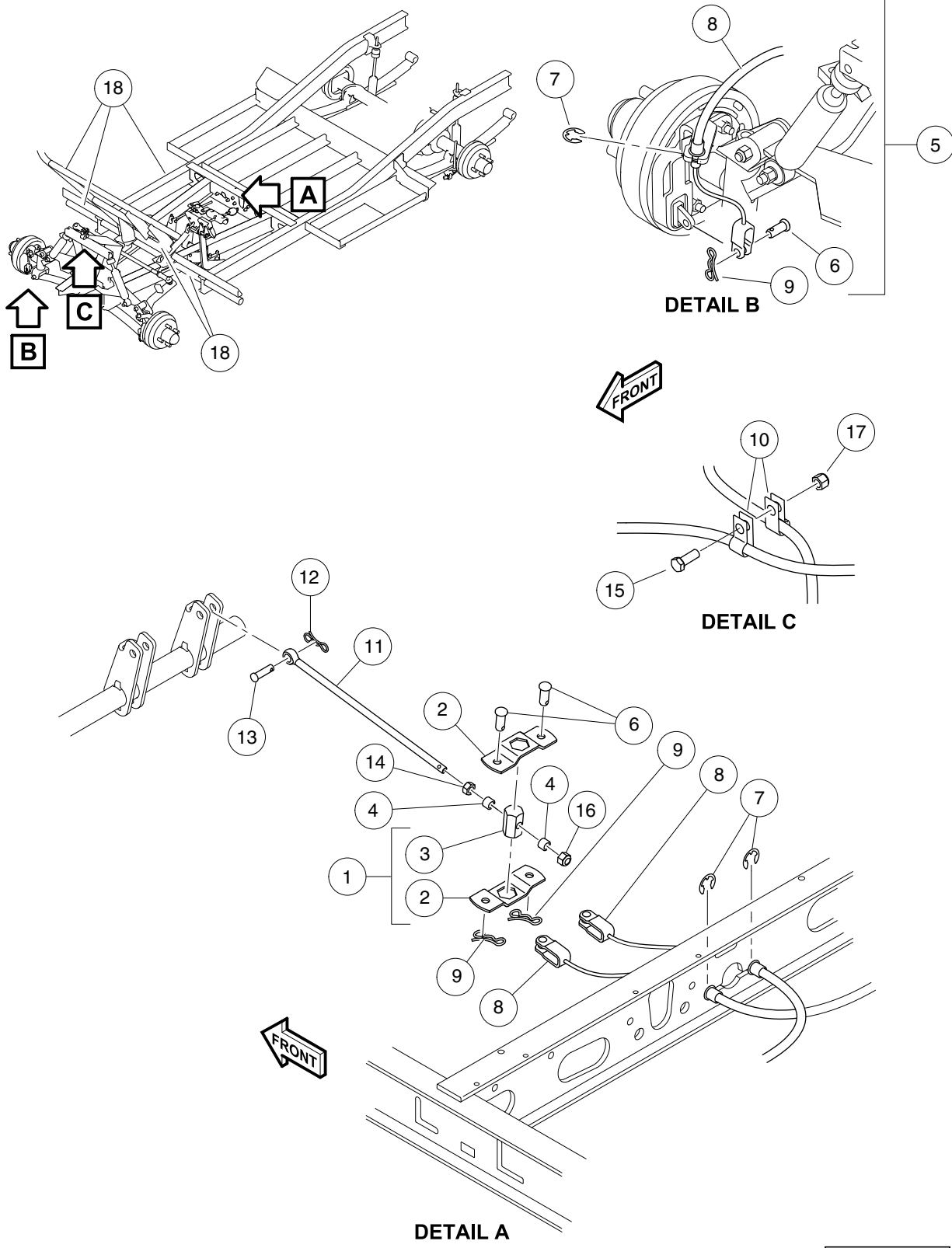


FRONT BRAKE CABLES AND EQUALIZER – GASOLINE VEHICLE WITH 4-WHEEL BRAKES

ITEM	PART NO.	DESCRIPTION	QTY
		1 2 3 4	
1	<u>1017211</u>	Kit, Equalizer and Pivot Limiter (includes items 2 and 3)	1
2	1016319	Equalizer Weld Assembly	1
3	1016320	Equalizer, Pivot Limiter	1
4	<u>101865301</u>	Spacer	2
5	<u>101874601</u>	Kit, Brake Cable (includes items 6 through 9)	1
6	<u>1010829</u>	Pin, Clevis, 5/16 X 3/4	4
7	<u>1011779</u>	E-Clip, 1/2	4
8	N/A	Brake Cable	2
9	<u>102292801</u>	Pin, Bow Tie Locking - .072	4
10	<u>101935301</u>	Clamp, Brake Cable	2
11	<u>101953106</u>	Rod, Equalizer, 9.75"	1
12	<u>102323101</u>	Pin, Bow Tie Locking	1
13	<u>102323201</u>	Pin, 3/8 X 1-5/16 Clevis	1
14	<u>1242</u>	Nut, 5/16-18 Hex	1
15	320	Screw, 3/8-16 X 1.00 Hex-Head Cap	1
16	<u>7473</u>	Locknut, 5/16-18 Nylon Insert	1
17	<u>8754</u>	Locknut, 3/8-16 Hex	1
18	<u>8990</u>	Tie Wrap, 8" Nylon	5

5
G
E

5
G
E



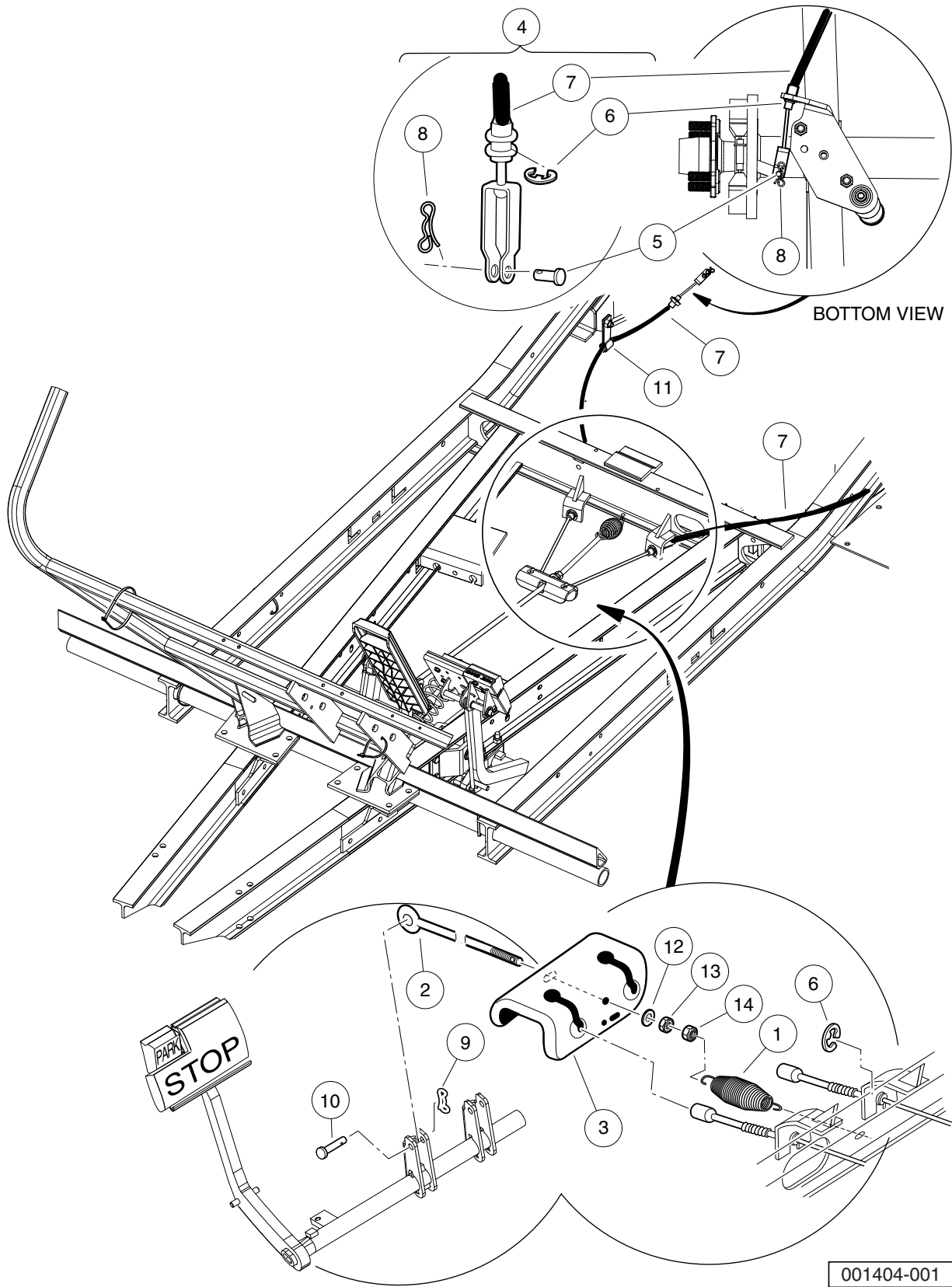
001423-001

FRONT BRAKE CABLES AND EQUALIZER – ELECTRIC VEHICLE WITH 4-WHEEL BRAKES

ITEM	PART NO.	DESCRIPTION	QTY
		1 2 3 4	
1	<u>1017211</u>	Kit, Equalizer and Pivot Limiter (includes items 2 and 3)	1
2	1016319	Equalizer Weld Assembly	1
3	1016320	Equalizer, Pivot Limiter	1
4	<u>101865301</u>	Spacer	2
5	<u>101874601</u>	Kit, Brake Cable (includes items 6 through 9)	1
6	<u>1010829</u>	Pin, Clevis, 5/16 X 3/4	4
7	<u>1011779</u>	E-Clip, 1/2	4
8	N/A	Brake Cable	2
9	<u>102292801</u>	Pin, Bow Tie Locking - .072	4
10	<u>101935301</u>	Clamp, Brake Cable	2
11	<u>101953106</u>	Rod, Equalizer, 9.75"	1
12	<u>102323101</u>	Pin, Bow Tie Locking	1
13	<u>102323201</u>	Pin, 3/8 X 1-5/16 Clevis	1
14	<u>1242</u>	Nut, 5/16-18 Hex	1
15	320	Screw, 3/8-16 X 1.00 Hex-Head Cap	1
16	<u>7473</u>	Locknut, 5/16-18 Nylon Insert	1
17	<u>8754</u>	Locknut, 3/8-16 Hex	1
18	<u>8990</u>	Tie Wrap, 8" Nylon	5

5
G
E

5
G
E

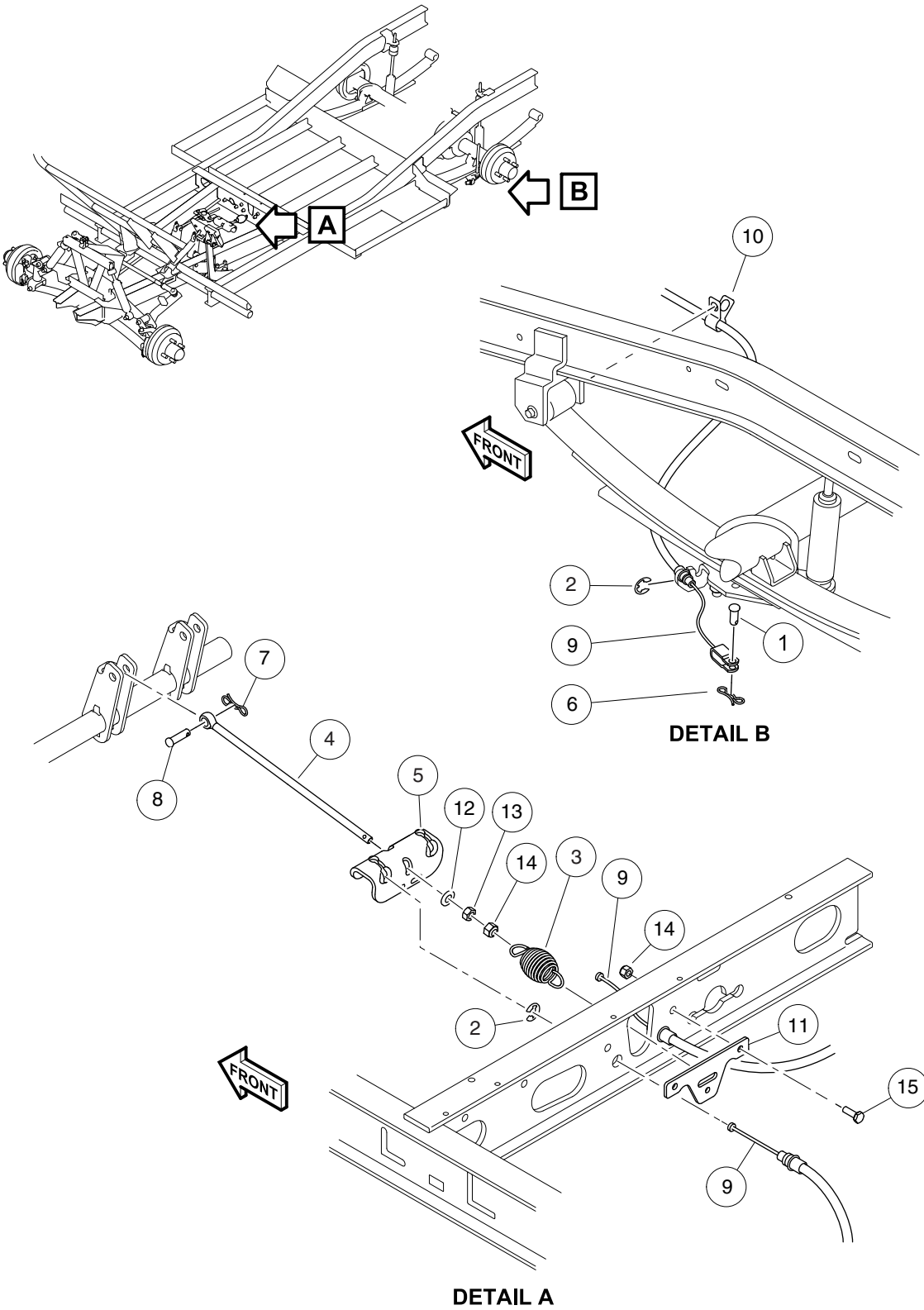


REAR BRAKE CABLES AND EQUALIZER – GASOLINE VEHICLE WITH 4-WHEEL BRAKES

ITEM	PART NO.	DESCRIPTION	QTY
		1 2 3 4	
1	<u>1013531</u>	Spring, Brake Return	1
2	101953102	Rod, Equalizer, 20.91 inch	1
3	<u>101990801</u>	Equalizer Bracket	1
4	<u>102166901</u>	Kit, Brake Cable Rear (includes items 5 through 8)	A/R
5	<u>1010829</u>	Pin, Clevis, 5/16 X 3/4	2
6	<u>1011779</u>	E-Clip, 1/2	4
7	102162601	Cable, Brake	2
8	<u>102292801</u>	Pin, Bow Tie Locking - .072	2
9	<u>102323101</u>	Pin, Bow Tie Locking	1
10	<u>102323201</u>	Pin, 3/8 X 1-5/16 Clevis	1
11	<u>102891101</u>	Clamp, Cable, Brake, Sym	2
12	<u>1241</u>	Washer, 5/16 Type A Flat	5
13	<u>1242</u>	Nut, 5/16-18 Hex	1
14	<u>7473</u>	Locknut, 5/16-18 Nylon Insert	5

5
G
E

5
G
E



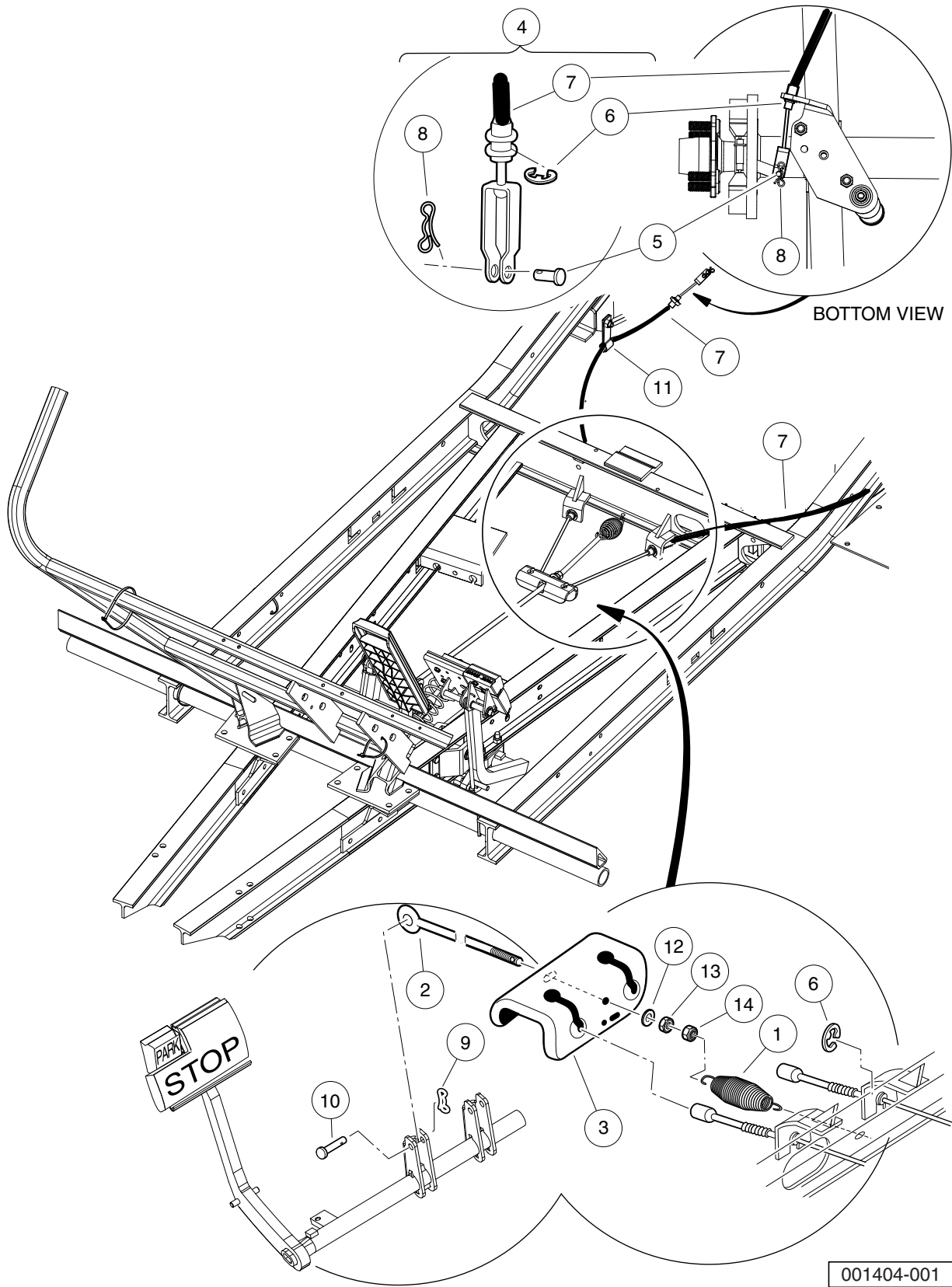
001424-001

REAR BRAKE CABLES AND EQUALIZER – ELECTRIC VEHICLE WITH 4-WHEEL BRAKES

ITEM	PART NO.	DESCRIPTION	QTY
		1 2 3 4	
1	<u>1010829</u>	Pin, Clevis, 5/16 X 3/4	2
2	<u>1011779</u>	E-Clip, 1/2	4
3	<u>1013531</u>	Spring, Brake Return	1
4	<u>101953106</u>	Rod, Equalizer, 9.75"	1
5	<u>101990801</u>	Equalizer Bracket	1
6	<u>102292801</u>	Pin, Bow Tie Locking - .072	2
7	<u>102323101</u>	Pin, Bow Tie Locking	1
8	<u>102323201</u>	Pin, 3/8 X 1-5/16 Clevis	1
9	<u>102852103</u>	Cable, Brake, 51" Sym	2
10	<u>102891101</u>	Clamp, Cable, Brake, Sym	2
11	105310301	Plate, Spring Return	1
12	<u>1241</u>	Washer, 5/16 Type A Flat	5
13	<u>1242</u>	Nut, 5/16-18 Hex	1
14	<u>7473</u>	Locknut, 5/16-18 Nylon Insert	3
15	<u>7847</u>	Screw, 1/4-20 X 0.75 Hex-Head Cap	2

5
G
E

5
G
E



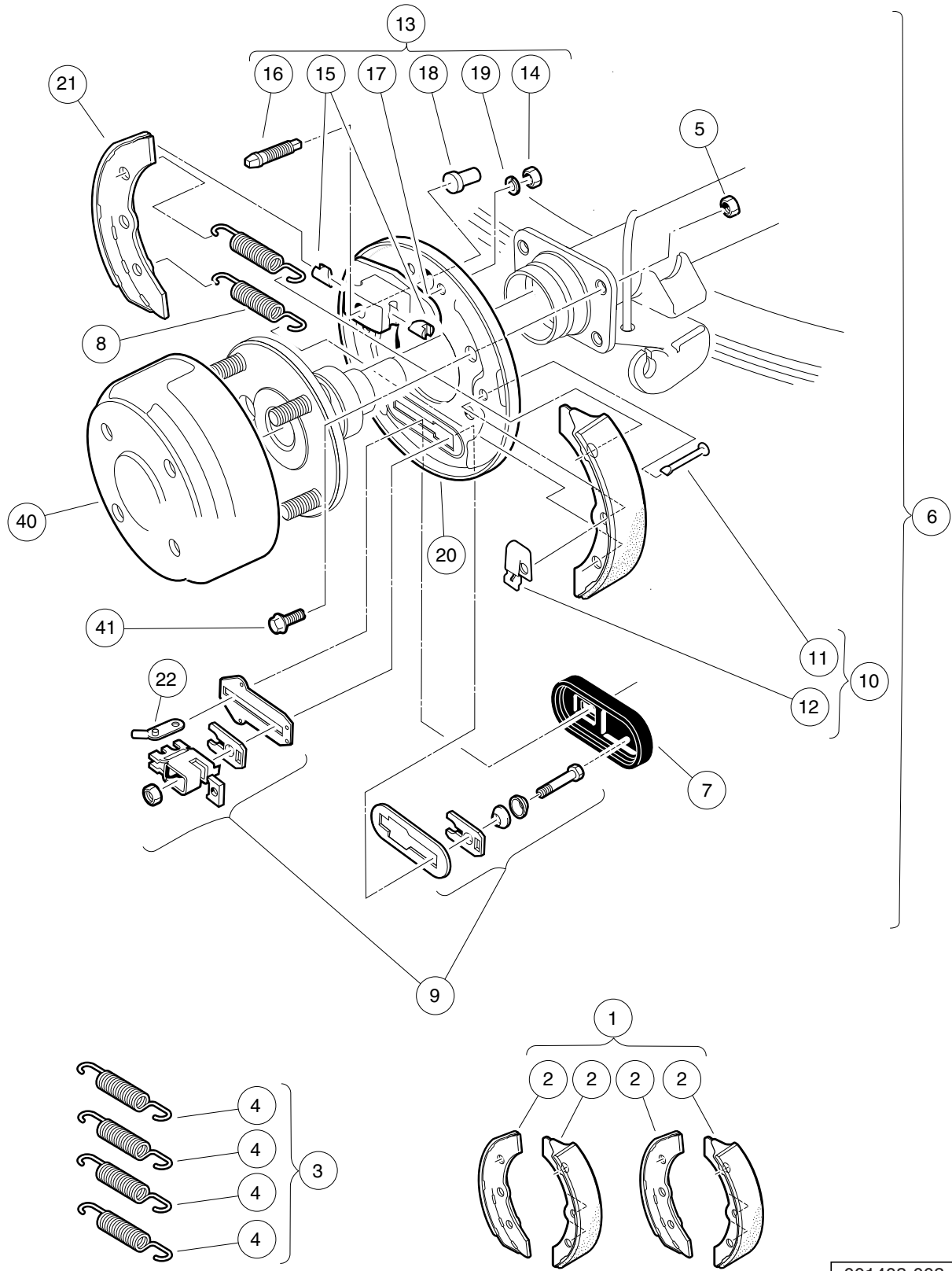
001404-001

REAR BRAKE CABLES AND EQUALIZER – GASOLINE VEHICLE WITH 4-WHEEL BRAKES

ITEM	PART NO.	DESCRIPTION	QTY
		1 2 3 4	
1	<u>1013531</u>	Spring, Brake Return	1
2	101953102	Rod, Equalizer, 20.91 inch	1
3	<u>101990801</u>	Equalizer Bracket	1
4	<u>102166901</u>	Kit, Brake Cable Rear (includes items 5 through 8)	A/R
5	<u>1010829</u>	Pin, Clevis, 5/16 X 3/4	2
6	<u>1011779</u>	E-Clip, 1/2	4
7	102162601	Cable, Brake	2
8	<u>102292801</u>	Pin, Bow Tie Locking - .072	2
9	<u>102323101</u>	Pin, Bow Tie Locking	1
10	<u>102323201</u>	Pin, 3/8 X 1-5/16 Clevis	1
11	105143201	Clamp, Cable, Brake, Sym, 2 In	2
12	<u>1241</u>	Washer, 5/16 Type A Flat	5
13	<u>1242</u>	Nut, 5/16-18 Hex	1
14	<u>7473</u>	Locknut, 5/16-18 Nylon Insert	5

5
G
E

5
G
E



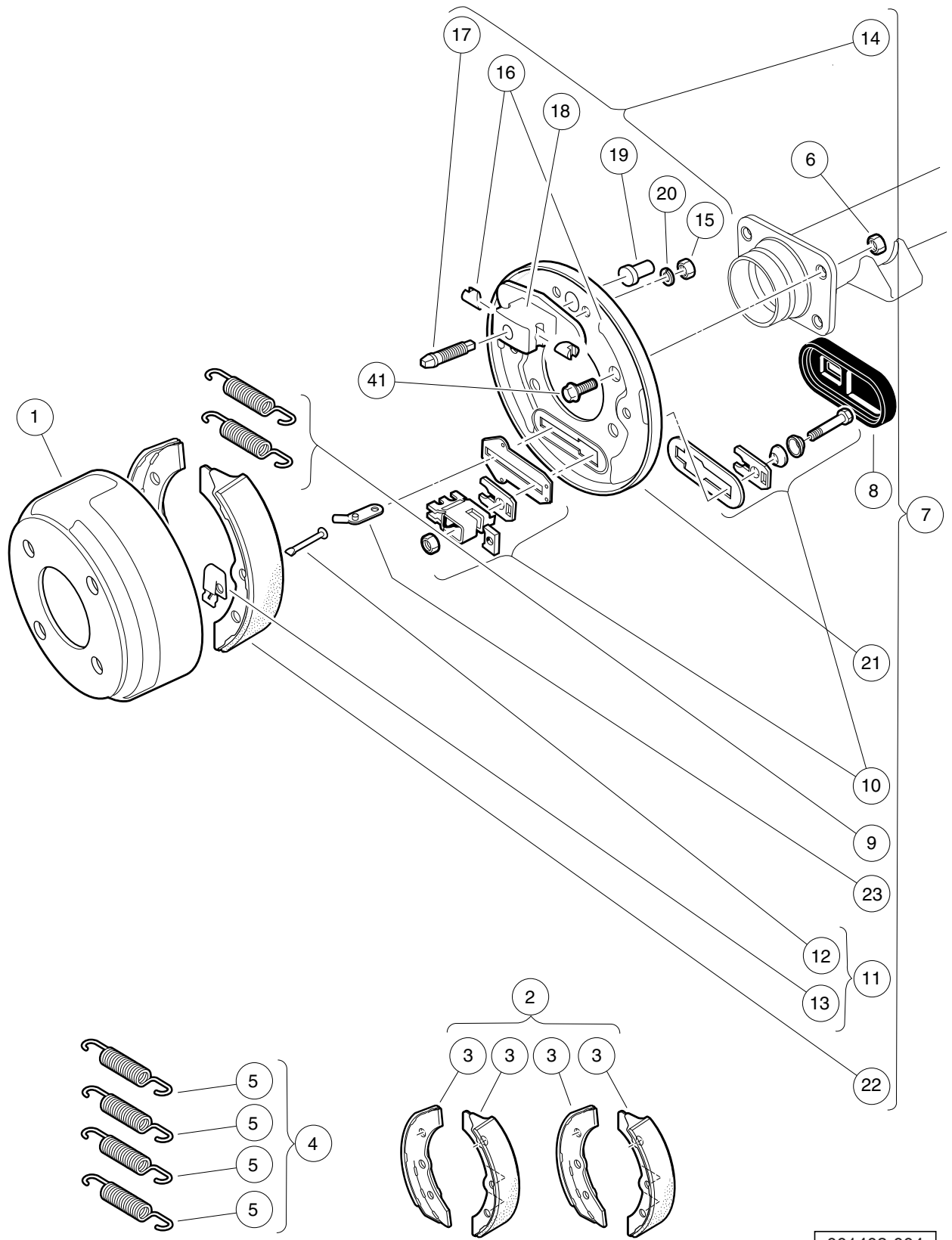
001403-003

REAR BRAKES, MANUALLY-ADJUSTED – ELEC. VEHICLES WITH 4-WHEEL BRAKES

ITEM	PART NO.	DESCRIPTION	QTY
		1 2 3 4	
1	<u>101146302</u>	Kit, Non-Asbestos Brake Shoe (includes item 2)	1
2	101880701	Shoe Brake Manual Adj (Available in Kit, Non-Asbestos Brake Shoe)	4
3	<u>1011464</u>	Package, Brake Spring (includes item 4)	1
4	1011314	Brake Spring	4
5	<u>1013924</u>	Nut, 5/16-24, Hex Head Cone	8
6	<u>1016557</u>	Cluster, Brake, Driver-Side (includes items 7 through 22)	1
7	<u>1010850</u>	Dust Cover	1
8	1011314	Brake Spring	2
9	<u>1011465</u>	Kit, Brake Actuator	1
10	<u>1011466</u>	Kit, Shoe Retainer (includes items 11 and 12)	1
11	N/A	Pin	2
12	N/A	Shoe Clamp Spring	2
13	<u>1011467</u>	Kit, Anchor Body (includes items 14 through 19)	1
14	<u>1011114</u>	Nut, M6-1.00 Hex	2
15	1011298	Anchor Piston	2
16	N/A	Adjustment Bolt	1
17	N/A	Anchor Body Component	1
18	<u>1011303</u>	Adjustment Bolt Cap	1
19	<u>451</u>	Lockwasher, 1/4 Split	2
20	1011494	Backing Plate, Left-Hand	1
21	101880701	Shoe Brake Manual Adj (Available in Kit, Non-Asbestos Brake Shoe)	2
22	N/A	Arm, Brake Lever	1
23	<u>1016573</u>	Cluster, Brake, Passenger-Side (includes items 24 through 39)	1
24	<u>1010850</u>	Dust Cover	1
25	<u>1011154</u>	Backing Plate, Right-Hand	1
26	1011314	Brake Spring	2
27	<u>1011465</u>	Kit, Brake Actuator	1
28	<u>1011466</u>	Kit, Shoe Retainer (includes items 29 and 30)	1
29	N/A	Pin	2
30	N/A	Shoe Clamp Spring	2
31	<u>1011467</u>	Kit, Anchor Body (includes items 32 through 37)	1
32	<u>1011114</u>	Nut, M6-1.00 Hex	2
33	1011298	Anchor Piston	2
34	N/A	Adjustment Bolt	1
35	N/A	Anchor Body Component	1
36	<u>1011303</u>	Adjustment Bolt Cap	1
37	<u>451</u>	Lockwasher, 1/4 Split	2
38	101880701	Shoe Brake Manual Adj (Available in Kit, Non-Asbestos Brake Shoe)	2
39	N/A	Arm, Brake Lever	1
40	<u>101791101</u>	Drum without Center Hole, Brake	2
41	<u>47542195001</u>	Bolt, Brake Cluster Mnt	8
		Note: Passenger-side brake cluster (items 24-40) not shown. Components have a similar appearance to driver-side brake cluster components.	

5
G
E

5
G
E



001403-004

REAR BRAKES, MANUALLY-ADJUSTED – GAS VEHICLES WITH 4-WHEEL BRAKES

ITEM	PART NO.	DESCRIPTION	QTY	
		1 2 3 4		5
1	<u>1011137</u>	Drum, Brake	2	G
2	<u>101146302</u>	Kit, Non-Asbestos Brake Shoe (includes item 3)	1	E
3	101880701	Shoe Brake Manual Adj (Available in Kit, Non-Asbestos Brake Shoe)	4	
4	<u>1011464</u>	Package, Brake Spring (includes item 5)	1	
5	1011314	Brake Spring	4	
6	<u>1013924</u>	Nut, 5/16-24, Hex Head Cone	8	
7	<u>1016557</u>	Cluster, Brake, Driver-Side (includes items 8 through 23)	1	
8	<u>1010850</u>	Dust Cover	1	
9	1011314	Brake Spring	2	
10	<u>1011465</u>	Kit, Brake Actuator	1	
11	<u>1011466</u>	Kit, Shoe Retainer (includes items 12 and 13)	1	
12	N/A	Pin	2	
13	N/A	Shoe Clamp Spring	2	
14	<u>1011467</u>	Kit, Anchor Body (includes items 15 through 20)	1	
15	<u>1011114</u>	Nut, M6-1.00 Hex	2	
16	1011298	Anchor Piston	2	
17	N/A	Adjustment Bolt	1	
18	N/A	Anchor Body Component	1	
19	<u>1011303</u>	Adjustment Bolt Cap	1	
20	<u>451</u>	Lockwasher, 1/4 Split	2	
21	1011494	Backing Plate, Left-Hand	1	
22	101880701	Shoe Brake Manual Adj (Available in Kit, Non-Asbestos Brake Shoe)	2	
23	N/A	Arm, Brake Lever	1	
24	<u>1016573</u>	Cluster, Brake, Passenger-Side (includes items 25 through 40)	1	
25	<u>1010850</u>	Dust Cover	1	
26	<u>1011154</u>	Backing Plate, Right-Hand	1	
27	1011314	Brake Spring	2	
28	<u>1011465</u>	Kit, Brake Actuator	1	
29	<u>1011466</u>	Kit, Shoe Retainer (includes items 30 and 31)	1	
30	N/A	Pin	2	
31	N/A	Shoe Clamp Spring	2	
32	<u>1011467</u>	Kit, Anchor Body (includes items 33 through 38)	1	
33	<u>1011114</u>	Nut, M6-1.00 Hex	2	
34	1011298	Anchor Piston	2	
35	N/A	Adjustment Bolt	1	
36	N/A	Anchor Body Component	1	
37	<u>1011303</u>	Adjustment Bolt Cap	1	
38	<u>451</u>	Lockwasher, 1/4 Split	2	
39	101880701	Shoe Brake Manual Adj (Available in Kit, Non-Asbestos Brake Shoe)	2	
40	N/A	Arm, Brake Lever	1	
41	<u>47542195001</u>	Bolt, Brake Cluster Mnt	8	
		Note: Passenger-side brake cluster (items 25-41) not shown. Components have a similar appearance to driver-side brake cluster components.		

5

G

E

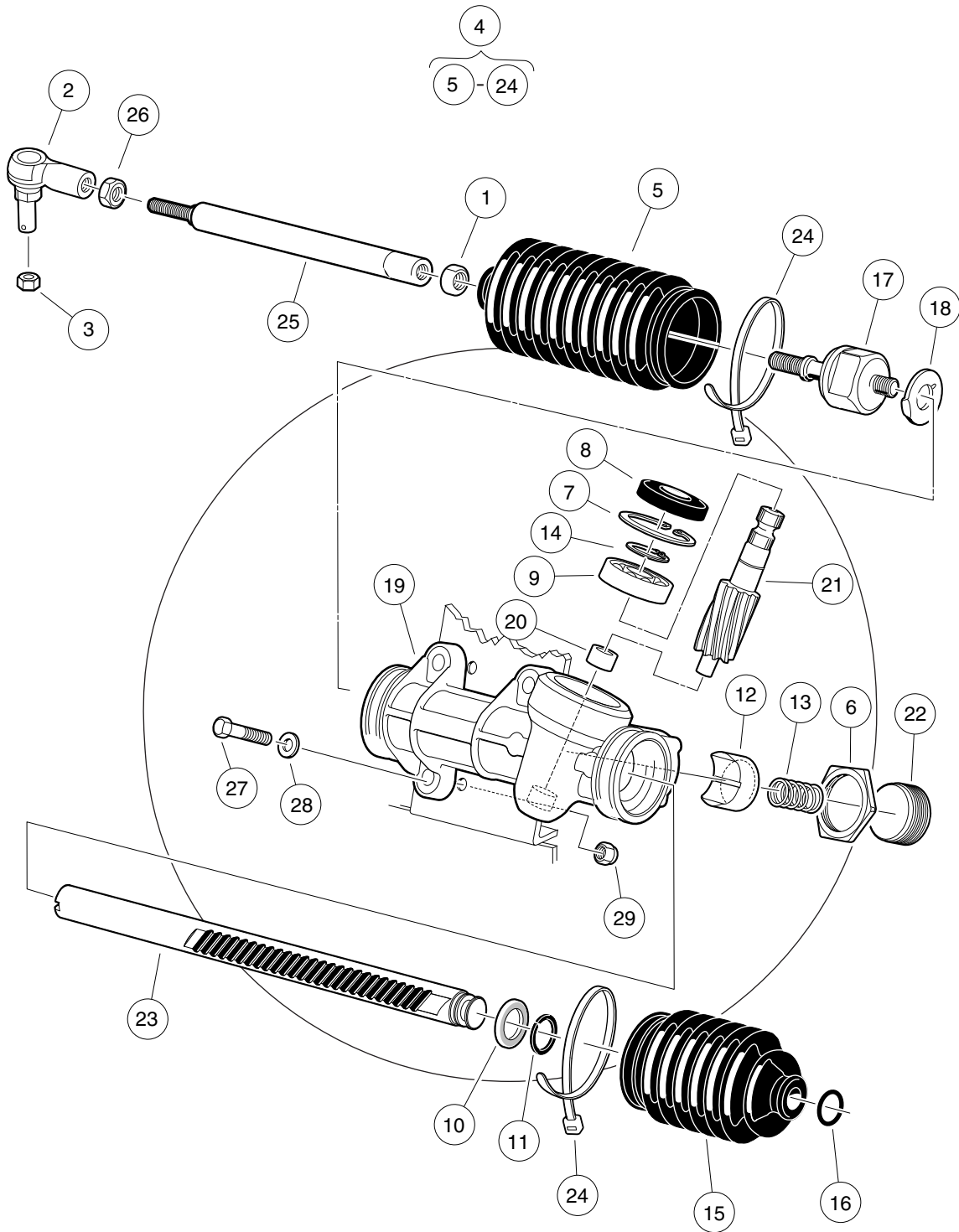
STEERING, FRONT AND REAR SUSPENSION

6

G

E

6
G
E



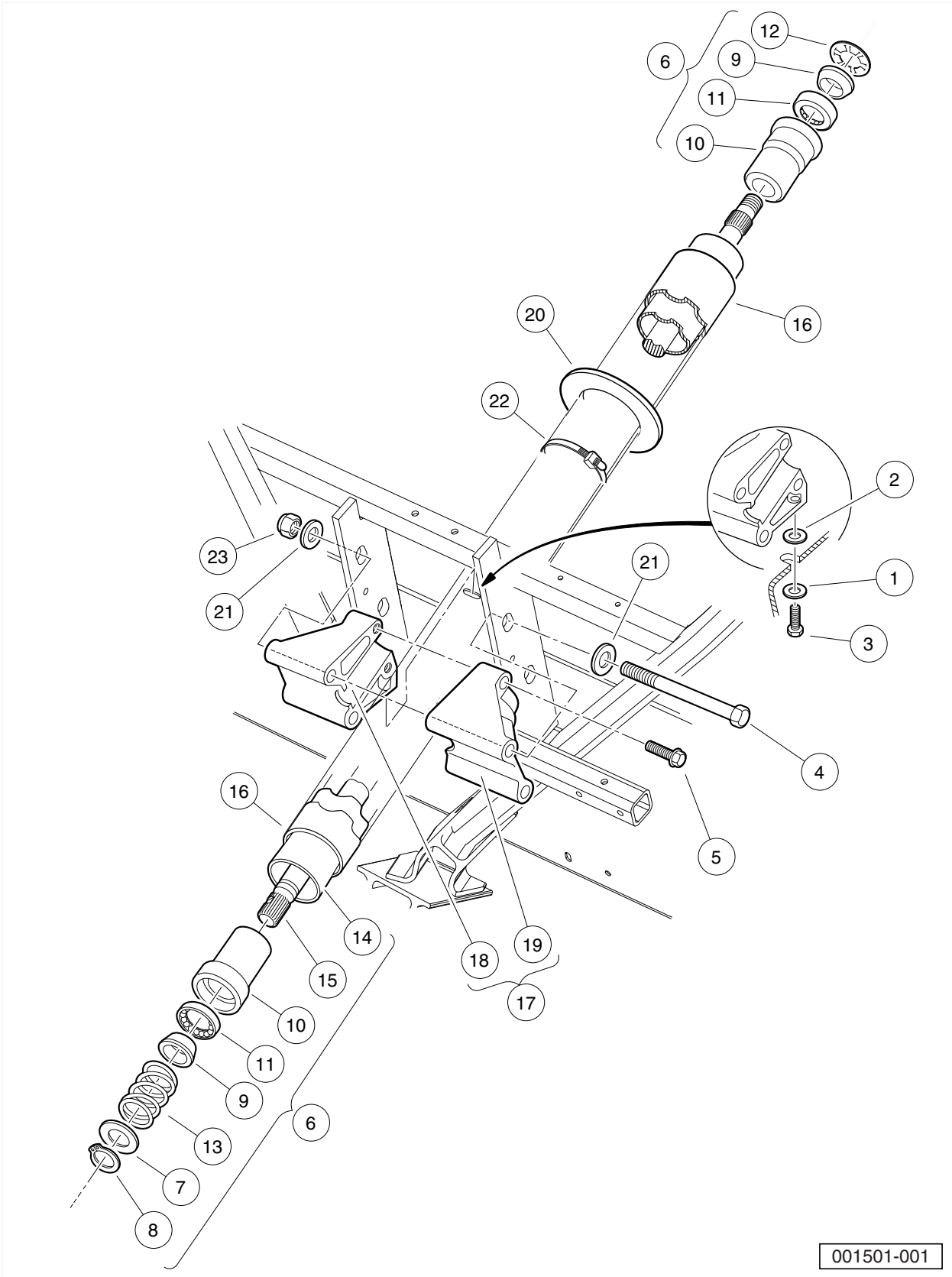
001500-002

STEERING GEAR ASSEMBLY

ITEM	PART NO.	DESCRIPTION	QTY
		1 2 3 4	
1	1013042	Nut, 12mm Hex	1
2	<u>102022602</u>	End, Tie Rod, M12 X 1.25, Lh	1
3	<u>102289201</u>	Nut - Hex Locking, M12 X 1.25	1
4	<u>103601501</u>	Asm, Steering Rack And Pinion (includes items 5 through 24)	1
5	<u>1013035</u>	Bellows, Long	1
6	<u>1013044</u>	Rack Screw Locknut	1
7	N/A	Snap Ring	1
8	<u>1013052</u>	Seal, Steering Pinion Dust	1
9	<u>101879401</u>	Bearing, Ball	1
10	<u>101879501</u>	Stop Washer	1
11	101879601	Stop Ring, C-Type	1
12	<u>101879701</u>	Support Yoke	1
13	<u>101879801</u>	Rack Guide Pressure Spring	1
14	<u>101879901</u>	Ring, Stop, C-Type	1
15	<u>101880001</u>	Bellows, Short	1
16	101880101	Dust Seal Retaining Ring	1
17	<u>101880201</u>	Inner Ball Joint Asm	1
18	101880301	Washer, Tab	1
19	N/A	Box, Steering Gear	1
20	N/A	Bearing, Lower Pinion	1
21	N/A	Pinion, Steering	1
22	N/A	Screw, Rack Guide	1
23	N/A	Rack, Steering	1
24	<u>8990</u>	Tie Wrap, 8" Nylon	2
25	<u>103653401</u>	Link, Drag, Male Thd	1
26	<u>103653501</u>	Nut, Jam, M12-1.25, Lh	1
27	<u>1624</u>	Screw, 3/8-16 X 1.50, Hex-Head Cap	3
28	<u>334</u>	Washer, 3/8, Type A, Flat	3
29	<u>8754</u>	Locknut, 3/8-16 Hex	3

6
G
E

6
G
E



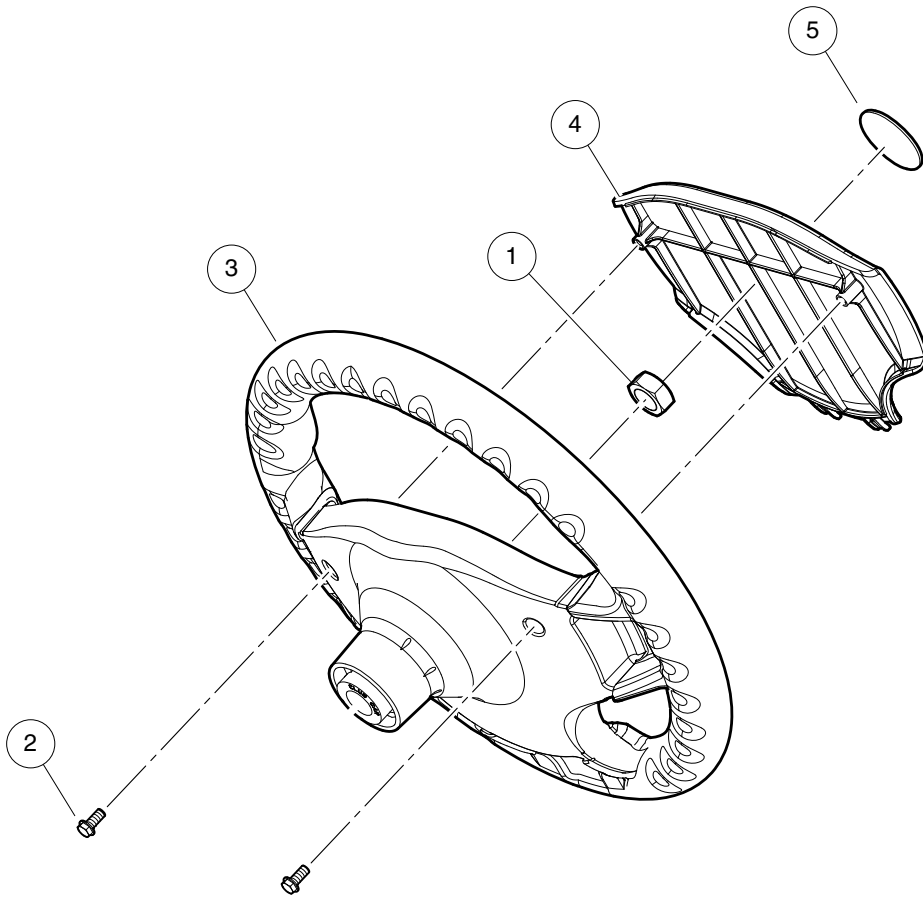
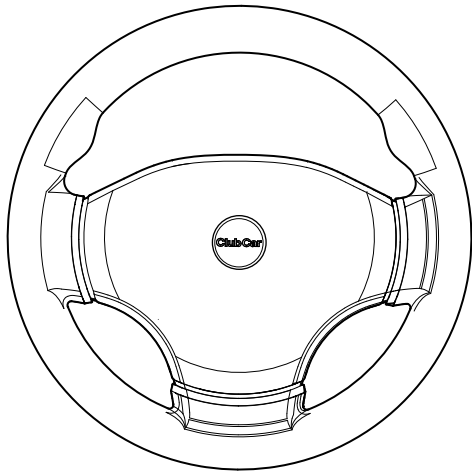
001501-001

STEERING COLUMN

ITEM	PART NO.	DESCRIPTION	QTY
		1 2 3 4	
1	<u>1011697</u>	Washer, 5/16 Flat	1
2	<u>1012571</u>	Washer, 5/16 Extra Thick Flat	1
3	<u>1014288</u>	Screw, 5/16-18 X 0.75, Thread-Forming	1
4	<u>1016183</u>	Screw, 3/8-16 X 7.00 Hex Cap	2
5	<u>1016269</u>	Screw, 5/16-18 Thrd Forming	2
6	<u>1017313</u>	Steering Shaft Assembly (includes items 7 through 15)	1
7	<u>1012604</u>	Washer, 0.675 ID X 1.19 OD	1
8	<u>1012605</u>	Ring, 0.579 Internal Retaining	1
9	<u>1014125</u>	Wedge, Molded	2
10	<u>1014126</u>	Seat, Plastic Bearing	2
11	<u>1014213</u>	Bearing, Ball	2
12	<u>1014214</u>	Ring, Retaining	1
13	<u>1014217</u>	Spring, Steering Shaft	1
14	<u>1017314</u>	Column, Aluminum Steering	1
15	<u>1017315</u>	Shaft Steering Column	1
16	<u>1017317</u>	Tube Cover, Steering Column	1
17	101984801	Kit, Steering Column Mounting Bracket (includes items 18 and 19)	1
18	N/A	Bracket, RH Steering Column Mount	1
19	N/A	Bracket, LH Steering column mount	1
20	<u>102278001</u>	Boot, Steering Column Round	1
21	<u>334</u>	Washer, 3/8, Type A, Flat	4
22	<u>8639</u>	Tie Wrap, 11" Nylon	1
23	<u>8754</u>	Locknut, 3/8-16 Hex	2

6
G
E

6
G
E



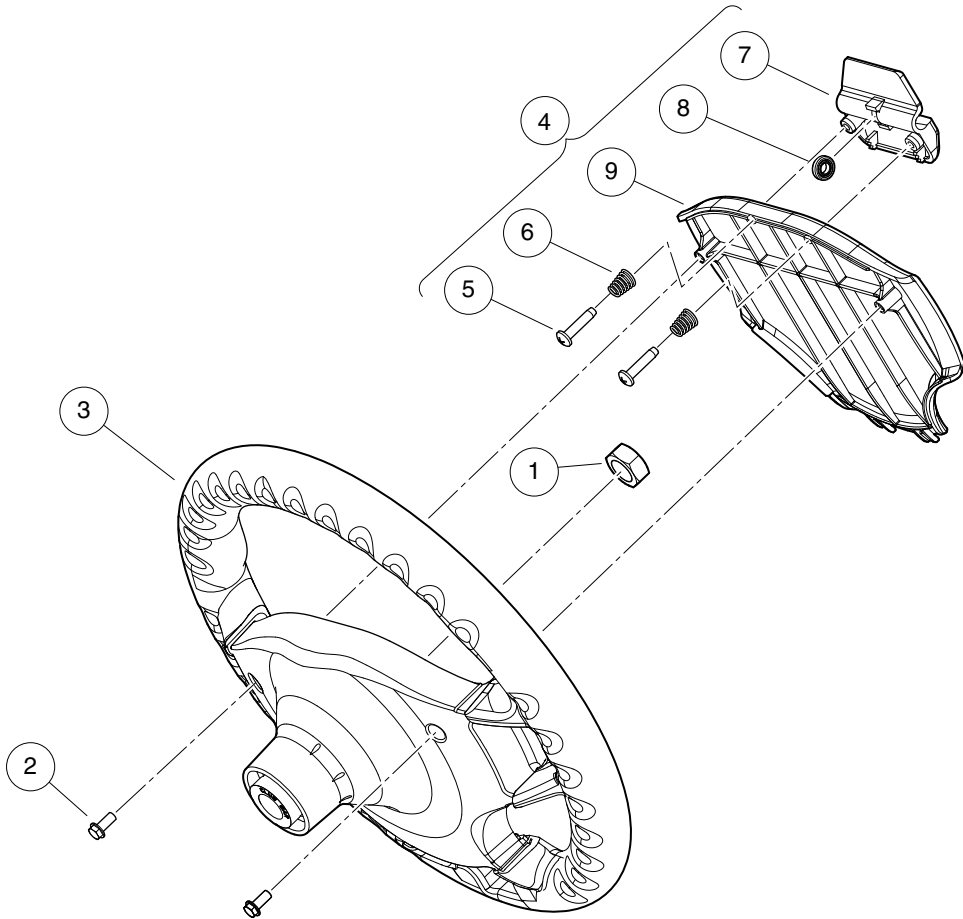
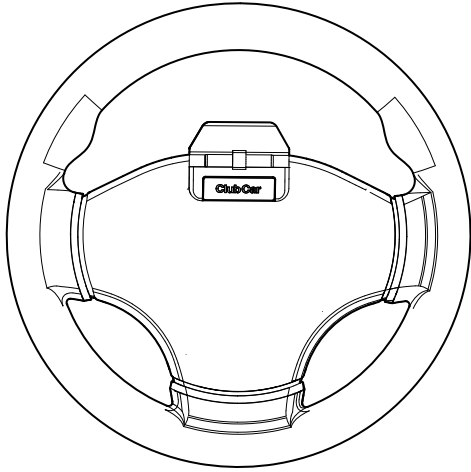
001503-001

STEERING WHEEL

ITEM	PART NO.	DESCRIPTION	QTY
		1 2 3 4	
1	<u>1017273</u>	Nut, 5/8-18 Nylon Insert Jam	1
2	<u>101850301</u>	Screw, #12-16 X 0.50 Washer-Head Hi-Lo	2
3	<u>103724504</u>	Steering Wheel, Soft Spl	1
4	<u>103724602</u>	Cover, Steering Wheel, Generic	1
5	<u>103829401</u>	Logo, Cci, Steer Wheel	1

6
G
E

6
G
E



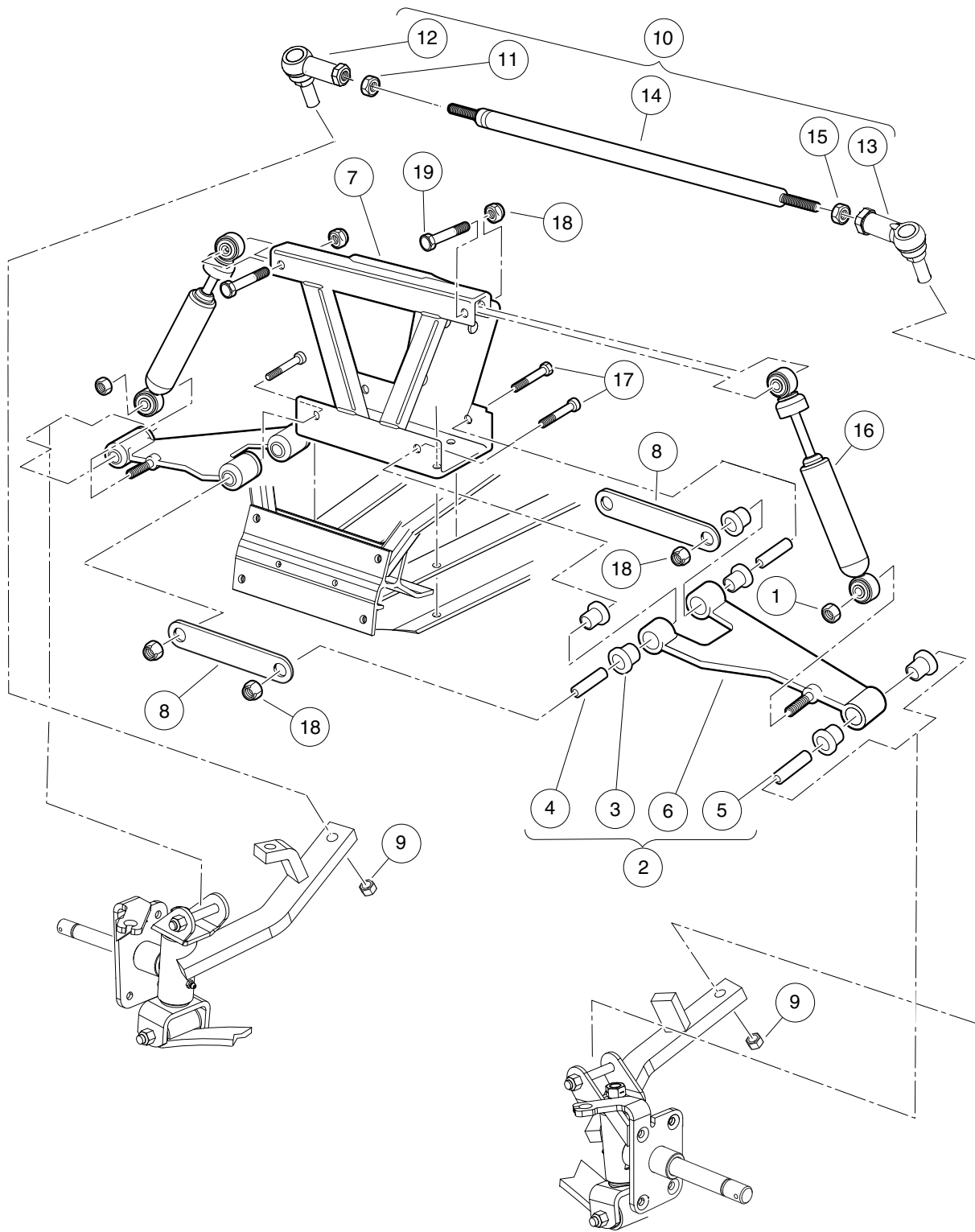
001504-001

STEERING WHEEL WITH CLIP

ITEM	PART NO.	DESCRIPTION	QTY
		1 2 3 4	
1	<u>1017273</u>	Nut, 5/8-18 Nylon Insert Jam	1
2	<u>101850301</u>	Screw, #12-16 X 0.50 Washer-Head Hi-Lo	2
3	<u>103724504</u>	Steering Wheel, Soft Spl	1
4	<u>103724901</u>	Asm, Scorecard, Clip (includes items 5 through 9)	1
5	<u>1012565</u>	Screw, #12 Phillips Round Head	2
6	<u>1012566</u>	Tapered Compression Spring	2
7	1016154	Clip, Scorecard	1
8	<u>1016214</u>	Pencil Grip	1
9	103724601	Cover, Steering Wheel, Clip	1

6
G
E

6
G
E



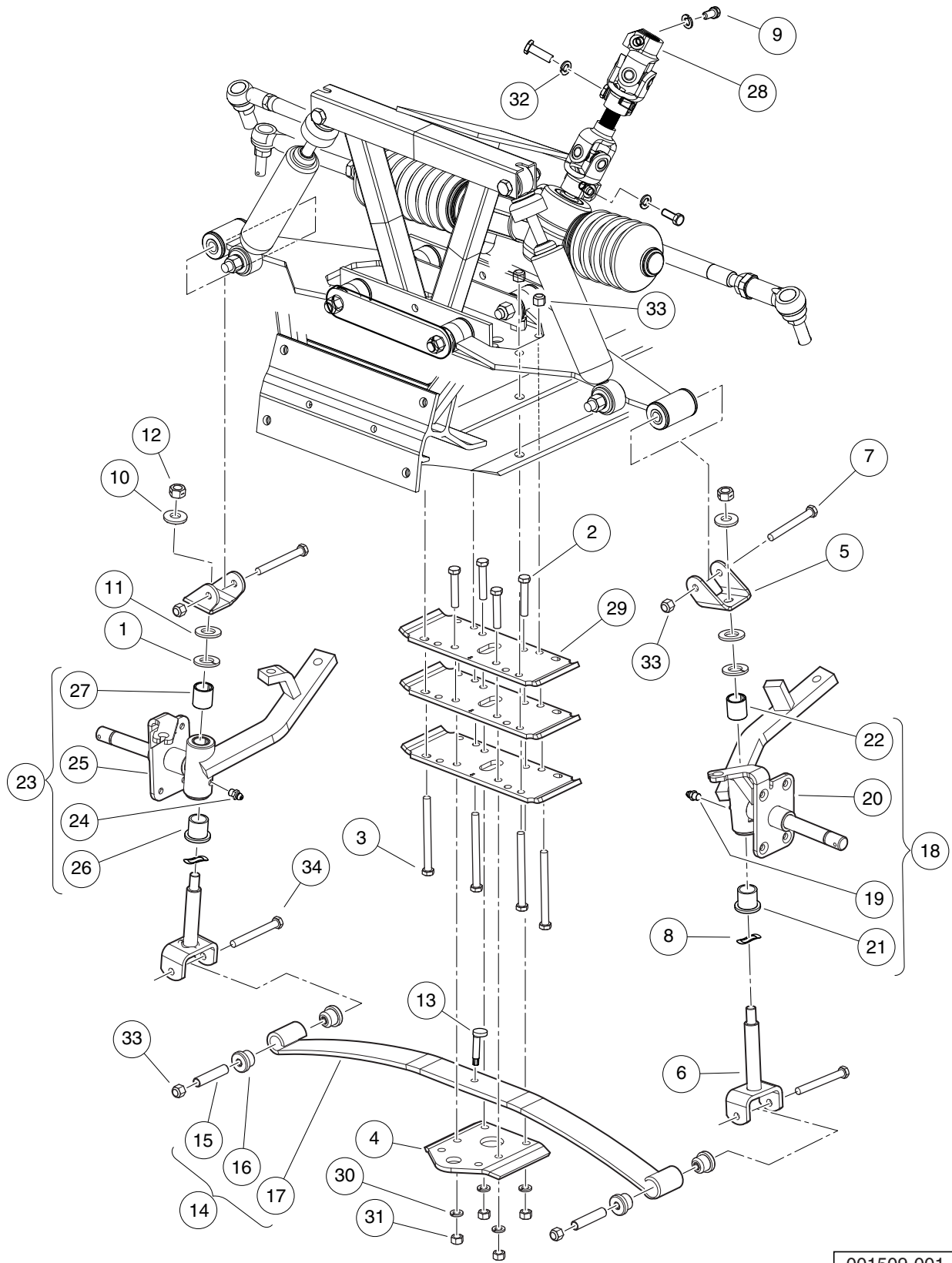
001508-001

FRONT SUSPENSION, UPPER, STD

ITEM	PART NO.	DESCRIPTION	QTY
		1 2 3 4	
1	<u>1010138</u>	Locknut, 3/8-16 Dimpled	2
2	<u>1016353</u>	Sub-Assembly, Delta A-Plate (includes items 3 through 6)	2
3	<u>1016346</u>	Bushing, Urethane	6
4	<u>1016349</u>	Sleeve, Delta Inner	2
5	<u>1016350</u>	Sleeve, Delta Outer	1
6	<u>1016351</u>	Delta A-Plate	1
7	<u>101638502</u>	Weldment, Shock & Gear, Ca	1
8	<u>1017266</u>	A-Plate Strap	2
9	<u>102289201</u>	Nut - Hex Locking, M12 X 1.25	2
10	<u>103653601</u>	Asm, Tie Rod (includes items 11 through 15)	1
11	<u>1013042</u>	Nut, 12mm Hex	1
12	<u>102022601</u>	End, Tie Rod M12 X 1.25 Rh	1
13	<u>102022602</u>	End, Tie Rod, M12 X 1.25, Lh	1
14	<u>103354701</u>	Rod, Tie, Male Thd	1
15	<u>103653501</u>	Nut, Jam, M12-1.25, Lh	1
16	<u>105106601</u>	Shock Absorber, Front, 1 Bumper	2
17	<u>2402</u>	Screw, 3/8-16 X 2.25 Hx Hd Cap	4
18	<u>8754</u>	Locknut, 3/8-16 Hex	6
19	<u>8861</u>	Bolt, 3/8-16 X 1.75 Hex	2

6
G
E

6
G
E



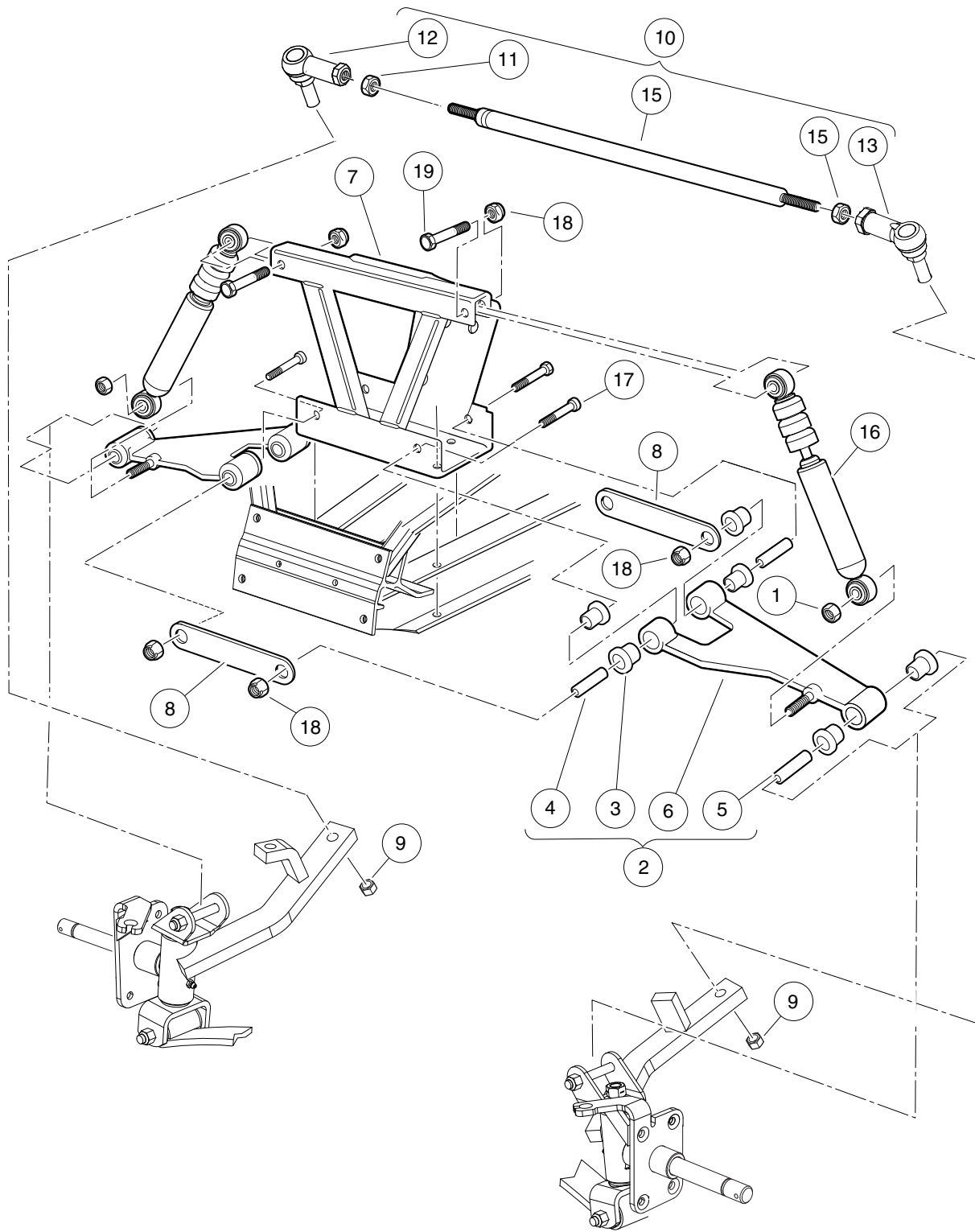
001509-001

FRONT SUSPENSION, LOWER, STD, 1 LEAF-3 PLATES

ITEM	PART NO.	DESCRIPTION	QTY
		1 2 3 4	
1	<u>1010150</u>	Bearing, Thrust	2
2	<u>1010177</u>	Bolt, 3/8-16 X 2.00 Hex Head	4
3	<u>1010200</u>	Bolt, 3/8-16 X 4.25 Hex Head	4
4	<u>1014276</u>	Plate, Front Spring Retainer	1
5	<u>1016384</u>	Clevis, Delta Upper	2
6	<u>1016386</u>	King Pin Assembly	2
7	<u>1016387</u>	Screw, 3/8-16 X 2.75 Hx Hd Cap	2
8	<u>1016389</u>	Washer, 1.125 Od Wave	2
9	<u>1017226</u>	Bolt, Hex-Head, 8mm X 1.25 - 30	3
10	<u>102564002</u>	Washer-1/2 Conical, Yellow	2
11	<u>102684501</u>	Washer, M12 Hard Regular	2
12	<u>102766301</u>	Nut, 1/2-20, Center Lock	2
13	<u>103507001</u>	Eccentric Bolt Common	1
14	<u>103628701</u>	Spring Asm, Front, 1 Leaf (includes items 15 through 17)	1
15	<u>1012303</u>	Bushing, Steel	2
16	<u>101558302</u>	Bushing, Urethane, Soft	4
17	103502601	Spring, Front, 1 Leaf	1
18	<u>103717302</u>	Asm, Spindle, Lh, 4wb, Sp (includes items 19 through 22)	1
19	<u>1015597</u>	Fitting, 1/4-28 Thread-Forming Grease	1
20	N/A	Subasm, Spindle, Lh, 4wb	1
21	<u>7048</u>	Bushing, Flanged Bronze	1
22	<u>8067</u>	Bushing, Bronze Spindle	1
23	<u>103717402</u>	Asm, Spindle, Rh, 4wb, Sp (includes items 24 through 27)	1
24	<u>1015597</u>	Fitting, 1/4-28 Thread-Forming Grease	1
25	N/A	Subasm, Spindle, Rh, 4wb	1
26	<u>7048</u>	Bushing, Flanged Bronze	1
27	<u>8067</u>	Bushing, Bronze Spindle	1
28	<u>105074201</u>	Shaft, Int, Steering, Sus Fwd	1
29	<u>105083301</u>	Plate, Spring Mount, Restyle	3
30	<u>357</u>	Lockwasher, 3/8 Split	4
31	<u>706</u>	Nut, Hex 3/8-16	5
32	<u>7174</u>	Lockwasher, 5/16 Split	3
33	<u>8754</u>	Locknut, 3/8-16 Hex	8
34	<u>8755</u>	Screw, 3/8-16 X 3.375 Hex Cap	2

6
G
E

6
G
E

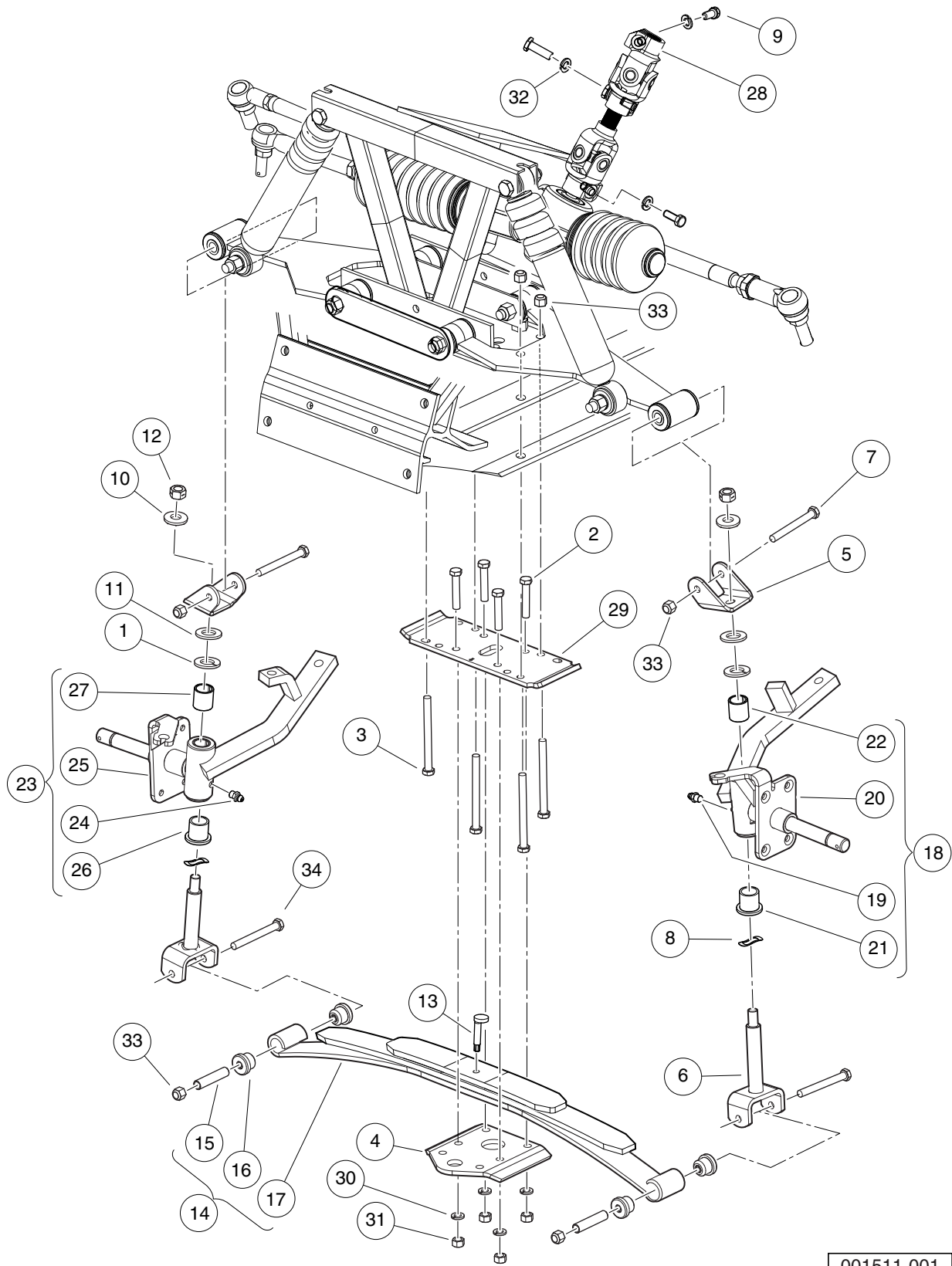


001510-001

FRONT SUSPENSION, UPPER, HD

ITEM	PART NO.	DESCRIPTION	QTY	
		1 2 3 4		6
1	<u>1010138</u>	Locknut, 3/8-16 Dimpled	2	G
2	<u>1016353</u>	Sub-Assembly, Delta A-Plate (includes items 3 through 6)	2	E
3	<u>1016346</u>	Bushing, Urethane	6	
4	<u>1016349</u>	Sleeve, Delta Inner	2	
5	<u>1016350</u>	Sleeve, Delta Outer	1	
6	<u>1016351</u>	Delta A-Plate	1	
7	<u>101638502</u>	Weldment, Shock & Gear, Ca	1	
8	<u>1017266</u>	A-Plate Strap	2	
9	<u>102289201</u>	Nut - Hex Locking, M12 X 1.25	2	
10	<u>103653601</u>	Asm, Tie Rod (includes items 11 through 15)	1	
11	<u>1013042</u>	Nut, 12mm Hex	1	
12	<u>102022601</u>	End, Tie Rod M12 X 1.25 Rh	1	
13	<u>102022602</u>	End, Tie Rod, M12 X 1.25, Lh	1	
14	<u>103354701</u>	Rod, Tie, Male Thd	1	
15	<u>103653501</u>	Nut, Jam, M12-1.25, Lh	1	
16	<u>105106702</u>	Shock Absorb, Frnt, 3 Bump Ele	2	
17	<u>2402</u>	Screw, 3/8-16 X 2.25 Hx Hd Cap	4	
18	<u>8754</u>	Locknut, 3/8-16 Hex	6	
19	<u>8861</u>	Bolt, 3/8-16 X 1.75 Hex	2	

6
G
E



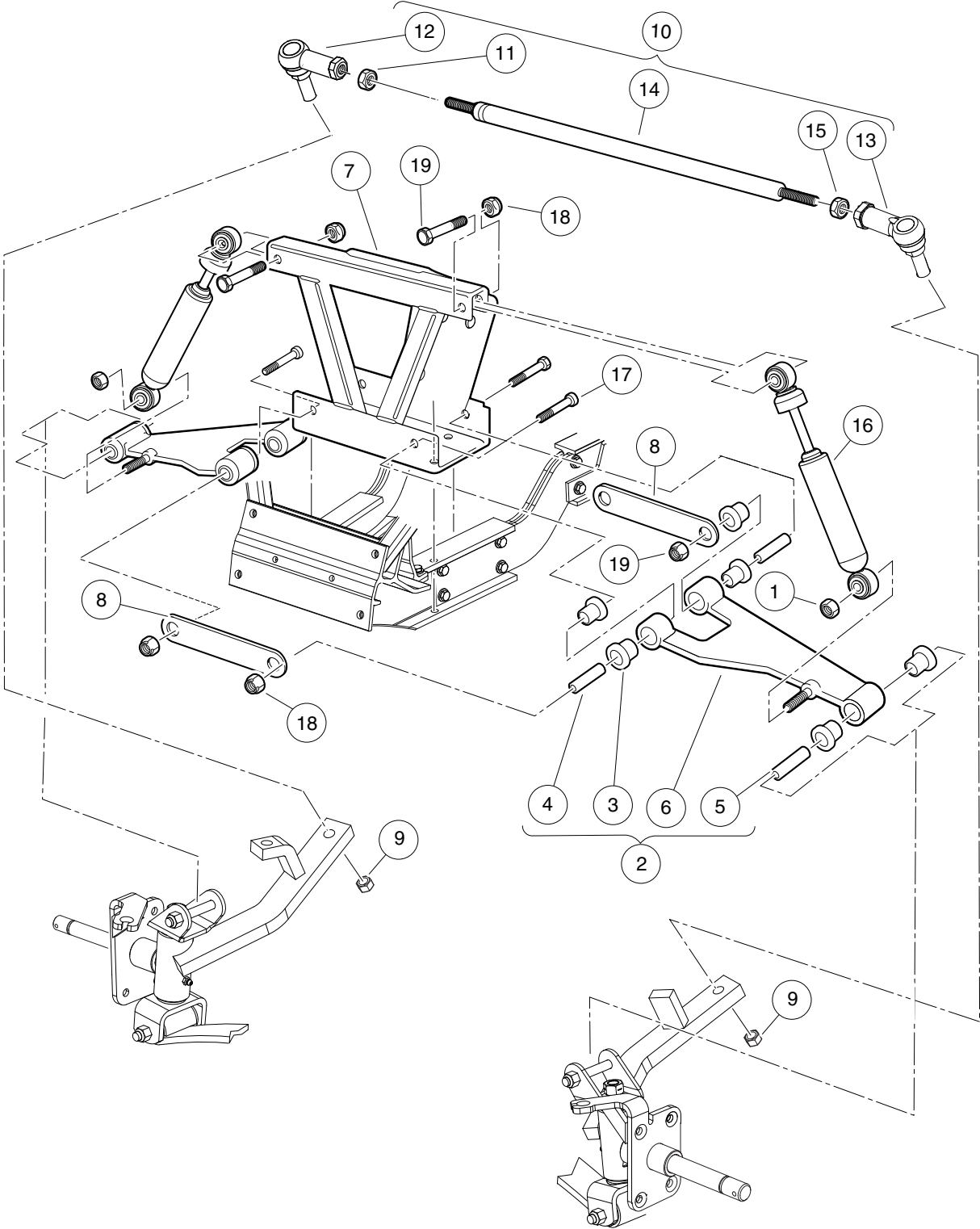
001511-001

FRONT SUSPENSION, LOWER, HD, 3 LEAF-1 PLATE

ITEM	PART NO.	DESCRIPTION	QTY
		1 2 3 4	
1	<u>1010150</u>	Bearing, Thrust	2
2	<u>1010177</u>	Bolt, 3/8-16 X 2.00 Hex Head	4
3	<u>1010200</u>	Bolt, 3/8-16 X 4.25 Hex Head	4
4	<u>1014276</u>	Plate, Front Spring Retainer	1
5	<u>1016384</u>	Clevis, Delta Upper	2
6	<u>1016386</u>	King Pin Assembly	2
7	<u>1016387</u>	Screw, 3/8-16 X 2.75 Hx Hd Cap	2
8	<u>1016389</u>	Washer, 1.125 Od Wave	2
9	<u>1017226</u>	Bolt, Hex-Head, 8mm X 1.25 - 30	3
10	<u>102564002</u>	Washer-1/2 Conical, Yellow	2
11	<u>102684501</u>	Washer, M12 Hard Regular	2
12	<u>102766301</u>	Nut, 1/2-20, Center Lock	2
13	<u>103507001</u>	Eccentric Bolt Common	1
14	<u>103628901</u>	Spring Asm, Front, 3 Leaf (includes items 15 through 17)	1
15	<u>1012303</u>	Bushing, Steel	2
16	<u>1015583</u>	Bushing, Urethane	4
17	103502801	Spring, Front, 3 Leaf	1
18	<u>103717302</u>	Asm, Spindle, Lh, 4wb, Sp (includes items 19 through 22)	1
19	<u>1015597</u>	Fitting, 1/4-28 Thread-Forming Grease	1
20	N/A	Subasm, Spindle, Lh, 4wb	1
21	<u>7048</u>	Bushing, Flanged Bronze	1
22	<u>8067</u>	Bushing, Bronze Spindle	1
23	<u>103717402</u>	Asm, Spindle, Rh, 4wb, Sp (includes items 24 through 27)	1
24	<u>1015597</u>	Fitting, 1/4-28 Thread-Forming Grease	1
25	N/A	Subasm, Spindle, Rh, 4wb	1
26	<u>7048</u>	Bushing, Flanged Bronze	1
27	<u>8067</u>	Bushing, Bronze Spindle	1
28	<u>105074201</u>	Shaft, Int, Steering, Sus Fwd	1
29	<u>105083301</u>	Plate, Spring Mount, Restyle	1
30	<u>357</u>	Lockwasher, 3/8 Split	4
31	<u>706</u>	Nut, Hex 3/8-16	5
32	<u>7174</u>	Lockwasher, 5/16 Split	3
33	<u>8754</u>	Locknut, 3/8-16 Hex	8
34	<u>8755</u>	Screw, 3/8-16 X 3.375 Hex Cap	2

6
G
E

6
G
E



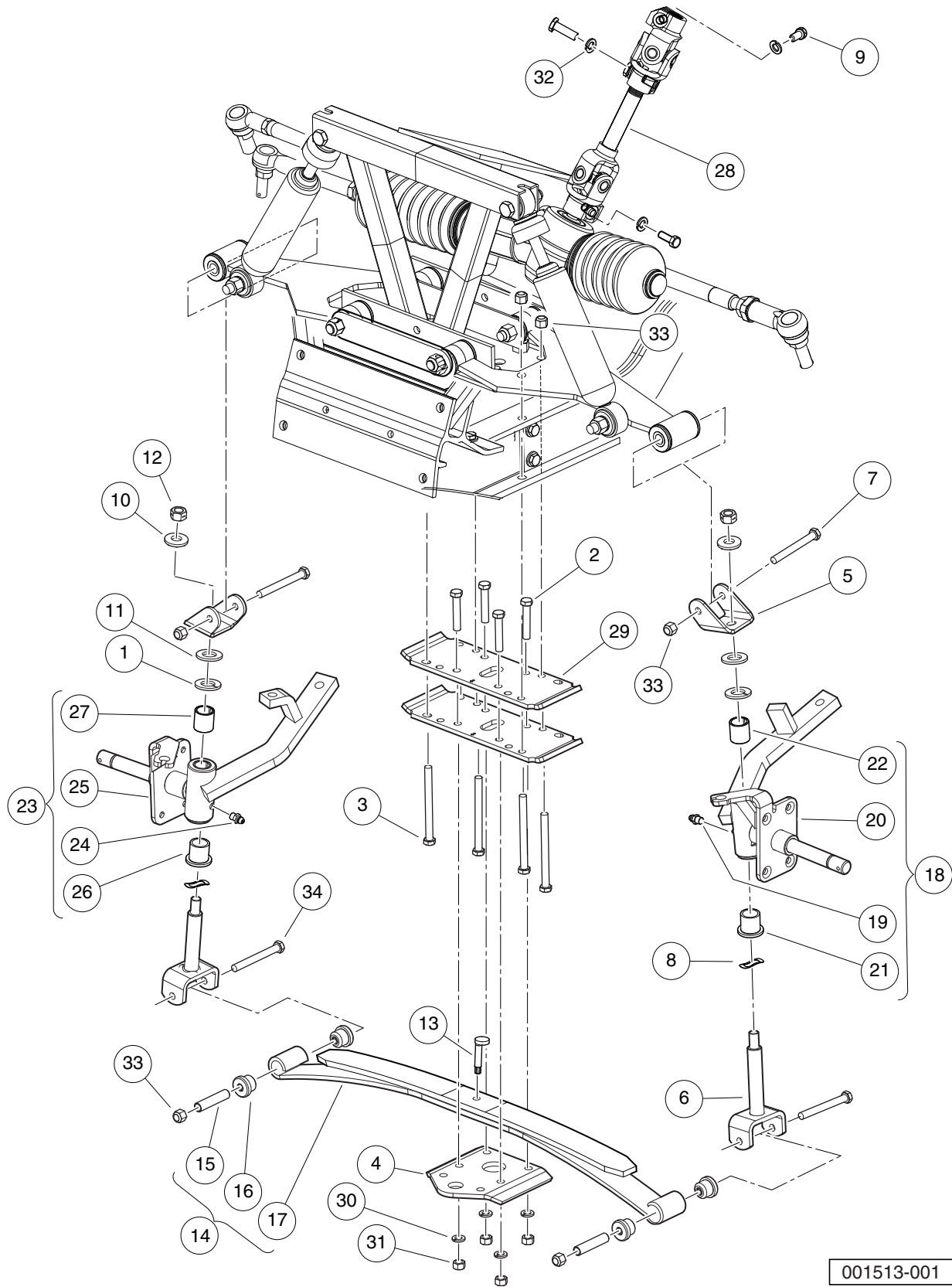
001512-001

FRONT SUSPENSION, UPPER, STD

ITEM	PART NO.	DESCRIPTION	QTY
		1 2 3 4	
1	<u>1010138</u>	Locknut, 3/8-16 Dimpled	2
2	<u>1016353</u>	Sub-Assembly, Delta A-Plate (includes items 3 through 6)	2
3	<u>1016346</u>	Bushing, Urethane	6
4	<u>1016349</u>	Sleeve, Delta Inner	2
5	<u>1016350</u>	Sleeve, Delta Outer	1
6	<u>1016351</u>	Delta A-Plate	1
7	<u>101638502</u>	Weldment, Shock & Gear, Ca	1
8	<u>1017266</u>	A-Plate Strap	2
9	<u>102289201</u>	Nut - Hex Locking, M12 X 1.25	2
10	<u>103653601</u>	Asm, Tie Rod (includes items 11 through 15)	1
11	<u>1013042</u>	Nut, 12mm Hex	1
12	<u>102022601</u>	End, Tie Rod M12 X 1.25 Rh	1
13	<u>102022602</u>	End, Tie Rod, M12 X 1.25, Lh	1
14	<u>103354701</u>	Rod, Tie, Male Thd	1
15	<u>103653501</u>	Nut, Jam, M12-1.25, Lh	1
16	<u>105106601</u>	Shock Absorber, Front, 1 Bumper	2
17	<u>2402</u>	Screw, 3/8-16 X 2.25 Hx Hd Cap	4
18	<u>8754</u>	Locknut, 3/8-16 Hex	6
19	<u>8861</u>	Bolt, 3/8-16 X 1.75 Hex	2

6
G
E

6
G
E



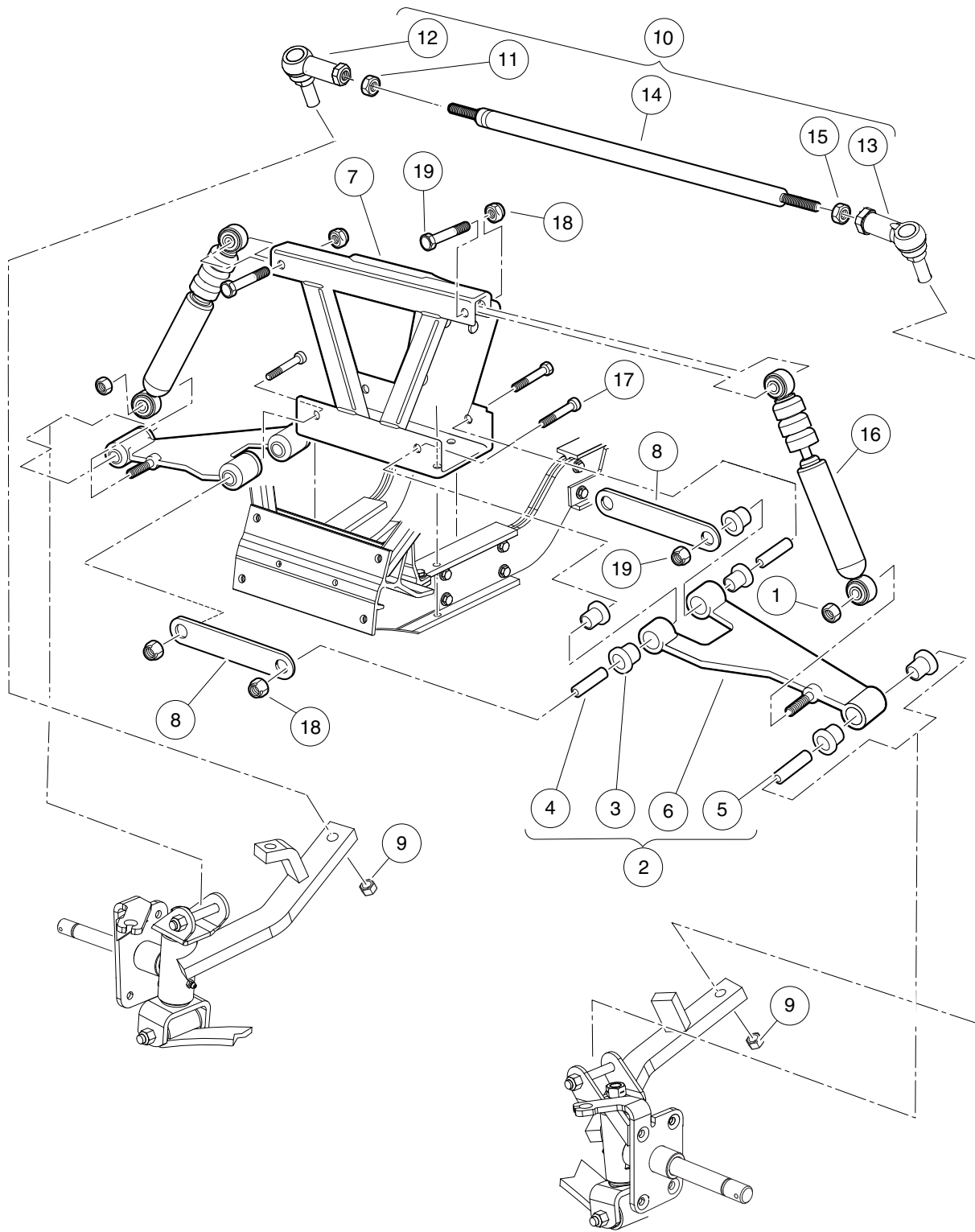
001513-001

FRONT SUSPENSION, LOWER, HD, 2 LEAF-2 PLATES

ITEM	PART NO.	DESCRIPTION	QTY
		1 2 3 4	
1	<u>1010150</u>	Bearing, Thrust	2
2	<u>1010177</u>	Bolt, 3/8-16 X 2.00 Hex Head	4
3	<u>1010200</u>	Bolt, 3/8-16 X 4.25 Hex Head	4
4	<u>1014276</u>	Plate, Front Spring Retainer	1
5	<u>1016384</u>	Clevis, Delta Upper	2
6	<u>1016386</u>	King Pin Assembly	2
7	<u>1016387</u>	Screw, 3/8-16 X 2.75 Hx Hd Cap	2
8	<u>1016389</u>	Washer, 1.125 Od Wave	2
9	<u>1017226</u>	Bolt, Hex-Head, 8mm X 1.25 - 30	3
10	<u>102564002</u>	Washer-1/2 Conical, Yellow	2
11	<u>102684501</u>	Washer, M12 Hard Regular	2
12	<u>102766301</u>	Nut, 1/2-20, Center Lock	2
13	<u>103507001</u>	Eccentric Bolt Common	1
14	<u>103628801</u>	Spring Asm, Front, 2 Leaf (includes items 15 through 17)	1
15	<u>1012303</u>	Bushing, Steel	2
16	<u>1015583</u>	Bushing, Urethane	4
17	<u>103502701</u>	Spring, Front, 2 Leaf	1
18	<u>103717302</u>	Asm, Spindle, Lh, 4wb, Sp (includes items 19 through 22)	1
19	<u>1015597</u>	Fitting, 1/4-28 Thread-Forming Grease	1
20	N/A	Subasm, Spindle, Lh, 4wb	1
21	<u>7048</u>	Bushing, Flanged Bronze	1
22	<u>8067</u>	Bushing, Bronze Spindle	1
23	<u>103717402</u>	Asm, Spindle, Rh, 4wb, Sp (includes items 24 through 27)	1
24	<u>1015597</u>	Fitting, 1/4-28 Thread-Forming Grease	1
25	N/A	Subasm, Spindle, Rh, 4wb	1
26	<u>7048</u>	Bushing, Flanged Bronze	1
27	<u>8067</u>	Bushing, Bronze Spindle	1
28	<u>103867901</u>	Joint, Steering, Lifted (includes items 29 and 30)	1
29	<u>1017226</u>	Bolt, Hex-Head, 8mm X 1.25 - 30	3
30	<u>7174</u>	Lockwasher, 5/16 Split	3
31	<u>105083301</u>	Plate, Spring Mount, Restyle	2
32	<u>357</u>	Lockwasher, 3/8 Split	4
33	<u>706</u>	Nut, Hex 3/8-16	5
34	<u>7174</u>	Lockwasher, 5/16 Split	3
35	<u>8754</u>	Locknut, 3/8-16 Hex	8
36	<u>8755</u>	Screw, 3/8-16 X 3.375 Hex Cap	2

6
G
E

6
G
E

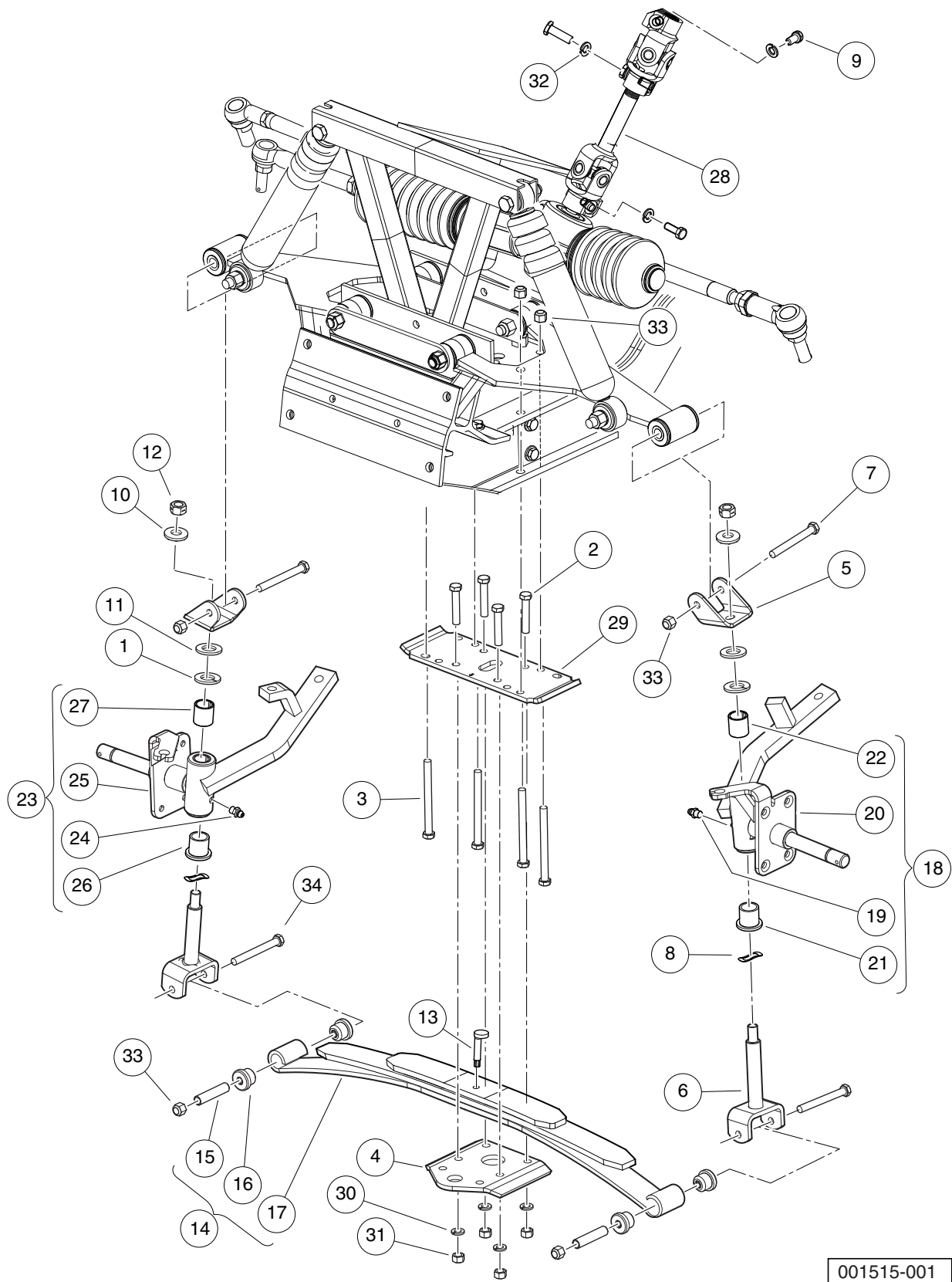


001200-012

FRONT SUSPENSION, UPPER, HD

ITEM	PART NO.	DESCRIPTION	QTY	6
		1 2 3 4		
1	<u>1010138</u>	Locknut, 3/8-16 Dimpled	2	G
2	<u>1016353</u>	Sub-Assembly, Delta A-Plate (includes items 3 through 6)	2	E
3	<u>1016346</u>	Bushing, Urethane	6	
4	<u>1016349</u>	Sleeve, Delta Inner	2	
5	<u>1016350</u>	Sleeve, Delta Outer	1	
6	<u>1016351</u>	Delta A-Plate	1	
7	<u>101638502</u>	Weldment, Shock & Gear, Ca	1	
8	<u>1017266</u>	A-Plate Strap	2	
9	<u>102289201</u>	Nut - Hex Locking, M12 X 1.25	2	
10	<u>103653601</u>	Asm, Tie Rod (includes items 11 through 15)	1	
11	<u>1013042</u>	Nut, 12mm Hex	1	
12	<u>102022601</u>	End, Tie Rod M12 X 1.25 Rh	1	
13	<u>102022602</u>	End, Tie Rod, M12 X 1.25, Lh	1	
14	<u>103354701</u>	Rod, Tie, Male Thd	1	
15	<u>103653501</u>	Nut, Jam, M12-1.25, Lh	1	
16	<u>105106702</u>	Shock Absorb, Frnt, 3 Bump Ele	2	
17	<u>2402</u>	Screw, 3/8-16 X 2.25 Hx Hd Cap	4	
18	<u>8754</u>	Locknut, 3/8-16 Hex	6	
19	<u>8861</u>	Bolt, 3/8-16 X 1.75 Hex	2	

6
G
E

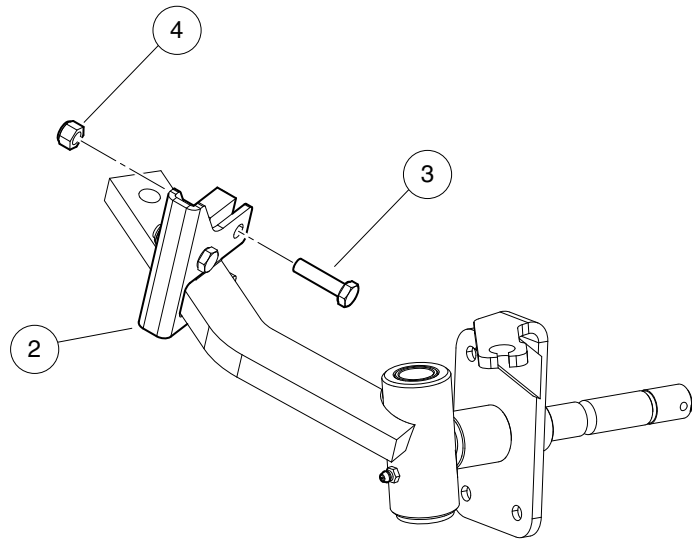


001515-001

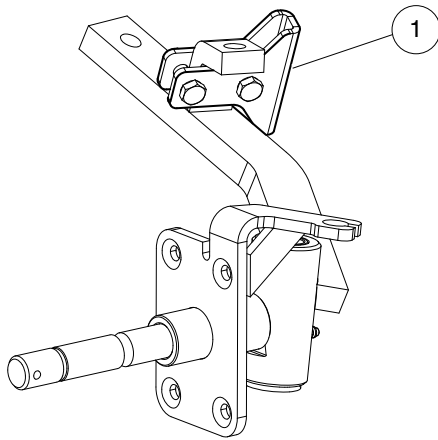
FRONT SUSPENSION, LOWER, HD, 3 LEAF-1 PLATE

ITEM	PART NO.	DESCRIPTION	QTY
		1 2 3 4	
1	<u>1010150</u>	Bearing, Thrust	2
2	<u>1010177</u>	Bolt, 3/8-16 X 2.00 Hex Head	4
3	<u>1010200</u>	Bolt, 3/8-16 X 4.25 Hex Head	4
4	<u>1014276</u>	Plate, Front Spring Retainer	1
5	<u>1016384</u>	Clevis, Delta Upper	2
6	<u>1016386</u>	King Pin Assembly	2
7	<u>1016387</u>	Screw, 3/8-16 X 2.75 Hx Hd Cap	2
8	<u>1016389</u>	Washer, 1.125 Od Wave	2
9	<u>1017226</u>	Bolt, Hex-Head, 8mm X 1.25 - 30	3
10	<u>102564002</u>	Washer-1/2 Conical, Yellow	2
11	<u>102684501</u>	Washer, M12 Hard Regular	2
12	<u>102766301</u>	Nut, 1/2-20, Center Lock	2
13	<u>103507001</u>	Eccentric Bolt Common	1
14	<u>103628901</u>	Spring Asm, Front, 3 Leaf (includes items 15 through 17)	1
15	<u>1012303</u>	Bushing, Steel	2
16	<u>1015583</u>	Bushing, Urethane	4
17	103502801	Spring, Front, 3 Leaf	1
18	<u>103717302</u>	Asm, Spindle, Lh, 4wb, Sp (includes items 19 through 22)	1
19	<u>1015597</u>	Fitting, 1/4-28 Thread-Forming Grease	1
20	N/A	Subasm, Spindle, Lh, 4wb	1
21	<u>7048</u>	Bushing, Flanged Bronze	1
22	<u>8067</u>	Bushing, Bronze Spindle	1
23	<u>103717402</u>	Asm, Spindle, Rh, 4wb, Sp (includes items 24 through 27)	1
24	<u>1015597</u>	Fitting, 1/4-28 Thread-Forming Grease	1
25	N/A	Subasm, Spindle, Rh, 4wb	1
26	<u>7048</u>	Bushing, Flanged Bronze	1
27	<u>8067</u>	Bushing, Bronze Spindle	1
28	<u>105074201</u>	Shaft, Int, Steering, Sus Fwd	1
29	<u>105083301</u>	Plate, Spring Mount, Restyle	1
30	<u>357</u>	Lockwasher, 3/8 Split	4
31	<u>706</u>	Nut, Hex 3/8-16	5
32	<u>7174</u>	Lockwasher, 5/16 Split	3
33	<u>8754</u>	Locknut, 3/8-16 Hex	8
34	<u>8755</u>	Screw, 3/8-16 X 3.375 Hex Cap	2

6
G
E



**DRIVER SIDE
SPINDLE**



**PASSENGER SIDE
SPINDLE**



001529-001

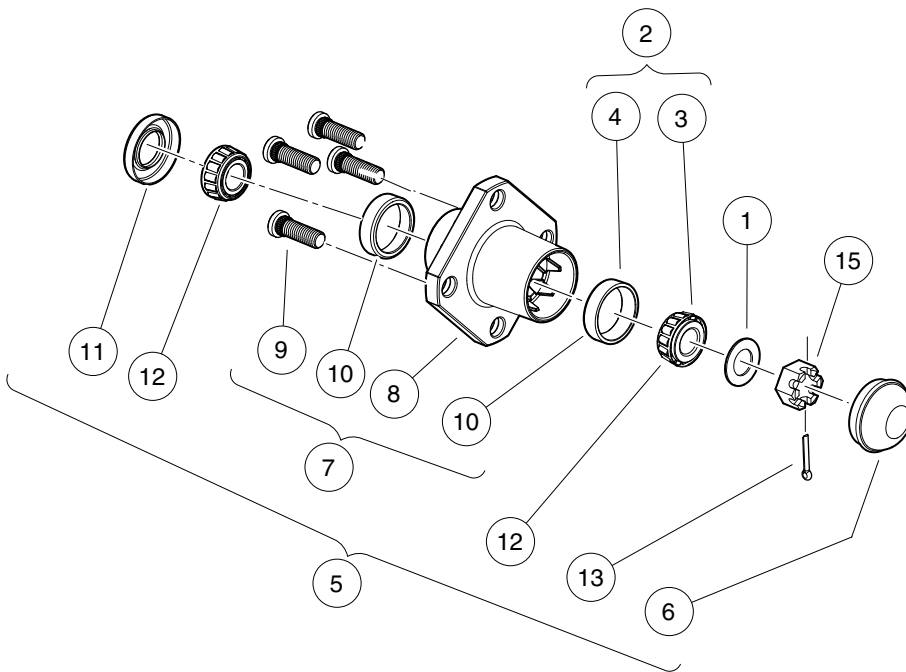
STEERING STOP

ITEM	PART NO.	DESCRIPTION	QTY
		1 2 3 4	
1	<u>105242801</u>	Brkt, Steering Stop, Pass, Ca	1
2	<u>105243001</u>	Brkt, Steering Stop, Drv, Ca	1
3	1218	Screw, 5/16-18 X 1.25 Hex-Head Cap	4
4	<u>7473</u>	Locknut, 5/16-18 Nylon Insert	4
<p>Note: Steering Stops <u>105242801</u> and <u>105243001</u> are required if vehicle is equipped with the 105100601, HD Bumper Kit.</p>			

6

G

E



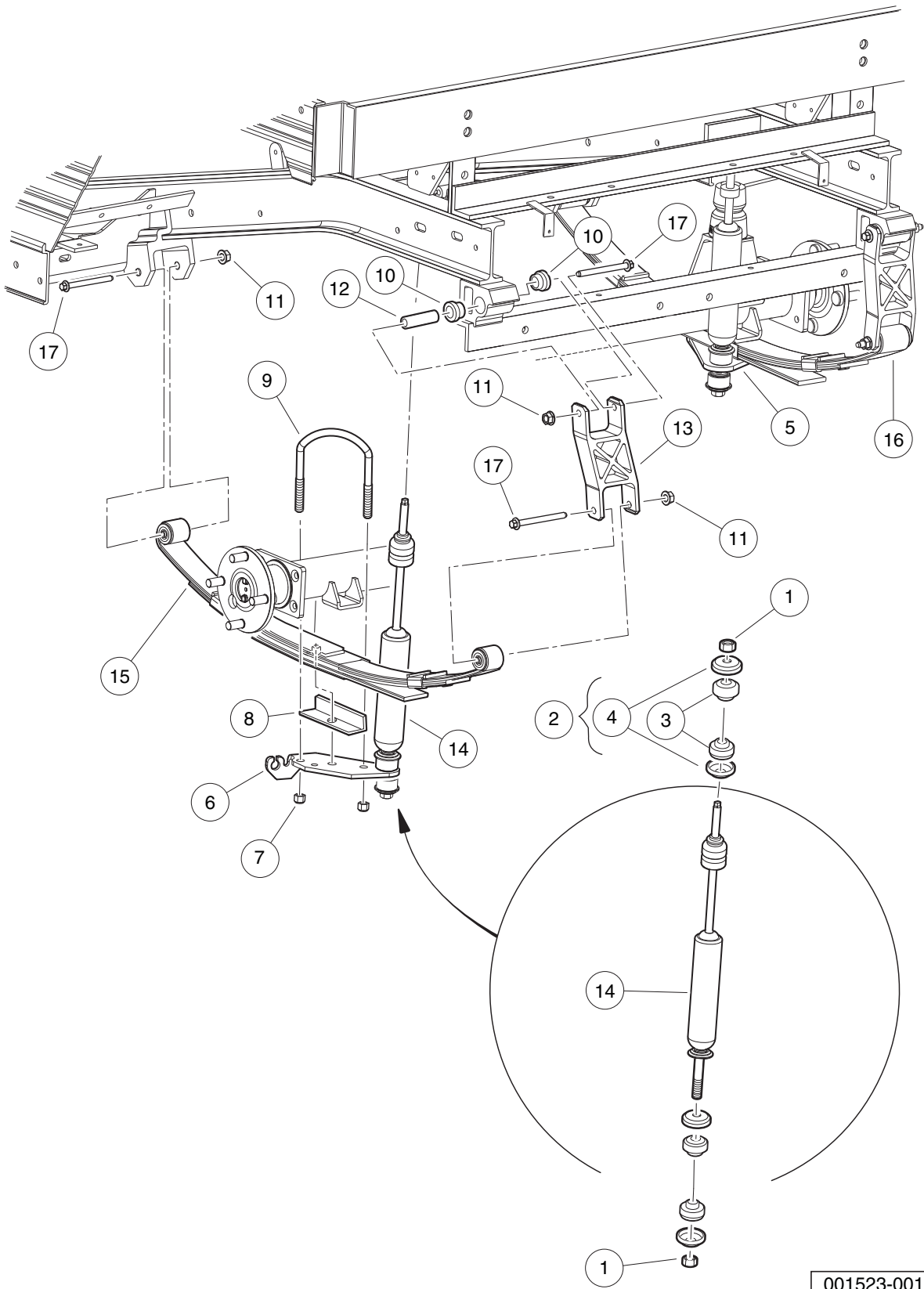
001520-002

FRONT WHEEL HUBS

ITEM	PART NO.	DESCRIPTION	QTY
		1 2 3 4	
1	<u>1010005</u>	Washer, 3/4 Flat	2
2	<u>1011393</u>	Hub Bearing Package (includes items 3 and 4)	4
3	7274	Bearing, Front Hub Wheel	1
4	7308	Race, Front Hub Bearing	1
5	<u>1011892</u>	Hub Assembly (includes items 6 through 13)	1
6	<u>1011887</u>	Dust Cover	1
7	N/A	Hub (includes items 8 through 10)	1
8	N/A	Front Hub	1
9	<u>103477901</u>	Lug Stud, 1/2-20 Unf, 4037	4
10	7308	Race, Front Hub Bearing	2
11	<u>1013135</u>	Seal, Double Lip	1
12	7274	Bearing, Front Hub Wheel	2
13	<u>7910</u>	Pin, 5/32 X 1.00 Cotter	1
14	<u>1013135</u>	Seal, Double Lip	2
15	<u>7840</u>	Nut, 3/4-16 Hex Slotted	2

6
G
E

6
G
E



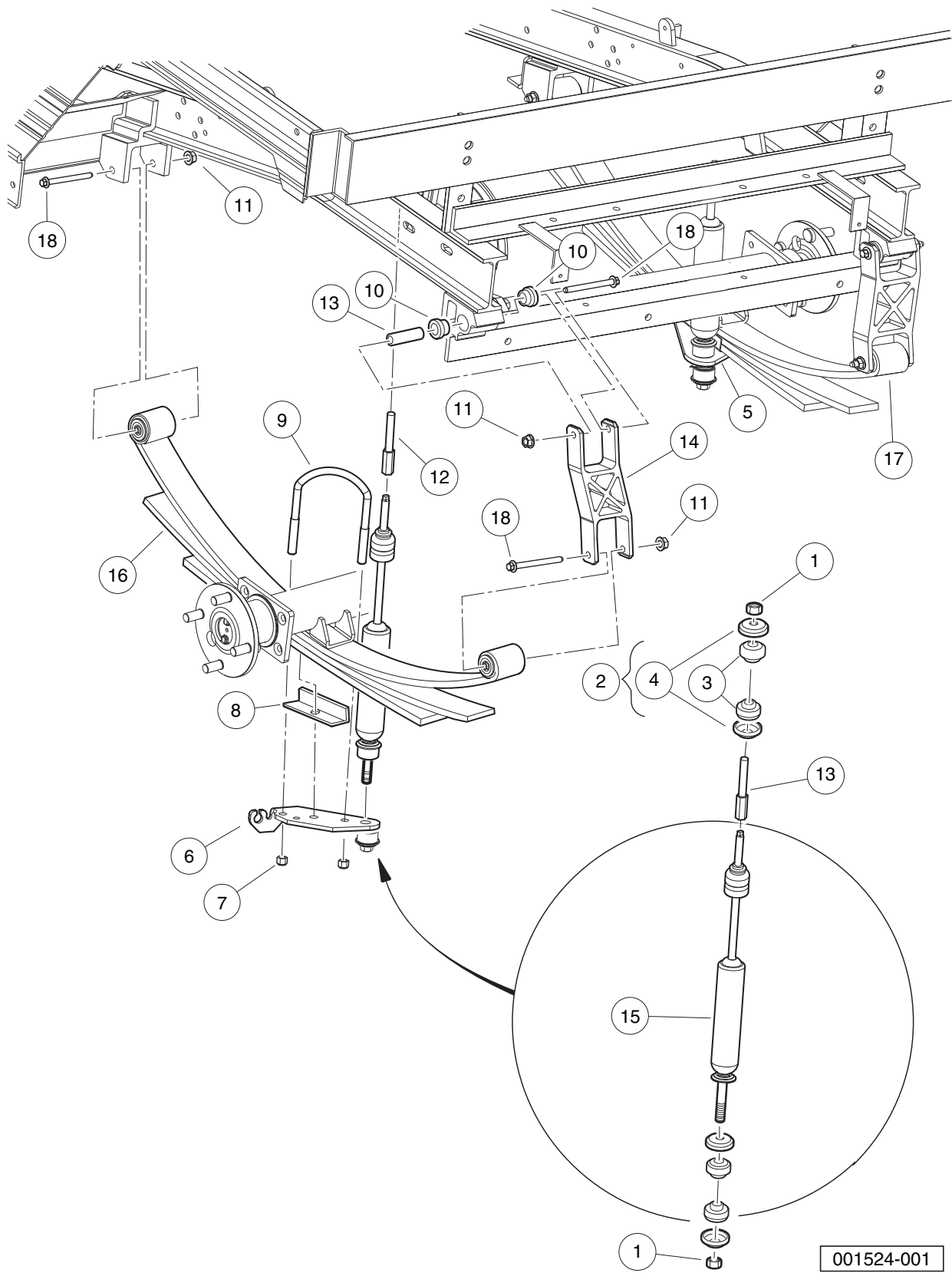
001523-001

REAR SUSPENSION COMPONENTS, STANDARD

ITEM	PART NO.	DESCRIPTION	QTY
		1 2 3 4	
1	<u>1010145</u>	Nut, 3/8-24 Hex	4
2	<u>1011415</u>	Kit, Shock Absorber Cushion (includes items 3 and 4)	4
3	N/A	Cushion, Shock Absorber	2
4	N/A	Retainer, Shock Absorber Cushion	2
5	1012181	Bracket, Shock Mounting, Right (Passenger)	1
6	1012182	Bracket, Shock Mounting, Left (Driver)	1
7	<u>1014555</u>	Locknut, 7/16-14 Nylon Hex	4
8	1014573	Spring Retainer	2
9	<u>1014902</u>	U-Bolt	2
10	<u>101558302</u>	Bushing, Urethane, Soft	4
11	<u>102298401</u>	Nut,m8,all Metal Lock	6
12	<u>102506401</u>	Sleeve - Spring Eye Mounts	2
13	<u>105068902</u>	Shackle, 6", Com, Machined	2
14	<u>105106801</u>	Shock Absorber,Rear, 2 Bumper	2
15	<u>105186201</u>	Asm, Spring 600lb Nr Std, Lh	1
16	<u>105186202</u>	Asm, Spring 600lb Nr Std, Rh	1
17	<u>105188185</u>	Bolt, M8x85mm,10.9 Grade	6

6
G
E

6
G
E



REAR SUSPENSION COMPONENTS (LIFTED)

ITEM	PART NO.	DESCRIPTION	QTY	6
		1 2 3 4		
1	<u>1010145</u>	Nut, 3/8-24 Hex	4	G
2	<u>1011415</u>	Kit, Shock Absorber Cushion (includes items 3 and 4)	4	E
3	N/A	Cushion, Shock Absorber	2	
4	N/A	Retainer, Shock Absorber Cushion	2	
5	1012181	Bracket, Shock Mounting, Right (Passenger)	1	
6	1012182	Bracket, Shock Mounting, Left (Driver)	1	
7	<u>1014555</u>	Locknut, 7/16-14 Nylon Hex	4	
8	1014573	Spring Retainer	2	
9	<u>1014902</u>	U-Bolt	2	
10	<u>101558302</u>	Bushing, Urethane, Soft	4	
11	<u>102298401</u>	Nut,m8,all Metal Lock	6	
12	<u>102399001</u>	Shock Extension	2	
13	<u>102506401</u>	Sleeve - Spring Eye Mounts	2	
14	<u>105068902</u>	Shackle, 6", Com, Machined	2	
15	<u>105106801</u>	Shock Absorber,Rear, 2 Bumper	2	
16	<u>105186301</u>	Asm, Spring 600lb Nr Lifted Lh	1	
17	<u>105186302</u>	Asm, Spring 600lb Nr Lifted Rh	1	
18	<u>105188185</u>	Bolt, M8x85mm,10.9 Grade	6	

6

G

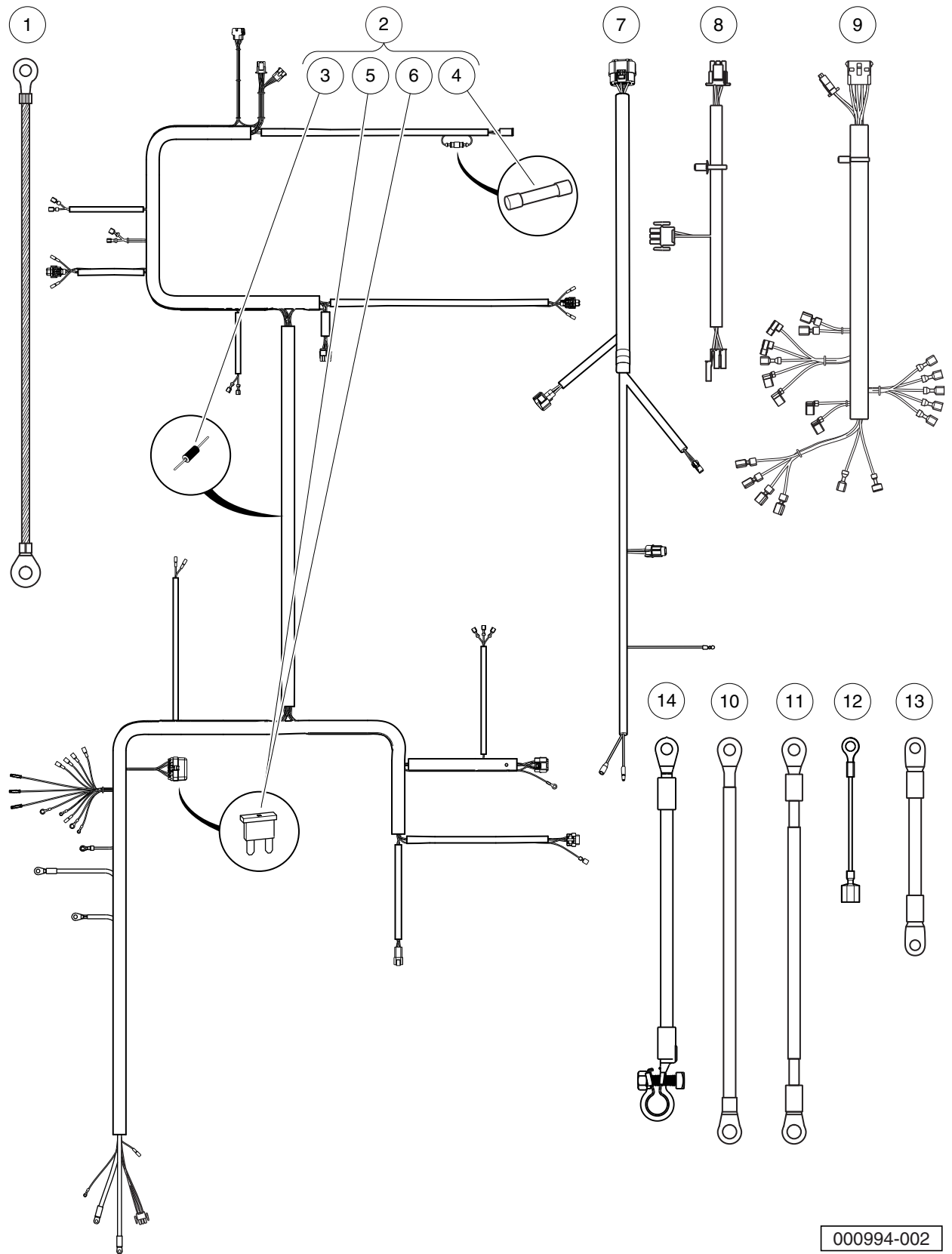
E

ELECTRICAL SYSTEM – GASOLINE EFI

7

G

7
G



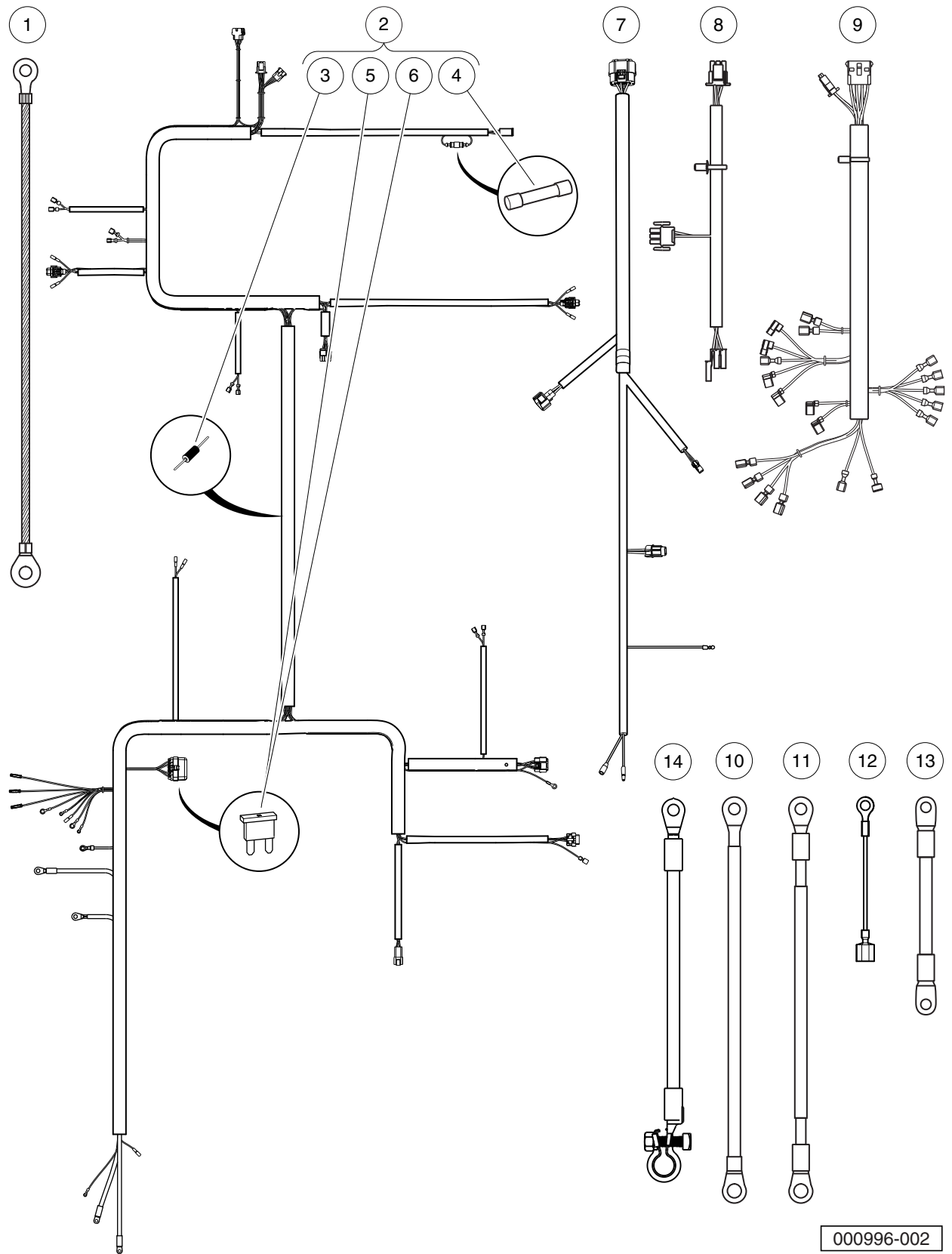
000994-002

WIRING, FUSES, AND DIODES, PEDAL-START – EFI

ITEM	PART NO.	DESCRIPTION	QTY
		1 2 3 4	
1	<u>1015332</u>	Wire, Ground, #10, Uninsulated	1
2	<u>105007701</u>	Harness, Wire, Main, CA500/550, Pedal-Start Gas (includes items 3 through 6)	1
3	<u>1014789</u>	Diode, General Purpose, 3.0-Amp	2
4	<u>103924801</u>	Fuse, Glass, 2-Amp	1
5	<u>105081501</u>	Fuse, ATM, 5-Amp	1
6	<u>105081601</u>	Fuse, ATM, 10-Amp	1
7	<u>105008101</u>	Harness, Wire, ECU/Engine	1
8	<u>105093301</u>	Harness, Wire, FNR Connector, CA300-700	1
9	<u>105095101</u>	Harness, Wire, Instr. Panel, Gas, CA300-700	1
10	<u>105135901</u>	Wire, Battery (side-post), B-, Gas	1
11	<u>105136001</u>	Wire, Battery (side-post), B+, Gas	1
12	<u>105143301</u>	Wire, Ground, Fuel Tank	1
13	<u>105161701</u>	Wire, 4-Ga, Green, Starter/Generator	1
14	<u>105256801</u>	Wire Assy, 4ga, Battery, (top-post) B+, Gas	1
		Note: For ECU, see Throttle Body in Fuel System section.	

7
G

7
G

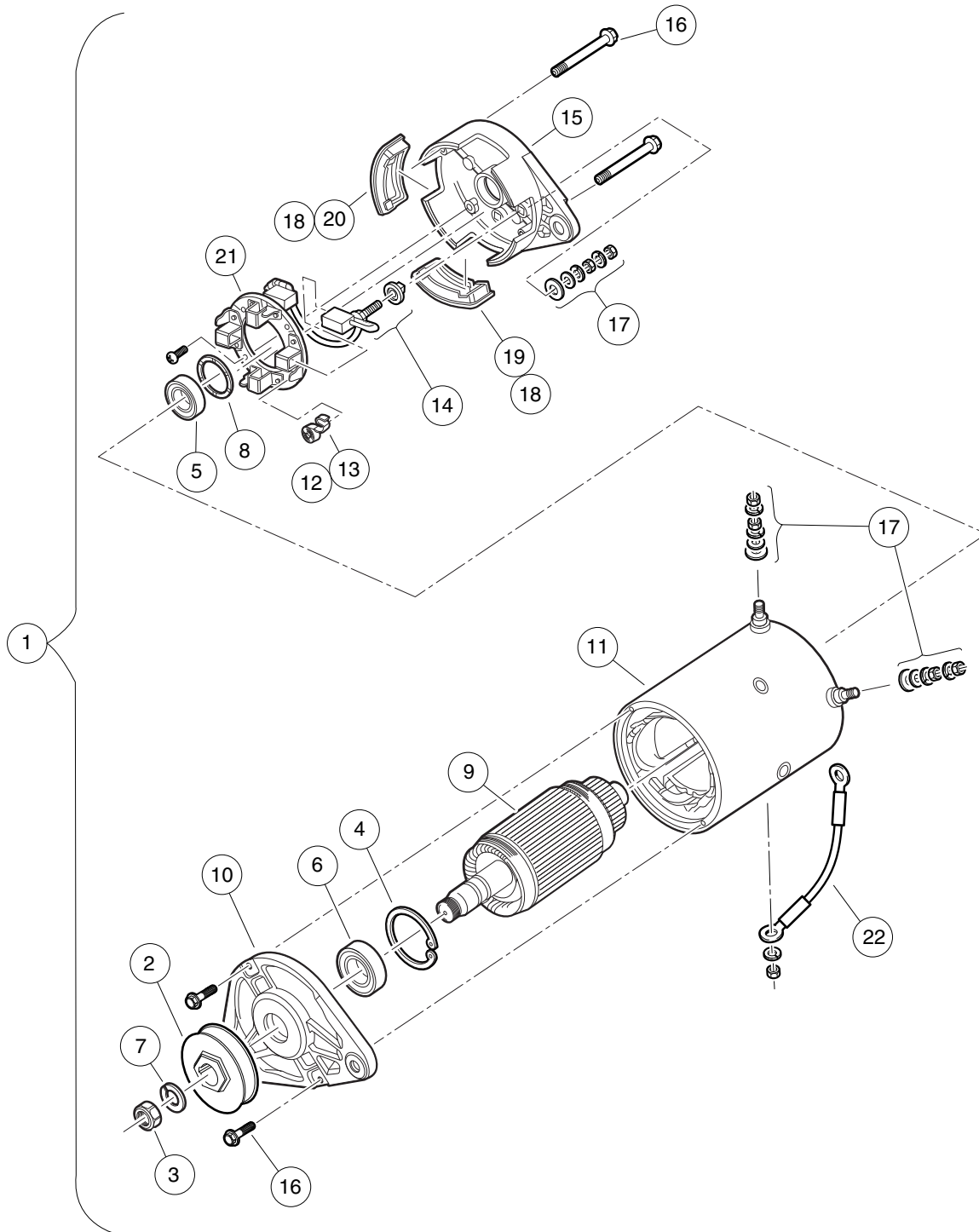


000996-002

WIRING, FUSES, AND DIODES, KEY-START – EFI

ITEM	PART NO.	DESCRIPTION	QTY
		1 2 3 4	
1	<u>1015332</u>	Wire, Ground, #10, Uninsulated	1
2	105008001	Harness, Wire, Main, CA500/550, Key-Start Gas (includes items 3 through 6)	1
3	<u>1014789</u>	Diode, General Purpose, 3.0-Amp	2
4	<u>103924801</u>	Fuse, Glass, 2-Amp	1
5	105081501	Fuse, ATM, 5-Amp	1
6	105081601	Fuse, ATM, 10-Amp	1
7	<u>105008101</u>	Harness, Wire, ECU/Engine	1
8	<u>105093301</u>	Harness, Wire, FNR Connector, CA300-700	1
9	<u>105095101</u>	Harness, Wire, Instr. Panel, Gas, CA300-700	1
10	<u>105135901</u>	Wire, Battery (side-post), B-, Gas	1
11	<u>105136001</u>	Wire, Battery (side-post), B+, Gas	1
12	<u>105143301</u>	Wire, Ground, Fuel Tank	1
13	<u>105161701</u>	Wire, 4-Ga, Green, Starter/Generator	1
14	<u>105256801</u>	Wire Assy, 4ga, Battery, (top-post) B+, Gas	1
		Note: For ECU, see Throttle Body in Fuel System section.	

7
G

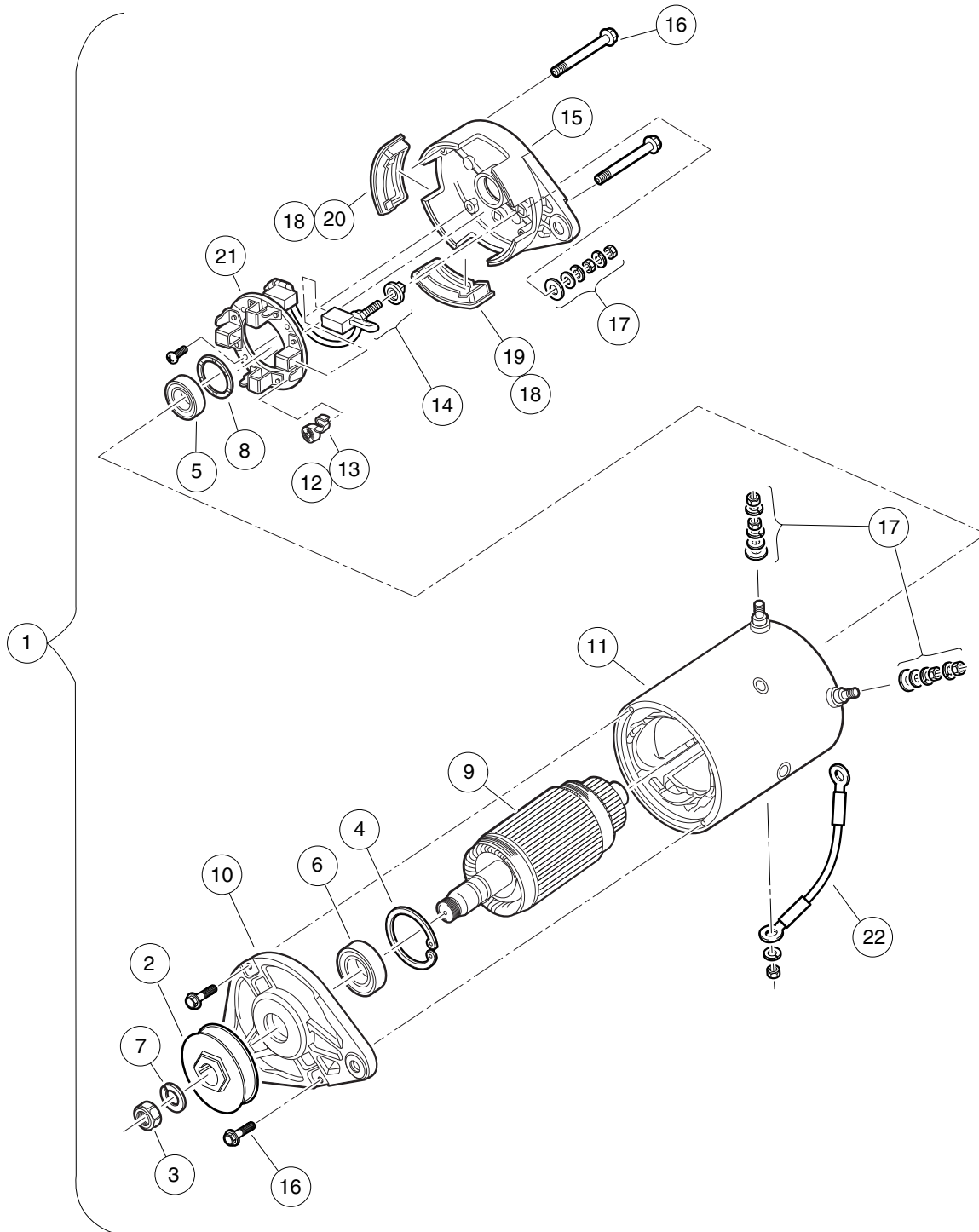


001016-001

STARTER/GENERATOR (MODEL 114-04-4006), KEY-START – EFI

ITEM	PART NO.	DESCRIPTION	QTY
		1 2 3 4	
1	<u>105190102</u>	Starter/Generator, Bi-Rotational, Utility, Key-Start (includes items 2 through 22)	1
2	<u>1014289</u>	Pulley, Starter/Generator	1
3	<u>102838701</u>	Nut, Hex, M14x2, S/G	1
4	<u>102838801</u>	Retainer, Front, S/G	1
5	<u>102838901</u>	Bearing, Ball, Front, S-g	1
6	<u>102839001</u>	Bearing, Ball, Front, S-g	1
7	<u>102839301</u>	Washer, Lock M14x2, S-g	1
8	<u>102841101</u>	Washer, Wave, S-g	1
9	N/A	Asm, Armature, Starter/Generator	1
10	<u>102844601</u>	Head, Drive End, S-g	1
11	<u>102844701</u>	Asm, Frame and Field, Starter/Generator	1
12	<u>103347101</u>	Kit, Spring Brush, Starter/Generator (includes item 13)	1
13	N/A	Spring, Brush, S-g	4
14	<u>103347301</u>	Set, Brush Term, S-g	1
15	<u>103347601</u>	Head, Comm End, S-g	1
16	<u>103347701</u>	Set, Fastener, Ceh Deh, S-g	1
17	<u>103347801</u>	Set, Term Hardware, S/G	1
18	<u>103347901</u>	Kit, Cover, Brush Insp, Starter/Generator (includes items 19 and 20)	1
19	N/A	Plug, Rubber Drain, Start/Generator	3
20	N/A	Cover, Inspection, S-g	1
21	<u>103953301</u>	Kit, Brush And Brush Holder	1
22	<u>105161701</u>	Wire, 4-Ga, Green, Starter/Generator	1

7
G

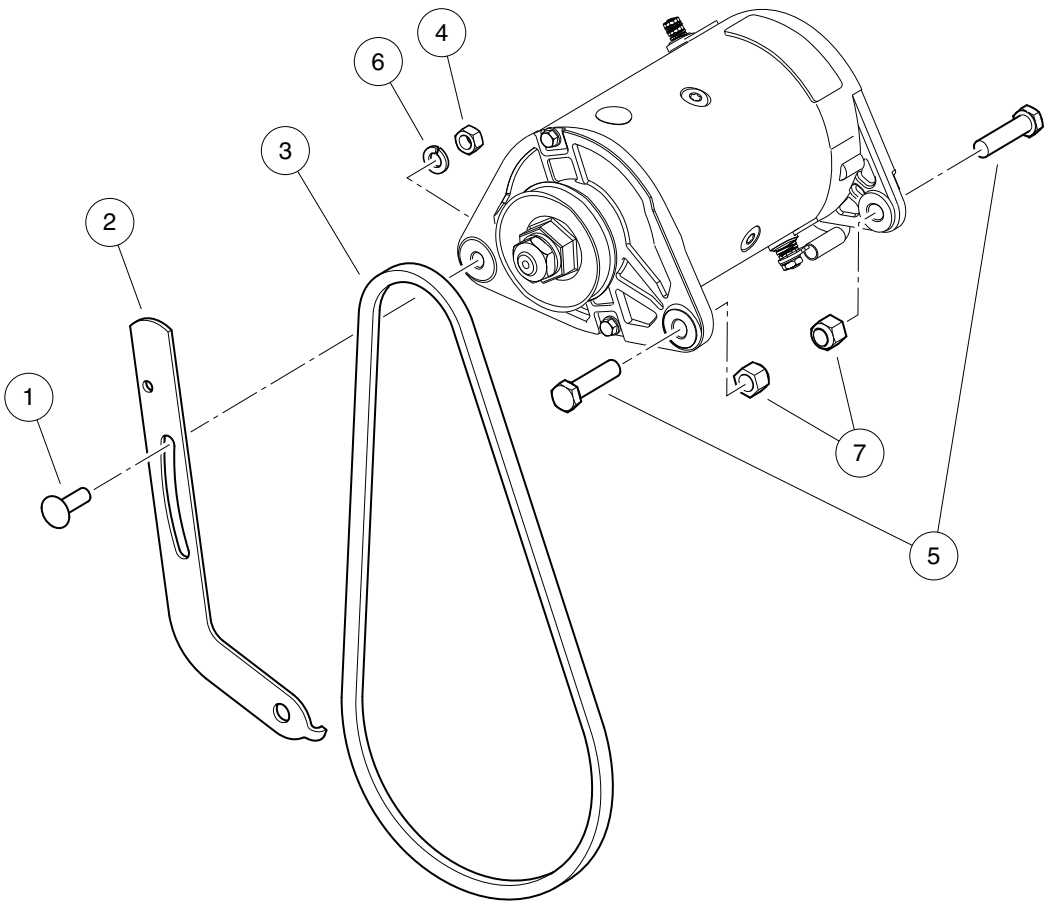


001016-001

STARTER/GENERATOR (MODEL 114-05-4001), PEDAL-START – EFI

ITEM	PART NO.	DESCRIPTION	QTY
		1 2 3 4	
1	<u>105190101</u>	Starter/Generator, High-Torque, Utility, Pedal-Start (includes items 2 through 22)	1
2	<u>1014289</u>	Pulley, Starter/Generator	1
3	<u>102838701</u>	Nut, Hex, M14x2, S/G	1
4	<u>102838801</u>	Retainer, Front, S/G	1
5	<u>102838901</u>	Bearing, Ball, Front, S-g	1
6	<u>102839001</u>	Bearing, Ball, Front, S-g	1
7	<u>102839301</u>	Washer, Lock M14x2, S-g	1
8	<u>102841101</u>	Washer, Wave, S-g	1
9	N/A	Asm, Armature, Starter/Generator	1
10	<u>102844601</u>	Head, Drive End, S-g	1
11	<u>102844701</u>	Asm, Frame and Field, Starter/Generator	1
12	<u>103347101</u>	Kit, Spring Brush, Starter/Generator (includes item 13)	1
13	N/A	Spring, Brush, S-g	4
14	<u>103347301</u>	Set, Brush Term, S-g	1
15	<u>103347601</u>	Head, Comm End, S-g	1
16	<u>103347701</u>	Set, Fastener, Ceh Deh, S-g	1
17	<u>103347801</u>	Set, Term Hardware, S/G	1
18	<u>103347901</u>	Kit, Cover, Brush Insp, Starter/Generator (includes items 19 and 20)	1
19	N/A	Plug, Rubber Drain, Start/Generator	3
20	N/A	Cover, Inspection, S-g	1
21	<u>103953301</u>	Kit, Brush And Brush Holder	1
22	<u>105161701</u>	Wire, 4-Ga, Green, Starter/Generator	1

7
G



001009-001

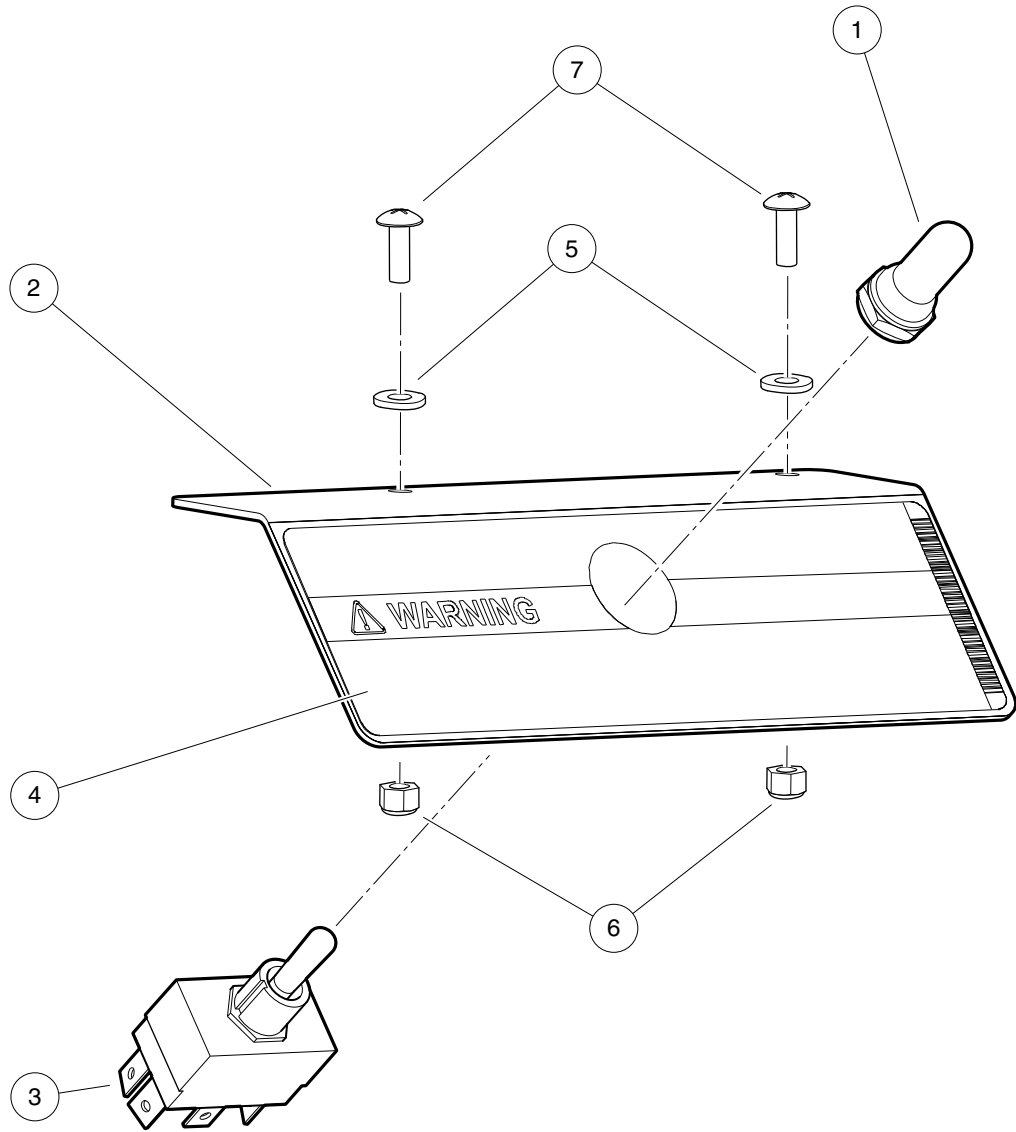
STARTER/GENERATOR MOUNTING – EX40

ITEM	PART NO.	DESCRIPTION	QTY
		1 2 3 4	
1	<u>1015932</u>	Bolt, Carriage, 5/16-18	1
2	<u>104005301</u>	Bracket, Adjustable, Starter/Generator, EX40	1
3	<u>105205401</u>	Belt, Sg, 871, Ex40	1
4	<u>1242</u>	Nut, 5/16-18 Hex	1
5	<u>1624</u>	Screw, 3/8-16 X 1.50, Hex-Head Cap	2
6	<u>7174</u>	Lockwasher, 5/16 Split	1
7	<u>8754</u>	Locknut, 3/8-16 Hex	2

7

G

7
G

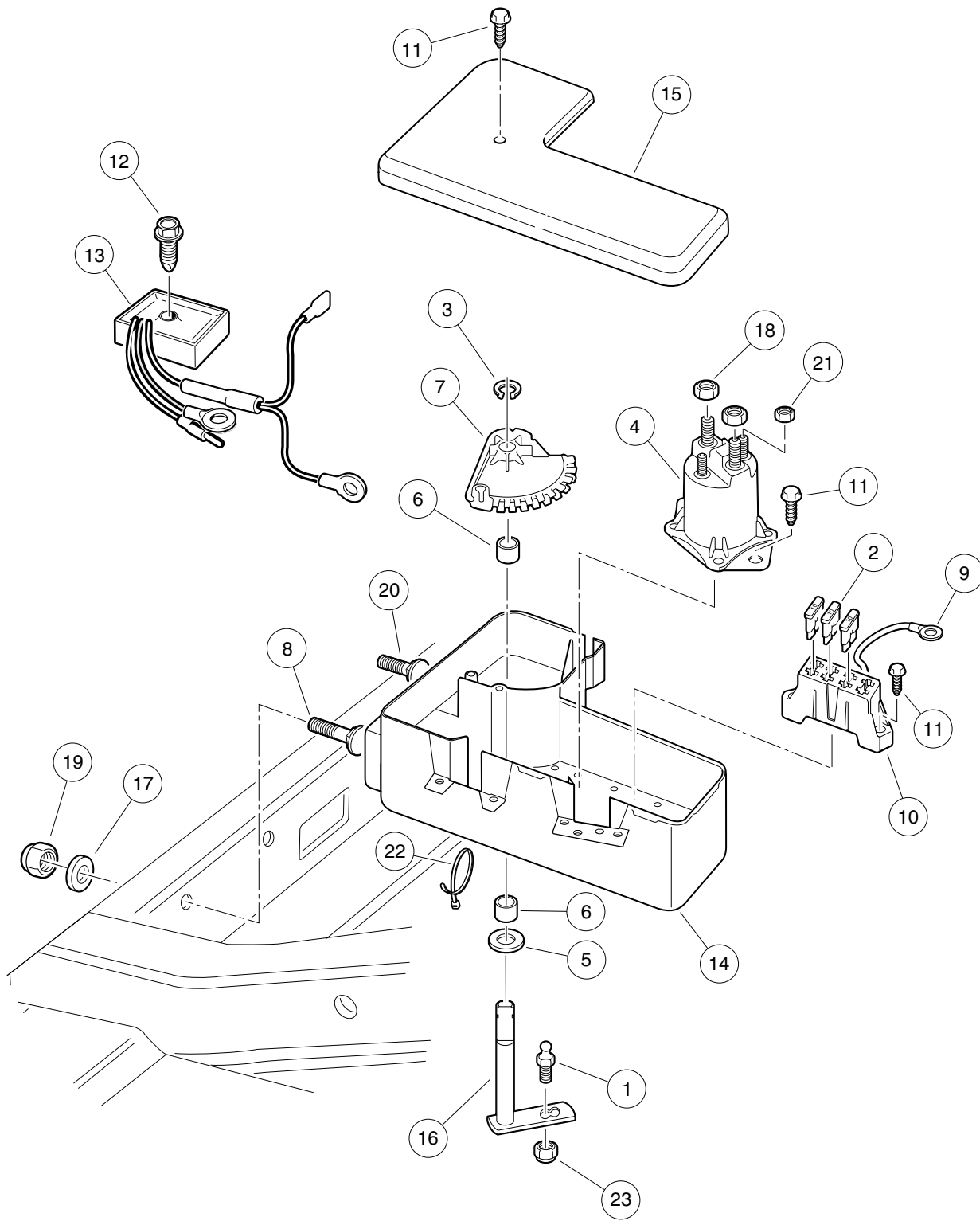


000755-003

OPERATION AND MAINTENANCE SWITCH

ITEM	PART NO.	DESCRIPTION	QTY
		1 2 3 4	
1	<u>101908401</u>	Boot, Switch	1
2	<u>101922501</u>	Bracket, Tow/Run Switch Mounting	1
3	<u>103198401</u>	Switch, Toggle, SPDT	1
4	<u>103205501</u>	Decal, Run/Service Switch	1
5	<u>332</u>	Washer, 1/4 Type A Narrow Flat	2
6	<u>8233</u>	Locknut, 1/4-20, Nylon Insert	2
7	<u>8248</u>	Screw, 1/4-20 X 0.75, Truss-Head Machine	2

7
G



001014-002

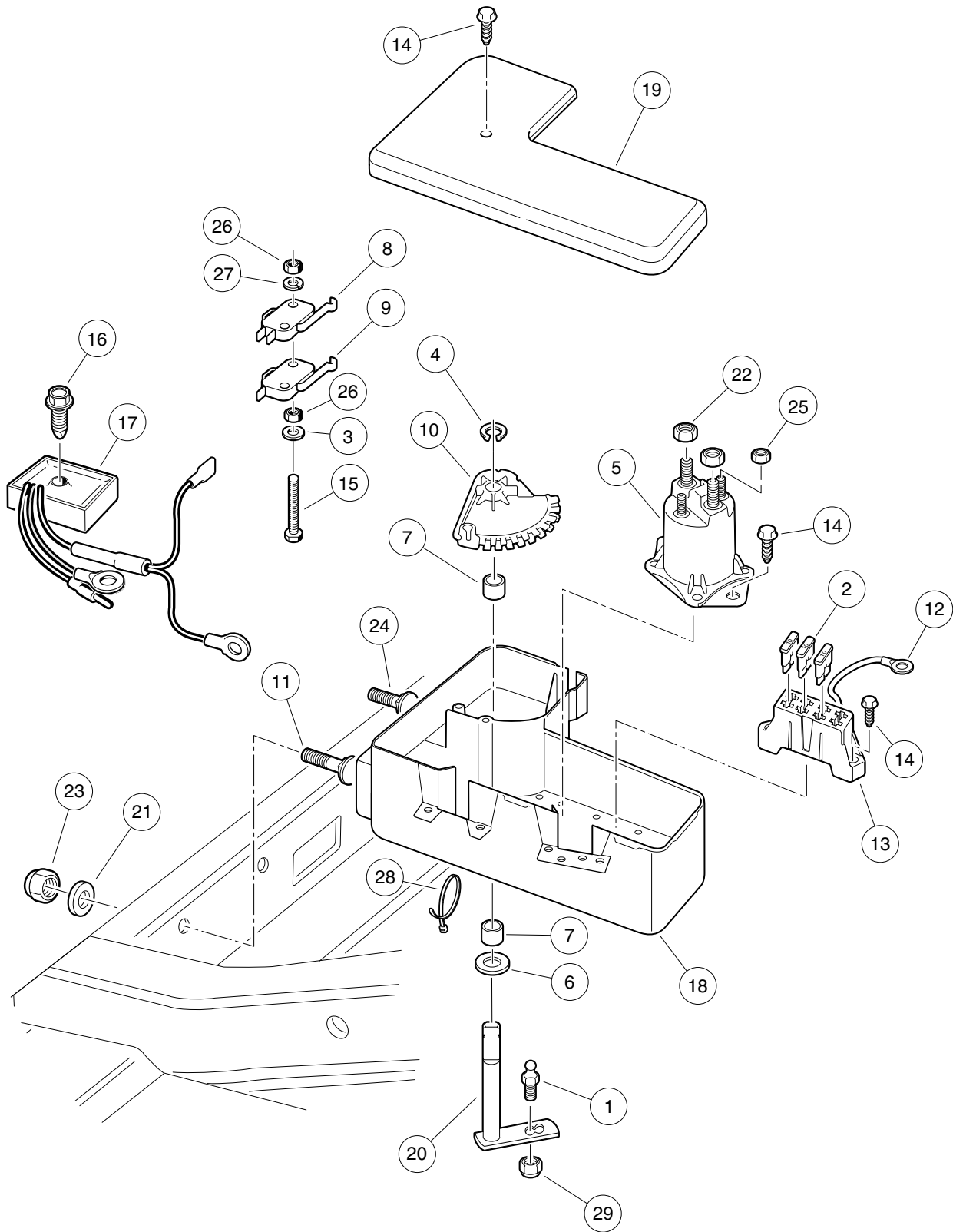
ELECTRICAL COMPONENT BOX, KEY-START – EX40

ITEM	PART NO.	DESCRIPTION	QTY
		1 2 3 4	
1	<u>1010954</u>	Stud, Ball, 1/4-28 X 0.560	1
2	<u>1012295</u>	Fuse, 10-Amp	3
3	<u>1013589</u>	Ring, Retaining, 0.338" Internal	1
4	<u>1013609</u>	Solenoid, 12-Volt	1
5	<u>1014065</u>	Washer, Flat, 0.38" ID, Delrin	1
6	<u>1014145</u>	Bushing, Secondary Weight, Split	2
7	<u>1015373</u>	Cam, Electric Box	1
8	<u>1015405</u>	Bolt, Carriage, 5/16-18 X 2.0	1
9	<u>1015737</u>	Wire Assy, #10 Red	1
10	<u>1015741</u>	Fuse Block	1
11	<u>1015752</u>	Screw, #12-16 X 0.625, Hi-Lo	5
12	<u>101856102</u>	Screw, 1/4-15 X 1.50, Hi-lo, Hex	1
13	<u>102711201</u>	Voltage Regulator	1
14	105000301	Box, Component, Electrical	1
15	<u>105000401</u>	Cover, Box, Component, Elec	1
16	<u>105037401</u>	Weldment, Bellcrank, Comp Box	1
17	<u>1241</u>	Washer, 5/16 Type A Flat	2
18	<u>1242</u>	Nut, 5/16-18 Hex	2
19	<u>7473</u>	Locknut, 5/16-18 Nylon Insert	2
20	<u>7818</u>	Bolt, Carriage, 5/16-18 X 1.5	1
21	<u>7893</u>	Nut, #10-32 Hex	2
22	<u>8639</u>	Tie Wrap, 11" Nylon	6
23	<u>8717</u>	Locknut, Nylon Insert, 1/4-28	1

7

G

7
G

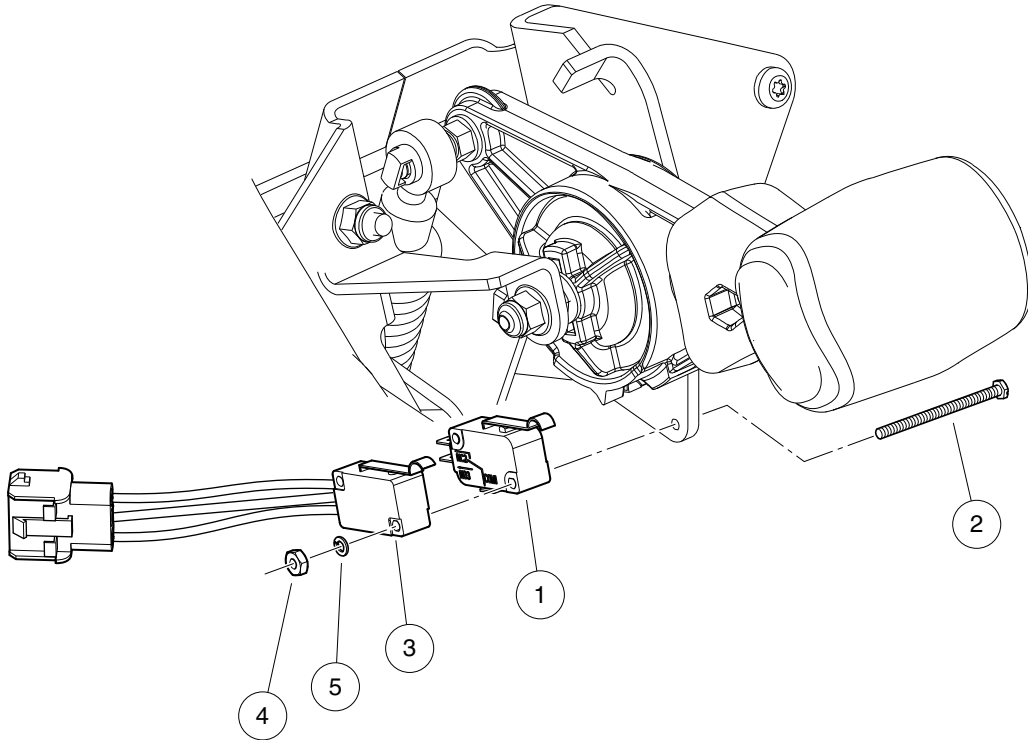


001014-001

ELECTRICAL COMPONENT BOX, PEDAL-START – EX40

ITEM	PART NO.	DESCRIPTION	QTY
		1 2 3 4	
1	<u>1010954</u>	Stud, Ball, 1/4-28 X 0.560	1
2	<u>1012295</u>	Fuse, 10-Amp	3
3	<u>1012431</u>	Washer, #4 Flat	2
4	<u>1013589</u>	Ring, Retaining, 0.338" Internal	1
5	<u>1013609</u>	Solenoid, 12-Volt	1
6	<u>1014065</u>	Washer, Flat, 0.38" ID, Delrin	1
7	<u>1014145</u>	Bushing, Secondary Weight, Split	2
8	<u>1014807</u>	Switch, Limit	1
9	<u>1014808</u>	Switch, Limit	1
10	<u>1015373</u>	Cam, Electric Box	1
11	<u>1015405</u>	Bolt, Carriage, 5/16-18 X 2.0	1
12	<u>1015737</u>	Wire Assy, #10 Red	1
13	<u>1015741</u>	Fuse Block	1
14	<u>1015752</u>	Screw, #12-16 X 0.625, Hi-Lo	5
15	<u>1015878</u>	Screw, #4-40 Hex Head Machine	2
16	<u>101856102</u>	Screw, 1/4-15 X 1.50, Hi-lo, Hex	1
17	<u>102711201</u>	Voltage Regulator	1
18	<u>105000301</u>	Box, Component, Electrical	1
19	<u>105000401</u>	Cover, Box, Component, Elec	1
20	<u>105037401</u>	Weldment, Bellcrank, Comp Box	1
21	<u>1241</u>	Washer, 5/16 Type A Flat	2
22	<u>1242</u>	Nut, 5/16-18 Hex	2
23	<u>7473</u>	Locknut, 5/16-18 Nylon Insert	2
24	<u>7818</u>	Bolt, Carriage, 5/16-18 X 1.5	1
25	<u>7893</u>	Nut, #10-32 Hex	2
26	<u>8057</u>	Nut, #4-40 Hex Machine	4
27	<u>8058</u>	Lockwasher, #4 Split	2
28	<u>8639</u>	Tie Wrap, 11" Nylon	6
29	<u>8717</u>	Locknut, Nylon Insert, 1/4-28	1

7
G



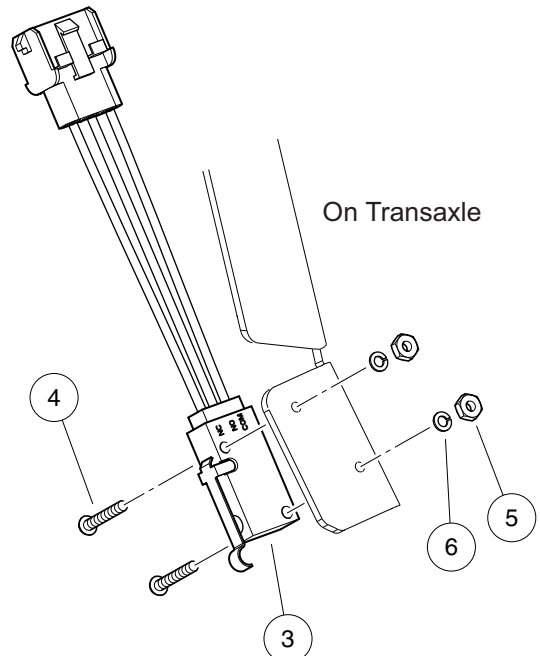
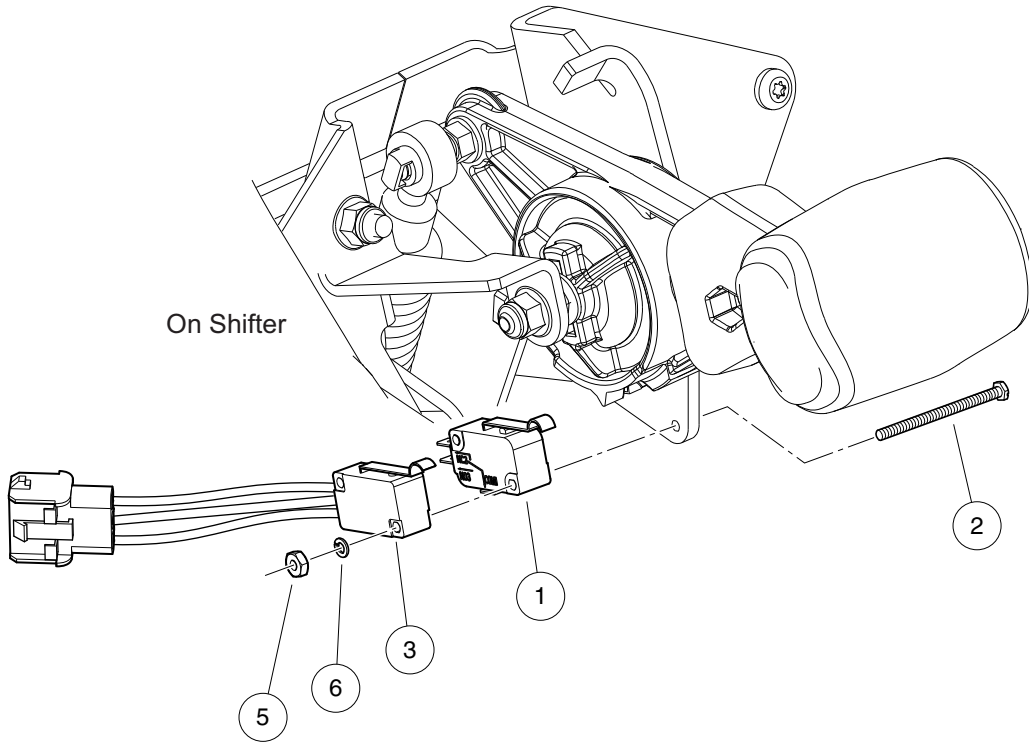
000999-002

FORWARD/REVERSE SHIFTER SWITCHES, KEY-START – EFI

ITEM	PART NO.	DESCRIPTION	QTY
		1 2 3 4	
1	<u>1014807</u>	Switch, Limit	1
2	<u>1015878</u>	Screw, #4-40 Hex Head Machine	2
3	<u>105102601</u>	Switch, Limit, Sealed, with 3-Wire Lead	1
4	<u>8057</u>	Nut, #4-40 Hex Machine	2
5	<u>8058</u>	Lockwasher, #4 Split	2

7

G

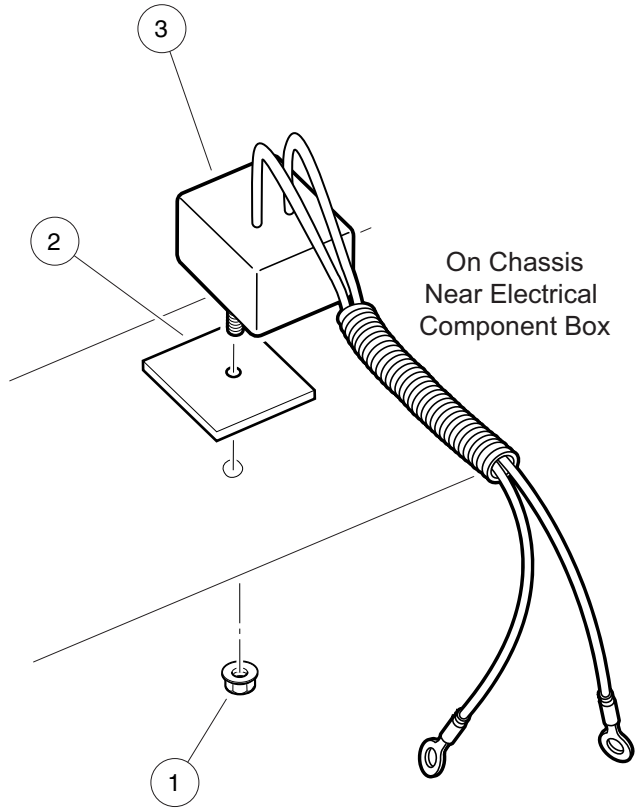


000999-001

FORWARD/REVERSE SHIFTER SWITCHES, PEDAL-START – EFI

ITEM	PART NO.	DESCRIPTION	QTY
		1 2 3 4	
1	<u>1014807</u>	Switch, Limit	1
2	<u>1015878</u>	Screw, #4-40 Hex Head Machine	2
3	<u>105102601</u>	Switch, Limit, Sealed, with 3-Wire Lead	2
4	<u>8056</u>	Screw, #4-40 X 0.75 Round-Head Machine	2
5	<u>8057</u>	Nut, #4-40 Hex Machine	4
6	<u>8058</u>	Lockwasher, #4 Split	4

7
G



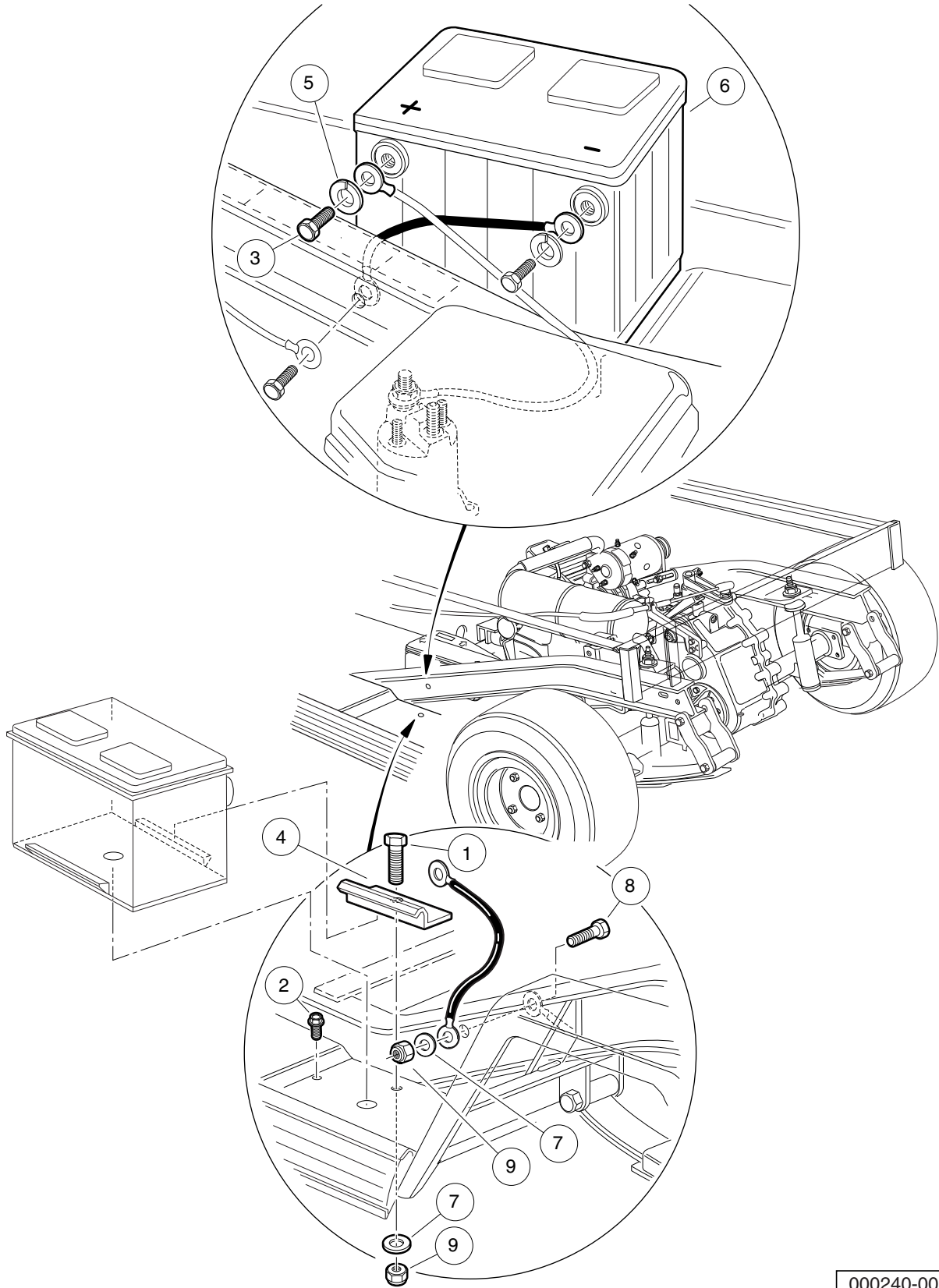
001015-001

CHARGING DIODE, KEY-START – EFI

ITEM	PART NO.	DESCRIPTION	QTY
		1 2 3 4 Locknut, 5/16-18 Hex Flange	1
1	<u>101963401</u>	Locknut, 5/16-18 Hex Flange	1
2	<u>102269701</u>	Thermal Pad	1
3	<u>105037201</u>	Diode, Charging	1

7
G

7
G



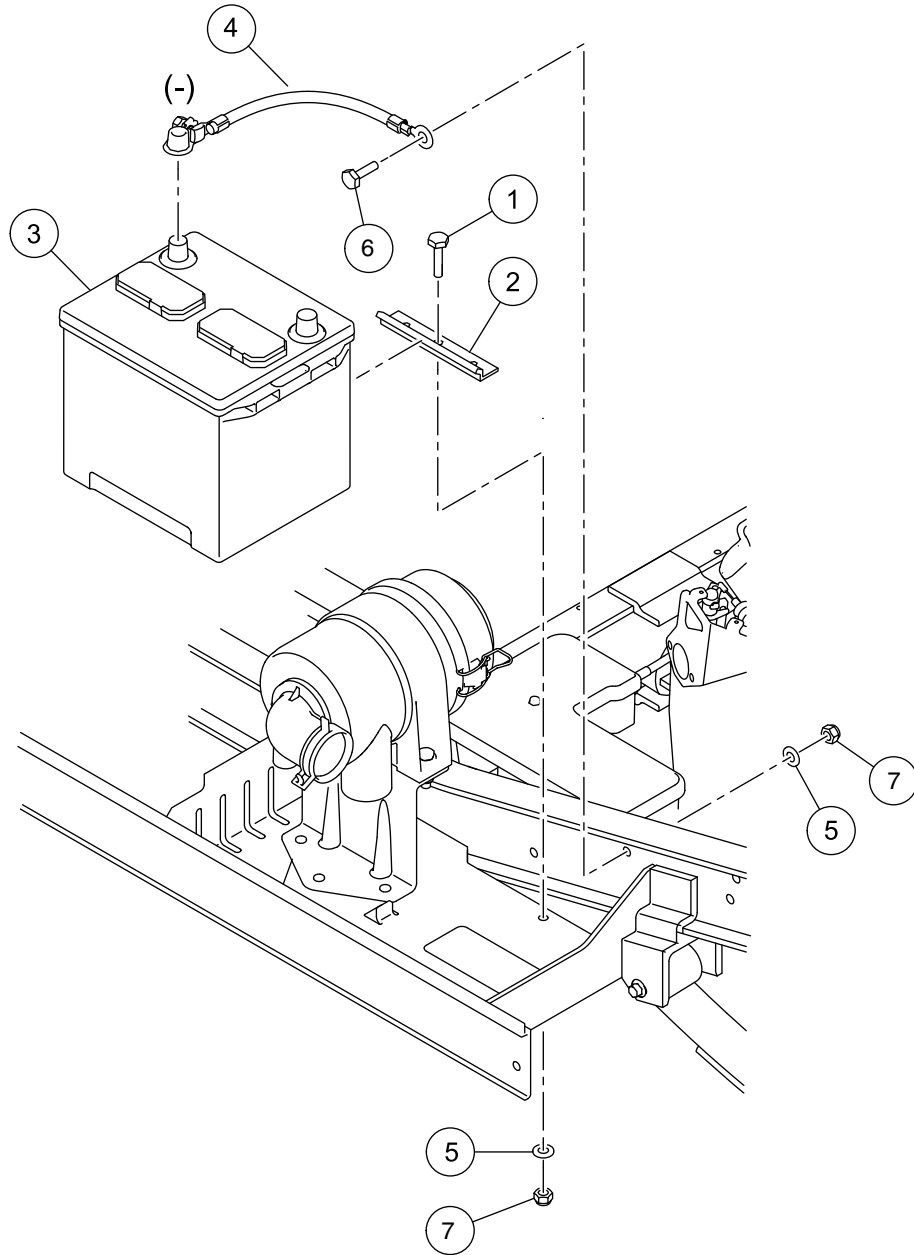
000240-001

BATTERY – GASOLINE UTILITY VEHICLES

ITEM	PART NO.	DESCRIPTION	QTY
		1 2 3 4	
1	<u>1010934</u>	Screw, 5/16-18 X 1.00 Hex Cap	1
2	<u>1014288</u>	Screw, 5/16-18 X 0.75, Thread-Forming	1
3	<u>1014375</u>	Screw, 3/8-16 X 0.50, Stainless Steel, Hex-Head	2
4	<u>101898001</u>	Clamp, Battery	1
5	<u>102355301</u>	Lockwasher, 3/8 Split Ss	2
6	<u>103496801</u>	Battery, Start, 12v	1
7	<u>1241</u>	Washer, 5/16 Type A Flat	2
8	<u>7173</u>	Screw, 5/16-18 X 0.75, Hex-Head Cap	1
9	<u>7473</u>	Locknut, 5/16-18 Nylon Insert	2

7

G



000250-001

TOP-POST BATTERY - GASOLINE UTILITY VEHICLES

ITEM	PART NO.	DESCRIPTION	QTY
		1 2 3 4	
1	<u>1010934</u>	Screw, 5/16-18 X 1.00 Hex Cap	1
2	<u>101898001</u>	Clamp, Battery	1
3	<u>105237301</u>	Battery, Start, 12v, Type 26	1
4	105256701	Wire Assy, 4ga, Battery, (top-post) B-, Gas	1
5	<u>1241</u>	Washer, 5/16 Type A Flat	2
6	<u>7173</u>	Screw, 5/16-18 X 0.75, Hex-Head Cap	1
7	<u>7473</u>	Locknut, 5/16-18 Nylon Insert	2

7

G

7

G

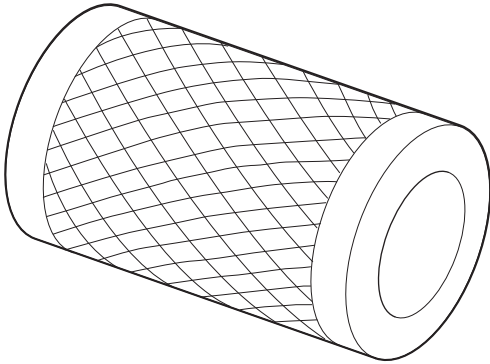
ENGINE (SUBARU EX40)

8

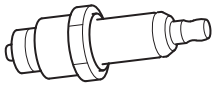
G

8

G



1



2

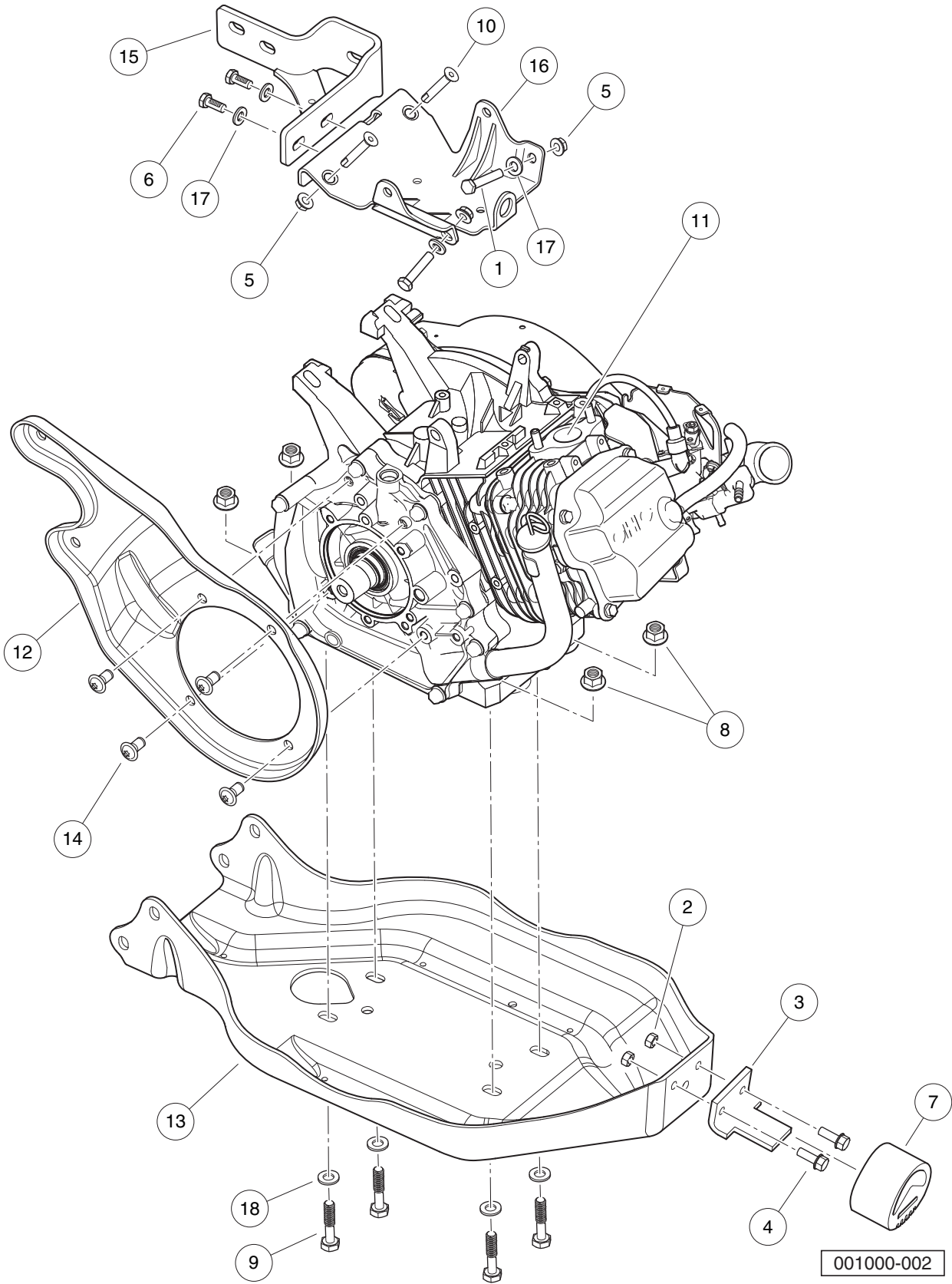
000992-003

TUNE-UP PARTS – SUBARU EX40

ITEM	PART NO.	DESCRIPTION	QTY
		1 2 3 4	
1	<u>102558201</u>	Air Filter, 4 Inch	1
2	105017801	Spark Plug, Subaru EX40	1

8

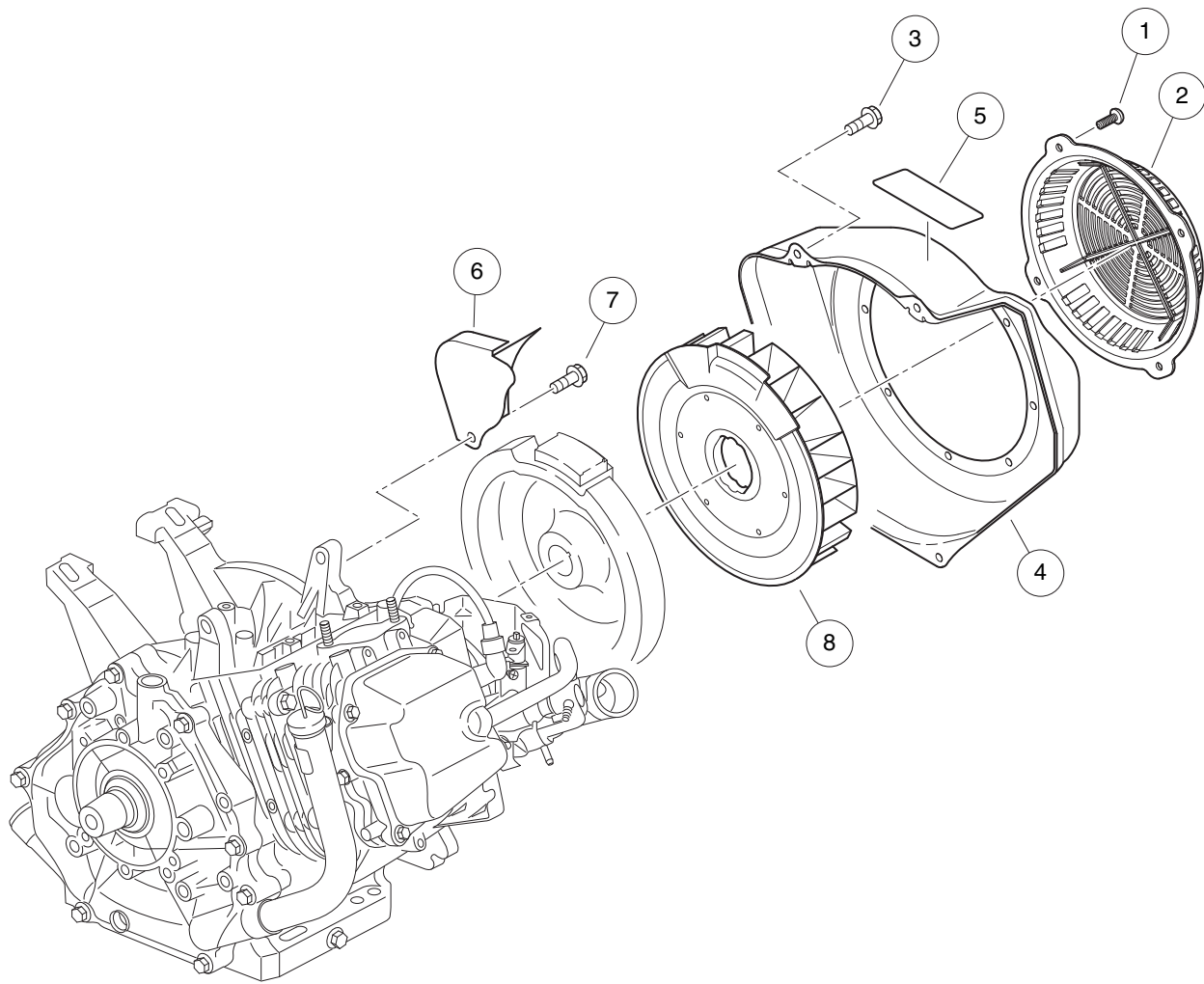
G



ENGINE AND ENGINE MOUNTING, UTILITY – EX40

ITEM	PART NO.	DESCRIPTION	QTY
		1 2 3 4	
1	<u>1010577</u>	Bolt, Hex-Head, 5/16-18 X 1.50	2
2	<u>1013924</u>	Nut, 5/16-24, Hex Head Cone	2
3	<u>101834602</u>	Bracket, Snubber, Tall	1
4	<u>101884801</u>	Screw, 5/16-24 X 0.875, Grade-8	2
5	<u>101963401</u>	Locknut, 5/16-18 Hex Flange	4
6	<u>102242101</u>	Screw, 5/16-18 X 3/4 Hex-Head with Patch	2
7	<u>102540301</u>	Snubber, Inner Frame	1
8	<u>102617201</u>	Nut, Flanged, M10 X 1.5, Mechanically Deformed	4
9	<u>102732401</u>	Bolt, M10 X 45, Zn-Ni (Black)	4
10	<u>103196202</u>	5/16-18x1.75, Bolt, Loctite	2
11	<u>103882801</u>	Engine, Gas, Subaru EX40, EFI	1
12	<u>103979401</u>	Plate, Mounting, CVT, Center	1
13	<u>103982201</u>	Plate, Engine/Axle Mounting	1
14	<u>103996201</u>	Screw, 3/8-16 X .75, Btn Hd Cap	4
15	<u>105134601</u>	Bracket, Mounting, Transaxle/Exhaust,†EX40	1
16	<u>105149301</u>	Bracket,†Mounting, Starter/Generator,†EX40	1
17	<u>1241</u>	Washer, 5/16 Type A Flat	4
18	<u>96741046</u>	Washer, M10, Hard	4

8
G



001001-001

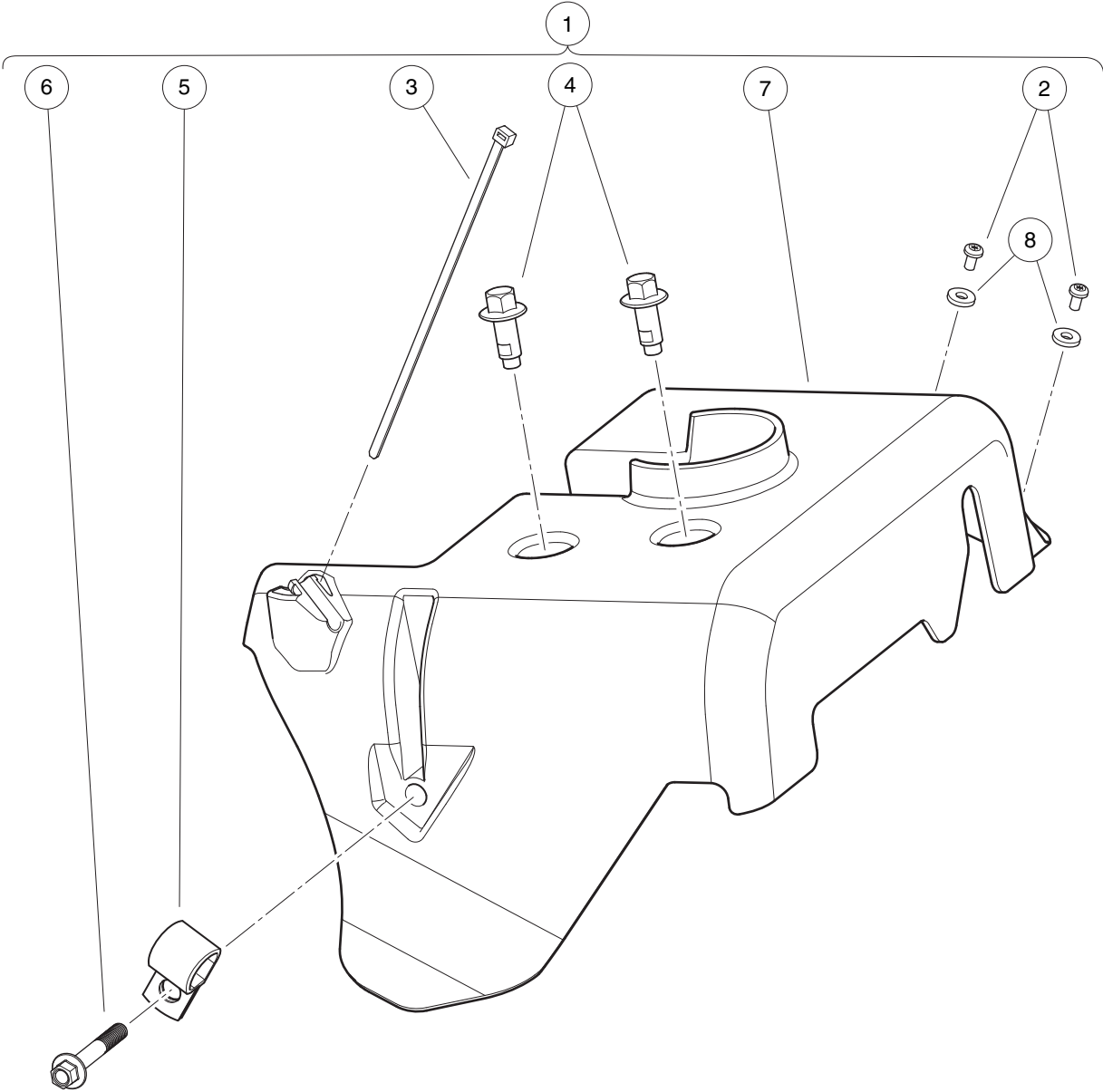
FAN AND SHROUD – EX40

ITEM	PART NO.	DESCRIPTION	QTY
		1 2 3 4	
1	<u>1015969</u>	Screw, M6-1.00 X 10mm, Pan Hd	4
2	<u>103995901</u>	Cover, Fan, EX40	1
3	<u>105012601</u>	Bolt, Flange, M6x1.0x12, EX40	4
4	<u>105016701</u>	Housing, Fan, EX40	1
5	<u>105016801</u>	Label, Engine Warning, EX40	1
6	<u>105016901</u>	Baffle, Crankcase, EX40	1
7	<u>105017001</u>	Bolt, Baffle, M8x1.25x12 Ex40	1
8	<u>105017101</u>	Fan, Cooling, EX40	1

8

G

8
G



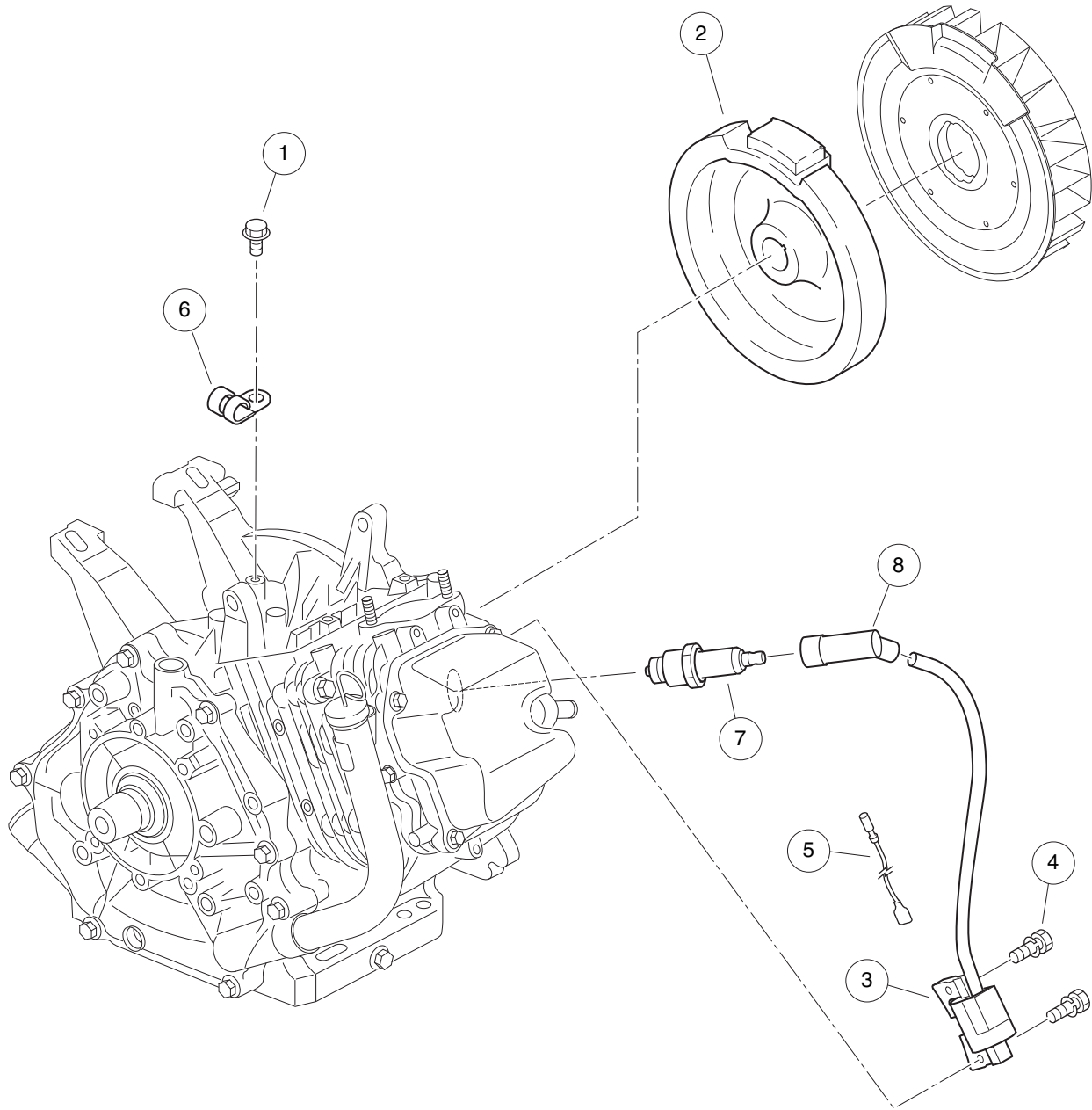
001002-001

AIR DEFLECTOR – EX40

ITEM	PART NO.	DESCRIPTION	QTY
		1 2 3 4	
1	<u>105084801</u>	Kit, Air Deflector, Subaru EX40 (includes items 2 through 8)	1
2	<u>1016103</u>	Screw, Pan Hd Tx, Taptite 6-32	2
3	101824101	Tie Wrap, Black	1
4	<u>102298116</u>	Bolt, Flanged Head, M8 X 16.0	2
5	<u>102410604</u>	P-clamp, Insulated, 0.625 Inch	1
6	<u>102541402</u>	Bolt, M6x1.0x40, Hex Flange Head, Blk-l	1
7	105075301	Deflector, Air, Subaru EX40	1
8	<u>7591</u>	Washer, #6, Flat	2

8

G



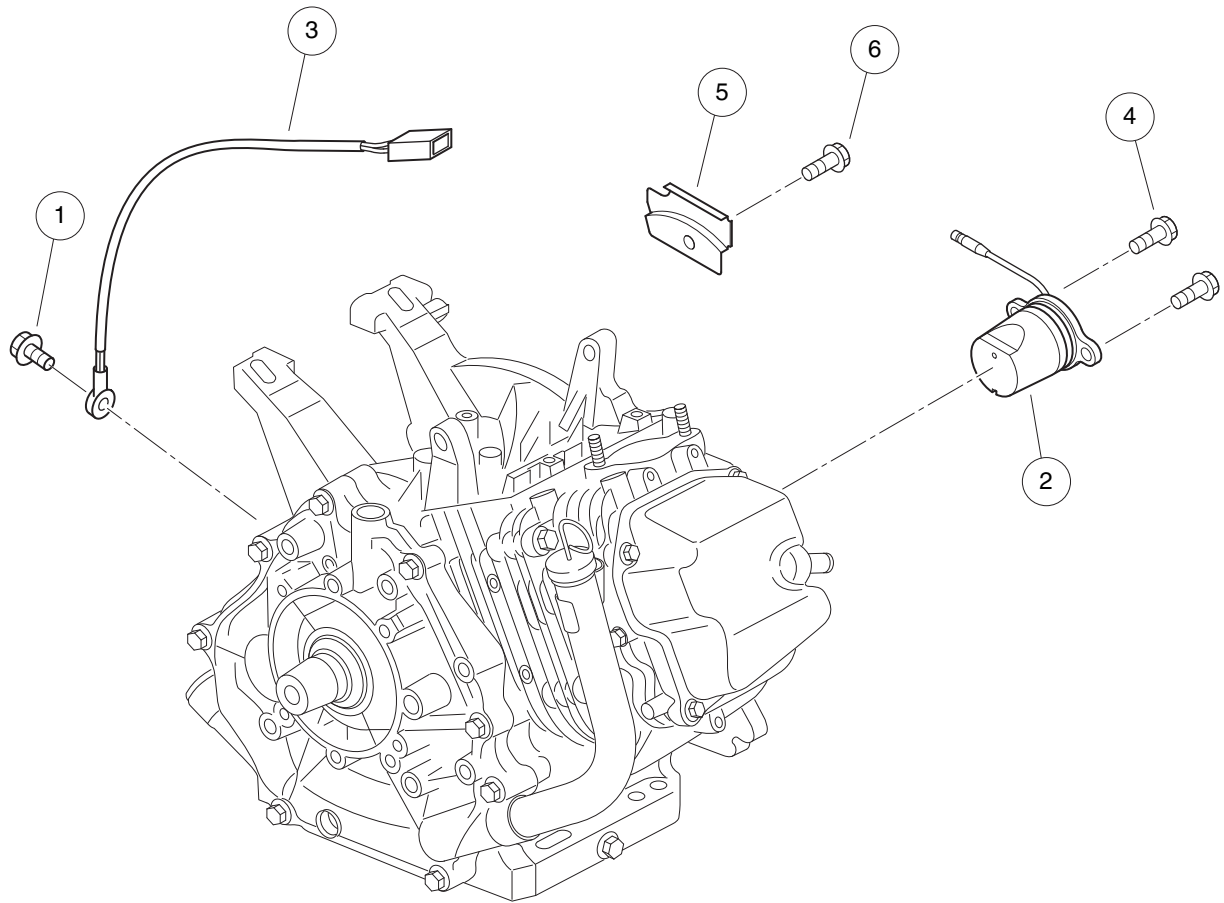
001003-001

IGNITION COMPONENTS AND FLYWHEEL – EX40

ITEM	PART NO.	DESCRIPTION	QTY
		1 2 3 4	
1	<u>105016001</u>	Bolt, Flange, M6x1.0x8, EX40	1
2	<u>105017301</u>	Flywheel, EX40	1
3	<u>105017401</u>	Coil, Ignition, CDI, EX40	1
4	<u>105017501</u>	Asm, Bolt-Washer, Coil, EX40	2
5	<u>105017601</u>	Asm, Wire, Coil Control, EX40	1
6	<u>105017701</u>	Clamp, Coil Control Wire, EX40	1
7	105017801	Spark Plug, Subaru EX40	1
8	<u>105017901</u>	Cap, Spark Plug, EX40	1

8

G



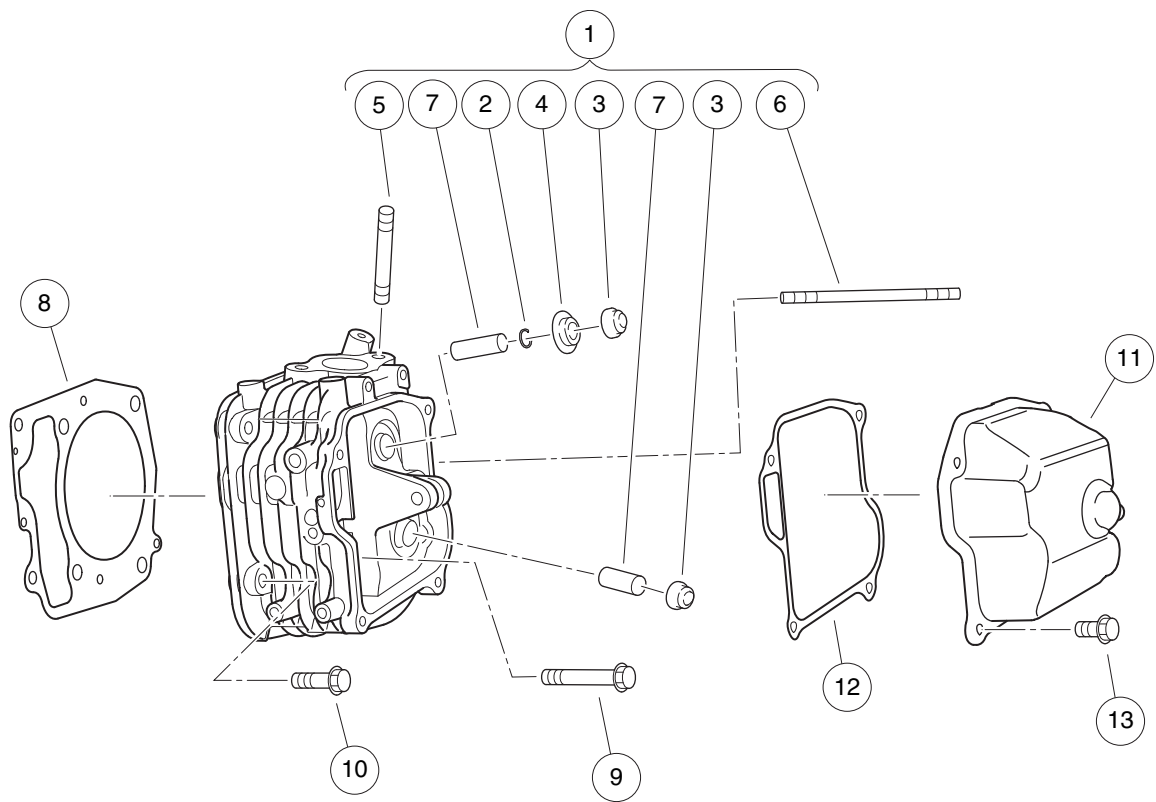
001004-001

SENSORS – EX40

ITEM	PART NO.	DESCRIPTION	QTY
		1 2 3 4	
1	<u>105012601</u>	Bolt, Flange, M6x1.0x12, EX40	1
2	<u>105018001</u>	Sensor, Oil Level, EX40	1
3	<u>105018101</u>	Sensor, Temperature, EX40	1
4	<u>105018201</u>	Bolt, Oil Sensor, M6x1.0x14, EX40	2
5	<u>105018301</u>	Clamp, Oil Sensor Wire, EX40	1
6	<u>105018401</u>	Bolt, Tap, Oil Wire Clamp, EX40	1

8

G



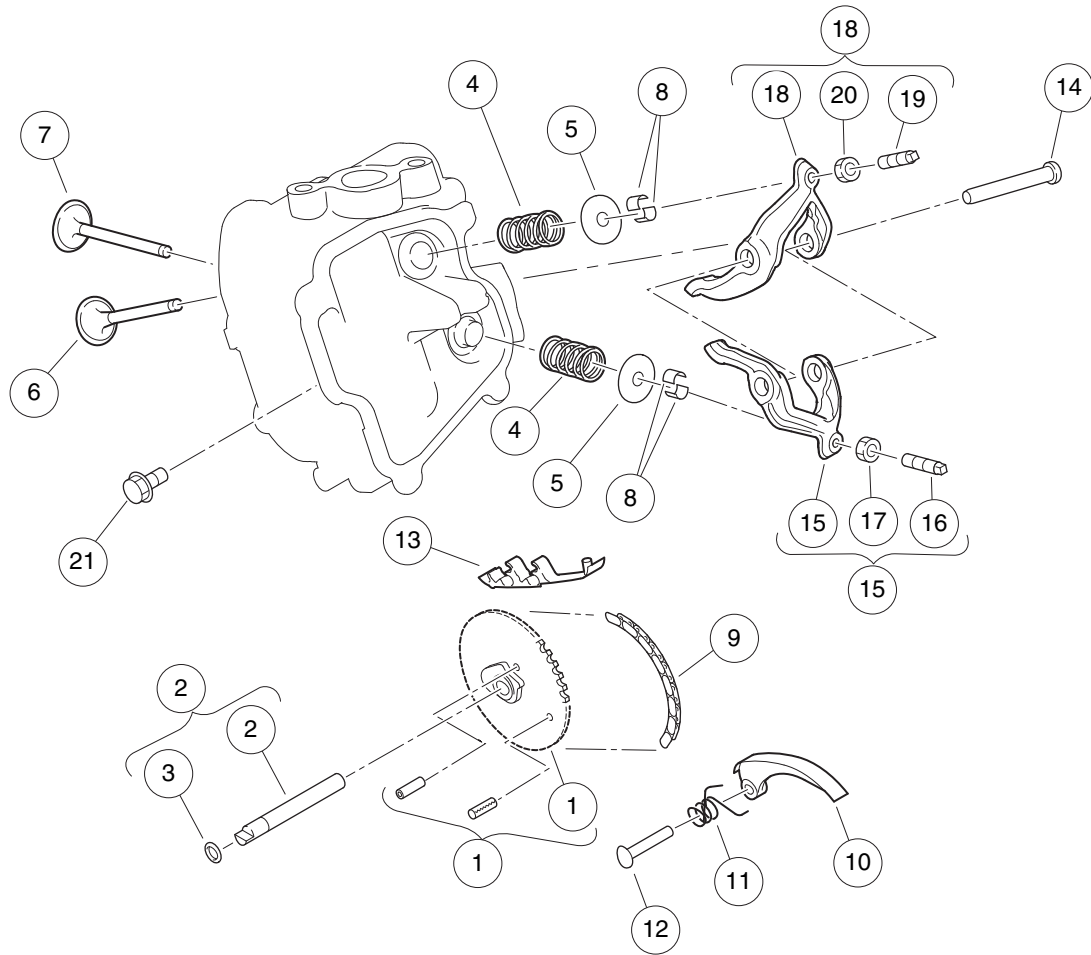
001005-001

CYLINDER HEAD – EX40

ITEM	PART NO.	DESCRIPTION	QTY
		1 2 3 4	
1	<u>105011901</u>	Asm, Cylinder Head, EX40 (includes items 2 through 7)	1
2	<u>105010101</u>	Clip, Retainer Plate, EX40	1
3	<u>105010201</u>	Seal, Valve, EX40	2
4	<u>105010301</u>	Plate, Retainer, EX40	1
5	<u>105010801</u>	Stud, Mounting, Exhaust, EX40	2
6	<u>105010901</u>	Stud, Mounting, Intake, EX40	2
7	<u>105018501</u>	Guide, Valve, EX40	2
8	<u>105012001</u>	Gasket, Head, EX40	1
9	<u>105012101</u>	Bolt, Head, M10x1.25x75, EX40	4
10	<u>105012201</u>	Bolt, Head, M8x1.25x35, EX40	2
11	<u>105012301</u>	Cover, Rocker, EX40	1
12	<u>105012401</u>	Gasket, Rocker Cover, EX40	1
13	<u>105012601</u>	Bolt, Flange, M6x1.0x12, EX40	4

8

G



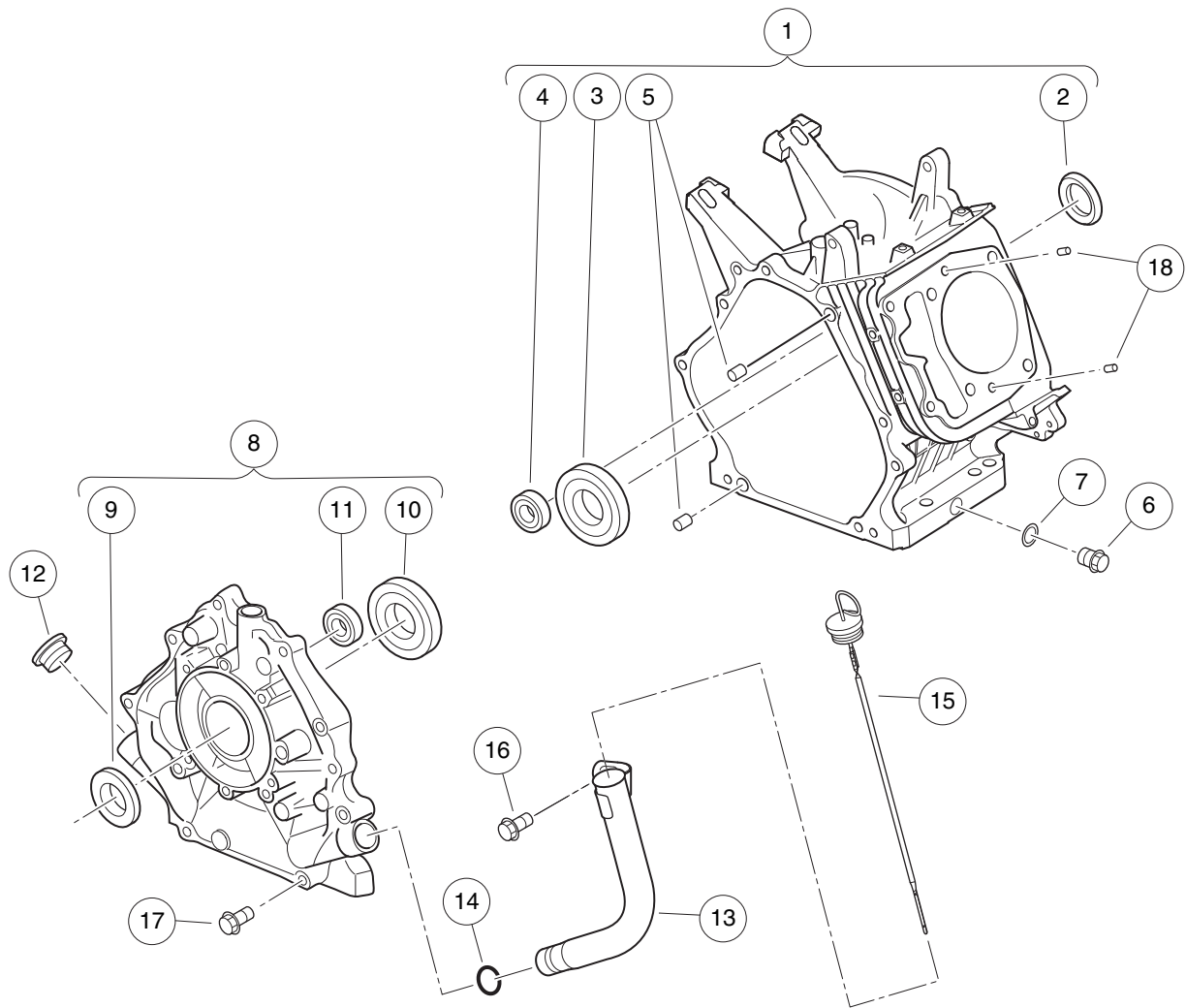
001006-001

VALVETRAIN AND TIMING CHAIN – EX40

ITEM	PART NO.	DESCRIPTION	QTY
		1 2 3 4	
1	<u>105014201</u>	Asm, Cam/Chain Sprocket, EX40	1
2	<u>105014301</u>	Asm, Camshaft and O-ring, EX40 (includes item 3)	1
3	<u>105014401</u>	O-ring, Camshaft, EX40	1
4	<u>105014501</u>	Spring, Valve, EX40	2
5	<u>105014601</u>	Retainer, Spring, EX40	2
6	<u>105014701</u>	Valve, Intake, EX40	1
7	<u>105014801</u>	Valve, Exhaust, EX40	1
8	<u>105014901</u>	Collet, Valve, EX40	4
9	<u>105015001</u>	Chain, Timing, EX40	1
10	<u>105015101</u>	Tensioner, Chain, EX40	1
11	<u>105015201</u>	Spring, Tension, EX40	1
12	<u>105015301</u>	Pin, Tensioner, EX40	1
13	<u>105015401</u>	Guide, Chain, EX40	1
14	<u>105015501</u>	Shaft, Rocker, EX40	1
15	<u>105015601</u>	Asm, Rocker Arm, Intake, EX40 (includes items 16 and 17)	1
16	<u>105015801</u>	Screw, Adjust, Valve, EX40	1
17	<u>105015901</u>	Nut, Adjust, Valve, EX40	1
18	<u>105015701</u>	Asm, Rocker Arm, Exhaust, EX40 (includes items 19 and 20)	1
19	<u>105015801</u>	Screw, Adjust, Valve, EX40	1
20	<u>105015901</u>	Nut, Adjust, Valve, EX40	1
21	<u>105016001</u>	Bolt, Flange, M6x1.0x8, EX40	1

8

G



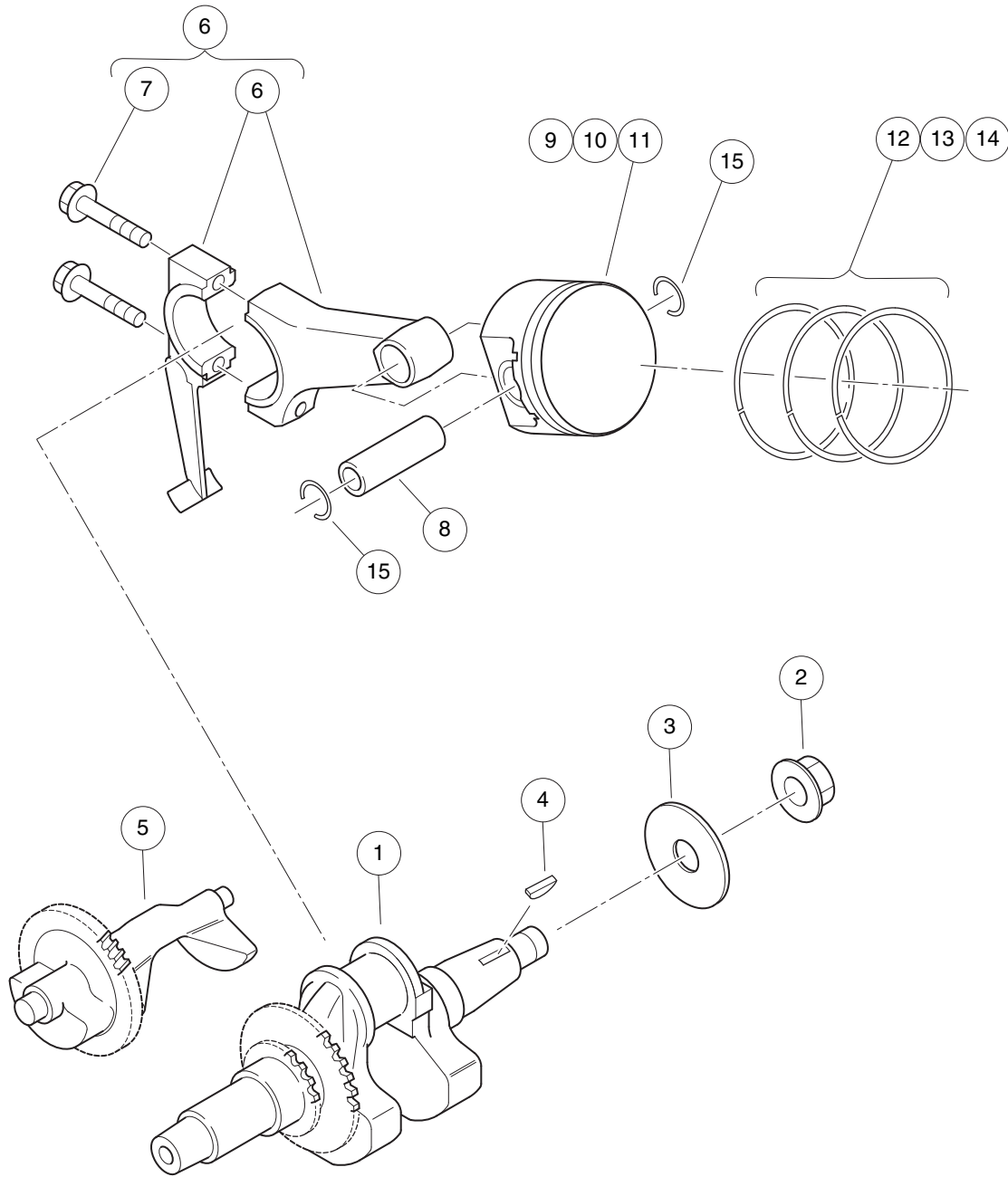
001007-001

CRANKCASE – EX40

ITEM	PART NO.	DESCRIPTION	QTY
		1 2 3 4	
1	105010001	Crankcase, EX40 (includes items 2 through 5)	1
2	<u>105010401</u>	Seal, Oil, Crankshaft, EX40	1
3	<u>105010501</u>	Bearing, Crankshaft, EX40	1
4	105010601	Bearing, Balance Shaft, EX40	1
5	<u>105010701</u>	Pin, Guide, Crankcase, EX40	2
6	105011001	Plug, Oil Drain, EX40	2
7	<u>105011101</u>	Gasket, Oil Drain Plug, EX40	2
8	105011201	Asm, Cover, Crankcase, EX40 (includes items 9 through 11)	1
9	<u>105010401</u>	Seal, Oil, Crankshaft, EX40	1
10	<u>105010501</u>	Bearing, Crankshaft, EX40	1
11	105010601	Bearing, Balance Shaft, EX40	1
12	<u>105011301</u>	Plug, Rubber, Crankcase, EX40	1
13	<u>105011401</u>	Tube, Oil Filler, EX40	1
14	<u>105011501</u>	O-ring, Oil Filler Tube, EX40	1
15	<u>105011601</u>	Dipstick, EX40	1
16	<u>105011701</u>	Bolt, Filler Tube, M8x1.25x12, EX40	1
17	<u>105011801</u>	Bolt, Case Cover, M8x1.25x38, EX40	8
18	<u>105012501</u>	Pin, Guide, Head, EX40	2

8

G



001008-001

CRANKSHAFT AND PISTON – EX40

ITEM	PART NO.	DESCRIPTION	QTY
		1 2 3 4	
1	105012701	Crankshaft, EX40	1
2	<u>105012801</u>	Nut, Crankshaft M18x1.5 Ex40	1
3	<u>105012901</u>	Washer, Crankshaft Ex40	1
4	<u>105013001</u>	Key, Woodruff, Crankshaft, EX40	1
5	<u>105013101</u>	Shaft, Balance, EX40	1
6	<u>105013201</u>	Asm, Rod, Connecting, EX40 (includes item 7)	1
7	<u>105013301</u>	Bolt, Rod M8x1.25x40 Ex40	2
8	<u>105013401</u>	Pin, Piston, EX40	1
9	<u>105013501</u>	Piston, Standard, EX40	1
10	<u>105013601</u>	Piston, 0.25 mm Oversize, EX40	1
11	<u>105013701</u>	Piston, 0.50 mm Oversize, EX40	1
12	<u>105013801</u>	Set, Piston Ring, Standard, EX40	1
13	<u>105013901</u>	Set, Piston Ring, 0.25 mm Oversize, EX40	1
14	<u>105014001</u>	Set, Piston Ring, 0.50 mm Oversize, EX40	1
15	<u>105014101</u>	Clip, Piston Pin, EX40	2

8

G

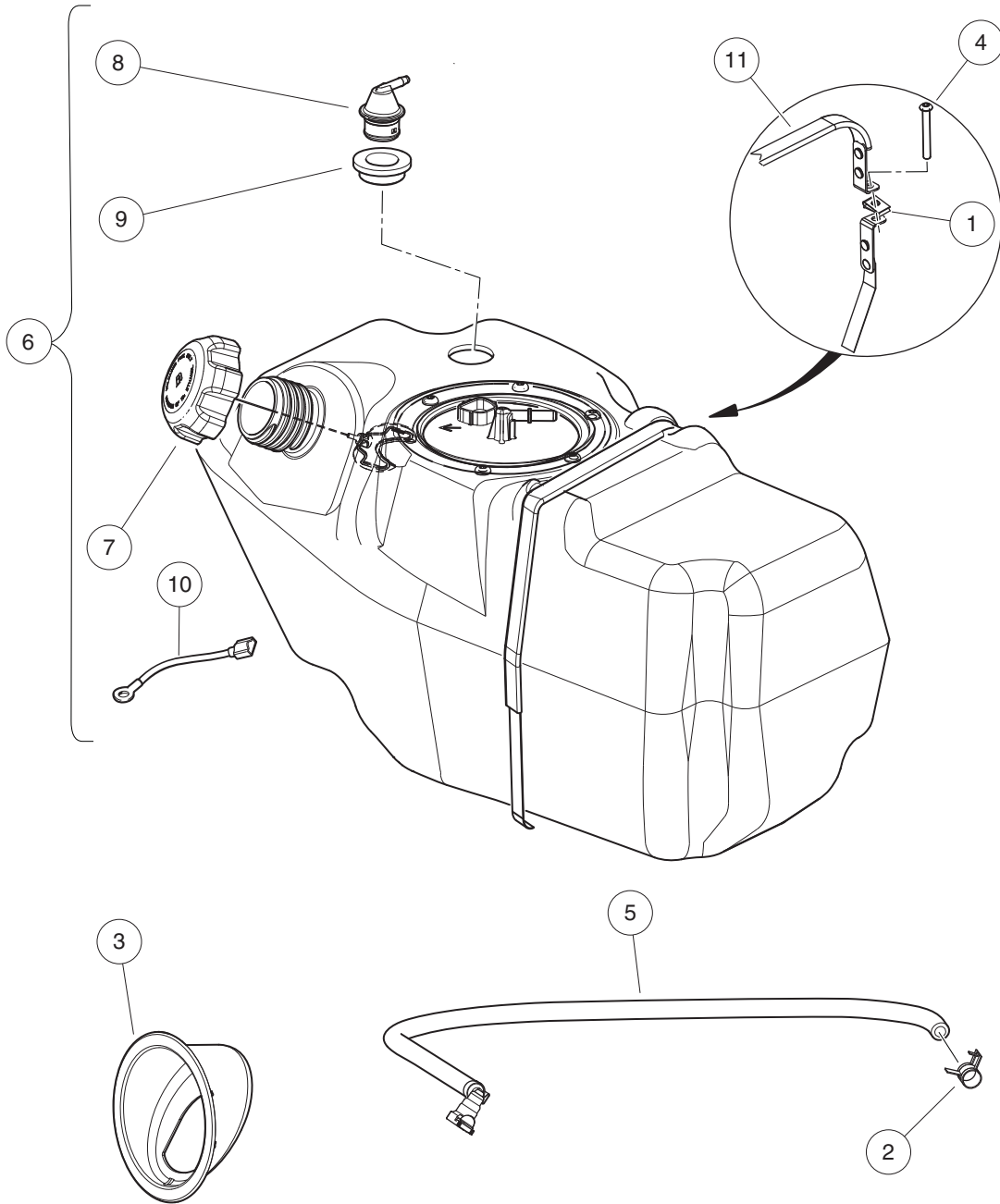
8

G

FUEL SYSTEM – EFI

9

G

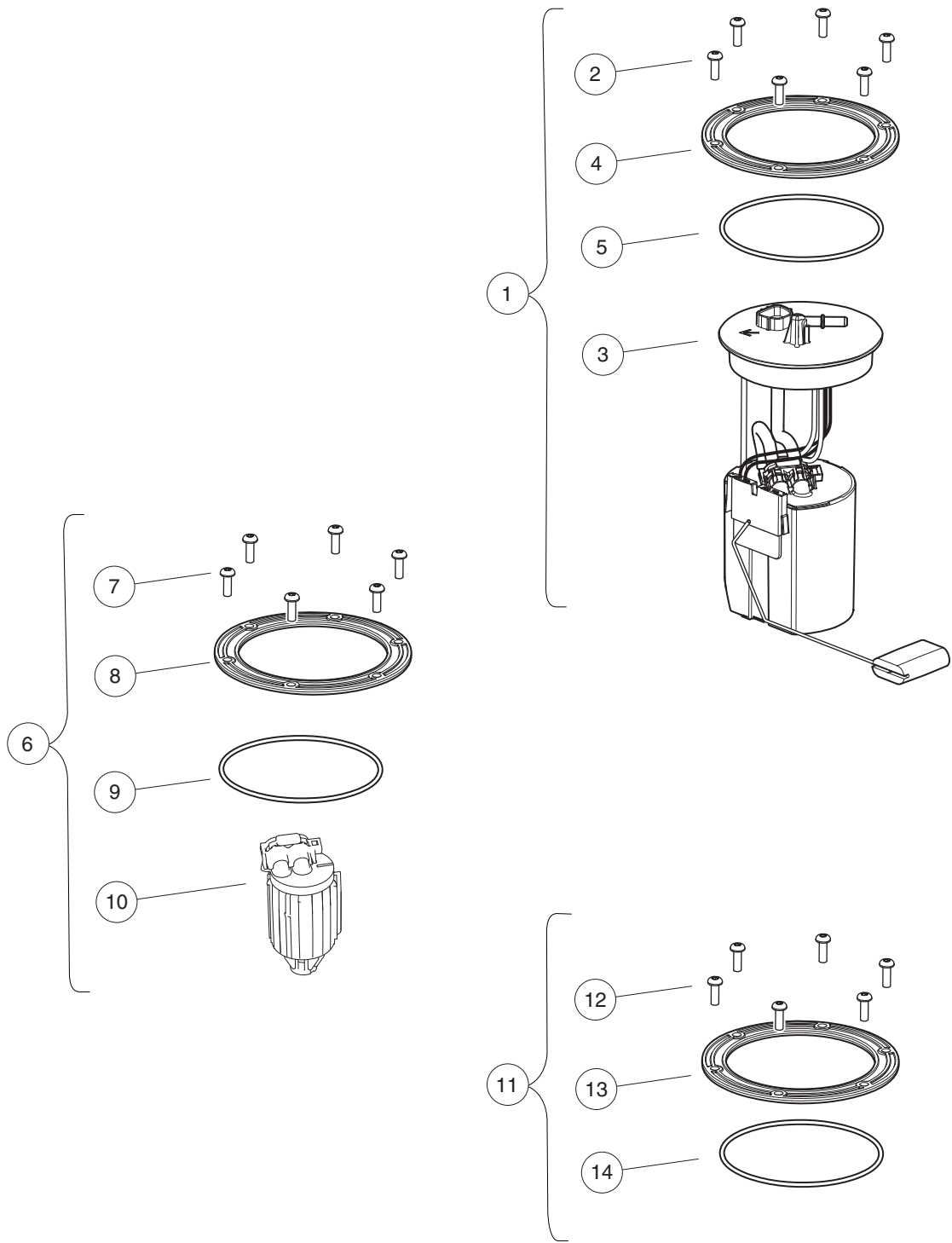


000977-006

FUEL TANK WITH SENDING UNIT, SIDE FILL – EFI

ITEM	PART NO.	DESCRIPTION	QTY
		1 2 3 4	
1	<u>1014116</u>	Nut, 1/4-20 Speed	1
2	<u>102411203</u>	Clamp, Hose, Ctb 14mm Dia.	1
3	<u>102977901</u>	Bezel, Fuel Fill, 5.0 Dia	1
4	<u>103306301</u>	Screw, Bhsc, 1/4-20 X 2.0	1
5	<u>105043501</u>	Asm, Fuel Line, Utility	1
6	<u>105044001</u>	Asm, Tank, Fuel, Side-Fill, Complete, w/Sending Unit (includes items 7 through 10)	1
7	<u>103372101</u>	Cap, Fuel Tank, Gas, Ratchet	1
8	<u>103905201</u>	Assembly, Vent, Fuel, 1/4 Inch O.D.	1
9	<u>103944301</u>	Grommet, Fuel Tank, Vent	1
10	<u>105143301</u>	Wire, Ground, Fuel Tank	1
11	<u>105093601</u>	Retention Strap, Tank	1

9
G

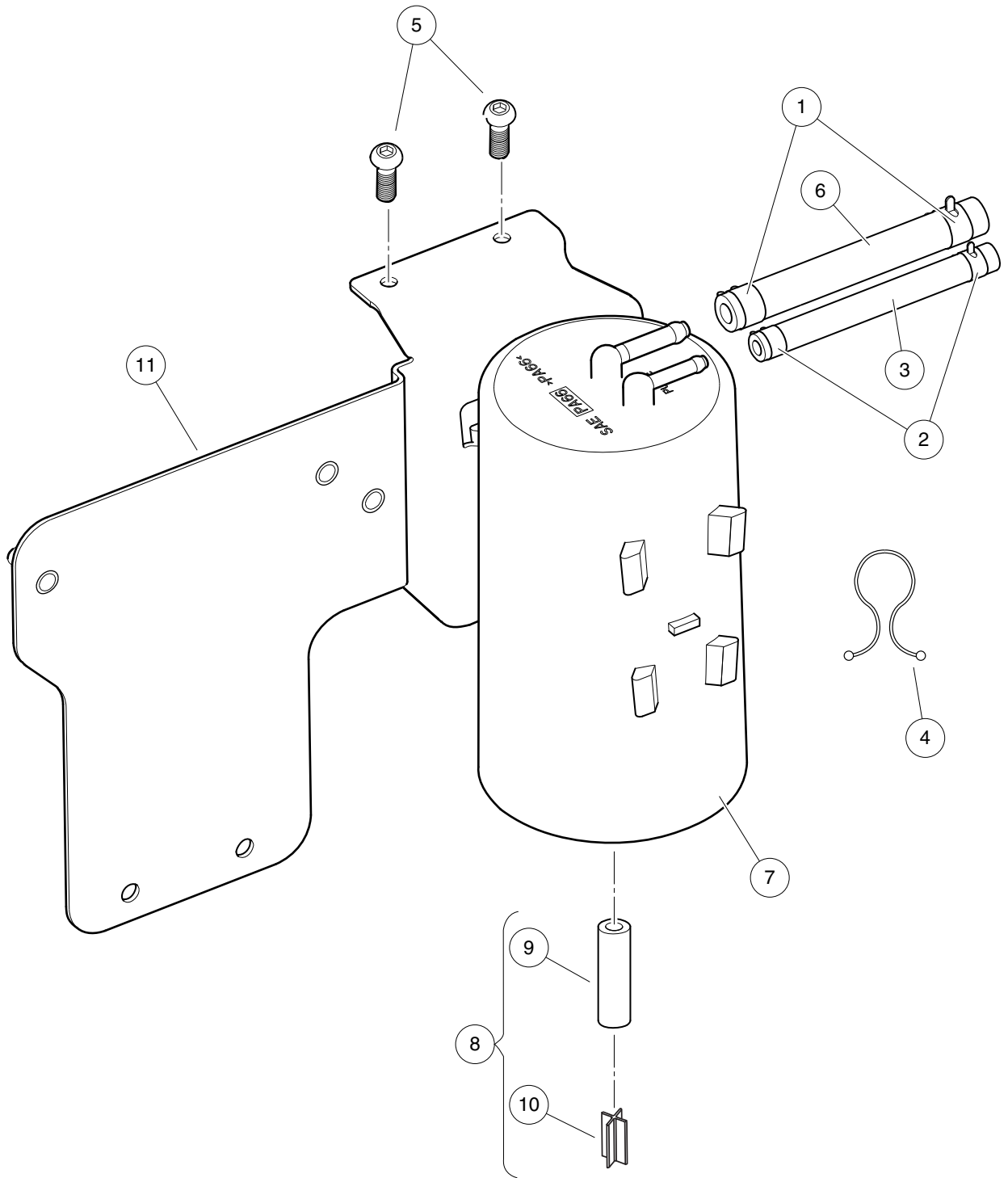


000977-005

FUEL TANK KITS – EFI

ITEM	PART NO.	DESCRIPTION	QTY
		1 2 3 4	
1	<u>105282901</u>	Kit, Fuel Pump Module (includes items 2 through 5)	1
2	<u>102025801</u>	Screw, 1/4-20 X .75 Torx Pn Hd	6
3	<u>105043401</u>	Fuel Pump Module, with Sending Unit	1
4	<u>105043801</u>	Fuel Module, Hold Down Ring	1
5	<u>105043901</u>	O-Ring, Fuel Module	1
6	<u>105282902</u>	Kit, Fuel Filter (includes items 7 through 10)	1
7	<u>102025801</u>	Screw, 1/4-20 X .75 Torx Pn Hd	6
8	<u>105043801</u>	Fuel Module, Hold Down Ring	1
9	<u>105043901</u>	O-Ring, Fuel Module	1
10	<u>105073001</u>	Fuel Filter, EX40, EFI	1
11	<u>105282903</u>	Kit, O-ring (includes items 12 through 14)	1
12	<u>102025801</u>	Screw, 1/4-20 X .75 Torx Pn Hd	6
13	<u>105043801</u>	Fuel Module, Hold Down Ring	1
14	<u>105043901</u>	O-Ring, Fuel Module	1

9
G



000980-006

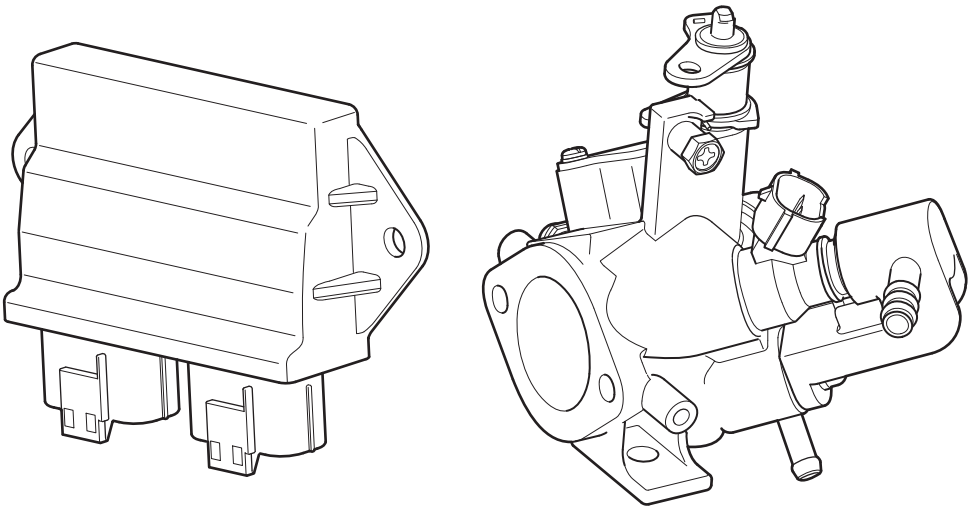
CARBON CANISTER – EFI

ITEM	PART NO.	DESCRIPTION	QTY
		1 2 3 4	
1	<u>1012649</u>	Clamp, 0.460 Red Hose	2
2	<u>1013746</u>	Clamp, 0.301 ID Hose	2
3	<u>1015137</u>	Fuel Line, 3/16 (available by the foot)	A/R
4	<u>101987701</u>	Clamp, Plastic Tie	2
5	<u>102025801</u>	Screw, 1/4-20 X .75 Torx Pn Hd	2
6	<u>102865101</u>	Fuel Line, 1/4 (available by the foot)	A/R
7	<u>103372401</u>	Canister, Carbon	1
8	<u>103756401</u>	Asm, Vent Line, Carbon Canister (includes items 9 and 10)	1
9	N/A	Hose, Vent, 5/16 I.D., Bulk	1
10	N/A	Vent, Barb, 5/16 I.D. Hose	1
11	<u>105044901</u>	Bracket, Carbon Canister/ECU	1

9

G

1



000964-001

THROTTLE BODY AND ECU – EFI

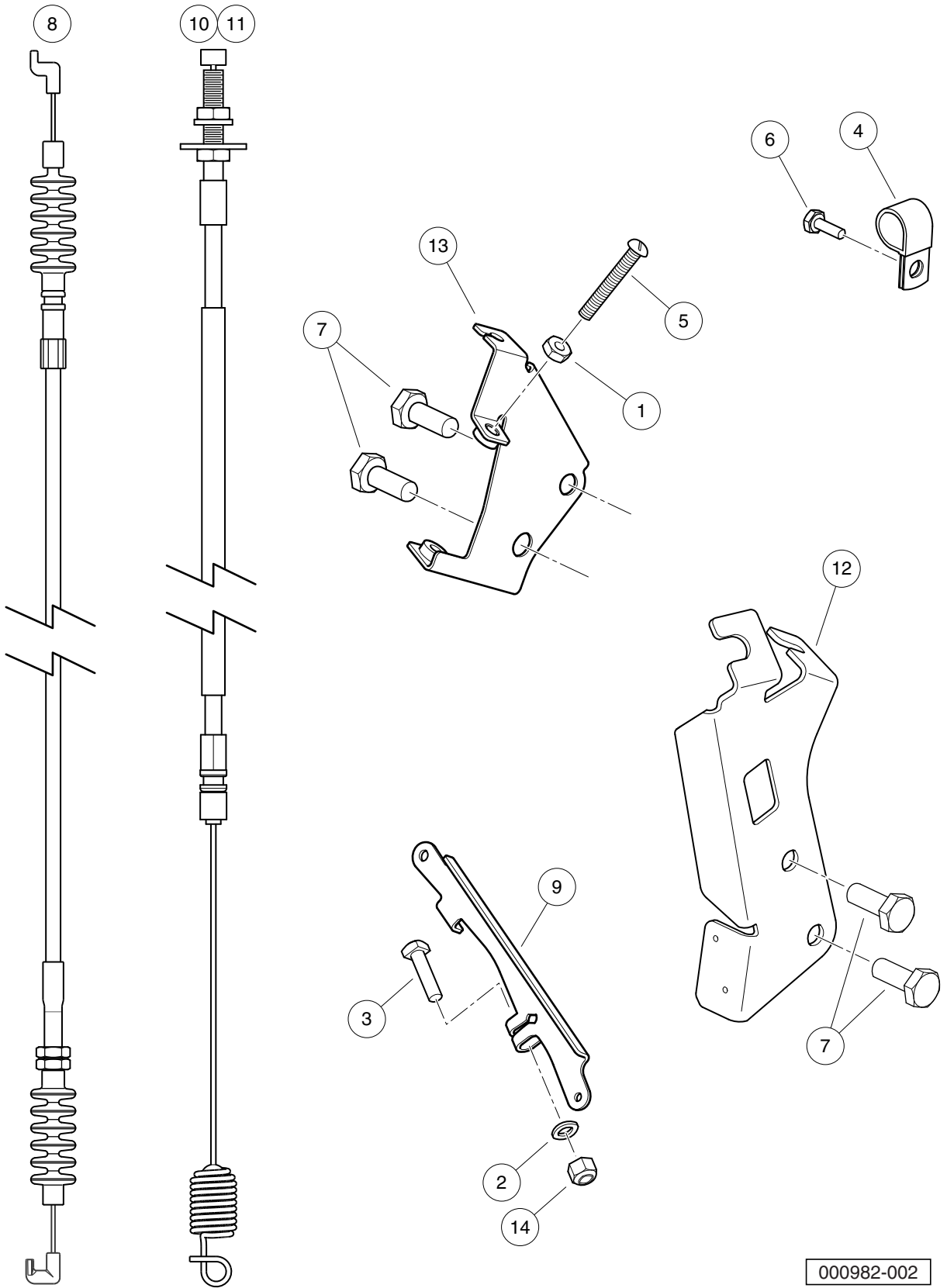
ITEM	PART NO.	DESCRIPTION	QTY
1	<u>105017201</u>	1 2 3 4 Asm, Throttle Body/Fuel Injector with ECU, EX40	1

9
G

THROTTLE BODY MOUNTING – EFI

ITEM	PART NO.	DESCRIPTION	QTY
		1 2 3 4	
1	<u>103983501</u>	Bracket, Operation, EX40 (includes item 2)	1
2	<u>105016201</u>	Gasket, Insulator, EX40	2
3	<u>105010901</u>	Stud, Mounting, Intake, EX40	2
4	<u>105016101</u>	Insulator, EX40 (includes item 5)	1
5	<u>105016201</u>	Gasket, Insulator, EX40	2
6	<u>105016301</u>	Nut, Intake Adapter, M6x1.0, EX40	2
7	<u>105016401</u>	Adapter, Air Intake, EX40	1
8	<u>105016501</u>	Hose, Breather, EX40	1

9
G



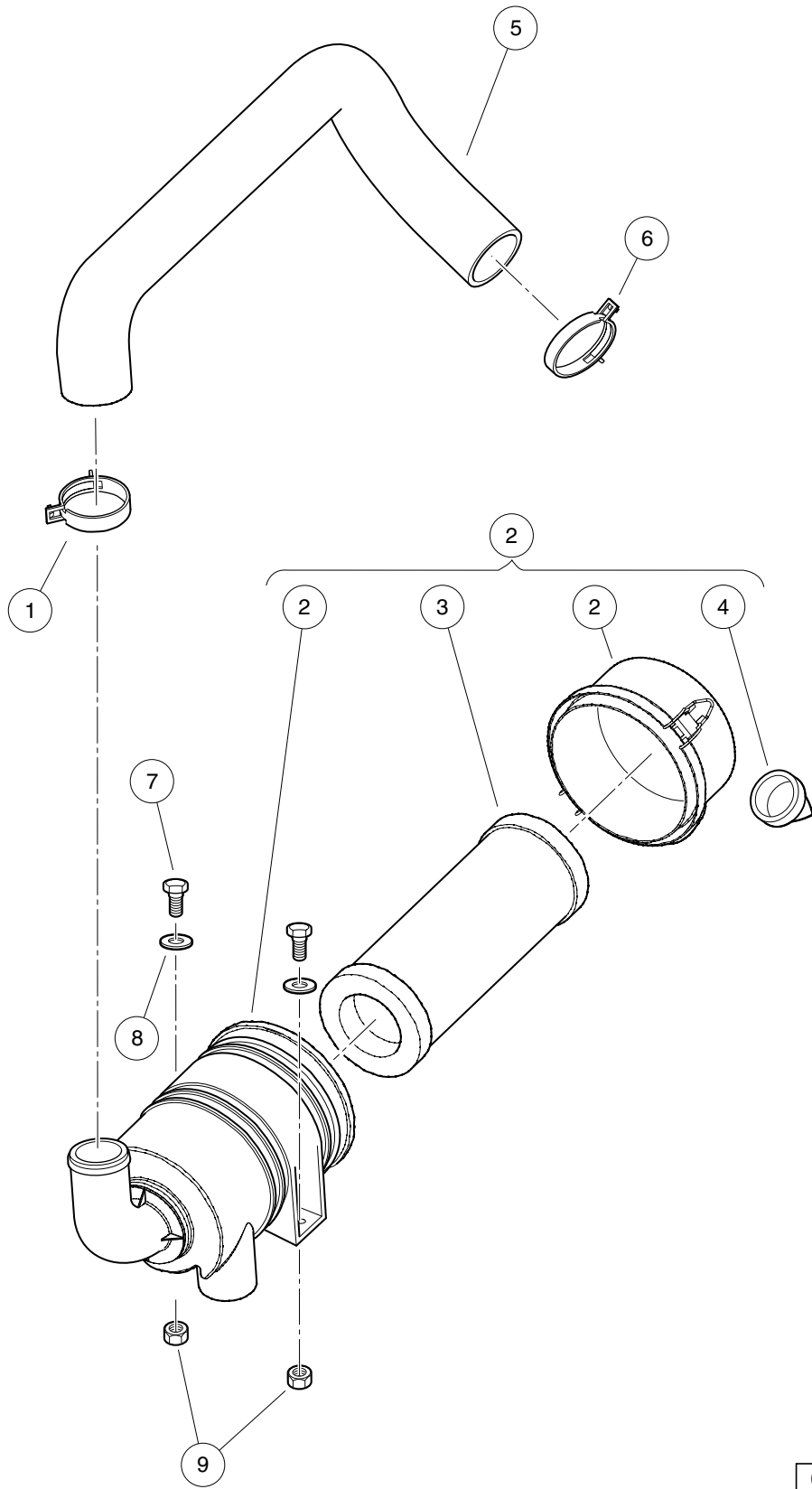
000982-002

GOVERNOR AND ACCELERATOR CABLES – EFI

ITEM	PART NO.	DESCRIPTION	QTY
		1 2 3 4	
1	<u>1011114</u>	Nut, M6-1.00 Hex	1
2	<u>1014007</u>	Washer, 1/4, Flat	1
3	<u>101886101</u>	Screw, 1/4-20 X 1.00, Square-Head	1
4	<u>102410604</u>	P-clamp, Insulated, 0.625 Inch	1
5	<u>102476401</u>	Bolt, Stop, Pedal	1
6	<u>102490301</u>	Bolt, M6 X 1 X 16, Loctite	1
7	<u>102498201</u>	Bolt, M10 X 1.25 X 25, Loctite	4
8	<u>103978001</u>	Cable, Governor, EX40	1
9	<u>104023501</u>	Arm, Governor, ED65	1
10	<u>105007402</u>	Cable, Accelerator, Utility, Low-Speed	1
11	<u>105007403</u>	Cable, Accelerator, Utility, Std-Speed	1
12	<u>105135101</u>	Bracket, Cable, FNR/Accelerator, ED65	1
13	<u>105144401</u>	Weldment, Governor Bracket	1
14	<u>8233</u>	Locknut, 1/4-20, Nylon Insert	1

9

G

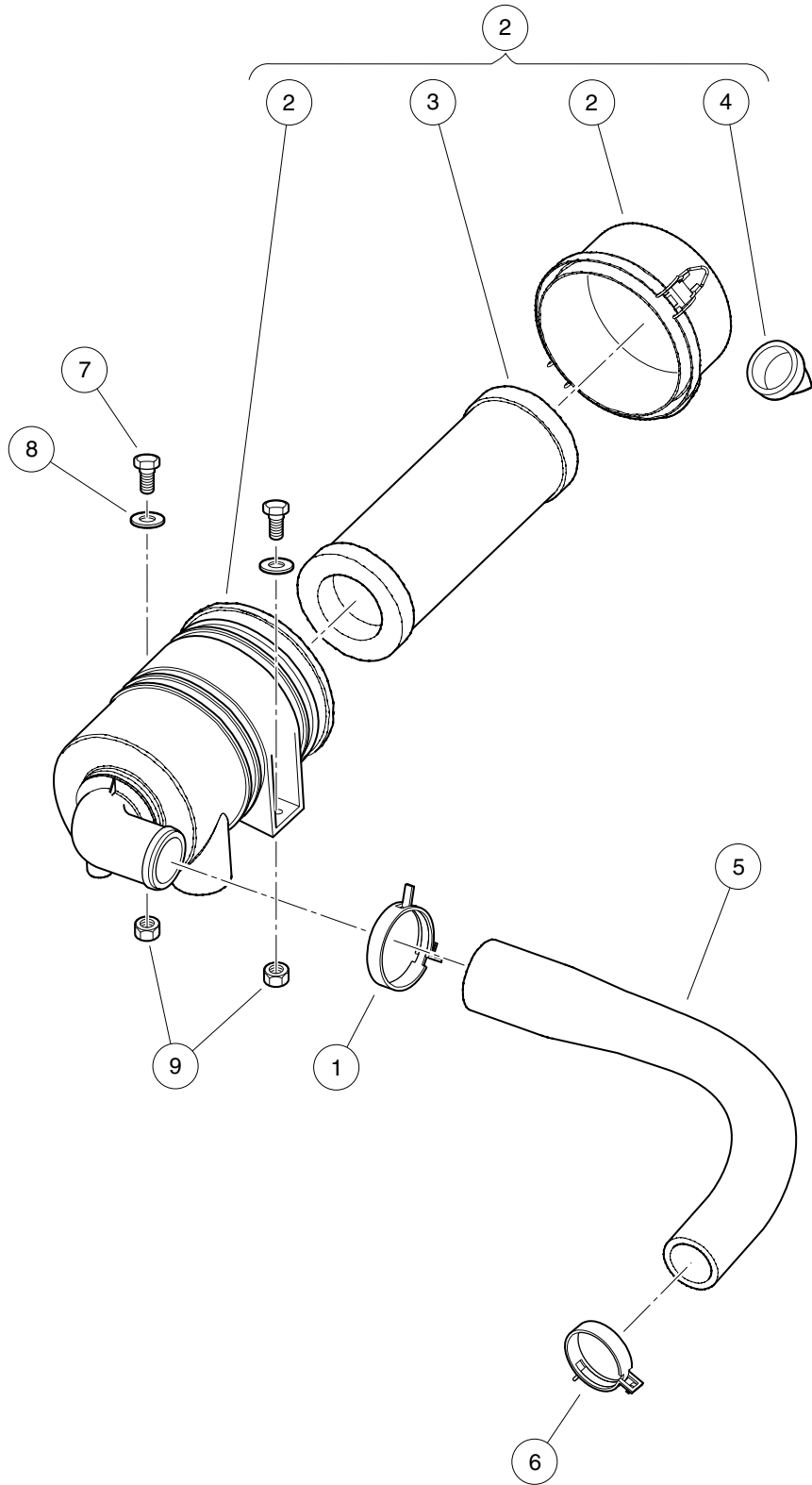


000983-001

AIR FILTER SYSTEM AND INTAKE HOSE – EFI

ITEM	PART NO.	DESCRIPTION	QTY
		1 2 3 4	
1	<u>102411209</u>	Clamp, Hose, Ctb 55mm Dia.	1
2	<u>105009101</u>	Air Cleaner, Utility with EFI (includes items 3 and 4)	1
3	<u>102558201</u>	Air Filter, 4 Inch	1
4	<u>102725501</u>	Valve, Evacuator, Filter Air	1
5	<u>105043001</u>	Hose, Air Intake, Utility with EFI	1
6	<u>105088501</u>	Clamp, Ctb, 49mm Dia, W/clip	1
7	1218	Screw, 5/16-18 X 1.25 Hex-Head Cap	2
8	<u>1241</u>	Washer, 5/16 Type A Flat	2
9	<u>7473</u>	Locknut, 5/16-18 Nylon Insert	2

9
G



000984-001

AIR FILTER SYSTEM AND INTAKE HOSE – EFI, LWB UTILITY/ TRANS

ITEM	PART NO.	DESCRIPTION	QTY
		1 2 3 4	
1	<u>102411209</u>	Clamp, Hose, Ctb 55mm Dia.	1
2	<u>105009101</u>	Air Cleaner, Utility with EFI (includes items 3 and 4)	1
3	<u>102558201</u>	Air Filter, 4 Inch	1
4	<u>102725501</u>	Valve, Evacuator, Filter Air	1
5	<u>105009401</u>	Hose, Air Intake, LWB Utility with EFI	1
6	<u>105088501</u>	Clamp, Ctb, 49mm Dia, W/clip	1
7	1218	Screw, 5/16-18 X 1.25 Hex-Head Cap	2
8	<u>1241</u>	Washer, 5/16 Type A Flat	2
9	<u>7473</u>	Locknut, 5/16-18 Nylon Insert	2

9
G

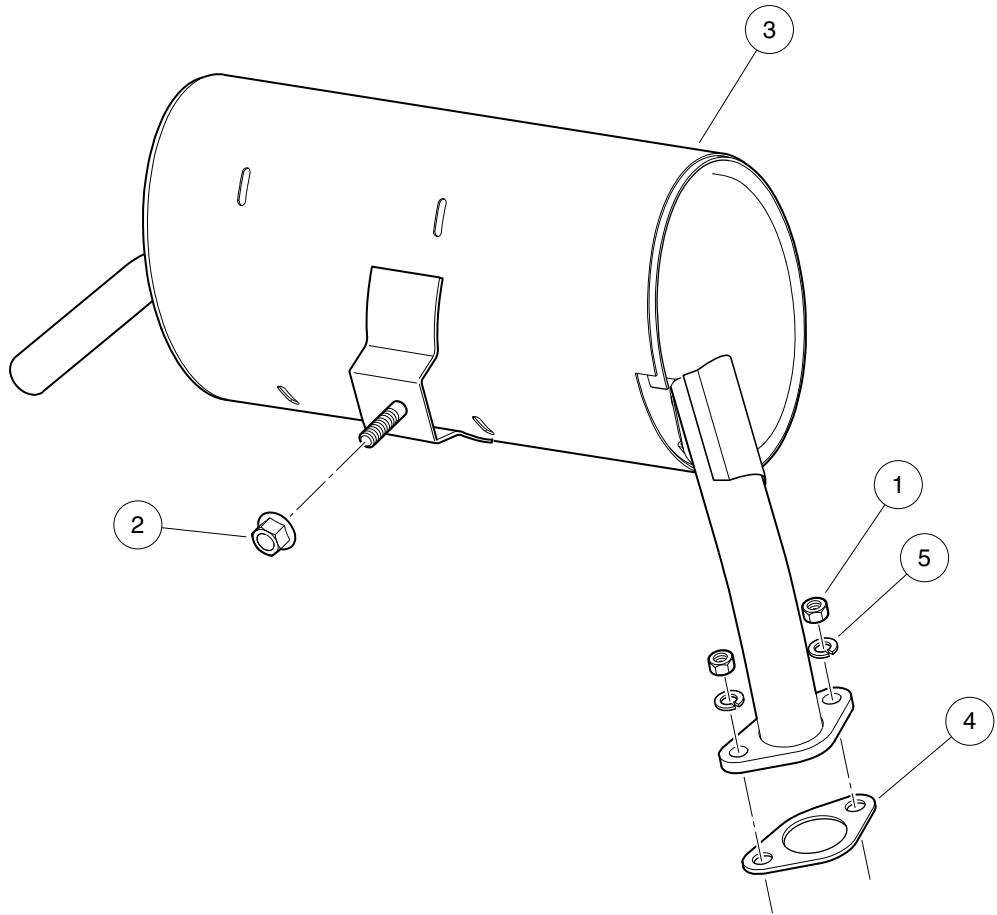
9

G

EXHAUST SYSTEM – EX40 ENGINE

10

G



000948-001

EXHAUST SYSTEM – UTILITY

ITEM	PART NO.	DESCRIPTION	QTY
		1 2 3 4	
1	<u>1012528</u>	Nut, M8-1.25 Hex	2
2	<u>102617201</u>	Nut, Flanged, M10 X 1.5, Mechanically Deformed	1
3	103980001	Exhaust System, EX40	1
4	<u>103993601</u>	Gasket, Exhaust, EX40	1
5	<u>7174</u>	Lockwasher, 5/16 Split	2

10

G

10

G

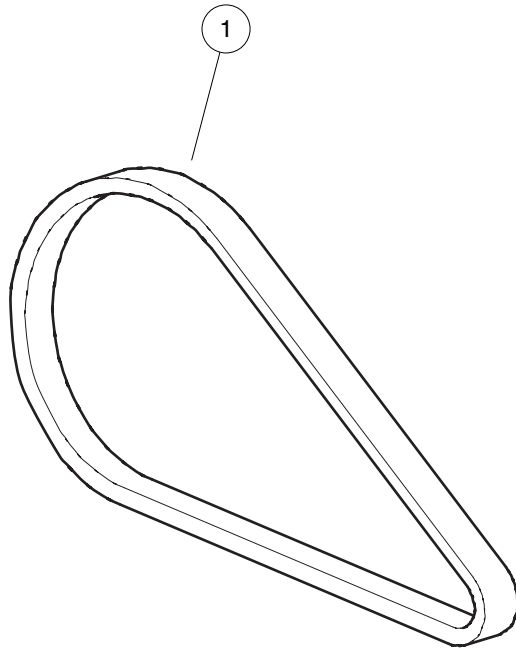
DRIVE BELT AND CLUTCHES – EX40

11

G

11

G



000918-001

DRIVE BELT – KEY-START VEHICLES WITH EFI

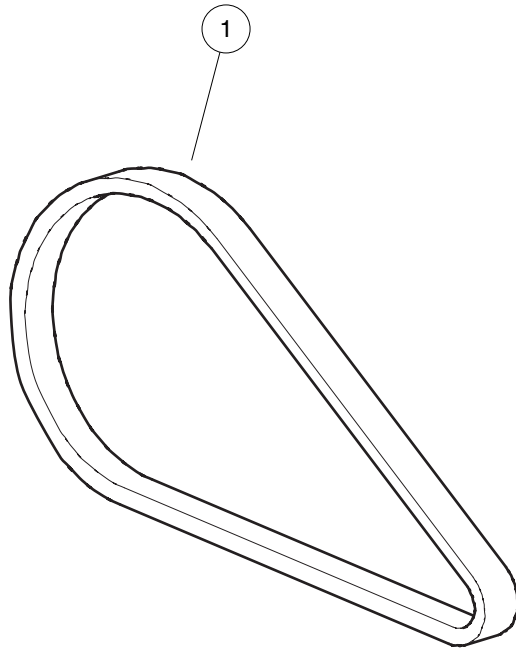
ITEM	PART NO.	DESCRIPTION	QTY
1	<u>103974102</u>	<div style="display: flex; justify-content: space-between; margin-bottom: 5px;"> 1 2 3 4 </div> Belt, Drive, Key-Start	1

11

G

11

G



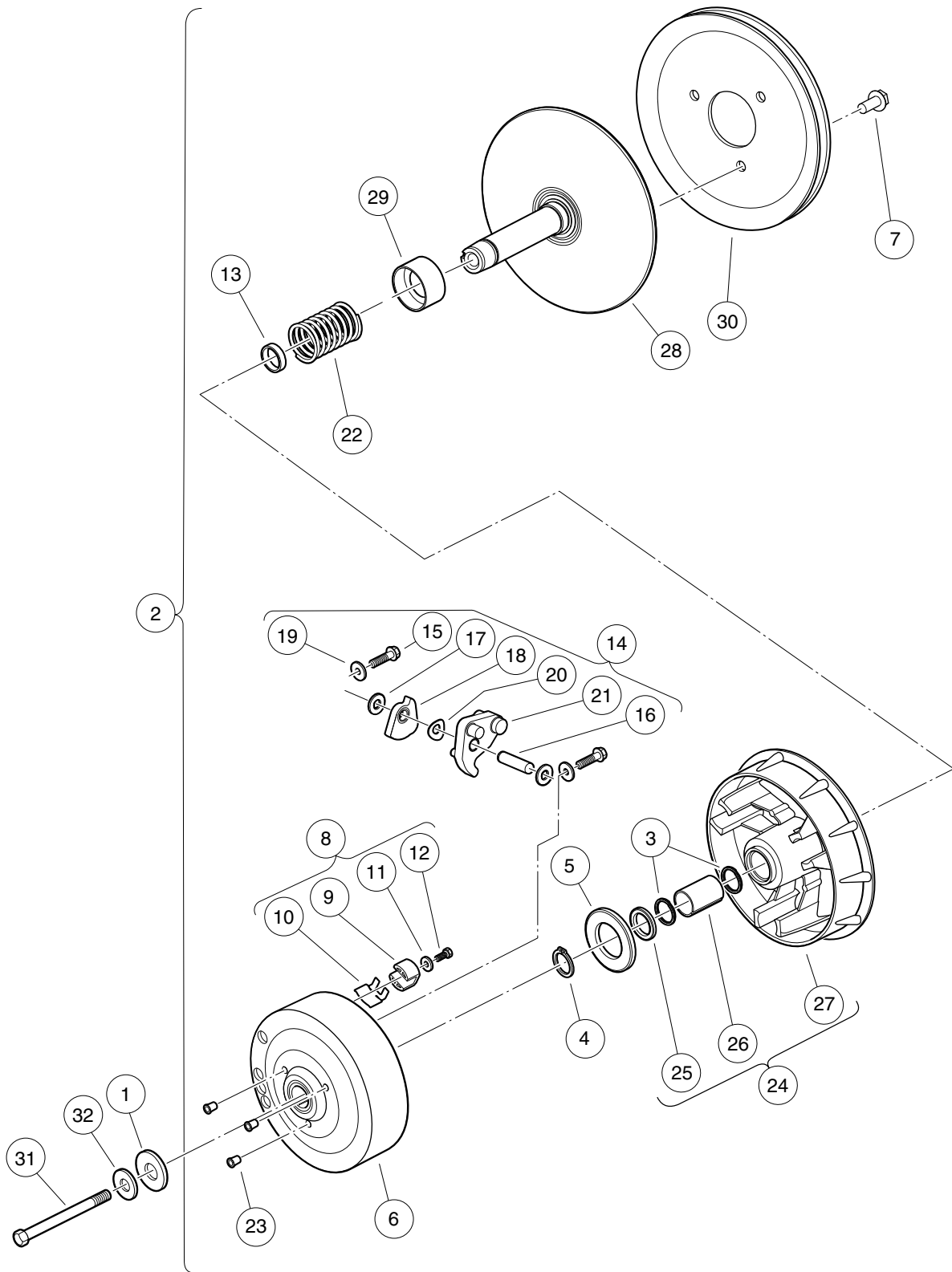
000918-001

DRIVE BELT – PEDAL-START VEHICLES WITH EFI

ITEM	PART NO.	DESCRIPTION	QTY
1	<u>105245801</u>	1 2 3 4 Belt, Drive, Pedal-Start	1

11

G



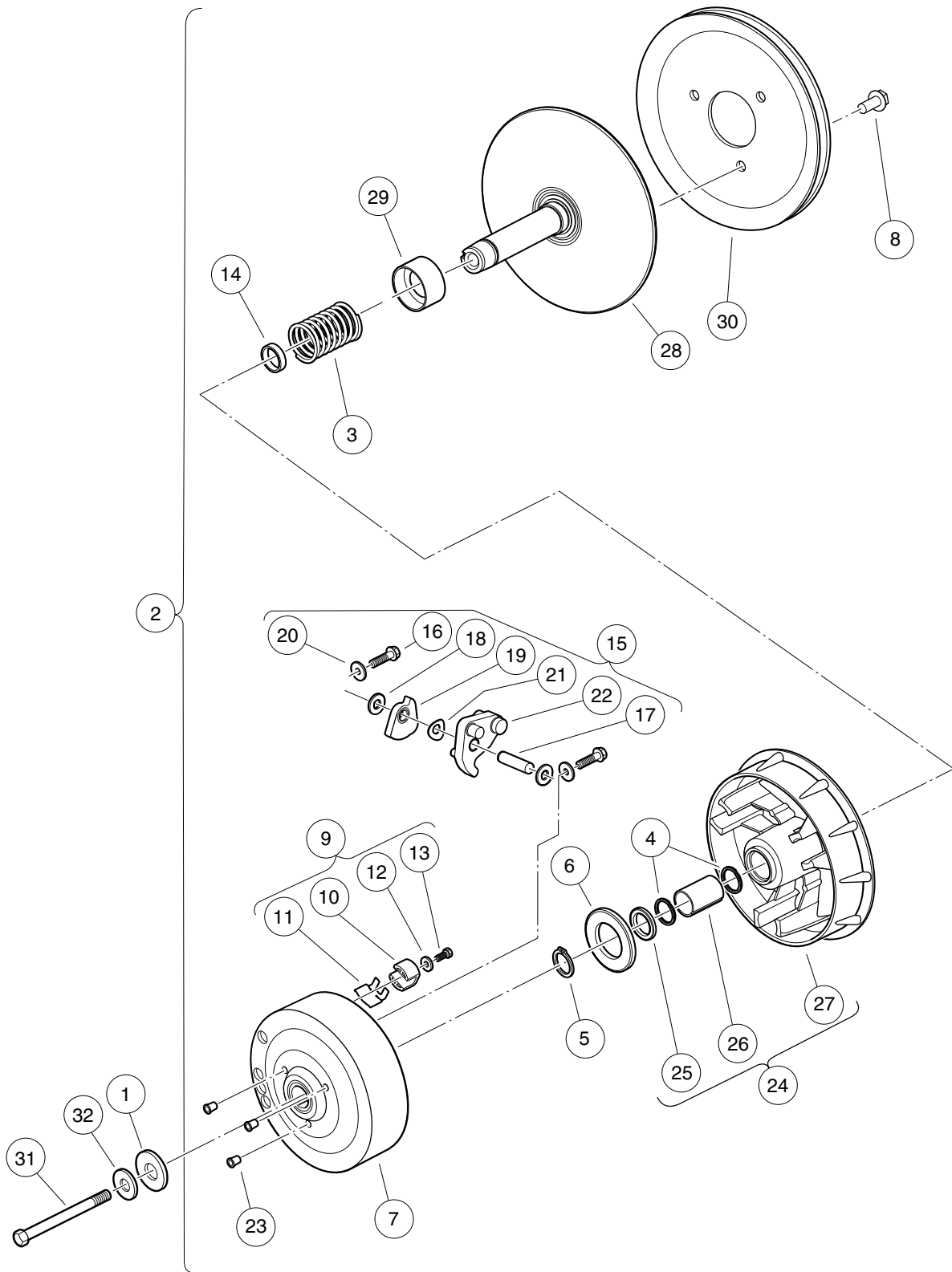
000958-002

DRIVE CLUTCH – KEY-START VEHICLES

ITEM	PART NO.	DESCRIPTION	QTY
		1 2 3 4	
1	<u>102491501</u>	Washer, Hard, M10	1
2	<u>103973902</u>	Clutch, Drive, Key-Start (includes items 3 through 30)	1
3	<u>1014056</u>	Ring, Spiral Backup	2
4	<u>1014057</u>	Ring, 0.810" Internal Retaining	1
5	<u>1014058</u>	Thrust Washer	1
6	<u>1014059</u>	Drive Hub Assy, Drive Clutch	1
7	<u>1014288</u>	Screw, 5/16-18 X 0.75, Thread-Forming	3
8	<u>1014453</u>	Kit, Drive Clutch Button (includes items 9 through 12)	1
9	<u>1014062</u>	Driver, Drive Clutch	3
10	<u>1014287</u>	Spring, Drive Button	3
11	<u>183</u>	Washer, #10, Type A, Flat	3
12	<u>8450</u>	Screw, #10-24 X 0.50, Hex-Head	3
13	<u>1016289</u>	Spacer, Fixed Face Shaft	1
14	<u>1016801</u>	Kit, Drive Clutch Weight (includes items 15 through 21)	1
15	<u>1014063</u>	Screw, 1/4-20 X 1.00, Hex Head	6
16	N/A	Pin, Dowel, 0.3752 x 1.50	3
17	<u>1014065</u>	Washer, Flat, 0.38" ID, Delrin	6
18	N/A	Clutch Weight, Secondary	3
19	N/A	Washer	6
20	<u>1016201</u>	Washer, Wave	3
21	N/A	Weight, Primary	3
22	<u>1016901</u>	Spring, Drive Clutch	1
23	N/A	Cap Plug	3
24	<u>103974201</u>	Asm, Sheave, Moveable, Drive, Wr (includes items 25 through 27)	1
25	<u>1014055</u>	Retainer	1
26	N/A	Bushing, Split, Drive Clutch	1
27	N/A	Sheave, Moveable, Drive, Wr	1
28	<u>103974401</u>	Sheave, Fixed, Drive, Wr	1
29	<u>103984601</u>	Spacer, Idler, Drive	1
30	<u>105096101</u>	Pulley, 7.3 Inch Effective Dia	1
31	<u>103976101</u>	Screw, 3/8-24x5.75, Patch	1
32	<u>334</u>	Washer, 3/8, Type A, Flat	1

11

G



000958-001

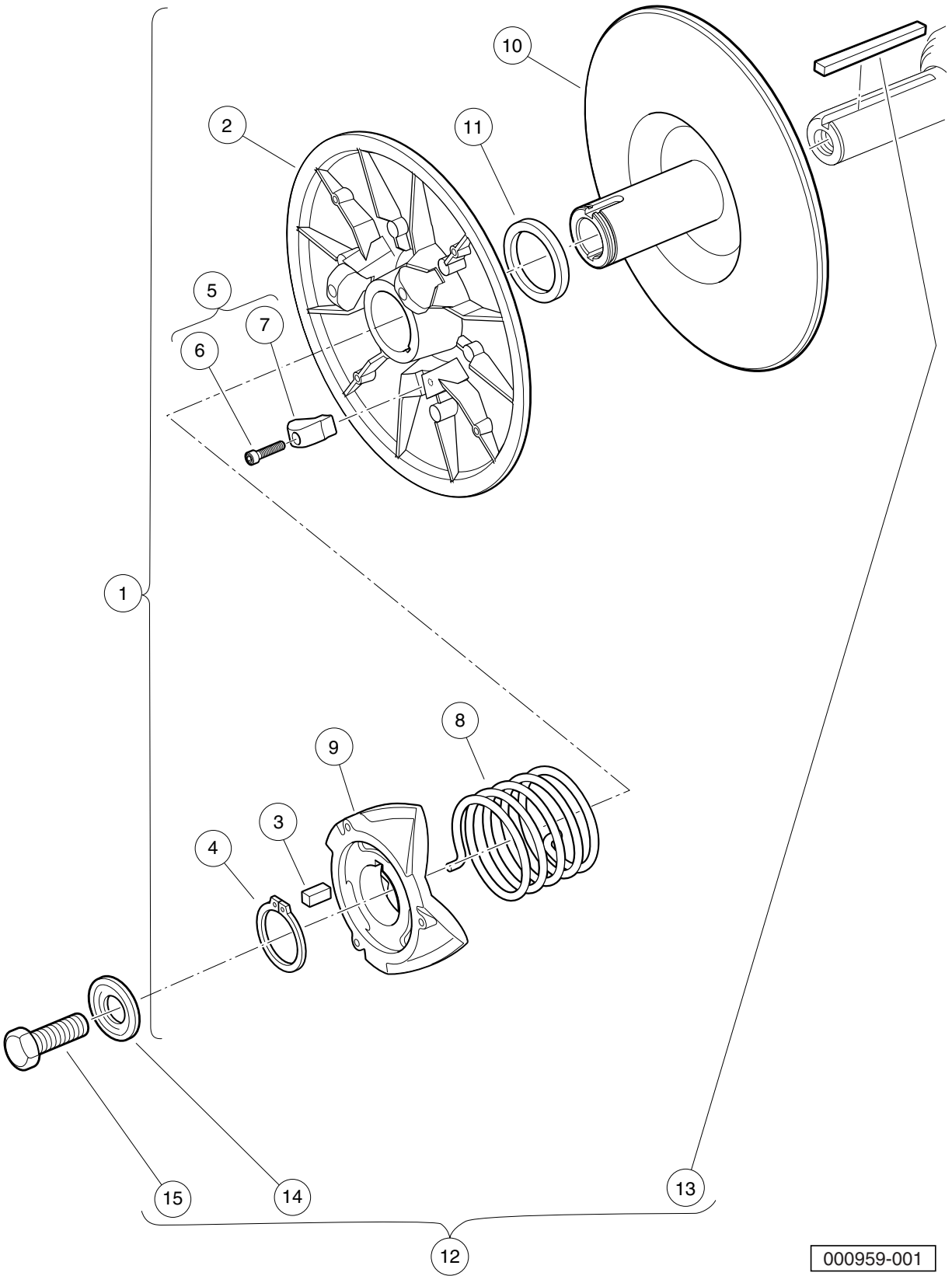
DRIVE CLUTCH – PEDAL-START VEHICLES

ITEM	PART NO.	DESCRIPTION	QTY
		1 2 3 4	
1	<u>102491501</u>	Washer, Hard, M10	1
2	<u>103973901</u>	Clutch, Drive, Pedal-Start (includes items 3 through 30)	1
3	<u>1014051</u>	Spring, Drive Clutch	1
4	<u>1014056</u>	Ring, Spiral Backup	2
5	<u>1014057</u>	Ring, 0.810" Internal Retaining	1
6	<u>1014058</u>	Thrust Washer	1
7	<u>1014059</u>	Drive Hub Assy, Drive Clutch	1
8	<u>1014288</u>	Screw, 5/16-18 X 0.75, Thread-Forming	3
9	<u>1014453</u>	Kit, Drive Clutch Button (includes items 10 through 13)	1
10	<u>1014062</u>	Driver, Drive Clutch	3
11	<u>1014287</u>	Spring, Drive Button	3
12	<u>183</u>	Washer, #10, Type A, Flat	3
13	<u>8450</u>	Screw, #10-24 X 0.50, Hex-Head	3
14	<u>1016289</u>	Spacer, Fixed Face Shaft	1
15	<u>1016801</u>	Kit, Drive Clutch Weight (includes items 16 through 22)	1
16	<u>1014063</u>	Screw, 1/4-20 X 1.00, Hex Head	6
17	N/A	Pin, Dowel, 0.3752 x 1.50	3
18	<u>1014065</u>	Washer, Flat, 0.38" ID, Delrin	6
19	N/A	Clutch Weight, Secondary	3
20	N/A	Washer	6
21	<u>1016201</u>	Washer, Wave	3
22	N/A	Weight, Primary	3
23	N/A	Cap Plug	3
24	<u>103974201</u>	Asm, Sheave, Moveable, Drive, Wr (includes items 25 through 27)	1
25	<u>1014055</u>	Retainer	1
26	N/A	Bushing, Split, Drive Clutch	1
27	N/A	Sheave, Moveable, Drive, Wr	1
28	<u>103974401</u>	Sheave, Fixed, Drive, Wr	1
29	<u>103984601</u>	Spacer, Idler, Drive	1
30	<u>105096101</u>	Pulley, 7.3 Inch Effective Dia	1
31	<u>103976101</u>	Screw, 3/8-24x5.75, Patch	1
32	<u>334</u>	Washer, 3/8, Type A, Flat	1

11

G

11
G



000959-001

DRIVEN CLUTCH (STANDARD SPEED) – KEY START AND PEDAL START

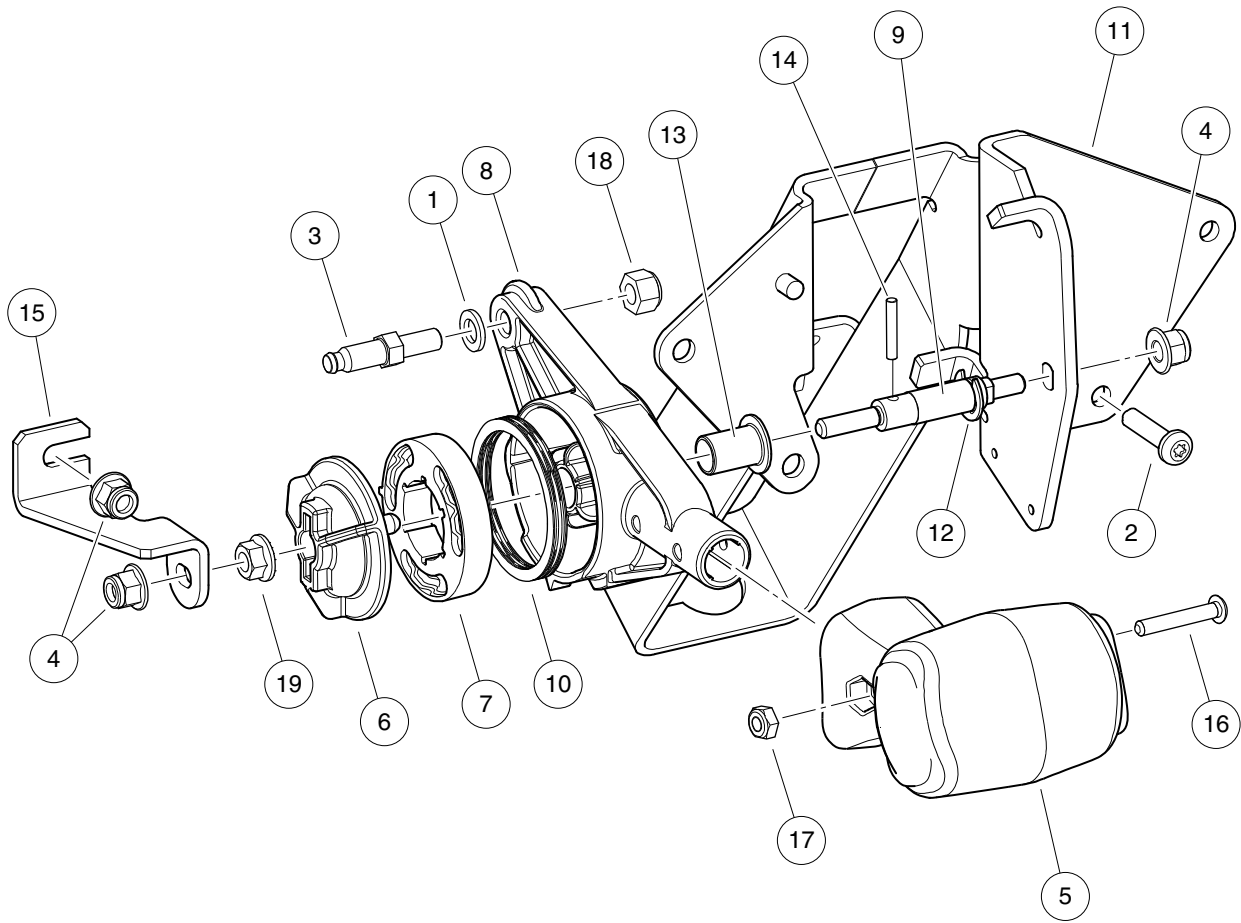
ITEM	PART NO.	DESCRIPTION	QTY
		1 2 3 4	
1	<u>103974002</u>	Clutch, Driven, Std-Speed, Key and Pedal Start (includes items 2 through 11)	1
2	<u>1014072</u>	Movable-Face Assembly with Bushing	1
3	<u>1014078</u>	Key, Driven Clutch	1
4	<u>1014080</u>	Ring, Retaining	1
5	<u>1014454</u>	Kit, Driven Clutch Button (includes items 6 and 7)	1
6	<u>1012836</u>	Screw, #8-32 X 3/4, Socket-Head Cap	3
7	N/A	Button, Drive	3
8	<u>1017145</u>	Spring, Driven Clutch, 55 Degree	1
9	<u>1017686</u>	Cam, Driven Clutch	1
10	<u>103975301</u>	Sheave, Fixed, Driven, Wr	1
11	<u>104025101</u>	Washer, Acetal, Driven Clutch	1
12	<u>AM10419</u>	Kit, Clutch Repair (includes items 13 through 15)	1
13	<u>101833401</u>	Key, 3/16 Sq X 1.50"	1
14	<u>102155801</u>	Washer, Driven Clutch	1
15	<u>102242101</u>	Screw, 5/16-18 X 3/4 Hex-Head with Patch	1

11
G

11

G

TRANSAXLE (FUJI ED65)

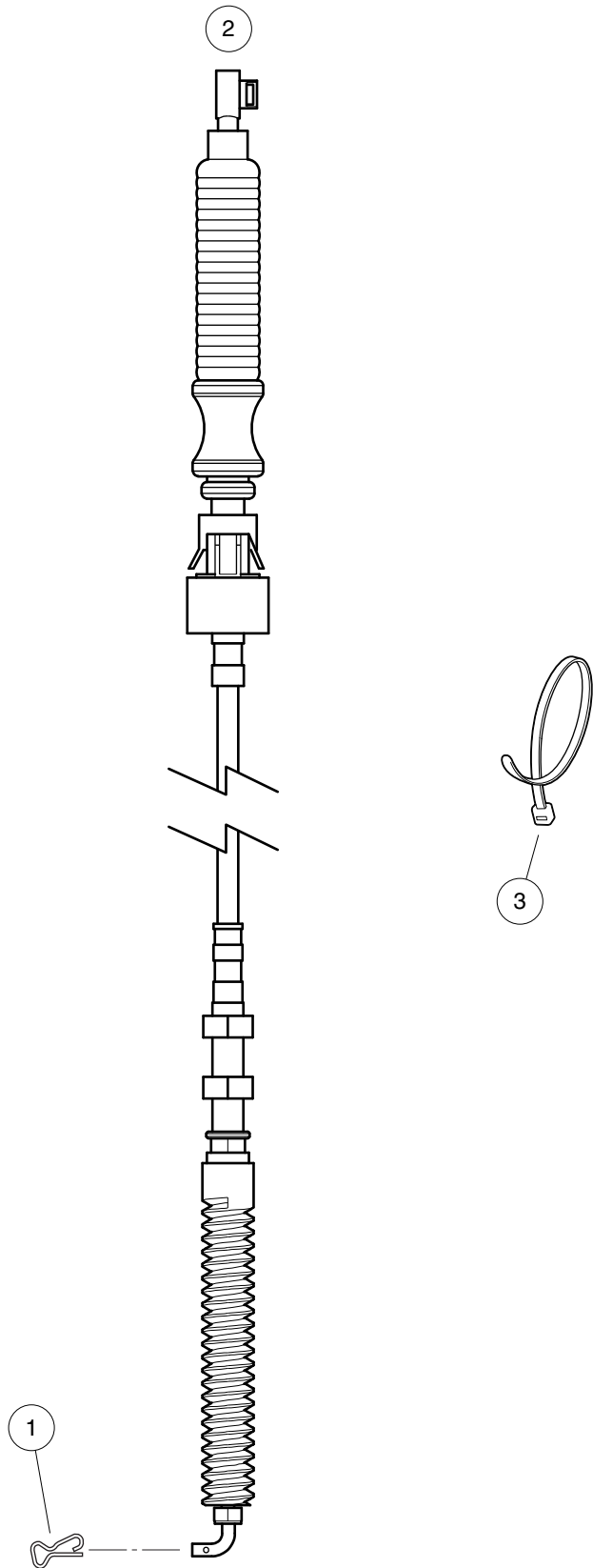


000987-001

FORWARD/REVERSE SHIFTER ASSEMBLY

ITEM	PART NO.	DESCRIPTION	QTY
		1 2 3 4	
1	<u>1014007</u>	Washer, 1/4, Flat	1
2	<u>102296020</u>	Screw, Torx Pan Hd Pt, M6 X 20	4
3	<u>102526201</u>	Stud, Thread, 1/4-28	1
4	<u>102621501</u>	Nut, Flange, M6 X 1.0, Nylon	3
5	<u>105036301</u>	Shifter, Soft, Gas, CA300-700	1
6	<u>105037701</u>	Follower, FNR Detent	1
7	<u>105038001</u>	Cam, FNR Detent, Alternate	1
8	<u>105038101</u>	Housing, FNR, Gas, CA300-700	1
9	<u>105038201</u>	Shaft, FNR, Dash	1
10	<u>105038501</u>	Spring, Wave, Gas FNR Shifter	1
11	<u>105039401</u>	Bracket, Shifter, Dash Mount	1
12	<u>105039801</u>	E-Clip, External, 8mm Groove	1
13	<u>105039901</u>	Bushing, Dash Shifter, Gas	1
14	<u>105040401</u>	Pin, Round, 0.125 Dia x 0.625	1
15	<u>105040501</u>	Bracket, Shifter, Brace, Dash	1
16	<u>105083701</u>	Bolt, 10-24 X 1.25", But Head	1
17	<u>105083801</u>	Nut, Nylon Lock, #10-24, Blk	1
18	<u>8717</u>	Locknut, Nylon Insert, 1/4-28	1
19	<u>96704176</u>	Nut, Flanged, M6 X 1, Serrated	1

12
G



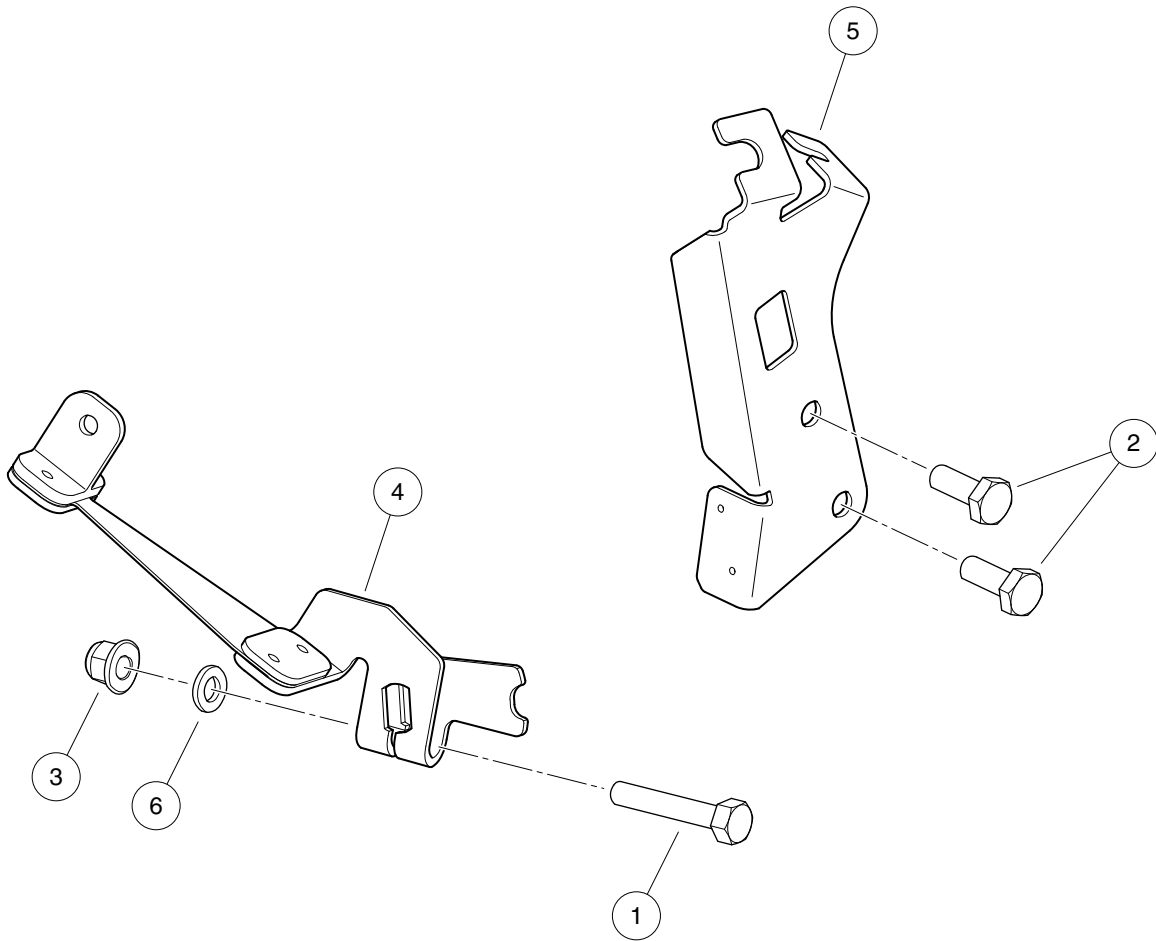
000988-001

SHIFTER CABLE – CA500 & CA550

ITEM	PART NO.	DESCRIPTION	QTY
		1 2 3 4	
1	<u>103886601</u>	Clip, Bowtie	1
2	<u>105038803</u>	Cable, Shifter, CA500/550/CafÉ Express	1
3	<u>8990</u>	Tie Wrap, 8" Nylon	A/R

12

G



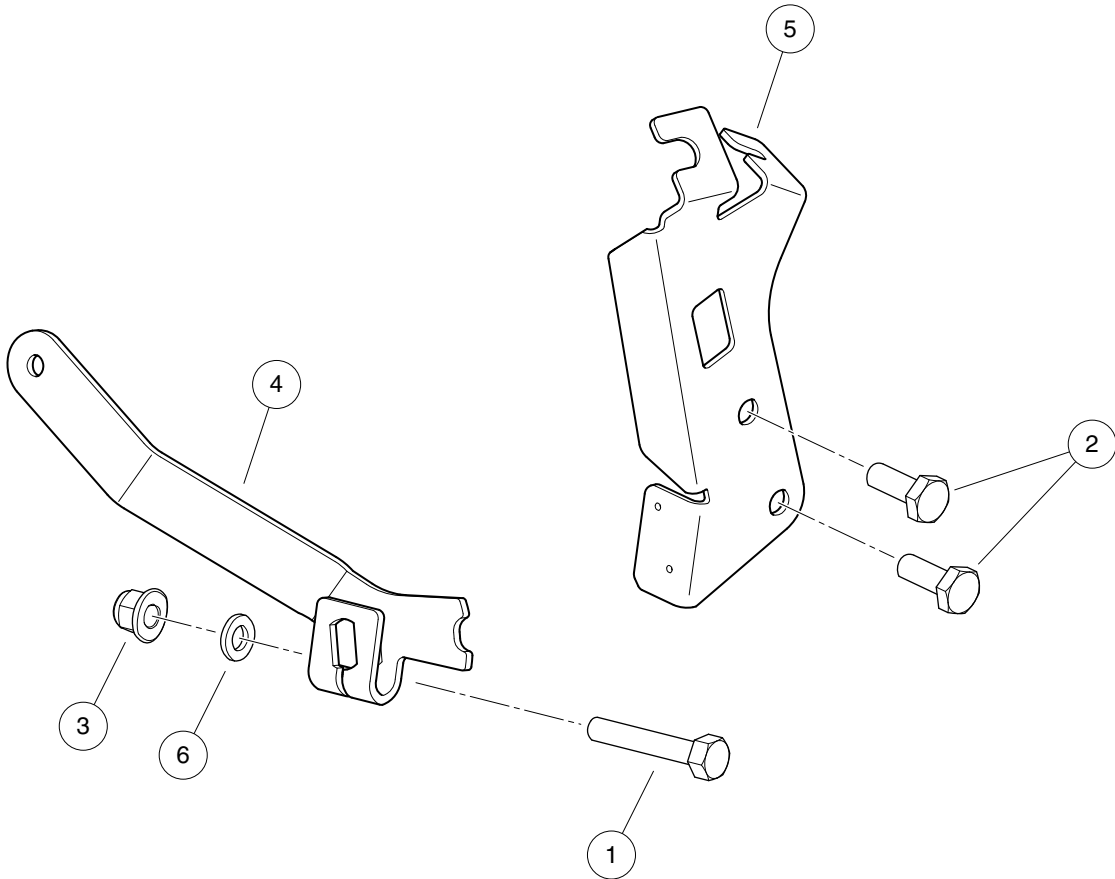
000965-001

SHIFT LEVER AND BRACKET – PEDAL-START ENGINES

ITEM	PART NO.	DESCRIPTION	QTY
		1 2 3 4	
1	<u>102059501</u>	Screw, 6M-1.00 X 35mm, Hex Head	1
2	<u>102498201</u>	Bolt, M10 X 1.25 X 25, Loctite	2
3	<u>102621501</u>	Nut, Flange, M6 X 1.0, Nylon	1
4	<u>105040901</u>	Lever, Shift, Flex, Transaxle, Pedal-Start	1
5	<u>105135101</u>	Bracket, Cable, FNR/Accelerator, ED65	1
6	<u>96705199</u>	Washer, M6	1

12

G



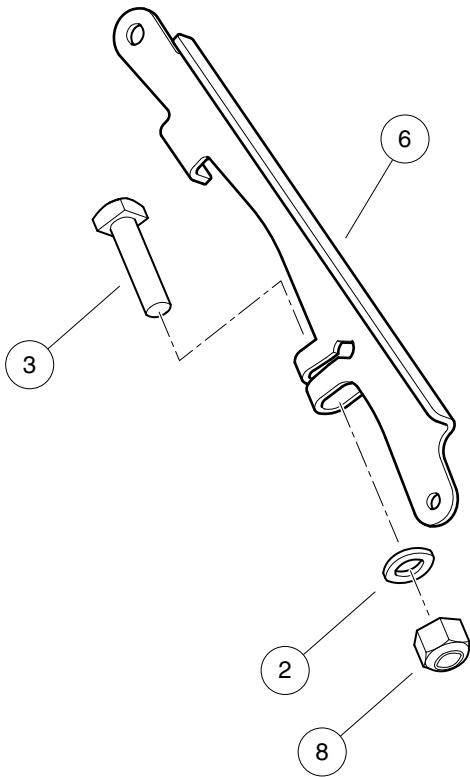
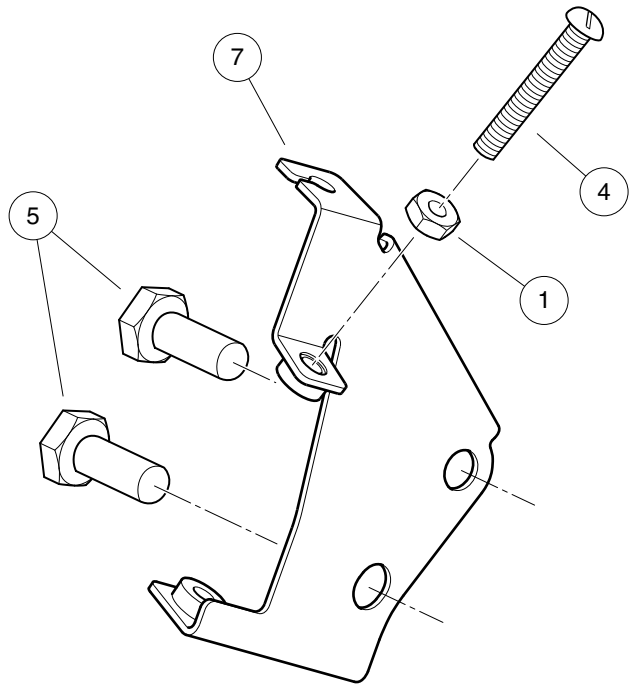
000965-002

SHIFT LEVER AND BRACKET – KEY-START ENGINES

ITEM	PART NO.	DESCRIPTION	QTY
		1 2 3 4	
1	<u>102059501</u>	Screw, 6M-1.00 X 35mm, Hex Head	1
2	<u>102498201</u>	Bolt, M10 X 1.25 X 25, Loctite	2
3	<u>102621501</u>	Nut, Flange, M6 X 1.0, Nylon	1
4	<u>105134901</u>	Lever, Shift, Transaxle, Key-Start	1
5	<u>105135101</u>	Bracket, Cable, FNR/Accelerator, ED65	1
6	<u>96705199</u>	Washer, M6	1

12
G

12
G



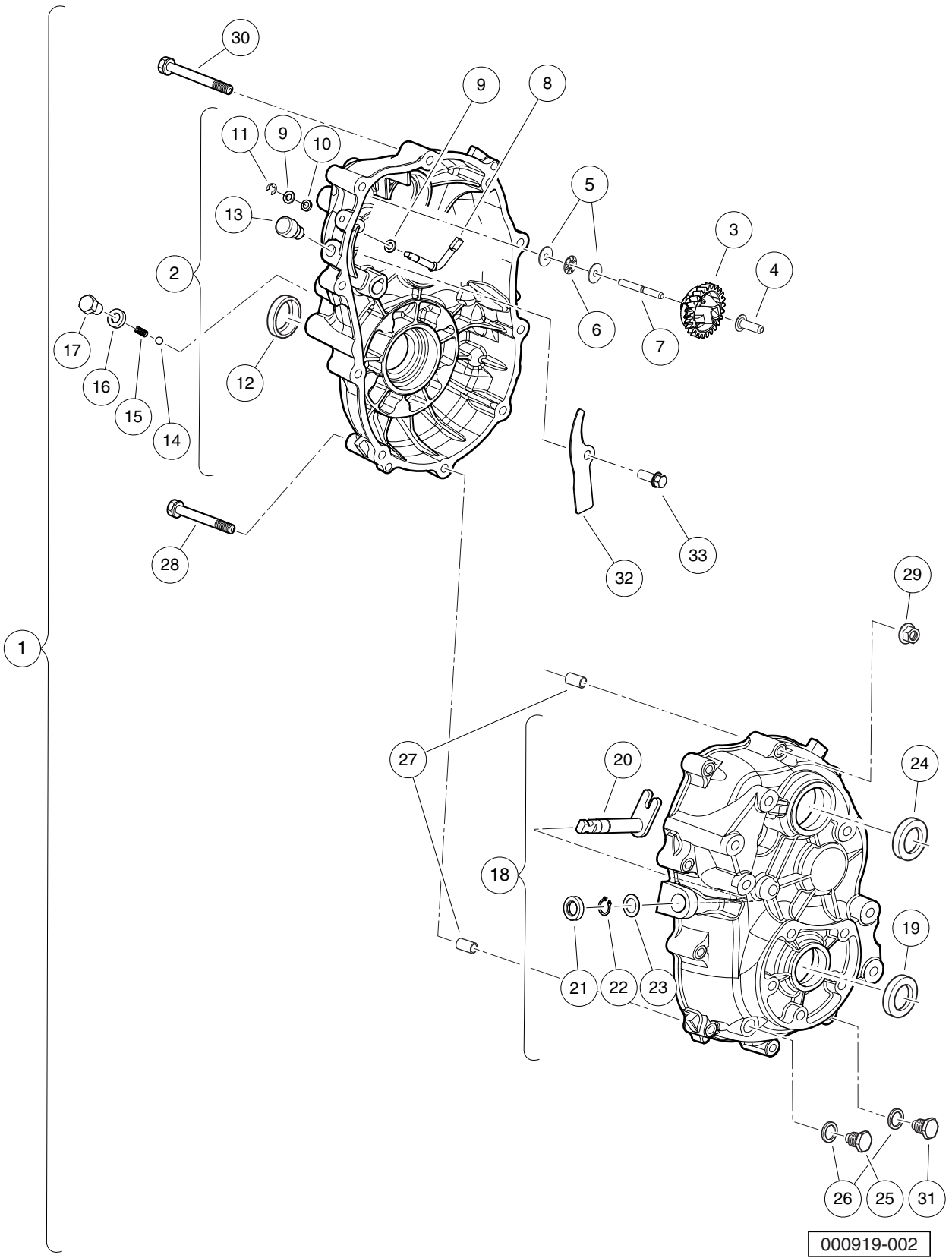
000966-002

GOVERNOR ARM AND BRACKETS – UTILITY VEHICLES

ITEM	PART NO.	DESCRIPTION	QTY
		1 2 3 4	
1	<u>1011114</u>	Nut, M6-1.00 Hex	1
2	<u>1014007</u>	Washer, 1/4, Flat	1
3	<u>101886101</u>	Screw, 1/4-20 X 1.00, Square-Head	1
4	<u>102476401</u>	Bolt, Stop, Pedal	1
5	<u>102498201</u>	Bolt, M10 X 1.25 X 25, Loctite	2
6	<u>104023501</u>	Arm, Governor, ED65	1
7	<u>105144401</u>	Weldment, Governor Bracket	1
8	<u>8233</u>	Locknut, 1/4-20, Nylon Insert	1

12

G

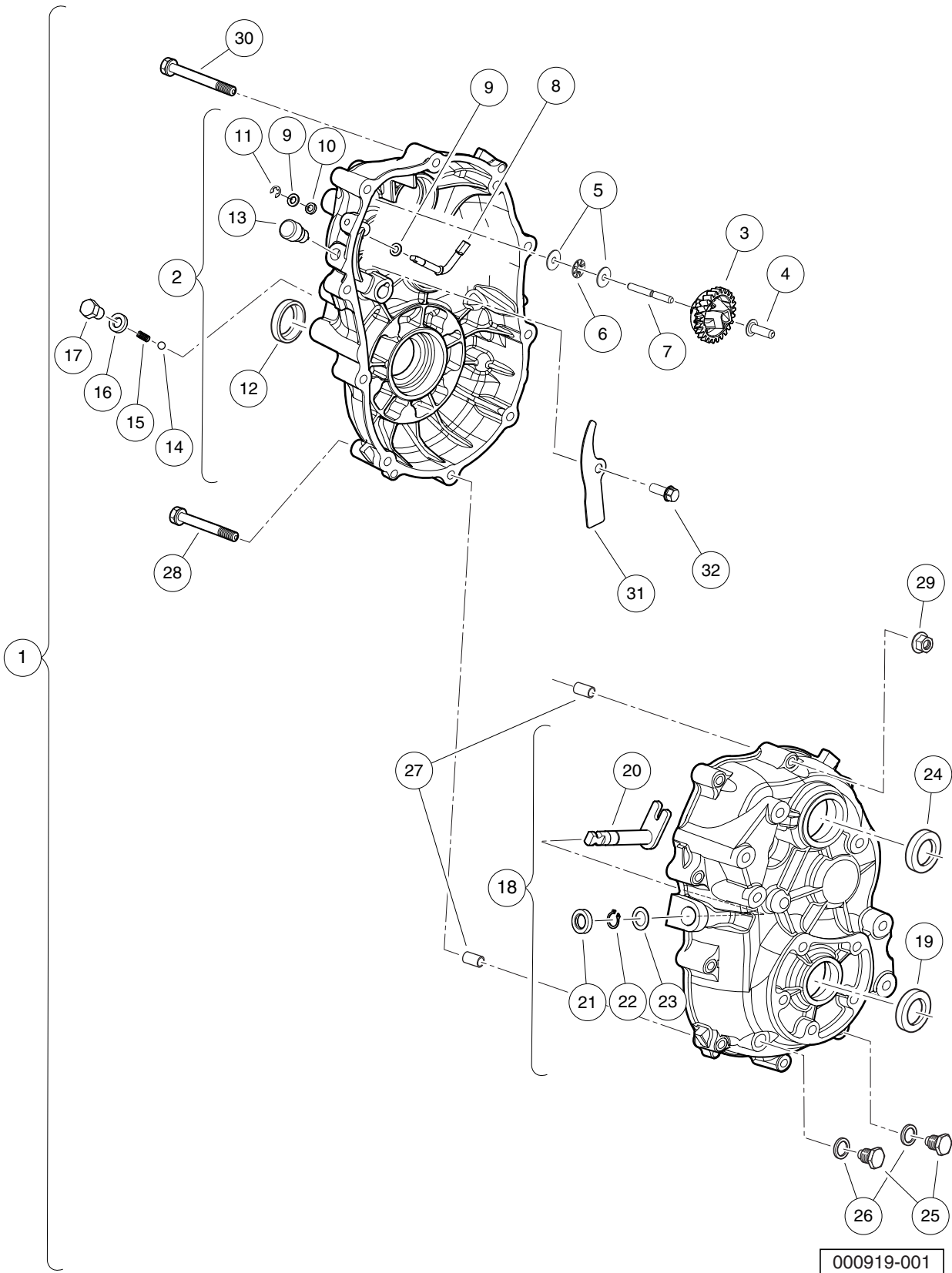


TRANSAXLE (ED65), LIMITED SLIP – PAGE 1 OF 3

ITEM	PART NO.	DESCRIPTION	QTY
		1 2 3 4	
1	<u>103879702</u>	Transaxle, ED65, Limited-Slip Differential (includes items 2 through 33)	1
2	<u>105025001</u>	Case, Transaxle, Left, Complete, ED65 (includes items 3 through 13)	1
3	<u>105025101</u>	Gear, Governor, Complete, ED65	1
4	<u>105025201</u>	Sleeve, Governor, ED65	1
5	<u>105025301</u>	Washer, ED65	2
6	<u>105025401</u>	Bearing, Thrust, ED65	1
7	<u>105025501</u>	Shaft, Governor Gear, ED65	1
8	<u>105025601</u>	Shaft, Governor, ED65	1
9	<u>105025701</u>	Washer, 6mm, ED65	2
10	<u>105025801</u>	Seal, Oil, 6x10x2.5, ED65	1
11	<u>105025901</u>	Retaining Ring, E5, ED65	1
12	<u>105026001</u>	Seal, Oil, 24x40x9, ED65	1
13	<u>105027101</u>	Vent, Breather, ED65	1
14	<u>105026101</u>	Ball, Steel, ED65	1
15	<u>105026201</u>	Spring, ED65	1
16	<u>105026301</u>	Gasket, 10, ED65	1
17	<u>105026401</u>	Bolt, M10-1.25x12mm Lg, ED65	1
18	<u>105026501</u>	Case, Transaxle, Right, Complete, ED65 (includes items 19 through 24)	1
19	<u>105026001</u>	Seal, Oil, 24x40x9, ED65	1
20	<u>105026601</u>	Shaft, Select, ED65	1
21	<u>105026701</u>	Seal, Oil, 13x22x5, ED65	1
22	<u>105026801</u>	Snap Ring, 13mm, ED65	1
23	<u>105026901</u>	Spacer, 13x1, ED65	1
24	<u>105027001</u>	Seal, Oil, 25x45x7, ED65	1
25	<u>105027201</u>	Plug, Oil Drain, ED65	1
26	<u>105027301</u>	Gasket, 14, ED65	2
27	<u>105028301</u>	Pin, Guide, ED65	2
28	<u>105028501</u>	Bolt, Flange, M8-1.25x65mm, ED65	1
29	<u>105030001</u>	Nut, Flange, M8-1.25, ED65	10
30	<u>105030701</u>	Bolt, Flanged, M8-1.25x80mm, ED65	9
31	<u>105063501</u>	Plug, Oil Drain, Magnetic, ED65	1
32	<u>105234801</u>	Plate, Ed65 Splash	1
33	<u>105234901</u>	Bolt, M6-1 X 12mm Lg, Ed65	1
Note: Fuji transaxle component listings span three pages. To identify your transaxle, locate the serial number decal on the axle tube.			

12

G



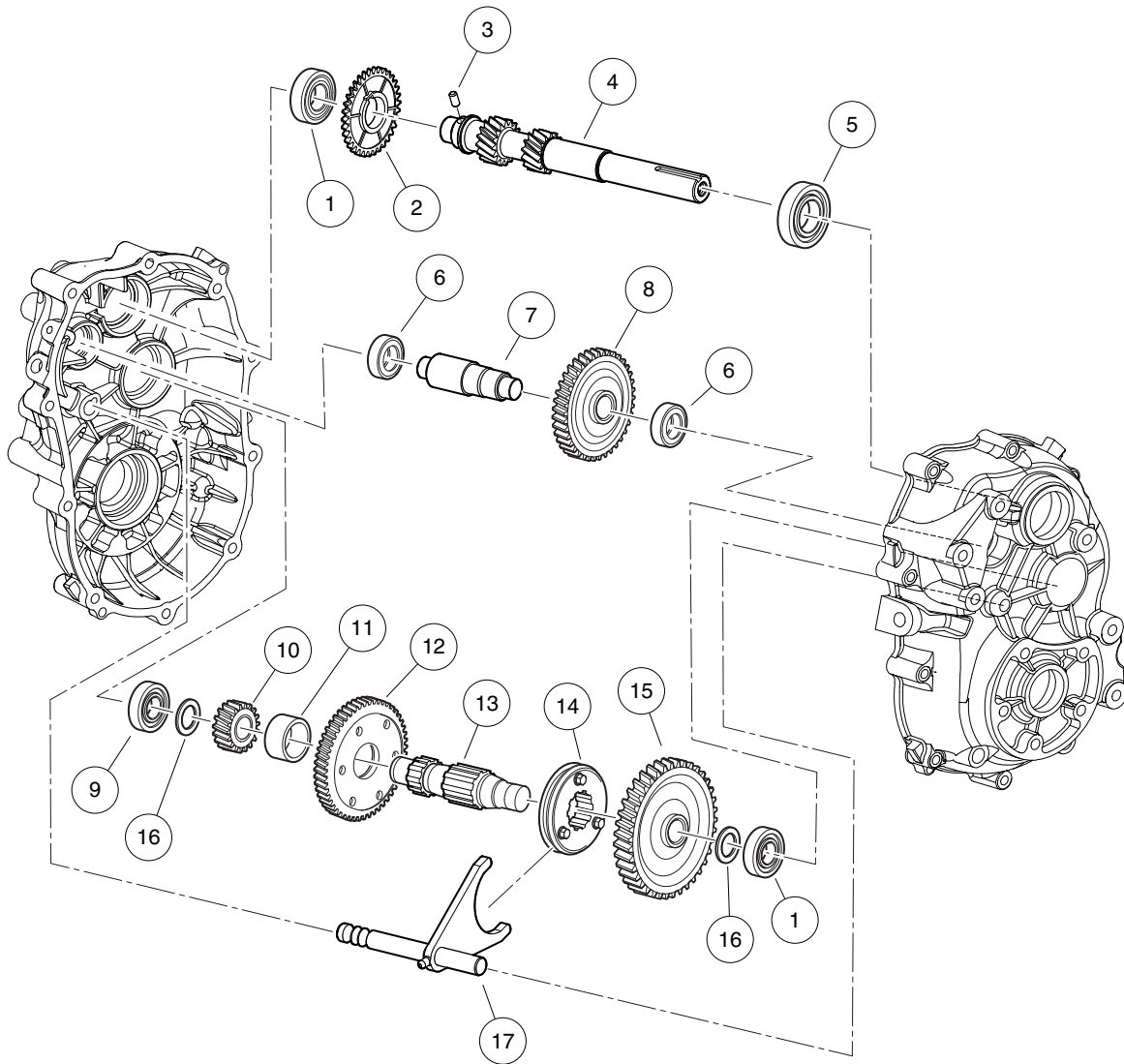
000919-001

TRANSAXLE (ED65), OPEN – PAGE 1 OF 3

ITEM	PART NO.	DESCRIPTION	QTY
		1 2 3 4	
1	<u>103879701</u>	Transaxle, ED65, Open Differential (includes items 2 through 32)	1
2	<u>105025001</u>	Case, Transaxle, Left, Complete, ED65 (includes items 3 through 13)	1
3	<u>105025101</u>	Gear, Governor, Complete, ED65	1
4	<u>105025201</u>	Sleeve, Governor, ED65	1
5	<u>105025301</u>	Washer, ED65	2
6	<u>105025401</u>	Bearing, Thrust, ED65	1
7	<u>105025501</u>	Shaft, Governor Gear, ED65	1
8	<u>105025601</u>	Shaft, Governor, ED65	1
9	<u>105025701</u>	Washer, 6mm, ED65	2
10	<u>105025801</u>	Seal, Oil, 6x10x2.5, ED65	1
11	<u>105025901</u>	Retaining Ring, E5, ED65	1
12	<u>105026001</u>	Seal, Oil, 24x40x9, ED65	1
13	<u>105027101</u>	Vent, Breather, ED65	1
14	<u>105026101</u>	Ball, Steel, ED65	1
15	<u>105026201</u>	Spring, ED65	1
16	<u>105026301</u>	Gasket, 10, ED65	1
17	<u>105026401</u>	Bolt, M10-1.25x12mm Lg, ED65	1
18	<u>105026501</u>	Case, Transaxle, Right, Complete, ED65 (includes items 19 through 24)	1
19	<u>105026001</u>	Seal, Oil, 24x40x9, ED65	1
20	<u>105026601</u>	Shaft, Select, ED65	1
21	<u>105026701</u>	Seal, Oil, 13x22x5, ED65	1
22	<u>105026801</u>	Snap Ring, 13mm, ED65	1
23	<u>105026901</u>	Spacer, 13x1, ED65	1
24	<u>105027001</u>	Seal, Oil, 25x45x7, ED65	1
25	<u>105027201</u>	Plug, Oil Drain, ED65	2
26	<u>105027301</u>	Gasket, 14, ED65	2
27	<u>105028301</u>	Pin, Guide, ED65	2
28	<u>105028501</u>	Bolt, Flange, M8-1.25x65mm, ED65	1
29	<u>105030001</u>	Nut, Flange, M8-1.25, ED65	10
30	<u>105030701</u>	Bolt, Flanged, M8-1.25x80mm, ED65	9
31	<u>105234801</u>	Plate, Ed65 Splash	1
32	<u>105234901</u>	Bolt, M6-1 X 12mm Lg, Ed65	1
<p>Note: Fuji transaxle component listings span three pages. To identify your transaxle, locate the serial number decal on the axle tube.</p>			

12

G



000919-003

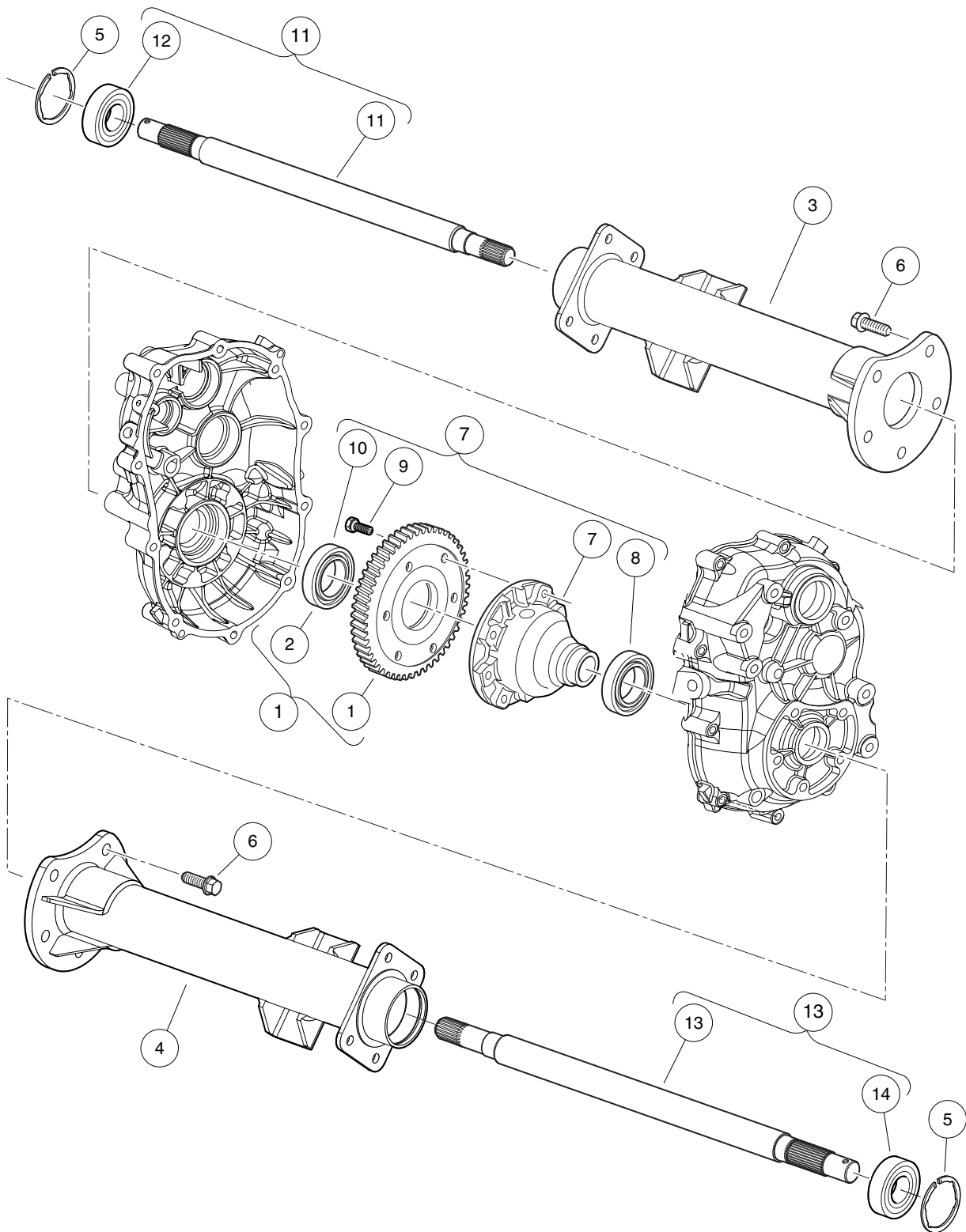
TRANSAXLE (ED65), LIMITED SLIP AND OPEN – PAGE 2 OF 3

ITEM	PART NO.	DESCRIPTION	QTY
		1 2 3 4	
1	<u>105027401</u>	Bearing, Ball (6204)	2
2	<u>105027501</u>	Gear, Governor, 34 Tooth, ED65	1
3	<u>105027601</u>	Pin, 6x12 Long, ED65	1
4	<u>105027701</u>	Shaft, Input, ED65	1
5	<u>105027801</u>	Bearing, Ball (6205 seal)	1
6	<u>105027901</u>	Bearing, Ball (6202)	2
7	<u>105028001</u>	Shaft, Counter, ED65	1
8	<u>105028201</u>	Gear, 34 Tooth, ED65	1
9	<u>105028401</u>	Bearing, Ball (6304)	1
10	<u>105028601</u>	Gear, 17 Tooth, ED65	1
11	<u>105028701</u>	Collar, 24 x 12, ED65	1
12	<u>105028801</u>	Gear, 52 Tooth, ED65	1
13	<u>105028901</u>	Shaft, Center, ED65	1
14	<u>105029001</u>	Clutch, Pin, ED65	1
15	<u>105029101</u>	Gear, 62 Tooth, ED65	1
16	<u>105029201</u>	Spacer, 20x2, ED65	2
17	<u>105030901</u>	Shaft, Shift, ED65	1
		<p>Note: To identify your transaxle, locate the serial number decal on the axle tube.</p>	

12

G

12
G



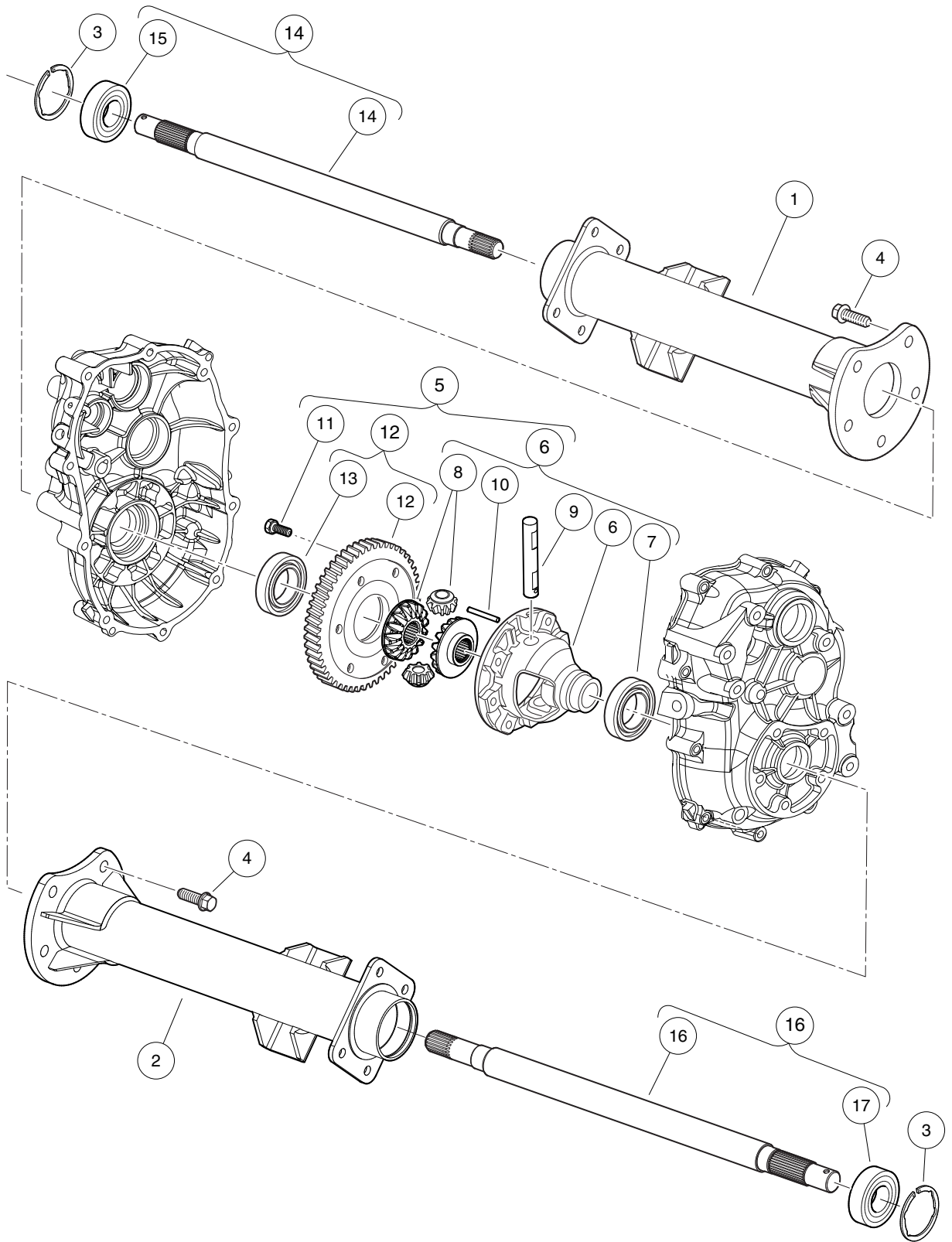
000919-005

TRANSAXLE (ED65), LIMITED SLIP – PAGE 3 OF 3

ITEM	PART NO.	DESCRIPTION	QTY
		1 2 3 4	
1	105029901	Gear, 60 Tooth, Complete, ED65 (includes item 2)	1
2	<u>105029801</u>	Bearing, Ball (6007)	1
3	105030401	Axle Tube, Driver-Side, ED65	1
4	105030501	Axle Tube, Passenger-Side, ED65	1
5	<u>105030601</u>	Snap Ring, 52mm, ED65	2
6	<u>105030801</u>	Bolt, Flange, M10-1.25x25, ED65	10
7	<u>105063601</u>	Differential, Limited-Slip, ED65 (includes items 8 through 10)	1
8	<u>105028101</u>	Bearing, Ball (6006)	1
9	<u>105029501</u>	Bolt, M10-1.25x26mm Lg, ED65	6
10	<u>105029801</u>	Bearing, Ball (6007)	1
11	<u>105066001</u>	Axle Shaft, Driver-Side, Complete, ED65 (includes item 12)	1
12	<u>105030301</u>	Bearing, Ball (6205DD)	1
13	<u>105066101</u>	Axle Shaft, Passenger-Side, Complete, ED65 (includes item 14)	1
14	<u>105030301</u>	Bearing, Ball (6205DD)	1
<p style="margin-left: 40px;">Note: To identify your transaxle, locate the serial number decal on the axle tube.</p>			

12

G



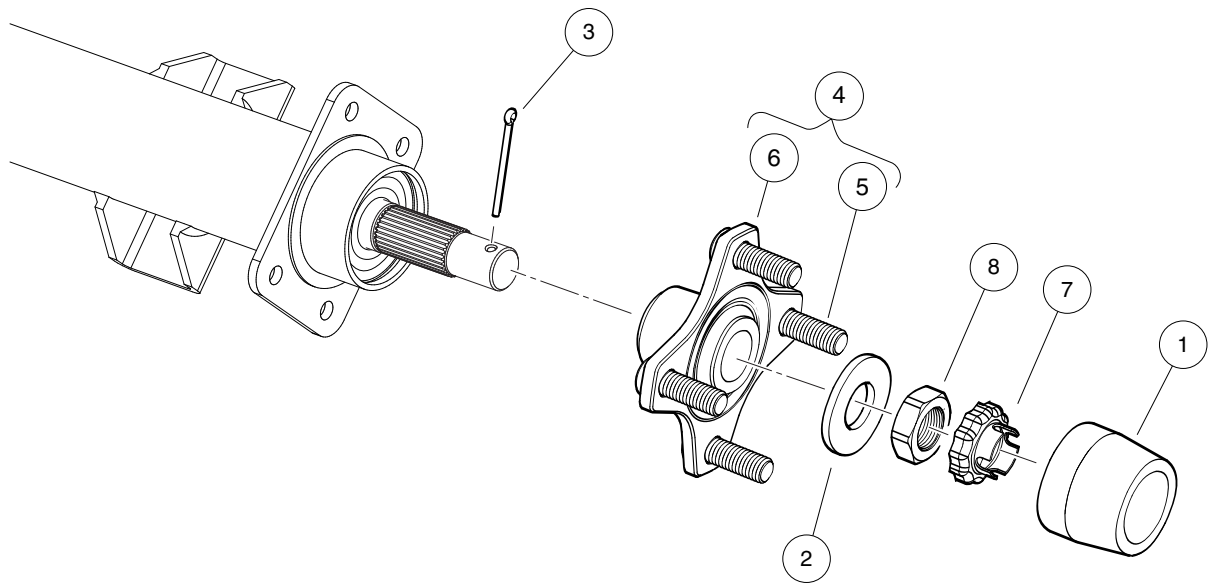
000919-004

TRANSAXLE (ED65), OPEN – PAGE 3 OF 3

ITEM	PART NO.	DESCRIPTION	QTY
		1 2 3 4	
1	105030401	Axle Tube, Driver-Side, ED65	1
2	105030501	Axle Tube, Passenger-Side, ED65	1
3	<u>105030601</u>	Snap Ring, 52mm, ED65	2
4	<u>105030801</u>	Bolt, Flange, M10-1.25x25, ED65	10
5	<u>105031001</u>	Differential, Open, ED65 (includes items 6 through 12)	1
6	<u>105029301</u>	Case, Differential, Complete, ED65 (includes items 7 through 10)	1
7	<u>105028101</u>	Bearing, Ball (6006)	1
8	105029401	Gear Set, Differential, ED65	1
9	<u>105029601</u>	Shaft, Differential, ED65	1
10	<u>105029701</u>	Pin, 4x40 Long, ED65	1
11	<u>105029501</u>	Bolt, M10-1.25x26mm Lg, ED65	6
12	<u>105029901</u>	Gear, 60 Tooth, Complete, ED65 (includes item 13)	1
13	<u>105029801</u>	Bearing, Ball (6007)	1
14	<u>105066001</u>	Axle Shaft, Driver-Side, Complete, ED65 (includes item 15)	1
15	<u>105030301</u>	Bearing, Ball (6205DD)	1
16	<u>105066101</u>	Axle Shaft, Passenger-Side, Complete, ED65 (includes item 17)	1
17	<u>105030301</u>	Bearing, Ball (6205DD)	1
Note: To identify your transaxle, locate the serial number decal on the axle tube.			

12

G



000919-006

HUB, REAR

ITEM	PART NO.	DESCRIPTION	QTY
		1 2 3 4	
1	102274101	Center Cap, Rubber	2
2	<u>102617801</u>	Washer, Hard, M22	2
3	<u>103989501</u>	Pin, Cotter, 9/64 X 1.75"	2
4	<u>103995001</u>	Asm, Hub, Machined, Golf/Utility (includes items 5 and 6)	2
5	<u>103951501</u>	Lug Stud, 1/2-20 UNF, SAE J1102	4
6	<u>103979301</u>	Hub, Machined, Golf/Utility	1
7	<u>104021701</u>	Retaining Ring, Hex Nut, M22	2
8	<u>104027101</u>	Nut, Hex, M22x1.5, Thin	2

12
G

12

G

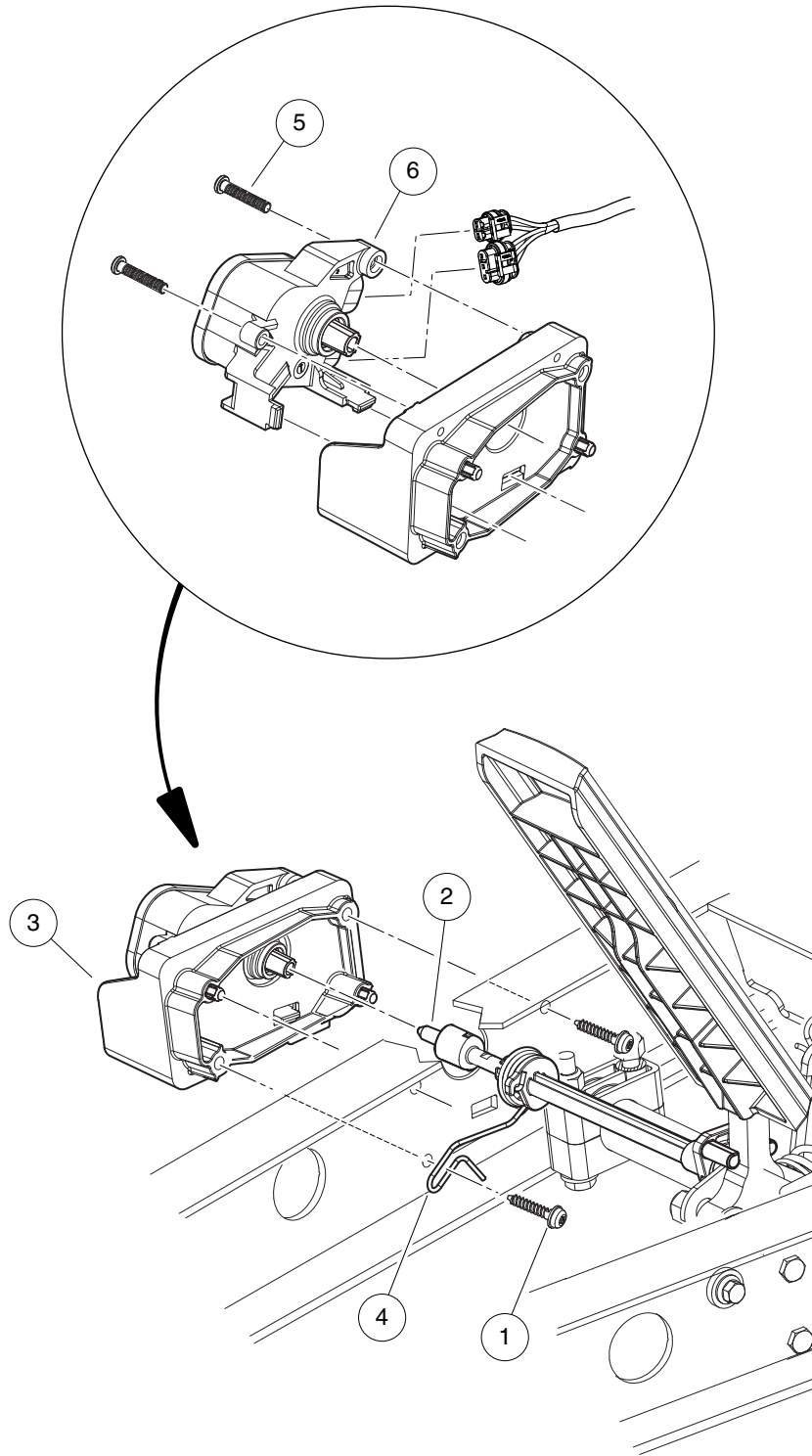
ELECTRICAL SYSTEM – ELECTRIC VEHICLES

13

E

13

E



002522-001

MOTOR CONTROLLER OUTPUT REGULATOR (MCOR)

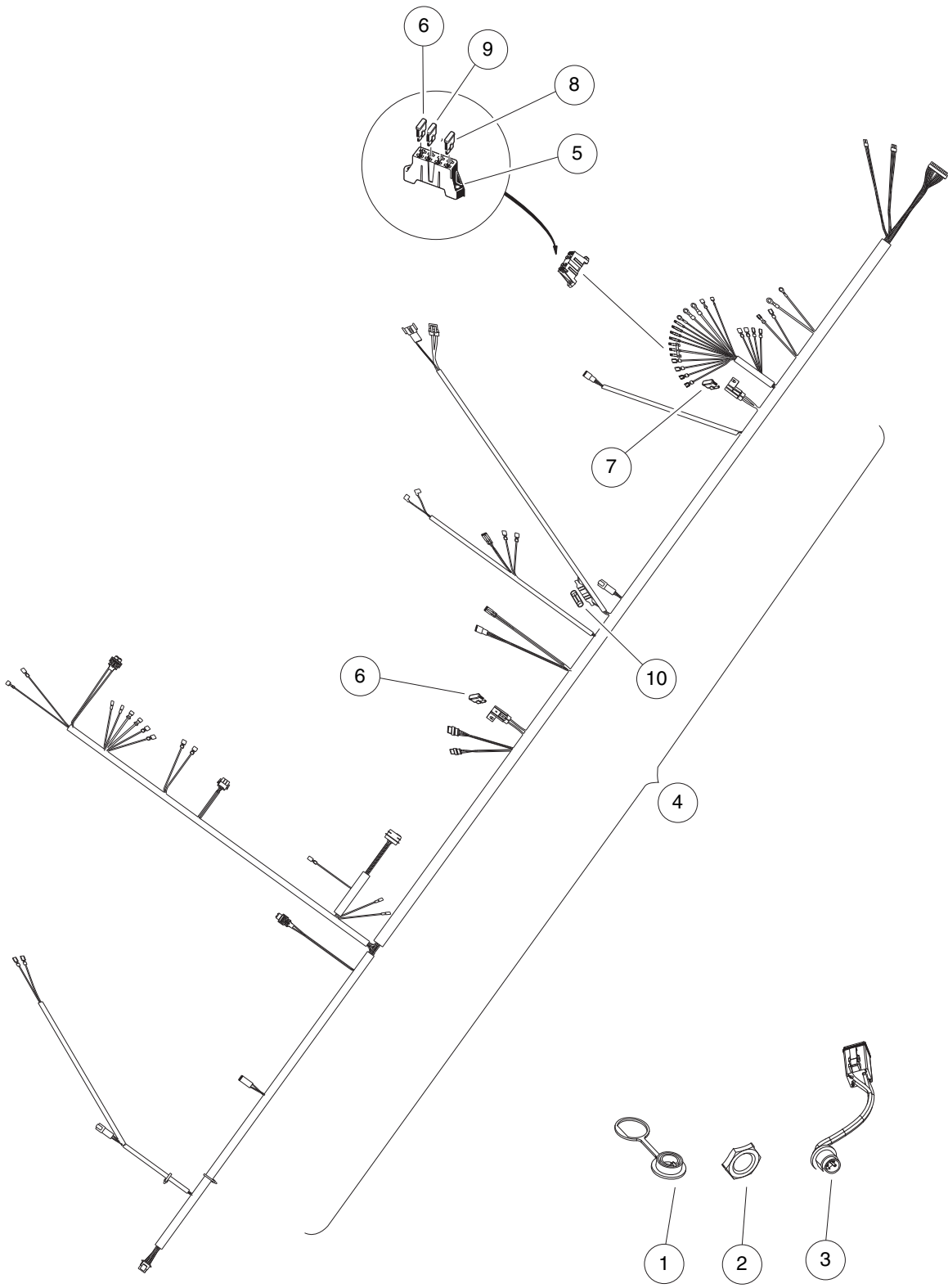
ITEM	PART NO.	DESCRIPTION	QTY
		1 2 3 4	
1	<u>102297230</u>	Screw, M6, Torx, Interlock Thread	2
2	<u>103902101</u>	Bar, Drive, Cast	1
3	<u>103902301</u>	Housing, Mcor	1
4	<u>103902401</u>	Spring, Torsion	1
5	<u>103943401</u>	Screw, Pan, #10 X 1.00 Hi-lo	2
6	<u>105116301</u>	MCOR4, Type 16 Switch	1

13

E

13

E



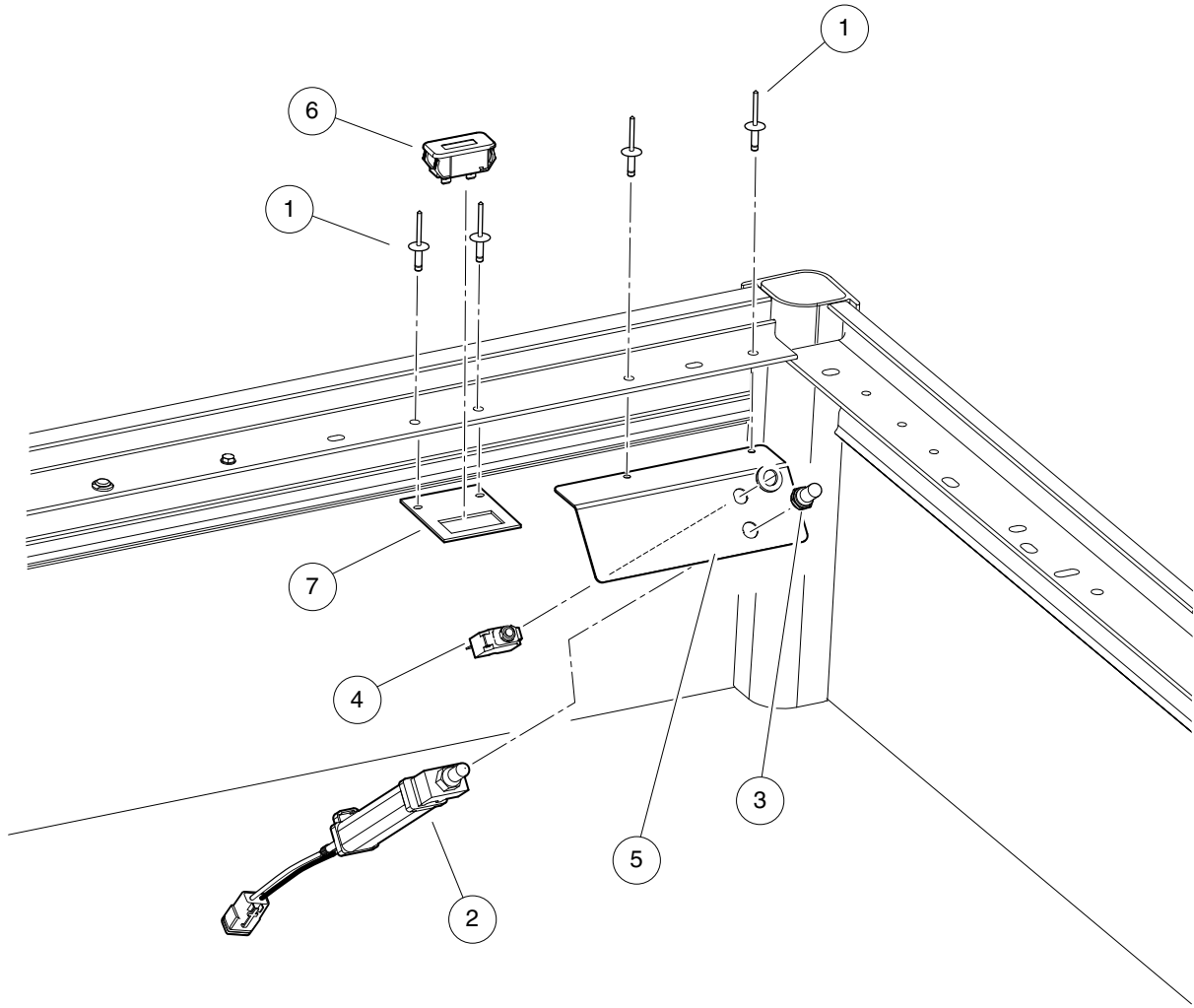
002533-002

MAIN WIRING HARNESS, 48-VOLT FUSE BLOCK – ELECTRIC VEHICLE

ITEM	PART NO.	DESCRIPTION	QTY
		1 2 3 4	
1	<u>102196901</u>	Dust Cap	1
2	<u>102572401</u>	Nut, Diagnostic Port, Prec	1
3	<u>103218601</u>	Harness, Diagnostic Port	1
4	<u>105049601</u>	Asm, Harness, Ca500, Elec (includes items 5 through 10)	1
5	<u>1015741</u>	Fuse Block	1
6	<u>1016423</u>	Fuse, 20-Amp	2
7	<u>102492301</u>	Fuse, 30-Amp	1
8	<u>102538601</u>	15 Amp Fuse	2
9	<u>105167201</u>	Fuse, Atc, 2 Amp	1
10	<u>105173901</u>	Fuse, Agc, 1 Amp	1

13

E



002520-002

TOW/RUN SWITCH AND HOUR METER

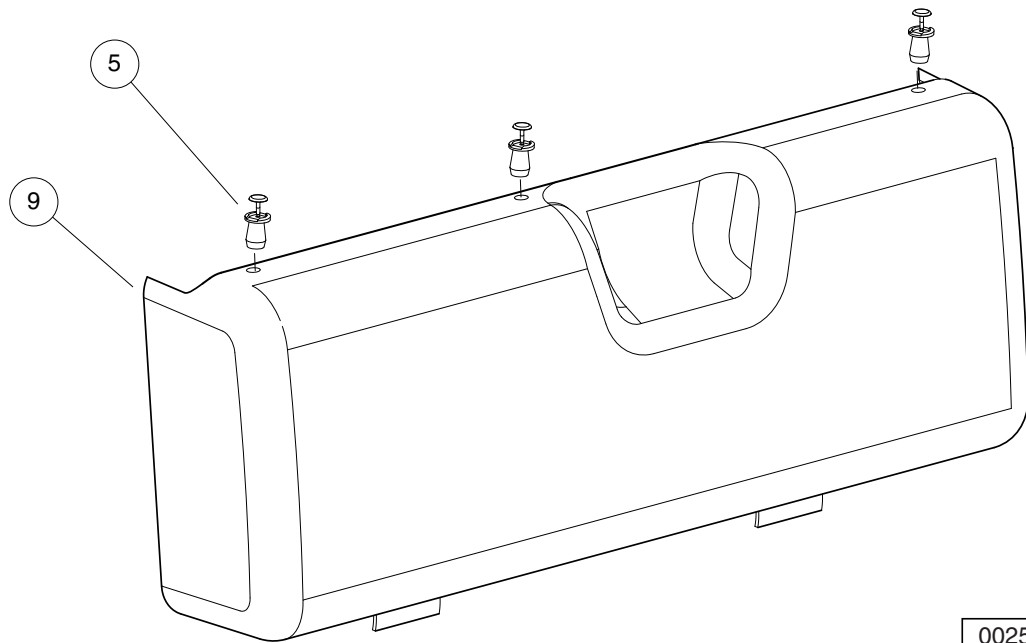
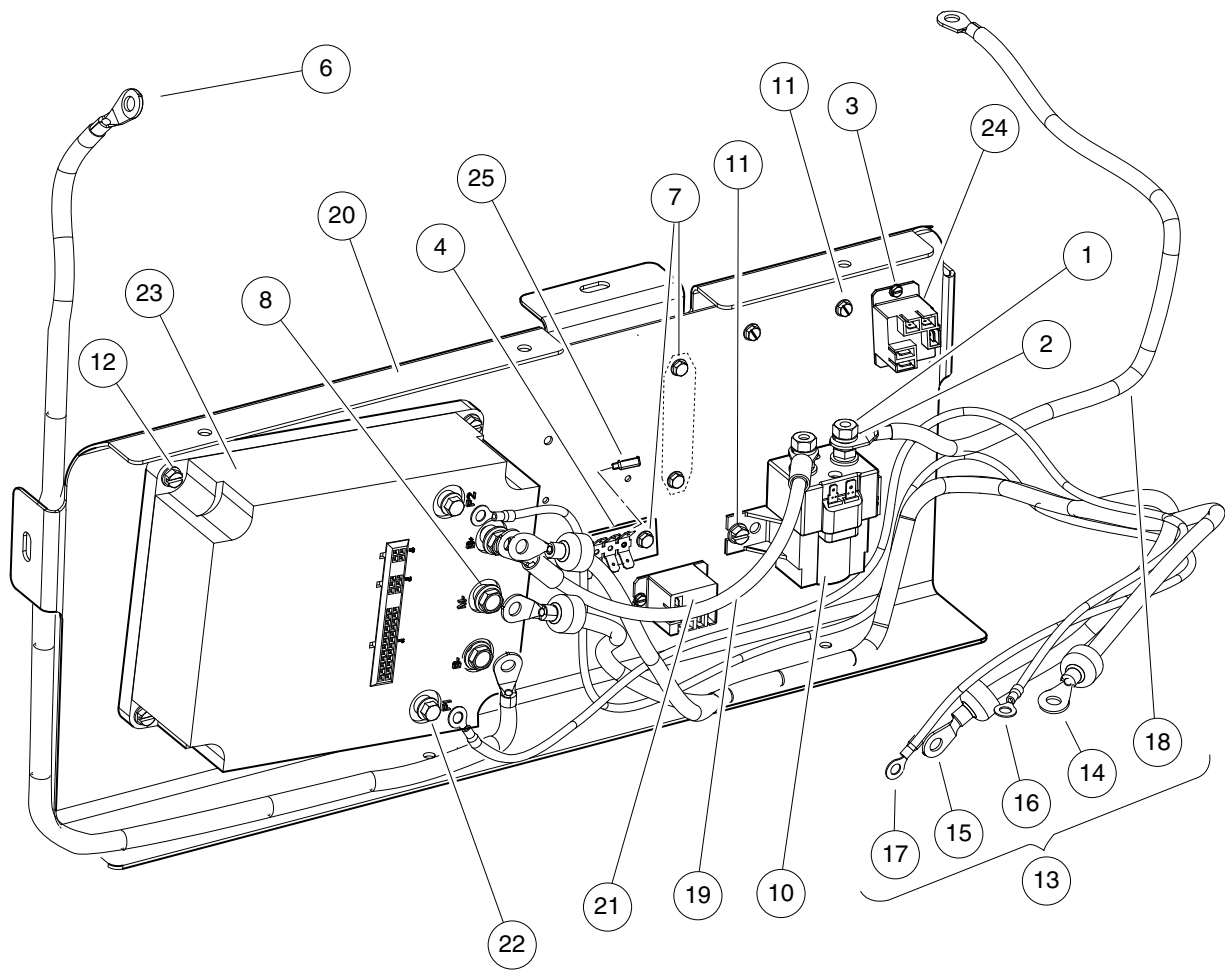
ITEM	PART NO.	DESCRIPTION	QTY
		1 2 3 4	
1	<u>1015392</u>	Rivet, 3/16 Pop	4
2	<u>101908101</u>	Switch Assembly, Tow/Run	1
3	<u>101908401</u>	Boot, Switch	1
4	<u>102838101</u>	Circuit Breaker, 20 Amp	1
5	<u>102915701</u>	Plate, Switch, Run Tow, Mode	1
6	<u>103510301</u>	Meter, Hour	1
7	<u>105145201</u>	Bracket, Hour Meter Sq, Short	1

13

E

13

E



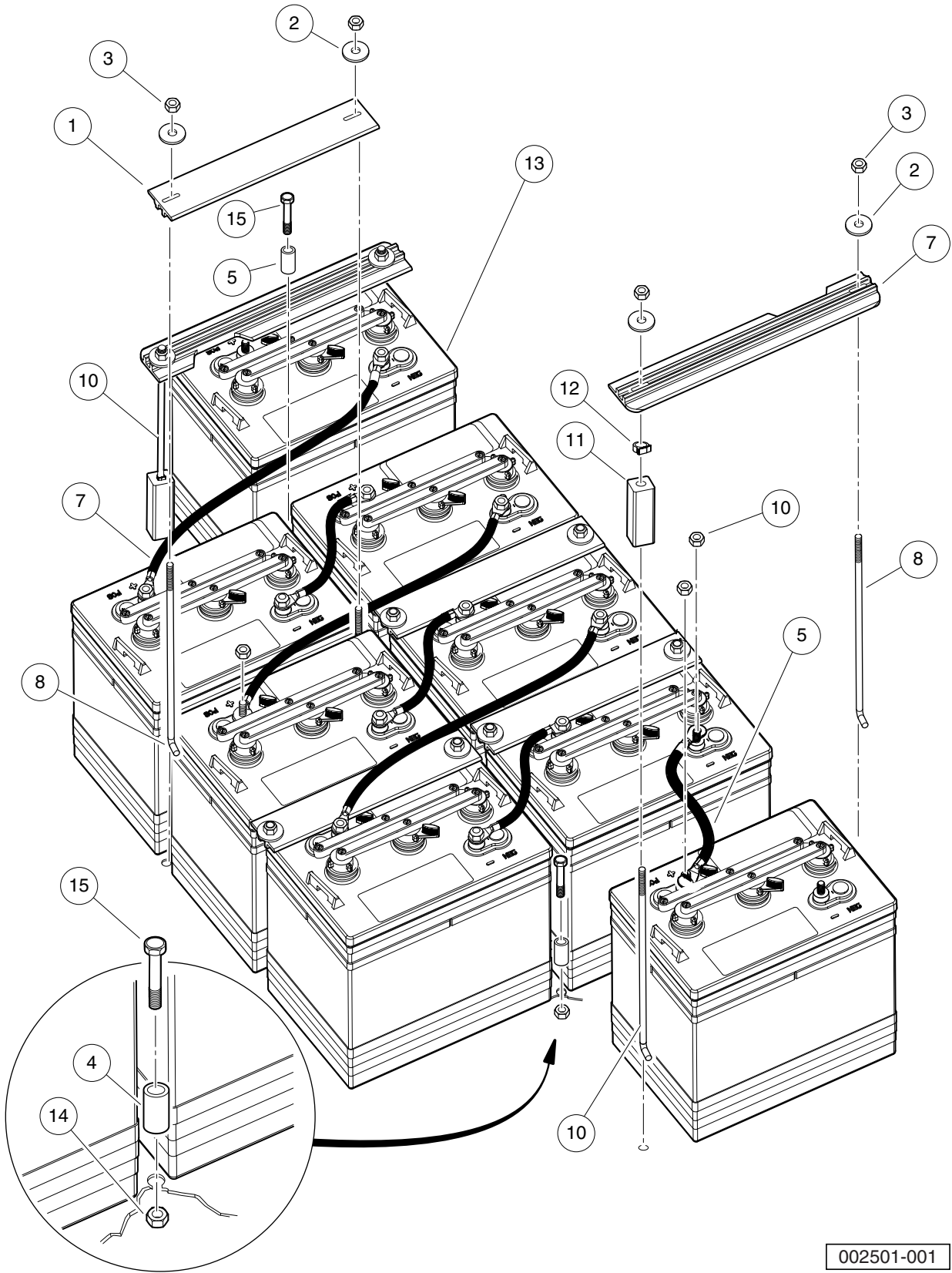
002512-001

ELECTRIC COMPONENTS – ELECTRIC VEHICLE

ITEM	PART NO.	DESCRIPTION	QTY
		1 2 3 4	
1	<u>1012528</u>	Nut, M8-1.25 Hex	2
2	<u>1013734</u>	Lockwasher, 8mm Split	2
3	<u>1015720</u>	Screw, #6-32 X 1/2 Hex Washer-Head	4
4	<u>1016356</u>	Terminal Block with Insulator	1
5	<u>1016967</u>	Blind Rivet, Push Type	3
6	<u>102002802</u>	Wire Assy, #4 Black, 33 In	1
7	<u>102238001</u>	#10-24 Taptite Screw	4
8	<u>102240501</u>	Bolt, Controller, Terminal	3
9	<u>102772402</u>	Cover, Electrical Component, Carryall 6	1
10	<u>102774701</u>	Solenoid, 48v	1
11	<u>102817101</u>	Screw, 1/4-20 X .50 Hex Wsh Hd	5
12	<u>102817201</u>	Screw, 1/4-20 X .88 Hex Wsh Hd	4
13	<u>102845401</u>	Wire Harness, Power, IQ Plus (includes items 14 through 18)	1
14	N/A	Asm, #4 Grn Wire, 37"	1
15	N/A	Asm, #4 Wht Wire, 36.5"	1
16	N/A	Asm, #10 Org Wire, 39"	1
17	N/A	Asm, #10 Blu Wire, 46"	1
18	<u>102846402</u>	Asm, #4 Red Wire, 33"	1
19	<u>102863801</u>	Wire Asm, #4 Yellow, 12.5"	1
20	<u>102931102</u>	Plate, Component, Rear, No Obs	1
21	<u>103397901</u>	Relay, Spst No, 48v 30a, Pmt	2
22	105000501	Screw, M6 X 1 X 12 Ser Hex Flg	2
23	105075202	Controller, 500 Amp, Hfc, Sp	1
24	<u>105112401</u>	Relay, Spdt Nc, 48v 30a, Pmt	1
25	<u>105195501</u>	Cap, Quick Conn Tab, 1/4 In	5

13

E



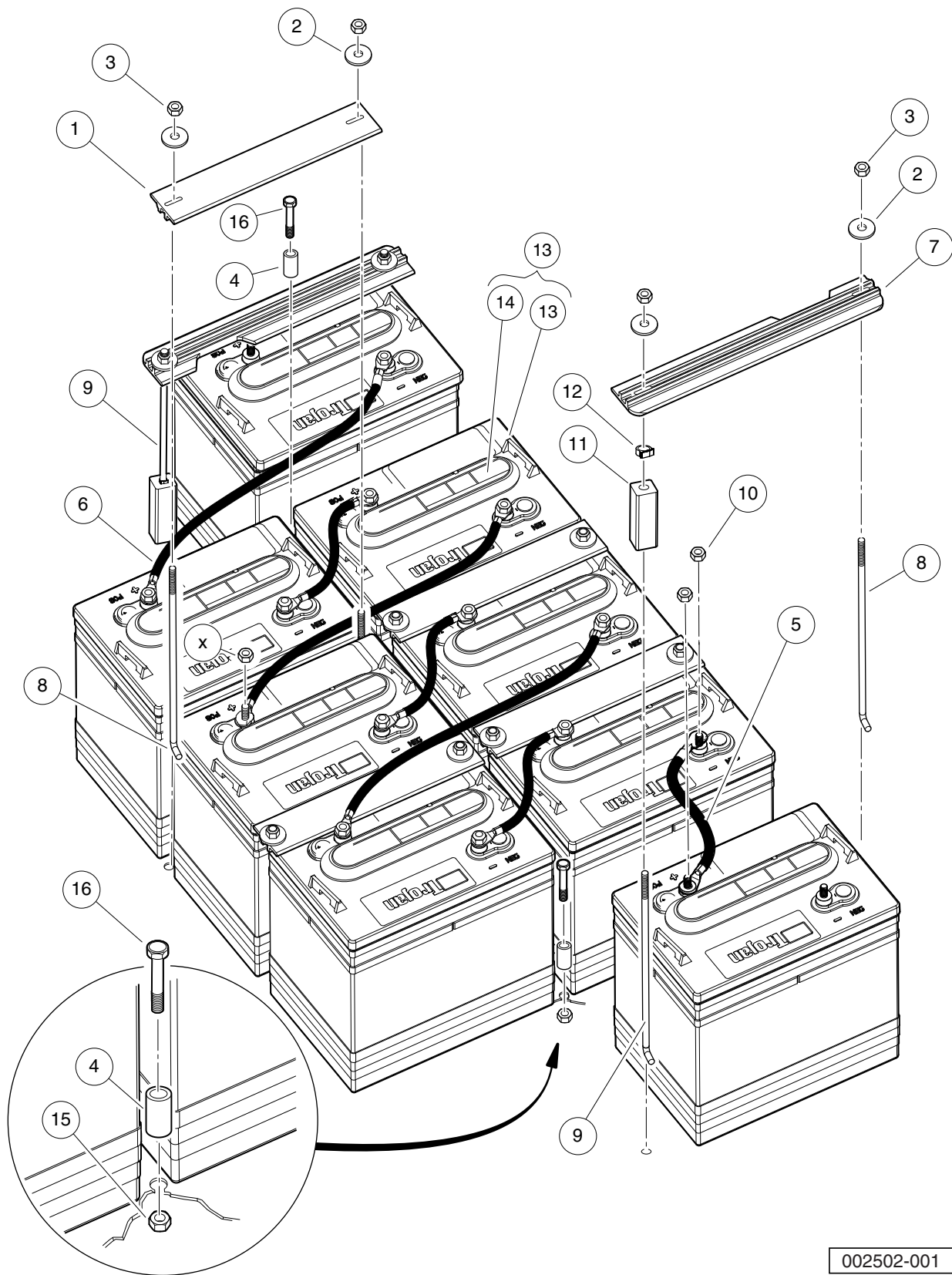
002501-001

BATTERIES 6-VOLT, STANDARD DUTY

ITEM	PART NO.	DESCRIPTION	QTY
		1 2 3 4	
1	<u>101090801</u>	Hold-Down, Battery	4
2	1012571	Washer, 5/16 Extra Thick Flat	12
3	1015072	Locknut, 5/16-18 Nylon Insert	12
4	<u>1015608</u>	Tube Spacer, Hydraulic Cylinder	2
5	<u>102002901</u>	Wire Assy, #4 Black	4
6	<u>102764001</u>	Wire Asm, #4 Black	3
7	<u>102766201</u>	Hold Down, Outside	2
8	<u>102845201</u>	Rod, Battery Hold Down 9.7"	10
9	<u>102845203</u>	Rod, Battery Hold Down 10.7"	2
10	<u>102873401</u>	5/16-18 Heavy Hex Nut	16
11	<u>102980801</u>	Extr, Plastic, 1 X 1 X 3	2
12	<u>102980901</u>	Clamp, Hose, Nylon, .25	2
13	<u>105210201</u>	Battery, 6v, Type E, Gc2, Wet	8
14	<u>7473</u>	Locknut, 5/16-18 Nylon Insert	2
15	<u>8963</u>	Screw, 5/16-18 X 1.75 Hex-Head Cap	2

13

E



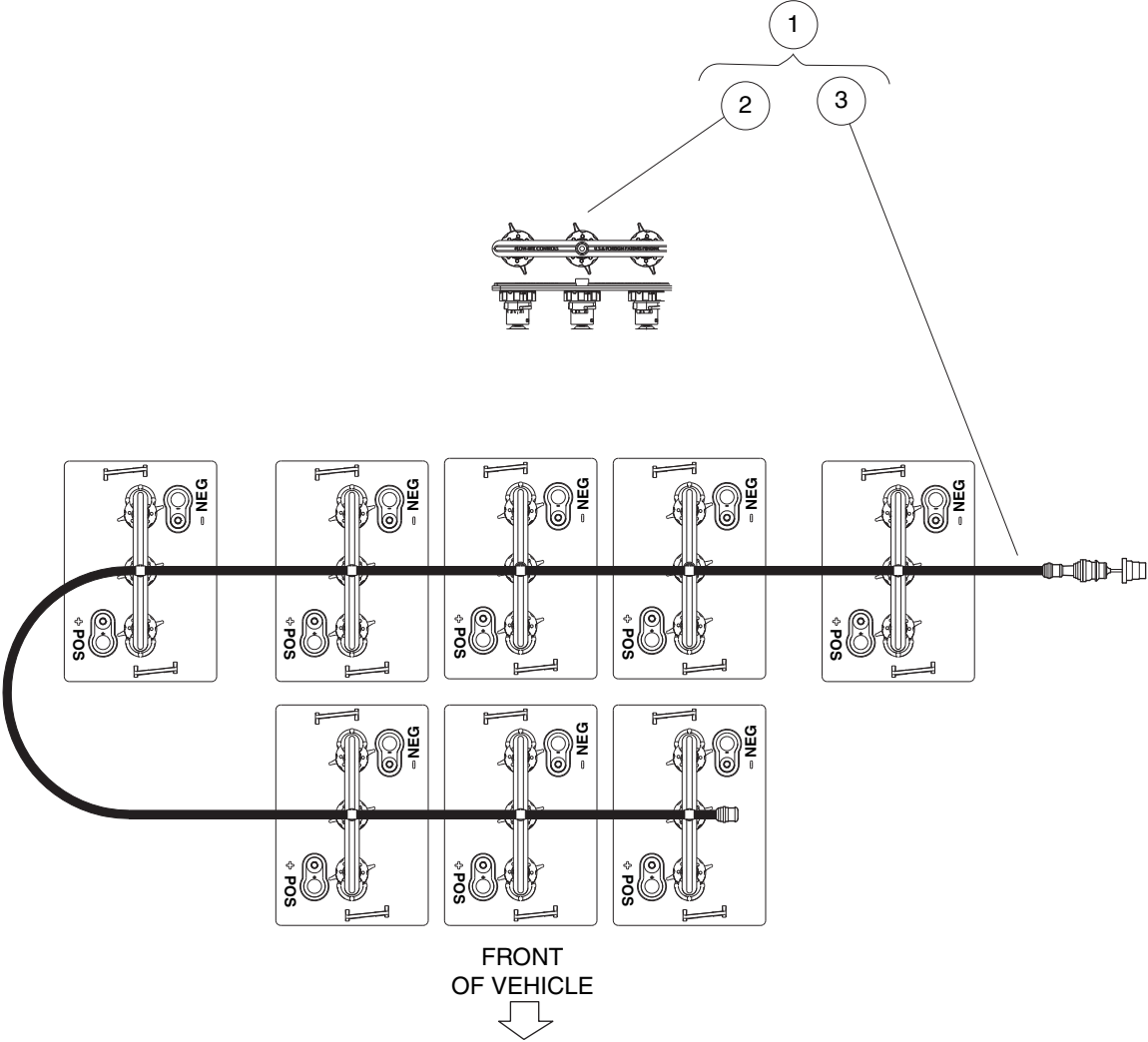
002502-001

BATTERIES 6-VOLT, HEAVY DUTY

ITEM	PART NO.	DESCRIPTION	QTY
		1 2 3 4	
1	<u>101090801</u>	Hold-Down, Battery	4
2	1012571	Washer, 5/16 Extra Thick Flat	12
3	1015072	Locknut, 5/16-18 Nylon Insert	12
4	<u>1015608</u>	Tube Spacer, Hydraulic Cylinder	2
5	<u>102002901</u>	Wire Assy, #4 Black	4
6	<u>102764001</u>	Wire Asm, #4 Black	3
7	<u>102766201</u>	Hold Down, Outside	2
8	<u>102845203</u>	Rod, Battery Hold Down 10.7"	10
9	<u>102845204</u>	Rod, Battery Hold Down 12"	2
10	<u>102873401</u>	5/16-18 Heavy Hex Nut	16
11	<u>102980801</u>	Extr, Plastic, 1 X 1 X 3	2
12	<u>102980901</u>	Clamp, Hose, Nylon, .25	2
13	<u>103969701</u>	Battery, 6-Volt, Trojan T145 (Wet) (includes item 14)	8
14	<u>101831401</u>	Battery Cap 6 Volt	1
15	<u>7473</u>	Locknut, 5/16-18 Nylon Insert	2
16	<u>8963</u>	Screw, 5/16-18 X 1.75 Hex-Head Cap	2

13

E



002524-001

SINGLE POINT WATERING SYSTEM (SPWS)

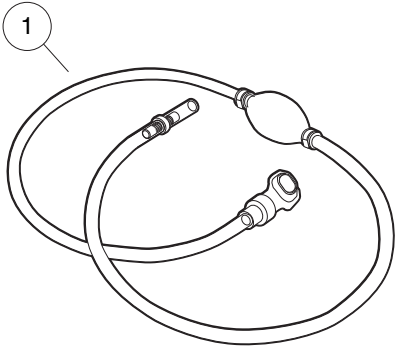
ITEM	PART NO.	DESCRIPTION	QTY
		1 2 3 4	
1	<u>103497702</u>	Kit, Spws, 8x6v (includes items 2 and 3)	1
2	<u>103510501</u>	Manifold, Lpr, 3 Vlve, Spw	8
3	<u>103942601</u>	Spws, Carryall, 8x6v	1

13

E

13

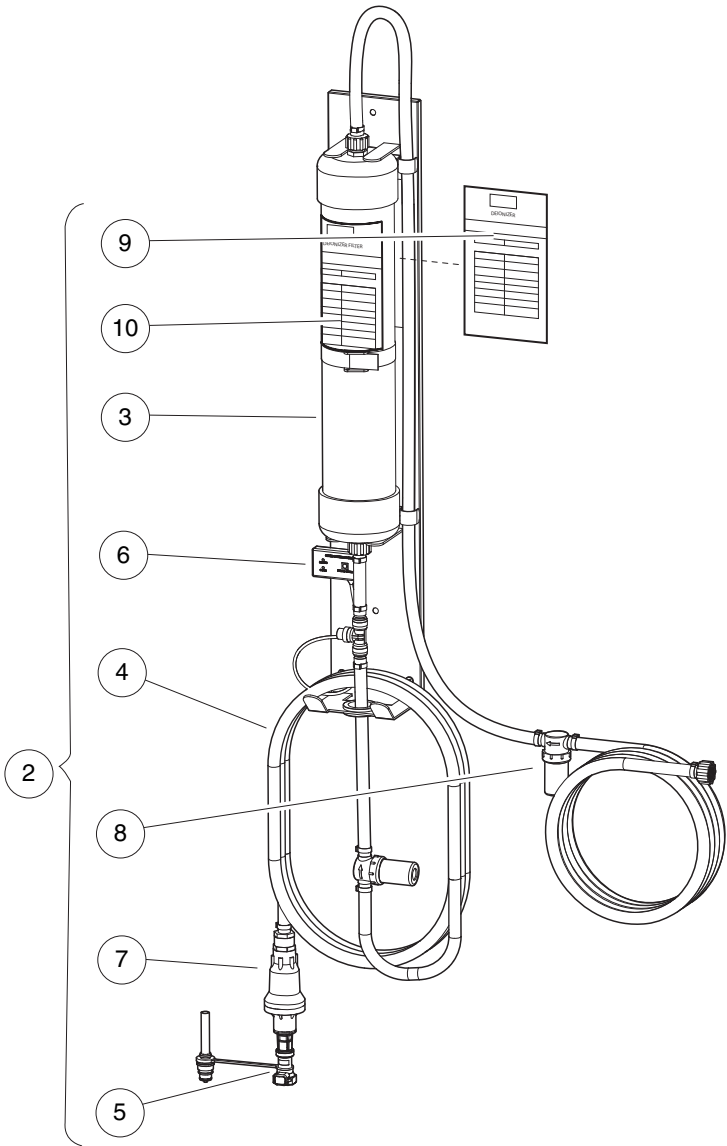
E



11



12



002523-003

HAND PUMP AND DEIONIZER (BATTERY-POWERED QUALITY LIGHT)

ITEM	PART NO.	DESCRIPTION	QTY
		1 2 3 4	
1	<u>104006101</u>	Kit, Hand Pump, Spws	1
2	<u>105166801</u>	Deionizer, w/Battery-Powered Water Quality Light (includes items 3 through 10)	1
3	<u>104005901</u>	Cartridge, Deionizer	1
4	<u>105166901</u>	Hose,outlet,deionizer	1
5	<u>105167001</u>	Flow Ind, W/coupler, Deionizer	1
6	<u>105167101</u>	Light, Quality, Battery-Powered, w/T-Fitting	1
7	<u>105168501</u>	Regulator, Pressure, Deionizer	1
8	<u>105168601</u>	Strainer, In-line, Deionizer	1
9	<u>AM1300001</u>	Decal, Filter Log, Blue	1
10	<u>AM1300201</u>	Decal, Inspect Log, Yellow	1
11	AM1300101	Decal, Filter Log, Blue, Pack of 100	A/R
12	AM1300301	Decal, Inspect Log, Yellow, Pack of 100	A/R

13

E

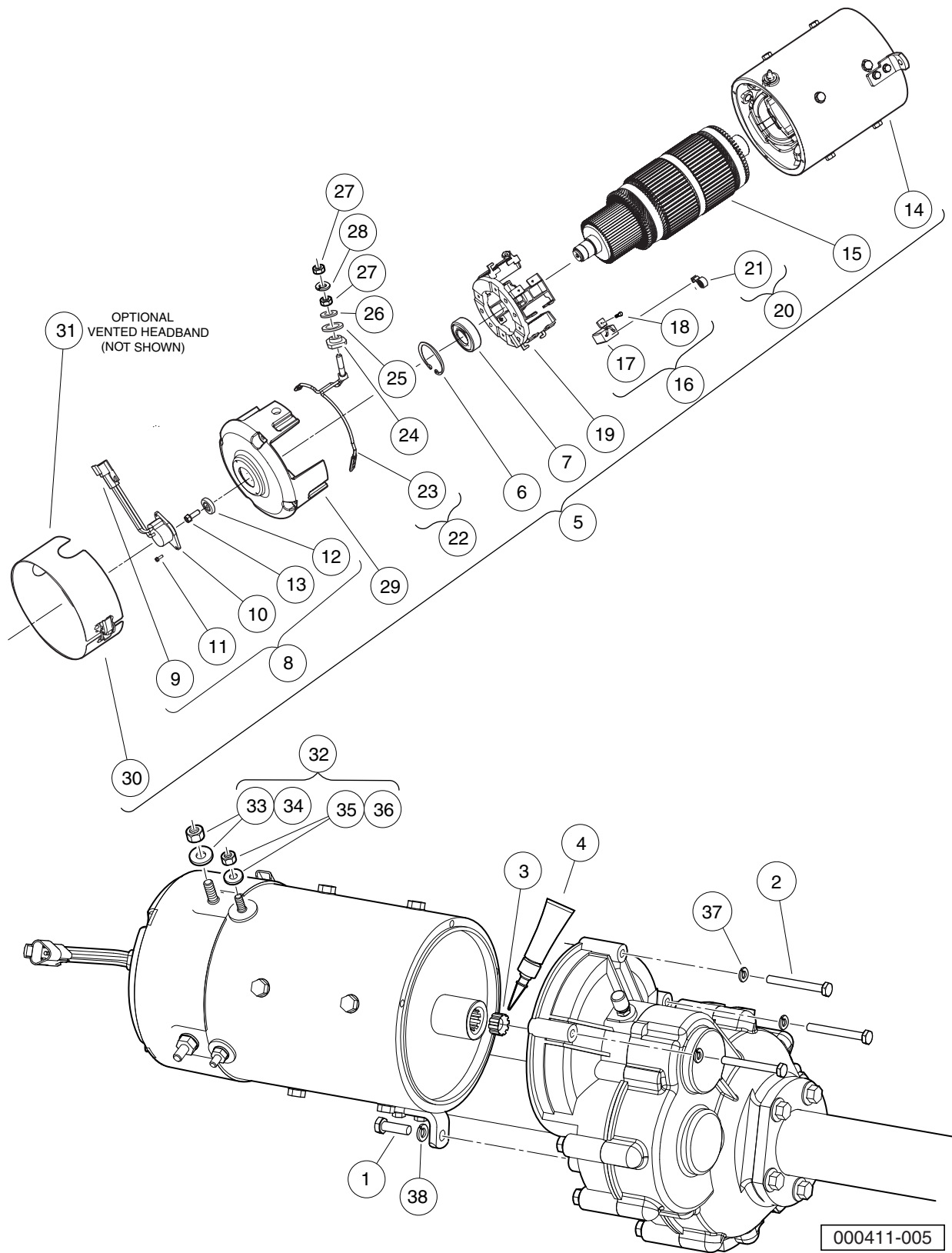
13

E

ELECTRIC MOTOR

14

E



MOTOR (MODEL DA5-4006) – IQ PLUS

ITEM	PART NO.	DESCRIPTION	QTY
		1 2 3 4	
1	<u>1010934</u>	Screw, 5/16-18 X 1.00 Hex Cap	1
2	1014201	Screw, 1/4-20 X 2.25 Hex Cap	3
3	<u>102235201</u>	Bumper, Drive Unit	1
4	<u>102243403</u>	Lubricant, Moly-Teflon (Single-Use Tube)	1
5	<u>102775101</u>	IQ Plus Electric Motor, 48-VDC 3.7 hp (includes items 6 through 30)	1
6	N/A	Ring, 2.24" Internal Retaining	1
7	<u>102186401</u>	Bearing, Ball	1
8	<u>102704901</u>	Kit, Speed Sensor (includes items 9 through 13)	1
9	<u>101942301</u>	Kit, 3-Pin Wedge Lock	1
10	N/A	Sensor, Motor Speed, ADC	1
11	N/A	Screw, #8-32, Taptite Thread	2
12	N/A	Magnet, ADC Motor	1
13	N/A	Screw, 1/4-20 x 0.5	1
14	N/A	Asm, Frame And Field, 3.7 Hp	1
15	N/A	Armature (Includes external hardware not shown)	1
16	<u>102938601</u>	Kit, Brush, 3.7 Hp (includes items 17 and 18)	1
17	N/A	Brush, Motor	8
18	N/A	Screw, Taptite	8
19	<u>102938701</u>	Asm, Brush Box, 3.7 Hp	1
20	<u>102938801</u>	Kit, Brush Spring, 3.7 Hp (includes item 21)	1
21	N/A	Brush Spring	8
22	<u>102938901</u>	Kit, Brush Lead Asm, 3.7 Hp (includes items 23 through 28)	1
23	N/A	Terminal and Lead Assembly	2
24	N/A	Insulator, Terminal	2
25	N/A	Washer, Insulating	2
26	N/A	Washer, Flat, 5/16, Brass/Bronze	2
27	N/A	Nut, 5/16, Steel	4
28	N/A	Lockwasher, 5/16, Steel	2
29	<u>102939001</u>	Commutator End Head, 3.7 Hp	1
30	<u>102939101</u>	Sealed Headband, 3.7 Hp	1
31	<u>102939102</u>	Vented Headband, 3.7 HP (optional - not shown)	1
32	<u>102951701</u>	Pkg, Terminal Hardware, 3.7hp (includes items 33 through 36)	1
33	N/A	Nut, 5/16, Steel	2
34	N/A	Lockwasher, 5/16, Steel	2
35	N/A	Nut, 1/4-20, Steel	2
36	N/A	Lockwasher, 1/4-20, Steel	2
37	<u>451</u>	Lockwasher, 1/4 Split	3
38	<u>7174</u>	Lockwasher, 5/16 Split	1

14

E

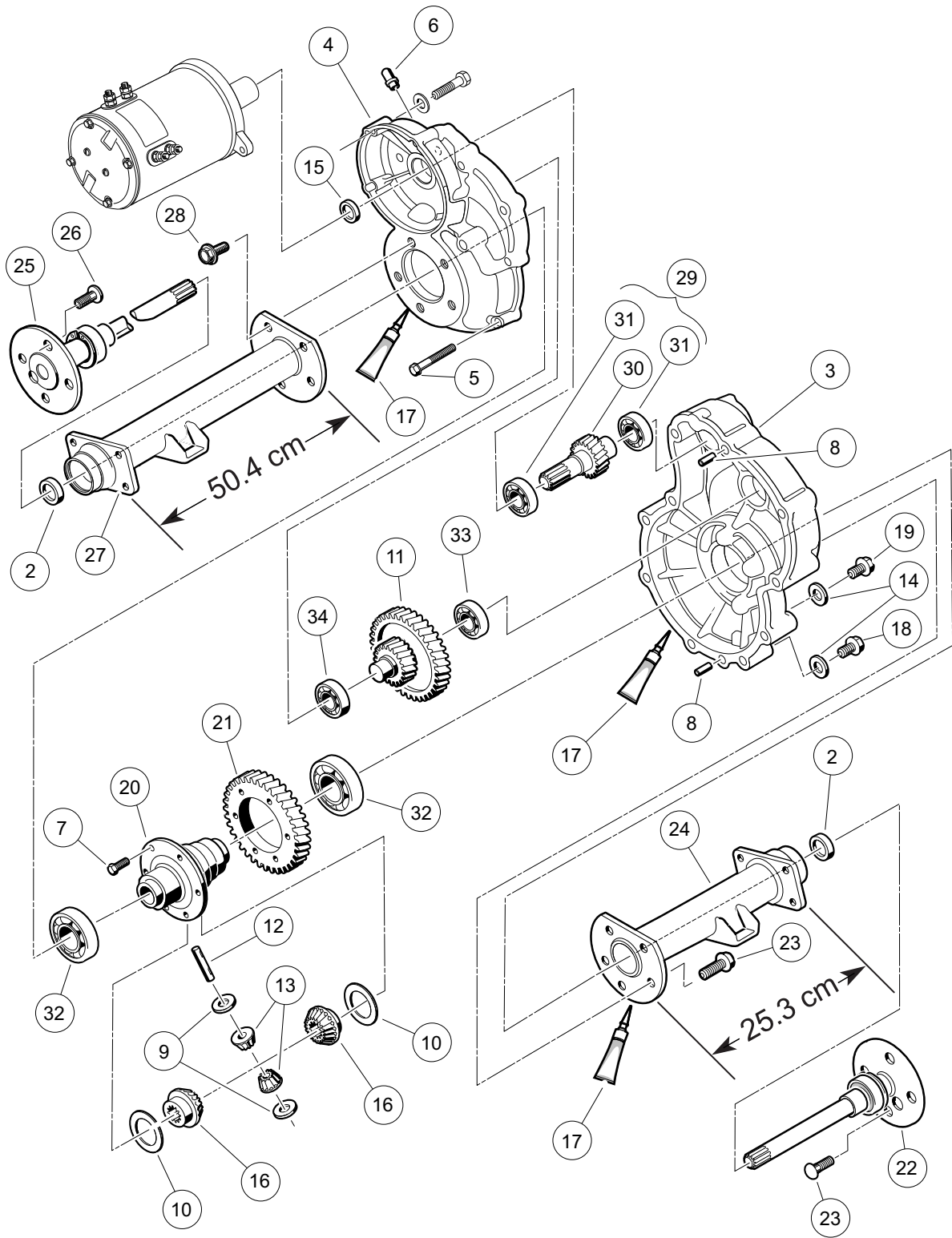
14

E

TRANSAXLE – ELECTRIC VEHICLES

15

E



000223-005

TRANSAXLE – ELECTRIC VEHICLES

ITEM	PART NO.	DESCRIPTION	QTY
		1 2 3 4	
1	<u>102771701</u>	Transaxle, Electric (includes items 2 through 34)	1
2	<u>1013794</u>	Axle Shaft Oil Seal	2
3	<u>101895401</u>	Gear Case, Driver-Side	1
4	<u>101895501</u>	Gear Case, Passenger-Side	1
5	<u>101897001</u>	Screw, M8-1.25 X 60mm Hex-Head	11
6	<u>101897201</u>	Breather	1
7	<u>101897401</u>	Screw, M10-1.25 X 25mm	6
8	<u>101897601</u>	Pin, 11mm OD X 8.5mm ID X 10mm	2
9	<u>101903601</u>	Washer, Thrust	2
10	<u>101903701</u>	Washer, Thrust	2
11	<u>101906901</u>	Intermediate Shaft Assembly	1
12	<u>101922101</u>	Pin, 15.99mm X 88.7mm Dowel	1
13	<u>101923001</u>	Gear, Differential Idler	2
14	<u>101923201</u>	Gasket	2
15	<u>101923501</u>	Seal, Lip	1
16	<u>101923901</u>	Gear, Differential	2
17	<u>101928701</u>	Liquid Gasket (Transaxle case)	1
18	<u>101972101</u>	Plug, M14-1.5 X 12mm Magnetic	1
19	<u>101972201</u>	Plug, M14-1.5 X 12mm Hex	1
20	<u>102356601</u>	Housing, Differential, 6 Bolt	6
21	<u>102356801</u>	Gear, Differential Output, 6-Bolt	6
22	<u>102886301</u>	Axle Assembly, Driver-Side (includes item 23)	1
23	<u>101922201</u>	Lug Stud	4
24	<u>102886401</u>	Tube, Axle, Driver-Side	1
25	<u>102886501</u>	Axle Assembly, Passenger-Side (includes item 26)	1
26	<u>101922201</u>	Lug Stud	4
27	<u>102886601</u>	Tube, Axle, Passenger-Side	1
28	<u>102902801</u>	Screw, M10 X 30	10
29	<u>103582801</u>	Asm, E Trans Shaft/bearing (includes items 30 and 31)	1
30	N/A	Shaft, Input	1
31	<u>7335</u>	Bearing	2
32	<u>7330</u>	Inner Axle Tube Bearing	2
33	<u>7335</u>	Bearing	1
34	<u>7336</u>	Bearing	1

15

E

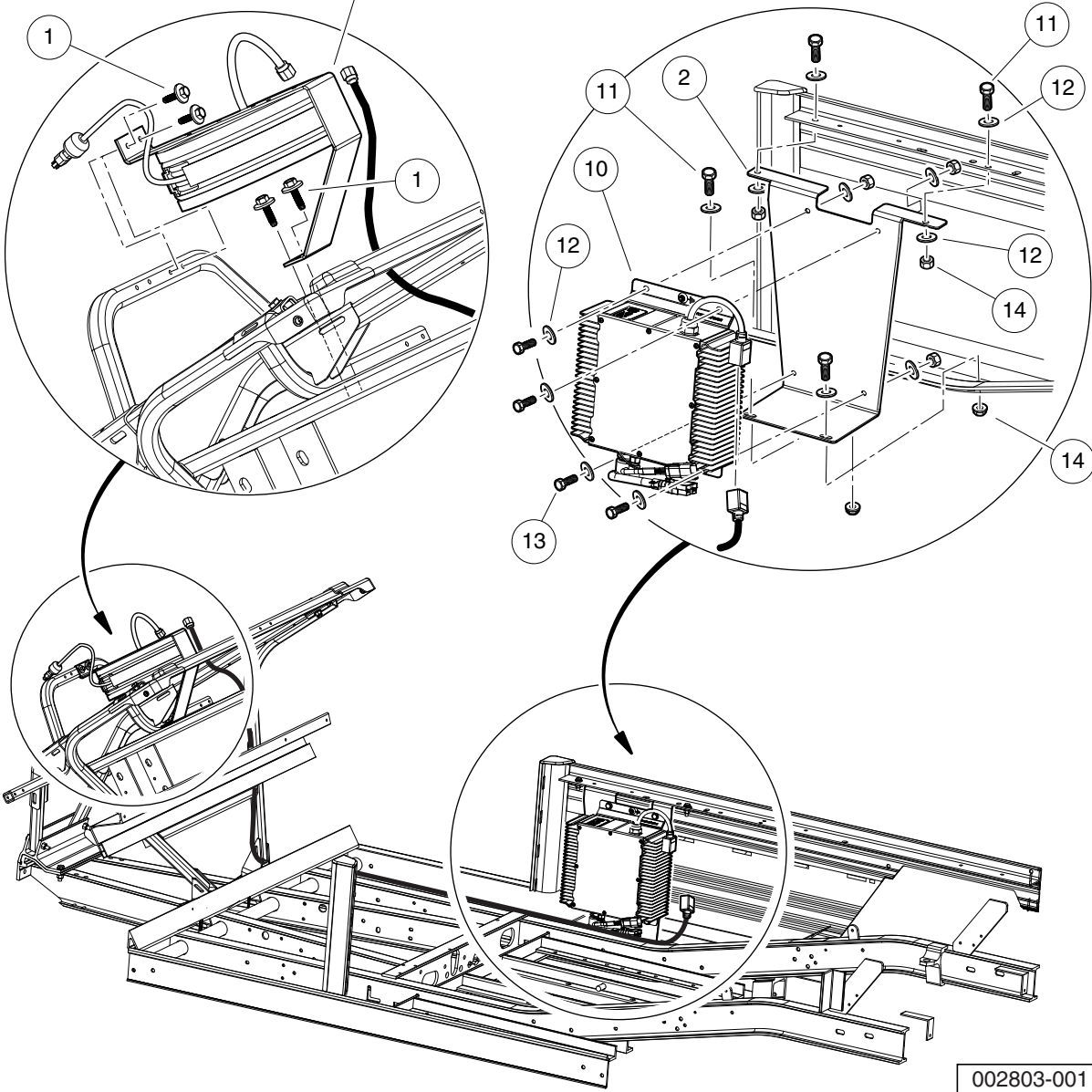
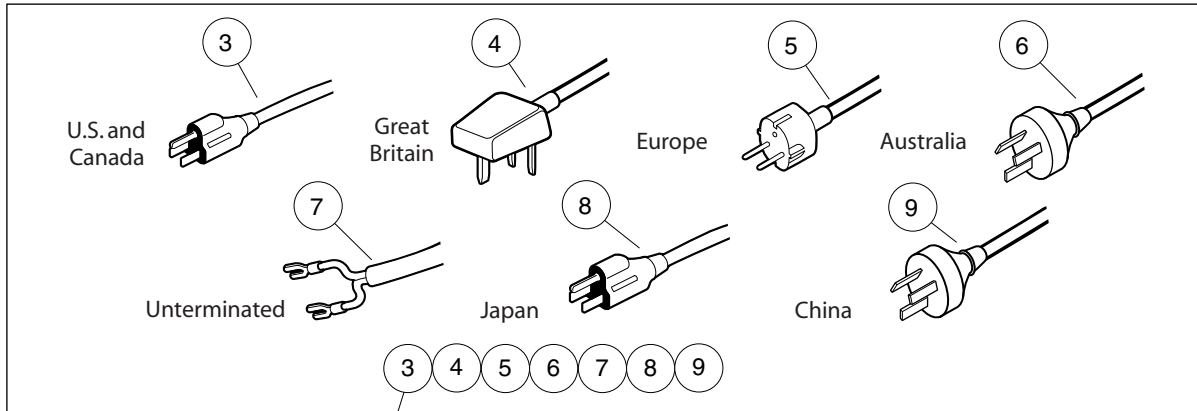
15

E

BATTERY CHARGERS – HIGH-FREQUENCY

16

E



002803-001

ON-BOARD BATTERY CHARGER, HIGH-FREQ.

ITEM	PART NO.	DESCRIPTION	QTY
		1 2 3 4	
1	<u>102297125</u>	Screw, M6-1.0x25.4, Thread-Forming, SEMS	4
2	103865201	Bracket, Mounting, Hf Charger	1
3	<u>105117601</u>	Cord Reel, Retractable, Us	1
4	<u>105117602</u>	Cord Reel, Retractable, Uk	1
5	<u>105117603</u>	Cord Reel, Retractable, Eu	1
6	<u>105117604</u>	Cord Reel, Retractable, Aus	1
7	<u>105117605</u>	Cord Reel, Retractable, Unterm	1
8	105117606	Cord Reel, Retractable, Japan	1
9	105117607	Cord Reel, Retractable, China	1
10	105161901	Asm, Chgr, Batt, Onboard, Quiq	1
11	304	Screw, 1/4-20 X 1.0 Hex-Head Cap	4
12	<u>332</u>	Washer, 1/4 Type A Narrow Flat	16
13	<u>7847</u>	Screw, 1/4-20 X 0.75 Hex-Head Cap	4
14	<u>8233</u>	Locknut, 1/4-20, Nylon Insert	8

16

E

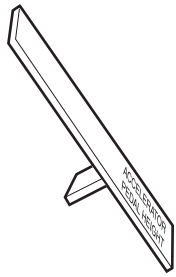
16

E

MAINTENANCE AND SERVICE TOOLS

17
G
E

17
G
E



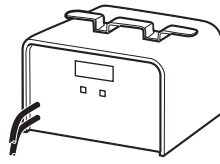
1



2



3



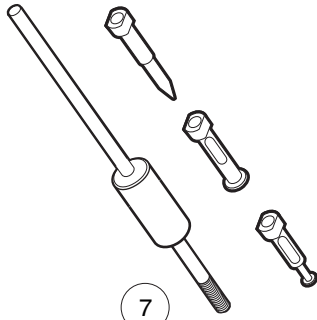
4



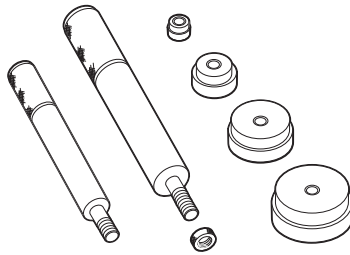
5



6



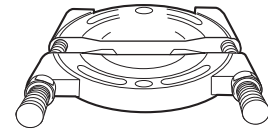
7



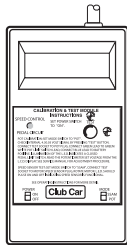
8



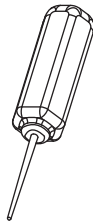
9



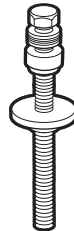
10



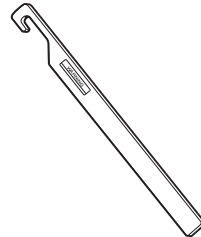
11



12



13



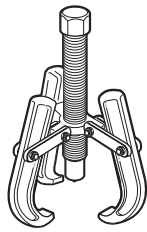
14



15



16



17



18



19

001060-002

MAINTENANCE AND SERVICE TOOLS

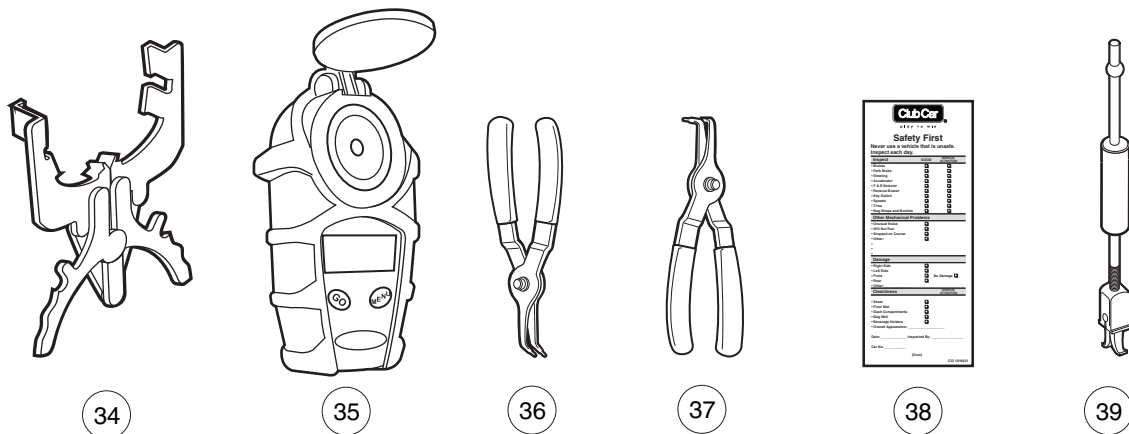
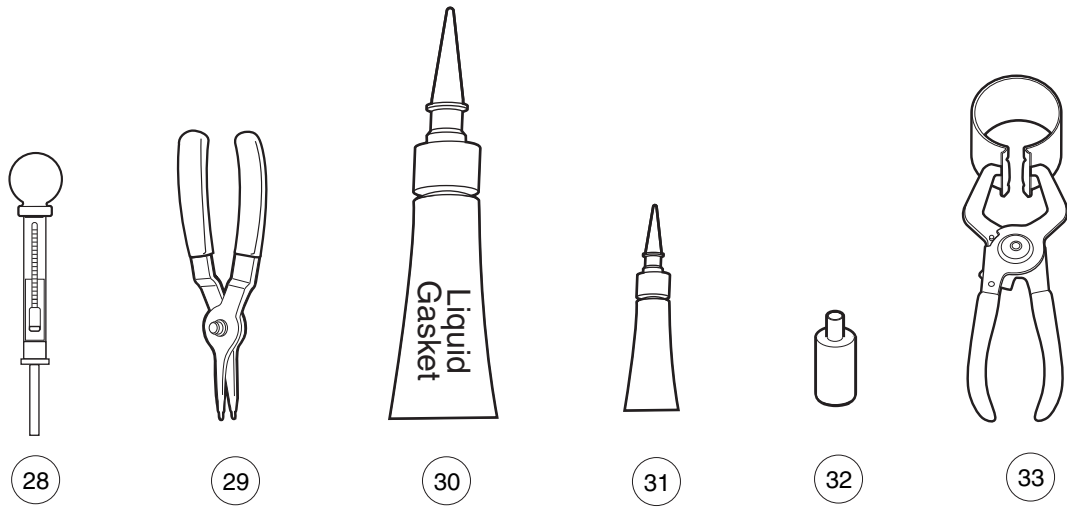
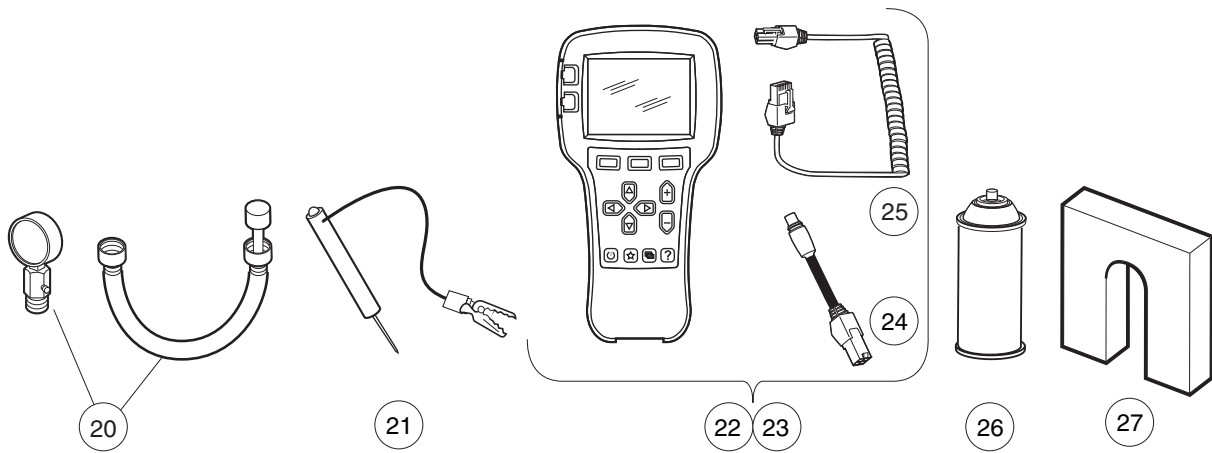
ITEM	PART NO.	DESCRIPTION	QTY GAS	QTY ELEC
		<p>1 2 3 4</p> <p>The following tool list includes all tools available from Club Car for maintenance and service procedures for gasoline and electric golf and utility vehicles. Be sure to carefully examine the tool list for applicability to your vehicle before ordering.</p>		
1	<u>101871001</u>	Accelerator Pedal Adjustment Tool (Utility Vehicles).....	1	1
2	<u>101813202</u>	Adhesive, Guide Ring, 3-Gram Tube		1
3	<u>101641202</u>	Arbor	1	
4	<u>101831901</u>	Battery Discharge Machine, 36/48 Volt		1
5	<u>1014305</u>	Battery Terminal Protector Spray	1	1
6	<u>1011767</u>	Battery Thermometer	1	1
7	<u>1016417</u>	Bearing and Oil Seal Remover Assembly	1	1
8	<u>1016416</u>	Bearing Driver Set	1	1
9	<u>1012811</u>	Bearing Puller	1	1
10	<u>1012812</u>	Bearing Puller Wedge Attachment	1	1
11	<u>101887101</u>	Calibration Test Module		1
12	<u>102562401</u>	Charger Bezel Tool		1
		Clutch Tools (items 14 - 20)	1	
13	<u>101808401</u>	Clutch Cam Installation Tool (for Subaru and Kawasaki engines)	1	
14	<u>105072501</u>	Drive Clutch Holder Tool Assembly (for Subaru and Kawasaki engines)	1	
15	<u>1014497</u>	Drive Clutch Hub Puller (for Subaru and Kawasaki engines)	1	
16	<u>1014496</u>	Drive Clutch Puller (for Subaru and Kawasaki engines)	1	
17	<u>1014508</u>	Driven Clutch Cam Puller (for Subaru and Kawasaki engines)	1	
18	<u>1014507</u>	Driven Clutch Puller Plug (for Subaru and Kawasaki engines)	1	
19	<u>101809101</u>	Press Weldment (for Subaru and Kawasaki engines)	1	
		<p>Please refer to the maintenance and service manual for proper tool application.</p>		

17

G

E

17
G
E



001061-002

MAINTENANCE AND SERVICE TOOLS, CONTINUED

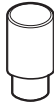
ITEM	PART NO.	DESCRIPTION	QTY GAS	QTY ELEC
		1 2 3 4		
20	101641002	Compression Gauge and Adapter	1	
21	1011273	Continuity Tester	1	1
22	<u>105234501</u>	Controller Diagnostic Tool (CDT) User Kit (includes items 25 and 26)		1
23	<u>105234502</u>	Controller Diagnostic Tool (CDT) OEM Kit (includes items 25 and 26)		1
24	<u>102251501</u>	Adaptor, Cable		1
25	<u>105209601</u>	CDT Cable		1
26	<u>1012151</u>	Dry Moly Lubricant	1	1
27	<u>1016418</u>	Gear Yoke	1	1
28	<u>1011478</u>	Hydrometer	1	1
29	<u>1013593</u>	Internal Retaining Ring Pliers	1	1
30	<u>101928701</u>	Liquid Gasket (transaxle case)	1	1
31	<u>102243402</u>	Moly-Teflon Lubricant (4-oz. (113-gram) tube)		1
32	<u>102587201</u>	Paint Pen, Touch-Up, Precedent Underbody ,Ai Black.....	1	1
33	<u>1016414</u>	Piston Ring Compressor Kit	1	
34	<u>1016415</u>	Piston Ring Pliers	1	
35	<u>AM1285701</u>	Refractometer	1	1
36	<u>1012549</u>	Retaining Ring Pliers, 45→× External	1	1
37	<u>1012560</u>	Retaining Ring Pliers, 90→× Internal	1	1
38	<u>101823101</u>	Safety First Card (50 per pack)	1	1
39	<u>1012809</u>	Seal Puller	1	1
		Please refer to the maintenance and service manual for proper tool application.		

17
G
E

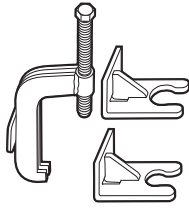
17
G
E



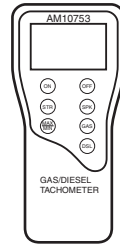
40



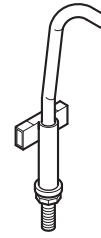
41



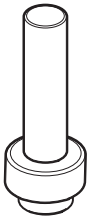
42



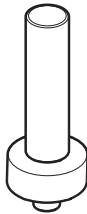
43



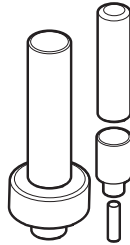
44



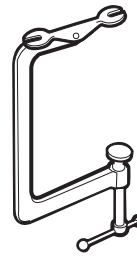
45



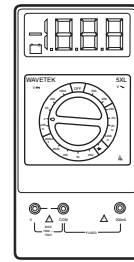
46



47



48



49

001062-001

MAINTENANCE AND SERVICE TOOLS, CONTINUED

ITEM	PART NO.	DESCRIPTION	QTY GAS	QTY ELEC
		1 2 3 4		
40	<u>1014264</u>	Steering Column Bearing Press Tool	1	1
41	<u>1014259</u>	Steering Column Retaining Ring Tool	1	1
42	102061201	Steering Wheel Puller Tool	1	1
43	<u>AM10753</u>	Tachometer (includes gasoline engine pick up lead only)	1	
44	<u>102570401</u>	Tool, Tensioning, Starter Generator (For Precedent vehicles)	1	
45	<u>1014162</u>	Transaxle Axle Seal Tool (for electric vehicles)		1
46	1014161	Transaxle Pinion Seal Tool (for electric vehicles)		1
47	<u>1014115</u>	Transmission Tool Kit (for electric vehicles).....		1
48	<u>101641101</u>	Valve Spring Compressor	1	
49	1011480	Volt Ohm Meter	1	1
		Please refer to the maintenance and service manual for proper tool application.		

17
G
E

INDEX

Part Number and Page

AM10753	17-7	7174	1-79, 1-81, 6-13, 6-17, 6-21, 6-25, 7-11, 10-3, 14-3	1010933	5-3
AM10419	11-11	7274	6-29	1010934	1-31, 1-79, 1-81, 7-25, 7-27, 14-3
AM1300001	13-17	7308	6-29	1010954	7-15, 7-17
AM1300101	13-17	7330	15-3	1010984	2-3, 2-5, 2-7
AM1300201	13-17	7335	15-3	1011017	4-3
AM1300301	13-17	7336	15-3	1011084	5-7
SVP370901	1-31	7473	1-21, 1-23, 1-31, 1-57, 1-59, 1-61, 4-7, 4-9, 5-3, 5-5, 5-7, 5-13, 5-15, 5-17, 5-19, 5-21, 6-27, 7-15, 7-17, 7-25, 7-27, 9-15, 9-17, 13-11, 13-13	1011114	5-11, 5-23, 5-25, 9-13, 12-11
SVP387901	1-33	7479	1-55	1011137	5-11, 5-25
SVP658101	1-31	7561	1-59, 1-61	1011154	5-11, 5-23, 5-25
SVP658401	1-31	7591	8-9	1011273	17-5
SVP658602	1-31	7716	5-3	1011298	5-11, 5-23, 5-25
SVP659001	1-31	7818	7-15, 7-17	1011303	5-11, 5-23, 5-25
SVP659101	1-31	7820	4-7, 4-9	1011314	5-11, 5-23, 5-25
SVP659301	1-31	7840	6-29	1011393	6-29
SVP659503	1-31	7847	5-19, 16-3	1011402	5-3
SVP664101	1-31	7893	4-37, 7-15, 7-17	1011415	6-31, 6-33
SVP713301	1-31	7910	6-29	1011418	5-3
SVP716902	1-33	8056	7-21	1011439	4-7, 4-9
SVP716903	1-33	8057	1-105, 4-27, 7-17, 7-19, 7-21	101146302	5-11, 5-23, 5-25
SVP716905	1-33	8058	1-105, 4-27, 7-17, 7-19, 7-21	1011464	5-11, 5-23, 5-25
SVP732202	1-31	8067	6-13, 6-17, 6-21, 6-25	1011465	5-11, 5-23, 5-25
SVP732301	1-31	8233	1-31, 1-55, 5-5, 5-7, 7-13, 9-13, 12-11, 16-3	1011466	5-11, 5-23, 5-25
SVP732901	1-31	8248	7-13	1011467	5-11, 5-23, 5-25
SVP736801	1-31	8251	1-33	1011478	17-5
SVP777401	1-33	8450	11-7, 11-9	1011480	17-7
SVP777402	1-33	8639	1-103, 1-105, 4-37, 6-5, 7-15, 7-17	1011494	5-11, 5-23, 5-25
SVP777403	1-33	8717	5-5, 5-7, 7-15, 7-17, 12-3	1011546	1-83
SVP777502	1-31	8754	1-7, 1-31, 1-39, 1-41, 1-43, 1-85, 4-29, 4-31, 5-5, 5-7, 5-13, 5-15, 6-3, 6-5, 6-11, 6-13, 6-15, 6-17, 6-19, 6-21, 6-23, 6-25, 7-11	1011553	1-79, 1-81, 3-7, 3-13
SVPP229901	1-31	8755	6-13, 6-17, 6-21, 6-25	1011557	4-7, 4-9
SVPP234001	1-31	8861	6-11, 6-15, 6-19, 6-23	1011610	4-3
183	1-53, 11-7, 11-9	8935	1-21, 1-23	1011694	5-5, 5-7
304	16-3	8963	1-21, 1-23, 1-31, 13-11, 13-13	1011697	6-5
320	1-19, 5-13, 5-15	8990	5-13, 5-15, 6-3, 12-5	1011734	5-7
324	1-65	1010005	6-29	1011767	17-3
332	1-25, 1-31, 1-55, 7-13, 16-3	1010138	1-59, 1-61, 6-11, 6-15, 6-19, 6-23	1011779	5-13, 5-15, 5-17, 5-19, 5-21
334	1-19, 1-55, 5-5, 5-7, 6-3, 6-5, 11-7, 11-9	1010145	6-31, 6-33	1011825	4-7, 4-9
357	1-59, 1-61, 1-79, 6-13, 6-17, 6-21, 6-25	1010150	6-13, 6-17, 6-21, 6-25	101187702	5-3
451	5-11, 5-23, 5-25, 14-3	1010177	6-13, 6-17, 6-21, 6-25	1011887	6-29
705	1-31, 1-59, 1-61, 1-79	1010200	6-13, 6-17, 6-21, 6-25	1011892	6-29
706	1-59, 1-61, 1-79, 6-13, 6-17, 6-21, 6-25	1010434	1-31	1011931	5-5, 5-7
1028	5-3	101043502	1-57, 1-59, 1-61	1011937	1-21, 1-23
1032	5-3	1010577	8-5	1011990	1-31, 1-59, 1-61, 1-79, 1-85
1035	1-55	1010805	5-3	1012151	17-5
1218	6-27, 9-15, 9-17	1010829	5-13, 5-15, 5-17, 5-19, 5-21	1012159	1-39, 1-41, 1-43
1241	1-21, 1-23, 1-31, 1-79, 1-81, 4-7, 4-9, 5-3, 5-5, 5-7, 5-17, 5-19, 5-21, 7-15, 7-17, 7-25, 7-27, 8-5, 9-15, 9-17	1010850	5-11, 5-23, 5-25	1012181	6-31, 6-33
1242	1-79, 1-81, 4-37, 5-13, 5-15, 5-17, 5-19, 5-21, 7-11, 7-15, 7-17	1010877	5-3	1012182	6-31, 6-33
1624	1-85, 5-5, 5-7, 6-3, 7-11	1010878	5-3	1012295	1-105, 4-7, 4-9, 7-15, 7-17
2402	1-85, 6-11, 6-15, 6-19, 6-23	101090801	13-11, 13-13	1012303	6-13, 6-17, 6-21, 6-25
7048	6-13, 6-17, 6-21, 6-25	1010909	1-53	101242802	1-7
7049	1-67	1010921	5-3	1012431	1-105, 4-27, 7-17
7173	4-7, 4-9, 7-25, 7-27	1010927	5-3	1012528	1-57, 10-3, 13-9
		1010932	5-3	1012549	17-5
				1012560	17-5
				1012565	6-9
				1012566	6-9
				1012571	6-5, 13-11, 13-13

INDEX

1012604	6-5	1014289	7-7, 7-9	1016214	6-9
1012605	6-5	1014305	17-3	1016269	6-5
1012649	9-7	1014321	1-65, 1-67	1016289	11-7, 11-9
1012809	17-5	1014375	7-25	1016319	5-13, 5-15
1012811	17-3	1014453	11-7, 11-9	1016320	5-13, 5-15
1012812	17-3	1014454	11-11	1016346	6-11, 6-15, 6-19, 6-23
1012836	11-11	1014496	17-3	1016349	6-11, 6-15, 6-19, 6-23
1013035	6-3	1014497	17-3	1016350	6-11, 6-15, 6-19, 6-23
1013042	6-3, 6-11, 6-15, 6-19, 6-23	1014507	17-3	1016351	6-11, 6-15, 6-19, 6-23
1013044	6-3	1014508	17-3	1016353	6-11, 6-15, 6-19, 6-23
1013052	6-3	1014555	6-31, 6-33	1016356	4-5, 13-9
1013061	1-53	1014573	6-31, 6-33	1016384	6-13, 6-17, 6-21, 6-25
1013135	6-29	1014789	7-3, 7-5	101638502	6-11, 6-15, 6-19, 6-23
1013309	1-25	1014807	7-17, 7-19, 7-21	1016386	6-13, 6-17, 6-21, 6-25
1013357	4-5	1014808	7-17	1016387	6-13, 6-17, 6-21, 6-25
1013483	1-79	1014902	6-31, 6-33	1016389	6-13, 6-17, 6-21, 6-25
1013531	5-17, 5-19, 5-21	1014948	4-37	101641002	17-5
1013589	7-15, 7-17	101503202	1-19	101641101	17-7
1013593	17-5	1015072	13-11, 13-13	101641202	17-3
1013609	4-37, 7-15, 7-17	1015137	9-7	1016414	17-5
1013734	1-57, 13-9	1015154	4-29	1016415	17-5
1013746	9-7	1015156	4-29, 4-31	1016416	17-3
1013794	15-3	1015157	4-29, 4-31	1016417	17-3
1013869	5-3	1015187	4-29, 4-31	1016418	17-5
1013870	5-3	1015332	7-3, 7-5	1016423	4-5, 13-5
1013876	5-3	1015363	1-67	1016557	5-11, 5-23, 5-25
1013924	5-11, 5-23, 5-25, 8-5	1015373	7-15, 7-17	1016573	5-11, 5-23, 5-25
1014007	5-5, 5-7, 9-13, 12-3, 12-11	1015391	1-57	1016603	1-59, 1-61
1014051	11-9	1015392	13-7	1016801	11-7, 11-9
1014055	11-7, 11-9	1015399	1-29	1016849	4-7, 4-9, 4-11, 4-13
1014056	11-7, 11-9	1015400	1-57	1016851	4-11, 4-13
1014057	11-7, 11-9	1015405	7-15, 7-17	1016901	11-7
1014058	11-7, 11-9	1015445	1-79	1016929	4-29
1014059	11-7, 11-9	1015524	17-3	1016967	13-9
1014062	11-7, 11-9	101553901	3-3, 3-5, 3-9, 3-11	1017029	5-3
1014063	11-7, 11-9	1015583	1-55, 6-17, 6-21, 6-25	1017145	11-11
1014065	7-15, 7-17, 11-7, 11-9	101558302	6-13, 6-31, 6-33	1017211	5-13, 5-15
1014072	11-11	1015597	6-13, 6-17, 6-21, 6-25	1017226	6-13, 6-17, 6-21, 6-25
1014078	11-11	1015608	13-11, 13-13	1017266	6-11, 6-15, 6-19, 6-23
1014080	11-11	1015656	1-77	1017273	6-7, 6-9
1014115	17-7	1015661	1-57, 1-65	1017313	6-5
1014116	9-3	1015700	1-55	1017314	6-5
1014125	6-5	1015720	13-9	1017315	6-5
1014126	6-5	1015737	7-15, 7-17	1017317	6-5
1014145	7-15, 7-17	1015741	7-15, 7-17, 13-5	1017378	5-5, 5-7
1014161	17-7	1015752	7-15, 7-17	1017380	5-5, 5-7
1014162	17-7	1015878	1-105, 4-27, 7-17, 7-19, 7-21	1017424	5-5, 5-7
1014201	14-3	1015932	7-11	1017686	11-11
1014213	6-5	1015969	8-7	1017774	1-59, 1-61
1014214	6-5	1016060	1-55	101791101	5-23
1014217	6-5	1016077	1-77	101796201	5-5, 5-7
1014259	17-7	101609401	1-31, 3-3, 3-5, 3-9, 3-11	101808401	17-3
1014264	17-7	1016103	8-9	101809101	17-3
1014276	6-13, 6-17, 6-21, 6-25	1016154	6-9	101813202	17-3
1014287	11-7, 11-9	1016183	6-5	101817401	5-5, 5-7
1014288	6-5, 7-25, 11-7, 11-9	1016201	11-7, 11-9	101818801	5-7

INDEX

101823101	17-5	101923001	15-3	102238001	4-5, 13-9
101824101	8-9	101923201	15-3	102240501	13-9
101825101	3-3, 3-5, 3-9, 3-11, 4-11, 4-13	101923501	15-3	102242101	8-5, 11-11
101825102	3-9, 3-11	101923901	15-3	102242401	1-39, 1-41, 1-43
101830701	4-15, 4-17, 4-19, 4-21	101928701	15-3, 17-5	102243402	17-5
101831401	13-13	101932201	4-7, 4-9	102243403	14-3
101831901	17-3	101935301	5-13, 5-15	102251501	17-5
101833401	11-11	101942301	14-3	102269701	7-23
101834502	4-15, 4-17, 4-19, 4-21	101946201	1-29, 1-33	102274101	12-23
101834602	8-5	101953102	5-17, 5-21	102278001	6-5
101835601	1-55, 4-23, 4-25	101953106	5-13, 5-15, 5-19	102289201	6-3, 6-11, 6-15, 6-19, 6-23
101837401	1-129	101954301	1-25	102292701	1-15
101837502	1-129	101955101	4-7, 4-9	102292801	5-13, 5-15, 5-17, 5-19, 5-21
101850301	4-3, 6-7, 6-9	101957101	4-7, 4-9	102296020	12-3
101851101	4-15, 4-17, 4-19, 4-21	101958602	1-55	102296150	1-31, 1-35, 1-37
101856002	4-11	101960501	3-13	102296301	1-15, 1-31, 1-35, 1-37, 1-39, 1-41, 1-43
101856101	1-9	101963401	1-29, 1-77, 7-23, 8-5	102296530	1-15
101856102	7-15, 7-17	101972101	15-3	102296819	1-5
101861901	5-5, 5-7	101972201	15-3	102297125	1-15, 1-17, 1-19, 1-49, 1-51, 4-7, 4-9, 4-37, 16-3
101862001	5-5	101974701	4-15, 4-17, 4-19, 4-21	102297230	13-3
101865301	5-13, 5-15	101974702	4-15, 4-17, 4-19, 4-21	102298116	8-9
101871001	17-3	101974703	4-15, 4-17, 4-19, 4-21	102298185	1-55
101874601	5-13, 5-15	101974704	4-15, 4-17, 4-19, 4-21	102298401	1-31, 1-55, 1-63, 1-65, 1-77, 6-31, 6-33
101878201	5-3	101974705	4-15, 4-17, 4-19, 4-21	102298720	1-31
101879401	6-3	101974706	4-15, 4-17, 4-19, 4-21	102299550	1-31, 1-63, 1-65, 1-77
101879501	6-3	101974707	4-15, 4-17, 4-19, 4-21	102301401	1-55
101879601	6-3	101974708	4-15, 4-17, 4-19, 4-21	102311501	1-9
101879701	6-3	101974709	4-15, 4-17, 4-19, 4-21	102323101	5-13, 5-15, 5-17, 5-19, 5-21
101879801	6-3	101974710	4-15, 4-17, 4-19, 4-21	102323201	5-13, 5-15, 5-17, 5-19, 5-21
101879901	6-3	101974711	4-15, 4-17, 4-19, 4-21	102323501	1-7, 1-39, 1-41, 1-43, 4-29, 4-31
101880001	6-3	101974712	4-15, 4-17, 4-19, 4-21	102345901	3-13
101880101	6-3	101984801	6-5	102355301	7-25
101880201	6-3	101987701	9-7	102356601	15-3
101880301	6-3	101990801	5-17, 5-19, 5-21	102356801	15-3
101880701	5-11, 5-23, 5-25	102002802	13-9	102399001	6-33
101884801	8-5	102002901	13-11, 13-13	102410604	8-9, 9-13
101886101	9-13, 12-11	102022601	6-11, 6-15, 6-19, 6-23	102411203	9-3
101887101	17-3	102022602	6-3, 6-11, 6-15, 6-19, 6-23	102411209	9-15, 9-17
101895401	15-3	102025701	5-9	102459301	3-7, 3-13
101895501	15-3	102025801	9-5, 9-7	102476401	9-13, 12-11
101897001	15-3	102026001	5-5, 5-7	102490301	9-13
101897201	15-3	102056001	1-81	102491501	1-85, 11-7, 11-9
101897401	15-3	102059501	12-7, 12-9	102492301	13-5
101897601	15-3	102061201	17-7	102498201	9-13, 12-7, 12-9, 12-11
101898001	7-25, 7-27	102065103	1-81	102506401	1-55, 6-31, 6-33
101903601	15-3	102065901	1-55	102517501	4-7
101903701	15-3	102075801	3-5, 3-11	102517601	4-9
101906901	15-3	102155801	11-11	102518301	3-7
101908101	13-7	102158901	5-5, 5-7	102526201	12-3
101908401	7-13, 13-7	102162601	5-17, 5-21	102529101	1-105, 4-27
101915201	3-13	102166901	5-17, 5-21	102531402	1-31
101918501	5-3, 5-5, 5-7	102186401	14-3	102531601	1-31
101919801	5-5, 5-7	102196901	13-5	102538601	13-5
101922101	15-3	102198001	4-5		
101922201	15-3	102199001	1-105, 4-7, 4-9		
101922501	7-13	102235201	14-3		

INDEX

102540301	8-5	102869401	4-11, 4-13	103477901	6-29
102541401	1-31	102873401	13-11, 13-13	103484301	4-7, 4-9
102541402	8-9	102882501	1-59, 1-61	103487501	1-29
102541470	1-31	102883601	1-15, 3-15, 3-17	103496801	7-25
102541501	1-15, 1-31	102886301	15-3	103497702	13-15
102546401	4-7	102886401	15-3	103502601	6-13
102554512	1-65	102886501	15-3	103502701	6-21
102557201	1-39, 1-41, 1-43	102886601	15-3	103502801	6-17, 6-25
102558201	8-3, 9-15, 9-17	102891101	5-17, 5-19	103507001	6-13, 6-17, 6-21, 6-25
102562401	17-3	102894503	4-7	103510301	13-7
102564002	6-13, 6-17, 6-21, 6-25	102902801	15-3	103510501	13-15
102570401	17-7	102913601	1-85	103538701	1-55
102572401	13-5	102915701	13-7	103539001	1-55
102581201	1-39, 1-41, 1-43	102931102	13-9	103540203	1-19
102582401	1-31, 1-35, 1-37	102938601	14-3	103541401	4-37
102587201	17-5	102938701	14-3	103575801	1-55
102590801	1-67	102938801	14-3	103582801	15-3
102617201	8-5, 10-3	102938901	14-3	103601501	6-3
102617801	12-23	102939001	14-3	103628701	6-13
102618601	1-31	102939101	14-3	103628801	6-21
102621501	1-69, 12-3, 12-7, 12-9	102939102	14-3	103628901	6-17, 6-25
102621601	1-7	102947601	1-35, 1-37	103653401	6-3
102670701	1-7	102951701	14-3	103653501	6-3, 6-11, 6-15, 6-19, 6-23
102684501	6-13, 6-17, 6-21, 6-25	102967601	3-7	103653601	6-11, 6-15, 6-19, 6-23
102704901	14-3	102977901	9-3	103700301	4-23
102711201	7-15, 7-17	102980801	13-11, 13-13	103717302	6-13, 6-17, 6-21, 6-25
102725501	9-15, 9-17	102980901	13-11, 13-13	103717402	6-13, 6-17, 6-21, 6-25
102732401	8-5	102989501	1-29	103724504	6-7, 6-9
102764001	13-11, 13-13	103180101	1-107, 4-11, 4-13	103724601	6-9
102766201	13-11, 13-13	103182701	1-19	103724602	6-7
102766301	6-13, 6-17, 6-21, 6-25	103182702	1-19	103724901	6-9
102771701	15-3	103196001	1-39, 1-41, 1-43	103754901	1-35
102772402	13-9	103196202	8-5	103756401	9-7
102774701	13-9	103198301	4-11	103804901	4-25
102775101	14-3	103198401	7-13	103829401	6-7
102817101	4-37, 13-9	103201101	1-31	103832501	4-35
102817201	13-9	103205501	3-13, 7-13	103832601	4-35
102838101	13-7	103218601	13-5	103865101	5-5, 5-7
102838701	7-7, 7-9	103234304	3-15, 3-17	103865201	16-3
102838801	7-7, 7-9	103245001	4-7	103867901	6-21
102838901	7-7, 7-9	103262201	1-31	103879701	12-15
102839001	7-7, 7-9	103306301	9-3	103879702	12-13
102839301	7-7, 7-9	103347101	7-7, 7-9	103882801	8-5
102841101	7-7, 7-9	103347301	7-7, 7-9	103886601	12-5
102844601	7-7, 7-9	103347601	7-7, 7-9	103902101	13-3
102844701	7-7, 7-9	103347701	7-7, 7-9	103902301	13-3
102845101	3-7	103347801	7-7, 7-9	103902401	13-3
102845201	13-11	103347901	7-7, 7-9	103905201	9-3
102845203	13-11, 13-13	103348202	4-11	103924801	7-3, 7-5
102845204	13-13	103348602	4-13	103942601	13-15
102845401	13-9	103354401	4-11	103943401	13-3
102846402	13-9	103354701	6-11, 6-15, 6-19, 6-23	103944301	9-3
102847603	1-77	103372101	9-3	103951501	12-23
102852103	5-19	103372401	9-7	103951801	1-61
102863801	13-9	103397901	13-9	103951802	1-59
102865101	9-7	103449501	4-25	103953301	7-7, 7-9

INDEX

103969701	13-13	105010701	8-19	105016301	9-11
103973901	11-9	105010801	8-15	105016401	9-11
103973902	11-7	105010901	8-15, 9-11	105016501	9-11
103974002	11-11	105011001	8-19	105016701	8-7
103974102	11-3	105011101	8-19	105016801	8-7
103974201	11-7, 11-9	105011201	8-19	105016901	8-7
103974401	11-7, 11-9	105011301	8-19	105017001	8-7
103975301	11-11	105011401	8-19	105017101	8-7
103976101	11-7, 11-9	105011501	8-19	105017201	9-9
103978001	9-13	105011601	8-19	105017301	8-11
103979301	12-23	105011701	8-19	105017401	8-11
103979401	8-5	105011801	8-19	105017501	8-11
103980001	10-3	105011901	8-15	105017601	8-11
103982201	8-5	105012001	8-15	105017701	8-11
103983501	9-11	105012101	8-15	105017801	8-3, 8-11
103984601	11-7, 11-9	105012201	8-15	105017901	8-11
103989501	12-23	105012301	8-15	105018001	8-13
103993601	10-3	105012401	8-15	105018101	8-13
103995001	12-23	105012501	8-19	105018201	8-13
103995901	8-7	105012601	8-7, 8-13, 8-15	105018301	8-13
103996201	8-5	105012701	8-21	105018401	8-13
104000901	1-109	105012801	8-21	105018501	8-15
104001201	1-89	105012901	8-21	105025001	12-13, 12-15
104002101	1-115	105013001	8-21	105025101	12-13, 12-15
104003501	1-109	105013101	8-21	105025201	12-13, 12-15
104003901	1-99	105013201	8-21	105025301	12-13, 12-15
104005301	7-11	105013301	8-21	105025401	12-13, 12-15
104005901	13-17	105013401	8-21	105025501	12-13, 12-15
104006101	13-17	105013501	8-21	105025601	12-13, 12-15
104021701	12-23	105013601	8-21	105025701	12-13, 12-15
104023501	9-13, 12-11	105013701	8-21	105025801	12-13, 12-15
104025101	11-11	105013801	8-21	105025901	12-13, 12-15
104026801	3-3, 3-5, 3-9, 3-11	105013901	8-21	105026001	12-13, 12-15
104027101	12-23	105014001	8-21	105026101	12-13, 12-15
104033601	1-83	105014101	8-21	105026201	12-13, 12-15
104033701	1-85	105014201	8-17	105026301	12-13, 12-15
105000301	7-15, 7-17	105014301	8-17	105026401	12-13, 12-15
105000401	7-15, 7-17	105014401	8-17	105026501	12-13, 12-15
105000501	13-9	105014501	8-17	105026601	12-13, 12-15
105006501	1-29	105014601	8-17	105026701	12-13, 12-15
105007001	1-21	105014701	8-17	105026801	12-13, 12-15
105007002	1-23	105014801	8-17	105026901	12-13, 12-15
105007402	9-13	105014901	8-17	105027001	12-13, 12-15
105007403	9-13	105015001	8-17	105027101	12-13, 12-15
105007701	7-3	105015101	8-17	105027201	12-13, 12-15
105008001	7-5	105015201	8-17	105027301	12-13, 12-15
105008101	7-3, 7-5	105015301	8-17	105027401	12-17
105009101	9-15, 9-17	105015401	8-17	105027501	12-17
105009401	9-17	105015501	8-17	105027601	12-17
105010001	8-19	105015601	8-17	105027701	12-17
105010101	8-15	105015701	8-17	105027801	12-17
105010201	8-15	105015801	8-17	105027901	12-17
105010301	8-15	105015901	8-17	105028001	12-17
105010401	8-19	105016001	8-11, 8-17	105028101	12-19, 12-21
105010501	8-19	105016101	9-11	105028201	12-17
105010601	8-19	105016201	9-11	105028301	12-13, 12-15

INDEX

105028401	12-17	105037401	7-15, 7-17	105068007	4-15, 4-17, 4-19, 4-21
105028501	12-13, 12-15	105037701	12-3	105068008	4-15, 4-17, 4-19, 4-21
105028601	12-17	105038001	12-3	105068009	4-15, 4-17, 4-19, 4-21
105028701	12-17	105038101	12-3	105068010	4-15, 4-17, 4-19, 4-21
105028801	12-17	105038201	12-3	105068011	4-15, 4-17, 4-19, 4-21
105028901	12-17	105038501	12-3	105068012	4-15, 4-17, 4-19, 4-21
105029001	12-17	105038803	12-5	105068902	6-31, 6-33
105029101	12-17	105039401	12-3	105069901	1-35
105029201	12-17	105039801	12-3	105072001	1-39
105029301	12-21	105039901	12-3	105072002	1-41
105029401	12-21	105040401	12-3	105072003	1-43
105029501	12-19, 12-21	105040501	12-3	105073001	9-5
105029601	12-21	105040901	12-7	105073401	4-3
105029701	12-21	105043001	9-15	105074201	6-13, 6-17, 6-25
105029801	12-19, 12-21	105043401	9-5	105074501	1-7
105029901	12-19, 12-21	105043501	9-3	105074502	1-7
105030001	12-13, 12-15	105043801	9-5	105075202	13-9
105030301	12-19, 12-21	105043901	9-5	105075301	8-9
105030401	12-19, 12-21	105044001	9-3	105078401	1-29
105030501	12-19, 12-21	105044901	9-7	105078805	2-5
105030601	12-19, 12-21	105046101	3-3, 3-5, 3-9, 3-11	105078807	2-7
105030701	12-13, 12-15	105049201	1-19	105078809	2-3
105030801	12-19, 12-21	105049301	1-19	105078810	2-3
105030901	12-17	105049601	13-5	105078813	2-5
105031001	12-21	105060901	1-35	105078814	2-7
105034001	1-19	105062401	1-29	105078901	2-3, 2-5, 2-7
105034101	4-11	105063001	1-29	105079202	2-5, 2-7
105034102	4-13	105063002	1-29	105079204	2-3
105034201	1-19	105063201	1-39, 1-41, 1-43	105079205	2-5, 2-7
105034321	1-11	105063202	1-39, 1-41, 1-43	105079301	2-3
105034322	1-11	105063301	1-39	105079401	2-3
105034323	1-11	105063302	1-41	105079701	2-5
105034324	1-11	105063303	1-43	105079801	2-7
105034325	1-11	105063401	1-39, 1-41, 1-43	105081501	7-3, 7-5
105034326	1-11	105063402	1-39, 1-41, 1-43	105081601	7-3, 7-5
105034327	1-11	105063501	12-13	105081701	4-15
105034328	1-11	105063601	12-19	105081702	4-15
105034329	1-11	105064102	1-33	105081703	4-15
105034401	1-15	105064103	1-33	105081704	4-15
105034501	1-15	105064121	1-27	105081705	4-15
105034601	1-15	105064122	1-27	105081706	4-15
105034701	1-15	105064123	1-27	105081707	4-15
105034801	1-15	105064124	1-27	105081708	4-15
105034901	1-17	105064521	1-25	105081709	4-15
105035001	1-17	105064522	1-25	105081710	4-15
105035101	1-51	105064523	1-25	105081711	4-15
105035201	1-51	105064524	1-25	105081712	4-15
105035301	1-51	105066001	12-19, 12-21	105081801	4-19
105035701	1-19	105066101	12-19, 12-21	105081802	4-19
105035801	1-49	105066401	1-51	105081803	4-19
105036301	12-3	105068001	4-15, 4-17, 4-19, 4-21	105081804	4-19
105036601	1-57	105068002	4-15, 4-17, 4-19, 4-21	105081805	4-19
105036701	1-15	105068003	4-15, 4-17, 4-19, 4-21	105081806	4-19
105036801	4-3	105068004	4-15, 4-17, 4-19, 4-21	105081807	4-19
105037101	4-13	105068005	4-15, 4-17, 4-19, 4-21	105081808	4-19
105037201	7-23	105068006	4-15, 4-17, 4-19, 4-21	105081809	4-19

INDEX

105081810	4-19	105097801	1-117	105117704	1-13
105081811	4-19	105097901	1-107	105117705	1-13
105081812	4-19	105098001	1-109	105117706	1-13
105081901	4-21	105098002	1-109	105117707	1-13
105081902	4-21	105098101	1-111	105117708	1-13
105081903	4-21	105098201	1-113	105117709	1-13
105081904	4-21	105098301	1-113	105117710	1-13
105081905	4-21	105098401	1-115	105118601	4-29, 4-31
105081906	4-21	105098501	1-97	105122105	1-65
105081907	4-21	105098502	1-97	105122205	1-63
105081908	4-21	105098701	1-97	105122807	4-9
105081909	4-21	105098801	1-87	105122808	4-7
105081910	4-21	105100401	5-7	105124001	1-7
105081911	4-21	105100601	1-3	105124101	1-85
105081912	4-21	105100801	5-7	105124201	1-45
105082001	4-17	105102301	1-37	105124202	1-45
105082002	4-17	105102601	7-19, 7-21	105124301	1-121
105082003	4-17	105106101	2-9, 2-11	105124302	1-121
105082004	4-17	105106201	2-9, 2-11	105124401	1-121
105082005	4-17	105106301	2-9	105124501	1-121
105082006	4-17	105106302	2-11	105124701	3-7
105082007	4-17	105106501	2-9	105124901	1-9
105082008	4-17	105106502	2-11	105127201	1-65
105082009	4-17	105106601	6-11, 6-19	105127202	1-65
105082010	4-17	105106702	6-15, 6-23	105127302	1-69
105082011	4-17	105106801	6-31, 6-33	105127401	1-65
105082012	4-17	105108201	4-7, 4-9	105127402	1-65
105082101	4-11	105108301	4-7, 4-9	105128001	1-69
105082301	3-13	105108401	4-7, 4-9	105128101	1-67
105083301	6-13, 6-17, 6-21, 6-25	105108801	4-37	105128201	1-67
105083701	12-3	105108901	1-59, 1-61	105128801	1-45
105083801	12-3	105109101	1-35	105128802	1-45
105084701	3-13	105109201	1-37	105128901	1-45
105084801	8-9	105109501	1-77	105129001	1-45
105086101	1-39, 1-41, 1-43	105110801	1-55	105129501	1-77
105088501	9-15, 9-17	105112401	4-11, 13-9	105129601	1-77
105088601	4-29, 4-31	105112501	4-37	105129901	1-69
105092601	1-39, 1-41, 1-43	105112601	4-37	105130001	3-7
105093301	7-3, 7-5	105113301	1-77	105130101	3-3, 3-5
105093501	1-37	105113302	1-77	105130301	1-67
105093601	9-3	105114805	4-5	105130302	1-67
105093701	4-3	105114806	4-5, 4-7, 4-9	105130501	1-67
105093801	4-3	105114807	1-103, 4-5	105130601	1-67
105094001	1-7, 1-39, 1-41, 1-43	105115002	3-15, 3-17	105131001	1-59, 1-61
105095101	4-13, 7-3, 7-5	105115005	3-15, 3-17	105134601	8-5
105096101	11-7, 11-9	105116301	13-3	105134901	12-9
105096401	1-101	105117601	16-3	105135101	9-13, 12-7, 12-9
105096501	1-101	105117602	16-3	105135201	4-7, 4-9
105096901	1-87	105117603	16-3	105135802	4-37
105097001	1-87	105117604	16-3	105135901	7-3, 7-5
105097101	1-99	105117605	16-3	105136001	7-3, 7-5
105097301	1-89	105117606	16-3	105137102	3-9
105097401	1-91	105117607	16-3	105137103	3-5, 3-11
105097501	1-95	105117701	1-13	105137106	3-3, 3-9
105097601	1-117	105117702	1-13	105143201	5-21
105097701	1-117	105117703	1-13	105143301	7-3, 7-5, 9-3

INDEX

105143401	1-119	105175601	1-101	105181801	1-89
105144401	9-13, 12-11	105175701	1-101	105181901	1-89
105144801	4-35	105175801	1-101	105182001	1-89
105145201	13-7	105175901	1-101	105182002	1-89
105145401	1-85	105176001	1-101	105182101	1-89
105145501	1-85	105176101	1-101	105182102	1-89
105146901	4-25	105176201	1-101	105182201	1-89
105147001	4-25	105176301	1-101	105182202	1-89
105148502	1-77	105176701	1-93	105182301	1-89
105148601	1-77	105176801	1-93	105182302	1-89
105148801	1-77	105176901	1-117	105182401	1-89
105148802	1-77	105177001	1-99	105182501	1-89
105149101	5-9	105177101	1-99	105182601	1-89
105149201	5-9	105177201	1-93	105182701	1-89
105149301	8-5	105177301	1-87	105182801	1-89
105152301	4-11	105177501	1-87	105182901	1-89
105152501	3-15	105177601	1-87	105183001	1-89
105152701	3-17	105177701	1-87	105183101	1-91
105153201	3-15, 3-17	105177801	1-87	105183201	1-91
105153202	3-15, 3-17	105177901	1-99	105183301	1-91
105153301	3-15, 3-17	105178001	1-99	105183401	1-91
105153302	3-15, 3-17	105178301	1-95	105183501	1-107
105155501	4-31	105178401	1-95	105183601	1-113
105155601	4-29	105178501	1-117	105183701	1-109
105156301	1-5	105178601	1-117	105183801	1-115
105156701	1-5	105178701	1-117	105185101	4-33
105156702	1-5	105178801	1-117	105185701	1-63, 1-77
105158701	1-125	105178901	1-117	105185801	1-63, 1-77
105158702	1-123	105179001	1-107	105186201	6-31
105160401	1-71	105179101	1-107	105186202	6-31
105160501	1-75	105179201	1-107	105186301	6-33
105160801	1-71	105179301	1-107	105186302	6-33
105160901	1-71	105179401	1-107	105188185	1-31, 6-31, 6-33
105161101	1-71	105179501	1-107	105190101	7-9
105161201	1-75	105179601	1-107	105190102	7-7
105161301	1-75	105179701	1-107	105190601	4-7, 4-9
105161401	1-71	105179801	1-107	105190701	4-7, 4-9
105161501	1-73	105179901	1-107	105192301	1-65
105161601	1-73	105180001	1-109	105192901	1-65
105161701	7-3, 7-5, 7-7, 7-9	105180101	1-109	105193001	1-65
105161901	16-3	105180201	1-109	105193101	1-69
105163601	3-3, 3-5	105180301	1-111	105193501	1-59, 1-61
105163701	3-3, 3-5, 3-7	105180401	1-111	105194101	1-57
105165801	4-7, 4-9	105180501	1-111	105194301	1-29
105166801	13-17	105180601	1-111, 1-113, 1-115	105194402	1-65
105166901	13-17	105180701	1-111	105194601	1-65
105167001	13-17	105180801	1-111	105194801	1-63, 1-77
105167101	13-17	105180901	1-113	105194802	1-63
105167201	13-5	105181001	1-113	105194901	1-63
105168501	13-17	105181101	1-113	105194902	1-63
105168601	13-17	105181201	1-115	105195501	13-9
105169101	1-57	105181301	1-113	105196001	1-35, 1-37
105170101	1-45	105181401	1-113	105196101	1-65
105170301	1-59	105181501	1-113	105196201	1-65
105170501	1-61	105181601	1-115	105197101	1-57
105173901	13-5	105181701	1-89	105197301	1-39, 1-41, 1-43

INDEX

105197401 1-39, 1-41, 1-43
105197402 1-39, 1-41, 1-43
105197601 1-59, 1-61
105200401 1-25
105200702 1-65
105200802 1-65
105200901 1-65
105201001 1-65
105204401 4-29, 4-31
105205201 1-65
105205301 4-29, 4-31
105205401 7-11
105205501 1-103
105209601 17-5
105210201 13-11
105216602 2-5
105216604 2-7
105216701 1-85
105233701 1-85
105234002 1-103
105234102 1-105
105234501 17-5
105234502 17-5
105234801 12-13, 12-15
105234901 12-13, 12-15
105236301 1-105
105237301 7-27
105237601 1-123, 1-125
105237701 1-123, 1-125
105237801 1-127
105237802 1-127
105238001 1-123, 1-125
105238101 1-123, 1-125
105238201 1-127
105238301 1-127
105238401 1-127
105238402 1-127
105238501 1-127
105238502 1-127
105238603 1-127
105238604 1-127
105238701 1-123, 1-125
105238801 1-125
105238802 1-123
105238901 1-125
105238902 1-123
105239001 1-125
105239002 1-123
105239101 1-123, 1-125
105239201 1-123, 1-125
105239301 1-123, 1-125
105239401 1-123, 1-125
105241001 1-125
105241002 1-123
105241101 1-125
105241102 1-123

105241201 1-127
105241301 1-127
105241401 1-127
105241501 1-127
105241601 1-127
105241602 1-127
105241701 1-127
105241702 1-127
105242801 6-27
105243001 6-27
105245801 11-5
105248201 1-85
105249901 1-39, 1-41, 1-43
105250501 1-39, 1-41, 1-43
105251901 1-39, 1-41, 1-43
105256701 7-27
105256801 7-3, 7-5
105282901 9-5
105282902 9-5
105282903 9-5
105288801 1-45, 1-47
105289201 1-47
105289301 1-97
105295301 1-107
105310301 5-19
47542195001 5-11, 5-23, 5-25
96704176 12-3
96705199 1-65, 12-7, 12-9
96741046 8-5

A

accelerator bracket and bearing assembly 5-5, 5-7
accelerator cable 9-13
accelerator pedal adjustment tool 17-3
accelerator pivot rod 5-5, 5-7
accelerator return spring 5-5, 5-7
accessory receptacle 4-5
adapter
 air intake 9-11
 cable (IQDM) 17-5
adhesive, guide ring 17-3
air cleaner assembly 9-15, 9-17
air deflector 8-9
air filter 8-3, 9-15, 9-17
air filter evacuator 9-15, 9-17
air intake adapter 9-11
air intake hose 9-15, 9-17
AM1285701 17-5
anchor body 5-11, 5-23, 5-25
anchor body kit 5-11, 5-23, 5-25
anchor, piston 5-11, 5-23, 5-25
A-plate strap 6-11, 6-15, 6-19, 6-23
A-plate, delta 6-11, 6-15, 6-19, 6-23
arbor 17-3
arm

governor 9-13, 12-11
armature 14-3
assembly
 accelerator bracket and bearing 5-5, 5-7
 accelerator pivot rod 5-5, 5-7
 bearing, steering shaft 6-5
 delta A-plate 6-11, 6-15, 6-19, 6-23
 drive hub 11-7, 11-9
 driven clutch 11-11
 fuel cap 9-3
 fuel pump 9-5
 inner ball joint 6-3
 kingpin 6-13, 6-17, 6-21, 6-25
 moveable-face 11-7, 11-9, 11-11
 ratchet 5-3, 5-5, 5-7
 secondary clutch weight 11-7, 11-9
 steering shaft 6-5
axle 15-3
axle shaft 12-19, 12-21
axle shaft oil seal 15-3
axle tube 12-19, 12-21, 15-3

B

backing plate, brake 5-11, 5-23, 5-25
baffle
 crankcase 8-7
balance shaft 8-21
ball bearing 7-7, 7-9, 12-17, 12-19, 12-21
ball joint 5-3, 5-7
ball stud 7-15, 7-17
ball, trailer hitch 1-83
barrel, plastic 1-31
battery
 12-volt, side-post 7-25
 12-volt, top-post 7-27
battery cap, 6-volt 13-13
battery clamp 7-25, 7-27
battery condition indicator 4-11
battery discharge machine 17-3
battery HD, 6-volt, Trojan T145 13-13
battery hold-down 13-11, 13-13
battery hold-down rod 13-11, 13-13
battery terminal protector spray 17-3
battery thermometer 17-3
battery, top-post, wire, 4ga, B+ 7-3, 7-5
battery, top-post, wire, B- 4ga, 7-27
bead, ferrite 4-25
bearing 15-3
 balance shaft 8-19
 ball 7-7, 7-9, 12-17, 12-19, 12-21
 ball (motor) 14-3
 ball (steering pinion) 6-3
 crankshaft 8-19
 front wheel hub 6-29
 hub 6-29
 inner axle tube 15-3

INDEX

- lower pinion (steering) 6-3
 - pivot support 5-5, 5-7
 - steering shaft 6-5
 - thrust 6-13, 6-17, 6-21, 6-25, 12-13, 12-15
 - bearing and oil seal remover 17-3
 - bearing driver set 17-3
 - bearing puller 17-3
 - bearing puller wedge 17-3
 - bearing seat 6-5
 - bed clamp kit 1-71
 - bed floor 1-57
 - bed floor kit 1-57
 - bed latch weldment 1-57
 - bed lift actuator 1-61
 - bed lift harness 1-59, 1-61
 - bed lift kit 1-61
 - bed lift kit, electric 1-59
 - bed lift weldment 1-59, 1-61
 - bed seal 1-29
 - bellows 6-3
 - belt, drive 11-3, 11-5
 - belt, starter/generator 7-11
 - block, brake-mounting 5-3
 - block, fuse 7-15, 7-17, 13-5
 - block, terminal 4-5, 13-9
 - body, anchor 5-11, 5-23, 5-25
 - bolt, U- 6-31, 6-33
 - boot, steering column 6-5
 - boot, switch 7-13, 13-7
 - box
 - steering gear 6-3
 - tool 1-129
 - brace, trailer hitch 1-79
 - bracket
 - accel.cable 9-13, 12-7, 12-9
 - brake light switch 4-7, 4-9
 - carbon canister/ECU 9-7
 - FNR cable 9-13, 12-7, 12-9
 - governor 9-13, 12-11
 - horn 4-7, 4-9
 - mounting, starter/generator 8-5
 - mounting, transaxle/exhaust 8-5
 - shifter 12-3
 - shock mounting, drv 6-31, 6-33
 - shock mounting, pas 6-31, 6-33
 - snubber 8-5
 - stake side 1-77
 - starter/generator adjusting 7-11
 - steering column 6-5
 - steering column mounting 6-5
 - Tow/Run switch 7-13
 - bracket, hinge, bed 1-55
 - bracket,tailgate Lh 1-67
 - bracket,tailgate Rh 1-67
 - brake actuator kit 5-11, 5-23, 5-25
 - brake backing plate 5-11, 5-23, 5-25
 - brake cable 5-13, 5-15, 5-17, 5-21
 - brake cable equalizer 5-13, 5-15, 5-17, 5-19, 5-21
 - brake cluster 5-11, 5-23, 5-25
 - brake drum 5-11, 5-23, 5-25
 - brake lever arm 5-11, 5-23, 5-25
 - brake light switch bracket 4-7, 4-9
 - brake mounting block 5-3
 - brake pedal 5-3
 - brake pedal pad 5-3
 - brake return spring 5-17, 5-19, 5-21
 - brake shoe 5-11, 5-23, 5-25
 - brake spring 5-11, 5-23, 5-25
 - breather 12-13, 12-15, 15-3
 - breather hose 9-11
 - Brkt, Steering Stop, Drv, CA, LSV 6-27
 - brush box assembly 14-3
 - brush cover kit, starter/generator 7-7, 7-9
 - brush inspection port cover 7-7, 7-9
 - brush kit, motor 14-3
 - brush rigging 14-3
 - brush spring 7-7, 7-9, 14-3
 - brush spring set 7-7, 7-9
 - brush spring, starter/generator 7-7, 7-9
 - brush terminal, starter/generator 7-7, 7-9
 - brush, motor 14-3
 - bucket holder kit 1-75
 - bulb,halogen 4-3
 - bumper
 - drive unit (motor) 14-3
 - rubber 5-3
 - spring return 5-5, 5-7
 - bumper kit 1-3
 - bumper,bedfloor 1-57
 - bushing 1-59, 1-61, 7-15, 7-17, 11-7, 11-9, 12-3
 - bronze 6-13, 6-17, 6-21, 6-25
 - nylon 1-67, 5-3
 - snap-in 1-67
 - spindle 6-13, 6-17, 6-21, 6-25
 - steel 6-13, 6-17, 6-21, 6-25
 - urethane 1-55, 6-11, 6-13, 6-15, 6-17, 6-19, 6-21, 6-23, 6-25, 6-31, 6-33
 - button, drive 11-11
 - buzzer, reverse 4-11, 4-13
- ## C
- cab 2-point seat belt kit 1-101
 - cab 3-point seat belt 1-101
 - cab canopy kit 1-87
 - cab liner 1-87
 - cab mirror 1-97
 - cab mirror lh 1-97
 - cab overhead console 1-107
 - cab rear window kit 1-117
 - cab window screen 1-117
 - cab windshield kit 1-99
 - cab wiper kit 1-109
 - cable
 - accelerator 9-13
 - brake 5-13, 5-15, 5-17, 5-21
 - FNR shifter 12-5
 - governor 9-13
 - calibration test module 17-3
 - cam
 - driven clutch 11-11
 - electrical component box 7-15, 7-17
 - cam, engine 8-17
 - camshaft 8-17
 - camshaft o-ring 8-17
 - canister, carbon, fuel tank 9-7
 - canopy
 - short 1-39
 - canopy kit 1-39
 - cap
 - battery, 6-volt 13-13
 - dust 13-5
 - fuel, gas, ratchet 9-3
 - key switch 4-15, 4-17, 4-19, 4-21
 - rubber 12-23
 - cap,quick connector 13-9
 - carbon canister 9-7
 - card, safety first 17-5
 - cargo box kit 1-65
 - cargo box, corner,ds 1-65
 - cargo box, front panel 1-65
 - cargo box, side panel,ds,medium 1-65
 - cargo box,corner,ps 1-65
 - cargo box,side panel, ps,medium 1-65
 - case
 - gear 15-3
 - transaxle 12-13, 12-15
 - CE mark ferrite bead, TDK 4-25
 - center shaft 12-17
 - chain, timing 8-17
 - charger bezel tool 17-3
 - charging diode 7-23
 - circuit breaker 13-7
 - clamp
 - battery 7-25, 7-27
 - hose 9-3, 9-7, 9-15, 9-17
 - p- (fuel filter) 8-9, 9-13
 - clevis, upper delta 6-13, 6-17, 6-21, 6-25
 - clip
 - body trim 1-15
 - retainer plate 8-15
 - wheel cover 2-9, 2-11
 - clip, piston pin 8-21
 - clip, score card 6-9
 - cluster, brake 5-11, 5-23, 5-25
 - clutch
 - pin 12-17
 - clutch cam installation tool 17-3

INDEX

clutch repair kit 11-11
clutch tool kit 17-3
clutch weight 11-7, 11-9
clutch, drive 11-7, 11-9
clutch, driven 11-11
coil, ignition 8-11
collar 12-17
collet 8-17
column, steering 6-5
component mounting plate cover 13-9
compression gauge 17-5
compressor, piston ring 17-5
compressor, valve spring 17-7
connecting rod 8-21
continuity tester 17-5
controller diagnostic tool (CDT) 17-5
controller diagnostic tool (CDT) cable 17-5
cooling fan 8-7
counter shaft 12-17
cover
brush inspection port 7-7, 7-9
crankcase 8-19
dust 5-11, 5-23, 5-25, 6-29
fan 8-7
rocker switch hole 1-107, 4-11, 4-13
steering column 6-5
cover, rocker 8-15
cover, valve 8-15
cowl 1-11
crankcase 8-19
crankcase baffle 8-7
crankcase cover 8-19
crankshaft 8-21
C-type stop ring 6-3
cup, spring 5-5, 5-7
cushion, shock absorber 6-31, 6-33
cylinder head 8-15

D

dash 1-19
dc converter, 15A 4-23
dc converter, 25A 4-25
decal
4-gauge wire warning 3-7
bed load warning 3-3, 3-5, 3-9, 3-11
crush area warning 1-31, 3-3, 3-5, 3-7, 3-9,
3-11, 3-13
diode safety 3-13
electrical cover safety 3-7
engine warning 8-7
filter log 13-17
frame ground 3-13
inspect log 13-17
key switch 3-9, 3-11
nameplate 1-15, 3-15, 3-17
on/off 3-3, 3-5, 3-9, 3-11, 4-11, 4-13

rotating parts 3-13
run/service switch 3-13, 7-13
Tow/Run switch 3-7
trailer hitch 1-79, 1-81, 3-7, 3-13
wheel cover 2-9, 2-11
young driver warning 3-5, 3-11
deflector
air 8-9
deionizer 13-17
cartridge 13-17
delta A-plate 6-11, 6-15, 6-19, 6-23
delta A-plate sub-assembly 6-11, 6-15, 6-19,
6-23
diagnostic port 13-5
differential 12-21
limited-slip 12-19
open 12-21
differential drive unit 15-3
differential gear 15-3
differential gear set 12-21
differential housing 15-3
differential shaft 12-21
diode 4-37, 7-3, 7-5
diode, charging 7-23
dipstick 8-19
door, charger port 1-15
door, glove box 1-19
doors, soft, cab 1-91
drain plug 8-19, 12-13, 12-15
drain plug gasket 8-19
drain plug, rubber 7-7, 7-9
drive belt 11-3, 11-5
drive button 11-11
drive clutch 11-7, 11-9
drive clutch button 11-7, 11-9
drive clutch holder tool 17-3
drive clutch hub puller 17-3
drive clutch puller 17-3
drive clutch spring 11-7, 11-9
drive clutch weight 11-7, 11-9
drive hub 11-7, 11-9
drive unit bumper 14-3
driven clutch 11-11
driven clutch button 11-11
driven clutch cam 11-11
driven clutch cam puller 17-3
driven clutch puller plug 17-3
driver, drive clutch 11-7, 11-9
drum, brake 5-11, 5-23, 5-25
dry moly lubricant 17-5
dust cap 13-5
dust cover 5-11, 5-23, 5-25, 6-29

E

eccentric bolt 6-13, 6-17, 6-21, 6-25
E-clip 5-13, 5-15, 5-17, 5-19, 5-21

ECU 9-9
enclosure kit 1-121
end cap, motor 14-3
end, tie rod 6-11, 6-15, 6-19, 6-23
engine
air cleaner 9-15, 9-17
air deflector 8-9
air filter 8-3, 9-15, 9-17
air intake hose 9-15, 9-17
balance shaft 8-21
bearing, balance shaft 8-19
bearing, crankshaft 8-19
breather hose 9-11
cam 8-17
camshaft 8-17
camshaft O-ring 8-17
connecting rod 8-21
crankcase 8-19
crankcase baffle 8-7
crankcase cover 8-19
crankcase plug 8-19
crankshaft 8-21
crankshaft key 8-21
cylinder head 8-15
dipstick 8-19
drain plug gasket 8-19
ECU 9-9
exhaust valve 8-17
fan 8-7
fan housing 8-7
flywheel 8-11
fuel injector 9-9
guide pin 8-19
head gasket 8-15
ignition coil 8-11
insulator, throttle body 9-11
intake valve 8-17
oil drain plug 8-19
oil filler tube 8-19
oil filler tube O-ring 8-19
oil level sensor 8-13
oil seal 8-19
piston 8-21
piston pin 8-21
piston pin clip 8-21
piston ring set 8-21
retainer plate 8-15
retainer plate clip 8-15
rocker arm 8-17
rocker cover 8-15
rocker cover gasket 8-15
rocker shaft 8-17
spark plug 8-3, 8-11
temperature sensor 8-13
throttle body 9-9
timing chain 8-17

INDEX

timing chain guide 8-17
timing chain sprocket 8-17
timing chain tensioner 8-17
valve collet 8-17
valve guide 8-15
valve seal 8-15
valve spring 8-17
valve spring retainer 8-17
warning decal 8-7
engine warning decal 8-7
engine, EX40 8-5
equalizer pivot 5-13, 5-15
equalizer rod 5-13, 5-15, 5-17, 5-19, 5-21
equalizer, brake cable 5-13, 5-15, 5-17, 5-19, 5-21
exhaust extension 1-119
exhaust system 10-3
exhaust valve 8-17
extension, spring latch 1-57

F

face, moveable 11-11
fan
 cooling 8-7
fan cover 8-7
fan housing 8-7
fender, front, lh 1-15
fender, front, rh 1-15
fender, inner 1-49
fender, rear 1-51
ferrite bead (CE), TDK 4-25
field coil housing 7-7, 7-9
filter
 air 8-3, 9-15, 9-17
 fuel 9-5
fitting, thread-forming grease 6-13, 6-17, 6-21, 6-25
flasher, turn signal, 12-volt 4-7
flat trim kit 1-63
floor mat 1-19
floor mat, 4 pass, rear 1-31
flywheel 8-11
fnr shaft 12-3
FNR shift lever 12-7, 12-9
FNR shifter base 12-3
FNR shifter cable 12-5
foot deck 1-31
fops, cab 1-87
frame
 corner cap 1-29
frame and field, motor 14-3
frame and field, starter/generator 7-7, 7-9
frame weldment, front drop 1-23
frame weldment, front 1-21
frame, bed 1-57
front spring retainer plate 6-13, 6-17, 6-21,

6-25
fuel filter 9-5
Fuel Filter Kit 9-5
fuel injector 9-9
fuel line 9-7
Fuel Module, Hold-Down Ring 9-5
Fuel Pump 9-5
fuel pump 9-5
fuel tank 9-3
fuse
 10-amp 1-105, 4-7, 4-9, 7-3, 7-5, 7-15, 7-17
 15-amp 13-5
 1-amp 13-5
 20-amp 4-5, 13-5
 2-amp 7-3, 7-5, 13-5
 30-amp 13-5
 5-amp 7-3, 7-5
fuse block 7-15, 7-17, 13-5
fuse, mini, 7.5A 4-5
fuse, mini, 10A 4-5, 4-7, 4-9
fuse, mini, 15A 1-103, 4-5

G

gasket 12-13, 12-15
 cover, rocker 8-15
 cover, valve 8-15
 drain plug 8-19
 exhaust 10-3
 insulator 9-11
 liquid 15-3, 17-5
 plug 15-3
gasket, head 8-15
gauge, battery condition 4-11
gauge, compression 17-5
gear
 17 tooth 12-17
 34 tooth 12-17
 52 tooth 12-17
 60 tooth 12-19, 12-21
 62 tooth 12-17
 differential 15-3
 differential idler 15-3
 differential output 15-3
 governor 12-13, 12-15
 governor, 34 tooth 12-17
 set, differential 12-21
gear yoke 17-5
gearcase 15-3
governor arm 9-13, 12-11
governor cable 9-13
governor gear shaft 12-13, 12-15
governor shaft 12-13, 12-15
grill 1-15
grip, pencil 6-9
grip, tilt latch hand 1-57
grommet 9-3

guide
 valve 8-15
guide pin 8-19, 12-13, 12-15
guide ring adhesive 17-3
guide, timing chain 8-17

H

handle, FNR 12-3
handle, tee 1-99
harness, main 7-3, 7-5
harness, wire 4-9, 13-9
harness, wire, gas engine-ECU 7-3, 7-5
harness, wire, gas FNR connector 7-3, 7-5
harness, wire, gas instr. panel 4-13, 7-3, 7-5
harness, brake pedal switch 4-7, 4-9
harness, taillight 4-7, 4-9
head gasket 8-15
head, cylinder 8-15
headband, sealed, motor 14-3
headband, vented, motor 14-3
headlight 4-3
headlight bezel, lh 1-17
headlight bezel, rh 1-17
headlight guard kit 1-5
headlight, led 4-3
heater, defogger 4-37
heater, defogger kit 4-37
hill brake rod 5-3
hill brake weld assembly 5-3
hinge pin 1-77
hip restraint 1-29
hitch, trailer 1-79
hitch, trailer, ball 1-83
hold-down rod, battery 13-11, 13-13
hold-down, battery 13-11, 13-13
holder, license plate 1-9
hole plug 4-11
horn bracket 4-7, 4-9
hose
 air intake 9-15, 9-17
 engine breather 9-11
 fuel 9-7
 vent 9-7
hour meter 13-7
hour meter bracket 13-7
housing
 3-pin 14-3
 differential 15-3
 fan 8-7
 field coil 7-7, 7-9
hub 6-29, 12-23
hub bearing 6-29
hydrometer 17-5

INDEX

- I**
- idler gear, differential 15-3
 - ignition coil 8-11
 - indicator, battery condition 4-11
 - indicator, charger 4-11
 - inner frame snubber 8-5
 - input shaft 12-17, 15-3
 - instrument panel 4-13
 - instrument panel wire harness, electric vehicle 4-11
 - instrument panel, electric vehicle 4-11
 - insulating washer 14-3
 - insulator 9-11
 - insulator gasket 9-11
 - insulator, motor terminal 14-3
 - intake valve 8-17
 - intermediate shaft 15-3
 - internal retaining ring pliers 17-5
- J**
- joint
 - ball 5-3, 5-7
 - steering 6-21
- K**
- key
 - driven clutch 11-11
 - square 11-11
 - key switch cap 4-15, 4-17, 4-19, 4-21
 - key switch, uncommon 4-15, 4-17, 4-19, 4-21
 - key, crankshaft 8-21
 - keyswitch, uncommon 4-15
 - kingpin 6-13, 6-17, 6-21, 6-25
 - kit
 - 3-pin housing 14-3
 - accelerator pivot rod 5-5, 5-7
 - anchor body 5-11, 5-23, 5-25
 - brake actuator 5-11, 5-23, 5-25
 - brake cable 5-13, 5-15
 - brake pedal 5-3
 - brake shoe 5-11, 5-23, 5-25
 - brake shoe retainer 5-11, 5-23, 5-25
 - clutch repair 11-11
 - controller diagnostic tool (CDT) 17-5
 - deflector, air 8-9
 - drive clutch button 11-7, 11-9
 - drive clutch weight 11-7, 11-9
 - driven clutch button 11-11
 - equalizer, brake 5-13, 5-15
 - hand pump, SPWS 13-17
 - motor brush 14-3
 - motor brush lead assembly 14-3
 - motor brush spring 14-3
 - motor speed sensor 14-3
 - park brake latch 5-3
 - park brake pedal 5-3
 - rear receiver hitch 1-81
 - shock absorber cushion 6-31, 6-33
 - shoe retainer 5-11, 5-23, 5-25
 - steering column mounting bracket 6-5
 - trailer hitch 1-79
 - Kit, Horn/Tail Light/Turn 4-9
- L**
- ladder rack kit 1-73
 - lamp, stop, turn, tail 4-7, 4-9
 - latch 1-19
 - latch plate 1-55
 - latch, park brake 5-3
 - leaf blower holder kit 1-71
 - lever
 - transaxle shift 12-7, 12-9
 - license frame kit 1-9
 - license plate 1-9
 - license plate holder 1-9
 - light
 - oil 4-13
 - strobe 1-115
 - water quality 13-17
 - light, strobe 4-29, 4-31
 - limit switch 4-7, 4-9, 7-17, 7-19, 7-21
 - limiter
 - voltage 1-105, 4-27
 - line, fuel 9-7
 - liquid gasket 15-3, 17-5
 - low oil warning light 4-13
 - lubricant, dry moly 17-5
 - lubricant, moly-teflon 14-3, 17-5
 - lug nut 2-3, 2-5, 2-7
 - lug stud 12-23, 15-3
- M**
- magnet, speed sensor 14-3
 - main harness 7-3, 7-5
 - mat, floor 1-19
 - mat, floor, 4 pass, rear 1-31
 - MCOR 13-3
 - meter, hour 13-7
 - meter, volt ohm 17-7
 - mirror 1-97
 - mirror, exterior kit 1-45
 - module
 - calibration test 17-3
 - moly-teflon lubricant 17-5
 - motor
 - 48-volt IQ Plus 14-3
 - brush 14-3
 - brush kit 14-3
 - brush lead assembly kit 14-3
 - brush spring 14-3
 - bumper 14-3
 - end cap 14-3
 - frame and field 14-3
 - headband, sealed 14-3
 - headband, vented 14-3
 - magnet, speed sensor 14-3
 - speed sensor 14-3
 - speed sensor kit 14-3
 - terminal and lead assembly 14-3
 - terminal insulator 14-3
 - mounting block, brake 5-3
 - moveable-face 11-7, 11-9, 11-11
- N**
- nameplate decal 1-15, 3-15, 3-17
 - nut, lug 2-3, 2-5, 2-7
- O**
- oil filler tube 8-19
 - oil level sensor 8-13
 - oil seal 8-19, 12-13, 12-15
 - oil warning light, low 4-13
 - O-ring 8-17, 8-19
 - O-ring Kit, Fuel Module 9-5
 - O-Ring, Fuel Module 9-5
- P**
- pad
 - brake pedal 5-3
 - park brake 5-3
 - thermal 7-23
 - paint, underbody (black) 17-5
 - paint, touch-up 1-13
 - park brake latch 5-3
 - park brake pedal 5-3
 - park brake rod sleeve 5-3
 - park brake spacer 5-3
 - park brake torsion spring 5-3
 - pawl 5-3
 - p-clamp (fuel filter) 8-9, 9-13
 - pedal, brake 5-3
 - pedal, park brake 5-3
 - pencil grip 6-9
 - pin
 - bow tie locking 5-13, 5-15, 5-17, 5-19, 5-21
 - clevis 5-13, 5-15, 5-17, 5-19, 5-21
 - differential 12-21
 - guide 8-19, 12-13, 12-15
 - input shaft 12-17
 - piston 8-21
 - pin, hinge 1-77
 - pinion, steering 6-3
 - piston 8-21
 - piston anchor 5-11, 5-23, 5-25
 - piston pin 8-21

INDEX

piston pin clip 8-21
piston ring 8-21
piston ring compressor 17-5
piston ring pliers 17-5
piston ring set 8-21
pivot support bearing 5-5, 5-7
plate
 front spring retainer 6-13, 6-17, 6-21, 6-25
 license 1-9
 mounting, CVT, center 8-5
 mounting, engine/axle 8-5
 retainer 8-15
plate, Tow/Run switch 13-7
pliers
 internal retaining ring 17-5
 piston ring 17-5
 retaining ring 17-5
plug
 drain 12-13, 12-15
 driven clutch puller 17-3
 hole 4-11
 oil drain 8-19
 rubber drain 7-7, 7-9
 rubber, crankcase 8-19
 spark 8-3, 8-11
port, diagnostic 13-5
press weldment 17-3
prop rod 1-55
prop rod track 1-55
protector spray, battery terminal 17-3
puller
 bearing 17-3
 drive clutch 17-3
 drive clutch hub 17-3
 driven clutch cam 17-3
 seal 17-5
pulley
 starter-generator 7-7, 7-9
 v-belt 7-7, 7-9
pump
 fuel 9-5

R

race, front hub bearing 6-29
rack guide pressure spring 6-3
rack, steering 6-3
range picker adapter 1-85
ratchet, park brake 5-3, 5-5, 5-7
receiver hitch 1-81
receptacle, accessory 4-5
reflector, yellow 4-35
reflector, amber 4-3
reflector, red 4-35
reflector, red, rectangle 4-35
refractometer 17-5
regulator, voltage 7-15, 7-17

relay 13-9
relay 48v 4-11, 13-9
relay, 12-volt 1-105, 4-7, 4-9
remover, bearing and oil seal 17-3
retainer
 accelerator pedal spring 5-5, 5-7
 brake shoe 5-11, 5-23, 5-25
 shock absorber cushion 6-31, 6-33
 spring 6-31, 6-33
 valve spring 8-17
retainer plate 8-15
retaining ring 6-5
retaining ring pliers 17-5
return spring bumper 5-5, 5-7
reverse buzzer 4-11, 4-13
ring
 C-type stop 6-3
 piston 8-21
 retaining 6-5, 7-15, 7-17, 11-7, 11-9, 11-11, 12-13, 12-15, 12-23
 snap 6-3
 spiral backup 11-7, 11-9
rivet, blind push 13-9
rocker arm 8-17
rocker cover 8-15
rocker cover gasket 8-15
rocker shaft 8-17
rocker switch 1-59, 1-61, 4-11
rocker switch (lights) 4-11, 4-13
rod
 accelerator pivot 5-5, 5-7
 battery hold-down 13-11, 13-13
 connecting 8-21
 equalizer 5-13, 5-15, 5-17, 5-19, 5-21
 hill brake 5-3
 prop 1-55

S

safety first card 17-5
score card clip 6-9
score card plate 6-9
seal
 lip 15-3
 oil 8-19, 12-13, 12-15, 15-3
 steering pinion dust 6-3
 valve 8-15
seal puller 17-5
seal, bed 1-29
sealant 15-3
seat bottom 1-25
seat strap 1-25
seat, bearing 6-5
seatback 1-27
seatback weldment 1-29
select shaft 12-13, 12-15
sensor
 oil level 8-13
 temperature 8-13
sensor, motor speed 14-3
shaft
 axle 12-19, 12-21
 balance 8-21
 center 12-17
 counter 12-17
 differential 12-21
 governor 12-13, 12-15
 governor gear 12-13, 12-15
 input 12-17, 15-3
 intermediate 15-3
 rocker 8-17
 select 12-13, 12-15
 shift 12-17
 steering column 6-5
shift lever 12-7, 12-9
shift shaft 12-3, 12-17
shifter bracket 12-3
shifter handle 12-3
shifter, base 12-3
shifter, FNR 12-3
shock absorber 6-31, 6-33
shock absorber cushion 6-31, 6-33
shock absorber cushion retainer 6-31, 6-33
shock extension 6-33
shock mounting bracket, drv 6-31, 6-33
shock mounting bracket, pas 6-31, 6-33
shoe retainer kit 5-11, 5-23, 5-25
shoe, brake 5-11, 5-23, 5-25
sleeve 1-55, 6-31, 6-33, 12-13, 12-15
 delta A-plate 6-11, 6-15, 6-19, 6-23
 park brake rod 5-3
snap ring 6-3
snubber bracket 8-5
snubber, inner frame 8-5
solenoid 13-9
solenoid, 12-volt 4-37, 7-15, 7-17
spacer 12-13, 12-15, 12-17, 13-11, 13-13
 accelerator pivot rod 5-5, 5-7
 park brake 5-3
spark plug 8-3, 8-11
speed sensor 14-3
speed sensor magnet 14-3
speed sensor, motor 14-3
spindle assembly 6-13, 6-17, 6-21, 6-25
spiral backup ring 11-7, 11-9
spray, battery terminal protector 17-3
spring 12-13, 12-15
 accelerator return 5-5, 5-7
 brake 5-11, 5-23, 5-25
 brake return 5-17, 5-19, 5-21
 brush 7-7, 7-9, 14-3
 compression 6-9
 drive button 11-7, 11-9

INDEX

drive clutch 11-7, 11-9
driven clutch 11-11
extension 1-57
park brake torsion 5-3
rack guide pressure 6-3
steering shaft compression 6-5
valve 8-17
spring cup 5-5, 5-7
spring mounting plate 6-13, 6-17, 6-21, 6-25
spring retainer 6-31, 6-33, 8-17
spring, motor brush 14-3
spring, leaf 6-13
spring, tailgate 1-67
SPWS manifold 13-15
stake side 1-77
stake side bracket 1-77
stake side kit 1-77
stake side panel, front 1-77
stake side panel, lh 1-77
stake side panel, rh 1-77
stake side trim kit 1-77
stake side trim, center 1-77
stake side trim, rh 1-77
stake side trim, lh 1-77
starter/generator 7-7, 7-9
starter/generator brush cover kit 7-7, 7-9
starter/generator brush spring 7-7, 7-9
starter/generator brush terminal 7-7, 7-9
starter/generator frame and field 7-7, 7-9
starter/generator pulley 7-7, 7-9
static grip kit 1-71
steel bushing 6-13, 6-17, 6-21, 6-25
steering column 6-5
steering column bearing press tool 17-7
steering column retaining ring tool 17-7
steering gear box 6-3
steering joint 6-21
steering pinion 6-3
steering pinion dust seal 6-3
steering rack 6-3
steering shaft 6-13, 6-17, 6-25
steering shaft assembly 6-5
steering shaft compression spring 6-5
steering wheel puller tool 17-7
strap, A-plate 6-11, 6-15, 6-19, 6-23
strap, seat 1-25
strobe light 1-115, 4-29, 4-31
strobe light, post mounted 4-29, 4-31
strut, canopy front 1-39, 1-41, 1-43
stud
 exhaust mounting
 engine
 exhaust mounting stud 8-15
 intake mounting
 engine
 intake mounting stud 8-15, 9-11

lug 12-23, 15-3
stud, ball 7-15, 7-17
support yoke (steering) 6-3
switch plate cover 4-29, 4-31
switch
 key, uncommon 4-15, 4-17, 4-19, 4-21
 light rocker 4-11, 4-13
 limit 4-7, 4-9, 7-17, 7-19, 7-21
 rocker 1-59, 1-61, 4-11
 Tow/Run 13-7
 turn signal 4-7
switch assembly 4-29, 4-31
switch rubber boot 7-13, 13-7
switch, toggle 7-13

T

12-volt solenoid 4-37, 7-15, 7-17
tachometer 17-7
tailgate 1-67
tailgate handle 1-67
tailgate latch, lh 1-65
tailgate latch, rh 1-65
tailgate teather kit 1-69
tailskirt 1-51
tank, fuel 9-3
tee handle 1-99
temperature sensor 8-13
tensioner, timing chain 8-17
terminal block 4-5, 13-9
tester, continuity 17-5
thermal pad 7-23
thermometer, battery 17-3
thread-forming grease fitting 6-13, 6-17, 6-21, 6-25
throttle body 9-9
thrust bearing 6-13, 6-17, 6-21, 6-25
tie down kit 1-71
tie rod 6-11, 6-15, 6-19, 6-23
tie rod end 6-11, 6-15, 6-19, 6-23
tie wrap 1-103, 1-105, 4-37, 5-13, 5-15, 6-3, 6-5, 7-15, 7-17, 12-5
tilt latch hand grip 1-57
timing chain 8-17
timing chain guide 8-17
tire 2-3
toggle switch 7-13
tool
 accelerator pedal adjustment 17-3
 belt tensioning, starter/generator 17-7
 charger bezel 17-3
 clutch cam installation 17-3
 drive clutch holder 17-3
 steering column bearing press 17-7
 steering column retaining ring 17-7
 steering wheel puller 17-7
 transaxle axle seal 17-7

transaxle pinion seal 17-7
transmission 17-7
tool kit, clutch 17-3
tool rack kit 1-71
toolbox 1-129
toolbox kit 1-73
touch-up paint 17-5
Tow/Run switch 13-7
Tow/Run switch bracket 7-13
Tow/Run switch plate 13-7
track, prop rod 1-55
trailer hitch 1-79
trailer hitch ball 1-83
trailer hitch brace 1-79
transaxle (Electric Vehicle) 15-3
transaxle axle seal tool 17-7
transaxle pinion seal tool 17-7
transaxle, limited-slip (Gas Vehicle) 12-13
transaxle, open-diff (Gas Vehicle) 12-15
transmission tool 17-7
tube
 axle 12-19, 12-21, 15-3
 oil filler 8-19
turn signal switch 4-7

U

U-bolt 6-31, 6-33
upper delta clevis 6-13, 6-17, 6-21, 6-25
urethane bushing 1-55, 6-11, 6-13, 6-15, 6-17, 6-19, 6-21, 6-23, 6-25, 6-31, 6-33

V

valve 9-15, 9-17
 exhaust 8-17
 intake 8-17
valve collet 8-17
valve cover 8-15
valve cover gasket 8-15
valve guide 8-15
valve seal 8-15
valve spring 8-17
valve spring compressor 17-7
valve stem 2-3, 2-5, 2-7
vent
 fuel tank 9-3
 transaxle 12-13, 12-15
vent, barb 9-7
vent, door, cab 1-95
volt ohm meter 17-7
voltage limiter 1-105, 4-27
voltage regulator 7-15, 7-17

W

warning beacon, cab 1-115
warning light, low oil 4-13

INDEX

washer, insulating 14-3
washer, cab 1-111
water quality light 13-17
wedge, bearing puller 17-3
weight
 clutch 11-7, 11-9
 secondary clutch 11-7, 11-9
weldment
 governor bracket 9-13, 12-11
 press 17-3
weldment, receiver hitch 1-81
Wheel 2-5
wheel and tire, front 2-5
wheel cover 2-9, 2-11
window, slider, cab 1-117
windshield kit, hinged 1-35
windshield kit, non-hinged 1-37
windshield, hinged 1-35
windshield, non-hinged 1-37
wire
 green, starter/generator 7-3, 7-5, 7-7, 7-9
 ground, fuel tank 7-3, 7-5, 9-3
wire harness 4-9, 4-13, 7-3, 7-5, 13-9
work light, front, cab 1-113
work light, rear, cab 1-113
wrap, tie 1-103, 1-105, 4-37, 5-13, 5-15, 6-3, 6-5,
 7-15, 7-17, 12-5

Y

yoke, gear 17-5
yoke, support (steering) 6-3



Club Car, Inc.
P.O. Box 204658
Augusta, GA 30917-4658
USA

Web www.clubcar.com
Phone 1.706.863.3000
1.800.ClubCar
Int'l +1 706.863.3000
Fax 1.706.863.5808