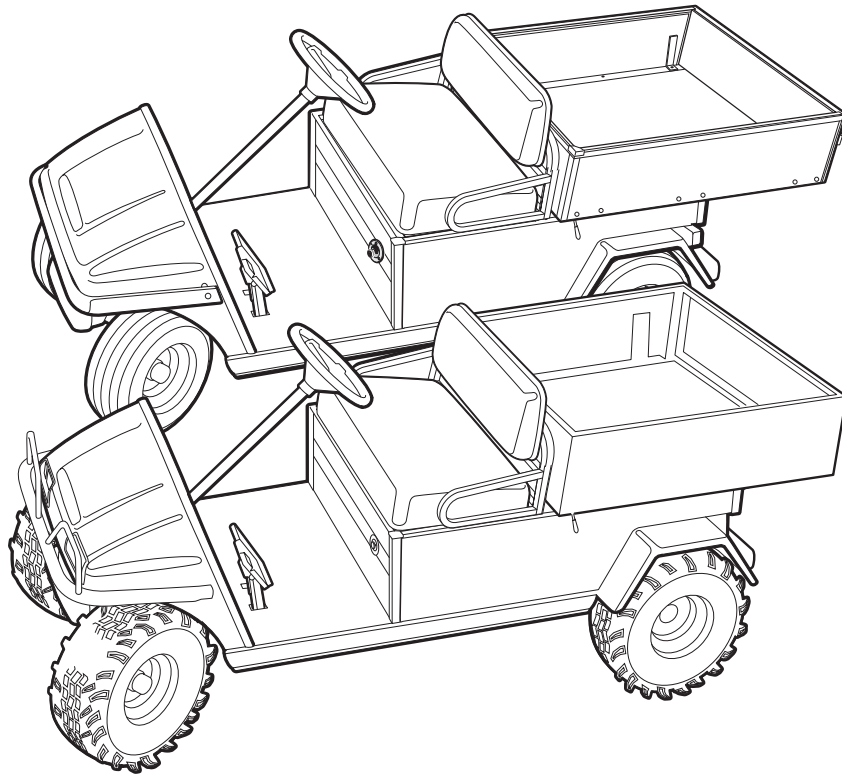




2013
Turf/Carryall 2, 252, 2 Plus,
and XRT 900
Illustrated Parts List



Gasoline and Electric Vehicles

Manual Number 103997609
Edition Code 0715C0616B

USING THE ILLUSTRATED PARTS LIST

⚠ WARNING

- **This manual is to be used only for identification and ordering of service parts. Be sure to read and use the maintenance and service manual before attempting any vehicle repairs.**

This manual covers all Turf/Carryall 2, 2 Plus, 252 and XRT 900 vehicles built during the 2013 model year.

The manual is divided into sections. Note that there are two or three flags on the outside edge of each page. The first flag contains the section number of which that page is a part. The other flag (or flags) contains the letter G or E, signifying that the page pertains to the electric or gasoline vehicles only.

Use the Table of Contents to find the sections and pages that contain the parts and assemblies you seek. The Table of Contents lists section numbers, and under them, the individual page titles and numbers to be found in that section. The index can be used to find specific parts and assemblies. The index is divided into numerical and alphabetical listings with the page numbers in italic text.

There is a two-page spread for each individual page title in the Table of Contents. On the left-hand page is an illustration showing the parts in their relative positions; the parts are each tagged with an item number in a balloon. The right-hand page is the parts list page, and gives the page title at the top, then the item numbers (corresponding to the numbers on the illustration), part descriptions, and quantity of parts used.

Note that a part description may be indented. This indentation corresponds to a parts assembly level indicated by the numbers 1, 2, 3, and 4 at the top left corner of the parts description area of the parts list page. A part that is indented to *level 2* is a component of the *level 1* part (assembly) that it is listed under. A *level 3* part is a component of the *level 2* part that it is listed under, and a *level 4* part is a component of the *level 3* part preceding it. In each case, the part quantity given for a level 2, 3, or 4 part is the quantity used per next higher level assembly of which it is a component. A part that is not indented is a *level 1* part. This means that the quantity given is the quantity used per the portion of the vehicle illustrated on that particular spread.



P. O. Box 204658
Augusta, Georgia 30917-4658 USA
Telephone 706-863-3000
Service Parts Fax 706-855-7413
www.clubcar.com

HOW TO ORDER PARTS

Replacement parts and accessories can be obtained from our network of authorized dealers and distributors. You can obtain the name and phone number of your closest authorized Club Car dealer or distributor by visiting our web site at www.clubcardealer.com, by calling our toll-free Service Parts and Technical Assistance hotline at (800) 872-2246 or (706) 863-3000, extension 3887, or by scanning this Quick Response (QR) code to be taken to the Club Car dealer locator. **Refer to Figure 1.** Download a QR code reader such as RedLaser or Barcode Scanner to your cell phone or tablet.



Figure 1 Dealer Locator QR Code

CUSTOMER SATISFACTION SURVEY

Let your voice be heard!

Please take time to participate in the Technical Publications satisfaction survey. Obtaining feedback from our customers is important to the department's continuous improvement process. The online survey takes less than five minutes and responses will help the department to examine current performance as well as identify areas for future improvement.

Our top priority is to provide timely, accurate, and user friendly manuals.

The online satisfaction survey can be found at: <http://bit.ly/1w9uFMh>



Figure 2 Survey QR Code

NOTE: *This illustrated parts list represents the most current information at the time of publication. Club Car, LLC is continually working to further improve its vehicles and other products. These improvements may affect the parts used to service the vehicle. Any modification and/or significant change in specifications will be forwarded to all Club Car and Carryall distributors/dealers and will, when applicable, appear in future editions of this illustrated parts list.*

Club Car, LLC reserves the right to change specifications and designs at any time without notice and without the obligation of making changes to units previously sold.

Copyright © 2012 Club Car, LLC
Club Car and ArmorFlex
are registered trademarks of Club Car, LLC
This manual effective August 1, 2012.

CONTENTS

SECTION 1 – BODY AND TRIM

| | |
|--|------|
| Winch Kit, 1700 lb – CA Turf 252/272 & XRT 900/1200 | 1-3 |
| Brush Guard Kit – DS, Utility, & Villager | 1-5 |
| Front Body and Trim – Turf/Carryall 2, 2 Plus, and 6 | 1-7 |
| Front Body and Trim – Turf/Carryall 252 and XRT 900 | 1-9 |
| Splash Guard – Gasoline Vehicles Only | 1-11 |
| Dash Pockets and Floor Mat – To Late-2013 Model Year | 1-13 |
| Dash Pockets and Floor Mat – From Late-2013 Model Year | 1-15 |
| Beverage Holder | 1-17 |
| Mirror, Rear-View – without Cab | 1-19 |
| Grommets, Chassis | 1-21 |
| Seat Bottom | 1-23 |
| Seat Back Assembly | 1-25 |
| Windshield, Hinged | 1-27 |
| Windshield, Non-Hinged | 1-29 |
| Canopy Kit, White | 1-31 |
| Canopy Kit, Beige | 1-33 |
| Canopy Kit, Black | 1-35 |
| Hip Restraints and Seat Back Mounting | 1-37 |
| Tilt Bed, Extruded Hinge, and Latch | 1-39 |
| Latch Plate | 1-41 |
| Prop Rod | 1-43 |
| Cargo Box (Aluminum) | 1-45 |
| Cargo Box (Aluminum) Mounting | 1-47 |
| Cargo Box (Steel) | 1-49 |
| Bed Mat | 1-51 |
| Stake Side Kit | 1-53 |
| Electric Bed Lift – Gasoline Vehicles | 1-55 |
| Electric Bed Lift – Electric Vehicle | 1-57 |
| Hydraulic Bed Lift Kit | 1-59 |
| Portable Refreshment Center | 1-61 |
| Toolboxes | 1-63 |
| Trailer Hitch, Heavy-Duty | 1-65 |
| Trailer Hitch, Light-Duty | 1-67 |
| Trailer Hitch Ball | 1-69 |
| Receiver Hitch | 1-71 |
| Rear Body Trim – Turf/Carryall 1, 2, 2 Plus, and 6 | 1-73 |
| Rear Body Trim – Turf/Carryall 252 and XRT 900 | 1-75 |
| Cab, CPL – Turf/CA 2, 2 Plus, 6, 252 and XRT 900 | 1-77 |

CONTENTS

| | |
|---|------|
| Doors – CPL Cab | 1-79 |
| Windshield Wiper – CPL Cab | 1-81 |
| Windshields – CPL Cab | 1-83 |
| Seat Belts, Roof, Vent, & Seals – CPL Cab | 1-85 |
| Lights – CPL Cab | 1-87 |
| Fan and Mirror – CPL Cab | 1-89 |
| Van Box | 1-91 |

SECTION 2 – WHEELS AND TIRES

| | |
|--|-----|
| Wheels (Silver) and Tires – Turf/Carryall 2 and 2 Plus | 2-3 |
| Wheels and Tires, Off-Road Tread – Turf/Carryall 252 and XRT 900 | 2-5 |
| Wheels and Tires, Turf Tread – Turf/Carryall 252 and XRT 900 | 2-7 |
| Wheel Covers | 2-9 |

SECTION 3 – DECALS

| | |
|---|------|
| Decals – Turf/Carryall 2 IQ Plus Electric (Page 1 of 2) | 3-3 |
| Decals – Turf/Carryall 2 IQ Plus Electric (Page 2 of 2) | 3-5 |
| Decals – Turf/Carryall 252 and XRT 900 IQ Plus Electric (Page 1 of 2) | 3-7 |
| Decals – Turf/Carryall 252 and XRT 900 IQ Plus Electric (Page 2 of 2) | 3-9 |
| Decals – Turf/CA 2 Gasoline Vehicles (Page 1 of 2) | 3-11 |
| Decals – Turf/CA 2 Gasoline Vehicles (Page 2 of 2) | 3-13 |
| Decals – Carryall 2 Plus Gasoline Vehicles (Page 1 of 2) | 3-15 |
| Decals – Carryall 2 Plus Gasoline Vehicles (Page 2 of 2) | 3-17 |
| Decals – Turf/Carryall 252 Gasoline Vehicles (Page 1 of 2) | 3-19 |
| Decals – Turf/Carryall 252 Gasoline Vehicles (Page 2 of 2) | 3-21 |
| Decals – XRT 900 Gasoline Vehicles (Page 1 of 2) | 3-23 |
| Decals – XRT 900 Gasoline Vehicles (Page 2 of 2) | 3-25 |
| Decals, Badging – Turf/Carryall 2 and 2 Plus | 3-27 |
| Decals, Badging – Turf/Carryall 252 | 3-29 |
| Decals, Badging – XRT 900 | 3-31 |

SECTION 4 – LIGHTS, CONTROLS, AND INDICATORS

| | |
|---|------|
| Headlights | 4-3 |
| Light Kit, Standard – Carryall 2 Gasoline Vehicles | 4-5 |
| Light Kit, Standard – Carryall 2 IQ Plus Electric Vehicles | 4-9 |
| Turn Signal Kit – DS and Utility Gasoline and Electric Vehicles | 4-13 |
| Turn Signal (with Horn Button) Kit – DS and Utility Gas and Electric Vehicles | 4-15 |
| Instrument Panel and Electrical Components – Turf/Carryall 2 and 252 Gas | 4-17 |
| Instrument Panel and Electrical Components – Carryall 2 Plus and XRT 900 Gas | 4-19 |

CONTENTS

| | |
|---|------|
| Instrument Panel and Electrical Components – Turf/Carryall 2 Electric | 4-21 |
| Instrument Panel with Electrical Components – Turf/Carryall 252 and XRT 900 Electric | 4-23 |
| Indicator, Charger Info – Elec. Vehicles with Maint-Free Batteries and DeltaQ Charger | 4-25 |
| Keys and Keyswitches, SmartKey Kit – Electric Vehicle | 4-27 |
| Keys and Keyswitches, Uncommon – Gas Vehicle | 4-29 |
| DC Converter (Isolated) – Electric Vehicle | 4-31 |
| DC Converter (Isolated) – CE Electric Vehicle | 4-33 |
| Voltage Limiter – Gasoline Vehicle | 4-35 |
| Strobe Light, Post-Mounted – Gasoline Vehicles | 4-37 |
| Strobe Light, Post-Mounted – Electric Vehicles | 4-39 |
| Strobe Light, Canopy-Mounted | 4-41 |
| Light Bar – Turf/CA 252 and XRT 900 Gas Vehicles | 4-43 |
| Light Bar – Turf/CA 252 and XRT 900 Electric Vehicles | 4-45 |
| Horn with Column-Mounted Button | 4-47 |
| Hour Meter – Carryall/Turf IQ Plus Electric Vehicles | 4-49 |
| Taillights | 4-51 |

SECTION 5 – BRAKES, PEDAL, AND CABLE ASSEMBLIES

| | |
|--|------|
| Brake Pedal Assembly | 5-3 |
| Accelerator Pedal Assembly – Electric Vehicles | 5-5 |
| Accelerator Pedal Assembly – Gasoline Vehicles | 5-7 |
| Accelerator Rod – Turf/Carryall 2/2 Plus/252 and XRT 900 Gasoline Vehicles | 5-9 |
| Front Brake Assembly – Vehicles with Four-Wheel Brakes | 5-11 |
| Front Brake Cables and Equalizer – Vehicles with Four-Wheel Brakes | 5-13 |
| Rear Brake Cables and Equalizer – Vehicles with 4-Wheel Brakes | 5-15 |
| Rear Brake Assembly, Manually-Adjusted – Vehicles with 4-Wheel Brakes | 5-17 |
| Rear Brake Assembly, Self-Adjusting – Vehicle with 2-Wheel Brakes | 5-19 |
| Rear Brake Cables and Equalizer – Vehicles with Two-Wheel Brakes | 5-21 |

SECTION 6 – STEERING AND SUSPENSIONS – TURF/CA 2 & 2 PLUS

| | |
|---|------|
| Steering Gear Assembly (Wanda) – Maint.-Free Ball Joint | 6-3 |
| Steering Column – Utility | 6-5 |
| Intermediate Steering Shaft (Wanda) – Turf/CA 1/2/6 | 6-7 |
| Steering Wheel | 6-9 |
| Steering Wheel with Clip | 6-11 |
| Front Spindles and Hubs – Vehicles with Two-Wheel Brakes and Maintenance-Free Ball Joints | 6-13 |
| Front Suspension, Upper – Vehicles with Two-Wheel Brakes and Maintenance-Free Ball Joints | 6-15 |
| Front Suspension, Lower – Vehicles with Two-Wheel Brakes and Maintenance-Free Ball Joints | 6-17 |
| Heavy Duty Front Springs | 6-19 |

CONTENTS

| | |
|--|------|
| Front Spindles and Hubs – Vehicles with Four-Wheel Brakes and Maintenance-Free Ball Joints | 6-21 |
| Front Suspension, Upper – Vehicles with Four-Wheel Brakes and Maintenance-Free Ball Joints | 6-23 |
| Front Suspension, Lower – Vehicles with Four-Wheel Brakes and Maintenance-Free Ball Joints | 6-25 |
| Rear Suspension – Gasoline Turf/Carryall 2, 2 Plus, and 6 | 6-27 |
| Rear Suspension – Turf/Carryall 2 and 6 IQ Plus Vehicles | 6-29 |
| Stabilizer Bar – Turf/Carryall 2, 6, and Carryall 2 Plus Gasoline Vehicles | 6-31 |

SECTION 7 – STEERING AND SUSPENSIONS – 252 AND 900

| | |
|--|------|
| Front Frame Plate Hardware – Turf/Carryall 252 and XRT 900 | 7-3 |
| Steering Gear Assembly (Wanda) – Maint.-Free Ball Joint | 7-5 |
| Steering Column – Utility | 7-7 |
| Intermediate Steering Shaft – Turf/Carryall 252 and XRT 900 Vehicles | 7-9 |
| Steering Wheel | 7-11 |
| Steering Wheel with Clip | 7-13 |
| Front Spindles and Hubs – Vehicles with Four-Wheel Brakes and Maintenance-Free Ball Joints | 7-15 |
| Front Suspension, Upper – Turf/Carryall 252 and XRT 900 with Maintenance-Free Ball Joints | 7-17 |
| Front Suspension, Lower – Turf/Carryall 252 and XRT 900 with Maintenance-Free Ball Joints | 7-19 |
| Rear Suspension – Gasoline Turf/Carryall 252 and XRT 900 | 7-21 |
| Rear Suspension – Turf/Carryall 252 and XRT 900 IQ Plus | 7-23 |
| Stabilizer Bar – Turf/Carryall 252 and XRT 900 | 7-25 |

SECTION 8 – ELECTRICAL SYSTEM – GASOLINE VEHICLE

| | |
|--|------|
| Wiring, Fuses, and Diodes – Turf/Carryall 2 and 252 with AMD Starter/Gen | 8-3 |
| Wiring, Fuses, and Diodes – Carryall 2 Plus with AMD Starter/Gen | 8-5 |
| Wiring, Fuses, and Diodes – XRT 900 with AMD Starter/Gen | 8-7 |
| Starter/Generator Assembly (Pedal-Start), Model 114-01-4009A | 8-9 |
| Starter/Generator Assembly (Key-Start), Model 114-04-4001A | 8-11 |
| Starter/Generator Mounting – 114-0x-400xx Models | 8-13 |
| Operation and Maintenance Switch | 8-15 |
| Electrical Component Box – Turf/Carryall 2 and 252 | 8-17 |
| Electrical Component Box – Carryall 2 Plus | 8-19 |
| Electrical Component Box – XRT 900 | 8-21 |
| Forward/Reverse Shifter Switches – Dash Mounted Shifter | 8-23 |
| Charging Diode, Key-Start – XRT Vehicles | 8-25 |
| Battery – Gasoline Utility Vehicles | 8-27 |

SECTION 9 – ENGINE (S27) W/O ACR, 50-STATE

| | |
|---|-----|
| Tune-Up Kit – Kawasaki FE350 | 9-3 |
| FE350 Engine (S27) w/o ACR, Shrouds, and Brackets; 50-State | 9-5 |

CONTENTS

| | |
|--|------|
| FE350 Engine (S27) – Ignition Components and Flywheel | 9-7 |
| FE350 Engine (S27) – Oil Circulation | 9-9 |
| FE350 Engine (S27) – Cylinder Head | 9-11 |
| FE350 Engine (S27) – Crankcase, Camshaft, and Oil Sensor | 9-13 |
| FE350 Engine (S27) – Crankcase and Crankshaft | 9-15 |
| FE350 Engine (S27) – Mounting | 9-17 |

SECTION 10 – FUEL, INTAKE, AND GOVERNOR SYSTEMS

| | |
|---|-------|
| Fuel System, 50-State | 10-3 |
| Carbon Canister | 10-5 |
| Carburetor Assembly – FE350 S27 | 10-7 |
| Carburetor Mounting, Utility, FE350 S27 | 10-9 |
| Governor and Accelerator Cables | 10-11 |
| Air Filter and Intake System | 10-13 |

SECTION 11 – EXHAUST SYSTEM

| | |
|-------------------------------------|------|
| Exhaust System – FE350 Engine | 11-3 |
|-------------------------------------|------|

SECTION 12 – DRIVE BELT AND CLUTCHES

| | |
|---|-------|
| Drive Belt | 12-3 |
| Drive Clutch – Turf/Carryall 2 and 252 | 12-5 |
| Drive Clutch – XRT 900 and Carryall 2 Plus | 12-7 |
| Driven Clutch – Turf/Carryall 2 and 252 | 12-9 |
| Driven Clutch – Carryall 2 Plus and XRT 900 | 12-11 |

SECTION 13 – UNITIZED TRANSAXLE – GASOLINE VEHICLES

| | |
|--|-------|
| Forward/Reverse Shifter | 13-3 |
| Shifter Cable – Turf/CA 2/252/2 Plus and XRT900 | 13-5 |
| Kawasaki Transaxle – Gear Cases and Levers | 13-7 |
| Kawasaki Transaxle – F&R Transmission and Gear Reduction | 13-9 |
| Kawasaki Transaxle – Differential and Axles | 13-11 |
| Graziano Transaxle – Gear Cases and Levers | 13-13 |
| Graziano Transaxle – F&R Transmission and Gear Reduction | 13-15 |
| Graziano Transaxle – Differential and Axles | 13-17 |

SECTION 14 – ELECTRICAL SYSTEM, ELECTRIC VEHICLES

| | |
|--|------|
| Motor Controller Output Regulator (MCOR) | 14-3 |
| Wiring – Electric Vehicle | 14-5 |

CONTENTS

| | |
|--|-------|
| Battery Charger Receptacle | 14-7 |
| Tow/Run Switch and Circuit-Breaker – IQ Plus | 14-9 |
| Batteries, 6-Volt, Standard Duty, Trojan | 14-11 |
| Batteries, 6-Volt, Heavy Duty, Trojan | 14-13 |
| Single Point Watering System, 6V | 14-15 |
| Computer, Controller, and Solenoid | 14-17 |
| Ferrite Beads, CE | 14-19 |

SECTION 15 – MOTOR (MODEL DA5-4006) – IQ PLUS

| | |
|--|------|
| Motor (Model DA5-4006) – IQ Plus | 15-3 |
|--|------|

SECTION 16 – TRANSAXLE – ELECTRIC VEHICLES

| | |
|--|------|
| Transaxle – Electric Vehicles | 16-3 |
| Differential Guard – Electric Vehicles | 16-5 |

SECTION 17 – BATTERY CHARGERS

| | |
|--|-------|
| IQ Plus Battery Charger (Models 25730-11,-18,-19), Domestic | 17-3 |
| IQ Plus Battery Charger (Models 25880-11 and -18), International | 17-5 |
| Onboard IQ Plus Battery Charger (Model 25260-50), Domestic | 17-7 |
| Onboard IQ Plus Battery Charger (Model 25660-50), International | 17-9 |
| Onboard IQ Plus Charger and Cord Reel Mounting, Page 1 of 2 | 17-11 |
| Onboard IQ Plus Charger and Cord Reel Mounting, Page 2 of 2 | 17-13 |

SECTION 18 – MAINTENANCE AND SERVICE TOOLS

| | |
|--|------|
| Maintenance and Service Tools | 18-3 |
| Maintenance and Service Tools, Continued | 18-5 |
| Maintenance and Service Tools, Continued | 18-7 |

SECTION i – INDEX

BODY AND TRIM

1

G

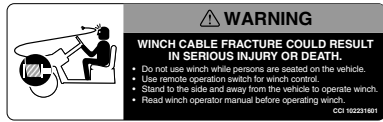
E

1
G
E

1



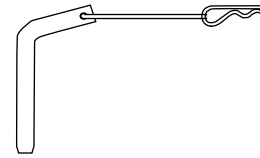
2



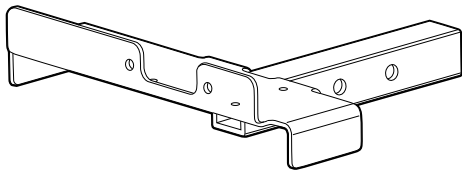
3



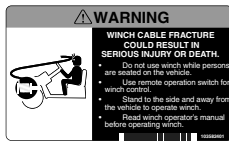
4



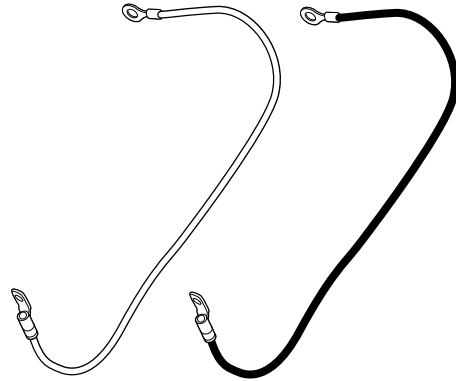
5



6

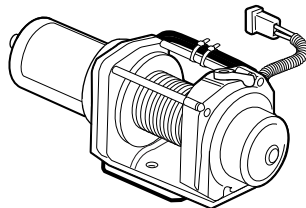


7



8

9



10



11

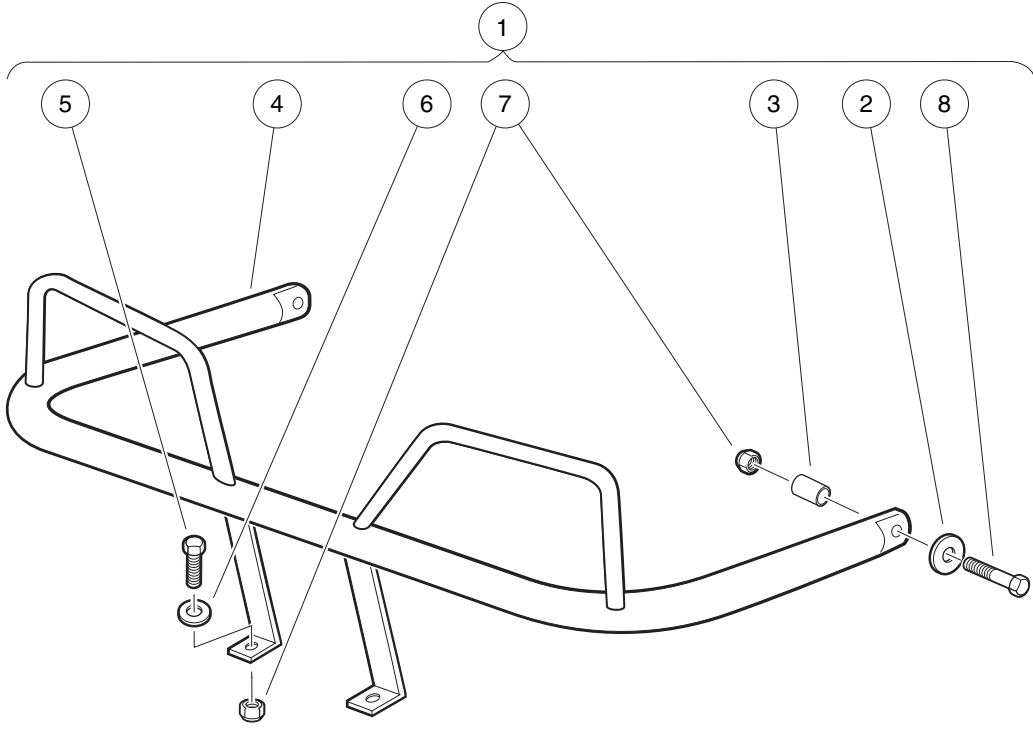
001227-001

WINCH KIT, 1700 LB – CA TURF 252/272 & XRT 900/1200

| ITEM | PART NO. | DESCRIPTION | QTY |
|------|------------------|--|-----|
| | | 1 2 3 4 | |
| 1 | <u>103696101</u> | Kit, Winch, 1700 Lbs (includes items 2 through 11) | 1 |
| 2 | <u>101576802</u> | Conduit, 1/2 Split Convol Ele | 9 |
| 3 | <u>102231601</u> | Decal, Winch Cable Fracture Warning | 1 |
| 4 | <u>102349501</u> | Tie Wrap, 8.00", Black | 12 |
| 5 | <u>102718301</u> | Pin, Receiver, 5/8 X 3" | 1 |
| 6 | <u>103212302</u> | Winch, Weldment, Bracket li | 1 |
| 7 | <u>103582401</u> | Decal-winch, Warning | 1 |
| 8 | 103696201 | Power Wire, #8 Red 36" | 1 |
| 9 | 103696301 | Power Wire, #8 Black 36" | 1 |
| 10 | 103696401 | Winch, 1700 Lbs, Asm | 1 |
| 11 | <u>8639</u> | Tie Wrap, 11" Nylon | 10 |

1
G
E

1
G
E



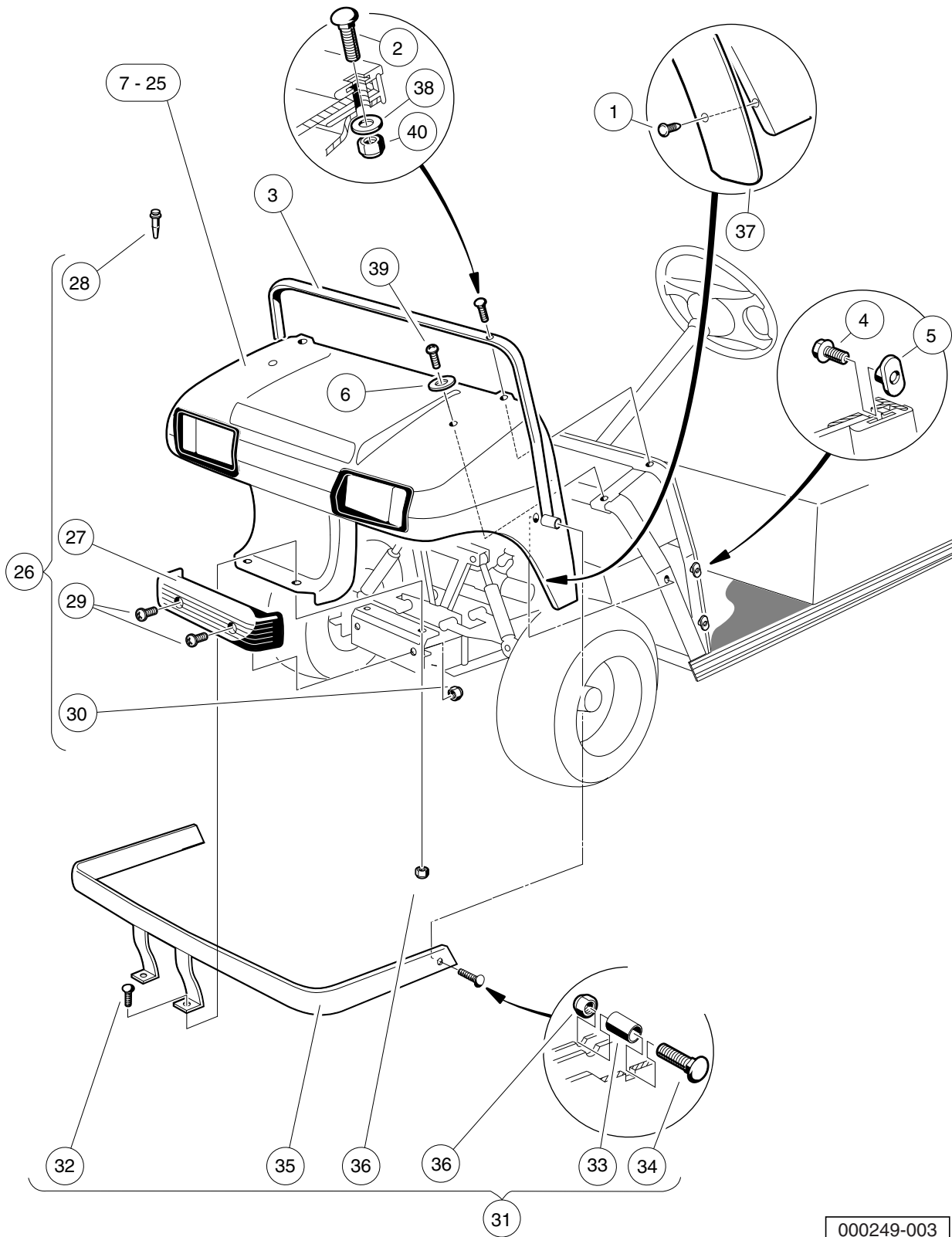
001238-001

BRUSH GUARD KIT – DS, UTILITY, & VILLAGER

| ITEM | PART NO. | DESCRIPTION | QTY |
|------|----------------|--|-----|
| | | 1 2 3 4 | |
| 1 | SVP143902 | Kit, Brush Guard, Heavy-Duty, DS/Utility/Villager (includes items 2 through 8) | 1 |
| 2 | <u>1011578</u> | Washer, 5/16 Type B Flat | 2 |
| 3 | <u>1015608</u> | Tube Spacer, Hydraulic Cylinder | 2 |
| 4 | 103895401 | Weldment, Brush Guard, Hd | 1 |
| 5 | 1218 | Screw, 5/16-18 X 1.25 Hex-Head Cap | 2 |
| 6 | <u>1241</u> | Washer, 5/16 Type A Flat | 2 |
| 7 | <u>7473</u> | Locknut, 5/16-18 Nylon Insert | 4 |
| 8 | <u>8935</u> | Screw, 5/16-18 X 2.25 Hex-Head Cap | 2 |

1
G
E

1
G
E



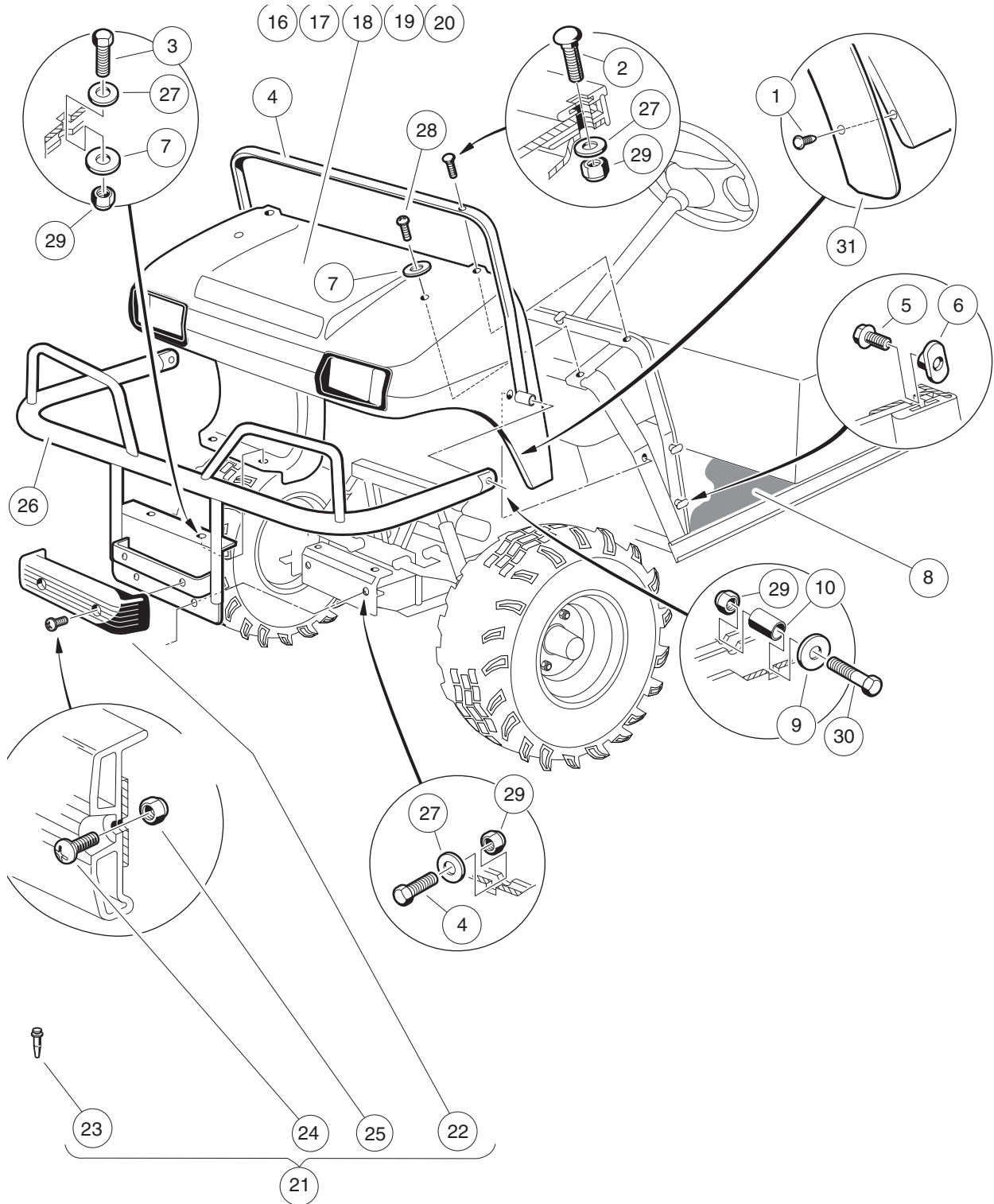
000249-003

FRONT BODY AND TRIM – TURF/CARRYALL 2, 2 PLUS, AND 6

| ITEM | PART NO. | DESCRIPTION | QTY |
|------|------------------|---|-----|
| | | 1 2 3 4 | |
| 1 | <u>1010434</u> | Barrel - Plastic | 12 |
| 2 | <u>1010435</u> | Bolt, Carriage, 5/16-18 X 1.00 | 2 |
| 3 | <u>1011014</u> | Trim, Cowl | 1 |
| 4 | <u>1011017</u> | Screw, #8-32 X 0.375 | 6 |
| 5 | <u>1011394</u> | T-Nut Package (Set of 4) | 1 |
| 6 | <u>1015075</u> | Washer, 5/16 Flat Type A | 2 |
| 7 | <u>101692501</u> | Cowl, TPO, Beige | 1 |
| 8 | <u>101692502</u> | Cowl, TPO, White | 1 |
| 9 | <u>101692506</u> | Cowl, TPO, Red | 1 |
| 10 | <u>101692509</u> | Cowl, TPO, Pacific Blue (Royal Blue) | 1 |
| 11 | <u>101692510</u> | Cowl, TPO, Dark Green | 1 |
| 12 | <u>101692511</u> | Cowl, TPO, Black | 1 |
| 13 | <u>101692512</u> | Cowl, TPO, Classic Blue (Navy) | 1 |
| 14 | <u>101692513</u> | Cowl, TPO, Burgundy | 1 |
| 15 | <u>101692514</u> | Cowl, TPO, Dark Gray | 1 |
| 16 | <u>101692515</u> | Cowl, TPO, Safety Yellow | 1 |
| 17 | <u>101693901</u> | Cowl with Headlight Opening, TPO, Beige | 1 |
| 18 | <u>101693902</u> | Cowl with Headlight Opening, TPO, White | 1 |
| 19 | <u>101693906</u> | Cowl with Headlight Opening, TPO, Red | 1 |
| 20 | <u>101693909</u> | Cowl with Headlight Opening, TPO, Dark Green | 1 |
| 21 | <u>101693910</u> | Cowl with Headlight Opening, TPO, Black | 1 |
| 22 | <u>101693911</u> | Cowl with Headlight Opening, TPO, Classic Blue (Navy) | 1 |
| 23 | <u>101693912</u> | Cowl with Headlight Opening, TPO, Burgundy | 1 |
| 24 | <u>101693913</u> | Cowl with Headlight Opening, TPO, Dark Gray | 1 |
| 25 | <u>101693914</u> | Cowl with Headlight Opening, TPO, Safety Yellow | 1 |
| 26 | <u>1017080</u> | Kit, Front Bumper (includes items 27 through 30) | 1 |
| 27 | <u>1016868</u> | Front Bumper | 1 |
| 28 | <u>1016967</u> | Blind Rivet, Push Type | 2 |
| 29 | <u>7251</u> | Screw, 5/16-18 x 1.0 Truss-Head | 2 |
| 30 | <u>7473</u> | Locknut, 5/16-18 Nylon Insert | 2 |
| 31 | <u>101734802</u> | Kit, Heavy-Duty Bumper (includes items 32 through 36) | 1 |
| 32 | <u>1010435</u> | Bolt, Carriage, 5/16-18 X 1.00 | 2 |
| 33 | <u>1010546</u> | Spacer | 2 |
| 34 | <u>1015405</u> | Bolt, Carriage, 5/16-18 X 2.0 | 2 |
| 35 | N/A | Weldment, Heavy Duty Bumper | 1 |
| 36 | <u>7473</u> | Locknut, 5/16-18 Nylon Insert | 4 |
| 37 | <u>101870401</u> | Fender Extrusion | 2 |
| 38 | <u>1241</u> | Washer, 5/16 Type A Flat | 2 |
| 39 | <u>7251</u> | Screw, 5/16-18 x 1.0 Truss-Head | 2 |
| 40 | <u>7473</u> | Locknut, 5/16-18 Nylon Insert | 2 |

1
G
E

1
G
E



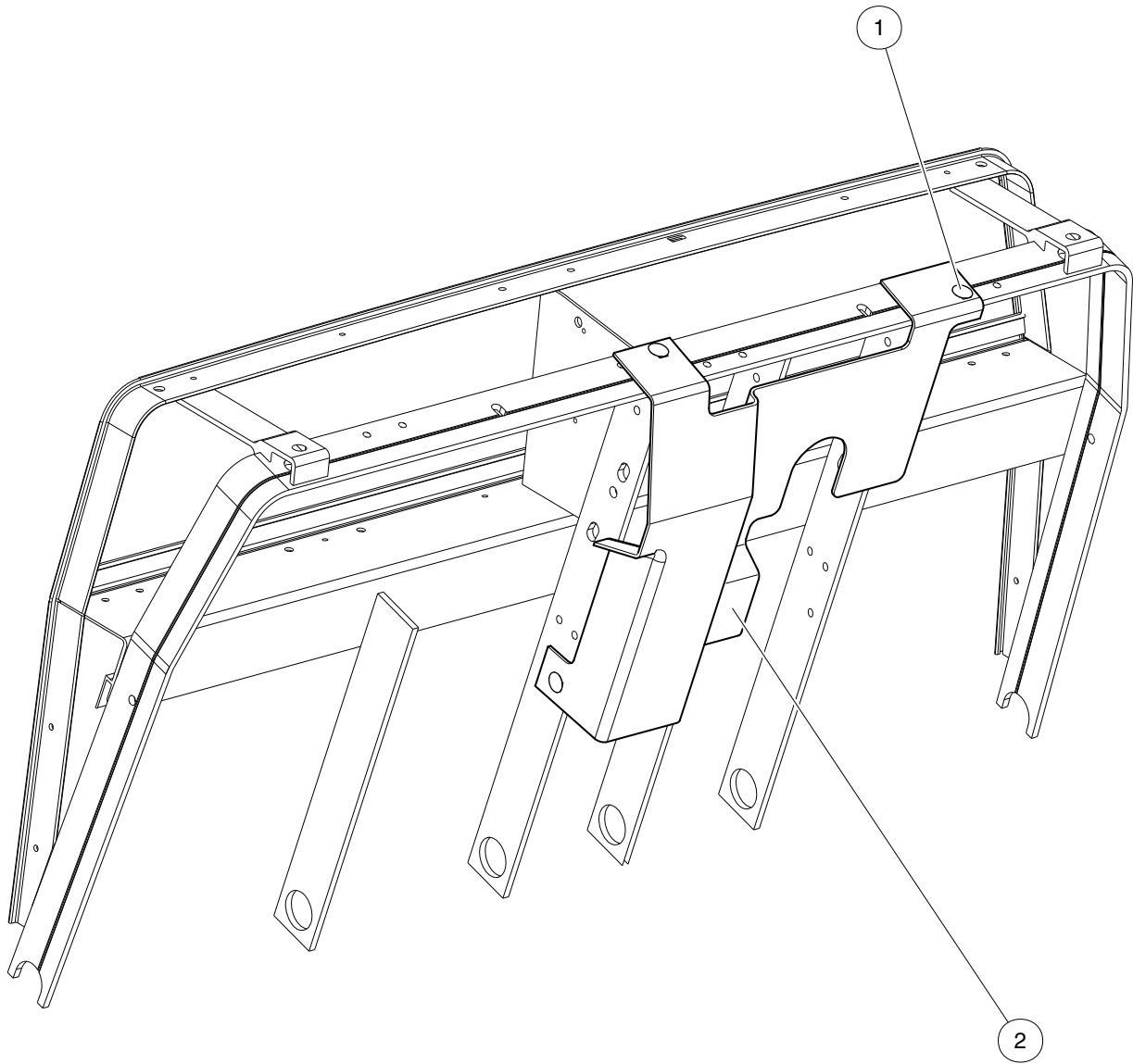
000249-004

FRONT BODY AND TRIM – TURF/CARRYALL 252 AND XRT 900

| ITEM | PART NO. | DESCRIPTION | QTY |
|------|------------------|---|-----|
| | | 1 2 3 4 | |
| 1 | <u>1010434</u> | Barrel - Plastic | 12 |
| 2 | <u>1010435</u> | Bolt, Carriage, 5/16-18 X 1.00 | 2 |
| 3 | <u>1010934</u> | Screw, 5/16-18 X 1.00 Hex Cap | 4 |
| 4 | <u>1011014</u> | Trim, Cowl | 1 |
| 5 | <u>1011017</u> | Screw, #8-32 X 0.375 | 6 |
| 6 | <u>1011394</u> | T-Nut Package (Set of 4) | 1 |
| 7 | <u>1011578</u> | Washer, 5/16 Type B Flat | 4 |
| 8 | <u>101503202</u> | Floormat | 1 |
| 9 | <u>1015075</u> | Washer, 5/16 Flat Type A | 2 |
| 10 | <u>1015608</u> | Tube Spacer, Hydraulic Cylinder | 2 |
| 11 | <u>101693901</u> | Cowl with Headlight Opening, TPO, Beige | 1 |
| 12 | <u>101693902</u> | Cowl with Headlight Opening, TPO, White | 1 |
| 13 | <u>101693906</u> | Cowl with Headlight Opening, TPO, Red | 1 |
| 14 | <u>101693908</u> | Cowl with Headlight Opening, TPO, Pacific Blue (Royal Blue) | 1 |
| 15 | <u>101693909</u> | Cowl with Headlight Opening, TPO, Dark Green | 1 |
| 16 | <u>101693910</u> | Cowl with Headlight Opening, TPO, Black | 1 |
| 17 | <u>101693911</u> | Cowl with Headlight Opening, TPO, Classic Blue (Navy) | 1 |
| 18 | <u>101693912</u> | Cowl with Headlight Opening, TPO, Burgundy | 1 |
| 19 | <u>101693913</u> | Cowl with Headlight Opening, TPO, Dark Gray | 1 |
| 20 | <u>101693914</u> | Cowl with Headlight Opening, TPO, Safety Yellow | 1 |
| 21 | <u>1017080</u> | Kit, Front Bumper (includes items 22 through 25) | 1 |
| 22 | <u>1016868</u> | Front Bumper | 1 |
| 23 | <u>1016967</u> | Blind Rivet, Push Type | 2 |
| 24 | <u>7251</u> | Screw, 5/16-18 x 1.0 Truss-Head | 2 |
| 25 | <u>7473</u> | Locknut, 5/16-18 Nylon Insert | 2 |
| 26 | <u>102004301</u> | Brush Guard | 1 |
| 27 | <u>1241</u> | Washer, 5/16 Type A Flat | 6 |
| 28 | <u>7251</u> | Screw, 5/16-18 x 1.0 Truss-Head | 2 |
| 29 | <u>7473</u> | Locknut, 5/16-18 Nylon Insert | 8 |
| 30 | <u>8935</u> | Screw, 5/16-18 X 2.25 Hex-Head Cap | 2 |
| 31 | <u>AM10808</u> | Front Fender Extrusion - Lynx | 2 |

1
G
E

1
G
E



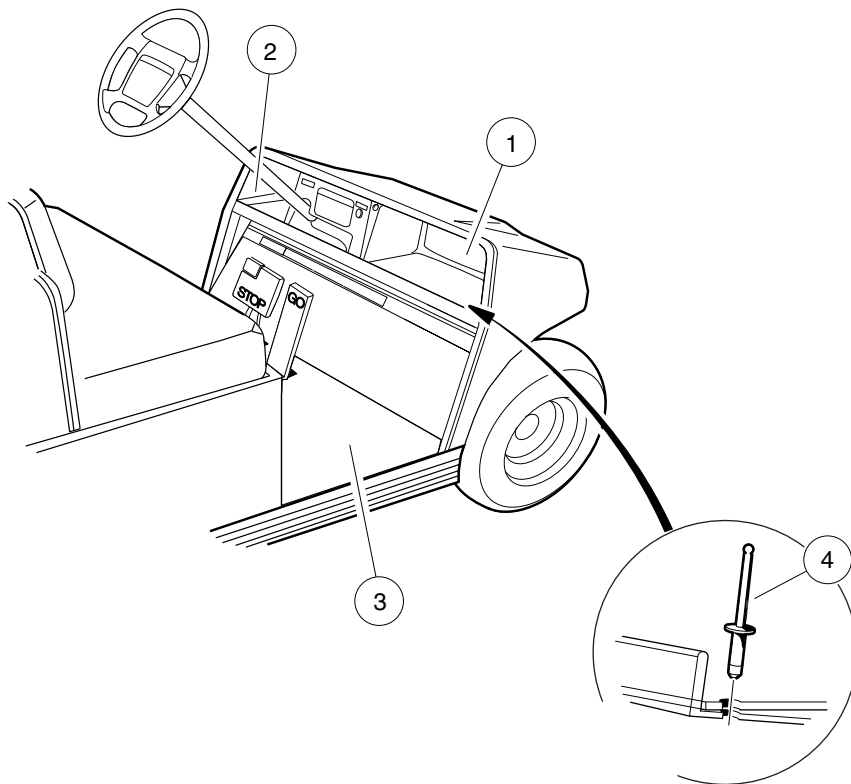
000593-002

SPLASH GUARD – GASOLINE VEHICLES ONLY

| ITEM | PART NO. | DESCRIPTION | QTY |
|------|------------------|-----------------------------------|-----|
| 1 | <u>1010434</u> | 1 2 3 4 Barrel - Plastic | 3 |
| 2 | <u>103174401</u> | Splash Guard | 1 |

1
G
E

1
G
E



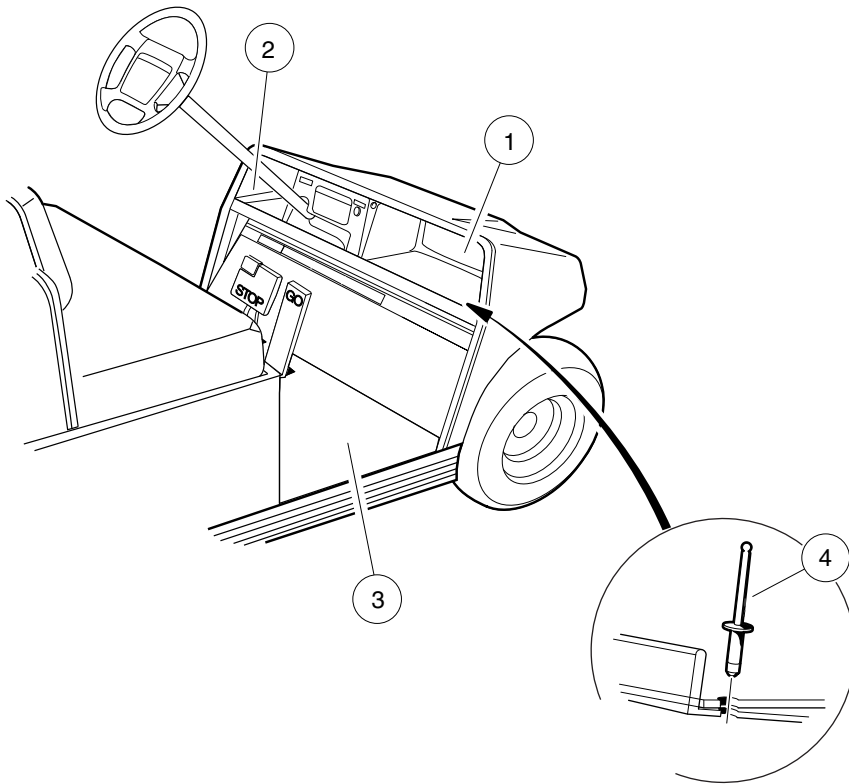
000252-002

DASH POCKETS AND FLOORMAT – TO LATE-2013 MODEL YEAR

| ITEM | PART NO. | DESCRIPTION | QTY |
|------|------------------|---|-----|
| | | 1 2 3 4 | |
| 1 | <u>1013343</u> | Dash Component, Passenger-Side, Black | 1 |
| 2 | 1013344 | Dash Component, Driver-Side | 1 |
| 3 | <u>101503202</u> | Floormat | 1 |
| 4 | <u>7973</u> | Rivet, 3/16 X .400 Blind | 5 |

1
G
E

1
G
E



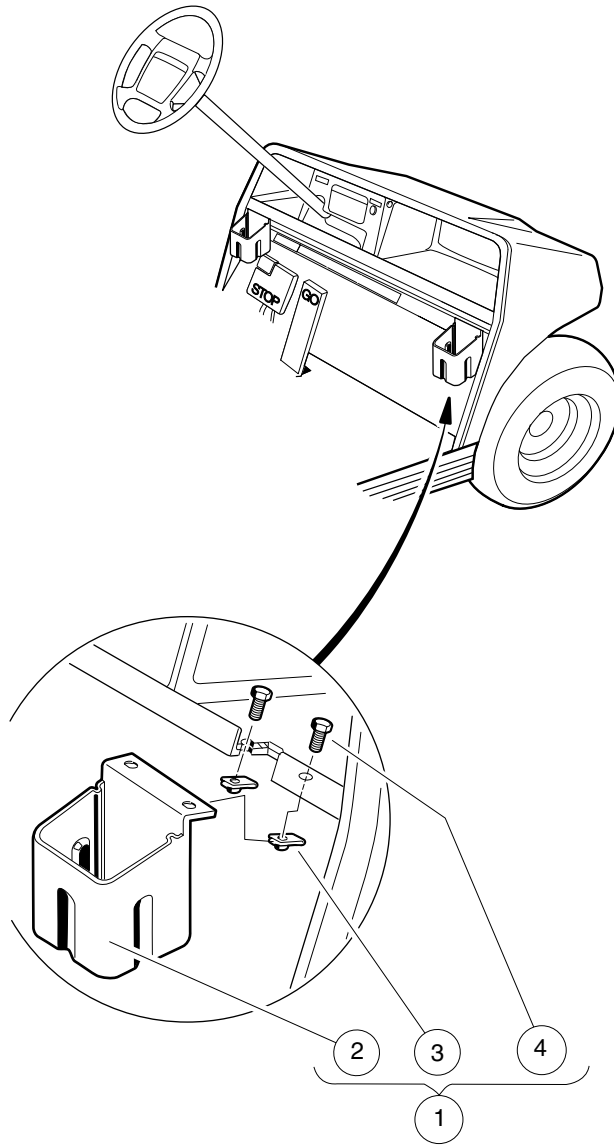
000252-002

DASH POCKETS AND FLOORMAT – FROM LATE-2013 MODEL YEAR

| ITEM | PART NO. | DESCRIPTION | QTY |
|------|----------------|---|-----|
| | | 1 2 3 4 | |
| 1 | <u>1013343</u> | Dash Component, Passenger-Side, Black | 1 |
| 2 | 1013344 | Dash Component, Driver-Side | 1 |
| 3 | 103939201 | Floor Mat, Ds/utl, Std | 1 |
| 4 | <u>7973</u> | Rivet, 3/16 X .400 Blind | 5 |

1
G
E

1
G
E



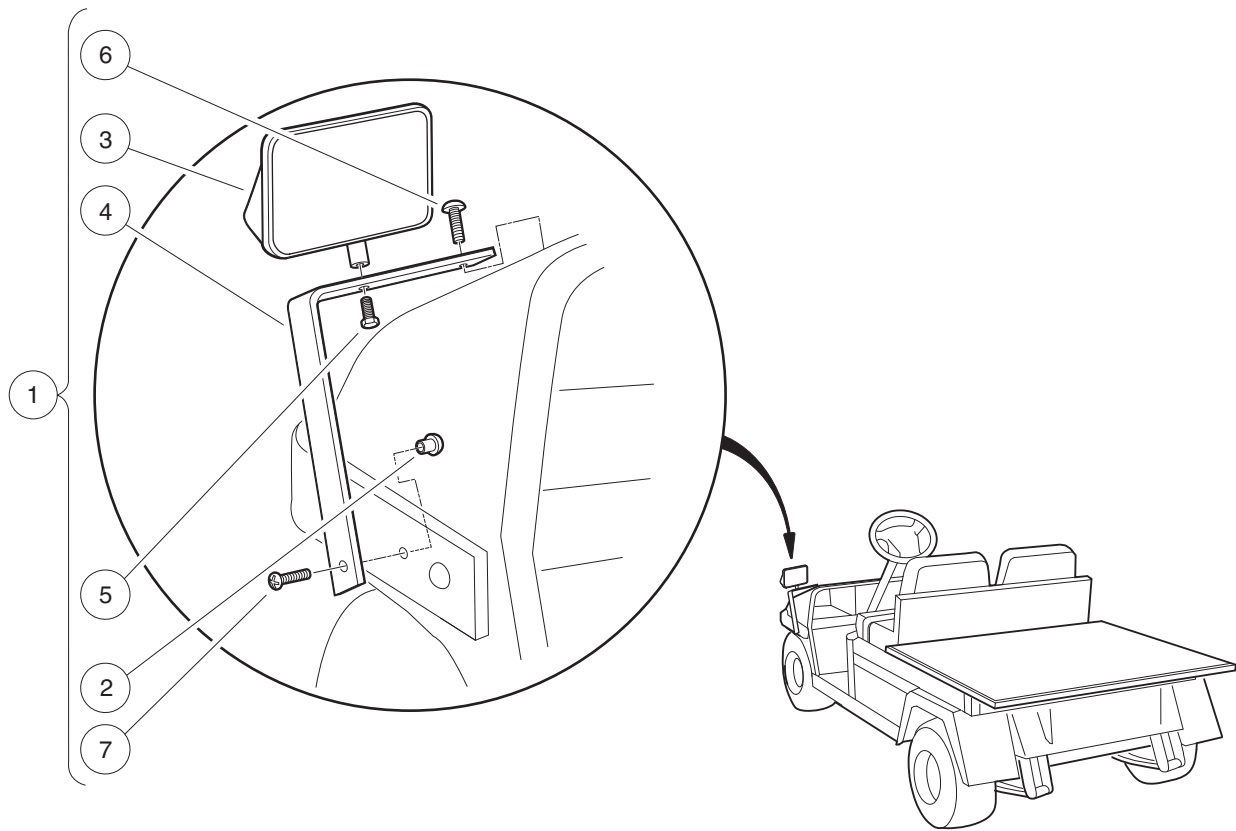
000253-001

BEVERAGE HOLDER

| ITEM | PART NO. | DESCRIPTION | QTY |
|------|-------------|---|-----|
| | | 1 2 3 4 | |
| 1 | 1013422 | Cup Holder Kit (includes items 2 through 4) | 2 |
| 2 | 1013420 | Holder, Single Cup | 1 |
| 3 | 1016952 | U-Nut, 1/4-20 | 2 |
| 4 | <u>7847</u> | Screw, 1/4-20 X 0.75 Hex-Head Cap | 2 |

1
G
E

1
G
E



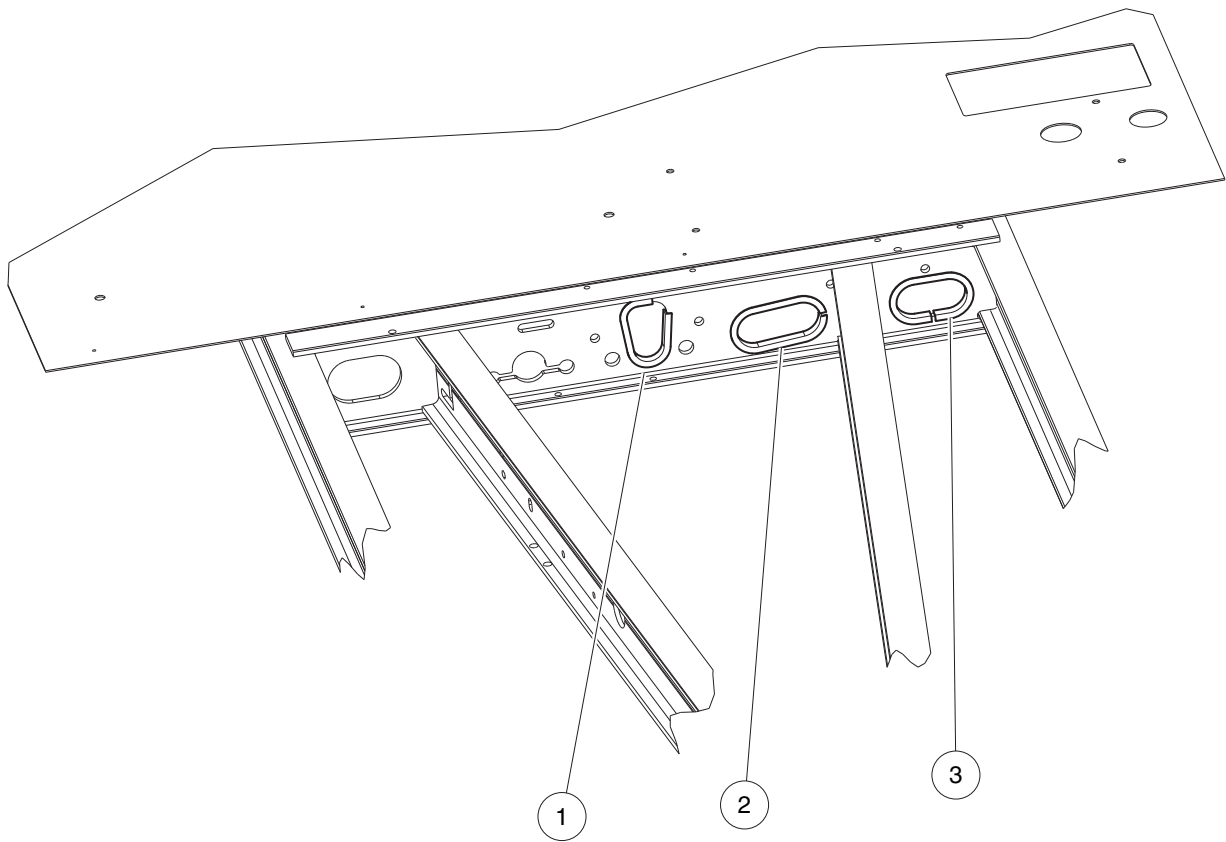
001211-001

MIRROR, REAR-VIEW – WITHOUT CAB

| ITEM | PART NO. | DESCRIPTION | QTY |
|------|----------------|---|-----|
| | | 1 2 3 4 | |
| 1 | <u>1013846</u> | Kit, Rear Mirror, West Coast (includes items 2 through 7) | 1 |
| 2 | 1011878 | T-nut, 1/4-20 X .310 Capped | 1 |
| 3 | 1013824 | Rear View Mirror | 1 |
| 4 | <u>1013825</u> | Mirror Mounting Bracket | 1 |
| 5 | <u>7173</u> | Screw, 5/16-18 X 0.75, Hex-Head Cap | 1 |
| 6 | <u>7251</u> | Screw, 5/16-18 x 1.0 Truss-Head | 1 |
| 7 | <u>8248</u> | Screw, 1/4-20 X 0.75, Truss-Head Machine | 1 |
| | | Note: To install this kit, vehicle must be equipped with a heavy-duty front bumper. | |

1
G
E

1
G
E



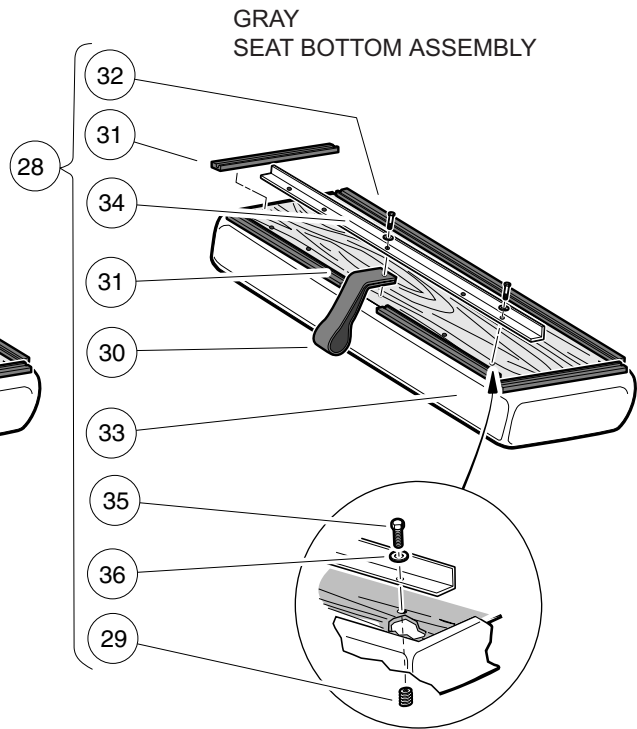
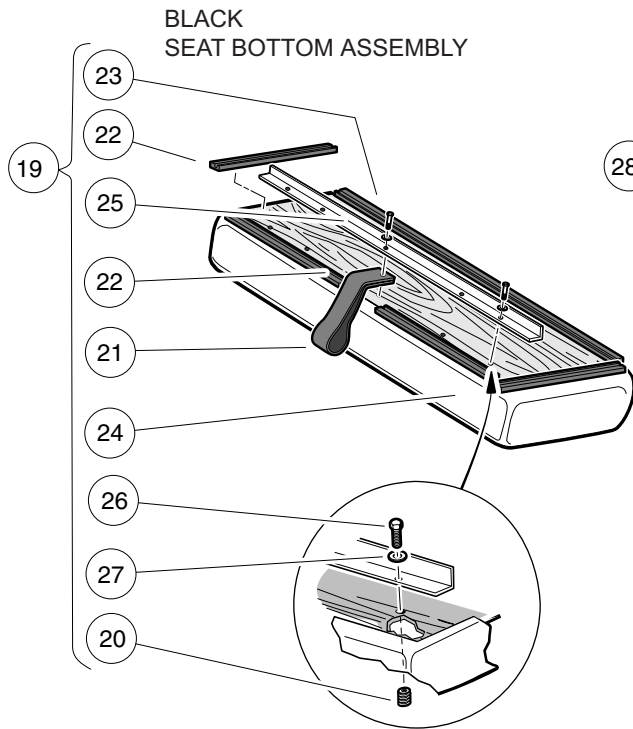
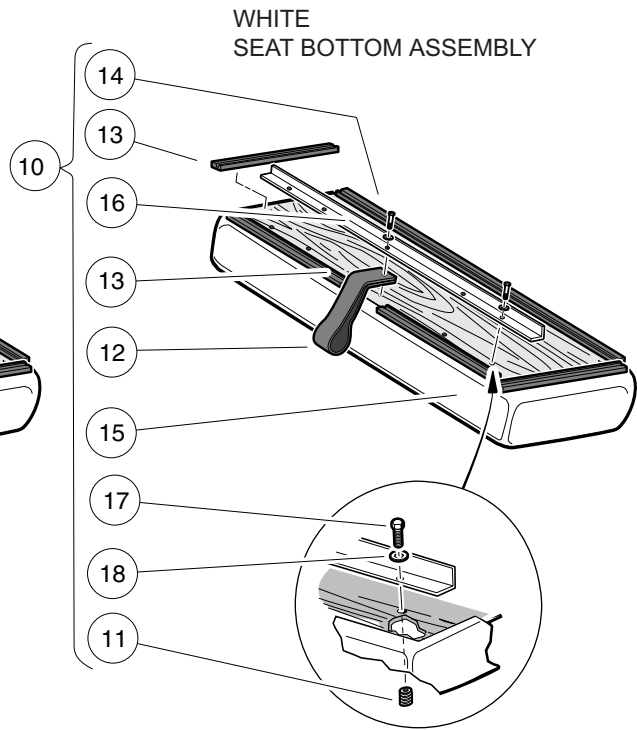
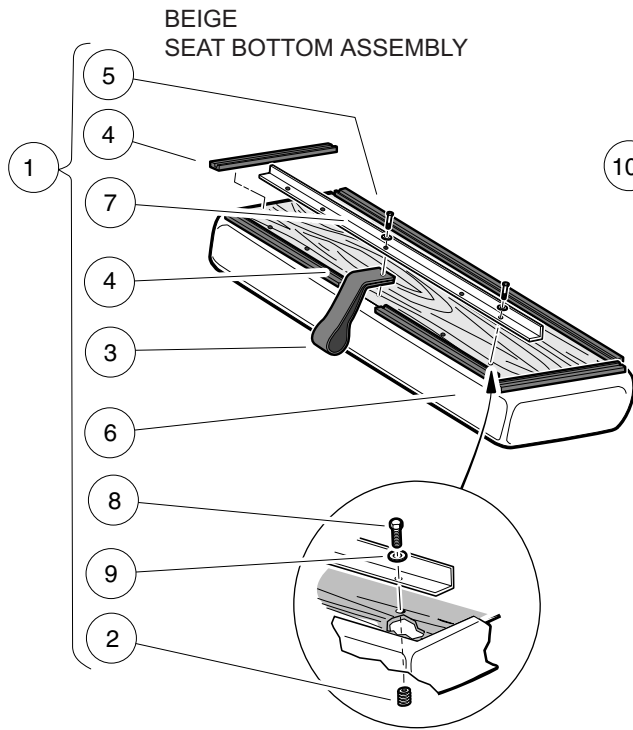
001221-001

GROMMETS, CHASSIS

| ITEM | PART NO. | DESCRIPTION | QTY |
|------|------------------|-----------------------------|-----|
| | | 1 2 3 4 | |
| 1 | <u>101806001</u> | I-beam Grommet - 5.5 | A/R |
| 2 | <u>101806002</u> | I-beam Grommet - 7.5 | A/R |
| 3 | <u>101806005</u> | I-beam Grommet - 6.75 | A/R |

1
G
E

1
G
E



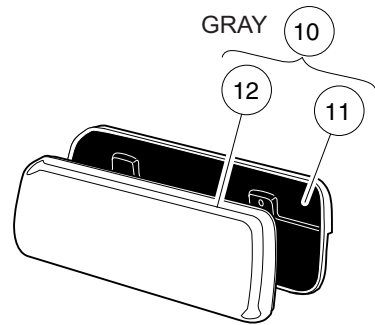
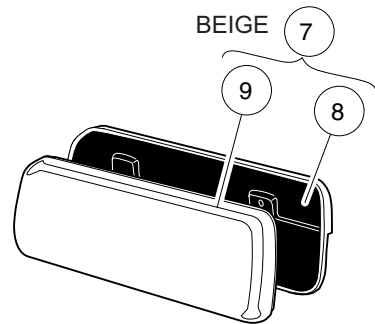
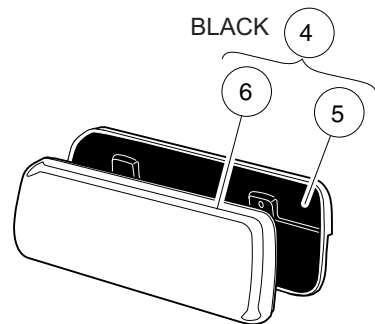
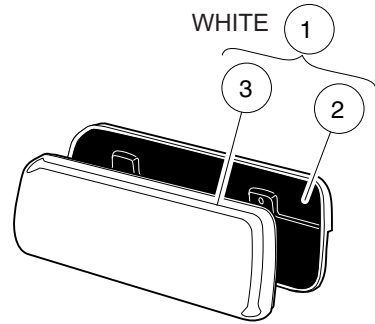
000254-001

SEAT BOTTOM

| ITEM | PART NO. | DESCRIPTION | QTY |
|------|------------------|--|-----|
| | | 1 2 3 4 | |
| 1 | <u>101564501</u> | Seat Bottom Assembly, Beige (includes items 2 through 9) | 1 |
| 2 | 1010543 | Insert - Wood | 5 |
| 3 | <u>1013309</u> | Strap, Utility Seat | 1 |
| 4 | <u>1013311</u> | Bumper, Seat, Short | 4 |
| 5 | <u>1013312</u> | Bumper, Seat, Long | 1 |
| 6 | <u>101562711</u> | Vinyl Cover, Seat Bottom, Buff | 1 |
| 7 | <u>101894303</u> | Stiffener | 1 |
| 8 | <u>101954301</u> | Screw, 1/4-20 X 0.75 Hex-Head Cap | 5 |
| 9 | <u>332</u> | Washer, 1/4 Type A Narrow Flat | 5 |
| 10 | <u>101564502</u> | Seat Bottom Assembly, White (includes items 11 through 18) | 1 |
| 11 | 1010543 | Insert - Wood | 5 |
| 12 | <u>1013309</u> | Strap, Utility Seat | 1 |
| 13 | <u>1013311</u> | Bumper, Seat, Short | 4 |
| 14 | <u>1013312</u> | Bumper, Seat, Long | 1 |
| 15 | <u>101562712</u> | Vinyl Cover, Seat Bottom, White | 1 |
| 16 | <u>101894303</u> | Stiffener | 1 |
| 17 | <u>101954301</u> | Screw, 1/4-20 X 0.75 Hex-Head Cap | 5 |
| 18 | <u>332</u> | Washer, 1/4 Type A Narrow Flat | 5 |
| 19 | <u>101564503</u> | Seat Bottom Assembly, Black (includes items 20 through 27) | 1 |
| 20 | 1010543 | Insert - Wood | 5 |
| 21 | <u>1013309</u> | Strap, Utility Seat | 1 |
| 22 | <u>1013311</u> | Bumper, Seat, Short | 4 |
| 23 | <u>1013312</u> | Bumper, Seat, Long | 1 |
| 24 | <u>101562714</u> | Vinyl Cover, Seat Bottom, Black | 1 |
| 25 | <u>101894303</u> | Stiffener | 1 |
| 26 | <u>101954301</u> | Screw, 1/4-20 X 0.75 Hex-Head Cap | 5 |
| 27 | <u>332</u> | Washer, 1/4 Type A Narrow Flat | 5 |
| 28 | <u>101564505</u> | Seat Bottom Assembly, Gray (includes items 29 through 36) | 1 |
| 29 | 1010543 | Insert - Wood | 5 |
| 30 | <u>1013309</u> | Strap, Utility Seat | 1 |
| 31 | <u>1013311</u> | Bumper, Seat, Short | 4 |
| 32 | <u>1013312</u> | Bumper, Seat, Long | 1 |
| 33 | <u>101562715</u> | Vinyl Cover, Seat Bottom, Gray | 2 |
| 34 | <u>101894303</u> | Stiffener | 1 |
| 35 | <u>101954301</u> | Screw, 1/4-20 X 0.75 Hex-Head Cap | 5 |
| 36 | <u>332</u> | Washer, 1/4 Type A Narrow Flat | 5 |

1
G
E

1
G
E



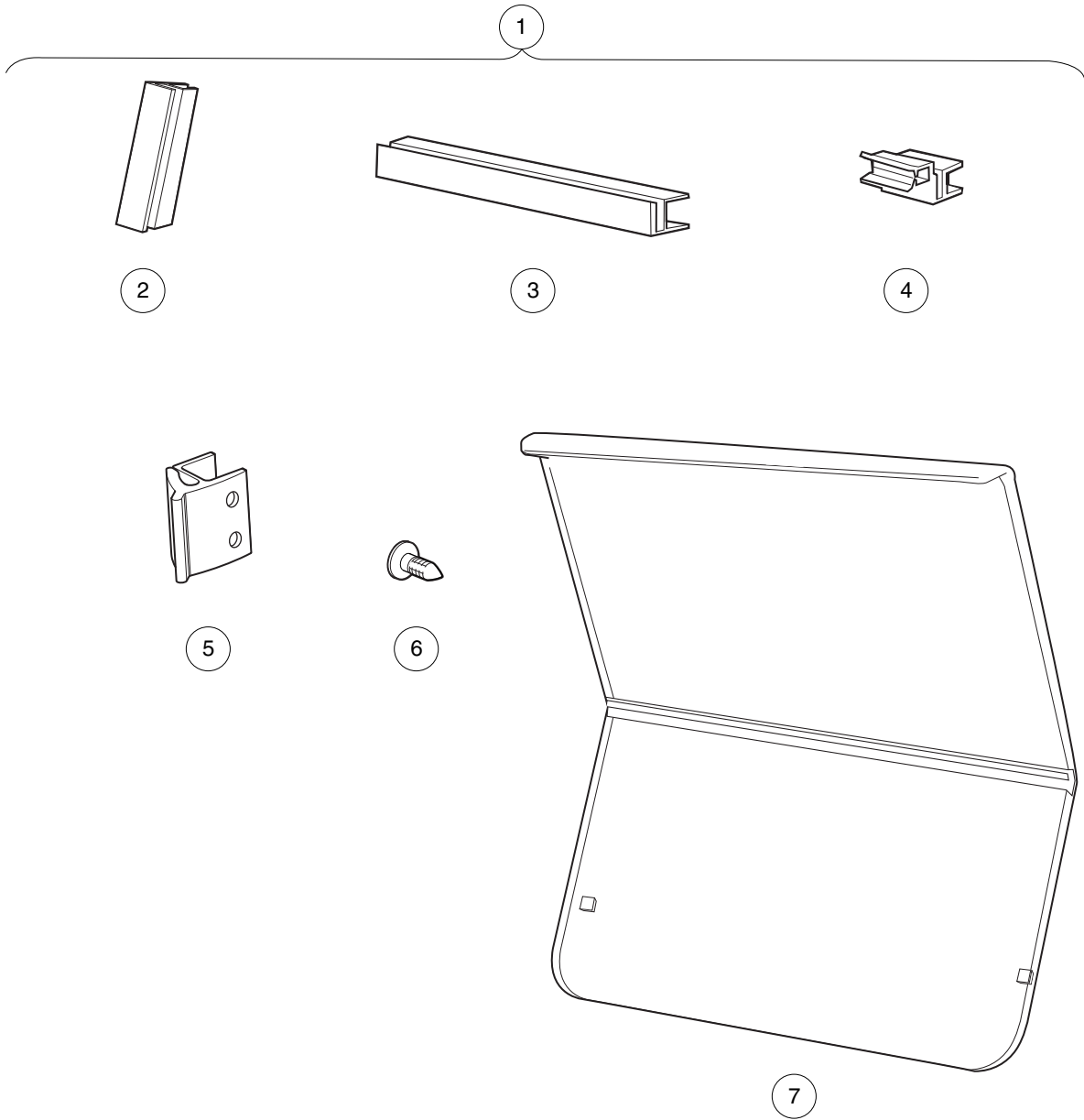
000608-001

SEAT BACK ASSEMBLY

| ITEM | PART NO. | DESCRIPTION | QTY |
|------|------------------|---|-----|
| | | 1 2 3 4 | |
| 1 | <u>101677701</u> | Seat Back Assembly, White (includes items 2 and 3) | 1 |
| 2 | 1016751 | Cap, Seat Back | 1 |
| 3 | <u>101675512</u> | Vinyl Seat Back, White | 1 |
| 4 | <u>101677702</u> | Seat Back Assembly, Black (includes items 5 and 6) | 1 |
| 5 | 1016751 | Cap, Seat Back | 1 |
| 6 | <u>101675514</u> | Vinyl Seat Back, Black | 1 |
| 7 | <u>101677703</u> | Seat Back Assembly, Beige (includes items 8 and 9) | 1 |
| 8 | 1016751 | Cap, Seat Back | 1 |
| 9 | <u>101675511</u> | Vinyl Seat Back, Beige | 1 |
| 10 | <u>101677705</u> | Seat Back Assembly, Gray (includes items 11 and 12) | 1 |
| 11 | 1016751 | Cap, Seat Back | 1 |
| 12 | <u>101675515</u> | Vinyl Seat Back-nstd Svc | 1 |

1
G
E

1
G
E



001257-001

WINDSHIELD, HINGED

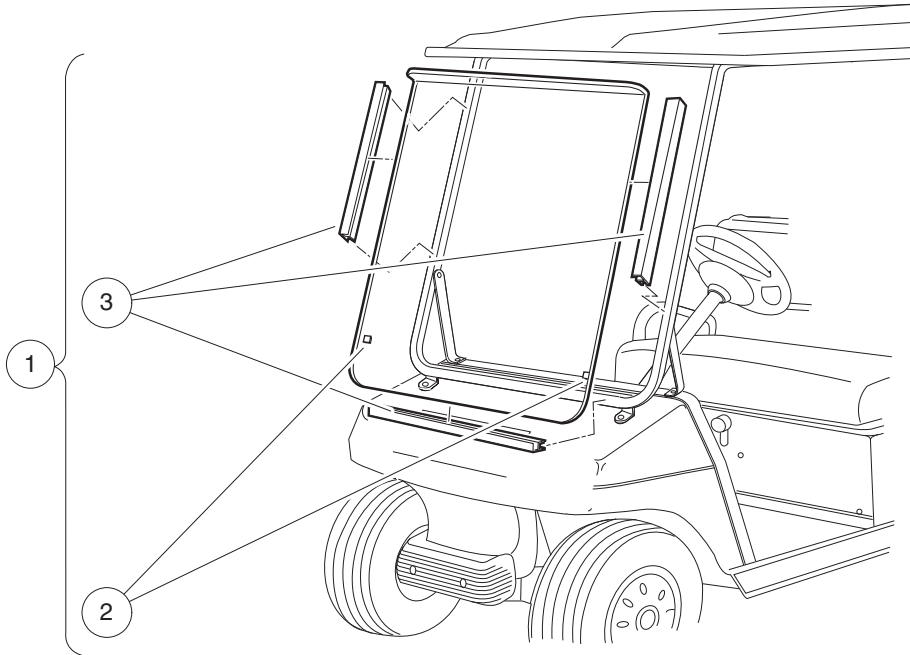
| ITEM | PART NO. | DESCRIPTION | QTY |
|------|------------------|--|-----|
| | | 1 2 3 4 | |
| 1 | 103888301 | Kit, Hinged Windshield, Utility (includes items 2 through 7) | 1 |
| 2 | <u>102005701</u> | 5" Plastic Extrusion | 4 |
| 3 | <u>102163001</u> | Windshield Channel | 1 |
| 4 | <u>102163101</u> | Channel with Receiver Clip | 2 |
| 5 | <u>103677101</u> | W/s, Rubber, Clip Retainer | 2 |
| 6 | <u>103754901</u> | Fastener, Barrel - .610 X .25 | 8 |
| 7 | 103888101 | Hinged Windshield, Utility | 1 |

1
G
E

1

G

E



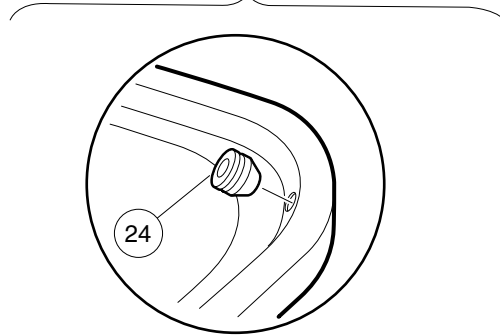
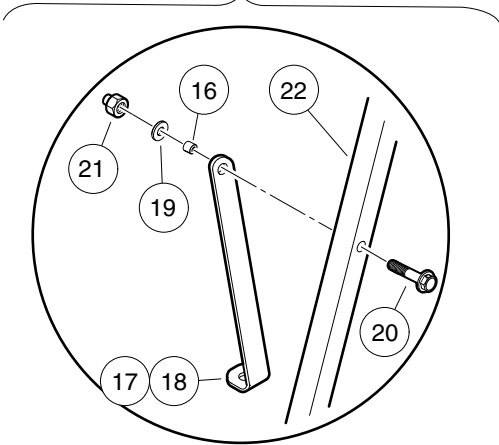
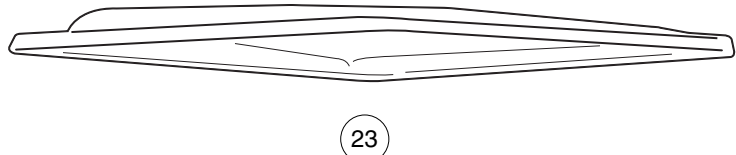
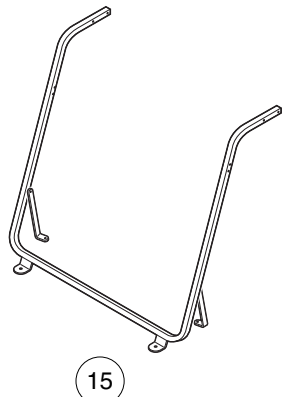
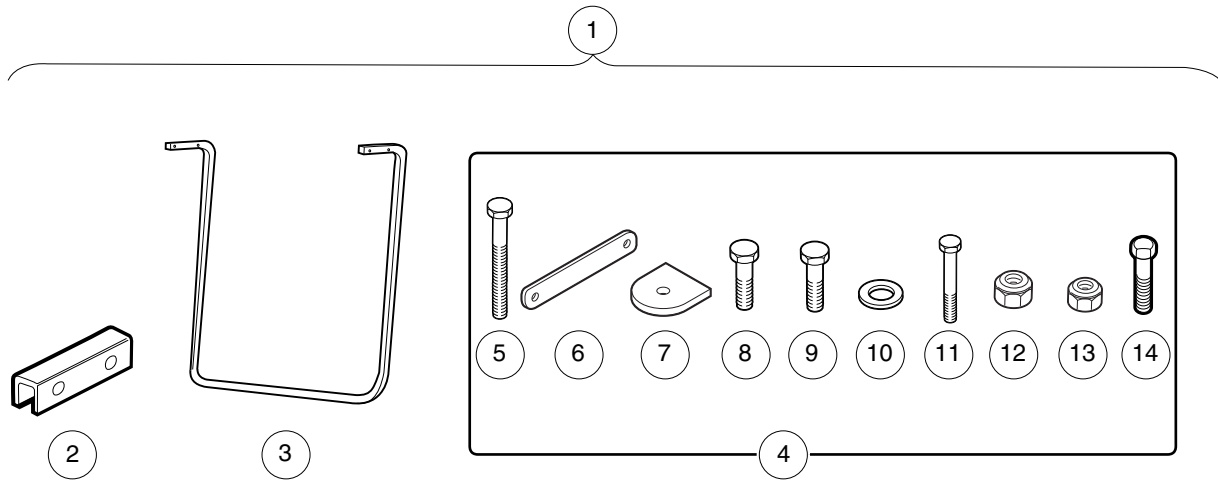
001204-001

WINDSHIELD, NON-HINGED

| ITEM | PART NO. | DESCRIPTION | QTY |
|------|------------------|--|-----|
| | | 1 2 3 4 | |
| 1 | 1014435 | Windshield Tinted One-Piece (includes items 2 and 3) | 1 |
| 2 | <u>1011897</u> | Bumper, Protective | 2 |
| 3 | <u>101444101</u> | 21" Plastic Extrusion | 3 |

1
G
E

1
G
E



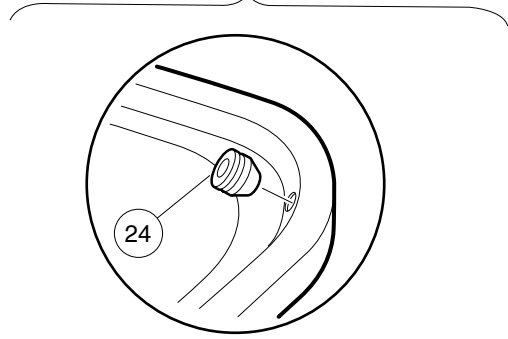
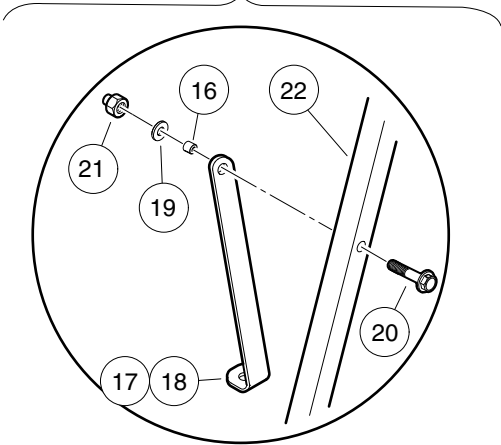
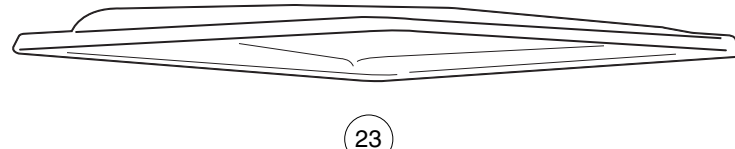
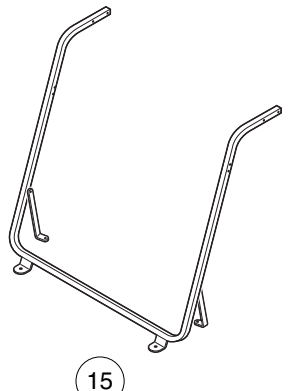
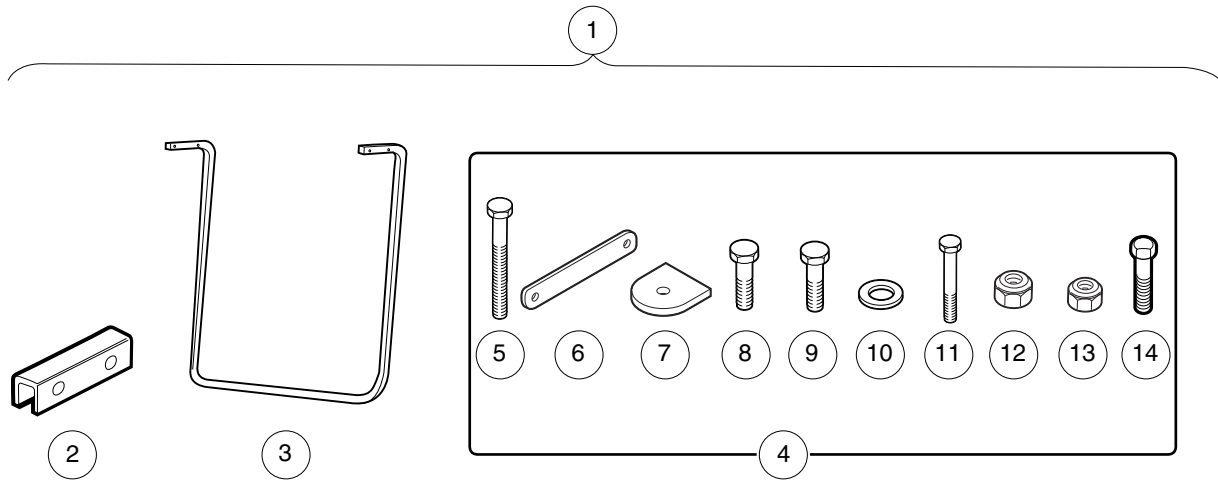
001258-001

CANOPY KIT, WHITE

| ITEM | PART NO. | DESCRIPTION | QTY |
|------|------------------|---|-----|
| | | 1 2 3 4 | |
| 1 | <u>1014506</u> | Kit, Canopy, White (includes items 2 through 23) | 1 |
| 2 | <u>1012008</u> | Support, Side Canopy | 4 |
| 3 | <u>1014503</u> | Brace, Rear Canopy | 1 |
| 4 | <u>1016855</u> | Kit, Hardware, Canopy (includes items 5 through 14) | 1 |
| 5 | <u>1010921</u> | Screw, 5/16-18 X 2.50 Hex Cap | 1 |
| 6 | <u>1011852</u> | Plate, Canopy Trim | 8 |
| 7 | <u>1011883</u> | Pad, Windshield Frame Mounting | 2 |
| 8 | <u>1011937</u> | Bolt, 5/16-18 X 1.25 Hex Head | 2 |
| 9 | <u>1218</u> | Screw, 5/16-18 X 1.25 Hex-Head Cap | 2 |
| 10 | <u>1241</u> | Washer, 5/16 Type A Flat | 6 |
| 11 | <u>7311</u> | Screw, 1/4-20 X 2.00 Hex-Head Cap | 8 |
| 12 | <u>7473</u> | Locknut, 5/16-18 Nylon Insert | 3 |
| 13 | <u>8233</u> | Locknut, 1/4-20, Nylon Insert | 8 |
| 14 | <u>8963</u> | Screw, 5/16-18 X 1.75 Hex-Head Cap | 3 |
| 15 | <u>103789601</u> | W/s Fr / Knee Br, Aluminum (includes items 16 through 22) | 1 |
| 16 | <u>1010237</u> | Bushing | 2 |
| 17 | <u>1011862</u> | Brace, Right-Hand Canopy Mount Knee | 1 |
| 18 | <u>1011865</u> | Brace, Left-Hand Canopy Mount Knee | 1 |
| 19 | <u>1011964</u> | Washer, 1/4 Flat | 2 |
| 20 | <u>102076701</u> | Screw, 1/4-20 X 1.75 Hex Sems | 2 |
| 21 | <u>102242401</u> | Nut - Nylon Insert W/cap | 2 |
| 22 | <u>103787401</u> | Asm, Windshield Frame, Alum | 1 |
| 23 | <u>103804003</u> | Asm, Canopy, Utility White (includes item 24) | 1 |
| 24 | <u>1011942</u> | Modified Grommet | 2 |

1
G
E

1
G
E



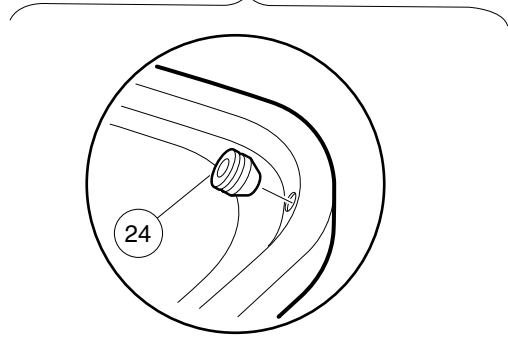
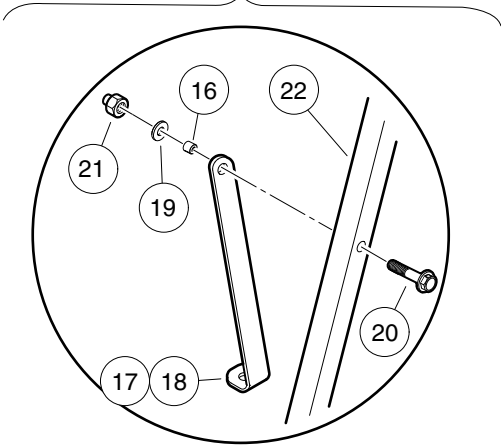
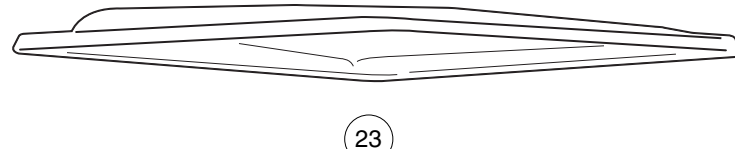
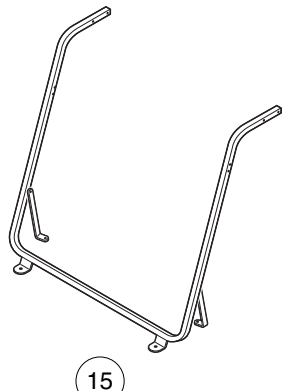
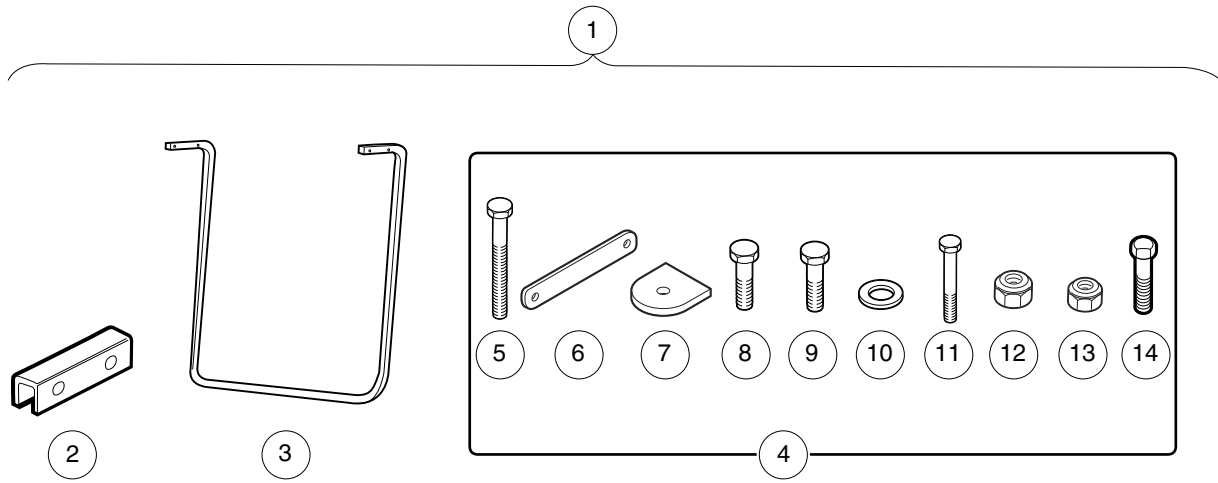
001258-001

CANOPY KIT, BEIGE

| ITEM | PART NO. | DESCRIPTION | QTY |
|------|------------------|---|-----|
| | | 1 2 3 4 | |
| 1 | <u>101450698</u> | Kit, Canopy, Beige, Ca1/2 (includes items 2 through 23) | 1 |
| 2 | 1012008 | Support, Side Canopy | 4 |
| 3 | <u>1014503</u> | Brace, Rear Canopy | 1 |
| 4 | 1016855 | Kit, Hardware, Canopy (includes items 5 through 14) | 1 |
| 5 | <u>1010921</u> | Screw, 5/16-18 X 2.50 Hex Cap | 1 |
| 6 | 1011852 | Plate, Canopy Trim | 8 |
| 7 | <u>1011883</u> | Pad, Windshield Frame Mounting | 2 |
| 8 | <u>1011937</u> | Bolt, 5/16-18 X 1.25 Hex Head | 2 |
| 9 | 1218 | Screw, 5/16-18 X 1.25 Hex-Head Cap | 2 |
| 10 | <u>1241</u> | Washer, 5/16 Type A Flat | 6 |
| 11 | <u>7311</u> | Screw, 1/4-20 X 2.00 Hex-Head Cap | 8 |
| 12 | <u>7473</u> | Locknut, 5/16-18 Nylon Insert | 3 |
| 13 | <u>8233</u> | Locknut, 1/4-20, Nylon Insert | 8 |
| 14 | <u>8963</u> | Screw, 5/16-18 X 1.75 Hex-Head Cap | 3 |
| 15 | <u>103789601</u> | W/s Fr / Knee Br, Aluminum (includes items 16 through 22) | 1 |
| 16 | <u>1010237</u> | Bushing | 2 |
| 17 | <u>1011862</u> | Brace, Right-Hand Canopy Mount Knee | 1 |
| 18 | <u>1011865</u> | Brace, Left-Hand Canopy Mount Knee | 1 |
| 19 | 1011964 | Washer, 1/4 Flat | 2 |
| 20 | <u>102076701</u> | Screw, 1/4-20 X 1.75 Hex Sems | 2 |
| 21 | <u>102242401</u> | Nut - Nylon Insert W/cap | 2 |
| 22 | <u>103787401</u> | Asm, Windshield Frame, Alum | 1 |
| 23 | <u>103804005</u> | Asm, Canopy, Utility Beige (includes item 24) | 1 |
| 24 | 1011942 | Modified Grommet | 2 |

1
G
E

1
G
E



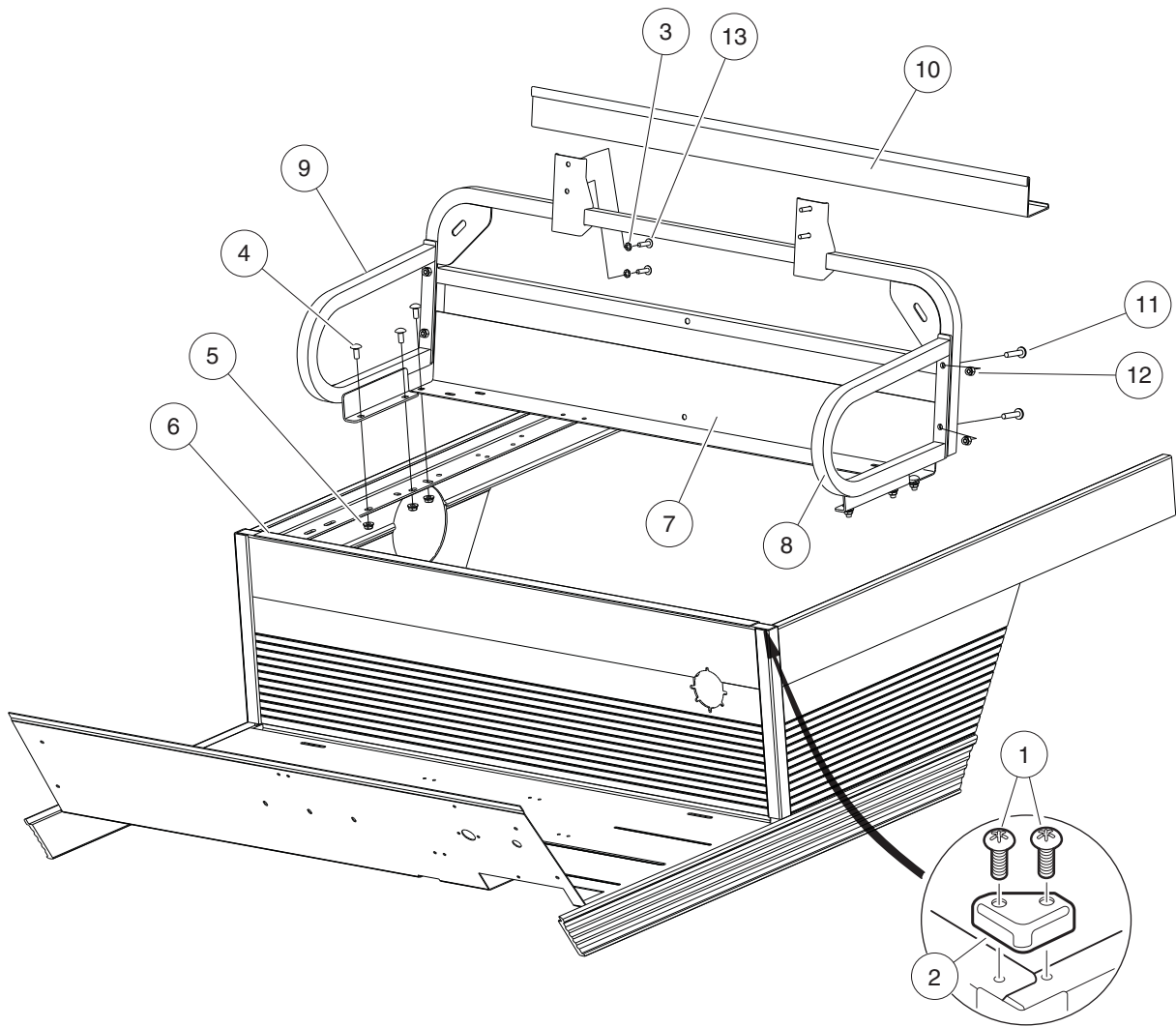
001258-001

CANOPY KIT, BLACK

| ITEM | PART NO. | DESCRIPTION | QTY |
|------|------------------|--|-----|
| | | 1 2 3 4 | |
| 1 | <u>102198501</u> | Kit, Canopy Black (includes items 2 through 23) | 1 |
| 2 | 1012008 | Support, Side Canopy | 4 |
| 3 | 101450302 | Brace, Cai Rear Canopy, Black | 1 |
| 4 | 1016855 | Kit, Hardware, Canopy (includes items 5 through 14) | 1 |
| 5 | <u>1010921</u> | Screw, 5/16-18 X 2.50 Hex Cap | 1 |
| 6 | 1011852 | Plate, Canopy Trim | 8 |
| 7 | <u>1011883</u> | Pad, Windshield Frame Mounting | 2 |
| 8 | <u>1011937</u> | Bolt, 5/16-18 X 1.25 Hex Head | 2 |
| 9 | 1218 | Screw, 5/16-18 X 1.25 Hex-Head Cap | 2 |
| 10 | <u>1241</u> | Washer, 5/16 Type A Flat | 6 |
| 11 | <u>7311</u> | Screw, 1/4-20 X 2.00 Hex-Head Cap | 8 |
| 12 | <u>7473</u> | Locknut, 5/16-18 Nylon Insert | 3 |
| 13 | <u>8233</u> | Locknut, 1/4-20, Nylon Insert | 8 |
| 14 | <u>8963</u> | Screw, 5/16-18 X 1.75 Hex-Head Cap | 3 |
| 15 | 103789603 | W/s Fr / Knee Br, Alum, Black (includes items 16 through 22) | 1 |
| 16 | <u>1010237</u> | Bushing | 2 |
| 17 | <u>101186202</u> | Knee Brace Rh Canopy Mtg, Blk | 1 |
| 18 | <u>101186502</u> | Knee Brace Lh Canopy Mtg, Blk | 1 |
| 19 | 1011964 | Washer, 1/4 Flat | 2 |
| 20 | <u>102076702</u> | 1/4-20 X 1.75 Hex Sems Blk | 2 |
| 21 | <u>102242401</u> | Nut - Nylon Insert W/cap | 2 |
| 22 | 103787403 | Asm, W/s Frame, Alum, Black | 1 |
| 23 | <u>103804004</u> | Asm, Canopy, Utility Black (includes item 24) | 1 |
| 24 | 1011942 | Modified Grommet | 2 |

1
G
E

1
G
E



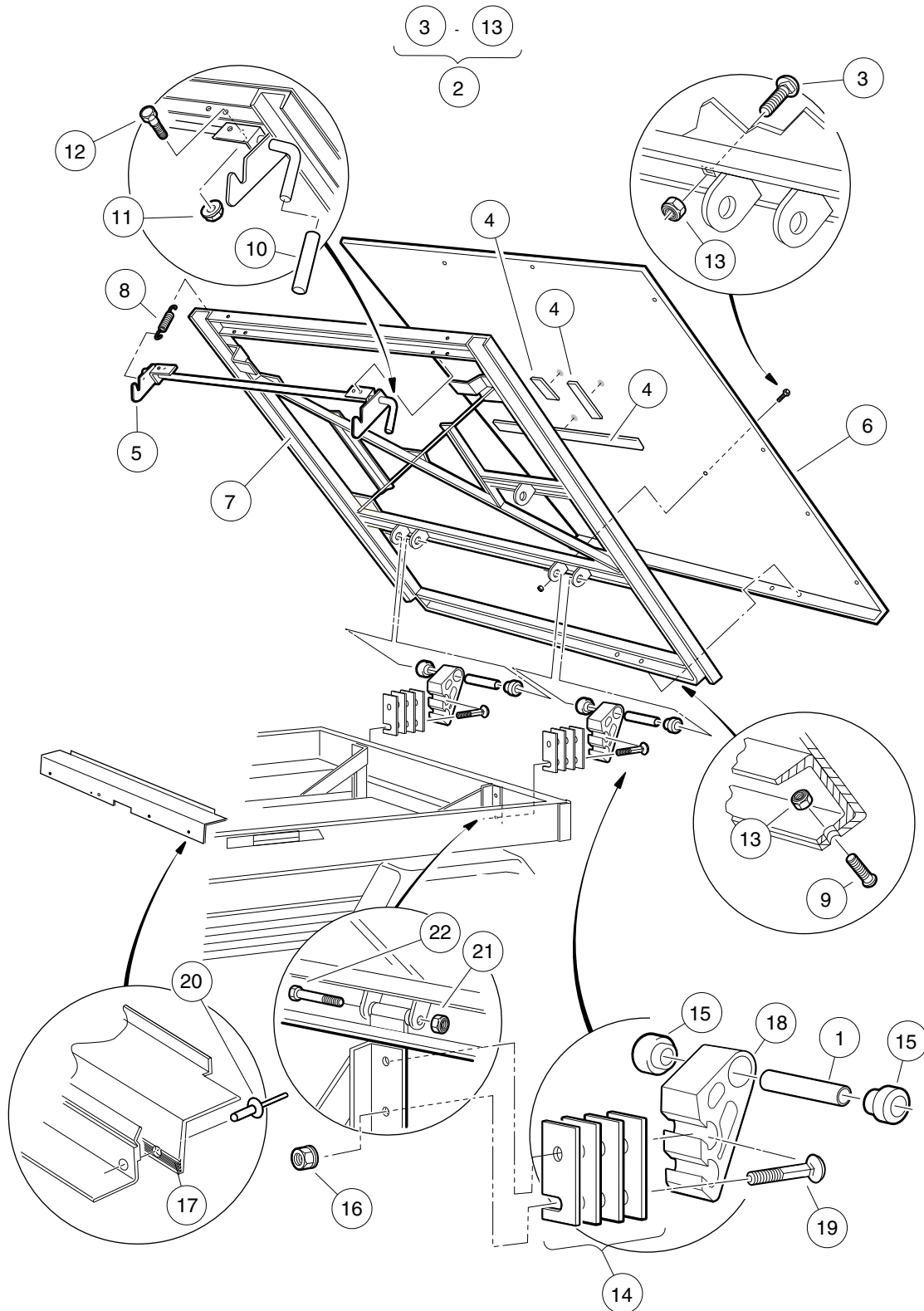
000603-004

HIP RESTRAINTS AND SEAT BACK MOUNTING

| ITEM | PART NO. | DESCRIPTION | QTY |
|------|------------------|--|-----|
| | | 1 2 3 4 | |
| 1 | <u>1014321</u> | Screw, #10 Truss-Head Torx | 4 |
| 2 | <u>1014387</u> | Cap, Corner | 2 |
| 3 | <u>101946201</u> | Washer, Lock, 0.250 External-Tooth | 4 |
| 4 | <u>101963301</u> | Bolt, 5/16-18 X 0.75 Round-Head | 6 |
| 5 | <u>101963401</u> | Locknut, 5/16-18 Hex Flange | 6 |
| 6 | <u>101964001</u> | Trim, Seat Bottom Front | 1 |
| 7 | <u>102966401</u> | Seat Back, Tube | 1 |
| 8 | <u>102966501</u> | Hip Restraint, Left | 1 |
| 9 | <u>102966502</u> | Hip Restraint, Right | 1 |
| 10 | <u>102989501</u> | Seal, Bed, 41-Inch | 1 |
| 11 | <u>103245201</u> | Screw, 5/16-18 X 1.5, Tr Tx Hd | 4 |
| 12 | <u>103245301</u> | Nut, Hex, Cp, Mech Def, 5/16-1 | 4 |
| 13 | <u>8251</u> | Screw, 1/4-20 X 1.0 Truss-Head Machine | 4 |

1
G
E

1
G
E



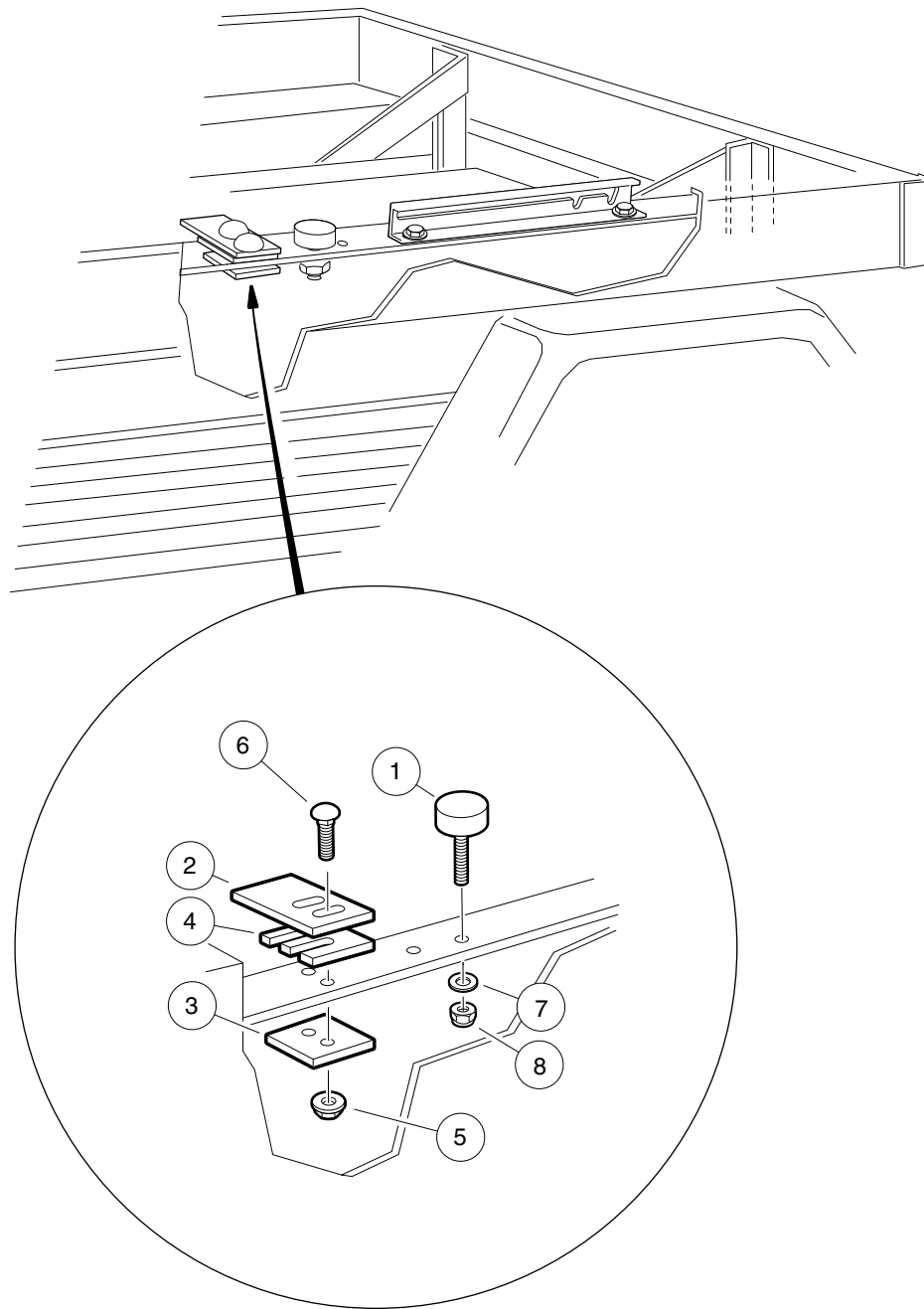
000257-003

TILT BED, EXTRUDED HINGE, AND LATCH

| ITEM | PART NO. | DESCRIPTION | QTY |
|------|------------------|--|-----|
| | | 1 2 3 4 | |
| 1 | <u>1012303</u> | Bushing, Steel | 2 |
| 2 | <u>101542901</u> | Assembly, Tilt Bed (includes items 3 through 13) | 1 |
| 3 | <u>1010435</u> | Bolt, Carriage, 5/16-18 X 1.00 | 4 |
| 4 | <u>1014471</u> | Tape, Vinyl Foam 1/8" x 3/4" | A/R |
| 5 | <u>1015252</u> | Latch Weld Assembly | 1 |
| 6 | <u>1015258</u> | Plate, Floor Bed | 1 |
| 7 | N/A | Frame Assembly | 1 |
| 8 | <u>1015391</u> | Extension, Spring Latch | 2 |
| 9 | <u>1015399</u> | Screw, 5/16-18 X 0.88 Torx Truss-Head | 4 |
| 10 | <u>1015400</u> | Grip, Tilt Latch Hand | 1 |
| 11 | <u>101835601</u> | Locknut, 1/4-20 Hex Whiz | 4 |
| 12 | <u>403</u> | Screw, 1/4-20 X 0.625 Hex-Head Cap | 4 |
| 13 | <u>7473</u> | Locknut, 5/16-18 Nylon Insert | 8 |
| 14 | <u>1015507</u> | Shim, Tilt Bed Pivot | 1 |
| 15 | <u>1015583</u> | Bushing, Urethane | 4 |
| 16 | <u>102065901</u> | Locknut, 3/8-16 Flanged Dimple | 4 |
| 17 | <u>102989501</u> | Seal, Bed, 41-Inch | 1 |
| 18 | <u>103538701</u> | Bracket, Bed Hinge, Extruded | 2 |
| 19 | <u>103538901</u> | Bolt, Carriage, 3/8-16 x 3.5" Grade 5 | 4 |
| 20 | <u>7532</u> | Rivet, 3/16 X 0.3125, Pop | 1 |
| 21 | <u>8754</u> | Locknut, 3/8-16 Hex | 2 |
| 22 | <u>8755</u> | Screw, 3/8-16 X 3.375 Hex Cap | 2 |

1
G
E

1
G
E



000258-002

LATCH PLATE

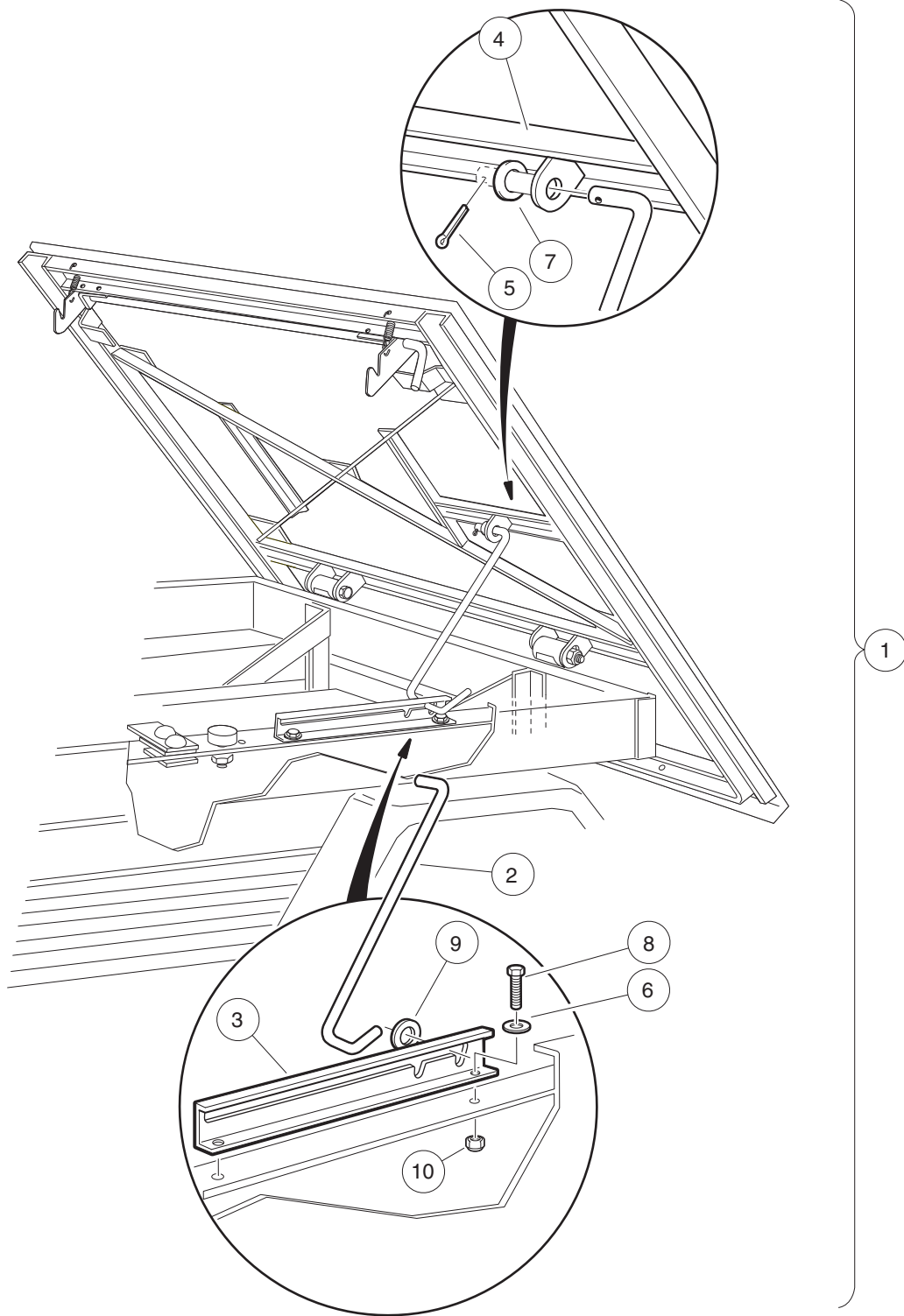
| ITEM | PART NO. | DESCRIPTION | QTY |
|------|------------------|--------------------------------------|-----|
| | | 1 2 3 4 | |
| 1 | <u>1010878</u> | Bumper, Rubber | 2 |
| 2 | <u>1015277</u> | Latch Plate, Tilt Bed | 2 |
| 3 | <u>1016060</u> | Plate, Latch Support | 2 |
| 4 | <u>1016078</u> | Latch Plate Shim | A/R |
| 5 | <u>101835601</u> | Locknut, 1/4-20 Hex Whiz | 4 |
| 6 | <u>101958601</u> | Carriage Bolt, 1/4-20 X 0.75 | 4 |
| 7 | <u>332</u> | Washer, 1/4 Type A Narrow Flat | 4 |
| 8 | <u>8233</u> | Locknut, 1/4-20, Nylon Insert | 4 |

1

G

E

1
G
E



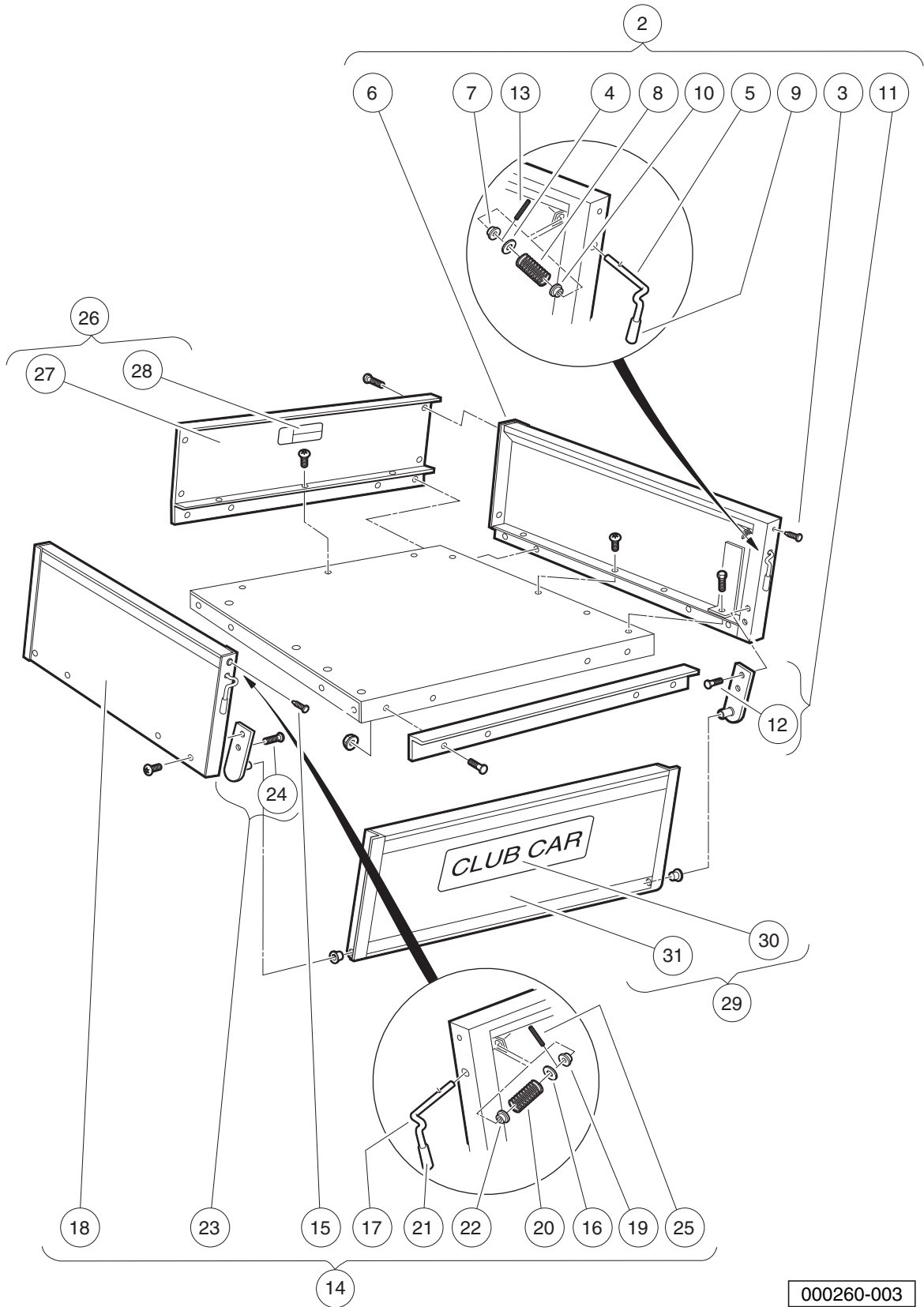
000259-001

PROP ROD

| ITEM | PART NO. | DESCRIPTION | QTY |
|------|------------------|--|-----|
| | | 1 2 3 4 | |
| 1 | <u>101922801</u> | Prop Rod Support Instl Kit (includes items 2 through 10) | 1 |
| 2 | 1015348 | Prop Rod Ca li | 1 |
| 3 | 1015700 | Track Prop Rod Ca li | 1 |
| 4 | <u>101921601</u> | Weldment, Prop Rod Support | 1 |
| 5 | <u>1035</u> | Cotter Pin, 3/32 x 1 | 2 |
| 6 | <u>332</u> | Washer, 1/4 Type A Narrow Flat | 5 |
| 7 | <u>334</u> | Washer, 3/8, Type A, Flat | 1 |
| 8 | <u>7847</u> | Screw, 1/4-20 X 0.75 Hex-Head Cap | 6 |
| 9 | <u>808</u> | Washer, 3/8 Type B Flat | 1 |
| 10 | <u>8233</u> | Locknut, 1/4-20, Nylon Insert | 6 |

1
G
E

1
G
E



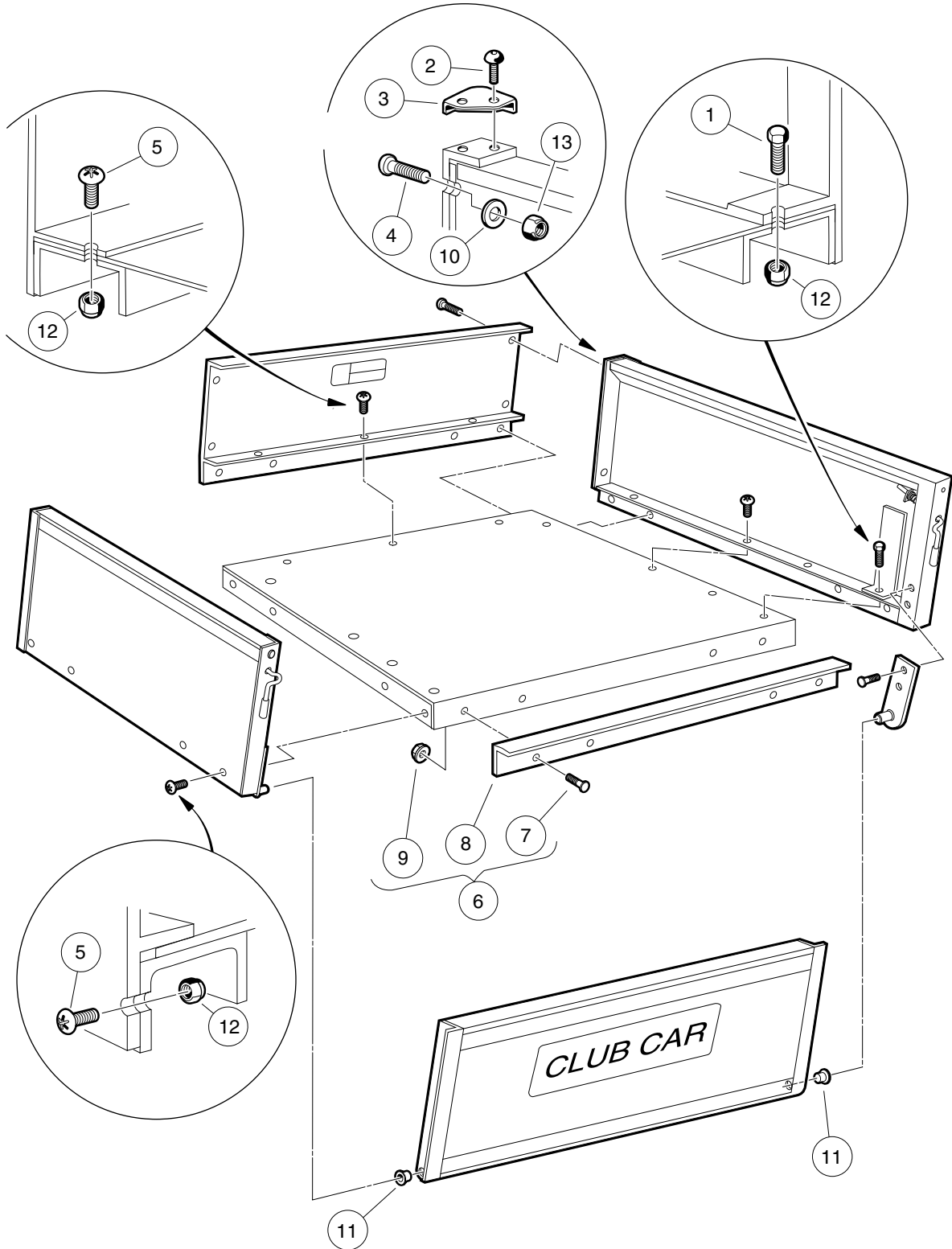
000260-003

CARGO BOX (ALUMINUM)

| ITEM | PART NO. | DESCRIPTION | QTY |
|--|------------------|---|-----|
| | | 1 2 3 4 | |
| 1 | <u>1015607</u> | Cargo Box Set (includes items 2 through 29) | 1 |
| 2 | <u>1015366</u> | Side-Panel Assembly, Right-Hand (includes items 3 through 13) | 1 |
| 3 | <u>1010434</u> | Barrel - Plastic | 1 |
| 4 | <u>1011990</u> | Washer, 3/8 Flat | 1 |
| 5 | <u>1015245</u> | Latch, Tailgate, Right-Hand | 1 |
| 6 | N/A | Side-Panel Weldment, Right-Hand | 1 |
| 7 | <u>1015363</u> | Bushing, Snap-In | 1 |
| 8 | <u>1015390</u> | Compression Spring Latch Tilt | 1 |
| 9 | <u>1015400</u> | Grip, Tilt Latch Hand | 1 |
| 10 | <u>1032</u> | Bushing, Nylon | 1 |
| 11 | <u>103406502</u> | Kit, Tailgate Mounting Bracket, CA, RH (includes item 12) | 1 |
| 12 | <u>103406601</u> | Stud, 1/4 Self-clnchg Flush | 2 |
| 13 | 1231 | Pin, 1/8 X 1.00 Split Roll | 1 |
| 14 | <u>1015368</u> | Side Panel Assembly, Left-Hand (includes items 15 through 25) | 1 |
| 15 | <u>1010434</u> | Barrel - Plastic | 1 |
| 16 | <u>1011990</u> | Washer, 3/8 Flat | 1 |
| 17 | <u>1015313</u> | Latch, Tailgate, Left-Hand | 1 |
| 18 | N/A | Side-Panel Weldment, Left-Hand | 1 |
| 19 | <u>1015363</u> | Bushing, Snap-In | 1 |
| 20 | <u>1015390</u> | Compression Spring Latch Tilt | 1 |
| 21 | <u>1015400</u> | Grip, Tilt Latch Hand | 1 |
| 22 | <u>1032</u> | Bushing, Nylon | 1 |
| 23 | <u>103406501</u> | Kit, Tailgate Mounting Bracket, CA, LH (includes item 24) | 1 |
| 24 | <u>103406601</u> | Stud, 1/4 Self-clnchg Flush | 2 |
| 25 | 1231 | Pin, 1/8 X 1.00 Split Roll | 1 |
| 26 | <u>1015412</u> | Front Panel Assembly (includes items 27 and 28) | 1 |
| 27 | N/A | Front Panel Box | 1 |
| 28 | <u>101553901</u> | Decal, Bed Load Warning | 1 |
| 29 | <u>1015424</u> | Tailgate Assembly (includes items 30 and 31) | 1 |
| 30 | <u>1013317</u> | Decal, Logo, Tailgate | 1 |
| 31 | N/A | Tailgate Weldment | 1 |
| <p>Note: Additional components in kit <u>1015607</u> are shown on the following two pages.</p> | | | |

1
G
E

1
G
E

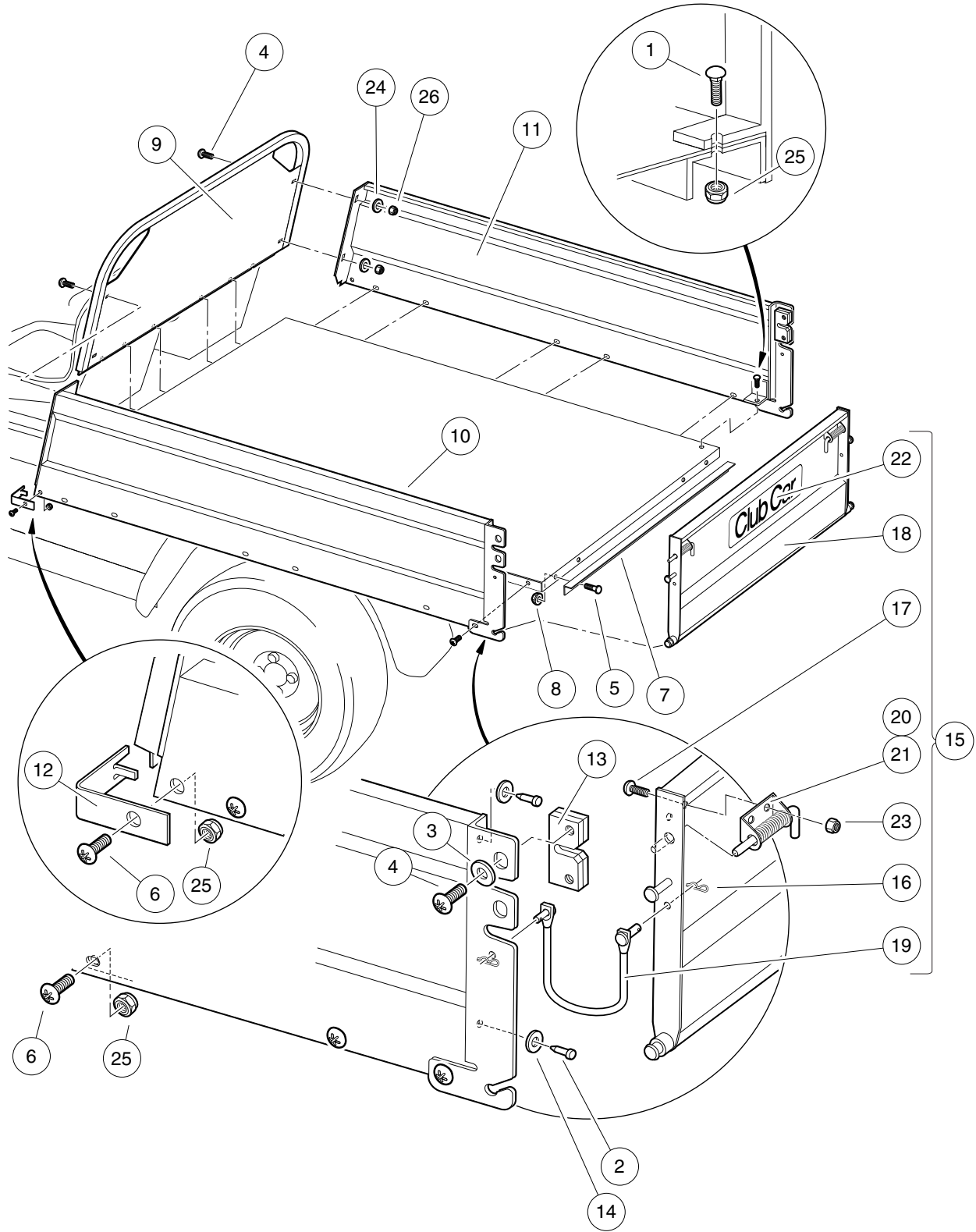


000261-001

CARGO BOX (ALUMINUM) MOUNTING

| ITEM | PART NO. | DESCRIPTION | QTY | |
|---|------------------|--|-----|----------|
| | | 1 2 3 4 | | 1 |
| 1 | <u>1010934</u> | Screw, 5/16-18 X 1.00 Hex Cap | 2 | G |
| 2 | <u>1014321</u> | Screw, #10 Truss-Head Torx | 4 | E |
| 3 | <u>1014387</u> | Cap, Corner | 2 | |
| 4 | <u>1014415</u> | Screw, 1/4-20 X 0.75 Torx Truss-Head | 4 | |
| 5 | <u>1015399</u> | Screw, 5/16-18 X 0.88 Torx Truss-Head | 23 | |
| 6 | <u>101894702</u> | Kit, Tailgate Angle (includes items 7 through 9) | 1 | |
| 7 | <u>1014537</u> | Stud, Self-Clinching Flush Head | 4 | |
| 8 | N/A | Box Bed Tailgate Angle | 1 | |
| 9 | <u>101963401</u> | Locknut, 5/16-18 Hex Flange | 4 | |
| 10 | <u>332</u> | Washer, 1/4 Type A Narrow Flat | 4 | |
| 11 | <u>7049</u> | Bushing, Nylon | 2 | |
| 12 | <u>7473</u> | Locknut, 5/16-18 Nylon Insert | 25 | |
| 13 | <u>8233</u> | Locknut, 1/4-20, Nylon Insert | 4 | |
| <p>Note: All parts listed on this page are included in kit 1015607.</p> | | | | |

1
G
E



000038-006

CARGO BOX (STEEL)

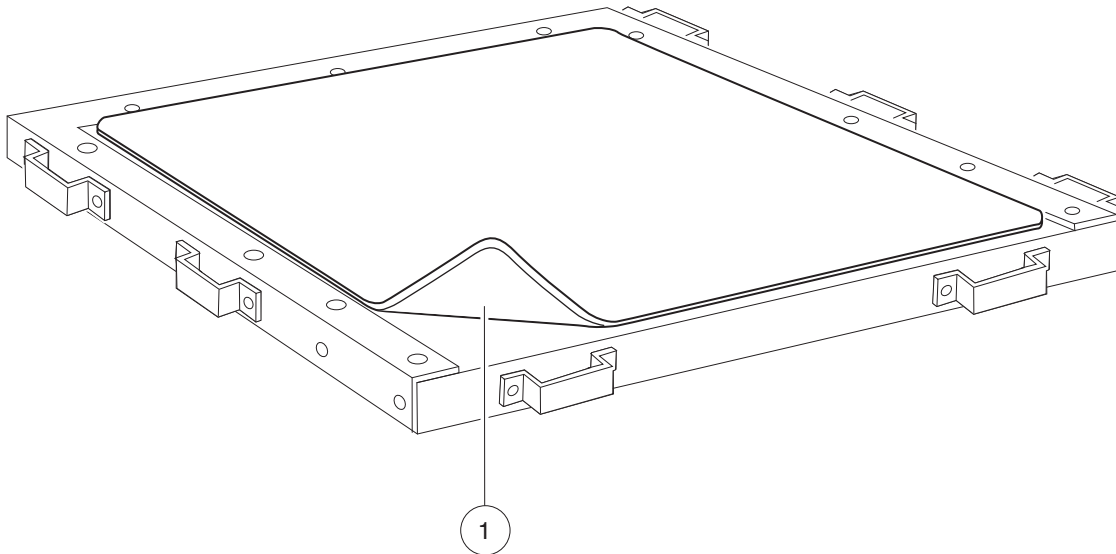
| ITEM | PART NO. | DESCRIPTION | QTY |
|------|------------------|---|-----|
| | | 1 2 3 4 | |
| 1 | <u>1010435</u> | Bolt, Carriage, 5/16-18 X 1.00 | 13 |
| 2 | <u>1010436</u> | Bumper, Rubber | 4 |
| 3 | <u>1014306</u> | Washer, 1/4" Type B Flat | 4 |
| 4 | <u>1014415</u> | Screw, 1/4-20 X 0.75 Torx Truss-Head | 8 |
| 5 | <u>1014537</u> | Stud, Self-Clinching Flush Head | 4 |
| 6 | <u>1015399</u> | Screw, 5/16-18 X 0.88 Torx Truss-Head | 18 |
| 7 | <u>101894304</u> | Box Bed Tailgate Angle | 1 |
| 8 | <u>101963401</u> | Locknut, 5/16-18 Hex Flange | 4 |
| 9 | <u>102221301</u> | Front Panel Weldment | 1 |
| 10 | <u>102221401</u> | Left Panel Weldment | 1 |
| 11 | <u>102221501</u> | Right Panel Weldment | 1 |
| 12 | <u>102221701</u> | Front Corner Cap | 2 |
| 13 | <u>102222001</u> | Slam Latch | 2 |
| 14 | <u>102239901</u> | Washer, Rubber, 3/8 | 4 |
| 15 | <u>102614401</u> | Assembly, Tailgate (includes items 16 through 23) | 1 |
| 16 | <u>1013366</u> | Hair Pin Clip | 4 |
| 17 | <u>1014415</u> | Screw, 1/4-20 X 0.75 Torx Truss-Head | 4 |
| 18 | N/A | Tailgate, Weldment | 1 |
| 19 | <u>102221801</u> | Tether Assembly | 2 |
| 20 | <u>102222101</u> | Spring Latch Right | 1 |
| 21 | <u>102222201</u> | Spring Latch Left | 1 |
| 22 | <u>102673201</u> | Decal, Club Car Tailgate | 1 |
| 23 | <u>8233</u> | Locknut, 1/4-20, Nylon Insert | 4 |
| 24 | <u>332</u> | Washer, 1/4 Type A Narrow Flat | 4 |
| 25 | <u>7473</u> | Locknut, 5/16-18 Nylon Insert | 31 |
| 26 | <u>8233</u> | Locknut, 1/4-20, Nylon Insert | 4 |

1
G
E

1

G

E



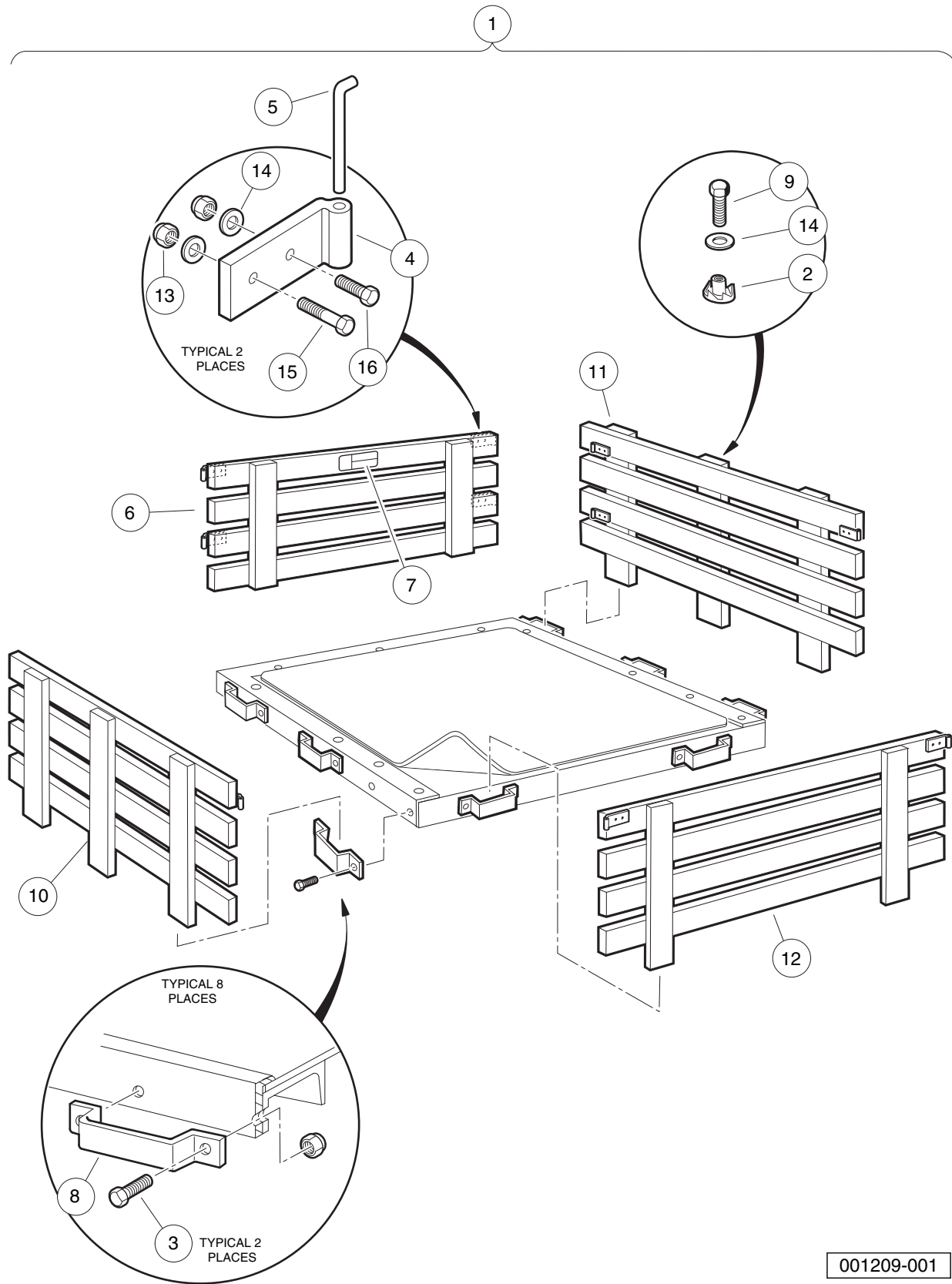
001207-001

BED MAT

| ITEM | PART NO. | DESCRIPTION | QTY |
|------|------------------|--------------------------|-----|
| 1 | <u>101770202</u> | 1 2 3 4 Bed Mat | 1 |

1
G
E

1
G
E

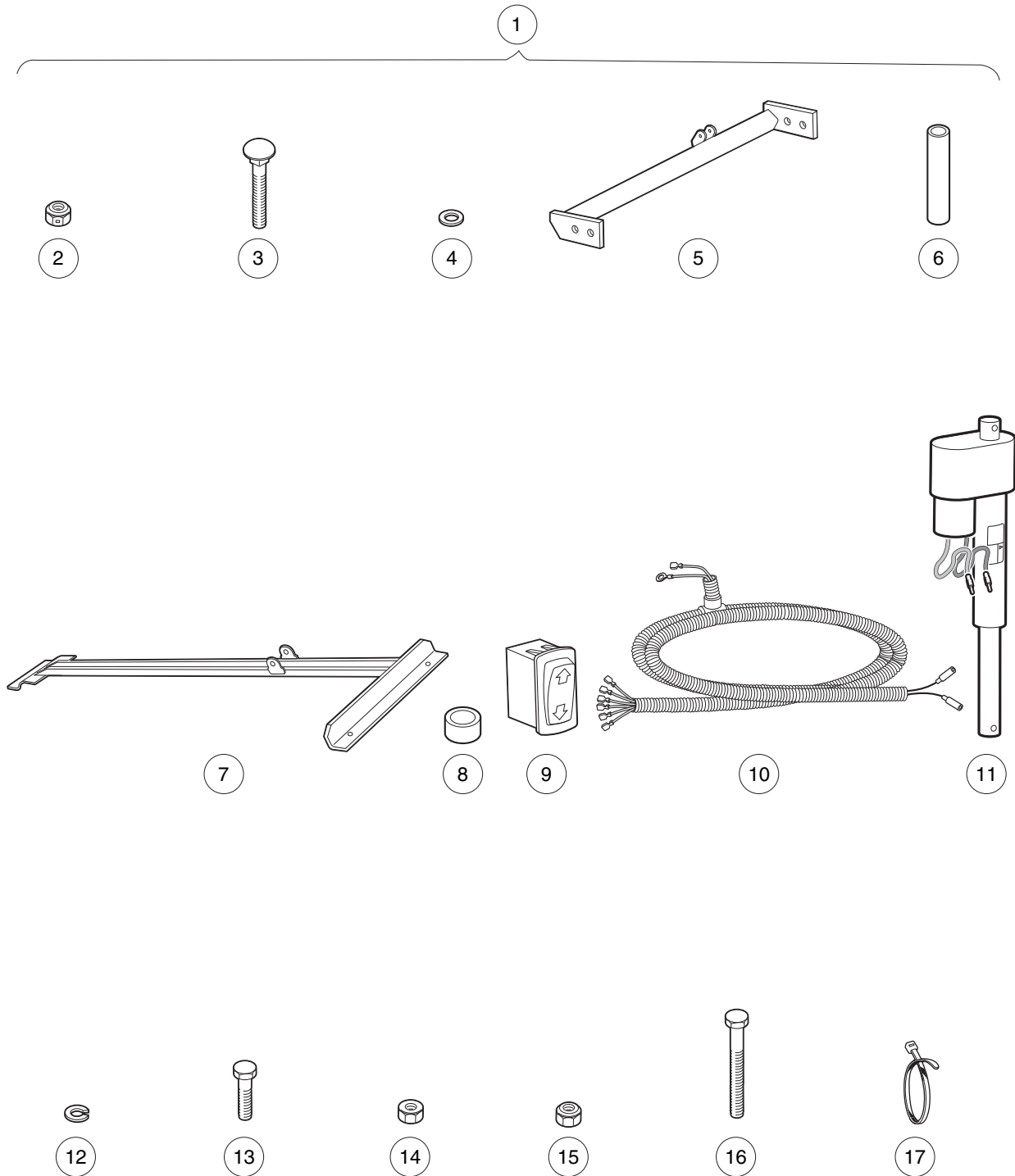


STAKE SIDE KIT

| ITEM | PART NO. | DESCRIPTION | QTY |
|------|------------------|--|-----|
| | | 1 2 3 4 | |
| 1 | <u>102847701</u> | Kit, Stake Side, 45-5/8 X 50 (includes items 2 through 16) | 1 |
| 2 | 1010086 | T-Nut | 74 |
| 3 | <u>1010934</u> | Screw, 5/16-18 X 1.00 Hex Cap | 16 |
| 4 | <u>1015654</u> | Stake Side Hinge | 12 |
| 5 | <u>1015656</u> | Pin, hinge | 6 |
| 6 | <u>101565803</u> | Stake Side Assembly, Front (includes item 7) | 1 |
| 7 | <u>101553901</u> | Decal, Bed Load Warning | 1 |
| 8 | <u>1016077</u> | Bracket, Stake Side | 8 |
| 9 | 1016916 | Screw, 1/4-20 X 1.50 Hex-Head Cap | 74 |
| 10 | 102847601 | Asm, Stake Side, 45-5/8 X 19 D | 1 |
| 11 | 102847602 | Asm, Stake Side, 45-5/8 X 19 P | 1 |
| 12 | <u>102847603</u> | Asm, Stake Side, 48 X 19 Rear | 1 |
| 13 | <u>1108</u> | Locknut, 1/4-20 Dimpled | 24 |
| 14 | <u>332</u> | Washer, 1/4 Type A Narrow Flat | 24 |
| 15 | <u>7311</u> | Screw, 1/4-20 X 2.00 Hex-Head Cap | 6 |
| 16 | <u>7479</u> | Screw, 1/4-20 X 1.25 Hex-Head Cap | 18 |

1
G
E

1
G
E



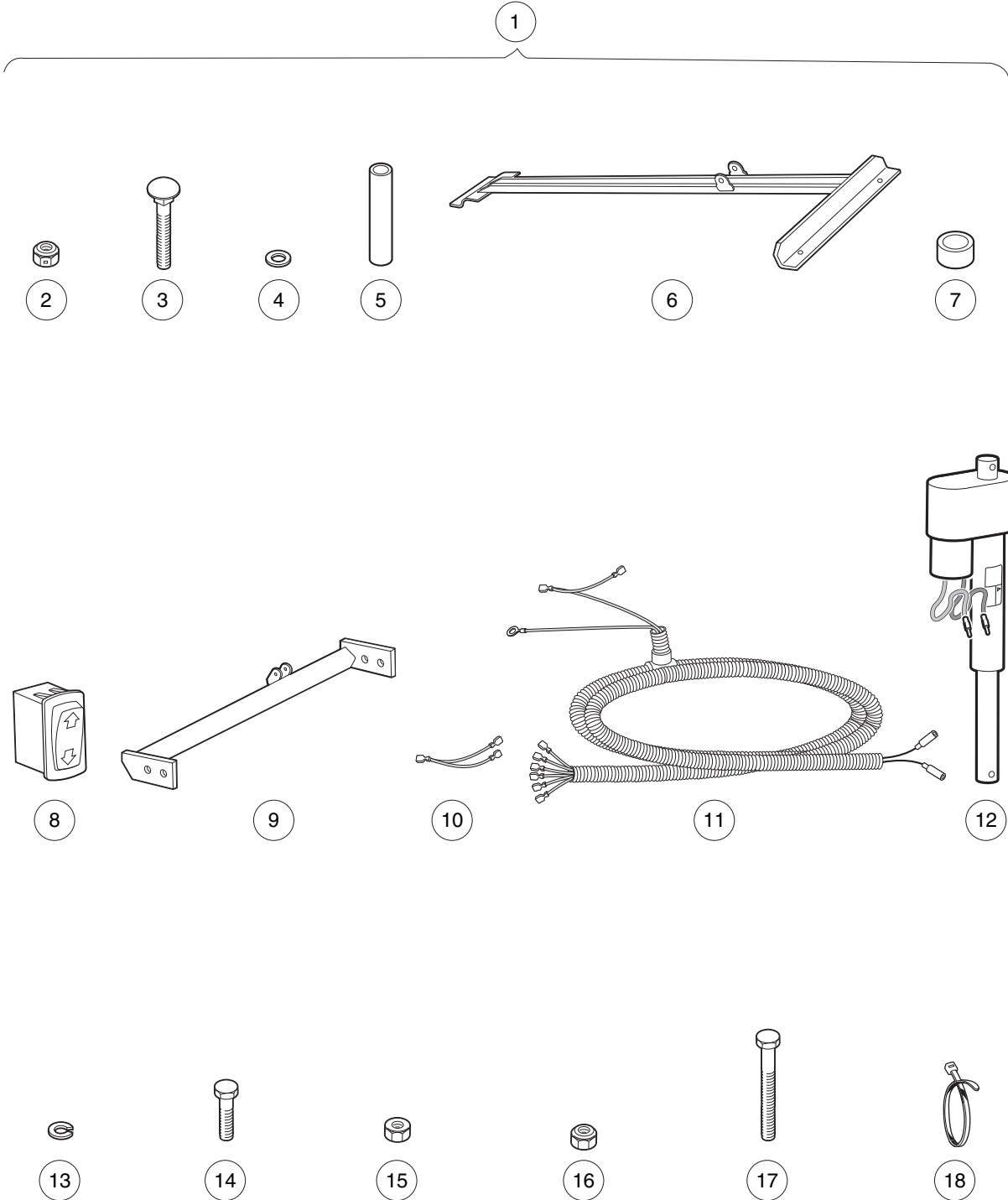
001263-002

ELECTRIC BED LIFT – GASOLINE VEHICLES

| ITEM | PART NO. | DESCRIPTION | QTY |
|------|------------------|---|-----|
| | | 1 2 3 4 | |
| 1 | <u>103272801</u> | Kit, Electric Bed Lift, T/CA2/252/900 Gas (includes items 2 through 17) | 1 |
| 2 | <u>1010138</u> | Locknut, 3/8-16 Dimpled | 2 |
| 3 | <u>1010435</u> | Bolt, Carriage, 5/16-18 X 1.00 | 3 |
| 4 | <u>1011990</u> | Washer, 3/8 Flat | 4 |
| 5 | 1015612 | Mounting Bracket, Hydraulic Cylinder | 1 |
| 6 | <u>1016603</u> | Bushing, Long | 2 |
| 7 | <u>1017167</u> | Actuator Adapter | 1 |
| 8 | 1017774 | Body Spacer | 8 |
| 9 | <u>102882501</u> | Switch, Rocker, Bed Lift | 1 |
| 10 | <u>103270201</u> | Wire Harness, Elec Tilt Sys | 1 |
| 11 | <u>103951801</u> | Actuator, Bed Lift, Electric | 1 |
| 12 | <u>357</u> | Lockwasher, 3/8 Split | 4 |
| 13 | 705 | Screw, Cap-hex Hd 3/8-16x1.25 | 4 |
| 14 | <u>706</u> | Nut, Hex 3/8-16 | 4 |
| 15 | <u>7473</u> | Locknut, 5/16-18 Nylon Insert | 3 |
| 16 | <u>7561</u> | Bolt, 3/8-16 X 3.00 Hex Head | 2 |
| 17 | <u>8990</u> | Tie Wrap, 8" Nylon | 10 |

1
G
E

1
G
E



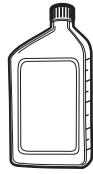
001264-002

ELECTRIC BED LIFT – ELECTRIC VEHICLE

| ITEM | PART NO. | DESCRIPTION | QTY |
|------|------------------|---|-----|
| | | 1 2 3 4 | |
| 1 | <u>103274202</u> | Kit, Electric Bed Lift, T/CA2/252/900 IQ Plus (includes items 2 through 18) | 1 |
| 2 | <u>1010138</u> | Locknut, 3/8-16 Dimpled | 2 |
| 3 | <u>1010435</u> | Bolt, Carriage, 5/16-18 X 1.00 | 3 |
| 4 | <u>1011990</u> | Washer, 3/8 Flat | 4 |
| 5 | <u>1016603</u> | Bushing, Long | 2 |
| 6 | <u>1017167</u> | Actuator Adapter | 1 |
| 7 | 1017774 | Body Spacer | 8 |
| 8 | <u>102882501</u> | Switch, Rocker, Bed Lift | 1 |
| 9 | <u>102893601</u> | Center Bracket, Bed Lift | 1 |
| 10 | <u>102959601</u> | Iq Plus Acc Jumper, 3 Inch | 1 |
| 11 | <u>103270301</u> | Wire Harness, El Tilt, Iq Plus | 1 |
| 12 | <u>103951801</u> | Actuator, Bed Lift, Electric | 1 |
| 13 | <u>357</u> | Lockwasher, 3/8 Split | 4 |
| 14 | 705 | Screw, Cap-hex Hd 3/8-16x1.25 | 4 |
| 15 | <u>706</u> | Nut, Hex 3/8-16 | 4 |
| 16 | <u>7473</u> | Locknut, 5/16-18 Nylon Insert | 3 |
| 17 | <u>7561</u> | Bolt, 3/8-16 X 3.00 Hex Head | 2 |
| 18 | <u>8990</u> | Tie Wrap, 8" Nylon | 12 |

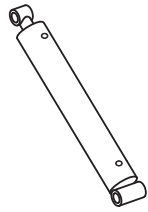
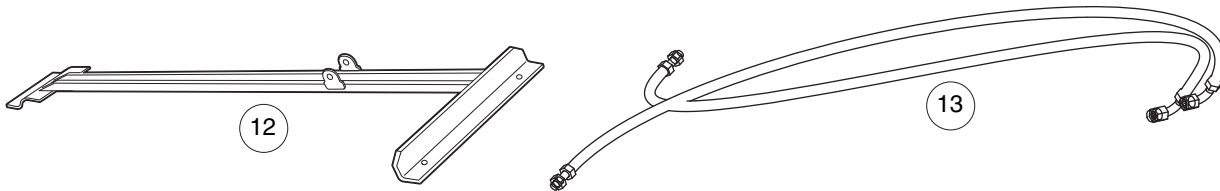
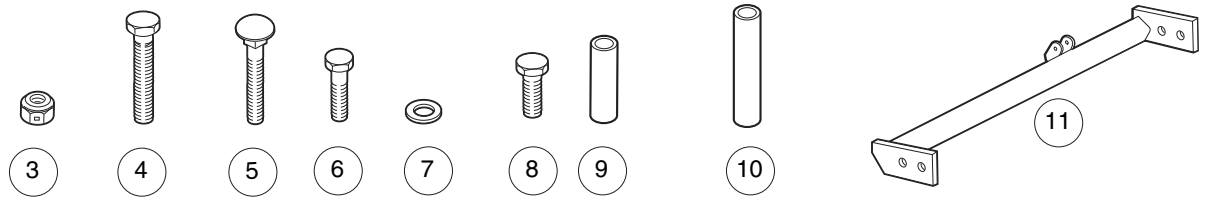
1
G
E

1
G
E



1

2



14



15



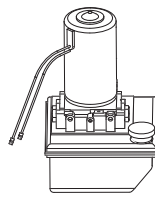
16



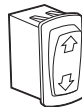
17



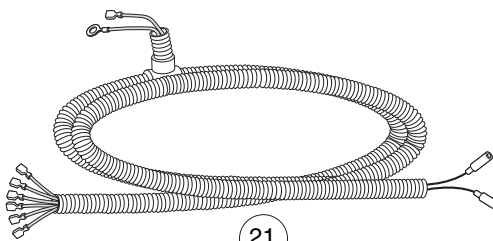
18



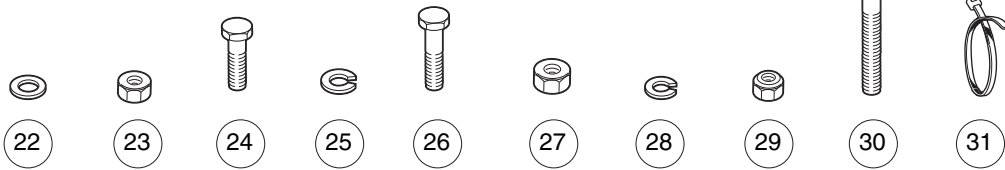
19



20



21

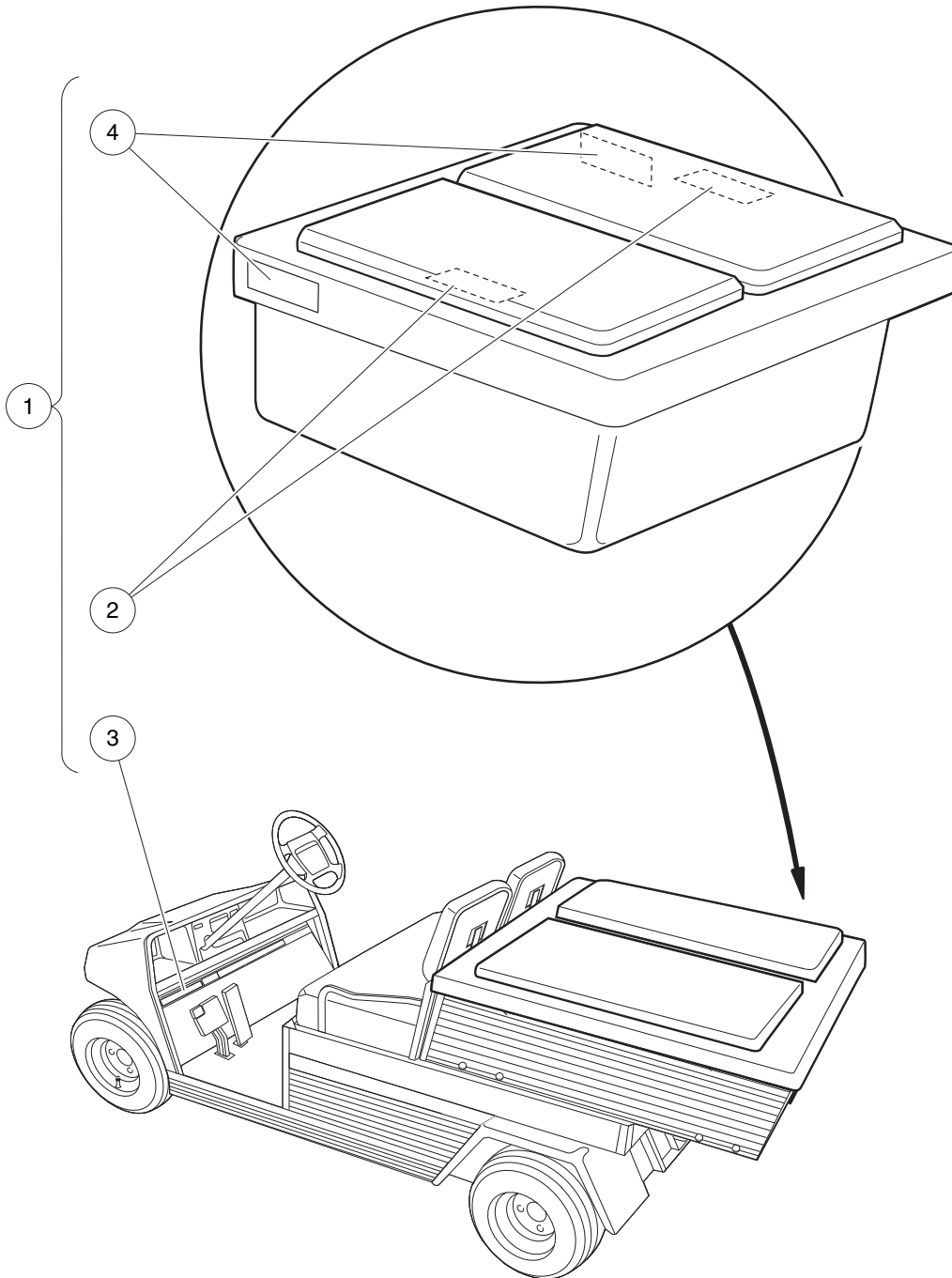


001222-001

HYDRAULIC BED LIFT KIT

| ITEM | PART NO. | DESCRIPTION | QTY |
|------|------------------|---|-----|
| | | 1 2 3 4 | |
| 1 | 1015820 | Hydraulic Fluid | A/R |
| 2 | <u>103324402</u> | Kit, Hydraulic Bed Lift (includes items 3 through 31) | 1 |
| 3 | <u>1010138</u> | Locknut, 3/8-16 Dimpled | 2 |
| 4 | <u>1010177</u> | Bolt, 3/8-16 X 2.00 Hex Head | 1 |
| 5 | <u>1010435</u> | Bolt, Carriage, 5/16-18 X 1.00 | 4 |
| 6 | <u>1010934</u> | Screw, 5/16-18 X 1.00 Hex Cap | 2 |
| 7 | <u>1011990</u> | Washer, 3/8 Flat | 6 |
| 8 | <u>1012463</u> | Bolt, 3/8-16 X .875 Hex Head | 2 |
| 9 | <u>1015608</u> | Tube Spacer, Hydraulic Cylinder | 1 |
| 10 | <u>1015610</u> | Tube Spacer Lg Hyd Cyl | 1 |
| 11 | 1015612 | Mounting Bracket, Hydraulic Cylinder | 1 |
| 12 | <u>1015615</u> | Cylinder Adapter Weldment | 1 |
| 13 | <u>1015616</u> | Hydraulic Hose Asm. Tilt Bed | 2 |
| 14 | <u>1015617</u> | Hydraulic Cylinder Cail Tilt | 1 |
| 15 | <u>1015621</u> | Mtg Bracket Hydr. Pump | 1 |
| 16 | <u>1015623</u> | Straight Thread Adap. W/o-ring | 2 |
| 17 | <u>1015624</u> | Straight Thd Elbow W/o-ring Ca | 2 |
| 18 | <u>101570401</u> | Decal, Tilt System Warning | 1 |
| 19 | <u>1016136</u> | Pump, Hydraulic Tilt Bed | 1 |
| 20 | <u>102882501</u> | Switch, Rocker, Bed Lift | 1 |
| 21 | <u>103318401</u> | Harness, Hyd Lift, Gas | 1 |
| 22 | <u>1241</u> | Washer, 5/16 Type A Flat | 6 |
| 23 | <u>1242</u> | Nut, 5/16-18 Hex | 2 |
| 24 | 320 | Screw, 3/8-16 X 1.00 Hex-Head Cap | 2 |
| 25 | <u>357</u> | Lockwasher, 3/8 Split | 6 |
| 26 | 705 | Screw, Cap-hex Hd 3/8-16x1.25 | 2 |
| 27 | <u>706</u> | Nut, Hex 3/8-16 | 4 |
| 28 | <u>7174</u> | Lockwasher, 5/16 Split | 2 |
| 29 | <u>7473</u> | Locknut, 5/16-18 Nylon Insert | 5 |
| 30 | <u>7561</u> | Bolt, 3/8-16 X 3.00 Hex Head | 1 |
| 31 | <u>8990</u> | Tie Wrap, 8" Nylon | 8 |

1
G
E



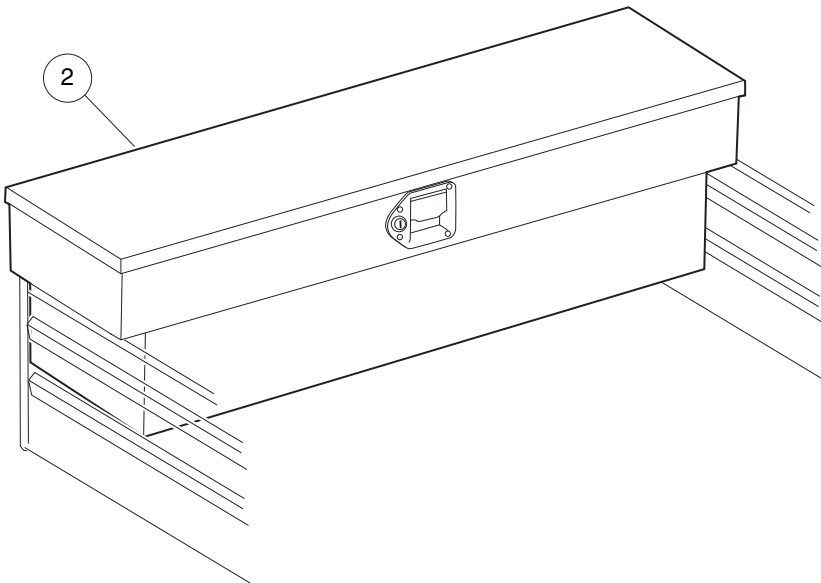
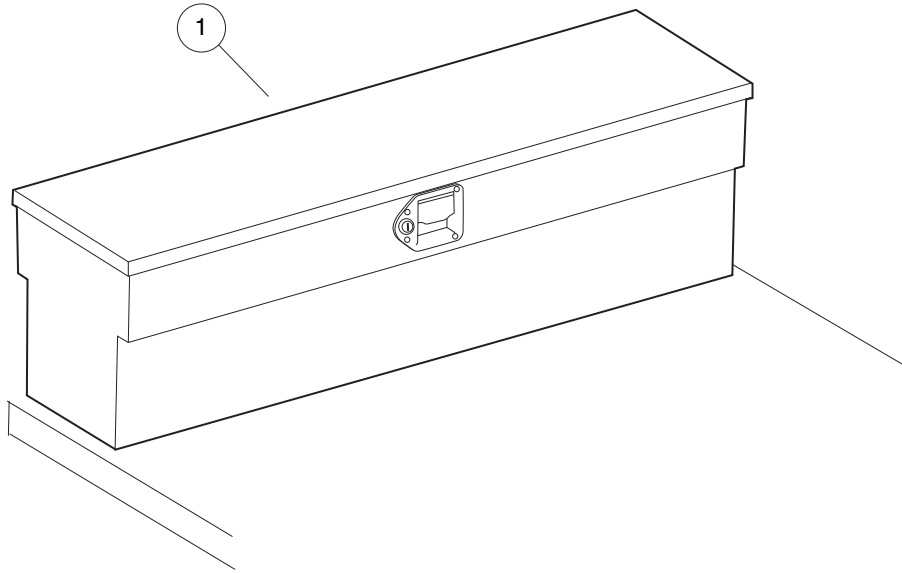
001210-001

PORTABLE REFRESHMENT CENTER

| ITEM | PART NO. | DESCRIPTION | QTY |
|------|------------------|--|-----|
| | | 1 2 3 4 | |
| 1 | <u>101996901</u> | Portable Refreshment Ctr, 2 (includes items 2 through 4) | 1 |
| 2 | <u>1011962</u> | Decal, Refreshment Center | 2 |
| 3 | <u>102056401</u> | Decal-bev Unit Dash Warning | 1 |
| 4 | N/A | Decal, PRC Warning | 2 |

1
G
E

1
G
E



001157-001

TOOLBOXES

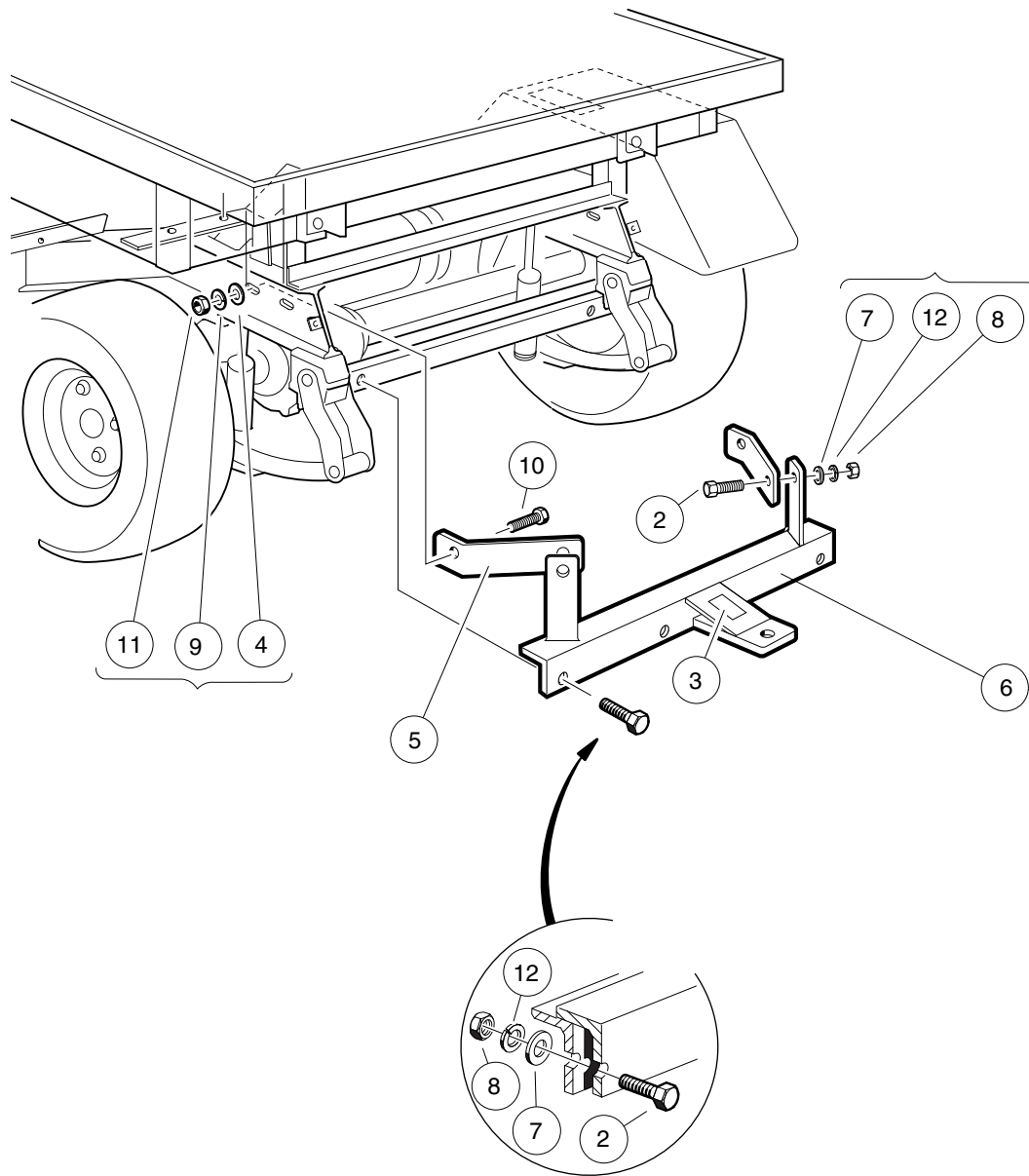
| ITEM | PART NO. | DESCRIPTION | QTY |
|------|------------------|------------------------------------|-----|
| 1 | <u>101837401</u> | 1 2 3 4 Toolbox, Flat Bed | 1 |
| 2 | <u>101837502</u> | Toolbox, Box Bed | 1 |

1

G

E

1
G
E



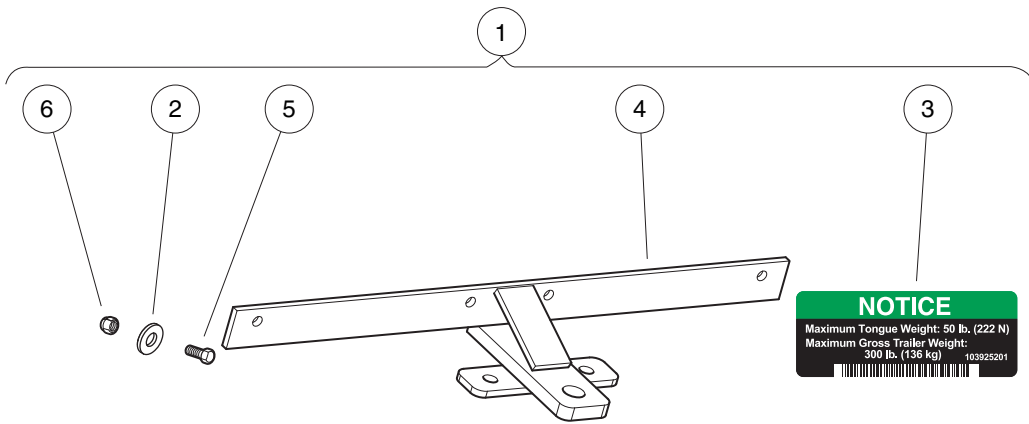
000265-001

TRAILER HITCH, HEAVY-DUTY

| ITEM | PART NO. | DESCRIPTION | QTY |
|------|----------------|--|-----|
| | | 1 2 3 4 | |
| 1 | <u>1015445</u> | Kit, Trailer Hitch (includes items 2 through 12) | 1 |
| 2 | <u>1010934</u> | Screw, 5/16-18 X 1.00 Hex Cap | 4 |
| 3 | <u>1011553</u> | Decal, Trailer Hitch | 1 |
| 4 | <u>1011990</u> | Washer, 3/8 Flat | 2 |
| 5 | <u>1013483</u> | Brace, Trailer Hitch | 2 |
| 6 | N/A | Asm, Trailer Hitch | 1 |
| 7 | <u>1241</u> | Washer, 5/16 Type A Flat | 4 |
| 8 | <u>1242</u> | Nut, 5/16-18 Hex | 4 |
| 9 | <u>357</u> | Lockwasher, 3/8 Split | 2 |
| 10 | 705 | Screw, Cap-hex Hd 3/8-16x1.25 | 2 |
| 11 | <u>706</u> | Nut, Hex 3/8-16 | 2 |
| 12 | <u>7174</u> | Lockwasher, 5/16 Split | 4 |

1
G
E

1
G
E



NOTICE
Maximum Tongue Weight: 50 lb. (222 N)
Maximum Gross Trailer Weight:
300 lb. (136 kg)
103925201

001239-001

TRAILER HITCH, LIGHT-DUTY

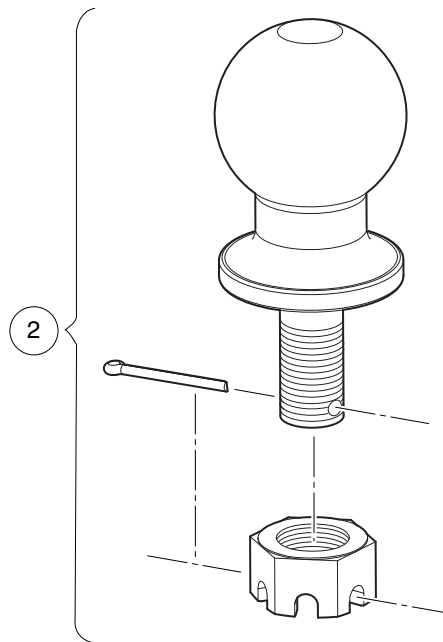
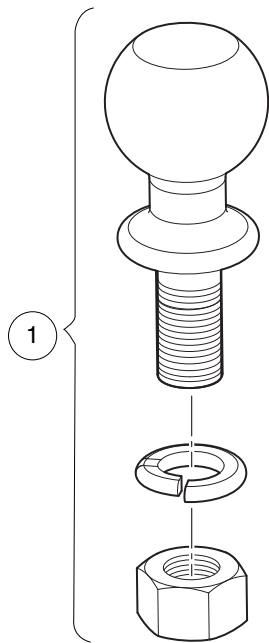
| ITEM | PART NO. | DESCRIPTION | QTY |
|------|------------------|---|-----|
| | | 1 2 3 4 | |
| 1 | <u>103925001</u> | Kit, Trailer Hitch, Light-Duty (includes items 2 through 6) | 1 |
| 2 | 1012571 | Washer, 5/16 Extra Thick Flat | 8 |
| 3 | <u>103925201</u> | Decal, Trailer Htch, 50lb Tng | 1 |
| 4 | 103930001 | Ld Trailer Hitch Weld Assy | 1 |
| 5 | 1218 | Screw, 5/16-18 X 1.25 Hex-Head Cap | 4 |
| 6 | <u>7473</u> | Locknut, 5/16-18 Nylon Insert | 4 |

1
G
E

1

G

E



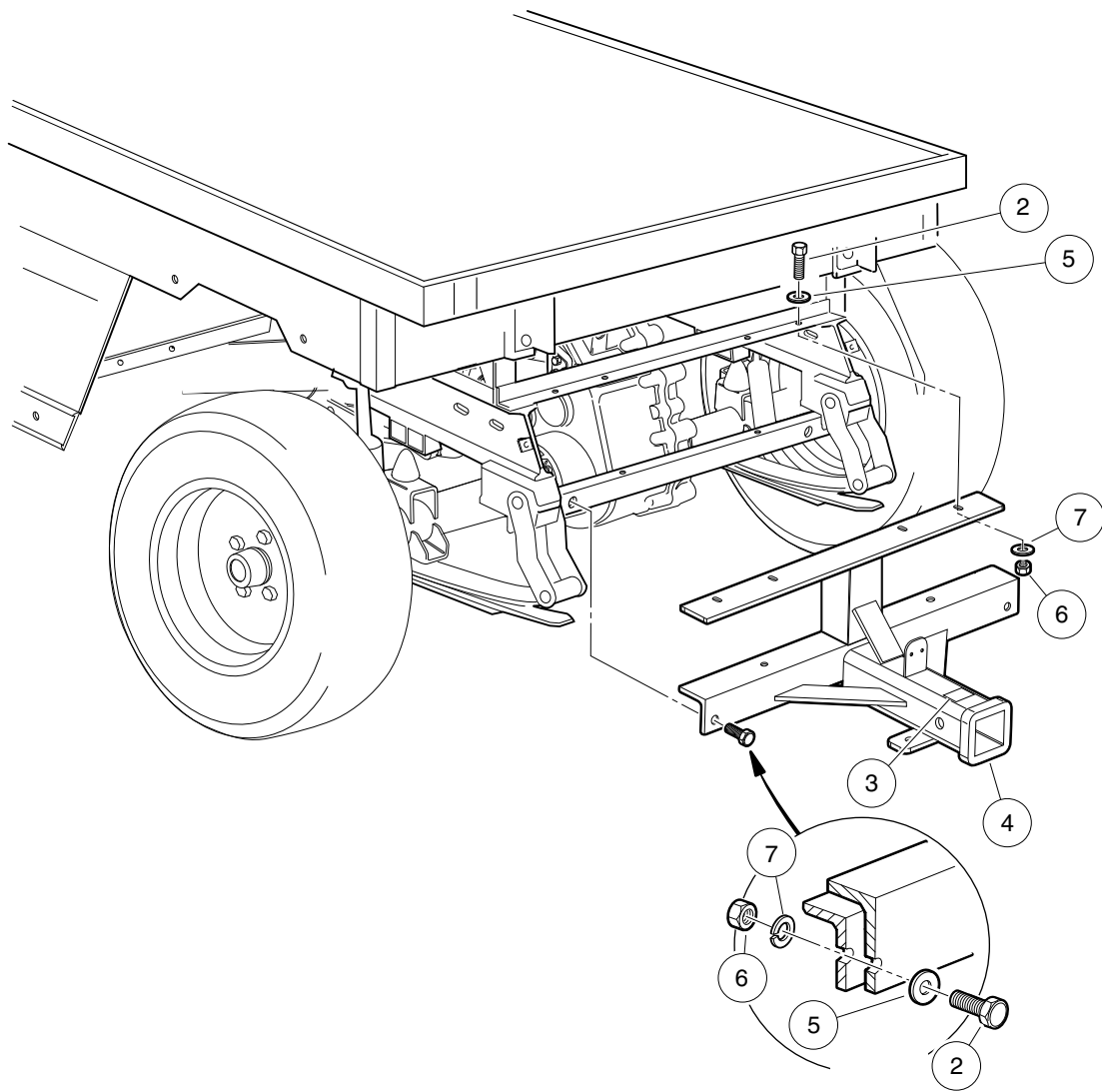
001137-001

TRAILER HITCH BALL

| ITEM | PART NO. | DESCRIPTION | QTY |
|------|------------------|--|-----|
| 1 | <u>1011546</u> | 1 2 3 4 Trailer Hitch Ball - 1 7/8" | 1 |
| 2 | <u>AM1264001</u> | Chrome Hitch Ball, 2" | 1 |

1
G
E

1
G
E



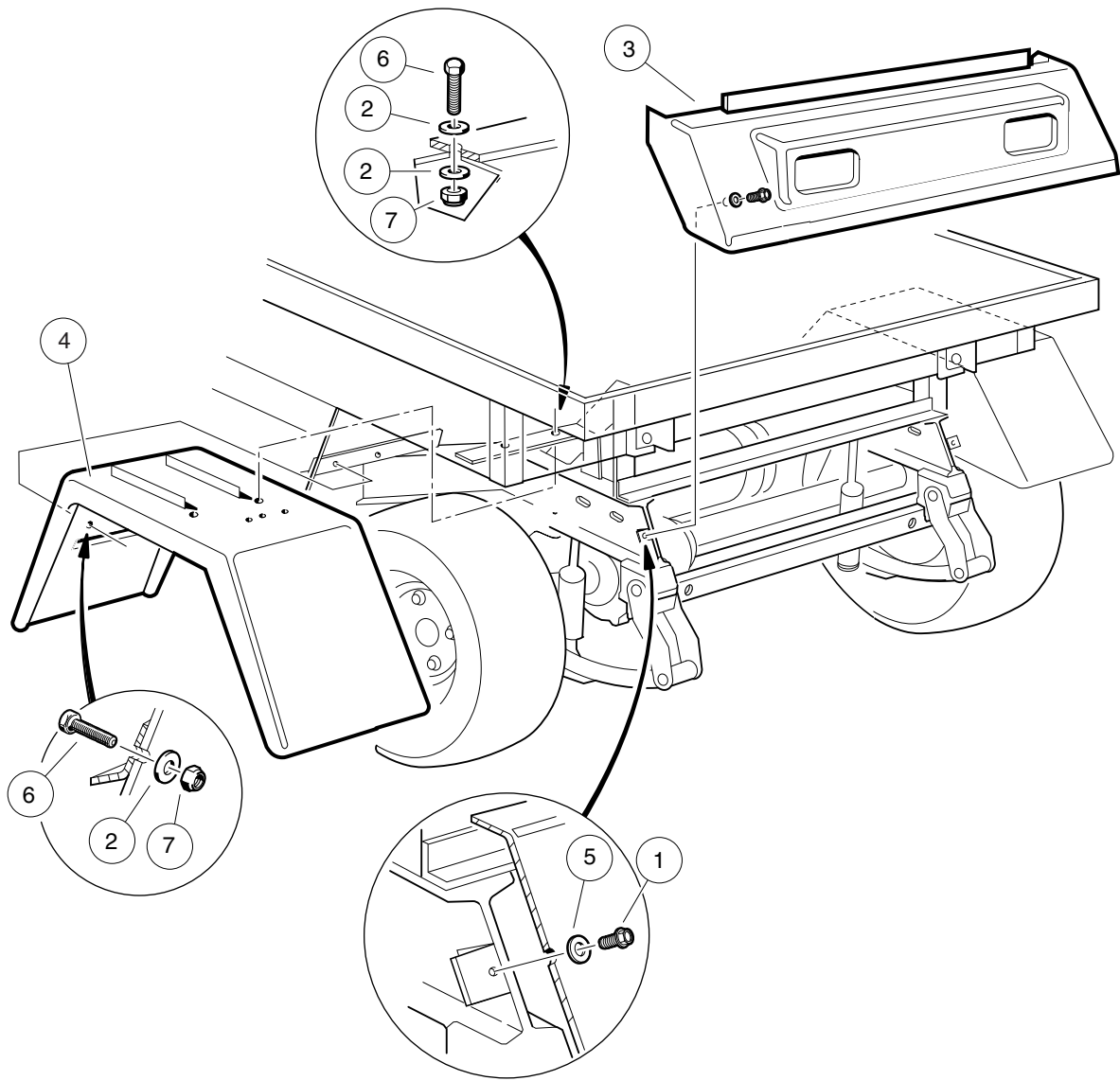
000100-002

RECEIVER HITCH

| ITEM | PART NO. | DESCRIPTION | QTY |
|------|------------------|---|-----|
| | | 1 2 3 4 | |
| 1 | <u>102065103</u> | Kit, Rear Receiver (includes items 2 through 7) | 1 |
| 2 | <u>1010934</u> | Screw, 5/16-18 X 1.00 Hex Cap | 6 |
| 3 | <u>1011553</u> | Decal, Trailer Hitch | 1 |
| 4 | <u>102056001</u> | Rear Receiver Weld Asm | 1 |
| 5 | <u>1241</u> | Washer, 5/16 Type A Flat | 6 |
| 6 | <u>1242</u> | Nut, 5/16-18 Hex | 6 |
| 7 | <u>7174</u> | Lockwasher, 5/16 Split | 6 |

1
G
E

1
G
E



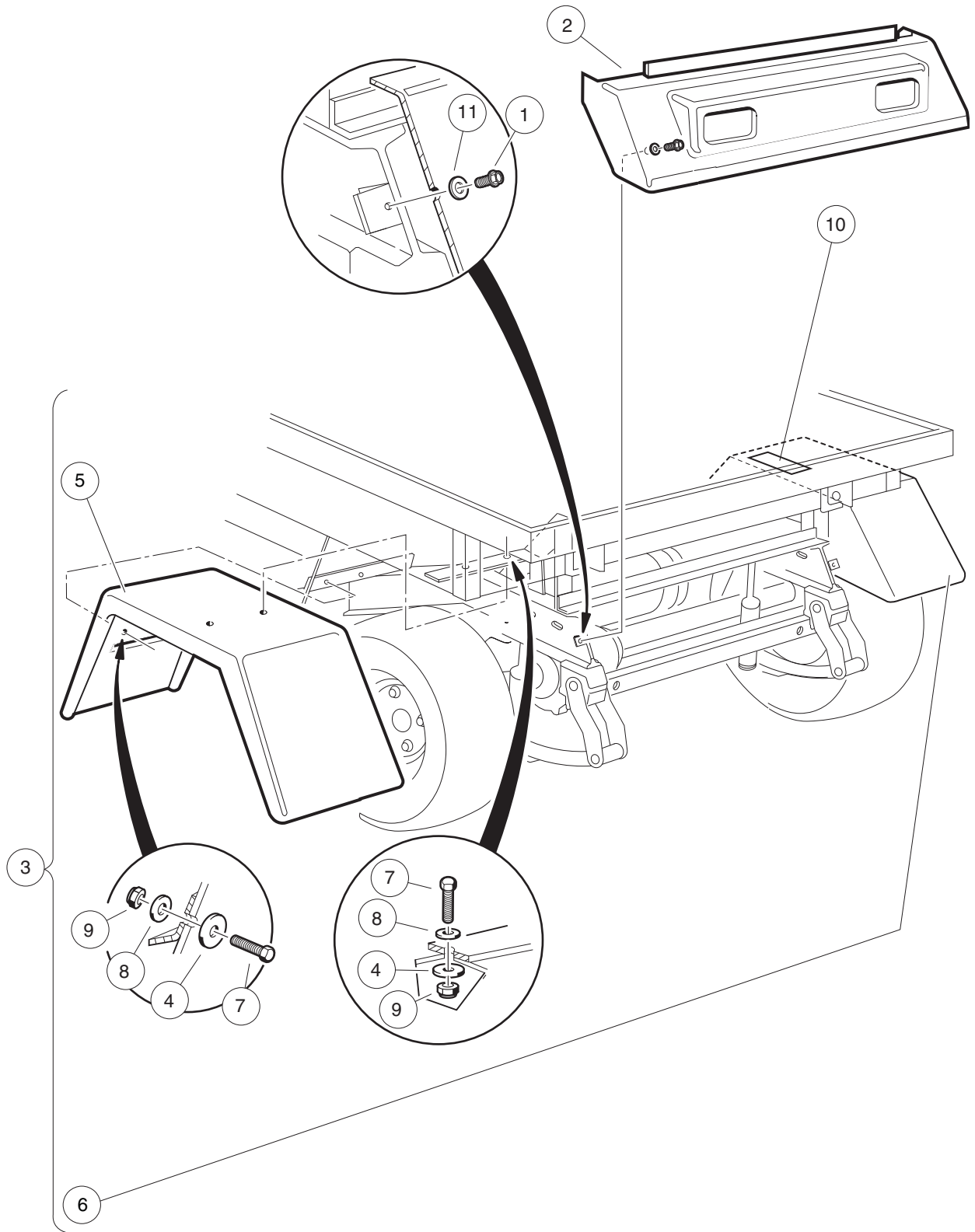
000266-001

REAR BODY TRIM – TURF/CARRYALL 1, 2, 2 PLUS, AND 6

| ITEM | PART NO. | DESCRIPTION | QTY |
|------|----------------|---|-----|
| | | 1 2 3 4 | |
| 1 | <u>1012285</u> | Screw, 1/4 X 0.625 Hex-Head | 2 |
| 2 | <u>1014306</u> | Washer, 1/4" Type B Flat | 12 |
| 3 | <u>1015530</u> | Tailskirt | 1 |
| 4 | <u>1016679</u> | Rear Fender | 2 |
| 5 | <u>332</u> | Washer, 1/4 Type A Narrow Flat | 2 |
| 6 | <u>7847</u> | Screw, 1/4-20 X 0.75 Hex-Head Cap | 8 |
| 7 | <u>8233</u> | Locknut, 1/4-20, Nylon Insert | 8 |

1
G
E

1
G
E



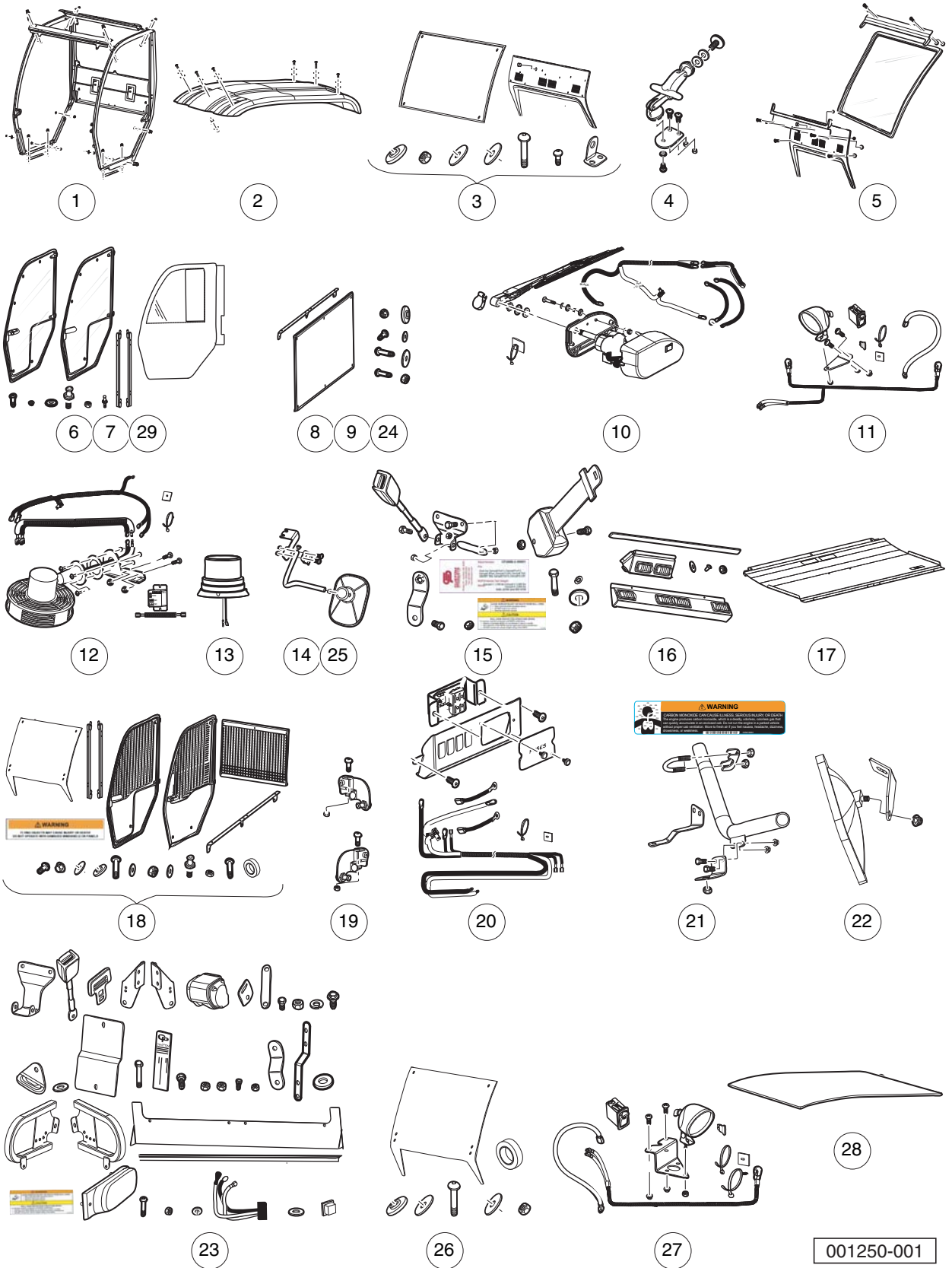
000267-001

REAR BODY TRIM – TURF/CARRYALL 252 AND XRT 900

| ITEM | PART NO. | DESCRIPTION | QTY |
|------|------------------|--|-----|
| | | 1 2 3 4 | |
| 1 | <u>1012285</u> | Screw, 1/4 X 0.625 Hex-Head | 2 |
| 2 | <u>1015530</u> | Tailskirt | 1 |
| 3 | <u>102010501</u> | Rear Fender Kit (includes items 4 through 9) | 1 |
| 4 | <u>1014306</u> | Washer, 1/4" Type B Flat | 10 |
| 5 | <u>102004601</u> | Extended Fender, Rear, Left-Hand | 1 |
| 6 | <u>102004602</u> | Extended Fender, Rear, Right-Hand | 1 |
| 7 | 304 | Screw, 1/4-20 X 1.0 Hex-Head Cap | 8 |
| 8 | <u>332</u> | Washer, 1/4 Type A Narrow Flat | 6 |
| 9 | <u>8233</u> | Locknut, 1/4-20, Nylon Insert | 8 |
| 10 | <u>102224001</u> | Decal, Rotating Parts Warning | 1 |
| 11 | <u>332</u> | Washer, 1/4 Type A Narrow Flat | 2 |

1
G
E

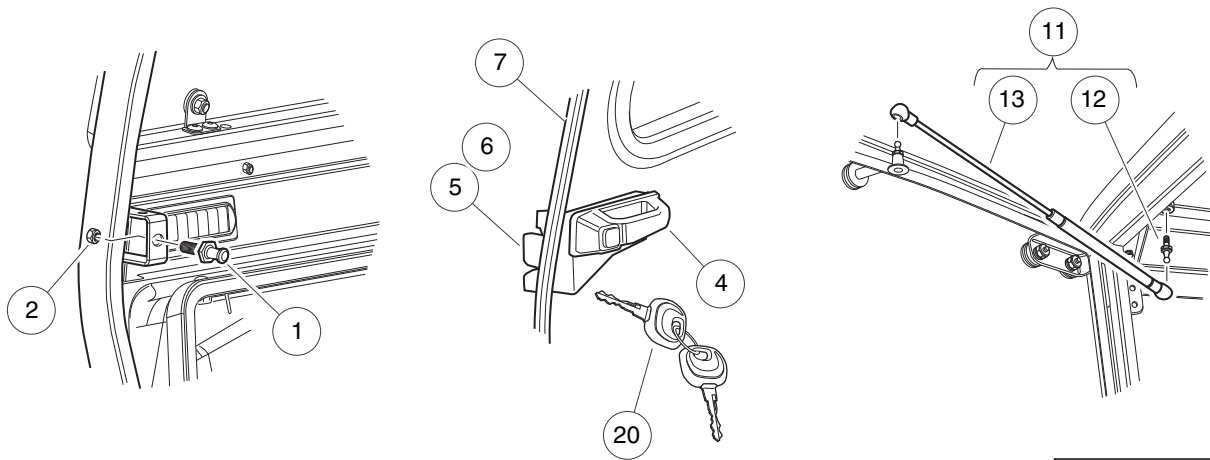
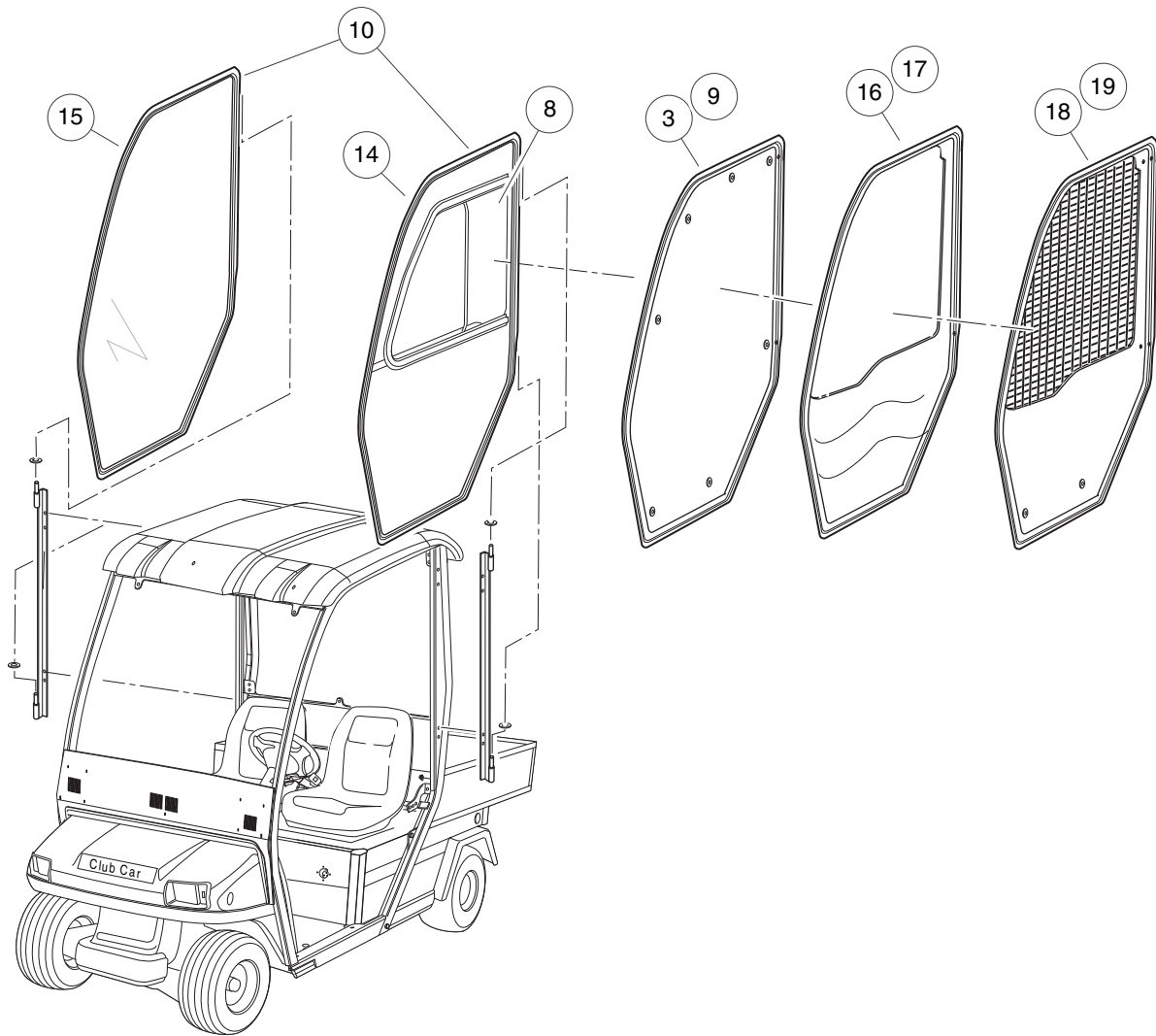
1
G
E



CAB, CPL – TURF/CA 2, 2 PLUS, 6, 252 AND XRT 900

| ITEM | PART NO. | DESCRIPTION | QTY | |
|------|------------------|--|-----|----------|
| | | 1 2 3 4 | | 1 |
| 1 | 103910101 | Kit, Side Frames | 1 | G |
| 2 | 103910201 | Kit, Roof, White | 1 | E |
| 3 | <u>103910301</u> | Kit, Front Window, Fixed, Tempered | 1 | |
| 4 | <u>103910401</u> | Kit, Frt Window Tip-out | 1 | |
| 5 | <u>103910501</u> | Kit, Front Window, Laminated, LSV | 1 | |
| 6 | <u>103910601</u> | Kit, Doors, Hard-Side, Acrylic | 1 | |
| 7 | <u>103910701</u> | Kit, Doors, Glass, LH Open | 1 | |
| 8 | 103910801 | Kit, Rear Window, Acrylic | 1 | |
| 9 | <u>103910901</u> | Kit, Rear Window, Sliding | 1 | |
| 10 | <u>103911001</u> | Kit, Wiper, 12vdc | 1 | |
| 11 | <u>103911101</u> | Kit, Work Lights, Front | 1 | |
| 12 | <u>103911301</u> | Kit, Fan, 7-inch, Recirculation | 1 | |
| 13 | <u>103911401</u> | Kit, Warning Beacon | 1 | |
| 14 | <u>103911501</u> | Kit, Mirror, Outside, LH | 1 | |
| 15 | <u>103911601</u> | Kit, ROPS, with 2-Point Seat Belts | 1 | |
| 16 | <u>103911701</u> | Kit, Vent And Seal | 1 | |
| 17 | <u>103912001</u> | Kit, FOPS | 1 | |
| 18 | <u>103912101</u> | Kit, Driving-Range, with Doors | 1 | |
| 19 | <u>103912201</u> | Kit, Door-Hold, LH and RH | 1 | |
| 20 | <u>103912301</u> | Kit, Main Switch, Fuse Block | 1 | |
| 21 | <u>103912501</u> | Kit, Exhaust Extension | 1 | |
| 22 | <u>103912601</u> | Kit, Mirror, Interior | 1 | |
| 23 | <u>103912701</u> | Kit, ROPS, with 3-Point Seat Belts | 1 | |
| 24 | <u>103912801</u> | Kit, Rear Window, Glass | 1 | |
| 25 | <u>103912901</u> | Kit, Mirror, Outside, RH | 1 | |
| 26 | <u>103913001</u> | Kit, Front Window, Polycarbonate | 1 | |
| 27 | <u>103913101</u> | Kit, Work Lights, Rear | 1 | |
| 28 | <u>103913201</u> | Kit, Roof Liner | 1 | |
| 29 | <u>103913301</u> | Kit, Doors, Soft, Wire-Frame | 1 | |
| | | Note: Use kits above to create a complete cab equipped with desired accessories. | | |

1
G
E



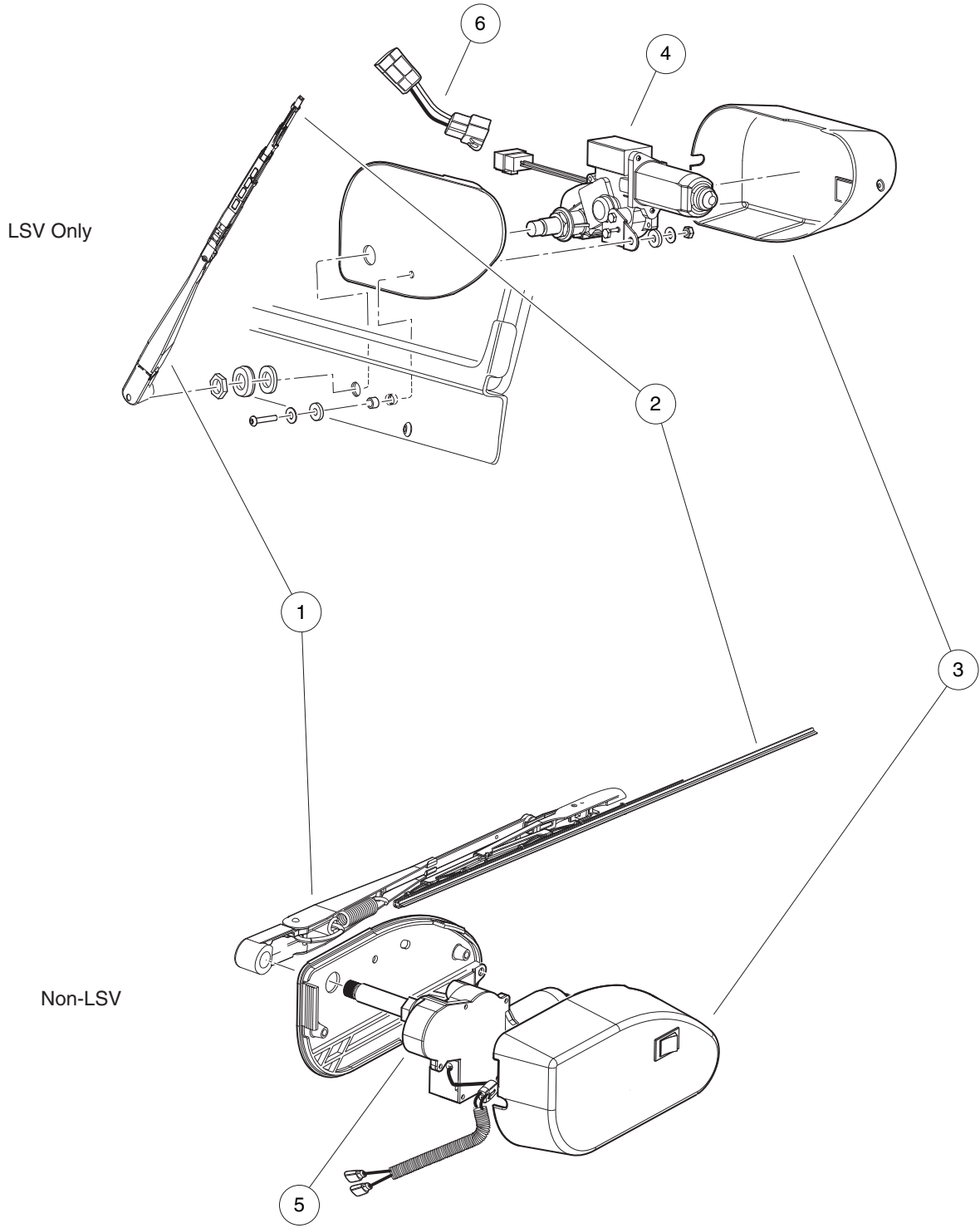
001251-001

DOORS – CPL CAB

| ITEM | PART NO. | DESCRIPTION | QTY |
|------|------------------|---|-----|
| | | 1 2 3 4 | |
| 1 | <u>104001601</u> | Striker Stud 10 mm | 2 |
| 2 | <u>104001701</u> | Nut, Hex, Jam, M12-1.0 | 2 |
| 3 | <u>104002701</u> | Door Panel, Acrylic, T2 | 2 |
| 4 | <u>104002801</u> | Grab Handle, Exterior | 2 |
| 5 | <u>104002901</u> | Rotary Latch, Interior, Lh | 1 |
| 6 | <u>104003001</u> | Rotary Latch, Interior, Rh | 1 |
| 7 | <u>104003401</u> | Foam Spacer, Door | 2 |
| 8 | <u>104004901</u> | Window, Sliding, LH | 1 |
| 9 | <u>104014901</u> | Kit, Cab, Seals, Acrylic Doors | 1 |
| 10 | <u>104015001</u> | Kit, Cab, Seals, Glass Doors | 1 |
| 11 | <u>104015501</u> | Kit, Cab, Range Dr Gas Springs (includes items 12 and 13) | 1 |
| 12 | <u>104001101</u> | Ball Stud | 2 |
| 13 | <u>104001201</u> | Gas Spring | 2 |
| 14 | <u>104027501</u> | Door, Glass, Lh, Replacement | 1 |
| 15 | <u>104027601</u> | Door, Glass, Rh, Replacement | 1 |
| 16 | <u>104027701</u> | Door, Soft, Rh, Replacement | 1 |
| 17 | <u>104027801</u> | Door, Soft, Lh, Replacement | 1 |
| 18 | <u>104028001</u> | Door, Range, Lh | 1 |
| 19 | <u>104028101</u> | Door, Range, Rh | 1 |
| 20 | <u>AM1290701</u> | Key, Set (2), CPL Cab | 1 |

1
G
E

1
G
E



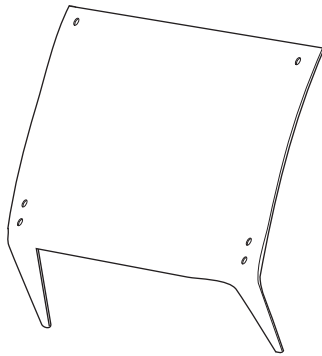
001252-001

WINDSHIELD WIPER – CPL CAB

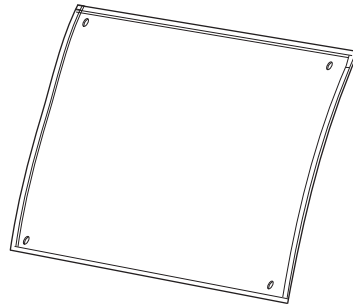
| ITEM | PART NO. | DESCRIPTION | QTY |
|------|------------------|--|-----|
| | | 1 2 3 4 | |
| 1 | <u>10400901</u> | Wiper Arm, Modified | 1 |
| 2 | <u>104001001</u> | Wiper Blade, Modified | 1 |
| 3 | <u>104003501</u> | Cover, Wiper Mtr & Switch Asm | 1 |
| 4 | <u>104003601</u> | Wiper Motor, 12v, 2-inch Shaft | 1 |
| 5 | <u>104004101</u> | Wiper Motor, 12v, 110deg, 1-inch Shaft | 1 |
| 6 | <u>104005001</u> | Wire Harness, Jumper, LSV, Wiper | 1 |

1
G
E

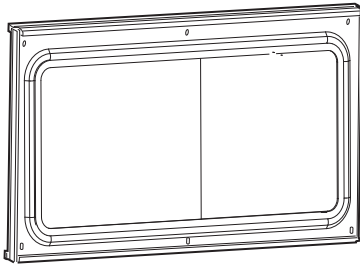
1
G
E



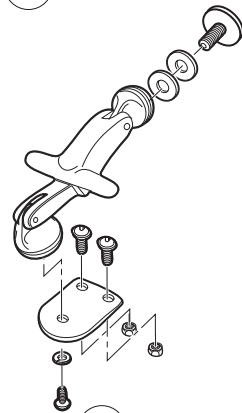
1



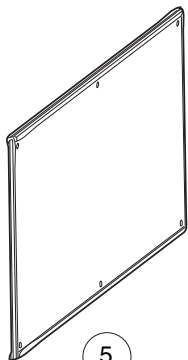
2



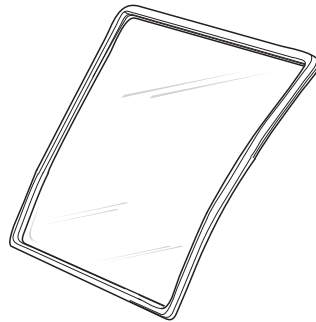
3



4



5



9



6



7



8

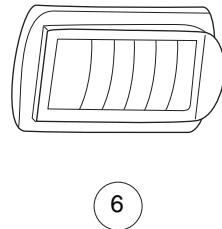
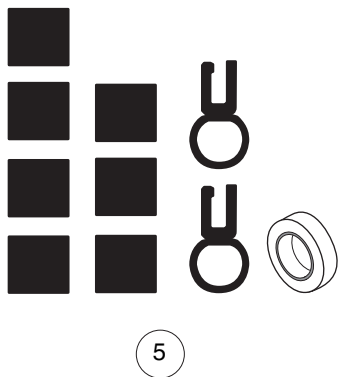
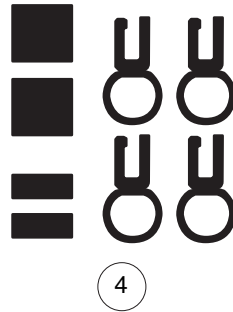
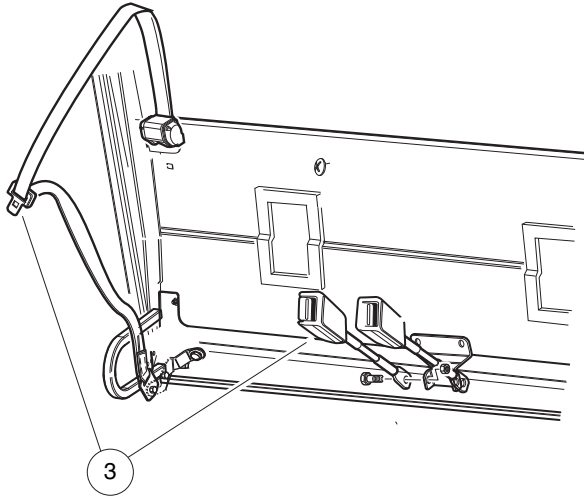
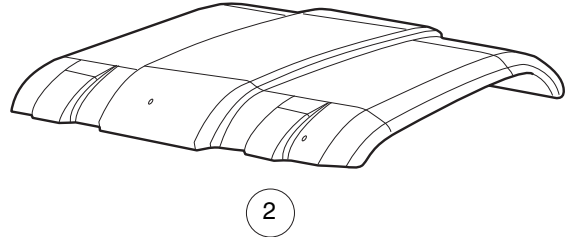
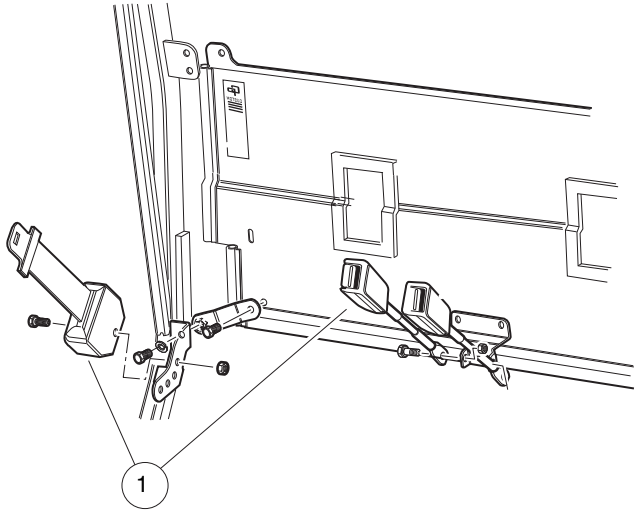
001253-001

WINDSHIELDS – CPL CAB

| ITEM | PART NO. | DESCRIPTION | QTY |
|------|------------------|--|-----|
| | | 1 2 3 4 | |
| 1 | <u>103913001</u> | Kit, Front Window, Polycarbonate | 1 |
| 2 | <u>104002601</u> | Windshield, Tempered | 1 |
| 3 | <u>104003101</u> | Window, Rear Sliding | 1 |
| 4 | <u>104003901</u> | Handle, Tee | 2 |
| 5 | <u>104004801</u> | Window, Rear | 1 |
| 6 | <u>104014801</u> | Kit, Cab, Seals, Windshield | 1 |
| 7 | <u>104015101</u> | Kit, Cab, Seals, Rr Slid Wind | 1 |
| 8 | <u>104015301</u> | Kit, Cab, Seals, Rr Window | 1 |
| 9 | <u>105002801</u> | Windshield, Laminated | 1 |

1
G
E

1
G
E



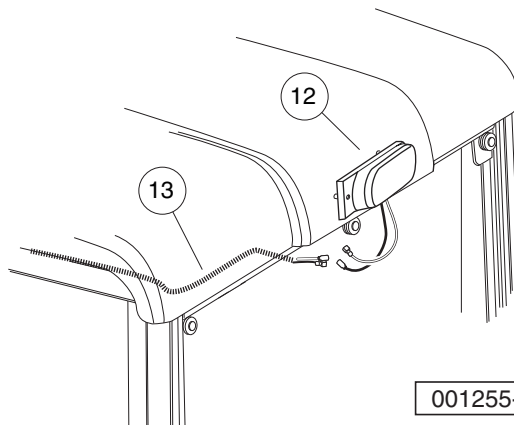
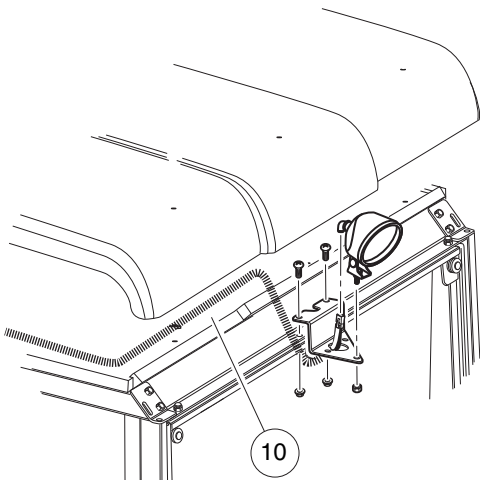
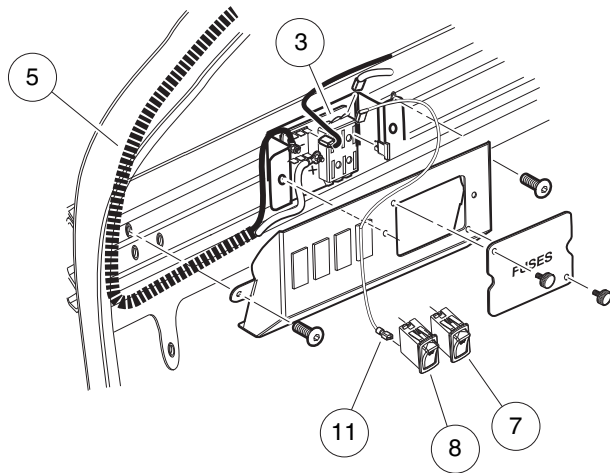
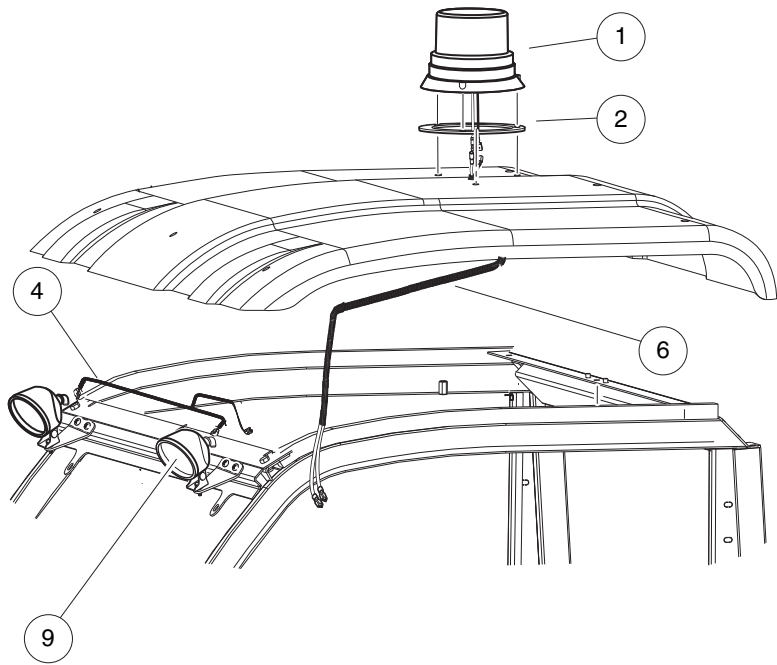
001254-001

SEAT BELTS, ROOF, VENT, & SEALS – CPL CAB

| ITEM | PART NO. | DESCRIPTION | QTY |
|------|------------------|-----------------------------------|-----|
| | | 1 2 3 4 | |
| 1 | <u>104001901</u> | Seat Belt, 2 Point | 2 |
| 2 | <u>104002501</u> | Roof Panel, White | 1 |
| 3 | <u>104004001</u> | Seat Belt, 3 Point | 2 |
| 4 | <u>104014701</u> | Kit, Cab, Seals, Side Frame | 1 |
| 5 | <u>104015201</u> | Kit, Cab, Seals, Vent | 1 |
| 6 | <u>104028301</u> | Vent, Louver | A/R |

1
G
E

1
G
E



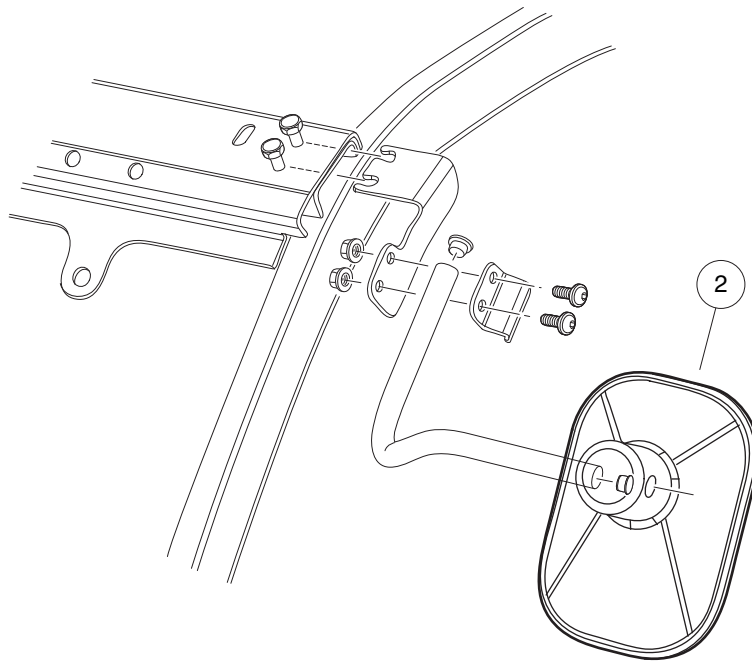
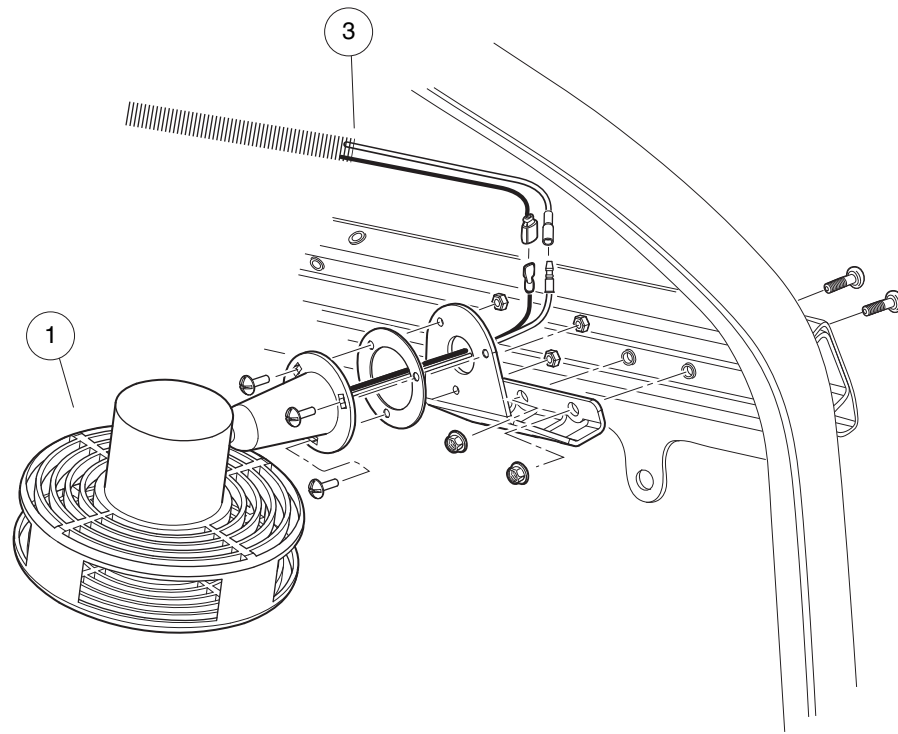
001255-001

LIGHTS – CPL CAB

| ITEM | PART NO. | DESCRIPTION | QTY |
|------|------------------|--|-----|
| | | 1 2 3 4 | |
| 1 | <u>104002101</u> | Light, Strobe, Amber | 1 |
| 2 | <u>104002201</u> | Seal Gasket, Foam | 1 |
| 3 | <u>104002301</u> | Fuse Holder, ATC, 6-Slot | 1 |
| 4 | <u>104003201</u> | Wire Harness, Front Work Lights | 1 |
| 5 | <u>104004201</u> | Wire Harness, Main, CPL Cab | 1 |
| 6 | <u>104004401</u> | Wire Harness, Beacon | 1 |
| 7 | <u>104004501</u> | Switch, L Series, Headlight | 1 |
| 8 | <u>104004601</u> | Switch, L Series, Strobelight | 1 |
| 9 | <u>104004701</u> | Lamp, 700t/862-12v | A/R |
| 10 | <u>104027901</u> | Wire Harness, Rear Work Light | 1 |
| 11 | <u>104028201</u> | Wire Harness, Fuse Block to Switch | 1 |
| 12 | <u>105002901</u> | Light, CHMSL, Red | 1 |
| 13 | <u>105003001</u> | Wire Harness, CHMSL Light | 1 |

1
G
E

1
G
E



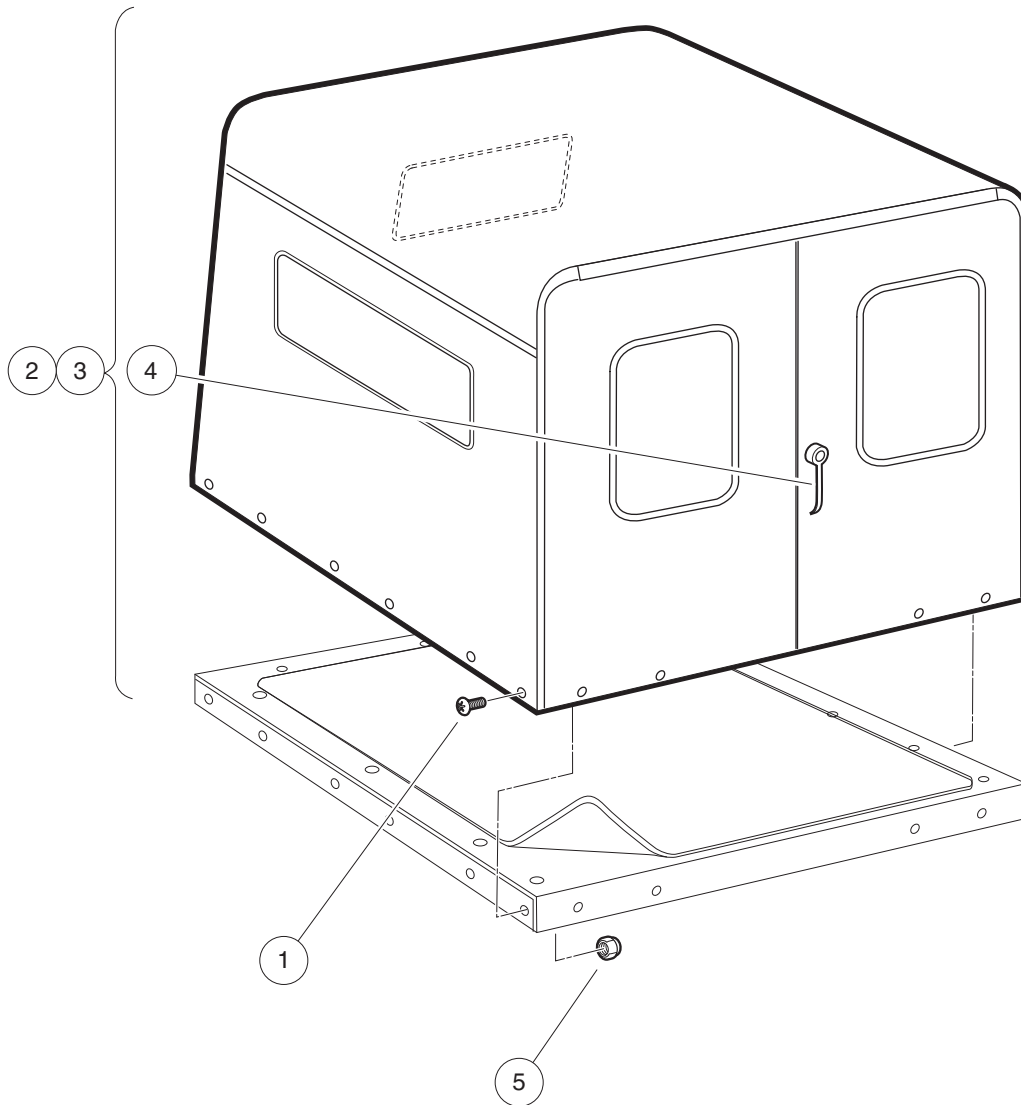
001256-001

FAN AND MIRROR – CPL CAB

| ITEM | PART NO. | DESCRIPTION | QTY |
|------|------------------|---------------------------------------|-----|
| 1 | <u>104001401</u> | 1 2 3 4 Fan, 12v, 3 Position | 1 |
| 2 | <u>104002001</u> | Mirror, Universal, 5.5" X 7.5" | 1 |
| 3 | <u>104004301</u> | Wire Harness, Fan | 1 |

1
G
E

1
G
E



001208-001

VAN BOX

| ITEM | PART NO. | DESCRIPTION | QTY |
|--|------------------|---|-----|
| | | 1 2 3 4 | |
| 1 | 1015399 | Screw, 5/16-18 X 0.88 Torx Truss-Head | 20 |
| 2 | <u>101754201</u> | Custom Van Box, Gray | 1 |
| 3 | <u>101754204</u> | Custom Van Box Kit, White (includes item 4) | 1 |
| 4 | <u>102006201</u> | Handle, Van Box Door | 1 |
| 5 | <u>7473</u> | Locknut, 5/16-18 Nylon Insert | 20 |
| <p>Note: Item 2, Van Box Gray, includes item 4, Door Handle.</p> | | | |

1
G
E

1

G

E

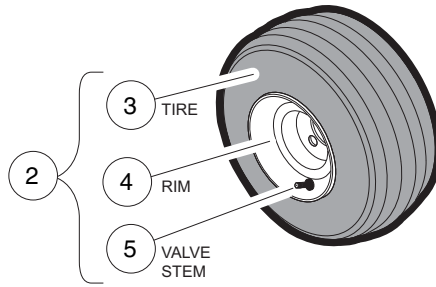
WHEELS AND TIRES

2

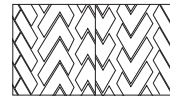
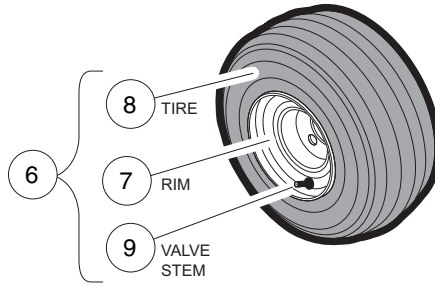
G

E

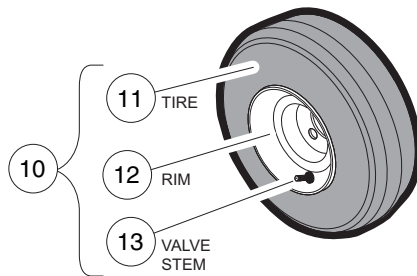
2
G
E



EXTRA TRACTION
TREAD



KENDA HOLE-N-ONE
K389 TREAD



KENDA HOLE-N-ONE
K389 TREAD

000269-018

WHEELS (SILVER) AND TIRES – TURF/CARRYALL 2 AND 2 PLUS

| ITEM | PART NO. | DESCRIPTION | QTY |
|------|------------------|---|-----|
| | | 1 2 3 4 | |
| 1 | <u>1010984</u> | .500-20 Unf Lug Nut | 16 |
| 2 | <u>103951002</u> | Assembly, Silver Wheel Kenda, X/t 6ply (includes items 3 through 5) | A/R |
| 3 | <u>102569302</u> | Tire, Kenda, 18x8.5-8, 6-ply Xtr | 1 |
| 4 | <u>103459104</u> | Wheel Rim, 8"x7", Silver, Std | 1 |
| 5 | <u>7310</u> | Valve Stem, Black Plastic | 1 |
| 6 | <u>103951003</u> | Asm,silver Whl Kenda, Hn1 6pl (includes items 7 through 9) | A/R |
| 7 | <u>103459104</u> | Wheel Rim, 8"x7", Silver, Std | 1 |
| 8 | <u>103658601</u> | Tire, Kenda Hn1, 6pl | 1 |
| 9 | <u>7310</u> | Valve Stem, Black Plastic | 1 |
| 10 | <u>103951004</u> | Asm,silver Whl Kenda,6.5" 6pl (includes items 11 through 13) | A/R |
| 11 | <u>103722901</u> | Tire, Kenda Hole-N-One, 18x6.5 - 8, Prem, 6-Ply | 1 |
| 12 | <u>103723003</u> | Wheel Rim, 8 X 5.375, Silver | 1 |
| 13 | <u>7310</u> | Valve Stem, Black Plastic | 1 |

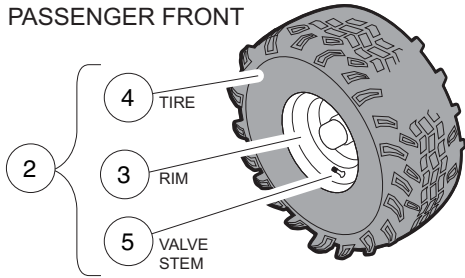
2
G
E



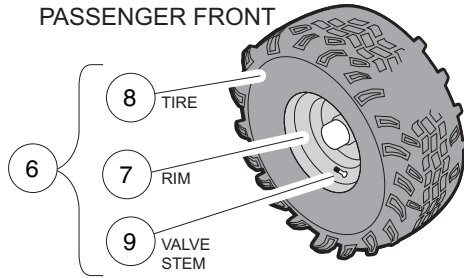
WHITE RIMS

SILVER RIMS

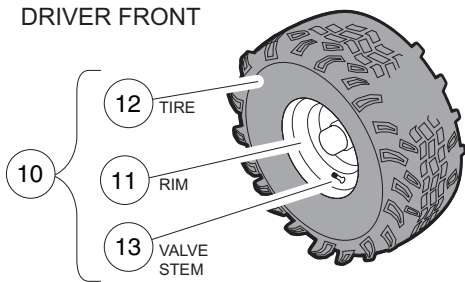
PASSENGER FRONT



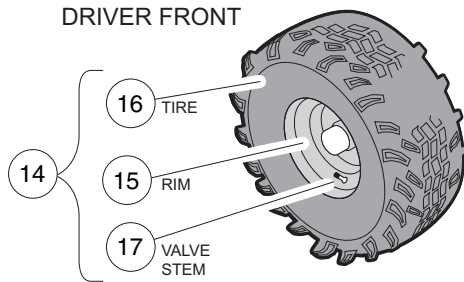
PASSENGER FRONT



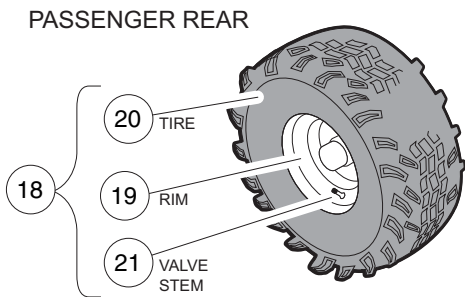
DRIVER FRONT



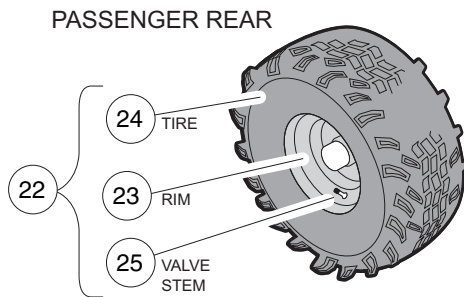
DRIVER FRONT



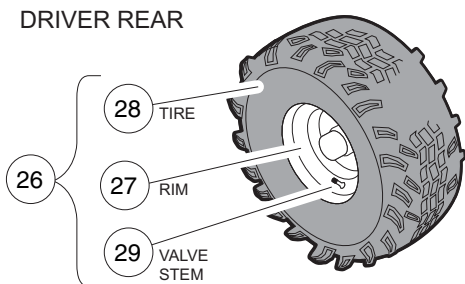
PASSENGER REAR



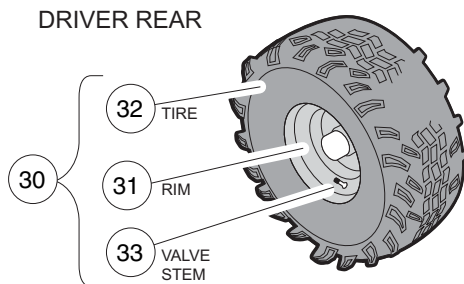
PASSENGER REAR



DRIVER REAR



DRIVER REAR



000269-004

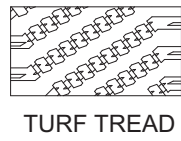
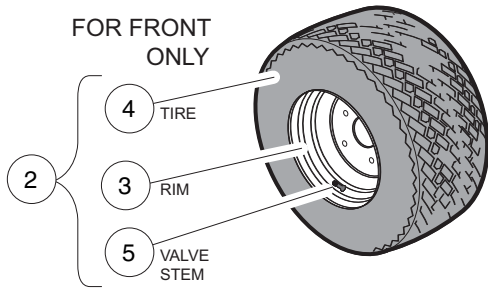
WHEELS AND TIRES, OFF-ROAD TREAD – TURF/CARRYALL 252 AND XRT 900

| ITEM | PART NO. | DESCRIPTION | QTY |
|---|------------------|---|-----|
| | | 1 2 3 4 | |
| 1 | <u>1010984</u> | .500-20 Unf Lug Nut | 16 |
| 2 | <u>102009201</u> | Off-Road Tire and Wheel Asm, Right, Front (includes items 3 through 5) | 1 |
| 3 | N/A | Rim, Wheel, White | 1 |
| 4 | N/A | Tire, Unmounted, Duro, Off-Road Tire, 22 x 11-10, 6-Ply Rated | 1 |
| 5 | <u>7310</u> | Valve Stem, Black Plastic | 1 |
| 6 | <u>102009202</u> | Off-Road Tire and Wheel Asm, Right, Front (includes items 7 through 9) | 1 |
| 7 | N/A | Wheel Rim, Silver | 1 |
| 8 | N/A | Tire, Unmounted, Duro, Off-Road Tire, 22 x 11-10, 6-Ply Rated | 1 |
| 9 | <u>7310</u> | Valve Stem, Black Plastic | 1 |
| 10 | <u>102009301</u> | Off-Road Tire and Wheel Asm, Left, Front (includes items 11 through 13) | 1 |
| 11 | N/A | Rim, Wheel, White | 1 |
| 12 | N/A | Tire, Unmounted, Duro, Off-Road Tire, 22 x 11-10, 6-Ply Rated | 1 |
| 13 | <u>7310</u> | Valve Stem, Black Plastic | 1 |
| 14 | <u>102009302</u> | Off-Road Tire and Wheel Asm, Left, Front (includes items 15 through 17) | 1 |
| 15 | N/A | Wheel Rim, Silver | 1 |
| 16 | N/A | Tire, Unmounted, Duro, Off-Road Tire, 22 x 11-10, 6-Ply Rated | 1 |
| 17 | <u>7310</u> | Valve Stem, Black Plastic | 1 |
| 18 | <u>102009401</u> | Off-Road Tire and Wheel Asm, Right, Rear (includes items 19 through 21) | 1 |
| 19 | N/A | Rim, Wheel, White | 1 |
| 20 | N/A | Tire, Unmounted, Duro, Off-Road Tire, 22 x 11-10, 6-Ply Rated | 1 |
| 21 | <u>7310</u> | Valve Stem, Black Plastic | 1 |
| 22 | <u>102009402</u> | Off-Road Tire and Wheel Asm, Right, Rear (includes items 23 through 25) | 1 |
| 23 | N/A | Wheel Rim, Silver | 1 |
| 24 | N/A | Tire, Unmounted, Duro, Off-Road Tire, 22 x 11-10, 6-Ply Rated | 1 |
| 25 | <u>7310</u> | Valve Stem, Black Plastic | 1 |
| 26 | <u>102009501</u> | Off-Road Tire and Wheel Asm, Left, Rear (includes items 27 through 29) | 1 |
| 27 | N/A | Rim, Wheel, White | 1 |
| 28 | N/A | Tire, Unmounted, Duro, Off-Road Tire, 22 x 11-10, 6-Ply Rated | 1 |
| 29 | <u>7310</u> | Valve Stem, Black Plastic | 1 |
| 30 | <u>102009502</u> | Off-Road Tire and Wheel Asm, Left, Rear (includes items 31 through 33) | 1 |
| 31 | N/A | Wheel Rim, Silver | 1 |
| 32 | N/A | Tire, Unmounted, Duro, Off-Road Tire, 22 x 11-10, 6-Ply Rated | 1 |
| 33 | <u>7310</u> | Valve Stem, Black Plastic | 1 |
| <p>Note: Front and rear wheels are NOT interchangeable. The rear wheels have a different offset than the front wheels. The rear wheels must be installed with the deeper offset facing out. Off-road tires are directional.</p> | | | |

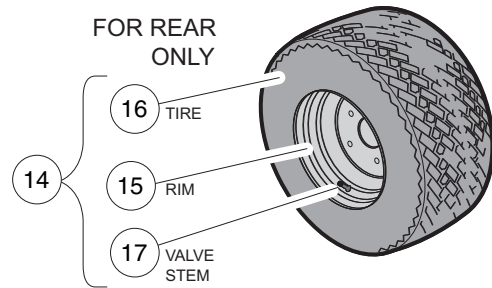
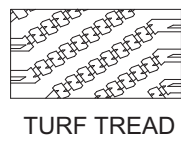
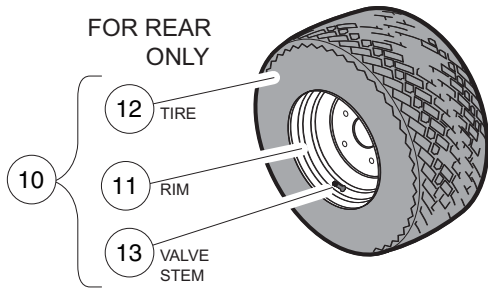
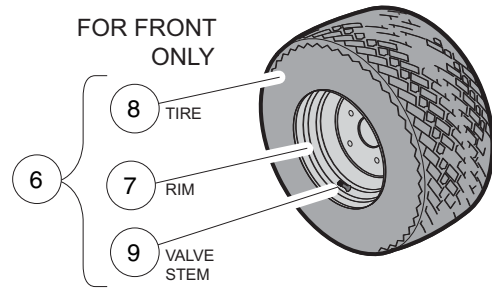
2
G
E



WHITE RIMS



SILVER RIMS



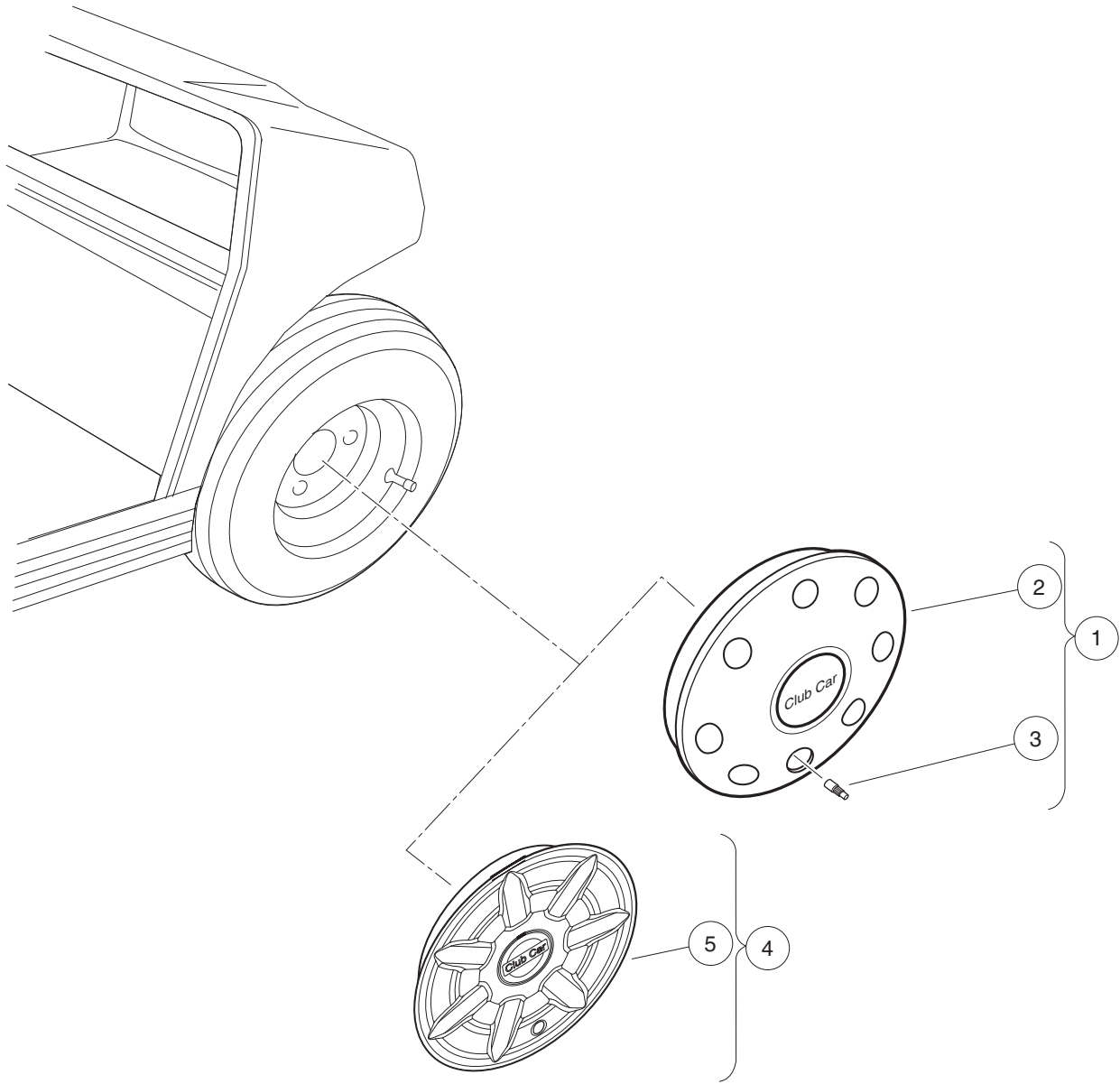
000269-005

WHEELS AND TIRES, TURF TREAD – TURF/CARRYALL 252 AND XRT 900

| ITEM | PART NO. | DESCRIPTION | QTY |
|------|------------------|--|-----|
| | | 1 2 3 4 | |
| 1 | <u>1010984</u> | .500-20 Unf Lug Nut | 16 |
| 2 | <u>102009901</u> | Turf Tire and Wheel Asm, Front (includes items 3 through 5) | 2 |
| 3 | N/A | Rim, Wheel, White | 1 |
| 4 | N/A | Tire, Front, Unmounted, Titan Turf Trac, 23 x 10.5-12, 4-Ply Rated | 1 |
| 5 | <u>7310</u> | Valve Stem, Black Plastic | 1 |
| 6 | <u>102009902</u> | Turf Tire and Wheel Asm, Front (includes items 7 through 9) | 2 |
| 7 | N/A | Wheel Rim, Silver | 1 |
| 8 | N/A | Tire, Front, Unmounted, Titan Turf Trac, 23 x 10.5-12, 4-Ply Rated | 1 |
| 9 | <u>7310</u> | Valve Stem, Black Plastic | 1 |
| 10 | <u>102010001</u> | Turf Tire and Wheel Asm, Rear (includes items 11 through 13) | 2 |
| 11 | N/A | Rim, Wheel, White | 1 |
| 12 | N/A | Tire, Rear, Unmounted, Titan Turf Trac, 23 x 10.5-12, 4-Ply Rated | 1 |
| 13 | <u>7310</u> | Valve Stem, Black Plastic | 1 |
| 14 | <u>102010002</u> | Turf Tire and Wheel Asm, Rear (includes items 15 through 17) | 2 |
| 15 | N/A | Wheel Rim, Silver | 1 |
| 16 | N/A | Tire, Rear, Unmounted, Titan Turf Trac, 23 x 10.5-12, 4-Ply Rated | 1 |
| 17 | <u>7310</u> | Valve Stem, Black Plastic | 1 |

2
G
E

2
G
E



001203-001

WHEEL COVERS

| ITEM | PART NO. | DESCRIPTION | QTY |
|------|------------------|---|-----|
| | | 1 2 3 4 | |
| 1 | <u>1012642</u> | Sport Wheel Cover Kit (each) (includes items 2 and 3) | 4 |
| 2 | 1012640 | Hubcap | 1 |
| 3 | <u>1012641</u> | Valve Extension | 1 |
| 4 | <u>102559901</u> | Hub Cap Kit, Prec (includes item 5) | 1 |
| 5 | <u>103694501</u> | Hub Cap, 7 Prong | 4 |

2

G

E

2

G

E

DECALS

3

G

E

⚠ WARNING

ROLLOVER OR FALLING OFF MAY CAUSE DEATH.

- Before using vehicle, read operating instructions.
- Remain seated and hold on to seat handle while moving.
- Do not start vehicle until all occupants are seated.
- Two (2) persons per seat maximum.
- Operate from driver side only and not on public roads.
- Keep entire body inside vehicle while moving.
- Drive slowly in turns and straight up and down slopes.
- Do not leave children unattended on vehicle.
- Never operate under the influence of alcohol or drugs.
- Use brakes to reduce speed when coasting downhill.
- Never stand in front of or behind vehicle.

CCI 103205401

OPERATING INSTRUCTIONS

Before using vehicle, read owner's manual and vehicle safety warnings. Study and understand controls.

TO OPERATE

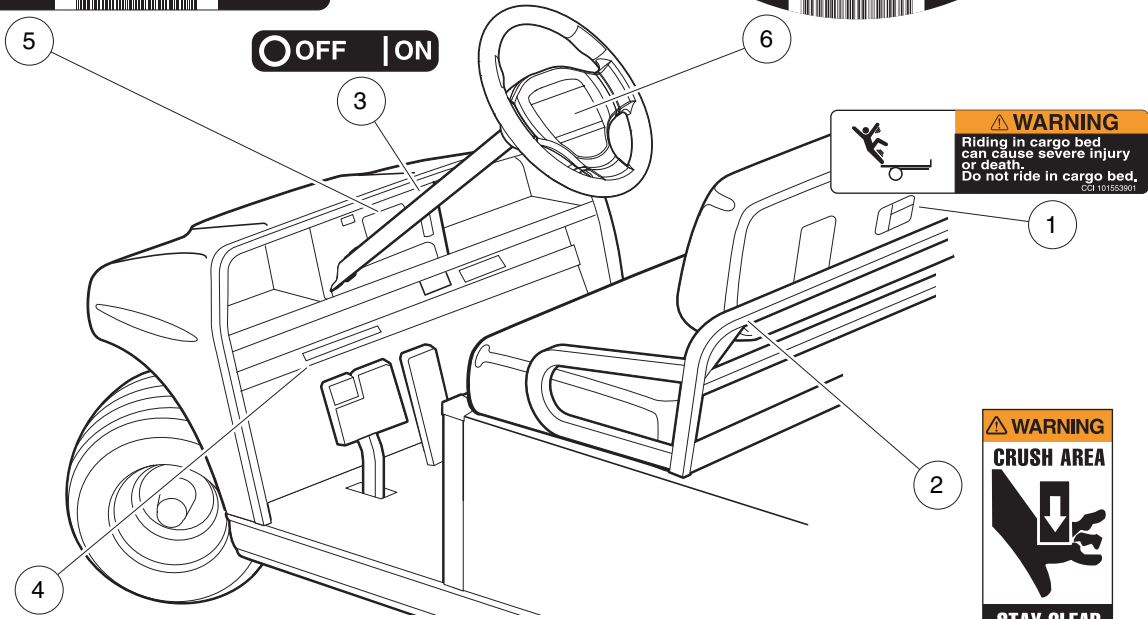
- Ensure wheels are turned in desired direction and path is clear.
- Turn key to ON position.
- Select FORWARD or REVERSE only when stopped.
- Release park brake fully.
- Vehicle will start moving when accelerator pedal is pressed.
- Slowly press accelerator pedal to increase speed.
- During operation, beeping alarm indicates reduction in motor braking.
- To stop, release accelerator pedal and press brake pedal.

WARNING

Unintended vehicle movement may cause severe injury or death. Before leaving vehicle:

- Engage park brake to lock wheels.
- Place vehicle in NEUTRAL.
- Turn key to OFF and remove key.

103783001



VEHICLE LOADING

Read owner's manual and warnings on dash.

- Vehicle rated capacity: 800 lb. (363 kg) on level surface only. - Includes occupants, cargo, optional equipment, and gross trailer weight.
- Maximum cargo load: 300 lb. (136 kg).
- Maximum gross trailer weight: 300 lb. (136 kg). Actual hitch rating may be less.

⚠ WARNING

ROLLOVER CAN CAUSE SERIOUS INJURY OR DEATH.

- Place cargo forward in the cargo bed and distribute evenly side to side. Secure load.
- On uneven or steep terrain, reduce speed and load.
- Avoid stopping on or backing down steep hills.
- Avoid top-heavy loads.

101960101

⚠ WARNING

CRUSH AREA

STAY CLEAR

CCI 101609401

001232-001

DECALS – TURF/CARRYALL 2 IQ PLUS ELECTRIC (PAGE 1 OF 2)

| ITEM | PART NO. | DESCRIPTION | QTY |
|------|------------------|-------------------------------------|-----|
| | | 1 2 3 4 | |
| 1 | <u>101553901</u> | Decal, Bed Load Warning | 1 |
| 2 | <u>101609401</u> | Decal, Crush Area Warning | 2 |
| 3 | <u>101825101</u> | Decal, Off/On | 1 |
| 4 | <u>101960201</u> | Decal, Vehicle Loading | 1 |
| 5 | <u>103205401</u> | Decal, Warning, Rollover, Utl | 1 |
| 6 | <u>103783001</u> | Decal, Op Instr, Ele | 1 |

3
G
E

⚠ WARNING
AVOID FIRE HAZARD

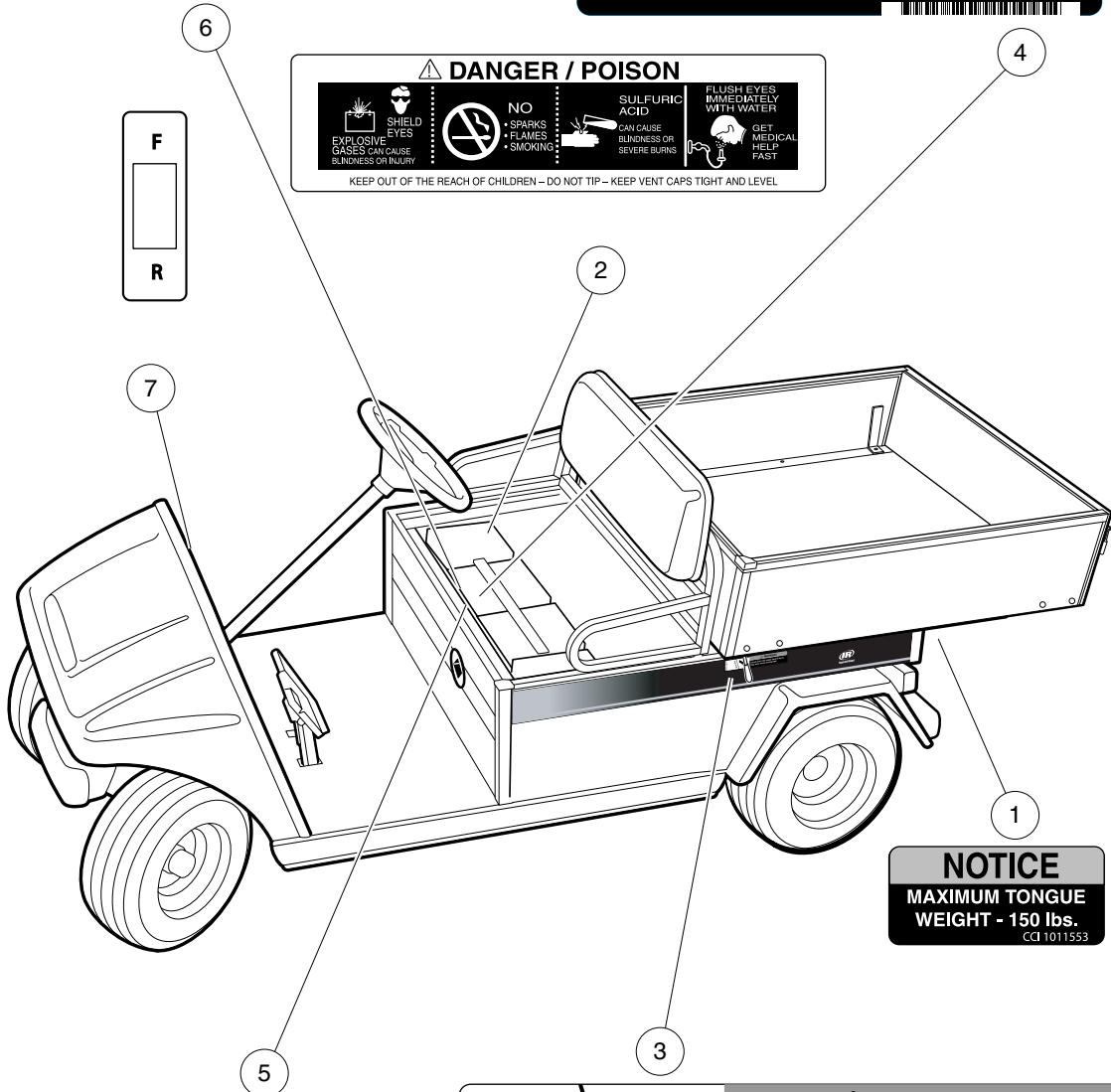
- Replacement battery wires must be 4-gauge (AWG) with low-resistance terminals equivalent to factory-installed wires.
- Ensure that battery connections are clean and properly tightened. See owner's manual.

CCI 102967601

CAUTION
EXPOSURE TO WATER MAY DAMAGE ELECTRONIC COMPONENTS

- Do not operate vehicle without this cover properly installed.
- Do not direct water stream in the area of the cover without cover securely in place.
- See vehicle maintenance and service manual before servicing.

CCI 102518301



⚠ DANGER / POISON

| | | | |
|--|--|---|--|
| EXPLOSIVE GASES CAN CAUSE BLINDNESS OR INJURY | NO SPARKS FLAMES SMOKING | SULFURIC ACID CAN CAUSE BLINDNESS OR SEVERE BURNS | FLUSH EYES IMMEDIATELY WITH WATER GET MEDICAL HELP FAST |
|--|--|---|--|

KEEP OUT OF THE REACH OF CHILDREN – DO NOT TIP – KEEP VENT CAPS TIGHT AND LEVEL

NOTICE
MAXIMUM TONGUE WEIGHT - 150 lbs.

CCI 1011553

⚠ WARNING
BATTERY EXPLOSION COULD RESULT IN SEVERE PERSONAL INJURY.

- Do not store items in battery compartment.
- Place Run/Tow switch in TOW position before:
 - Disconnecting or connecting battery cables
 - Towing this vehicle
 - Extended storage
 - Servicing the vehicle

| | |
|---------------|----------------|
| | |
| NORMAL | TRIPPED |
| | |
| TOW | RUN |

CCI 102845101

LATCH OPEN

⚠ WARNING
Crush area. Can cause severe injury. Stay clear when closing bed.

000611-001

DECALS – TURF/CARRYALL 2 IQ PLUS ELECTRIC (PAGE 2 OF 2)

| ITEM | PART NO. | DESCRIPTION | QTY |
|------|------------------|--|-----|
| | | 1 2 3 4 | |
| 1 | <u>1011553</u> | Decal, Trailer Hitch | 1 |
| 2 | <u>1013677</u> | Decal, Battery Danger | 6 |
| 3 | <u>102459301</u> | Decal, Bed Crush Area Warning | 1 |
| 4 | <u>102518301</u> | Decal, Caution, Electrical Component Cover | 1 |
| 5 | <u>102845101</u> | Decal, Tow Switch | 1 |
| 6 | <u>102967601</u> | Decal, Warning, 4 Gauge Wire | 1 |
| 7 | <u>103210301</u> | Decal, Forward/Reverse, Electric | 1 |

3
G
E

⚠ WARNING

ROLLOVER OR FALLING OFF MAY CAUSE DEATH.

- Before using vehicle, read operating instructions.
- Remain seated and hold on to seat handle while moving.
- Do not start vehicle until all occupants are seated.
- Two (2) persons per seat maximum.
- Operate from driver side only and not on public roads.
- Keep entire body inside vehicle while moving.
- Drive slowly in turns and straight up and down slopes.
- Do not leave children unattended on vehicle.
- Never operate under the influence of alcohol or drugs.
- Use brakes to reduce speed when coasting downhill.
- Never stand in front of or behind vehicle.

CCI 103205401

OPERATING INSTRUCTIONS

Before using vehicle, read owner's manual and vehicle safety warnings. Study and understand controls.

TO OPERATE

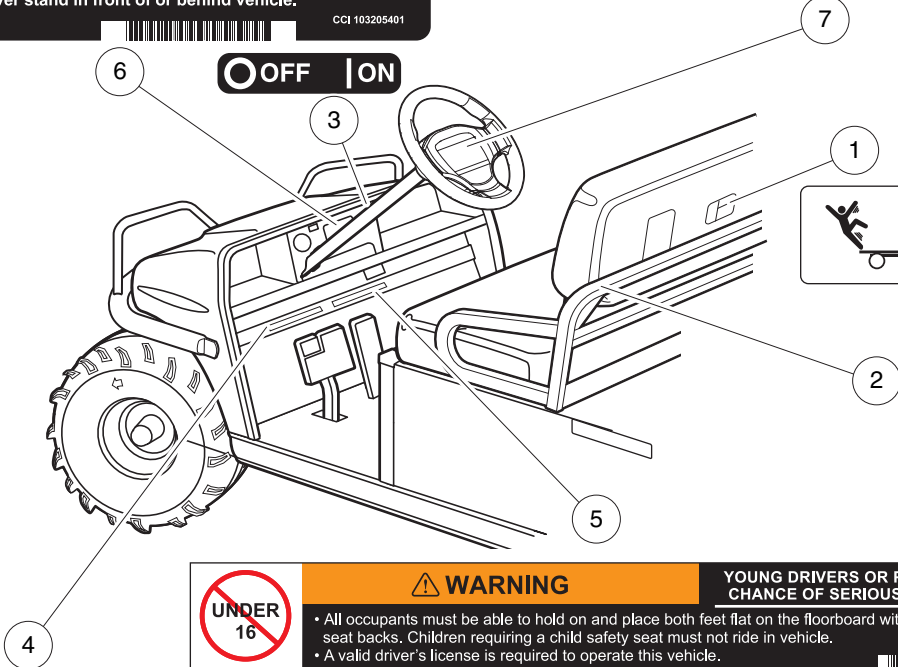
- Ensure wheels are turned in desired direction and path is clear.
- Turn key to ON position.
- Select FORWARD or REVERSE only when stopped.
- Release park brake fully.
- Vehicle will start moving when accelerator pedal is pressed.
- Slowly press accelerator pedal to increase speed.
- During operation, beeping alarm indicates reduction in motor braking.
- To stop, release accelerator pedal and press brake pedal.

WARNING

Unintended vehicle movement may cause severe injury or death. Before leaving vehicle:

- Engage park brake to lock wheels.
- Place vehicle in NEUTRAL.
- Turn key to OFF and remove key.

102782001



⚠ WARNING

Riding in cargo bed can cause severe injury or death. Do not ride in cargo bed.

CCI 101553901

⚠ WARNING

CRUSH AREA

STAY CLEAR

CCI 101609401

⚠ WARNING

YOUNG DRIVERS OR PASSENGERS INCREASE CHANCE OF SERIOUS INJURY OR DEATH

UNDER 16

- All occupants must be able to hold on and place both feet flat on the floorboard with their backs against the seat backs. Children requiring a child safety seat must not ride in vehicle.
- A valid driver's license is required to operate this vehicle.

102075801

VEHICLE LOADING

Read owner's manual and warnings on dash.

- Vehicle rated capacity: 900 lb (408 kg) on level surface only.
- Includes occupants and cargo load.
- Maximum cargo load: 500 lb (227 kg).
- Includes cargo, bed load, gross trailer weight, and optional equipment.

102006701

⚠ WARNING

ROLLOVER CAN CAUSE SERIOUS INJURY OR DEATH.

- Place cargo forward in the cargo bed and distribute evenly side to side. Secure load.
- On uneven or steep terrain, reduce speed and load.
- Avoid stopping on or backing down steep hills.
- Avoid top-heavy loads.

102006701

001233-001

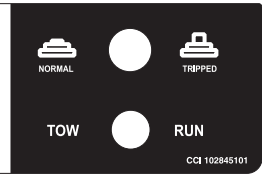
DECALS – TURF/CARRYALL 252 AND XRT 900 IQ PLUS ELECTRIC (PAGE 1 OF 2)

| ITEM | PART NO. | DESCRIPTION | QTY |
|------|------------------|-------------------------------------|-----|
| | | 1 2 3 4 | |
| 1 | <u>101553901</u> | Decal, Bed Load Warning | 1 |
| 2 | <u>101609401</u> | Decal, Crush Area Warning | 2 |
| 3 | <u>101825101</u> | Decal, Off/On | 1 |
| 4 | <u>102006701</u> | Decal, Vehicle Loading | 1 |
| 5 | <u>102075801</u> | Decal, Young Driver Warning | 1 |
| 6 | <u>103205401</u> | Decal, Warning, Rollover, Utl | 1 |
| 7 | <u>103783001</u> | Decal, Op Instr, Ele | 1 |

3
G
E

⚠ WARNING
BATTERY EXPLOSION COULD RESULT IN SEVERE PERSONAL INJURY.

- Do not store items in battery compartment.
- Place Run/Tow switch in TOW position before:
 - Disconnecting or connecting battery cables
 - Towing this vehicle
 - Extended storage
 - Servicing the vehicle



⚠ WARNING
AVOID FIRE HAZARD

- Replacement battery wires must be 4-gauge (AWG) with low-resistance terminals equivalent to factory-installed wires.
- Ensure that battery connections are clean and properly tightened. See owner's manual.

CCI 102967601

⚠ DANGER / POISON

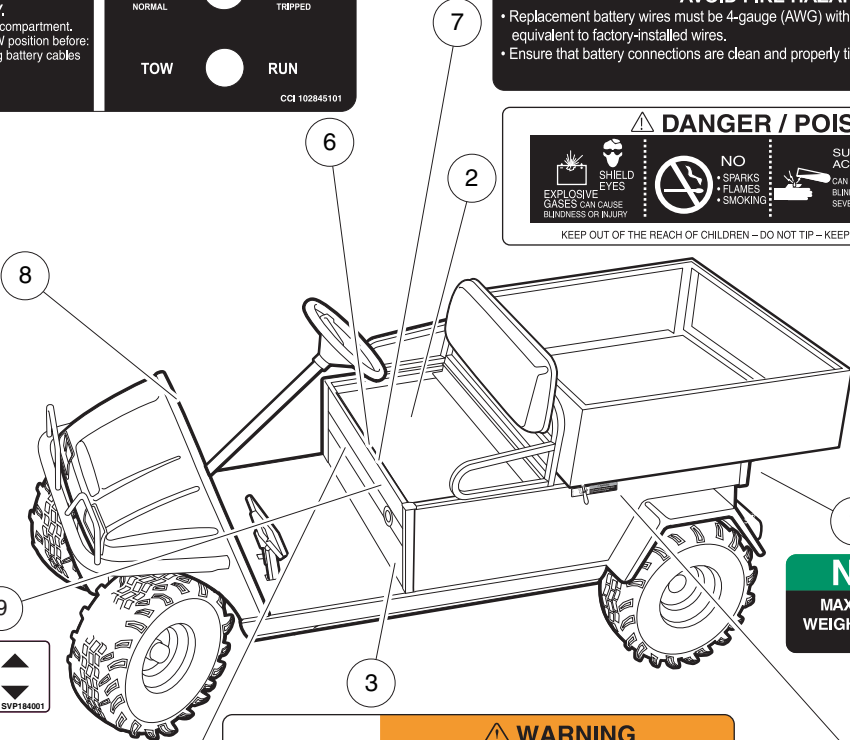
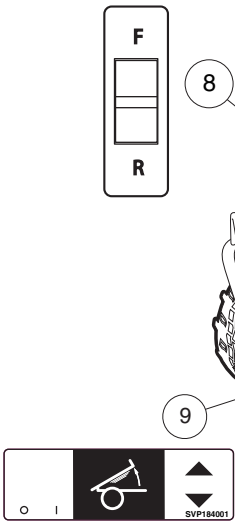
EXPLOSIVE GASES CAN CAUSE BLINDNESS OR INJURY. SHIELD EYES.

NO SPARKS, FLAMES, SMOKING.

SULFURIC ACID CAN CAUSE BLINDNESS OR SEVERE BURNS.

FLUSH EYES IMMEDIATELY WITH WATER. GET MEDICAL HELP FAST.

KEEP OUT OF THE REACH OF CHILDREN -- DO NOT TIP -- KEEP VENT CAPS TIGHT AND LEVEL.



NOTICE
MAXIMUM TONGUE WEIGHT - 150 lb. (667 N)
CCI 1011553

CAUTION
EXPOSURE TO WATER MAY DAMAGE ELECTRONIC COMPONENTS

- Do not operate vehicle without this cover properly installed.
- Do not direct water stream in the area of the cover without cover securely in place.
- See vehicle maintenance and service manual before servicing.

CCI 102518301

⚠ WARNING
WINCH CABLE FRACTURE COULD RESULT IN SERIOUS INJURY OR DEATH.

- Do not use winch while persons are seated on the vehicle.
- Use remote operation switch for winch control.
- Stand to the side and away from the vehicle to operate winch.
- Read winch operator manual before operating winch.

102231601

⚠ WARNING
Crush area. Can cause severe injury. Stay clear when closing bed.
CCI 102459301

LATCH OPEN

001234-001

DECALS – TURF/CARRYALL 252 AND XRT 900 IQ PLUS ELECTRIC (PAGE 2 OF 2)

| ITEM | PART NO. | DESCRIPTION | QTY |
|------|------------------|--|-----|
| | | 1 2 3 4 | |
| 1 | <u>1011553</u> | Decal, Trailer Hitch | 1 |
| 2 | <u>1013677</u> | Decal, Battery Danger | 6 |
| 3 | <u>102231601</u> | Decal, Winch Cable Fracture Warning | 1 |
| 4 | <u>102459301</u> | Decal, Bed Crush Area Warning | 1 |
| 5 | <u>102518301</u> | Decal, Caution, Electrical Component Cover | 1 |
| 6 | <u>102845101</u> | Decal, Tow Switch | 1 |
| 7 | <u>102967601</u> | Decal, Warning, 4 Gauge Wire | 1 |
| 8 | <u>103210301</u> | Decal, Forward/Reverse, Electric | 1 |
| 9 | SVP184001 | Decal, Bed Lift Switch | 1 |

3
G
E

WARNING

ROLLOVER OR FALLING OFF MAY CAUSE DEATH.

- Before using vehicle, read operating instructions.
- Remain seated and hold on to seat handle while moving.
- Do not start vehicle until all occupants are seated.
- Two (2) persons per seat maximum.
- Operate from driver side only and not on public roads.
- Keep entire body inside vehicle while moving.
- Drive slowly in turns and straight up and down slopes.
- Do not leave children unattended on vehicle.
- Never operate under the influence of alcohol or drugs.
- Use brakes to reduce speed when coasting downhill.
- Never stand in front of or behind vehicle.

CCI 103295401

OPERATING INSTRUCTIONS

Before using vehicle, read owner's manual and vehicle safety warnings. Study and understand controls.

TO OPERATE

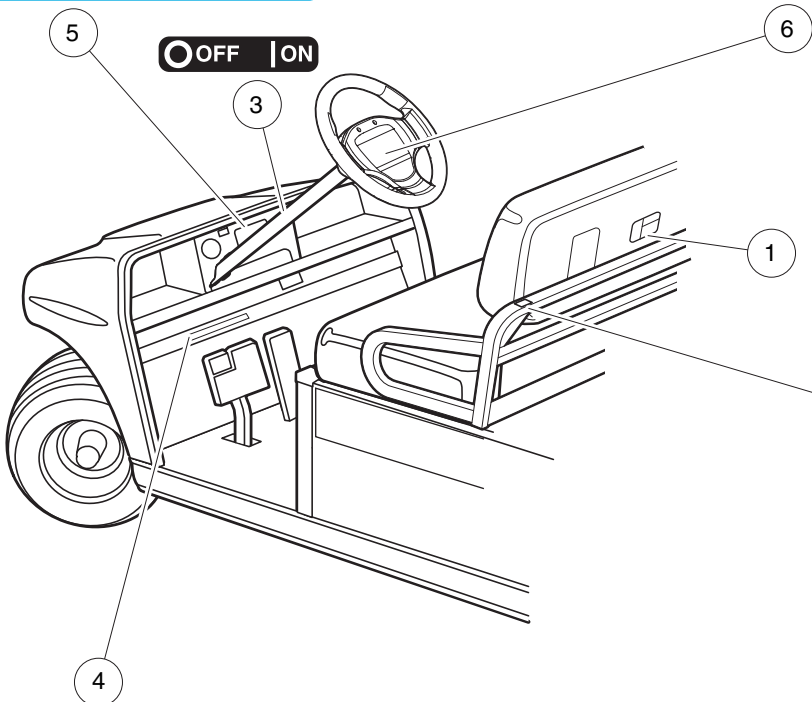
- Ensure wheels are turned in desired direction and path is clear.
- Turn key to ON position.
- Select FORWARD or REVERSE only when stopped.
- Release park brake fully.
- Vehicle will start moving when accelerator pedal is pressed.
- Slowly press accelerator pedal to increase speed.
- To stop, release accelerator pedal and press brake pedal.

WARNING

Unintended vehicle movement may cause severe injury or death. Before leaving vehicle:

- Engage park brake to lock wheels.
- Place vehicle in NEUTRAL.
- Turn key to OFF and remove key.

103763002



OFF | ON

WARNING

Riding in cargo bed can cause severe injury or death. Do not ride in cargo bed.

CCI 101583901

WARNING

CRUSH AREA

STAY CLEAR

CCI 101609401

VEHICLE LOADING

Read owner's manual and warnings on dash.

- Vehicle rated capacity: 1200 lb (544 kg) on level surface only.
 - Includes occupants and cargo load.
- Maximum cargo load: 800 lb (363 kg).
 - Includes cargo, bed load, gross trailer weight, and optional equipment.

CCI 101609401

WARNING

ROLLOVER CAN CAUSE SERIOUS INJURY OR DEATH.

- Place cargo forward in the cargo bed and distribute evenly side to side. Secure load.
- On uneven or steep terrain, reduce speed and load.
- Avoid stopping on or backing down steep hills.
- Avoid top-heavy loads.

101960201

001235-001

DECALS – TURF/CA 2 GASOLINE VEHICLES (PAGE 1 OF 2)

| ITEM | PART NO. | DESCRIPTION | QTY |
|------|------------------|-------------------------------------|-----|
| | | 1 2 3 4 | |
| 1 | <u>101553901</u> | Decal, Bed Load Warning | 1 |
| 2 | <u>101609401</u> | Decal, Crush Area Warning | 2 |
| 3 | <u>101825101</u> | Decal, Off/On | 1 |
| 4 | <u>101960201</u> | Decal, Vehicle Loading | 1 |
| 5 | <u>103205401</u> | Decal, Warning, Rollover, Utl | 1 |
| 6 | <u>103783002</u> | Decal, Op Instr, Gas Ps | 1 |

3
G
E

WARNING

GASOLINE EXPLOSION / FIRE.

- Can cause severe injury or death.
- No smoking, sparks, or open flame.
- Stop engine, allow to cool before refueling.
- Turn fuel valve (←) on during operation. (→) off during storage or transport.

CCI 101547601

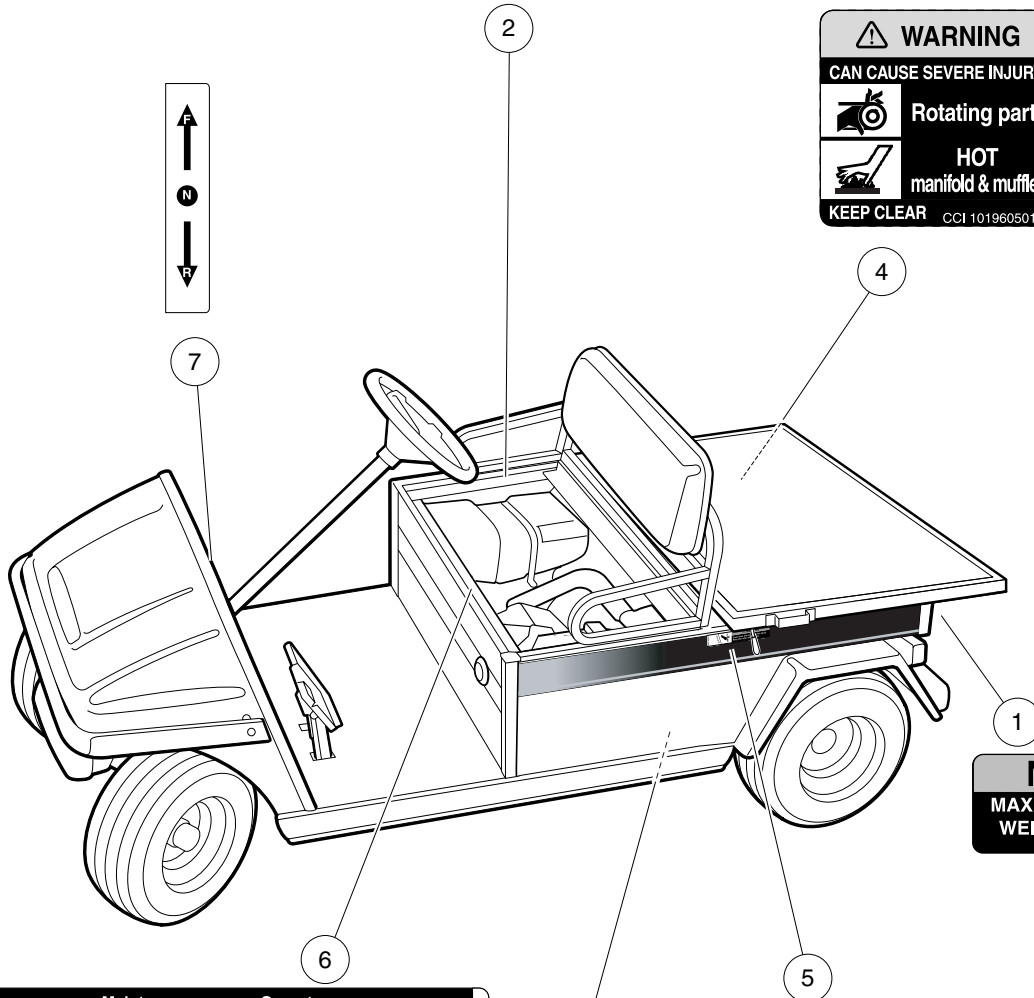
WARNING

CAN CAUSE SEVERE INJURY

Rotating parts

HOT manifold & muffler

KEEP CLEAR CCI 101960501



NOTICE

MAXIMUM TONGUE WEIGHT - 150 lbs.

CCI 1011553

Maintenance Operate

WARNING

VEHICLE MOVEMENT MAY CAUSE SERIOUS INJURY

When switch is in Maintenance position, chock wheels and firmly set park brake.

CCI 103205501

LATCH **OPEN**

WARNING

Crush area. Can cause severe injury. Stay clear when closing bed.

WARNING

Negative frame ground. Can cause severe injury. Do not contact positive (+) battery post or cable to frame. Disconnect negative battery lead first.

WARNING

Excessive speed. Can cause severe injury or death. Do not tamper with engine governor adjustment.

CCI 101915201

000617-001

DECALS – TURF/CA 2 GASOLINE VEHICLES (PAGE 2 OF 2)

| ITEM | PART NO. | DESCRIPTION | QTY |
|------|------------------|--|-----|
| | | 1 2 3 4 | |
| 1 | <u>1011553</u> | Decal, Trailer Hitch | 1 |
| 2 | <u>101547601</u> | Decal, Gasoline Explosion/Fire Warning | 1 |
| 3 | <u>101915201</u> | Decal, Frame Ground and Governor Warning | 1 |
| 4 | <u>101960501</u> | Decal, Rotating Parts/Hot Manifold | 1 |
| 5 | <u>102459301</u> | Decal, Bed Crush Area Warning | 1 |
| 6 | <u>103205501</u> | Decal, Run/Service Switch | 1 |
| 7 | <u>103210201</u> | Decal, Forward/Reverse, Gas | 1 |

3
G
E

**3
G
E**

⚠ WARNING

ROLLOVER OR FALLING OFF MAY CAUSE DEATH.

- Before using vehicle, read operating instructions.
- Remain seated and hold on to seat handle while moving.
- Do not start vehicle until all occupants are seated.
- Two (2) persons per seat maximum.
- Operate from driver side only and not on public roads.
- Keep entire body inside vehicle while moving.
- Drive slowly in turns and straight up and down slopes.
- Do not leave children unattended on vehicle.
- Never operate under the influence of alcohol or drugs.
- Use brakes to reduce speed when coasting downhill.
- Never stand in front of or behind vehicle.

CCJ 103205401

OPERATING INSTRUCTIONS

Before using vehicle, read owner's manual and vehicle safety warnings. Study and understand controls.

TO OPERATE

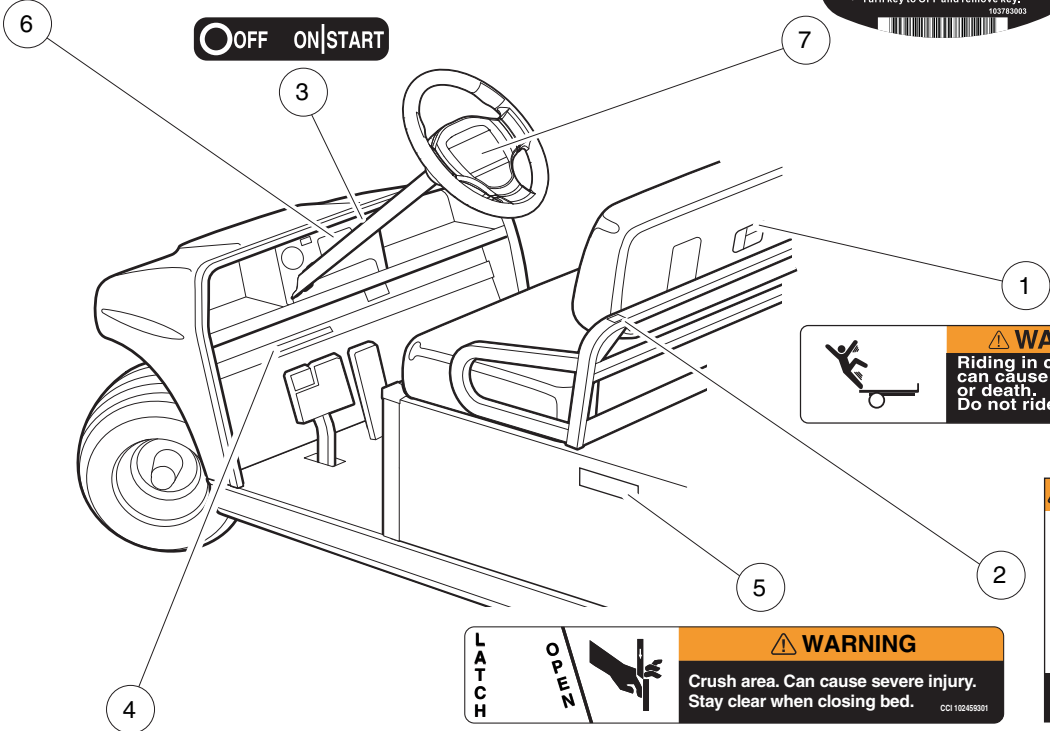
- Ensure wheels are turned in desired direction and path is clear.
- Place vehicle in NEUTRAL and press brake pedal.
- Turn key to START position and hold until engine starts.
- Select FORWARD or REVERSE only when stopped and engine at idle.
- Release park brake fully.
- Vehicle will start moving when accelerator pedal is pressed.
- Slowly press accelerator pedal to increase speed.
- To stop, release accelerator pedal and press brake pedal.

WARNING

Unintended vehicle movement may cause severe injury or death. Before leaving vehicle:

- Engage park brake to lock wheels.
- Place vehicle in NEUTRAL.
- Turn key to OFF and remove key.

103785003



⚠ WARNING

Riding in cargo bed can cause severe injury or death.

Do not ride in cargo bed.

CCI 101553801

⚠ WARNING

CRUSH AREA

STAY CLEAR

CCI 101609401

⚠ WARNING

Crush area. Can cause severe injury. Stay clear when closing bed.

CCI 102458001

VEHICLE LOADING

Read owner's manual and warnings on dash.

- Vehicle rated capacity: 1200 lb (544 kg) on level surface only.
- Includes occupants and cargo load.
- Maximum cargo load: 800 lb (363 kg).
- Includes cargo, bed load, gross trailer weight, and optional equipment.

101960201

⚠ WARNING

ROLLOVER CAN CAUSE SERIOUS INJURY OR DEATH.

- Place cargo forward in the cargo bed and distribute evenly side to side. Secure load.
- On uneven or steep terrain, reduce speed and load.
- Avoid stopping on or backing down steep hills.
- Avoid top-heavy loads.

101960201

001236-001

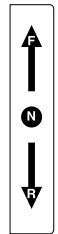
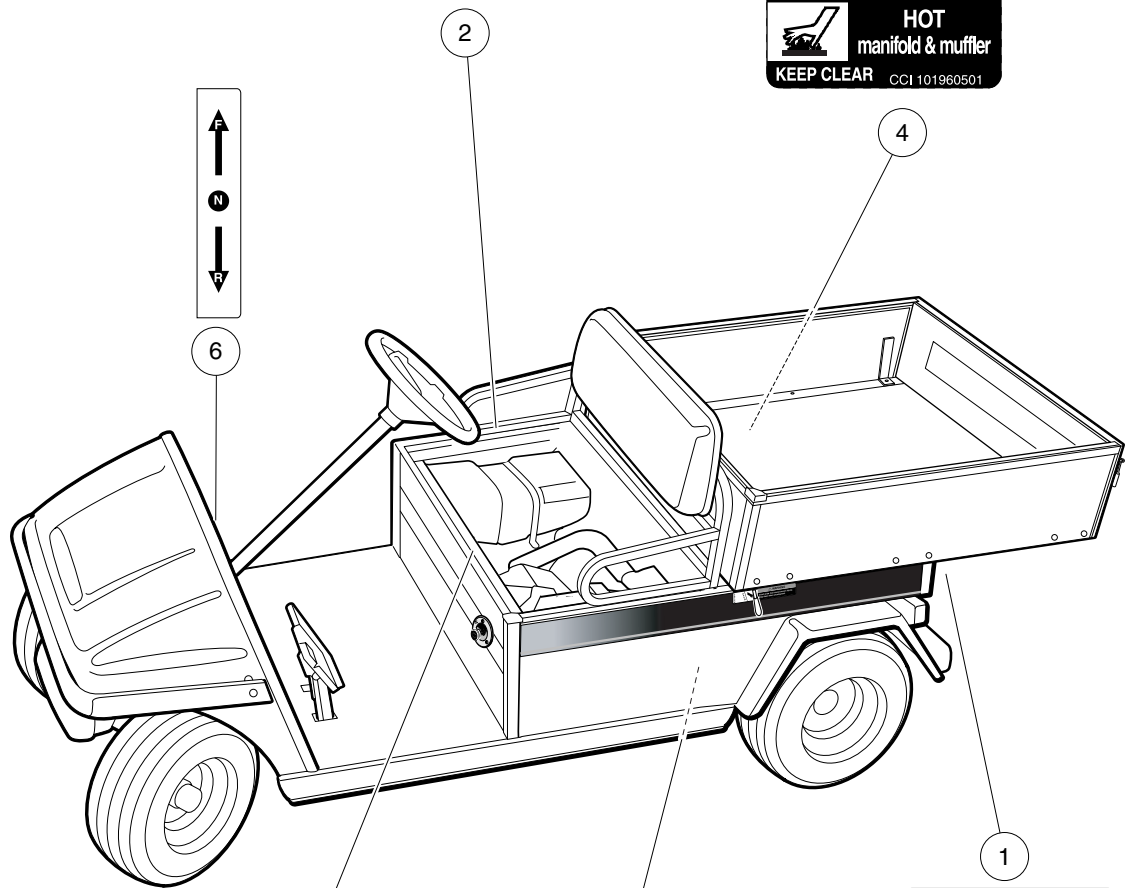
DECALS – CARRYALL 2 PLUS GASOLINE VEHICLES (PAGE 1 OF 2)

| ITEM | PART NO. | DESCRIPTION | QTY |
|------|------------------|-------------------------------------|-----|
| | | 1 2 3 4 | |
| 1 | <u>101553901</u> | Decal, Bed Load Warning | 1 |
| 2 | <u>101609401</u> | Decal, Crush Area Warning | 2 |
| 3 | <u>101825102</u> | Decal, Off/On/Start | 1 |
| 4 | <u>101960201</u> | Decal, Vehicle Loading | 1 |
| 5 | <u>102459301</u> | Decal, Bed Crush Area Warning | 1 |
| 6 | <u>103205401</u> | Decal, Warning, Rollover, Utl | 1 |
| 7 | <u>103783003</u> | Decal, Op Instr, Gas Ks | 1 |

3
G
E



⚠ WARNING
GASOLINE EXPLOSION / FIRE.
 • Can cause severe injury or death.
 • No smoking, sparks, or open flame.
 • Stop engine, allow to cool before refueling.
 • Turn fuel valve (↔) on during operation.
 (↔) off during storage or transport.
 CCI 101547601

⚠ WARNING
CAN CAUSE SEVERE INJURY
 **Rotating parts**
 **HOT manifold & muffler**
KEEP CLEAR CCI 101960501



NOTICE
MAXIMUM TONGUE WEIGHT - 150 lbs.
 CCI 1011553

Maintenance Operate
⚠ WARNING
VEHICLE MOVEMENT MAY CAUSE SERIOUS INJURY
 When switch is in Maintenance position, chock wheels and firmly set park brake.
 CCI 103205501

| | | | |
|---|--|---|---|
|  | <p>⚠ WARNING Negative frame ground. Can cause severe injury. Do not contact positive (+) battery post or cable to frame. Disconnect negative battery lead first.</p> |  | <p>⚠ WARNING Excessive speed. Can cause severe injury or death. Do not tamper with engine governor adjustment. CCI 101915201</p> |
|---|--|---|---|

000619-001

DECALS – CARRYALL 2 PLUS GASOLINE VEHICLES (PAGE 2 OF 2)

| ITEM | PART NO. | DESCRIPTION | QTY |
|------|------------------|--|-----|
| | | 1 2 3 4 | |
| 1 | <u>1011553</u> | Decal, Trailer Hitch | 1 |
| 2 | <u>101547601</u> | Decal, Gasoline Explosion/Fire Warning | 1 |
| 3 | <u>101915201</u> | Decal, Frame Ground and Governor Warning | 1 |
| 4 | <u>101960501</u> | Decal, Rotating Parts/Hot Manifold | 1 |
| 5 | <u>103205501</u> | Decal, Run/Service Switch | 1 |
| 6 | <u>103210201</u> | Decal, Forward/Reverse, Gas | 1 |

3
G
E

OPERATING INSTRUCTIONS

Before using vehicle, read owner's manual and vehicle safety warnings. Study and understand controls.

TO OPERATE

- Ensure wheels are turned in desired direction and path is clear.
- Turn key to ON position.
- Select FORWARD or REVERSE only when stopped.
- Release park brake fully.
- Vehicle will start moving when accelerator pedal is pressed.
- Slowly press accelerator pedal to increase speed.
- To stop, release accelerator pedal and press brake pedal.

WARNING

Unintended vehicle movement may cause severe injury or death. Before leaving vehicle:

- Engage park brake to lock wheels.
- Place vehicle in NEUTRAL.
- Turn key to OFF and remove key.

102763002

WARNING

ROLLOVER OR FALLING OFF MAY CAUSE DEATH.

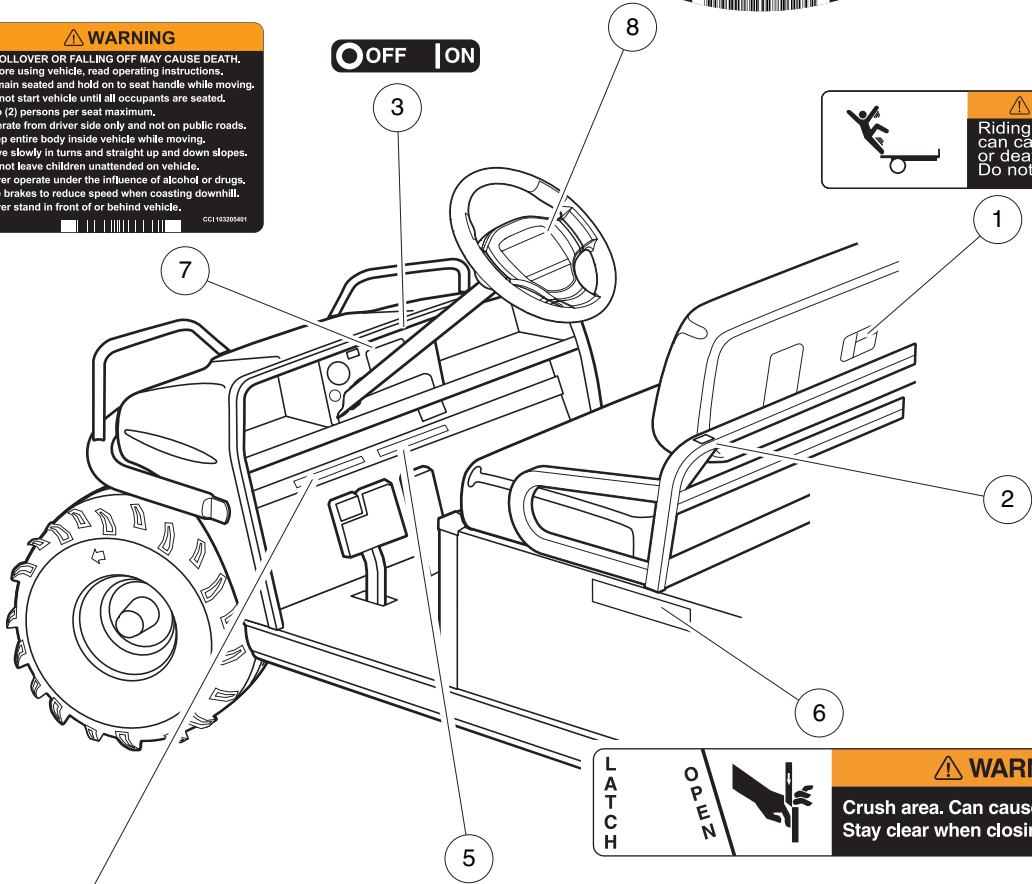
- Before using vehicle, read operating instructions.
- Remain seated and hold on to seat handle while moving.
- Do not start vehicle until all occupants are seated.
- Two (2) persons per seat maximum.
- Operate from driver side only and not on public roads.
- Keep entire body inside vehicle while moving.
- Drive slowly in turns and straight up and down slopes.
- Do not leave children unattended on vehicle.
- Never operate under the influence of alcohol or drugs.
- Use brakes to reduce speed when coasting downhill.
- Never stand in front of or behind vehicle.

CCI 10209491

WARNING

Riding in cargo bed can cause severe injury or death. Do not ride in cargo bed.

CCI 101553901



WARNING

CRUSH AREA

STAY CLEAR

CCI 101609401

WARNING

Crush area. Can cause severe injury. Stay clear when closing bed.

CCI 102459301

WARNING

YOUNG DRIVERS OR PASSENGERS INCREASE CHANCE OF SERIOUS INJURY OR DEATH

- All occupants must be able to hold on and place both feet flat on the floorboard with their backs against the seat backs. Children requiring a child safety seat must not ride in vehicle.
- A valid driver's license is required to operate this vehicle.

102075801

VEHICLE LOADING

Read owner's manual and warnings on dash.

- Vehicle rated capacity: 900 lb (408 kg) on level surface only.
 - Includes occupants and cargo load.
- Maximum cargo load: 500 lb (227 kg).
 - Includes cargo, bed load, gross trailer weight, and optional equipment.

102006701

WARNING

ROLLOVER CAN CAUSE SERIOUS INJURY OR DEATH.

- Place cargo forward in the cargo bed and distribute evenly side to side. Secure load.
- On uneven or steep terrain, reduce speed and load.
- Avoid stopping on or backing down steep hills.
- Avoid top-heavy loads.

102006701

001228-001

DECALS – TURF/CARRYALL 252 GASOLINE VEHICLES (PAGE 1 OF 2)

| ITEM | PART NO. | DESCRIPTION | QTY |
|------|------------------|-------------------------------------|-----|
| | | 1 2 3 4 | |
| 1 | <u>101553901</u> | Decal, Bed Load Warning | 1 |
| 2 | <u>101609401</u> | Decal, Crush Area Warning | 1 |
| 3 | <u>101825101</u> | Decal, Off/On | 1 |
| 4 | <u>102006701</u> | Decal, Vehicle Loading | 1 |
| 5 | <u>102075801</u> | Decal, Young Driver Warning | 1 |
| 6 | <u>102459301</u> | Decal, Bed Crush Area Warning | 1 |
| 7 | <u>103205401</u> | Decal, Warning, Rollover, Utl | 1 |
| 8 | <u>103783002</u> | Decal, Op Instr, Gas Ps | 1 |

3
G
E

WARNING
GASOLINE EXPLOSION / FIRE.

- Can cause severe injury or death.
- No smoking, sparks, or open flame.
- Stop engine, allow to cool before refueling.
- Turn fuel valve (←) on during operation. (→) off during storage or transport.

CCI 101547601

Maintenance Operate

WARNING
VEHICLE MOVEMENT MAY CAUSE SERIOUS INJURY
When switch is in Maintenance position, chock wheels and firmly set park brake.

CCI 103205501

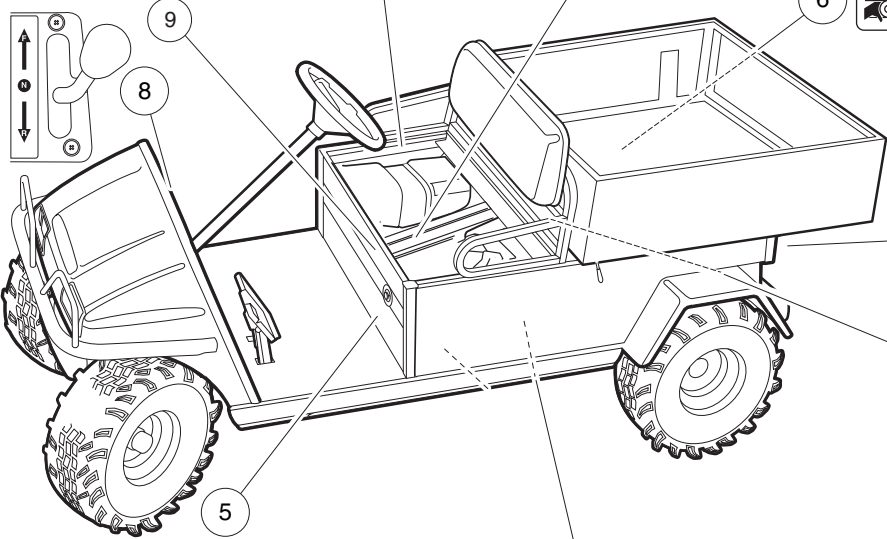
SVP184001

WARNING
CAN CAUSE SEVERE INJURY
Rotating parts. KEEP CLEAR.

CCI 10099501

NOTICE
MAXIMUM TONGUE WEIGHT – 150 lb. (667 N)

CCI 1011553



WARNING
CAN CAUSE SEVERE INJURY

Rotating parts

HOT manifold & muffler

KEEP CLEAR

CCI 101960501

WARNING
WINCH CABLE FRACTURE COULD RESULT IN SERIOUS INJURY OR DEATH.

- Do not use winch while persons are seated on the vehicle.
- Use remote operation switch for winch control.
- Stand to the side and away from the vehicle to operate winch.
- Read winch operator manual before operating winch.

102231601

WARNING

Negative frame ground. Can cause severe injury. Do not contact positive (+) battery post or cable to frame. Disconnect negative battery cable first.

WARNING

Excessive speed can cause severe injury or death. Do not tamper with engine governor adjustment.

CCI 101915201

001229-001

DECALS – TURF/CARRYALL 252 GASOLINE VEHICLES (PAGE 2 OF 2)

| ITEM | PART NO. | DESCRIPTION | QTY |
|------|------------------|--|-----|
| | | 1 2 3 4 | |
| 1 | <u>1011553</u> | Decal, Trailer Hitch | 1 |
| 2 | <u>101547601</u> | Decal, Gasoline Explosion/Fire Warning | 1 |
| 3 | <u>101915201</u> | Decal, Frame Ground and Governor Warning | 1 |
| 4 | <u>101960501</u> | Decal, Rotating Parts/Hot Manifold | 1 |
| 5 | <u>102231601</u> | Decal, Winch Cable Fracture Warning | 1 |
| 6 | <u>102460201</u> | Decal, Rotating Parts Warning | 1 |
| 7 | <u>103205501</u> | Decal, Run/Service Switch | 1 |
| 8 | <u>103210201</u> | Decal, Forward/Reverse, Gas | 1 |
| 9 | SVP184001 | Decal, Bed Lift Switch | 1 |

3
G
E

OPERATING INSTRUCTIONS

Before using vehicle, read owner's manual and vehicle safety warnings. Study and understand controls.

TO OPERATE

- Ensure wheels are turned in desired direction and path is clear.
- Place vehicle in NEUTRAL and press brake pedal.
- Turn key to START position and hold until engine starts.
- Select FORWARD or REVERSE only when stopped and engine at idle.
- Release park brake fully.
- Vehicle will start moving when accelerator pedal is pressed.
- Slowly press accelerator pedal to increase speed.
- To stop, release accelerator pedal and press brake pedal.

WARNING

Unintended vehicle movement may cause severe injury or death. Before leaving vehicle:

- Engage park brake to lock wheels.
- Place vehicle in NEUTRAL.
- Turn key to OFF and remove key.

103723003

WARNING

ROLLOVER OR FALLING OFF MAY CAUSE DEATH.

- Before using vehicle, read operating instructions.
- Remain seated and hold on to seat handle while moving.
- Do not start vehicle until all occupants are seated.
- Two (2) persons per seat maximum.
- Operate from driver side only and not on public roads.
- Keep entire body inside vehicle while moving.
- Drive slowly in turns and straight up and down slopes.
- Do not leave children unattended on vehicle.
- Never operate under the influence of alcohol or drugs.
- Use brakes to reduce speed when coasting downhill.
- Never stand in front of or behind vehicle.

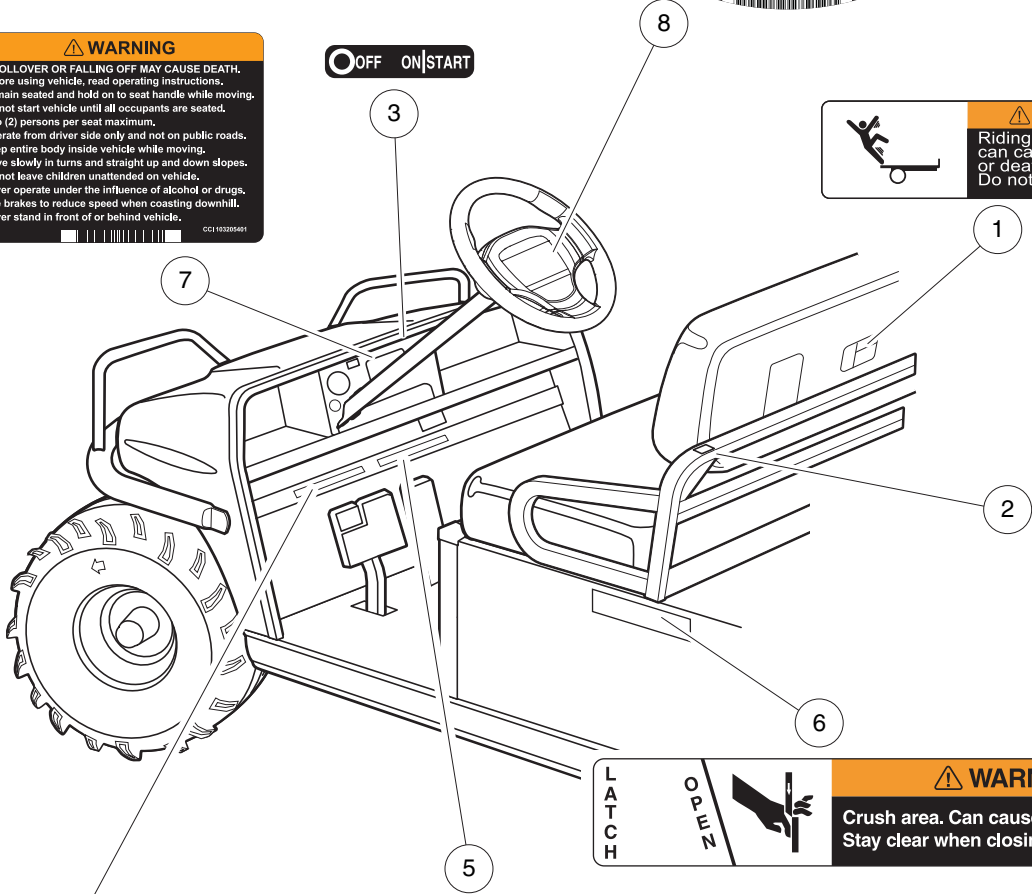
CCI 103205491

OFF ON/START

WARNING

Riding in cargo bed can cause severe injury or death. Do not ride in cargo bed.

CCI 101553901



WARNING

CRUSH AREA

STAY CLEAR

CCI 101609401

WARNING

Crush area. Can cause severe injury. Stay clear when closing bed.

CCI 102459301

WARNING

YOUNG DRIVERS OR PASSENGERS INCREASE CHANCE OF SERIOUS INJURY OR DEATH

- All occupants must be able to hold on and place both feet flat on the floorboard with their backs against the seat backs. Children requiring a child safety seat must not ride in vehicle.
- A valid driver's license is required to operate this vehicle.

102075801

VEHICLE LOADING

Read owner's manual and warnings on dash.

- Vehicle rated capacity: 900 lb (408 kg) on level surface only.
- Includes occupants and cargo load.
- Maximum cargo load: 500 lb (227 kg).
- Includes cargo, bed load, gross trailer weight, and optional equipment.

102006701

WARNING

ROLLOVER CAN CAUSE SERIOUS INJURY OR DEATH.

- Place cargo forward in the cargo bed and distribute evenly side to side. Secure load.
- On uneven or steep terrain, reduce speed and load.
- Avoid stopping on or backing down steep hills.
- Avoid top-heavy loads.

102006701

001230-001

DECALS – XRT 900 GASOLINE VEHICLES (PAGE 1 OF 2)

| ITEM | PART NO. | DESCRIPTION | QTY |
|------|------------------|-------------------------------------|-----|
| | | 1 2 3 4 | |
| 1 | <u>101553901</u> | Decal, Bed Load Warning | 1 |
| 2 | <u>101609401</u> | Decal, Crush Area Warning | 1 |
| 3 | <u>101825102</u> | Decal, Off/On/Start | 1 |
| 4 | <u>102006701</u> | Decal, Vehicle Loading | 1 |
| 5 | <u>102075801</u> | Decal, Young Driver Warning | 1 |
| 6 | <u>102459301</u> | Decal, Bed Crush Area Warning | 1 |
| 7 | <u>103205401</u> | Decal, Warning, Rollover, Utl | 1 |
| 8 | <u>103783003</u> | Decal, Op Instr, Gas Ks | 1 |

3
G
E

WARNING
GASOLINE EXPLOSION / FIRE.

- Can cause severe injury or death.
- No smoking, sparks, or open flame.
- Stop engine, allow to cool before refueling.
- Turn fuel valve (←) on during operation. (→) off during storage or transport.

CCI 101547601

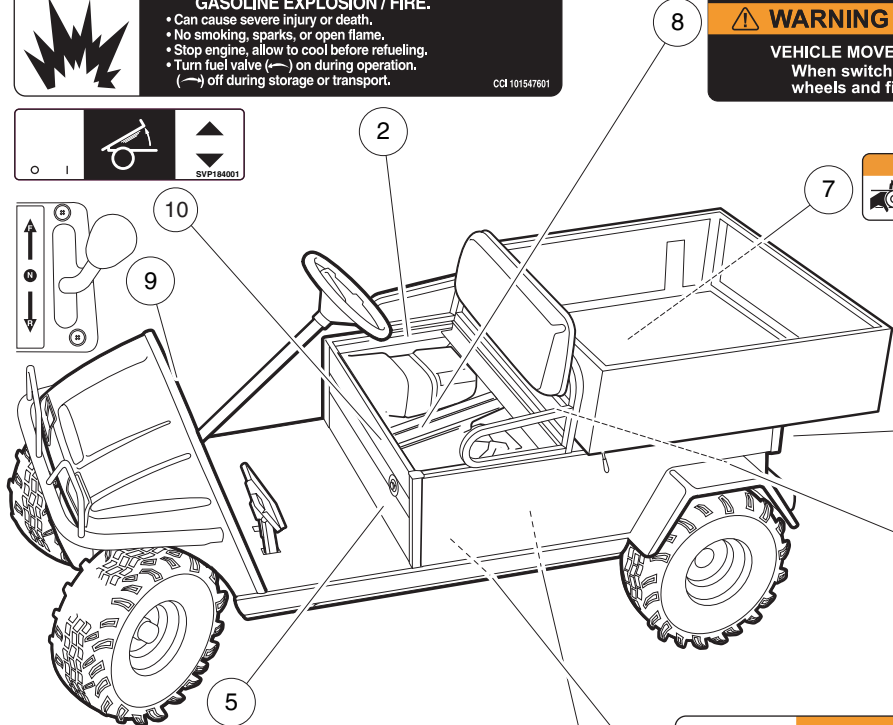
Maintenance Operate

WARNING

VEHICLE MOVEMENT MAY CAUSE SERIOUS INJURY
When switch is in Maintenance position, chock wheels and firmly set park brake.

CCI 103205501

SVP184001



WARNING

CAN CAUSE SEVERE INJURY
Rotating parts. KEEP CLEAR.

CCI 101095501

NOTICE

MAXIMUM TONGUE WEIGHT – 150 lb. (667 N)

CCI 1011553

WARNING

CAN CAUSE SEVERE INJURY

Rotating parts

HOT manifold & muffler

KEEP CLEAR

CCI 101960501

WARNING

WINCH CABLE FRACTURE COULD RESULT IN SERIOUS INJURY OR DEATH.

- Do not use winch while persons are seated on the vehicle.
- Use remote operation switch for winch control.
- Stand to the side and away from the vehicle to operate winch.
- Read winch operator manual before operating winch.

102231601

WARNING

INCORRECT WIRING COULD RESULT IN SEVERE INJURY OR DEATH.

- Diode and solenoid connections must have correct polarity.
- Keep all persons clear of engine belts when making final connections.

CCI 102345901

WARNING

Negative frame ground. Can cause severe injury. Do not contact positive (+) battery post or cable to frame. Disconnect negative battery cable first.

WARNING

Excessive speed can cause severe injury or death. Do not tamper with engine governor adjustment.

CCI 101915201

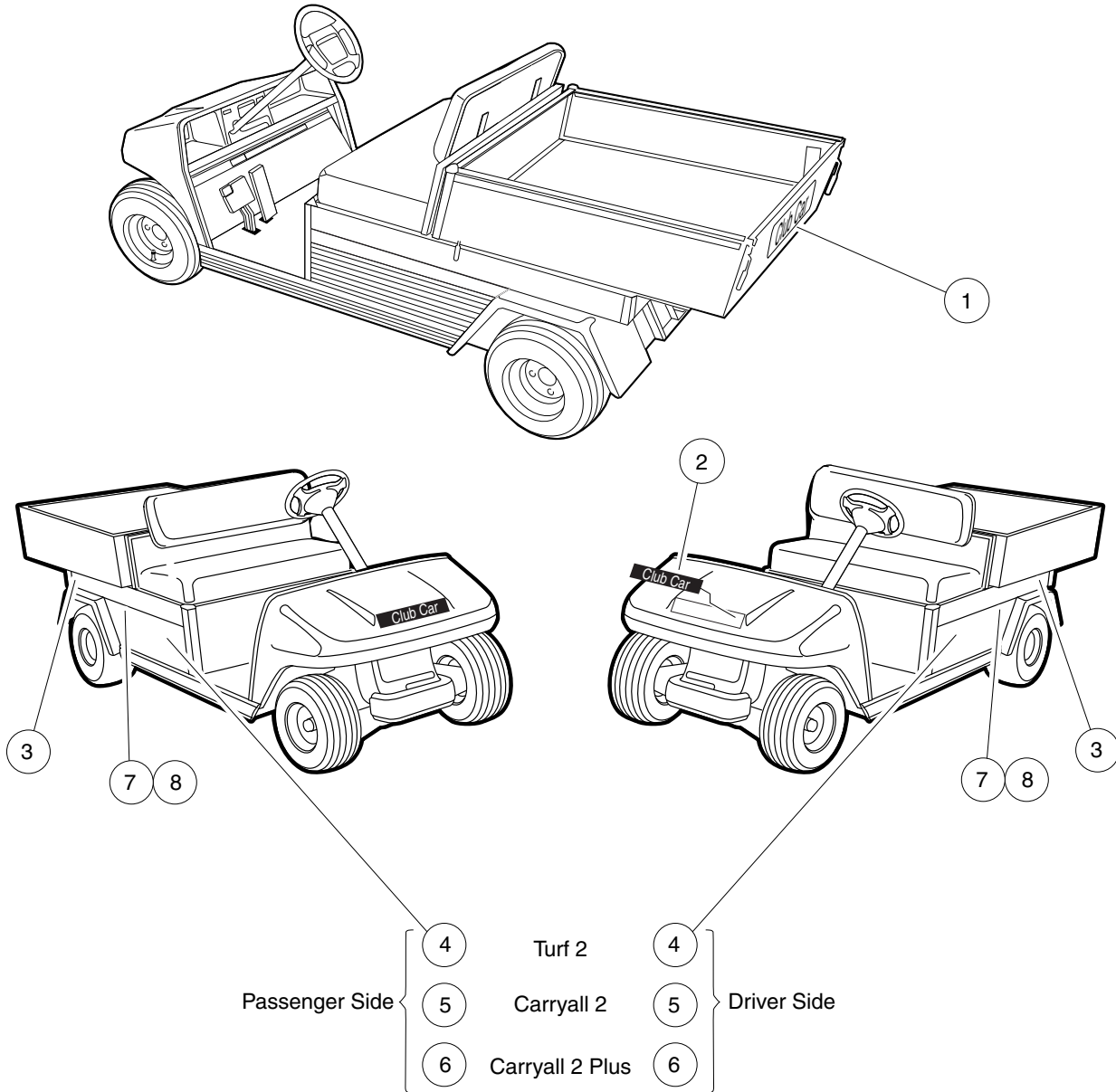
001231-001

DECALS – XRT 900 GASOLINE VEHICLES (PAGE 2 OF 2)

| ITEM | PART NO. | DESCRIPTION | QTY |
|------|------------------|--|-----|
| | | 1 2 3 4 | |
| 1 | <u>1011553</u> | Decal, Trailer Hitch | 1 |
| 2 | <u>101547601</u> | Decal, Gasoline Explosion/Fire Warning | 1 |
| 3 | <u>101915201</u> | Decal, Frame Ground and Governor Warning | 1 |
| 4 | <u>101960501</u> | Decal, Rotating Parts/Hot Manifold | 1 |
| 5 | <u>102231601</u> | Decal, Winch Cable Fracture Warning | 1 |
| 6 | <u>102345901</u> | Decal, Diode Safety | 1 |
| 7 | <u>102460201</u> | Decal, Rotating Parts Warning | 1 |
| 8 | <u>103205501</u> | Decal, Run/Service Switch | 1 |
| 9 | <u>103210201</u> | Decal, Forward/Reverse, Gas | 1 |
| 10 | SVP184001 | Decal, Bed Lift Switch | 1 |

3
G
E

LOGO DECALS



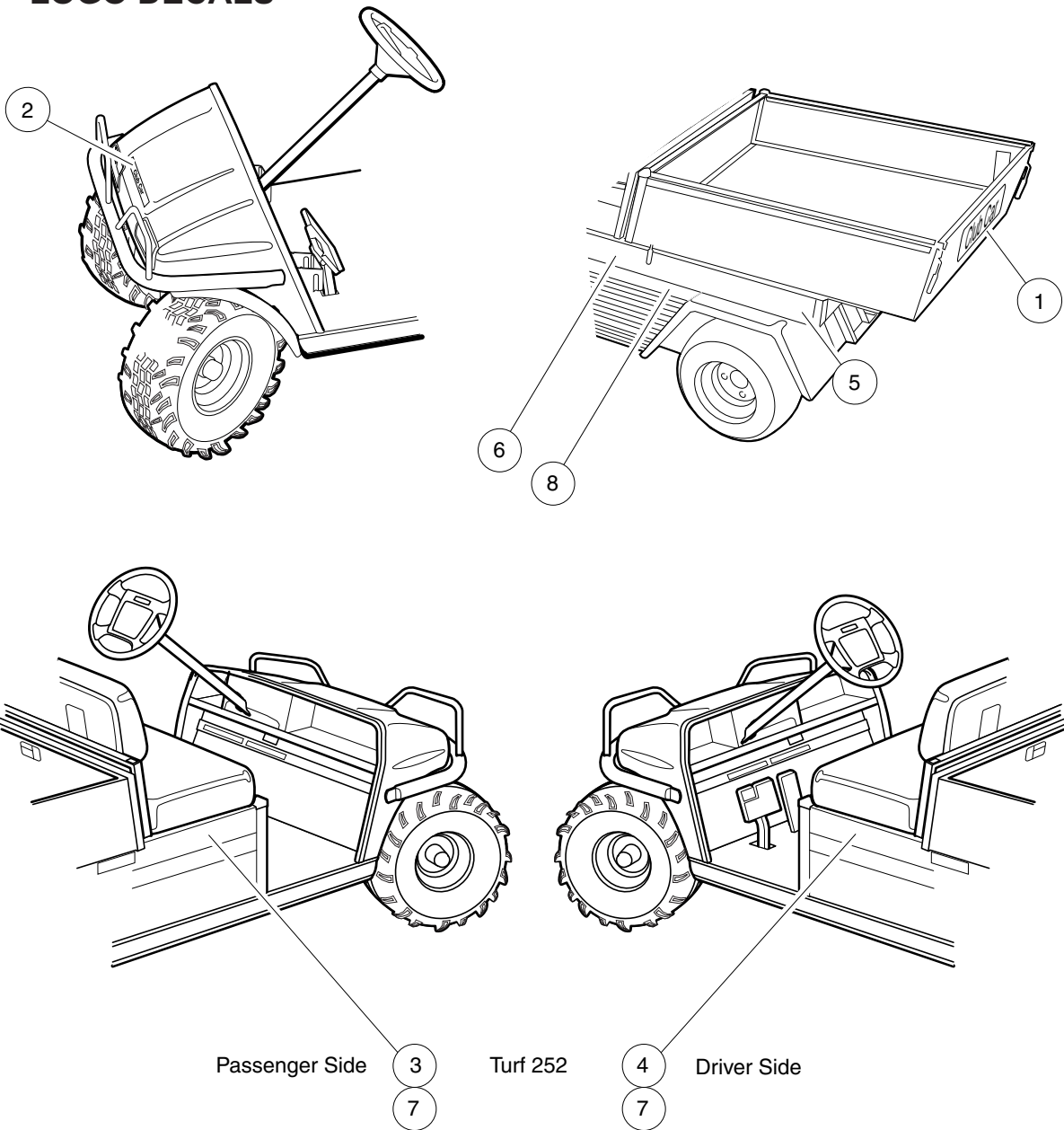
000287-006

DECALS, BADGING – TURF/CARRYALL 2 AND 2 PLUS

| ITEM | PART NO. | DESCRIPTION | QTY |
|------|------------------|--------------------------------------|-----|
| | | 1 2 3 4 | |
| 1 | <u>1013317</u> | Decal, Logo, Tailgate | 1 |
| 2 | <u>101670201</u> | Nameplate Kit (silver) | 1 |
| 3 | <u>103234303</u> | Decal, Badge, Ir Black | 2 |
| 4 | <u>103260101</u> | Decal Turf 2 Side Panel | 2 |
| 5 | <u>103260801</u> | Decal Ca 2 Side Panel | 2 |
| 6 | <u>103260901</u> | Decal Ca 2 Plus Side Panel | 2 |
| 7 | <u>103284101</u> | Decal Ca2/ca2p/ca252/ca272 Bar | 2 |
| 8 | <u>103464801</u> | Decal, Iq Plus, Zev | 2 |

3
G
E

LOGO DECALS



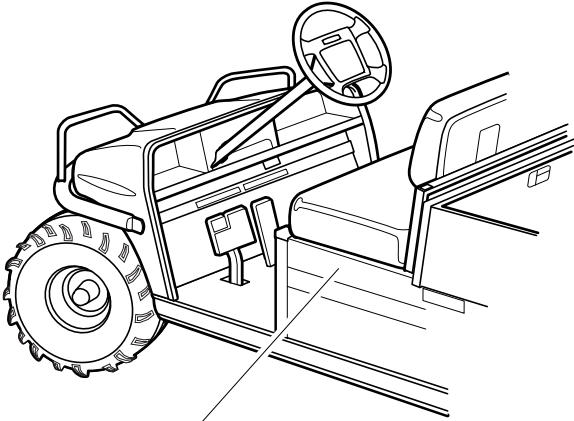
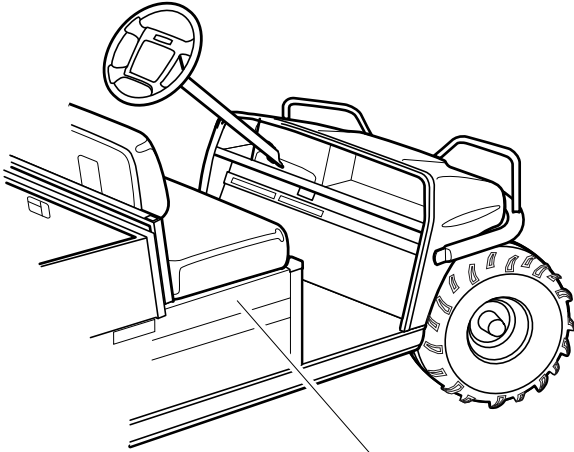
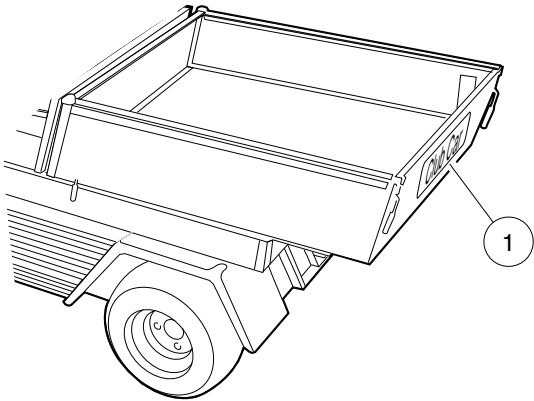
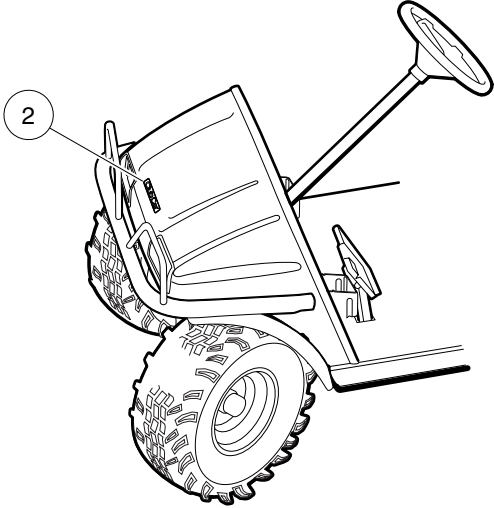
000289-003

DECALS, BADGING – TURF/CARRYALL 252

| ITEM | PART NO. | DESCRIPTION | QTY |
|------|------------------|---------------------------------------|-----|
| | | 1 2 3 4 | |
| 1 | <u>1013317</u> | Decal, Logo, Tailgate | 1 |
| 2 | <u>101670201</u> | Nameplate Kit (silver) | 1 |
| 3 | <u>102683201</u> | Decal, Turf 252, Passenger-Side | 1 |
| 4 | <u>102683301</u> | Decal, Turf 252, Driver-Side | 1 |
| 5 | <u>103234303</u> | Decal, Badge, Ir Black | 2 |
| 6 | <u>103261301</u> | Decal Ca 252 Side Panel | 2 |
| 7 | <u>103284101</u> | Decal Ca2/ca2p/ca252/ca272 Bar | 2 |
| 8 | <u>103464801</u> | Decal, Iq Plus, Zev | 2 |

3
G
E

LOGO DECALS



Passenger Side (3)
(5)

XRT 900

(4) Driver Side
(5)

000624-002

DECALS, BADGING – XRT 900

| ITEM | PART NO. | DESCRIPTION | QTY |
|------|------------------|-------------------------------------|-----|
| | | 1 2 3 4 | |
| 1 | <u>1013317</u> | Decal, Logo, Tailgate | 1 |
| 2 | <u>102046501</u> | Decal, CC Nameplate, Utility | 1 |
| 3 | <u>102683701</u> | Decal, XRT 900 Passenger-Side | 1 |
| 4 | <u>102683801</u> | Decal, XRT 900 Driver-Side | 1 |
| 5 | <u>103234303</u> | Decal, Badge, Ir Black | 2 |

3
G
E

3

G

E

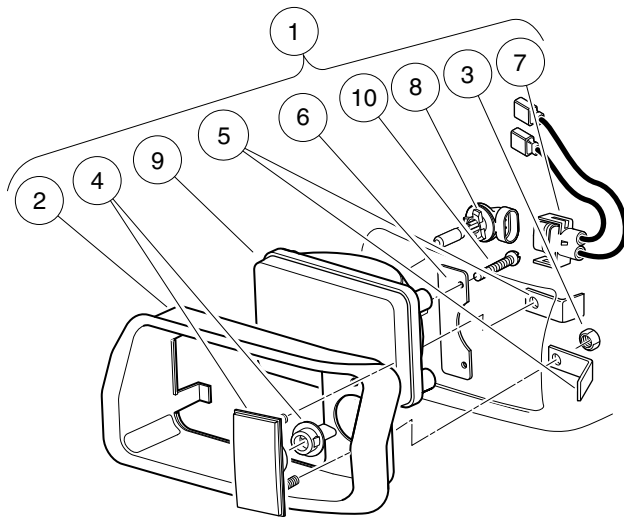
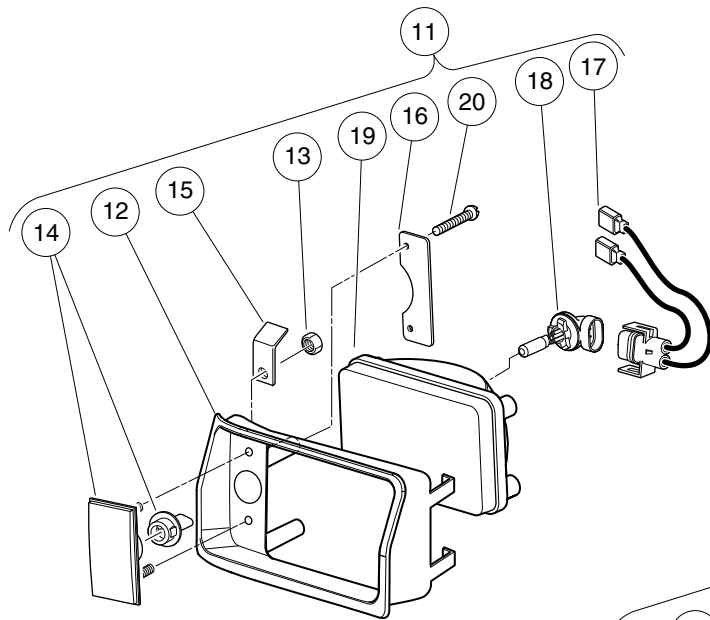
LIGHTS, CONTROLS, AND INDICATORS

4

G

E

4
G
E



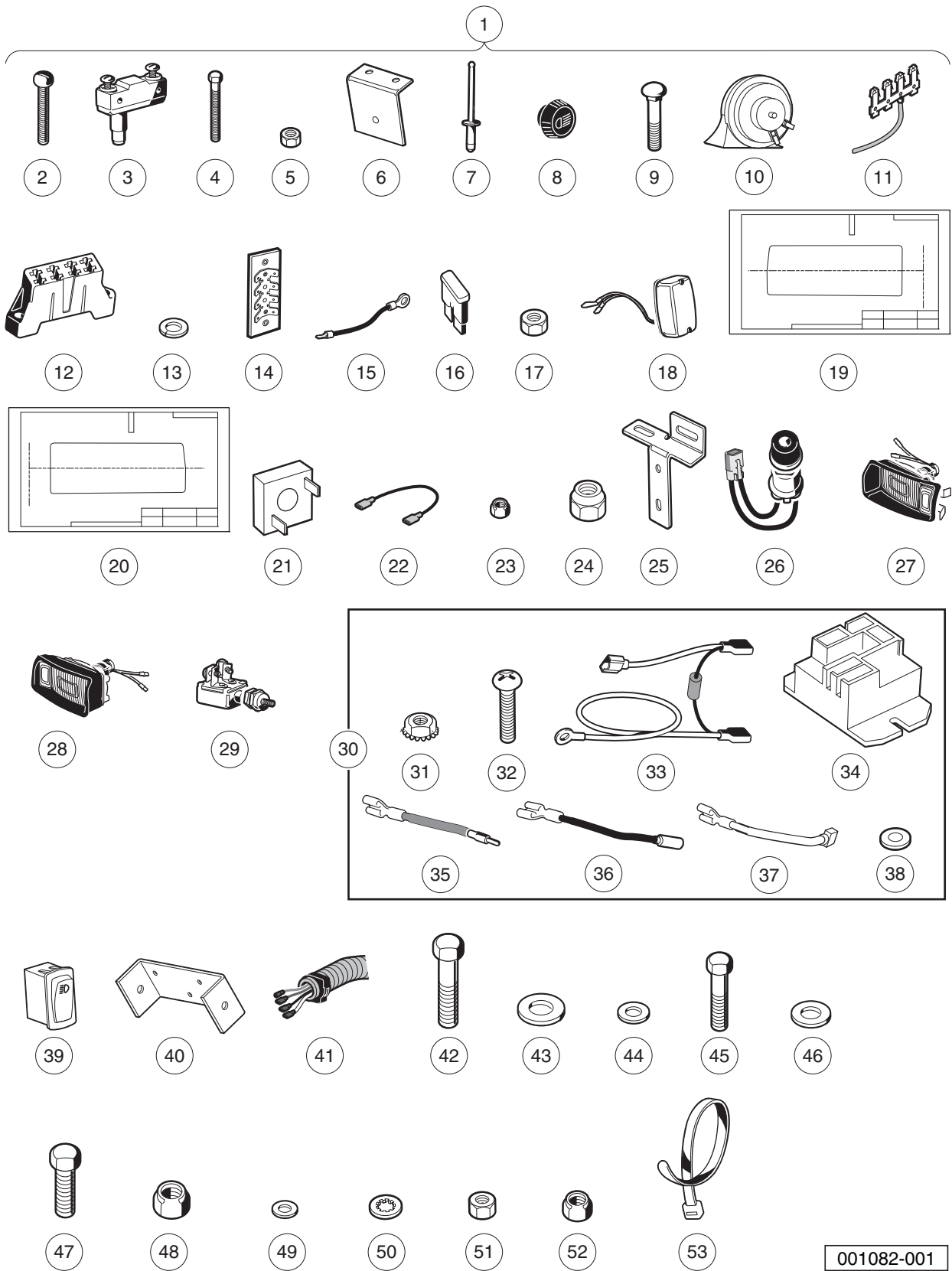
001097-001

HEADLIGHTS

| ITEM | PART NO. | DESCRIPTION | QTY |
|------|------------------|---|-----|
| | | 1 2 3 4 | |
| 1 | <u>101988001</u> | Headlight Assembly, Driver-Side Single Beam (includes items 2 through 10) | 1 |
| 2 | <u>1016880</u> | Headlight Bezel, Left | 1 |
| 3 | <u>1017</u> | Nut, #10-24 Stainless-Steel Hex Machine | 2 |
| 4 | <u>1017062</u> | Turn Signal Lens Assy | 1 |
| 5 | <u>1017064</u> | Mounting Bracket | 2 |
| 6 | <u>1017065</u> | Retainer, Headlight | 1 |
| 7 | <u>101987901</u> | Connector, Harness Assembly, Headlight | 1 |
| 8 | <u>101988101</u> | Bulb, Headlight | 1 |
| 9 | <u>101988201</u> | Lens, Headlight | 1 |
| 10 | 1620 | Screw, #10-16 X 0.75 Pan-Head Tap | 2 |
| 11 | <u>101988002</u> | Headlight Assy, Passenger-Side Single Beam (includes items 12 through 20) | 1 |
| 12 | <u>1016879</u> | Headlight Bezel, Right | 1 |
| 13 | <u>1017</u> | Nut, #10-24 Stainless-Steel Hex Machine | 2 |
| 14 | <u>1017062</u> | Turn Signal Lens Assy | 1 |
| 15 | <u>1017064</u> | Mounting Bracket | 2 |
| 16 | <u>1017065</u> | Retainer, Headlight | 1 |
| 17 | <u>101987901</u> | Connector, Harness Assembly, Headlight | 1 |
| 18 | <u>101988101</u> | Bulb, Headlight | 1 |
| 19 | <u>101988201</u> | Lens, Headlight | 1 |
| 20 | 1620 | Screw, #10-16 X 0.75 Pan-Head Tap | 2 |

4
G
E

4
G
E



LIGHT KIT, STANDARD – CARRYALL 2 GASOLINE VEHICLES

| ITEM | PART NO. | DESCRIPTION | QTY |
|------|------------------|---|-----|
| | | 1 2 3 4 | |
| 1 | <u>101705603</u> | Standard Lighting Package (includes items 2 through 53) | 1 |
| 2 | <u>1010909</u> | Screw, #10-32 X 1.25 Rd Hd Mch | 1 |
| 3 | <u>1011439</u> | Switch, Limit | 2 |
| 4 | <u>1011557</u> | Screw, #6-32 X 1.00 Hex-Head Machine | 8 |
| 5 | <u>1011558</u> | Nut, #6-32 Hex | 6 |
| 6 | <u>1011825</u> | Horn Bracket | 1 |
| 7 | <u>1013357</u> | Rivet, 5/32 Aluminum Pop | 2 |
| 8 | <u>1013857</u> | Knob, Light Switch | 1 |
| 9 | <u>1014109</u> | Bolt, Carriage, #10-24 X 1.0 | 1 |
| 10 | <u>1014530</u> | Horn, 12-VDC | 1 |
| 11 | <u>1015737</u> | Wire Assy, #10 Red | 1 |
| 12 | <u>1015741</u> | Fuse Block | 1 |
| 13 | <u>1016</u> | Lockwasher, #10 Split | 2 |
| 14 | <u>1016356</u> | Terminal Block with Insulator | 1 |
| 15 | <u>1016367</u> | Wire Assy, #10 Black | 1 |
| 16 | <u>1016423</u> | Fuse, 20-Amp | 3 |
| 17 | <u>1017</u> | Nut, #10-24 Stainless-Steel Hex Machine | 1 |
| 18 | <u>1017035</u> | Taillight Assembly | 2 |
| 19 | N/A | Headlight Template R.h. | 1 |
| 20 | N/A | Headlight Template L.h. | 1 |
| 21 | <u>1017721</u> | Limiter, Voltage | 1 |
| 22 | <u>1017722</u> | Wire Assy, #16 Black | 1 |
| 23 | <u>101932201</u> | Locknut, #6-32 Nylon | 4 |
| 24 | <u>101955101</u> | Nut, M6 Hex | 1 |
| 25 | <u>101957101</u> | Bracket, Brake Light Switch | 1 |
| 26 | <u>101969701</u> | Horn Button and Wire Assembly | 1 |
| 27 | <u>101988001</u> | Headlight Assembly, Driver-Side Single Beam | 1 |
| 28 | <u>101988002</u> | Headlight Assy, Passenger-Side Single Beam | 1 |
| 29 | <u>102051901</u> | Switch, Light | 1 |
| 30 | <u>102198701</u> | Brake Relay Kit - 12v (includes items 31 through 38) | 1 |
| 31 | <u>1011229</u> | Locknut, #6-32 Whiz | 2 |
| 32 | <u>1017853</u> | Screw, #6-32 X 0.75 Hex-Head Machine | 2 |
| 33 | <u>101914401</u> | Assembly, Voltage Suppressor | 1 |
| 34 | <u>102199001</u> | Relay, 12-Volt | 1 |
| 35 | <u>102199201</u> | Wire Asm #18 Brown | 1 |
| 36 | <u>102199301</u> | Wire Asm #18 Black | 1 |
| 37 | <u>102199401</u> | Wire Asm #18 Black | 1 |
| 38 | <u>7591</u> | Washer, #6, Flat | 2 |
| 39 | <u>102869401</u> | Switch, Rocker, Light | 1 |
| 40 | <u>103254101</u> | Bracket, Mtg, Power Relay | 1 |
| 41 | <u>103256901</u> | Wire Harness, Lighting, CA2 | 1 |
| 42 | <u>1218</u> | Screw, 5/16-18 X 1.25 Hex-Head Cap | 1 |
| 43 | <u>1241</u> | Washer, 5/16 Type A Flat | 1 |
| 44 | <u>183</u> | Washer, #10, Type A, Flat | 1 |

4
G
E



45304

Screw, 1/4-20 X 1.0 Hex-Head Cap 3

| | | | |
|----|------|---|---|
| 46 | 332 | Washer, 1/4 Type A Narrow Flat | 3 |
| 47 | 7173 | Screw, 5/16-18 X 0.75, Hex-Head Cap | 1 |

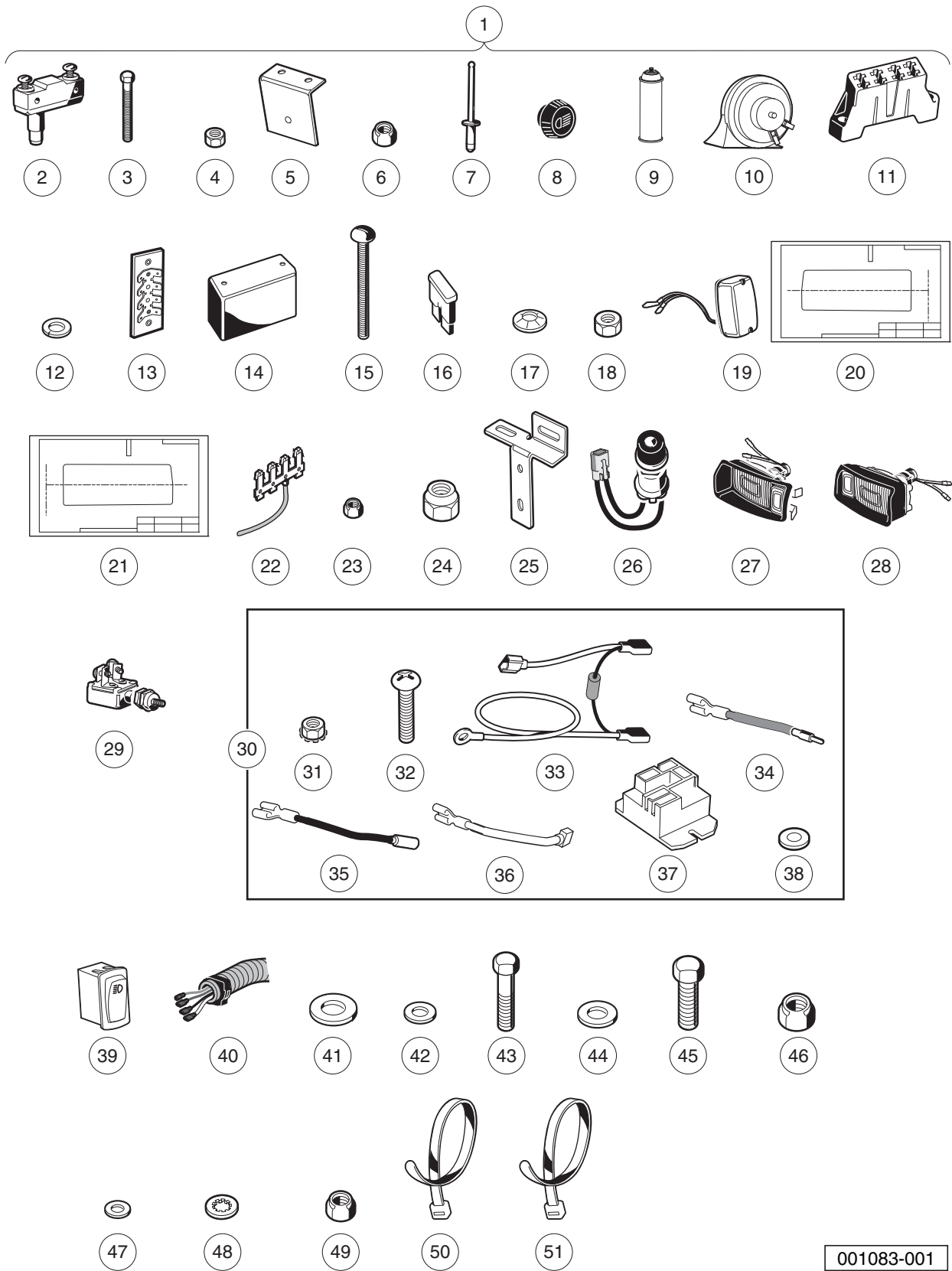
| ITEM | PART NO. | DESCRIPTION | QTY |
|------|-------------|-------------------------------------|-----|
| | | 1 2 3 4 | |
| 48 | <u>7473</u> | Locknut, 5/16-18 Nylon Insert | 3 |
| 49 | <u>7591</u> | Washer, #6, Flat | 4 |
| 50 | <u>7820</u> | Washer, 5/16 Internal-Tooth | 1 |
| 51 | <u>7893</u> | Nut, #10-32 Hex | 1 |
| 52 | <u>8233</u> | Locknut, 1/4-20, Nylon Insert | 3 |
| 53 | <u>8990</u> | Tie Wrap, 8" Nylon | 18 |

4

G

E

4
G
E



LIGHT KIT, STANDARD – CARRYALL 2 IQ PLUS ELECTRIC VEHICLES

| ITEM | PART NO. | DESCRIPTION | QTY |
|------|------------------|---|-----|
| | | 1 2 3 4 | |
| 1 | 102915101 | Lgt Pkg Std Iq Plus Elec Field (includes items 2 through 51) | 1 |
| 2 | <u>1011439</u> | Switch, Limit | 2 |
| 3 | <u>1011557</u> | Screw, #6-32 X 1.00 Hex-Head Machine | 8 |
| 4 | <u>1011558</u> | Nut, #6-32 Hex | 8 |
| 5 | <u>1011825</u> | Horn Bracket | 1 |
| 6 | <u>1012438</u> | Locknut, #10-24 Nylon Insert | 2 |
| 7 | <u>1013357</u> | Rivet, 5/32 Aluminum Pop | 2 |
| 8 | <u>1013857</u> | Knob, Light Switch | 1 |
| 9 | 1014307 | Bulk Batt Term Protector | A/R |
| 10 | <u>1014530</u> | Horn, 12-VDC | 1 |
| 11 | <u>1015741</u> | Fuse Block | 1 |
| 12 | <u>1016</u> | Lockwasher, #10 Split | 2 |
| 13 | <u>1016356</u> | Terminal Block with Insulator | 1 |
| 14 | <u>1016363</u> | Fuse Block Cover | 1 |
| 15 | <u>1016366</u> | Screw, #10-24 X 3.0 Pan-Head Machine | 2 |
| 16 | <u>1016423</u> | Fuse, 20-Amp | 3 |
| 17 | <u>1016631</u> | Push Nut | 2 |
| 18 | <u>1017</u> | Nut, #10-24 Stainless-Steel Hex Machine | 2 |
| 19 | <u>1017035</u> | Taillight Assembly | 2 |
| 20 | N/A | Headlight Template R.h. | 1 |
| 21 | N/A | Headlight Template L.h. | 1 |
| 22 | <u>101810601</u> | Wire Assy, #10 Red | 1 |
| 23 | <u>101932201</u> | Locknut, #6-32 Nylon | 4 |
| 24 | <u>101955101</u> | Nut, M6 Hex | 1 |
| 25 | <u>101957101</u> | Bracket, Brake Light Switch | 1 |
| 26 | <u>101969701</u> | Horn Button and Wire Assembly | 1 |
| 27 | <u>101988001</u> | Headlight Assembly, Driver-Side Single Beam | 1 |
| 28 | <u>101988002</u> | Headlight Assy, Passenger-Side Single Beam | 1 |
| 29 | <u>102051901</u> | Switch, Light | 1 |
| 30 | N/A | Elec Regen Iq Brake Relay Inst (includes items 31 through 38) | 1 |
| 31 | <u>1011229</u> | Locknut, #6-32 Whiz | 2 |
| 32 | <u>1017853</u> | Screw, #6-32 X 0.75 Hex-Head Machine | 2 |
| 33 | <u>101914402</u> | Asm, Pd Volt. Supp. W/o Instr. | 1 |
| 34 | <u>102199201</u> | Wire Asm #18 Brown | 1 |
| 35 | <u>102199301</u> | Wire Asm #18 Black | 1 |
| 36 | <u>102199401</u> | Wire Asm #18 Black | 1 |
| 37 | <u>103397901</u> | Relay, Spst No, 48v 30a, Pmt | 1 |
| 38 | <u>7591</u> | Washer, #6, Flat | 2 |
| 39 | <u>102869401</u> | Switch, Rocker, Light | 1 |
| 40 | <u>103256901</u> | Wire Harness, Lighting, CA2 | 1 |
| 41 | <u>1241</u> | Washer, 5/16 Type A Flat | 1 |
| 42 | <u>183</u> | Washer, #10, Type A, Flat | 4 |
| 43 | 304 | Screw, 1/4-20 X 1.0 Hex-Head Cap | 2 |
| 44 | <u>332</u> | Washer, 1/4 Type A Narrow Flat | 2 |

4
G
E



457173

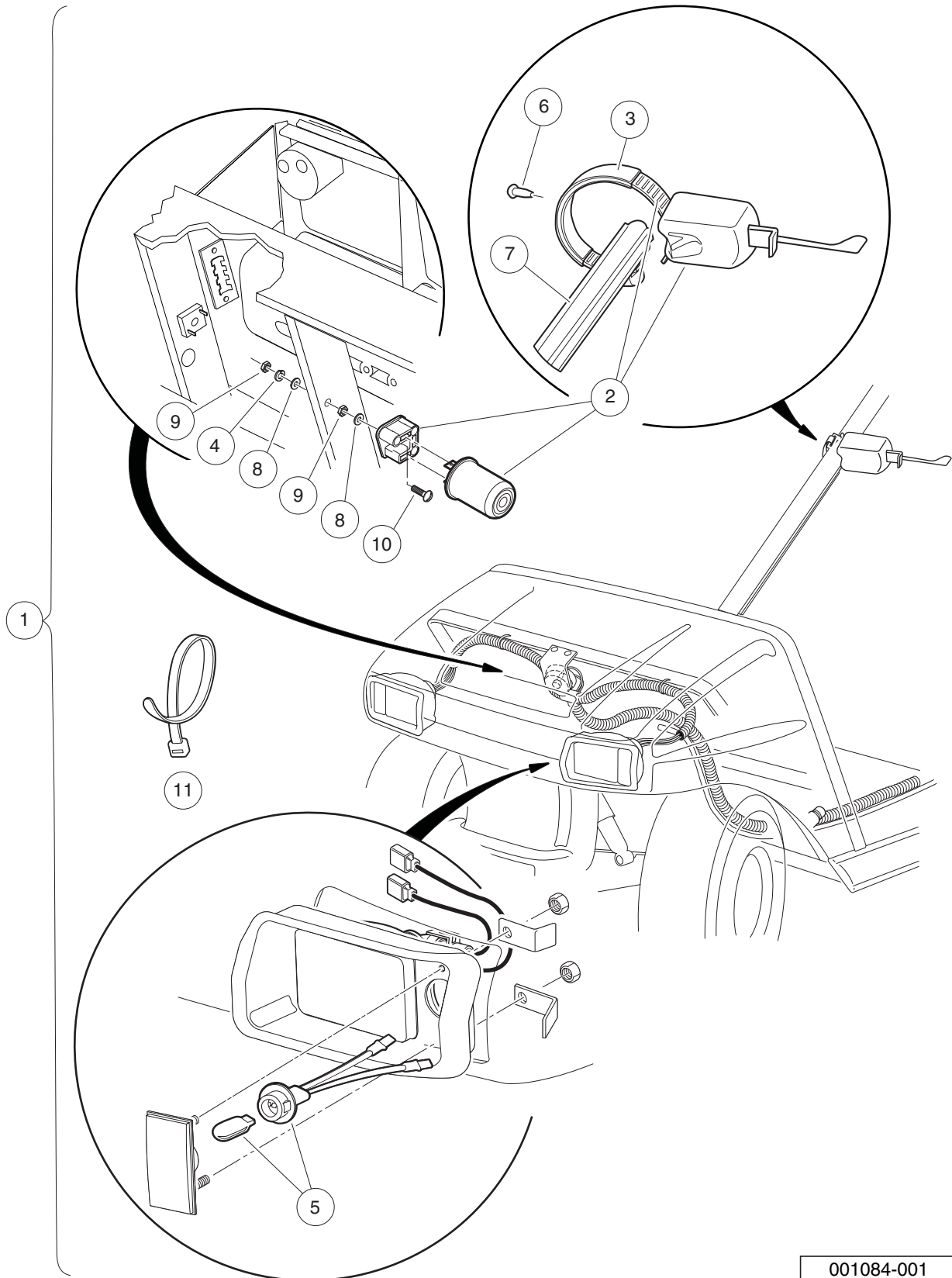
Screw, 5/16-18 X 0.75, Hex-Head Cap 1

| | | | |
|----|------|-------------------------------------|---|
| 46 | 7473 | Locknut, 5/16-18 Nylon Insert | 2 |
| 47 | 7591 | Washer, #6, Flat | 4 |

| ITEM | PART NO. | DESCRIPTION | QTY |
|------|-------------|-------------------------------------|-----|
| | | 1 2 3 4 | |
| 48 | <u>7820</u> | Washer, 5/16 Internal-Tooth | 1 |
| 49 | <u>8233</u> | Locknut, 1/4-20, Nylon Insert | 2 |
| 50 | <u>8639</u> | Tie Wrap, 11" Nylon | 10 |
| 51 | <u>8990</u> | Tie Wrap, 8" Nylon | 8 |

4
G
E

4
G
E



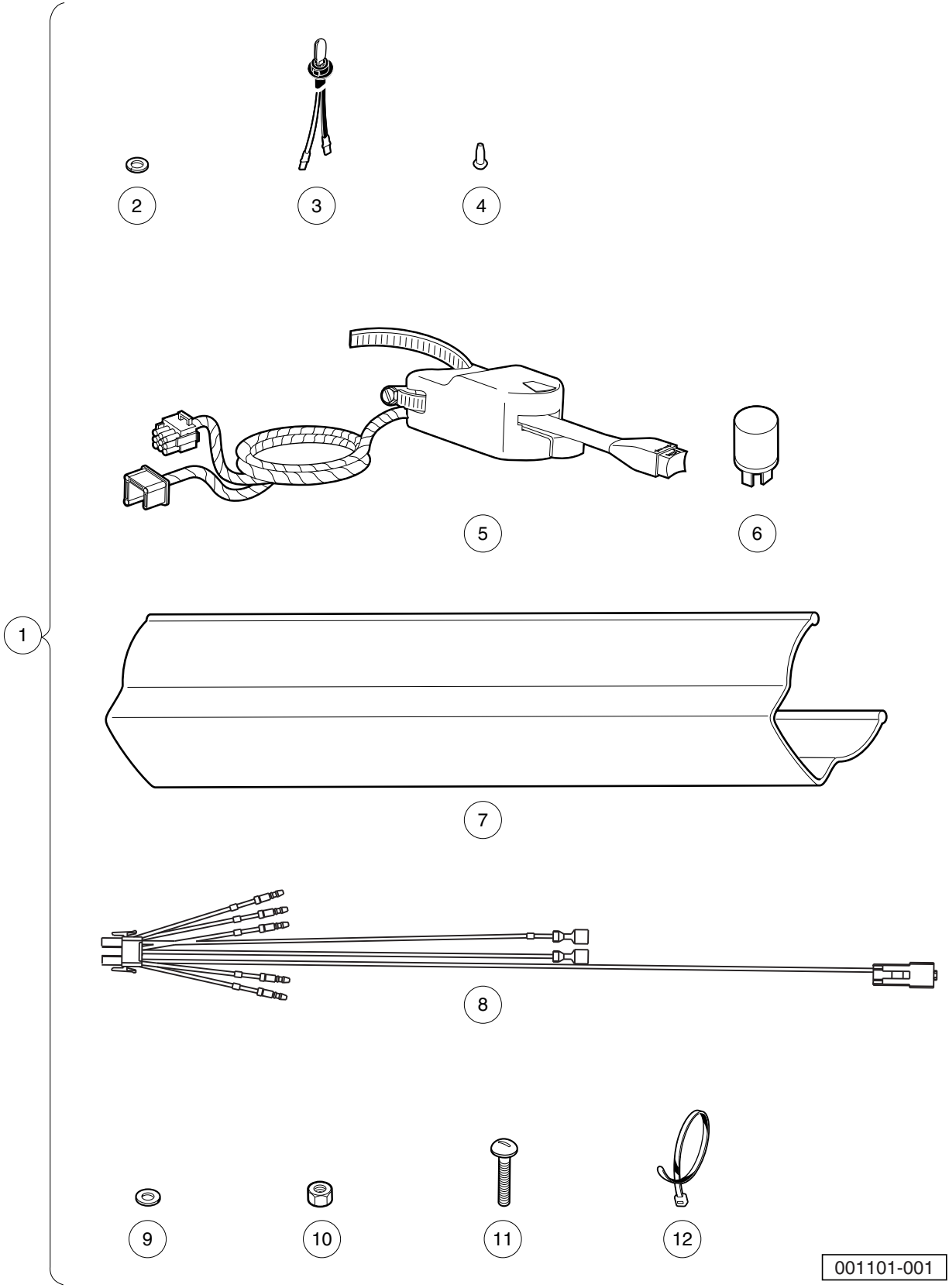
001084-001

TURN SIGNAL KIT – DS AND UTILITY GASOLINE AND ELECTRIC VEHICLES

| ITEM | PART NO. | DESCRIPTION | QTY |
|------|------------------|--|-----|
| | | 1 2 3 4 | |
| 1 | 101707402 | Turn Signal Conversion Kit (includes items 2 through 11) | 1 |
| 2 | <u>1011590</u> | Switch Sub-assy, Turn Signal | 1 |
| 3 | N/A | Strap, Extrusion | 1 |
| 4 | <u>1016</u> | Lockwasher, #10 Split | 1 |
| 5 | <u>1017075</u> | Socket & Lamp Assembly | 2 |
| 6 | <u>1017724</u> | Rivet, Plastic | 1 |
| 7 | <u>102529201</u> | Wire Cover, Steering Column | 1 |
| 8 | <u>183</u> | Washer, #10, Type A, Flat | 2 |
| 9 | <u>7893</u> | Nut, #10-32 Hex | 2 |
| 10 | 8104 | Screw, #10-32 X .75 Rd Hd Mach | 1 |
| 11 | <u>8990</u> | Tie Wrap, 8" Nylon | 1 |

4
G
E

4
G
E



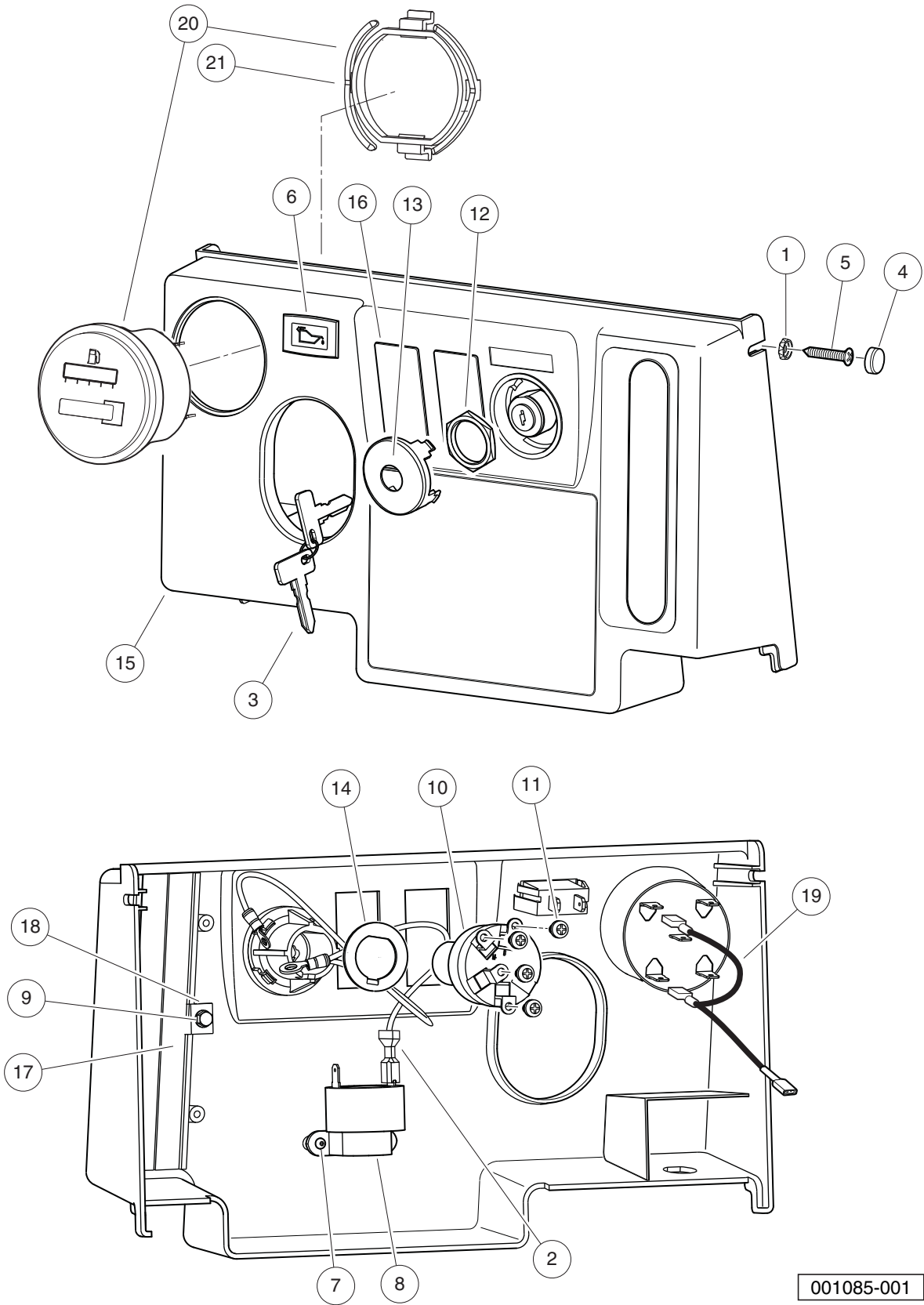
001101-001

TURN SIGNAL (WITH HORN BUTTON) KIT – DS AND UTILITY GAS AND ELECTRIC VEHICLES

| ITEM | PART NO. | DESCRIPTION | QTY |
|------|------------------|---|-----|
| | | 1 2 3 4 | |
| 1 | 101707405 | Kit, Turn Signal-horn (includes items 2 through 12) | 1 |
| 2 | <u>1016</u> | Lockwasher, #10 Split | 1 |
| 3 | <u>1017075</u> | Socket & Lamp Assembly | 2 |
| 4 | <u>1017724</u> | Rivet, Plastic | 1 |
| 5 | <u>102517501</u> | Turn Signal Asm (includes item 6) | 1 |
| 6 | <u>102546401</u> | Flasher Unit, Prec | 1 |
| 7 | <u>102529201</u> | Wire Cover, Steering Column | 1 |
| 8 | <u>103618001</u> | Harness, Jumper, Turn Signal | 1 |
| 9 | <u>183</u> | Washer, #10, Type A, Flat | 2 |
| 10 | <u>7893</u> | Nut, #10-32 Hex | 2 |
| 11 | 8104 | Screw, #10-32 X .75 Rd Hd Mach | 1 |
| 12 | <u>8990</u> | Tie Wrap, 8" Nylon | 1 |

4
G
E

4
G
E



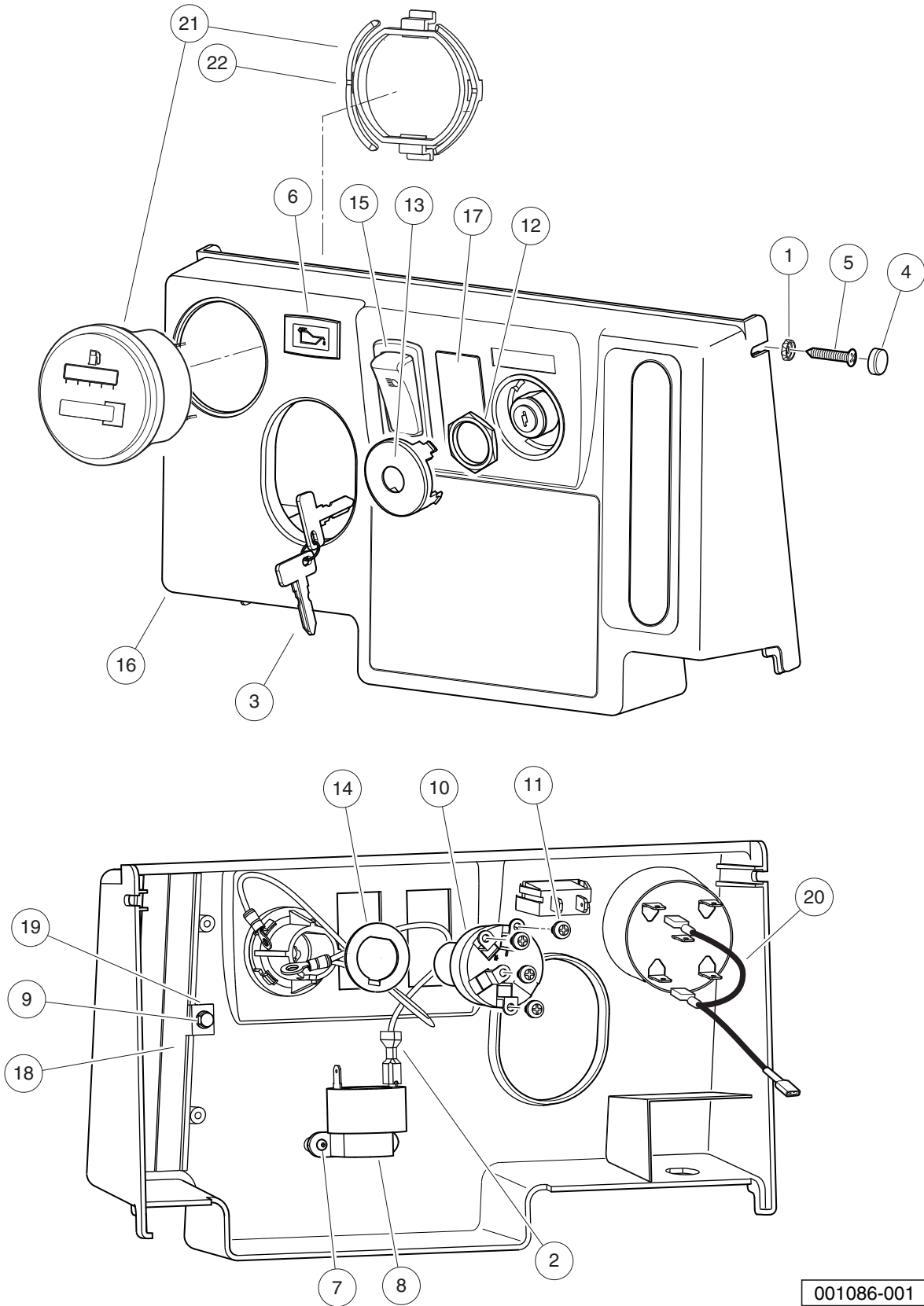
001085-001

INSTRUMENT PANEL AND ELECTRICAL COMPONENTS – TURF/ CARRYALL 2 AND 252 GAS

| ITEM | PART NO. | DESCRIPTION | QTY |
|------|------------------|--|-----|
| | | 1 2 3 4 | |
| 1 | 1011382 | Washer, #10 Pan-Head Screw | 2 |
| 2 | 1012396 | Wire Assy #18 Black | 1 |
| 3 | <u>1012505</u> | Keys (set of 2) | 1 |
| 4 | <u>1013494</u> | Cover, Screw Head | 2 |
| 5 | <u>1015528</u> | Screw, #10 x 1-1/4 Phillips Head | 2 |
| 6 | <u>1016630</u> | Light, Oil | 1 |
| 7 | <u>1016849</u> | Screw, #4-24 X 0.33, Pan-Head, Machine | 2 |
| 8 | <u>1016851</u> | Buzzer, Reverse (9-48 VDC) | 1 |
| 9 | <u>101804301</u> | Screw, #8 X 0.500, Hex-Head Hi-Lo | 2 |
| 10 | <u>101826301</u> | Key Switch, 12-Volt, Off/On | 1 |
| 11 | 101830601 | Screw and Washer Assembly | 4 |
| 12 | <u>101830701</u> | Nut, Key Switch | 1 |
| 13 | <u>101834502</u> | Cap, Black Key Switch | 1 |
| 14 | <u>101851101</u> | Washer, Key Switch | 1 |
| 15 | <u>102977001</u> | Panel, Dash, Center, Gas (Instrument Panel) | 1 |
| 16 | <u>103180101</u> | Cover, Hole, Switch, Rocker | 2 |
| 17 | <u>103199001</u> | Brush, Closeout, FNR | 2 |
| 18 | <u>103199101</u> | Washer, Retaining, Brush, FNR | 2 |
| 19 | <u>103348501</u> | Asm, Wire Meter, F-h Jumper | 1 |
| 20 | <u>103348602</u> | Gauge, Fuel-hour, sep Gnd, Ds (includes item 21) | 1 |
| 21 | 103348204 | Clip, Meter, Round Ds | 1 |

4
G
E

4
G
E



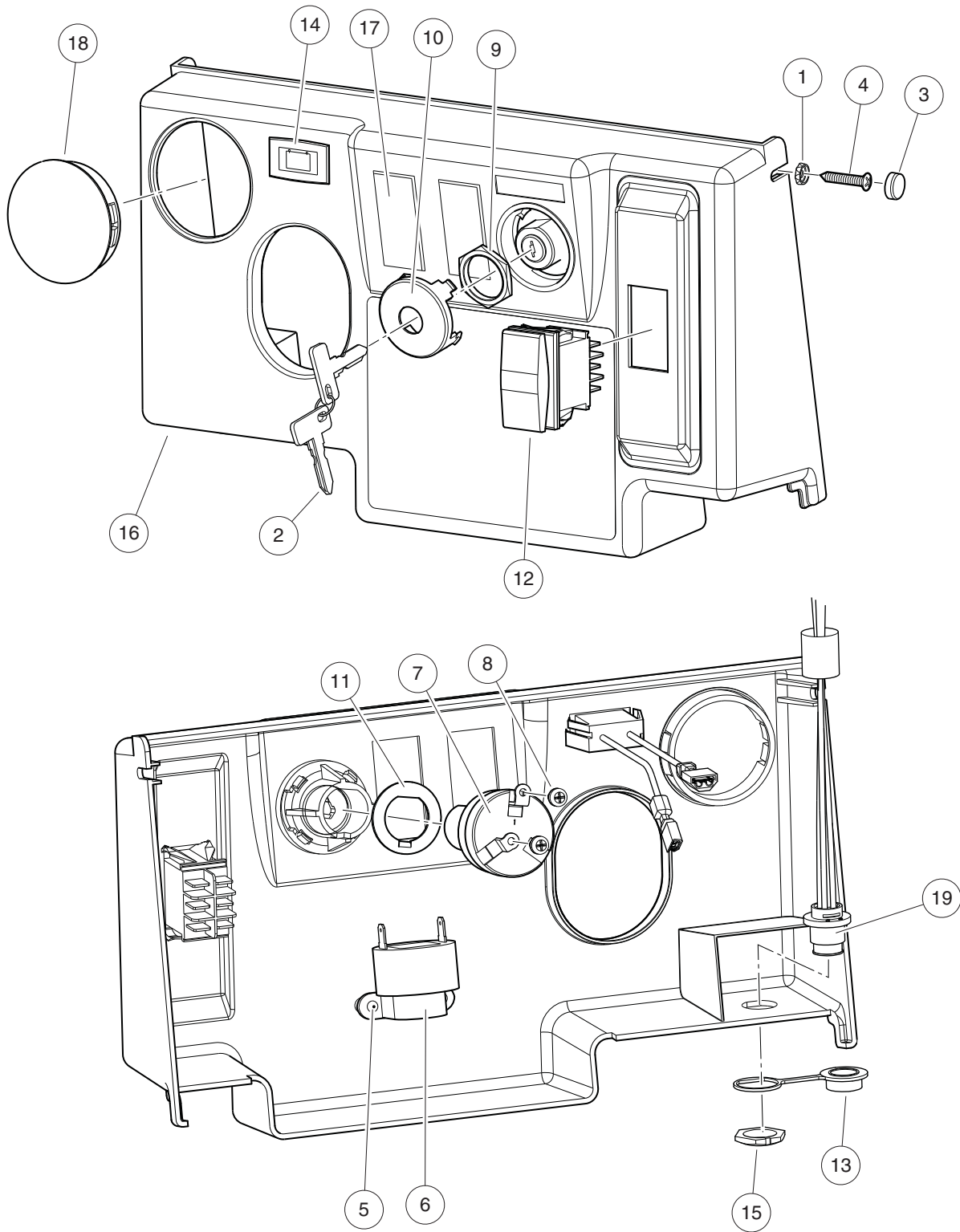
001086-001

INSTRUMENT PANEL AND ELECTRICAL COMPONENTS – CARRYALL 2 PLUS AND XRT 900 GAS

| ITEM | PART NO. | DESCRIPTION | QTY |
|------|------------------|--|-----|
| | | 1 2 3 4 | |
| 1 | 1011382 | Washer, #10 Pan-Head Screw | 2 |
| 2 | 1012396 | Wire Assy #18 Black | 1 |
| 3 | <u>1012505</u> | Keys (set of 2) | 1 |
| 4 | <u>1013494</u> | Cover, Screw Head | 2 |
| 5 | <u>1015528</u> | Screw, #10 x 1-1/4 Phillips Head | 2 |
| 6 | <u>1016630</u> | Light, Oil | 1 |
| 7 | <u>1016849</u> | Screw, #4-24 X 0.33, Pan-Head, Machine | 2 |
| 8 | <u>1016851</u> | Buzzer, Reverse (9-48 VDC) | 1 |
| 9 | <u>101804301</u> | Screw, #8 X 0.500, Hex-Head Hi-Lo | 2 |
| 10 | 101826401 | Key Switch, 12-Volt, Off/On/Start | 1 |
| 11 | 101830601 | Screw and Washer Assembly | 5 |
| 12 | <u>101830701</u> | Nut, Key Switch | 1 |
| 13 | <u>101834502</u> | Cap, Black Key Switch | 1 |
| 14 | <u>101851101</u> | Washer, Key Switch | 1 |
| 15 | <u>102869401</u> | Switch, Rocker, Light | 1 |
| 16 | <u>102977001</u> | Panel, Dash, Center, Gas (Instrument Panel) | 1 |
| 17 | <u>103180101</u> | Cover, Hole, Switch, Rocker | 1 |
| 18 | <u>103199001</u> | Brush, Closeout, FNR | 2 |
| 19 | <u>103199101</u> | Washer, Retaining, Brush, FNR | 2 |
| 20 | <u>103348501</u> | Asm, Wire Meter, F-h Jumper | 1 |
| 21 | <u>103348602</u> | Gauge, Fuel-hour, sep Gnd, Ds (includes item 22) | 1 |
| 22 | 103348204 | Clip, Meter, Round Ds | 1 |

4
G
E

4
G
E



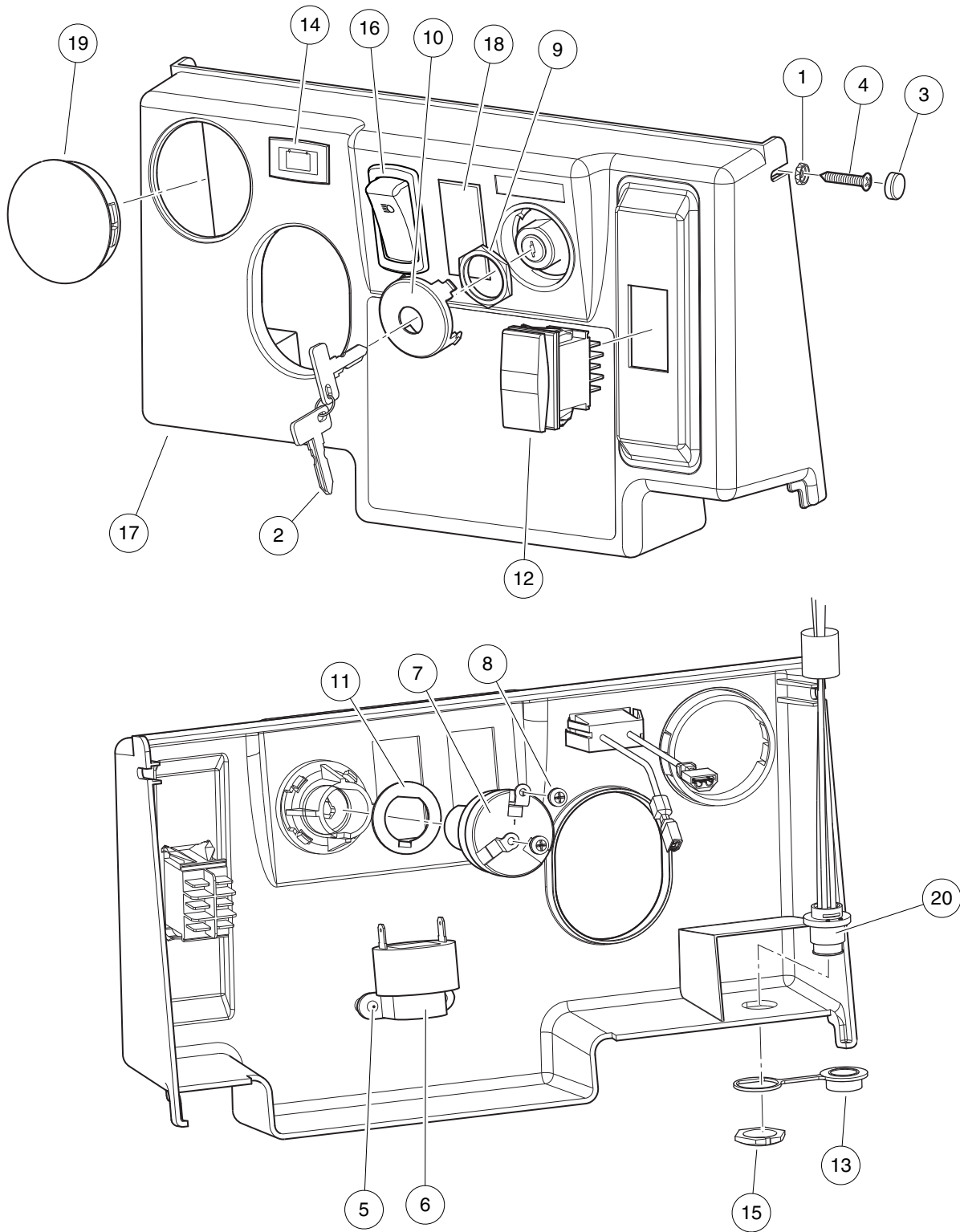
001087-001

INSTRUMENT PANEL AND ELECTRICAL COMPONENTS – TURF/ CARRYALL 2 ELECTRIC

| ITEM | PART NO. | DESCRIPTION | QTY |
|------|------------------|--|-----|
| | | 1 2 3 4 | |
| 1 | 1011382 | Washer, #10 Pan-Head Screw | 2 |
| 2 | <u>1012505</u> | Keys (set of 2) | 1 |
| 3 | <u>1013494</u> | Cover, Screw Head | 2 |
| 4 | <u>1015528</u> | Screw, #10 x 1-1/4 Phillips Head | 2 |
| 5 | <u>1016849</u> | Screw, #4-24 X 0.33, Pan-Head, Machine | 2 |
| 6 | <u>1016851</u> | Buzzer, Reverse (9-48 VDC) | 1 |
| 7 | <u>101826201</u> | Key Switch, On/Off | 1 |
| 8 | 101830601 | Screw and Washer Assembly | 2 |
| 9 | <u>101830701</u> | Nut, Key Switch | 1 |
| 10 | <u>101834502</u> | Cap, Black Key Switch | 1 |
| 11 | <u>101851101</u> | Washer, Key Switch | 1 |
| 12 | <u>101856002</u> | Switch, Rocker, Single-Pole | 1 |
| 13 | <u>102196901</u> | Dust Cap | 1 |
| 14 | <u>102508701</u> | Light, Battery | 1 |
| 15 | <u>102572401</u> | Nut, Diagnostic Port, Prec | 1 |
| 16 | <u>102977002</u> | Panel, Dash, Center, Elec (Instrument Panel) | 1 |
| 17 | <u>103180101</u> | Cover, Hole, Switch, Rocker | 2 |
| 18 | <u>103198301</u> | Plug, Hole, Round, 2.0 In | 1 |
| 19 | <u>103218601</u> | Harness, Diagnostic Port | 1 |

4
G
E

4
G
E



001088-001

INSTRUMENT PANEL WITH ELECTRICAL COMPONENTS – TURF/ CARRYALL 252 AND XRT 900 ELECTRIC

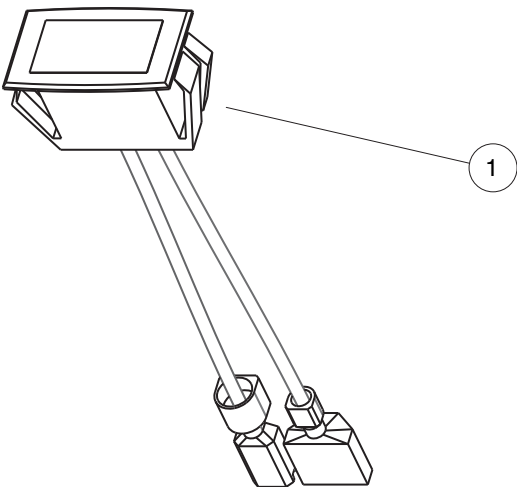
| ITEM | PART NO. | DESCRIPTION | QTY |
|------|------------------|--|-----|
| | | 1 2 3 4 | |
| 1 | 1011382 | Washer, #10 Pan-Head Screw | 2 |
| 2 | <u>1012505</u> | Keys (set of 2) | 1 |
| 3 | <u>1013494</u> | Cover, Screw Head | 2 |
| 4 | <u>1015528</u> | Screw, #10 x 1-1/4 Phillips Head | 2 |
| 5 | <u>1016849</u> | Screw, #4-24 X 0.33, Pan-Head, Machine | 2 |
| 6 | <u>1016851</u> | Buzzer, Reverse (9-48 VDC) | 1 |
| 7 | <u>101826201</u> | Key Switch, On/Off | 1 |
| 8 | 101830601 | Screw and Washer Assembly | 2 |
| 9 | <u>101830701</u> | Nut, Key Switch | 1 |
| 10 | <u>101834502</u> | Cap, Black Key Switch | 1 |
| 11 | <u>101851101</u> | Washer, Key Switch | 1 |
| 12 | <u>101856002</u> | Switch, Rocker, Single-Pole | 1 |
| 13 | <u>102196901</u> | Dust Cap | 1 |
| 14 | <u>102508701</u> | Light, Battery | 1 |
| 15 | <u>102572401</u> | Nut, Diagnostic Port, Prec | 1 |
| 16 | <u>102869401</u> | Switch, Rocker, Light | 1 |
| 17 | <u>102977002</u> | Panel, Dash, Center, Elec (Instrument Panel) | 1 |
| 18 | <u>103180101</u> | Cover, Hole, Switch, Rocker | 1 |
| 19 | <u>103198301</u> | Plug, Hole, Round, 2.0 In | 1 |
| 20 | <u>103218601</u> | Harness, Diagnostic Port | 1 |

4
G
E

4

G

E



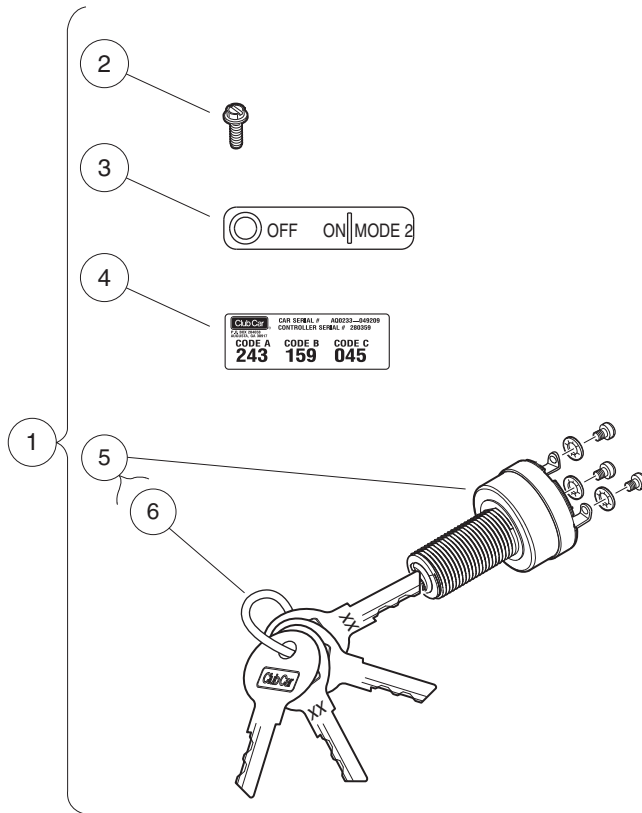
001237-001

INDICATOR, CHARGER INFO – ELEC. VEHICLES WITH MAINT-FREE BATTERIES AND DELTAQ CHARGER

| ITEM | PART NO. | DESCRIPTION | QTY |
|------|------------------|---|-----|
| 1 | <u>103860501</u> | <p>1 2 3 4 Indicator, Info, Charger</p> <p>Note: This indictator is only for non-standard vehicles equipped with maintenance-free, absorbed-glass-mat (AGM) batteries and DeltaQ battery charger.</p> | 1 |

4
G
E

4
G
E



001212-001

KEYS AND KEYSWITCHES, SMARTKEY KIT – ELECTRIC VEHICLE

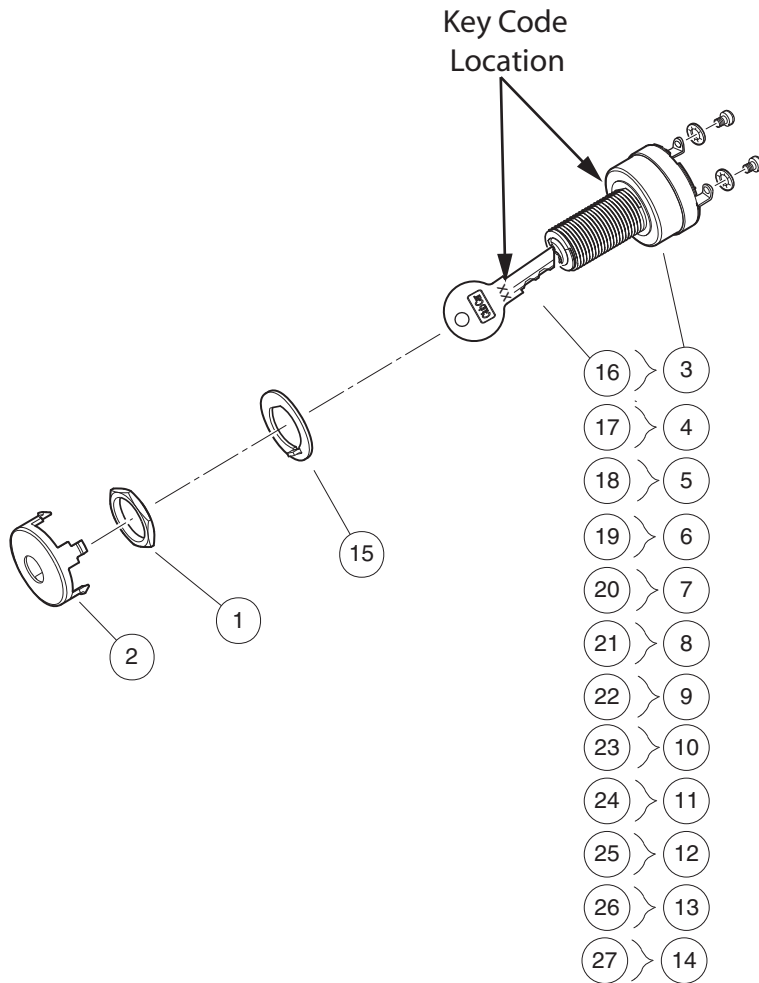
| ITEM | PART NO. | DESCRIPTION | QTY |
|------|------------------|---|-----|
| | | 1 2 3 4 | |
| 1 | <u>102962602</u> | Kit, Field, Smartkey (includes items 2 through 5) | 1 |
| 2 | <u>1011017</u> | Screw, #8-32 X 0.375 | 1 |
| 3 | <u>101825103</u> | Decal, Keyswitch, Iq Plus Mode | 1 |
| 4 | N/A | Decal, Passcode | 1 |
| 5 | <u>102950301</u> | Key Switch, Mode B, Iq Plus (includes item 6) | 1 |
| 6 | <u>102962303</u> | Keys, Set Of 4, Iq Plus Mode | 1 |
| | | Note: Not available in the EU. | |

4
G
E

4

G

E



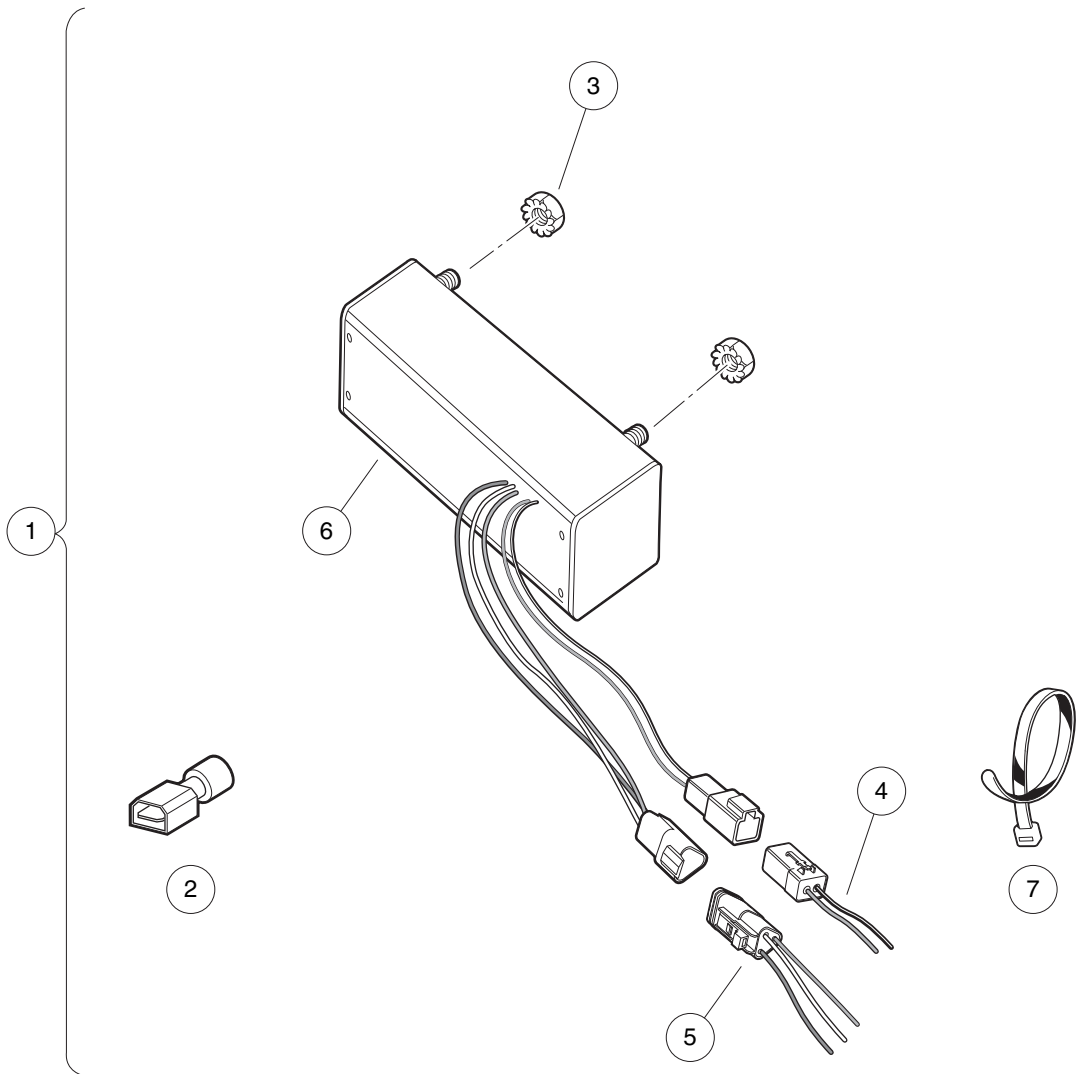
001089-001

KEYS AND KEYSWITCHES, UNCOMMON – GAS VEHICLE

| ITEM | PART NO. | DESCRIPTION | QTY |
|------|------------------|--|-----|
| | | 1 2 3 4 | |
| 1 | <u>101830701</u> | Nut, Key Switch | 1 |
| 2 | <u>101834502</u> | Cap, Black Key Switch | 1 |
| 3 | <u>101839801</u> | Keyswtch Uncom A408 On/off/st | 1 |
| 4 | <u>101839802</u> | Keyswtch Uncom B408 On/off/st | 1 |
| 5 | <u>101839803</u> | Keyswtch Uncom C408 On/off/st | 1 |
| 6 | <u>101839804</u> | Keyswtch Uncom D408 On/off/st | 1 |
| 7 | <u>101839805</u> | Keyswtch Uncom 2a408 On/off/st | 1 |
| 8 | <u>101839806</u> | Keyswtch Uncom 2b408 On/off/st | 1 |
| 9 | <u>101839807</u> | Keyswtch Uncom 2c408 On/off/st | 1 |
| 10 | <u>101839808</u> | Keyswtch Uncom 2d408 On/off/st | 1 |
| 11 | <u>101839809</u> | Keyswtch Uncom E408 On/off/st | 1 |
| 12 | <u>101839810</u> | Keyswtch Uncom F408 On/off/st | 1 |
| 13 | <u>101839811</u> | Keyswtch Uncom 2e408 On/off/st | 1 |
| 14 | <u>101839812</u> | Keyswtch Uncom 2f408 On/off/st | 1 |
| 15 | <u>101851101</u> | Washer, Key Switch | 1 |
| 16 | <u>101974701</u> | Key, Uncommon 1a | 1 |
| 17 | <u>101974702</u> | Key, Uncommon 1b | 1 |
| 18 | <u>101974703</u> | Key, Uncommon 1c | 1 |
| 19 | <u>101974704</u> | Key, Uncommon 1d | 1 |
| 20 | <u>101974705</u> | Key, Uncommon 2a | 1 |
| 21 | <u>101974706</u> | Key, Uncommon 2b | 1 |
| 22 | <u>101974707</u> | Key, Uncommon 2c | 1 |
| 23 | <u>101974708</u> | Key, Uncommon 2d | 1 |
| 24 | <u>101974709</u> | Key, Uncommon 1e | 1 |
| 25 | <u>101974710</u> | Key, Uncommon 1f | 1 |
| 26 | <u>101974711</u> | Key, Uncommon 2e | 1 |
| 27 | <u>101974712</u> | Key, Uncommon 2f | 1 |
| | | Note: Keyswitches <u>101839801</u> through <u>101839812</u> are for key-start, gasoline vehicles ONLY. | |

4
G
E

4
G
E



001090-002

DC CONVERTER (ISOLATED) – ELECTRIC VEHICLE

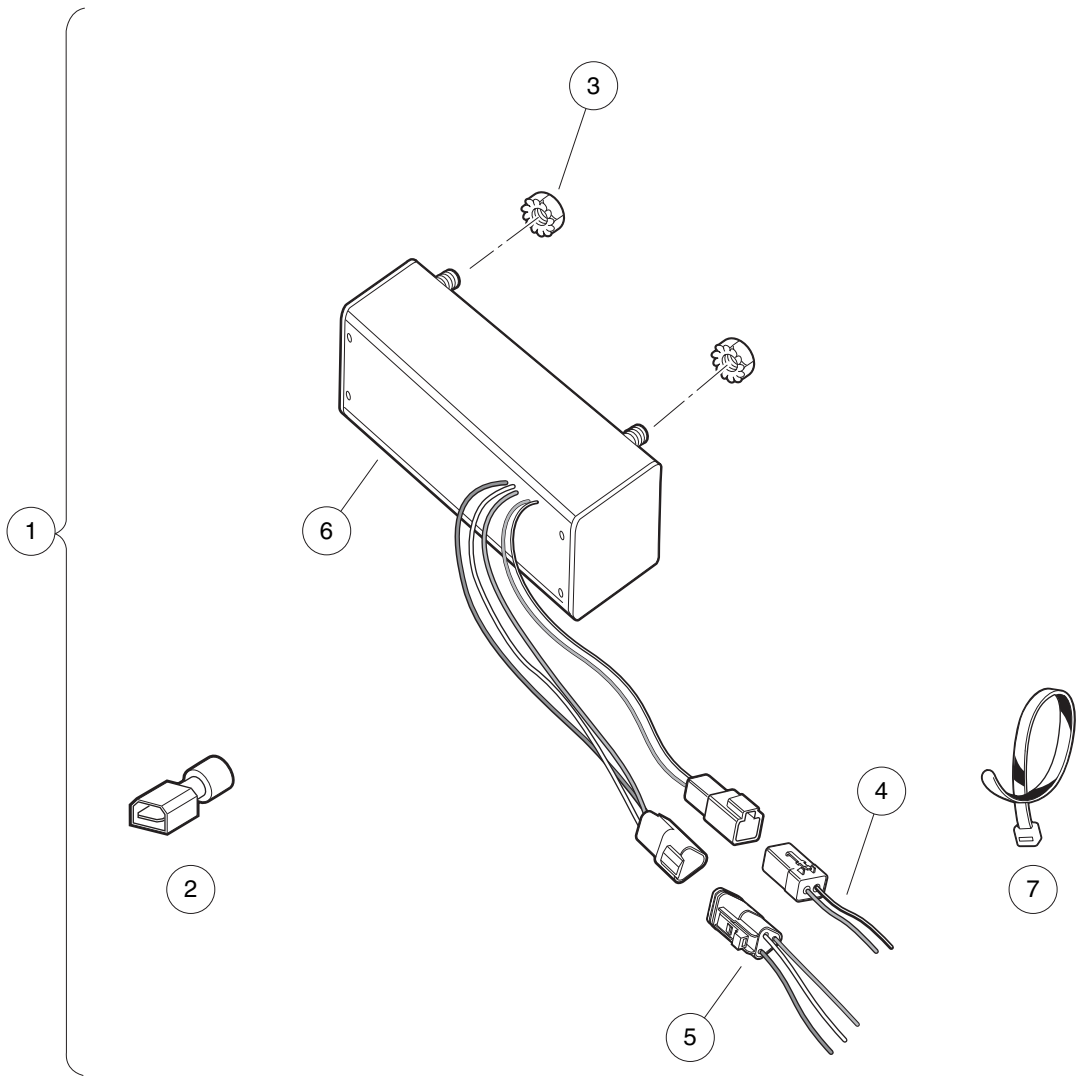
| ITEM | PART NO. | DESCRIPTION | QTY |
|------|------------------|--|-----|
| | | 1 2 3 4 | |
| 1 | <u>102918701</u> | Kit, DC/DC Converter, IQ Plus (includes items 2 through 7) | 1 |
| 2 | <u>1016365</u> | Terminal, 1/4" Male Quick Disconnect | 1 |
| 3 | <u>101835601</u> | Locknut, 1/4-20 Hex Whiz | 2 |
| 4 | <u>102354901</u> | Harness, Dc Converter - 12v | 1 |
| 5 | <u>102890201</u> | Harness, Dc Converter, 48v | 1 |
| 6 | <u>103700301</u> | Converter, Dc/dc, Isoldt | 1 |
| 7 | <u>8990</u> | Tie Wrap, 8" Nylon | 10 |

4

G

E

4
G
E



001090-002

DC CONVERTER (ISOLATED) – CE ELECTRIC VEHICLE

| ITEM | PART NO. | DESCRIPTION | QTY |
|------|------------------|---|-----|
| | | 1 2 3 4 | |
| 1 | <u>102918702</u> | Kit, Dc Conv. Iq Plus Ce (includes items 2 through 7) | 1 |
| 2 | <u>1016365</u> | Terminal, 1/4" Male Quick Disconnect | 1 |
| 3 | <u>101835601</u> | Locknut, 1/4-20 Hex Whiz | 2 |
| 4 | <u>102354901</u> | Harness, Dc Converter - 12v | 1 |
| 5 | <u>102890201</u> | Harness, Dc Converter, 48v | 1 |
| 6 | <u>103802401</u> | Converter, Dc/dc, Ce | 1 |
| 7 | <u>8990</u> | Tie Wrap, 8" Nylon | 10 |

4

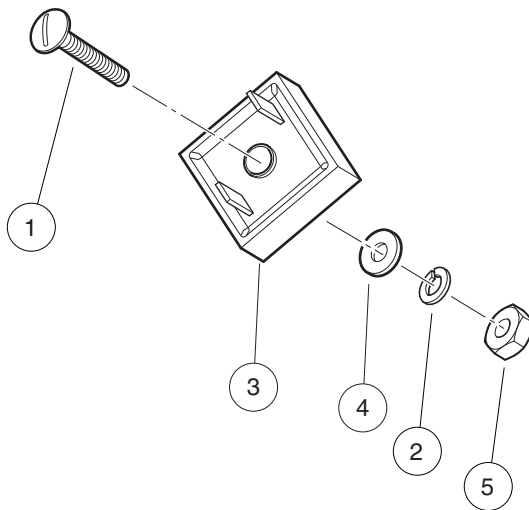
G

E

4

G

E



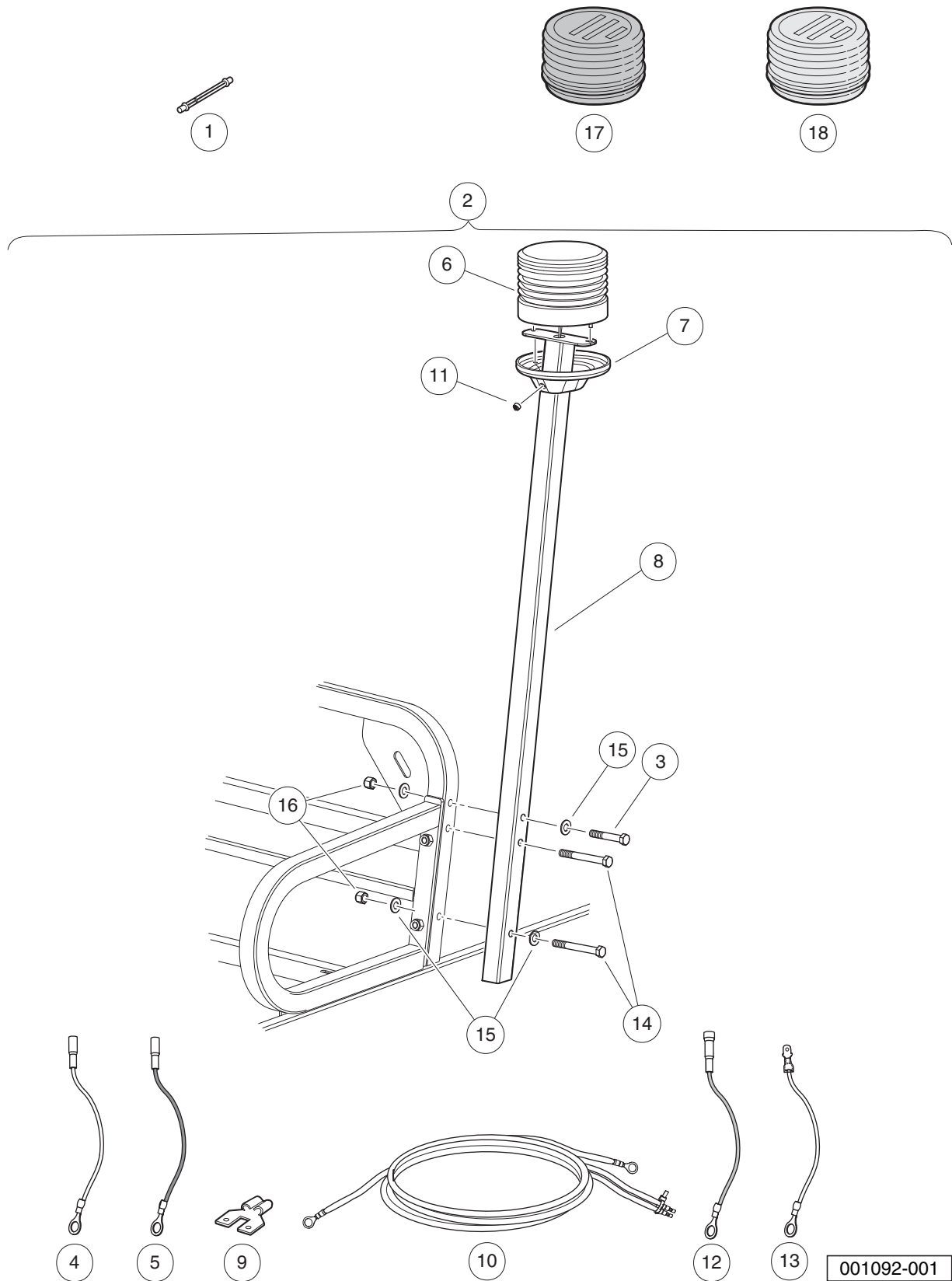
001091-001

VOLTAGE LIMITER – GASOLINE VEHICLE

| ITEM | PART NO. | DESCRIPTION | QTY |
|------|----------------|--------------------------------------|-----|
| | | 1 2 3 4 | |
| 1 | <u>1010909</u> | Screw, #10-32 X 1.25 Rd Hd Mch | 1 |
| 2 | <u>1016</u> | Lockwasher, #10 Split | 1 |
| 3 | <u>1017721</u> | Limiter, Voltage | 1 |
| 4 | <u>183</u> | Washer, #10, Type A, Flat | 1 |
| 5 | <u>7893</u> | Nut, #10-32 Hex | 1 |

4
G
E

4
G
E



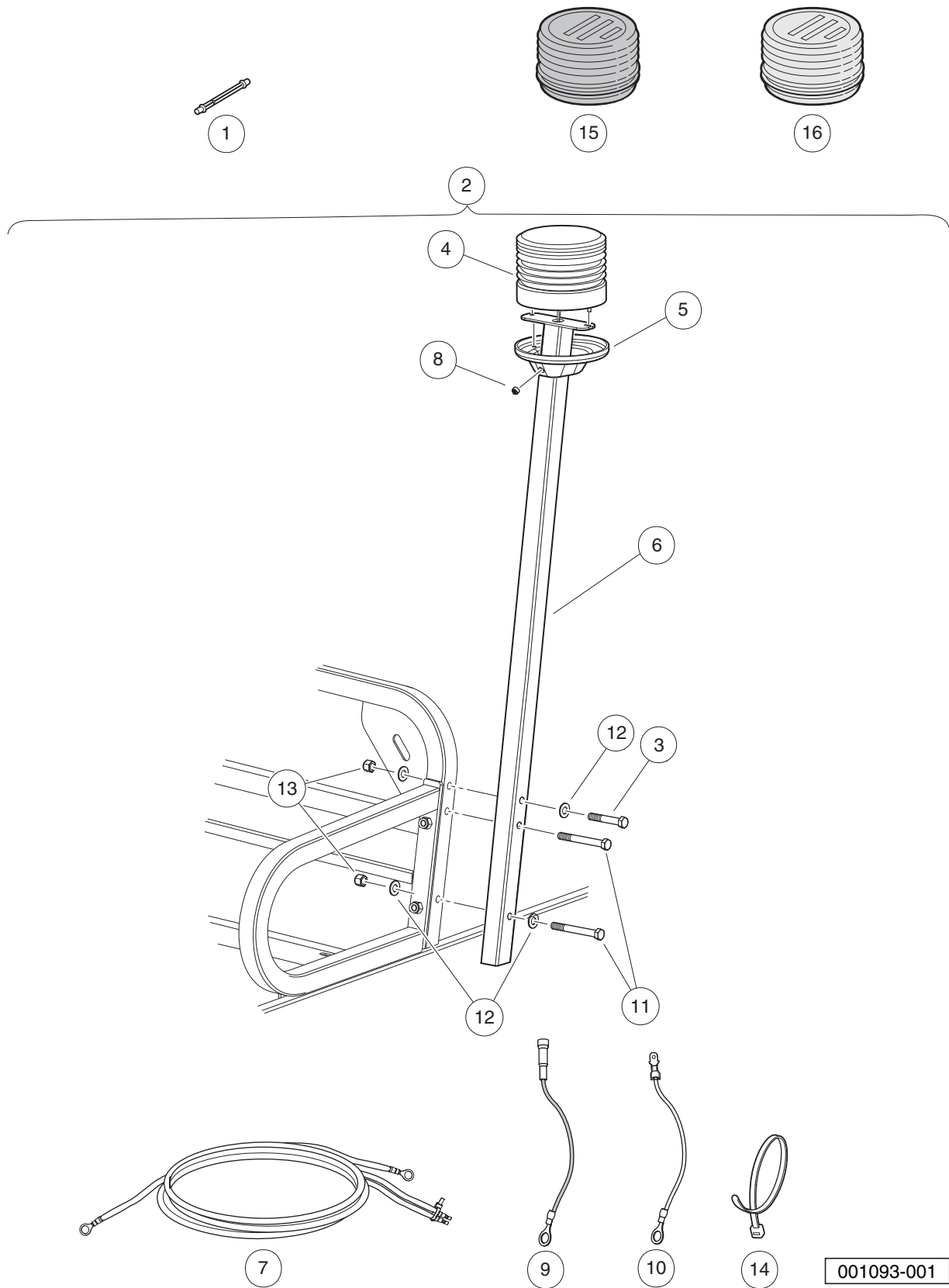
001092-001

STROBE LIGHT, POST-MOUNTED – GASOLINE VEHICLES

| ITEM | PART NO. | DESCRIPTION | QTY |
|------|------------------|--|-----|
| | | 1 2 3 4 | |
| 1 | <u>1015526</u> | Bulb, Replacement, for Strobe Light | 1 |
| 2 | <u>1015765</u> | Safety Strobe Lht Post Mnt Gas (includes items 3 through 16) | 1 |
| 3 | <u>1013509</u> | Screw, 1/4-20 X 1.75 Hx Hd Cap | 2 |
| 4 | 1015153 | Wire Assembly #16 Yellow | 1 |
| 5 | 1015154 | Wire Assembly Blue Ca #16 | 1 |
| 6 | <u>1015156</u> | Light Assembly, Strobe | 1 |
| 7 | 1015157 | Cover Plate Switch - Pole Ca | 1 |
| 8 | <u>1015160</u> | Pole Weldment Carryall | 1 |
| 9 | <u>1015162</u> | 3/16 Tab Adapter Non-insul | 1 |
| 10 | <u>1015172</u> | Wire Harness Assy, Strobe Lght | 1 |
| 11 | <u>1015187</u> | Switch Assembly | 1 |
| 12 | 1016837 | Wire Assembly Red #18 | 1 |
| 13 | 1016929 | Wire Assembly Black #16 | 1 |
| 14 | <u>324</u> | Screw, 1/4-20 X 2.50 Hx Hd Cap | 2 |
| 15 | <u>332</u> | Washer, 1/4 Type A Narrow Flat | 4 |
| 16 | <u>8233</u> | Locknut, 1/4-20, Nylon Insert | 2 |
| 17 | <u>AM1243701</u> | Lens, Blue, for Strobe Light | 1 |
| 18 | <u>AM1243801</u> | Lens, Red, for Strobe Light | 1 |

4
G
E

4
G
E

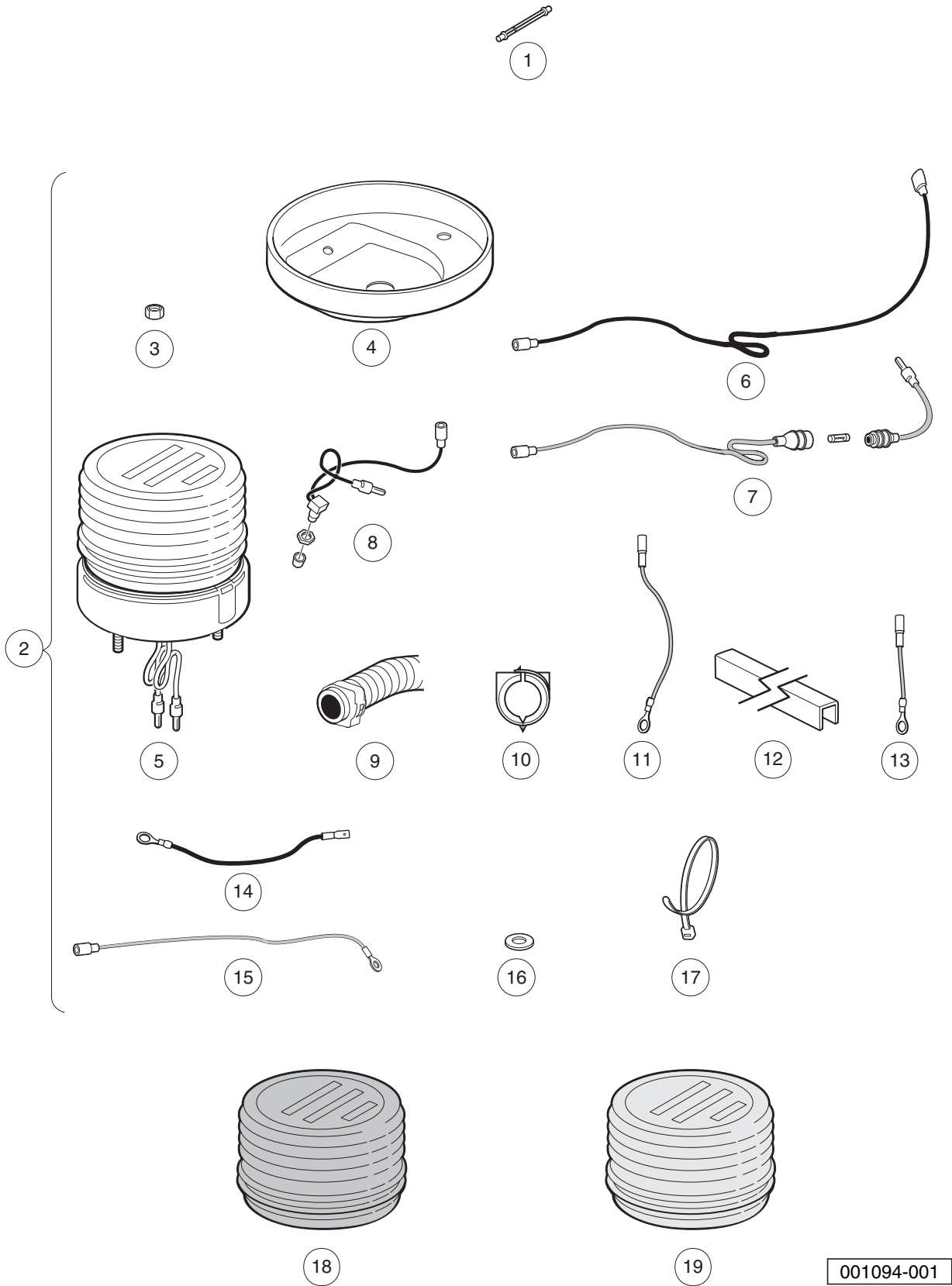


STROBE LIGHT, POST-MOUNTED – ELECTRIC VEHICLES

| ITEM | PART NO. | DESCRIPTION | QTY |
|------|------------------|--|-----|
| | | 1 2 3 4 | |
| 1 | <u>1015526</u> | Bulb, Replacement, for Strobe Light | 1 |
| 2 | <u>101814601</u> | Safety Strobe Lht & Post Mt El (includes items 3 through 14) | 1 |
| 3 | <u>1013509</u> | Screw, 1/4-20 X 1.75 Hx Hd Cap | 2 |
| 4 | <u>1015156</u> | Light Assembly, Strobe | 1 |
| 5 | 1015157 | Cover Plate Switch - Pole Ca | 1 |
| 6 | <u>1015160</u> | Pole Weldment Carryall | 1 |
| 7 | <u>1015172</u> | Wire Harness Assy, Strobe Lght | 1 |
| 8 | <u>1015187</u> | Switch Assembly | 1 |
| 9 | 1016837 | Wire Assembly Red #18 | 1 |
| 10 | 1016929 | Wire Assembly Black #16 | 1 |
| 11 | <u>324</u> | Screw, 1/4-20 X 2.50 Hx Hd Cap | 2 |
| 12 | <u>332</u> | Washer, 1/4 Type A Narrow Flat | 4 |
| 13 | <u>8233</u> | Locknut, 1/4-20, Nylon Insert | 2 |
| 14 | <u>8990</u> | Tie Wrap, 8" Nylon | 4 |
| 15 | <u>AM1243701</u> | Lens, Blue, for Strobe Light | 1 |
| 16 | <u>AM1243801</u> | Lens, Red, for Strobe Light | 1 |

4
G
E

4
G
E



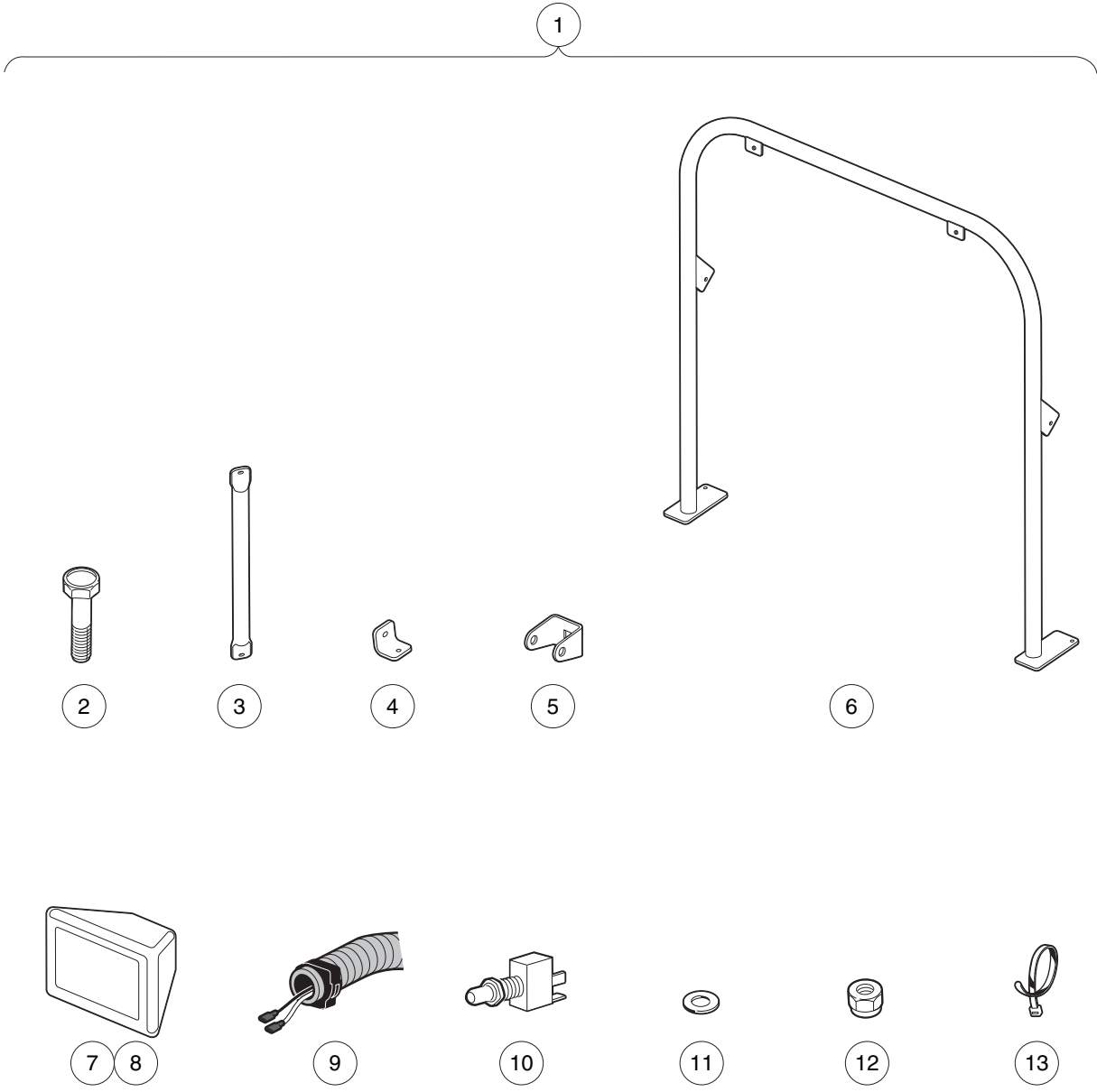
001094-001

STROBE LIGHT, CANOPY-MOUNTED

| ITEM | PART NO. | DESCRIPTION | QTY |
|------|------------------|---|-----|
| | | 1 2 3 4 | |
| 1 | <u>1015526</u> | Bulb, Replacement, for Strobe Light | 1 |
| 2 | <u>AM1243501</u> | Kit, Roof Mounted Strobe Fd (includes items 3 through 17) | A/R |
| 3 | <u>1012438</u> | Locknut, #10-24 Nylon Insert | 2 |
| 4 | <u>1015010</u> | Cover Plate Switch | 1 |
| 5 | <u>1015156</u> | Light Assembly, Strobe | 1 |
| 6 | <u>1015167</u> | #16 Black Wire Asm | 1 |
| 7 | <u>1015170</u> | Wire Assembly #16 | 1 |
| 8 | <u>1015187</u> | Switch Assembly | 1 |
| 9 | <u>1015768</u> | Split Convoluted Elec Conduit | 11 |
| 10 | <u>1015770</u> | Outlet Ring - .5 Diameter | 5 |
| 11 | <u>1016230</u> | Wire Asm #16 Red | 1 |
| 12 | <u>1016267</u> | Snap On Conduit Vert. | 1 |
| 13 | <u>1016287</u> | Wire Asm #16 Red | 1 |
| 14 | <u>1016929</u> | Wire Assembly Black #16 | 1 |
| 15 | <u>101821601</u> | #18 Red Wire Assembly | 1 |
| 16 | <u>183</u> | Washer, #10, Type A, Flat | 2 |
| 17 | <u>8639</u> | Tie Wrap, 11" Nylon | 8 |
| 18 | <u>AM1243701</u> | Lens, Blue, for Strobe Light | A/R |
| 19 | <u>AM1243801</u> | Lens, Red, for Strobe Light | A/R |

4
G
E

4
G
E



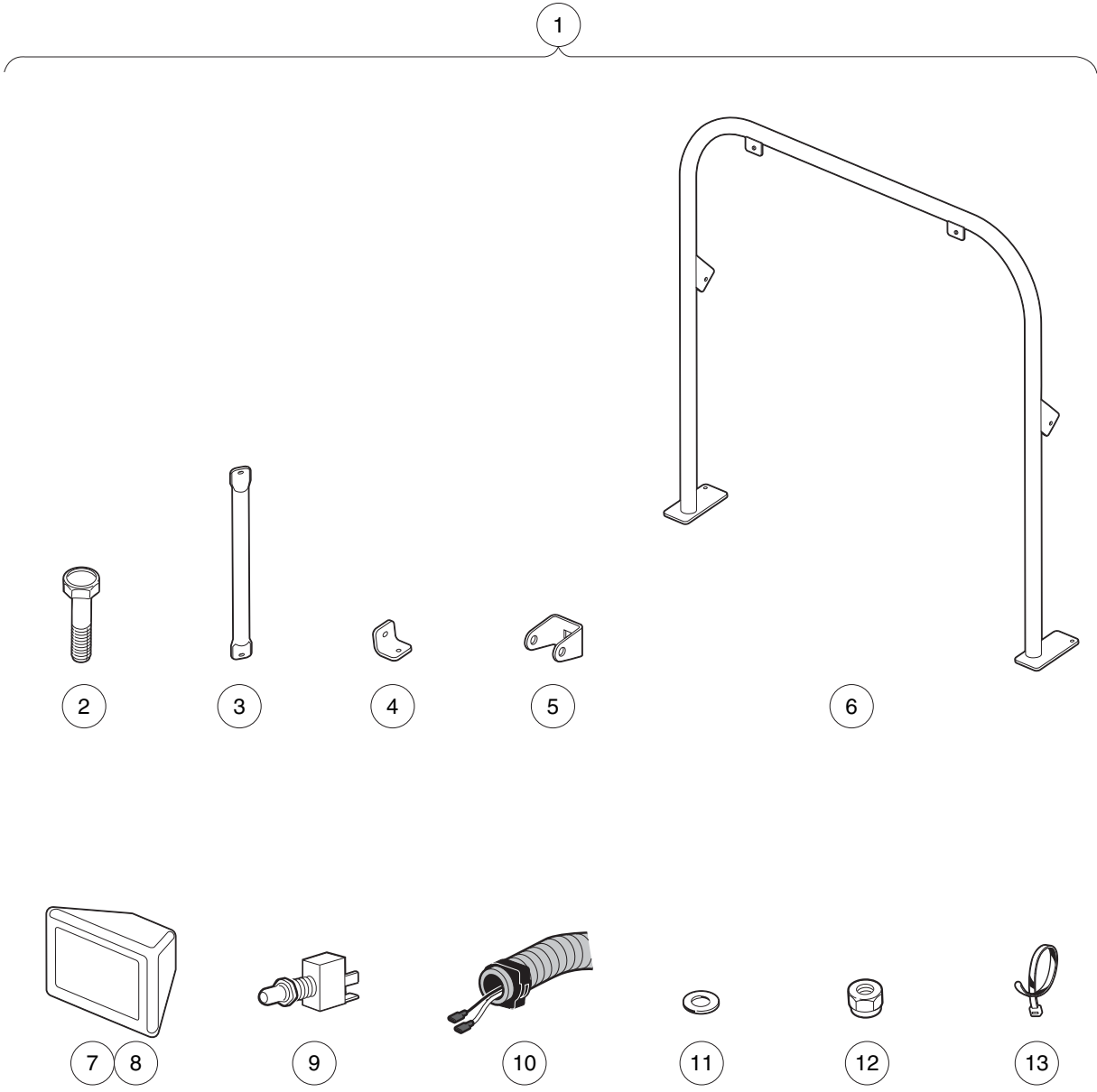
001223-001

LIGHT BAR – TURF/CA 252 AND XRT 900 GAS VEHICLES

| ITEM | PART NO. | DESCRIPTION | QTY |
|------|------------------|---|-----|
| | | 1 2 3 4 | |
| 1 | <u>102054501</u> | Kit, Light Bar, Gas (includes items 2 through 13) | 1 |
| 2 | <u>1010934</u> | Screw, 5/16-18 X 1.00 Hex Cap | 8 |
| 3 | <u>102077601</u> | Brace, Light Bar | 2 |
| 4 | <u>102077701</u> | Bracket, Brace Mtg | 2 |
| 5 | <u>102077801</u> | Bracket, Light Mtg | 2 |
| 6 | <u>102077901</u> | Light Bar | 1 |
| 7 | <u>102078001</u> | Light, Light Bar (includes item 8) | 2 |
| 8 | AM10015 | 37.5 Watt Light Bar Bulb | 2 |
| 9 | <u>102155701</u> | Wire Harness, Light Bar | 1 |
| 10 | <u>102159601</u> | Switch | 1 |
| 11 | <u>1241</u> | Washer, 5/16 Type A Flat | 12 |
| 12 | <u>7473</u> | Locknut, 5/16-18 Nylon Insert | 8 |
| 13 | <u>8990</u> | Tie Wrap, 8" Nylon | 4 |

4
G
E

4
G
E



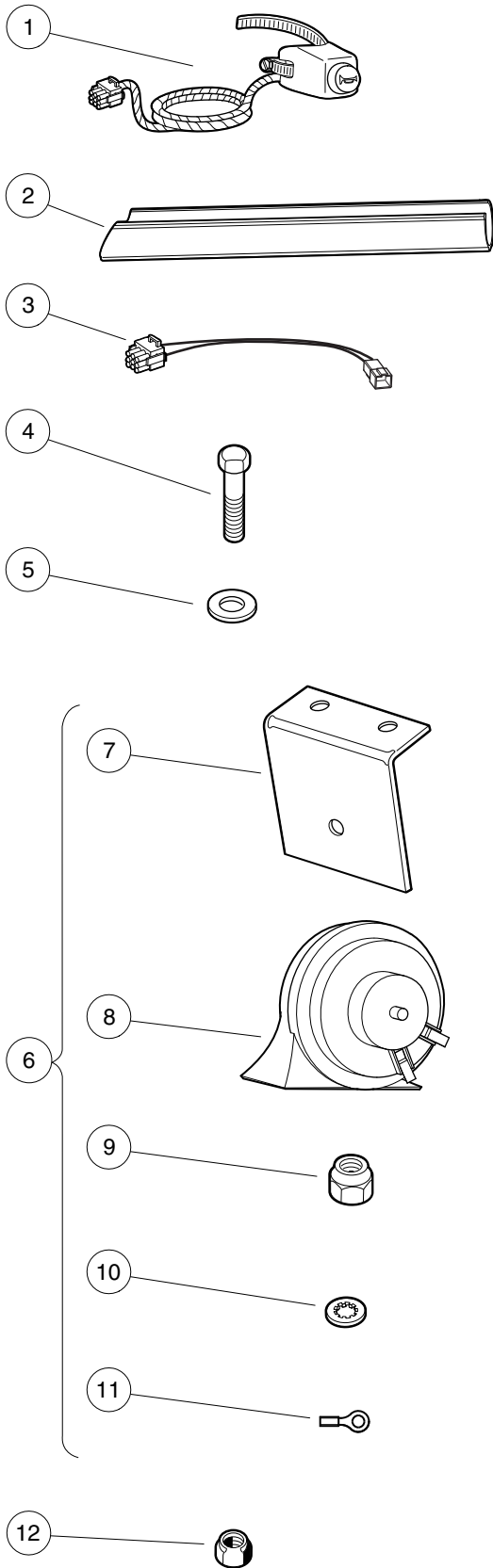
001224-001

LIGHT BAR – TURF/CA 252 AND XRT 900 ELECTRIC VEHICLES

| ITEM | PART NO. | DESCRIPTION | QTY |
|------|------------------|--|-----|
| | | 1 2 3 4 | |
| 1 | <u>102054502</u> | Kit, Light Bar, Elec (includes items 2 through 13) | 1 |
| 2 | <u>1010934</u> | Screw, 5/16-18 X 1.00 Hex Cap | 8 |
| 3 | <u>102077601</u> | Brace, Light Bar | 2 |
| 4 | <u>102077701</u> | Bracket, Brace Mtg | 2 |
| 5 | <u>102077801</u> | Bracket, Light Mtg | 2 |
| 6 | <u>102077901</u> | Light Bar | 1 |
| 7 | <u>102078001</u> | Light, Light Bar (includes item 8) | 2 |
| 8 | AM10015 | 37.5 Watt Light Bar Bulb | 2 |
| 9 | <u>102159601</u> | Switch | 1 |
| 10 | <u>103350001</u> | Harness, Light Bar, 252 | 1 |
| 11 | <u>1241</u> | Washer, 5/16 Type A Flat | 12 |
| 12 | <u>7473</u> | Locknut, 5/16-18 Nylon Insert | 8 |
| 13 | <u>8990</u> | Tie Wrap, 8" Nylon | 4 |

4
G
E

4
G
E



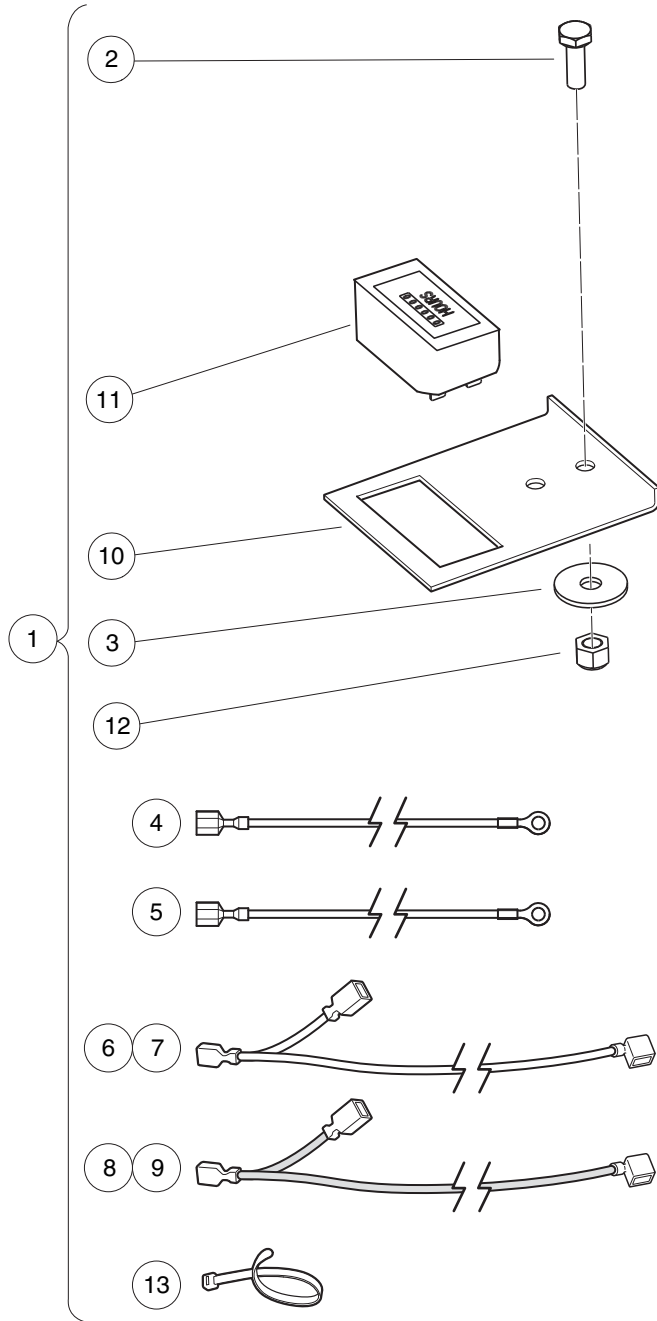
001095-002

HORN WITH COLUMN-MOUNTED BUTTON

| ITEM | PART NO. | DESCRIPTION | QTY |
|------|------------------|--|-----|
| | | 1 2 3 4 | |
| 1 | 102517601 | Subasm, Horn Button Harness | 1 |
| 2 | <u>102529203</u> | Wire Cover-steer Column 304 Mm | 1 |
| 3 | <u>103618101</u> | Harness, Jumper, Horn | 1 |
| 4 | 304 | Screw, 1/4-20 X 1.0 Hex-Head Cap | 2 |
| 5 | <u>332</u> | Washer, 1/4 Type A Narrow Flat | 2 |
| 6 | <u>4029</u> | Horn (includes items 7 through 11) | 1 |
| 7 | <u>1011825</u> | Horn Bracket | 1 |
| 8 | <u>1014530</u> | Horn, 12-VDC | 1 |
| 9 | <u>101955101</u> | Nut, M6 Hex | 1 |
| 10 | <u>7820</u> | Washer, 5/16 Internal-Tooth | 1 |
| 11 | 8294 | 5/16 Ring Term. | 1 |
| 12 | <u>8233</u> | Locknut, 1/4-20, Nylon Insert | 2 |

4
G
E

4
G
E



001096-002

HOUR METER – CARRYALL/TURF IQ PLUS ELECTRIC VEHICLES

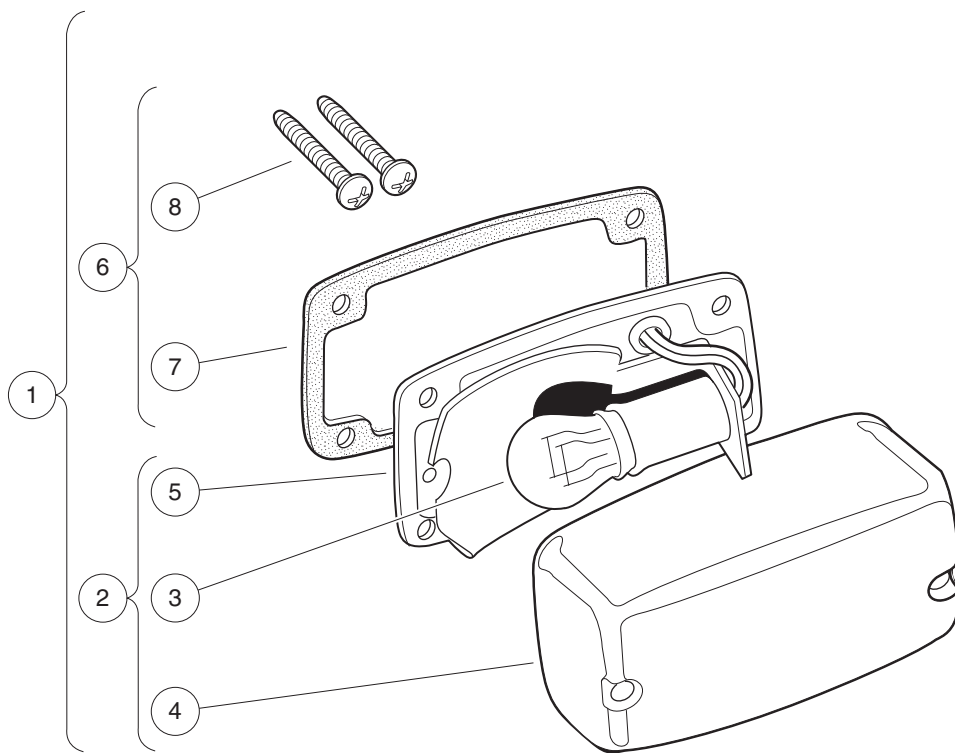
| ITEM | PART NO. | DESCRIPTION | QTY |
|---|------------------|---|-----|
| | | 1 2 3 4 | |
| 1 | <u>1013579</u> | Kit, Hour Meter (includes items 2 through 13) | 1 |
| 2 | <u>1012285</u> | Screw, 1/4 X 0.625 Hex-Head | 1 |
| 3 | <u>1014306</u> | Washer, 1/4" Type B Flat | 1 |
| 4 | 101881501 | Wire Assembly Black #18 | 1 |
| 5 | 101881601 | Wire Assembly Red #18 | 1 |
| 6 | <u>101997802</u> | Wire Assembly #18 Yellow | 1 |
| 7 | <u>101997803</u> | Wire Asm #18 Yellow 31" | 1 |
| 8 | <u>101997902</u> | Wire Assembly #18 Red | 1 |
| 9 | <u>101997903</u> | Wire Asm # 18 Red 31" | 1 |
| 10 | <u>103510001</u> | Bracket, Hour Meter | 1 |
| 11 | <u>103510301</u> | Meter, Hour | 1 |
| 12 | <u>8233</u> | Locknut, 1/4-20, Nylon Insert | 1 |
| 13 | <u>8990</u> | Tie Wrap, 8" Nylon | 1 |
| <p>Note: The kit includes components that apply to multiple vehicles. The installation instructions will specify which components are required for a specific model. After installation, discard components not used.</p> | | | |

4
G
E

4

G

E



001081-001

TAILLIGHTS

| ITEM | PART NO. | DESCRIPTION | QTY |
|------|----------------|---|-----|
| | | 1 2 3 4 | |
| 1 | 1017035 | Taillight Assembly (includes items 2 through 6) | 2 |
| 2 | N/A | Light, Tail (includes items 3 through 5) | 1 |
| 3 | <u>1011582</u> | Taillight Bulb | 1 |
| 4 | <u>1011843</u> | Taillight Lens | 1 |
| 5 | N/A | Base, Taillight | 1 |
| 6 | <u>1017699</u> | Hardware Kit, Tail Light (includes items 7 and 8) | 1 |
| 7 | N/A | Gasket | 1 |
| 8 | N/A | Screw, Tapered | 2 |

4
G
E

4

G

E

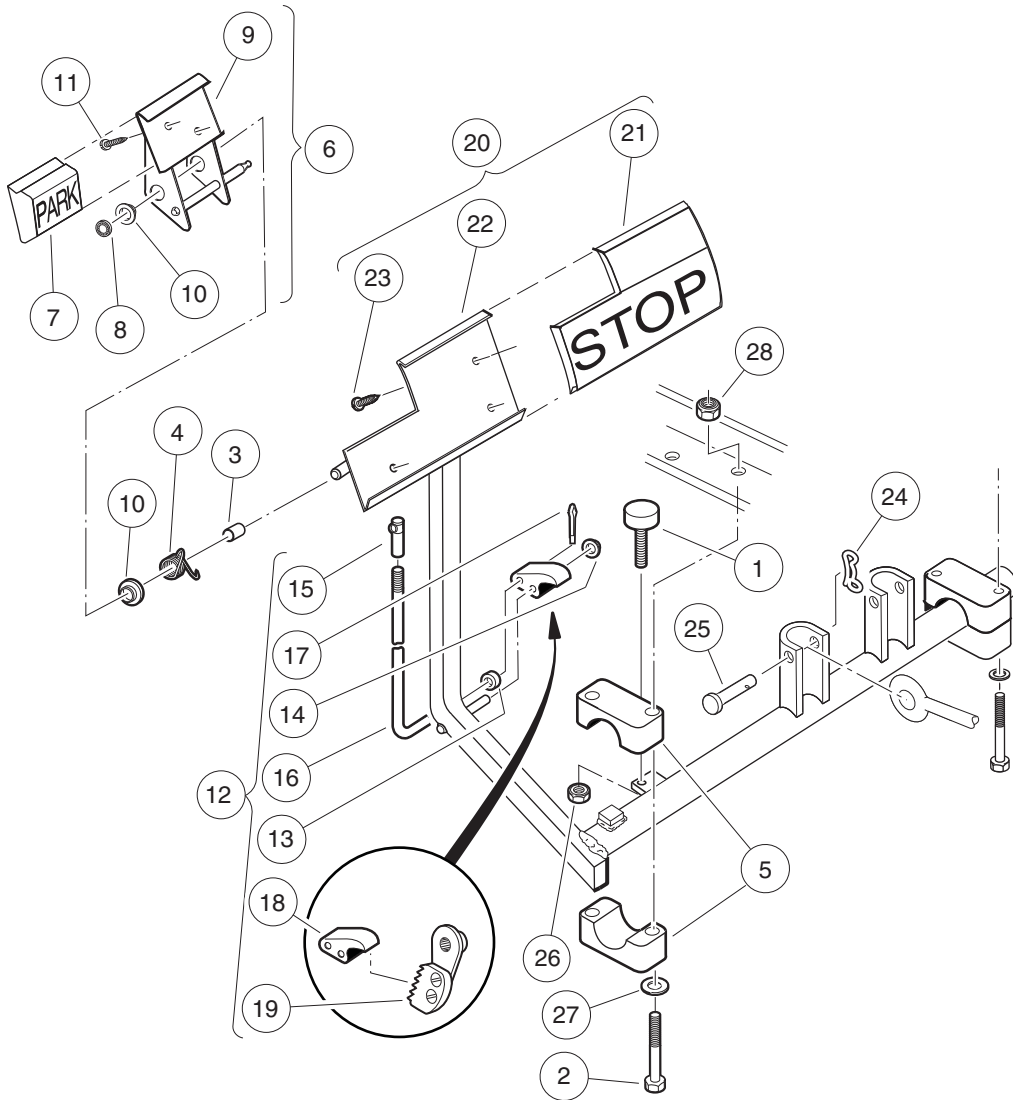
BRAKES, PEDAL, AND CABLE ASSEMBLIES

5

G

E

5
G
E



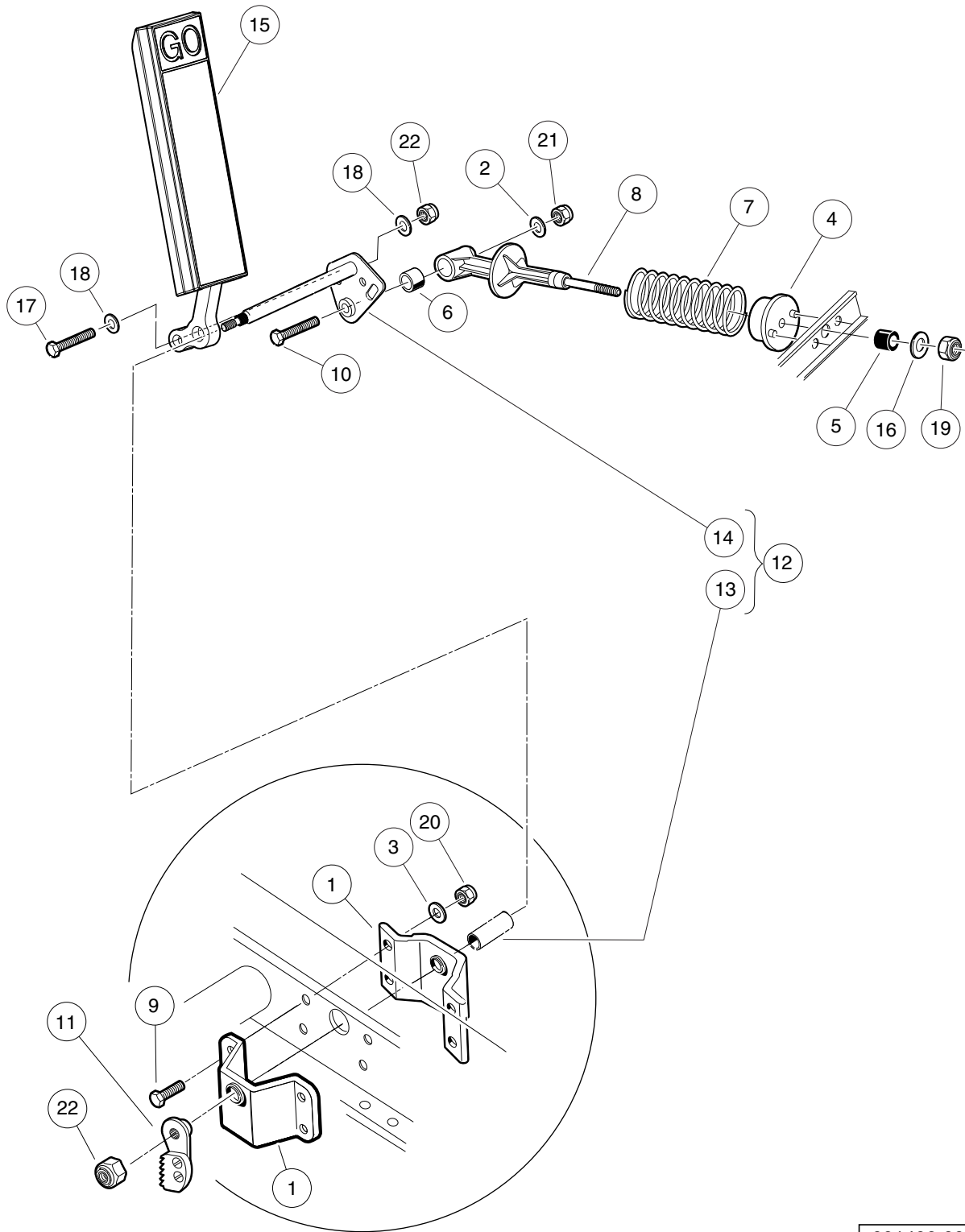
000187-001

BRAKE PEDAL ASSEMBLY

| ITEM | PART NO. | DESCRIPTION | QTY |
|------|------------------|--|-----|
| | | 1 2 3 4 | |
| 1 | <u>1010878</u> | Bumper, Rubber | 1 |
| 2 | <u>1010921</u> | Screw, 5/16-18 X 2.50 Hex Cap | 4 |
| 3 | <u>1010927</u> | Hill Brake Spacer | 1 |
| 4 | <u>1010933</u> | Spring, Hill Brake Torsion | 1 |
| 5 | <u>1011402</u> | Package, Brake Mounting Block | 1 |
| 6 | <u>1011418</u> | Kit, Hill Brake Pedal (includes items 7 through 11) | 1 |
| 7 | <u>1013870</u> | Pad, Hill Brake | 1 |
| 8 | <u>1013876</u> | Pushnut, 3/8 | 1 |
| 9 | N/A | Hill Brake Weld Assembly | 1 |
| 10 | <u>1032</u> | Bushing, Nylon | 2 |
| 11 | 7716 | Screw, #10-16 Type AB, Sheet Metal | 2 |
| 12 | <u>101187702</u> | Kit, Hill Brake Latch (includes items 13 through 19) | 1 |
| 13 | <u>1010805</u> | Sleeve, Hill Brake Rod | 1 |
| 14 | <u>1010877</u> | Pushnut, 3/8 | 1 |
| 15 | 1010932 | Ball Joint, 1/4-28 | 1 |
| 16 | N/A | Rod, Hill Brake | 1 |
| 17 | <u>1017029</u> | Pin, Cotter, 7/64 x 1/2 Stainless-Steel | 1 |
| 18 | N/A | Pawl, Hill Brake | 1 |
| 19 | 101918501 | Ratchet Assembly | 1 |
| 20 | <u>101878201</u> | Brake Pedal Kit (includes items 21 through 23) | 1 |
| 21 | <u>1013869</u> | Pad, Brake Pedal | 1 |
| 22 | N/A | Weldment, Brake Pedal, 2wr Std | 1 |
| 23 | 7716 | Screw, #10-16 Type AB, Sheet Metal | 3 |
| 24 | <u>102323101</u> | Pin, Bow Tie Locking | 1 |
| 25 | <u>102323201</u> | Pin, 3/8 X 1-5/16 Clevis | 1 |
| 26 | <u>1028</u> | Nut, 1/4-20 Hex | 1 |
| 27 | <u>1241</u> | Washer, 5/16 Type A Flat | 4 |
| 28 | <u>7473</u> | Locknut, 5/16-18 Nylon Insert | 4 |

5
G
E

5
G
E



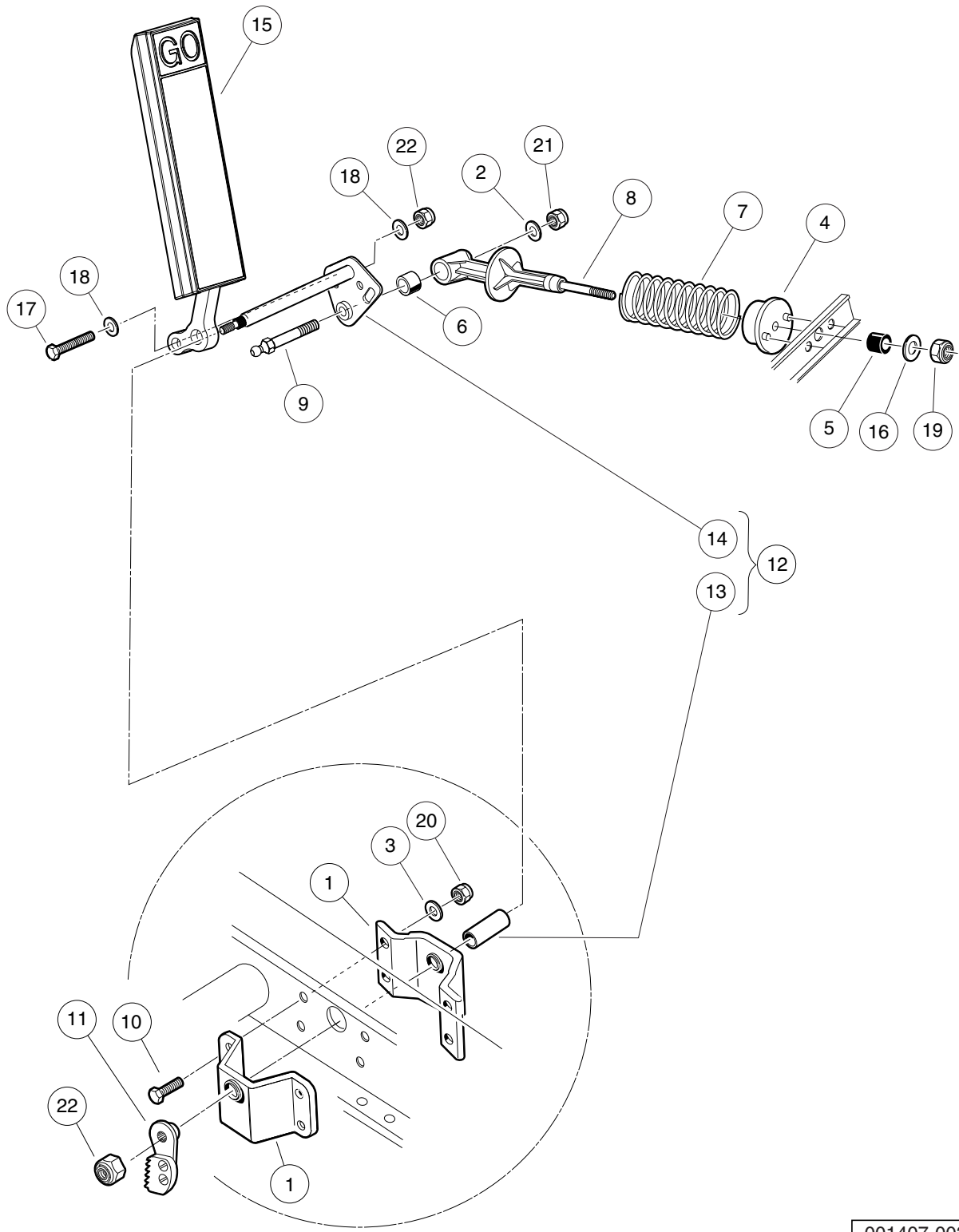
001406-001

ACCELERATOR PEDAL ASSEMBLY – ELECTRIC VEHICLES

| ITEM | PART NO. | DESCRIPTION | QTY |
|------|------------------|--|-----|
| | | 1 2 3 4 | |
| 1 | <u>1011694</u> | Accelerator Bracket and Bearing Assembly | 2 |
| 2 | <u>1011931</u> | Washer, 1/4 Flat | 1 |
| 3 | <u>1014007</u> | Washer, 1/4, Flat | 4 |
| 4 | <u>1017378</u> | Cup, Spring | 1 |
| 5 | <u>1017380</u> | Bumper, Spring Return | 1 |
| 6 | <u>1017424</u> | Bearing, Pivot Support | 1 |
| 7 | 101796201 | Spring, Accelerator Return | 1 |
| 8 | <u>101817401</u> | Retainer, Spring | 1 |
| 9 | <u>101861901</u> | Screw, 1/4-20 X 1.125 Hex Cap | 4 |
| 10 | <u>101862001</u> | Screw, 1/4-20 X 1.500 Flange | 1 |
| 11 | 101918501 | Ratchet Assembly | 1 |
| 12 | <u>102026001</u> | Kit, Accelerator Pivot Rod Assembly (includes items 13 and 14) | 1 |
| 13 | 101919801 | Spacer, Accelerator | 1 |
| 14 | <u>102158901</u> | Pivot Rod Weldment | 1 |
| 15 | <u>103865101</u> | Pedal, Accel, Insert | A/R |
| 16 | <u>1241</u> | Washer, 5/16 Type A Flat | 1 |
| 17 | <u>1624</u> | Screw, 3/8-16 X 1.50, Hex-Head Cap | 1 |
| 18 | <u>334</u> | Washer, 3/8, Type A, Flat | 2 |
| 19 | <u>7473</u> | Locknut, 5/16-18 Nylon Insert | 1 |
| 20 | <u>8233</u> | Locknut, 1/4-20, Nylon Insert | 4 |
| 21 | <u>8717</u> | Locknut, Nylon Insert, 1/4-28 | 1 |
| 22 | <u>8754</u> | Locknut, 3/8-16 Hex | 2 |

5
G
E

5
G
E



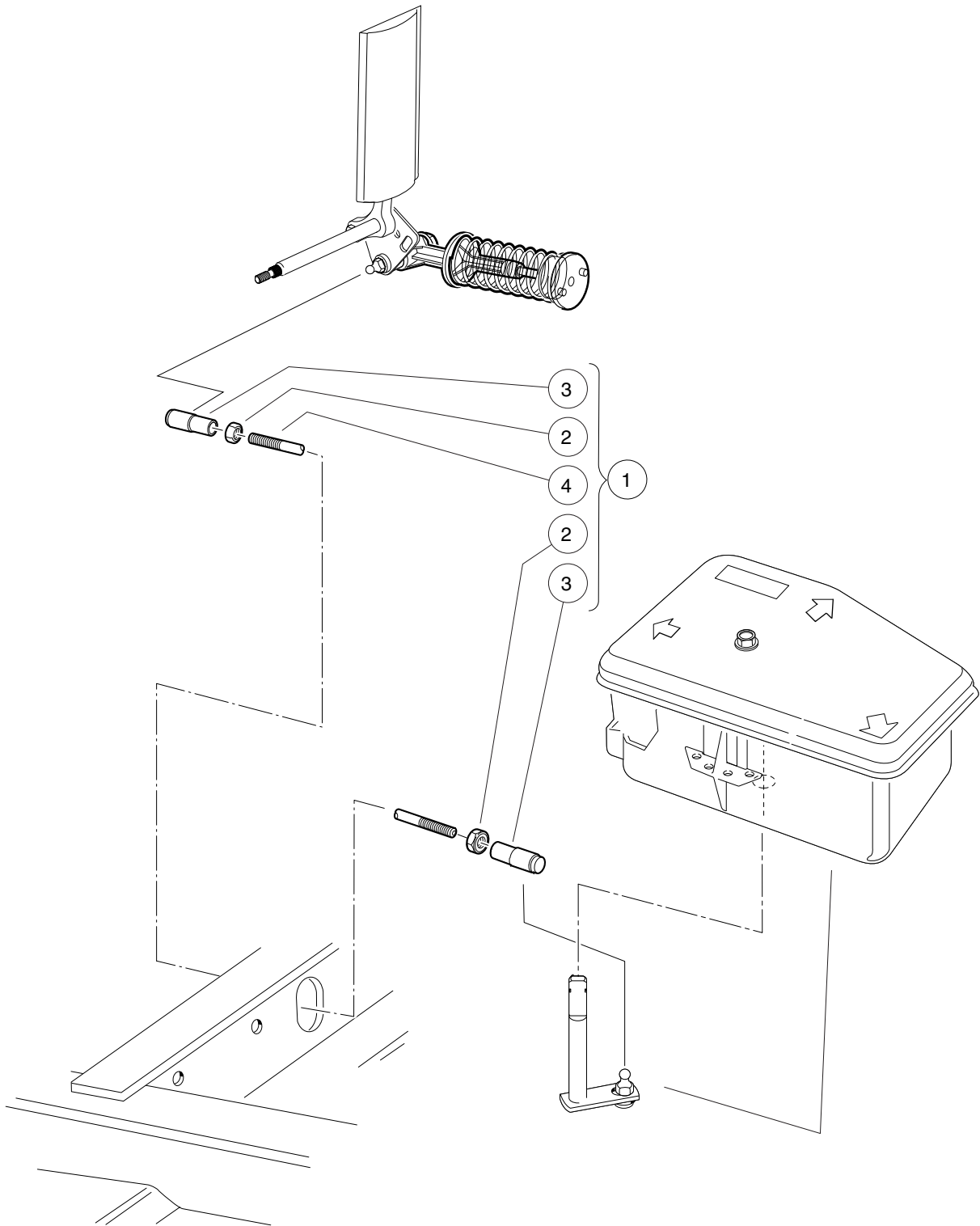
001407-003

ACCELERATOR PEDAL ASSEMBLY – GASOLINE VEHICLES

| ITEM | PART NO. | DESCRIPTION | QTY |
|------|------------------|--|-----|
| | | 1 2 3 4 | |
| 1 | <u>1011694</u> | Accelerator Bracket and Bearing Assembly | 2 |
| 2 | <u>1011931</u> | Washer, 1/4 Flat | 1 |
| 3 | <u>1014007</u> | Washer, 1/4, Flat | 4 |
| 4 | <u>1017378</u> | Cup, Spring | 1 |
| 5 | <u>1017380</u> | Bumper, Spring Return | 1 |
| 6 | <u>1017424</u> | Bearing, Pivot Support | 1 |
| 7 | 101796201 | Spring, Accelerator Return | 1 |
| 8 | <u>101817401</u> | Retainer, Spring | 1 |
| 9 | 101818801 | Stud, 1/4-28 X 1.35 Ball | 1 |
| 10 | <u>101861901</u> | Screw, 1/4-20 X 1.125 Hex Cap | 4 |
| 11 | 101918501 | Ratchet Assembly | 1 |
| 12 | <u>102026001</u> | Kit, Accelerator Pivot Rod Assembly (includes items 13 and 14) | 1 |
| 13 | 101919801 | Spacer, Accelerator | 1 |
| 14 | <u>102158901</u> | Pivot Rod Weldment | 1 |
| 15 | <u>103865101</u> | Pedal, Accel, Insert | 1 |
| 16 | <u>1241</u> | Washer, 5/16 Type A Flat | 1 |
| 17 | <u>1624</u> | Screw, 3/8-16 X 1.50, Hex-Head Cap | 1 |
| 18 | <u>334</u> | Washer, 3/8, Type A, Flat | 2 |
| 19 | <u>7473</u> | Locknut, 5/16-18 Nylon Insert | 1 |
| 20 | <u>8233</u> | Locknut, 1/4-20, Nylon Insert | 4 |
| 21 | <u>8717</u> | Locknut, Nylon Insert, 1/4-28 | 1 |
| 22 | <u>8754</u> | Locknut, 3/8-16 Hex | 2 |

5
G
E

5
G
E



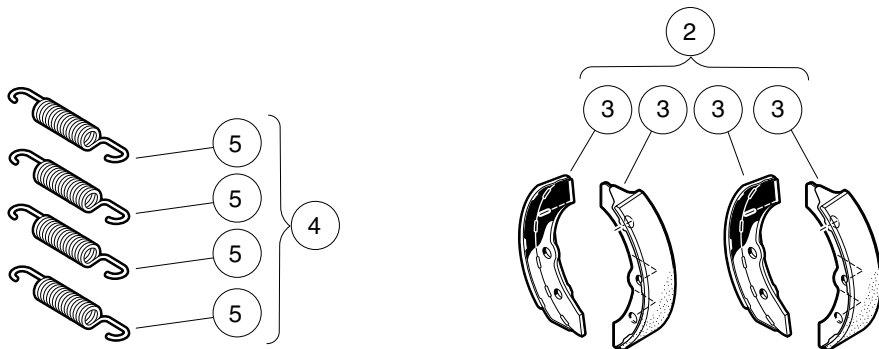
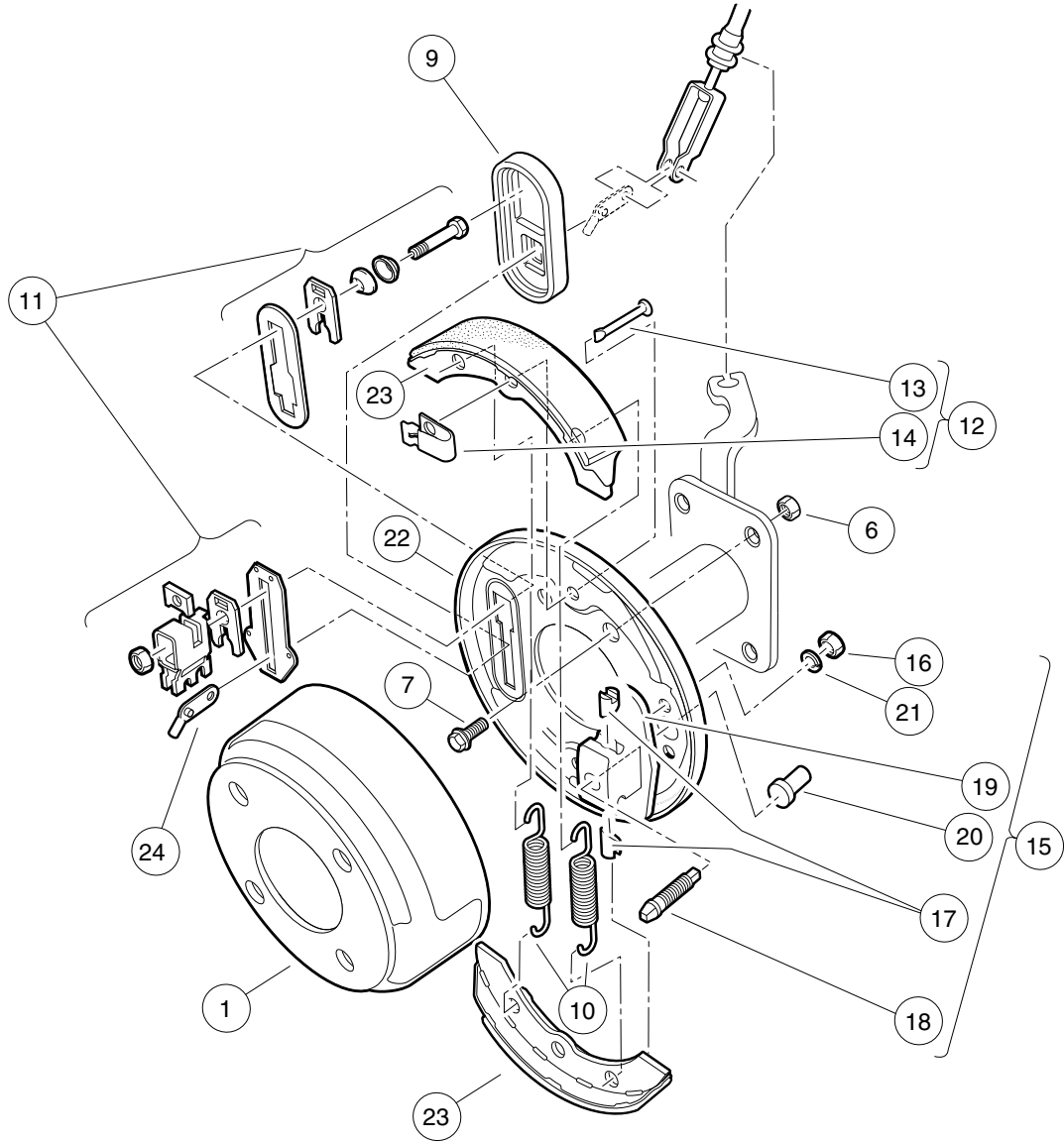
000362-001

ACCELERATOR ROD – TURF/CARRYALL 2/2 PLUS/252 AND XRT 900 GASOLINE VEHICLES

| ITEM | PART NO. | DESCRIPTION | QTY |
|------|------------------|---|-----|
| | | 1 2 3 4 | |
| 1 | <u>101822001</u> | Rod, Accelerator (includes items 2 through 4) | 1 |
| 2 | <u>1011084</u> | Nut, 1/4-28 Hex Jam | 2 |
| 3 | <u>1011734</u> | Joint, Ball | 2 |
| 4 | N/A | Accelerator Rod | 1 |

5
G
E

5
G
E



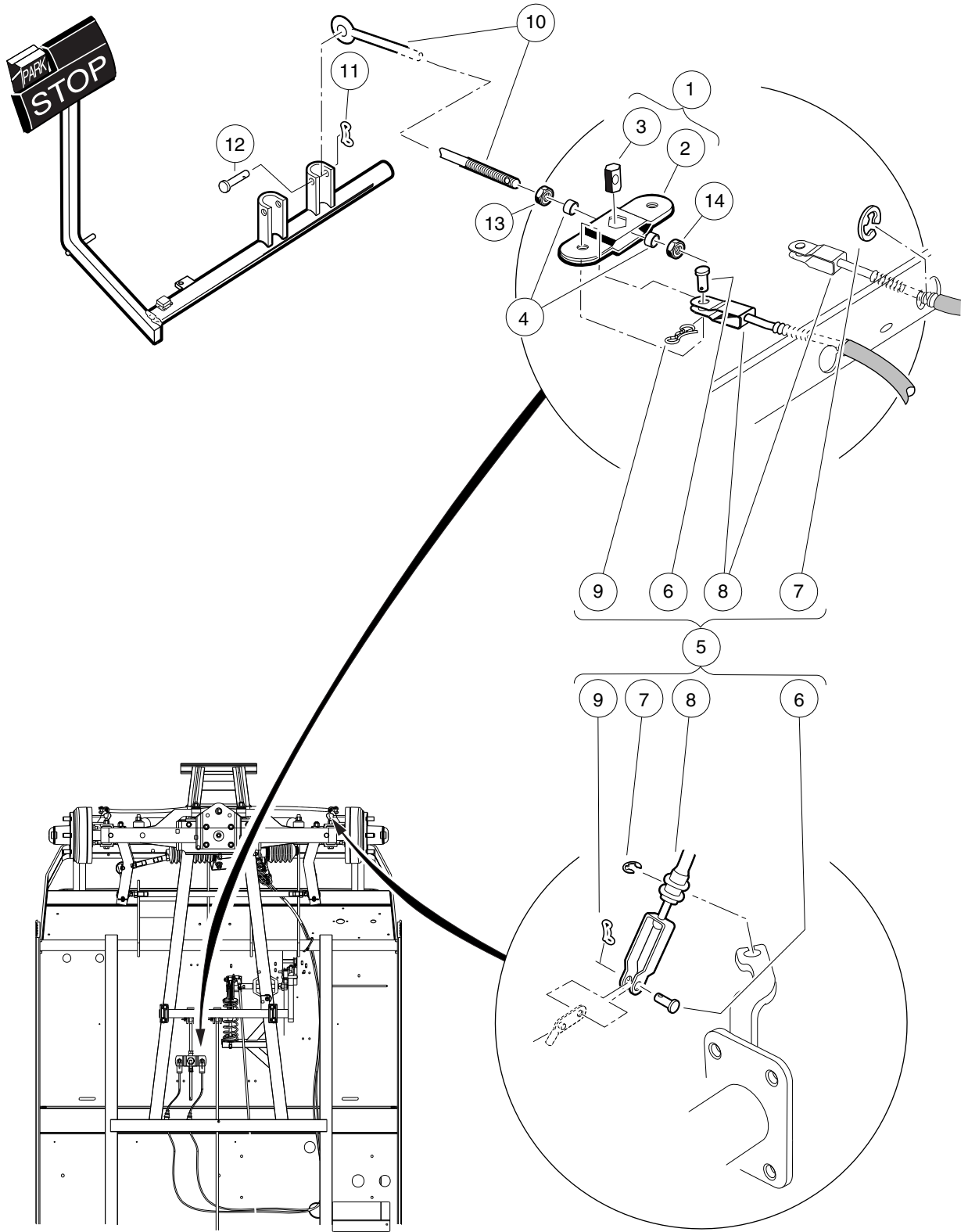
000298-001

FRONT BRAKE ASSEMBLY – VEHICLES WITH FOUR-WHEEL BRAKES

| ITEM | PART NO. | DESCRIPTION | QTY |
|------|------------------|---|-----|
| | | 1 2 3 4 | |
| 1 | <u>1011137</u> | Drum, Brake | 2 |
| 2 | <u>101146302</u> | Kit, Non-Asbestos Brake Shoe (includes item 3) | 1 |
| 3 | 101880701 | Shoe Brake Manual Adj (Available in Kit, Non-Asbestos Brake Shoe) | 4 |
| 4 | <u>1011464</u> | Package, Brake Spring (includes item 5) | 1 |
| 5 | 1011314 | Brake Spring | 4 |
| 6 | <u>1013924</u> | Nut, 5/16-24, Hex Head Cone | 8 |
| 7 | <u>1014153</u> | Bolt, Brake Cluster Mounting | 8 |
| 8 | <u>1016557</u> | Cluster, Brake, Driver-Side (includes items 9 through 24) | 1 |
| 9 | <u>1010850</u> | Dust Cover | 1 |
| 10 | 1011314 | Brake Spring | 2 |
| 11 | <u>1011465</u> | Kit, Brake Actuator | 1 |
| 12 | <u>1011466</u> | Kit, Shoe Retainer (includes items 13 and 14) | 1 |
| 13 | N/A | Pin | 2 |
| 14 | N/A | Shoe Clamp Spring | 2 |
| 15 | <u>1011467</u> | Kit, Anchor Body (includes items 16 through 21) | 1 |
| 16 | <u>1011114</u> | Nut, M6-1.00 Hex | 2 |
| 17 | 1011298 | Anchor Piston | 2 |
| 18 | N/A | Adjustment Bolt | 1 |
| 19 | N/A | Anchor Body Component | 1 |
| 20 | <u>1011303</u> | Adjustment Bolt Cap | 1 |
| 21 | <u>451</u> | Lockwasher, 1/4 Split | 2 |
| 22 | 1011494 | Backing Plate, Left-Hand | 1 |
| 23 | 101880701 | Shoe Brake Manual Adj (Available in Kit, Non-Asbestos Brake Shoe) | 2 |
| 24 | N/A | Arm, Brake Lever | 1 |
| 25 | <u>1016573</u> | Cluster, Brake, Passenger-Side (includes items 26 through 41) | 1 |
| 26 | <u>1010850</u> | Dust Cover | 1 |
| 27 | <u>1011154</u> | Backing Plate, Right-Hand | 1 |
| 28 | 1011314 | Brake Spring | 2 |
| 29 | <u>1011465</u> | Kit, Brake Actuator | 1 |
| 30 | <u>1011466</u> | Kit, Shoe Retainer (includes items 31 and 32) | 1 |
| 31 | N/A | Pin | 2 |
| 32 | N/A | Shoe Clamp Spring | 2 |
| 33 | <u>1011467</u> | Kit, Anchor Body (includes items 34 through 39) | 1 |
| 34 | <u>1011114</u> | Nut, M6-1.00 Hex | 2 |
| 35 | 1011298 | Anchor Piston | 2 |
| 36 | N/A | Adjustment Bolt | 1 |
| 37 | N/A | Anchor Body Component | 1 |
| 38 | <u>1011303</u> | Adjustment Bolt Cap | 1 |
| 39 | <u>451</u> | Lockwasher, 1/4 Split | 2 |
| 40 | 101880701 | Shoe Brake Manual Adj (Available in Kit, Non-Asbestos Brake Shoe) | 2 |
| 41 | N/A | Arm, Brake Lever | 1 |
| | | Note: Passenger-side brake cluster not shown. Components have a similar appearance to driver-side brake cluster components. | |

5
G
E

5
G
E



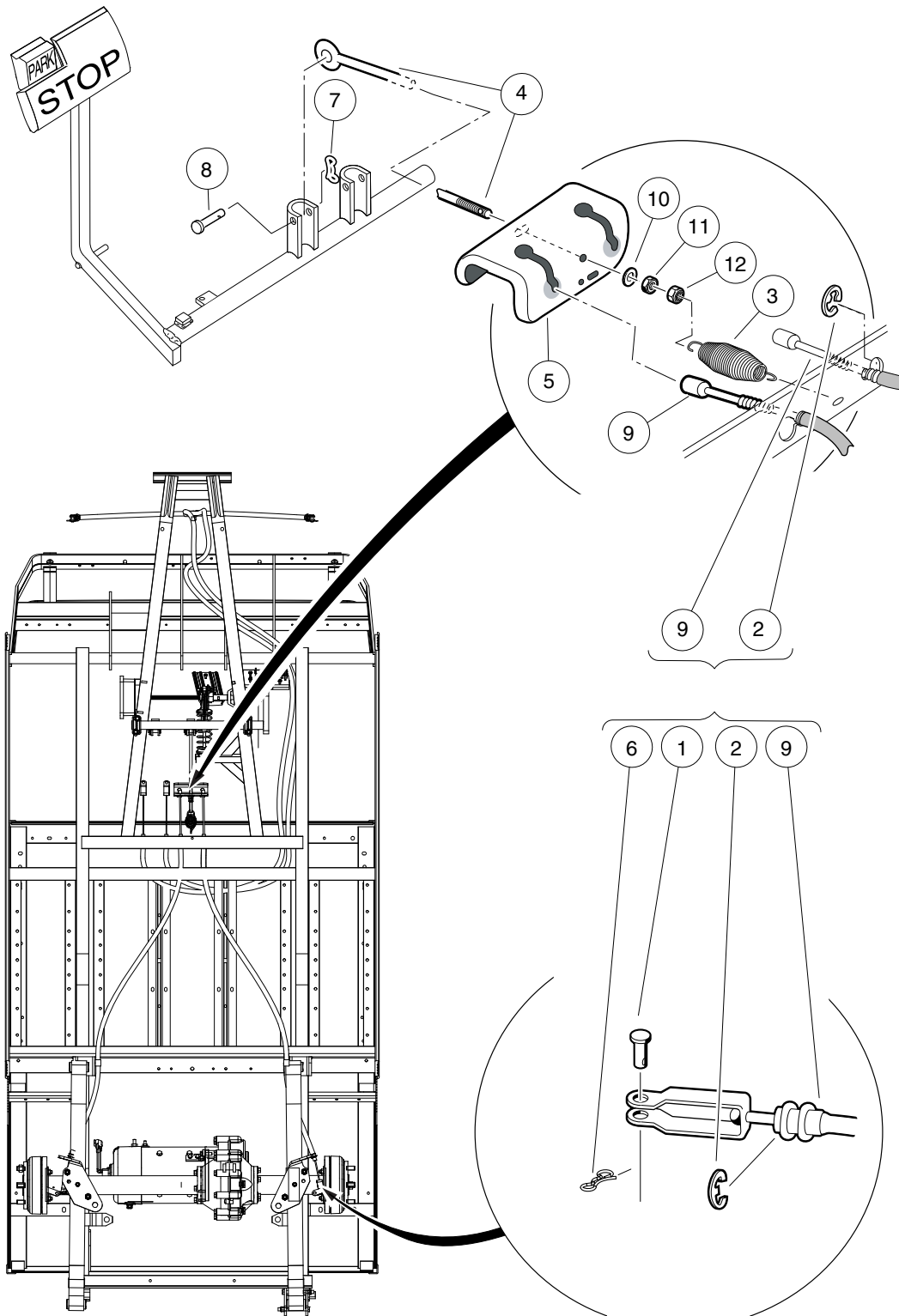
000294-001

FRONT BRAKE CABLES AND EQUALIZER – VEHICLES WITH FOUR-WHEEL BRAKES

| ITEM | PART NO. | DESCRIPTION | QTY |
|------|------------------|---|-----|
| | | 1 2 3 4 | |
| 1 | <u>1017211</u> | Kit, Equalizer and Pivot Limiter (includes items 2 and 3) | 1 |
| 2 | 1016319 | Equalizer Weld Assembly | 1 |
| 3 | 1016320 | Equalizer, Pivot Limiter | 1 |
| 4 | <u>101865301</u> | Spacer | 2 |
| 5 | <u>101874601</u> | Kit, Brake Cable (includes items 6 through 9) | 1 |
| 6 | <u>1010829</u> | Pin, Clevis, 5/16 X 3/4 | 4 |
| 7 | <u>1011779</u> | E-Clip, 1/2 | 4 |
| 8 | N/A | Brake Cable | 2 |
| 9 | <u>102292801</u> | Pin, Bow Tie Locking - .072 | 4 |
| 10 | <u>101953106</u> | Rod, Equalizer, 9.75" | 1 |
| 11 | <u>102323101</u> | Pin, Bow Tie Locking | 1 |
| 12 | <u>102323201</u> | Pin, 3/8 X 1-5/16 Clevis | 1 |
| 13 | <u>1242</u> | Nut, 5/16-18 Hex | 1 |
| 14 | <u>7473</u> | Locknut, 5/16-18 Nylon Insert | 1 |

5
G
E

5
G
E



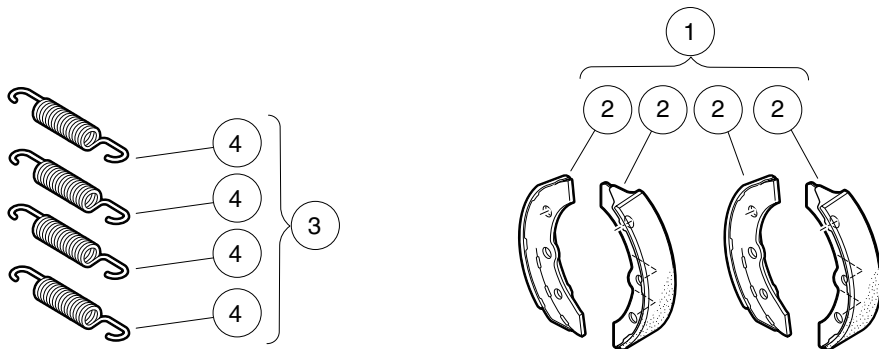
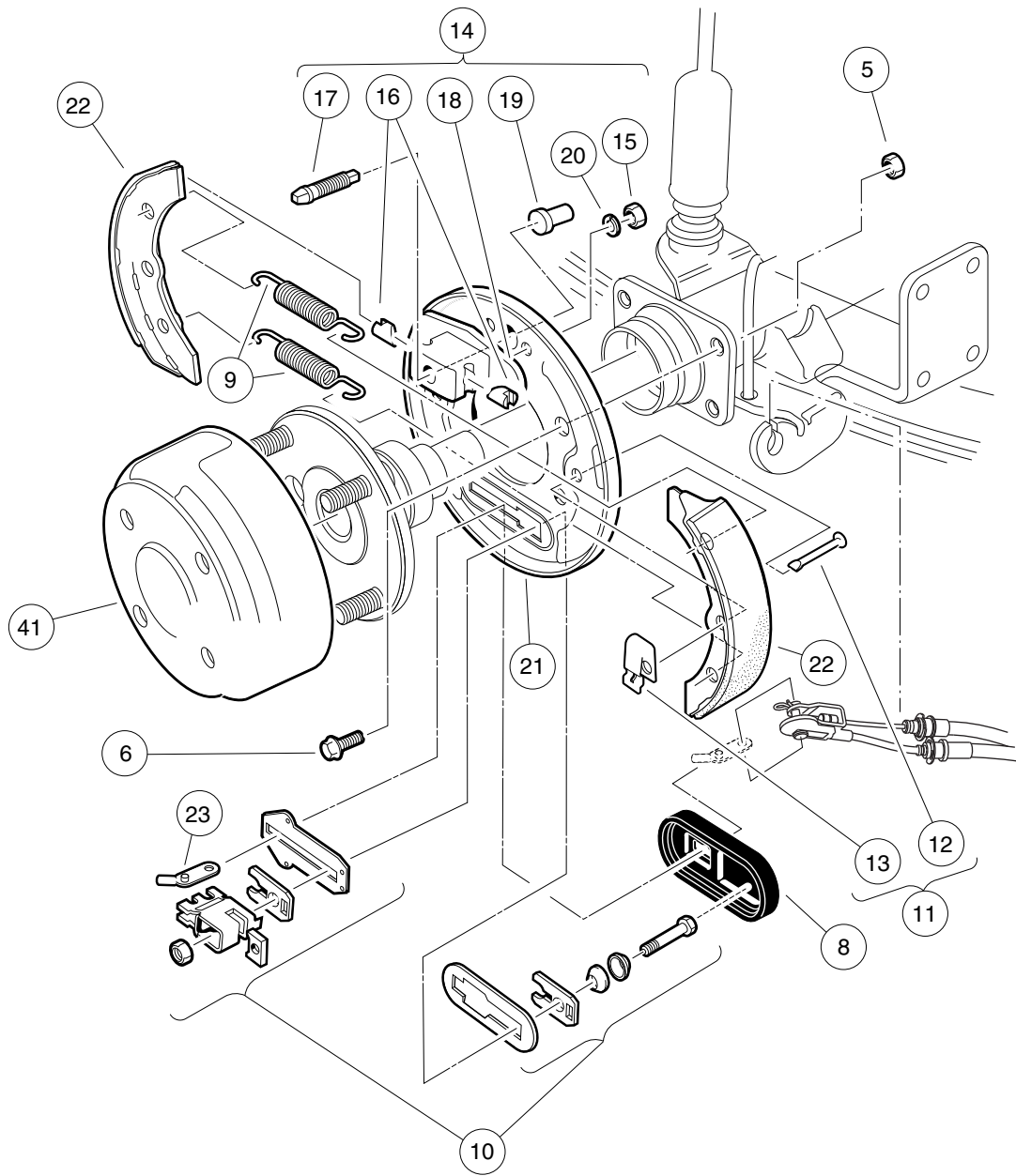
000295-002

REAR BRAKE CABLES AND EQUALIZER – VEHICLES WITH 4-WHEEL BRAKES

| ITEM | PART NO. | DESCRIPTION | QTY |
|------|------------------|-------------------------------------|-----|
| | | 1 2 3 4 | |
| 1 | <u>1010829</u> | Pin, Clevis, 5/16 X 3/4 | 2 |
| 2 | <u>1011779</u> | E-Clip, 1/2 | 4 |
| 3 | <u>1013531</u> | Spring, Brake Return | 1 |
| 4 | <u>101953106</u> | Rod, Equalizer, 9.75" | 1 |
| 5 | <u>101990801</u> | Equalizer Bracket | 1 |
| 6 | <u>102292801</u> | Pin, Bow Tie Locking - .072 | 2 |
| 7 | <u>102323101</u> | Pin, Bow Tie Locking | 1 |
| 8 | <u>102323201</u> | Pin, 3/8 X 1-5/16 Clevis | 1 |
| 9 | <u>102852101</u> | Cable, Brake, 51-inch, Right | 2 |
| 10 | <u>1241</u> | Washer, 5/16 Type A Flat | 1 |
| 11 | <u>1242</u> | Nut, 5/16-18 Hex | 1 |
| 12 | <u>7473</u> | Locknut, 5/16-18 Nylon Insert | 1 |

5
G
E

5
G
E



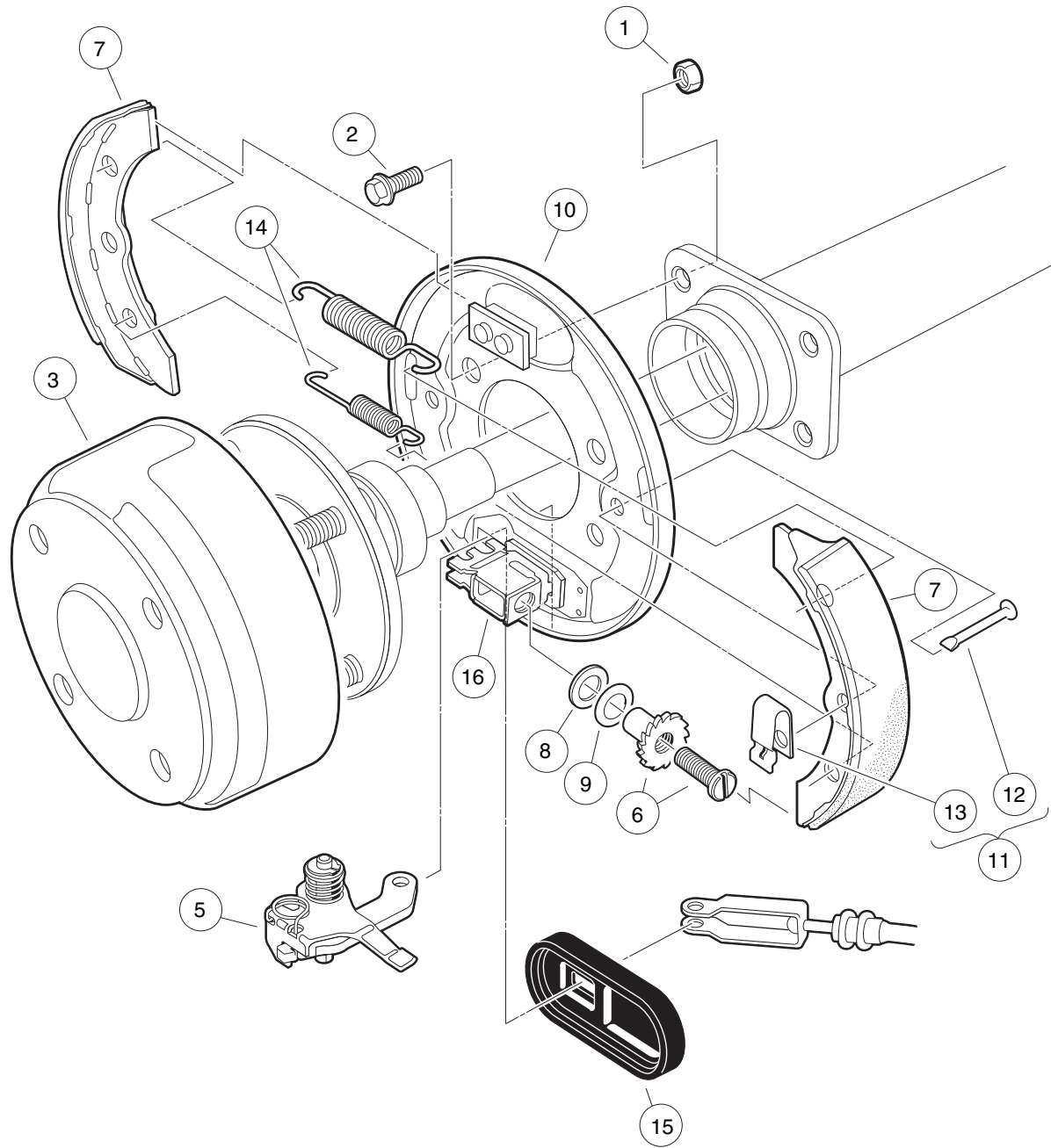
000293-002

REAR BRAKE ASSEMBLY, MANUALLY-ADJUSTED – VEHICLES WITH 4-WHEEL BRAKES

| ITEM | PART NO. | DESCRIPTION | QTY |
|------|------------------|---|-----|
| | | 1 2 3 4 | |
| 1 | <u>101146302</u> | Kit, Non-Asbestos Brake Shoe (includes item 2) | 1 |
| 2 | 101880701 | Shoe Brake Manual Adj (Available in Kit, Non-Asbestos Brake Shoe) | 4 |
| 3 | <u>1011464</u> | Package, Brake Spring (includes item 4) | 1 |
| 4 | 1011314 | Brake Spring | 4 |
| 5 | <u>1013924</u> | Nut, 5/16-24, Hex Head Cone | 8 |
| 6 | <u>1014153</u> | Bolt, Brake Cluster Mounting | 8 |
| 7 | <u>1016557</u> | Cluster, Brake, Driver-Side (includes items 8 through 23) | 1 |
| 8 | <u>1010850</u> | Dust Cover | 1 |
| 9 | 1011314 | Brake Spring | 2 |
| 10 | <u>1011465</u> | Kit, Brake Actuator | 1 |
| 11 | <u>1011466</u> | Kit, Shoe Retainer (includes items 12 and 13) | 1 |
| 12 | N/A | Pin | 2 |
| 13 | N/A | Shoe Clamp Spring | 2 |
| 14 | <u>1011467</u> | Kit, Anchor Body (includes items 15 through 20) | 1 |
| 15 | <u>1011114</u> | Nut, M6-1.00 Hex | 2 |
| 16 | 1011298 | Anchor Piston | 2 |
| 17 | N/A | Adjustment Bolt | 1 |
| 18 | N/A | Anchor Body Component | 1 |
| 19 | <u>1011303</u> | Adjustment Bolt Cap | 1 |
| 20 | <u>451</u> | Lockwasher, 1/4 Split | 2 |
| 21 | 1011494 | Backing Plate, Left-Hand | 1 |
| 22 | 101880701 | Shoe Brake Manual Adj (Available in Kit, Non-Asbestos Brake Shoe) | 2 |
| 23 | N/A | Arm, Brake Lever | 1 |
| 24 | <u>1016573</u> | Cluster, Brake, Passenger-Side (includes items 25 through 40) | 1 |
| 25 | <u>1010850</u> | Dust Cover | 1 |
| 26 | <u>1011154</u> | Backing Plate, Right-Hand | 1 |
| 27 | 1011314 | Brake Spring | 2 |
| 28 | <u>1011465</u> | Kit, Brake Actuator | 1 |
| 29 | <u>1011466</u> | Kit, Shoe Retainer (includes items 30 and 31) | 1 |
| 30 | N/A | Pin | 2 |
| 31 | N/A | Shoe Clamp Spring | 2 |
| 32 | <u>1011467</u> | Kit, Anchor Body (includes items 33 through 38) | 1 |
| 33 | <u>1011114</u> | Nut, M6-1.00 Hex | 2 |
| 34 | 1011298 | Anchor Piston | 2 |
| 35 | N/A | Adjustment Bolt | 1 |
| 36 | N/A | Anchor Body Component | 1 |
| 37 | <u>1011303</u> | Adjustment Bolt Cap | 1 |
| 38 | <u>451</u> | Lockwasher, 1/4 Split | 2 |
| 39 | 101880701 | Shoe Brake Manual Adj (Available in Kit, Non-Asbestos Brake Shoe) | 2 |
| 40 | N/A | Arm, Brake Lever | 1 |
| 41 | <u>101791101</u> | Drum without Center Hole, Brake | 2 |
| | | Note: Passenger-side brake cluster not shown. Components have a similar appearance to driver-side brake cluster components. | |

5
G
E

5
G
E



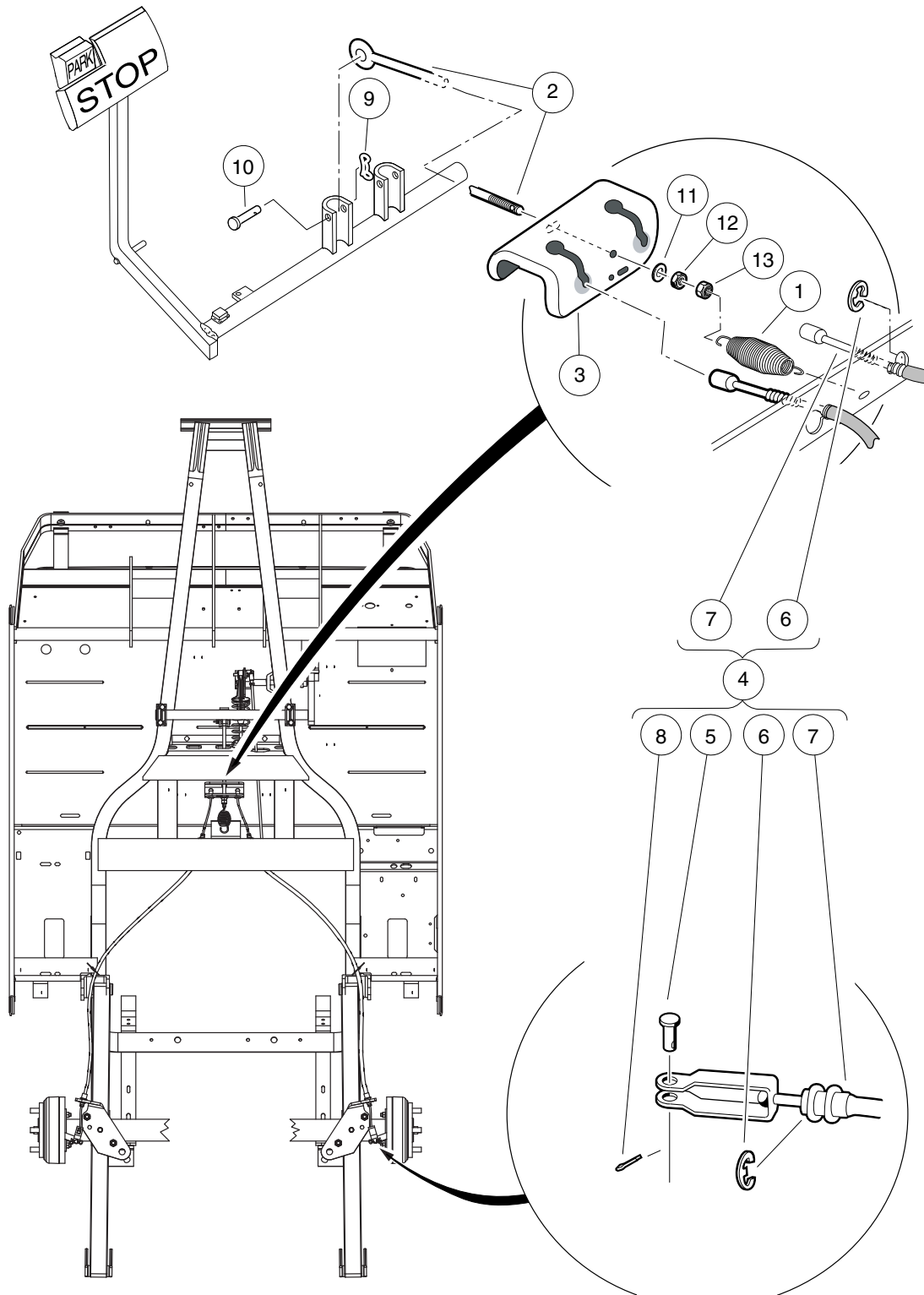
000186-003

REAR BRAKE ASSEMBLY, SELF-ADJUSTING – VEHICLE WITH 2-WHEEL BRAKES

| ITEM | PART NO. | DESCRIPTION | QTY |
|---|------------------|---|-----|
| | | 1 2 3 4 | |
| 1 | <u>1013924</u> | Nut, 5/16-24, Hex Head Cone | 8 |
| 2 | <u>1014153</u> | Bolt, Brake Cluster Mounting | 8 |
| 3 | <u>101791101</u> | Drum without Center Hole, Brake | 2 |
| 4 | <u>103380201</u> | Asm, Brake Cluster, Mech, Drvr (includes items 5 through 16) | 1 |
| 5 | <u>101815502</u> | Lever Assembly, Self-Adjusting Brake, Left | 1 |
| 6 | <u>101816502</u> | Adjusting Mechanism, Self-Adjusting Brake, Left | 1 |
| 7 | <u>101823201</u> | Package, Brake Shoe, Self-Adjusting | 1 |
| 8 | <u>101823801</u> | Plate, Washer, Brake, Self-Adjusting | 1 |
| 9 | <u>101823901</u> | Washer, Brake, Self-Adjusting | 1 |
| 10 | <u>103483102</u> | Back Plate, Lh | 1 |
| 11 | <u>103483201</u> | Kit, Shoe Retainer (includes items 12 and 13) | 1 |
| 12 | N/A | Pin | 2 |
| 13 | N/A | Spring, Shoe, Clamp | 2 |
| 14 | <u>103483401</u> | Package Brake Spring Self Adj | 1 |
| 15 | <u>103483601</u> | Cover, Dust | 1 |
| 16 | <u>103483701</u> | Brake Block | 1 |
| 17 | <u>103380202</u> | Asm, Brake Cluster, Mech, Pass (includes items 18 through 29) | 1 |
| 18 | <u>101815501</u> | Lever Assembly, Self-Adjusting Brake, Right (Passenger) | 1 |
| 19 | <u>101816501</u> | Adj Mechanism, S.A. Brakes, Right (Passenger) | 1 |
| 20 | <u>101823201</u> | Package, Brake Shoe, Self-Adjusting | 1 |
| 21 | <u>101823801</u> | Plate, Washer, Brake, Self-Adjusting | 1 |
| 22 | <u>101823901</u> | Washer, Brake, Self-Adjusting | 1 |
| 23 | <u>103483101</u> | Back Plate, Rh | 1 |
| 24 | <u>103483201</u> | Kit, Shoe Retainer (includes items 25 and 26) | 1 |
| 25 | N/A | Pin | 2 |
| 26 | N/A | Spring, Shoe, Clamp | 2 |
| 27 | <u>103483401</u> | Package Brake Spring Self Adj | 1 |
| 28 | <u>103483601</u> | Cover, Dust | 1 |
| 29 | <u>103483701</u> | Brake Block | 1 |
| <p>Note: Passenger-side brake cluster not shown. Components have a similar appearance to driver-side brake cluster components. 1033802 brake cluster assemblies are backward compatible but individual parts that do not share part numbers with 1018233 are not.</p> | | | |

5
G
E

5
G
E



000296-001

REAR BRAKE CABLES AND EQUALIZER – VEHICLES WITH TWO-WHEEL BRAKES

| ITEM | PART NO. | DESCRIPTION | QTY |
|------|------------------|--|-----|
| | | 1 2 3 4 | |
| 1 | <u>1013531</u> | Spring, Brake Return | 1 |
| 2 | 101953102 | Rod, Equalizer, 20.91 inch | 1 |
| 3 | <u>101990801</u> | Equalizer Bracket | 1 |
| 4 | <u>102022101</u> | Brake Cable Kit (includes items 5 through 8) | 2 |
| 5 | <u>1010829</u> | Pin, Clevis, 5/16 X 3/4 | 1 |
| 6 | <u>1011779</u> | E-Clip, 1/2 | 2 |
| 7 | N/A | Cable, Brake, 41" | 1 |
| 8 | <u>102292801</u> | Pin, Bow Tie Locking - .072 | 1 |
| 9 | <u>102323101</u> | Pin, Bow Tie Locking | 1 |
| 10 | <u>102323201</u> | Pin, 3/8 X 1-5/16 Clevis | 1 |
| 11 | <u>1241</u> | Washer, 5/16 Type A Flat | 1 |
| 12 | <u>1242</u> | Nut, 5/16-18 Hex | 1 |
| 13 | <u>7473</u> | Locknut, 5/16-18 Nylon Insert | 1 |

5
G
E

5

G

E

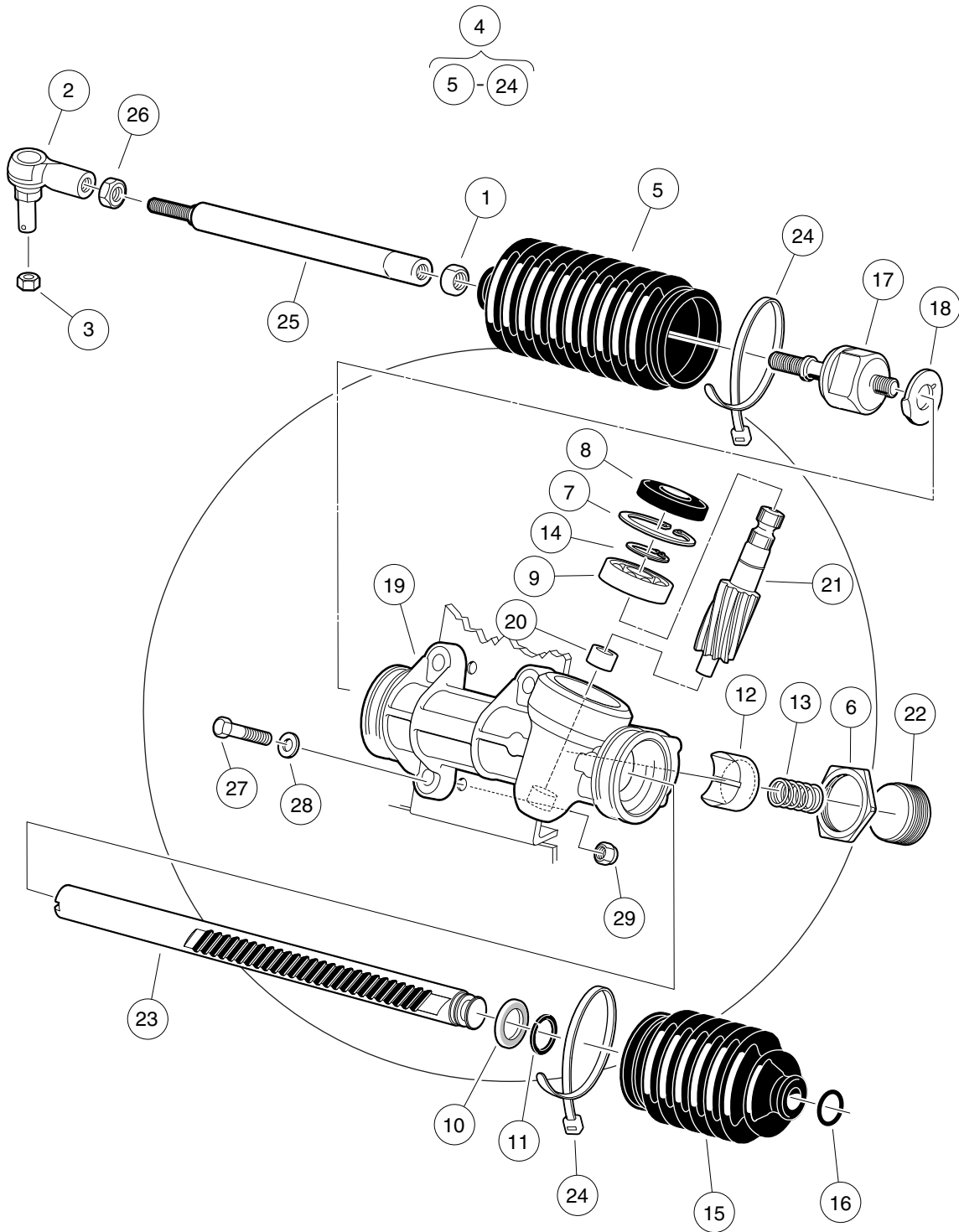
STEERING AND SUSPENSIONS – TURF/CA 2 & 2 PLUS

6

G

E

6
G
E



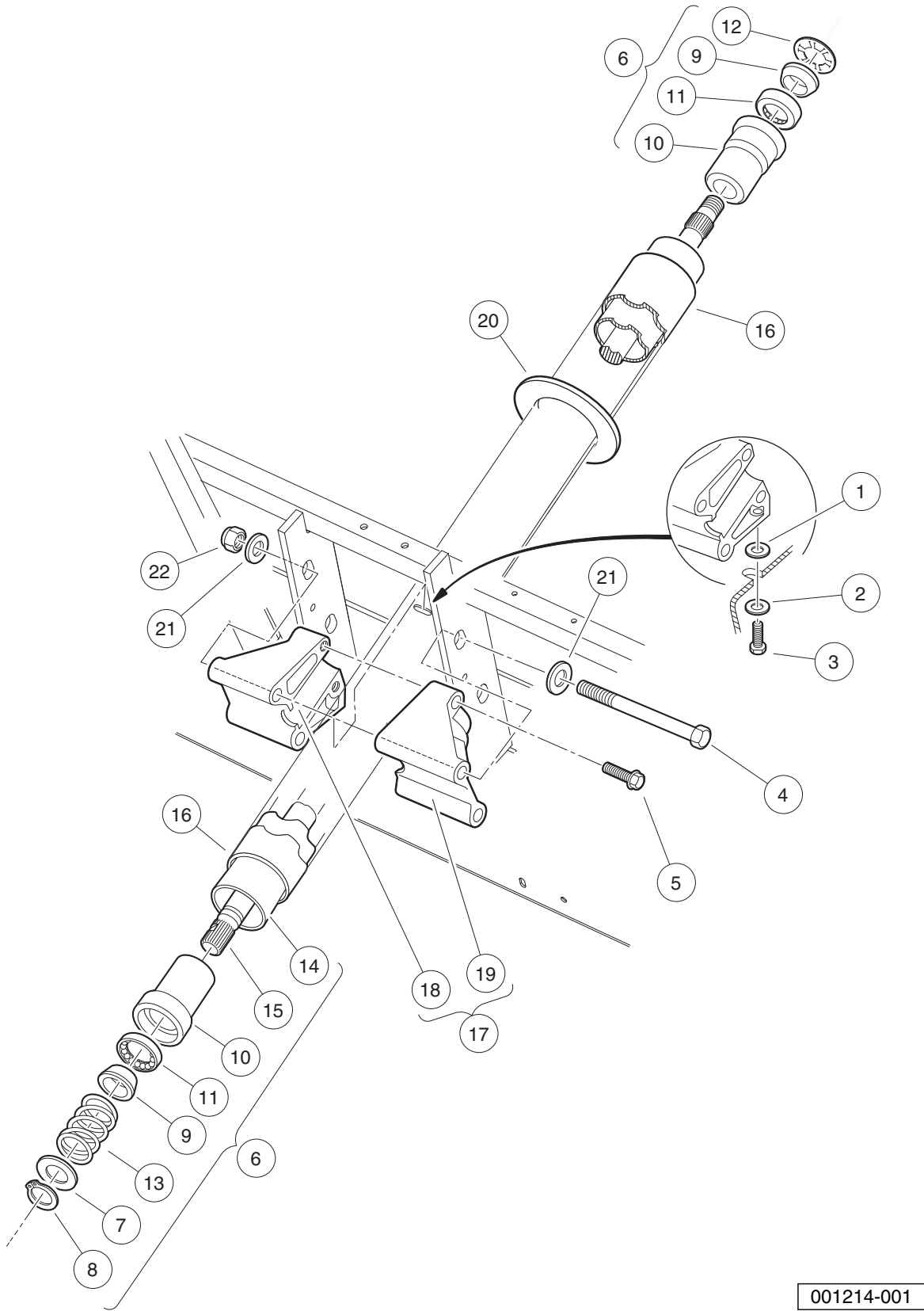
001500-002

STEERING GEAR ASSEMBLY (WANDA) – MAINT.-FREE BALL JOINT

| ITEM | PART NO. | DESCRIPTION | QTY |
|------|------------------|---|-----|
| | | 1 2 3 4 | |
| 1 | 1013042 | Nut, 12mm Hex | 1 |
| 2 | <u>102022602</u> | End, Tie Rod, M12 X 1.25, Lh | 1 |
| 3 | <u>102289201</u> | Nut - Hex Locking, M12 X 1.25 | 1 |
| 4 | <u>103601501</u> | Asm, Steering Rack And Pinion (includes items 5 through 24) | 1 |
| 5 | <u>1013035</u> | Bellows, Long | 1 |
| 6 | <u>1013044</u> | Rack Screw Locknut | 1 |
| 7 | N/A | Snap Ring | 1 |
| 8 | <u>1013052</u> | Seal, Steering Pinion Dust | 1 |
| 9 | <u>101879401</u> | Bearing, Ball | 1 |
| 10 | <u>101879501</u> | Stop Washer | 1 |
| 11 | 101879601 | Stop Ring, C-Type | 1 |
| 12 | <u>101879701</u> | Support Yoke | 1 |
| 13 | <u>101879801</u> | Rack Guide Pressure Spring | 1 |
| 14 | <u>101879901</u> | Ring, Stop, C-Type | 1 |
| 15 | <u>101880001</u> | Bellows, Short | 1 |
| 16 | 101880101 | Dust Seal Retaining Ring | 1 |
| 17 | <u>101880201</u> | Inner Ball Joint Asm | 1 |
| 18 | 101880301 | Washer, Tab | 1 |
| 19 | N/A | Box, Steering Gear | 1 |
| 20 | N/A | Bearing, Lower Pinion | 1 |
| 21 | N/A | Pinion, Steering | 1 |
| 22 | N/A | Screw, Rack Guide | 1 |
| 23 | N/A | Rack, Steering | 1 |
| 24 | <u>8990</u> | Tie Wrap, 8" Nylon | 2 |
| 25 | <u>103653401</u> | Link, Drag, Male Thd | 1 |
| 26 | <u>103653501</u> | Nut, Jam, M12-1.25, Lh | 1 |
| 27 | <u>1624</u> | Screw, 3/8-16 X 1.50, Hex-Head Cap | 3 |
| 28 | <u>334</u> | Washer, 3/8, Type A, Flat | 3 |
| 29 | <u>8754</u> | Locknut, 3/8-16 Hex | 3 |

6
G
E

6
G
E



001214-001

STEERING COLUMN – UTILITY

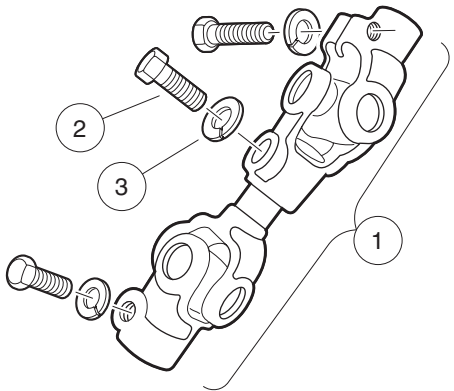
| ITEM | PART NO. | DESCRIPTION | QTY |
|------|------------------|--|-----|
| | | 1 2 3 4 | |
| 1 | <u>1011578</u> | Washer, 5/16 Type B Flat | 1 |
| 2 | <u>1011697</u> | Washer, 5/16 Flat | 1 |
| 3 | <u>1014288</u> | Screw, 5/16-18 X 0.75, Thread-Forming | 1 |
| 4 | <u>1016183</u> | Screw, 3/8-16 X 7.00 Hex Cap | 2 |
| 5 | <u>1016269</u> | Screw, 5/16-18 Thrd Forming | 2 |
| 6 | <u>1017313</u> | Steering Shaft Assembly (includes items 7 through 15) | 1 |
| 7 | <u>1012604</u> | Washer, 0.675 ID X 1.19 OD | 1 |
| 8 | <u>1012605</u> | Ring, 0.579 Internal Retaining | 1 |
| 9 | 1014125 | Wedge, Molded | 2 |
| 10 | <u>1014126</u> | Seat, Plastic Bearing | 2 |
| 11 | <u>1014213</u> | Bearing, Ball | 2 |
| 12 | 1014214 | Ring, Retaining | 1 |
| 13 | <u>1014217</u> | Spring, Steering Shaft | 1 |
| 14 | <u>1017314</u> | Column, Aluminum Steering | 1 |
| 15 | <u>1017315</u> | Shaft Steering Column | 1 |
| 16 | <u>1017317</u> | Tube Cover, Steering Column | 1 |
| 17 | 101984801 | Kit, Steering Column Mounting Bracket (includes items 18 and 19) | 1 |
| 18 | N/A | Bracket, RH Steering Column Mount | 1 |
| 19 | N/A | Bracket, LH Steering column mount | 1 |
| 20 | <u>102278001</u> | Boot, Steering Column Round | 1 |
| 21 | <u>334</u> | Washer, 3/8, Type A, Flat | 4 |
| 22 | <u>8754</u> | Locknut, 3/8-16 Hex | 2 |

6
G
E

6

G

E



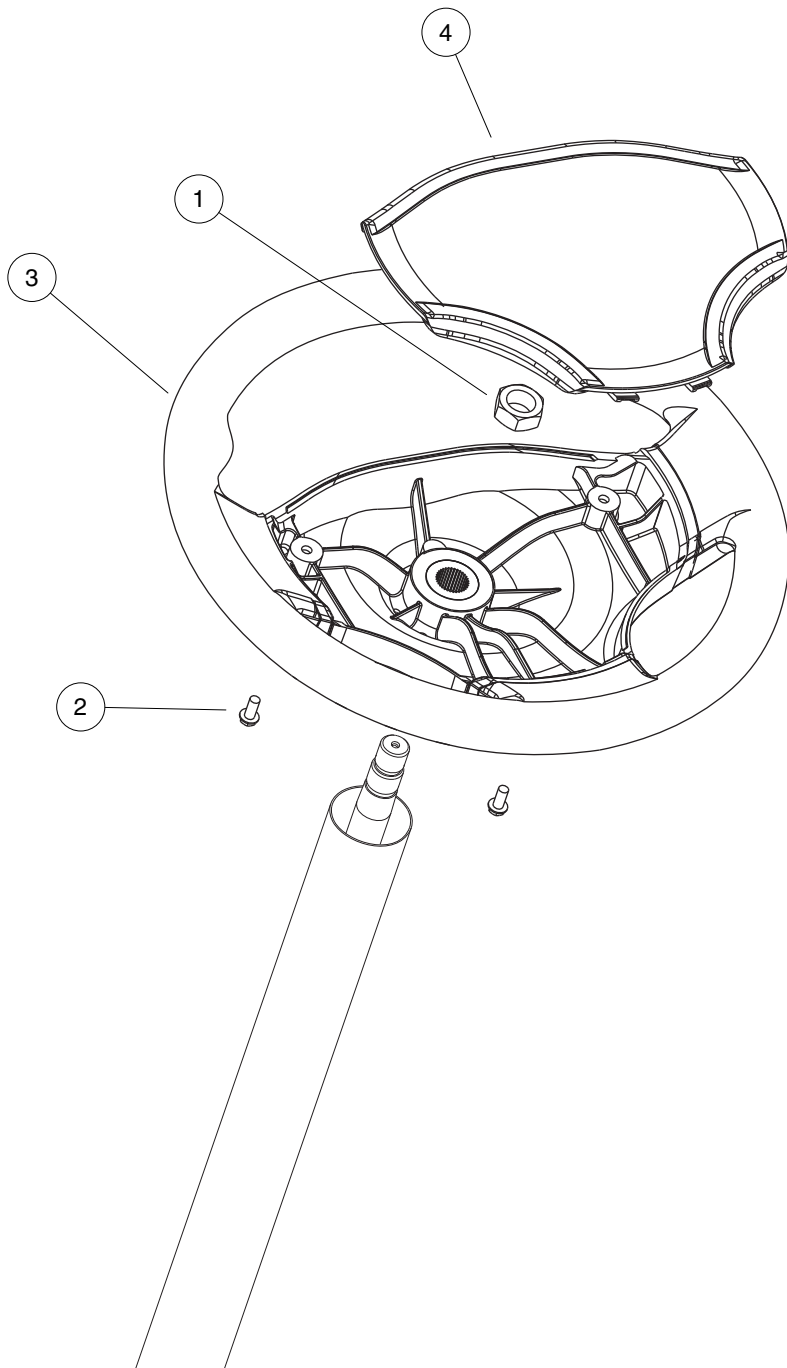
001217-001

INTERMEDIATE STEERING SHAFT (WANDA) – TURF/CA 1/2/6

| ITEM | PART NO. | DESCRIPTION | QTY |
|------|------------------|---|-----|
| | | 1 2 3 4 | |
| 1 | <u>103601601</u> | Shaft, Intermediate Steering (includes items 2 and 3) | 1 |
| 2 | <u>1017226</u> | Bolt, Hex-Head, 8mm X 1.25 - 30 | 3 |
| 3 | <u>7174</u> | Lockwasher, 5/16 Split | 3 |

6
G
E

6
G
E



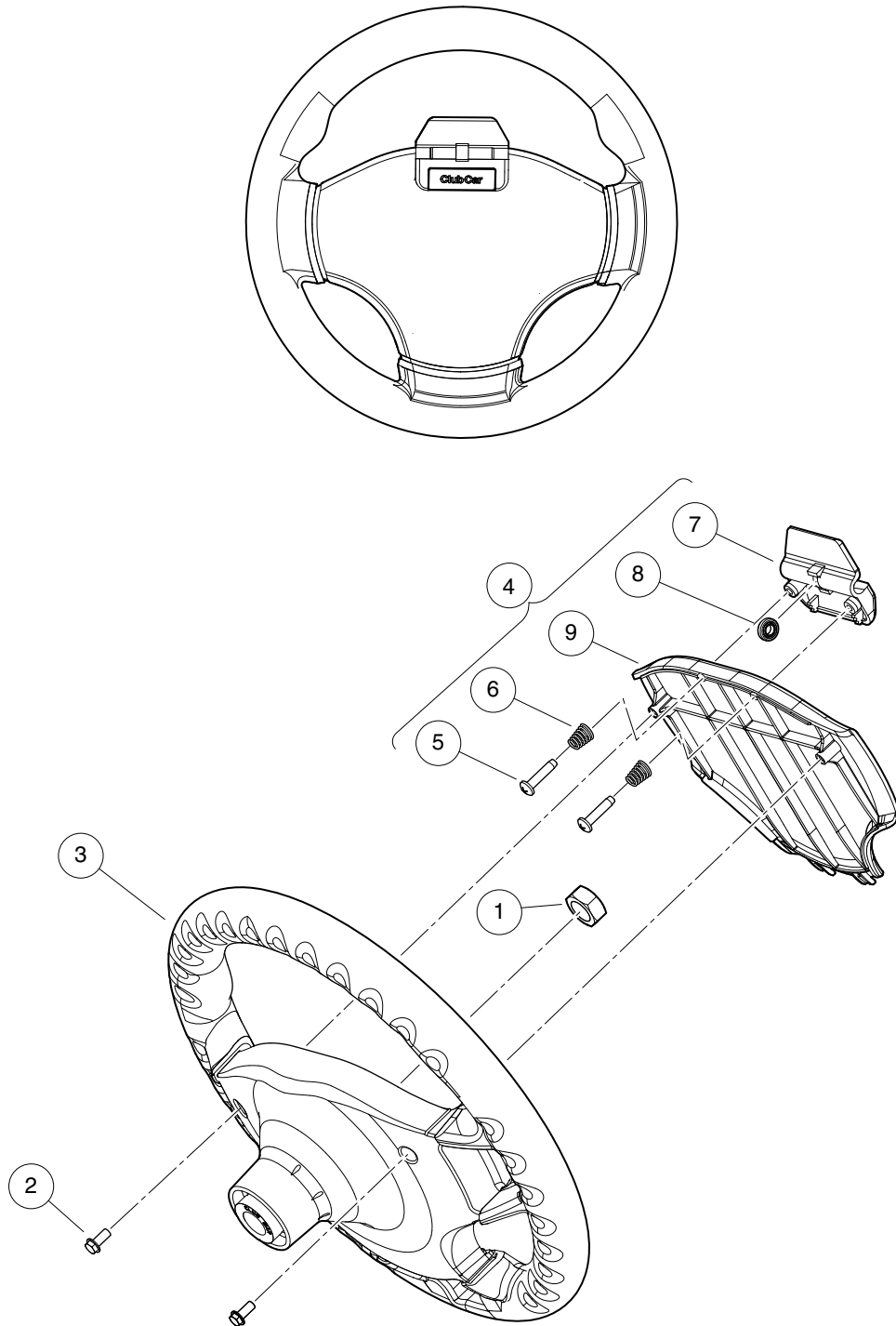
000246-007

STEERING WHEEL

| ITEM | PART NO. | DESCRIPTION | QTY |
|------|------------------|--|-----|
| | | 1 2 3 4 | |
| 1 | <u>1017273</u> | Nut, 5/8-18 Nylon Insert Jam | 1 |
| 2 | <u>101850301</u> | Screw, #12-16 X 0.50 Washer-Head Hi-Lo | 2 |
| 3 | <u>103724502</u> | Wheel, Steering, Splined | 1 |
| 4 | <u>103724602</u> | Cover, Steering Wheel, Generic | 1 |

6
G
E

6
G
E



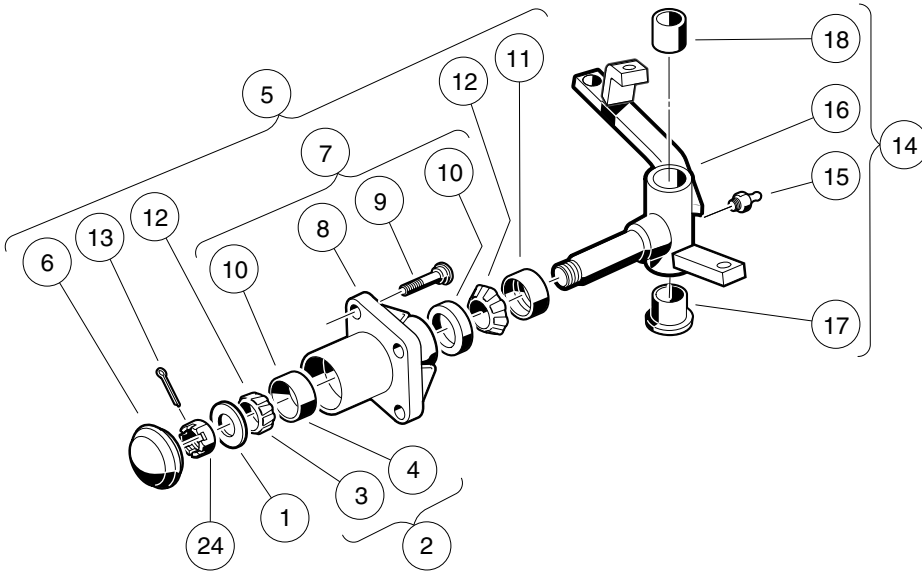
001504-001

STEERING WHEEL WITH CLIP

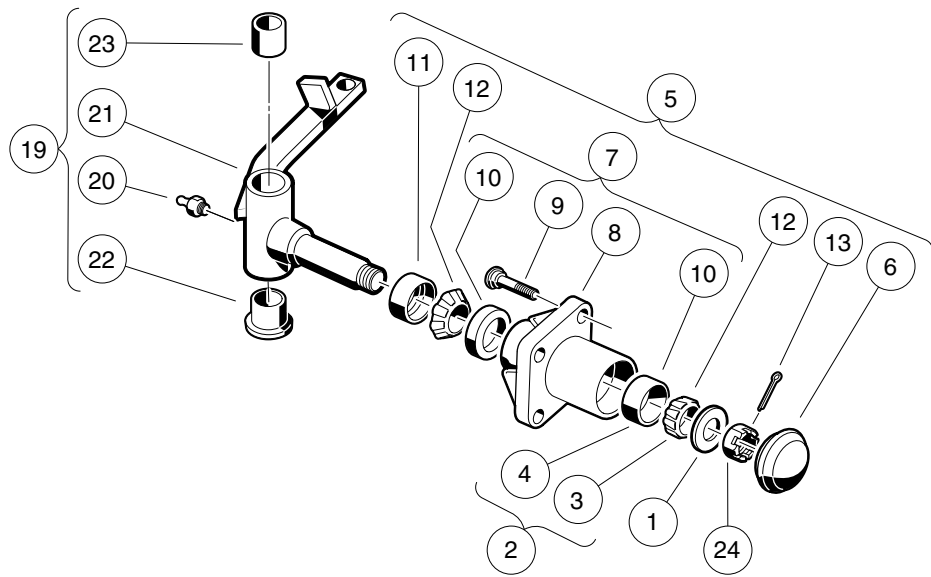
| ITEM | PART NO. | DESCRIPTION | QTY |
|------|------------------|---|-----|
| | | 1 2 3 4 | |
| 1 | <u>1017273</u> | Nut, 5/8-18 Nylon Insert Jam | 1 |
| 2 | <u>101850301</u> | Screw, #12-16 X 0.50 Washer-Head Hi-Lo | 2 |
| 3 | <u>103724502</u> | Wheel, Steering, Splined | 1 |
| 4 | <u>103724901</u> | Asm, Scorecard, Clip (includes items 5 through 9) | 1 |
| 5 | <u>1012565</u> | Screw, #12 Phillips Round Head | 2 |
| 6 | <u>1012566</u> | Tapered Compression Spring | 2 |
| 7 | 1016154 | Clip, Scorecard | 1 |
| 8 | <u>1016214</u> | Pencil Grip | 1 |
| 9 | 103724601 | Cover, Steering Wheel, Clip | 1 |

6
G
E

PASSENGER SIDE



DRIVER SIDE



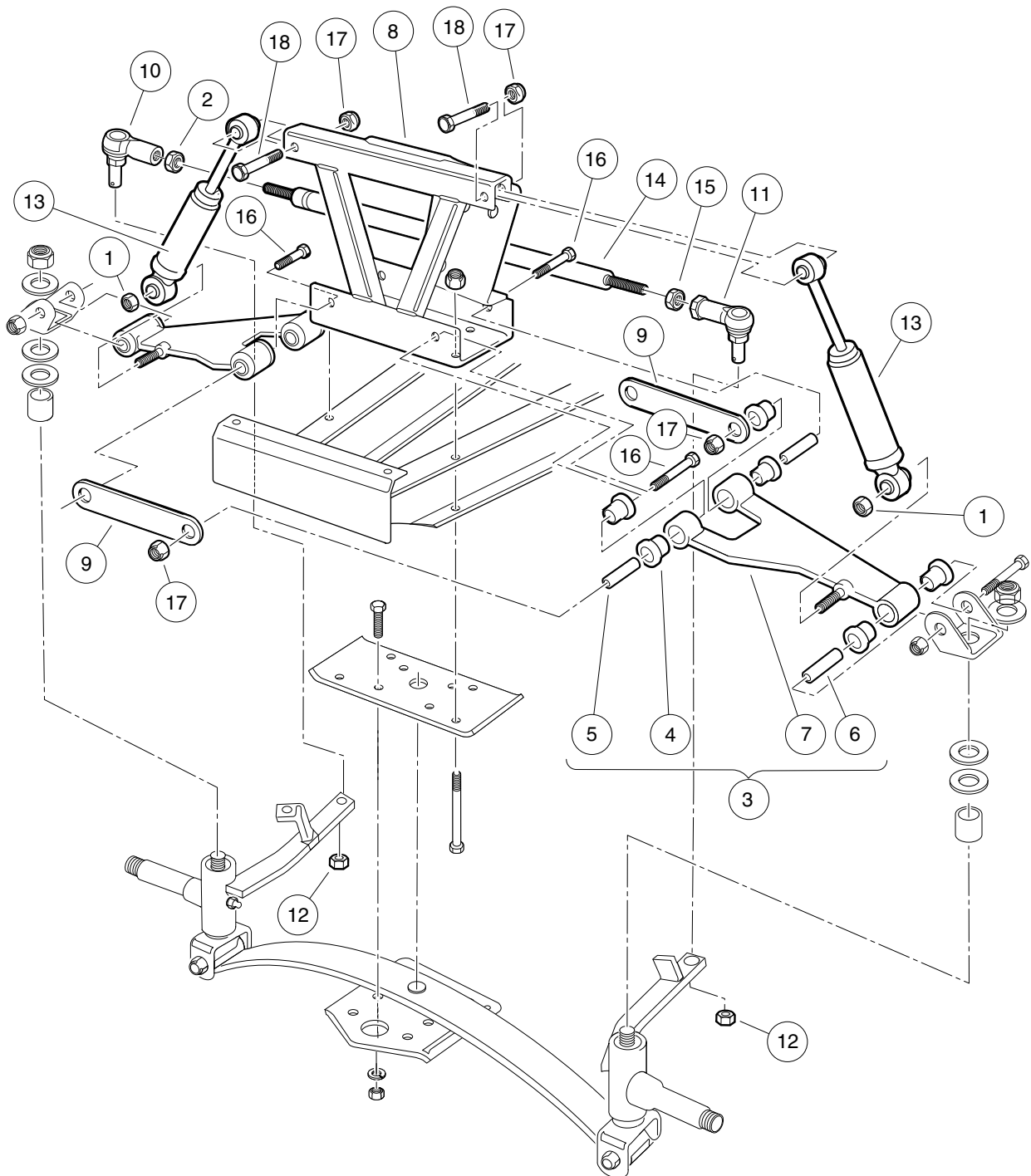
001104-001

FRONT SPINDLES AND HUBS – VEHICLES WITH TWO-WHEEL BRAKES AND MAINTENANCE-FREE BALL JOINTS

| ITEM | PART NO. | DESCRIPTION | QTY |
|------|------------------|--|-----|
| | | 1 2 3 4 | |
| 1 | <u>1010005</u> | Washer, 3/4 Flat | 2 |
| 2 | <u>1011393</u> | Hub Bearing Package (includes items 3 and 4) | 4 |
| 3 | <u>7274</u> | Bearing, Front Hub Wheel | 1 |
| 4 | <u>7308</u> | Race, Front Hub Bearing | 1 |
| 5 | <u>1011892</u> | Hub Assembly (includes items 6 through 13) | 2 |
| 6 | <u>1011887</u> | Dust Cover | 1 |
| 7 | N/A | Hub (includes items 8 through 10) | 1 |
| 8 | N/A | Front Hub | 1 |
| 9 | <u>103477901</u> | Lug Stud, 1/2-20 Unf, 4037 | 4 |
| 10 | <u>7308</u> | Race, Front Hub Bearing | 2 |
| 11 | <u>1013135</u> | Seal, Double Lip | 1 |
| 12 | <u>7274</u> | Bearing, Front Hub Wheel | 2 |
| 13 | <u>7910</u> | Pin, 5/32 X 1.00 Cotter | 1 |
| 14 | <u>103665902</u> | Asm, Spindle, Rh, 2wb, Sp (includes items 15 through 18) | 1 |
| 15 | <u>1015597</u> | Fitting, 1/4-28 Thread-Forming Grease | 1 |
| 16 | N/A | Subasm, Spndle, Rh, 2wb | 1 |
| 17 | <u>7048</u> | Bushing, Flanged Bronze | 1 |
| 18 | <u>8067</u> | Bushing, Bronze Spindle | 1 |
| 19 | <u>103666002</u> | Asm, Spindle, Lh, 2wb, Sp (includes items 20 through 23) | 1 |
| 20 | <u>1015597</u> | Fitting, 1/4-28 Thread-Forming Grease | 1 |
| 21 | N/A | Subasm, Spndle, Lh, 2wb | 1 |
| 22 | <u>7048</u> | Bushing, Flanged Bronze | 1 |
| 23 | <u>8067</u> | Bushing, Bronze Spindle | 1 |
| 24 | <u>7840</u> | Nut, 3/4-16 Hex Slotted | 2 |

6
G
E

6
G
E



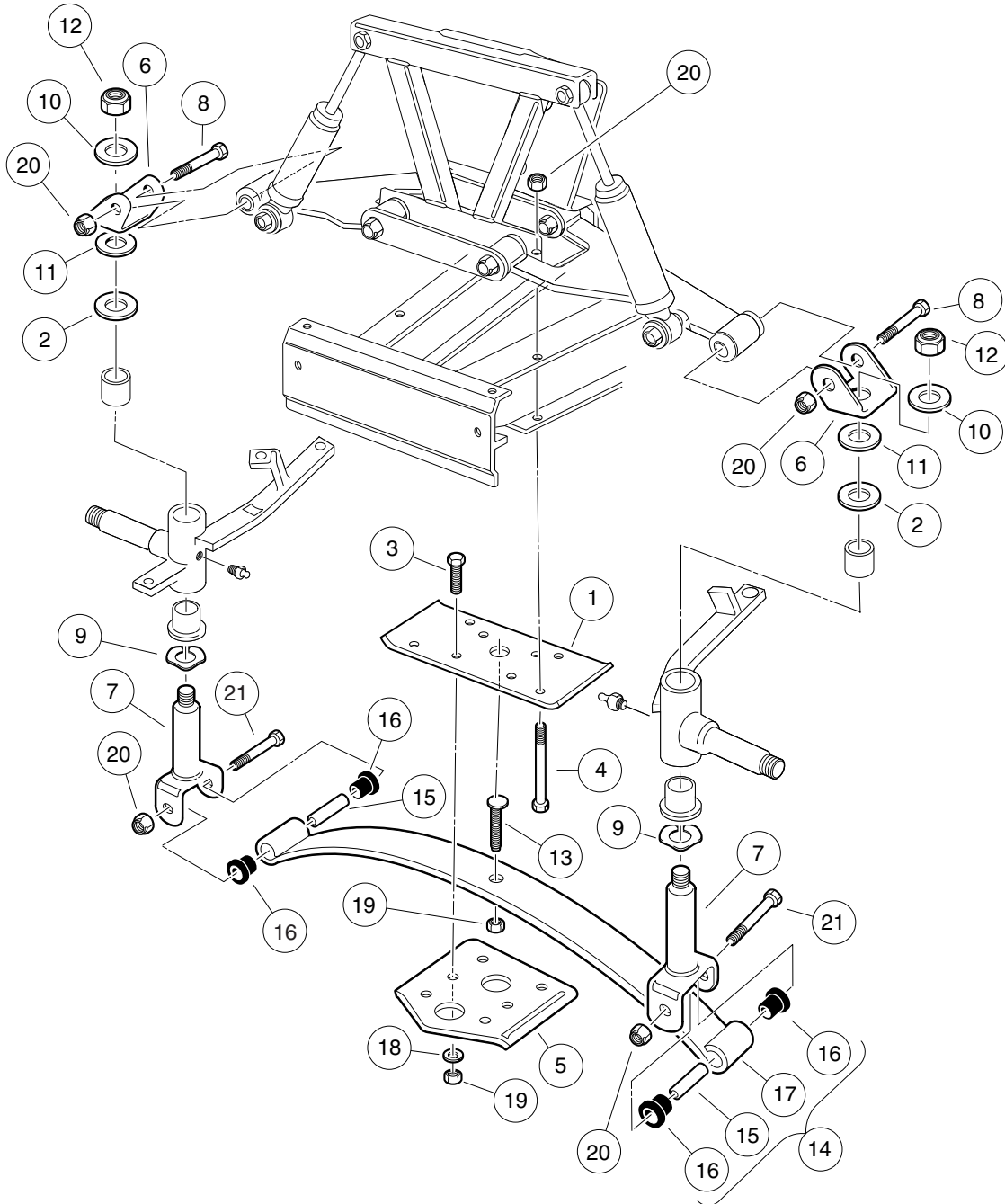
001105-001

FRONT SUSPENSION, UPPER – VEHICLES WITH TWO-WHEEL BRAKES AND MAINTENANCE-FREE BALL JOINTS

| ITEM | PART NO. | DESCRIPTION | QTY |
|------|------------------|--|-----|
| | | 1 2 3 4 | |
| 1 | <u>1010138</u> | Locknut, 3/8-16 Dimpled | 2 |
| 2 | <u>1013042</u> | Nut, 12mm Hex | 1 |
| 3 | <u>1016353</u> | Sub-Assembly, Delta A-Plate (includes items 4 through 7) | 2 |
| 4 | <u>1016346</u> | Bushing, Urethane | 6 |
| 5 | <u>1016349</u> | Sleeve, Delta Inner | 2 |
| 6 | <u>1016350</u> | Sleeve, Delta Outer | 1 |
| 7 | <u>1016351</u> | Delta A-Plate | 1 |
| 8 | <u>1016385</u> | Delta Shock and Gear Support Assembly | 1 |
| 9 | <u>1017266</u> | A-Plate Strap | 2 |
| 10 | <u>102022601</u> | End, Tie Rod M12 X 1.25 Rh | 1 |
| 11 | <u>102022602</u> | End, Tie Rod, M12 X 1.25, Lh | 1 |
| 12 | <u>102289201</u> | Nut - Hex Locking, M12 X 1.25 | 2 |
| 13 | <u>103351001</u> | Shock Absorber, Front, Common | 2 |
| 14 | <u>103354701</u> | Rod, Tie, Male Thd | 1 |
| 15 | <u>103653501</u> | Nut, Jam, M12-1.25, Lh | 1 |
| 16 | <u>2402</u> | Screw, 3/8-16 X 2.25 Hx Hd Cap | 4 |
| 17 | <u>8754</u> | Locknut, 3/8-16 Hex | 6 |
| 18 | <u>8861</u> | Bolt, 3/8-16 X 1.75 Hex | 2 |

6
G
E

6
G
E



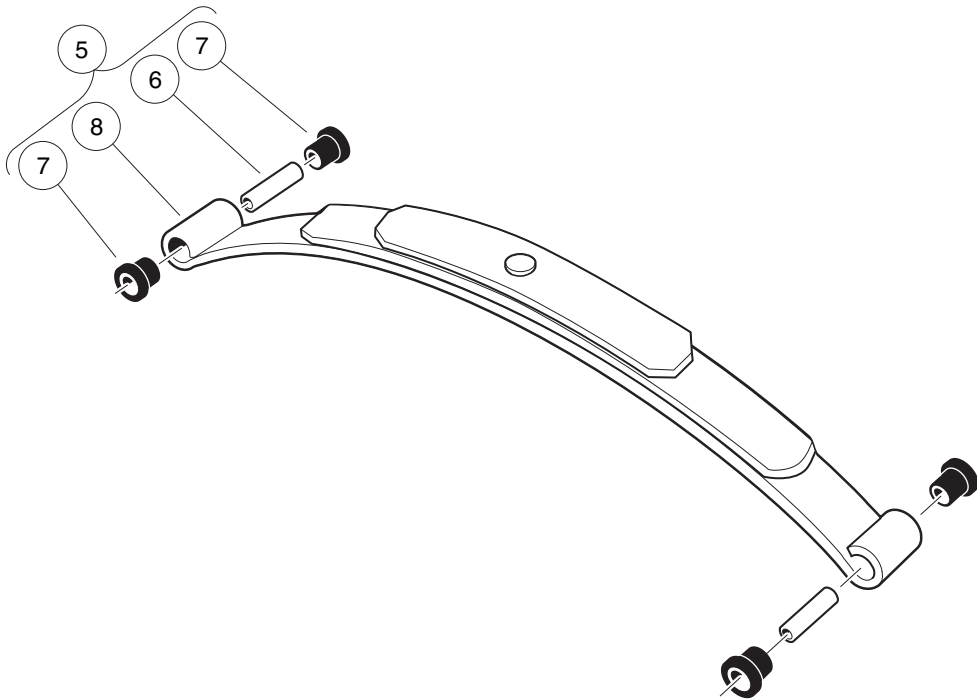
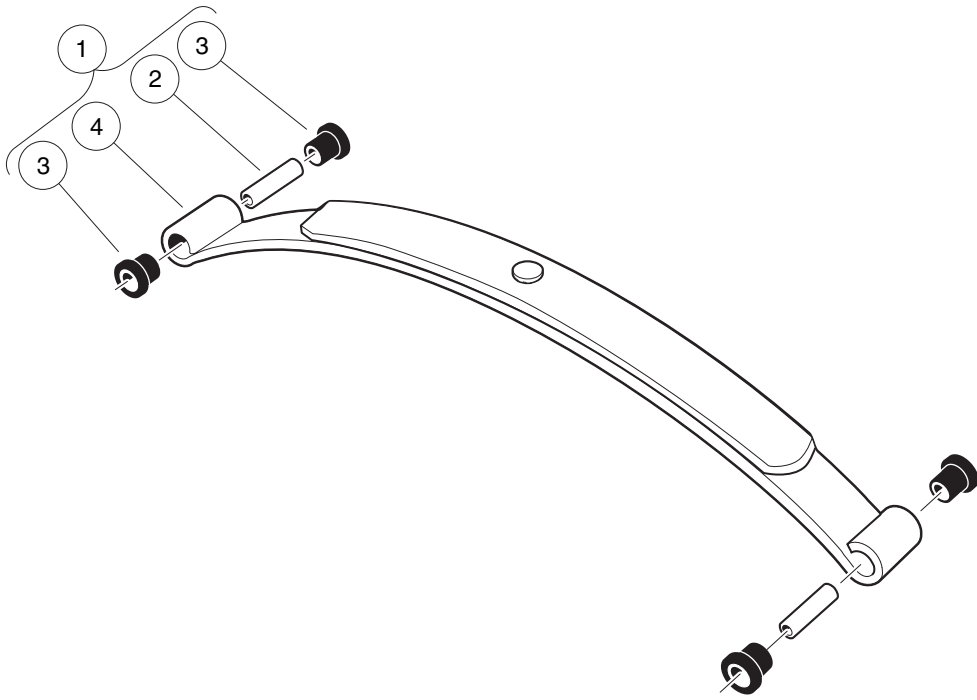
001106-001

FRONT SUSPENSION, LOWER – VEHICLES WITH TWO-WHEEL BRAKES AND MAINTENANCE-FREE BALL JOINTS

| ITEM | PART NO. | DESCRIPTION | QTY |
|------|------------------|--|-----|
| | | 1 2 3 4 | |
| 1 | <u>1010124</u> | Plate, Spring Mount | 1 |
| 2 | <u>1010150</u> | Bearing, Thrust | 2 |
| 3 | <u>1010177</u> | Bolt, 3/8-16 X 2.00 Hex Head | 4 |
| 4 | <u>1010200</u> | Bolt, 3/8-16 X 4.25 Hex Head | 4 |
| 5 | <u>1014276</u> | Plate, Front Spring Retainer | 1 |
| 6 | <u>1016384</u> | Clevis, Delta Upper | 2 |
| 7 | <u>1016386</u> | King Pin Assembly | 2 |
| 8 | <u>1016387</u> | Screw, 3/8-16 X 2.75 Hx Hd Cap | 2 |
| 9 | <u>1016389</u> | Washer, 1.125 Od Wave | 2 |
| 10 | <u>102564002</u> | Washer-1/2 Conical, Yellow | 2 |
| 11 | <u>102684501</u> | Washer, M12 Hard Regular | 2 |
| 12 | <u>102766301</u> | Nut, 1/2-20, Center Lock | 2 |
| 13 | <u>103507001</u> | Eccentric Bolt Common | 1 |
| 14 | <u>103628701</u> | Spring Asm, Front, 1 Leaf (includes items 15 through 17) | 1 |
| 15 | <u>1012303</u> | Bushing, Steel | 2 |
| 16 | <u>101558302</u> | Bushing, Urethane, Soft | 4 |
| 17 | 103502601 | Spring, Front, 1 Leaf | 1 |
| 18 | <u>357</u> | Lockwasher, 3/8 Split | 4 |
| 19 | <u>706</u> | Nut, Hex 3/8-16 | 5 |
| 20 | <u>8754</u> | Locknut, 3/8-16 Hex | 8 |
| 21 | <u>8755</u> | Screw, 3/8-16 X 3.375 Hex Cap | 2 |

6
G
E

6
G
E



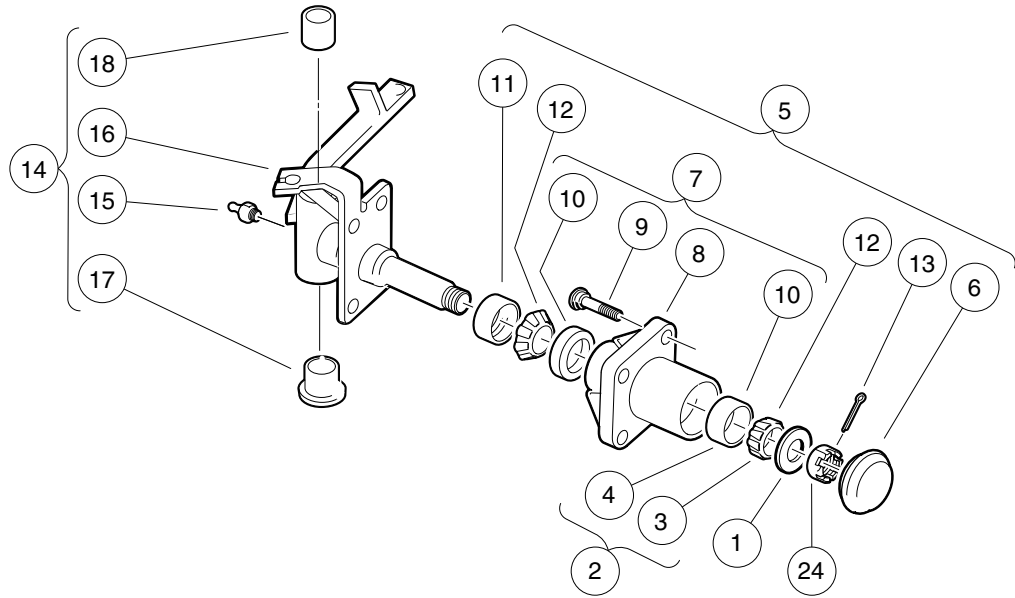
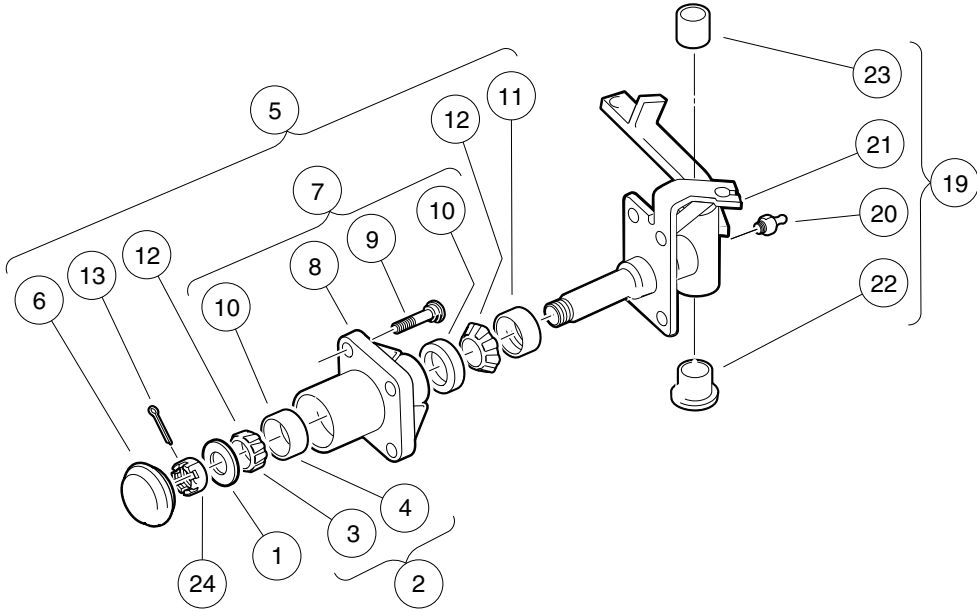
001225-001

HEAVY DUTY FRONT SPRINGS

| ITEM | PART NO. | DESCRIPTION | QTY |
|------|------------------|--|-----|
| | | 1 2 3 4 | |
| 1 | <u>103628801</u> | Spring Asm, Front, 2 Leaf (includes items 2 through 4) | 1 |
| 2 | <u>1012303</u> | Bushing, Steel | 2 |
| 3 | <u>1015583</u> | Bushing, Urethane | 4 |
| 4 | <u>103502701</u> | Spring, Front, 2 Leaf | 1 |
| 5 | <u>103628901</u> | Spring Asm, Front, 3 Leaf (includes items 6 through 8) | 1 |
| 6 | <u>1012303</u> | Bushing, Steel | 2 |
| 7 | <u>1015583</u> | Bushing, Urethane | 4 |
| 8 | 103502801 | Spring, Front, 3 Leaf | 1 |

6
G
E

6
G
E



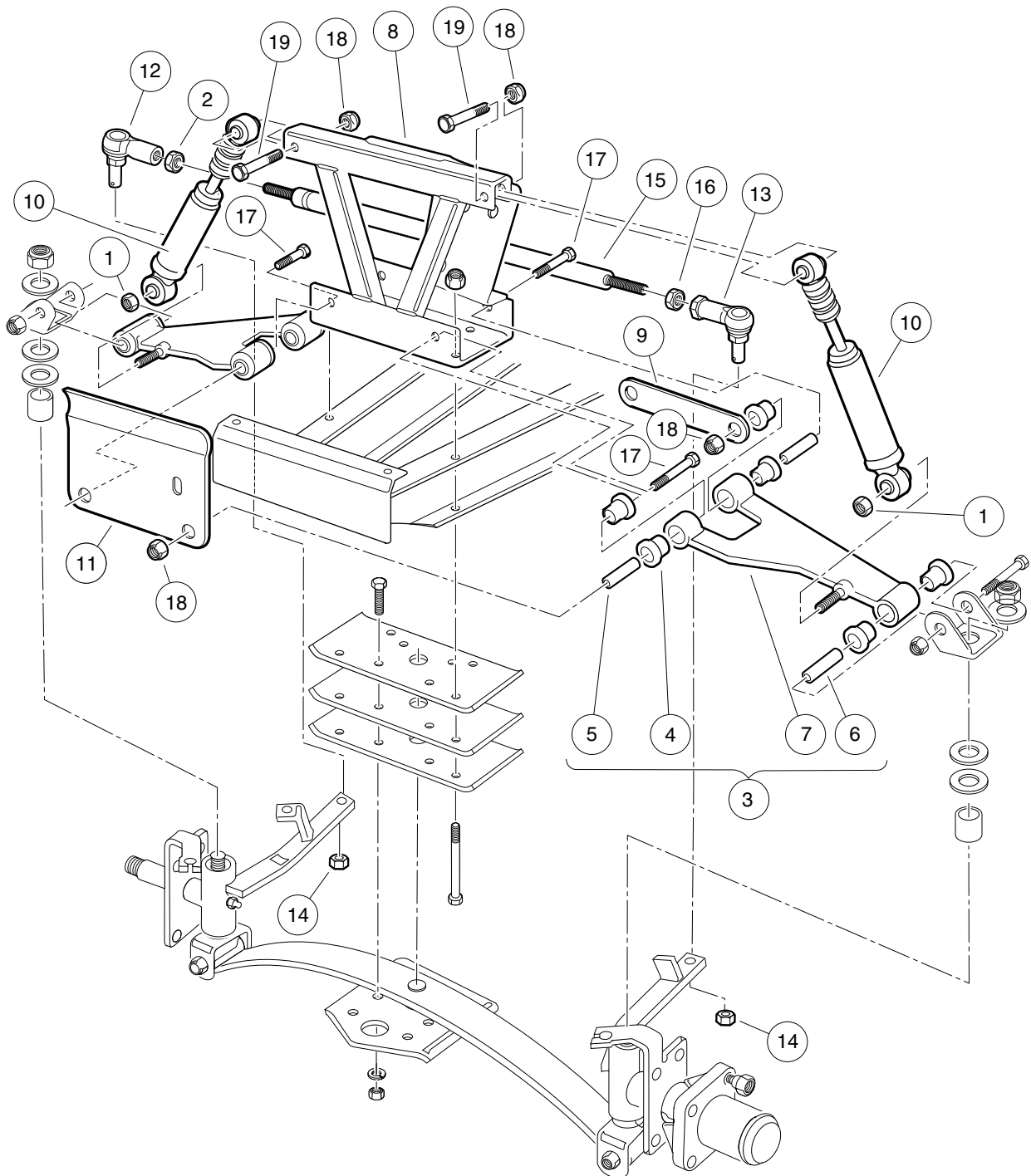
000310-002

FRONT SPINDLES AND HUBS – VEHICLES WITH FOUR-WHEEL BRAKES AND MAINTENANCE-FREE BALL JOINTS

| ITEM | PART NO. | DESCRIPTION | QTY |
|------|------------------|--|-----|
| | | 1 2 3 4 | |
| 1 | <u>1010005</u> | Washer, 3/4 Flat | 2 |
| 2 | <u>1011393</u> | Hub Bearing Package (includes items 3 and 4) | 4 |
| 3 | <u>7274</u> | Bearing, Front Hub Wheel | 1 |
| 4 | <u>7308</u> | Race, Front Hub Bearing | 1 |
| 5 | <u>1011892</u> | Hub Assembly (includes items 6 through 13) | 2 |
| 6 | <u>1011887</u> | Dust Cover | 1 |
| 7 | N/A | Hub (includes items 8 through 10) | 1 |
| 8 | N/A | Front Hub | 1 |
| 9 | <u>103477901</u> | Lug Stud, 1/2-20 Unf, 4037 | 4 |
| 10 | <u>7308</u> | Race, Front Hub Bearing | 2 |
| 11 | <u>1013135</u> | Seal, Double Lip | 1 |
| 12 | <u>7274</u> | Bearing, Front Hub Wheel | 2 |
| 13 | <u>7910</u> | Pin, 5/32 X 1.00 Cotter | 1 |
| 14 | <u>103717302</u> | Asm, Spindle, Lh, 4wb, Sp (includes items 15 through 18) | 1 |
| 15 | <u>1015597</u> | Fitting, 1/4-28 Thread-Forming Grease | 1 |
| 16 | N/A | Subasm, Spindle, Lh, 4wb | 1 |
| 17 | <u>7048</u> | Bushing, Flanged Bronze | 1 |
| 18 | <u>8067</u> | Bushing, Bronze Spindle | 1 |
| 19 | <u>103717402</u> | Asm, Spindle, Rh, 4wb, Sp (includes items 20 through 23) | 1 |
| 20 | <u>1015597</u> | Fitting, 1/4-28 Thread-Forming Grease | 1 |
| 21 | N/A | Subasm, Spindle, Rh, 4wb | 1 |
| 22 | <u>7048</u> | Bushing, Flanged Bronze | 1 |
| 23 | <u>8067</u> | Bushing, Bronze Spindle | 1 |
| 24 | <u>7840</u> | Nut, 3/4-16 Hex Slotted | 2 |

6
G
E

6
G
E



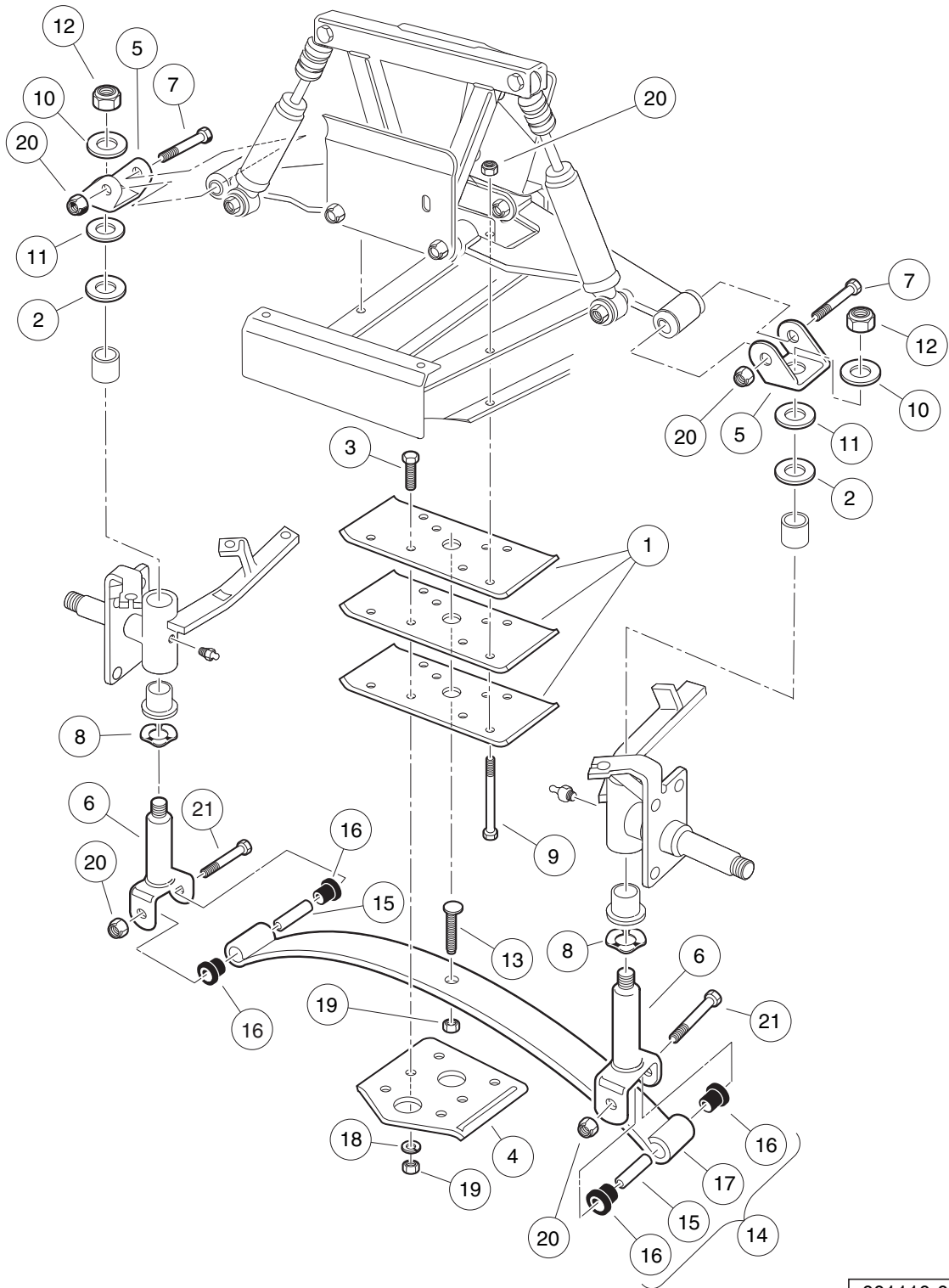
001109-001

FRONT SUSPENSION, UPPER – VEHICLES WITH FOUR-WHEEL BRAKES AND MAINTENANCE-FREE BALL JOINTS

| ITEM | PART NO. | DESCRIPTION | QTY |
|------|------------------|--|-----|
| | | 1 2 3 4 | |
| 1 | <u>1010138</u> | Locknut, 3/8-16 Dimpled | 2 |
| 2 | <u>1013042</u> | Nut, 12mm Hex | 1 |
| 3 | <u>1016353</u> | Sub-Assembly, Delta A-Plate (includes items 4 through 7) | 2 |
| 4 | <u>1016346</u> | Bushing, Urethane | 6 |
| 5 | <u>1016349</u> | Sleeve, Delta Inner | 2 |
| 6 | <u>1016350</u> | Sleeve, Delta Outer | 1 |
| 7 | <u>1016351</u> | Delta A-Plate | 1 |
| 8 | <u>1016385</u> | Delta Shock and Gear Support Assembly | 1 |
| 9 | <u>1017266</u> | A-Plate Strap | 1 |
| 10 | <u>101870601</u> | Shock Absorber, Front Utility | 2 |
| 11 | <u>101955001</u> | Brake Cable Guide Bracket | 1 |
| 12 | <u>102022601</u> | End, Tie Rod M12 X 1.25 Rh | 1 |
| 13 | <u>102022602</u> | End, Tie Rod, M12 X 1.25, Lh | 1 |
| 14 | <u>102289201</u> | Nut - Hex Locking, M12 X 1.25 | 2 |
| 15 | <u>103354701</u> | Rod, Tie, Male Thd | 1 |
| 16 | <u>103653501</u> | Nut, Jam, M12-1.25, Lh | 1 |
| 17 | <u>2402</u> | Screw, 3/8-16 X 2.25 Hx Hd Cap | 4 |
| 18 | <u>8754</u> | Locknut, 3/8-16 Hex | 6 |
| 19 | <u>8861</u> | Bolt, 3/8-16 X 1.75 Hex | 2 |

6
G
E

6
G
E



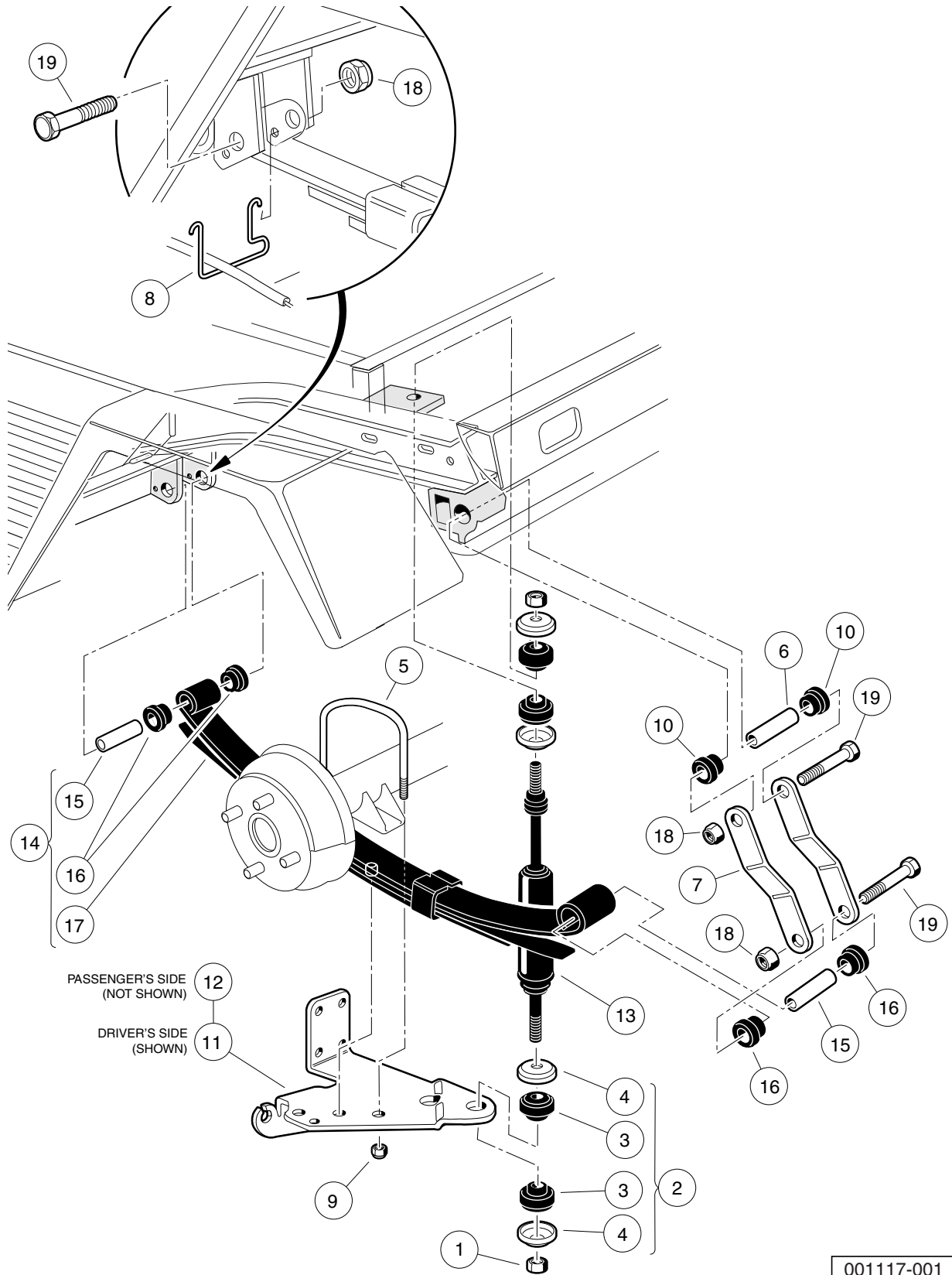
001110-001

FRONT SUSPENSION, LOWER – VEHICLES WITH FOUR-WHEEL BRAKES AND MAINTENANCE-FREE BALL JOINTS

| ITEM | PART NO. | DESCRIPTION | QTY |
|------|------------------|--|-----|
| | | 1 2 3 4 | |
| 1 | <u>1010124</u> | Plate, Spring Mount | 3 |
| 2 | <u>1010150</u> | Bearing, Thrust | 2 |
| 3 | <u>1010177</u> | Bolt, 3/8-16 X 2.00 Hex Head | 4 |
| 4 | <u>1014276</u> | Plate, Front Spring Retainer | 1 |
| 5 | <u>1016384</u> | Clevis, Delta Upper | 2 |
| 6 | <u>1016386</u> | King Pin Assembly | 2 |
| 7 | <u>1016387</u> | Screw, 3/8-16 X 2.75 Hx Hd Cap | 2 |
| 8 | <u>1016389</u> | Washer, 1.125 Od Wave | 2 |
| 9 | <u>101870501</u> | Screw, 3/8-16 X 4.75 Hx Hd Cap | 4 |
| 10 | <u>102564002</u> | Washer-1/2 Conical, Yellow | 2 |
| 11 | <u>102684501</u> | Washer, M12 Hard Regular | 2 |
| 12 | <u>102766301</u> | Nut, 1/2-20, Center Lock | 2 |
| 13 | <u>103507001</u> | Eccentric Bolt Common | 1 |
| 14 | <u>103628701</u> | Spring Asm, Front, 1 Leaf (includes items 15 through 17) | 1 |
| 15 | <u>1012303</u> | Bushing, Steel | 2 |
| 16 | <u>101558302</u> | Bushing, Urethane, Soft | 4 |
| 17 | 103502601 | Spring, Front, 1 Leaf | 1 |
| 18 | <u>357</u> | Lockwasher, 3/8 Split | 4 |
| 19 | <u>706</u> | Nut, Hex 3/8-16 | 5 |
| 20 | <u>8754</u> | Locknut, 3/8-16 Hex | 8 |
| 21 | <u>8755</u> | Screw, 3/8-16 X 3.375 Hex Cap | 2 |

6
G
E

6
G
E

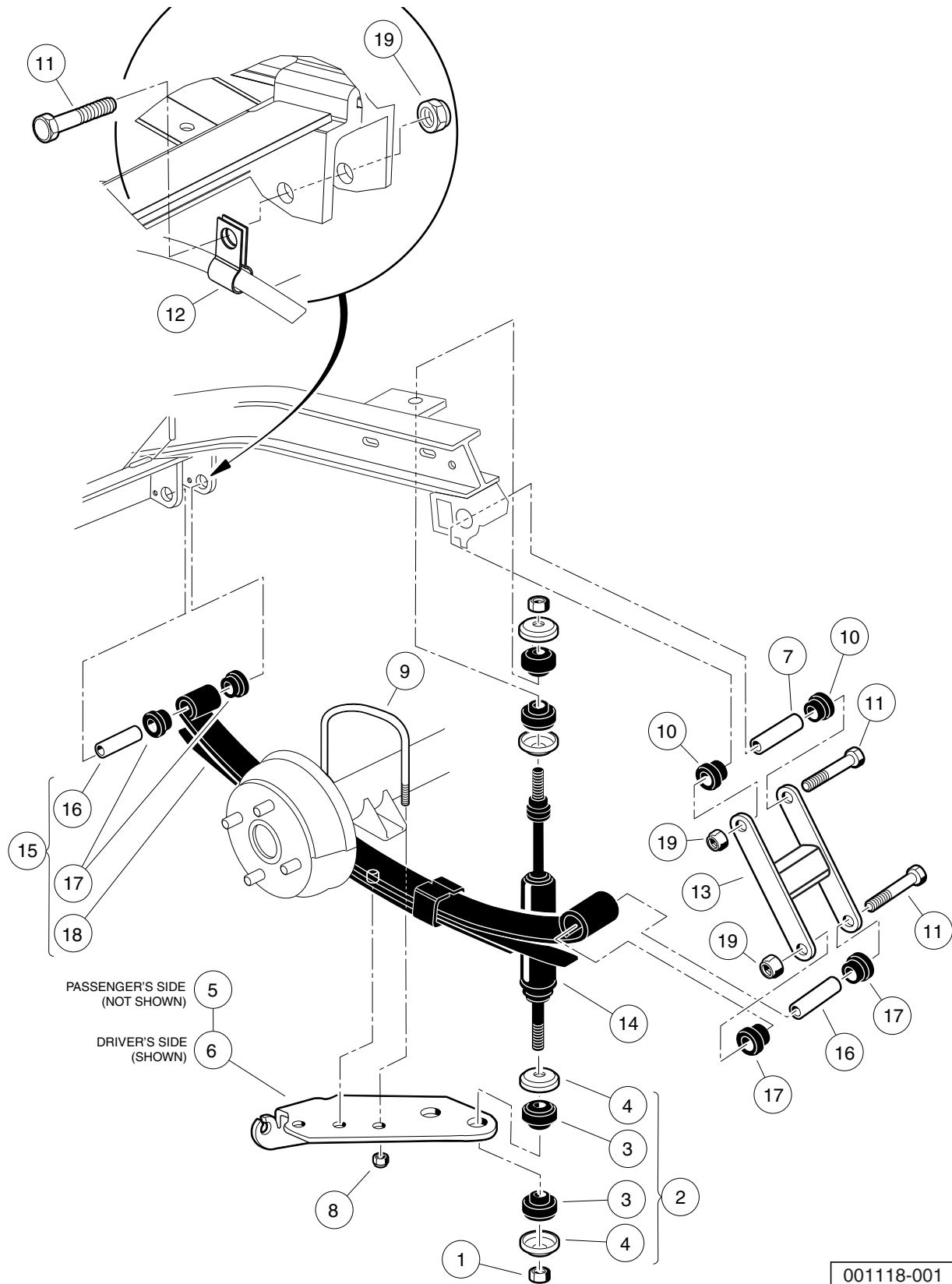


REAR SUSPENSION – GASOLINE TURF/CARRYALL 2, 2 PLUS, AND 6

| ITEM | PART NO. | DESCRIPTION | QTY |
|---|------------------|--|-----|
| | | 1 2 3 4 | |
| 1 | <u>1010145</u> | Nut, 3/8-24 Hex | 4 |
| 2 | <u>1011415</u> | Kit, Shock Absorber Cushion (includes items 3 and 4) | 4 |
| 3 | N/A | Cushion, Shock Absorber | 2 |
| 4 | N/A | Retainer, Shock Absorber Cushion | 2 |
| 5 | <u>1012180</u> | U-Bolt | 2 |
| 6 | <u>1012303</u> | Bushing, Steel | 2 |
| 7 | <u>1012304</u> | Shackle, Rear Spring | 4 |
| 8 | <u>1013207</u> | Hanger, Brake Cable | 2 |
| 9 | <u>1014555</u> | Locknut, 7/16-14 Nylon Hex | 4 |
| 10 | <u>101558302</u> | Bushing, Urethane, Soft | 4 |
| 11 | <u>101926501</u> | Bracket, Left-Hand | 1 |
| 12 | <u>101929401</u> | Bracket, Right | 1 |
| 13 | <u>103350901</u> | Shock Absorber, Rear, Utility | 2 |
| 14 | <u>103657301</u> | Asm-rear 3leaf Spring, 600 Lb (includes items 15 through 17) | 2 |
| 15 | <u>1012303</u> | Bushing, Steel | 2 |
| 16 | <u>101558302</u> | Bushing, Urethane, Soft | 4 |
| 17 | <u>102871801</u> | Rear Spring, 3leaf, 600 Lb/in | 1 |
| 18 | <u>8754</u> | Locknut, 3/8-16 Hex | 6 |
| 19 | <u>8755</u> | Screw, 3/8-16 X 3.375 Hex Cap | 6 |
| <p style="text-align: center;">Note: Only the driver-side rear suspension is shown. Parts for the passenger-side rear suspension are identical except for the leaf spring/shock mounting plate.</p> | | | |

6
G
E

6
G
E

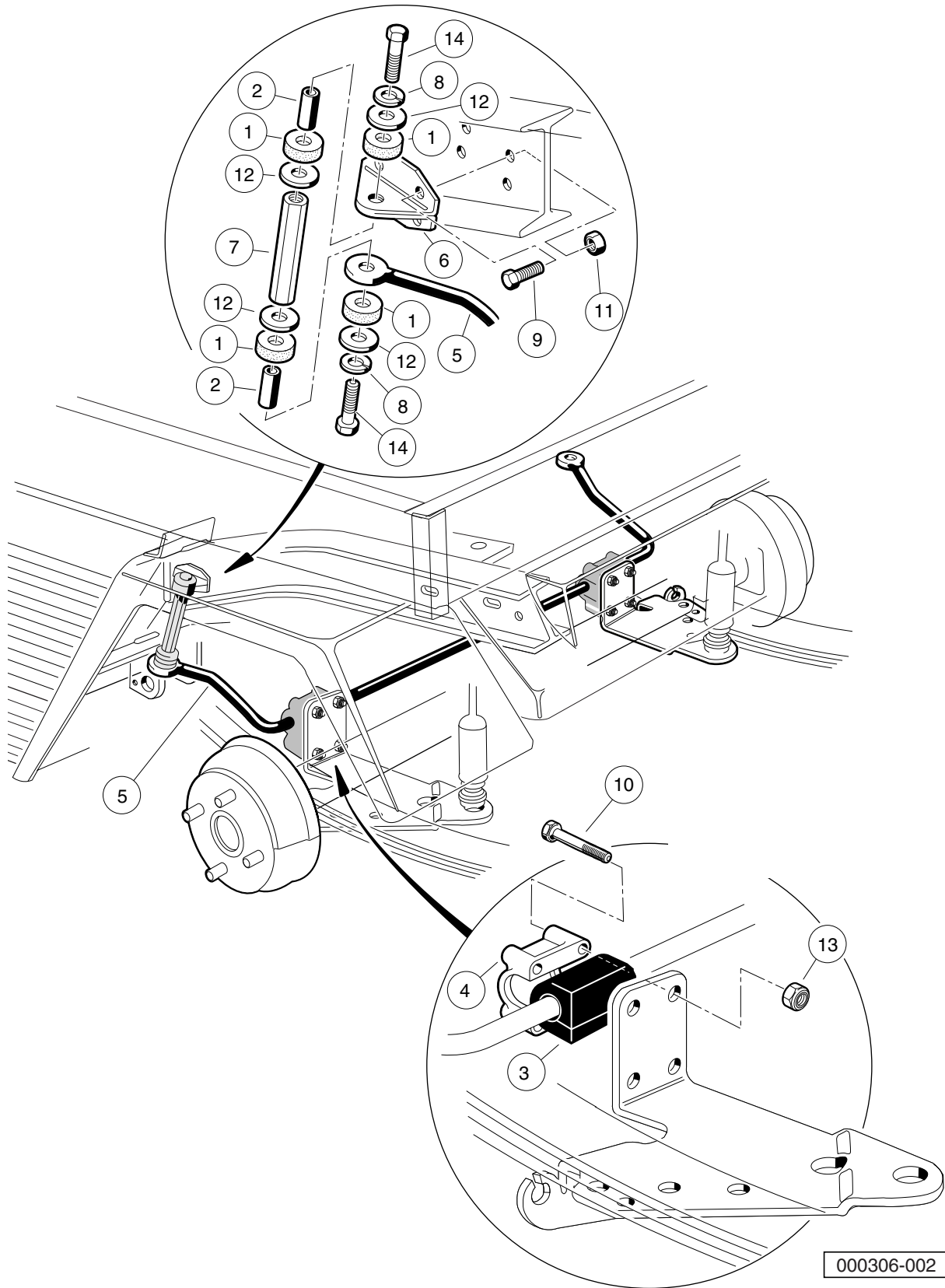


REAR SUSPENSION – TURF/CARRYALL 2 AND 6 IQ PLUS VEHICLES

| ITEM | PART NO. | DESCRIPTION | QTY |
|---|------------------|--|-----|
| | | 1 2 3 4 | |
| 1 | <u>1010145</u> | Nut, 3/8-24 Hex | 4 |
| 2 | <u>1011415</u> | Kit, Shock Absorber Cushion (includes items 3 and 4) | 4 |
| 3 | N/A | Cushion, Shock Absorber | 2 |
| 4 | N/A | Retainer, Shock Absorber Cushion | 2 |
| 5 | 1012181 | Bracket, Shock Mounting, Right (Passenger) | 1 |
| 6 | 1012182 | Bracket, Shock Mounting, Left (Driver) | 1 |
| 7 | <u>1012303</u> | Bushing, Steel | 2 |
| 8 | <u>1014555</u> | Locknut, 7/16-14 Nylon Hex | 4 |
| 9 | <u>1014902</u> | U-Bolt | 2 |
| 10 | <u>101558302</u> | Bushing, Urethane, Soft | 4 |
| 11 | <u>102066201</u> | Screw, 3/8-16 X 3.50 Hex Cap | 6 |
| 12 | <u>102891101</u> | Clamp, Cable, Brake, Sym | 2 |
| 13 | <u>102917101</u> | Weldment, Shackle | 2 |
| 14 | <u>103351101</u> | Shock, Absorber, Utility | 2 |
| 15 | <u>103657301</u> | Asm-rear 3leaf Spring, 600 Lb (includes items 16 through 18) | 2 |
| 16 | <u>1012303</u> | Bushing, Steel | 2 |
| 17 | <u>101558302</u> | Bushing, Urethane, Soft | 4 |
| 18 | <u>102871801</u> | Rear Spring, 3leaf, 600 Lb/in | 1 |
| 19 | <u>8754</u> | Locknut, 3/8-16 Hex | 6 |
| <p>Note: Only the driver-side rear suspension is shown. Parts for the passenger-side rear suspension are identical except for the leaf spring/shock mounting plate.</p> | | | |

6
G
E

6
G
E



000306-002

STABILIZER BAR – TURF/CARRYALL 2, 6, AND CARRYALL 2 PLUS GASOLINE VEHICLES

| ITEM | PART NO. | DESCRIPTION | QTY |
|------|----------------|---|-----|
| | | 1 2 3 4 | |
| 1 | <u>1015453</u> | Compression Mount | 8 |
| 2 | <u>1015457</u> | Spacer, 0.720" | 4 |
| 3 | <u>1015613</u> | Bushing, Stabilizer Bar | 2 |
| 4 | <u>1015614</u> | Support, Bushing | 2 |
| 5 | <u>1015760</u> | Stabilizer Bar | 1 |
| 6 | <u>1016813</u> | Mounting Bracket, Stabilizer Bar | 2 |
| 7 | <u>1016814</u> | Link, Stabilizer Bar | 2 |
| 8 | <u>357</u> | Lockwasher, 3/8 Split | 4 |
| 9 | <u>7173</u> | Screw, 5/16-18 X 0.75, Hex-Head Cap | 8 |
| 10 | <u>7311</u> | Screw, 1/4-20 X 2.00 Hex-Head Cap | 8 |
| 11 | <u>7473</u> | Locknut, 5/16-18 Nylon Insert | 8 |
| 12 | <u>808</u> | Washer, 3/8 Type B Flat | 8 |
| 13 | <u>8233</u> | Locknut, 1/4-20, Nylon Insert | 8 |
| 14 | <u>8861</u> | Bolt, 3/8-16 X 1.75 Hex | 4 |

6
G
E

6

G

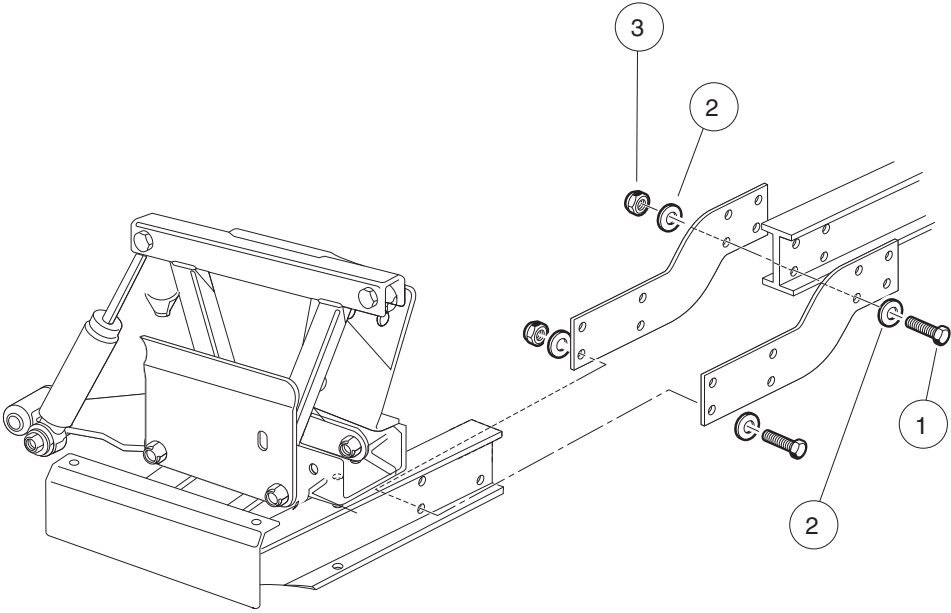
E

STEERING AND SUSPENSIONS – 252 AND 900

7

G

E



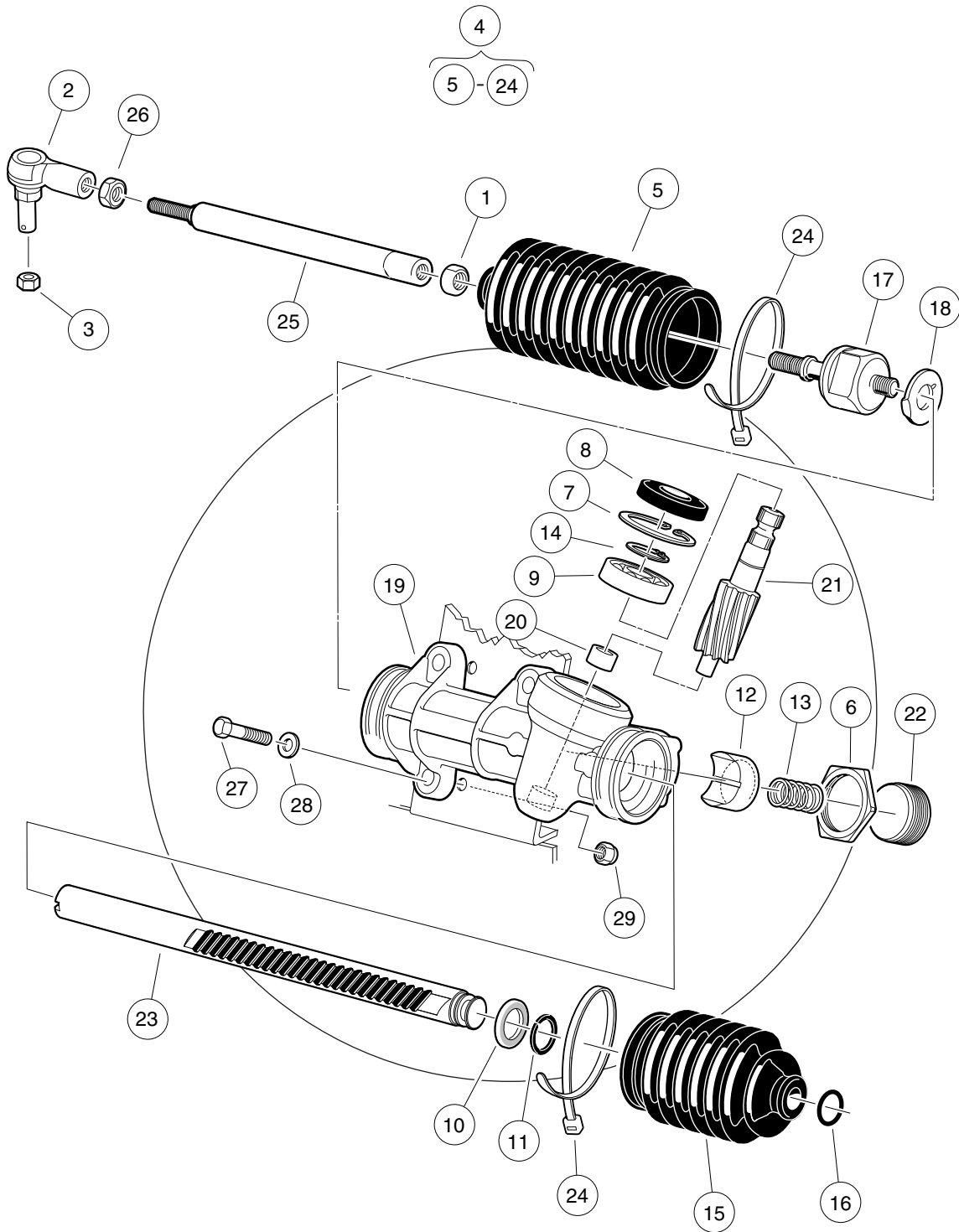
000304-002

FRONT FRAME PLATE HARDWARE – TURF/CARRYALL 252 AND XRT 900

| ITEM | PART NO. | DESCRIPTION | QTY |
|------|-------------|--|-----|
| | | 1 2 3 4 | |
| 1 | 1218 | Screw, 5/16-18 X 1.25 Hex-Head Cap | 16 |
| 2 | <u>1241</u> | Washer, 5/16 Type A Flat | 32 |
| 3 | <u>7473</u> | Locknut, 5/16-18 Nylon Insert | 16 |

7
G
E

7
G
E



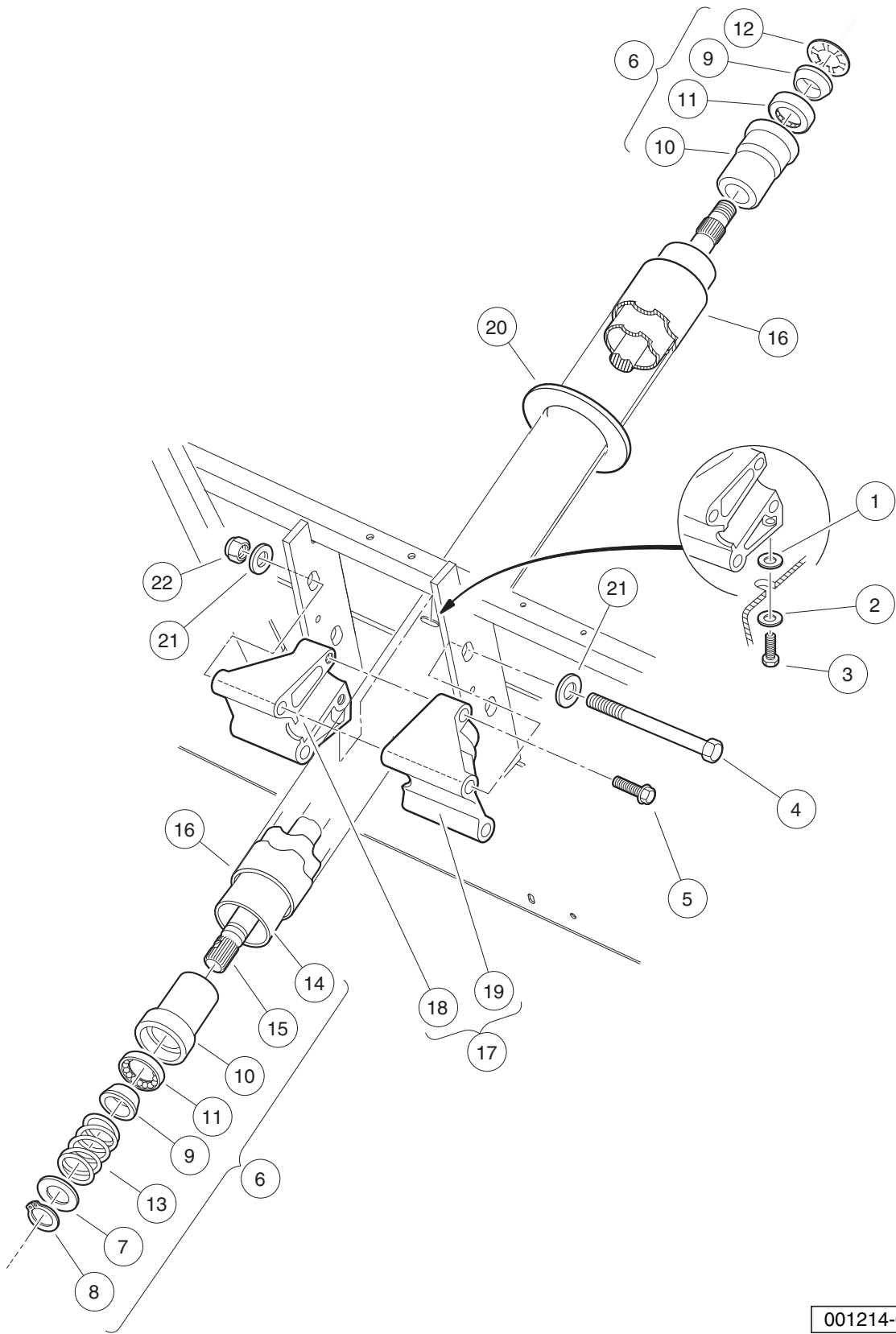
001500-002

STEERING GEAR ASSEMBLY (WANDA) – MAINT.-FREE BALL JOINT

| ITEM | PART NO. | DESCRIPTION | QTY |
|------|------------------|---|-----|
| | | 1 2 3 4 | |
| 1 | 1013042 | Nut, 12mm Hex | 1 |
| 2 | <u>102022602</u> | End, Tie Rod, M12 X 1.25, Lh | 1 |
| 3 | <u>102289201</u> | Nut - Hex Locking, M12 X 1.25 | 1 |
| 4 | <u>103601501</u> | Asm, Steering Rack And Pinion (includes items 5 through 24) | 1 |
| 5 | <u>1013035</u> | Bellows, Long | 1 |
| 6 | <u>1013044</u> | Rack Screw Locknut | 1 |
| 7 | N/A | Snap Ring | 1 |
| 8 | <u>1013052</u> | Seal, Steering Pinion Dust | 1 |
| 9 | <u>101879401</u> | Bearing, Ball | 1 |
| 10 | <u>101879501</u> | Stop Washer | 1 |
| 11 | 101879601 | Stop Ring, C-Type | 1 |
| 12 | <u>101879701</u> | Support Yoke | 1 |
| 13 | <u>101879801</u> | Rack Guide Pressure Spring | 1 |
| 14 | <u>101879901</u> | Ring, Stop, C-Type | 1 |
| 15 | <u>101880001</u> | Bellows, Short | 1 |
| 16 | 101880101 | Dust Seal Retaining Ring | 1 |
| 17 | <u>101880201</u> | Inner Ball Joint Asm | 1 |
| 18 | 101880301 | Washer, Tab | 1 |
| 19 | N/A | Box, Steering Gear | 1 |
| 20 | N/A | Bearing, Lower Pinion | 1 |
| 21 | N/A | Pinion, Steering | 1 |
| 22 | N/A | Screw, Rack Guide | 1 |
| 23 | N/A | Rack, Steering | 1 |
| 24 | <u>8990</u> | Tie Wrap, 8" Nylon | 2 |
| 25 | <u>103653401</u> | Link, Drag, Male Thd | 1 |
| 26 | <u>103653501</u> | Nut, Jam, M12-1.25, Lh | 1 |
| 27 | <u>1624</u> | Screw, 3/8-16 X 1.50, Hex-Head Cap | 3 |
| 28 | <u>334</u> | Washer, 3/8, Type A, Flat | 3 |
| 29 | <u>8754</u> | Locknut, 3/8-16 Hex | 3 |

7
G
E

7
G
E

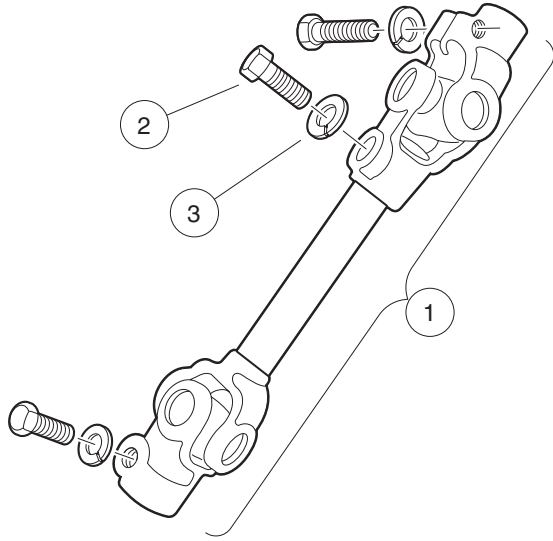


001214-001

STEERING COLUMN – UTILITY

| ITEM | PART NO. | DESCRIPTION | QTY |
|------|------------------|--|-----|
| | | 1 2 3 4 | |
| 1 | <u>1011578</u> | Washer, 5/16 Type B Flat | 1 |
| 2 | <u>1011697</u> | Washer, 5/16 Flat | 1 |
| 3 | <u>1014288</u> | Screw, 5/16-18 X 0.75, Thread-Forming | 1 |
| 4 | <u>1016183</u> | Screw, 3/8-16 X 7.00 Hex Cap | 2 |
| 5 | <u>1016269</u> | Screw, 5/16-18 Thrd Forming | 2 |
| 6 | <u>1017313</u> | Steering Shaft Assembly (includes items 7 through 15) | 1 |
| 7 | <u>1012604</u> | Washer, 0.675 ID X 1.19 OD | 1 |
| 8 | <u>1012605</u> | Ring, 0.579 Internal Retaining | 1 |
| 9 | 1014125 | Wedge, Molded | 2 |
| 10 | <u>1014126</u> | Seat, Plastic Bearing | 2 |
| 11 | <u>1014213</u> | Bearing, Ball | 2 |
| 12 | 1014214 | Ring, Retaining | 1 |
| 13 | <u>1014217</u> | Spring, Steering Shaft | 1 |
| 14 | <u>1017314</u> | Column, Aluminum Steering | 1 |
| 15 | <u>1017315</u> | Shaft Steering Column | 1 |
| 16 | <u>1017317</u> | Tube Cover, Steering Column | 1 |
| 17 | 101984801 | Kit, Steering Column Mounting Bracket (includes items 18 and 19) | 1 |
| 18 | N/A | Bracket, RH Steering Column Mount | 1 |
| 19 | N/A | Bracket, LH Steering column mount | 1 |
| 20 | <u>102278001</u> | Boot, Steering Column Round | 1 |
| 21 | <u>334</u> | Washer, 3/8, Type A, Flat | 4 |
| 22 | <u>8754</u> | Locknut, 3/8-16 Hex | 2 |

7
G
E



001218-001

INTERMEDIATE STEERING SHAFT – TURF/CARRYALL 252 AND XRT 900 VEHICLES

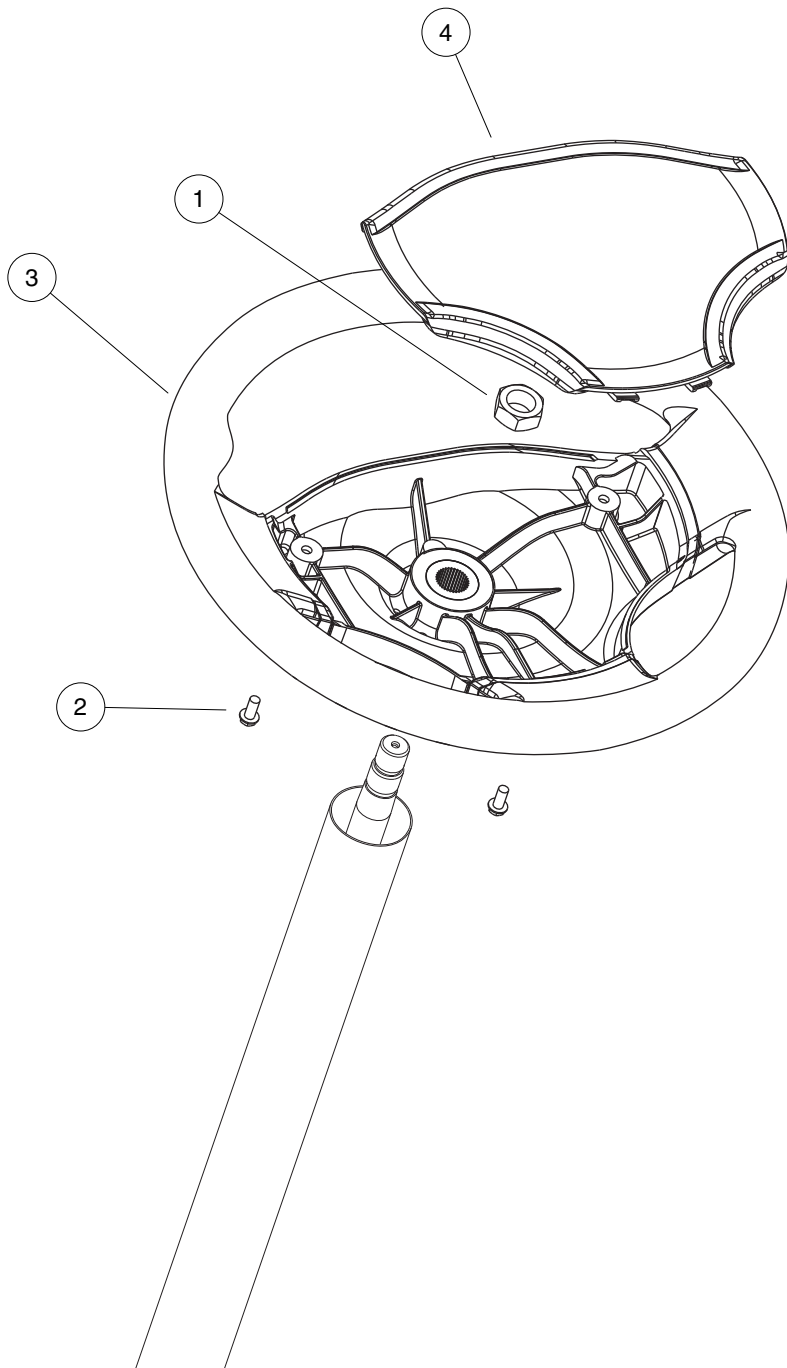
| ITEM | PART NO. | DESCRIPTION | QTY |
|------|------------------|--|-----|
| | | 1 2 3 4 | |
| 1 | <u>103867901</u> | Joint, Steering, Lifted (includes items 2 and 3) | 1 |
| 2 | <u>1017226</u> | Bolt, Hex-Head, 8mm X 1.25 - 30 | 3 |
| 3 | <u>7174</u> | Lockwasher, 5/16 Split | 3 |

7

G

E

7
G
E



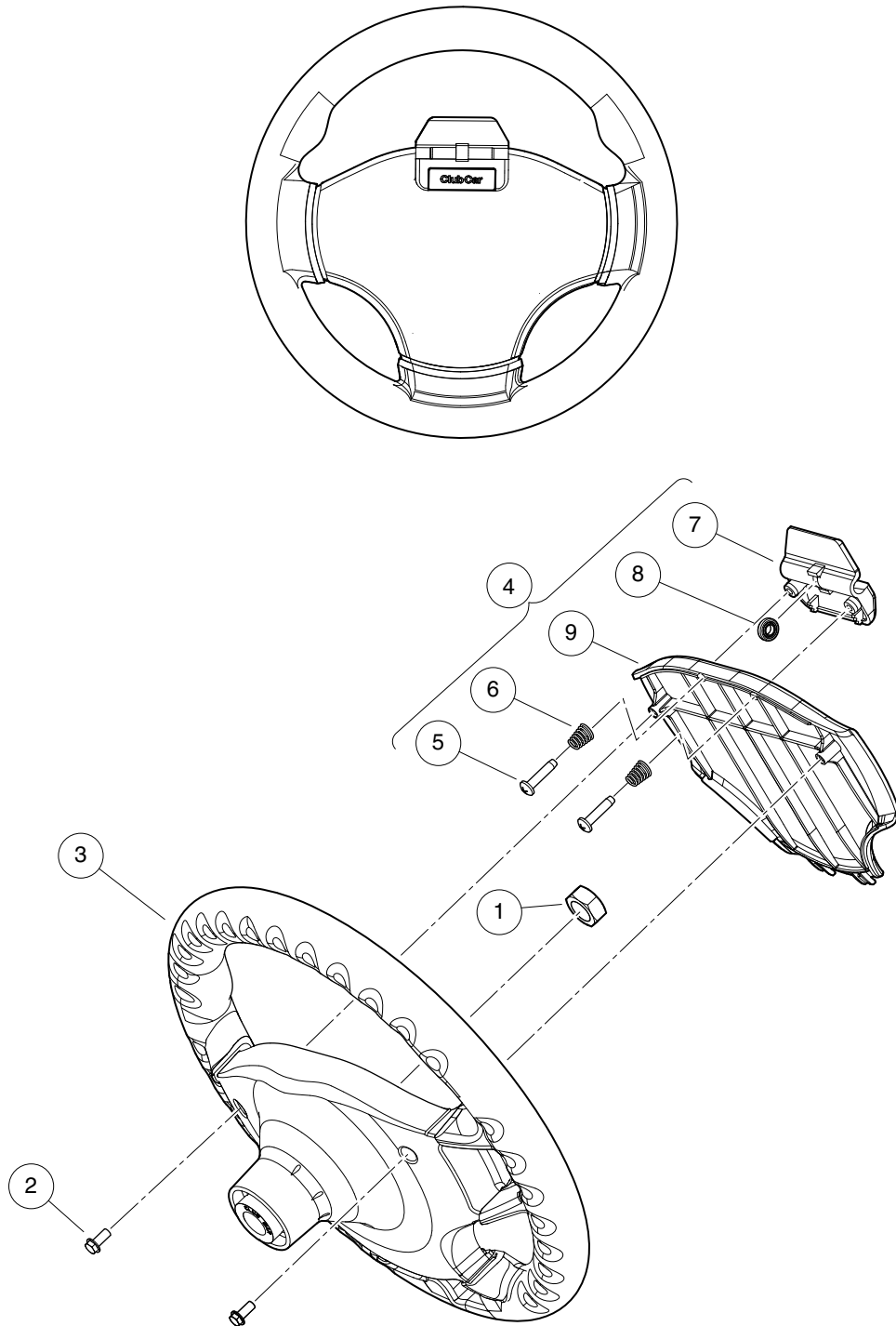
000246-007

STEERING WHEEL

| ITEM | PART NO. | DESCRIPTION | QTY |
|------|------------------|--|-----|
| | | 1 2 3 4 | |
| 1 | <u>1017273</u> | Nut, 5/8-18 Nylon Insert Jam | 1 |
| 2 | <u>101850301</u> | Screw, #12-16 X 0.50 Washer-Head Hi-Lo | 2 |
| 3 | <u>103724502</u> | Wheel, Steering, Splined | 1 |
| 4 | <u>103724602</u> | Cover, Steering Wheel, Generic | 1 |

7
G
E

7
G
E



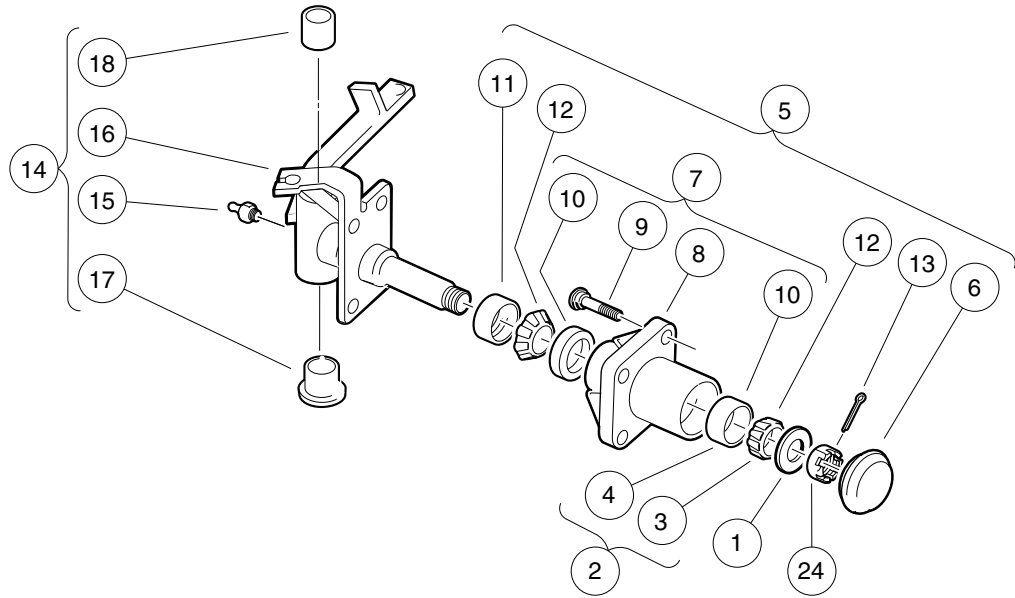
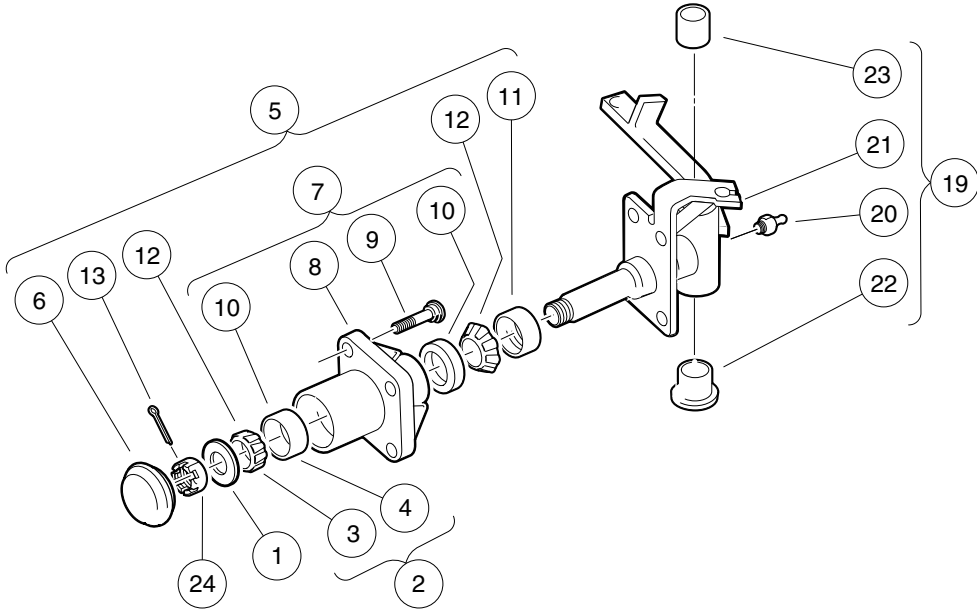
001504-001

STEERING WHEEL WITH CLIP

| ITEM | PART NO. | DESCRIPTION | QTY |
|------|------------------|---|-----|
| | | 1 2 3 4 | |
| 1 | <u>1017273</u> | Nut, 5/8-18 Nylon Insert Jam | 1 |
| 2 | <u>101850301</u> | Screw, #12-16 X 0.50 Washer-Head Hi-Lo | 2 |
| 3 | <u>103724502</u> | Wheel, Steering, Splined | 1 |
| 4 | <u>103724901</u> | Asm, Scorecard, Clip (includes items 5 through 9) | 1 |
| 5 | <u>1012565</u> | Screw, #12 Phillips Round Head | 2 |
| 6 | <u>1012566</u> | Tapered Compression Spring | 2 |
| 7 | 1016154 | Clip, Scorecard | 1 |
| 8 | <u>1016214</u> | Pencil Grip | 1 |
| 9 | 103724601 | Cover, Steering Wheel, Clip | 1 |

7
G
E

7
G
E



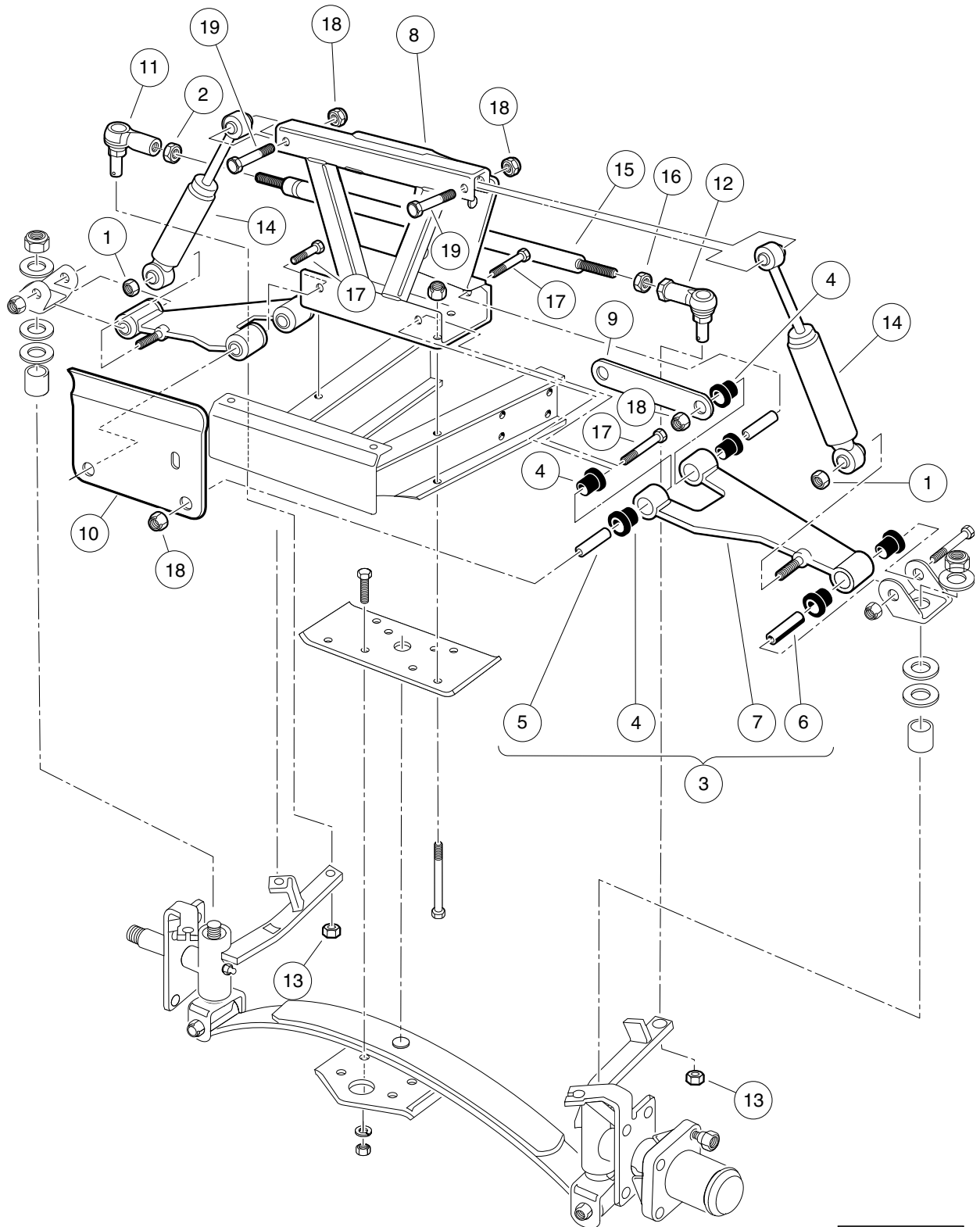
000310-002

FRONT SPINDLES AND HUBS – VEHICLES WITH FOUR-WHEEL BRAKES AND MAINTENANCE-FREE BALL JOINTS

| ITEM | PART NO. | DESCRIPTION | QTY |
|------|------------------|--|-----|
| | | 1 2 3 4 | |
| 1 | <u>1010005</u> | Washer, 3/4 Flat | 2 |
| 2 | <u>1011393</u> | Hub Bearing Package (includes items 3 and 4) | 4 |
| 3 | <u>7274</u> | Bearing, Front Hub Wheel | 1 |
| 4 | <u>7308</u> | Race, Front Hub Bearing | 1 |
| 5 | <u>1011892</u> | Hub Assembly (includes items 6 through 13) | 2 |
| 6 | <u>1011887</u> | Dust Cover | 1 |
| 7 | N/A | Hub (includes items 8 through 10) | 1 |
| 8 | N/A | Front Hub | 1 |
| 9 | <u>103477901</u> | Lug Stud, 1/2-20 Unf, 4037 | 4 |
| 10 | <u>7308</u> | Race, Front Hub Bearing | 2 |
| 11 | <u>1013135</u> | Seal, Double Lip | 1 |
| 12 | <u>7274</u> | Bearing, Front Hub Wheel | 2 |
| 13 | <u>7910</u> | Pin, 5/32 X 1.00 Cotter | 1 |
| 14 | <u>103717302</u> | Asm, Spindle, Lh, 4wb, Sp (includes items 15 through 18) | 1 |
| 15 | <u>1015597</u> | Fitting, 1/4-28 Thread-Forming Grease | 1 |
| 16 | N/A | Subasm, Spindle, Lh, 4wb | 1 |
| 17 | <u>7048</u> | Bushing, Flanged Bronze | 1 |
| 18 | <u>8067</u> | Bushing, Bronze Spindle | 1 |
| 19 | <u>103717402</u> | Asm, Spindle, Rh, 4wb, Sp (includes items 20 through 23) | 1 |
| 20 | <u>1015597</u> | Fitting, 1/4-28 Thread-Forming Grease | 1 |
| 21 | N/A | Subasm, Spindle, Rh, 4wb | 1 |
| 22 | <u>7048</u> | Bushing, Flanged Bronze | 1 |
| 23 | <u>8067</u> | Bushing, Bronze Spindle | 1 |
| 24 | <u>7840</u> | Nut, 3/4-16 Hex Slotted | 2 |

7
G
E

7
G
E



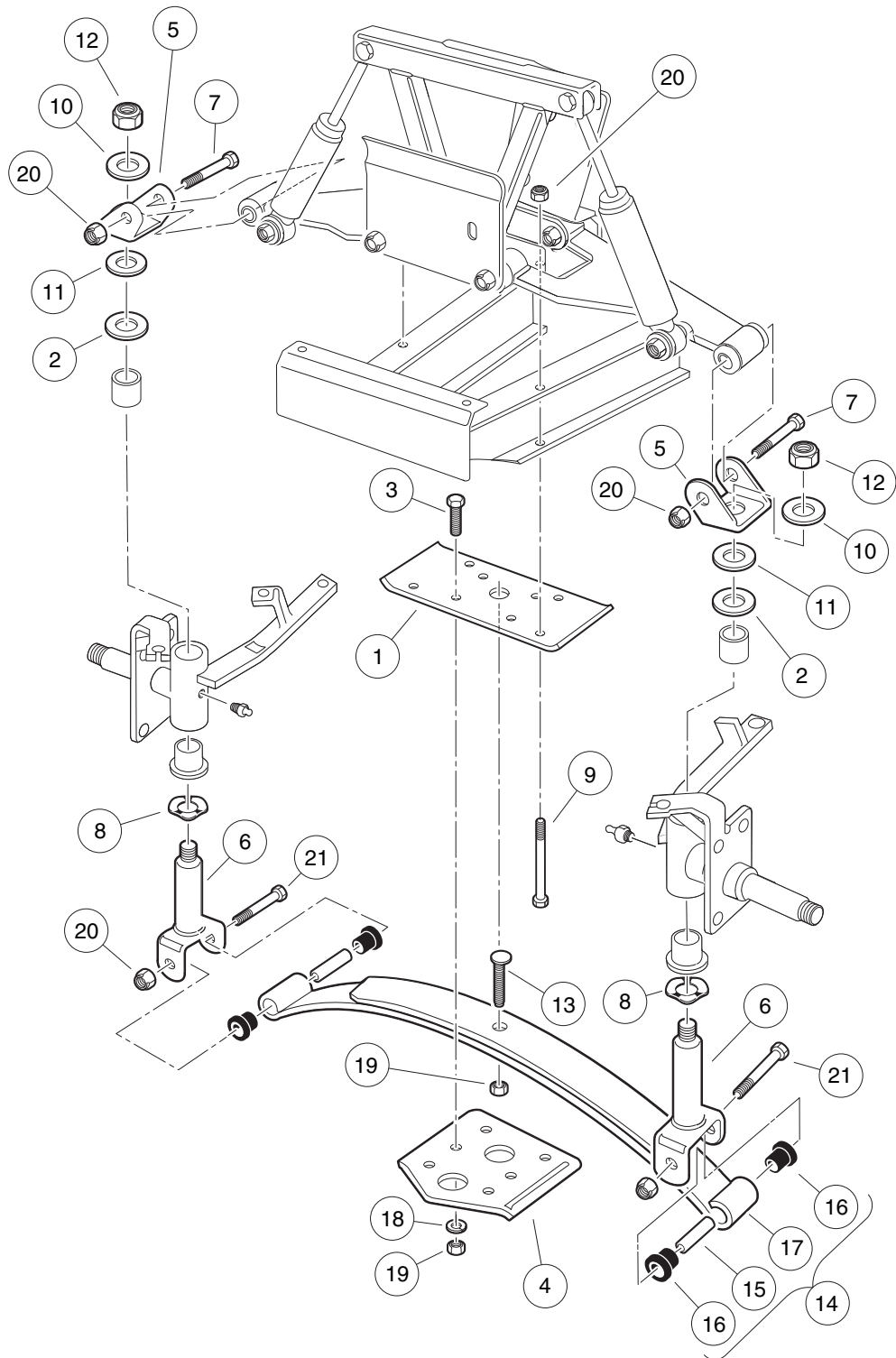
001112-001

FRONT SUSPENSION, UPPER – TURF/CARRYALL 252 AND XRT 900 WITH MAINTENANCE-FREE BALL JOINTS

| ITEM | PART NO. | DESCRIPTION | QTY |
|------|------------------|--|-----|
| | | 1 2 3 4 | |
| 1 | <u>1010138</u> | Locknut, 3/8-16 Dimpled | 2 |
| 2 | <u>1013042</u> | Nut, 12mm Hex | 1 |
| 3 | <u>1016353</u> | Sub-Assembly, Delta A-Plate (includes items 4 through 7) | 2 |
| 4 | <u>1016346</u> | Bushing, Urethane | 6 |
| 5 | <u>1016349</u> | Sleeve, Delta Inner | 2 |
| 6 | <u>1016350</u> | Sleeve, Delta Outer | 1 |
| 7 | <u>1016351</u> | Delta A-Plate | 1 |
| 8 | <u>1016385</u> | Delta Shock and Gear Support Assembly | 1 |
| 9 | <u>1017266</u> | A-Plate Strap | 1 |
| 10 | <u>101955001</u> | Brake Cable Guide Bracket | 1 |
| 11 | <u>102022601</u> | End, Tie Rod M12 X 1.25 Rh | 1 |
| 12 | <u>102022602</u> | End, Tie Rod, M12 X 1.25, Lh | 1 |
| 13 | <u>102289201</u> | Nut - Hex Locking, M12 X 1.25 | 2 |
| 14 | <u>103351001</u> | Shock Absorber, Front, Common | 2 |
| 15 | <u>103354701</u> | Rod, Tie, Male Thd | 1 |
| 16 | <u>103653501</u> | Nut, Jam, M12-1.25, Lh | 1 |
| 17 | <u>2402</u> | Screw, 3/8-16 X 2.25 Hx Hd Cap | 4 |
| 18 | <u>8754</u> | Locknut, 3/8-16 Hex | 6 |
| 19 | <u>8861</u> | Bolt, 3/8-16 X 1.75 Hex | 2 |

7
G
E

7
G
E



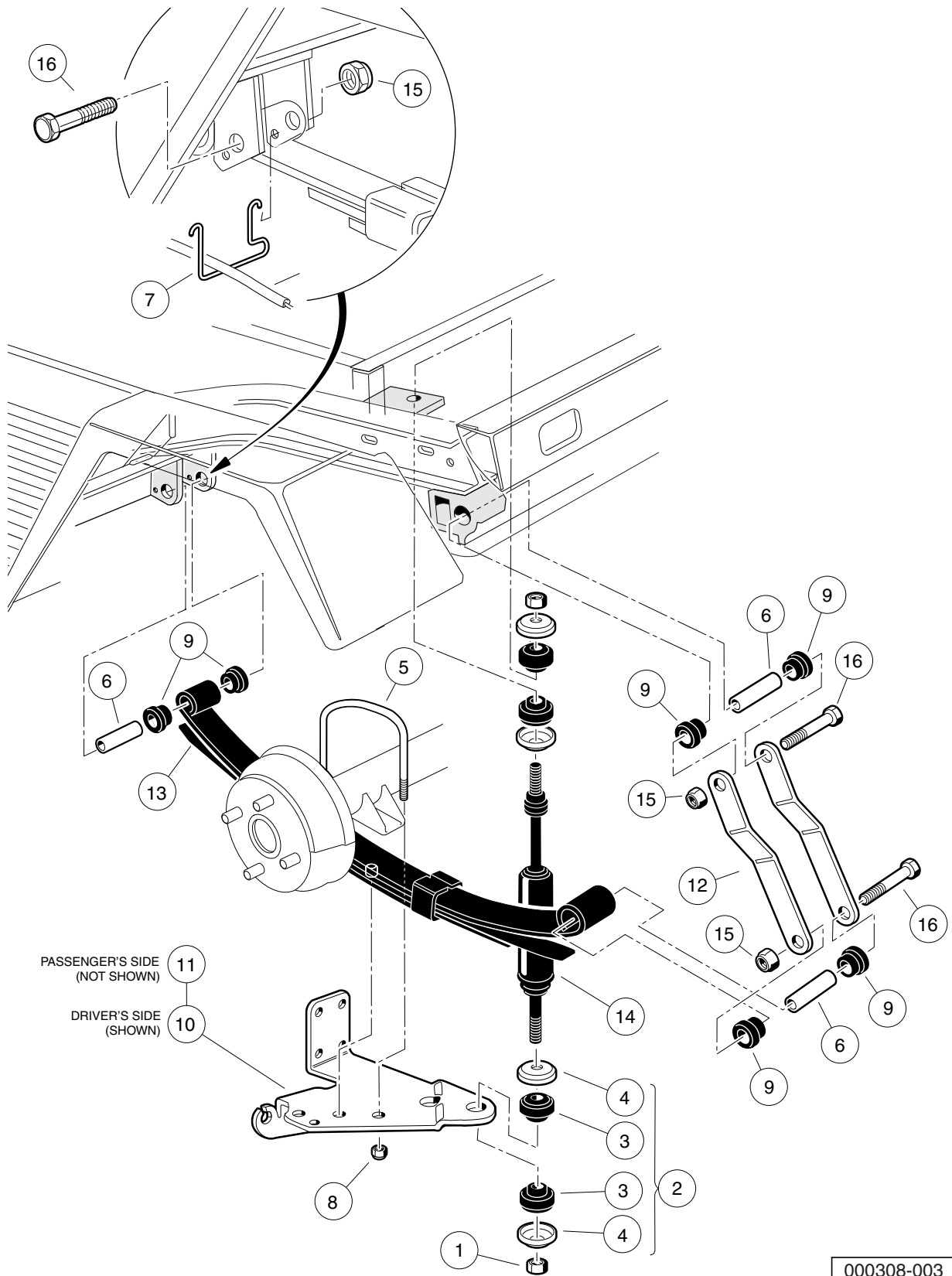
001113-001

FRONT SUSPENSION, LOWER – TURF/CARRYALL 252 AND XRT 900 WITH MAINTENANCE-FREE BALL JOINTS

| ITEM | PART NO. | DESCRIPTION | QTY |
|------|------------------|--|-----|
| | | 1 2 3 4 | |
| 1 | <u>1010124</u> | Plate, Spring Mount | 1 |
| 2 | <u>1010150</u> | Bearing, Thrust | 2 |
| 3 | <u>1010177</u> | Bolt, 3/8-16 X 2.00 Hex Head | 4 |
| 4 | <u>1014276</u> | Plate, Front Spring Retainer | 1 |
| 5 | <u>1016384</u> | Clevis, Delta Upper | 2 |
| 6 | <u>1016386</u> | King Pin Assembly | 2 |
| 7 | <u>1016387</u> | Screw, 3/8-16 X 2.75 Hx Hd Cap | 2 |
| 8 | <u>1016389</u> | Washer, 1.125 Od Wave | 2 |
| 9 | <u>101870501</u> | Screw, 3/8-16 X 4.75 Hx Hd Cap | 4 |
| 10 | <u>102564002</u> | Washer-1/2 Conical, Yellow | 2 |
| 11 | <u>102684501</u> | Washer, M12 Hard Regular | 2 |
| 12 | <u>102766301</u> | Nut, 1/2-20, Center Lock | 2 |
| 13 | <u>103507001</u> | Eccentric Bolt Common | 1 |
| 14 | <u>103628801</u> | Spring Asm, Front, 2 Leaf (includes items 15 through 17) | 1 |
| 15 | <u>1012303</u> | Bushing, Steel | 2 |
| 16 | <u>1015583</u> | Bushing, Urethane | 4 |
| 17 | <u>103502701</u> | Spring, Front, 2 Leaf | 1 |
| 18 | <u>357</u> | Lockwasher, 3/8 Split | 4 |
| 19 | <u>706</u> | Nut, Hex 3/8-16 | 5 |
| 20 | <u>8754</u> | Locknut, 3/8-16 Hex | 8 |
| 21 | <u>8755</u> | Screw, 3/8-16 X 3.375 Hex Cap | 2 |

7
G
E

7
G
E



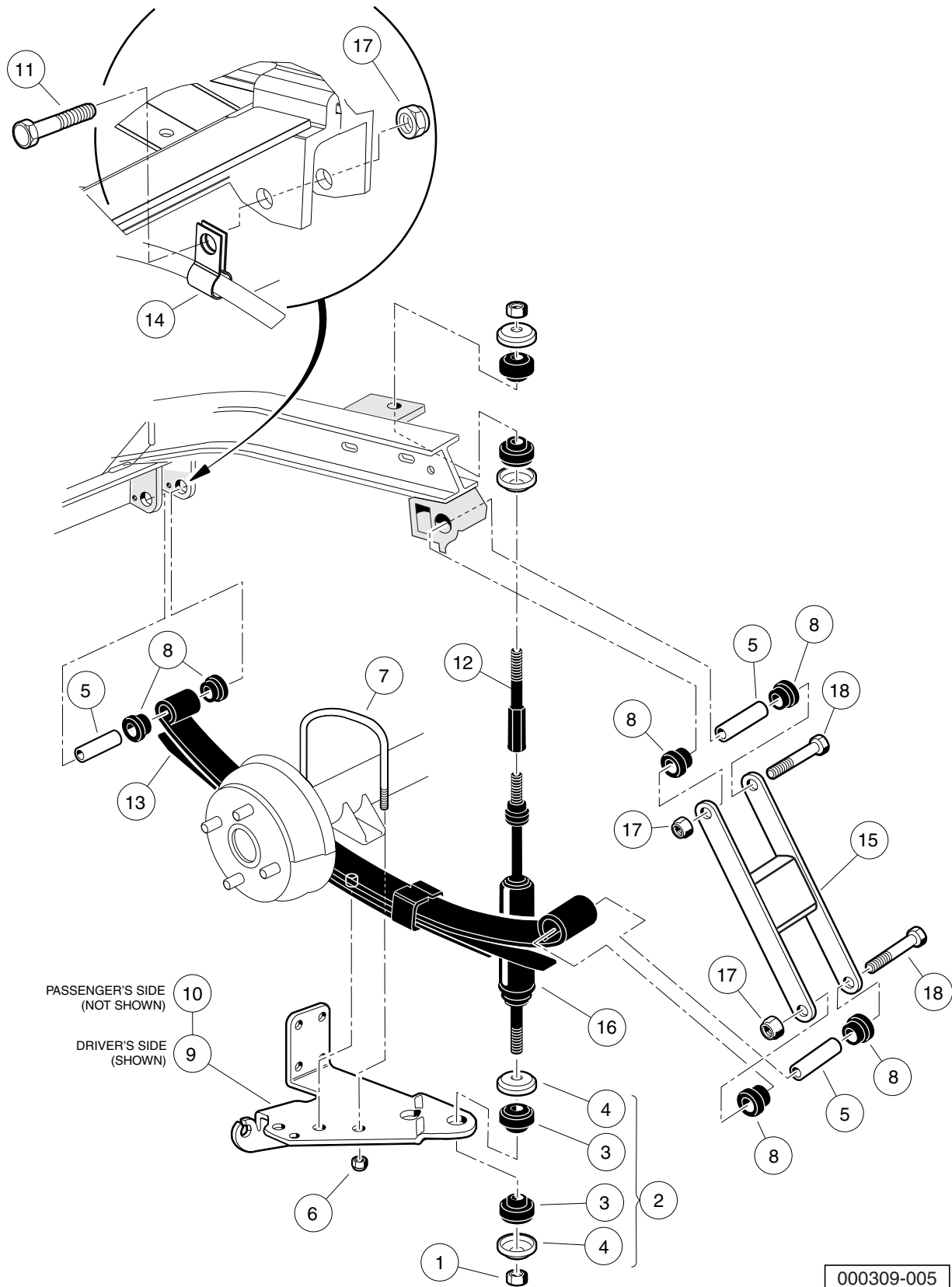
000308-003

REAR SUSPENSION – GASOLINE TURF/CARRYALL 252 AND XRT 900

| ITEM | PART NO. | DESCRIPTION | QTY |
|---|------------------|--|-----|
| | | 1 2 3 4 | |
| 1 | <u>1010145</u> | Nut, 3/8-24 Hex | 4 |
| 2 | <u>1011415</u> | Kit, Shock Absorber Cushion (includes items 3 and 4) | 4 |
| 3 | N/A | Cushion, Shock Absorber | 2 |
| 4 | N/A | Retainer, Shock Absorber Cushion | 2 |
| 5 | <u>1012180</u> | U-Bolt | 2 |
| 6 | <u>1012303</u> | Bushing, Steel | 6 |
| 7 | <u>1013207</u> | Hanger, Brake Cable | 2 |
| 8 | <u>1014555</u> | Locknut, 7/16-14 Nylon Hex | 4 |
| 9 | <u>1015583</u> | Bushing, Urethane | 12 |
| 10 | <u>101926501</u> | Bracket, Left-Hand | 1 |
| 11 | <u>101929401</u> | Bracket, Right | 1 |
| 12 | <u>102004201</u> | Rear Spring Shackle | 4 |
| 13 | <u>102871801</u> | Rear Spring, 3leaf, 600 Lb/in | 2 |
| 14 | <u>103351101</u> | Shock, Absorber, Utility | 2 |
| 15 | <u>8754</u> | Locknut, 3/8-16 Hex | 6 |
| 16 | <u>8755</u> | Screw, 3/8-16 X 3.375 Hex Cap | 6 |
| <p>Note: Only the driver-side rear suspension is shown. Parts for the passenger-side rear suspension are identical except for the leaf spring/shock mounting plate.</p> | | | |

7
G
E

7
G
E



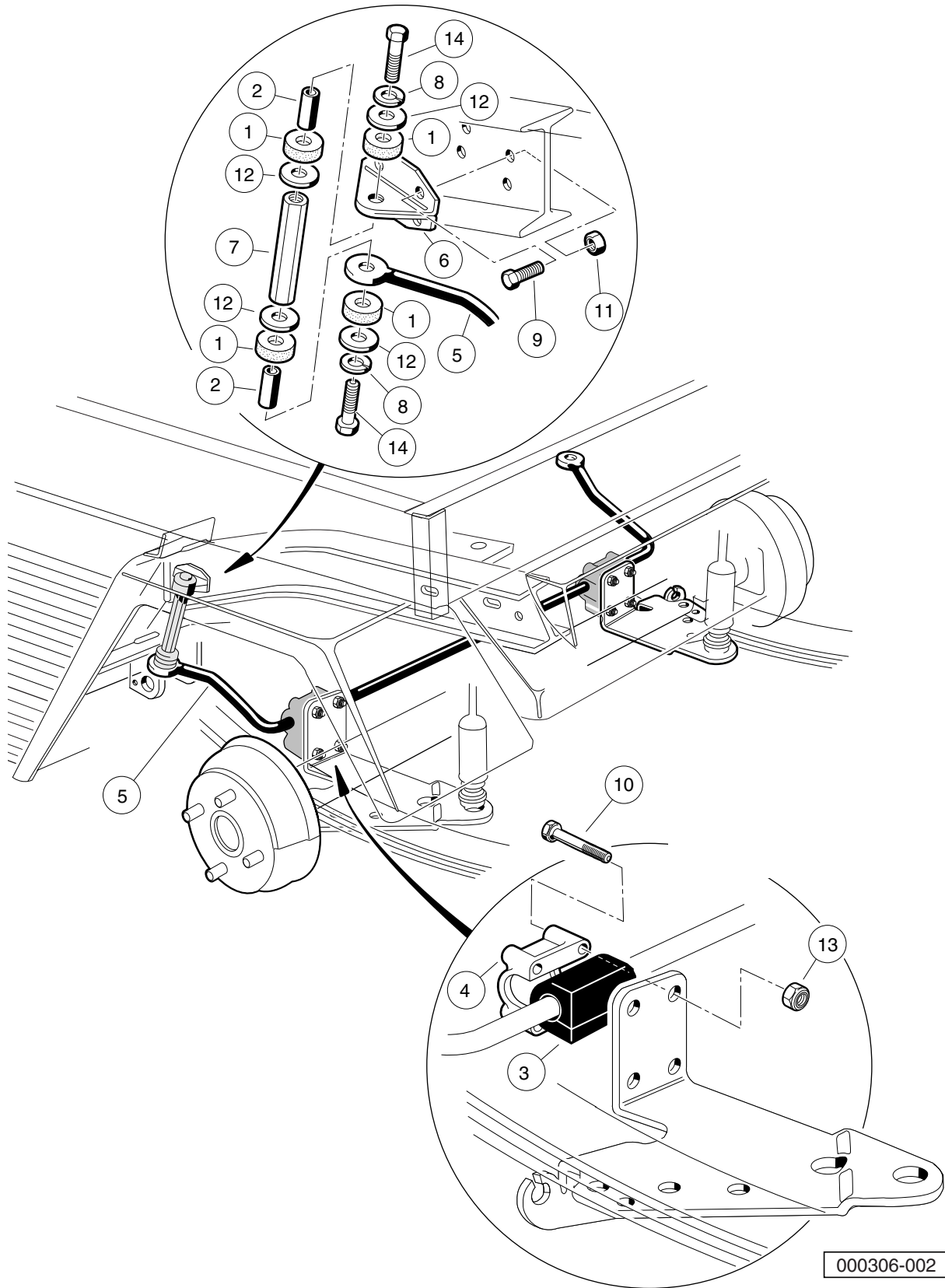
000309-005

REAR SUSPENSION – TURF/CARRYALL 252 AND XRT 900 IQ PLUS

| ITEM | PART NO. | DESCRIPTION | QTY |
|---|------------------|--|-----|
| | | 1 2 3 4 | |
| 1 | <u>1010145</u> | Nut, 3/8-24 Hex | 4 |
| 2 | <u>1011415</u> | Kit, Shock Absorber Cushion (includes items 3 and 4) | 4 |
| 3 | N/A | Cushion, Shock Absorber | 2 |
| 4 | N/A | Retainer, Shock Absorber Cushion | 2 |
| 5 | <u>1012303</u> | Bushing, Steel | 6 |
| 6 | <u>1014555</u> | Locknut, 7/16-14 Nylon Hex | 4 |
| 7 | <u>1014902</u> | U-Bolt | 2 |
| 8 | <u>1015583</u> | Bushing, Urethane | 12 |
| 9 | <u>101926501</u> | Bracket, Left-Hand | 1 |
| 10 | <u>101929401</u> | Bracket, Right | 1 |
| 11 | <u>102066201</u> | Screw, 3/8-16 X 3.50 Hex Cap | 2 |
| 12 | <u>102399001</u> | Shock Extension | 2 |
| 13 | <u>102871801</u> | Rear Spring, 3leaf, 600 Lb/in | 2 |
| 14 | <u>102891101</u> | Clamp, Cable, Brake, Sym | 2 |
| 15 | <u>103324801</u> | Weldment, Shackle, 10.0 | 2 |
| 16 | <u>103351101</u> | Shock, Absorber, Utility | 2 |
| 17 | <u>8754</u> | Locknut, 3/8-16 Hex | 6 |
| 18 | <u>8755</u> | Screw, 3/8-16 X 3.375 Hex Cap | 4 |
| <p>Note: Only the driver-side rear suspension is shown. Parts for the passenger-side rear suspension are identical except for the leaf spring/shock mounting plate.</p> | | | |

7
G
E

7
G
E



000306-002

STABILIZER BAR – TURF/CARRYALL 252 AND XRT 900

| ITEM | PART NO. | DESCRIPTION | QTY |
|------|------------------|---|-----|
| | | 1 2 3 4 | |
| 1 | <u>1015453</u> | Compression Mount | 8 |
| 2 | <u>1015457</u> | Spacer, 0.720" | 4 |
| 3 | <u>1015613</u> | Bushing, Stabilizer Bar | 2 |
| 4 | <u>1015614</u> | Support, Bushing | 2 |
| 5 | <u>1015760</u> | Stabilizer Bar | 1 |
| 6 | <u>1016813</u> | Mounting Bracket, Stabilizer Bar | 2 |
| 7 | <u>102004901</u> | Link, Stabilizer Bar | 2 |
| 8 | <u>357</u> | Lockwasher, 3/8 Split | 4 |
| 9 | <u>7173</u> | Screw, 5/16-18 X 0.75, Hex-Head Cap | 8 |
| 10 | <u>7311</u> | Screw, 1/4-20 X 2.00 Hex-Head Cap | 8 |
| 11 | <u>7473</u> | Locknut, 5/16-18 Nylon Insert | 8 |
| 12 | <u>808</u> | Washer, 3/8 Type B Flat | 8 |
| 13 | <u>8233</u> | Locknut, 1/4-20, Nylon Insert | 8 |
| 14 | <u>8861</u> | Bolt, 3/8-16 X 1.75 Hex | 4 |

7
G
E

7

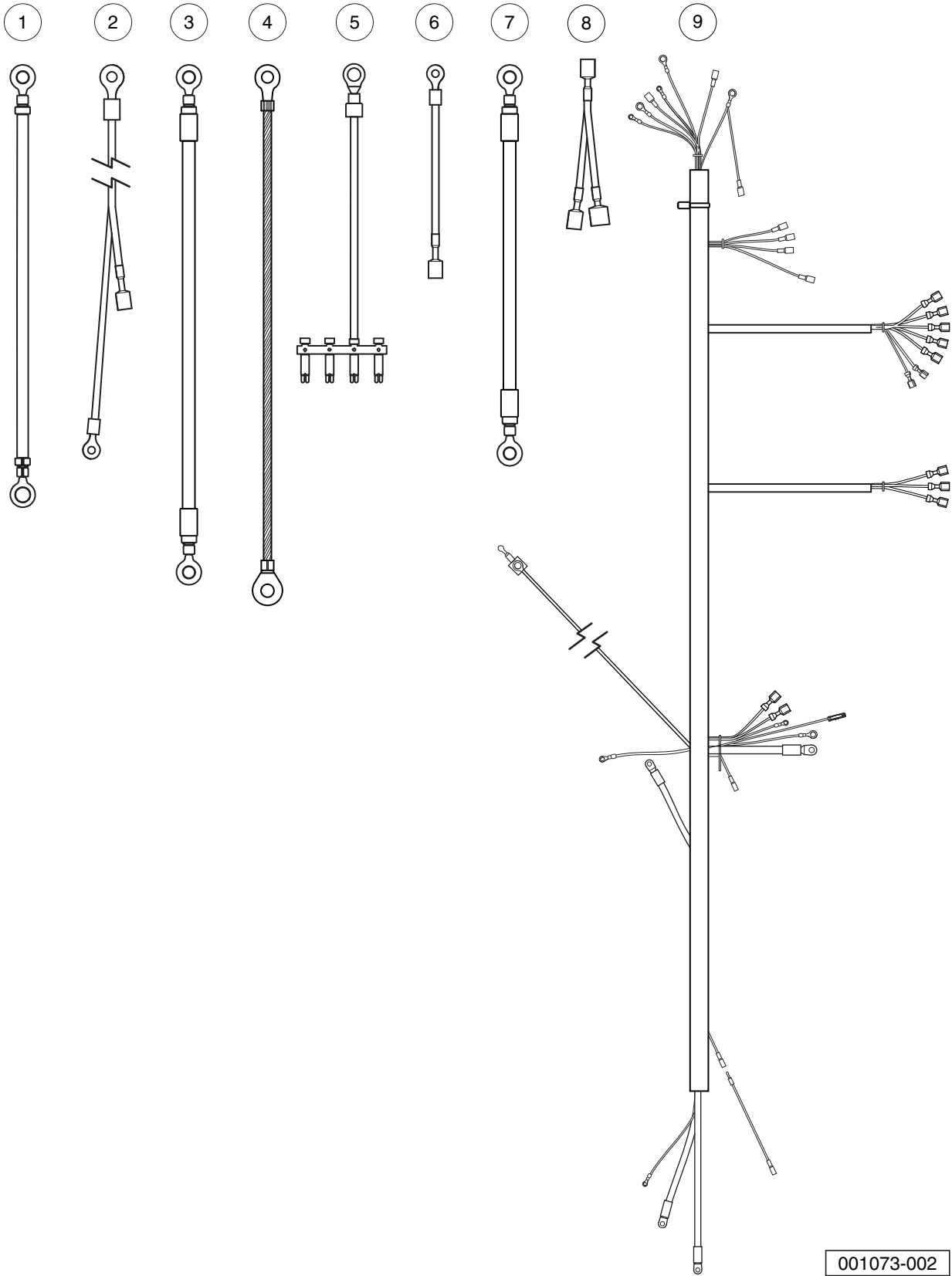
G

E

ELECTRICAL SYSTEM – GASOLINE VEHICLE

8

G

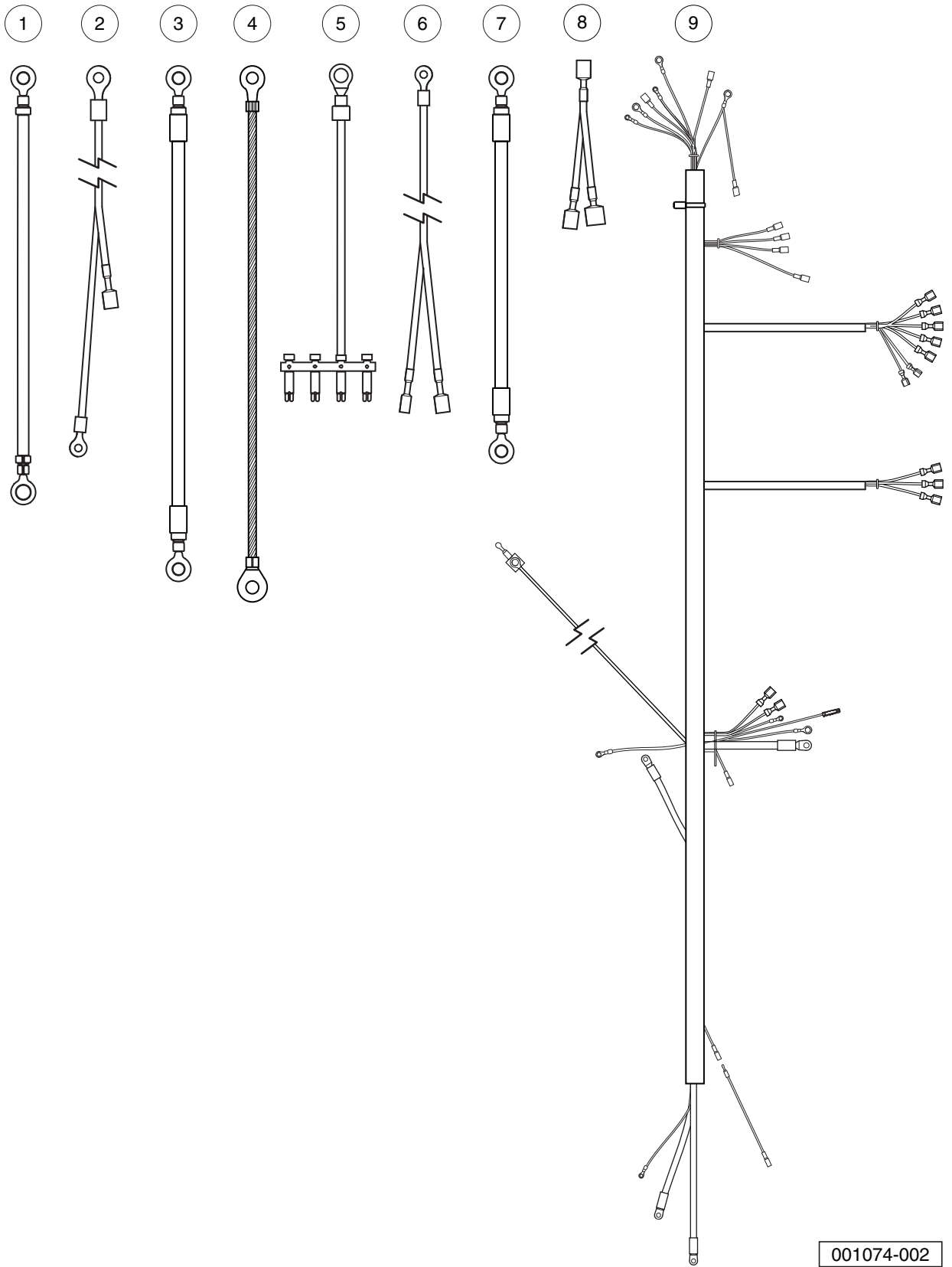


001073-002

WIRING, FUSES, AND DIODES – TURF/CARRYALL 2 AND 252 WITH AMD STARTER/GEN

| ITEM | PART NO. | DESCRIPTION | QTY |
|------|------------------|---|-----|
| | | 1 2 3 4 | |
| 1 | <u>1012382</u> | Wire Assy, #6 Black | 1 |
| 2 | <u>1012396</u> | Wire Assy #18 Black | 1 |
| 3 | <u>1014119</u> | Wire Assembly #6 Red | 1 |
| 4 | <u>1015332</u> | Wire, Ground, #10, Uninsulated | 1 |
| 5 | <u>1015737</u> | Wire Assy, #10 Red | 1 |
| 6 | <u>1016401</u> | Wire Assy, #16 Orange | 1 |
| 7 | <u>101837301</u> | Wire Assy, #6 Green | 1 |
| 8 | <u>103348501</u> | Asm, Wire Meter, F-h Jumper | 1 |
| 9 | <u>103687101</u> | Asm, Wire Harness, Carryall 2, Gas, AMD S/G | 1 |

8
G



001074-002

WIRING, FUSES, AND DIODES – CARRYALL 2 PLUS WITH AMD STARTER/GEN

| ITEM | PART NO. | DESCRIPTION | QTY |
|------|------------------|--|-----|
| | | 1 2 3 4 | |
| 1 | <u>1012382</u> | Wire Assy, #6 Black | 1 |
| 2 | 1012396 | Wire Assy #18 Black | 1 |
| 3 | <u>1014119</u> | Wire Assembly #6 Red | 1 |
| 4 | <u>1015332</u> | Wire, Ground, #10, Uninsulated | 1 |
| 5 | <u>1015737</u> | Wire Assy, #10 Red | 1 |
| 6 | 1017006 | Wire Assembly Orange #18 | 1 |
| 7 | <u>101837301</u> | Wire Assy, #6 Green | 1 |
| 8 | <u>103348501</u> | Asm, Wire Meter, F-h Jumper | 1 |
| 9 | 103686401 | Asm, Wire Harness, Carryall 2 Plus, Gas, AMD S/G | 1 |

8
G

1



2



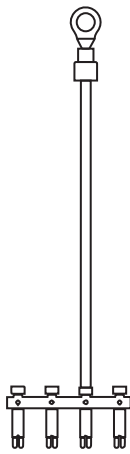
3



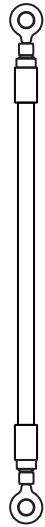
4



5



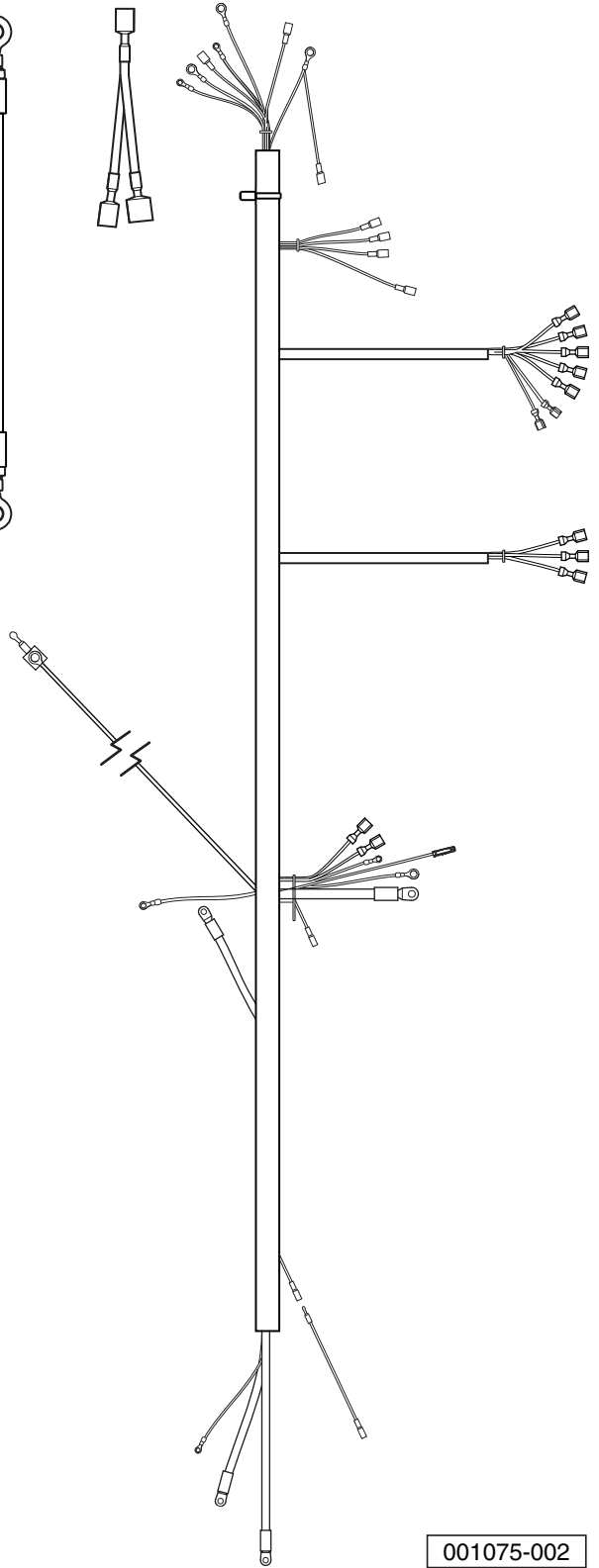
6



7



8

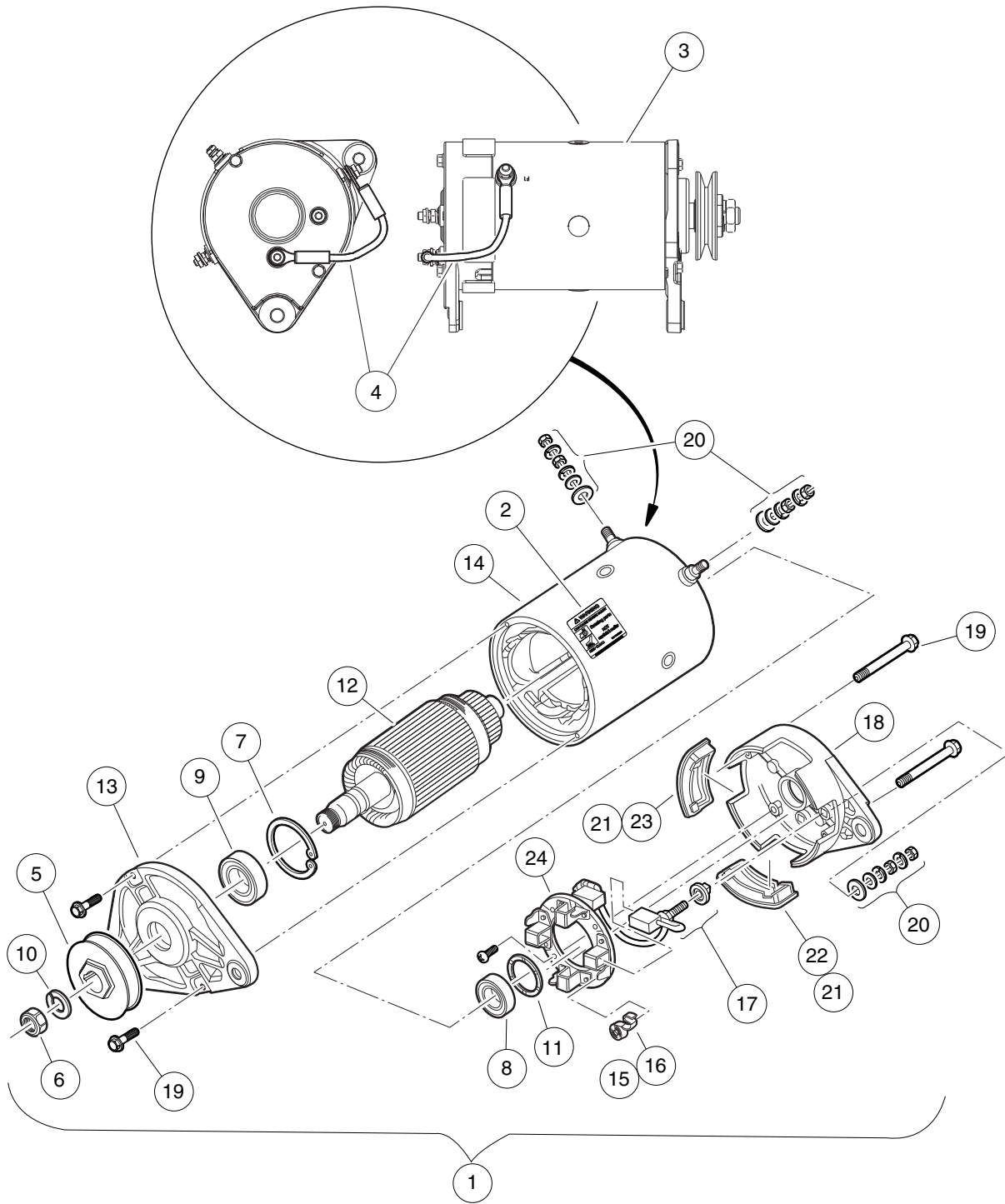


001075-002

WIRING, FUSES, AND DIODES – XRT 900 WITH AMD STARTER/ GEN

| ITEM | PART NO. | DESCRIPTION | QTY |
|------|------------------|--|-----|
| | | 1 2 3 4 | |
| 1 | <u>1012382</u> | Wire Assy, #6 Black | 1 |
| 2 | <u>1012396</u> | Wire Assy #18 Black | 1 |
| 3 | <u>1014119</u> | Wire Assembly #6 Red | 1 |
| 4 | <u>1015332</u> | Wire, Ground, #10, Uninsulated | 1 |
| 5 | <u>1015737</u> | Wire Assy, #10 Red | 1 |
| 6 | <u>101837301</u> | Wire Assy, #6 Green | 1 |
| 7 | <u>103348501</u> | Asm, Wire Meter, F-h Jumper | 1 |
| 8 | <u>103687201</u> | Asm, Wire Harness, XRT 900, Gas, AMD S/G | 1 |

8
G

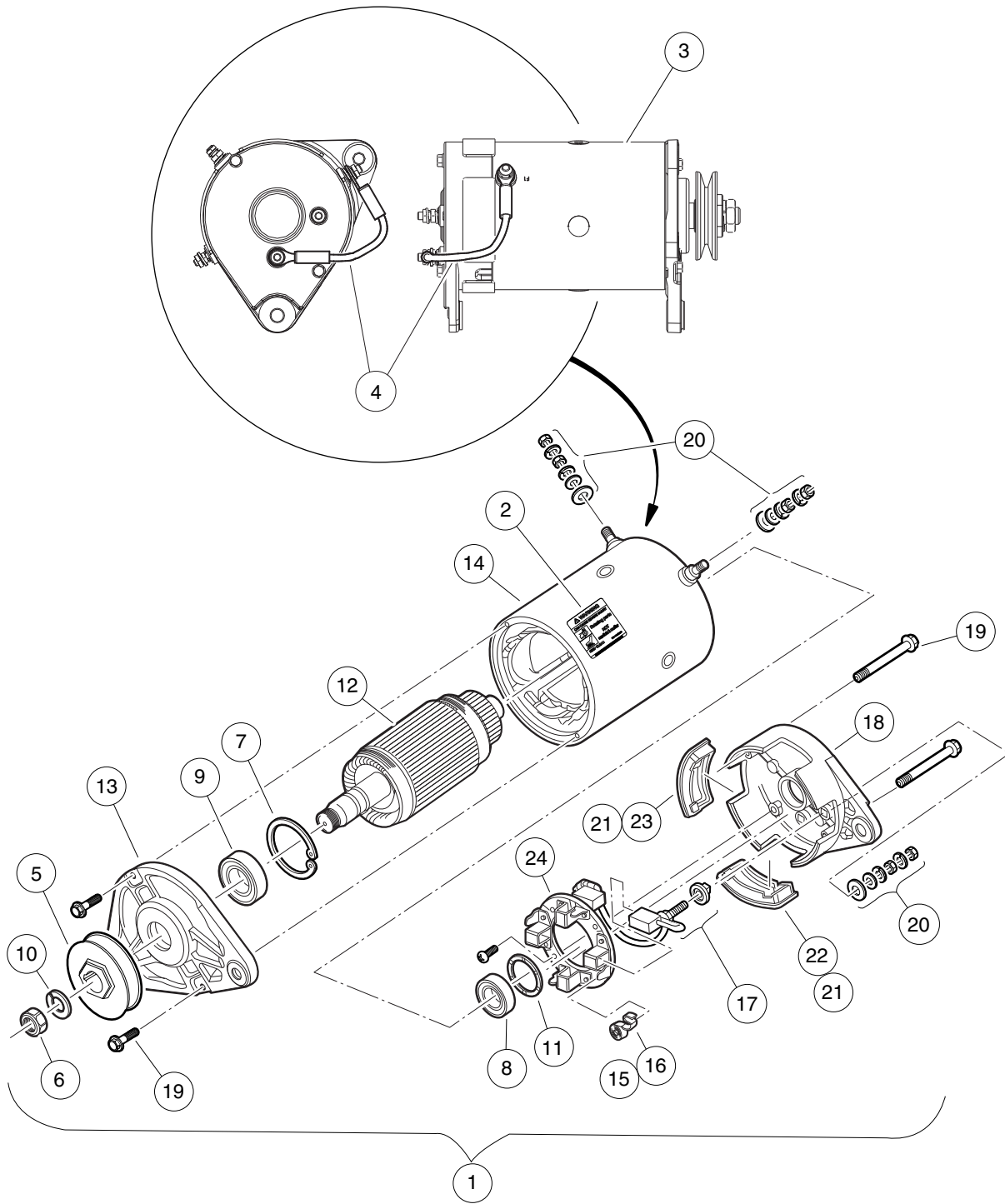


000124-005

STARTER/GENERATOR ASSEMBLY (PEDAL-START), MODEL 114-01-4009A

| ITEM | PART NO. | DESCRIPTION | QTY |
|------|------------------|--|-----|
| | | 1 2 3 4 | |
| 1 | 103678402 | Asm, St/gen, Bi-rot, Ps, Svc (includes items 2 and 3) | 1 |
| 2 | <u>101960501</u> | Decal, Rotating Parts/Hot Manifold | 1 |
| 3 | 103718702 | St/gen, Bi-rot, Util,ps W/wire (includes items 4 through 24) | 1 |
| 4 | <u>101837301</u> | Wire Assy, #6 Green | 1 |
| 5 | <u>102711001</u> | Pulley, V-Belt | 1 |
| 6 | <u>102838701</u> | Nut, Hex, M14x2, S/G | 1 |
| 7 | <u>102838801</u> | Retainer, Front, S/G | 1 |
| 8 | <u>102838901</u> | Bearing, Ball, Rear, S-g | 1 |
| 9 | <u>102839001</u> | Bearing, Ball, Front, S-g | 1 |
| 10 | <u>102839301</u> | Washer, Lock M14x2, S-g | 1 |
| 11 | <u>102841101</u> | Washer, Wave, S-g | 1 |
| 12 | N/A | Asm, Armature, Starter/Generator | 1 |
| 13 | 102844601 | Head, Drive End, S-g | 1 |
| 14 | <u>102844701</u> | Asm, Frame and Field, Starter/Generator | 1 |
| 15 | <u>103347101</u> | Kit, Spring Brush, Starter/Generator (includes item 16) | 1 |
| 16 | N/A | Spring, Brush, S-g | 4 |
| 17 | <u>103347301</u> | Set, Brush Term, S-g | 1 |
| 18 | <u>103347601</u> | Head, Comm End, S-g | 1 |
| 19 | <u>103347701</u> | Set, Fast, Ceh Deh, S-g | 1 |
| 20 | <u>103347801</u> | Set, Term Hardware, S/G | 1 |
| 21 | <u>103347901</u> | Kit, Cover, Brush Insp, Starter/Generator (includes items 22 and 23) | 1 |
| 22 | N/A | Plug, Rubber Drain, Start/Generator | 3 |
| 23 | N/A | Cover, Inspection, S-g | 1 |
| 24 | <u>103953301</u> | Kit, Brush And Brush Holder | 1 |

8
G

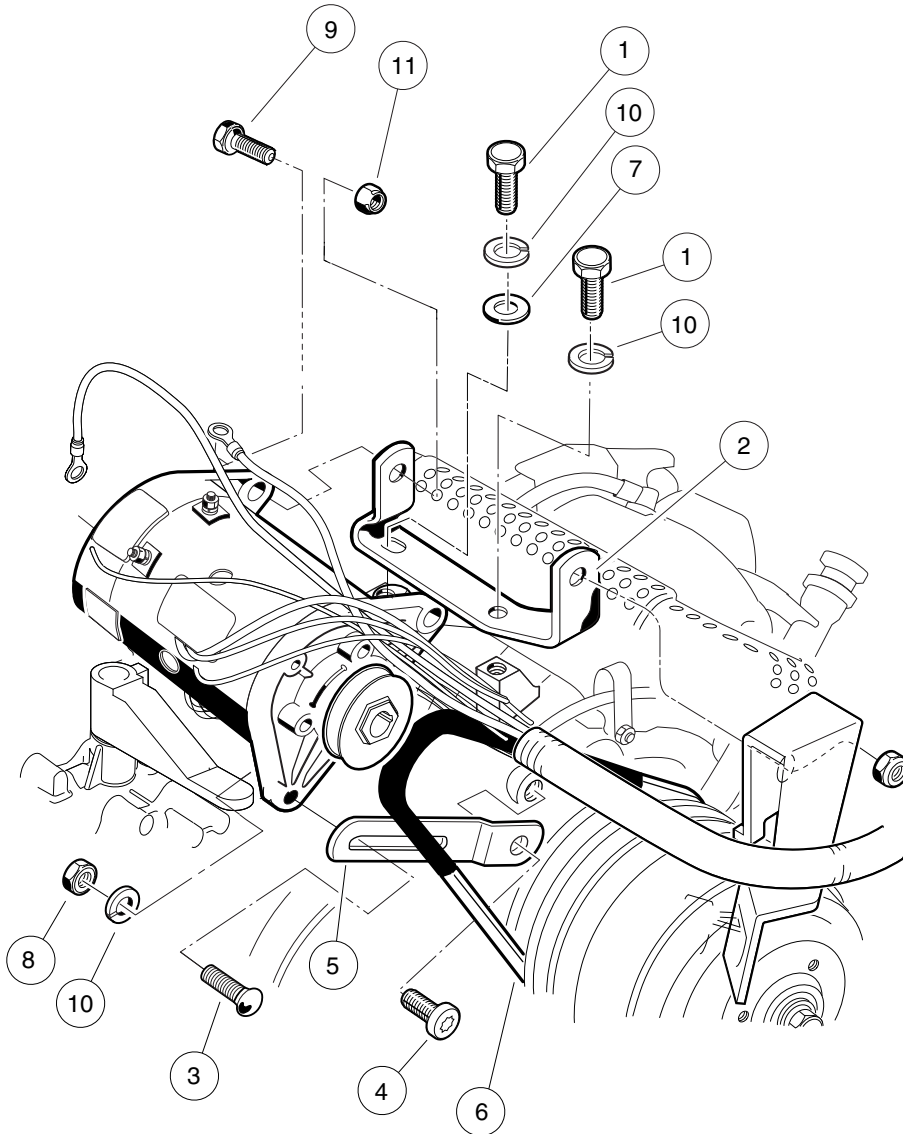


000124-005

STARTER/GENERATOR ASSEMBLY (KEY-START), MODEL 114-04-4001A

| ITEM | PART NO. | DESCRIPTION | QTY |
|------|------------------|--|-----|
| | | 1 2 3 4 | |
| 1 | <u>103678502</u> | Asm, St/gen, Bi-rot, Ks, Svc (includes items 2 and 3) | 1 |
| 2 | <u>101960501</u> | Decal, Rotating Parts/Hot Manifold | 1 |
| 3 | N/A | St/gen, Bi-rot, Util, Ks (includes items 4 through 24) | 1 |
| 4 | <u>101837301</u> | Wire Assy, #6 Green | 1 |
| 5 | <u>102711001</u> | Pulley, V-Belt | 1 |
| 6 | <u>102838701</u> | Nut, Hex, M14x2, S/G | 1 |
| 7 | <u>102838801</u> | Retainer, Front, S/G | 1 |
| 8 | <u>102838901</u> | Bearing, Ball, Front, S-g | 1 |
| 9 | <u>102839001</u> | Bearing, Ball, Front, S-g | 1 |
| 10 | <u>102839301</u> | Washer, Lock M14x2, S-g | 1 |
| 11 | <u>102841101</u> | Washer, Wave, S-g | 1 |
| 12 | N/A | Asm, Armature, Starter/Generator | 1 |
| 13 | <u>102844601</u> | Head, Drive End, S-g | 1 |
| 14 | <u>102844701</u> | Asm, Frame and Field, Starter/Generator | 1 |
| 15 | <u>103347101</u> | Kit, Spring Brush, Starter/Generator (includes item 16) | 1 |
| 16 | N/A | Spring, Brush, S-g | 4 |
| 17 | <u>103347301</u> | Set, Brush Term, S-g | 1 |
| 18 | <u>103347601</u> | Head, Comm End, S-g | 1 |
| 19 | <u>103347701</u> | Set, Fastener, Ceh Deh, S-g | 1 |
| 20 | <u>103347801</u> | Set, Term Hardware, S/G | 1 |
| 21 | <u>103347901</u> | Kit, Cover, Brush Insp, Starter/Generator (includes items 22 and 23) | 1 |
| 22 | N/A | Plug, Rubber Drain, Start/Generator | 3 |
| 23 | N/A | Cover, Inspection, S-g | 1 |
| 24 | <u>103953301</u> | Kit, Brush And Brush Holder | 1 |

8
G



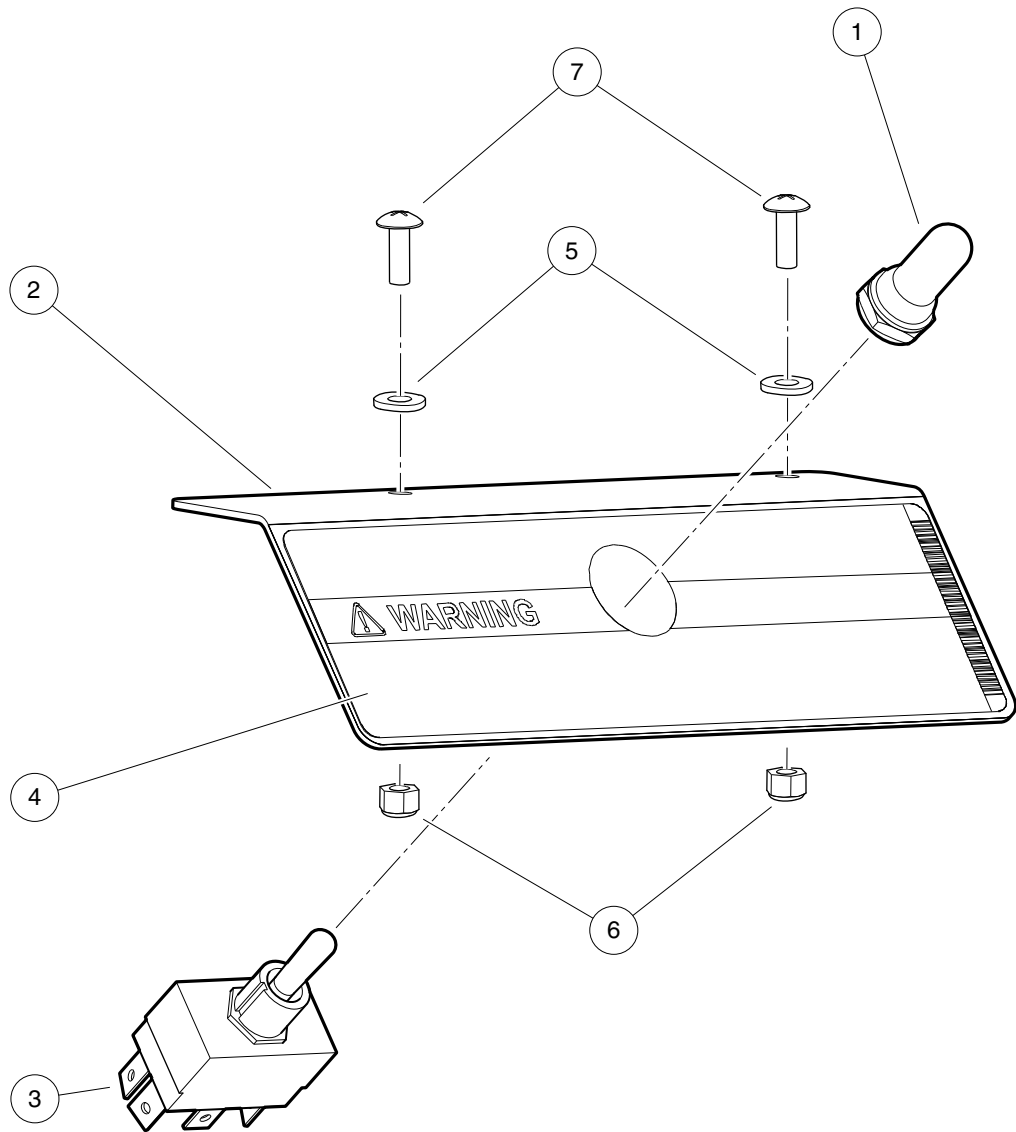
000238-005

STARTER/GENERATOR MOUNTING – 114-0X-400XX MODELS

| ITEM | PART NO. | DESCRIPTION | QTY |
|------|------------------|---|-----|
| | | 1 2 3 4 | |
| 1 | <u>1012830</u> | Screw, M8-1.25 X 22 Hex-Head | 2 |
| 2 | <u>101524002</u> | Bracket, Starter/Generator Mounting | 1 |
| 3 | <u>1015932</u> | Bolt, Carriage, 5/16-18 | 1 |
| 4 | <u>1016074</u> | Screw, M8-1.25 X 18mm Torx | 1 |
| 5 | <u>1016883</u> | Bracket, Starter/Generator Adjustment | 1 |
| 6 | <u>101916701</u> | V-Belt | 1 |
| 7 | <u>1241</u> | Washer, 5/16 Type A Flat | 1 |
| 8 | <u>1242</u> | Nut, 5/16-18 Hex | 1 |
| 9 | <u>1624</u> | Screw, 3/8-16 X 1.50, Hex-Head Cap | 2 |
| 10 | <u>7174</u> | Lockwasher, 5/16 Split | 3 |
| 11 | <u>8754</u> | Locknut, 3/8-16 Hex | 2 |

8

G

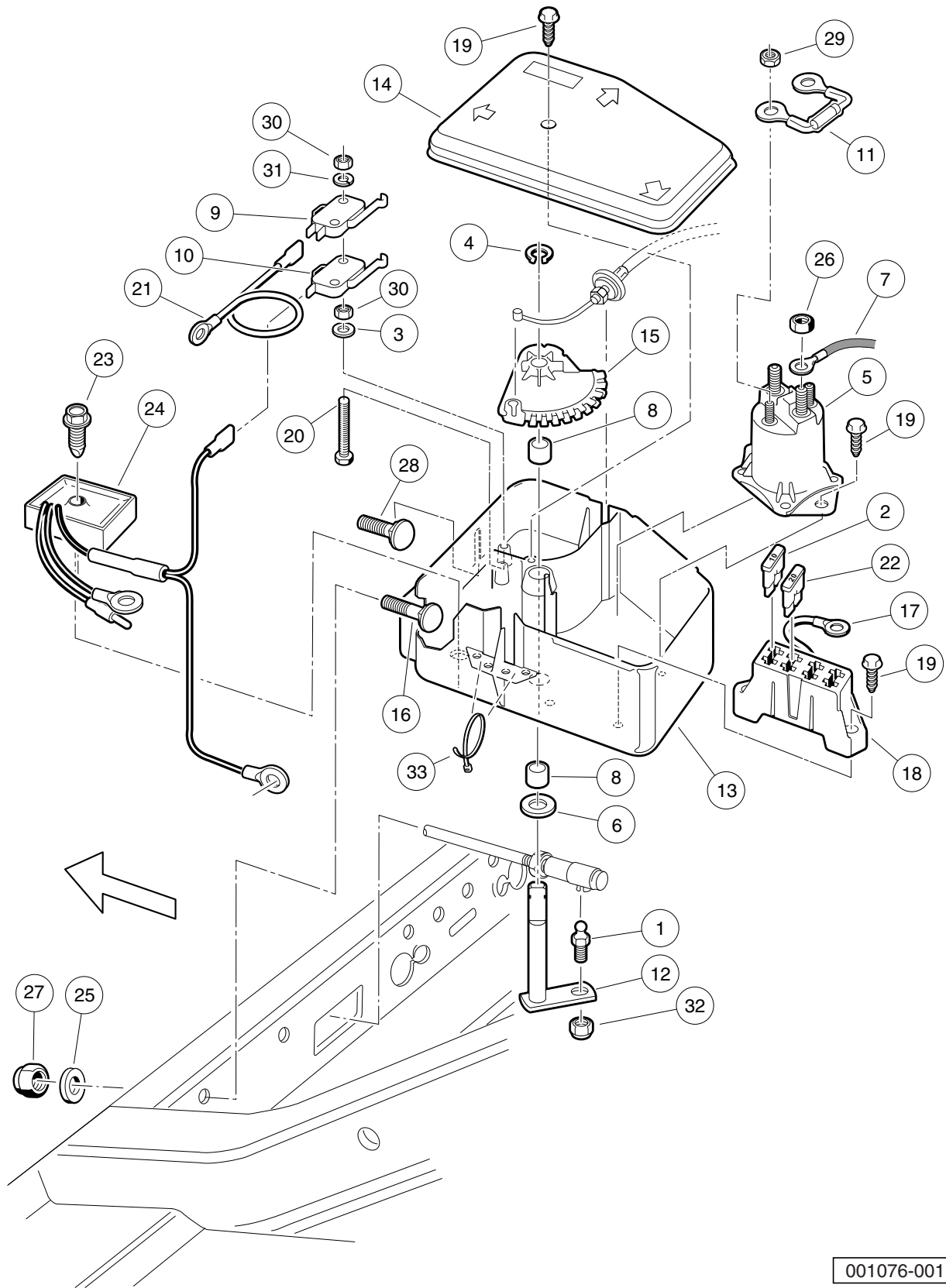


000755-003

OPERATION AND MAINTENANCE SWITCH

| ITEM | PART NO. | DESCRIPTION | QTY |
|------|------------------|--|-----|
| | | 1 2 3 4 | |
| 1 | <u>101908401</u> | Boot, Switch | 1 |
| 2 | <u>101922501</u> | Bracket, Tow/Run Switch Mounting | 1 |
| 3 | <u>103198401</u> | Switch, Toggle, SPDT | 1 |
| 4 | <u>103205501</u> | Decal, Run/Service Switch | 1 |
| 5 | <u>332</u> | Washer, 1/4 Type A Narrow Flat | 2 |
| 6 | <u>8233</u> | Locknut, 1/4-20, Nylon Insert | 2 |
| 7 | <u>8248</u> | Screw, 1/4-20 X 0.75, Truss-Head Machine | 2 |

8
G

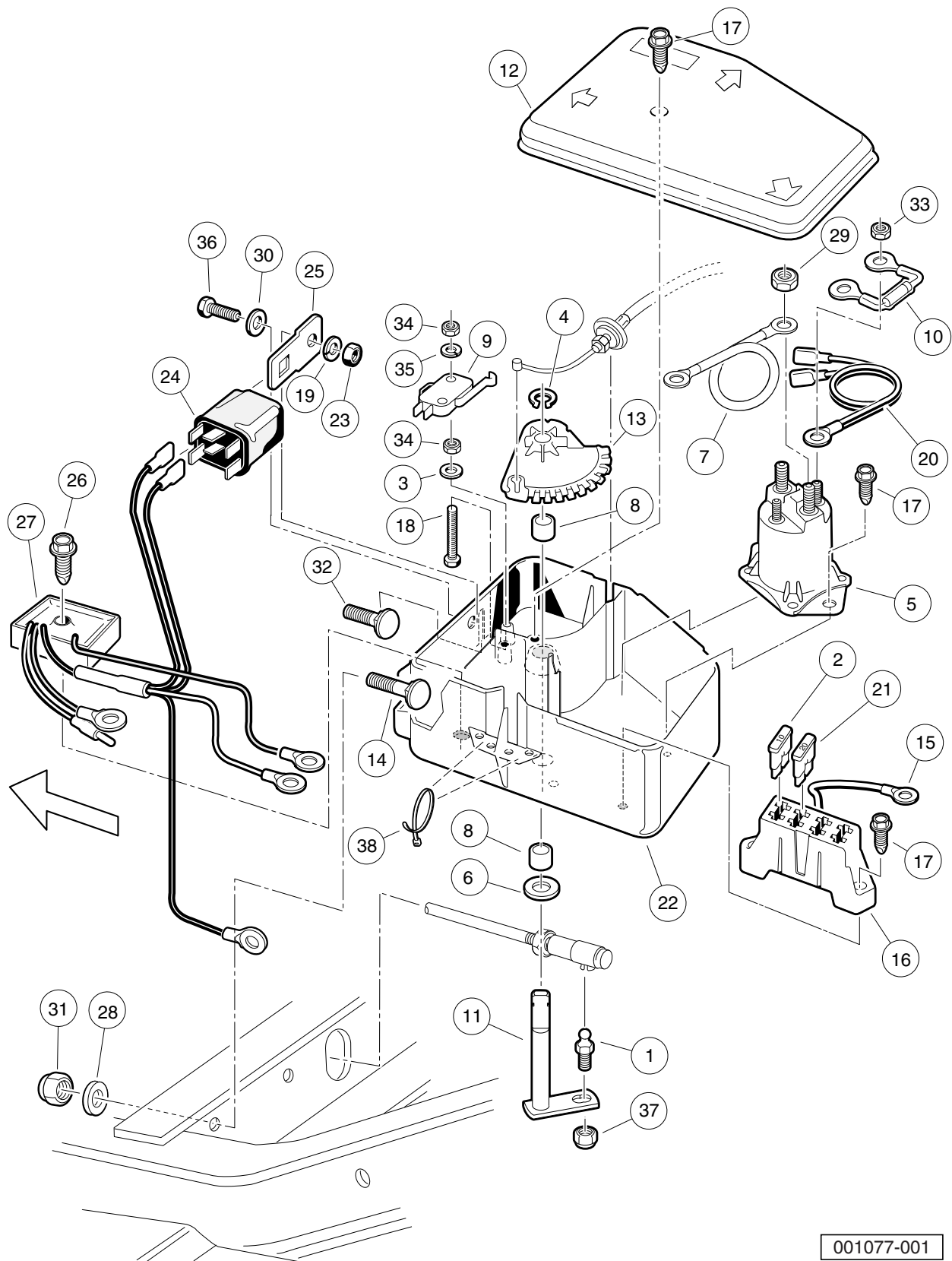


001076-001

ELECTRICAL COMPONENT BOX – TURF/CARRYALL 2 AND 252

| ITEM | PART NO. | DESCRIPTION | QTY |
|------|------------------|--|-----|
| | | 1 2 3 4 | |
| 1 | <u>1010954</u> | Stud, Ball, 1/4-28 X 0.560 | 1 |
| 2 | <u>1012295</u> | Fuse, 10-Amp | 1 |
| 3 | <u>1012431</u> | Washer, #4 Flat | 2 |
| 4 | <u>1013589</u> | Ring, Retaining, 0.338" Internal | 1 |
| 5 | <u>1013609</u> | Solenoid, 12-Volt | 1 |
| 6 | <u>1014065</u> | Washer, Flat, 0.38" ID, Delrin | 1 |
| 7 | <u>1014119</u> | Wire Assembly #6 Red | 1 |
| 8 | <u>1014145</u> | Bushing, Secondary Weight, Split | 2 |
| 9 | <u>1014807</u> | Switch, Limit | 1 |
| 10 | <u>1014808</u> | Switch, Limit | 1 |
| 11 | <u>1014948</u> | Diode | 1 |
| 12 | <u>1015345</u> | Bell Crank and Shaft Assembly | 1 |
| 13 | <u>1015371</u> | Box, Electrical Component | 1 |
| 14 | <u>1015372</u> | Cover, Electric Box | 1 |
| 15 | <u>1015373</u> | Cam, Electric Box | 1 |
| 16 | <u>1015405</u> | Bolt, Carriage, 5/16-18 X 2.0 | 1 |
| 17 | <u>1015737</u> | Wire Assy, #10 Red | 1 |
| 18 | <u>1015741</u> | Fuse Block | 1 |
| 19 | <u>1015752</u> | Screw, #12-16 X 0.625, Hi-Lo | 5 |
| 20 | <u>1015878</u> | Screw, #4-40 Hex Head Machine | 2 |
| 21 | <u>1016401</u> | Wire Assy, #16 Orange | 1 |
| 22 | <u>1016423</u> | Fuse, 20-Amp | 1 |
| 23 | <u>101856102</u> | Screw, 1/4-15 X 1.50, Hi-lo, Hex | 1 |
| 24 | <u>102711201</u> | Voltage Regulator | 1 |
| 25 | <u>1241</u> | Washer, 5/16 Type A Flat | 2 |
| 26 | <u>1242</u> | Nut, 5/16-18 Hex | 2 |
| 27 | <u>7473</u> | Locknut, 5/16-18 Nylon Insert | 2 |
| 28 | <u>7818</u> | Bolt, Carriage, 5/16-18 X 1.5 | 1 |
| 29 | <u>7893</u> | Nut, #10-32 Hex | 2 |
| 30 | <u>8057</u> | Nut, #4-40 Hex Machine | 4 |
| 31 | <u>8058</u> | Lockwasher, #4 Split | 2 |
| 32 | <u>8717</u> | Locknut, Nylon Insert, 1/4-28 | 1 |
| 33 | <u>8990</u> | Tie Wrap, 8" Nylon | 2 |

8
G

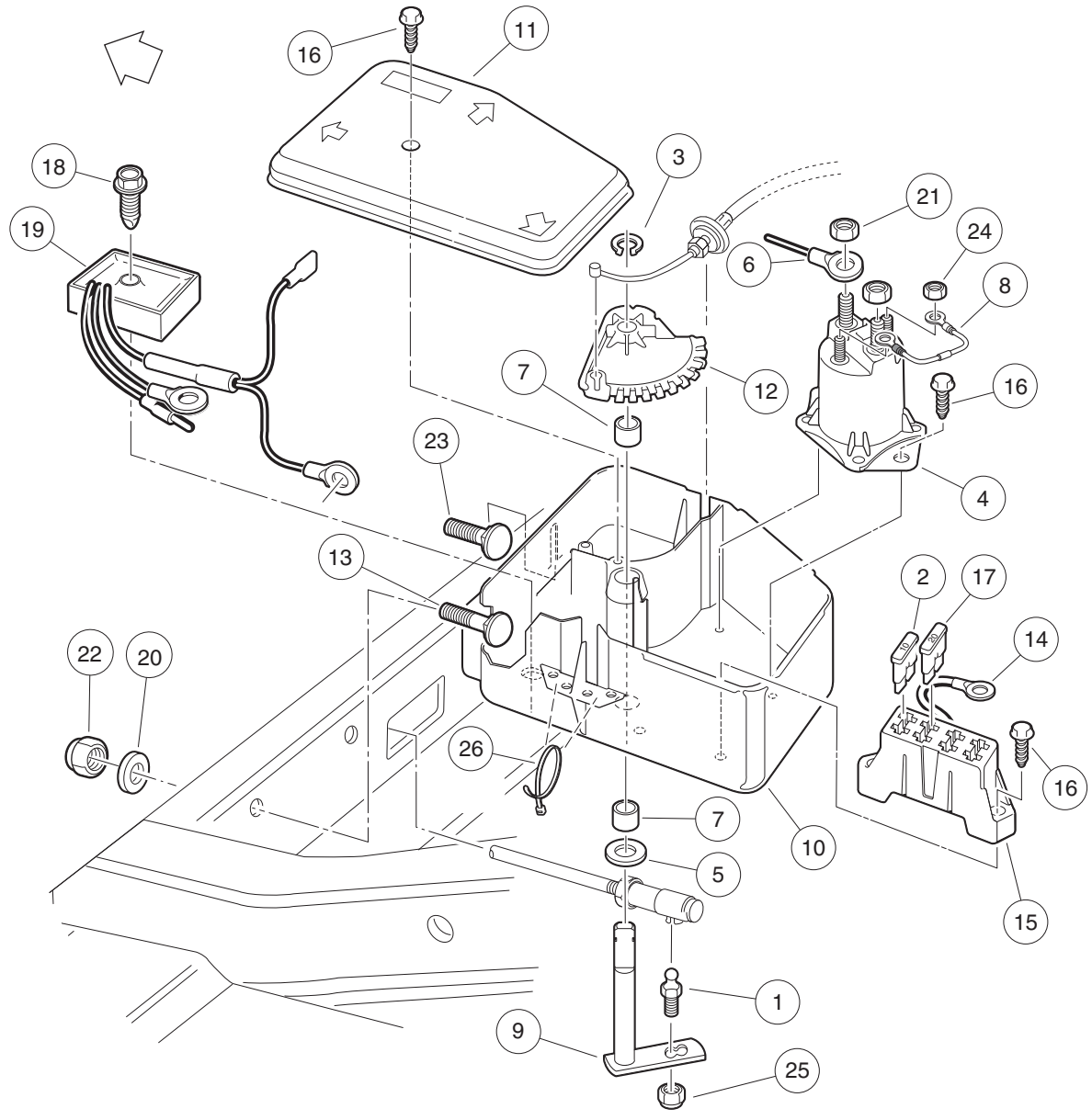


001077-001

ELECTRICAL COMPONENT BOX – CARRYALL 2 PLUS

| ITEM | PART NO. | DESCRIPTION | QTY |
|------|------------------|---|-----|
| | | 1 2 3 4 | |
| 1 | <u>1010954</u> | Stud, Ball, 1/4-28 X 0.560 | 1 |
| 2 | <u>1012295</u> | Fuse, 10-Amp | 1 |
| 3 | <u>1012431</u> | Washer, #4 Flat | 2 |
| 4 | <u>1013589</u> | Ring, Retaining, 0.338" Internal | 1 |
| 5 | <u>1013609</u> | Solenoid, 12-Volt | 1 |
| 6 | <u>1014065</u> | Washer, Flat, 0.38" ID, Delrin | 1 |
| 7 | <u>1014119</u> | Wire Assembly #6 Red | 1 |
| 8 | <u>1014145</u> | Bushing, Secondary Weight, Split | 2 |
| 9 | <u>1014807</u> | Switch, Limit | 1 |
| 10 | <u>1014948</u> | Diode | 1 |
| 11 | <u>1015345</u> | Bell Crank and Shaft Assembly | 1 |
| 12 | <u>1015372</u> | Cover, Electric Box | 1 |
| 13 | <u>1015373</u> | Cam, Electric Box | 1 |
| 14 | <u>1015405</u> | Bolt, Carriage, 5/16-18 X 2.0 | 1 |
| 15 | <u>1015737</u> | Wire Assy, #10 Red | 1 |
| 16 | <u>1015741</u> | Fuse Block | 1 |
| 17 | <u>1015752</u> | Screw, #12-16 X 0.625, Hi-Lo | 5 |
| 18 | <u>1015878</u> | Screw, #4-40 Hex Head Machine | 2 |
| 19 | <u>1016</u> | Lockwasher, #10 Split | 1 |
| 20 | <u>1016401</u> | Wire Assy, #16 Orange | 1 |
| 21 | <u>1016423</u> | Fuse, 20-Amp | 1 |
| 22 | <u>1016997</u> | Electrical Component Box | 1 |
| 23 | <u>1017</u> | Nut, #10-24 Stainless-Steel Hex Machine | 1 |
| 24 | <u>1017239</u> | Relay W/mounting Bracket | 1 |
| 25 | <u>1017243</u> | Mounting Bracket, Relay | 1 |
| 26 | <u>101856102</u> | Screw, 1/4-15 X 1.50, Hi-lo, Hex | 1 |
| 27 | <u>102803401</u> | Asm, Voltage Regulator Key Sta | 1 |
| 28 | <u>1241</u> | Washer, 5/16 Type A Flat | 2 |
| 29 | <u>1242</u> | Nut, 5/16-18 Hex | 2 |
| 30 | <u>183</u> | Washer, #10, Type A, Flat | 1 |
| 31 | <u>7473</u> | Locknut, 5/16-18 Nylon Insert | 2 |
| 32 | <u>7818</u> | Bolt, Carriage, 5/16-18 X 1.5 | 1 |
| 33 | <u>7893</u> | Nut, #10-32 Hex | 2 |
| 34 | <u>8057</u> | Nut, #4-40 Hex Machine | 4 |
| 35 | <u>8058</u> | Lockwasher, #4 Split | 2 |
| 36 | <u>8450</u> | Screw, #10-24 X 0.50, Hex-Head | 1 |
| 37 | <u>8717</u> | Locknut, Nylon Insert, 1/4-28 | 1 |
| 38 | <u>8990</u> | Tie Wrap, 8" Nylon | 3 |

8
G



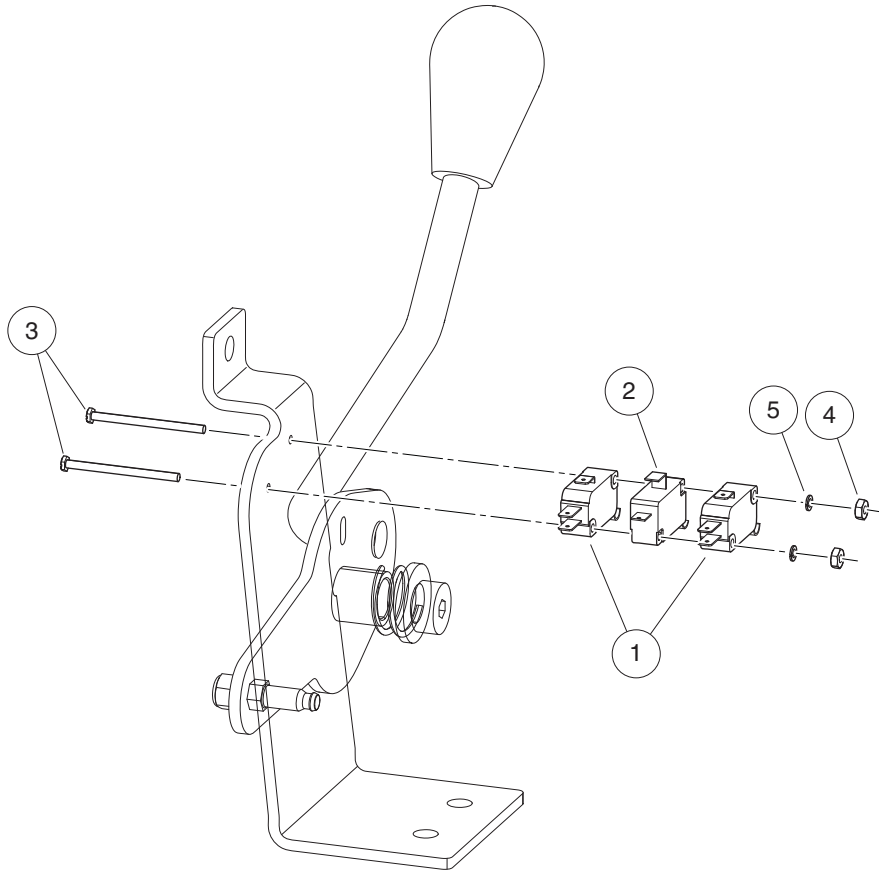
001078-001

ELECTRICAL COMPONENT BOX – XRT 900

| ITEM | PART NO. | DESCRIPTION | QTY |
|------|------------------|--|-----|
| | | 1 2 3 4 | |
| 1 | <u>1010954</u> | Stud, Ball, 1/4-28 X 0.560 | 1 |
| 2 | <u>1012295</u> | Fuse, 10-Amp | 1 |
| 3 | <u>1013589</u> | Ring, Retaining, 0.338" Internal | 1 |
| 4 | <u>1013609</u> | Solenoid, 12-Volt | 1 |
| 5 | <u>1014065</u> | Washer, Flat, 0.38" ID, Delrin | 1 |
| 6 | <u>1014119</u> | Wire Assembly #6 Red | 1 |
| 7 | <u>1014145</u> | Bushing, Secondary Weight, Split | 2 |
| 8 | 1014948 | Diode | 1 |
| 9 | 1015345 | Bell Crank and Shaft Assembly | 1 |
| 10 | <u>1015371</u> | Box, Electrical Component | 1 |
| 11 | <u>1015372</u> | Cover, Electric Box | 1 |
| 12 | <u>1015373</u> | Cam, Electric Box | 1 |
| 13 | <u>1015405</u> | Bolt, Carriage, 5/16-18 X 2.0 | 1 |
| 14 | <u>1015737</u> | Wire Assy, #10 Red | 1 |
| 15 | <u>1015741</u> | Fuse Block | 1 |
| 16 | <u>1015752</u> | Screw, #12-16 X 0.625, Hi-Lo | 5 |
| 17 | <u>1016423</u> | Fuse, 20-Amp | 1 |
| 18 | <u>101856102</u> | Screw, 1/4-15 X 1.50, Hi-lo, Hex | 1 |
| 19 | <u>102711201</u> | Voltage Regulator | 1 |
| 20 | <u>1241</u> | Washer, 5/16 Type A Flat | 2 |
| 21 | <u>1242</u> | Nut, 5/16-18 Hex | 2 |
| 22 | <u>7473</u> | Locknut, 5/16-18 Nylon Insert | 2 |
| 23 | <u>7818</u> | Bolt, Carriage, 5/16-18 X 1.5 | 1 |
| 24 | <u>7893</u> | Nut, #10-32 Hex | 2 |
| 25 | <u>8717</u> | Locknut, Nylon Insert, 1/4-28 | 1 |
| 26 | <u>8990</u> | Tie Wrap, 8" Nylon | 2 |

8

G

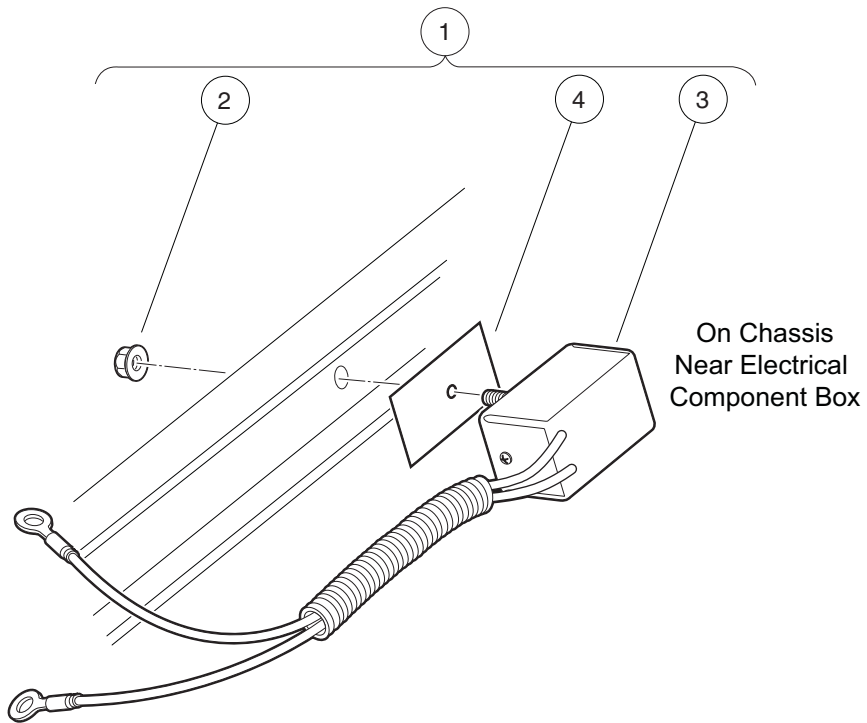


001080-001

FORWARD/REVERSE SHIFTER SWITCHES – DASH MOUNTED SHIFTER

| ITEM | PART NO. | DESCRIPTION | QTY |
|------|----------------|-------------------------------------|-----|
| | | 1 2 3 4 | |
| 1 | <u>1014807</u> | Switch, Limit | 2 |
| 2 | <u>1014808</u> | Switch, Limit | 1 |
| 3 | <u>1015878</u> | Screw, #4-40 Hex Head Machine | 2 |
| 4 | <u>8057</u> | Nut, #4-40 Hex Machine | 2 |
| 5 | <u>8058</u> | Lockwasher, #4 Split | 2 |

8
G



001079-001

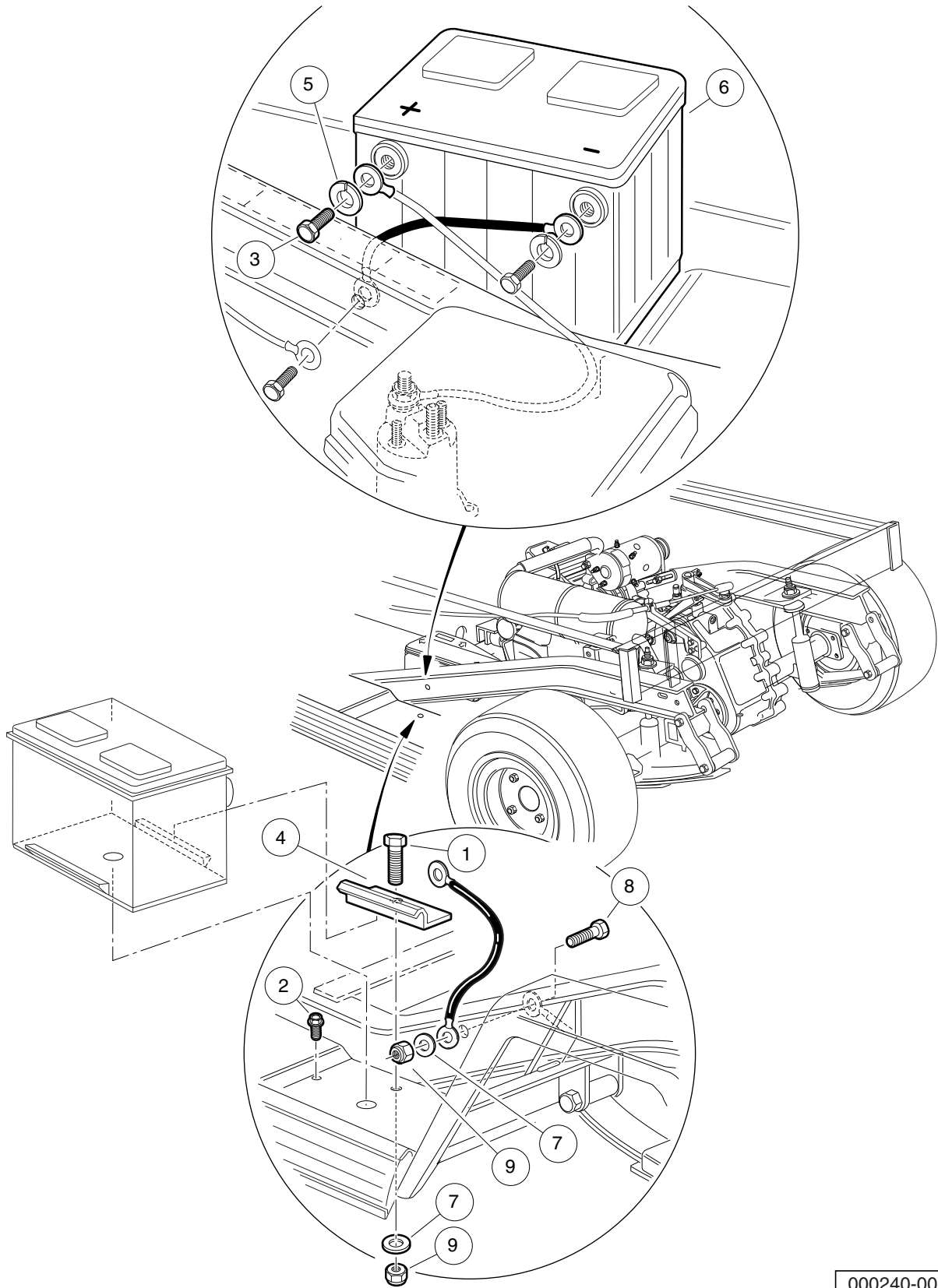
CHARGING DIODE, KEY-START – XRT VEHICLES

| ITEM | PART NO. | DESCRIPTION | QTY |
|------|------------------|---|-----|
| | | 1 2 3 4 | |
| 1 | 102272501 | Kit, Diode (includes items 2 through 4) | 1 |
| 2 | <u>101963401</u> | Locknut, 5/16-18 Hex Flange | 1 |
| 3 | 102264001 | Diode Assembly | 1 |
| 4 | <u>102269701</u> | Thermal Pad | 1 |

8

G

8
G



000240-001

BATTERY – GASOLINE UTILITY VEHICLES

| ITEM | PART NO. | DESCRIPTION | QTY |
|------|------------------|---|-----|
| | | 1 2 3 4 | |
| 1 | <u>1010934</u> | Screw, 5/16-18 X 1.00 Hex Cap | 1 |
| 2 | <u>1014288</u> | Screw, 5/16-18 X 0.75, Thread-Forming | 1 |
| 3 | <u>1014375</u> | Screw, 3/8-16 X 0.50, Stainless Steel, Hex-Head | 2 |
| 4 | <u>101898001</u> | Clamp, Battery | 1 |
| 5 | <u>102355301</u> | Lockwasher, 3/8 Split Ss | 2 |
| 6 | <u>103496801</u> | Battery, Start, 12v | 1 |
| 7 | <u>1241</u> | Washer, 5/16 Type A Flat | 2 |
| 8 | <u>7173</u> | Screw, 5/16-18 X 0.75, Hex-Head Cap | 1 |
| 9 | <u>7473</u> | Locknut, 5/16-18 Nylon Insert | 2 |

8

G

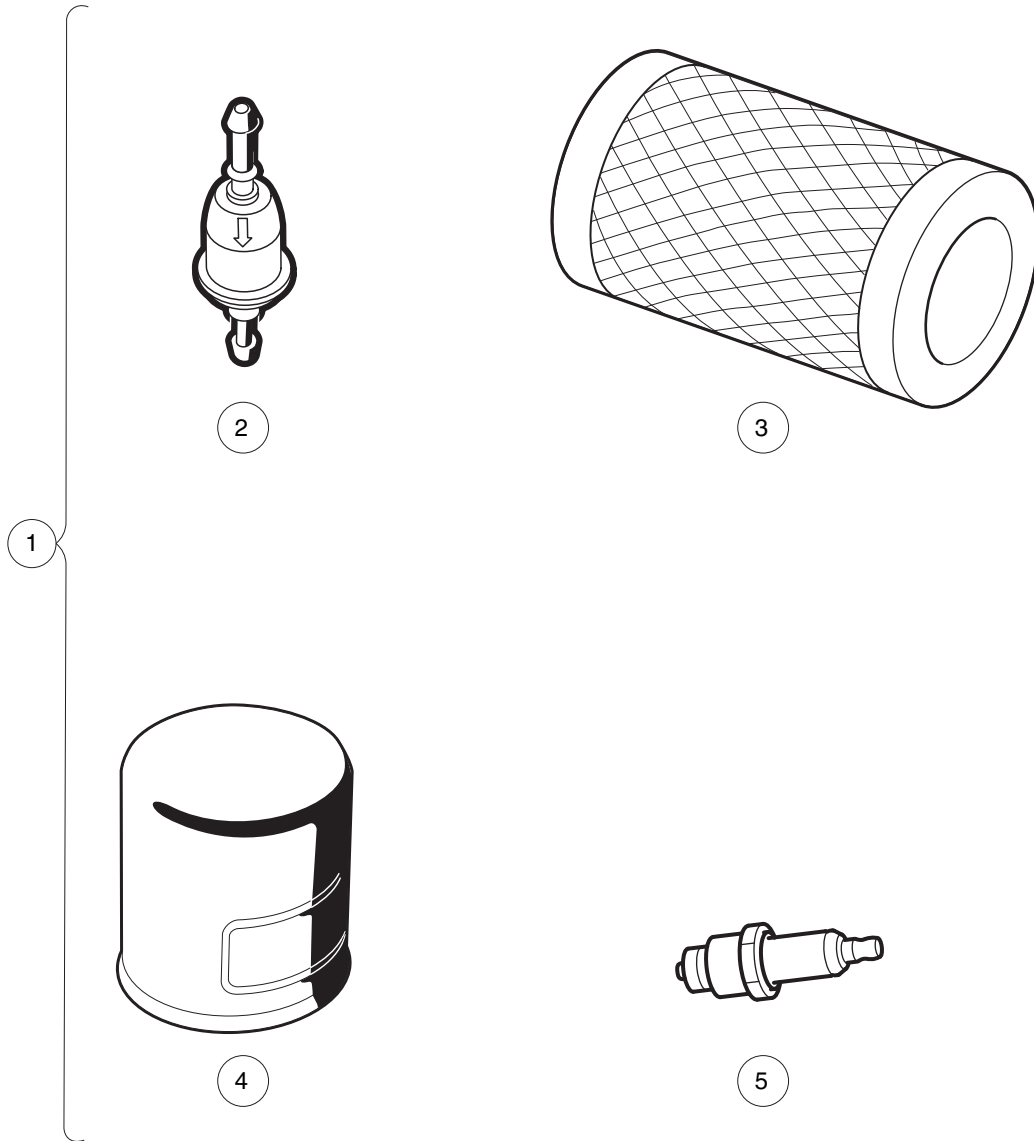
8

G

ENGINE (S27) W/O ACR, 50-STATE

9

G



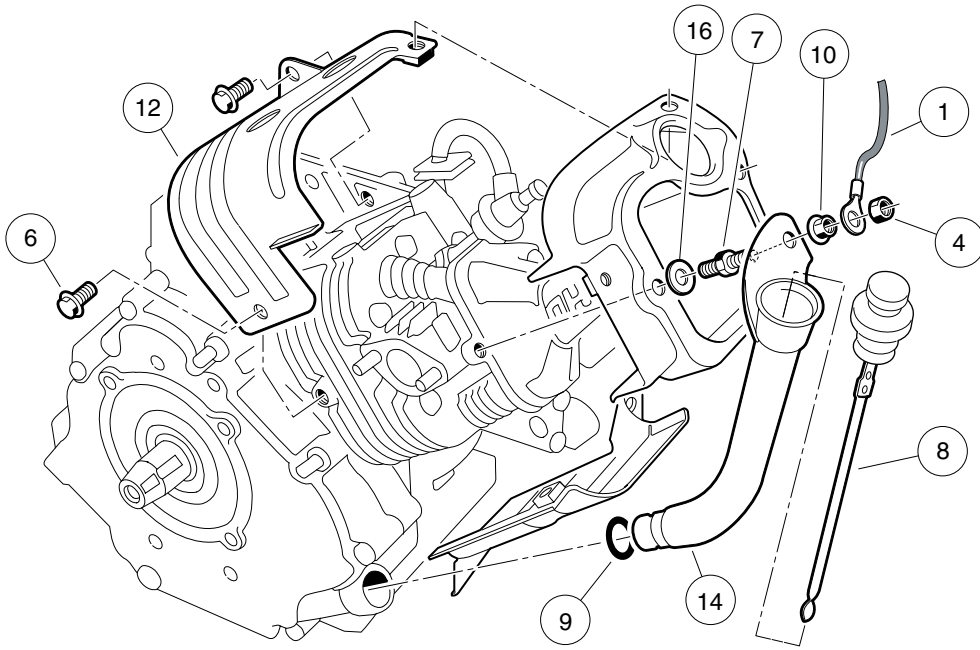
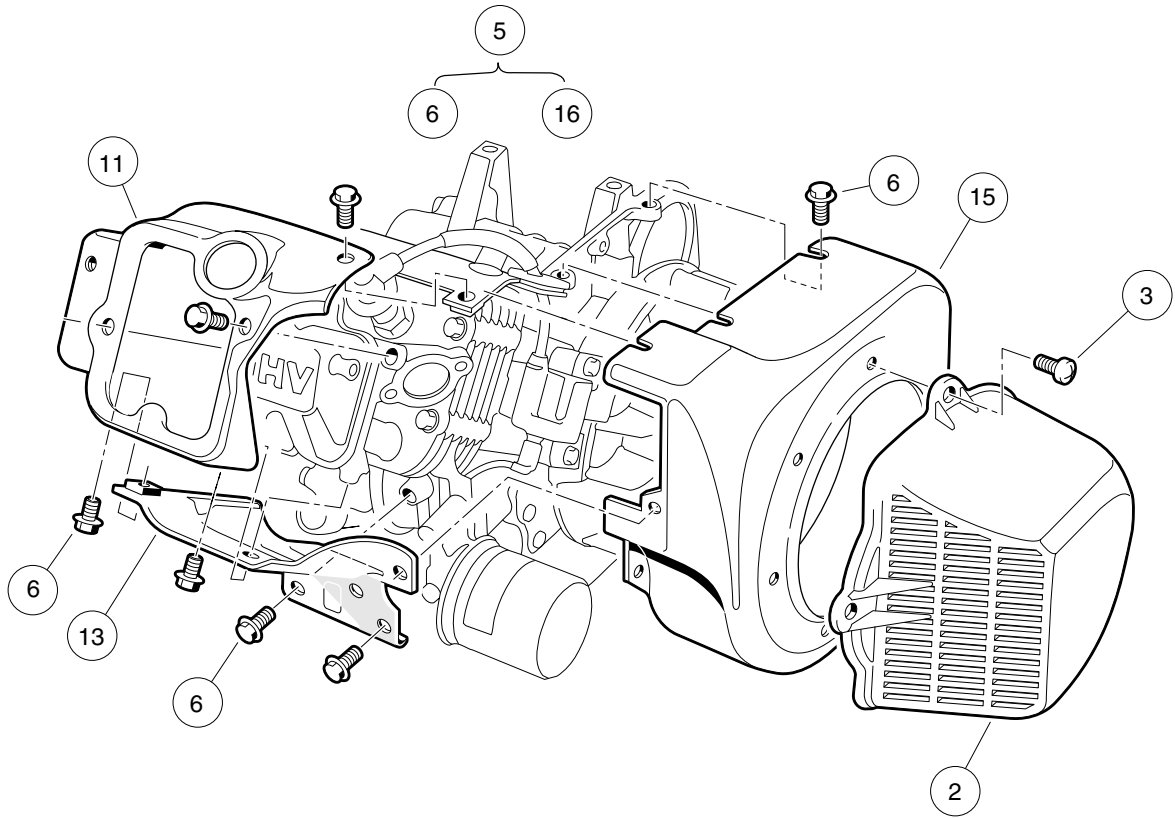
001064-001

TUNE-UP KIT – KAWASAKI FE350

| ITEM | PART NO. | DESCRIPTION | QTY |
|------|------------------|---|-----|
| | | 1 2 3 4 | |
| 1 | <u>AM1220301</u> | Kit, Tune-Up (For FE290 and FE350 engines) (includes items 2 through 5) | 1 |
| 2 | <u>102003201</u> | Filter, Fuel, 30 Micron | 1 |
| 3 | <u>102558201</u> | Air Filter, 4 Inch | 1 |
| 4 | <u>103887901</u> | Filter, Oil, Kawasaki | 1 |
| 5 | <u>AM1232301</u> | Spark Plug, BPR2ES | 1 |

9

G



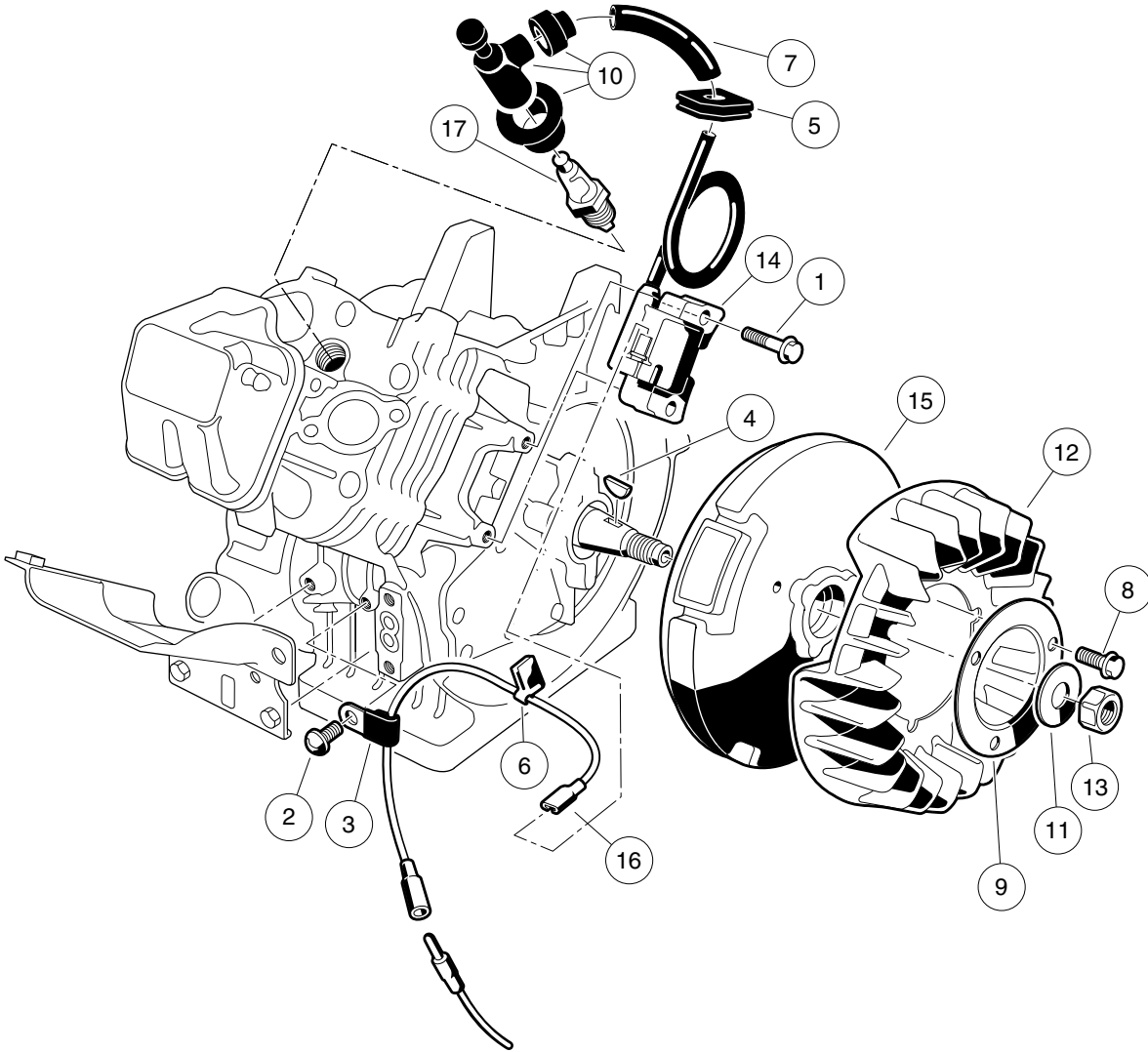
000201-002

FE350 ENGINE (S27) W/O ACR, SHROUDS, AND BRACKETS; 50-STATE

| ITEM | PART NO. | DESCRIPTION | QTY |
|---|------------------|---|-----|
| | | 1 2 3 4 | |
| 1 | <u>1015332</u> | Wire, Ground, #10, Uninsulated | 1 |
| 2 | <u>1015649</u> | Shroud, Fan | 1 |
| 3 | <u>1015969</u> | Screw, M6-1.00 X 10mm, Pan Hd | 4 |
| 4 | <u>101887601</u> | Locknut, M6-1.00 Nylon Insert | 1 |
| 5 | <u>103386202</u> | Engine, FE350 S27 (includes items 6 through 16) | 1 |
| 6 | 1016456 | Bolt, Flange Head, M6 x 1 x 12 mm | 16 |
| 7 | <u>1016507</u> | Bolt, Two-Ended | 1 |
| 8 | 1016531 | Dipstick | 1 |
| 9 | <u>1016539</u> | O-Ring | 1 |
| 10 | 1016547 | Nut, M6 Flange | 1 |
| 11 | <u>1017474</u> | Shroud, Engine | 1 |
| 12 | <u>1017475</u> | Shroud, Engine | 1 |
| 13 | <u>1017476</u> | Shroud, Engine | 1 |
| 14 | <u>1017486</u> | Tube, Oil Filler | 1 |
| 15 | <u>101916101</u> | Housing, FE350 Fan | 1 |
| 16 | N/A | Washer, 6mm Flat | 1 |
| Note: The S27 engine meets emission requirements for all 50 states. | | | |

9

G

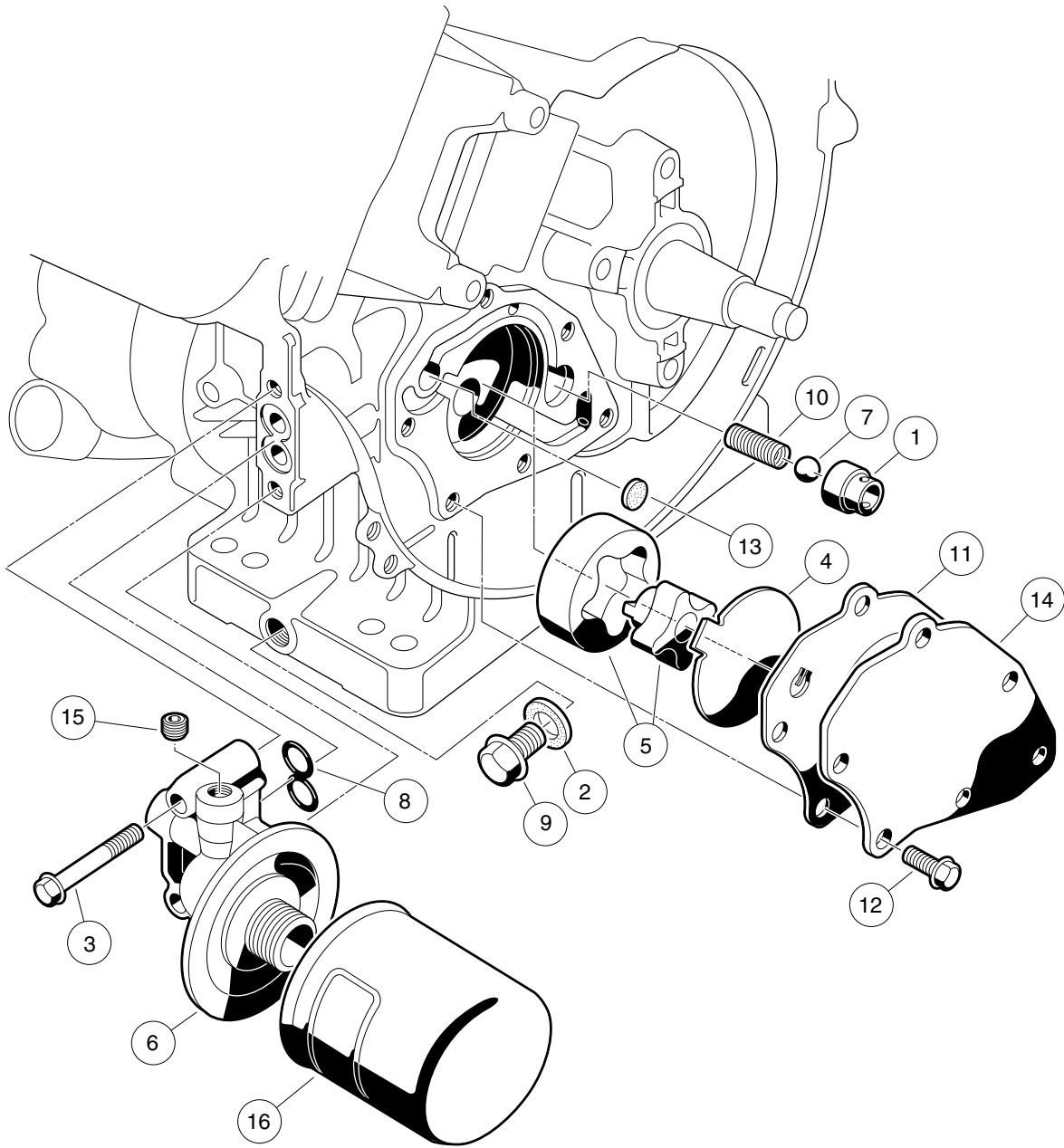


000202-004

FE350 ENGINE (S27) – IGNITION COMPONENTS AND FLYWHEEL

| ITEM | PART NO. | DESCRIPTION | QTY |
|------|------------------|-------------------------------|-----|
| | | 1 2 3 4 | |
| 1 | <u>1016455</u> | Bolt, Flange Head | 2 |
| 2 | <u>1016544</u> | Screw | 1 |
| 3 | <u>1016561</u> | Clamp | 1 |
| 4 | <u>1016562</u> | Key | 1 |
| 5 | <u>1016578</u> | Grommet, Ignition | 1 |
| 6 | <u>1016587</u> | Clamp | 1 |
| 7 | <u>1016588</u> | Tube, 7mm X 10mm X 70mm | 1 |
| 8 | <u>1017448</u> | Bolt, Flanged | 3 |
| 9 | <u>1017455</u> | Plate, Flywheel Fan | 1 |
| 10 | <u>1017463</u> | Cap Asm, Plug | 1 |
| 11 | <u>1017490</u> | Washer, Flat | 1 |
| 12 | <u>101916301</u> | Fan (cw) | 1 |
| 13 | <u>102838401</u> | Nut, Hex, 18 mm Fine | 1 |
| 14 | <u>103616501</u> | Coil Asm, Ignition | 1 |
| 15 | <u>103616601</u> | Flywheel, Complete | 1 |
| 16 | <u>103616701</u> | Wire Lead, Ignition | 1 |
| 17 | <u>AM1232301</u> | Spark Plug, BPR2ES | 1 |

9
G



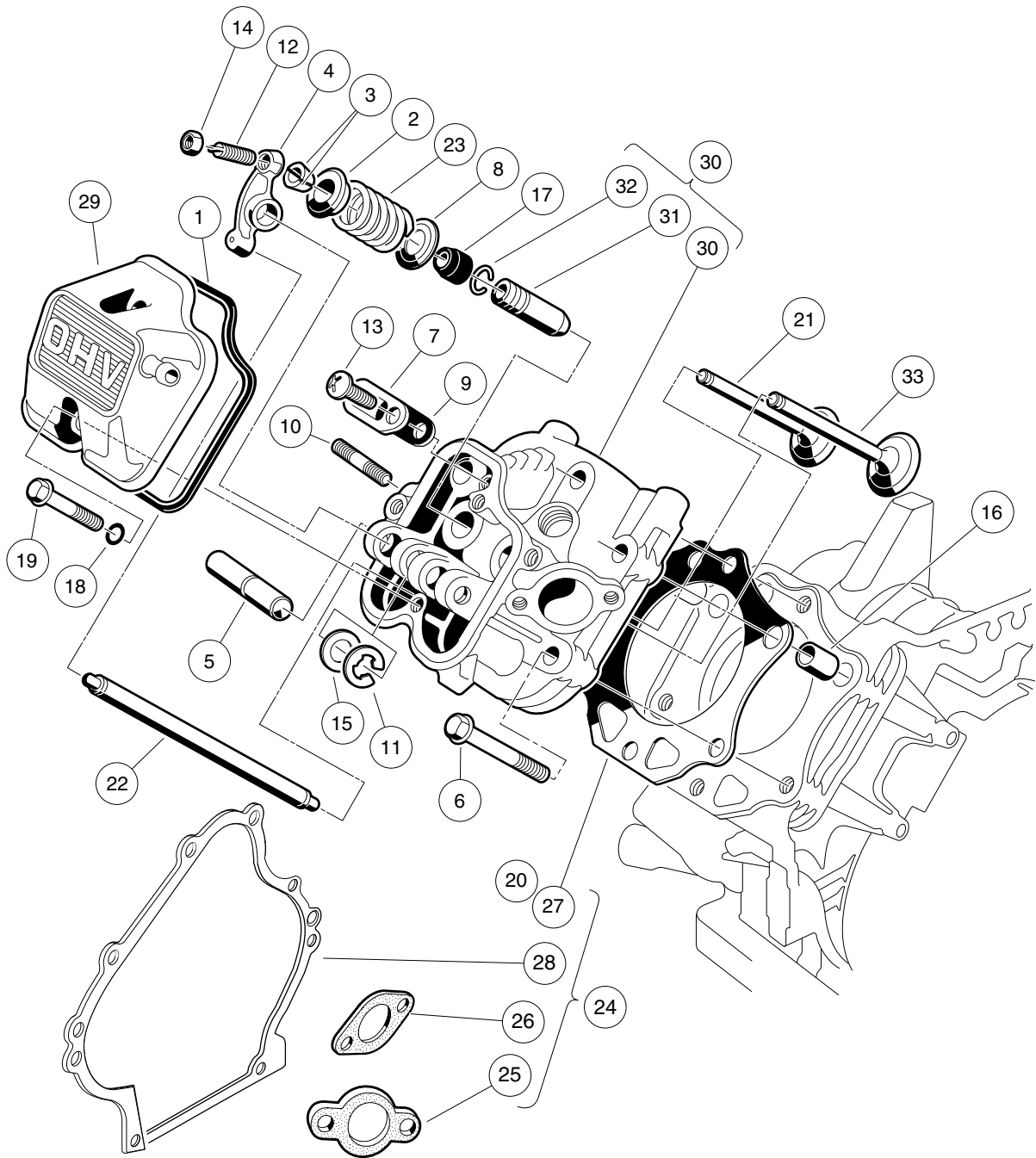
000203-002

FE350 ENGINE (S27) – OIL CIRCULATION

| ITEM | PART NO. | DESCRIPTION | QTY |
|------|------------------|---------------------------------------|-----|
| | | 1 2 3 4 | |
| 1 | 1016429 | Seat, Valve Oil Pressure Relief | 1 |
| 2 | <u>1016432</u> | Gasket, Drain Plug | 1 |
| 3 | <u>1016457</u> | Bolt, Flange Head | 2 |
| 4 | <u>1016473</u> | Plate, Oil Pump | 1 |
| 5 | <u>101648203</u> | Oil Pump And Rotor | 1 |
| 6 | <u>1016502</u> | Bracket, Oil Filter Mount | 1 |
| 7 | <u>1016537</u> | Ball, Steel, Press, Relief | 1 |
| 8 | <u>1016570</u> | O-Ring | 1 |
| 9 | 1016576 | Plug, Drain | 1 |
| 10 | <u>1016581</u> | Spring | 1 |
| 11 | <u>1017442</u> | Gasket | 1 |
| 12 | <u>1017456</u> | Bolt, Flanged | 6 |
| 13 | <u>1017458</u> | Filter | 1 |
| 14 | <u>1017460</u> | Cover, Pump | 1 |
| 15 | <u>1017507</u> | Plug | 2 |
| 16 | <u>103887901</u> | Filter, Oil, Kawasaki | 1 |

9

G



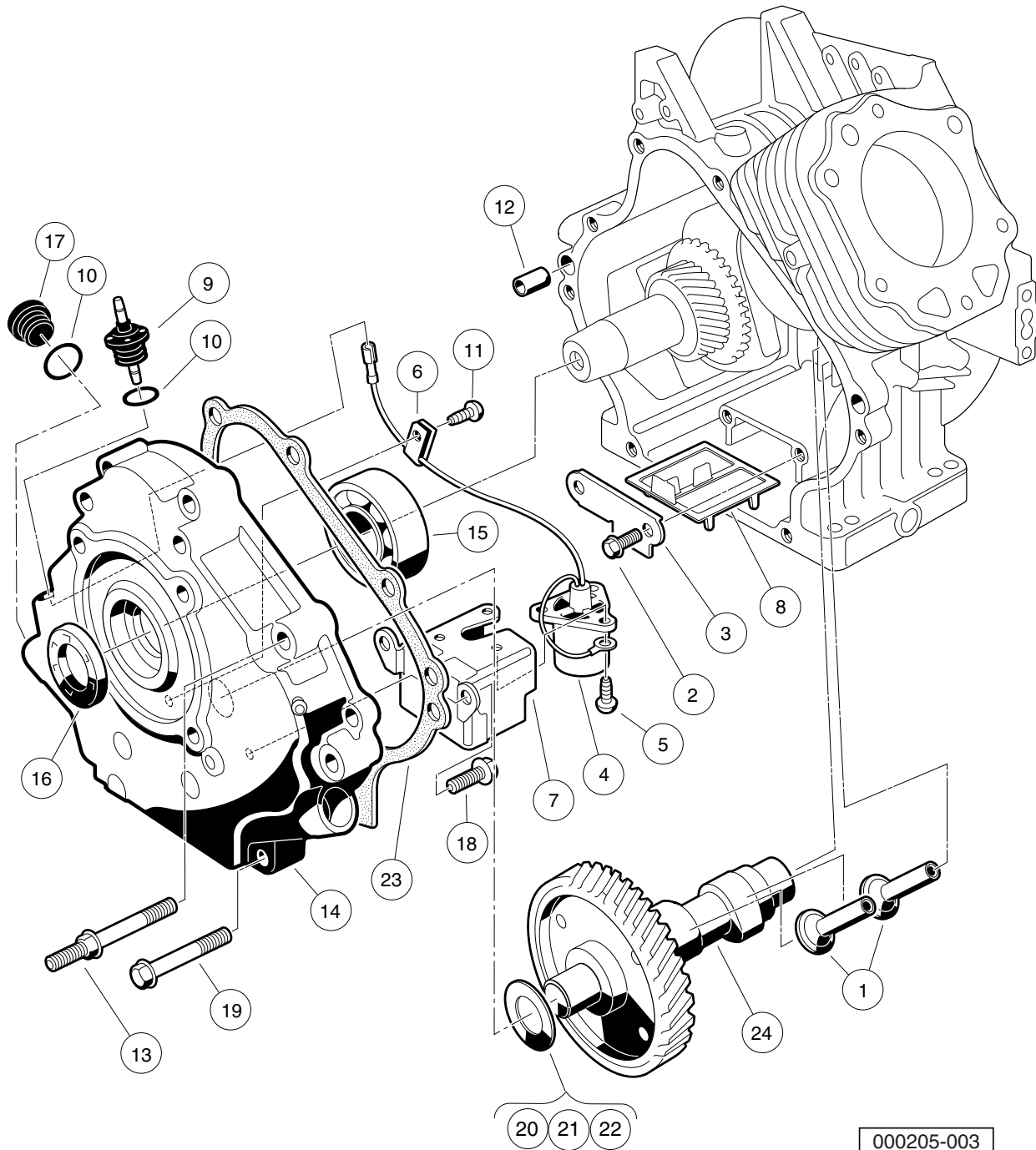
000204-007

FE350 ENGINE (S27) – CYLINDER HEAD

| ITEM | PART NO. | DESCRIPTION | QTY |
|------|------------------|---|-----|
| | | 1 2 3 4 | |
| 1 | <u>1016436</u> | Gasket, Rocker Case | 1 |
| 2 | <u>1016449</u> | Retainer, Valve Spring | 2 |
| 3 | <u>1016450</u> | Collet | 4 |
| 4 | <u>1016451</u> | Arm, Rocker | 2 |
| 5 | <u>1016452</u> | Shaft, Rocker | 1 |
| 6 | <u>1016458</u> | Bolt, Flange Head, M8 x 1.25 x 45 mm | 6 |
| 7 | <u>1016474</u> | Plate | 1 |
| 8 | <u>1016479</u> | Seat, Spring | 2 |
| 9 | <u>1016483</u> | Valve | 1 |
| 10 | <u>1016489</u> | Stud, Two-Ended, M8-1.25 | 2 |
| 11 | <u>1016517</u> | Circlip, Type-E | 1 |
| 12 | <u>1016542</u> | Screw | 2 |
| 13 | <u>1016544</u> | Screw | 1 |
| 14 | <u>1016545</u> | Nut | 2 |
| 15 | <u>1016549</u> | Washer, 12.1x19x1.8 | 1 |
| 16 | <u>1016563</u> | Pin | 2 |
| 17 | <u>1016566</u> | Seal, Oil | 2 |
| 18 | <u>1016569</u> | O-Ring | 2 |
| 19 | <u>1016583</u> | Bolt, 6x35 | 2 |
| 20 | <u>1017434</u> | Gasket, Head | 1 |
| 21 | <u>1017445</u> | Valve, Exhaust | 1 |
| 22 | <u>1017454</u> | Rod, Push | 2 |
| 23 | <u>1017473</u> | Spring, Engine Valve | 2 |
| 24 | <u>102304801</u> | Kit, Gasket, FE350 (includes items 25 through 28) | 1 |
| 25 | <u>1016440</u> | Gasket, Engine to Insulator | 1 |
| 26 | <u>1016904</u> | Gasket, Exhaust | 1 |
| 27 | <u>1017434</u> | Gasket, Head | 1 |
| 28 | <u>1017443</u> | Gasket, Crankcase Cover | 1 |
| 29 | <u>102753401</u> | Case, Rocker, Fe | 1 |
| 30 | <u>103615601</u> | Cylinder Head (includes items 31 and 32) | 1 |
| 31 | <u>1016519</u> | Guide, Valve, Intake, Exhaust | 2 |
| 32 | <u>1016560</u> | Snap Ring | 2 |
| 33 | <u>103616301</u> | Valve, Intake, Hard Tip | 1 |
| | | Note: Item 25 is not a component of the FE350 engine. | |

9

G

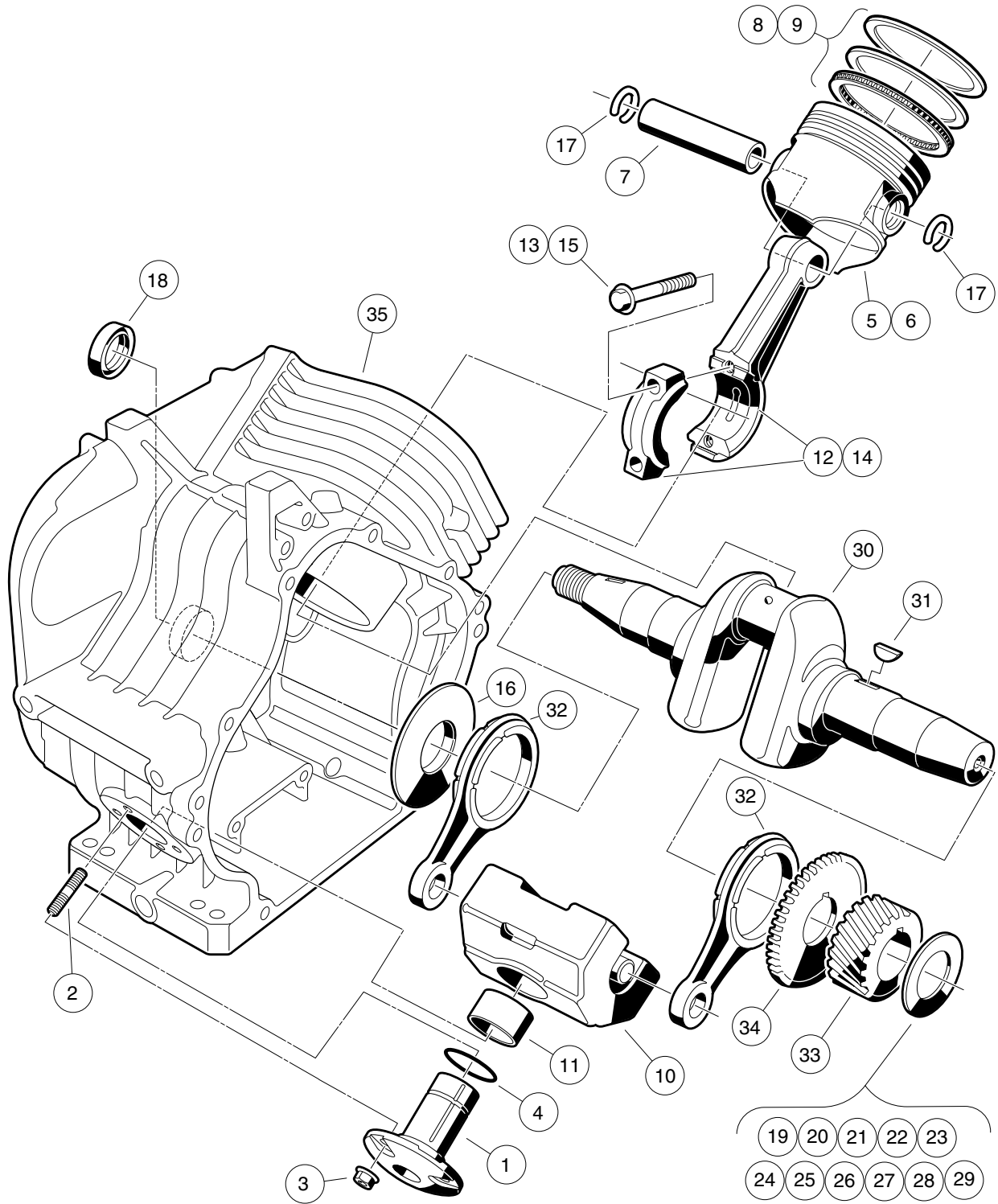


000205-003

FE350 ENGINE (S27) – CRANKCASE, CAMSHAFT, AND OIL SENSOR

| ITEM | PART NO. | DESCRIPTION | QTY |
|------|------------------|--|-----|
| | | 1 2 3 4 | |
| 1 | 1016453 | Tapet | 2 |
| 2 | <u>1016454</u> | Bolt, Flange Head, M5 x 0.8 x 8 mm | 2 |
| 3 | <u>1016472</u> | Plate, Oil Filter Screen | 1 |
| 4 | 1016494 | Sensor, Oil Level | 1 |
| 5 | <u>1016496</u> | Screw, Cross Pan-Head, M4 x 0.7 x 8 mm | 3 |
| 6 | <u>1016506</u> | Clamp | 1 |
| 7 | <u>1016510</u> | Bracket, Switch, Oil Level | 1 |
| 8 | <u>1016521</u> | Screen, Oil Filter | 1 |
| 9 | <u>1016535</u> | Connector, Cord | 1 |
| 10 | <u>1016538</u> | O-Ring | 2 |
| 11 | <u>1016544</u> | Screw | 1 |
| 12 | <u>1016564</u> | Pin | 2 |
| 13 | <u>1016584</u> | Bolt, Two-Ended, M8 x 1.25 x 69 mm | 2 |
| 14 | <u>1017472</u> | Cover Crankcase | 1 |
| 15 | <u>1017487</u> | Bearing, Ball | 1 |
| 16 | <u>1017504</u> | Seal, Oil | 1 |
| 17 | 1017508 | Plug | 1 |
| 18 | <u>1017513</u> | Bolt Switch Bracket | 2 |
| 19 | <u>1017514</u> | Screw, M8-1.25 X 45mm Hex | 6 |
| 20 | <u>101751801</u> | Shim, 0.3 | 1 |
| 21 | <u>101751802</u> | Shim, 0.4 | 1 |
| 22 | <u>101751803</u> | Shim, 0.5 | 1 |
| 23 | <u>103615901</u> | Gasket, Crankcase Cover | 1 |
| 24 | <u>103616401</u> | Camshaft, Complete | 1 |

9
G



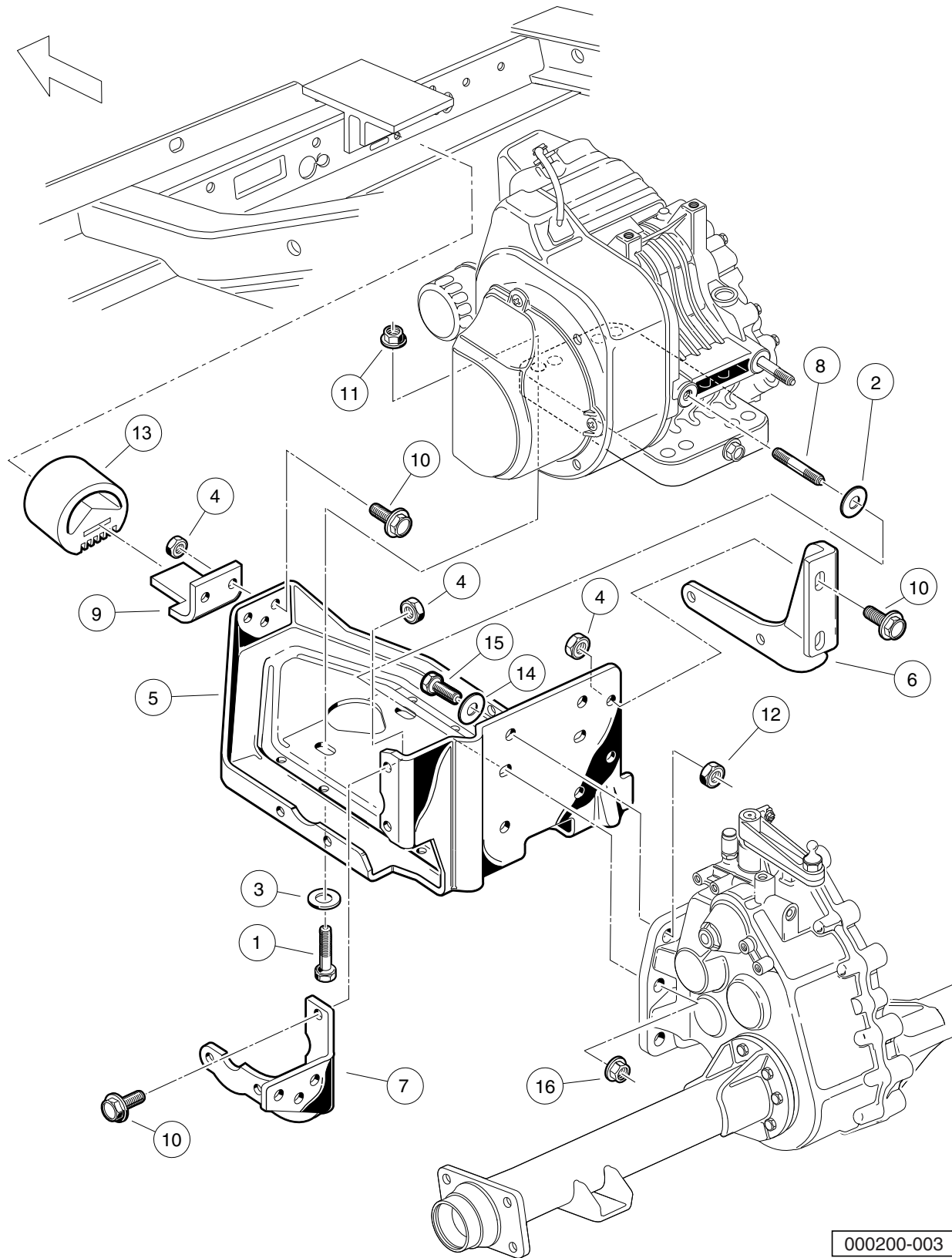
000206-003

FE350 ENGINE (S27) – CRANKCASE AND CRANKSHAFT

| ITEM | PART NO. | DESCRIPTION | QTY |
|------|------------------|--|-----|
| | | 1 2 3 4 | |
| 1 | 1016470 | Shaft, Guide, Counterbalance | 1 |
| 2 | <u>1016541</u> | Stud, 6x14 | 4 |
| 3 | 1016547 | Nut, Flanged, M6 X 1.00 | 4 |
| 4 | <u>1016571</u> | O-Ring | 1 |
| 5 | <u>101744901</u> | Piston, Standard | 1 |
| 6 | <u>101744902</u> | Piston, 0.50 mm Oversize | 1 |
| 7 | 1017450 | Pin, Piston | 1 |
| 8 | <u>101745101</u> | Ring Set, Standard Piston | 1 |
| 9 | <u>101745102</u> | Ring Set, Piston, 0.50 mm Oversize | 1 |
| 10 | <u>1017453</u> | Counterbalance Weight (includes item 11) | 1 |
| 11 | 1017510 | Bearing, Plain | 1 |
| 12 | 101745701 | Asm, Con. Rod Std (includes item 13) | 1 |
| 13 | <u>1017512</u> | Bolt | 2 |
| 14 | <u>101745702</u> | Asm, Con. Rod 0.5mm U/s (includes item 15) | 1 |
| 15 | <u>1017512</u> | Bolt | 2 |
| 16 | 1017501 | Spacer | 1 |
| 17 | <u>1017502</u> | Snap Ring | 2 |
| 18 | <u>1017503</u> | Seal, Oil | 1 |
| 19 | <u>101773301</u> | Shim, Crankshaft, 1.18mm | 1 |
| 20 | <u>101773302</u> | Shim, Crankshaft, 1.25mm | 1 |
| 21 | <u>101773303</u> | Shim, Crankshaft, 1.32mm | 1 |
| 22 | <u>101773304</u> | Shim, Crankshaft, 1.39mm | 1 |
| 23 | <u>101773305</u> | Shim, Crankshaft, 1.46mm | 1 |
| 24 | <u>101773306</u> | Shim, Crankshaft, 1.53mm | 1 |
| 25 | <u>101773307</u> | Shim, Crankshaft, 1.60mm | 1 |
| 26 | <u>101773308</u> | Shim, Crankshaft, 1.67mm | 1 |
| 27 | <u>101773309</u> | Shim, Crankshaft, 1.74mm | 1 |
| 28 | <u>101773310</u> | Shim, Crankshaft, 1.11 mm | 1 |
| 29 | <u>101773311</u> | Shim, Crankshaft, 1.81mm | 1 |
| 30 | <u>102430901</u> | Crankshaft, FE350 Left-Hand, 22-Tooth (includes items 31 through 34) | 1 |
| 31 | <u>1016562</u> | Key | 1 |
| 32 | <u>1017471</u> | Rod | 2 |
| 33 | N/A | Gear, Helical | 1 |
| 34 | N/A | Gear, Spur | 1 |
| 35 | <u>103615801</u> | Crankcase, FE350 | 1 |

9

G



000200-003

FE350 ENGINE (S27) – MOUNTING

| ITEM | PART NO. | DESCRIPTION | QTY |
|------|------------------|---------------------------------------|-----|
| | | 1 2 3 4 | |
| 1 | <u>1010577</u> | Bolt, Hex-Head, 5/16-18 X 1.50 | 4 |
| 2 | <u>1011697</u> | Washer, 5/16 Flat | 2 |
| 3 | 1012571 | Washer, 5/16 Extra Thick Flat | 4 |
| 4 | <u>1013924</u> | Nut, 5/16-24, Hex Head Cone | 10 |
| 5 | <u>101827101</u> | Plate, Engine Mounting | 1 |
| 6 | <u>101832601</u> | Stiffener (PTO Side) | 1 |
| 7 | <u>101832701</u> | Stiffener (Flywheel Side) | 1 |
| 8 | <u>101833101</u> | Stud, M8-1.25 X 50 mm Two-Ended | 2 |
| 9 | <u>101834601</u> | Bracket, Snubber | 1 |
| 10 | <u>101884801</u> | Screw, 5/16-24 X 0.875, Grade-8 | 10 |
| 11 | <u>101963401</u> | Locknut, 5/16-18 Hex Flange | 4 |
| 12 | <u>102065901</u> | Locknut, 3/8-16 Flanged Dimple | 4 |
| 13 | <u>102540301</u> | Snubber, Inner Frame | 1 |
| 14 | <u>334</u> | Washer, 3/8, Type A, Flat | 4 |
| 15 | 705 | Screw, Cap-hex Hd 3/8-16x1.25 | 4 |
| 16 | <u>96704416</u> | Nut, Flange, M8 X 1.25 Serrated | 2 |

9

G

9

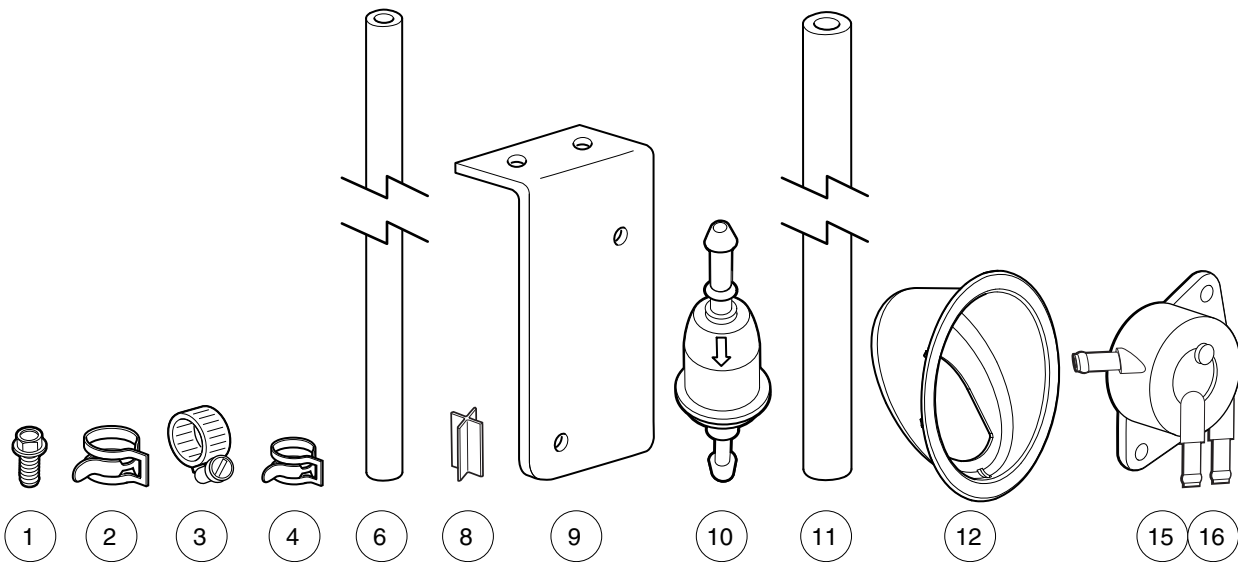
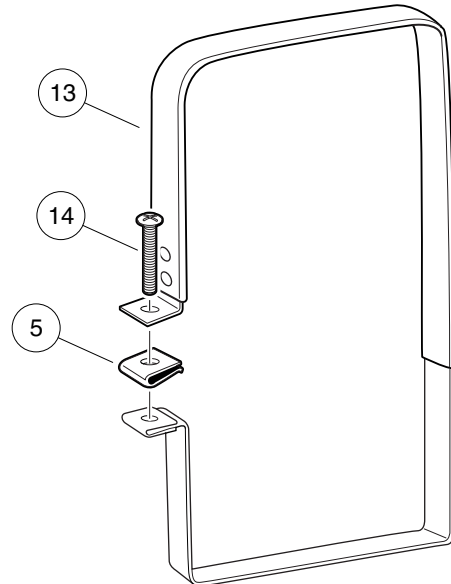
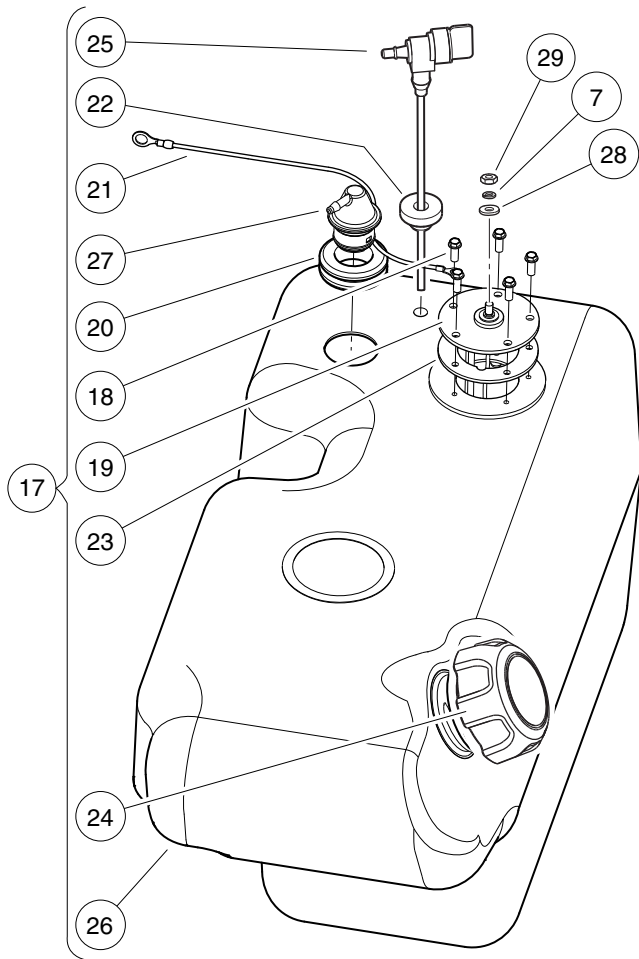
G

FUEL, INTAKE, AND GOVERNOR SYSTEMS

10

G

10
G



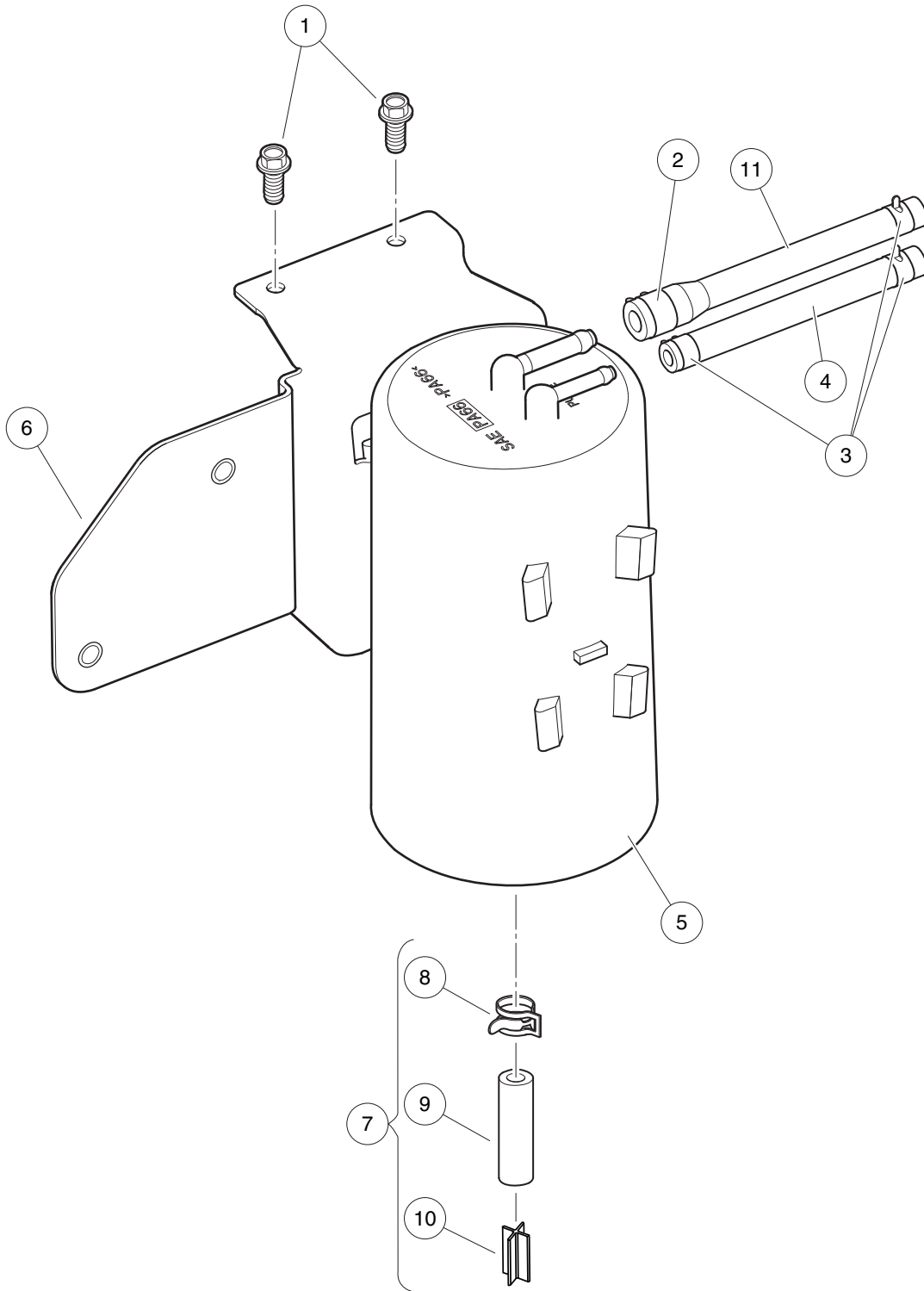
001072-006

FUEL SYSTEM, 50-STATE

| ITEM | PART NO. | DESCRIPTION | QTY |
|------|------------------|--|-----|
| | | 1 2 3 4 | |
| 1 | <u>1012285</u> | Screw, 1/4 X 0.625 Hex-Head | 4 |
| 2 | <u>1012649</u> | Clamp, 0.460 Red Hose | 8 |
| 3 | <u>1013687</u> | Clamp, 3/8" Hose (screw type) | 1 |
| 4 | <u>1013746</u> | Clamp, 0.301 ID Hose | 2 |
| 5 | <u>1014116</u> | Nut, 1/4-20 Speed | 1 |
| 6 | <u>1015137</u> | Fuel Line, 3/16 (available by the foot) | A/R |
| 7 | <u>1016</u> | Lockwasher, #10 Split | 1 |
| 8 | <u>101824401</u> | Vent Barb | 1 |
| 9 | <u>101929501</u> | Mount Fuel Pump | 1 |
| 10 | <u>102003201</u> | Filter, Fuel, 30 Micron | 2 |
| 11 | <u>102865101</u> | Fuel Line, 1/4 (available by the foot) | A/R |
| 12 | <u>102977901</u> | Bezel, Fuel Fill, 5.0 Dia | 1 |
| 13 | <u>102978001</u> | Strap, Fuel Tank, Side Fill | 1 |
| 14 | <u>103306301</u> | Screw, Bhsc, 1/4-20 X 2.0 | 1 |
| 15 | <u>103781101</u> | Kit, Fuel Pump Retrofit (includes item 16) | 1 |
| 16 | <u>103010101</u> | Pump, Fuel, Impulse, Fh | 1 |
| 17 | 103956801 | Asm, Fuel Tank,side Fill,nano (includes items 18 through 27) | 1 |
| 18 | <u>1013461</u> | Screw, #10-16 Hex-Head Hi-Lo | 5 |
| 19 | <u>1013462</u> | Sending Unit, Fuel Level * | 1 |
| 20 | <u>1015139</u> | Insulation Grommet | 1 |
| 21 | 1015921 | Wire Assembly #16 Black | 1 |
| 22 | <u>102406701</u> | Bushing, Line, Return | 1 |
| 23 | <u>102522001</u> | Gasket, Rubber | 1 |
| 24 | <u>103372101</u> | Cap, Fuel Tank, Gas, Ratchet | 1 |
| 25 | <u>103372301</u> | Valve, Fuel, 259mm | 1 |
| 26 | 103788001 | Tank, Fuel,side Fill,nano | 1 |
| 27 | <u>103905201</u> | Assembly, Vent, Fuel, 1/4 Inch O.D. | 1 |
| 28 | <u>183</u> | Washer, #10, Type A, Flat | 1 |
| 29 | <u>8797</u> | Nut, #10-32 Brass Hex | 1 |
| | | * Note: Must replace fuel sending unit gasket when servicing this component. | |

10

G



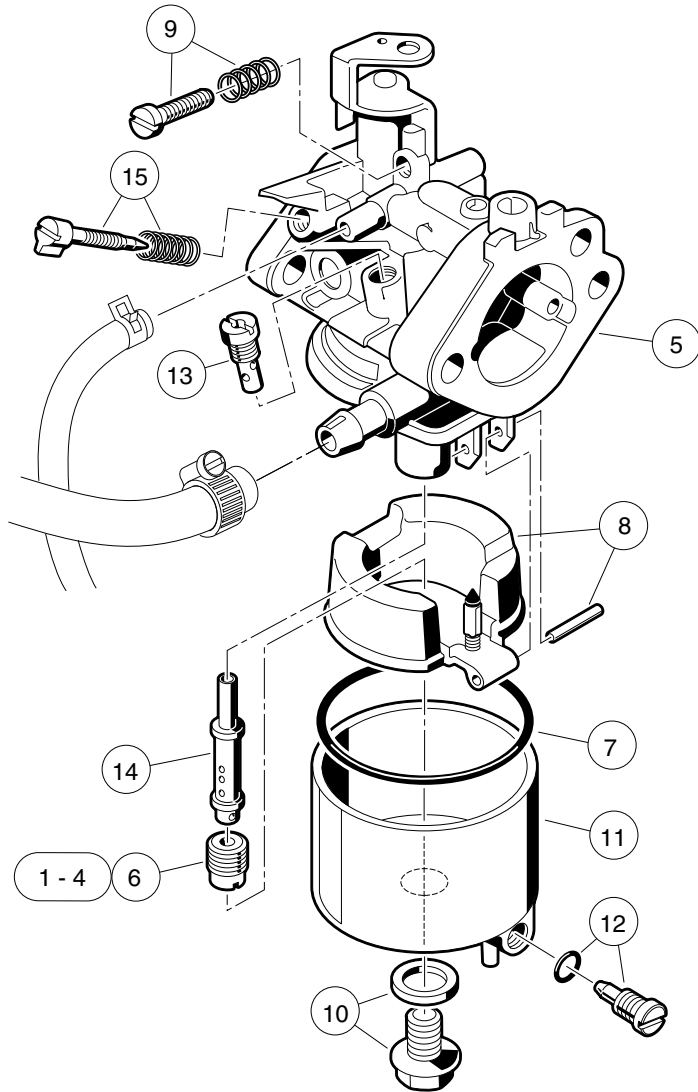
000980-008

CARBON CANISTER

| ITEM | PART NO. | DESCRIPTION | QTY |
|------|------------------|---|-----|
| | | 1 2 3 4 | |
| 1 | <u>1012285</u> | Screw, 1/4 X 0.625 Hex-Head | 2 |
| 2 | <u>101313402</u> | Clamp, Green Hose | 1 |
| 3 | <u>1013746</u> | Clamp, 0.301 ID Hose | 3 |
| 4 | <u>1015137</u> | Fuel Line, 3/16 (available by the foot) | A/R |
| 5 | <u>103372401</u> | Canister, Carbon | 1 |
| 6 | <u>103372801</u> | Bracket, Carbon Canister, Sw | 1 |
| 7 | <u>103418601</u> | Asm, Vent Line, Utility (includes items 8 through 10) | 1 |
| 8 | <u>1012649</u> | Clamp, 0.460 Red Hose | 1 |
| 9 | N/A | Hose, Vent, 5/16 I.D., Bulk | A/R |
| 10 | N/A | Vent, Barb, 5/16 I.D. Hose | 1 |
| 11 | <u>103851201</u> | Hose, Vent Flared, 9.0 Inch | 1 |

10

G



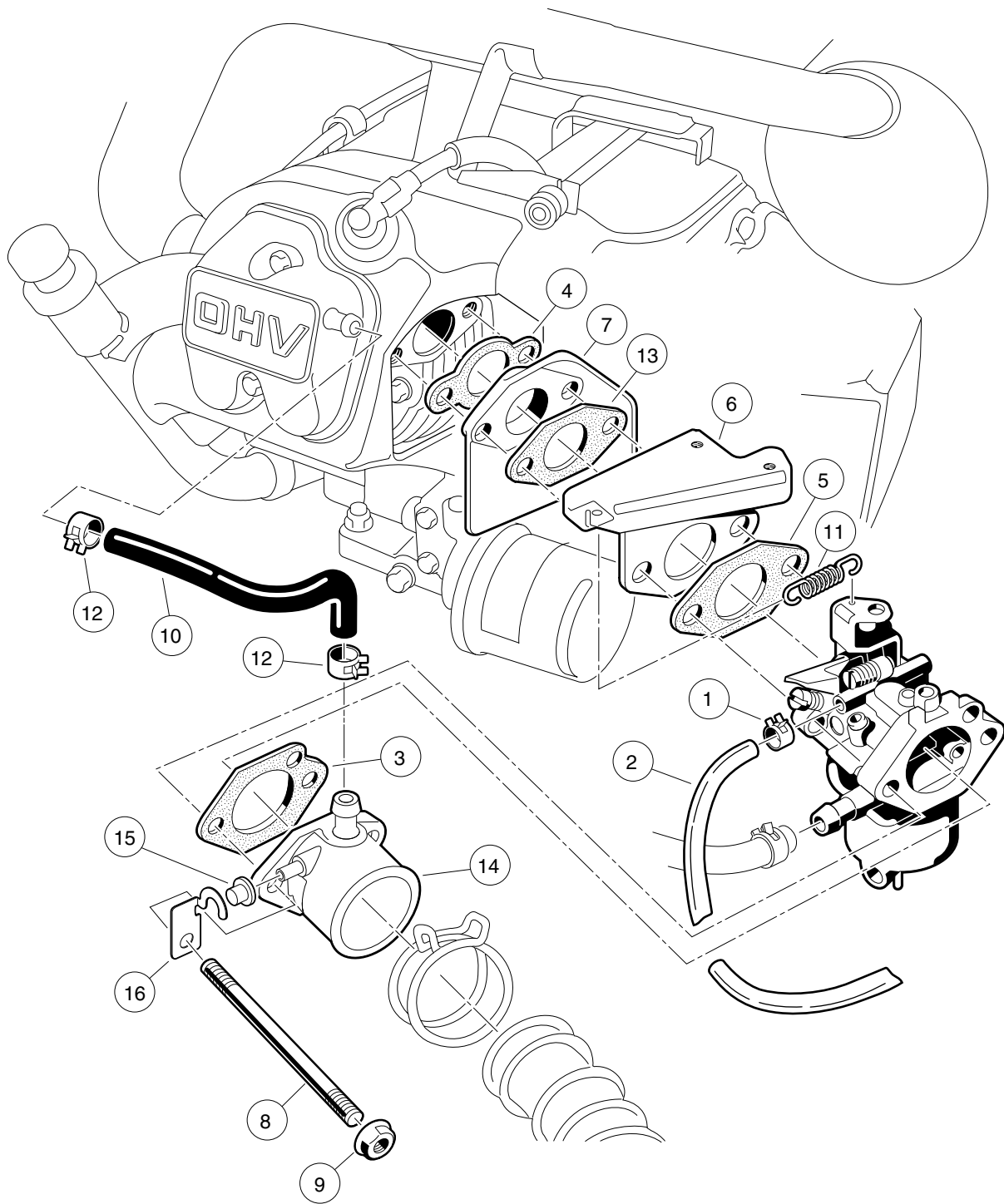
000212-002

CARBURETOR ASSEMBLY – FE350 S27

| ITEM | PART NO. | DESCRIPTION | QTY |
|--|------------------|---|-----|
| | | 1 2 3 4 | |
| 1 | <u>101642575</u> | Jet, Altitude, # 75 | 1 |
| 2 | <u>101642578</u> | Jet, Altitude, # 78 | 1 |
| 3 | <u>101642580</u> | Jet, Altitude, # 80 | 1 |
| 4 | <u>101642582</u> | Jet, Altitude, # 82 | 1 |
| 5 | <u>103617101</u> | Carburetor, FE350 S27 (includes items 6 through 15) | 1 |
| 6 | <u>101642585</u> | Jet, Altitude, # 85 | 1 |
| 7 | <u>1016437</u> | Gasket, Carburetor Bowl OHV | 1 |
| 8 | 1016486 | Float Assembly | 1 |
| 9 | <u>1016501</u> | Screw Assembly | 1 |
| 10 | 1016585 | Bolt | 1 |
| 11 | <u>1017461</u> | Chamber Assembly, Float (includes item 12) | 1 |
| 12 | <u>1016499</u> | Screw Assembly | 1 |
| 13 | <u>101973101</u> | Jet, #40 Pilot | 1 |
| 14 | <u>101973301</u> | Nozzle, Main | 1 |
| 15 | N/A | Assembly, Pilot Air Screw | 1 |
| Note: <u>101642585</u> for 0 - 3,200 feet; <u>101642582</u> for 3,200 - 6,500 feet; <u>101642580</u> for 6,500 - 9,800 feet; <u>101642578</u> for 9,800 feet and above. | | | |

10

G



000214-002

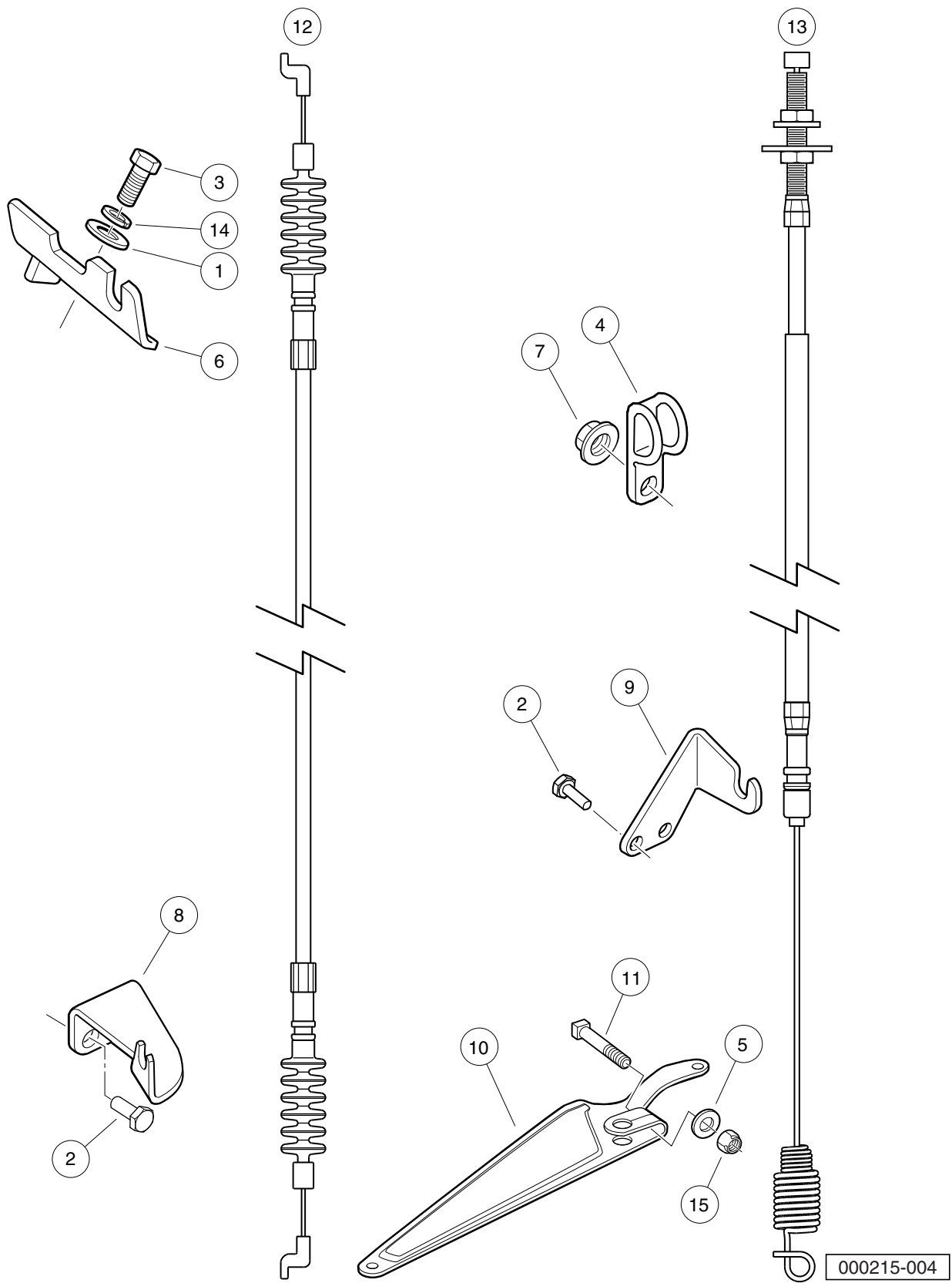
CARBURETOR MOUNTING, UTILITY, FE350 S27

| ITEM | PART NO. | DESCRIPTION | QTY |
|------|------------------|---|-----|
| | | 1 2 3 4 | |
| 1 | <u>1013746</u> | Clamp, 0.301 ID Hose | 1 |
| 2 | <u>1015137</u> | Fuel Line, 3/16 (available by the foot) | 1 |
| 3 | <u>1016438</u> | Gasket, Carb To Intake Manifold | 1 |
| 4 | <u>1016440</u> | Gasket, Engine to Insulator | 1 |
| 5 | <u>1016441</u> | Gasket, Sprg Brkt To Carb OHV | 1 |
| 6 | <u>1016444</u> | Bracket, Throttle Spring Return | 1 |
| 7 | 101648102 | Insulator, Carburetor | 1 |
| 8 | <u>101649002</u> | Stud, M6-1.00 Two-Ended | 2 |
| 9 | 1016547 | Nut, M6 Flange | 2 |
| 10 | <u>1016572</u> | Tube, Crankcase Vent | 1 |
| 11 | <u>1016582</u> | Spring, Throttle Return | 1 |
| 12 | <u>1017466</u> | Clamp | 2 |
| 13 | <u>101973401</u> | Gasket, Insulator To Bracket | 1 |
| 14 | 103507101 | Carburetor Adapter w/ Tap | 1 |
| 15 | 103507201 | Plug, Intake Manifold, Carb | 1 |
| 16 | 103507301 | Bracket, Intake Manifold, Carb | 1 |

10

G

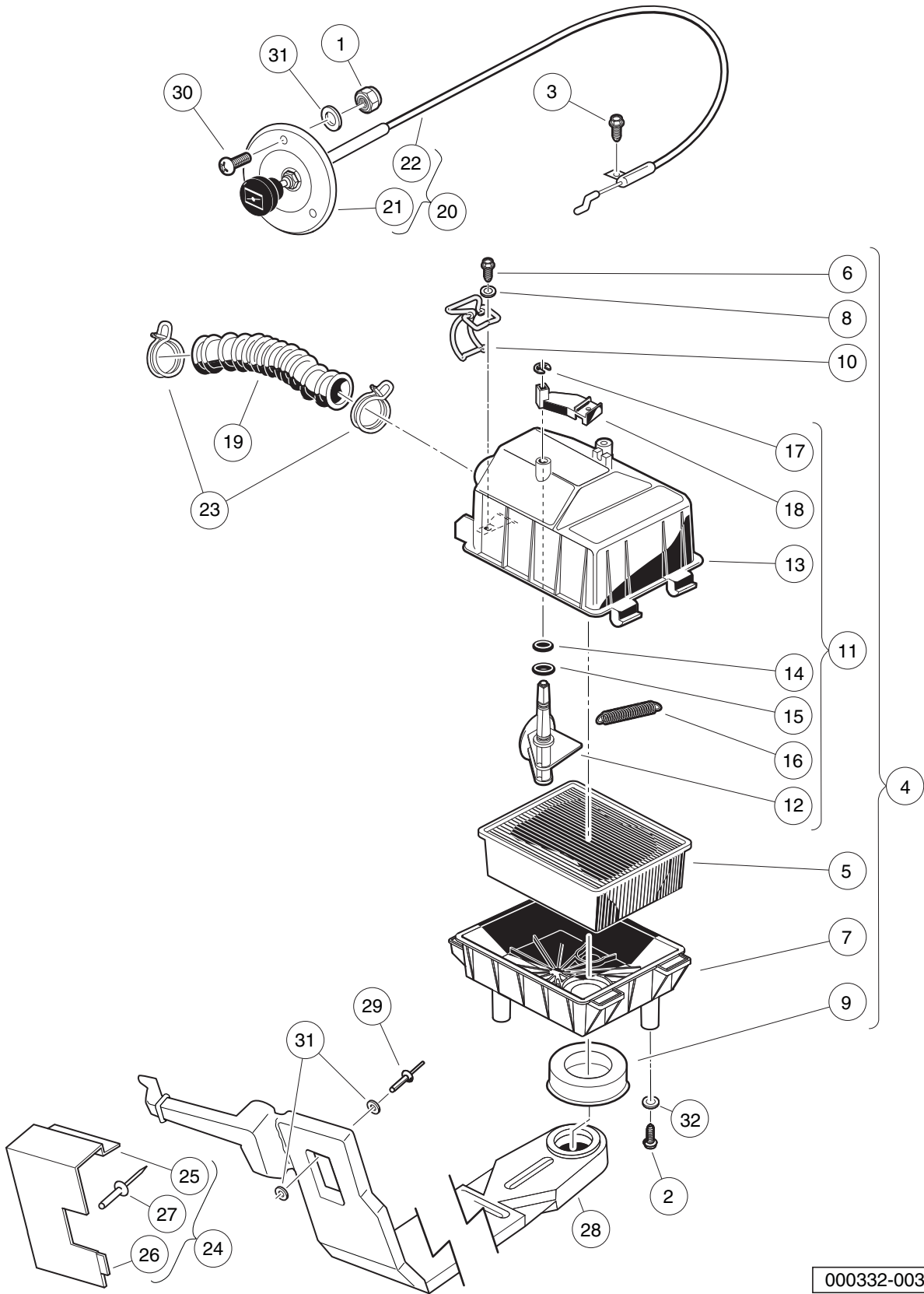
10
G



GOVERNOR AND ACCELERATOR CABLES

| ITEM | PART NO. | DESCRIPTION | QTY |
|------|------------------|---|-----|
| | | 1 2 3 4 | |
| 1 | <u>1011697</u> | Washer, 5/16 Flat | 1 |
| 2 | <u>1012285</u> | Screw, 1/4 X 0.625 Hex-Head | 4 |
| 3 | <u>1012830</u> | Screw, M8-125 X 22 Hex-Head | 1 |
| 4 | <u>1013700</u> | Clamp | 2 |
| 5 | <u>1014007</u> | Washer, 1/4, Flat | 1 |
| 6 | <u>101584502</u> | Bracket, Governor Cable Snap-In | 1 |
| 7 | <u>1016546</u> | Nut | 2 |
| 8 | <u>101832202</u> | Bracket, Rear Governor Cable Snap-In | 1 |
| 9 | <u>101832302</u> | Bracket, Rear Accelerator Cable Snap-In | 1 |
| 10 | <u>101834801</u> | Arm, Governor | 1 |
| 11 | <u>101886101</u> | Screw, 1/4-20 X 1.00, Square-Head | 1 |
| 12 | <u>102336001</u> | Cable, Governor, Snap-In | 1 |
| 13 | <u>102336101</u> | Cable, Accelerator, Snap-In | 1 |
| 14 | <u>7174</u> | Lockwasher, 5/16 Split | 1 |
| 15 | <u>8233</u> | Locknut, 1/4-20, Nylon Insert | 1 |

10
G



000332-003

AIR FILTER AND INTAKE SYSTEM

| ITEM | PART NO. | DESCRIPTION | QTY |
|------|------------------|---|-----|
| | | 1 2 3 4 | |
| 1 | <u>1012438</u> | Locknut, #10-24 Nylon Insert | 3 |
| 2 | <u>1015752</u> | Screw, #12-16 X 0.625, Hi-Lo | 3 |
| 3 | <u>101804301</u> | Screw, #8 X 0.500, Hex-Head Hi-Lo | 1 |
| 4 | <u>101821501</u> | Assembly, Air Box (includes items 5 through 11) | 1 |
| 5 | <u>1015426</u> | Filter, Air | 1 |
| 6 | <u>101804301</u> | Screw, #8 X 0.500, Hex-Head Hi-Lo | 2 |
| 7 | <u>101811901</u> | Bottom, Air Box | 1 |
| 8 | <u>101881701</u> | Washer, #8 Stainless-Steel Flat | 2 |
| 9 | <u>101921501</u> | Seal, Intake | 1 |
| 10 | <u>101925701</u> | Latch, Wireform | 2 |
| 11 | <u>101972801</u> | Top Assy, Air Box (includes items 12 through 18) | 1 |
| 12 | N/A | Valve, Choke | 1 |
| 13 | N/A | Top, Air Box | 1 |
| 14 | N/A | O-Ring, 5/16 | 1 |
| 15 | N/A | O-Ring, 3/8 | 1 |
| 16 | <u>101812301</u> | Spring, Extension Return | 1 |
| 17 | <u>101813001</u> | Retaining Ring 0.25, Shaft | 1 |
| 18 | <u>101917601</u> | Lever, Choke | 1 |
| 19 | <u>101837101</u> | Hose, Air Intake | 1 |
| 20 | <u>101926801</u> | Cable, Choke (includes items 21 and 22) | 1 |
| 21 | <u>101933701</u> | Bezel, Choke Cable | 1 |
| 22 | N/A | Choke Cable without Bezel, Short | 1 |
| 23 | <u>101971301</u> | Clamp, 1.58" ID Hose | 2 |
| 24 | <u>102190702</u> | Kit, Air Duct Shield (includes items 25 through 27) | 1 |
| 25 | <u>102185401</u> | Tape, 3M VHB 4950 | 1 |
| 26 | N/A | Shield, Air Duct | 1 |
| 27 | <u>7973</u> | Rivet, 3/16 X .400 Blind | 1 |
| 28 | <u>103520401</u> | Duct, Air Intake, Ca li | 1 |
| 29 | <u>1606</u> | Rivet, 3/16 X .500 Alum Pop | 2 |
| 30 | <u>1631</u> | Screw, #10-24 X 0.75 Phillips Pan-Head | 3 |
| 31 | <u>183</u> | Washer, #10, Type A, Flat | 7 |
| 32 | <u>332</u> | Washer, 1/4 Type A Narrow Flat | 3 |

10

G

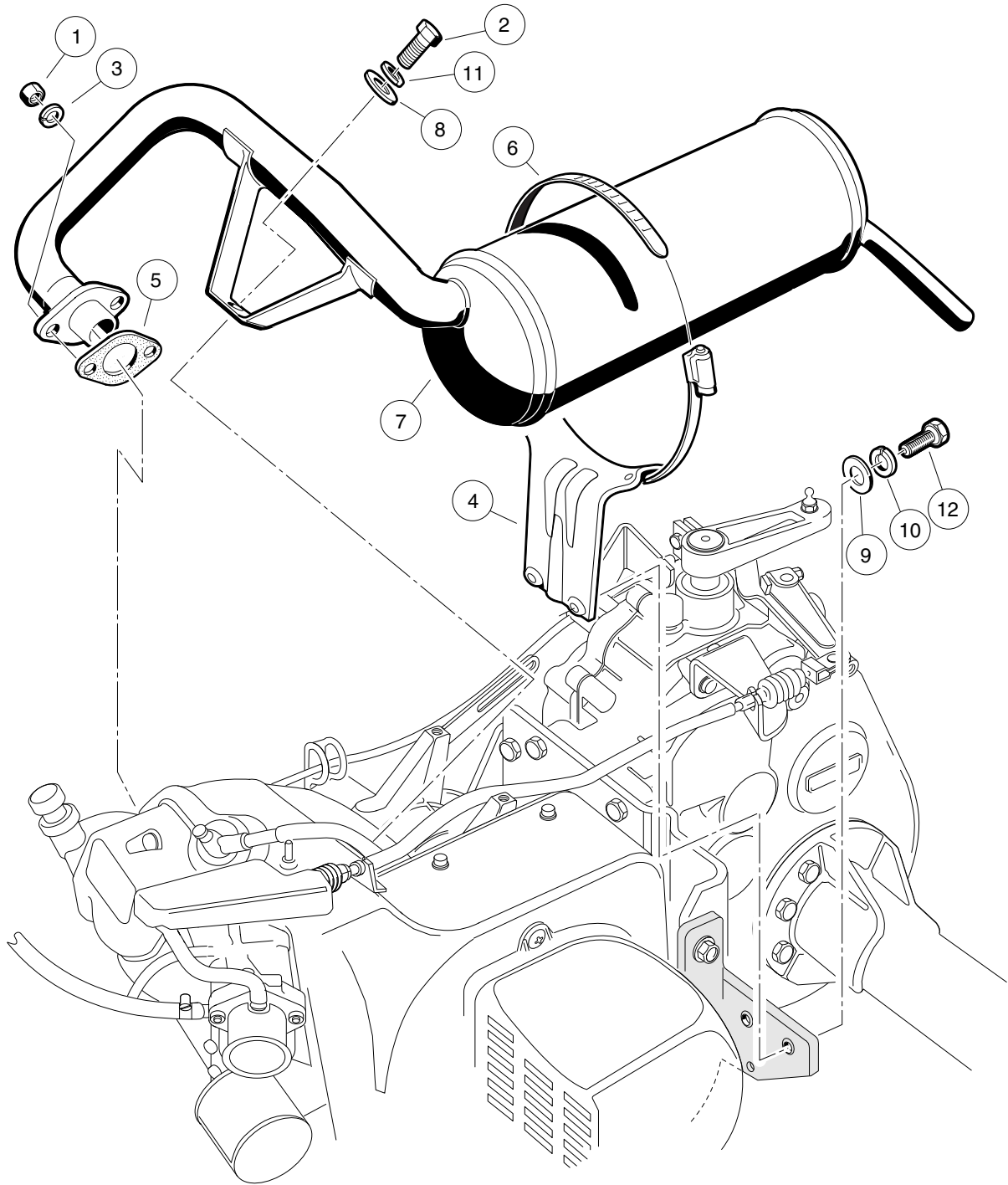
10

G

EXHAUST SYSTEM

11

G



000209-001

EXHAUST SYSTEM – FE350 ENGINE

| ITEM | PART NO. | DESCRIPTION | QTY |
|------|------------------|---|-----|
| | | 1 2 3 4 | |
| 1 | <u>1012528</u> | Nut, M8-1.25 Hex | 2 |
| 2 | <u>1012830</u> | Screw, M8-125 X 22 Hex-Head | 1 |
| 3 | <u>1013734</u> | Lockwasher, 8mm Split | 2 |
| 4 | <u>1015814</u> | Bracket, Muffler Mounting | 1 |
| 5 | <u>1016904</u> | Gasket, Exhaust | 1 |
| 6 | 1017689 | Clamp, 5" Muffler Hose | 1 |
| 7 | <u>101859401</u> | Exhaust System, FE350 | 1 |
| 8 | <u>1241</u> | Washer, 5/16 Type A Flat | 1 |
| 9 | <u>332</u> | Washer, 1/4 Type A Narrow Flat | 2 |
| 10 | <u>451</u> | Lockwasher, 1/4 Split | 2 |
| 11 | <u>7174</u> | Lockwasher, 5/16 Split | 1 |
| 12 | <u>7847</u> | Screw, 1/4-20 X 0.75 Hex-Head Cap | 2 |

11
G

11

G

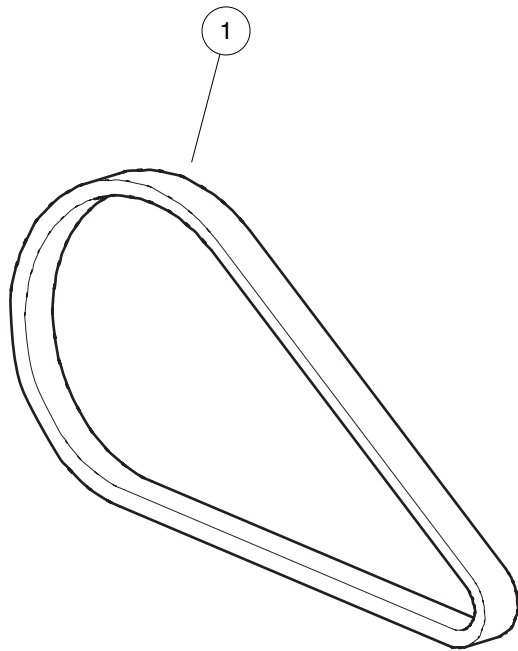
DRIVE BELT AND CLUTCHES

12

G

12

G

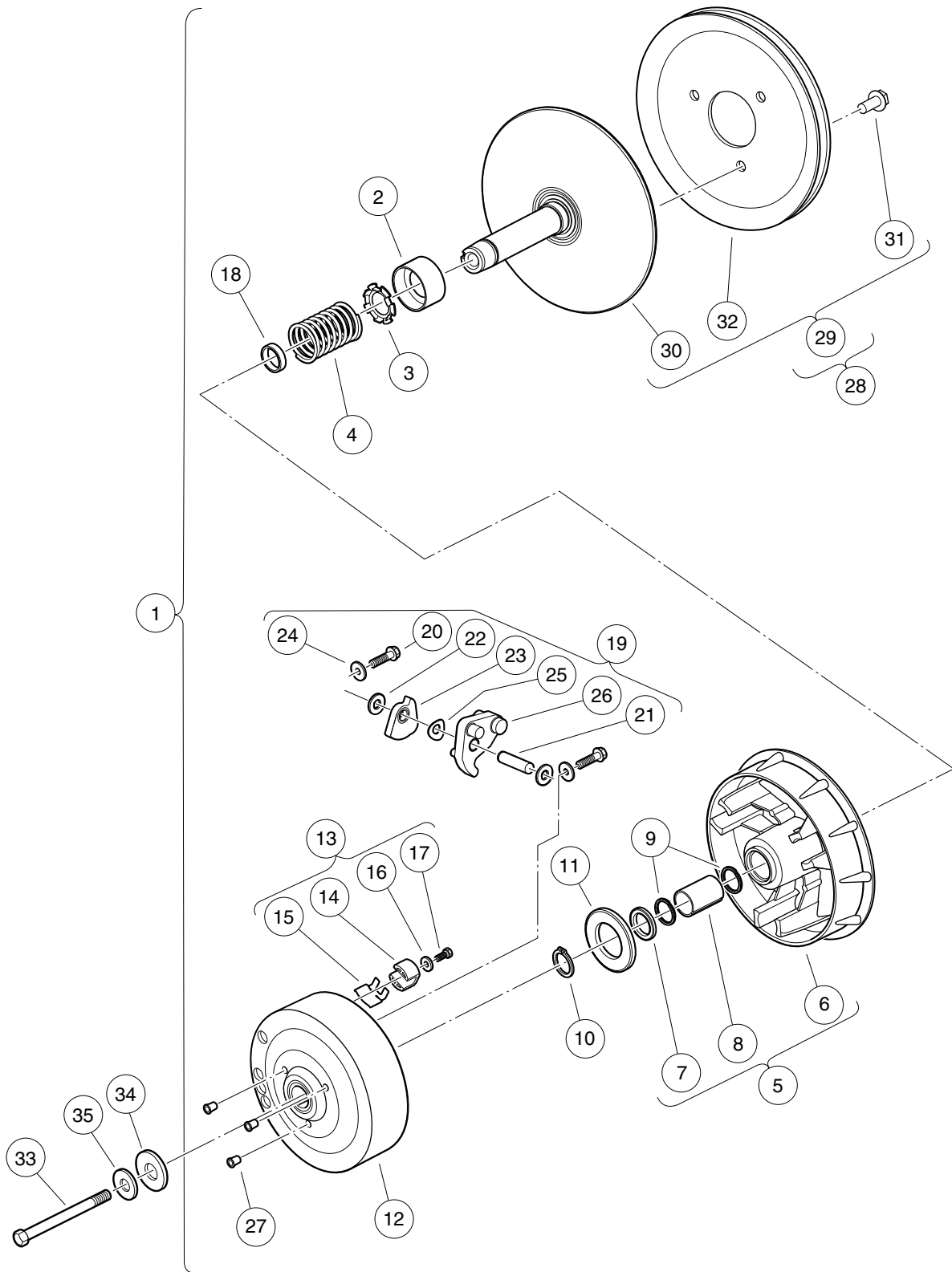


000918-001

DRIVE BELT

| ITEM | PART NO. | DESCRIPTION | QTY |
|------|----------------|--------------------------------------|-----|
| 1 | <u>1017188</u> | 1 2 3 4 Belt, Drive (FE350) | 1 |

12
G

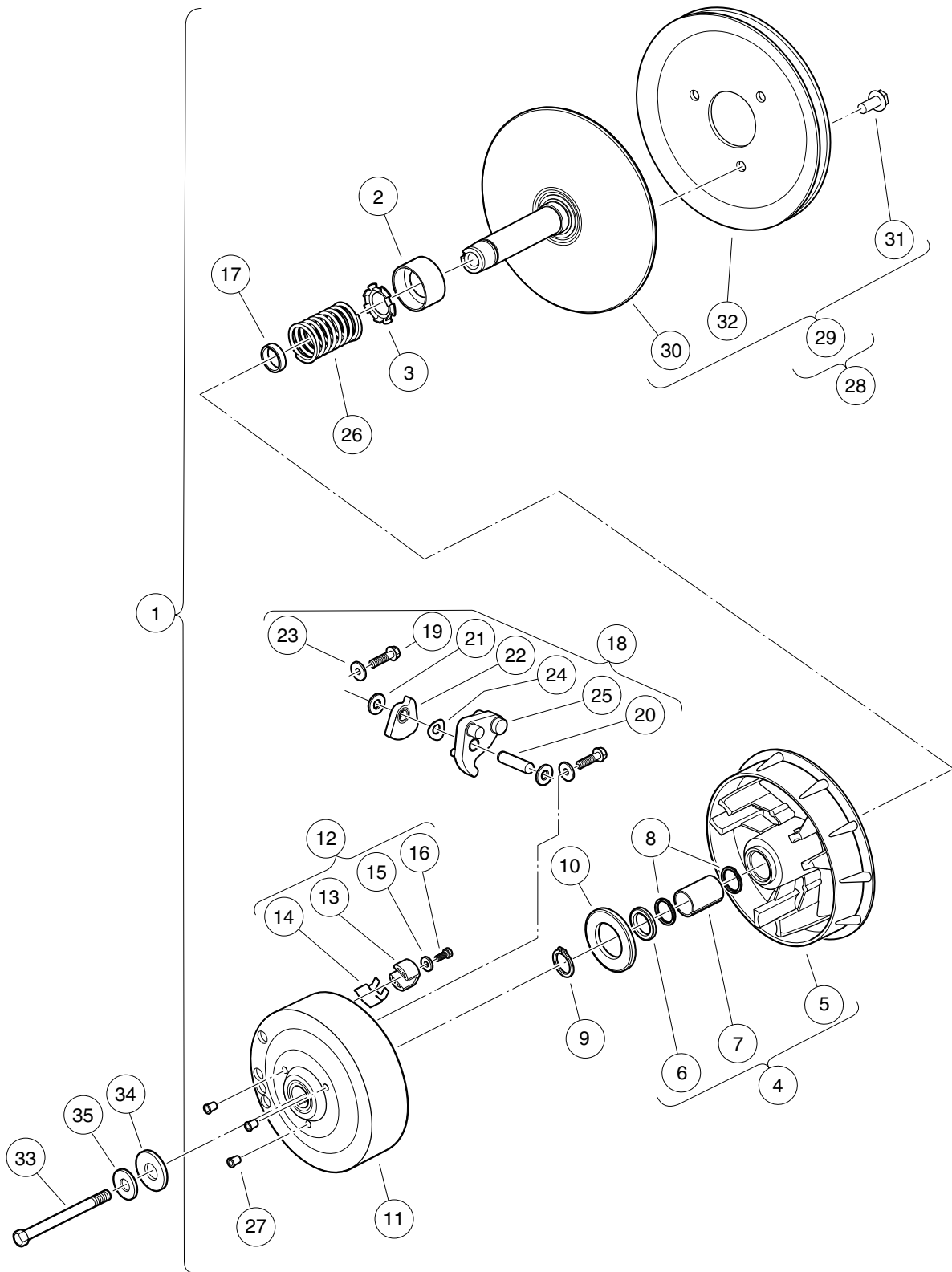


000217-006

DRIVE CLUTCH – TURF/CARRYALL 2 AND 252

| ITEM | PART NO. | DESCRIPTION | QTY |
|------|------------------|---|-----|
| | | 1 2 3 4 | |
| 1 | <u>101833902</u> | Clutch, Drive (includes items 2 through 28) | 1 |
| 2 | 1014049 | Bearing, Idler | 1 |
| 3 | <u>1014050</u> | Retainer, Spring | 1 |
| 4 | <u>1014051</u> | Spring, Drive Clutch | 1 |
| 5 | 1014052 | Movable-Face Assembly (includes items 6 through 8) | 1 |
| 6 | N/A | Drive Clutch Movable Face | 1 |
| 7 | <u>1014055</u> | Retainer | 1 |
| 8 | N/A | Bushing, Split, Drive Clutch | 1 |
| 9 | <u>1014056</u> | Ring, Spiral Backup | 2 |
| 10 | <u>1014057</u> | Ring, 0.810" Internal Retaining | 1 |
| 11 | 1014058 | Thrust Washer | 1 |
| 12 | 1014059 | Drive Hub Assy, Drive Clutch | 1 |
| 13 | <u>1014453</u> | Kit, Drive Clutch Button (includes items 14 through 17) | 1 |
| 14 | <u>1014062</u> | Driver, Drive Clutch | 3 |
| 15 | <u>1014287</u> | Spring, Drive Button | 3 |
| 16 | <u>183</u> | Washer, #10, Type A, Flat | 3 |
| 17 | <u>8450</u> | Screw, #10-24 X 0.50, Hex-Head | 3 |
| 18 | <u>1016289</u> | Spacer, Fixed Face Shaft | 1 |
| 19 | <u>1016801</u> | Kit, Drive Clutch Weight (includes items 20 through 26) | 1 |
| 20 | <u>1014063</u> | Screw, 1/4-20 X 1.00, Hex Head | 6 |
| 21 | N/A | Pin, Dowel, 0.3752 x 1.50 | 3 |
| 22 | <u>1014065</u> | Washer, Flat, 0.38" ID, Delrin | 6 |
| 23 | N/A | Clutch Weight, Secondary | 3 |
| 24 | N/A | Washer | 6 |
| 25 | <u>1016201</u> | Washer, Wave | 3 |
| 26 | N/A | Weight, Primary | 3 |
| 27 | <u>101925601</u> | Plug, Drive Clutch | 3 |
| 28 | <u>101929802</u> | Kit, Fxd Face Dr Asm Fe290/350 (includes item 29) | 1 |
| 29 | N/A | Assembly, Fixed-Face Drive (includes items 30 through 32) | 1 |
| 30 | N/A | Fixed Face Assembly, Drive Clutch | 1 |
| 31 | <u>1014288</u> | Screw, 5/16-18 X 0.75, Thread-Forming | 3 |
| 32 | N/A | Pulley, Clutch | 1 |
| 33 | <u>103345701</u> | Screw 3/8-24x5.5 Hex Loc Ptch | 1 |
| 34 | <u>334</u> | Washer, 3/8, Type A, Flat | 1 |
| 35 | <u>808</u> | Washer, 3/8 Type B Flat | 1 |

12
G

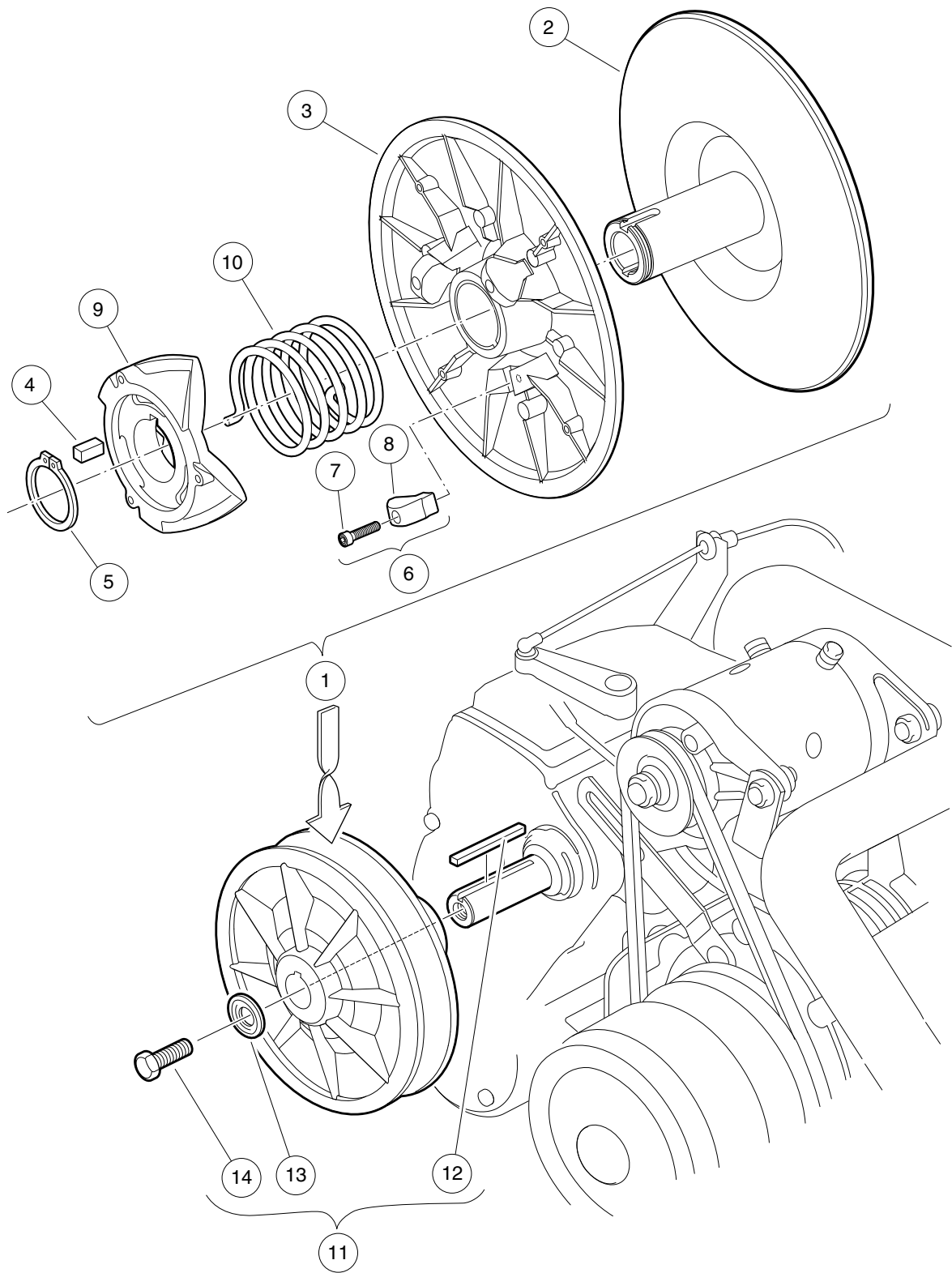


000217-008

DRIVE CLUTCH – XRT 900 AND CARRYALL 2 PLUS

| ITEM | PART NO. | DESCRIPTION | QTY |
|------|------------------|---|-----|
| | | 1 2 3 4 | |
| 1 | <u>101833906</u> | Drive Clutch Assy. FE 350/272 (includes items 2 through 28) | 1 |
| 2 | 1014049 | Bearing, Idler | 1 |
| 3 | <u>1014050</u> | Retainer, Spring | 1 |
| 4 | 1014052 | Movable-Face Assembly (includes items 5 through 7) | 1 |
| 5 | N/A | Drive Clutch Movable Face | 1 |
| 6 | <u>1014055</u> | Retainer | 1 |
| 7 | N/A | Bushing, Split, Drive Clutch | 1 |
| 8 | <u>1014056</u> | Ring, Spiral Backup | 2 |
| 9 | <u>1014057</u> | Ring, 0.810" Internal Retaining | 1 |
| 10 | 1014058 | Thrust Washer | 1 |
| 11 | 1014059 | Drive Hub Assy, Drive Clutch | 1 |
| 12 | <u>1014453</u> | Kit, Drive Clutch Button (includes items 13 through 16) | 1 |
| 13 | <u>1014062</u> | Driver, Drive Clutch | 3 |
| 14 | <u>1014287</u> | Spring, Drive Button | 3 |
| 15 | <u>183</u> | Washer, #10, Type A, Flat | 3 |
| 16 | <u>8450</u> | Screw, #10-24 X 0.50, Hex-Head | 3 |
| 17 | <u>1016289</u> | Spacer, Fixed Face Shaft | 1 |
| 18 | <u>1016801</u> | Kit, Drive Clutch Weight (includes items 19 through 25) | 1 |
| 19 | <u>1014063</u> | Screw, 1/4-20 X 1.00, Hex Head | 6 |
| 20 | N/A | Pin, Dowel, 0.3752 x 1.50 | 3 |
| 21 | <u>1014065</u> | Washer, Flat, 0.38" ID, Delrin | 6 |
| 22 | N/A | Clutch Weight, Secondary | 3 |
| 23 | N/A | Washer | 6 |
| 24 | <u>1016201</u> | Washer, Wave | 3 |
| 25 | N/A | Weight, Primary | 3 |
| 26 | <u>1016901</u> | Spring, Drive Clutch | 1 |
| 27 | N/A | Cap Plug | 3 |
| 28 | <u>101929802</u> | Kit, Fxd Face Dr Asm Fe290/350 (includes item 29) | 1 |
| 29 | N/A | Assembly, Fixed-Face Drive (includes items 30 through 32) | 1 |
| 30 | N/A | Fixed Face Assembly, Drive Clutch | 1 |
| 31 | <u>1014288</u> | Screw, 5/16-18 X 0.75, Thread-Forming | 3 |
| 32 | N/A | Pulley, Clutch | 1 |
| 33 | <u>103345701</u> | Screw 3/8-24x5.5 Hex Loc Ptch | 1 |
| 34 | <u>334</u> | Washer, 3/8, Type A, Flat | 1 |
| 35 | <u>808</u> | Washer, 3/8 Type B Flat | 1 |

12
G



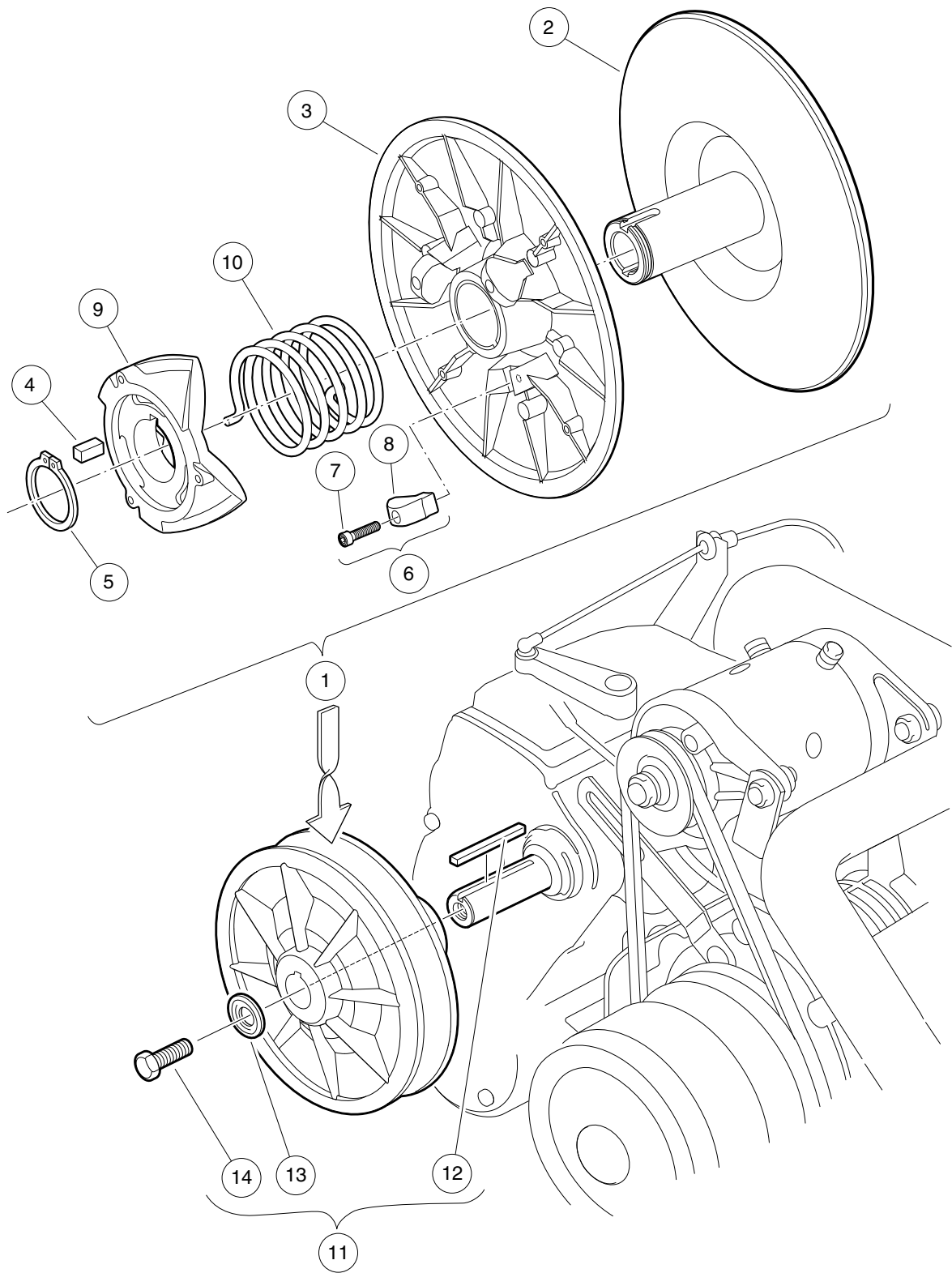
000219-001

DRIVEN CLUTCH – TURF/CARRYALL 2 AND 252

| ITEM | PART NO. | DESCRIPTION | QTY |
|------|------------------|---|-----|
| | | 1 2 3 4 | |
| 1 | <u>101834001</u> | Assembly, Driven Clutch (includes items 2 through 10) | 1 |
| 2 | <u>1014070</u> | Fixed Face Assy, Driven Clutch | 1 |
| 3 | <u>1014072</u> | Movable-Face Assembly with Bushing | 1 |
| 4 | <u>1014078</u> | Key, Driven Clutch | 1 |
| 5 | <u>1014080</u> | Ring, Retaining | 1 |
| 6 | <u>1014454</u> | Kit, Driven Clutch Button (includes items 7 and 8) | 1 |
| 7 | <u>1012836</u> | Screw, #8-32 X 3/4, Socket-Head Cap | 3 |
| 8 | N/A | Button, Drive | 3 |
| 9 | <u>1017686</u> | Cam, Driven Clutch | 1 |
| 10 | <u>101836201</u> | Spring, Driven Clutch, Reversed | 1 |
| 11 | <u>AM10419</u> | Kit, Clutch Repair (includes items 12 through 14) | 1 |
| 12 | <u>101833401</u> | Key, 3/16 Sq X 1.50" | 1 |
| 13 | <u>102155801</u> | Washer, Driven Clutch | 1 |
| 14 | <u>102242101</u> | Screw, 5/16-18 X 3/4 Hex-Head with Patch | 1 |

12

G



000219-001

DRIVEN CLUTCH – CARRYALL 2 PLUS AND XRT 900

| ITEM | PART NO. | DESCRIPTION | QTY |
|------|------------------|--|-----|
| | | 1 2 3 4 | |
| 1 | <u>101834003</u> | Clutch, Driven (includes items 2 through 10) | 1 |
| 2 | <u>1014070</u> | Fixed Face Assy, Driven Clutch | 1 |
| 3 | <u>1014072</u> | Movable-Face Assembly with Bushing | 1 |
| 4 | <u>1014078</u> | Key, Driven Clutch | 1 |
| 5 | <u>1014080</u> | Ring, Retaining | 1 |
| 6 | <u>1014454</u> | Kit, Driven Clutch Button (includes items 7 and 8) | 1 |
| 7 | <u>1012836</u> | Screw, #8-32 X 3/4, Socket-Head Cap | 3 |
| 8 | N/A | Button, Drive | 3 |
| 9 | <u>1017686</u> | Cam, Driven Clutch | 1 |
| 10 | <u>101836202</u> | Spring, Driven Clutch, Reversed | 1 |
| 11 | <u>AM10419</u> | Kit, Clutch Repair (includes items 12 through 14) | 1 |
| 12 | <u>101833401</u> | Key, 3/16 Sq X 1.50" | 1 |
| 13 | <u>102155801</u> | Washer, Driven Clutch | 1 |
| 14 | <u>102242101</u> | Screw, 5/16-18 X 3/4 Hex-Head with Patch | 1 |

12

G

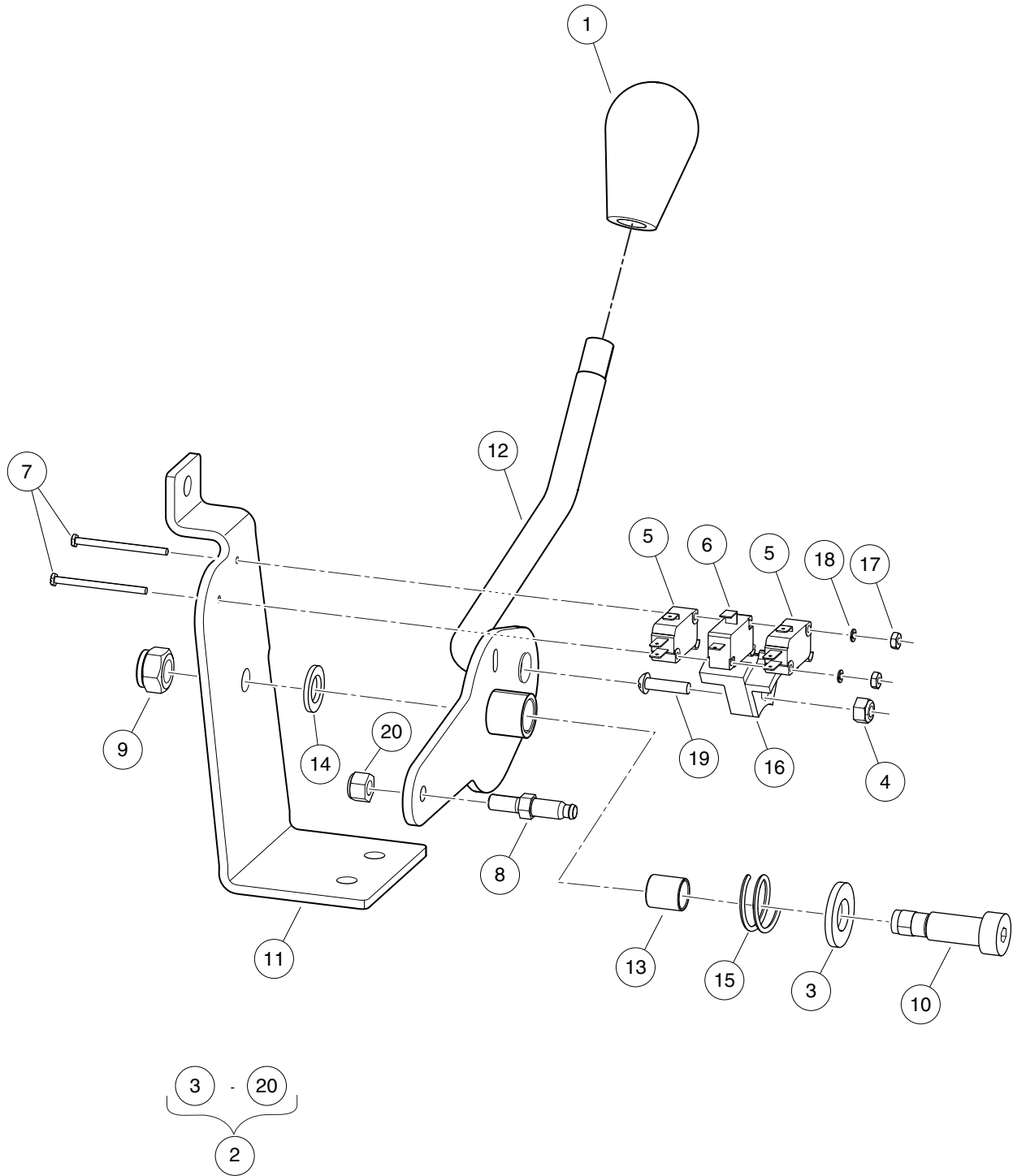
12

G

UNITIZED TRANSAXLE – GASOLINE VEHICLES

13

G



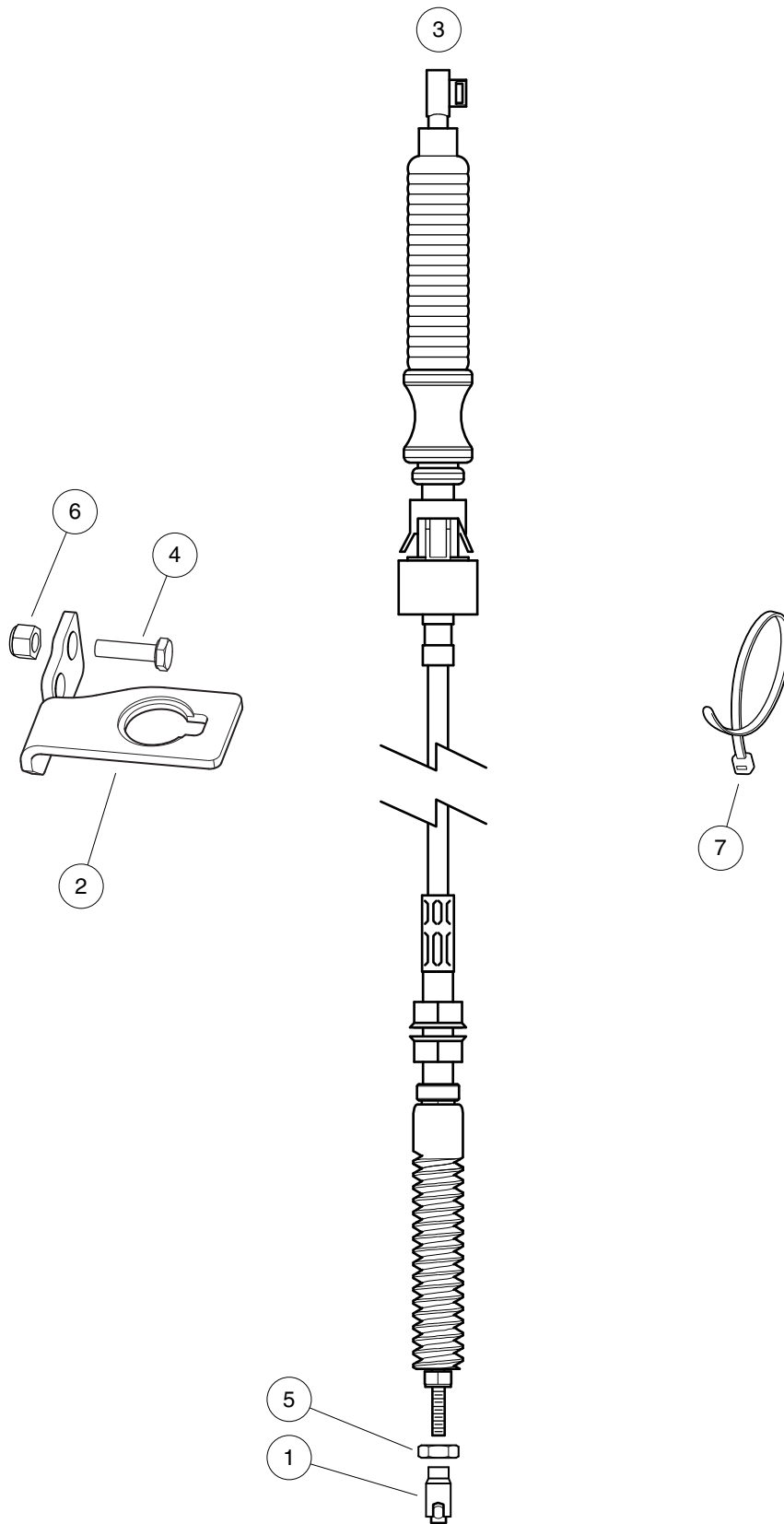
000563-001

FORWARD/REVERSE SHIFTER

| ITEM | PART NO. | DESCRIPTION | QTY |
|------|------------------|---|-----|
| | | 1 2 3 4 | |
| 1 | <u>102376001</u> | Knob, FNR, Shifter | 1 |
| 2 | <u>102969901</u> | Asm, Shifter, FNR (includes items 3 through 20) | 1 |
| 3 | <u>1010028</u> | Washer, 1/2 Type A Flat | 1 |
| 4 | <u>1013061</u> | Locknut, #10-32 Nylon Insert | 1 |
| 5 | <u>1014807</u> | Switch, Limit | 2 |
| 6 | <u>1014808</u> | Switch, Limit | 1 |
| 7 | <u>1015878</u> | Screw, #4-40 Hex Head Machine | 2 |
| 8 | <u>102526201</u> | Stud, Thread, 1/4-28 | 1 |
| 9 | <u>102616701</u> | Locknut, M10x1.5 Nylon Insert | 1 |
| 10 | <u>102684602</u> | Shoulder Bolt, M12 X 25.0 | 1 |
| 11 | <u>102969401</u> | Bracket, Shifter, FNR | 1 |
| 12 | <u>102969801</u> | Weldment, Shift Lever, FNR | 1 |
| 13 | <u>103173301</u> | Bushing, Greaseless, 12mm Id | 1 |
| 14 | <u>103177401</u> | Washer, Thrust, Shifter, FNR | 1 |
| 15 | <u>103192701</u> | Spring, Comp, .97 Od X.75 L | 1 |
| 16 | <u>103369501</u> | Cam, Limit Switch, Fnr Shifter | 1 |
| 17 | <u>8057</u> | Nut, #4-40 Hex Machine | 2 |
| 18 | <u>8058</u> | Lockwasher, #4 Split | 2 |
| 19 | 8104 | Screw, #10-32 X .75 Rd Hd Mach | 1 |
| 20 | <u>8717</u> | Locknut, Nylon Insert, 1/4-28 | 1 |

13

G



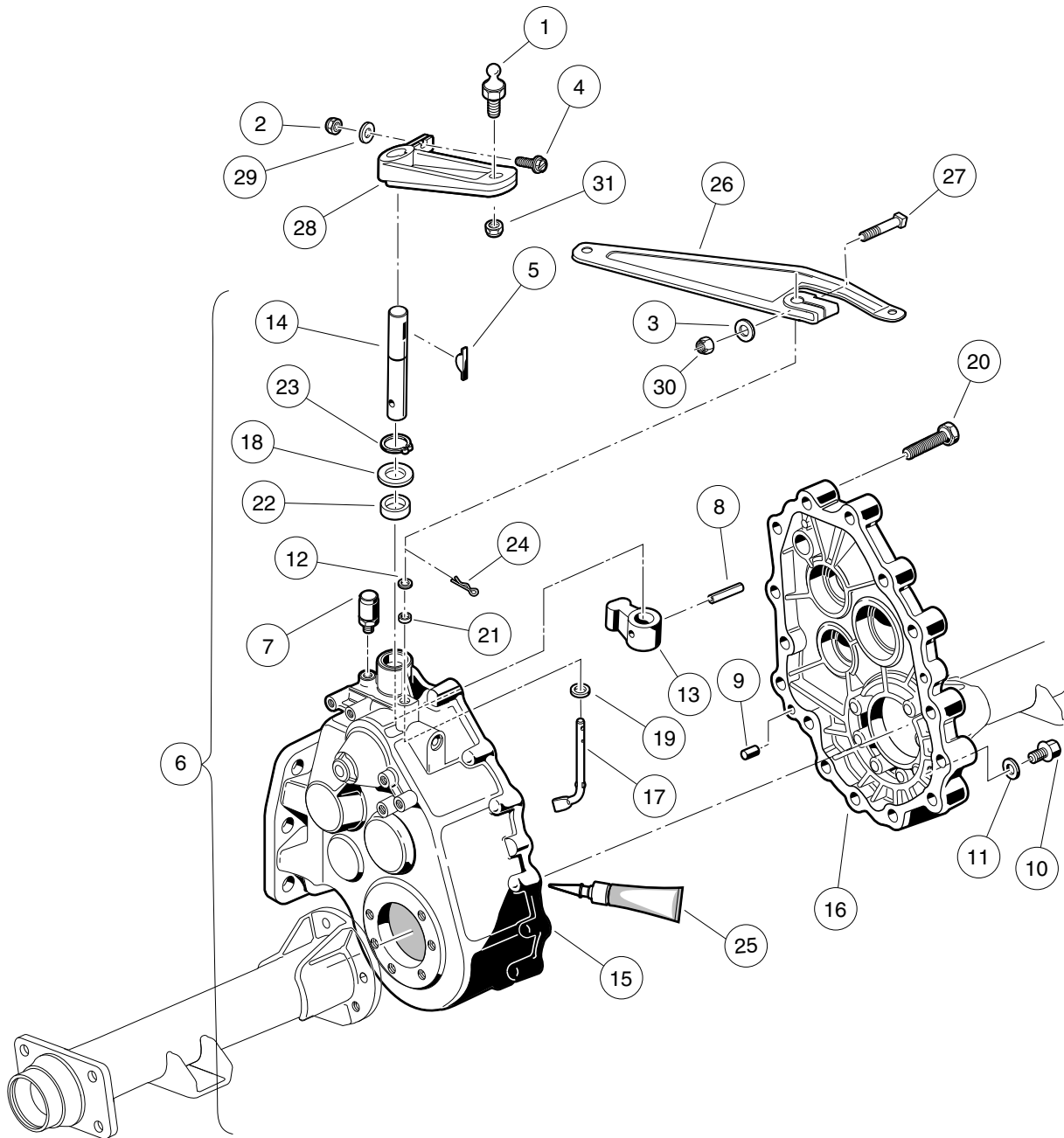
001071-001

SHIFTER CABLE – TURF/CA 2/252/2 PLUS AND XRT900

| ITEM | PART NO. | DESCRIPTION | QTY |
|------|------------------|--|-----|
| | | 1 2 3 4 | |
| 1 | <u>1012333</u> | Joint, #10-32 Ball | 1 |
| 2 | <u>103295101</u> | Brkt, Spt, Cable End, Fnr | 1 |
| 3 | <u>103295202</u> | Cable, Trans, Ball End, 1855mm | 1 |
| 4 | 304 | Screw, 1/4-20 X 1.0 Hex-Head Cap | 2 |
| 5 | <u>7893</u> | Nut, #10-32 Hex | 1 |
| 6 | <u>8233</u> | Locknut, 1/4-20, Nylon Insert | 2 |
| 7 | <u>8639</u> | Tie Wrap, 11" Nylon | A/R |

13

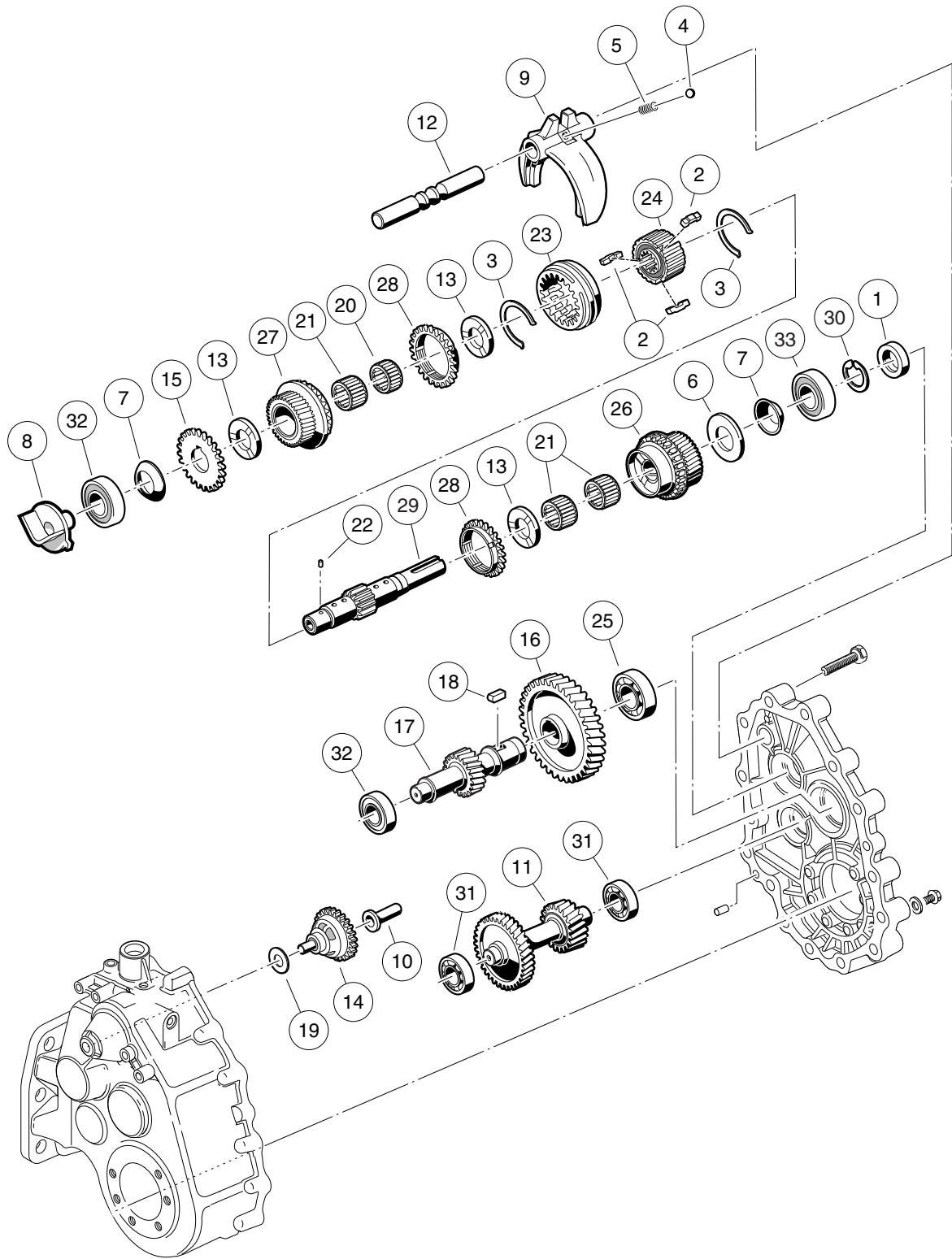
G



000220-005

KAWASAKI TRANSAXLE – GEAR CASES AND LEVERS

| ITEM | PART NO. | DESCRIPTION | QTY |
|---|------------------|--|-----|
| | | 1 2 3 4 | |
| 1 | <u>1010954</u> | Stud, Ball, 1/4-28 X 0.560 | 1 |
| 2 | <u>1013061</u> | Locknut, #10-32 Nylon Insert | 1 |
| 3 | <u>1014007</u> | Washer, 1/4, Flat | 1 |
| 4 | <u>1017082</u> | Screw, #10-32 X 0.75, Hex-Head Machine | 1 |
| 5 | <u>1017231</u> | Key, Woodruff | 1 |
| 6 | <u>101833601</u> | Transaxle, 11.77 Ratio (includes items 7 through 25) | 1 |
| 7 | <u>1012711</u> | Breather | 1 |
| 8 | <u>1012752</u> | Roll Pin | 1 |
| 9 | <u>1012896</u> | Pin, Dowel | 2 |
| 10 | <u>1013760</u> | Fill Plug | 2 |
| 11 | <u>1016432</u> | Gasket, Drain Plug | 1 |
| 12 | <u>1016513</u> | Washer, M6 Flat | 1 |
| 13 | <u>101890101</u> | Lever, Drive Selector | 1 |
| 14 | <u>101890201</u> | Shaft, Drive Selector | 1 |
| 15 | <u>101890501</u> | Gear Case (driver side) | 1 |
| 16 | <u>101890601</u> | Gear Case (passenger side) | 1 |
| 17 | <u>101891301</u> | Arm Pivot | 1 |
| 18 | <u>101892901</u> | Washer | 1 |
| 19 | <u>101893801</u> | Washer | 1 |
| 20 | <u>101926901</u> | Screw, M8-1.25 X 40mm Hex-Head | 15 |
| 21 | <u>101927101</u> | Seal, Oil | 1 |
| 22 | <u>101927201</u> | Seal, Oil | 1 |
| 23 | <u>101927301</u> | Snap Ring | 1 |
| 24 | <u>101928601</u> | Pin, Cotter | 1 |
| 25 | <u>101928701</u> | Liquid Gasket (Transaxle case) | 1 |
| 26 | <u>101834801</u> | Arm, Governor | 1 |
| 27 | <u>101886101</u> | Screw, 1/4-20 X 1.00, Square-Head | 1 |
| 28 | <u>102515401</u> | Lever, Transmission Shift | 1 |
| 29 | <u>183</u> | Washer, #10, Type A, Flat | 1 |
| 30 | <u>8233</u> | Locknut, 1/4-20, Nylon Insert | 1 |
| 31 | <u>8717</u> | Locknut, Nylon Insert, 1/4-28 | 1 |
| Note: Kawasaki transaxle component listings span three pages. | | | |



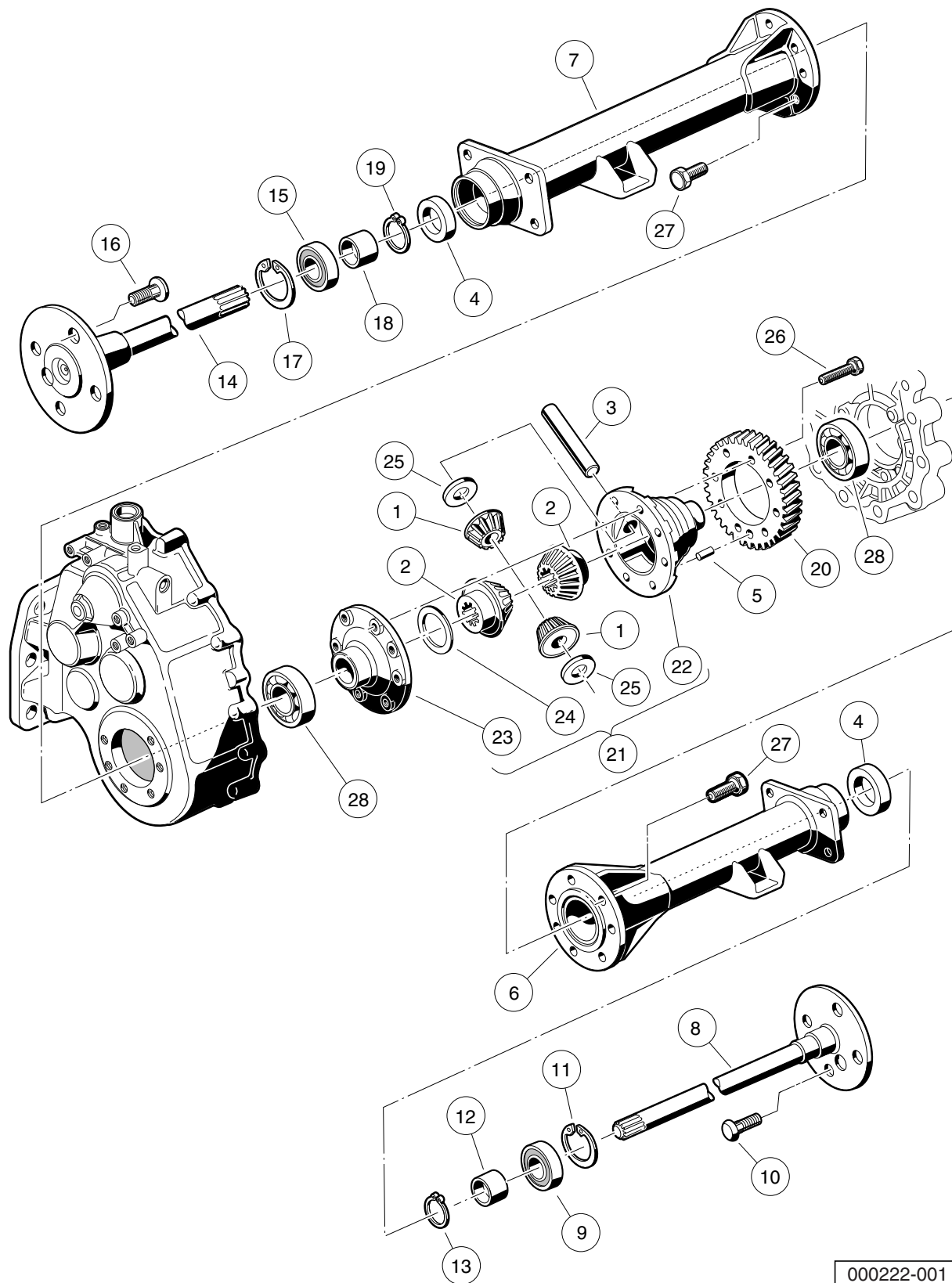
000221-001

KAWASAKI TRANSAXLE – F&R TRANSMISSION AND GEAR REDUCTION

13

G

| ITEM | PART NO. | DESCRIPTION | QTY |
|------|------------------|--|-----|
| | | 1 2 3 4 | |
| 1 | <u>1012714</u> | Oil Seal | 1 |
| 2 | <u>1012740</u> | Synchro Insert | 3 |
| 3 | <u>1012741</u> | Synchro Spring | 2 |
| 4 | <u>1012747</u> | Shifter Ball | 1 |
| 5 | <u>1012748</u> | Shifter Spring | 1 |
| 6 | <u>1016337</u> | Washer, Thrust | 1 |
| 7 | <u>1016338</u> | Washer, Spring | 2 |
| 8 | <u>101889401</u> | Guide | 1 |
| 9 | <u>101890001</u> | Fork - Shift | 1 |
| 10 | <u>101891601</u> | Sleeve, Governor | 1 |
| 11 | <u>101891901</u> | Gear, Cluster | 1 |
| 12 | <u>101892001</u> | Rod, Shift | 1 |
| 13 | <u>101892201</u> | Plate, Thrust | 3 |
| 14 | <u>101892301</u> | Governor Assembly | 1 |
| 15 | <u>101892401</u> | Gear, Spur | 1 |
| 16 | <u>101892501</u> | Gear, Helical (61 Tooth) | 1 |
| 17 | <u>101892601</u> | Gear, Helical (17 Tooth) | 1 |
| 18 | <u>101893201</u> | Key Sunk | 1 |
| 19 | <u>101893901</u> | Washer | 1 |
| 20 | <u>101927501</u> | Needle Bearing | 1 |
| 21 | <u>101927601</u> | Needle Bearing | 3 |
| 22 | <u>101927701</u> | Pin, .116" Dia X 0.264 Dowel | 1 |
| 23 | <u>101927901</u> | Sleeve, Synchro | 1 |
| 24 | <u>101928001</u> | Hub, Synchro Clutch | 1 |
| 25 | <u>101928101</u> | Bearing, Ball | 1 |
| 26 | <u>101980801</u> | Gear Assembly, 16-Degree Synchro (25 Tooth) | 1 |
| 27 | <u>101980901</u> | Gear Assembly, 16-Degree Rear Synchro (28 Tooth) | 1 |
| 28 | <u>101981001</u> | Ring, 16-Degree Synchronizer | 2 |
| 29 | <u>102453001</u> | Shaft, Trans, with Circlip | 1 |
| 30 | <u>102453101</u> | Circlip | 1 |
| 31 | <u>7335</u> | Bearing | 2 |
| 32 | <u>AM10080</u> | Bearing, Ball, Sealed | 2 |
| 33 | <u>AM10081</u> | Bearing, Ball, Sealed | 1 |



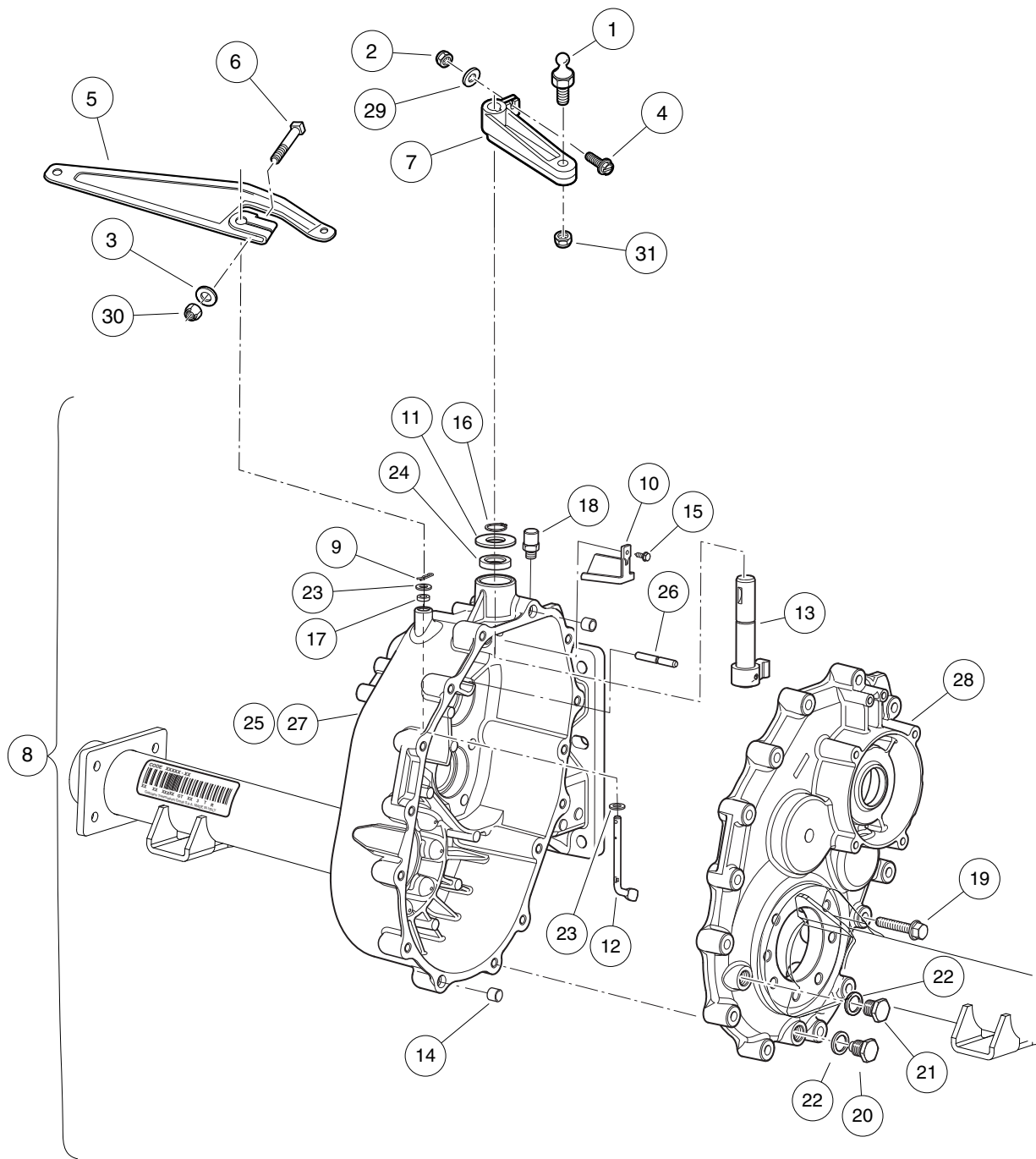
000222-001

KAWASAKI TRANSAXLE – DIFFERENTIAL AND AXLES

| ITEM | PART NO. | DESCRIPTION | QTY |
|------|------------------|---|-----|
| | | 1 2 3 4 | |
| 1 | <u>1013770</u> | Differential Idler Gear | 2 |
| 2 | <u>1013771</u> | Gear, Differential | 2 |
| 3 | <u>1013772</u> | Pin, Differential | 1 |
| 4 | <u>1013794</u> | Axle Shaft Oil Seal | 2 |
| 5 | N/A | Dowel Pin | 1 |
| 6 | <u>101890901</u> | Axle Tube (Passenger Side) | 1 |
| 7 | <u>101891001</u> | Axle Tube (Driver Side) | 1 |
| 8 | <u>101891401</u> | Axle Assembly, Passenger Side (includes items 9 through 13) | 1 |
| 9 | <u>1011291</u> | Outer Axle, Tube Bearing | 1 |
| 10 | <u>1013787</u> | Lug Stud | 4 |
| 11 | <u>1013792</u> | Circlip Type C | 1 |
| 12 | <u>1014207</u> | Bushing | 1 |
| 13 | <u>1016672</u> | Retaining Ring | 1 |
| 14 | <u>101891501</u> | Axle Assembly, Driver-Side (includes items 15 through 19) | 1 |
| 15 | <u>1011291</u> | Outer Axle, Tube Bearing | 1 |
| 16 | <u>1013787</u> | Lug Stud | 4 |
| 17 | <u>1013792</u> | Circlip Type C | 1 |
| 18 | <u>1014207</u> | Bushing | 1 |
| 19 | <u>1016672</u> | Retaining Ring | 1 |
| 20 | <u>101892701</u> | Gear, Helical | 1 |
| 21 | <u>101910501</u> | Kit, Differential Gear Case (includes items 22 through 25) | 1 |
| 22 | <u>1013768</u> | Differential Gear Case, Left-Hand | 1 |
| 23 | <u>1013769</u> | Differential Gear Case, Right-Hand | 1 |
| 24 | <u>1013773</u> | Plate, Thrust (Differential Gear) | 1 |
| 25 | <u>1013774</u> | Plate, Thrust (Idler Gear) | 2 |
| 26 | <u>101928301</u> | Screw, M8-1.25 X 35mm Hex Head | 8 |
| 27 | <u>102031901</u> | Bolt, M10 X 1.5 X 30mm | 14 |
| 28 | <u>7330</u> | Inner Axle Tube Bearing | 2 |

13

G



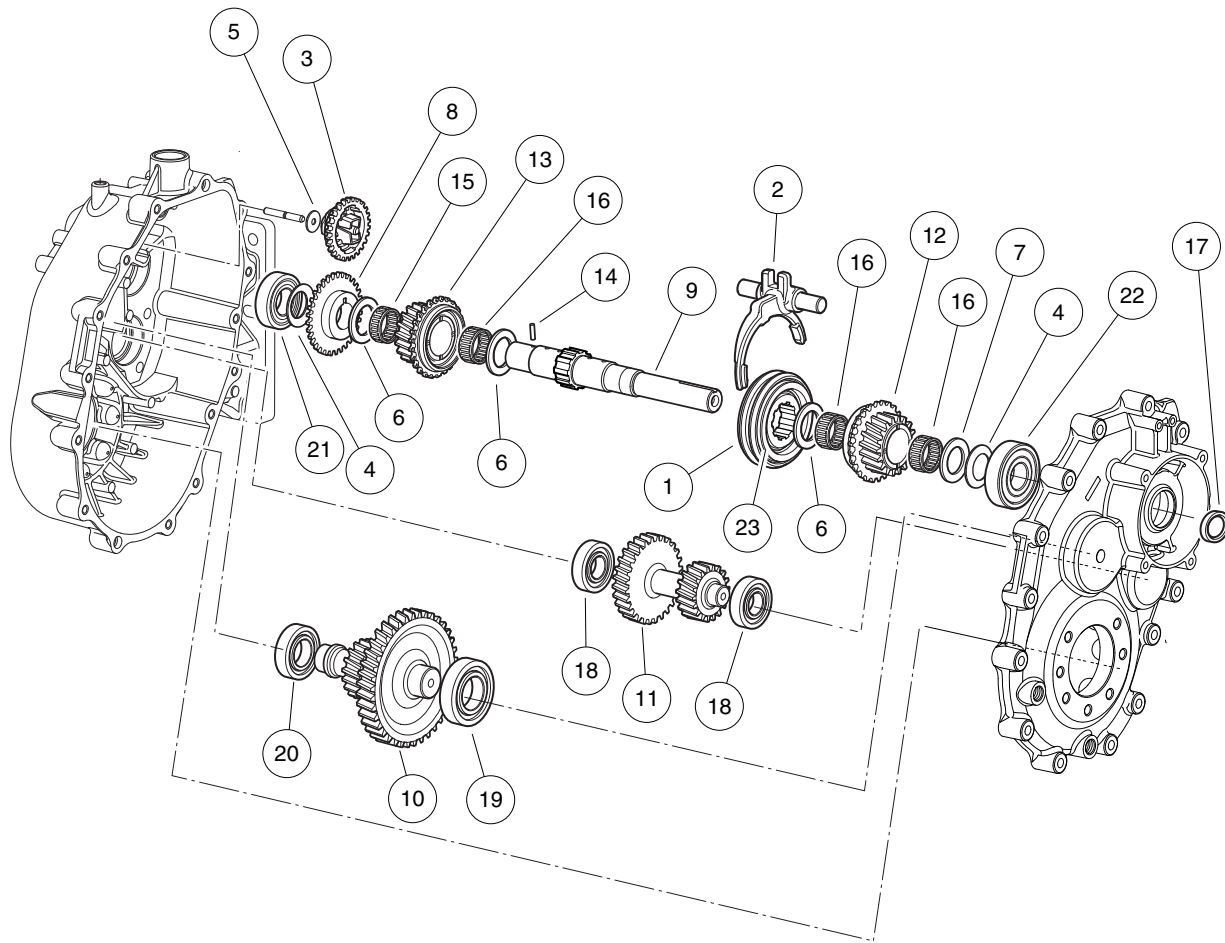
000680-010

GRAZIANO TRANSAXLE – GEAR CASES AND LEVERS

| ITEM | PART NO. | DESCRIPTION | QTY |
|---|------------------|--|-----|
| | | 1 2 3 4 | |
| 1 | <u>1010954</u> | Stud, Ball, 1/4-28 X 0.560 | 1 |
| 2 | <u>1013061</u> | Locknut, #10-32 Nylon Insert | 1 |
| 3 | <u>1014007</u> | Washer, 1/4, Flat | 1 |
| 4 | <u>1017082</u> | Screw, #10-32 X 0.75, Hex-Head Machine | 1 |
| 5 | <u>101834801</u> | Arm, Governor | 1 |
| 6 | <u>101886101</u> | Screw, 1/4-20 X 1.00, Square-Head | 1 |
| 7 | <u>102515401</u> | Lever, Transmission Shift | 1 |
| 8 | <u>103874201</u> | Transaxle, Gas, 11.77:1, Gtg (includes items 9 through 28) | 1 |
| 9 | <u>102897401</u> | Pin, Split | 1 |
| 10 | <u>102897601</u> | Conveyor, Oil | 1 |
| 11 | <u>102897801</u> | Washer, Thrust | 1 |
| 12 | <u>102897901</u> | Lever, Speed Governor | 1 |
| 13 | <u>102898201</u> | Unit, Drive Selector | 1 |
| 14 | <u>102899101</u> | Dowel | 2 |
| 15 | <u>102899201</u> | Screw | 1 |
| 16 | <u>102899401</u> | Ring, Snap | 1 |
| 17 | <u>102899701</u> | Grommet | 1 |
| 18 | <u>102899801</u> | Breather | 1 |
| 19 | <u>102900001</u> | Screw | 15 |
| 20 | <u>102900101</u> | Drain Plug, Magnetic | 1 |
| 21 | <u>102900201</u> | Fill Plug | 1 |
| 22 | <u>102900301</u> | Seal | 2 |
| 23 | <u>102900601</u> | Washer | 2 |
| 24 | <u>102900901</u> | Grommet | 1 |
| 25 | 103882101 | Case, Transaxle, W/gov Pin (includes items 26 and 27) | 1 |
| 26 | N/A | Pin, Speed Governor | 1 |
| 27 | N/A | Cover, Gear Box (Driver-Side) | 1 |
| 28 | 103882301 | Cover, Gear Box (Passenger-Side) | 1 |
| 29 | <u>183</u> | Washer, #10, Type A, Flat | 1 |
| 30 | <u>8233</u> | Locknut, 1/4-20, Nylon Insert | 1 |
| 31 | <u>8717</u> | Locknut, Nylon Insert, 1/4-28 | 1 |
| <p>Note: Graziano transaxle component listings span three pages. To identify your transaxle, locate the serial number decal on the axle tube. <u>103874201</u> is used on vehicles with serial numbers 1235-307250 and greater and is backwards compatible. However, some service parts are not compatible with other transaxles.</p> | | | |

13

G



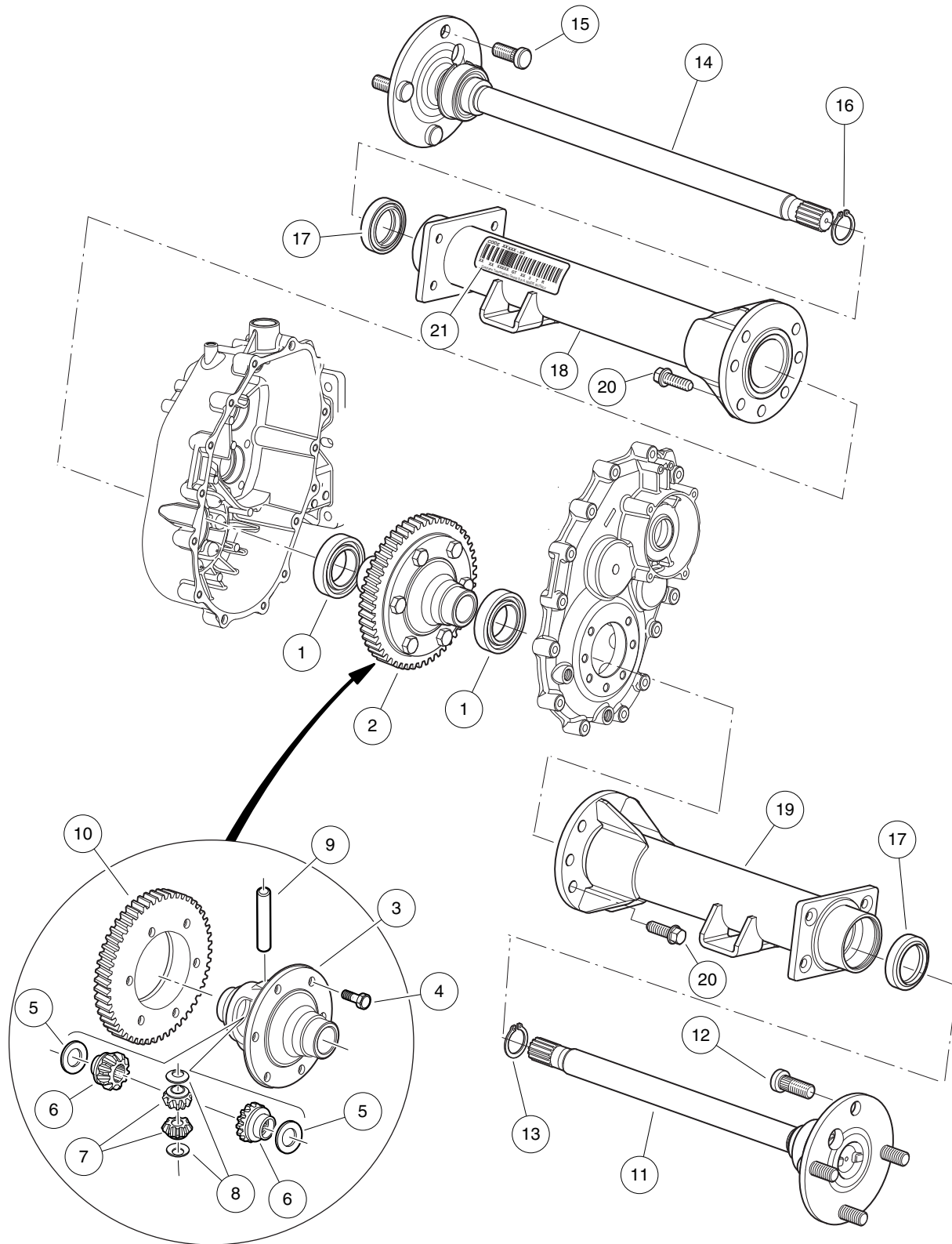
000680-008

GRAZIANO TRANSAXLE – F&R TRANSMISSION AND GEAR REDUCTION

13

G

| ITEM | PART NO. | DESCRIPTION | QTY |
|---|------------------|-----------------------------------|-----|
| | | 1 2 3 4 | |
| 1 | <u>102897201</u> | Synchronizer, Complete | 1 |
| 2 | <u>102897301</u> | Fork, Complete | 1 |
| 3 | <u>102897701</u> | Assembly, Speed Governor | 1 |
| 4 | <u>102898001</u> | Washer, Belleville | 2 |
| 5 | <u>102898101</u> | Bearing, Thrust | 1 |
| 6 | <u>102898301</u> | Bearing, Thrust | 3 |
| 7 | <u>102898401</u> | Washer, Thrust | 1 |
| 8 | <u>102898501</u> | Gear, Speed Governor | 1 |
| 9 | <u>102898601</u> | Shaft, Main | 1 |
| 10 | <u>102898701</u> | Shaft, Secondary | 1 |
| 11 | <u>102898801</u> | Shaft, Reverse Gear | 1 |
| 12 | <u>102898901</u> | Gear, Complete, 25t | 1 |
| 13 | <u>102899001</u> | Gear, Complete, 28t | 1 |
| 14 | <u>102899301</u> | Pin | 1 |
| 15 | <u>102899501</u> | Cage, Roller | 1 |
| 16 | <u>102899601</u> | Cage, Roller | 3 |
| 17 | <u>102899901</u> | Grommet | 1 |
| 18 | <u>102900401</u> | Bearing | 2 |
| 19 | <u>102900501</u> | Bearing, 62 Od X 30 Id X 16 | 1 |
| 20 | <u>102900701</u> | Bearing | 1 |
| 21 | <u>102901001</u> | Bearing | 1 |
| 22 | <u>102901101</u> | Bearing | 1 |
| 23 | <u>103882001</u> | Washer, Wave, Trans Synchro | 2 |
| <p>Note: To identify your transaxle, locate the serial number decal on the axle tube.</p> | | | |



000681-002

GRAZIANO TRANSAXLE – DIFFERENTIAL AND AXLES

| ITEM | PART NO. | DESCRIPTION | QTY |
|--|------------------|--|-----|
| | | 1 2 3 4 | |
| 1 | <u>102900801</u> | Bearing, 68 Od X 40 Id X 15 | 2 |
| 2 | <u>102902001</u> | Assembly, Differential (includes items 3 through 10) | 1 |
| 3 | <u>102901201</u> | Box, Differential | 1 |
| 4 | <u>102901301</u> | Screw, M10 X 25 | 6 |
| 5 | <u>102901401</u> | Ring, Sleeve | 2 |
| 6 | <u>102901501</u> | Gear, Sun | 2 |
| 7 | <u>102901601</u> | Gear, Planetary | 2 |
| 8 | <u>102901701</u> | Ring, Sleeve | 2 |
| 9 | <u>102901801</u> | Pin | 1 |
| 10 | <u>102901901</u> | Gear | 1 |
| 11 | <u>102902101</u> | Shaft, Axle, Short, Complete (Passenger-Side) (includes items 12 and 13) | 1 |
| 12 | <u>102902301</u> | Bolt, Stud | 4 |
| 13 | <u>102902401</u> | Snap Ring | 1 |
| 14 | <u>102902201</u> | Shaft, Axle, Long, Complete (Driver-Side) (includes items 15 and 16) | 1 |
| 15 | <u>102902301</u> | Bolt, Stud | 4 |
| 16 | <u>102902401</u> | Snap Ring | 1 |
| 17 | <u>102902501</u> | Seal, Lip | 2 |
| 18 | <u>102902601</u> | Axle Tube, (Driver-Side) | 1 |
| 19 | <u>102902701</u> | Axle Tube, (Passenger-Side) | 1 |
| 20 | <u>102902801</u> | Screw, M10 X 30 | 14 |
| 21 | N/A | Tag, Serial | 1 |
| <p style="margin-left: 40px;">Note: To identify your transaxle, locate the serial number decal on the axle tube.</p> | | | |

13

G

13

G

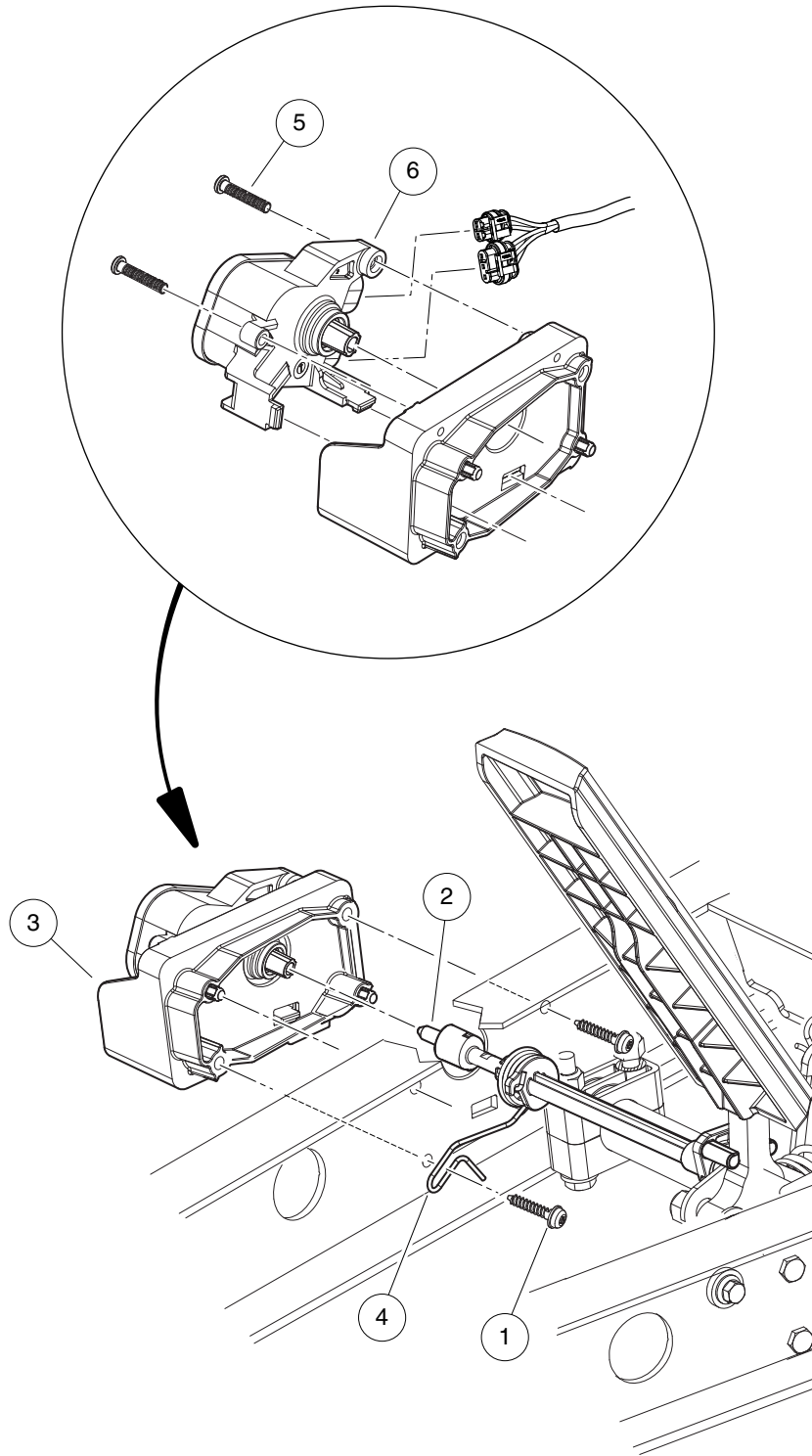
ELECTRICAL SYSTEM, ELECTRIC VEHICLES

14

E

14

E



002522-001

MOTOR CONTROLLER OUTPUT REGULATOR (MCOR)

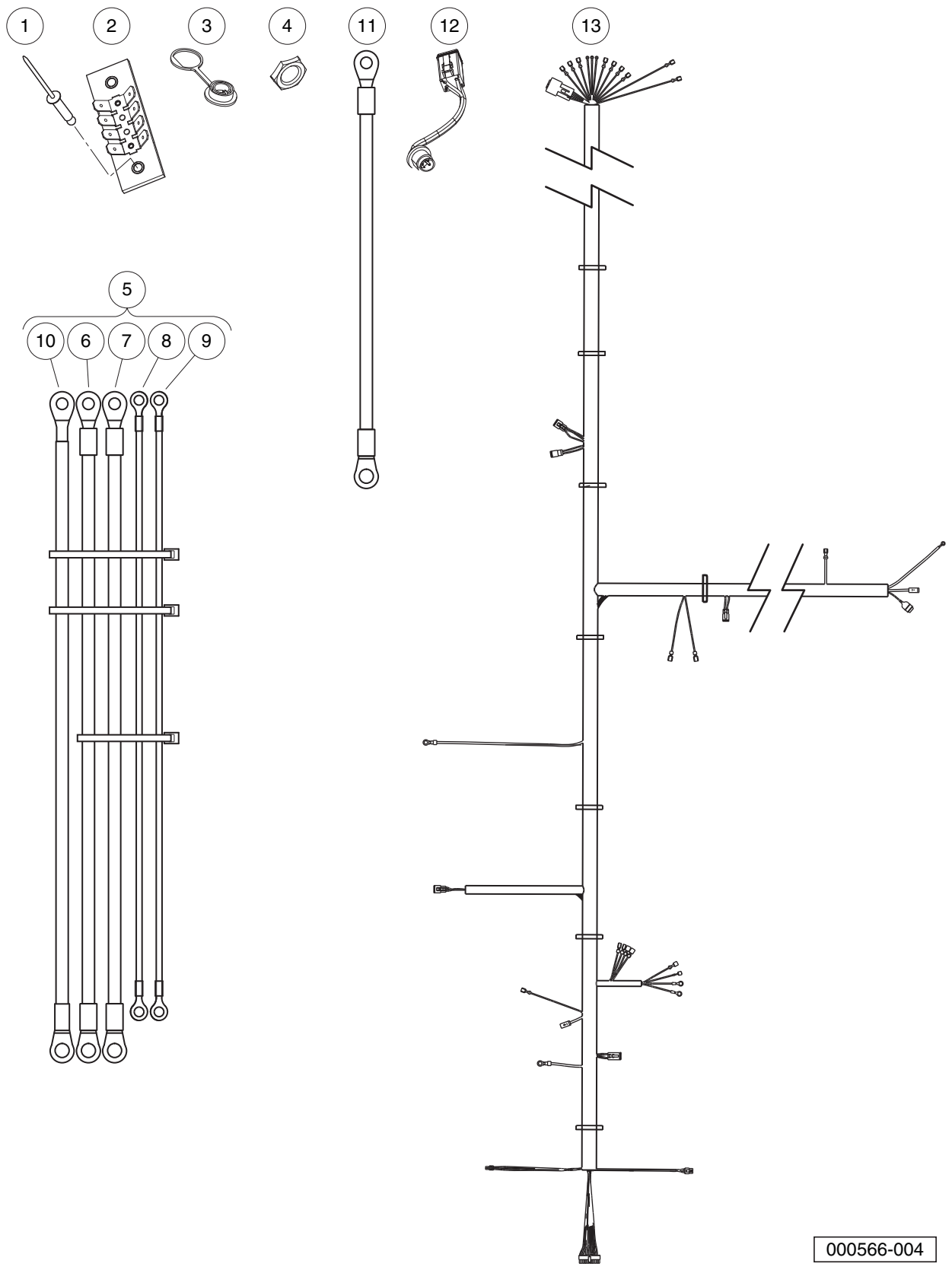
| ITEM | PART NO. | DESCRIPTION | QTY |
|------|------------------|---|-----|
| | | 1 2 3 4 | |
| 1 | <u>102297230</u> | Screw, M6, Torx, Interlock Thread | 2 |
| 2 | <u>103902101</u> | Bar, Drive, Cast | 1 |
| 3 | <u>103902301</u> | Housing, Mcor | 1 |
| 4 | <u>103902401</u> | Spring, Torsion | 1 |
| 5 | <u>103943401</u> | Screw, Pan, #10 X 1.00 Hi-lo | 2 |
| 6 | <u>105116301</u> | MCOR4, Type 16 Switch | 1 |

14

E

14

E



000566-004

WIRING – ELECTRIC VEHICLE

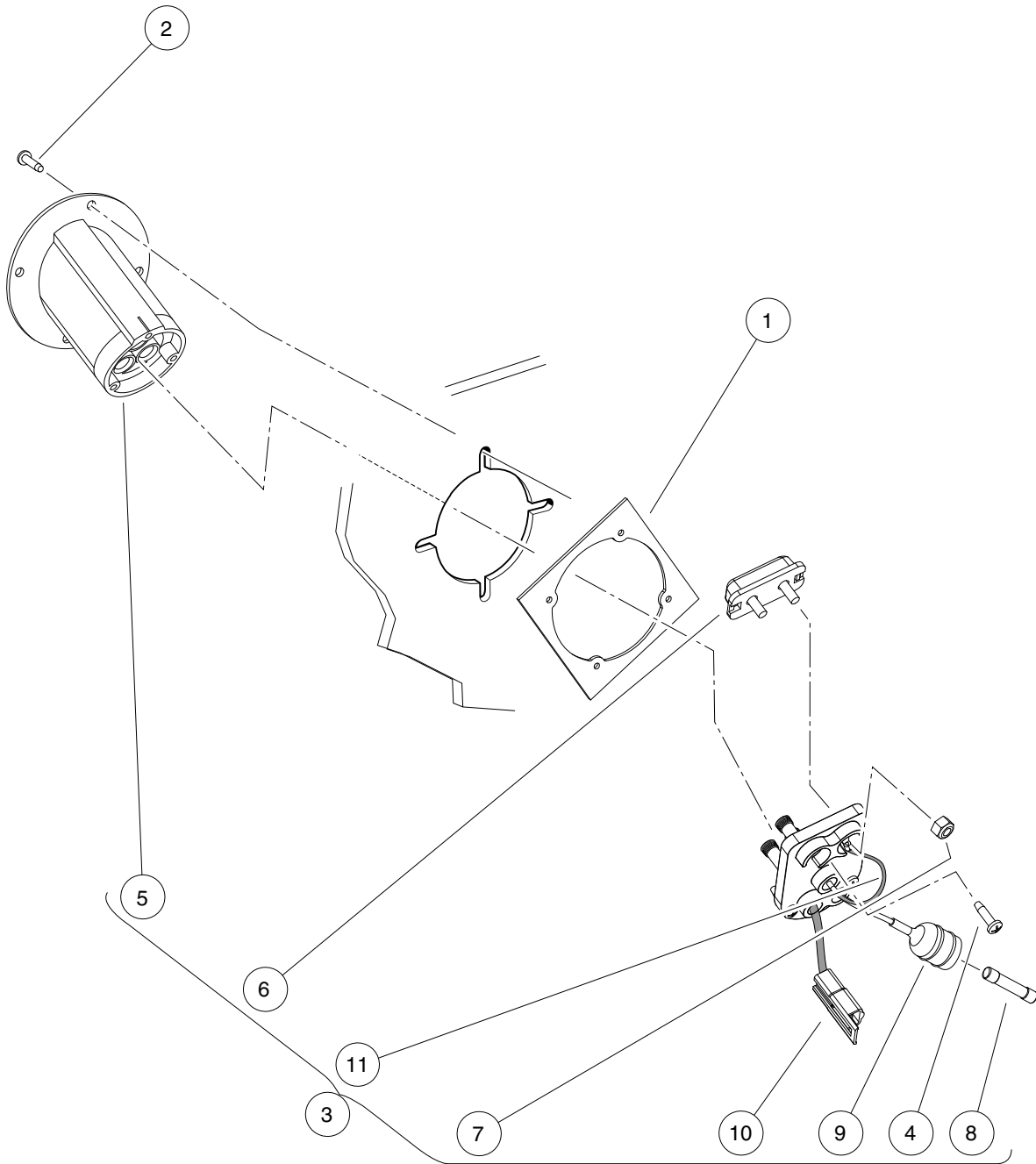
| ITEM | PART NO. | DESCRIPTION | QTY |
|---|------------------|--|-----|
| | | 1 2 3 4 | |
| 1 | <u>1013357</u> | Rivet, 5/32 Aluminum Pop | 2 |
| 2 | <u>1016356</u> | Terminal Block with Insulator | 1 |
| 3 | <u>102196901</u> | Dust Cap | 1 |
| 4 | <u>102572401</u> | Nut, Diagnostic Port, Prec | 1 |
| 5 | <u>102845401</u> | Wire Harness, Power, IQ Plus (includes items 6 through 10) | 1 |
| 6 | N/A | Asm, #4 Grn Wire, 37" | 1 |
| 7 | N/A | Asm, #4 Wht Wire, 36.5" | 1 |
| 8 | N/A | Asm, #10 Org Wire, 39" | 1 |
| 9 | N/A | Asm, #10 Blu Wire, 46" | 1 |
| 10 | <u>102846402</u> | Asm, #4 Red Wire, 33" | 1 |
| 11 | <u>102863801</u> | Wire Asm, #4 Yellow, 12.5" | 1 |
| 12 | <u>103218601</u> | Harness, Diagnostic Port | 1 |
| 13 | <u>103941001</u> | Harness, Ca2, Iq Plus, Mc3 | 1 |
| Note: Wire Harness (item 13) is for use with MCOR3 and MCOR4. | | | |

14

E

14

E



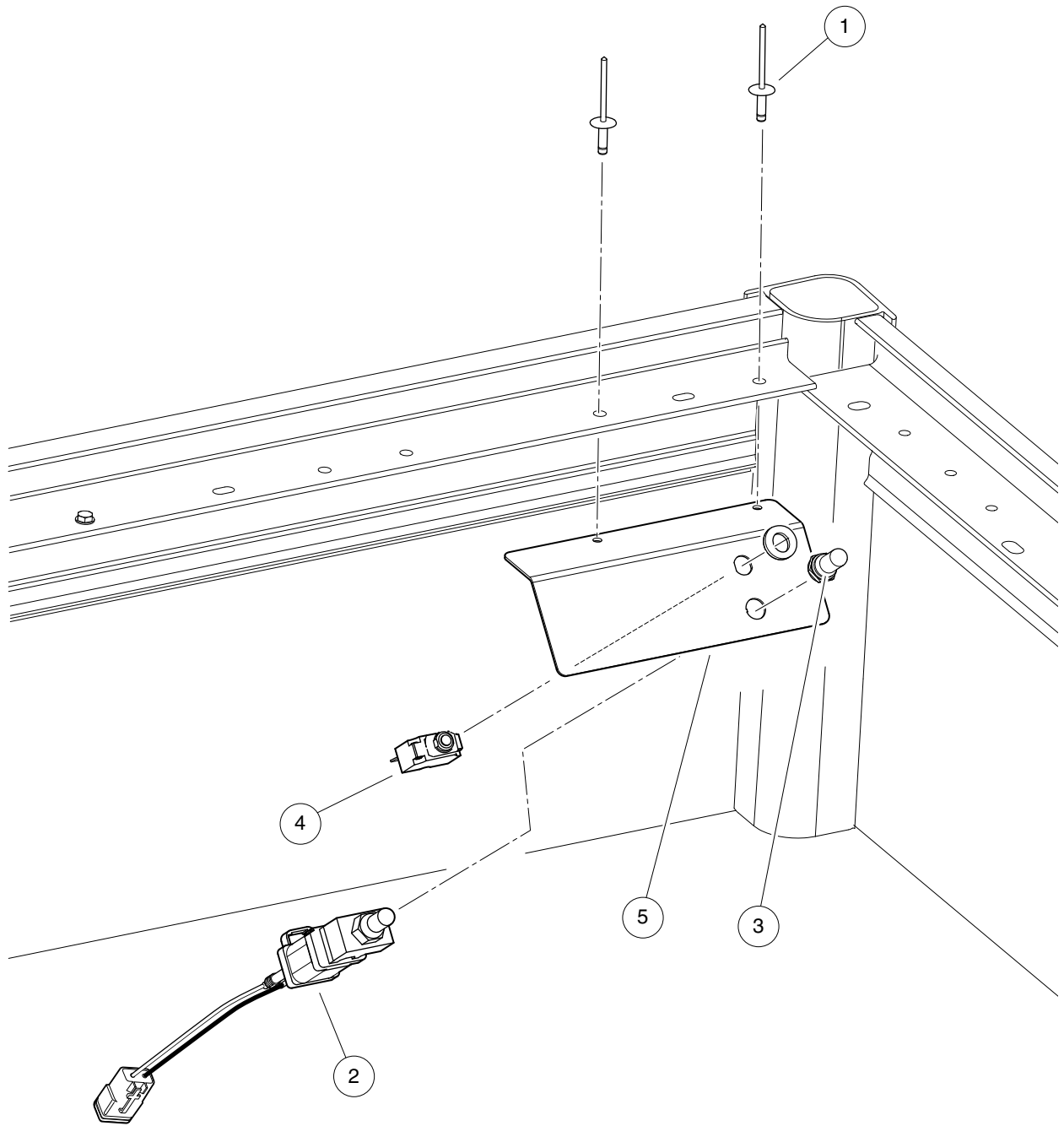
000369-002

BATTERY CHARGER RECEPTACLE

| ITEM | PART NO. | DESCRIPTION | QTY |
|------|------------------|---|-----|
| | | 1 2 3 4 | |
| 1 | <u>101801001</u> | Plate, Receptacle Backing | 1 |
| 2 | <u>101832001</u> | Screw, #7-19 X 0.625 Phillips Pan-Head Tap | 4 |
| 3 | <u>103771901</u> | Asm, Fuse & Receptacle, 480 (includes items 4 through 11) | 1 |
| 4 | <u>1017705</u> | Screw, #8 X 5/8 Phillips Pan-Head Type AB | 3 |
| 5 | <u>101796501</u> | Receptacle | 1 |
| 6 | <u>101796801</u> | Fuse Assembly (includes item 7) | 1 |
| 7 | <u>1013061</u> | Locknut, #10-32 Nylon Insert | 2 |
| 8 | <u>101894901</u> | Fuse, 3/8-Amp | 1 |
| 9 | N/A | Wire Assembly, Sense Lead, Gray | 1 |
| 10 | N/A | Wire Assembly, #10 Red | 1 |
| 11 | N/A | Wire Assembly, #10 Black | 1 |

14

E



002520-003

TOW/RUN SWITCH AND CIRCUIT-BREAKER – IQ PLUS

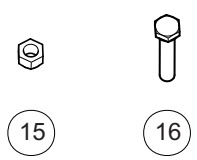
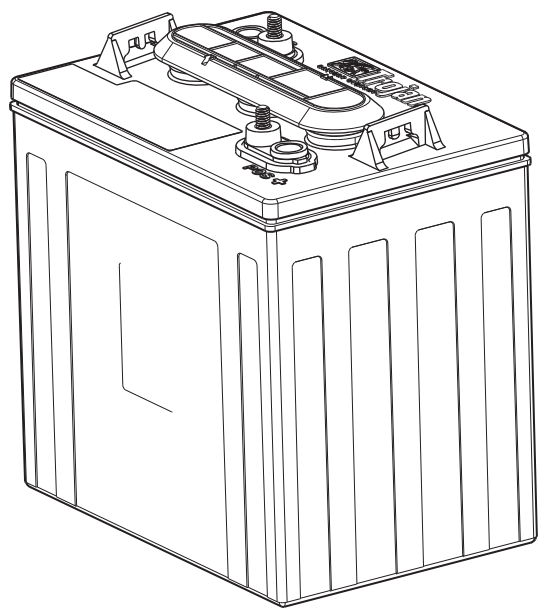
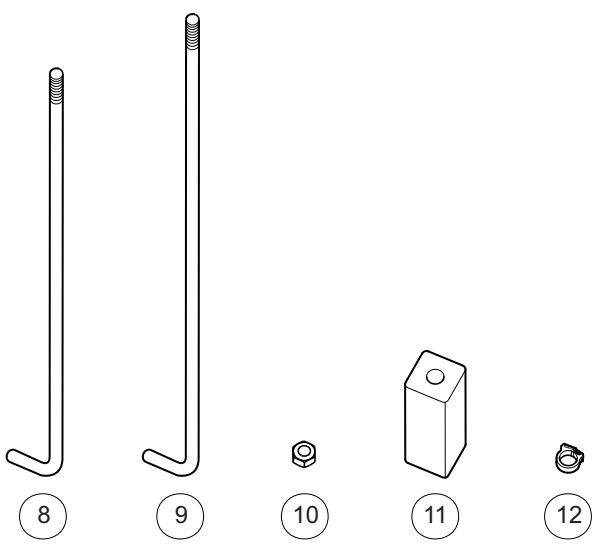
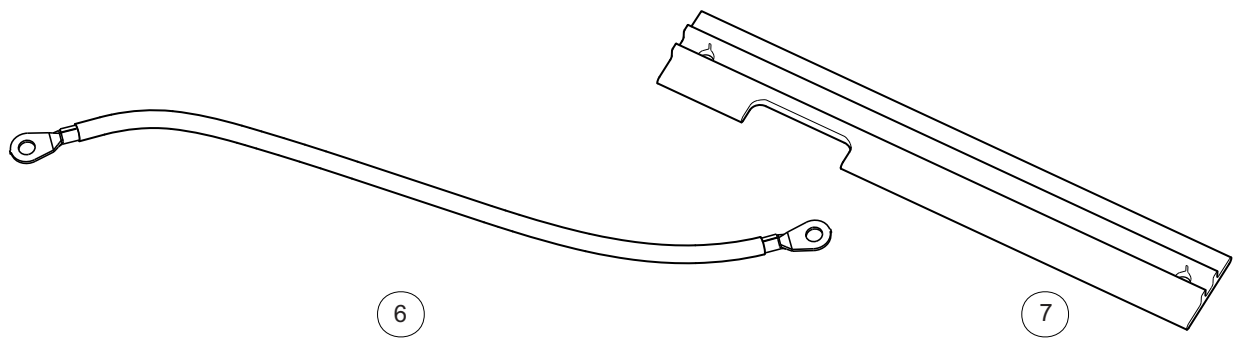
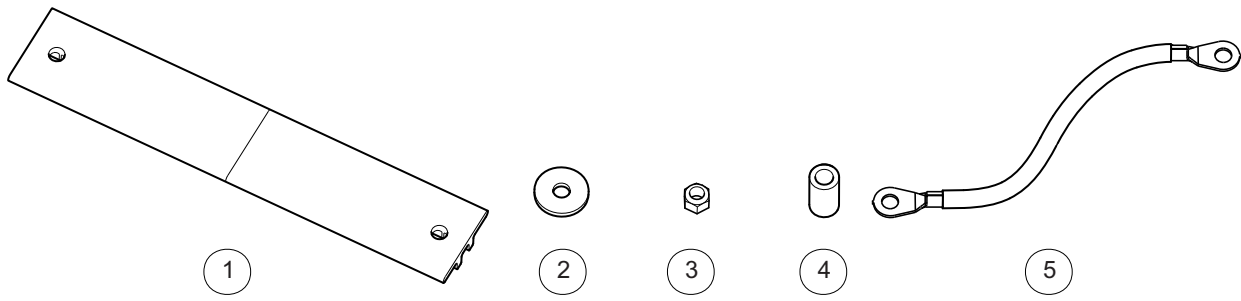
| ITEM | PART NO. | DESCRIPTION | QTY |
|------|------------------|------------------------------------|-----|
| | | 1 2 3 4 | |
| 1 | <u>1015392</u> | Rivet, 3/16 Pop | 2 |
| 2 | <u>101908101</u> | Switch Assembly, Tow/Run | 1 |
| 3 | <u>101908401</u> | Boot, Switch | 1 |
| 4 | <u>102838101</u> | Circuit Breaker, 20 Amp | 1 |
| 5 | <u>102915701</u> | Plate, Switch, Run Tow, Mode | 1 |

14

E

14

E



000409-008

BATTERIES, 6-VOLT, STANDARD DUTY, TROJAN

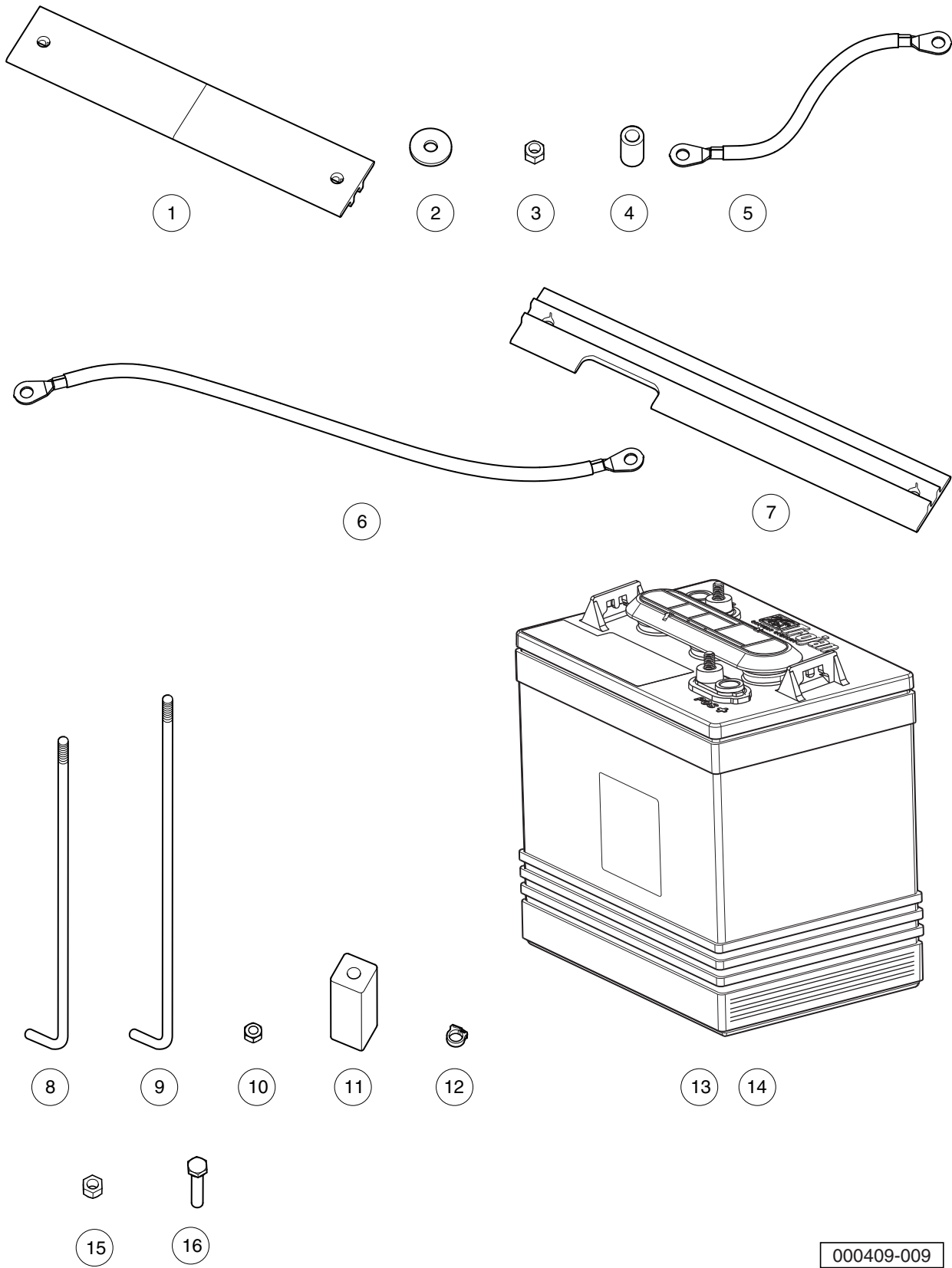
| ITEM | PART NO. | DESCRIPTION | QTY |
|------|------------------|---|-----|
| | | 1 2 3 4 | |
| 1 | <u>101090801</u> | Hold-Down, Battery | 4 |
| 2 | 1012571 | Washer, 5/16 Extra Thick Flat | 12 |
| 3 | 1015072 | Locknut, 5/16-18 Nylon Insert | 12 |
| 4 | <u>1015608</u> | Tube Spacer, Hydraulic Cylinder | 2 |
| 5 | <u>102002901</u> | Wire Assy, #4 Black | 4 |
| 6 | <u>102764001</u> | Wire Asm, #4 Black | 3 |
| 7 | <u>102766201</u> | Hold Down, Outside | 2 |
| 8 | <u>102845201</u> | Rod, Battery Hold Down 9.7" | 10 |
| 9 | <u>102845203</u> | Rod, Battery Hold Down 10.7" | 2 |
| 10 | <u>102873401</u> | 5/16-18 Heavy Hex Nut | 16 |
| 11 | <u>102980801</u> | Extr, Plastic, 1 X 1 X 3 | 2 |
| 12 | <u>102980901</u> | Clamp, Hose, Nylon, .25 | 2 |
| 13 | 103969601 | Battery, 6-Volt, Trojan T105 (Wet) (includes item 14) | 8 |
| 14 | <u>101831401</u> | Battery Cap 6 Volt | 1 |
| 15 | <u>7473</u> | Locknut, 5/16-18 Nylon Insert | 2 |
| 16 | <u>8963</u> | Screw, 5/16-18 X 1.75 Hex-Head Cap | 2 |

14

E

14

E



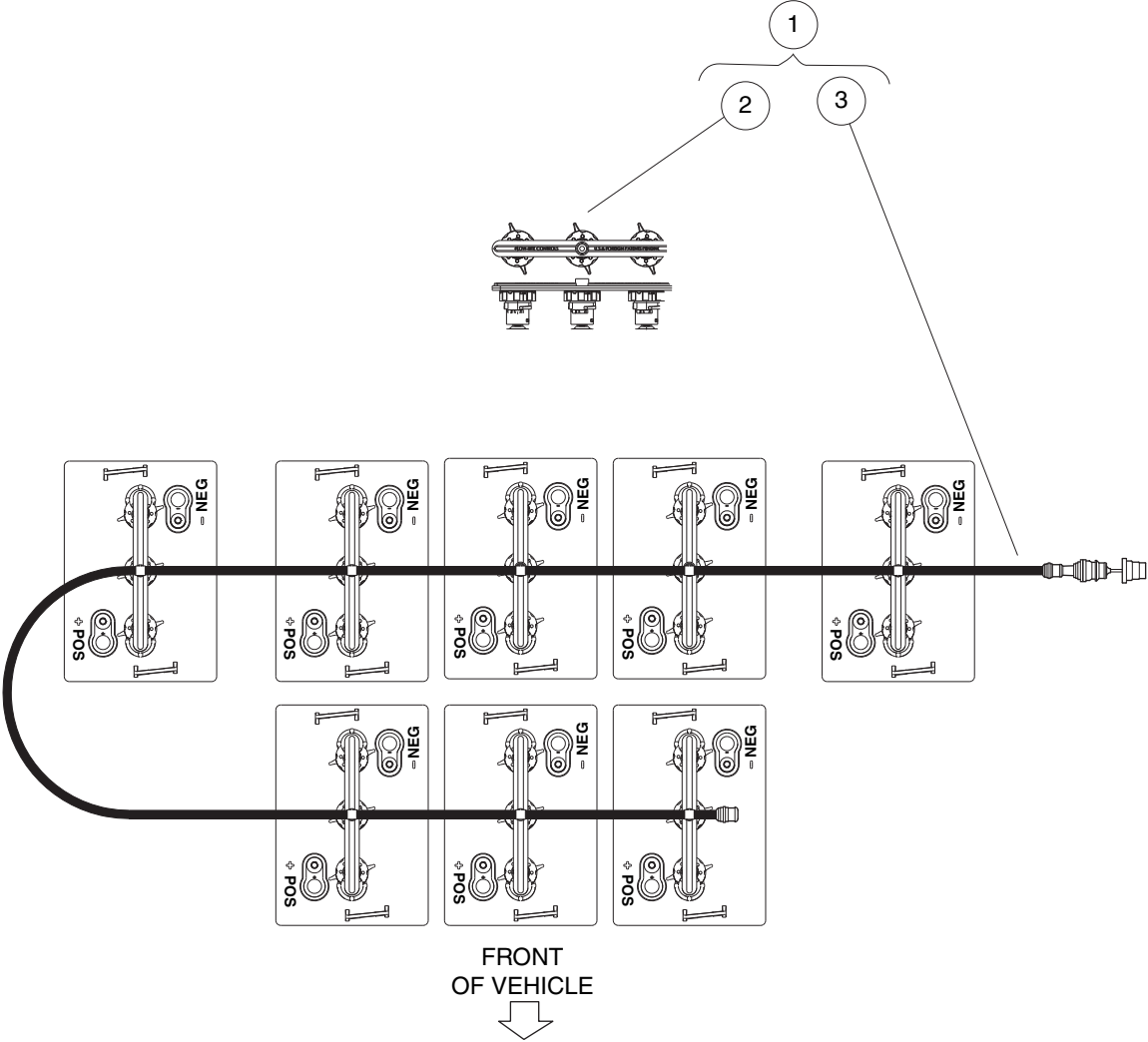
000409-009

BATTERIES, 6-VOLT, HEAVY DUTY, TROJAN

| ITEM | PART NO. | DESCRIPTION | QTY |
|------|------------------|---|-----|
| | | 1 2 3 4 | |
| 1 | <u>101090801</u> | Hold-Down, Battery | 4 |
| 2 | 1012571 | Washer, 5/16 Extra Thick Flat | 12 |
| 3 | 1015072 | Locknut, 5/16-18 Nylon Insert | 12 |
| 4 | <u>1015608</u> | Tube Spacer, Hydraulic Cylinder | 2 |
| 5 | <u>102002901</u> | Wire Assy, #4 Black | 4 |
| 6 | <u>102764001</u> | Wire Asm, #4 Black | 3 |
| 7 | <u>102766201</u> | Hold Down, Outside | 2 |
| 8 | <u>102845203</u> | Rod, Battery Hold Down 10.7" | 10 |
| 9 | <u>102845204</u> | Rod, Battery Hold Down 12" | 2 |
| 10 | <u>102873401</u> | 5/16-18 Heavy Hex Nut | 16 |
| 11 | <u>102980801</u> | Extr, Plastic, 1 X 1 X 3 | 2 |
| 12 | <u>102980901</u> | Clamp, Hose, Nylon, .25 | 2 |
| 13 | <u>103969701</u> | Battery, 6-Volt, Trojan T145 (Wet) (includes item 14) | 8 |
| 14 | <u>101831401</u> | Battery Cap 6 Volt | 1 |
| 15 | <u>7473</u> | Locknut, 5/16-18 Nylon Insert | 2 |
| 16 | <u>8963</u> | Screw, 5/16-18 X 1.75 Hex-Head Cap | 2 |

14

E



FRONT
OF VEHICLE
↓

002524-001

SINGLE POINT WATERING SYSTEM, 6V

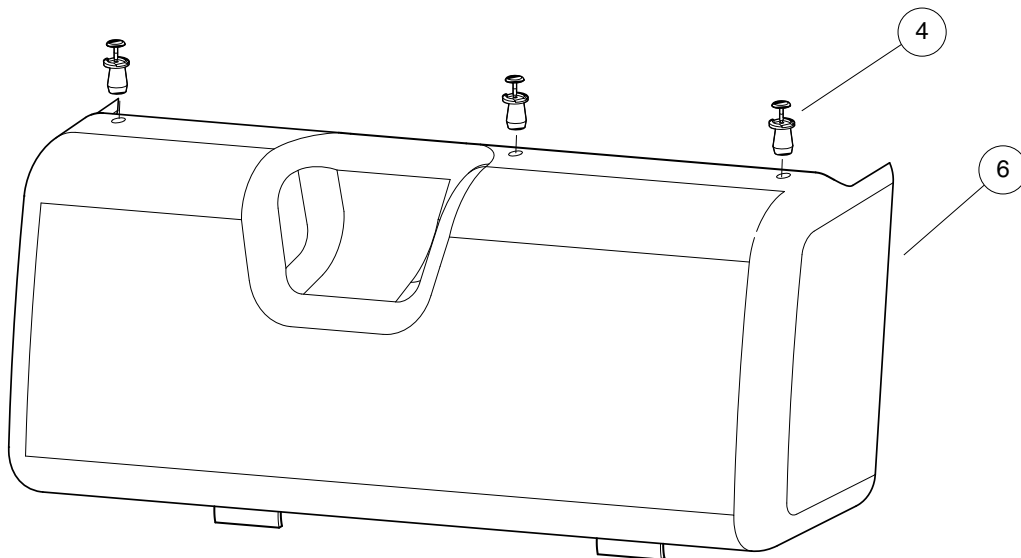
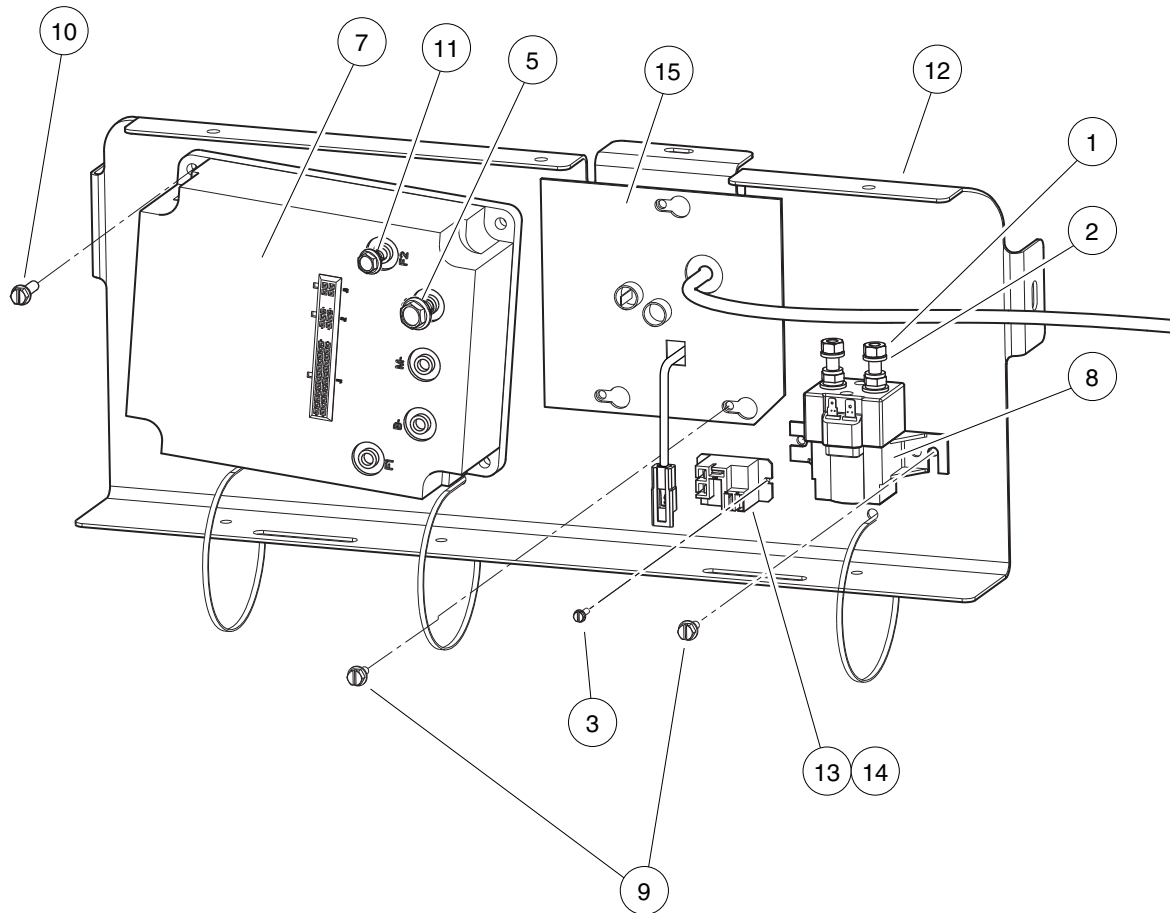
| ITEM | PART NO. | DESCRIPTION | QTY |
|--|------------------|--|-----|
| | | 1 2 3 4 | |
| 1 | <u>103497702</u> | Kit, Spws, 8x6v (includes items 2 and 3) | 1 |
| 2 | <u>103510501</u> | Manifold, Lpr, 3 Vlve, Spw | 8 |
| 3 | <u>103942601</u> | Spws, Carryall, 8x6v | 1 |
| <p style="margin-left: 40px;">Note: For 6-Volt batteries only.</p> | | | |

14

E

14

E



000597-003

COMPUTER, CONTROLLER, AND SOLENOID

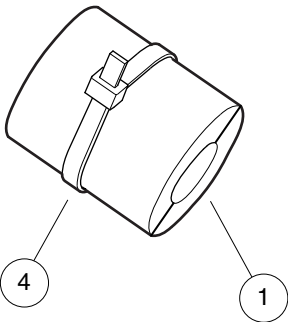
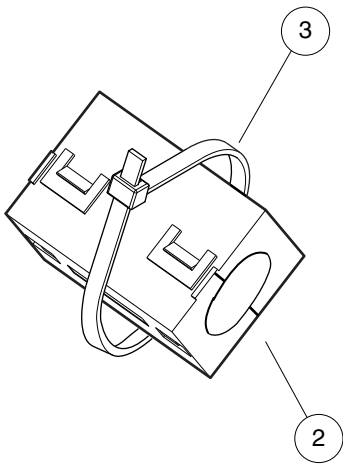
| ITEM | PART NO. | DESCRIPTION | QTY |
|--|------------------|--|-----|
| | | 1 2 3 4 | |
| 1 | <u>1012528</u> | Nut, M8-1.25 Hex | 2 |
| 2 | <u>1013734</u> | Lockwasher, 8mm Split | 2 |
| 3 | <u>1015720</u> | Screw, #6-32 X 1/2 Hex Washer-Head | 2 |
| 4 | <u>1016967</u> | Blind Rivet, Push Type | 3 |
| 5 | <u>102240501</u> | Bolt, Controller, Terminal | 3 |
| 6 | <u>102772401</u> | Cover, Component, Elec, Rear | 1 |
| 7 | <u>102774501</u> | Controller, 500 Amp | 1 |
| 8 | <u>102774701</u> | Solenoid, 48v | 1 |
| 9 | <u>102817101</u> | Screw, 1/4-20 X .50 Hex Wsh Hd | 5 |
| 10 | <u>102817201</u> | Screw, 1/4-20 X .88 Hex Wsh Hd | 4 |
| 11 | <u>102859501</u> | Screw, M6 X 1 X 20 Ser Hex Flg | 2 |
| 12 | <u>102931101</u> | Plate, Component, Rear | 1 |
| 13 | <u>103414901</u> | Kit, Relay, 48v 30a W/instr (includes item 14) | 1 |
| 14 | <u>103397901</u> | Relay, Spst No, 48v 30a, Pmt | 1 |
| 15 | <u>103709202</u> | Obc, Iqplus, A1, 38", 480 | 1 |
| <p>Note: If JCI or Crown is used to replace U.S. Battery brand of battery, the onboard computer must be changed to match. See Batteries pages. NOTE 2: Onboard Computer (item 15) is equipped with the Packard 480 Series connector.</p> | | | |

14

E

14

E



001055-001

FERRITE BEADS, CE

| ITEM | PART NO. | DESCRIPTION | QTY |
|------|------------------|--------------------------------|-----|
| | | 1 2 3 4 | |
| 1 | <u>103449501</u> | Bead, Ferrite, Tdk | A/R |
| 2 | <u>103449601</u> | Bead, Ferrite, Fair-rite | A/R |
| 3 | <u>8639</u> | Tie Wrap, 11" Nylon | A/R |
| 4 | <u>8990</u> | Tie Wrap, 8" Nylon | A/R |

14

E

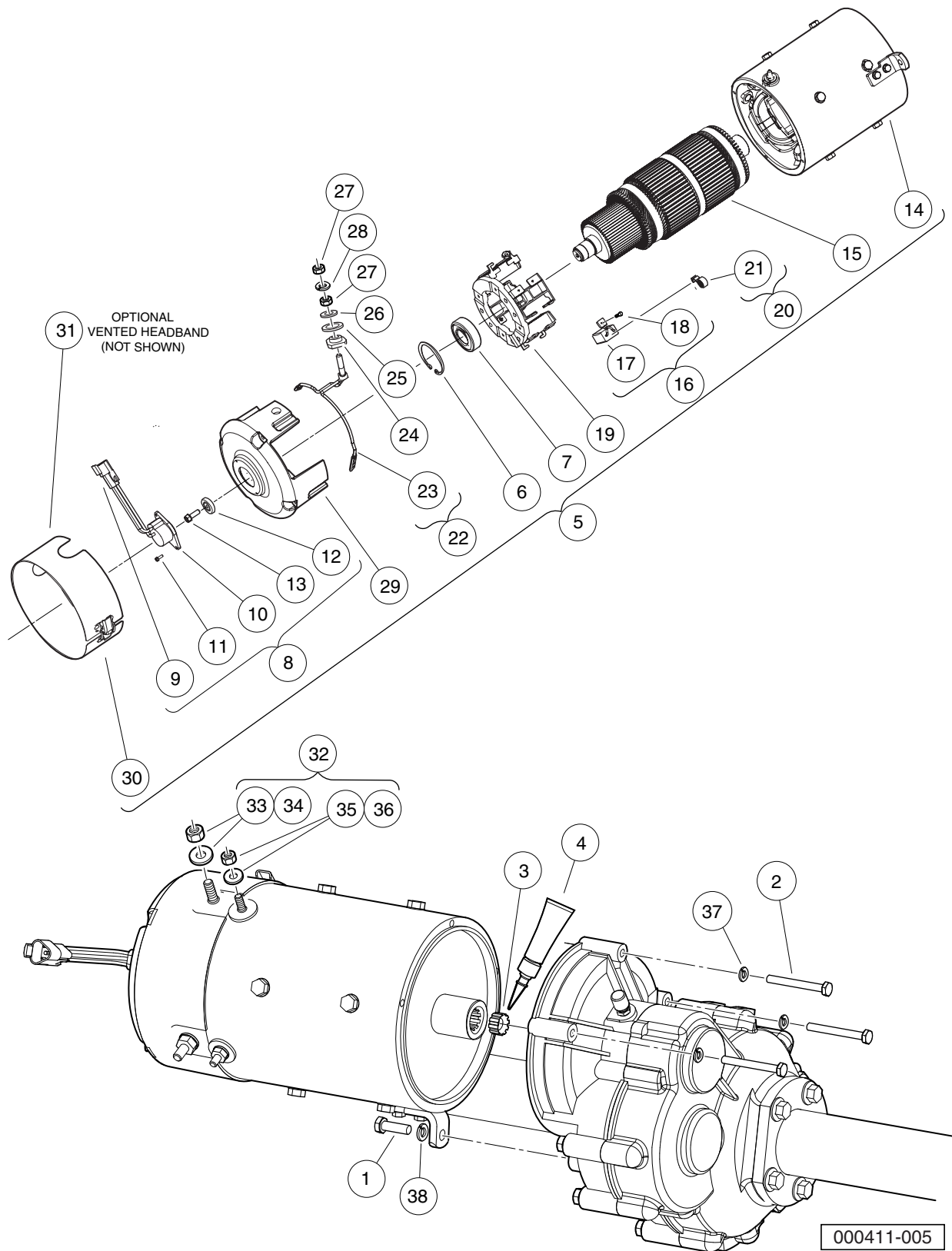
14

E

MOTOR (MODEL DA5-4006) – IQ PLUS

15

E



MOTOR (MODEL DA5-4006) – IQ PLUS

| ITEM | PART NO. | DESCRIPTION | QTY |
|------|------------------|---|-----|
| | | 1 2 3 4 | |
| 1 | <u>1010934</u> | Screw, 5/16-18 X 1.00 Hex Cap | 1 |
| 2 | 1014201 | Screw, 1/4-20 X 2.25 Hex Cap | 3 |
| 3 | <u>102235201</u> | Bumper, Drive Unit | 1 |
| 4 | <u>102243403</u> | Lubricant, Moly-Teflon (Single-Use Tube) | 1 |
| 5 | <u>102775101</u> | IQ Plus Electric Motor, 48-VDC 3.7 hp (includes items 6 through 30) | 1 |
| 6 | N/A | Ring, 2.24" Internal Retaining | 1 |
| 7 | <u>102186401</u> | Bearing, Ball | 1 |
| 8 | <u>102704901</u> | Kit, Speed Sensor (includes items 9 through 13) | 1 |
| 9 | <u>101942301</u> | Kit, 3-Pin Wedge Lock | 1 |
| 10 | N/A | Sensor, Motor Speed, ADC | 1 |
| 11 | N/A | Screw, #8-32, Taptite Thread | 2 |
| 12 | N/A | Magnet, ADC Motor | 1 |
| 13 | N/A | Screw, 1/4-20 x 0.5 | 1 |
| 14 | N/A | Asm, Frame And Field, 3.7 Hp | 1 |
| 15 | N/A | Armature (Includes external hardware not shown) | 1 |
| 16 | <u>102938601</u> | Kit, Brush, 3.7 Hp (includes items 17 and 18) | 1 |
| 17 | N/A | Brush, Motor | 8 |
| 18 | N/A | Screw, Taptite | 8 |
| 19 | <u>102938701</u> | Asm, Brush Box, 3.7 Hp | 1 |
| 20 | <u>102938801</u> | Kit, Brush Spring, 3.7 Hp (includes item 21) | 1 |
| 21 | N/A | Brush Spring | 8 |
| 22 | <u>102938901</u> | Kit, Brush Lead Asm, 3.7 Hp (includes items 23 through 28) | 1 |
| 23 | N/A | Terminal and Lead Assembly | 2 |
| 24 | N/A | Insulator, Terminal | 2 |
| 25 | N/A | Washer, Insulating | 2 |
| 26 | N/A | Washer, Flat, 5/16, Brass/Bronze | 2 |
| 27 | N/A | Nut, 5/16, Steel | 4 |
| 28 | N/A | Lockwasher, 5/16, Steel | 2 |
| 29 | <u>102939001</u> | Commutator End Head, 3.7 Hp | 1 |
| 30 | <u>102939101</u> | Sealed Headband, 3.7 Hp | 1 |
| 31 | <u>102939102</u> | Vented Headband, 3.7 HP (optional - not shown) | 1 |
| 32 | <u>102951701</u> | Pkg, Terminal Hardware, 3.7hp (includes items 33 through 36) | 1 |
| 33 | N/A | Nut, 5/16, Steel | 2 |
| 34 | N/A | Lockwasher, 5/16, Steel | 2 |
| 35 | N/A | Nut, 1/4-20, Steel | 2 |
| 36 | N/A | Lockwasher, 1/4-20, Steel | 2 |
| 37 | <u>451</u> | Lockwasher, 1/4 Split | 3 |
| 38 | <u>7174</u> | Lockwasher, 5/16 Split | 1 |

15

E

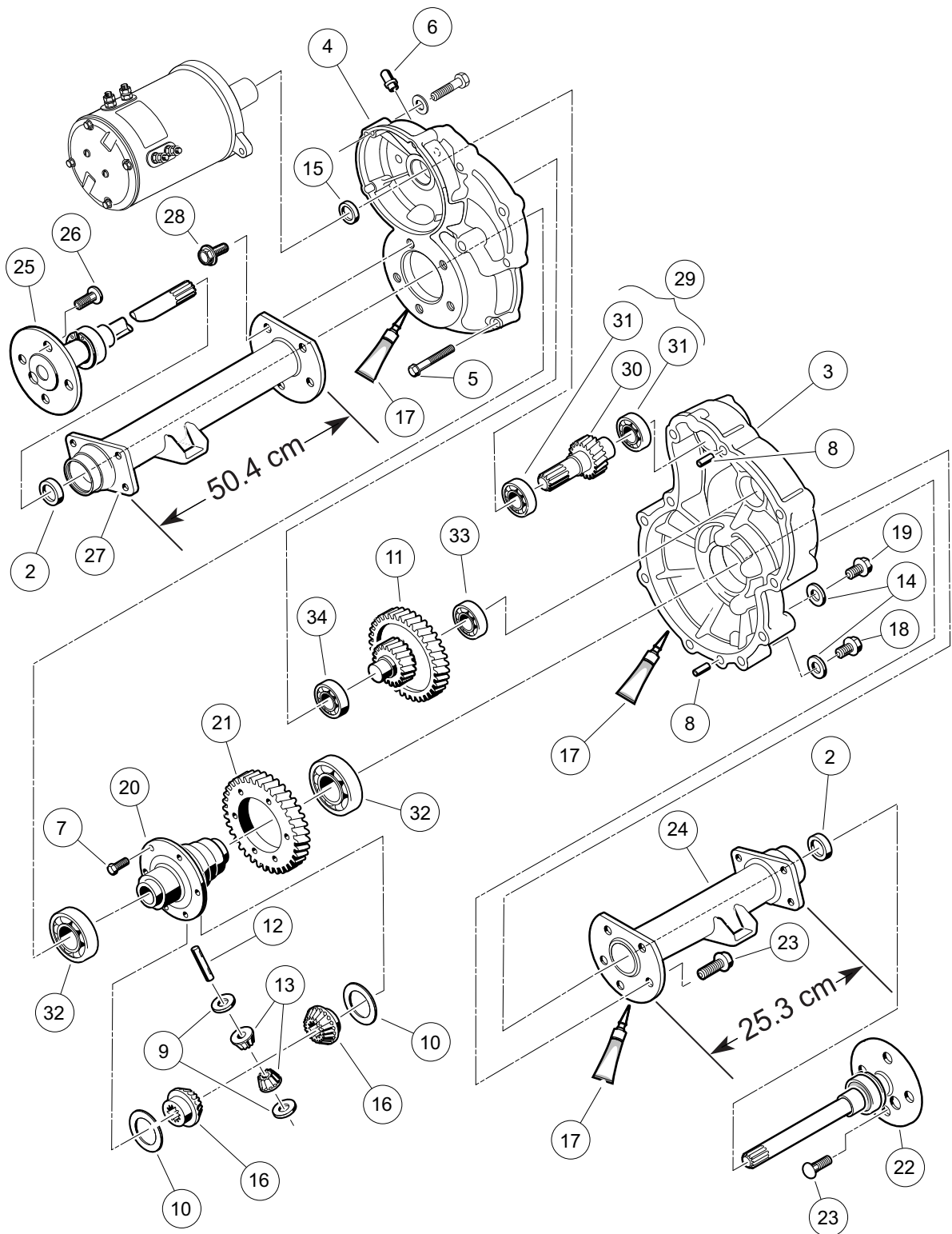
15

E

TRANSAXLE – ELECTRIC VEHICLES

16

E



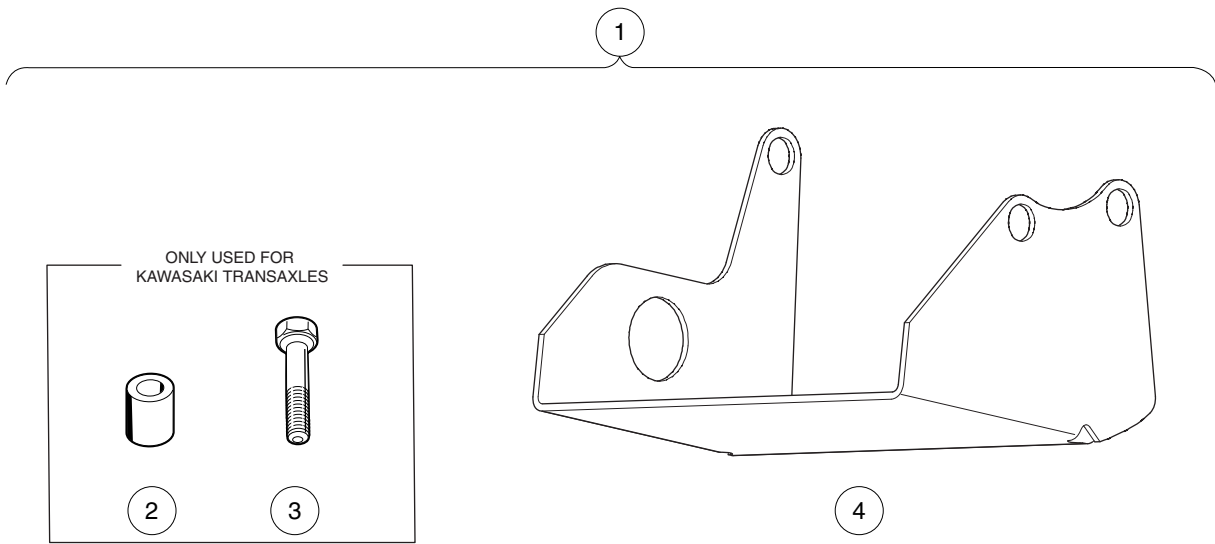
000223-005

TRANSAXLE – ELECTRIC VEHICLES

| ITEM | PART NO. | DESCRIPTION | QTY |
|------|------------------|---|-----|
| | | 1 2 3 4 | |
| 1 | <u>102771701</u> | Transaxle, Electric (includes items 2 through 34) | 1 |
| 2 | <u>1013794</u> | Axle Shaft Oil Seal | 2 |
| 3 | <u>101895401</u> | Gear Case, Driver-Side | 1 |
| 4 | <u>101895501</u> | Gear Case, Passenger-Side | 1 |
| 5 | <u>101897001</u> | Screw, M8-1.25 X 60mm Hex-Head | 11 |
| 6 | <u>101897201</u> | Breather | 1 |
| 7 | <u>101897401</u> | Screw, M10-1.25 X 25mm | 6 |
| 8 | <u>101897601</u> | Pin, 11mm OD X 8.5mm ID X 10mm | 2 |
| 9 | <u>101903601</u> | Washer, Thrust | 2 |
| 10 | <u>101903701</u> | Washer, Thrust | 2 |
| 11 | <u>101906901</u> | Intermediate Shaft Assembly | 1 |
| 12 | <u>101922101</u> | Pin, 15.99mm X 88.7mm Dowel | 1 |
| 13 | <u>101923001</u> | Gear, Differential Idler | 2 |
| 14 | <u>101923201</u> | Gasket | 2 |
| 15 | <u>101923501</u> | Seal, Lip | 1 |
| 16 | <u>101923901</u> | Gear, Differential | 2 |
| 17 | <u>101928701</u> | Liquid Gasket (Transaxle case) | 1 |
| 18 | <u>101972101</u> | Plug, M14-1.5 X 12mm Magnetic | 1 |
| 19 | <u>101972201</u> | Plug, M14-1.5 X 12mm Hex | 1 |
| 20 | <u>102356601</u> | Housing, Differential, 6 Bolt | 6 |
| 21 | <u>102356801</u> | Gear, Differential Output, 6-Bolt | 6 |
| 22 | <u>102886301</u> | Axle Assembly, Driver-Side (includes item 23) | 1 |
| 23 | <u>101922201</u> | Lug Stud | 4 |
| 24 | <u>102886401</u> | Tube, Axle, Driver-Side | 1 |
| 25 | <u>102886501</u> | Axle Assembly, Passenger-Side (includes item 26) | 1 |
| 26 | <u>101922201</u> | Lug Stud | 4 |
| 27 | <u>102886601</u> | Tube, Axle, Passenger-Side | 1 |
| 28 | <u>102902801</u> | Screw, M10 X 30 | 10 |
| 29 | <u>103582801</u> | Asm, E Trans Shaft/bearing (includes items 30 and 31) | 1 |
| 30 | N/A | Shaft, Input | 1 |
| 31 | <u>7335</u> | Bearing | 2 |
| 32 | <u>7330</u> | Inner Axle Tube Bearing | 2 |
| 33 | <u>7335</u> | Bearing | 1 |
| 34 | <u>7336</u> | Bearing | 1 |

16

E



000365-002

DIFFERENTIAL GUARD – ELECTRIC VEHICLES

| ITEM | PART NO. | DESCRIPTION | QTY |
|------|------------------|---|-----|
| | | 1 2 3 4 | |
| 1 | <u>101611402</u> | Kit, Differential Guard, Elec Vehicles (includes items 2 through 4) | 1 |
| 2 | <u>101914001</u> | Spacer, Steel | 2 |
| 3 | <u>101936101</u> | Screw, M10-1.50 X 60mm Hex Cap | 2 |
| 4 | <u>101978601</u> | Guard, Differential, Electric Vehicle Transaxle | 1 |

16

E

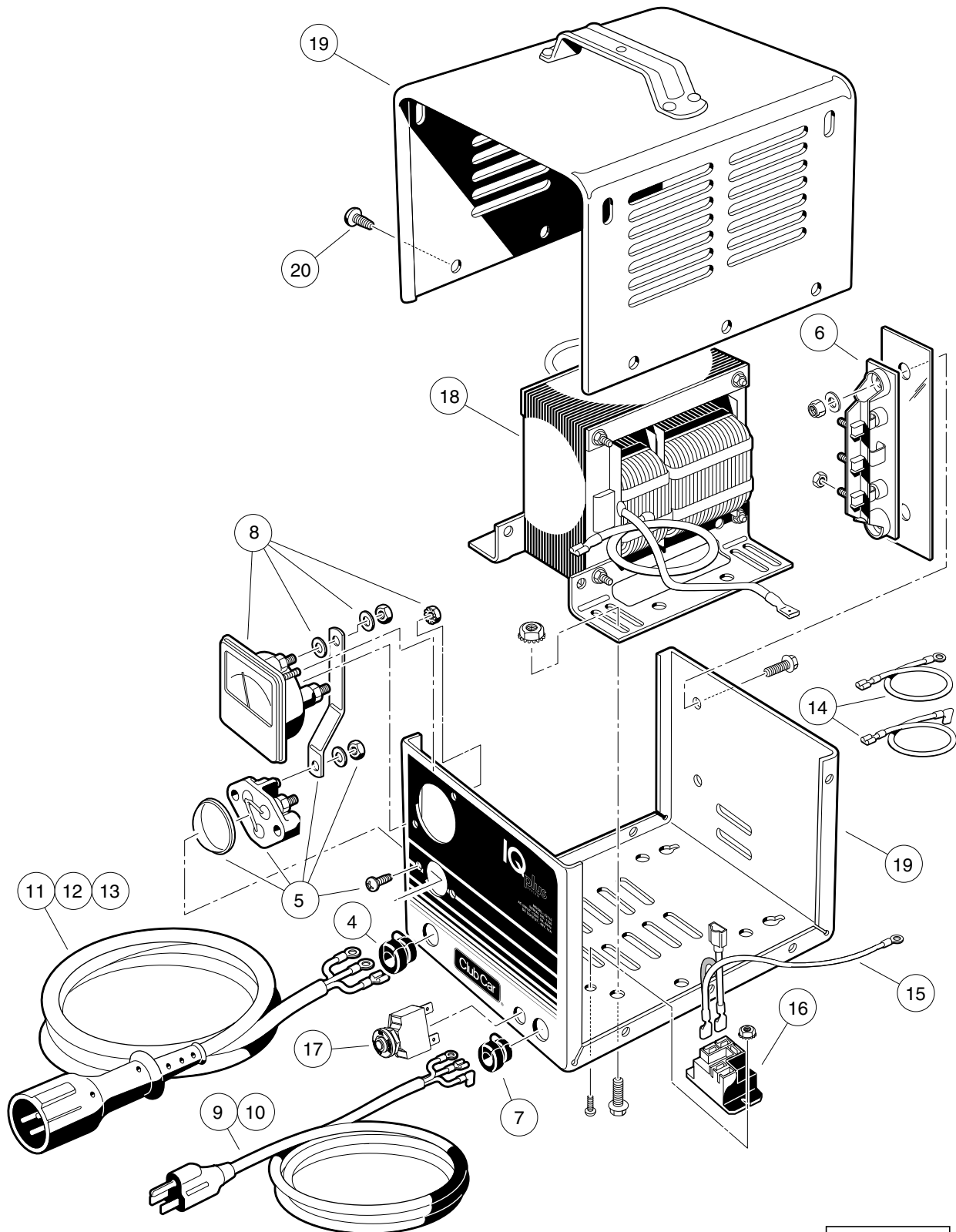
16

E

BATTERY CHARGERS

17

E



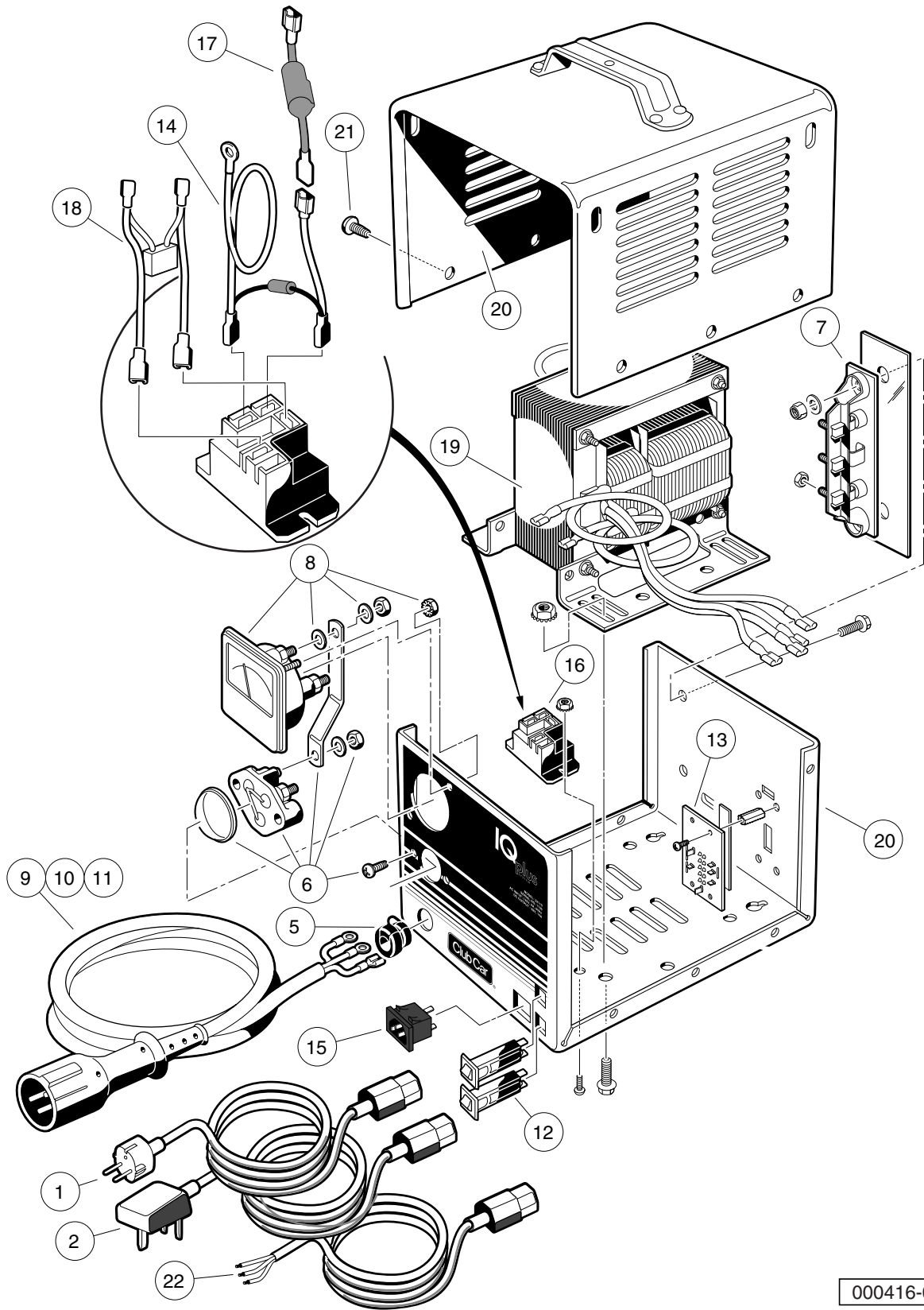
000414-001

IQ PLUS BATTERY CHARGER (MODELS 25730-11,-18,-19), DOMESTIC

| ITEM | PART NO. | DESCRIPTION | QTY |
|------|------------------|--|-----|
| | | 1 2 3 4 | |
| 1 | <u>102847801</u> | Charger, IQ Plus, Domestic (9-ft. DC Cord, 6-ft. AC Cord) | 1 |
| 2 | <u>102847802</u> | Charger, IQ Plus, Domestic (12-ft. DC Cord, 9-ft. AC Cord) | 1 |
| 3 | <u>102847803</u> | Charger, IQ Plus, Domestic (20-ft. DC Cord, 9-ft. AC Cord) (includes items 4 through 20) | 1 |
| 4 | <u>1012098</u> | Bushing, DC Cord | 1 |
| 5 | <u>1012101</u> | Fuse Assembly | 1 |
| 6 | <u>1015914</u> | Rectifier with Heatsink Assembly | 1 |
| 7 | <u>1015917</u> | Bushing, AC Cord | 1 |
| 8 | <u>101828501</u> | Ammeter | 1 |
| 9 | <u>101828801</u> | Cord, AC, 80-Inch (203 cm) | 1 |
| 10 | <u>101828802</u> | Cord, AC, 108-Inch (274 cm) | 1 |
| 11 | <u>101828901</u> | Cord, DC, 113-Inch (287 cm) | 1 |
| 12 | <u>101828902</u> | Cord, DC, 154-Inch (391 cm) | 1 |
| 13 | <u>101828903</u> | Cord, DC, 250-Inch (635 cm) | 1 |
| 14 | <u>101831101</u> | Wire Assembly Kit | 1 |
| 15 | 101914401 | Assembly, Voltage Suppressor | 1 |
| 16 | <u>102275401</u> | Relay, 48-VDC | 1 |
| 17 | <u>102838101</u> | Circuit Breaker 250vac-50vdc | 1 |
| 18 | N/A | Transformer, Battery Charger | 1 |
| 19 | N/A | Case, Battery Charger | 1 |
| 20 | 7577 | Screw, #10 X 0.50 Phillips Pan-Head | 10 |

17

E



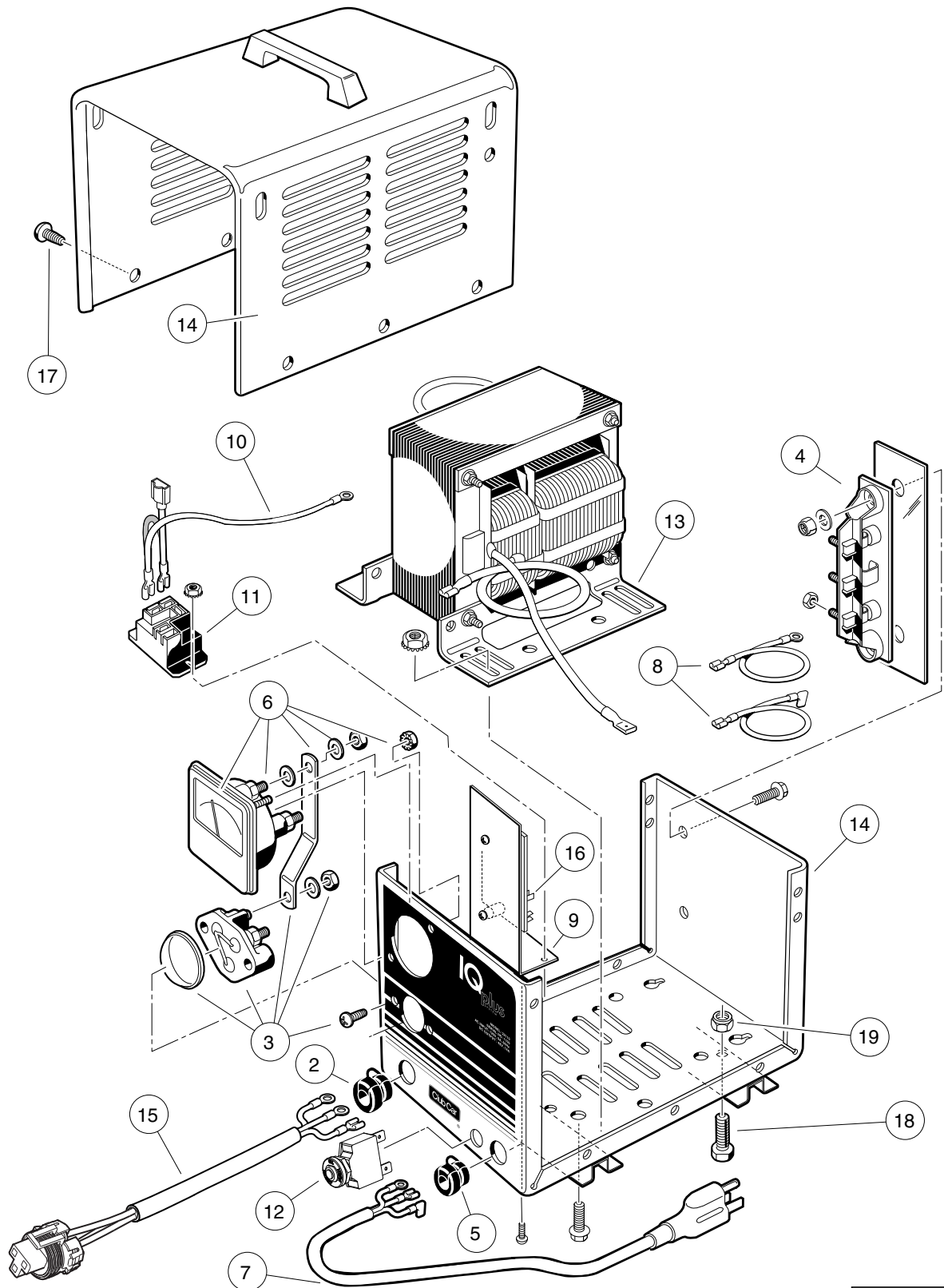
000416-002

IQ PLUS BATTERY CHARGER (MODELS 25880-11 AND -18), INTERNATIONAL

| ITEM | PART NO. | DESCRIPTION | QTY |
|------|------------------|--|-----|
| | | 1 2 3 4 | |
| 1 | <u>101958201</u> | Cord, UK, AC, Battery Charger | 1 |
| 2 | <u>101958301</u> | Cord, European AC, Battery Charger | 1 |
| 3 | <u>102892901</u> | Charger, IQ Plus, International (9-ft. DC Cord) | 1 |
| 4 | <u>102892902</u> | Charger, IQ Plus, International (12-ft. DC Cord) (includes items 5 through 21) | 1 |
| 5 | <u>1012098</u> | Bushing, DC Cord | 1 |
| 6 | <u>1012101</u> | Fuse Assembly | 1 |
| 7 | <u>1015914</u> | Rectifier with Heatsink Assembly | 1 |
| 8 | <u>101828501</u> | Ammeter | 1 |
| 9 | <u>101828901</u> | Cord, DC, 113-Inch (287 cm) | 1 |
| 10 | <u>101828902</u> | Cord, DC, 154-Inch (391 cm) | 1 |
| 11 | <u>101828903</u> | Cord, DC, 250-Inch (635 cm) | 1 |
| 12 | <u>101838401</u> | Circuit Breaker | 2 |
| 13 | <u>101838601</u> | Four-Position Switch | 1 |
| 14 | <u>101914401</u> | Assembly, Voltage Suppressor | 1 |
| 15 | <u>101973501</u> | Receptacle, AC Cord | 1 |
| 16 | <u>102275401</u> | Relay, 48-VDC | 1 |
| 17 | N/A | Limiter, Current | 1 |
| 18 | N/A | Wire Assembly, Battery Charger | 1 |
| 19 | N/A | Transformer, Battery Charger | 1 |
| 20 | N/A | Case, Battery Charger | 1 |
| 21 | 7577 | Screw, #10 X 0.50 Phillips Pan-Head | 10 |
| 22 | <u>102939501</u> | Cord, European AC, Battery Charger | 1 |

17

E



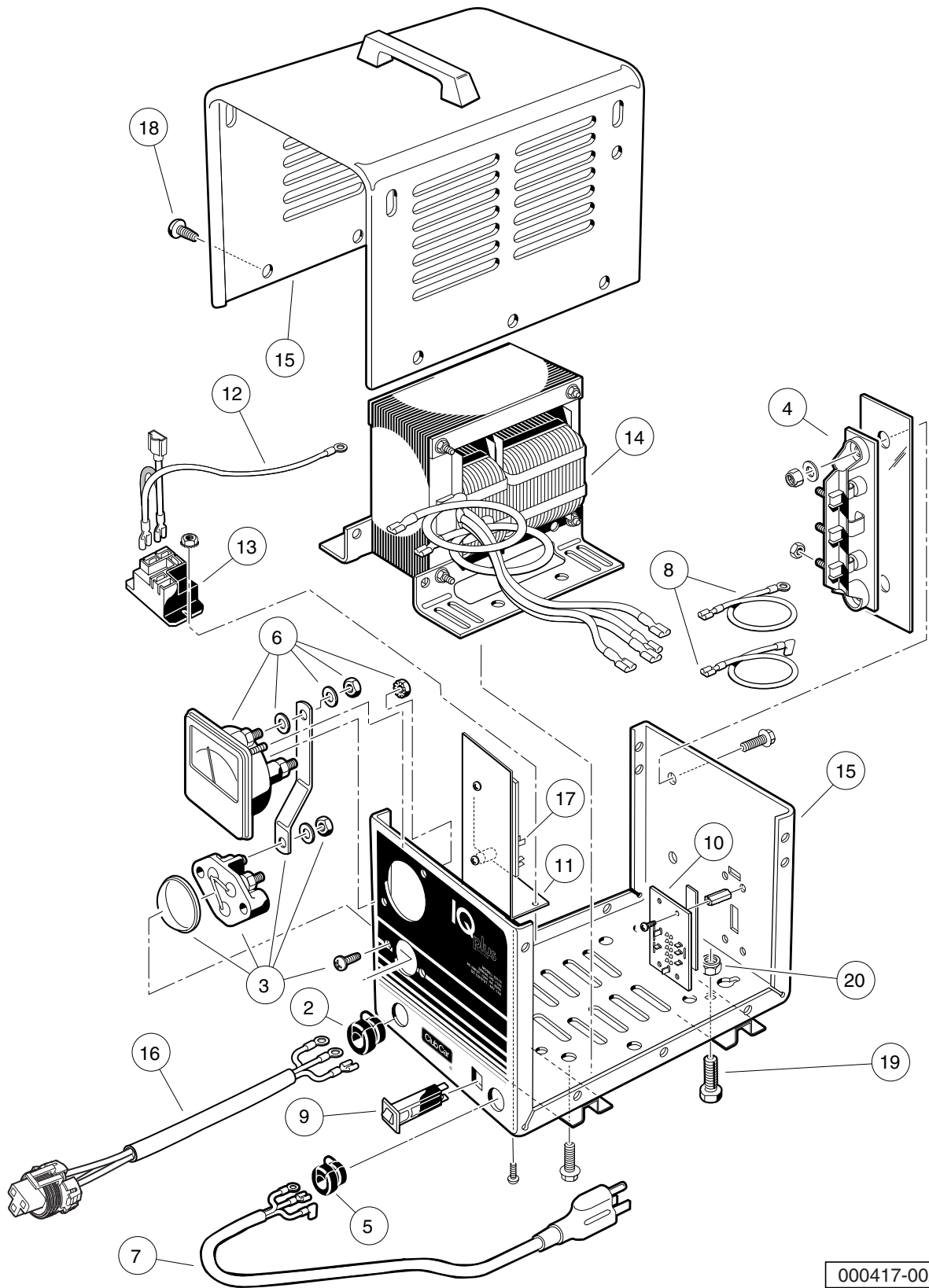
000415-002

ONBOARD IQ PLUS BATTERY CHARGER (MODEL 25260-50), DOMESTIC

| ITEM | PART NO. | DESCRIPTION | QTY |
|------|------------------|---|-----|
| | | 1 2 3 4 | |
| 1 | <u>103772401</u> | Charger, IQ Plus, Onboard, Domestic (includes items 2 through 19) | 1 |
| 2 | <u>1012098</u> | Bushing, DC Cord | 1 |
| 3 | <u>1012101</u> | Fuse Assembly | 1 |
| 4 | <u>1015914</u> | Rectifier with Heatsink Assembly | 1 |
| 5 | <u>1015917</u> | Bushing, AC Cord | 1 |
| 6 | <u>101828501</u> | Ammeter | 1 |
| 7 | <u>101829001</u> | Cord, AC, 22-Inch (56 cm) | 1 |
| 8 | <u>101831101</u> | Wire Assembly Kit | 1 |
| 9 | <u>101838701</u> | Mounting Bracket, Relay | 1 |
| 10 | <u>101914401</u> | Assembly, Voltage Suppressor | 1 |
| 11 | <u>102275401</u> | Relay, 48-VDC | 1 |
| 12 | <u>102838101</u> | Circuit Breaker, 20 Amp | 1 |
| 13 | N/A | Transformer, Battery Charger | 1 |
| 14 | N/A | Case, Battery Charger | 1 |
| 15 | <u>103832001</u> | Cord, DC, 20", Charger | 1 |
| 16 | <u>103869401</u> | Control Board, Potted | 1 |
| 17 | 7577 | Screw, #10 X 0.50 Phillips Pan-Head | 12 |
| 18 | <u>7847</u> | Screw, 1/4-20 X 0.75 Hex-Head Cap | 4 |
| 19 | <u>8233</u> | Locknut, 1/4-20, Nylon Insert | 4 |

17

E



000417-002

ONBOARD IQ PLUS BATTERY CHARGER (MODEL 25660-50), INTERNATIONAL

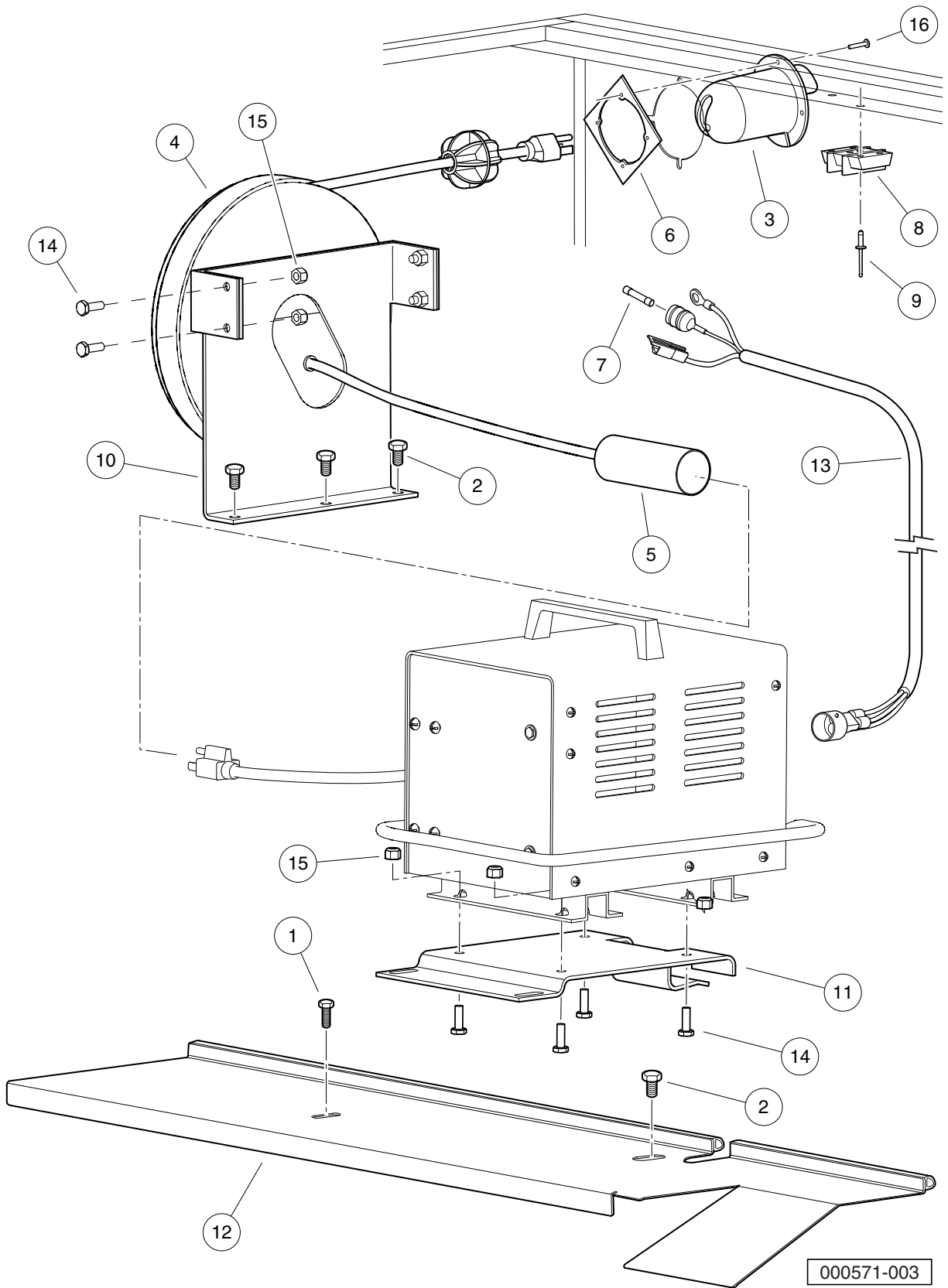
| ITEM | PART NO. | DESCRIPTION | QTY |
|------|------------------|--|-----|
| | | 1 2 3 4 | |
| 1 | <u>103771601</u> | Charger, IQ Plus, Onboard, International (includes items 2 through 20) | 1 |
| 2 | <u>1012098</u> | Bushing, DC Cord | 1 |
| 3 | <u>1012101</u> | Fuse Assembly | 1 |
| 4 | <u>1015914</u> | Rectifier with Heatsink Assembly | 1 |
| 5 | <u>1015917</u> | Bushing, AC Cord | 1 |
| 6 | <u>101828501</u> | Ammeter | 1 |
| 7 | <u>101829001</u> | Cord, AC, 22-Inch (56 cm) | 1 |
| 8 | <u>101831101</u> | Wire Assembly Kit | 1 |
| 9 | <u>101838401</u> | Circuit Breaker | 1 |
| 10 | <u>101838601</u> | Four-Position Switch | 1 |
| 11 | <u>101838701</u> | Mounting Bracket, Relay | 1 |
| 12 | <u>101914401</u> | Assembly, Voltage Suppressor | 1 |
| 13 | <u>102275401</u> | Relay, 48-VDC | 1 |
| 14 | N/A | Transformer, Battery Charger | 1 |
| 15 | N/A | Case, Battery Charger | 1 |
| 16 | <u>103832001</u> | Cord, DC, 20", Charger | 1 |
| 17 | <u>103869401</u> | Control Board, Potted | 1 |
| 18 | <u>7577</u> | Screw, #10 X 0.50 Phillips Pan-Head | 12 |
| 19 | <u>7847</u> | Screw, 1/4-20 X 0.75 Hex-Head Cap | 4 |
| 20 | <u>8233</u> | Locknut, 1/4-20, Nylon Insert | 4 |

17

E

17

E



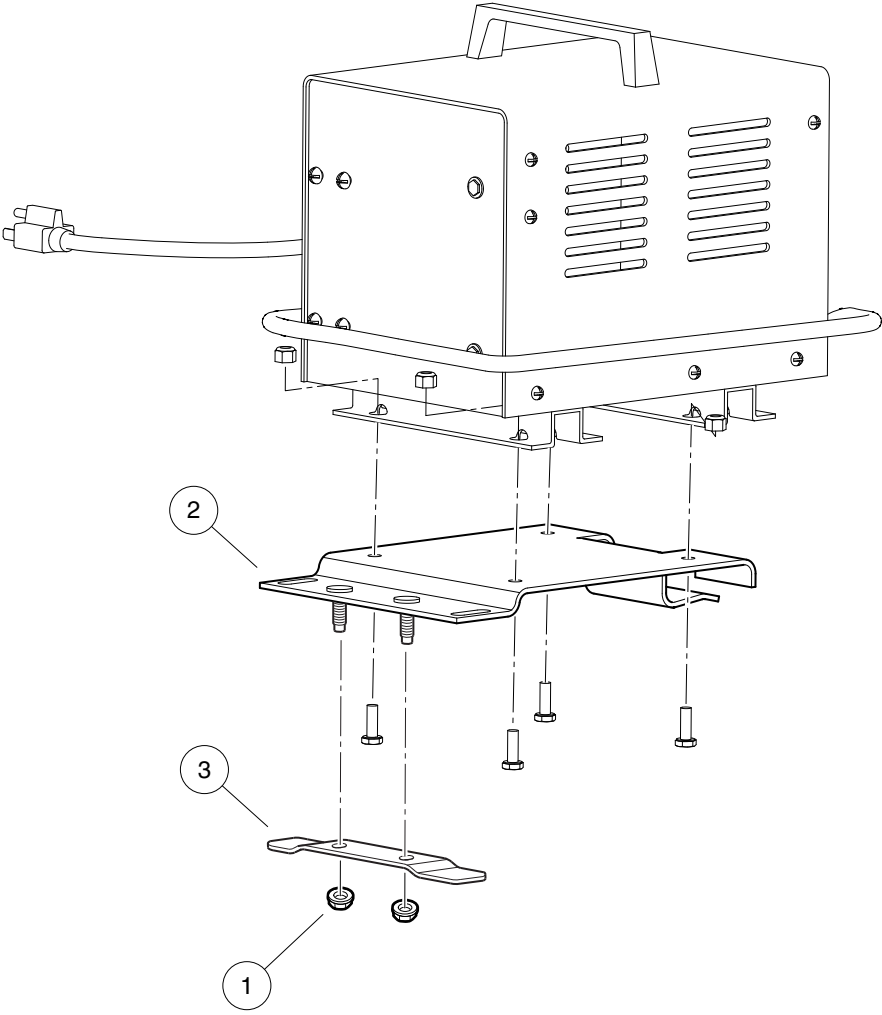
000571-003

ONBOARD IQ PLUS CHARGER AND CORD REEL MOUNTING, PAGE 1 OF 2

| ITEM | PART NO. | DESCRIPTION | QTY |
|--|------------------|---|-----|
| | | 1 2 3 4 | |
| 1 | <u>1014063</u> | Screw, 1/4-20 X 1.00, Hex Head | 1 |
| 2 | <u>1014288</u> | Screw, 5/16-18 X 0.75, Thread-Forming | 4 |
| 3 | <u>1016673</u> | Housing, Cord Reel | 1 |
| 4 | <u>1017187</u> | Retractable Cord Reel | 1 |
| 5 | <u>1017189</u> | Heat Shrink Tube 1.5" X 3" | 1 |
| 6 | <u>101801001</u> | Plate, Receptacle Backing | 1 |
| 7 | <u>101894901</u> | Fuse, 3/8-Amp | 1 |
| 8 | <u>101966801</u> | Block, Terminal | 1 |
| 9 | <u>101968801</u> | Rivet, 3/16", Pop | 2 |
| 10 | <u>102770701</u> | Bracket, Reel, Tabbed | 1 |
| 11 | <u>102844001</u> | Plate, Charger Mounting | 1 |
| 12 | <u>103353501</u> | Shield | 1 |
| 13 | <u>103772301</u> | Harness, Wire, Charger, IQ Plus, 55" | 1 |
| 14 | <u>7847</u> | Screw, 1/4-20 X 0.75 Hex-Head Cap | 8 |
| 15 | <u>8233</u> | Locknut, 1/4-20, Nylon Insert | 8 |
| 16 | <u>8796</u> | Screw, #7-19 X 0.75 Pan-Head Type AB | 4 |
| 17 | <u>8990</u> | Tie Wrap, 8" Nylon | 4 |
| Note: Item 17 not shown. NOTE 2: See following page for parts specific to the international onboard charger. | | | |

17

E



000572-003

ONBOARD IQ PLUS CHARGER AND CORD REEL MOUNTING, PAGE 2 OF 2

| ITEM | PART NO. | DESCRIPTION | QTY |
|--|------------------|--|-----|
| | | 1 2 3 4 | |
| 1 | <u>101832901</u> | Nut, M10-1.25 Hex Flange | 2 |
| 2 | <u>102844002</u> | Plate, Charger Mounting, with Studs, International | 1 |
| 3 | <u>103189101</u> | Retainer, Charger Assembly | 1 |
| <p>Note: Items on this page are used only for the International Onboard IQ Plus Battery Charger.</p> | | | |

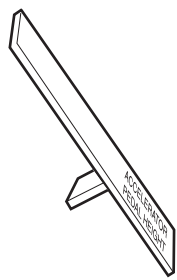
17

E

MAINTENANCE AND SERVICE TOOLS

18
G
E

18
G
E



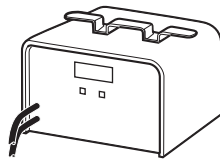
1



2



3



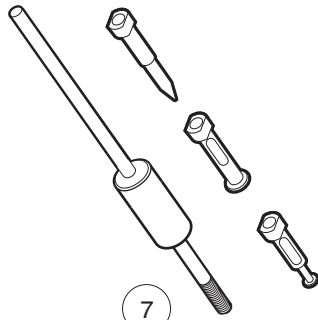
4



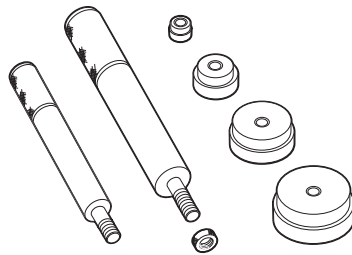
5



6



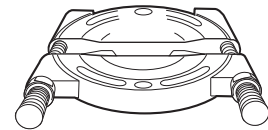
7



8



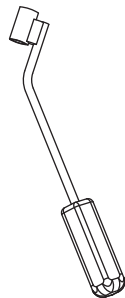
9



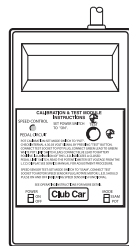
10



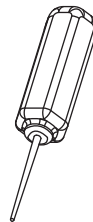
11



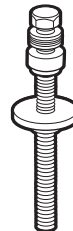
12



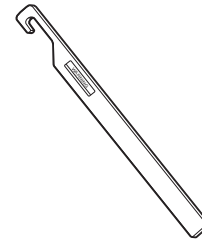
13



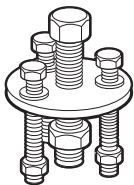
14



15



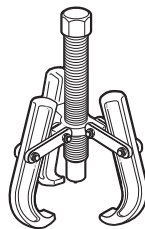
16



17



18



19



20



21

001600-001

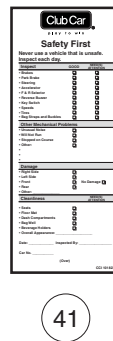
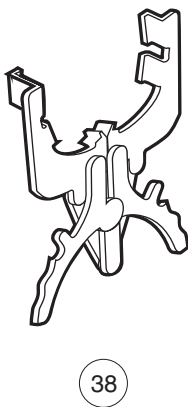
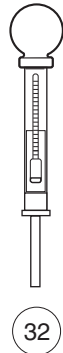
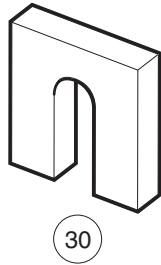
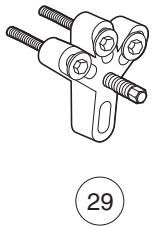
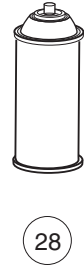
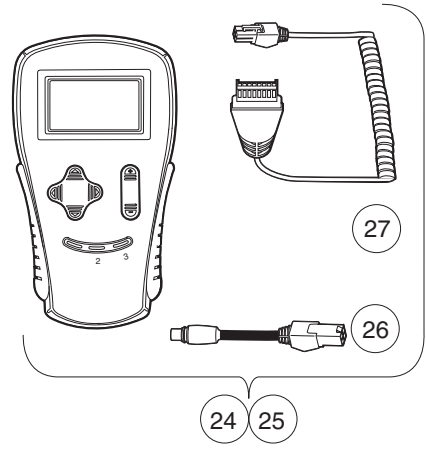
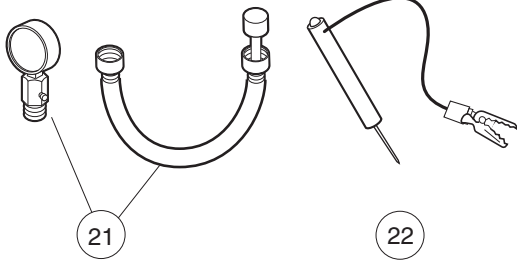
MAINTENANCE AND SERVICE TOOLS

| ITEM | PART NO. | DESCRIPTION | QTY GAS | QTY ELEC |
|------|------------------|--|------------|-------------|
| | | <p style="text-align: center;">1 2 3 4</p> <p>The following tool list includes all tools available from Club Car to perform maintenance and service procedures on all electric utility vehicles and all gasoline utility vehicles equipped with Kawasaki FE-series engines. Be sure to carefully examine the tool list for applicability to your vehicle before ordering.</p> | | |
| 1 | <u>101871001</u> | Accelerator Pedal Adjustment Tool (Utility Vehicles)..... | 1 | 1 |
| 2 | <u>101813202</u> | Adhesive, Guide Ring, 3-Gram Tube | | 1 |
| 3 | <u>101641202</u> | Arbor | 1 | |
| 4 | <u>101831901</u> | Battery Discharge Machine, 36/48 Volt | | 1 |
| 5 | <u>1014305</u> | Battery Terminal Protector Spray | 1 | 1 |
| 6 | 1011767 | Battery Thermometer | 1 | 1 |
| 7 | <u>1016417</u> | Bearing and Oil Seal Remover Assembly | 1 | 1 |
| 8 | <u>1016416</u> | Bearing Driver Set | 1 | 1 |
| 9 | <u>1012811</u> | Bearing Puller | 1 | 1 |
| 10 | <u>1012812</u> | Bearing Puller Wedge Attachment | 1 | 1 |
| 11 | 1013582 | Brake Adjustment Tool (used only on vehicles with manually adjusted mechanical brakes) | 1 | 1 |
| 12 | <u>102555501</u> | Brake Cable Release Tool | 1 | 1 |
| 13 | <u>101887101</u> | Calibration Test Module | | 1 |
| 14 | <u>102562401</u> | Charger Bezel Tool | | 1 |
| | | Clutch Tools (items 14 - 20) | 1 | |
| 15 | <u>101808401</u> | Clutch Cam Installation Tool (for Kawasaki engines) | 1 | |
| 16 | <u>1015524</u> | Drive Clutch Holder Tool Assembly (for Kawasaki engines) | 1 | |
| 17 | <u>1014497</u> | Drive Clutch Hub Puller (for Kawasaki engines) | 1 | |
| 18 | <u>1014496</u> | Drive Clutch Puller (for Kawasaki engines) | 1 | |
| 19 | <u>1014508</u> | Driven Clutch Cam Puller (for Kawasaki engines) | 1 | |
| 20 | <u>1014507</u> | Driven Clutch Puller Plug (for Kawasaki engines) | 1 | |
| 21 | <u>101809101</u> | Press Weldment (for Kawasaki engines) | 1 | |
| | | <p>Please refer to the maintenance and service manual for proper tool application.</p> | | |

18

G

E



001601-001

MAINTENANCE AND SERVICE TOOLS, CONTINUED

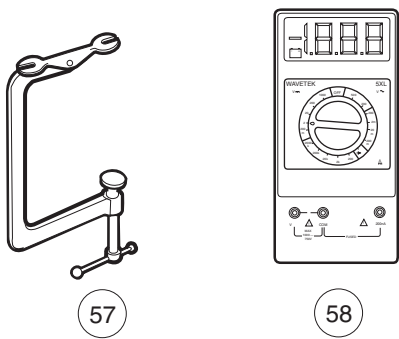
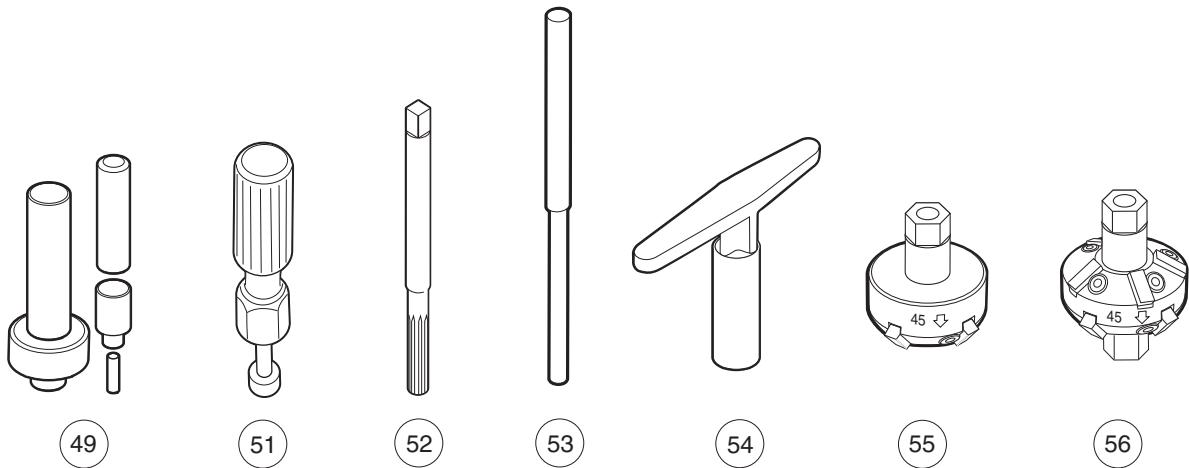
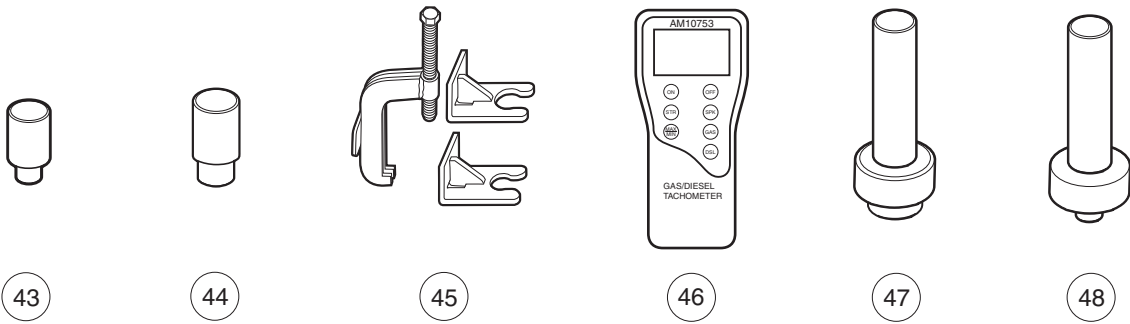
| ITEM | PART NO. | DESCRIPTION | QTY GAS | QTY ELEC |
|------|------------------|---|------------|-------------|
| | | 1 2 3 4 | | |
| 21 | 101641002 | Compression Gauge and Adapter | 1 | |
| 22 | 1011273 | Continuity Tester | 1 | 1 |
| 23 | 101831801 | Communication Display Module | | 1 |
| 24 | <u>102248803</u> | IQ Display Module (IQDM) Kit (IQ System and IQ Plus vehicles) (includes items 54 and 55) | | 1 |
| 25 | 102248804 | IQ Display Module (IQDM-P) Kit (IQ System and IQ Plus vehicles) (includes items 54 and 55) | | 1 |
| 26 | <u>102251501</u> | Adaptor, Cable | | 1 |
| 27 | <u>102241502</u> | IQDM Series 2 Cable | | 1 |
| 28 | <u>1012151</u> | Dry Moly Lubricant | 1 | 1 |
| 29 | <u>1016627</u> | Flywheel Puller Kit (for Kawasaki Engines) | 1 | |
| 30 | <u>1016418</u> | Gear Yoke | 1 | 1 |
| 31 | <u>101933101</u> | Governor Shaft Installation Tool (for Kawasaki Engine Vehicles) | 1 | |
| 32 | <u>1011478</u> | Hydrometer | 1 | 1 |
| 33 | <u>1013593</u> | Internal Retaining Ring Pliers | 1 | 1 |
| 34 | <u>101928701</u> | Liquid Gasket (transaxle case) | 1 | 1 |
| 35 | <u>102243402</u> | Moly-Teflon Lubricant (4-oz. (113-gram) tube) | | 1 |
| 36 | <u>101997201</u> | Paint, Touch-Up ,Äi Beige* | 1 | 1 |
| 36 | <u>101997207</u> | Paint, Touch-Up ,Äi Black* | 1 | 1 |
| 36 | <u>101997212</u> | Paint, Touch-Up ,Äi Burgundy* | 1 | 1 |
| 36 | <u>101997211</u> | Paint, Touch-Up ,Äi Classic Blue (Navy)* | 1 | 1 |
| 36 | <u>101997205</u> | Paint, Touch-Up ,Äi Dark Gray* | 1 | 1 |
| 36 | <u>101997209</u> | Paint, Touch-Up ,Äi Dark Green* | 1 | 1 |
| 36 | <u>101997204</u> | Paint, Touch-Up ,Äi Gray* | 1 | 1 |
| 36 | <u>101997203</u> | Paint, Touch-Up ,Äi Red* | 1 | 1 |
| 36 | <u>101997206</u> | Paint, Touch-Up ,Äi Royal Blue (Pacific Blue)* | 1 | 1 |
| 36 | <u>101997202</u> | Paint, Touch-Up ,Äi White* | 1 | 1 |
| 37 | <u>1016414</u> | Piston Ring Compressor Kit | 1 | |
| 38 | <u>1016415</u> | Piston Ring Pliers | 1 | |
| 39 | <u>1012549</u> | Retaining Ring Pliers, 45→ External | 1 | 1 |
| 40 | <u>1012560</u> | Retaining Ring Pliers, 90→ Internal | 1 | 1 |
| 41 | <u>101823101</u> | Safety First Card (50 per pack) | 1 | 1 |
| 42 | <u>1012809</u> | Seal Puller | 1 | 1 |
| | | Please refer to the maintenance and service manual for proper tool application. | | |

18

G

E

18
G
E



001602-001

MAINTENANCE AND SERVICE TOOLS, CONTINUED

| ITEM | PART NO. | DESCRIPTION | QTY GAS | QTY ELEC |
|------|------------------|--|------------|-------------|
| | | 1 2 3 4 | | |
| 43 | <u>1014264</u> | Steering Column Bearing Press Tool | 1 | 1 |
| 44 | <u>1014259</u> | Steering Column Retaining Ring Tool | 1 | 1 |
| 45 | 102061201 | Steering Wheel Puller Tool | 1 | 1 |
| 46 | <u>AM10753</u> | Tachometer (includes gasoline engine pick up lead only) | 1 | |
| 47 | <u>1014162</u> | Transaxle Axle Seal Tool (for electric vehicles) | | 1 |
| 48 | 1014161 | Transaxle Pinion Seal Tool (for electric vehicles) | | 1 |
| 49 | <u>1014115</u> | Transmission Tool Kit (for electric vehicles)..... | | 1 |
| 50 | <u>101611003</u> | Tune-Up Kit, All OHV (for FE290, FE350, FE400 only) (includes air filter, spark plug, oil filter, fuel filters) (not shown) | 1 | |
| 51 | <u>1016413</u> | Valve Clearance Adjuster Screw Holder (for FE290 engines only) | 1 | |
| 52 | 101641201 | Valve Guide Reamer (FE290, FE350, and FE400 only)..... | 1 | |
| 53 | <u>1016552</u> | Valve Seat Cutter Guide | 1 | |
| 54 | <u>1016551</u> | Valve Seat Cutter T-Wrench | 1 | |
| 55 | <u>1016553</u> | Valve Seat Cutter, 45→× (32 mm diameter) (for FE290 engines only) | 1 | |
| 56 | <u>1016554</u> | Valve Seat Cutter, 45→×/30→× (35 mm diameter) | 1 | |
| 57 | <u>101641101</u> | Valve Spring Compressor | 1 | |
| 58 | 1011480 | Volt Ohm Meter | 1 | 1 |
| | | Please refer to the maintenance and service manual for proper tool application. | | |

18
G
E

INDEX

Part Number and Page

| | | | | | |
|-----------|---|---------|---|-----------|--|
| AM10753 | 18-7 | 7251 | 1-7, 1-9, 1-19 | 1010150 | 6-17, 6-25, 7-19 |
| AM10015 | 4-43, 4-45 | 7274 | 6-13, 6-21, 7-15 | 1010177 | 1-59, 6-17, 6-25, 7-19 |
| AM10080 | 13-9 | 7308 | 6-13, 6-21, 7-15 | 1010200 | 6-17 |
| AM10081 | 13-9 | 7310 | 2-3, 2-5, 2-7 | 1010237 | 1-31, 1-33, 1-35 |
| AM10419 | 12-9, 12-11 | 7311 | 1-31, 1-33, 1-35, 1-53, 6-31, 7-25 | 1010434 | 1-7, 1-9, 1-11, 1-45 |
| AM10808 | 1-9 | 7330 | 13-11, 16-3 | 1010435 | 1-7, 1-9, 1-39, 1-49, 1-55, 1-57, 1-59 |
| AM1220301 | 9-3 | 7335 | 13-9, 16-3 | 1010436 | 1-49 |
| AM1232301 | 9-3, 9-7 | 7336 | 16-3 | 1010543 | 1-23 |
| AM1243501 | 4-41 | 7473 | 1-5, 1-7, 1-9, 1-31, 1-33, 1-35, 1-39, 1-47, 1-49, 1-55, 1-57, 1-59, 1-67, 1-91, 4-7, 4-11, 4-43, 4-45, 5-3, 5-5, 5-7, 5-13, 5-15, 5-21, 6-31, 7-3, 7-25, 8-17, 8-19, 8-21, 8-27, 14-11, 14-13 | 1010546 | 1-7 |
| AM1243701 | 4-37, 4-39, 4-41 | 7479 | 1-53 | 1010577 | 9-17 |
| AM1243801 | 4-37, 4-39, 4-41 | 7532 | 1-39 | 1010805 | 5-3 |
| AM1264001 | 1-69 | 7561 | 1-55, 1-57, 1-59 | 1010829 | 5-13, 5-15, 5-21 |
| AM1290701 | 1-79 | 7577 | 17-3, 17-5, 17-7, 17-9 | 1010850 | 5-11, 5-17 |
| SVP143902 | 1-5 | 7591 | 4-5, 4-7, 4-9, 4-11 | 1010877 | 5-3 |
| SVP184001 | 3-9, 3-21, 3-25 | 7716 | 5-3 | 1010878 | 1-41, 5-3 |
| 183 | 4-5, 4-9, 4-13, 4-15, 4-35, 4-41, 8-19, 10-3, 10-13, 12-5, 12-7, 13-7, 13-13 | 7818 | 8-17, 8-19, 8-21 | 101090801 | 14-11, 14-13 |
| 304 | 1-75, 4-6, 4-9, 4-47, 13-5 | 7820 | 4-7, 4-11, 4-47 | 1010909 | 4-5, 4-35 |
| 320 | 1-59 | 7840 | 6-13, 6-21, 7-15 | 1010921 | 1-31, 1-33, 1-35, 5-3 |
| 324 | 4-37, 4-39 | 7847 | 1-17, 1-43, 1-73, 11-3, 17-7, 17-9, 17-11 | 1010927 | 5-3 |
| 332 | 1-23, 1-41, 1-43, 1-47, 1-49, 1-53, 1-73, 1-75, 4-7, 4-9, 4-37, 4-39, 4-47, 8-15, 10-13, 11-3 | 7893 | 4-7, 4-13, 4-15, 4-35, 8-17, 8-19, 8-21, 13-5 | 1010932 | 5-3 |
| 334 | 1-43, 5-5, 5-7, 6-3, 6-5, 7-5, 7-7, 9-17, 12-5, 12-7 | 7910 | 6-13, 6-21, 7-15 | 1010933 | 5-3 |
| 357 | 1-55, 1-57, 1-59, 1-65, 6-17, 6-25, 6-31, 7-19, 7-25 | 7973 | 1-13, 1-15, 10-13 | 1010934 | 1-9, 1-47, 1-53, 1-59, 1-65, 1-71, 4-43, 4-45, 8-27, 15-3 |
| 403 | 1-39 | 8057 | 8-17, 8-19, 8-23, 13-3 | 1010954 | 8-17, 8-19, 8-21, 13-7, 13-13 |
| 451 | 5-11, 5-17, 11-3, 15-3 | 8058 | 8-17, 8-19, 8-23, 13-3 | 1010984 | 2-3, 2-5, 2-7 |
| 705 | 1-55, 1-57, 1-59, 1-65, 9-17 | 8067 | 6-13, 6-21, 7-15 | 1011014 | 1-7, 1-9 |
| 706 | 1-55, 1-57, 1-59, 1-65, 6-17, 6-25, 7-19 | 8104 | 4-13, 4-15, 13-3 | 1011017 | 1-7, 1-9, 4-27 |
| 808 | 1-43, 6-31, 7-25, 12-5, 12-7 | 8233 | 1-31, 1-33, 1-35, 1-41, 1-43, 1-47, 1-49, 1-73, 1-75, 4-7, 4-11, 4-37, 4-39, 4-47, 4-49, 5-5, 5-7, 6-31, 7-25, 8-15, 10-11, 13-5, 13-7, 13-13, 17-7, 17-9, 17-11 | 1011084 | 5-9 |
| 1016 | 4-5, 4-9, 4-13, 4-15, 4-35, 8-19, 10-3 | 8248 | 1-19, 8-15 | 1011114 | 5-11, 5-17 |
| 1017 | 4-3, 4-5, 4-9, 8-19 | 8251 | 1-37 | 1011137 | 5-11 |
| 1028 | 5-3 | 8294 | 4-47 | 1011154 | 5-11, 5-17 |
| 1032 | 1-45, 5-3 | 8450 | 8-19, 12-5, 12-7 | 1011229 | 4-5, 4-9 |
| 1035 | 1-43 | 8639 | 1-3, 4-11, 4-41, 13-5, 14-19 | 1011273 | 18-5 |
| 1108 | 1-53 | 8717 | 5-5, 5-7, 8-17, 8-19, 8-21, 13-3, 13-7, 13-13 | 1011291 | 13-11 |
| 1218 | 1-5, 1-31, 1-33, 1-35, 1-67, 4-5, 7-3 | 8754 | 1-39, 5-5, 5-7, 6-3, 6-5, 6-15, 6-17, 6-23, 6-25, 6-27, 6-29, 7-5, 7-7, 7-17, 7-19, 7-21, 7-23, 8-13 | 1011298 | 5-11, 5-17 |
| 1231 | 1-45 | 8755 | 1-39, 6-17, 6-25, 6-27, 7-19, 7-21, 7-23 | 1011303 | 5-11, 5-17 |
| 1241 | 1-5, 1-7, 1-9, 1-31, 1-33, 1-35, 1-59, 1-65, 1-71, 4-5, 4-9, 4-43, 4-45, 5-3, 5-5, 5-7, 5-15, 5-21, 7-3, 8-13, 8-17, 8-19, 8-21, 8-27, 11-3 | 8796 | 17-11 | 1011314 | 5-11, 5-17 |
| 1242 | 1-59, 1-65, 1-71, 5-13, 5-15, 5-21, 8-13, 8-17, 8-19, 8-21 | 8797 | 10-3 | 1011382 | 4-17, 4-19, 4-21, 4-23 |
| 1606 | 10-13 | 8861 | 6-15, 6-23, 6-31, 7-17, 7-25 | 1011393 | 6-13, 6-21, 7-15 |
| 1620 | 4-3 | 8935 | 1-5, 1-9 | 1011394 | 1-7, 1-9 |
| 1624 | 5-5, 5-7, 6-3, 7-5, 8-13 | 8963 | 1-31, 1-33, 1-35, 14-11, 14-13 | 1011402 | 5-3 |
| 1631 | 10-13 | 8990 | 1-55, 1-57, 1-59, 4-7, 4-11, 4-13, 4-15, 4-31, 4-33, 4-39, 4-43, 4-45, 4-49, 6-3, 7-5, 8-17, 8-19, 8-21, 14-19, 17-11 | 1011415 | 6-27, 6-29, 7-21, 7-23 |
| 2402 | 6-15, 6-23, 7-17 | 1010005 | 6-13, 6-21, 7-15 | 1011418 | 5-3 |
| 4029 | 4-47 | 1010028 | 13-3 | 1011439 | 4-5, 4-9 |
| 7048 | 6-13, 6-21, 7-15 | 1010086 | 1-53 | 101146302 | 5-11, 5-17 |
| 7049 | 1-47 | 1010124 | 6-17, 6-25, 7-19 | 1011464 | 5-11, 5-17 |
| 7173 | 1-19, 4-7, 4-10, 6-31, 7-25, 8-27 | 1010138 | 1-55, 1-57, 1-59, 6-15, 6-23, 7-17 | 1011465 | 5-11, 5-17 |
| 7174 | 1-59, 1-65, 1-71, 6-7, 7-9, 8-13, 10-11, 11-3, 15-3 | 1010145 | 6-27, 6-29, 7-21, 7-23 | 1011466 | 5-11, 5-17 |
| | | | | 1011467 | 5-11, 5-17 |
| | | | | 1011478 | 18-5 |
| | | | | 1011480 | 18-7 |
| | | | | 1011494 | 5-11, 5-17 |
| | | | | 1011546 | 1-69 |
| | | | | 1011553 | 1-65, 1-71, 3-5, 3-9, 3-13, 3-17, 3-21, 3-25 |
| | | | | 1011557 | 4-5, 4-9 |

INDEX

| | | | | | |
|-----------|--|-----------|----------------------------|---------|-----------------------------------|
| 1011558 | 4-5, 4-9 | 1012641 | 2-9 | 1013773 | 13-11 |
| 1011578 | 1-5, 1-9, 6-5, 7-7 | 1012642 | 2-9 | 1013774 | 13-11 |
| 1011582 | 4-51 | 1012649 | 10-3, 10-5 | 1013787 | 13-11 |
| 1011590 | 4-13 | 1012711 | 13-7 | 1013792 | 13-11 |
| 1011694 | 5-5, 5-7 | 1012714 | 13-9 | 1013794 | 13-11, 16-3 |
| 1011697 | 6-5, 7-7, 9-17, 10-11 | 1012740 | 13-9 | 1013824 | 1-19 |
| 1011734 | 5-9 | 1012741 | 13-9 | 1013825 | 1-19 |
| 1011767 | 18-3 | 1012747 | 13-9 | 1013846 | 1-19 |
| 1011779 | 5-13, 5-15, 5-21 | 1012748 | 13-9 | 1013857 | 4-5, 4-9 |
| 1011825 | 4-5, 4-9, 4-47 | 1012752 | 13-7 | 1013869 | 5-3 |
| 1011843 | 4-51 | 1012809 | 18-5 | 1013870 | 5-3 |
| 1011852 | 1-31, 1-33, 1-35 | 1012811 | 18-3 | 1013876 | 5-3 |
| 1011862 | 1-31, 1-33 | 1012812 | 18-3 | 1013924 | 5-11, 5-17, 5-19, 9-17 |
| 101186202 | 1-35 | 1012830 | 8-13, 10-11, 11-3 | 1014007 | 5-5, 5-7, 10-11, 13-7, 13-13 |
| 1011865 | 1-31, 1-33 | 1012836 | 12-9, 12-11 | 1014049 | 12-5, 12-7 |
| 101186502 | 1-35 | 1012896 | 13-7 | 1014050 | 12-5, 12-7 |
| 101187702 | 5-3 | 1013035 | 6-3, 7-5 | 1014051 | 12-5 |
| 1011878 | 1-19 | 1013042 | 6-3, 6-15, 6-23, 7-5, 7-17 | 1014052 | 12-5, 12-7 |
| 1011883 | 1-31, 1-33, 1-35 | 1013044 | 6-3, 7-5 | 1014055 | 12-5, 12-7 |
| 1011887 | 6-13, 6-21, 7-15 | 1013052 | 6-3, 7-5 | 1014056 | 12-5, 12-7 |
| 1011892 | 6-13, 6-21, 7-15 | 1013061 | 13-3, 13-7, 13-13, 14-7 | 1014057 | 12-5, 12-7 |
| 1011897 | 1-29 | 101313402 | 10-5 | 1014058 | 12-5, 12-7 |
| 1011931 | 5-5, 5-7 | 1013135 | 6-13, 6-21, 7-15 | 1014059 | 12-5, 12-7 |
| 1011937 | 1-31, 1-33, 1-35 | 1013207 | 6-27, 7-21 | 1014062 | 12-5, 12-7 |
| 1011942 | 1-31, 1-33, 1-35 | 1013309 | 1-23 | 1014063 | 12-5, 12-7, 17-11 |
| 1011962 | 1-61 | 1013311 | 1-23 | 1014065 | 8-17, 8-19, 8-21, 12-5, 12-7 |
| 1011964 | 1-31, 1-33, 1-35 | 1013312 | 1-23 | 1014070 | 12-9, 12-11 |
| 1011990 | 1-45, 1-55, 1-57, 1-59, 1-65 | 1013317 | 1-45, 3-27, 3-29, 3-31 | 1014072 | 12-9, 12-11 |
| 1012008 | 1-31, 1-33, 1-35 | 1013343 | 1-13, 1-15 | 1014078 | 12-9, 12-11 |
| 1012098 | 17-3, 17-5, 17-7, 17-9 | 1013344 | 1-13, 1-15 | 1014080 | 12-9, 12-11 |
| 1012101 | 17-3, 17-5, 17-7, 17-9 | 1013357 | 4-5, 4-9, 14-5 | 1014109 | 4-5 |
| 1012151 | 18-5 | 1013366 | 1-49 | 1014115 | 18-7 |
| 1012180 | 6-27, 7-21 | 1013420 | 1-17 | 1014116 | 10-3 |
| 1012181 | 6-29 | 1013422 | 1-17 | 1014119 | 8-3, 8-5, 8-7, 8-17, 8-19, 8-21 |
| 1012182 | 6-29 | 1013461 | 10-3 | 1014125 | 6-5, 7-7 |
| 1012285 | 1-73, 1-75, 4-49, 10-3, 10-5, 10-11 | 1013462 | 10-3 | 1014126 | 6-5, 7-7 |
| 1012295 | 8-17, 8-19, 8-21 | 1013483 | 1-65 | 1014145 | 8-17, 8-19, 8-21 |
| 1012303 | 1-39, 6-17, 6-19, 6-25, 6-27, 6-29, 7-19, 7-21, 7-23 | 1013494 | 4-17, 4-19, 4-21, 4-23 | 1014153 | 5-11, 5-17, 5-19 |
| 1012304 | 6-27 | 1013509 | 4-37, 4-39 | 1014161 | 18-7 |
| 1012333 | 13-5 | 1013531 | 5-15, 5-21 | 1014162 | 18-7 |
| 1012382 | 8-3, 8-5, 8-7 | 1013579 | 4-49 | 1014201 | 15-3 |
| 1012396 | 4-17, 4-19, 8-3, 8-5, 8-7 | 1013582 | 18-3 | 1014207 | 13-11 |
| 1012431 | 8-17, 8-19 | 1013589 | 8-17, 8-19, 8-21 | 1014213 | 6-5, 7-7 |
| 1012438 | 4-9, 4-41, 10-13 | 1013593 | 18-5 | 1014214 | 6-5, 7-7 |
| 1012463 | 1-59 | 1013609 | 8-17, 8-19, 8-21 | 1014217 | 6-5, 7-7 |
| 1012505 | 4-17, 4-19, 4-21, 4-23 | 1013677 | 3-5, 3-9 | 1014259 | 18-7 |
| 1012528 | 11-3, 14-17 | 1013687 | 10-3 | 1014264 | 18-7 |
| 1012549 | 18-5 | 1013700 | 10-11 | 1014276 | 6-17, 6-25, 7-19 |
| 1012560 | 18-5 | 1013734 | 11-3, 14-17 | 1014287 | 12-5, 12-7 |
| 1012565 | 6-11, 7-13 | 1013746 | 10-3, 10-5, 10-9 | 1014288 | 6-5, 7-7, 8-27, 12-5, 12-7, 17-11 |
| 1012566 | 6-11, 7-13 | 1013760 | 13-7 | 1014305 | 18-3 |
| 1012571 | 1-67, 9-17, 14-11, 14-13 | 1013768 | 13-11 | 1014306 | 1-49, 1-73, 1-75, 4-49 |
| 1012604 | 6-5, 7-7 | 1013769 | 13-11 | 1014307 | 4-9 |
| 1012605 | 6-5, 7-7 | 1013770 | 13-11 | 1014321 | 1-37, 1-47 |
| 1012640 | 2-9 | 1013771 | 13-11 | 1014375 | 8-27 |
| | | 1013772 | 13-11 | 1014387 | 1-37, 1-47 |

INDEX

| | | | | | |
|-----------|------------------------|-----------|--|-----------|----------------------------------|
| 1014415 | 1-47, 1-49 | 1015400 | 1-39, 1-45 | 1015820 | 1-59 |
| 1014435 | 1-29 | 1015405 | 1-7, 8-17, 8-19, 8-21 | 101584502 | 10-11 |
| 101444101 | 1-29 | 1015412 | 1-45 | 1015878 | 8-17, 8-19, 8-23, 13-3 |
| 1014453 | 12-5, 12-7 | 1015424 | 1-45 | 1015914 | 17-3, 17-5, 17-7, 17-9 |
| 1014454 | 12-9, 12-11 | 1015426 | 10-13 | 1015917 | 17-3, 17-7, 17-9 |
| 1014471 | 1-39 | 101542901 | 1-39 | 1015921 | 10-3 |
| 1014496 | 18-3 | 1015445 | 1-65 | 1015932 | 8-13 |
| 1014497 | 18-3 | 1015453 | 6-31, 7-25 | 1015969 | 9-5 |
| 1014503 | 1-31, 1-33 | 1015457 | 6-31, 7-25 | 1016060 | 1-41 |
| 101450302 | 1-35 | 101547601 | 3-13, 3-17, 3-21, 3-25 | 1016074 | 8-13 |
| 1014506 | 1-31 | 1015507 | 1-39 | 1016077 | 1-53 |
| 101450698 | 1-33 | 1015524 | 18-3 | 1016078 | 1-41 |
| 1014507 | 18-3 | 1015526 | 4-37, 4-39, 4-41 | 101609401 | 3-3, 3-7, 3-11, 3-15, 3-19, 3-23 |
| 1014508 | 18-3 | 1015528 | 4-17, 4-19, 4-21, 4-23 | 101611003 | 18-7 |
| 1014530 | 4-5, 4-9, 4-47 | 1015530 | 1-73, 1-75 | 101611402 | 16-5 |
| 1014537 | 1-47, 1-49 | 101553901 | 1-45, 1-53, 3-3, 3-7, 3-11, 3-15, 3-19, 3-23 | 1016136 | 1-59 |
| 1014555 | 6-27, 6-29, 7-21, 7-23 | 1015583 | 1-39, 6-19, 7-19, 7-21, 7-23 | 1016154 | 6-11, 7-13 |
| 1014807 | 8-17, 8-19, 8-23, 13-3 | 101558302 | 6-17, 6-25, 6-27, 6-29 | 1016183 | 6-5, 7-7 |
| 1014808 | 8-17, 8-23, 13-3 | 1015597 | 6-13, 6-21, 7-15 | 1016201 | 12-5, 12-7 |
| 1014902 | 6-29, 7-23 | 1015607 | 1-45 | 1016214 | 6-11, 7-13 |
| 1014948 | 8-17, 8-19, 8-21 | 1015608 | 1-5, 1-9, 1-59, 14-11, 14-13 | 1016230 | 4-41 |
| 1015010 | 4-41 | 1015610 | 1-59 | 1016267 | 4-41 |
| 101503202 | 1-9, 1-13 | 1015612 | 1-55, 1-59 | 1016269 | 6-5, 7-7 |
| 1015072 | 14-11, 14-13 | 1015613 | 6-31, 7-25 | 1016287 | 4-41 |
| 1015075 | 1-7, 1-9 | 1015614 | 6-31, 7-25 | 1016289 | 12-5, 12-7 |
| 1015137 | 10-3, 10-5, 10-9 | 1015615 | 1-59 | 1016319 | 5-13 |
| 1015139 | 10-3 | 1015616 | 1-59 | 1016320 | 5-13 |
| 1015153 | 4-37 | 1015617 | 1-59 | 1016337 | 13-9 |
| 1015154 | 4-37 | 1015621 | 1-59 | 1016338 | 13-9 |
| 1015156 | 4-37, 4-39, 4-41 | 1015622 | 1-59 | 1016346 | 6-15, 6-23, 7-17 |
| 1015157 | 4-37, 4-39 | 1015623 | 1-59 | 1016349 | 6-15, 6-23, 7-17 |
| 1015160 | 4-37, 4-39 | 1015624 | 1-59 | 1016350 | 6-15, 6-23, 7-17 |
| 1015162 | 4-37 | 101562711 | 1-23 | 1016351 | 6-15, 6-23, 7-17 |
| 1015167 | 4-41 | 101562712 | 1-23 | 1016353 | 6-15, 6-23, 7-17 |
| 1015170 | 4-41 | 101562714 | 1-23 | 1016356 | 4-5, 4-9, 14-5 |
| 1015172 | 4-37, 4-39 | 101562715 | 1-23 | 1016363 | 4-9 |
| 1015187 | 4-37, 4-39, 4-41 | 101564501 | 1-23 | 1016365 | 4-31, 4-33 |
| 101524002 | 8-13 | 101564502 | 1-23 | 1016366 | 4-9 |
| 1015245 | 1-45 | 101564503 | 1-23 | 1016367 | 4-5 |
| 1015252 | 1-39 | 101564505 | 1-23 | 1016384 | 6-17, 6-25, 7-19 |
| 1015258 | 1-39 | 1015649 | 9-5 | 1016385 | 6-15, 6-23, 7-17 |
| 1015277 | 1-41 | 1015654 | 1-53 | 1016386 | 6-17, 6-25, 7-19 |
| 1015313 | 1-45 | 1015656 | 1-53 | 1016387 | 6-17, 6-25, 7-19 |
| 1015332 | 8-3, 8-5, 8-7, 9-5 | 101565803 | 1-53 | 1016389 | 6-17, 6-25, 7-19 |
| 1015345 | 8-17, 8-19, 8-21 | 1015700 | 1-43 | 1016401 | 8-3, 8-17, 8-19 |
| 1015348 | 1-43 | 101570401 | 1-59 | 101641002 | 18-5 |
| 1015363 | 1-45 | 1015720 | 14-17 | 101641101 | 18-7 |
| 1015366 | 1-45 | 1015737 | 4-5, 8-3, 8-5, 8-7, 8-17, 8-19, 8-21 | 101641201 | 18-7 |
| 1015368 | 1-45 | 1015741 | 4-5, 4-9, 8-17, 8-19, 8-21 | 101641202 | 18-3 |
| 1015371 | 8-17, 8-21 | 1015752 | 8-17, 8-19, 8-21, 10-13 | 1016413 | 18-7 |
| 1015372 | 8-17, 8-19, 8-21 | 1015760 | 6-31, 7-25 | 1016414 | 18-5 |
| 1015373 | 8-17, 8-19, 8-21 | 1015765 | 4-37 | 1016415 | 18-5 |
| 1015390 | 1-45 | 1015768 | 4-41 | 1016416 | 18-3 |
| 1015391 | 1-39 | 101576802 | 1-3 | 1016417 | 18-3 |
| 1015392 | 14-9 | 1015770 | 4-41 | 1016418 | 18-5 |
| 1015399 | 1-39, 1-47, 1-49, 1-91 | 1015814 | 11-3 | 1016423 | 4-5, 4-9, 8-17, 8-19, 8-21 |

INDEX

| | | | | | |
|-----------|-----------------|-----------|------------------------|-----------|-----------------------|
| 101642575 | 10-7 | 1016547 | 9-5, 9-15, 10-9 | 1016904 | 9-11, 11-3 |
| 101642578 | 10-7 | 1016549 | 9-11 | 1016916 | 1-53 |
| 101642580 | 10-7 | 1016551 | 18-7 | 101692501 | 1-7 |
| 101642582 | 10-7 | 1016552 | 18-7 | 101692502 | 1-7 |
| 101642585 | 10-7 | 1016553 | 18-7 | 101692506 | 1-7 |
| 1016429 | 9-9 | 1016554 | 18-7 | 101692509 | 1-7 |
| 1016432 | 9-9, 13-7 | 1016557 | 5-11, 5-17 | 101692510 | 1-7 |
| 1016436 | 9-11 | 1016560 | 9-11 | 101692511 | 1-7 |
| 1016437 | 10-7 | 1016561 | 9-7 | 101692512 | 1-7 |
| 1016438 | 10-9 | 1016562 | 9-7, 9-15 | 101692513 | 1-7 |
| 1016440 | 9-11, 10-9 | 1016563 | 9-11 | 101692514 | 1-7 |
| 1016441 | 10-9 | 1016564 | 9-13 | 101692515 | 1-7 |
| 1016444 | 10-9 | 1016566 | 9-11 | 1016929 | 4-37, 4-39, 4-41 |
| 1016449 | 9-11 | 1016569 | 9-11 | 101693901 | 1-7, 1-9 |
| 1016450 | 9-11 | 1016570 | 9-9 | 101693902 | 1-7, 1-9 |
| 1016451 | 9-11 | 1016571 | 9-15 | 101693906 | 1-7, 1-9 |
| 1016452 | 9-11 | 1016572 | 10-9 | 101693908 | 1-9 |
| 1016453 | 9-13 | 1016573 | 5-11, 5-17 | 101693909 | 1-7, 1-9 |
| 1016454 | 9-13 | 1016576 | 9-9 | 101693910 | 1-7, 1-9 |
| 1016455 | 9-7 | 1016578 | 9-7 | 101693911 | 1-7, 1-9 |
| 1016456 | 9-5 | 1016581 | 9-9 | 101693912 | 1-7, 1-9 |
| 1016457 | 9-9 | 1016582 | 10-9 | 101693913 | 1-7, 1-9 |
| 1016458 | 9-11 | 1016583 | 9-11 | 101693914 | 1-7, 1-9 |
| 1016470 | 9-15 | 1016584 | 9-13 | 1016952 | 1-17 |
| 1016472 | 9-13 | 1016585 | 10-7 | 1016967 | 1-7, 1-9, 14-17 |
| 1016473 | 9-9 | 1016587 | 9-7 | 1016997 | 8-19 |
| 1016474 | 9-11 | 1016588 | 9-7 | 1017006 | 8-5 |
| 1016479 | 9-11 | 1016603 | 1-55, 1-57 | 1017029 | 5-3 |
| 101648102 | 10-9 | 1016627 | 18-5 | 1017035 | 4-5, 4-9, 4-51 |
| 101648203 | 9-9 | 1016630 | 4-17, 4-19 | 101705603 | 4-5 |
| 1016483 | 9-11 | 1016631 | 4-9 | 1017062 | 4-3 |
| 1016486 | 10-7 | 1016672 | 13-11 | 1017064 | 4-3 |
| 1016489 | 9-11 | 1016673 | 17-11 | 1017065 | 4-3 |
| 101649002 | 10-9 | 1016679 | 1-73 | 101707402 | 4-13 |
| 1016494 | 9-13 | 101670201 | 3-27, 3-29 | 101707405 | 4-15 |
| 1016496 | 9-13 | 1016751 | 1-25 | 1017075 | 4-13, 4-15 |
| 1016499 | 10-7 | 101675511 | 1-25 | 1017080 | 1-7, 1-9 |
| 1016501 | 10-7 | 101675512 | 1-25 | 1017082 | 13-7, 13-13 |
| 1016502 | 9-9 | 101675514 | 1-25 | 1017167 | 1-55, 1-57 |
| 1016506 | 9-13 | 101675515 | 1-25 | 1017187 | 17-11 |
| 1016507 | 9-5 | 101677701 | 1-25 | 1017188 | 12-3 |
| 1016510 | 9-13 | 101677702 | 1-25 | 1017189 | 17-11 |
| 1016513 | 13-7 | 101677703 | 1-25 | 1017211 | 5-13 |
| 1016517 | 9-11 | 101677705 | 1-25 | 1017226 | 6-7, 7-9 |
| 1016519 | 9-11 | 1016801 | 12-5, 12-7 | 1017231 | 13-7 |
| 1016521 | 9-13 | 1016813 | 6-31, 7-25 | 1017239 | 8-19 |
| 1016531 | 9-5 | 1016814 | 6-31 | 1017243 | 8-19 |
| 1016535 | 9-13 | 1016837 | 4-37, 4-39 | 1017266 | 6-15, 6-23, 7-17 |
| 1016537 | 9-9 | 1016849 | 4-17, 4-19, 4-21, 4-23 | 1017273 | 6-9, 6-11, 7-11, 7-13 |
| 1016538 | 9-13 | 1016851 | 4-17, 4-19, 4-21, 4-23 | 1017313 | 6-5, 7-7 |
| 1016539 | 9-5 | 1016855 | 1-31, 1-33, 1-35 | 1017314 | 6-5, 7-7 |
| 1016541 | 9-15 | 1016868 | 1-7, 1-9 | 1017315 | 6-5, 7-7 |
| 1016542 | 9-11 | 1016879 | 4-3 | 1017317 | 6-5, 7-7 |
| 1016544 | 9-7, 9-11, 9-13 | 1016880 | 4-3 | 101734802 | 1-7 |
| 1016545 | 9-11 | 1016883 | 8-13 | 1017378 | 5-5, 5-7 |
| 1016546 | 10-11 | 1016901 | 12-7 | 1017380 | 5-5, 5-7 |

INDEX

| | | | | | |
|-----------|-------------|-----------|------------------------|-----------|------------------------------|
| 1017424 | 5-5, 5-7 | 101773303 | 9-15 | 101830601 | 4-17, 4-19, 4-21, 4-23 |
| 1017434 | 9-11 | 101773304 | 9-15 | 101830701 | 4-17, 4-19, 4-21, 4-23, 4-29 |
| 1017442 | 9-9 | 101773305 | 9-15 | 101831101 | 17-3, 17-7, 17-9 |
| 1017443 | 9-11 | 101773306 | 9-15 | 101831401 | 14-11, 14-13 |
| 1017445 | 9-11 | 101773307 | 9-15 | 101831801 | 18-5 |
| 1017448 | 9-7 | 101773308 | 9-15 | 101831901 | 18-3 |
| 101744901 | 9-15 | 101773309 | 9-15 | 101832001 | 14-7 |
| 101744902 | 9-15 | 101773310 | 9-15 | 101832202 | 10-11 |
| 1017450 | 9-15 | 101773311 | 9-15 | 101832302 | 10-11 |
| 101745101 | 9-15 | 1017774 | 1-55, 1-57 | 101832601 | 9-17 |
| 101745102 | 9-15 | 1017853 | 4-5, 4-9 | 101832701 | 9-17 |
| 1017453 | 9-15 | 101791101 | 5-17, 5-19 | 101832901 | 17-13 |
| 1017454 | 9-11 | 101796201 | 5-5, 5-7 | 101833101 | 9-17 |
| 1017455 | 9-7 | 101796501 | 14-7 | 101833401 | 12-9, 12-11 |
| 1017456 | 9-9 | 101796801 | 14-7 | 101833601 | 13-7 |
| 101745701 | 9-15 | 101801001 | 14-7, 17-11 | 101833902 | 12-5 |
| 101745702 | 9-15 | 101804301 | 4-17, 4-19, 10-13 | 101833906 | 12-7 |
| 1017458 | 9-9 | 101806001 | 1-21 | 101834001 | 12-9 |
| 1017460 | 9-9 | 101806002 | 1-21 | 101834003 | 12-11 |
| 1017461 | 10-7 | 101806005 | 1-21 | 101834502 | 4-17, 4-19, 4-21, 4-23, 4-29 |
| 1017463 | 9-7 | 101808401 | 18-3 | 101834601 | 9-17 |
| 1017466 | 10-9 | 101809101 | 18-3 | 101834801 | 10-11, 13-7, 13-13 |
| 1017471 | 9-15 | 101810601 | 4-9 | 101835601 | 1-39, 1-41, 4-31, 4-33 |
| 1017472 | 9-13 | 101811901 | 10-13 | 101836201 | 12-9 |
| 1017473 | 9-11 | 101812301 | 10-13 | 101836202 | 12-11 |
| 1017474 | 9-5 | 101813001 | 10-13 | 101837101 | 10-13 |
| 1017475 | 9-5 | 101813202 | 18-3 | 101837301 | 8-3, 8-5, 8-7, 8-9, 8-11 |
| 1017476 | 9-5 | 101814601 | 4-39 | 101837401 | 1-63 |
| 1017486 | 9-5 | 101815501 | 5-19 | 101837502 | 1-63 |
| 1017487 | 9-13 | 101815502 | 5-19 | 101838401 | 17-5, 17-9 |
| 1017490 | 9-7 | 101816501 | 5-19 | 101838601 | 17-5, 17-9 |
| 1017501 | 9-15 | 101816502 | 5-19 | 101838701 | 17-7, 17-9 |
| 1017502 | 9-15 | 101817401 | 5-5, 5-7 | 101839801 | 4-29 |
| 1017503 | 9-15 | 101818801 | 5-7 | 101839802 | 4-29 |
| 1017504 | 9-13 | 101821501 | 10-13 | 101839803 | 4-29 |
| 1017507 | 9-9 | 101821601 | 4-41 | 101839804 | 4-29 |
| 1017508 | 9-13 | 101822001 | 5-9 | 101839805 | 4-29 |
| 1017510 | 9-15 | 101823101 | 18-5 | 101839806 | 4-29 |
| 1017512 | 9-15 | 101823201 | 5-19 | 101839807 | 4-29 |
| 1017513 | 9-13 | 101823801 | 5-19 | 101839808 | 4-29 |
| 1017514 | 9-13 | 101823901 | 5-19 | 101839809 | 4-29 |
| 101751801 | 9-13 | 101824401 | 10-3 | 101839810 | 4-29 |
| 101751802 | 9-13 | 101825101 | 3-3, 3-7, 3-11, 3-19 | 101839811 | 4-29 |
| 101751803 | 9-13 | 101825102 | 3-15, 3-23 | 101839812 | 4-29 |
| 101754201 | 1-91 | 101825103 | 4-27 | 101850301 | 6-9, 6-11, 7-11, 7-13 |
| 101754204 | 1-91 | 101826201 | 4-21, 4-23 | 101851101 | 4-17, 4-19, 4-21, 4-23, 4-29 |
| 1017686 | 12-9, 12-11 | 101826301 | 4-17 | 101856002 | 4-21, 4-23 |
| 1017689 | 11-3 | 101826401 | 4-19 | 101856102 | 8-17, 8-19, 8-21 |
| 1017699 | 4-51 | 101827101 | 9-17 | 101859401 | 11-3 |
| 101770202 | 1-51 | 101828501 | 17-3, 17-5, 17-7, 17-9 | 101861901 | 5-5, 5-7 |
| 1017705 | 14-7 | 101828801 | 17-3 | 101862001 | 5-5 |
| 1017721 | 4-5, 4-35 | 101828802 | 17-3 | 101865301 | 5-13 |
| 1017722 | 4-5 | 101828901 | 17-3, 17-5 | 101870401 | 1-7 |
| 1017724 | 4-13, 4-15 | 101828902 | 17-3, 17-5 | 101870501 | 6-25, 7-19 |
| 101773301 | 9-15 | 101828903 | 17-3, 17-5 | 101870601 | 6-23 |
| 101773302 | 9-15 | 101829001 | 17-7, 17-9 | 101871001 | 18-3 |

INDEX

| | | | | | |
|-----------|--------------------|-----------|-----------------------------|-----------|-----------------------------------|
| 101874601 | 5-13 | 101903701 | 16-3 | 101957101 | 4-5, 4-9 |
| 101878201 | 5-3 | 101906901 | 16-3 | 101958201 | 17-5 |
| 101879401 | 6-3, 7-5 | 101908101 | 14-9 | 101958301 | 17-5 |
| 101879501 | 6-3, 7-5 | 101908401 | 8-15, 14-9 | 101958601 | 1-41 |
| 101879601 | 6-3, 7-5 | 101910501 | 13-11 | 101960201 | 3-3, 3-11, 3-15 |
| 101879701 | 6-3, 7-5 | 101914001 | 16-5 | 101960501 | 3-13, 3-17, 3-21, 3-25, 8-9, 8-11 |
| 101879801 | 6-3, 7-5 | 101914401 | 4-5, 17-3, 17-5, 17-7, 17-9 | 101963301 | 1-37 |
| 101879901 | 6-3, 7-5 | 101914402 | 4-9 | 101963401 | 1-37, 1-47, 1-49, 8-25, 9-17 |
| 101880001 | 6-3, 7-5 | 101915201 | 3-13, 3-17, 3-21, 3-25 | 101964001 | 1-37 |
| 101880101 | 6-3, 7-5 | 101916101 | 9-5 | 101966801 | 17-11 |
| 101880201 | 6-3, 7-5 | 101916301 | 9-7 | 101968801 | 17-11 |
| 101880301 | 6-3, 7-5 | 101916701 | 8-13 | 101969701 | 4-5, 4-9 |
| 101880701 | 5-11, 5-17 | 101917601 | 10-13 | 101971301 | 10-13 |
| 101881501 | 4-49 | 101918501 | 5-3, 5-5, 5-7 | 101972001 | 18-5 |
| 101881601 | 4-49 | 101919801 | 5-5, 5-7 | 101972002 | 18-5 |
| 101881701 | 10-13 | 101921501 | 10-13 | 101972003 | 18-5 |
| 101884801 | 9-17 | 101921601 | 1-43 | 101972004 | 18-5 |
| 101886101 | 10-11, 13-7, 13-13 | 101922101 | 16-3 | 101972005 | 18-5 |
| 101887101 | 18-3 | 101922201 | 16-3 | 101972006 | 18-5 |
| 101887601 | 9-5 | 101922501 | 8-15 | 101972007 | 18-5 |
| 101889401 | 13-9 | 101922801 | 1-43 | 101972009 | 18-5 |
| 101890001 | 13-9 | 101923001 | 16-3 | 101972011 | 18-5 |
| 101890101 | 13-7 | 101923201 | 16-3 | 101972012 | 18-5 |
| 101890201 | 13-7 | 101923501 | 16-3 | 101972101 | 16-3 |
| 101890501 | 13-7 | 101923901 | 16-3 | 101972201 | 16-3 |
| 101890601 | 13-7 | 101925601 | 12-5 | 101972801 | 10-13 |
| 101890901 | 13-11 | 101925701 | 10-13 | 101973101 | 10-7 |
| 101891001 | 13-11 | 101926501 | 6-27, 7-21, 7-23 | 101973301 | 10-7 |
| 101891301 | 13-7 | 101926801 | 10-13 | 101973401 | 10-9 |
| 101891401 | 13-11 | 101926901 | 13-7 | 101973501 | 17-5 |
| 101891501 | 13-11 | 101927101 | 13-7 | 101974701 | 4-29 |
| 101891601 | 13-9 | 101927201 | 13-7 | 101974702 | 4-29 |
| 101891901 | 13-9 | 101927301 | 13-7 | 101974703 | 4-29 |
| 101892001 | 13-9 | 101927501 | 13-9 | 101974704 | 4-29 |
| 101892201 | 13-9 | 101927601 | 13-9 | 101974705 | 4-29 |
| 101892301 | 13-9 | 101927701 | 13-9 | 101974706 | 4-29 |
| 101892401 | 13-9 | 101927901 | 13-9 | 101974707 | 4-29 |
| 101892501 | 13-9 | 101928001 | 13-9 | 101974708 | 4-29 |
| 101892601 | 13-9 | 101928101 | 13-9 | 101974709 | 4-29 |
| 101892701 | 13-11 | 101928301 | 13-11 | 101974710 | 4-29 |
| 101892901 | 13-7 | 101928601 | 13-7 | 101974711 | 4-29 |
| 101893201 | 13-9 | 101928701 | 13-7, 16-3, 18-5 | 101974712 | 4-29 |
| 101893801 | 13-7 | 101929401 | 6-27, 7-21, 7-23 | 101978601 | 16-5 |
| 101893901 | 13-9 | 101929501 | 10-3 | 101980801 | 13-9 |
| 101894303 | 1-23 | 101929802 | 12-5, 12-7 | 101980901 | 13-9 |
| 101894304 | 1-49 | 101932201 | 4-5, 4-9 | 101981001 | 13-9 |
| 101894702 | 1-47 | 101933101 | 18-5 | 101984801 | 6-5, 7-7 |
| 101894901 | 14-7, 17-11 | 101933701 | 10-13 | 101987901 | 4-3 |
| 101895401 | 16-3 | 101936101 | 16-5 | 101988001 | 4-3, 4-5, 4-9 |
| 101895501 | 16-3 | 101942301 | 15-3 | 101988002 | 4-3, 4-5, 4-9 |
| 101897001 | 16-3 | 101946201 | 1-37 | 101988101 | 4-3 |
| 101897201 | 16-3 | 101953102 | 5-21 | 101988201 | 4-3 |
| 101897401 | 16-3 | 101953106 | 5-13, 5-15 | 101990801 | 5-15, 5-21 |
| 101897601 | 16-3 | 101954301 | 1-23 | 101996901 | 1-61 |
| 101898001 | 8-27 | 101955001 | 6-23, 7-17 | 101997802 | 4-49 |
| 101903601 | 16-3 | 101955101 | 4-5, 4-9, 4-47 | 101997803 | 4-49 |

INDEX

| | | | | | |
|-----------|----------------------------|-----------|----------------------------------|-----------|------------------|
| 101997902 | 4-49 | 102190702 | 10-13 | 102515401 | 13-7, 13-13 |
| 101997903 | 4-49 | 102196901 | 4-21, 4-23, 14-5 | 102517501 | 4-15 |
| 102002901 | 14-11, 14-13 | 102198501 | 1-35 | 102517601 | 4-47 |
| 102003201 | 9-3, 10-3 | 102198701 | 4-5 | 102518301 | 3-5, 3-9 |
| 102004201 | 7-21 | 102199001 | 4-5 | 102522001 | 10-3 |
| 102004301 | 1-9 | 102199201 | 4-5, 4-9 | 102526201 | 13-3 |
| 102004601 | 1-75 | 102199301 | 4-5, 4-9 | 102529201 | 4-13, 4-15 |
| 102004602 | 1-75 | 102199401 | 4-5, 4-9 | 102529203 | 4-47 |
| 102004901 | 7-25 | 102221301 | 1-49 | 102540301 | 9-17 |
| 102005701 | 1-27 | 102221401 | 1-49 | 102546401 | 4-15 |
| 102006201 | 1-91 | 102221501 | 1-49 | 102555501 | 18-3 |
| 102006701 | 3-7, 3-19, 3-23 | 102221701 | 1-49 | 102558201 | 9-3 |
| 102009201 | 2-5 | 102221801 | 1-49 | 102559901 | 2-9 |
| 102009202 | 2-5 | 102222001 | 1-49 | 102562401 | 18-3 |
| 102009301 | 2-5 | 102222101 | 1-49 | 102564002 | 6-17, 6-25, 7-19 |
| 102009302 | 2-5 | 102222201 | 1-49 | 102569302 | 2-3 |
| 102009401 | 2-5 | 102224001 | 1-75 | 102572401 | 4-21, 4-23, 14-5 |
| 102009402 | 2-5 | 102231601 | 1-3, 3-9, 3-21, 3-25 | 102614401 | 1-49 |
| 102009501 | 2-5 | 102235201 | 15-3 | 102616701 | 13-3 |
| 102009502 | 2-5 | 102239901 | 1-49 | 102673201 | 1-49 |
| 102009901 | 2-7 | 102240501 | 14-17 | 102683201 | 3-29 |
| 102009902 | 2-7 | 102241502 | 18-5 | 102683301 | 3-29 |
| 102010001 | 2-7 | 102242101 | 12-9, 12-11 | 102683701 | 3-31 |
| 102010002 | 2-7 | 102242401 | 1-31, 1-33, 1-35 | 102683801 | 3-31 |
| 102010501 | 1-75 | 102243402 | 18-5 | 102684501 | 6-17, 6-25, 7-19 |
| 102022101 | 5-21 | 102243403 | 15-3 | 102684602 | 13-3 |
| 102022601 | 6-15, 6-23, 7-17 | 102248803 | 18-5 | 102704901 | 15-3 |
| 102022602 | 6-3, 6-15, 6-23, 7-5, 7-17 | 102251501 | 18-5 | 102711001 | 8-9, 8-11 |
| 102026001 | 5-5, 5-7 | 102264001 | 8-25 | 102711201 | 8-17, 8-21 |
| 102031901 | 13-11 | 102269701 | 8-25 | 102718301 | 1-3 |
| 102046501 | 3-31 | 102272501 | 8-25 | 102753401 | 9-11 |
| 102051901 | 4-5, 4-9 | 102275401 | 17-3, 17-5, 17-7, 17-9 | 102764001 | 14-11, 14-13 |
| 102054501 | 4-43 | 102278001 | 6-5, 7-7 | 102766201 | 14-11, 14-13 |
| 102054502 | 4-45 | 102289201 | 6-3, 6-15, 6-23, 7-5, 7-17 | 102766301 | 6-17, 6-25, 7-19 |
| 102056001 | 1-71 | 102292801 | 5-13, 5-15, 5-21 | 102770701 | 17-11 |
| 102056401 | 1-61 | 102297230 | 14-3 | 102771701 | 16-3 |
| 102061201 | 18-7 | 102304801 | 9-11 | 102772401 | 14-17 |
| 102065103 | 1-71 | 102323101 | 5-3, 5-13, 5-15, 5-21 | 102774501 | 14-17 |
| 102065901 | 1-39, 9-17 | 102323201 | 5-3, 5-13, 5-15, 5-21 | 102774701 | 14-17 |
| 102066201 | 6-29, 7-23 | 102336001 | 10-11 | 102775101 | 15-3 |
| 102075801 | 3-7, 3-19, 3-23 | 102336101 | 10-11 | 102803401 | 8-19 |
| 102076701 | 1-31, 1-33 | 102345901 | 3-25 | 102817101 | 14-17 |
| 102076702 | 1-35 | 102349501 | 1-3 | 102817201 | 14-17 |
| 102077601 | 4-43, 4-45 | 102354901 | 4-31, 4-33 | 102838101 | 14-9, 17-3, 17-7 |
| 102077701 | 4-43, 4-45 | 102355301 | 8-27 | 102838401 | 9-7 |
| 102077801 | 4-43, 4-45 | 102356601 | 16-3 | 102838701 | 8-9, 8-11 |
| 102077901 | 4-43, 4-45 | 102356801 | 16-3 | 102838801 | 8-9, 8-11 |
| 102078001 | 4-43, 4-45 | 102376001 | 13-3 | 102838901 | 8-9, 8-11 |
| 102155701 | 4-43 | 102399001 | 7-23 | 102839001 | 8-9, 8-11 |
| 102155801 | 12-9, 12-11 | 102406701 | 10-3 | 102839301 | 8-9, 8-11 |
| 102158901 | 5-5, 5-7 | 102430901 | 9-15 | 102841101 | 8-9, 8-11 |
| 102159601 | 4-43, 4-45 | 102453001 | 13-9 | 102844001 | 17-11 |
| 102163001 | 1-27 | 102453101 | 13-9 | 102844002 | 17-13 |
| 102163101 | 1-27 | 102459301 | 3-5, 3-9, 3-13, 3-15, 3-19, 3-23 | 102844601 | 8-9, 8-11 |
| 102185401 | 10-13 | 102460201 | 3-21, 3-25 | 102844701 | 8-9, 8-11 |
| 102186401 | 15-3 | 102508701 | 4-21, 4-23 | 102845101 | 3-5, 3-9 |

INDEX

| | | | | | |
|-----------|------------------------|-----------|-------------|-----------|----------------------------------|
| 102845201 | 14-11 | 102900001 | 13-13 | 102977002 | 4-21, 4-23 |
| 102845203 | 14-11, 14-13 | 102900101 | 13-13 | 102977901 | 10-3 |
| 102845204 | 14-13 | 102900201 | 13-13 | 102978001 | 10-3 |
| 102845401 | 14-5 | 102900301 | 13-13 | 102980801 | 14-11, 14-13 |
| 102846402 | 14-5 | 102900401 | 13-15 | 102980901 | 14-11, 14-13 |
| 102847601 | 1-53 | 102900501 | 13-15 | 102989501 | 1-37, 1-39 |
| 102847602 | 1-53 | 102900601 | 13-13 | 103010101 | 10-3 |
| 102847603 | 1-53 | 102900701 | 13-15 | 103173301 | 13-3 |
| 102847701 | 1-53 | 102900801 | 13-17 | 103174401 | 1-11 |
| 102847801 | 17-3 | 102900901 | 13-13 | 103177401 | 13-3 |
| 102847802 | 17-3 | 102901001 | 13-15 | 103180101 | 4-17, 4-19, 4-21, 4-23 |
| 102847803 | 17-3 | 102901101 | 13-15 | 103189101 | 17-13 |
| 102852101 | 5-15 | 102901201 | 13-17 | 103192701 | 13-3 |
| 102859501 | 14-17 | 102901301 | 13-17 | 103198301 | 4-21, 4-23 |
| 102863801 | 14-5 | 102901401 | 13-17 | 103198401 | 8-15 |
| 102865101 | 10-3 | 102901501 | 13-17 | 103199001 | 4-17, 4-19 |
| 102869401 | 4-5, 4-9, 4-19, 4-23 | 102901601 | 13-17 | 103199101 | 4-17, 4-19 |
| 102871801 | 6-27, 6-29, 7-21, 7-23 | 102901701 | 13-17 | 103205401 | 3-3, 3-7, 3-11, 3-15, 3-19, 3-23 |
| 102873401 | 14-11, 14-13 | 102901801 | 13-17 | 103205501 | 3-13, 3-17, 3-21, 3-25, 8-15 |
| 102882501 | 1-55, 1-57, 1-59 | 102901901 | 13-17 | 103210201 | 3-13, 3-17, 3-21, 3-25 |
| 102886301 | 16-3 | 102902001 | 13-17 | 103210301 | 3-5, 3-9 |
| 102886401 | 16-3 | 102902101 | 13-17 | 103212302 | 1-3 |
| 102886501 | 16-3 | 102902201 | 13-17 | 103218601 | 4-21, 4-23, 14-5 |
| 102886601 | 16-3 | 102902301 | 13-17 | 103234303 | 3-27, 3-29, 3-31 |
| 102890201 | 4-31, 4-33 | 102902401 | 13-17 | 103245201 | 1-37 |
| 102891101 | 6-29, 7-23 | 102902501 | 13-17 | 103245301 | 1-37 |
| 102892901 | 17-5 | 102902601 | 13-17 | 103254101 | 4-5 |
| 102892902 | 17-5 | 102902701 | 13-17 | 103256901 | 4-5, 4-9 |
| 102893601 | 1-57 | 102902801 | 13-17, 16-3 | 103260101 | 3-27 |
| 102897201 | 13-15 | 102915101 | 4-9 | 103260801 | 3-27 |
| 102897301 | 13-15 | 102915701 | 14-9 | 103260901 | 3-27 |
| 102897401 | 13-13 | 102917101 | 6-29 | 103261301 | 3-29 |
| 102897601 | 13-13 | 102918701 | 4-31 | 103270201 | 1-55 |
| 102897701 | 13-15 | 102918702 | 4-33 | 103270301 | 1-57 |
| 102897801 | 13-13 | 102931101 | 14-17 | 103272801 | 1-55 |
| 102897901 | 13-13 | 102938601 | 15-3 | 103274202 | 1-57 |
| 102898001 | 13-15 | 102938701 | 15-3 | 103284101 | 3-27, 3-29 |
| 102898101 | 13-15 | 102938801 | 15-3 | 103295101 | 13-5 |
| 102898201 | 13-13 | 102938901 | 15-3 | 103295202 | 13-5 |
| 102898301 | 13-15 | 102939001 | 15-3 | 103306301 | 10-3 |
| 102898401 | 13-15 | 102939101 | 15-3 | 103318401 | 1-59 |
| 102898501 | 13-15 | 102939102 | 15-3 | 103324402 | 1-59 |
| 102898601 | 13-15 | 102939501 | 17-5 | 103324801 | 7-23 |
| 102898701 | 13-15 | 102950301 | 4-27 | 103345701 | 12-5, 12-7 |
| 102898801 | 13-15 | 102951701 | 15-3 | 103347101 | 8-9, 8-11 |
| 102898901 | 13-15 | 102959601 | 1-57 | 103347301 | 8-9, 8-11 |
| 102899001 | 13-15 | 102962303 | 4-27 | 103347601 | 8-9, 8-11 |
| 102899101 | 13-13 | 102962602 | 4-27 | 103347701 | 8-9, 8-11 |
| 102899201 | 13-13 | 102966401 | 1-37 | 103347801 | 8-9, 8-11 |
| 102899301 | 13-15 | 102966501 | 1-37 | 103347901 | 8-9, 8-11 |
| 102899401 | 13-13 | 102966502 | 1-37 | 103348204 | 4-17, 4-19 |
| 102899501 | 13-15 | 102967601 | 3-5, 3-9 | 103348501 | 4-17, 4-19, 8-3, 8-5, 8-7 |
| 102899601 | 13-15 | 102969401 | 13-3 | 103348602 | 4-17, 4-19 |
| 102899701 | 13-13 | 102969801 | 13-3 | 103350001 | 4-45 |
| 102899801 | 13-13 | 102969901 | 13-3 | 103350901 | 6-27 |
| 102899901 | 13-15 | 102977001 | 4-17, 4-19 | 103351001 | 6-15, 7-17 |

INDEX

| | | | | | |
|-----------|------------------|-----------|----------------------------|-----------|------------|
| 103351101 | 6-29, 7-21, 7-23 | 103618001 | 4-15 | 103869401 | 17-7, 17-9 |
| 103353501 | 17-11 | 103618101 | 4-47 | 103874201 | 13-13 |
| 103354701 | 6-15, 6-23, 7-17 | 103628701 | 6-17, 6-25 | 103882001 | 13-15 |
| 103369501 | 13-3 | 103628801 | 6-19, 7-19 | 103882101 | 13-13 |
| 103372101 | 10-3 | 103628901 | 6-19 | 103882301 | 13-13 |
| 103372301 | 10-3 | 103653401 | 6-3, 7-5 | 103887901 | 9-3, 9-9 |
| 103372401 | 10-5 | 103653501 | 6-3, 6-15, 6-23, 7-5, 7-17 | 103888101 | 1-27 |
| 103372801 | 10-5 | 103657301 | 6-27, 6-29 | 103888301 | 1-27 |
| 103380201 | 5-19 | 103658601 | 2-3 | 103895401 | 1-5 |
| 103380202 | 5-19 | 103665902 | 6-13 | 103902101 | 14-3 |
| 103386202 | 9-5 | 103666002 | 6-13 | 103902301 | 14-3 |
| 103397901 | 4-9, 14-17 | 103677101 | 1-27 | 103902401 | 14-3 |
| 103406501 | 1-45 | 103678402 | 8-9 | 103905201 | 10-3 |
| 103406502 | 1-45 | 103678502 | 8-11 | 103910101 | 1-77 |
| 103406601 | 1-45 | 103686401 | 8-5 | 103910201 | 1-77 |
| 103414901 | 14-17 | 103687101 | 8-3 | 103910301 | 1-77 |
| 103418601 | 10-5 | 103687201 | 8-7 | 103910401 | 1-77 |
| 103449501 | 14-19 | 103694501 | 2-9 | 103910501 | 1-77 |
| 103449601 | 14-19 | 103696101 | 1-3 | 103910601 | 1-77 |
| 103459104 | 2-3 | 103696201 | 1-3 | 103910701 | 1-77 |
| 103464801 | 3-27, 3-29 | 103696301 | 1-3 | 103910801 | 1-77 |
| 103477901 | 6-13, 6-21, 7-15 | 103696401 | 1-3 | 103910901 | 1-77 |
| 103483101 | 5-19 | 103700301 | 4-31 | 103911001 | 1-77 |
| 103483102 | 5-19 | 103709202 | 14-17 | 103911101 | 1-77 |
| 103483201 | 5-19 | 103717302 | 6-21, 7-15 | 103911301 | 1-77 |
| 103483401 | 5-19 | 103717402 | 6-21, 7-15 | 103911401 | 1-77 |
| 103483601 | 5-19 | 103718702 | 8-9 | 103911501 | 1-77 |
| 103483701 | 5-19 | 103722901 | 2-3 | 103911601 | 1-77 |
| 103496801 | 8-27 | 103723003 | 2-3 | 103911701 | 1-77 |
| 103497702 | 14-15 | 103724502 | 6-9, 6-11, 7-11, 7-13 | 103912001 | 1-77 |
| 103502601 | 6-17, 6-25 | 103724601 | 6-11, 7-13 | 103912101 | 1-77 |
| 103502701 | 6-19, 7-19 | 103724602 | 6-9, 7-11 | 103912201 | 1-77 |
| 103502801 | 6-19 | 103724901 | 6-11, 7-13 | 103912301 | 1-77 |
| 103507001 | 6-17, 6-25, 7-19 | 103754901 | 1-27 | 103912501 | 1-77 |
| 103507101 | 10-9 | 103771601 | 17-9 | 103912601 | 1-77 |
| 103507201 | 10-9 | 103771901 | 14-7 | 103912701 | 1-77 |
| 103507301 | 10-9 | 103772301 | 17-11 | 103912801 | 1-77 |
| 103510001 | 4-49 | 103772401 | 17-7 | 103912901 | 1-77 |
| 103510301 | 4-49 | 103781101 | 10-3 | 103913001 | 1-77, 1-83 |
| 103510501 | 14-15 | 103783001 | 3-3, 3-7 | 103913101 | 1-77 |
| 103520401 | 10-13 | 103783002 | 3-11, 3-19 | 103913201 | 1-77 |
| 103538701 | 1-39 | 103783003 | 3-15, 3-23 | 103913301 | 1-77 |
| 103538901 | 1-39 | 103787401 | 1-31, 1-33 | 103925001 | 1-67 |
| 103582401 | 1-3 | 103787403 | 1-35 | 103925201 | 1-67 |
| 103582801 | 16-3 | 103788001 | 10-3 | 103930001 | 1-67 |
| 103601501 | 6-3, 7-5 | 103789601 | 1-31, 1-33 | 103939201 | 1-15 |
| 103601601 | 6-7 | 103789603 | 1-35 | 103941001 | 14-5 |
| 103615601 | 9-11 | 103802401 | 4-33 | 103942601 | 14-15 |
| 103615801 | 9-15 | 103804003 | 1-31 | 103943401 | 14-3 |
| 103615901 | 9-13 | 103804004 | 1-35 | 103951002 | 2-3 |
| 103616301 | 9-11 | 103804005 | 1-33 | 103951003 | 2-3 |
| 103616401 | 9-13 | 103832001 | 17-7, 17-9 | 103951004 | 2-3 |
| 103616501 | 9-7 | 103851201 | 10-5 | 103951801 | 1-55, 1-57 |
| 103616601 | 9-7 | 103860501 | 4-25 | 103953301 | 8-9, 8-11 |
| 103616701 | 9-7 | 103865101 | 5-5, 5-7 | 103956801 | 10-3 |
| 103617101 | 10-7 | 103867901 | 7-9 | 103969601 | 14-11 |

INDEX

- 103969701 14-13
104000901 1-81
104001001 1-81
104001101 1-79
104001201 1-79
104001401 1-89
104001601 1-79
104001701 1-79
104001901 1-85
104002001 1-89
104002101 1-87
104002201 1-87
104002301 1-87
104002501 1-85
104002601 1-83
104002701 1-79
104002801 1-79
104002901 1-79
104003001 1-79
104003101 1-83
104003201 1-87
104003401 1-79
104003501 1-81
104003601 1-81
104003901 1-83
104004001 1-85
104004101 1-81
104004201 1-87
104004301 1-89
104004401 1-87
104004501 1-87
104004601 1-87
104004701 1-87
104004801 1-83
104004901 1-79
104005001 1-81
104014701 1-85
104014801 1-83
104014901 1-79
104015001 1-79
104015101 1-83
104015201 1-85
104015301 1-83
104015501 1-79
104027501 1-79
104027601 1-79
104027701 1-79
104027801 1-79
104027901 1-87
104028001 1-79
104028101 1-79
104028201 1-87
104028301 1-85
105002801 1-83
105002901 1-87
105003001 1-87
- 105116301 14-3
96704416 9-17
- ## A
- absorber, shock 6-23
AC cord 17-3, 17-5, 17-7, 17-9
AC cord receptacle 17-5
accelerator bracket and bearing assembly 5-5, 5-7
accelerator cable 10-11
accelerator pedal adjustment tool 18-3
accelerator pivot rod 5-5, 5-7
accelerator return spring 5-5, 5-7
accelerator rod 5-9
adapter
 actuator 1-55, 1-57
 cable (IQDM) 18-5
adhesive, guide ring 18-3
air box 10-13
air box top 10-13
air duct shield 10-13
air filter 9-3, 10-13
air intake hose 10-13
ammeter 17-3, 17-5, 17-7, 17-9
anchor body 5-11, 5-17
anchor body kit 5-11, 5-17
anchor, piston 5-11, 5-17
anti-sway bar 6-31, 7-25
A-plate strap 6-15, 6-23, 7-17
A-plate, delta 6-15, 6-23, 7-17
arbor 18-3
arm
 governor 10-11, 13-7, 13-13
 pivot 13-7
 rocker 9-11
armature 15-3
assembly
 accelerator bracket and bearing 5-5, 5-7
 accelerator pivot rod 5-5, 5-7
 air box 10-13
 air box top 10-13
 axle 13-11
 bearing, steering shaft 6-5, 7-7
 bell crank and shaft 8-17, 8-19, 8-21
 brake lever 5-19
 choke cable 10-13
 connecting rod 9-15
 cylinder head 9-11
 delta A-plate 6-15, 6-23, 7-17
 delta shock and gear support 6-15, 6-23, 7-17
 drive hub 12-5, 12-7
 driven clutch 12-9
 driven clutch fixed-face 12-9, 12-11
 float 10-7
 fuel cap 10-3
 fuel pump 10-3
 governor 13-9, 13-15
 headlight 4-3, 4-5, 4-9
 headlight harness 4-3
 idle screw 10-7
 inner ball joint 6-3, 7-5
 kingpin 6-17, 6-25, 7-19
 latch weld 1-39
 moveable-face 12-5, 12-7, 12-9, 12-11
 pilot air screw 10-7
 plug cap 9-7
 prop rod support 1-43
 ratchet 5-3, 5-5, 5-7
 secondary clutch weight 12-5, 12-7
 steering shaft 6-5, 7-7
 tailgate 1-49
 tether 1-49
 tilt bed 1-39
 turn signal lens 4-3
axle 13-7, 13-11, 13-13, 13-17, 16-3
axle guard 16-5
axle shaft oil seal 13-11, 13-17, 16-3
axle tube 13-11, 13-17, 16-3
- ## B
- backing plate, brake 5-11, 5-17, 5-19
ball bearing 8-9, 8-11, 9-13
ball joint 5-3, 5-9, 13-5
ball stud 8-17, 8-19, 8-21, 13-7, 13-13
ball, shifter 13-9
ball, steel pressure relief 9-9
ball, trailer hitch 1-69
bar, light 4-43, 4-45
bar, stabilizer 6-31, 7-25
barb, vent 10-3
barrel, plastic 1-7, 1-9, 1-11, 1-45
battery
 12-volt, side-post 8-27
 battery cap, 6-volt 14-11, 14-13
 battery charger 17-3, 17-5
 battery charger case 17-3, 17-5, 17-7, 17-9
 battery charger harness 17-11
 battery charger mounting plate 17-11
 battery charger receptacle 14-7
 battery charger retainer 17-13
 battery charger shield 17-11
 battery charger transformer 17-3, 17-5, 17-7, 17-9
 battery charger wire assembly 17-5
 battery charger, onboard 17-7, 17-9
 battery clamp 8-27
 battery discharge machine 18-3
 battery HD, 6-volt, Trojan T145 14-13
 battery hold-down 14-11, 14-13
 battery hold-down rod 14-11, 14-13
 battery light 4-21, 4-23

INDEX

- battery terminal protector spray 4-9, 18-3
 - battery thermometer 18-3
 - battery, 6-volt, Trojan T105 14-11
 - bead, ferrite 14-19
 - bearing 16-3
 - ball 8-9, 8-11, 9-13
 - ball (motor) 15-3
 - ball (steering pinion) 6-3, 7-5
 - cage roller 13-15
 - front wheel hub 6-13, 6-21, 7-15
 - hub 6-13, 6-21, 7-15
 - idler 12-5, 12-7
 - inner axle tube 13-11, 16-3
 - lower pinion (steering) 6-3, 7-5
 - needle 13-9
 - outer axle tube 13-11
 - pivot support 5-5, 5-7
 - steering shaft 6-5, 7-7
 - thrust 6-17, 6-25, 7-19
 - bearing and oil seal remover 18-3
 - bearing driver set 18-3
 - bearing puller 18-3
 - bearing puller wedge 18-3
 - bearing seat 6-5, 7-7
 - bed floor plate 1-39
 - bed latch 1-45
 - bed latch spring 1-45
 - bed lift
 - hydraulic 1-59
 - bed lift actuator 1-55, 1-57
 - bed mat 1-51
 - bed seal 1-37, 1-39
 - bed, tilt 1-39
 - bell crank and shaft 8-17, 8-19, 8-21
 - bellows 6-3, 7-5
 - belt, drive 12-3
 - belt, starter/generator 8-13
 - belt, V 8-13
 - bezel, choke cable 10-13
 - bezel, headlight 4-3
 - block, brake-mounting 5-3
 - block, fuse 4-5, 4-9, 8-17, 8-19, 8-21
 - block, terminal 4-5, 4-9, 14-5
 - body, anchor 5-11, 5-17
 - bolt, U- 6-29, 7-23
 - boot, steering column 6-5, 7-7
 - boot, switch 8-15, 14-9
 - bottom, air box 10-13
 - box
 - air 10-13
 - cargo 1-45
 - differential 13-17
 - electrical component 8-17, 8-19, 8-21
 - steering gear 6-3, 7-5
 - tool 1-63
 - van 1-91
 - brace, light bar 4-43, 4-45
 - brace, trailer hitch 1-65
 - bracket 6-27, 7-21, 7-23
 - accelerator cable 10-11
 - adjustable starter/generator 8-13
 - brace mounting 4-43, 4-45
 - brake cable guide 6-23, 7-17
 - brake light switch 4-5, 4-9
 - FNR shifter 13-3
 - governor cable 10-11
 - headlight mounting 4-3
 - horn 4-5, 4-9, 4-47
 - light mounting 4-43, 4-45
 - muffler mounting 11-3
 - oil filter mount 9-9
 - oil level switch 9-13
 - relay mounting 8-19, 17-7, 17-9
 - shock mounting, drv 6-29
 - shock mounting, pas 6-29
 - snubber 9-17
 - stabilizer bar mounting 6-31, 7-25
 - stake side 1-53
 - starter/generator mounting 8-13
 - steering column 6-5, 7-7
 - steering column mounting 6-5, 7-7
 - throttle spring return 10-9
 - Tow/Run switch 8-15
 - bracket, carburetor intake manifold 10-9
 - bracket, hinge, bed 1-39
 - bracket, hour meter 4-49
 - brake actuator kit 5-11, 5-17
 - brake adjusting mechanism 5-19
 - brake adjustment tool 18-3
 - brake backing plate 5-11, 5-17, 5-19
 - brake cable 5-13, 5-15, 5-21
 - brake cable equalizer 5-13, 5-15, 5-21
 - brake cable hanger 6-27, 7-21
 - brake cable release tool 18-3
 - brake cluster 5-11, 5-17, 5-19
 - brake drum 5-11, 5-17, 5-19
 - brake lever 5-19
 - brake lever arm 5-11, 5-17
 - brake light switch bracket 4-5, 4-9
 - brake mounting block 5-3
 - brake pedal 5-3
 - brake pedal pad 5-3
 - brake relay kit, 12-volt 4-5
 - brake return spring 5-15, 5-21
 - brake self-adjusting mechanism 5-19
 - brake shoe 5-11, 5-17, 5-19
 - brake spring 5-11, 5-17, 5-19
 - breaker, circuit 17-5, 17-9
 - breather 13-7, 13-13, 16-3
 - brush box assembly 15-3
 - brush cover kit, starter/generator 8-9, 8-11
 - brush guard 1-9
 - brush guard kit 1-5
 - brush inspection port cover 8-9, 8-11
 - brush kit, motor 15-3
 - brush rigging 15-3
 - brush spring 8-9, 8-11, 15-3
 - brush spring set 8-9, 8-11
 - brush spring, starter/generator 8-9, 8-11
 - brush terminal, starter/generator 8-9, 8-11
 - brush, motor 15-3
 - bulb, headlight 4-3
 - bulb, light bar 4-43, 4-45
 - bulb, strobe light 4-37, 4-39, 4-41
 - bulb, tail light 4-51
 - bumper 1-29
 - drive unit (motor) 15-3
 - front 1-7, 1-9
 - front, heavy duty 1-7
 - front, kit 1-7, 1-9
 - rubber 1-41, 1-49, 5-3
 - seal, long 1-23
 - spring return 5-5, 5-7
 - bumper, heavy-duty 1-7
 - bumper, seat 1-23
 - bushing 1-55, 1-57, 8-17, 8-19, 8-21, 12-5, 12-7, 13-3
 - bronze 6-13, 6-21, 7-15
 - nylon 1-45, 1-47, 5-3
 - return line 10-3
 - snap-in 1-45
 - spindle 6-13, 6-21, 7-15
 - stabilizer bar 6-31, 7-25
 - steel 1-39, 6-17, 6-19, 6-25, 6-27, 6-29, 7-19, 7-21, 7-23
 - urethane 1-39, 6-15, 6-17, 6-19, 6-23, 6-25, 6-27, 6-29, 7-17, 7-19, 7-21, 7-23
 - bushing support 6-31, 7-25
 - button, drive 12-9, 12-11
 - buzzer, reverse 4-17, 4-19, 4-21, 4-23
- ## C
- cab
 - fan 1-89
 - mirror 1-89
 - roof 1-77, 1-85
 - vent 1-85
 - cable
 - accelerator 10-11
 - brake 5-13, 5-15, 5-21
 - choke 10-13
 - FNR shifter 13-5
 - governor 10-11
 - calibration test module 18-3
 - cam
 - driven clutch 12-9, 12-11
 - electrical component box 8-17, 8-19, 8-21
 - cam, FNR shifter 13-3

INDEX

- camshaft 9-13
 - camshaft shim 9-13
 - canister, carbon, fuel tank 10-5
 - canopy 1-31, 1-33, 1-35
 - canopy brace 1-31, 1-33
 - canopy hardware 1-31, 1-33, 1-35
 - canopy support 1-31, 1-33, 1-35
 - canopy trim plate 1-31, 1-33, 1-35
 - cap
 - battery, 6-volt 14-11, 14-13
 - corner 1-37, 1-47
 - dust 4-21, 4-23, 14-5
 - front corner 1-49
 - fuel, gas, ratchet 10-3
 - key switch 4-17, 4-19, 4-21, 4-23, 4-29
 - plug 9-7
 - seat back 1-25
 - cap, hub, 7 prong 2-9
 - carbon canister 10-5
 - carburetor adapter 10-9
 - carburetor gasket 10-9
 - carburetor insulator 10-9
 - carburetor mounting gasket 10-9
 - carburetor, FE350 S27 10-7
 - card, safety first 18-5
 - cargo bed, side panel 1-45
 - cargo box 1-45
 - case
 - battery charger 17-3, 17-5, 17-7, 17-9
 - differential gear 13-11
 - gear 13-7, 16-3
 - rocker 9-11
 - CE mark ferrite bead, Fair-rite 14-19
 - CE mark ferrite bead, TDK 14-19
 - charger
 - wire assembly kit 17-3, 17-7, 17-9
 - charger bezel tool 18-3
 - charger info indicator 4-25
 - charger receptacle 14-7
 - charger, battery 17-3, 17-5
 - charger, battery, onboard 17-7, 17-9
 - charger, battery, shield 17-11
 - choke cable 10-13
 - choke cable bezel 10-13
 - choke valve 10-13
 - circuit breaker 14-9, 17-3, 17-5, 17-7, 17-9
 - clamp
 - battery 8-27
 - cable retaining 10-11
 - hose 10-3, 10-5, 10-9, 10-13
 - hose, green 10-5
 - muffler hose 11-3
 - clevis, upper delta 6-17, 6-25, 7-19
 - clip
 - hair pin 1-49
 - clip, score card 6-11, 7-13
 - cluster idler gear 13-9
 - cluster, brake 5-11, 5-17, 5-19
 - clutch cam installation tool 18-3
 - clutch pulley 12-5, 12-7
 - clutch repair kit 12-9, 12-11
 - clutch tool kit 18-3
 - clutch weight 12-5, 12-7
 - clutch, drive 12-5, 12-7
 - clutch, driven 12-9, 12-11
 - collet 9-11
 - column, steering 6-5, 7-7
 - communication display module 18-5
 - component box, electrical 8-17, 8-19, 8-21
 - component mounting plate 14-17
 - compression gauge 18-5
 - compression mount 6-31, 7-25
 - compressor, piston ring 18-5
 - compressor, valve spring 18-7
 - computer
 - onboard 14-17
 - conduit 1-3, 4-41
 - connecting rod 9-15
 - continuity tester 18-5
 - control board, potted 17-7, 17-9
 - controller, speed 14-17
 - converter, DC/DC 4-31
 - cord connector 9-13
 - cord reel 17-11
 - cord, AC 17-3, 17-5, 17-7, 17-9
 - cord, DC 17-3, 17-5, 17-7, 17-9
 - corner cap 1-49
 - counterbalance guide shaft 9-15
 - counterbalance weight 9-15
 - cover
 - brush inspection port 8-9, 8-11
 - crankcase 9-13
 - dust 5-11, 5-17, 5-19, 6-13, 6-21, 7-15
 - electrical box 8-17, 8-19, 8-21
 - electrical component 14-17
 - fuse block 4-9
 - oil pump 9-9
 - rocker switch hole 4-17, 4-19, 4-21, 4-23
 - screw head 4-17, 4-19, 4-21, 4-23
 - steering column 6-5, 7-7
 - wheel 2-9
 - cover, steering column 4-13, 4-15
 - cowl 1-7, 1-9
 - crankcase 9-15
 - crankcase cover 9-13
 - crankcase vent tube 10-9
 - crankshaft 9-15
 - crankshaft rod 9-15
 - crankshaft shim 9-15
 - C-type stop ring 6-3, 7-5
 - cup holder 1-17
 - cup, spring 5-5, 5-7
 - current limiter 17-5
 - cushion, shock absorber 6-27, 6-29, 7-21, 7-23
 - cutter, valve seat 18-7
 - cylinder adapter 1-59
 - cylinder head 9-11
- ## D
- dash component 1-13, 1-15
 - dash panel 4-17, 4-19, 4-21, 4-23
 - dc converter, 15A 4-31
 - dc converter, CE 4-33
 - DC cord 17-3, 17-5, 17-7, 17-9
 - DC/DC converter 4-31
 - decal
 - 4-gauge wire warning 3-5, 3-9
 - battery danger 3-5, 3-9
 - bed load warning 1-45, 1-53, 3-3, 3-7, 3-11, 3-15, 3-19, 3-23
 - Carryall 3-27, 3-29
 - Carryall 2 3-27
 - Carryall 2 Plus 3-27
 - Carryall 252 3-29
 - Club Car name plate 3-27, 3-29, 3-31
 - Club Car tailgate 1-49
 - crush area warning 3-3, 3-5, 3-7, 3-9, 3-11, 3-13, 3-15, 3-19, 3-23
 - dash, beverage unit warning 1-61
 - diode safety 3-25
 - driver/passenger 3-13, 3-17, 3-21, 3-25
 - electrical cover safety 3-5, 3-9
 - FNR 3-5, 3-9, 3-13, 3-17, 3-21, 3-25
 - frame ground 3-13, 3-17, 3-21, 3-25
 - key switch 3-15, 3-23
 - on/off 3-3, 3-7, 3-11, 3-19
 - operating instructions 3-3, 3-7, 3-11, 3-15, 3-19, 3-23
 - passcode 4-27
 - refreshment center 1-61
 - refreshment center warning 1-61
 - rollover warning 3-3, 3-7, 3-11, 3-15, 3-19, 3-23
 - rotating parts 1-75, 3-13, 3-17, 3-21, 3-25, 8-9, 8-11
 - rotating parts warning 3-21, 3-25
 - run/service switch 3-13, 3-17, 3-21, 3-25, 8-15
 - tailgate 1-45, 3-27, 3-29, 3-31
 - tilt system warning 1-59
 - Tow/Run switch 3-5, 3-9
 - trailer hitch 1-65, 1-71, 3-5, 3-9, 3-13, 3-17, 3-21, 3-25
 - Turf 2 3-27
 - Turf 252 3-29
 - vehicle loading 3-3, 3-7, 3-11, 3-15, 3-19, 3-23
 - winch cable warning 1-3, 3-9, 3-21, 3-25
 - winch, warning 1-3

INDEX

XRT 900 3-31
young driver warning 3-7, 3-19, 3-23
delta A-plate 6-15, 6-23, 7-17
delta A-plate sub-assembly 6-15, 6-23, 7-17
delta shock and gear support 6-15, 6-23, 7-17
diagnostic port 4-21, 4-23, 14-5
differential drive unit 13-7, 13-13, 16-3
differential gear 13-11, 16-3
differential gear case 13-11, 13-17
differential guard 16-5
differential housing 16-3
differential idler gear 13-11
differential pin 13-11
diode 8-17, 8-19, 8-21, 8-25
diode, charging 8-25
dipstick 9-5
door 1-77
drain plug 9-9, 13-13
drain plug gasket 9-9, 13-7, 13-13
drain plug, rubber 8-9, 8-11
drive belt 12-3
drive button 12-9, 12-11
drive clutch 12-5, 12-7
drive clutch button 12-5, 12-7
drive clutch fixed-face 12-5, 12-7
drive clutch holder tool 18-3
drive clutch hub puller 18-3
drive clutch puller 18-3
drive clutch spring 12-5, 12-7
drive clutch weight 12-5, 12-7
drive hub 12-5, 12-7
drive selector shaft 13-7, 13-13
drive unit bumper 15-3
drive unit guard 16-5
driven clutch 12-9, 12-11
driven clutch button 12-9, 12-11
driven clutch cam 12-9, 12-11
driven clutch cam puller 18-3
driven clutch fixed-face assembly 12-9, 12-11
driven clutch puller plug 18-3
driver, drive clutch 12-5, 12-7
drum, brake 5-11, 5-17, 5-19
dry moly lubricant 18-5
dust cap 4-21, 4-23, 14-5
dust cover 5-11, 5-17, 5-19, 6-13, 6-21, 7-15

E

eccentric bolt 6-17, 6-25, 7-19
E-clip 5-13, 5-15, 5-21
electrical box cover 8-17, 8-19, 8-21
electrical component box 8-17, 8-19, 8-21
electrical component cover 14-17
end cap, motor 15-3
end, tie rod 6-15, 6-23, 7-17
engine
air filter 9-3

engine mounting plate 9-17
engine shroud 9-5
engine tune-up kit 9-3
engine, FE350 S27 9-5
equalizer pivot 5-13
equalizer rod 5-13, 5-15, 5-21
equalizer, brake cable 5-13, 5-15, 5-21
exhaust 1-77
exhaust system 11-3
exhaust valve 9-11
extension, spring latch 1-39
extrusion, fender 1-7
extrusion, plastic 1-29

F

face, moveable 12-5, 12-7, 12-9, 12-11
fan 1-77, 1-89
fan housing 9-5
fan shroud 9-5
fan, flywheel 9-7
fender 1-75
fender extrusion 1-7
fender kit 1-75
fender, rear 1-73, 1-75
ferrite bead (CE), Fair-rite 14-19
ferrite bead (CE), TDK 14-19
field coil housing 8-9, 8-11
fill plug 13-7, 13-13
fill plug gasket 13-13
filter
air 9-3, 10-13
fuel 9-3, 10-3
oil 9-3, 9-9
oil pump 9-9
fitting, thread-forming grease 6-13, 6-21, 7-15
fixed-face, drive clutch 12-5, 12-7
fixed-face, driven clutch 12-9, 12-11
flasher, turn signal, 12-volt 4-15
float 10-7
floor mat 1-9, 1-13
floor plate, bed 1-39
floormat 1-15
fluid, hydraulic 1-59
flywheel 9-7
flywheel fan 9-7
flywheel fan plate 9-7
flywheel puller 18-5
FNR closeout brush 4-17, 4-19
FNR shift lever 13-7, 13-13
FNR shifter 13-3
FNR shifter bracket 13-3
FNR shifter cable 13-5
FNR shifter cam 13-3
FOPS 1-77
fork, shift 13-9, 13-15
frame and field, motor 15-3

frame and field, starter/generator 8-9, 8-11
frame, tilt bed 1-39
front bumper 1-7, 1-9
front bumper kit 1-7, 1-9
front spring retainer plate 6-17, 6-25, 7-19
fuel filter 9-3, 10-3
fuel gauge sending unit 10-3
fuel line 10-3, 10-5, 10-9
fuel pump 10-3
fuel pump mount 10-3
fuel tank 10-3
fuel tank strap 10-3
fuse 14-7, 17-3, 17-5, 17-7, 17-9
10-amp 8-17, 8-19, 8-21
20-amp 4-5, 4-9, 8-17, 8-19, 8-21
3/8-amp 14-7, 17-11
fuse block 1-77, 4-5, 4-9, 8-17, 8-19, 8-21
fuse block cover 4-9
fuse holder 1-87

G

gasket
carburetor 10-9
carburetor mounting 10-7, 10-9
crankcase cover 9-11, 9-13
drain plug 9-9, 13-7
drain plug, fill plug 13-13
exhaust 9-11, 11-3
head 9-11
insulator 9-11, 10-9
liquid 13-7, 16-3, 18-5
plug 16-3
rocker case 9-11
sending unit 10-3
strobe light 1-87
taillight 4-51
gasket kit, FE350 9-11
gauge, compression 18-5
gear
25 tooth 13-15
28 tooth 13-15
cluster idler 13-9
differential 13-11, 13-17, 16-3
differential idler 13-11, 16-3
differential output 16-3
helical 9-15, 13-9, 13-11
planetary 13-17
speed governor 13-15
spur 9-15, 13-9
sun 13-17
synchro 13-9
gear yoke 18-5
gearcase 13-7, 16-3
governor 13-9, 13-15
governor arm 10-11, 13-7, 13-13
governor cable 10-11

INDEX

governor cable bracket 10-11
governor shaft installation tool 18-5
grip, pencil 6-11, 7-13
grip, tilt latch hand 1-39, 1-45
grommet 1-21, 1-31, 1-33, 1-35, 10-3
 ignition 9-7
guard, brush 1-9
guard, differential 16-5
guard, splash 1-11
guide
 intake valve 9-11
 valve seat cutter 18-7
guide ring adhesive 18-3

H

hair pin clip 1-49
handle 1-91
handle, tee 1-83
hanger, brake cable 6-27, 7-21
harness
 wire 4-47
harness, battery charger 17-11
harness, wire 4-31, 4-33, 4-37, 4-39, 4-47, 8-3,
 8-5, 8-7, 14-5, 17-11
head gasket 9-11
head, cylinder 9-11
headband, sealed, motor 15-3
headband, vented, motor 15-3
headlamp template 4-5, 4-9
headlight 4-3
headlight assembly 4-3, 4-5, 4-9
headlight bulb 4-3
headlight harness 4-3
headlight retainer 4-3
headliner 1-77
heat shrink tube 17-11
heatsink and rectifier 17-3, 17-5, 17-7, 17-9
heavy-duty bumper 1-7
helical gear 9-15, 13-9, 13-11
hill brake rod 5-3
hill brake weld assembly 5-3
hinge pin 1-53
hinge, stake side 1-53
hitch, trailer 1-65
hitch, trailer, ball 1-69
hold-down rod, battery 14-11, 14-13
hold-down, battery 14-11, 14-13
holder, cup 1-17
hole plug 4-21, 4-23
horn 4-5, 4-9, 4-47
horn bracket 4-5, 4-9, 4-47
horn button and wire assembly 4-5, 4-9
hose 1-59
 fuel 10-3
 vent 10-5
hose clamp, green 10-5

hose, air intake 10-13
hour meter 4-49
hour meter bracket 4-49
hour meter, 36-48 volt 4-49
housing
 3-pin 15-3
 differential 16-3
 fan 9-5
 field coil 8-9, 8-11
hub 6-13, 6-21, 7-15
hub bearing 6-13, 6-21, 7-15
hub cap 2-9
hub cap, 7 prong 2-9
hub, synchronizer clutch 13-9
hydraulic bed lift 1-59
hydraulic bed lift harness 1-59
hydraulic fluid 1-59
hydraulic tilt bed pump 1-59
hydraulic tilt cylinder 1-59
hydrometer 18-5

I

idle screw assembly 10-7
idler bearing 12-5, 12-7
idler gear, differential 16-3
ignition coil 9-7
indicator
 charger info 4-25
inner frame snubber 9-17
input shaft 16-3
insert, synchronizer 13-9
instrument panel 4-17, 4-19, 4-21, 4-23
insulating washer 15-3
insulator gasket 9-11, 10-9
insulator, carburetor 10-9
insulator, motor terminal 15-3
intake valve 9-11
intermediate shaft 16-3
internal retaining ring pliers 18-5
IQ display module (IQDM) 18-5

J

jet, main 10-7
jet, pilot 10-7
joint
 ball 5-3, 5-9, 13-5
 steering 7-9

K

key
 crankshaft 9-7, 9-15
 driven clutch 12-9, 12-11
 On/Off 4-17, 4-19, 4-21, 4-23
 square 12-9, 12-11
 woodruff 13-7

key switch 4-17, 4-19
key switch cap 4-17, 4-19, 4-21, 4-23, 4-29
key switch, On/Off 4-21, 4-23
key switch, uncommon 4-29
keys 1-79
kingpin 6-17, 6-25, 7-19
kit
 3-pin housing 15-3
 accelerator pivot rod 5-5, 5-7
 air duct shield 10-13
 anchor body 5-11, 5-17
 beacon 1-77
 bed lift 1-55, 1-57
 brake actuator 5-11, 5-17
 brake cable 5-13, 5-21
 brake pedal 5-3
 brake relay 4-5
 brake shoe 5-11, 5-17
 brake shoe retainer 5-11, 5-17, 5-19
 brush guard 1-5
 canopy 1-31, 1-33, 1-35
 clutch repair 12-9, 12-11
 cup holder 1-17
 DC/DC converter 4-31
 differential gear case 13-11
 diode 8-25
 door-hold 1-77
 doors 1-77
 drive clutch button 12-5, 12-7
 drive clutch weight 12-5, 12-7
 driven clutch button 12-9, 12-11
 driving-range 1-77
 equalizer, brake 5-13
 exhaust extension 1-77
 fan 1-77
 fixed-face drive 12-5, 12-7
 flywheel puller 18-5
 FOPS 1-77
 front bumper 1-7, 1-9
 front window 1-77, 1-83
 front work lights 1-77
 fuse block 1-77
 gasket, FE350 9-11
 heavy-duty front bumper 1-7
 hour meter 4-49
 hub cap 2-9
 hydraulic bed lift 1-59
 IQ display module (IQDM) 18-5
 key set 1-79
 light 4-5, 4-9
 main switch 1-77
 mirror 1-19, 1-77
 motor brush 15-3
 motor brush lead assembly 15-3
 motor brush spring 15-3
 motor speed sensor 15-3

INDEX

name plate 3-27, 3-29
park brake latch 5-3
park brake pedal 5-3
piston ring compressor 18-5
prop rod 1-43
rear fender 1-75
rear receiver hitch 1-71
rear window 1-77
rear work light 1-77
relay, 48V 14-17
roof 1-77
roof liner 1-77
ROPS 1-77
seals 1-79, 1-83, 1-85
seat belts 1-77
shock absorber cushion 6-27, 6-29, 7-21, 7-23
shoe retainer 5-11, 5-17, 5-19
side frames 1-77
smartkey 4-27
stake side 1-53
steering column mounting bracket 6-5, 7-7
strobe light 4-37, 4-39, 4-41
tailgate angle 1-47
tailgate mounting 1-45
taillight hardware 4-51
trailer hitch 1-65, 1-67
transmission tool 18-7
tune up 9-3
tune-up 18-7
turn signal 4-13
vent and seals 1-77
wheel cover 2-9
winch 1-3
windshield, hinged 1-27
windshield, one-piece 1-29
wire assembly, charger 17-3, 17-7, 17-9
knob, forward/reverse 13-3
knob, light switch 4-5, 4-9

L

lamp, strobe light 4-37, 4-39, 4-41
lamp, turn signal and socket 4-13, 4-15
latch plate, tilt bed 1-41
latch weld 1-39
latch, air box 10-13
latch, bed 1-45
latch, park brake 5-3
latch, slam 1-49
latch, spring 1-49
leaf spring 6-27, 6-29, 7-21, 7-23
lens, headlight 4-3
lens, strobe light 4-37, 4-39, 4-41
lens, taillight 4-51
lever

choke 10-13
drive selector 13-7
speed governor 13-13
transmission shift 13-7, 13-13
light
battery 4-21, 4-23
beacon 1-77
CHMSL 1-87
indicator 4-25
oil 4-17, 4-19
strobe 1-87
work 1-77
light bar 4-43, 4-45
light switch 4-5, 4-9
light switch knob 4-5, 4-9
light, strobe 4-37, 4-39, 4-41
lighting package 4-5, 4-9
limit switch 4-5, 4-9, 8-17, 8-19, 8-23, 13-3
limiter
current 17-5
voltage 4-5, 4-35
line, fuel 10-3, 10-5, 10-9
link, stabilizer bar 6-31, 7-25
liquid gasket 13-7, 16-3, 18-5
low oil warning light 4-17, 4-19
lubricant, dry moly 18-5
lubricant, moly-teflon 15-3, 18-5
lug nut 2-3, 2-5, 2-7
lug stud 13-11, 13-17, 16-3

M

magnet, speed sensor 15-3
main jet 10-7
mat, bed 1-51
mat, floor 1-9, 1-13
MCOR 14-3
mechanism, brake adjusting 5-19
meter, hour 4-49
meter, volt ohm 18-7
mirror 1-19, 1-77, 1-89
mirror, rear view 1-19
module
calibration test 18-3
communication display 18-5
moly-teflon lubricant 18-5
motor
48-volt IQ Plus 15-3
wiper 1-81
motor brush 15-3
motor brush kit 15-3
motor brush lead assembly kit 15-3
motor brush spring 15-3
motor bumper 15-3
motor controller 14-17
motor end cap 15-3
motor frame and field 15-3

motor headband, sealed 15-3
motor headband, vented 15-3
motor magnet, speed sensor 15-3
motor speed sensor 15-3
motor speed sensor kit 15-3
motor terminal and lead assembly 15-3
motor terminal insulator 15-3
mount, compression 6-31, 7-25
mount, fuel pump 10-3
mounting block, brake 5-3
moveable-face 12-5, 12-7, 12-9, 12-11
muffler hose clamp 11-3

N

name plate 3-27, 3-29
needle bearing 13-9
nozzle, main 10-7
nut, lug 2-3, 2-5, 2-7

O

oil conveyor 13-13
oil filler tube 9-5
oil filter 9-3, 9-9
oil filter mount bracket 9-9
oil filter screen 9-13
oil filter screen plate 9-13
oil level sensor 9-13
oil level switch bracket 9-13
oil pump and rotor 9-9
oil pump cover 9-9
oil pump filter 9-9
oil pump plate 9-9
oil seal 9-11, 9-13, 9-15, 13-7, 13-9
oil warning light, low 4-17, 4-19
onboard battery charger 17-7, 17-9
onboard computer (OBC) 14-17
O-ring 9-5, 9-11, 9-13, 9-15

P

pad
brake pedal 5-3
park brake 5-3
thermal 8-25
paint, touch-up 18-5
panel
front 1-49
left 1-49
right 1-49
panel box 1-45
panel, front 1-45
panel, instrument 4-17, 4-19, 4-21, 4-23
park brake latch 5-3
park brake pedal 5-3
park brake rod sleeve 5-3
park brake spacer 5-3

INDEX

- park brake torsion spring 5-3
 - pawl 5-3
 - pedal, brake 5-3
 - pedal, park brake 5-3
 - pencil grip 6-11, 7-13
 - pilot air screw assembly 10-7
 - pilot jet 10-7
 - pin
 - bow tie locking 5-13, 5-15, 5-21
 - clevis 5-13, 5-15, 5-21
 - differential 13-11
 - piston 9-15
 - pin, hinge 1-53
 - pin, receiver 1-3
 - pinion, steering 6-3, 7-5
 - piston 9-15
 - piston anchor 5-11, 5-17
 - piston pin 9-15
 - piston ring 9-15
 - piston ring compressor 18-5
 - piston ring pliers 18-5
 - piston ring set 9-15
 - pivot arm 13-7
 - pivot support bearing 5-5, 5-7
 - plate
 - backing (brake) 5-19
 - component mounting 14-17
 - engine mounting 9-17
 - flywheel fan 9-7
 - front spring retainer 6-17, 6-25, 7-19
 - latch 1-41
 - name 3-27, 3-29
 - oil filter screen 9-13
 - oil pump 9-9
 - receptacle backing 14-7, 17-11
 - spring mounting 6-17, 6-25, 7-19
 - thrust 13-9, 13-11
 - plate, canopy trim 1-31, 1-33, 1-35
 - plate, Tow/Run switch 14-9
 - pliers
 - internal retaining ring 18-5
 - piston ring 18-5
 - retaining ring 18-5
 - plug
 - drain 9-9, 13-13
 - drive clutch 12-5
 - driven clutch puller 18-3
 - fill 13-7, 13-13
 - hole 4-21, 4-23
 - rubber drain 8-9, 8-11
 - spark 9-3, 9-7
 - plug cap 9-7
 - plug, carburetor intake manifold 10-9
 - port, diagnostic 4-21, 4-23, 14-5
 - portable refreshment center 1-61
 - PRC 1-61
 - press weldment 18-3
 - prop rod 1-43
 - prop rod track 1-43
 - protector spray, battery terminal 18-3
 - puller
 - bearing 18-3
 - drive clutch 18-3
 - drive clutch hub 18-3
 - driven clutch cam 18-3
 - flywheel 18-5
 - seal 18-5
 - pulley
 - clutch 12-5, 12-7
 - starter-generator 8-9, 8-11
 - v-belt 8-9, 8-11
 - pump
 - fuel 10-3
 - pump assembly, hydraulic tilt bed 1-59
 - push rod 9-11
- ## R
- race, front hub bearing 6-13, 6-21, 7-15
 - rack guide pressure spring 6-3, 7-5
 - rack, steering 6-3, 7-5
 - ratchet, park brake 5-3, 5-5, 5-7
 - reamer, valve guide 18-7
 - rear fender 1-73
 - rear spring shackle 6-27, 7-21
 - rear view mirror 1-19
 - receiver hitch 1-71
 - receiver pin 1-3
 - receptacle backing plate 14-7, 17-11
 - receptacle, AC cord 17-5
 - receptacle, battery charger 14-7
 - rectifier with heatsink 17-3, 17-5, 17-7, 17-9
 - reel bracket 17-11
 - reel cord 17-11
 - refreshment center, portable 1-61
 - regulator, voltage 8-17, 8-19, 8-21
 - relay 4-9, 8-19, 14-17
 - relay mounting bracket 8-19, 17-7, 17-9
 - relay, 12-volt 4-5
 - relay, 48V 14-17
 - relay, 48-volt 17-3, 17-5, 17-7, 17-9
 - relay, brake, kit, 12-volt 4-5
 - remover, bearing and oil seal 18-3
 - retainer
 - accelerator pedal spring 5-5, 5-7
 - brake shoe 5-11, 5-17, 5-19
 - headlight 4-3
 - shock absorber cushion 6-27, 6-29, 7-21, 7-23
 - spring (drive clutch) 12-5, 12-7
 - valve spring 9-11
 - retainer, battery charger 17-13
 - retaining ring 6-5, 7-7
 - retaining ring pliers 18-5
 - return spring bumper 5-5, 5-7
 - reverse buzzer 4-17, 4-19, 4-21, 4-23
 - rim (wheel) 2-3
 - rim, wheel 2-5, 2-7
 - rim, wheel, silver 2-5, 2-7
 - ring
 - C-type stop 6-3, 7-5
 - piston 9-15
 - retaining 6-5, 7-7, 8-17, 8-19, 8-21, 12-5, 12-7, 12-9, 12-11
 - snap 6-3, 7-5, 9-11, 9-15
 - spiral backup 12-5, 12-7
 - synchronizer 13-9
 - rivet, blind push 1-7, 1-9, 14-17
 - rock guard 16-5
 - rocker arm 9-11
 - rocker case 9-11
 - rocker case gasket 9-11
 - rocker shaft 9-11
 - rocker switch 1-55, 1-57, 1-59, 4-21, 4-23
 - rocker switch (lights) 4-5, 4-9, 4-19, 4-23
 - rod
 - accelerator 5-9
 - accelerator pivot 5-5, 5-7
 - battery hold-down 14-11, 14-13
 - connecting 9-15
 - crankshaft 9-15
 - equalizer 5-13, 5-15, 5-21
 - hill brake 5-3
 - prop 1-43
 - push 9-11
 - shift 13-9
 - roof 1-77, 1-85
 - ROPS 1-77
 - rubber bumper 1-49
- ## S
- safety first card 18-5
 - score card clip 6-11, 7-13
 - score card plate 6-11, 7-13
 - screen, oil filter 9-13
 - screw, valve clearance adjuster 18-7
 - seal
 - intake 10-13
 - lip 16-3
 - oil 9-11, 9-13, 9-15, 13-7, 13-9, 13-11, 13-17, 16-3
 - steering pinion dust 6-3, 7-5
 - seal puller 18-5
 - seal, bed 1-37, 1-39
 - sealant 13-7, 16-3
 - seals 1-79
 - seat
 - spring 9-11
 - valve 9-9

INDEX

- seat back 1-25
- seat back assembly 1-25
- seat back cap 1-25
- seat back tube 1-37
- seat back, white 1-25
- seat bottom assembly 1-23
- seat bumper 1-23
- seat cover, vinyl 1-23
- seat strap 1-23
- seat, bearing 6-5, 7-7
- sending unit, fuel gauge 10-3
- sensor, motor speed 15-3
- sensor, oil level 9-13
- shackle weldment 6-29
- shackle, rear spring 6-27, 7-21
- shaft
 - counterbalance guide 9-15
 - drive selector 13-7, 13-13
 - input 16-3
 - intermediate 16-3
 - rocker 9-11
 - steering column 6-5, 7-7
 - transmission 13-9, 13-15
- shaft, reverse gear 13-15
- shaft, secondary
 - transmission 13-15
- shield, air duct 10-13
- shield, battery charger 17-11
- shift fork 13-9, 13-15
- shift lever 13-7, 13-13
- shift rod 13-9
- shifter, FNR 13-3
- shim, camshaft 9-13
- shim, crankshaft 9-15
- shim, latch plate 1-41
- shim, tilt bed pivot 1-39
- shock absorber 6-15, 6-23, 6-27, 6-29, 7-17, 7-21, 7-23
- shock absorber cushion 6-27, 6-29, 7-21, 7-23
- shock absorber cushion retainer 6-27, 6-29, 7-21, 7-23
- shock extension 7-23
- shock mounting bracket, drv 6-29
- shock mounting bracket, pas 6-29
- shoe retainer kit 5-11, 5-17, 5-19
- shoe, brake 5-11, 5-17, 5-19
- shroud 9-5
- shroud, engine 9-5
- shroud, fan 9-5
- signal, turn 4-13
- slam latch 1-49
- sleeve
 - delta A-plate 6-15, 6-23, 7-17
 - governor 13-9
 - park brake rod 5-3
 - synchronizer 13-9
- smartkey 4-27
- snap ring 6-3, 7-5, 9-11, 9-15
- snubber bracket 9-17
- snubber, inner frame 9-17
- solenoid 14-17
- solenoid, 12-volt 8-17, 8-19, 8-21
- spacer 1-5, 1-9, 1-59, 14-11, 14-13
 - accelerator pivot rod 5-5, 5-7
 - park brake 5-3
- spark plug 9-3, 9-7
- speed controller 14-17
- speed sensor 15-3
- speed sensor magnet 15-3
- speed sensor, motor 15-3
- spindle 6-13
- spindle assembly 6-21, 7-15
- spiral backup ring 12-5, 12-7
- splash guard 1-11
- spray, battery terminal protector 4-9, 18-3
- spring
 - accelerator return 5-5, 5-7
 - brake 5-11, 5-17, 5-19
 - brake return 5-15, 5-21
 - brush 8-9, 8-11, 15-3
 - compression 6-11, 7-13
 - drive button 12-5, 12-7
 - drive clutch 12-5, 12-7
 - driven clutch 12-9
 - extension 1-39
 - extension return 10-13
 - latch tilt 1-45
 - leaf 6-27, 6-29, 7-21, 7-23
 - park brake torsion 5-3
 - rack guide pressure 6-3, 7-5
 - shifter 13-9
 - steering shaft compression 6-5, 7-7
 - synchronizer 13-9
 - throttle return 10-9
 - valve 9-11
- spring cup 5-5, 5-7
- spring latch 1-49
- spring mounting plate 6-17, 6-25, 7-19
- spring, motor brush 15-3
- spring, leaf 6-17, 6-25
- spur gear 9-15, 13-9
- SPWS manifold 14-15
- stabilizer bar 6-31, 7-25
- stabilizer bar link 6-31, 7-25
- stabilizer bar mounting bracket 6-31, 7-25
- stake side 1-53
- stake side bracket 1-53
- stake side hinge 1-53
- stake side kit 1-53
- starter/generator (bi-rotational) 8-11
- starter/generator belt 8-13
- starter/generator brush cover kit 8-9, 8-11
- starter/generator brush spring 8-9, 8-11
- starter/generator brush terminal 8-9, 8-11
- starter/generator frame and field 8-9, 8-11
- starter/generator pulley 8-9, 8-11
- steel bushing 1-39, 6-17, 6-19, 6-25, 6-27, 6-29, 7-19, 7-21, 7-23
- steel pressure relief ball 9-9
- steering column 6-5, 7-7
- steering column bearing press tool 18-7
- steering column cover 4-13, 4-15
- steering column retaining ring tool 18-7
- steering gear box 6-3, 7-5
- steering joint 7-9
- steering pinion 6-3, 7-5
- steering pinion dust seal 6-3, 7-5
- steering rack 6-3, 7-5
- steering shaft assembly 6-5, 7-7
- steering shaft compression spring 6-5, 7-7
- steering wheel 6-9, 6-11, 7-11, 7-13
- steering wheel puller tool 18-7
- stem, valve 2-3, 2-5, 2-7
- stiffener 1-23
- stiffener, flywheel side 9-17
- stiffener, PTO side 9-17
- strap, A-plate 6-15, 6-23, 7-17
- strap, fuel tank 10-3
- strap, seat 1-23
- strobe light 1-87, 4-37, 4-39, 4-41
- strobe light lens 4-37, 4-39, 4-41
- stud 9-17
 - lug 13-11, 13-17, 16-3
 - self-clinching 1-47, 1-49
- stud, ball 8-17, 8-19, 8-21, 13-7, 13-13
- support yoke (steering) 6-3, 7-5
- support, bushing 6-31, 7-25
- suppressor, voltage 4-5, 17-3, 17-5, 17-7, 17-9
- switch plate cover 4-37, 4-39, 4-41
- switch
 - four-position 17-5, 17-9
 - key 4-17, 4-19, 4-21, 4-23
 - key, uncommon 4-29
 - light 4-5, 4-9
 - light rocker 4-5, 4-9, 4-19, 4-23
 - limit 4-5, 4-9, 8-17, 8-19, 8-23, 13-3
 - rocker 1-55, 1-57, 1-59, 4-21, 4-23
 - toggle 4-43, 4-45
 - Tow/Run 14-9
 - turn signal 4-13, 4-15
- switch assembly 4-37, 4-39, 4-41
- switch rubber boot 8-15, 14-9
- switch, toggle 8-15
- synchro gear 13-9
- synchronizer clutch hub 13-9
- synchronizer insert 13-9
- synchronizer sleeve 13-9
- synchronizer spring 13-9

INDEX

synchronizer, complete 13-15
system, exhaust 11-3

T

12-volt solenoid 8-17, 8-19, 8-21
tachometer 18-7
tail light bulb 4-51
tailgate 1-45, 1-49
tailgate angle 1-47, 1-49
tailgate mounting kit 1-45
taillight 4-51
taillight assembly 4-5, 4-9, 4-51
taillight base 4-51
taillight gasket 4-51
taillight hardware kit 4-51
taillight lens 4-51
taillskirt 1-73, 1-75
tank
 fuel 10-3
tape 10-13
tape, vinyl foam 1-39
tappet 9-13
tee handle 1-83
terminal block 4-5, 4-9, 14-5, 17-11
tester, continuity 18-5
tether 1-49
thermal pad 8-25
thermometer, battery 18-3
thread-forming grease fitting 6-13, 6-21, 7-15
throttle return spring 10-9
throttle spring return bracket 10-9
thrust bearing 6-17, 6-25, 7-19
thrust plate 13-9, 13-11
tie rod 6-15, 6-23, 7-17
tie rod end 6-15, 6-23, 7-17
tie wrap 1-3, 1-55, 1-57, 1-59, 4-7, 4-11, 4-13, 4-15, 4-31, 4-33, 4-39, 4-41, 4-43, 4-45, 4-49, 6-3, 7-5, 8-17, 8-19, 8-21, 13-5, 14-19, 17-11
tilt bed 1-39
tilt bed frame 1-39
tilt latch hand grip 1-39, 1-45
tilt, hydraulic, cylinder 1-59
tire 2-3, 2-5, 2-7
toggle switch 4-43, 4-45, 8-15
tool
 accelerator pedal adjustment 18-3
 brake adjustment 18-3
 brake cable release 18-3
 charger bezel 18-3
 clutch cam installation 18-3
 drive clutch holder 18-3
 governor shaft installation 18-5
 steering column bearing press 18-7
 steering column retaining ring 18-7
 steering wheel puller 18-7
 transaxle axle seal 18-7

 transaxle pinion seal 18-7
 transmission 18-7
 tool kit, clutch 18-3
 toolbox 1-63
 touch-up paint 18-5
 Tow/Run switch 14-9
 Tow/Run switch bracket 8-15
 Tow/Run switch plate 14-9
 track, prop rod 1-43
 trailer hitch 1-65
 trailer hitch ball 1-69
 trailer hitch brace 1-65
 trailer hitch kit 1-67
 transaxle (Electric Vehicle) 16-3
 transaxle axle seal tool 18-7
 transaxle guard 16-5
 transaxle pinion seal tool 18-7
 transaxle, Gaziano (Gasoline Vehicle) 13-13
 transaxle, Kawasaki (Gasoline Vehicle) 13-7
 transformer, battery charger 17-3, 17-5, 17-7, 17-9
 transmission secondary shaft 13-15
 transmission shaft 13-9, 13-15
 transmission tool 18-7
 trim
 cowl 1-7, 1-9
 seat bottom 1-37
tube
 axle 13-11, 13-17, 16-3
 crankcase vent 10-9
 oil filler 9-5
 seat back 1-37
tune-up kit 9-3, 18-7
turn signal 4-13
turn signal conversion kit 4-13
turn signal lens 4-3
turn signal socket and lamp 4-13, 4-15
turn signal switch 4-15

U

U-bolt 6-27, 6-29, 7-21, 7-23
upper delta clevis 6-17, 6-25, 7-19
urethane bushing 1-39, 6-15, 6-17, 6-19, 6-23, 6-25, 6-27, 6-29, 7-17, 7-19, 7-21, 7-23

V

valve
 choke 10-13
 exhaust 9-11
 reed 9-11
valve clearance adjuster screw 18-7
valve guide reamer 18-7
valve guide, intake 9-11
valve seat 9-9
valve seat cutter 18-7
valve seat cutter guide 18-7

valve seat t-wrench 18-7
valve spring 9-11
valve spring compressor 18-7
valve spring retainer 9-11
valve stem 2-3, 2-5, 2-7
valve stem extension 2-9
van box 1-91
v-belt 8-13
vent 1-85
 fuel tank 10-3
vent barb 10-3
vent, barb 10-5
volt ohm meter 18-7
voltage limiter 4-5, 4-35
voltage regulator 8-17, 8-19, 8-21
voltage suppressor 4-5, 17-3, 17-5, 17-7, 17-9

W

warning light, low oil 4-17, 4-19
washer, insulating 15-3
wedge, bearing puller 18-3
weight
 clutch 12-5, 12-7
 counterbalance 9-15
 secondary clutch 12-5, 12-7
weldment
 press 18-3
 tilt bed frame 1-39
weldment, receiver hitch 1-71
wheel 2-3
 steering 6-9, 6-11, 7-11, 7-13
wheel cover 2-9
wheel rim 2-5, 2-7
wheel rim, silver 2-5, 2-7
winch 1-3
window 1-79
windshield 1-77, 1-83
 one-piece 1-29
windshield channel 1-27
windshield frame pad 1-31, 1-33, 1-35
windshield, hinged 1-27
wiper 1-81
wire assembly, battery charger 17-5
wire harness 1-59, 4-31, 4-33, 4-37, 4-39, 4-47, 8-3, 8-5, 8-7, 14-5, 17-11
 beacon 1-87
 CHMSL light 1-87
 fan 1-89
 front work lights 1-87
 fuse block to switch 1-87
 main, CPL cab 1-87
 rear work light 1-87
 wiper jumper 1-81
wire harness, light bar 4-43
wire lead, ignition 9-7
woodruff key 13-7

INDEX

wrap, tie 1-3, 1-55, 1-57, 1-59, 4-7, 4-11, 4-13,
4-15, 4-31, 4-33, 4-39, 4-41, 4-43, 4-45, 4-49,
6-3, 7-5, 8-17, 8-19, 8-21, 13-5, 14-19, 17-11

Y

yoke, gear 18-5

yoke, support (steering) 6-3, 7-5



Club Car, Inc.
P.O. Box 204658
Augusta, GA 30917-4658
USA

Web www.clubcar.com
Phone 1.706.863.3000
1.800.ClubCar
Int'l +1 706.863.3000
Fax 1.706.863.5808