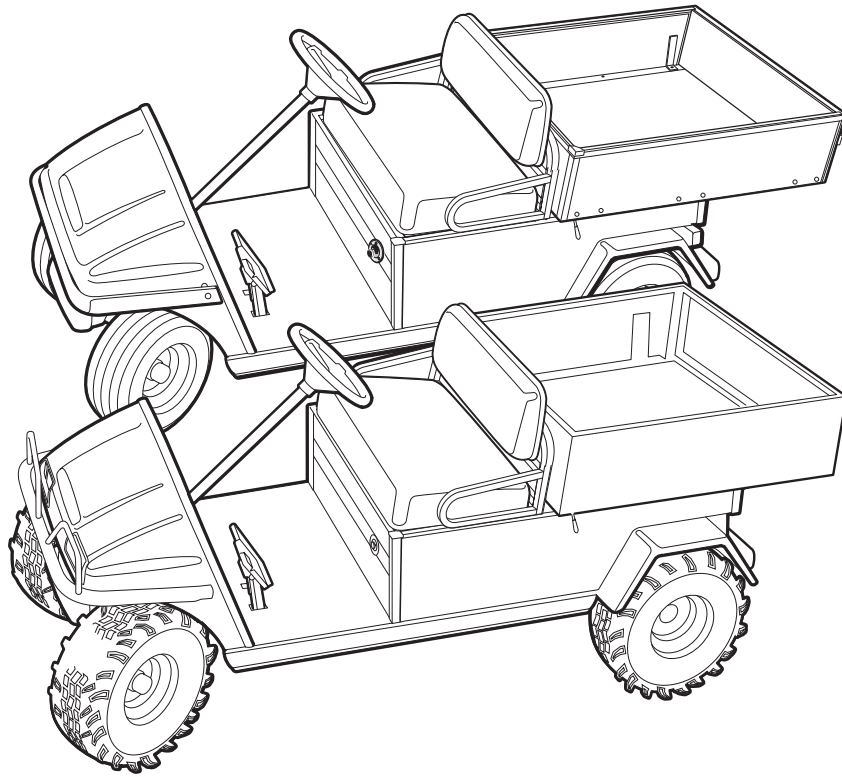




**2009
Turf/Carryall 2, 252, 2 Plus,
and XRT 900
Illustrated Parts List**



Gasoline and Electric Vehicles

Manual Number 103472628
Edition Code 0515C0616B

USING THE ILLUSTRATED PARTS LIST

⚠ WARNING

- **This manual is to be used only for identification and ordering of service parts. Be sure to read and use the maintenance and service manual before attempting any vehicle repairs.**

This manual covers all Turf/Carryall 2, 2 Plus, 252 and XRT 900 vehicles built during the 2009 model year.

The manual is divided into sections. Note that there are two or three flags on the outside edge of each page. The first flag contains the section number of which that page is a part. The other flag (or flags) contains the letter G or E, signifying that the page pertains to the electric or gasoline vehicles only.

Use the Table of Contents to find the sections and pages that contain the parts and assemblies you seek. The Table of Contents lists section numbers, and under them, the individual page titles and numbers to be found in that section. The index can be used to find specific parts and assemblies. The index is divided into numerical and alphabetical listings with the page numbers in italic text.

There is a two-page spread for each individual page title in the Table of Contents. On the left-hand page is an illustration showing the parts in their relative positions; the parts are each tagged with an item number in a balloon. The right-hand page is the parts list page, and gives the page title at the top, then the item numbers (corresponding to the numbers on the illustration), part descriptions, and quantity of parts used.

Note that a part description may be indented. This indention corresponds to a parts assembly level indicated by the numbers 1, 2, 3, and 4 at the top left corner of the parts description area of the parts list page. A part that is indented to *level 2* is a component of the *level 1* part (assembly) that it is listed under. A *level 3* part is a component of the *level 2* part that it is listed under, and a *level 4* part is a component of the *level 3* part preceding it. In each case, the part quantity given for a level 2, 3, or 4 part is the quantity used per next higher level assembly of which it is a component. A part that is not indented is a *level 1* part. This means that the quantity given is the quantity used per the portion of the vehicle illustrated on that particular spread.



P. O. Box 204658
Augusta, Georgia 30917-4658 USA
Telephone 706-863-3000
Service Parts Fax 706-855-7413
www.clubcar.com

HOW TO ORDER PARTS

Replacement parts and accessories can be obtained from our network of authorized dealers and distributors. You can obtain the name and phone number of your closest authorized Club Car dealer or distributor by visiting our web site at www.clubcardealer.com, by calling our toll-free Service Parts and Technical Assistance hotline at (800) 872-2246 or (706) 863-3000, extension 3887, or by scanning this Quick Response (QR) code to be taken to the Club Car dealer locator. **Refer to Figure 1.** Download a QR code reader such as RedLaser or Barcode Scanner to your cell phone or tablet.

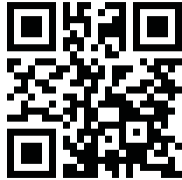


Figure 1 Dealer Locator QR Code

CUSTOMER SATISFACTION SURVEY

Let your voice be heard!

Please take time to participate in the Technical Publications satisfaction survey. Obtaining feedback from our customers is important to the department's continuous improvement process. The online survey takes less than five minutes and responses will help the department to examine current performance as well as identify areas for future improvement.

Our top priority is to provide timely, accurate, and user friendly manuals.

The online satisfaction survey can be found at: <http://bit.ly/1w9uFMh>



Figure 2 Survey QR Code

NOTE: *This illustrated parts list represents the most current information at the time of publication. Club Car, Inc. is continually working to further improve its vehicles and other products. These improvements may affect the parts used to service the vehicle. Any modification and/or significant change in specifications will be forwarded to all Club Car and Carryall distributors/dealers and will, when applicable, appear in future editions of this illustrated parts list.*

Club Car, Inc. reserves the right to change specifications and designs at any time without notice and without the obligation of making changes to units previously sold.

Copyright © 2008 Club Car, Inc.
Club Car and ArmorFlex
are registered trademarks of Club Car, Inc.
This manual effective August 1, 2008

CONTENTS

SECTION 1 – BODY AND TRIM

Front Body and Trim – Turf/Carryall 2, 2 Plus, and 6	1-3
Front Body and Trim – Turf/Carryall 252 and XRT 900	1-5
Splash Guard – Gasoline Vehicles Only	1-7
Dash Pockets and Floormat	1-9
Beverage Holder	1-11
Mirror, Rear-View – without Cab	1-13
Grommets, Chassis	1-15
Seat Bottom	1-17
Seat Back Assembly	1-19
Windshield, Hinged	1-21
Windshield, Non-Hinged	1-23
Canopy Kit, White	1-25
Canopy Kit, Beige	1-27
Canopy Kit, Black	1-29
Hip Restraints and Seat Back Mounting	1-31
Tilt Bed, Welded Hinge, and Latch – To Mid-2009 Model Year	1-33
Tilt Bed, Extruded Hinge, and Latch – From Mid-2009 Model Year	1-35
Latch Plate	1-37
Prop Rod	1-39
Cargo Box (Aluminum)	1-41
Cargo Box (Aluminum) Mounting	1-43
Cargo Box (Steel)	1-45
Bed Mat	1-47
Stake Side Kit	1-49
Electric Bed Lift – Gasoline Vehicles	1-51
Electric Bed Lift – Electric Vehicle	1-53
Hydraulic Bed Lift Kit	1-55
Portable Refreshment Center	1-57
Toolboxes	1-59
Trailer Hitch	1-61
Trailer Hitch Ball	1-63
Receiver Hitch	1-65
Rear Body Trim – Turf/Carryall 1, 2, 2 Plus, and 6	1-67
Rear Body Trim – Turf/Carryall 252 and XRT 900	1-69
Cab, Curtis – Turf/Carryall 2, 2 Plus, 252 and XRT 900	1-71
Mirror, Inside Rear-View – Curtis Cab	1-73
Mirror, Side-View – Curtis Cab	1-75
Accessory Switch Panel – Curtis Cab	1-77

CONTENTS

Strobe Light – Curtis Cab	1-79
Work Lights – Curtis Cab	1-81
Fan/Defogger – Curtis Cab	1-83
Heater – Curtis Cab	1-85
Van Box	1-87

SECTION 2 – WHEELS AND TIRES

Wheels and Tires – Turf/Carryall 2 and 2 Plus	2-3
Wheels and Tires, Off-Road Tread – Turf/Carryall 252 and XRT 900	2-5
Wheels and Tires, Turf Tread – Turf/Carryall 252 and XRT 900	2-7
Wheel Covers	2-9

SECTION 3 – DECALS

Decals – Turf/Carryall 2 IQ Plus Electric	3-3
Decals – Turf/Carryall 2 IQ Plus Electric, Continued	3-5
Decals – Turf/Carryall 252 and XRT 900 IQ Plus Electric	3-7
Decals – Turf/Carryall 252 and XRT 900 IQ Plus Electric, Continued	3-9
Decals – Turf/Carryall 2 Gasoline Vehicles	3-11
Decals – Turf/Carryall 2 Gasoline Vehicles, Continued	3-13
Decals – Carryall 2 Plus Gasoline Vehicles	3-15
Decals – Carryall 2 Plus Gasoline Vehicles, Continued	3-17
Decals – Turf/Carryall 252 Gasoline Vehicles	3-19
Decals – Turf/Carryall 252 Gasoline Vehicles, Continued	3-21
Decals – XRT 900 Gasoline Vehicles	3-23
Decals – XRT 900 Gasoline Vehicles, Continued	3-25
Decals, Badging – Turf/Carryall 2 and 2 Plus	3-27
Decals, Badging – Turf/Carryall 252	3-29
Decals, Badging – XRT 900	3-31

SECTION 4 – LIGHTS, CONTROLS, AND INDICATORS

Headlights	4-3
Light Kit, Standard – Carryall 2 Gasoline Vehicles	4-5
Light Kit, Standard – Carryall 2 IQ Plus Electric Vehicles	4-9
Turn Signal Kit – DS and Utility Gasoline and Electric Vehicles	4-13
Instrument Panel and Electrical Components – Turf/Carryall 2 and 252 Gas	4-15
Instrument Panel and Electrical Components – Carryall 2 Plus and XRT 900 Gas	4-17
Instrument Panel and Electrical Components – Turf/Carryall 2 Electric	4-19
Instrument Panel with Electrical Components – Turf/Carryall 252 and XRT 900 Electric	4-21
Keys and Keyswitches, SmartKey Kit – Electric Vehicle	4-23

CONTENTS

Keys and Keyswitches, Uncommon – Gas Vehicle	4-25
DC Converter – Electric Vehicle	4-27
Voltage Limiter – Gasoline Vehicle	4-29
Strobe Light, Post-Mounted – Gasoline Vehicles	4-31
Strobe Light, Post-Mounted – Electric Vehicles	4-33
Strobe Light, Canopy-Mounted	4-35
Light Bar – Turf/CA 252 and XRT 900 Gas Vehicles	4-37
Light Bar – Turf/CA 252 and XRT 900 Electric Vehicles	4-39
Horn	4-41
Horn with Column-Mounted Button	4-43
Hour Meter – Carryall/Turf IQ Plus Electric Vehicles	4-45
Taillights	4-47

SECTION 5 – BRAKES, PEDAL, AND CABLE ASSEMBLIES

Brake Pedal Assembly	5-3
Accelerator Pedal Assembly – Electric Vehicles with MCOR	5-5
Accelerator Pedal Assembly – Gasoline Vehicles	5-7
Accelerator Rod and Pedal Assembly – Gasoline Vehicles	5-9
Front Brake Assembly – Vehicles with Four-Wheel Brakes	5-11
Front Brake Cables and Equalizer – Vehicles with Four-Wheel Brakes	5-13
Rear Brake Cables and Equalizer – Vehicles with 4-Wheel Brakes	5-15
Rear Brake Assembly, Manually-Adjusted – Vehicles with 4-Wheel Brakes	5-17
Rear Brake Assembly, Self-Adjusting – Vehicle with 2-Wheel Brakes up to S/N 0913-012936	5-19
Rear Brake Assembly, Self-Adjusting – Vehicle with 2-Wheel Brakes after S/N 0913-012936	5-21
Rear Brake Cables and Equalizer – Vehicles with Two-Wheel Brakes	5-23

SECTION 6 – STEERING AND SUSPENSIONS – TURF/CA 2 AND 2 PLUS

Steering Gear Assembly	6-3
Steering Column – Utility	6-5
Intermediate Steering Shaft – Turf/Carryall 1/2/2 Plus/6	6-7
Steering Wheel	6-9
Steering Wheel with Clip	6-11
Front Spindles and Hubs – Vehicles with Two-Wheel Brakes	6-13
Front Suspension, Upper – Vehicles with Two-Wheel Brakes	6-15
Front Suspension, Lower – Vehicles with Two-Wheel Brakes	6-17
Heavy Duty Front Springs	6-19
Front Spindles and Hubs – Vehicles with Four-Wheel Brakes	6-21
Front Suspension, Upper – Vehicles with Four-Wheel Brakes	6-23
Front Suspension, Lower – Vehicles with Four-Wheel Brakes	6-25

CONTENTS

Rear Suspension – Gasoline Turf/Carryall 2, 2 Plus, and 6	6-27
Rear Suspension – Turf/Carryall 2 and 6 IQ Plus Vehicles	6-29
Stabilizer Bar – Turf/Carryall 2, 6, and Carryall 2 Plus Gasoline Vehicles	6-31

SECTION 7 – STEERING AND SUSPENSIONS – TURF/CA 252 AND XRT 900

Front Frame Plate Hardware – Turf/Carryall 252 and XRT 900	7-3
Steering Gear Assembly	7-5
Steering Column – Utility	7-7
Intermediate Steering Shaft – Turf/Carryall 252 and XRT 900 Vehicles	7-9
Steering Wheel	7-11
Steering Wheel with Clip	7-13
Front Spindles and Hubs – Vehicles with Four-Wheel Brakes	7-15
Front Suspension, Upper – Turf/Carryall 252 and XRT 900	7-17
Front Suspension, Lower – Turf/Carryall 252 and XRT 900	7-19
Rear Suspension – Gasoline Turf/Carryall 252 and XRT 900	7-21
Rear Suspension – Turf/Carryall 252 and XRT 900 IQ Plus	7-23
Stabilizer Bar – Turf/Carryall 252 and XRT 900	7-25

SECTION 8 – ELECTRICAL SYSTEM – GASOLINE VEHICLE

Wiring, Fuses, and Diodes – Turf/Carryall 2 and 252	8-3
Wiring, Fuses, and Diodes – Carryall 2 Plus	8-5
Wiring, Fuses, and Diodes – XRT 900	8-7
Starter/Generator Assembly, Model G425419	8-9
Starter/Generator Mounting – FE350	8-11
Operation and Maintenance Switch	8-13
Electrical Component Box – Turf/Carryall 2 and 252	8-15
Electrical Component Box – Carryall 2 Plus	8-17
Electrical Component Box – XRT 900	8-19
Forward/Reverse Shifter Switches – Dash Mounted Shifter	8-21
Charging Diode, Key-Start – XRT Vehicles	8-23
Battery – Gasoline Utility Vehicles	8-25

SECTION 9 – ENGINE (S10 & S23) W/ACR FOR CA2 PLUS PRIOR TO 50-STATE ENGINE

FE350 Engine with ACR (Automatic Compression Release) – Shrouds and Brackets	9-3
FE350 Engine – Ignition Components and Flywheel	9-5
FE350 Engine – Oil Circulation	9-7
FE350 Engine – Cylinder Head	9-9
FE350 Engine with ACR – Crankcase, Camshaft, and Oil Sensor	9-11
FE350 Engine – Crankcase and Crankshaft	9-13

CONTENTS

FE350 Engine Mounting	9-15
-----------------------------	------

SECTION 10 – ENGINE (S11 & S24) W/O ACR, TURF/CA2/252/900 PRIOR TO 50-STATE ENGINE

FE350 Engine w/o ACR – Shrouds and Brackets	10-3
FE350 Engine – Ignition Components and Flywheel	10-5
FE350 Engine – Oil Circulation	10-7
FE350 Engine – Cylinder Head	10-9
FE350 Engine w/o ACR – Crankcase, Camshaft, and Oil Sensor	10-11
FE350 Engine – Crankcase and Crankshaft	10-13
FE350 Engine Mounting	10-15

SECTION 11 – ENGINE (S27) W/O ACR, 50-STATE

FE350 Engine (S27) w/o ACR, Shrouds, and Brackets; 50-State	11-3
FE350 Engine (S27) – Ignition Components and Flywheel	11-5
FE350 Engine (S27) – Oil Circulation	11-7
FE350 Engine (S27) – Cylinder Head	11-9
FE350 Engine (S27) – Crankcase, Camshaft, and Oil Sensor	11-11
FE350 Engine (S27) – Crankcase and Crankshaft	11-13
FE350 Engine (S27) – Mounting	11-15

SECTION 12 – FUEL, INTAKE, AND GOVERNOR SYSTEMS

Fuel System – 49 State	12-3
Fuel System – California Only	12-5
Carbon Canister – California Only	12-7
Carburetor Assembly, FE350 S10 and S11	12-9
Carburetor Assembly, FE350 S23 and S24	12-11
Carburetor Assembly – FE350 S27	12-13
Carburetor Mounting, Utility, FE350 S10 and S11	12-15
Carburetor Mounting, Utility, FE350 S23 S24 S27	12-17
Governor and Accelerator Cables	12-19
Air Filter and Intake System	12-21

SECTION 13 – EXHAUST SYSTEM

Exhaust System – FE350 Engine	13-3
-------------------------------------	------

SECTION 14 – DRIVE BELT AND CLUTCHES

Drive Belt	14-3
Drive Clutch – Turf/Carryall 2 and 252	14-5

CONTENTS

Drive Clutch – Carryall 2 Plus with 101953801 & 03 Engines Only	14-7
Drive Clutch – XRT 900 with any Engine and Carryall 2 Plus with 103386202 50-State Engine	14-9
Driven Clutch – Turf/Carryall 2 and 252	14-11
Driven Clutch – Carryall 2 Plus and XRT 900	14-13

SECTION 15 – UNITIZED TRANSAXLE – GASOLINE VEHICLES

Forward/Reverse Shifter	15-3
Shifter Cable – Turf/CA 2/252/2 Plus and XRT900	15-5
Kawasaki Transaxle – Gear Cases and Brackets	15-7
Kawasaki Transaxle – F&R Transmission and Gear Reduction	15-9
Kawasaki Transaxle – Differential and Axles	15-11
Graziano Transaxle – Gear Cases and Levers	15-13
Graziano Transaxle – F&R Transmission and Gear Reduction	15-15
Graziano Transaxle -Differential and Axles	15-17

SECTION 16 – ELECTRICAL SYSTEM – ELECTRIC VEHICLES

Motor Controller Output Regulator (MCOR)	16-3
Wiring – Electric Vehicle	16-5
Battery Charger Receptacle	16-7
Tow/Run Switch and Circuit-Breaker – IQ Plus	16-9
Batteries, 6-Volt, Standard Duty	16-11
Batteries, 6-Volt, Heavy Duty	16-13
Computer, Controller, and Solenoid	16-15

SECTION 17 – MOTOR (MODEL DA5-4006) – IQ PLUS

Motor (Model DA5-4006) – IQ Plus	17-3
--	------

SECTION 18 – TRANSAXLE – ELECTRIC VEHICLES

Transaxle – Electric Vehicles	18-3
Differential Guard – Electric Vehicles	18-5

SECTION 19 – BATTERY CHARGERS

IQ Plus Battery Charger (Models 25730-11,-18,-19), Domestic	19-3
IQ Plus Battery Charger (Models 25880-11 and -18), International	19-5
Onboard IQ Plus Battery Charger (Model 25260-11), Domestic	19-7
Onboard IQ Plus Battery Charger (Model 25660-40), International	19-9
Onboard IQ Plus Charger and Cord Reel Mounting, Page 1 of 2	19-11
Onboard IQ Plus Charger and Cord Reel Mounting, Page 2 of 2	19-13

CONTENTS

SECTION 20 – MAINTENANCE AND SERVICE TOOLS

Maintenance and Service Tools	20-3
Maintenance and Service Tools, Continued	20-5
Maintenance and Service Tools, Continued	20-7

SECTION i – INDEX

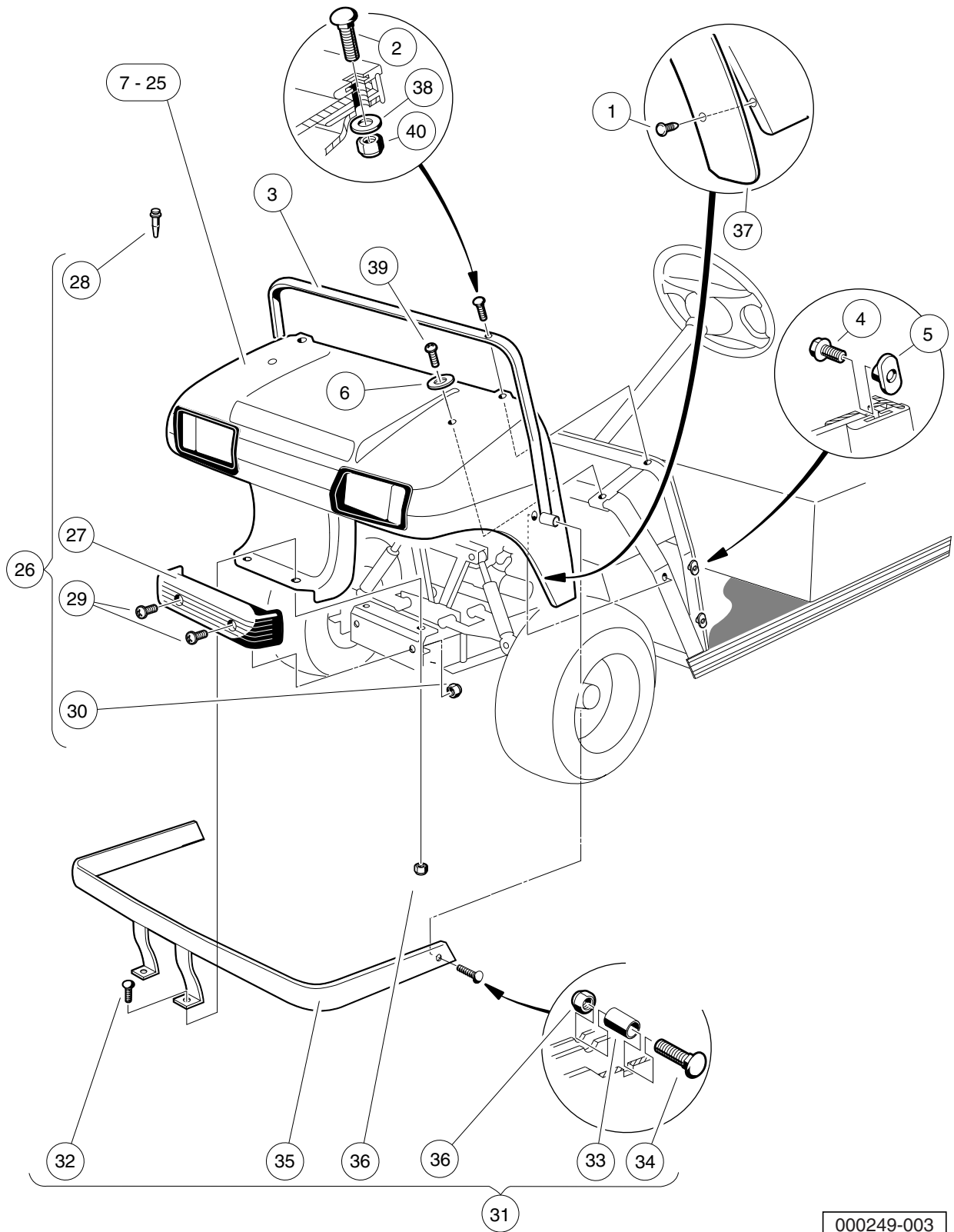
BODY AND TRIM

1

G

E

1
G
E



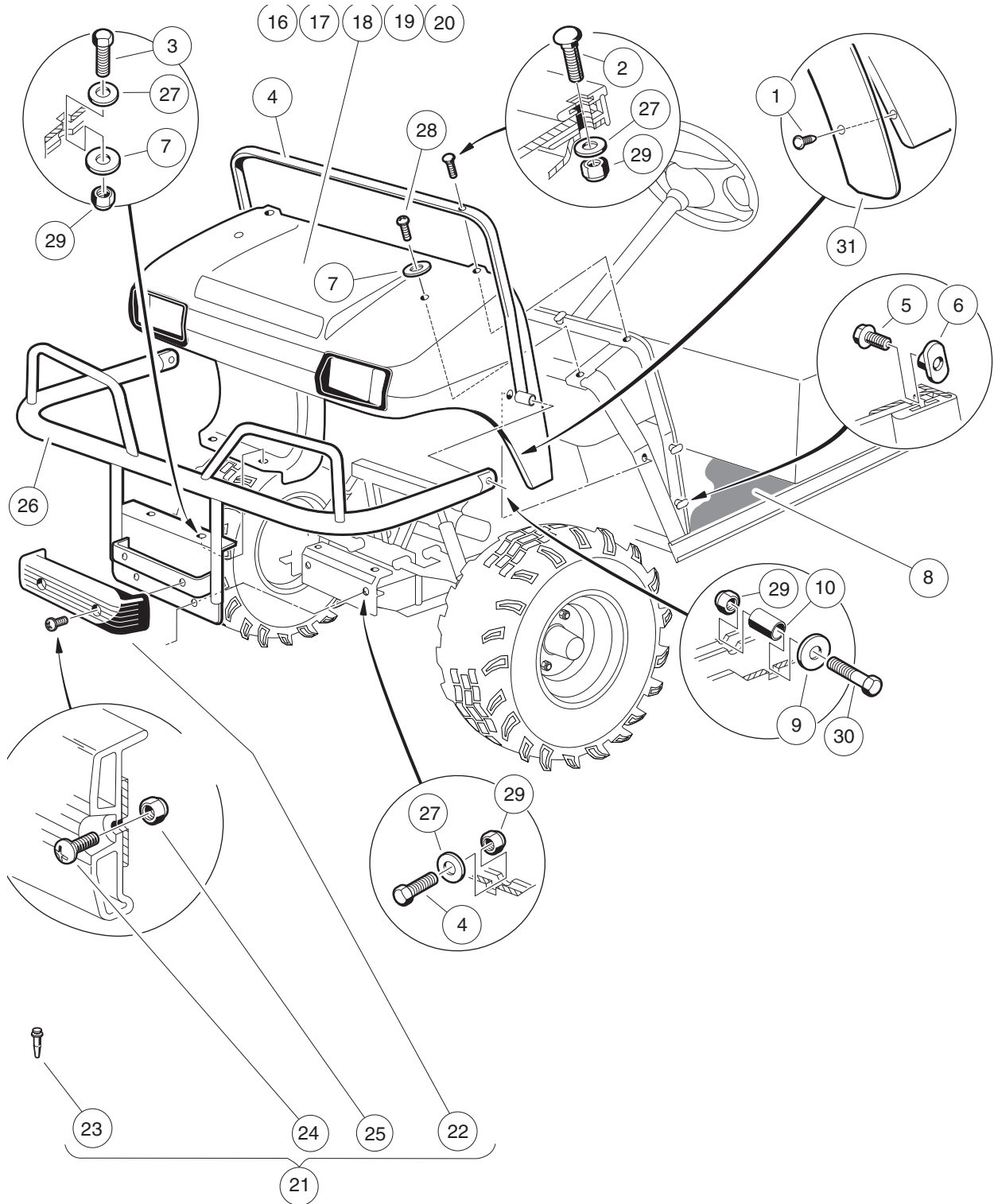
000249-003

FRONT BODY AND TRIM – TURF/CARRYALL 2, 2 PLUS, AND 6

ITEM	PART NO.	DESCRIPTION	QTY
		1 2 3 4	
1	<u>1010434</u>	Barrel - Plastic	12
2	<u>1010435</u>	Bolt, Carriage, 5/16-18 X 1.00	2
3	<u>1011014</u>	Trim, Cowl	1
4	<u>1011017</u>	Screw, #8-32 X 0.375	6
5	<u>1011394</u>	T-Nut Package (Set of 4)	1
6	<u>1015075</u>	Washer, 5/16 Flat Type A	2
7	<u>101692501</u>	Cowl, TPO, Beige	1
8	<u>101692502</u>	Cowl, TPO, White	1
9	<u>101692506</u>	Cowl, TPO, Red	1
10	<u>101692509</u>	Cowl, TPO, Pacific Blue (Royal Blue)	1
11	<u>101692510</u>	Cowl, TPO, Dark Green	1
12	<u>101692511</u>	Cowl, TPO, Black	1
13	<u>101692512</u>	Cowl, TPO, Classic Blue (Navy)	1
14	<u>101692513</u>	Cowl, TPO, Burgundy	1
15	<u>101692514</u>	Cowl, TPO, Dark Gray	1
16	<u>101692515</u>	Cowl, TPO, Safety Yellow	1
17	<u>101693901</u>	Cowl with Headlight Opening, TPO, Beige	1
18	<u>101693902</u>	Cowl with Headlight Opening, TPO, White	1
19	<u>101693906</u>	Cowl with Headlight Opening, TPO, Red	1
20	<u>101693909</u>	Cowl with Headlight Opening, TPO, Dark Green	1
21	<u>101693910</u>	Cowl with Headlight Opening, TPO, Black	1
22	<u>101693911</u>	Cowl with Headlight Opening, TPO, Classic Blue (Navy)	1
23	<u>101693912</u>	Cowl with Headlight Opening, TPO, Burgundy	1
24	<u>101693913</u>	Cowl with Headlight Opening, TPO, Dark Gray	1
25	<u>101693914</u>	Cowl with Headlight Opening, TPO, Safety Yellow	1
26	<u>1017080</u>	Kit, Front Bumper (includes items 27 through 30)	1
27	<u>1016868</u>	Front Bumper	1
28	<u>1016967</u>	Blind Rivet, Push Type	2
29	<u>7251</u>	Screw, 5/16-18 x 1.0 Truss-Head	2
30	<u>7473</u>	Locknut, 5/16-18 Nylon Insert	2
31	<u>101734802</u>	Kit, Heavy-Duty Bumper (includes items 32 through 36)	1
32	<u>1010435</u>	Bolt, Carriage, 5/16-18 X 1.00	2
33	<u>1010546</u>	Spacer	2
34	<u>1015405</u>	Bolt, Carriage, 5/16-18 X 2.0	2
35	N/A	Weldment, Heavy Duty Bumper	1
36	<u>7473</u>	Locknut, 5/16-18 Nylon Insert	4
37	<u>101870401</u>	Fender Extrusion	2
38	<u>1241</u>	Washer, 5/16 Type A Flat	2
39	<u>7251</u>	Screw, 5/16-18 x 1.0 Truss-Head	2
40	<u>7473</u>	Locknut, 5/16-18 Nylon Insert	2

1
G
E

1
G
E



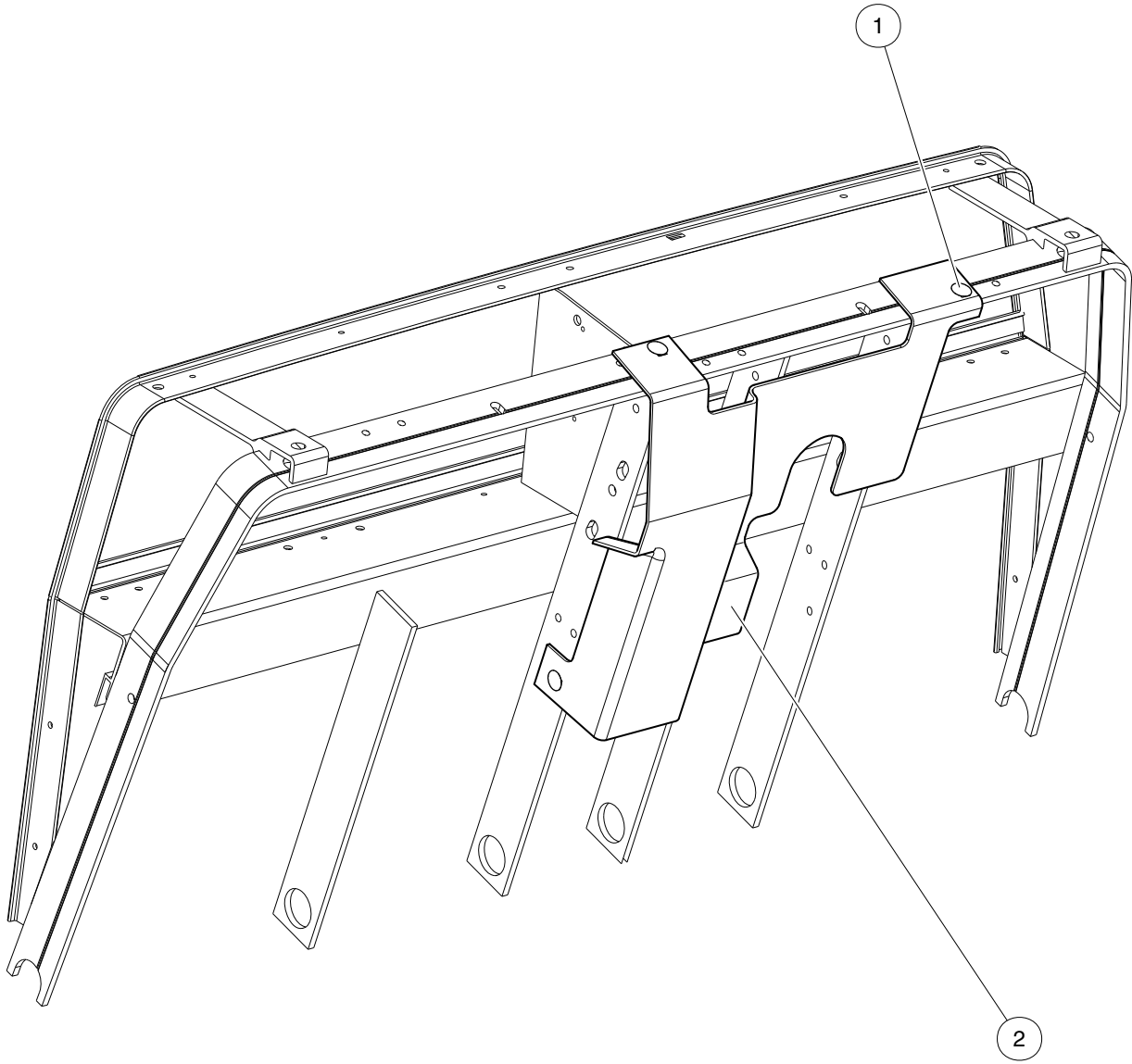
000249-004

FRONT BODY AND TRIM – TURF/CARRYALL 252 AND XRT 900

ITEM	PART NO.	DESCRIPTION	QTY
		1 2 3 4	
1	<u>1010434</u>	Barrel - Plastic	12
2	<u>1010435</u>	Bolt, Carriage, 5/16-18 X 1.00	2
3	<u>1010934</u>	Screw, 5/16-18 X 1.00 Hex Cap	4
4	<u>1011014</u>	Trim, Cowl	1
5	<u>1011017</u>	Screw, #8-32 X 0.375	6
6	<u>1011394</u>	T-Nut Package (Set of 4)	1
7	<u>1011578</u>	Washer, 5/16 Type B Flat	4
8	<u>101503202</u>	Floormat	1
9	<u>1015075</u>	Washer, 5/16 Flat Type A	2
10	<u>1015608</u>	Tube Spacer, Hydraulic Cylinder	2
11	<u>101693901</u>	Cowl with Headlight Opening, TPO, Beige	1
12	<u>101693902</u>	Cowl with Headlight Opening, TPO, White	1
13	<u>101693906</u>	Cowl with Headlight Opening, TPO, Red	1
14	<u>101693908</u>	Cowl with Headlight Opening, TPO, Pacific Blue (Royal Blue)	1
15	<u>101693909</u>	Cowl with Headlight Opening, TPO, Dark Green	1
16	<u>101693910</u>	Cowl with Headlight Opening, TPO, Black	1
17	<u>101693911</u>	Cowl with Headlight Opening, TPO, Classic Blue (Navy)	1
18	<u>101693912</u>	Cowl with Headlight Opening, TPO, Burgundy	1
19	<u>101693913</u>	Cowl with Headlight Opening, TPO, Dark Gray	1
20	<u>101693914</u>	Cowl with Headlight Opening, TPO, Safety Yellow	1
21	<u>1017080</u>	Kit, Front Bumper (includes items 22 through 25)	1
22	<u>1016868</u>	Front Bumper	1
23	<u>1016967</u>	Blind Rivet, Push Type	2
24	<u>7251</u>	Screw, 5/16-18 x 1.0 Truss-Head	2
25	<u>7473</u>	Locknut, 5/16-18 Nylon Insert	2
26	<u>102004301</u>	Brush Guard	1
27	<u>1241</u>	Washer, 5/16 Type A Flat	6
28	<u>7251</u>	Screw, 5/16-18 x 1.0 Truss-Head	2
29	<u>7473</u>	Locknut, 5/16-18 Nylon Insert	8
30	<u>8935</u>	Screw, 5/16-18 X 2.25 Hex-Head Cap	2
31	<u>AM10808</u>	Front Fender Extrusion - Lynx	2

1
G
E

1
G
E



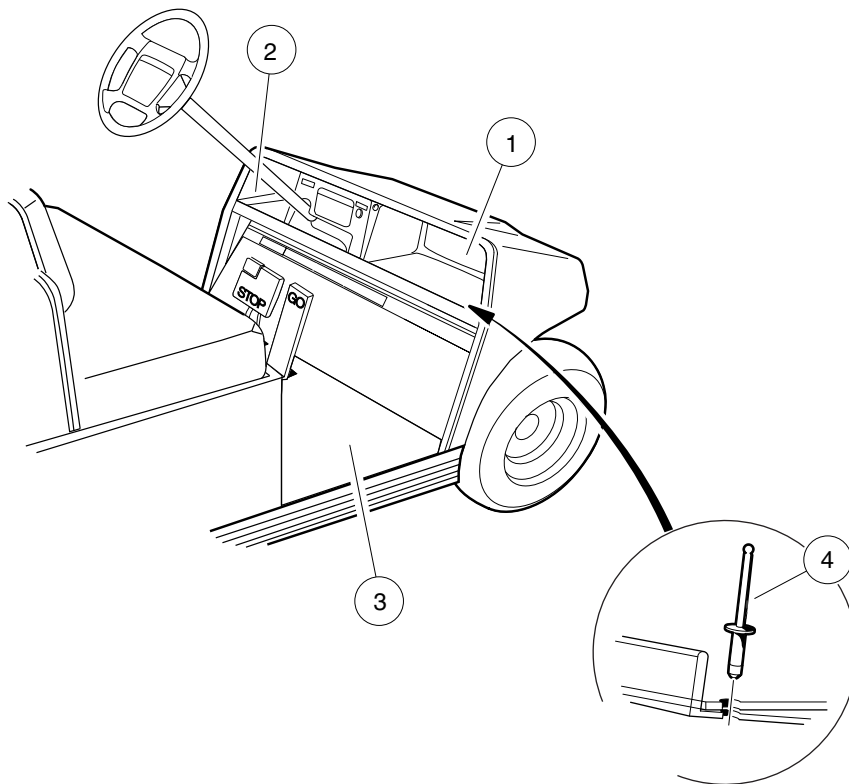
000593-002

SPLASH GUARD – GASOLINE VEHICLES ONLY

ITEM	PART NO.	DESCRIPTION	QTY
1	<u>1010434</u>	1 2 3 4 Barrel - Plastic	3
2	<u>103174401</u>	Splash Guard	1

1
G
E

1
G
E



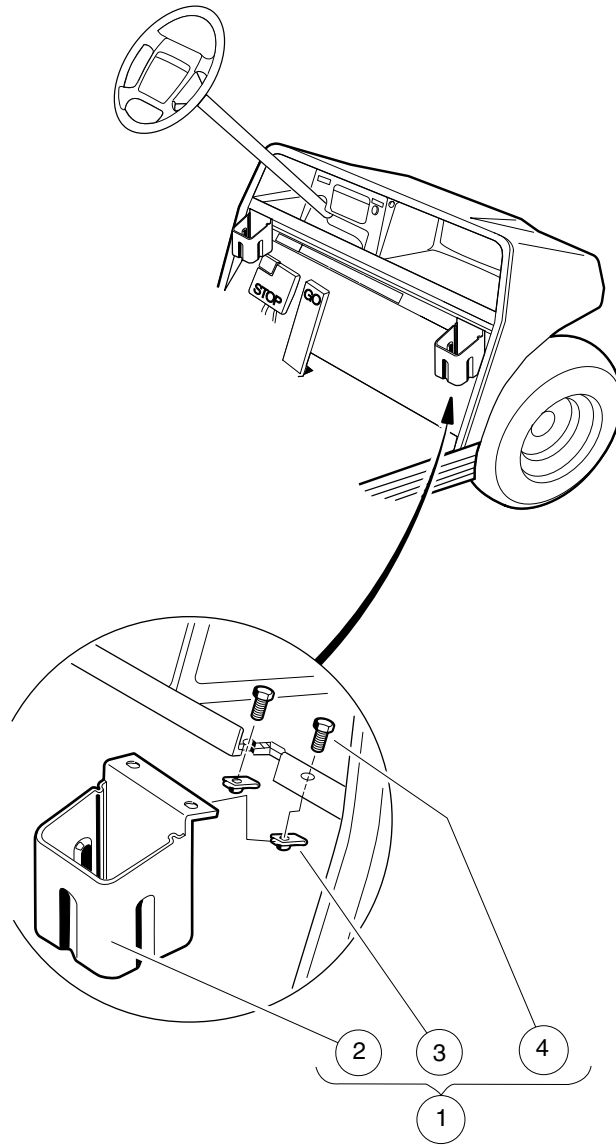
000252-002

DASH POCKETS AND FLOORMAT

ITEM	PART NO.	DESCRIPTION	QTY
		1 2 3 4	
1	<u>1013343</u>	Dash Component, Passenger-Side, Black	1
2	1013344	Dash Component, Driver-Side	1
3	<u>101503202</u>	Floormat	1
4	<u>7973</u>	Rivet, 3/16 X .400 Blind	5

1
G
E

1
G
E



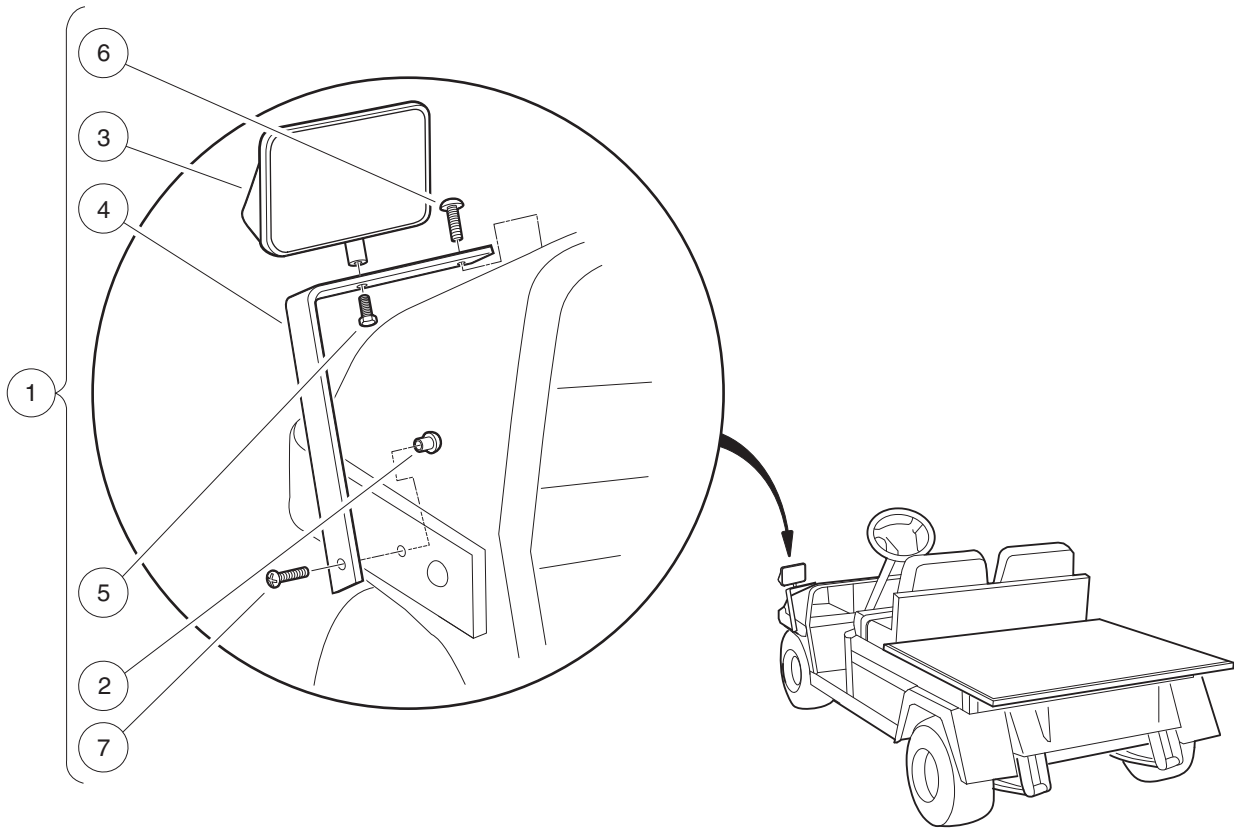
000253-001

BEVERAGE HOLDER

ITEM	PART NO.	DESCRIPTION	QTY
		1 2 3 4	
1	1013422	Cup Holder Kit (includes items 2 through 4)	2
2	1013420	Holder, Single Cup	1
3	1016952	U-Nut, 1/4-20	2
4	<u>7847</u>	Screw, 1/4-20 X 0.75 Hex-Head Cap	2

1
G
E

1
G
E



001211-001

MIRROR, REAR-VIEW – WITHOUT CAB

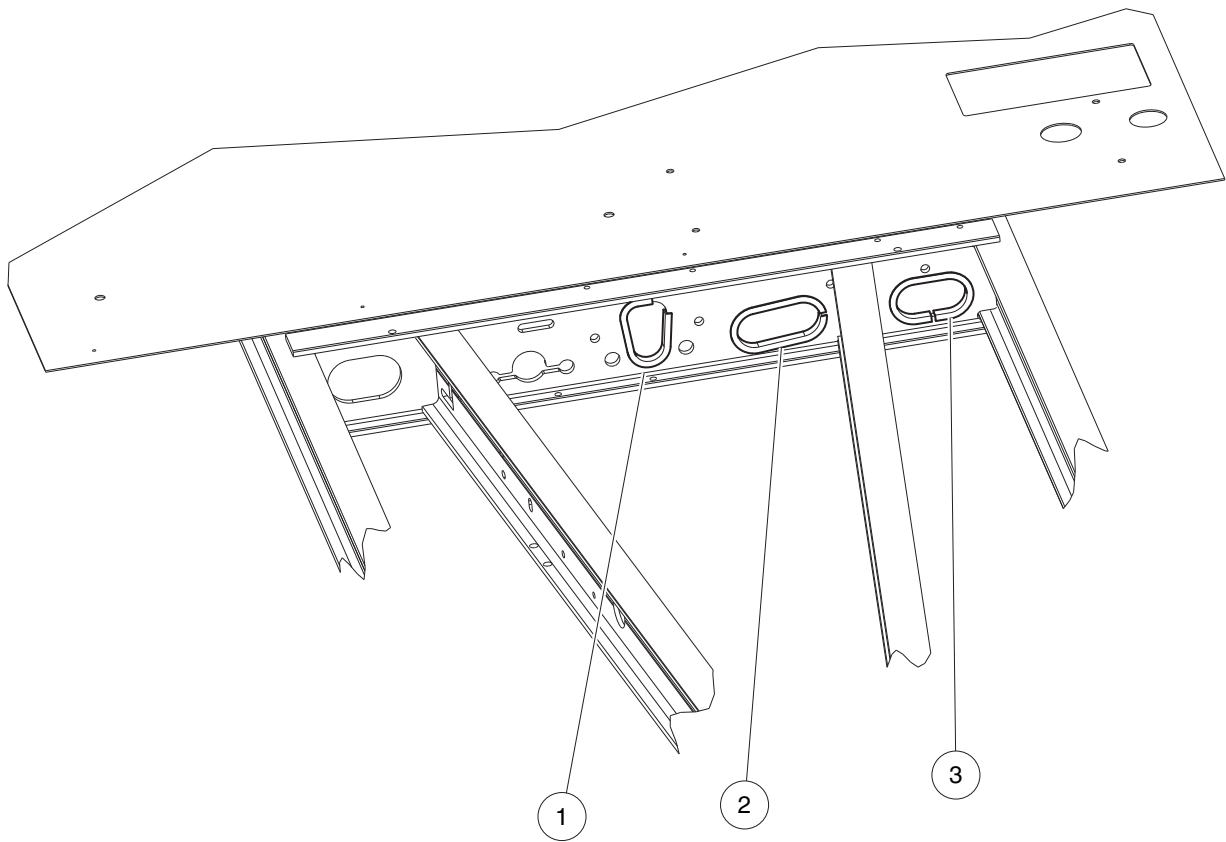
ITEM	PART NO.	DESCRIPTION	QTY
		1 2 3 4	
1	<u>1013846</u>	Kit, Rear Mirror, West Coast (includes items 2 through 7)	1
2	1011878	T-nut, 1/4-20 X .310 Capped	1
3	1013824	Rear View Mirror	1
4	<u>1013825</u>	Mirror Mounting Bracket	1
5	<u>7173</u>	Screw, 5/16-18 X 0.75, Hex-Head Cap	1
6	<u>7251</u>	Screw, 5/16-18 x 1.0 Truss-Head	1
7	<u>8248</u>	Screw, 1/4-20 X 0.75, Truss-Head Machine	1
		Note: To install this kit, vehicle must be equipped with a heavy-duty front bumper.	

1
G
E

1

G

E



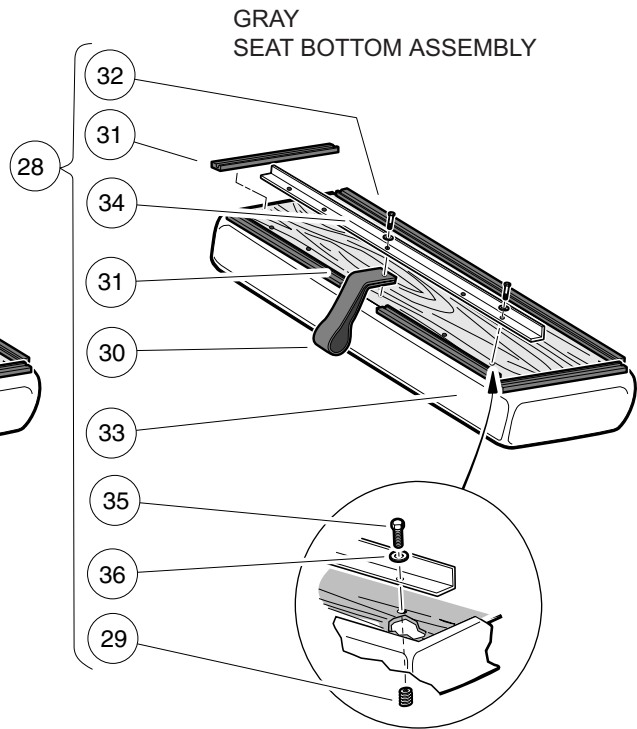
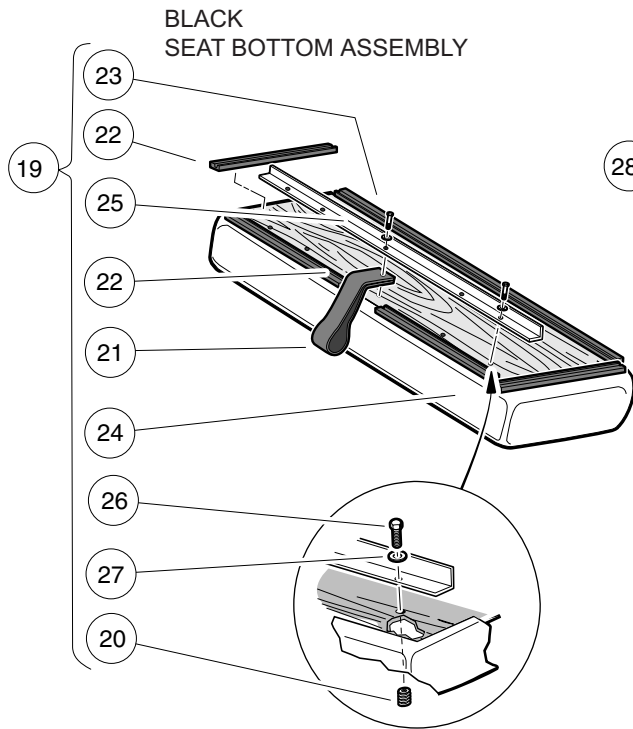
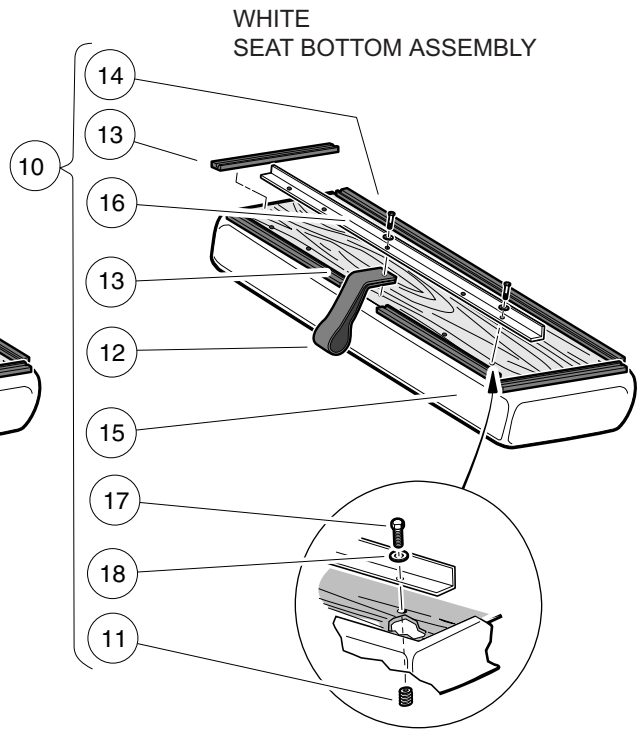
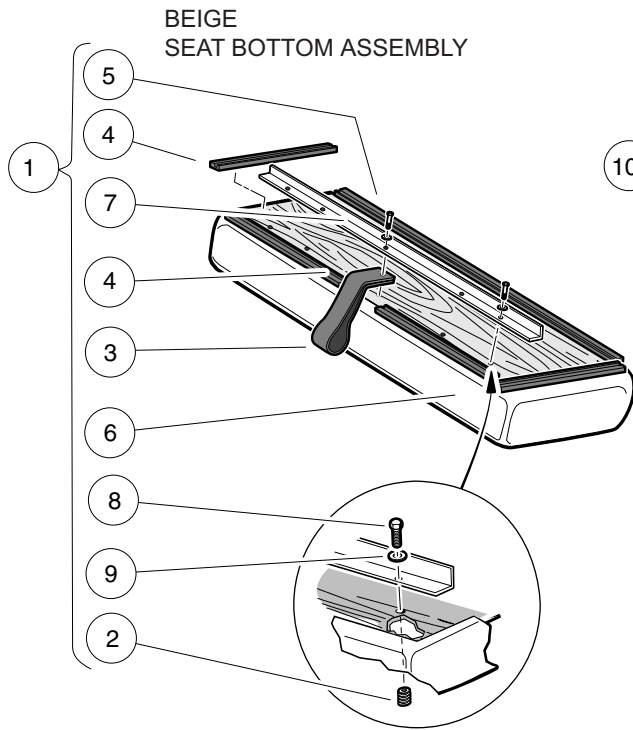
001221-001

GROMMETS, CHASSIS

ITEM	PART NO.	DESCRIPTION	QTY
		1 2 3 4	
1	<u>101806001</u>	I-beam Grommet - 5.5	A/R
2	<u>101806002</u>	I-beam Grommet - 7.5	A/R
3	<u>101806005</u>	I-beam Grommet - 6.75	A/R

1
G
E

1
G
E



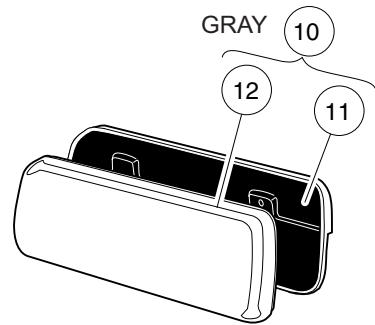
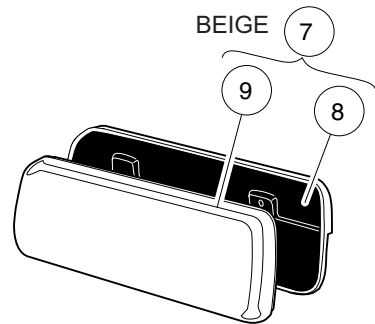
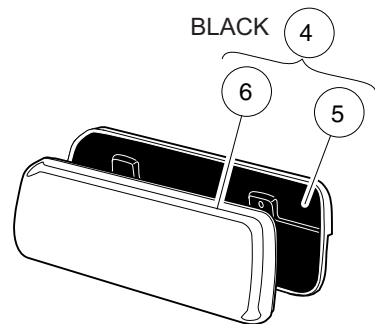
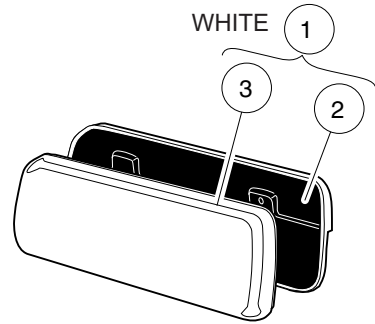
000254-001

SEAT BOTTOM

ITEM	PART NO.	DESCRIPTION	QTY
		1 2 3 4	
1	<u>101564501</u>	Seat Bottom Assembly, Beige (includes items 2 through 9)	1
2	1010543	Insert - Wood	5
3	<u>1013309</u>	Strap, Utility Seat	1
4	<u>1013311</u>	Bumper, Seat, Short	4
5	<u>1013312</u>	Bumper, Seat, Long	1
6	<u>101562711</u>	Vinyl Cover, Seat Bottom, Buff	1
7	<u>101894303</u>	Stiffener	1
8	<u>101954301</u>	Screw, 1/4-20 X 0.75 Hex-Head Cap	5
9	<u>332</u>	Washer, 1/4 Type A Narrow Flat	5
10	<u>101564502</u>	Seat Bottom Assembly, White (includes items 11 through 18)	1
11	1010543	Insert - Wood	5
12	<u>1013309</u>	Strap, Utility Seat	1
13	<u>1013311</u>	Bumper, Seat, Short	4
14	<u>1013312</u>	Bumper, Seat, Long	1
15	<u>101562712</u>	Vinyl Cover, Seat Bottom, White	1
16	<u>101894303</u>	Stiffener	1
17	<u>101954301</u>	Screw, 1/4-20 X 0.75 Hex-Head Cap	5
18	<u>332</u>	Washer, 1/4 Type A Narrow Flat	5
19	<u>101564503</u>	Seat Bottom Assembly, Black (includes items 20 through 27)	1
20	1010543	Insert - Wood	5
21	<u>1013309</u>	Strap, Utility Seat	1
22	<u>1013311</u>	Bumper, Seat, Short	4
23	<u>1013312</u>	Bumper, Seat, Long	1
24	<u>101562714</u>	Vinyl Cover, Seat Bottom, Black	1
25	<u>101894303</u>	Stiffener	1
26	<u>101954301</u>	Screw, 1/4-20 X 0.75 Hex-Head Cap	5
27	<u>332</u>	Washer, 1/4 Type A Narrow Flat	5
28	<u>101564505</u>	Seat Bottom Assembly, Gray (includes items 29 through 36)	1
29	1010543	Insert - Wood	5
30	<u>1013309</u>	Strap, Utility Seat	1
31	<u>1013311</u>	Bumper, Seat, Short	4
32	<u>1013312</u>	Bumper, Seat, Long	1
33	<u>101562715</u>	Vinyl Cover, Seat Bottom, Gray	2
34	<u>101894303</u>	Stiffener	1
35	<u>101954301</u>	Screw, 1/4-20 X 0.75 Hex-Head Cap	5
36	<u>332</u>	Washer, 1/4 Type A Narrow Flat	5

1
G
E

1
G
E

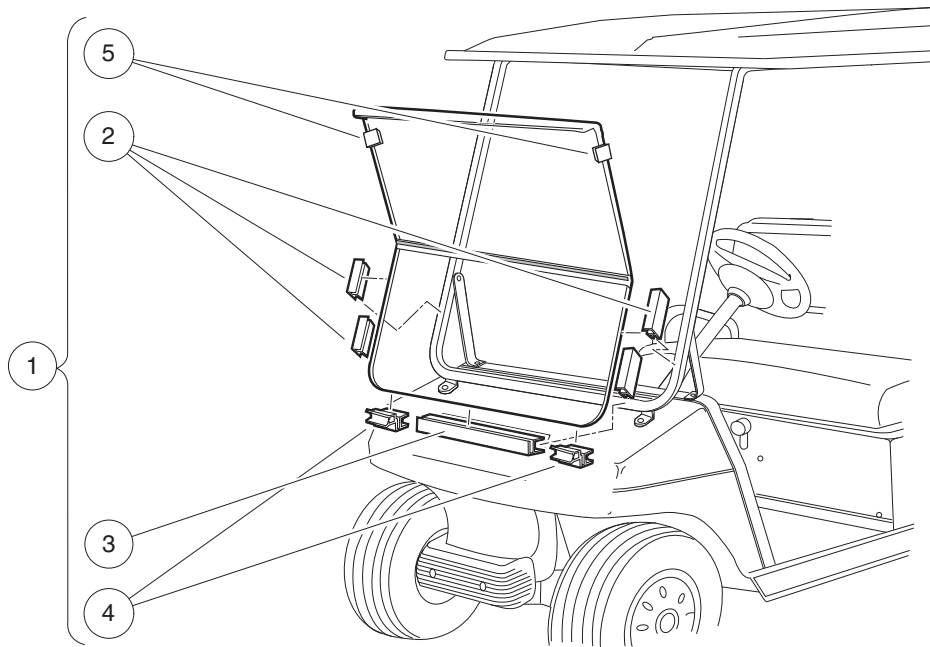


000608-001

SEAT BACK ASSEMBLY

ITEM	PART NO.	DESCRIPTION	QTY
		1 2 3 4	
1	<u>101677701</u>	Seat Back Assembly, White (includes items 2 and 3)	1
2	1016751	Cap, Seat Back	1
3	<u>101675512</u>	Vinyl Seat Back, White	1
4	<u>101677702</u>	Seat Back Assembly, Black (includes items 5 and 6)	1
5	1016751	Cap, Seat Back	1
6	<u>101675514</u>	Vinyl Seat Back, Black	1
7	<u>101677703</u>	Seat Back Assembly, Beige (includes items 8 and 9)	1
8	1016751	Cap, Seat Back	1
9	<u>101675511</u>	Vinyl Seat Back, Beige	1
10	<u>101677705</u>	Seat Back Assembly, Gray (includes items 11 and 12)	1
11	1016751	Cap, Seat Back	1
12	<u>101675515</u>	Vinyl Seat Back-nstd Svc	1

1
G
E



001205-001

WINDSHIELD, HINGED

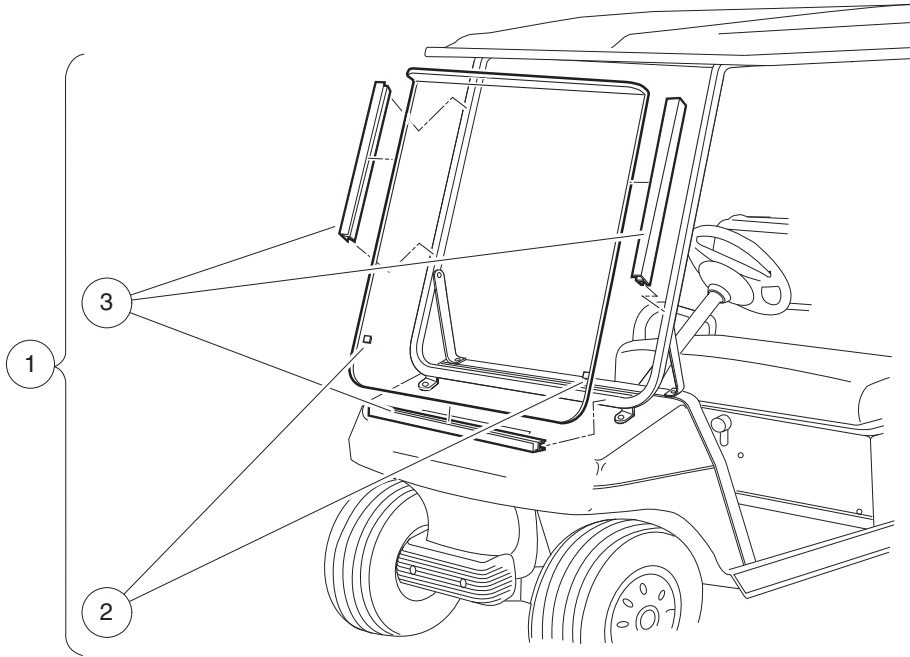
ITEM	PART NO.	DESCRIPTION	QTY
		1 2 3 4	
1	<u>101728602</u>	Hinged Windshield Kit (includes items 2 through 5)	1
2	<u>102005701</u>	5" Plastic Extrusion	4
3	<u>102163001</u>	Windshield Channel	1
4	<u>102163101</u>	Channel with Receiver Clip	2
5	N/A	Clip, Release	2

1
G
E

1

G

E



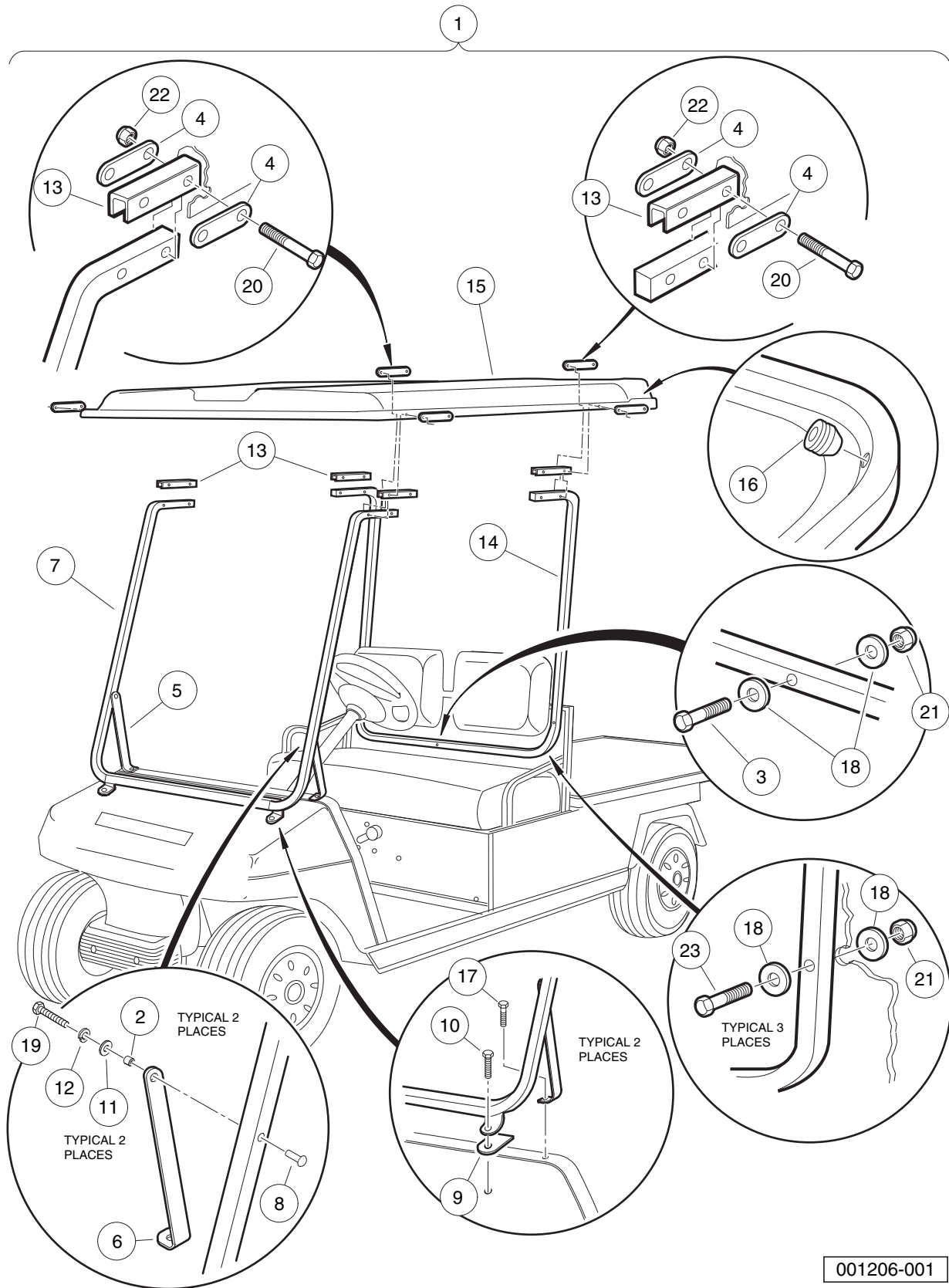
001204-001

WINDSHIELD, NON-HINGED

ITEM	PART NO.	DESCRIPTION	QTY
		1 2 3 4	
1	1014435	Windshield Tinted One-Piece (includes items 2 and 3)	1
2	<u>1011897</u>	Bumper, Protective	2
3	<u>101444101</u>	21" Plastic Extrusion	3



1
G
E

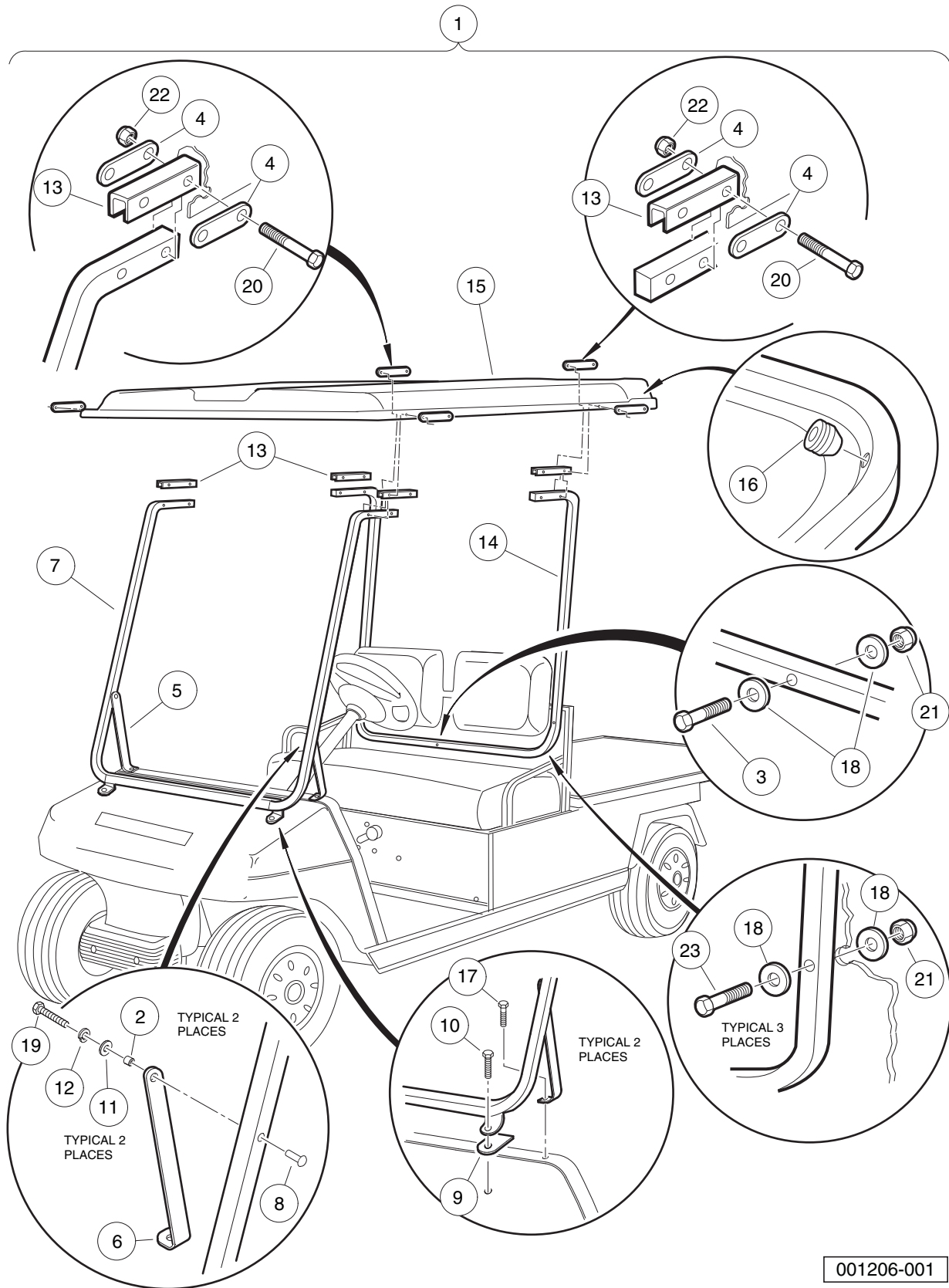


001206-001

CANOPY KIT, WHITE

ITEM	PART NO.	DESCRIPTION	QTY	
		1 2 3 4		1
1	<u>1014506</u>	Kit, Canopy, White (includes items 2 through 23)	1	G
2	<u>1010237</u>	Bushing	2	E
3	<u>1010921</u>	Screw, 5/16-18 X 2.50 Hex Cap	1	
4	1011852	Plate, Canopy Trim	8	
5	<u>1011862</u>	Brace, Right-Hand Canopy Mount Knee	1	
6	<u>1011865</u>	Brace, Left-Hand Canopy Mount Knee	1	
7	<u>1011868</u>	Weldment, Windshield Frame	1	
8	1011878	T-nut, 1/4-20 X .310 Capped	2	
9	<u>1011883</u>	Pad, Windshield Frame Mounting	2	
10	<u>1011937</u>	Bolt, 5/16-18 X 1.25 Hex Head	2	
11	1011964	Washer, 1/4 Flat	2	
12	<u>1011965</u>	Lockwasher, 1/4 Split Ss	2	
13	1012008	Support, Side Canopy	4	
14	<u>1014503</u>	Brace, Rear Canopy	1	
15	1014509	Canopy, White (includes item 16)	1	
16	1011942	Modified Grommet	2	
17	1218	Screw, 5/16-18 X 1.25 Hex-Head Cap	2	
18	<u>1241</u>	Washer, 5/16 Type A Flat	6	
19	<u>1703</u>	Screw, 1/4-20 X 1.50 Hx Hd Cap	2	
20	<u>7311</u>	Screw, 1/4-20 X 2.00 Hex-Head Cap	8	
21	<u>7473</u>	Locknut, 5/16-18 Nylon Insert	3	
22	<u>8233</u>	Locknut, 1/4-20, Nylon Insert	8	
23	<u>8963</u>	Screw, 5/16-18 X 1.75 Hex-Head Cap	3	

1
G
E



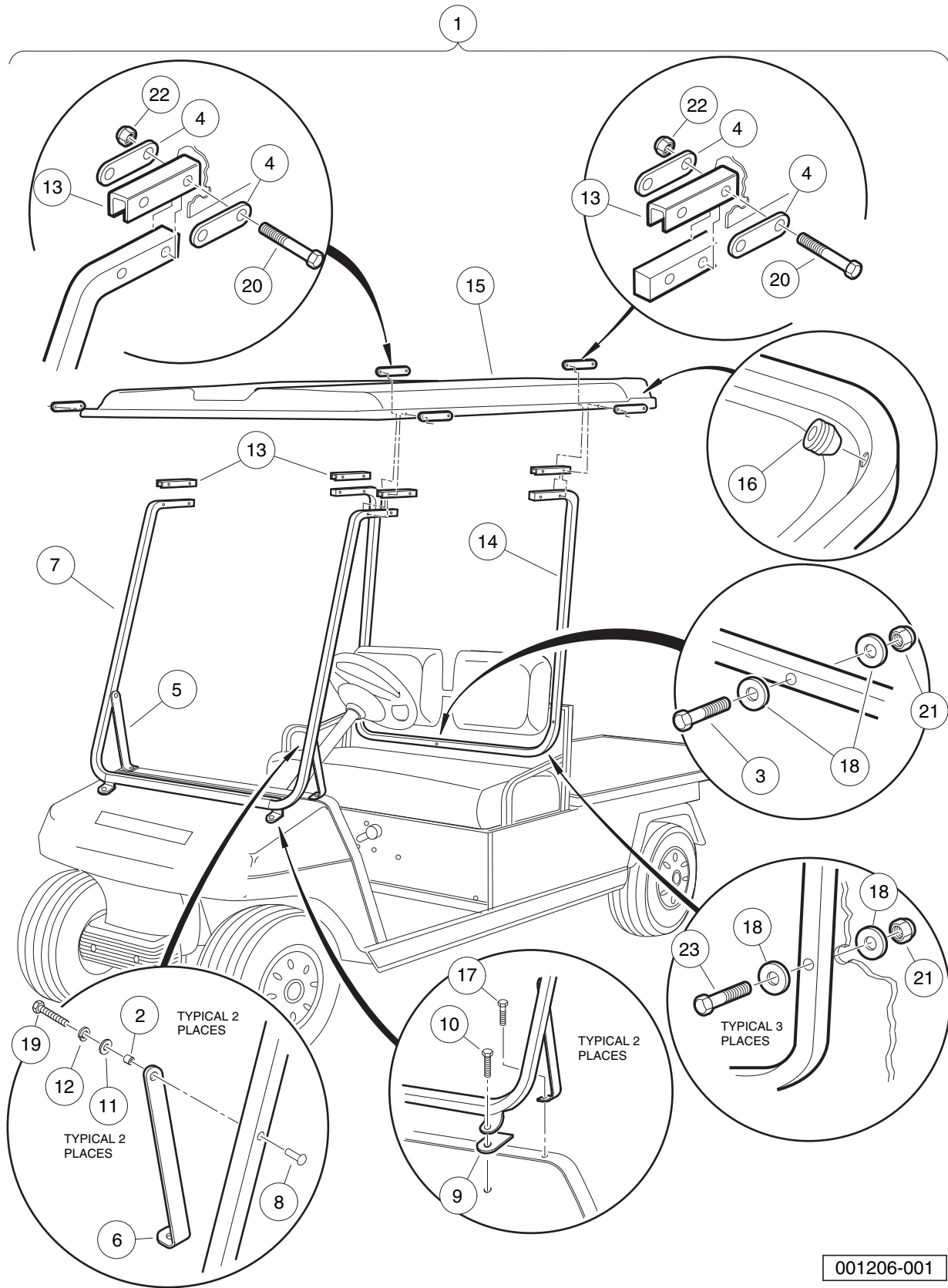
001206-001

CANOPY KIT, BEIGE

ITEM	PART NO.	DESCRIPTION	QTY
		1 2 3 4	
1	<u>101450698</u>	Kit, Canopy, Beige, Ca1/2 (includes items 2 through 23)	1
2	<u>1010237</u>	Bushing	2
3	<u>1010921</u>	Screw, 5/16-18 X 2.50 Hex Cap	1
4	1011852	Plate, Canopy Trim	8
5	<u>1011862</u>	Brace, Right-Hand Canopy Mount Knee	1
6	<u>1011865</u>	Brace, Left-Hand Canopy Mount Knee	1
7	<u>1011868</u>	Weldment, Windshield Frame	1
8	1011878	T-nut, 1/4-20 X .310 Capped	2
9	<u>1011883</u>	Pad, Windshield Frame Mounting	2
10	<u>1011937</u>	Bolt, 5/16-18 X 1.25 Hex Head	2
11	1011964	Washer, 1/4 Flat	2
12	<u>1011965</u>	Lockwasher, 1/4 Split Ss	2
13	1012008	Support, Side Canopy	4
14	<u>1014503</u>	Brace, Rear Canopy	1
15	<u>101450903</u>	Asm, Canopy, Beige (includes item 16)	1
16	1011942	Modified Grommet	2
17	1218	Screw, 5/16-18 X 1.25 Hex-Head Cap	2
18	<u>1241</u>	Washer, 5/16 Type A Flat	6
19	<u>1703</u>	Screw, 1/4-20 X 1.50 Hx Hd Cap	2
20	<u>7311</u>	Screw, 1/4-20 X 2.00 Hex-Head Cap	8
21	<u>7473</u>	Locknut, 5/16-18 Nylon Insert	3
22	<u>8233</u>	Locknut, 1/4-20, Nylon Insert	8
23	<u>8963</u>	Screw, 5/16-18 X 1.75 Hex-Head Cap	3

1
G
E

1
G
E

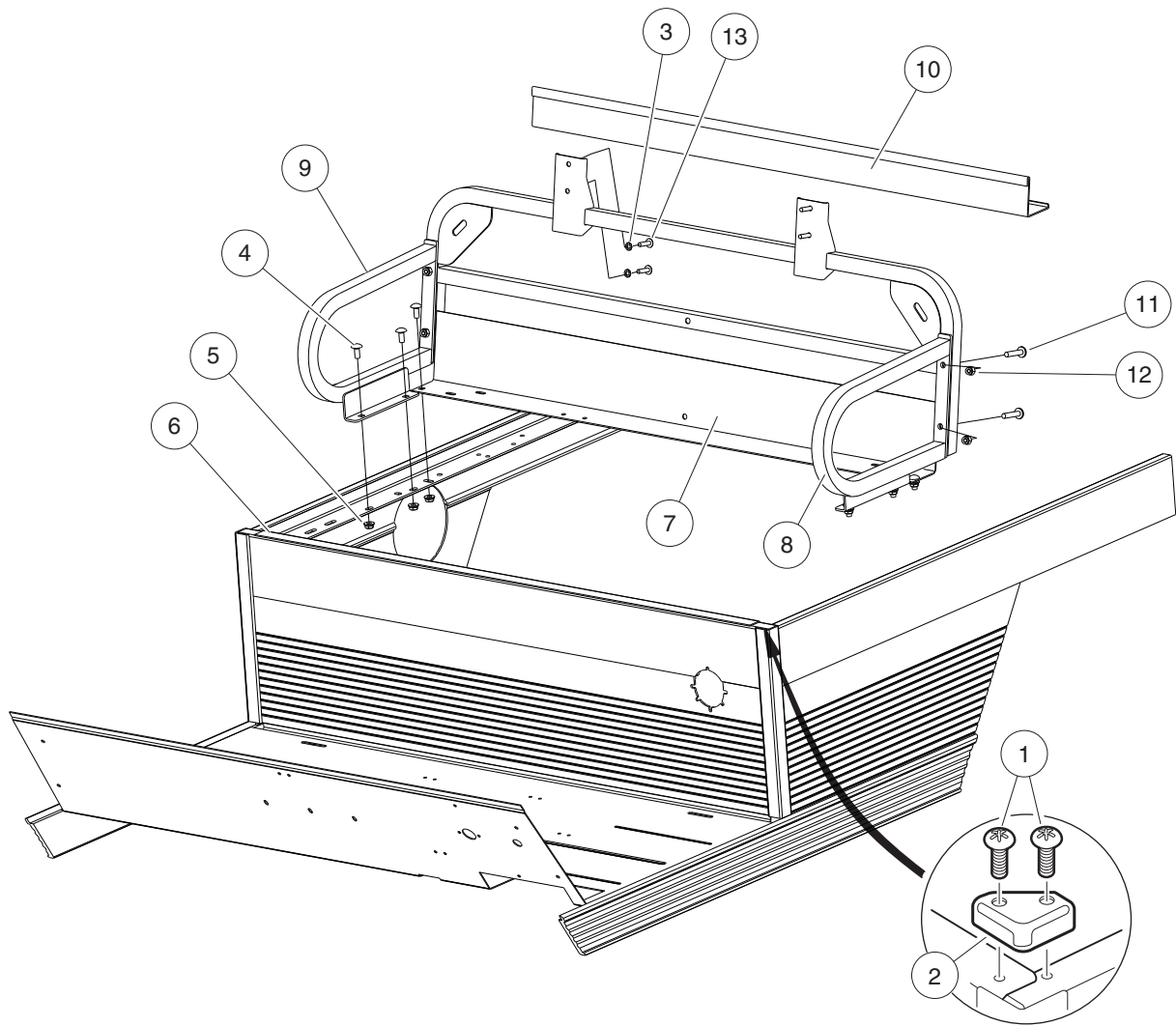


001206-001

CANOPY KIT, BLACK

ITEM	PART NO.	DESCRIPTION	QTY
		1 2 3 4	
1	<u>102198501</u>	Canopy Top Kit, Black (includes items 2 through 23)	1
2	<u>1010237</u>	Bushing	2
3	<u>1010921</u>	Screw, 5/16-18 X 2.50 Hex Cap	1
4	1011852	Plate, Canopy Trim	8
5	<u>1011862</u>	Brace, Right-Hand Canopy Mount Knee	1
6	<u>1011865</u>	Brace, Left-Hand Canopy Mount Knee	1
7	<u>1011868</u>	Weldment, Windshield Frame	1
8	1011878	T-nut, 1/4-20 X .310 Capped	2
9	<u>1011883</u>	Pad, Windshield Frame Mounting	2
10	<u>1011937</u>	Bolt, 5/16-18 X 1.25 Hex Head	2
11	1011964	Washer, 1/4 Flat	4
12	<u>1011965</u>	Lockwasher, 1/4 Split Ss	2
13	1012008	Support, Side Canopy	4
14	<u>1014503</u>	Brace, Rear Canopy	1
15	<u>101450902</u>	Asm, Canopy, Black (includes item 16)	1
16	1011942	Modified Grommet	2
17	1218	Screw, 5/16-18 X 1.25 Hex-Head Cap	2
18	<u>1241</u>	Washer, 5/16 Type A Flat	6
19	<u>1703</u>	Screw, 1/4-20 X 1.50 Hx Hd Cap	2
20	<u>7311</u>	Screw, 1/4-20 X 2.00 Hex-Head Cap	8
21	<u>7473</u>	Locknut, 5/16-18 Nylon Insert	3
22	<u>8233</u>	Locknut, 1/4-20, Nylon Insert	8
23	<u>8963</u>	Screw, 5/16-18 X 1.75 Hex-Head Cap	3

1
G
E



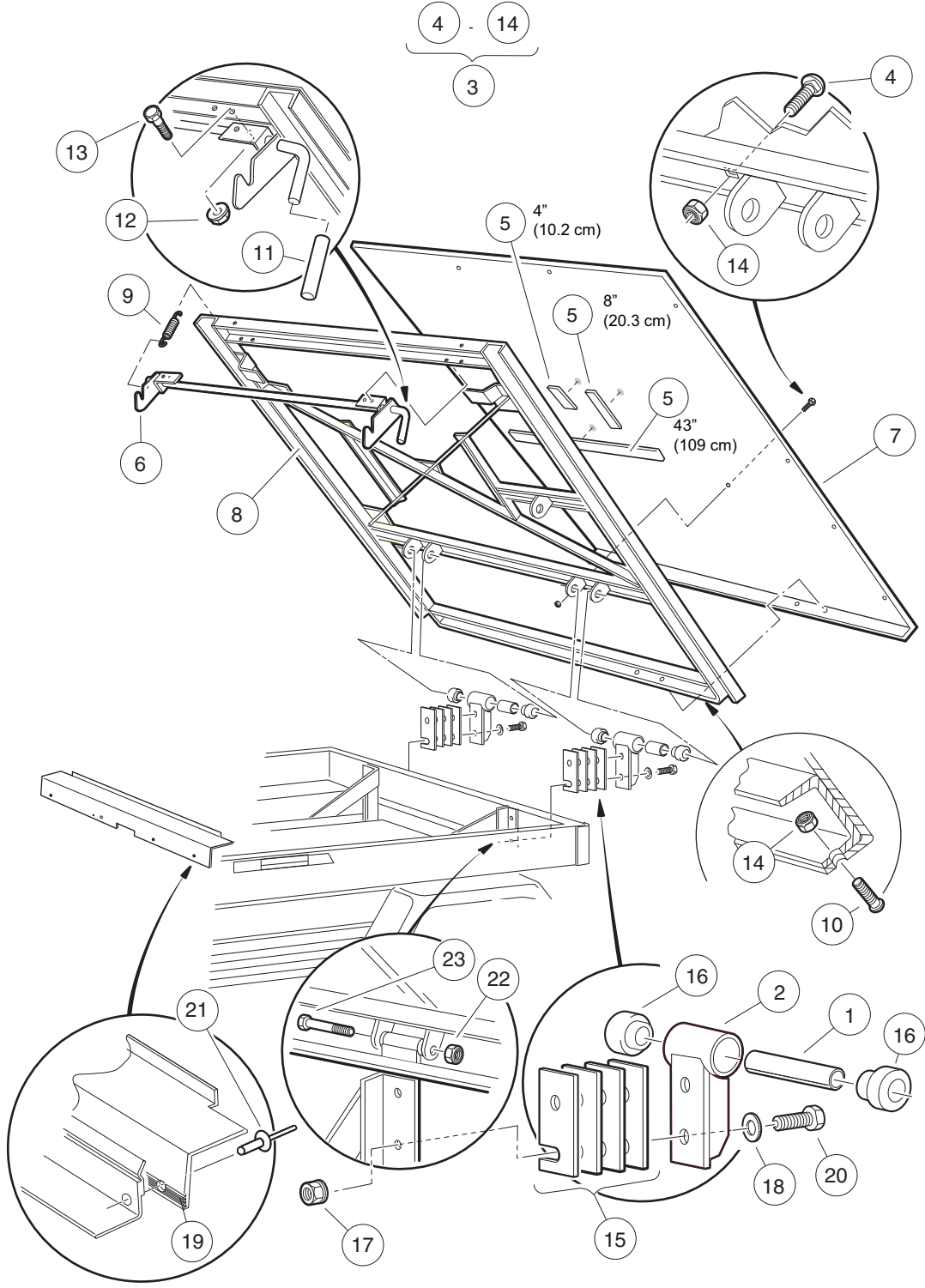
000603-004

HIP RESTRAINTS AND SEAT BACK MOUNTING

ITEM	PART NO.	DESCRIPTION	QTY
		1 2 3 4	
1	<u>1014321</u>	Screw, #10 Truss-Head Torx	4
2	<u>1014387</u>	Cap, Corner	2
3	<u>101946201</u>	Washer, Lock, 0.250 External-Tooth	4
4	<u>101963301</u>	Bolt, 5/16-18 X 0.75 Round-Head	6
5	<u>101963401</u>	Locknut, 5/16-18 Hex Flange	6
6	<u>101964001</u>	Trim, Seat Bottom Front	1
7	<u>102966401</u>	Seat Back, Tube	1
8	<u>102966501</u>	Hip Restraint, Left	1
9	<u>102966502</u>	Hip Restraint, Right	1
10	<u>102989501</u>	Seal, Bed, 41-Inch	1
11	<u>103245201</u>	Screw, 5/16-18 X 1.5, Tr Tx Hd	4
12	<u>103245301</u>	Nut, Hex, Cp, Mech Def, 5/16-1	4
13	<u>8251</u>	Screw, 1/4-20 X 1.0 Truss-Head Machine	4

1
G
E

1
G
E



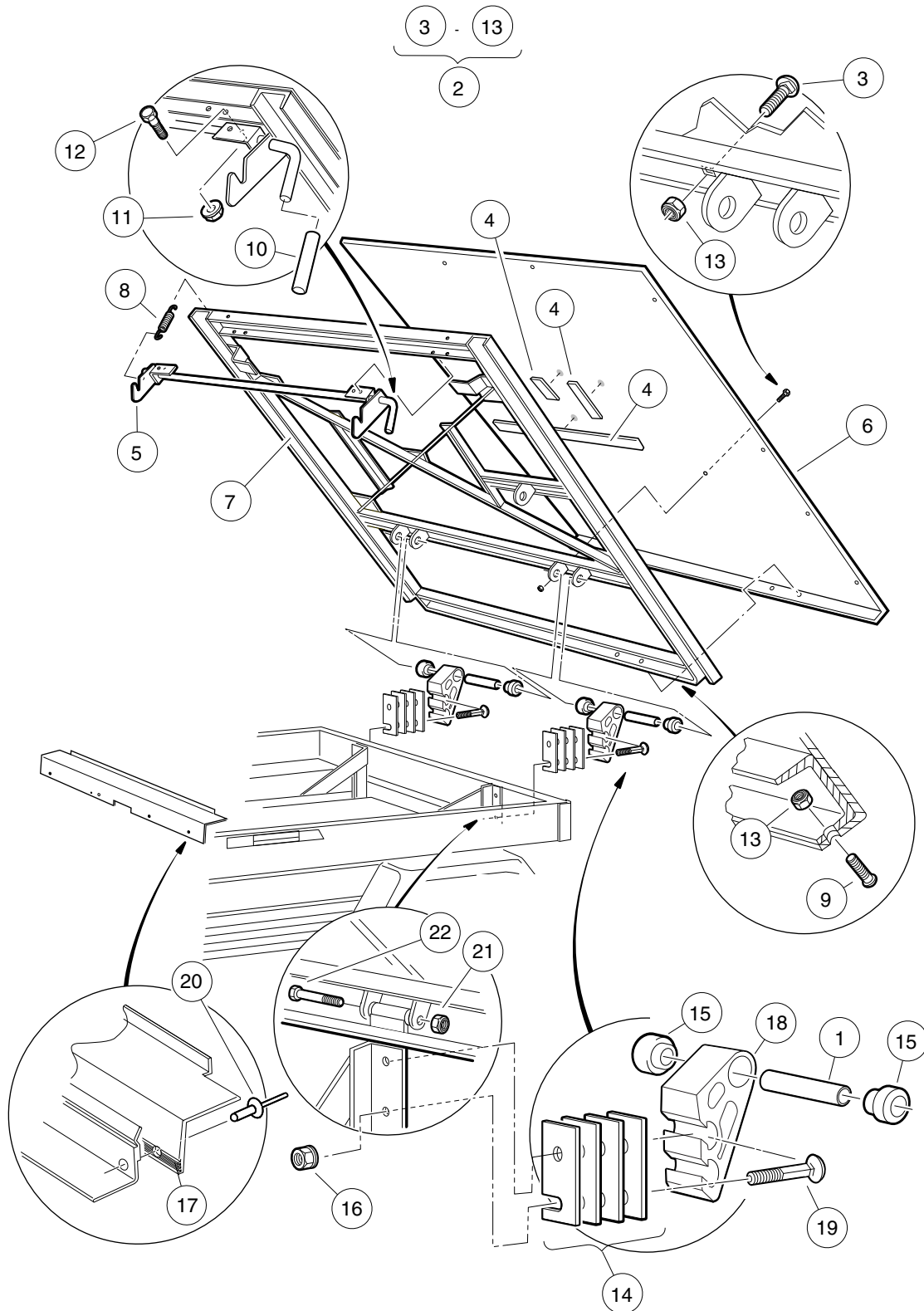
000257-002

TILT BED, WELDED HINGE, AND LATCH – TO MID-2009 MODEL YEAR

ITEM	PART NO.	DESCRIPTION	QTY
		1 2 3 4	
1	<u>1012303</u>	Bushing, Steel	2
2	<u>1015356</u>	Hinge	2
3	<u>101542901</u>	Assembly, Tilt Bed (includes items 4 through 14)	1
4	<u>1010435</u>	Bolt, Carriage, 5/16-18 X 1.00	4
5	<u>1014471</u>	Tape, Vinyl Foam 1/8" x 3/4"	A/R
6	<u>1015252</u>	Latch Weld Assembly	1
7	<u>1015258</u>	Plate, Floor Bed	1
8	N/A	Frame Assembly	1
9	<u>1015391</u>	Extension, Spring Latch	2
10	<u>1015399</u>	Screw, 5/16-18 X 0.88 Torx Truss-Head	4
11	<u>1015400</u>	Grip, Tilt Latch Hand	1
12	<u>101835601</u>	Locknut, 1/4-20 Hex Whiz	4
13	<u>403</u>	Screw, 1/4-20 X 0.625 Hex-Head Cap	4
14	<u>7473</u>	Locknut, 5/16-18 Nylon Insert	8
15	<u>1015507</u>	Shim, Tilt Bed Pivot	A/R
16	<u>1015583</u>	Bushing, Urethane	4
17	<u>102065901</u>	Locknut, 3/8-16 Flanged Dimple	4
18	<u>102066001</u>	Washer, 3/8 Type B Hard Flat	4
19	<u>102989501</u>	Seal, Bed, 41-Inch	1
20	705	Screw, Cap-hex Hd 3/8-16x1.25	4
21	7532	Rivet, 3/16 X 0.3125, Pop	1
22	<u>8754</u>	Locknut, 3/8-16 Hex	2
23	<u>8755</u>	Screw, 3/8-16 X 3.375 Hex Cap	2

1
G
E

1
G
E



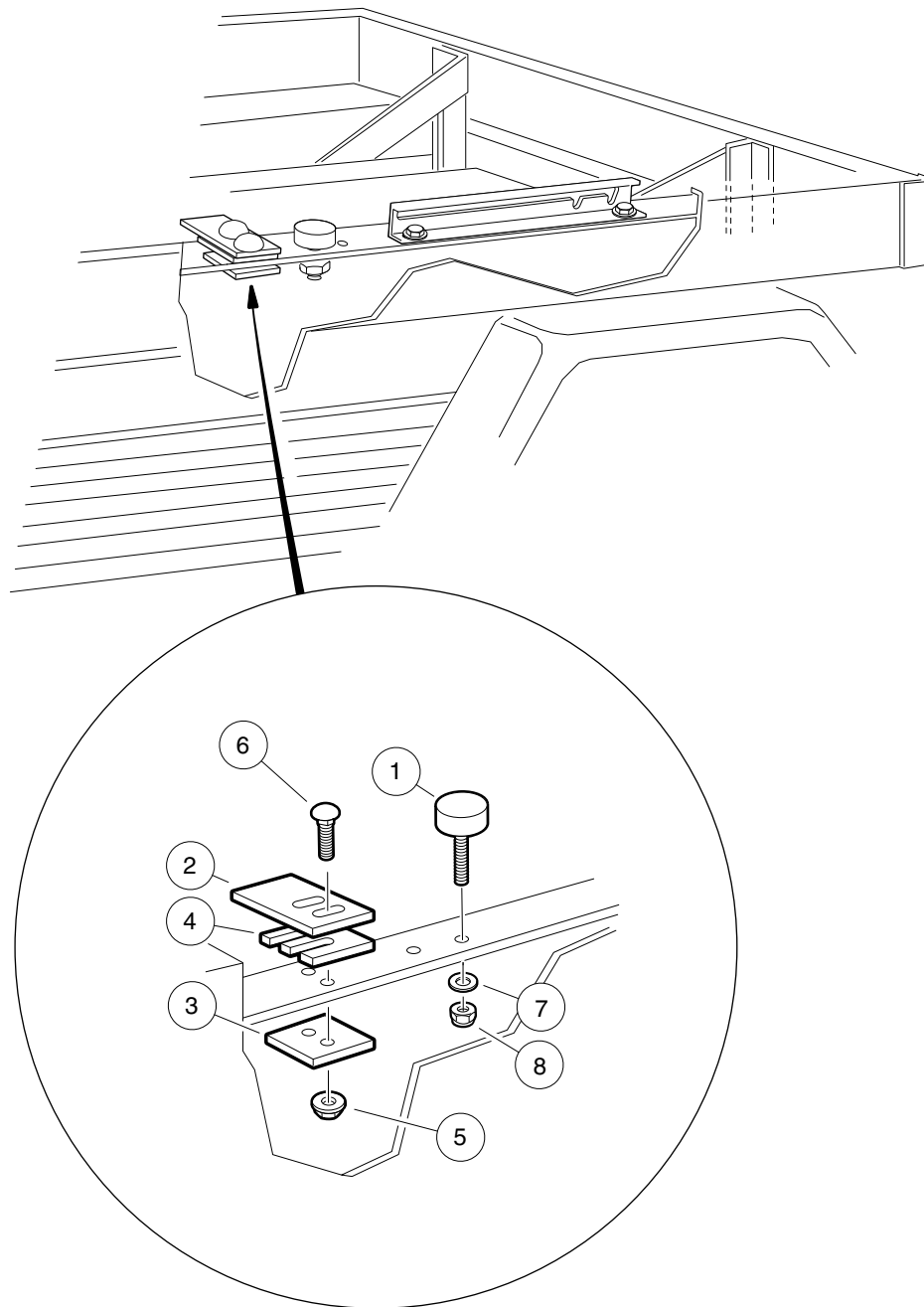
000257-003

TILT BED, EXTRUDED HINGE, AND LATCH – FROM MID-2009 MODEL YEAR

ITEM	PART NO.	DESCRIPTION	QTY
		1 2 3 4	
1	<u>1012303</u>	Bushing, Steel	2
2	<u>101542901</u>	Assembly, Tilt Bed (includes items 3 through 13)	1
3	<u>1010435</u>	Bolt, Carriage, 5/16-18 X 1.00	4
4	<u>1014471</u>	Tape, Vinyl Foam 1/8" x 3/4"	A/R
5	<u>1015252</u>	Latch Weld Assembly	1
6	<u>1015258</u>	Plate, Floor Bed	1
7	N/A	Frame Assembly	1
8	<u>1015391</u>	Extension, Spring Latch	2
9	<u>1015399</u>	Screw, 5/16-18 X 0.88 Torx Truss-Head	4
10	<u>1015400</u>	Grip, Tilt Latch Hand	1
11	<u>101835601</u>	Locknut, 1/4-20 Hex Whiz	4
12	<u>403</u>	Screw, 1/4-20 X 0.625 Hex-Head Cap	4
13	<u>7473</u>	Locknut, 5/16-18 Nylon Insert	8
14	<u>1015507</u>	Shim, Tilt Bed Pivot	1
15	<u>1015583</u>	Bushing, Urethane	4
16	<u>102065901</u>	Locknut, 3/8-16 Flanged Dimple	4
17	<u>102989501</u>	Seal, Bed, 41-Inch	1
18	<u>103538701</u>	Bracket, Bed Hinge, Extruded	2
19	<u>103538901</u>	Bolt, Carriage, 3/8-16 x 3.5" Grade 5	4
20	<u>7532</u>	Rivet, 3/16 X 0.3125, Pop	1
21	<u>8754</u>	Locknut, 3/8-16 Hex	2
22	<u>8755</u>	Screw, 3/8-16 X 3.375 Hex Cap	2

1
G
E

1
G
E



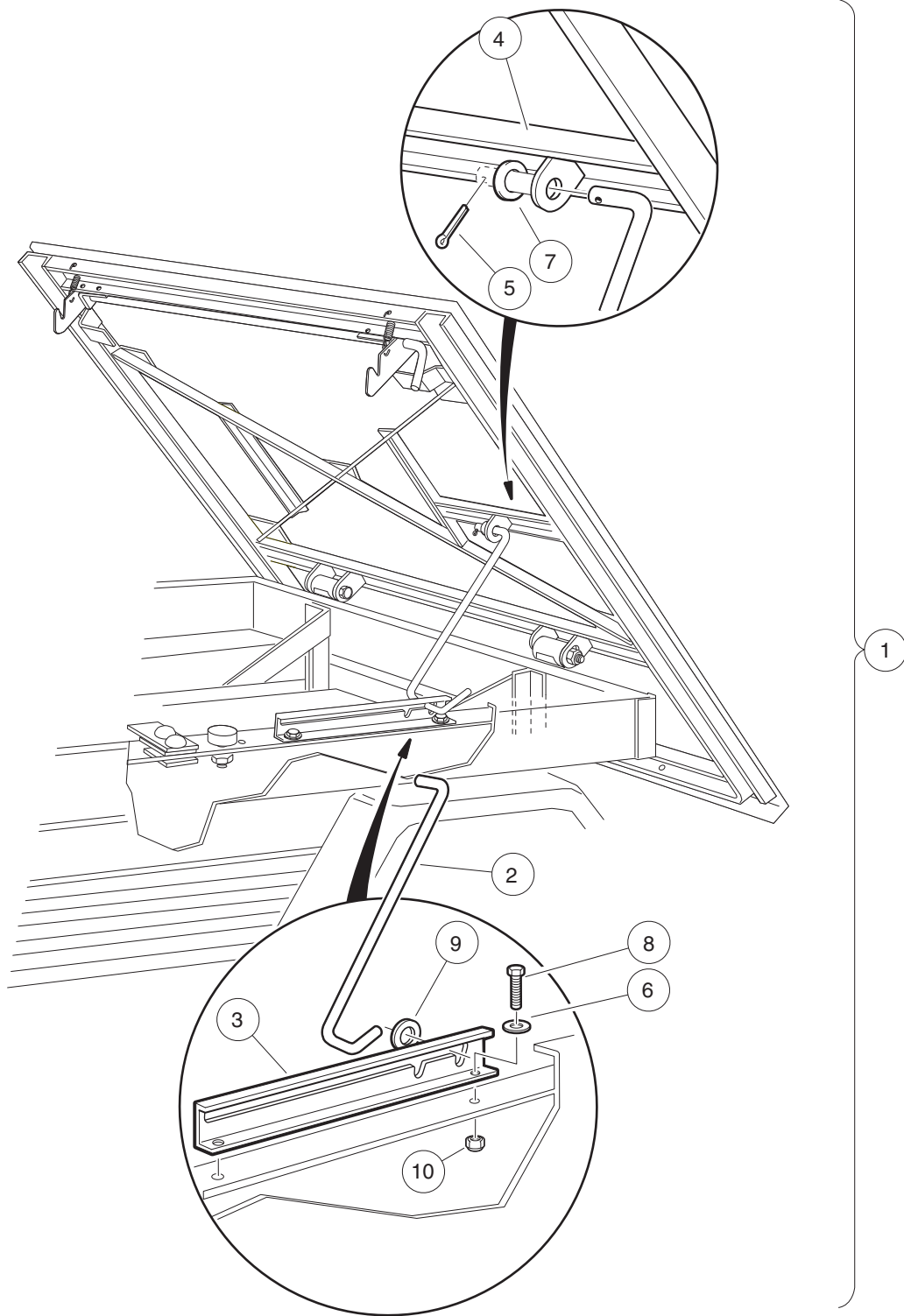
000258-002

LATCH PLATE

ITEM	PART NO.	DESCRIPTION	QTY
		1 2 3 4	
1	<u>1010878</u>	Bumper, Rubber	2
2	<u>1015277</u>	Latch Plate, Tilt Bed	2
3	<u>1016060</u>	Plate, Latch Support	2
4	<u>1016078</u>	Latch Plate Shim	A/R
5	<u>101835601</u>	Locknut, 1/4-20 Hex Whiz	4
6	<u>101958601</u>	Carriage Bolt, 1/4-20 X 0.75	4
7	<u>332</u>	Washer, 1/4 Type A Narrow Flat	4
8	<u>8233</u>	Locknut, 1/4-20, Nylon Insert	4

1
G
E

1
G
E



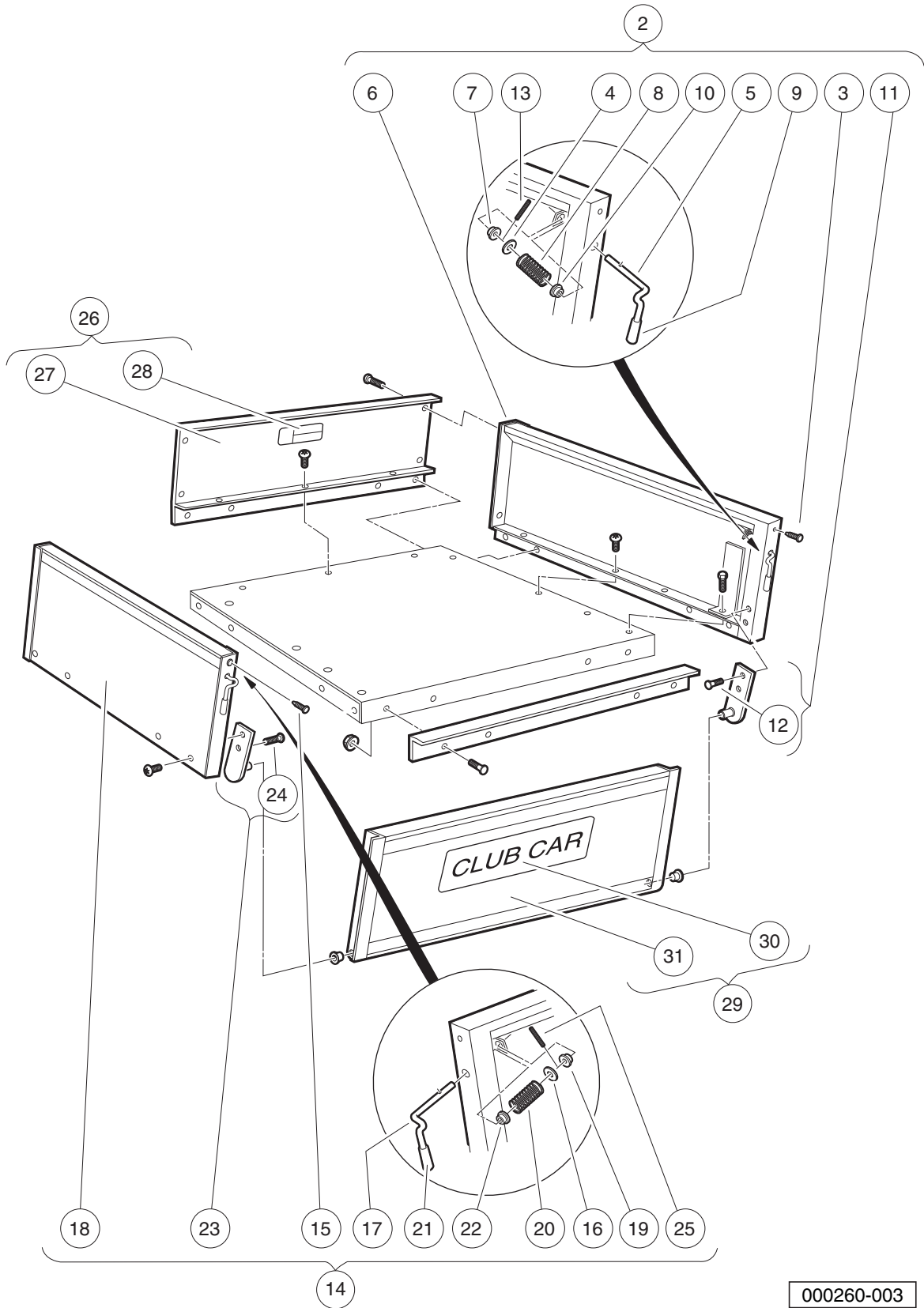
000259-001

PROP ROD

ITEM	PART NO.	DESCRIPTION	QTY
		1 2 3 4	
1	<u>101922801</u>	Prop Rod Support Instl Kit (includes items 2 through 10)	1
2	1015348	Prop Rod Ca li	1
3	1015700	Track Prop Rod Ca li	1
4	<u>101921601</u>	Weldment, Prop Rod Support	1
5	<u>1035</u>	Cotter Pin, 3/32 x 1	2
6	<u>332</u>	Washer, 1/4 Type A Narrow Flat	5
7	<u>334</u>	Washer, 3/8, Type A, Flat	1
8	<u>7847</u>	Screw, 1/4-20 X 0.75 Hex-Head Cap	6
9	<u>808</u>	Washer, 3/8 Type B Flat	1
10	<u>8233</u>	Locknut, 1/4-20, Nylon Insert	6

1
G
E

1
G
E



000260-003

CARGO BOX (ALUMINUM)

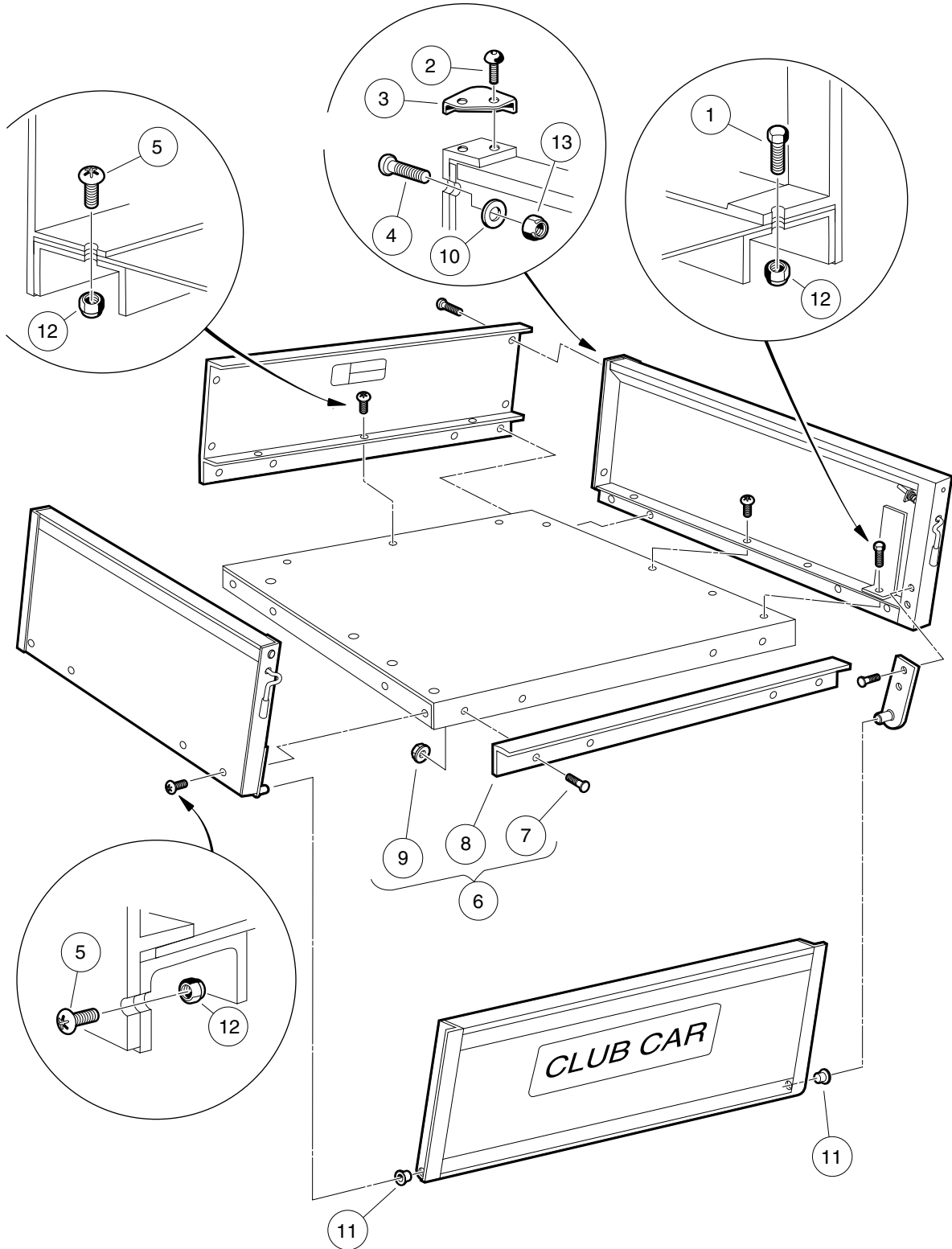
ITEM	PART NO.	DESCRIPTION	QTY
		1 2 3 4	
1	<u>1015607</u>	Cargo Box Set (includes items 2 through 29)	1
2	<u>1015366</u>	Side-Panel Assembly, Right-Hand (includes items 3 through 13)	1
3	<u>1010434</u>	Barrel - Plastic	1
4	<u>1011990</u>	Washer, 3/8 Flat	1
5	<u>1015245</u>	Latch, Tailgate, Right-Hand	1
6	N/A	Side-Panel Weldment, Right-Hand	1
7	<u>1015363</u>	Bushing, Snap-In	1
8	<u>1015390</u>	Compression Spring Latch Tilt	1
9	<u>1015400</u>	Grip, Tilt Latch Hand	1
10	<u>1032</u>	Bushing, Nylon	1
11	<u>103406502</u>	Kit, Tailgate Mounting Bracket, CA, RH (includes item 12)	1
12	<u>103406601</u>	Stud, 1/4 Self-clnchg Flush	2
13	1231	Pin, 1/8 X 1.00 Split Roll	1
14	<u>1015368</u>	Side Panel Assembly, Left-Hand (includes items 15 through 25)	1
15	<u>1010434</u>	Barrel - Plastic	1
16	<u>1011990</u>	Washer, 3/8 Flat	1
17	<u>1015313</u>	Latch, Tailgate, Left-Hand	1
18	N/A	Side-Panel Weldment, Left-Hand	1
19	<u>1015363</u>	Bushing, Snap-In	1
20	<u>1015390</u>	Compression Spring Latch Tilt	1
21	<u>1015400</u>	Grip, Tilt Latch Hand	1
22	<u>1032</u>	Bushing, Nylon	1
23	<u>103406501</u>	Kit, Tailgate Mounting Bracket, CA, LH (includes item 24)	1
24	<u>103406601</u>	Stud, 1/4 Self-clnchg Flush	2
25	1231	Pin, 1/8 X 1.00 Split Roll	1
26	<u>1015412</u>	Front Panel Assembly (includes items 27 and 28)	1
27	N/A	Front Panel Box	1
28	<u>101553901</u>	Decal, Bed Load Warning	1
29	<u>1015424</u>	Tailgate Assembly (includes items 30 and 31)	1
30	<u>1013317</u>	Decal, Logo, Tailgate	1
31	N/A	Tailgate Weldment	1
<p>Note: Additional components in kit <u>1015607</u> are shown on the following two pages.</p>			

1

G

E

1
G
E



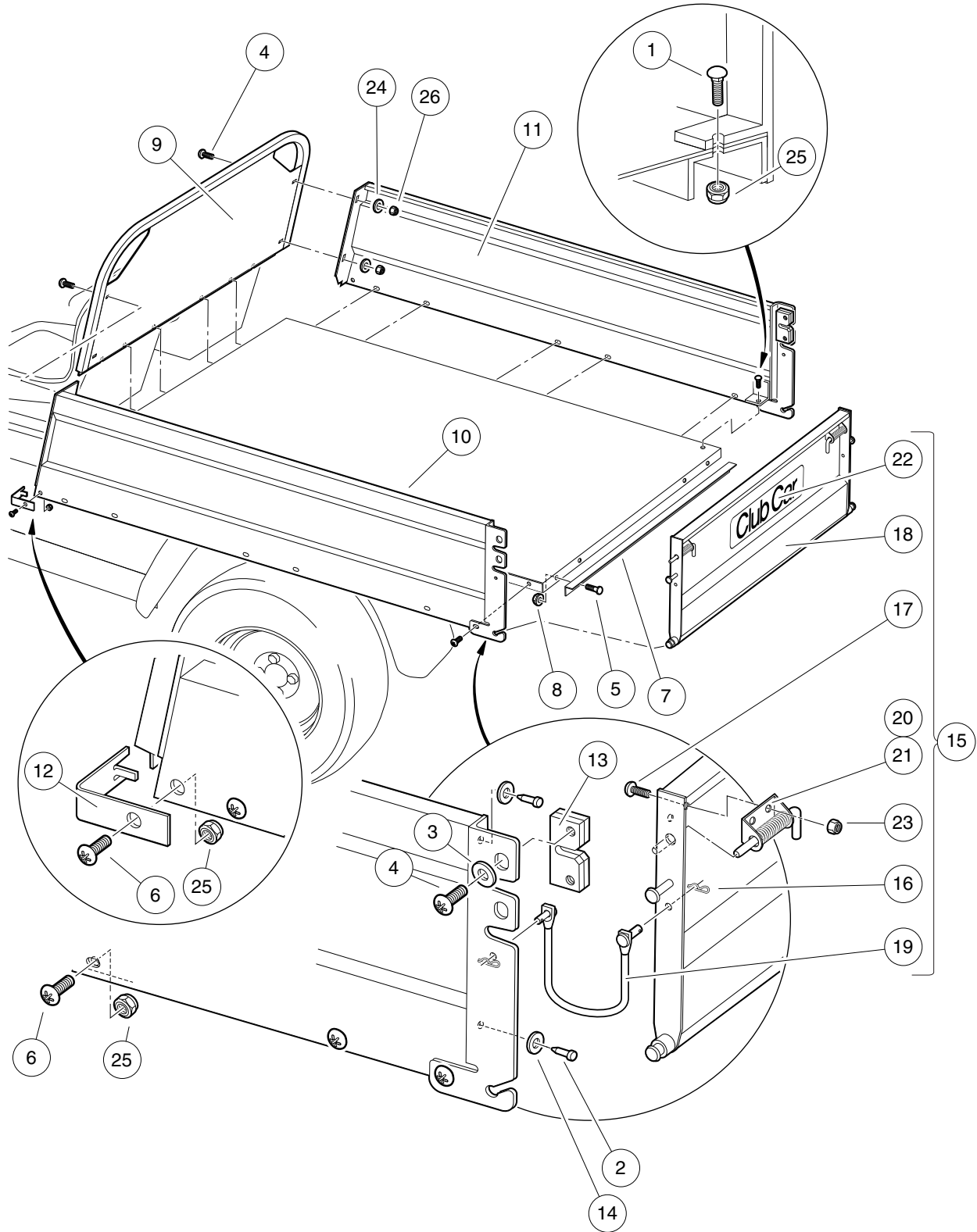
000261-001

CARGO BOX (ALUMINUM) MOUNTING

ITEM	PART NO.	DESCRIPTION	QTY
		1 2 3 4	
1	<u>1010934</u>	Screw, 5/16-18 X 1.00 Hex Cap	2
2	<u>1014321</u>	Screw, #10 Truss-Head Torx	4
3	<u>1014387</u>	Cap, Corner	2
4	<u>1014415</u>	Screw, 1/4-20 X 0.75 Torx Truss-Head	4
5	1015399	Screw, 5/16-18 X 0.88 Torx Truss-Head	23
6	<u>101894702</u>	Kit, Tailgate Angle (includes items 7 through 9)	1
7	<u>1014537</u>	Stud, Self-Clinching Flush Head	4
8	N/A	Box Bed Tailgate Angle	1
9	<u>101963401</u>	Locknut, 5/16-18 Hex Flange	4
10	<u>332</u>	Washer, 1/4 Type A Narrow Flat	4
11	<u>7049</u>	Bushing, Nylon	2
12	<u>7473</u>	Locknut, 5/16-18 Nylon Insert	25
13	<u>8233</u>	Locknut, 1/4-20, Nylon Insert	4
Note: All parts listed on this page are included in kit 1015607.			

1
G
E

1
G
E



000038-006

CARGO BOX (STEEL)

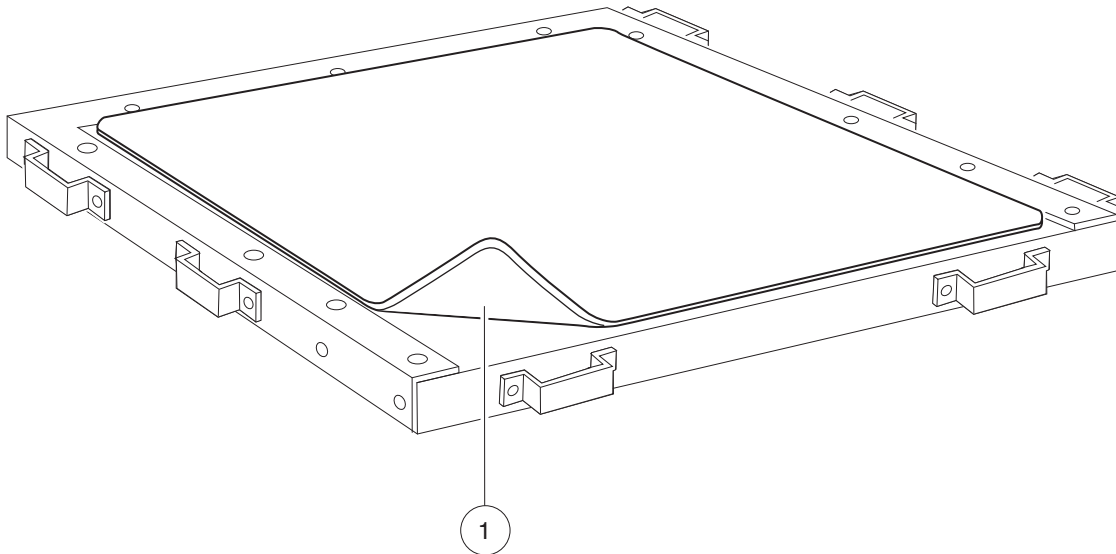
ITEM	PART NO.	DESCRIPTION	QTY
		1 2 3 4	
1	<u>1010435</u>	Bolt, Carriage, 5/16-18 X 1.00	13
2	<u>1010436</u>	Bumper, Rubber	4
3	<u>1014306</u>	Washer, 1/4" Type B Flat	4
4	<u>1014415</u>	Screw, 1/4-20 X 0.75 Torx Truss-Head	8
5	<u>1014537</u>	Stud, Self-Clinching Flush Head	4
6	<u>1015399</u>	Screw, 5/16-18 X 0.88 Torx Truss-Head	18
7	<u>101894304</u>	Box Bed Tailgate Angle	1
8	<u>101963401</u>	Locknut, 5/16-18 Hex Flange	4
9	<u>102221301</u>	Front Panel Weldment	1
10	<u>102221401</u>	Left Panel Weldment	1
11	<u>102221501</u>	Right Panel Weldment	1
12	<u>102221701</u>	Front Corner Cap	2
13	<u>102222001</u>	Slam Latch	2
14	<u>102239901</u>	Washer, Rubber, 3/8	4
15	<u>102614401</u>	Assembly, Tailgate (includes items 16 through 23)	1
16	<u>1013366</u>	Hair Pin Clip	4
17	<u>1014415</u>	Screw, 1/4-20 X 0.75 Torx Truss-Head	4
18	N/A	Tailgate, Weldment	1
19	<u>102221801</u>	Tether Assembly	2
20	<u>102222101</u>	Spring Latch Right	1
21	<u>102222201</u>	Spring Latch Left	1
22	<u>102673201</u>	Decal, Club Car Tailgate	1
23	<u>8233</u>	Locknut, 1/4-20, Nylon Insert	4
24	<u>332</u>	Washer, 1/4 Type A Narrow Flat	4
25	<u>7473</u>	Locknut, 5/16-18 Nylon Insert	31
26	<u>8233</u>	Locknut, 1/4-20, Nylon Insert	4

1
G
E

1

G

E



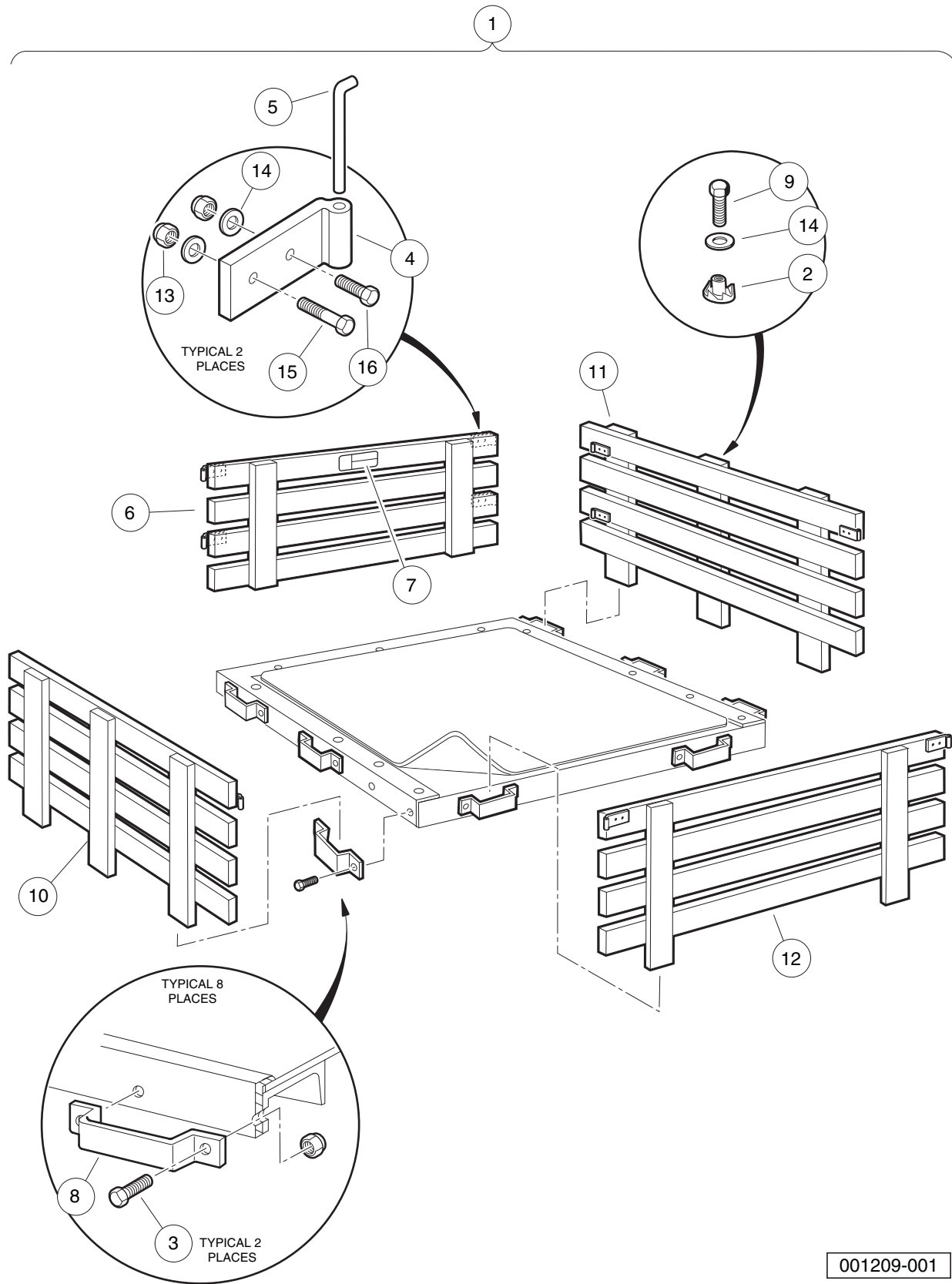
001207-001

BED MAT

ITEM	PART NO.	DESCRIPTION	QTY
1	<u>101770202</u>	1 2 3 4 Bed Mat	1

1
G
E

1
G
E

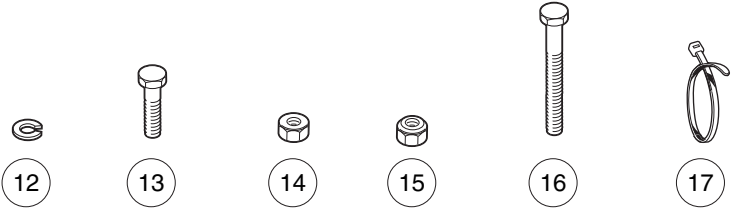
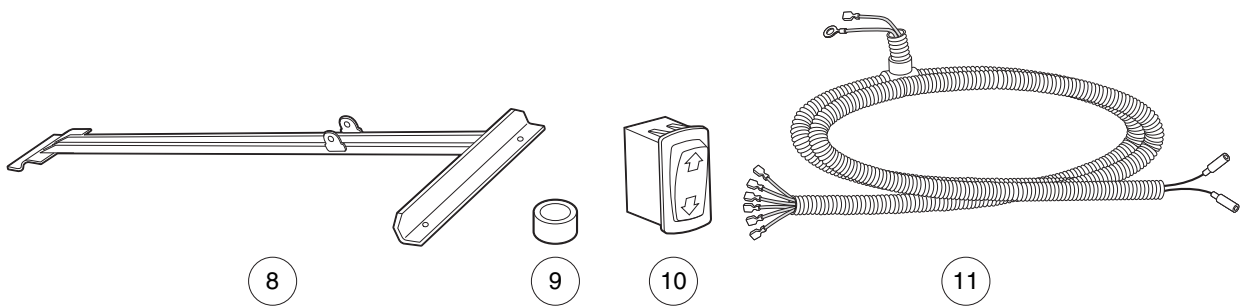
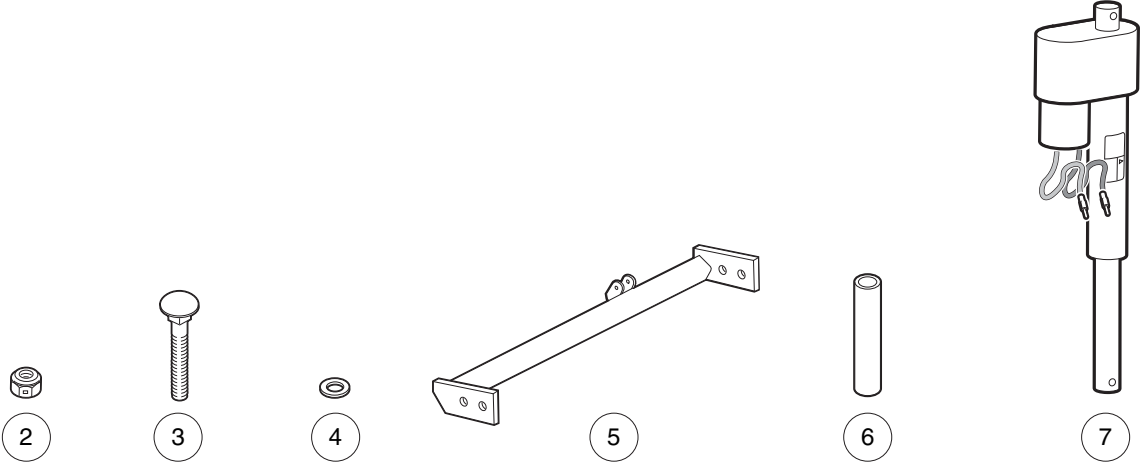
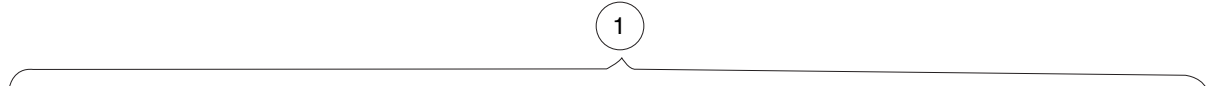


STAKE SIDE KIT

ITEM	PART NO.	DESCRIPTION	QTY
		1 2 3 4	
1	<u>102847701</u>	Kit, Stake Side, 45-5/8 X 50 (includes items 2 through 16)	1
2	<u>1010086</u>	T-Nut	74
3	<u>1010934</u>	Screw, 5/16-18 X 1.00 Hex Cap	16
4	<u>1015654</u>	Stake Side Hinge	12
5	<u>1015656</u>	Pin, hinge	6
6	<u>101565803</u>	Stake Side Assembly, Front (includes item 7)	1
7	<u>101553901</u>	Decal, Bed Load Warning	1
8	<u>1016077</u>	Bracket, Stake Side	8
9	<u>1016916</u>	Screw, 1/4-20 X 1.50 Hex-Head Cap	74
10	<u>102847601</u>	Asm, Stake Side, 45-5/8 X 19 D	1
11	<u>102847602</u>	Asm, Stake Side, 45-5/8 X 19 P	1
12	<u>102847603</u>	Asm, Stake Side, 48 X 19 Rear	1
13	<u>1108</u>	Locknut, 1/4-20 Dimpled	24
14	<u>332</u>	Washer, 1/4 Type A Narrow Flat	24
15	<u>7311</u>	Screw, 1/4-20 X 2.00 Hex-Head Cap	6
16	<u>7479</u>	Screw, 1/4-20 X 1.25 Hex-Head Cap	18

1
G
E

1
G
E



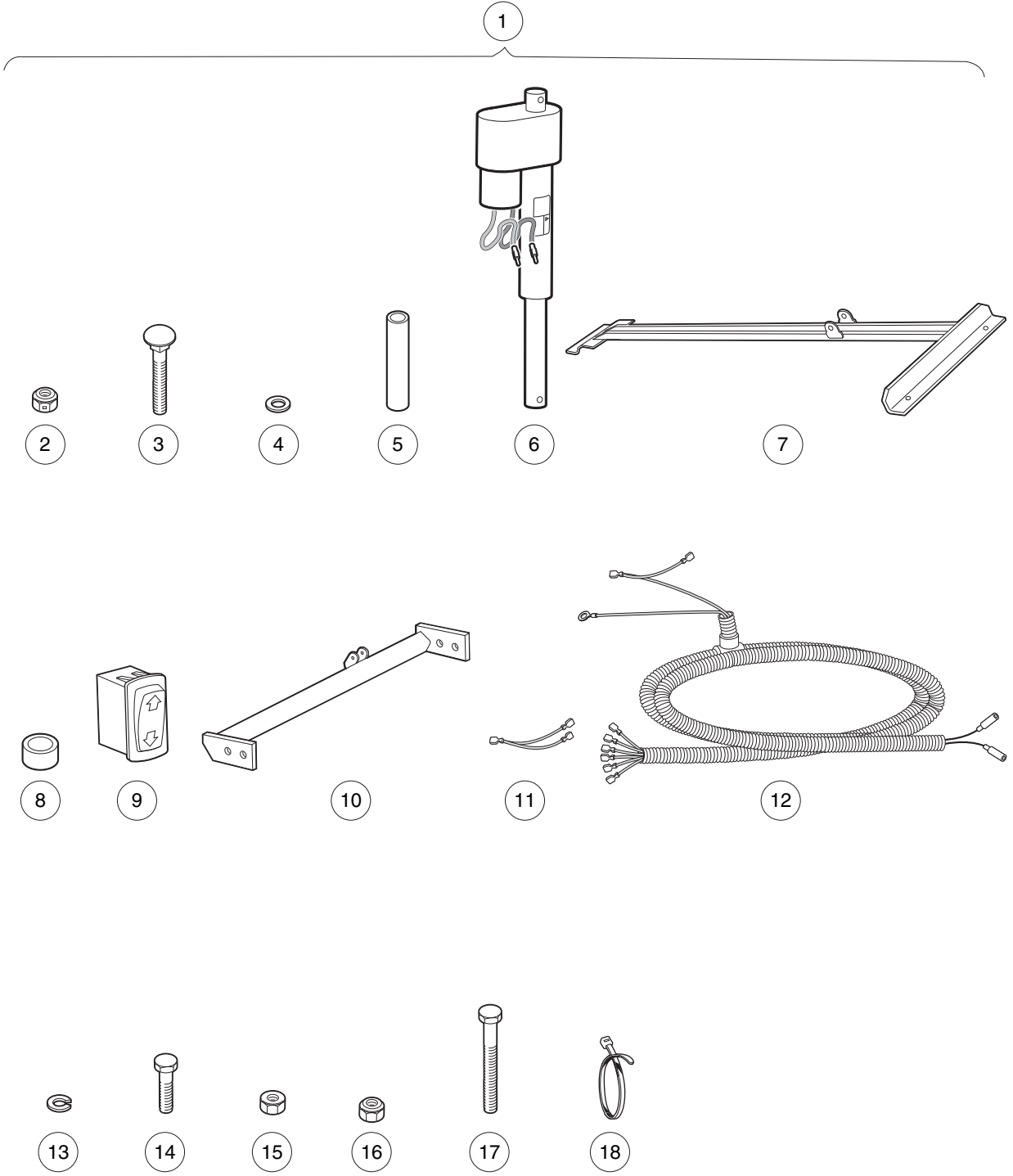
001263-001

ELECTRIC BED LIFT – GASOLINE VEHICLES

ITEM	PART NO.	DESCRIPTION	QTY
		1 2 3 4	
1	<u>103272801</u>	Kit, Electric Bed Lift, T/CA2/252/900 Gas (includes items 2 through 17)	1
2	<u>1010138</u>	Locknut, 3/8-16 Dimpled	2
3	<u>1010435</u>	Bolt, Carriage, 5/16-18 X 1.00	3
4	<u>1011990</u>	Washer, 3/8 Flat	4
5	1015612	Mounting Bracket, Hydraulic Cylinder	1
6	<u>1016603</u>	Bushing Long	2
7	<u>1017162</u>	Actuator Assembly, Electric	1
8	<u>1017167</u>	Actuator Adapter	1
9	1017774	Body Spacer	8
10	<u>102882501</u>	Switch, Rocker, Bed Lift	1
11	<u>103270201</u>	Wire Harness, Elec Tilt Sys	1
12	<u>357</u>	Lockwasher, 3/8 Split	4
13	705	Screw, Cap-hex Hd 3/8-16x1.25	4
14	<u>706</u>	Nut, Hex 3/8-16	4
15	<u>7473</u>	Locknut, 5/16-18 Nylon Insert	3
16	<u>7561</u>	Bolt, 3/8-16 X 3.00 Hex Head	2
17	<u>8990</u>	Tie Wrap, 8" Nylon	10

1
G
E

1
G
E



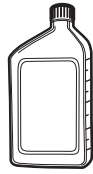
001264-001

ELECTRIC BED LIFT – ELECTRIC VEHICLE

ITEM	PART NO.	DESCRIPTION	QTY
		1 2 3 4	
1	<u>103274202</u>	Kit, Electric Bed Lift, T/CA2/252/900 IQ Plus (includes items 2 through 18)	1
2	<u>1010138</u>	Locknut, 3/8-16 Dimpled	2
3	<u>1010435</u>	Bolt, Carriage, 5/16-18 X 1.00	3
4	<u>1011990</u>	Washer, 3/8 Flat	4
5	<u>1016603</u>	Bushing Long	2
6	<u>1017162</u>	Actuator Assembly, Electric	1
7	<u>1017167</u>	Actuator Adapter	1
8	1017774	Body Spacer	8
9	<u>102882501</u>	Switch, Rocker, Bed Lift	1
10	<u>102893601</u>	Center Bracket, Bed Lift	1
11	<u>102959601</u>	Iq Plus Acc Jumper, 3 Inch	1
12	<u>103270301</u>	Wire Harness, El Tilt, Iq Plus	1
13	<u>357</u>	Lockwasher, 3/8 Split	4
14	705	Screw, Cap-hex Hd 3/8-16x1.25	4
15	<u>706</u>	Nut, Hex 3/8-16	4
16	<u>7473</u>	Locknut, 5/16-18 Nylon Insert	3
17	<u>7561</u>	Bolt, 3/8-16 X 3.00 Hex Head	2
18	<u>8990</u>	Tie Wrap, 8" Nylon	12

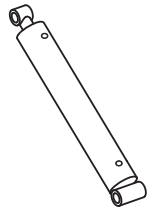
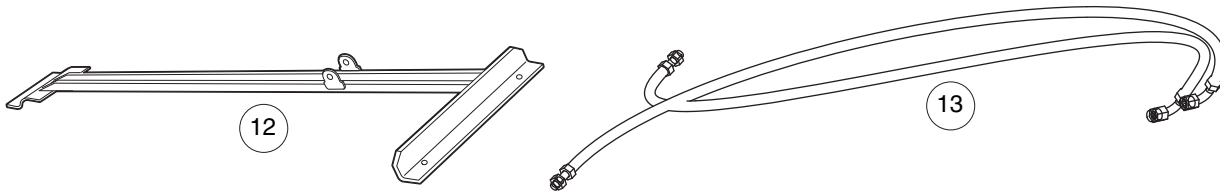
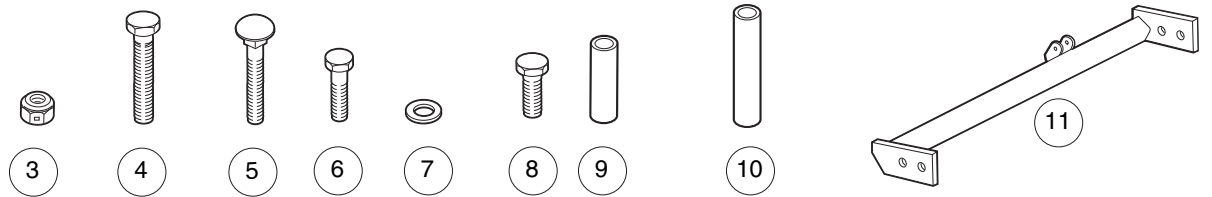
1
G
E

1
G
E



1

2



14



15



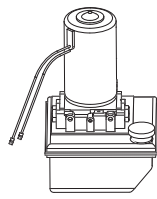
16



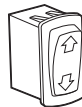
17



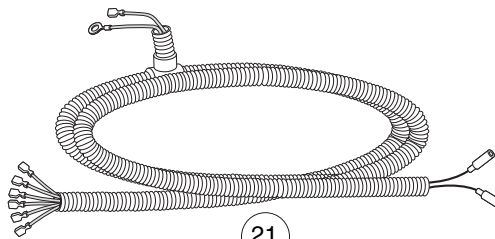
18



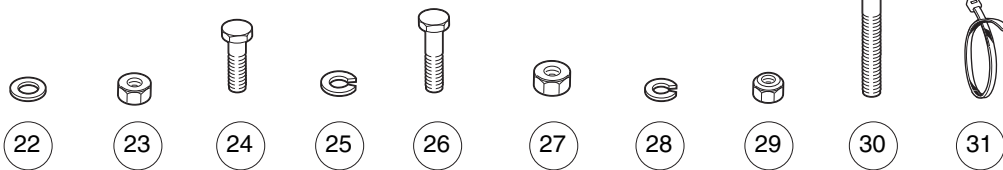
19



20



21

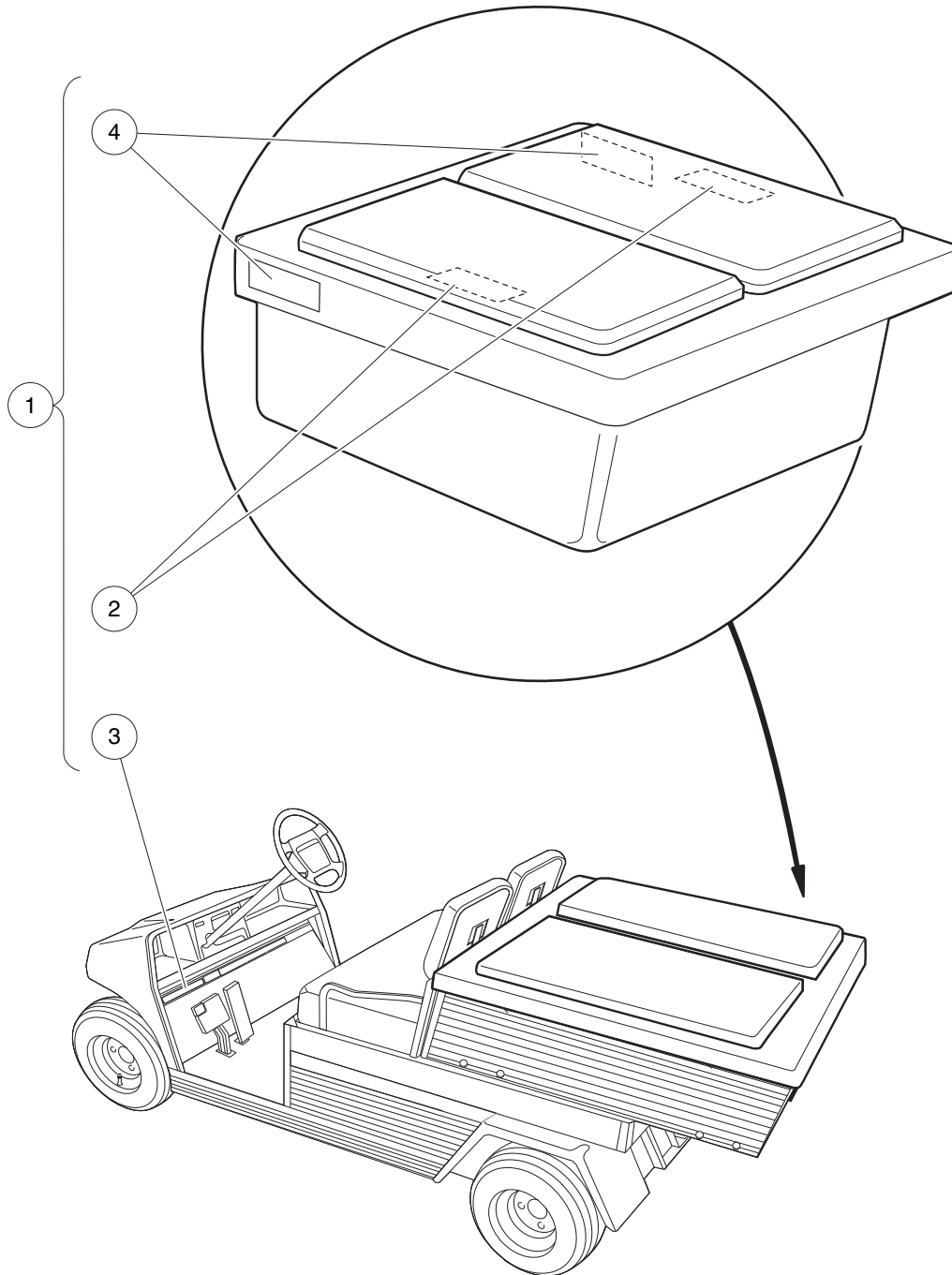


001222-001

HYDRAULIC BED LIFT KIT

ITEM	PART NO.	DESCRIPTION	QTY
		1 2 3 4	
1	1015820	Hydraulic Fluid	A/R
2	<u>103324402</u>	Kit, Hydraulic Bed Lift (includes items 3 through 31)	1
3	<u>1010138</u>	Locknut, 3/8-16 Dimpled	2
4	<u>1010177</u>	Bolt, 3/8-16 X 2.00 Hex Head	1
5	<u>1010435</u>	Bolt, Carriage, 5/16-18 X 1.00	4
6	<u>1010934</u>	Screw, 5/16-18 X 1.00 Hex Cap	2
7	<u>1011990</u>	Washer, 3/8 Flat	6
8	<u>1012463</u>	Bolt, 3/8-16 X .875 Hex Head	2
9	<u>1015608</u>	Tube Spacer, Hydraulic Cylinder	1
10	<u>1015610</u>	Tube Spacer Lg Hyd Cyl	1
11	1015612	Mounting Bracket, Hydraulic Cylinder	1
12	<u>1015615</u>	Cylinder Adapter Weldment	1
13	<u>1015616</u>	Hydraulic Hose Asm. Tilt Bed	2
14	<u>1015617</u>	Hydraulic Cylinder Cail Tilt	1
15	<u>1015621</u>	Mtg Bracket Hydr. Pump	1
16	<u>1015623</u>	Straight Thread Adap. W/o-ring	2
17	<u>1015624</u>	Straight Thd Elbow W/o-ring Ca	2
18	<u>101570401</u>	Decal, Tilt System Warning	1
19	<u>1016136</u>	Pump, Hydraulic Tilt Bed	1
20	<u>102882501</u>	Switch, Rocker, Bed Lift	1
21	<u>103318401</u>	Harness, Hyd Lift, Gas	1
22	<u>1241</u>	Washer, 5/16 Type A Flat	6
23	<u>1242</u>	Nut, 5/16-18 Hex	2
24	320	Screw, 3/8-16 X 1.00 Hex-Head Cap	2
25	<u>357</u>	Lockwasher, 3/8 Split	6
26	705	Screw, Cap-hex Hd 3/8-16x1.25	2
27	<u>706</u>	Nut, Hex 3/8-16	4
28	<u>7174</u>	Lockwasher, 5/16 Split	2
29	<u>7473</u>	Locknut, 5/16-18 Nylon Insert	5
30	<u>7561</u>	Bolt, 3/8-16 X 3.00 Hex Head	1
31	<u>8990</u>	Tie Wrap, 8" Nylon	8

1
G
E



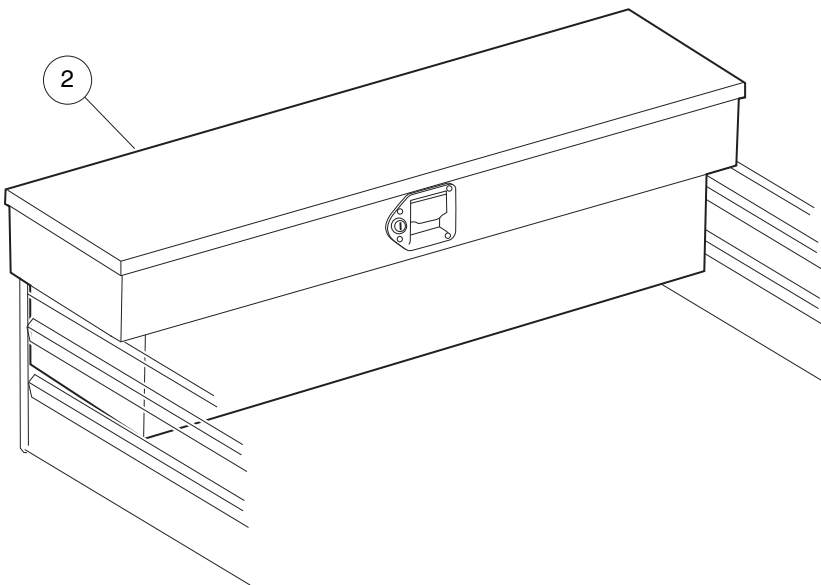
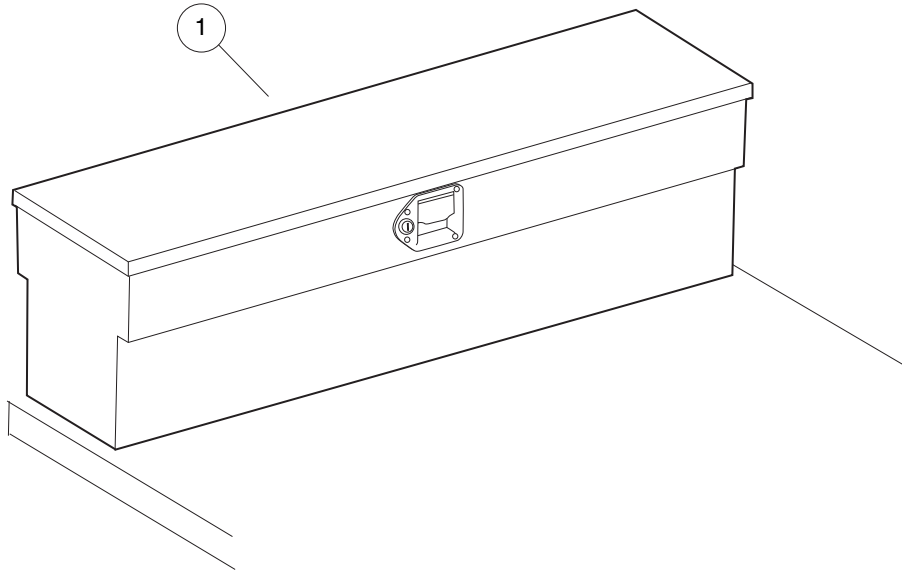
001210-001

PORTABLE REFRESHMENT CENTER

ITEM	PART NO.	DESCRIPTION	QTY
		1 2 3 4	
1	<u>101996901</u>	Portable Refreshment Ctr, 2 (includes items 2 through 4)	1
2	<u>1011962</u>	Decal, Refreshment Center	2
3	<u>102056401</u>	Decal-bev Unit Dash Warning	1
4	N/A	Decal, PRC Warning	2

1
G
E

1
G
E



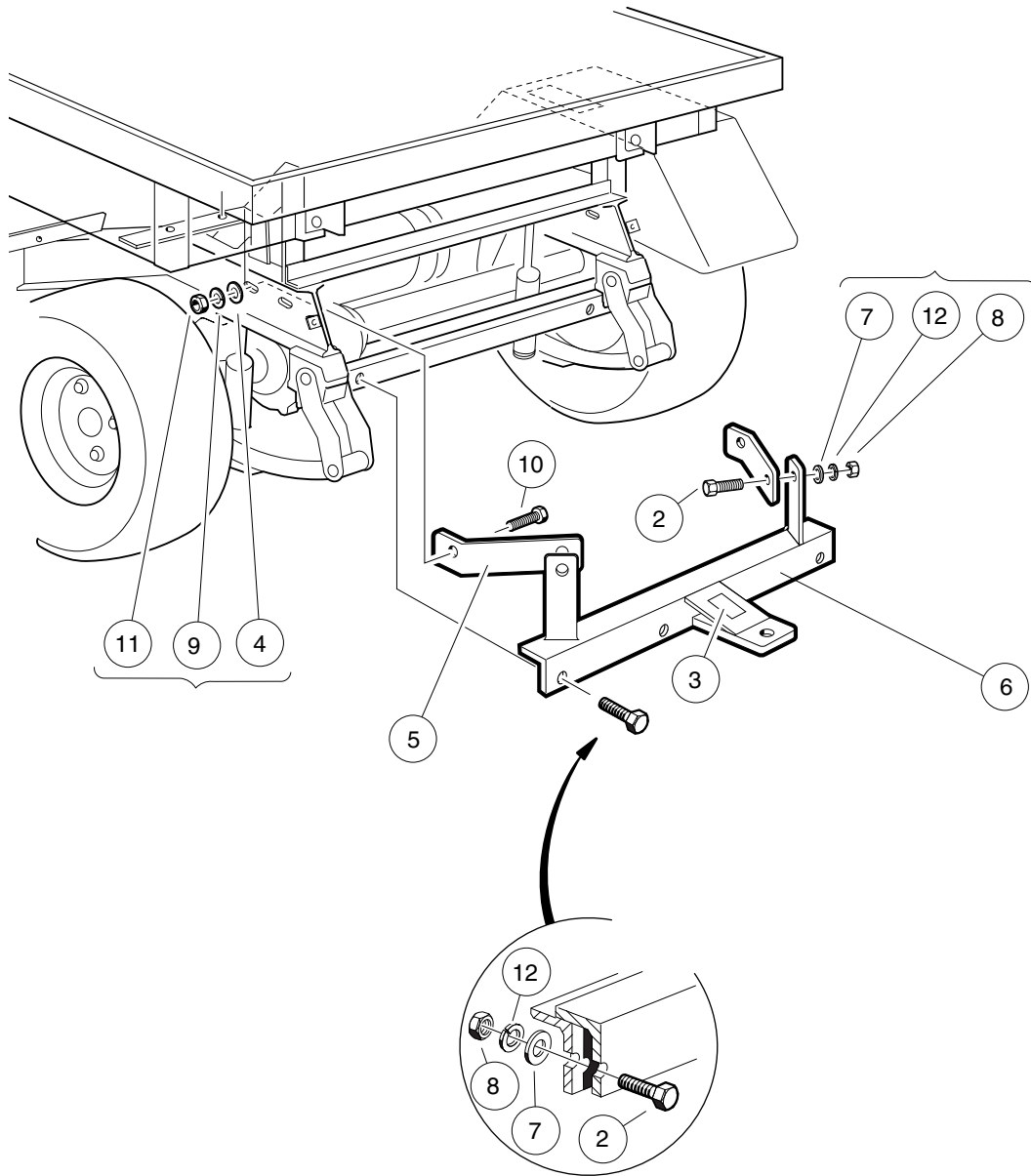
001157-001

TOOLBOXES

ITEM	PART NO.	DESCRIPTION	QTY
1	<u>101837401</u>	1 2 3 4 Toolbox, Flat Bed	1
2	<u>101837502</u>	Toolbox, Box Bed	1

1
G
E

1
G
E



000265-001

TRAILER HITCH

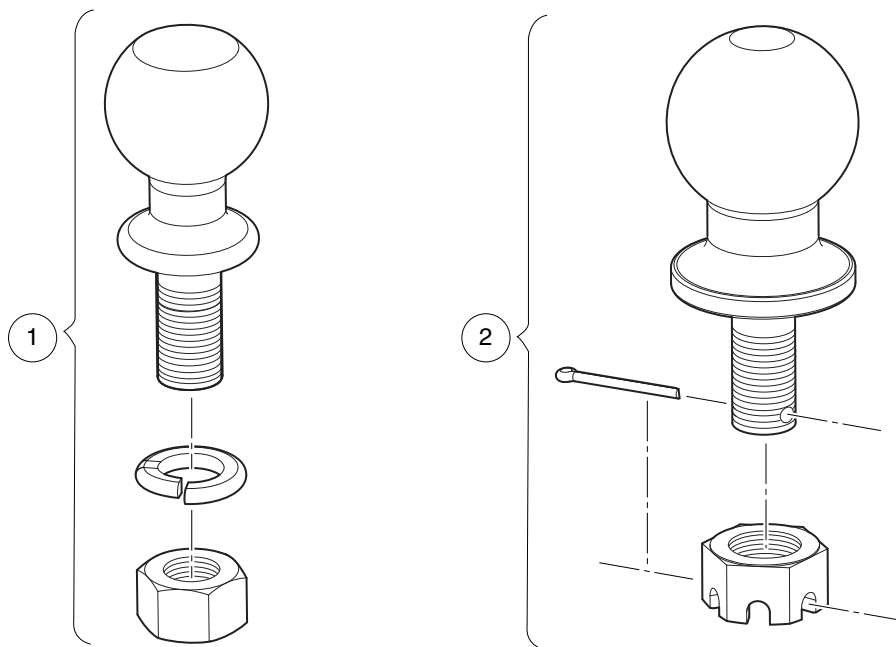
ITEM	PART NO.	DESCRIPTION	QTY
		1 2 3 4	
1	<u>1015445</u>	Kit, Trailer Hitch (includes items 2 through 12)	1
2	<u>1010934</u>	Screw, 5/16-18 X 1.00 Hex Cap	4
3	<u>1011553</u>	Decal, Trailer Hitch	1
4	<u>1011990</u>	Washer, 3/8 Flat	2
5	<u>1013483</u>	Brace, Trailer Hitch	2
6	N/A	Asm, Trailer Hitch	1
7	<u>1241</u>	Washer, 5/16 Type A Flat	4
8	<u>1242</u>	Nut, 5/16-18 Hex	4
9	<u>357</u>	Lockwasher, 3/8 Split	2
10	705	Screw, Cap-hex Hd 3/8-16x1.25	2
11	<u>706</u>	Nut, Hex 3/8-16	2
12	<u>7174</u>	Lockwasher, 5/16 Split	4

1
G
E

1

G

E



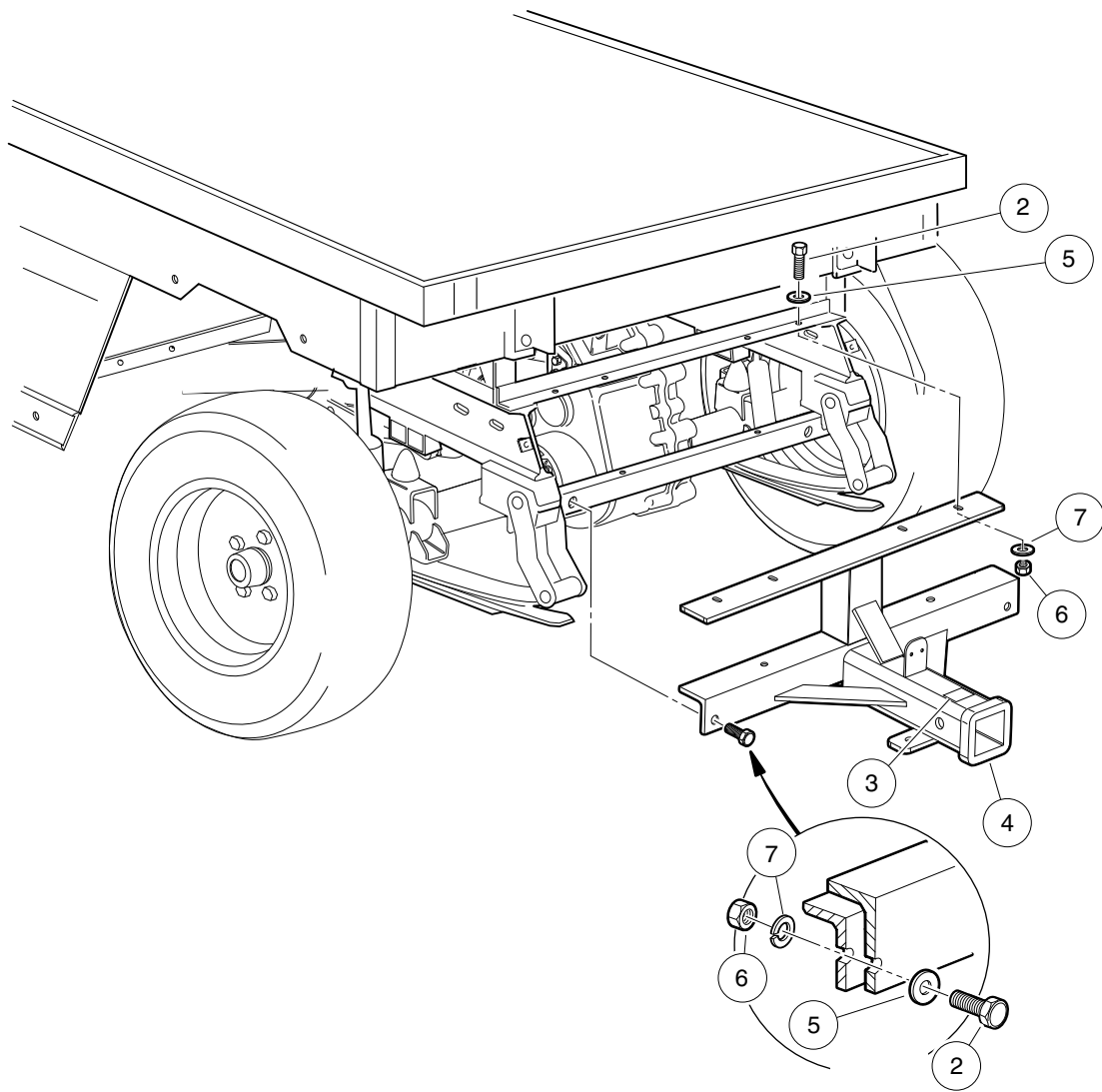
001137-001

TRAILER HITCH BALL

ITEM	PART NO.	DESCRIPTION	QTY
1	<u>1011546</u>	1 2 3 4 Trailer Hitch Ball - 1 7/8"	1
2	<u>AM1264001</u>	Chrome Hitch Ball, 2"	1

1
G
E

1
G
E



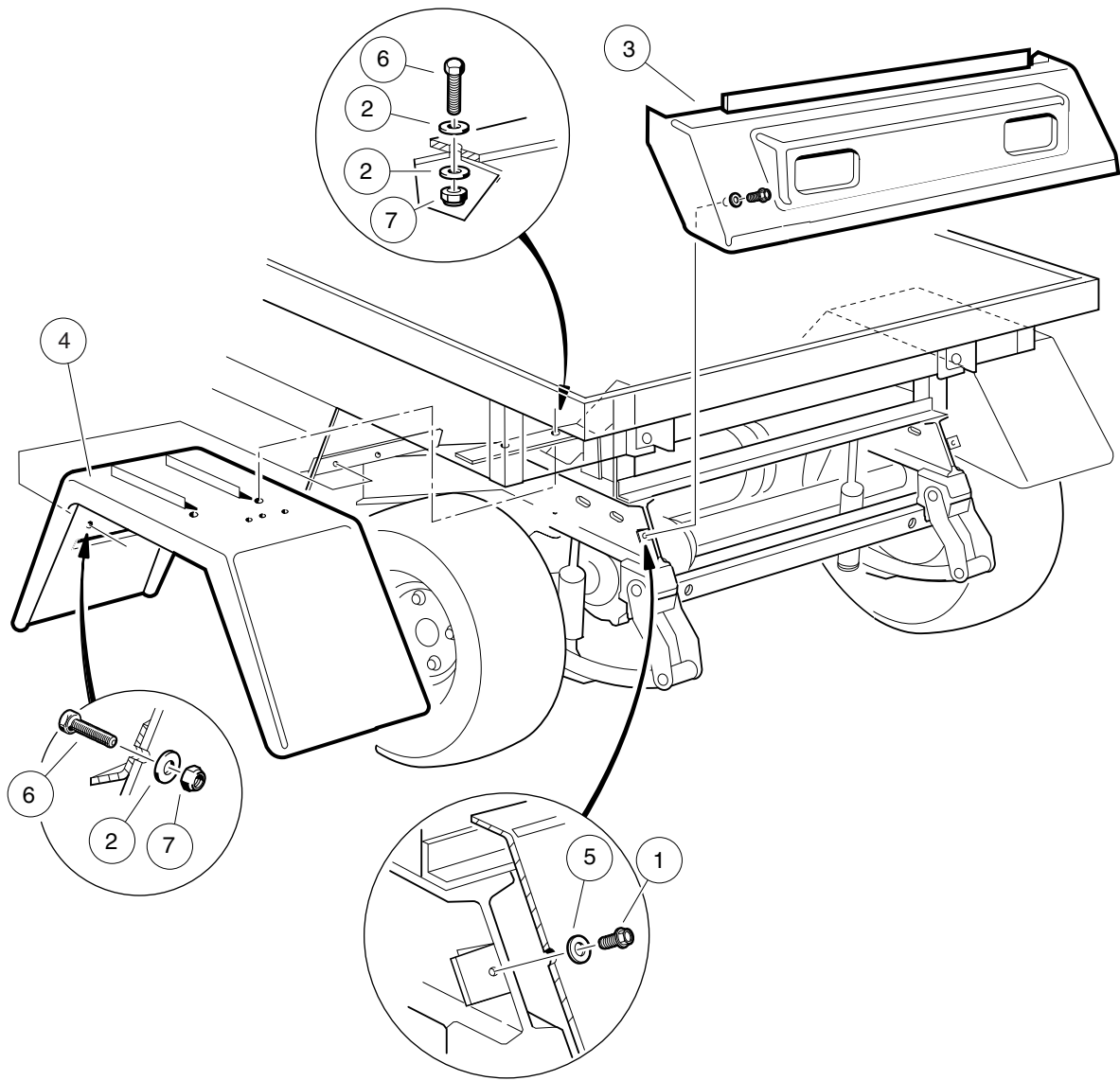
000100-002

RECEIVER HITCH

ITEM	PART NO.	DESCRIPTION	QTY
		1 2 3 4	
1	<u>102065103</u>	Kit, Rear Receiver (includes items 2 through 7)	1
2	<u>1010934</u>	Screw, 5/16-18 X 1.00 Hex Cap	6
3	<u>1011553</u>	Decal, Trailer Hitch	1
4	<u>102056001</u>	Rear Receiver Weld Asm	1
5	<u>1241</u>	Washer, 5/16 Type A Flat	6
6	<u>1242</u>	Nut, 5/16-18 Hex	6
7	<u>7174</u>	Lockwasher, 5/16 Split	6

1
G
E

1
G
E



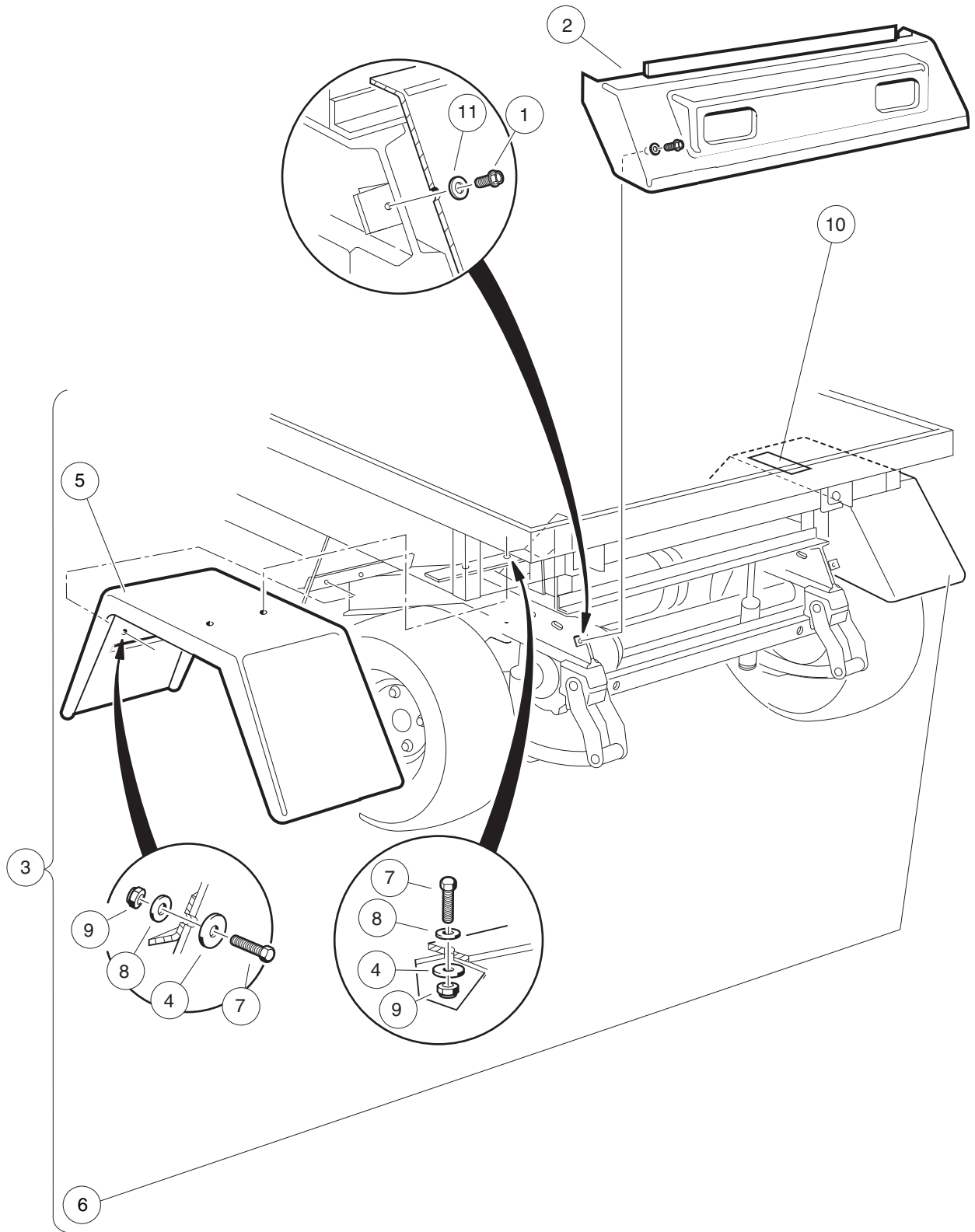
000266-001

REAR BODY TRIM – TURF/CARRYALL 1, 2, 2 PLUS, AND 6

ITEM	PART NO.	DESCRIPTION	QTY
		1 2 3 4	
1	<u>1012285</u>	Screw, 1/4 X 0.625 Hex-Head	2
2	<u>1014306</u>	Washer, 1/4" Type B Flat	12
3	<u>1015530</u>	Tailskirt	1
4	<u>1016679</u>	Rear Fender	2
5	<u>332</u>	Washer, 1/4 Type A Narrow Flat	2
6	<u>7847</u>	Screw, 1/4-20 X 0.75 Hex-Head Cap	8
7	<u>8233</u>	Locknut, 1/4-20, Nylon Insert	8

1
G
E

1
G
E



000267-001

REAR BODY TRIM – TURF/CARRYALL 252 AND XRT 900

ITEM	PART NO.	DESCRIPTION	QTY
		1 2 3 4	
1	<u>1012285</u>	Screw, 1/4 X 0.625 Hex-Head	2
2	<u>1015530</u>	Tailskirt	1
3	<u>102010501</u>	Rear Fender Kit (includes items 4 through 9)	1
4	<u>1014306</u>	Washer, 1/4" Type B Flat	10
5	<u>102004601</u>	Extended Fender, Rear, Left-Hand	1
6	<u>102004602</u>	Extended Fender, Rear, Right-Hand	1
7	304	Screw, 1/4-20 X 1.0 Hex-Head Cap	8
8	<u>332</u>	Washer, 1/4 Type A Narrow Flat	6
9	<u>8233</u>	Locknut, 1/4-20, Nylon Insert	8
10	<u>102224001</u>	Decal, Rotating Parts Warning	1
11	<u>332</u>	Washer, 1/4 Type A Narrow Flat	2

1
G
E

CAB, CURTIS – TURF/CARRYALL 2, 2 PLUS, 252 AND XRT 900

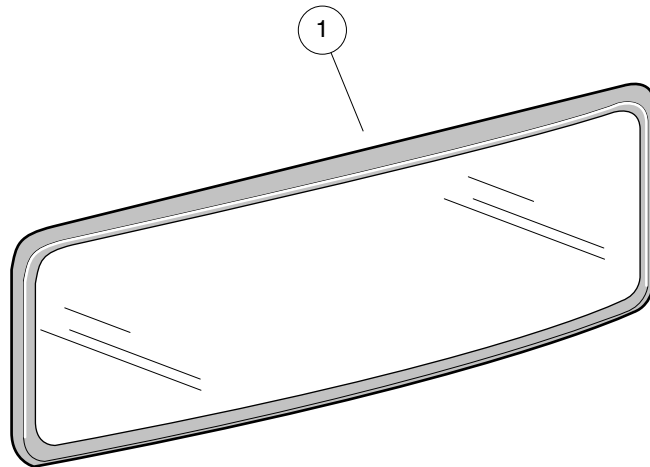
ITEM	PART NO.	DESCRIPTION	QTY
		1 2 3 4	
1	<u>102262901</u>	Asm, Cab (includes items 2 through 13)	1
2	AM1304001	CTC-Windshield Assembly	1
3	AM1304101	CTC-Windshield Latches	A/R
4	AM1304201	CTC-Drivers Side Door	1
5	AM1304301	CTC-Passenger Side Door	1
6	AM1304401	CTC-Inside Door Latches	2
7	AM1304501	CTC-Outside Door Latches	2
8	AM1304601	CTC-Door Hinge Kit	A/R
9	AM1304801	CTC-Side Frame Rear Window	1
10	AM1304901	CTC-Roof (White Plastic)	1
11	AM1305001	CTC-Wiper Motor	1
12	AM1305101	CTC-Wiper Arm	1
13	AM1305201	CTC-Wiper Blade	1
14	<u>102264501</u>	Kit, Seat Belt (required for ROPS certification, includes mounting hardware)	1
15	<u>103274401</u>	Kit, Adapter, Cab, Carryall (includes item 16)	1
16	AM1304701	CTC-Rear Panel	1

1
G
E

1

G

E



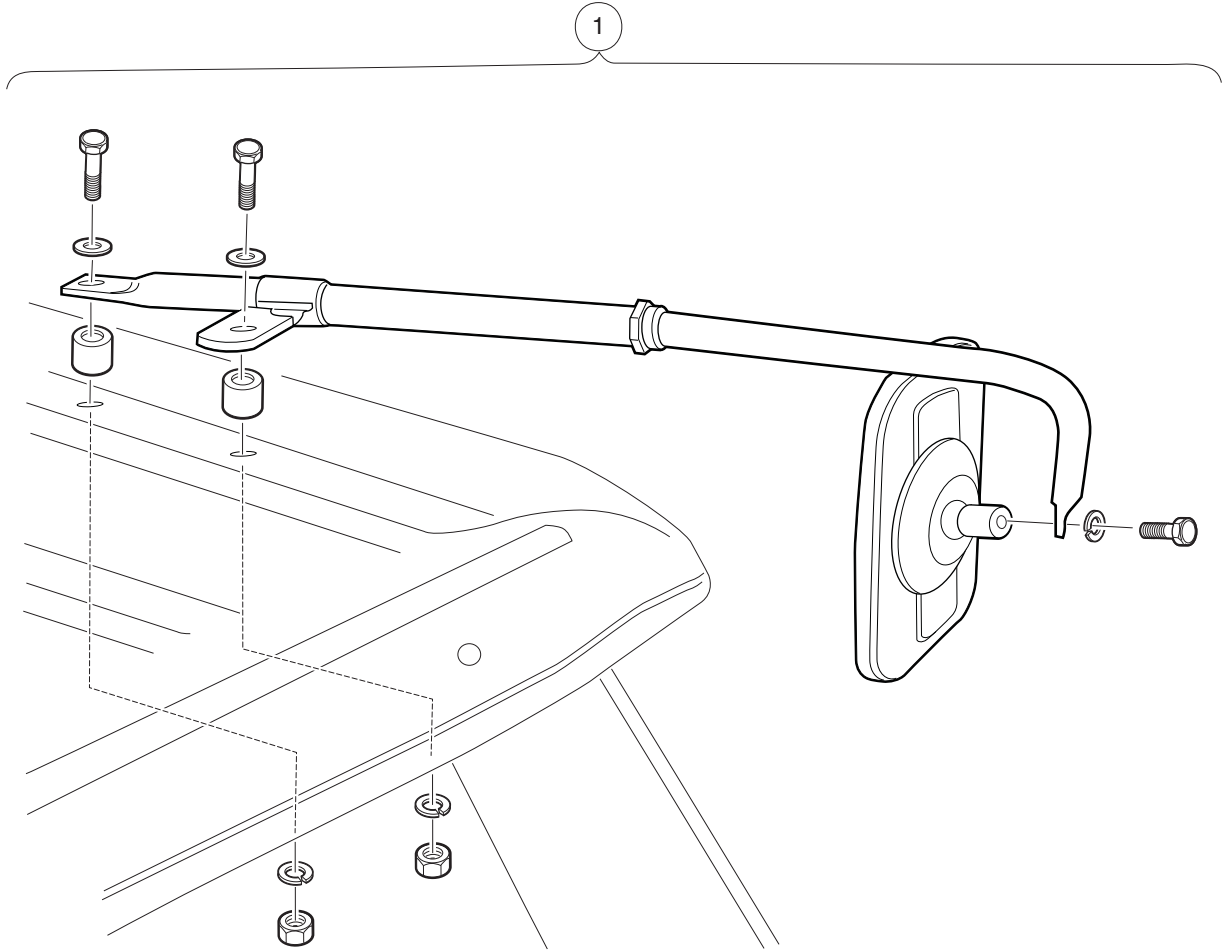
APM-000214-001

MIRROR, INSIDE REAR-VIEW – CURTIS CAB

ITEM	PART NO.	DESCRIPTION	QTY
1	101995101	<p>1 2 3 4 Kit, Rear-View Mirror (includes mounting hardware)</p> <p>Note: For installation on vehicles equipped with a Curtis cab.</p>	1

1
G
E

1
G
E



001202-001

MIRROR, SIDE-VIEW – CURTIS CAB

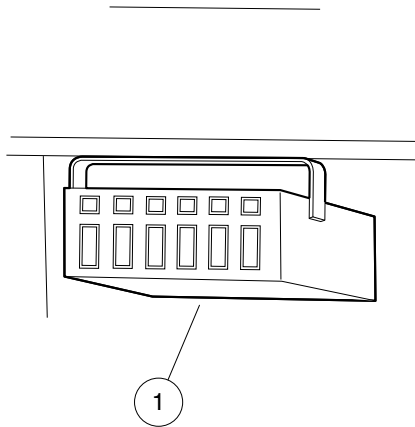
ITEM	PART NO.	DESCRIPTION	QTY
1	<u>102272601</u>	<p>1 2 3 4 Kit, Mirror</p> <p>Note: For installation on vehicles equipped with a Curtis cab.</p>	1

1
G
E

1

G

E



APM-000264-002

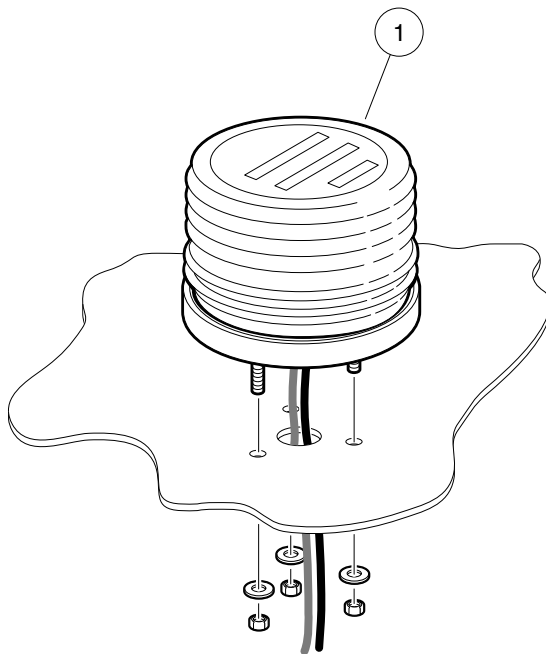
ACCESSORY SWITCH PANEL – CURTIS CAB

ITEM	PART NO.	DESCRIPTION	QTY
1	<u>101994601</u>	<p>1 2 3 4</p> <p>Panel, Accessory Switch</p> <p style="margin-left: 40px;">Note: For installation on vehicles equipped with a Curtis cab.</p>	1

1

G

E



APM-000212-001

STROBE LIGHT – CURTIS CAB

ITEM	PART NO.	DESCRIPTION	QTY
1	<u>101994301</u>	<p>1 2 3 4</p> <p>Kit, Strobe Light (includes mounting hardware and wire harness)</p> <p style="margin-left: 40px;">Note: For installation on vehicles equipped with a Curtis cab.</p>	1

1

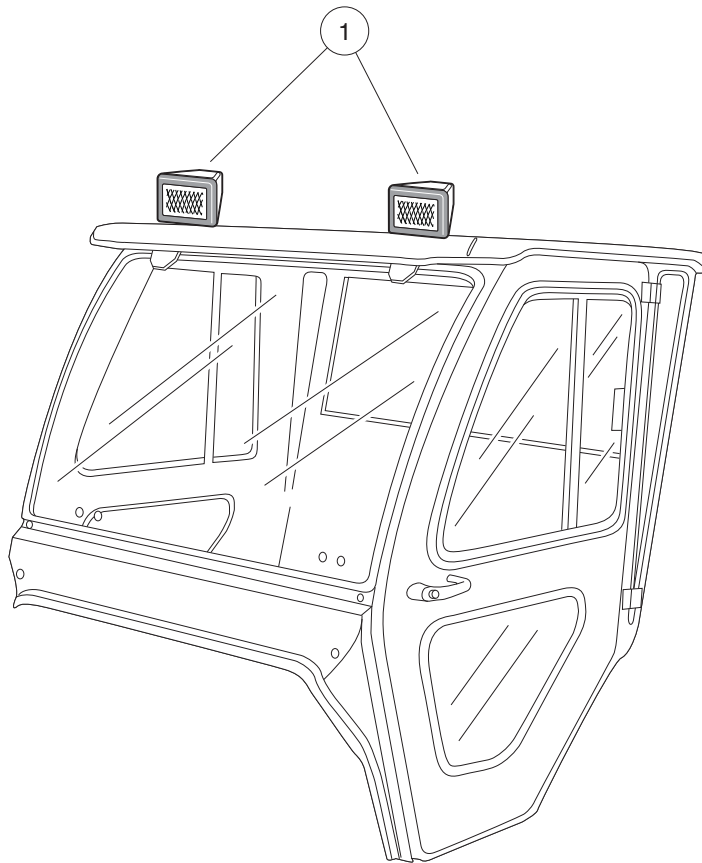
G

E

1

G

E



001201-001

WORK LIGHTS – CURTIS CAB

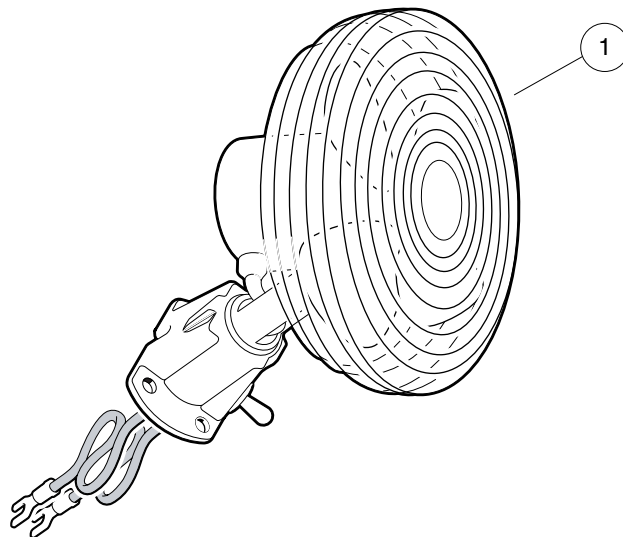
ITEM	PART NO.	DESCRIPTION	QTY
1	<u>101994801</u>	<p>1 2 3 4 Kit, Work Light (includes mounting hardware and wire harness)</p> <p>Note: For installation on vehicles equipped with a Curtis cab.</p>	1

1
G
E

1

G

E

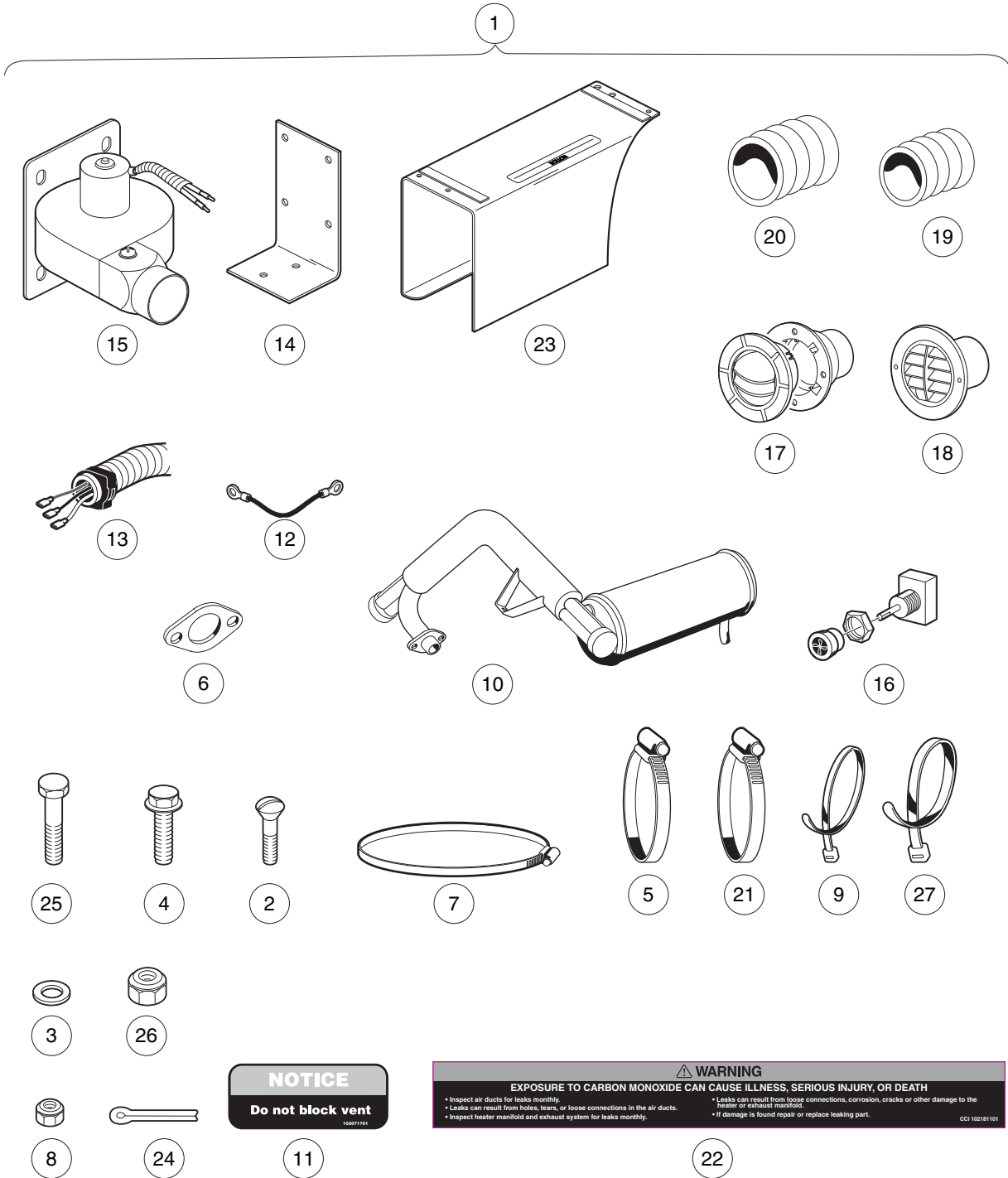


APM-000215-001

FAN/DEFOGGER – CURTIS CAB

ITEM	PART NO.	DESCRIPTION	QTY	
1	<u>101994401</u>	<p>1 2 3 4</p> <p>Kit, Fan/Defogger (includes mounting hardware and wire harness)</p> <p style="margin-left: 40px;">Note: For installation on vehicles equipped with a Curtis cab.</p>	1	<div style="background-color: black; color: white; padding: 2px; margin-bottom: 2px;">1</div> <div style="background-color: black; color: white; padding: 2px; margin-bottom: 2px;">G</div> <div style="background-color: black; color: white; padding: 2px;">E</div>

1
G
E



NOTICE
Do not block vent
10021101

WARNING
EXPOSURE TO CARBON MONOXIDE CAN CAUSE ILLNESS, SERIOUS INJURY, OR DEATH
 • Inspect air ducts for leaks monthly.
 • Leaks can result from holes, tears, or loose connections in the air ducts.
 • Inspect heater manifold and exhaust system for leaks monthly.
 • Leaks can result from loose connections, corrosion, cracks or other damage to the heater or exhaust manifold.
 • If damage is found repair or replace leaking part.
CG 102181101

001099-001

HEATER – CURTIS CAB

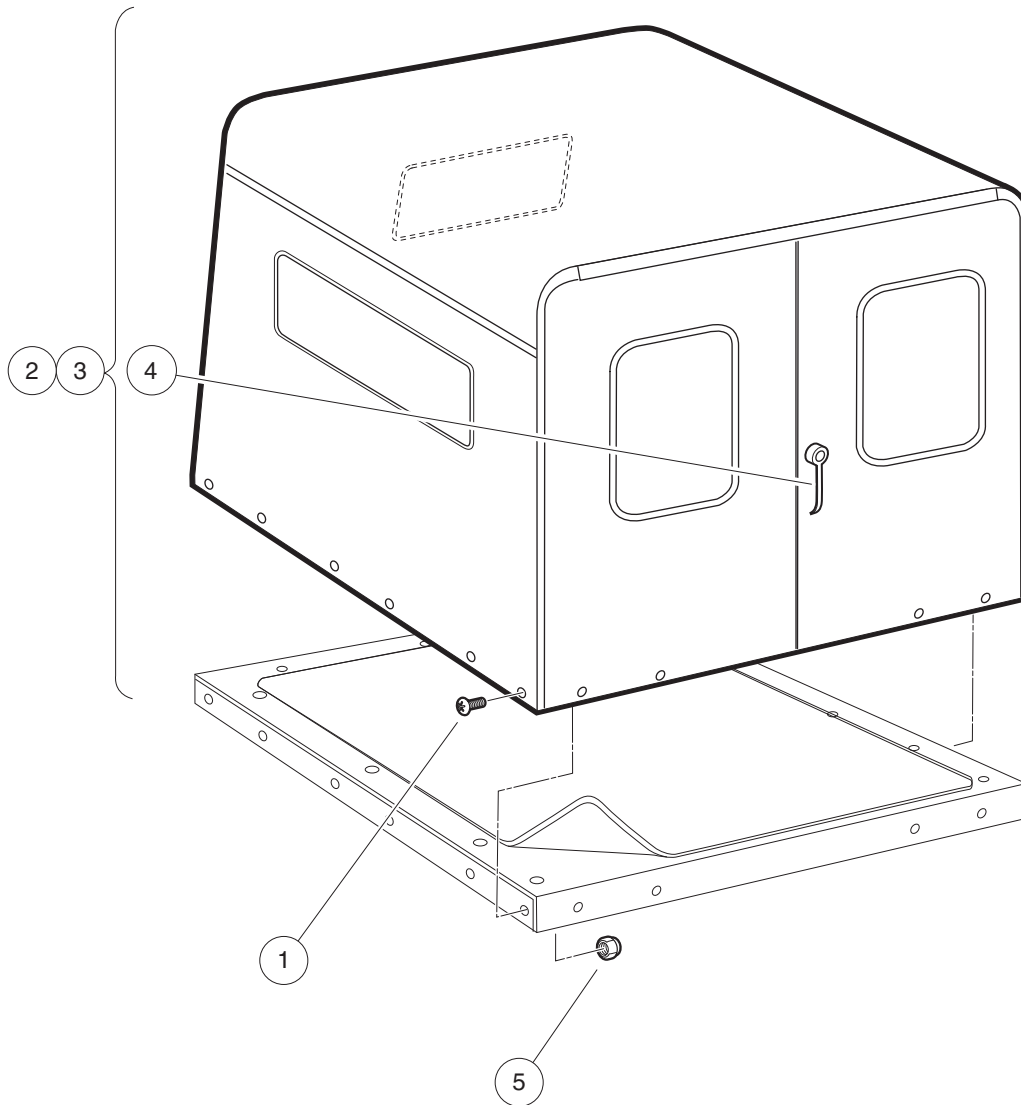
ITEM	PART NO.	DESCRIPTION	QTY
		1 2 3 4	
1	<u>102056502</u>	Comfort Cab Heater Kit, Turf/CA2/252 w/FE350 (includes items 2 through 27)	1
2	<u>1011226</u>	Screw, #6-32 X .62 Cs Oval Hd	4
3	<u>1011964</u>	Washer, 1/4 Flat	12
4	<u>1012285</u>	Screw, 1/4 X 0.625 Hex-Head	3
5	<u>1012349</u>	Clamp, Air Intake Hose, 2"	2
6	<u>1016904</u>	Gasket, Exhaust	1
7	<u>1017689</u>	Clamp, 5" Muffler Hose	1
8	<u>101932201</u>	Locknut, #6-32 Nylon	4
9	<u>102025401</u>	Tie Wrap, Heavy Duty	1
10	<u>102070601</u>	Header Heater, FE350	1
11	<u>102071701</u>	Decal - Header Heater Kit	2
12	N/A	Wire Asm #16 Black	1
13	N/A	Wire Harness, Header Heater	1
14	N/A	Mounting Bracket, Blower	1
15	<u>102074101</u>	Centrifugal Blower Asm	1
16	<u>102074201</u>	Heater Switch	1
17	<u>102074501</u>	Outlet Vent	1
18	<u>102074601</u>	Inlet Vent	1
19	<u>102074701</u>	Duct Hose	1
20	<u>102074801</u>	Duct Hose	1
21	<u>102074901</u>	Clamp, Air Intake Hose, 2-1/2"	4
22	<u>102181101</u>	Decal Inspection Heater	1
23	<u>102182101</u>	Cover, Blower	1
24	<u>1035</u>	Cotter Pin, 3/32 x 1	2
25	<u>304</u>	Screw, 1/4-20 X 1.0 Hex-Head Cap	6
26	<u>8233</u>	Locknut, 1/4-20, Nylon Insert	6
27	<u>8639</u>	Tie Wrap, 11" Nylon	3
Note: For installation on vehicles equipped with a Curtis cab.			

1

G

E

1
G
E



001208-001

VAN BOX

ITEM	PART NO.	DESCRIPTION	QTY
		1 2 3 4	
1	1015399	Screw, 5/16-18 X 0.88 Torx Truss-Head	20
2	<u>101754201</u>	Custom Van Box, Gray	1
3	<u>101754204</u>	Custom Van Box Kit, White (includes item 4)	1
4	<u>102006201</u>	Handle, Van Box Door	1
5	<u>7473</u>	Locknut, 5/16-18 Nylon Insert	20
<p>Note: Item 2, Van Box Gray, includes item 4, Door Handle.</p>			

1
G
E

1

G

E

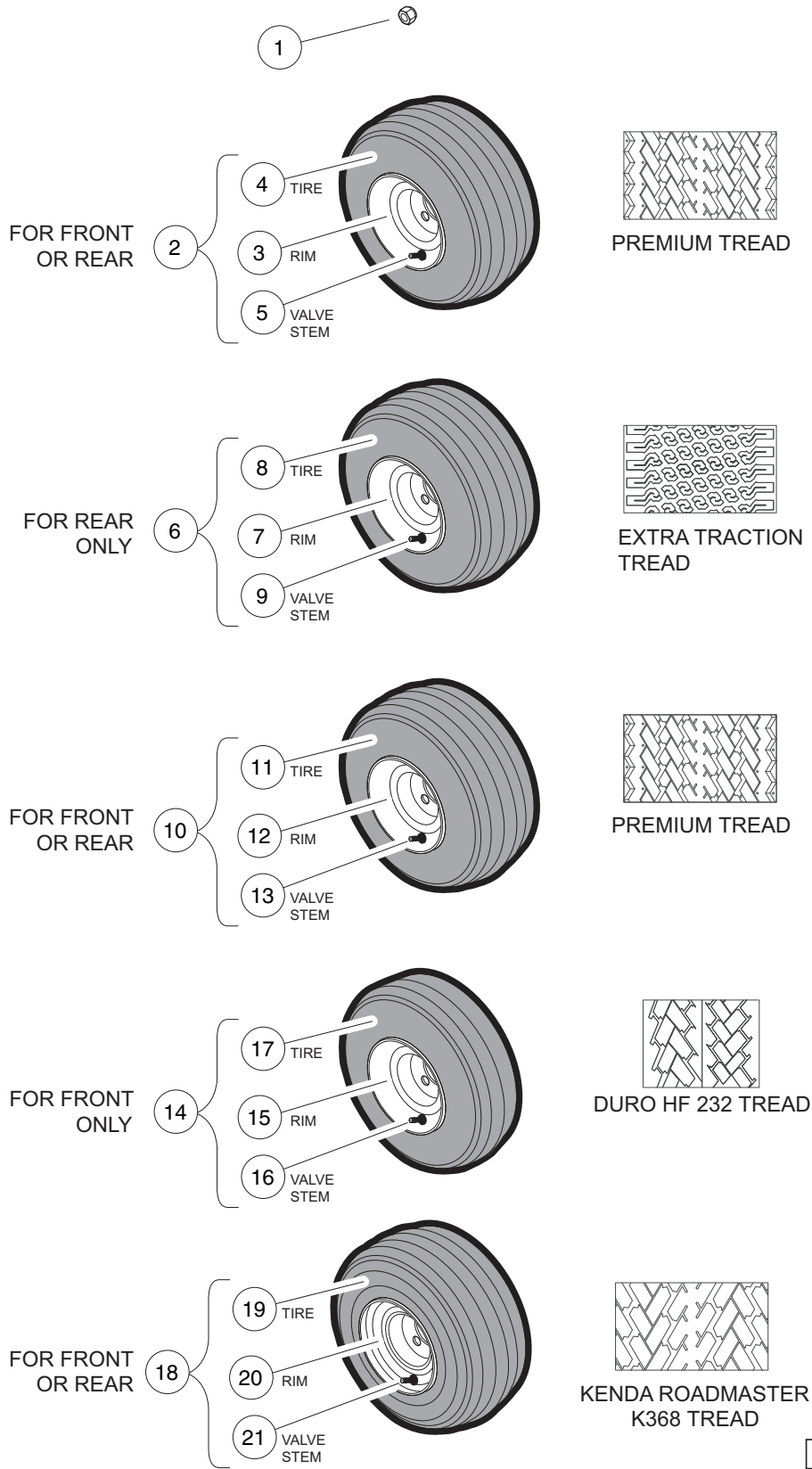
WHEELS AND TIRES

2

G

E

2
G
E



000269-015

WHEELS AND TIRES – TURF/CARRYALL 2 AND 2 PLUS

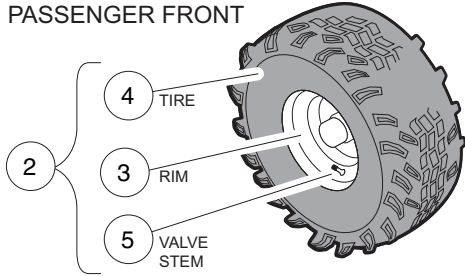
ITEM	PART NO.	DESCRIPTION	QTY	
		1 2 3 4		2
1	<u>1010984</u>	.500-20 Unf Lug Nut	16	G
2	<u>101651406</u>	Tire/Wheel Asm, White, Premium Tread, 6-Ply (includes items 3 through 5)	4	E
3	<u>1014771</u>	Wheel Rim, White	1	
4	<u>101737002</u>	Tire, Unmounted	1	
5	<u>7310</u>	Valve Stem, Black Plastic	1	
6	<u>101651407</u>	Tire/Wheel Asm, White, Extra-Traction, 6-Ply (includes items 7 through 9)	2	
7	<u>1014771</u>	Wheel Rim, White	1	
8	<u>101769302</u>	Tire, Unmounted Xtrac 18 x 8.50-8	1	
9	<u>7310</u>	Valve Stem, Black Plastic	1	
10	<u>101651409</u>	Tire/Wheel Asm, White, Premium Tread, 6.5-inch (includes items 11 through 13)	4	
11	<u>101884901</u>	Tire, Unmounted, Power Rib 18 x 6.50-8	1	
12	<u>101918402</u>	Wheel Rim, White	1	
13	<u>7310</u>	Valve Stem, Black Plastic	1	
14	<u>101651414</u>	Tire/Wheel Asm, White, Duro HF 232 (includes items 15 through 17)	4	
15	<u>1014771</u>	Wheel Rim, White	1	
16	<u>7310</u>	Valve Stem, Black Plastic	1	
17	****	Tire, Unmounted, 6-Ply Rated (18.5 x 8.5 - 8) (Duro)	1	
18	<u>101651416</u>	Tire/Wheel Asm, White, Kenda Premium Tread, 6-Ply (includes items 19 through 21) ...	4	
19	N/A	Tire, Unmounted Kenda Premium Tread 6-Ply, Roadmaster K368	1	
20	103459102	Wheel Rim Asm, 8"x7", White	1	
21	<u>7310</u>	Valve Stem, Black Plastic	1	
**** Special order item available upon request.				



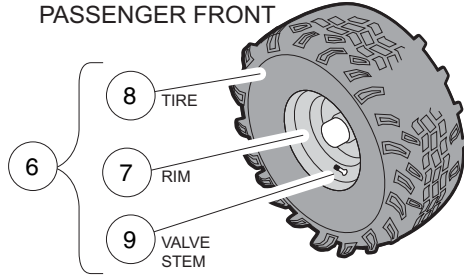
WHITE RIMS

SILVER RIMS

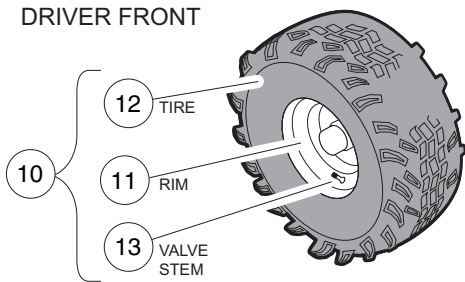
PASSENGER FRONT



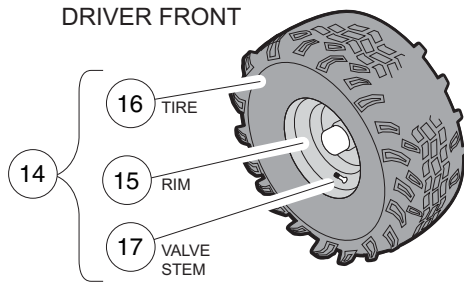
PASSENGER FRONT



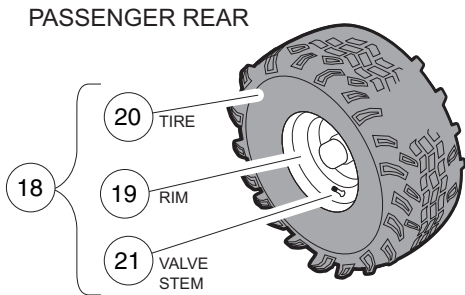
DRIVER FRONT



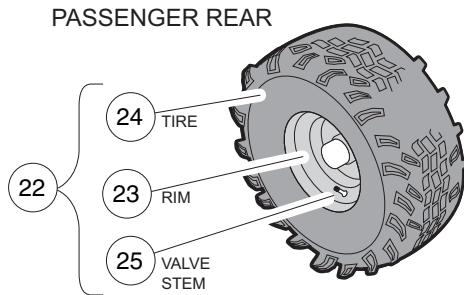
DRIVER FRONT



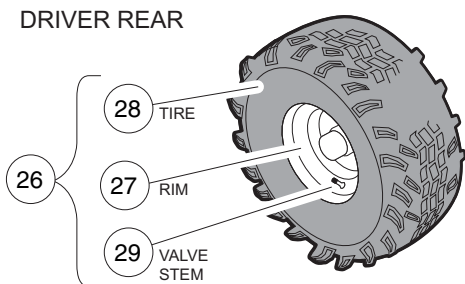
PASSENGER REAR



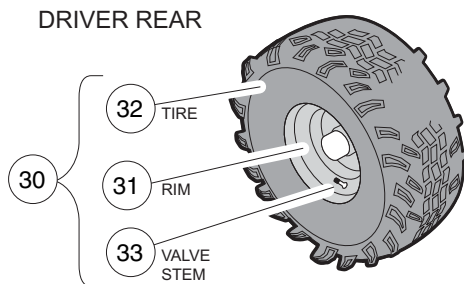
PASSENGER REAR



DRIVER REAR



DRIVER REAR



000269-004

WHEELS AND TIRES, OFF-ROAD TREAD – TURF/CARRYALL 252 AND XRT 900

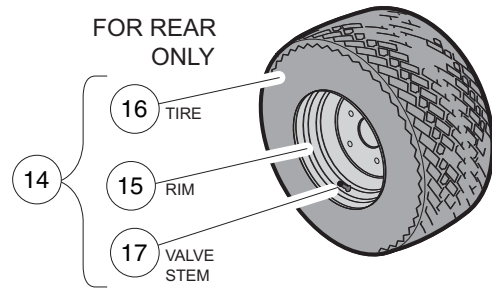
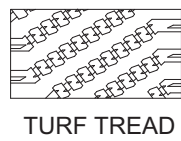
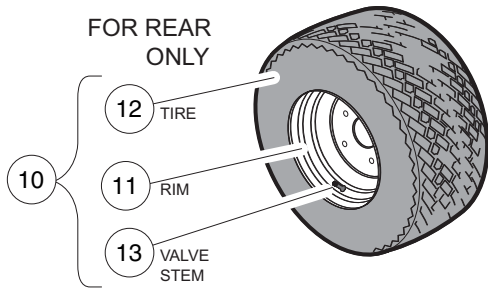
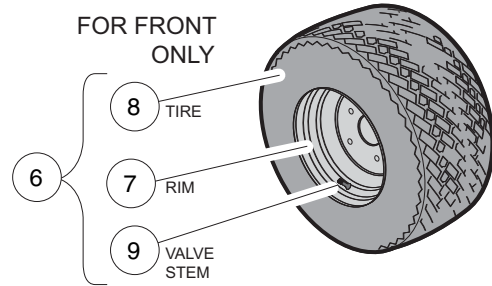
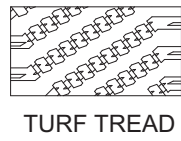
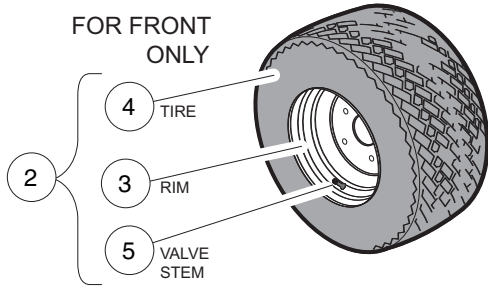
ITEM	PART NO.	DESCRIPTION	QTY
		1 2 3 4	
1	<u>1010984</u>	.500-20 Unf Lug Nut	16
2	<u>102009201</u>	Off-Road Tire and Wheel Asm, Right, Front (includes items 3 through 5)	1
3	N/A	Rim, Wheel, White	1
4	N/A	Tire, Unmounted, Duro, Off-Road Tire, 22 x 11-10, 6-Ply Rated	1
5	<u>7310</u>	Valve Stem, Black Plastic	1
6	<u>102009202</u>	Off-Road Tire and Wheel Asm, Right, Front (includes items 7 through 9)	1
7	N/A	Wheel Rim, Silver	1
8	N/A	Tire, Unmounted, Duro, Off-Road Tire, 22 x 11-10, 6-Ply Rated	1
9	<u>7310</u>	Valve Stem, Black Plastic	1
10	<u>102009301</u>	Off-Road Tire and Wheel Asm, Left, Front (includes items 11 through 13)	1
11	N/A	Rim, Wheel, White	1
12	N/A	Tire, Unmounted, Duro, Off-Road Tire, 22 x 11-10, 6-Ply Rated	1
13	<u>7310</u>	Valve Stem, Black Plastic	1
14	<u>102009302</u>	Off-Road Tire and Wheel Asm, Left, Front (includes items 15 through 17)	1
15	N/A	Wheel Rim, Silver	1
16	N/A	Tire, Unmounted, Duro, Off-Road Tire, 22 x 11-10, 6-Ply Rated	1
17	<u>7310</u>	Valve Stem, Black Plastic	1
18	<u>102009401</u>	Off-Road Tire and Wheel Asm, Right, Rear (includes items 19 through 21)	1
19	N/A	Rim, Wheel, White	1
20	N/A	Tire, Unmounted, Duro, Off-Road Tire, 22 x 11-10, 6-Ply Rated	1
21	<u>7310</u>	Valve Stem, Black Plastic	1
22	<u>102009402</u>	Off-Road Tire and Wheel Asm, Right, Rear (includes items 23 through 25)	1
23	N/A	Wheel Rim, Silver	1
24	N/A	Tire, Unmounted, Duro, Off-Road Tire, 22 x 11-10, 6-Ply Rated	1
25	<u>7310</u>	Valve Stem, Black Plastic	1
26	<u>102009501</u>	Off-Road Tire and Wheel Asm, Left, Rear (includes items 27 through 29)	1
27	N/A	Rim, Wheel, White	1
28	N/A	Tire, Unmounted, Duro, Off-Road Tire, 22 x 11-10, 6-Ply Rated	1
29	<u>7310</u>	Valve Stem, Black Plastic	1
30	<u>102009502</u>	Off-Road Tire and Wheel Asm, Left, Rear (includes items 31 through 33)	1
31	N/A	Wheel Rim, Silver	1
32	N/A	Tire, Unmounted, Duro, Off-Road Tire, 22 x 11-10, 6-Ply Rated	1
33	<u>7310</u>	Valve Stem, Black Plastic	1
<p>Note: Front and rear wheels are NOT interchangeable. The rear wheels have a different offset than the front wheels. The rear wheels must be installed with the deeper offset facing out. Off-road tires are directional.</p>			

2
G
E



WHITE RIMS

SILVER RIMS



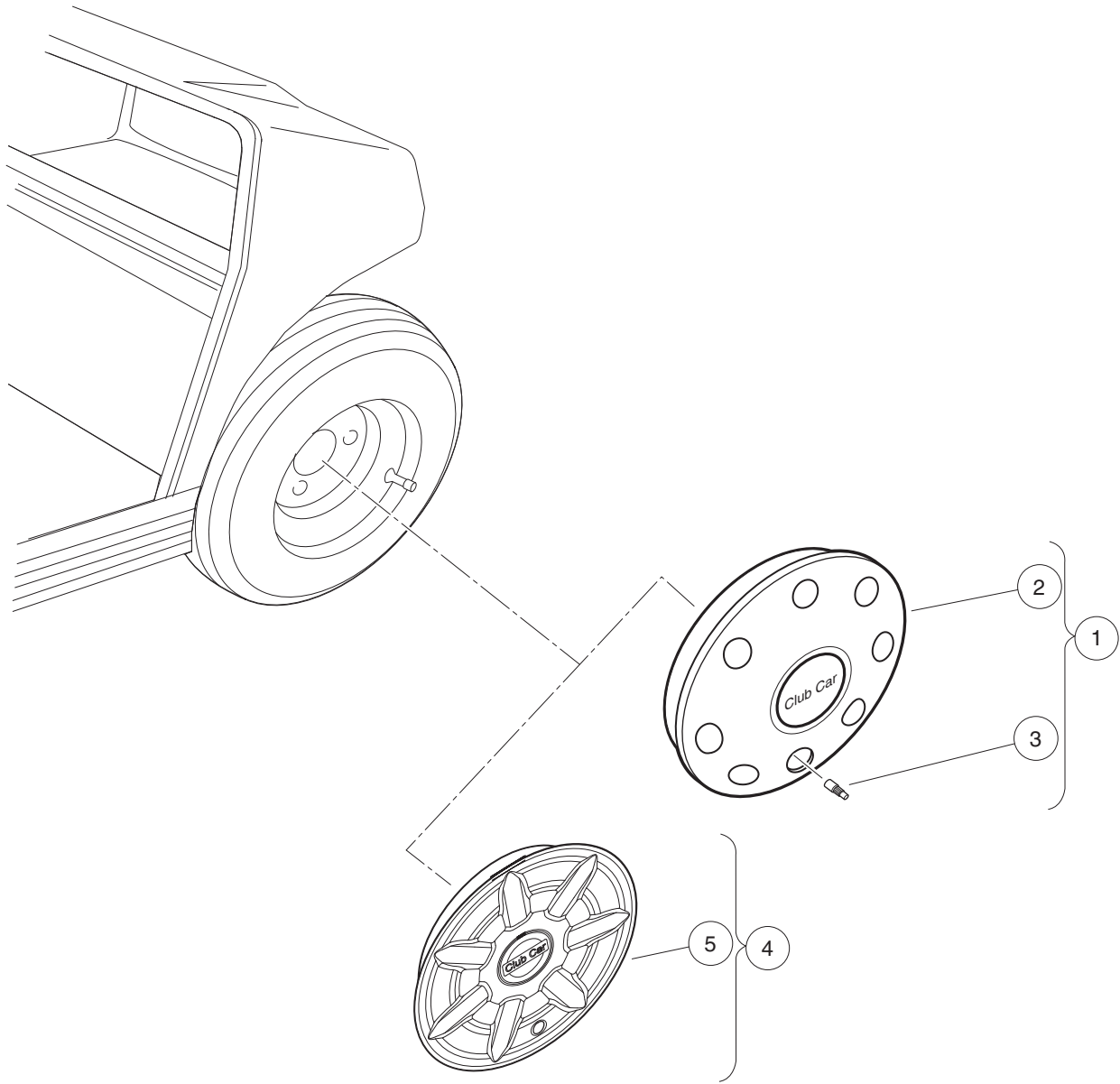
000269-005

WHEELS AND TIRES, TURF TREAD – TURF/CARRYALL 252 AND XRT 900

ITEM	PART NO.	DESCRIPTION	QTY
		1 2 3 4	
1	<u>1010984</u>	.500-20 Unf Lug Nut	16
2	<u>102009901</u>	Turf Tire and Wheel Asm, Front (includes items 3 through 5)	2
3	N/A	Rim, Wheel, White	1
4	N/A	Tire, Front, Unmounted, Titan Turf Trac, 23 x 10.5-12, 4-Ply Rated	1
5	<u>7310</u>	Valve Stem, Black Plastic	1
6	<u>102009902</u>	Turf Tire and Wheel Asm, Front (includes items 7 through 9)	2
7	N/A	Wheel Rim, Silver	1
8	N/A	Tire, Front, Unmounted, Titan Turf Trac, 23 x 10.5-12, 4-Ply Rated	1
9	<u>7310</u>	Valve Stem, Black Plastic	1
10	<u>102010001</u>	Turf Tire and Wheel Asm, Rear (includes items 11 through 13)	2
11	N/A	Rim, Wheel, White	1
12	N/A	Tire, Rear, Unmounted, Titan Turf Trac, 23 x 10.5-12, 4-Ply Rated	1
13	<u>7310</u>	Valve Stem, Black Plastic	1
14	<u>102010002</u>	Turf Tire and Wheel Asm, Rear (includes items 15 through 17)	2
15	N/A	Wheel Rim, Silver	1
16	N/A	Tire, Rear, Unmounted, Titan Turf Trac, 23 x 10.5-12, 4-Ply Rated	1
17	<u>7310</u>	Valve Stem, Black Plastic	1

2
G
E

2
G
E



001203-001

WHEEL COVERS

ITEM	PART NO.	DESCRIPTION	QTY
		1 2 3 4	
1	<u>1012642</u>	Sport Wheel Cover Kit (each) (includes items 2 and 3)	4
2	1012640	Hubcap	1
3	<u>1012641</u>	Valve Extension	1
4	<u>102559901</u>	Hub Cap Kit, Prec (includes item 5)	1
5	<u>103694501</u>	Hub Cap, 7 Prong	4

2
G
E

2

G

E

DECALS

3

G

E

⚠ WARNING

ROLLOVER OR FALLING OFF MAY CAUSE DEATH.

- Before using vehicle, read operating instructions.
- Remain seated and hold on to seat handle while moving.
- Do not start vehicle until all occupants are seated.
- Two (2) persons per seat maximum.
- Operate from driver side only and not on public roads.
- Keep entire body inside vehicle while moving.
- Drive slowly in turns and straight up and down slopes.
- Do not leave children unattended on vehicle.
- Never operate under the influence of alcohol or drugs.
- Use brakes to reduce speed when coasting downhill.
- Never stand in front of or behind vehicle.

CCI 103205401

OPERATING INSTRUCTIONS

- Read owner's manual and dash-mounted safety warnings prior to driving.
- Study and understand controls.

TO OPERATE

- Turn wheels to desired direction and ensure path is clear.
- Turn key to ON position.
- While stopped, place Forward/Reverse switch in desired position: F=Forward N=Neutral R=Reverse (Buzzer will sound)
- Park brake will release and vehicle will start moving when accelerator pedal is pressed.
- Slowly press accelerator pedal to increase speed.
- To stop, release accelerator pedal and press brake pedal.

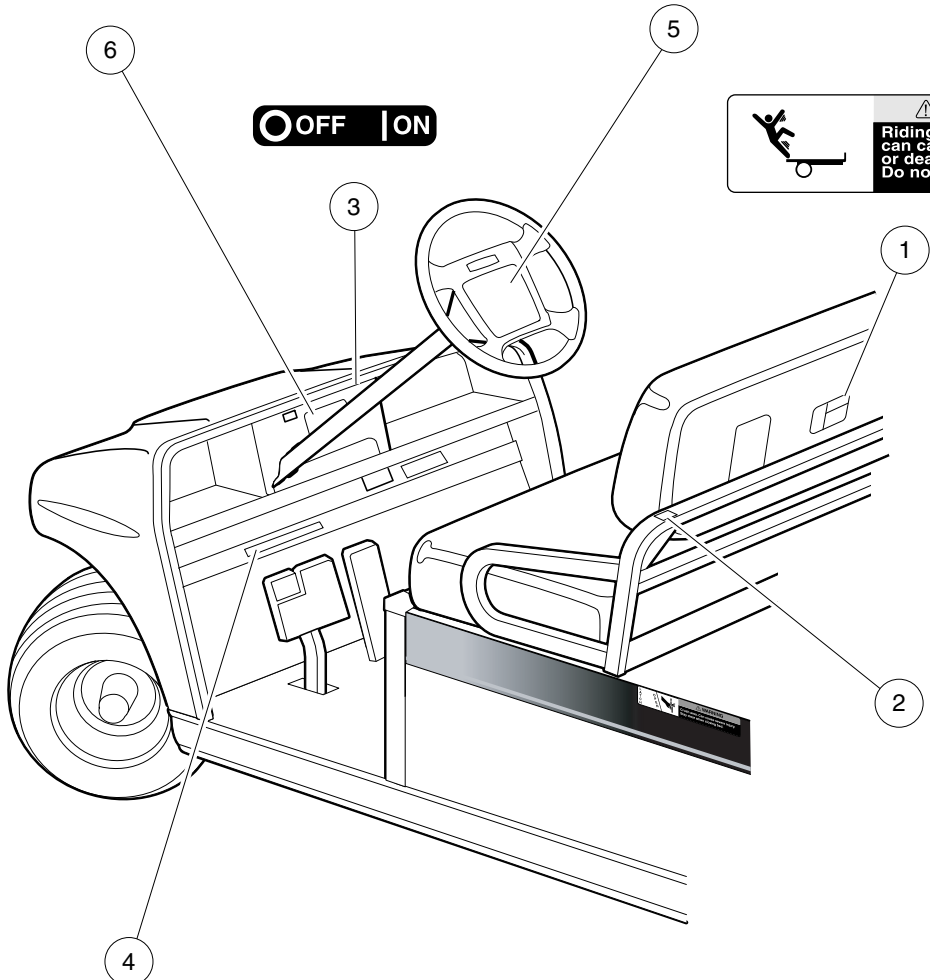
BEFORE LEAVING

- Press park brake pedal until it locks and holds vehicle.
- Place Forward/Reverse switch in NEUTRAL position.
- Turn key OFF and remove key when not in use.

MOTOR BRAKING

- Electric motor braking provides speed regulation functions.
- For parked vehicle, beeping alarm indicates vehicle roll away.
- In operation, beeping alarm indicates reduction in motor braking.
- Apply brakes to further reduce vehicle speed as required.
- System is activated only when tow switch is in the RUN position.
- When towing this vehicle, tow switch must be in the TOW position.

CCI 102518001



⚠ WARNING

Riding in cargo bed can cause severe injury or death. Do not ride in cargo bed.

CCI 101553901

⚠ WARNING

CRUSH AREA

STAY CLEAR

CCI 101609401

VEHICLE LOADING

Read Owner's Manual and warnings on dash.

- Vehicle rated capacity - 1200 lbs. on level surface only. Weight to include passengers, cargo bed load, and gross trailer weight. See Owner's Manual.
- Maximum cargo load - 800 lbs. Weight to include cargo bed load and gross trailer weight.
- Maximum trailer hitch tongue weight - 150 lbs.

- Cargo should be evenly spread over the floor of the cargo bed as far forward as possible and secured.
- For vehicle stability, when fully loaded, drive slowly and avoid stopping on or backing down steep hills.
- Avoid top heavy loads. See Owner's Manual.
- When driving on uneven terrain or down steep hills, reduce speed and load.

CCI 101960201

000600-001

DECALS – TURF/CARRYALL 2 IQ PLUS ELECTRIC

ITEM	PART NO.	DESCRIPTION	QTY
		1 2 3 4	
1	<u>101553901</u>	Decal, Bed Load Warning	1
2	<u>101609401</u>	Decal, Crush Area Warning	2
3	<u>101825101</u>	Decal, Off/On	1
4	<u>101960201</u>	Decal, Vehicle Loading	1
5	102518001	Decal, Operating Instr, Elec	1
6	<u>103205401</u>	Decal, Warning, Rollover, Utl	1

3
G
E

⚠ WARNING
AVOID FIRE HAZARD

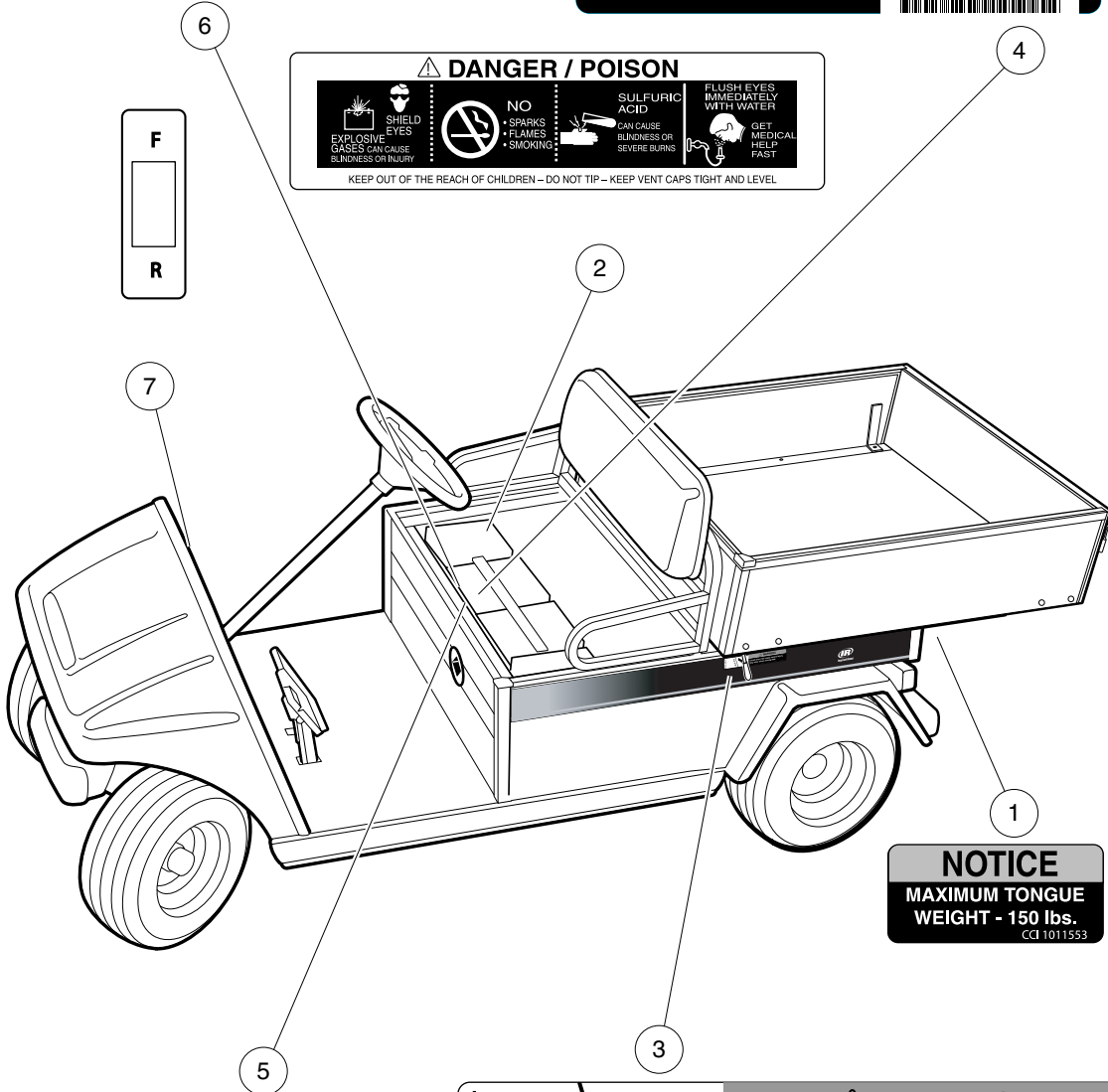
- Replacement battery wires must be 4-gauge (AWG) with low-resistance terminals equivalent to factory-installed wires.
- Ensure that battery connections are clean and properly tightened. See owner's manual.

CCI 102967601

CAUTION
EXPOSURE TO WATER MAY DAMAGE ELECTRONIC COMPONENTS

- Do not operate vehicle without this cover properly installed.
- Do not direct water stream in the area of the cover without cover securely in place.
- See vehicle maintenance and service manual before servicing.

CCI 102518301



F
R

⚠ DANGER / POISON

<p>EXPLOSIVE GASES CAN CAUSE BLINDNESS OR INJURY</p> <p>SHIELD EYES</p>	<p>NO • SPARKS • FLAMES • SMOKING</p>	<p>SULFURIC ACID CAN CAUSE BLINDNESS OR SEVERE BURNS</p>	<p>FLUSH EYES IMMEDIATELY WITH WATER</p> <p>GET MEDICAL HELP FAST</p>
---	--	---	---





KEEP OUT OF THE REACH OF CHILDREN – DO NOT TIP – KEEP VENT CAPS TIGHT AND LEVEL

NOTICE
MAXIMUM TONGUE WEIGHT - 150 lbs.

CCI 1011553

⚠ WARNING
BATTERY EXPLOSION COULD RESULT IN SEVERE PERSONAL INJURY.

- Do not store items in battery compartment.
- Place Run/Tow switch in TOW position before:
 - Disconnecting or connecting battery cables
 - Towing this vehicle
 - Extended storage
 - Servicing the vehicle

 **NORMAL**  **TRIPPED**
 **TOW**  **RUN**

CCI 102845101

LATCH OPEN

⚠ WARNING
Crush area. Can cause severe injury. Stay clear when closing bed.

000611-001

DECALS – TURF/CARRYALL 2 IQ PLUS ELECTRIC, CONTINUED

ITEM	PART NO.	DESCRIPTION	QTY
		1 2 3 4	
1	<u>1011553</u>	Decal, Trailer Hitch	1
2	<u>1013677</u>	Decal, Battery Danger	6
3	<u>102459301</u>	Decal, Bed Crush Area Warning	1
4	<u>102518301</u>	Decal, Caution, Electrical Component Cover	1
5	<u>102845101</u>	Decal, Tow Switch	1
6	<u>102967601</u>	Decal, Warning, 4 Gauge Wire	1
7	<u>103210301</u>	Decal, Forward/Reverse, Electric	1

3
G
E

WARNING

ROLLOVER OR FALLING OFF MAY CAUSE DEATH.

- Before using vehicle, read operating instructions.
- Remain seated and hold on to seat handle while moving.
- Do not start vehicle until all occupants are seated.
- Two (2) persons per seat maximum.
- Operate from driver side only and not on public roads.
- Keep entire body inside vehicle while moving.
- Drive slowly in turns and straight up and down slopes.
- Do not leave children unattended on vehicle.
- Never operate under the influence of alcohol or drugs.
- Use brakes to reduce speed when coasting downhill.
- Never stand in front of or behind vehicle.

CCI 103205401

OPERATING INSTRUCTIONS

- Read owner's manual and dash-mounted safety warnings prior to driving.
- Study and understand controls.

TO OPERATE

- Turn wheels to desired direction and ensure path is clear.
- Turn key to ON position.
- While stopped, place Forward/Reverse switch in desired position: F=Forward N=Neutral R=Reverse (Buzzer will sound)
- Park brake will release and vehicle will start moving when accelerator pedal is pressed.
- Slowly press accelerator pedal to increase speed.
- To stop, release accelerator pedal and press brake pedal.

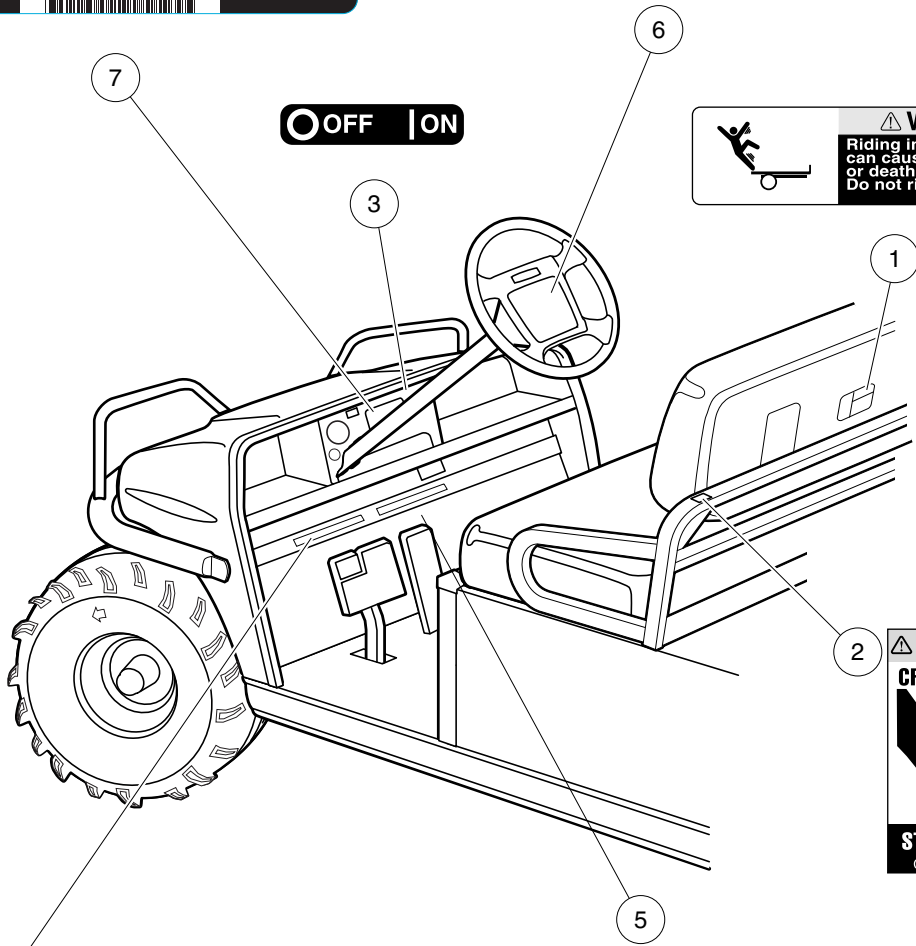
BEFORE LEAVING

- Press park brake pedal until it locks and holds vehicle.
- Place Forward/Reverse switch in NEUTRAL position.
- Turn key OFF and remove key when not in use.

MOTOR BRAKING

- Electric motor braking provides speed regulation functions.
- For parked vehicle, beeping alarm indicates vehicle roll away.
- In operation, beeping alarm indicates reduction in motor braking.
- Apply brakes to further reduce vehicle speed as required.
- System is activated only when tow switch is in the RUN position.
- When towing this vehicle, tow switch must be in the TOW position.

CCI 102518001



WARNING

Riding in cargo bed can cause severe injury or death. Do not ride in cargo bed.

CCI 101553901

WARNING

CRUSH AREA

STAY CLEAR

CCI 101609401

UNDER 16

WARNING

YOUNG DRIVERS INCREASE CHANCE OF DEATH

- Young drivers may not be able to control vehicle.
- No drivers younger than 16 years old.

CCI 102075801

VEHICLE LOADING

Read owner's manual and warnings on dash.

- Vehicle rated capacity - 900 lbs. on level surface only. Weight to include passengers, cargo bed load, and gross trailer weight. See Owner's Manual.
- Maximum cargo load - 500 lbs. Weight to include cargo bed load and gross trailer weight.
- Maximum trailer hitch tongue weight - 150 lbs.

- Cargo should be evenly spread over the floor of the cargo bed as far forward as possible and secured.
 - For vehicle stability, when fully loaded, drive slowly and avoid stopping on or backing down steep hills.
 - Avoid top heavy loads. See Owner's Manual.
 - When driving on uneven terrain or down steep hills, reduce speed and load.
- CCI 10206701

000612-001

DECALS – TURF/CARRYALL 252 AND XRT 900 IQ PLUS ELECTRIC

ITEM	PART NO.	DESCRIPTION	QTY
		1 2 3 4	
1	<u>101553901</u>	Decal, Bed Load Warning	1
2	<u>101609401</u>	Decal, Crush Area Warning	2
3	<u>101825101</u>	Decal, Off/On	1
4	<u>102006701</u>	Decal, Vehicle Loading	1
5	<u>102075801</u>	Decal, Young Driver Warning	1
6	<u>102518001</u>	Decal, Operating Instr, Elec	1
7	<u>103205401</u>	Decal, Warning, Rollover, Utl	1

3
G
E

⚠ WARNING
AVOID FIRE HAZARD

- Replacement battery wires must be 4-gauge (AWG) with low-resistance terminals equivalent to factory-installed wires.
- Ensure that battery connections are clean and properly tightened. See owner's manual.

CCI 102967601

⚠ WARNING
WINCH CABLE FRACTURE COULD RESULT IN SERIOUS INJURY OR DEATH.

- Do not use winch while persons are seated on the vehicle.
- Use remote operation switch for winch control.
- Stand to the side and away from the vehicle to operate winch.
- Read winch operator manual before operating winch.

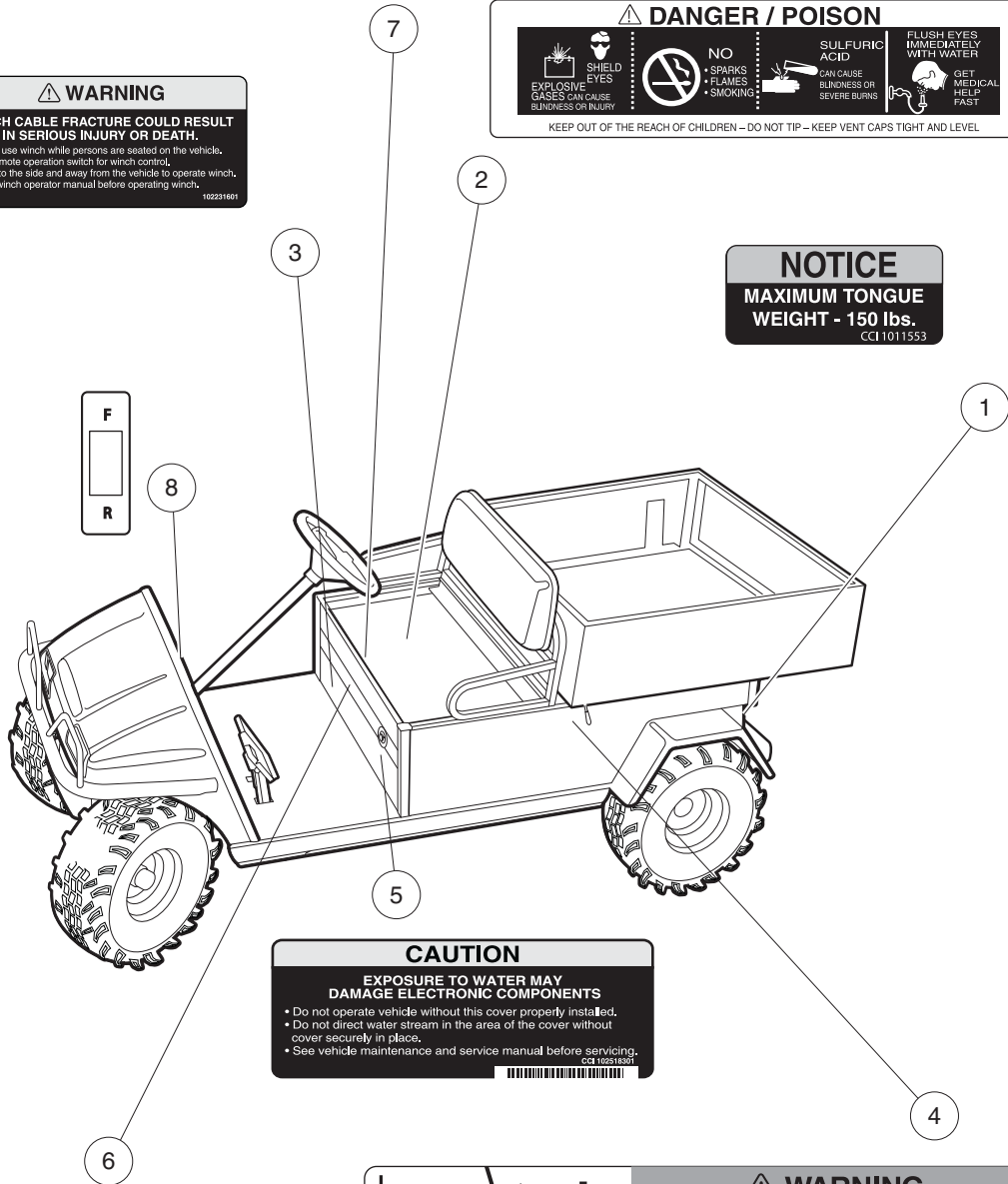
102231601

⚠ DANGER / POISON

EXPLOSIVE GASES CAN CAUSE BLINDNESS OR INJURY	SHIELD EYES	NO SPARKS, FLAMES, SMOKING	SULFURIC ACID CAN CAUSE BLINDNESS OR SEVERE BURNS	FLUSH EYES IMMEDIATELY WITH WATER. GET MEDICAL HELP FAST.
---	-------------	----------------------------	---	---

KEEP OUT OF THE REACH OF CHILDREN - DO NOT TIP - KEEP VENT CAPS TIGHT AND LEVEL

NOTICE
MAXIMUM TONGUE WEIGHT - 150 lbs.
CCI 1011553



CAUTION
EXPOSURE TO WATER MAY DAMAGE ELECTRONIC COMPONENTS

- Do not operate vehicle without this cover properly installed.
- Do not direct water stream in the area of the cover without cover securely in place.
- See vehicle maintenance and service manual before servicing.

CCI 102818301

⚠ WARNING
BATTERY EXPLOSION COULD RESULT IN SEVERE PERSONAL INJURY.

- Do not store items in battery compartment.
- Place Run/Tow switch in TOW position before:
 - Disconnecting or connecting battery cables
 - Towing this vehicle
 - Extended storage
 - Servicing the vehicle

NORMAL		TRAPPED
TOW		RUN

CCI 102845101

⚠ WARNING
Crush area. Can cause severe injury. Stay clear when closing bed.

L A T C H

O P E N

000613-001

DECALS – TURF/CARRYALL 252 AND XRT 900 IQ PLUS ELECTRIC, CONTINUED

ITEM	PART NO.	DESCRIPTION	QTY
		1 2 3 4	
1	<u>1011553</u>	Decal, Trailer Hitch	1
2	<u>1013677</u>	Decal, Battery Danger	6
3	<u>102231601</u>	Decal, Winch Cable Fracture Warning	1
4	<u>102459301</u>	Decal, Bed Crush Area Warning	1
5	<u>102518301</u>	Decal, Caution, Electrical Component Cover	1
6	<u>102845101</u>	Decal, Tow Switch	1
7	<u>102967601</u>	Decal, Warning, 4 Gauge Wire	1
8	<u>103210301</u>	Decal, Forward/Reverse, Electric	1

3
G
E

⚠ WARNING

ROLLOVER OR FALLING OFF MAY CAUSE DEATH.

- Before using vehicle, read operating instructions.
- Remain seated and hold on to seat handle while moving.
- Do not start vehicle until all occupants are seated.
- Two (2) persons per seat maximum.
- Operate from driver side only and not on public roads.
- Keep entire body inside vehicle while moving.
- Drive slowly in turns and straight up and down slopes.
- Do not leave children unattended on vehicle.
- Never operate under the influence of alcohol or drugs.
- Use brakes to reduce speed when coasting downhill.
- Never stand in front of or behind vehicle.

CCI 103205401

OPERATING INSTRUCTIONS

- Read owner's manual and safety warnings located on dash panel prior to driving.
- Study and understand controls.

TO OPERATE

- Turn wheels to desired direction and ensure path is clear.
- Turn key to ON position.
- While stopped, place shift lever in desired position:

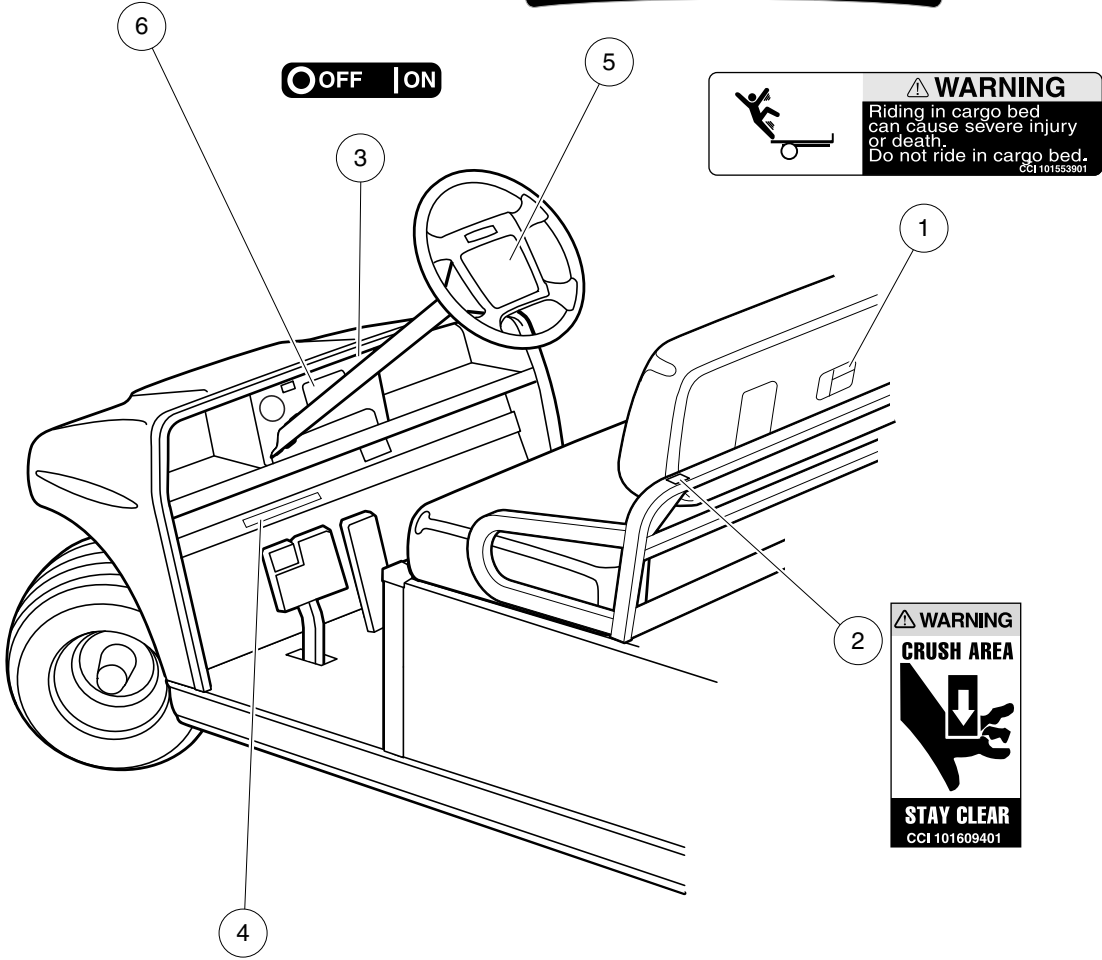
F—Forward **N**—Neutral **R**—Reverse (Buzzer will sound)

- Park brake will release and vehicle will start moving when accelerator pedal is pressed.
- Slowly press accelerator pedal to increase speed.
- To stop, release accelerator pedal and press brake pedal.

BEFORE LEAVING

- Press park brake pedal until it locks and holds vehicle.
- Place Forward/Reverse switch in NEUTRAL position.
- Turn key OFF and remove key when not in use.

CCI 102519201



⚠ WARNING

Riding in cargo bed can cause severe injury or death. Do not ride in cargo bed.

CCI 101553901

⚠ WARNING

CRUSH AREA

STAY CLEAR

CCI 101609401

VEHICLE LOADING

Read Owner's Manual and warnings on dash.

- Vehicle rated capacity - 1200 lbs. on level surface only. Weight to include passengers, cargo bed load, and gross trailer weight. See Owner's Manual.
- Maximum cargo load - 800 lbs. Weight to include cargo bed load and gross trailer weight.
- Maximum trailer hitch tongue weight - 150 lbs.

- Cargo should be evenly spread over the floor of the cargo bed as far forward as possible and secured.
- For vehicle stability, when fully loaded, drive slowly and avoid stopping on or backing down steep hills.
- Avoid top heavy loads. See Owner's Manual.
- When driving on uneven terrain or down steep hills, reduce speed and load.

CCI 101960201

000616-001

DECALS – TURF/CARRYALL 2 GASOLINE VEHICLES

ITEM	PART NO.	DESCRIPTION	QTY
		1 2 3 4	
1	<u>101553901</u>	Decal, Bed Load Warning	1
2	<u>101609401</u>	Decal, Crush Area Warning	2
3	<u>101825101</u>	Decal, Off/On	1
4	<u>101960201</u>	Decal, Vehicle Loading	1
5	<u>102519201</u>	Decal, Operating Instr, Gas	1
6	<u>103205401</u>	Decal, Warning, Rollover, Utl	1

3
G
E

WARNING

GASOLINE EXPLOSION / FIRE.

- Can cause severe injury or death.
- No smoking, sparks, or open flame.
- Stop engine, allow to cool before refueling.
- Turn fuel valve (←) on during operation. (→) off during storage or transport.

CCI 101547601

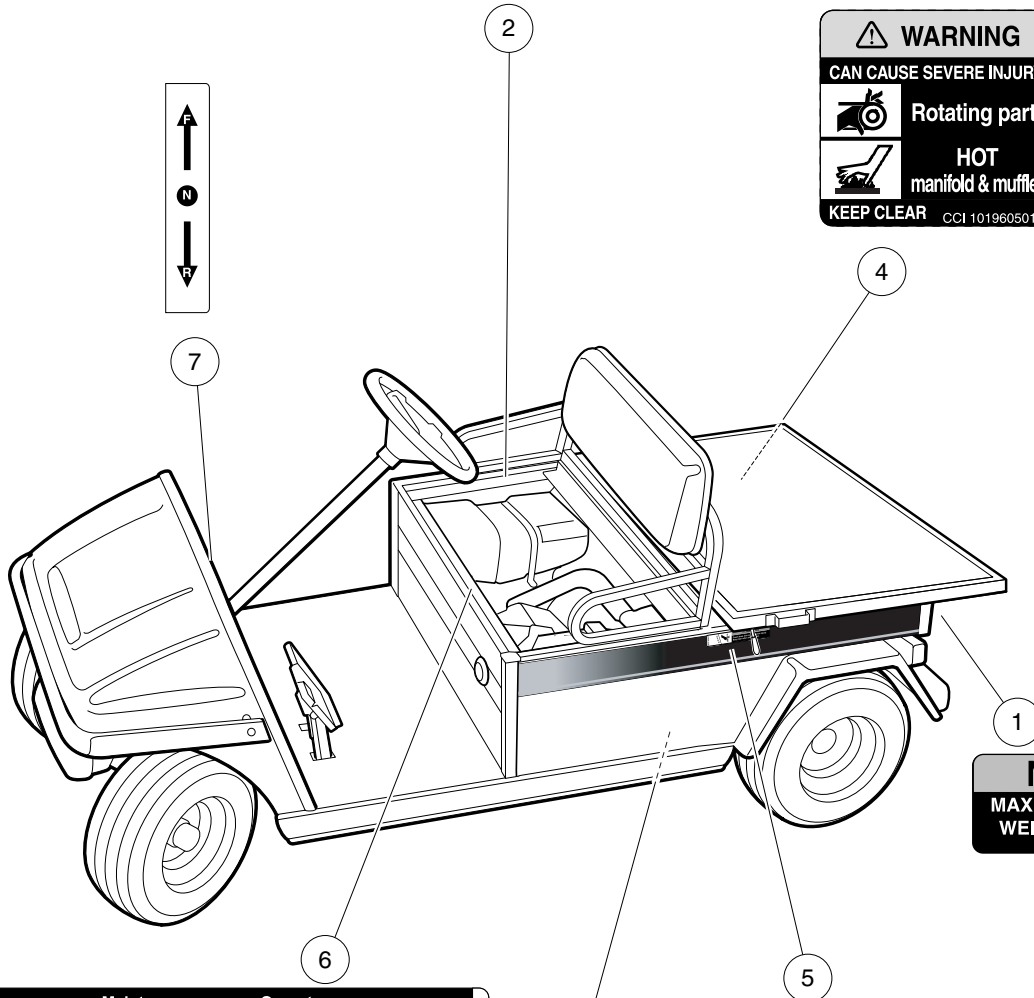
WARNING

CAN CAUSE SEVERE INJURY

Rotating parts

HOT manifold & muffler

KEEP CLEAR CCI 101960501



NOTICE

MAXIMUM TONGUE WEIGHT - 150 lbs.

CCI 1011553

Maintenance Operate

WARNING

VEHICLE MOVEMENT MAY CAUSE SERIOUS INJURY

When switch is in Maintenance position, chock wheels and firmly set park brake.

CCI 103205501

LATCH **OPEN**

WARNING

Crush area. Can cause severe injury. Stay clear when closing bed.

WARNING

Negative frame ground. Can cause severe injury. Do not contact positive (+) battery post or cable to frame. Disconnect negative battery lead first.

WARNING

Excessive speed. Can cause severe injury or death. Do not tamper with engine governor adjustment.

CCI 101915201

000617-001

DECALS – TURF/CARRYALL 2 GASOLINE VEHICLES, CONTINUED

ITEM	PART NO.	DESCRIPTION	QTY
		1 2 3 4	
1	<u>1011553</u>	Decal, Trailer Hitch	1
2	<u>101547601</u>	Decal, Gasoline Explosion/Fire Warning	1
3	<u>101915201</u>	Decal, Frame Ground and Governor Warning	1
4	<u>101960501</u>	Decal, Rotating Parts/Hot Manifold	1
5	<u>102459301</u>	Decal, Bed Crush Area Warning	1
6	<u>103205501</u>	Decal, Run/Service Switch	1
7	<u>103210201</u>	Decal, Forward/Reverse, Gas	1

3
G
E

⚠ WARNING

ROLLOVER OR FALLING OFF MAY CAUSE DEATH.

- Before using vehicle, read operating instructions.
- Remain seated and hold on to seat handle while moving.
- Do not start vehicle until all occupants are seated.
- Two (2) persons per seat maximum.
- Operate from driver side only and not on public roads.
- Keep entire body inside vehicle while moving.
- Drive slowly in turns and straight up and down slopes.
- Do not leave children unattended on vehicle.
- Never operate under the influence of alcohol or drugs.
- Use brakes to reduce speed when coasting downhill.
- Never stand in front of or behind vehicle.

CCI 103205401

OPERATING INSTRUCTIONS

- Read Owner's Manual and safety warnings located on dash panel prior to driving.
- Study and understand controls.

TO START ENGINE

- Place shift lever in "N"- Neutral position.
- Depress brake pedal.
- Turn key switch to "START" position and release.

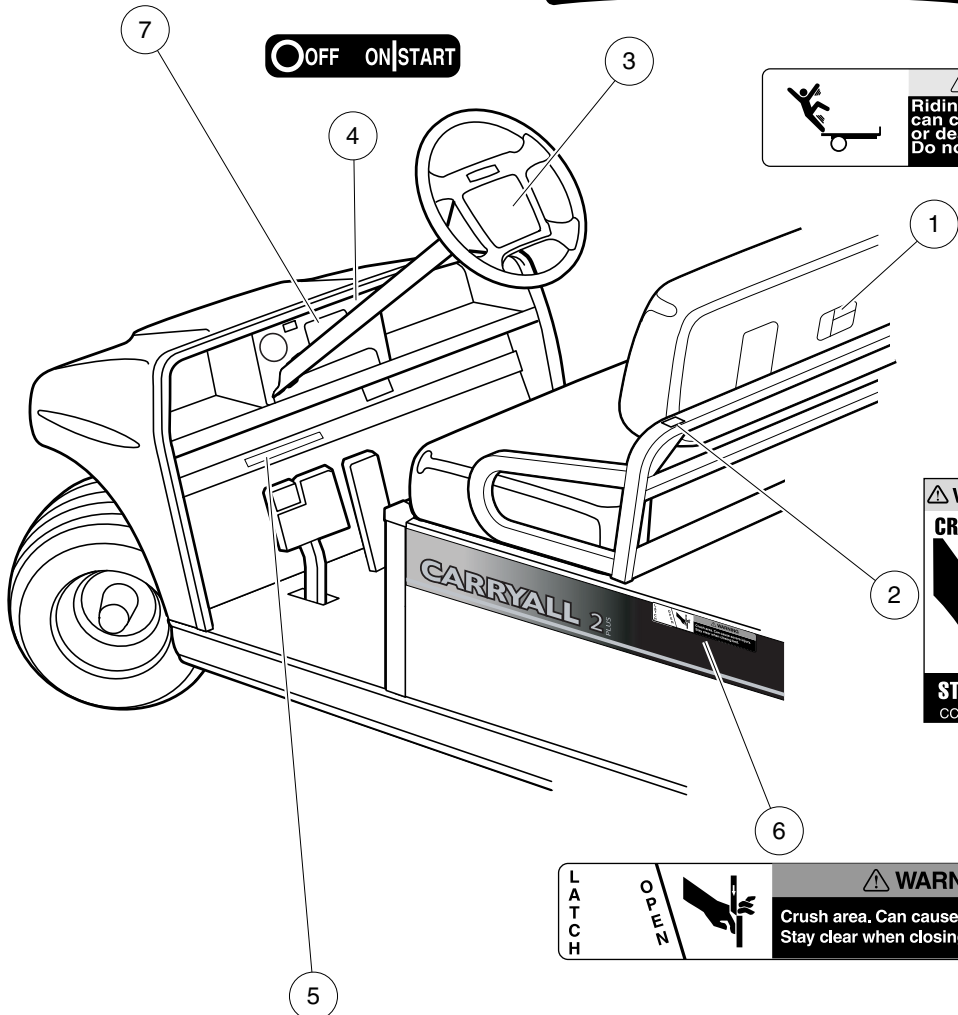
TO OPERATE VEHICLE

- Make sure wheels are turned in desired direction.
- Be sure nothing is in your path.
- While vehicle is stopped, and engine is at idle, select vehicle direction by placing shift lever or switch in desired position.
- F - Forward N - Neutral R - Reverse (Buzzer will sound)
- Park brake will release when accelerator pedal is pushed.
- Slowly push accelerator pedal to increase speed.
- Engine must be at idle before moving shift lever.

TO STOP VEHICLE

- Release accelerator pedal and push brake pedal.
- After stopping, firmly push park brake until it locks.
- Turn key to "OFF" position, remove key and place shift lever in straight up neutral position when not in use.

CCI 101693201



⚠ WARNING

Riding in cargo bed can cause severe injury or death. Do not ride in cargo bed.

CCI 101553901

⚠ WARNING

CRUSH AREA

STAY CLEAR

CCI 101609401

⚠ WARNING

Crush area. Can cause severe injury. Stay clear when closing bed.

VEHICLE LOADING

Read Owner's Manual and warnings on dash.

- Vehicle rated capacity - 1200 lbs. on level surface only. Weight to include passengers, cargo bed load, and gross trailer weight. See Owner's Manual.
- Maximum cargo load - 800 lbs. Weight to include cargo bed load and gross trailer weight.
- Maximum trailer hitch tongue weight - 150 lbs.

- Cargo should be evenly spread over the floor of the cargo bed as far forward as possible and secured.
- For vehicle stability, when fully loaded, drive slowly and avoid stopping on or backing down steep hills.
- Avoid top heavy loads. See Owner's Manual.
- When driving on uneven terrain or down steep hills, reduce speed and load.

CCI 101960201

000618-001

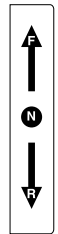
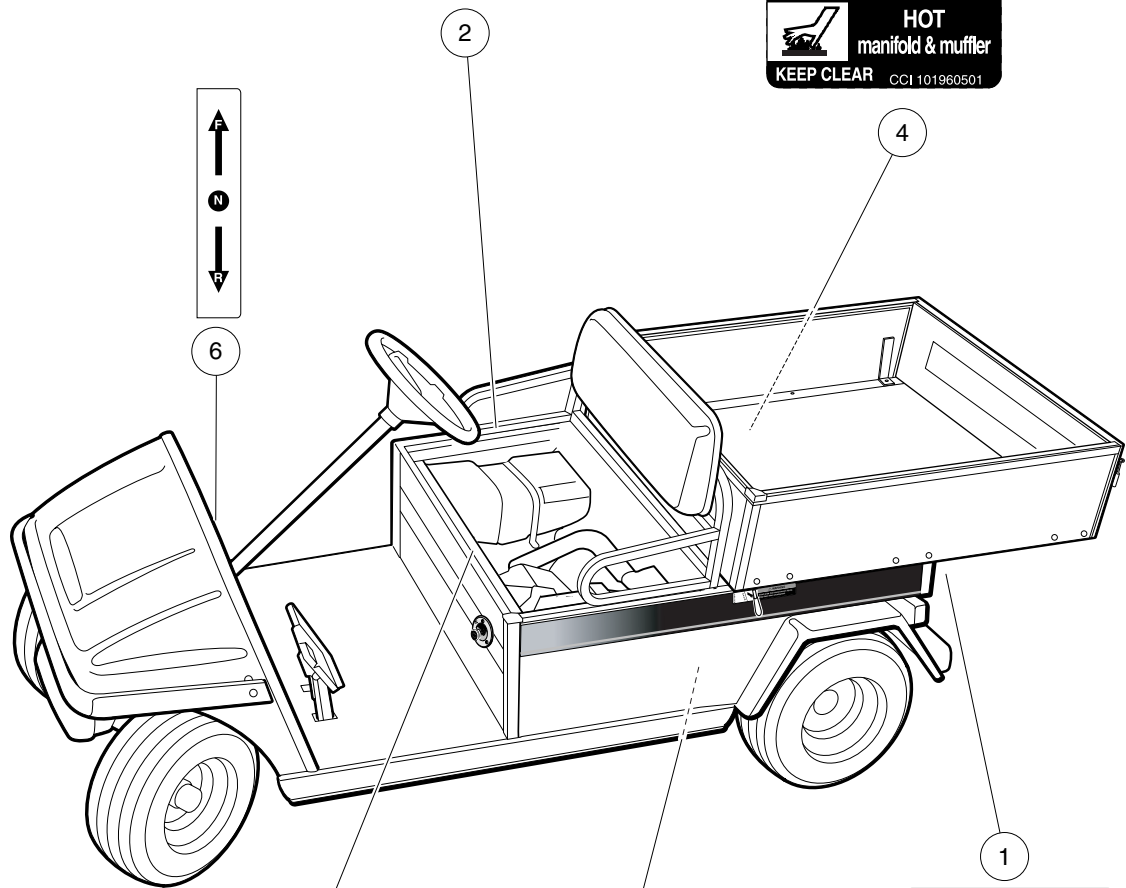
DECALS – CARRYALL 2 PLUS GASOLINE VEHICLES

ITEM	PART NO.	DESCRIPTION	QTY
		1 2 3 4	
1	<u>101553901</u>	Decal, Bed Load Warning	1
2	<u>101609401</u>	Decal, Crush Area Warning	2
3	<u>101693201</u>	Decal, Operating Instructions, Key-Start	1
4	<u>101825102</u>	Decal, Off/On/Start	1
5	<u>101960201</u>	Decal, Vehicle Loading	1
6	<u>102459301</u>	Decal, Bed Crush Area Warning	1
7	<u>103205401</u>	Decal, Warning, Rollover, Utl	1

3
G
E


⚠ WARNING
GASOLINE EXPLOSION / FIRE.
 • Can cause severe injury or death.
 • No smoking, sparks, or open flame.
 • Stop engine, allow to cool before refueling.
 • Turn fuel valve (↔) on during operation.
 (←) off during storage or transport.
 CCI 101547601

⚠ WARNING
CAN CAUSE SEVERE INJURY
 **Rotating parts**
 **HOT manifold & muffler**
KEEP CLEAR CCI 101960501



NOTICE
MAXIMUM TONGUE WEIGHT - 150 lbs.
 CCI 1011553

Maintenance Operate
⚠ WARNING
VEHICLE MOVEMENT MAY CAUSE SERIOUS INJURY
 When switch is in Maintenance position, chock wheels and firmly set park brake.
 CCI 103205501

	<p>⚠ WARNING Negative frame ground. Can cause severe injury. Do not contact positive (+) battery post or cable to frame. Disconnect negative battery lead first.</p>		<p>⚠ WARNING Excessive speed. Can cause severe injury or death. Do not tamper with engine governor adjustment. CCI 101915201</p>
---	--	---	---

000619-001

DECALS – CARRYALL 2 PLUS GASOLINE VEHICLES, CONTINUED

ITEM	PART NO.	DESCRIPTION	QTY
		1 2 3 4	
1	<u>1011553</u>	Decal, Trailer Hitch	1
2	<u>101547601</u>	Decal, Gasoline Explosion/Fire Warning	1
3	<u>101915201</u>	Decal, Frame Ground and Governor Warning	1
4	<u>101960501</u>	Decal, Rotating Parts/Hot Manifold	1
5	<u>103205501</u>	Decal, Run/Service Switch	1
6	<u>103210201</u>	Decal, Forward/Reverse, Gas	1

3
G
E

WARNING

ROLLOVER OR FALLING OFF MAY CAUSE DEATH.

- Before using vehicle, read operating instructions.
- Remain seated and hold on to seat handle while moving.
- Do not start vehicle until all occupants are seated.
- Two (2) persons per seat maximum.
- Operate from driver side only and not on public roads.
- Keep entire body inside vehicle while moving.
- Drive slowly in turns and straight up and down slopes.
- Do not leave children unattended on vehicle.
- Never operate under the influence of alcohol or drugs.
- Use brakes to reduce speed when coasting downhill.
- Never stand in front of or behind vehicle.

CCI 103205401

OPERATING INSTRUCTIONS

- Read owner's manual and safety warnings located on dash panel prior to driving.
- Study and understand controls.

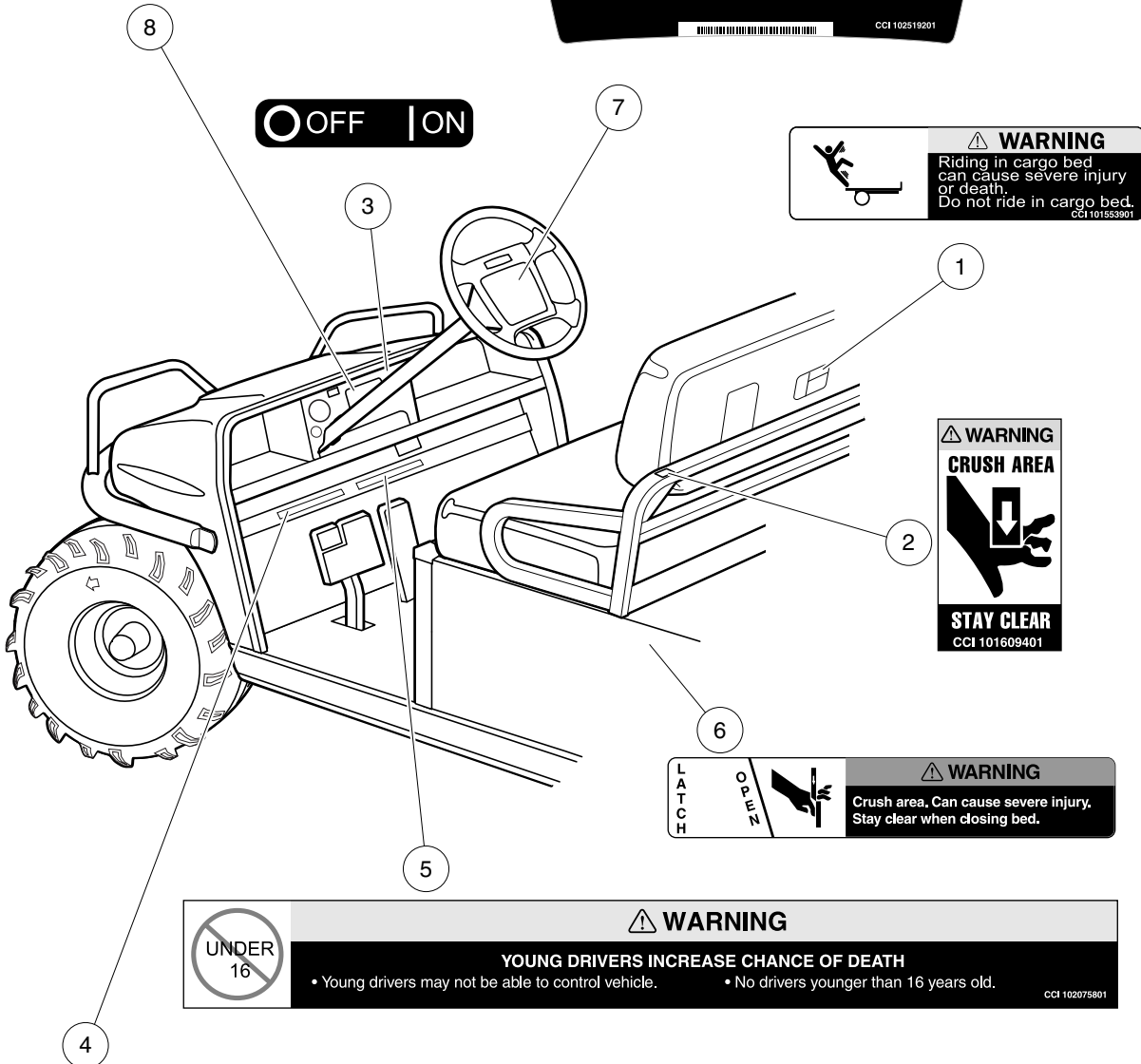
TO OPERATE

- Turn wheels to desired direction and ensure path is clear.
- Turn key to ON position.
- While stopped, place shift lever in desired position:
F—Forward N—Neutral R—Reverse (Buzzer will sound)
- Park brake will release and vehicle will start moving when accelerator pedal is pressed.
- Slowly press accelerator pedal to increase speed.
- To stop, release accelerator pedal and press brake pedal.

BEFORE LEAVING

- Press park brake pedal until it locks and holds vehicle.
- Place Forward/Reverse switch in NEUTRAL position.
- Turn key OFF and remove key when not in use.

CCI 102519201



VEHICLE LOADING

Read owner's manual and warnings on dash.

- Vehicle rated capacity - 900 lbs. on level surface only. Weight to include passengers, cargo bed load, and gross trailer weight. See Owner's Manual.
- Maximum cargo load - 500 lbs. Weight to include cargo bed load and gross trailer weight.
- Maximum trailer hitch tongue weight - 150 lbs.

- Cargo should be evenly spread over the floor of the cargo bed as far forward as possible and secured.
- For vehicle stability, when fully loaded, drive slowly and avoid stopping on or backing down steep hills.
- Avoid top heavy loads. See Owner's Manual.
- When driving on uneven terrain or down steep hills, reduce speed and load.

CCI 102006701

WARNING

YOUNG DRIVERS INCREASE CHANCE OF DEATH

- Young drivers may not be able to control vehicle.
- No drivers younger than 16 years old.

CCI 102075801

000620-001

DECALS – TURF/CARRYALL 252 GASOLINE VEHICLES

ITEM	PART NO.	DESCRIPTION	QTY
		1 2 3 4	
1	<u>101553901</u>	Decal, Bed Load Warning	1
2	<u>101609401</u>	Decal, Crush Area Warning	2
3	<u>101825101</u>	Decal, Off/On	1
4	<u>102006701</u>	Decal, Vehicle Loading	1
5	<u>102075801</u>	Decal, Young Driver Warning	1
6	<u>102459301</u>	Decal, Bed Crush Area Warning	1
7	<u>102519201</u>	Decal, Operating Instr, Gas	1
8	<u>103205401</u>	Decal, Warning, Rollover, Utl	1

3
G
E

⚠ WARNING
GASOLINE EXPLOSION / FIRE.

- Can cause severe injury or death.
- No smoking, sparks, or open flame.
- Stop engine, allow to cool before refueling.
- Turn fuel valve (←) on during operation, (→) off during storage or transport.

CCI 101547601

Maintenance Operate

⚠ WARNING

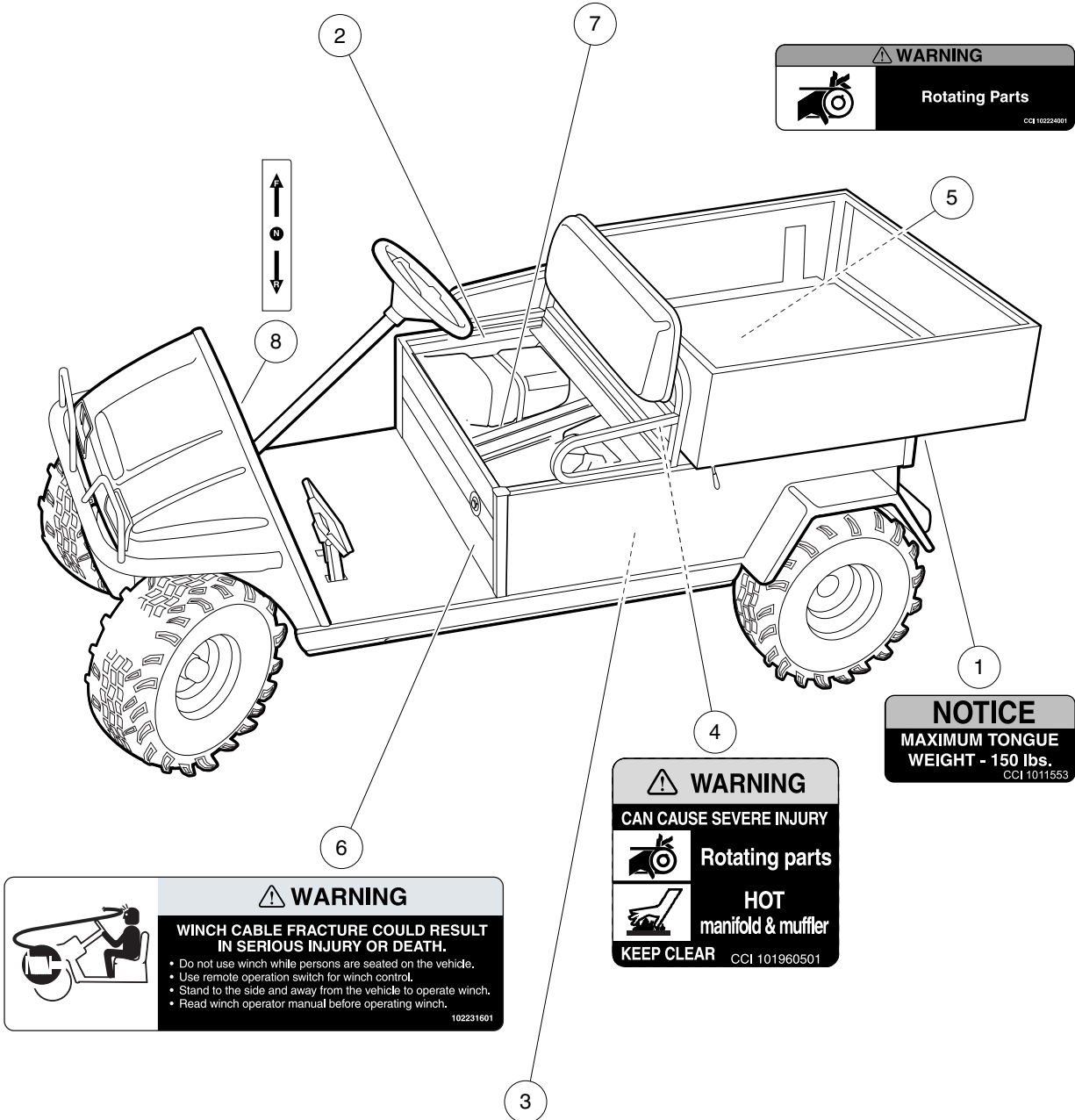
VEHICLE MOVEMENT MAY CAUSE SERIOUS INJURY
When switch is in Maintenance position, chock wheels and firmly set park brake.

CCI 103205001

⚠ WARNING

Rotating Parts

CCI 102204001



⚠ WARNING

WINCH CABLE FRACTURE COULD RESULT IN SERIOUS INJURY OR DEATH.

- Do not use winch while persons are seated on the vehicle.
- Use remote operation switch for winch control.
- Stand to the side and away from the vehicle to operate winch.
- Read winch operator manual before operating winch.

102231601

⚠ WARNING

CAN CAUSE SEVERE INJURY

Rotating parts

HOT
manifold & muffler

KEEP CLEAR CCI 101960501

NOTICE

MAXIMUM TONGUE WEIGHT - 150 lbs.

CCI 1011553

⚠ WARNING

Negative frame ground. Can cause severe injury. Do not contact positive (+) battery post or cable to frame. Disconnect negative battery cable first.

⚠ WARNING

Excessive speed can cause severe injury or death. Do not tamper with engine governor adjustment.

CCI 101915201

000621-001

DECALS – TURF/CARRYALL 252 GASOLINE VEHICLES, CONTINUED

ITEM	PART NO.	DESCRIPTION	QTY
		1 2 3 4	
1	<u>1011553</u>	Decal, Trailer Hitch	1
2	<u>101547601</u>	Decal, Gasoline Explosion/Fire Warning	1
3	<u>101915201</u>	Decal, Frame Ground and Governor Warning	1
4	<u>101960501</u>	Decal, Rotating Parts/Hot Manifold	1
5	<u>102224001</u>	Decal, Rotating Parts Warning	1
6	<u>102231601</u>	Decal, Winch Cable Fracture Warning	1
7	<u>103205501</u>	Decal, Run/Service Switch	1
8	<u>103210201</u>	Decal, Forward/Reverse, Gas	1

3
G
E

⚠ WARNING
ROLLOVER OR FALLING OFF MAY CAUSE DEATH.

- Before using vehicle, read operating instructions.
- Remain seated and hold on to seat handle while moving.
- Do not start vehicle until all occupants are seated.
- Two (2) persons per seat maximum.
- Operate from driver side only and not on public roads.
- Keep entire body inside vehicle while moving.
- Drive slowly in turns and straight up and down slopes.
- Do not leave children unattended on vehicle.
- Never operate under the influence of alcohol or drugs.
- Use brakes to reduce speed when coasting downhill.
- Never stand in front of or behind vehicle.

CCI 1019606-01

OPERATING INSTRUCTIONS

- Read Owner's Manual and safety warnings located on dash panel prior to driving.
- Study and understand controls.

TO START ENGINE

- Place shift lever in "N"—Neutral position.
- Depress brake pedal.
- Turn key switch to "START" position and release.

TO OPERATE VEHICLE

- Make sure wheels are turned in desired direction.
- Be sure nothing is in your path.

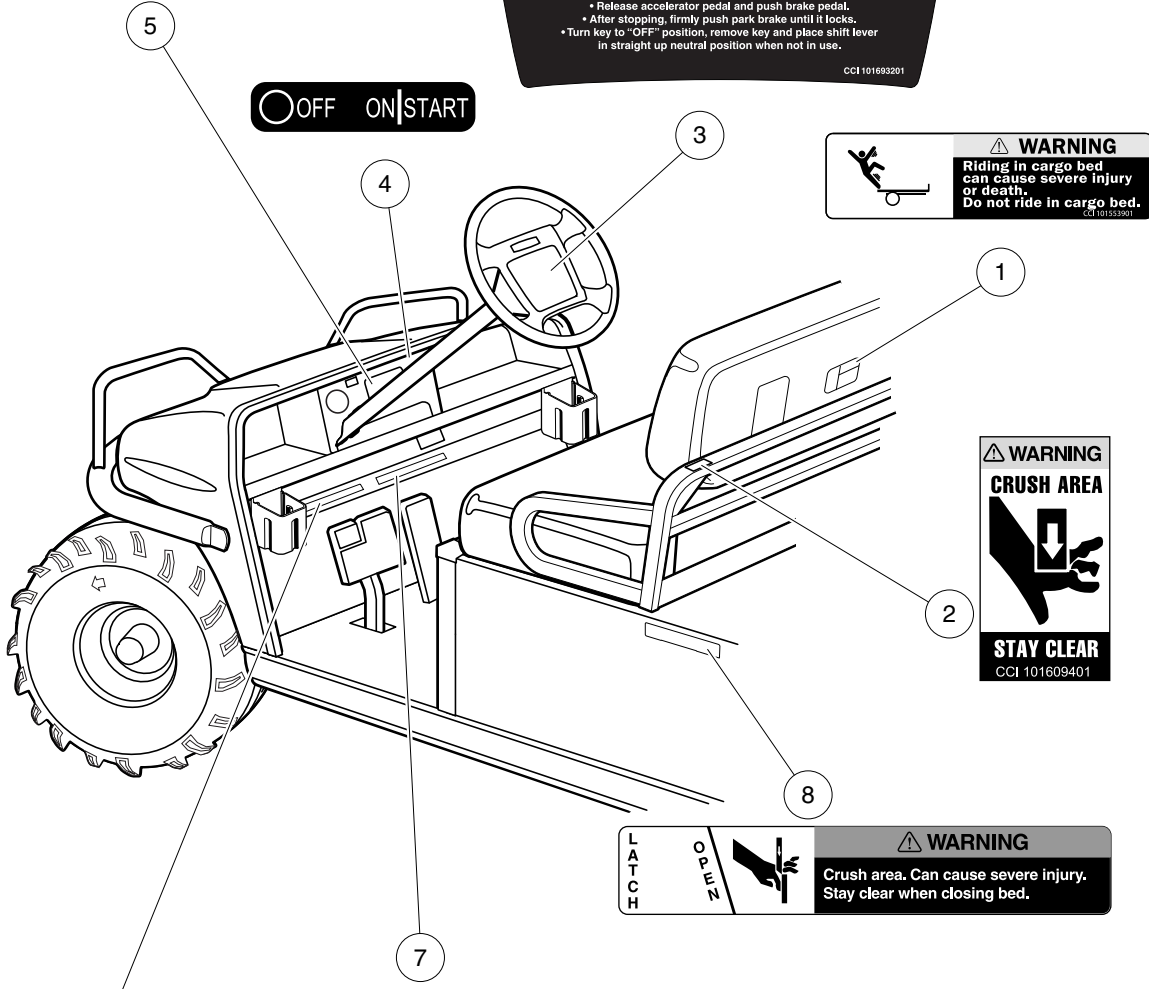
• While vehicle is stopped, and engine is at idle, select vehicle direction by placing shift lever or switch in desired position.
 F—Forward N—Neutral R—Reverse (Buzzer will sound)

- Park brake will release when accelerator pedal is pushed.
- Slowly push accelerator pedal to increase speed.
- Engine must be at idle before moving shift lever.

TO STOP VEHICLE

- Release accelerator pedal and push brake pedal.
- After stopping, firmly push park brake until it locks.
- Turn key to "OFF" position, remove key and place shift lever in straight up neutral position when not in use.

CCI 101693201



⚠ WARNING
 Riding in cargo bed can cause severe injury or death. Do not ride in cargo bed.
 CCI 101553901

⚠ WARNING
CRUSH AREA
STAY CLEAR
 CCI 101609401

⚠ WARNING
 Crush area. Can cause severe injury. Stay clear when closing bed.
 CCI 102006701

⚠ WARNING
YOUNG DRIVERS INCREASE CHANCE OF DEATH

UNDER 16

- Young drivers may not be able to control vehicle.
- No drivers younger than 16 years old.

CCI 102075801

VEHICLE LOADING
 Read owner's manual and warnings on dash.

- Vehicle rated capacity - 900 lbs. on level surface only. Weight to include passengers, cargo bed load, and gross trailer weight. See Owner's Manual.
- Maximum cargo load - 500 lbs. Weight to include cargo bed load and gross trailer weight.
- Maximum trailer hitch tongue weight - 150 lbs.
- Cargo should be evenly spread over the floor of the cargo bed as far forward as possible and secured.
- For vehicle stability, when fully loaded, drive slowly and avoid stopping on or backing down steep hills.
- Avoid top heavy loads. See Owner's Manual.
- When driving on uneven terrain or down steep hills, reduce speed and load.

CCI 102006701

000622-001

DECALS – XRT 900 GASOLINE VEHICLES

ITEM	PART NO.	DESCRIPTION	QTY
		1 2 3 4	
1	<u>101553901</u>	Decal, Bed Load Warning	1
2	<u>101609401</u>	Decal, Crush Area Warning	1
3	<u>101693201</u>	Decal, Operating Instructions, Key-Start	1
4	<u>101825102</u>	Decal, Off/On/Start	1
5	101960601	Decal, Dash Warning	1
6	<u>102006701</u>	Decal, Vehicle Loading	1
7	<u>102075801</u>	Decal, Young Driver Warning	1
8	<u>102459301</u>	Decal, Bed Crush Area Warning	1

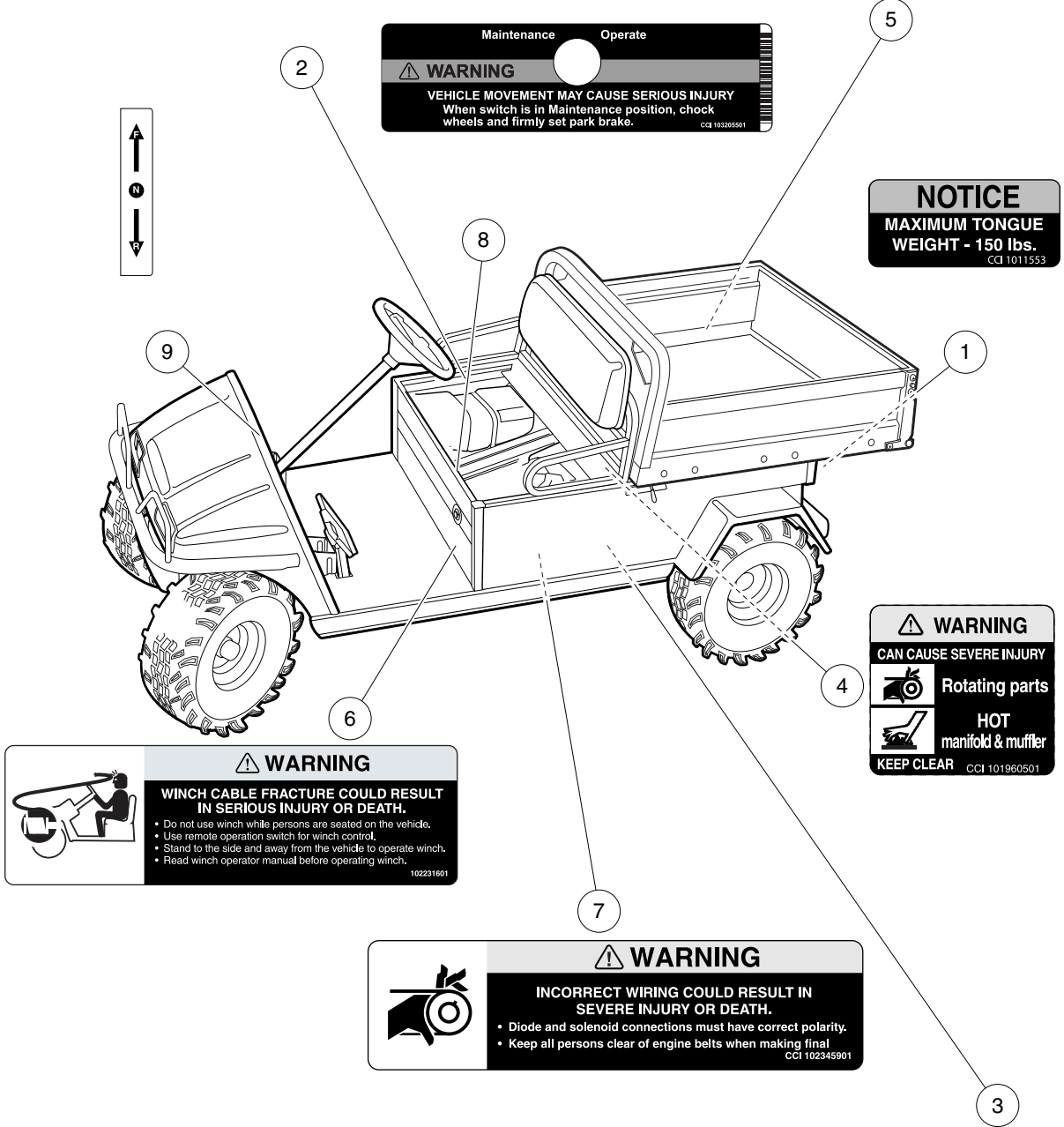
3
G
E

WARNING
GASOLINE EXPLOSION / FIRE.
 • Can cause severe injury or death.
 • No smoking, sparks, or open flame.
 • Stop engine, allow to cool before refueling.
 • Turn fuel valve (—) on during operation.
 (→) off during storage or transport.
 CCI 101547691

WARNING
Rotating Parts
 CCI 10029001

Maintenance Operate
WARNING
VEHICLE MOVEMENT MAY CAUSE SERIOUS INJURY
 When switch is in Maintenance position, chock wheels and firmly set park brake.
 CCI 10205501

NOTICE
MAXIMUM TONGUE WEIGHT - 150 lbs.
 CCI 1011553



WARNING
WINCH CABLE FRACTURE COULD RESULT IN SERIOUS INJURY OR DEATH.
 • Do not use winch while persons are seated on the vehicle.
 • Use remote operation switch for winch control.
 • Stand to the side and away from the vehicle to operate winch.
 • Read winch operator manual before operating winch.
 102231601

WARNING
CAN CAUSE SEVERE INJURY
Rotating parts
HOT manifold & muffler
KEEP CLEAR
 CCI 101960501

WARNING
INCORRECT WIRING COULD RESULT IN SEVERE INJURY OR DEATH.
 • Diode and solenoid connections must have correct polarity.
 • Keep all persons clear of engine belts when making final
 CCI 102345901

WARNING
Negative frame ground. Can cause severe injury.
 Do not contact positive (+) battery post or cable to frame. Disconnect negative battery cable first.

WARNING
Excessive speed can cause severe injury or death. Do not tamper with engine governor adjustment.
 CCI 101915201

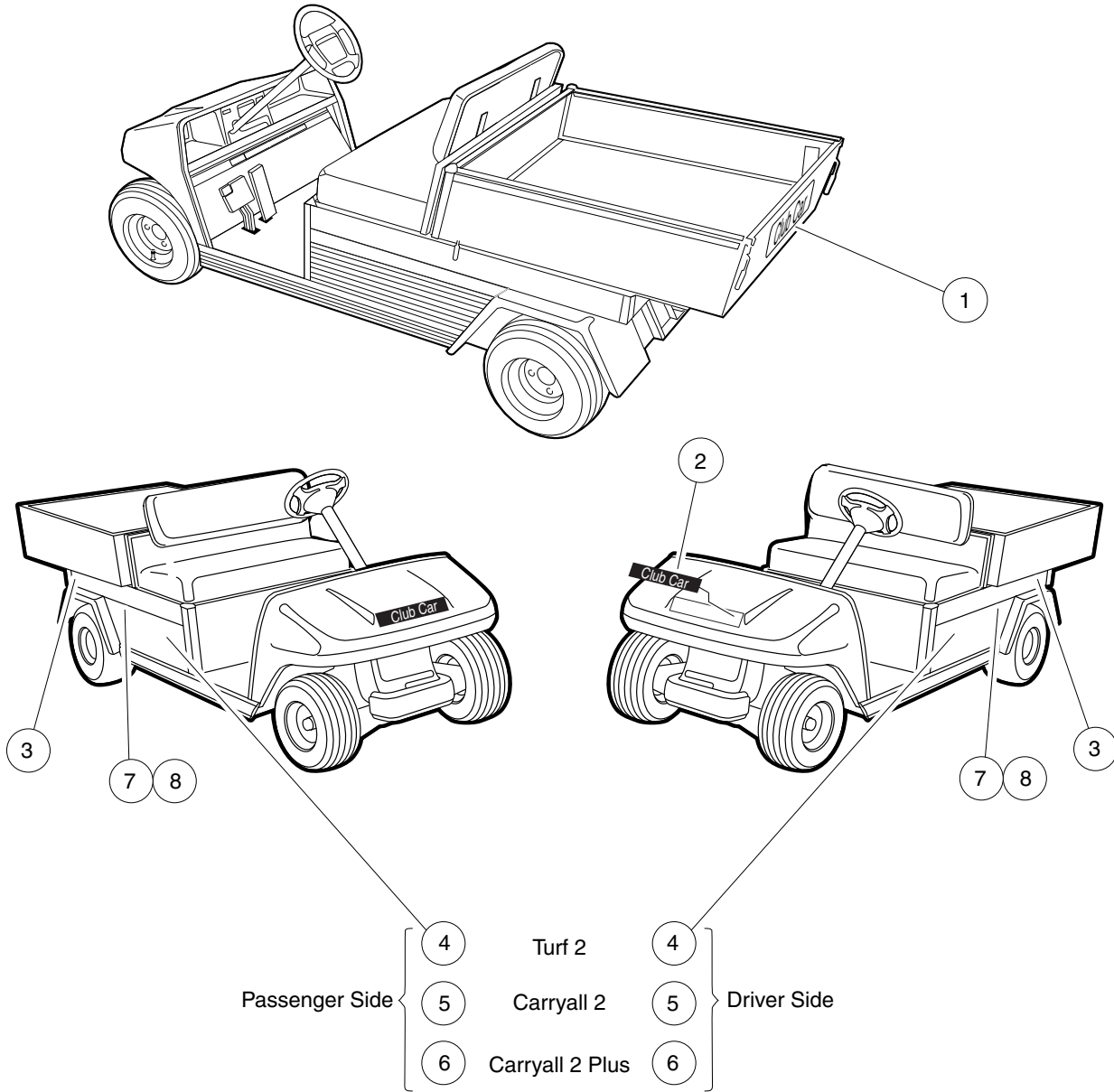
000623-001

DECALS – XRT 900 GASOLINE VEHICLES, CONTINUED

ITEM	PART NO.	DESCRIPTION	QTY
		1 2 3 4	
1	<u>1011553</u>	Decal, Trailer Hitch	1
2	<u>101547601</u>	Decal, Gasoline Explosion/Fire Warning	1
3	<u>101915201</u>	Decal, Frame Ground and Governor Warning	1
4	<u>101960501</u>	Decal, Rotating Parts/Hot Manifold	1
5	<u>102224001</u>	Decal, Rotating Parts Warning	1
6	<u>102231601</u>	Decal, Winch Cable Fracture Warning	1
7	<u>102345901</u>	Decal, Diode Safety	1
8	<u>103205501</u>	Decal, Run/Service Switch	1
9	<u>103210201</u>	Decal, Forward/Reverse, Gas	1

3
G
E

LOGO DECALS



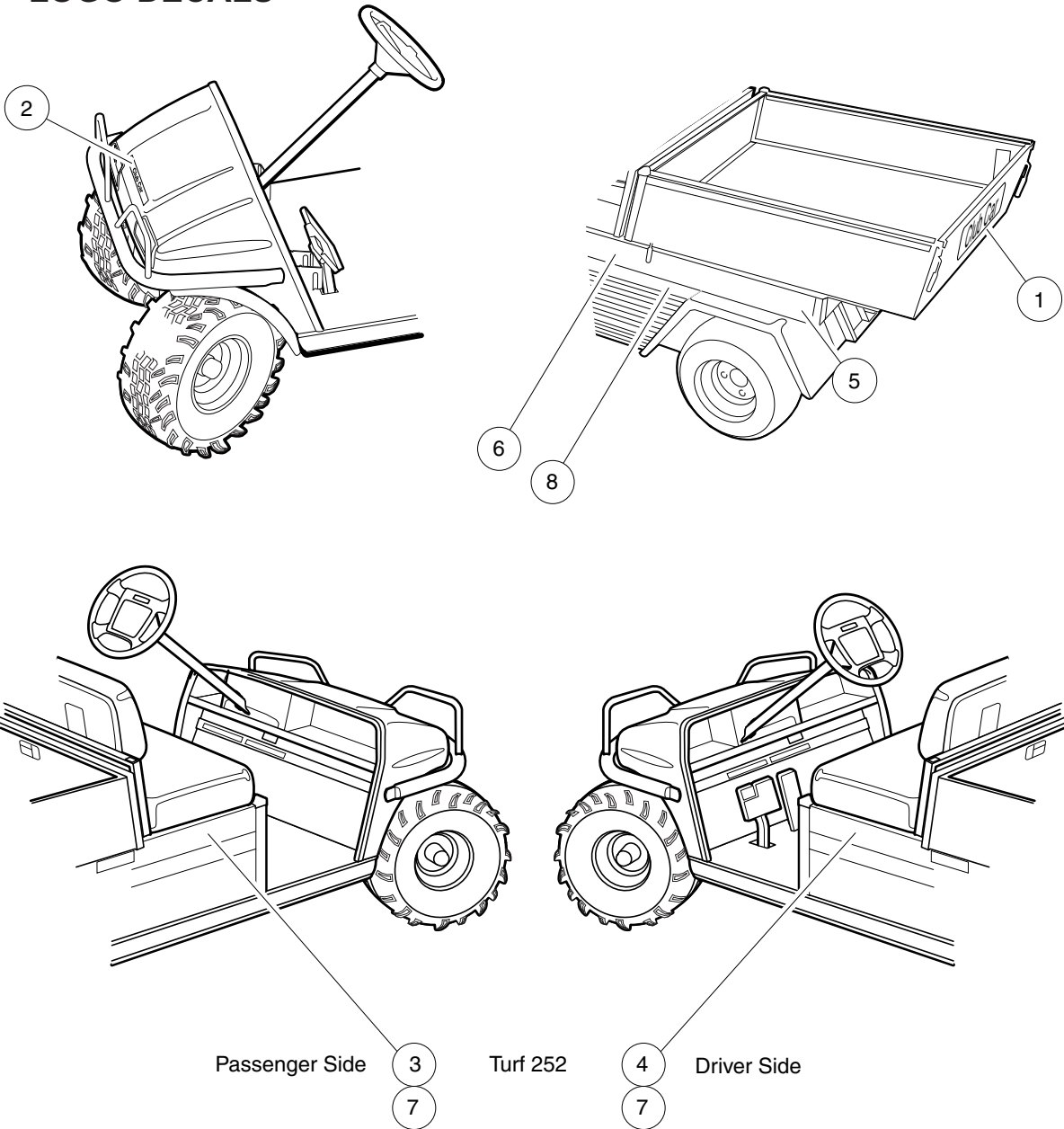
000287-006

DECALS, BADGING – TURF/CARRYALL 2 AND 2 PLUS

ITEM	PART NO.	DESCRIPTION	QTY
		1 2 3 4	
1	<u>1013317</u>	Decal, Logo, Tailgate	1
2	<u>101670201</u>	Nameplate Kit (silver)	1
3	<u>103234301</u>	Decal, Badge, IR	2
4	<u>103260101</u>	Decal Turf 2 Side Panel	2
5	<u>103260801</u>	Decal Ca 2 Side Panel	2
6	<u>103260901</u>	Decal Ca 2 Plus Side Panel	2
7	<u>103284101</u>	Decal Ca2/ca2p/ca252/ca272 Bar	2
8	<u>103464801</u>	Decal, Iq Plus, Zev	2

3
G
E

LOGO DECALS



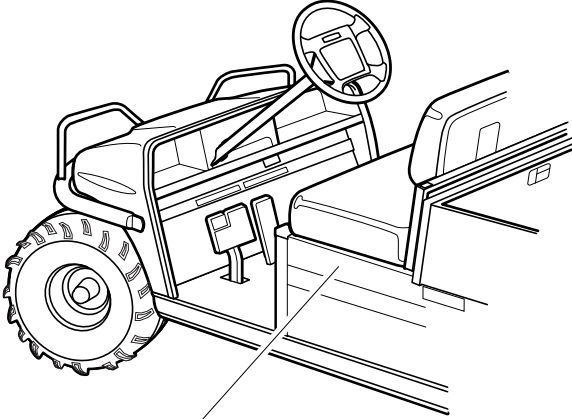
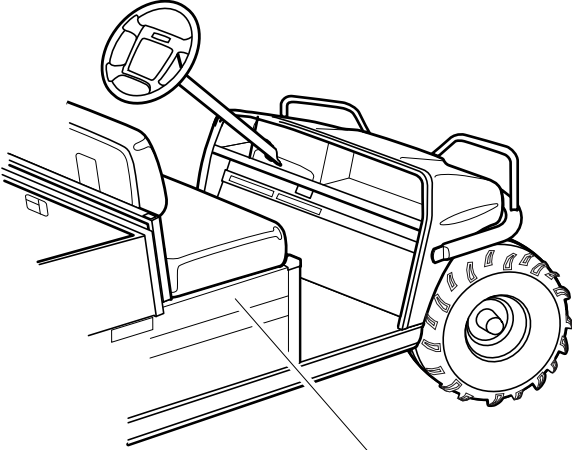
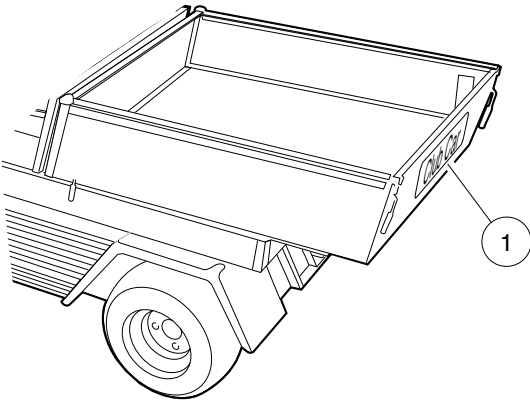
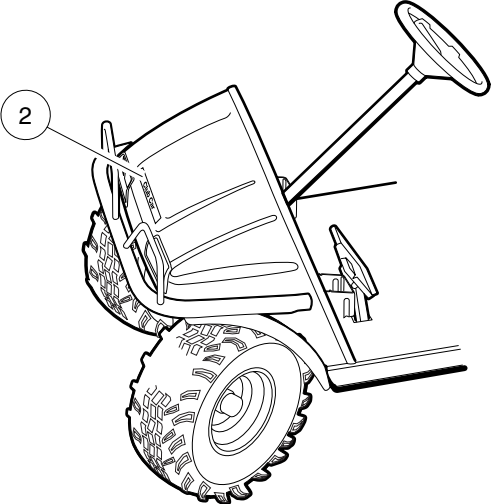
000289-003

DECALS, BADGING – TURF/CARRYALL 252

ITEM	PART NO.	DESCRIPTION	QTY
		1 2 3 4	
1	<u>1013317</u>	Decal, Logo, Tailgate	1
2	<u>101670201</u>	Nameplate Kit (silver)	1
3	<u>102683201</u>	Decal, Turf 252, Passenger-Side	1
4	<u>102683301</u>	Decal, Turf 252, Driver-Side	1
5	<u>103234301</u>	Decal, Badge, IR	2
6	<u>103261301</u>	Decal Ca 252 Side Panel	2
7	<u>103284101</u>	Decal Ca2/ca2p/ca252/ca272 Bar	2
8	<u>103464801</u>	Decal, Iq Plus, Zev	2

3
G
E

LOGO DECALS



Passenger Side (3)
(5)

XRT 900

(4) Driver Side
(5)

000624-001

DECALS, BADGING – XRT 900

ITEM	PART NO.	DESCRIPTION	QTY
		1 2 3 4	
1	<u>1013317</u>	Decal, Logo, Tailgate	1
2	<u>101670201</u>	Nameplate Kit (silver)	1
3	<u>102683701</u>	Decal, XRT 900 Passenger-Side	1
4	<u>102683801</u>	Decal, XRT 900 Driver-Side	1
5	<u>103234301</u>	Decal, Badge, IR	2

3
G
E

3

G

E

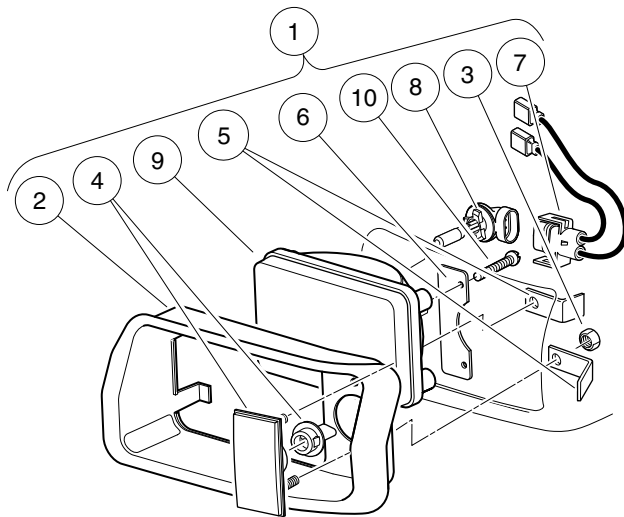
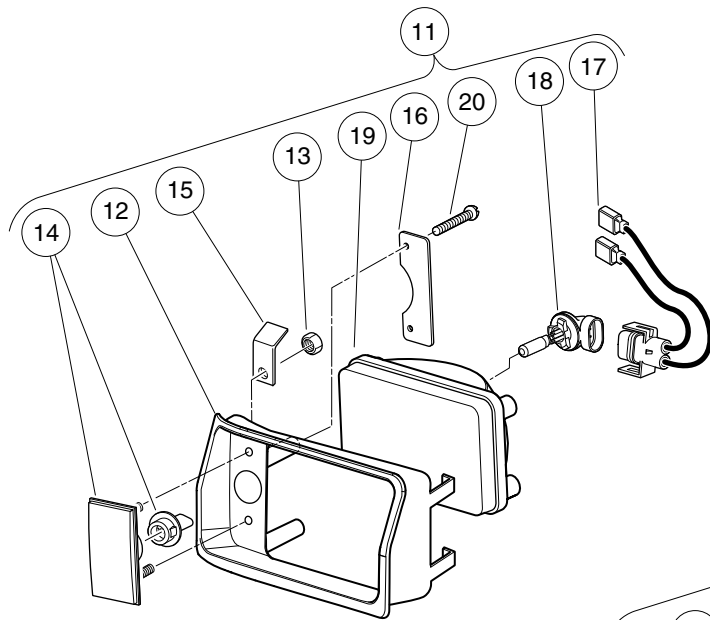
LIGHTS, CONTROLS, AND INDICATORS

4

G

E

4
G
E



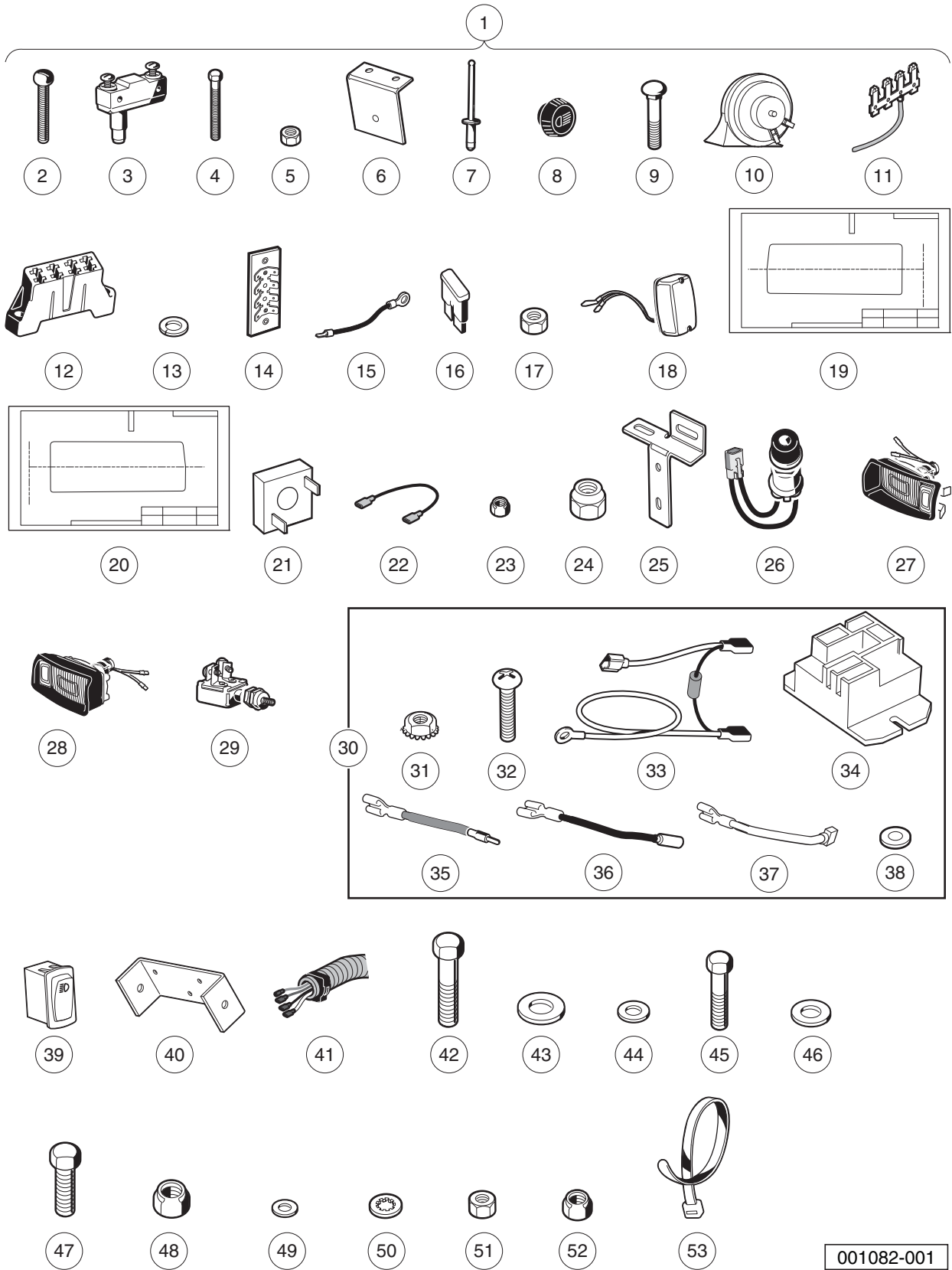
001097-001

HEADLIGHTS

ITEM	PART NO.	DESCRIPTION	QTY
		1 2 3 4	
1	<u>101988001</u>	Headlight Assembly, Driver-Side Single Beam (includes items 2 through 10)	1
2	<u>1016880</u>	Headlight Bezel, Left	1
3	<u>1017</u>	Nut, #10-24 Stainless-Steel Hex Machine	2
4	<u>1017062</u>	Turn Signal Lens Assy	1
5	<u>1017064</u>	Mounting Bracket	2
6	<u>1017065</u>	Retainer, Headlight	1
7	<u>101987901</u>	Connector, Harness Assembly, Headlight	1
8	<u>101988101</u>	Bulb, Headlight	1
9	<u>101988201</u>	Lens, Headlight	1
10	1620	Screw, #10-16 X 0.75 Pan-Head Tap	2
11	<u>101988002</u>	Headlight Assy, Passenger-Side Single Beam (includes items 12 through 20)	1
12	<u>1016879</u>	Headlight Bezel, Right	1
13	<u>1017</u>	Nut, #10-24 Stainless-Steel Hex Machine	2
14	<u>1017062</u>	Turn Signal Lens Assy	1
15	<u>1017064</u>	Mounting Bracket	2
16	<u>1017065</u>	Retainer, Headlight	1
17	<u>101987901</u>	Connector, Harness Assembly, Headlight	1
18	<u>101988101</u>	Bulb, Headlight	1
19	<u>101988201</u>	Lens, Headlight	1
20	1620	Screw, #10-16 X 0.75 Pan-Head Tap	2

4
G
E

4
G
E



LIGHT KIT, STANDARD – CARRYALL 2 GASOLINE VEHICLES

ITEM	PART NO.	DESCRIPTION	QTY
		1 2 3 4	
1	<u>101705603</u>	Standard Lighting Package (includes items 2 through 53)	1
2	<u>1010909</u>	Screw, #10-32 X 1.25 Rd Hd Mch	1
3	<u>1011439</u>	Switch, Limit	2
4	<u>1011557</u>	Screw, #6-32 X 1.00 Hex-Head Machine	8
5	<u>1011558</u>	Nut, #6-32 Hex	6
6	<u>1011825</u>	Horn Bracket	1
7	<u>1013357</u>	Rivet, 5/32 Aluminum Pop	2
8	<u>1013857</u>	Knob, Light Switch	1
9	<u>1014109</u>	Bolt, Carriage, #10-24 X 1.0	1
10	<u>1014530</u>	Horn, 12-VDC	1
11	<u>1015737</u>	Wire Assy, #10 Red	1
12	<u>1015741</u>	Fuse Block	1
13	<u>1016</u>	Lockwasher, #10 Split	2
14	<u>1016356</u>	Terminal Block with Insulator	1
15	<u>1016367</u>	Wire Assy, #10 Black	1
16	<u>1016423</u>	Fuse, 20-Amp	3
17	<u>1017</u>	Nut, #10-24 Stainless-Steel Hex Machine	1
18	<u>1017035</u>	Taillight Assembly	2
19	N/A	Headlight Template R.h.	1
20	N/A	Headlight Template L.h.	1
21	<u>1017721</u>	Limiter, Voltage	1
22	<u>1017722</u>	Wire Assy, #16 Black	1
23	<u>101932201</u>	Locknut, #6-32 Nylon	4
24	<u>101955101</u>	Nut, M6 Hex	1
25	<u>101957101</u>	Bracket, Brake Light Switch	1
26	<u>101969701</u>	Horn Button and Wire Assembly	1
27	<u>101988001</u>	Headlight Assembly, Driver-Side Single Beam	1
28	<u>101988002</u>	Headlight Assy, Passenger-Side Single Beam	1
29	<u>102051901</u>	Switch, Light	1
30	<u>102198701</u>	Brake Relay Kit - 12v (includes items 31 through 38)	1
31	<u>1011229</u>	Locknut, #6-32 Whiz	2
32	<u>1017853</u>	Screw, #6-32 X 0.75 Hex-Head Machine	2
33	<u>101914401</u>	Assembly, Voltage Suppressor	1
34	<u>102199001</u>	Relay, 12-Volt	1
35	<u>102199201</u>	Wire Asm #18 Brown	1
36	<u>102199301</u>	Wire Asm #18 Black	1
37	<u>102199401</u>	Wire Asm #18 Black	1
38	<u>7591</u>	Washer, #6, Flat	2
39	<u>102869401</u>	Switch, Rocker, Light	1
40	<u>103254101</u>	Bracket, Mtg, Power Relay	1
41	<u>103256901</u>	Wire Harness, Lighting, CA2	1
42	<u>1218</u>	Screw, 5/16-18 X 1.25 Hex-Head Cap	1
43	<u>1241</u>	Washer, 5/16 Type A Flat	1
44	<u>183</u>	Washer, #10, Type A, Flat	1

4
G
E



45304

Screw, 1/4-20 X 1.0 Hex-Head Cap 3

46	332	Washer, 1/4 Type A Narrow Flat	3
47	7173	Screw, 5/16-18 X 0.75, Hex-Head Cap	1

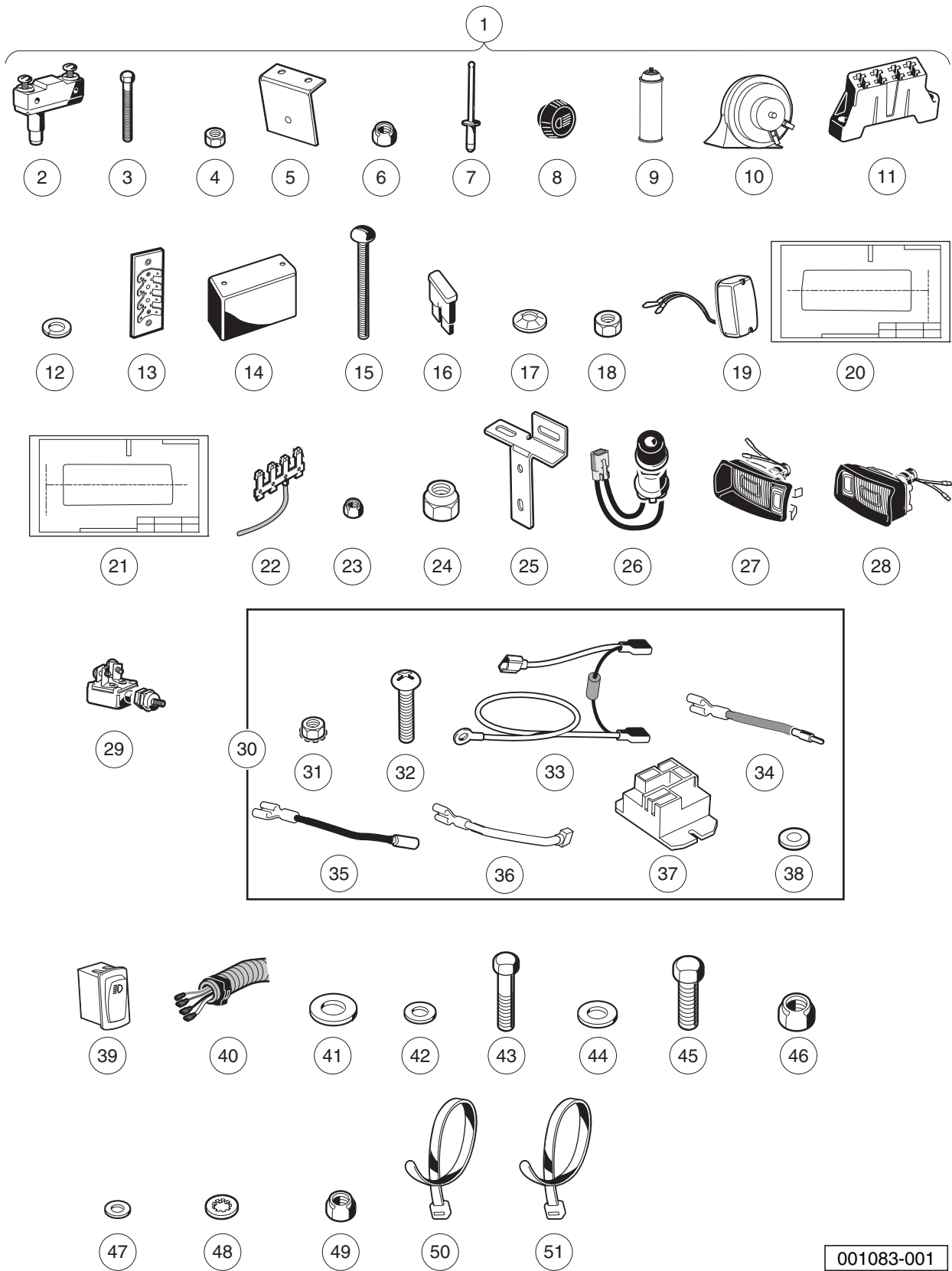
ITEM	PART NO.	DESCRIPTION	QTY
		1 2 3 4	
48	<u>7473</u>	Locknut, 5/16-18 Nylon Insert	3
49	<u>7591</u>	Washer, #6, Flat	4
50	<u>7820</u>	Washer, 5/16 Internal-Tooth	1
51	<u>7893</u>	Nut, #10-32 Hex	1
52	<u>8233</u>	Locknut, 1/4-20, Nylon Insert	3
53	<u>8990</u>	Tie Wrap, 8" Nylon	18

4

G

E

4
G
E



001083-001

LIGHT KIT, STANDARD – CARRYALL 2 IQ PLUS ELECTRIC VEHICLES

ITEM	PART NO.	DESCRIPTION	QTY
		1 2 3 4	
1	102915101	Lgt Pkg Std Iq Plus Elec Field (includes items 2 through 51)	1
2	<u>1011439</u>	Switch, Limit	2
3	<u>1011557</u>	Screw, #6-32 X 1.00 Hex-Head Machine	8
4	<u>1011558</u>	Nut, #6-32 Hex	8
5	<u>1011825</u>	Horn Bracket	1
6	<u>1012438</u>	Locknut, #10-24 Nylon Insert	2
7	<u>1013357</u>	Rivet, 5/32 Aluminum Pop	2
8	<u>1013857</u>	Knob, Light Switch	1
9	1014307	Bulk Batt Term Protector	A/R
10	<u>1014530</u>	Horn, 12-VDC	1
11	<u>1015741</u>	Fuse Block	1
12	<u>1016</u>	Lockwasher, #10 Split	2
13	<u>1016356</u>	Terminal Block with Insulator	1
14	<u>1016363</u>	Fuse Block Cover	1
15	<u>1016366</u>	Screw, #10-24 X 3.0 Pan-Head Machine	2
16	<u>1016423</u>	Fuse, 20-Amp	3
17	<u>1016631</u>	Push Nut	2
18	<u>1017</u>	Nut, #10-24 Stainless-Steel Hex Machine	2
19	<u>1017035</u>	Taillight Assembly	2
20	N/A	Headlight Template R.h.	1
21	N/A	Headlight Template L.h.	1
22	<u>101810601</u>	Wire Assy, #10 Red	1
23	<u>101932201</u>	Locknut, #6-32 Nylon	4
24	<u>101955101</u>	Nut, M6 Hex	1
25	<u>101957101</u>	Bracket, Brake Light Switch	1
26	<u>101969701</u>	Horn Button and Wire Assembly	1
27	<u>101988001</u>	Headlight Assembly, Driver-Side Single Beam	1
28	<u>101988002</u>	Headlight Assy, Passenger-Side Single Beam	1
29	<u>102051901</u>	Switch, Light	1
30	N/A	Elec Regen Iq Brake Relay Inst (includes items 31 through 38)	1
31	<u>1011229</u>	Locknut, #6-32 Whiz	2
32	<u>1017853</u>	Screw, #6-32 X 0.75 Hex-Head Machine	2
33	<u>101914402</u>	Asm, Pd Volt. Supp. W/o Instr.	1
34	<u>102199201</u>	Wire Asm #18 Brown	1
35	<u>102199301</u>	Wire Asm #18 Black	1
36	<u>102199401</u>	Wire Asm #18 Black	1
37	<u>103397901</u>	Relay, Spst No, 48v 30a, Pmt	1
38	<u>7591</u>	Washer, #6, Flat	2
39	<u>102869401</u>	Switch, Rocker, Light	1
40	<u>103256901</u>	Wire Harness, Lighting, CA2	1
41	<u>1241</u>	Washer, 5/16 Type A Flat	1
42	<u>183</u>	Washer, #10, Type A, Flat	4
43	304	Screw, 1/4-20 X 1.0 Hex-Head Cap	2
44	<u>332</u>	Washer, 1/4 Type A Narrow Flat	2

4
G
E



457173

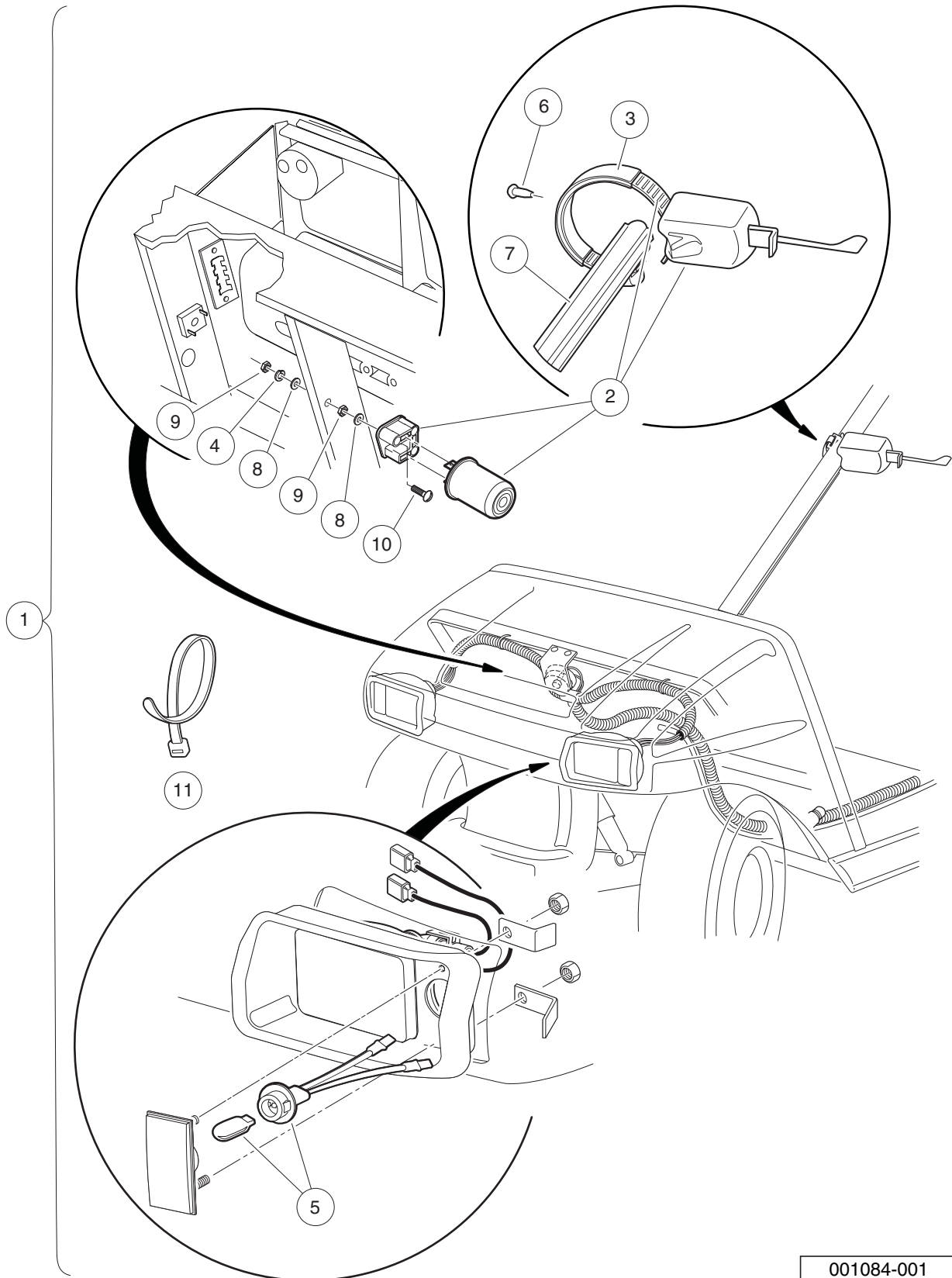
Screw, 5/16-18 X 0.75, Hex-Head Cap 1

46	7473	Locknut, 5/16-18 Nylon Insert	2
47	7591	Washer, #6, Flat	4

ITEM	PART NO.	DESCRIPTION	QTY
		1 2 3 4	
48	<u>7820</u>	Washer, 5/16 Internal-Tooth	1
49	<u>8233</u>	Locknut, 1/4-20, Nylon Insert	2
50	<u>8639</u>	Tie Wrap, 11" Nylon	10
51	<u>8990</u>	Tie Wrap, 8" Nylon	8

4
G
E

4
G
E



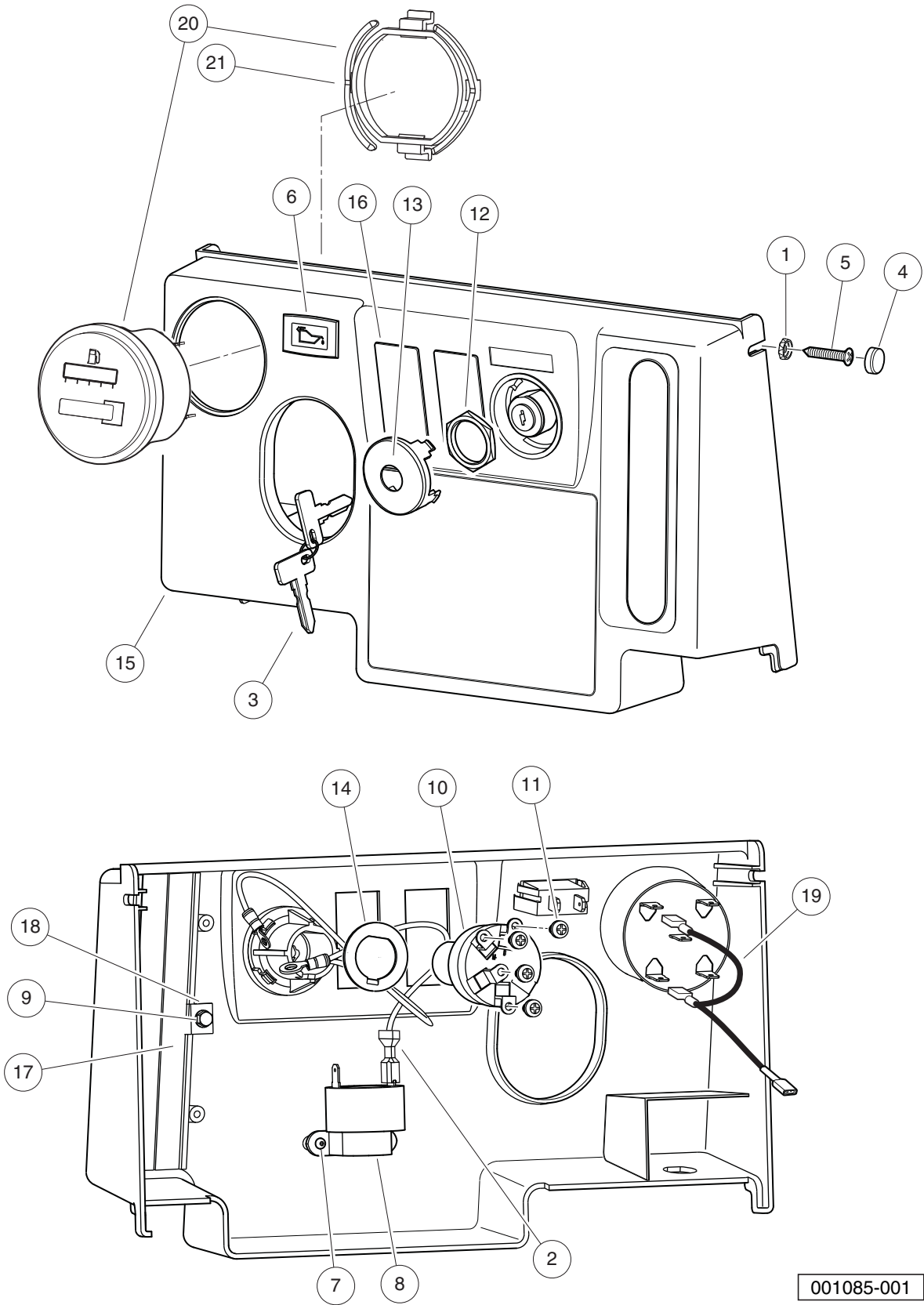
001084-001

TURN SIGNAL KIT – DS AND UTILITY GASOLINE AND ELECTRIC VEHICLES

ITEM	PART NO.	DESCRIPTION	QTY
		1 2 3 4	
1	101707402	Turn Signal Conversion Kit (includes items 2 through 11)	1
2	<u>1011590</u>	Switch Sub-assy, Turn Signal	1
3	N/A	Strap, Extrusion	1
4	<u>1016</u>	Lockwasher, #10 Split	1
5	<u>1017075</u>	Socket & Lamp Assembly	2
6	<u>1017724</u>	Rivet, Plastic	1
7	<u>102529201</u>	Wire Cover, Steering Column	1
8	<u>183</u>	Washer, #10, Type A, Flat	2
9	<u>7893</u>	Nut, #10-32 Hex	2
10	8104	Screw, #10-32 X .75 Rd Hd Mach	1
11	<u>8990</u>	Tie Wrap, 8" Nylon	1

4
G
E

4
G
E



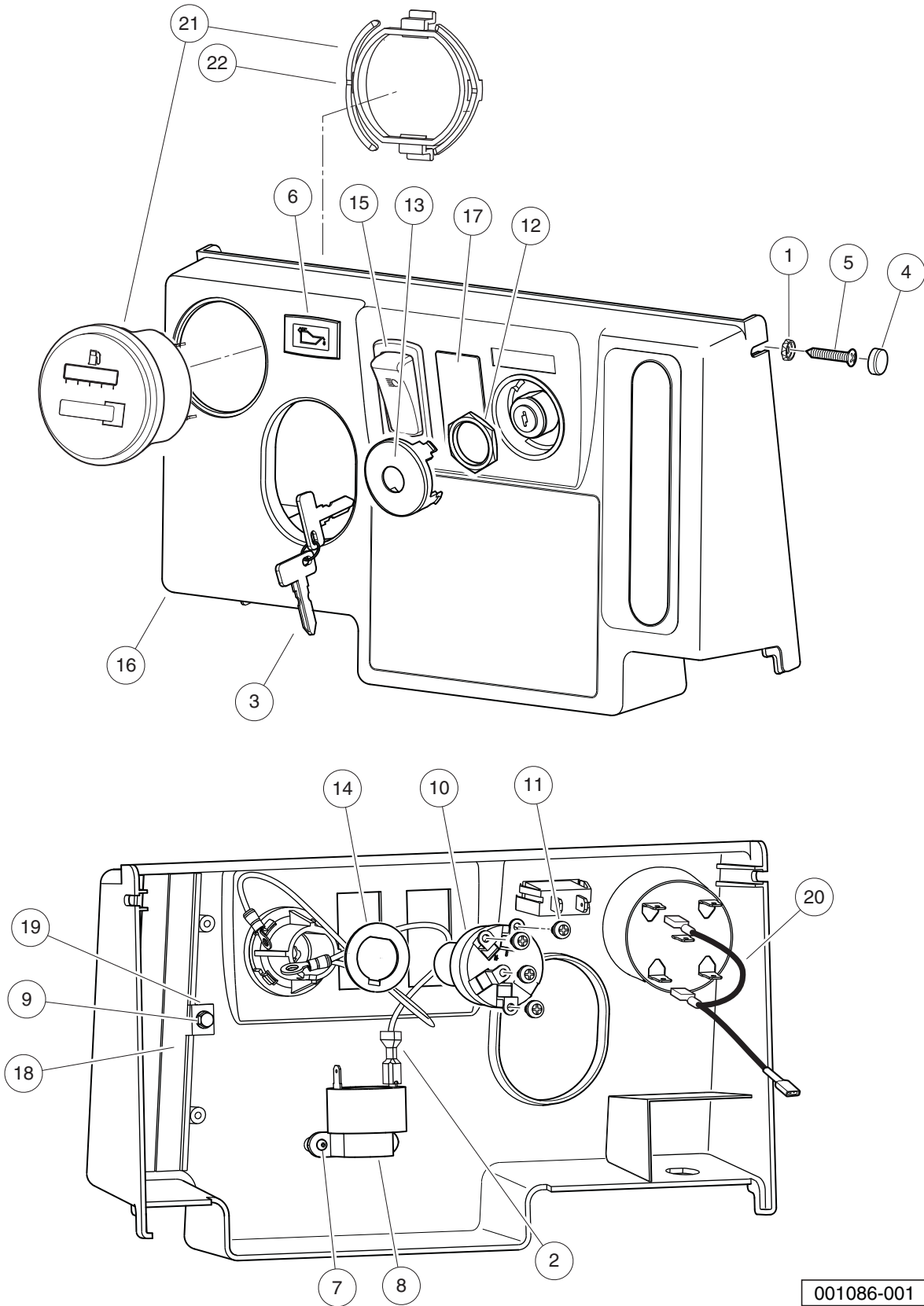
001085-001

INSTRUMENT PANEL AND ELECTRICAL COMPONENTS – TURF/ CARRYALL 2 AND 252 GAS

ITEM	PART NO.	DESCRIPTION	QTY
		1 2 3 4	
1	1011382	Washer, #10 Pan-Head Screw	2
2	1012396	Wire Assy #18 Black	1
3	<u>1012505</u>	Keys (set of 2)	1
4	<u>1013494</u>	Cover, Screw Head	2
5	<u>1015528</u>	Screw, #10 x 1-1/4 Phillips Head	2
6	<u>1016630</u>	Light, Oil	1
7	<u>1016849</u>	Screw, #4-24 X 0.33, Pan-Head, Machine	2
8	<u>1016851</u>	Buzzer, Reverse (9-48 VDC)	1
9	<u>101804301</u>	Screw, #8 X 0.500, Hex-Head Hi-Lo	2
10	<u>101826301</u>	Key Switch, 12-Volt, Off/On	1
11	101830601	Screw and Washer Assembly	4
12	<u>101830701</u>	Nut, Key Switch	1
13	<u>101834502</u>	Cap, Black Key Switch	1
14	<u>101851101</u>	Washer, Key Switch	1
15	<u>102977001</u>	Panel, Dash, Center, Gas (Instrument Panel)	1
16	<u>103180101</u>	Cover, Hole, Switch, Rocker	2
17	<u>103199001</u>	Brush, Closeout, FNR	2
18	<u>103199101</u>	Washer, Retaining, Brush, FNR	2
19	<u>103348501</u>	Asm, Wire Meter, F-h Jumper	1
20	<u>103348602</u>	Gauge, Fuel-hour, sep Gnd, Ds (includes item 21)	1
21	103348204	Clip, Meter, Round Ds	1

4
G
E

4
G
E



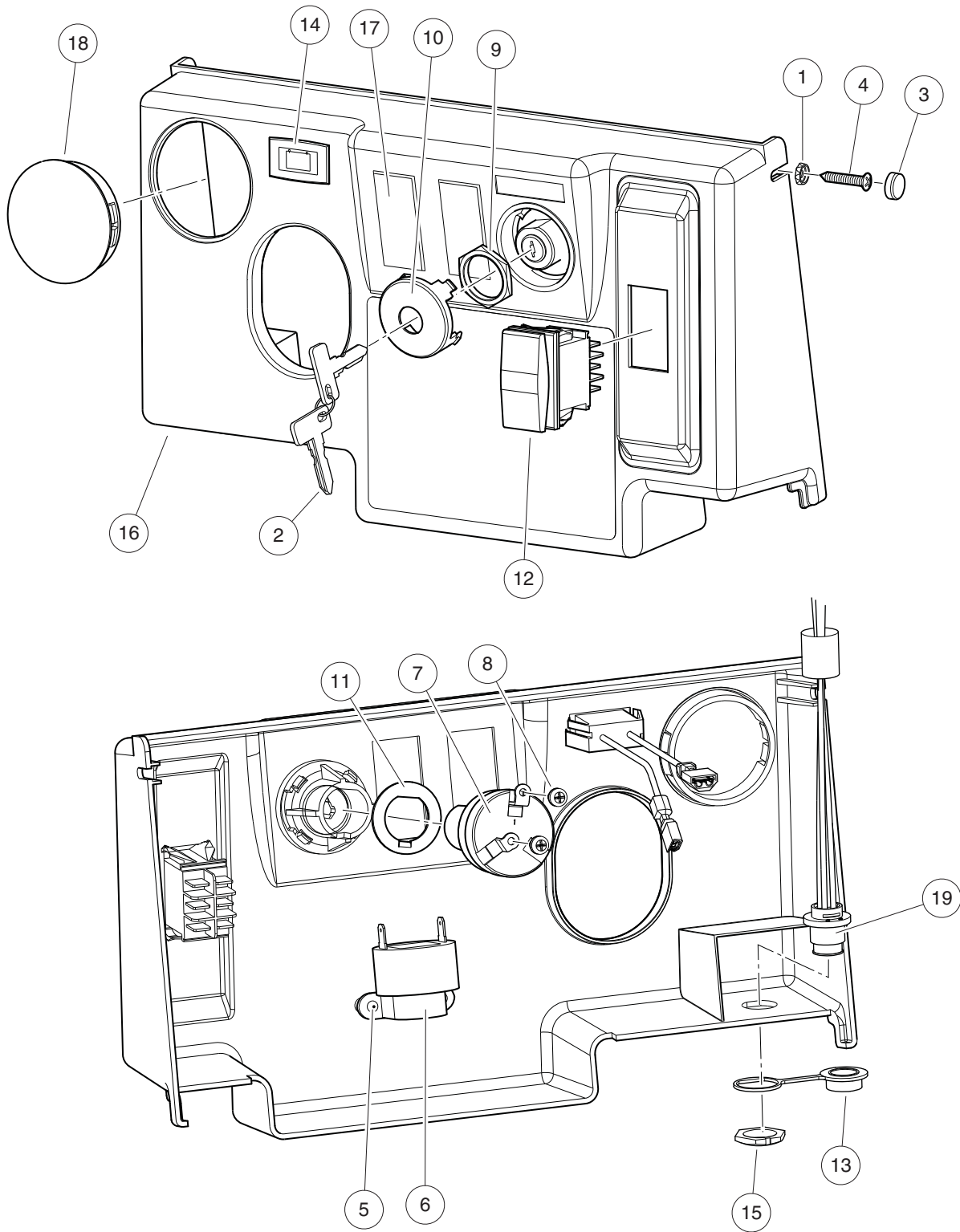
001086-001

INSTRUMENT PANEL AND ELECTRICAL COMPONENTS – CARRYALL 2 PLUS AND XRT 900 GAS

ITEM	PART NO.	DESCRIPTION	QTY
		1 2 3 4	
1	1011382	Washer, #10 Pan-Head Screw	2
2	1012396	Wire Assy #18 Black	1
3	<u>1012505</u>	Keys (set of 2)	1
4	<u>1013494</u>	Cover, Screw Head	2
5	<u>1015528</u>	Screw, #10 x 1-1/4 Phillips Head	2
6	<u>1016630</u>	Light, Oil	1
7	<u>1016849</u>	Screw, #4-24 X 0.33, Pan-Head, Machine	2
8	<u>1016851</u>	Buzzer, Reverse (9-48 VDC)	1
9	<u>101804301</u>	Screw, #8 X 0.500, Hex-Head Hi-Lo	2
10	101826401	Key Switch, 12-Volt, Off/On/Start	1
11	101830601	Screw and Washer Assembly	5
12	<u>101830701</u>	Nut, Key Switch	1
13	<u>101834502</u>	Cap, Black Key Switch	1
14	<u>101851101</u>	Washer, Key Switch	1
15	<u>102869401</u>	Switch, Rocker, Light	1
16	<u>102977001</u>	Panel, Dash, Center, Gas (Instrument Panel)	1
17	<u>103180101</u>	Cover, Hole, Switch, Rocker	1
18	<u>103199001</u>	Brush, Closeout, FNR	2
19	<u>103199101</u>	Washer, Retaining, Brush, FNR	2
20	<u>103348501</u>	Asm, Wire Meter, F-h Jumper	1
21	<u>103348602</u>	Gauge, Fuel-hour, sep Gnd, Ds (includes item 22)	1
22	103348204	Clip, Meter, Round Ds	1

4
G
E

4
G
E



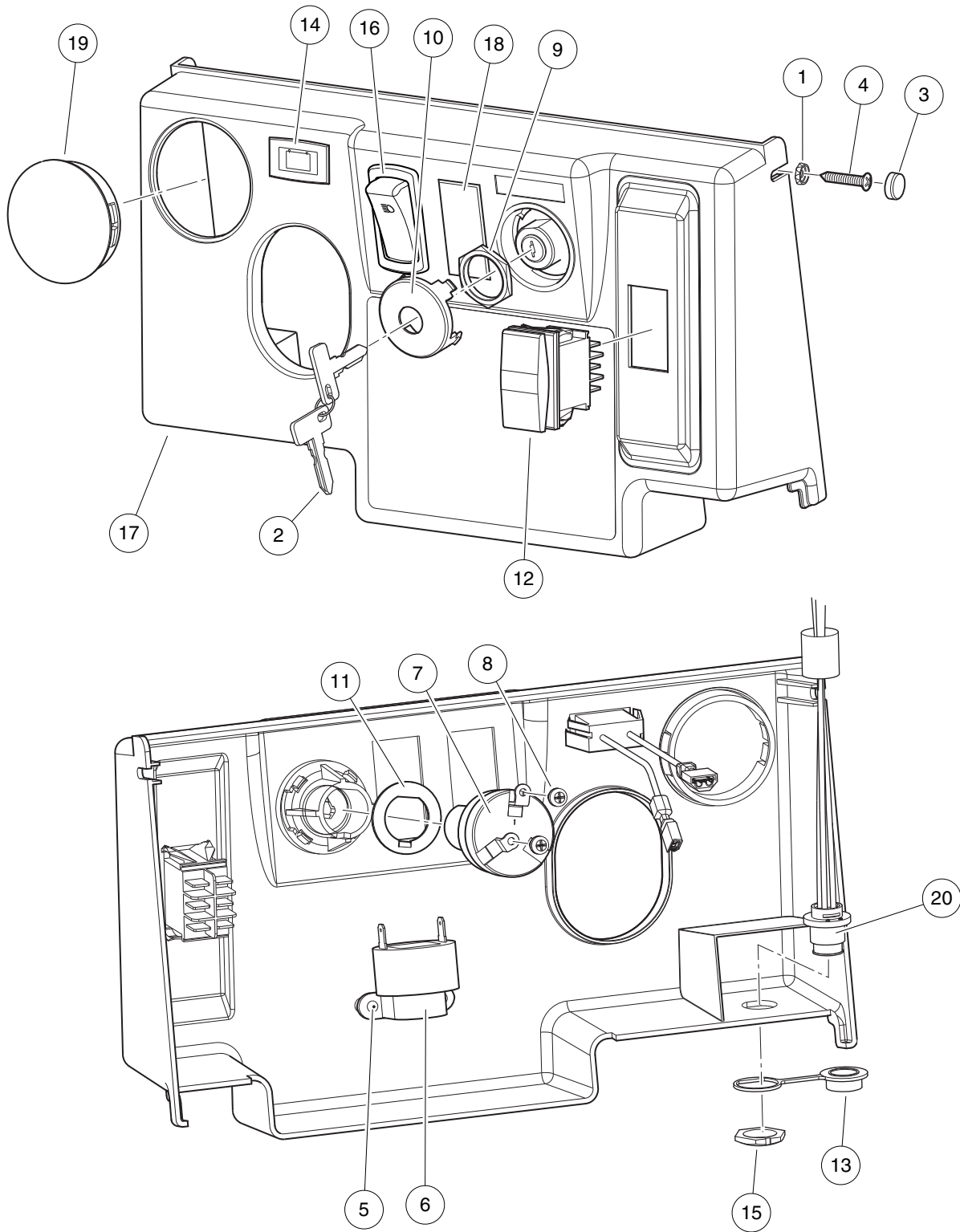
001087-001

INSTRUMENT PANEL AND ELECTRICAL COMPONENTS – TURF/ CARRYALL 2 ELECTRIC

ITEM	PART NO.	DESCRIPTION	QTY
		1 2 3 4	
1	1011382	Washer, #10 Pan-Head Screw	2
2	<u>1012505</u>	Keys (set of 2)	1
3	<u>1013494</u>	Cover, Screw Head	2
4	<u>1015528</u>	Screw, #10 x 1-1/4 Phillips Head	2
5	<u>1016849</u>	Screw, #4-24 X 0.33, Pan-Head, Machine	2
6	<u>1016851</u>	Buzzer, Reverse (9-48 VDC)	1
7	<u>101826201</u>	Key Switch, On/Off	1
8	101830601	Screw and Washer Assembly	2
9	<u>101830701</u>	Nut, Key Switch	1
10	<u>101834502</u>	Cap, Black Key Switch	1
11	<u>101851101</u>	Washer, Key Switch	1
12	<u>101856002</u>	Switch, Rocker, Single-Pole	1
13	<u>102196901</u>	Dust Cap	1
14	<u>102508701</u>	Light, Battery	1
15	<u>102572401</u>	Nut, Diagnostic Port, Prec	1
16	<u>102977002</u>	Panel, Dash, Center, Elec (Instrument Panel)	1
17	<u>103180101</u>	Cover, Hole, Switch, Rocker	2
18	<u>103198301</u>	Plug, Hole, Round, 2.0 In	1
19	<u>103218601</u>	Harness, Diagnostic Port	1

4
G
E

4
G
E



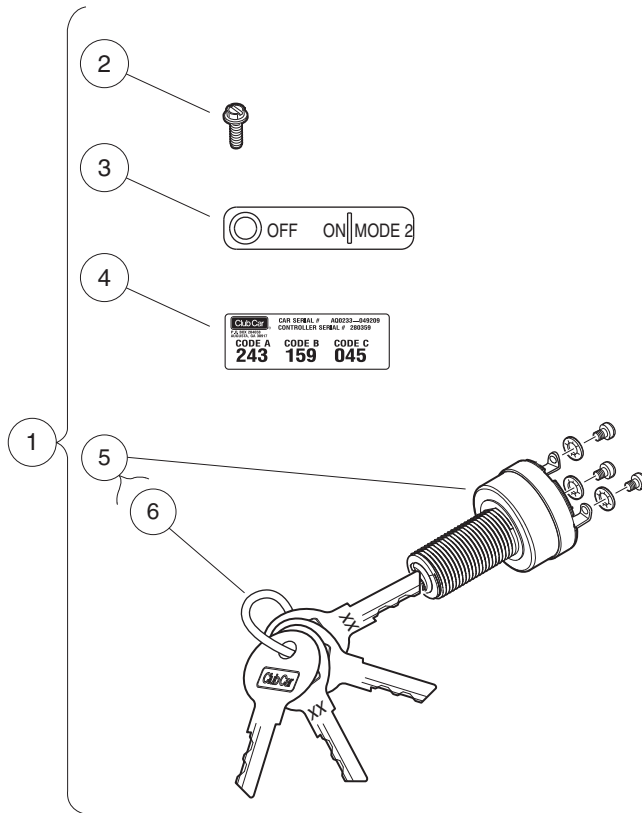
001088-001

INSTRUMENT PANEL WITH ELECTRICAL COMPONENTS – TURF/ CARRYALL 252 AND XRT 900 ELECTRIC

ITEM	PART NO.	DESCRIPTION	QTY
		1 2 3 4	
1	1011382	Washer, #10 Pan-Head Screw	2
2	<u>1012505</u>	Keys (set of 2)	1
3	<u>1013494</u>	Cover, Screw Head	2
4	<u>1015528</u>	Screw, #10 x 1-1/4 Phillips Head	2
5	<u>1016849</u>	Screw, #4-24 X 0.33, Pan-Head, Machine	2
6	<u>1016851</u>	Buzzer, Reverse (9-48 VDC)	1
7	<u>101826201</u>	Key Switch, On/Off	1
8	101830601	Screw and Washer Assembly	2
9	<u>101830701</u>	Nut, Key Switch	1
10	<u>101834502</u>	Cap, Black Key Switch	1
11	<u>101851101</u>	Washer, Key Switch	1
12	<u>101856002</u>	Switch, Rocker, Single-Pole	1
13	<u>102196901</u>	Dust Cap	1
14	<u>102508701</u>	Light, Battery	1
15	<u>102572401</u>	Nut, Diagnostic Port, Prec	1
16	<u>102869401</u>	Switch, Rocker, Light	1
17	<u>102977002</u>	Panel, Dash, Center, Elec (Instrument Panel)	1
18	<u>103180101</u>	Cover, Hole, Switch, Rocker	1
19	<u>103198301</u>	Plug, Hole, Round, 2.0 In	1
20	<u>103218601</u>	Harness, Diagnostic Port	1

4
G
E

4
G
E



001212-001

KEYS AND KEYSWITCHES, SMARTKEY KIT – ELECTRIC VEHICLE

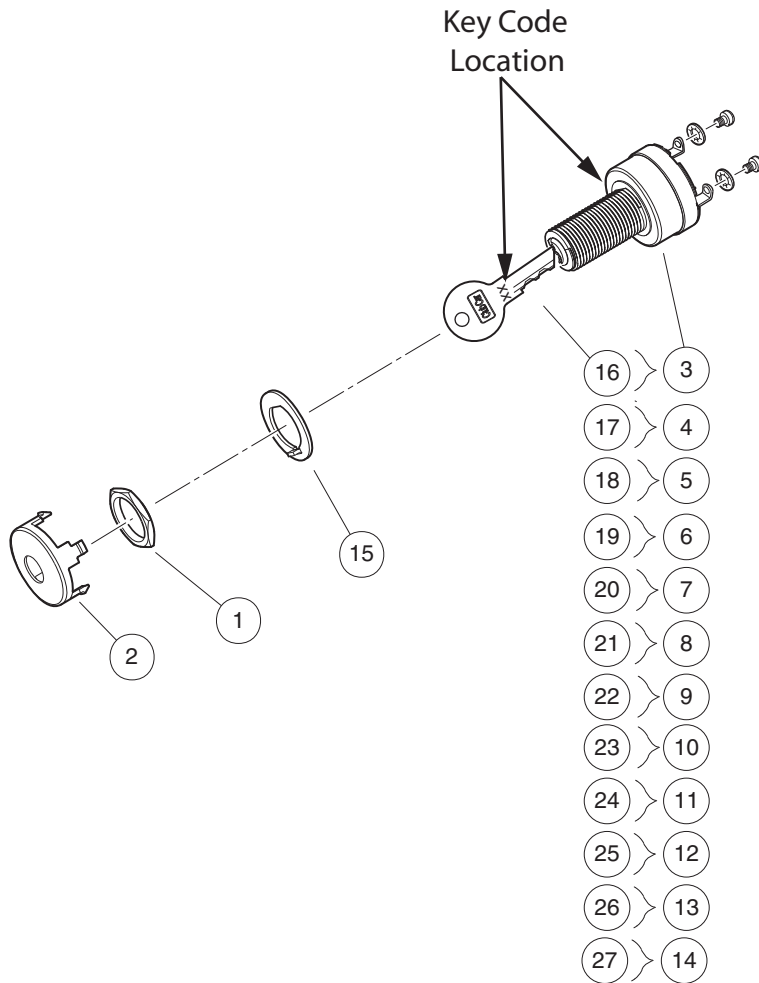
ITEM	PART NO.	DESCRIPTION	QTY
		1 2 3 4	
1	<u>102962602</u>	Kit, Field, Smartkey (includes items 2 through 5)	1
2	<u>1011017</u>	Screw, #8-32 X 0.375	1
3	<u>101825103</u>	Decal, Keyswitch, Iq Plus Mode	1
4	N/A	Decal, Passcode	1
5	<u>102950301</u>	Key Switch, Mode B, Iq Plus (includes item 6)	1
6	<u>102962303</u>	Keys, Set Of 4, Iq Plus Mode	1
		 Note: Not available in the EU.	

4
G
E

4

G

E



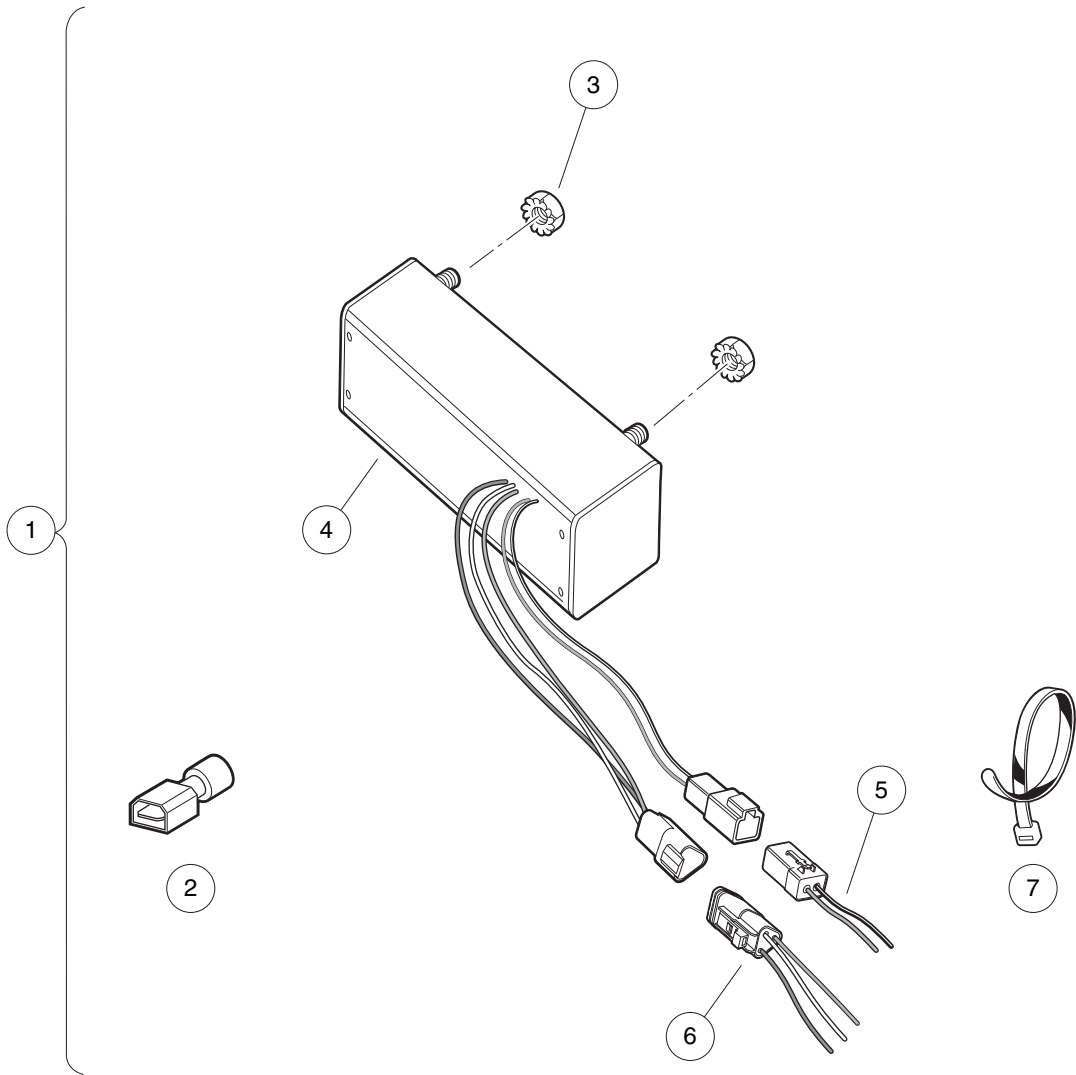
001089-001

KEYS AND KEYSWITCHES, UNCOMMON – GAS VEHICLE

ITEM	PART NO.	DESCRIPTION	QTY
		1 2 3 4	
1	<u>101830701</u>	Nut, Key Switch	1
2	<u>101834502</u>	Cap, Black Key Switch	1
3	<u>101839801</u>	Keyswtch Uncom A408 On/off/st	1
4	<u>101839802</u>	Keyswtch Uncom B408 On/off/st	1
5	<u>101839803</u>	Keyswtch Uncom C408 On/off/st	1
6	<u>101839804</u>	Keyswtch Uncom D408 On/off/st	1
7	<u>101839805</u>	Keyswtch Uncom 2a408 On/off/st	1
8	<u>101839806</u>	Keyswtch Uncom 2b408 On/off/st	1
9	<u>101839807</u>	Keyswtch Uncom 2c408 On/off/st	1
10	<u>101839808</u>	Keyswtch Uncom 2d408 On/off/st	1
11	<u>101839809</u>	Keyswtch Uncom E408 On/off/st	1
12	<u>101839810</u>	Keyswtch Uncom F408 On/off/st	1
13	<u>101839811</u>	Keyswtch Uncom 2e408 On/off/st	1
14	<u>101839812</u>	Keyswtch Uncom 2f408 On/off/st	1
15	<u>101851101</u>	Washer, Key Switch	1
16	<u>101974701</u>	Key, Uncommon 1a	1
17	<u>101974702</u>	Key, Uncommon 1b	1
18	<u>101974703</u>	Key, Uncommon 1c	1
19	<u>101974704</u>	Key, Uncommon 1d	1
20	<u>101974705</u>	Key, Uncommon 2a	1
21	<u>101974706</u>	Key, Uncommon 2b	1
22	<u>101974707</u>	Key, Uncommon 2c	1
23	<u>101974708</u>	Key, Uncommon 2d	1
24	<u>101974709</u>	Key, Uncommon 1e	1
25	<u>101974710</u>	Key, Uncommon 1f	1
26	<u>101974711</u>	Key, Uncommon 2e	1
27	<u>101974712</u>	Key, Uncommon 2f	1
		Note: Keyswitches <u>101839801</u> through <u>101839812</u> are for key-start, gasoline vehicles ONLY.	

4
G
E

4
G
E



001090-001

DC CONVERTER – ELECTRIC VEHICLE

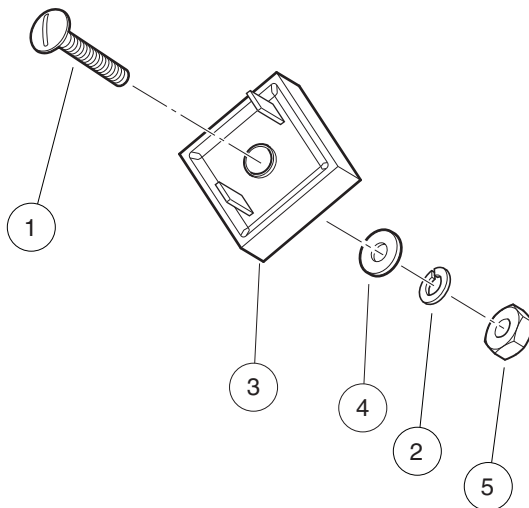
ITEM	PART NO.	DESCRIPTION	QTY
		1 2 3 4	
1	<u>102918701</u>	Kit, DC/DC Converter, IQ Plus (includes items 2 through 7)	1
2	<u>1016365</u>	Terminal, 1/4" Male Quick Disconnect	1
3	<u>101835601</u>	Locknut, 1/4-20 Hex Whiz	2
4	<u>102352201</u>	Converter , Dc -non Isolated	1
5	<u>102354901</u>	Harness, Dc Converter - 12v	1
6	<u>102890201</u>	Harness, Dc Converter, 48v	1
7	<u>8990</u>	Tie Wrap, 8" Nylon	10

4
G
E

4

G

E



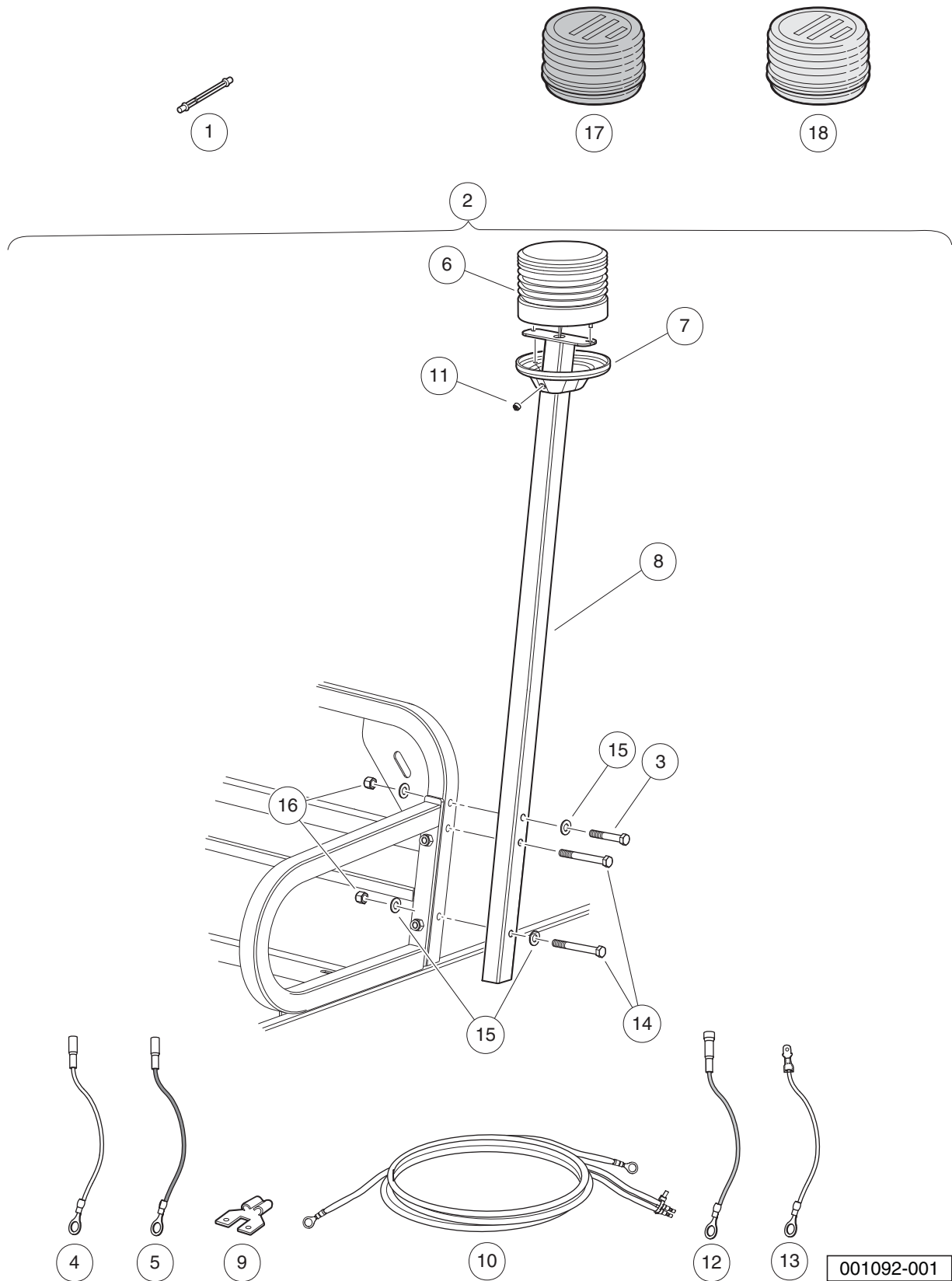
001091-001

VOLTAGE LIMITER – GASOLINE VEHICLE

ITEM	PART NO.	DESCRIPTION	QTY
		1 2 3 4	
1	<u>1010909</u>	Screw, #10-32 X 1.25 Rd Hd Mch	1
2	<u>1016</u>	Lockwasher, #10 Split	1
3	<u>1017721</u>	Limiter, Voltage	1
4	<u>183</u>	Washer, #10, Type A, Flat	1
5	<u>7893</u>	Nut, #10-32 Hex	1

4
G
E

4
G
E



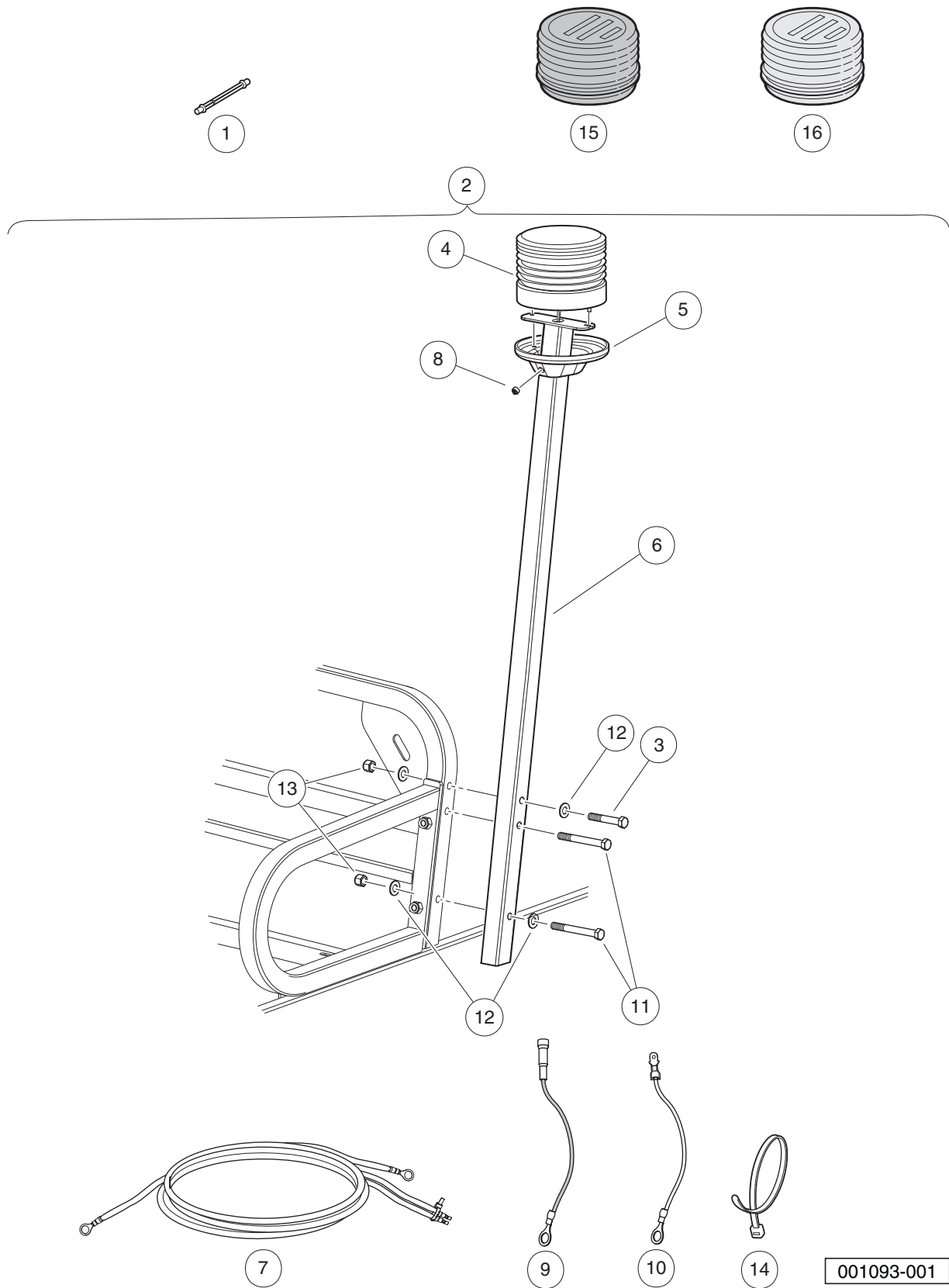
001092-001

STROBE LIGHT, POST-MOUNTED – GASOLINE VEHICLES

ITEM	PART NO.	DESCRIPTION	QTY
		1 2 3 4	
1	<u>1015526</u>	Bulb, Replacement, for Strobe Light	1
2	<u>1015765</u>	Safety Strobe Lht Post Mnt Gas (includes items 3 through 16)	1
3	<u>1013509</u>	Screw, 1/4-20 X 1.75 Hx Hd Cap	2
4	1015153	Wire Assembly #16 Yellow	1
5	1015154	Wire Assembly Blue Ca #16	1
6	<u>1015156</u>	Light Assembly, Strobe	1
7	1015157	Cover Plate Switch - Pole Ca	1
8	<u>1015160</u>	Pole Weldment Carryall	1
9	<u>1015162</u>	3/16 Tab Adapter Non-insul	1
10	<u>1015172</u>	Wire Harness Assy, Strobe Lght	1
11	<u>1015187</u>	Switch Assembly	1
12	1016837	Wire Assembly Red #18	1
13	1016929	Wire Assembly Black #16	1
14	<u>324</u>	Screw, 1/4-20 X 2.50 Hx Hd Cap	2
15	<u>332</u>	Washer, 1/4 Type A Narrow Flat	4
16	<u>8233</u>	Locknut, 1/4-20, Nylon Insert	2
17	<u>AM1243701</u>	Lens, Blue, for Strobe Light	1
18	<u>AM1243801</u>	Lens, Red, for Strobe Light	1

4
G
E

4
G
E



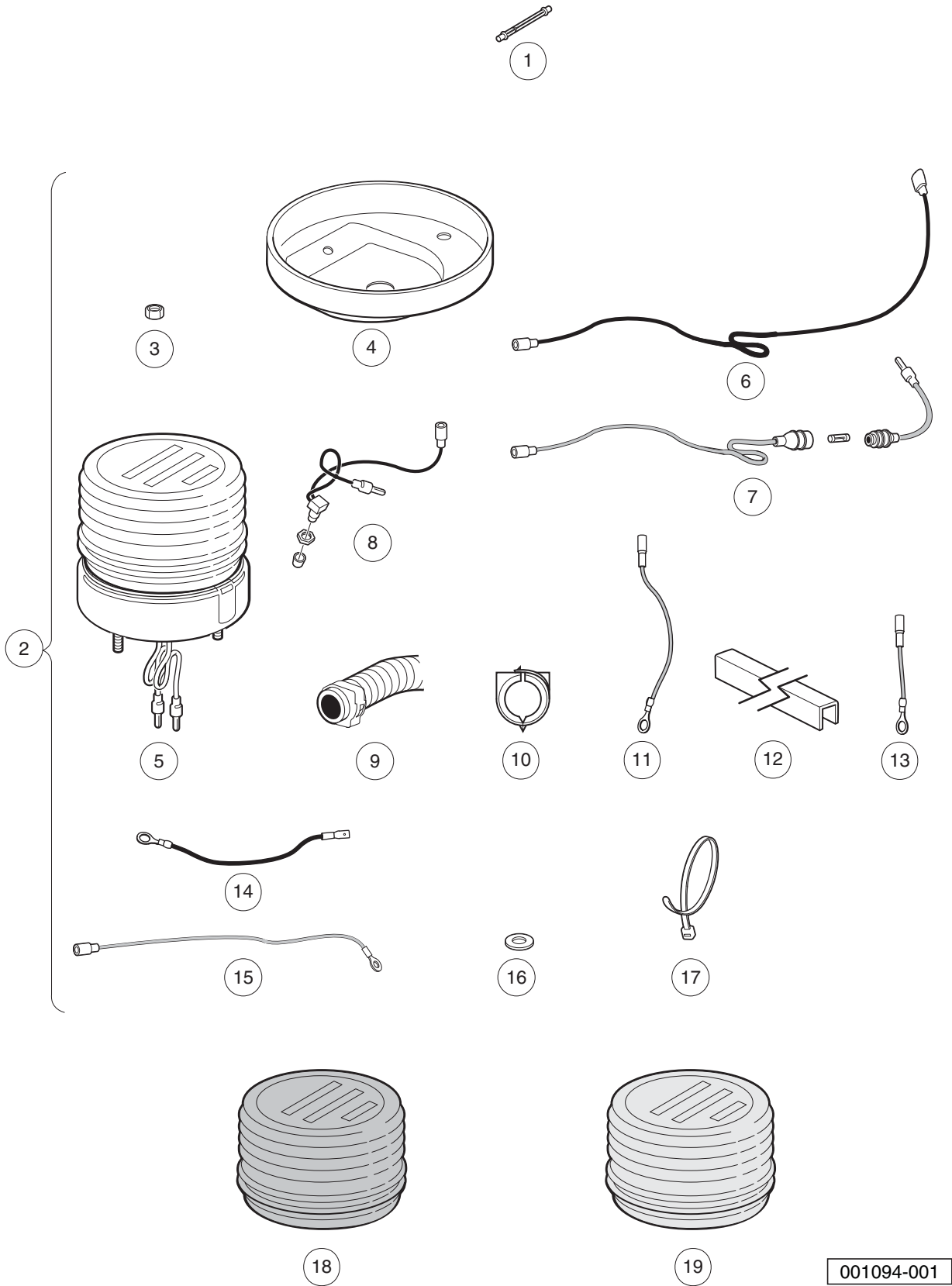
001093-001

STROBE LIGHT, POST-MOUNTED – ELECTRIC VEHICLES

ITEM	PART NO.	DESCRIPTION	QTY
		1 2 3 4	
1	<u>1015526</u>	Bulb, Replacement, for Strobe Light	1
2	<u>101814601</u>	Safety Strobe Lht & Post Mt El (includes items 3 through 14)	1
3	<u>1013509</u>	Screw, 1/4-20 X 1.75 Hx Hd Cap	2
4	<u>1015156</u>	Light Assembly, Strobe	1
5	1015157	Cover Plate Switch - Pole Ca	1
6	<u>1015160</u>	Pole Weldment Carryall	1
7	<u>1015172</u>	Wire Harness Assy, Strobe Lght	1
8	<u>1015187</u>	Switch Assembly	1
9	1016837	Wire Assembly Red #18	1
10	1016929	Wire Assembly Black #16	1
11	<u>324</u>	Screw, 1/4-20 X 2.50 Hx Hd Cap	2
12	<u>332</u>	Washer, 1/4 Type A Narrow Flat	4
13	<u>8233</u>	Locknut, 1/4-20, Nylon Insert	2
14	<u>8990</u>	Tie Wrap, 8" Nylon	4
15	<u>AM1243701</u>	Lens, Blue, for Strobe Light	1
16	<u>AM1243801</u>	Lens, Red, for Strobe Light	1

4
G
E

4
G
E



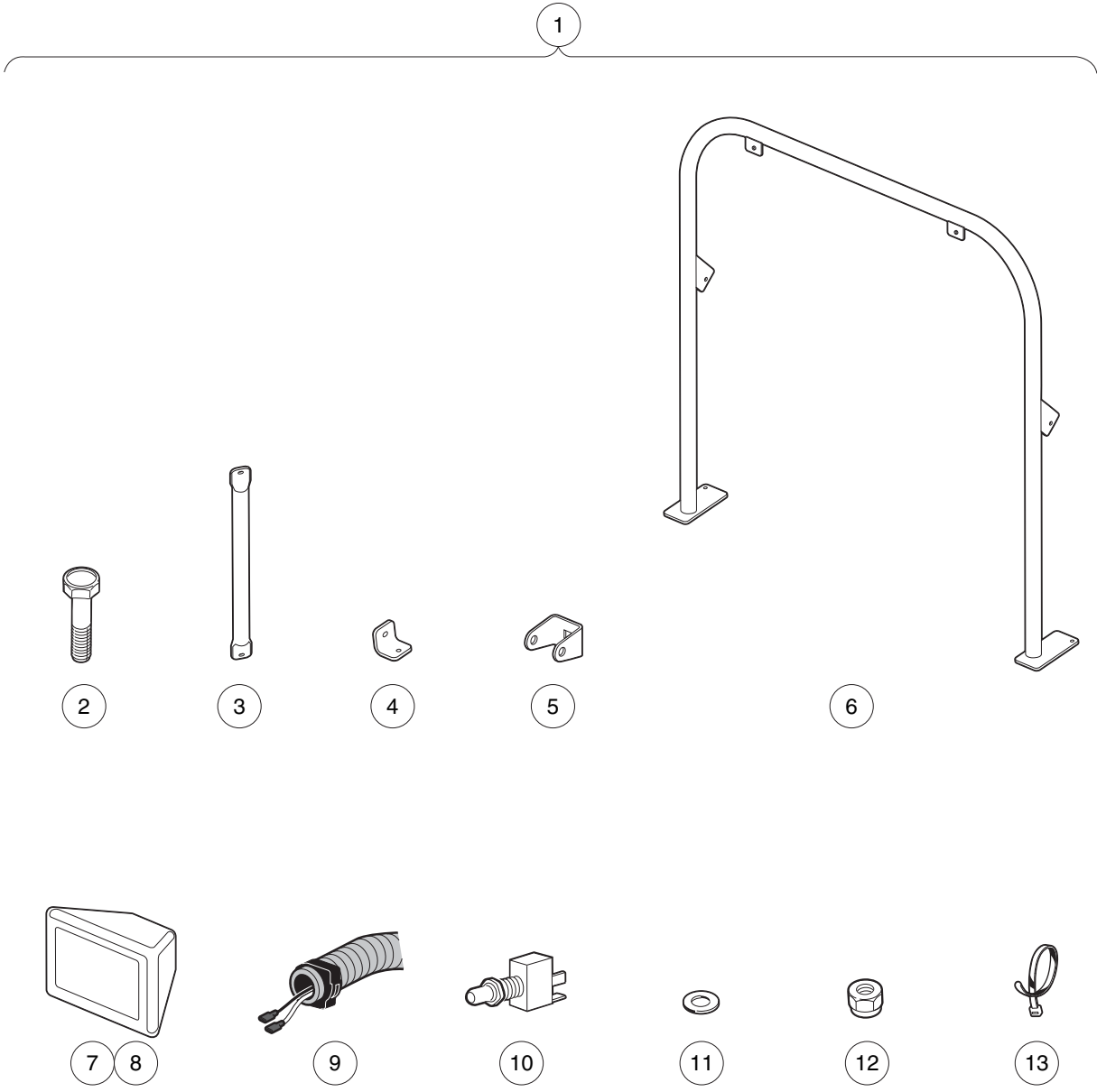
001094-001

STROBE LIGHT, CANOPY-MOUNTED

ITEM	PART NO.	DESCRIPTION	QTY
		1 2 3 4	
1	<u>1015526</u>	Bulb, Replacement, for Strobe Light	1
2	<u>AM1243501</u>	Kit, Roof Mounted Strobe Fd (includes items 3 through 17)	A/R
3	<u>1012438</u>	Locknut, #10-24 Nylon Insert	2
4	<u>1015010</u>	Cover Plate Switch	1
5	<u>1015156</u>	Light Assembly, Strobe	1
6	<u>1015167</u>	#16 Black Wire Asm	1
7	1015170	Wire Assembly #16	1
8	<u>1015187</u>	Switch Assembly	1
9	<u>1015768</u>	Split Convoluted Elec Conduit	11
10	<u>1015770</u>	Outlet Ring - .5 Diameter	5
11	1016230	Wire Asm #16 Red	1
12	<u>1016267</u>	Snap On Conduit Vert.	1
13	1016287	Wire Asm #16 Red	1
14	1016929	Wire Assembly Black #16	1
15	101821601	#18 Red Wire Assembly	1
16	<u>183</u>	Washer, #10, Type A, Flat	2
17	<u>8639</u>	Tie Wrap, 11" Nylon	8
18	<u>AM1243701</u>	Lens, Blue, for Strobe Light	A/R
19	<u>AM1243801</u>	Lens, Red, for Strobe Light	A/R

4
G
E

4
G
E



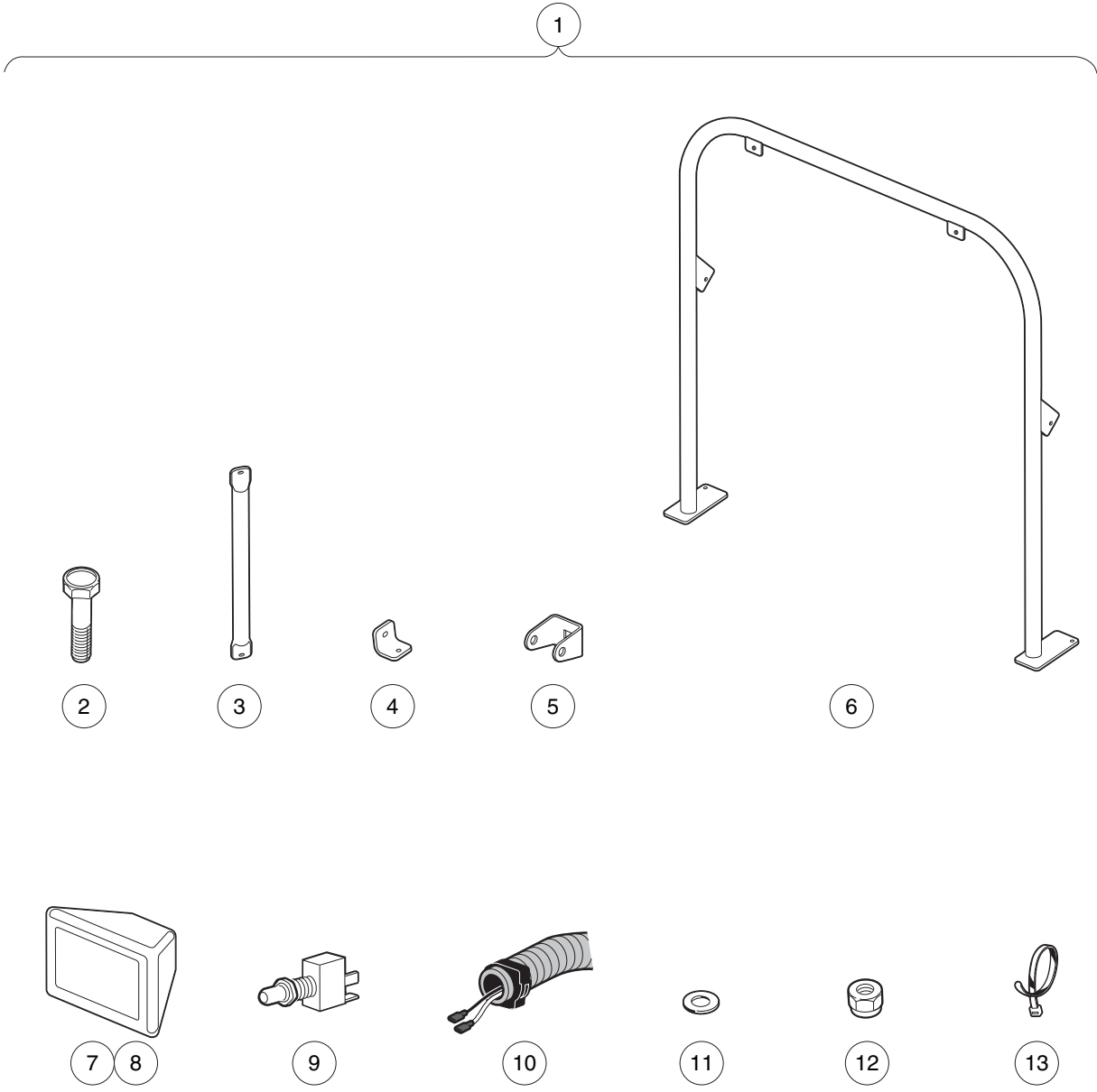
001223-001

LIGHT BAR – TURF/CA 252 AND XRT 900 GAS VEHICLES

ITEM	PART NO.	DESCRIPTION	QTY
		1 2 3 4	
1	<u>102054501</u>	Kit, Light Bar, Gas (includes items 2 through 13)	1
2	<u>1010934</u>	Screw, 5/16-18 X 1.00 Hex Cap	8
3	<u>102077601</u>	Brace, Light Bar	2
4	<u>102077701</u>	Bracket, Brace Mtg	2
5	<u>102077801</u>	Bracket, Light Mtg	2
6	<u>102077901</u>	Light Bar	1
7	<u>102078001</u>	Light, Light Bar (includes item 8)	2
8	AM10015	37.5 Watt Light Bar Bulb	2
9	<u>102155701</u>	Wire Harness, Light Bar	1
10	<u>102159601</u>	Switch	1
11	<u>1241</u>	Washer, 5/16 Type A Flat	12
12	<u>7473</u>	Locknut, 5/16-18 Nylon Insert	8
13	<u>8990</u>	Tie Wrap, 8" Nylon	4

4
G
E

4
G
E



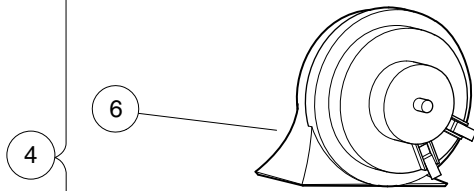
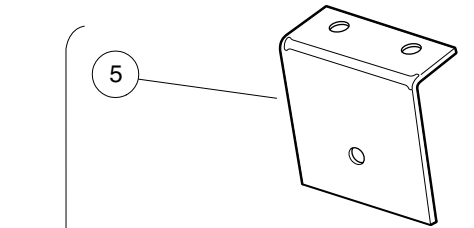
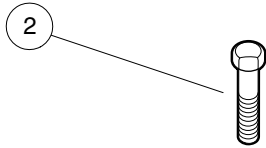
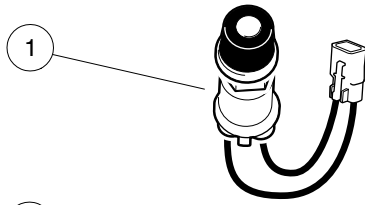
001224-001

LIGHT BAR – TURF/CA 252 AND XRT 900 ELECTRIC VEHICLES

ITEM	PART NO.	DESCRIPTION	QTY
		1 2 3 4	
1	<u>102054502</u>	Kit, Light Bar, Elec (includes items 2 through 13)	1
2	<u>1010934</u>	Screw, 5/16-18 X 1.00 Hex Cap	8
3	<u>102077601</u>	Brace, Light Bar	2
4	<u>102077701</u>	Bracket, Brace Mtg	2
5	<u>102077801</u>	Bracket, Light Mtg	2
6	<u>102077901</u>	Light Bar	1
7	<u>102078001</u>	Light, Light Bar (includes item 8)	2
8	AM10015	37.5 Watt Light Bar Bulb	2
9	<u>102159601</u>	Switch	1
10	<u>103350001</u>	Harness, Light Bar, 252	1
11	<u>1241</u>	Washer, 5/16 Type A Flat	12
12	<u>7473</u>	Locknut, 5/16-18 Nylon Insert	8
13	<u>8990</u>	Tie Wrap, 8" Nylon	4

4
G
E

4
G
E



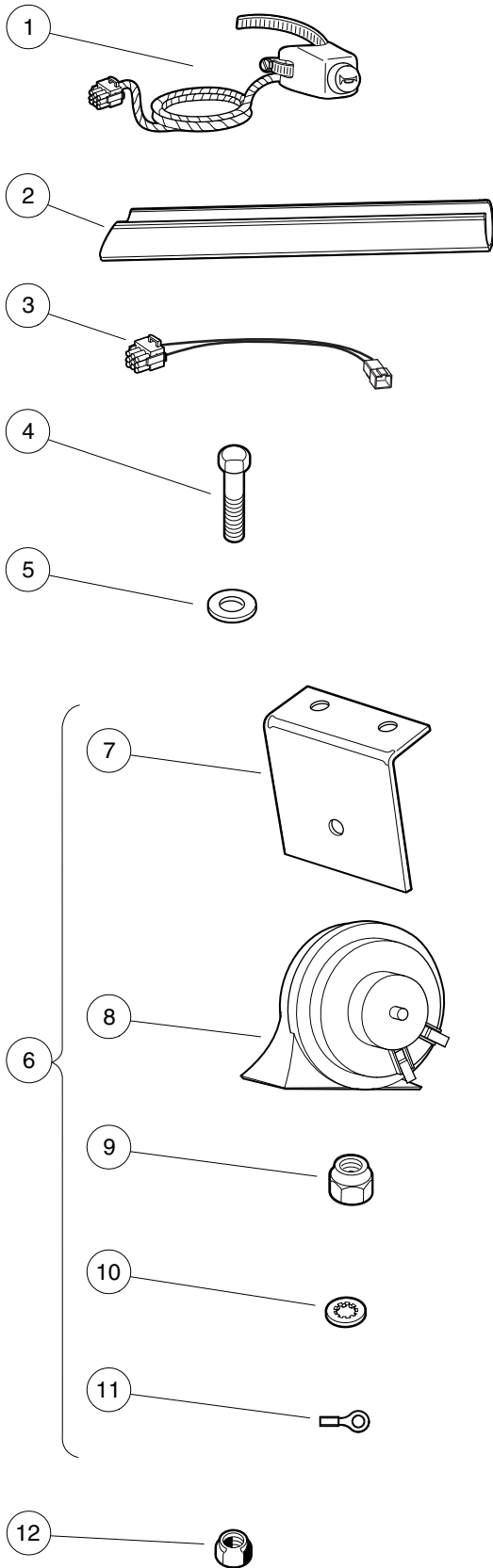
001095-001

HORN

ITEM	PART NO.	DESCRIPTION	QTY
		1 2 3 4	
1	<u>101969701</u>	Horn Button and Wire Assembly	1
2	304	Screw, 1/4-20 X 1.0 Hex-Head Cap	2
3	<u>332</u>	Washer, 1/4 Type A Narrow Flat	2
4	<u>4029</u>	Horn (includes items 5 through 9)	1
5	<u>1011825</u>	Horn Bracket	1
6	<u>1014530</u>	Horn, 12-VDC	1
7	<u>101955101</u>	Nut, M6 Hex	1
8	<u>7820</u>	Washer, 5/16 Internal-Tooth	1
9	8294	5/16 Ring Term.	1
10	<u>8233</u>	Locknut, 1/4-20, Nylon Insert	2

4
G
E

4
G
E



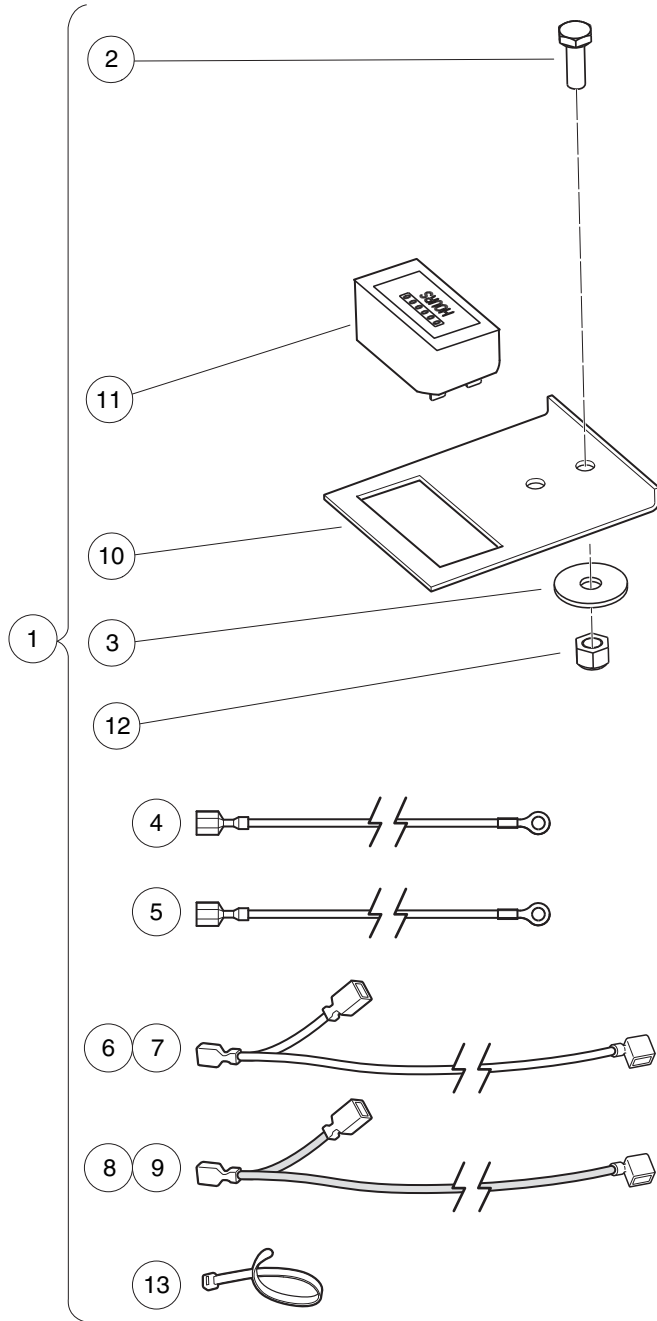
001095-002

HORN WITH COLUMN-MOUNTED BUTTON

ITEM	PART NO.	DESCRIPTION	QTY
		1 2 3 4	
1	102517601	Subasm, Horn Button Harness	1
2	<u>102529203</u>	Wire Cover-steer Column 304 Mm	1
3	<u>103618101</u>	Harness, Jumper, Horn	1
4	304	Screw, 1/4-20 X 1.0 Hex-Head Cap	2
5	<u>332</u>	Washer, 1/4 Type A Narrow Flat	2
6	<u>4029</u>	Horn (includes items 7 through 11)	1
7	<u>1011825</u>	Horn Bracket	1
8	<u>1014530</u>	Horn, 12-VDC	1
9	<u>101955101</u>	Nut, M6 Hex	1
10	<u>7820</u>	Washer, 5/16 Internal-Tooth	1
11	8294	5/16 Ring Term.	1
12	<u>8233</u>	Locknut, 1/4-20, Nylon Insert	2

4
G
E

4
G
E



001096-002

HOUR METER – CARRYALL/TURF IQ PLUS ELECTRIC VEHICLES

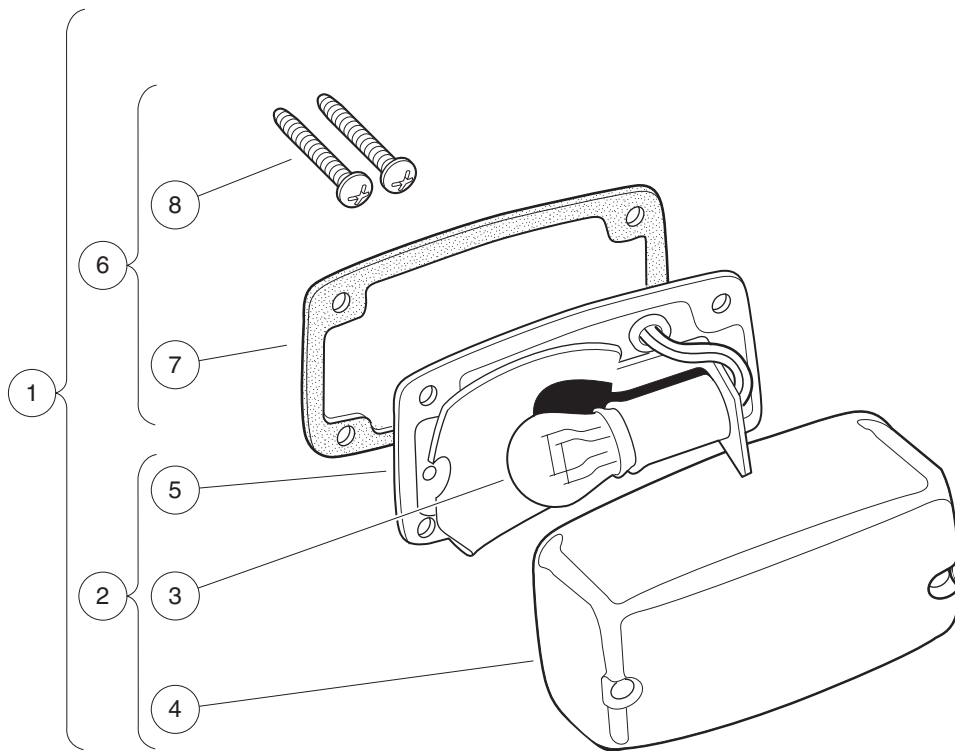
ITEM	PART NO.	DESCRIPTION	QTY
		1 2 3 4	
1	<u>1013579</u>	Kit, Hour Meter (includes items 2 through 13)	1
2	<u>1012285</u>	Screw, 1/4 X 0.625 Hex-Head	1
3	<u>1014306</u>	Washer, 1/4" Type B Flat	1
4	101881501	Wire Assembly Black #18	1
5	101881601	Wire Assembly Red #18	1
6	<u>101997802</u>	Wire Assembly #18 Yellow	1
7	<u>101997803</u>	Wire Asm #18 Yellow 31"	1
8	<u>101997902</u>	Wire Assembly #18 Red	1
9	<u>101997903</u>	Wire Asm # 18 Red 31"	1
10	<u>103510001</u>	Bracket, Hour Meter	1
11	<u>103510301</u>	Meter, Hour	1
12	<u>8233</u>	Locknut, 1/4-20, Nylon Insert	1
13	<u>8990</u>	Tie Wrap, 8" Nylon	1
<p>Note: The kit includes components that apply to multiple vehicles. The installation instructions will specify which components are required for a specific model. After installation, discard components not used.</p>			

4
G
E

4

G

E



001081-001

TAILLIGHTS

ITEM	PART NO.	DESCRIPTION	QTY
		1 2 3 4	
1	1017035	Taillight Assembly (includes items 2 through 6)	2
2	N/A	Light, Tail (includes items 3 through 5)	1
3	<u>1011582</u>	Taillight Bulb	1
4	<u>1011843</u>	Taillight Lens	1
5	N/A	Base, Taillight	1
6	<u>1017699</u>	Hardware Kit, Tail Light (includes items 7 and 8)	1
7	N/A	Gasket	1
8	N/A	Screw, Tapered	2

4
G
E

4

G

E

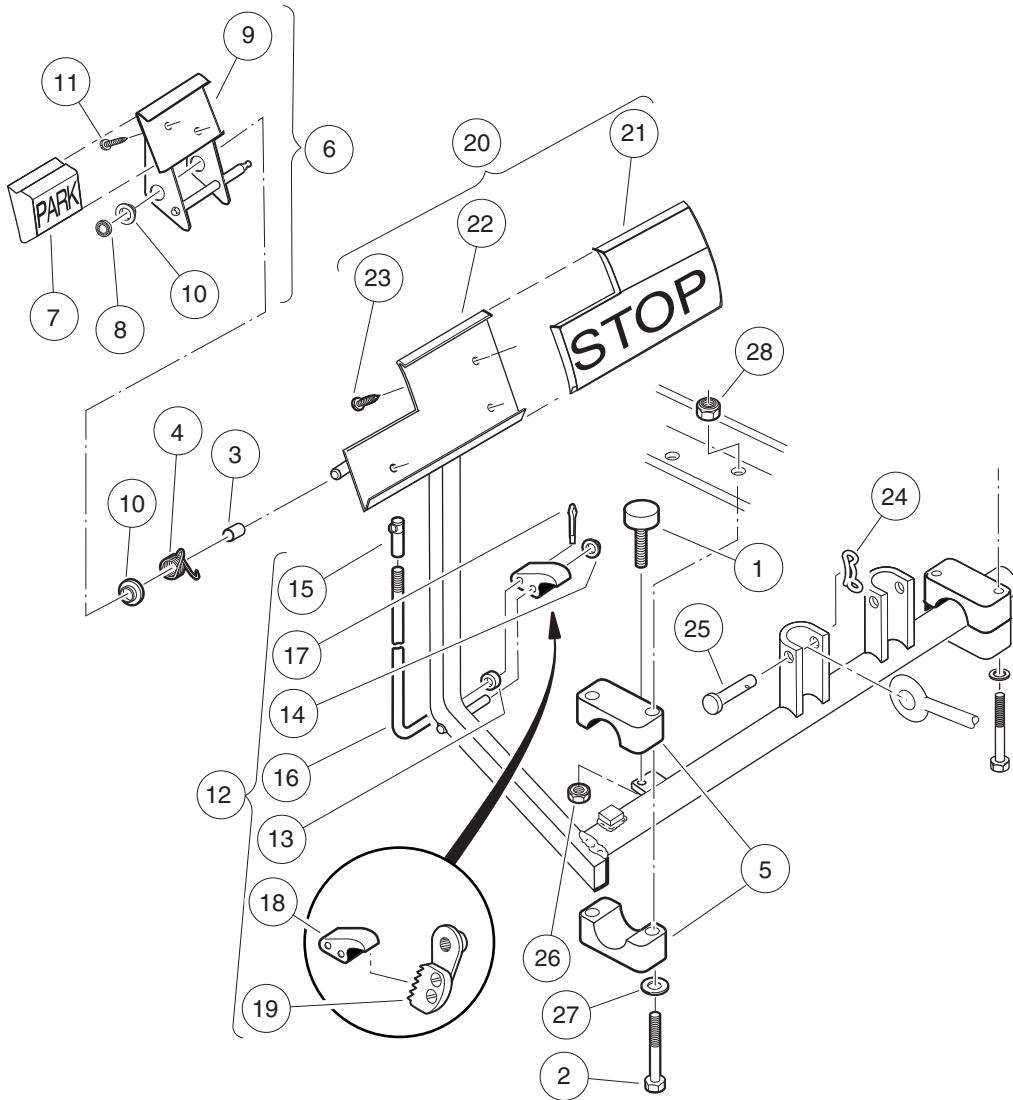
BRAKES, PEDAL, AND CABLE ASSEMBLIES

5

G

E

5
G
E



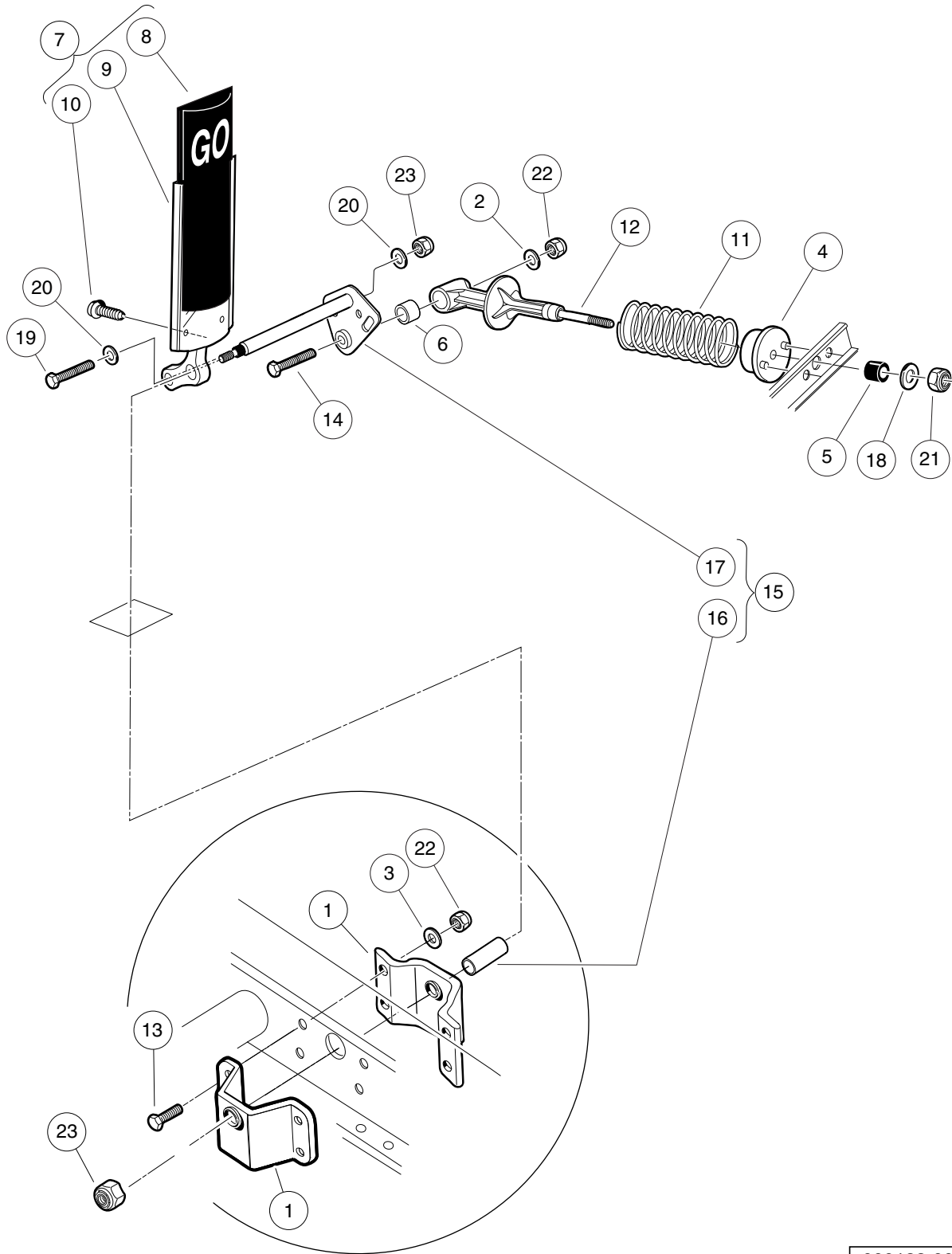
000187-001

BRAKE PEDAL ASSEMBLY

ITEM	PART NO.	DESCRIPTION	QTY
		1 2 3 4	
1	<u>1010878</u>	Bumper, Rubber	1
2	<u>1010921</u>	Screw, 5/16-18 X 2.50 Hex Cap	4
3	<u>1010927</u>	Hill Brake Spacer	1
4	<u>1010933</u>	Spring, Hill Brake Torsion	1
5	<u>1011402</u>	Package, Brake Mounting Block	1
6	<u>1011418</u>	Kit, Hill Brake Pedal (includes items 7 through 11)	1
7	<u>1013870</u>	Pad, Hill Brake	1
8	<u>1013876</u>	Pushnut, 3/8	1
9	N/A	Hill Brake Weld Assembly	1
10	<u>1032</u>	Bushing, Nylon	2
11	7716	Screw, #10-16 Type AB, Sheet Metal	2
12	<u>101187702</u>	Kit, Hill Brake Latch (includes items 13 through 19)	1
13	<u>1010805</u>	Sleeve, Hill Brake Rod	1
14	<u>1010877</u>	Pushnut, 3/8	1
15	1010932	Ball Joint, 1/4-28	1
16	N/A	Rod, Hill Brake	1
17	<u>1017029</u>	Pin, Cotter, 7/64 x 1/2 Stainless-Steel	1
18	N/A	Pawl, Hill Brake	1
19	101918501	Ratchet Assembly	1
20	<u>101878201</u>	Brake Pedal Kit (includes items 21 through 23)	1
21	<u>1013869</u>	Pad, Brake Pedal	1
22	N/A	Weldment, Brake Pedal, 2wr Std	1
23	7716	Screw, #10-16 Type AB, Sheet Metal	3
24	<u>102323101</u>	Pin, Bow Tie Locking	1
25	<u>102323201</u>	Pin, 3/8 X 1-5/16 Clevis	1
26	<u>1028</u>	Nut, 1/4-20 Hex	1
27	<u>1241</u>	Washer, 5/16 Type A Flat	4
28	<u>7473</u>	Locknut, 5/16-18 Nylon Insert	4

5
G
E

5
G
E



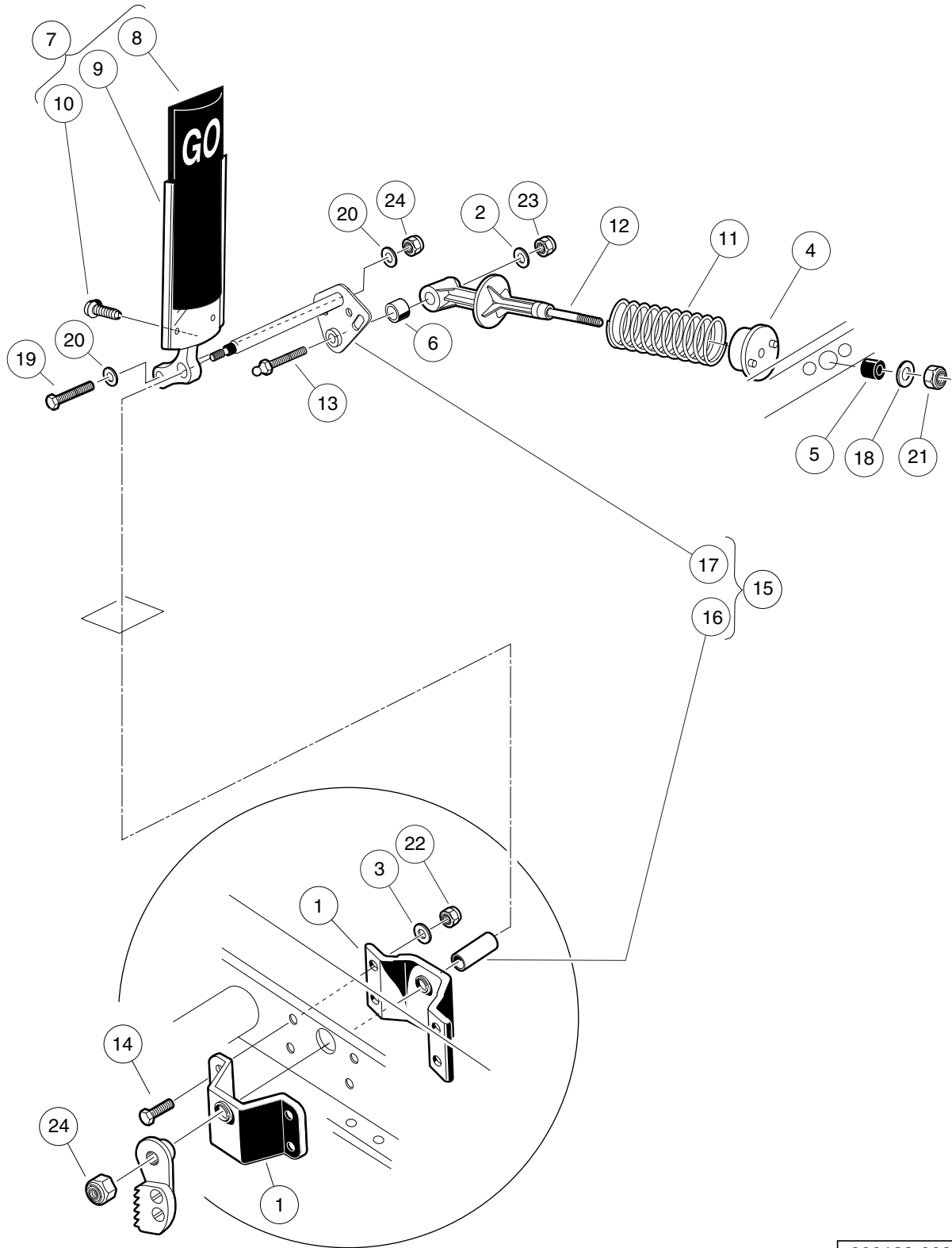
000188-007

ACCELERATOR PEDAL ASSEMBLY – ELECTRIC VEHICLES WITH MCOR

ITEM	PART NO.	DESCRIPTION	QTY
		1 2 3 4	
1	<u>1011694</u>	Accelerator Bracket and Bearing Assembly	2
2	<u>1011931</u>	Washer, 1/4 Flat	1
3	<u>1014007</u>	Washer, 1/4, Flat	4
4	<u>1017378</u>	Cup, Spring	1
5	<u>1017380</u>	Bumper, Spring Return	1
6	<u>1017424</u>	Bearing, Pivot Support	1
7	<u>1017696</u>	Sub Asm, Accelerator Pedal (includes items 8 through 10)	1
8	1013871	Pad, Accelerator Pedal	1
9	N/A	Accelerator Pedal Weldment	1
10	7716	Screw, #10-16 Type AB, Sheet Metal	4
11	101796201	Spring, Accelerator Return	1
12	<u>101817401</u>	Retainer, Spring	1
13	<u>101861901</u>	Screw, 1/4-20 X 1.125 Hex Cap	4
14	<u>101862001</u>	Screw, 1/4-20 X 1.500 Flange	1
15	<u>102026001</u>	Kit, Accelerator Pivot Rod Assembly (includes items 16 and 17)	1
16	101919801	Spacer, Accelerator	1
17	<u>102158901</u>	Pivot Rod Weldment	1
18	<u>1241</u>	Washer, 5/16 Type A Flat	1
19	<u>1624</u>	Screw, 3/8-16 X 1.50, Hex-Head Cap	1
20	<u>334</u>	Washer, 3/8, Type A, Flat	2
21	<u>7473</u>	Locknut, 5/16-18 Nylon Insert	1
22	<u>8233</u>	Locknut, 1/4-20, Nylon Insert	5
23	<u>8754</u>	Locknut, 3/8-16 Hex	2

5
G
E

5
G
E



000188-008

ACCELERATOR PEDAL ASSEMBLY – GASOLINE VEHICLES

ITEM	PART NO.	DESCRIPTION	QTY
		1 2 3 4	
1	<u>1011694</u>	Accelerator Bracket and Bearing Assembly	2
2	<u>1011931</u>	Washer, 1/4 Flat	1
3	<u>1014007</u>	Washer, 1/4, Flat	4
4	<u>1017378</u>	Cup, Spring	1
5	<u>1017380</u>	Bumper, Spring Return	1
6	<u>1017424</u>	Bearing, Pivot Support	1
7	<u>1017696</u>	Sub Asm, Accelerator Pedal (includes items 8 through 10)	1
8	1013871	Pad, Accelerator Pedal	1
9	N/A	Accelerator Pedal Weldment	1
10	7716	Screw, #10-16 Type AB, Sheet Metal	4
11	101796201	Spring, Accelerator Return	1
12	<u>101817401</u>	Retainer, Spring	1
13	101818801	Stud, 1/4-28 X 1.35 Ball	1
14	<u>101861901</u>	Screw, 1/4-20 X 1.125 Hex Cap	4
15	<u>102026001</u>	Kit, Accelerator Pivot Rod Assembly (includes items 16 and 17)	1
16	101919801	Spacer, Accelerator	1
17	<u>102158901</u>	Pivot Rod Weldment	1
18	<u>1241</u>	Washer, 5/16 Type A Flat	1
19	<u>1624</u>	Screw, 3/8-16 X 1.50, Hex-Head Cap	1
20	<u>334</u>	Washer, 3/8, Type A, Flat	2
21	<u>7473</u>	Locknut, 5/16-18 Nylon Insert	1
22	<u>8233</u>	Locknut, 1/4-20, Nylon Insert	4
23	<u>8717</u>	Locknut, Nylon Insert, 1/4-28	1
24	<u>8754</u>	Locknut, 3/8-16 Hex	2

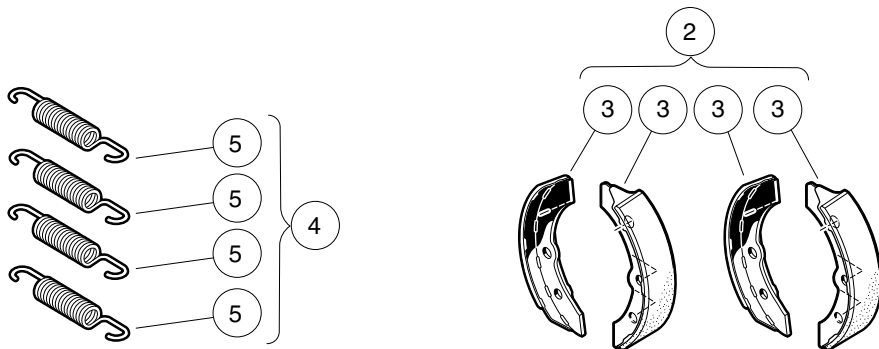
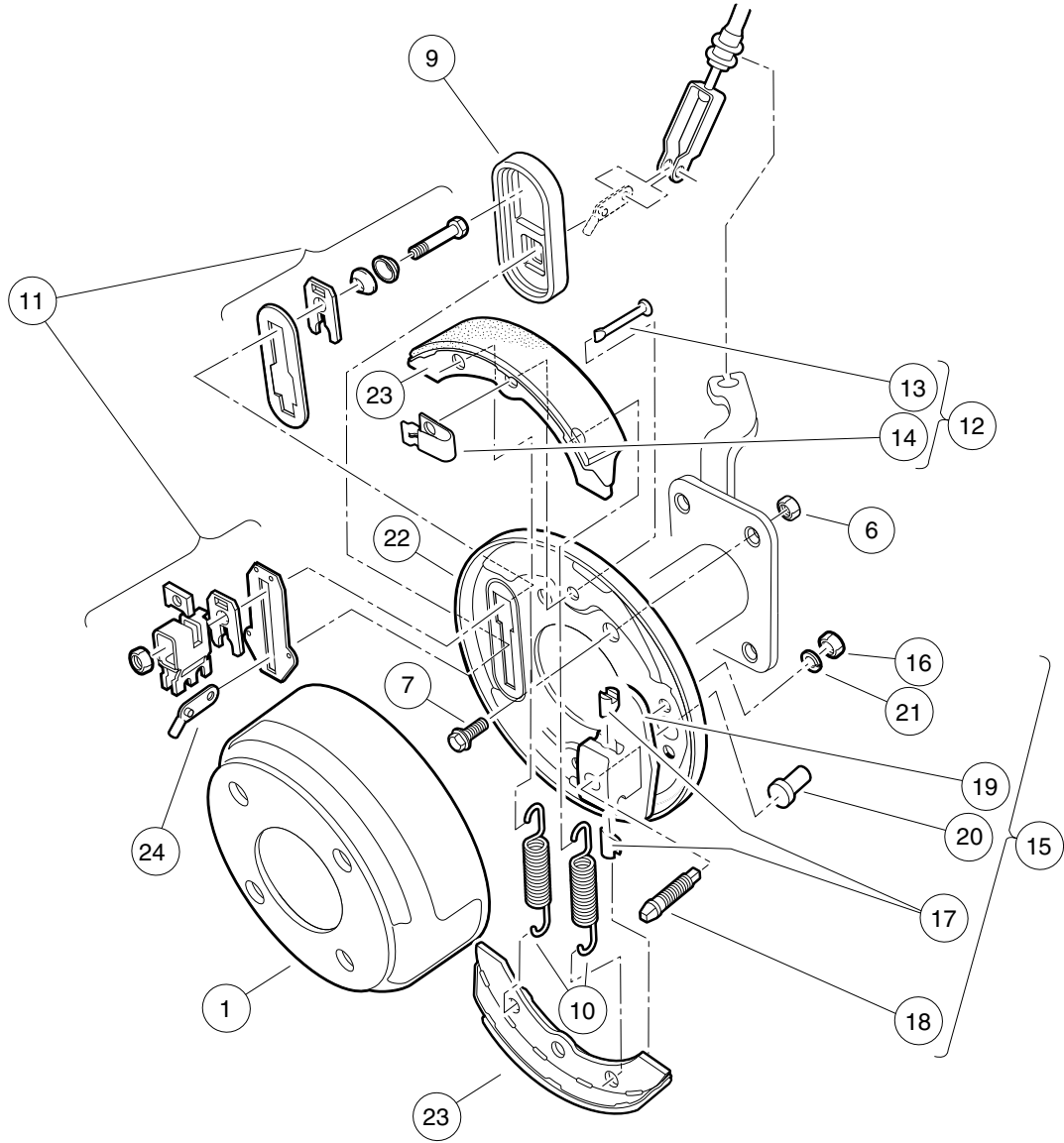
5
G
E

ACCELERATOR ROD AND PEDAL ASSEMBLY – GASOLINE VEHICLES

ITEM	PART NO.	DESCRIPTION	QTY
		1 2 3 4	
1	<u>101822001</u>	Rod, Accelerator (includes items 2 through 4)	1
2	<u>1011084</u>	Nut, 1/4-28 Hex Jam	2
3	<u>1011734</u>	Joint, Ball	2
4	N/A	Accelerator Rod	1

5
G
E

5
G
E



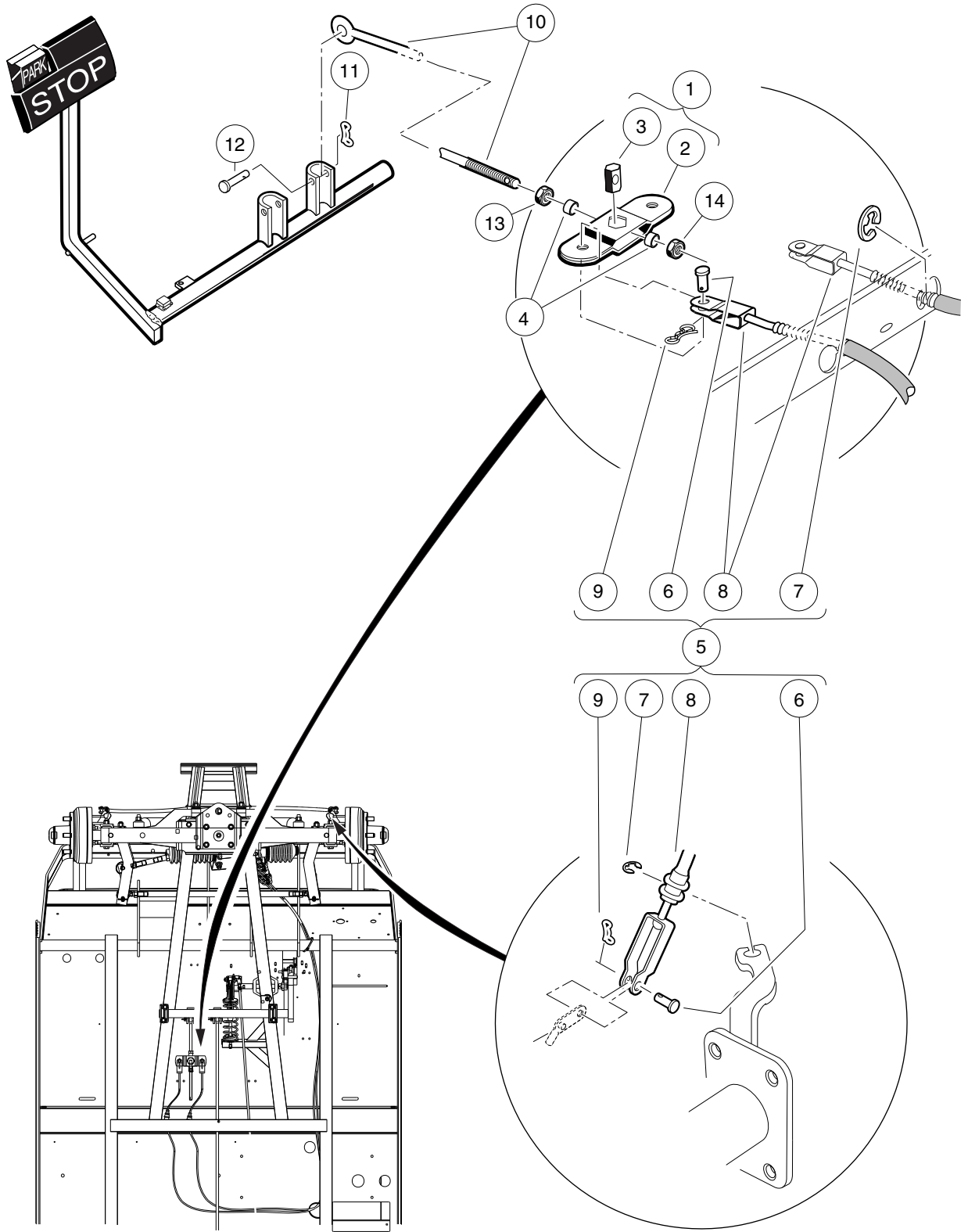
000298-001

FRONT BRAKE ASSEMBLY – VEHICLES WITH FOUR-WHEEL BRAKES

ITEM	PART NO.	DESCRIPTION	QTY
		1 2 3 4	
1	<u>1011137</u>	Drum, Brake	2
2	<u>101146302</u>	Kit, Non-Asbestos Brake Shoe (includes item 3)	1
3	101880701	Shoe Brake Manual Adj (Available in Kit, Non-Asbestos Brake Shoe)	4
4	<u>1011464</u>	Package, Brake Spring (includes item 5)	1
5	1011314	Brake Spring	4
6	<u>1013924</u>	Nut, 5/16-24, Hex Head Cone	8
7	<u>1014153</u>	Bolt, Brake Cluster Mounting	8
8	<u>1016557</u>	Cluster, Brake, Driver-Side (includes items 9 through 24)	1
9	<u>1010850</u>	Dust Cover	1
10	1011314	Brake Spring	2
11	<u>1011465</u>	Kit, Brake Actuator	1
12	<u>1011466</u>	Kit, Shoe Retainer (includes items 13 and 14)	1
13	N/A	Pin	2
14	N/A	Shoe Clamp Spring	2
15	<u>1011467</u>	Kit, Anchor Body (includes items 16 through 21)	1
16	<u>1011114</u>	Nut, M6-1.00 Hex	2
17	1011298	Anchor Piston	2
18	N/A	Adjustment Bolt	1
19	N/A	Anchor Body Component	1
20	<u>1011303</u>	Adjustment Bolt Cap	1
21	<u>451</u>	Lockwasher, 1/4 Split	2
22	1011494	Backing Plate, Left-Hand	1
23	101880701	Shoe Brake Manual Adj (Available in Kit, Non-Asbestos Brake Shoe)	2
24	N/A	Arm, Brake Lever	1
25	<u>1016573</u>	Cluster, Brake, Passenger-Side (includes items 26 through 41)	1
26	<u>1010850</u>	Dust Cover	1
27	<u>1011154</u>	Backing Plate, Right-Hand	1
28	1011314	Brake Spring	2
29	<u>1011465</u>	Kit, Brake Actuator	1
30	<u>1011466</u>	Kit, Shoe Retainer (includes items 31 and 32)	1
31	N/A	Pin	2
32	N/A	Shoe Clamp Spring	2
33	<u>1011467</u>	Kit, Anchor Body (includes items 34 through 39)	1
34	<u>1011114</u>	Nut, M6-1.00 Hex	2
35	1011298	Anchor Piston	2
36	N/A	Adjustment Bolt	1
37	N/A	Anchor Body Component	1
38	<u>1011303</u>	Adjustment Bolt Cap	1
39	<u>451</u>	Lockwasher, 1/4 Split	2
40	101880701	Shoe Brake Manual Adj (Available in Kit, Non-Asbestos Brake Shoe)	2
41	N/A	Arm, Brake Lever	1
		Note: Passenger-side brake cluster not shown. Components have a similar appearance to driver-side brake cluster components.	

5
G
E

5
G
E



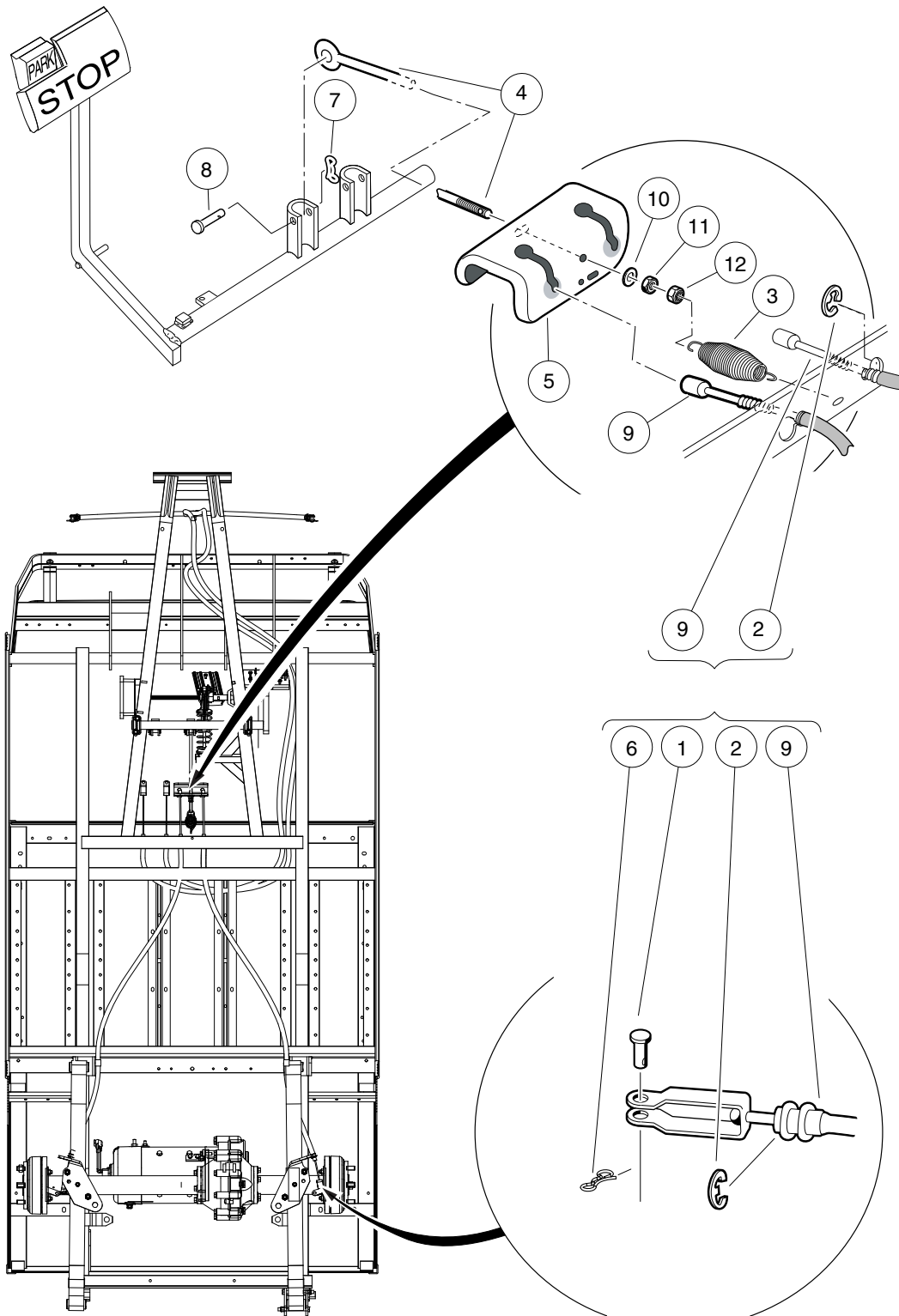
000294-001

FRONT BRAKE CABLES AND EQUALIZER – VEHICLES WITH FOUR-WHEEL BRAKES

ITEM	PART NO.	DESCRIPTION	QTY
		1 2 3 4	
1	<u>1017211</u>	Kit, Equalizer and Pivot Limiter (includes items 2 and 3)	1
2	1016319	Equalizer Weld Assembly	1
3	1016320	Equalizer, Pivot Limiter	1
4	<u>101865301</u>	Spacer	2
5	<u>101874601</u>	Kit, Brake Cable (includes items 6 through 9)	1
6	<u>1010829</u>	Pin, Clevis, 5/16 X 3/4	4
7	<u>1011779</u>	E-Clip, 1/2	4
8	N/A	Brake Cable	2
9	<u>102292801</u>	Pin, Bow Tie Locking - .072	4
10	<u>101953106</u>	Rod, Equalizer, 9.75"	1
11	<u>102323101</u>	Pin, Bow Tie Locking	1
12	<u>102323201</u>	Pin, 3/8 X 1-5/16 Clevis	1
13	<u>1242</u>	Nut, 5/16-18 Hex	1
14	<u>7473</u>	Locknut, 5/16-18 Nylon Insert	1

5
G
E

5
G
E



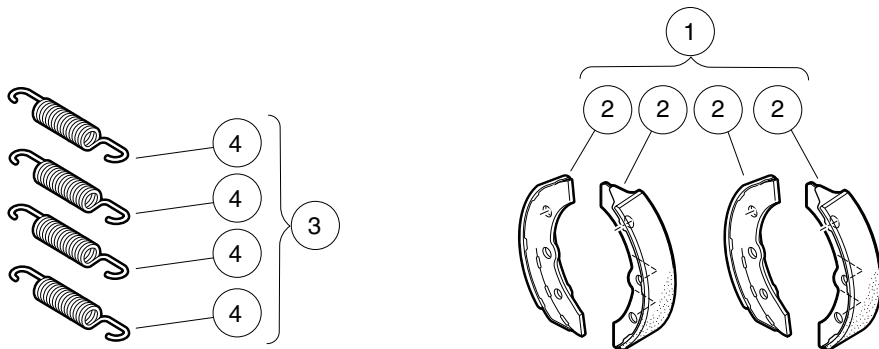
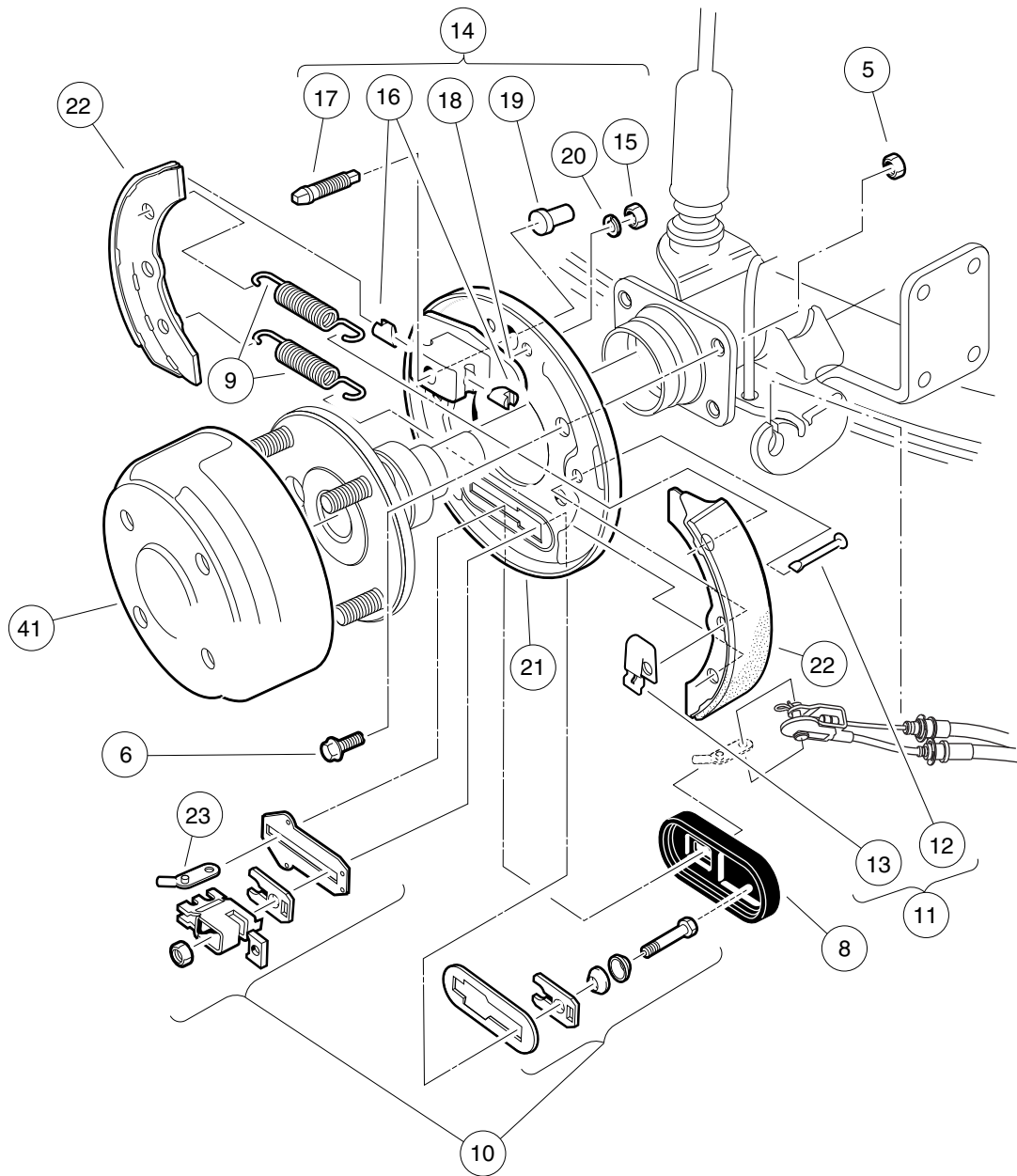
000295-002

REAR BRAKE CABLES AND EQUALIZER – VEHICLES WITH 4-WHEEL BRAKES

ITEM	PART NO.	DESCRIPTION	QTY
		1 2 3 4	
1	<u>1010829</u>	Pin, Clevis, 5/16 X 3/4	2
2	<u>1011779</u>	E-Clip, 1/2	4
3	<u>1013531</u>	Spring, Brake Return	1
4	<u>101953106</u>	Rod, Equalizer, 9.75"	1
5	<u>101990801</u>	Equalizer Bracket	1
6	<u>102292801</u>	Pin, Bow Tie Locking - .072	2
7	<u>102323101</u>	Pin, Bow Tie Locking	1
8	<u>102323201</u>	Pin, 3/8 X 1-5/16 Clevis	1
9	<u>102852101</u>	Cable, Brake, 51-inch, Right	2
10	<u>1241</u>	Washer, 5/16 Type A Flat	1
11	<u>1242</u>	Nut, 5/16-18 Hex	1
12	<u>7473</u>	Locknut, 5/16-18 Nylon Insert	1

5
G
E

5
G
E



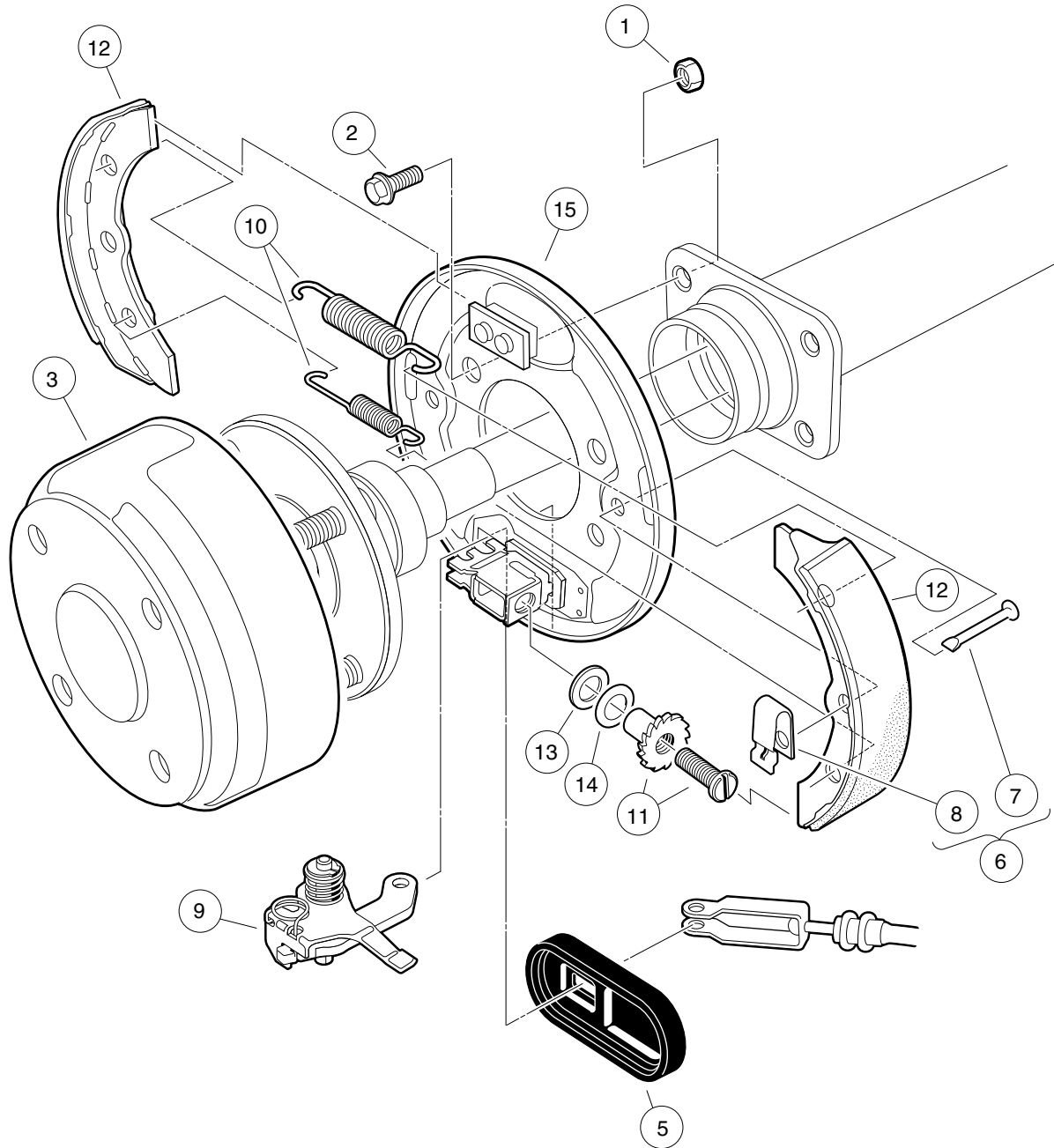
000293-002

REAR BRAKE ASSEMBLY, MANUALLY-ADJUSTED – VEHICLES WITH 4-WHEEL BRAKES

ITEM	PART NO.	DESCRIPTION	QTY
		1 2 3 4	
1	<u>101146302</u>	Kit, Non-Asbestos Brake Shoe (includes item 2)	1
2	101880701	Shoe Brake Manual Adj (Available in Kit, Non-Asbestos Brake Shoe)	4
3	<u>1011464</u>	Package, Brake Spring (includes item 4)	1
4	1011314	Brake Spring	4
5	<u>1013924</u>	Nut, 5/16-24, Hex Head Cone	8
6	<u>1014153</u>	Bolt, Brake Cluster Mounting	8
7	<u>1016557</u>	Cluster, Brake, Driver-Side (includes items 8 through 23)	1
8	<u>1010850</u>	Dust Cover	1
9	1011314	Brake Spring	2
10	<u>1011465</u>	Kit, Brake Actuator	1
11	<u>1011466</u>	Kit, Shoe Retainer (includes items 12 and 13)	1
12	N/A	Pin	2
13	N/A	Shoe Clamp Spring	2
14	<u>1011467</u>	Kit, Anchor Body (includes items 15 through 20)	1
15	<u>1011114</u>	Nut, M6-1.00 Hex	2
16	1011298	Anchor Piston	2
17	N/A	Adjustment Bolt	1
18	N/A	Anchor Body Component	1
19	<u>1011303</u>	Adjustment Bolt Cap	1
20	<u>451</u>	Lockwasher, 1/4 Split	2
21	1011494	Backing Plate, Left-Hand	1
22	101880701	Shoe Brake Manual Adj (Available in Kit, Non-Asbestos Brake Shoe)	2
23	N/A	Arm, Brake Lever	1
24	<u>1016573</u>	Cluster, Brake, Passenger-Side (includes items 25 through 40)	1
25	<u>1010850</u>	Dust Cover	1
26	<u>1011154</u>	Backing Plate, Right-Hand	1
27	1011314	Brake Spring	2
28	<u>1011465</u>	Kit, Brake Actuator	1
29	<u>1011466</u>	Kit, Shoe Retainer (includes items 30 and 31)	1
30	N/A	Pin	2
31	N/A	Shoe Clamp Spring	2
32	<u>1011467</u>	Kit, Anchor Body (includes items 33 through 38)	1
33	<u>1011114</u>	Nut, M6-1.00 Hex	2
34	1011298	Anchor Piston	2
35	N/A	Adjustment Bolt	1
36	N/A	Anchor Body Component	1
37	<u>1011303</u>	Adjustment Bolt Cap	1
38	<u>451</u>	Lockwasher, 1/4 Split	2
39	101880701	Shoe Brake Manual Adj (Available in Kit, Non-Asbestos Brake Shoe)	2
40	N/A	Arm, Brake Lever	1
41	<u>101791101</u>	Drum without Center Hole, Brake	2
		Note: Passenger-side brake cluster not shown. Components have a similar appearance to driver-side brake cluster components.	

5
G
E

5
G
E



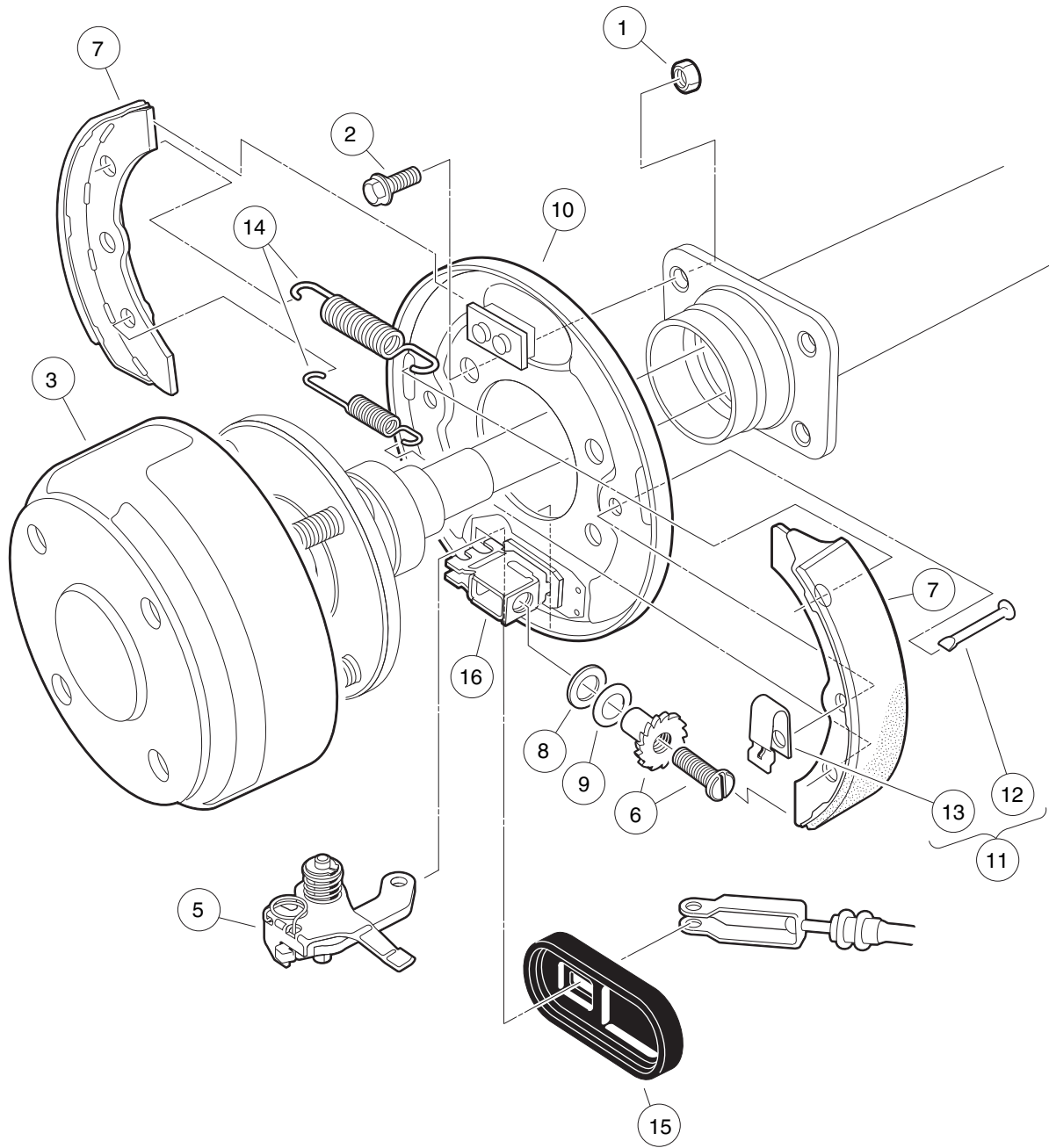
000186-002

REAR BRAKE ASSEMBLY, SELF-ADJUSTING – VEHICLE WITH 2-WHEEL BRAKES UP TO S/N 0913-012936

ITEM	PART NO.	DESCRIPTION	QTY
		1 2 3 4	
1	<u>1013924</u>	Nut, 5/16-24, Hex Head Cone	8
2	<u>1014153</u>	Bolt, Brake Cluster Mounting	8
3	<u>101791101</u>	Drum without Center Hole, Brake	2
4	<u>101823301</u>	Cluster Assembly, Right (Passenger) Brake (includes items 5 through 15)	1
5	<u>1010850</u>	Dust Cover	1
6	<u>1011466</u>	Kit, Shoe Retainer (includes items 7 and 8)	1
7	N/A	Pin	2
8	N/A	Shoe Clamp Spring	2
9	101815501	Lever Assembly, Self-Adjusting Brake, Right (Passenger)	1
10	<u>101816301</u>	Package, Brake Spring, Self-Adjusting	1
11	<u>101816501</u>	Adj Mechanism, S.A. Brakes, Right (Passenger)	1
12	<u>101823201</u>	Package, Brake Shoe, Self-Adjusting	1
13	<u>101823801</u>	Plate, Washer, Brake, Self-Adjusting	1
14	<u>101823901</u>	Washer, Brake, Self-Adjusting	1
15	<u>101824001</u>	Plate Assembly, Right Brake Backing	1
16	<u>101823302</u>	Cluster Assembly, Left Brake (includes items 17 through 27)	1
17	<u>1010850</u>	Dust Cover	1
18	<u>1011466</u>	Kit, Shoe Retainer (includes items 19 and 20)	1
19	N/A	Pin	2
20	N/A	Shoe Clamp Spring	2
21	101815502	Lever Assembly, Self-Adjusting Brake, Left	1
22	<u>101816301</u>	Package, Brake Spring, Self-Adjusting	1
23	<u>101816502</u>	Adjusting Mechanism, Self-Adjusting Brake, Left	1
24	<u>101823201</u>	Package, Brake Shoe, Self-Adjusting	1
25	<u>101823801</u>	Plate, Washer, Brake, Self-Adjusting	1
26	<u>101823901</u>	Washer, Brake, Self-Adjusting	1
27	<u>101824002</u>	Plate Assembly, Left Brake Backing	1
<p>Note: Driver-side brake cluster not shown. Components have a similar appearance to passenger-side brake cluster components. Individual components of 1018233 are available. To replace an entire brake cluster assembly, order 1033802.</p>			

5
G
E

5
G
E



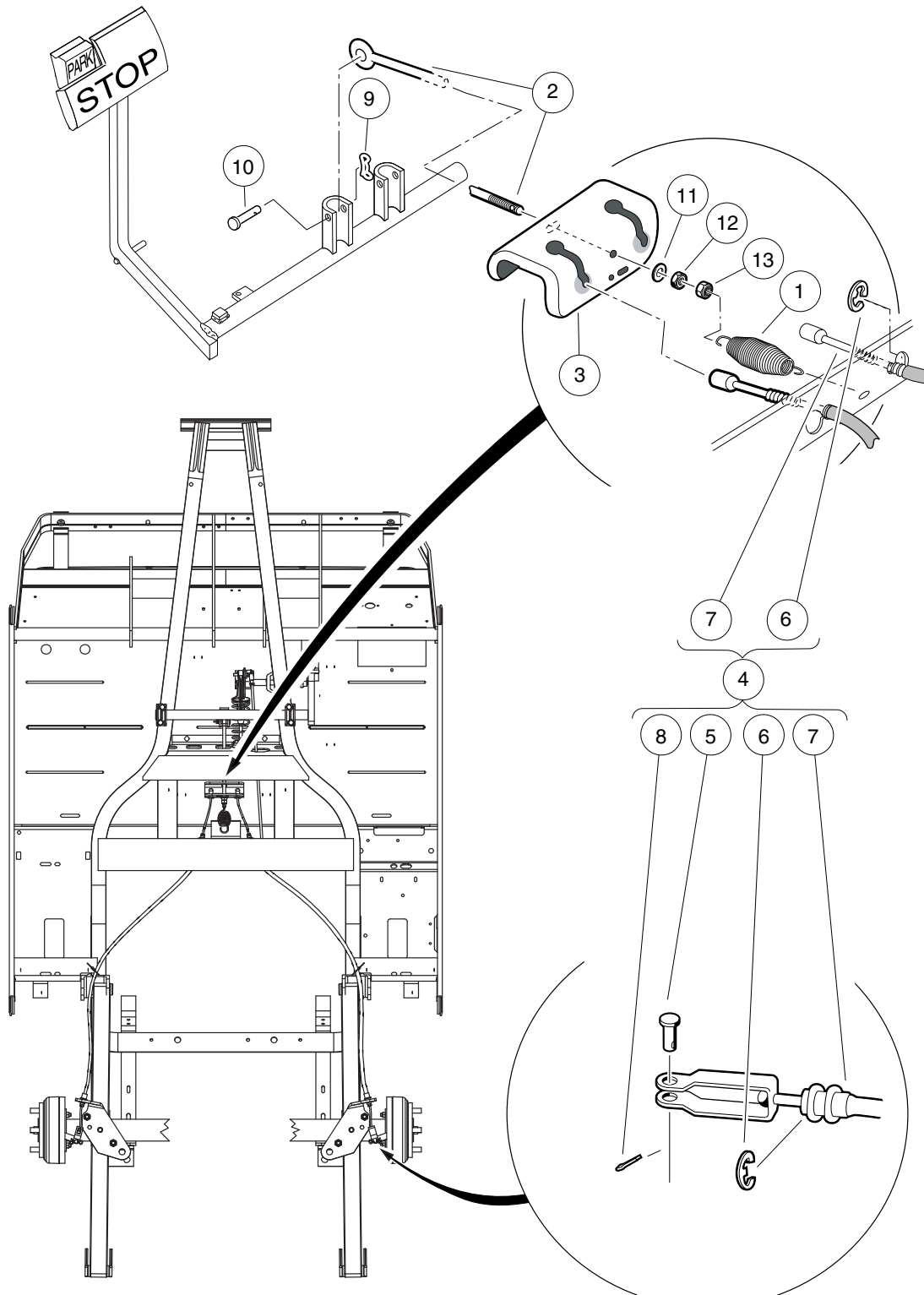
000186-003

REAR BRAKE ASSEMBLY, SELF-ADJUSTING – VEHICLE WITH 2-WHEEL BRAKES AFTER S/N 0913-012936

ITEM	PART NO.	DESCRIPTION	QTY
		1 2 3 4	
1	<u>1013924</u>	Nut, 5/16-24, Hex Head Cone	8
2	<u>1014153</u>	Bolt, Brake Cluster Mounting	8
3	<u>101791101</u>	Drum without Center Hole, Brake	2
4	<u>103380201</u>	Asm, Brake Cluster, Mech, Drvr (includes items 5 through 16)	1
5	<u>101815502</u>	Lever Assembly, Self-Adjusting Brake, Left	1
6	<u>101816502</u>	Adjusting Mechanism, Self-Adjusting Brake, Left	1
7	<u>101823201</u>	Package, Brake Shoe, Self-Adjusting	1
8	<u>101823801</u>	Plate, Washer, Brake, Self-Adjusting	1
9	<u>101823901</u>	Washer, Brake, Self-Adjusting	1
10	<u>103483102</u>	Back Plate, Lh	1
11	<u>103483201</u>	Kit, Shoe Retainer (includes items 12 and 13)	1
12	N/A	Pin	2
13	N/A	Spring, Shoe, Clamp	2
14	<u>103483401</u>	Package Brake Spring Self Adj	1
15	<u>103483601</u>	Cover, Dust	1
16	<u>103483701</u>	Brake Block	1
17	<u>103380202</u>	Asm, Brake Cluster, Mech, Pass (includes items 18 through 29)	1
18	<u>101815501</u>	Lever Assembly, Self-Adjusting Brake, Right (Passenger)	1
19	<u>101816501</u>	Adj Mechanism, S.A. Brakes, Right (Passenger)	1
20	<u>101823201</u>	Package, Brake Shoe, Self-Adjusting	1
21	<u>101823801</u>	Plate, Washer, Brake, Self-Adjusting	1
22	<u>101823901</u>	Washer, Brake, Self-Adjusting	1
23	<u>103483101</u>	Back Plate, Rh	1
24	<u>103483201</u>	Kit, Shoe Retainer (includes items 25 and 26)	1
25	N/A	Pin	2
26	N/A	Spring, Shoe, Clamp	2
27	<u>103483401</u>	Package Brake Spring Self Adj	1
28	<u>103483601</u>	Cover, Dust	1
29	<u>103483701</u>	Brake Block	1
<p>Note: Passenger-side brake cluster not shown. Components have a similar appearance to driver-side brake cluster components. 1033802 brake cluster assemblies are backward compatible but individual parts that do not share part numbers with 1018233 are not.</p>			

5
G
E

5
G
E



000296-001

REAR BRAKE CABLES AND EQUALIZER – VEHICLES WITH TWO-WHEEL BRAKES

ITEM	PART NO.	DESCRIPTION	QTY
		1 2 3 4	
1	<u>1013531</u>	Spring, Brake Return	1
2	101953102	Rod, Equalizer, 20.91 inch	1
3	<u>101990801</u>	Equalizer Bracket	1
4	<u>102022101</u>	Brake Cable Kit (includes items 5 through 8)	2
5	<u>1010829</u>	Pin, Clevis, 5/16 X 3/4	1
6	<u>1011779</u>	E-Clip, 1/2	2
7	N/A	Cable, Brake, 41"	1
8	<u>102292801</u>	Pin, Bow Tie Locking - .072	1
9	<u>102323101</u>	Pin, Bow Tie Locking	1
10	<u>102323201</u>	Pin, 3/8 X 1-5/16 Clevis	1
11	<u>1241</u>	Washer, 5/16 Type A Flat	1
12	<u>1242</u>	Nut, 5/16-18 Hex	1
13	<u>7473</u>	Locknut, 5/16-18 Nylon Insert	1

5
G
E

5

G

E

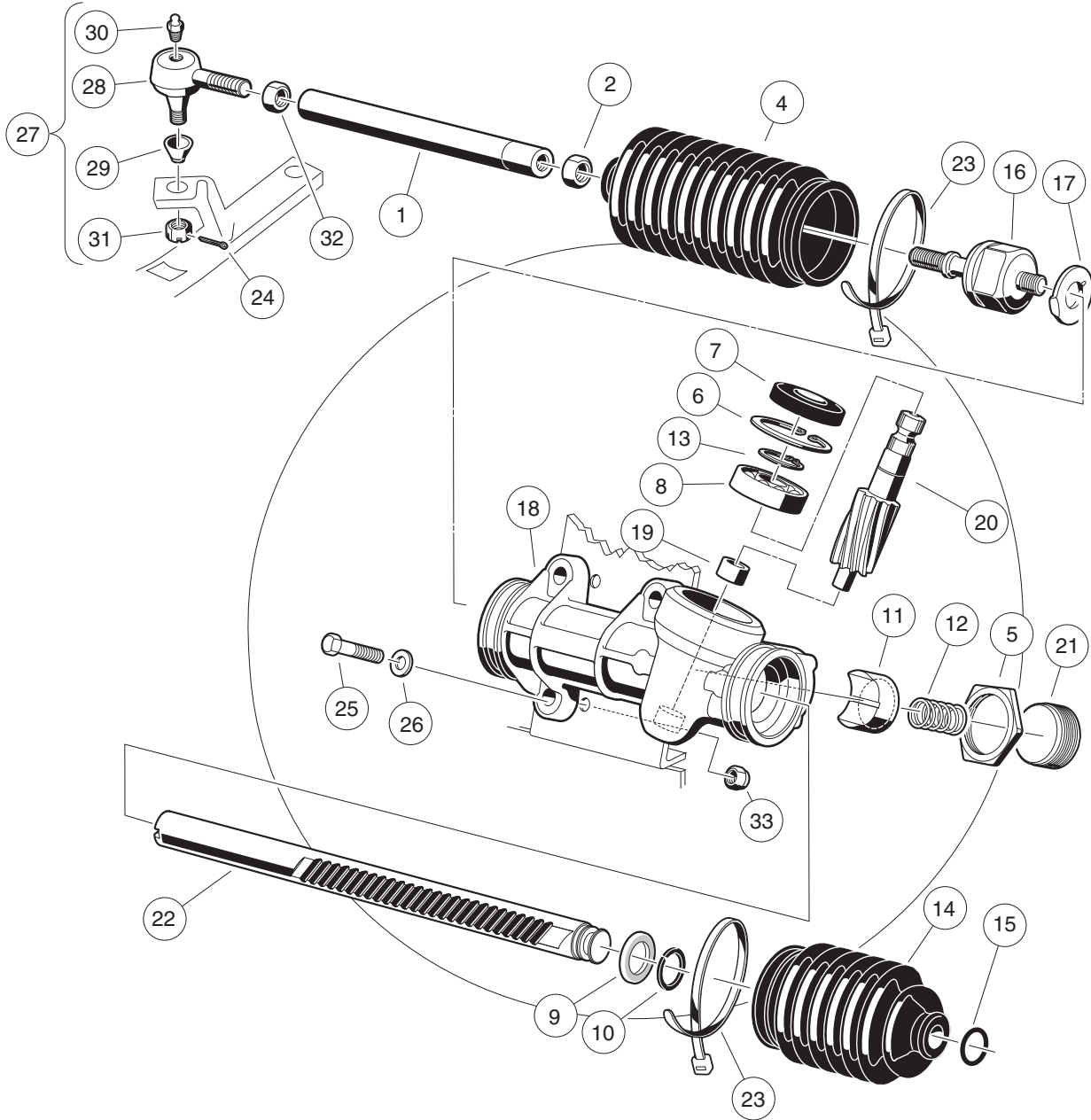
STEERING AND SUSPENSIONS – TURF/CA 2 AND 2 PLUS

6

G

E

6
G
E

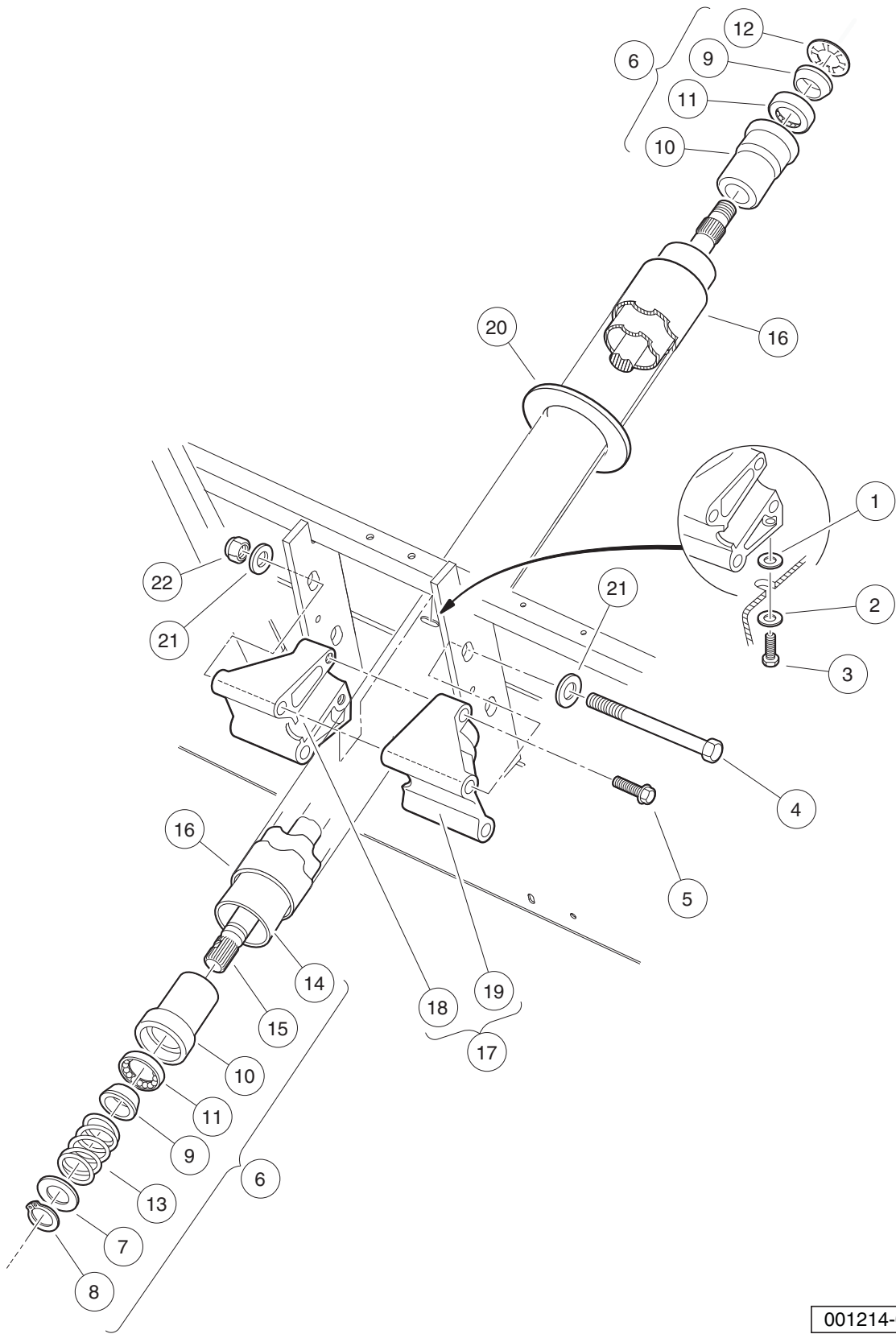


001213-001

STEERING GEAR ASSEMBLY

ITEM	PART NO.	DESCRIPTION	QTY	6
		1 2 3 4		G
1	<u>1012467</u>	Link, Rack and Pinion Drag	1	E
2	1013042	Nut, 12mm Hex	1	
3	<u>101878302</u>	Steering Gear Assembly (without yoke) (includes items 4 through 23)	1	
4	<u>1013035</u>	Bellows, Long	1	
5	<u>1013044</u>	Rack Screw Locknut	1	
6	N/A	Snap Ring	1	
7	<u>1013052</u>	Seal, Steering Pinion Dust	1	
8	<u>101879401</u>	Bearing, Ball	1	
9	<u>101879501</u>	Stop Washer	1	
10	101879601	Stop Ring, C-Type	1	
11	<u>101879701</u>	Support Yoke	1	
12	<u>101879801</u>	Rack Guide Pressure Spring	1	
13	<u>101879901</u>	Ring, Stop, C-Type	1	
14	<u>101880001</u>	Bellows, Short	1	
15	101880101	Dust Seal Retaining Ring	1	
16	<u>101880201</u>	Inner Ball Joint Asm	1	
17	101880301	Washer, Tab	1	
18	N/A	Box, Steering Gear	1	
19	N/A	Bearing, Lower Pinion	1	
20	N/A	Pinion, Steering	1	
21	N/A	Screw, Rack Guide	1	
22	N/A	Rack, Steering	1	
23	<u>8990</u>	Tie Wrap, 8" Nylon	2	
24	<u>1035</u>	Cotter Pin, 3/32 x 1	1	
25	<u>1624</u>	Screw, 3/8-16 X 1.50, Hex-Head Cap	3	
26	<u>334</u>	Washer, 3/8, Type A, Flat	3	
27	<u>7540</u>	Ball Joint, Left (includes items 28 through 31)	1	
28	1011895	Socket, LH Vertical	1	
29	<u>1011930</u>	Seal, Vertical Socket Dust	1	
30	<u>1015597</u>	Fitting, 1/4-28 Thread-Forming Grease	1	
31	7602	Nut, 3/8-24 UNF Hex	1	
32	<u>7555</u>	Nut, 1/2-20 Hex, Left-Hand Thread	1	
33	<u>8754</u>	Locknut, 3/8-16 Hex	3	

6
G
E



001214-001

STEERING COLUMN – UTILITY

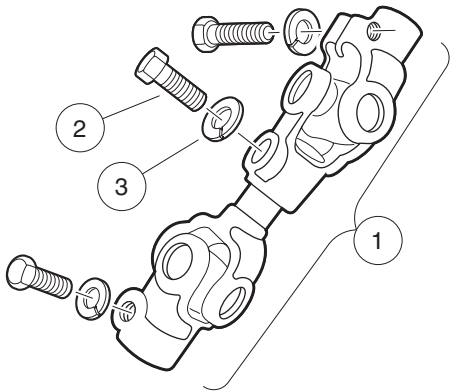
ITEM	PART NO.	DESCRIPTION	QTY
		1 2 3 4	
1	<u>1011578</u>	Washer, 5/16 Type B Flat	1
2	<u>1011697</u>	Washer, 5/16 Flat	1
3	<u>1014288</u>	Screw, 5/16-18 X 0.75, Thread-Forming	1
4	<u>1016183</u>	Screw, 3/8-16 X 7.00 Hex Cap	2
5	<u>1016269</u>	Screw, 5/16-18 Thrd Forming	2
6	<u>1017313</u>	Steering Shaft Assembly (includes items 7 through 15)	1
7	<u>1012604</u>	Washer, 0.675 ID X 1.19 OD	1
8	<u>1012605</u>	Ring, 0.579 Internal Retaining	1
9	1014125	Wedge, Molded	2
10	<u>1014126</u>	Seat, Plastic Bearing	2
11	<u>1014213</u>	Bearing, Ball	2
12	1014214	Ring, Retaining	1
13	<u>1014217</u>	Spring, Steering Shaft	1
14	<u>1017314</u>	Column, Aluminum Steering	1
15	<u>1017315</u>	Shaft Steering Column	1
16	<u>1017317</u>	Tube Cover, Steering Column	1
17	101984801	Kit, Steering Column Mounting Bracket (includes items 18 and 19)	1
18	N/A	Bracket, RH Steering Column Mount	1
19	N/A	Bracket, LH Steering column mount	1
20	<u>102278001</u>	Boot, Steering Column Round	1
21	<u>334</u>	Washer, 3/8, Type A, Flat	4
22	<u>8754</u>	Locknut, 3/8-16 Hex	2

6
G
E

6

G

E



001217-001

INTERMEDIATE STEERING SHAFT – TURF/CARRYALL 1/2/2 PLUS/6

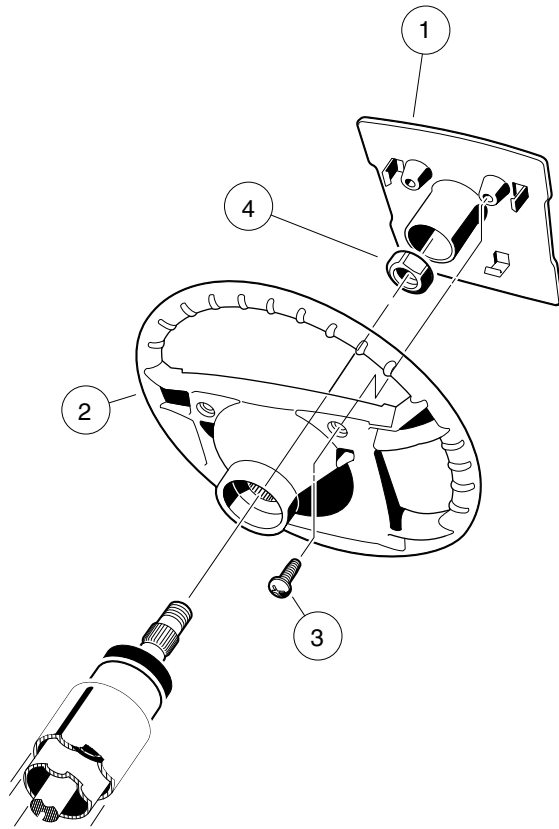
ITEM	PART NO.	DESCRIPTION	QTY
		1 2 3 4	
1	<u>1013861</u>	Intermediate Steering Shaft (includes items 2 and 3)	1
2	<u>1017226</u>	Bolt, Hex-Head, 8mm X 1.25 - 30	3
3	<u>7174</u>	Lockwasher, 5/16 Split	3

6

G

E

6
G
E



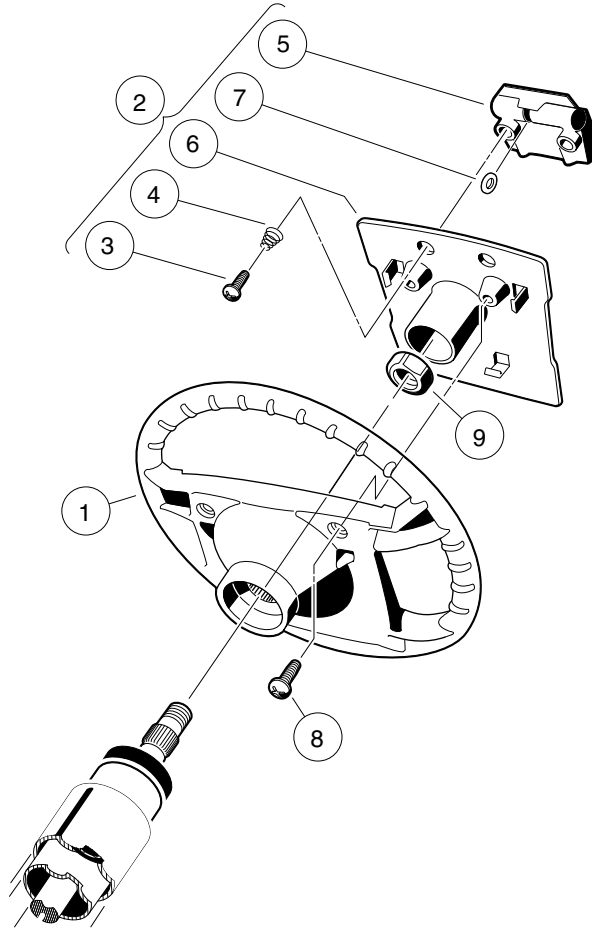
000246-003

STEERING WHEEL

ITEM	PART NO.	DESCRIPTION	QTY
		1 2 3 4	
1	<u>101615504</u>	Plate, Scorecard	1
2	<u>1016156</u>	Wheel, Steering	1
3	<u>1016663</u>	Screw, #12-14 X 0.625	2
4	<u>1017273</u>	Nut, 5/8-18 Nylon Insert Jam	1

6
G
E

6
G
E



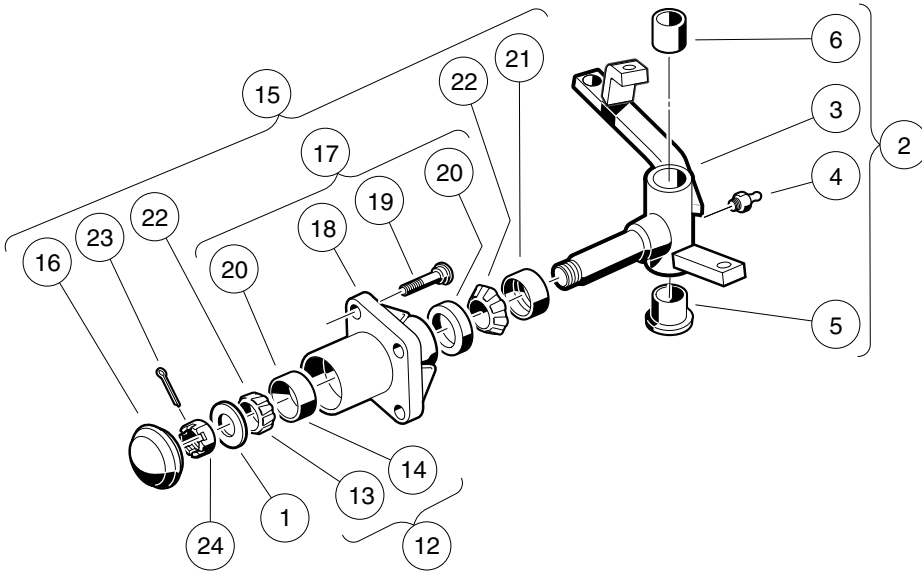
000246-002

STEERING WHEEL WITH CLIP

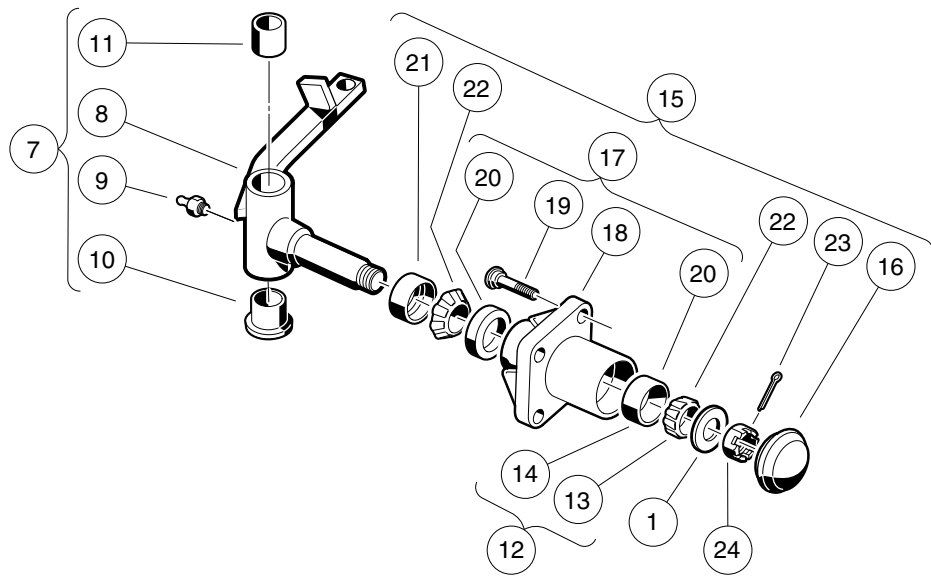
ITEM	PART NO.	DESCRIPTION	QTY
		1 2 3 4	
1	<u>1016156</u>	Wheel, Steering	1
2	1016219	Plate, Scorecard (includes items 3 through 7)	1
3	<u>1012565</u>	Screw, #12 Phillips Round Head	2
4	<u>1012566</u>	Tapered Compression Spring	2
5	1016154	Clip, Scorecard	1
6	N/A	Plate, Score Card	1
7	<u>1016214</u>	Pencil Grip	1
8	<u>1016663</u>	Screw, #12-14 X 0.625	2
9	<u>1017273</u>	Nut, 5/8-18 Nylon Insert Jam	1

6
G
E

PASSENGER SIDE



DRIVER SIDE



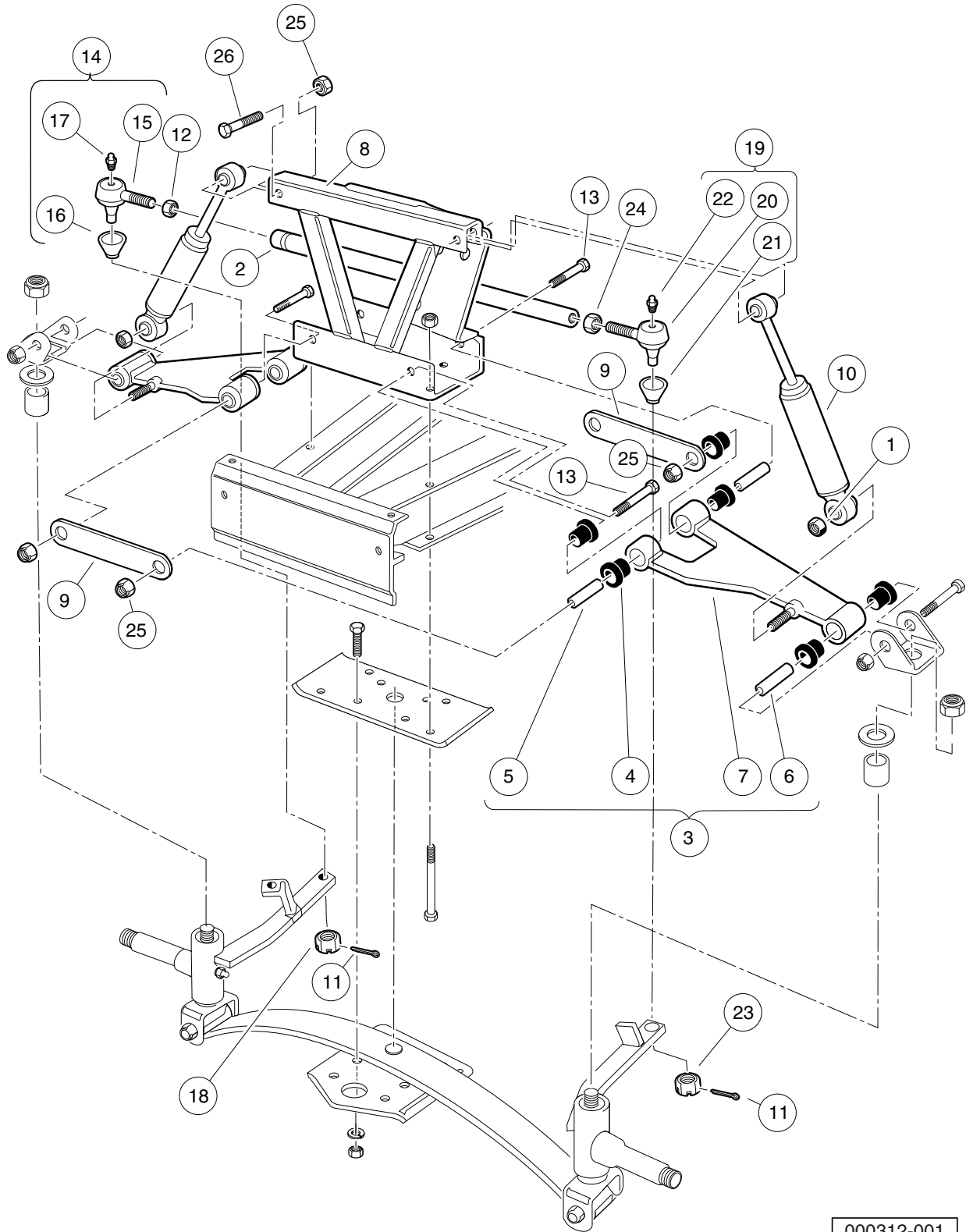
000310-001

FRONT SPINDLES AND HUBS – VEHICLES WITH TWO-WHEEL BRAKES

ITEM	PART NO.	DESCRIPTION	QTY
		1 2 3 4	
1	<u>1010005</u>	Washer, 3/4 Flat	2
2	<u>1010347</u>	Spindle Assembly, Right (includes items 3 through 6)	1
3	1010344	Spindle Sub-Assembly, Right-Hand	1
4	<u>1015597</u>	Fitting, 1/4-28 Thread-Forming Grease	1
5	<u>7048</u>	Bushing, Flanged Bronze	1
6	<u>8067</u>	Bushing, Bronze Spindle	1
7	<u>1010348</u>	Spindle Assembly, Left (includes items 8 through 11)	1
8	1010342	Spindle Sub-Assembly, Left-Hand	1
9	<u>1015597</u>	Fitting, 1/4-28 Thread-Forming Grease	1
10	<u>7048</u>	Bushing, Flanged Bronze	1
11	<u>8067</u>	Bushing, Bronze Spindle	1
12	<u>1011393</u>	Hub Bearing Package (includes items 13 and 14)	4
13	7274	Bearing, Front Hub Wheel	1
14	7308	Race, Front Hub Bearing	1
15	<u>1011892</u>	Hub Assembly (includes items 16 through 23)	2
16	<u>1011887</u>	Dust Cover	1
17	N/A	Hub (includes items 18 through 20)	1
18	N/A	Front Hub	1
19	<u>103477901</u>	Lug Stud, 1/2-20 Unf, 4037	4
20	7308	Race, Front Hub Bearing	2
21	<u>1013135</u>	Seal, Double Lip	1
22	7274	Bearing, Front Hub Wheel	2
23	<u>7910</u>	Pin, 5/32 X 1.00 Cotter	1
24	<u>7840</u>	Nut, 3/4-16 Hex Slotted	2

6
G
E

6
G
E



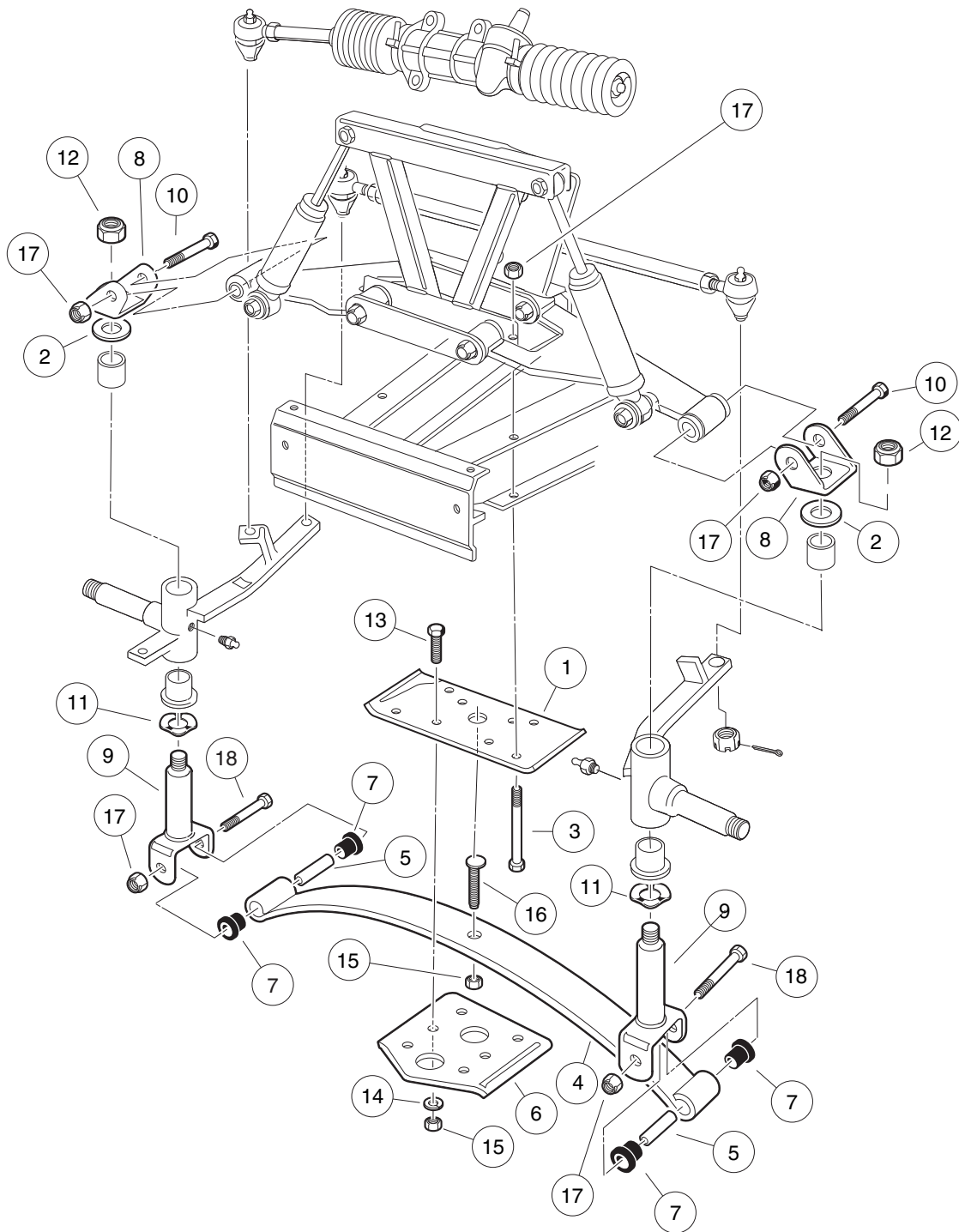
000312-001

FRONT SUSPENSION, UPPER – VEHICLES WITH TWO-WHEEL BRAKES

ITEM	PART NO.	DESCRIPTION	QTY
		1 2 3 4	
1	<u>1010138</u>	Locknut, 3/8-16 Dimpled	2
2	<u>1010219</u>	Tie Rod	1
3	<u>1016353</u>	Sub-Assembly, Delta A-Plate (includes items 4 through 7)	2
4	<u>1016346</u>	Bushing, Urethane	6
5	<u>1016349</u>	Sleeve, Delta Inner	2
6	<u>1016350</u>	Sleeve, Delta Outer	1
7	<u>1016351</u>	Delta A-Plate	1
8	<u>1016385</u>	Delta Shock and Gear Support Assembly	1
9	<u>1017266</u>	A-Plate Strap	2
10	<u>103351001</u>	Shock Absorber, Front, Common	2
11	<u>1035</u>	Cotter Pin, 3/32 x 1	2
12	<u>1308</u>	Nut, 1/2-20 Hex	1
13	<u>2402</u>	Screw, 3/8-16 X 2.25 Hx Hd Cap	4
14	<u>7539</u>	Ball Joint, Right-Hand (includes items 15 through 18)	1
15	1011893	Socket, RH Vertical	1
16	<u>1011930</u>	Seal, Vertical Socket Dust	1
17	<u>1015597</u>	Fitting, 1/4-28 Thread-Forming Grease	1
18	7602	Nut, 3/8-24 UNF Hex	1
19	<u>7540</u>	Ball Joint, Left (includes items 20 through 23)	1
20	1011895	Socket, LH Vertical	1
21	<u>1011930</u>	Seal, Vertical Socket Dust	1
22	<u>1015597</u>	Fitting, 1/4-28 Thread-Forming Grease	1
23	7602	Nut, 3/8-24 UNF Hex	1
24	<u>7555</u>	Nut, 1/2-20 Hex, Left-Hand Thread	1
25	<u>8754</u>	Locknut, 3/8-16 Hex	6
26	<u>8861</u>	Bolt, 3/8-16 X 1.75 Hex	2

6
G
E

6
G
E



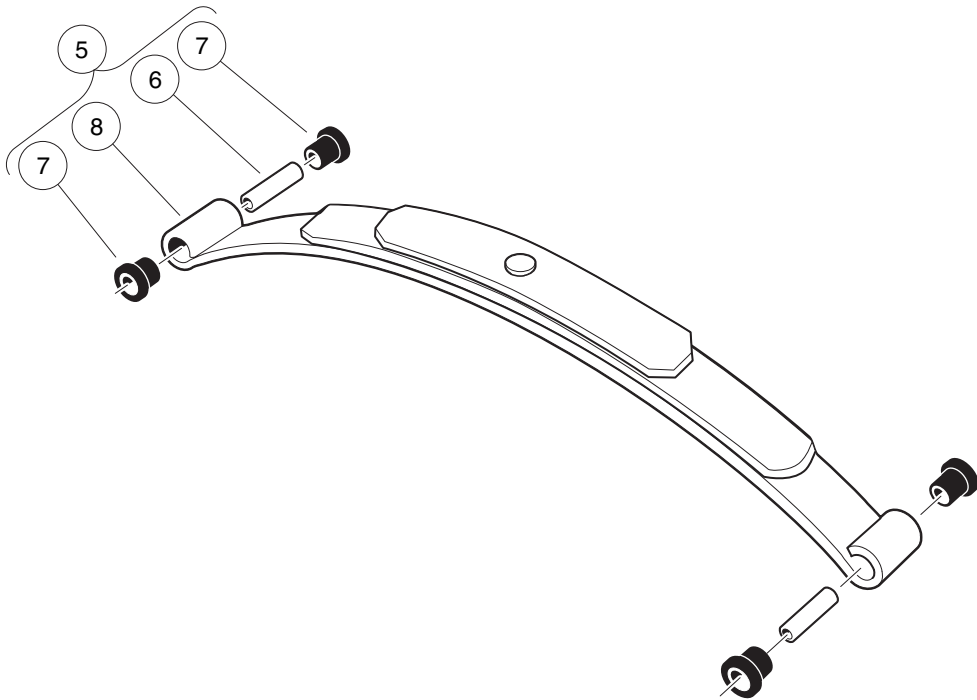
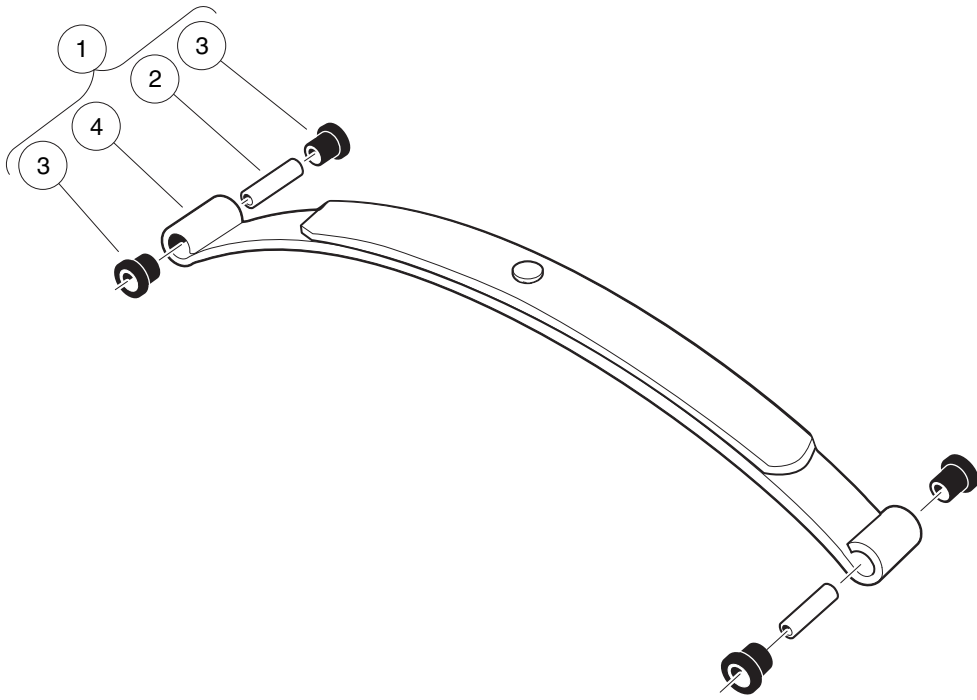
001215-001

FRONT SUSPENSION, LOWER – VEHICLES WITH TWO-WHEEL BRAKES

ITEM	PART NO.	DESCRIPTION	QTY
		1 2 3 4	
1	<u>1010124</u>	Plate, Spring Mount	1
2	<u>1010150</u>	Bearing, Thrust	2
3	<u>1010200</u>	Bolt, 3/8-16 X 4.25 Hex Head	4
4	<u>1012030</u>	Spring, Front Leaf	1
5	<u>1012303</u>	Bushing, Steel	2
6	<u>1014276</u>	Plate, Front Spring Retainer	1
7	<u>1015583</u>	Bushing, Urethane	4
8	<u>1016384</u>	Clevis, Delta Upper	2
9	<u>1016386</u>	King Pin Assembly	2
10	<u>1016387</u>	Screw, 3/8-16 X 2.75 Hx Hd Cap	2
11	<u>1016389</u>	Washer, 1.125 Od Wave	2
12	<u>101903101</u>	Locknut, 1/2-20 Nylon Insert	2
13	<u>1624</u>	Screw, 3/8-16 X 1.50, Hex-Head Cap	4
14	<u>357</u>	Lockwasher, 3/8 Split	4
15	<u>706</u>	Nut, Hex 3/8-16	5
16	<u>8745</u>	Screw, Eccentric Adjustment	1
17	<u>8754</u>	Locknut, 3/8-16 Hex	8
18	<u>8755</u>	Screw, 3/8-16 X 3.375 Hex Cap	2

6
G
E

6
G
E



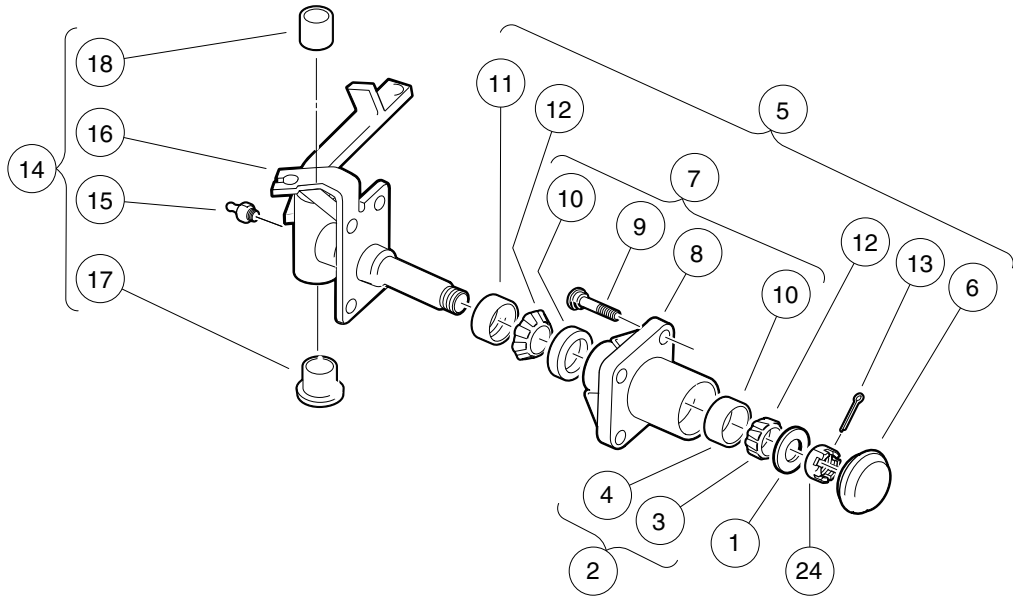
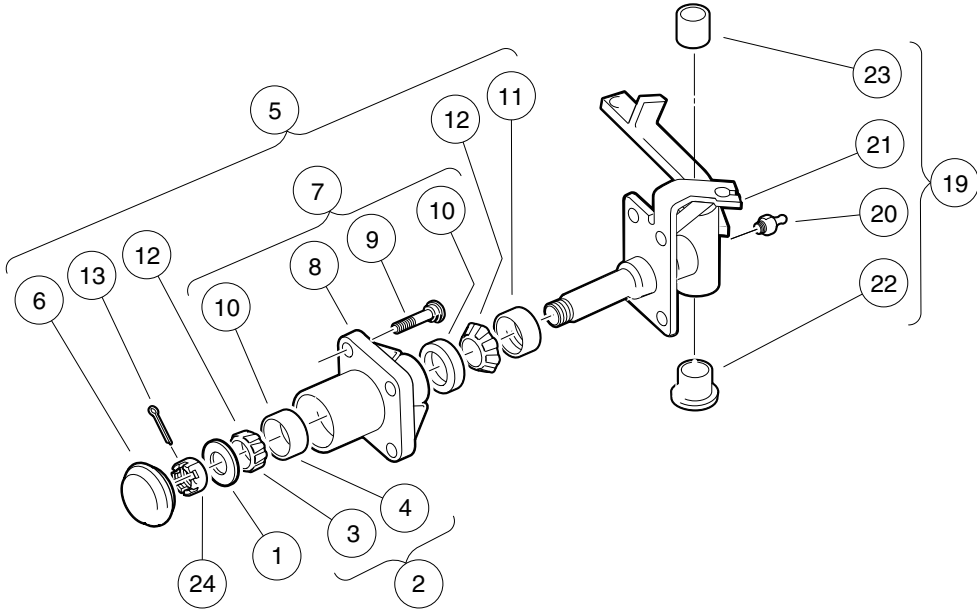
001225-001

HEAVY DUTY FRONT SPRINGS

ITEM	PART NO.	DESCRIPTION	QTY
		1 2 3 4	
1	<u>103628801</u>	Spring Asm, Front, 2 Leaf (includes items 2 through 4)	1
2	<u>1012303</u>	Bushing, Steel	2
3	<u>1015583</u>	Bushing, Urethane	4
4	<u>103502701</u>	Spring, Front, 2 Leaf	1
5	<u>103628901</u>	Spring Asm, Front, 3 Leaf (includes items 6 through 8)	1
6	<u>1012303</u>	Bushing, Steel	2
7	<u>1015583</u>	Bushing, Urethane	4
8	103502801	Spring, Front, 3 Leaf	1

6
G
E

6
G
E



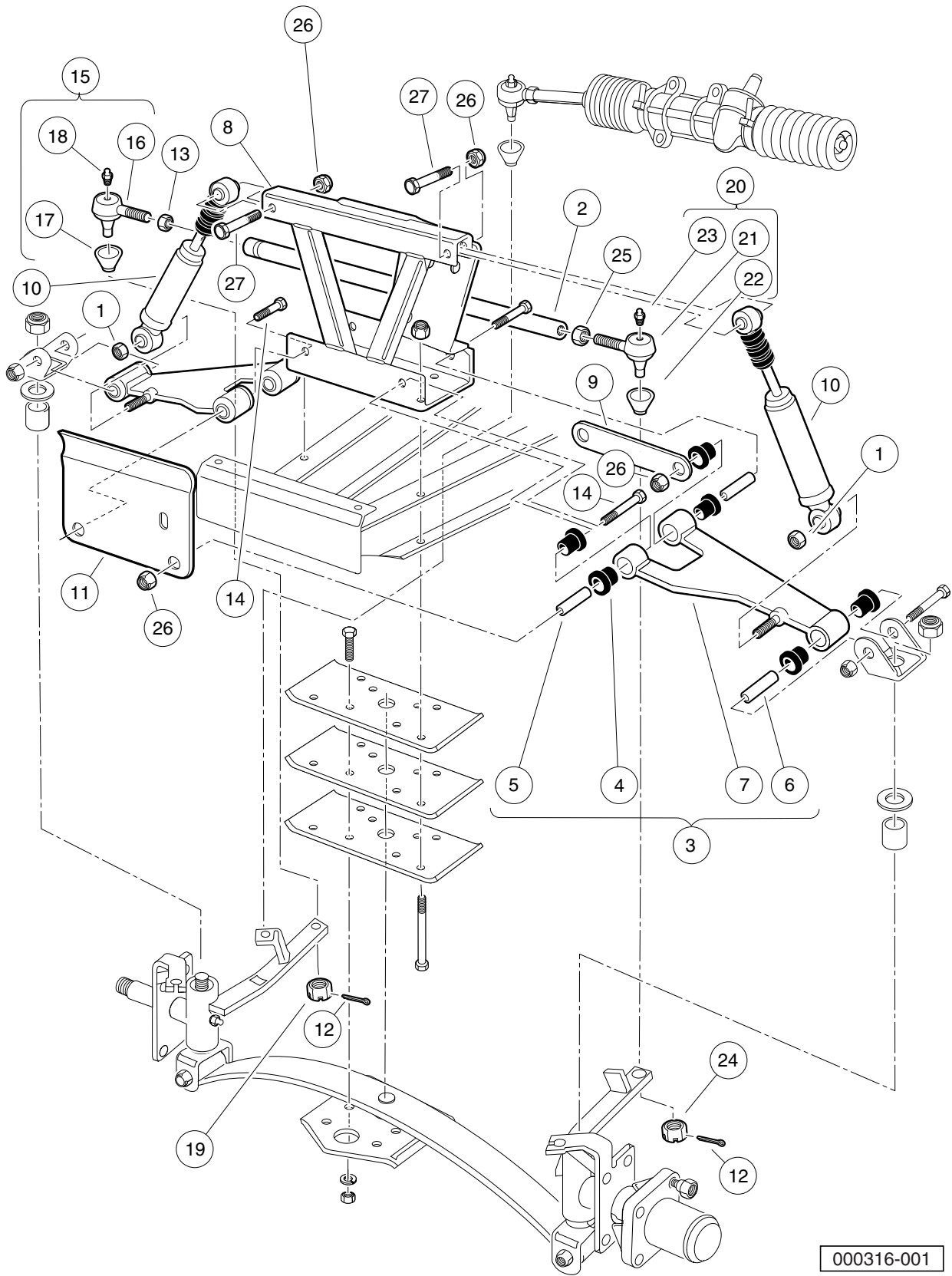
000310-002

FRONT SPINDLES AND HUBS – VEHICLES WITH FOUR-WHEEL BRAKES

ITEM	PART NO.	DESCRIPTION	QTY
		1 2 3 4	
1	<u>1010005</u>	Washer, 3/4 Flat	2
2	<u>1011393</u>	Hub Bearing Package (includes items 3 and 4)	4
3	<u>7274</u>	Bearing, Front Hub Wheel	1
4	<u>7308</u>	Race, Front Hub Bearing	1
5	<u>1011892</u>	Hub Assembly (includes items 6 through 13)	2
6	<u>1011887</u>	Dust Cover	1
7	N/A	Hub (includes items 8 through 10)	1
8	N/A	Front Hub	1
9	<u>103477901</u>	Lug Stud, 1/2-20 Unf, 4037	4
10	<u>7308</u>	Race, Front Hub Bearing	2
11	<u>1013135</u>	Seal, Double Lip	1
12	<u>7274</u>	Bearing, Front Hub Wheel	2
13	<u>7910</u>	Pin, 5/32 X 1.00 Cotter	1
14	<u>101876901</u>	Spindle Assy, Driver Side (includes items 15 through 18)	1
15	<u>1015597</u>	Fitting, 1/4-28 Thread-Forming Grease	1
16	N/A	Spindle Assembly, Left	1
17	<u>7048</u>	Bushing, Flanged Bronze	1
18	<u>8067</u>	Bushing, Bronze Spindle	1
19	<u>101877001</u>	Spindle Assy, Passenger Side (includes items 20 through 23)	1
20	<u>1015597</u>	Fitting, 1/4-28 Thread-Forming Grease	1
21	N/A	Spindle Assembly, Right	1
22	<u>7048</u>	Bushing, Flanged Bronze	1
23	<u>8067</u>	Bushing, Bronze Spindle	1
24	<u>7840</u>	Nut, 3/4-16 Hex Slotted	2

6
G
E

6
G
E



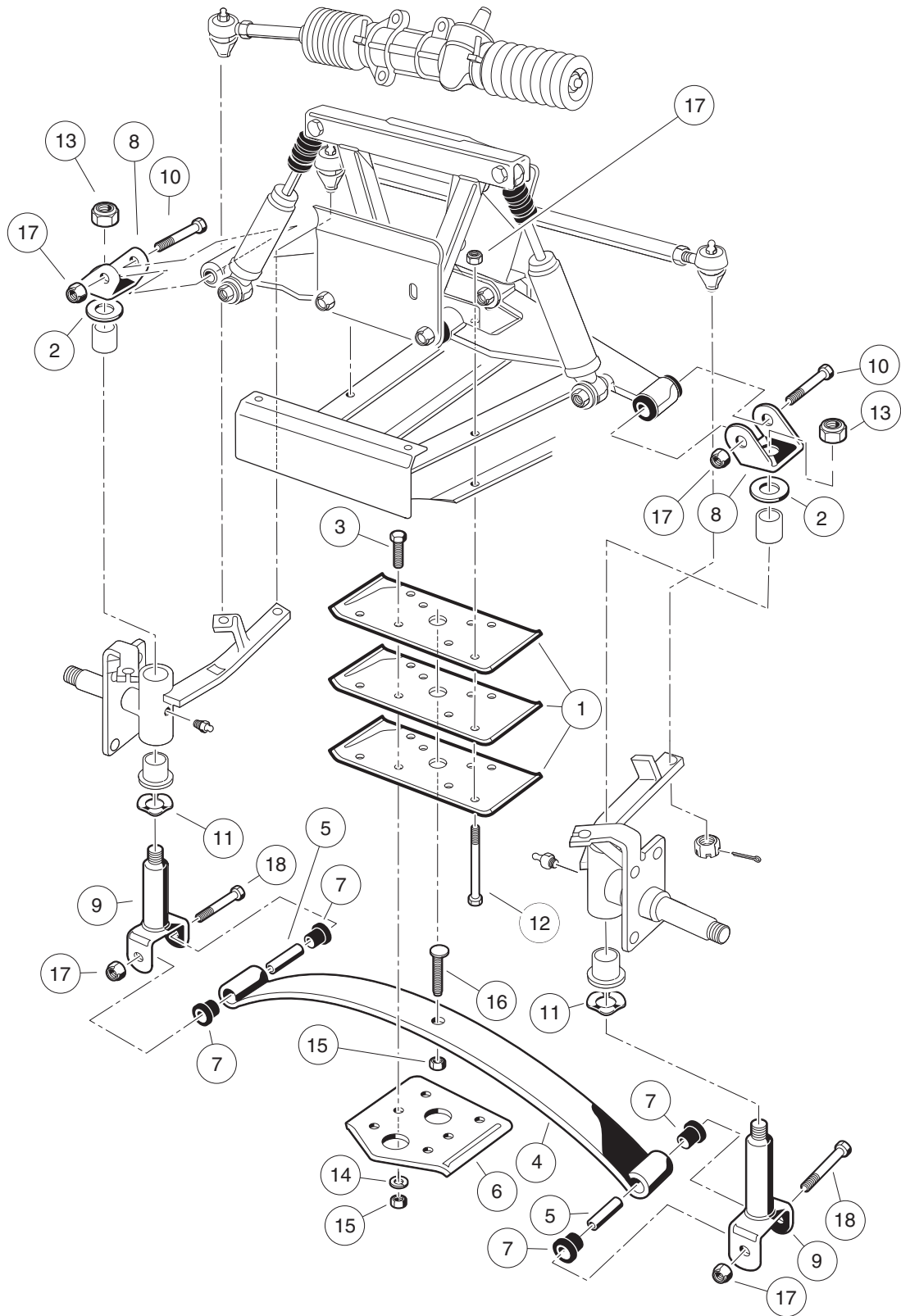
000316-001

FRONT SUSPENSION, UPPER – VEHICLES WITH FOUR-WHEEL BRAKES

ITEM	PART NO.	DESCRIPTION	QTY
		1 2 3 4	
1	<u>1010138</u>	Locknut, 3/8-16 Dimpled	2
2	<u>1010219</u>	Tie Rod	1
3	<u>1016353</u>	Sub-Assembly, Delta A-Plate (includes items 4 through 7)	2
4	<u>1016346</u>	Bushing, Urethane	6
5	<u>1016349</u>	Sleeve, Delta Inner	2
6	<u>1016350</u>	Sleeve, Delta Outer	1
7	<u>1016351</u>	Delta A-Plate	1
8	<u>1016385</u>	Delta Shock and Gear Support Assembly	1
9	<u>1017266</u>	A-Plate Strap	1
10	<u>101870601</u>	Shock Absorber, Front Utility	2
11	<u>101955001</u>	Brake Cable Guide Bracket	1
12	<u>1035</u>	Cotter Pin, 3/32 x 1	2
13	<u>1308</u>	Nut, 1/2-20 Hex	1
14	<u>2402</u>	Screw, 3/8-16 X 2.25 Hx Hd Cap	4
15	<u>7539</u>	Ball Joint, Right-Hand (includes items 16 through 19)	1
16	1011893	Socket, RH Vertical	1
17	<u>1011930</u>	Seal, Vertical Socket Dust	1
18	<u>1015597</u>	Fitting, 1/4-28 Thread-Forming Grease	1
19	7602	Nut, 3/8-24 UNF Hex	1
20	<u>7540</u>	Ball Joint, Left (includes items 21 through 24)	1
21	1011895	Socket, LH Vertical	1
22	<u>1011930</u>	Seal, Vertical Socket Dust	1
23	<u>1015597</u>	Fitting, 1/4-28 Thread-Forming Grease	1
24	7602	Nut, 3/8-24 UNF Hex	1
25	<u>7555</u>	Nut, 1/2-20 Hex, Left-Hand Thread	1
26	<u>8754</u>	Locknut, 3/8-16 Hex	6
27	<u>8861</u>	Bolt, 3/8-16 X 1.75 Hex	2

6
G
E

6
G
E



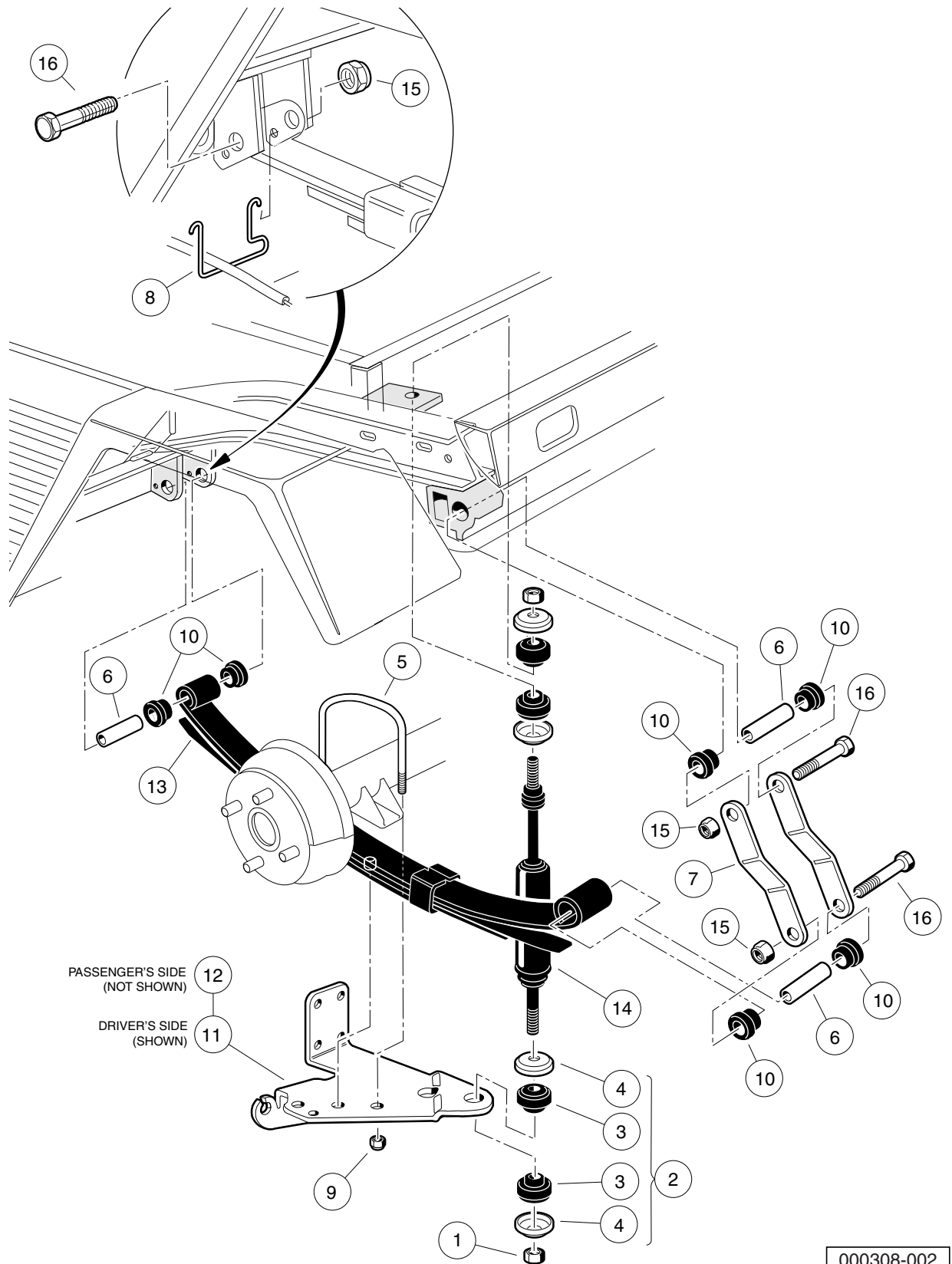
001216-001

FRONT SUSPENSION, LOWER – VEHICLES WITH FOUR-WHEEL BRAKES

ITEM	PART NO.	DESCRIPTION	QTY
		1 2 3 4	
1	<u>1010124</u>	Plate, Spring Mount	3
2	<u>1010150</u>	Bearing, Thrust	2
3	<u>1010177</u>	Bolt, 3/8-16 X 2.00 Hex Head	4
4	<u>1012030</u>	Spring, Front Leaf	1
5	<u>1012303</u>	Bushing, Steel	2
6	<u>1014276</u>	Plate, Front Spring Retainer	1
7	<u>1015583</u>	Bushing, Urethane	4
8	<u>1016384</u>	Clevis, Delta Upper	2
9	<u>1016386</u>	King Pin Assembly	2
10	<u>1016387</u>	Screw, 3/8-16 X 2.75 Hx Hd Cap	2
11	<u>1016389</u>	Washer, 1.125 Od Wave	2
12	<u>101870501</u>	Screw, 3/8-16 X 4.75 Hx Hd Cap	4
13	<u>101903101</u>	Locknut, 1/2-20 Nylon Insert	2
14	<u>357</u>	Lockwasher, 3/8 Split	4
15	<u>706</u>	Nut, Hex 3/8-16	5
16	<u>8745</u>	Screw, Eccentric Adjustment	1
17	<u>8754</u>	Locknut, 3/8-16 Hex	8
18	<u>8755</u>	Screw, 3/8-16 X 3.375 Hex Cap	2

6
G
E

6
G
E



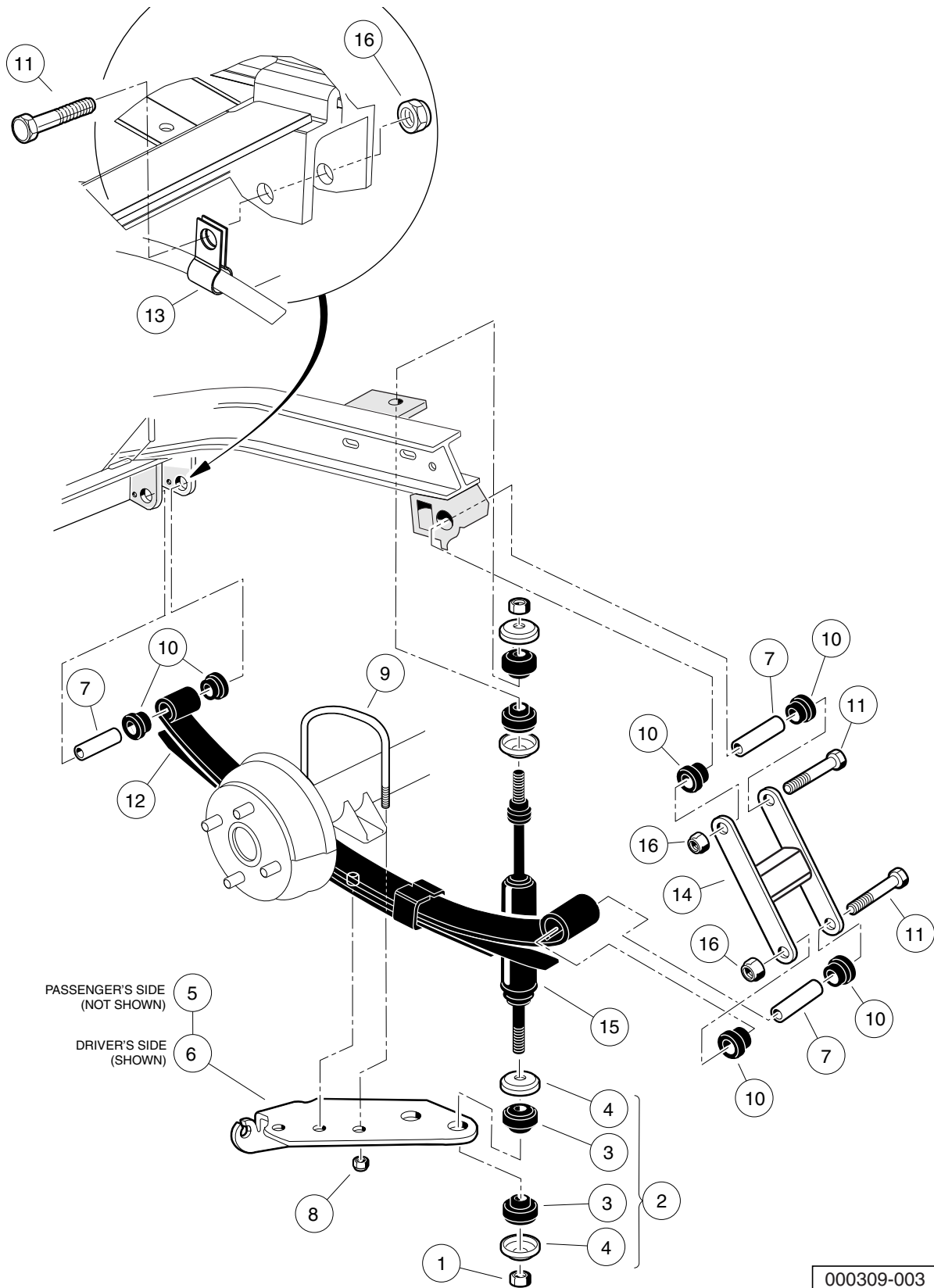
000308-002

REAR SUSPENSION – GASOLINE TURF/CARRYALL 2, 2 PLUS, AND 6

ITEM	PART NO.	DESCRIPTION	QTY
		1 2 3 4	
1	<u>1010145</u>	Nut, 3/8-24 Hex	4
2	<u>1011415</u>	Kit, Shock Absorber Cushion (includes items 3 and 4)	4
3	N/A	Cushion, Shock Absorber	2
4	N/A	Retainer, Shock Absorber Cushion	2
5	<u>1012180</u>	U-Bolt	2
6	<u>1012303</u>	Bushing, Steel	6
7	<u>1012304</u>	Shackle, Rear Spring	4
8	<u>1013207</u>	Hanger, Brake Cable	2
9	<u>1014555</u>	Locknut, 7/16-14 Nylon Hex	4
10	<u>1015583</u>	Bushing, Urethane	12
11	<u>101926501</u>	Bracket, Left-Hand	1
12	<u>101929401</u>	Bracket, Right	1
13	<u>102871801</u>	Rear Spring, 3leaf, 600 Lb/in	2
14	<u>103350901</u>	Shock Absorber, Rear, Utility	2
15	<u>8754</u>	Locknut, 3/8-16 Hex	6
16	<u>8755</u>	Screw, 3/8-16 X 3.375 Hex Cap	6
<p>Note: Only the driver-side rear suspension is shown. Parts for the passenger-side rear suspension are identical except for the leaf spring/shock mounting plate.</p>			

6
G
E

6
G
E

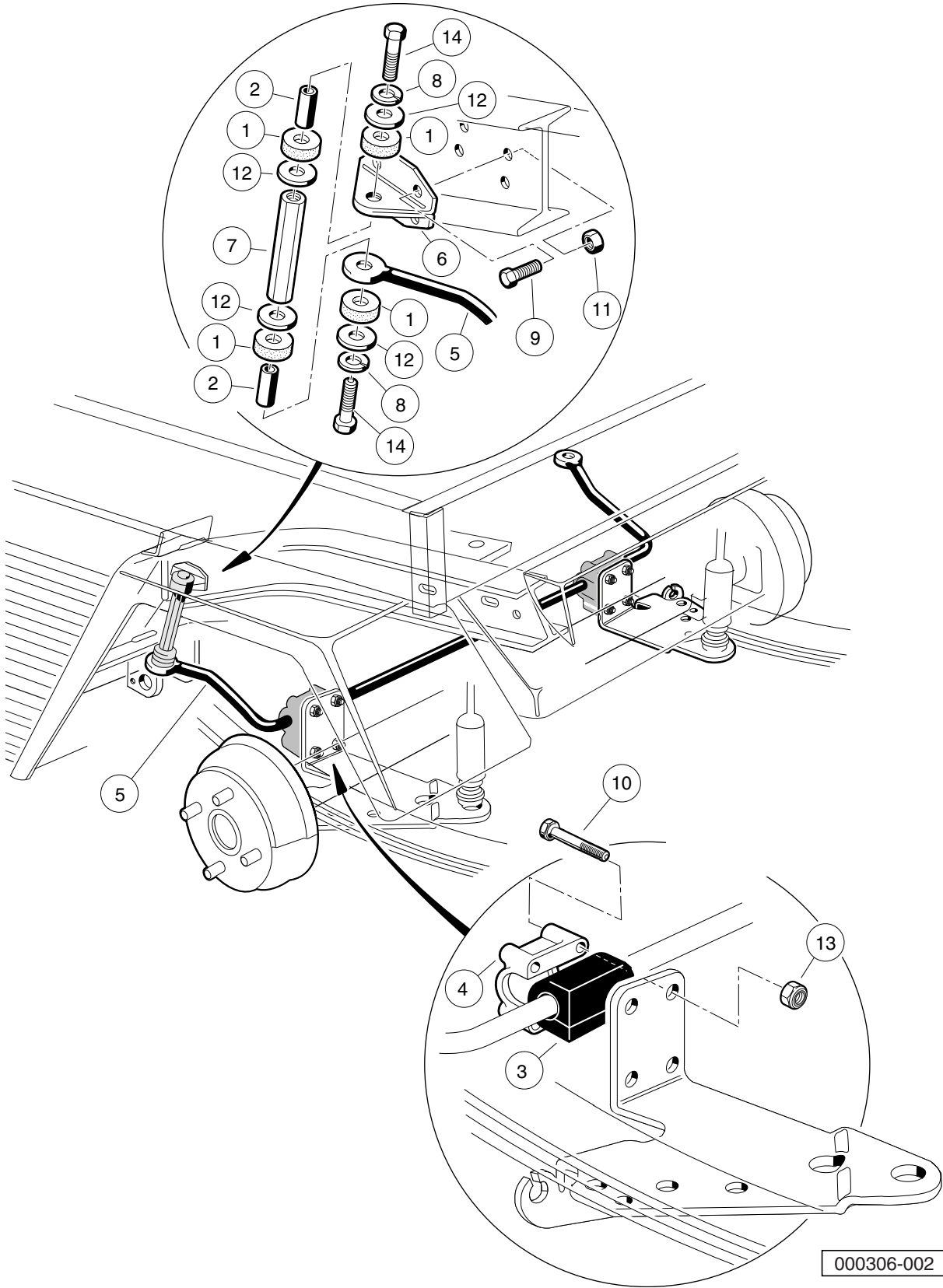


REAR SUSPENSION – TURF/CARRYALL 2 AND 6 IQ PLUS VEHICLES

ITEM	PART NO.	DESCRIPTION	QTY
		1 2 3 4	
1	<u>1010145</u>	Nut, 3/8-24 Hex	4
2	<u>1011415</u>	Kit, Shock Absorber Cushion (includes items 3 and 4)	4
3	N/A	Cushion, Shock Absorber	2
4	N/A	Retainer, Shock Absorber Cushion	2
5	1012181	Bracket, Shock Mounting, Right (Passenger)	1
6	1012182	Bracket, Shock Mounting, Left (Driver)	1
7	<u>1012303</u>	Bushing, Steel	6
8	<u>1014555</u>	Locknut, 7/16-14 Nylon Hex	4
9	<u>1014902</u>	U-Bolt	2
10	<u>1015583</u>	Bushing, Urethane	12
11	<u>102066201</u>	Screw, 3/8-16 X 3.50 Hex Cap	6
12	<u>102871801</u>	Rear Spring, 3leaf, 600 Lb/in	2
13	<u>102891101</u>	Clamp, Cable, Brake, Sym	2
14	<u>102917101</u>	Weldment, Shackle	2
15	<u>103351101</u>	Shock, Absorber, Utility	2
16	<u>8754</u>	Locknut, 3/8-16 Hex	6
<p>Note: Only the driver-side rear suspension is shown. Parts for the passenger-side rear suspension are identical except for the leaf spring/shock mounting plate.</p>			

6
G
E

6
G
E



000306-002

STABILIZER BAR – TURF/CARRYALL 2, 6, AND CARRYALL 2 PLUS GASOLINE VEHICLES

ITEM	PART NO.	DESCRIPTION	QTY
		1 2 3 4	
1	<u>1015453</u>	Compression Mount	8
2	<u>1015457</u>	Spacer, 0.720"	4
3	<u>1015613</u>	Bushing, Stabilizer Bar	2
4	<u>1015614</u>	Support, Bushing	2
5	<u>1015760</u>	Stabilizer Bar	1
6	<u>1016813</u>	Mounting Bracket, Stabilizer Bar	2
7	<u>1016814</u>	Link, Stabilizer Bar	2
8	<u>357</u>	Lockwasher, 3/8 Split	4
9	<u>7173</u>	Screw, 5/16-18 X 0.75, Hex-Head Cap	8
10	<u>7311</u>	Screw, 1/4-20 X 2.00 Hex-Head Cap	8
11	<u>7473</u>	Locknut, 5/16-18 Nylon Insert	8
12	<u>808</u>	Washer, 3/8 Type B Flat	8
13	<u>8233</u>	Locknut, 1/4-20, Nylon Insert	8
14	<u>8861</u>	Bolt, 3/8-16 X 1.75 Hex	4

6
G
E

6

G

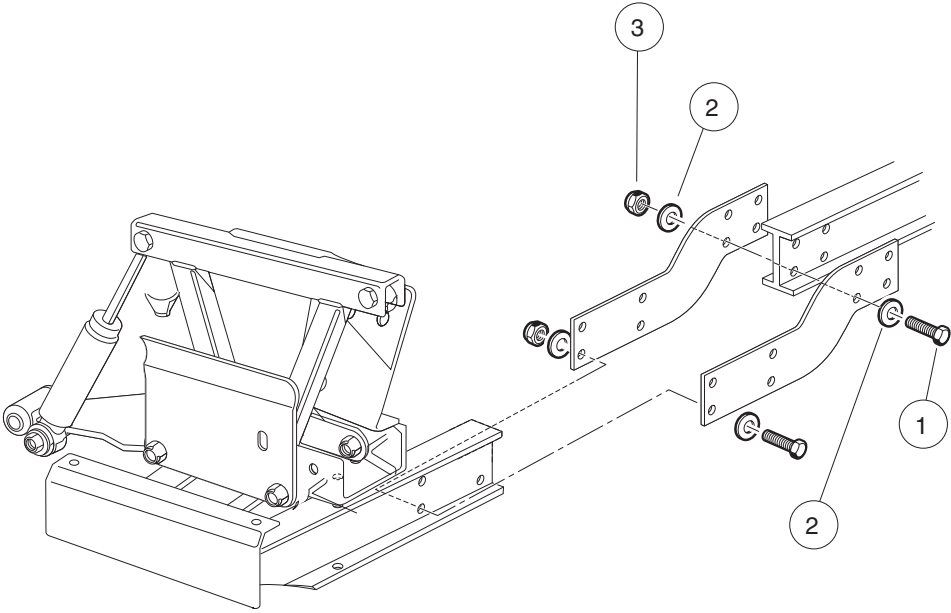
E

STEERING AND SUSPENSIONS – TURF/CA 252 AND XRT 900

7

G

E



000304-002

FRONT FRAME PLATE HARDWARE – TURF/CARRYALL 252 AND XRT 900

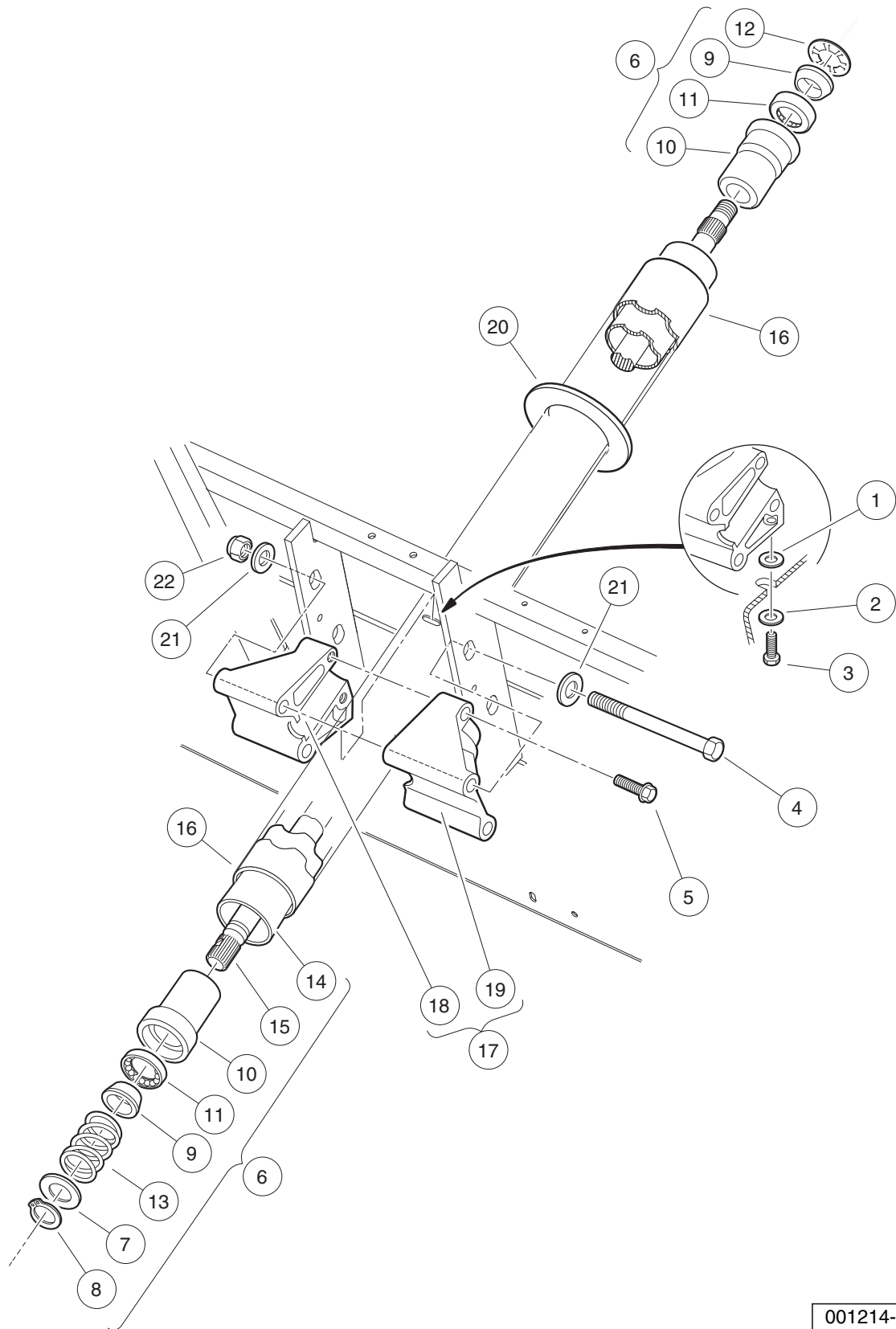
ITEM	PART NO.	DESCRIPTION	QTY
		1 2 3 4	
1	1218	Screw, 5/16-18 X 1.25 Hex-Head Cap	16
2	<u>1241</u>	Washer, 5/16 Type A Flat	32
3	<u>7473</u>	Locknut, 5/16-18 Nylon Insert	16

7
G
E

STEERING GEAR ASSEMBLY

ITEM	PART NO.	DESCRIPTION	QTY
		1 2 3 4	
1	<u>1012467</u>	Link, Rack and Pinion Drag	1
2	<u>1013042</u>	Nut, 12mm Hex	1
3	<u>101878302</u>	Steering Gear Assembly (without yoke) (includes items 4 through 23)	1
4	<u>1013035</u>	Bellows, Long	1
5	<u>1013044</u>	Rack Screw Locknut	1
6	N/A	Snap Ring	1
7	<u>1013052</u>	Seal, Steering Pinion Dust	1
8	<u>101879401</u>	Bearing, Ball	1
9	<u>101879501</u>	Stop Washer	1
10	<u>101879601</u>	Stop Ring, C-Type	1
11	<u>101879701</u>	Support Yoke	1
12	<u>101879801</u>	Rack Guide Pressure Spring	1
13	<u>101879901</u>	Ring, Stop, C-Type	1
14	<u>101880001</u>	Bellows, Short	1
15	<u>101880101</u>	Dust Seal Retaining Ring	1
16	<u>101880201</u>	Inner Ball Joint Asm	1
17	<u>101880301</u>	Washer, Tab	1
18	N/A	Box, Steering Gear	1
19	N/A	Bearing, Lower Pinion	1
20	N/A	Pinion, Steering	1
21	N/A	Screw, Rack Guide	1
22	N/A	Rack, Steering	1
23	<u>8990</u>	Tie Wrap, 8" Nylon	2
24	<u>1035</u>	Cotter Pin, 3/32 x 1	1
25	<u>1624</u>	Screw, 3/8-16 X 1.50, Hex-Head Cap	3
26	<u>334</u>	Washer, 3/8, Type A, Flat	3
27	<u>7540</u>	Ball Joint, Left (includes items 28 through 31)	1
28	<u>1011895</u>	Socket, LH Vertical	1
29	<u>1011930</u>	Seal, Vertical Socket Dust	1
30	<u>1015597</u>	Fitting, 1/4-28 Thread-Forming Grease	1
31	<u>7602</u>	Nut, 3/8-24 UNF Hex	1
32	<u>7555</u>	Nut, 1/2-20 Hex, Left-Hand Thread	1
33	<u>8754</u>	Locknut, 3/8-16 Hex	3

7
G
E

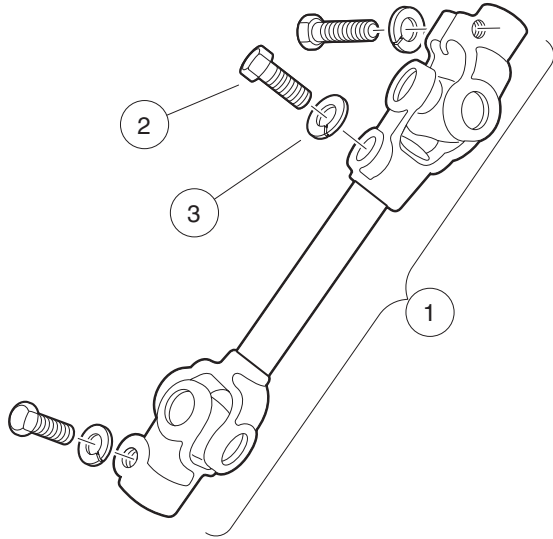


001214-001

STEERING COLUMN – UTILITY

ITEM	PART NO.	DESCRIPTION	QTY
		1 2 3 4	
1	<u>1011578</u>	Washer, 5/16 Type B Flat	1
2	<u>1011697</u>	Washer, 5/16 Flat	1
3	<u>1014288</u>	Screw, 5/16-18 X 0.75, Thread-Forming	1
4	<u>1016183</u>	Screw, 3/8-16 X 7.00 Hex Cap	2
5	<u>1016269</u>	Screw, 5/16-18 Thrd Forming	2
6	<u>1017313</u>	Steering Shaft Assembly (includes items 7 through 15)	1
7	<u>1012604</u>	Washer, 0.675 ID X 1.19 OD	1
8	<u>1012605</u>	Ring, 0.579 Internal Retaining	1
9	1014125	Wedge, Molded	2
10	<u>1014126</u>	Seat, Plastic Bearing	2
11	<u>1014213</u>	Bearing, Ball	2
12	1014214	Ring, Retaining	1
13	<u>1014217</u>	Spring, Steering Shaft	1
14	<u>1017314</u>	Column, Aluminum Steering	1
15	<u>1017315</u>	Shaft Steering Column	1
16	<u>1017317</u>	Tube Cover, Steering Column	1
17	101984801	Kit, Steering Column Mounting Bracket (includes items 18 and 19)	1
18	N/A	Bracket, RH Steering Column Mount	1
19	N/A	Bracket, LH Steering column mount	1
20	<u>102278001</u>	Boot, Steering Column Round	1
21	<u>334</u>	Washer, 3/8, Type A, Flat	4
22	<u>8754</u>	Locknut, 3/8-16 Hex	2

7
G
E



001218-001

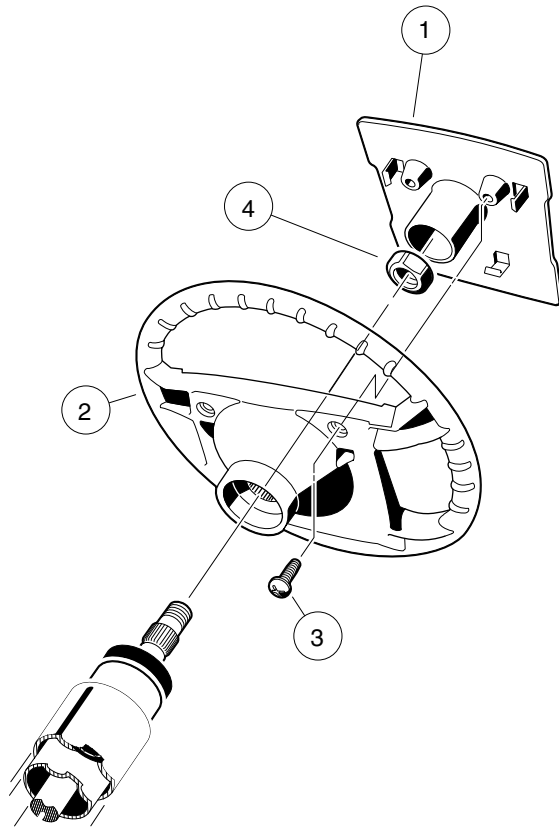
INTERMEDIATE STEERING SHAFT – TURF/CARRYALL 252 AND XRT 900 VEHICLES

ITEM	PART NO.	DESCRIPTION	QTY
		1 2 3 4	
1	<u>102004101</u>	Joint, Steering (includes items 2 and 3)	1
2	<u>1017226</u>	Bolt, Hex-Head, 8mm X 1.25 - 30	3
3	<u>7174</u>	Lockwasher, 5/16 Split	3

7

G

E



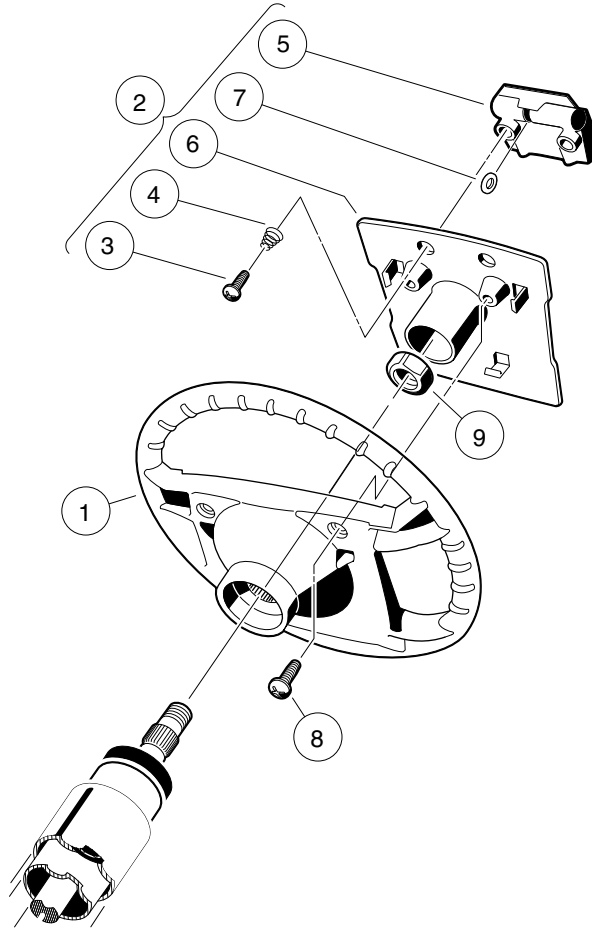
000246-003

STEERING WHEEL

ITEM	PART NO.	DESCRIPTION	QTY
		1 2 3 4	
1	<u>101615504</u>	Plate, Scorecard	1
2	<u>1016156</u>	Wheel, Steering	1
3	<u>1016663</u>	Screw, #12-14 X 0.625	2
4	<u>1017273</u>	Nut, 5/8-18 Nylon Insert Jam	1

7
G
E

7
G
E



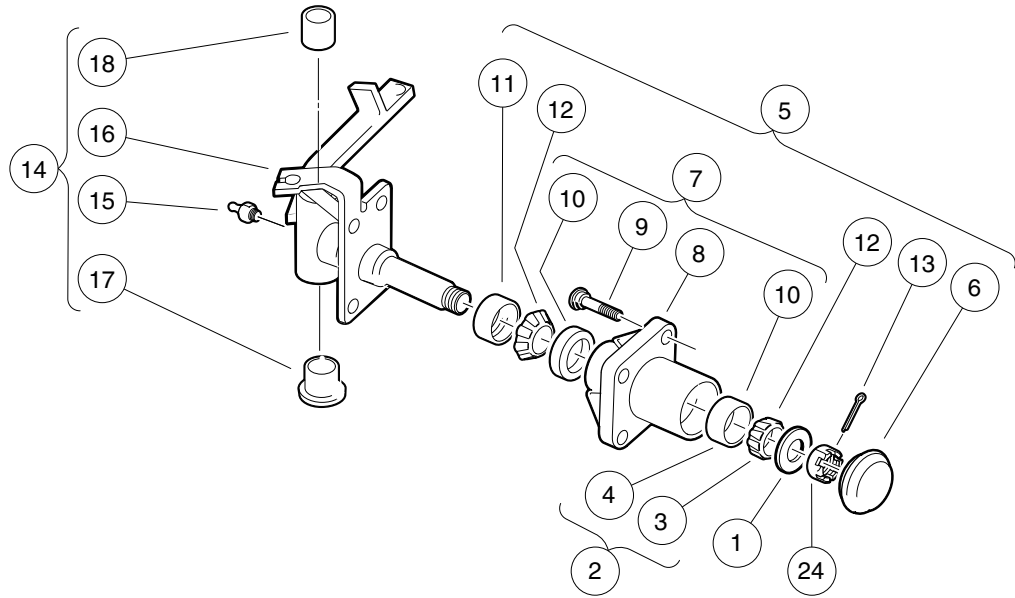
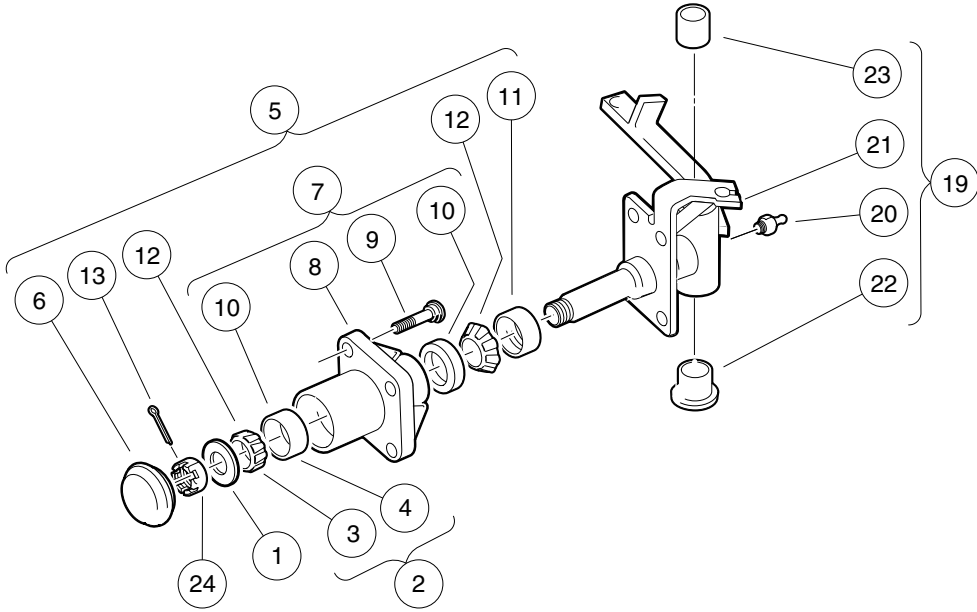
000246-002

STEERING WHEEL WITH CLIP

ITEM	PART NO.	DESCRIPTION	QTY
		1 2 3 4	
1	<u>1016156</u>	Wheel, Steering	1
2	1016219	Plate, Scorecard (includes items 3 through 7)	1
3	<u>1012565</u>	Screw, #12 Phillips Round Head	2
4	<u>1012566</u>	Tapered Compression Spring	2
5	1016154	Clip, Scorecard	1
6	N/A	Plate, Score Card	1
7	<u>1016214</u>	Pencil Grip	1
8	<u>1016663</u>	Screw, #12-14 X 0.625	2
9	<u>1017273</u>	Nut, 5/8-18 Nylon Insert Jam	1

7
G
E

7
G
E



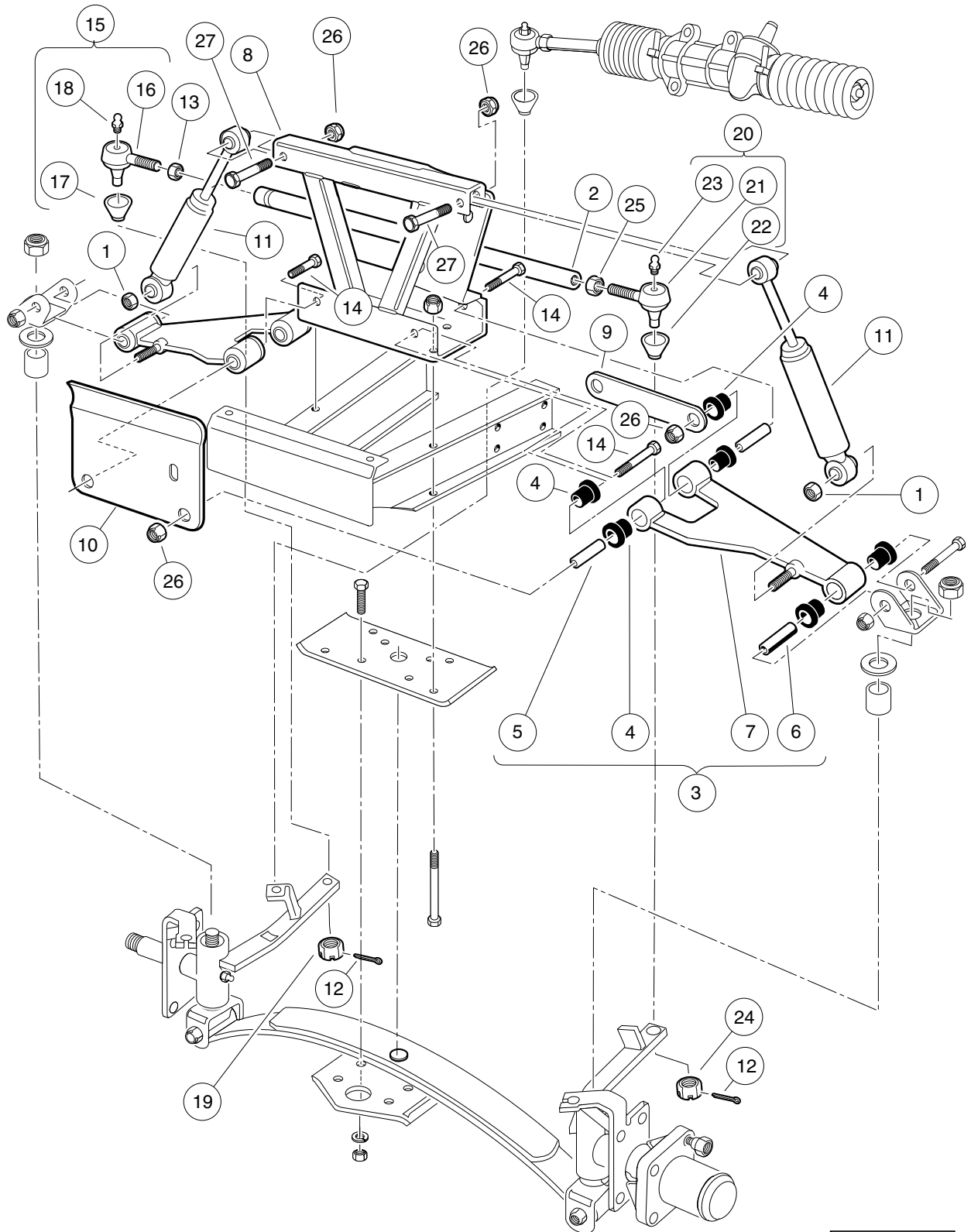
000310-002

FRONT SPINDLES AND HUBS – VEHICLES WITH FOUR-WHEEL BRAKES

ITEM	PART NO.	DESCRIPTION	QTY
		1 2 3 4	
1	<u>1010005</u>	Washer, 3/4 Flat	2
2	<u>1011393</u>	Hub Bearing Package (includes items 3 and 4)	4
3	<u>7274</u>	Bearing, Front Hub Wheel	1
4	<u>7308</u>	Race, Front Hub Bearing	1
5	<u>1011892</u>	Hub Assembly (includes items 6 through 13)	2
6	<u>1011887</u>	Dust Cover	1
7	N/A	Hub (includes items 8 through 10)	1
8	N/A	Front Hub	1
9	<u>103477901</u>	Lug Stud, 1/2-20 Unf, 4037	4
10	<u>7308</u>	Race, Front Hub Bearing	2
11	<u>1013135</u>	Seal, Double Lip	1
12	<u>7274</u>	Bearing, Front Hub Wheel	2
13	<u>7910</u>	Pin, 5/32 X 1.00 Cotter	1
14	<u>101876901</u>	Spindle Assy, Driver Side (includes items 15 through 18)	1
15	<u>1015597</u>	Fitting, 1/4-28 Thread-Forming Grease	1
16	N/A	Spindle Assembly, Left	1
17	<u>7048</u>	Bushing, Flanged Bronze	1
18	<u>8067</u>	Bushing, Bronze Spindle	1
19	<u>101877001</u>	Spindle Assy, Passenger Side (includes items 20 through 23)	1
20	<u>1015597</u>	Fitting, 1/4-28 Thread-Forming Grease	1
21	N/A	Spindle Assembly, Right	1
22	<u>7048</u>	Bushing, Flanged Bronze	1
23	<u>8067</u>	Bushing, Bronze Spindle	1
24	<u>7840</u>	Nut, 3/4-16 Hex Slotted	2

7
G
E

7
G
E



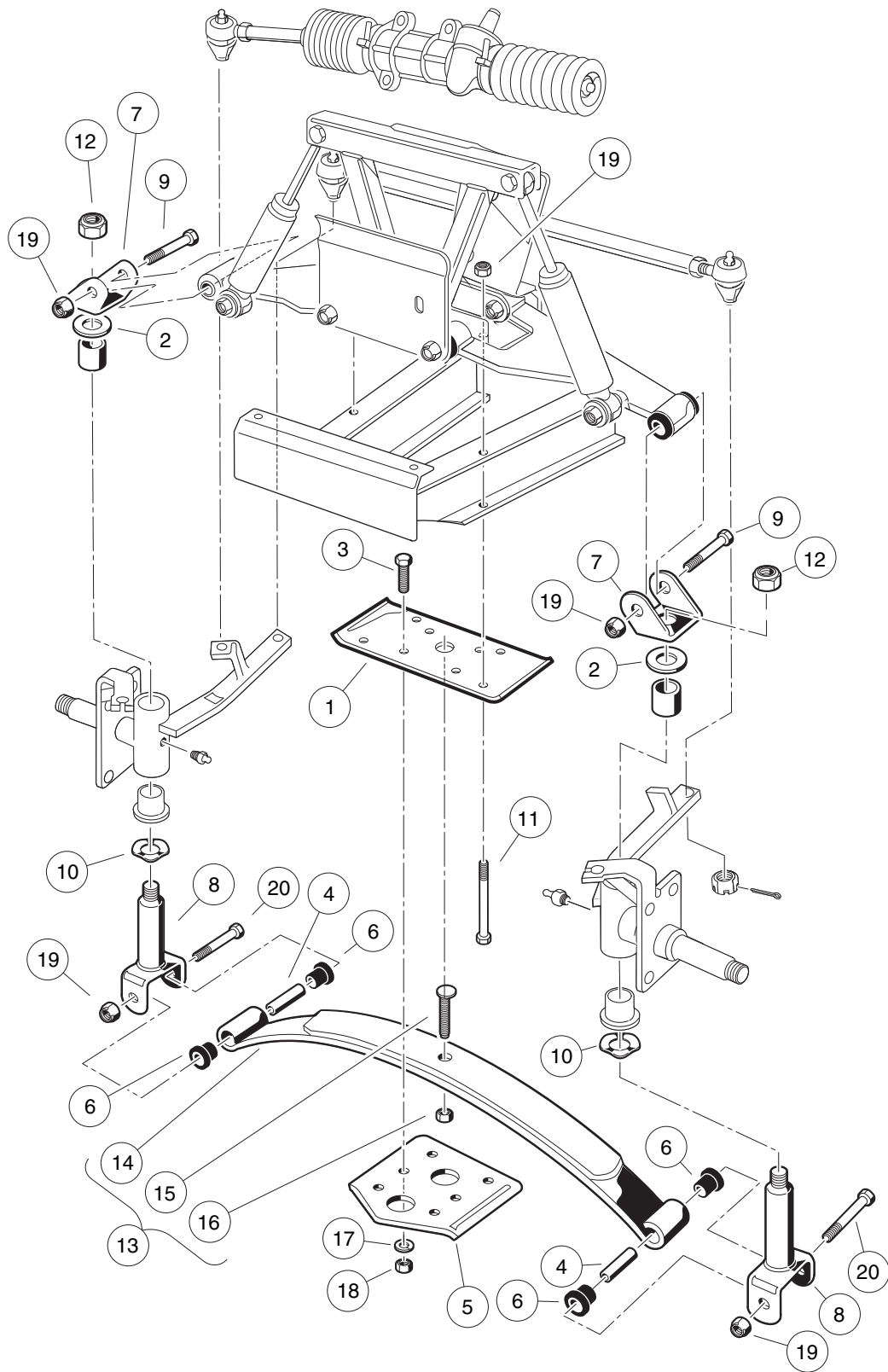
000314-001

FRONT SUSPENSION, UPPER – TURF/CARRYALL 252 AND XRT 900

ITEM	PART NO.	DESCRIPTION	QTY
		1 2 3 4	
1	<u>1010138</u>	Locknut, 3/8-16 Dimpled	2
2	<u>1010219</u>	Tie Rod	1
3	<u>1016353</u>	Sub-Assembly, Delta A-Plate (includes items 4 through 7)	2
4	<u>1016346</u>	Bushing, Urethane	6
5	<u>1016349</u>	Sleeve, Delta Inner	2
6	<u>1016350</u>	Sleeve, Delta Outer	1
7	<u>1016351</u>	Delta A-Plate	1
8	<u>1016385</u>	Delta Shock and Gear Support Assembly	1
9	<u>1017266</u>	A-Plate Strap	1
10	<u>101955001</u>	Brake Cable Guide Bracket	1
11	<u>103351001</u>	Shock Absorber, Front, Common	2
12	<u>1035</u>	Cotter Pin, 3/32 x 1	2
13	<u>1308</u>	Nut, 1/2-20 Hex	1
14	<u>2402</u>	Screw, 3/8-16 X 2.25 Hx Hd Cap	4
15	<u>7539</u>	Ball Joint, Right-Hand (includes items 16 through 19)	1
16	1011893	Socket, RH Vertical	1
17	<u>1011930</u>	Seal, Vertical Socket Dust	1
18	<u>1015597</u>	Fitting, 1/4-28 Thread-Forming Grease	1
19	7602	Nut, 3/8-24 UNF Hex	1
20	<u>7540</u>	Ball Joint, Left (includes items 21 through 24)	1
21	1011895	Socket, LH Vertical	1
22	<u>1011930</u>	Seal, Vertical Socket Dust	1
23	<u>1015597</u>	Fitting, 1/4-28 Thread-Forming Grease	1
24	7602	Nut, 3/8-24 UNF Hex	1
25	<u>7555</u>	Nut, 1/2-20 Hex, Left-Hand Thread	1
26	<u>8754</u>	Locknut, 3/8-16 Hex	6
27	<u>8861</u>	Bolt, 3/8-16 X 1.75 Hex	2

7
G
E

7
G
E



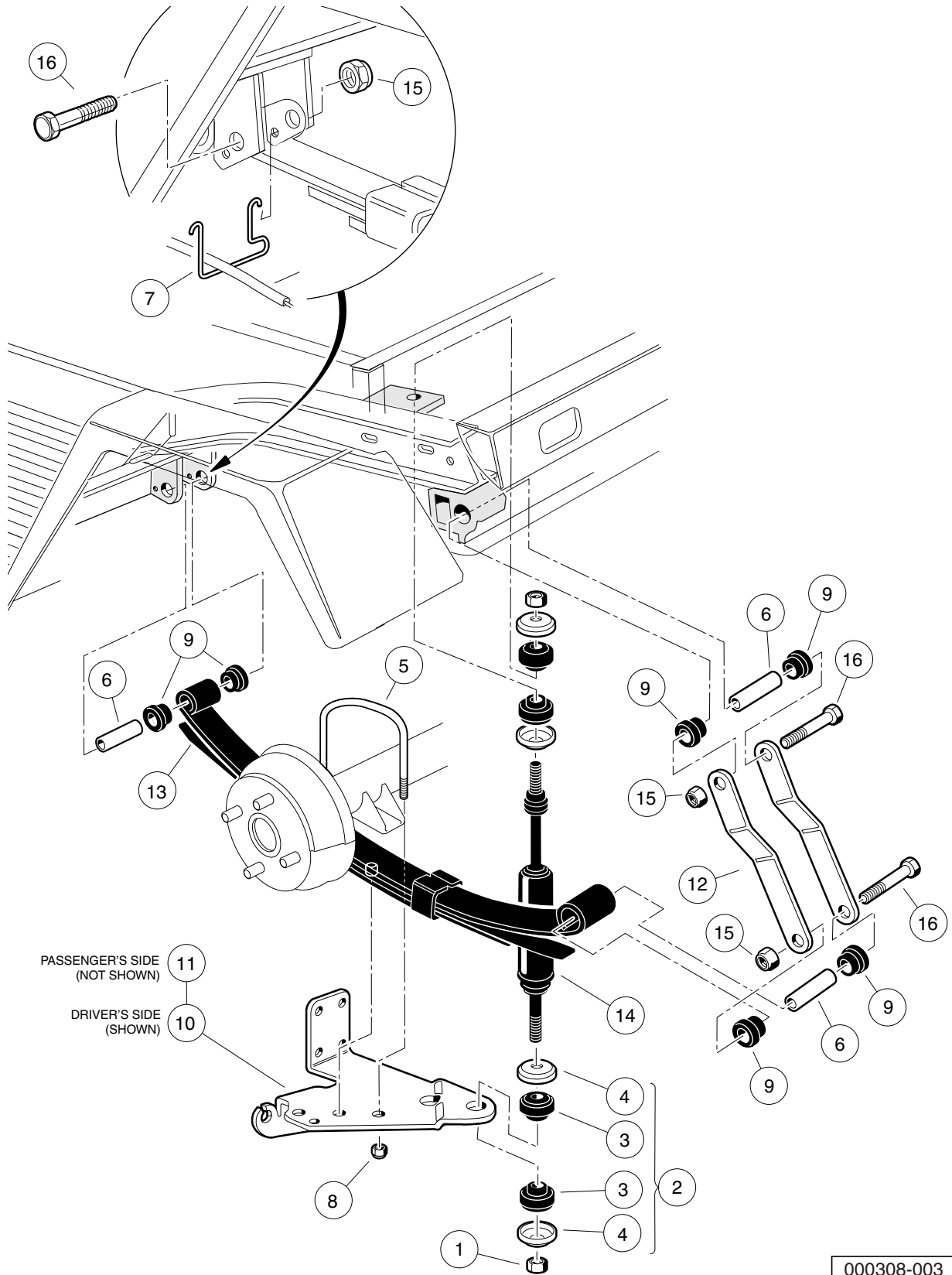
001219-001

FRONT SUSPENSION, LOWER – TURF/CARRYALL 252 AND XRT 900

ITEM	PART NO.	DESCRIPTION	QTY
		1 2 3 4	
1	<u>1010124</u>	Plate, Spring Mount	1
2	<u>1010150</u>	Bearing, Thrust	2
3	<u>1010177</u>	Bolt, 3/8-16 X 2.00 Hex Head	4
4	<u>1012303</u>	Bushing, Steel	2
5	<u>1014276</u>	Plate, Front Spring Retainer	1
6	<u>1015583</u>	Bushing, Urethane	4
7	<u>1016384</u>	Clevis, Delta Upper	2
8	<u>1016386</u>	King Pin Assembly	2
9	<u>1016387</u>	Screw, 3/8-16 X 2.75 Hx Hd Cap	2
10	<u>1016389</u>	Washer, 1.125 Od Wave	2
11	<u>101870501</u>	Screw, 3/8-16 X 4.75 Hx Hd Cap	4
12	<u>101903101</u>	Locknut, 1/2-20 Nylon Insert	2
13	<u>102004001</u>	Spring, Front, 2-Leaf (includes items 14 through 16)	1
14	N/A	Spring, Front Leaf	1
15	<u>103507001</u>	Eccentric Bolt Common	1
16	<u>706</u>	Nut, Hex 3/8-16	1
17	<u>357</u>	Lockwasher, 3/8 Split	4
18	<u>706</u>	Nut, Hex 3/8-16	4
19	<u>8754</u>	Locknut, 3/8-16 Hex	8
20	<u>8755</u>	Screw, 3/8-16 X 3.375 Hex Cap	2

7
G
E

7
G
E



000308-003

REAR SUSPENSION – GASOLINE TURF/CARRYALL 252 AND XRT 900

ITEM	PART NO.	DESCRIPTION	QTY
		1 2 3 4	
1	<u>1010145</u>	Nut, 3/8-24 Hex	4
2	<u>1011415</u>	Kit, Shock Absorber Cushion (includes items 3 and 4)	4
3	N/A	Cushion, Shock Absorber	2
4	N/A	Retainer, Shock Absorber Cushion	2
5	<u>1012180</u>	U-Bolt	2
6	<u>1012303</u>	Bushing, Steel	6
7	<u>1013207</u>	Hanger, Brake Cable	2
8	<u>1014555</u>	Locknut, 7/16-14 Nylon Hex	4
9	<u>1015583</u>	Bushing, Urethane	12
10	<u>101926501</u>	Bracket, Left-Hand	1
11	<u>101929401</u>	Bracket, Right	1
12	<u>102004201</u>	Rear Spring Shackle	4
13	<u>102871801</u>	Rear Spring, 3leaf, 600 Lb/in	2
14	<u>103351101</u>	Shock, Absorber, Utility	2
15	<u>8754</u>	Locknut, 3/8-16 Hex	6
16	<u>8755</u>	Screw, 3/8-16 X 3.375 Hex Cap	6
<p>Note: Only the driver-side rear suspension is shown. Parts for the passenger-side rear suspension are identical except for the leaf spring/shock mounting plate.</p>			

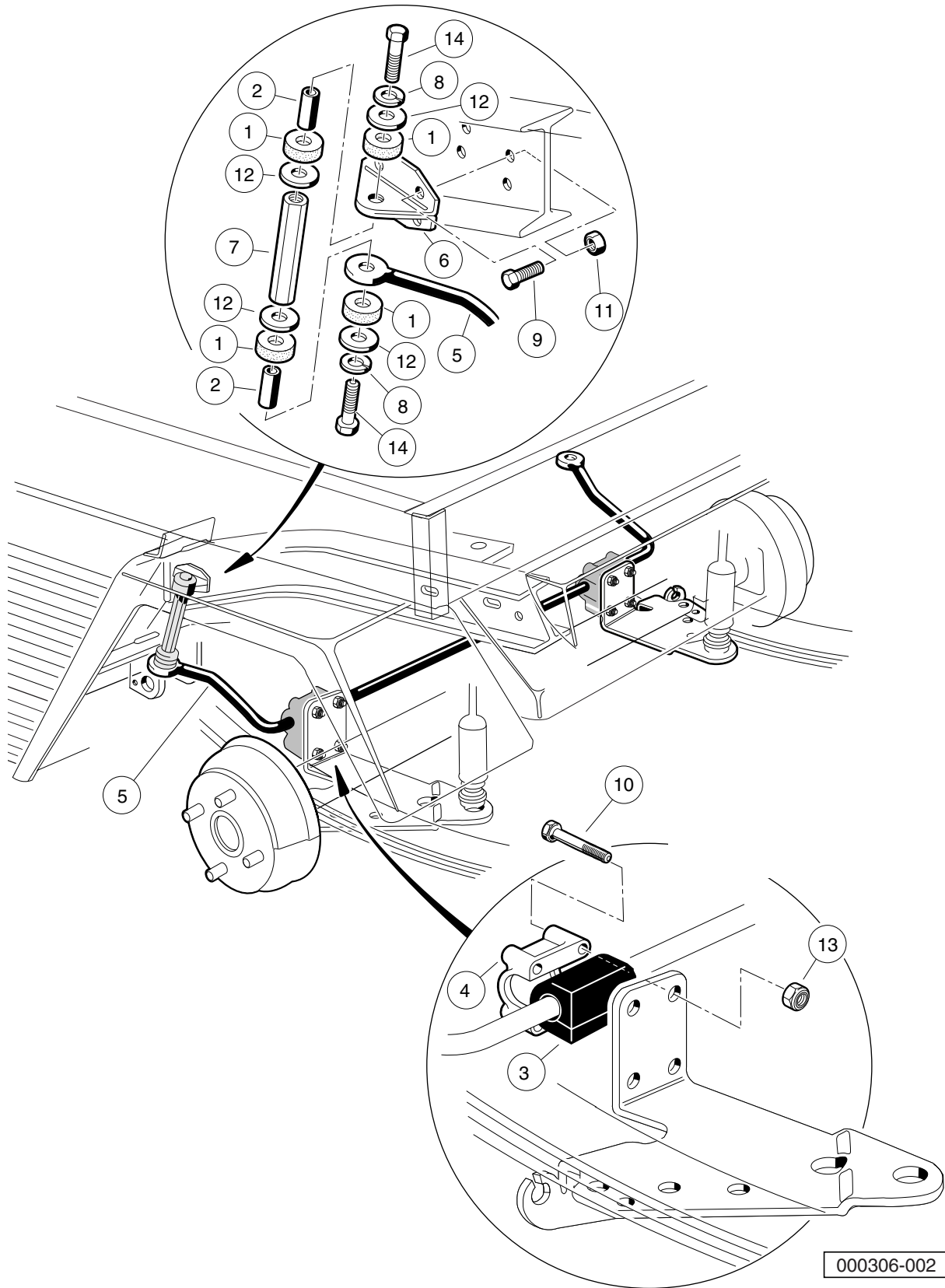
7
G
E

REAR SUSPENSION – TURF/CARRYALL 252 AND XRT 900 IQ PLUS

ITEM	PART NO.	DESCRIPTION	QTY
		1 2 3 4	
1	<u>1010145</u>	Nut, 3/8-24 Hex	4
2	<u>1011415</u>	Kit, Shock Absorber Cushion (includes items 3 and 4)	4
3	N/A	Cushion, Shock Absorber	2
4	N/A	Retainer, Shock Absorber Cushion	2
5	<u>1012303</u>	Bushing, Steel	6
6	<u>1014555</u>	Locknut, 7/16-14 Nylon Hex	4
7	<u>1014902</u>	U-Bolt	2
8	<u>1015583</u>	Bushing, Urethane	12
9	<u>101926501</u>	Bracket, Left-Hand	1
10	<u>101929401</u>	Bracket, Right	1
11	<u>102066201</u>	Screw, 3/8-16 X 3.50 Hex Cap	2
12	<u>102399001</u>	Shock Extension	2
13	<u>102871801</u>	Rear Spring, 3leaf, 600 Lb/in	2
14	<u>102891101</u>	Clamp, Cable, Brake, Sym	2
15	<u>103324801</u>	Weldment, Shackle, 10.0	2
16	<u>103351101</u>	Shock, Absorber, Utility	2
17	<u>8754</u>	Locknut, 3/8-16 Hex	6
18	<u>8755</u>	Screw, 3/8-16 X 3.375 Hex Cap	4
<p>Note: Only the driver-side rear suspension is shown. Parts for the passenger-side rear suspension are identical except for the leaf spring/shock mounting plate.</p>			

7
G
E

7
G
E



000306-002

STABILIZER BAR – TURF/CARRYALL 252 AND XRT 900

ITEM	PART NO.	DESCRIPTION	QTY
		1 2 3 4	
1	<u>1015453</u>	Compression Mount	8
2	<u>1015457</u>	Spacer, 0.720"	4
3	<u>1015613</u>	Bushing, Stabilizer Bar	2
4	<u>1015614</u>	Support, Bushing	2
5	<u>1015760</u>	Stabilizer Bar	1
6	<u>1016813</u>	Mounting Bracket, Stabilizer Bar	2
7	<u>102004901</u>	Link, Stabilizer Bar	2
8	<u>357</u>	Lockwasher, 3/8 Split	4
9	<u>7173</u>	Screw, 5/16-18 X 0.75, Hex-Head Cap	8
10	<u>7311</u>	Screw, 1/4-20 X 2.00 Hex-Head Cap	8
11	<u>7473</u>	Locknut, 5/16-18 Nylon Insert	8
12	<u>808</u>	Washer, 3/8 Type B Flat	8
13	<u>8233</u>	Locknut, 1/4-20, Nylon Insert	8
14	<u>8861</u>	Bolt, 3/8-16 X 1.75 Hex	4

7
G
E

7

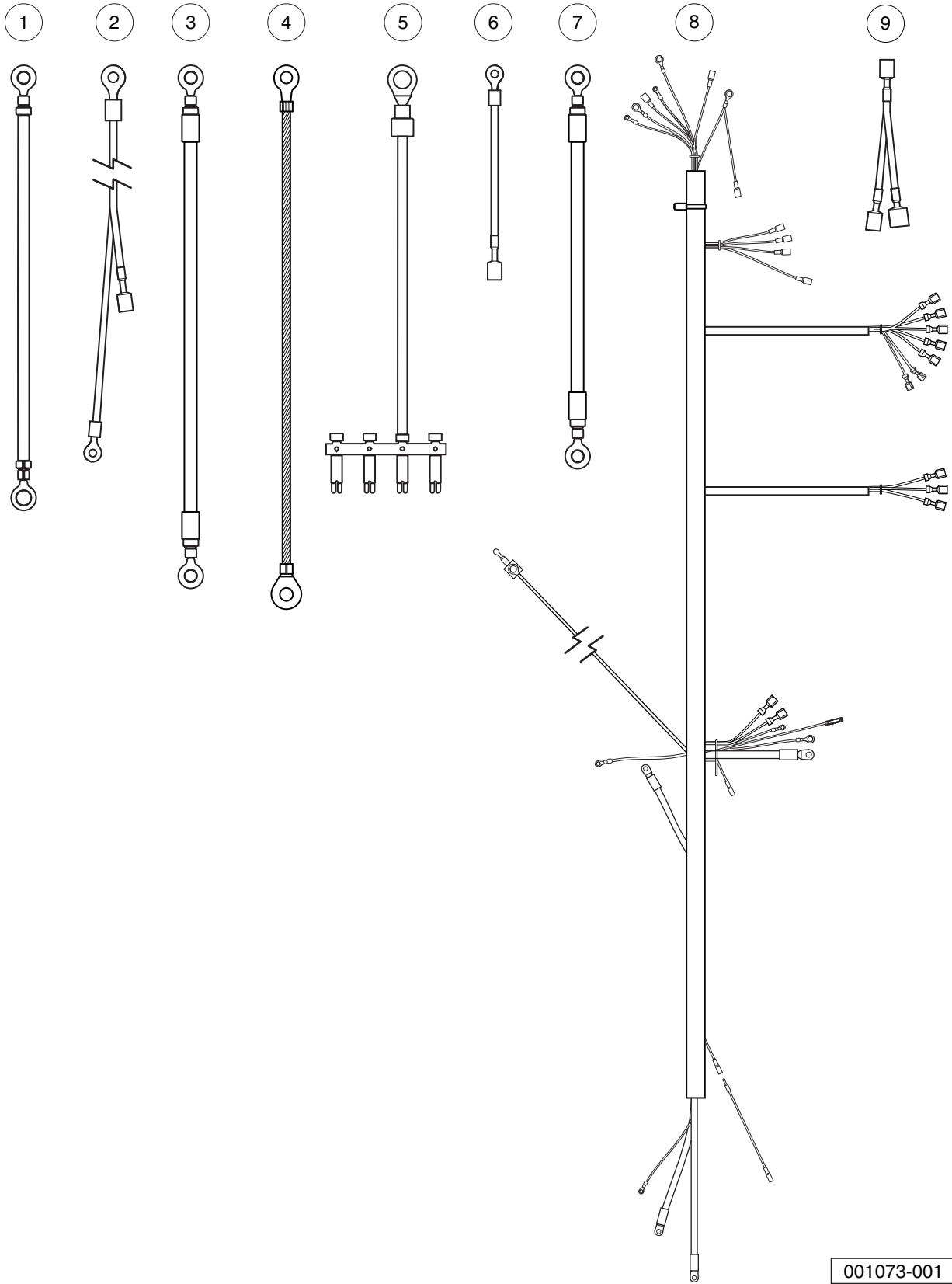
G

E

ELECTRICAL SYSTEM – GASOLINE VEHICLE

8

G

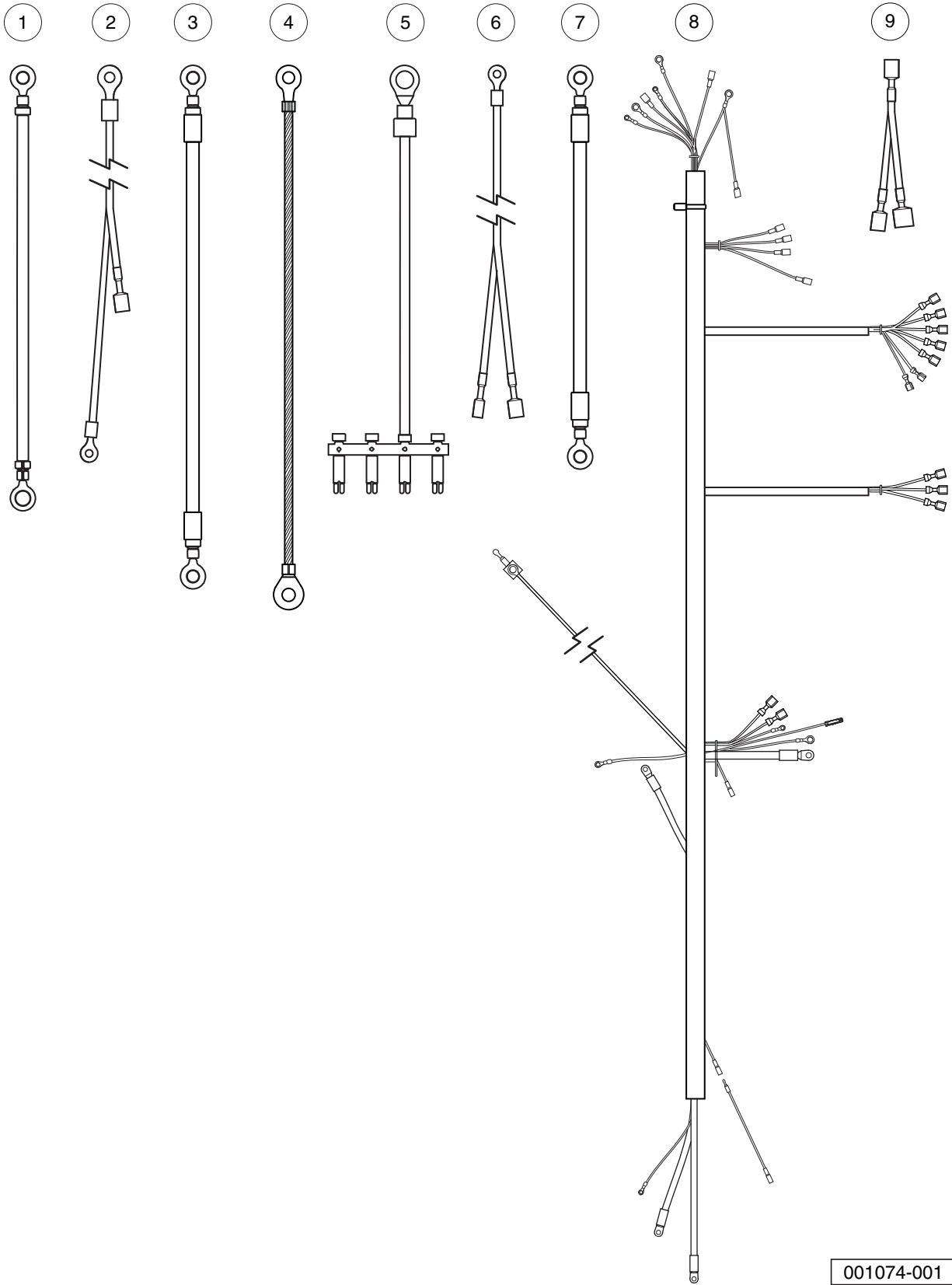


001073-001

WIRING, FUSES, AND DIODES – TURF/CARRYALL 2 AND 252

ITEM	PART NO.	DESCRIPTION	QTY
		1 2 3 4	
1	<u>1012382</u>	Wire Assy, #6 Black	1
2	<u>1012396</u>	Wire Assy #18 Black	1
3	<u>1014119</u>	Wire Assembly #6 Red	1
4	<u>1015332</u>	Wire, Ground, #10, Uninsulated	1
5	<u>1015737</u>	Wire Assy, #10 Red	1
6	<u>1016401</u>	Wire Assy, #16 Orange	1
7	<u>101837301</u>	Wire Assy, #6 Green	1
8	<u>103197101</u>	Asm, Wire Harness, Carryall 2, Gas	1
9	<u>103348501</u>	Asm, Wire Meter, F-h Jumper	1

8
G

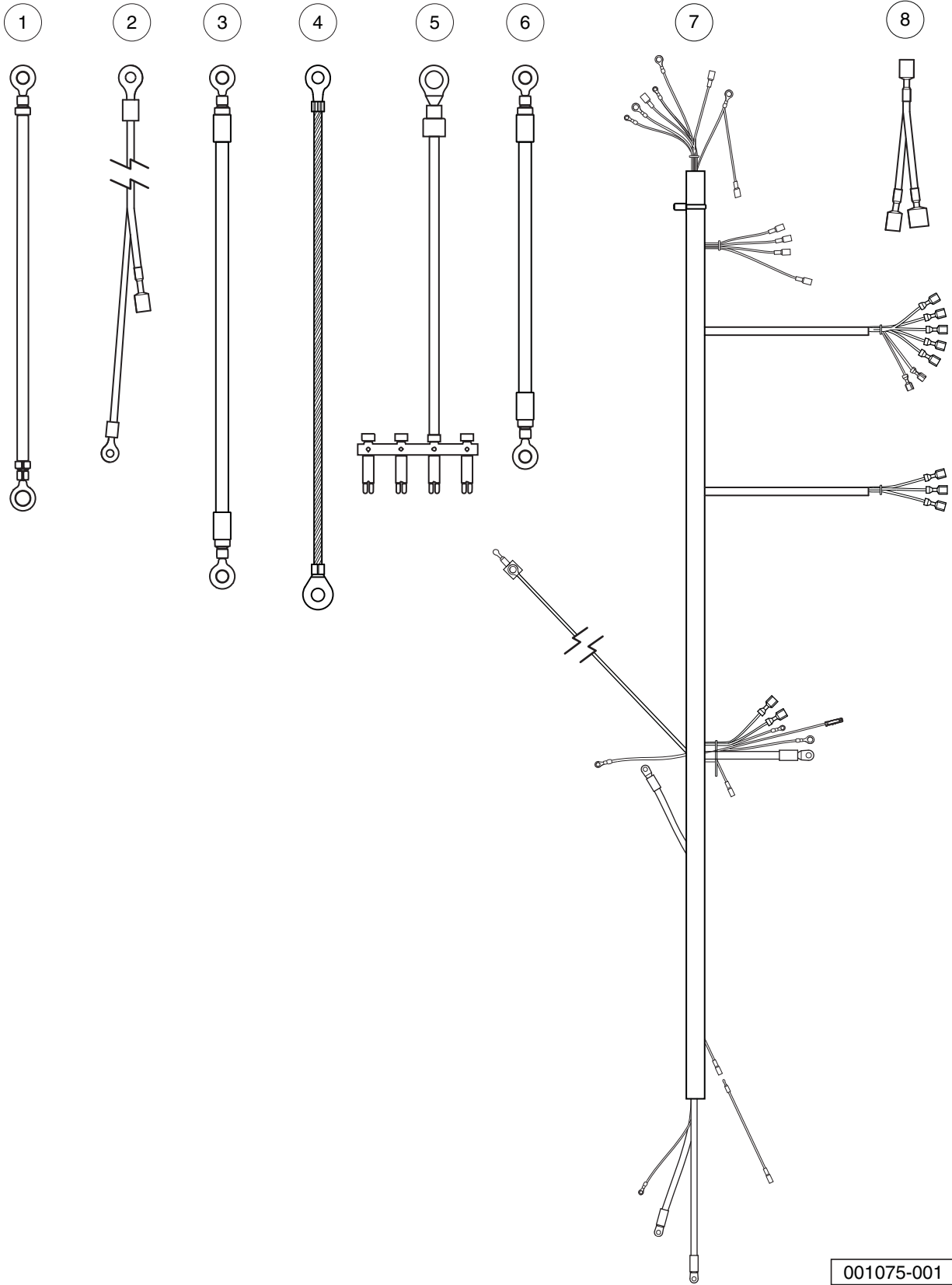


001074-001

WIRING, FUSES, AND DIODES – CARRYALL 2 PLUS

ITEM	PART NO.	DESCRIPTION	QTY
		1 2 3 4	
1	<u>1012382</u>	Wire Assy, #6 Black	1
2	<u>1012396</u>	Wire Assy #18 Black	1
3	<u>1014119</u>	Wire Assembly #6 Red	1
4	<u>1015332</u>	Wire, Ground, #10, Uninsulated	1
5	<u>1015737</u>	Wire Assy, #10 Red	1
6	<u>1017006</u>	Wire Assembly Orange #18	1
7	<u>101837301</u>	Wire Assy, #6 Green	1
8	<u>103198001</u>	Asm, Wire Harness, Carryall 2 Plus	1
9	<u>103348501</u>	Asm, Wire Meter, F-h Jumper	1

8
G

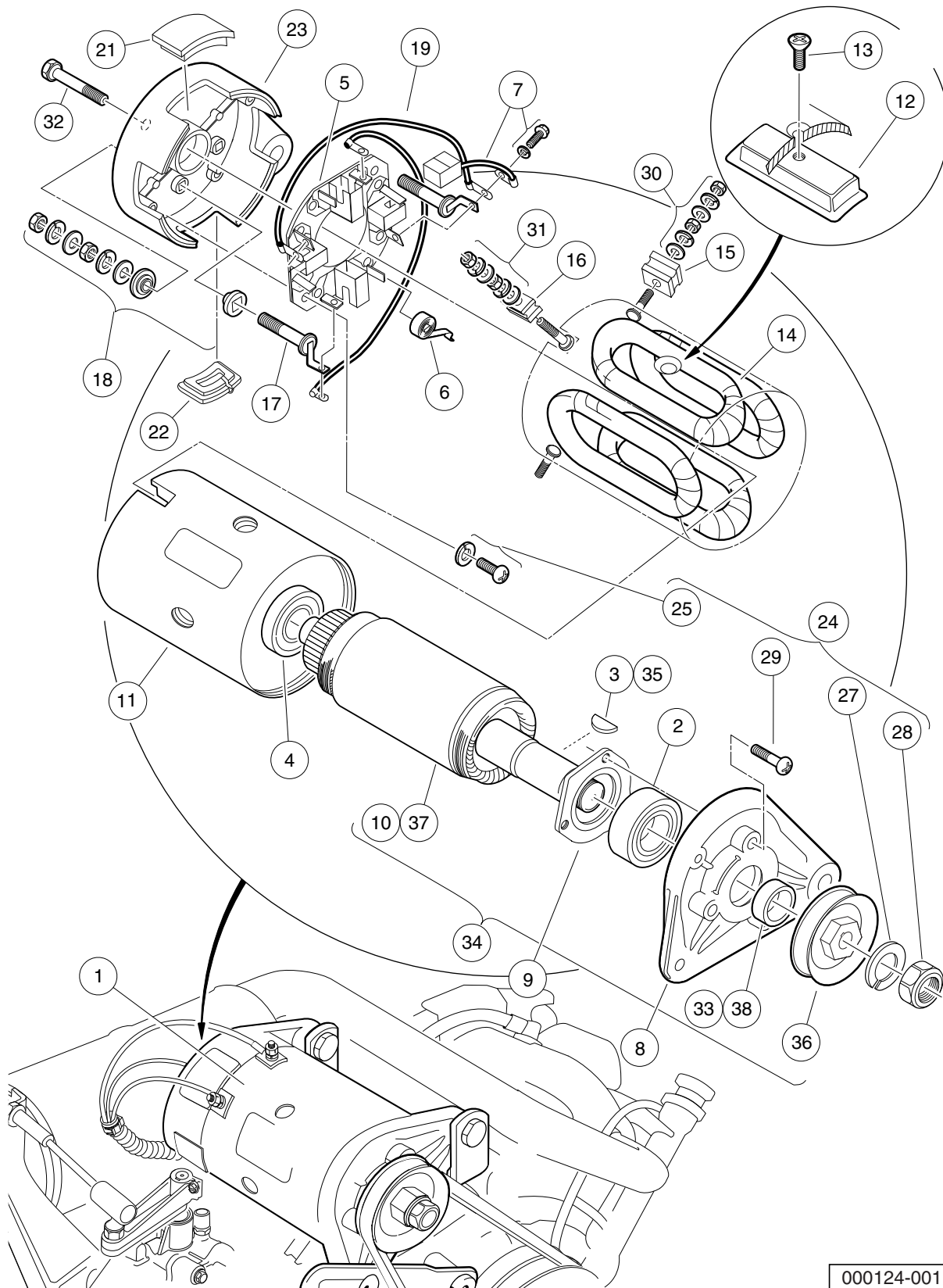


001075-001

WIRING, FUSES, AND DIODES – XRT 900

ITEM	PART NO.	DESCRIPTION	QTY
		1 2 3 4	
1	<u>1012382</u>	Wire Assy, #6 Black	1
2	<u>1012396</u>	Wire Assy #18 Black	1
3	<u>1014119</u>	Wire Assembly #6 Red	1
4	<u>1015332</u>	Wire, Ground, #10, Uninsulated	1
5	<u>1015737</u>	Wire Assy, #10 Red	1
6	<u>101837301</u>	Wire Assy, #6 Green	1
7	<u>103198101</u>	Asm, Wire Harness, CA XRT	1
8	<u>103348501</u>	Asm, Wire Meter, F-h Jumper	1

8
G

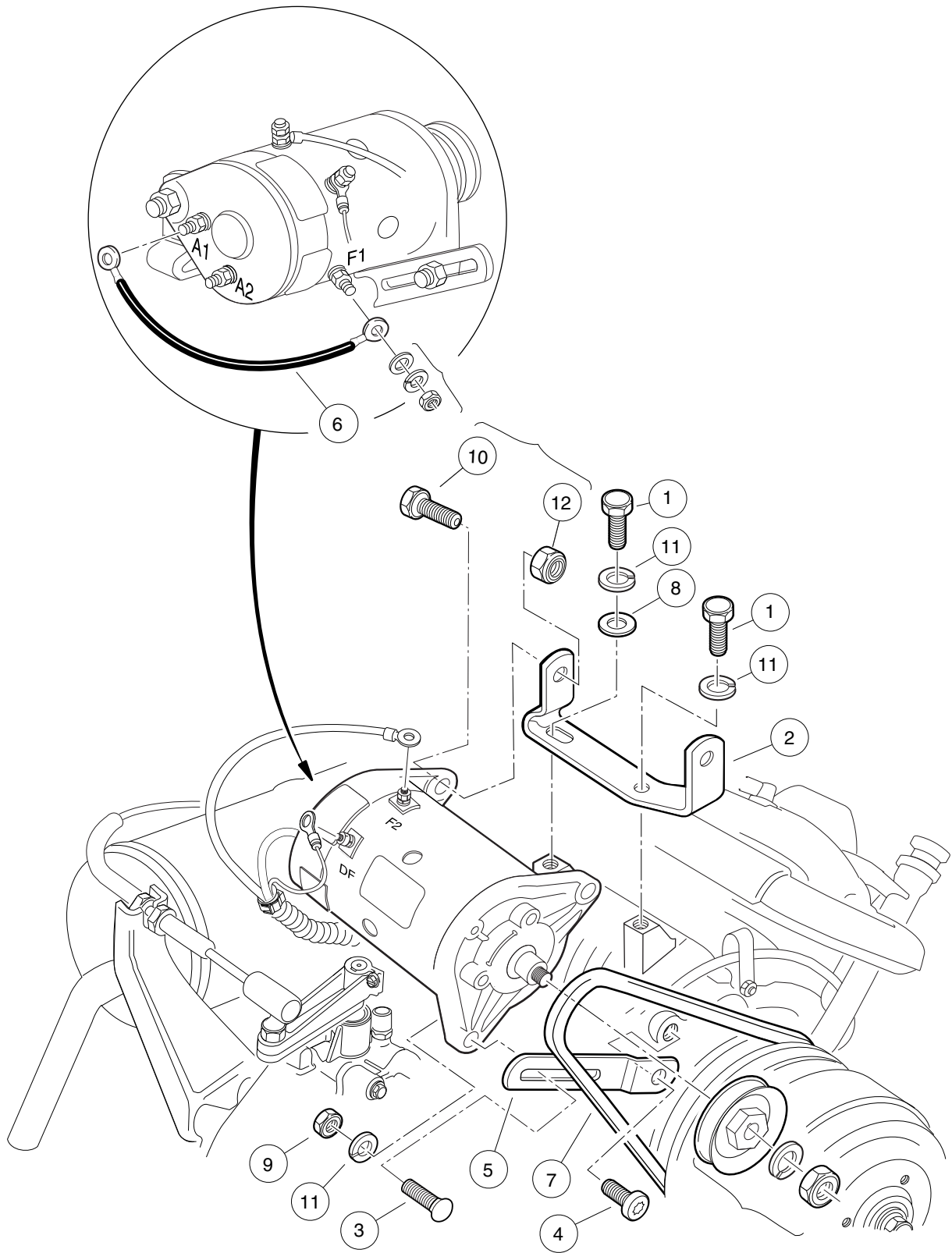


000124-001

STARTER/GENERATOR ASSEMBLY, MODEL G425419

ITEM	PART NO.	DESCRIPTION	QTY
		1 2 3 4	
1	<u>101833701</u>	Starter/Generator (cw) (includes items 2 through 33)	1
2	<u>1013001</u>	Bearing, Output Shaft Ball	1
3	<u>1013003</u>	Key, Starter/Generator	1
4	<u>1013005</u>	Bearing, Ball	1
5	<u>101301102</u>	Brush Holder Assembly (cw) (includes item 6)	1
6	<u>101878101</u>	Brush Spring Set	4
7	<u>101869302</u>	Brush and Screw Set (cw)	1
8	<u>101874901</u>	Front Bracket	1
9	<u>101875001</u>	Retainer	1
10	<u>101875101</u>	Armature	1
11	<u>101875201</u>	Field Coil Housing	1
12	<u>101875301</u>	Pole Set	1
13	<u>101875401</u>	Screw Set	1
14	<u>101875501</u>	Field Stator Coil Assembly	1
15	<u>101875601</u>	F Insulator Set	2
16	<u>101875701</u>	DF Insulator	1
17	<u>101875802</u>	A Connector (cw)	1
18	<u>101876001</u>	Screw and Mold Assembly	2
19	<u>101876202</u>	Brush Connector Assembly (cw)	2
20	<u>101876301</u>	Cover Set (includes items 21 and 22)	1
21	N/A	Brush Inspection Port Cover	3
22	<u>1017653</u>	Brush Port Cover w/Drain	1
23	<u>101876402</u>	End Bell, Commutator, Rear Bracket (cw)	1
24	<u>101876501</u>	Nut and Screw Set (includes items 25 through 29)	1
25	<u>101896501</u>	Brush Holder Asm Screw	2
26	N/A	Washer, M5 Flat	1
27	N/A	Washer, M14 Lock	1
28	N/A	Nut, Hex, M14 x 2	1
29	N/A	Screw, M5 x 0.8 x 18mm	3
30	<u>101877601</u>	Nut and Washer Set	2
31	<u>101877701</u>	Nut and Washer Set	1
32	<u>101879001</u>	Through Bolt Set	2
33	<u>101939901</u>	Spacer	1
34	<u>101875102</u>	Armature Asm Conversion Kit (includes items 35 through 38)	1
35	<u>1013003</u>	Key, Starter/Generator	1
36	<u>1014289</u>	Pulley, Starter/Generator	1
37	<u>101875101</u>	Armature	1
38	<u>101939901</u>	Spacer	1
		Note: Item 36 will ONLY fit Model G425419 Starter/Generator.	

8
G

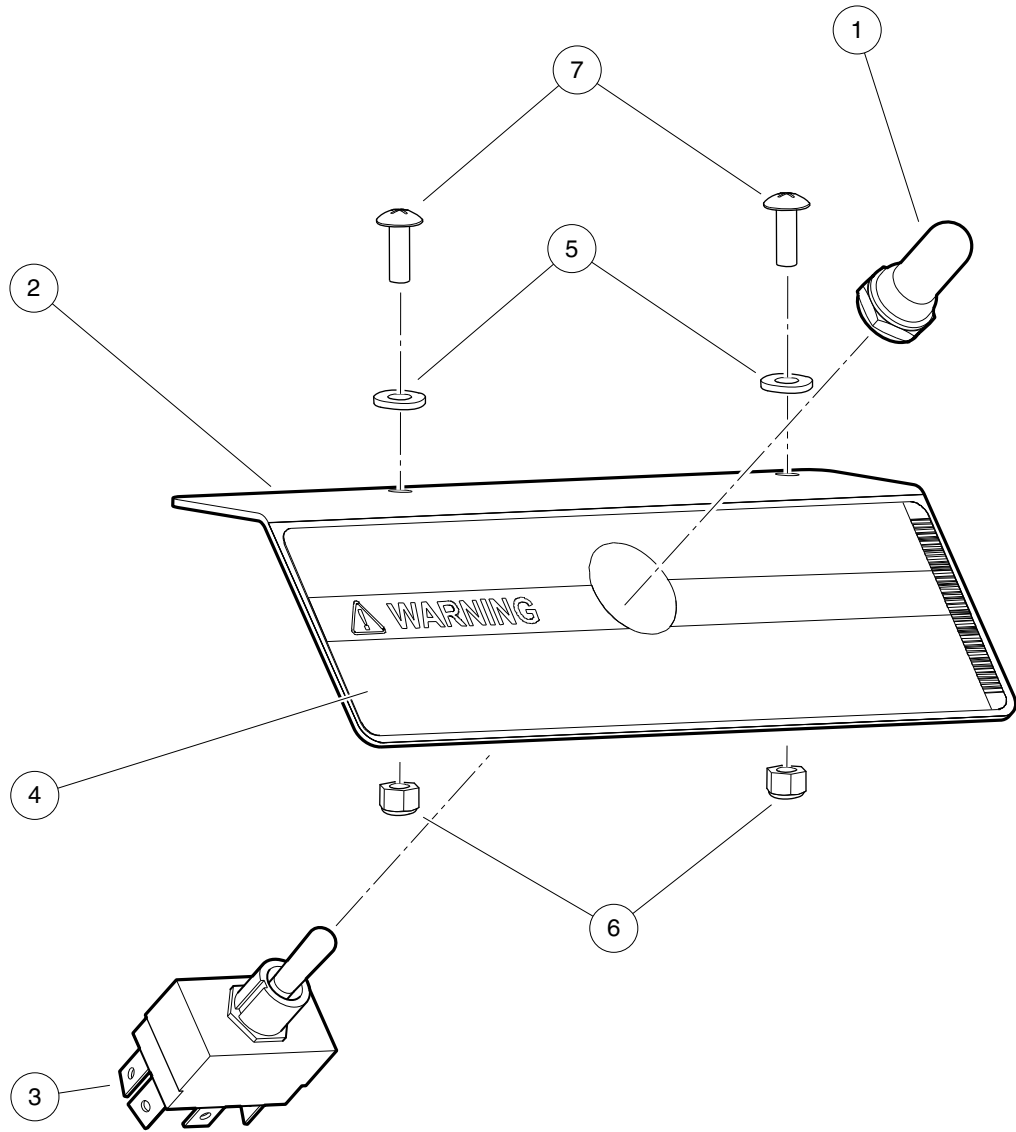


000239-001

STARTER/GENERATOR MOUNTING – FE350

ITEM	PART NO.	DESCRIPTION	QTY
		1 2 3 4	
1	<u>1012830</u>	Screw, M8-125 X 22 Hex-Head	2
2	<u>101524002</u>	Bracket, Starter/Generator Mounting	1
3	<u>1015932</u>	Bolt, Carriage, 5/16-18	1
4	<u>1016074</u>	Screw, M8-1.25 X 18mm Torx	1
5	<u>1016883</u>	Bracket, Starter/Generator Adjustment	1
6	<u>101837301</u>	Wire Assy, #6 Green	1
7	<u>101916701</u>	V-Belt	1
8	<u>1241</u>	Washer, 5/16 Type A Flat	1
9	<u>1242</u>	Nut, 5/16-18 Hex	1
10	705	Screw, Cap-hex Hd 3/8-16x1.25	2
11	<u>7174</u>	Lockwasher, 5/16 Split	3
12	<u>8754</u>	Locknut, 3/8-16 Hex	2

8
G

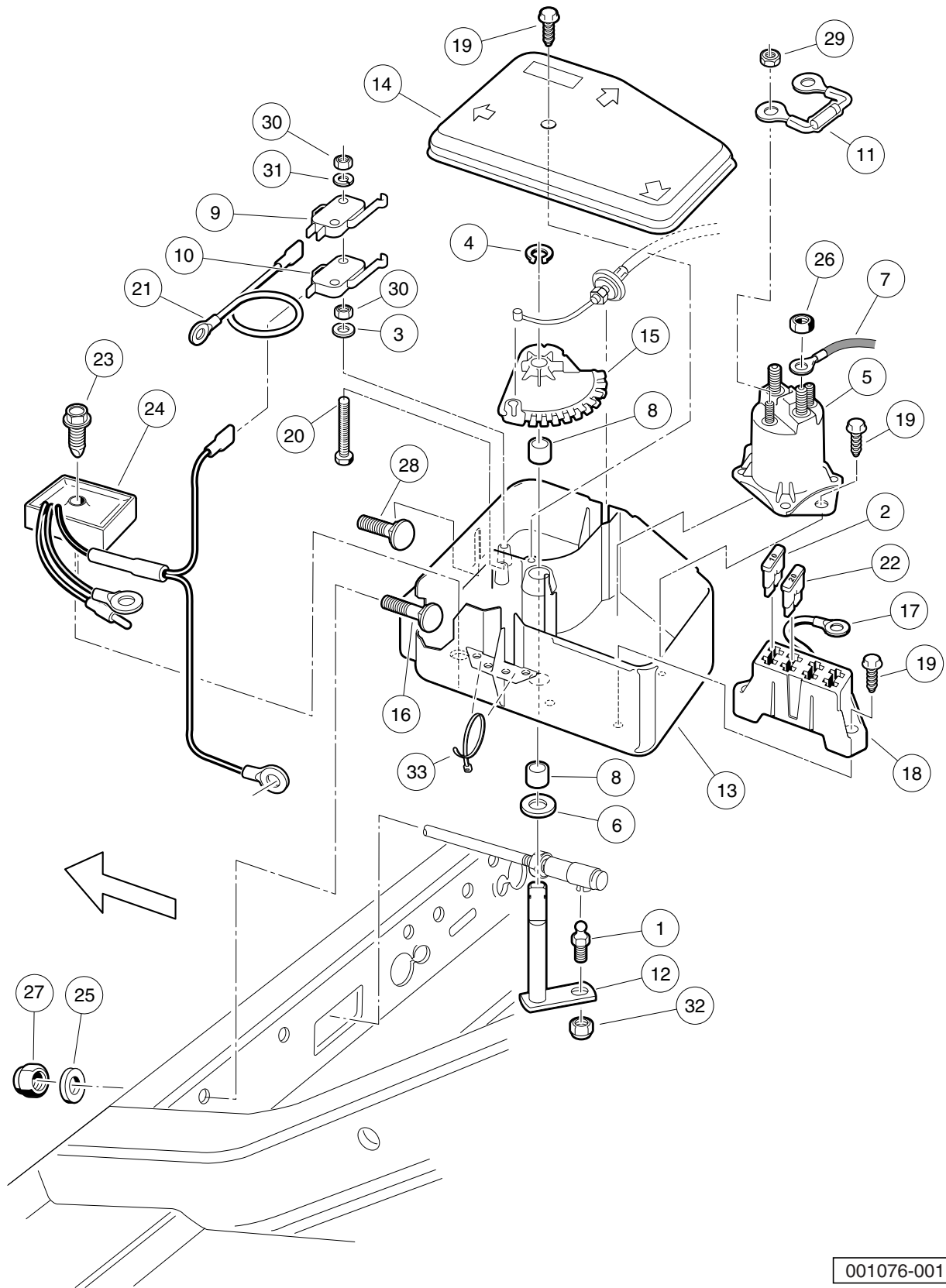


000755-003

OPERATION AND MAINTENANCE SWITCH

ITEM	PART NO.	DESCRIPTION	QTY
		1 2 3 4	
1	<u>101908401</u>	Boot, Switch	1
2	<u>101922501</u>	Bracket, Tow/Run Switch Mounting	1
3	<u>103198401</u>	Switch, Toggle, SPDT	1
4	<u>103205501</u>	Decal, Run/Service Switch	1
5	<u>332</u>	Washer, 1/4 Type A Narrow Flat	2
6	<u>8233</u>	Locknut, 1/4-20, Nylon Insert	2
7	<u>8248</u>	Screw, 1/4-20 X 0.75, Truss-Head Machine	2

8
G



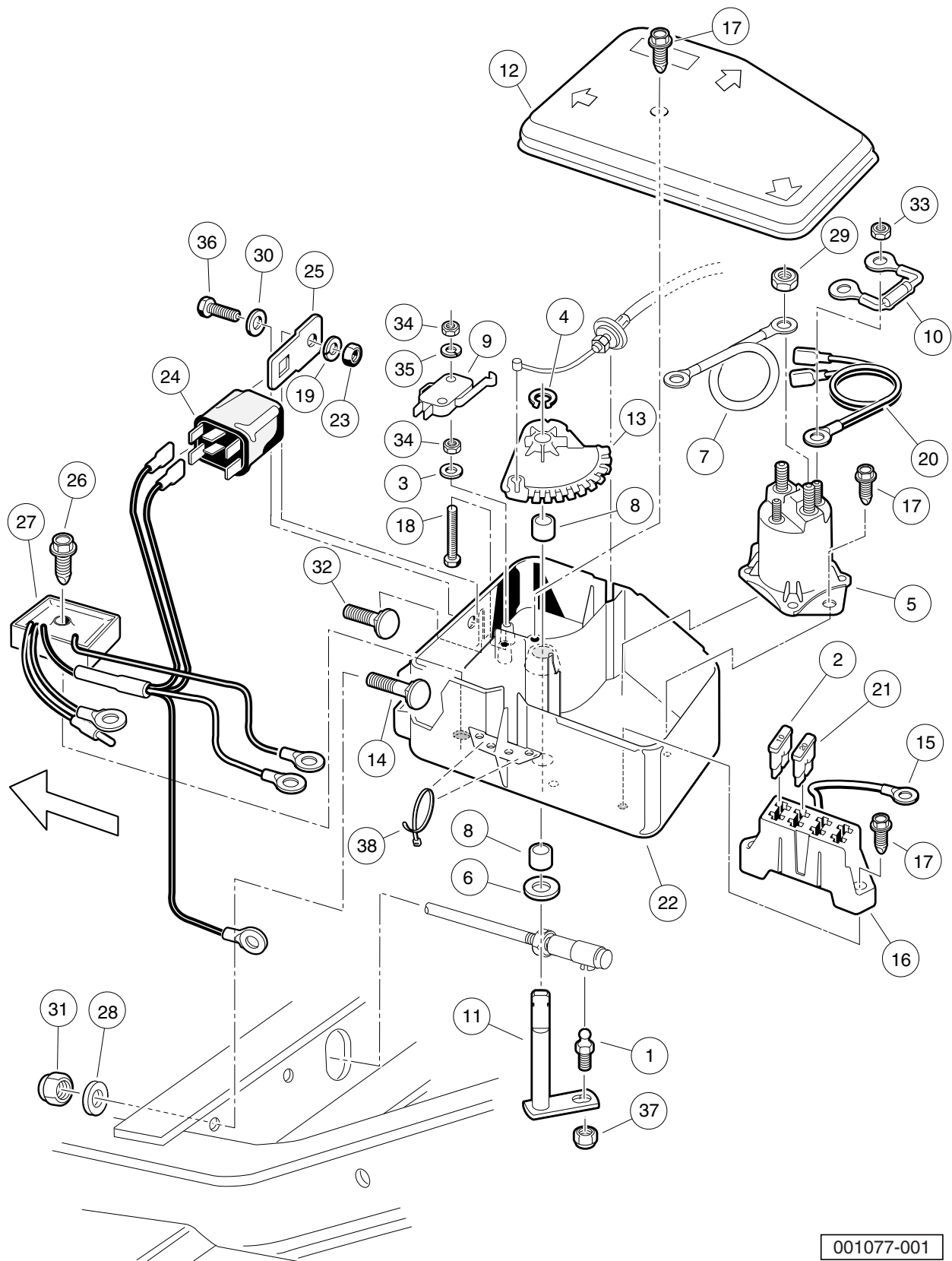
001076-001

ELECTRICAL COMPONENT BOX – TURF/CARRYALL 2 AND 252

ITEM	PART NO.	DESCRIPTION	QTY
		1 2 3 4	
1	<u>1010954</u>	Stud, Ball, 1/4-28 X 0.560	1
2	<u>1012295</u>	Fuse, 10-Amp	1
3	<u>1012431</u>	Washer, #4 Flat	2
4	<u>1013589</u>	Ring, Retaining, 0.338" Internal	1
5	<u>1013609</u>	Solenoid, 12-Volt	1
6	<u>1014065</u>	Washer, Flat, 0.38" ID, Delrin	1
7	<u>1014119</u>	Wire Assembly #6 Red	1
8	<u>1014145</u>	Bushing, Secondary Weight, Split	2
9	<u>1014807</u>	Switch, Limit	1
10	<u>1014808</u>	Switch, Limit	1
11	<u>1014948</u>	Diode	1
12	<u>1015345</u>	Bell Crank and Shaft Assembly	1
13	<u>1015371</u>	Box, Electrical Component	1
14	<u>1015372</u>	Cover, Electric Box	1
15	<u>1015373</u>	Cam, Electric Box	1
16	<u>1015405</u>	Bolt, Carriage, 5/16-18 X 2.0	1
17	<u>1015737</u>	Wire Assy, #10 Red	1
18	<u>1015741</u>	Fuse Block	1
19	<u>1015752</u>	Screw, #12-16 X 0.625, Hi-Lo	5
20	<u>1015878</u>	Screw, #4-40 Hex Head Machine	2
21	<u>1016401</u>	Wire Assy, #16 Orange	1
22	<u>1016423</u>	Fuse, 20-Amp	1
23	<u>101856102</u>	Screw, 1/4-15 X 1.50, Hi-lo, Hex	1
24	<u>102711201</u>	Voltage Regulator	1
25	<u>1241</u>	Washer, 5/16 Type A Flat	2
26	<u>1242</u>	Nut, 5/16-18 Hex	2
27	<u>7473</u>	Locknut, 5/16-18 Nylon Insert	2
28	<u>7818</u>	Bolt, Carriage, 5/16-18 X 1.5	1
29	<u>7893</u>	Nut, #10-32 Hex	2
30	<u>8057</u>	Nut, #4-40 Hex Machine	4
31	<u>8058</u>	Lockwasher, #4 Split	2
32	<u>8717</u>	Locknut, Nylon Insert, 1/4-28	1
33	<u>8990</u>	Tie Wrap, 8" Nylon	2

8

G

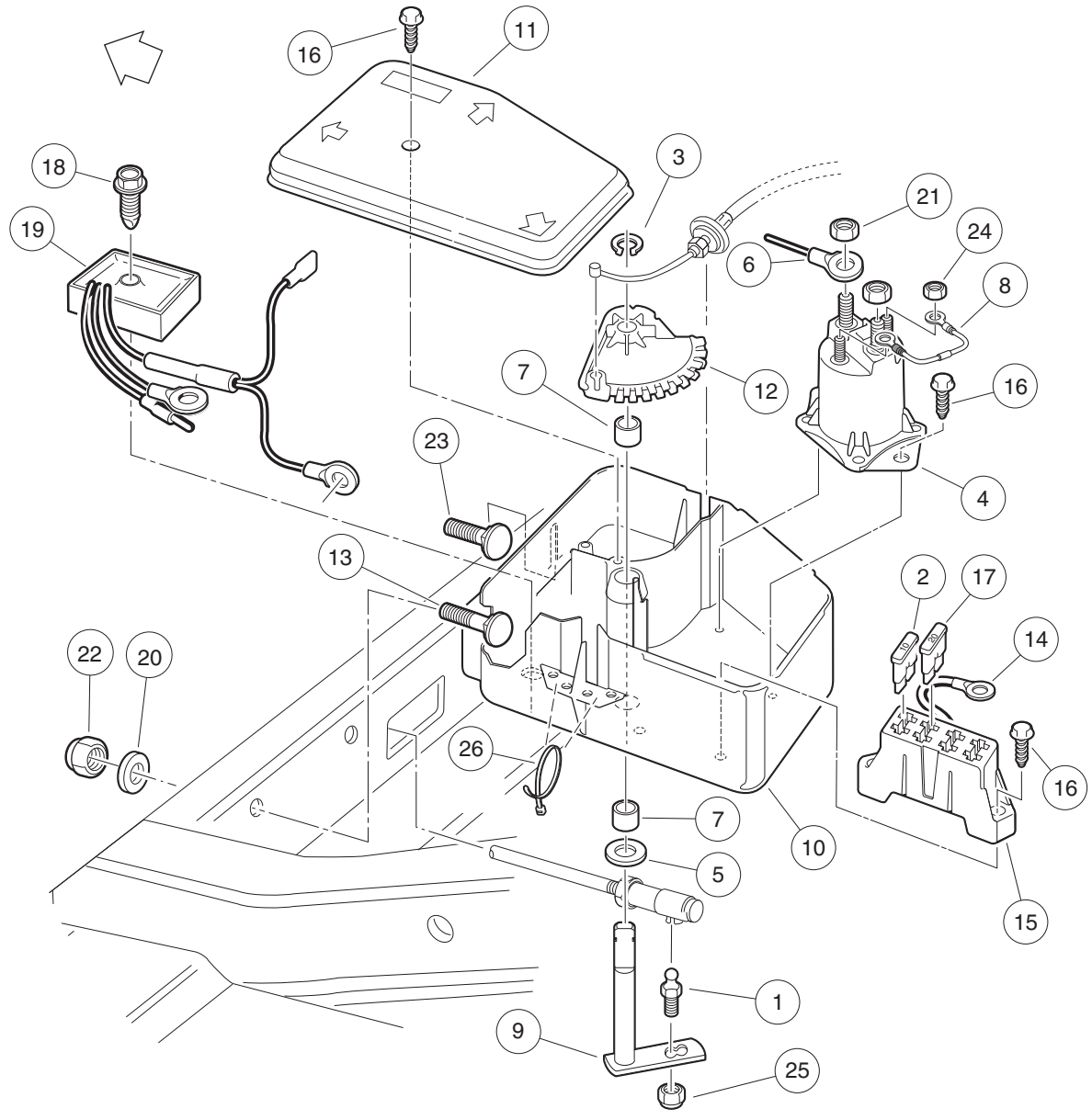


001077-001

ELECTRICAL COMPONENT BOX – CARRYALL 2 PLUS

ITEM	PART NO.	DESCRIPTION	QTY
		1 2 3 4	
1	<u>1010954</u>	Stud, Ball, 1/4-28 X 0.560	1
2	<u>1012295</u>	Fuse, 10-Amp	1
3	<u>1012431</u>	Washer, #4 Flat	2
4	<u>1013589</u>	Ring, Retaining, 0.338" Internal	1
5	<u>1013609</u>	Solenoid, 12-Volt	1
6	<u>1014065</u>	Washer, Flat, 0.38" ID, Delrin	1
7	<u>1014119</u>	Wire Assembly #6 Red	1
8	<u>1014145</u>	Bushing, Secondary Weight, Split	2
9	<u>1014807</u>	Switch, Limit	1
10	<u>1014948</u>	Diode	1
11	<u>1015345</u>	Bell Crank and Shaft Assembly	1
12	<u>1015372</u>	Cover, Electric Box	1
13	<u>1015373</u>	Cam, Electric Box	1
14	<u>1015405</u>	Bolt, Carriage, 5/16-18 X 2.0	1
15	<u>1015737</u>	Wire Assy, #10 Red	1
16	<u>1015741</u>	Fuse Block	1
17	<u>1015752</u>	Screw, #12-16 X 0.625, Hi-Lo	5
18	<u>1015878</u>	Screw, #4-40 Hex Head Machine	2
19	<u>1016</u>	Lockwasher, #10 Split	1
20	<u>1016401</u>	Wire Assy, #16 Orange	1
21	<u>1016423</u>	Fuse, 20-Amp	1
22	<u>1016997</u>	Electrical Component Box	1
23	<u>1017</u>	Nut, #10-24 Stainless-Steel Hex Machine	1
24	<u>1017239</u>	Relay W/mounting Bracket	1
25	<u>1017243</u>	Mounting Bracket, Relay	1
26	<u>101856102</u>	Screw, 1/4-15 X 1.50, Hi-lo, Hex	1
27	<u>102803401</u>	Asm, Voltage Regulator Key Sta	1
28	<u>1241</u>	Washer, 5/16 Type A Flat	2
29	<u>1242</u>	Nut, 5/16-18 Hex	2
30	<u>183</u>	Washer, #10, Type A, Flat	1
31	<u>7473</u>	Locknut, 5/16-18 Nylon Insert	2
32	<u>7818</u>	Bolt, Carriage, 5/16-18 X 1.5	1
33	<u>7893</u>	Nut, #10-32 Hex	2
34	<u>8057</u>	Nut, #4-40 Hex Machine	4
35	<u>8058</u>	Lockwasher, #4 Split	2
36	<u>8450</u>	Screw, #10-24 X 0.50, Hex-Head	1
37	<u>8717</u>	Locknut, Nylon Insert, 1/4-28	1
38	<u>8990</u>	Tie Wrap, 8" Nylon	3

8
G



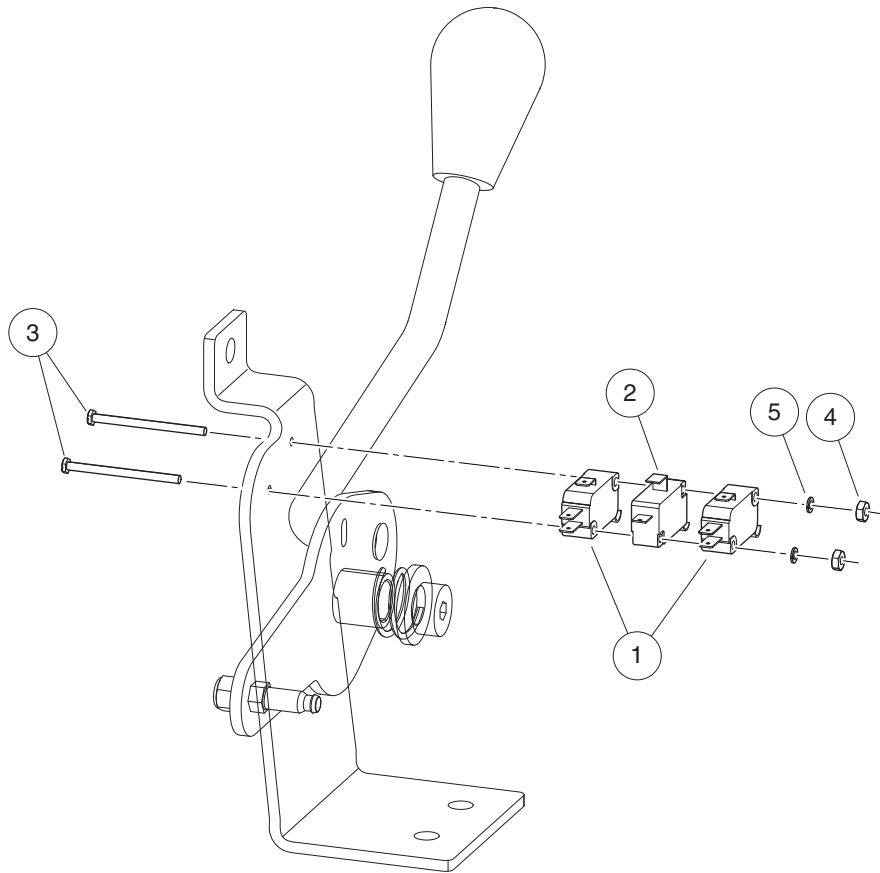
001078-001

ELECTRICAL COMPONENT BOX – XRT 900

ITEM	PART NO.	DESCRIPTION	QTY
		1 2 3 4	
1	<u>1010954</u>	Stud, Ball, 1/4-28 X 0.560	1
2	<u>1012295</u>	Fuse, 10-Amp	1
3	<u>1013589</u>	Ring, Retaining, 0.338" Internal	1
4	<u>1013609</u>	Solenoid, 12-Volt	1
5	<u>1014065</u>	Washer, Flat, 0.38" ID, Delrin	1
6	<u>1014119</u>	Wire Assembly #6 Red	1
7	<u>1014145</u>	Bushing, Secondary Weight, Split	2
8	1014948	Diode	1
9	1015345	Bell Crank and Shaft Assembly	1
10	<u>1015371</u>	Box, Electrical Component	1
11	<u>1015372</u>	Cover, Electric Box	1
12	<u>1015373</u>	Cam, Electric Box	1
13	<u>1015405</u>	Bolt, Carriage, 5/16-18 X 2.0	1
14	<u>1015737</u>	Wire Assy, #10 Red	1
15	<u>1015741</u>	Fuse Block	1
16	<u>1015752</u>	Screw, #12-16 X 0.625, Hi-Lo	5
17	<u>1016423</u>	Fuse, 20-Amp	1
18	<u>101856102</u>	Screw, 1/4-15 X 1.50, Hi-lo, Hex	1
19	<u>102711201</u>	Voltage Regulator	1
20	<u>1241</u>	Washer, 5/16 Type A Flat	2
21	<u>1242</u>	Nut, 5/16-18 Hex	2
22	<u>7473</u>	Locknut, 5/16-18 Nylon Insert	2
23	<u>7818</u>	Bolt, Carriage, 5/16-18 X 1.5	1
24	<u>7893</u>	Nut, #10-32 Hex	2
25	<u>8717</u>	Locknut, Nylon Insert, 1/4-28	1
26	<u>8990</u>	Tie Wrap, 8" Nylon	2

8

G

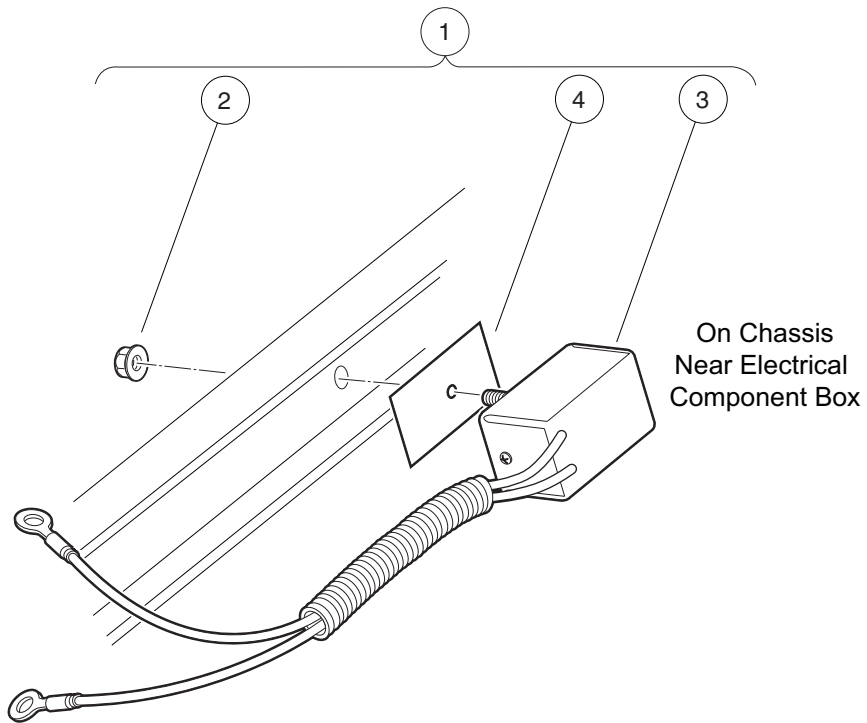


001080-001

FORWARD/REVERSE SHIFTER SWITCHES – DASH MOUNTED SHIFTER

ITEM	PART NO.	DESCRIPTION	QTY
		1 2 3 4	
1	<u>1014807</u>	Switch, Limit	2
2	<u>1014808</u>	Switch, Limit	1
3	<u>1015878</u>	Screw, #4-40 Hex Head Machine	2
4	<u>8057</u>	Nut, #4-40 Hex Machine	2
5	<u>8058</u>	Lockwasher, #4 Split	2

8
G



001079-001

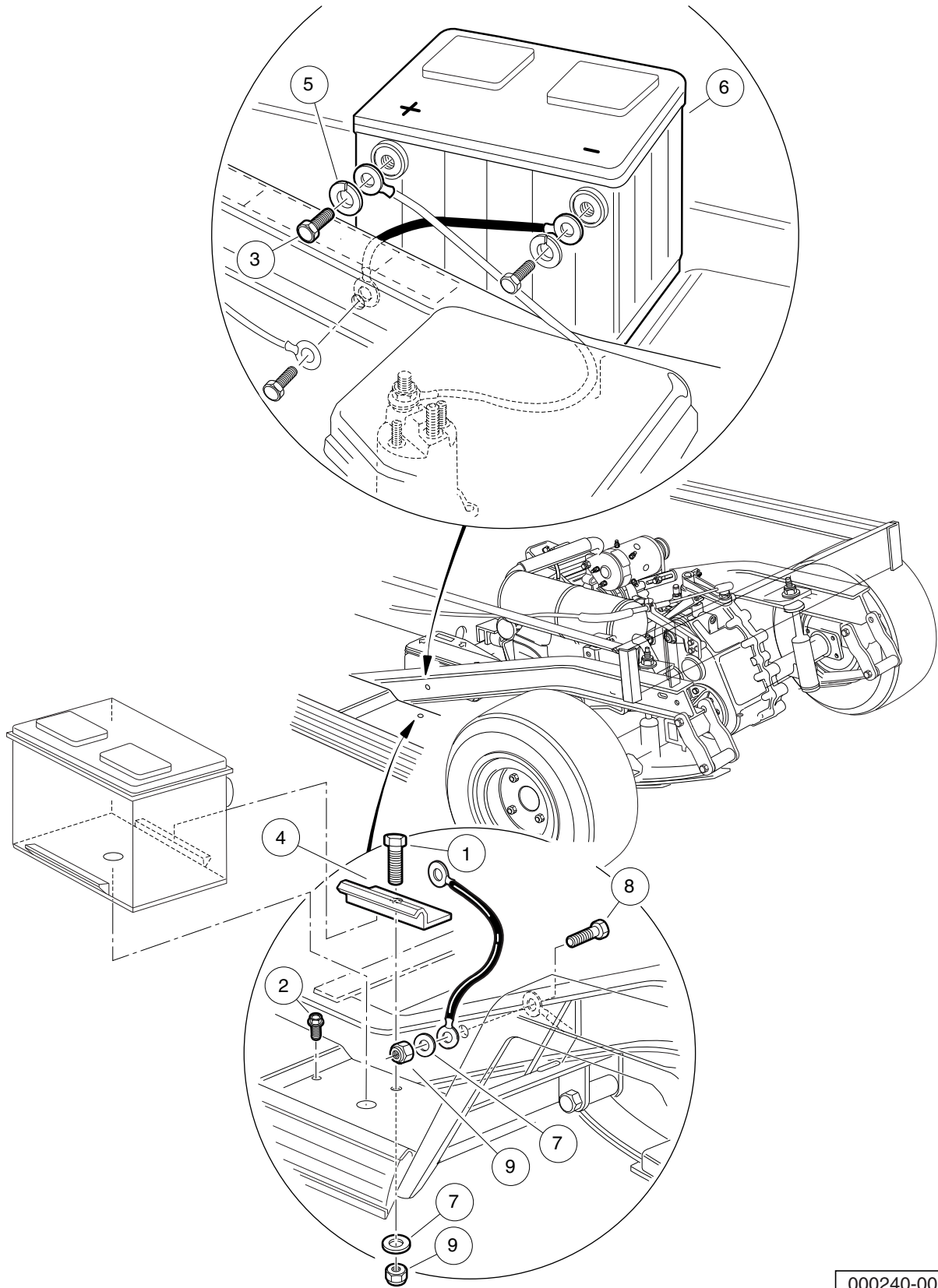
CHARGING DIODE, KEY-START – XRT VEHICLES

ITEM	PART NO.	DESCRIPTION	QTY
		1 2 3 4	
1	102272501	Kit, Diode (includes items 2 through 4)	1
2	<u>101963401</u>	Locknut, 5/16-18 Hex Flange	1
3	102264001	Diode Assembly	1
4	<u>102269701</u>	Thermal Pad	1

8

G

8
G



000240-001

BATTERY – GASOLINE UTILITY VEHICLES

ITEM	PART NO.	DESCRIPTION	QTY
		1 2 3 4	
1	<u>1010934</u>	Screw, 5/16-18 X 1.00 Hex Cap	1
2	<u>1014288</u>	Screw, 5/16-18 X 0.75, Thread-Forming	1
3	<u>1014375</u>	Screw, 3/8-16 X 0.50, Stainless Steel, Hex-Head	2
4	<u>101898001</u>	Clamp, Battery	1
5	<u>102355301</u>	Lockwasher, 3/8 Split Ss	2
6	<u>103496801</u>	Battery, Start, 12v	1
7	<u>1241</u>	Washer, 5/16 Type A Flat	2
8	<u>7173</u>	Screw, 5/16-18 X 0.75, Hex-Head Cap	1
9	<u>7473</u>	Locknut, 5/16-18 Nylon Insert	2

8

G

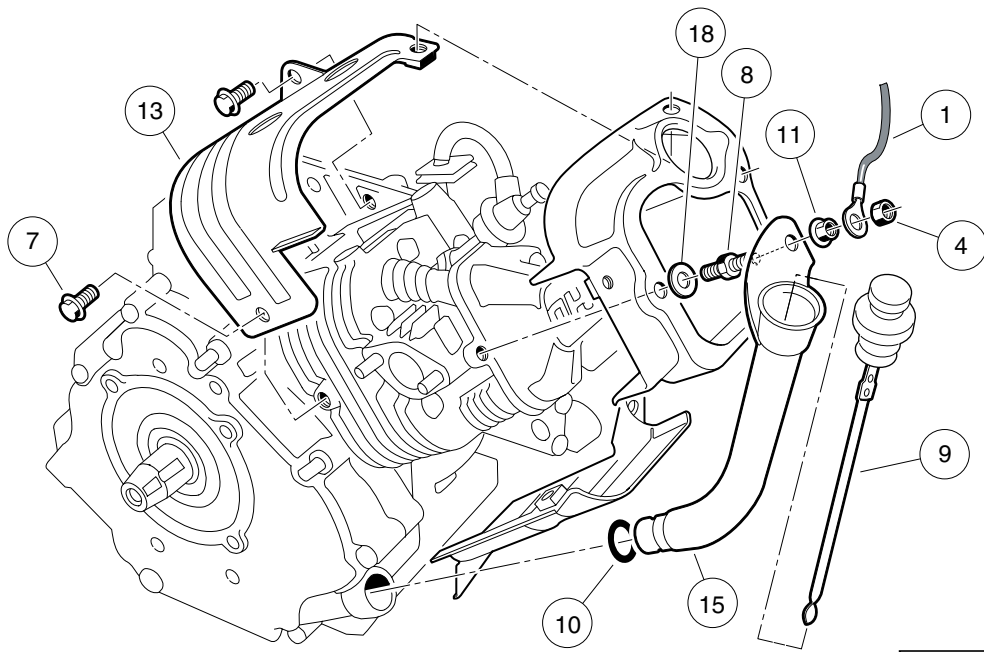
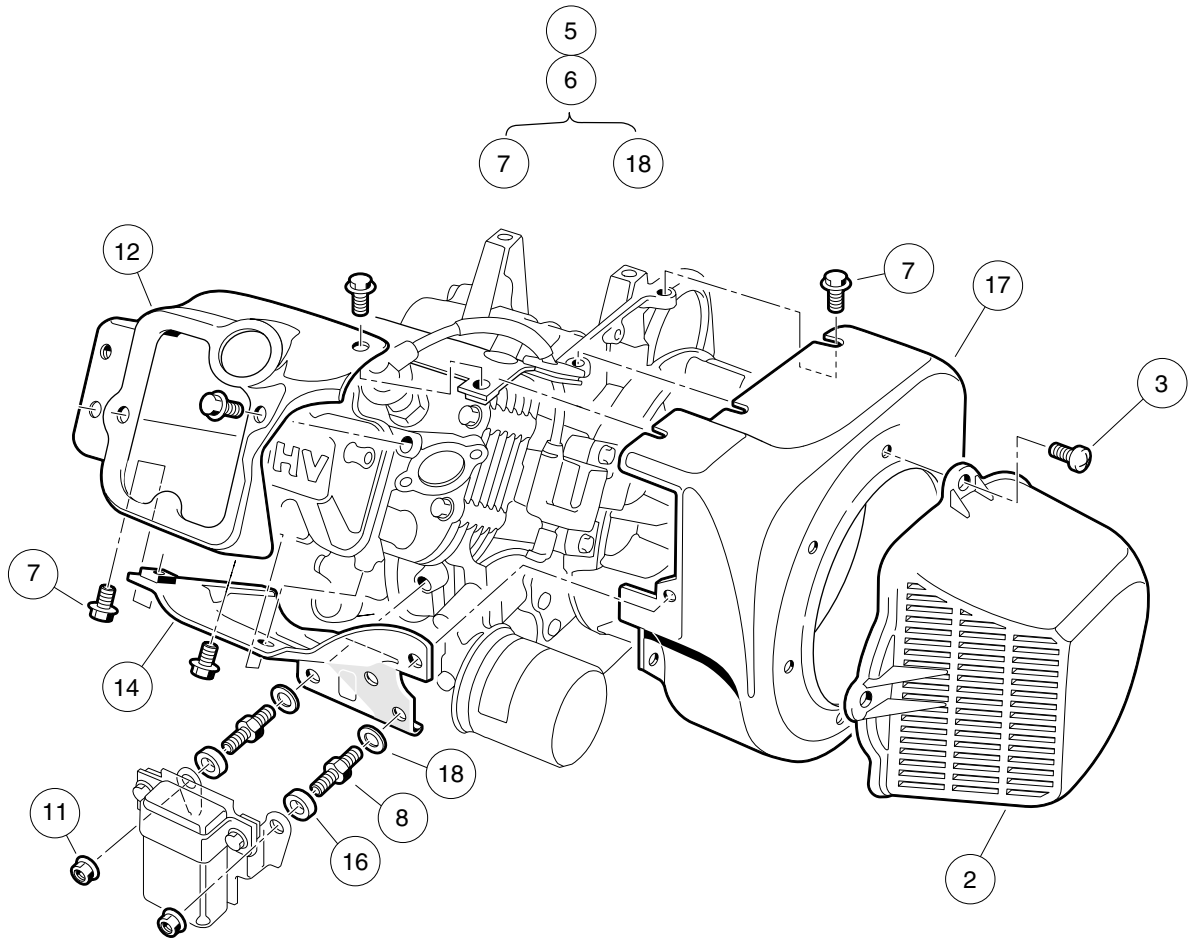
8

G

ENGINE (S10 & S23) W/ACR FOR CA2 PLUS PRIOR TO 50-STATE ENGINE

9

G

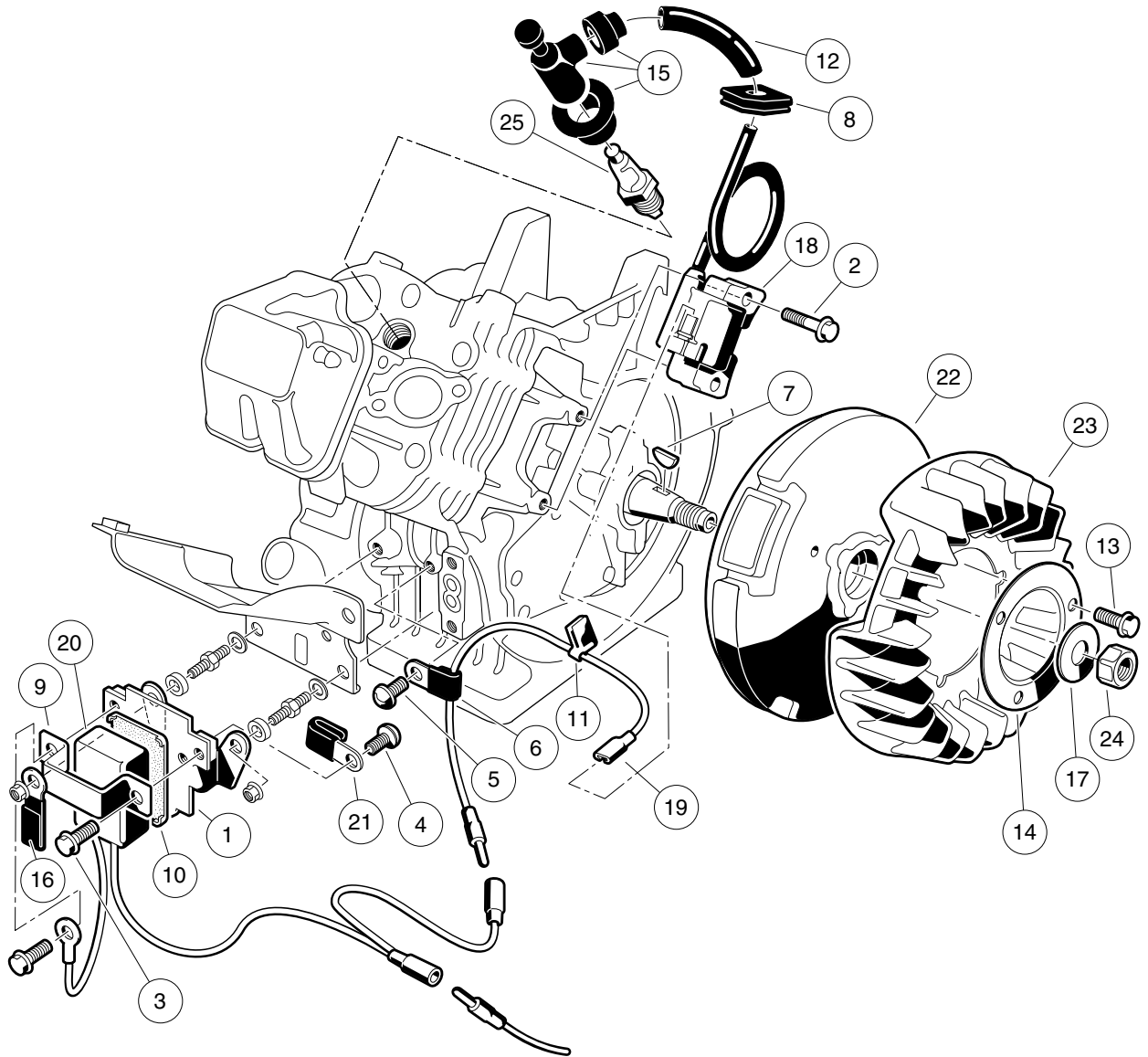


000201-003

FE350 ENGINE WITH ACR (AUTOMATIC COMPRESSION RELEASE) – SHROUDS AND BRACKETS

ITEM	PART NO.	DESCRIPTION	QTY
		1 2 3 4	
1	<u>1015332</u>	Wire, Ground, #10, Uninsulated	1
2	<u>1015649</u>	Shroud, Fan	1
3	<u>1015969</u>	Screw, M6-1.00 X 10mm, Pan Hd	4
4	<u>101887601</u>	Locknut, M6-1.00 Nylon Insert	1
5	<u>101953801</u>	Engine, FE350 with ACR	1
6	101953803	Engine, FE350, California-Only, with ACR (includes items 7 through 18)	1
7	1016456	Bolt, Flange Head, M6 x 1 x 12 mm	14
8	<u>1016507</u>	Bolt, Two-Ended	3
9	1016531	Dipstick	1
10	<u>1016539</u>	O-Ring	1
11	1016547	Nut, Flanged, M6 X 1.00	3
12	<u>1017474</u>	Shroud, Engine	1
13	<u>1017475</u>	Shroud, Engine	1
14	<u>1017476</u>	Shroud, Engine	1
15	<u>1017486</u>	Tube, Oil Filler	1
16	<u>1017500</u>	Spacer 6.50 X 12 X 5.5	2
17	<u>101916101</u>	Housing, FE350 Fan	1
18	N/A	Washer, 6mm Flat	3
<p>Note: The DS10 engine (item 5) qualifies for use in 2009 vehicles in all states except California. The AS23 engine (item 6) is for California only. FE350 engine component listings span several pages.</p>			

9
G

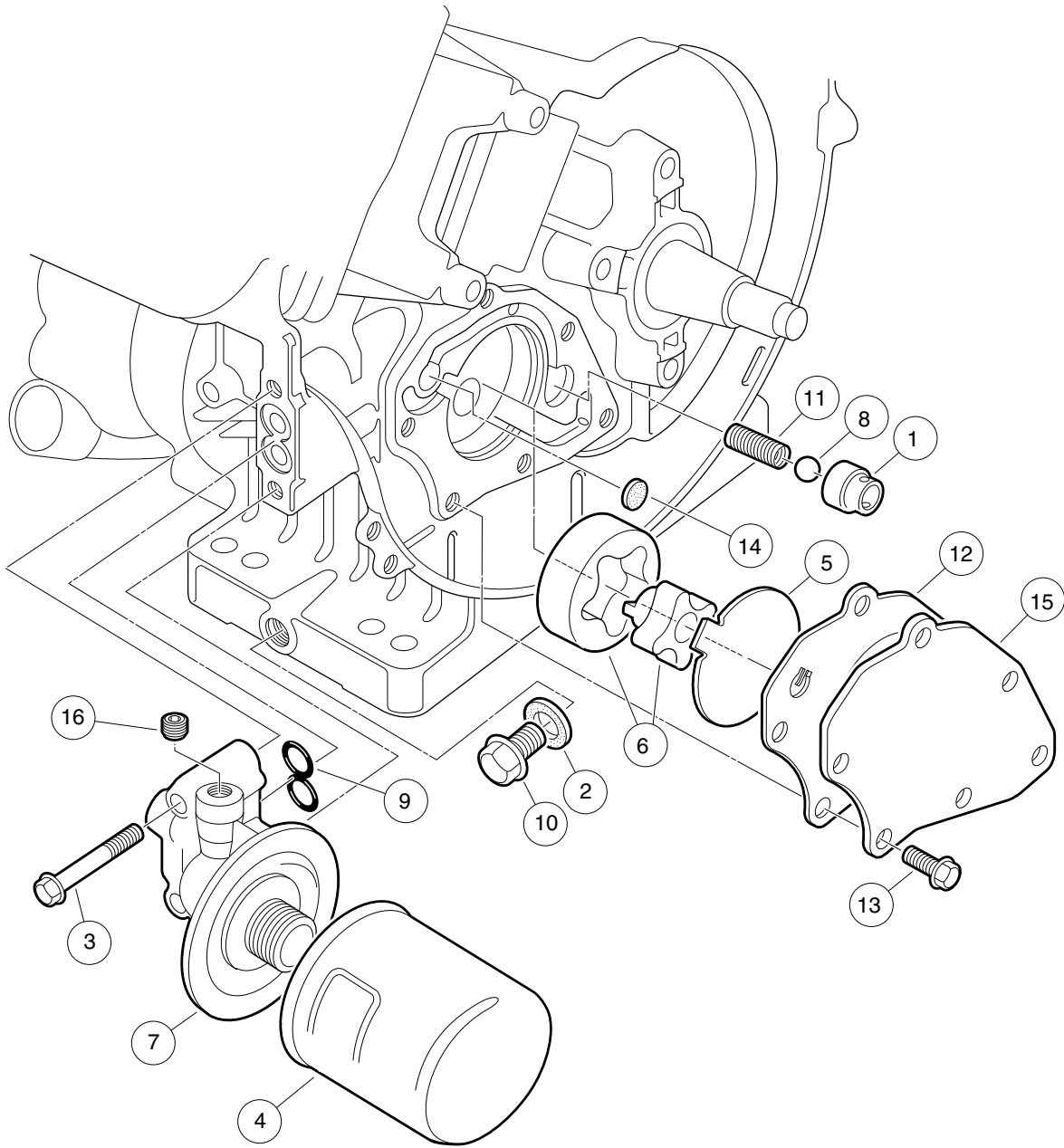


000202-003

FE350 ENGINE – IGNITION COMPONENTS AND FLYWHEEL

ITEM	PART NO.	DESCRIPTION	QTY
		1 2 3 4	
1	1016445	Bracket, RPM Limiter	1
2	<u>1016455</u>	Bolt, Flange Head	2
3	1016456	Bolt, Flange Head, M6 x 1 x 12 mm	2
4	<u>1016497</u>	Screw, Pan WP Cross	1
5	<u>1016544</u>	Screw	1
6	<u>1016561</u>	Clamp	1
7	<u>1016562</u>	Key	1
8	<u>1016578</u>	Grommet, Ignition	1
9	<u>1016579</u>	Band, RPM Limiter Mount	1
10	1016586	Damper, RPM Limiter	1
11	<u>1016587</u>	Clamp	1
12	<u>1016588</u>	Tube, 7mm X 10mm X 70mm	1
13	<u>1017448</u>	Bolt, Flanged	3
14	<u>1017455</u>	Plate, Flywheel Fan	1
15	<u>1017463</u>	Cap Asm, Plug	1
16	<u>1017468</u>	Clamp	1
17	<u>1017490</u>	Washer, Flat	1
18	<u>101909201</u>	Coil, Ignition	1
19	<u>101909301</u>	Lead Wire Assy	1
20	101909401	Limiter, RPM	1
21	101909501	Clamp, Steel	1
22	<u>101916201</u>	Flywheel	1
23	<u>101916301</u>	Fan (cw)	1
24	<u>102838401</u>	Nut, Hex, 18 mm Fine	1
25	<u>AM1232301</u>	Spark Plug, BPR2ES	1

9
G

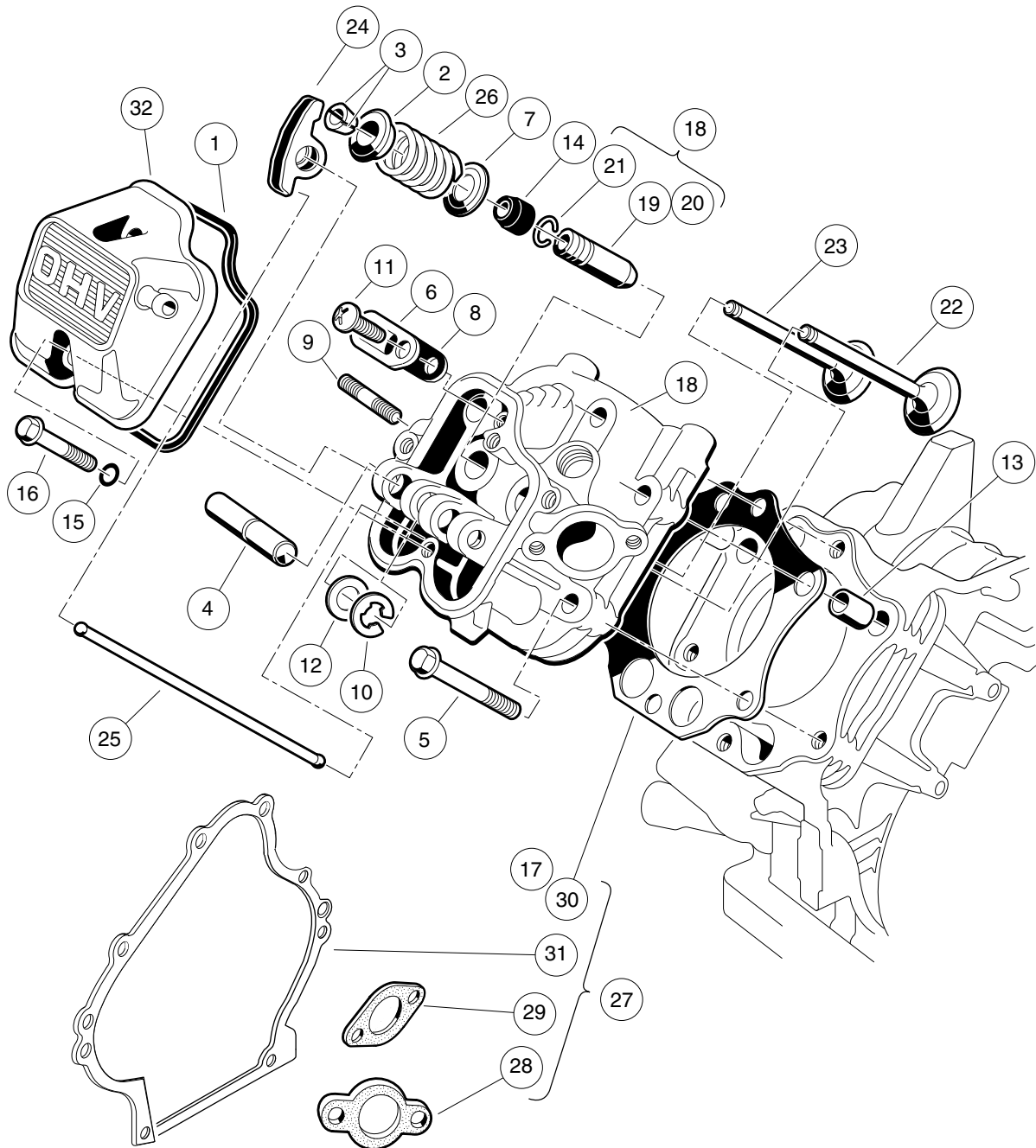


000203-001

FE350 ENGINE – OIL CIRCULATION

ITEM	PART NO.	DESCRIPTION	QTY
		1 2 3 4	
1	1016429	Seat, Valve Oil Pressure Relief	1
2	<u>1016432</u>	Gasket, Drain Plug	1
3	<u>1016457</u>	Bolt, Flange Head	2
4	<u>1016467</u>	Filter, Oil	1
5	<u>1016473</u>	Plate, Oil Pump	1
6	<u>101648203</u>	Oil Pump And Rotor	1
7	<u>1016502</u>	Bracket, Oil Filter Mount	1
8	<u>1016537</u>	Ball, Steel, Press, Relief	1
9	<u>1016570</u>	O-Ring	1
10	1016576	Plug, Drain	1
11	<u>1016581</u>	Spring	1
12	<u>1017442</u>	Gasket	1
13	<u>1017456</u>	Bolt, Flanged	6
14	<u>1017458</u>	Filter	1
15	<u>1017460</u>	Cover, Pump	1
16	<u>1017507</u>	Plug	2

9
G



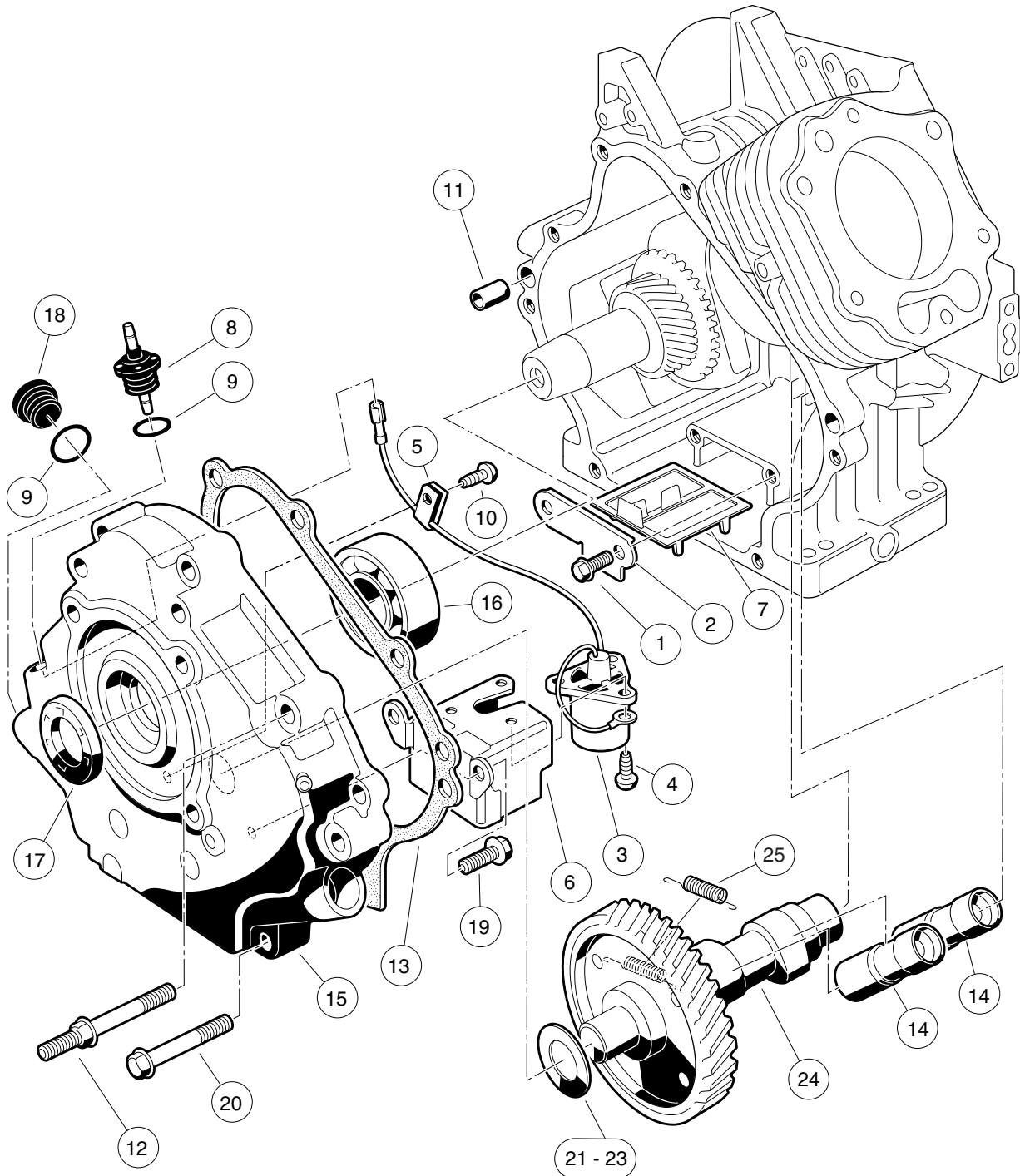
000204-003

FE350 ENGINE – CYLINDER HEAD

ITEM	PART NO.	DESCRIPTION	QTY
		1 2 3 4	
1	<u>1016436</u>	Gasket, Rocker Case	1
2	<u>1016449</u>	Retainer, Valve Spring	2
3	<u>1016450</u>	Collet	4
4	<u>1016452</u>	Shaft, Rocker	1
5	<u>1016458</u>	Bolt, Flange Head, M8 x 1.25 x 45 mm	6
6	<u>1016474</u>	Plate	1
7	<u>1016479</u>	Seat, Spring	2
8	<u>1016483</u>	Valve	1
9	<u>1016489</u>	Stud, Two-Ended, M8-1.25	2
10	<u>1016517</u>	Circlip, Type-E	1
11	<u>1016544</u>	Screw	1
12	<u>1016549</u>	Washer, 12.1x19x1.8	1
13	<u>1016563</u>	Pin	2
14	<u>1016566</u>	Seal, Oil	2
15	<u>1016569</u>	O-Ring	2
16	<u>1016583</u>	Bolt, 6x35	2
17	<u>1017434</u>	Gasket, Head	1
18	<u>1017435</u>	Assembly, Cylinder Head, FE350 (includes items 19 through 21)	1
19	<u>1016518</u>	Guide, Valve, Exhaust	1
20	<u>1016519</u>	Guide, Valve, Intake, Exhaust	1
21	<u>1016560</u>	Snap Ring	2
22	<u>1017444</u>	Valve, Intake	1
23	<u>1017445</u>	Valve, Exhaust	1
24	<u>1017446</u>	Arm, Rocker	2
25	<u>1017454</u>	Rod, Push	2
26	<u>1017473</u>	Spring, Engine Valve	2
27	<u>102304801</u>	Kit, Gasket, FE350 (includes items 28 through 31)	1
28	<u>1016440</u>	Gasket, Engine to Insulator	1
29	<u>1016904</u>	Gasket, Exhaust	1
30	<u>1017434</u>	Gasket, Head	1
31	<u>1017443</u>	Gasket, Crankcase Cover	1
32	<u>102753401</u>	Case, Rocker	1
		Note: Item 28, <u>1016440</u> , is not a component of the FE350 engine.	

9

G



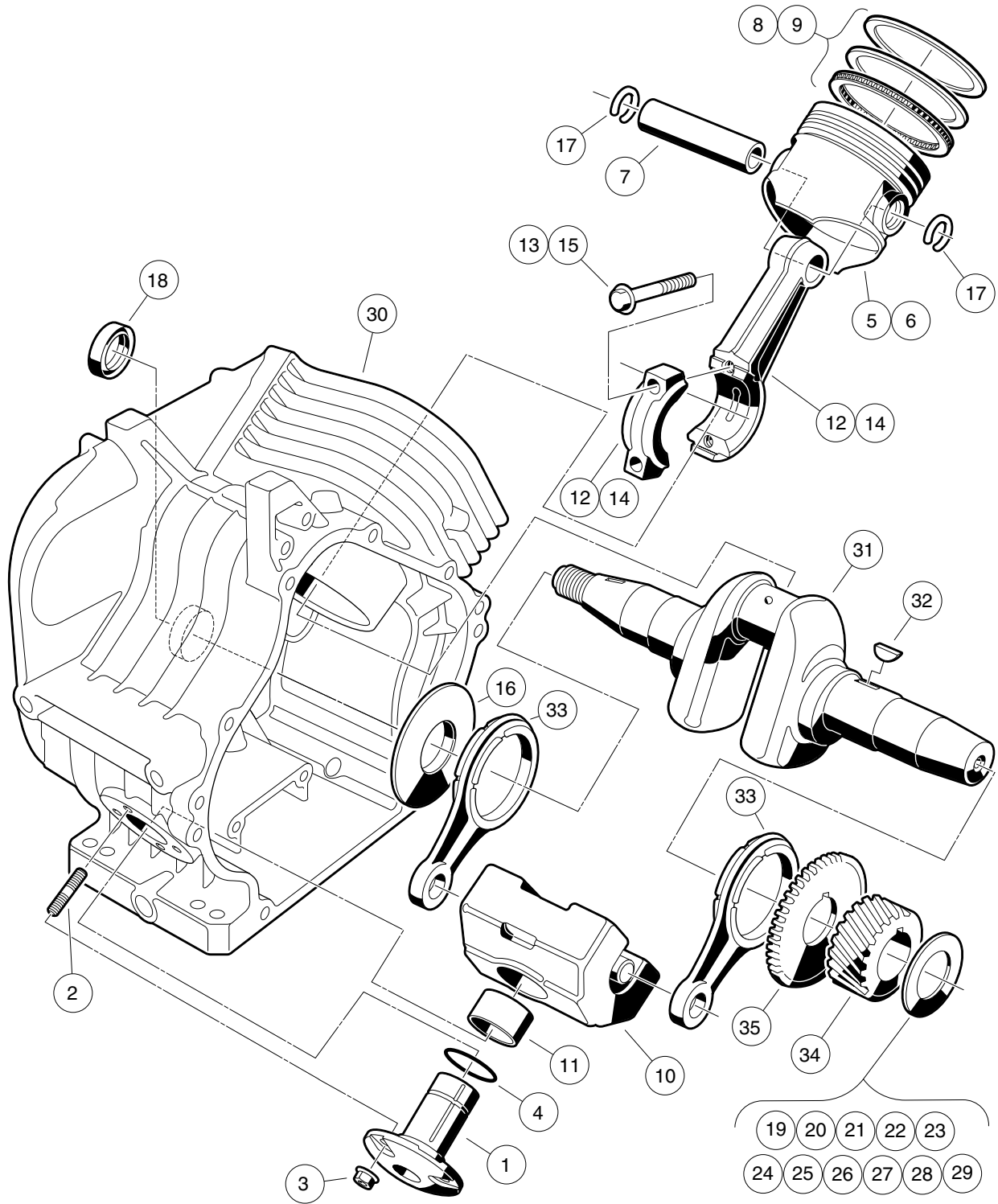
000205-001

FE350 ENGINE WITH ACR – CRANKCASE, CAMSHAFT, AND OIL SENSOR

ITEM	PART NO.	DESCRIPTION	QTY
		1 2 3 4	
1	<u>1016454</u>	Bolt, Flange Head, M5 x 0.8 x 8 mm	2
2	<u>1016472</u>	Plate, Oil Filter Screen	1
3	1016494	Sensor, Oil Level	1
4	<u>1016496</u>	Screw, Cross Pan-Head, M4 x 0.7 x 8 mm	3
5	<u>1016506</u>	Clamp	1
6	<u>1016510</u>	Bracket, Switch, Oil Level	1
7	<u>1016521</u>	Screen, Oil Filter	1
8	<u>1016535</u>	Connector, Cord	1
9	<u>1016538</u>	O-Ring	2
10	<u>1016544</u>	Screw	1
11	<u>1016564</u>	Pin	2
12	<u>1016584</u>	Bolt, Two-Ended, M8 x 1.25 x 69 mm	2
13	<u>1017443</u>	Gasket, Crankcase Cover	1
14	<u>1017447</u>	Adjuster, Lash	2
15	<u>1017472</u>	Cover Crankcase	1
16	<u>1017487</u>	Bearing, Ball	1
17	<u>1017504</u>	Seal, Oil	1
18	1017508	Plug	1
19	<u>1017513</u>	Bolt Switch Bracket	2
20	<u>1017514</u>	Screw, M8-1.25 X 45mm Hex	6
21	<u>101751801</u>	Shim, 0.3	1
22	<u>101751802</u>	Shim, 0.4	1
23	<u>101751803</u>	Shim, 0.5	1
24	<u>102271601</u>	Camshaft, FE350/FE400 with ACR, 44-tooth (includes item 25)	1
25	<u>1017511</u>	Spring	1

9

G

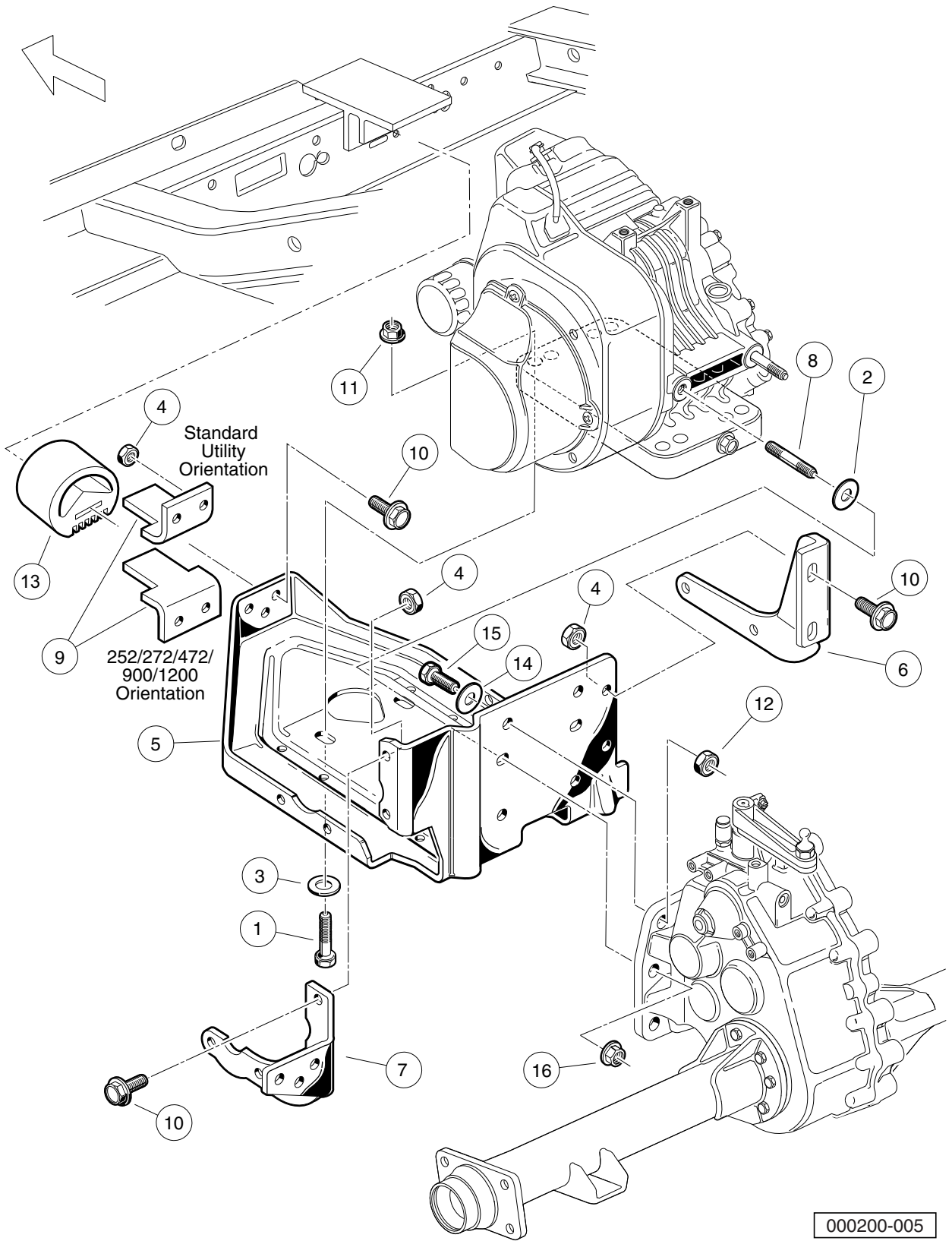


000206-001

FE350 ENGINE – CRANKCASE AND CRANKSHAFT

ITEM	PART NO.	DESCRIPTION	QTY
		1 2 3 4	
1	1016470	Shaft, Guide, Counterbalance	1
2	<u>1016541</u>	Stud, 6x14	4
3	1016547	Nut, M6 Flange	4
4	<u>1016571</u>	O-Ring	1
5	<u>101744901</u>	Piston, Standard	1
6	<u>101744902</u>	Piston, 0.50 mm Oversize	1
7	1017450	Pin, Piston	1
8	<u>101745101</u>	Ring Set, Standard Piston	1
9	<u>101745102</u>	Ring Set, Piston, 0.50 mm Oversize	1
10	<u>1017453</u>	Counterbalance Weight (includes item 11)	1
11	1017510	Bearing, Plain	1
12	101745701	Asm, Con. Rod Std (includes item 13)	1
13	<u>1017512</u>	Bolt	2
14	<u>101745702</u>	Asm, Con. Rod 0.5mm U/s (includes item 15)	1
15	<u>1017512</u>	Bolt	2
16	1017501	Spacer	1
17	<u>1017502</u>	Snap Ring	2
18	<u>1017503</u>	Seal, Oil	1
19	<u>101773301</u>	Shim, Crankshaft, 1.18mm	1
20	<u>101773302</u>	Shim, Crankshaft, 1.25mm	1
21	<u>101773303</u>	Shim, Crankshaft, 1.32mm	1
22	<u>101773304</u>	Shim, Crankshaft, 1.39mm	1
23	<u>101773305</u>	Shim, Crankshaft, 1.46mm	1
24	<u>101773306</u>	Shim, Crankshaft, 1.53mm	1
25	<u>101773307</u>	Shim, Crankshaft, 1.60mm	1
26	<u>101773308</u>	Shim, Crankshaft, 1.67mm	1
27	<u>101773309</u>	Shim, Crankshaft, 1.74mm	1
28	<u>101773310</u>	Shim, Crankshaft, 1.11 mm	1
29	<u>101773311</u>	Shim, Crankshaft, 1.81mm	1
30	<u>101916001</u>	Crankcase Complete, FE350 (cw)	1
31	<u>102430901</u>	Crankshaft, FE350 Left-Hand, 22-Tooth (includes items 32 through 35)	1
32	<u>1016562</u>	Key	1
33	<u>1017471</u>	Rod	2
34	N/A	Gear, Helical	1
35	N/A	Gear, Spur	1

9
G



000200-005

FE350 ENGINE MOUNTING

ITEM	PART NO.	DESCRIPTION	QTY
		1 2 3 4	
1	<u>1010577</u>	Bolt, Hex-Head, 5/16-18 X 1.50	4
2	<u>1011697</u>	Washer, 5/16 Flat	2
3	1012571	Washer, 5/16 Extra Thick Flat	4
4	<u>1013924</u>	Nut, 5/16-24, Hex Head Cone	10
5	<u>101827101</u>	Plate, Engine Mounting	1
6	<u>101832601</u>	Stiffener (PTO Side)	1
7	<u>101832701</u>	Stiffener (Flywheel Side)	1
8	<u>101833101</u>	Stud, M8-1.25 X 50 mm Two-Ended	2
9	<u>101834601</u>	Bracket, Snubber	1
10	<u>101884801</u>	Screw, 5/16-24 X 0.875, Grade-8	10
11	<u>101963401</u>	Locknut, 5/16-18 Hex Flange	4
12	<u>102065901</u>	Locknut, 3/8-16 Flanged Dimple	4
13	<u>102540301</u>	Snubber, Inner Frame	1
14	<u>334</u>	Washer, 3/8, Type A, Flat	4
15	705	Screw, Cap-hex Hd 3/8-16x1.25	4
16	<u>96704416</u>	Nut, Flange, M8 X 1.25 Serrated	2

9

G

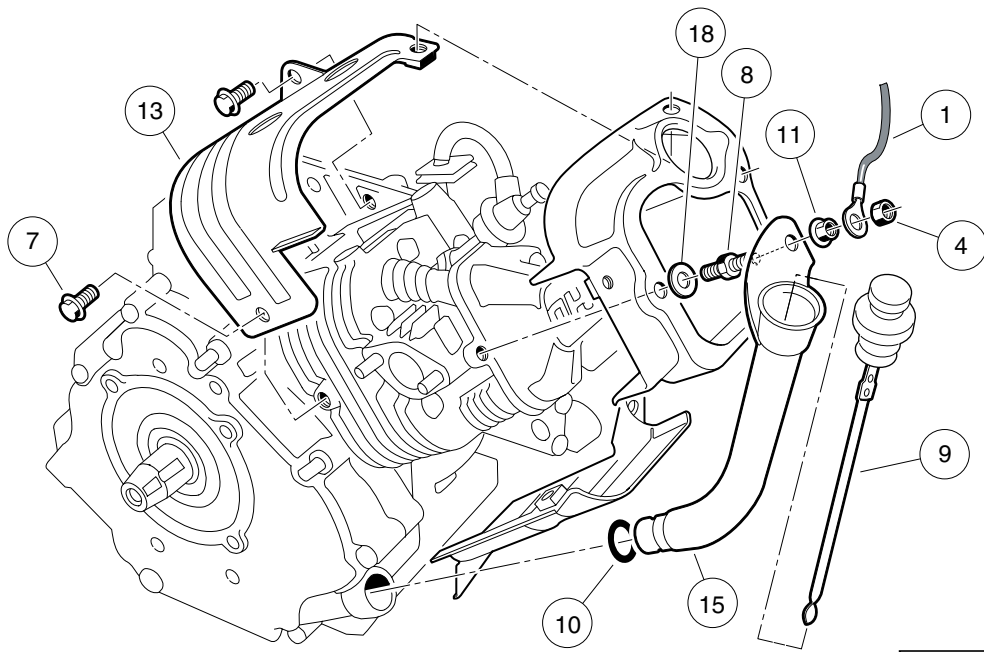
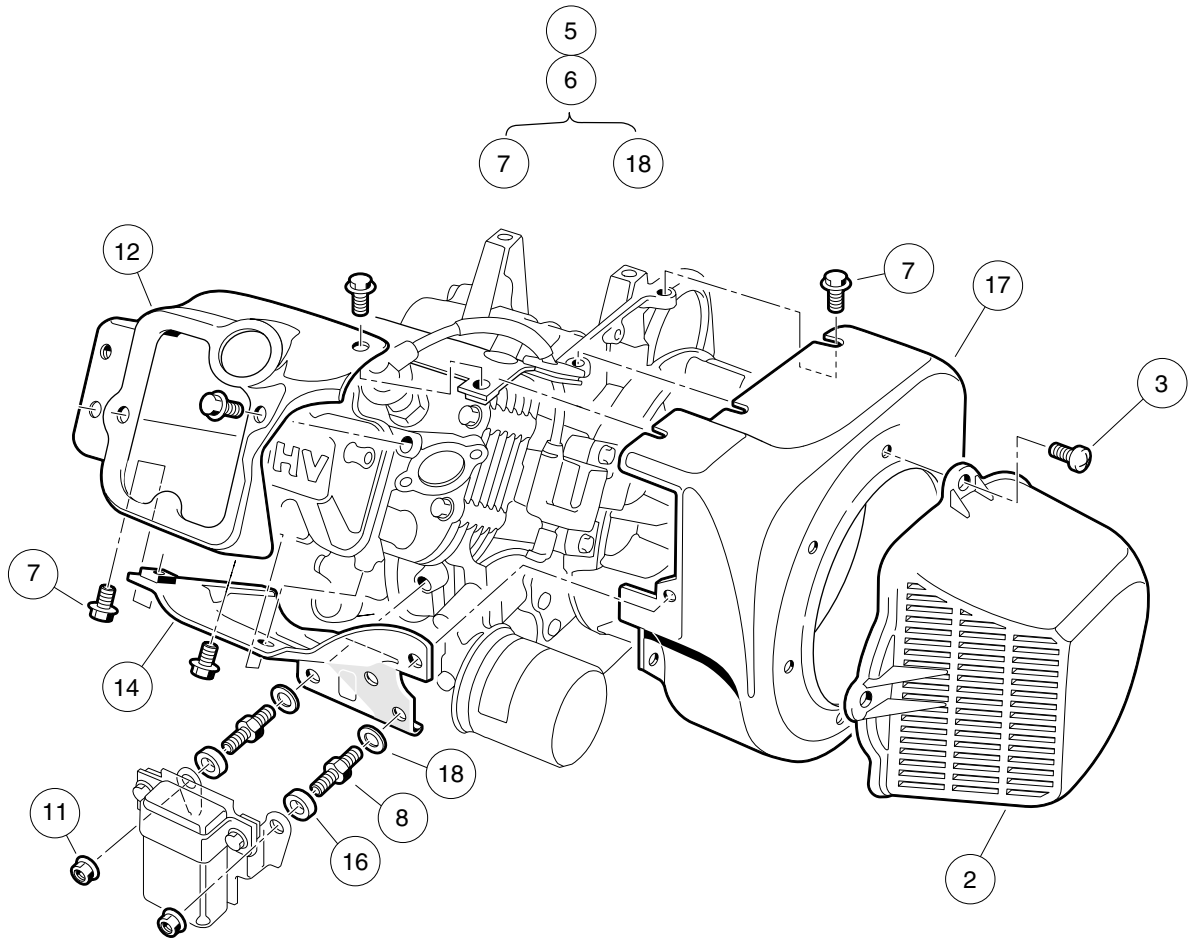
9

G

ENGINE (S11 & S24) W/O ACR, TURF/ CA2/252/900 PRIOR TO 50-STATE

10

G



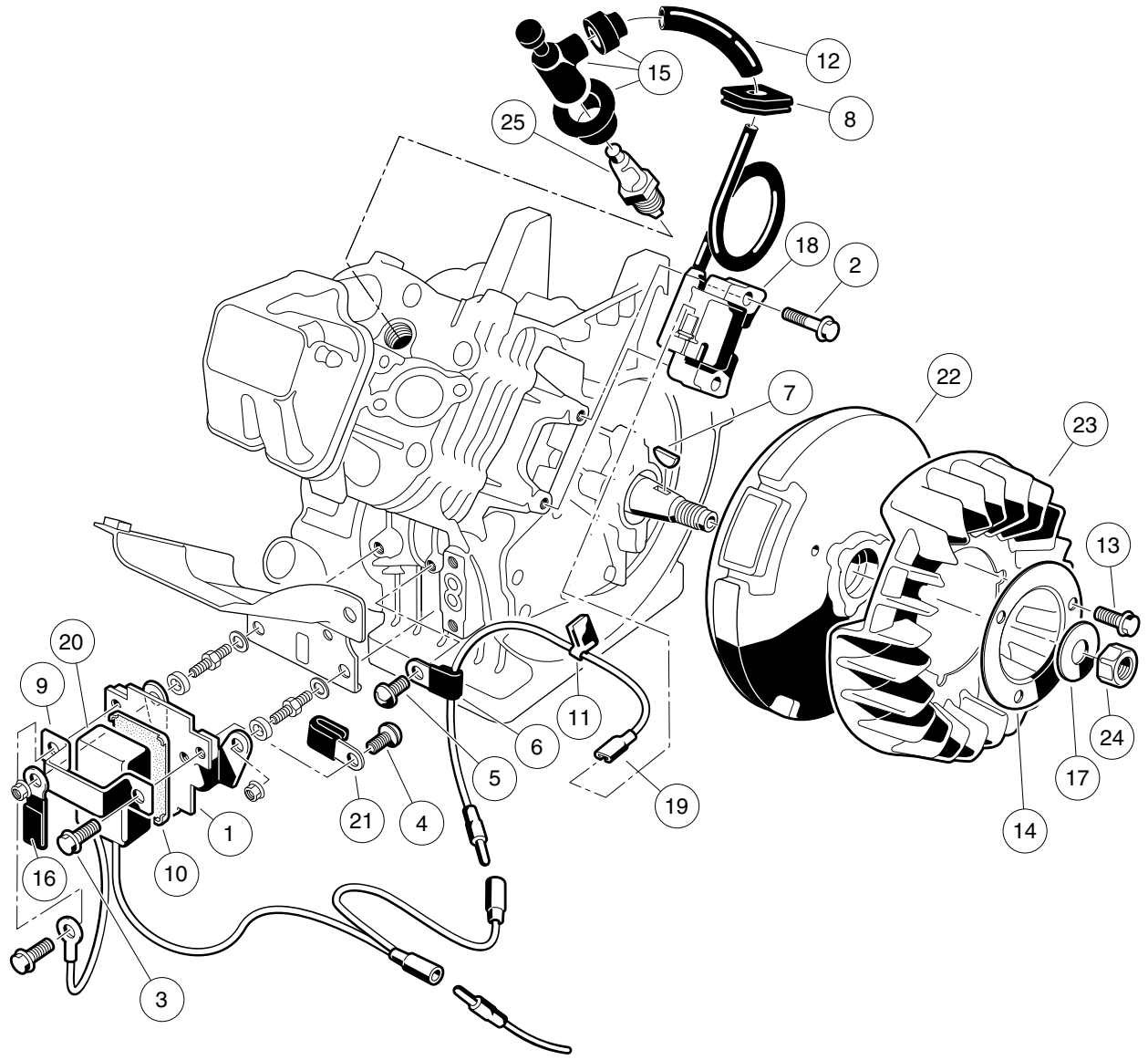
000201-003

FE350 ENGINE W/O ACR – SHROUDS AND BRACKETS

ITEM	PART NO.	DESCRIPTION	QTY
		1 2 3 4	
1	<u>1015332</u>	Wire, Ground, #10, Uninsulated	1
2	<u>1015649</u>	Shroud, Fan	1
3	<u>1015969</u>	Screw, M6-1.00 X 10mm, Pan Hd	4
4	<u>101887601</u>	Locknut, M6-1.00 Nylon Insert	1
5	<u>101953802</u>	Engine, FE350, without ACR	1
6	<u>101953804</u>	Engine, FE350, California-Only, without ACR (includes items 7 through 18)	1
7	<u>1016456</u>	Bolt, Flange Head, M6 x 1 x 12 mm	14
8	<u>1016507</u>	Bolt, Two-Ended	3
9	<u>1016531</u>	Dipstick	1
10	<u>1016539</u>	O-Ring	1
11	<u>1016547</u>	Nut, Flanged, M6 X 1.00	3
12	<u>1017474</u>	Shroud, Engine	1
13	<u>1017475</u>	Shroud, Engine	1
14	<u>1017476</u>	Shroud, Engine	1
15	<u>1017486</u>	Tube, Oil Filler	1
16	<u>1017500</u>	Spacer 6.50 X 12 X 5.5	2
17	<u>101916101</u>	Housing, FE350 Fan	1
18	N/A	Washer, 6mm Flat	3
<p>Note: The DS11 engine (item 5) qualifies for use in 2009 vehicles in all states except California. The AS24 engine (item 6) is for California only. FE350 engine component listings span several pages.</p>			

10

G

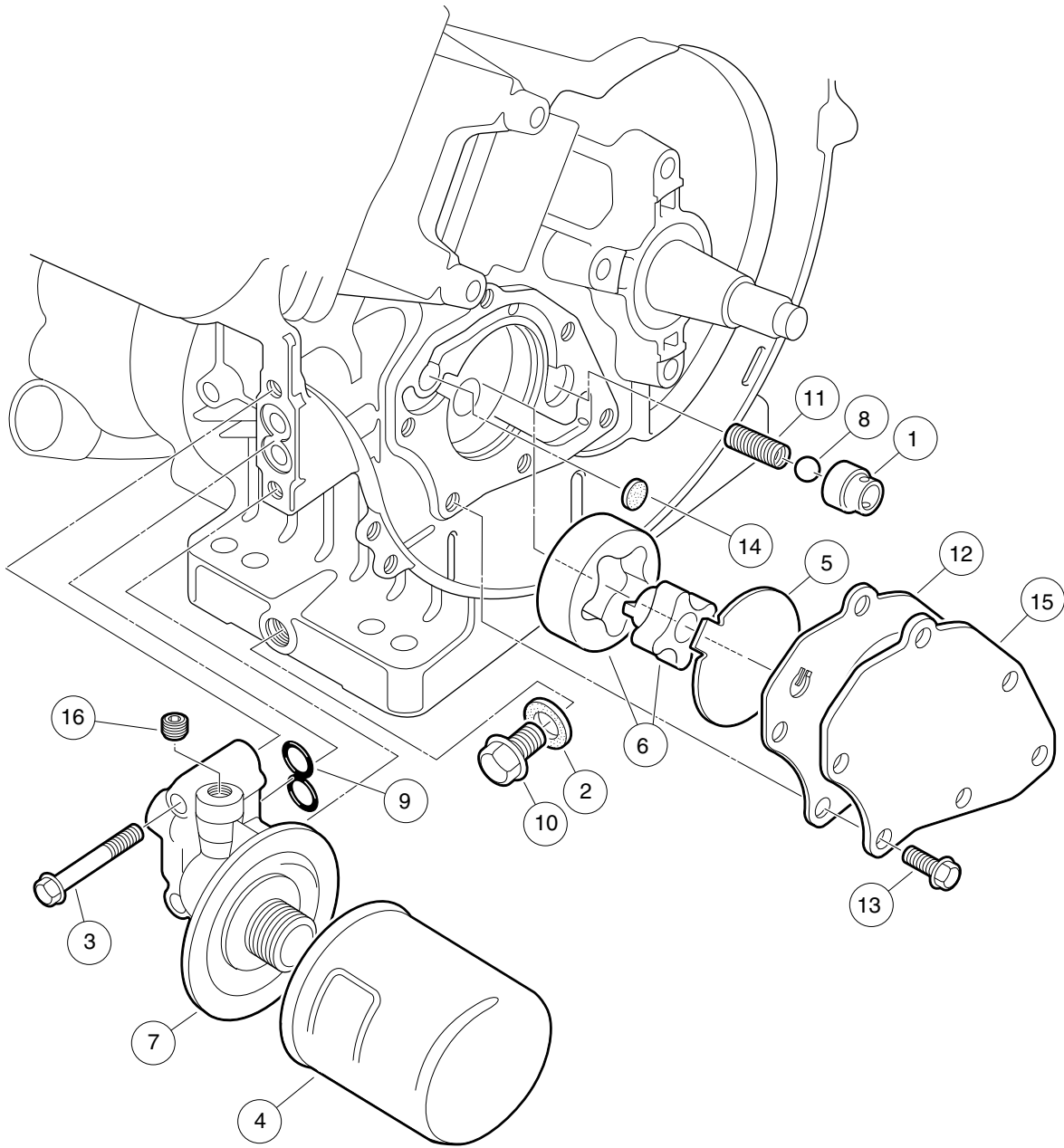


000202-003

FE350 ENGINE – IGNITION COMPONENTS AND FLYWHEEL

ITEM	PART NO.	DESCRIPTION	QTY
		1 2 3 4	
1	1016445	Bracket, RPM Limiter	1
2	<u>1016455</u>	Bolt, Flange Head	2
3	1016456	Bolt, Flange Head, M6 x 1 x 12 mm	2
4	<u>1016497</u>	Screw, Pan WP Cross	1
5	<u>1016544</u>	Screw	1
6	<u>1016561</u>	Clamp	1
7	<u>1016562</u>	Key	1
8	<u>1016578</u>	Grommet, Ignition	1
9	<u>1016579</u>	Band, RPM Limiter Mount	1
10	1016586	Damper, RPM Limiter	1
11	<u>1016587</u>	Clamp	1
12	<u>1016588</u>	Tube, 7mm X 10mm X 70mm	1
13	<u>1017448</u>	Bolt, Flanged	3
14	<u>1017455</u>	Plate, Flywheel Fan	1
15	<u>1017463</u>	Cap Asm, Plug	1
16	<u>1017468</u>	Clamp	1
17	<u>1017490</u>	Washer, Flat	1
18	<u>101909201</u>	Coil, Ignition	1
19	<u>101909301</u>	Lead Wire Assy	1
20	101909401	Limiter, RPM	1
21	101909501	Clamp, Steel	1
22	<u>101916201</u>	Flywheel	1
23	<u>101916301</u>	Fan (cw)	1
24	<u>102838401</u>	Nut, Hex, 18 mm Fine	1
25	<u>AM1232301</u>	Spark Plug, BPR2ES	1

10
G



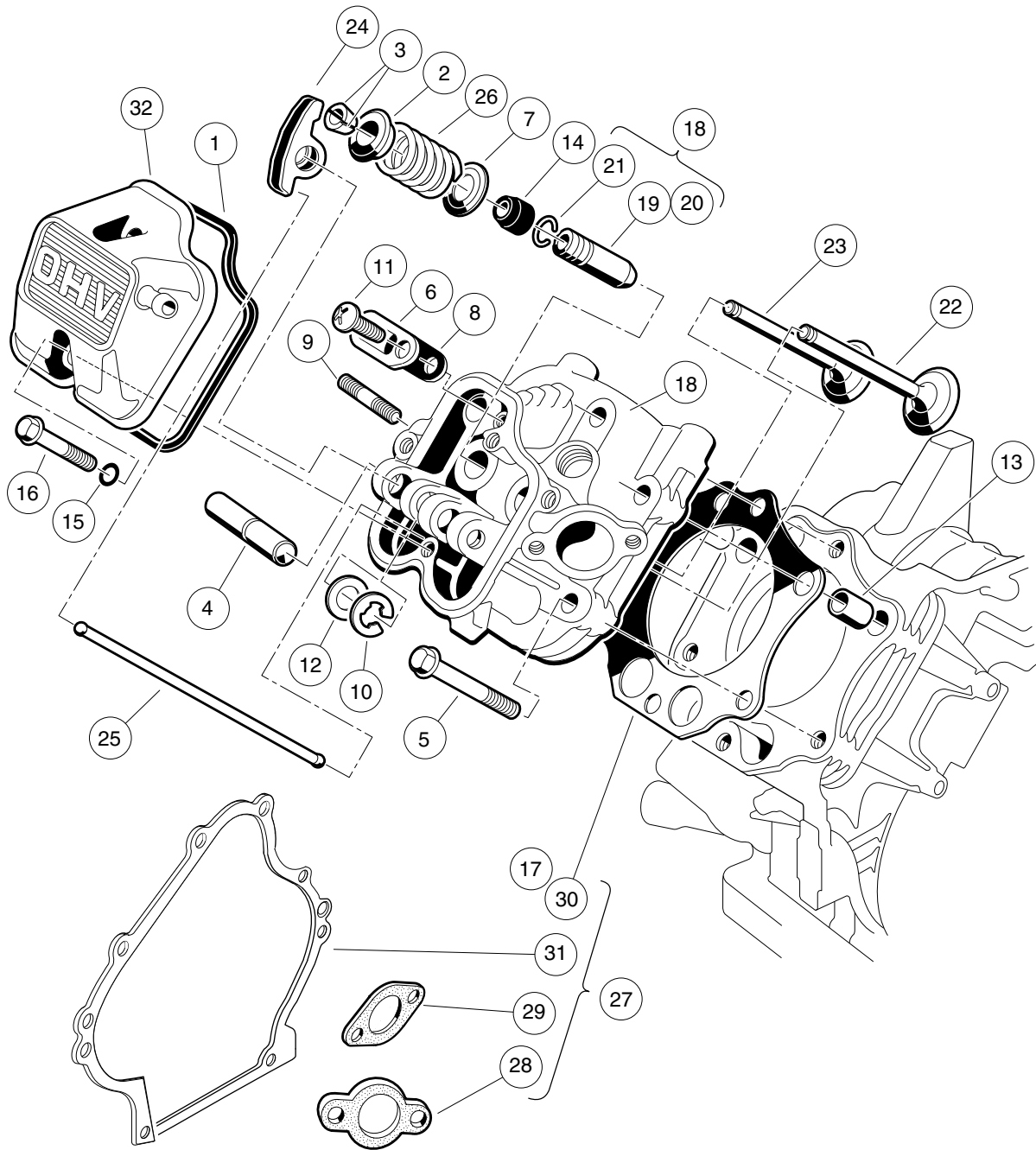
000203-001

FE350 ENGINE – OIL CIRCULATION

ITEM	PART NO.	DESCRIPTION	QTY
		1 2 3 4	
1	1016429	Seat, Valve Oil Pressure Relief	1
2	<u>1016432</u>	Gasket, Drain Plug	1
3	<u>1016457</u>	Bolt, Flange Head	2
4	<u>1016467</u>	Filter, Oil	1
5	<u>1016473</u>	Plate, Oil Pump	1
6	<u>101648203</u>	Oil Pump And Rotor	1
7	<u>1016502</u>	Bracket, Oil Filter Mount	1
8	<u>1016537</u>	Ball, Steel, Press, Relief	1
9	<u>1016570</u>	O-Ring	1
10	1016576	Plug, Drain	1
11	<u>1016581</u>	Spring	1
12	<u>1017442</u>	Gasket	1
13	<u>1017456</u>	Bolt, Flanged	6
14	<u>1017458</u>	Filter	1
15	<u>1017460</u>	Cover, Pump	1
16	<u>1017507</u>	Plug	2

10

G



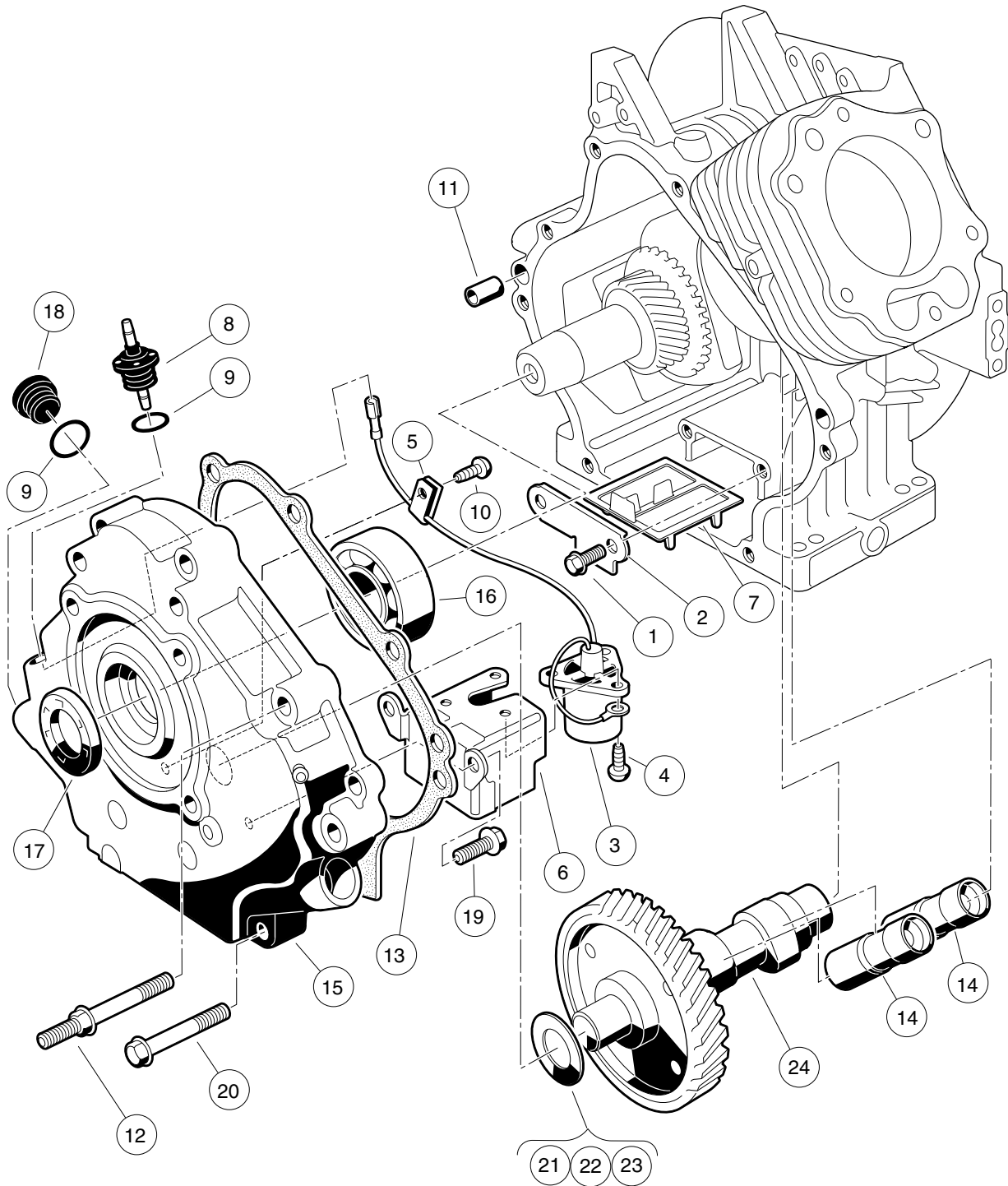
000204-003

FE350 ENGINE – CYLINDER HEAD

ITEM	PART NO.	DESCRIPTION	QTY
		1 2 3 4	
1	<u>1016436</u>	Gasket, Rocker Case	1
2	<u>1016449</u>	Retainer, Valve Spring	2
3	<u>1016450</u>	Collet	4
4	<u>1016452</u>	Shaft, Rocker	1
5	<u>1016458</u>	Bolt, Flange Head, M8 x 1.25 x 45 mm	6
6	<u>1016474</u>	Plate	1
7	<u>1016479</u>	Seat, Spring	2
8	<u>1016483</u>	Valve	1
9	<u>1016489</u>	Stud, Two-Ended, M8-1.25	2
10	<u>1016517</u>	Circlip, Type-E	1
11	<u>1016544</u>	Screw	1
12	<u>1016549</u>	Washer, 12.1x19x1.8	1
13	<u>1016563</u>	Pin	2
14	<u>1016566</u>	Seal, Oil	2
15	<u>1016569</u>	O-Ring	2
16	<u>1016583</u>	Bolt, 6x35	2
17	<u>1017434</u>	Gasket, Head	1
18	<u>1017435</u>	Assembly, Cylinder Head, FE350 (includes items 19 through 21)	1
19	<u>1016518</u>	Guide, Valve, Exhaust	1
20	<u>1016519</u>	Guide, Valve, Intake, Exhaust	1
21	<u>1016560</u>	Snap Ring	2
22	<u>1017444</u>	Valve, Intake	1
23	<u>1017445</u>	Valve, Exhaust	1
24	<u>1017446</u>	Arm, Rocker	2
25	<u>1017454</u>	Rod, Push	2
26	<u>1017473</u>	Spring, Engine Valve	2
27	<u>102304801</u>	Kit, Gasket, FE350 (includes items 28 through 31)	1
28	<u>1016440</u>	Gasket, Engine to Insulator	1
29	<u>1016904</u>	Gasket, Exhaust	1
30	<u>1017434</u>	Gasket, Head	1
31	<u>1017443</u>	Gasket, Crankcase Cover	1
32	<u>102753401</u>	Case, Rocker	1
		Note: Item 28, <u>1016440</u> , is not a component of the FE350 engine.	

10

G

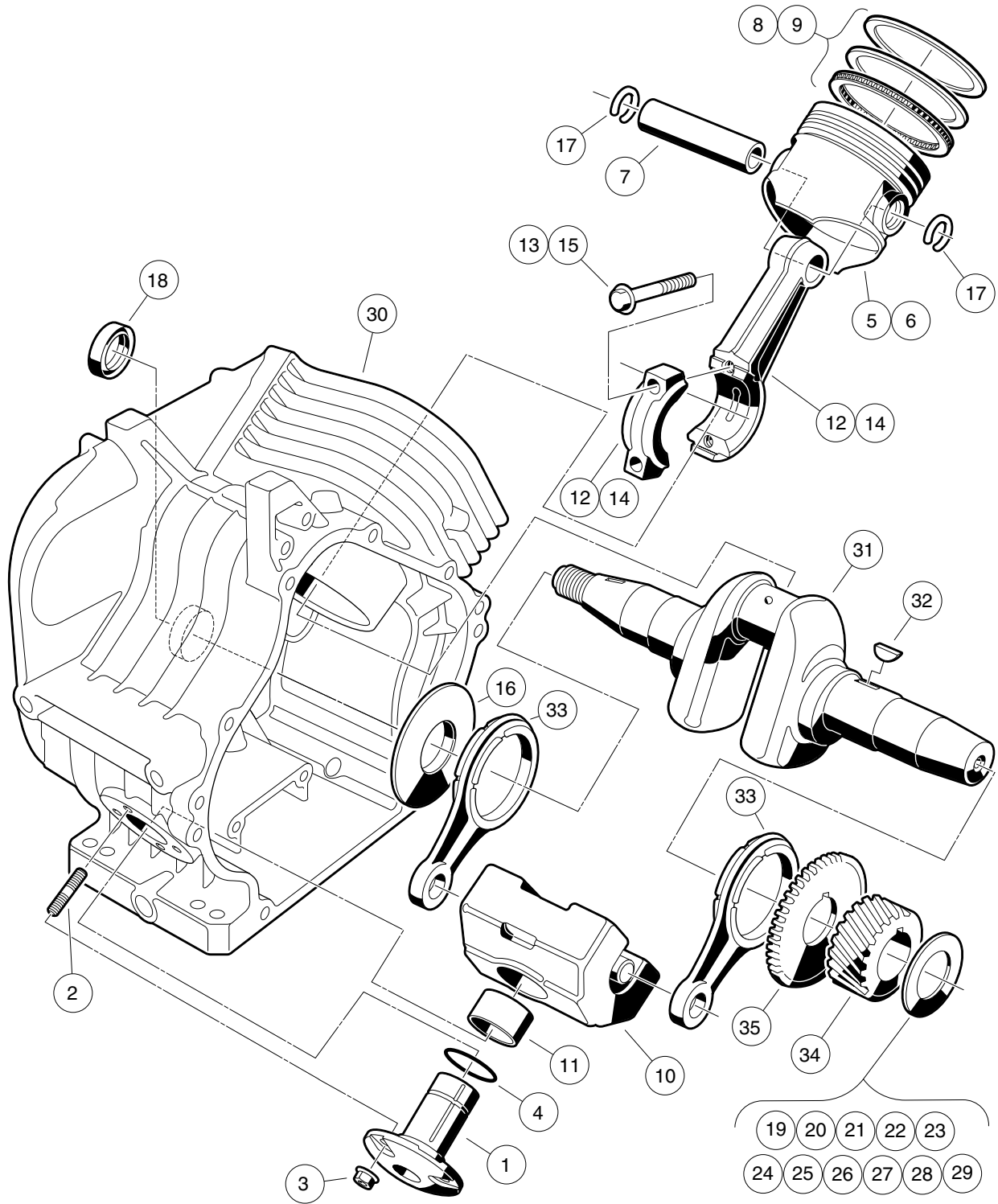


000205-002

FE350 ENGINE W/O ACR – CRANKCASE, CAMSHAFT, AND OIL SENSOR

ITEM	PART NO.	DESCRIPTION	QTY
		1 2 3 4	
1	<u>1016454</u>	Bolt, Flange Head, M5 x 0.8 x 8 mm	2
2	<u>1016472</u>	Plate, Oil Filter Screen	1
3	<u>1016494</u>	Sensor, Oil Level	1
4	<u>1016496</u>	Screw, Cross Pan-Head, M4 x 0.7 x 8 mm	3
5	<u>1016506</u>	Clamp	1
6	<u>1016510</u>	Bracket, Switch, Oil Level	1
7	<u>1016521</u>	Screen, Oil Filter	1
8	<u>1016535</u>	Connector, Cord	1
9	<u>1016538</u>	O-Ring	2
10	<u>1016544</u>	Screw	1
11	<u>1016564</u>	Pin	2
12	<u>1016584</u>	Bolt, Two-Ended, M8 x 1.25 x 69 mm	2
13	<u>1017443</u>	Gasket, Crankcase Cover	1
14	<u>1017447</u>	Adjuster, Lash	2
15	<u>1017472</u>	Cover Crankcase	1
16	<u>1017487</u>	Bearing, Ball	1
17	<u>1017504</u>	Seal, Oil	1
18	<u>1017508</u>	Plug	1
19	<u>1017513</u>	Bolt Switch Bracket	2
20	<u>1017514</u>	Screw, M8-1.25 X 45mm Hex	6
21	<u>101751801</u>	Shim, 0.3	1
22	<u>101751802</u>	Shim, 0.4	1
23	<u>101751803</u>	Shim, 0.5	1
24	<u>102431001</u>	Camshaft, FE350 without ACR, 44-Tooth	1

10
G



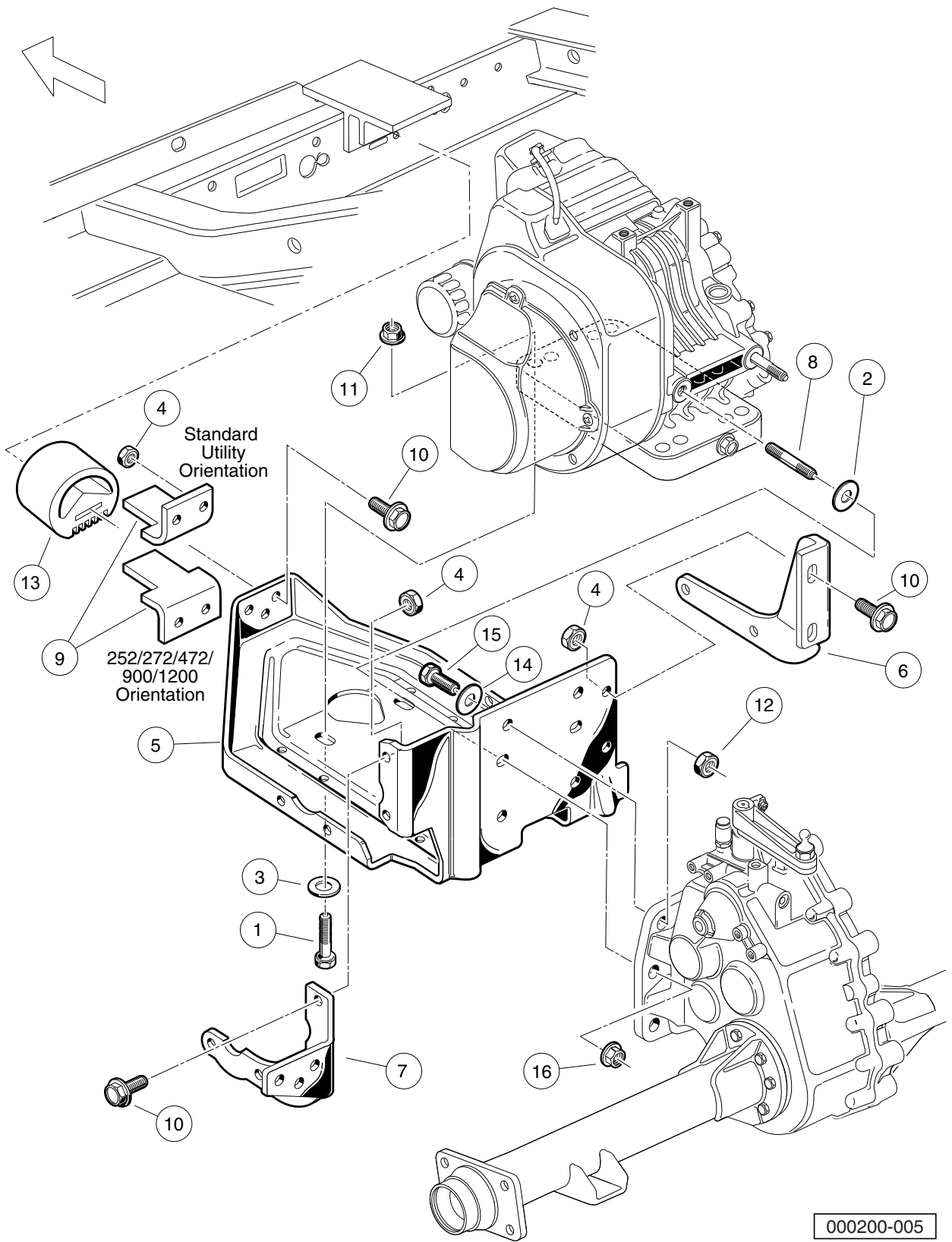
000206-001

FE350 ENGINE – CRANKCASE AND CRANKSHAFT

ITEM	PART NO.	DESCRIPTION	QTY
		1 2 3 4	
1	1016470	Shaft, Guide, Counterbalance	1
2	<u>1016541</u>	Stud, 6x14	4
3	1016547	Nut, M6 Flange	4
4	<u>1016571</u>	O-Ring	1
5	<u>101744901</u>	Piston, Standard	1
6	<u>101744902</u>	Piston, 0.50 mm Oversize	1
7	1017450	Pin, Piston	1
8	<u>101745101</u>	Ring Set, Standard Piston	1
9	<u>101745102</u>	Ring Set, Piston, 0.50 mm Oversize	1
10	<u>1017453</u>	Counterbalance Weight (includes item 11)	1
11	1017510	Bearing, Plain	1
12	101745701	Asm, Con. Rod Std (includes item 13)	1
13	<u>1017512</u>	Bolt	2
14	<u>101745702</u>	Asm, Con. Rod 0.5mm U/s (includes item 15)	1
15	<u>1017512</u>	Bolt	2
16	1017501	Spacer	1
17	<u>1017502</u>	Snap Ring	2
18	<u>1017503</u>	Seal, Oil	1
19	<u>101773301</u>	Shim, Crankshaft, 1.18mm	1
20	<u>101773302</u>	Shim, Crankshaft, 1.25mm	1
21	<u>101773303</u>	Shim, Crankshaft, 1.32mm	1
22	<u>101773304</u>	Shim, Crankshaft, 1.39mm	1
23	<u>101773305</u>	Shim, Crankshaft, 1.46mm	1
24	<u>101773306</u>	Shim, Crankshaft, 1.53mm	1
25	<u>101773307</u>	Shim, Crankshaft, 1.60mm	1
26	<u>101773308</u>	Shim, Crankshaft, 1.67mm	1
27	<u>101773309</u>	Shim, Crankshaft, 1.74mm	1
28	<u>101773310</u>	Shim, Crankshaft, 1.11 mm	1
29	<u>101773311</u>	Shim, Crankshaft, 1.81mm	1
30	<u>101916001</u>	Crankcase Complete, FE350 (cw)	1
31	<u>102430901</u>	Crankshaft, FE350 Left-Hand, 22-Tooth (includes items 32 through 35)	1
32	<u>1016562</u>	Key	1
33	<u>1017471</u>	Rod	2
34	N/A	Gear, Helical	1
35	N/A	Gear, Spur	1

10
G

10
G



FE350 ENGINE MOUNTING

ITEM	PART NO.	DESCRIPTION	QTY
		1 2 3 4	
1	<u>1010577</u>	Bolt, Hex-Head, 5/16-18 X 1.50	4
2	<u>1011697</u>	Washer, 5/16 Flat	2
3	<u>1012571</u>	Washer, 5/16 Extra Thick Flat	4
4	<u>1013924</u>	Nut, 5/16-24, Hex Head Cone	10
5	<u>101827101</u>	Plate, Engine Mounting	1
6	<u>101832601</u>	Stiffener (PTO Side)	1
7	<u>101832701</u>	Stiffener (Flywheel Side)	1
8	<u>101833101</u>	Stud, M8-1.25 X 50 mm Two-Ended	2
9	<u>101834601</u>	Bracket, Snubber	1
10	<u>101884801</u>	Screw, 5/16-24 X 0.875, Grade-8	10
11	<u>101963401</u>	Locknut, 5/16-18 Hex Flange	4
12	<u>102065901</u>	Locknut, 3/8-16 Flanged Dimple	4
13	<u>102540301</u>	Snubber, Inner Frame	1
14	<u>334</u>	Washer, 3/8, Type A, Flat	4
15	<u>705</u>	Screw, Cap-hex Hd 3/8-16x1.25	4
16	<u>96704416</u>	Nut, Flange, M8 X 1.25 Serrated	2

10

G

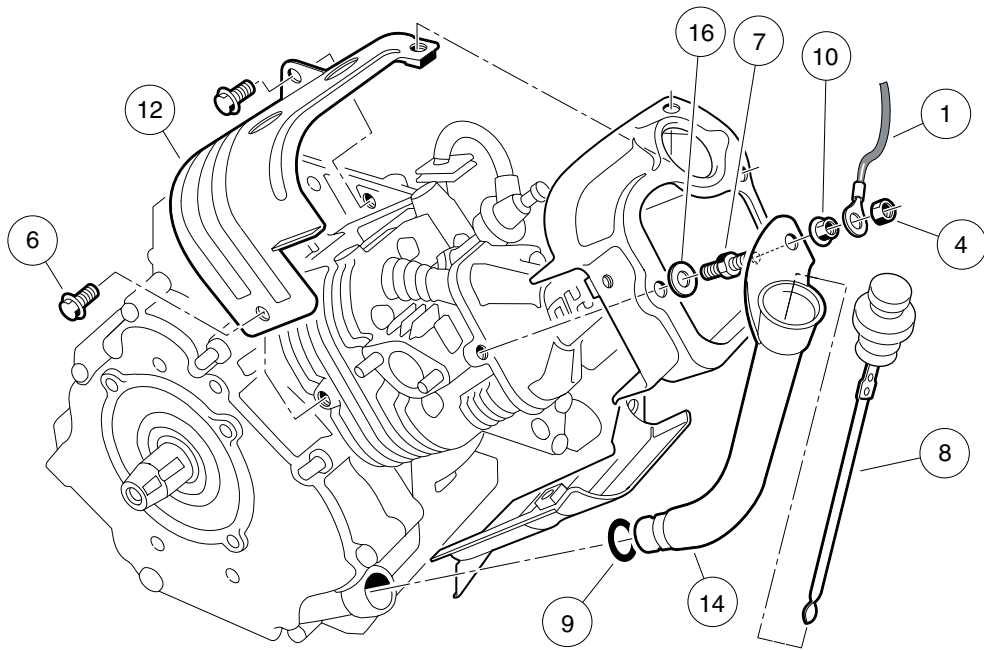
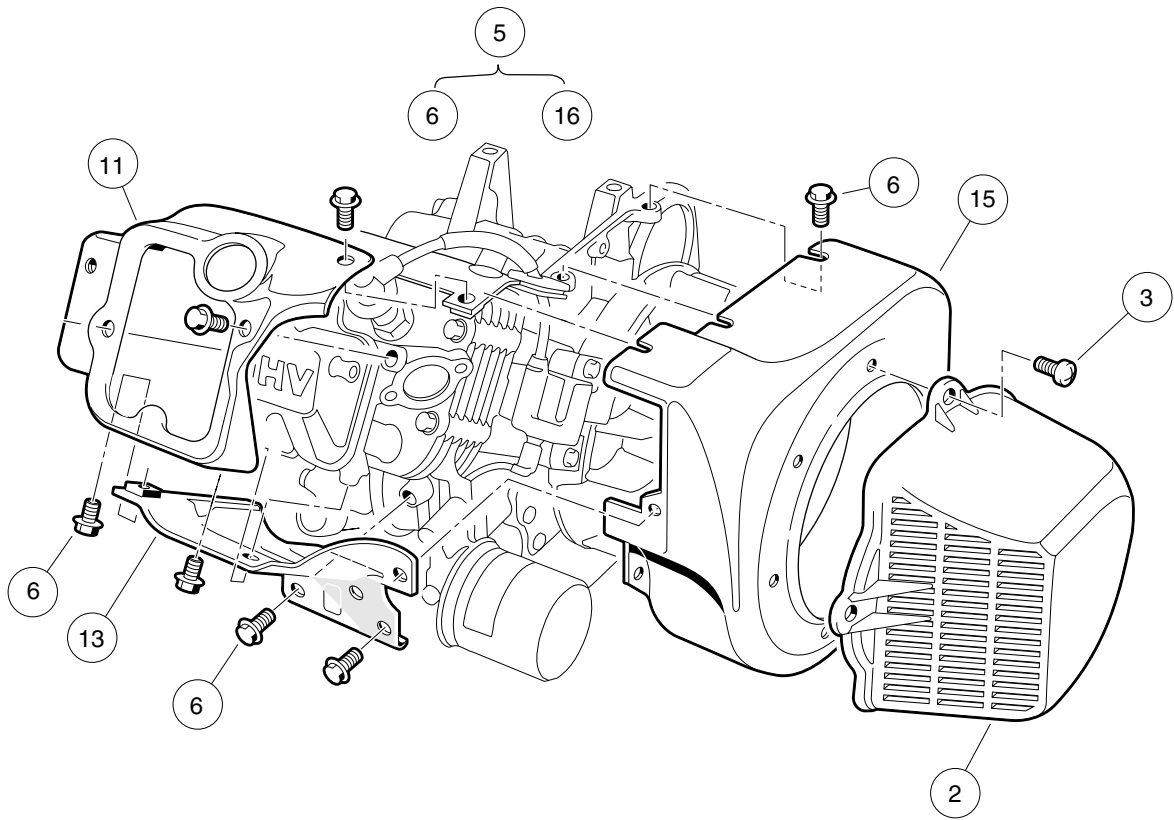
10

G

ENGINE (S27) W/O ACR, 50-STATE

11

G



000201-002

FE350 ENGINE (S27) W/O ACR, SHROUDS, AND BRACKETS; 50-STATE

ITEM	PART NO.	DESCRIPTION	QTY
		1 2 3 4	
1	<u>1015332</u>	Wire, Ground, #10, Uninsulated	1
2	<u>1015649</u>	Shroud, Fan	1
3	<u>1015969</u>	Screw, M6-1.00 X 10mm, Pan Hd	4
4	<u>101887601</u>	Locknut, M6-1.00 Nylon Insert	1
5	<u>103386202</u>	Engine, FE350 S27 (includes items 6 through 16)	1
6	1016456	Bolt, Flange Head, M6 x 1 x 12 mm	16
7	<u>1016507</u>	Bolt, Two-Ended	1
8	1016531	Dipstick	1
9	<u>1016539</u>	O-Ring	1
10	1016547	Nut, M6 Flange	1
11	<u>1017474</u>	Shroud, Engine	1
12	<u>1017475</u>	Shroud, Engine	1
13	<u>1017476</u>	Shroud, Engine	1
14	<u>1017486</u>	Tube, Oil Filler	1
15	<u>101916101</u>	Housing, FE350 Fan	1
16	N/A	Washer, 6mm Flat	1
<p>Note: The S27 engine meets the 2009 Federal CARB requirement for all 50 states; can be used in place of S10, S11, S23, and S24 engines; and was a running change during the 2009 model year.</p>			

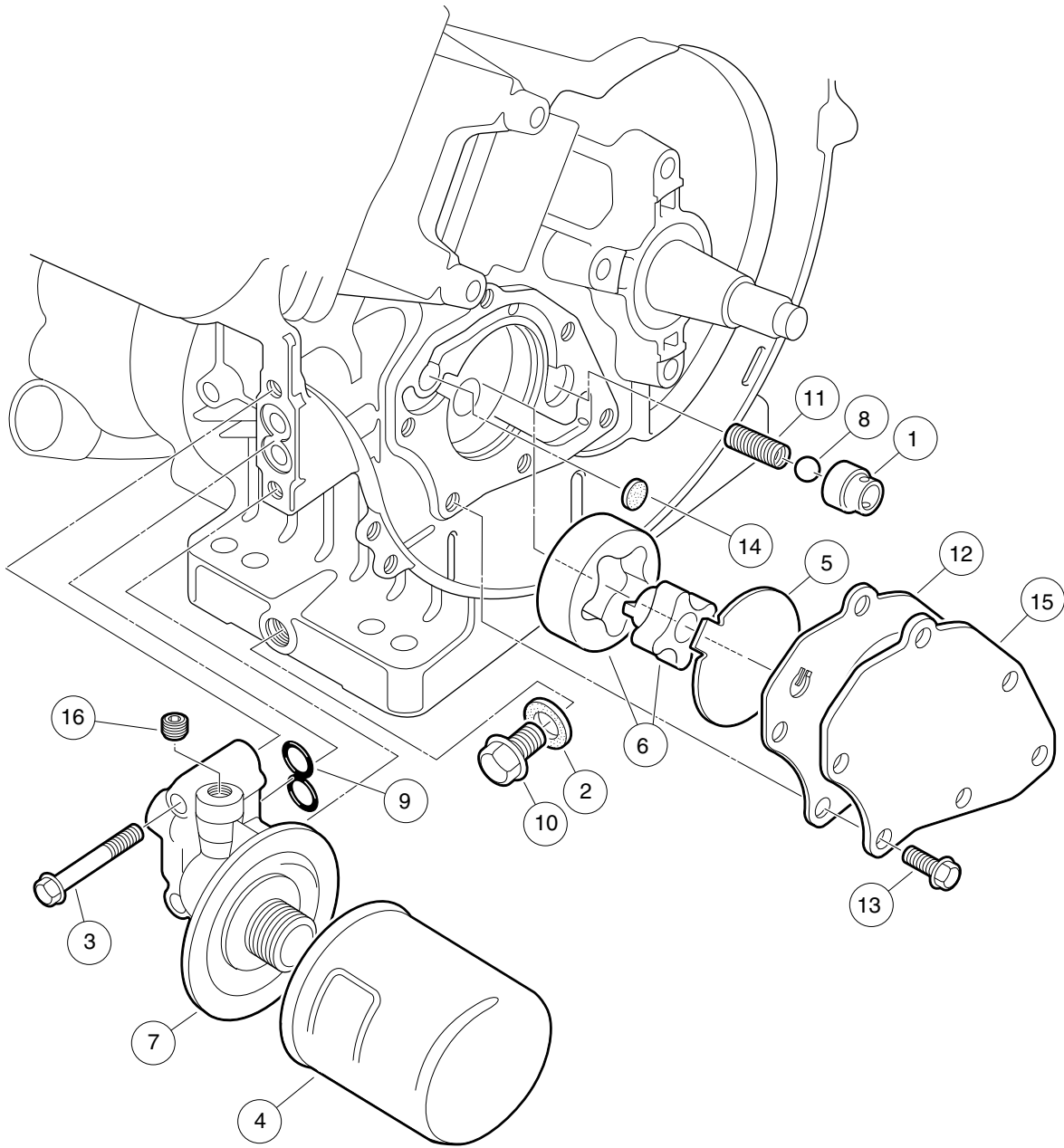
11

G

FE350 ENGINE (S27) – IGNITION COMPONENTS AND FLYWHEEL

ITEM	PART NO.	DESCRIPTION	QTY
		1 2 3 4	
1	<u>1016455</u>	Bolt, Flange Head	2
2	<u>1016544</u>	Screw	1
3	<u>1016561</u>	Clamp	1
4	<u>1016562</u>	Key	1
5	<u>1016578</u>	Grommet, Ignition	1
6	<u>1016587</u>	Clamp	1
7	<u>1016588</u>	Tube, 7mm X 10mm X 70mm	1
8	<u>1017448</u>	Bolt, Flanged	3
9	<u>1017455</u>	Plate, Flywheel Fan	1
10	<u>1017463</u>	Cap Asm, Plug	1
11	<u>1017490</u>	Washer, Flat	1
12	<u>101916301</u>	Fan (cw)	1
13	<u>102838401</u>	Nut, Hex, 18 mm Fine	1
14	<u>103616501</u>	Coil Asm, Ignition	1
15	<u>103616601</u>	Flywheel, Complete	1
16	<u>103616701</u>	Wire Lead, Ignition	1
17	<u>AM1232301</u>	Spark Plug, BPR2ES	1

11
G



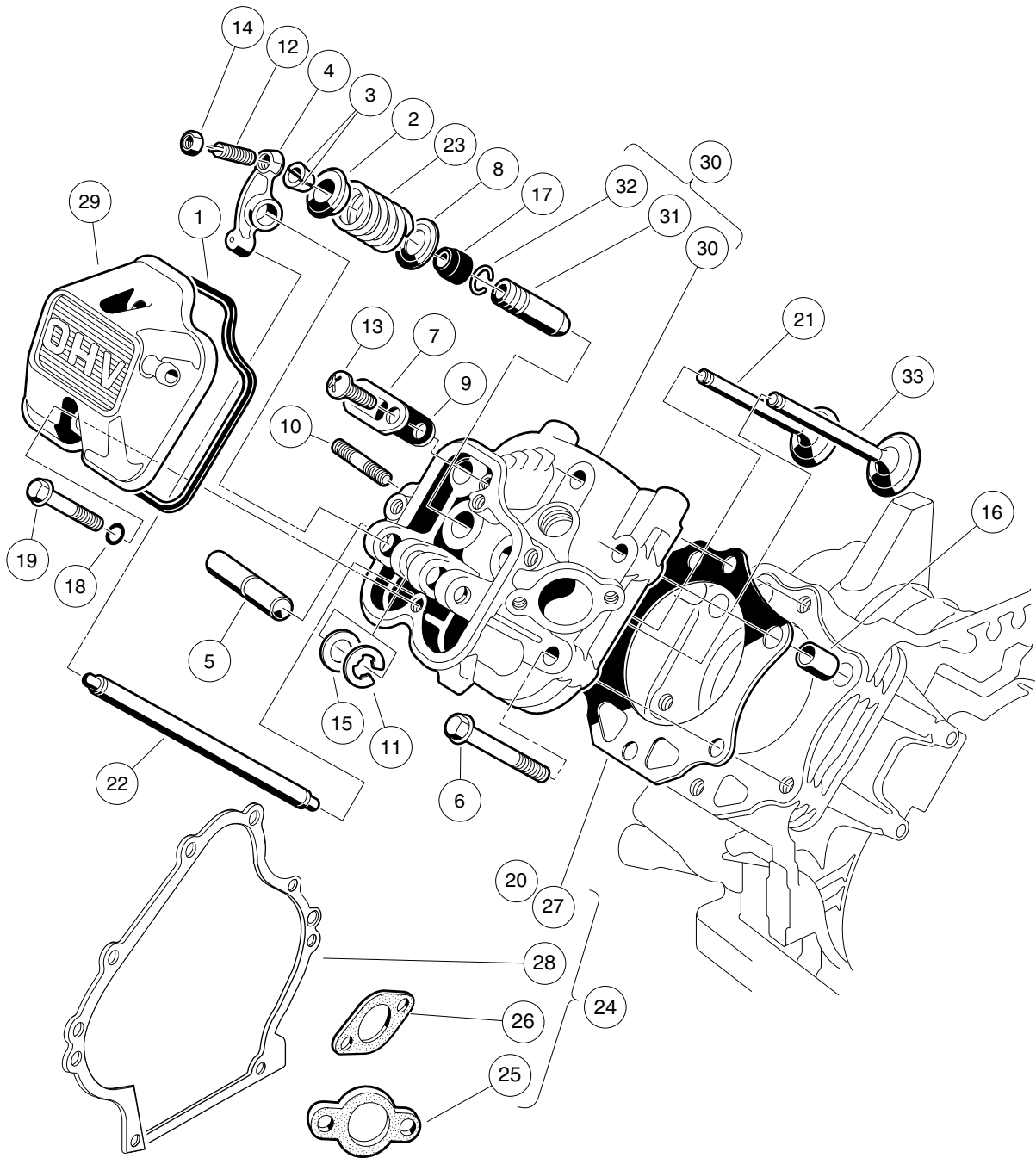
000203-001

FE350 ENGINE (S27) – OIL CIRCULATION

ITEM	PART NO.	DESCRIPTION	QTY
		1 2 3 4	
1	1016429	Seat, Valve Oil Pressure Relief	1
2	<u>1016432</u>	Gasket, Drain Plug	1
3	<u>1016457</u>	Bolt, Flange Head	2
4	<u>1016467</u>	Filter, Oil	1
5	<u>1016473</u>	Plate, Oil Pump	1
6	<u>101648203</u>	Oil Pump And Rotor	1
7	<u>1016502</u>	Bracket, Oil Filter Mount	1
8	<u>1016537</u>	Ball, Steel, Press, Relief	1
9	<u>1016570</u>	O-Ring	1
10	1016576	Plug, Drain	1
11	<u>1016581</u>	Spring	1
12	<u>1017442</u>	Gasket	1
13	<u>1017456</u>	Bolt, Flanged	6
14	<u>1017458</u>	Filter	1
15	<u>1017460</u>	Cover, Pump	1
16	<u>1017507</u>	Plug	2

11

G

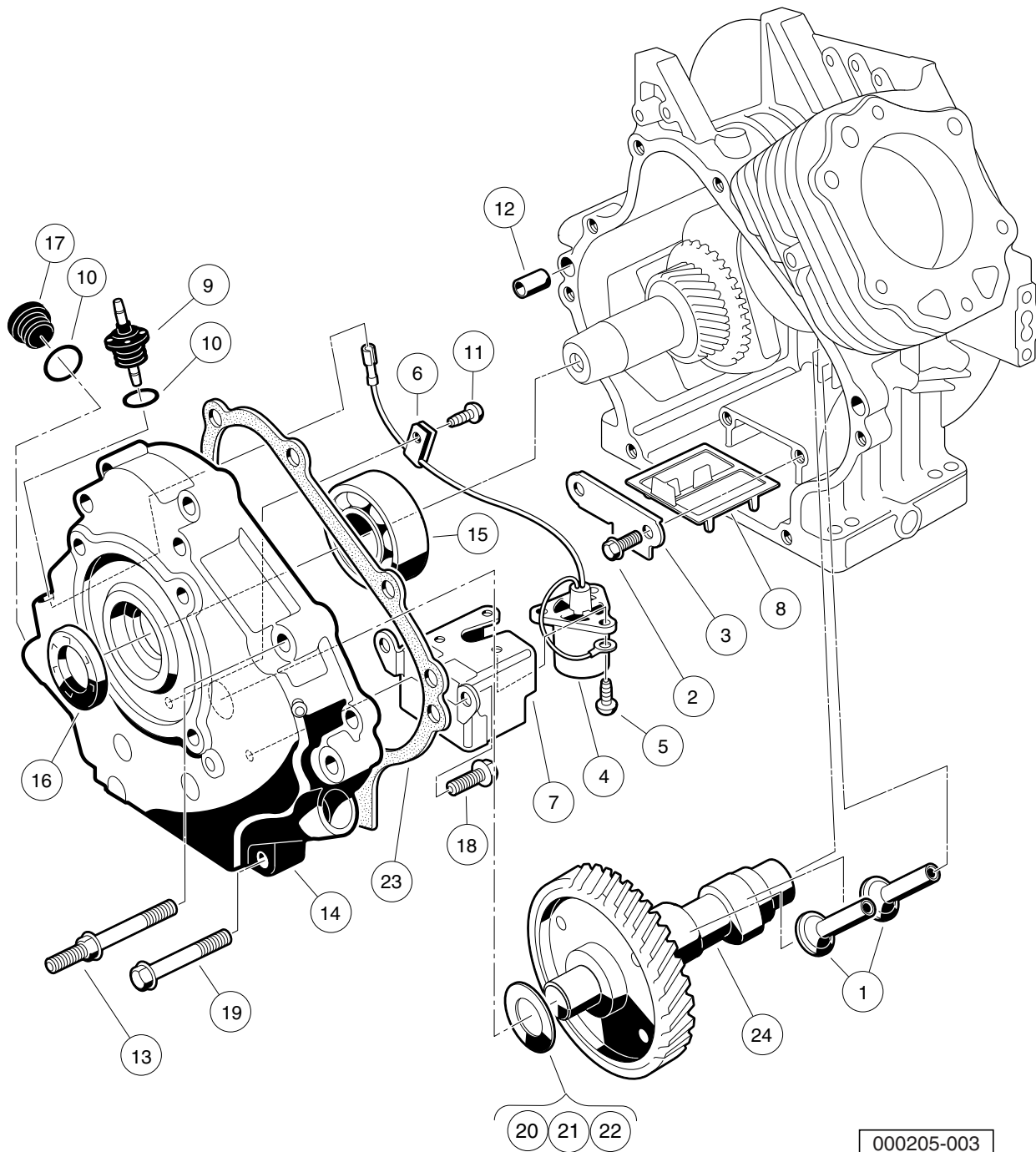


000204-007

FE350 ENGINE (S27) – CYLINDER HEAD

ITEM	PART NO.	DESCRIPTION	QTY
		1 2 3 4	
1	<u>1016436</u>	Gasket, Rocker Case	1
2	<u>1016449</u>	Retainer, Valve Spring	2
3	<u>1016450</u>	Collet	4
4	<u>1016451</u>	Arm, Rocker	2
5	<u>1016452</u>	Shaft, Rocker	1
6	<u>1016458</u>	Bolt, Flange Head, M8 x 1.25 x 45 mm	6
7	<u>1016474</u>	Plate	1
8	<u>1016479</u>	Seat, Spring	2
9	<u>1016483</u>	Valve	1
10	<u>1016489</u>	Stud, Two-Ended, M8-1.25	2
11	<u>1016517</u>	Circlip, Type-E	1
12	<u>1016542</u>	Screw	2
13	<u>1016544</u>	Screw	1
14	<u>1016545</u>	Nut	2
15	<u>1016549</u>	Washer, 12.1x19x1.8	1
16	<u>1016563</u>	Pin	2
17	<u>1016566</u>	Seal, Oil	2
18	<u>1016569</u>	O-Ring	2
19	<u>1016583</u>	Bolt, 6x35	2
20	<u>1017434</u>	Gasket, Head	1
21	<u>1017445</u>	Valve, Exhaust	1
22	<u>1017454</u>	Rod, Push	2
23	<u>1017473</u>	Spring, Engine Valve	2
24	<u>102304801</u>	Kit, Gasket, FE350 (includes items 25 through 28)	1
25	<u>1016440</u>	Gasket, Engine to Insulator	1
26	<u>1016904</u>	Gasket, Exhaust	1
27	<u>1017434</u>	Gasket, Head	1
28	<u>1017443</u>	Gasket, Crankcase Cover	1
29	<u>102753401</u>	Case, Rocker, Fe	1
30	<u>103615601</u>	Cylinder Head (includes items 31 and 32)	1
31	<u>1016519</u>	Guide, Valve, Intake, Exhaust	2
32	<u>1016560</u>	Snap Ring	2
33	<u>103616301</u>	Valve, Intake, Hard Tip	1
		Note: Item 25 is not a component of the FE350 engine.	

11
G

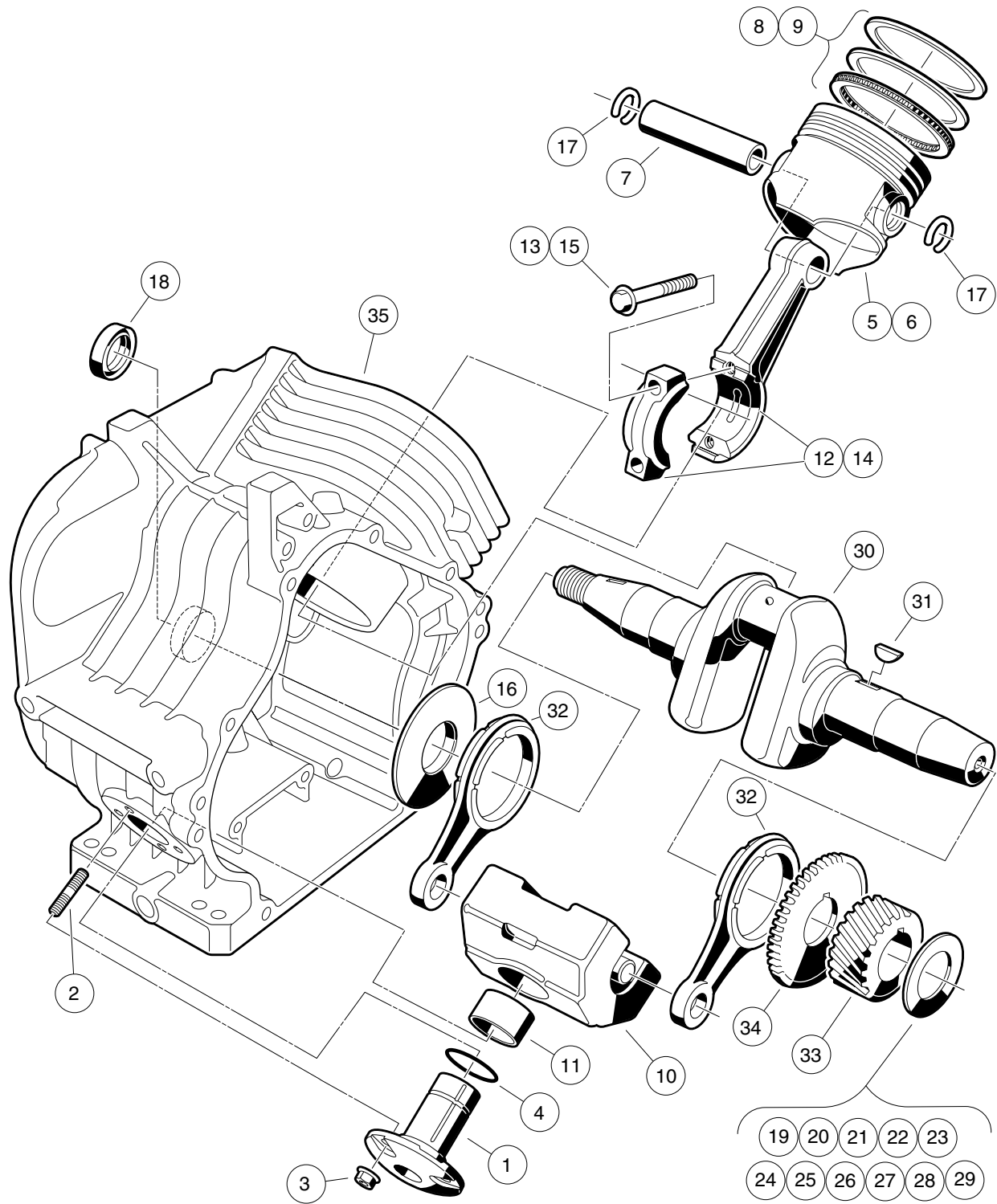


000205-003

FE350 ENGINE (S27) – CRANKCASE, CAMSHAFT, AND OIL SENSOR

ITEM	PART NO.	DESCRIPTION	QTY
		1 2 3 4	
1	1016453	Tapet	2
2	<u>1016454</u>	Bolt, Flange Head, M5 x 0.8 x 8 mm	2
3	<u>1016472</u>	Plate, Oil Filter Screen	1
4	1016494	Sensor, Oil Level	1
5	<u>1016496</u>	Screw, Cross Pan-Head, M4 x 0.7 x 8 mm	3
6	<u>1016506</u>	Clamp	1
7	<u>1016510</u>	Bracket, Switch, Oil Level	1
8	<u>1016521</u>	Screen, Oil Filter	1
9	<u>1016535</u>	Connector, Cord	1
10	<u>1016538</u>	O-Ring	2
11	<u>1016544</u>	Screw	1
12	<u>1016564</u>	Pin	2
13	<u>1016584</u>	Bolt, Two-Ended, M8 x 1.25 x 69 mm	2
14	<u>1017472</u>	Cover Crankcase	1
15	<u>1017487</u>	Bearing, Ball	1
16	<u>1017504</u>	Seal, Oil	1
17	1017508	Plug	1
18	<u>1017513</u>	Bolt Switch Bracket	2
19	<u>1017514</u>	Screw, M8-1.25 X 45mm Hex	6
20	<u>101751801</u>	Shim, 0.3	1
21	<u>101751802</u>	Shim, 0.4	1
22	<u>101751803</u>	Shim, 0.5	1
23	<u>103615901</u>	Gasket, Crankcase Cover	1
24	<u>103616401</u>	Camshaft, Complete	1

11
G

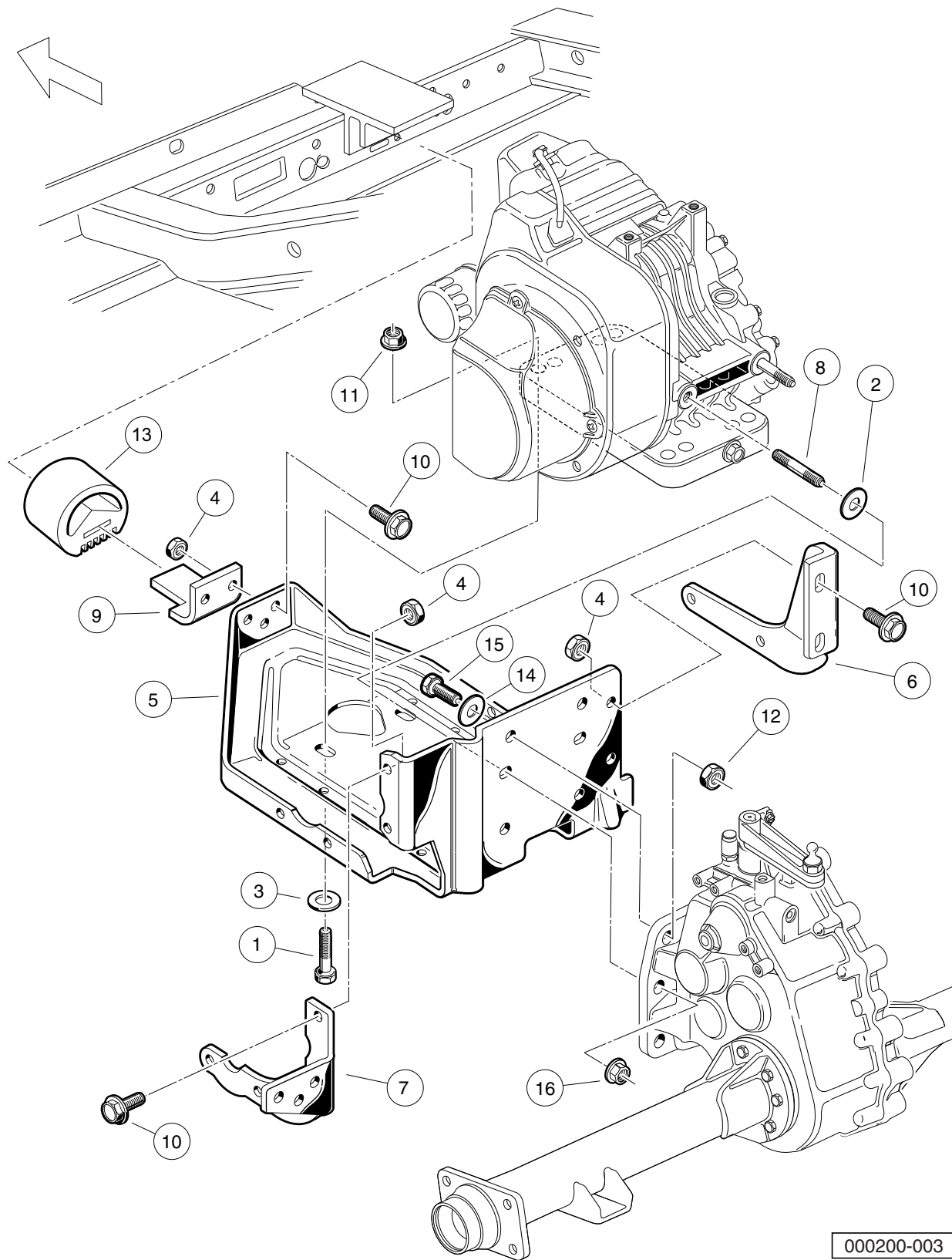


000206-003

FE350 ENGINE (S27) – CRANKCASE AND CRANKSHAFT

ITEM	PART NO.	DESCRIPTION	QTY
		1 2 3 4	
1	1016470	Shaft, Guide, Counterbalance	1
2	<u>1016541</u>	Stud, 6x14	4
3	1016547	Nut, Flanged, M6 X 1.00	4
4	<u>1016571</u>	O-Ring	1
5	<u>101744901</u>	Piston, Standard	1
6	<u>101744902</u>	Piston, 0.50 mm Oversize	1
7	1017450	Pin, Piston	1
8	<u>101745101</u>	Ring Set, Standard Piston	1
9	<u>101745102</u>	Ring Set, Piston, 0.50 mm Oversize	1
10	<u>1017453</u>	Counterbalance Weight (includes item 11)	1
11	1017510	Bearing, Plain	1
12	101745701	Asm, Con. Rod Std (includes item 13)	1
13	<u>1017512</u>	Bolt	2
14	<u>101745702</u>	Asm, Con. Rod 0.5mm U/s (includes item 15)	1
15	<u>1017512</u>	Bolt	2
16	1017501	Spacer	1
17	<u>1017502</u>	Snap Ring	2
18	<u>1017503</u>	Seal, Oil	1
19	<u>101773301</u>	Shim, Crankshaft, 1.18mm	1
20	<u>101773302</u>	Shim, Crankshaft, 1.25mm	1
21	<u>101773303</u>	Shim, Crankshaft, 1.32mm	1
22	<u>101773304</u>	Shim, Crankshaft, 1.39mm	1
23	<u>101773305</u>	Shim, Crankshaft, 1.46mm	1
24	<u>101773306</u>	Shim, Crankshaft, 1.53mm	1
25	<u>101773307</u>	Shim, Crankshaft, 1.60mm	1
26	<u>101773308</u>	Shim, Crankshaft, 1.67mm	1
27	<u>101773309</u>	Shim, Crankshaft, 1.74mm	1
28	<u>101773310</u>	Shim, Crankshaft, 1.11 mm	1
29	<u>101773311</u>	Shim, Crankshaft, 1.81mm	1
30	<u>102430901</u>	Crankshaft, FE350 Left-Hand, 22-Tooth (includes items 31 through 34)	1
31	<u>1016562</u>	Key	1
32	<u>1017471</u>	Rod	2
33	N/A	Gear, Helical	1
34	N/A	Gear, Spur	1
35	<u>103615801</u>	Crankcase, FE350	1

11
G



000200-003

FE350 ENGINE (S27) – MOUNTING

ITEM	PART NO.	DESCRIPTION	QTY
		1 2 3 4	
1	<u>1010577</u>	Bolt, Hex-Head, 5/16-18 X 1.50	4
2	<u>1011697</u>	Washer, 5/16 Flat	2
3	1012571	Washer, 5/16 Extra Thick Flat	4
4	<u>1013924</u>	Nut, 5/16-24, Hex Head Cone	10
5	<u>101827101</u>	Plate, Engine Mounting	1
6	<u>101832601</u>	Stiffener (PTO Side)	1
7	<u>101832701</u>	Stiffener (Flywheel Side)	1
8	<u>101833101</u>	Stud, M8-1.25 X 50 mm Two-Ended	2
9	<u>101834601</u>	Bracket, Snubber	1
10	<u>101884801</u>	Screw, 5/16-24 X 0.875, Grade-8	10
11	<u>101963401</u>	Locknut, 5/16-18 Hex Flange	4
12	<u>102065901</u>	Locknut, 3/8-16 Flanged Dimple	4
13	<u>102540301</u>	Snubber, Inner Frame	1
14	<u>334</u>	Washer, 3/8, Type A, Flat	4
15	705	Screw, Cap-hex Hd 3/8-16x1.25	4
16	<u>96704416</u>	Nut, Flange, M8 X 1.25 Serrated	2

11

G

11

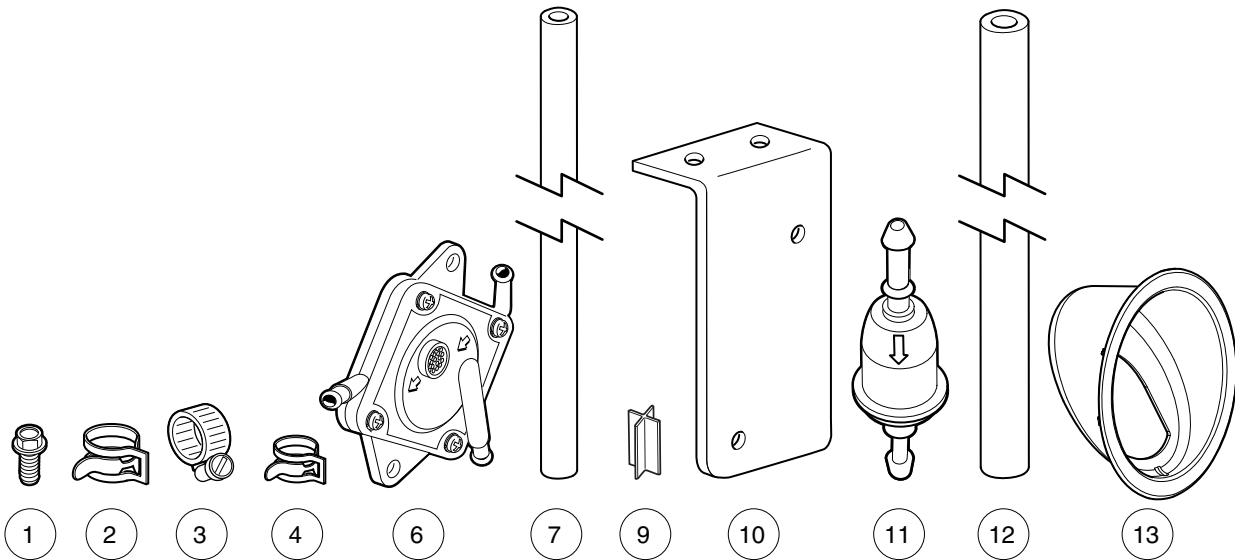
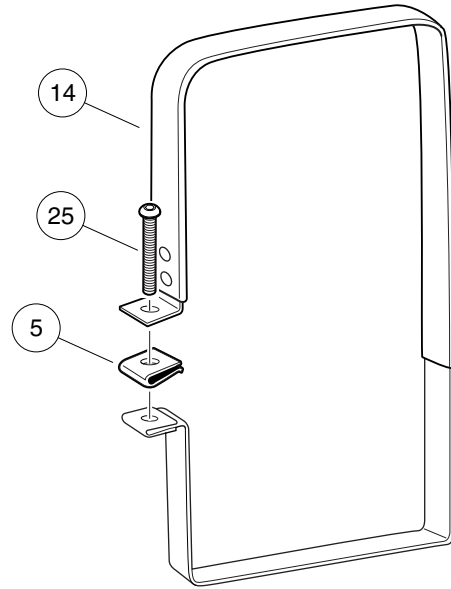
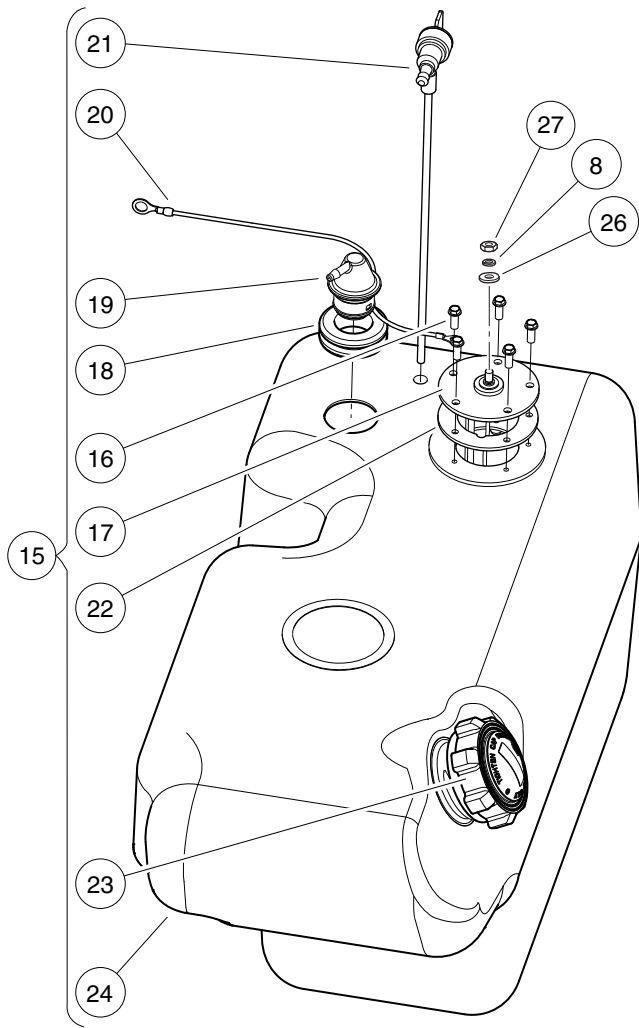
G

FUEL, INTAKE, AND GOVERNOR SYSTEMS

12

G

12
G



001072-001

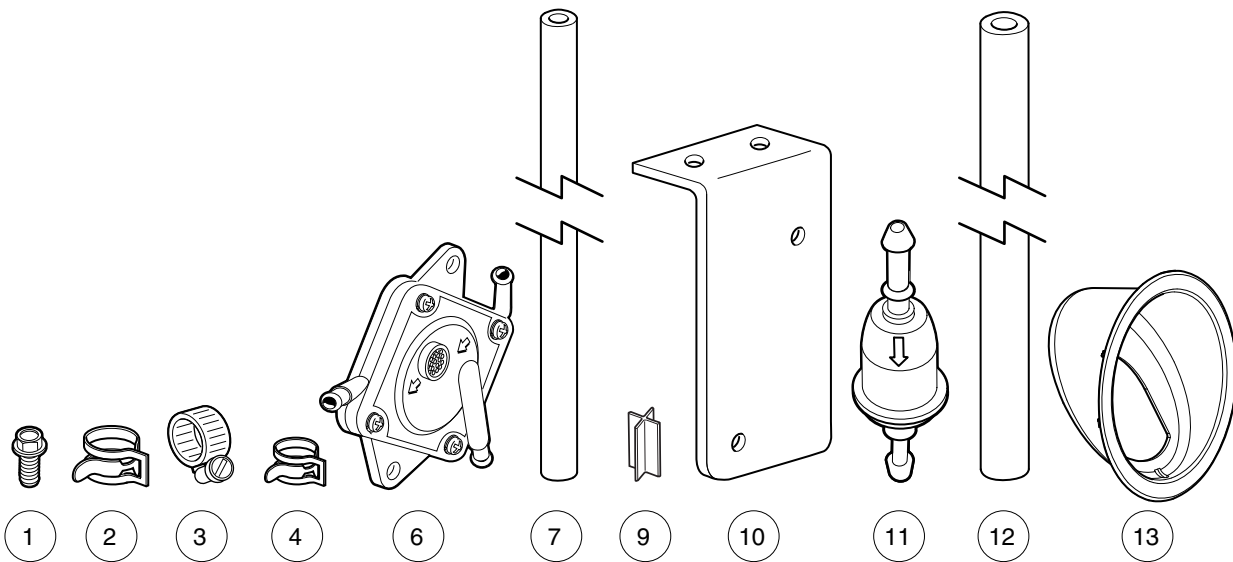
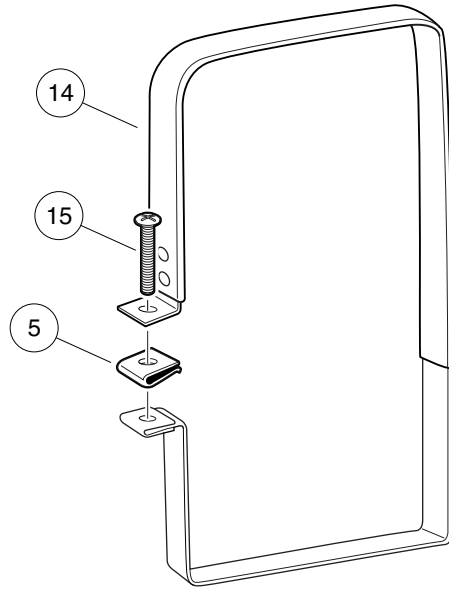
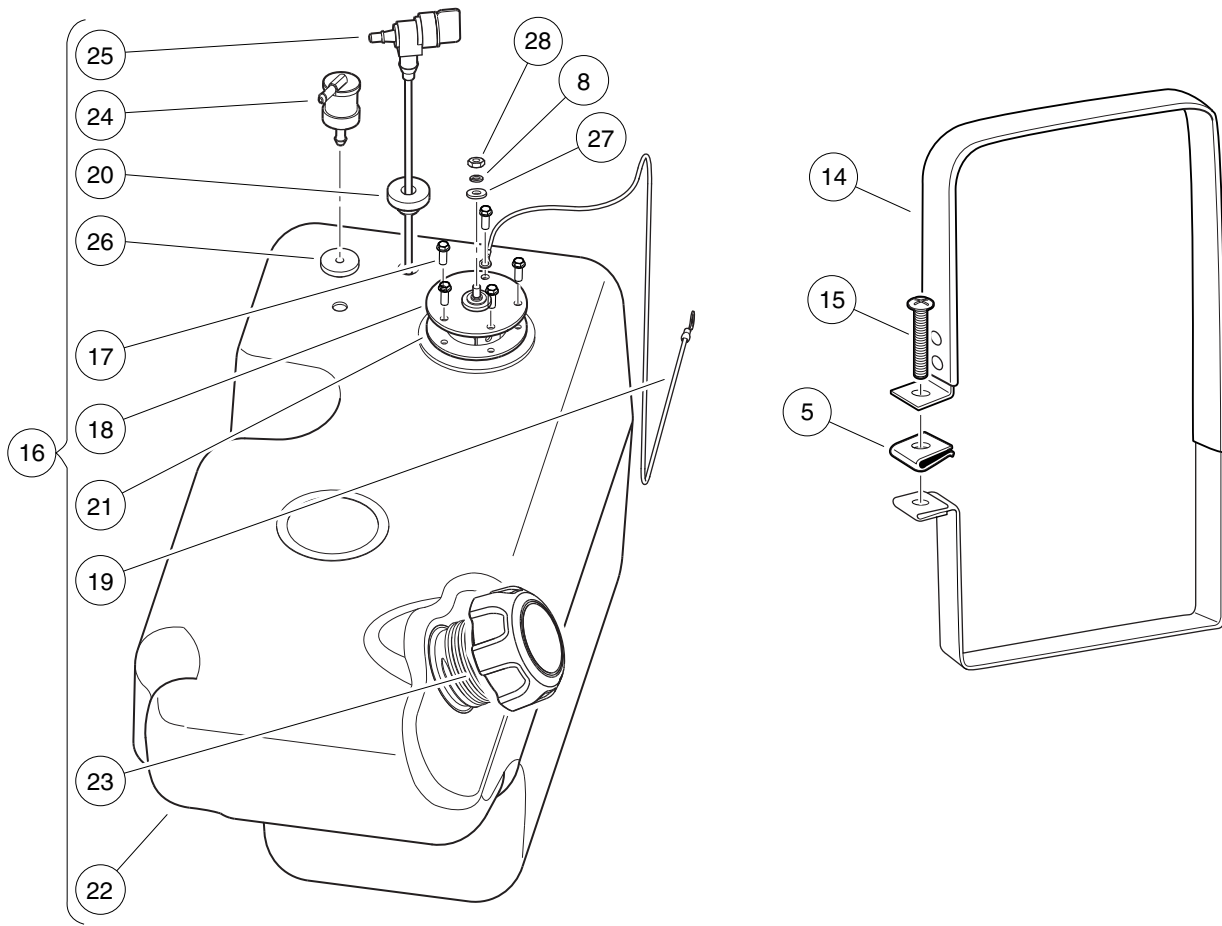
FUEL SYSTEM – 49 STATE

ITEM	PART NO.	DESCRIPTION	QTY
		1 2 3 4	
1	<u>1012285</u>	Screw, 1/4 X 0.625 Hex-Head	4
2	<u>1012649</u>	Clamp, 0.460 Red Hose	8
3	<u>1013687</u>	Clamp, 3/8" Hose (screw type)	1
4	<u>1013746</u>	Clamp, 0.301 ID Hose	2
5	<u>1014116</u>	Nut, 1/4-20 Speed	1
6	<u>1014523</u>	Pump, Impulse Fuel	1
7	<u>1015137</u>	Fuel Line, 3/16 (available by the foot)	A/R
8	<u>1016</u>	Lockwasher, #10 Split	1
9	<u>101824401</u>	Vent Barb	1
10	<u>101929501</u>	Mount Fuel Pump	1
11	<u>102003201</u>	Filter, Fuel, 30 Micron	2
12	<u>102865101</u>	Fuel Line, 1/4 (available by the foot)	A/R
13	<u>102977901</u>	Bezel, Fuel Fill, 5.0 Dia	1
14	<u>102978001</u>	Strap, Fuel Tank, Side Fill	1
15	<u>103187601</u>	Asm, Fuel Tank, Side Fill, Su (includes items 16 through 24)	1
16	<u>1013461</u>	Screw, #10-16 Hex-Head Hi-Lo	5
17	<u>1013462</u>	Sending Unit, Fuel Level *	1
18	<u>1015139</u>	Insulation Grommet	1
19	<u>1015143</u>	Vent, Fuel Tank	1
20	<u>1015921</u>	Wire Assembly #16 Black	1
21	<u>102513701</u>	Valve - Fuel Pickup Tube	1
22	<u>102522001</u>	Gasket, Rubber	1
23	<u>102751601</u>	Cap, Fuel Tank, Gasoline	1
24	<u>102974201</u>	Tank, Fuel, Side Fill	1
25	<u>103306301</u>	Screw, Bhsc, 1/4-20 X 2.0	1
26	<u>183</u>	Washer, #10, Type A, Flat	1
27	<u>8797</u>	Nut, #10-32 Brass Hex	1
		* Note: Must replace fuel sending unit gasket when servicing this component.	

12

G

12
G



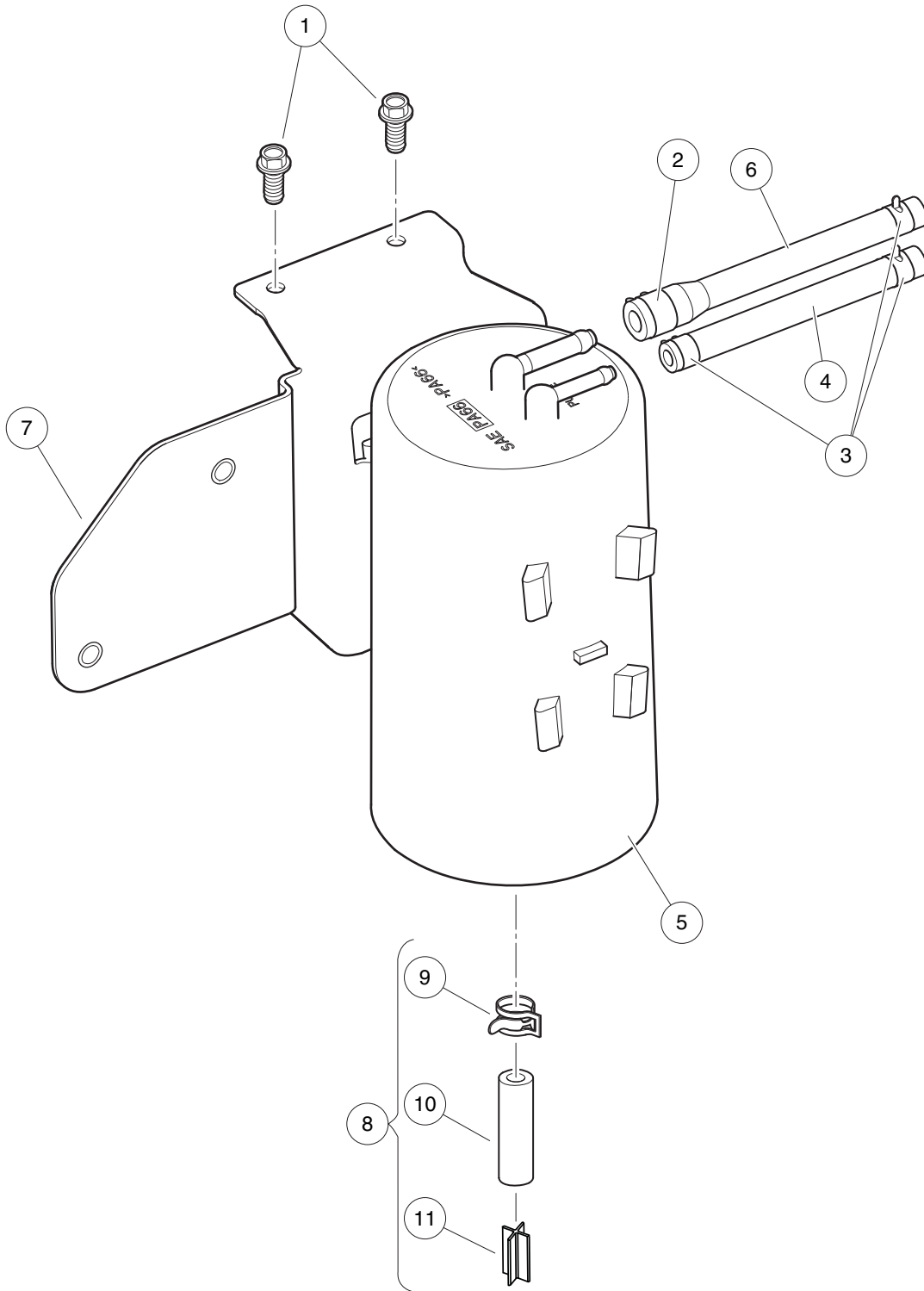
001072-002

FUEL SYSTEM – CALIFORNIA ONLY

ITEM	PART NO.	DESCRIPTION	QTY
		1 2 3 4	
1	<u>1012285</u>	Screw, 1/4 X 0.625 Hex-Head	4
2	<u>1012649</u>	Clamp, 0.460 Red Hose	8
3	<u>1013687</u>	Clamp, 3/8" Hose (screw type)	1
4	<u>1013746</u>	Clamp, 0.301 ID Hose	2
5	<u>1014116</u>	Nut, 1/4-20 Speed	1
6	<u>1014523</u>	Pump, Impulse Fuel	1
7	<u>1015137</u>	Fuel Line, 3/16 (available by the foot)	A/R
8	<u>1016</u>	Lockwasher, #10 Split	1
9	<u>101824401</u>	Vent Barb	1
10	<u>101929501</u>	Mount Fuel Pump	1
11	<u>102003201</u>	Filter, Fuel, 30 Micron	2
12	<u>102865101</u>	Fuel Line, 1/4 (available by the foot)	A/R
13	<u>102977901</u>	Bezel, Fuel Fill, 5.0 Dia	1
14	<u>102978001</u>	Strap, Fuel Tank, Side Fill	1
15	<u>103306301</u>	Screw, Bhsc, 1/4-20 X 2.0	1
16	<u>103369101</u>	Asm, Fuel Tank,side Fill,nano (includes items 17 through 26)	1
17	<u>1013461</u>	Screw, #10-16 Hex-Head Hi-Lo	5
18	<u>1013462</u>	Sending Unit, Fuel Level *	1
19	1015921	Wire Assembly #16 Black	1
20	<u>102406701</u>	Bushing, Line, Return	1
21	<u>102522001</u>	Gasket, Rubber	1
22	N/A	Tank, Fuel,side Fill,nano	1
23	<u>103372101</u>	Cap, Fuel Tank, Gas, Ratchet	1
24	<u>103372201</u>	Vent, Fuel Tank, W/ Valve	1
25	<u>103372301</u>	Valve, Fuel, 259mm	1
26	<u>103374701</u>	Grommet, Fuel Tank Vent	1
27	<u>183</u>	Washer, #10, Type A, Flat	1
28	<u>8797</u>	Nut, #10-32 Brass Hex	1
		* Note: Must replace fuel sending unit gasket when servicing this component.	

12

G



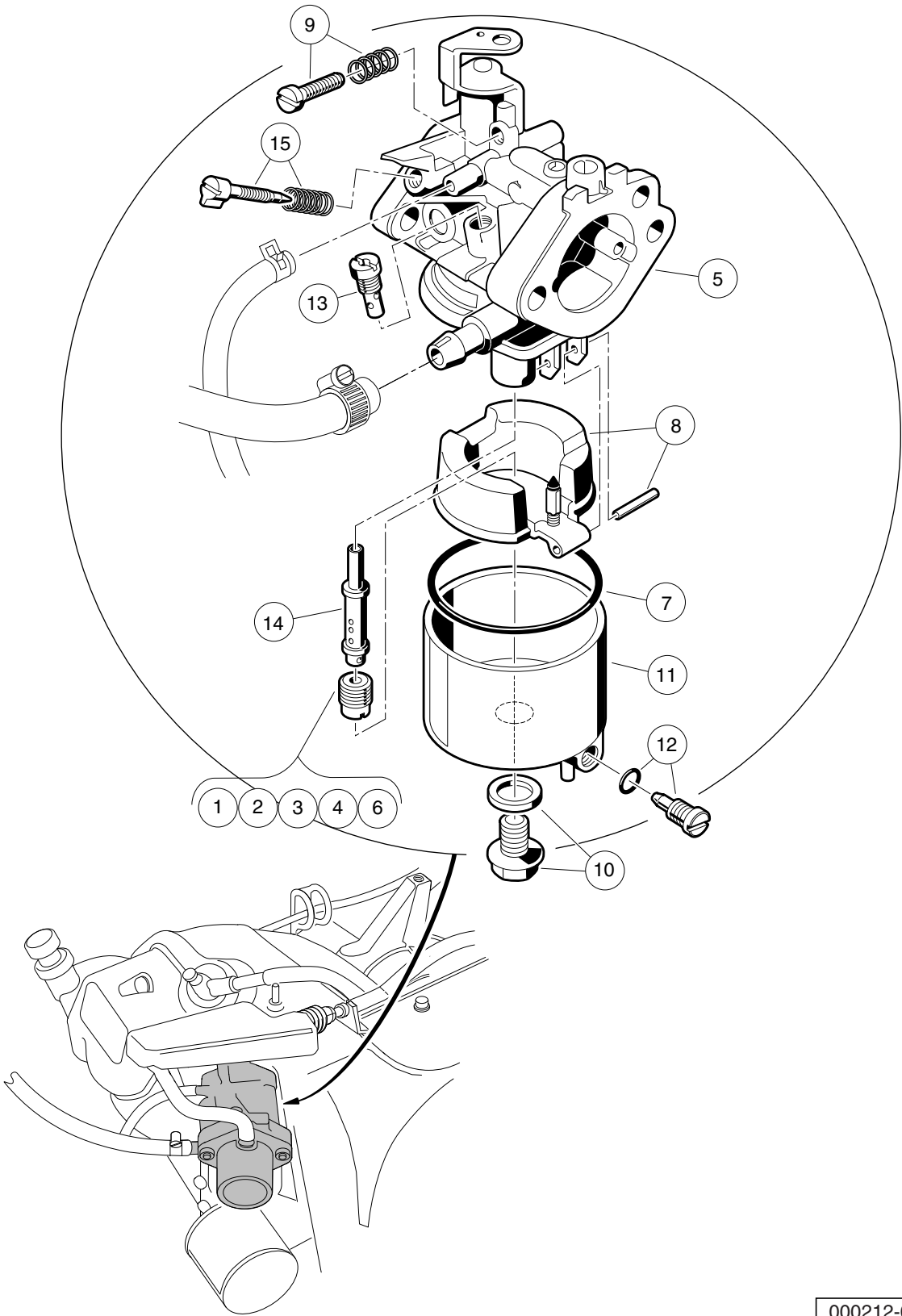
000980-007

CARBON CANISTER – CALIFORNIA ONLY

ITEM	PART NO.	DESCRIPTION	QTY
		1 2 3 4	
1	<u>1012285</u>	Screw, 1/4 X 0.625 Hex-Head	2
2	<u>101313402</u>	Clamp, Green Hose	1
3	<u>1013746</u>	Clamp, 0.301 ID Hose	3
4	<u>1015137</u>	Fuel Line, 3/16 (available by the foot)	A/R
5	<u>103372401</u>	Canister, Carbon	1
6	<u>103372501</u>	Hose, Vent, Flare, 4.7"	1
7	<u>103372801</u>	Bracket, Carbon Canister, Sw	1
8	<u>103418601</u>	Asm, Vent Line, Utility (includes items 9 through 11)	1
9	<u>1012649</u>	Clamp, 0.460 Red Hose	1
10	N/A	Hose, Vent, 5/16 I.D., Bulk	A/R
11	N/A	Vent, Barb, 5/16 I.D. Hose	1

12
G

12
G



000212-001

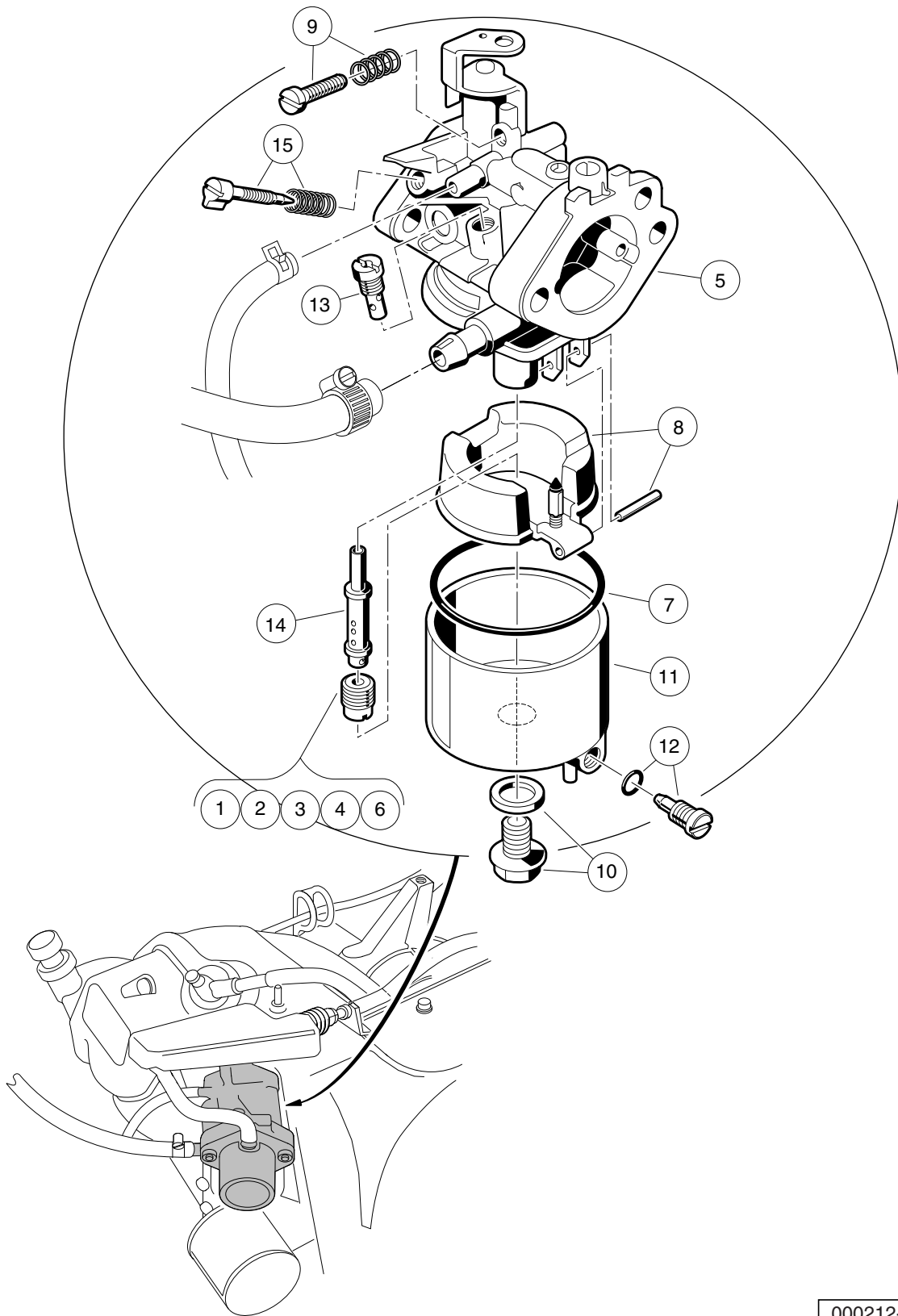
CARBURETOR ASSEMBLY, FE350 S10 AND S11

ITEM	PART NO.	DESCRIPTION	QTY
		1 2 3 4	
1	<u>101642575</u>	Jet, Altitude, # 75	1
2	<u>101642578</u>	Jet, Altitude, # 78	1
3	<u>101642580</u>	Jet, Altitude, # 80	1
4	<u>101642582</u>	Jet, Altitude, # 82	1
5	<u>103524501</u>	Carburetor, Fe350d Hs (includes items 6 through 15)	1
6	<u>101642585</u>	Jet, Altitude, # 85	1
7	<u>1016437</u>	Gasket, Carburetor Bowl OHV	1
8	<u>1016486</u>	Float Assembly	1
9	<u>1016501</u>	Screw Assembly	1
10	<u>1016585</u>	Bolt	1
11	<u>1017461</u>	Chamber Assembly, Float (includes item 12)	1
12	<u>1016499</u>	Screw Assembly	1
13	<u>101973101</u>	Jet, #40 Pilot	1
14	<u>101973301</u>	Nozzle, Main	1
15	N/A	Assembly, Pilot Air Screw	1
<p>Note: <u>103524501</u> Carburetor Assy is backwards compatible for the S11 Engines. Jets: <u>101642585</u> for 0 - 3,000 feet; <u>101642582</u> for 3,000 - 5,000 feet; <u>101642580</u> for 5,000 - 8,000 feet; <u>101642578</u> for 8,000 - 10,000 feet; <u>101642575</u> for 10,000 feet and higher.</p>			

12

G

12
G



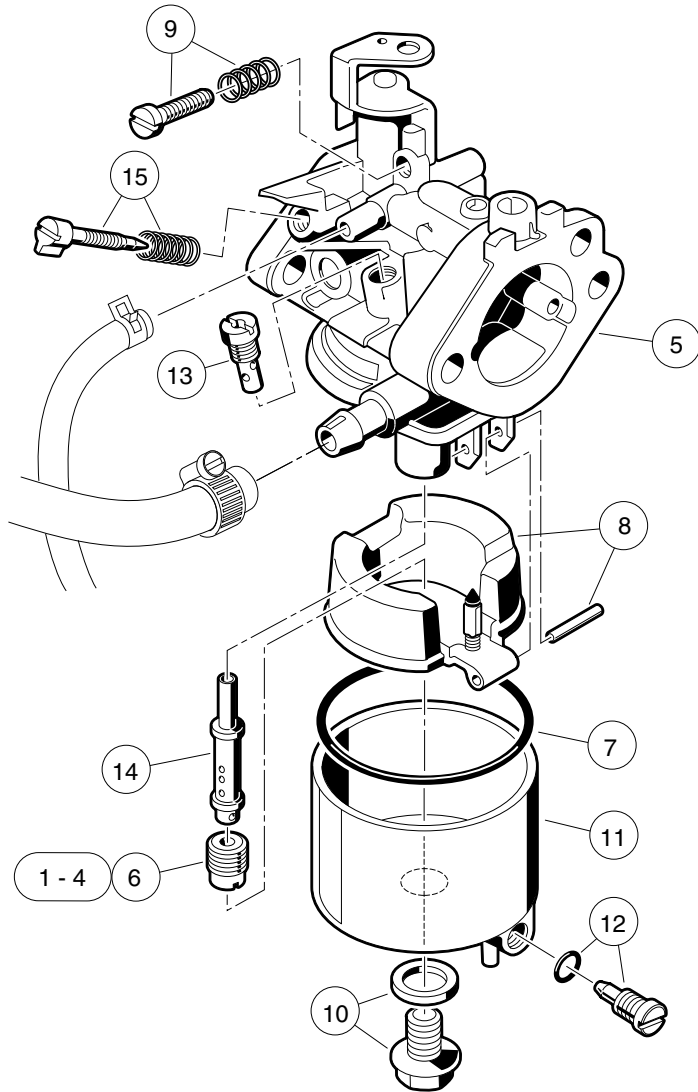
000212-001

CARBURETOR ASSEMBLY, FE350 S23 AND S24

ITEM	PART NO.	DESCRIPTION	QTY
		1 2 3 4	
1	<u>101642575</u>	Jet, Altitude, # 75	1
2	<u>101642578</u>	Jet, Altitude, # 78	1
3	<u>101642580</u>	Jet, Altitude, # 80	1
4	<u>101642582</u>	Jet, Altitude, # 82	1
5	<u>101905901</u>	Carburetor, FE350D (includes items 6 through 15)	1
6	<u>101642585</u>	Jet, Altitude, # 85	1
7	<u>1016437</u>	Gasket, Carburetor Bowl OHV	1
8	<u>1016486</u>	Float Assembly	1
9	<u>1016501</u>	Screw Assembly	1
10	<u>1016585</u>	Bolt	1
11	<u>1017461</u>	Chamber Assembly, Float (includes item 12)	1
12	<u>1016499</u>	Screw Assembly	1
13	<u>101973101</u>	Jet, #40 Pilot	1
14	<u>101973301</u>	Nozzle, Main	1
15	N/A	Assembly, Pilot Air Screw	1
<p>Note: Jets- <u>101642585</u> for 0 - 3,000 feet; <u>101642582</u> for 3,000 - 5,000 feet; <u>101642580</u> for 5,000 - 8,000 feet; <u>101642578</u> for 8,000 - 10,000 feet; <u>101642575</u> for 10,000 feet and higher.</p>			

12

G



000212-002

CARBURETOR ASSEMBLY – FE350 S27

ITEM	PART NO.	DESCRIPTION	QTY
		1 2 3 4	
1	<u>101642575</u>	Jet, Altitude, # 75	1
2	<u>101642578</u>	Jet, Altitude, # 78	1
3	<u>101642580</u>	Jet, Altitude, # 80	1
4	<u>101642582</u>	Jet, Altitude, # 82	1
5	<u>103617101</u>	Carburetor, FE350 S27 (includes items 6 through 15)	1
6	<u>101642585</u>	Jet, Altitude, # 85	1
7	<u>1016437</u>	Gasket, Carburetor Bowl OHV	1
8	<u>1016486</u>	Float Assembly	1
9	<u>1016501</u>	Screw Assembly	1
10	<u>1016585</u>	Bolt	1
11	<u>1017461</u>	Chamber Assembly, Float (includes item 12)	1
12	<u>1016499</u>	Screw Assembly	1
13	<u>101973101</u>	Jet, #40 Pilot	1
14	<u>101973301</u>	Nozzle, Main	1
15	N/A	Assembly, Pilot Air Screw	1
Note: <u>101642585</u> for 0 - 3,200 feet; <u>101642582</u> for 3,200 - 6,500 feet; <u>101642580</u> for 6,500 - 9,800 feet; <u>101642578</u> for 9,800 feet and above.			

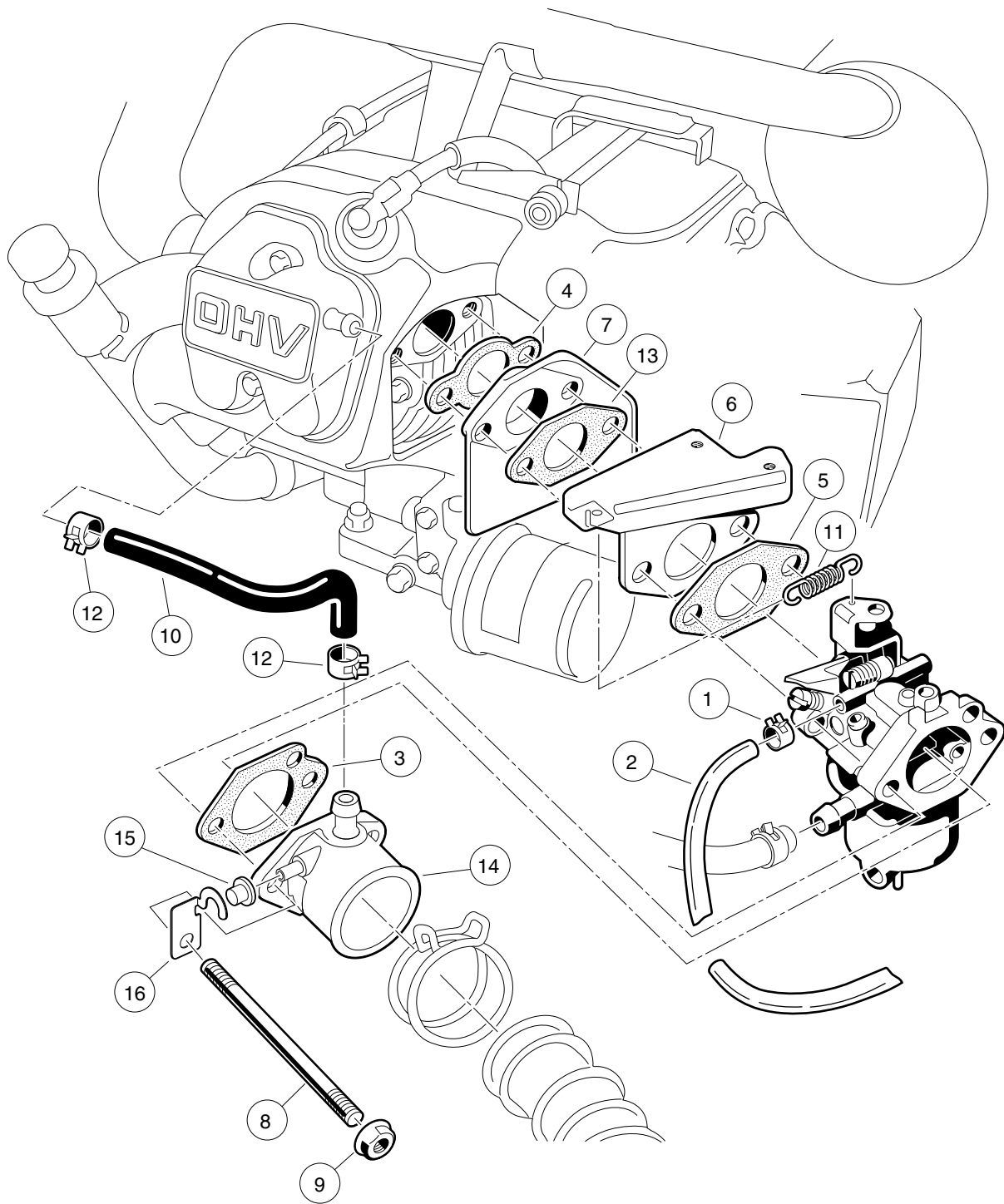
12

G

CARBURETOR MOUNTING, UTILITY, FE350 S10 AND S11

ITEM	PART NO.	DESCRIPTION	QTY
		1 2 3 4	
1	<u>1013746</u>	Clamp, 0.301 ID Hose	1
2	<u>1015137</u>	Fuel Line, 3/16 (available by the foot)	1
3	<u>1016438</u>	Gasket, Carb To Intake Manifold	1
4	<u>1016440</u>	Gasket, Engine to Insulator	1
5	<u>1016441</u>	Gasket, Sprg Brkt To Carb OHV	1
6	<u>1016444</u>	Bracket, Throttle Spring Return	1
7	1016480	Pipe, Intake Manifold	1
8	101648102	Insulator, Carburetor	1
9	<u>101649002</u>	Stud, M6-1.00 Two-Ended	2
10	1016547	Nut, M6 Flange	2
11	<u>1016572</u>	Tube, Crankcase Vent	1
12	<u>1016582</u>	Spring, Throttle Return	1
13	<u>1017466</u>	Clamp	2
14	<u>101973401</u>	Gasket, Insulator To Bracket	1

12
G



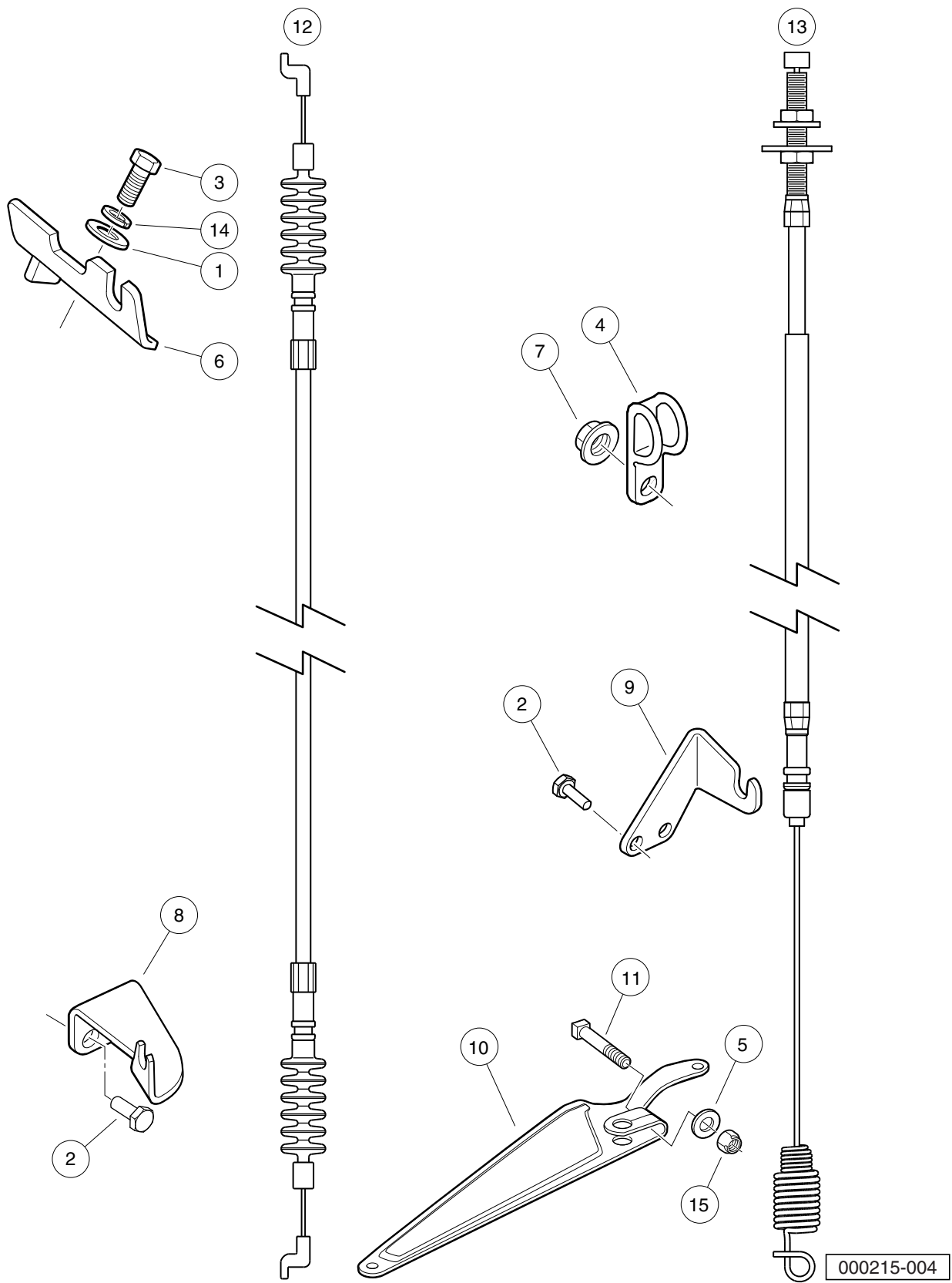
000214-002

CARBURETOR MOUNTING, UTILITY, FE350 S23 S24 S27

ITEM	PART NO.	DESCRIPTION	QTY
		1 2 3 4	
1	<u>1013746</u>	Clamp, 0.301 ID Hose	1
2	<u>1015137</u>	Fuel Line, 3/16 (available by the foot)	1
3	<u>1016438</u>	Gasket, Carb To Intake Manifold	1
4	<u>1016440</u>	Gasket, Engine to Insulator	1
5	<u>1016441</u>	Gasket, Sprg Brkt To Carb OHV	1
6	<u>1016444</u>	Bracket, Throttle Spring Return	1
7	101648102	Insulator, Carburetor	1
8	<u>101649002</u>	Stud, M6-1.00 Two-Ended	2
9	1016547	Nut, M6 Flange	2
10	<u>1016572</u>	Tube, Crankcase Vent	1
11	<u>1016582</u>	Spring, Throttle Return	1
12	<u>1017466</u>	Clamp	2
13	<u>101973401</u>	Gasket, Insulator To Bracket	1
14	103507101	Carburetor Adapter w/ Tap	1
15	103507201	Plug, Intake Manifold, Carb	1
16	103507301	Bracket, Intake Manifold, Carb	1

12
G

12
G



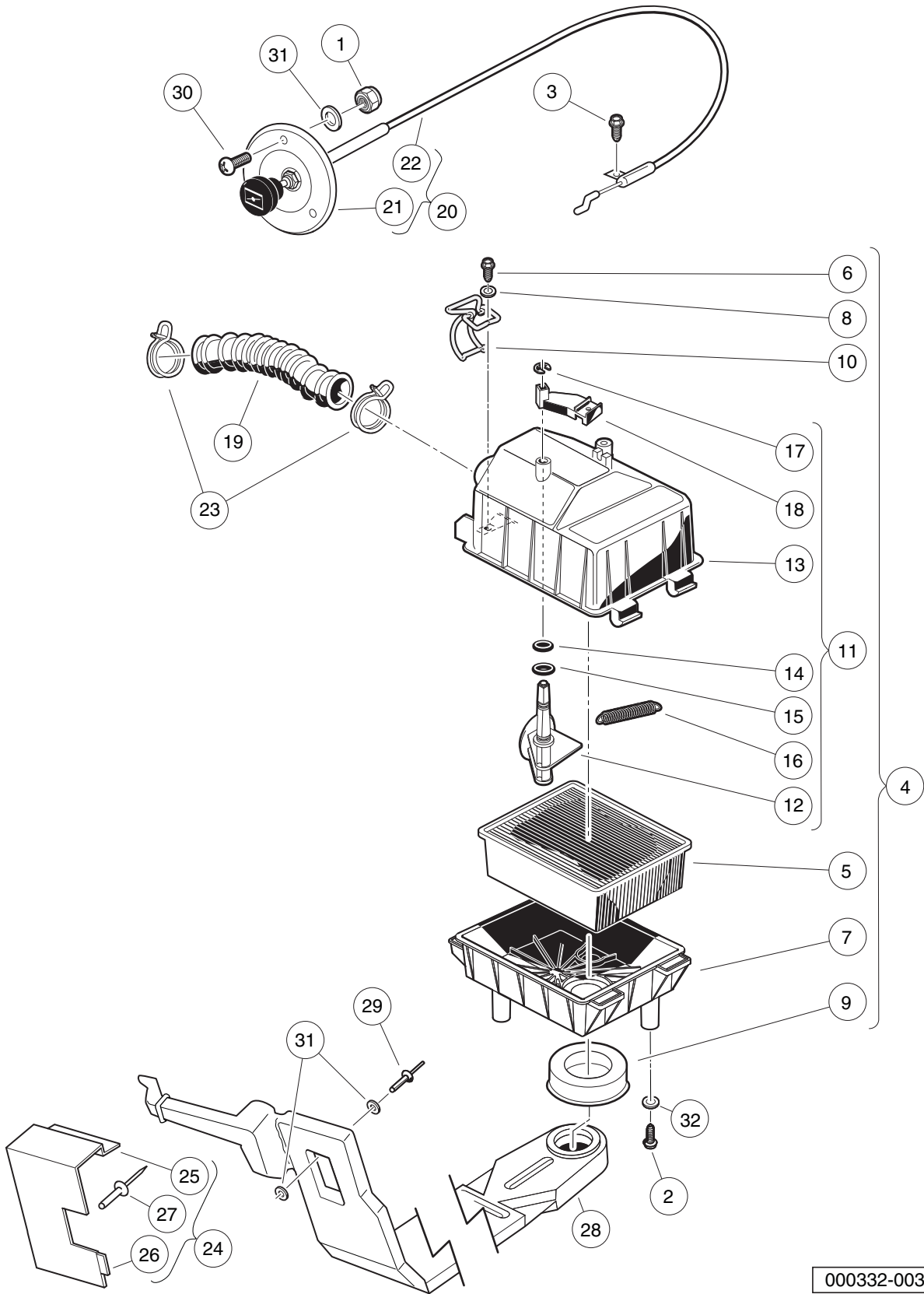
000215-004

GOVERNOR AND ACCELERATOR CABLES

ITEM	PART NO.	DESCRIPTION	QTY
		1 2 3 4	
1	<u>1011697</u>	Washer, 5/16 Flat	1
2	<u>1012285</u>	Screw, 1/4 X 0.625 Hex-Head	4
3	<u>1012830</u>	Screw, M8-125 X 22 Hex-Head	1
4	<u>1013700</u>	Clamp	2
5	<u>1014007</u>	Washer, 1/4, Flat	1
6	<u>101584502</u>	Bracket, Governor Cable Snap-In	1
7	<u>1016546</u>	Nut	2
8	<u>101832202</u>	Bracket, Rear Governor Cable Snap-In	1
9	<u>101832302</u>	Bracket, Rear Accelerator Cable Snap-In	1
10	<u>101834801</u>	Arm, Governor	1
11	<u>101886101</u>	Screw, 1/4-20 X 1.00, Square-Head	1
12	<u>102336001</u>	Cable, Governor, Snap-In	1
13	<u>102336101</u>	Cable, Accelerator, Snap-In	1
14	<u>7174</u>	Lockwasher, 5/16 Split	1
15	<u>8233</u>	Locknut, 1/4-20, Nylon Insert	1

12

G



000332-003

AIR FILTER AND INTAKE SYSTEM

ITEM	PART NO.	DESCRIPTION	QTY
		1 2 3 4	
1	<u>1012438</u>	Locknut, #10-24 Nylon Insert	3
2	<u>1015752</u>	Screw, #12-16 X 0.625, Hi-Lo	3
3	<u>101804301</u>	Screw, #8 X 0.500, Hex-Head Hi-Lo	1
4	<u>101821501</u>	Assembly, Air Box (includes items 5 through 11)	1
5	<u>1015426</u>	Filter, Air	1
6	<u>101804301</u>	Screw, #8 X 0.500, Hex-Head Hi-Lo	2
7	<u>101811901</u>	Bottom, Air Box	1
8	<u>101881701</u>	Washer, #8 Stainless-Steel Flat	2
9	<u>101921501</u>	Seal, Intake	1
10	<u>101925701</u>	Latch, Wireform	2
11	<u>101972801</u>	Top Assy, Air Box (includes items 12 through 18)	1
12	N/A	Valve, Choke	1
13	N/A	Top, Air Box	1
14	N/A	O-Ring, 5/16	1
15	N/A	O-Ring, 3/8	1
16	<u>101812301</u>	Spring, Extension Return	1
17	<u>101813001</u>	Retaining Ring 0.25, Shaft	1
18	<u>101917601</u>	Lever, Choke	1
19	<u>101837101</u>	Hose, Air Intake	1
20	<u>101926801</u>	Cable, Choke (includes items 21 and 22)	1
21	<u>101933701</u>	Bezel, Choke Cable	1
22	N/A	Choke Cable without Bezel, Short	1
23	<u>101971301</u>	Clamp, 1.58" ID Hose	2
24	<u>102190702</u>	Kit, Air Duct Shield (includes items 25 through 27)	1
25	<u>102185401</u>	Tape, 3M VHB 4950	1
26	N/A	Shield, Air Duct	1
27	<u>7973</u>	Rivet, 3/16 X .400 Blind	1
28	<u>103520401</u>	Duct, Air Intake, Ca li	1
29	<u>1606</u>	Rivet, 3/16 X .500 Alum Pop	2
30	<u>1631</u>	Screw, #10-24 X 0.75 Phillips Pan-Head	3
31	<u>183</u>	Washer, #10, Type A, Flat	7
32	<u>332</u>	Washer, 1/4 Type A Narrow Flat	3

12

G

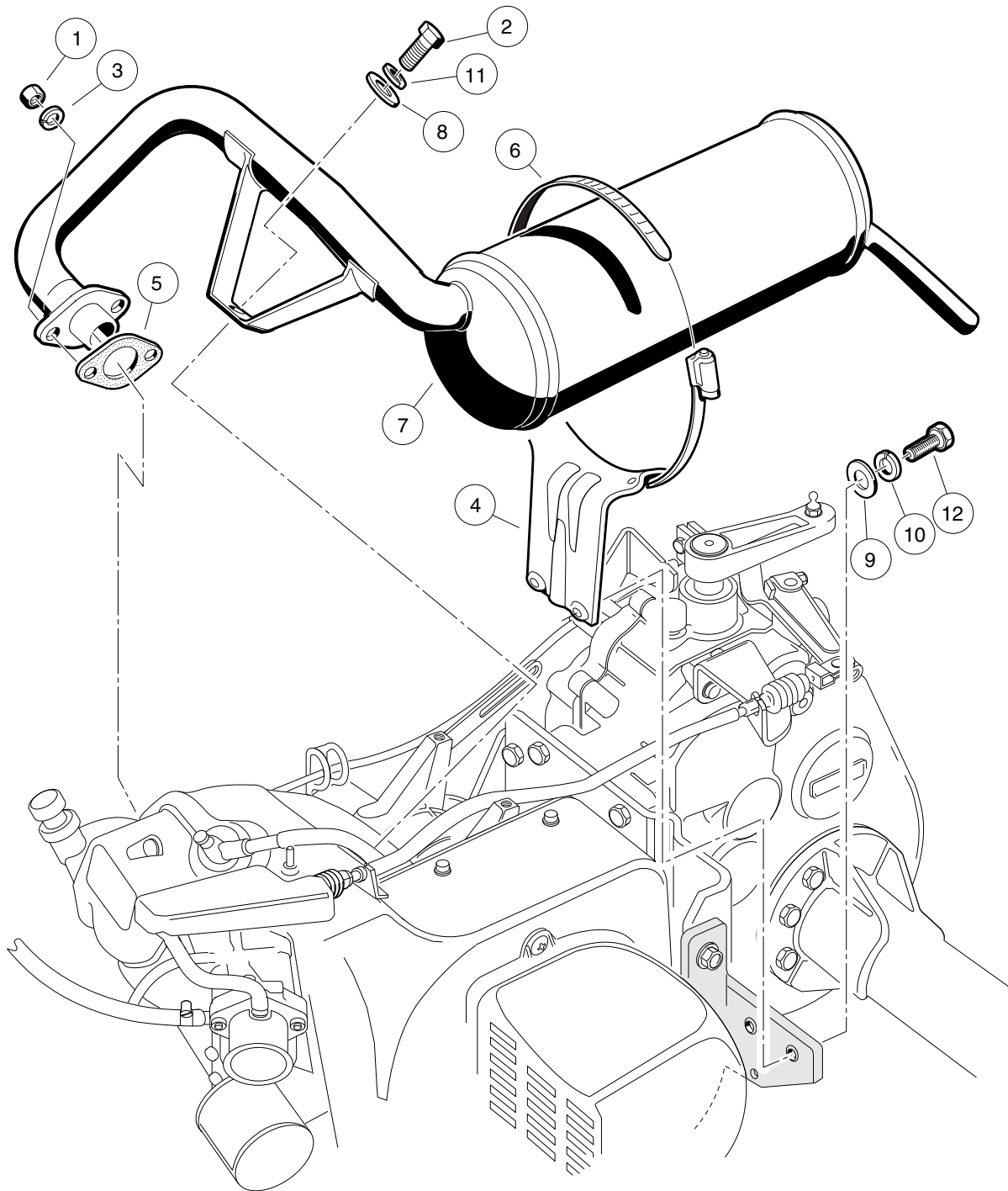
12

G

EXHAUST SYSTEM

13

G



000209-001

EXHAUST SYSTEM – FE350 ENGINE

ITEM	PART NO.	DESCRIPTION	QTY
		1 2 3 4	
1	<u>1012528</u>	Nut, M8-1.25 Hex	2
2	<u>1012830</u>	Screw, M8-125 X 22 Hex-Head	1
3	<u>1013734</u>	Lockwasher, 8mm Split	2
4	<u>1015814</u>	Bracket, Muffler Mounting	1
5	<u>1016904</u>	Gasket, Exhaust	1
6	1017689	Clamp, 5" Muffler Hose	1
7	<u>101859401</u>	Exhaust System, FE350	1
8	<u>1241</u>	Washer, 5/16 Type A Flat	1
9	<u>332</u>	Washer, 1/4 Type A Narrow Flat	2
10	<u>451</u>	Lockwasher, 1/4 Split	2
11	<u>7174</u>	Lockwasher, 5/16 Split	1
12	<u>7847</u>	Screw, 1/4-20 X 0.75 Hex-Head Cap	2

13

G

13

G

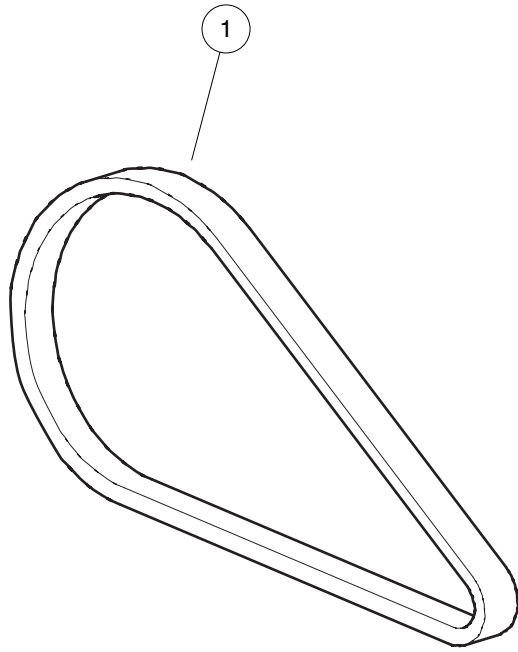
DRIVE BELT AND CLUTCHES

14

G

14

G

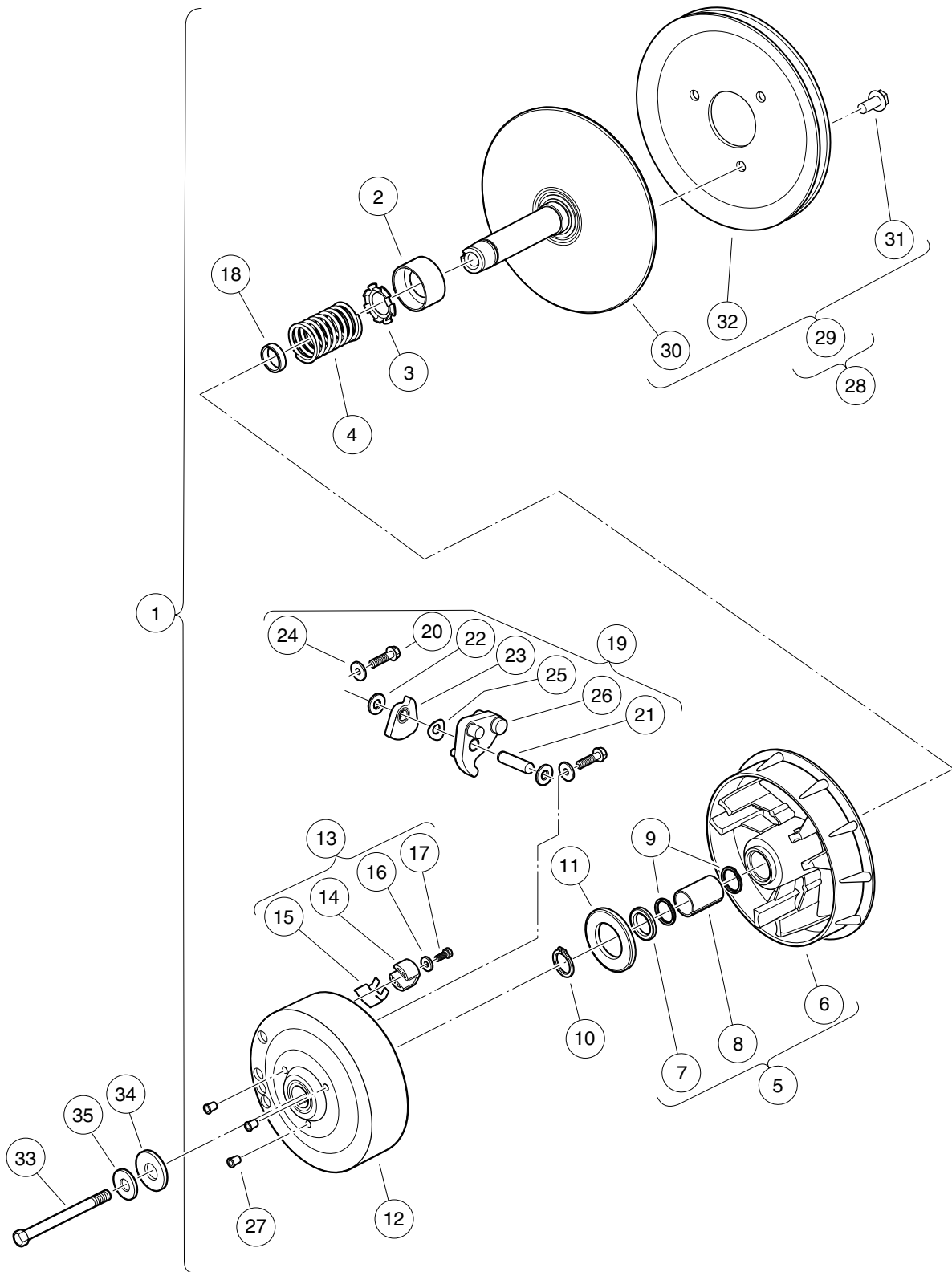


000918-001

DRIVE BELT

ITEM	PART NO.	DESCRIPTION	QTY
1	<u>1017188</u>	1 2 3 4 Belt, Drive (FE350)	1

14
G

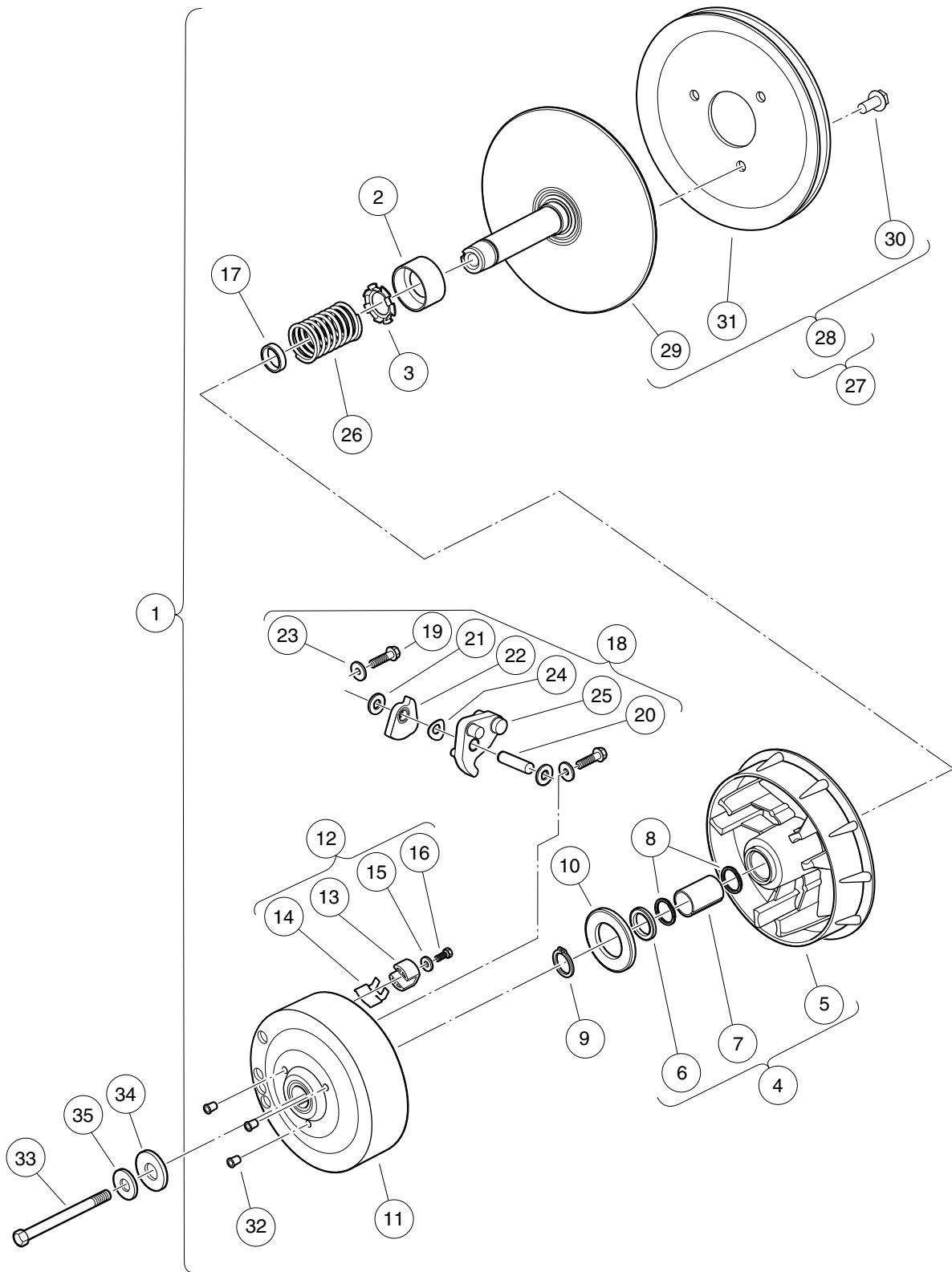


000217-006

DRIVE CLUTCH – TURF/CARRYALL 2 AND 252

ITEM	PART NO.	DESCRIPTION	QTY
		1 2 3 4	
1	<u>101833902</u>	Clutch, Drive (includes items 2 through 28)	1
2	1014049	Bearing, Idler	1
3	<u>1014050</u>	Retainer, Spring	1
4	<u>1014051</u>	Spring, Drive Clutch	1
5	1014052	Movable-Face Assembly (includes items 6 through 8)	1
6	N/A	Drive Clutch Movable Face	1
7	<u>1014055</u>	Retainer	1
8	N/A	Bushing, Split, Drive Clutch	1
9	<u>1014056</u>	Ring, Spiral Backup	2
10	<u>1014057</u>	Ring, 0.810" Internal Retaining	1
11	1014058	Thrust Washer	1
12	1014059	Drive Hub Assy, Drive Clutch	1
13	<u>1014453</u>	Kit, Drive Clutch Button (includes items 14 through 17)	1
14	<u>1014062</u>	Driver, Drive Clutch	3
15	<u>1014287</u>	Spring, Drive Button	3
16	<u>183</u>	Washer, #10, Type A, Flat	3
17	<u>8450</u>	Screw, #10-24 X 0.50, Hex-Head	3
18	<u>1016289</u>	Spacer, Fixed Face Shaft	1
19	<u>1016801</u>	Kit, Drive Clutch Weight (includes items 20 through 26)	1
20	<u>1014063</u>	Screw, 1/4-20 X 1.00, Hex Head	6
21	N/A	Pin, Dowel, 0.3752 x 1.50	3
22	<u>1014065</u>	Washer, Flat, 0.38" ID, Delrin	6
23	N/A	Clutch Weight, Secondary	3
24	N/A	Washer	6
25	<u>1016201</u>	Washer, Wave	3
26	N/A	Weight, Primary	3
27	<u>101925601</u>	Plug, Drive Clutch	3
28	<u>101929802</u>	Kit, Fxd Face Dr Asm Fe290/350 (includes item 29)	1
29	N/A	Assembly, Fixed-Face Drive (includes items 30 through 32)	1
30	N/A	Fixed Face Assembly, Drive Clutch	1
31	<u>1014288</u>	Screw, 5/16-18 X 0.75, Thread-Forming	3
32	N/A	Pulley, Clutch	1
33	<u>103345701</u>	Screw 3/8-24x5.5 Hex Loc Ptch	1
34	<u>334</u>	Washer, 3/8, Type A, Flat	1
35	<u>808</u>	Washer, 3/8 Type B Flat	1

14
G



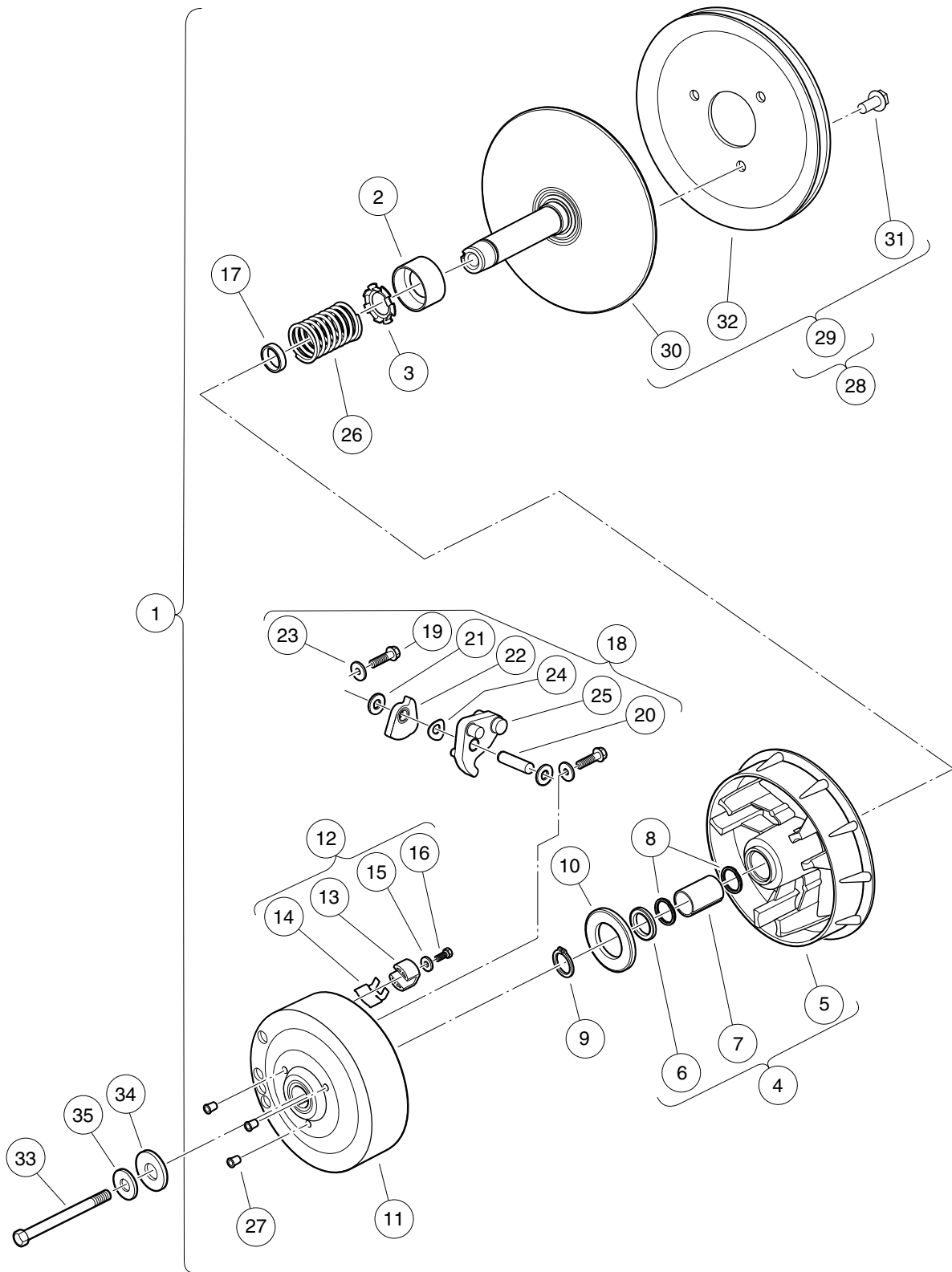
000217-007

DRIVE CLUTCH – CARRYALL 2 PLUS WITH 101953801 & 03 ENGINES ONLY

14

G

ITEM	PART NO.	DESCRIPTION	QTY
		1 2 3 4	
1	<u>101833904</u>	Assembly, Drive Clutch (includes items 2 through 32)	1
2	1014049	Bearing, Idler	1
3	<u>1014050</u>	Retainer, Spring	1
4	1014052	Movable-Face Assembly (includes items 5 through 7)	1
5	N/A	Drive Clutch Movable Face	1
6	<u>1014055</u>	Retainer	1
7	N/A	Bushing, Split, Drive Clutch	1
8	<u>1014056</u>	Ring, Spiral Backup	2
9	<u>1014057</u>	Ring, 0.810" Internal Retaining	1
10	1014058	Thrust Washer	1
11	1014059	Drive Hub Assy, Drive Clutch	1
12	<u>1014453</u>	Kit, Drive Clutch Button (includes items 13 through 16)	1
13	<u>1014062</u>	Driver, Drive Clutch	3
14	<u>1014287</u>	Spring, Drive Button	3
15	<u>183</u>	Washer, #10, Type A, Flat	3
16	<u>8450</u>	Screw, #10-24 X 0.50, Hex-Head	3
17	<u>1016289</u>	Spacer, Fixed Face Shaft	1
18	<u>1016801</u>	Kit, Drive Clutch Weight (includes items 19 through 25)	1
19	<u>1014063</u>	Screw, 1/4-20 X 1.00, Hex Head	6
20	N/A	Pin, Dowel, 0.3752 x 1.50	3
21	<u>1014065</u>	Washer, Flat, 0.38" ID, Delrin	6
22	N/A	Clutch Weight, Secondary	3
23	N/A	Washer	6
24	<u>1016201</u>	Washer, Wave	3
25	N/A	Weight, Primary	3
26	<u>1016901</u>	Spring, Drive Clutch	1
27	101738302	Kit, Fixed Face - Drive (includes item 28)	1
28	<u>101738301</u>	Fixed Face Drive (includes items 29 through 31)	1
29	N/A	Fixed Face Assembly, Drive Clutch	1
30	<u>1014288</u>	Screw, 5/16-18 X 0.75, Thread-Forming	3
31	1016011	Pulley, Drive Clutch	1
32	N/A	Cap Plug	3
33	<u>103345701</u>	Screw 3/8-24x5.5 Hex Loc Ptch	1
34	<u>334</u>	Washer, 3/8, Type A, Flat	1
35	<u>808</u>	Washer, 3/8 Type B Flat	1

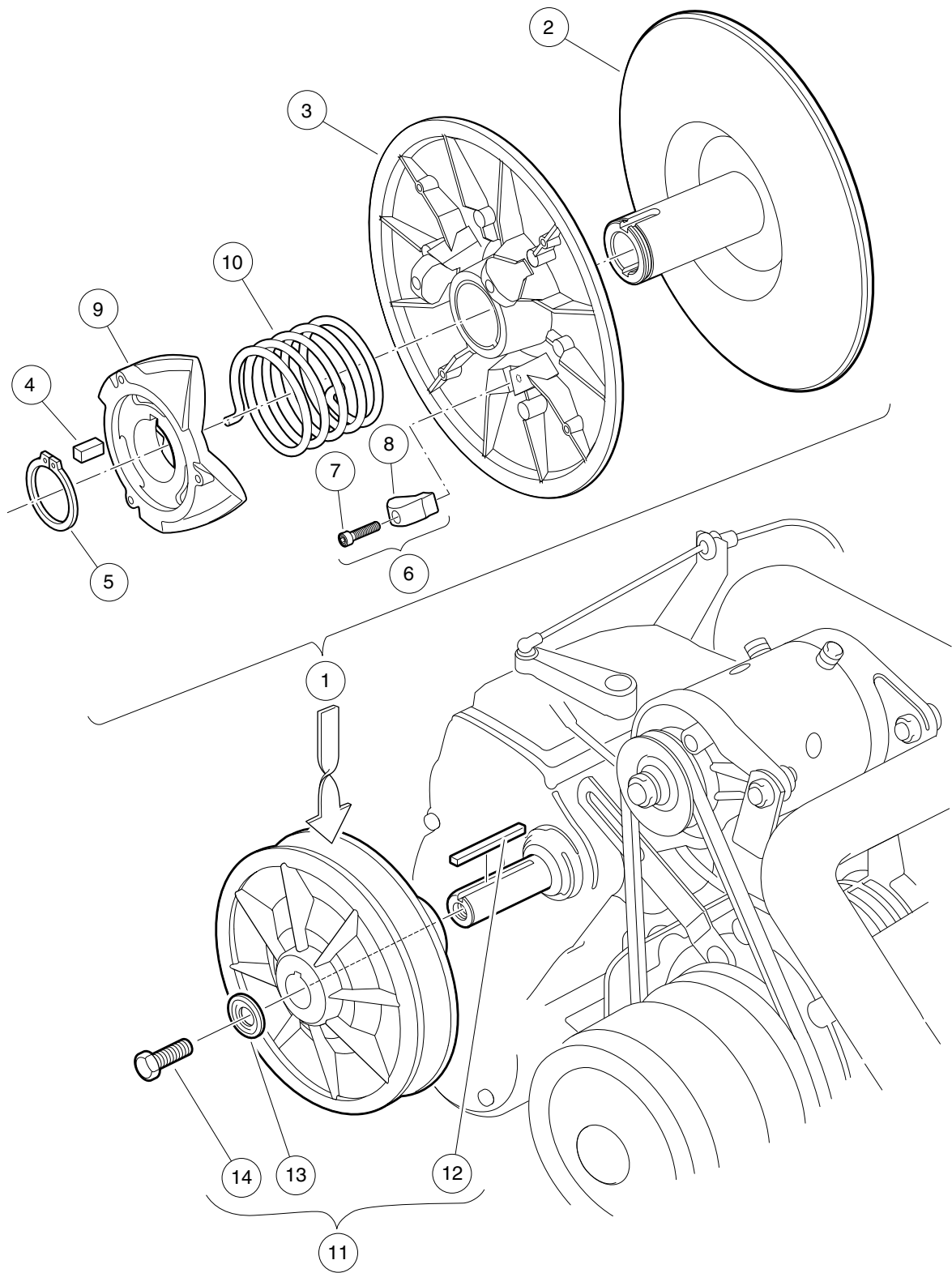


000217-008

DRIVE CLUTCH – XRT 900 WITH ANY ENGINE AND CARRYALL 2 PLUS WITH 103386202 50-STATE ENGINE

14
G

ITEM	PART NO.	DESCRIPTION	QTY
		1 2 3 4	
1	<u>101833906</u>	Drive Clutch Assy. FE 350/272 (includes items 2 through 28)	1
2	1014049	Bearing, Idler	1
3	<u>1014050</u>	Retainer, Spring	1
4	1014052	Movable-Face Assembly (includes items 5 through 7)	1
5	N/A	Drive Clutch Movable Face	1
6	<u>1014055</u>	Retainer	1
7	N/A	Bushing, Split, Drive Clutch	1
8	<u>1014056</u>	Ring, Spiral Backup	2
9	<u>1014057</u>	Ring, 0.810" Internal Retaining	1
10	1014058	Thrust Washer	1
11	1014059	Drive Hub Assy, Drive Clutch	1
12	<u>1014453</u>	Kit, Drive Clutch Button (includes items 13 through 16)	1
13	<u>1014062</u>	Driver, Drive Clutch	3
14	<u>1014287</u>	Spring, Drive Button	3
15	<u>183</u>	Washer, #10, Type A, Flat	3
16	<u>8450</u>	Screw, #10-24 X 0.50, Hex-Head	3
17	<u>1016289</u>	Spacer, Fixed Face Shaft	1
18	<u>1016801</u>	Kit, Drive Clutch Weight (includes items 19 through 25)	1
19	<u>1014063</u>	Screw, 1/4-20 X 1.00, Hex Head	6
20	N/A	Pin, Dowel, 0.3752 x 1.50	3
21	<u>1014065</u>	Washer, Flat, 0.38" ID, Delrin	6
22	N/A	Clutch Weight, Secondary	3
23	N/A	Washer	6
24	<u>1016201</u>	Washer, Wave	3
25	N/A	Weight, Primary	3
26	<u>1016901</u>	Spring, Drive Clutch	1
27	N/A	Cap Plug	3
28	<u>101929802</u>	Kit, Fxd Face Dr Asm Fe290/350 (includes item 29)	1
29	N/A	Assembly, Fixed-Face Drive (includes items 30 through 32)	1
30	N/A	Fixed Face Assembly, Drive Clutch	1
31	<u>1014288</u>	Screw, 5/16-18 X 0.75, Thread-Forming	3
32	N/A	Pulley, Clutch	1
33	<u>103345701</u>	Screw 3/8-24x5.5 Hex Loc Ptch	1
34	<u>334</u>	Washer, 3/8, Type A, Flat	1
35	<u>808</u>	Washer, 3/8 Type B Flat	1



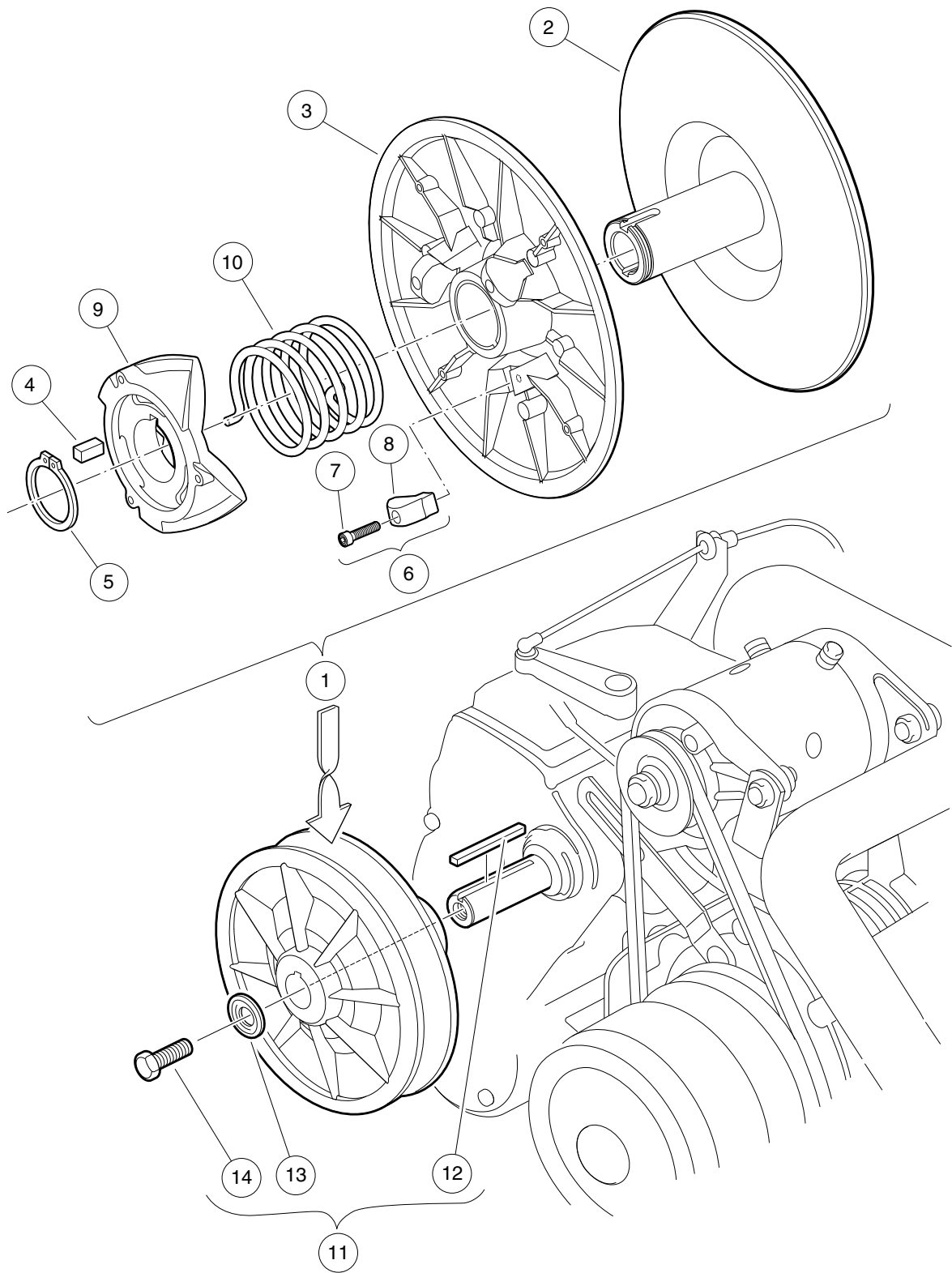
000219-001

DRIVEN CLUTCH – TURF/CARRYALL 2 AND 252

ITEM	PART NO.	DESCRIPTION	QTY
		1 2 3 4	
1	<u>101834001</u>	Assembly, Driven Clutch (includes items 2 through 10)	1
2	<u>1014070</u>	Fixed Face Assy, Driven Clutch	1
3	<u>1014072</u>	Movable-Face Assembly with Bushing	1
4	<u>1014078</u>	Key, Driven Clutch	1
5	<u>1014080</u>	Ring, Retaining	1
6	<u>1014454</u>	Kit, Driven Clutch Button (includes items 7 and 8)	1
7	<u>1012836</u>	Screw, #8-32 X 3/4, Socket-Head Cap	3
8	N/A	Button, Drive	3
9	<u>1017686</u>	Cam, Driven Clutch	1
10	<u>101836201</u>	Spring, Driven Clutch, Reversed	1
11	<u>AM10419</u>	Kit, Clutch Repair (includes items 12 through 14)	1
12	<u>101833401</u>	Key, 3/16 Sq X 1.50"	1
13	<u>102155801</u>	Washer, Driven Clutch	1
14	<u>102242101</u>	Screw, 5/16-18 X 3/4 Hex-Head with Patch	1

14

G



000219-001

DRIVEN CLUTCH – CARRYALL 2 PLUS AND XRT 900

ITEM	PART NO.	DESCRIPTION	QTY
		1 2 3 4	
1	<u>101834003</u>	Clutch, Driven (includes items 2 through 10)	1
2	<u>1014070</u>	Fixed Face Assy, Driven Clutch	1
3	<u>1014072</u>	Movable-Face Assembly with Bushing	1
4	<u>1014078</u>	Key, Driven Clutch	1
5	<u>1014080</u>	Ring, Retaining	1
6	<u>1014454</u>	Kit, Driven Clutch Button (includes items 7 and 8)	1
7	<u>1012836</u>	Screw, #8-32 X 3/4, Socket-Head Cap	3
8	N/A	Button, Drive	3
9	<u>1017686</u>	Cam, Driven Clutch	1
10	<u>101836202</u>	Spring, Driven Clutch, Reversed	1
11	<u>AM10419</u>	Kit, Clutch Repair (includes items 12 through 14)	1
12	<u>101833401</u>	Key, 3/16 Sq X 1.50"	1
13	<u>102155801</u>	Washer, Driven Clutch	1
14	<u>102242101</u>	Screw, 5/16-18 X 3/4 Hex-Head with Patch	1

14

G

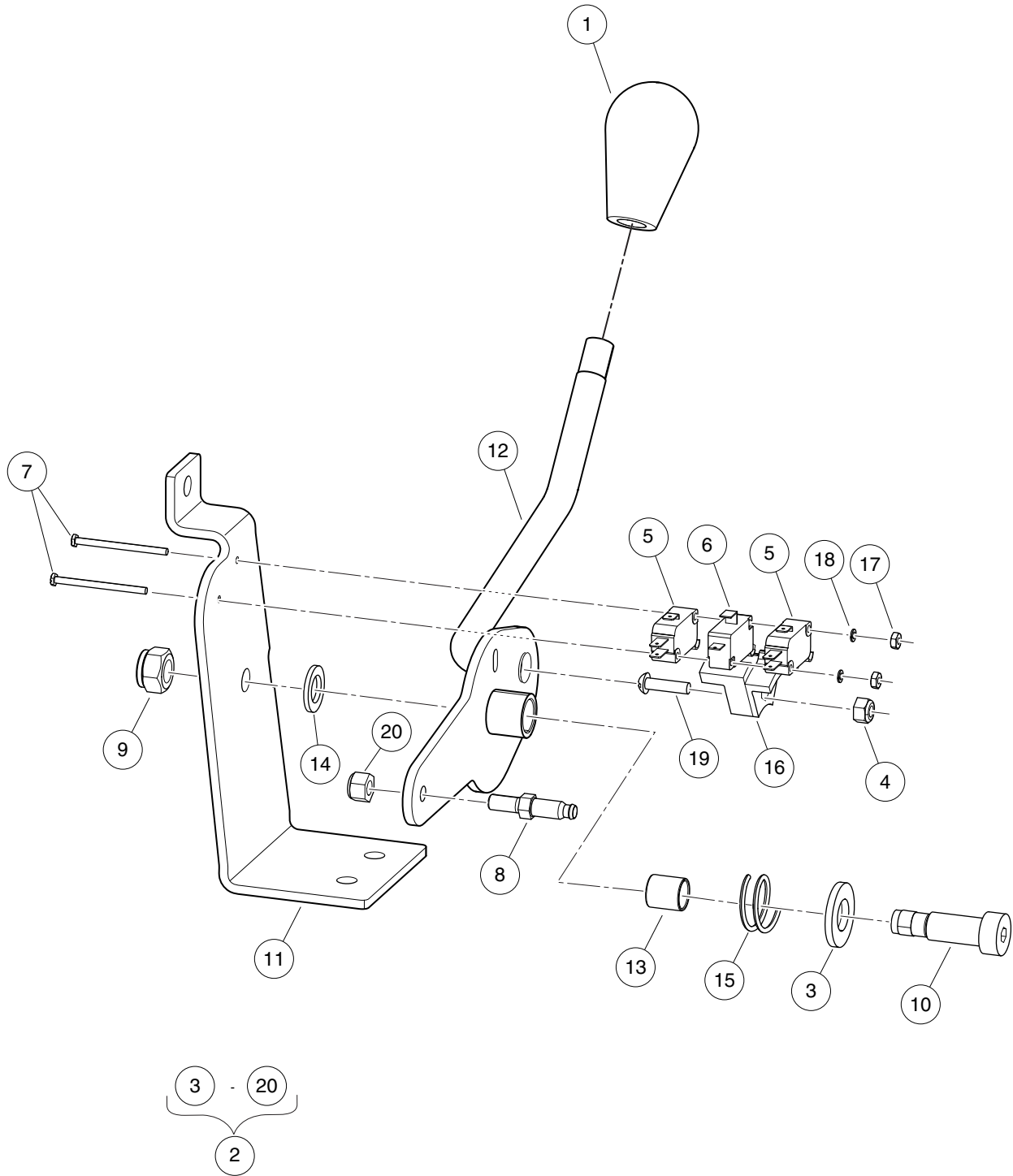
14

G

UNITIZED TRANSAXLE – GASOLINE VEHICLES

15

G

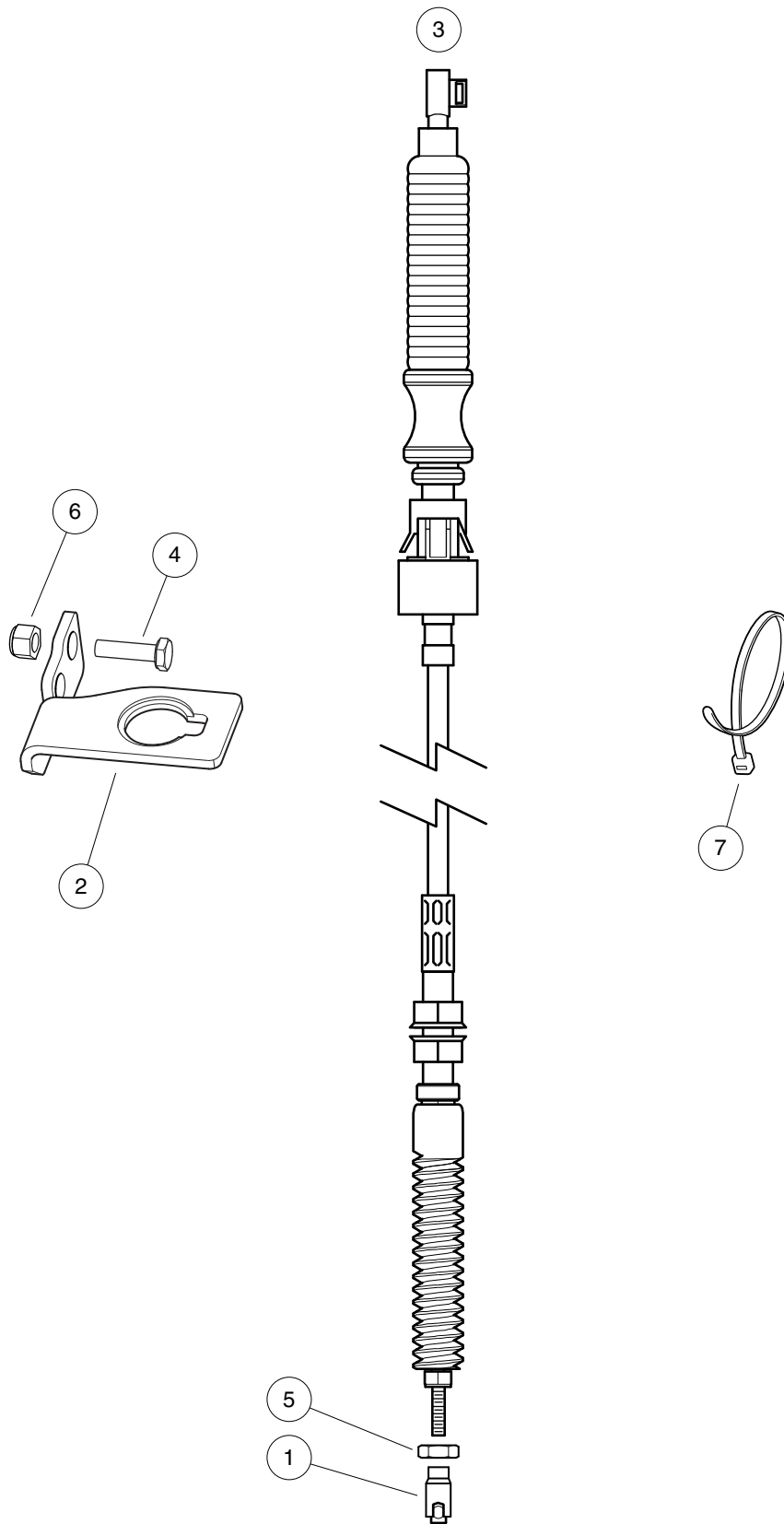


000563-001

FORWARD/REVERSE SHIFTER

ITEM	PART NO.	DESCRIPTION	QTY
		1 2 3 4	
1	<u>102376001</u>	Knob, FNR, Shifter	1
2	<u>102969901</u>	Asm, Shifter, FNR (includes items 3 through 20)	1
3	<u>1010028</u>	Washer, 1/2 Type A Flat	1
4	<u>1013061</u>	Locknut, #10-32 Nylon Insert	1
5	<u>1014807</u>	Switch, Limit	2
6	<u>1014808</u>	Switch, Limit	1
7	<u>1015878</u>	Screw, #4-40 Hex Head Machine	2
8	<u>102526201</u>	Stud, Thread, 1/4-28	1
9	<u>102616701</u>	Locknut, M10x1.5 Nylon Insert	1
10	<u>102684602</u>	Shoulder Bolt, M12 X 25.0	1
11	<u>102969401</u>	Bracket, Shifter, FNR	1
12	<u>102969801</u>	Weldment, Shift Lever, FNR	1
13	<u>103173301</u>	Bushing, Greaseless, 12mm Id	1
14	<u>103177401</u>	Washer, Thrust, Shifter, FNR	1
15	<u>103192701</u>	Spring, Comp, .97 Od X.75 L	1
16	<u>103369501</u>	Cam, Limit Switch, Fnr Shifter	1
17	<u>8057</u>	Nut, #4-40 Hex Machine	2
18	<u>8058</u>	Lockwasher, #4 Split	2
19	8104	Screw, #10-32 X .75 Rd Hd Mach	1
20	<u>8717</u>	Locknut, Nylon Insert, 1/4-28	1

15
G



001071-001

SHIFTER CABLE – TURF/CA 2/252/2 PLUS AND XRT900

ITEM	PART NO.	DESCRIPTION	QTY
		1 2 3 4	
1	<u>1012333</u>	Joint, #10-32 Ball	1
2	<u>103295101</u>	Brkt, Spt, Cable End, Fnr	1
3	<u>103295202</u>	Cable, Trans, Ball End, 1855mm	1
4	304	Screw, 1/4-20 X 1.0 Hex-Head Cap	2
5	<u>7893</u>	Nut, #10-32 Hex	1
6	<u>8233</u>	Locknut, 1/4-20, Nylon Insert	2
7	<u>8639</u>	Tie Wrap, 11" Nylon	A/R

15

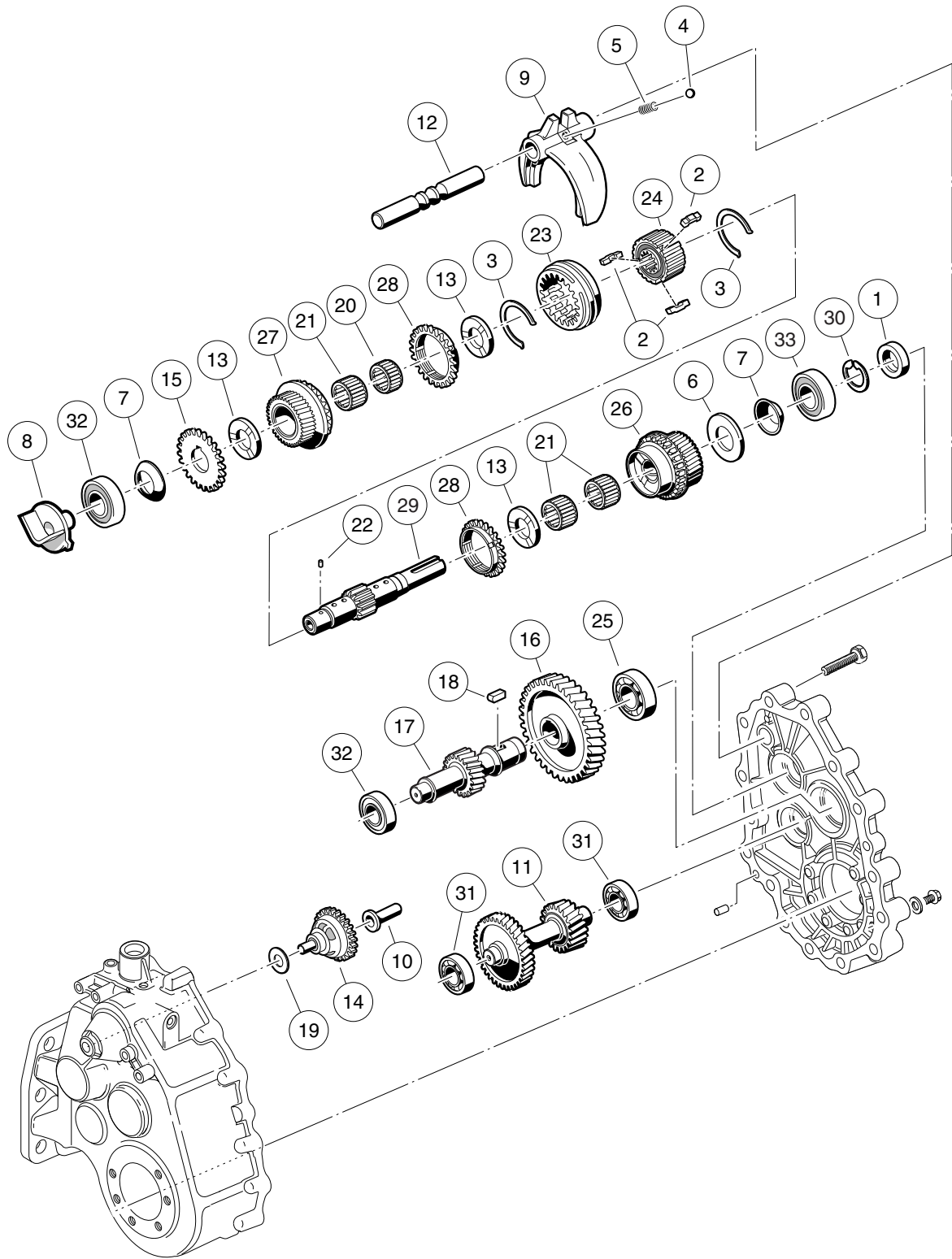
G

KAWASAKI TRANSAXLE – GEAR CASES AND BRACKETS

ITEM	PART NO.	DESCRIPTION	QTY
		1 2 3 4	
1	<u>1010954</u>	Stud, Ball, 1/4-28 X 0.560	1
2	<u>1013061</u>	Locknut, #10-32 Nylon Insert	1
3	<u>1014007</u>	Washer, 1/4, Flat	1
4	<u>1017082</u>	Screw, #10-32 X 0.75, Hex-Head Machine	1
5	<u>1017231</u>	Key, Woodruff	1
6	<u>101833601</u>	Transaxle, 11.77 Ratio (includes items 7 through 25)	1
7	<u>1012711</u>	Breather	1
8	<u>1012752</u>	Roll Pin	1
9	<u>1012896</u>	Pin, Dowel	2
10	<u>1013760</u>	Fill Plug	2
11	<u>1016432</u>	Gasket, Drain Plug	1
12	<u>1016513</u>	Washer, M6 Flat	1
13	<u>101890101</u>	Lever, Drive Selector	1
14	<u>101890201</u>	Shaft, Drive Selector	1
15	<u>101890501</u>	Gear Case (driver side)	1
16	<u>101890601</u>	Gear Case (passenger side)	1
17	<u>101891301</u>	Arm Pivot	1
18	<u>101892901</u>	Washer	1
19	<u>101893801</u>	Washer	1
20	<u>101926901</u>	Screw, M8-1.25 X 40mm Hex-Head	15
21	<u>101927101</u>	Seal, Oil	1
22	<u>101927201</u>	Seal, Oil	1
23	<u>101927301</u>	Snap Ring	1
24	<u>101928601</u>	Pin, Cotter	1
25	<u>101928701</u>	Liquid Gasket (Transaxle case)	1
26	<u>101834801</u>	Arm, Governor	1
27	<u>101886101</u>	Screw, 1/4-20 X 1.00, Square-Head	1
28	<u>102515401</u>	Lever, Transmission Shift	1
29	<u>183</u>	Washer, #10, Type A, Flat	1
30	<u>8233</u>	Locknut, 1/4-20, Nylon Insert	1
31	<u>8717</u>	Locknut, Nylon Insert, 1/4-28	1
		<p>Note: Kawasaki transaxle component listings span three pages. To identify your transaxle, locate the serial number decal on the axle tube.</p>	

15

G



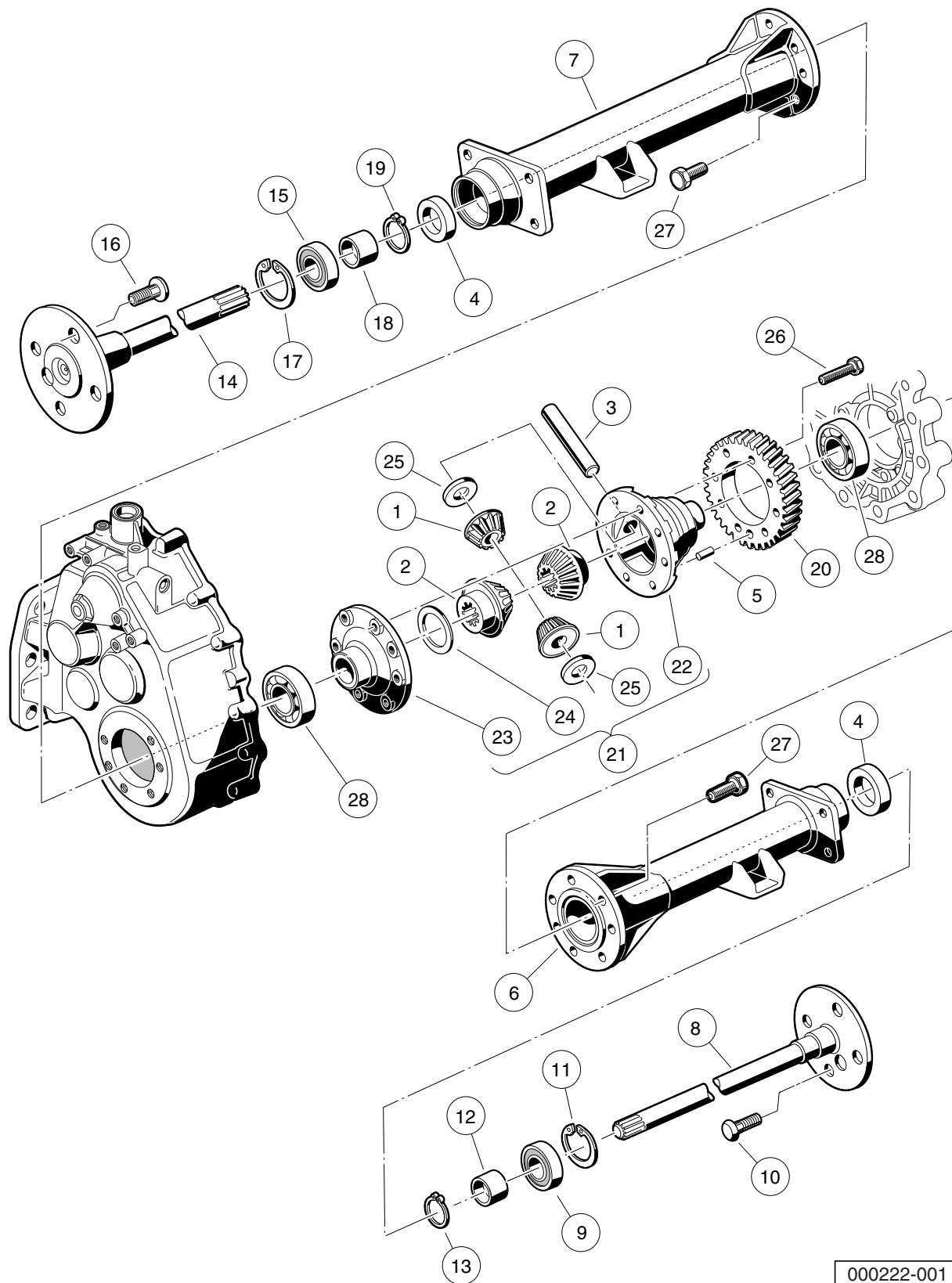
000221-001

KAWASAKI TRANSAXLE – F&R TRANSMISSION AND GEAR REDUCTION

15

G

ITEM	PART NO.	DESCRIPTION	QTY
		1 2 3 4	
1	<u>1012714</u>	Oil Seal	1
2	<u>1012740</u>	Synchro Insert	3
3	<u>1012741</u>	Synchro Spring	2
4	<u>1012747</u>	Shifter Ball	1
5	<u>1012748</u>	Shifter Spring	1
6	<u>1016337</u>	Washer, Thrust	1
7	<u>1016338</u>	Washer, Spring	2
8	<u>101889401</u>	Guide	1
9	<u>101890001</u>	Fork - Shift	1
10	<u>101891601</u>	Sleeve, Governor	1
11	<u>101891901</u>	Gear, Cluster	1
12	<u>101892001</u>	Rod, Shift	1
13	<u>101892201</u>	Plate, Thrust	3
14	<u>101892301</u>	Governor Assembly	1
15	<u>101892401</u>	Gear, Spur	1
16	<u>101892501</u>	Gear, Helical (61 Tooth)	1
17	<u>101892601</u>	Gear, Helical (17 Tooth)	1
18	<u>101893201</u>	Key Sunk	1
19	<u>101893901</u>	Washer	1
20	<u>101927501</u>	Needle Bearing	1
21	<u>101927601</u>	Needle Bearing	3
22	<u>101927701</u>	Pin, .116" Dia X 0.264 Dowel	1
23	<u>101927901</u>	Sleeve, Synchro	1
24	<u>101928001</u>	Hub, Synchro Clutch	1
25	<u>101928101</u>	Bearing, Ball	1
26	<u>101980801</u>	Gear Assembly, 16-Degree Synchro (25 Tooth)	1
27	<u>101980901</u>	Gear Assembly, 16-Degree Rear Synchro (28 Tooth)	1
28	<u>101981001</u>	Ring, 16-Degree Synchronizer	2
29	<u>102453001</u>	Shaft, Trans, with Circlip	1
30	<u>102453101</u>	Circlip	1
31	<u>7335</u>	Bearing	2
32	<u>AM10080</u>	Bearing, Ball, Sealed	2
33	<u>AM10081</u>	Bearing, Ball, Sealed	1
Note: To identify your transaxle, locate the serial number decal on the axle			



000222-001

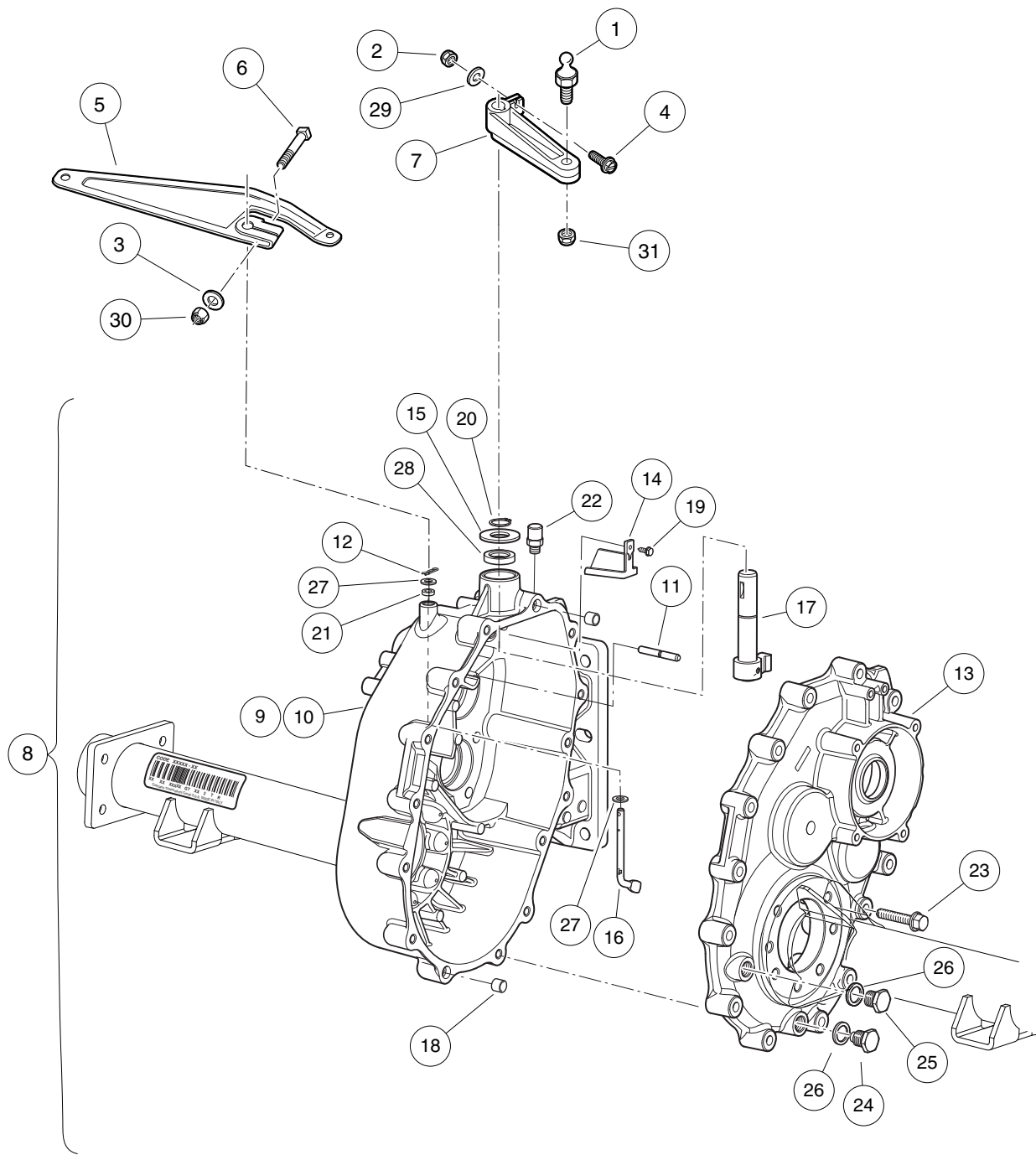
KAWASAKI TRANSAXLE – DIFFERENTIAL AND AXLES

ITEM	PART NO.	DESCRIPTION	QTY
		1 2 3 4	
1	<u>1013770</u>	Differential Idler Gear	2
2	<u>1013771</u>	Gear, Differential	2
3	<u>1013772</u>	Pin, Differential	1
4	<u>1013794</u>	Axle Shaft Oil Seal	2
5	N/A	Dowel Pin	1
6	<u>101890901</u>	Axle Tube (Passenger Side)	1
7	<u>101891001</u>	Axle Tube (Driver Side)	1
8	<u>101891401</u>	Axle Assembly, Passenger Side (includes items 9 through 13)	1
9	<u>1011291</u>	Outer Axle, Tube Bearing	1
10	<u>1013787</u>	Lug Stud	4
11	<u>1013792</u>	Circlip Type C	1
12	<u>1014207</u>	Bushing	1
13	<u>1016672</u>	Retaining Ring	1
14	<u>101891501</u>	Axle Assembly, Driver-Side (includes items 15 through 19)	1
15	<u>1011291</u>	Outer Axle, Tube Bearing	1
16	<u>1013787</u>	Lug Stud	4
17	<u>1013792</u>	Circlip Type C	1
18	<u>1014207</u>	Bushing	1
19	<u>1016672</u>	Retaining Ring	1
20	<u>101892701</u>	Gear, Helical	1
21	<u>101910501</u>	Kit, Differential Gear Case (includes items 22 through 25)	1
22	<u>1013768</u>	Differential Gear Case, Left-Hand	1
23	<u>1013769</u>	Differential Gear Case, Right-Hand	1
24	<u>1013773</u>	Plate, Thrust (Differential Gear)	1
25	<u>1013774</u>	Plate, Thrust (Idler Gear)	2
26	<u>101928301</u>	Screw, M8-1.25 X 35mm Hex Head	8
27	<u>102031901</u>	Bolt, M10 X 1.5 X 30mm	14
28	<u>7330</u>	Inner Axle Tube Bearing	2
Note: To identify your transaxle, locate the serial number decal on the axle			

15

G

15
G



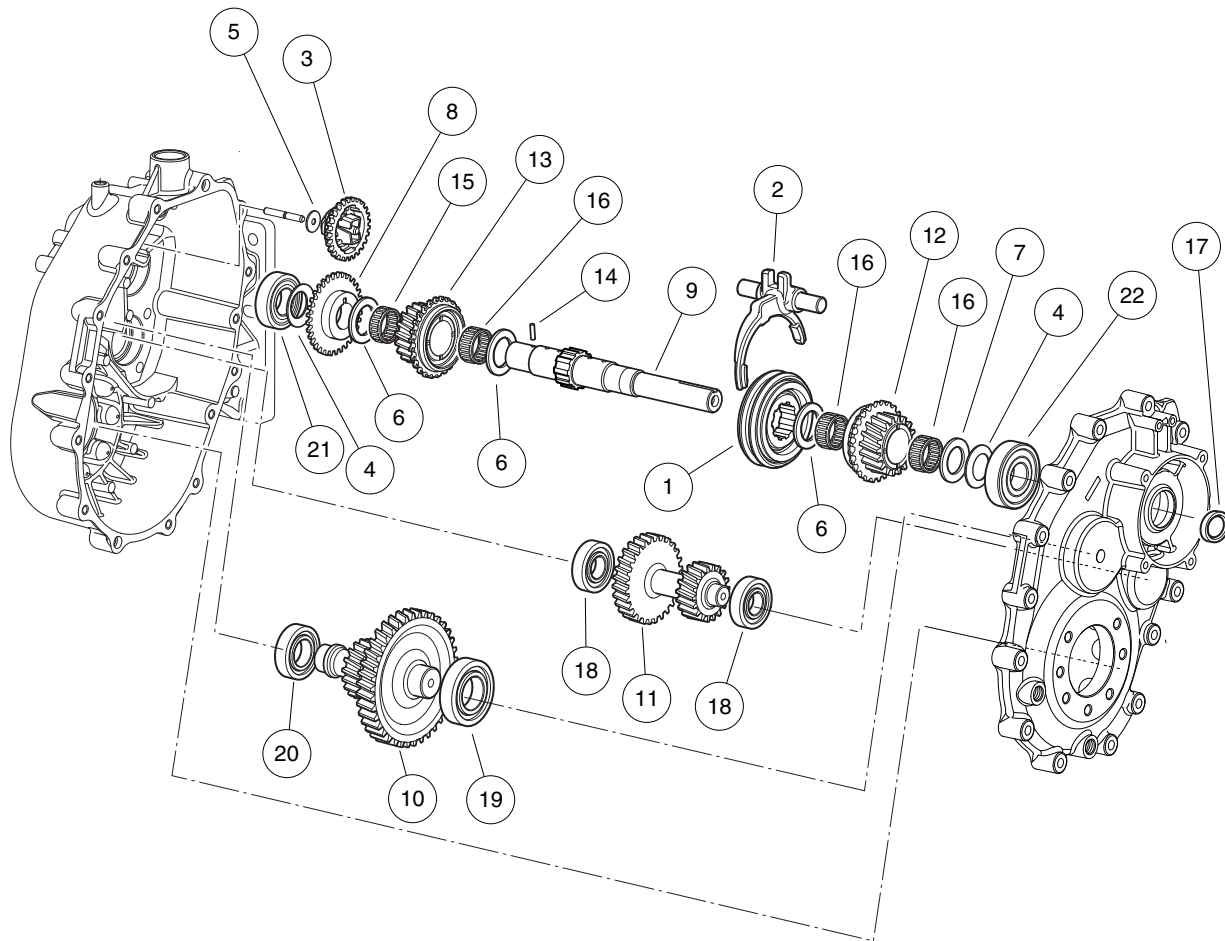
000680-009

GRAZIANO TRANSAXLE – GEAR CASES AND LEVERS

ITEM	PART NO.	DESCRIPTION	QTY
		1 2 3 4	
1	<u>1010954</u>	Stud, Ball, 1/4-28 X 0.560	1
2	<u>1013061</u>	Locknut, #10-32 Nylon Insert	1
3	<u>1014007</u>	Washer, 1/4, Flat	1
4	<u>1017082</u>	Screw, #10-32 X 0.75, Hex-Head Machine	1
5	<u>101834801</u>	Arm, Governor	1
6	<u>101886101</u>	Screw, 1/4-20 X 1.00, Square-Head	1
7	<u>102515401</u>	Lever, Transmission Shift	1
8	<u>102896801</u>	Transaxle, Unitized, Graziano (includes items 9 through 28)	1
9	<u>102896901</u>	Gear Box (Driver-Side) (includes items 10 and 11)	1
10	N/A	Gear Box	1
11	N/A	Pin, Speed Governor	1
12	<u>102897401</u>	Pin, Split	1
13	<u>102897501</u>	Cover, Gear Box (Passenger-Side)	1
14	<u>102897601</u>	Conveyor, Oil	1
15	<u>102897801</u>	Washer, Thrust	1
16	<u>102897901</u>	Lever, Speed Governor	1
17	<u>102898201</u>	Unit, Drive Selector	1
18	<u>102899101</u>	Dowel	2
19	<u>102899201</u>	Screw	1
20	<u>102899401</u>	Ring, Snap	1
21	<u>102899701</u>	Grommet	1
22	<u>102899801</u>	Breather	1
23	<u>102900001</u>	Screw	15
24	<u>102900101</u>	Drain Plug, Magnetic	1
25	<u>102900201</u>	Fill Plug	1
26	<u>102900301</u>	Seal	2
27	<u>102900601</u>	Washer	2
28	<u>102900901</u>	Grommet	1
29	<u>183</u>	Washer, #10, Type A, Flat	1
30	<u>8233</u>	Locknut, 1/4-20, Nylon Insert	1
31	<u>8717</u>	Locknut, Nylon Insert, 1/4-28	1
<p>Note: Graziano transaxle component listings span three pages. To identify your transaxle, locate the serial number decal on the axle tube.</p>			

15

G



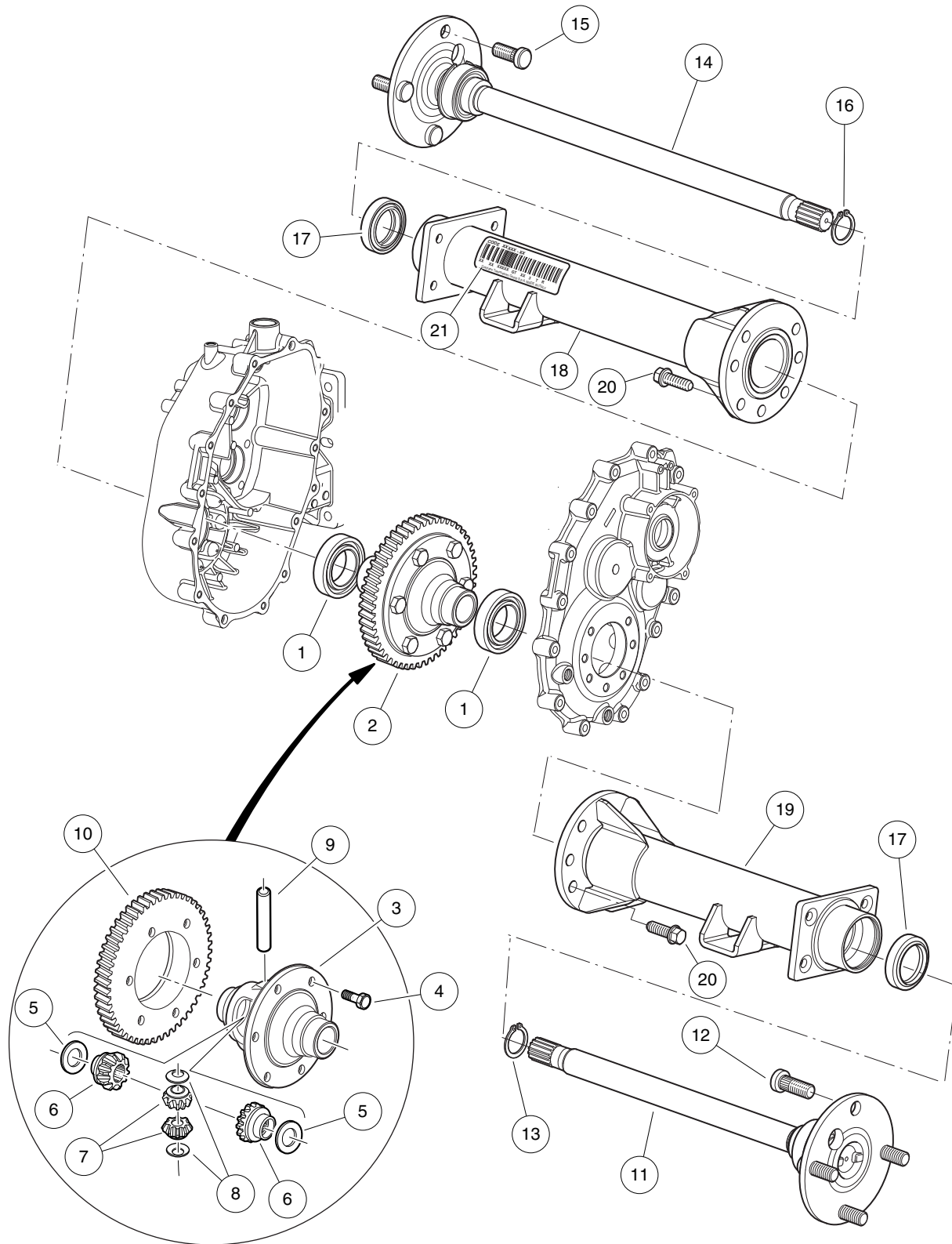
000680-006

GRAZIANO TRANSAXLE – F&R TRANSMISSION AND GEAR REDUCTION

15

G

ITEM	PART NO.	DESCRIPTION	QTY
		1 2 3 4	
1	<u>102897201</u>	Synchronizer, Complete	1
2	<u>102897301</u>	Fork, Complete	1
3	<u>102897701</u>	Assembly, Speed Governor	1
4	<u>102898001</u>	Washer, Belleville	2
5	<u>102898101</u>	Bearing, Thrust	1
6	<u>102898301</u>	Bearing, Thrust	3
7	<u>102898401</u>	Washer, Thrust	1
8	<u>102898501</u>	Gear, Speed Governor	1
9	<u>102898601</u>	Shaft, Main	1
10	<u>102898701</u>	Shaft, Secondary	1
11	<u>102898801</u>	Shaft, Reverse Gear	1
12	<u>102898901</u>	Gear, Complete, 25t	1
13	<u>102899001</u>	Gear, Complete, 28t	1
14	<u>102899301</u>	Pin	1
15	<u>102899501</u>	Cage, Roller	1
16	<u>102899601</u>	Cage, Roller	3
17	<u>102899901</u>	Grommet	1
18	<u>102900401</u>	Bearing	2
19	<u>102900501</u>	Bearing, 62 Od X 30 Id X 16	1
20	<u>102900701</u>	Bearing	1
21	<u>102901001</u>	Bearing	1
22	<u>102901101</u>	Bearing	1
<p>Note: To identify your transaxle, locate the serial number decal on the axle tube.</p>			



000681-002

GRAZIANO TRANSAXLE -DIFFERENTIAL AND AXLES

ITEM	PART NO.	DESCRIPTION	QTY
		1 2 3 4	
1	<u>102900801</u>	Bearing, 68 Od X 40 Id X 15	2
2	<u>102902001</u>	Assembly, Differential (includes items 3 through 10)	1
3	<u>102901201</u>	Box, Differential	1
4	<u>102901301</u>	Screw, M10 X 25	6
5	<u>102901401</u>	Ring, Sleeve	2
6	<u>102901501</u>	Gear, Sun	2
7	<u>102901601</u>	Gear, Planetary	2
8	<u>102901701</u>	Ring, Sleeve	2
9	<u>102901801</u>	Pin	1
10	<u>102901901</u>	Gear	1
11	<u>102902101</u>	Shaft, Axle, Short, Complete (Passenger-Side) (includes items 12 and 13)	1
12	<u>102902301</u>	Bolt, Stud	4
13	<u>102902401</u>	Snap Ring	1
14	<u>102902201</u>	Shaft, Axle, Long, Complete (Driver-Side) (includes items 15 and 16)	1
15	<u>102902301</u>	Bolt, Stud	4
16	<u>102902401</u>	Snap Ring	1
17	<u>102902501</u>	Seal, Lip	2
18	<u>102902601</u>	Axle Tube, (Driver-Side)	1
19	<u>102902701</u>	Axle Tube, (Passenger-Side)	1
20	<u>102902801</u>	Screw, M10 X 30	14
21	N/A	Tag, Serial	1
<p style="margin-left: 40px;">Note: To identify your transaxle, locate the serial number decal on the axle tube.</p>			

15

G

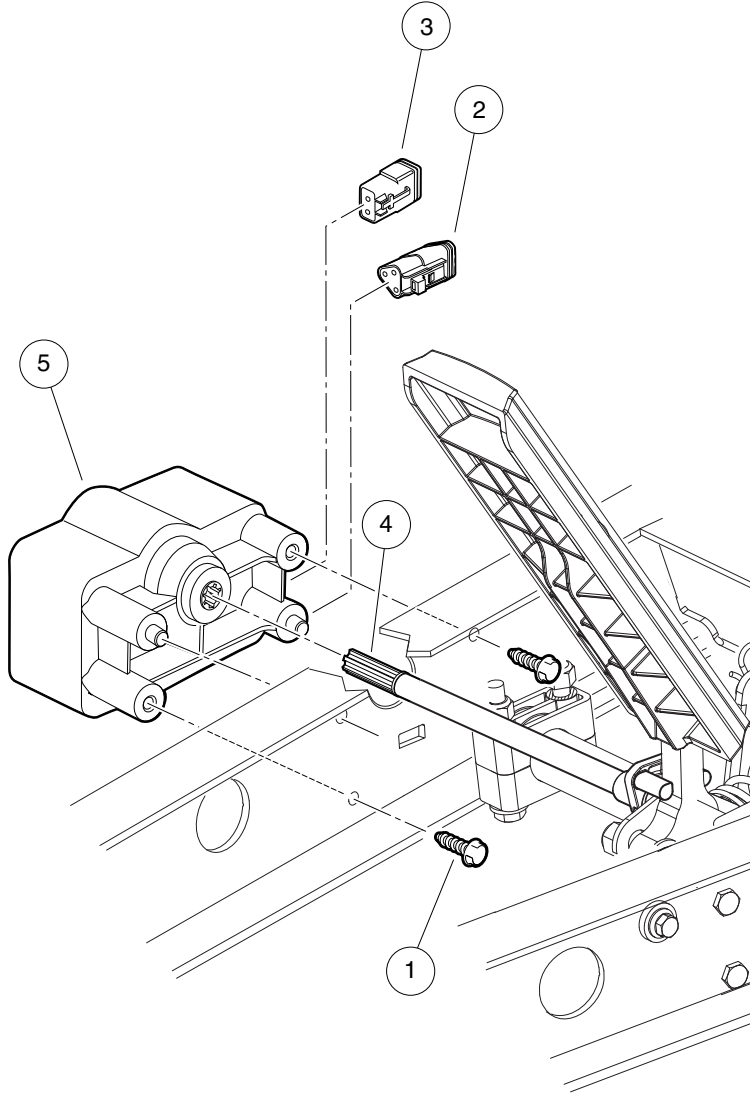
15

G

ELECTRICAL SYSTEM – ELECTRIC VEHICLES

16

E



001070-001

MOTOR CONTROLLER OUTPUT REGULATOR (MCOR)

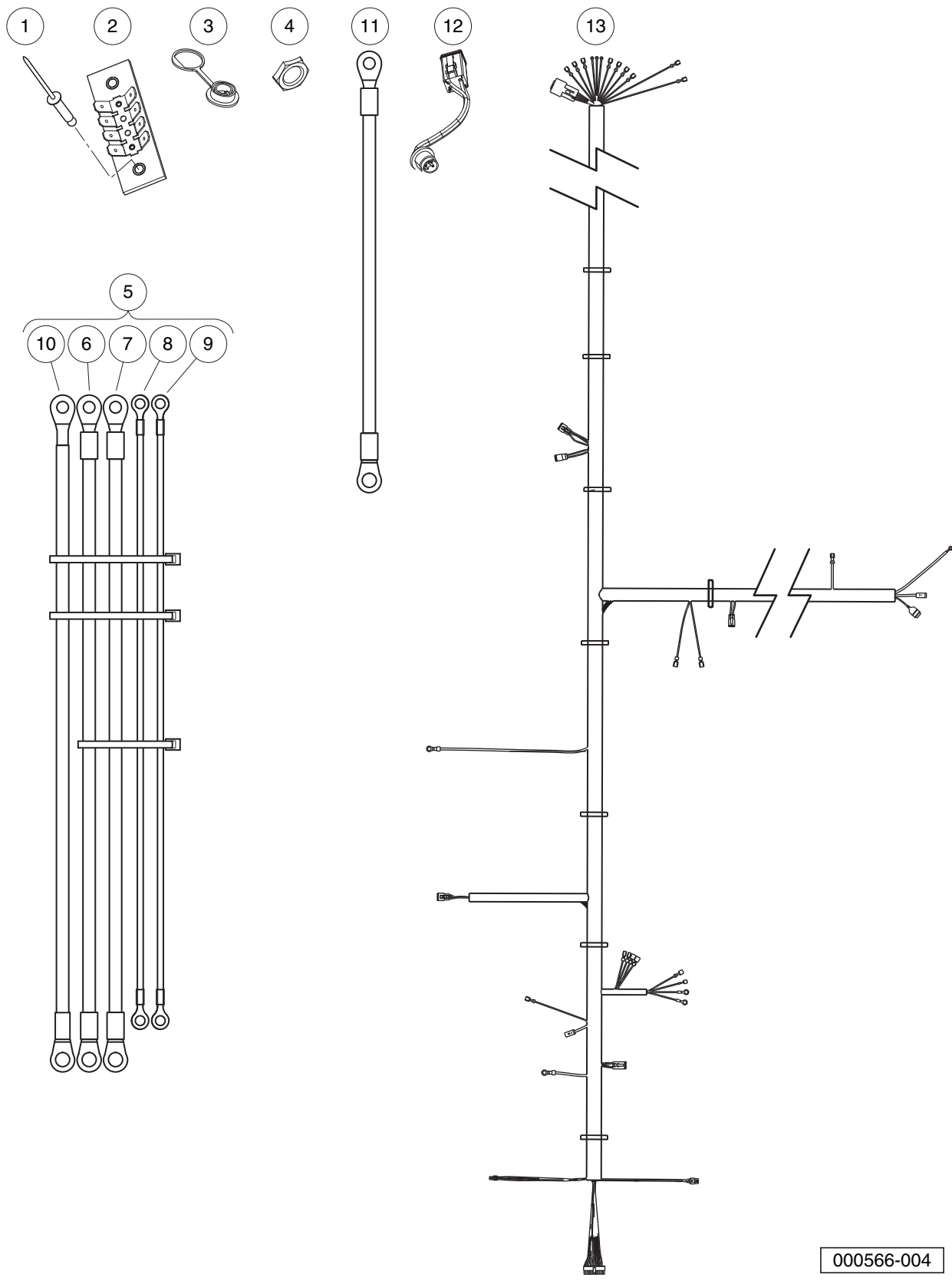
ITEM	PART NO.	DESCRIPTION	QTY
		1 2 3 4	
1	<u>1015752</u>	Screw, #12-16 X 0.625, Hi-Lo	2
2	<u>101920101</u>	Kit, 3-Pin Wedge Lock	1
3	<u>101936801</u>	Kit, 2-Pin Wedge Lock	1
4	102101001	Bar, Drive, Cast	1
5	<u>102101101</u>	MCOR	1

16

E

16

E



000566-004

WIRING – ELECTRIC VEHICLE

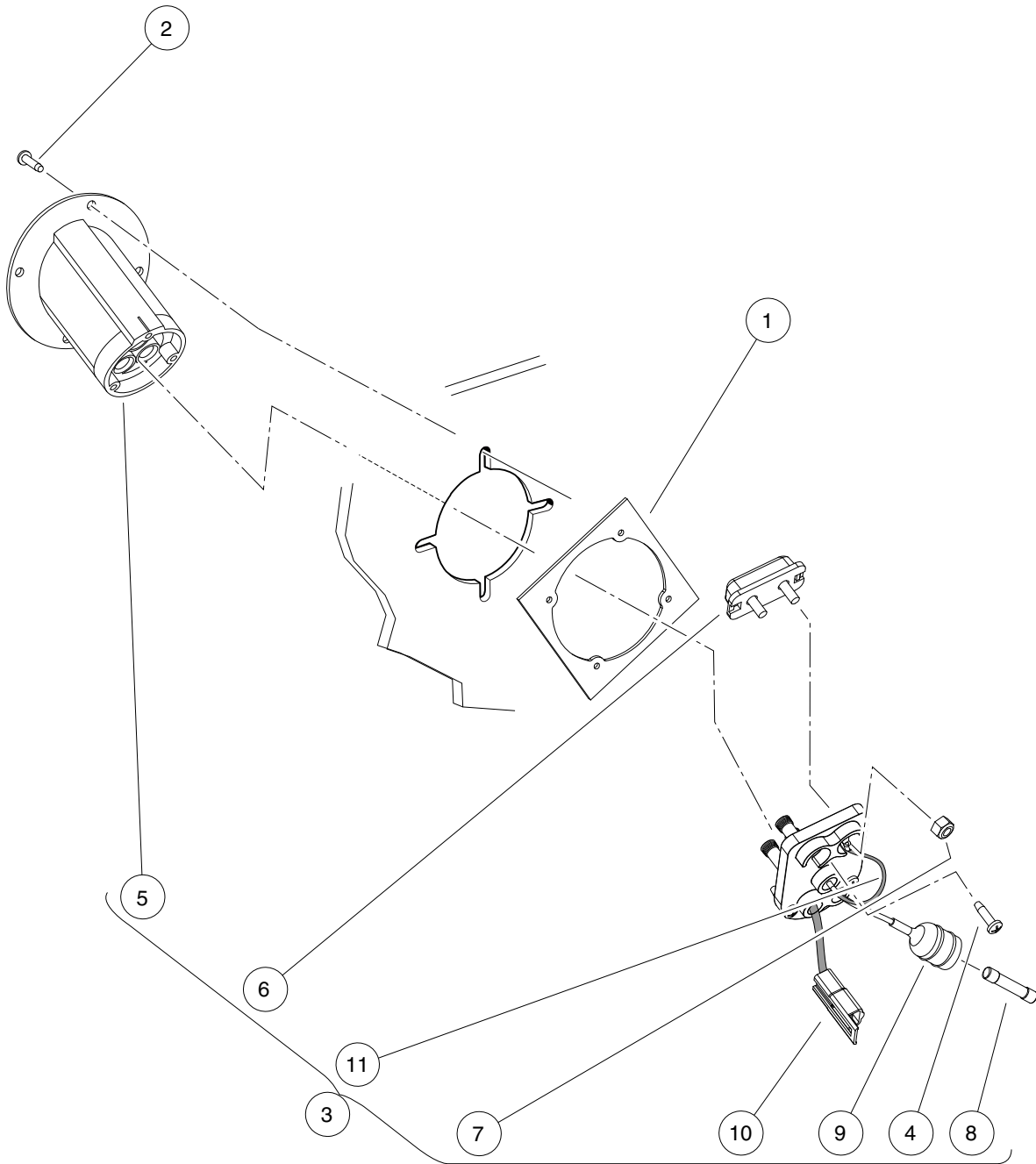
16

E

ITEM	PART NO.	DESCRIPTION	QTY
		1 2 3 4	
1	<u>1013357</u>	Rivet, 5/32 Aluminum Pop	2
2	<u>1016356</u>	Terminal Block with Insulator	1
3	<u>102196901</u>	Dust Cap	1
4	<u>102572401</u>	Nut, Diagnostic Port, Prec	1
5	<u>102845401</u>	Wire Harness, Power, IQ Plus (includes items 6 through 10)	1
6	N/A	Asm, #4 Grn Wire, 37"	1
7	N/A	Asm, #4 Wht Wire, 36.5"	1
8	N/A	Asm, #10 Org Wire, 39"	1
9	N/A	Asm, #10 Blu Wire, 46"	1
10	<u>102846402</u>	Asm, #4 Red Wire, 33"	1
11	<u>102863801</u>	Wire Asm, #4 Yellow, 12.5"	1
12	<u>103218601</u>	Harness, Diagnostic Port	1
13	<u>103221901</u>	Asm, Wire Harness, Carryall 2, Elec	1

16

E



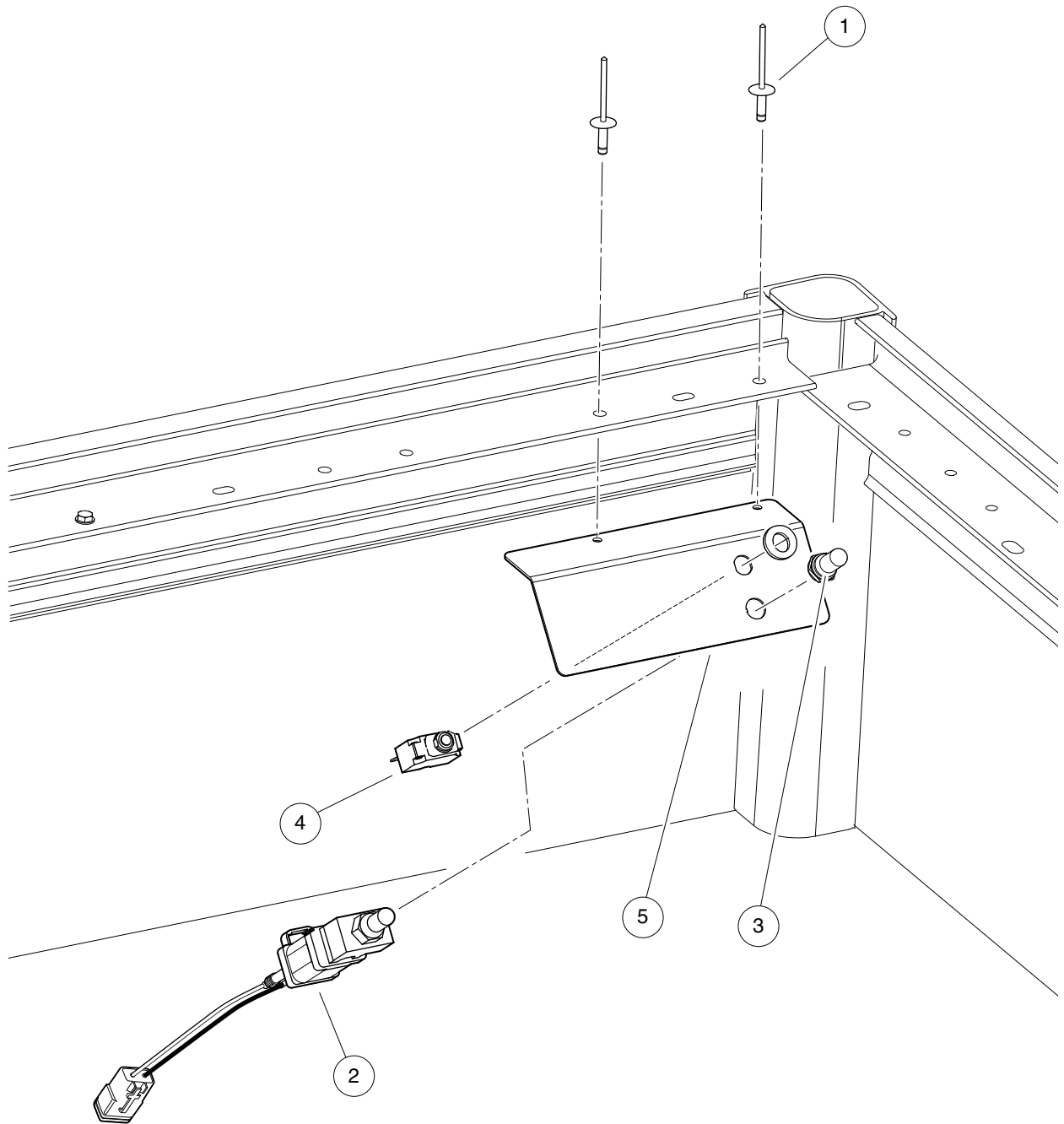
000369-002

BATTERY CHARGER RECEPTACLE

ITEM	PART NO.	DESCRIPTION	QTY
		1 2 3 4	
1	<u>101801001</u>	Plate, Receptacle Backing	1
2	<u>101832001</u>	Screw, #7-19 X 0.625 Phillips Pan-Head Tap	4
3	<u>102848701</u>	Fuse and Receptacle Assembly (includes items 4 through 11)	1
4	<u>1017705</u>	Screw, #8 X 5/8 Phillips Pan-Head Type AB	3
5	<u>101796501</u>	Receptacle	1
6	<u>101796801</u>	Fuse Assembly (includes item 7)	1
7	<u>1013061</u>	Locknut, #10-32 Nylon Insert	2
8	<u>101894901</u>	Fuse, 3/8-Amp	1
9	N/A	Wire Assembly, Sense Lead, Gray	1
10	N/A	Wire Assembly, #10 Red	1
11	N/A	Wire Assembly, #10 Black	1

16

E



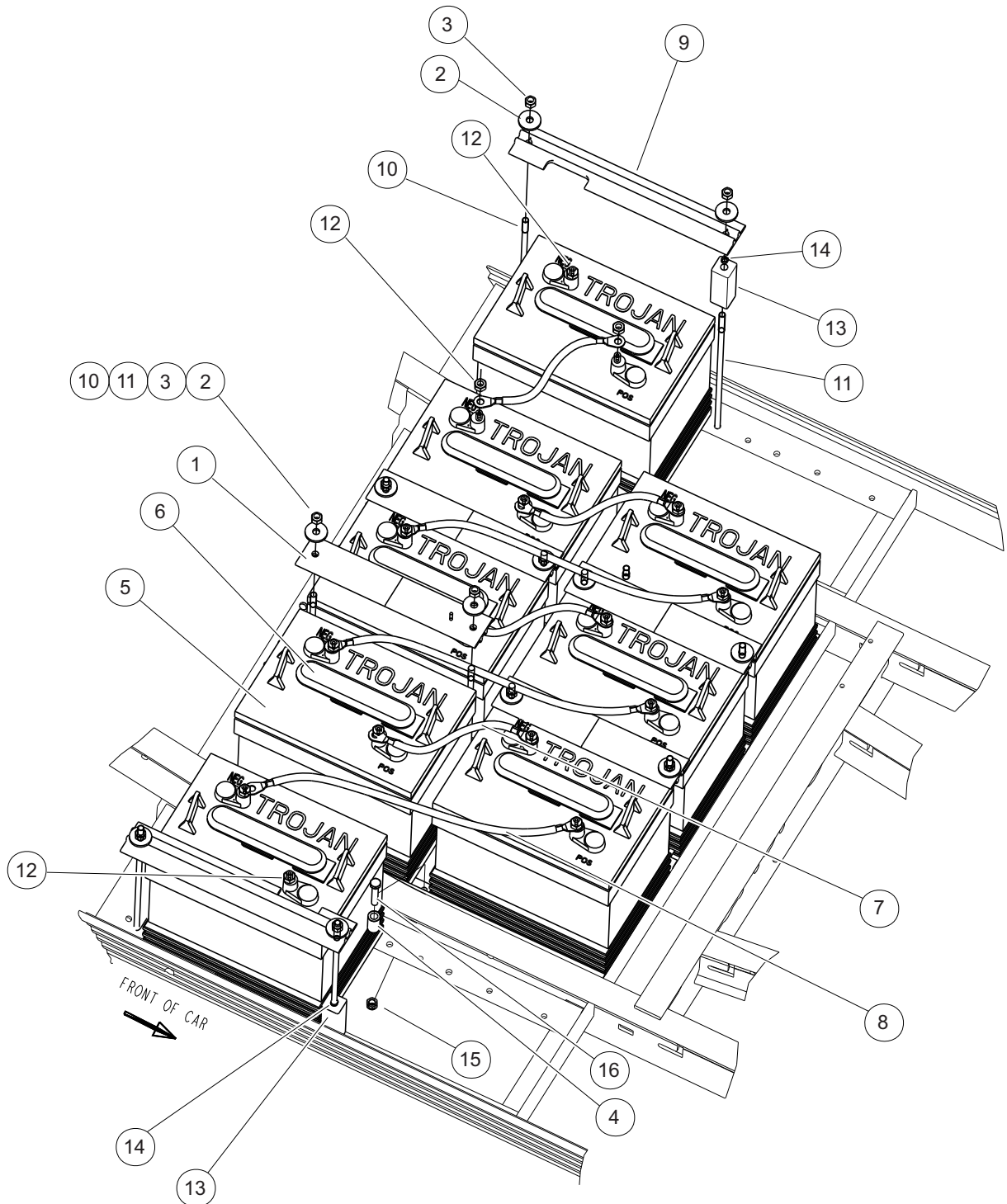
002520-003

TOW/RUN SWITCH AND CIRCUIT-BREAKER – IQ PLUS

ITEM	PART NO.	DESCRIPTION	QTY
		1 2 3 4	
1	<u>1015392</u>	Rivet, 3/16 Pop	2
2	<u>101908101</u>	Switch Assembly, Tow/Run	1
3	<u>101908401</u>	Boot, Switch	1
4	<u>102838101</u>	Circuit Breaker, 20 Amp	1
5	<u>102915701</u>	Plate, Switch, Run Tow, Mode	1

16

E



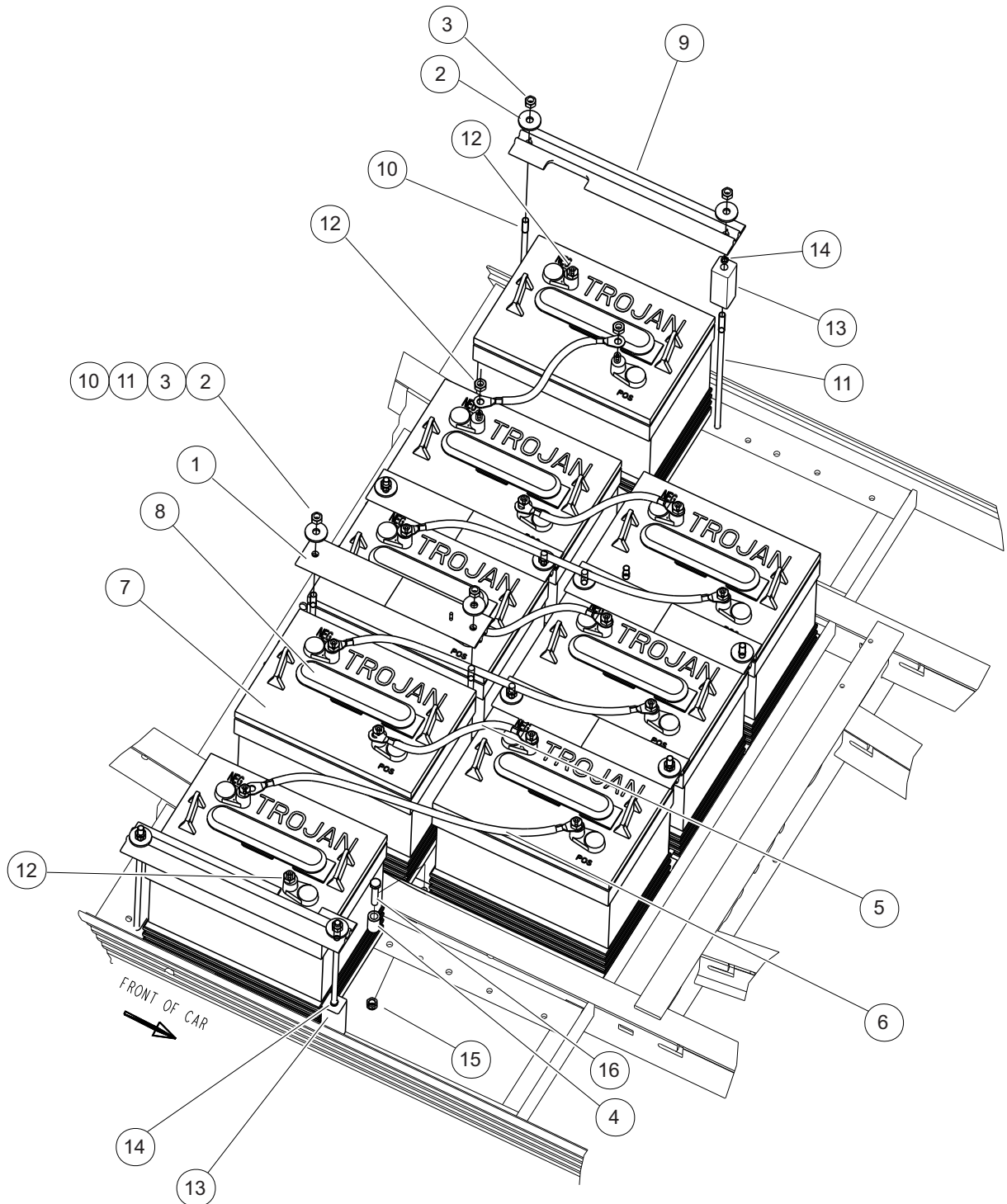
000409-003

BATTERIES, 6-VOLT, STANDARD DUTY

ITEM	PART NO.	DESCRIPTION	QTY
		1 2 3 4	
1	<u>101090801</u>	Hold-Down, Battery	4
2	1012571	Washer, 5/16 Extra Thick Flat	12
3	1015072	Locknut, 5/16-18 Nylon Insert	12
4	<u>1015608</u>	Tube Spacer, Hydraulic Cylinder	2
5	<u>101661601</u>	Battery, 6-Volt, Trojan T105 (Wet) (includes item 6)	8
6	<u>101831401</u>	Battery Cap 6 Volt	1
7	<u>102002901</u>	Wire Assy, #4 Black	4
8	<u>102764001</u>	Wire Asm, #4 Black	3
9	<u>102766201</u>	Hold Down, Outside	2
10	<u>102845201</u>	Rod, Battery Hold Down 9.7"	10
11	<u>102845203</u>	Rod, Battery Hold Down 10.7"	2
12	<u>102873401</u>	5/16-18 Heavy Hex Nut	16
13	<u>102980801</u>	Extr, Plastic, 1 X 1 X 3	2
14	<u>102980901</u>	Clamp, Hose, Nylon, .25	2
15	<u>7473</u>	Locknut, 5/16-18 Nylon Insert	2
16	<u>8963</u>	Screw, 5/16-18 X 1.75 Hex-Head Cap	2

16

E



000409-004

BATTERIES, 6-VOLT, HEAVY DUTY

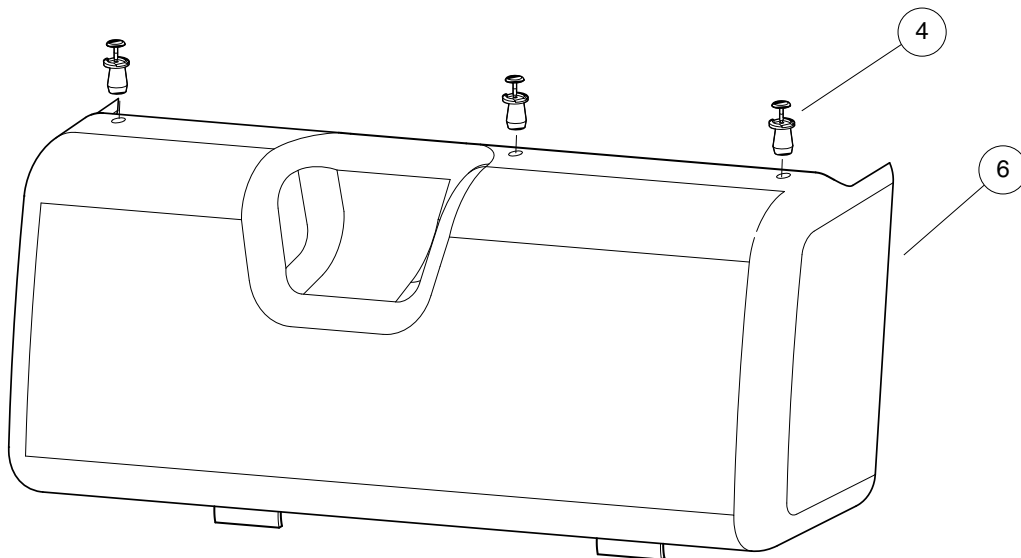
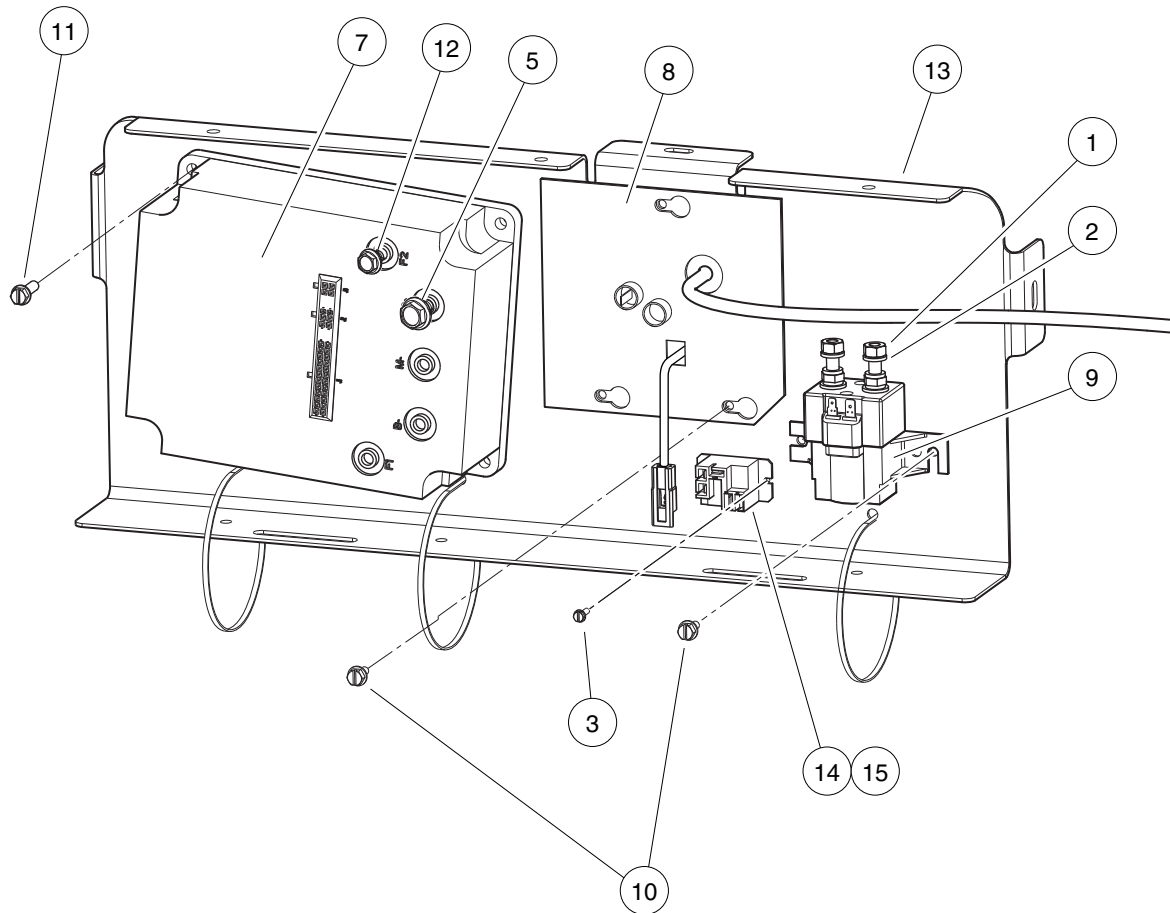
ITEM	PART NO.	DESCRIPTION	QTY
		1 2 3 4	
1	<u>101090801</u>	Hold-Down, Battery	4
2	1012571	Washer, 5/16 Extra Thick Flat	12
3	1015072	Locknut, 5/16-18 Nylon Insert	12
4	<u>1015608</u>	Tube Spacer, Hydraulic Cylinder	2
5	<u>102002901</u>	Wire Assy, #4 Black	4
6	<u>102764001</u>	Wire Asm, #4 Black	3
7	<u>102764401</u>	Battery, 6v Trojan T145 (Wet) (includes item 8)	8
8	<u>101831401</u>	Battery Cap 6 Volt	1
9	<u>102766201</u>	Hold Down, Outside	2
10	<u>102845203</u>	Rod, Battery Hold Down 10.7"	10
11	<u>102845204</u>	Rod, Battery Hold Down 12"	2
12	<u>102873401</u>	5/16-18 Heavy Hex Nut	16
13	<u>102980801</u>	Extr, Plastic, 1 X 1 X 3	2
14	<u>102980901</u>	Clamp, Hose, Nylon, .25	2
15	<u>7473</u>	Locknut, 5/16-18 Nylon Insert	2
16	<u>8963</u>	Screw, 5/16-18 X 1.75 Hex-Head Cap	2

16

E

16

E



000597-002

COMPUTER, CONTROLLER, AND SOLENOID

ITEM	PART NO.	DESCRIPTION	QTY
		1 2 3 4	
1	<u>1012528</u>	Nut, M8-1.25 Hex	2
2	<u>1013734</u>	Lockwasher, 8mm Split	2
3	<u>1015720</u>	Screw, #6-32 X 1/2 Hex Washer-Head	2
4	<u>1016967</u>	Blind Rivet, Push Type	3
5	<u>102240501</u>	Bolt, Controller, Terminal	3
6	<u>102772401</u>	Cover, Component, Elec, Rear	1
7	<u>102774501</u>	Controller, 500 Amp	1
8	<u>102774602</u>	Computer, Onbrd, 8x 6v, 38"	1
9	<u>102774701</u>	Solenoid, 48v	1
10	<u>102817101</u>	Screw, 1/4-20 X .50 Hex Wsh Hd	5
11	<u>102817201</u>	Screw, 1/4-20 X .88 Hex Wsh Hd	4
12	<u>102859501</u>	Screw, M6 X 1 X 20 Ser Hex Flg	2
13	<u>102931101</u>	Plate, Component, Rear	1
14	<u>103414901</u>	Kit, Relay, 48v 30a W/instr (includes item 15)	1
15	<u>103397901</u>	Relay, Spst No, 48v 30a, Pmt	1

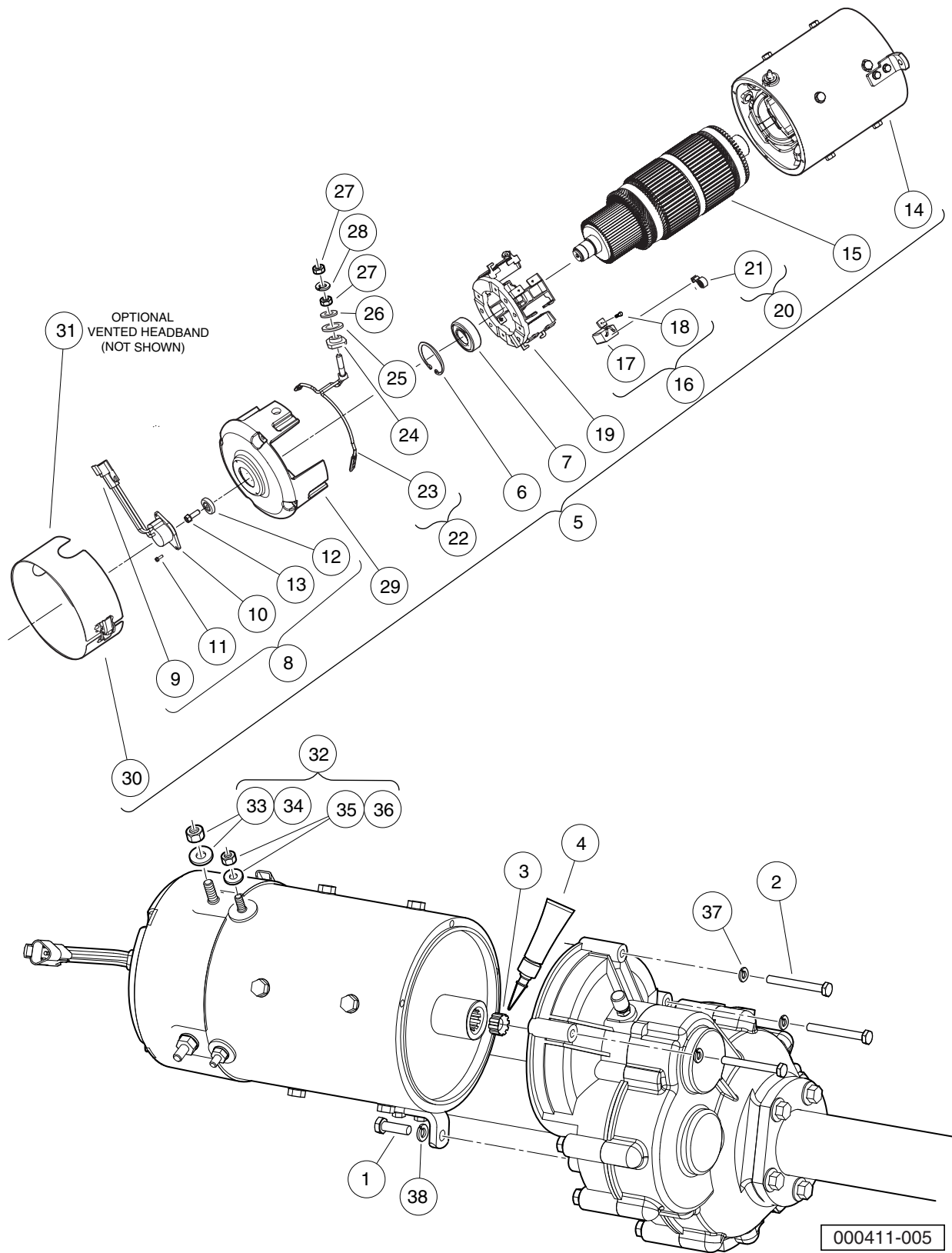
16

E

16

E

MOTOR (MODEL DA5-4006) – IQ PLUS



MOTOR (MODEL DA5-4006) – IQ PLUS

ITEM	PART NO.	DESCRIPTION	QTY
		1 2 3 4	
1	<u>1010934</u>	Screw, 5/16-18 X 1.00 Hex Cap	1
2	1014201	Screw, 1/4-20 X 2.25 Hex Cap	3
3	<u>102235201</u>	Bumper, Drive Unit	1
4	<u>102243403</u>	Lubricant, Moly-Teflon (Single-Use Tube)	1
5	<u>102775101</u>	IQ Plus Electric Motor, 48-VDC 3.7 hp (includes items 6 through 30)	1
6	N/A	Ring, 2.24" Internal Retaining	1
7	<u>102186401</u>	Bearing, Ball	1
8	<u>102704901</u>	Kit, Speed Sensor (includes items 9 through 13)	1
9	<u>101942301</u>	Kit, 3-Pin Wedge Lock	1
10	N/A	Sensor, Motor Speed, ADC	1
11	N/A	Screw, #8-32, Taptite Thread	2
12	N/A	Magnet, ADC Motor	1
13	N/A	Screw, 1/4-20 x 0.5	1
14	N/A	Asm, Frame And Field, 3.7 Hp	1
15	N/A	Armature (Includes external hardware not shown)	1
16	<u>102938601</u>	Kit, Brush, 3.7 Hp (includes items 17 and 18)	1
17	N/A	Brush, Motor	8
18	N/A	Screw, Taptite	8
19	<u>102938701</u>	Asm, Brush Box, 3.7 Hp	1
20	<u>102938801</u>	Kit, Brush Spring, 3.7 Hp (includes item 21)	1
21	N/A	Brush Spring	8
22	<u>102938901</u>	Kit, Brush Lead Asm, 3.7 Hp (includes items 23 through 28)	1
23	N/A	Terminal and Lead Assembly	2
24	N/A	Insulator, Terminal	2
25	N/A	Washer, Insulating	2
26	N/A	Washer, Flat, 5/16, Brass/Bronze	2
27	N/A	Nut, 5/16, Steel	4
28	N/A	Lockwasher, 5/16, Steel	2
29	<u>102939001</u>	Commutator End Head, 3.7 Hp	1
30	<u>102939101</u>	Sealed Headband, 3.7 Hp	1
31	<u>102939102</u>	Vented Headband, 3.7 HP (optional - not shown)	1
32	<u>102951701</u>	Pkg, Terminal Hardware, 3.7hp (includes items 33 through 36)	1
33	N/A	Nut, 5/16, Steel	2
34	N/A	Lockwasher, 5/16, Steel	2
35	N/A	Nut, 1/4-20, Steel	2
36	N/A	Lockwasher, 1/4-20, Steel	2
37	<u>451</u>	Lockwasher, 1/4 Split	3
38	<u>7174</u>	Lockwasher, 5/16 Split	1

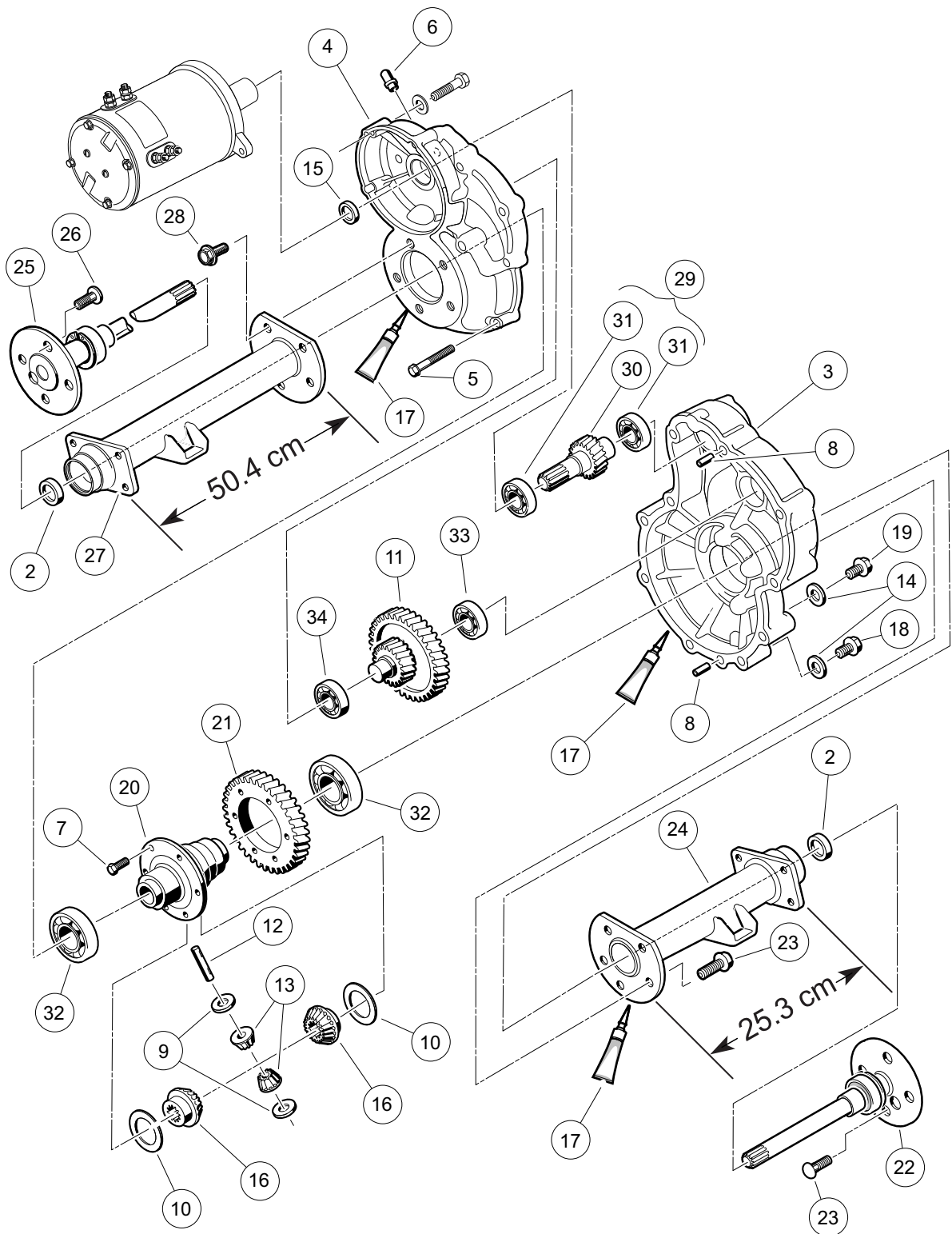
17

E

TRANSAXLE – ELECTRIC VEHICLES

18

E



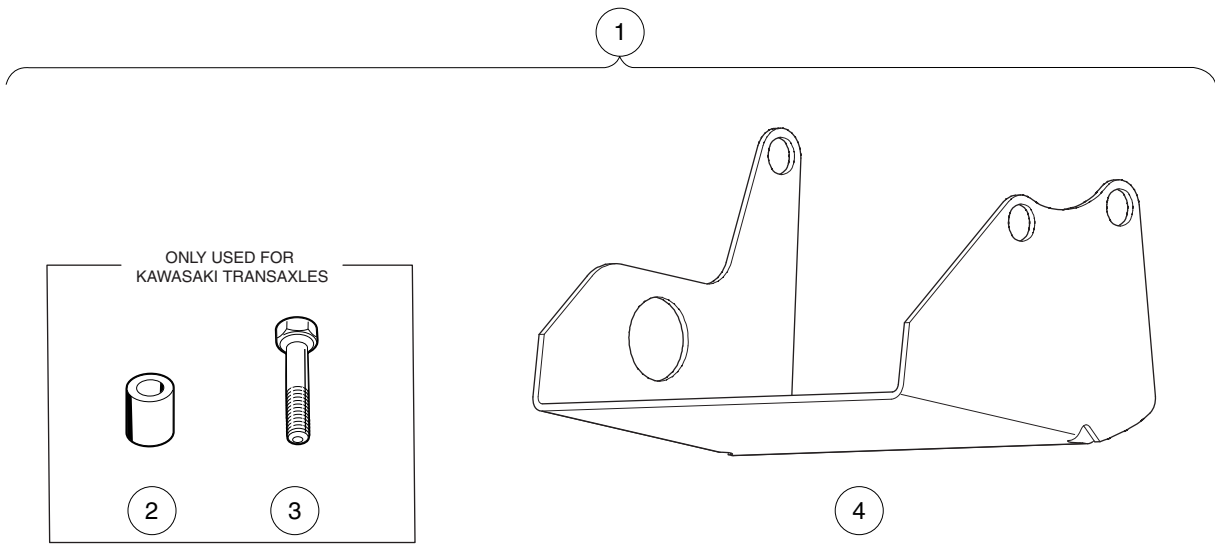
000223-005

TRANSAXLE – ELECTRIC VEHICLES

18

E

ITEM	PART NO.	DESCRIPTION	QTY
		1 2 3 4	
1	<u>102771701</u>	Transaxle, Electric (includes items 2 through 34)	1
2	<u>1013794</u>	Axle Shaft Oil Seal	2
3	<u>101895401</u>	Gear Case, Driver-Side	1
4	<u>101895501</u>	Gear Case, Passenger-Side	1
5	<u>101897001</u>	Screw, M8-1.25 X 60mm Hex-Head	11
6	<u>101897201</u>	Breather	1
7	<u>101897401</u>	Screw, M10-1.25 X 25mm	6
8	<u>101897601</u>	Pin, 11mm OD X 8.5mm ID X 10mm	2
9	<u>101903601</u>	Washer, Thrust	2
10	<u>101903701</u>	Washer, Thrust	2
11	<u>101906901</u>	Intermediate Shaft Assembly	1
12	<u>101922101</u>	Pin, 15.99mm X 88.7mm Dowel	1
13	<u>101923001</u>	Gear, Differential Idler	2
14	<u>101923201</u>	Gasket	2
15	<u>101923501</u>	Seal, Lip	1
16	<u>101923901</u>	Gear, Differential	2
17	<u>101928701</u>	Liquid Gasket (Transaxle case)	1
18	<u>101972101</u>	Plug, M14-1.5 X 12mm Magnetic	1
19	<u>101972201</u>	Plug, M14-1.5 X 12mm Hex	1
20	<u>102356601</u>	Housing, Differential, 6 Bolt	6
21	<u>102356801</u>	Gear, Differential Output, 6-Bolt	6
22	<u>102886301</u>	Axle Assembly, Driver-Side (includes item 23)	1
23	<u>101922201</u>	Lug Stud	4
24	<u>102886401</u>	Tube, Axle, Driver-Side	1
25	<u>102886501</u>	Axle Assembly, Passenger-Side (includes item 26)	1
26	<u>101922201</u>	Lug Stud	4
27	<u>102886601</u>	Tube, Axle, Passenger-Side	1
28	<u>102902801</u>	Screw, M10 X 30	10
29	<u>103582801</u>	Asm, E Trans Shaft/bearing (includes items 30 and 31)	1
30	N/A	Shaft, Input	1
31	<u>7335</u>	Bearing	2
32	<u>7330</u>	Inner Axle Tube Bearing	2
33	<u>7335</u>	Bearing	1
34	<u>7336</u>	Bearing	1



000365-002

DIFFERENTIAL GUARD – ELECTRIC VEHICLES

ITEM	PART NO.	DESCRIPTION	QTY
		1 2 3 4	
1	<u>101611402</u>	Kit, Differential Guard, Elec Vehicles (includes items 2 through 4)	1
2	<u>101914001</u>	Spacer, Steel	2
3	<u>101936101</u>	Screw, M10-1.50 X 60mm Hex Cap	2
4	<u>101978601</u>	Guard, Differential, Electric Vehicle Transaxle	1

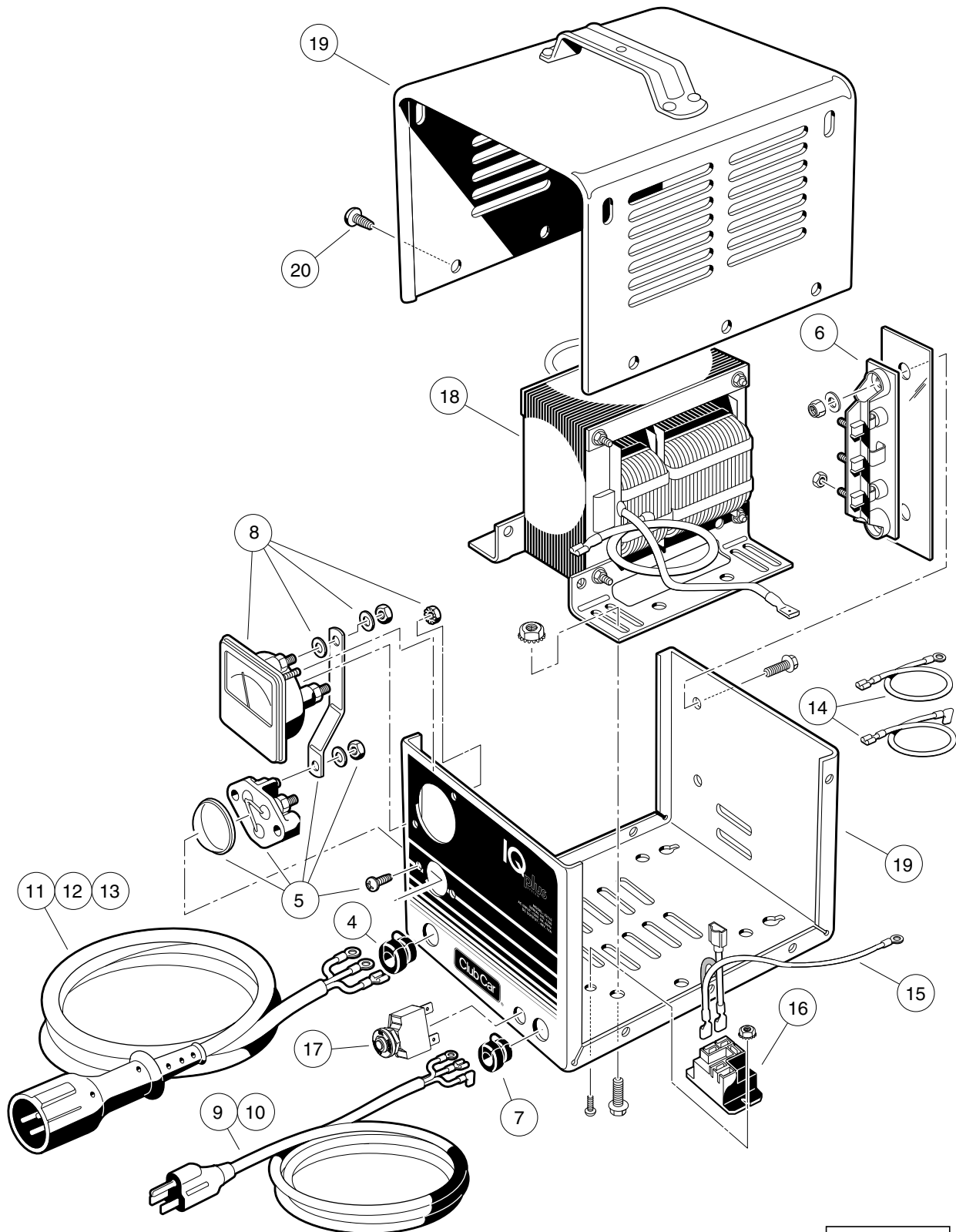
18

E

BATTERY CHARGERS

19

E



000414-001

IQ PLUS BATTERY CHARGER (MODELS 25730-11,-18,-19), DOMESTIC

ITEM	PART NO.	DESCRIPTION	QTY
		1 2 3 4	
1	<u>102847801</u>	Charger, IQ Plus, Domestic (9-ft. DC Cord, 6-ft. AC Cord)	1
2	<u>102847802</u>	Charger, IQ Plus, Domestic (12-ft. DC Cord, 9-ft. AC Cord)	1
3	<u>102847803</u>	Charger, IQ Plus, Domestic (20-ft. DC Cord, 9-ft. AC Cord) (includes items 4 through 20)	1
4	<u>1012098</u>	Bushing, DC Cord	1
5	<u>1012101</u>	Fuse Assembly	1
6	<u>1015914</u>	Rectifier with Heatsink Assembly	1
7	<u>1015917</u>	Bushing, AC Cord	1
8	<u>101828501</u>	Ammeter	1
9	<u>101828801</u>	Cord, AC, 80-Inch (203 cm)	1
10	<u>101828802</u>	Cord, AC, 108-Inch (274 cm)	1
11	<u>101828901</u>	Cord, DC, 113-Inch (287 cm)	1
12	<u>101828902</u>	Cord, DC, 154-Inch (391 cm)	1
13	<u>101828903</u>	Cord, DC, 250-Inch (635 cm)	1
14	<u>101831101</u>	Wire Assembly Kit	1
15	101914401	Assembly, Voltage Suppressor	1
16	<u>102275401</u>	Relay, 48-VDC	1
17	<u>102838101</u>	Circuit Breaker 250vac-50vdc	1
18	N/A	Transformer, Battery Charger	1
19	N/A	Case, Battery Charger	1
20	7577	Screw, #10 X 0.50 Phillips Pan-Head	10

19

E

IQ PLUS BATTERY CHARGER (MODELS 25880-11 AND -18), INTERNATIONAL

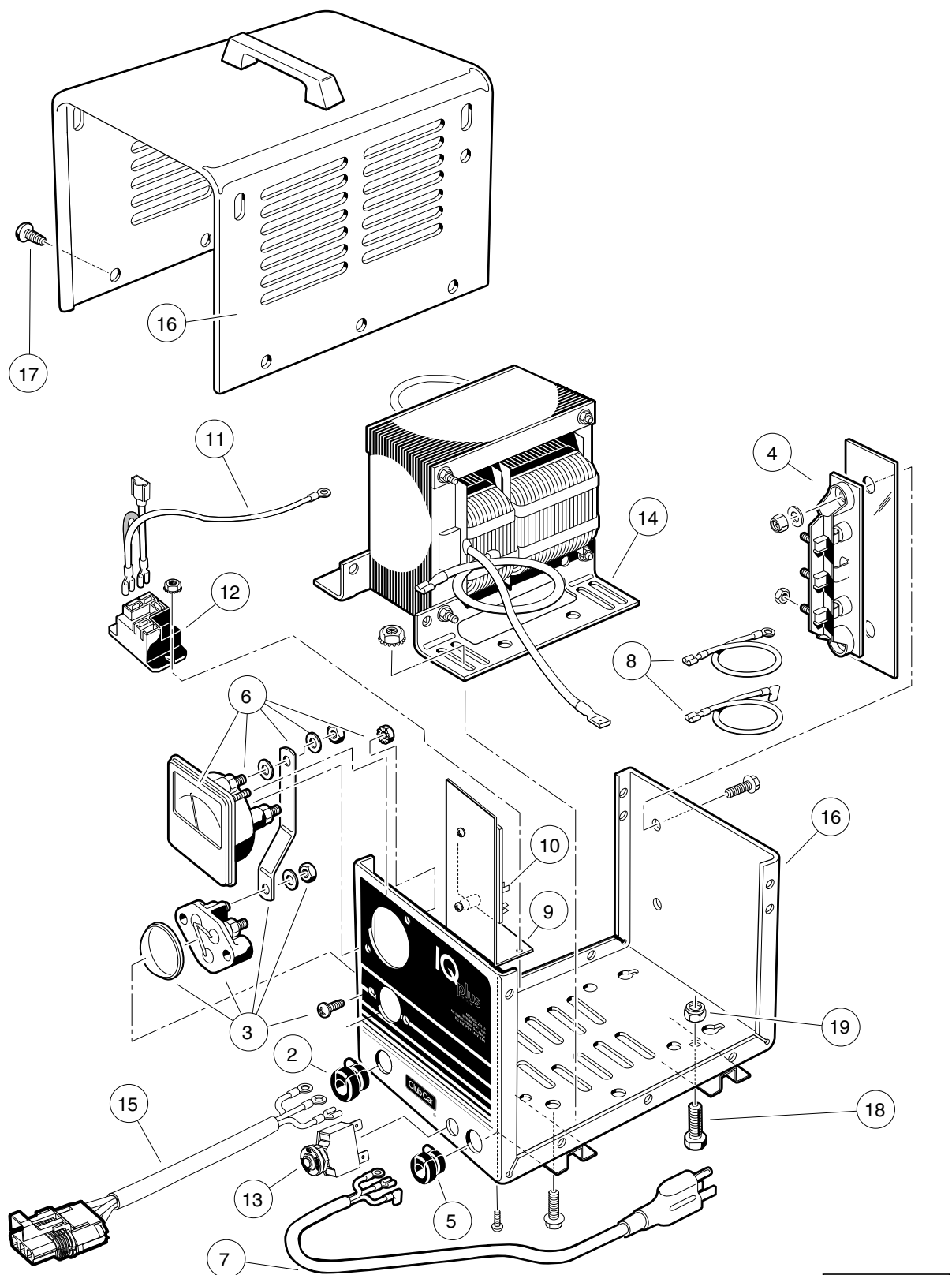
ITEM	PART NO.	DESCRIPTION	QTY
		1 2 3 4	
1	<u>101958201</u>	Cord, UK, AC, Battery Charger	1
2	<u>101958301</u>	Cord, European AC, Battery Charger	1
3	<u>102892901</u>	Charger, IQ Plus, International (9-ft. DC Cord)	1
4	<u>102892902</u>	Charger, IQ Plus, International (12-ft. DC Cord) (includes items 5 through 23)	1
5	<u>1012098</u>	Bushing, DC Cord	1
6	<u>1012101</u>	Fuse Assembly	1
7	<u>1015914</u>	Rectifier with Heatsink Assembly	1
8	<u>101828901</u>	Cord, DC, 113-Inch (287 cm)	1
9	<u>101828902</u>	Cord, DC, 154-Inch (391 cm)	1
10	<u>101828903</u>	Cord, DC, 250-Inch (635 cm)	1
11	<u>101838401</u>	Circuit Breaker	2
12	<u>101838601</u>	Four-Position Switch	1
13	<u>101914401</u>	Assembly, Voltage Suppressor	1
14	<u>101973501</u>	Receptacle, AC Cord	1
15	<u>101976601</u>	Ammeter with Mounting Bracket	1
16	<u>102275401</u>	Relay, 48-VDC	1
17	N/A	Wire, Jumper	1
18	N/A	Limiter, Current	1
19	N/A	Wire Assembly, Battery Charger	1
20	N/A	Transformer, Battery Charger	1
21	<u>102940801</u>	Cord, Dc	1
22	N/A	Case, Battery Charger	1
23	7577	Screw, #10 X 0.50 Phillips Pan-Head	10
24	<u>102939501</u>	Cord, European AC, Battery Charger	1

19

E

19

E



000415-001

ONBOARD IQ PLUS BATTERY CHARGER (MODEL 25260-11), DOMESTIC

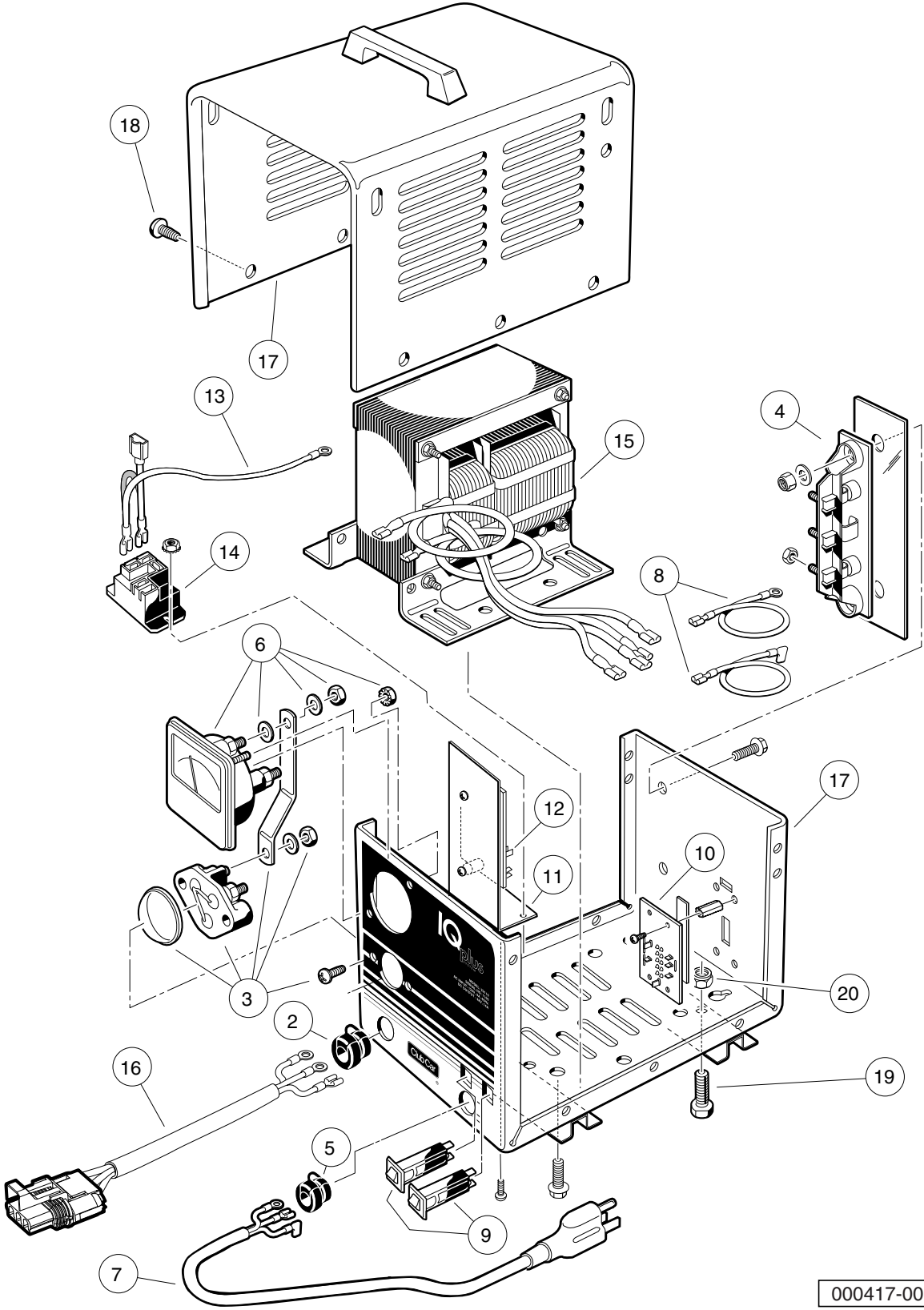
ITEM	PART NO.	DESCRIPTION	QTY
		1 2 3 4	
1	<u>102837001</u>	Battery Charger, Onboard, 120-VAC, 48-VDC (includes items 2 through 19)	1
2	<u>1012098</u>	Bushing, DC Cord	1
3	<u>1012101</u>	Fuse Assembly	1
4	<u>1015914</u>	Rectifier with Heatsink Assembly	1
5	<u>1015917</u>	Bushing, AC Cord	1
6	<u>101828501</u>	Ammeter	1
7	<u>101829001</u>	Cord, AC, 22-Inch (56 cm)	1
8	<u>101831101</u>	Wire Assembly Kit	1
9	<u>101838701</u>	Mounting Bracket, Relay	1
10	<u>101841901</u>	Control Board	1
11	101914401	Assembly, Voltage Suppressor	1
12	<u>102275401</u>	Relay, 48-VDC	1
13	<u>102838101</u>	Circuit Breaker 250vac-50vdc	1
14	N/A	Transformer, Battery Charger	1
15	<u>102940801</u>	Cord, Dc	1
16	N/A	Case, Battery Charger	1
17	7577	Screw, #10 X 0.50 Phillips Pan-Head	12
18	<u>7847</u>	Screw, 1/4-20 X 0.75 Hex-Head Cap	4
19	<u>8233</u>	Locknut, 1/4-20, Nylon Insert	4

19

E

19

E



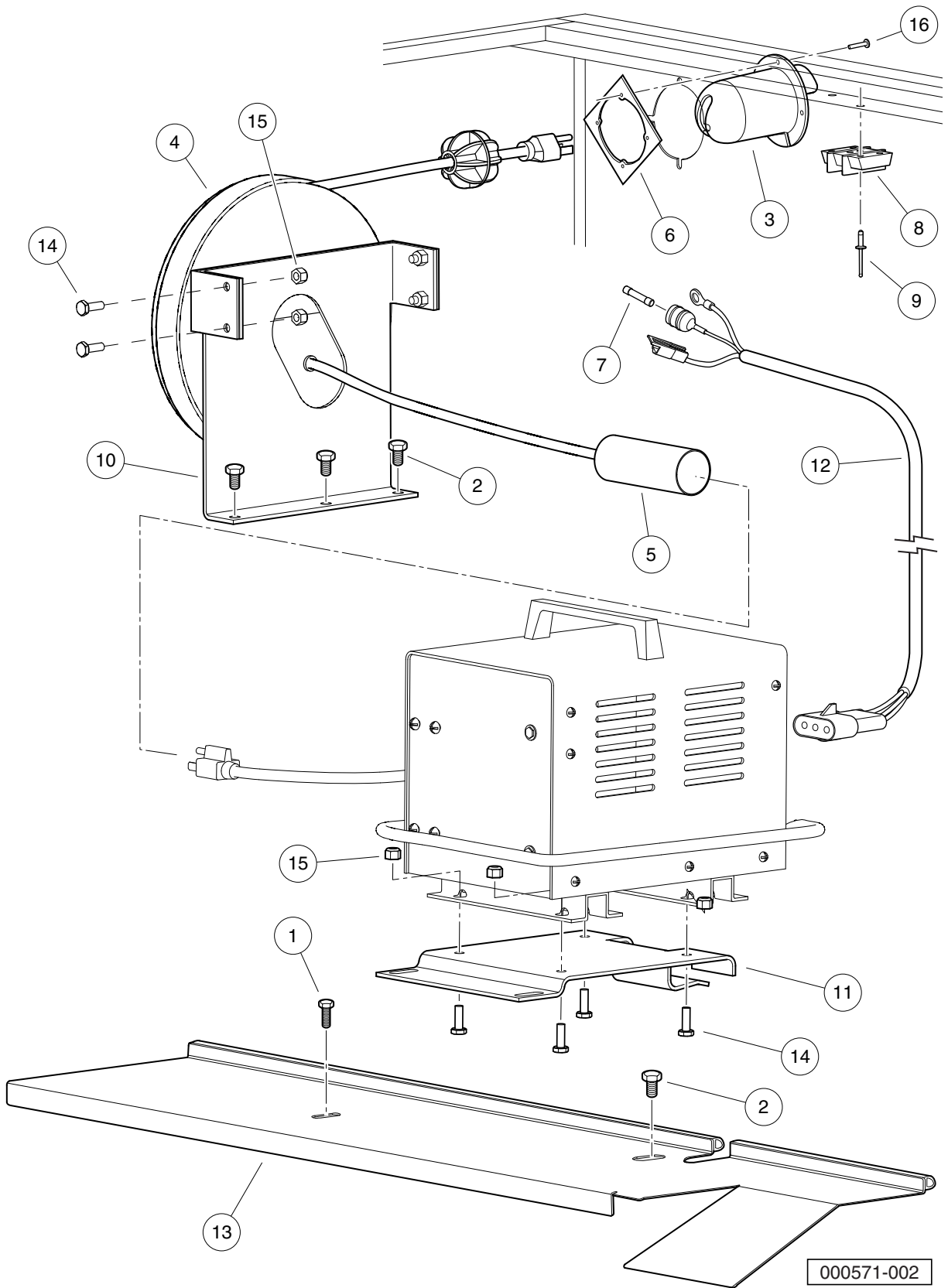
000417-001

ONBOARD IQ PLUS BATTERY CHARGER (MODEL 25660-40), INTERNATIONAL

ITEM	PART NO.	DESCRIPTION	QTY
		1 2 3 4	
1	102893001	Battery Charger, Onboard, International, IQ Plus (includes items 2 through 20)	1
2	<u>1012098</u>	Bushing, DC Cord	1
3	<u>1012101</u>	Fuse Assembly	1
4	<u>1015914</u>	Rectifier with Heatsink Assembly	1
5	<u>1015917</u>	Bushing, AC Cord	1
6	<u>101828501</u>	Ammeter	1
7	<u>101829001</u>	Cord, AC, 22-Inch (56 cm)	1
8	<u>101831101</u>	Wire Assembly Kit	1
9	101838401	Circuit Breaker	2
10	101838601	Four-Position Switch	1
11	<u>101838701</u>	Mounting Bracket, Relay	1
12	<u>101841901</u>	Control Board	1
13	101914401	Assembly, Voltage Suppressor	1
14	<u>102275401</u>	Relay, 48-VDC	1
15	N/A	Transformer, Battery Charger	1
16	<u>102940801</u>	Cord, Dc	1
17	N/A	Case, Battery Charger	1
18	7577	Screw, #10 X 0.50 Phillips Pan-Head	12
19	<u>7847</u>	Screw, 1/4-20 X 0.75 Hex-Head Cap	4
20	<u>8233</u>	Locknut, 1/4-20, Nylon Insert	4

19

E

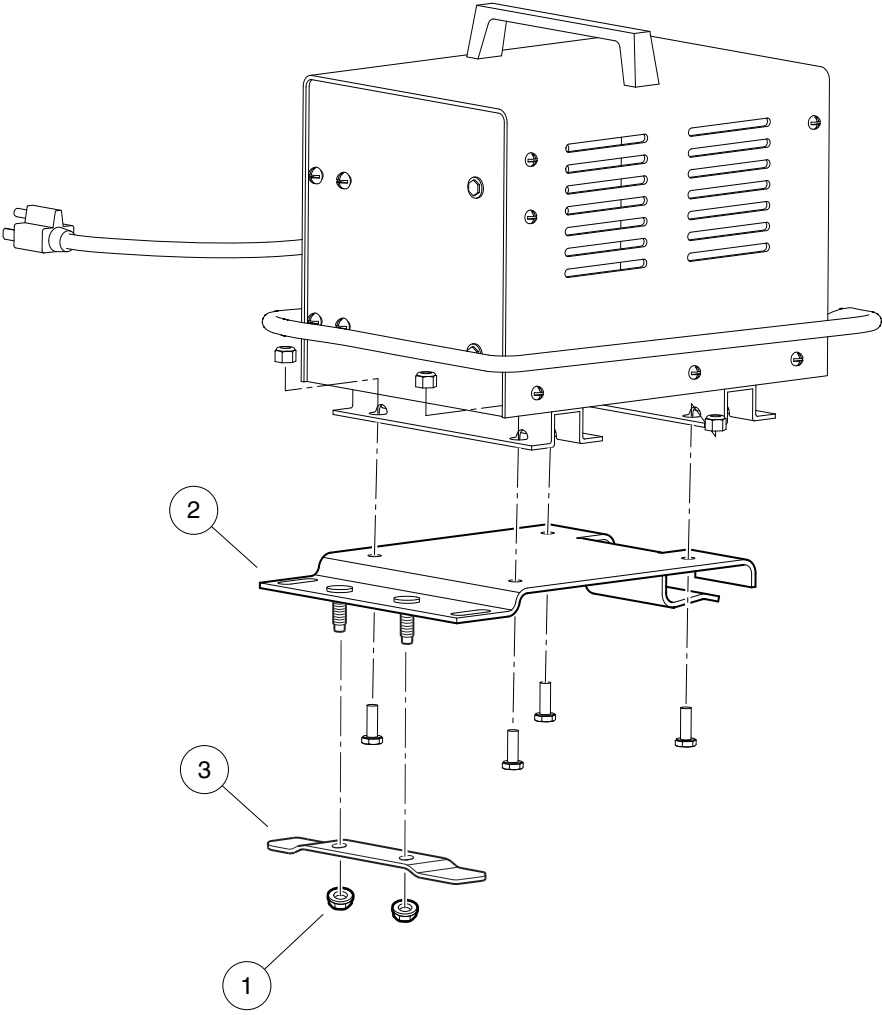


ONBOARD IQ PLUS CHARGER AND CORD REEL MOUNTING, PAGE 1 OF 2

ITEM	PART NO.	DESCRIPTION	QTY
		1 2 3 4	
1	<u>1014063</u>	Screw, 1/4-20 X 1.00, Hex Head	1
2	<u>1014288</u>	Screw, 5/16-18 X 0.75, Thread-Forming	4
3	<u>1016673</u>	Housing, Cord Reel	1
4	<u>1017187</u>	Retractable Cord Reel	1
5	<u>1017189</u>	Heat Shrink Tube 1.5" X 3"	1
6	<u>101801001</u>	Plate, Receptacle Backing	1
7	<u>101894901</u>	Fuse, 3/8-Amp	1
8	<u>101966801</u>	Block, Terminal	1
9	<u>101968801</u>	Rivet, 3/16", Pop	2
10	<u>102770701</u>	Bracket, Reel, Tabbed	1
11	<u>102844001</u>	Plate, Charger Mounting	1
12	<u>102881401</u>	Charger Harness, IQ Plus, 55"	1
13	<u>103353501</u>	Shield	1
14	<u>7847</u>	Screw, 1/4-20 X 0.75 Hex-Head Cap	8
15	<u>8233</u>	Locknut, 1/4-20, Nylon Insert	8
16	<u>8796</u>	Screw, #7-19 X 0.75 Pan-Head Type AB	4
17	<u>8990</u>	Tie Wrap, 8" Nylon	4
Note: Item 17 not shown. NOTE 2: See following page for parts specific to the international onboard charger.			

19

E



000572-003

ONBOARD IQ PLUS CHARGER AND CORD REEL MOUNTING, PAGE 2 OF 2

ITEM	PART NO.	DESCRIPTION	QTY
		1 2 3 4	
1	<u>101832901</u>	Nut, M10-1.25 Hex Flange	2
2	<u>102844002</u>	Plate, Charger Mounting, with Studs, International	1
3	<u>103189101</u>	Retainer, Charger Assembly	1
<p>Note: Items on this page are used only for the International Onboard IQ Plus Battery Charger.</p>			

19

E

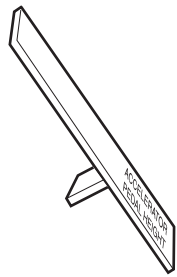
MAINTENANCE AND SERVICE TOOLS

20

G

E

20
G
E



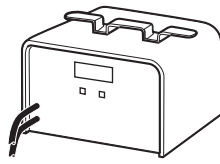
1



2



3



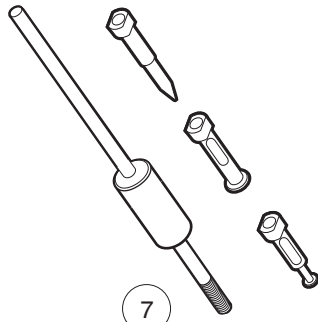
4



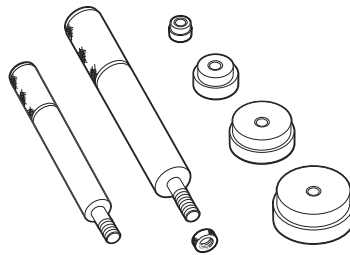
5



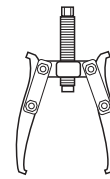
6



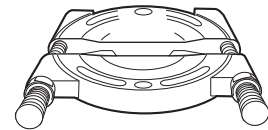
7



8



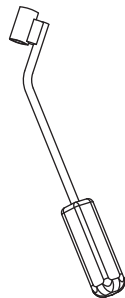
9



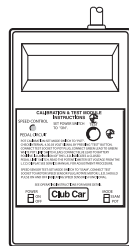
10



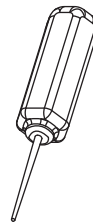
11



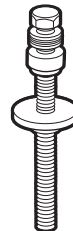
12



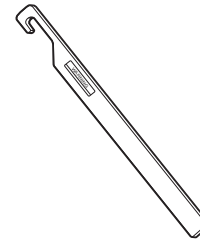
13



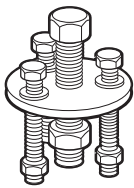
14



15



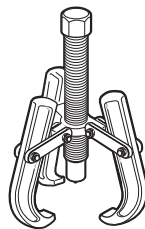
16



17



18



19



20



21

001600-001

MAINTENANCE AND SERVICE TOOLS

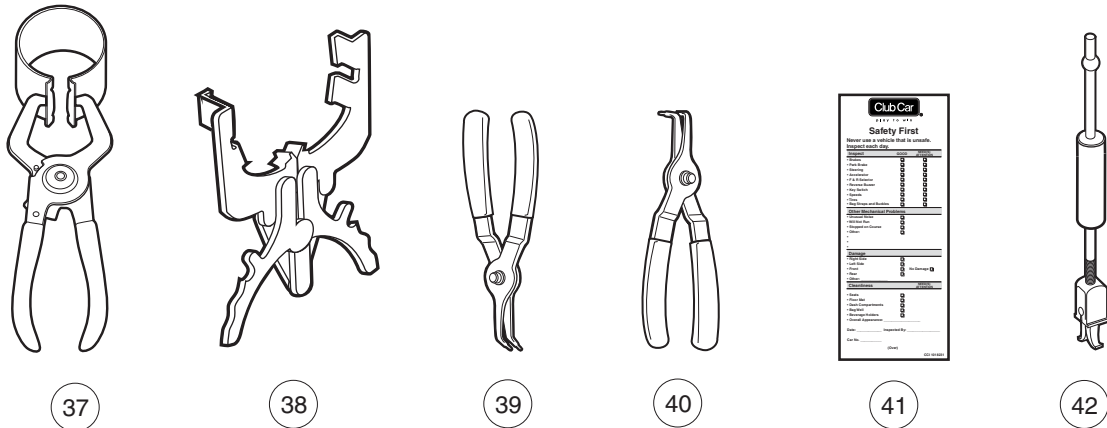
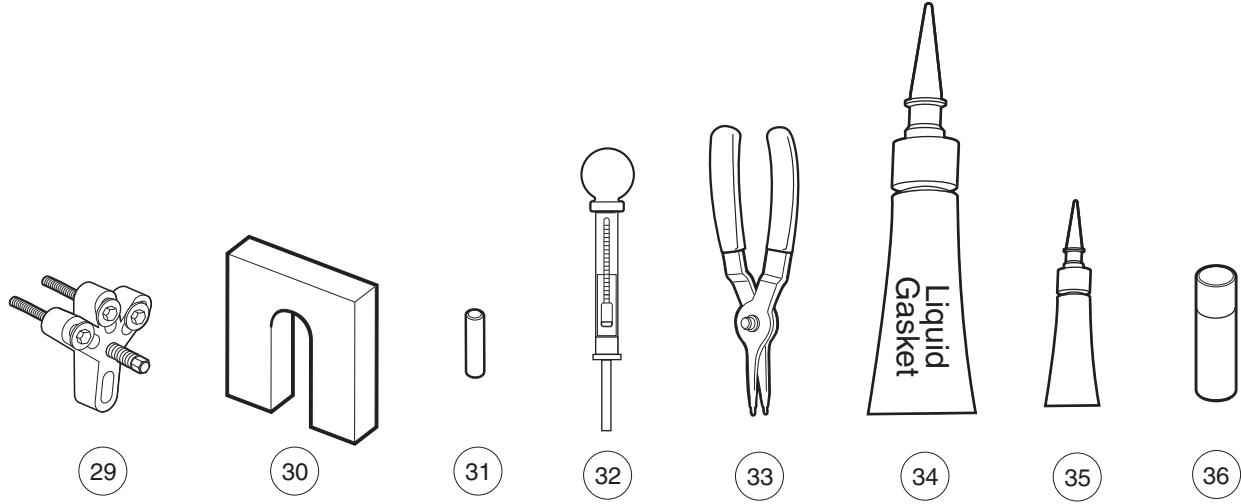
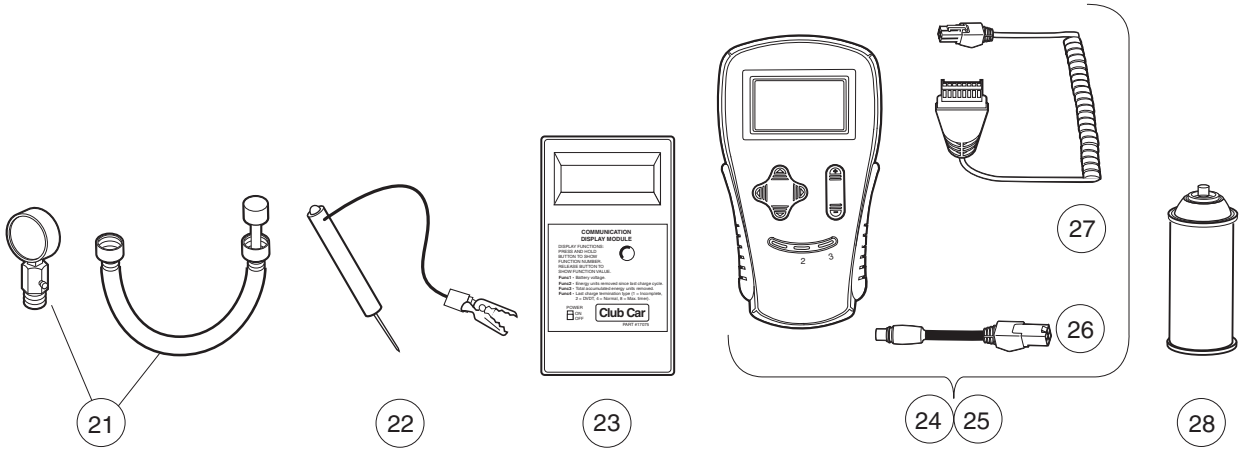
ITEM	PART NO.	DESCRIPTION	QTY GAS	QTY ELEC
		<p>1 2 3 4</p> <p>The following tool list includes all tools available from Club Car to perform maintenance and service procedures on all electric utility vehicles and all gasoline utility vehicles equipped with Kawasaki FE-series engines. Be sure to carefully examine the tool list for applicability to your vehicle before ordering.</p>		
1	<u>101871001</u>	Accelerator Pedal Adjustment Tool (Utility Vehicles).....	1	1
2	<u>101813202</u>	Adhesive, Guide Ring, 3-Gram Tube		1
3	<u>101641202</u>	Arbor	1	
4	<u>101831901</u>	Battery Discharge Machine, 36/48 Volt		1
5	<u>1014305</u>	Battery Terminal Protector Spray	1	1
6	1011767	Battery Thermometer	1	1
7	<u>1016417</u>	Bearing and Oil Seal Remover Assembly	1	1
8	<u>1016416</u>	Bearing Driver Set	1	1
9	<u>1012811</u>	Bearing Puller	1	1
10	<u>1012812</u>	Bearing Puller Wedge Attachment	1	1
11	1013582	Brake Adjustment Tool (used only on vehicles with manually adjusted mechanical brakes)	1	1
12	<u>102555501</u>	Brake Cable Release Tool	1	1
13	<u>101887101</u>	Calibration Test Module		1
14	<u>102562401</u>	Charger Bezel Tool		1
		Clutch Tools (items 14 - 20)	1	
15	<u>101808401</u>	Clutch Cam Installation Tool (for Kawasaki engines)	1	
16	<u>1015524</u>	Drive Clutch Holder Tool Assembly (for Kawasaki engines)	1	
17	<u>1014497</u>	Drive Clutch Hub Puller (for Kawasaki engines)	1	
18	<u>1014496</u>	Drive Clutch Puller (for Kawasaki engines)	1	
19	<u>1014508</u>	Driven Clutch Cam Puller (for Kawasaki engines)	1	
20	<u>1014507</u>	Driven Clutch Puller Plug (for Kawasaki engines)	1	
21	<u>101809101</u>	Press Weldment (for Kawasaki engines)	1	
		<p>Please refer to the maintenance and service manual for proper tool application.</p>		

20

G

E

20
G
E



001601-001

MAINTENANCE AND SERVICE TOOLS, CONTINUED

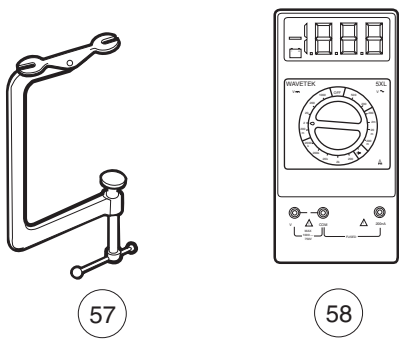
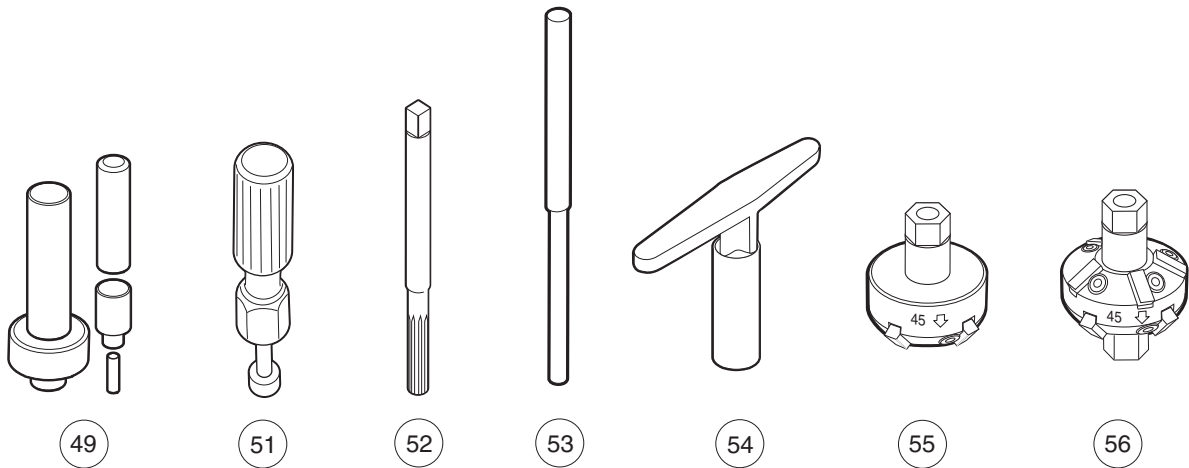
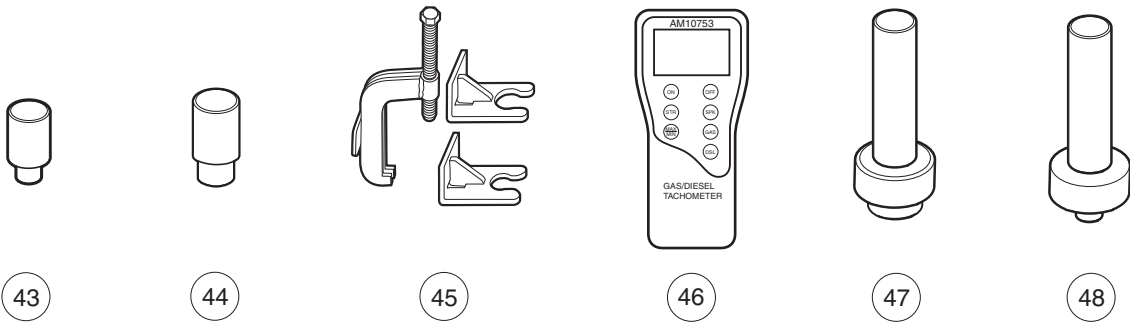
ITEM	PART NO.	DESCRIPTION	QTY GAS	QTY ELEC
		1 2 3 4		
21	101641002	Compression Gauge and Adapter	1	
22	1011273	Continuity Tester	1	1
23	101831801	Communication Display Module		1
24	<u>102248803</u>	IQ Display Module (IQDM) Kit (IQ System and IQ Plus vehicles)		1
		(includes items 54 and 55)		
25	102248804	IQ Display Module (IQDM-P) Kit (IQ System and IQ Plus vehicles)		1
		(includes items 54 and 55)		
26	<u>102251501</u>	Adaptor, Cable		1
27	<u>102241502</u>	IQDM Series 2 Cable		1
28	<u>1012151</u>	Dry Moly Lubricant	1	1
29	<u>1016627</u>	Flywheel Puller Kit (for Kawasaki Engines)	1	
30	<u>1016418</u>	Gear Yoke	1	1
31	<u>101933101</u>	Governor Shaft Installation Tool (for Kawasaki Engine Vehicles)	1	
32	<u>1011478</u>	Hydrometer	1	1
33	<u>1013593</u>	Internal Retaining Ring Pliers	1	1
34	<u>101928701</u>	Liquid Gasket (transaxle case)	1	1
35	<u>102243402</u>	Moly-Teflon Lubricant (4-oz. (113-gram) tube)		1
36	<u>101997201</u>	Paint, Touch-Up ,Äi Beige*	1	1
36	<u>101997207</u>	Paint, Touch-Up ,Äi Black*	1	1
36	<u>101997212</u>	Paint, Touch-Up ,Äi Burgundy*	1	1
36	<u>101997211</u>	Paint, Touch-Up ,Äi Classic Blue (Navy)*	1	1
36	<u>101997205</u>	Paint, Touch-Up ,Äi Dark Gray*	1	1
36	<u>101997209</u>	Paint, Touch-Up ,Äi Dark Green*	1	1
36	<u>101997204</u>	Paint, Touch-Up ,Äi Gray*	1	1
36	<u>101997203</u>	Paint, Touch-Up ,Äi Red*	1	1
36	<u>101997206</u>	Paint, Touch-Up ,Äi Royal Blue (Pacific Blue)*	1	1
36	<u>101997202</u>	Paint, Touch-Up ,Äi White*	1	1
37	<u>1016414</u>	Piston Ring Compressor Kit	1	
38	<u>1016415</u>	Piston Ring Pliers	1	
39	<u>1012549</u>	Retaining Ring Pliers, 45→ External	1	1
40	<u>1012560</u>	Retaining Ring Pliers, 90→ Internal	1	1
41	<u>101823101</u>	Safety First Card (50 per pack)	1	1
42	<u>1012809</u>	Seal Puller	1	1
		Please refer to the maintenance and service manual for proper tool application.		

20

G

E

20
G
E



001602-001

MAINTENANCE AND SERVICE TOOLS, CONTINUED

ITEM	PART NO.	DESCRIPTION	QTY GAS	QTY ELEC	20	
		1 2 3 4			G	
43	<u>1014264</u>	Steering Column Bearing Press Tool	1	1	E	
44	<u>1014259</u>	Steering Column Retaining Ring Tool	1	1		
45	102061201	Steering Wheel Puller Tool	1	1		
46	<u>AM10753</u>	Tachometer (includes gasoline engine pick up lead only)	1			
47	<u>1014162</u>	Transaxle Axle Seal Tool (for electric vehicles)		1		
48	1014161	Transaxle Pinion Seal Tool (for electric vehicles)		1		
49	<u>1014115</u>	Transmission Tool Kit (for electric vehicles).....		1		
50	<u>101611003</u>	Tune-Up Kit, All OHV (for FE290, FE350, FE400 only) (includes air filter, spark plug, oil filter, fuel filters) (not shown)	1			
51	<u>1016413</u>	Valve Clearance Adjuster Screw Holder (for FE290 engines only)	1			
52	101641201	Valve Guide Reamer (FE290, FE350, and FE400 only).....	1			
53	<u>1016552</u>	Valve Seat Cutter Guide	1			
54	<u>1016551</u>	Valve Seat Cutter T-Wrench	1			
55	<u>1016553</u>	Valve Seat Cutter, 45→× (32 mm diameter) (for FE290 engines only)	1			
56	<u>1016554</u>	Valve Seat Cutter, 45→×/30→× (35 mm diameter)	1			
57	<u>101641101</u>	Valve Spring Compressor	1			
58	1011480	Volt Ohm Meter	1	1		
		Please refer to the maintenance and service manual for proper tool application.				

INDEX

Part Number and Page

AM10753	20-7	1606	12-21	6-23, 6-25, 6-27, 6-29, 7-5, 7-7, 7-17, 7-19, 7-21, 7-23, 8-11
AM10015	4-37, 4-39	1620	4-3	8755
AM10080	15-9	1624	5-5, 5-7, 6-3, 6-17, 7-5	1-33, 1-35, 6-17, 6-25, 6-27, 7-19, 7-21, 7-23
AM10081	15-9	1631	12-21	8796
AM10419	14-11, 14-13	1703	1-25, 1-27, 1-29	19-11
AM10808	1-5	2402	6-15, 6-23, 7-17	8797
AM1232301	9-5, 10-5, 11-5	4029	4-41, 4-43	12-3, 12-5
AM1243501	4-35	7048	6-13, 6-21, 7-15	8861
AM1243701	4-31, 4-33, 4-35	7049	1-43	6-15, 6-23, 6-31, 7-17, 7-25
AM1243801	4-31, 4-33, 4-35	7173	1-13, 4-7, 4-10, 6-31, 7-25, 8-25	8935
AM1264001	1-63	7174	1-55, 1-61, 1-65, 6-7, 7-9, 8-11, 12-19, 13-3, 17-3	1-5
AM1304001	1-71	7251	1-3, 1-5, 1-13	8963
AM1304101	1-71	7274	6-13, 6-21, 7-15	1-25, 1-27, 1-29, 16-11, 16-13
AM1304201	1-71	7308	6-13, 6-21, 7-15	8990
AM1304301	1-71	7310	2-3, 2-5, 2-7	1-51, 1-53, 1-55, 4-7, 4-11, 4-13, 4-27, 4-33, 4-37, 4-39, 4-45, 6-3, 7-5, 8-15, 8-17, 8-19, 19-11
AM1304401	1-71	7311	1-25, 1-27, 1-29, 1-49, 6-31, 7-25	1010005
AM1304501	1-71	7330	15-11, 18-3	6-13, 6-21, 7-15
AM1304601	1-71	7335	15-9, 18-3	1010028
AM1304701	1-71	7336	18-3	15-3
AM1304801	1-71	7473	1-3, 1-5, 1-25, 1-27, 1-29, 1-33, 1-35, 1-43, 1-45, 1-51, 1-53, 1-55, 1-87, 4-7, 4-11, 4-37, 4-39, 5-3, 5-5, 5-7, 5-13, 5-15, 5-23, 6-31, 7-3, 7-25, 8-15, 8-17, 8-19, 8-25, 16-11, 16-13	1010086
AM1304901	1-71	7479	1-49	1-49
AM1305001	1-71	7532	1-33, 1-35	1010124
AM1305101	1-71	7539	6-15, 6-23, 7-17	6-17, 6-25, 7-19
AM1305201	1-71	7540	6-3, 6-15, 6-23, 7-5, 7-17	1010138
183	4-5, 4-9, 4-13, 4-29, 4-35, 8-17, 12-3, 12-5, 12-21, 14-5, 14-7, 14-9, 15-7, 15-13	7555	6-3, 6-15, 6-23, 7-5, 7-17	1-51, 1-53, 1-55, 6-15, 6-23, 7-17
304	1-69, 1-85, 4-6, 4-9, 4-41, 4-43, 15-5	7561	1-51, 1-53, 1-55	1010145
320	1-55	7577	19-3, 19-5, 19-7, 19-9	6-27, 6-29, 7-21, 7-23
324	4-31, 4-33	7591	4-5, 4-7, 4-9, 4-11	1010150
332	1-17, 1-37, 1-39, 1-43, 1-45, 1-49, 1-67, 1-69, 4-7, 4-9, 4-31, 4-33, 4-41, 4-43, 8-13, 12-21, 13-3	7602	6-3, 6-15, 6-23, 7-5, 7-17	6-17, 6-25, 7-19
334	1-39, 5-5, 5-7, 6-3, 6-5, 7-5, 7-7, 9-15, 10-15, 11-15, 14-5, 14-7, 14-9	7716	5-3, 5-5, 5-7	1010177
357	1-51, 1-53, 1-55, 1-61, 6-17, 6-25, 6-31, 7-19, 7-25	7818	8-15, 8-17, 8-19	1-55, 6-25, 7-19
403	1-33, 1-35	7820	4-7, 4-11, 4-41, 4-43	1010200
451	5-11, 5-17, 13-3, 17-3	7840	6-13, 6-21, 7-15	6-17
705	1-33, 1-51, 1-53, 1-55, 1-61, 8-11, 9-15, 10-15, 11-15	7847	1-11, 1-39, 1-67, 13-3, 19-7, 19-9, 19-11	1010219
706	1-51, 1-53, 1-55, 1-61, 6-17, 6-25, 7-19	7893	4-7, 4-13, 4-29, 8-15, 8-17, 8-19, 15-5	6-15, 6-23, 7-17
808	1-39, 6-31, 7-25, 14-5, 14-7, 14-9	7910	6-13, 6-21, 7-15	1010237
1016	4-5, 4-9, 4-13, 4-29, 8-17, 12-3, 12-5	7973	1-9, 12-21	1-25, 1-27, 1-29
1017	4-3, 4-5, 4-9, 8-17	8057	8-15, 8-17, 8-21, 15-3	1010342
1028	5-3	8058	8-15, 8-17, 8-21, 15-3	6-13
1032	1-41, 5-3	8067	6-13, 6-21, 7-15	1010344
1035	1-39, 1-85, 6-3, 6-15, 6-23, 7-5, 7-17	8104	4-13, 15-3	6-13
1108	1-49	8233	1-25, 1-27, 1-29, 1-37, 1-39, 1-43, 1-45, 1-67, 1-69, 1-85, 4-7, 4-11, 4-31, 4-33, 4-41, 4-43, 4-45, 5-5, 5-7, 6-31, 7-25, 8-13, 12-19, 15-5, 15-7, 15-13, 19-7, 19-9, 19-11	1010347
1218	1-25, 1-27, 1-29, 4-5, 7-3	8248	1-13, 8-13	6-13
1231	1-41	8251	1-31	1010348
1241	1-3, 1-5, 1-25, 1-27, 1-29, 1-55, 1-61, 1-65, 4-5, 4-9, 4-37, 4-39, 5-3, 5-5, 5-7, 5-15, 5-23, 7-3, 8-11, 8-15, 8-17, 8-19, 8-25, 13-3	8294	4-41, 4-43	6-13
1242	1-55, 1-61, 1-65, 5-13, 5-15, 5-23, 8-11, 8-15, 8-17, 8-19	8450	8-17, 14-5, 14-7, 14-9	1010434
1308	6-15, 6-23, 7-17	8639	1-85, 4-11, 4-35, 15-5	1-3, 1-5, 1-7, 1-41
		8717	5-7, 8-15, 8-17, 8-19, 15-3, 15-7, 15-13	1010435
		8745	6-17, 6-25	1-3, 1-5, 1-33, 1-35, 1-45, 1-51, 1-53, 1-55
		8754	1-33, 1-35, 5-5, 5-7, 6-3, 6-5, 6-15, 6-17,	1010436
				1-45
				1010543
				1-17
				1010546
				1-3
				1010577
				9-15, 10-15, 11-15
				1010805
				5-3
				1010829
				5-13, 5-15, 5-23
				1010850
				5-11, 5-17, 5-19
				1010877
				5-3
				1010878
				1-37, 5-3
				101090801
				16-11, 16-13
				1010909
				4-5, 4-29
				1010921
				1-25, 1-27, 1-29, 5-3
				1010927
				5-3
				1010932
				5-3
				1010933
				5-3
				1010934
				1-5, 1-43, 1-49, 1-55, 1-61, 1-65, 4-37, 4-39, 8-25, 17-3
				1010954
				8-15, 8-17, 8-19, 15-7, 15-13
				1010984
				2-3, 2-5, 2-7
				1011014
				1-3, 1-5
				1011017
				1-3, 1-5, 4-23
				1011084
				5-9
				1011114
				5-11, 5-17
				1011137
				5-11
				1011154
				5-11, 5-17
				1011226
				1-85
				1011229
				4-5, 4-9

INDEX

1011273	20-5	1012030	6-17, 6-25	101313402	12-7
1011291	15-11	1012098	19-3, 19-5, 19-7, 19-9	1013135	6-13, 6-21, 7-15
1011298	5-11, 5-17	1012101	19-3, 19-5, 19-7, 19-9	1013207	6-27, 7-21
1011303	5-11, 5-17	1012151	20-5	1013309	1-17
1011314	5-11, 5-17	1012180	6-27, 7-21	1013311	1-17
1011382	4-15, 4-17, 4-19, 4-21	1012181	6-29	1013312	1-17
1011393	6-13, 6-21, 7-15	1012182	6-29	1013317	1-41, 3-27, 3-29, 3-31
1011394	1-3, 1-5	1012285	1-67, 1-69, 1-85, 4-45, 12-3, 12-5, 12-7, 12-19	1013343	1-9
1011402	5-3	1012295	8-15, 8-17, 8-19	1013344	1-9
1011415	6-27, 6-29, 7-21, 7-23	1012303	1-33, 1-35, 6-17, 6-19, 6-25, 6-27, 6-29, 7-19, 7-21, 7-23	1013357	4-5, 4-9, 16-5
1011418	5-3	1012304	6-27	1013366	1-45
1011439	4-5, 4-9	1012333	15-5	1013420	1-11
101146302	5-11, 5-17	1012349	1-85	1013422	1-11
1011464	5-11, 5-17	1012382	8-3, 8-5, 8-7	1013461	12-3, 12-5
1011465	5-11, 5-17	1012396	4-15, 4-17, 8-3, 8-5, 8-7	1013462	12-3, 12-5
1011466	5-11, 5-17, 5-19	1012431	8-15, 8-17	1013483	1-61
1011467	5-11, 5-17	1012438	4-9, 4-35, 12-21	1013494	4-15, 4-17, 4-19, 4-21
1011478	20-5	1012463	1-55	1013509	4-31, 4-33
1011480	20-7	1012467	6-3, 7-5	1013531	5-15, 5-23
1011494	5-11, 5-17	1012505	4-15, 4-17, 4-19, 4-21	1013579	4-45
1011546	1-63	1012528	13-3, 16-15	1013582	20-3
1011553	1-61, 1-65, 3-5, 3-9, 3-13, 3-17, 3-21, 3-25	1012549	20-5	1013589	8-15, 8-17, 8-19
1011557	4-5, 4-9	1012560	20-5	1013593	20-5
1011558	4-5, 4-9	1012565	6-11, 7-13	1013609	8-15, 8-17, 8-19
1011578	1-5, 6-5, 7-7	1012566	6-11, 7-13	1013677	3-5, 3-9
1011582	4-47	1012571	9-15, 10-15, 11-15, 16-11, 16-13	1013687	12-3, 12-5
1011590	4-13	1012604	6-5, 7-7	1013700	12-19
1011694	5-5, 5-7	1012605	6-5, 7-7	1013734	13-3, 16-15
1011697	6-5, 7-7, 9-15, 10-15, 11-15, 12-19	1012640	2-9	1013746	12-3, 12-5, 12-7, 12-15, 12-17
1011734	5-9	1012641	2-9	1013760	15-7
1011767	20-3	1012642	2-9	1013768	15-11
1011779	5-13, 5-15, 5-23	1012649	12-3, 12-5, 12-7	1013769	15-11
1011825	4-5, 4-9, 4-41, 4-43	1012711	15-7	1013770	15-11
1011843	4-47	1012714	15-9	1013771	15-11
1011852	1-25, 1-27, 1-29	1012740	15-9	1013772	15-11
1011862	1-25, 1-27, 1-29	1012741	15-9	1013773	15-11
1011865	1-25, 1-27, 1-29	1012747	15-9	1013774	15-11
1011868	1-25, 1-27, 1-29	1012748	15-9	1013787	15-11
101187702	5-3	1012752	15-7	1013792	15-11
1011878	1-13, 1-25, 1-27, 1-29	1012809	20-5	1013794	15-11, 18-3
1011883	1-25, 1-27, 1-29	1012811	20-3	1013824	1-13
1011887	6-13, 6-21, 7-15	1012812	20-3	1013825	1-13
1011892	6-13, 6-21, 7-15	1012830	8-11, 12-19, 13-3	1013846	1-13
1011893	6-15, 6-23, 7-17	1012836	14-11, 14-13	1013857	4-5, 4-9
1011895	6-3, 6-15, 6-23, 7-5, 7-17	1012896	15-7	1013861	6-7
1011897	1-23	1013001	8-9	1013869	5-3
1011930	6-3, 6-15, 6-23, 7-5, 7-17	1013003	8-9	1013870	5-3
1011931	5-5, 5-7	1013005	8-9	1013871	5-5, 5-7
1011937	1-25, 1-27, 1-29	101301102	8-9	1013876	5-3
1011942	1-25, 1-27, 1-29	1013035	6-3, 7-5	1013924	5-11, 5-17, 5-19, 5-21, 9-15, 10-15, 11-15
1011962	1-57	1013042	6-3, 7-5	1014007	5-5, 5-7, 12-19, 15-7, 15-13
1011964	1-25, 1-27, 1-29, 1-85	1013044	6-3, 7-5	1014049	14-5, 14-7, 14-9
1011965	1-25, 1-27, 1-29	1013052	6-3, 7-5	1014050	14-5, 14-7, 14-9
1011990	1-41, 1-51, 1-53, 1-55, 1-61	1013061	15-3, 15-7, 15-13, 16-7	1014051	14-5
1012008	1-25, 1-27, 1-29			1014052	14-5, 14-7, 14-9

INDEX

1014055	14-5, 14-7, 14-9	1014530	4-5, 4-9, 4-41, 4-43	1015524	20-3
1014056	14-5, 14-7, 14-9	1014537	1-43, 1-45	1015526	4-31, 4-33, 4-35
1014057	14-5, 14-7, 14-9	1014555	6-27, 6-29, 7-21, 7-23	1015528	4-15, 4-17, 4-19, 4-21
1014058	14-5, 14-7, 14-9	1014771	2-3	1015530	1-67, 1-69
1014059	14-5, 14-7, 14-9	1014807	8-15, 8-17, 8-21, 15-3	101553901	1-41, 1-49, 3-3, 3-7, 3-11, 3-15, 3-19, 3-23
1014062	14-5, 14-7, 14-9	1014808	8-15, 8-21, 15-3	1015583	1-33, 1-35, 6-17, 6-19, 6-25, 6-27, 6-29, 7-19, 7-21, 7-23
1014063	14-5, 14-7, 14-9, 19-11	1014902	6-29, 7-23	1015597	6-3, 6-13, 6-15, 6-21, 6-23, 7-5, 7-15, 7-17
1014065	8-15, 8-17, 8-19, 14-5, 14-7, 14-9	1014948	8-15, 8-17, 8-19	1015607	1-41
1014070	14-11, 14-13	1015010	4-35	1015608	1-5, 1-55, 16-11, 16-13
1014072	14-11, 14-13	101503202	1-5, 1-9	1015610	1-55
1014078	14-11, 14-13	1015072	16-11, 16-13	1015612	1-51, 1-55
1014080	14-11, 14-13	1015075	1-3, 1-5	1015613	6-31, 7-25
1014109	4-5	1015137	12-3, 12-5, 12-7, 12-15, 12-17	1015614	6-31, 7-25
1014115	20-7	1015139	12-3	1015615	1-55
1014116	12-3, 12-5	1015143	12-3	1015616	1-55
1014119	8-3, 8-5, 8-7, 8-15, 8-17, 8-19	1015153	4-31	1015617	1-55
1014125	6-5, 7-7	1015154	4-31	1015621	1-55
1014126	6-5, 7-7	1015156	4-31, 4-33, 4-35	1015623	1-55
1014145	8-15, 8-17, 8-19	1015157	4-31, 4-33	1015624	1-55
1014153	5-11, 5-17, 5-19, 5-21	1015160	4-31, 4-33	101562711	1-17
1014161	20-7	1015162	4-31	101562712	1-17
1014162	20-7	1015167	4-35	101562714	1-17
1014201	17-3	1015170	4-35	101562715	1-17
1014207	15-11	1015172	4-31, 4-33	101564501	1-17
1014213	6-5, 7-7	1015187	4-31, 4-33, 4-35	101564502	1-17
1014214	6-5, 7-7	101524002	8-11	101564503	1-17
1014217	6-5, 7-7	1015245	1-41	101564505	1-17
1014259	20-7	1015252	1-33, 1-35	1015649	9-3, 10-3, 11-3
1014264	20-7	1015258	1-33, 1-35	1015654	1-49
1014276	6-17, 6-25, 7-19	1015277	1-37	1015656	1-49
1014287	14-5, 14-7, 14-9	1015313	1-41	101565803	1-49
1014288	6-5, 7-7, 8-25, 14-5, 14-7, 14-9, 19-11	1015332	8-3, 8-5, 8-7, 9-3, 10-3, 11-3	1015700	1-39
1014289	8-9	1015345	8-15, 8-17, 8-19	101570401	1-55
1014305	20-3	1015348	1-39	1015720	16-15
1014306	1-45, 1-67, 1-69, 4-45	1015356	1-33	1015737	4-5, 8-3, 8-5, 8-7, 8-15, 8-17, 8-19
1014307	4-9	1015363	1-41	1015741	4-5, 4-9, 8-15, 8-17, 8-19
1014321	1-31, 1-43	1015366	1-41	1015752	8-15, 8-17, 8-19, 12-21, 16-3
1014375	8-25	1015368	1-41	1015760	6-31, 7-25
1014387	1-31, 1-43	1015371	8-15, 8-19	1015765	4-31
1014415	1-43, 1-45	1015372	8-15, 8-17, 8-19	1015768	4-35
1014435	1-23	1015373	8-15, 8-17, 8-19	1015770	4-35
101444101	1-23	1015390	1-41	1015814	13-3
1014453	14-5, 14-7, 14-9	1015391	1-33, 1-35	1015820	1-55
1014454	14-11, 14-13	1015392	16-9	101584502	12-19
1014471	1-33, 1-35	1015399	1-33, 1-35, 1-43, 1-45, 1-87	1015878	8-15, 8-17, 8-21, 15-3
1014496	20-3	1015400	1-33, 1-35, 1-41	1015914	19-3, 19-5, 19-7, 19-9
1014497	20-3	1015405	1-3, 8-15, 8-17, 8-19	1015917	19-3, 19-7, 19-9
1014503	1-25, 1-27, 1-29	1015412	1-41	1015921	12-3, 12-5
1014506	1-25	1015424	1-41	1015932	8-11
101450698	1-27	1015426	12-21	1015969	9-3, 10-3, 11-3
1014507	20-3	101542901	1-33, 1-35	1016011	14-7
1014508	20-3	1015445	1-61	1016060	1-37
1014509	1-25	1015453	6-31, 7-25	1016074	8-11
101450902	1-29	1015457	6-31, 7-25		
101450903	1-27	101547601	3-13, 3-17, 3-21, 3-25		
1014523	12-3, 12-5	1015507	1-33, 1-35		

INDEX

1016077	1-49	1016436	9-9, 10-9, 11-9	1016544	9-5, 9-9, 9-11, 10-5, 10-9, 10-11, 11-5, 11-9, 11-11
1016078	1-37	1016437	12-9, 12-11, 12-13	1016545	11-9
101609401	3-3, 3-7, 3-11, 3-15, 3-19, 3-23	1016438	12-15, 12-17	1016546	12-19
101611003	20-7	1016440	9-9, 10-9, 11-9, 12-15, 12-17	1016547	9-3, 9-13, 10-3, 10-13, 11-3, 11-13, 12-15, 12-17
101611402	18-5	1016441	12-15, 12-17	1016549	9-9, 10-9, 11-9
1016136	1-55	1016444	12-15, 12-17	1016551	20-7
1016154	6-11, 7-13	1016445	9-5, 10-5	1016552	20-7
101615504	6-9, 7-11	1016449	9-9, 10-9, 11-9	1016553	20-7
1016156	6-9, 6-11, 7-11, 7-13	1016450	9-9, 10-9, 11-9	1016554	20-7
1016183	6-5, 7-7	1016451	11-9	1016557	5-11, 5-17
1016201	14-5, 14-7, 14-9	1016452	9-9, 10-9, 11-9	1016560	9-9, 10-9, 11-9
1016214	6-11, 7-13	1016453	11-11	1016561	9-5, 10-5, 11-5
1016219	6-11, 7-13	1016454	9-11, 10-11, 11-11	1016562	9-5, 9-13, 10-5, 10-13, 11-5, 11-13
1016230	4-35	1016455	9-5, 10-5, 11-5	1016563	9-9, 10-9, 11-9
1016267	4-35	1016456	9-3, 9-5, 10-3, 10-5, 11-3	1016564	9-11, 10-11, 11-11
1016269	6-5, 7-7	1016457	9-7, 10-7, 11-7	1016566	9-9, 10-9, 11-9
1016287	4-35	1016458	9-9, 10-9, 11-9	1016569	9-9, 10-9, 11-9
1016289	14-5, 14-7, 14-9	1016467	9-7, 10-7, 11-7	1016570	9-7, 10-7, 11-7
1016319	5-13	1016470	9-13, 10-13, 11-13	1016571	9-13, 10-13, 11-13
1016320	5-13	1016472	9-11, 10-11, 11-11	1016572	12-15, 12-17
1016337	15-9	1016473	9-7, 10-7, 11-7	1016573	5-11, 5-17
1016338	15-9	1016474	9-9, 10-9, 11-9	1016576	9-7, 10-7, 11-7
1016346	6-15, 6-23, 7-17	1016479	9-9, 10-9, 11-9	1016578	9-5, 10-5, 11-5
1016349	6-15, 6-23, 7-17	1016480	12-15	1016579	9-5, 10-5
1016350	6-15, 6-23, 7-17	101648102	12-15, 12-17	1016581	9-7, 10-7, 11-7
1016351	6-15, 6-23, 7-17	101648203	9-7, 10-7, 11-7	1016582	12-15, 12-17
1016353	6-15, 6-23, 7-17	1016483	9-9, 10-9, 11-9	1016583	9-9, 10-9, 11-9
1016356	4-5, 4-9, 16-5	1016486	12-9, 12-11, 12-13	1016584	9-11, 10-11, 11-11
1016363	4-9	1016489	9-9, 10-9, 11-9	1016585	12-9, 12-11, 12-13
1016365	4-27	101649002	12-15, 12-17	1016586	9-5, 10-5
1016366	4-9	1016494	9-11, 10-11, 11-11	1016587	9-5, 10-5, 11-5
1016367	4-5	1016496	9-11, 10-11, 11-11	1016588	9-5, 10-5, 11-5
1016384	6-17, 6-25, 7-19	1016497	9-5, 10-5	1016603	1-51, 1-53
1016385	6-15, 6-23, 7-17	1016499	12-9, 12-11, 12-13	101661601	16-11
1016386	6-17, 6-25, 7-19	1016501	12-9, 12-11, 12-13	1016627	20-5
1016387	6-17, 6-25, 7-19	1016502	9-7, 10-7, 11-7	1016630	4-15, 4-17
1016389	6-17, 6-25, 7-19	1016506	9-11, 10-11, 11-11	1016631	4-9
1016401	8-3, 8-15, 8-17	1016507	9-3, 10-3, 11-3	1016663	6-9, 6-11, 7-11, 7-13
101641002	20-5	1016510	9-11, 10-11, 11-11	1016672	15-11
101641101	20-7	1016513	15-7	1016673	19-11
101641201	20-7	101651406	2-3	1016679	1-67
101641202	20-3	101651407	2-3	101670201	3-27, 3-29, 3-31
1016413	20-7	101651409	2-3	1016751	1-19
1016414	20-5	101651414	2-3	101675511	1-19
1016415	20-5	101651416	2-3	101675512	1-19
1016416	20-3	1016517	9-9, 10-9, 11-9	101675514	1-19
1016417	20-3	1016518	9-9, 10-9	101675515	1-19
1016418	20-5	1016519	9-9, 10-9, 11-9	101677701	1-19
1016423	4-5, 4-9, 8-15, 8-17, 8-19	1016521	9-11, 10-11, 11-11	101677702	1-19
101642575	12-9, 12-11, 12-13	1016531	9-3, 10-3, 11-3	101677703	1-19
101642578	12-9, 12-11, 12-13	1016535	9-11, 10-11, 11-11	101677705	1-19
101642580	12-9, 12-11, 12-13	1016537	9-7, 10-7, 11-7	1016801	14-5, 14-7, 14-9
101642582	12-9, 12-11, 12-13	1016538	9-11, 10-11, 11-11	1016813	6-31, 7-25
101642585	12-9, 12-11, 12-13	1016539	9-3, 10-3, 11-3	1016814	6-31
1016429	9-7, 10-7, 11-7	1016541	9-13, 10-13, 11-13		
1016432	9-7, 10-7, 11-7, 15-7	1016542	11-9		

INDEX

1016837	4-31, 4-33	1017266	6-15, 6-23, 7-17	1017510	9-13, 10-13, 11-13
1016849	4-15, 4-17, 4-19, 4-21	1017273	6-9, 6-11, 7-11, 7-13	1017511	9-11
1016851	4-15, 4-17, 4-19, 4-21	101728602	1-21	1017512	9-13, 10-13, 11-13
1016868	1-3, 1-5	1017313	6-5, 7-7	1017513	9-11, 10-11, 11-11
1016879	4-3	1017314	6-5, 7-7	1017514	9-11, 10-11, 11-11
1016880	4-3	1017315	6-5, 7-7	101751801	9-11, 10-11, 11-11
1016883	8-11	1017317	6-5, 7-7	101751802	9-11, 10-11, 11-11
1016901	14-7, 14-9	101734802	1-3	101751803	9-11, 10-11, 11-11
1016904	1-85, 9-9, 10-9, 11-9, 13-3	101737002	2-3	101754201	1-87
1016916	1-49	1017378	5-5, 5-7	101754204	1-87
101692501	1-3	1017380	5-5, 5-7	1017653	8-9
101692502	1-3	101738301	14-7	1017686	14-11, 14-13
101692506	1-3	101738302	14-7	1017689	1-85, 13-3
101692509	1-3	1017424	5-5, 5-7	101769302	2-3
101692510	1-3	1017434	9-9, 10-9, 11-9	1017696	5-5, 5-7
101692511	1-3	1017435	9-9, 10-9	1017699	4-47
101692512	1-3	1017442	9-7, 10-7, 11-7	101770202	1-47
101692513	1-3	1017443	9-9, 9-11, 10-9, 10-11, 11-9	1017705	16-7
101692514	1-3	1017444	9-9, 10-9	1017721	4-5, 4-29
101692515	1-3	1017445	9-9, 10-9, 11-9	1017722	4-5
1016929	4-31, 4-33, 4-35	1017446	9-9, 10-9	1017724	4-13
101693201	3-15, 3-23	1017447	9-11, 10-11	101773301	9-13, 10-13, 11-13
101693901	1-3, 1-5	1017448	9-5, 10-5, 11-5	101773302	9-13, 10-13, 11-13
101693902	1-3, 1-5	101744901	9-13, 10-13, 11-13	101773303	9-13, 10-13, 11-13
101693906	1-3, 1-5	101744902	9-13, 10-13, 11-13	101773304	9-13, 10-13, 11-13
101693908	1-5	1017450	9-13, 10-13, 11-13	101773305	9-13, 10-13, 11-13
101693909	1-3, 1-5	101745101	9-13, 10-13, 11-13	101773306	9-13, 10-13, 11-13
101693910	1-3, 1-5	101745102	9-13, 10-13, 11-13	101773307	9-13, 10-13, 11-13
101693911	1-3, 1-5	1017453	9-13, 10-13, 11-13	101773308	9-13, 10-13, 11-13
101693912	1-3, 1-5	1017454	9-9, 10-9, 11-9	101773309	9-13, 10-13, 11-13
101693913	1-3, 1-5	1017455	9-5, 10-5, 11-5	101773310	9-13, 10-13, 11-13
101693914	1-3, 1-5	1017456	9-7, 10-7, 11-7	101773311	9-13, 10-13, 11-13
1016952	1-11	101745701	9-13, 10-13, 11-13	1017774	1-51, 1-53
1016967	1-3, 1-5, 16-15	101745702	9-13, 10-13, 11-13	1017853	4-5, 4-9
1016997	8-17	1017458	9-7, 10-7, 11-7	101791101	5-17, 5-19, 5-21
1017006	8-5	1017460	9-7, 10-7, 11-7	101796201	5-5, 5-7
1017029	5-3	1017461	12-9, 12-11, 12-13	101796501	16-7
1017035	4-5, 4-9, 4-47	1017463	9-5, 10-5, 11-5	101796801	16-7
101705603	4-5	1017466	12-15, 12-17	101801001	16-7, 19-11
1017062	4-3	1017468	9-5, 10-5	101804301	4-15, 4-17, 12-21
1017064	4-3	1017471	9-13, 10-13, 11-13	101806001	1-15
1017065	4-3	1017472	9-11, 10-11, 11-11	101806002	1-15
101707402	4-13	1017473	9-9, 10-9, 11-9	101806005	1-15
1017075	4-13	1017474	9-3, 10-3, 11-3	101808401	20-3
1017080	1-3, 1-5	1017475	9-3, 10-3, 11-3	101809101	20-3
1017082	15-7, 15-13	1017476	9-3, 10-3, 11-3	101810601	4-9
1017162	1-51, 1-53	1017486	9-3, 10-3, 11-3	101811901	12-21
1017167	1-51, 1-53	1017487	9-11, 10-11, 11-11	101812301	12-21
1017187	19-11	1017490	9-5, 10-5, 11-5	101813001	12-21
1017188	14-3	1017500	9-3, 10-3	101813202	20-3
1017189	19-11	1017501	9-13, 10-13, 11-13	101814601	4-33
1017211	5-13	1017502	9-13, 10-13, 11-13	101815501	5-19, 5-21
1017226	6-7, 7-9	1017503	9-13, 10-13, 11-13	101815502	5-19, 5-21
1017231	15-7	1017504	9-11, 10-11, 11-11	101816301	5-19
1017239	8-17	1017507	9-7, 10-7, 11-7	101816501	5-19, 5-21
1017243	8-17	1017508	9-11, 10-11, 11-11	101816502	5-19, 5-21

INDEX

101817401	5-5, 5-7	101837301	8-3, 8-5, 8-7, 8-11	101879401	6-3, 7-5
101818801	5-7	101837401	1-59	101879501	6-3, 7-5
101821501	12-21	101837502	1-59	101879601	6-3, 7-5
101821601	4-35	101838401	19-5, 19-9	101879701	6-3, 7-5
101822001	5-9	101838601	19-5, 19-9	101879801	6-3, 7-5
101823101	20-5	101838701	19-7, 19-9	101879901	6-3, 7-5
101823201	5-19, 5-21	101839801	4-25	101880001	6-3, 7-5
101823301	5-19	101839802	4-25	101880101	6-3, 7-5
101823302	5-19	101839803	4-25	101880201	6-3, 7-5
101823801	5-19, 5-21	101839804	4-25	101880301	6-3, 7-5
101823901	5-19, 5-21	101839805	4-25	101880701	5-11, 5-17
101824001	5-19	101839806	4-25	101881501	4-45
101824002	5-19	101839807	4-25	101881601	4-45
101824401	12-3, 12-5	101839808	4-25	101881701	12-21
101825101	3-3, 3-7, 3-11, 3-19	101839809	4-25	101884801	9-15, 10-15, 11-15
101825102	3-15, 3-23	101839810	4-25	101884901	2-3
101825103	4-23	101839811	4-25	101886101	12-19, 15-7, 15-13
101826201	4-19, 4-21	101839812	4-25	101887101	20-3
101826301	4-15	101841901	19-7, 19-9	101887601	9-3, 10-3, 11-3
101826401	4-17	101851101	4-15, 4-17, 4-19, 4-21, 4-25	101889401	15-9
101827101	9-15, 10-15, 11-15	101856002	4-19, 4-21	101890001	15-9
101828501	19-3, 19-7, 19-9	101856102	8-15, 8-17, 8-19	101890101	15-7
101828801	19-3	101859401	13-3	101890201	15-7
101828802	19-3	101861901	5-5, 5-7	101890501	15-7
101828901	19-3, 19-5	101862001	5-5	101890601	15-7
101828902	19-3, 19-5	101865301	5-13	101890901	15-11
101828903	19-3, 19-5	101869302	8-9	101891001	15-11
101829001	19-7, 19-9	101870401	1-3	101891301	15-7
101830601	4-15, 4-17, 4-19, 4-21	101870501	6-25, 7-19	101891401	15-11
101830701	4-15, 4-17, 4-19, 4-21, 4-25	101870601	6-23	101891501	15-11
101831101	19-3, 19-7, 19-9	101871001	20-3	101891601	15-9
101831401	16-11, 16-13	101874601	5-13	101891901	15-9
101831801	20-5	101874901	8-9	101892001	15-9
101831901	20-3	101875001	8-9	101892201	15-9
101832001	16-7	101875101	8-9	101892301	15-9
101832202	12-19	101875102	8-9	101892401	15-9
101832302	12-19	101875201	8-9	101892501	15-9
101832601	9-15, 10-15, 11-15	101875301	8-9	101892601	15-9
101832701	9-15, 10-15, 11-15	101875401	8-9	101892701	15-11
101832901	19-13	101875501	8-9	101892901	15-7
101833101	9-15, 10-15, 11-15	101875601	8-9	101893201	15-9
101833401	14-11, 14-13	101875701	8-9	101893801	15-7
101833601	15-7	101875802	8-9	101893901	15-9
101833701	8-9	101876001	8-9	101894303	1-17
101833902	14-5	101876202	8-9	101894304	1-45
101833904	14-7	101876301	8-9	101894702	1-43
101833906	14-9	101876402	8-9	101894901	16-7, 19-11
101834001	14-11	101876501	8-9	101895401	18-3
101834003	14-13	101876901	6-21, 7-15	101895501	18-3
101834502	4-15, 4-17, 4-19, 4-21, 4-25	101877001	6-21, 7-15	101896501	8-9
101834601	9-15, 10-15, 11-15	101877601	8-9	101897001	18-3
101834801	12-19, 15-7, 15-13	101877701	8-9	101897201	18-3
101835601	1-33, 1-35, 1-37, 4-27	101878101	8-9	101897401	18-3
101836201	14-11	101878201	5-3	101897601	18-3
101836202	14-13	101878302	6-3, 7-5	101898001	8-25
101837101	12-21	101879001	8-9	101903101	6-17, 6-25, 7-19

INDEX

101903601	18-3	101933101	20-5	101974709	4-25
101903701	18-3	101933701	12-21	101974710	4-25
101905901	12-11	101936101	18-5	101974711	4-25
101906901	18-3	101936801	16-3	101974712	4-25
101908101	16-9	101939901	8-9	101976601	19-5
101908401	8-13, 16-9	101942301	17-3	101978601	18-5
101909201	9-5, 10-5	101946201	1-31	101980801	15-9
101909301	9-5, 10-5	101953102	5-23	101980901	15-9
101909401	9-5, 10-5	101953106	5-13, 5-15	101981001	15-9
101909501	9-5, 10-5	101953801	9-3	101984801	6-5, 7-7
101910501	15-11	101953802	10-3	101987901	4-3
101914001	18-5	101953803	9-3	101988001	4-3, 4-5, 4-9
101914401	4-5, 19-3, 19-5, 19-7, 19-9	101953804	10-3	101988002	4-3, 4-5, 4-9
101914402	4-9	101954301	1-17	101988101	4-3
101915201	3-13, 3-17, 3-21, 3-25	101955001	6-23, 7-17	101988201	4-3
101916001	9-13, 10-13	101955101	4-5, 4-9, 4-41, 4-43	101990801	5-15, 5-23
101916101	9-3, 10-3, 11-3	101957101	4-5, 4-9	101994301	1-79
101916201	9-5, 10-5	101958201	19-5	101994401	1-83
101916301	9-5, 10-5, 11-5	101958301	19-5	101994601	1-77
101916701	8-11	101958601	1-37	101994801	1-81
101917601	12-21	101960201	3-3, 3-11, 3-15	101995101	1-73
101918402	2-3	101960501	3-13, 3-17, 3-21, 3-25	101996901	1-57
101918501	5-3	101960601	3-23	101997802	4-45
101919801	5-5, 5-7	101963301	1-31	101997803	4-45
101920101	16-3	101963401	1-31, 1-43, 1-45, 8-23, 9-15, 10-15, 11-15	101997902	4-45
101921501	12-21	101964001	1-31	101997903	4-45
101921601	1-39	101966801	19-11	102002901	16-11, 16-13
101922101	18-3	101968801	19-11	102003201	12-3, 12-5
101922201	18-3	101969701	4-5, 4-9, 4-41	102004001	7-19
101922501	8-13	101971301	12-21	102004101	7-9
101922801	1-39	101972001	20-5	102004201	7-21
101923001	18-3	101972002	20-5	102004301	1-5
101923201	18-3	101972003	20-5	102004601	1-69
101923501	18-3	101972004	20-5	102004602	1-69
101923901	18-3	101972005	20-5	102004901	7-25
101925601	14-5	101972005	20-5	102005701	1-21
101925701	12-21	101972006	20-5	102006201	1-87
101926501	6-27, 7-21, 7-23	101972007	20-5	102006701	3-7, 3-19, 3-23
101926801	12-21	101972009	20-5	102009201	2-5
101926901	15-7	101972011	20-5	102009202	2-5
101927101	15-7	101972012	20-5	102009301	2-5
101927201	15-7	101972101	18-3	102009302	2-5
101927301	15-7	101972201	18-3	102009401	2-5
101927501	15-9	101972801	12-21	102009402	2-5
101927601	15-9	101973101	12-9, 12-11, 12-13	102009501	2-5
101927701	15-9	101973301	12-9, 12-11, 12-13	102009502	2-5
101927901	15-9	101973401	12-15, 12-17	102009901	2-7
101928001	15-9	101973501	19-5	102009902	2-7
101928101	15-9	101974701	4-25	102010001	2-7
101928301	15-11	101974702	4-25	102010002	2-7
101928601	15-7	101974703	4-25	102010501	1-69
101928701	15-7, 18-3, 20-5	101974704	4-25	102022101	5-23
101929401	6-27, 7-21, 7-23	101974705	4-25	102025401	1-85
101929501	12-3, 12-5	101974706	4-25	102026001	5-5, 5-7
101929802	14-5, 14-9	101974707	4-25	102031901	15-11
101932201	1-85, 4-5, 4-9	101974708	4-25	102051901	4-5, 4-9

INDEX

102054501	4-37	102239901	1-45	102683201	3-29
102054502	4-39	102240501	16-15	102683301	3-29
102056001	1-65	102241502	20-5	102683701	3-31
102056401	1-57	102242101	14-11, 14-13	102683801	3-31
102056502	1-85	102243402	20-5	102684602	15-3
102061201	20-7	102243403	17-3	102704901	17-3
102065103	1-65	102248803	20-5	102711201	8-15, 8-19
102065901	1-33, 1-35, 9-15, 10-15, 11-15	102251501	20-5	102751601	12-3
102066001	1-33	102262901	1-71	102753401	9-9, 10-9, 11-9
102066201	6-29, 7-23	102264001	8-23	102764001	16-11, 16-13
102070601	1-85	102264501	1-71	102764401	16-13
102071701	1-85	102269701	8-23	102766201	16-11, 16-13
102074101	1-85	102271601	9-11	102770701	19-11
102074201	1-85	102272501	8-23	102771701	18-3
102074501	1-85	102272601	1-75	102772401	16-15
102074601	1-85	102275401	19-3, 19-5, 19-7, 19-9	102774501	16-15
102074701	1-85	102278001	6-5, 7-7	102774602	16-15
102074801	1-85	102292801	5-13, 5-15, 5-23	102774701	16-15
102074901	1-85	102304801	9-9, 10-9, 11-9	102775101	17-3
102075801	3-7, 3-19, 3-23	102323101	5-3, 5-13, 5-15, 5-23	102803401	8-17
102077601	4-37, 4-39	102323201	5-3, 5-13, 5-15, 5-23	102817101	16-15
102077701	4-37, 4-39	102336001	12-19	102817201	16-15
102077801	4-37, 4-39	102336101	12-19	102837001	19-7
102077901	4-37, 4-39	102345901	3-25	102838101	16-9, 19-3, 19-7
102078001	4-37, 4-39	102352201	4-27	102838401	9-5, 10-5, 11-5
102101001	16-3	102354901	4-27	102844001	19-11
102101101	16-3	102355301	8-25	102844002	19-13
102155701	4-37	102356601	18-3	102845101	3-5, 3-9
102155801	14-11, 14-13	102356801	18-3	102845201	16-11
102158901	5-5, 5-7	102376001	15-3	102845203	16-11, 16-13
102159601	4-37, 4-39	102399001	7-23	102845204	16-13
102163001	1-21	102406701	12-5	102845401	16-5
102163101	1-21	102430901	9-13, 10-13, 11-13	102846402	16-5
102181101	1-85	102431001	10-11	102847601	1-49
102182101	1-85	102453001	15-9	102847602	1-49
102185401	12-21	102453101	15-9	102847603	1-49
102186401	17-3	102459301	3-5, 3-9, 3-13, 3-15, 3-19, 3-23	102847701	1-49
102190702	12-21	102508701	4-19, 4-21	102847801	19-3
102196901	4-19, 4-21, 16-5	102513701	12-3	102847802	19-3
102198501	1-29	102515401	15-7, 15-13	102847803	19-3
102198701	4-5	102517601	4-43	102848701	16-7
102199001	4-5	102518001	3-3, 3-7	102852101	5-15
102199201	4-5, 4-9	102518301	3-5, 3-9	102859501	16-15
102199301	4-5, 4-9	102519201	3-11, 3-19	102863801	16-5
102199401	4-5, 4-9	102522001	12-3, 12-5	102865101	12-3, 12-5
102221301	1-45	102526201	15-3	102869401	4-5, 4-9, 4-17, 4-21
102221401	1-45	102529201	4-13	102871801	6-27, 6-29, 7-21, 7-23
102221501	1-45	102529203	4-43	102873401	16-11, 16-13
102221701	1-45	102540301	9-15, 10-15, 11-15	102881401	19-11
102221801	1-45	102555501	20-3	102882501	1-51, 1-53, 1-55
102222001	1-45	102559901	2-9	102886301	18-3
102222101	1-45	102562401	20-3	102886401	18-3
102222201	1-45	102572401	4-19, 4-21, 16-5	102886501	18-3
102224001	1-69, 3-21, 3-25	102614401	1-45	102886601	18-3
102231601	3-9, 3-21, 3-25	102616701	15-3	102890201	4-27
102235201	17-3	102673201	1-45	102891101	6-29, 7-23

INDEX

102892901	19-5	102902201	15-17	103205501	3-13, 3-17, 3-21, 3-25, 8-13
102892902	19-5	102902301	15-17	103210201	3-13, 3-17, 3-21, 3-25
102893001	19-9	102902401	15-17	103210301	3-5, 3-9
102893601	1-53	102902501	15-17	103218601	4-19, 4-21, 16-5
102896801	15-13	102902601	15-17	103221901	16-5
102896901	15-13	102902701	15-17	103234301	3-27, 3-29, 3-31
102897201	15-15	102902801	15-17, 18-3	103245201	1-31
102897301	15-15	102915101	4-9	103245301	1-31
102897401	15-13	102915701	16-9	103254101	4-5
102897501	15-13	102917101	6-29	103256901	4-5, 4-9
102897601	15-13	102918701	4-27	103260101	3-27
102897701	15-15	102931101	16-15	103260801	3-27
102897801	15-13	102938601	17-3	103260901	3-27
102897901	15-13	102938701	17-3	103261301	3-29
102898001	15-15	102938801	17-3	103270201	1-51
102898101	15-15	102938901	17-3	103270301	1-53
102898201	15-13	102939001	17-3	103272801	1-51
102898301	15-15	102939101	17-3	103274202	1-53
102898401	15-15	102939102	17-3	103274401	1-71
102898501	15-15	102939501	19-5	103284101	3-27, 3-29
102898601	15-15	102940801	19-5, 19-7, 19-9	103295101	15-5
102898701	15-15	102950301	4-23	103295202	15-5
102898801	15-15	102951701	17-3	103306301	12-3, 12-5
102898901	15-15	102959601	1-53	103318401	1-55
102899001	15-15	102962303	4-23	103324402	1-55
102899101	15-13	102962602	4-23	103324801	7-23
102899201	15-13	102966401	1-31	103345701	14-5, 14-7, 14-9
102899301	15-15	102966501	1-31	103348204	4-15, 4-17
102899401	15-13	102966502	1-31	103348501	4-15, 4-17, 8-3, 8-5, 8-7
102899501	15-15	102967601	3-5, 3-9	103348602	4-15, 4-17
102899601	15-15	102969401	15-3	103350001	4-39
102899701	15-13	102969801	15-3	103350901	6-27
102899801	15-13	102969901	15-3	103351001	6-15, 7-17
102899901	15-15	102974201	12-3	103351101	6-29, 7-21, 7-23
102900001	15-13	102977001	4-15, 4-17	103353501	19-11
102900101	15-13	102977002	4-19, 4-21	103369101	12-5
102900201	15-13	102977901	12-3, 12-5	103369501	15-3
102900301	15-13	102978001	12-3, 12-5	103372101	12-5
102900401	15-15	102980801	16-11, 16-13	103372201	12-5
102900501	15-15	102980901	16-11, 16-13	103372301	12-5
102900601	15-13	102989501	1-31, 1-33, 1-35	103372401	12-7
102900701	15-15	103173301	15-3	103372501	12-7
102900801	15-17	103174401	1-7	103372801	12-7
102900901	15-13	103177401	15-3	103374701	12-5
102901001	15-15	103180101	4-15, 4-17, 4-19, 4-21	103380201	5-21
102901101	15-15	103187601	12-3	103380202	5-21
102901201	15-17	103189101	19-13	103386202	11-3
102901301	15-17	103192701	15-3	103397901	4-9, 16-15
102901401	15-17	103197101	8-3	103406501	1-41
102901501	15-17	103198001	8-5	103406502	1-41
102901601	15-17	103198101	8-7	103406601	1-41
102901701	15-17	103198301	4-19, 4-21	103414901	16-15
102901801	15-17	103198401	8-13	103418601	12-7
102901901	15-17	103199001	4-15, 4-17	103459102	2-3
102902001	15-17	103199101	4-15, 4-17	103464801	3-27, 3-29
102902101	15-17	103205401	3-3, 3-7, 3-11, 3-15, 3-19	103477901	6-13, 6-21, 7-15

INDEX

103483101 5-21
103483102 5-21
103483201 5-21
103483401 5-21
103483601 5-21
103483701 5-21
103496801 8-25
103502701 6-19
103502801 6-19
103507001 7-19
103507101 12-17
103507201 12-17
103507301 12-17
103510001 4-45
103510301 4-45
103520401 12-21
103524501 12-9
103538701 1-35
103538901 1-35
103582801 18-3
103615601 11-9
103615801 11-13
103615901 11-11
103616301 11-9
103616401 11-11
103616501 11-5
103616601 11-5
103616701 11-5
103617101 12-13
103618101 4-43
103628801 6-19
103628901 6-19
103694501 2-9
96704416 9-15, 10-15, 11-15

A

absorber, shock 6-23
AC cord 19-3, 19-5, 19-7, 19-9
AC cord receptacle 19-5
accelerator bracket and bearing assembly 5-5, 5-7
accelerator cable 12-19
accelerator pedal 5-5, 5-7
accelerator pedal adjustment tool 20-3
accelerator pivot rod 5-5, 5-7
accelerator return spring 5-5, 5-7
accelerator rod 5-9
accessory switch panel 1-77
actuator 1-51, 1-53
adapter
 actuator 1-51, 1-53
 cable (IQDM) 20-5
adhesive, guide ring 20-3
adjuster, lash 9-11, 10-11
air box 12-21
air box top 12-21

air duct shield 12-21
air filter 12-21
air intake hose 12-21
ammeter 19-3, 19-5, 19-7, 19-9
anchor body 5-11, 5-17
anchor body kit 5-11, 5-17
anchor, piston 5-11, 5-17
anti-sway bar 6-31, 7-25
A-plate strap 6-15, 6-23, 7-17
A-plate, delta 6-15, 6-23, 7-17
arbor 20-3
arm
 governor 12-19, 15-7, 15-13
 pivot 15-7
 rocker 9-9, 10-9, 11-9
 wiper 1-71
armature 8-9, 17-3
armature conversion kit 8-9
assembly
 accelerator bracket and bearing 5-5, 5-7
 accelerator pivot rod 5-5, 5-7
 air box 12-21
 air box top 12-21
 armature 8-9
 axle 15-11
 bearing, steering shaft 6-5, 7-7
 bell crank and shaft 8-15, 8-17, 8-19
 brake lever 5-19, 5-21
 brush connector 8-9
 brush holder 8-9
 cab 1-71
 carburetor 12-11
 choke cable 12-21
 connecting rod 9-13, 10-13, 11-13
 cylinder head 9-9, 10-9, 11-9
 delta A-plate 6-15, 6-23, 7-17
 delta shock and gear support 6-15, 6-23, 7-17
 drive clutch 14-7
 drive hub 14-5, 14-7, 14-9
 driven clutch 14-11
 driven clutch fixed-face 14-11, 14-13
 field coil 8-9
 float 12-9, 12-11, 12-13
 fuel cap 12-5
 fuel tank vent 12-3
 governor 15-9, 15-15
 headlight 4-3, 4-5, 4-9
 headlight harness 4-3
 hinge, tilt bed 1-33
 idle screw 12-9, 12-11, 12-13
 inner ball joint 6-3, 7-5
 kingpin 6-17, 6-25, 7-19
 latch weld 1-33, 1-35
 moveable-face 14-5, 14-7, 14-9, 14-11, 14-13

pilot air screw 12-9, 12-11, 12-13
plug cap 9-5, 10-5, 11-5
prop rod support 1-39
ratchet 5-3
score card plate 6-11, 7-13
secondary clutch weight 14-5, 14-7, 14-9
steering shaft 6-5, 7-7
steering wheel 6-9, 6-11, 7-11, 7-13
tailgate 1-45
tether 1-45
tilt bed 1-33, 1-35
turn signal lens 4-3
axle 15-7, 15-11, 15-17, 18-3
axle guard 18-5
axle shaft oil seal 15-11, 15-17, 18-3
axle tube 15-11, 15-17, 18-3

B

backing plate, brake 5-11, 5-17, 5-19, 5-21
ball bearing 9-11, 10-11, 11-11
ball joint 5-3, 5-9, 6-3, 6-15, 6-23, 7-5, 7-17, 15-5
ball joint, left-hand thread 6-3, 6-15, 6-23, 7-5, 7-17
ball stud 8-15, 8-17, 8-19, 15-7, 15-13
ball, shifter 15-9
ball, steel pressure relief 9-7, 10-7, 11-7
ball, trailer hitch 1-63
band, RPM limiter mount 9-5, 10-5
bar, drive 16-3
bar, light 4-37, 4-39
bar, stabilizer 6-31, 7-25
barb, vent 12-3, 12-5
barrel, plastic 1-3, 1-5, 1-7, 1-41
battery
 12-volt, side-post 8-25
 battery cap, 6-volt 16-11, 16-13
 battery charger 19-3, 19-5
 battery charger case 19-3, 19-5, 19-7, 19-9
 battery charger harness 19-11
 battery charger mounting plate 19-11
 battery charger receptacle 16-7
 battery charger retainer 19-13
 battery charger shield 19-11
 battery charger transformer 19-3, 19-5, 19-7, 19-9
 battery charger wire assembly 19-5
 battery charger, onboard 19-7, 19-9
 battery clamp 8-25
 battery discharge machine 20-3
 battery hold-down 16-11, 16-13
 battery hold-down rod 16-11, 16-13
 battery light 4-19, 4-21
 battery terminal protector spray 4-9, 20-3
 battery thermometer 20-3
 battery, 6-volt, Trojan T105 16-11
 battery, 6-volt, Trojan T145 16-13

INDEX

- bearing 18-3
 - ball 9-11, 10-11, 11-11
 - ball (motor) 17-3
 - ball (steering pinion) 6-3, 7-5
 - cage roller 15-15
 - front wheel hub 6-13, 6-21, 7-15
 - hub 6-13, 6-21, 7-15
 - idler 14-5, 14-7, 14-9
 - inner axle tube 15-11, 18-3
 - lower pinion (steering) 6-3, 7-5
 - needle 15-9
 - outer axle tube 15-11
 - pivot support 5-5, 5-7
 - steering shaft 6-5, 7-7
 - thrust 6-17, 6-25, 7-19
 - bearing and oil seal remover 20-3
 - bearing driver set 20-3
 - bearing puller 20-3
 - bearing puller wedge 20-3
 - bearing seat 6-5, 7-7
 - bed floor plate 1-33, 1-35
 - bed latch 1-41
 - bed latch spring 1-41
 - bed lift
 - hydraulic 1-55
 - bed mat 1-47
 - bed seal 1-31, 1-33, 1-35
 - bed, tilt 1-33, 1-35
 - bell crank and shaft 8-15, 8-17, 8-19
 - bellows 6-3, 7-5
 - belt, drive 14-3
 - belt, seat 1-71
 - belt, starter/generator 8-11
 - belt, V 8-11
 - bezel, choke cable 12-21
 - bezel, headlight 4-3
 - block, brake-mounting 5-3
 - block, fuse 4-5, 4-9, 8-15, 8-17, 8-19
 - block, terminal 4-5, 4-9, 16-5
 - blower cover 1-85
 - blower mounting bracket 1-85
 - blower, centrifugal 1-85
 - body, anchor 5-11, 5-17
 - bolt, U- 6-29, 7-23
 - boot, steering column 6-5, 7-7
 - boot, switch 8-13, 16-9
 - bottom, air box 12-21
 - box
 - air 12-21
 - cargo 1-41
 - differential 15-17
 - electrical component 8-15, 8-17, 8-19
 - steering gear 6-3, 7-5
 - tool 1-59
 - van 1-87
 - brace, light bar 4-37, 4-39
 - brace, trailer hitch 1-61
 - bracket 6-27, 7-21, 7-23
 - accelerator cable 12-19
 - adjustable starter/generator 8-11
 - brace mounting 4-37, 4-39
 - brake cable guide 6-23, 7-17
 - brake light switch 4-5, 4-9
 - FNR shifter 15-3
 - governor cable 12-19
 - headlight mounting 4-3
 - horn 4-5, 4-9, 4-41, 4-43
 - light mounting 4-37, 4-39
 - muffler mounting 13-3
 - oil filter mount 9-7, 10-7, 11-7
 - oil level switch 9-11, 10-11, 11-11
 - relay mounting 8-17, 19-7, 19-9
 - RPM limiter 9-5, 10-5
 - shock mounting, drv 6-29
 - shock mounting, pas 6-29
 - snubber 9-15, 10-15, 11-15
 - stabilizer bar mounting 6-31, 7-25
 - stake side 1-49
 - starter/generator mounting 8-11
 - steering column 6-5, 7-7
 - steering column mounting 6-5, 7-7
 - throttle spring return 12-15, 12-17
 - Tow/Run switch 8-13
 - bracket, carburetor intake manifold 12-17
 - bracket, hinge, bed 1-35
 - bracket, hour meter 4-45
 - brake actuator kit 5-11, 5-17
 - brake adjusting mechanism 5-19, 5-21
 - brake adjustment tool 20-3
 - brake backing plate 5-11, 5-17, 5-19, 5-21
 - brake cable 5-13, 5-15, 5-23
 - brake cable equalizer 5-13, 5-15, 5-23
 - brake cable hanger 6-27, 7-21
 - brake cable release tool 20-3
 - brake cluster 5-11, 5-17, 5-19, 5-21
 - brake drum 5-11, 5-17, 5-19, 5-21
 - brake lever 5-19, 5-21
 - brake lever arm 5-11, 5-17
 - brake light switch bracket 4-5, 4-9
 - brake mounting block 5-3
 - brake pedal 5-3
 - brake pedal pad 5-3
 - brake relay kit, 12-volt 4-5
 - brake return spring 5-15, 5-23
 - brake self-adjusting mechanism 5-19, 5-21
 - brake shoe 5-11, 5-17, 5-19, 5-21
 - brake spring 5-11, 5-17, 5-19, 5-21
 - breaker, circuit 19-5, 19-9
 - breather 15-7, 15-13, 18-3
 - brush and screw set 8-9
 - brush box assembly 17-3
 - brush connector 8-9
 - brush cover kit, starter/generator 8-9
 - brush guard 1-5
 - brush holder 8-9
 - brush inspection port cover 8-9
 - brush kit, motor 17-3
 - brush plate
 - starter/generator 8-9
 - brush port cover 8-9
 - brush rigging 17-3
 - brush spring 17-3
 - brush spring set 8-9
 - brush spring, starter/generator 8-9
 - brush terminal, starter/generator 8-9
 - brush, motor 17-3
 - bulb, headlight 4-3
 - bulb, light bar 4-37, 4-39
 - bulb, strobe light 4-31, 4-33, 4-35
 - bulb, tail light 4-47
 - bumper 1-23
 - drive unit (motor) 17-3
 - front 1-3, 1-5
 - front, heavy duty 1-3
 - front, kit 1-3, 1-5
 - rubber 1-37, 1-45, 5-3
 - seal, long 1-17
 - spring return 5-5, 5-7
 - bumper, heavy-duty 1-3
 - bumper, seat 1-17
 - bushing 1-51, 1-53, 8-15, 8-17, 8-19, 14-5, 14-7, 14-9, 15-3
 - bronze 6-13, 6-21, 7-15
 - nylon 1-41, 1-43, 5-3
 - return line 12-5
 - snap-in 1-41
 - spindle 6-13, 6-21, 7-15
 - stabilizer bar 6-31, 7-25
 - steel 1-33, 1-35, 6-17, 6-19, 6-25, 6-27, 6-29, 7-19, 7-21, 7-23
 - urethane 1-33, 1-35, 6-15, 6-17, 6-19, 6-23, 6-25, 6-27, 6-29, 7-17, 7-19, 7-21, 7-23
 - bushing support 6-31, 7-25
 - button, drive 14-11, 14-13
 - buzzer, reverse 4-15, 4-17, 4-19, 4-21
- ## C
- cab 1-71
 - door 1-71
 - door hinge 1-71
 - door latch 1-71
 - heater 1-85
 - roof 1-71
 - side rear window 1-71
 - windshield 1-71
 - windshield latches 1-71
 - wiper arm 1-71

INDEX

- wiper blade 1-71
 - wiper motor 1-71
 - cable
 - accelerator 12-19
 - brake 5-13, 5-15, 5-23
 - choke 12-21
 - FNR shifter 15-5
 - governor 12-19
 - calibration test module 20-3
 - cam
 - driven clutch 14-11, 14-13
 - electrical component box 8-15, 8-17, 8-19
 - cam, FNR shifter 15-3
 - camshaft 9-11, 10-11, 11-11
 - camshaft shim 9-11, 10-11, 11-11
 - camshaft spring 9-11
 - canister, carbon, fuel tank 12-7
 - canopy 1-25, 1-27, 1-29
 - canopy brace 1-25, 1-27, 1-29
 - canopy support 1-25, 1-27, 1-29
 - canopy trim plate 1-25, 1-27, 1-29
 - cap
 - battery, 6-volt 16-11, 16-13
 - corner 1-31, 1-43
 - dust 4-19, 4-21, 16-5
 - front corner 1-45
 - fuel tank 12-3
 - fuel, gas, ratchet 12-5
 - key switch 4-15, 4-17, 4-19, 4-21, 4-25
 - plug 9-5, 10-5, 11-5
 - seat back 1-19
 - cap, hub, 7 prong 2-9
 - carbon canister 12-7
 - carburetor 12-9, 12-11
 - carburetor adapter 12-17
 - carburetor gasket 12-15, 12-17
 - carburetor insulator 12-15, 12-17
 - carburetor mounting gasket 12-15, 12-17
 - carburetor, FE350 S27 12-13
 - card, safety first 20-5
 - cargo bed, side panel 1-41
 - cargo box 1-41
 - case
 - battery charger 19-3, 19-5, 19-7, 19-9
 - differential gear 15-11
 - gear 15-7, 15-13, 18-3
 - rocker 9-9, 10-9, 11-9
 - centrifugal blower 1-85
 - charger
 - wire assembly kit 19-3, 19-7, 19-9
 - charger bezel tool 20-3
 - charger receptacle 16-7
 - charger, battery 19-3, 19-5
 - charger, battery, onboard 19-7, 19-9
 - charger, battery, shield 19-11
 - choke cable 12-21
 - choke cable bezel 12-21
 - choke valve 12-21
 - circuit breaker 16-9, 19-3, 19-5, 19-7, 19-9
 - clamp
 - battery 8-25
 - cable retaining 12-19
 - hose 12-3, 12-5, 12-7, 12-15, 12-17, 12-21
 - hose, green 12-7
 - muffler hose 1-85, 13-3
 - clevis, upper delta 6-17, 6-25, 7-19
 - clip
 - hair pin 1-45
 - clip, score card 6-11, 7-13
 - cluster idler gear 15-9
 - cluster, brake 5-11, 5-17, 5-19, 5-21
 - clutch cam installation tool 20-3
 - clutch pulley 14-5, 14-9
 - clutch repair kit 14-11, 14-13
 - clutch tool kit 20-3
 - clutch weight 14-5, 14-7, 14-9
 - clutch, drive 14-5, 14-9
 - clutch, driven 14-11, 14-13
 - coil, field 8-9
 - coil, ignition 9-5, 10-5
 - collet 9-9, 10-9, 11-9
 - column, steering 6-5, 7-7
 - communication display module 20-5
 - component box, electrical 8-15, 8-17, 8-19
 - component mounting plate 16-15
 - compression gauge 20-5
 - compression mount 6-31, 7-25
 - compressor, piston ring 20-5
 - compressor, valve spring 20-7
 - computer, onboard 16-15
 - conduit 4-35
 - connecting rod 9-13, 10-13, 11-13
 - connector, a- 8-9
 - continuity tester 20-5
 - control board 19-7, 19-9
 - controller, speed 16-15
 - converter, DC/DC 4-27
 - cord connector 9-11, 10-11, 11-11
 - cord reel 19-11
 - cord, AC 19-3, 19-5, 19-7, 19-9
 - cord, DC 19-3, 19-5, 19-7, 19-9
 - corner cap 1-45
 - counterbalance guide shaft 9-13, 10-13, 11-13
 - counterbalance weight 9-13, 10-13, 11-13
 - cover
 - brush inspection port 8-9
 - brush port 8-9
 - crankcase 9-11, 10-11, 11-11
 - dust 5-11, 5-17, 5-19, 5-21, 6-13, 6-21, 7-15
 - electrical box 8-15, 8-17, 8-19
 - electrical component 16-15
 - fuse block 4-9
 - oil pump 9-7, 10-7, 11-7
 - rocker switch hole 4-15, 4-17, 4-19, 4-21
 - screw head 4-15, 4-17, 4-19, 4-21
 - steering column 6-5, 7-7
 - wheel 2-9
- cover, steering column 4-13
- cowl 1-3, 1-5
- crankcase 9-13, 10-13, 11-13
- crankcase cover 9-11, 10-11, 11-11
- crankcase vent tube 12-15, 12-17
- crankshaft 9-13, 10-13, 11-13
- crankshaft rod 9-13, 10-13, 11-13
- crankshaft shim 9-13, 10-13, 11-13
- C-type stop ring 6-3, 7-5
- cup holder 1-11
- cup, spring 5-5, 5-7
- current limiter 19-5
- cushion, shock absorber 6-27, 6-29, 7-21, 7-23
- cutter, valve seat 20-7
- cylinder adapter 1-55
- cylinder head 9-9, 10-9, 11-9

D

- damper, RPM limiter 9-5, 10-5
- dash component 1-9
- dash panel 4-15, 4-17, 4-19, 4-21
- DC cord 19-3, 19-5, 19-7, 19-9
- DC/DC converter 4-27
- decal
 - 4-gauge wire warning 3-5, 3-9
 - battery danger 3-5, 3-9
 - bed load warning 1-41, 1-49, 3-3, 3-7, 3-11, 3-15, 3-19, 3-23
 - Carryall 3-27, 3-29
 - Carryall 2 3-27
 - Carryall 2 Plus 3-27
 - Carryall 252 3-29
 - Club Car name plate 3-27, 3-29, 3-31
 - Club Car tailgate 1-45
 - crush area warning 3-3, 3-5, 3-7, 3-9, 3-11, 3-13, 3-15, 3-19, 3-23
 - dash warning 3-23
 - dash, beverage unit warning 1-57
 - diode safety 3-25
 - driver/passenger 3-13, 3-17, 3-21, 3-25
 - electrical cover safety 3-5, 3-9
 - FNR 3-5, 3-9, 3-13, 3-17, 3-21, 3-25
 - frame ground 3-13, 3-17, 3-21, 3-25
 - header heater 1-85
 - heater inspection 1-85
 - IR 3-27, 3-29, 3-31
 - key switch 3-15, 3-23
 - on/off 3-3, 3-7, 3-11, 3-19
 - operating instructions 3-15, 3-23
 - operating instructions (electric) 3-3, 3-7
 - operating instructions (gas) 3-11, 3-19

INDEX

- passcode 4-23
 - refreshment center 1-57
 - refreshment center warning 1-57
 - rollover warning 3-3, 3-7, 3-11, 3-15, 3-19
 - rotating parts 1-69, 3-13, 3-17, 3-21, 3-25
 - run/service switch 3-13, 3-17, 3-21, 3-25, 8-13
 - tailgate 1-41, 3-27, 3-29, 3-31
 - tilt system warning 1-55
 - Tow/Run switch 3-5, 3-9
 - trailer hitch 1-61, 1-65, 3-5, 3-9, 3-13, 3-17, 3-21, 3-25
 - Turf 2 3-27
 - Turf 252 3-29
 - vehicle loading 3-3, 3-7, 3-11, 3-15, 3-19, 3-23
 - winch cable warning 3-9, 3-21, 3-25
 - XRT 900 3-31
 - young driver warning 3-7, 3-19, 3-23
 - defogger fan 1-83
 - delta A-plate 6-15, 6-23, 7-17
 - delta A-plate sub-assembly 6-15, 6-23, 7-17
 - delta shock and gear support 6-15, 6-23, 7-17
 - DF-terminal insulator 8-9
 - diagnostic port 4-19, 4-21, 16-5
 - differential drive unit 15-7, 18-3
 - differential gear 15-11, 18-3
 - differential gear case 15-11, 15-17
 - differential guard 18-5
 - differential housing 18-3
 - differential idler gear 15-11
 - differential pin 15-11
 - diode 8-15, 8-17, 8-19, 8-23
 - diode, charging 8-23
 - dipstick 9-3, 10-3, 11-3
 - door 1-71
 - door latch 1-71
 - drain plug 9-7, 10-7, 11-7, 15-13
 - drain plug gasket 9-7, 10-7, 11-7, 15-7, 15-13
 - drive bar 16-3
 - drive belt 14-3
 - drive button 14-11, 14-13
 - drive clutch 14-5, 14-9
 - drive clutch assembly 14-7
 - drive clutch button 14-5, 14-7, 14-9
 - drive clutch fixed-face 14-5, 14-7, 14-9
 - drive clutch holder tool 20-3
 - drive clutch hub puller 20-3
 - drive clutch puller 20-3
 - drive clutch pulley 14-7
 - drive clutch spring 14-5, 14-7, 14-9
 - drive clutch weight 14-5, 14-7, 14-9
 - drive hub 14-5, 14-7, 14-9
 - drive selector shaft 15-7, 15-13
 - drive unit bumper 17-3
 - drive unit guard 18-5
 - driven clutch 14-11, 14-13
 - driven clutch button 14-11, 14-13
 - driven clutch cam 14-11, 14-13
 - driven clutch cam puller 20-3
 - driven clutch fixed-face assembly 14-11, 14-13
 - driven clutch puller plug 20-3
 - driver, drive clutch 14-5, 14-7, 14-9
 - drum, brake 5-11, 5-17, 5-19, 5-21
 - dry moly lubricant 20-5
 - duct hose 1-85
 - dust cap 4-19, 4-21, 16-5
 - dust cover 5-11, 5-17, 5-19, 5-21, 6-13, 6-21, 7-15
- ## E
- eccentric adjustment screw 6-17, 6-25
 - eccentric bolt 7-19
 - E-clip 5-13, 5-15, 5-23
 - electrical box cover 8-15, 8-17, 8-19
 - electrical component box 8-15, 8-17, 8-19
 - electrical component cover 16-15
 - end bell, commutator 8-9
 - end bell, output shaft 8-9
 - end cap, motor 17-3
 - engine 9-3, 10-3
 - engine mounting plate 9-15, 10-15, 11-15
 - engine shroud 9-3, 10-3, 11-3
 - engine, FE350 S27 11-3
 - equalizer pivot 5-13
 - equalizer rod 5-13, 5-15, 5-23
 - equalizer, brake cable 5-13, 5-15, 5-23
 - exhaust system 13-3
 - exhaust valve 9-9, 10-9, 11-9
 - extension, spring latch 1-33, 1-35
 - extrusion, fender 1-3
 - extrusion, plastic 1-23
- ## F
- face, moveable 14-5, 14-7, 14-9, 14-11, 14-13
 - fan housing 9-3, 10-3, 11-3
 - fan shroud 9-3, 10-3, 11-3
 - fan, defogger 1-83
 - fan, flywheel 9-5, 10-5, 11-5
 - fender 1-69
 - fender extrusion 1-3
 - fender kit 1-69
 - fender, rear 1-67, 1-69
 - field coil 8-9
 - field coil housing 8-9
 - fill plug 15-7, 15-13
 - fill plug gasket 15-13
 - filter
 - air 12-21
 - fuel 12-3, 12-5
 - oil 9-7, 10-7, 11-7
 - oil pump 9-7, 10-7, 11-7
 - fitting, thread-forming grease 6-3, 6-13, 6-15, 6-21, 6-23, 7-5, 7-15, 7-17
 - fixed-face, drive clutch 14-5, 14-7, 14-9
 - fixed-face, driven clutch 14-11, 14-13
 - float 12-9, 12-11, 12-13
 - floor mat 1-5, 1-9
 - floor plate, bed 1-33, 1-35
 - fluid, hydraulic 1-55
 - flywheel 9-5, 10-5, 11-5
 - flywheel fan 9-5, 10-5, 11-5
 - flywheel fan plate 9-5, 10-5, 11-5
 - flywheel puller 20-5
 - FNR closeout brush 4-15, 4-17
 - FNR shift lever 15-7, 15-13
 - FNR shifter 15-3
 - FNR shifter bracket 15-3
 - FNR shifter cable 15-5
 - FNR shifter cam 15-3
 - fork, shift 15-9, 15-15
 - frame and field, motor 17-3
 - frame and field, starter/generator 8-9
 - frame, tilt bed 1-33, 1-35
 - front bumper 1-3, 1-5
 - front bumper kit 1-3, 1-5
 - front leaf spring 6-17, 6-25
 - front spring retainer plate 6-17, 6-25, 7-19
 - F-terminal hardware 8-9
 - f-terminal insulator 8-9
 - fuel filter 12-3, 12-5
 - fuel gauge sending unit 12-3, 12-5
 - fuel line 12-3, 12-5, 12-7, 12-15, 12-17
 - fuel pickup tube 12-3
 - fuel pump mount 12-3, 12-5
 - fuel pump, impulse 12-3, 12-5
 - fuel tank 12-3
 - fuel tank cap 12-3
 - fuel tank strap 12-3, 12-5
 - fuel tank vent 12-3
 - fuel tank vent grommet 12-5
 - fuse 16-7, 19-3, 19-5, 19-7, 19-9
 - 10-amp 8-15, 8-17, 8-19
 - 20-amp 4-5, 4-9, 8-15, 8-17, 8-19
 - 3/8-amp 16-7, 19-11
 - fuse and receptacle 16-7
 - fuse block 4-5, 4-9, 8-15, 8-17, 8-19
 - fuse block cover 4-9
- ## G
- gasket
 - carburetor 12-15, 12-17
 - carburetor mounting 12-9, 12-11, 12-13, 12-15, 12-17
 - crankcase cover 9-9, 9-11, 10-9, 10-11, 11-9, 11-11
 - drain plug 9-7, 10-7, 11-7, 15-7
 - drain plug, fill plug 15-13

INDEX

exhaust 1-85, 9-9, 10-9, 11-9, 13-3
head 9-9, 10-9, 11-9
insulator 9-9, 10-9, 11-9, 12-15, 12-17
liquid 15-7, 18-3, 20-5
plug 18-3
rocker case 9-9, 10-9, 11-9
sending unit 12-3, 12-5
taillight 4-47
gasket kit, FE350 9-9, 10-9, 11-9
gauge, compression 20-5
gear
 25 tooth 15-15
 28 tooth 15-15
 case 15-13
 cluster idler 15-9
 differential 15-11, 15-17, 18-3
 differential idler 15-11, 18-3
 differential output 18-3
 helical 9-13, 10-13, 11-13, 15-9, 15-11
 planetary 15-17
 speed governor 15-15
 spur 9-13, 10-13, 11-13, 15-9
 sun 15-17
 synchro 15-9
gear yoke 20-5
gearcase 15-7, 18-3
governor 15-9, 15-15
governor arm 12-19, 15-7, 15-13
governor cable 12-19
governor cable bracket 12-19
governor shaft installation tool 20-5
grip, pencil 6-11, 7-13
grip, tilt latch hand 1-33, 1-35, 1-41
grommet 1-15, 1-25, 1-27, 1-29, 12-3
 fuel tank vent 12-5
 ignition 9-5, 10-5, 11-5
guard, brush 1-5
guard, differential 18-5
guard, splash 1-7
guide
 intake valve 9-9, 10-9, 11-9
 valve 9-9, 10-9
 valve seat cutter 20-7
guide ring adhesive 20-3

H

hair pin clip 1-45
handle 1-87
hanger, brake cable 6-27, 7-21
hardware, F-terminal 8-9
harness
 wire 4-43
harness, battery charger 19-11
harness, wire 1-85, 4-27, 4-31, 4-33, 4-43, 8-3,
 8-5, 8-7, 16-5
head gasket 9-9, 10-9, 11-9

head, cylinder 9-9, 10-9, 11-9
headband, sealed, motor 17-3
headband, vented, motor 17-3
headlamp template 4-5, 4-9
headlight 4-3
headlight assembly 4-3, 4-5, 4-9
headlight bulb 4-3
headlight harness 4-3
headlight retainer 4-3
heat shrink tube 19-11
heater 1-85
heatsink and rectifier 19-3, 19-5, 19-7, 19-9
heavy-duty bumper 1-3
helical gear 9-13, 10-13, 11-13, 15-9, 15-11
hill brake rod 5-3
hill brake weld assembly 5-3
hinge kit, door 1-71
hinge pin 1-49
hinge, stake side 1-49
hinge, tilt bed 1-33
hitch, trailer 1-61
hitch, trailer, ball 1-63
hold-down rod, battery 16-11, 16-13
hold-down, battery 16-11, 16-13
holder, cup 1-11
hole plug 4-19, 4-21
horn 4-5, 4-9, 4-41, 4-43
horn bracket 4-5, 4-9, 4-41, 4-43
horn button and wire assembly 4-5, 4-9, 4-41
hose 1-55
 fuel 12-3, 12-5
 vent 12-7
hose clamp, green 12-7
hose, air intake 12-21
hose, duct 1-85
hour meter 4-45
hour meter bracket 4-45
hour meter, 36-48 volt 4-45
housing
 2-pin 16-3
 3-pin 16-3, 17-3
 differential 18-3
 fan 9-3, 10-3, 11-3
 field coil 8-9
hub 6-13, 6-21, 7-15
hub bearing 6-13, 6-21, 7-15
hub cap 2-9
hub cap, 7 prong 2-9
hub, synchronizer clutch 15-9
hydraulic bed lift 1-55
hydraulic bed lift harness 1-55
hydraulic fluid 1-55
hydraulic tilt bed pump 1-55
hydraulic tilt cylinder 1-55
hydrometer 20-5

I

idle screw assembly 12-9, 12-11, 12-13
idler bearing 14-5, 14-7, 14-9
idler gear, differential 18-3
ignition coil 9-5, 10-5, 11-5
inlet valve 1-85
inner frame snubber 9-15, 10-15, 11-15
input shaft 18-3
insert, synchronizer 15-9
instrument panel 4-15, 4-17, 4-19, 4-21
insulating washer 17-3
insulator gasket 9-9, 10-9, 11-9, 12-15, 12-17
insulator, carburetor 12-15, 12-17
insulator, motor terminal 17-3
intake pipe 12-15
intake valve 9-9, 10-9, 11-9
intermediate shaft 18-3
intermediate steering shaft 6-7
internal retaining ring pliers 20-5
IQ display module (IQDM) 20-5

J

jet, main 12-9, 12-11, 12-13
jet, pilot 12-9, 12-11, 12-13
joint
 ball 5-3, 5-9, 6-15, 6-23, 7-17, 15-5
 left-hand thread ball 6-3, 6-15, 6-23, 7-5,
 7-17
 steering 7-9

K

key
 crankshaft 9-5, 9-13, 10-5, 10-13, 11-5,
 11-13
 driven clutch 14-11, 14-13
 On/Off 4-15, 4-17, 4-19, 4-21
 square 14-11, 14-13
 starter/generator 8-9
 woodruff 15-7
key switch 4-15, 4-17
key switch cap 4-15, 4-17, 4-19, 4-21, 4-25
key switch, On/Off 4-19, 4-21
key switch, uncommon 4-25
kingpin 6-17, 6-25, 7-19
kit
 2-pin housing 16-3
 3-pin housing 16-3, 17-3
 accelerator pivot rod 5-5, 5-7
 air duct shield 12-21
 anchor body 5-11, 5-17
 armature conversion 8-9
 bed lift 1-51, 1-53
 brake actuator 5-11, 5-17
 brake cable 5-13, 5-23
 brake pedal 5-3

INDEX

brake relay 4-5
brake shoe 5-11, 5-17
brake shoe retainer 5-11, 5-17, 5-19, 5-21
cab adapter 1-71
canopy 1-25, 1-27, 1-29
clutch repair 14-11, 14-13
cup holder 1-11
DC/DC converter 4-27
differential gear case 15-11
diode 8-23
door hinge 1-71
drive clutch button 14-5, 14-7, 14-9
drive clutch weight 14-5, 14-7, 14-9
driven clutch button 14-11, 14-13
equalizer, brake 5-13
fan/defogger 1-83
fixed-face drive 14-5, 14-7, 14-9
flywheel puller 20-5
front bumper 1-3, 1-5
gasket, FE350 9-9, 10-9, 11-9
heater, cab 1-85
heavy-duty front bumper 1-3
hour meter 4-45
hub cap 2-9
hydraulic bed lift 1-55
IQ display module (IQDM) 20-5
light 4-5, 4-9
mirror 1-13
mirror, inside rear-view 1-73
mirror, side-view 1-75
motor brush 17-3
motor brush lead assembly 17-3
motor brush spring 17-3
motor speed sensor 17-3
name plate 3-27, 3-29, 3-31
park brake latch 5-3
park brake pedal 5-3
piston ring compressor 20-5
prop rod 1-39
rear fender 1-69
rear receiver hitch 1-65
relay, 48V 16-15
seat belt 1-71
shock absorber cushion 6-27, 6-29, 7-21, 7-23
shoe retainer 5-11, 5-17, 5-19, 5-21
smartkey 4-23
stake side 1-49
steering column mounting bracket 6-5, 7-7
strobe light 1-79, 4-31, 4-33, 4-35
tailgate angle 1-43
tailgate mounting 1-41
taillight hardware 4-47
trailer hitch 1-61
transmission tool 20-7

tune-up 20-7
turn signal 4-13
wheel cover 2-9
windshield, hinged 1-21
windshield, one-piece 1-23
wire assembly, charger 19-3, 19-7, 19-9
work light 1-81
knob, forward/reverse 15-3
knob, light switch 4-5, 4-9

L

lamp, strobe light 4-31, 4-33, 4-35
lamp, turn signal and socket 4-13
lash adjuster 9-11, 10-11
latch plate, tilt bed 1-37
latch weld 1-33, 1-35
latch, air box 12-21
latch, bed 1-41
latch, park brake 5-3
latch, slam 1-45
latch, spring 1-45
leaf spring 6-17, 6-25, 6-27, 6-29, 7-19, 7-21, 7-23
lens, headlight 4-3
lens, strobe light 4-31, 4-33, 4-35
lens, taillight 4-47
lever
choke 12-21
drive selector 15-7
speed governor 15-13
transmission shift 15-7, 15-13
light
battery 4-19, 4-21
oil 4-15, 4-17
light bar 4-37, 4-39
light switch 4-5, 4-9
light switch knob 4-5, 4-9
light, strobe 1-79, 4-31, 4-33, 4-35
lighting package 4-5, 4-9
limit switch 4-5, 4-9, 8-15, 8-17, 8-21, 15-3
limiter
current 19-5
RPM 9-5, 10-5
voltage 4-5, 4-29
line, fuel 12-3, 12-5, 12-7, 12-15, 12-17
link, rack and pinion drag 6-3, 7-5
link, stabilizer bar 6-31, 7-25
liquid gasket 15-7, 18-3, 20-5
low oil warning light 4-15, 4-17
lubricant, dry moly 20-5
lubricant, moly-teflon 17-3, 20-5
lug nut 2-3, 2-5, 2-7
lug stud 15-11, 15-17, 18-3
M
magnet, speed sensor 17-3

main jet 12-9, 12-11, 12-13
mat, bed 1-47
mat, floor 1-5, 1-9
MCOR 16-3
mechanism, brake adjusting 5-19, 5-21
meter, hour 4-45
meter, volt ohm 20-7
mirror 1-13
mirror, inside rear-view 1-73
mirror, rear view 1-13
mirror, side-view 1-75
module
calibration test 20-3
communication display 20-5
moly-teflon lubricant 20-5
motor
48-volt IQ Plus 17-3
wiper 1-71
motor brush 17-3
motor brush kit 17-3
motor brush lead assembly kit 17-3
motor brush spring 17-3
motor bumper 17-3
motor controller 16-15
motor end cap 17-3
motor frame and field 17-3
motor headband, sealed 17-3
motor headband, vented 17-3
motor magnet, speed sensor 17-3
motor speed sensor 17-3
motor speed sensor kit 17-3
motor terminal and lead assembly 17-3
motor terminal insulator 17-3
mount, compression 6-31, 7-25
mount, fuel pump 12-3, 12-5
mounting block, brake 5-3
moveable-face 14-5, 14-7, 14-9, 14-11, 14-13
muffler hose clamp 1-85, 13-3

N

name plate 3-27, 3-29, 3-31
needle bearing 15-9
nozzle, main 12-9, 12-11, 12-13
nut, lug 2-3, 2-5, 2-7

O

OBC 16-15
oil conveyor 15-13
oil filler tube 9-3, 10-3, 11-3
oil filter 9-7, 10-7, 11-7
oil filter mount bracket 9-7, 10-7, 11-7
oil filter screen 9-11, 10-11, 11-11
oil filter screen plate 9-11, 10-11, 11-11
oil level sensor 9-11, 10-11, 11-11
oil level switch bracket 9-11, 10-11, 11-11

INDEX

oil pump and rotor 9-7, 10-7, 11-7
oil pump cover 9-7, 10-7, 11-7
oil pump filter 9-7, 10-7, 11-7
oil pump plate 9-7, 10-7, 11-7
oil seal 9-9, 9-11, 9-13, 10-9, 10-11, 10-13, 11-9,
11-11, 11-13, 15-7, 15-9
oil warning light, low 4-15, 4-17
onboard battery charger 19-7, 19-9
onboard computer 16-15
O-ring 9-3, 9-9, 9-11, 9-13, 10-3, 10-9, 10-11,
10-13, 11-3, 11-9, 11-11, 11-13

P

pad

accelerator pedal 5-5, 5-7
brake pedal 5-3
park brake 5-3
thermal 8-23

paint, touch-up 20-5

panel

front 1-45
left 1-45
right 1-45

panel box 1-41

panel, front 1-41

panel, instrument 4-15, 4-17, 4-19, 4-21

park brake latch 5-3

park brake pedal 5-3

park brake rod sleeve 5-3

park brake spacer 5-3

park brake torsion spring 5-3

pawl 5-3

pedal, accelerator 5-5, 5-7

pedal, brake 5-3

pedal, park brake 5-3

pencil grip 6-11, 7-13

pilot air screw assembly 12-9, 12-11, 12-13

pilot jet 12-9, 12-11, 12-13

pin

bow tie locking 5-13, 5-15, 5-23
clevis 5-13, 5-15, 5-23
differential 15-11
piston 9-13, 10-13, 11-13

pin, hinge 1-49

pinion, steering 6-3, 7-5

pipe, intake 12-15

piston 9-13, 10-13, 11-13

piston anchor 5-11, 5-17

piston pin 9-13, 10-13, 11-13

piston ring 9-13, 10-13, 11-13

piston ring compressor 20-5

piston ring pliers 20-5

piston ring set 9-13, 10-13, 11-13

pivot arm 15-7

pivot support bearing 5-5, 5-7

plate

backing (brake) 5-19, 5-21
component mounting 16-15
engine mounting 9-15, 10-15, 11-15
flywheel fan 9-5, 10-5, 11-5
front spring retainer 6-17, 6-25, 7-19
latch 1-37
name 3-27, 3-29, 3-31
oil filter screen 9-11, 10-11, 11-11
oil pump 9-7, 10-7, 11-7
receptacle backing 16-7, 19-11
score card 6-9, 6-11, 7-11, 7-13
spring mounting 6-17, 6-25, 7-19
steering wheel 6-9, 7-11
thrust 15-9, 15-11

plate, canopy trim 1-25, 1-27, 1-29

plate, Tow/Run switch 16-9

pliers

internal retaining ring 20-5
piston ring 20-5
retaining ring 20-5

plug

drain 9-7, 10-7, 11-7, 15-13

drive clutch 14-5

driven clutch puller 20-3

fill 15-7, 15-13

hole 4-19, 4-21

spark 9-5, 10-5, 11-5

plug cap 9-5, 10-5, 11-5

plug, carburetor intake manifold 12-17

pole set 8-9

port, diagnostic 4-19, 4-21, 16-5

portable refreshment center 1-57

PRC 1-57

press weldment 20-3

prop rod 1-39

prop rod track 1-39

protector spray, battery terminal 20-3

puller

bearing 20-3

drive clutch 20-3

drive clutch hub 20-3

driven clutch cam 20-3

flywheel 20-5

seal 20-5

pulley

clutch 14-5, 14-9

drive clutch 14-7

starter-generator 8-9

v-belt 8-9

pump assembly, hydraulic tilt bed 1-55

pump, impulse fuel 12-3, 12-5

push rod 9-9, 10-9, 11-9

R

race, front hub bearing 6-13, 6-21, 7-15

rack and pinion drag link 6-3, 7-5

rack guide pressure spring 6-3, 7-5

rack, steering 6-3, 7-5

ratchet, park brake 5-3

reamer, valve guide 20-7

rear fender 1-67

rear spring shackle 6-27, 7-21

rear view mirror 1-13

rear-view mirror, inside 1-73

receiver hitch 1-65

receptacle and fuse 16-7

receptacle backing plate 16-7, 19-11

receptacle, AC cord 19-5

receptacle, battery charger 16-7

rectifier with heatsink 19-3, 19-5, 19-7, 19-9

reel bracket 19-11

reel cord 19-11

refreshment center, portable 1-57

regulator, voltage 8-15, 8-17, 8-19

relay 4-9, 8-17, 16-15

relay mounting bracket 8-17, 19-7, 19-9

relay, 12-volt 4-5

relay, 48V 16-15

relay, 48-volt 19-3, 19-5, 19-7, 19-9

relay, brake, kit, 12-volt 4-5

remover, bearing and oil seal 20-3

retainer

accelerator pedal spring 5-5, 5-7

brake shoe 5-11, 5-17, 5-19, 5-21

headlight 4-3

shock absorber cushion 6-27, 6-29, 7-21,
7-23

spring (drive clutch) 14-5, 14-7, 14-9

valve spring 9-9, 10-9, 11-9

retainer, battery charger 19-13

retaining ring 6-5, 7-7

retaining ring pliers 20-5

return spring bumper 5-5, 5-7

reverse buzzer 4-15, 4-17, 4-19, 4-21

rim, wheel 2-5, 2-7

rim, wheel, silver 2-5, 2-7

rim, wheel, white 2-3

ring

C-type stop 6-3, 7-5

piston 9-13, 10-13, 11-13

retaining 6-5, 7-7, 8-15, 8-17, 8-19, 14-5,
14-7, 14-9, 14-11, 14-13

snap 6-3, 7-5, 9-9, 9-13, 10-9, 10-13, 11-9,
11-13

spiral backup 14-5, 14-7, 14-9

synchronizer 15-9

rivet, blind push 1-3, 1-5, 16-15

rock guard 18-5

rocker arm 9-9, 10-9, 11-9

rocker case 9-9, 10-9, 11-9

rocker case gasket 9-9, 10-9, 11-9

rocker shaft 9-9, 10-9, 11-9

INDEX

- rocker switch 1-51, 1-53, 1-55, 4-19, 4-21
- rocker switch (lights) 4-5, 4-9, 4-17, 4-21
- rod
 - accelerator 5-9
 - accelerator pivot 5-5, 5-7
 - battery hold-down 16-11, 16-13
 - connecting 9-13, 10-13, 11-13
 - crankshaft 9-13, 10-13, 11-13
 - equalizer 5-13, 5-15, 5-23
 - hill brake 5-3
 - prop 1-39
 - push 9-9, 10-9, 11-9
 - shift 15-9
 - tie 6-15, 6-23, 7-17
- roof 1-71
- RPM limiter 9-5, 10-5
- RPM limiter bracket 9-5, 10-5
- RPM limiter damper 9-5, 10-5
- RPM limiter mount band 9-5, 10-5
- rubber bumper 1-45
- S**
- safety first card 20-5
- score card clip 6-11, 7-13
- score card plate 6-11, 7-13
- screen, oil filter 9-11, 10-11, 11-11
- screw, eccentric adjustment 6-17, 6-25
- screw, valve clearance adjuster 20-7
- seal
 - intake 12-21
 - lip 18-3
 - oil 9-9, 9-11, 9-13, 10-9, 10-11, 10-13, 11-9, 11-11, 11-13, 15-7, 15-9, 15-11, 15-17, 18-3
 - steering pinion dust 6-3, 7-5
 - vertical socket dust 6-3, 6-15, 6-23, 7-5, 7-17
- seal puller 20-5
- seal, bed 1-31, 1-33, 1-35
- sealant 15-7, 18-3
- seat
 - spring 9-9, 10-9, 11-9
 - valve 9-7, 10-7, 11-7
- seat back 1-19
- seat back assembly 1-19
- seat back cap 1-19
- seat back tube 1-31
- seat back, white 1-19
- seat belt 1-71
- seat bottom assembly 1-17
- seat bumper 1-17
- seat cover, vinyl 1-17
- seat strap 1-17
- seat, bearing 6-5, 7-7
- sending unit, fuel gauge 12-3, 12-5
- sensor, motor speed 17-3
- sensor, oil level 9-11, 10-11, 11-11
- set, brush and screw 8-9
- set, pole 8-9
- shackle weldment 6-29
- shackle, rear spring 6-27, 7-21
- shaft
 - counterbalance guide 9-13, 10-13, 11-13
 - drive selector 15-7, 15-13
 - input 18-3
 - intermediate 18-3
 - intermediate steering 6-7
 - rocker 9-9, 10-9, 11-9
 - steering column 6-5, 7-7
 - transmission 15-9, 15-15
- shaft, reverse gear 15-15
- shaft, secondary
 - transmission 15-15
- shield, air duct 12-21
- shield, battery charger 19-11
- shift fork 15-9, 15-15
- shift lever 15-7, 15-13
- shift rod 15-9
- shifter, FNR 15-3
- shim, camshaft 9-11, 10-11, 11-11
- shim, crankshaft 9-13, 10-13, 11-13
- shim, latch plate 1-37
- shim, tilt bed pivot 1-33, 1-35
- shock absorber 6-15, 6-23, 6-27, 6-29, 7-17, 7-21, 7-23
- shock absorber cushion 6-27, 6-29, 7-21, 7-23
- shock absorber cushion retainer 6-27, 6-29, 7-21, 7-23
- shock extension 7-23
- shock mounting bracket, drv 6-29
- shock mounting bracket, pas 6-29
- shoe retainer kit 5-11, 5-17, 5-19, 5-21
- shoe, brake 5-11, 5-17, 5-19, 5-21
- shroud 9-3, 10-3, 11-3
- shroud, engine 9-3, 10-3, 11-3
- shroud, fan 9-3, 10-3, 11-3
- side-view mirror 1-75
- signal, turn 4-13
- slam latch 1-45
- sleeve
 - delta A-plate 6-15, 6-23, 7-17
 - governor 15-9
 - park brake rod 5-3
 - synchronizer 15-9
- smartkey 4-23
- snap ring 6-3, 7-5, 9-9, 9-13, 10-9, 10-13, 11-9, 11-13
- snubber bracket 9-15, 10-15, 11-15
- snubber, inner frame 9-15, 10-15, 11-15
- socket 6-3, 6-15, 6-23, 7-5, 7-17
- solenoid 16-15
- solenoid, 12-volt 8-15, 8-17, 8-19
- spacer 1-5, 1-55, 16-11, 16-13
 - accelerator pivot rod 5-5, 5-7
 - park brake 5-3
- spark plug 9-5, 10-5, 11-5
- speed controller 16-15
- speed sensor 17-3
- speed sensor magnet 17-3
- speed sensor, motor 17-3
- spindle 6-13, 6-21, 7-15
- spiral backup ring 14-5, 14-7, 14-9
- splash guard 1-7
- spray, battery terminal protector 4-9, 20-3
- spring
 - accelerator return 5-5, 5-7
 - brake 5-11, 5-17, 5-19, 5-21
 - brake return 5-15, 5-23
 - brush 8-9, 17-3
 - camshaft 9-11
 - compression 6-11, 7-13
 - drive button 14-5, 14-7, 14-9
 - drive clutch 14-5, 14-7, 14-9
 - driven clutch 14-11
 - extension 1-33, 1-35
 - extension return 12-21
 - latch tilt 1-41
 - leaf 6-17, 6-25, 6-27, 6-29, 7-19, 7-21, 7-23
 - park brake torsion 5-3
 - rack guide pressure 6-3, 7-5
 - shifter 15-9
 - steering shaft compression 6-5, 7-7
 - synchronizer 15-9
 - throttle return 12-15, 12-17
 - valve 9-9, 10-9, 11-9
- spring cup 5-5, 5-7
- spring latch 1-45
- spring mounting plate 6-17, 6-25, 7-19
- spring, motor brush 17-3
- spur gear 9-13, 10-13, 11-13, 15-9
- stabilizer bar 6-31, 7-25
- stabilizer bar link 6-31, 7-25
- stabilizer bar mounting bracket 6-31, 7-25
- stake side 1-49
- stake side bracket 1-49
- stake side hinge 1-49
- stake side kit 1-49
- starter/generator (cw) (model G425419) 8-9
- starter/generator belt 8-11
- starter/generator brush cover kit 8-9
- starter/generator brush plate 8-9
- starter/generator brush spring 8-9
- starter/generator brush terminal 8-9
- starter/generator frame and field 8-9
- starter/generator pulley 8-9
- steel bushing 1-33, 1-35, 6-17, 6-19, 6-25, 6-27, 6-29, 7-19, 7-21, 7-23
- steel pressure relief ball 9-7, 10-7, 11-7

INDEX

- steering column 6-5, 7-7
 - steering column bearing press tool 20-7
 - steering column cover 4-13
 - steering column retaining ring tool 20-7
 - steering gear box 6-3, 7-5
 - steering joint 7-9
 - steering pinion 6-3, 7-5
 - steering pinion dust seal 6-3, 7-5
 - steering rack 6-3, 7-5
 - steering shaft assembly 6-5, 7-7
 - steering shaft compression spring 6-5, 7-7
 - steering wheel 6-9, 6-11, 7-11, 7-13
 - steering wheel plate 6-9, 7-11
 - steering wheel puller tool 20-7
 - stem, valve 2-3, 2-5, 2-7
 - stiffener 1-17
 - stiffener, flywheel side 9-15, 10-15, 11-15
 - stiffener, PTO side 9-15, 10-15, 11-15
 - strap, A-plate 6-15, 6-23, 7-17
 - strap, fuel tank 12-3, 12-5
 - strap, seat 1-17
 - strobe light 1-79, 4-31, 4-33, 4-35
 - strobe light lens 4-31, 4-33, 4-35
 - stud 9-15, 10-15, 11-15
 - lug 15-11, 15-17, 18-3
 - self-clinching 1-43, 1-45
 - stud, ball 8-15, 8-17, 8-19, 15-7, 15-13
 - support yoke (steering) 6-3, 7-5
 - support, bushing 6-31, 7-25
 - suppressor, voltage 4-5, 19-3, 19-5, 19-7, 19-9
 - switch plate cover 4-31, 4-33, 4-35
 - switch 1-85
 - four-position 19-5, 19-9
 - key 4-15, 4-17, 4-19, 4-21
 - key, uncommon 4-25
 - light 4-5, 4-9
 - light rocker 4-5, 4-9, 4-17, 4-21
 - limit 4-5, 4-9, 8-15, 8-17, 8-21, 15-3
 - rocker 1-51, 1-53, 1-55, 4-19, 4-21
 - toggle 4-37, 4-39
 - Tow/Run 16-9
 - turn signal 4-13
 - switch assembly 4-31, 4-33, 4-35
 - switch panel, accessory 1-77
 - switch rubber boot 8-13, 16-9
 - switch, toggle 8-13
 - synchro gear 15-9
 - synchronizer clutch hub 15-9
 - synchronizer insert 15-9
 - synchronizer sleeve 15-9
 - synchronizer spring 15-9
 - synchronizer, complete 15-15
 - system, exhaust 13-3
- T**
- 12-volt solenoid 8-15, 8-17, 8-19
 - tachometer 20-7
 - tail light bulb 4-47
 - tailgate 1-41, 1-45
 - tailgate angle 1-43, 1-45
 - tailgate mounting kit 1-41
 - taillight 4-47
 - taillight assembly 4-5, 4-9, 4-47
 - taillight base 4-47
 - taillight gasket 4-47
 - taillight hardware kit 4-47
 - taillight lens 4-47
 - tailskirt 1-67, 1-69
 - tank, fuel 12-3
 - tape 12-21
 - tape, vinyl foam 1-33, 1-35
 - tappet 11-11
 - terminal block 4-5, 4-9, 16-5, 19-11
 - tester, continuity 20-5
 - tether 1-45
 - thermal pad 8-23
 - thermometer, battery 20-3
 - thread-forming grease fitting 6-3, 6-13, 6-15, 6-21, 6-23, 7-5, 7-15, 7-17
 - throttle return spring 12-15, 12-17
 - throttle spring return bracket 12-15, 12-17
 - thrust bearing 6-17, 6-25, 7-19
 - thrust plate 15-9, 15-11
 - tie rod 6-15, 6-23, 7-17
 - tie wrap 1-51, 1-53, 1-55, 1-85, 4-7, 4-11, 4-13, 4-27, 4-33, 4-35, 4-37, 4-39, 4-45, 6-3, 7-5, 8-15, 8-17, 8-19, 15-5, 19-11
 - tilt bed 1-33, 1-35
 - tilt bed frame 1-33, 1-35
 - tilt latch hand grip 1-33, 1-35, 1-41
 - tilt, hydraulic, cylinder 1-55
 - tire 2-3, 2-5, 2-7
 - tire and wheel assembly 2-3
 - toggle switch 4-37, 4-39, 8-13
 - tool
 - accelerator pedal adjustment 20-3
 - brake adjustment 20-3
 - brake cable release 20-3
 - charger bezel 20-3
 - clutch cam installation 20-3
 - drive clutch holder 20-3
 - governor shaft installation 20-5
 - steering column bearing press 20-7
 - steering column retaining ring 20-7
 - steering wheel puller 20-7
 - transaxle axle seal 20-7
 - transaxle pinion seal 20-7
 - transmission 20-7
 - tool kit, clutch 20-3
 - toolbox 1-59
 - touch-up paint 20-5
 - Tow/Run switch 16-9
 - Tow/Run switch bracket 8-13
 - Tow/Run switch plate 16-9
 - track, prop rod 1-39
 - trailer hitch 1-61
 - trailer hitch ball 1-63
 - trailer hitch brace 1-61
 - transaxle (Electric Vehicle) 18-3
 - transaxle axle seal tool 20-7
 - transaxle Graziano (gasoline vehicle), unitized 15-13
 - transaxle guard 18-5
 - transaxle pinion seal tool 20-7
 - transaxle, Kawasaki (Gasoline Vehicle) 15-7
 - transformer, battery charger 19-3, 19-5, 19-7, 19-9
 - transmission secondary shaft 15-15
 - transmission shaft 15-9, 15-15
 - transmission tool 20-7
 - trim
 - cowl 1-3, 1-5
 - seat bottom 1-31
 - tube
 - axle 15-11, 15-17, 18-3
 - crankcase vent 12-15, 12-17
 - fuel pickup 12-3
 - oil filler 9-3, 10-3, 11-3
 - seat back 1-31
 - tune-up kit 20-7
 - turn signal 4-13
 - turn signal conversion kit 4-13
 - turn signal lens 4-3
 - turn signal socket and lamp 4-13
- U**
- U-bolt 6-27, 6-29, 7-21, 7-23
 - unitized transaxle Graziano 15-13
 - upper delta clevis 6-17, 6-25, 7-19
 - urethane bushing 1-33, 1-35, 6-15, 6-17, 6-19, 6-23, 6-25, 6-27, 6-29, 7-17, 7-19, 7-21, 7-23
- V**
- valve
 - choke 12-21
 - exhaust 9-9, 10-9, 11-9
 - intake 9-9, 10-9
 - reed 9-9, 10-9, 11-9
 - valve clearance adjuster screw 20-7
 - valve guide 9-9, 10-9
 - valve guide reamer 20-7
 - valve guide, intake 9-9, 10-9, 11-9
 - valve seat 9-7, 10-7, 11-7
 - valve seat cutter 20-7
 - valve seat cutter guide 20-7
 - valve seat t-wrench 20-7
 - valve spring 9-9, 10-9, 11-9
 - valve spring compressor 20-7

INDEX

valve spring retainer 9-9, 10-9, 11-9
valve stem 2-3, 2-5, 2-7
valve stem extension 2-9
valve, inlet 1-85
van box 1-87
v-belt 8-11
vent barb 12-3, 12-5
vent, barb 12-7
vent, fuel tank, w/ valve 12-5
vertical socket dust seal 6-3, 6-15, 6-23, 7-5,
7-17
volt ohm meter 20-7
voltage limiter 4-5, 4-29
voltage regulator 8-15, 8-17, 8-19
voltage suppressor 4-5, 19-3, 19-5, 19-7, 19-9

W

warning light, low oil 4-15, 4-17
washer, insulating 17-3
wedge, bearing puller 20-3
weight
 clutch 14-5, 14-7, 14-9
 counterbalance 9-13, 10-13, 11-13
 secondary clutch 14-5, 14-7, 14-9
weldment
 press 20-3
 tilt bed frame 1-33, 1-35
weldment, receiver hitch 1-65
wheel 2-3
wheel and tire assembly 2-3
wheel cover 2-9
wheel rim 2-5, 2-7
wheel rim, silver 2-5, 2-7
wheel rim, white 2-3
wheel, steering 6-9, 6-11, 7-11, 7-13
window 1-71
windshield 1-71
 hinged 1-21
 one-piece 1-23
windshield channel 1-21
windshield frame 1-25, 1-27, 1-29
windshield frame pad 1-25, 1-27, 1-29
windshield latches 1-71
wiper arm 1-71
wiper blade 1-71
wiper motor 1-71
wire assembly, battery charger 19-5
wire harness 1-55, 1-85, 4-27, 4-31, 4-33, 4-43,
8-3, 8-5, 8-7, 16-5
wire harness, light bar 4-37
wire lead, ignition 11-5
woodruff key 15-7
work lights, light, work 1-81
wrap, tie 1-51, 1-53, 1-55, 1-85, 4-7, 4-11, 4-13,
4-27, 4-33, 4-35, 4-37, 4-39, 4-45, 6-3, 7-5,
8-15, 8-17, 8-19, 15-5, 19-11

Y

yoke, gear 20-5
yoke, support (steering) 6-3, 7-5



Club Car, Inc.
P.O. Box 204658
Augusta, GA 30917-4658
USA

Web www.clubcar.com
Phone 1.706.863.3000
1.800.ClubCar
Int'l +1 706.863.3000
Fax 1.706.863.5808