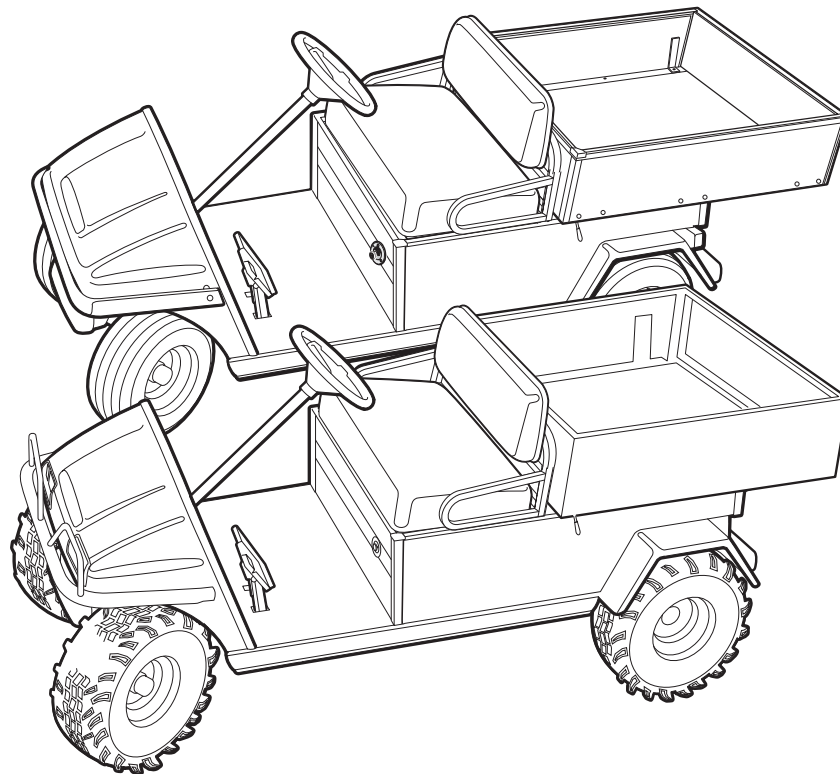




**2008**  
**Turf/Carryall 2, 252, 2 Plus,**  
**and XRT 900**  
**Illustrated Parts List**



**Gasoline and Electric Vehicles**

Manual Number 103373008  
Edition Code 1207M0616L



# USING THE ILLUSTRATED PARTS LIST

---

## **⚠ WARNING**

- **This manual is to be used only for identification and ordering of service parts. Be sure to read and use the maintenance and service manual before attempting any vehicle repairs.**

This manual covers all Turf/Carryall 2, 2 Plus, 252 and XRT 900 vehicles built during the 2008 model year.

The manual is divided into sections. Note that there are two or three flags on the outside edge of each page. The first flag contains the section number of which that page is a part. The other flag (or flags) contains the letter G or E, signifying that the page pertains to the electric or gasoline vehicles only.

Use the Table of Contents to find the sections and pages that contain the parts and assemblies you seek. The Table of Contents lists section numbers, and under them, the individual page titles and numbers to be found in that section. The index can be used to find specific parts and assemblies. The index is divided into numerical and alphabetical listings with the page numbers in italic text.

There is a two-page spread for each individual page title in the Table of Contents. On the left-hand page is an illustration showing the parts in their relative positions; the parts are each tagged with an item number in a balloon. The right-hand page is the parts list page, and gives the page title at the top, then the item numbers (corresponding to the numbers on the illustration), part descriptions, and quantity of parts used.

Note that a part description may be indented. This indentation corresponds to a parts assembly level indicated by the numbers 1, 2, 3, and 4 at the top left corner of the parts description area of the parts list page. A part that is indented to *level 2* is a component of the *level 1* part (assembly) that it is listed under. A *level 3* part is a component of the *level 2* part that it is listed under, and a *level 4* part is a component of the *level 3* part preceding it. In each case, the part quantity given for a level 2, 3, or 4 part is the quantity used per next higher level assembly of which it is a component. A part that is not indented is a *level 1* part. This means that the quantity given is the quantity used per the portion of the vehicle illustrated on that particular spread.



P. O. Box 204658  
Augusta, Georgia 30917-4658 USA  
Telephone 706-863-3000  
Service Parts Fax 706-855-7413  
[www.clubcar.com](http://www.clubcar.com)

## HOW TO ORDER PARTS

Replacement parts and accessories can be obtained from our network of authorized dealers and distributors. You can obtain the name and phone number of your closest authorized Club Car dealer or distributor by visiting our web site at [www.clubcardealer.com](http://www.clubcardealer.com), by calling our toll-free Service Parts and Technical Assistance hotline at (800) 872-2246 or (706) 863-3000, extension 3887, or by scanning this Quick Response (QR) code to be taken to the Club Car dealer locator. **Refer to Figure 1.** Download a QR code reader such as RedLaser or Barcode Scanner to your cell phone or tablet.



Figure 1 Dealer Locator QR Code

## CUSTOMER SATISFACTION SURVEY

Let your voice be heard!

Please take time to participate in the Technical Publications satisfaction survey. Obtaining feedback from our customers is important to the department's continuous improvement process. The online survey takes less than five minutes and responses will help the department to examine current performance as well as identify areas for future improvement.

Our top priority is to provide timely, accurate, and user friendly manuals.

The online satisfaction survey can be found at: <http://bit.ly/1w9uFMh>



Figure 2 Survey QR Code

**NOTE:** *This illustrated parts list represents the most current information at the time of publication. Club Car, Inc. is continually working to further improve its vehicles and other products. These improvements may affect the parts used to service the vehicle. Any modification and/or significant change in specifications will be forwarded to all Club Car and Carryall distributors/dealers and will, when applicable, appear in future editions of this illustrated parts list.*

*Club Car, Inc. reserves the right to change specifications and designs at any time without notice and without the obligation of making changes to units previously sold.*

Copyright © 2007, 2015 Club Car, Inc.  
Club Car and ArmorFlex  
are registered trademarks of Club Car, Inc.  
This manual effective August 6, 2007.

# CONTENTS

## SECTION 1 – BODY AND TRIM

Front Body and Trim – Turf, Utility, & Transportation .....	1-3
Front Body and Trim – Turf/Carryall 252 and XRT 900 .....	1-5
Splash Guard – Gasoline Vehicles Only .....	1-7
Dash Pockets and Floormat .....	1-9
Beverage Holder .....	1-11
Mirror, Rear-View – without Cab .....	1-13
Grommets, Chassis .....	1-15
Seat Bottom .....	1-17
Seat Back Assembly .....	1-19
Windshield, Hinged .....	1-21
Windshield, Non-Hinged .....	1-23
Canopy Kit, White .....	1-25
Canopy Kit, Beige .....	1-27
Canopy Kit, Black .....	1-29
Hip Restraints and Seat Back Mounting .....	1-31
Tilt Bed, Hinge, and Latch – Turf/Carryall 2, 2 Plus, 252, and XRT 900 .....	1-33
Latch Plate .....	1-35
Prop Rod .....	1-37
Cargo Box (Aluminum) .....	1-39
Cargo Box (Aluminum) Mounting .....	1-41
Cargo Box (Steel) .....	1-43
Bed Mat .....	1-45
Stake Side Kit .....	1-47
Electric Bed Lift – Gasoline Vehicles .....	1-49
Electric Bed Lift – Electric Vehicle .....	1-51
Hydraulic Bed Lift Kit .....	1-53
Portable Refreshment Center .....	1-55
Toolboxes .....	1-57
Trailer Hitch .....	1-59
Trailer Hitch Ball .....	1-61
Receiver Hitch .....	1-63
Rear Body Trim – Turf/Carryall 1, 2, 2 Plus, and 6 .....	1-65
Rear Body Trim – Turf/Carryall 252 and XRT 900 .....	1-67
Cab, Curtis – Turf/Carryall 1, 2, 2 Plus, 252 and XRT 900 .....	1-69
Mirror, Inside Rear-View – Curtis Cab .....	1-71
Mirror, Side-View – Curtis Cab .....	1-73
Accessory Switch Panel – Curtis Cab .....	1-75
Strobe Light – Curtis Cab .....	1-77

# CONTENTS

Work Lights – Curtis Cab .....	1-79
Fan/Defogger – Curtis Cab .....	1-81
Heater – Curtis Cab .....	1-83
Van Box .....	1-85

## SECTION 2 – WHEELS AND TIRES

Wheels and Tires – Turf/Carryall 2 and 2 Plus .....	2-3
Wheels and Tires, Off-Road Tread – Turf/Carryall 252 and XRT 900 .....	2-5
Wheels and Tires, Turf Tread – Turf/Carryall 252 and XRT 900 .....	2-7
Wheel Covers .....	2-9

## SECTION 3 – DECALS

Decals – Turf/Carryall 2 IQ Plus Electric .....	3-3
Decals – Turf/Carryall 2 IQ Plus Electric, Continued .....	3-5
Decals – Turf/Carryall 252 and XRT 900 IQ Plus Electric .....	3-7
Decals – Turf/Carryall 252 and XRT 900 IQ Plus Electric, Continued .....	3-9
Decals – Turf/Carryall 2 Gasoline Vehicles .....	3-11
Decals – Turf/Carryall 2 Gasoline Vehicles, Continued .....	3-13
Decals – Carryall 2 Plus Gasoline Vehicles .....	3-15
Decals – Carryall 2 Plus Gasoline Vehicles, Continued .....	3-17
Decals – Turf/Carryall 252 Gasoline Vehicles .....	3-19
Decals – Turf/Carryall 252 Gasoline Vehicles, Continued .....	3-21
Decals – XRT 900 Gasoline Vehicles .....	3-23
Decals – XRT 900 Gasoline Vehicles, Continued .....	3-25
Decals, Badging – Turf/Carryall 2 and 2 Plus .....	3-27
Decals, Badging – Turf/Carryall 252 .....	3-29
Decals, Badging – XRT 900 .....	3-31

## SECTION 4 – LIGHTS, CONTROLS, AND INDICATORS

Headlights .....	4-3
Light Kit, Standard – Carryall 2 Gasoline Vehicles .....	4-5
Light Kit, Standard – Carryall 2 IQ Plus Electric Vehicles .....	4-9
Turn Signal Kit – DS and Utility Gasoline and Electric Vehicles .....	4-13
Instrument Panel and Electrical Components – Turf/Carryall 1, 2, and 252 Gas .....	4-15
Instrument Panel and Electrical Components – Carryall 2 Plus and XRT 900 Gas .....	4-17
Instrument Panel and Electrical Components – Turf/CA 1 and 2 Electric .....	4-19
Instrument Panel with Electrical Components – Turf/Carryall 252 and XRT 900 Electric .....	4-21
Keys and Keyswitches, SmartKey Kit – Electric Vehicle .....	4-23
Keys and Keyswitches, Uncommon – Gas Vehicle .....	4-25

# CONTENTS

---

DC Converter – IQ Plus Electric Vehicle .....	4-27
Voltage Limiter – Gasoline Vehicle .....	4-29
Strobe Light, Post-Mounted – Gasoline Vehicles .....	4-31
Strobe Light, Post-Mounted – Electric Vehicles .....	4-33
Strobe Light, Canopy-Mounted .....	4-35
Light Bar – Turf/CA 252 and XRT 900 Gas Vehicles .....	4-37
Light Bar – Turf/CA 252 and XRT 900 Electric Vehicles .....	4-39
Horn .....	4-41
Hour Meter – IQ System and IQ Plus Electric Vehicles .....	4-43
Taillights .....	4-45

## SECTION 5 – BRAKES, PEDAL, AND CABLE ASSEMBLIES

---

Brake Pedal Assembly .....	5-3
Accelerator Pedal Assembly – Electric Vehicles with MCOR .....	5-5
Accelerator Pedal Assembly – Gasoline Vehicles .....	5-7
Accelerator Rod – Turf/Carryall 2/2 Plus/252 and XRT900 Gasoline Vehicles .....	5-9
Front Brake Assembly – Vehicles with Four-Wheel Brakes .....	5-11
Front Brake Cables and Equalizer – Vehicles with Four-Wheel Brakes .....	5-13
Rear Brake Cables and Equalizer – Vehicles with 4-Wheel Brakes .....	5-15
Rear Brake Assembly, Manually-Adjusted – Vehicles with 4-Wheel Brakes .....	5-17
Rear Brake Assembly, Self-Adjusting – Vehicle with 2-Wheel Brakes .....	5-19
Rear Brake Cables and Equalizer – Vehicles with Two-Wheel Brakes .....	5-21

## SECTION 6 – STEERING AND SUSPENSIONS – TURF/CA 2 AND 2 PLUS

---

Steering Gear Assembly .....	6-3
Steering Column – Utility .....	6-5
Intermediate Steering Shaft – Turf/Carryall 1/2/2 Plus/6 .....	6-7
Steering Wheel .....	6-9
Steering Wheel with Clip .....	6-11
Front Spindles and Hubs – Vehicles with Two-Wheel Brakes .....	6-13
Front Suspension, Upper – Vehicles with Two-Wheel Brakes .....	6-15
Front Suspension, Lower – Vehicles with Two-Wheel Brakes .....	6-17
Heavy Duty Front Springs .....	6-19
Front Spindles and Hubs – Vehicles with Four-Wheel Brakes .....	6-21
Front Suspension, Upper – Vehicles with Four-Wheel Brakes .....	6-23
Front Suspension, Lower – Vehicles with Four-Wheel Brakes .....	6-25
Rear Suspension – Gasoline Turf/Carryall 2, 2 Plus, and 6 .....	6-27
Rear Suspension – Turf/Carryall 2 and 6 IQ Plus Vehicles .....	6-29
Stabilizer Bar – Turf/Carryall 2, 2 Plus, and 6 Gasoline Vehicles .....	6-31

# CONTENTS

---

## SECTION 7 – STEERING AND SUSPENSIONS – TURF/CA 252 AND XRT 900

---

Front Frame Plate Hardware – Turf/Carryall 252 and XRT 900 .....	7-3
Steering Gear Assembly .....	7-5
Steering Column – Utility .....	7-7
Intermediate Steering Shaft – Turf/Carryall 252 and XRT 900 Vehicles .....	7-9
Steering Wheel .....	7-11
Steering Wheel with Clip .....	7-13
Front Spindles and Hubs – Vehicles with Four-Wheel Brakes .....	7-15
Front Suspension, Upper – Turf/Carryall 252 and XRT 900 .....	7-17
Front Suspension, Lower – Turf/Carryall 252 and XRT 900 .....	7-19
Rear Suspension – Gasoline Turf/Carryall 252 and XRT 900 .....	7-21
Rear Suspension – Turf/Carryall 252 and XRT 900 IQ Plus .....	7-23
Stabilizer Bar – Turf/Carryall 252 and XRT 900 .....	7-25

---

## SECTION 8 – ELECTRICAL SYSTEM – GASOLINE VEHICLE

---

Wiring, Fuses, and Diodes – Turf/Carryall 2 and 252 .....	8-3
Wiring, Fuses, and Diodes – Carryall 2 Plus .....	8-5
Wiring, Fuses, and Diodes – XRT 900 .....	8-7
Starter/Generator Assembly Model G425419 – Gasoline Vehicles .....	8-9
Starter/Generator Mounting – FE350 .....	8-11
Operation and Maintenance Switch .....	8-13
Electrical Component Box – Turf/Carryall 1, 2, and 252 .....	8-15
Electrical Component Box – Carryall 2 Plus .....	8-17
Electrical Component Box – XRT 900 .....	8-19
Forward/Reverse Shifter Switches – Dash Mounted Shifter .....	8-21
Charging Diode, Key-Start – XRT Vehicles .....	8-23
Battery – Gasoline Utility Vehicles .....	8-25

---

## SECTION 9 – FE350 ENGINE WITH ACR (CARRYALL 2 PLUS)

---

FE350 Engine with ACR (Automatic Compression Release) – Shrouds and Brackets .....	9-3
FE350 Engine – Ignition Components and Flywheel .....	9-5
FE350 Engine – Oil Circulation .....	9-7
FE350 Engine – Cylinder Head .....	9-9
FE350 Engine with ACR – Crankcase, Camshaft, and Oil Sensor .....	9-11
FE350 Engine – Crankcase and Crankshaft .....	9-13
FE350 Engine Mounting .....	9-15



# CONTENTS

---

## SECTION 10 – FE350 ENGINE W/O ACR (TURF/CA 2, 252 AND XRT 900)

---

FE350 Engine w/o ACR – Shrouds and Brackets .....	10-3
FE350 Engine – Ignition Components and Flywheel .....	10-5
FE350 Engine – Oil Circulation .....	10-7
FE350 Engine – Cylinder Head .....	10-9
FE350 Engine w/o ACR – Crankcase, Camshaft, and Oil Sensor .....	10-11
FE350 Engine – Crankcase and Crankshaft .....	10-13
FE350 Engine Mounting .....	10-15

---

## SECTION 11 – FUEL, INTAKE, AND GOVERNOR SYSTEMS

---

Fuel System – 49 State .....	11-3
Fuel System – California Only .....	11-5
Carbon Canister – California Only .....	11-7
Carburetor Assembly, FE350 (AS11) .....	11-9
Carburetor Mounting, Utility, FE350 – 49 State .....	11-11
Carburetor Mounting, Utility, FE350 – California Only .....	11-13
Governor and Accelerator Cables .....	11-15
Air Filter and Intake System – Turf/CA 2, 252 and XRT 900 .....	11-17

---

## SECTION 12 – EXHAUST SYSTEM

---

Exhaust System – FE350 Engine .....	12-3
-------------------------------------	------

---

## SECTION 13 – DRIVE BELT AND CLUTCHES

---

Drive Belt .....	13-3
Drive Clutch – Turf/Carryall 1, 2, and 252 .....	13-5
Drive Clutch – Carryall 2 Plus .....	13-7
Drive Clutch – XRT 900 .....	13-9
Driven Clutch – Turf/Carryall 1, 2, and 252 .....	13-11
Driven Clutch – Carryall 2 Plus and XRT 900 .....	13-13

---

## SECTION 14 – UNITIZED TRANSAXLE – GASOLINE VEHICLES

---

Forward/Reverse Shifter .....	14-3
Shifter Cable – Turf/CA 2/252/2 Plus and XRT900 .....	14-5
Kawasaki Transaxle – Gear Cases and Brackets .....	14-7
Kawasaki Transaxle – F&R Transmission and Gear Reduction .....	14-9
Kawasaki Transaxle – Differential and Axles .....	14-11
Graziano Transaxle – Gear Cases and Levers .....	14-13
Graziano Transaxle – F&R Transmission and Gear Reduction .....	14-15

# CONTENTS

---

Graziano Transaxle -Differential and Axles .....	14-17
--	-------

## **SECTION 15 – ELECTRICAL SYSTEM – ELECTRIC VEHICLES**

---

Motor Controller Output Regulator (MCOR) .....	15-3
Main Wiring Harness, 48-Volt Fuse Block – Electric Vehicle .....	15-5
Battery Charger Receptacle .....	15-7
Tow/Run Switch and Circuit-Breaker – IQ Plus .....	15-9
Batteries, 6-Volt, Standard Duty .....	15-11
Batteries, 6-Volt, Heavy Duty .....	15-13
Computer, Controller, and Solenoid .....	15-15

## **SECTION 16 – MOTOR (MODEL DA5-4006) – IQ PLUS**

---

Motor (Model DA5-4006) – IQ Plus .....	16-3
--	------

## **SECTION 17 – TRANSAXLE – ELECTRIC VEHICLES**

---

Transaxle – Electric Vehicles .....	17-3
Differential Guard – Electric Vehicles .....	17-5

## **SECTION 18 – BATTERY CHARGERS**

---

IQ Plus Battery Charger (Models 25730-11,-18,-19), Domestic .....	18-3
IQ Plus Battery Charger (Models 25880-11 and -18), International .....	18-5
Onboard IQ Plus Battery Charger (Model 25260-11), Domestic .....	18-7
Onboard IQ Plus Battery Charger (Model 25660-40), International .....	18-9
Onboard IQ Plus Charger and Cord Reel Mounting, Page 1 of 2 .....	18-11
Onboard IQ Plus Charger and Cord Reel Mounting, Page 2 of 2 .....	18-13

## **SECTION 19 – MAINTENANCE AND SERVICE TOOLS**

---

Maintenance and Service Tools .....	19-3
Maintenance and Service Tools, Continued .....	19-5
Maintenance and Service Tools, Continued .....	19-7

## **SECTION i – INDEX**

---

# BODY AND TRIM

---

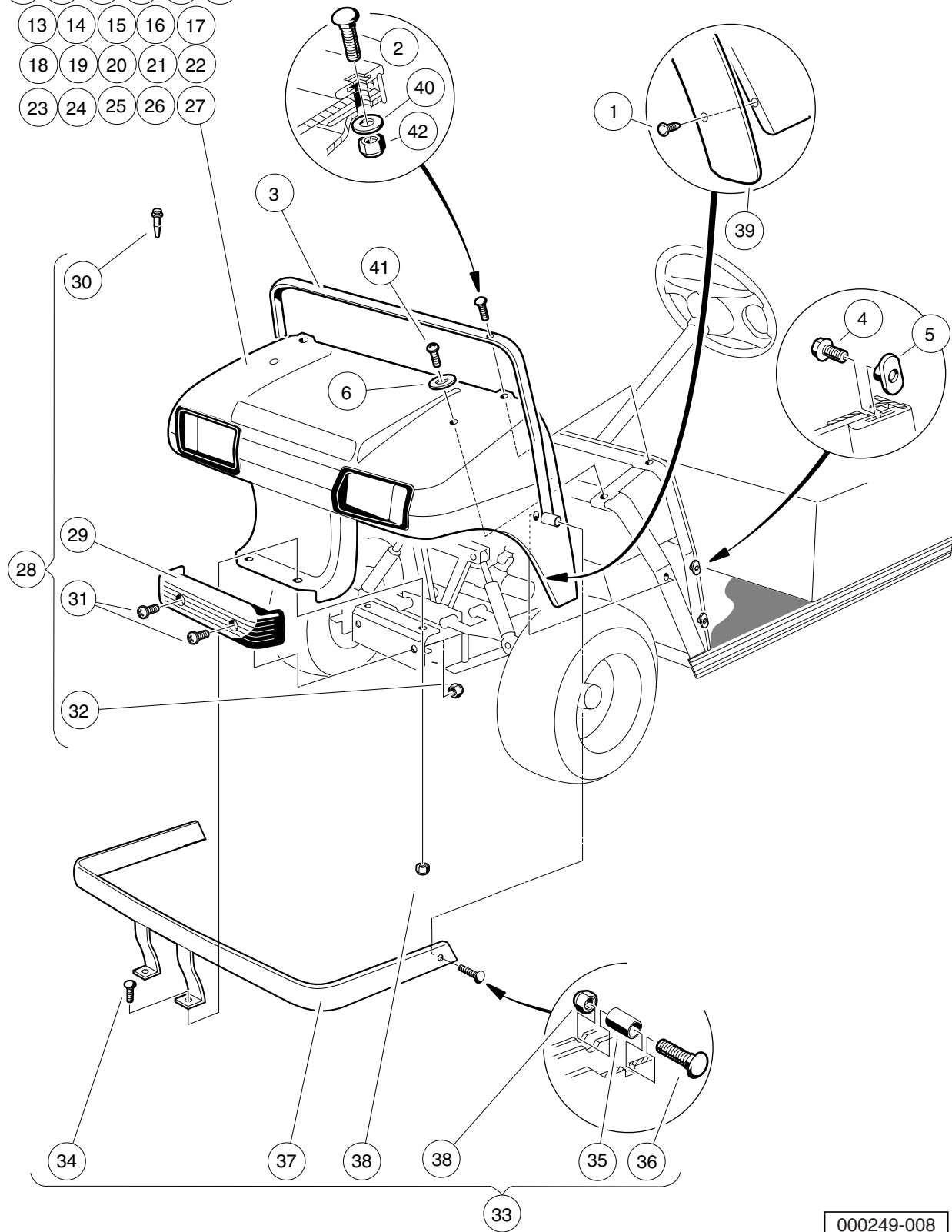
1

G

E

**1**  
**G**  
**E**

- 7 8 9 10 11 12
- 13 14 15 16 17
- 18 19 20 21 22
- 23 24 25 26 27



000249-008

# FRONT BODY AND TRIM – TURF, UTILITY, & TRANSPORTATION

ITEM	PART NO.	DESCRIPTION	QTY
		1 2 3 4	
1	<u>1010434</u>	Barrel - Plastic .....	12
2	<u>1010435</u>	Bolt, Carriage, 5/16-18 X 1.00 .....	2
3	<u>1011014</u>	Trim, Cowl .....	1
4	<u>1011017</u>	Screw, #8-32 X 0.375 .....	6
5	<u>1011394</u>	T-Nut Package (Set of 4) .....	1
6	<u>1015075</u>	Washer, 5/16 Flat Type A .....	2
7	<u>101692501</u>	Cowl, TPO, Beige .....	1
8	<u>101692502</u>	Cowl, TPO, White .....	1
9	<u>101692504</u>	Cowl, Tpo -gray .....	1
10	<u>101692506</u>	Cowl, TPO, Red .....	1
11	<u>101692509</u>	Cowl, TPO, Pacific Blue (Royal Blue) .....	1
12	<u>101692510</u>	Cowl, TPO, Dark Green .....	1
13	<u>101692511</u>	Cowl, TPO, Black .....	1
14	<u>101692512</u>	Cowl, TPO, Classic Blue (Navy) .....	1
15	<u>101692513</u>	Cowl, TPO, Burgundy .....	1
16	<u>101692514</u>	Cowl, TPO, Dark Gray .....	1
17	<u>101692515</u>	Cowl, TPO, Safety Yellow .....	1
18	<u>101693901</u>	Cowl with Headlight Opening, TPO, Beige .....	1
19	<u>101693902</u>	Cowl with Headlight Opening, TPO, White .....	1
20	<u>101693904</u>	Cowl with Headlight Opening, TPO, Gray .....	1
21	<u>101693906</u>	Cowl with Headlight Opening, TPO, Red .....	1
22	<u>101693909</u>	Cowl with Headlight Opening, TPO, Dark Green .....	1
23	<u>101693910</u>	Cowl with Headlight Opening, TPO, Black .....	1
24	<u>101693911</u>	Cowl with Headlight Opening, TPO, Classic Blue (Navy) .....	1
25	<u>101693912</u>	Cowl with Headlight Opening, TPO, Burgundy .....	1
26	<u>101693913</u>	Cowl with Headlight Opening, TPO, Dark Gray .....	1
27	<u>101693914</u>	Cowl with Headlight Opening, TPO, Safety Yellow .....	1
28	<u>1017080</u>	Kit, Front Bumper (includes items 29 through 32) .....	1
29	<u>1016868</u>	Front Bumper .....	1
30	<u>1016967</u>	Blind Rivet, Push Type .....	2
31	<u>7251</u>	Screw, 5/16-18 x 1.0 Truss-Head .....	2
32	<u>7473</u>	Locknut, 5/16-18 Nylon Insert .....	2
33	<u>101734802</u>	Kit, Heavy-Duty Bumper (includes items 34 through 38) .....	1
34	<u>1010435</u>	Bolt, Carriage, 5/16-18 X 1.00 .....	2
35	<u>1010546</u>	Spacer .....	2
36	<u>1015405</u>	Bolt, Carriage, 5/16-18 X 2.0 .....	2
37	N/A	Weldment, Heavy Duty Bumper .....	1
38	<u>7473</u>	Locknut, 5/16-18 Nylon Insert .....	4
39	<u>101870401</u>	Fender Extrusion .....	2
40	<u>1241</u>	Washer, 5/16 Type A Flat .....	2
41	<u>7251</u>	Screw, 5/16-18 x 1.0 Truss-Head .....	2
42	<u>7473</u>	Locknut, 5/16-18 Nylon Insert .....	2

**1**  
**G**  
**E**

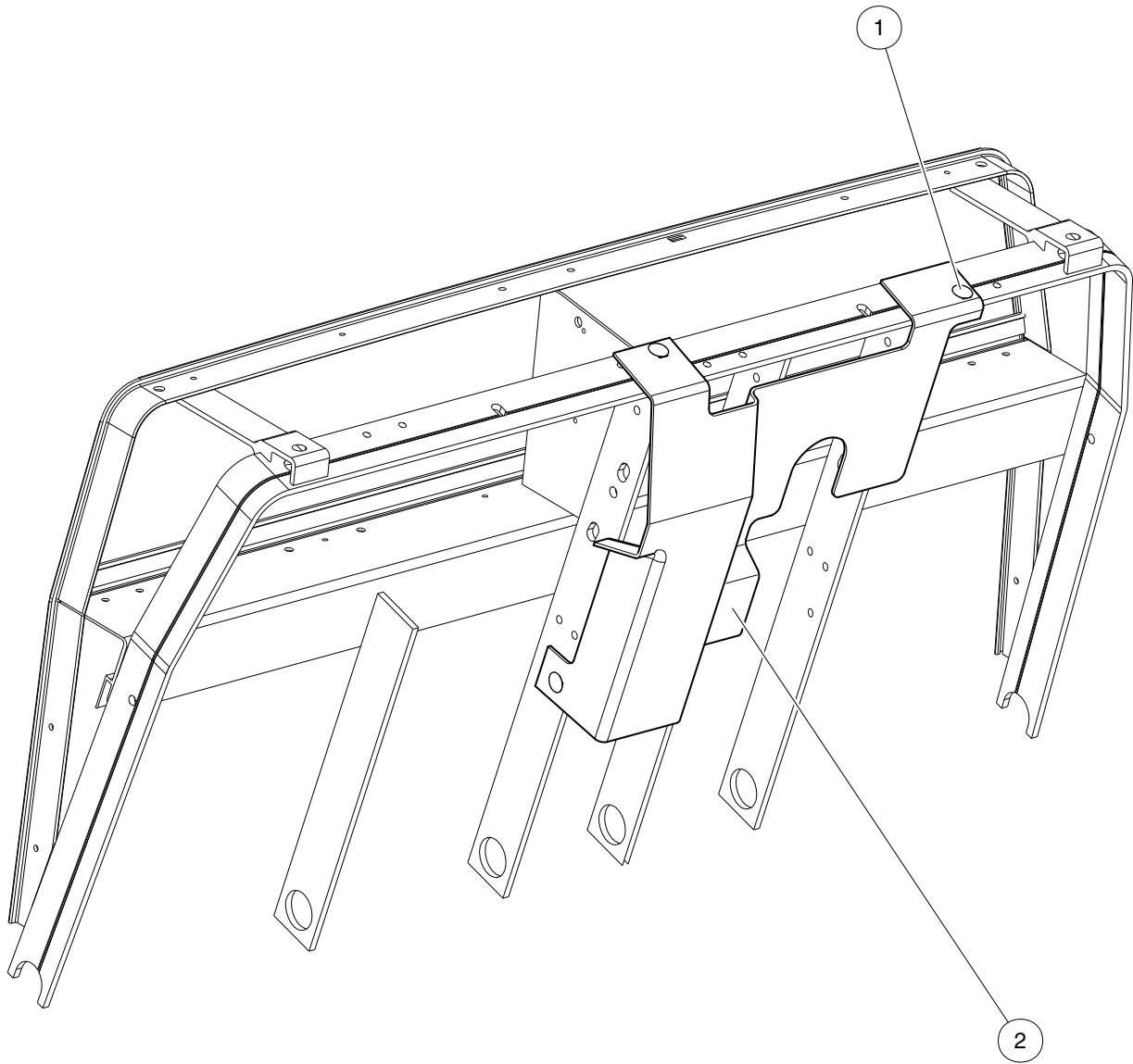


# FRONT BODY AND TRIM – TURF/CARRYALL 252 AND XRT 900

ITEM	PART NO.	DESCRIPTION	QTY
		1 2 3 4	
1	<u>1010434</u>	Barrel - Plastic .....	12
2	<u>1010435</u>	Bolt, Carriage, 5/16-18 X 1.00 .....	2
3	<u>1010934</u>	Screw, 5/16-18 X 1.00 Hex Cap .....	4
4	<u>1011014</u>	Trim, Cowl .....	1
5	<u>1011017</u>	Screw, #8-32 X 0.375 .....	6
6	<u>1011394</u>	T-Nut Package (Set of 4) .....	1
7	<u>1011578</u>	Washer, 5/16 Type B Flat .....	4
8	<u>101503202</u>	Floormat .....	1
9	<u>1015075</u>	Washer, 5/16 Flat Type A .....	2
10	<u>1015608</u>	Tube Spacer, Hydraulic Cylinder .....	2
11	<u>101693901</u>	Cowl with Headlight Opening, TPO, Beige .....	1
12	<u>101693902</u>	Cowl with Headlight Opening, TPO, White .....	1
13	<u>101693906</u>	Cowl with Headlight Opening, TPO, Red .....	1
14	<u>101693908</u>	Cowl with Headlight Opening, TPO, Pacific Blue (Royal Blue) .....	1
15	<u>101693909</u>	Cowl with Headlight Opening, TPO, Dark Green .....	1
16	<u>101693910</u>	Cowl with Headlight Opening, TPO, Black .....	1
17	<u>101693911</u>	Cowl with Headlight Opening, TPO, Classic Blue (Navy) .....	1
18	<u>101693912</u>	Cowl with Headlight Opening, TPO, Burgundy .....	1
19	<u>101693913</u>	Cowl with Headlight Opening, TPO, Dark Gray .....	1
20	<u>101693914</u>	Cowl with Headlight Opening, TPO, Safety Yellow .....	1
21	<u>1017080</u>	Kit, Front Bumper (includes items 22 through 25) .....	1
22	<u>1016868</u>	Front Bumper .....	1
23	<u>1016967</u>	Blind Rivet, Push Type .....	2
24	<u>7251</u>	Screw, 5/16-18 x 1.0 Truss-Head .....	2
25	<u>7473</u>	Locknut, 5/16-18 Nylon Insert .....	2
26	<u>102004301</u>	Brush Guard .....	1
27	<u>1241</u>	Washer, 5/16 Type A Flat .....	6
28	<u>7251</u>	Screw, 5/16-18 x 1.0 Truss-Head .....	2
29	<u>7473</u>	Locknut, 5/16-18 Nylon Insert .....	8
30	<u>8935</u>	Screw, 5/16-18 X 2.25 Hex-Head Cap .....	2
31	<u>AM10808</u>	Front Fender Extrusion - Lynx .....	2

1  
G  
E

**1**  
**G**  
**E**



000593-002

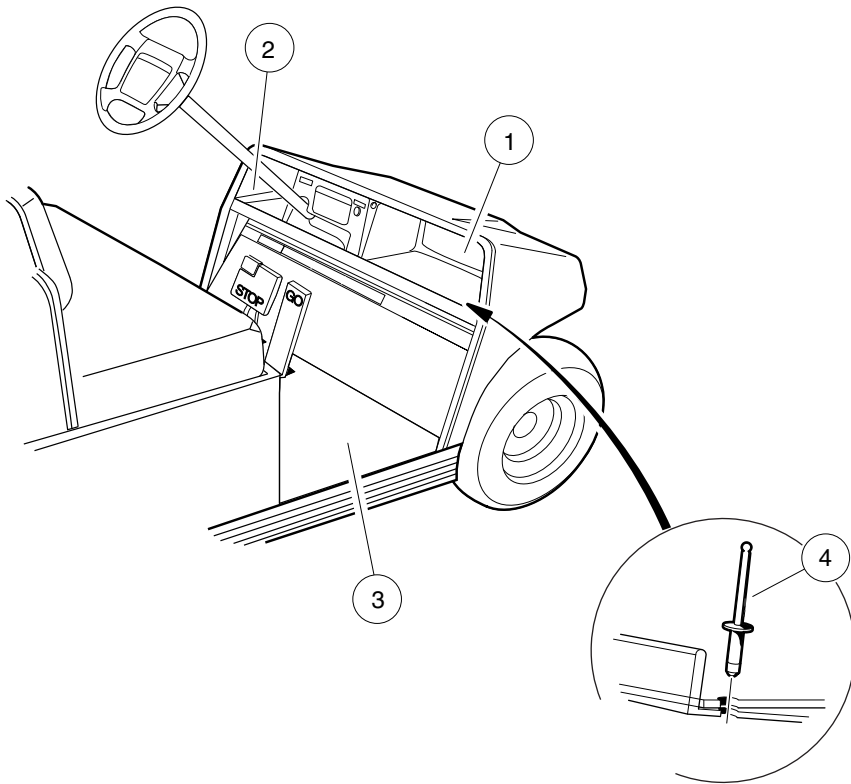


# SPLASH GUARD – GASOLINE VEHICLES ONLY

ITEM	PART NO.	DESCRIPTION	QTY
1	<u>1010434</u>	1 2 3 4 Barrel - Plastic .....	3
2	<u>103174401</u>	Splash Guard .....	1

**1**  
**G**  
**E**

**1**  
**G**  
**E**



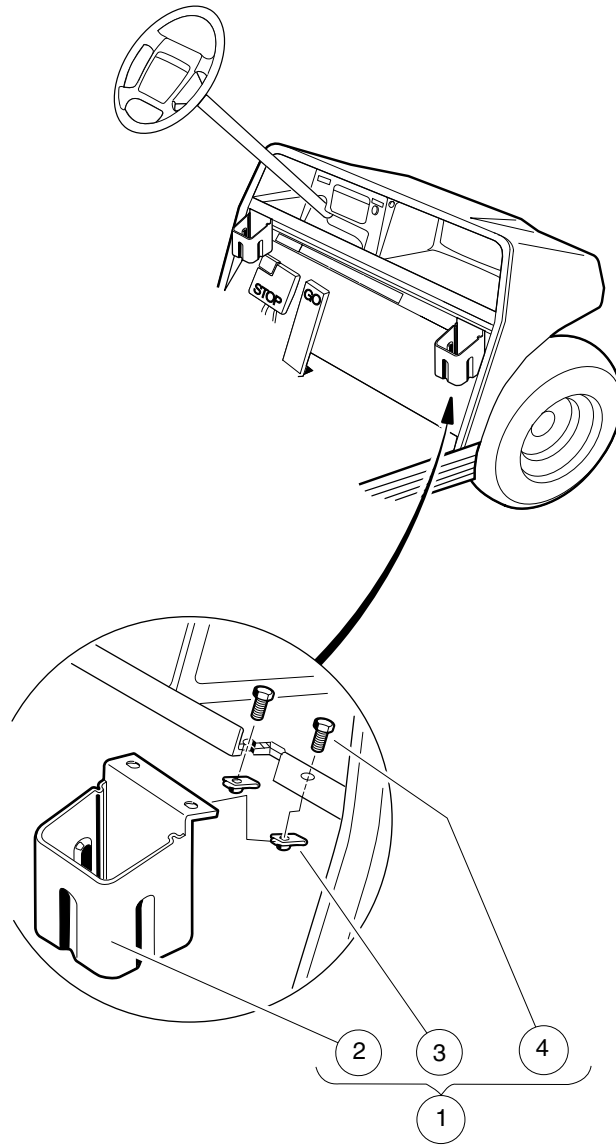
000252-002

# DASH POCKETS AND FLOORMAT

ITEM	PART NO.	DESCRIPTION	QTY
		1 2 3 4	
1	<u>1013343</u>	Dash Component, Passenger-Side, Black .....	1
2	1013344	Dash Component, Driver-Side .....	1
3	<u>101503202</u>	Floormat .....	1
4	<u>7973</u>	Rivet, 3/16 X .400 Blind .....	5

1  
G  
E

**1**  
**G**  
**E**



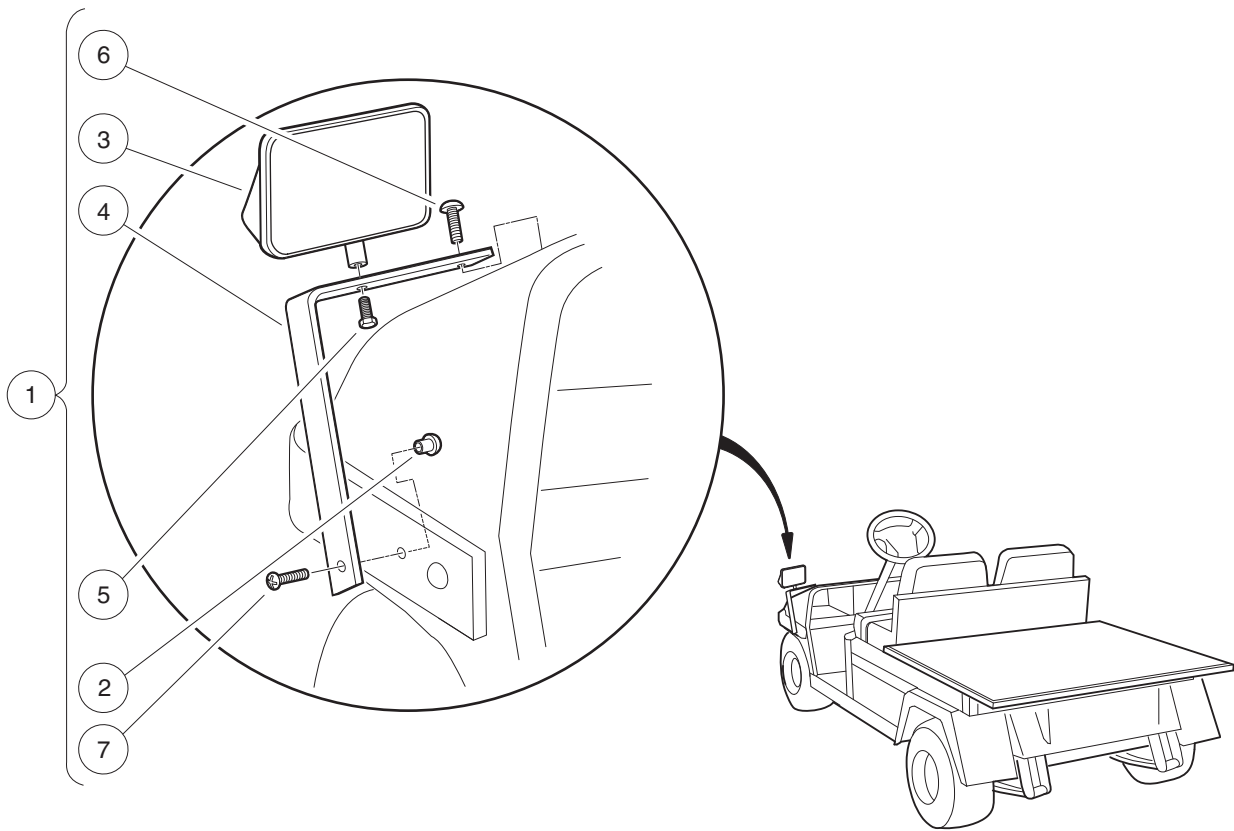
000253-001

# BEVERAGE HOLDER

ITEM	PART NO.	DESCRIPTION	QTY
		1 2 3 4	
1	1013422	Cup Holder Kit (includes items 2 through 4) .....	2
2	1013420	Holder, Single Cup .....	1
3	1016952	U-Nut, 1/4-20 .....	2
4	<u>7847</u>	Screw, 1/4-20 X 0.75 Hex-Head Cap .....	2

1  
G  
E

**1**  
**G**  
**E**



001211-001

## MIRROR, REAR-VIEW – WITHOUT CAB

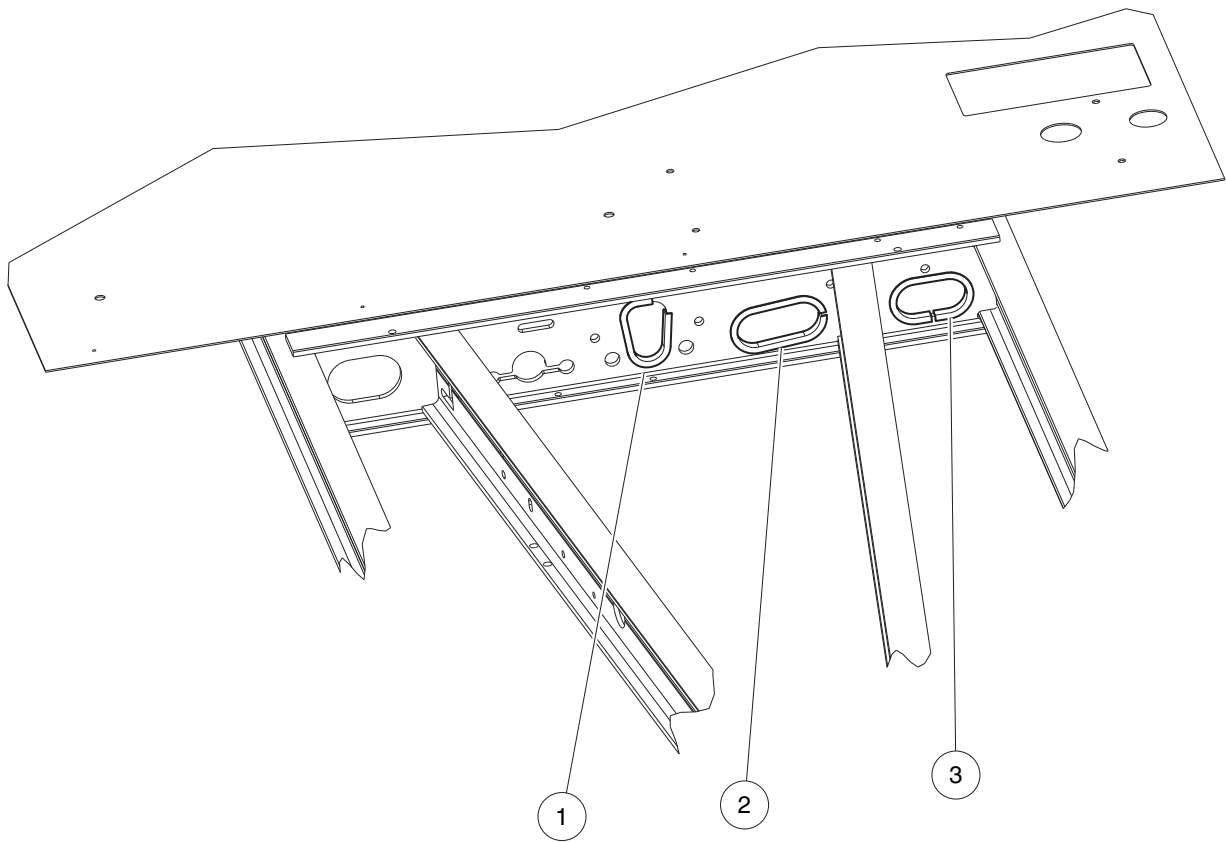
ITEM	PART NO.	DESCRIPTION	QTY
		1 2 3 4	
1	<u>1013846</u>	Kit, Rear Mirror, West Coast (includes items 2 through 7) .....	1
2	1011878	T-nut, 1/4-20 X .310 Capped .....	1
3	1013824	Rear View Mirror .....	1
4	<u>1013825</u>	Mirror Mounting Bracket .....	1
5	<u>7173</u>	Screw, 5/16-18 X 0.75, Hex-Head Cap .....	1
6	<u>7251</u>	Screw, 5/16-18 x 1.0 Truss-Head .....	1
7	<u>8248</u>	Screw, 1/4-20 X 0.75, Truss-Head Machine .....	1
		Note: To install this kit, vehicle must be equipped with a heavy-duty front bumper.	

**1**  
**G**  
**E**

1

G

E



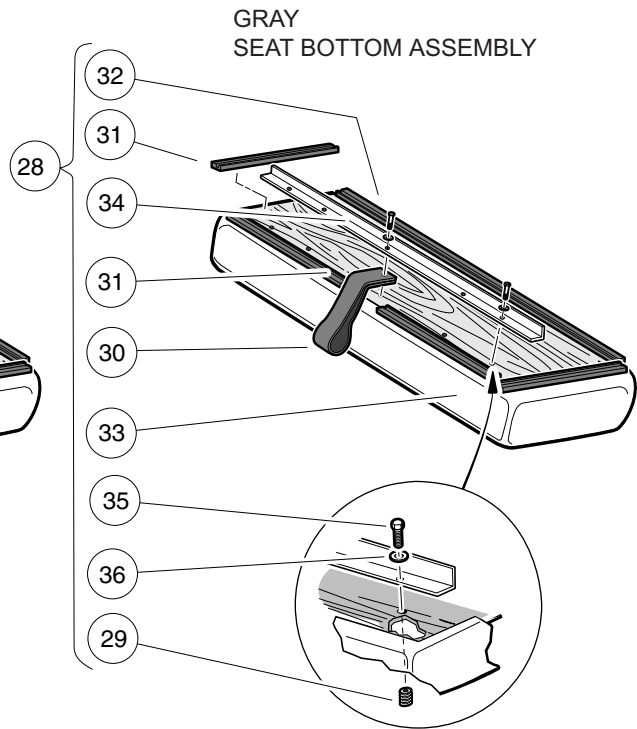
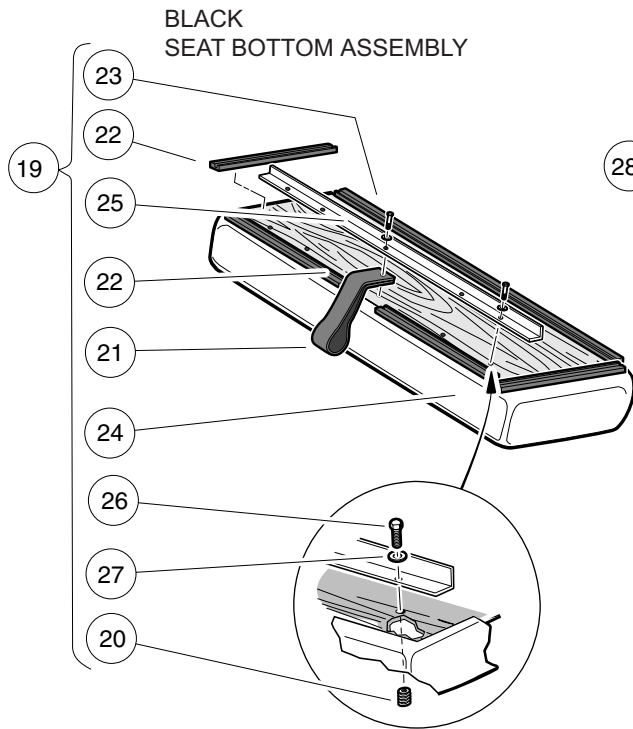
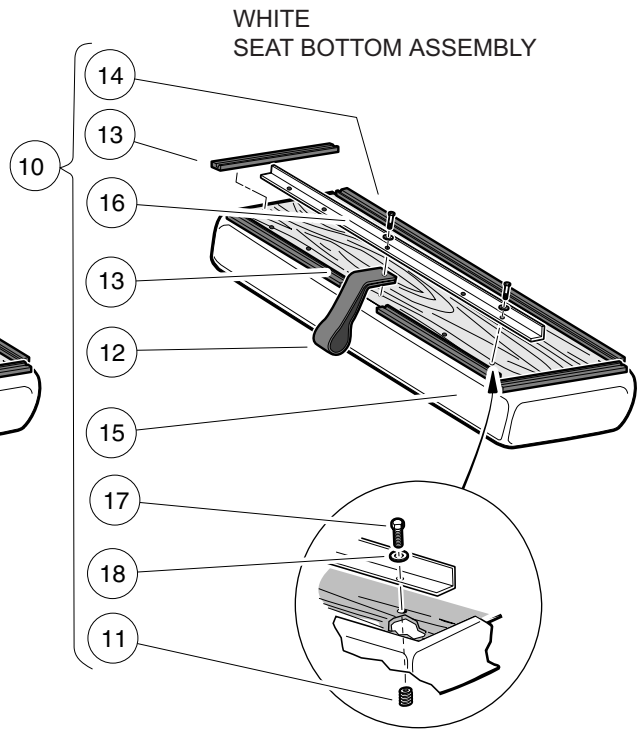
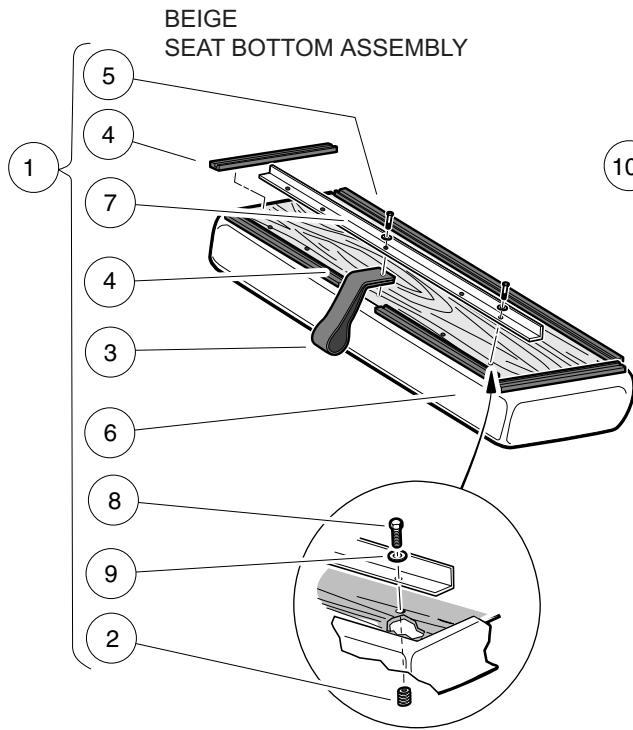
001221-001



# GROMMETS, CHASSIS

ITEM	PART NO.	DESCRIPTION	QTY
		1 2 3 4	
1	<u>101806001</u>	I-beam Grommet - 5.5 .....	A/R
2	<u>101806002</u>	I-beam Grommet - 7.5 .....	A/R
3	<u>101806005</u>	I-beam Grommet - 6.75 .....	A/R

1  
G  
E



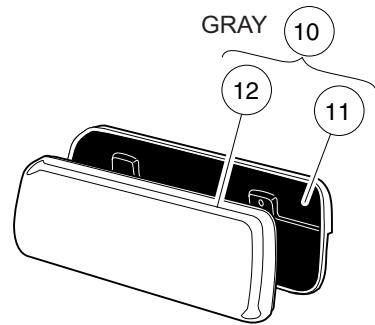
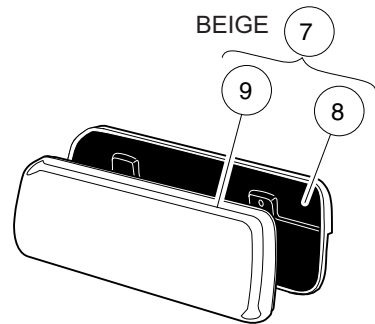
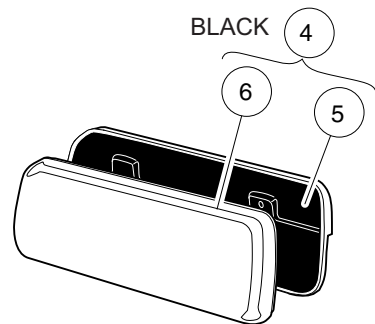
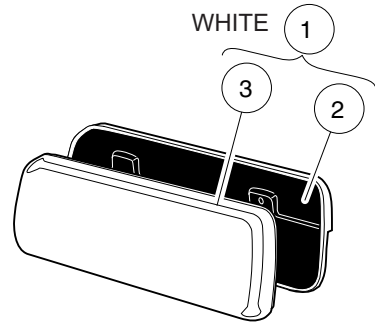
000254-001

# SEAT BOTTOM

ITEM	PART NO.	DESCRIPTION	QTY
		1 2 3 4	
1	<u>101564501</u>	Seat Bottom Assembly, Beige (includes items 2 through 9) .....	1
2	1010543	Insert - Wood .....	5
3	<u>1013309</u>	Strap, Utility Seat .....	1
4	<u>1013311</u>	Bumper, Seat, Short .....	4
5	<u>1013312</u>	Bumper, Seat, Long .....	1
6	<u>101562711</u>	Vinyl Cover, Seat Bottom, Buff .....	1
7	<u>101894303</u>	Stiffener .....	1
8	<u>101954301</u>	Screw, 1/4-20 X 0.75 Hex-Head Cap .....	5
9	<u>332</u>	Washer, 1/4 Type A Narrow Flat .....	5
10	<u>101564502</u>	Seat Bottom Assembly, White (includes items 11 through 18) .....	1
11	1010543	Insert - Wood .....	5
12	<u>1013309</u>	Strap, Utility Seat .....	1
13	<u>1013311</u>	Bumper, Seat, Short .....	4
14	<u>1013312</u>	Bumper, Seat, Long .....	1
15	<u>101562712</u>	Vinyl Cover, Seat Bottom, White .....	1
16	<u>101894303</u>	Stiffener .....	1
17	<u>101954301</u>	Screw, 1/4-20 X 0.75 Hex-Head Cap .....	5
18	<u>332</u>	Washer, 1/4 Type A Narrow Flat .....	5
19	<u>101564503</u>	Seat Bottom Assembly, Black (includes items 20 through 27) .....	1
20	1010543	Insert - Wood .....	5
21	<u>1013309</u>	Strap, Utility Seat .....	1
22	<u>1013311</u>	Bumper, Seat, Short .....	4
23	<u>1013312</u>	Bumper, Seat, Long .....	1
24	<u>101562714</u>	Vinyl Cover, Seat Bottom, Black .....	1
25	<u>101894303</u>	Stiffener .....	1
26	<u>101954301</u>	Screw, 1/4-20 X 0.75 Hex-Head Cap .....	5
27	<u>332</u>	Washer, 1/4 Type A Narrow Flat .....	5
28	<u>101564505</u>	Seat Bottom Assembly, Gray (includes items 29 through 36) .....	1
29	1010543	Insert - Wood .....	5
30	<u>1013309</u>	Strap, Utility Seat .....	1
31	<u>1013311</u>	Bumper, Seat, Short .....	4
32	<u>1013312</u>	Bumper, Seat, Long .....	1
33	<u>101562715</u>	Vinyl Cover, Seat Bottom, Gray .....	2
34	<u>101894303</u>	Stiffener .....	1
35	<u>101954301</u>	Screw, 1/4-20 X 0.75 Hex-Head Cap .....	5
36	<u>332</u>	Washer, 1/4 Type A Narrow Flat .....	5

**1**  
**G**  
**E**

**1**  
**G**  
**E**

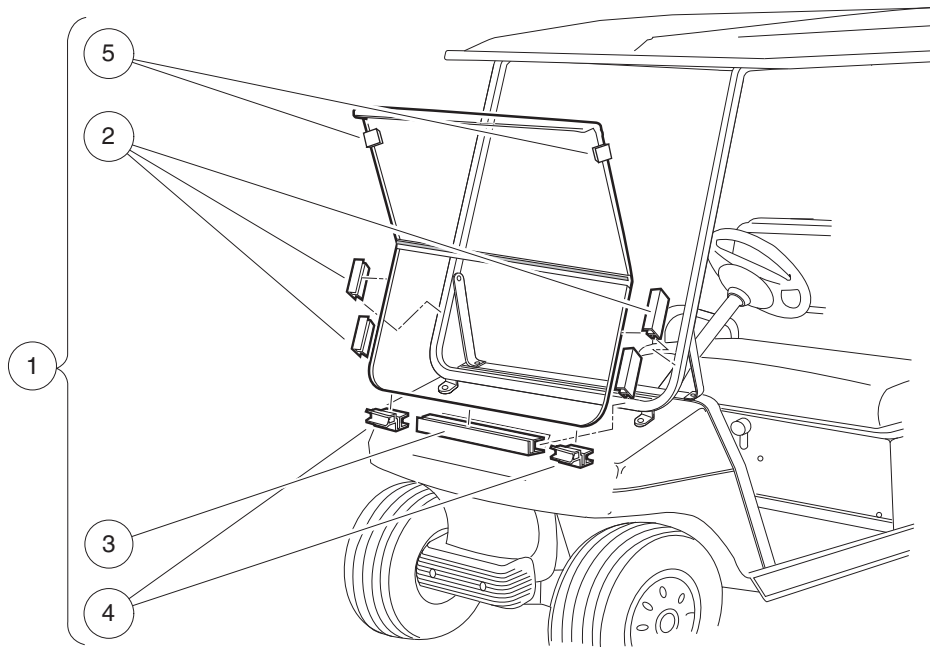


000608-001

# SEAT BACK ASSEMBLY

ITEM	PART NO.	DESCRIPTION	QTY
		<b>1 2 3 4</b>	
1	<u>101677701</u>	Seat Back Assembly, White (includes items 2 and 3) .....	1
2	1016751	Cap, Seat Back .....	1
3	<u>101675512</u>	Vinyl Seat Back, White .....	1
4	<u>101677702</u>	Seat Back Assembly, Black (includes items 5 and 6) .....	1
5	1016751	Cap, Seat Back .....	1
6	<u>101675514</u>	Vinyl Seat Back, Black .....	1
7	<u>101677703</u>	Seat Back Assembly, Beige (includes items 8 and 9) .....	1
8	1016751	Cap, Seat Back .....	1
9	<u>101675511</u>	Vinyl Seat Back, Beige .....	1
10	<u>101677705</u>	Seat Back Assembly, Gray (includes items 11 and 12) .....	1
11	1016751	Cap, Seat Back .....	1
12	<u>101675515</u>	Vinyl Seat Back-nstd Svc .....	1

1  
G  
E



001205-001

# WINDSHIELD, HINGED

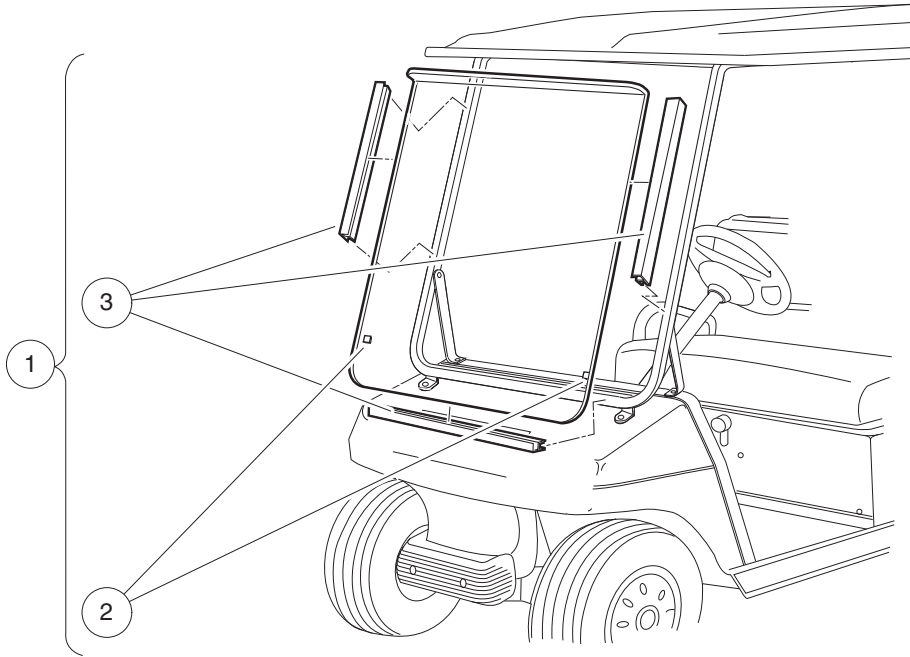
ITEM	PART NO.	DESCRIPTION	QTY
		1 2 3 4	
1	<u>101728602</u>	Hinged Windshield Kit (includes items 2 through 5) .....	1
2	<u>102005701</u>	5" Plastic Extrusion .....	4
3	<u>102163001</u>	Windshield Channel .....	1
4	<u>102163101</u>	Channel with Receiver Clip .....	2
5	N/A	Clip, Release .....	2

1  
G  
E

1

G

E



001204-001

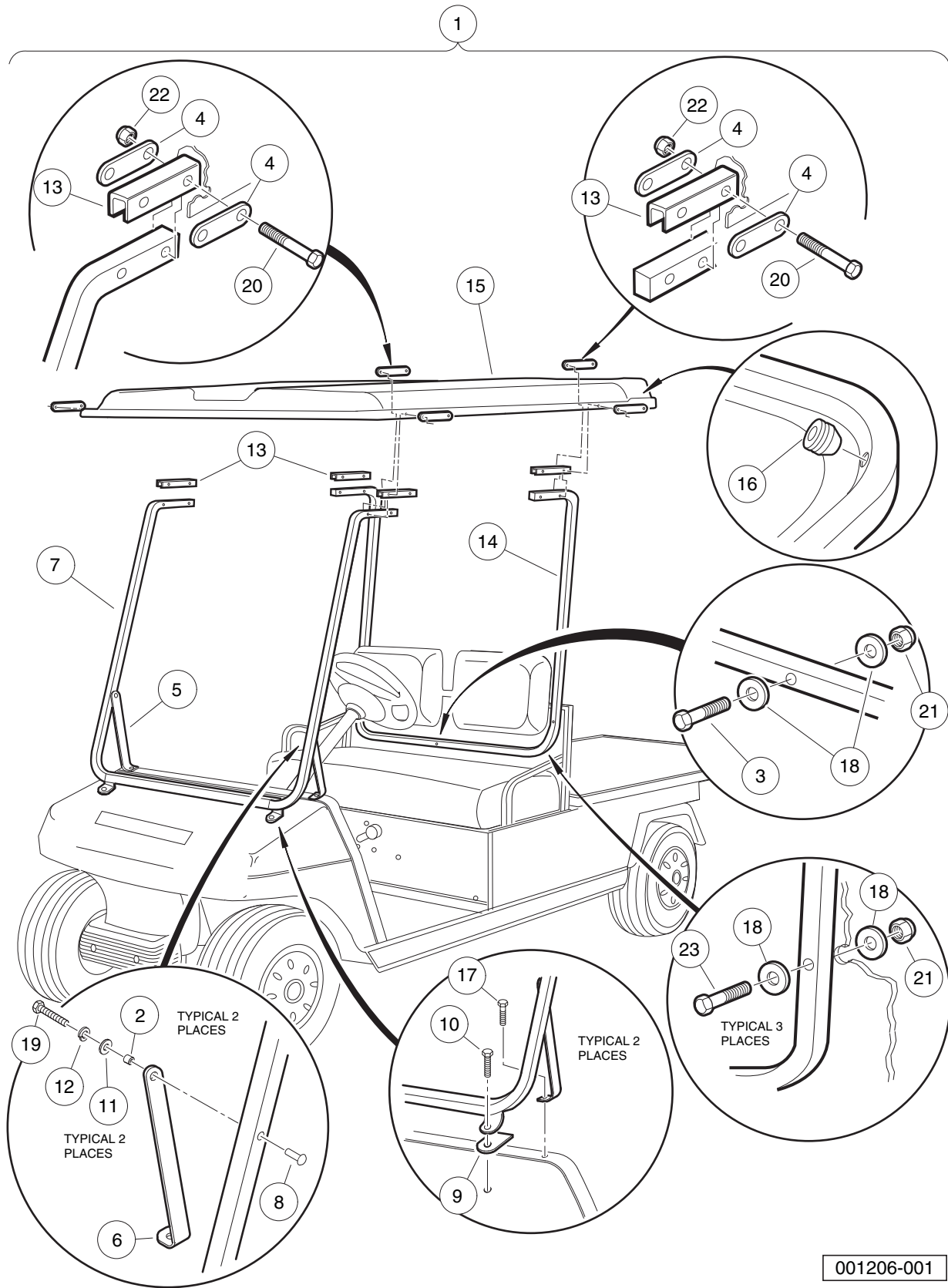


# WINDSHIELD, NON-HINGED

ITEM	PART NO.	DESCRIPTION	QTY
		<b>1 2 3 4</b>	
1	1014435	Windshield Tinted One-Piece (includes items 2 and 3) .....	1
2	<u>1011897</u>	Bumper, Protective .....	2
3	<u>101444101</u>	21" Plastic Extrusion .....	3

1  
G  
E

**1**  
**G**  
**E**

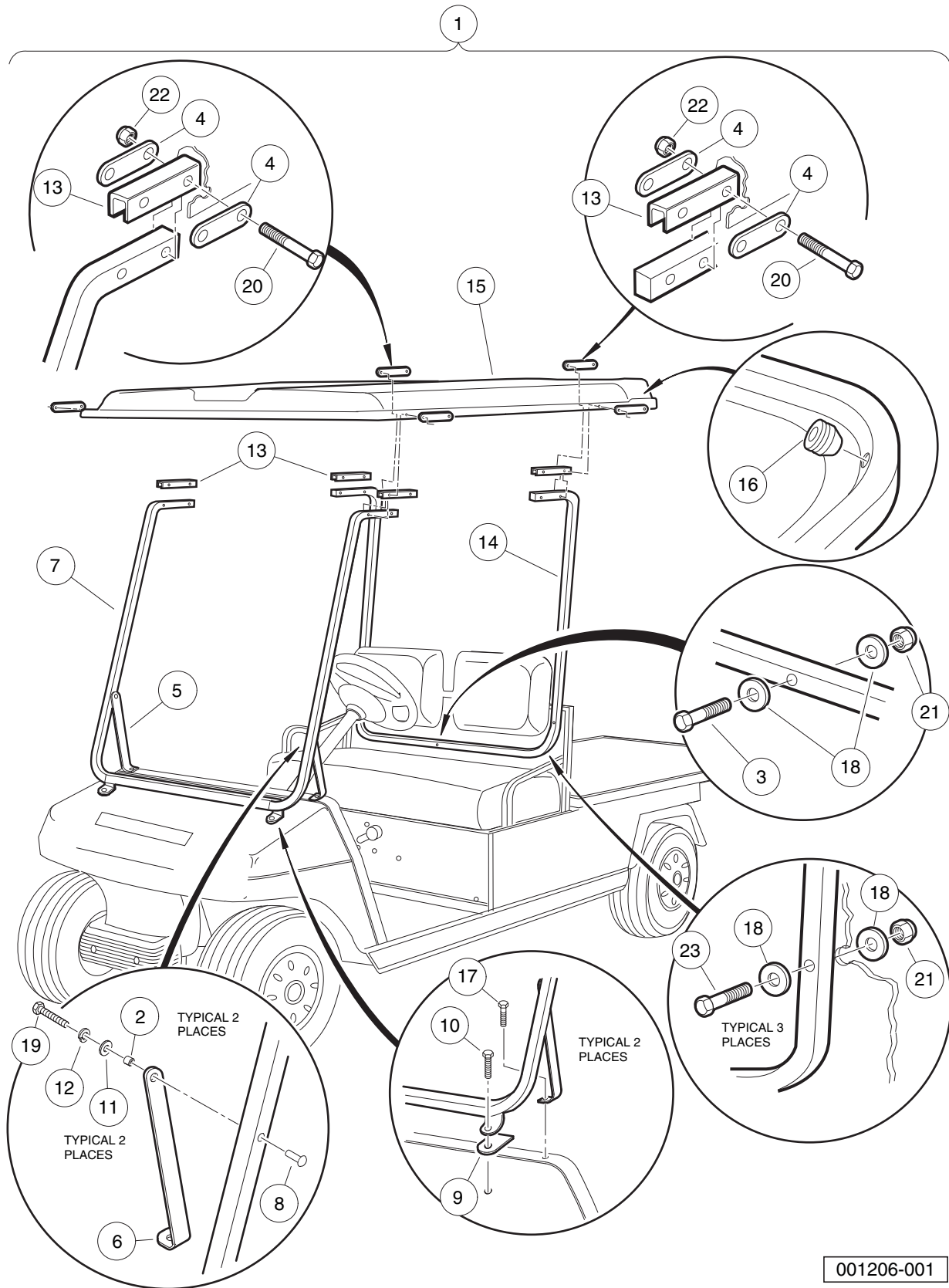


001206-001

# CANOPY KIT, WHITE

ITEM	PART NO.	DESCRIPTION	QTY	
		1 2 3 4		<b>1</b>
1	<u>1014506</u>	Kit, Canopy, White (includes items 2 through 23) .....	1	<b>G</b>
2	<u>1010237</u>	Bushing .....	2	<b>E</b>
3	<u>1010921</u>	Screw, 5/16-18 X 2.50 Hex Cap .....	1	
4	1011852	Plate, Canopy Trim .....	8	
5	<u>1011862</u>	Brace, Right-Hand Canopy Mount Knee .....	1	
6	<u>1011865</u>	Brace, Left-Hand Canopy Mount Knee .....	1	
7	<u>1011868</u>	Weldment, Windshield Frame .....	1	
8	1011878	T-nut, 1/4-20 X .310 Capped .....	2	
9	<u>1011883</u>	Pad, Windshield Frame Mounting .....	2	
10	<u>1011937</u>	Bolt, 5/16-18 X 1.25 Hex Head .....	2	
11	1011964	Washer, 1/4 Flat .....	2	
12	<u>1011965</u>	Lockwasher, 1/4 Split Ss .....	2	
13	1012008	Support, Side Canopy .....	4	
14	<u>1014503</u>	Brace, Rear Canopy .....	1	
15	1014509	Canopy, White (includes item 16) .....	1	
16	1011942	Modified Grommet .....	2	
17	1218	Screw, 5/16-18 X 1.25 Hex-Head Cap .....	2	
18	<u>1241</u>	Washer, 5/16 Type A Flat .....	6	
19	<u>1703</u>	Screw, 1/4-20 X 1.50 Hx Hd Cap .....	2	
20	<u>7311</u>	Screw, 1/4-20 X 2.00 Hex-Head Cap .....	8	
21	<u>7473</u>	Locknut, 5/16-18 Nylon Insert .....	3	
22	<u>8233</u>	Locknut, 1/4-20, Nylon Insert .....	8	
23	<u>8963</u>	Screw, 5/16-18 X 1.75 Hex-Head Cap .....	3	

**1**  
**G**  
**E**



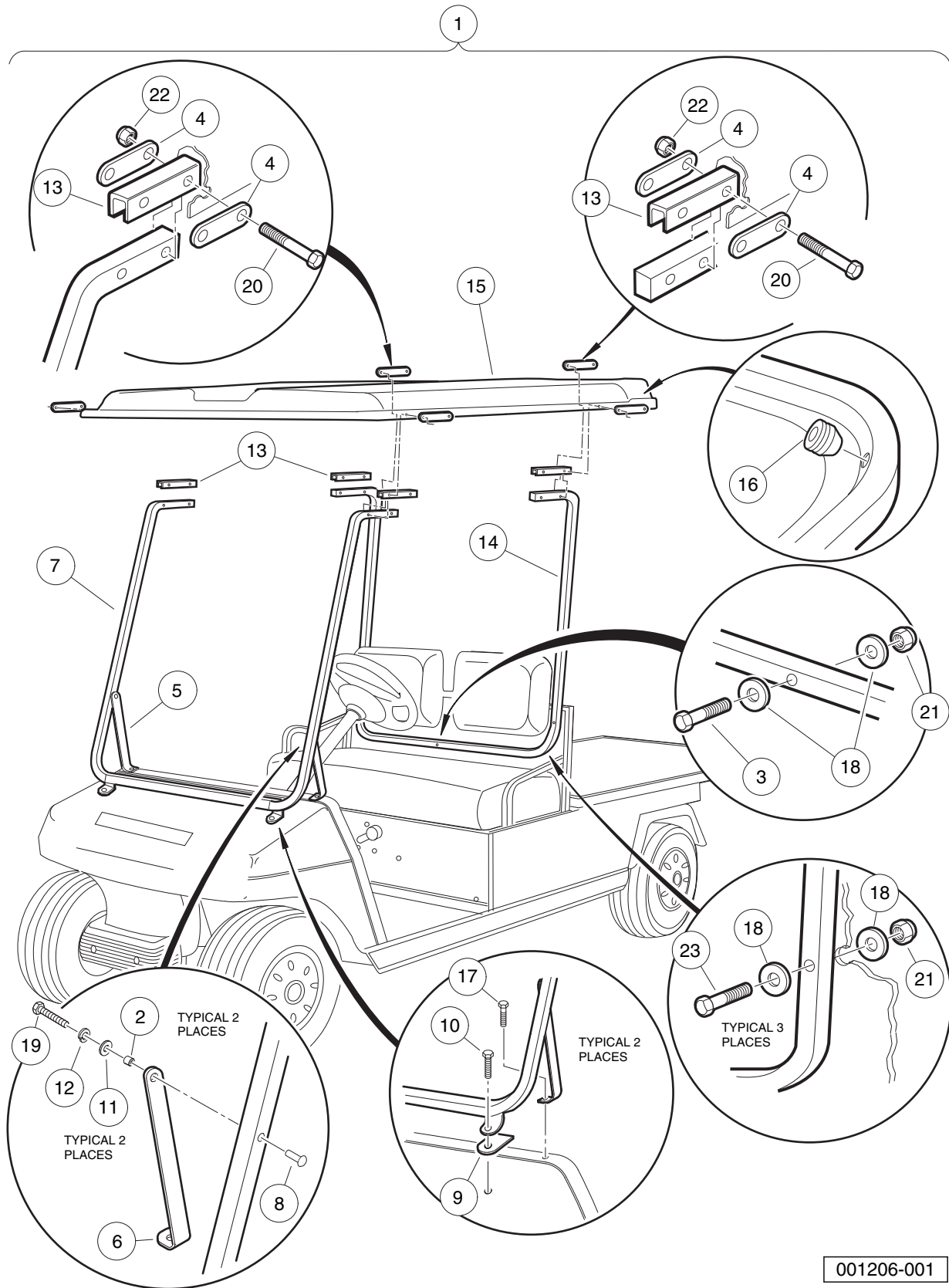
001206-001

# CANOPY KIT, BEIGE

ITEM	PART NO.	DESCRIPTION	QTY
		<b>1 2 3 4</b>	
1	<u>101450698</u>	Kit, Canopy, Beige, Ca1/2 (includes items 2 through 23) .....	1
2	<u>1010237</u>	Bushing .....	2
3	<u>1010921</u>	Screw, 5/16-18 X 2.50 Hex Cap .....	1
4	1011852	Plate, Canopy Trim .....	8
5	<u>1011862</u>	Brace, Right-Hand Canopy Mount Knee .....	1
6	<u>1011865</u>	Brace, Left-Hand Canopy Mount Knee .....	1
7	<u>1011868</u>	Weldment, Windshield Frame .....	1
8	1011878	T-nut, 1/4-20 X .310 Capped .....	2
9	<u>1011883</u>	Pad, Windshield Frame Mounting .....	2
10	<u>1011937</u>	Bolt, 5/16-18 X 1.25 Hex Head .....	2
11	1011964	Washer, 1/4 Flat .....	2
12	<u>1011965</u>	Lockwasher, 1/4 Split Ss .....	2
13	1012008	Support, Side Canopy .....	4
14	<u>1014503</u>	Brace, Rear Canopy .....	1
15	<u>101450903</u>	Asm, Canopy, Beige (includes item 16) .....	1
16	1011942	Modified Grommet .....	2
17	1218	Screw, 5/16-18 X 1.25 Hex-Head Cap .....	2
18	<u>1241</u>	Washer, 5/16 Type A Flat .....	6
19	<u>1703</u>	Screw, 1/4-20 X 1.50 Hx Hd Cap .....	2
20	<u>7311</u>	Screw, 1/4-20 X 2.00 Hex-Head Cap .....	8
21	<u>7473</u>	Locknut, 5/16-18 Nylon Insert .....	3
22	<u>8233</u>	Locknut, 1/4-20, Nylon Insert .....	8
23	<u>8963</u>	Screw, 5/16-18 X 1.75 Hex-Head Cap .....	3

1  
G  
E

**1**  
**G**  
**E**

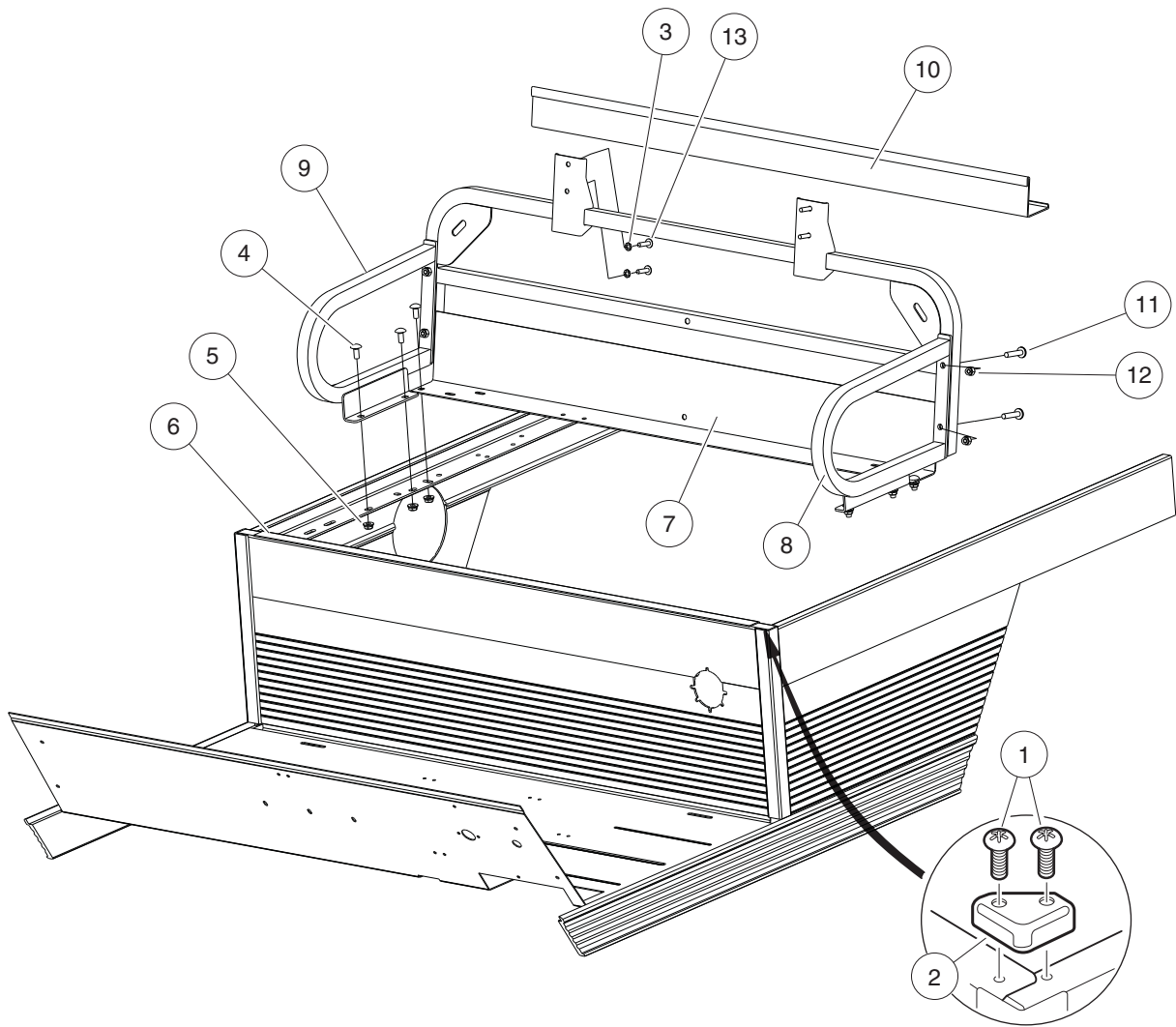


001206-001

# CANOPY KIT, BLACK

ITEM	PART NO.	DESCRIPTION	QTY
		<b>1 2 3 4</b>	
1	<u>102198501</u>	Canopy Top Kit, Black (includes items 2 through 23) .....	1
2	<u>1010237</u>	Bushing .....	2
3	<u>1010921</u>	Screw, 5/16-18 X 2.50 Hex Cap .....	1
4	1011852	Plate, Canopy Trim .....	8
5	<u>1011862</u>	Brace, Right-Hand Canopy Mount Knee .....	1
6	<u>1011865</u>	Brace, Left-Hand Canopy Mount Knee .....	1
7	<u>1011868</u>	Weldment, Windshield Frame .....	1
8	1011878	T-nut, 1/4-20 X .310 Capped .....	2
9	<u>1011883</u>	Pad, Windshield Frame Mounting .....	2
10	<u>1011937</u>	Bolt, 5/16-18 X 1.25 Hex Head .....	2
11	1011964	Washer, 1/4 Flat .....	4
12	<u>1011965</u>	Lockwasher, 1/4 Split Ss .....	2
13	1012008	Support, Side Canopy .....	4
14	<u>1014503</u>	Brace, Rear Canopy .....	1
15	<u>101450902</u>	Asm, Canopy, Black (includes item 16) .....	1
16	1011942	Modified Grommet .....	2
17	1218	Screw, 5/16-18 X 1.25 Hex-Head Cap .....	2
18	<u>1241</u>	Washer, 5/16 Type A Flat .....	6
19	<u>1703</u>	Screw, 1/4-20 X 1.50 Hx Hd Cap .....	2
20	<u>7311</u>	Screw, 1/4-20 X 2.00 Hex-Head Cap .....	8
21	<u>7473</u>	Locknut, 5/16-18 Nylon Insert .....	3
22	<u>8233</u>	Locknut, 1/4-20, Nylon Insert .....	8
23	<u>8963</u>	Screw, 5/16-18 X 1.75 Hex-Head Cap .....	3

**1**  
**G**  
**E**



000603-004

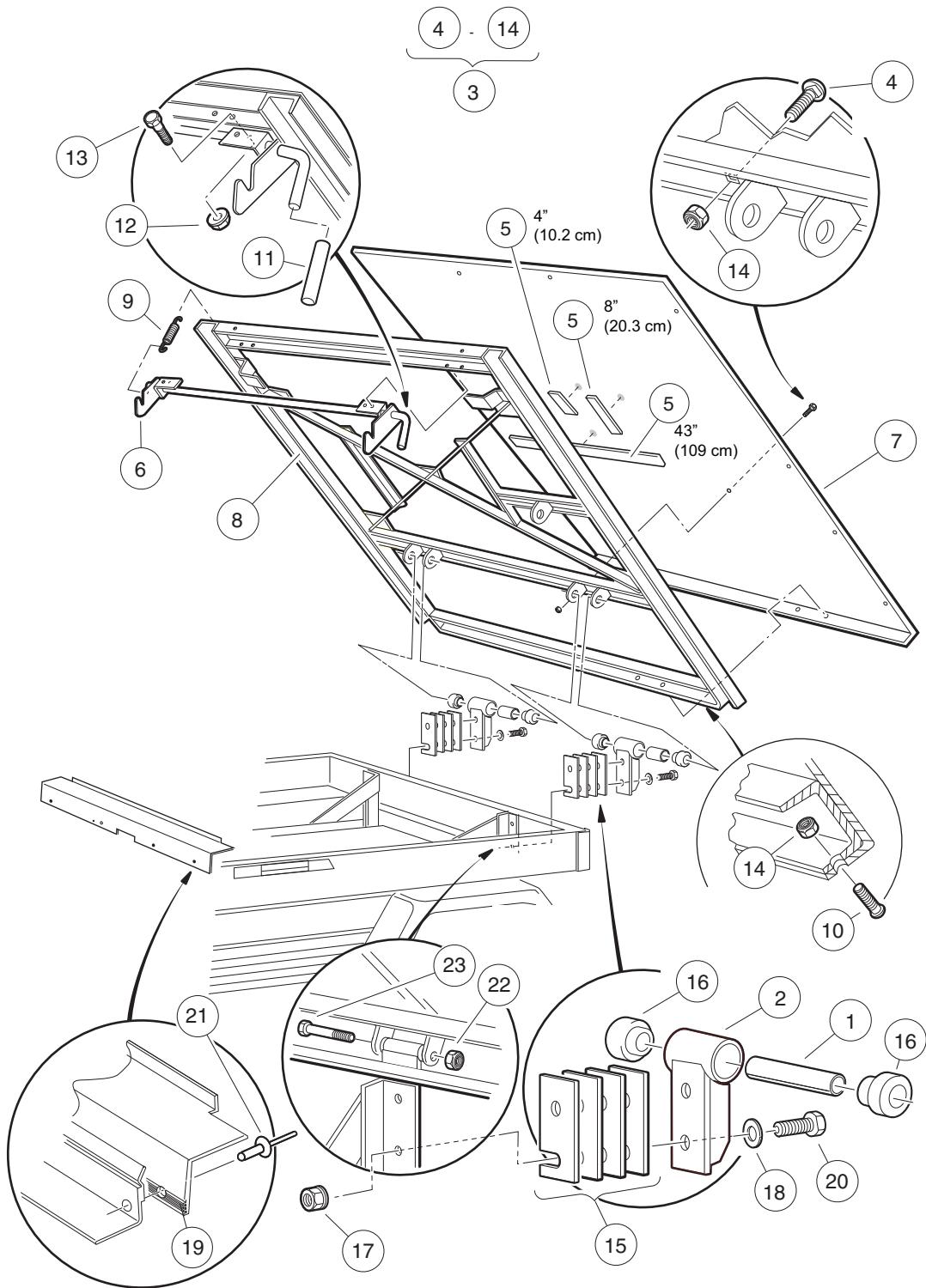


# HIP RESTRAINTS AND SEAT BACK MOUNTING

ITEM	PART NO.	DESCRIPTION	QTY
		1 2 3 4	
1	<u>1014321</u>	Screw, #10 Truss-Head Torx .....	4
2	<u>1014387</u>	Cap, Corner .....	2
3	<u>101946201</u>	Washer, Lock, 0.250 External-Tooth .....	4
4	<u>101963301</u>	Bolt, 5/16-18 X 0.75 Round-Head .....	6
5	<u>101963401</u>	Locknut, 5/16-18 Hex Flange .....	6
6	<u>101964001</u>	Trim, Seat Bottom Front .....	1
7	<u>102966401</u>	Seat Back, Tube .....	1
8	<u>102966501</u>	Hip Restraint, Left .....	1
9	<u>102966502</u>	Hip Restraint, Right .....	1
10	<u>102989501</u>	Seal, Bed, 41-Inch .....	1
11	<u>103245201</u>	Screw, 5/16-18 X 1.5, Tr Tx Hd .....	4
12	<u>103245301</u>	Nut, Hex, Cp, Mech Def, 5/16-1 .....	4
13	<u>8251</u>	Screw, 1/4-20 X 1.0 Truss-Head Machine .....	4

**1**  
**G**  
**E**

**1**  
**G**  
**E**



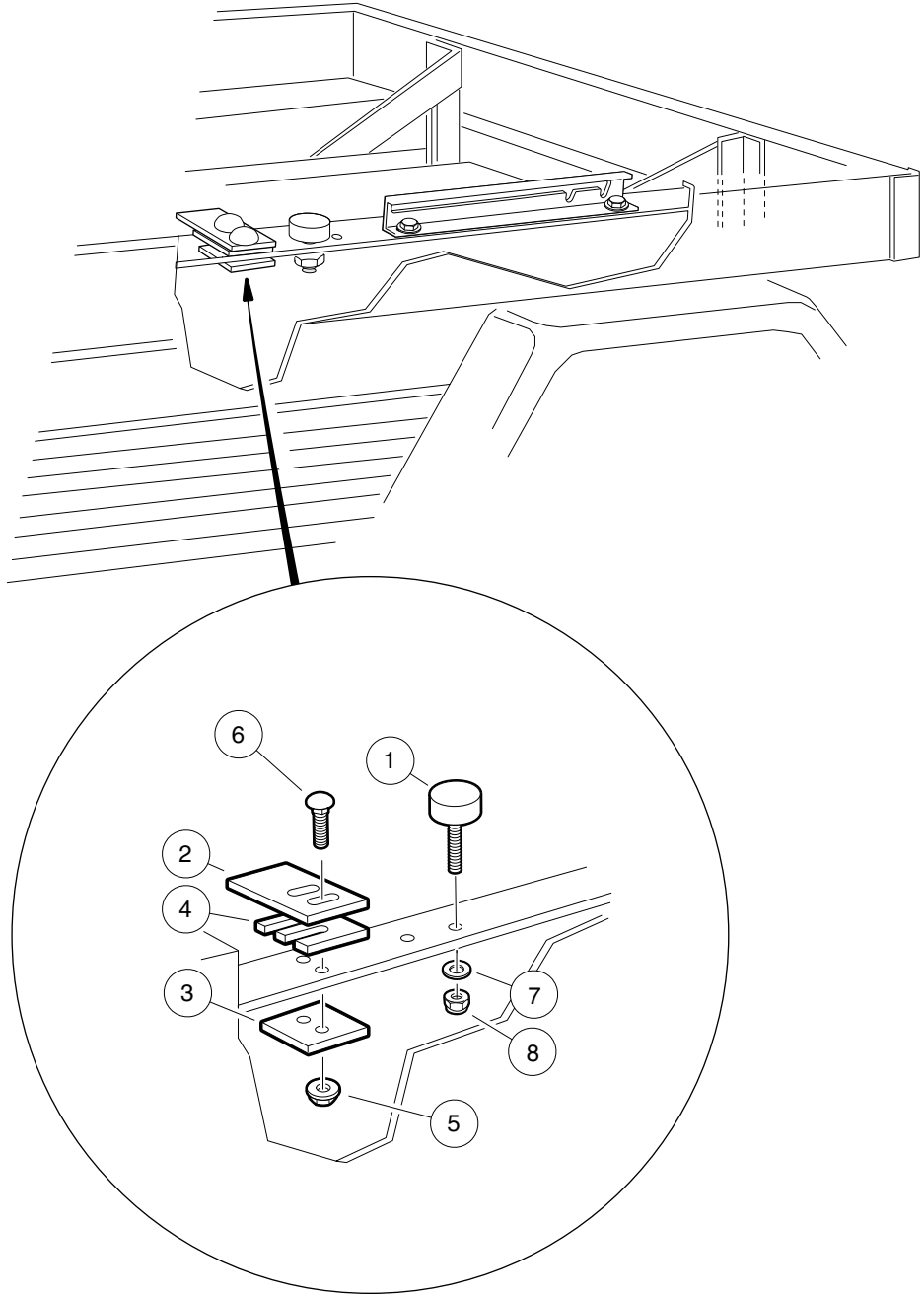
000257-002

# TILT BED, HINGE, AND LATCH – TURF/CARRYALL 2, 2 PLUS, 252, AND XRT 900

ITEM	PART NO.	DESCRIPTION	QTY
		1 2 3 4	
1	<u>1012303</u>	Bushing, Steel .....	2
2	<u>1015356</u>	Hinge .....	2
3	<u>101542901</u>	Assembly, Tilt Bed (includes items 4 through 14) .....	1
4	<u>1010435</u>	Bolt, Carriage, 5/16-18 X 1.00 .....	4
5	<u>1014471</u>	Tape, Vinyl Foam 1/8" x 3/4" .....	A/R
6	<u>1015252</u>	Latch Weld Assembly .....	1
7	<u>1015258</u>	Plate, Floor Bed .....	1
8	N/A	Frame Assembly .....	1
9	<u>1015391</u>	Extension, Spring Latch .....	2
10	<u>1015399</u>	Screw, 5/16-18 X 0.88 Torx Truss-Head .....	4
11	<u>1015400</u>	Grip, Tilt Latch Hand .....	1
12	<u>101835601</u>	Locknut, 1/4-20 Hex Whiz .....	4
13	<u>403</u>	Screw, 1/4-20 X 0.625 Hex-Head Cap .....	4
14	<u>7473</u>	Locknut, 5/16-18 Nylon Insert .....	8
15	<u>1015507</u>	Shim, Tilt Bed Pivot .....	A/R
16	<u>1015583</u>	Bushing, Urethane .....	4
17	<u>102065901</u>	Locknut, 3/8-16 Flanged Dimple .....	4
18	<u>102066001</u>	Washer, 3/8 Type B Hard Flat .....	4
19	<u>102989501</u>	Seal, Bed, 41-Inch .....	1
20	705	Screw, Cap-hex Hd 3/8-16x1.25 .....	4
21	7532	Rivet, 3/16 X 0.3125, Pop .....	1
22	<u>8754</u>	Locknut, 3/8-16 Hex .....	2
23	<u>8755</u>	Screw, 3/8-16 X 3.375 Hex Cap .....	2

1  
G  
E

**1**  
**G**  
**E**



000258-002

# LATCH PLATE

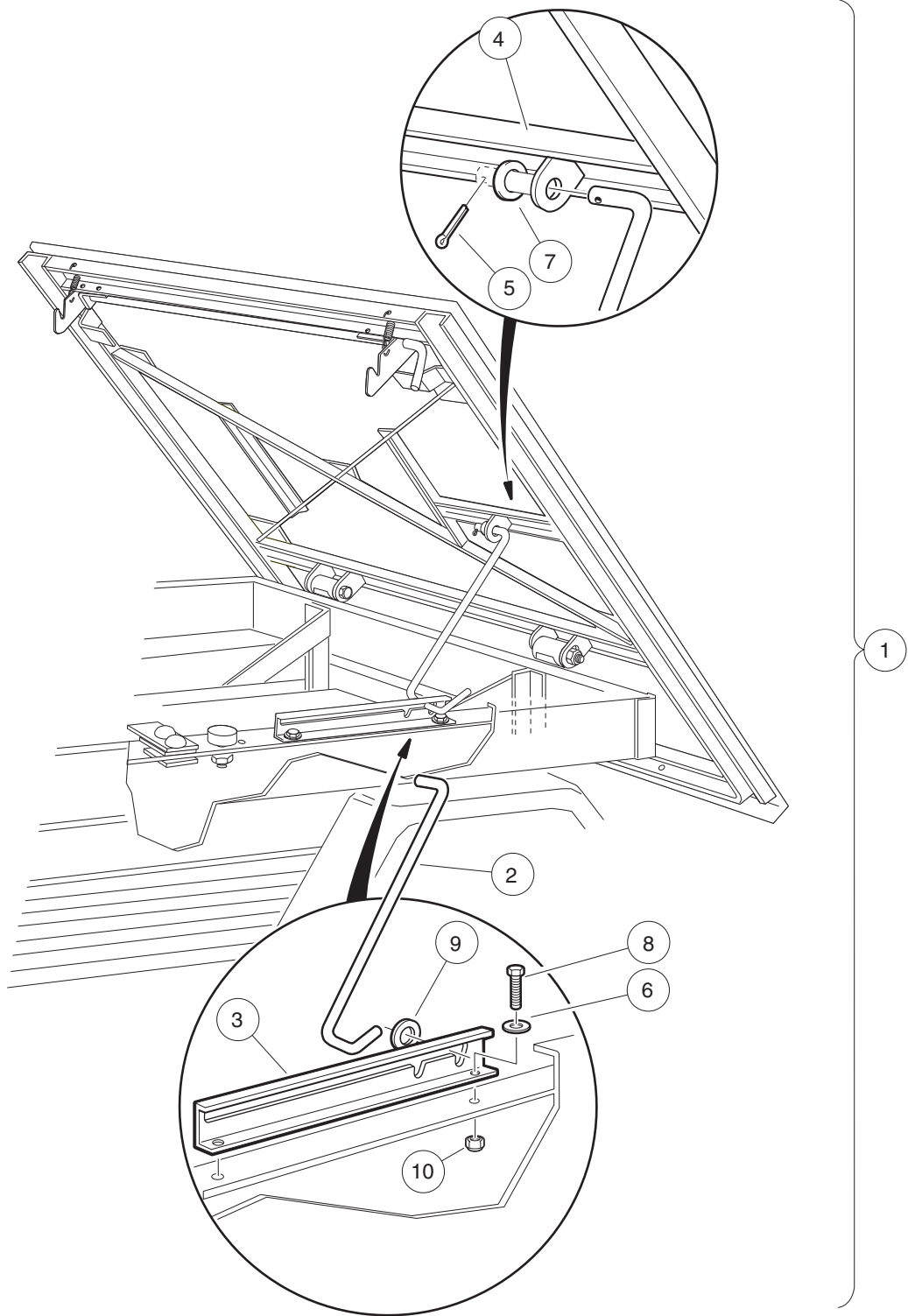
ITEM	PART NO.	DESCRIPTION	QTY
		<b>1 2 3 4</b>	
1	<u>1010878</u>	Bumper, Rubber .....	2
2	<u>1015277</u>	Latch Plate, Tilt Bed .....	2
3	<u>1016060</u>	Plate, Latch Support .....	2
4	<u>1016078</u>	Latch Plate Shim .....	A/R
5	<u>101835601</u>	Locknut, 1/4-20 Hex Whiz .....	4
6	<u>101958601</u>	Carriage Bolt, 1/4-20 X 0.75 .....	4
7	<u>332</u>	Washer, 1/4 Type A Narrow Flat .....	4
8	<u>8233</u>	Locknut, 1/4-20, Nylon Insert .....	4

**1**

**G**

**E**

**1**  
**G**  
**E**



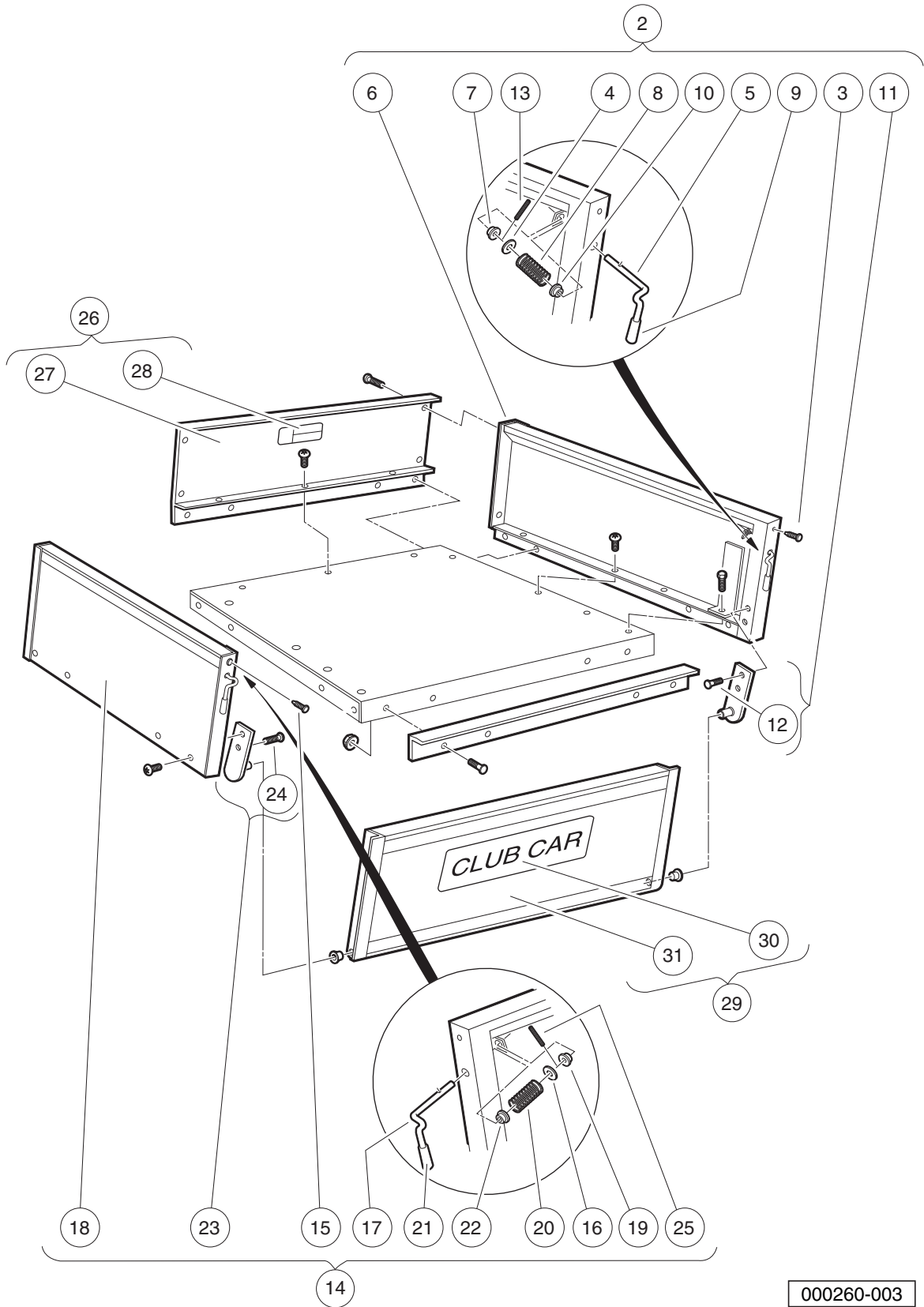
000259-001

# PROP ROD

ITEM	PART NO.	DESCRIPTION	QTY
		<b>1 2 3 4</b>	
1	<u>101922801</u>	Prop Rod Support Instl Kit (includes items 2 through 10) .....	1
2	1015348	Prop Rod Ca li .....	1
3	1015700	Track Prop Rod Ca li .....	1
4	<u>101921601</u>	Weldment, Prop Rod Support .....	1
5	<u>1035</u>	Cotter Pin, 3/32 x 1 .....	2
6	<u>332</u>	Washer, 1/4 Type A Narrow Flat .....	5
7	<u>334</u>	Washer, 3/8, Type A, Flat .....	1
8	<u>7847</u>	Screw, 1/4-20 X 0.75 Hex-Head Cap .....	6
9	<u>808</u>	Washer, 3/8 Type B Flat .....	1
10	<u>8233</u>	Locknut, 1/4-20, Nylon Insert .....	6

**1**  
**G**  
**E**

**1**  
**G**  
**E**



000260-003



# CARGO BOX (ALUMINUM)

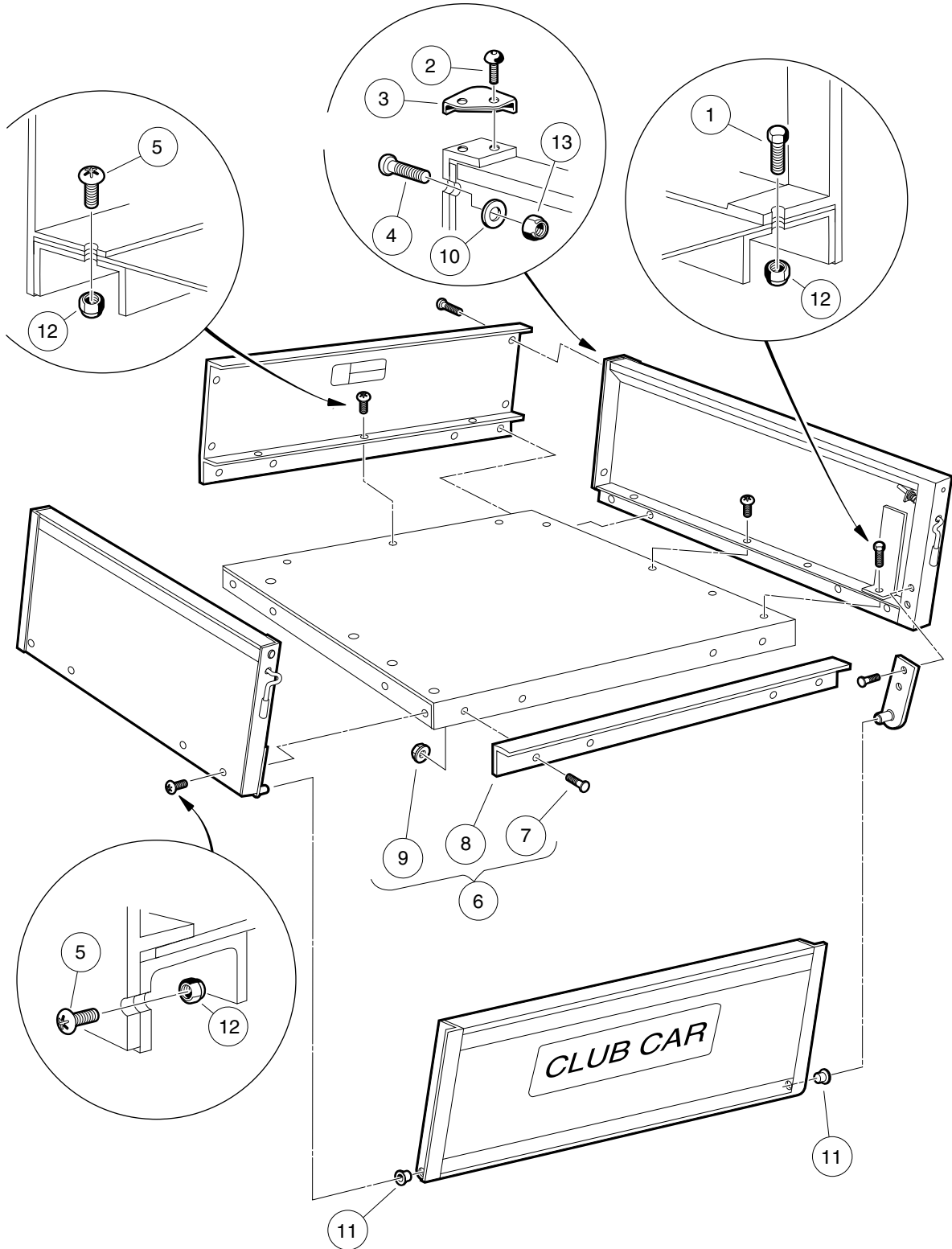
ITEM	PART NO.	DESCRIPTION	QTY
		<b>1 2 3 4</b>	
1	<u>1015607</u>	Cargo Box Set (includes items 2 through 29) .....	1
2	<u>1015366</u>	Side-Panel Assembly, Right-Hand (includes items 3 through 13) .....	1
3	<u>1010434</u>	Barrel - Plastic .....	1
4	<u>1011990</u>	Washer, 3/8 Flat .....	1
5	<u>1015245</u>	Latch, Tailgate, Right-Hand .....	1
6	N/A	Side-Panel Weldment, Right-Hand .....	1
7	<u>1015363</u>	Bushing, Snap-In .....	1
8	<u>1015390</u>	Compression Spring Latch Tilt .....	1
9	<u>1015400</u>	Grip, Tilt Latch Hand .....	1
10	<u>1032</u>	Bushing, Nylon .....	1
11	<u>103406502</u>	Kit, Tailgate Mounting Bracket, CA, RH (includes item 12) .....	1
12	<u>103406601</u>	Stud, 1/4 Self-clnchg Flush .....	2
13	1231	Pin, 1/8 X 1.00 Split Roll .....	1
14	<u>1015368</u>	Side Panel Assembly, Left-Hand (includes items 15 through 25) .....	1
15	<u>1010434</u>	Barrel - Plastic .....	1
16	<u>1011990</u>	Washer, 3/8 Flat .....	1
17	<u>1015313</u>	Latch, Tailgate, Left-Hand .....	1
18	N/A	Side-Panel Weldment, Left-Hand .....	1
19	<u>1015363</u>	Bushing, Snap-In .....	1
20	<u>1015390</u>	Compression Spring Latch Tilt .....	1
21	<u>1015400</u>	Grip, Tilt Latch Hand .....	1
22	<u>1032</u>	Bushing, Nylon .....	1
23	<u>103406501</u>	Kit, Tailgate Mounting Bracket, CA, LH (includes item 24) .....	1
24	<u>103406601</u>	Stud, 1/4 Self-clnchg Flush .....	2
25	1231	Pin, 1/8 X 1.00 Split Roll .....	1
26	<u>1015412</u>	Front Panel Assembly (includes items 27 and 28) .....	1
27	N/A	Front Panel Box .....	1
28	<u>101553901</u>	Decal, Bed Load Warning .....	1
29	<u>1015424</u>	Tailgate Assembly (includes items 30 and 31) .....	1
30	<u>1013317</u>	Decal, Logo, Tailgate .....	1
31	N/A	Tailgate Weldment .....	1
<p>Note: Additional components in kit <u>1015607</u> are shown on the following two pages.</p>			

1

G

E

**1**  
**G**  
**E**

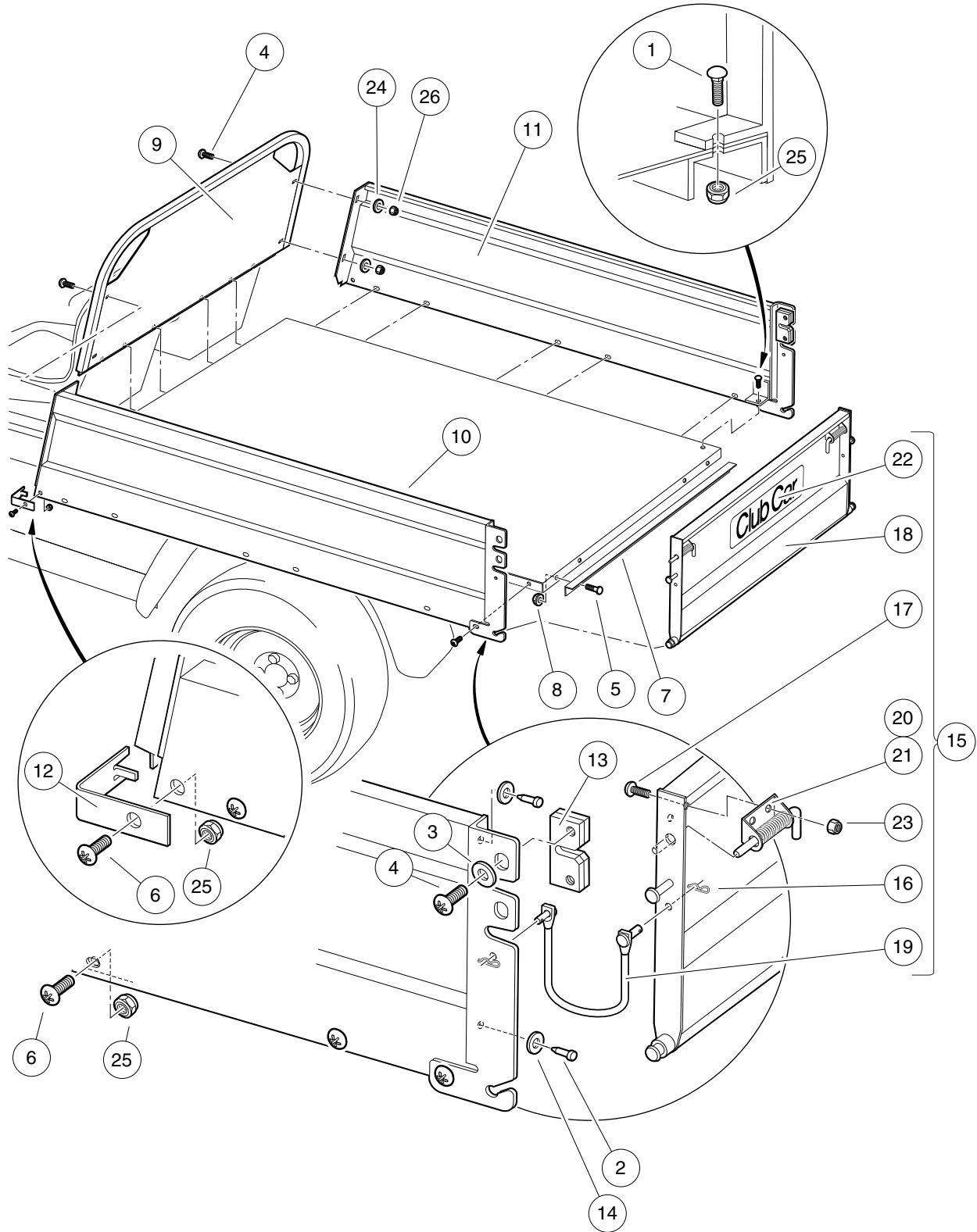


000261-001

## CARGO BOX (ALUMINUM) MOUNTING

ITEM	PART NO.	DESCRIPTION	QTY	
		1 2 3 4		<b>1</b>
1	<u>1010934</u>	Screw, 5/16-18 X 1.00 Hex Cap .....	2	<b>G</b>
2	<u>1014321</u>	Screw, #10 Truss-Head Torx .....	4	<b>E</b>
3	<u>1014387</u>	Cap, Corner .....	2	
4	<u>1014415</u>	Screw, 1/4-20 X 0.75 Torx Truss-Head .....	4	
5	<u>1015399</u>	Screw, 5/16-18 X 0.88 Torx Truss-Head .....	23	
6	<u>101894702</u>	Kit, Tailgate Angle (includes items 7 through 9) .....	1	
7	<u>1014537</u>	Stud, Self-Clinching Flush Head .....	4	
8	N/A	Box Bed Tailgate Angle .....	1	
9	<u>101963401</u>	Locknut, 5/16-18 Hex Flange .....	4	
10	<u>332</u>	Washer, 1/4 Type A Narrow Flat .....	4	
11	<u>7049</u>	Bushing, Nylon .....	2	
12	<u>7473</u>	Locknut, 5/16-18 Nylon Insert .....	25	
13	<u>8233</u>	Locknut, 1/4-20, Nylon Insert .....	4	
<p>Note: All parts listed on this page are included in kit 1015607.</p>				

**1**  
**G**  
**E**



000038-006

# CARGO BOX (STEEL)

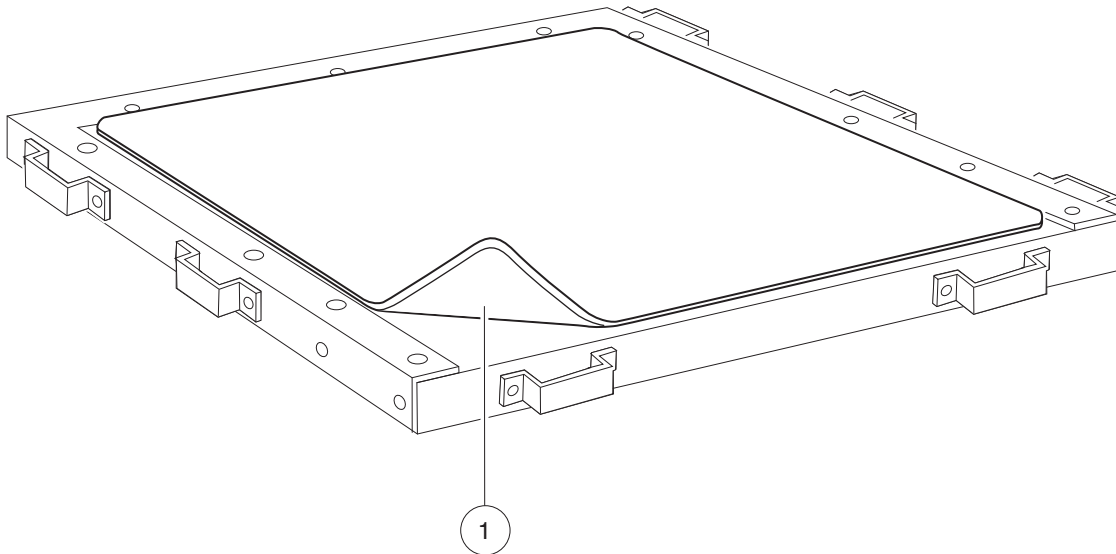
ITEM	PART NO.	DESCRIPTION	QTY
		1 2 3 4	
1	<u>1010435</u>	Bolt, Carriage, 5/16-18 X 1.00 .....	13
2	<u>1010436</u>	Bumper, Rubber .....	4
3	<u>1014306</u>	Washer, 1/4" Type B Flat .....	4
4	<u>1014415</u>	Screw, 1/4-20 X 0.75 Torx Truss-Head .....	8
5	<u>1014537</u>	Stud, Self-Clinching Flush Head .....	4
6	1015399	Screw, 5/16-18 X 0.88 Torx Truss-Head .....	18
7	<u>101894304</u>	Box Bed Tailgate Angle .....	1
8	<u>101963401</u>	Locknut, 5/16-18 Hex Flange .....	4
9	<u>102221301</u>	Front Panel Weldment .....	1
10	<u>102221401</u>	Left Panel Weldment .....	1
11	<u>102221501</u>	Right Panel Weldment .....	1
12	<u>102221701</u>	Front Corner Cap .....	2
13	<u>102222001</u>	Slam Latch .....	2
14	<u>102239901</u>	Washer, Rubber, 3/8 .....	4
15	<u>102614401</u>	Assembly, Tailgate (includes items 16 through 23) .....	1
16	<u>1013366</u>	Hair Pin Clip .....	4
17	<u>1014415</u>	Screw, 1/4-20 X 0.75 Torx Truss-Head .....	4
18	N/A	Tailgate, Weldment .....	1
19	<u>102221801</u>	Tether Assembly .....	2
20	<u>102222101</u>	Spring Latch Right .....	1
21	<u>102222201</u>	Spring Latch Left .....	1
22	<u>102673201</u>	Decal, Club Car Tailgate .....	1
23	<u>8233</u>	Locknut, 1/4-20, Nylon Insert .....	4
24	<u>332</u>	Washer, 1/4 Type A Narrow Flat .....	4
25	<u>7473</u>	Locknut, 5/16-18 Nylon Insert .....	31
26	<u>8233</u>	Locknut, 1/4-20, Nylon Insert .....	4

1  
G  
E

1

G

E



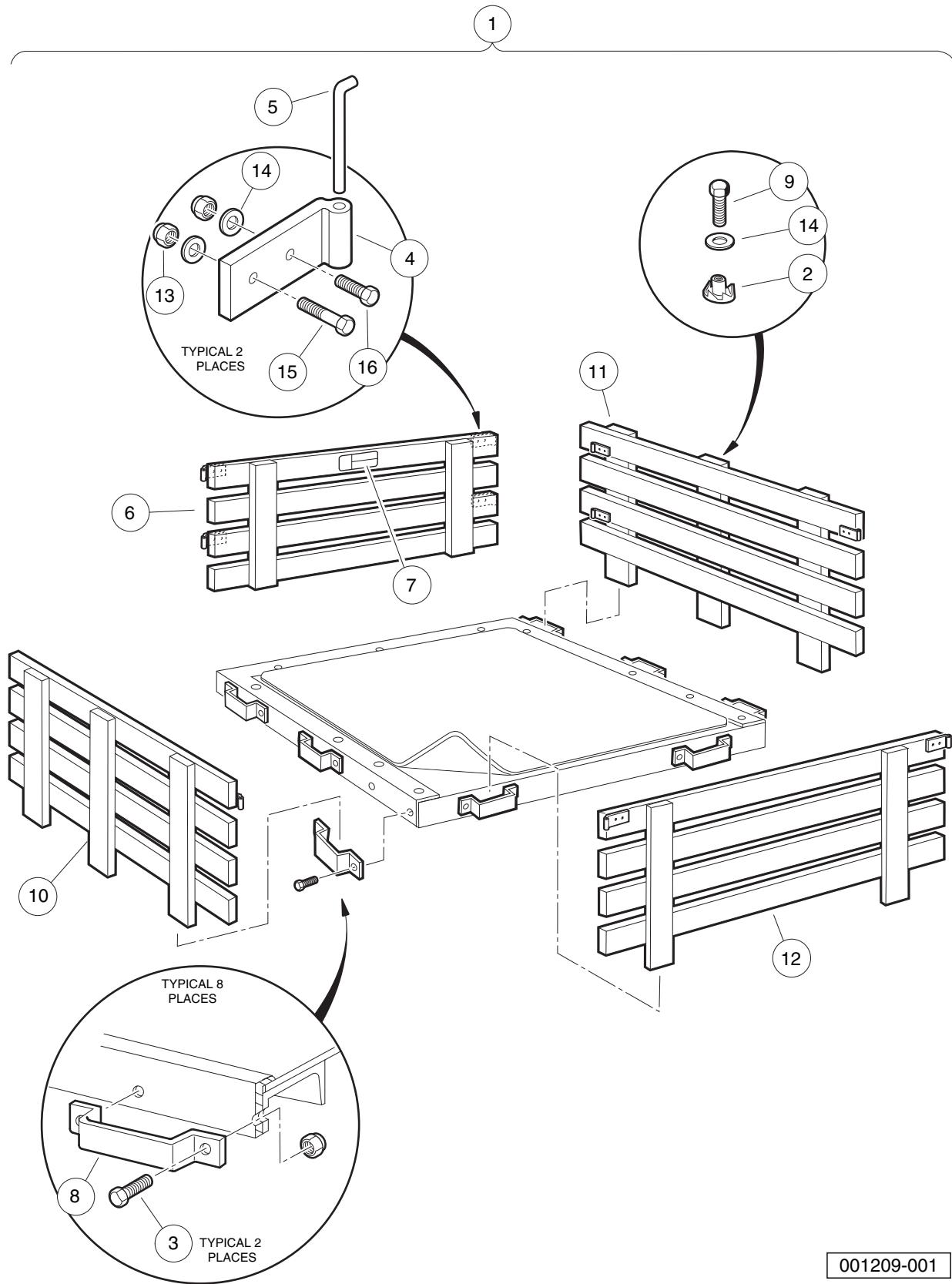
001207-001

# BED MAT

ITEM	PART NO.	DESCRIPTION	QTY
1	<u>101770202</u>	1 2 3 4 Bed Mat .....	1

**1**  
**G**  
**E**

**1**  
**G**  
**E**



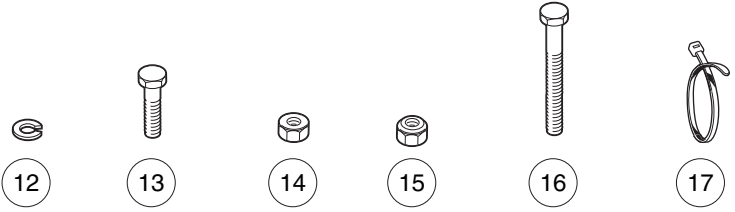
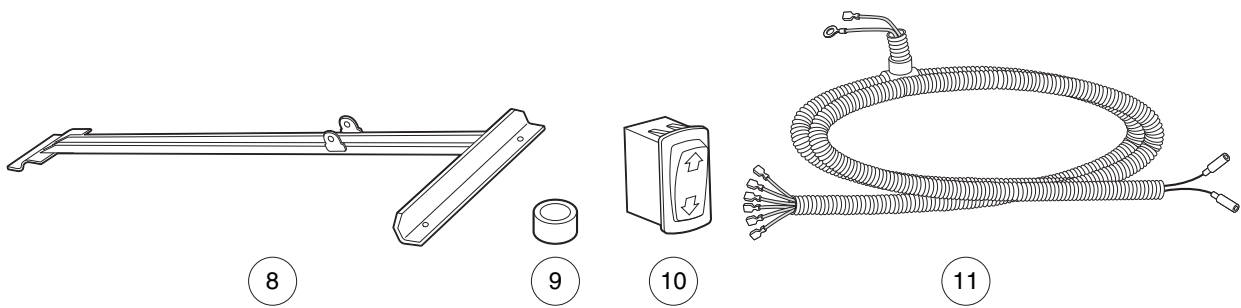
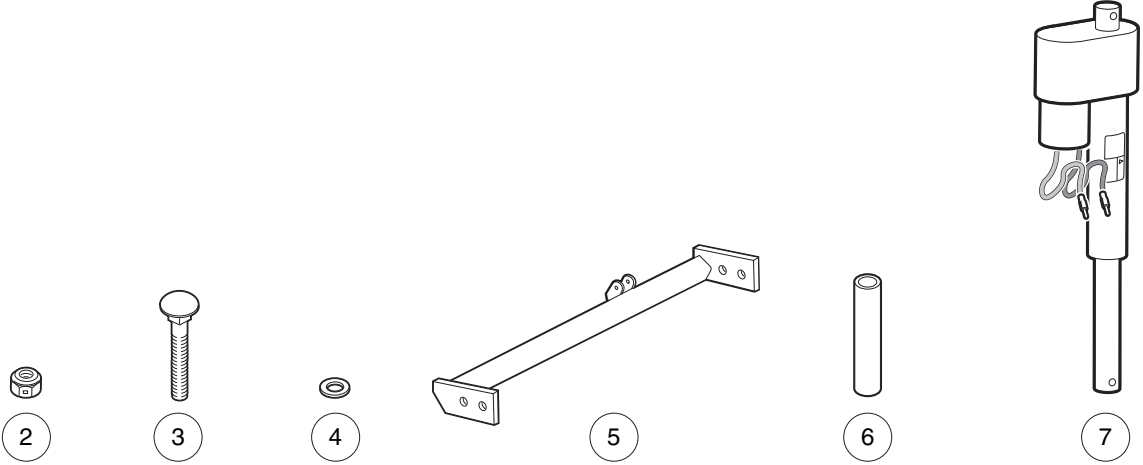
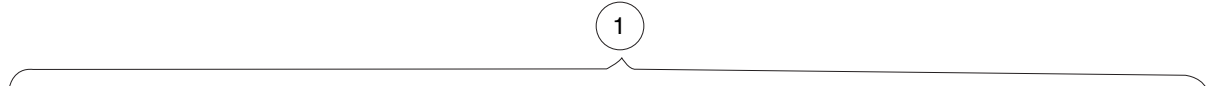


# STAKE SIDE KIT

ITEM	PART NO.	DESCRIPTION	QTY
		<b>1 2 3 4</b>	
1	<u>102847701</u>	Kit, Stake Side, 45-5/8 X 50 (includes items 2 through 16) .....	1
2	1010086	T-Nut .....	74
3	<u>1010934</u>	Screw, 5/16-18 X 1.00 Hex Cap .....	16
4	<u>1015654</u>	Stake Side Hinge .....	12
5	<u>1015656</u>	Pin, hinge .....	6
6	<u>101565803</u>	Stake Side Assembly, Front (includes item 7) .....	1
7	<u>101553901</u>	Decal, Bed Load Warning .....	1
8	<u>1016077</u>	Bracket, Stake Side .....	8
9	1016916	Screw, 1/4-20 X 1.50 Hex-Head Cap .....	74
10	102847601	Asm, Stake Side, 45-5/8 X 19 D .....	1
11	102847602	Asm, Stake Side, 45-5/8 X 19 P .....	1
12	<u>102847603</u>	Asm, Stake Side, 48 X 19 Rear .....	1
13	<u>1108</u>	Locknut, 1/4-20 Dimpled .....	24
14	<u>332</u>	Washer, 1/4 Type A Narrow Flat .....	24
15	<u>7311</u>	Screw, 1/4-20 X 2.00 Hex-Head Cap .....	6
16	<u>7479</u>	Screw, 1/4-20 X 1.25 Hex-Head Cap .....	18

**1**  
**G**  
**E**

**1**  
**G**  
**E**



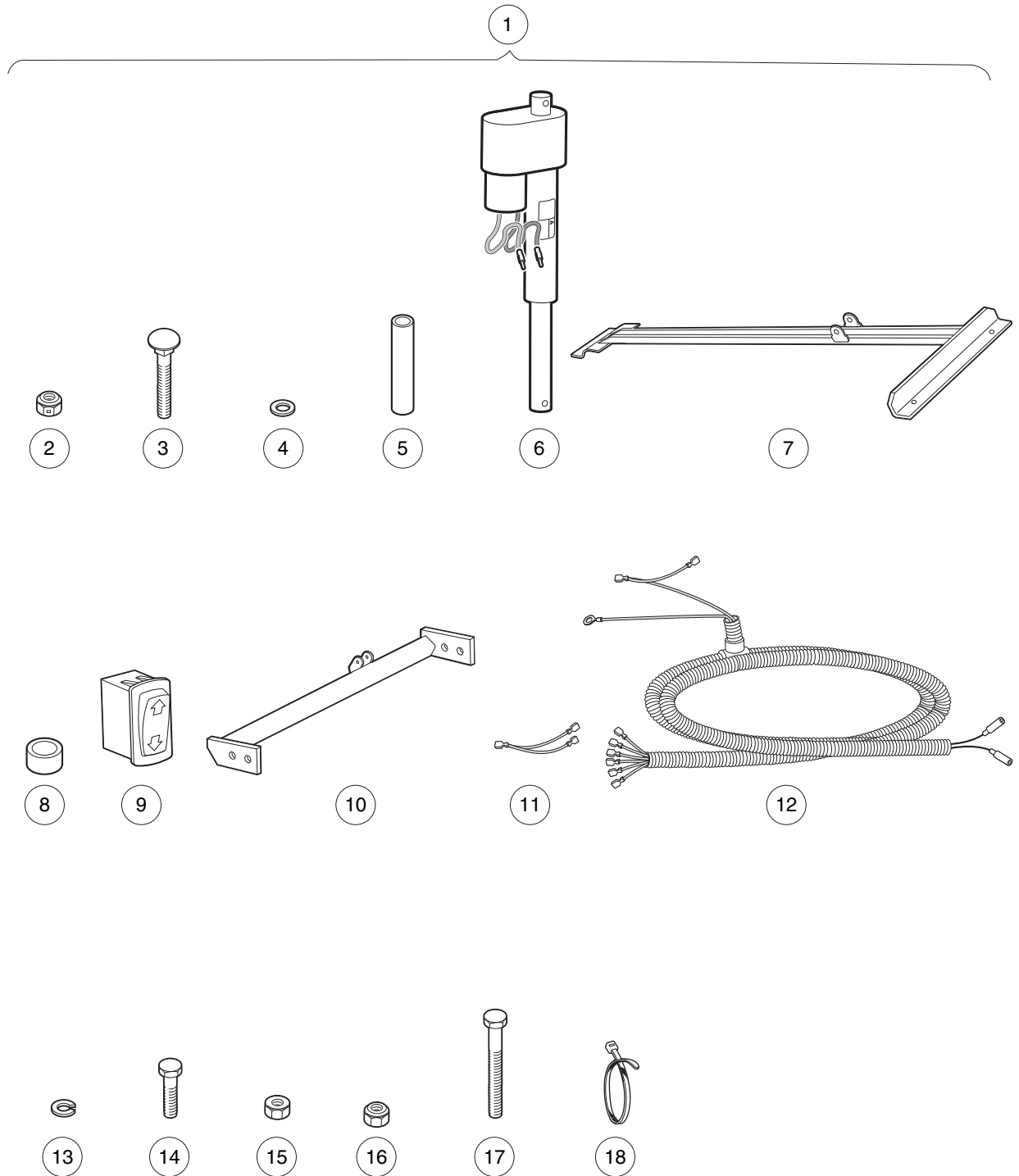
001263-001

# ELECTRIC BED LIFT – GASOLINE VEHICLES

ITEM	PART NO.	DESCRIPTION	QTY
		1 2 3 4	
1	<u>103272801</u>	Kit, Electric Bed Lift, T/CA2/252/900 Gas (includes items 2 through 17) .....	1
2	<u>1010138</u>	Locknut, 3/8-16 Dimpled .....	2
3	<u>1010435</u>	Bolt, Carriage, 5/16-18 X 1.00 .....	3
4	<u>1011990</u>	Washer, 3/8 Flat .....	4
5	1015612	Mounting Bracket, Hydraulic Cylinder .....	1
6	<u>1016603</u>	Bushing Long .....	2
7	<u>1017162</u>	Actuator Assembly, Electric .....	1
8	<u>1017167</u>	Actuator Adapter .....	1
9	1017774	Body Spacer .....	8
10	<u>102882501</u>	Switch, Rocker, Bed Lift .....	1
11	<u>103270201</u>	Wire Harness, Elec Tilt Sys .....	1
12	<u>357</u>	Lockwasher, 3/8 Split .....	4
13	705	Screw, Cap-hex Hd 3/8-16x1.25 .....	4
14	<u>706</u>	Nut, Hex 3/8-16 .....	4
15	<u>7473</u>	Locknut, 5/16-18 Nylon Insert .....	3
16	<u>7561</u>	Bolt, 3/8-16 X 3.00 Hex Head .....	2
17	<u>8990</u>	Tie Wrap, 8" Nylon .....	10

**1**  
**G**  
**E**

**1**  
**G**  
**E**



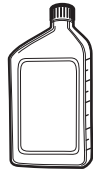
001264-001

# ELECTRIC BED LIFT – ELECTRIC VEHICLE

ITEM	PART NO.	DESCRIPTION	QTY
		1 2 3 4	
1	<u>103274202</u>	Kit, Electric Bed Lift, T/CA2/252/900 IQ Plus (includes items 2 through 18) .....	1
2	<u>1010138</u>	Locknut, 3/8-16 Dimpled .....	2
3	<u>1010435</u>	Bolt, Carriage, 5/16-18 X 1.00 .....	3
4	<u>1011990</u>	Washer, 3/8 Flat .....	4
5	<u>1016603</u>	Bushing Long .....	2
6	<u>1017162</u>	Actuator Assembly, Electric .....	1
7	<u>1017167</u>	Actuator Adapter .....	1
8	1017774	Body Spacer .....	8
9	<u>102882501</u>	Switch, Rocker, Bed Lift .....	1
10	<u>102893601</u>	Center Bracket, Bed Lift .....	1
11	<u>102959601</u>	Iq Plus Acc Jumper, 3 Inch .....	1
12	<u>103270301</u>	Wire Harness, El Tilt, Iq Plus .....	1
13	<u>357</u>	Lockwasher, 3/8 Split .....	4
14	705	Screw, Cap-hex Hd 3/8-16x1.25 .....	4
15	<u>706</u>	Nut, Hex 3/8-16 .....	4
16	<u>7473</u>	Locknut, 5/16-18 Nylon Insert .....	3
17	<u>7561</u>	Bolt, 3/8-16 X 3.00 Hex Head .....	2
18	<u>8990</u>	Tie Wrap, 8" Nylon .....	12

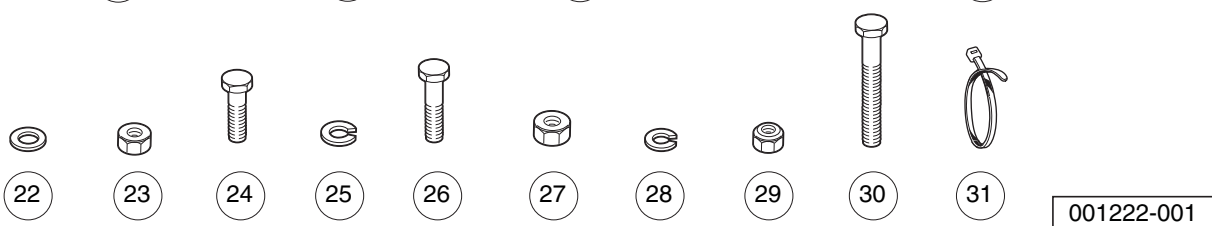
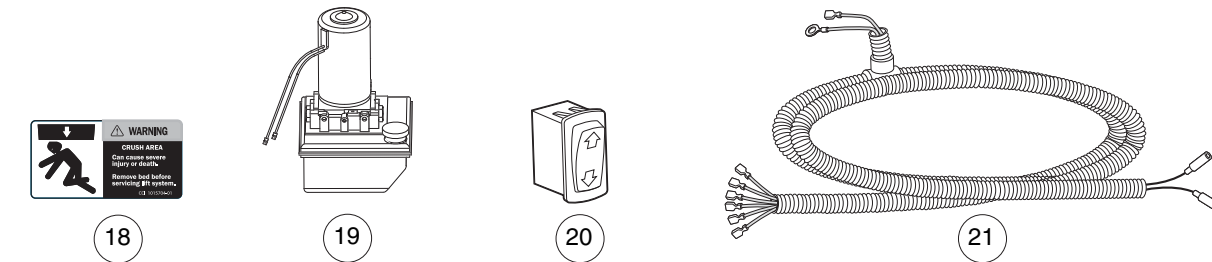
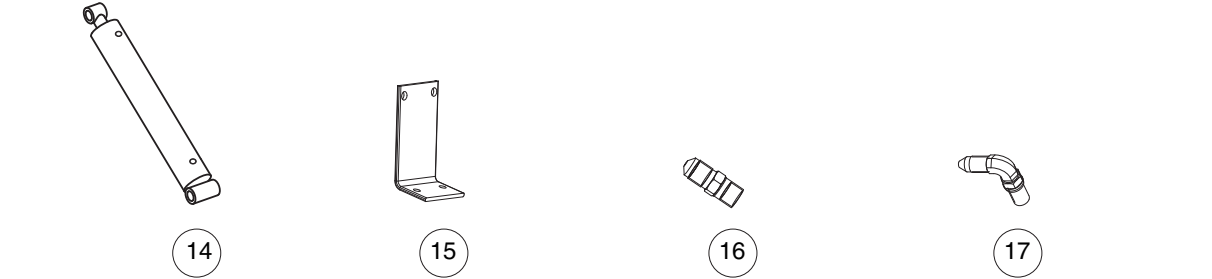
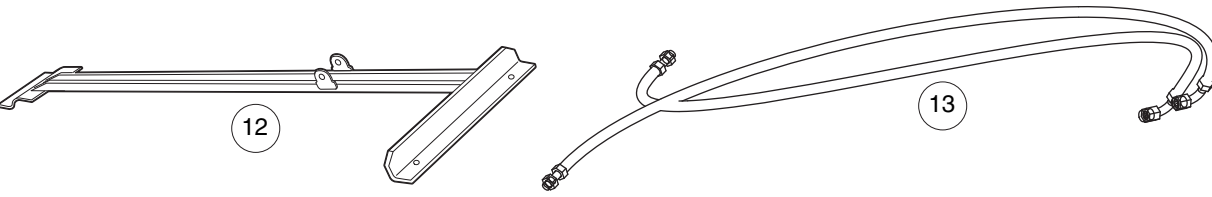
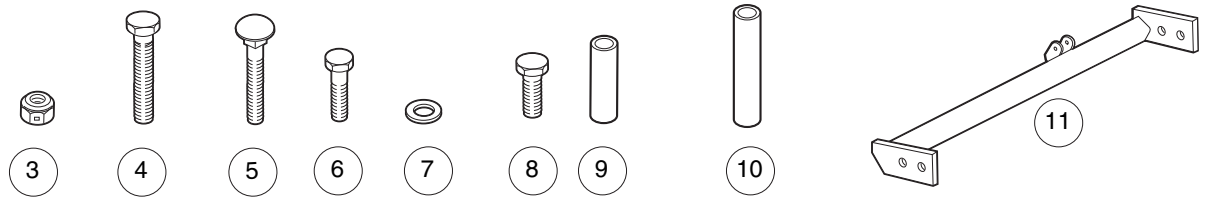
1  
G  
E

**1**  
**G**  
**E**



1

2

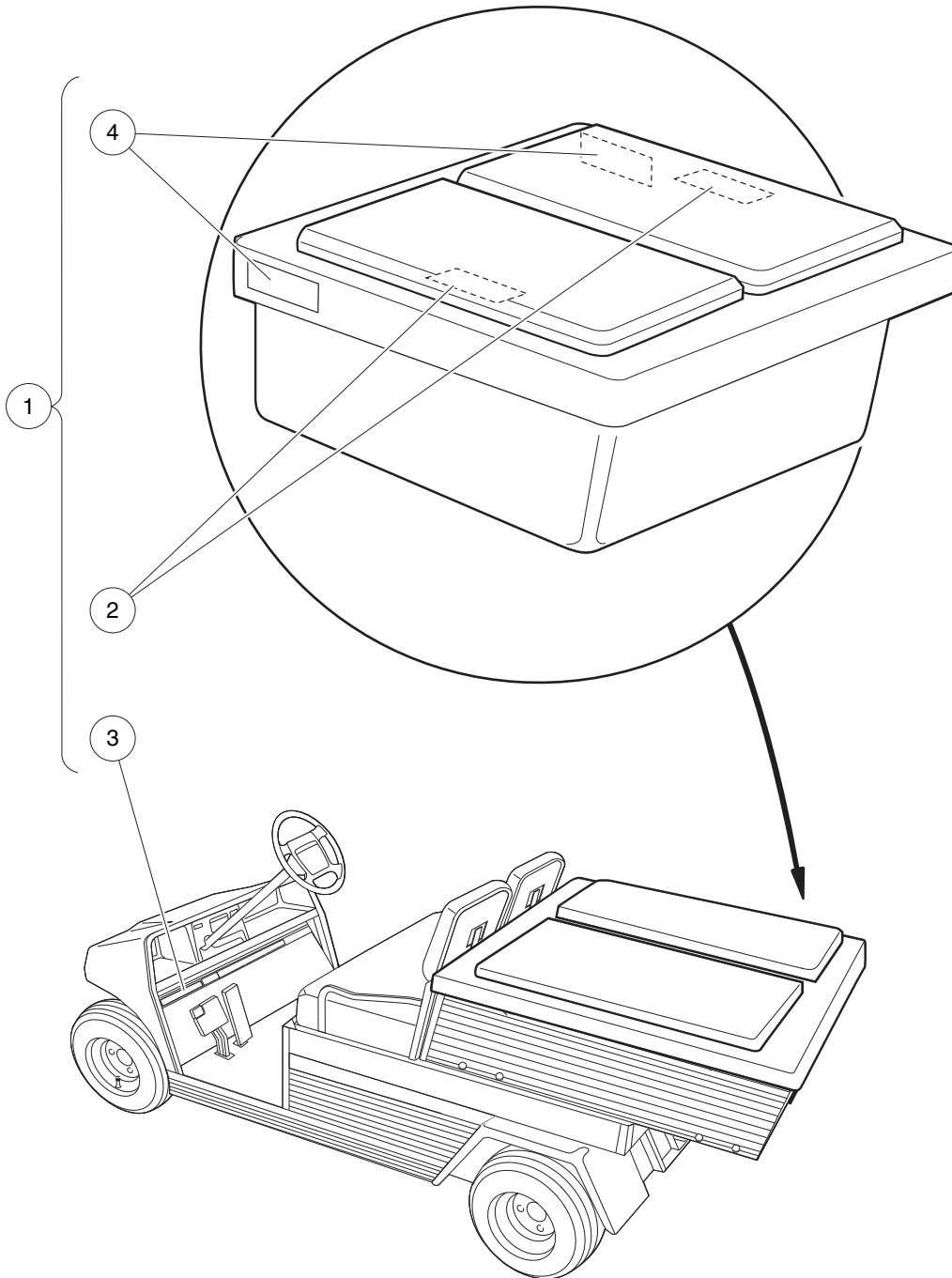


001222-001

# HYDRAULIC BED LIFT KIT

ITEM	PART NO.	DESCRIPTION	QTY
		<b>1 2 3 4</b>	
1	1015820	Hydraulic Fluid .....	A/R
2	<u>103324402</u>	Kit, Hydraulic Bed Lift (includes items 3 through 31) .....	1
3	<u>1010138</u>	Locknut, 3/8-16 Dimpled .....	2
4	<u>1010177</u>	Bolt, 3/8-16 X 2.00 Hex Head .....	1
5	<u>1010435</u>	Bolt, Carriage, 5/16-18 X 1.00 .....	4
6	<u>1010934</u>	Screw, 5/16-18 X 1.00 Hex Cap .....	2
7	<u>1011990</u>	Washer, 3/8 Flat .....	6
8	<u>1012463</u>	Bolt, 3/8-16 X .875 Hex Head .....	2
9	<u>1015608</u>	Tube Spacer, Hydraulic Cylinder .....	1
10	<u>1015610</u>	Tube Spacer Lg Hyd Cyl .....	1
11	1015612	Mounting Bracket, Hydraulic Cylinder .....	1
12	<u>1015615</u>	Cylinder Adapter Weldment .....	1
13	<u>1015616</u>	Hydraulic Hose Asm. Tilt Bed .....	2
14	<u>1015617</u>	Hydraulic Cylinder Cail Tilt .....	1
15	<u>1015621</u>	Mtg Bracket Hydr. Pump .....	1
16	<u>1015623</u>	Straight Thread Adap. W/o-ring .....	2
17	<u>1015624</u>	Straight Thd Elbow W/o-ring Ca .....	2
18	<u>101570401</u>	Decal, Tilt System Warning .....	1
19	<u>1016136</u>	Pump, Hydraulic Tilt Bed .....	1
20	<u>102882501</u>	Switch, Rocker, Bed Lift .....	1
21	<u>103318401</u>	Harness, Hyd Lift, Gas .....	1
22	<u>1241</u>	Washer, 5/16 Type A Flat .....	6
23	<u>1242</u>	Nut, 5/16-18 Hex .....	2
24	320	Screw, 3/8-16 X 1.00 Hex-Head Cap .....	2
25	<u>357</u>	Lockwasher, 3/8 Split .....	6
26	705	Screw, Cap-hex Hd 3/8-16x1.25 .....	2
27	<u>706</u>	Nut, Hex 3/8-16 .....	4
28	<u>7174</u>	Lockwasher, 5/16 Split .....	2
29	<u>7473</u>	Locknut, 5/16-18 Nylon Insert .....	5
30	<u>7561</u>	Bolt, 3/8-16 X 3.00 Hex Head .....	1
31	<u>8990</u>	Tie Wrap, 8" Nylon .....	8

**1**  
**G**  
**E**



001210-001



# PORTABLE REFRESHMENT CENTER

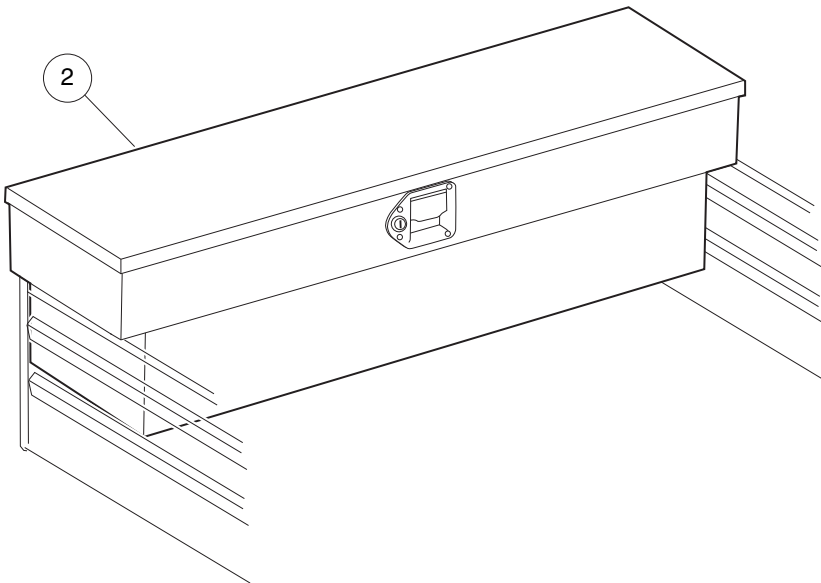
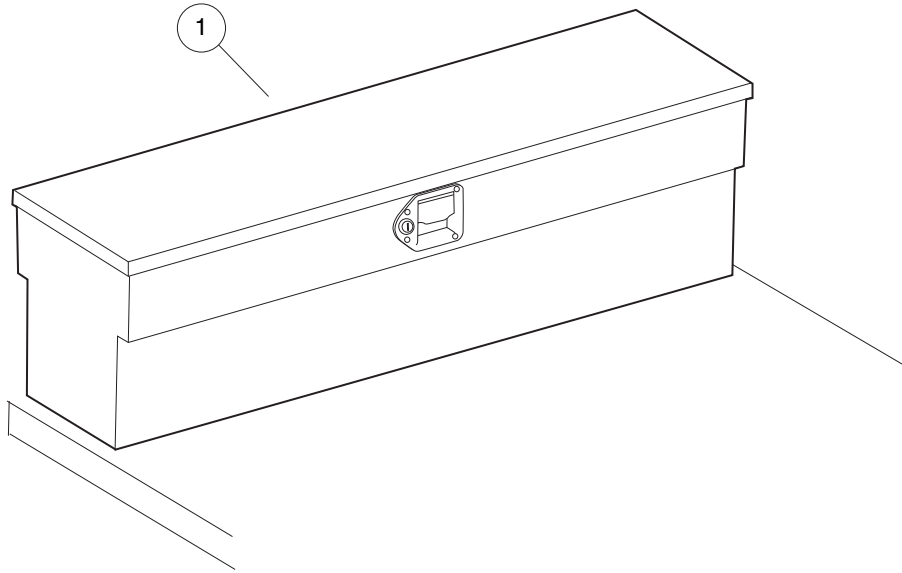
ITEM	PART NO.	DESCRIPTION	QTY
		1 2 3 4	
1	<u>101996901</u>	Portable Refreshment Ctr, 2 (includes items 2 through 4) .....	1
2	<u>1011962</u>	Decal, Refreshment Center .....	2
3	<u>102056401</u>	Decal-bev Unit Dash Warning .....	1
4	N/A	Decal, PRC Warning .....	2

**1**

**G**

**E**

**1**  
**G**  
**E**



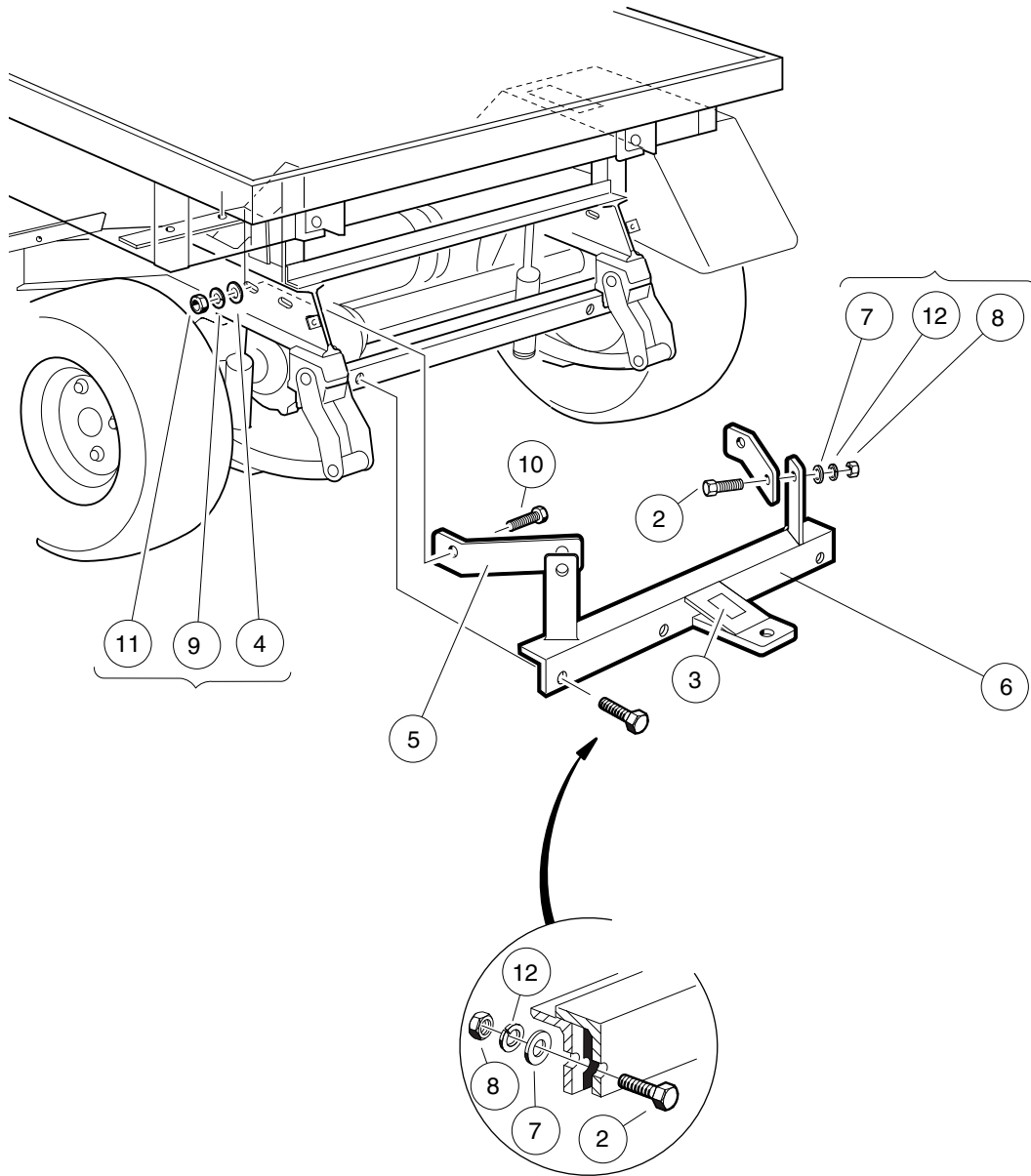
001157-001

# TOOLBOXES

ITEM	PART NO.	DESCRIPTION	QTY
1	<u>101837401</u>	1 2 3 4 Toolbox, Flat Bed .....	1
2	<u>101837502</u>	Toolbox, Box Bed .....	1

**1**  
**G**  
**E**

**1**  
**G**  
**E**



000265-001

# TRAILER HITCH

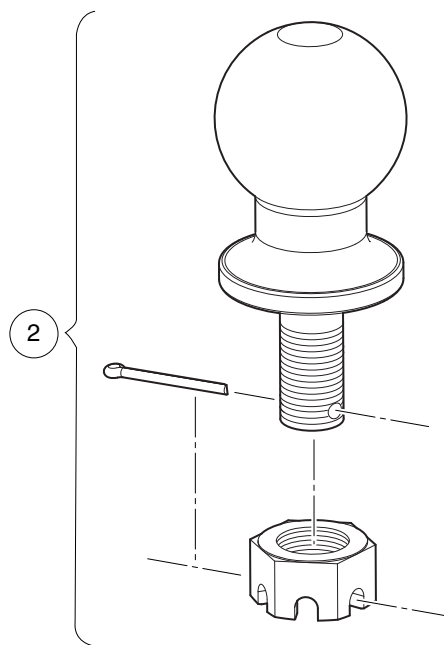
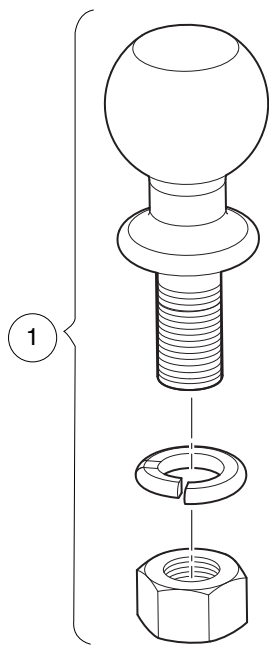
ITEM	PART NO.	DESCRIPTION	QTY
		<b>1 2 3 4</b>	
1	<u>1015445</u>	Kit, Trailer Hitch (includes items 2 through 12) .....	1
2	<u>1010934</u>	Screw, 5/16-18 X 1.00 Hex Cap .....	4
3	<u>1011553</u>	Decal, Trailer Hitch .....	1
4	<u>1011990</u>	Washer, 3/8 Flat .....	2
5	<u>1013483</u>	Brace, Trailer Hitch .....	2
6	N/A	Asm, Trailer Hitch .....	1
7	<u>1241</u>	Washer, 5/16 Type A Flat .....	4
8	<u>1242</u>	Nut, 5/16-18 Hex .....	4
9	<u>357</u>	Lockwasher, 3/8 Split .....	2
10	705	Screw, Cap-hex Hd 3/8-16x1.25 .....	2
11	<u>706</u>	Nut, Hex 3/8-16 .....	2
12	<u>7174</u>	Lockwasher, 5/16 Split .....	4

**1**  
**G**  
**E**

1

G

E



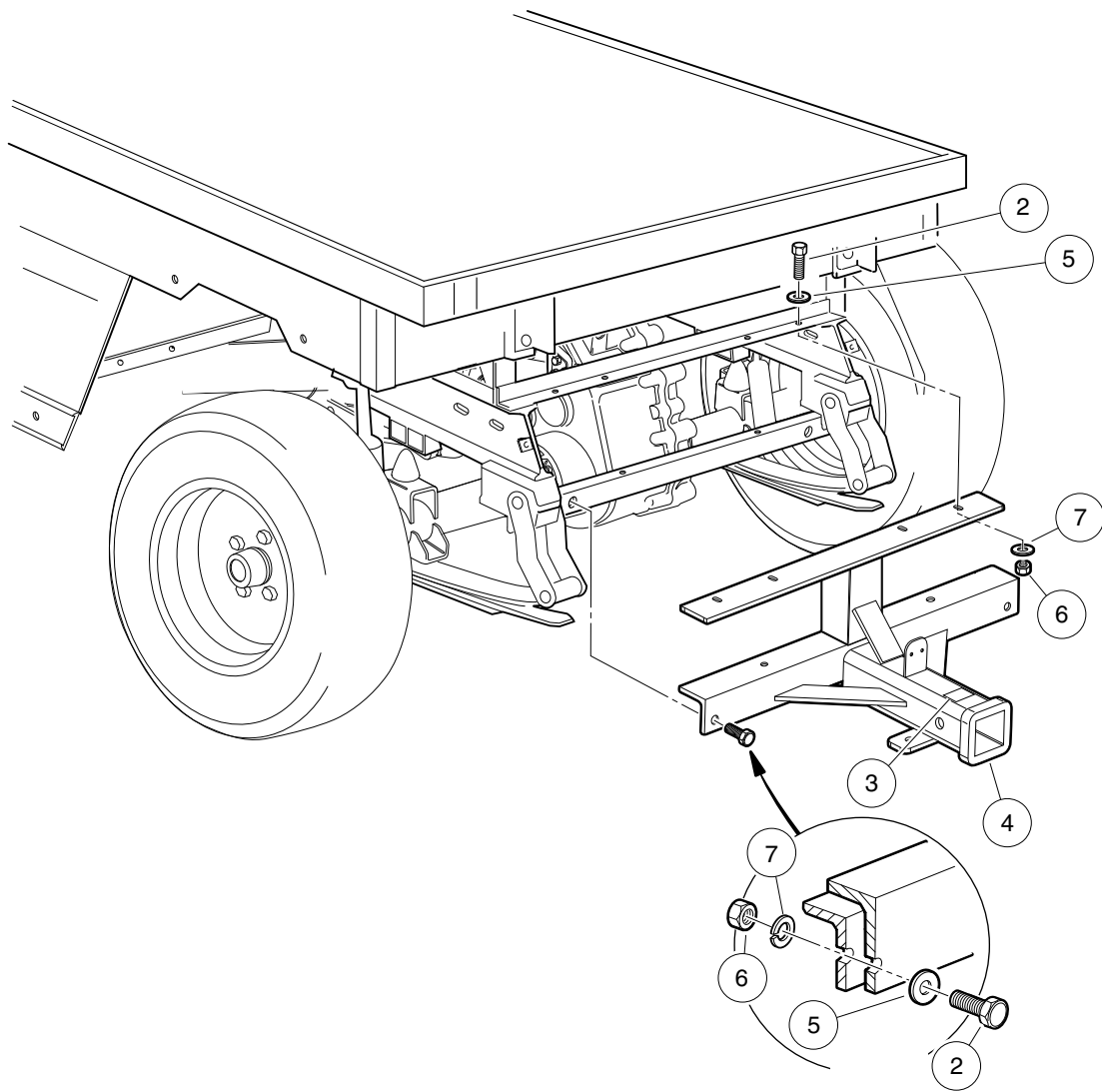
001137-001

# TRAILER HITCH BALL

ITEM	PART NO.	DESCRIPTION	QTY
1	<u>1011546</u>	1 2 3 4 Trailer Hitch Ball - 1 7/8" .....	1
2	<u>AM1264001</u>	Chrome Hitch Ball, 2" .....	1

**1**  
**G**  
**E**

**1**  
**G**  
**E**



000100-002

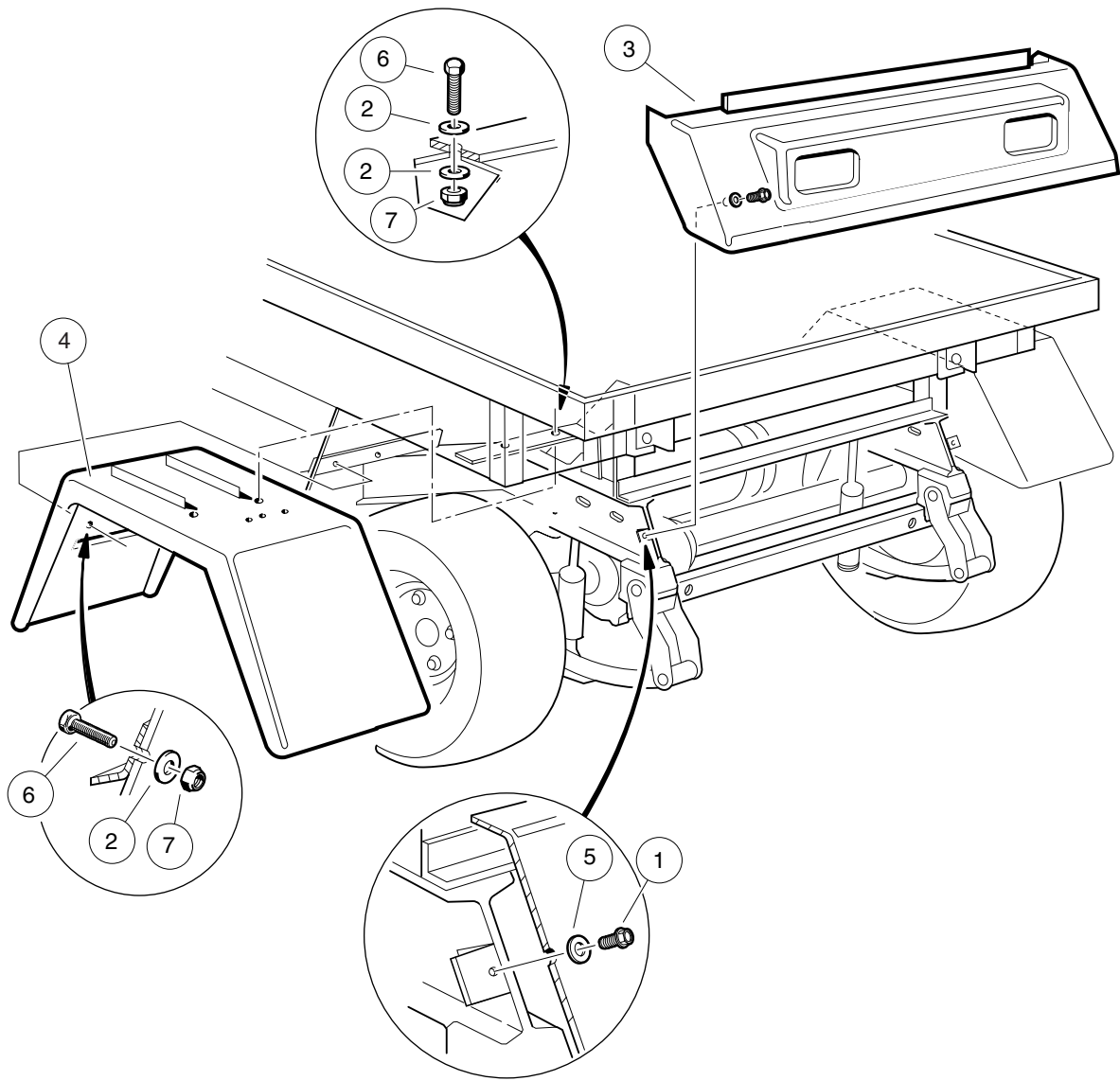


# RECEIVER HITCH

ITEM	PART NO.	DESCRIPTION	QTY
		<b>1 2 3 4</b>	
1	<u>102065103</u>	Kit, Rear Receiver (includes items 2 through 7) .....	1
2	<u>1010934</u>	Screw, 5/16-18 X 1.00 Hex Cap .....	6
3	<u>1011553</u>	Decal, Trailer Hitch .....	1
4	<u>102056001</u>	Rear Receiver Weld Asm .....	1
5	<u>1241</u>	Washer, 5/16 Type A Flat .....	6
6	<u>1242</u>	Nut, 5/16-18 Hex .....	6
7	<u>7174</u>	Lockwasher, 5/16 Split .....	6

**1**  
**G**  
**E**

**1**  
**G**  
**E**



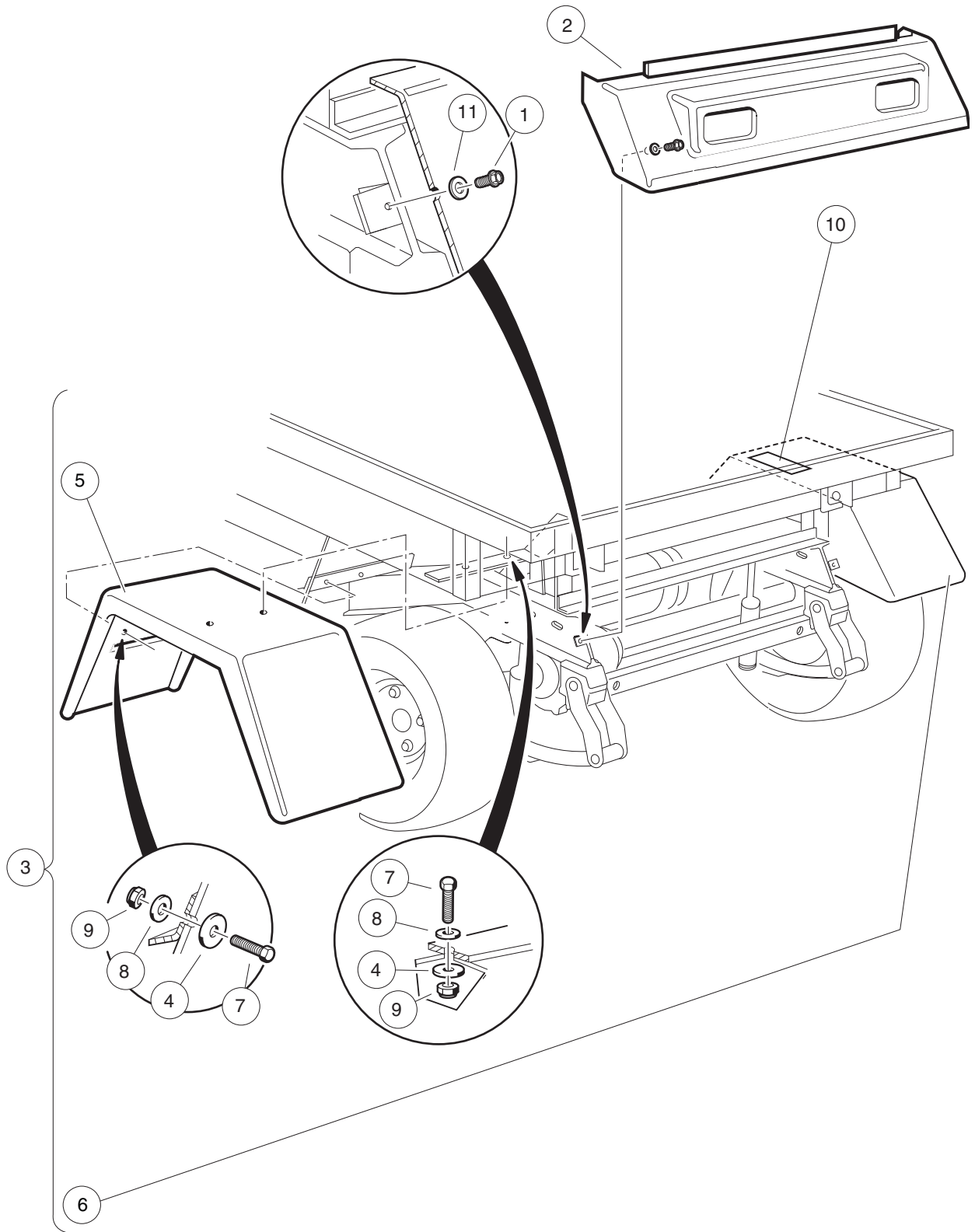
000266-001

## REAR BODY TRIM – TURF/CARRYALL 1, 2, 2 PLUS, AND 6

ITEM	PART NO.	DESCRIPTION	QTY
		1 2 3 4	
1	<u>1012285</u>	Screw, 1/4 X 0.625 Hex-Head .....	2
2	<u>1014306</u>	Washer, 1/4" Type B Flat .....	12
3	<u>1015530</u>	Tailskirt .....	1
4	<u>1016679</u>	Rear Fender .....	2
5	<u>332</u>	Washer, 1/4 Type A Narrow Flat .....	2
6	<u>7847</u>	Screw, 1/4-20 X 0.75 Hex-Head Cap .....	8
7	<u>8233</u>	Locknut, 1/4-20, Nylon Insert .....	8

1  
G  
E

**1**  
**G**  
**E**



000267-001

## REAR BODY TRIM – TURF/CARRYALL 252 AND XRT 900

ITEM	PART NO.	DESCRIPTION	QTY
		1 2 3 4	
1	<u>1012285</u>	Screw, 1/4 X 0.625 Hex-Head .....	2
2	<u>1015530</u>	Tailskirt .....	1
3	<u>102010501</u>	Rear Fender Kit (includes items 4 through 9) .....	1
4	<u>1014306</u>	Washer, 1/4" Type B Flat .....	10
5	<u>102004601</u>	Extended Fender, Rear, Left-Hand .....	1
6	<u>102004602</u>	Extended Fender, Rear, Right-Hand .....	1
7	304	Screw, 1/4-20 X 1.0 Hex-Head Cap .....	8
8	<u>332</u>	Washer, 1/4 Type A Narrow Flat .....	6
9	<u>8233</u>	Locknut, 1/4-20, Nylon Insert .....	8
10	<u>102224001</u>	Decal, Rotating Parts Warning .....	1
11	<u>332</u>	Washer, 1/4 Type A Narrow Flat .....	2

**1**  
**G**  
**E**



# CAB, CURTIS – TURF/CARRYALL 1, 2, 2 PLUS, 252 AND XRT 900

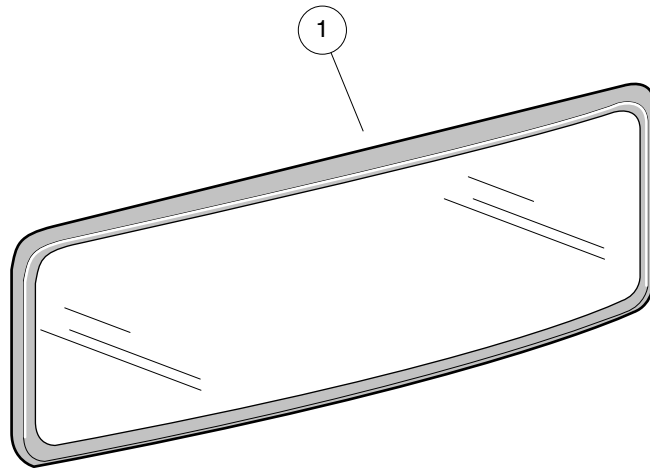
ITEM	PART NO.	DESCRIPTION	QTY
		<b>1 2 3 4</b>	
1	<u>102262901</u>	Asm, Cab (includes items 2 through 13) .....	1
2	AM1304001	CTC-Windshield Assembly .....	1
3	AM1304101	CTC-Windshield Latches .....	A/R
4	AM1304201	CTC-Drivers Side Door .....	1
5	AM1304301	CTC-Passenger Side Door .....	1
6	AM1304401	CTC-Inside Door Latches .....	2
7	AM1304501	CTC-Outside Door Latches .....	2
8	AM1304601	CTC-Door Hinge Kit .....	A/R
9	AM1304801	CTC-Side Frame Rear Window .....	1
10	AM1304901	CTC-Roof (White Plastic) .....	1
11	AM1305001	CTC-Wiper Motor .....	1
12	AM1305101	CTC-Wiper Arm .....	1
13	AM1305201	CTC-Wiper Blade .....	1
14	102264501	Kit, Seat Belt (required for ROPS certification, includes mounting hardware) .....	1
15	<u>103274401</u>	Kit, Adapter, Cab, Carryall (includes item 16) .....	1
16	AM1304701	CTC-Rear Panel .....	1

**1**  
**G**  
**E**

1

G

E



APM-000214-001

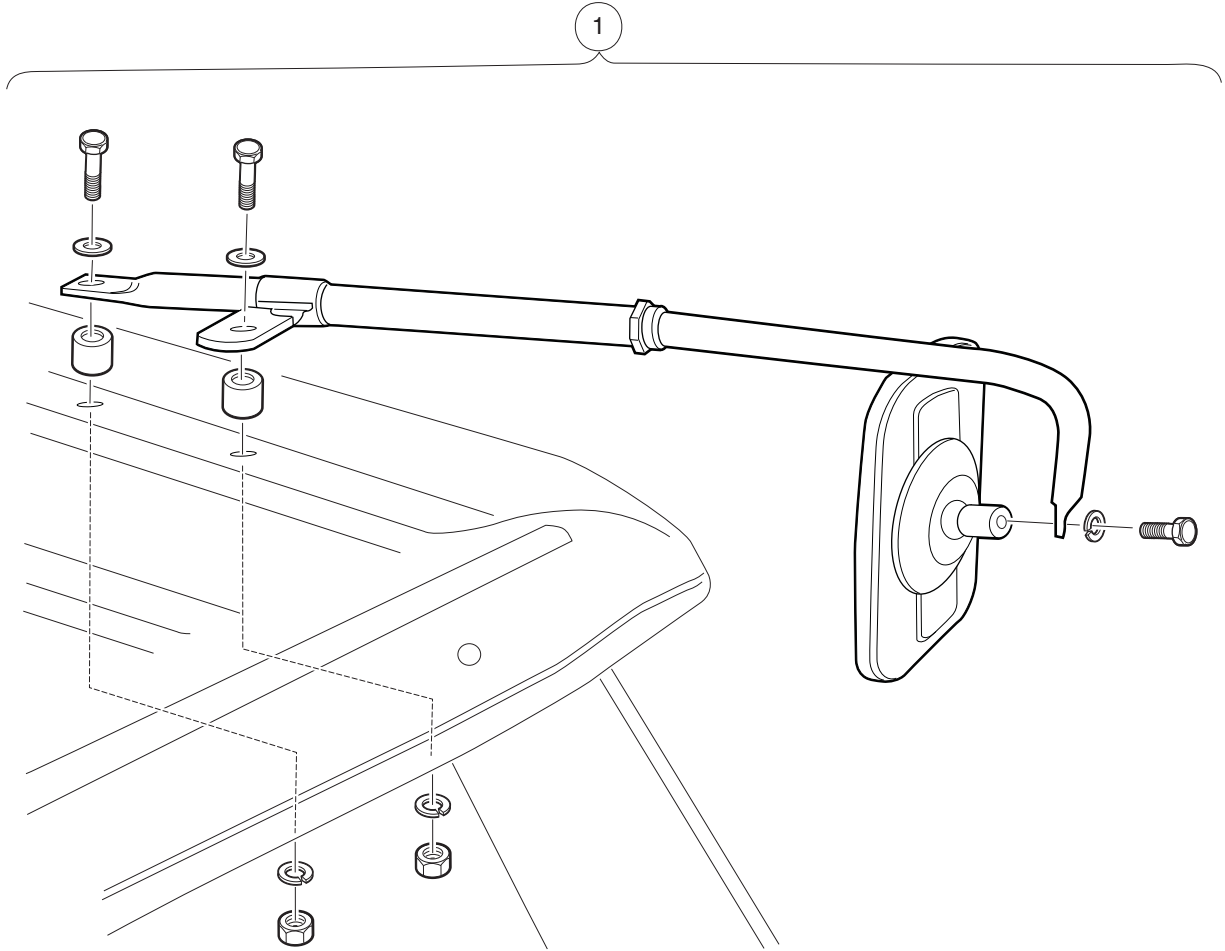


## MIRROR, INSIDE REAR-VIEW – CURTIS CAB

ITEM	PART NO.	DESCRIPTION	QTY
1	101995101	<p>1 2 3 4            Kit, Rear-View Mirror (includes mounting hardware) .....</p> <p>Note: For installation on vehicles equipped with a Curtis cab.</p>	1

**1**  
**G**  
**E**

**1**  
**G**  
**E**



001202-001

# MIRROR, SIDE-VIEW – CURTIS CAB

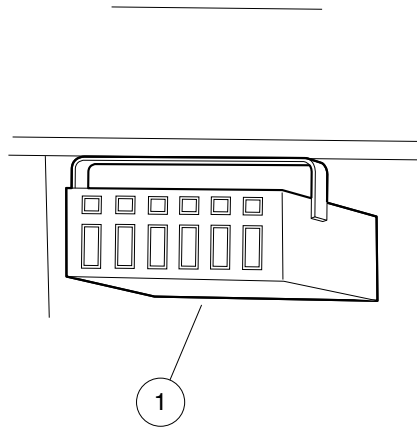
ITEM	PART NO.	DESCRIPTION	QTY
1	<u>102272601</u>	<p>1 2 3 4            Kit, Mirror .....</p> <p>Note: For installation on vehicles equipped with a Curtis cab.</p>	1

**1**  
**G**  
**E**

1

G

E



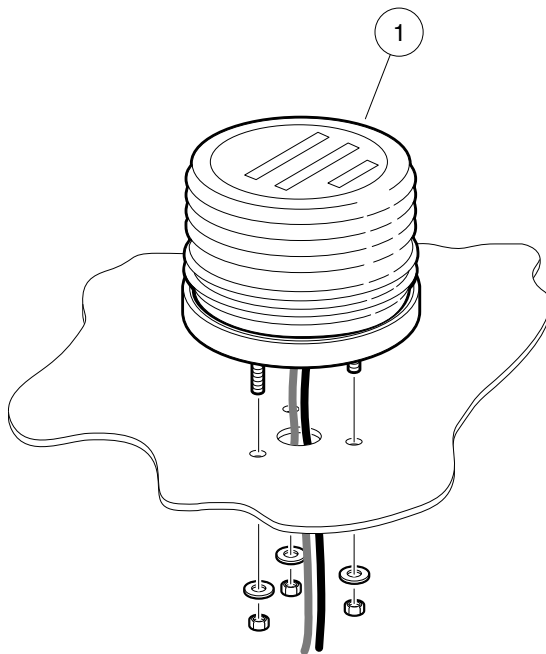
APM-000264-002

## ACCESSORY SWITCH PANEL – CURTIS CAB

ITEM	PART NO.	DESCRIPTION	QTY
1	<u>101994601</u>	<p>1 2 3 4                      Panel, Accessory Switch .....</p> <p style="margin-left: 40px;">Note: For installation on vehicles equipped with a Curtis cab.</p>	1

1  
G  
E

**1**  
**G**  
**E**



APM-000212-001

# STROBE LIGHT – CURTIS CAB

ITEM	PART NO.	DESCRIPTION	QTY
1	<u>101994301</u>	<p>1 2 3 4</p> <p>Kit, Strobe Light (includes mounting hardware and wire harness) .....</p> <p style="margin-left: 40px;">Note: For installation on vehicles equipped with a Curtis cab.</p>	1

1

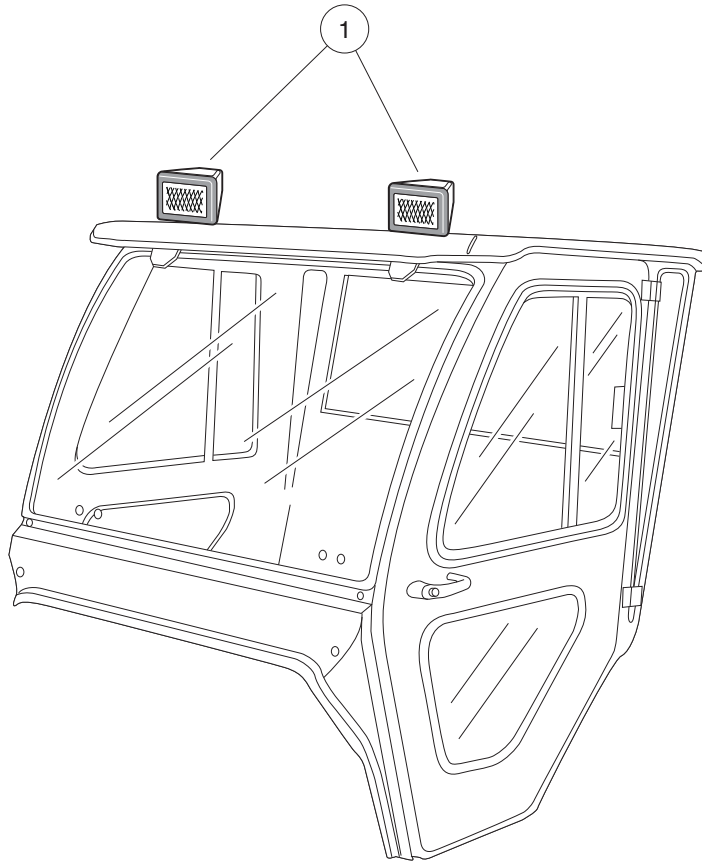
G

E

1

G

E



001201-001



# WORK LIGHTS – CURTIS CAB

ITEM	PART NO.	DESCRIPTION	QTY
1	<u>101994801</u>	<p>1 2 3 4</p> <p>Kit, Work Light (includes mounting hardware and wire harness) .....</p> <p style="margin-left: 40px;">Note: For installation on vehicles equipped with a Curtis cab.</p>	1

1

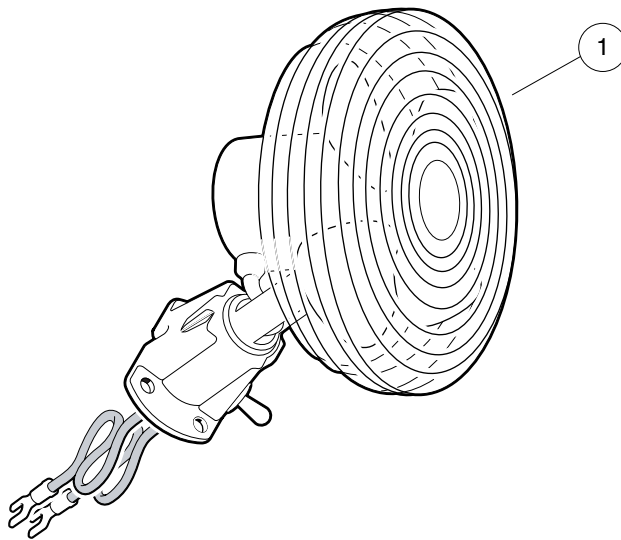
G

E

1

G

E



APM-000215-001

# FAN/DEFOGGER – CURTIS CAB

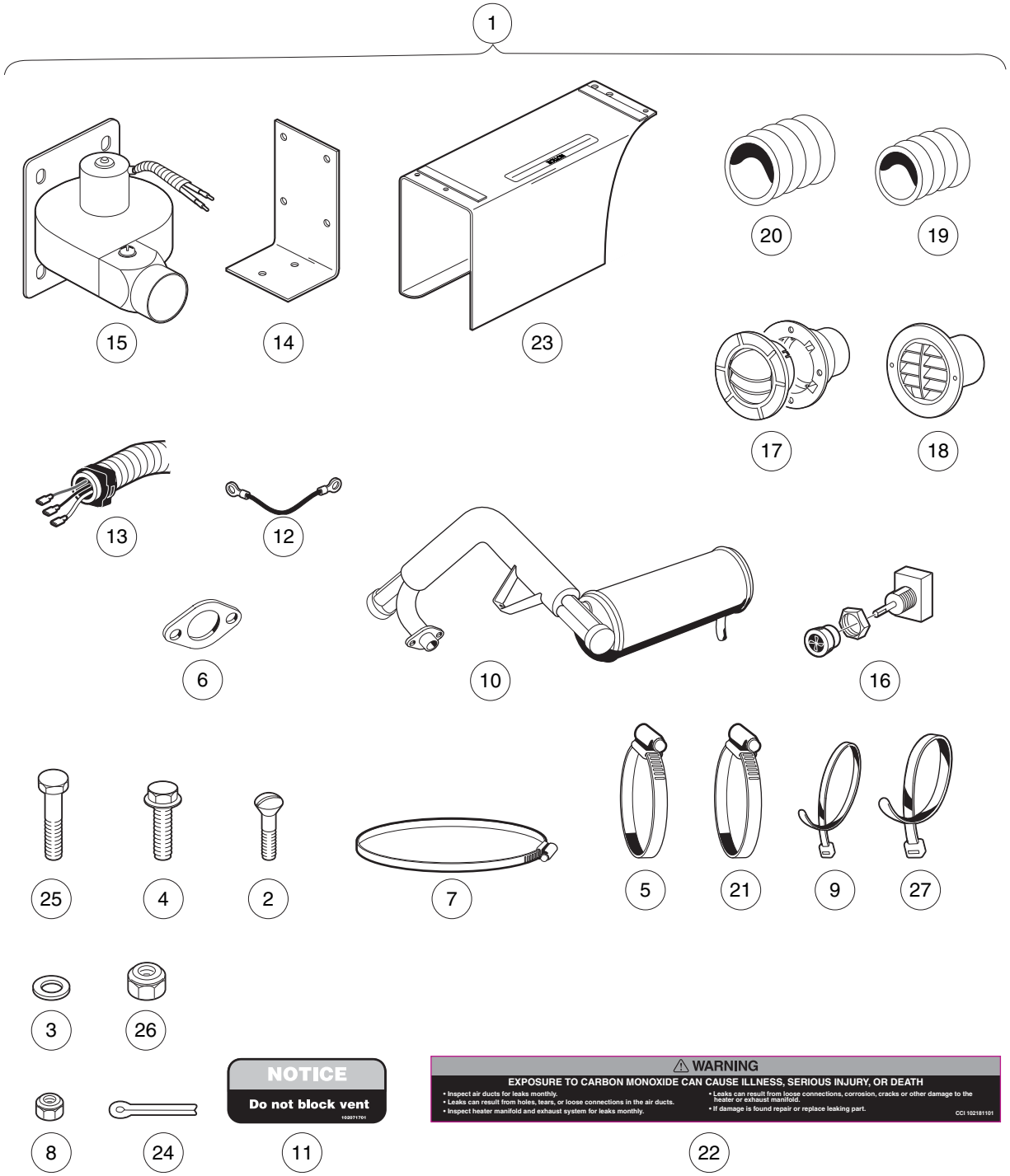
ITEM	PART NO.	DESCRIPTION	QTY
1	<u>101994401</u>	<p>1 2 3 4</p> <p>Kit, Fan/Defogger (includes mounting hardware and wire harness) .....</p> <p style="margin-left: 40px;">Note: For installation on vehicles equipped with a Curtis cab.</p>	1

1

G

E

**1**  
**G**  
**E**



**NOTICE**  
**Do not block vent**  
10021101

**WARNING**  
**EXPOSURE TO CARBON MONOXIDE CAN CAUSE ILLNESS, SERIOUS INJURY, OR DEATH**  
 • Inspect air ducts for leaks monthly.  
 • Leaks can result from holes, tears, or loose connections in the air ducts.  
 • Inspect heater manifold and exhaust system for leaks monthly.  
 • Leaks can result from loose connections, corrosion, cracks or other damage to the heater or exhaust manifold.  
 • If damage is found repair or replace leaking part.  
CG 102181101

001099-001

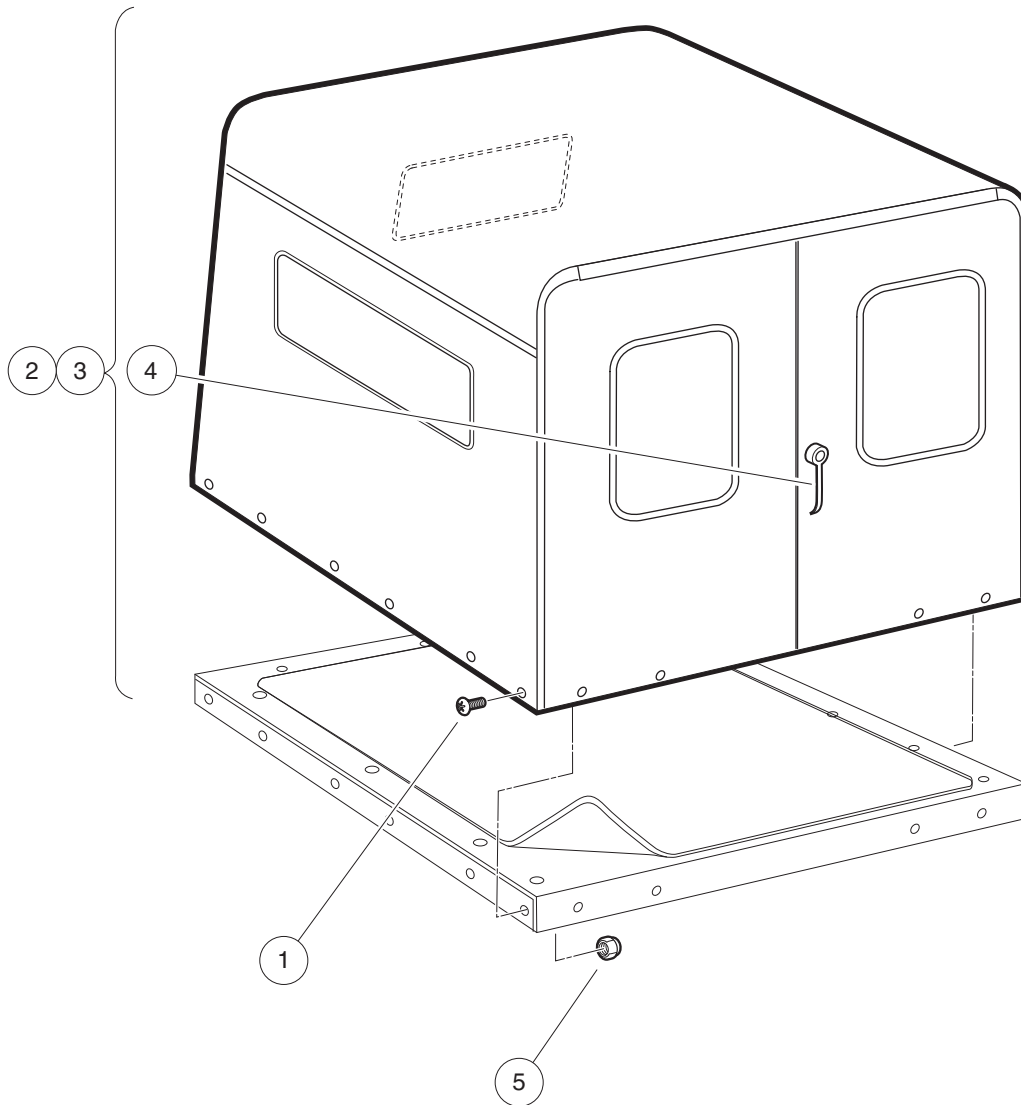
# HEATER – CURTIS CAB

ITEM	PART NO.	DESCRIPTION	QTY
		<b>1 2 3 4</b>	
1	<u>102056502</u>	Comfort Cab Heater Kit, Turf/CA2/252 w/FE350 (includes items 2 through 27) .....	1
2	<u>1011226</u>	Screw, #6-32 X .62 Cs Oval Hd .....	4
3	<u>1011964</u>	Washer, 1/4 Flat .....	12
4	<u>1012285</u>	Screw, 1/4 X 0.625 Hex-Head .....	3
5	<u>1012349</u>	Clamp, Air Intake Hose, 2" .....	2
6	<u>1016904</u>	Gasket, Exhaust .....	1
7	<u>1017689</u>	Clamp, 5" Muffler Hose .....	1
8	<u>101932201</u>	Locknut, #6-32 Nylon .....	4
9	<u>102025401</u>	Tie Wrap, Heavy Duty .....	1
10	<u>102070601</u>	Header Heater, FE350 .....	1
11	<u>102071701</u>	Decal - Header Heater Kit .....	2
12	N/A	Wire Asm #16 Black .....	1
13	N/A	Wire Harness, Header Heater .....	1
14	N/A	Mounting Bracket, Blower .....	1
15	<u>102074101</u>	Centrifugal Blower Asm .....	1
16	<u>102074201</u>	Heater Switch .....	1
17	<u>102074501</u>	Outlet Vent .....	1
18	<u>102074601</u>	Inlet Vent .....	1
19	<u>102074701</u>	Duct Hose .....	1
20	<u>102074801</u>	Duct Hose .....	1
21	<u>102074901</u>	Clamp, Air Intake Hose, 2-1/2" .....	4
22	<u>102181101</u>	Decal Inspection Heater .....	1
23	<u>102182101</u>	Cover, Blower .....	1
24	<u>1035</u>	Cotter Pin, 3/32 x 1 .....	2
25	<u>304</u>	Screw, 1/4-20 X 1.0 Hex-Head Cap .....	6
26	<u>8233</u>	Locknut, 1/4-20, Nylon Insert .....	6
27	<u>8639</u>	Tie Wrap, 11" Nylon .....	3
Note: For installation on vehicles equipped with a Curtis cab.			

1

G

E



001208-001

# VAN BOX

ITEM	PART NO.	DESCRIPTION	QTY
		<b>1 2 3 4</b>	
1	1015399	Screw, 5/16-18 X 0.88 Torx Truss-Head .....	20
2	<u>101754201</u>	Custom Van Box, Gray .....	1
3	<u>101754204</u>	Custom Van Box Kit, White (includes item 4) .....	1
4	<u>102006201</u>	Handle, Van Box Door .....	1
5	<u>7473</u>	Locknut, 5/16-18 Nylon Insert .....	20
<p>Note: Item 2, Van Box Gray, includes item 4, Door Handle.</p>			

**1**  
**G**  
**E**

**1**

**G**

**E**



# WHEELS AND TIRES

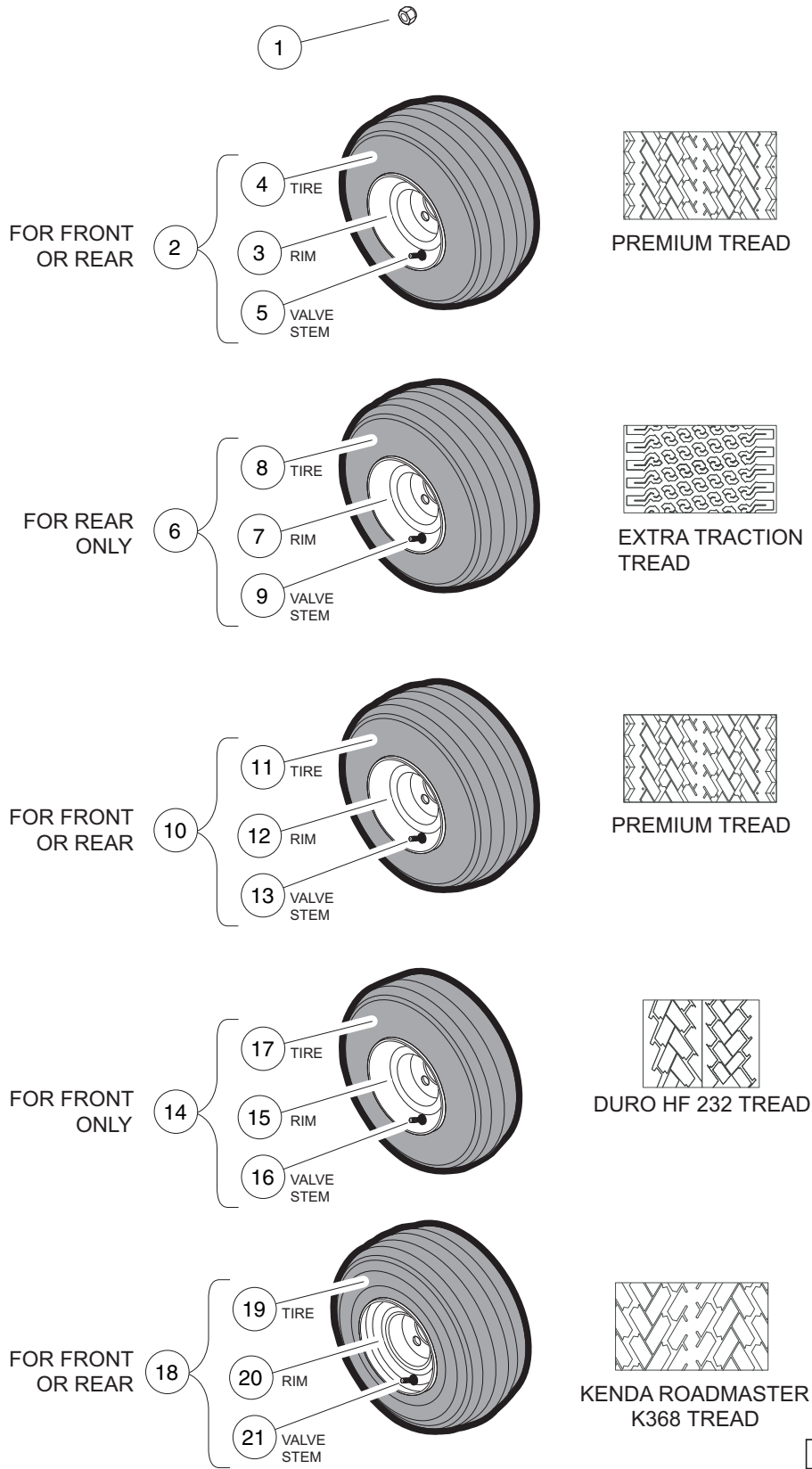
---

2

G

E

**2**  
**G**  
**E**



000269-015

## WHEELS AND TIRES – TURF/CARRYALL 2 AND 2 PLUS

ITEM	PART NO.	DESCRIPTION	QTY
		1 2 3 4	
1	<u>1010984</u>	.500-20 Unf Lug Nut .....	16
2	<u>101651406</u>	Tire/Wheel Asm, White, Premium Tread, 6-Ply (includes items 3 through 5) .....	4
3	<u>1014771</u>	Wheel Rim, White .....	1
4	<u>101737002</u>	Tire, Unmounted .....	1
5	<u>7310</u>	Valve Stem, Black Plastic .....	1
6	<u>101651407</u>	Tire/Wheel Asm, White, Extra-Traction, 6-Ply (includes items 7 through 9) .....	2
7	<u>1014771</u>	Wheel Rim, White .....	1
8	<u>101769302</u>	Tire, Unmounted Xtrac 18 x 8.50-8 .....	1
9	<u>7310</u>	Valve Stem, Black Plastic .....	1
10	<u>101651409</u>	Tire/Wheel Asm, White, Premium Tread, 6.5-inch (includes items 11 through 13) .....	4
11	<u>101884901</u>	Tire, Unmounted, Power Rib 18 x 6.50-8 .....	1
12	<u>101918402</u>	Wheel Rim, White .....	1
13	<u>7310</u>	Valve Stem, Black Plastic .....	1
14	<u>101651414</u>	Tire/Wheel Asm, White, Duro HF 232 (includes items 15 through 17) .....	4
15	<u>1014771</u>	Wheel Rim, White .....	1
16	<u>7310</u>	Valve Stem, Black Plastic .....	1
17	****	Tire, Unmounted, 6-Ply Rated (18.5 x 8.5 - 8) (Duro) .....	1
18	<u>101651416</u>	Tire/Wheel Asm, White, Kenda Premium Tread, 6-Ply (includes items 19 through 21) ...	4
19	N/A	Tire, Unmounted Kenda Premium Tread 6-Ply, Roadmaster K368 .....	1
20	103459102	Wheel Rim Asm, 8"x7", White .....	1
21	<u>7310</u>	Valve Stem, Black Plastic .....	1
**** Special order item available upon request.			

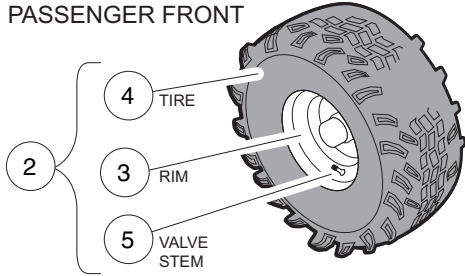
2  
G  
E



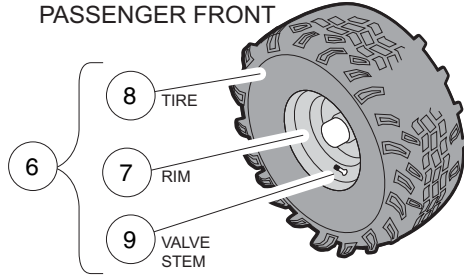
**WHITE RIMS**

**SILVER RIMS**

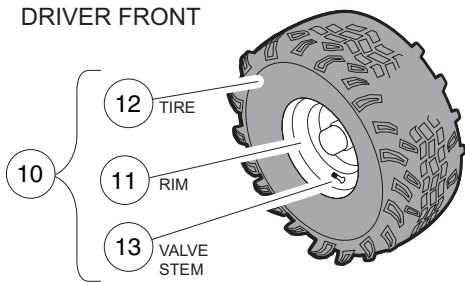
PASSENGER FRONT



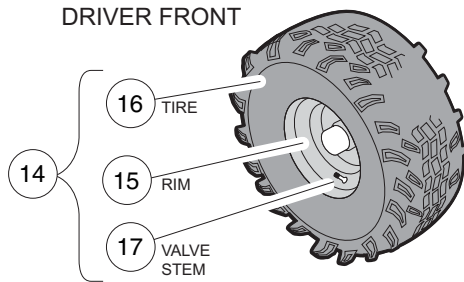
PASSENGER FRONT



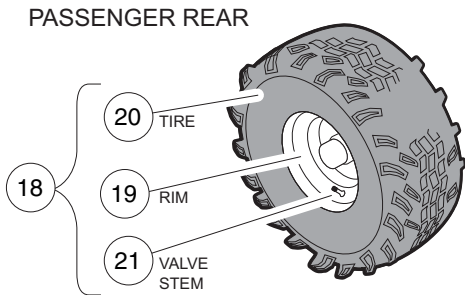
DRIVER FRONT



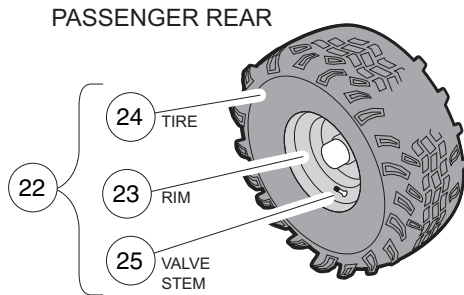
DRIVER FRONT



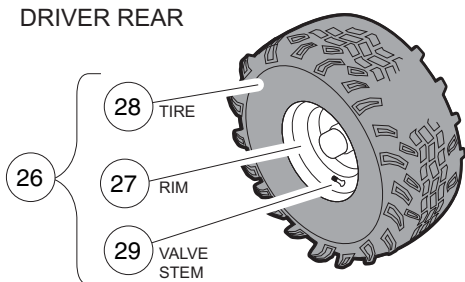
PASSENGER REAR



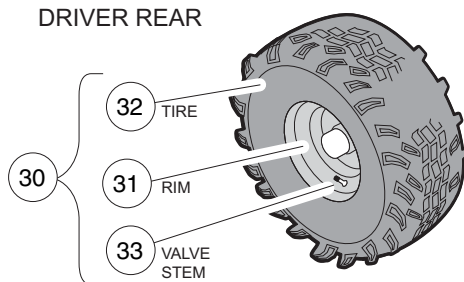
PASSENGER REAR



DRIVER REAR



DRIVER REAR



000269-004

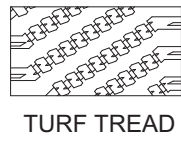
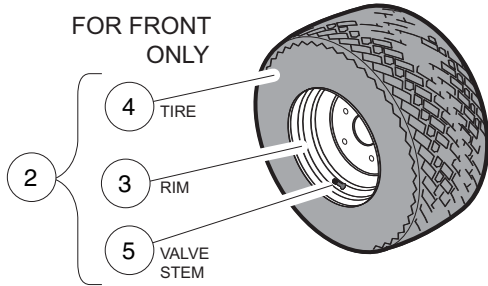
# WHEELS AND TIRES, OFF-ROAD TREAD – TURF/CARRYALL 252 AND XRT 900

ITEM	PART NO.	DESCRIPTION	QTY
		1 2 3 4	
1	<u>1010984</u>	.500-20 Unf Lug Nut .....	16
2	<u>102009201</u>	Off-Road Tire and Wheel Asm, Right, Front (includes items 3 through 5) .....	1
3	N/A	Rim, Wheel, White .....	1
4	N/A	Tire, Unmounted, Duro, Off-Road Tire, 22 x 11-10, 6-Ply Rated .....	1
5	<u>7310</u>	Valve Stem, Black Plastic .....	1
6	<u>102009202</u>	Off-Road Tire and Wheel Asm, Right, Front (includes items 7 through 9) .....	1
7	N/A	Wheel Rim, Silver .....	1
8	N/A	Tire, Unmounted, Duro, Off-Road Tire, 22 x 11-10, 6-Ply Rated .....	1
9	<u>7310</u>	Valve Stem, Black Plastic .....	1
10	<u>102009301</u>	Off-Road Tire and Wheel Asm, Left, Front (includes items 11 through 13) .....	1
11	N/A	Rim, Wheel, White .....	1
12	N/A	Tire, Unmounted, Duro, Off-Road Tire, 22 x 11-10, 6-Ply Rated .....	1
13	<u>7310</u>	Valve Stem, Black Plastic .....	1
14	<u>102009302</u>	Off-Road Tire and Wheel Asm, Left, Front (includes items 15 through 17) .....	1
15	N/A	Wheel Rim, Silver .....	1
16	N/A	Tire, Unmounted, Duro, Off-Road Tire, 22 x 11-10, 6-Ply Rated .....	1
17	<u>7310</u>	Valve Stem, Black Plastic .....	1
18	<u>102009401</u>	Off-Road Tire and Wheel Asm, Right, Rear (includes items 19 through 21) .....	1
19	N/A	Rim, Wheel, White .....	1
20	N/A	Tire, Unmounted, Duro, Off-Road Tire, 22 x 11-10, 6-Ply Rated .....	1
21	<u>7310</u>	Valve Stem, Black Plastic .....	1
22	<u>102009402</u>	Off-Road Tire and Wheel Asm, Right, Rear (includes items 23 through 25) .....	1
23	N/A	Wheel Rim, Silver .....	1
24	N/A	Tire, Unmounted, Duro, Off-Road Tire, 22 x 11-10, 6-Ply Rated .....	1
25	<u>7310</u>	Valve Stem, Black Plastic .....	1
26	<u>102009501</u>	Off-Road Tire and Wheel Asm, Left, Rear (includes items 27 through 29) .....	1
27	N/A	Rim, Wheel, White .....	1
28	N/A	Tire, Unmounted, Duro, Off-Road Tire, 22 x 11-10, 6-Ply Rated .....	1
29	<u>7310</u>	Valve Stem, Black Plastic .....	1
30	<u>102009502</u>	Off-Road Tire and Wheel Asm, Left, Rear (includes items 31 through 33) .....	1
31	N/A	Wheel Rim, Silver .....	1
32	N/A	Tire, Unmounted, Duro, Off-Road Tire, 22 x 11-10, 6-Ply Rated .....	1
33	<u>7310</u>	Valve Stem, Black Plastic .....	1
<p>Note: Front and rear wheels are NOT interchangeable. The rear wheels have a different offset than the front wheels. The rear wheels must be installed with the deeper offset facing out. Off-road tires are directional.</p>			

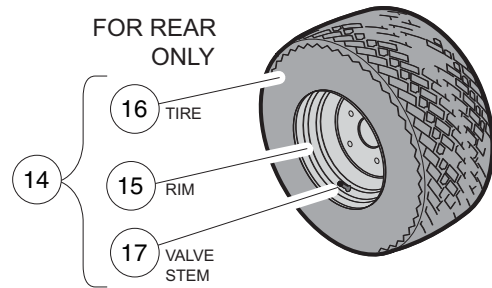
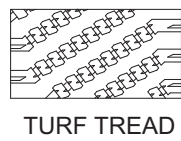
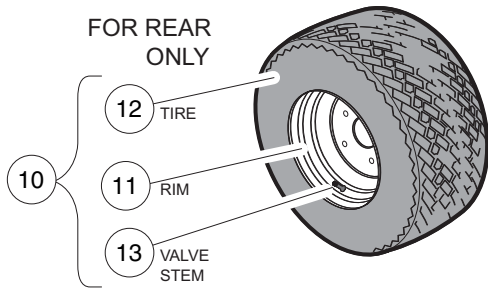
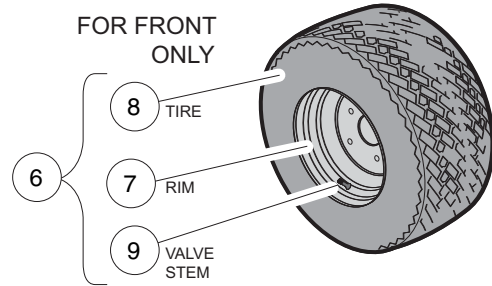
**2**  
**G**  
**E**



**WHITE RIMS**



**SILVER RIMS**



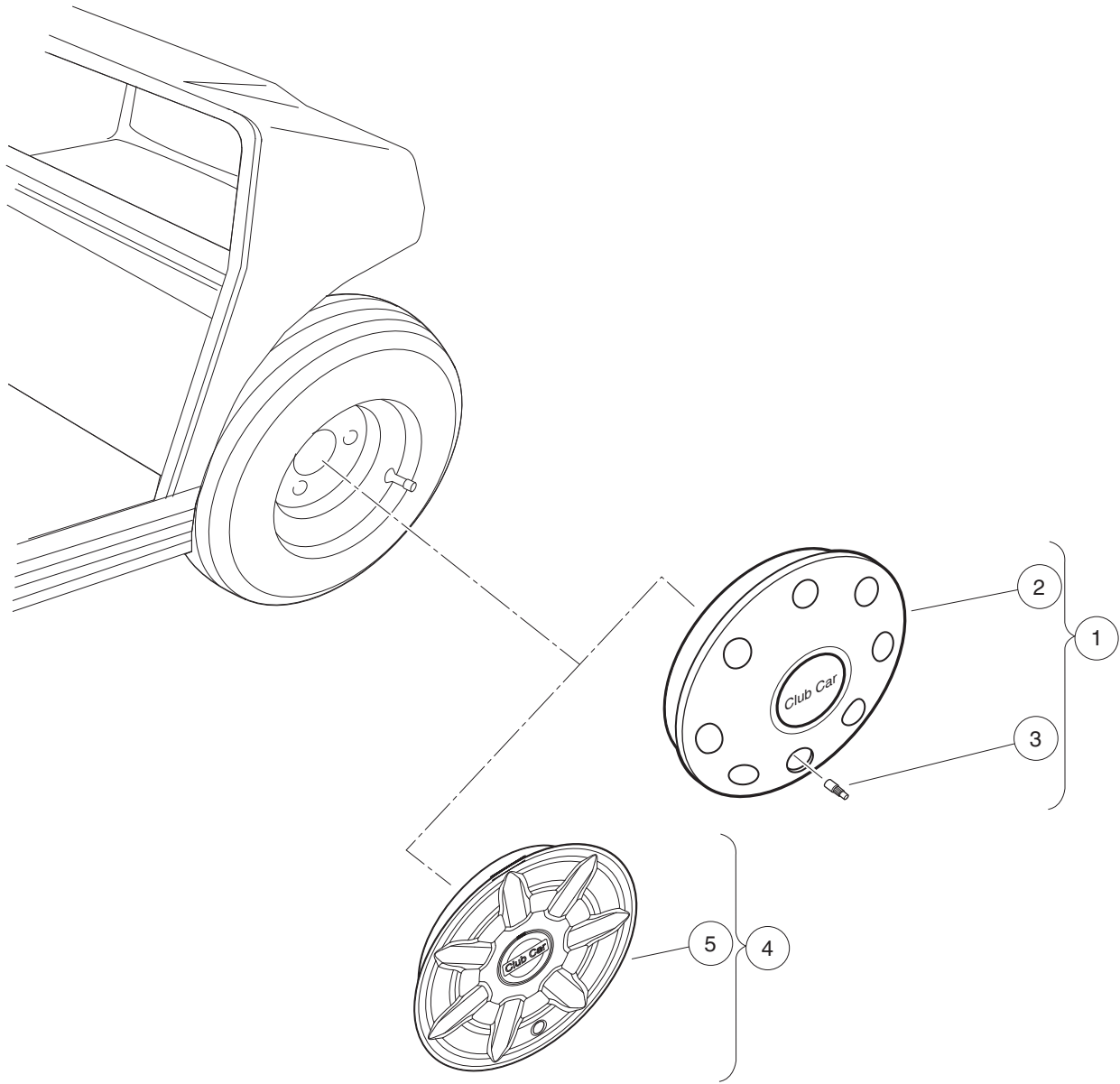
000269-005

# WHEELS AND TIRES, TURF TREAD – TURF/CARRYALL 252 AND XRT 900

ITEM	PART NO.	DESCRIPTION	QTY
		<b>1 2 3 4</b>	
1	<u>1010984</u>	.500-20 Unf Lug Nut .....	16
2	<u>102009901</u>	Turf Tire and Wheel Asm, Front (includes items 3 through 5) .....	2
3	N/A	Rim, Wheel, White .....	1
4	N/A	Tire, Front, Unmounted, Titan Turf Trac, 23 x 10.5-12, 4-Ply Rated .....	1
5	<u>7310</u>	Valve Stem, Black Plastic .....	1
6	<u>102009902</u>	Turf Tire and Wheel Asm, Front (includes items 7 through 9) .....	2
7	N/A	Wheel Rim, Silver .....	1
8	N/A	Tire, Front, Unmounted, Titan Turf Trac, 23 x 10.5-12, 4-Ply Rated .....	1
9	<u>7310</u>	Valve Stem, Black Plastic .....	1
10	<u>102010001</u>	Turf Tire and Wheel Asm, Rear (includes items 11 through 13) .....	2
11	N/A	Rim, Wheel, White .....	1
12	N/A	Tire, Rear, Unmounted, Titan Turf Trac, 23 x 10.5-12, 4-Ply Rated .....	1
13	<u>7310</u>	Valve Stem, Black Plastic .....	1
14	<u>102010002</u>	Turf Tire and Wheel Asm, Rear (includes items 15 through 17) .....	2
15	N/A	Wheel Rim, Silver .....	1
16	N/A	Tire, Rear, Unmounted, Titan Turf Trac, 23 x 10.5-12, 4-Ply Rated .....	1
17	<u>7310</u>	Valve Stem, Black Plastic .....	1

**2**  
**G**  
**E**

**2**  
**G**  
**E**



001203-001



# WHEEL COVERS

ITEM	PART NO.	DESCRIPTION	QTY
		<b>1 2 3 4</b>	
1	<u>1012642</u>	Sport Wheel Cover Kit (each) (includes items 2 and 3) .....	4
2	1012640	Hubcap .....	1
3	<u>1012641</u>	Valve Extension .....	1
4	<u>102559901</u>	Hub Cap Kit, Prec (includes item 5) .....	1
5	<u>103694501</u>	Hub Cap, 7 Prong .....	4

2  
G  
E

**2**

**G**

**E**

# DECALS

---

3

G

E

**⚠ WARNING**

**ROLLOVER OR FALLING OFF MAY CAUSE DEATH.**

- Before using vehicle, read operating instructions.
- Remain seated and hold on to seat handle while moving.
- Do not start vehicle until all occupants are seated.
- Two (2) persons per seat maximum.
- Operate from driver side only and not on public roads.
- Keep entire body inside vehicle while moving.
- Drive slowly in turns and straight up and down slopes.
- Do not leave children unattended on vehicle.
- Never operate under the influence of alcohol or drugs.
- Use brakes to reduce speed when coasting downhill.
- Never stand in front of or behind vehicle.

CCI 103205401

**OPERATING INSTRUCTIONS**

- Read owner's manual and dash-mounted safety warnings prior to driving.
- Study and understand controls.

**TO OPERATE**

- Turn wheels to desired direction and ensure path is clear.
- Turn key to ON position.
- While stopped, place Forward/Reverse switch in desired position: F=Forward N=Neutral R=Reverse (Buzzer will sound)
- Park brake will release and vehicle will start moving when accelerator pedal is pressed.
- Slowly press accelerator pedal to increase speed.
- To stop, release accelerator pedal and press brake pedal.

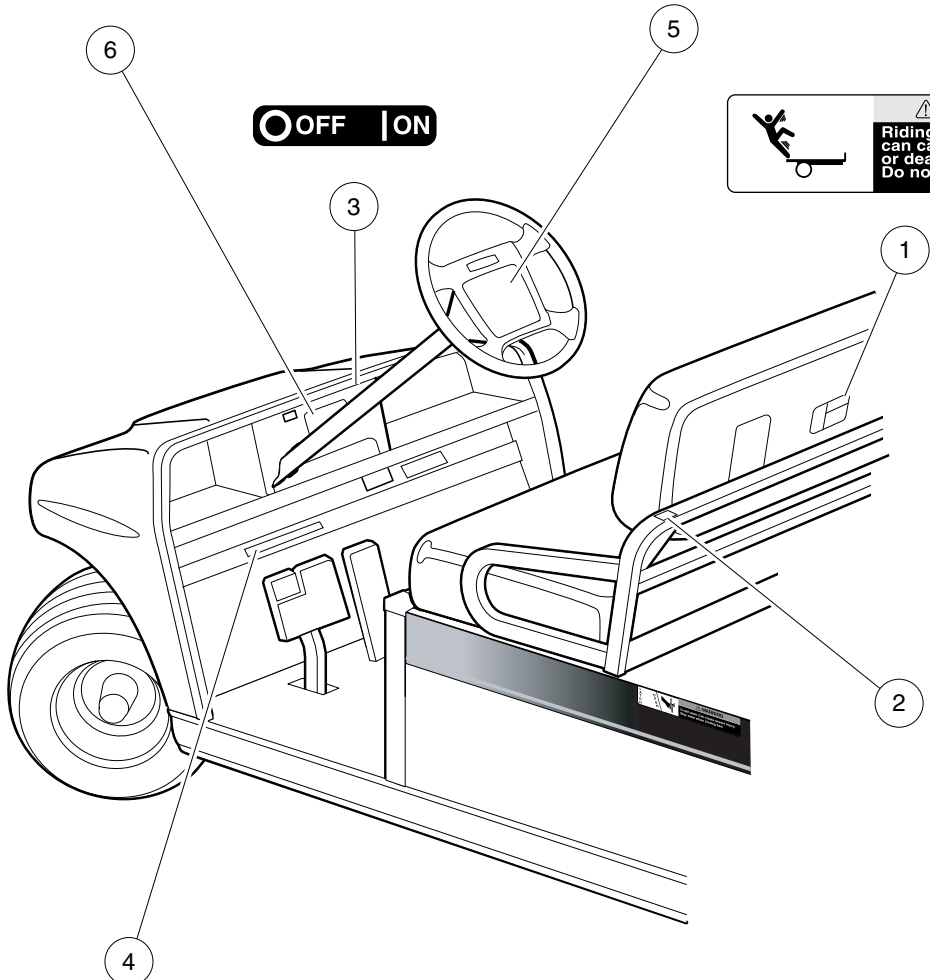
**BEFORE LEAVING**

- Press park brake pedal until it locks and holds vehicle.
- Place Forward/Reverse switch in NEUTRAL position.
- Turn key OFF and remove key when not in use.

**MOTOR BRAKING**

- Electric motor braking provides speed regulation functions.
- For parked vehicle, beeping alarm indicates vehicle roll away.
- In operation, beeping alarm indicates reduction in motor braking.
- Apply brakes to further reduce vehicle speed as required.
- System is activated only when tow switch is in the RUN position.
- When towing this vehicle, tow switch must be in the TOW position.

CCI 102518001



**⚠ WARNING**

**Riding in cargo bed can cause severe injury or death. Do not ride in cargo bed.**

CCI 101553901

**⚠ WARNING**

**CRUSH AREA**

**STAY CLEAR**

CCI 101609401

**VEHICLE LOADING**

Read Owner's Manual and warnings on dash.

- Vehicle rated capacity - 1200 lbs. on level surface only. Weight to include passengers, cargo bed load, and gross trailer weight. See Owner's Manual.
- Maximum cargo load - 800 lbs. Weight to include cargo bed load and gross trailer weight.
- Maximum trailer hitch tongue weight - 150 lbs.
- Cargo should be evenly spread over the floor of the cargo bed as far forward as possible and secured.
- For vehicle stability, when fully loaded, drive slowly and avoid stopping on or backing down steep hills.
- Avoid top heavy loads. See Owner's Manual.
- When driving on uneven terrain or down steep hills, reduce speed and load.

CCI 101960201

000600-001

## DECALS – TURF/CARRYALL 2 IQ PLUS ELECTRIC

ITEM	PART NO.	DESCRIPTION	QTY
		1 2 3 4	
1	<u>101553901</u>	Decal, Bed Load Warning .....	1
2	<u>101609401</u>	Decal, Crush Area Warning .....	2
3	<u>101825101</u>	Decal, Off/On .....	1
4	<u>101960201</u>	Decal, Vehicle Loading .....	1
5	102518001	Decal, Operating Instr, Elec .....	1
6	<u>103205401</u>	Decal, Warning, Rollover, Utl .....	1

3  
G  
E

**⚠ WARNING**  
**AVOID FIRE HAZARD**

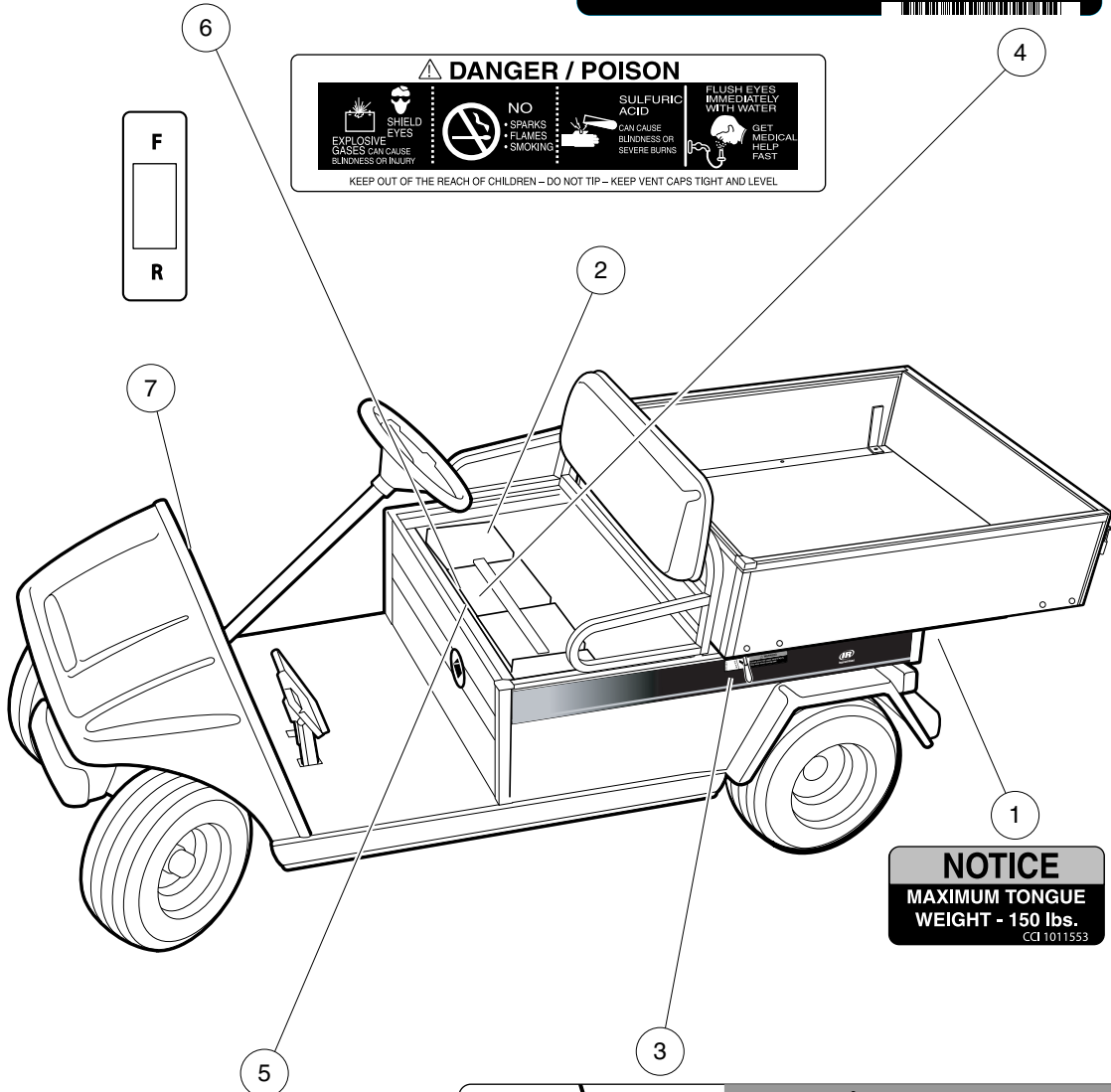
- Replacement battery wires must be 4-gauge (AWG) with low-resistance terminals equivalent to factory-installed wires.
- Ensure that battery connections are clean and properly tightened. See owner's manual.

CCI 102967601

**CAUTION**  
**EXPOSURE TO WATER MAY DAMAGE ELECTRONIC COMPONENTS**

- Do not operate vehicle without this cover properly installed.
- Do not direct water stream in the area of the cover without cover securely in place.
- See vehicle maintenance and service manual before servicing.

CCI 102518301



**⚠ DANGER / POISON**

 <b>EXPLOSIVE</b> GASES CAN CAUSE BLINDNESS OR INJURY	 <b>NO</b> SPARKS FLAMES SMOKING	 <b>SULFURIC ACID</b> CAN CAUSE BLINDNESS OR SEVERE BURNS	 <b>FLUSH EYES</b> IMMEDIATELY WITH WATER  <b>GET MEDICAL</b> HELP FAST
--	--	---	--

KEEP OUT OF THE REACH OF CHILDREN – DO NOT TIP – KEEP VENT CAPS TIGHT AND LEVEL

**NOTICE**  
**MAXIMUM TONGUE WEIGHT - 150 lbs.**

CCI 1011553

**⚠ WARNING**  
**BATTERY EXPLOSION COULD RESULT IN SEVERE PERSONAL INJURY.**

- Do not store items in battery compartment.
- Place Run/Tow switch in TOW position before:
  - Disconnecting or connecting battery cables
  - Towing this vehicle
  - Extended storage
  - Servicing the vehicle

**NORMAL**    **TRIPPED**  
**TOW**    **RUN**

CCI 102845101

**LATCH**    **OPEN**       **⚠ WARNING**  
**Crush area. Can cause severe injury. Stay clear when closing bed.**

000611-001

# DECALS – TURF/CARRYALL 2 IQ PLUS ELECTRIC, CONTINUED

ITEM	PART NO.	DESCRIPTION	QTY
		1 2 3 4	
1	<u>1011553</u>	Decal, Trailer Hitch .....	1
2	<u>1013677</u>	Decal, Battery Danger .....	6
3	<u>102459301</u>	Decal, Bed Crush Area Warning .....	1
4	<u>102518301</u>	Decal, Caution, Electrical Component Cover .....	1
5	<u>102845101</u>	Decal, Tow Switch .....	1
6	<u>102967601</u>	Decal, Warning, 4 Gauge Wire .....	1
7	<u>103210301</u>	Decal, Forward/Reverse, Electric .....	1

3  
G  
E

**WARNING**

**ROLLOVER OR FALLING OFF MAY CAUSE DEATH.**

- Before using vehicle, read operating instructions.
- Remain seated and hold on to seat handle while moving.
- Do not start vehicle until all occupants are seated.
- Two (2) persons per seat maximum.
- Operate from driver side only and not on public roads.
- Keep entire body inside vehicle while moving.
- Drive slowly in turns and straight up and down slopes.
- Do not leave children unattended on vehicle.
- Never operate under the influence of alcohol or drugs.
- Use brakes to reduce speed when coasting downhill.
- Never stand in front of or behind vehicle.

CCI 103205401

**OPERATING INSTRUCTIONS**

- Read owner's manual and dash-mounted safety warnings prior to driving.
- Study and understand controls.

**TO OPERATE**

- Turn wheels to desired direction and ensure path is clear.
- Turn key to ON position.
- While stopped, place Forward/Reverse switch in desired position:  
F—Forward N—Neutral R—Reverse (Buzzer will sound)
- Park brake will release and vehicle will start moving when accelerator pedal is pressed.
- Slowly press accelerator pedal to increase speed.
- To stop, release accelerator pedal and press brake pedal.

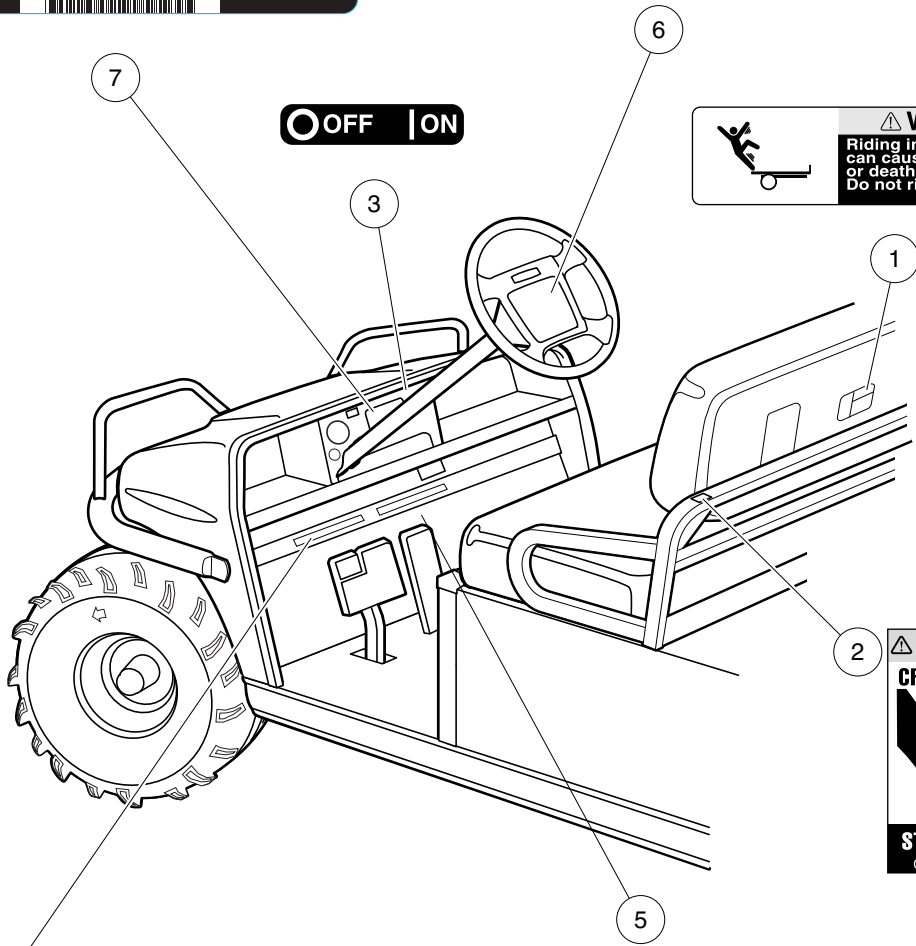
**BEFORE LEAVING**

- Press park brake pedal until it locks and holds vehicle.
- Place Forward/Reverse switch in NEUTRAL position.
- Turn key OFF and remove key when not in use.

**MOTOR BRAKING**

- Electric motor braking provides speed regulation functions.
- For parked vehicle, beeping alarm indicates vehicle roll away.
- In operation, beeping alarm indicates reduction in motor braking.
- Apply brakes to further reduce vehicle speed as required.
- System is activated only when tow switch is in the RUN position.
- When towing this vehicle, tow switch must be in the TOW position.

CCI 102518001



**WARNING**

Riding in cargo bed can cause severe injury or death. Do not ride in cargo bed.

CCI 101553901

**WARNING**

**CRUSH AREA**

**STAY CLEAR**

CCI 101609401

**UNDER 16**

**WARNING**

**YOUNG DRIVERS INCREASE CHANCE OF DEATH**

- Young drivers may not be able to control vehicle.
- No drivers younger than 16 years old.

CCI 102075801

**VEHICLE LOADING**

Read owner's manual and warnings on dash.

- Vehicle rated capacity - 900 lbs. on level surface only. Weight to include passengers, cargo bed load, and gross trailer weight. See Owner's Manual.
- Maximum cargo load - 500 lbs. Weight to include cargo bed load and gross trailer weight.
- Maximum trailer hitch tongue weight - 150 lbs.
- Cargo should be evenly spread over the floor of the cargo bed as far forward as possible and secured.
- For vehicle stability, when fully loaded, drive slowly and avoid stopping on or backing down steep hills.
- Avoid top heavy loads. See Owner's Manual.
- When driving on uneven terrain or down steep hills, reduce speed and load.

CCI 10206701

000612-001



# DECALS – TURF/CARRYALL 252 AND XRT 900 IQ PLUS ELECTRIC

ITEM	PART NO.	DESCRIPTION	QTY
		<b>1 2 3 4</b>	
1	<u>101553901</u>	Decal, Bed Load Warning .....	1
2	<u>101609401</u>	Decal, Crush Area Warning .....	2
3	<u>101825101</u>	Decal, Off/On .....	1
4	<u>102006701</u>	Decal, Vehicle Loading .....	1
5	<u>102075801</u>	Decal, Young Driver Warning .....	1
6	<u>102518001</u>	Decal, Operating Instr, Elec .....	1
7	<u>103205401</u>	Decal, Warning, Rollover, Utl .....	1

**3**  
**G**  
**E**

**⚠ WARNING**  
**AVOID FIRE HAZARD**

- Replacement battery wires must be 4-gauge (AWG) with low-resistance terminals equivalent to factory-installed wires.
- Ensure that battery connections are clean and properly tightened. See owner's manual.

CCI 102967601

**⚠ WARNING**  
**WINCH CABLE FRACTURE COULD RESULT IN SERIOUS INJURY OR DEATH.**

- Do not use winch while persons are seated on the vehicle.
- Use remote operation switch for winch control.
- Stand to the side and away from the vehicle to operate winch.
- Read winch operator manual before operating winch.

102231601

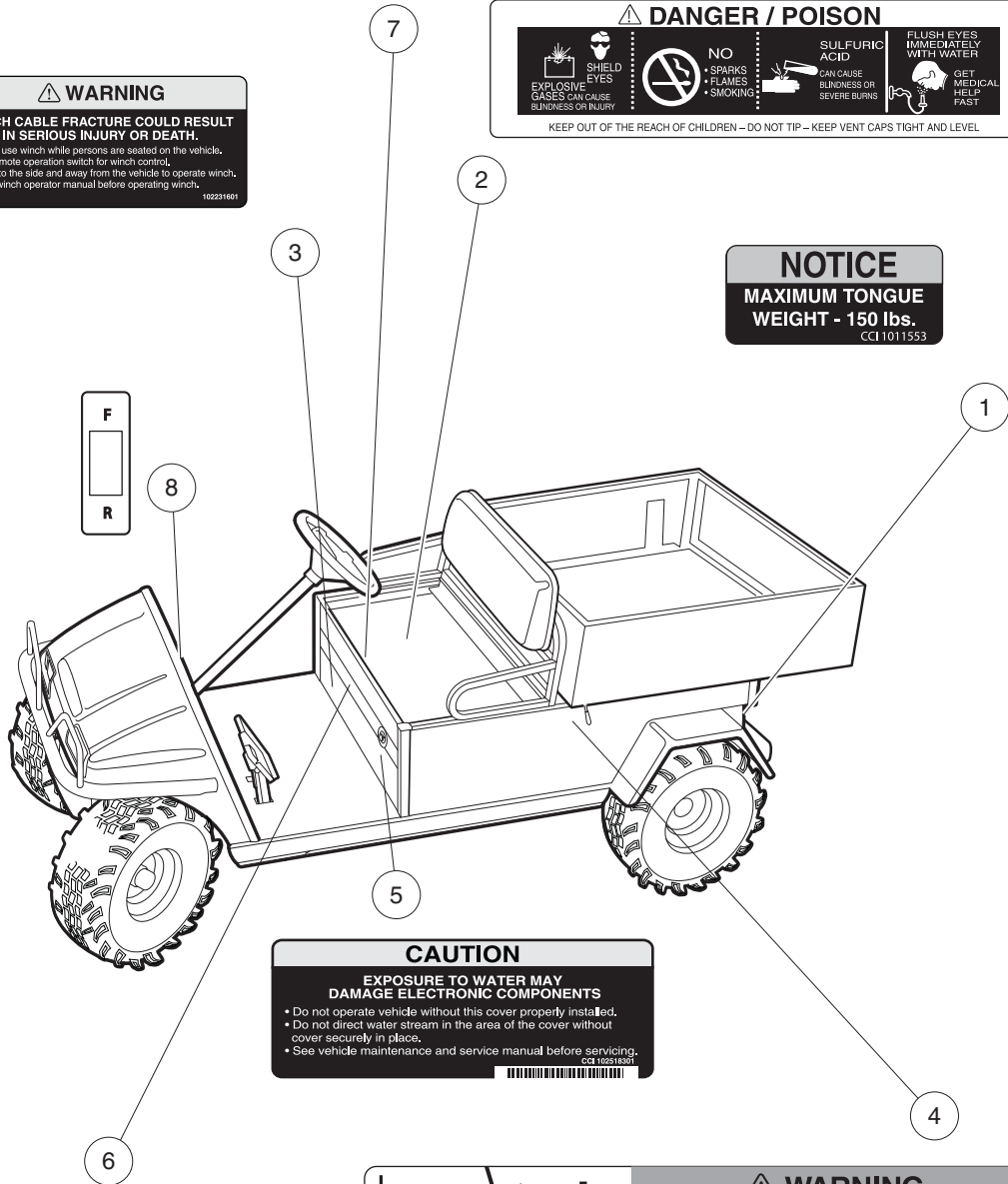
**⚠ DANGER / POISON**

**EXPLOSIVE GASES CAN CAUSE BLINDNESS OR INJURY** | **SHEILD EYES** | **NO SPARKS, FLAMES, SMOKING** | **SULFURIC ACID CAN CAUSE BLINDNESS OR SEVERE BURNS** | **FLUSH EYES IMMEDIATELY WITH WATER** | **GET MEDICAL HELP FAST**

KEEP OUT OF THE REACH OF CHILDREN - DO NOT TIP - KEEP VENT CAPS TIGHT AND LEVEL

**NOTICE**  
**MAXIMUM TONGUE WEIGHT - 150 lbs.**

CCI 1011553



**CAUTION**  
**EXPOSURE TO WATER MAY DAMAGE ELECTRONIC COMPONENTS**

- Do not operate vehicle without this cover properly installed.
- Do not direct water stream in the area of the cover without cover securely in place.
- See vehicle maintenance and service manual before servicing.

CCI 102818061

**⚠ WARNING**  
**BATTERY EXPLOSION COULD RESULT IN SEVERE PERSONAL INJURY.**

- Do not store items in battery compartment.
- Place Run/Tow switch in TOW position before:
  - Disconnecting or connecting battery cables
  - Towing this vehicle
  - Extended storage
  - Servicing the vehicle

**NORMAL** | **TRIPPED**  
**TOW** | **RUN**

CCI 102845101

**LATCH** | **OPEN** | **⚠ WARNING**  
**Crush area. Can cause severe injury. Stay clear when closing bed.**

000613-001

# DECALS – TURF/CARRYALL 252 AND XRT 900 IQ PLUS ELECTRIC, CONTINUED

ITEM	PART NO.	DESCRIPTION	QTY
		1 2 3 4	
1	<u>1011553</u>	Decal, Trailer Hitch .....	1
2	<u>1013677</u>	Decal, Battery Danger .....	6
3	<u>102231601</u>	Decal, Winch Cable Fracture Warning .....	1
4	<u>102459301</u>	Decal, Bed Crush Area Warning .....	1
5	<u>102518301</u>	Decal, Caution, Electrical Component Cover .....	1
6	<u>102845101</u>	Decal, Tow Switch .....	1
7	<u>102967601</u>	Decal, Warning, 4 Gauge Wire .....	1
8	<u>103210301</u>	Decal, Forward/Reverse, Electric .....	1

**3**  
**G**  
**E**

**⚠ WARNING**

**ROLLOVER OR FALLING OFF MAY CAUSE DEATH.**

- Before using vehicle, read operating instructions.
- Remain seated and hold on to seat handle while moving.
- Do not start vehicle until all occupants are seated.
- Two (2) persons per seat maximum.
- Operate from driver side only and not on public roads.
- Keep entire body inside vehicle while moving.
- Drive slowly in turns and straight up and down slopes.
- Do not leave children unattended on vehicle.
- Never operate under the influence of alcohol or drugs.
- Use brakes to reduce speed when coasting downhill.
- Never stand in front of or behind vehicle.

CCI 103205401

**OPERATING INSTRUCTIONS**

- Read owner's manual and safety warnings located on dash panel prior to driving.
- Study and understand controls.

**TO OPERATE**

- Turn wheels to desired direction and ensure path is clear.
- Turn key to ON position.
- While stopped, place shift lever in desired position:

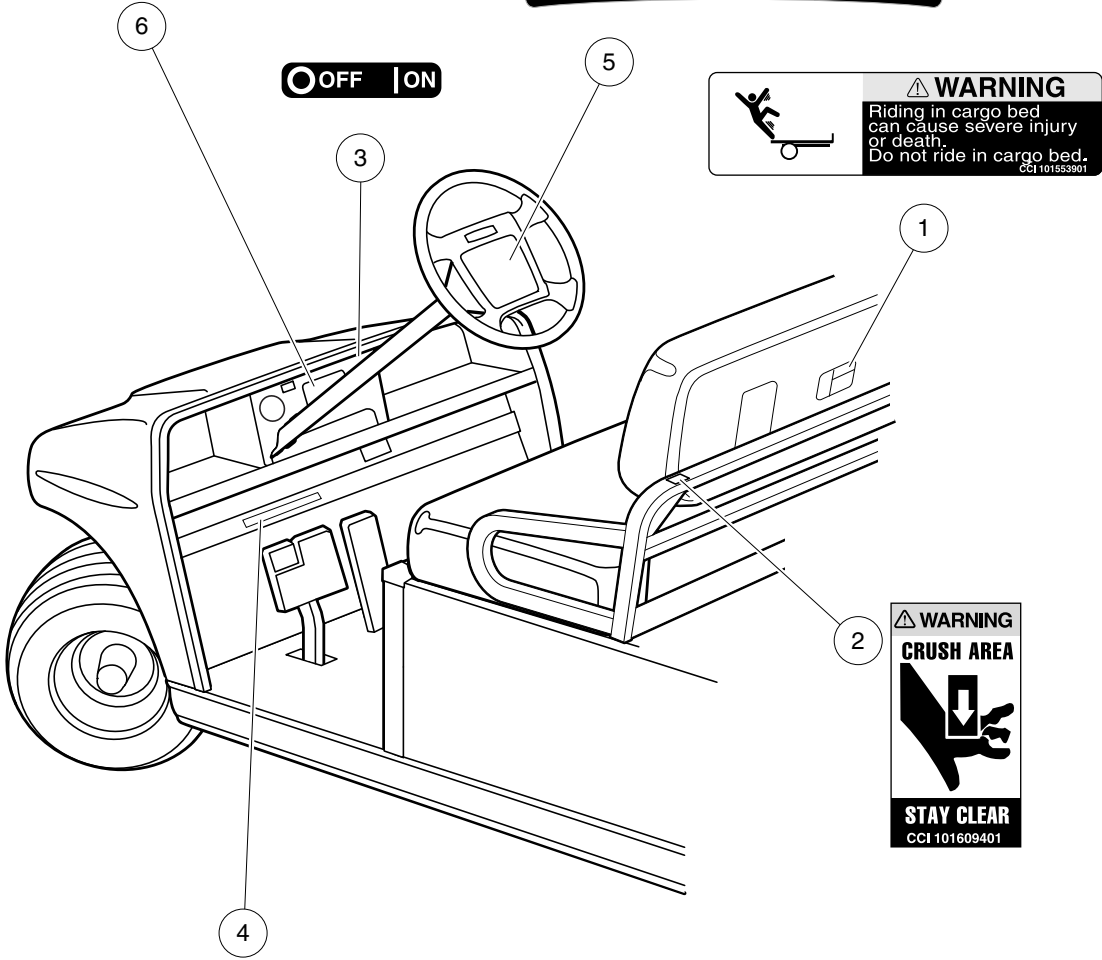
**F**—Forward **N**—Neutral **R**—Reverse (Buzzer will sound)

- Park brake will release and vehicle will start moving when accelerator pedal is pressed.
- Slowly press accelerator pedal to increase speed.
- To stop, release accelerator pedal and press brake pedal.

**BEFORE LEAVING**

- Press park brake pedal until it locks and holds vehicle.
- Place Forward/Reverse switch in NEUTRAL position.
- Turn key OFF and remove key when not in use.

CCI 102519201



**OFF | ON**

**⚠ WARNING**

Riding in cargo bed can cause severe injury or death. Do not ride in cargo bed.

CCI 101553901

**⚠ WARNING**

**CRUSH AREA**

**STAY CLEAR**

CCI 101609401

**VEHICLE LOADING**

Read Owner's Manual and warnings on dash.

- Vehicle rated capacity - 1200 lbs. on level surface only. Weight to include passengers, cargo bed load, and gross trailer weight. See Owner's Manual.
- Maximum cargo load - 800 lbs. Weight to include cargo bed load and gross trailer weight.
- Maximum trailer hitch tongue weight - 150 lbs.

- Cargo should be evenly spread over the floor of the cargo bed as far forward as possible and secured.
- For vehicle stability, when fully loaded, drive slowly and avoid stopping on or backing down steep hills.
- Avoid top heavy loads. See Owner's Manual.
- When driving on uneven terrain or down steep hills, reduce speed and load.

CCI 101960201

000616-001

## DECALS – TURF/CARRYALL 2 GASOLINE VEHICLES

ITEM	PART NO.	DESCRIPTION	QTY
		1 2 3 4	
1	<u>101553901</u>	Decal, Bed Load Warning .....	1
2	<u>101609401</u>	Decal, Crush Area Warning .....	2
3	<u>101825101</u>	Decal, Off/On .....	1
4	<u>101960201</u>	Decal, Vehicle Loading .....	1
5	<u>102519201</u>	Decal, Operating Instr, Gas .....	1
6	<u>103205401</u>	Decal, Warning, Rollover, Utl .....	1

3  
G  
E

**WARNING**

**GASOLINE EXPLOSION / FIRE.**

- Can cause severe injury or death.
- No smoking, sparks, or open flame.
- Stop engine, allow to cool before refueling.
- Turn fuel valve (←) on during operation. (→) off during storage or transport.

CCI 101547601

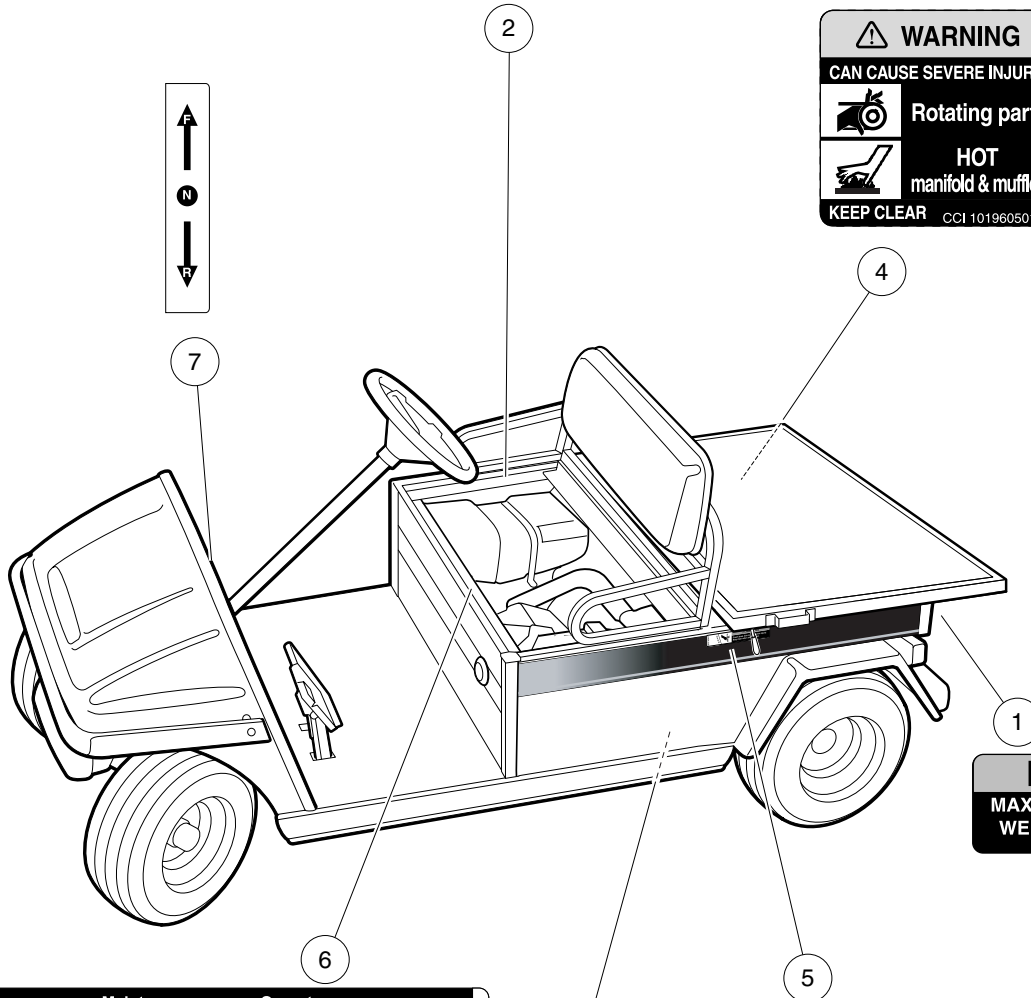
**WARNING**

**CAN CAUSE SEVERE INJURY**

**Rotating parts**

**HOT manifold & muffler**

**KEEP CLEAR** CCI 101960501



**NOTICE**

**MAXIMUM TONGUE WEIGHT - 150 lbs.**

CCI 1011553

Maintenance Operate

**WARNING**

**VEHICLE MOVEMENT MAY CAUSE SERIOUS INJURY**

When switch is in Maintenance position, chock wheels and firmly set park brake.

CCI 103205501

**LATCH** **OPEN**

**WARNING**

**Crush area. Can cause severe injury. Stay clear when closing bed.**

**WARNING**

Negative frame ground. Can cause severe injury. Do not contact positive (+) battery post or cable to frame. Disconnect negative battery lead first.

**WARNING**

Excessive speed. Can cause severe injury or death. Do not tamper with engine governor adjustment.

CCI 101915201

000617-001

# DECALS – TURF/CARRYALL 2 GASOLINE VEHICLES, CONTINUED

ITEM	PART NO.	DESCRIPTION	QTY
		<b>1 2 3 4</b>	
1	<u>1011553</u>	Decal, Trailer Hitch .....	1
2	<u>101547601</u>	Decal, Gasoline Explosion/Fire Warning .....	1
3	<u>101915201</u>	Decal, Frame Ground and Governor Warning .....	1
4	<u>101960501</u>	Decal, Rotating Parts/Hot Manifold .....	1
5	<u>102459301</u>	Decal, Bed Crush Area Warning .....	1
6	<u>103205501</u>	Decal, Run/Service Switch .....	1
7	<u>103210201</u>	Decal, Forward/Reverse, Gas .....	1

**3**  
**G**  
**E**

**3  
G  
E**

**⚠ WARNING**

**ROLLOVER OR FALLING OFF MAY CAUSE DEATH.**

- Before using vehicle, read operating instructions.
- Remain seated and hold on to seat handle while moving.
- Do not start vehicle until all occupants are seated.
- Two (2) persons per seat maximum.
- Operate from driver side only and not on public roads.
- Keep entire body inside vehicle while moving.
- Drive slowly in turns and straight up and down slopes.
- Do not leave children unattended on vehicle.
- Never operate under the influence of alcohol or drugs.
- Use brakes to reduce speed when coasting downhill.
- Never stand in front of or behind vehicle.

CCI 103205401

**OPERATING INSTRUCTIONS**

- Read Owner's Manual and safety warnings located on dash panel prior to driving.
- Study and understand controls.

**TO START ENGINE**

- Place shift lever in "N" - Neutral position.
- Depress brake pedal.
- Turn key switch to "START" position and release.

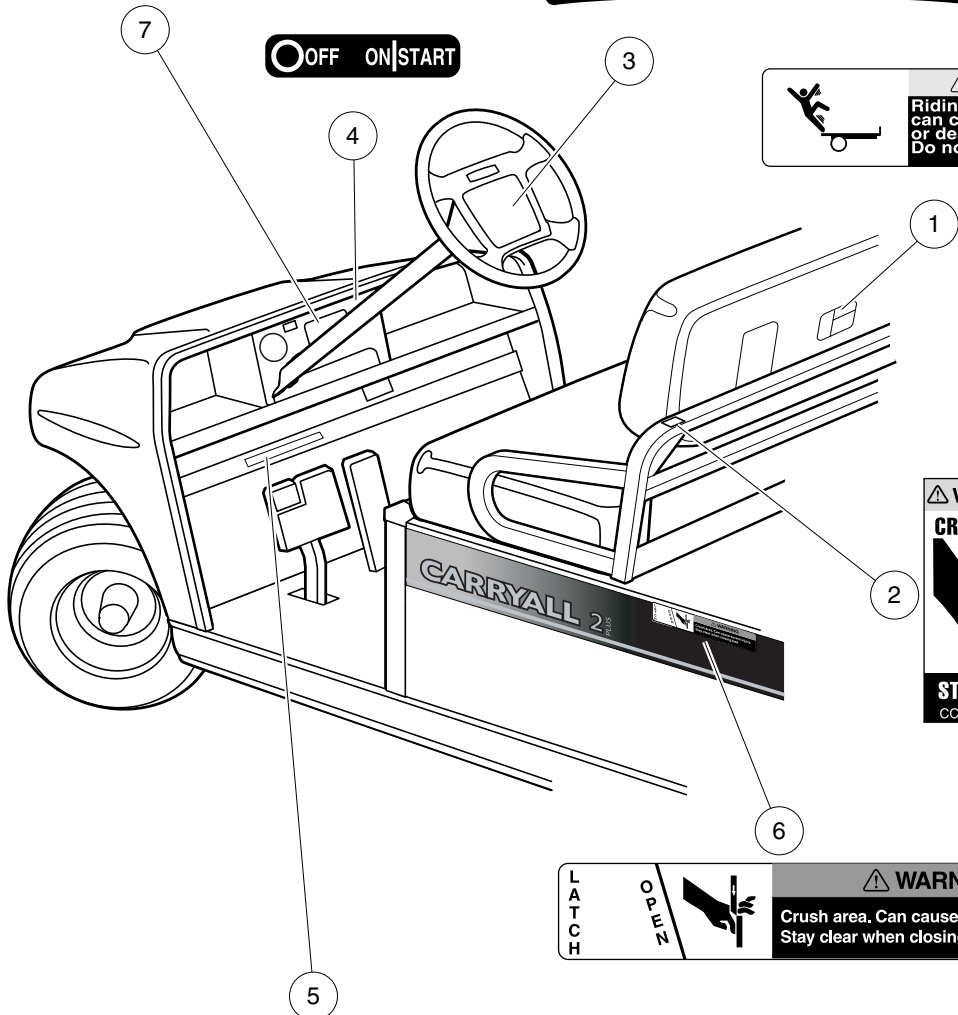
**TO OPERATE VEHICLE**

- Make sure wheels are turned in desired direction.
- Be sure nothing is in your path.
- While vehicle is stopped, and engine is at idle, select vehicle direction by placing shift lever or switch in desired position.
- F - Forward N - Neutral R - Reverse (Buzzer will sound)
- Park brake will release when accelerator pedal is pushed.
- Slowly push accelerator pedal to increase speed.
- Engine must be at idle before moving shift lever.

**TO STOP VEHICLE**

- Release accelerator pedal and push brake pedal.
- After stopping, firmly push park brake until it locks.
- Turn key to "OFF" position, remove key and place shift lever in straight up neutral position when not in use.

CCI 101693201



**OFF ON|START**

**⚠ WARNING**

**Riding in cargo bed can cause severe injury or death. Do not ride in cargo bed.**

CCI 101553901

**⚠ WARNING**

**CRUSH AREA**

**STAY CLEAR**

CCI 101609401

**LATCH OPEN**

**⚠ WARNING**

**Crush area. Can cause severe injury. Stay clear when closing bed.**

**VEHICLE LOADING**

Read Owner's Manual and warnings on dash.

- Vehicle rated capacity - 1200 lbs. on level surface only. Weight to include passengers, cargo bed load, and gross trailer weight. See Owner's Manual.
- Maximum cargo load - 800 lbs. Weight to include cargo bed load and gross trailer weight.
- Maximum trailer hitch tongue weight - 150 lbs.

- Cargo should be evenly spread over the floor of the cargo bed as far forward as possible and secured.
- For vehicle stability, when fully loaded, drive slowly and avoid stopping on or backing down steep hills.
- Avoid top heavy loads. See Owner's Manual.
- When driving on uneven terrain or down steep hills, reduce speed and load.

CCI 101960201

000618-001



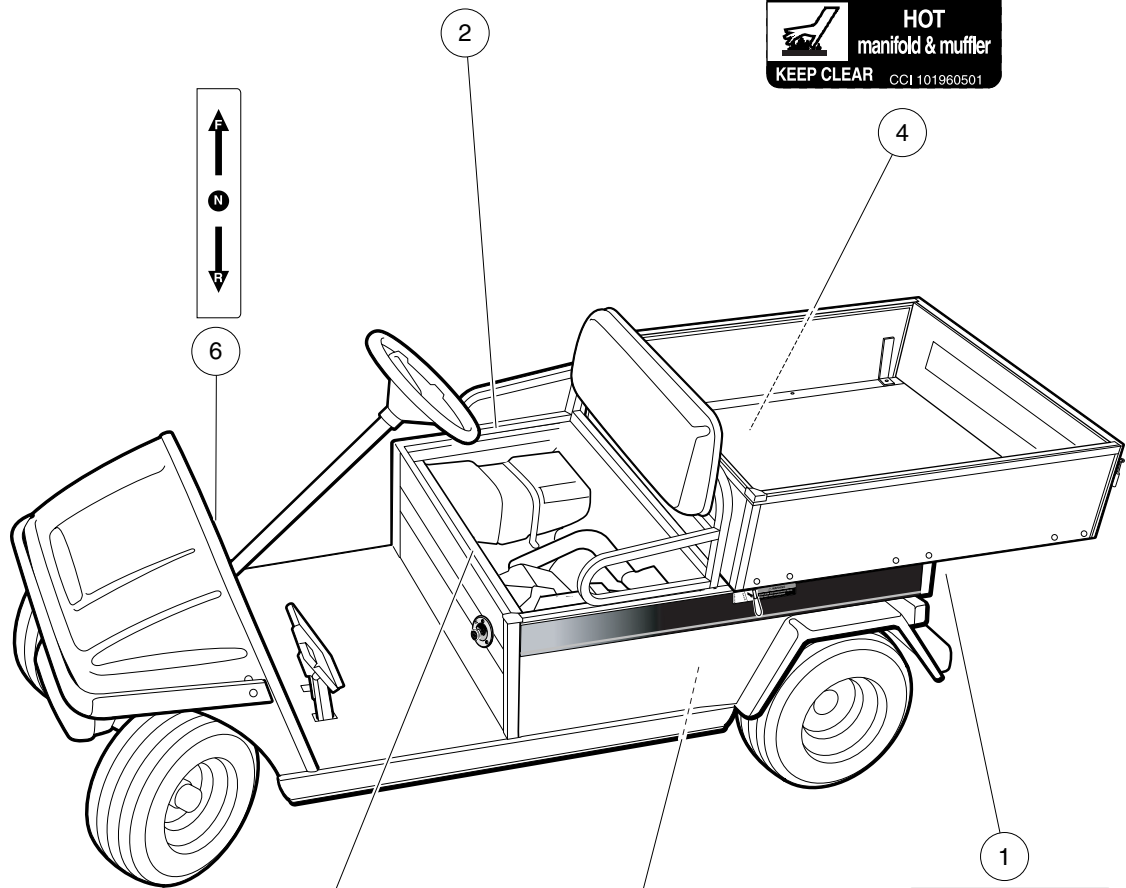
## DECALS – CARRYALL 2 PLUS GASOLINE VEHICLES

ITEM	PART NO.	DESCRIPTION	QTY
		1 2 3 4	
1	<u>101553901</u>	Decal, Bed Load Warning .....	1
2	<u>101609401</u>	Decal, Crush Area Warning .....	2
3	<u>101693201</u>	Decal, Operating Instructions, Key-Start .....	1
4	<u>101825102</u>	Decal, Off/On/Start .....	1
5	<u>101960201</u>	Decal, Vehicle Loading .....	1
6	<u>102459301</u>	Decal, Bed Crush Area Warning .....	1
7	<u>103205401</u>	Decal, Warning, Rollover, Utl .....	1

3  
G  
E

**⚠ WARNING**  
**GASOLINE EXPLOSION / FIRE.**  
 • Can cause severe injury or death.  
 • No smoking, sparks, or open flame.  
 • Stop engine, allow to cool before refueling.  
 • Turn fuel valve (↔) on during operation.  
 (←) off during storage or transport.  
 CCI 101547601


**⚠ WARNING**  
**CAN CAUSE SEVERE INJURY**  
 **Rotating parts**  
 **HOT manifold & muffler**  
**KEEP CLEAR** CCI 101960501



**NOTICE**  
**MAXIMUM TONGUE WEIGHT - 150 lbs.**  
 CCI 1011553

Maintenance Operate  
**⚠ WARNING**  
**VEHICLE MOVEMENT MAY CAUSE SERIOUS INJURY**  
 When switch is in Maintenance position, chock wheels and firmly set park brake.  
 CCI 103205501

3

	<p><b>⚠ WARNING</b>                  Negative frame ground. Can cause severe injury. Do not contact positive (+) battery post or cable to frame. Disconnect negative battery lead first.</p>		<p><b>⚠ WARNING</b>                  Excessive speed. Can cause severe injury or death. Do not tamper with engine governor adjustment.                  CCI 101915201</p>
---	--	---	---

000619-001

# DECALS – CARRYALL 2 PLUS GASOLINE VEHICLES, CONTINUED

ITEM	PART NO.	DESCRIPTION	QTY
		<b>1 2 3 4</b>	
1	<u>1011553</u>	Decal, Trailer Hitch .....	1
2	<u>101547601</u>	Decal, Gasoline Explosion/Fire Warning .....	1
3	<u>101915201</u>	Decal, Frame Ground and Governor Warning .....	1
4	<u>101960501</u>	Decal, Rotating Parts/Hot Manifold .....	1
5	<u>103205501</u>	Decal, Run/Service Switch .....	1
6	<u>103210201</u>	Decal, Forward/Reverse, Gas .....	1

**3**  
**G**  
**E**

**WARNING**

**ROLLOVER OR FALLING OFF MAY CAUSE DEATH.**

- Before using vehicle, read operating instructions.
- Remain seated and hold on to seat handle while moving.
- Do not start vehicle until all occupants are seated.
- Two (2) persons per seat maximum.
- Operate from driver side only and not on public roads.
- Keep entire body inside vehicle while moving.
- Drive slowly in turns and straight up and down slopes.
- Do not leave children unattended on vehicle.
- Never operate under the influence of alcohol or drugs.
- Use brakes to reduce speed when coasting downhill.
- Never stand in front of or behind vehicle.

CCI 103205401

**OPERATING INSTRUCTIONS**

- Read owner's manual and safety warnings located on dash panel prior to driving.
- Study and understand controls.

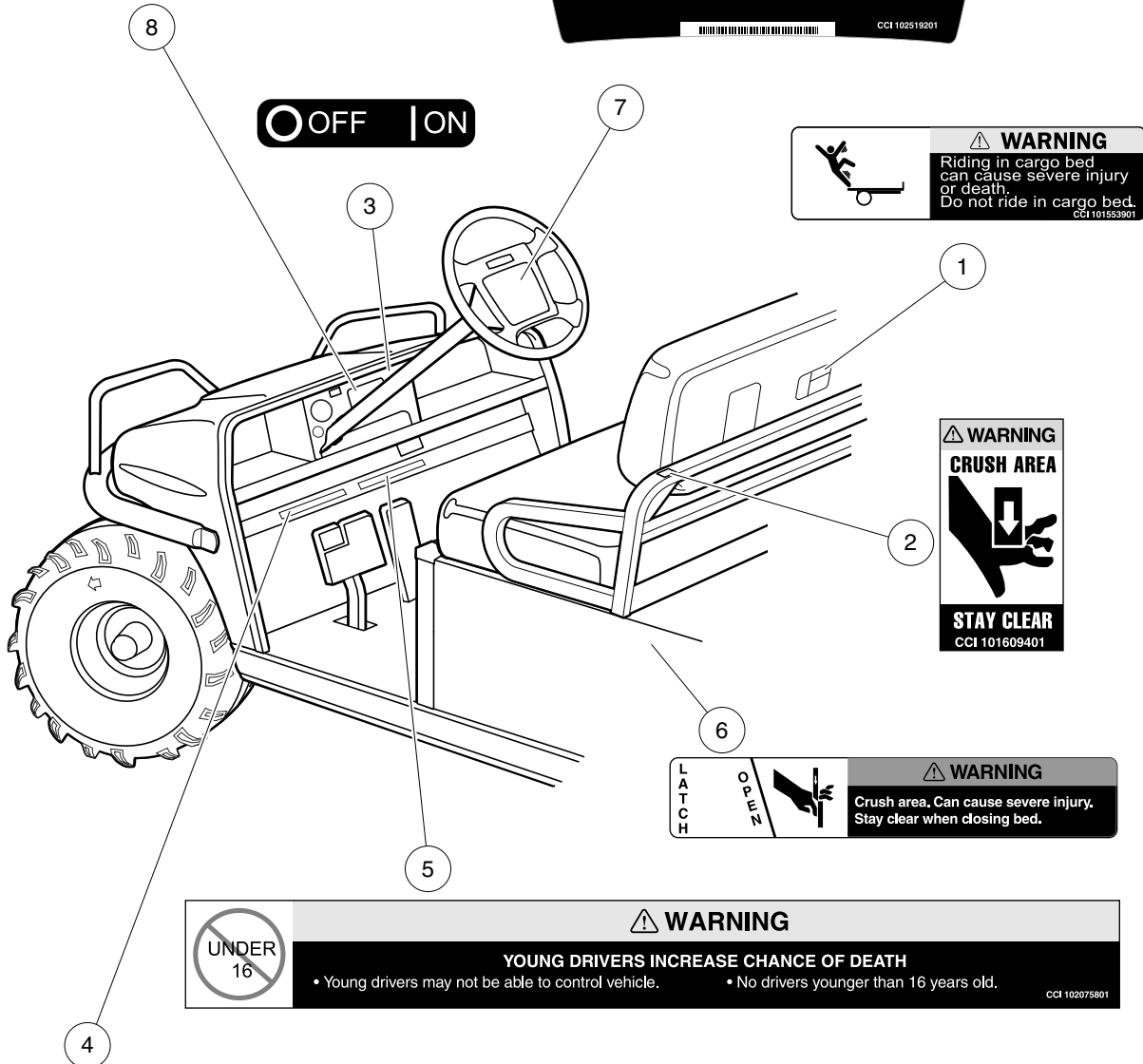
**TO OPERATE**

- Turn wheels to desired direction and ensure path is clear.
- Turn key to ON position.
- While stopped, place shift lever in desired position:  
F—Forward N—Neutral R—Reverse (Buzzer will sound)
- Park brake will release and vehicle will start moving when accelerator pedal is pressed.
- Slowly press accelerator pedal to increase speed.
- To stop, release accelerator pedal and press brake pedal.

**BEFORE LEAVING**

- Press park brake pedal until it locks and holds vehicle.
- Place Forward/Reverse switch in NEUTRAL position.
- Turn key OFF and remove key when not in use.

CCI 102519201



**WARNING**

Riding in cargo bed can cause severe injury or death. Do not ride in cargo bed.

CCI 101553901

**WARNING**

**CRUSH AREA**

**STAY CLEAR**

CCI 101609401

**WARNING**

Crush area. Can cause severe injury. Stay clear when closing bed.

**WARNING**

**YOUNG DRIVERS INCREASE CHANCE OF DEATH**

- Young drivers may not be able to control vehicle.
- No drivers younger than 16 years old.

CCI 102075801

**VEHICLE LOADING**

Read owner's manual and warnings on dash.

- Vehicle rated capacity - 900 lbs. on level surface only. Weight to include passengers, cargo bed load, and gross trailer weight. See Owner's Manual.
- Maximum cargo load - 500 lbs. Weight to include cargo bed load and gross trailer weight.
- Maximum trailer hitch tongue weight - 150 lbs.

- Cargo should be evenly spread over the floor of the cargo bed as far forward as possible and secured.
- For vehicle stability, when fully loaded, drive slowly and avoid stopping on or backing down steep hills.
- Avoid top heavy loads. See Owner's Manual.
- When driving on uneven terrain or down steep hills, reduce speed and load.

CCI 102006701

000620-001

## DECALS – TURF/CARRYALL 252 GASOLINE VEHICLES

ITEM	PART NO.	DESCRIPTION	QTY
		1 2 3 4	
1	<u>101553901</u>	Decal, Bed Load Warning .....	1
2	<u>101609401</u>	Decal, Crush Area Warning .....	2
3	<u>101825101</u>	Decal, Off/On .....	1
4	<u>102006701</u>	Decal, Vehicle Loading .....	1
5	<u>102075801</u>	Decal, Young Driver Warning .....	1
6	<u>102459301</u>	Decal, Bed Crush Area Warning .....	1
7	<u>102519201</u>	Decal, Operating Instr, Gas .....	1
8	<u>103205401</u>	Decal, Warning, Rollover, Utl .....	1

**3**  
**G**  
**E**

**⚠ WARNING**  
**GASOLINE EXPLOSION / FIRE.**

- Can cause severe injury or death.
- No smoking, sparks, or open flame.
- Stop engine, allow to cool before refueling.
- Turn fuel valve (←) on during operation, (→) off during storage or transport.

CCI 101547601

Maintenance Operate

**⚠ WARNING**

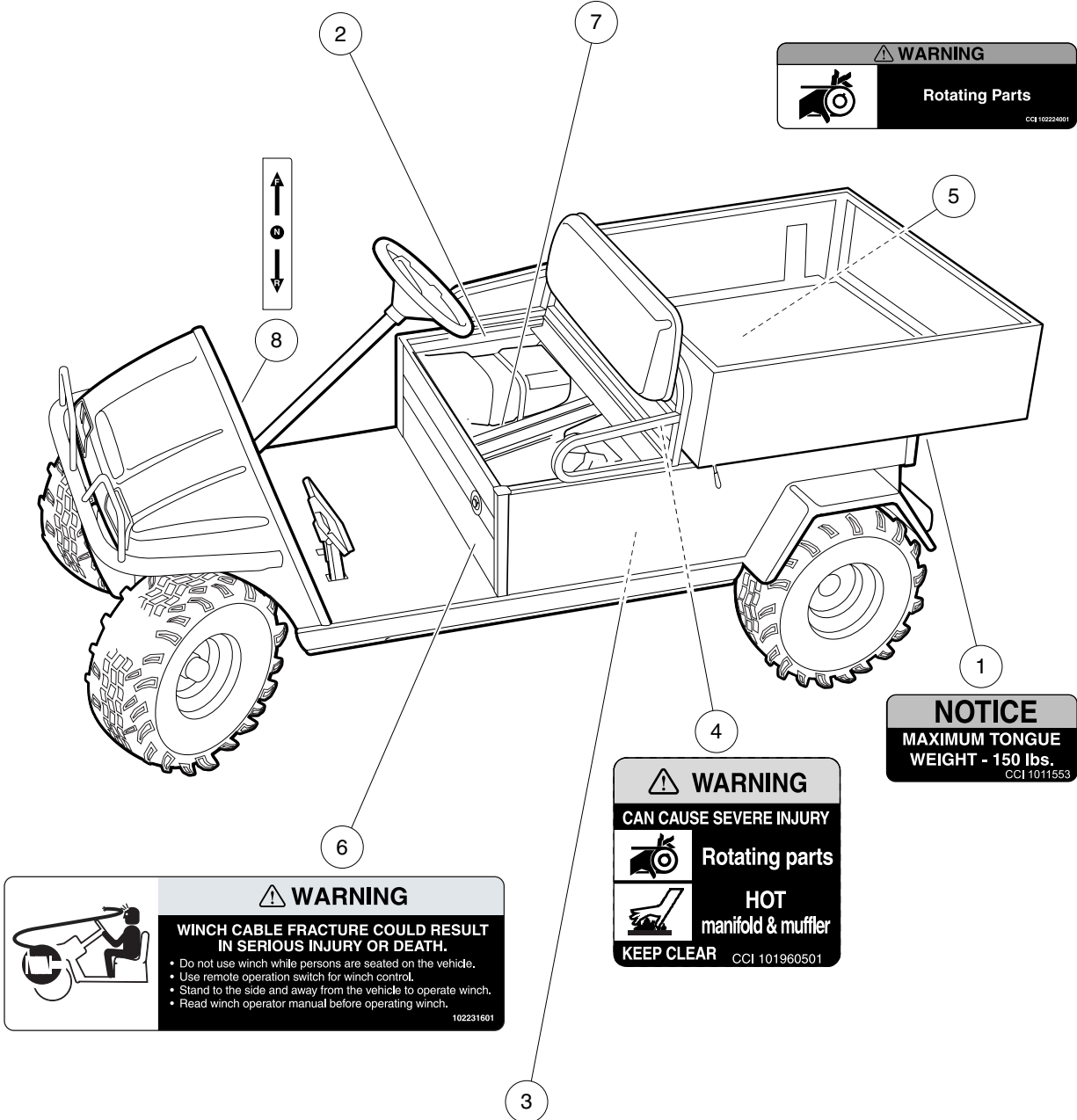
**VEHICLE MOVEMENT MAY CAUSE SERIOUS INJURY**  
When switch is in Maintenance position, chock wheels and firmly set park brake.

CCI 103205001

**⚠ WARNING**

**Rotating Parts**

CCI 10224001



**NOTICE**  
**MAXIMUM TONGUE WEIGHT - 150 lbs.**  
CCI 1011553

**⚠ WARNING**  
**CAN CAUSE SEVERE INJURY**

**Rotating parts**

**HOT**  
manifold & muffler

**KEEP CLEAR** CCI 101960501

**⚠ WARNING**

**WINCH CABLE FRACTURE COULD RESULT IN SERIOUS INJURY OR DEATH.**

- Do not use winch while persons are seated on the vehicle.
- Use remote operation switch for winch control.
- Stand to the side and away from the vehicle to operate winch.
- Read winch operator manual before operating winch.

102231601

**⚠ WARNING**

**Negative frame ground. Can cause severe injury. Do not contact positive (+) battery post or cable to frame. Disconnect negative battery cable first.**

**⚠ WARNING**

**Excessive speed can cause severe injury or death. Do not tamper with engine governor adjustment.**

CCI 101915201

000621-001

# DECALS – TURF/CARRYALL 252 GASOLINE VEHICLES, CONTINUED

ITEM	PART NO.	DESCRIPTION	QTY
		1 2 3 4	
1	<u>1011553</u>	Decal, Trailer Hitch .....	1
2	<u>101547601</u>	Decal, Gasoline Explosion/Fire Warning .....	1
3	<u>101915201</u>	Decal, Frame Ground and Governor Warning .....	1
4	<u>101960501</u>	Decal, Rotating Parts/Hot Manifold .....	1
5	<u>102224001</u>	Decal, Rotating Parts Warning .....	1
6	<u>102231601</u>	Decal, Winch Cable Fracture Warning .....	1
7	<u>103205501</u>	Decal, Run/Service Switch .....	1
8	<u>103210201</u>	Decal, Forward/Reverse, Gas .....	1

**3**  
**G**  
**E**

**⚠ WARNING**  
**ROLLOVER OR FALLING OFF MAY CAUSE DEATH.**

- Before using vehicle, read operating instructions.
- Remain seated and hold on to seat handle while moving.
- Do not start vehicle until all occupants are seated.
- Two (2) persons per seat maximum.
- Operate from driver side only and not on public roads.
- Keep entire body inside vehicle while moving.
- Drive slowly in turns and straight up and down slopes.
- Do not leave children unattended on vehicle.
- Never operate under the influence of alcohol or drugs.
- Use brakes to reduce speed when coasting downhill.
- Never stand in front of or behind vehicle.

CCI 1019606-01

**OPERATING INSTRUCTIONS**

- Read Owner's Manual and safety warnings located on dash panel prior to driving.
- Study and understand controls.

**TO START ENGINE**

- Place shift lever in "N"—Neutral position.
- Depress brake pedal.
- Turn key switch to "START" position and release.

**TO OPERATE VEHICLE**

- Make sure wheels are turned in desired direction.
- Be sure nothing is in your path.

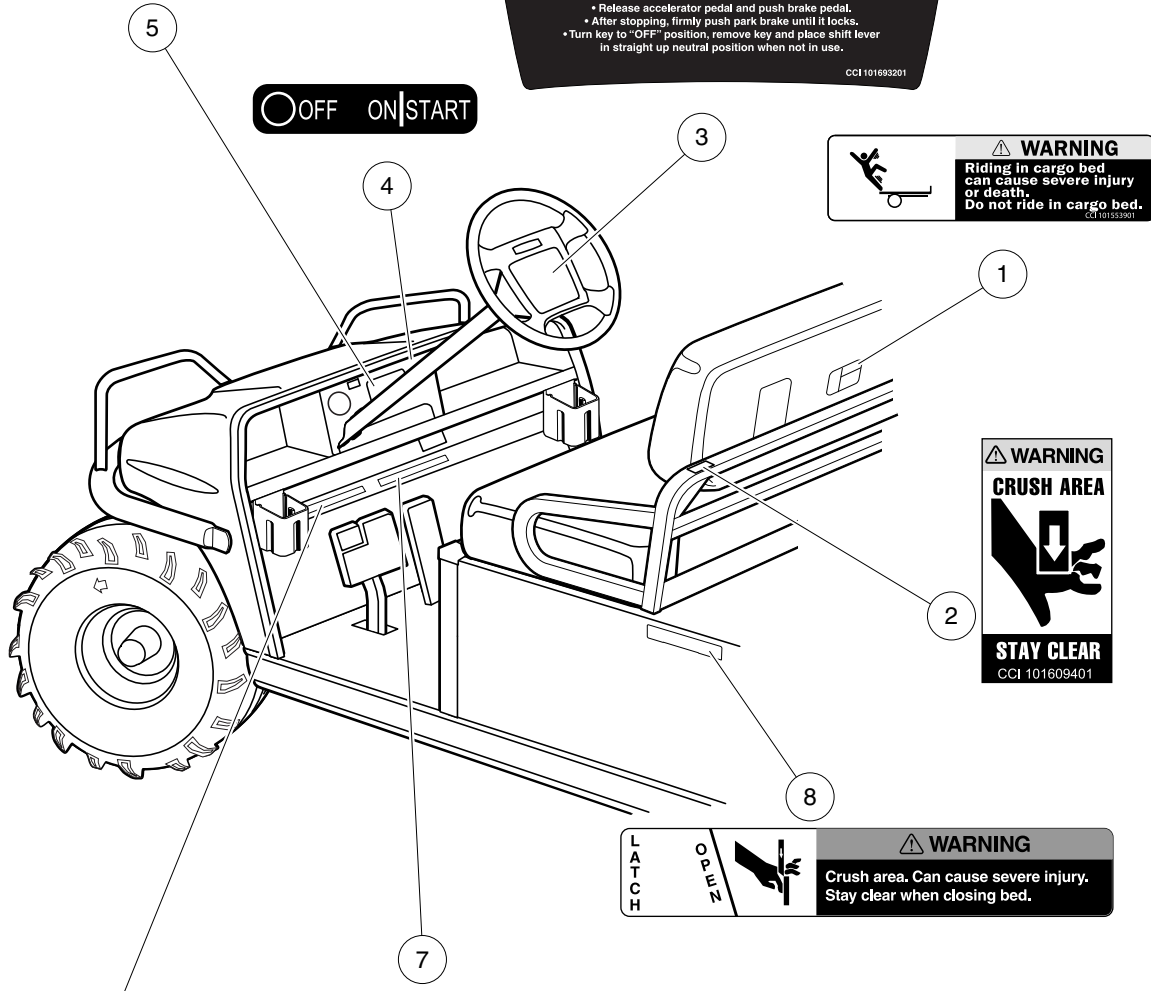
• While vehicle is stopped, and engine is at idle, select vehicle direction by placing shift lever or switch in desired position.  
 F—Forward N—Neutral R—Reverse (Buzzer will sound)

- Park brake will release when accelerator pedal is pushed.
- Slowly push accelerator pedal to increase speed.
- Engine must be at idle before moving shift lever.

**TO STOP VEHICLE**

- Release accelerator pedal and push brake pedal.
- After stopping, firmly push park brake until it locks.
- Turn key to "OFF" position, remove key and place shift lever in straight up neutral position when not in use.

CCI 101693201



**⚠ WARNING**  
 Riding in cargo bed can cause severe injury or death. Do not ride in cargo bed.  
 CCI 101553901

**⚠ WARNING**  
**CRUSH AREA**  
**STAY CLEAR**  
 CCI 101609401

**⚠ WARNING**  
 Crush area. Can cause severe injury. Stay clear when closing bed.  
 LATCH

**⚠ WARNING**  
**YOUNG DRIVERS INCREASE CHANCE OF DEATH**

**UNDER 16**

- Young drivers may not be able to control vehicle.
- No drivers younger than 16 years old.

CCI 102075801

**VEHICLE LOADING**  
 Read owner's manual and warnings on dash.

- Vehicle rated capacity - 900 lbs. on level surface only. Weight to include passengers, cargo bed load, and gross trailer weight. See Owner's Manual.
- Maximum cargo load - 500 lbs. Weight to include cargo bed load and gross trailer weight.
- Maximum trailer hitch tongue weight - 150 lbs.
- Cargo should be evenly spread over the floor of the cargo bed as far forward as possible and secured.
- For vehicle stability, when fully loaded, drive slowly and avoid stopping on or backing down steep hills.
- Avoid top heavy loads. See Owner's Manual.
- When driving on uneven terrain or down steep hills, reduce speed and load.

CCI 102006701

000622-001



## DECALS – XRT 900 GASOLINE VEHICLES

ITEM	PART NO.	DESCRIPTION	QTY
		1 2 3 4	
1	<u>101553901</u>	Decal, Bed Load Warning .....	1
2	<u>101609401</u>	Decal, Crush Area Warning .....	1
3	<u>101693201</u>	Decal, Operating Instructions, Key-Start .....	1
4	<u>101825102</u>	Decal, Off/On/Start .....	1
5	101960601	Decal, Dash Warning .....	1
6	<u>102006701</u>	Decal, Vehicle Loading .....	1
7	<u>102075801</u>	Decal, Young Driver Warning .....	1
8	<u>102459301</u>	Decal, Bed Crush Area Warning .....	1

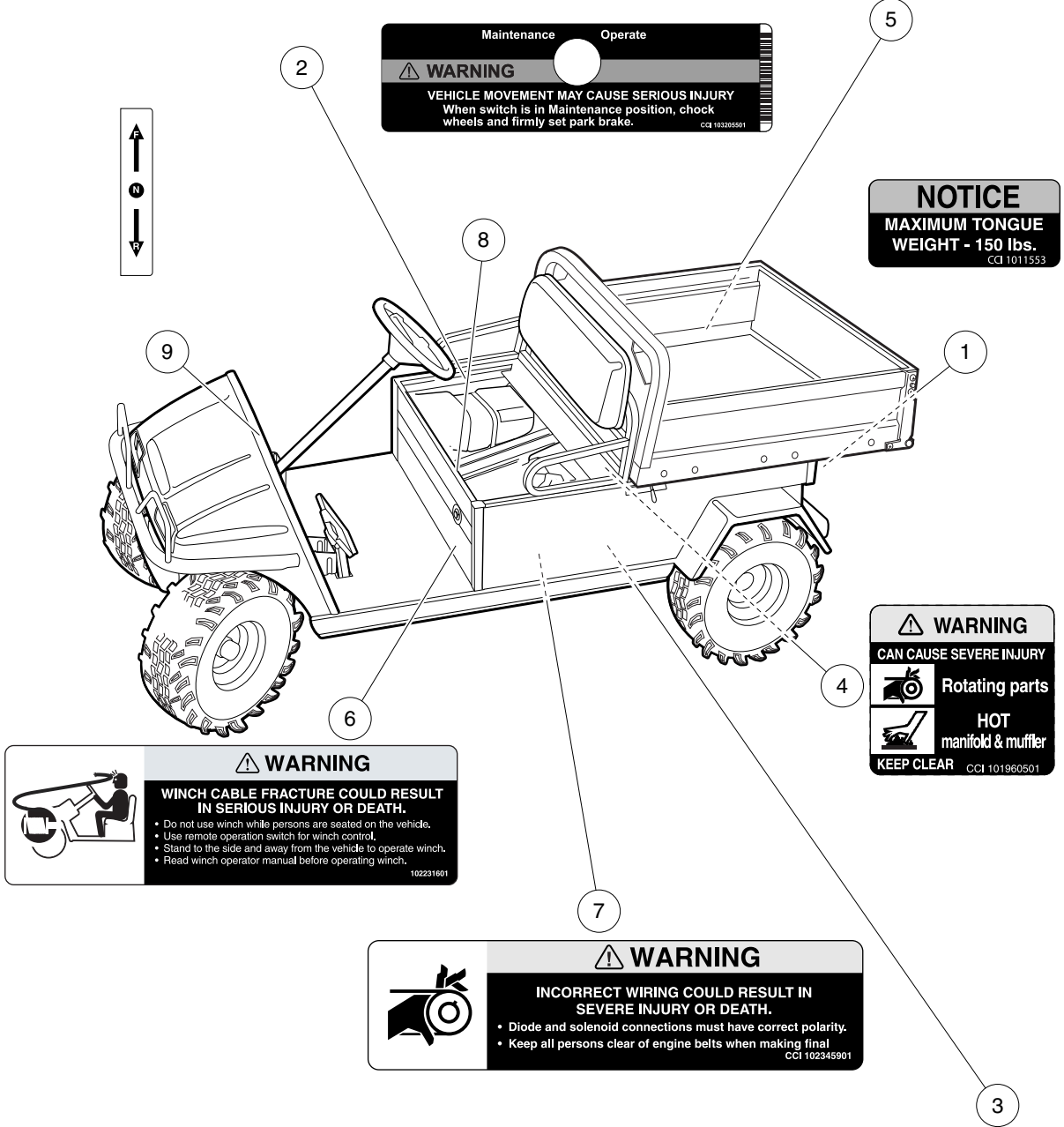
**3**  
**G**  
**E**

**WARNING**  
**GASOLINE EXPLOSION / FIRE.**  
 • Can cause severe injury or death.  
 • No smoking, sparks, or open flame.  
 • Stop engine, allow to cool before refueling.  
 • Turn fuel valve (—) on during operation.  
 (→) off during storage or transport.  
 CCI 101547691

**WARNING**  
**Rotating Parts**  
 CCI 10029001

Maintenance Operate  
**WARNING**  
**VEHICLE MOVEMENT MAY CAUSE SERIOUS INJURY**  
 When switch is in Maintenance position, chock wheels and firmly set park brake.  
 CCI 10205501

**NOTICE**  
**MAXIMUM TONGUE WEIGHT - 150 lbs.**  
 CCI 1011553



**WARNING**  
**WINCH CABLE FRACTURE COULD RESULT IN SERIOUS INJURY OR DEATH.**  
 • Do not use winch while persons are seated on the vehicle.  
 • Use remote operation switch for winch control.  
 • Stand to the side and away from the vehicle to operate winch.  
 • Read winch operator manual before operating winch.  
 102231601

**WARNING**  
**CAN CAUSE SEVERE INJURY**  
**Rotating parts**  
**HOT manifold & muffler**  
**KEEP CLEAR**  
 CCI 101960501

**WARNING**  
**INCORRECT WIRING COULD RESULT IN SEVERE INJURY OR DEATH.**  
 • Diode and solenoid connections must have correct polarity.  
 • Keep all persons clear of engine belts when making final  
 CCI 102345901

**WARNING**  
**Negative frame ground. Can cause severe injury.**  
 Do not contact positive (+) battery post or cable to frame. Disconnect negative battery cable first.

**WARNING**  
**Excessive speed can cause severe injury or death. Do not tamper with engine governor adjustment.**  
 CCI 101915201

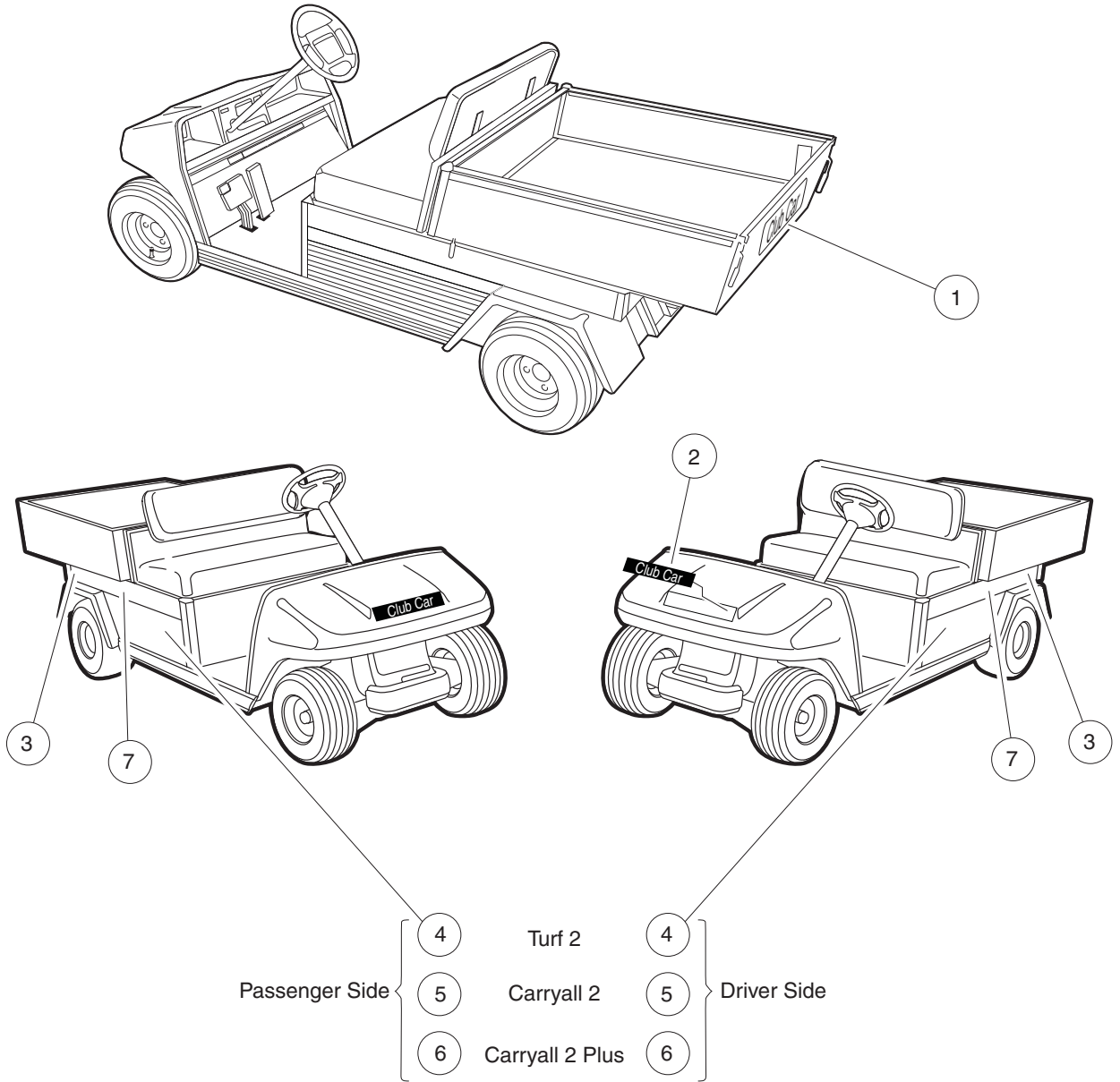
000623-001

## DECALS – XRT 900 GASOLINE VEHICLES, CONTINUED

ITEM	PART NO.	DESCRIPTION	QTY
		1 2 3 4	
1	<u>1011553</u>	Decal, Trailer Hitch .....	1
2	<u>101547601</u>	Decal, Gasoline Explosion/Fire Warning .....	1
3	<u>101915201</u>	Decal, Frame Ground and Governor Warning .....	1
4	<u>101960501</u>	Decal, Rotating Parts/Hot Manifold .....	1
5	<u>102224001</u>	Decal, Rotating Parts Warning .....	1
6	<u>102231601</u>	Decal, Winch Cable Fracture Warning .....	1
7	<u>102345901</u>	Decal, Diode Safety .....	1
8	<u>103205501</u>	Decal, Run/Service Switch .....	1
9	<u>103210201</u>	Decal, Forward/Reverse, Gas .....	1

3  
G  
E

**LOGO DECALS**



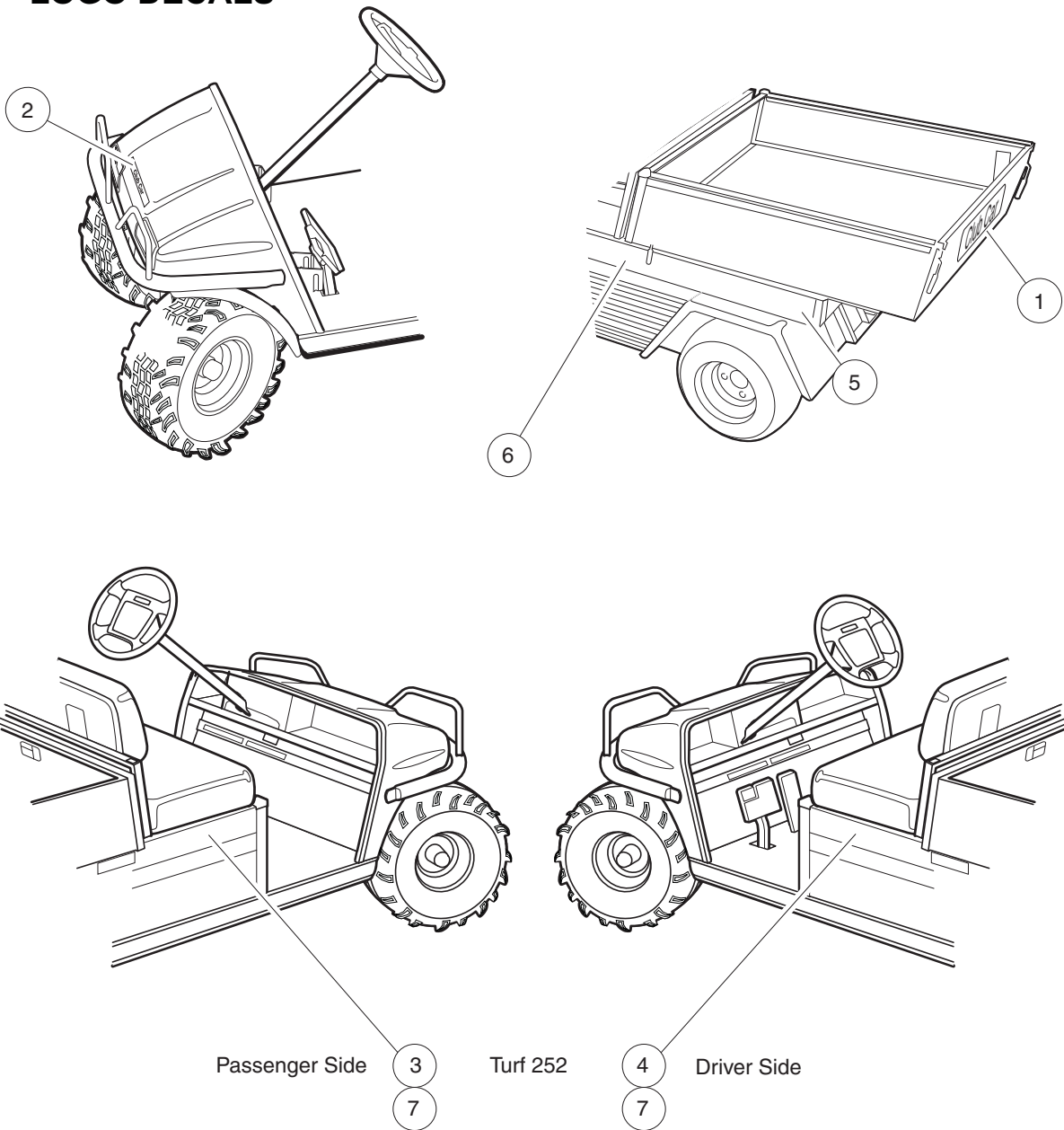
000287-005

## DECALS, BADGING – TURF/CARRYALL 2 AND 2 PLUS

ITEM	PART NO.	DESCRIPTION	QTY
		1 2 3 4	
1	<u>1013317</u>	Decal, Logo, Tailgate .....	1
2	<u>101670201</u>	Nameplate Kit (silver) .....	1
3	<u>103234301</u>	Decal, Badge, IR .....	2
4	<u>103260101</u>	Decal Turf 2 Side Panel .....	2
5	<u>103260801</u>	Decal Ca 2 Side Panel .....	2
6	<u>103260901</u>	Decal Ca 2 Plus Side Panel .....	2
7	<u>103284101</u>	Decal Ca2/ca2p/ca252/ca272 Bar .....	2

3  
G  
E

**LOGO DECALS**



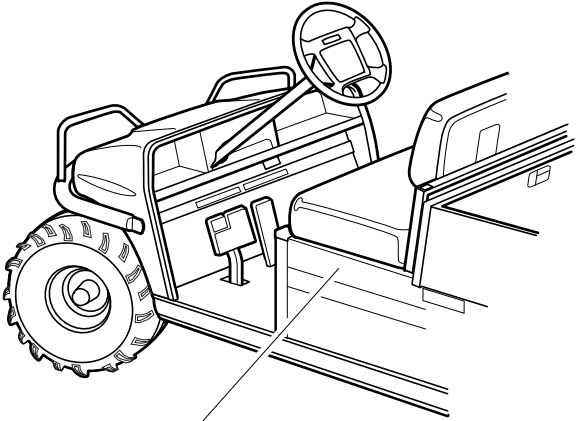
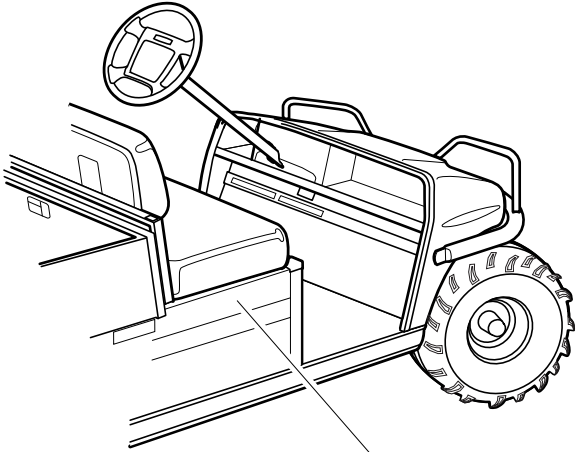
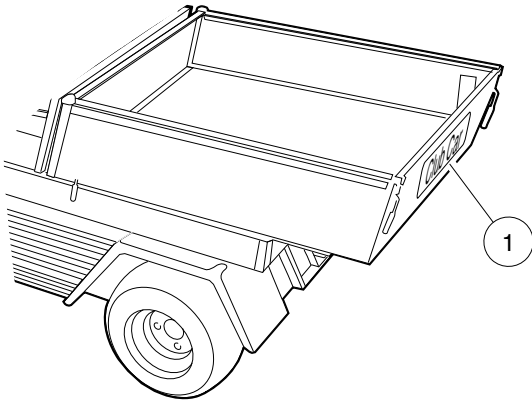
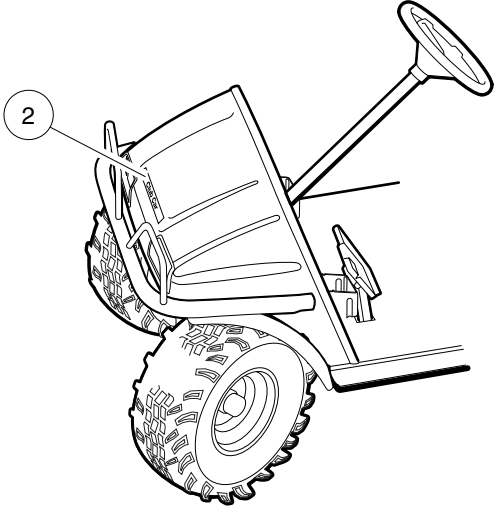
000289-002

## DECALS, BADGING – TURF/CARRYALL 252

ITEM	PART NO.	DESCRIPTION	QTY
		1 2 3 4	
1	<u>1013317</u>	Decal, Logo, Tailgate .....	1
2	<u>101670201</u>	Nameplate Kit (silver) .....	1
3	<u>102683201</u>	Decal, Turf 252, Passenger-Side .....	1
4	<u>102683301</u>	Decal, Turf 252, Driver-Side .....	1
5	<u>103234301</u>	Decal, Badge, IR .....	2
6	<u>103261301</u>	Decal Ca 252 Side Panel .....	2
7	<u>103284101</u>	Decal Ca2/ca2p/ca252/ca272 Bar .....	2

3  
G  
E

**LOGO DECALS**



Passenger Side (3)  
(5)

XRT 900

Driver Side (4)  
(5)

000624-001



## DECALS, BADGING – XRT 900

ITEM	PART NO.	DESCRIPTION	QTY
		1 2 3 4	
1	<u>1013317</u>	Decal, Logo, Tailgate .....	1
2	<u>101670201</u>	Nameplate Kit (silver) .....	1
3	<u>102683701</u>	Decal, XRT 900 Passenger-Side .....	1
4	<u>102683801</u>	Decal, XRT 900 Driver-Side .....	1
5	<u>103234301</u>	Decal, Badge, IR .....	2

3  
G  
E

**3**

**G**

**E**

# LIGHTS, CONTROLS, AND INDICATORS

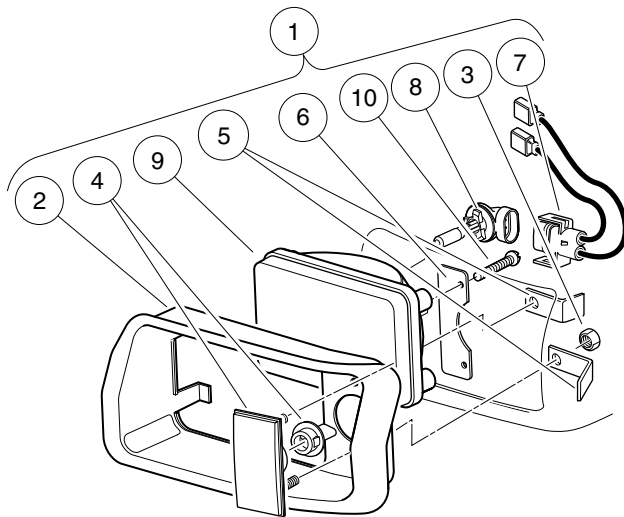
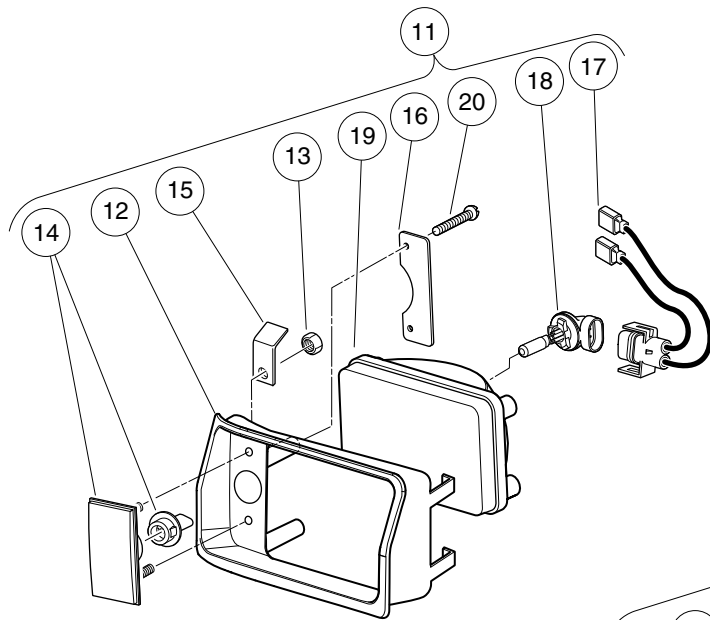
---

4

G

E

**4**  
**G**  
**E**



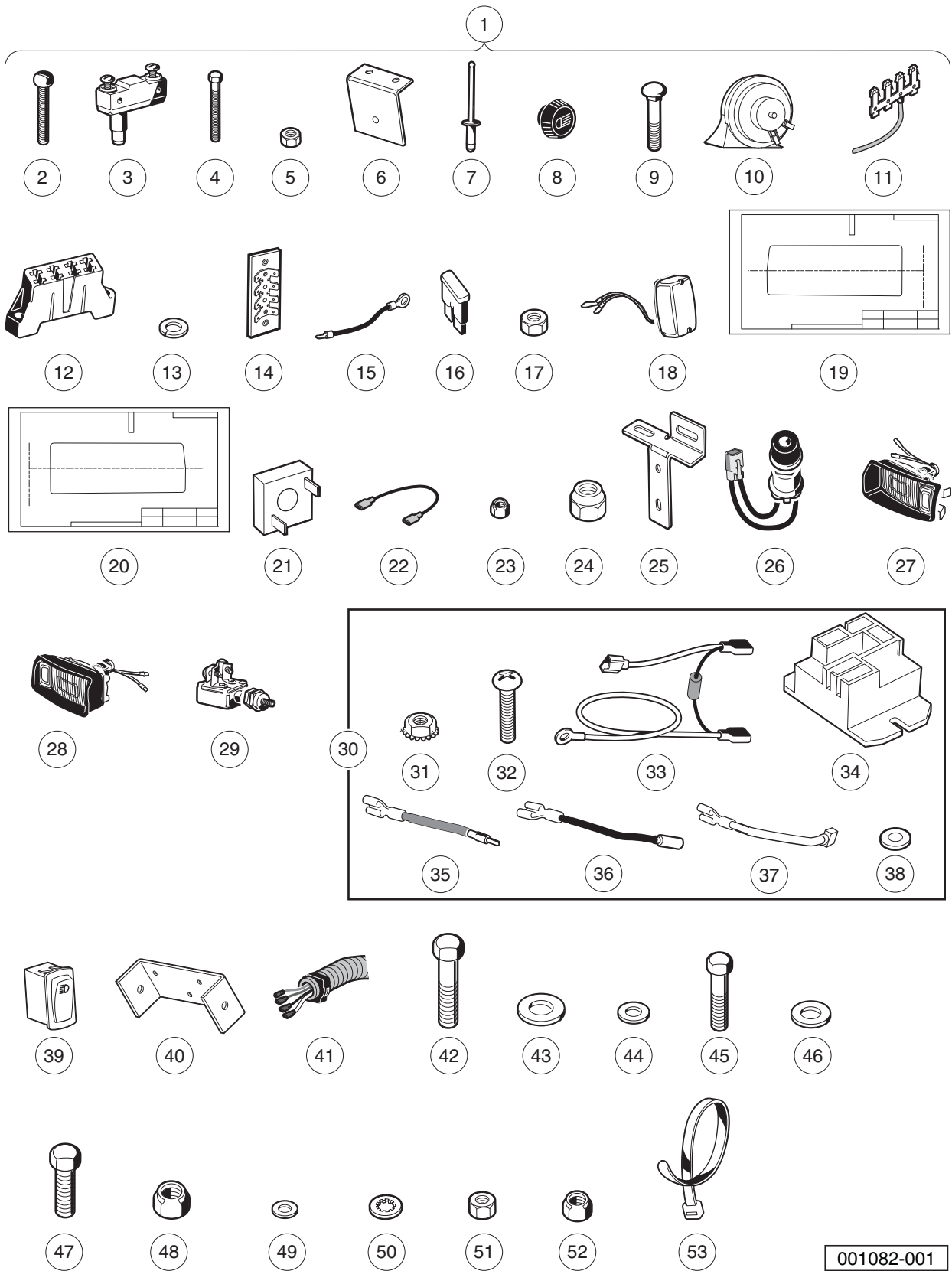
001097-001

# HEADLIGHTS

ITEM	PART NO.	DESCRIPTION	QTY
		<b>1 2 3 4</b>	
1	<u>101988001</u>	Headlight Assembly, Driver-Side Single Beam (includes items 2 through 10) .....	1
2	<u>1016880</u>	Headlight Bezel, Left .....	1
3	<u>1017</u>	Nut, #10-24 Stainless-Steel Hex Machine .....	2
4	<u>1017062</u>	Turn Signal Lens Assy .....	1
5	<u>1017064</u>	Mounting Bracket .....	2
6	<u>1017065</u>	Retainer, Headlight .....	1
7	<u>101987901</u>	Connector, Harness Assembly, Headlight .....	1
8	<u>101988101</u>	Bulb, Headlight .....	1
9	<u>101988201</u>	Lens, Headlight .....	1
10	1620	Screw, #10-16 X 0.75 Pan-Head Tap .....	2
11	<u>101988002</u>	Headlight Assy, Passenger-Side Single Beam (includes items 12 through 20) .....	1
12	<u>1016879</u>	Headlight Bezel, Right .....	1
13	<u>1017</u>	Nut, #10-24 Stainless-Steel Hex Machine .....	2
14	<u>1017062</u>	Turn Signal Lens Assy .....	1
15	<u>1017064</u>	Mounting Bracket .....	2
16	<u>1017065</u>	Retainer, Headlight .....	1
17	<u>101987901</u>	Connector, Harness Assembly, Headlight .....	1
18	<u>101988101</u>	Bulb, Headlight .....	1
19	<u>101988201</u>	Lens, Headlight .....	1
20	1620	Screw, #10-16 X 0.75 Pan-Head Tap .....	2

**4**  
**G**  
**E**

**4**  
**G**  
**E**



# LIGHT KIT, STANDARD – CARRYALL 2 GASOLINE VEHICLES

ITEM	PART NO.	DESCRIPTION	QTY
		1 2 3 4	
1	<u>101705603</u>	Standard Lighting Package (includes items 2 through 53) .....	1
2	<u>1010909</u>	Screw, #10-32 X 1.25 Rd Hd Mch .....	1
3	<u>1011439</u>	Switch, Limit .....	2
4	<u>1011557</u>	Screw, #6-32 X 1.00 Hex-Head Machine .....	8
5	<u>1011558</u>	Nut, #6-32 Hex .....	6
6	<u>1011825</u>	Horn Bracket .....	1
7	<u>1013357</u>	Rivet, 5/32 Aluminum Pop .....	2
8	<u>1013857</u>	Knob, Light Switch .....	1
9	<u>1014109</u>	Bolt, Carriage, #10-24 X 1.0 .....	1
10	<u>1014530</u>	Horn, 12-VDC .....	1
11	<u>1015737</u>	Wire Assy, #10 Red .....	1
12	<u>1015741</u>	Fuse Block .....	1
13	<u>1016</u>	Lockwasher, #10 Split .....	2
14	<u>1016356</u>	Terminal Block with Insulator .....	1
15	<u>1016367</u>	Wire Assy, #10 Black .....	1
16	<u>1016423</u>	Fuse, 20-Amp .....	3
17	<u>1017</u>	Nut, #10-24 Stainless-Steel Hex Machine .....	1
18	<u>1017035</u>	Taillight Assembly .....	2
19	N/A	Headlight Template R.h. ....	1
20	N/A	Headlight Template L.h. ....	1
21	<u>1017721</u>	Limiter, Voltage .....	1
22	<u>1017722</u>	Wire Assy, #16 Black .....	1
23	<u>101932201</u>	Locknut, #6-32 Nylon .....	4
24	<u>101955101</u>	Nut, M6 Hex .....	1
25	<u>101957101</u>	Bracket, Brake Light Switch .....	1
26	<u>101969701</u>	Horn Button and Wire Assembly .....	1
27	<u>101988001</u>	Headlight Assembly, Driver-Side Single Beam .....	1
28	<u>101988002</u>	Headlight Assy, Passenger-Side Single Beam .....	1
29	<u>102051901</u>	Switch, Light .....	1
30	<u>102198701</u>	Brake Relay Kit - 12v (includes items 31 through 38) .....	1
31	<u>1011229</u>	Locknut, #6-32 Whiz .....	2
32	<u>1017853</u>	Screw, #6-32 X 0.75 Hex-Head Machine .....	2
33	<u>101914401</u>	Assembly, Voltage Suppressor .....	1
34	<u>102199001</u>	Relay, 12-Volt .....	1
35	<u>102199201</u>	Wire Asm #18 Brown .....	1
36	<u>102199301</u>	Wire Asm #18 Black .....	1
37	<u>102199401</u>	Wire Asm #18 Black .....	1
38	<u>7591</u>	Washer, #6, Flat .....	2
39	<u>102869401</u>	Switch, Rocker, Light .....	1
40	<u>103254101</u>	Bracket, Mtg, Power Relay .....	1
41	<u>103256901</u>	Wire Harness, Lighting, CA2 .....	1
42	<u>1218</u>	Screw, 5/16-18 X 1.25 Hex-Head Cap .....	1
43	<u>1241</u>	Washer, 5/16 Type A Flat .....	1
44	<u>183</u>	Washer, #10, Type A, Flat .....	1

4  
G  
E



45304



Screw, 1/4-20 X 1.0 Hex-Head Cap 3

46	332	Washer, 1/4 Type A Narrow Flat .....	3
47	7173	Screw, 5/16-18 X 0.75, Hex-Head Cap .....	1

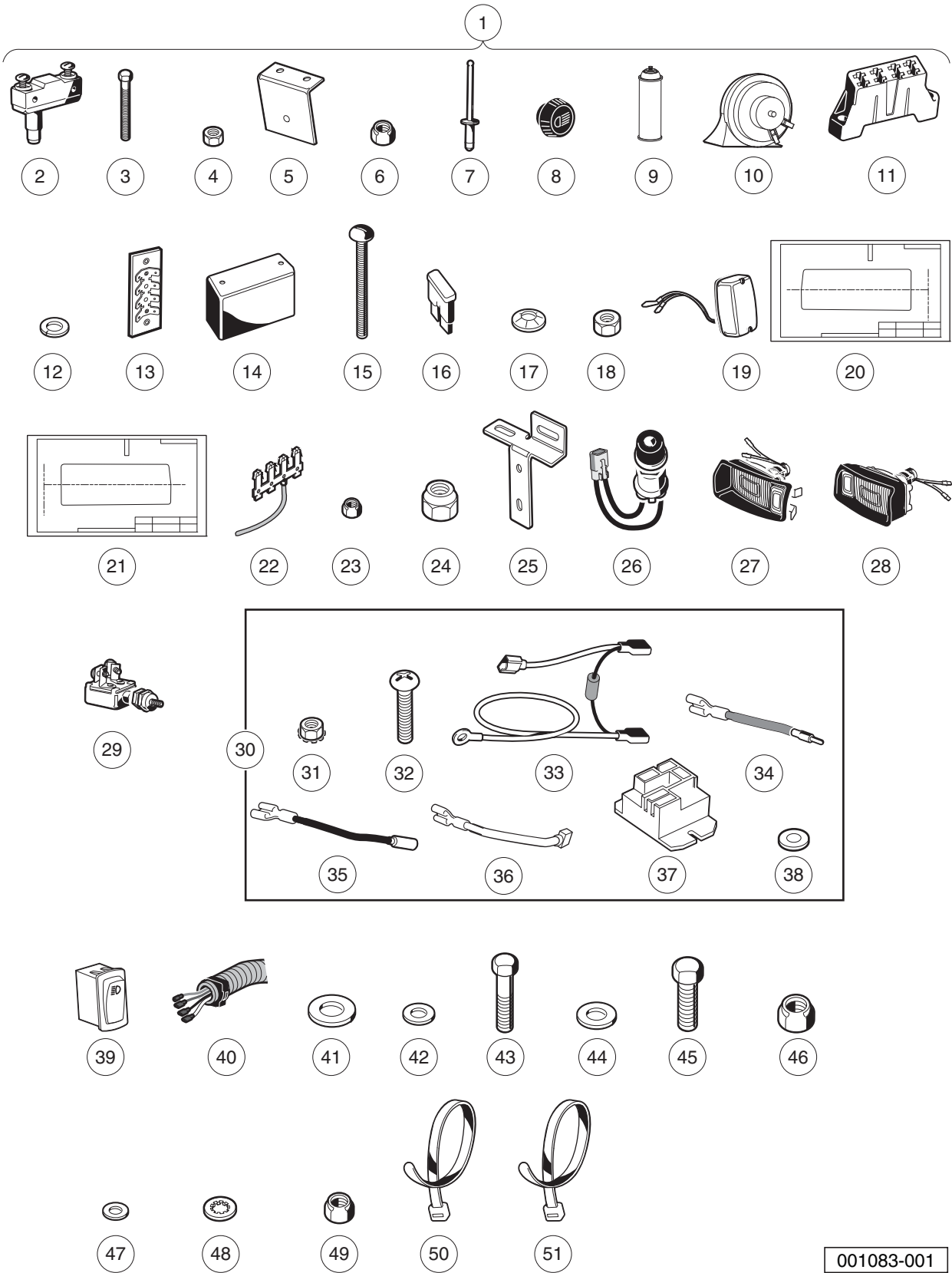
ITEM	PART NO.	DESCRIPTION	QTY
		<b>1 2 3 4</b>	
48	<u>7473</u>	Locknut, 5/16-18 Nylon Insert .....	3
49	<u>7591</u>	Washer, #6, Flat .....	4
50	<u>7820</u>	Washer, 5/16 Internal-Tooth .....	1
51	<u>7893</u>	Nut, #10-32 Hex .....	1
52	<u>8233</u>	Locknut, 1/4-20, Nylon Insert .....	3
53	<u>8990</u>	Tie Wrap, 8" Nylon .....	18

**4**

**G**

**E**

**4**  
**G**  
**E**



# LIGHT KIT, STANDARD – CARRYALL 2 IQ PLUS ELECTRIC VEHICLES

ITEM	PART NO.	DESCRIPTION	QTY
		1 2 3 4	
1	102915101	Lgt Pkg Std Iq Plus Elec Field (includes items 2 through 51) .....	1
2	<u>1011439</u>	Switch, Limit .....	2
3	<u>1011557</u>	Screw, #6-32 X 1.00 Hex-Head Machine .....	8
4	<u>1011558</u>	Nut, #6-32 Hex .....	8
5	<u>1011825</u>	Horn Bracket .....	1
6	<u>1012438</u>	Locknut, #10-24 Nylon Insert .....	2
7	<u>1013357</u>	Rivet, 5/32 Aluminum Pop .....	2
8	<u>1013857</u>	Knob, Light Switch .....	1
9	1014307	Bulk Batt Term Protector .....	A/R
10	<u>1014530</u>	Horn, 12-VDC .....	1
11	<u>1015741</u>	Fuse Block .....	1
12	<u>1016</u>	Lockwasher, #10 Split .....	2
13	<u>1016356</u>	Terminal Block with Insulator .....	1
14	<u>1016363</u>	Fuse Block Cover .....	1
15	<u>1016366</u>	Screw, #10-24 X 3.0 Pan-Head Machine .....	2
16	<u>1016423</u>	Fuse, 20-Amp .....	3
17	<u>1016631</u>	Push Nut .....	2
18	<u>1017</u>	Nut, #10-24 Stainless-Steel Hex Machine .....	2
19	<u>1017035</u>	Taillight Assembly .....	2
20	N/A	Headlight Template R.h. ....	1
21	N/A	Headlight Template L.h. ....	1
22	<u>101810601</u>	Wire Assy, #10 Red .....	1
23	<u>101932201</u>	Locknut, #6-32 Nylon .....	4
24	<u>101955101</u>	Nut, M6 Hex .....	1
25	<u>101957101</u>	Bracket, Brake Light Switch .....	1
26	<u>101969701</u>	Horn Button and Wire Assembly .....	1
27	<u>101988001</u>	Headlight Assembly, Driver-Side Single Beam .....	1
28	<u>101988002</u>	Headlight Assy, Passenger-Side Single Beam .....	1
29	<u>102051901</u>	Switch, Light .....	1
30	N/A	Elec Regen Iq Brake Relay Inst (includes items 31 through 38) .....	1
31	<u>1011229</u>	Locknut, #6-32 Whiz .....	2
32	<u>1017853</u>	Screw, #6-32 X 0.75 Hex-Head Machine .....	2
33	<u>101914402</u>	Asm, Pd Volt. Supp. W/o Instr. ....	1
34	<u>102199201</u>	Wire Asm #18 Brown .....	1
35	<u>102199301</u>	Wire Asm #18 Black .....	1
36	<u>102199401</u>	Wire Asm #18 Black .....	1
37	<u>103397901</u>	Relay, Spst No, 48v 30a, Pmt .....	1
38	<u>7591</u>	Washer, #6, Flat .....	2
39	<u>102869401</u>	Switch, Rocker, Light .....	1
40	<u>103256901</u>	Wire Harness, Lighting, CA2 .....	1
41	<u>1241</u>	Washer, 5/16 Type A Flat .....	1
42	<u>183</u>	Washer, #10, Type A, Flat .....	4
43	304	Screw, 1/4-20 X 1.0 Hex-Head Cap .....	2
44	<u>332</u>	Washer, 1/4 Type A Narrow Flat .....	2

**4**  
**G**  
**E**



457173

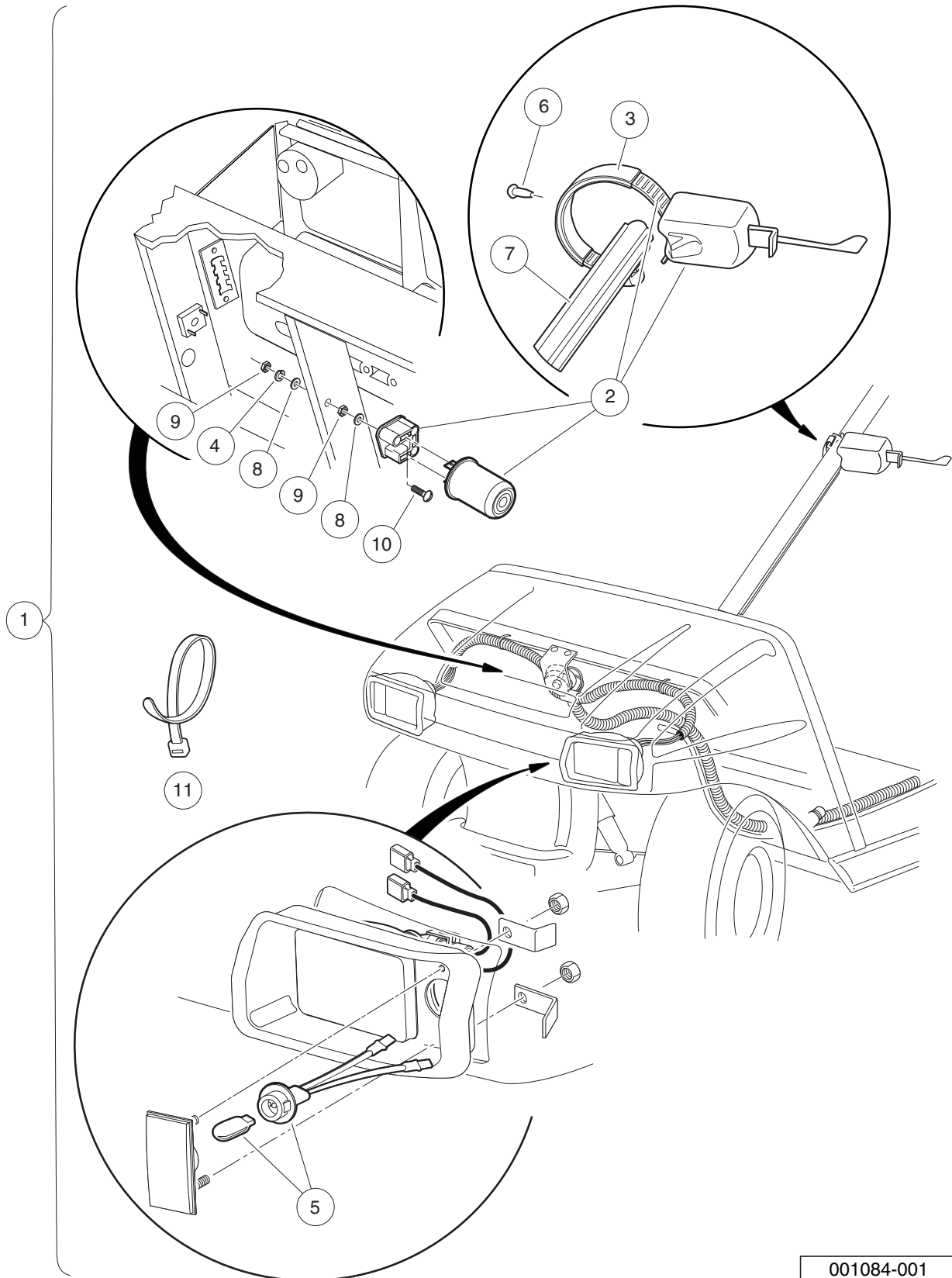
Screw, 5/16-18 X 0.75, Hex-Head Cap 1

46	7473	Locknut, 5/16-18 Nylon Insert .....	2
47	7591	Washer, #6, Flat .....	4

ITEM	PART NO.	DESCRIPTION	QTY
		<b>1 2 3 4</b>	
48	<u>7820</u>	Washer, 5/16 Internal-Tooth .....	1
49	<u>8233</u>	Locknut, 1/4-20, Nylon Insert .....	2
50	<u>8639</u>	Tie Wrap, 11" Nylon .....	10
51	<u>8990</u>	Tie Wrap, 8" Nylon .....	8

**4**  
**G**  
**E**

**4**  
**G**  
**E**



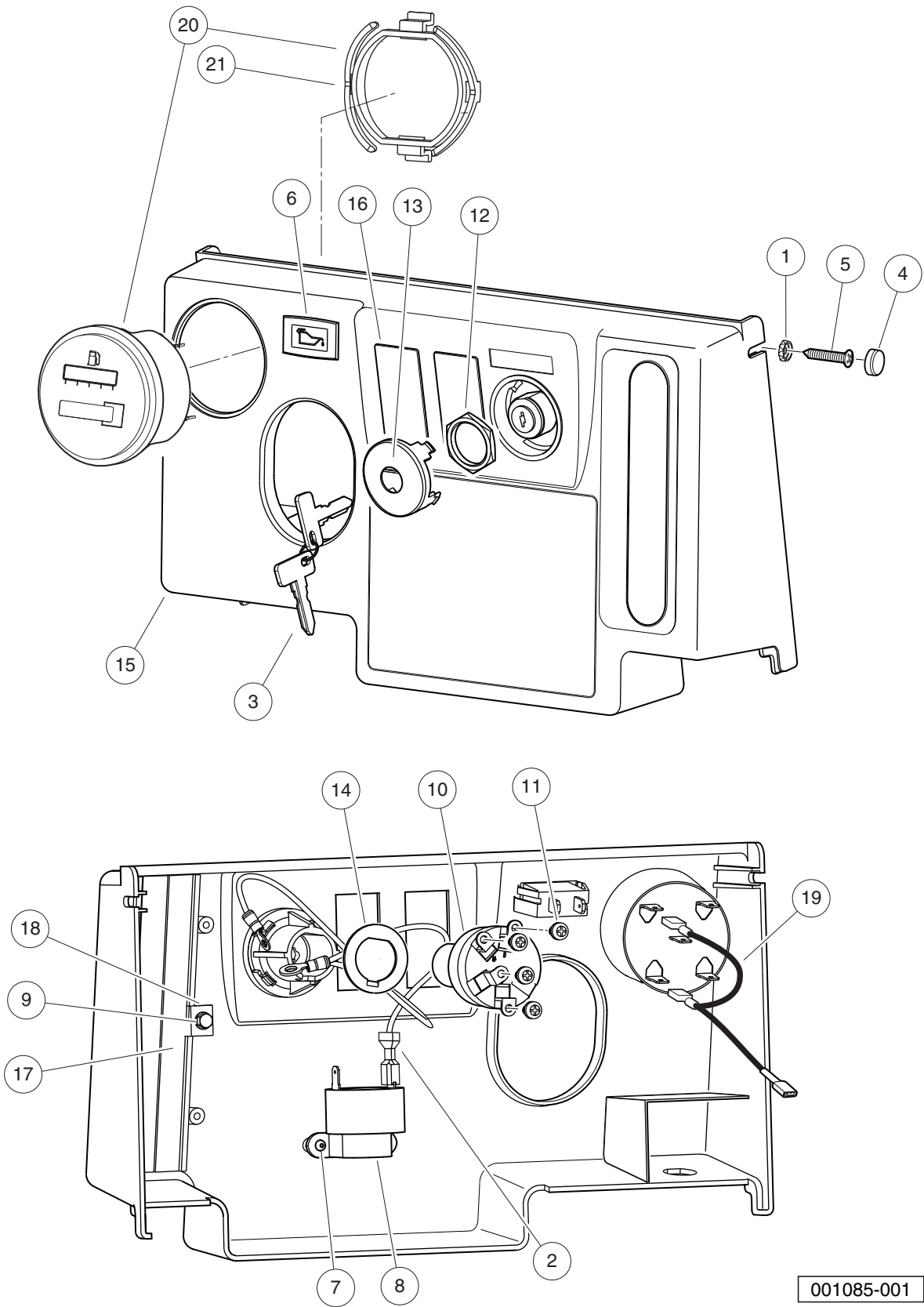
001084-001

# TURN SIGNAL KIT – DS AND UTILITY GASOLINE AND ELECTRIC VEHICLES

ITEM	PART NO.	DESCRIPTION	QTY
		1 2 3 4	
1	101707402	Turn Signal Conversion Kit (includes items 2 through 11) .....	1
2	<u>1011590</u>	Switch Sub-assy, Turn Signal .....	1
3	N/A	Strap, Extrusion .....	1
4	<u>1016</u>	Lockwasher, #10 Split .....	1
5	<u>1017075</u>	Socket & Lamp Assembly .....	2
6	<u>1017724</u>	Rivet, Plastic .....	1
7	<u>102529201</u>	Wire Cover, Steering Column .....	1
8	<u>183</u>	Washer, #10, Type A, Flat .....	2
9	<u>7893</u>	Nut, #10-32 Hex .....	2
10	8104	Screw, #10-32 X .75 Rd Hd Mach .....	1
11	<u>8990</u>	Tie Wrap, 8" Nylon .....	1

**4**  
**G**  
**E**

**4**  
**G**  
**E**



001085-001

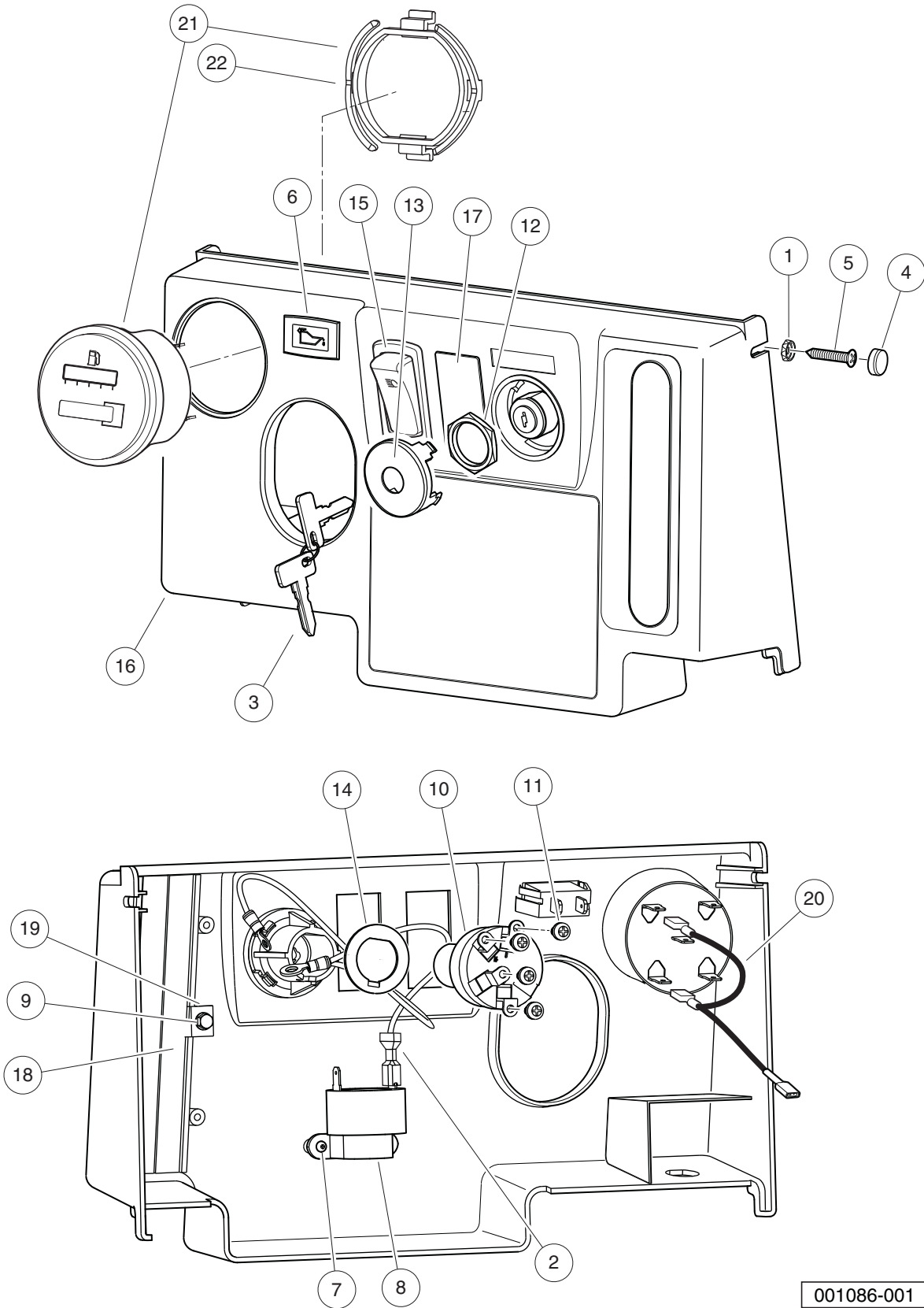


# INSTRUMENT PANEL AND ELECTRICAL COMPONENTS – TURF/ CARRYALL 1, 2, AND 252 GAS

ITEM	PART NO.	DESCRIPTION	QTY
		<b>1 2 3 4</b>	
1	1011382	Washer, #10 Pan-Head Screw .....	2
2	1012396	Wire Assy #18 Black .....	1
3	<u>1012505</u>	Keys (set of 2) .....	1
4	<u>1013494</u>	Cover, Screw Head .....	2
5	<u>1015528</u>	Screw, #10 x 1-1/4 Phillips Head .....	2
6	<u>1016630</u>	Light, Oil .....	1
7	<u>1016849</u>	Screw, #4-24 X 0.33, Pan-Head, Machine .....	2
8	<u>1016851</u>	Buzzer, Reverse (9-48 VDC) .....	1
9	<u>101804301</u>	Screw, #8 X 0.500, Hex-Head Hi-Lo .....	2
10	<u>101826301</u>	Key Switch, 12-Volt, Off/On .....	1
11	101830601	Screw and Washer Assembly .....	4
12	<u>101830701</u>	Nut, Key Switch .....	1
13	<u>101834502</u>	Cap, Black Key Switch .....	1
14	<u>101851101</u>	Washer, Key Switch .....	1
15	<u>102977001</u>	Panel, Dash, Center, Gas (Instrument Panel) .....	1
16	<u>103180101</u>	Cover, Hole, Switch, Rocker .....	2
17	<u>103199001</u>	Brush, Closeout, FNR .....	2
18	<u>103199101</u>	Washer, Retaining, Brush, FNR .....	2
19	<u>103348501</u>	Asm, Wire Meter, F-h Jumper .....	1
20	<u>103348601</u>	Gauge, Fuel-hour,sep Gnd,utl (includes item 21) .....	1
21	<u>103348201</u>	Clip, Meter, Round .....	1

**4**  
**G**  
**E**

**4**  
**G**  
**E**



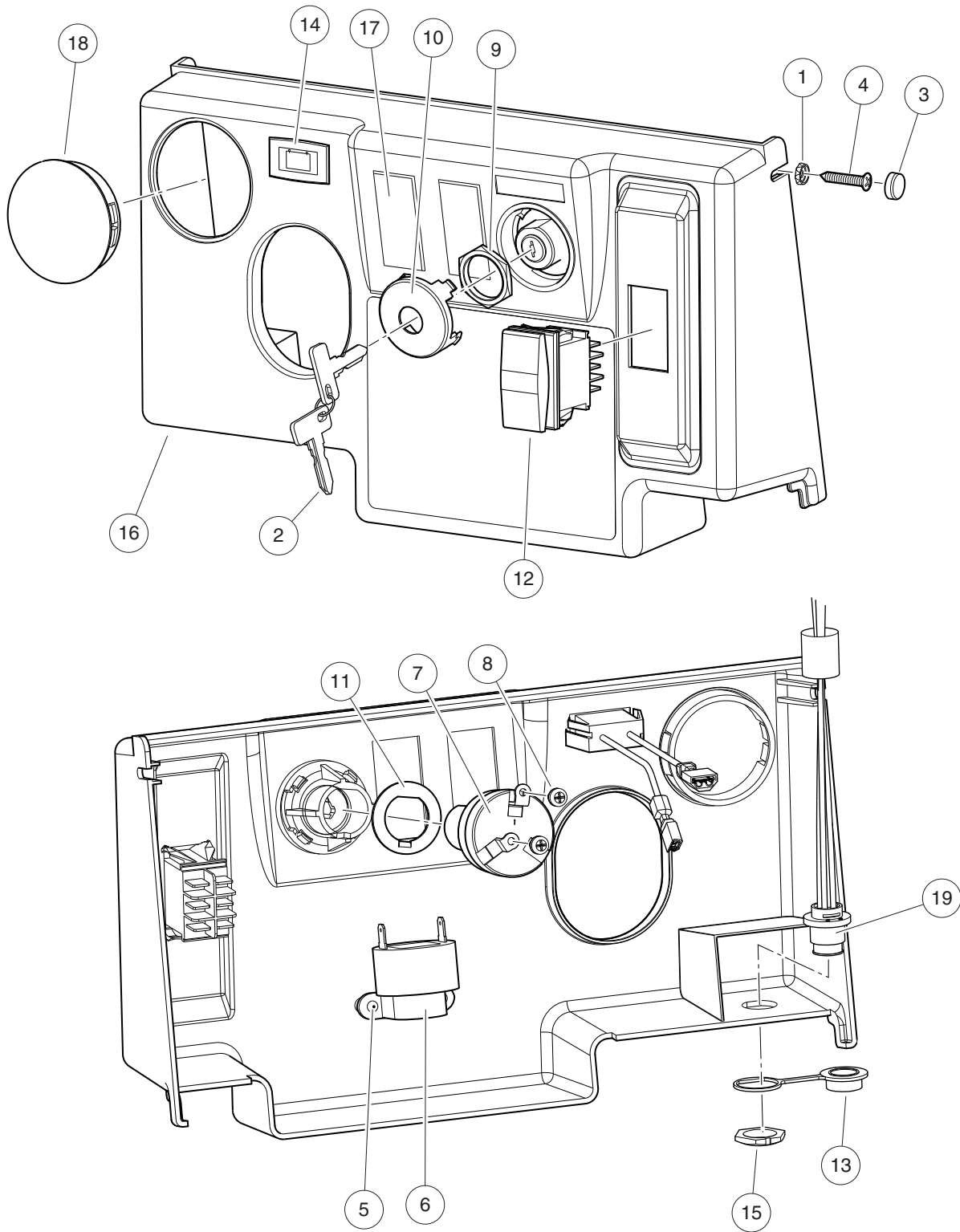
001086-001

# INSTRUMENT PANEL AND ELECTRICAL COMPONENTS – CARRYALL 2 PLUS AND XRT 900 GAS

ITEM	PART NO.	DESCRIPTION	QTY
		<b>1 2 3 4</b>	
1	1011382	Washer, #10 Pan-Head Screw .....	2
2	1012396	Wire Assy #18 Black .....	1
3	<u>1012505</u>	Keys (set of 2) .....	1
4	<u>1013494</u>	Cover, Screw Head .....	2
5	<u>1015528</u>	Screw, #10 x 1-1/4 Phillips Head .....	2
6	<u>1016630</u>	Light, Oil .....	1
7	<u>1016849</u>	Screw, #4-24 X 0.33, Pan-Head, Machine .....	2
8	<u>1016851</u>	Buzzer, Reverse (9-48 VDC) .....	1
9	<u>101804301</u>	Screw, #8 X 0.500, Hex-Head Hi-Lo .....	2
10	101826401	Key Switch, 12-Volt, Off/On/Start .....	1
11	101830601	Screw and Washer Assembly .....	5
12	<u>101830701</u>	Nut, Key Switch .....	1
13	<u>101834502</u>	Cap, Black Key Switch .....	1
14	<u>101851101</u>	Washer, Key Switch .....	1
15	<u>102869401</u>	Switch, Rocker, Light .....	1
16	<u>102977001</u>	Panel, Dash, Center, Gas (Instrument Panel) .....	1
17	<u>103180101</u>	Cover, Hole, Switch, Rocker .....	1
18	<u>103199001</u>	Brush, Closeout, FNR .....	2
19	<u>103199101</u>	Washer, Retaining, Brush, FNR .....	2
20	<u>103348501</u>	Asm, Wire Meter, F-h Jumper .....	1
21	<u>103348601</u>	Gauge, Fuel-hour, sep Gnd, utl (includes item 22) .....	1
22	<u>103348201</u>	Clip, Meter, Round .....	1

**4**  
**G**  
**E**

**4**  
**G**  
**E**



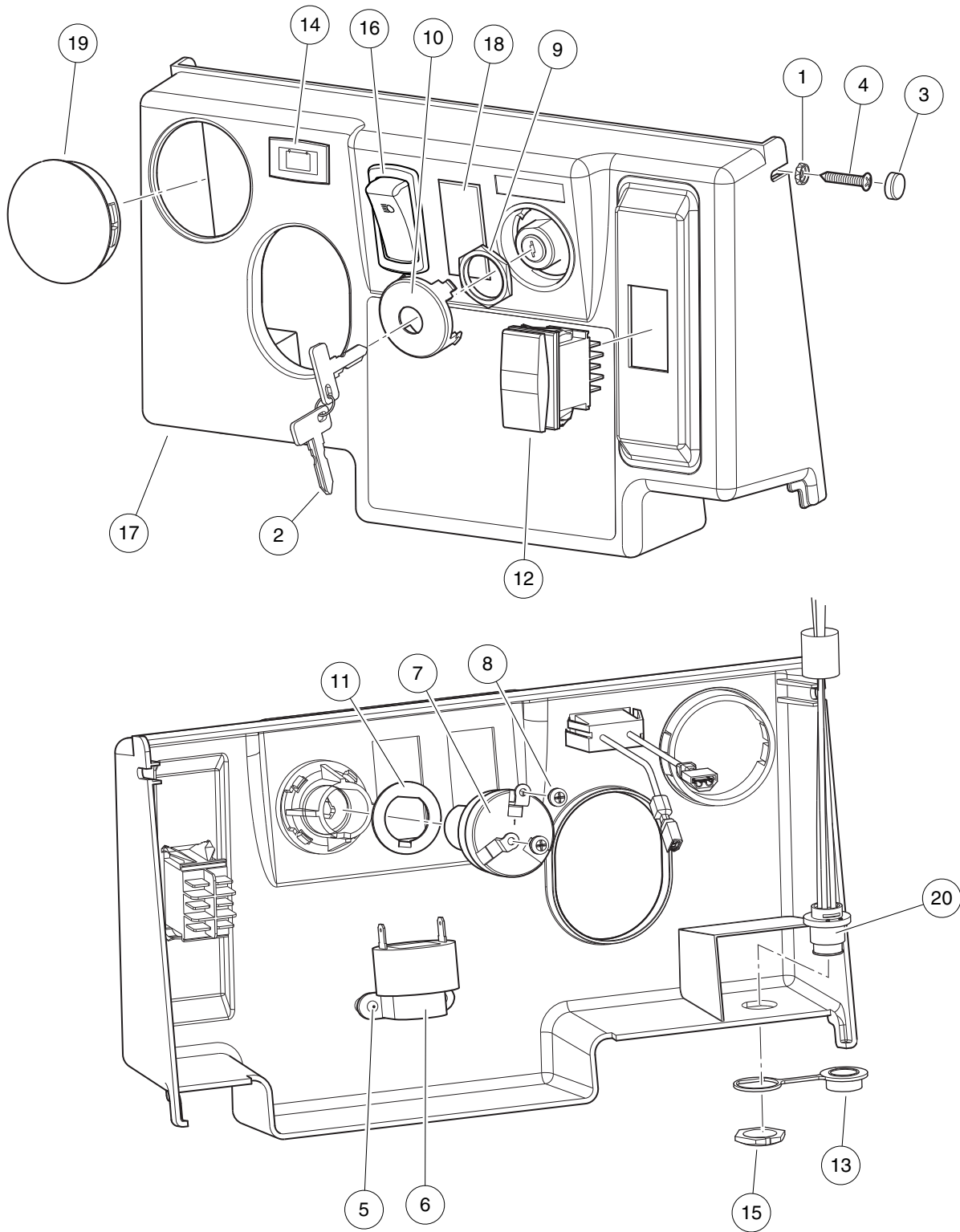
001087-001

# INSTRUMENT PANEL AND ELECTRICAL COMPONENTS – TURF/ CA 1 AND 2 ELECTRIC

ITEM	PART NO.	DESCRIPTION	QTY
		<b>1 2 3 4</b>	
1	1011382	Washer, #10 Pan-Head Screw .....	2
2	<u>1012505</u>	Keys (set of 2) .....	1
3	<u>1013494</u>	Cover, Screw Head .....	2
4	<u>1015528</u>	Screw, #10 x 1-1/4 Phillips Head .....	2
5	<u>1016849</u>	Screw, #4-24 X 0.33, Pan-Head, Machine .....	2
6	<u>1016851</u>	Buzzer, Reverse (9-48 VDC) .....	1
7	<u>101826201</u>	Key Switch, On/Off .....	1
8	101830601	Screw and Washer Assembly .....	2
9	<u>101830701</u>	Nut, Key Switch .....	1
10	<u>101834502</u>	Cap, Black Key Switch .....	1
11	<u>101851101</u>	Washer, Key Switch .....	1
12	<u>101856002</u>	Switch, Rocker, Single-Pole .....	1
13	<u>102196901</u>	Dust Cap .....	1
14	<u>102508701</u>	Light, Battery .....	1
15	<u>102572401</u>	Nut, Diagnostic Port, Prec .....	1
16	<u>102977002</u>	Panel, Dash, Center, Elec (Instrument Panel) .....	1
17	<u>103180101</u>	Cover, Hole, Switch, Rocker .....	2
18	<u>103198301</u>	Plug, Hole, Round, 2.0 In .....	1
19	<u>103218601</u>	Harness, Diagnostic Port .....	1

**4**  
**G**  
**E**

**4**  
**G**  
**E**



001088-001

# INSTRUMENT PANEL WITH ELECTRICAL COMPONENTS – TURF/ CARRYALL 252 AND XRT 900 ELECTRIC

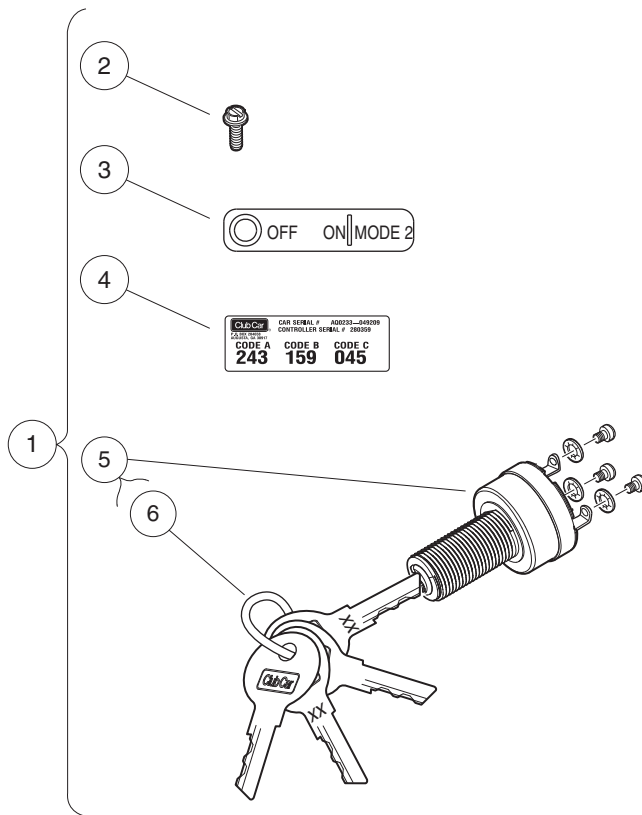
ITEM	PART NO.	DESCRIPTION	QTY
		<b>1 2 3 4</b>	
1	1011382	Washer, #10 Pan-Head Screw .....	2
2	<u>1012505</u>	Keys (set of 2) .....	1
3	<u>1013494</u>	Cover, Screw Head .....	2
4	<u>1015528</u>	Screw, #10 x 1-1/4 Phillips Head .....	2
5	<u>1016849</u>	Screw, #4-24 X 0.33, Pan-Head, Machine .....	2
6	<u>1016851</u>	Buzzer, Reverse (9-48 VDC) .....	1
7	<u>101826201</u>	Key Switch, On/Off .....	1
8	101830601	Screw and Washer Assembly .....	2
9	<u>101830701</u>	Nut, Key Switch .....	1
10	<u>101834502</u>	Cap, Black Key Switch .....	1
11	<u>101851101</u>	Washer, Key Switch .....	1
12	<u>101856002</u>	Switch, Rocker, Single-Pole .....	1
13	<u>102196901</u>	Dust Cap .....	1
14	<u>102508701</u>	Light, Battery .....	1
15	<u>102572401</u>	Nut, Diagnostic Port, Prec .....	1
16	<u>102869401</u>	Switch, Rocker, Light .....	1
17	<u>102977002</u>	Panel, Dash, Center, Elec (Instrument Panel) .....	1
18	<u>103180101</u>	Cover, Hole, Switch, Rocker .....	1
19	<u>103198301</u>	Plug, Hole, Round, 2.0 In .....	1
20	<u>103218601</u>	Harness, Diagnostic Port .....	1

**4**  
**G**  
**E**

4

G

E



001212-001



# KEYS AND KEYSWITCHES, SMARTKEY KIT – ELECTRIC VEHICLE

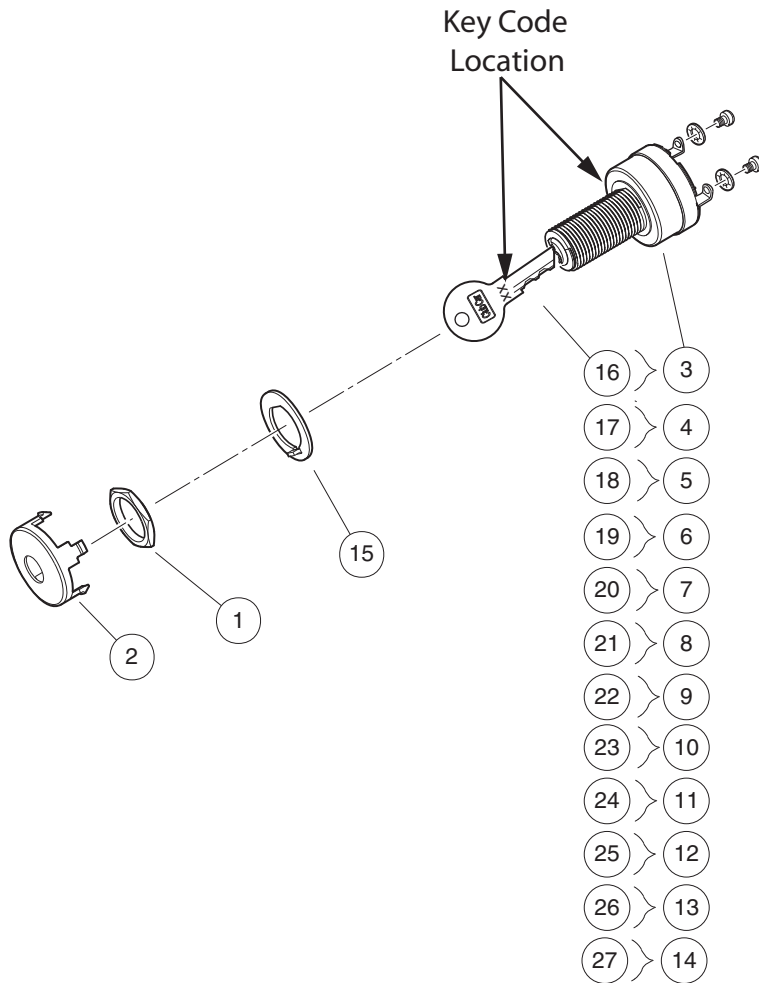
ITEM	PART NO.	DESCRIPTION	QTY
		<b>1 2 3 4</b>	
1	<u>102962602</u>	Kit, Field, Smartkey (includes items 2 through 5) .....	1
2	<u>1011017</u>	Screw, #8-32 X 0.375 .....	1
3	<u>101825103</u>	Decal, Keyswitch, Iq Plus Mode .....	1
4	N/A	Decal, Passcode .....	1
5	<u>102950301</u>	Key Switch, Mode B, Iq Plus (includes item 6) .....	1
6	<u>102962303</u>	Keys, Set Of 4, Iq Plus Mode .....	1
		 Note: Not available in the EU.	

**4**  
**G**  
**E**

4

G

E



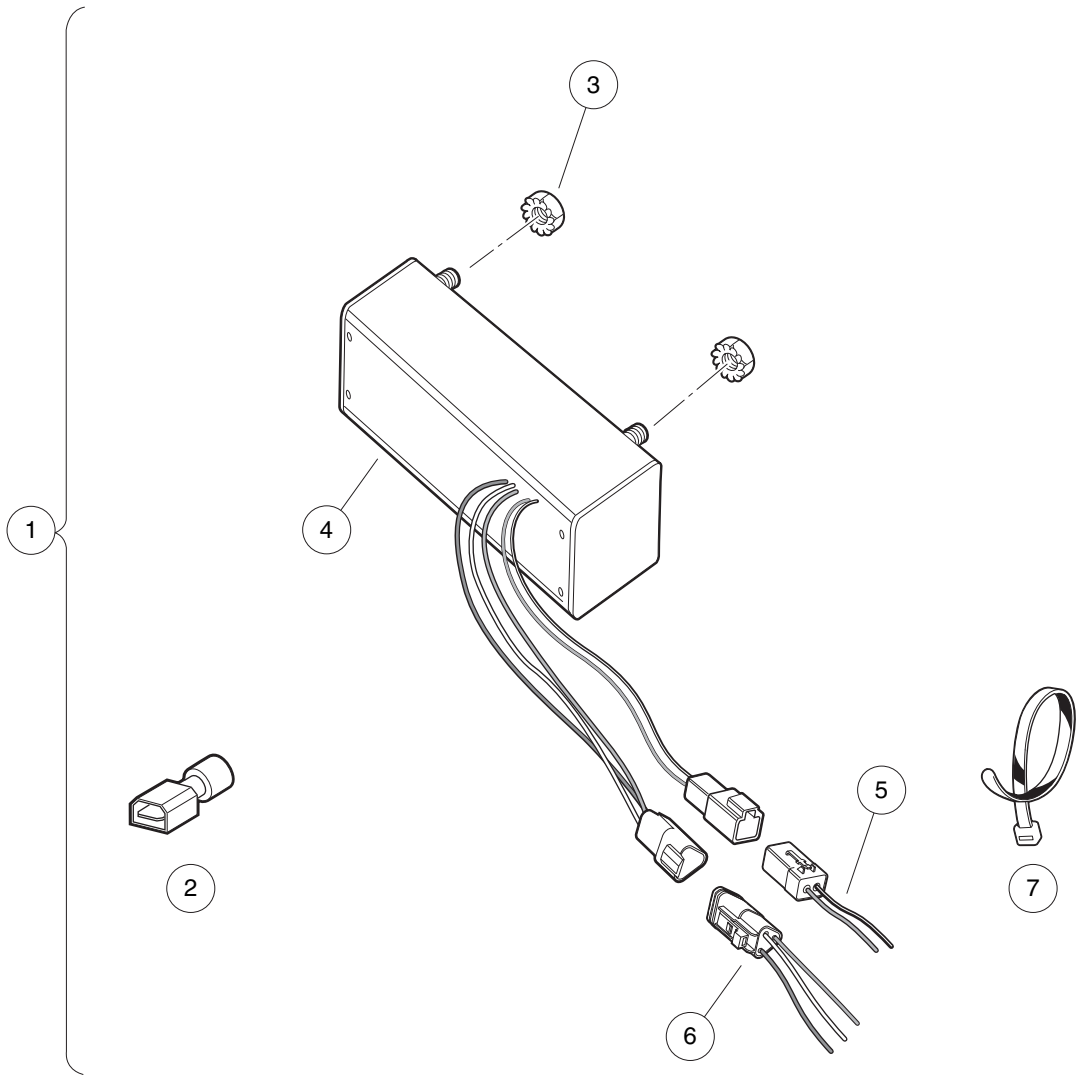
001089-001

## KEYS AND KEYSWITCHES, UNCOMMON – GAS VEHICLE

ITEM	PART NO.	DESCRIPTION	QTY
		1 2 3 4	
1	<u>101830701</u>	Nut, Key Switch .....	1
2	<u>101834502</u>	Cap, Black Key Switch .....	1
3	<u>101839801</u>	Keyswtch Uncom A408 On/off/st .....	1
4	<u>101839802</u>	Keyswtch Uncom B408 On/off/st .....	1
5	<u>101839803</u>	Keyswtch Uncom C408 On/off/st .....	1
6	<u>101839804</u>	Keyswtch Uncom D408 On/off/st .....	1
7	<u>101839805</u>	Keyswtch Uncom 2a408 On/off/st .....	1
8	<u>101839806</u>	Keyswtch Uncom 2b408 On/off/st .....	1
9	<u>101839807</u>	Keyswtch Uncom 2c408 On/off/st .....	1
10	<u>101839808</u>	Keyswtch Uncom 2d408 On/off/st .....	1
11	<u>101839809</u>	Keyswtch Uncom E408 On/off/st .....	1
12	<u>101839810</u>	Keyswtch Uncom F408 On/off/st .....	1
13	<u>101839811</u>	Keyswtch Uncom 2e408 On/off/st .....	1
14	<u>101839812</u>	Keyswtch Uncom 2f408 On/off/st .....	1
15	<u>101851101</u>	Washer, Key Switch .....	1
16	<u>101974701</u>	Key, Uncommon 1a .....	1
17	<u>101974702</u>	Key, Uncommon 1b .....	1
18	<u>101974703</u>	Key, Uncommon 1c .....	1
19	<u>101974704</u>	Key, Uncommon 1d .....	1
20	<u>101974705</u>	Key, Uncommon 2a .....	1
21	<u>101974706</u>	Key, Uncommon 2b .....	1
22	<u>101974707</u>	Key, Uncommon 2c .....	1
23	<u>101974708</u>	Key, Uncommon 2d .....	1
24	<u>101974709</u>	Key, Uncommon 1e .....	1
25	<u>101974710</u>	Key, Uncommon 1f .....	1
26	<u>101974711</u>	Key, Uncommon 2e .....	1
27	<u>101974712</u>	Key, Uncommon 2f .....	1
		Note: Keyswitches <u>101839801</u> through <u>101839812</u> are for key-start, gasoline vehicles ONLY.	

**4**  
**G**  
**E**

**4**  
**G**  
**E**



001090-001

# DC CONVERTER – IQ PLUS ELECTRIC VEHICLE

ITEM	PART NO.	DESCRIPTION	QTY
		1 2 3 4	
1	<u>102918701</u>	Kit, DC/DC Converter, IQ Plus (includes items 2 through 7) .....	1
2	<u>1016365</u>	Terminal, 1/4" Male Quick Disconnect .....	1
3	<u>101835601</u>	Locknut, 1/4-20 Hex Whiz .....	2
4	<u>102352201</u>	Converter , Dc -non Isolated .....	1
5	<u>102354901</u>	Harness, Dc Converter - 12v .....	1
6	<u>102890201</u>	Harness, Dc Converter, 48v .....	1
7	<u>8990</u>	Tie Wrap, 8" Nylon .....	10

4

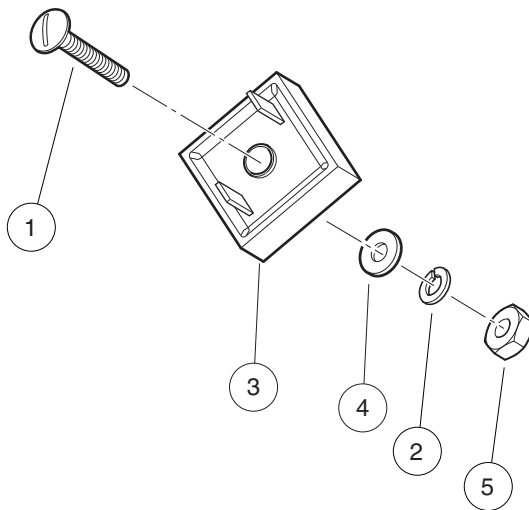
G

E

4

G

E



001091-001

## VOLTAGE LIMITER – GASOLINE VEHICLE

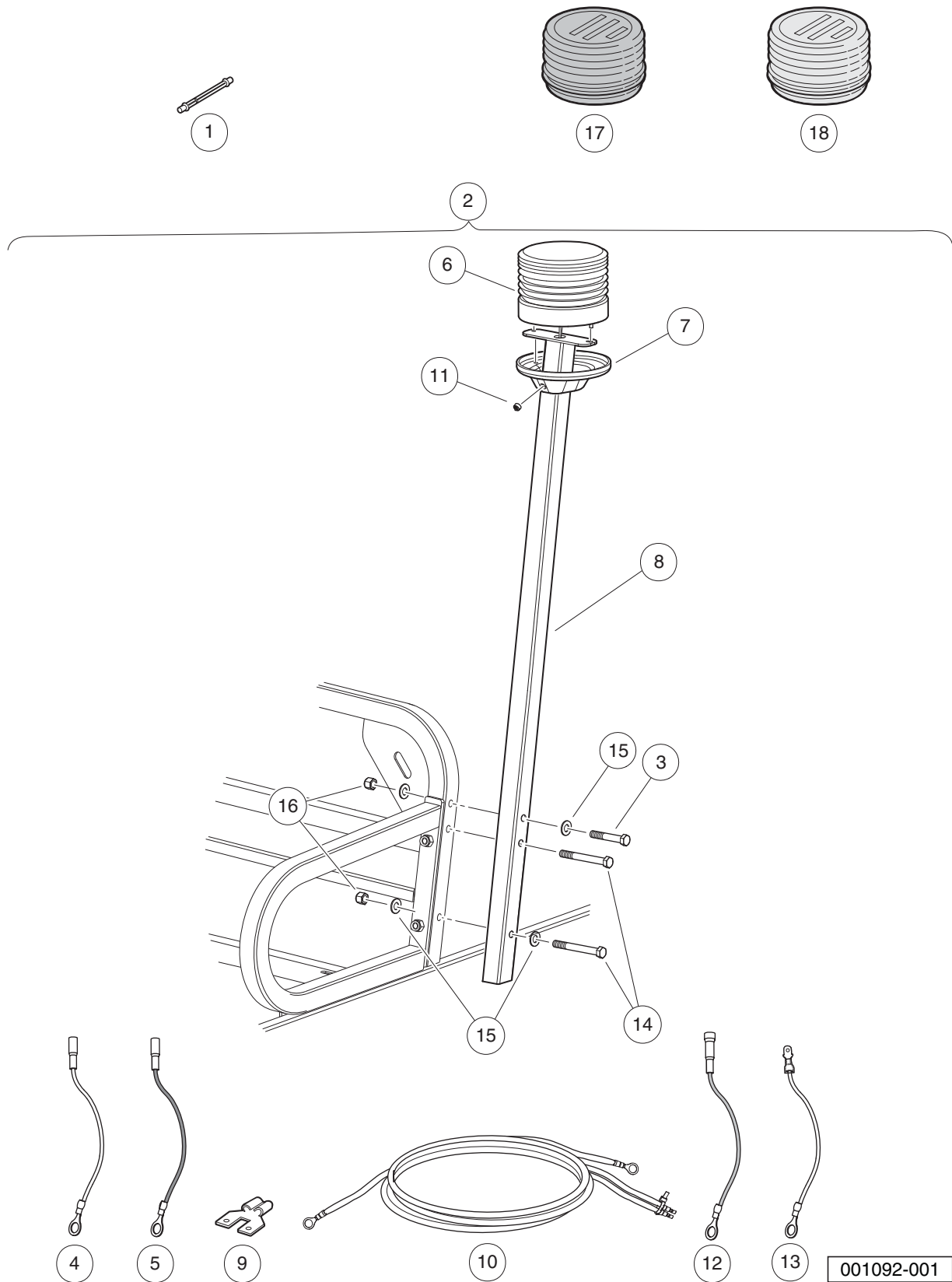
ITEM	PART NO.	DESCRIPTION	QTY
		1 2 3 4	
1	<u>1010909</u>	Screw, #10-32 X 1.25 Rd Hd Mch .....	1
2	<u>1016</u>	Lockwasher, #10 Split .....	1
3	<u>1017721</u>	Limiter, Voltage .....	1
4	<u>183</u>	Washer, #10, Type A, Flat .....	1
5	<u>7893</u>	Nut, #10-32 Hex .....	1

4

G

E

**4**  
**G**  
**E**



001092-001

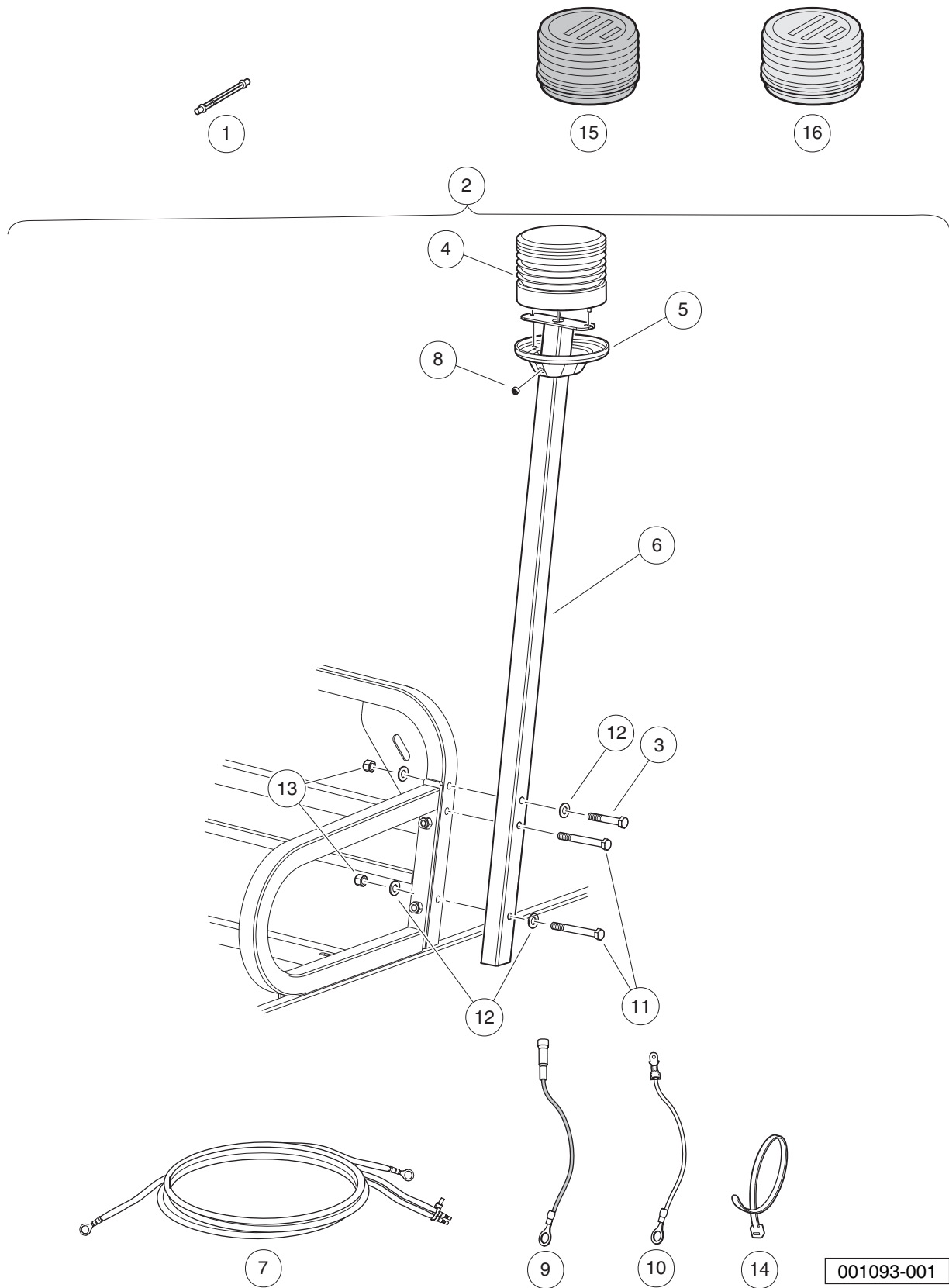


# STROBE LIGHT, POST-MOUNTED – GASOLINE VEHICLES

ITEM	PART NO.	DESCRIPTION	QTY
		1 2 3 4	
1	<u>1015526</u>	Bulb, Replacement, for Strobe Light .....	1
2	<u>1015765</u>	Safety Strobe Lht Post Mnt Gas (includes items 3 through 16) .....	1
3	<u>1013509</u>	Screw, 1/4-20 X 1.75 Hx Hd Cap .....	2
4	1015153	Wire Assembly #16 Yellow .....	1
5	1015154	Wire Assembly Blue Ca #16 .....	1
6	<u>1015156</u>	Light Assembly, Strobe .....	1
7	1015157	Cover Plate Switch - Pole Ca .....	1
8	<u>1015160</u>	Pole Weldment Carryall .....	1
9	<u>1015162</u>	3/16 Tab Adapter Non-insul .....	1
10	<u>1015172</u>	Wire Harness Assy, Strobe Lght .....	1
11	<u>1015187</u>	Switch Assembly .....	1
12	1016837	Wire Assembly Red #18 .....	1
13	1016929	Wire Assembly Black #16 .....	1
14	<u>324</u>	Screw, 1/4-20 X 2.50 Hx Hd Cap .....	2
15	<u>332</u>	Washer, 1/4 Type A Narrow Flat .....	4
16	<u>8233</u>	Locknut, 1/4-20, Nylon Insert .....	2
17	<u>AM1243701</u>	Lens, Blue, for Strobe Light .....	1
18	<u>AM1243801</u>	Lens, Red, for Strobe Light .....	1

4  
G  
E

**4**  
**G**  
**E**



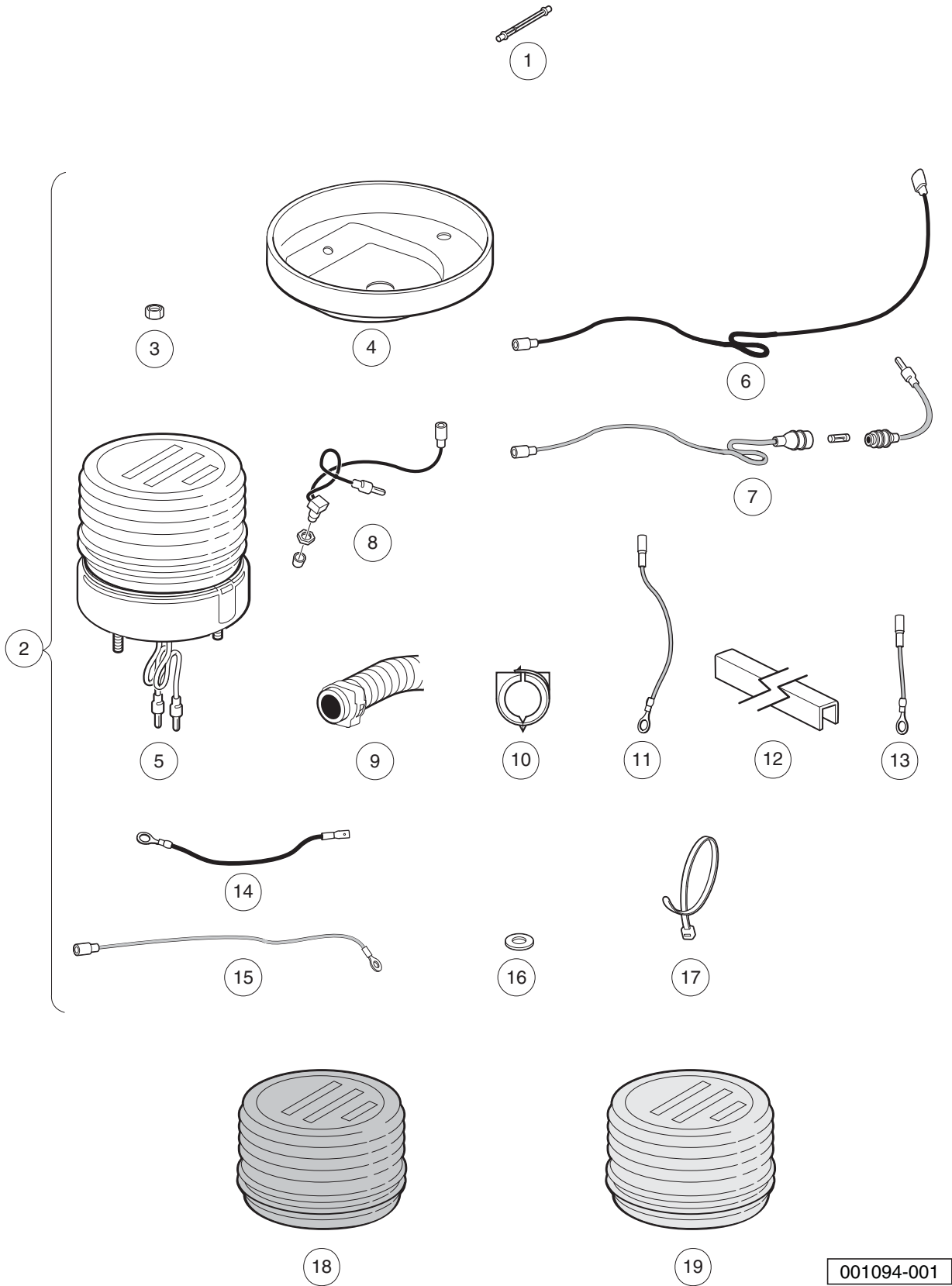
001093-001

## STROBE LIGHT, POST-MOUNTED – ELECTRIC VEHICLES

ITEM	PART NO.	DESCRIPTION	QTY
		1 2 3 4	
1	<u>1015526</u>	Bulb, Replacement, for Strobe Light .....	1
2	<u>101814601</u>	Safety Strobe Lht & Post Mt El (includes items 3 through 14) .....	1
3	<u>1013509</u>	Screw, 1/4-20 X 1.75 Hx Hd Cap .....	2
4	<u>1015156</u>	Light Assembly, Strobe .....	1
5	1015157	Cover Plate Switch - Pole Ca .....	1
6	<u>1015160</u>	Pole Weldment Carryall .....	1
7	<u>1015172</u>	Wire Harness Assy, Strobe Lght .....	1
8	<u>1015187</u>	Switch Assembly .....	1
9	1016837	Wire Assembly Red #18 .....	1
10	1016929	Wire Assembly Black #16 .....	1
11	<u>324</u>	Screw, 1/4-20 X 2.50 Hx Hd Cap .....	2
12	<u>332</u>	Washer, 1/4 Type A Narrow Flat .....	4
13	<u>8233</u>	Locknut, 1/4-20, Nylon Insert .....	2
14	<u>8990</u>	Tie Wrap, 8" Nylon .....	4
15	<u>AM1243701</u>	Lens, Blue, for Strobe Light .....	1
16	<u>AM1243801</u>	Lens, Red, for Strobe Light .....	1

**4**  
**G**  
**E**

**4**  
**G**  
**E**



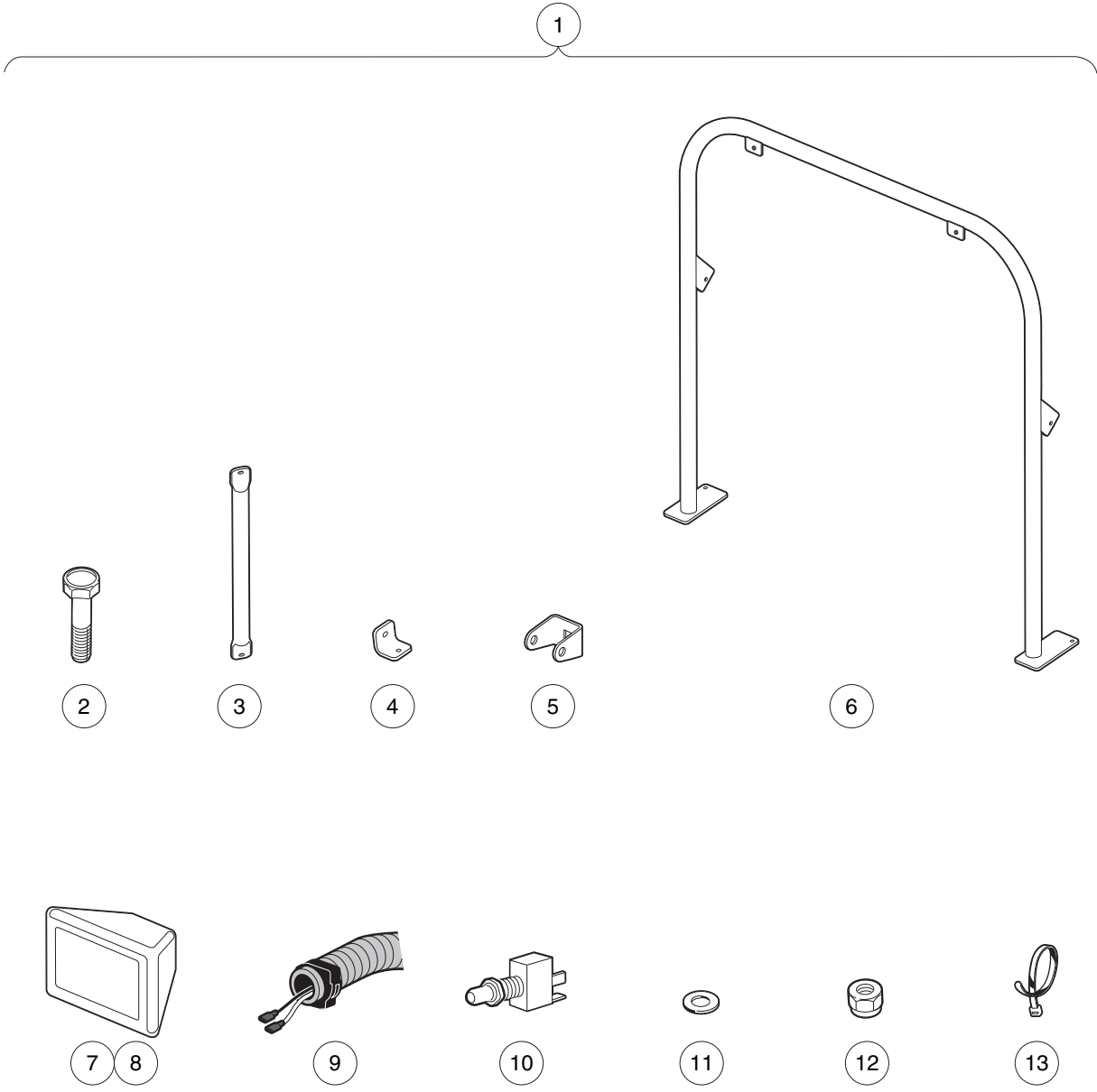
001094-001

# STROBE LIGHT, CANOPY-MOUNTED

ITEM	PART NO.	DESCRIPTION	QTY
		1 2 3 4	
1	<u>1015526</u>	Bulb, Replacement, for Strobe Light .....	1
2	<u>AM1243501</u>	Kit, Roof Mounted Strobe Fd (includes items 3 through 17) .....	A/R
3	<u>1012438</u>	Locknut, #10-24 Nylon Insert .....	2
4	<u>1015010</u>	Cover Plate Switch .....	1
5	<u>1015156</u>	Light Assembly, Strobe .....	1
6	<u>1015167</u>	#16 Black Wire Asm .....	1
7	<u>1015170</u>	Wire Assembly #16 .....	1
8	<u>1015187</u>	Switch Assembly .....	1
9	<u>1015768</u>	Split Convoluted Elec Conduit .....	11
10	<u>1015770</u>	Outlet Ring - .5 Diameter .....	5
11	<u>1016230</u>	Wire Asm #16 Red .....	1
12	<u>1016267</u>	Snap On Conduit Vert. ....	1
13	<u>1016287</u>	Wire Asm #16 Red .....	1
14	<u>1016929</u>	Wire Assembly Black #16 .....	1
15	<u>101821601</u>	#18 Red Wire Assembly .....	1
16	<u>183</u>	Washer, #10, Type A, Flat .....	2
17	<u>8639</u>	Tie Wrap, 11" Nylon .....	8
18	<u>AM1243701</u>	Lens, Blue, for Strobe Light .....	A/R
19	<u>AM1243801</u>	Lens, Red, for Strobe Light .....	A/R

4  
G  
E

**4**  
**G**  
**E**



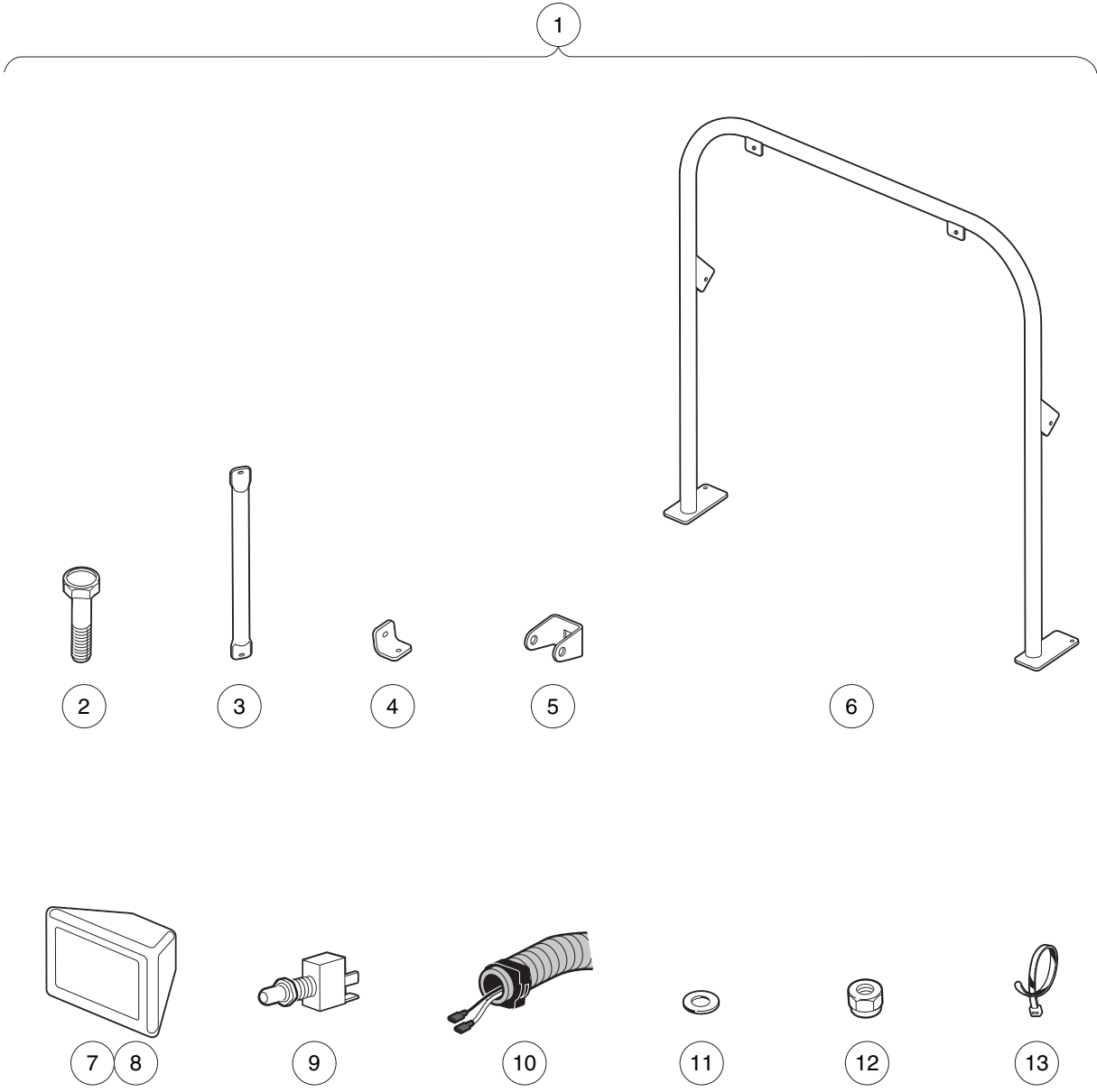
001223-001

## LIGHT BAR – TURF/CA 252 AND XRT 900 GAS VEHICLES

ITEM	PART NO.	DESCRIPTION	QTY
		1 2 3 4	
1	<u>102054501</u>	Kit, Light Bar, Gas (includes items 2 through 13) .....	1
2	<u>1010934</u>	Screw, 5/16-18 X 1.00 Hex Cap .....	8
3	<u>102077601</u>	Brace, Light Bar .....	2
4	<u>102077701</u>	Bracket, Brace Mtg .....	2
5	<u>102077801</u>	Bracket, Light Mtg .....	2
6	<u>102077901</u>	Light Bar .....	1
7	<u>102078001</u>	Light, Light Bar (includes item 8) .....	2
8	AM10015	37.5 Watt Light Bar Bulb .....	2
9	<u>102155701</u>	Wire Harness, Light Bar .....	1
10	<u>102159601</u>	Switch .....	1
11	<u>1241</u>	Washer, 5/16 Type A Flat .....	12
12	<u>7473</u>	Locknut, 5/16-18 Nylon Insert .....	8
13	<u>8990</u>	Tie Wrap, 8" Nylon .....	4

**4**  
**G**  
**E**

**4**  
**G**  
**E**



001224-001

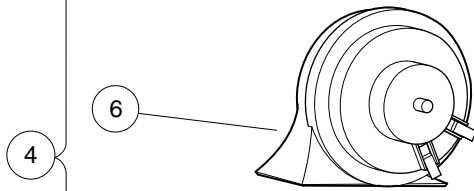
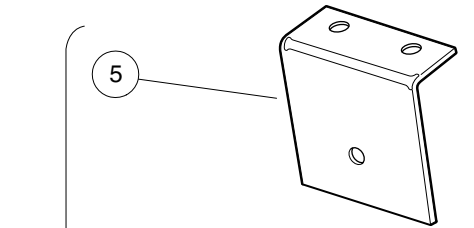
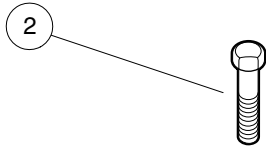
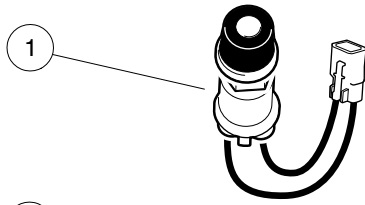


# LIGHT BAR – TURF/CA 252 AND XRT 900 ELECTRIC VEHICLES

ITEM	PART NO.	DESCRIPTION	QTY
		1 2 3 4	
1	<u>102054502</u>	Kit, Light Bar, Elec (includes items 2 through 13) .....	1
2	<u>1010934</u>	Screw, 5/16-18 X 1.00 Hex Cap .....	8
3	<u>102077601</u>	Brace, Light Bar .....	2
4	<u>102077701</u>	Bracket, Brace Mtg .....	2
5	<u>102077801</u>	Bracket, Light Mtg .....	2
6	<u>102077901</u>	Light Bar .....	1
7	<u>102078001</u>	Light, Light Bar (includes item 8) .....	2
8	AM10015	37.5 Watt Light Bar Bulb .....	2
9	<u>102159601</u>	Switch .....	1
10	<u>103350001</u>	Harness, Light Bar, 252 .....	1
11	<u>1241</u>	Washer, 5/16 Type A Flat .....	12
12	<u>7473</u>	Locknut, 5/16-18 Nylon Insert .....	8
13	<u>8990</u>	Tie Wrap, 8" Nylon .....	4

4  
G  
E

**4**  
**G**  
**E**



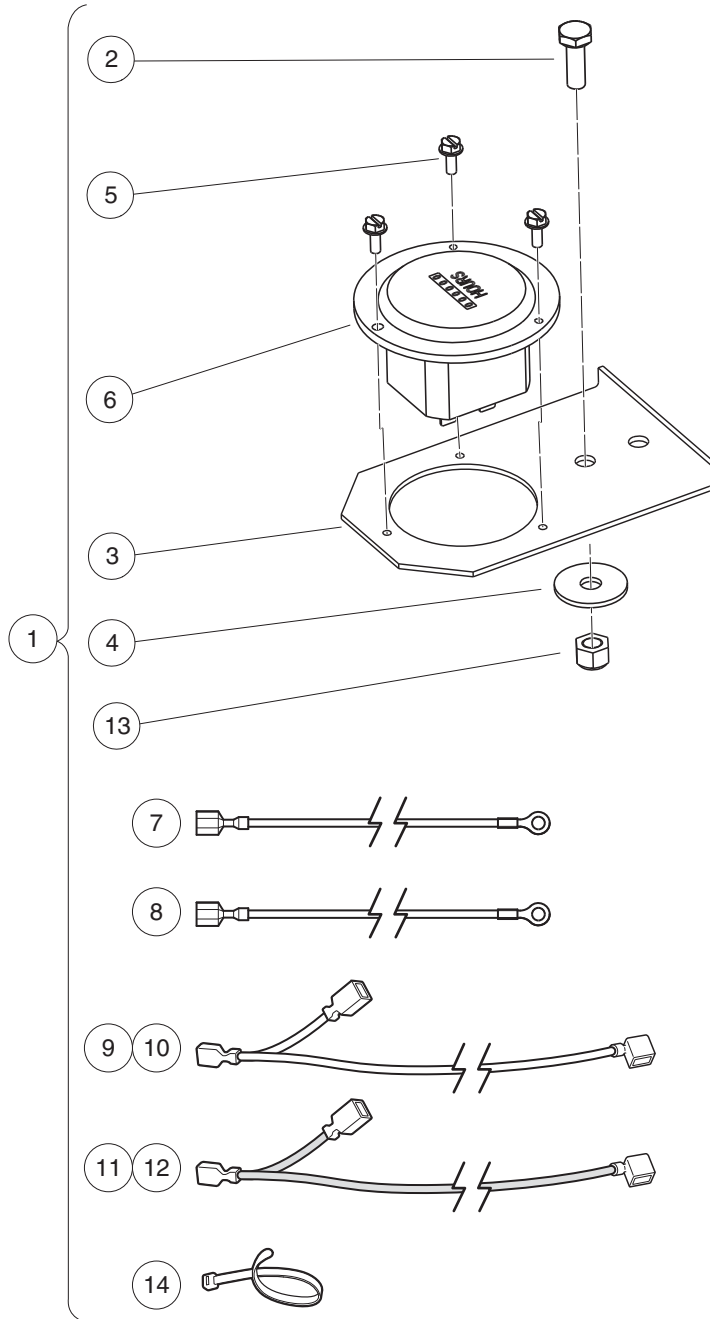
001095-001

# HORN

ITEM	PART NO.	DESCRIPTION	QTY
		<b>1 2 3 4</b>	
1	<u>101969701</u>	Horn Button and Wire Assembly .....	1
2	304	Screw, 1/4-20 X 1.0 Hex-Head Cap .....	2
3	<u>332</u>	Washer, 1/4 Type A Narrow Flat .....	2
4	<u>4029</u>	Horn (includes items 5 through 9) .....	1
5	<u>1011825</u>	Horn Bracket .....	1
6	<u>1014530</u>	Horn, 12-VDC .....	1
7	<u>101955101</u>	Nut, M6 Hex .....	1
8	<u>7820</u>	Washer, 5/16 Internal-Tooth .....	1
9	8294	5/16 Ring Term. ....	1
10	<u>8233</u>	Locknut, 1/4-20, Nylon Insert .....	2

**4**  
**G**  
**E**

**4**  
**G**  
**E**



001096-001

# HOUR METER – IQ SYSTEM AND IQ PLUS ELECTRIC VEHICLES

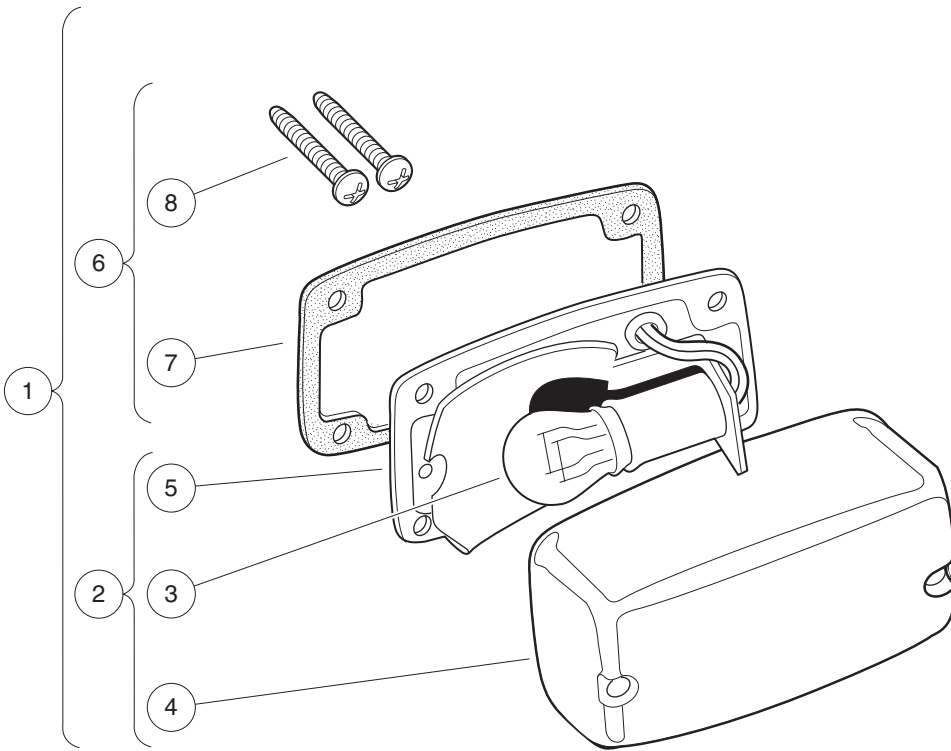
ITEM	PART NO.	DESCRIPTION	QTY
		1 2 3 4	
1	<u>1013579</u>	Kit, Hour Meter (includes items 2 through 14) .....	1
2	<u>1012285</u>	Screw, 1/4 X 0.625 Hex-Head .....	1
3	<u>1013547</u>	Hour Meter Bracket .....	1
4	<u>1014306</u>	Washer, 1/4" Type B Flat .....	1
5	<u>1014540</u>	Screw, #6-32 X 3/8 Taptite .....	3
6	N/A	Hour Meter .....	1
7	101881501	Wire Assembly Black #18 .....	1
8	101881601	Wire Assembly Red #18 .....	1
9	<u>101997802</u>	Wire Assembly #18 Yellow .....	1
10	<u>101997803</u>	Wire Asm #18 Yellow 31" .....	1
11	<u>101997902</u>	Wire Assembly #18 Red .....	1
12	<u>101997903</u>	Wire Asm # 18 Red 31" .....	1
13	<u>8233</u>	Locknut, 1/4-20, Nylon Insert .....	1
14	<u>8990</u>	Tie Wrap, 8" Nylon .....	1
		<p>Note: The kit includes components that apply to multiple vehicles. The installation instructions will specify which components are required for a specific model. After installation, discard components not used.</p>	

4  
G  
E

4

G

E



001081-001

# TAILLIGHTS

ITEM	PART NO.	DESCRIPTION	QTY
		<b>1 2 3 4</b>	
1	1017035	Taillight Assembly (includes items 2 through 6) .....	2
2	N/A	Light, Tail (includes items 3 through 5) .....	1
3	<u>1011582</u>	Taillight Bulb .....	1
4	<u>1011843</u>	Taillight Lens .....	1
5	N/A	Base, Taillight .....	1
6	<u>1017699</u>	Hardware Kit, Tail Light (includes items 7 and 8) .....	1
7	N/A	Gasket .....	1
8	N/A	Screw, Tapered .....	2

**4**  
**G**  
**E**

**4**

**G**

**E**



# BRAKES, PEDAL, AND CABLE ASSEMBLIES

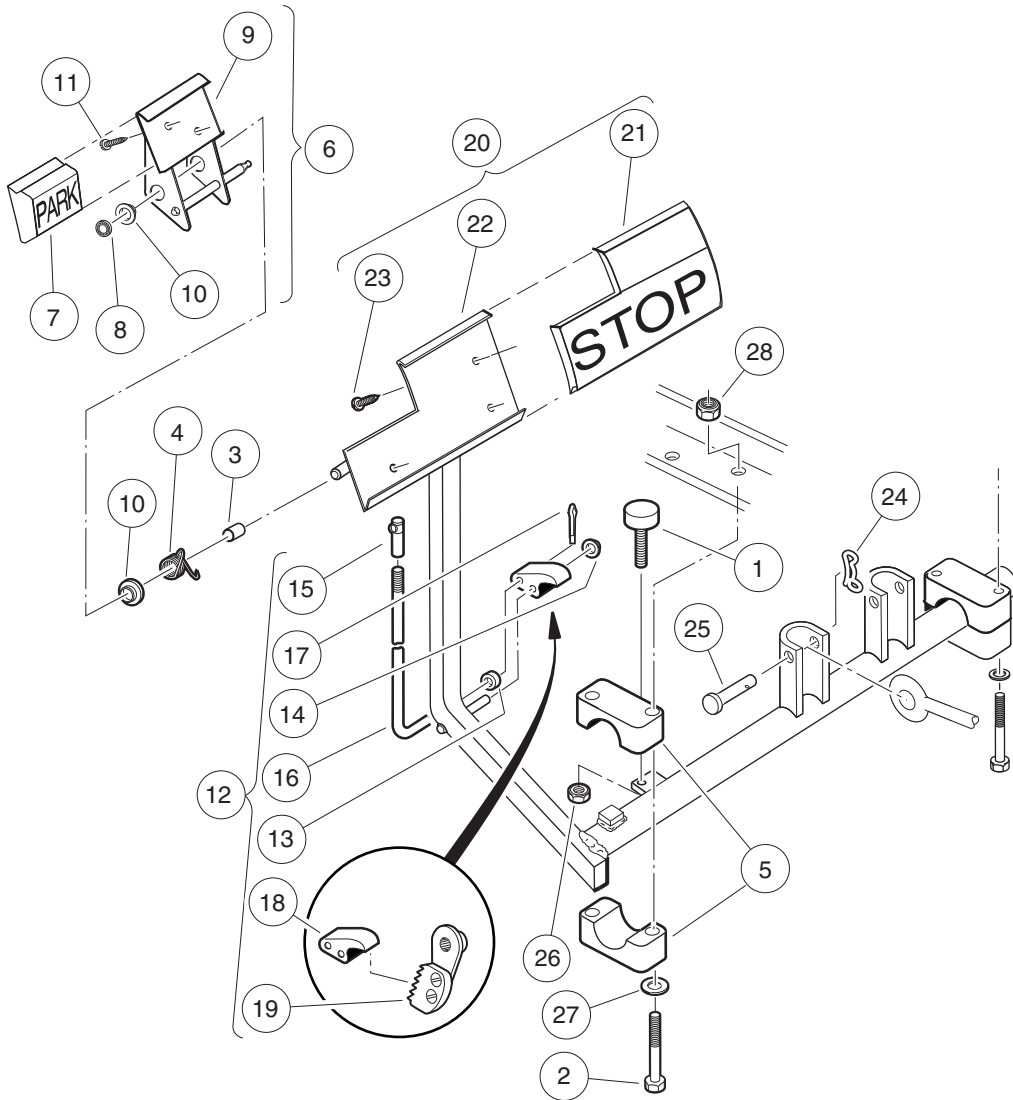
---

5

G

E

**5**  
**G**  
**E**



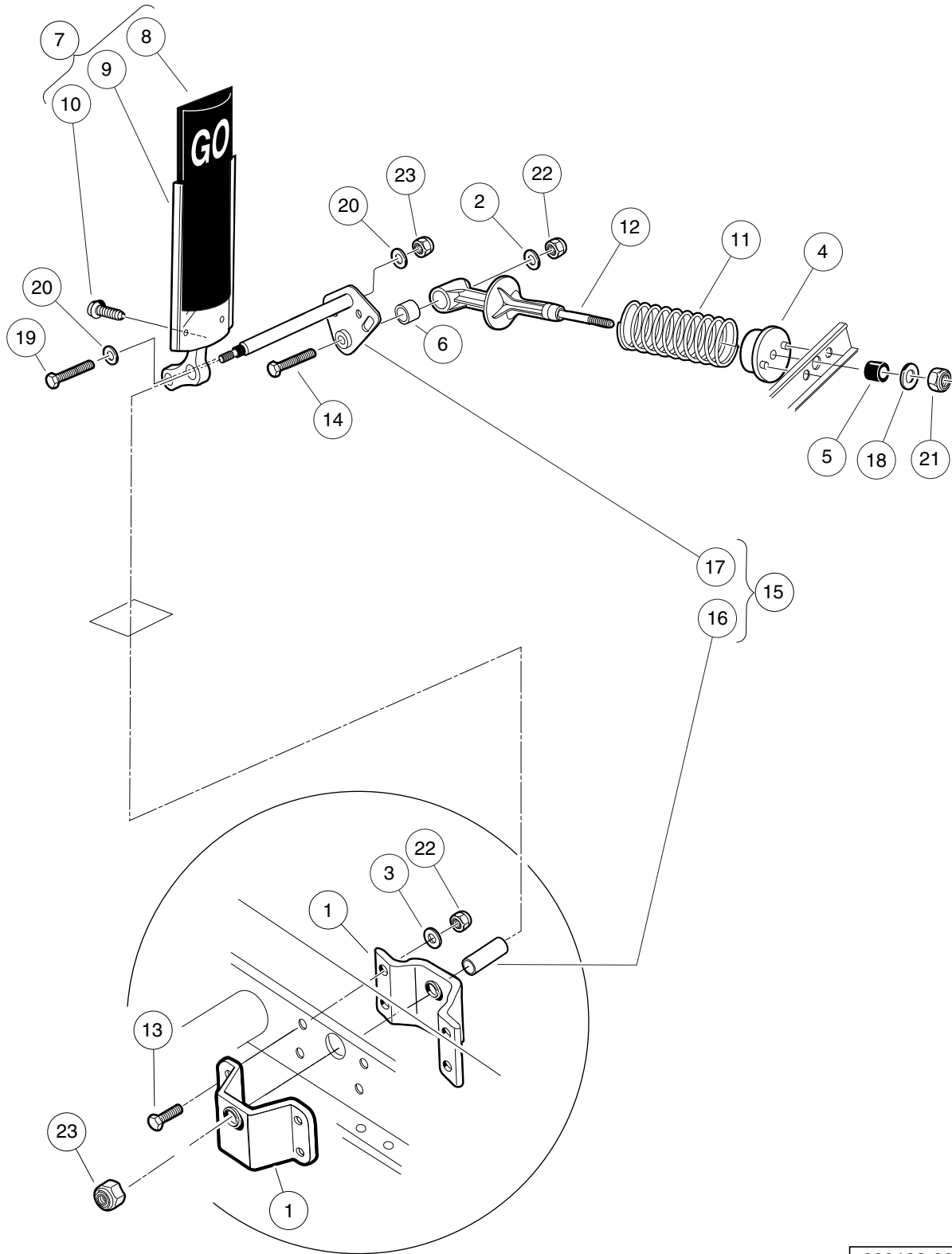
000187-001

# BRAKE PEDAL ASSEMBLY

ITEM	PART NO.	DESCRIPTION	QTY
		1 2 3 4	
1	<u>1010878</u>	Bumper, Rubber .....	1
2	<u>1010921</u>	Screw, 5/16-18 X 2.50 Hex Cap .....	4
3	<u>1010927</u>	Hill Brake Spacer .....	1
4	<u>1010933</u>	Spring, Hill Brake Torsion .....	1
5	<u>1011402</u>	Package, Brake Mounting Block .....	1
6	<u>1011418</u>	Kit, Hill Brake Pedal (includes items 7 through 11) .....	1
7	<u>1013870</u>	Pad, Hill Brake .....	1
8	<u>1013876</u>	Pushnut, 3/8 .....	1
9	N/A	Hill Brake Weld Assembly .....	1
10	<u>1032</u>	Bushing, Nylon .....	2
11	7716	Screw, #10-16 Type AB, Sheet Metal .....	2
12	<u>101187702</u>	Kit, Hill Brake Latch (includes items 13 through 19) .....	1
13	<u>1010805</u>	Sleeve, Hill Brake Rod .....	1
14	<u>1010877</u>	Pushnut, 3/8 .....	1
15	1010932	Ball Joint, 1/4-28 .....	1
16	N/A	Rod, Hill Brake .....	1
17	<u>1017029</u>	Pin, Cotter, 7/64 x 1/2 Stainless-Steel .....	1
18	N/A	Pawl, Hill Brake .....	1
19	101918501	Ratchet Assembly .....	1
20	<u>101878201</u>	Brake Pedal Kit (includes items 21 through 23) .....	1
21	<u>1013869</u>	Pad, Brake Pedal .....	1
22	N/A	Weldment, Brake Pedal, 2wr Std .....	1
23	7716	Screw, #10-16 Type AB, Sheet Metal .....	3
24	<u>102323101</u>	Pin, Bow Tie Locking .....	1
25	<u>102323201</u>	Pin, 3/8 X 1-5/16 Clevis .....	1
26	<u>1028</u>	Nut, 1/4-20 Hex .....	1
27	<u>1241</u>	Washer, 5/16 Type A Flat .....	4
28	<u>7473</u>	Locknut, 5/16-18 Nylon Insert .....	4

5  
G  
E

**5**  
**G**  
**E**



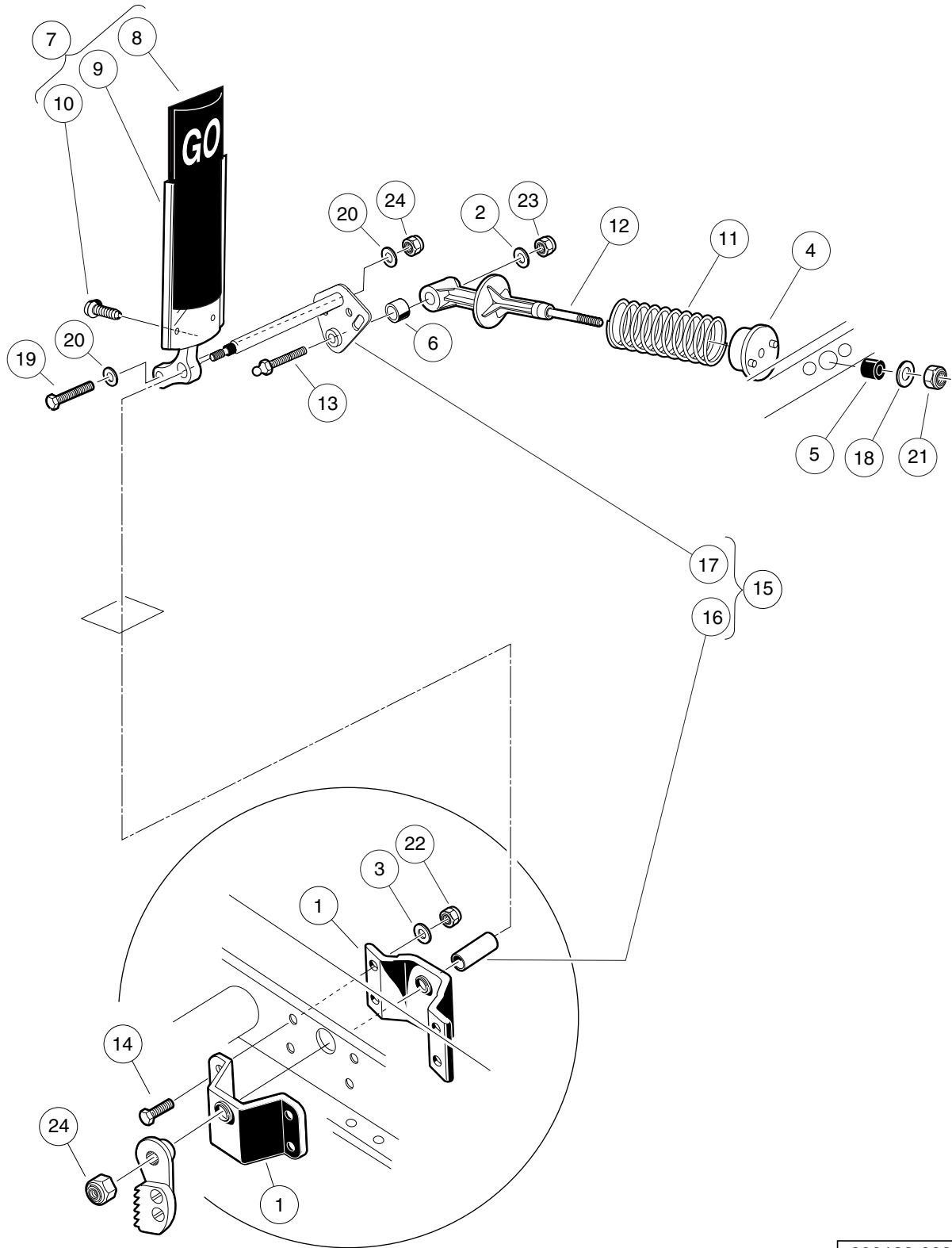
000188-007

# ACCELERATOR PEDAL ASSEMBLY – ELECTRIC VEHICLES WITH MCOR

ITEM	PART NO.	DESCRIPTION	QTY
		1 2 3 4	
1	<u>1011694</u>	Accelerator Bracket and Bearing Assembly .....	2
2	<u>1011931</u>	Washer, 1/4 Flat .....	1
3	<u>1014007</u>	Washer, 1/4, Flat .....	4
4	<u>1017378</u>	Cup, Spring .....	1
5	<u>1017380</u>	Bumper, Spring Return .....	1
6	<u>1017424</u>	Bearing, Pivot Support .....	1
7	<u>1017696</u>	Sub Asm, Accelerator Pedal (includes items 8 through 10) .....	1
8	1013871	Pad, Accelerator Pedal .....	1
9	N/A	Accelerator Pedal Weldment .....	1
10	7716	Screw, #10-16 Type AB, Sheet Metal .....	4
11	101796201	Spring, Accelerator Return .....	1
12	<u>101817401</u>	Retainer, Spring .....	1
13	<u>101861901</u>	Screw, 1/4-20 X 1.125 Hex Cap .....	4
14	<u>101862001</u>	Screw, 1/4-20 X 1.500 Flange .....	1
15	<u>102026001</u>	Kit, Accelerator Pivot Rod Assembly (includes items 16 and 17) .....	1
16	101919801	Spacer, Accelerator .....	1
17	<u>102158901</u>	Pivot Rod Weldment .....	1
18	<u>1241</u>	Washer, 5/16 Type A Flat .....	1
19	<u>1624</u>	Screw, 3/8-16 X 1.50, Hex-Head Cap .....	1
20	<u>334</u>	Washer, 3/8, Type A, Flat .....	2
21	<u>7473</u>	Locknut, 5/16-18 Nylon Insert .....	1
22	<u>8233</u>	Locknut, 1/4-20, Nylon Insert .....	5
23	<u>8754</u>	Locknut, 3/8-16 Hex .....	2

5  
G  
E

**5**  
**G**  
**E**



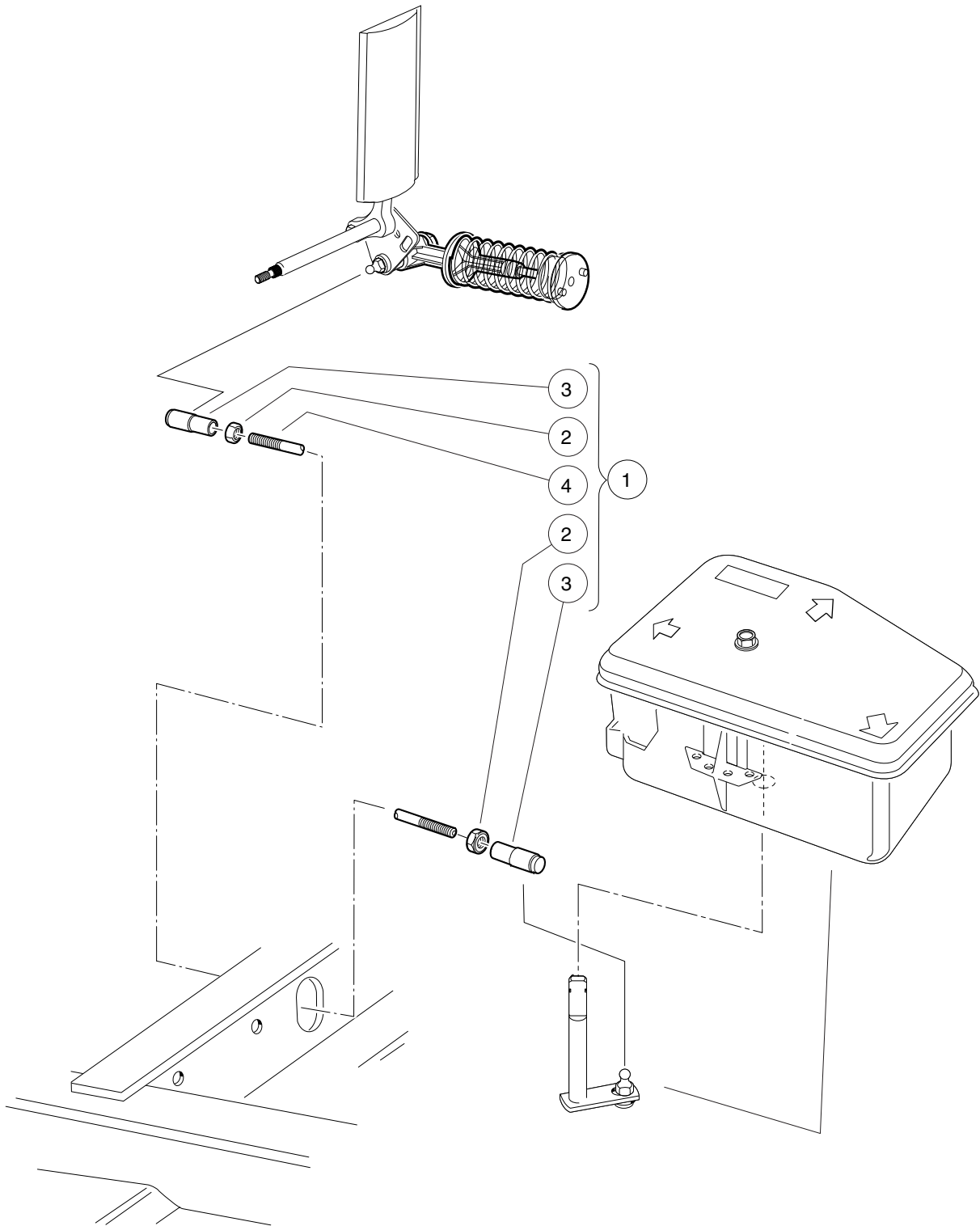
000188-008

# ACCELERATOR PEDAL ASSEMBLY – GASOLINE VEHICLES

ITEM	PART NO.	DESCRIPTION	QTY
		1 2 3 4	
1	<u>1011694</u>	Accelerator Bracket and Bearing Assembly .....	2
2	<u>1011931</u>	Washer, 1/4 Flat .....	1
3	<u>1014007</u>	Washer, 1/4, Flat .....	4
4	<u>1017378</u>	Cup, Spring .....	1
5	<u>1017380</u>	Bumper, Spring Return .....	1
6	<u>1017424</u>	Bearing, Pivot Support .....	1
7	<u>1017696</u>	Sub Asm, Accelerator Pedal (includes items 8 through 10) .....	1
8	1013871	Pad, Accelerator Pedal .....	1
9	N/A	Accelerator Pedal Weldment .....	1
10	7716	Screw, #10-16 Type AB, Sheet Metal .....	4
11	101796201	Spring, Accelerator Return .....	1
12	<u>101817401</u>	Retainer, Spring .....	1
13	101818801	Stud, 1/4-28 X 1.35 Ball .....	1
14	<u>101861901</u>	Screw, 1/4-20 X 1.125 Hex Cap .....	4
15	<u>102026001</u>	Kit, Accelerator Pivot Rod Assembly (includes items 16 and 17) .....	1
16	101919801	Spacer, Accelerator .....	1
17	<u>102158901</u>	Pivot Rod Weldment .....	1
18	<u>1241</u>	Washer, 5/16 Type A Flat .....	1
19	<u>1624</u>	Screw, 3/8-16 X 1.50, Hex-Head Cap .....	1
20	<u>334</u>	Washer, 3/8, Type A, Flat .....	2
21	<u>7473</u>	Locknut, 5/16-18 Nylon Insert .....	1
22	<u>8233</u>	Locknut, 1/4-20, Nylon Insert .....	4
23	<u>8717</u>	Locknut, Nylon Insert, 1/4-28 .....	1
24	<u>8754</u>	Locknut, 3/8-16 Hex .....	2

5  
G  
E

**5**  
**G**  
**E**



000362-001

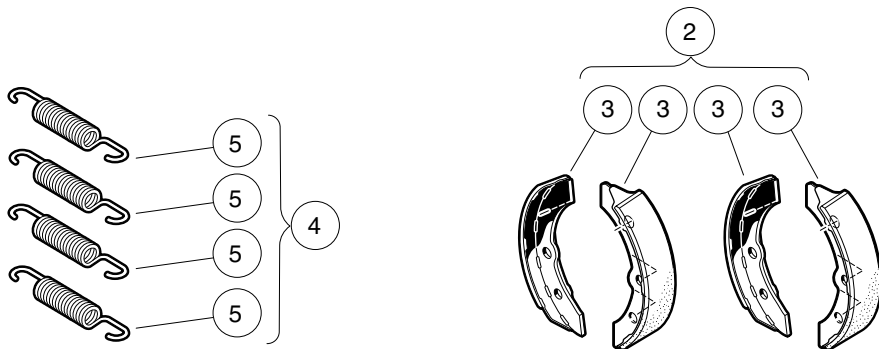
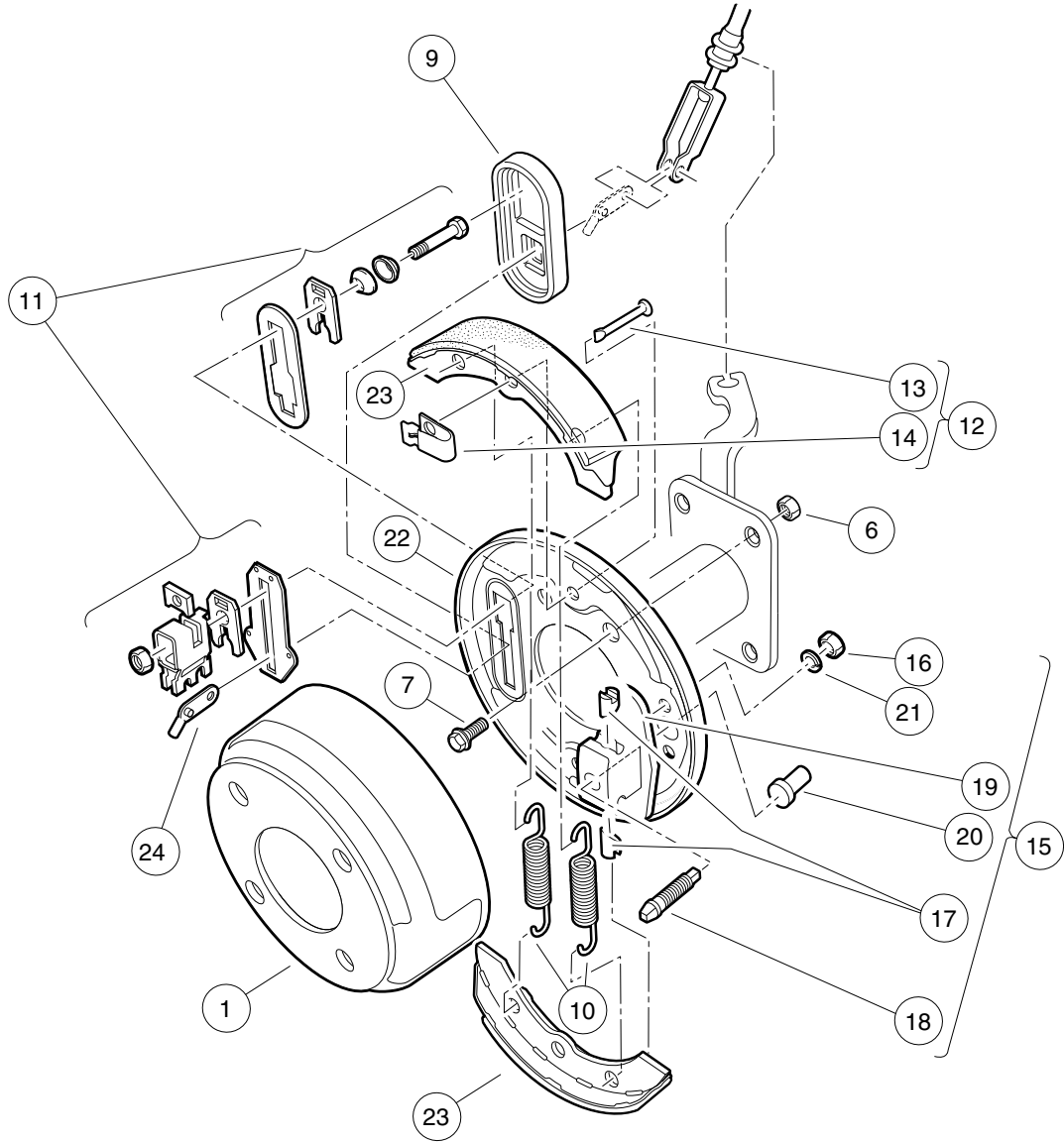


# ACCELERATOR ROD – TURF/CARRYALL 2/2 PLUS/252 AND XRT900 GASOLINE VEHICLES

ITEM	PART NO.	DESCRIPTION	QTY
		1 2 3 4	
1	<u>101822001</u>	Rod, Accelerator (includes items 2 through 4) .....	1
2	<u>1011084</u>	Nut, 1/4-28 Hex Jam .....	2
3	<u>1011734</u>	Joint, Ball .....	2
4	N/A	Accelerator Rod .....	1

**5**  
**G**  
**E**

**5**  
**G**  
**E**



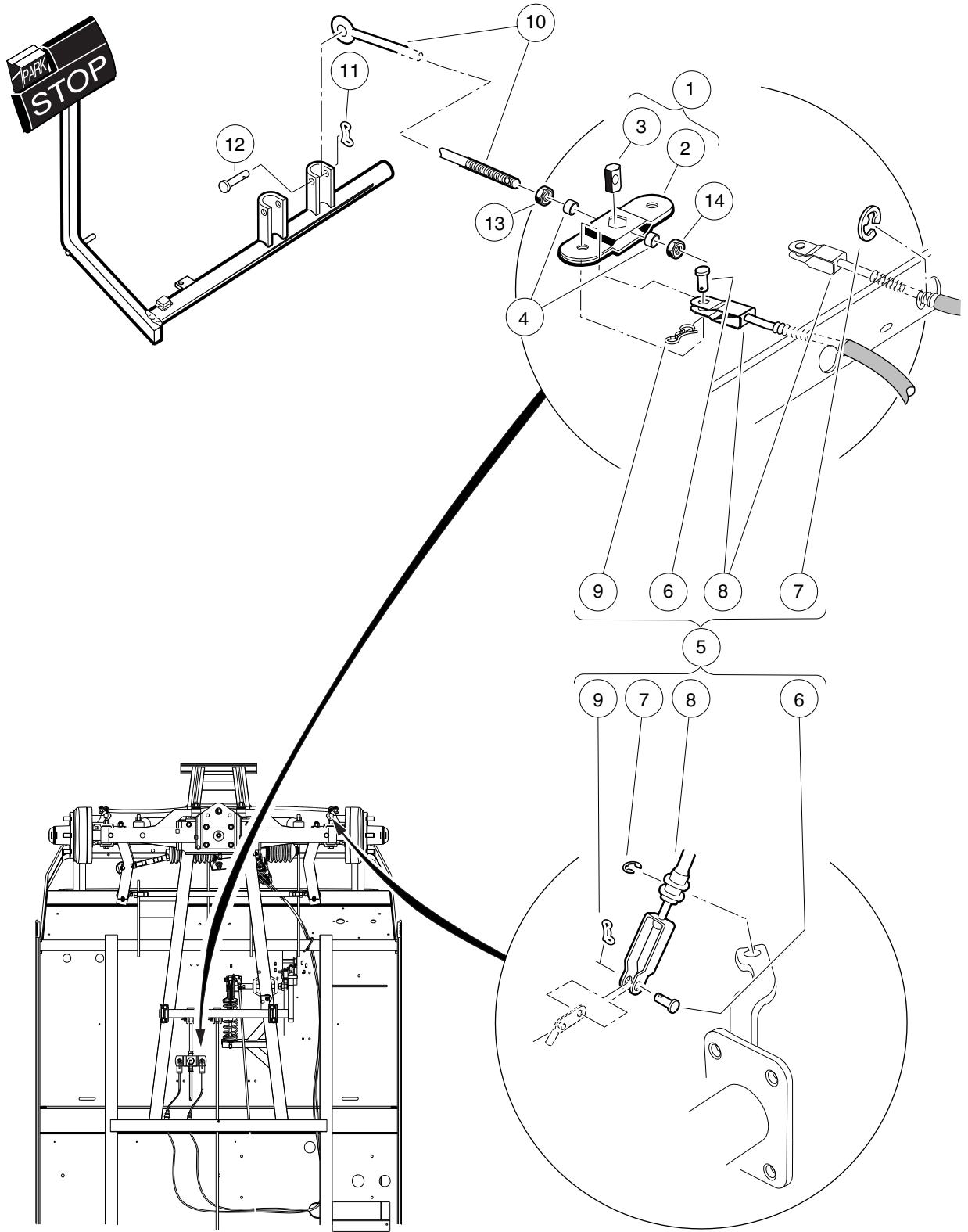
000298-001

# FRONT BRAKE ASSEMBLY – VEHICLES WITH FOUR-WHEEL BRAKES

ITEM	PART NO.	DESCRIPTION	QTY
		<b>1 2 3 4</b>	
1	<u>1011137</u>	Drum, Brake .....	2
2	<u>101146302</u>	Kit, Non-Asbestos Brake Shoe (includes item 3) .....	1
3	101880701	Shoe Brake Manual Adj (Available in Kit, Non-Asbestos Brake Shoe) .....	4
4	<u>1011464</u>	Package, Brake Spring (includes item 5) .....	1
5	1011314	Brake Spring .....	4
6	<u>1013924</u>	Nut, 5/16-24, Hex Head Cone .....	8
7	<u>1014153</u>	Bolt, Brake Cluster Mounting .....	8
8	<u>1016557</u>	Cluster, Brake, Driver-Side (includes items 9 through 24) .....	1
9	<u>1010850</u>	Dust Cover .....	1
10	1011314	Brake Spring .....	2
11	<u>1011465</u>	Kit, Brake Actuator .....	1
12	<u>1011466</u>	Kit, Shoe Retainer (includes items 13 and 14) .....	1
13	N/A	Pin .....	2
14	N/A	Shoe Clamp Spring .....	2
15	<u>1011467</u>	Kit, Anchor Body (includes items 16 through 21) .....	1
16	<u>1011114</u>	Nut, M6-1.00 Hex .....	2
17	1011298	Anchor Piston .....	2
18	N/A	Adjustment Bolt .....	1
19	N/A	Anchor Body Component .....	1
20	<u>1011303</u>	Adjustment Bolt Cap .....	1
21	<u>451</u>	Lockwasher, 1/4 Split .....	2
22	1011494	Backing Plate, Left-Hand .....	1
23	101880701	Shoe Brake Manual Adj (Available in Kit, Non-Asbestos Brake Shoe) .....	2
24	N/A	Arm, Brake Lever .....	1
25	<u>1016573</u>	Cluster, Brake, Passenger-Side (includes items 26 through 41) .....	1
26	<u>1010850</u>	Dust Cover .....	1
27	<u>1011154</u>	Backing Plate, Right-Hand .....	1
28	1011314	Brake Spring .....	2
29	<u>1011465</u>	Kit, Brake Actuator .....	1
30	<u>1011466</u>	Kit, Shoe Retainer (includes items 31 and 32) .....	1
31	N/A	Pin .....	2
32	N/A	Shoe Clamp Spring .....	2
33	<u>1011467</u>	Kit, Anchor Body (includes items 34 through 39) .....	1
34	<u>1011114</u>	Nut, M6-1.00 Hex .....	2
35	1011298	Anchor Piston .....	2
36	N/A	Adjustment Bolt .....	1
37	N/A	Anchor Body Component .....	1
38	<u>1011303</u>	Adjustment Bolt Cap .....	1
39	<u>451</u>	Lockwasher, 1/4 Split .....	2
40	101880701	Shoe Brake Manual Adj (Available in Kit, Non-Asbestos Brake Shoe) .....	2
41	N/A	Arm, Brake Lever .....	1
		Note: Passenger-side brake cluster not shown. Components have a similar appearance to driver-side brake cluster components.	

**5**  
**G**  
**E**

**5**  
**G**  
**E**



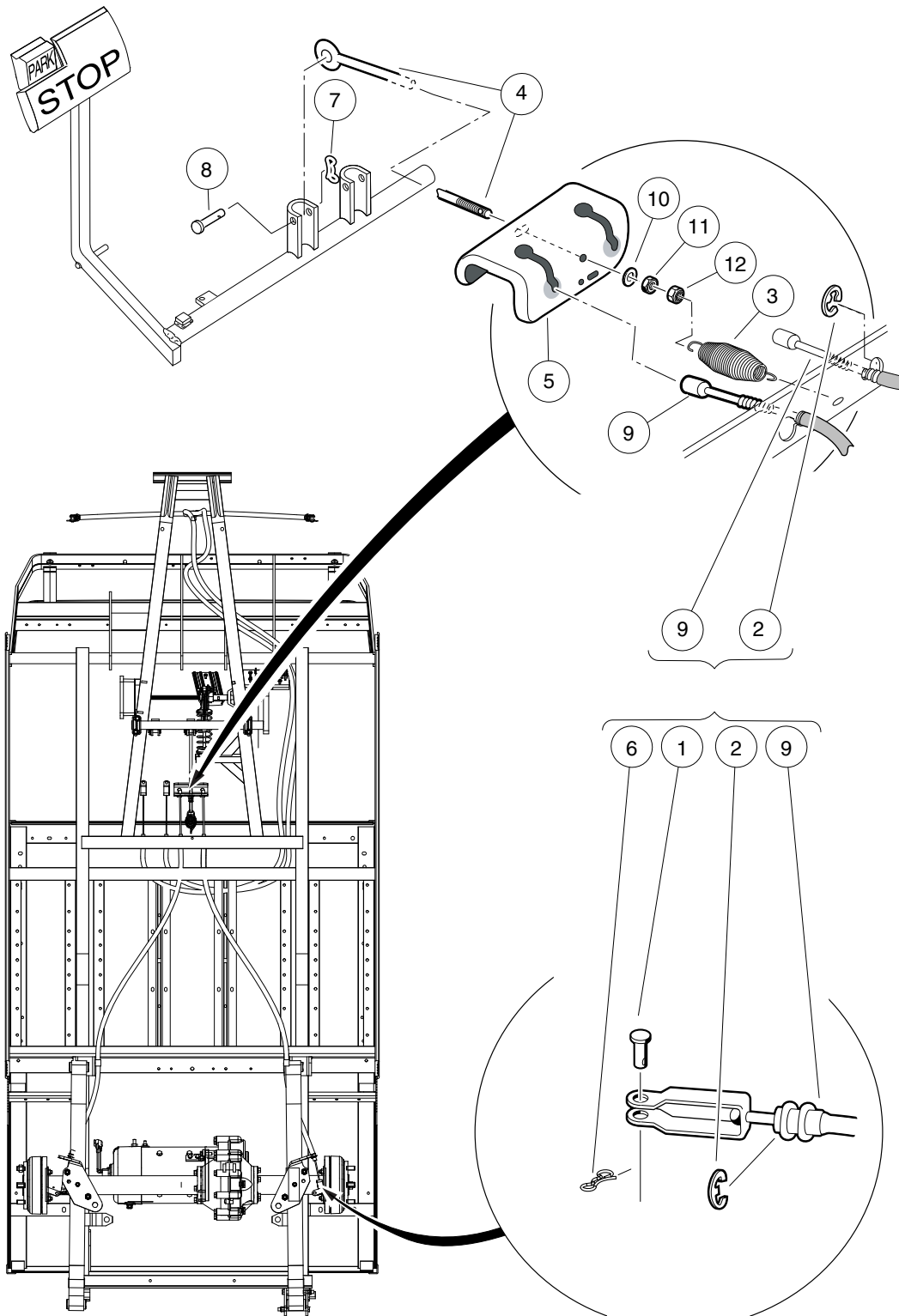
000294-001

# FRONT BRAKE CABLES AND EQUALIZER – VEHICLES WITH FOUR-WHEEL BRAKES

ITEM	PART NO.	DESCRIPTION	QTY
		<b>1 2 3 4</b>	
1	<u>1017211</u>	Kit, Equalizer and Pivot Limiter (includes items 2 and 3) .....	1
2	1016319	Equalizer Weld Assembly .....	1
3	1016320	Equalizer, Pivot Limiter .....	1
4	<u>101865301</u>	Spacer .....	2
5	<u>101874601</u>	Kit, Brake Cable (includes items 6 through 9) .....	1
6	<u>1010829</u>	Pin, Clevis, 5/16 X 3/4 .....	4
7	<u>1011779</u>	E-Clip, 1/2 .....	4
8	N/A	Brake Cable .....	2
9	<u>102292801</u>	Pin, Bow Tie Locking - .072 .....	4
10	<u>101953106</u>	Rod, Equalizer, 9.75" .....	1
11	<u>102323101</u>	Pin, Bow Tie Locking .....	1
12	<u>102323201</u>	Pin, 3/8 X 1-5/16 Clevis .....	1
13	<u>1242</u>	Nut, 5/16-18 Hex .....	1
14	<u>7473</u>	Locknut, 5/16-18 Nylon Insert .....	1

**5**  
**G**  
**E**

**5**  
**G**  
**E**



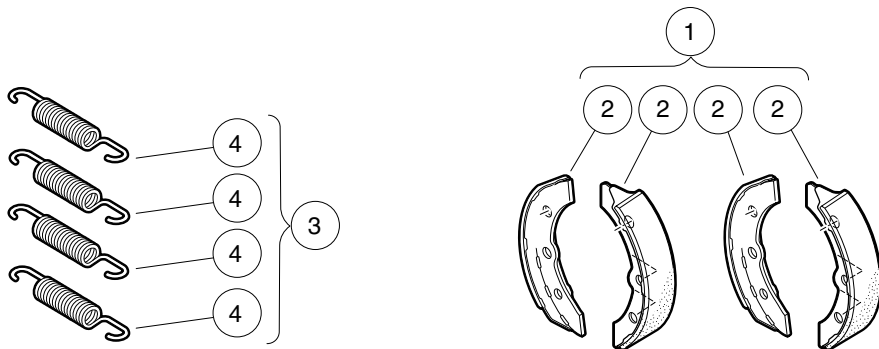
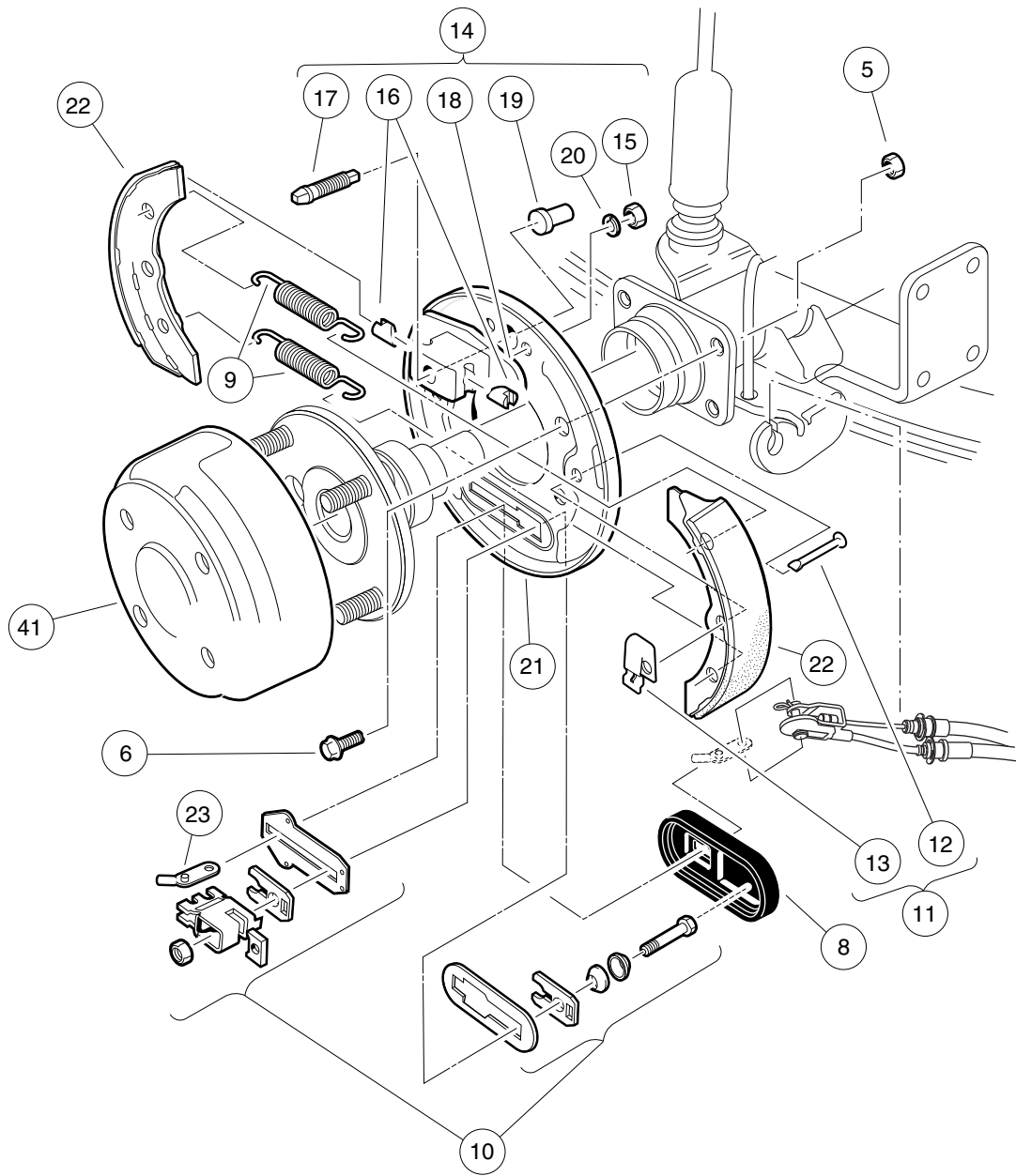
000295-002

# REAR BRAKE CABLES AND EQUALIZER – VEHICLES WITH 4-WHEEL BRAKES

ITEM	PART NO.	DESCRIPTION	QTY
		1 2 3 4	
1	<u>1010829</u>	Pin, Clevis, 5/16 X 3/4 .....	2
2	<u>1011779</u>	E-Clip, 1/2 .....	4
3	<u>1013531</u>	Spring, Brake Return .....	1
4	<u>101953106</u>	Rod, Equalizer, 9.75" .....	1
5	<u>101990801</u>	Equalizer Bracket .....	1
6	<u>102292801</u>	Pin, Bow Tie Locking - .072 .....	2
7	<u>102323101</u>	Pin, Bow Tie Locking .....	1
8	<u>102323201</u>	Pin, 3/8 X 1-5/16 Clevis .....	1
9	<u>102852101</u>	Cable, Brake, 51-inch, Right .....	2
10	<u>1241</u>	Washer, 5/16 Type A Flat .....	1
11	<u>1242</u>	Nut, 5/16-18 Hex .....	1
12	<u>7473</u>	Locknut, 5/16-18 Nylon Insert .....	1

**5**  
**G**  
**E**

**5**  
**G**  
**E**



000293-002

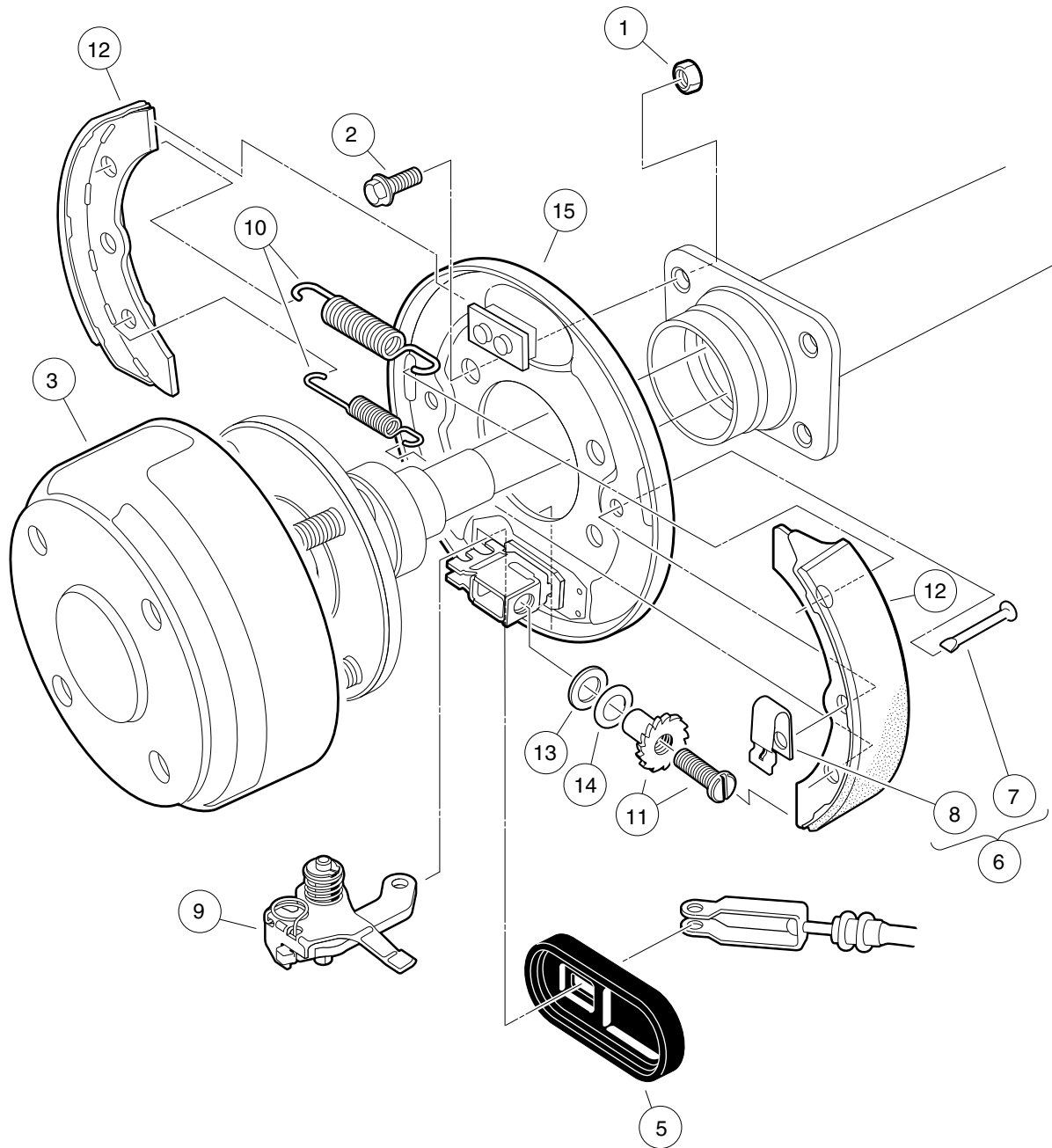


# REAR BRAKE ASSEMBLY, MANUALLY-ADJUSTED – VEHICLES WITH 4-WHEEL BRAKES

ITEM	PART NO.	DESCRIPTION	QTY
		1 2 3 4	
1	<u>101146302</u>	Kit, Non-Asbestos Brake Shoe (includes item 2) .....	1
2	101880701	Shoe Brake Manual Adj (Available in Kit, Non-Asbestos Brake Shoe) .....	4
3	<u>1011464</u>	Package, Brake Spring (includes item 4) .....	1
4	1011314	Brake Spring .....	4
5	<u>1013924</u>	Nut, 5/16-24, Hex Head Cone .....	8
6	<u>1014153</u>	Bolt, Brake Cluster Mounting .....	8
7	<u>1016557</u>	Cluster, Brake, Driver-Side (includes items 8 through 23) .....	1
8	<u>1010850</u>	Dust Cover .....	1
9	1011314	Brake Spring .....	2
10	<u>1011465</u>	Kit, Brake Actuator .....	1
11	<u>1011466</u>	Kit, Shoe Retainer (includes items 12 and 13) .....	1
12	N/A	Pin .....	2
13	N/A	Shoe Clamp Spring .....	2
14	<u>1011467</u>	Kit, Anchor Body (includes items 15 through 20) .....	1
15	<u>1011114</u>	Nut, M6-1.00 Hex .....	2
16	1011298	Anchor Piston .....	2
17	N/A	Adjustment Bolt .....	1
18	N/A	Anchor Body Component .....	1
19	<u>1011303</u>	Adjustment Bolt Cap .....	1
20	<u>451</u>	Lockwasher, 1/4 Split .....	2
21	1011494	Backing Plate, Left-Hand .....	1
22	101880701	Shoe Brake Manual Adj (Available in Kit, Non-Asbestos Brake Shoe) .....	2
23	N/A	Arm, Brake Lever .....	1
24	<u>1016573</u>	Cluster, Brake, Passenger-Side (includes items 25 through 40) .....	1
25	<u>1010850</u>	Dust Cover .....	1
26	<u>1011154</u>	Backing Plate, Right-Hand .....	1
27	1011314	Brake Spring .....	2
28	<u>1011465</u>	Kit, Brake Actuator .....	1
29	<u>1011466</u>	Kit, Shoe Retainer (includes items 30 and 31) .....	1
30	N/A	Pin .....	2
31	N/A	Shoe Clamp Spring .....	2
32	<u>1011467</u>	Kit, Anchor Body (includes items 33 through 38) .....	1
33	<u>1011114</u>	Nut, M6-1.00 Hex .....	2
34	1011298	Anchor Piston .....	2
35	N/A	Adjustment Bolt .....	1
36	N/A	Anchor Body Component .....	1
37	<u>1011303</u>	Adjustment Bolt Cap .....	1
38	<u>451</u>	Lockwasher, 1/4 Split .....	2
39	101880701	Shoe Brake Manual Adj (Available in Kit, Non-Asbestos Brake Shoe) .....	2
40	N/A	Arm, Brake Lever .....	1
41	<u>101791101</u>	Drum without Center Hole, Brake .....	2
		Note: Passenger-side brake cluster not shown. Components have a similar appearance to driver-side brake cluster components.	

**5**  
**G**  
**E**

**5**  
**G**  
**E**



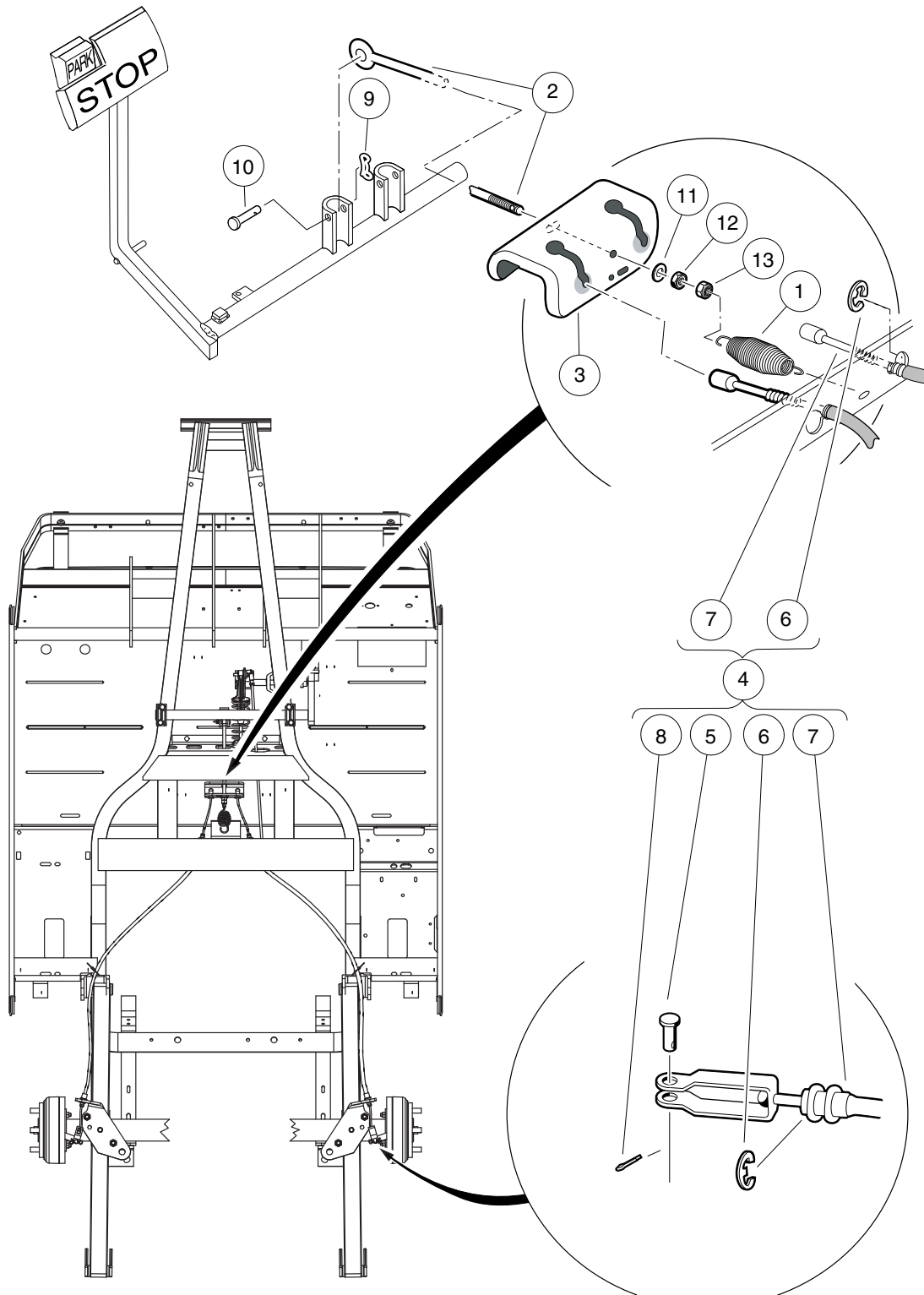
000186-002

# REAR BRAKE ASSEMBLY, SELF-ADJUSTING – VEHICLE WITH 2-WHEEL BRAKES

ITEM	PART NO.	DESCRIPTION	QTY
		1 2 3 4	
1	<u>1013924</u>	Nut, 5/16-24, Hex Head Cone .....	8
2	<u>1014153</u>	Bolt, Brake Cluster Mounting .....	8
3	<u>101791101</u>	Drum without Center Hole, Brake .....	2
4	<u>101823301</u>	Cluster Assembly, Right (Passenger) Brake (includes items 5 through 15) .....	1
5	<u>1010850</u>	Dust Cover .....	1
6	<u>1011466</u>	Kit, Shoe Retainer (includes items 7 and 8) .....	1
7	N/A	Pin .....	2
8	N/A	Shoe Clamp Spring .....	2
9	101815501	Lever Assembly, Self-Adjusting Brake, Right (Passenger) .....	1
10	<u>101816301</u>	Package, Brake Spring, Self-Adjusting .....	1
11	<u>101816501</u>	Adj Mechanism, S.A. Brakes, Right (Passenger) .....	1
12	<u>101823201</u>	Package, Brake Shoe, Self-Adjusting .....	1
13	<u>101823801</u>	Plate, Washer, Brake, Self-Adjusting .....	1
14	<u>101823901</u>	Washer, Brake, Self-Adjusting .....	1
15	<u>101824001</u>	Plate Assembly, Right Brake Backing .....	1
16	<u>101823302</u>	Cluster Assembly, Left Brake (includes items 17 through 27) .....	1
17	<u>1010850</u>	Dust Cover .....	1
18	<u>1011466</u>	Kit, Shoe Retainer (includes items 19 and 20) .....	1
19	N/A	Pin .....	2
20	N/A	Shoe Clamp Spring .....	2
21	101815502	Lever Assembly, Self-Adjusting Brake, Left .....	1
22	<u>101816301</u>	Package, Brake Spring, Self-Adjusting .....	1
23	<u>101816502</u>	Adjusting Mechanism, Self-Adjusting Brake, Left .....	1
24	<u>101823201</u>	Package, Brake Shoe, Self-Adjusting .....	1
25	<u>101823801</u>	Plate, Washer, Brake, Self-Adjusting .....	1
26	<u>101823901</u>	Washer, Brake, Self-Adjusting .....	1
27	<u>101824002</u>	Plate Assembly, Left Brake Backing .....	1
Note: Driver-side brake cluster not shown. Components have a similar appearance to passenger-side brake cluster components.			

5  
G  
E

**5**  
**G**  
**E**



000296-001

# REAR BRAKE CABLES AND EQUALIZER – VEHICLES WITH TWO-WHEEL BRAKES

ITEM	PART NO.	DESCRIPTION	QTY
		1 2 3 4	
1	<u>1013531</u>	Spring, Brake Return .....	1
2	101953102	Rod, Equalizer, 20.91 inch .....	1
3	<u>101990801</u>	Equalizer Bracket .....	1
4	<u>102022101</u>	Brake Cable Kit (includes items 5 through 8) .....	2
5	<u>1010829</u>	Pin, Clevis, 5/16 X 3/4 .....	1
6	<u>1011779</u>	E-Clip, 1/2 .....	2
7	N/A	Cable, Brake, 41" .....	1
8	<u>102292801</u>	Pin, Bow Tie Locking - .072 .....	1
9	<u>102323101</u>	Pin, Bow Tie Locking .....	1
10	<u>102323201</u>	Pin, 3/8 X 1-5/16 Clevis .....	1
11	<u>1241</u>	Washer, 5/16 Type A Flat .....	1
12	<u>1242</u>	Nut, 5/16-18 Hex .....	1
13	<u>7473</u>	Locknut, 5/16-18 Nylon Insert .....	1

**5**  
**G**  
**E**

**5**

**G**

**E**

# STEERING AND SUSPENSIONS – TURF/CA 2 AND 2 PLUS

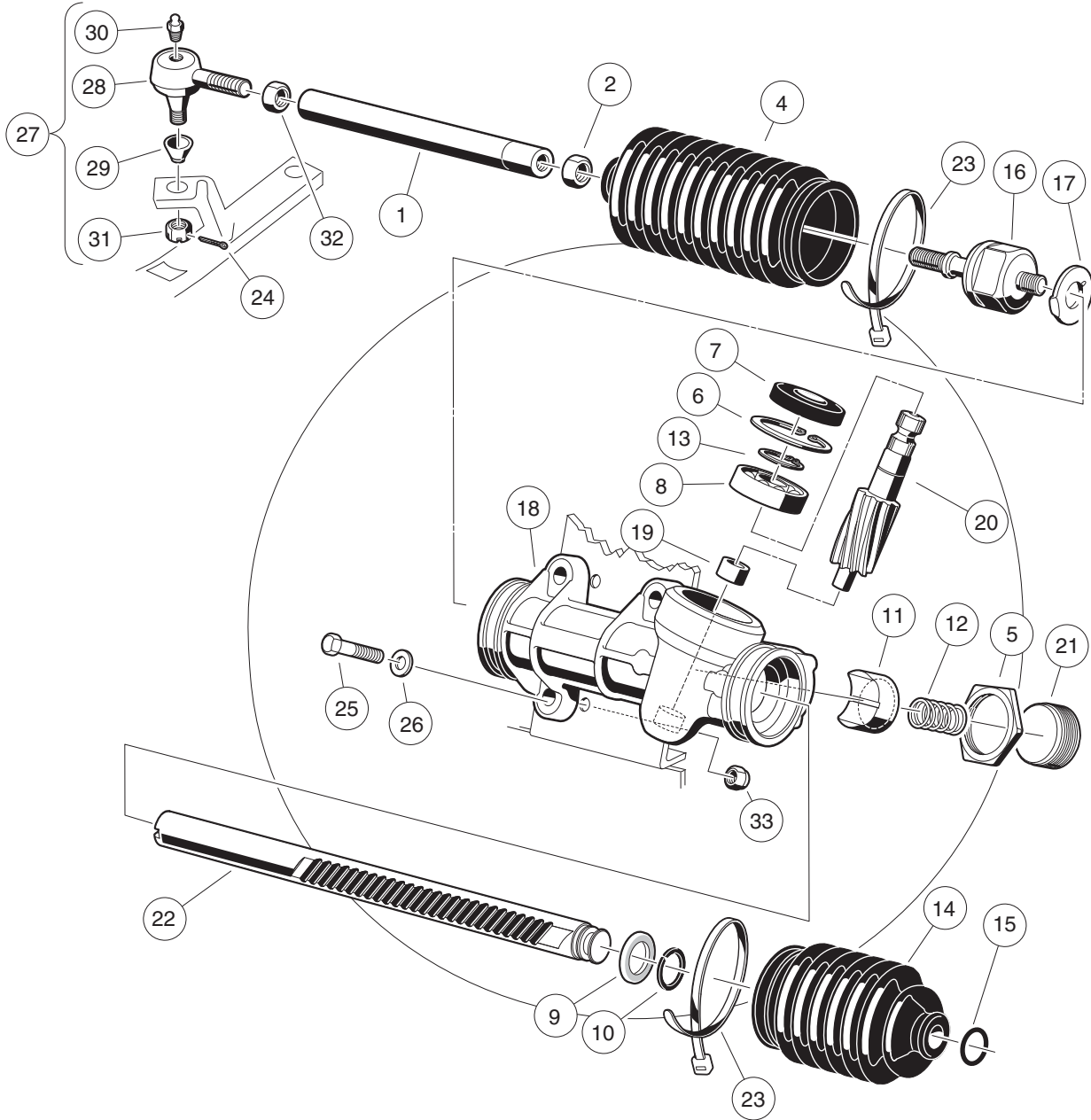
---

6

G

E

**6**  
**G**  
**E**



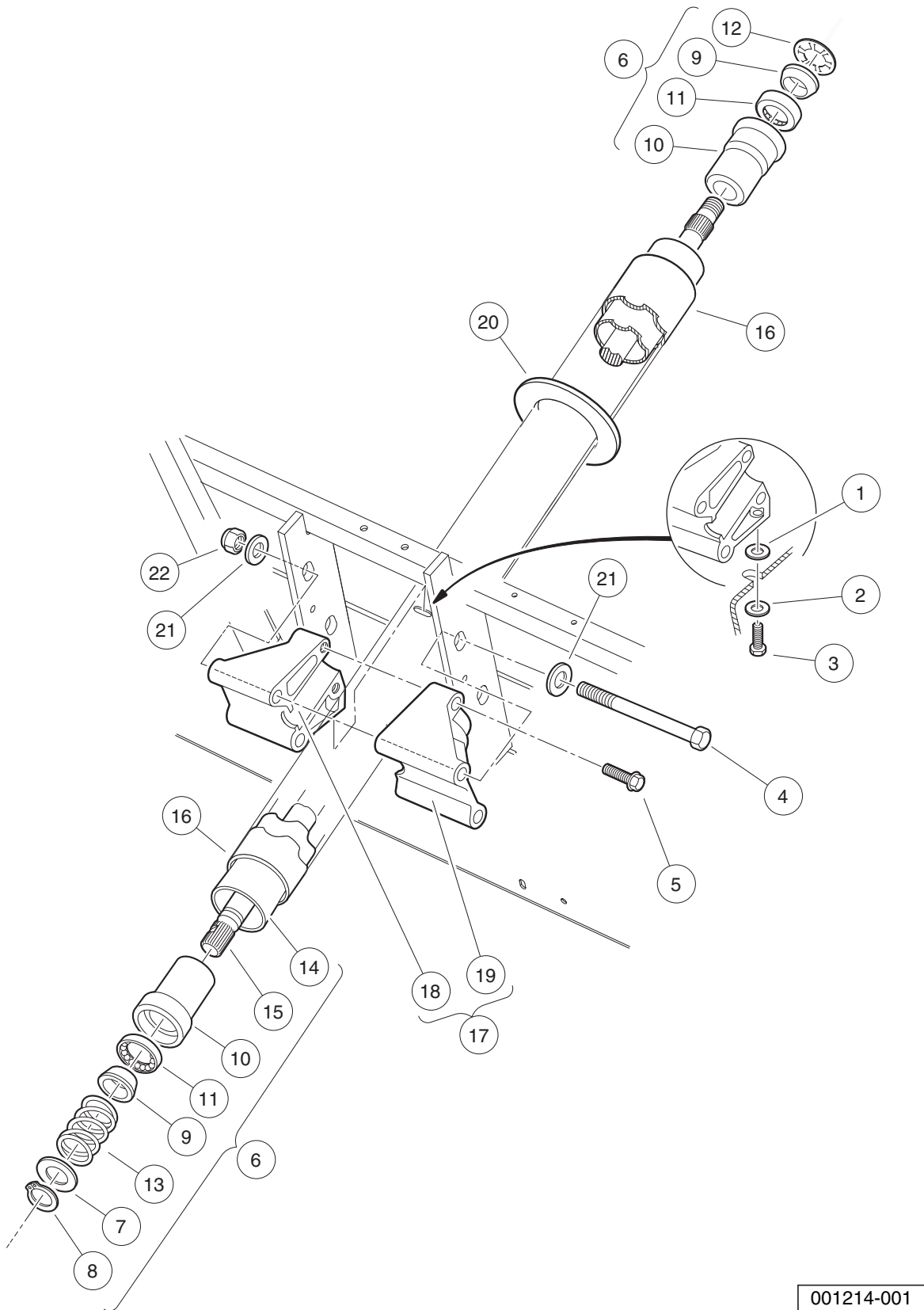
001213-001



# STEERING GEAR ASSEMBLY

ITEM	PART NO.	DESCRIPTION	QTY	6
		1 2 3 4		G
1	<u>1012467</u>	Link, Rack and Pinion Drag .....	1	E
2	1013042	Nut, 12mm Hex .....	1	
3	<u>101878302</u>	Steering Gear Assembly (without yoke) (includes items 4 through 23) .....	1	
4	<u>1013035</u>	Bellows, Long .....	1	
5	<u>1013044</u>	Rack Screw Locknut .....	1	
6	N/A	Snap Ring .....	1	
7	<u>1013052</u>	Seal, Steering Pinion Dust .....	1	
8	<u>101879401</u>	Bearing, Ball .....	1	
9	<u>101879501</u>	Stop Washer .....	1	
10	101879601	Stop Ring, C-Type .....	1	
11	<u>101879701</u>	Support Yoke .....	1	
12	<u>101879801</u>	Rack Guide Pressure Spring .....	1	
13	<u>101879901</u>	Ring, Stop, C-Type .....	1	
14	<u>101880001</u>	Bellows, Short .....	1	
15	101880101	Dust Seal Retaining Ring .....	1	
16	<u>101880201</u>	Inner Ball Joint Asm .....	1	
17	101880301	Washer, Tab .....	1	
18	N/A	Box, Steering Gear .....	1	
19	N/A	Bearing, Lower Pinion .....	1	
20	N/A	Pinion, Steering .....	1	
21	N/A	Screw, Rack Guide .....	1	
22	N/A	Rack, Steering .....	1	
23	<u>8990</u>	Tie Wrap, 8" Nylon .....	2	
24	<u>1035</u>	Cotter Pin, 3/32 x 1 .....	1	
25	<u>1624</u>	Screw, 3/8-16 X 1.50, Hex-Head Cap .....	3	
26	<u>334</u>	Washer, 3/8, Type A, Flat .....	3	
27	<u>7540</u>	Ball Joint, Left (includes items 28 through 31) .....	1	
28	1011895	Socket, LH Vertical .....	1	
29	<u>1011930</u>	Seal, Vertical Socket Dust .....	1	
30	<u>1015597</u>	Fitting, 1/4-28 Thread-Forming Grease .....	1	
31	7602	Nut, 3/8-24 UNF Hex .....	1	
32	<u>7555</u>	Nut, 1/2-20 Hex, Left-Hand Thread .....	1	
33	<u>8754</u>	Locknut, 3/8-16 Hex .....	3	

**6**  
**G**  
**E**



001214-001

## STEERING COLUMN – UTILITY

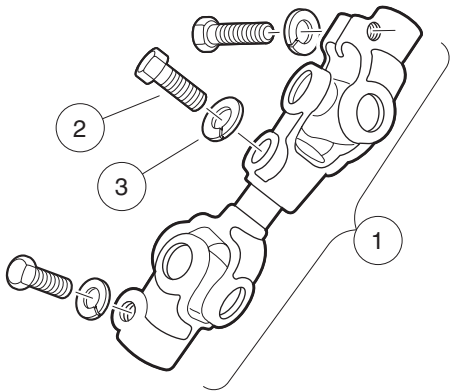
ITEM	PART NO.	DESCRIPTION	QTY
		<b>1 2 3 4</b>	
1	<u>1011578</u>	Washer, 5/16 Type B Flat .....	1
2	<u>1011697</u>	Washer, 5/16 Flat .....	1
3	<u>1014288</u>	Screw, 5/16-18 X 0.75, Thread-Forming .....	1
4	<u>1016183</u>	Screw, 3/8-16 X 7.00 Hex Cap .....	2
5	<u>1016269</u>	Screw, 5/16-18 Thrd Forming .....	2
6	<u>1017313</u>	Steering Shaft Assembly (includes items 7 through 15) .....	1
7	<u>1012604</u>	Washer, 0.675 ID X 1.19 OD .....	1
8	<u>1012605</u>	Ring, 0.579 Internal Retaining .....	1
9	1014125	Wedge, Molded .....	2
10	<u>1014126</u>	Seat, Plastic Bearing .....	2
11	<u>1014213</u>	Bearing, Ball .....	2
12	1014214	Ring, Retaining .....	1
13	<u>1014217</u>	Spring, Steering Shaft .....	1
14	<u>1017314</u>	Column, Aluminum Steering .....	1
15	<u>1017315</u>	Shaft Steering Column .....	1
16	<u>1017317</u>	Tube Cover, Steering Column .....	1
17	101984801	Kit, Steering Column Mounting Bracket (includes items 18 and 19) .....	1
18	N/A	Bracket, RH Steering Column Mount .....	1
19	N/A	Bracket, LH Steering column mount .....	1
20	<u>102278001</u>	Boot, Steering Column Round .....	1
21	<u>334</u>	Washer, 3/8, Type A, Flat .....	4
22	<u>8754</u>	Locknut, 3/8-16 Hex .....	2

**6**  
**G**  
**E**

6

G

E



001217-001

# INTERMEDIATE STEERING SHAFT – TURF/CARRYALL 1/2/2 PLUS/6

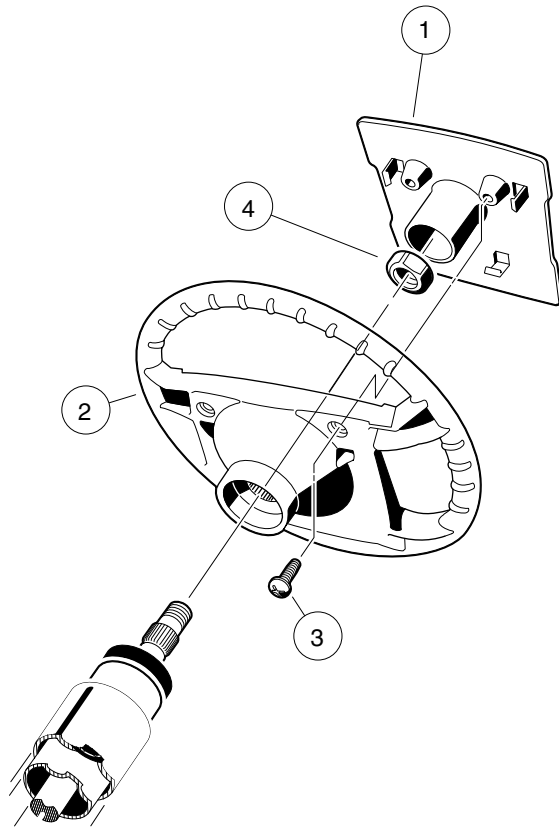
ITEM	PART NO.	DESCRIPTION	QTY
		1 2 3 4	
1	<u>1013861</u>	Intermediate Steering Shaft (includes items 2 and 3) .....	1
2	<u>1017226</u>	Bolt, Hex-Head, 8mm X 1.25 - 30 .....	3
3	<u>7174</u>	Lockwasher, 5/16 Split .....	3

6

G

E

**6**  
**G**  
**E**



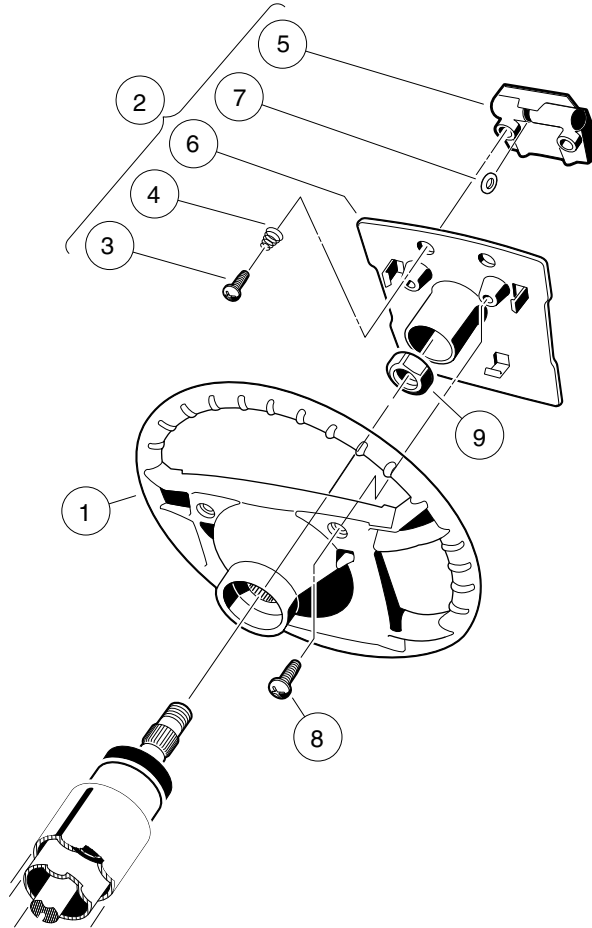
000246-003

# STEERING WHEEL

ITEM	PART NO.	DESCRIPTION	QTY
		1 2 3 4	
1	<u>101615504</u>	Plate, Scorecard .....	1
2	<u>1016156</u>	Wheel, Steering .....	1
3	<u>1016663</u>	Screw, #12-14 X 0.625 .....	2
4	<u>1017273</u>	Nut, 5/8-18 Nylon Insert Jam .....	1

6  
G  
E

**6**  
**G**  
**E**



000246-002

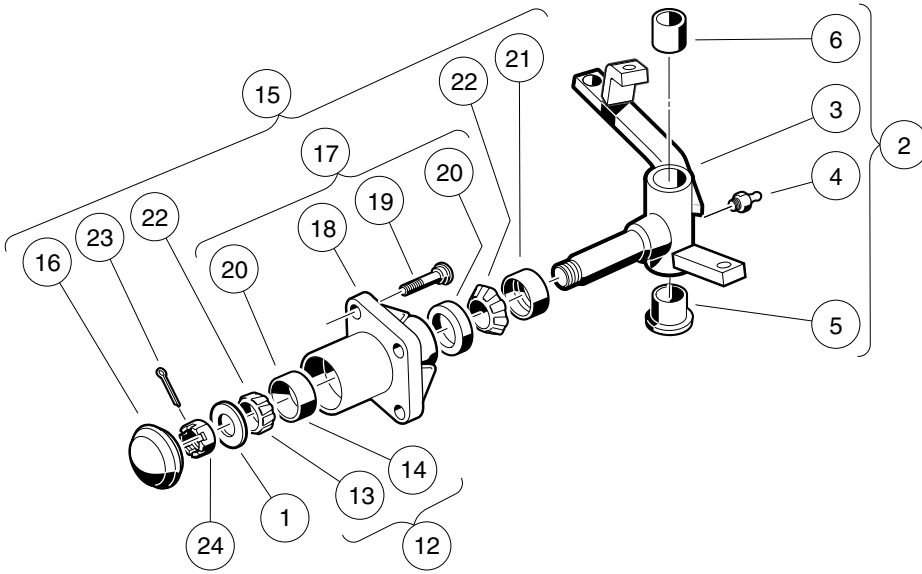


# STEERING WHEEL WITH CLIP

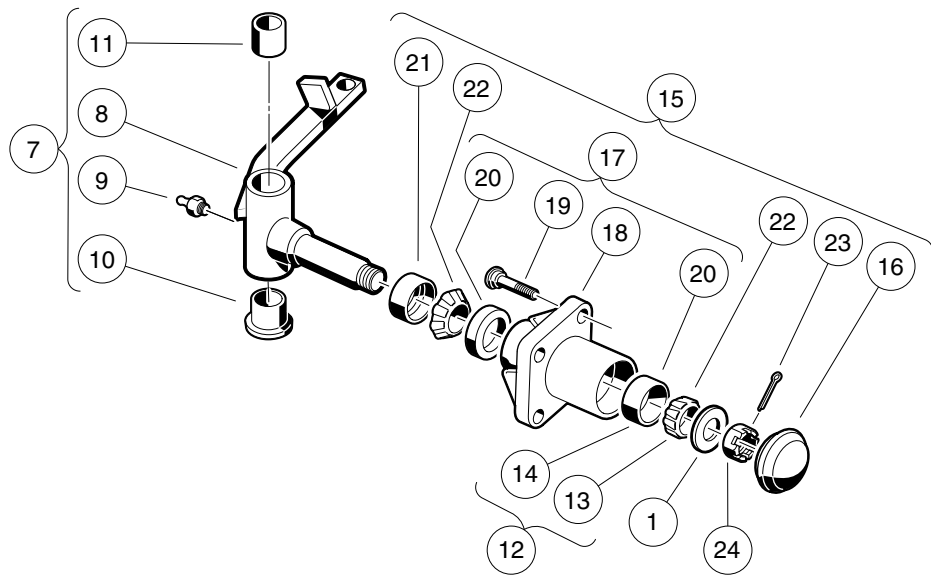
ITEM	PART NO.	DESCRIPTION	QTY
		1 2 3 4	
1	<u>1016156</u>	Wheel, Steering .....	1
2	1016219	Plate, Scorecard (includes items 3 through 7) .....	1
3	<u>1012565</u>	Screw, #12 Phillips Round Head .....	2
4	<u>1012566</u>	Tapered Compression Spring .....	2
5	1016154	Clip, Scorecard .....	1
6	N/A	Plate, Score Card .....	1
7	<u>1016214</u>	Pencil Grip .....	1
8	<u>1016663</u>	Screw, #12-14 X 0.625 .....	2
9	<u>1017273</u>	Nut, 5/8-18 Nylon Insert Jam .....	1

**6**  
**G**  
**E**

PASSENGER SIDE



DRIVER SIDE



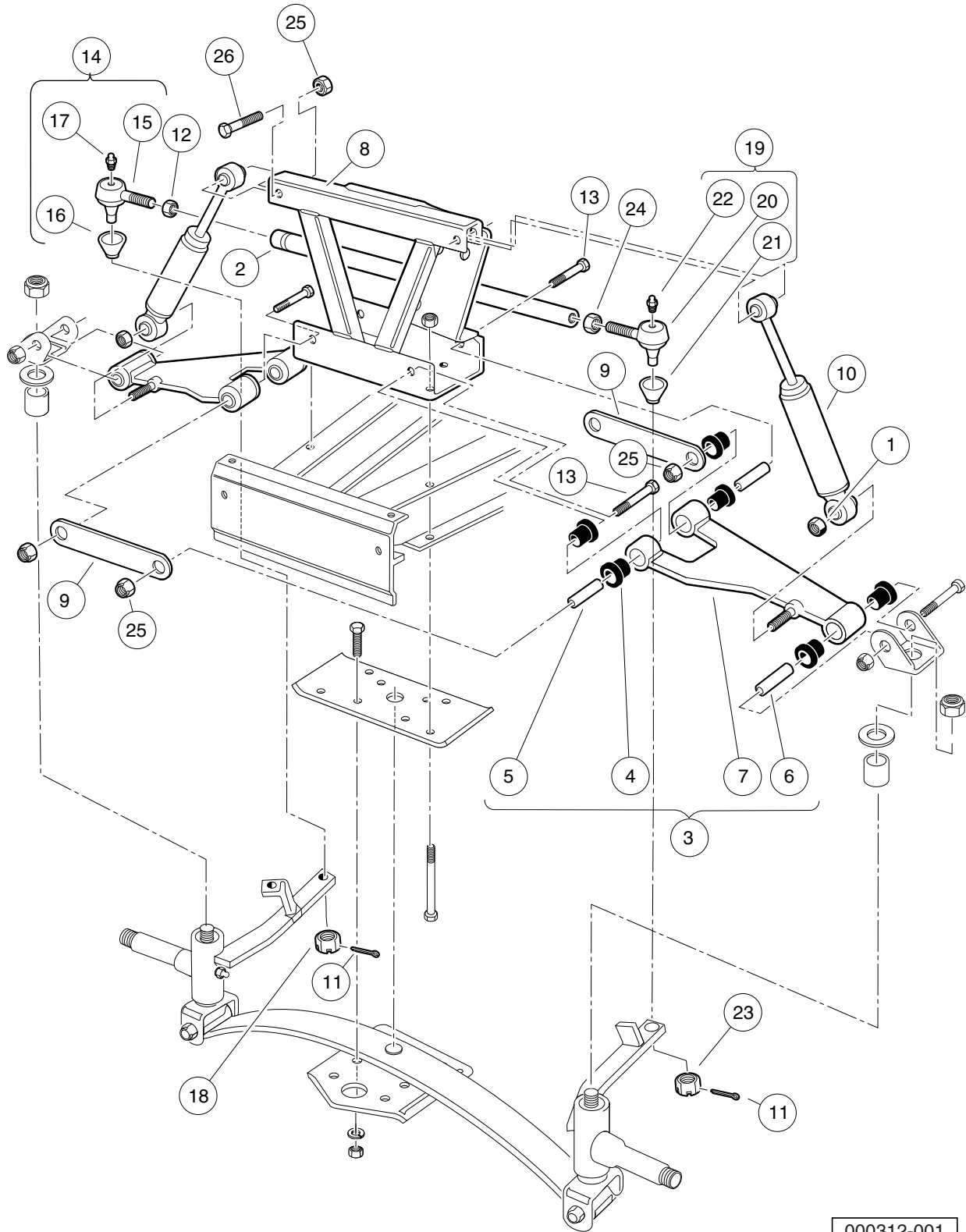
000310-001

# FRONT SPINDLES AND HUBS – VEHICLES WITH TWO-WHEEL BRAKES

ITEM	PART NO.	DESCRIPTION	QTY
		<b>1 2 3 4</b>	
1	<u>1010005</u>	Washer, 3/4 Flat .....	2
2	<u>1010347</u>	Spindle Assembly, Right (includes items 3 through 6) .....	1
3	1010344	Spindle Sub-Assembly, Right-Hand .....	1
4	<u>1015597</u>	Fitting, 1/4-28 Thread-Forming Grease .....	1
5	<u>7048</u>	Bushing, Flanged Bronze .....	1
6	<u>8067</u>	Bushing, Bronze Spindle .....	1
7	<u>1010348</u>	Spindle Assembly, Left (includes items 8 through 11) .....	1
8	1010342	Spindle Sub-Assembly, Left-Hand .....	1
9	<u>1015597</u>	Fitting, 1/4-28 Thread-Forming Grease .....	1
10	<u>7048</u>	Bushing, Flanged Bronze .....	1
11	<u>8067</u>	Bushing, Bronze Spindle .....	1
12	<u>1011393</u>	Hub Bearing Package (includes items 13 and 14) .....	4
13	7274	Bearing, Front Hub Wheel .....	1
14	7308	Race, Front Hub Bearing .....	1
15	<u>1011892</u>	Hub Assembly (includes items 16 through 23) .....	2
16	<u>1011887</u>	Dust Cover .....	1
17	N/A	Hub (includes items 18 through 20) .....	1
18	N/A	Front Hub .....	1
19	<u>103477901</u>	Lug Stud, 1/2-20 Unf, 4037 .....	4
20	7308	Race, Front Hub Bearing .....	2
21	<u>1013135</u>	Seal, Double Lip .....	1
22	7274	Bearing, Front Hub Wheel .....	2
23	<u>7910</u>	Pin, 5/32 X 1.00 Cotter .....	1
24	<u>7840</u>	Nut, 3/4-16 Hex Slotted .....	2

**6**  
**G**  
**E**

**6**  
**G**  
**E**



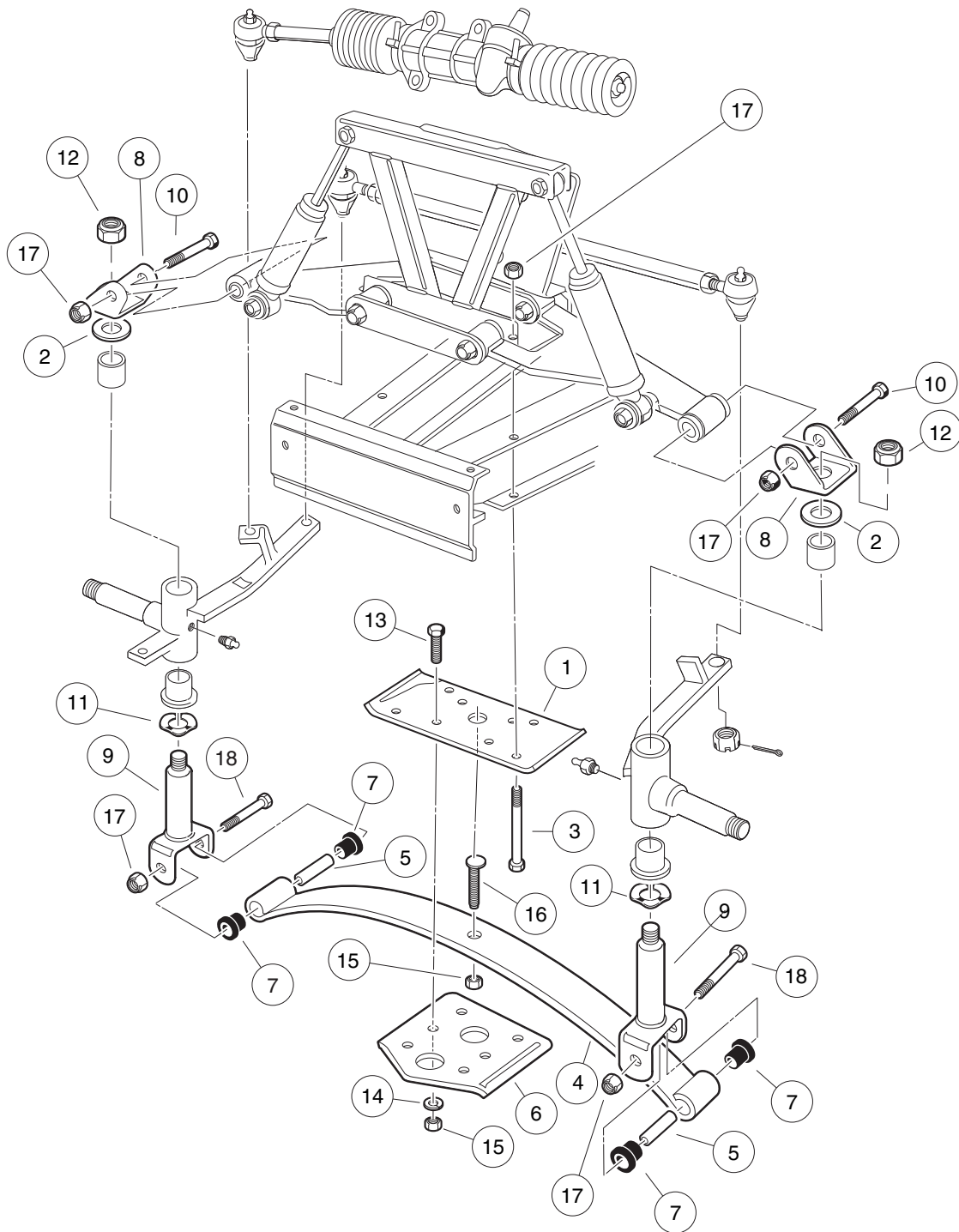
000312-001

# FRONT SUSPENSION, UPPER – VEHICLES WITH TWO-WHEEL BRAKES

ITEM	PART NO.	DESCRIPTION	QTY
		<b>1 2 3 4</b>	
1	<u>1010138</u>	Locknut, 3/8-16 Dimpled .....	2
2	<u>1010219</u>	Tie Rod .....	1
3	<u>1016353</u>	Sub-Assembly, Delta A-Plate (includes items 4 through 7) .....	2
4	<u>1016346</u>	Bushing, Urethane .....	6
5	<u>1016349</u>	Sleeve, Delta Inner .....	2
6	<u>1016350</u>	Sleeve, Delta Outer .....	1
7	<u>1016351</u>	Delta A-Plate .....	1
8	<u>1016385</u>	Delta Shock and Gear Support Assembly .....	1
9	<u>1017266</u>	A-Plate Strap .....	2
10	<u>103351001</u>	Shock Absorber, Front, Common .....	2
11	<u>1035</u>	Cotter Pin, 3/32 x 1 .....	2
12	<u>1308</u>	Nut, 1/2-20 Hex .....	1
13	<u>2402</u>	Screw, 3/8-16 X 2.25 Hx Hd Cap .....	4
14	<u>7539</u>	Ball Joint, Right-Hand (includes items 15 through 18) .....	1
15	1011893	Socket, RH Vertical .....	1
16	<u>1011930</u>	Seal, Vertical Socket Dust .....	1
17	<u>1015597</u>	Fitting, 1/4-28 Thread-Forming Grease .....	1
18	7602	Nut, 3/8-24 UNF Hex .....	1
19	<u>7540</u>	Ball Joint, Left (includes items 20 through 23) .....	1
20	1011895	Socket, LH Vertical .....	1
21	<u>1011930</u>	Seal, Vertical Socket Dust .....	1
22	<u>1015597</u>	Fitting, 1/4-28 Thread-Forming Grease .....	1
23	7602	Nut, 3/8-24 UNF Hex .....	1
24	<u>7555</u>	Nut, 1/2-20 Hex, Left-Hand Thread .....	1
25	<u>8754</u>	Locknut, 3/8-16 Hex .....	6
26	<u>8861</u>	Bolt, 3/8-16 X 1.75 Hex .....	2

**6**  
**G**  
**E**

**6**  
**G**  
**E**



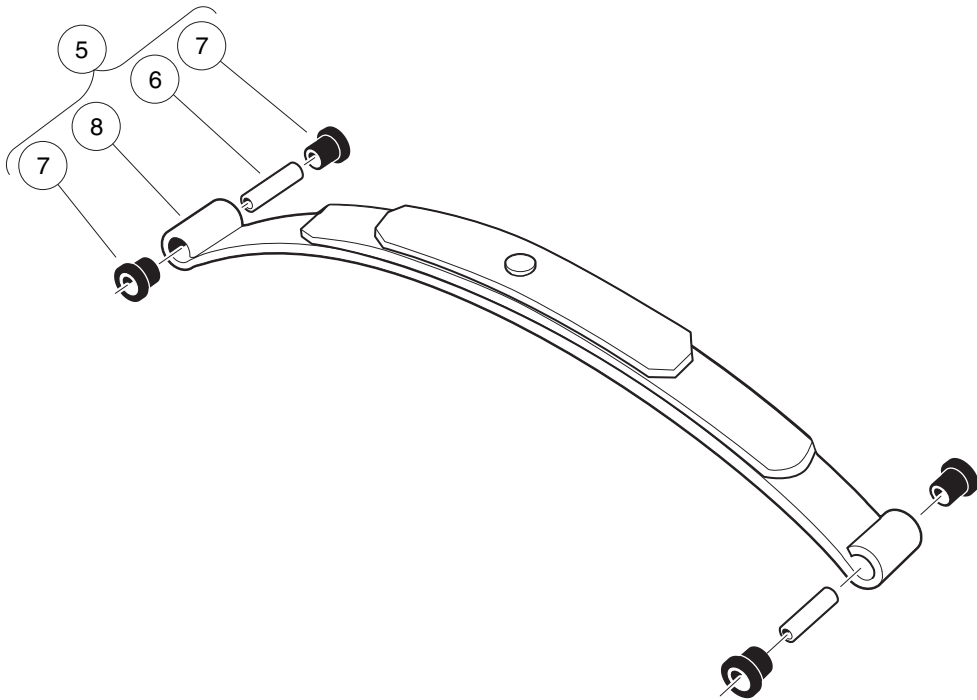
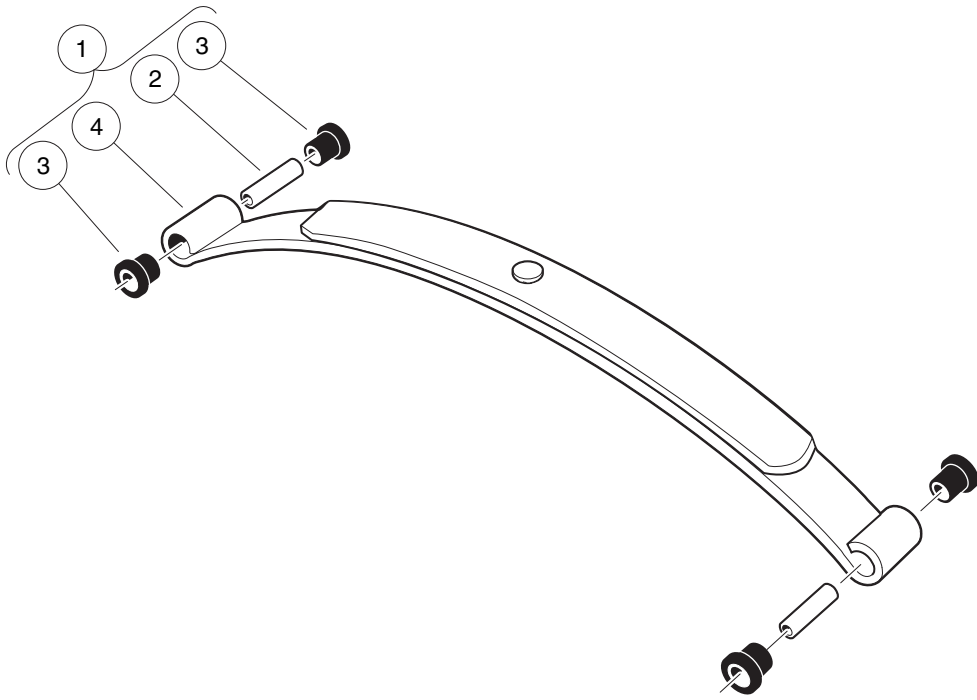
001215-001

# FRONT SUSPENSION, LOWER – VEHICLES WITH TWO-WHEEL BRAKES

ITEM	PART NO.	DESCRIPTION	QTY
		1 2 3 4	
1	<u>1010124</u>	Plate, Spring Mount .....	1
2	<u>1010150</u>	Bearing, Thrust .....	2
3	<u>1010200</u>	Bolt, 3/8-16 X 4.25 Hex Head .....	4
4	<u>1012030</u>	Spring, Front Leaf .....	1
5	<u>1012303</u>	Bushing, Steel .....	2
6	<u>1014276</u>	Plate, Front Spring Retainer .....	1
7	<u>1015583</u>	Bushing, Urethane .....	4
8	<u>1016384</u>	Clevis, Delta Upper .....	2
9	<u>1016386</u>	King Pin Assembly .....	2
10	<u>1016387</u>	Screw, 3/8-16 X 2.75 Hx Hd Cap .....	2
11	<u>1016389</u>	Washer, 1.125 Od Wave .....	2
12	<u>101903101</u>	Locknut, 1/2-20 Nylon Insert .....	2
13	<u>1624</u>	Screw, 3/8-16 X 1.50, Hex-Head Cap .....	4
14	<u>357</u>	Lockwasher, 3/8 Split .....	4
15	<u>706</u>	Nut, Hex 3/8-16 .....	5
16	<u>8745</u>	Screw, Eccentric Adjustment .....	1
17	<u>8754</u>	Locknut, 3/8-16 Hex .....	8
18	<u>8755</u>	Screw, 3/8-16 X 3.375 Hex Cap .....	2

**6**  
**G**  
**E**

**6**  
**G**  
**E**



001225-001

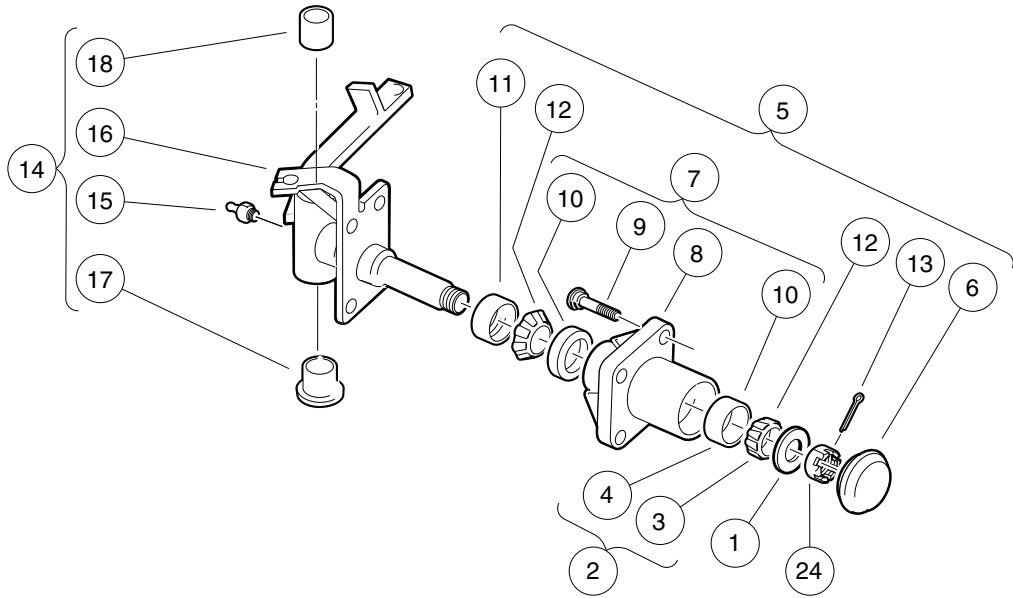
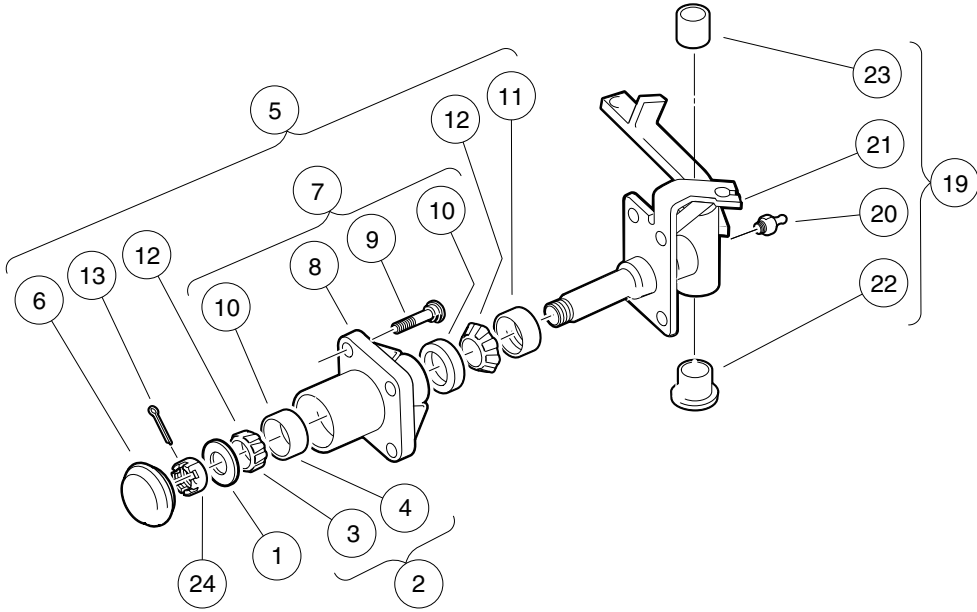


# HEAVY DUTY FRONT SPRINGS

ITEM	PART NO.	DESCRIPTION	QTY
		1 2 3 4	
1	<u>103628801</u>	Spring Asm, Front, 2 Leaf (includes items 2 through 4) .....	1
2	<u>1012303</u>	Bushing, Steel .....	2
3	<u>1015583</u>	Bushing, Urethane .....	4
4	<u>103502701</u>	Spring, Front, 2 Leaf .....	1
5	<u>103628901</u>	Spring Asm, Front, 3 Leaf (includes items 6 through 8) .....	1
6	<u>1012303</u>	Bushing, Steel .....	2
7	<u>1015583</u>	Bushing, Urethane .....	4
8	103502801	Spring, Front, 3 Leaf .....	1

**6**  
**G**  
**E**

**6**  
**G**  
**E**



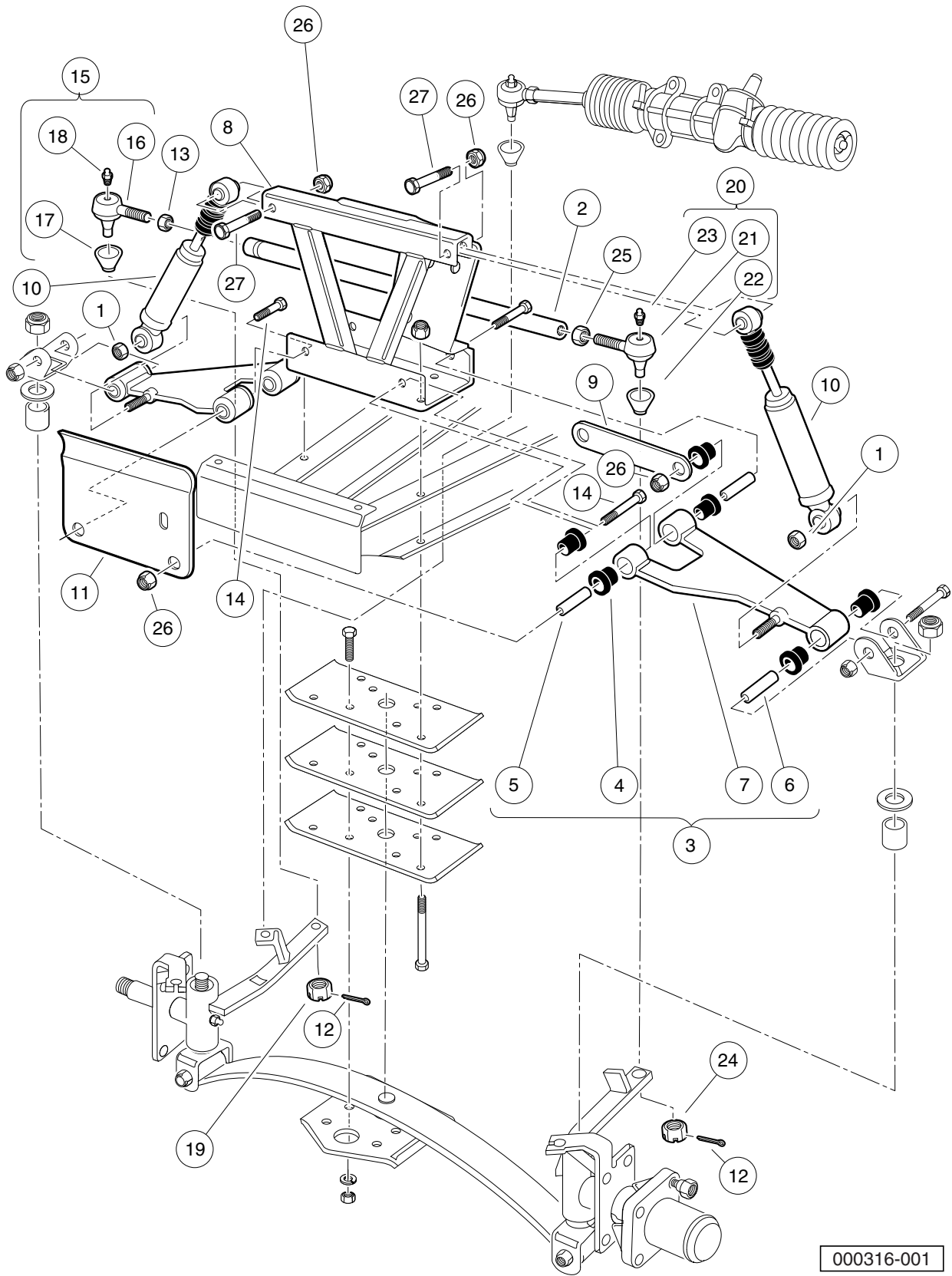
000310-002

# FRONT SPINDLES AND HUBS – VEHICLES WITH FOUR-WHEEL BRAKES

ITEM	PART NO.	DESCRIPTION	QTY
		<b>1 2 3 4</b>	
1	<u>1010005</u>	Washer, 3/4 Flat .....	2
2	<u>1011393</u>	Hub Bearing Package (includes items 3 and 4) .....	4
3	<u>7274</u>	Bearing, Front Hub Wheel .....	1
4	<u>7308</u>	Race, Front Hub Bearing .....	1
5	<u>1011892</u>	Hub Assembly (includes items 6 through 13) .....	2
6	<u>1011887</u>	Dust Cover .....	1
7	N/A	Hub (includes items 8 through 10) .....	1
8	N/A	Front Hub .....	1
9	<u>103477901</u>	Lug Stud, 1/2-20 Unf, 4037 .....	4
10	<u>7308</u>	Race, Front Hub Bearing .....	2
11	<u>1013135</u>	Seal, Double Lip .....	1
12	<u>7274</u>	Bearing, Front Hub Wheel .....	2
13	<u>7910</u>	Pin, 5/32 X 1.00 Cotter .....	1
14	<u>101876901</u>	Spindle Assy, Driver Side (includes items 15 through 18) .....	1
15	<u>1015597</u>	Fitting, 1/4-28 Thread-Forming Grease .....	1
16	N/A	Spindle Assembly, Left .....	1
17	<u>7048</u>	Bushing, Flanged Bronze .....	1
18	<u>8067</u>	Bushing, Bronze Spindle .....	1
19	<u>101877001</u>	Spindle Assy, Passenger Side (includes items 20 through 23) .....	1
20	<u>1015597</u>	Fitting, 1/4-28 Thread-Forming Grease .....	1
21	N/A	Spindle Assembly, Right .....	1
22	<u>7048</u>	Bushing, Flanged Bronze .....	1
23	<u>8067</u>	Bushing, Bronze Spindle .....	1
24	<u>7840</u>	Nut, 3/4-16 Hex Slotted .....	2

**6**  
**G**  
**E**

**6**  
**G**  
**E**



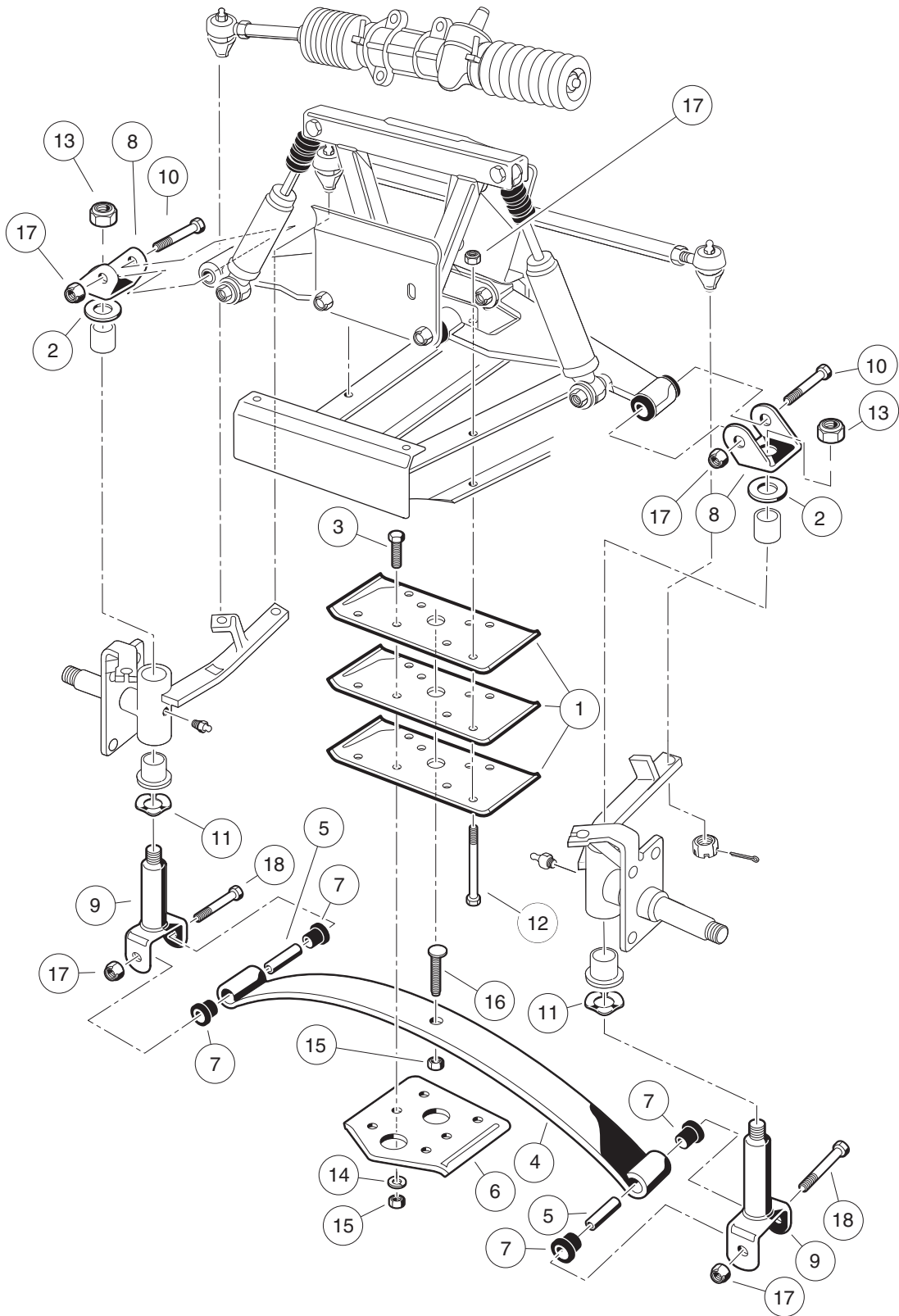
000316-001

# FRONT SUSPENSION, UPPER – VEHICLES WITH FOUR-WHEEL BRAKES

ITEM	PART NO.	DESCRIPTION	QTY
		<b>1 2 3 4</b>	
1	<u>1010138</u>	Locknut, 3/8-16 Dimpled .....	2
2	<u>1010219</u>	Tie Rod .....	1
3	<u>1016353</u>	Sub-Assembly, Delta A-Plate (includes items 4 through 7) .....	2
4	<u>1016346</u>	Bushing, Urethane .....	6
5	<u>1016349</u>	Sleeve, Delta Inner .....	2
6	<u>1016350</u>	Sleeve, Delta Outer .....	1
7	<u>1016351</u>	Delta A-Plate .....	1
8	<u>1016385</u>	Delta Shock and Gear Support Assembly .....	1
9	<u>1017266</u>	A-Plate Strap .....	1
10	<u>101870601</u>	Shock Absorber, Front Utility .....	2
11	<u>101955001</u>	Brake Cable Guide Bracket .....	1
12	<u>1035</u>	Cotter Pin, 3/32 x 1 .....	2
13	<u>1308</u>	Nut, 1/2-20 Hex .....	1
14	<u>2402</u>	Screw, 3/8-16 X 2.25 Hx Hd Cap .....	4
15	<u>7539</u>	Ball Joint, Right-Hand (includes items 16 through 19) .....	1
16	1011893	Socket, RH Vertical .....	1
17	<u>1011930</u>	Seal, Vertical Socket Dust .....	1
18	<u>1015597</u>	Fitting, 1/4-28 Thread-Forming Grease .....	1
19	7602	Nut, 3/8-24 UNF Hex .....	1
20	<u>7540</u>	Ball Joint, Left (includes items 21 through 24) .....	1
21	1011895	Socket, LH Vertical .....	1
22	<u>1011930</u>	Seal, Vertical Socket Dust .....	1
23	<u>1015597</u>	Fitting, 1/4-28 Thread-Forming Grease .....	1
24	7602	Nut, 3/8-24 UNF Hex .....	1
25	<u>7555</u>	Nut, 1/2-20 Hex, Left-Hand Thread .....	1
26	<u>8754</u>	Locknut, 3/8-16 Hex .....	6
27	<u>8861</u>	Bolt, 3/8-16 X 1.75 Hex .....	2

**6**  
**G**  
**E**

**6**  
**G**  
**E**



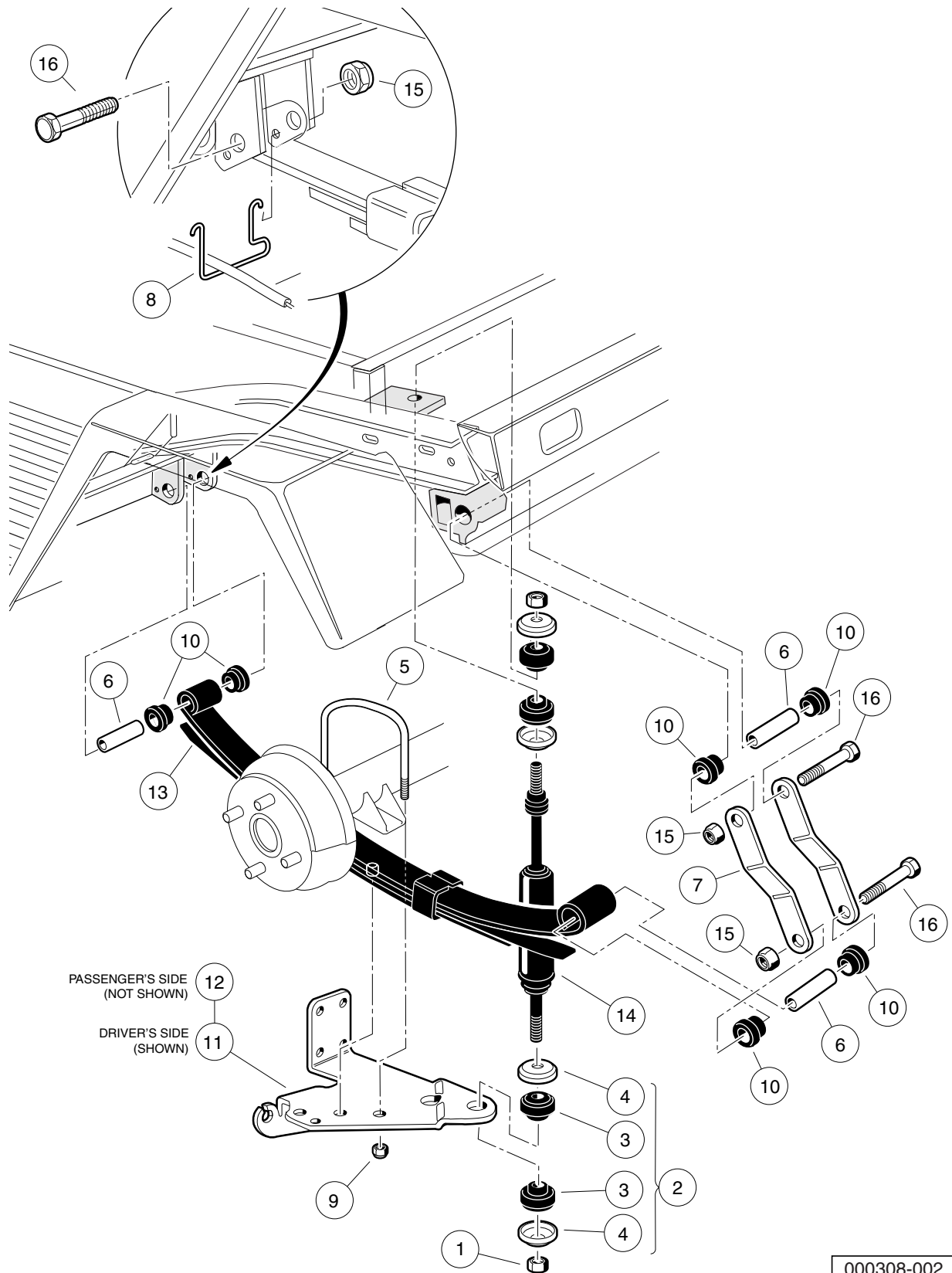
001216-001

# FRONT SUSPENSION, LOWER – VEHICLES WITH FOUR-WHEEL BRAKES

ITEM	PART NO.	DESCRIPTION	QTY
		1 2 3 4	
1	<u>1010124</u>	Plate, Spring Mount .....	3
2	<u>1010150</u>	Bearing, Thrust .....	2
3	<u>1010177</u>	Bolt, 3/8-16 X 2.00 Hex Head .....	4
4	<u>1012030</u>	Spring, Front Leaf .....	1
5	<u>1012303</u>	Bushing, Steel .....	2
6	<u>1014276</u>	Plate, Front Spring Retainer .....	1
7	<u>1015583</u>	Bushing, Urethane .....	4
8	<u>1016384</u>	Clevis, Delta Upper .....	2
9	<u>1016386</u>	King Pin Assembly .....	2
10	<u>1016387</u>	Screw, 3/8-16 X 2.75 Hx Hd Cap .....	2
11	<u>1016389</u>	Washer, 1.125 Od Wave .....	2
12	<u>101870501</u>	Screw, 3/8-16 X 4.75 Hx Hd Cap .....	4
13	<u>101903101</u>	Locknut, 1/2-20 Nylon Insert .....	2
14	<u>357</u>	Lockwasher, 3/8 Split .....	4
15	<u>706</u>	Nut, Hex 3/8-16 .....	5
16	<u>8745</u>	Screw, Eccentric Adjustment .....	1
17	<u>8754</u>	Locknut, 3/8-16 Hex .....	8
18	<u>8755</u>	Screw, 3/8-16 X 3.375 Hex Cap .....	2

**6**  
**G**  
**E**

**6**  
**G**  
**E**



000308-002

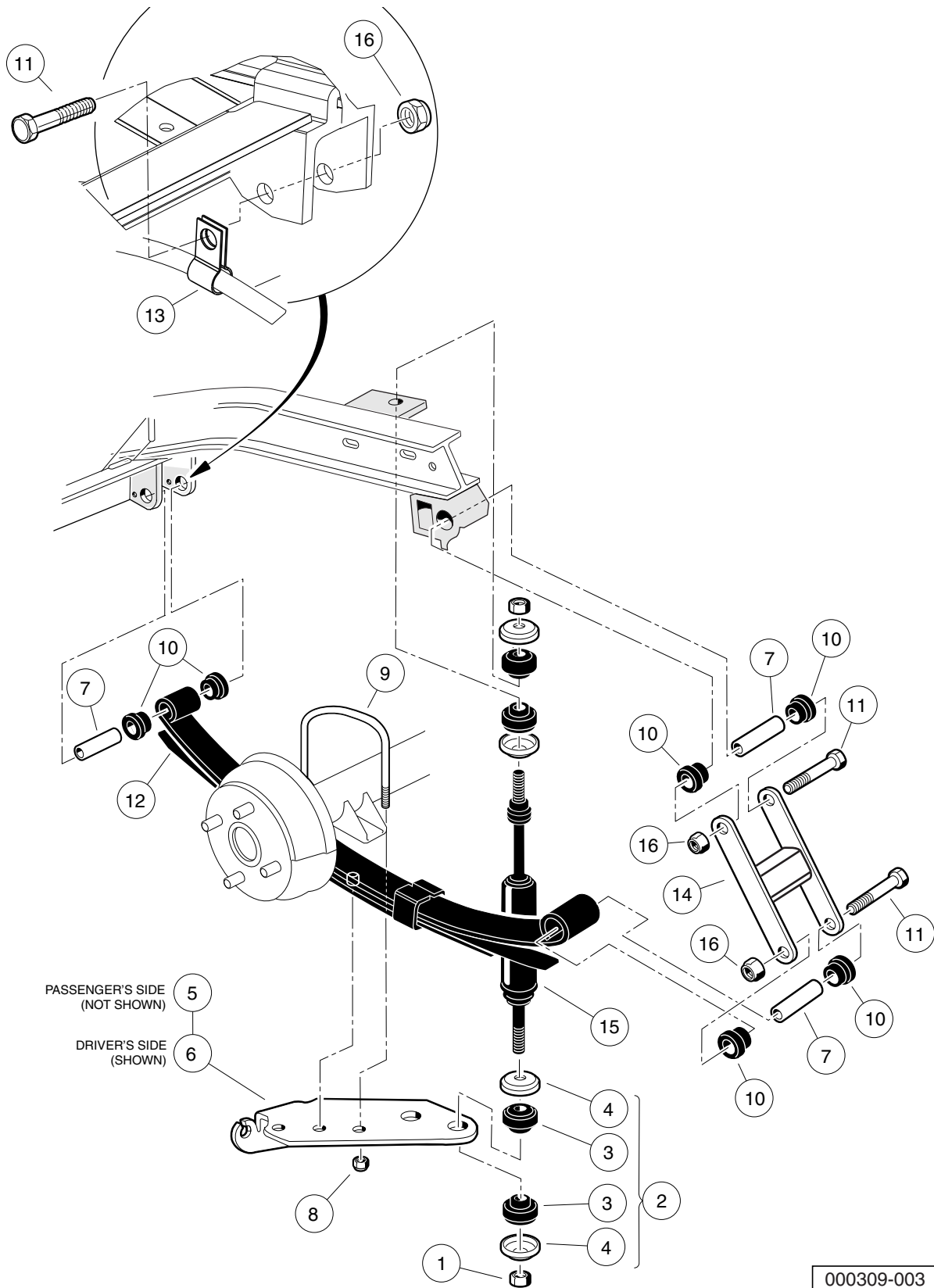


# REAR SUSPENSION – GASOLINE TURF/CARRYALL 2, 2 PLUS, AND 6

ITEM	PART NO.	DESCRIPTION	QTY
		1 2 3 4	
1	<u>1010145</u>	Nut, 3/8-24 Hex .....	4
2	<u>1011415</u>	Kit, Shock Absorber Cushion (includes items 3 and 4) .....	4
3	N/A	Cushion, Shock Absorber .....	2
4	N/A	Retainer, Shock Absorber Cushion .....	2
5	<u>1012180</u>	U-Bolt .....	2
6	<u>1012303</u>	Bushing, Steel .....	6
7	<u>1012304</u>	Shackle, Rear Spring .....	4
8	<u>1013207</u>	Hanger, Brake Cable .....	2
9	<u>1014555</u>	Locknut, 7/16-14 Nylon Hex .....	4
10	<u>1015583</u>	Bushing, Urethane .....	12
11	<u>101926501</u>	Bracket, Left-Hand .....	1
12	<u>101929401</u>	Bracket, Right .....	1
13	<u>102871801</u>	Rear Spring, 3leaf, 600 Lb/in .....	2
14	<u>103350901</u>	Shock Absorber, Rear, Utility .....	2
15	<u>8754</u>	Locknut, 3/8-16 Hex .....	6
16	<u>8755</u>	Screw, 3/8-16 X 3.375 Hex Cap .....	6
<p>Note: Only the driver-side rear suspension is shown. Parts for the passenger-side rear suspension are identical except for the leaf spring/shock mounting plate.</p>			

6  
G  
E

**6**  
**G**  
**E**



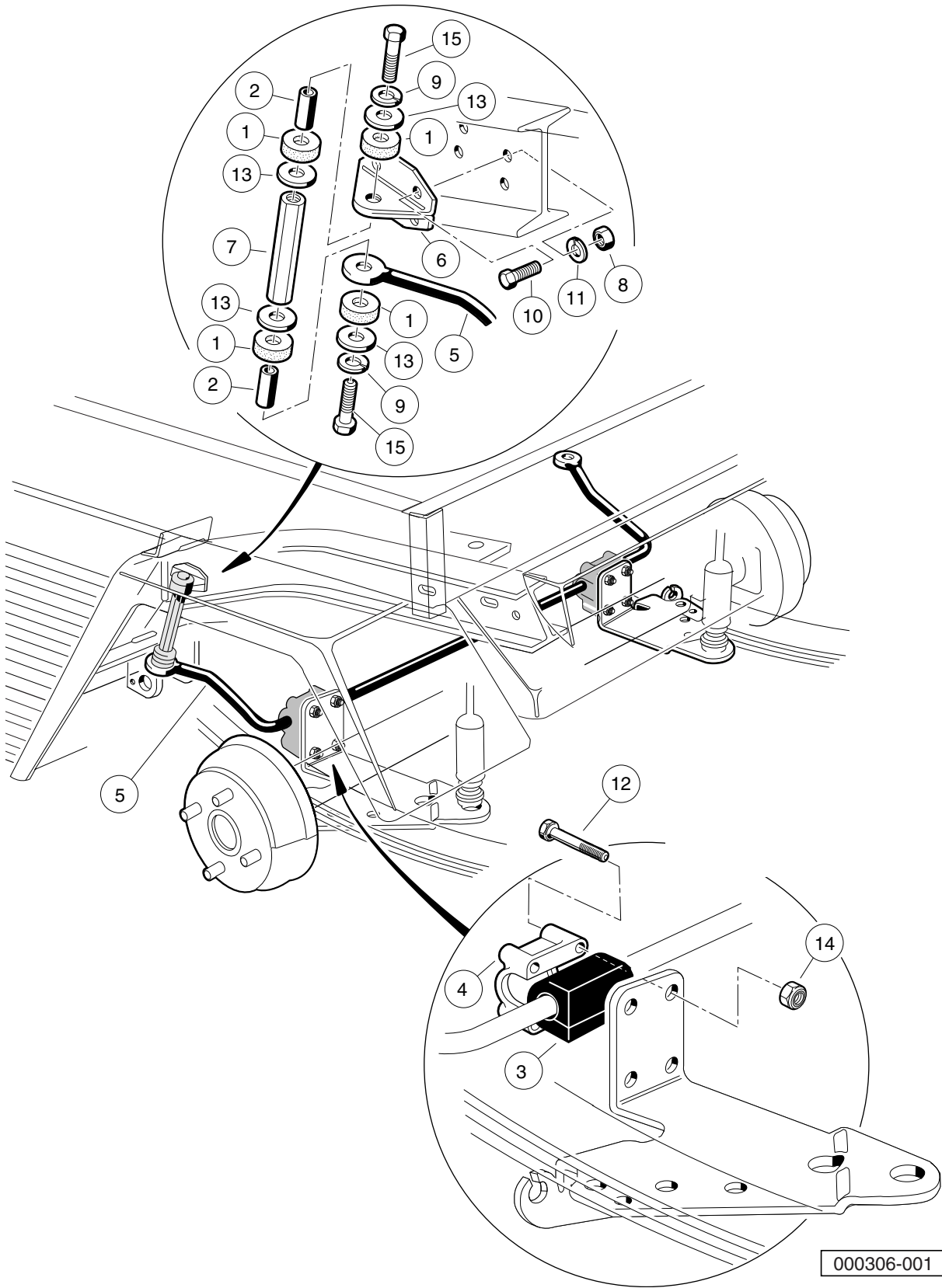
000309-003

# REAR SUSPENSION – TURF/CARRYALL 2 AND 6 IQ PLUS VEHICLES

ITEM	PART NO.	DESCRIPTION	QTY
		1 2 3 4	
1	<u>1010145</u>	Nut, 3/8-24 Hex .....	4
2	<u>1011415</u>	Kit, Shock Absorber Cushion (includes items 3 and 4) .....	4
3	N/A	Cushion, Shock Absorber .....	2
4	N/A	Retainer, Shock Absorber Cushion .....	2
5	1012181	Bracket, Shock Mounting, Right (Passenger) .....	1
6	1012182	Bracket, Shock Mounting, Left (Driver) .....	1
7	<u>1012303</u>	Bushing, Steel .....	6
8	<u>1014555</u>	Locknut, 7/16-14 Nylon Hex .....	4
9	<u>1014902</u>	U-Bolt .....	2
10	<u>1015583</u>	Bushing, Urethane .....	12
11	<u>102066201</u>	Screw, 3/8-16 X 3.50 Hex Cap .....	6
12	<u>102871801</u>	Rear Spring, 3leaf, 600 Lb/in .....	2
13	<u>102891101</u>	Clamp, Cable, Brake, Sym .....	2
14	<u>102917101</u>	Weldment, Shackle .....	2
15	<u>103351101</u>	Shock, Absorber, Utility .....	2
16	<u>8754</u>	Locknut, 3/8-16 Hex .....	6
<p>Note: Only the driver-side rear suspension is shown. Parts for the passenger-side rear suspension are identical except for the leaf spring/shock mounting plate.</p>			

6  
G  
E

**6**  
**G**  
**E**



000306-001

# STABILIZER BAR – TURF/CARRYALL 2, 2 PLUS, AND 6 GASOLINE VEHICLES

ITEM	PART NO.	DESCRIPTION	QTY
		1 2 3 4	
1	<u>1015453</u>	Compression Mount .....	8
2	<u>1015457</u>	Spacer, 0.720" .....	4
3	<u>1015613</u>	Bushing, Stabilizer Bar .....	2
4	<u>1015614</u>	Support, Bushing .....	2
5	<u>1015760</u>	Stabilizer Bar .....	1
6	<u>1016813</u>	Mounting Bracket, Stabilizer Bar .....	2
7	<u>1016814</u>	Link, Stabilizer Bar .....	2
8	<u>1242</u>	Nut, 5/16-18 Hex .....	8
9	<u>357</u>	Lockwasher, 3/8 Split .....	4
10	<u>7173</u>	Screw, 5/16-18 X 0.75, Hex-Head Cap .....	8
11	<u>7174</u>	Lockwasher, 5/16 Split .....	8
12	<u>7311</u>	Screw, 1/4-20 X 2.00 Hex-Head Cap .....	8
13	<u>808</u>	Washer, 3/8 Type B Flat .....	8
14	<u>8233</u>	Locknut, 1/4-20, Nylon Insert .....	8
15	<u>8861</u>	Bolt, 3/8-16 X 1.75 Hex .....	4

6  
G  
E

**6**

**G**

**E**

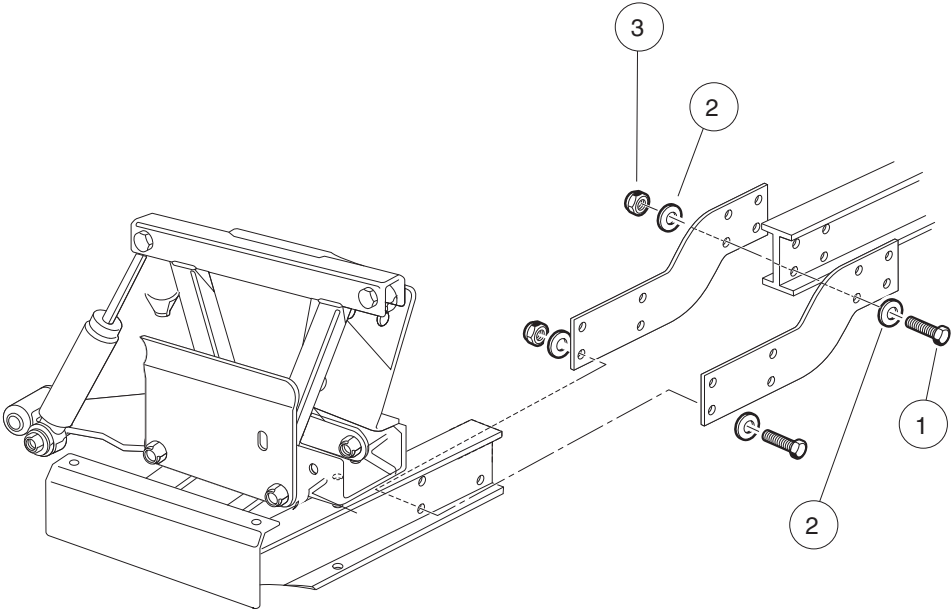
# STEERING AND SUSPENSIONS – TURF/CA 252 AND XRT 900

---

7

G

E



000304-002

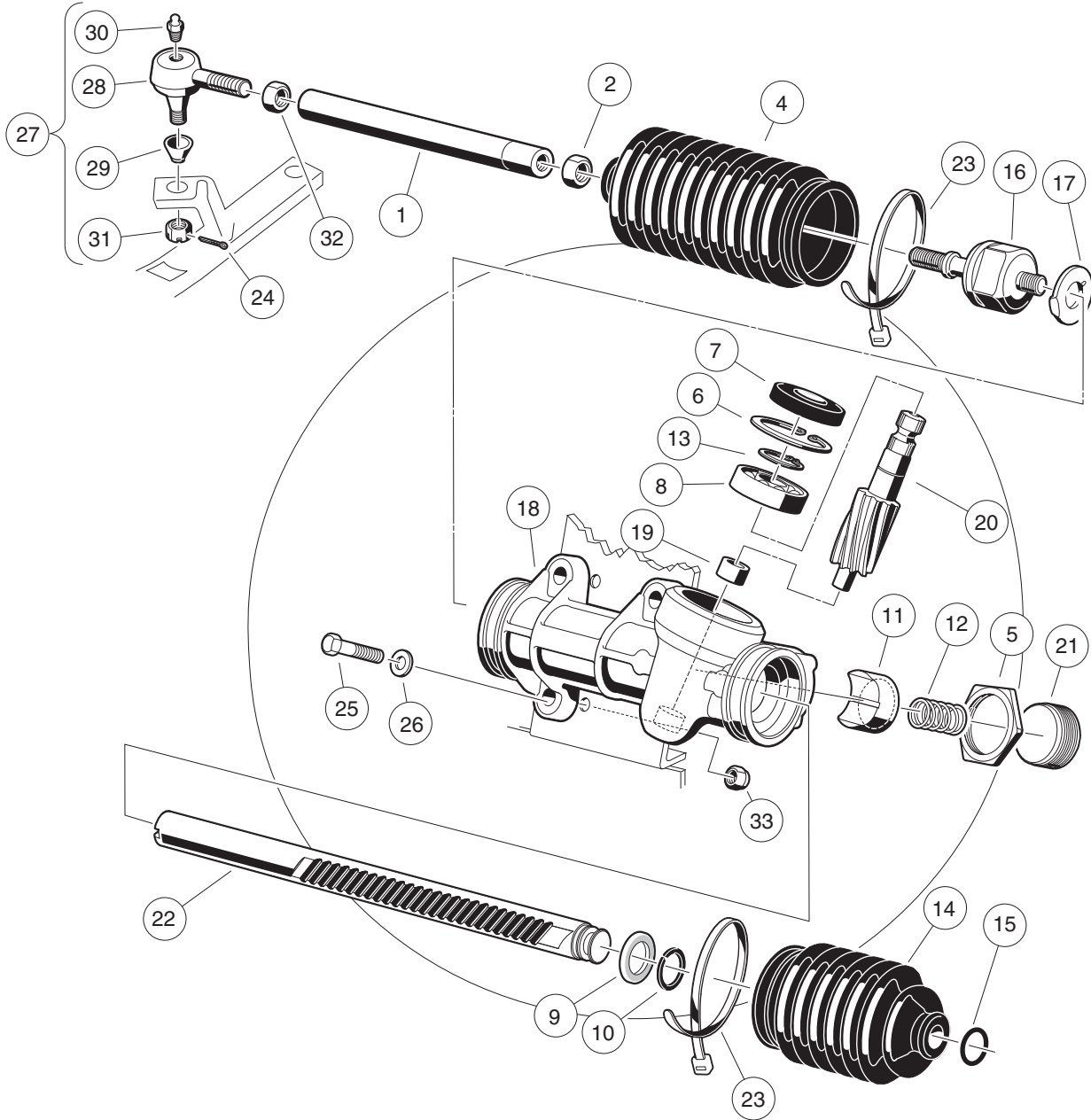


# FRONT FRAME PLATE HARDWARE – TURF/CARRYALL 252 AND XRT 900

ITEM	PART NO.	DESCRIPTION	QTY
		1 2 3 4	
1	1218	Screw, 5/16-18 X 1.25 Hex-Head Cap .....	16
2	<u>1241</u>	Washer, 5/16 Type A Flat .....	32
3	<u>7473</u>	Locknut, 5/16-18 Nylon Insert .....	16

7  
G  
E

**7**  
**G**  
**E**



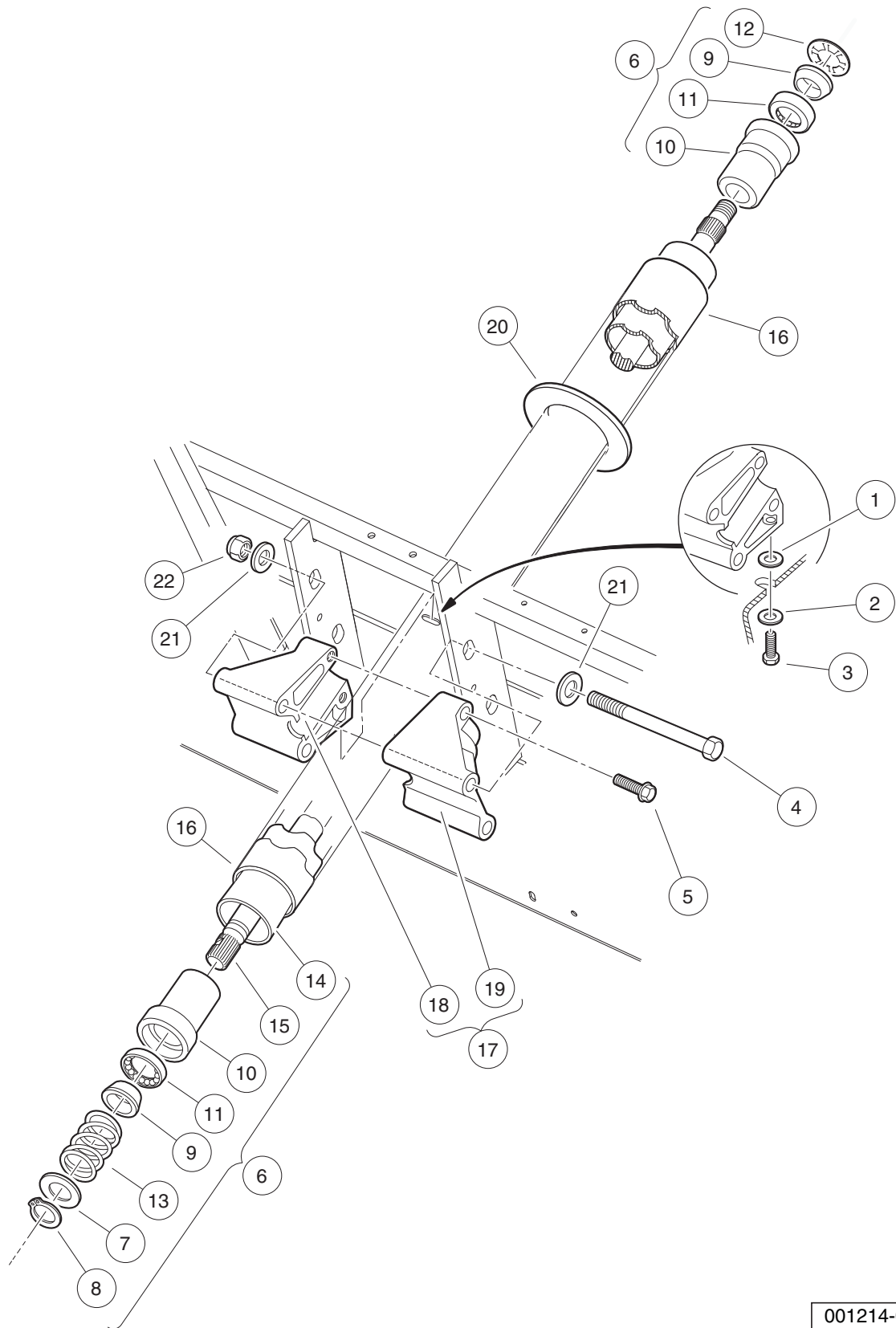
001213-001

# STEERING GEAR ASSEMBLY

ITEM	PART NO.	DESCRIPTION	QTY
		<b>1 2 3 4</b>	
1	<u>1012467</u>	Link, Rack and Pinion Drag .....	1
2	1013042	Nut, 12mm Hex .....	1
3	<u>101878302</u>	Steering Gear Assembly (without yoke) (includes items 4 through 23) .....	1
4	<u>1013035</u>	Bellows, Long .....	1
5	<u>1013044</u>	Rack Screw Locknut .....	1
6	N/A	Snap Ring .....	1
7	<u>1013052</u>	Seal, Steering Pinion Dust .....	1
8	<u>101879401</u>	Bearing, Ball .....	1
9	<u>101879501</u>	Stop Washer .....	1
10	101879601	Stop Ring, C-Type .....	1
11	<u>101879701</u>	Support Yoke .....	1
12	<u>101879801</u>	Rack Guide Pressure Spring .....	1
13	<u>101879901</u>	Ring, Stop, C-Type .....	1
14	<u>101880001</u>	Bellows, Short .....	1
15	101880101	Dust Seal Retaining Ring .....	1
16	<u>101880201</u>	Inner Ball Joint Asm .....	1
17	101880301	Washer, Tab .....	1
18	N/A	Box, Steering Gear .....	1
19	N/A	Bearing, Lower Pinion .....	1
20	N/A	Pinion, Steering .....	1
21	N/A	Screw, Rack Guide .....	1
22	N/A	Rack, Steering .....	1
23	<u>8990</u>	Tie Wrap, 8" Nylon .....	2
24	<u>1035</u>	Cotter Pin, 3/32 x 1 .....	1
25	<u>1624</u>	Screw, 3/8-16 X 1.50, Hex-Head Cap .....	3
26	<u>334</u>	Washer, 3/8, Type A, Flat .....	3
27	<u>7540</u>	Ball Joint, Left (includes items 28 through 31) .....	1
28	1011895	Socket, LH Vertical .....	1
29	<u>1011930</u>	Seal, Vertical Socket Dust .....	1
30	<u>1015597</u>	Fitting, 1/4-28 Thread-Forming Grease .....	1
31	7602	Nut, 3/8-24 UNF Hex .....	1
32	<u>7555</u>	Nut, 1/2-20 Hex, Left-Hand Thread .....	1
33	<u>8754</u>	Locknut, 3/8-16 Hex .....	3

**7**  
**G**  
**E**

**7**  
**G**  
**E**

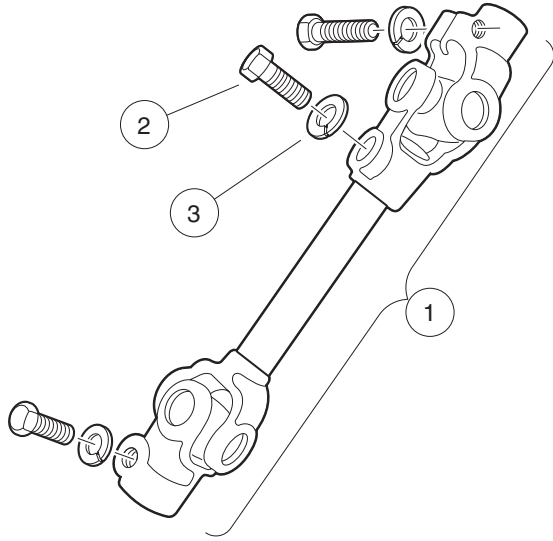


001214-001

## STEERING COLUMN – UTILITY

ITEM	PART NO.	DESCRIPTION	QTY
		1 2 3 4	
1	<u>1011578</u>	Washer, 5/16 Type B Flat .....	1
2	<u>1011697</u>	Washer, 5/16 Flat .....	1
3	<u>1014288</u>	Screw, 5/16-18 X 0.75, Thread-Forming .....	1
4	<u>1016183</u>	Screw, 3/8-16 X 7.00 Hex Cap .....	2
5	<u>1016269</u>	Screw, 5/16-18 Thrd Forming .....	2
6	<u>1017313</u>	Steering Shaft Assembly (includes items 7 through 15) .....	1
7	<u>1012604</u>	Washer, 0.675 ID X 1.19 OD .....	1
8	<u>1012605</u>	Ring, 0.579 Internal Retaining .....	1
9	1014125	Wedge, Molded .....	2
10	<u>1014126</u>	Seat, Plastic Bearing .....	2
11	<u>1014213</u>	Bearing, Ball .....	2
12	1014214	Ring, Retaining .....	1
13	<u>1014217</u>	Spring, Steering Shaft .....	1
14	<u>1017314</u>	Column, Aluminum Steering .....	1
15	<u>1017315</u>	Shaft Steering Column .....	1
16	<u>1017317</u>	Tube Cover, Steering Column .....	1
17	101984801	Kit, Steering Column Mounting Bracket (includes items 18 and 19) .....	1
18	N/A	Bracket, RH Steering Column Mount .....	1
19	N/A	Bracket, LH Steering column mount .....	1
20	<u>102278001</u>	Boot, Steering Column Round .....	1
21	<u>334</u>	Washer, 3/8, Type A, Flat .....	4
22	<u>8754</u>	Locknut, 3/8-16 Hex .....	2

**7**  
**G**  
**E**



001218-001

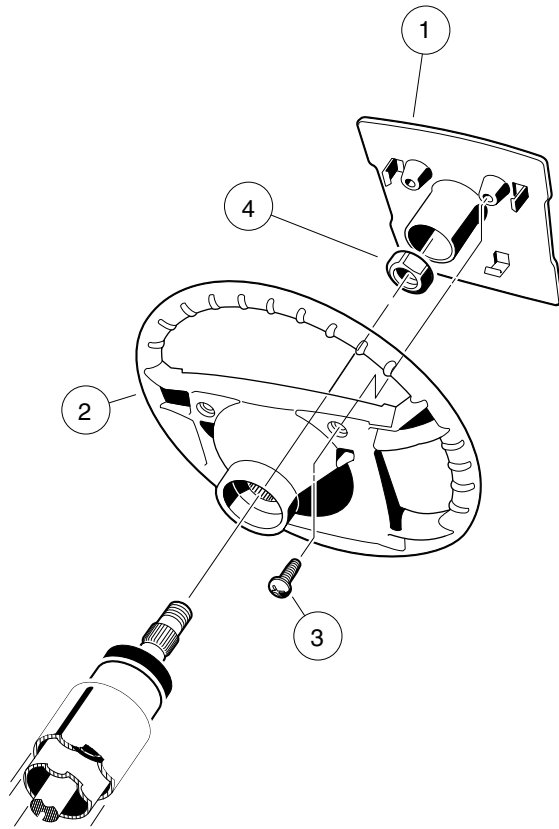
# INTERMEDIATE STEERING SHAFT – TURF/CARRYALL 252 AND XRT 900 VEHICLES

ITEM	PART NO.	DESCRIPTION	QTY
		1 2 3 4	
1	<u>102004101</u>	Joint, Steering (includes items 2 and 3) .....	1
2	<u>1017226</u>	Bolt, Hex-Head, 8mm X 1.25 - 30 .....	3
3	<u>7174</u>	Lockwasher, 5/16 Split .....	3

7

G

E



000246-003

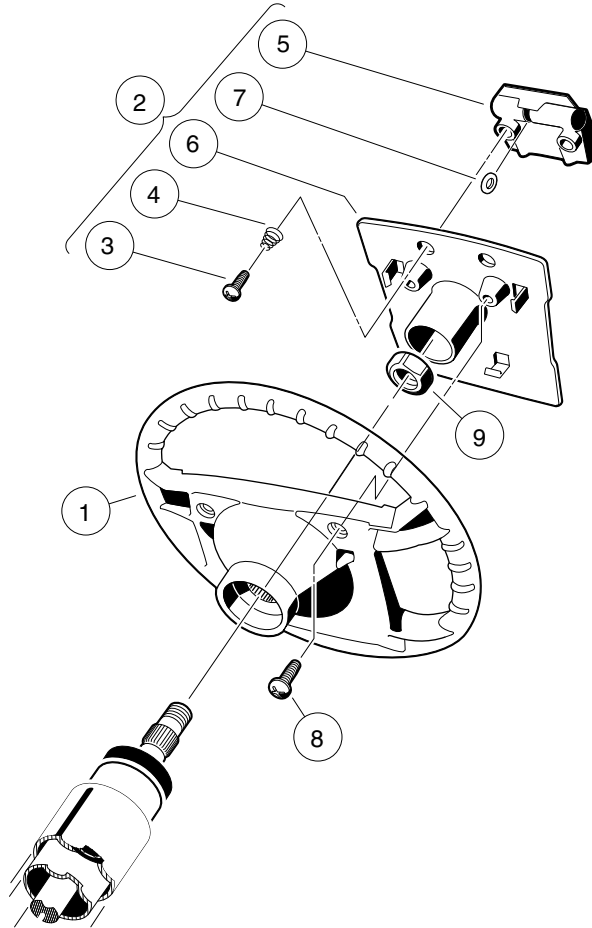


# STEERING WHEEL

ITEM	PART NO.	DESCRIPTION	QTY
		1 2 3 4	
1	<u>101615504</u>	Plate, Scorecard .....	1
2	<u>1016156</u>	Wheel, Steering .....	1
3	<u>1016663</u>	Screw, #12-14 X 0.625 .....	2
4	<u>1017273</u>	Nut, 5/8-18 Nylon Insert Jam .....	1

7  
G  
E

**7**  
**G**  
**E**



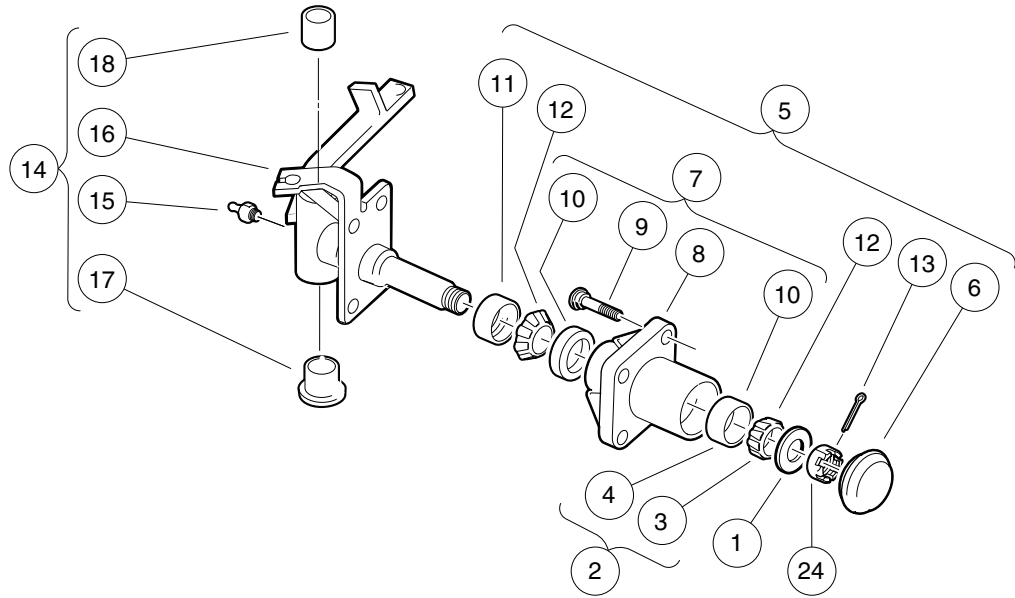
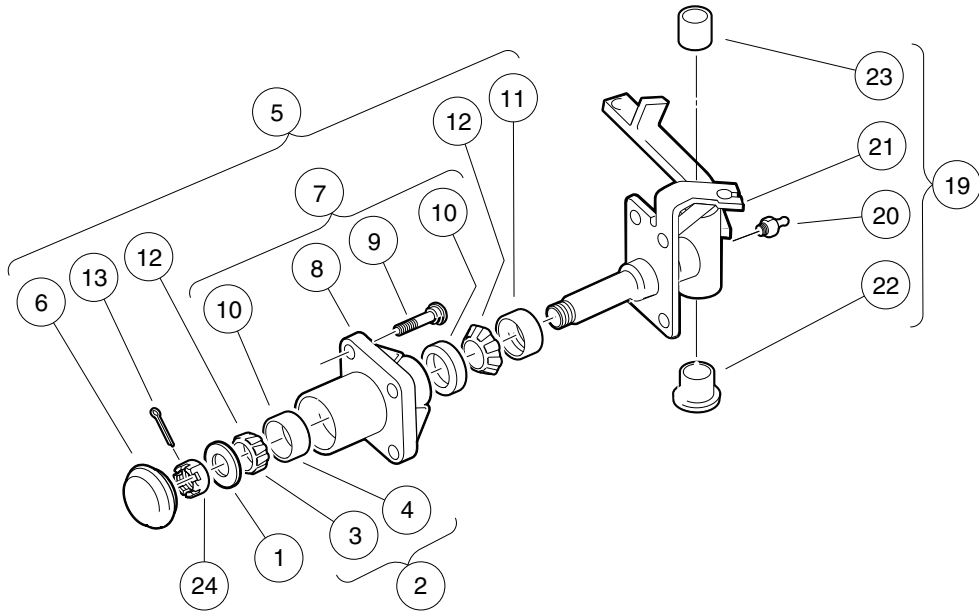
000246-002

# STEERING WHEEL WITH CLIP

ITEM	PART NO.	DESCRIPTION	QTY
		1 2 3 4	
1	<u>1016156</u>	Wheel, Steering .....	1
2	1016219	Plate, Scorecard (includes items 3 through 7) .....	1
3	<u>1012565</u>	Screw, #12 Phillips Round Head .....	2
4	<u>1012566</u>	Tapered Compression Spring .....	2
5	1016154	Clip, Scorecard .....	1
6	N/A	Plate, Score Card .....	1
7	<u>1016214</u>	Pencil Grip .....	1
8	<u>1016663</u>	Screw, #12-14 X 0.625 .....	2
9	<u>1017273</u>	Nut, 5/8-18 Nylon Insert Jam .....	1

7  
G  
E

**7**  
**G**  
**E**



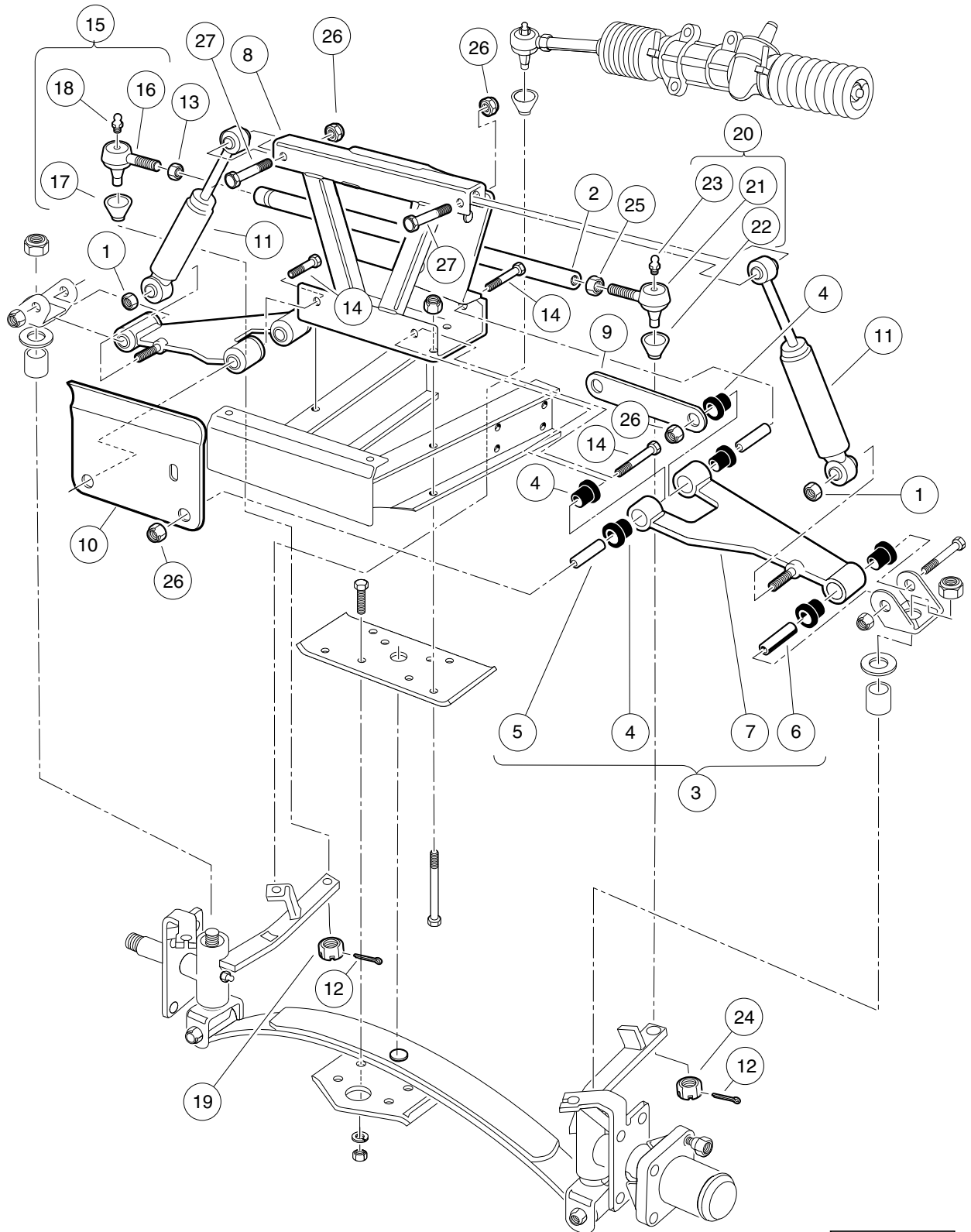
000310-002

# FRONT SPINDLES AND HUBS – VEHICLES WITH FOUR-WHEEL BRAKES

ITEM	PART NO.	DESCRIPTION	QTY
		<b>1 2 3 4</b>	
1	<u>1010005</u>	Washer, 3/4 Flat .....	2
2	<u>1011393</u>	Hub Bearing Package (includes items 3 and 4) .....	4
3	<u>7274</u>	Bearing, Front Hub Wheel .....	1
4	<u>7308</u>	Race, Front Hub Bearing .....	1
5	<u>1011892</u>	Hub Assembly (includes items 6 through 13) .....	2
6	<u>1011887</u>	Dust Cover .....	1
7	N/A	Hub (includes items 8 through 10) .....	1
8	N/A	Front Hub .....	1
9	<u>103477901</u>	Lug Stud, 1/2-20 Unf, 4037 .....	4
10	<u>7308</u>	Race, Front Hub Bearing .....	2
11	<u>1013135</u>	Seal, Double Lip .....	1
12	<u>7274</u>	Bearing, Front Hub Wheel .....	2
13	<u>7910</u>	Pin, 5/32 X 1.00 Cotter .....	1
14	<u>101876901</u>	Spindle Assy, Driver Side (includes items 15 through 18) .....	1
15	<u>1015597</u>	Fitting, 1/4-28 Thread-Forming Grease .....	1
16	N/A	Spindle Assembly, Left .....	1
17	<u>7048</u>	Bushing, Flanged Bronze .....	1
18	<u>8067</u>	Bushing, Bronze Spindle .....	1
19	<u>101877001</u>	Spindle Assy, Passenger Side (includes items 20 through 23) .....	1
20	<u>1015597</u>	Fitting, 1/4-28 Thread-Forming Grease .....	1
21	N/A	Spindle Assembly, Right .....	1
22	<u>7048</u>	Bushing, Flanged Bronze .....	1
23	<u>8067</u>	Bushing, Bronze Spindle .....	1
24	<u>7840</u>	Nut, 3/4-16 Hex Slotted .....	2

**7**  
**G**  
**E**

**7**  
**G**  
**E**



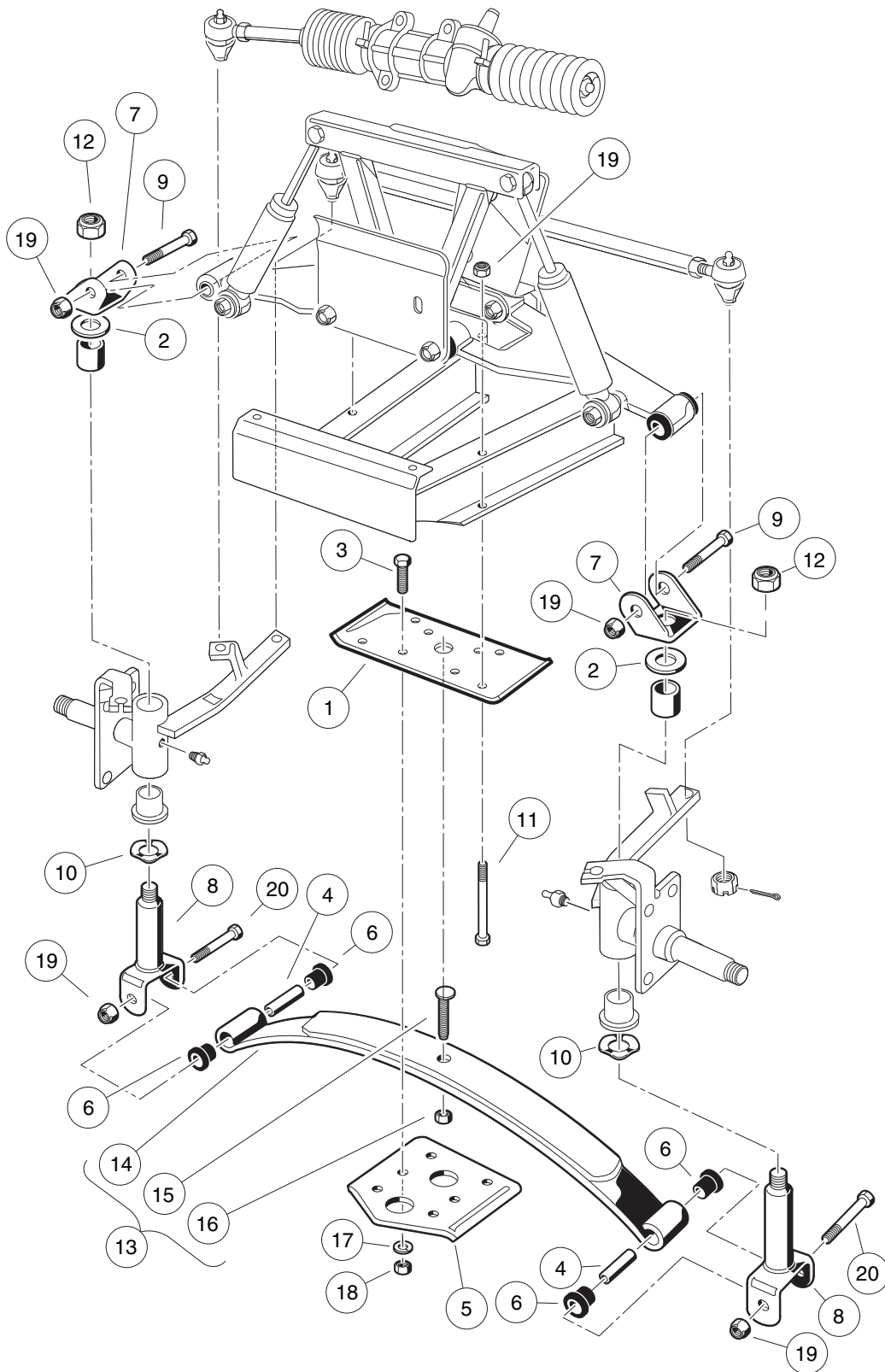
000314-001

# FRONT SUSPENSION, UPPER – TURF/CARRYALL 252 AND XRT 900

ITEM	PART NO.	DESCRIPTION	QTY
		1 2 3 4	
1	<u>1010138</u>	Locknut, 3/8-16 Dimpled .....	2
2	<u>1010219</u>	Tie Rod .....	1
3	<u>1016353</u>	Sub-Assembly, Delta A-Plate (includes items 4 through 7) .....	2
4	<u>1016346</u>	Bushing, Urethane .....	6
5	<u>1016349</u>	Sleeve, Delta Inner .....	2
6	<u>1016350</u>	Sleeve, Delta Outer .....	1
7	<u>1016351</u>	Delta A-Plate .....	1
8	<u>1016385</u>	Delta Shock and Gear Support Assembly .....	1
9	<u>1017266</u>	A-Plate Strap .....	1
10	<u>101955001</u>	Brake Cable Guide Bracket .....	1
11	<u>103351001</u>	Shock Absorber, Front, Common .....	2
12	<u>1035</u>	Cotter Pin, 3/32 x 1 .....	2
13	<u>1308</u>	Nut, 1/2-20 Hex .....	1
14	<u>2402</u>	Screw, 3/8-16 X 2.25 Hx Hd Cap .....	4
15	<u>7539</u>	Ball Joint, Right-Hand (includes items 16 through 19) .....	1
16	1011893	Socket, RH Vertical .....	1
17	<u>1011930</u>	Seal, Vertical Socket Dust .....	1
18	<u>1015597</u>	Fitting, 1/4-28 Thread-Forming Grease .....	1
19	7602	Nut, 3/8-24 UNF Hex .....	1
20	<u>7540</u>	Ball Joint, Left (includes items 21 through 24) .....	1
21	1011895	Socket, LH Vertical .....	1
22	<u>1011930</u>	Seal, Vertical Socket Dust .....	1
23	<u>1015597</u>	Fitting, 1/4-28 Thread-Forming Grease .....	1
24	7602	Nut, 3/8-24 UNF Hex .....	1
25	<u>7555</u>	Nut, 1/2-20 Hex, Left-Hand Thread .....	1
26	<u>8754</u>	Locknut, 3/8-16 Hex .....	6
27	<u>8861</u>	Bolt, 3/8-16 X 1.75 Hex .....	2

7  
G  
E

**7**  
**G**  
**E**



001219-001

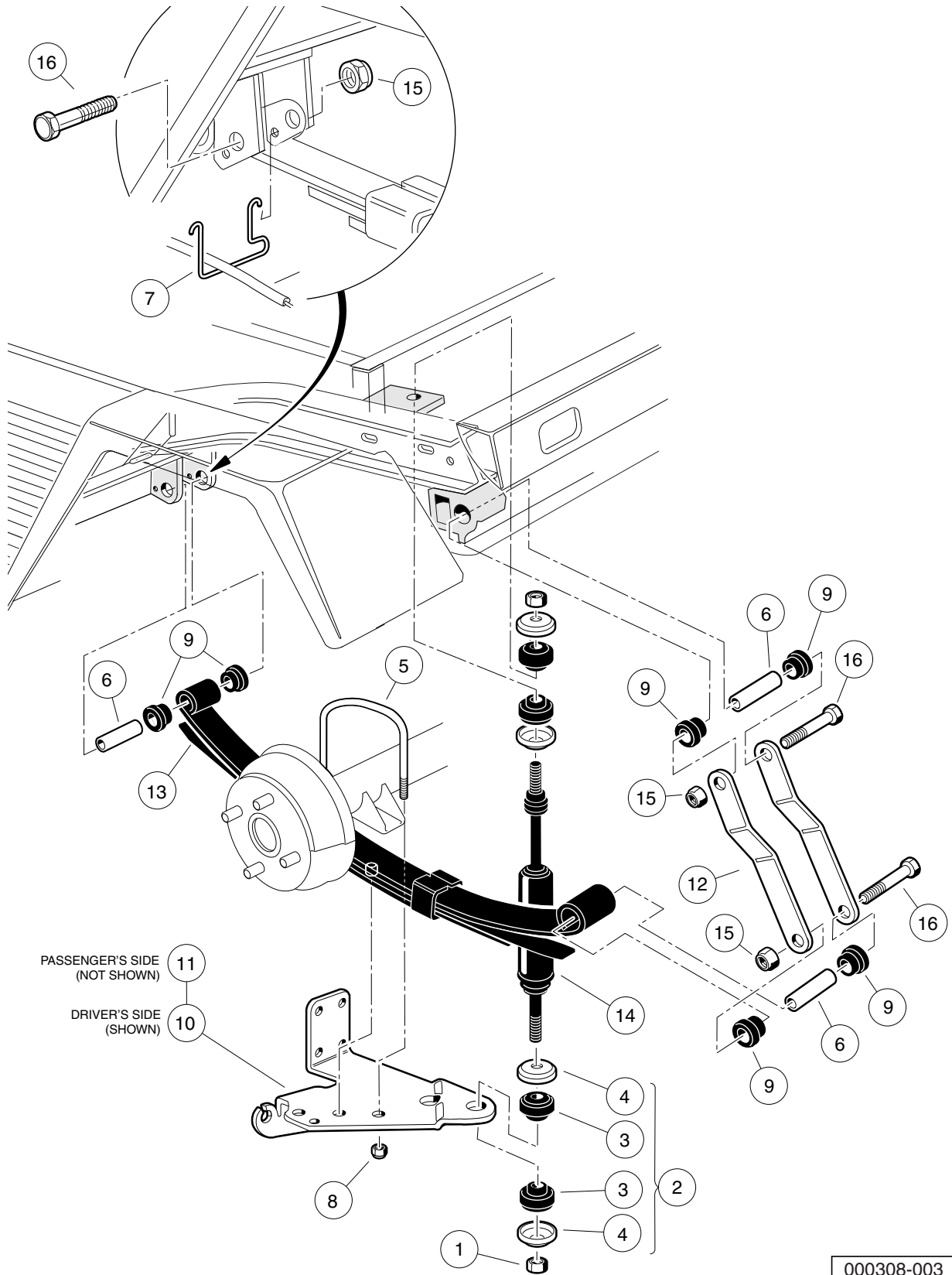


# FRONT SUSPENSION, LOWER – TURF/CARRYALL 252 AND XRT 900

ITEM	PART NO.	DESCRIPTION	QTY
		1 2 3 4	
1	<u>1010124</u>	Plate, Spring Mount .....	1
2	<u>1010150</u>	Bearing, Thrust .....	2
3	<u>1010177</u>	Bolt, 3/8-16 X 2.00 Hex Head .....	4
4	<u>1012303</u>	Bushing, Steel .....	2
5	<u>1014276</u>	Plate, Front Spring Retainer .....	1
6	<u>1015583</u>	Bushing, Urethane .....	4
7	<u>1016384</u>	Clevis, Delta Upper .....	2
8	<u>1016386</u>	King Pin Assembly .....	2
9	<u>1016387</u>	Screw, 3/8-16 X 2.75 Hx Hd Cap .....	2
10	<u>1016389</u>	Washer, 1.125 Od Wave .....	2
11	<u>101870501</u>	Screw, 3/8-16 X 4.75 Hx Hd Cap .....	4
12	<u>101903101</u>	Locknut, 1/2-20 Nylon Insert .....	2
13	<u>102004001</u>	Spring, Front, 2-Leaf (includes items 14 through 16) .....	1
14	N/A	Spring, Front Leaf .....	1
15	<u>103507001</u>	Eccentric Bolt Common .....	1
16	<u>706</u>	Nut, Hex 3/8-16 .....	1
17	<u>357</u>	Lockwasher, 3/8 Split .....	4
18	<u>706</u>	Nut, Hex 3/8-16 .....	4
19	<u>8754</u>	Locknut, 3/8-16 Hex .....	8
20	<u>8755</u>	Screw, 3/8-16 X 3.375 Hex Cap .....	2

7  
G  
E

**7**  
**G**  
**E**

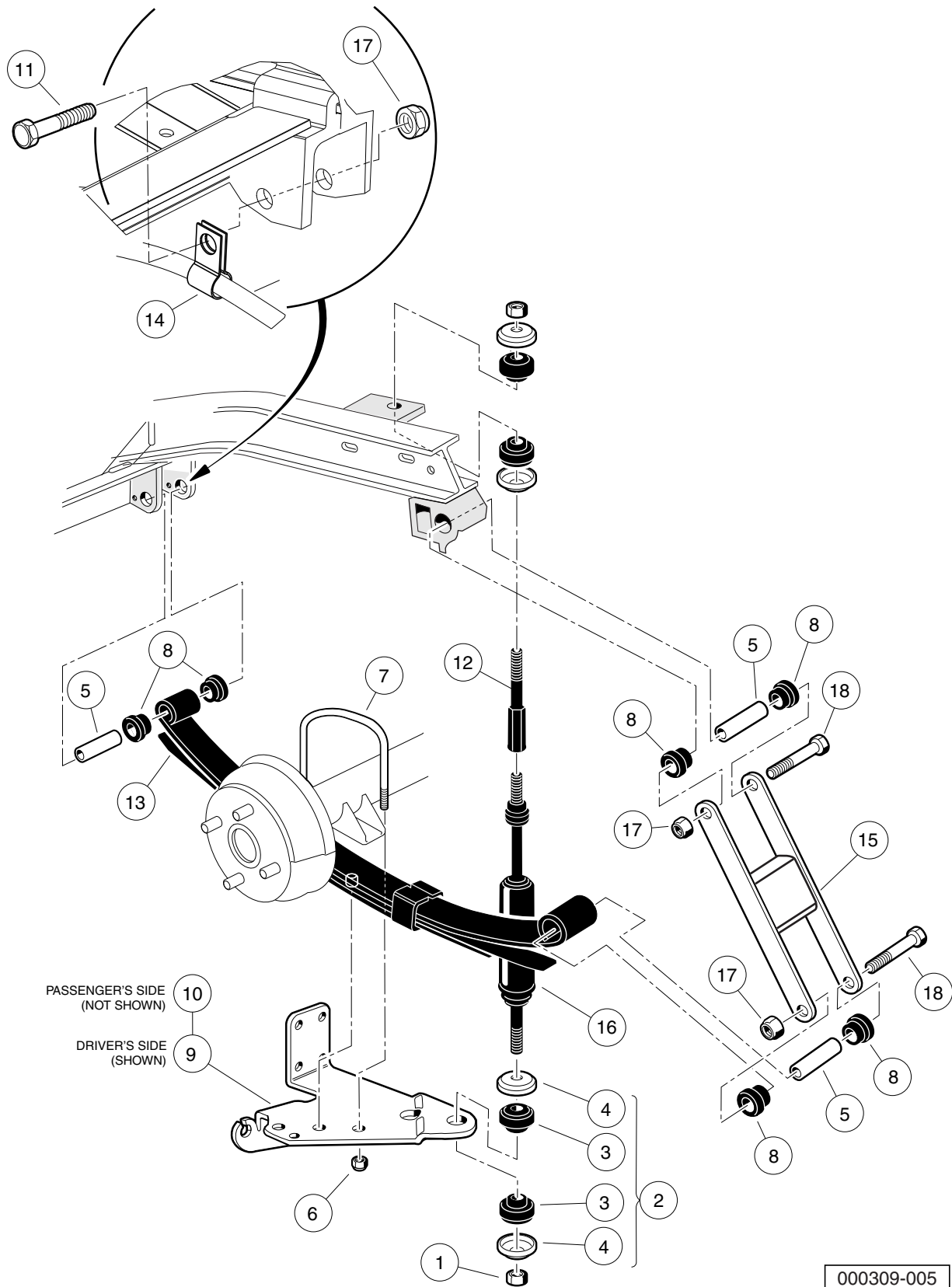


# REAR SUSPENSION – GASOLINE TURF/CARRYALL 252 AND XRT 900

ITEM	PART NO.	DESCRIPTION	QTY
		1 2 3 4	
1	<u>1010145</u>	Nut, 3/8-24 Hex .....	4
2	<u>1011415</u>	Kit, Shock Absorber Cushion (includes items 3 and 4) .....	4
3	N/A	Cushion, Shock Absorber .....	2
4	N/A	Retainer, Shock Absorber Cushion .....	2
5	<u>1012180</u>	U-Bolt .....	2
6	<u>1012303</u>	Bushing, Steel .....	6
7	<u>1013207</u>	Hanger, Brake Cable .....	2
8	<u>1014555</u>	Locknut, 7/16-14 Nylon Hex .....	4
9	<u>1015583</u>	Bushing, Urethane .....	12
10	<u>101926501</u>	Bracket, Left-Hand .....	1
11	<u>101929401</u>	Bracket, Right .....	1
12	<u>102004201</u>	Rear Spring Shackle .....	4
13	<u>102871801</u>	Rear Spring, 3leaf, 600 Lb/in .....	2
14	<u>103351101</u>	Shock, Absorber, Utility .....	2
15	<u>8754</u>	Locknut, 3/8-16 Hex .....	6
16	<u>8755</u>	Screw, 3/8-16 X 3.375 Hex Cap .....	6
<p>Note: Only the driver-side rear suspension is shown. Parts for the passenger-side rear suspension are identical except for the leaf spring/shock mounting plate.</p>			

7  
G  
E

**7**  
**G**  
**E**



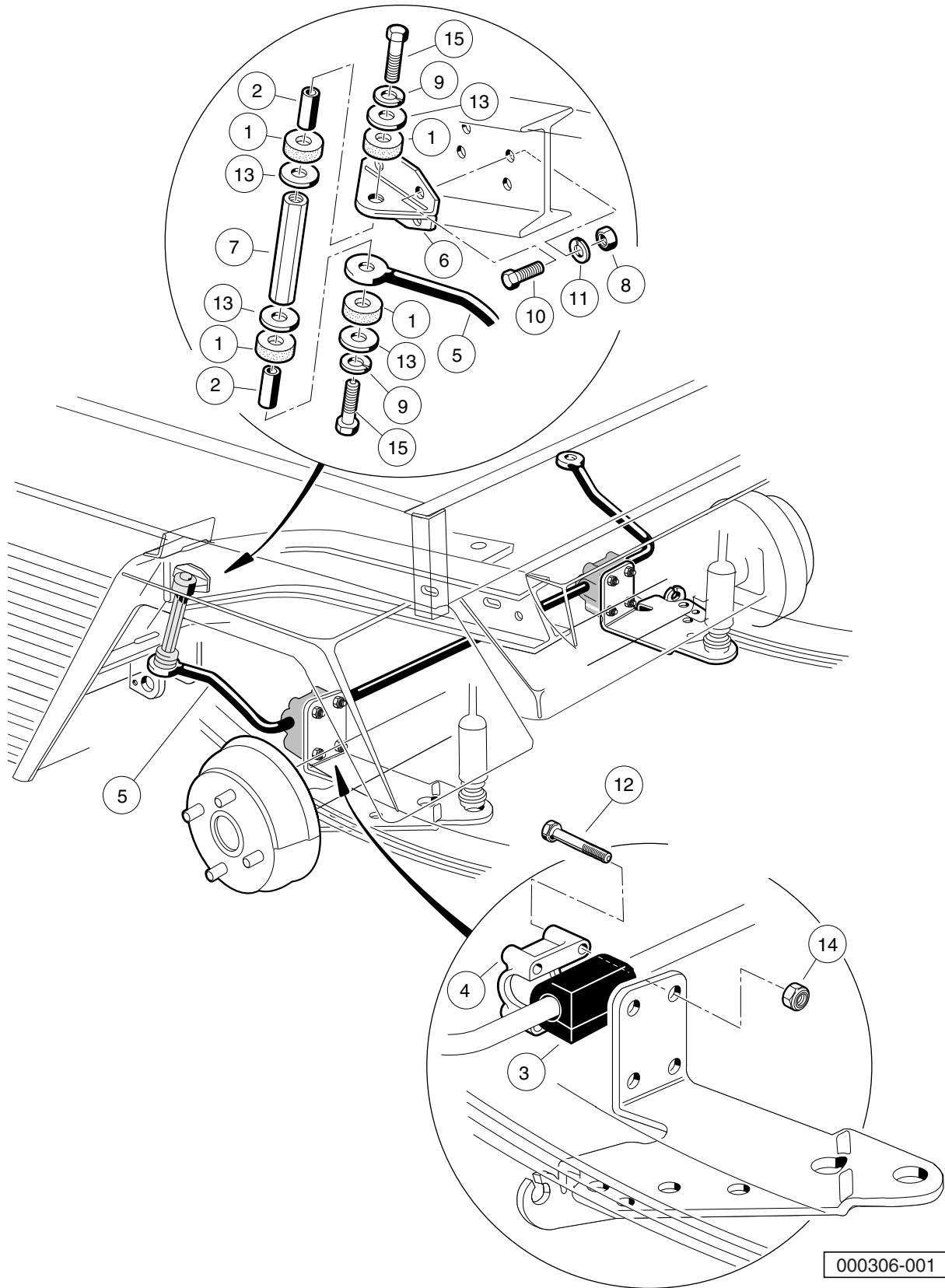
000309-005

# REAR SUSPENSION – TURF/CARRYALL 252 AND XRT 900 IQ PLUS

ITEM	PART NO.	DESCRIPTION	QTY
		1 2 3 4	
1	<u>1010145</u>	Nut, 3/8-24 Hex .....	4
2	<u>1011415</u>	Kit, Shock Absorber Cushion (includes items 3 and 4) .....	4
3	N/A	Cushion, Shock Absorber .....	2
4	N/A	Retainer, Shock Absorber Cushion .....	2
5	<u>1012303</u>	Bushing, Steel .....	6
6	<u>1014555</u>	Locknut, 7/16-14 Nylon Hex .....	4
7	<u>1014902</u>	U-Bolt .....	2
8	<u>1015583</u>	Bushing, Urethane .....	12
9	<u>101926501</u>	Bracket, Left-Hand .....	1
10	<u>101929401</u>	Bracket, Right .....	1
11	<u>102066201</u>	Screw, 3/8-16 X 3.50 Hex Cap .....	2
12	<u>102399001</u>	Shock Extension .....	2
13	<u>102871801</u>	Rear Spring, 3leaf, 600 Lb/in .....	2
14	<u>102891101</u>	Clamp, Cable, Brake, Sym .....	2
15	<u>103324801</u>	Weldment, Shackle, 10.0 .....	2
16	<u>103351101</u>	Shock, Absorber, Utility .....	2
17	<u>8754</u>	Locknut, 3/8-16 Hex .....	6
18	<u>8755</u>	Screw, 3/8-16 X 3.375 Hex Cap .....	4
<p>Note: Only the driver-side rear suspension is shown. Parts for the passenger-side rear suspension are identical except for the leaf spring/shock mounting plate.</p>			

7  
G  
E

**7**  
**G**  
**E**



000306-001

## STABILIZER BAR – TURF/CARRYALL 252 AND XRT 900

ITEM	PART NO.	DESCRIPTION	QTY
		1 2 3 4	
1	<u>1015453</u>	Compression Mount .....	8
2	<u>1015457</u>	Spacer, 0.720" .....	4
3	<u>1015613</u>	Bushing, Stabilizer Bar .....	2
4	<u>1015614</u>	Support, Bushing .....	2
5	<u>1015760</u>	Stabilizer Bar .....	1
6	<u>1016813</u>	Mounting Bracket, Stabilizer Bar .....	2
7	<u>102004901</u>	Link, Stabilizer Bar .....	2
8	<u>1242</u>	Nut, 5/16-18 Hex .....	8
9	<u>357</u>	Lockwasher, 3/8 Split .....	4
10	<u>7173</u>	Screw, 5/16-18 X 0.75, Hex-Head Cap .....	8
11	<u>7174</u>	Lockwasher, 5/16 Split .....	8
12	<u>7311</u>	Screw, 1/4-20 X 2.00 Hex-Head Cap .....	8
13	<u>808</u>	Washer, 3/8 Type B Flat .....	8
14	<u>8233</u>	Locknut, 1/4-20, Nylon Insert .....	8
15	<u>8861</u>	Bolt, 3/8-16 X 1.75 Hex .....	4

**7**  
**G**  
**E**

**7**

**G**

**E**

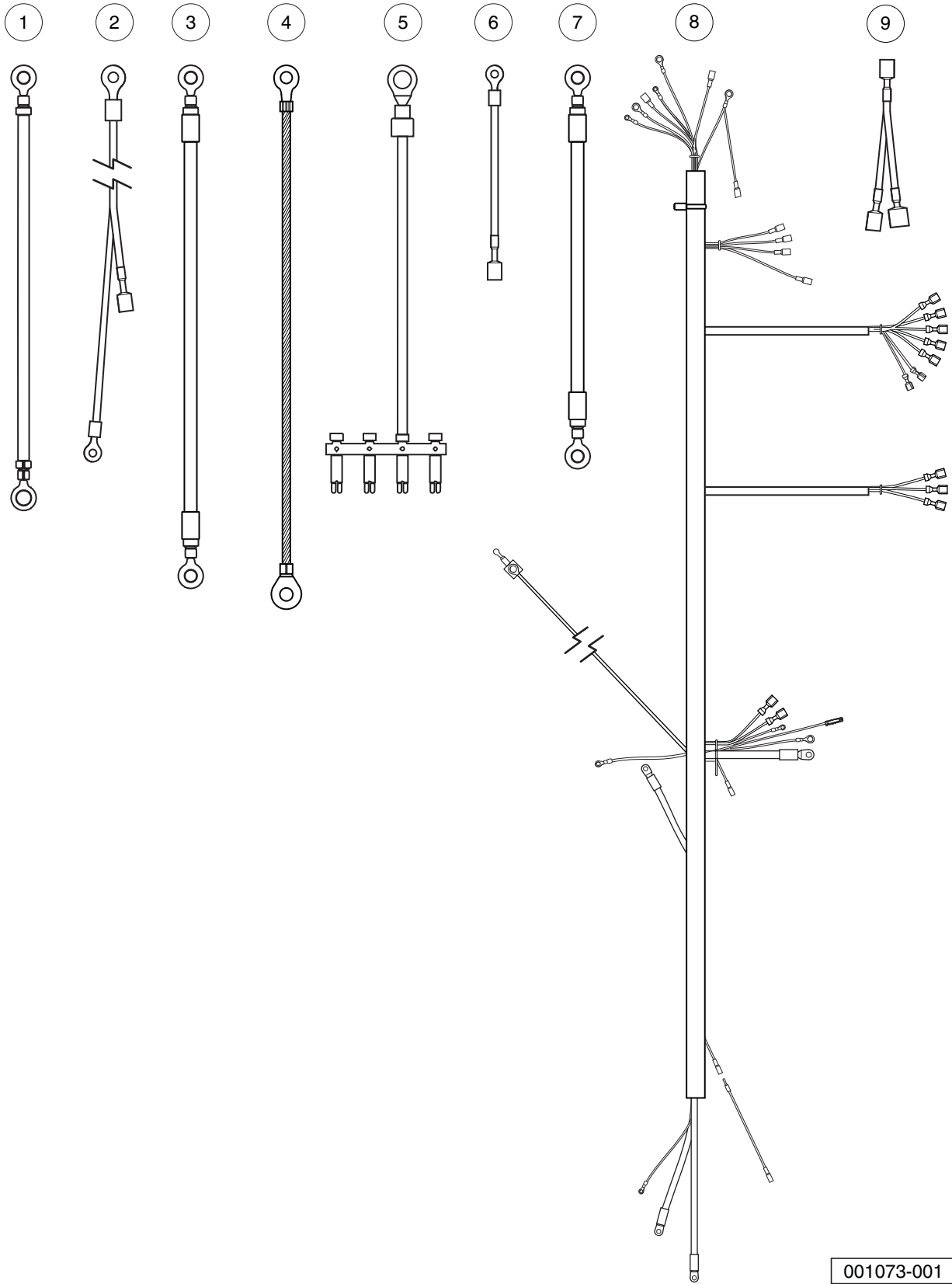


# **ELECTRICAL SYSTEM – GASOLINE VEHICLE**

---

**8**

**G**



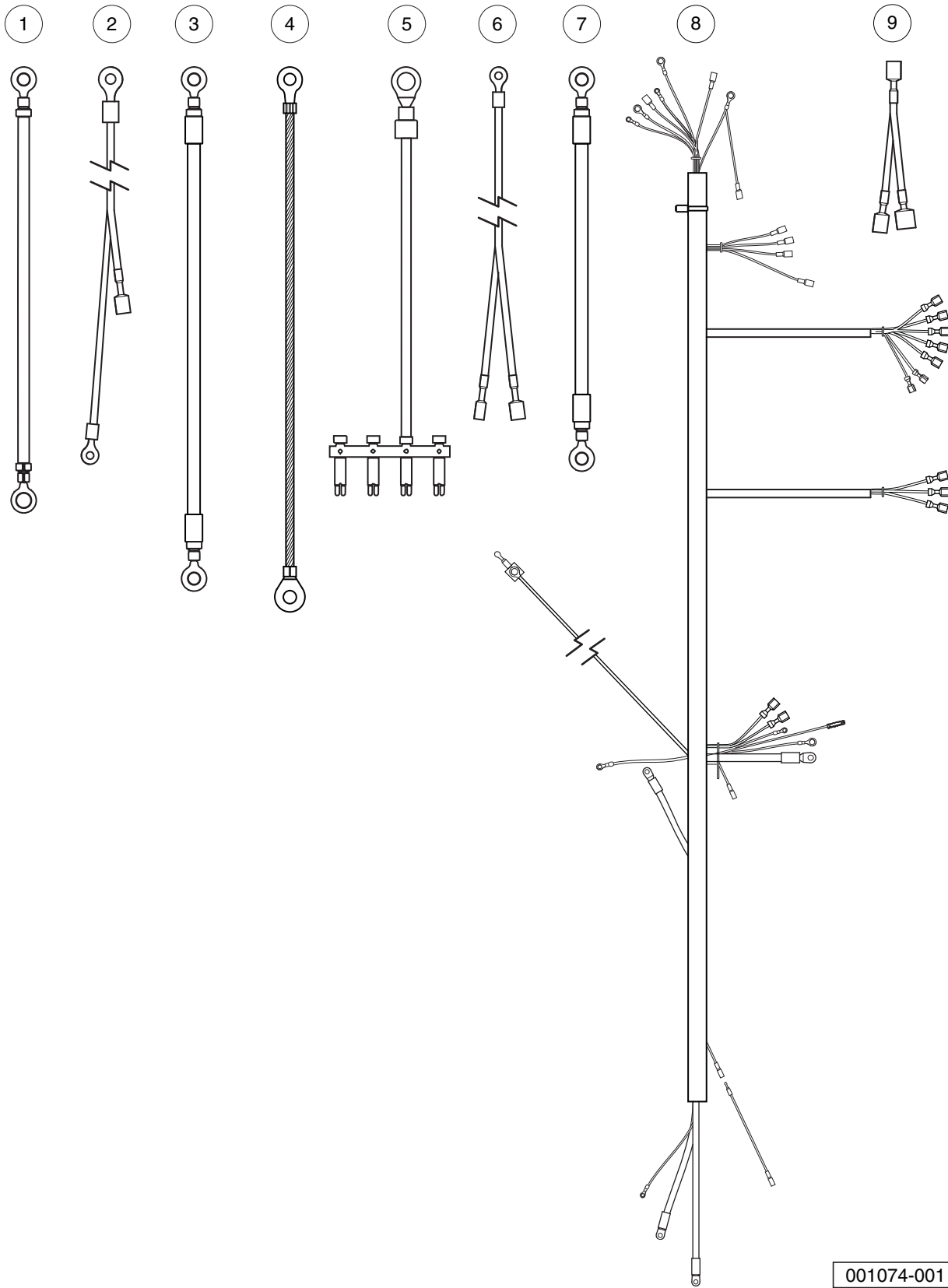
001073-001

# WIRING, FUSES, AND DIODES – TURF/CARRYALL 2 AND 252

ITEM	PART NO.	DESCRIPTION	QTY
		1 2 3 4	
1	<u>1012382</u>	Wire Assy, #6 Black .....	1
2	1012396	Wire Assy #18 Black .....	1
3	<u>1014119</u>	Wire Assembly #6 Red .....	1
4	<u>1015332</u>	Wire, Ground, #10, Uninsulated .....	1
5	<u>1015737</u>	Wire Assy, #10 Red .....	1
6	1016401	Wire Assy, #16 Orange .....	1
7	<u>101837301</u>	Wire Assy, #6 Green .....	1
8	<u>103197101</u>	Asm, Wire Harness, Carryall 2, Gas .....	1
9	<u>103348501</u>	Asm, Wire Meter, F-h Jumper .....	1

**8**

**G**



001074-001

## WIRING, FUSES, AND DIODES – CARRYALL 2 PLUS

ITEM	PART NO.	DESCRIPTION	QTY
		1 2 3 4	
1	<u>1012382</u>	Wire Assy, #6 Black .....	1
2	<u>1012396</u>	Wire Assy #18 Black .....	1
3	<u>1014119</u>	Wire Assembly #6 Red .....	1
4	<u>1015332</u>	Wire, Ground, #10, Uninsulated .....	1
5	<u>1015737</u>	Wire Assy, #10 Red .....	1
6	<u>1017006</u>	Wire Assembly Orange #18 .....	1
7	<u>101837301</u>	Wire Assy, #6 Green .....	1
8	<u>103198001</u>	Asm, Wire Harness, Carryall 2 Plus .....	1
9	<u>103348501</u>	Asm, Wire Meter, F-h Jumper .....	1

**8**  
**G**

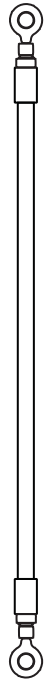
1



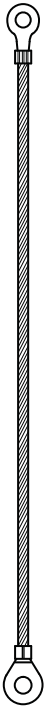
2



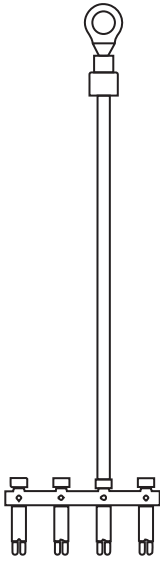
3



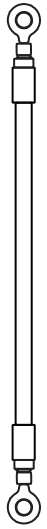
4



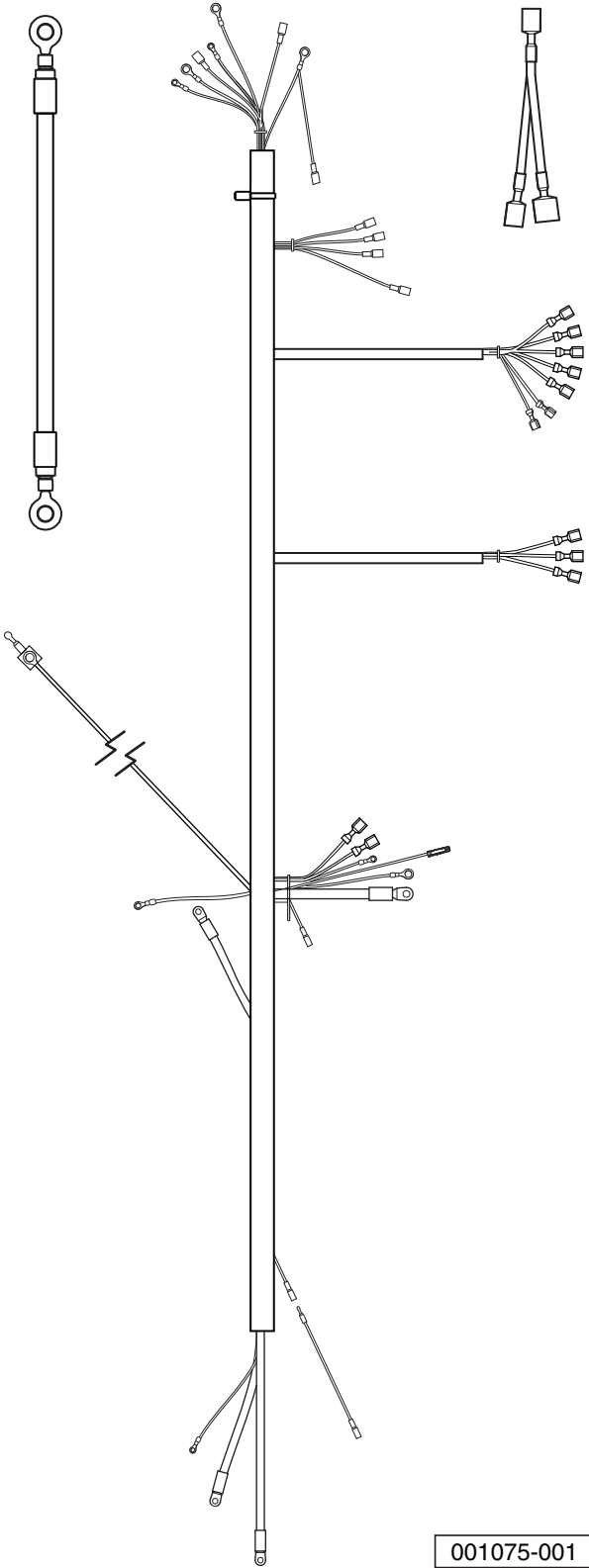
5



6



7



8

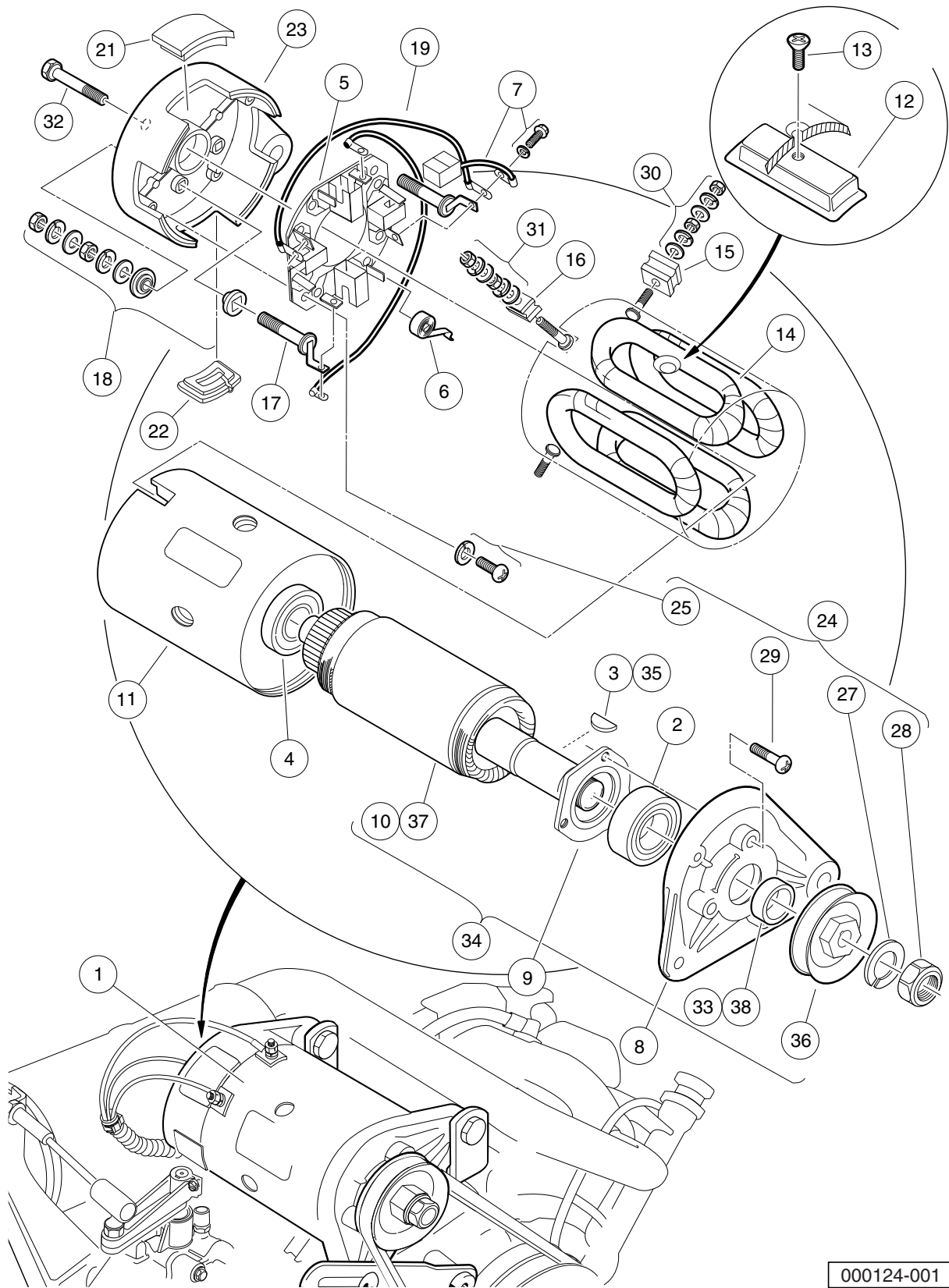


001075-001

## WIRING, FUSES, AND DIODES – XRT 900

ITEM	PART NO.	DESCRIPTION	QTY
		1 2 3 4	
1	<u>1012382</u>	Wire Assy, #6 Black .....	1
2	<u>1012396</u>	Wire Assy #18 Black .....	1
3	<u>1014119</u>	Wire Assembly #6 Red .....	1
4	<u>1015332</u>	Wire, Ground, #10, Uninsulated .....	1
5	<u>1015737</u>	Wire Assy, #10 Red .....	1
6	<u>101837301</u>	Wire Assy, #6 Green .....	1
7	<u>103198101</u>	Asm, Wire Harness, CA XRT .....	1
8	<u>103348501</u>	Asm, Wire Meter, F-h Jumper .....	1

**8**  
**G**



000124-001



# STARTER/GENERATOR ASSEMBLY MODEL G425419 – GASOLINE VEHICLES

ITEM	PART NO.	DESCRIPTION	QTY
		1 2 3 4	
1	<u>101833701</u>	Starter/Generator (cw) (includes items 2 through 33) .....	1
2	<u>1013001</u>	Bearing, Output Shaft Ball .....	1
3	<u>1013003</u>	Key, Starter/Generator .....	1
4	<u>1013005</u>	Bearing, Ball .....	1
5	<u>101301102</u>	Brush Holder Assembly (cw) (includes item 6) .....	1
6	<u>101878101</u>	Brush Spring Set .....	4
7	<u>101869302</u>	Brush and Screw Set (cw) .....	1
8	<u>101874901</u>	Front Bracket .....	1
9	<u>101875001</u>	Retainer .....	1
10	<u>101875101</u>	Armature .....	1
11	<u>101875201</u>	Field Coil Housing .....	1
12	<u>101875301</u>	Pole Set .....	1
13	<u>101875401</u>	Screw Set .....	1
14	<u>101875501</u>	Field Stator Coil Assembly .....	1
15	<u>101875601</u>	F Insulator Set .....	2
16	<u>101875701</u>	DF Insulator .....	1
17	<u>101875802</u>	A Connector (cw) .....	1
18	<u>101876001</u>	Screw and Mold Assembly .....	2
19	<u>101876202</u>	Brush Connector Assembly (cw) .....	2
20	<u>101876301</u>	Cover Set (includes items 21 and 22) .....	1
21	N/A	Brush Inspection Port Cover .....	3
22	<u>1017653</u>	Brush Port Cover w/Drain .....	1
23	<u>101876402</u>	End Bell, Commutator, Rear Bracket (cw) .....	1
24	<u>101876501</u>	Nut and Screw Set (includes items 25 through 29) .....	1
25	<u>101896501</u>	Brush Holder Asm Screw .....	2
26	N/A	Washer, M5 Flat .....	1
27	N/A	Washer, M14 Lock .....	1
28	N/A	Nut, Hex, M14 x 2 .....	1
29	N/A	Screw, M5 x 0.8 x 18mm .....	3
30	<u>101877601</u>	Nut and Washer Set .....	2
31	<u>101877701</u>	Nut and Washer Set .....	1
32	<u>101879001</u>	Through Bolt Set .....	2
33	<u>101939901</u>	Spacer .....	1
34	<u>101875102</u>	Armature Asm Conversion Kit (includes items 35 through 38) .....	1
35	<u>1013003</u>	Key, Starter/Generator .....	1
36	<u>1014289</u>	Pulley, Starter/Generator .....	1
37	<u>101875101</u>	Armature .....	1
38	<u>101939901</u>	Spacer .....	1
		Note: Item 36 will ONLY fit Model G425419 Starter/Generator.	

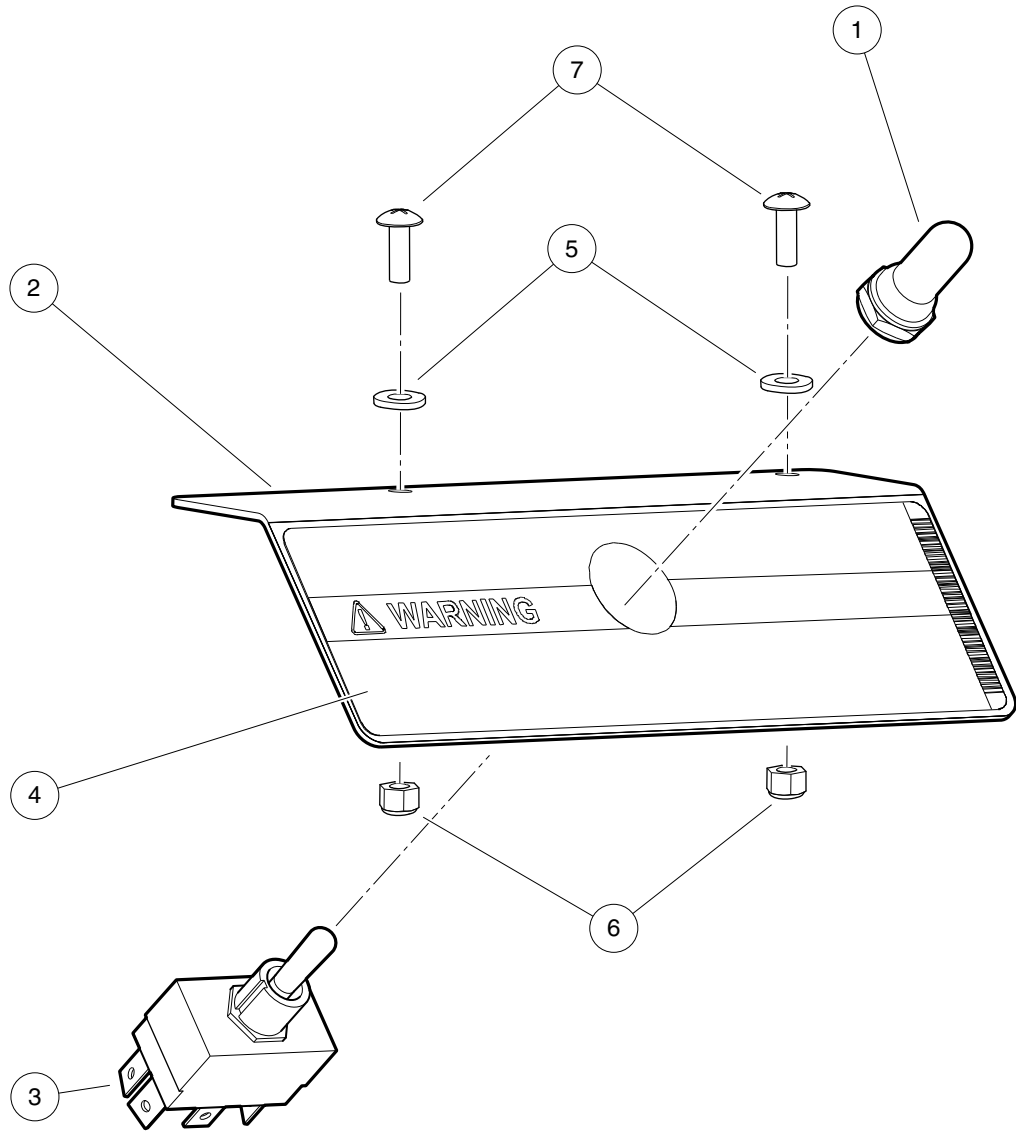
**8**  
**G**



## STARTER/GENERATOR MOUNTING – FE350

ITEM	PART NO.	DESCRIPTION	QTY
		1 2 3 4	
1	<u>1012830</u>	Screw, M8-125 X 22 Hex-Head .....	2
2	<u>101524002</u>	Bracket, Starter/Generator Mounting .....	1
3	<u>1015932</u>	Bolt, Carriage, 5/16-18 .....	1
4	<u>1016074</u>	Screw, M8-1.25 X 18mm Torx .....	1
5	<u>1016883</u>	Bracket, Starter/Generator Adjustment .....	1
6	<u>101837301</u>	Wire Assy, #6 Green .....	1
7	<u>101916701</u>	V-Belt .....	1
8	<u>1241</u>	Washer, 5/16 Type A Flat .....	1
9	<u>1242</u>	Nut, 5/16-18 Hex .....	1
10	705	Screw, Cap-hex Hd 3/8-16x1.25 .....	2
11	<u>7174</u>	Lockwasher, 5/16 Split .....	3
12	<u>8754</u>	Locknut, 3/8-16 Hex .....	2

**8**  
**G**

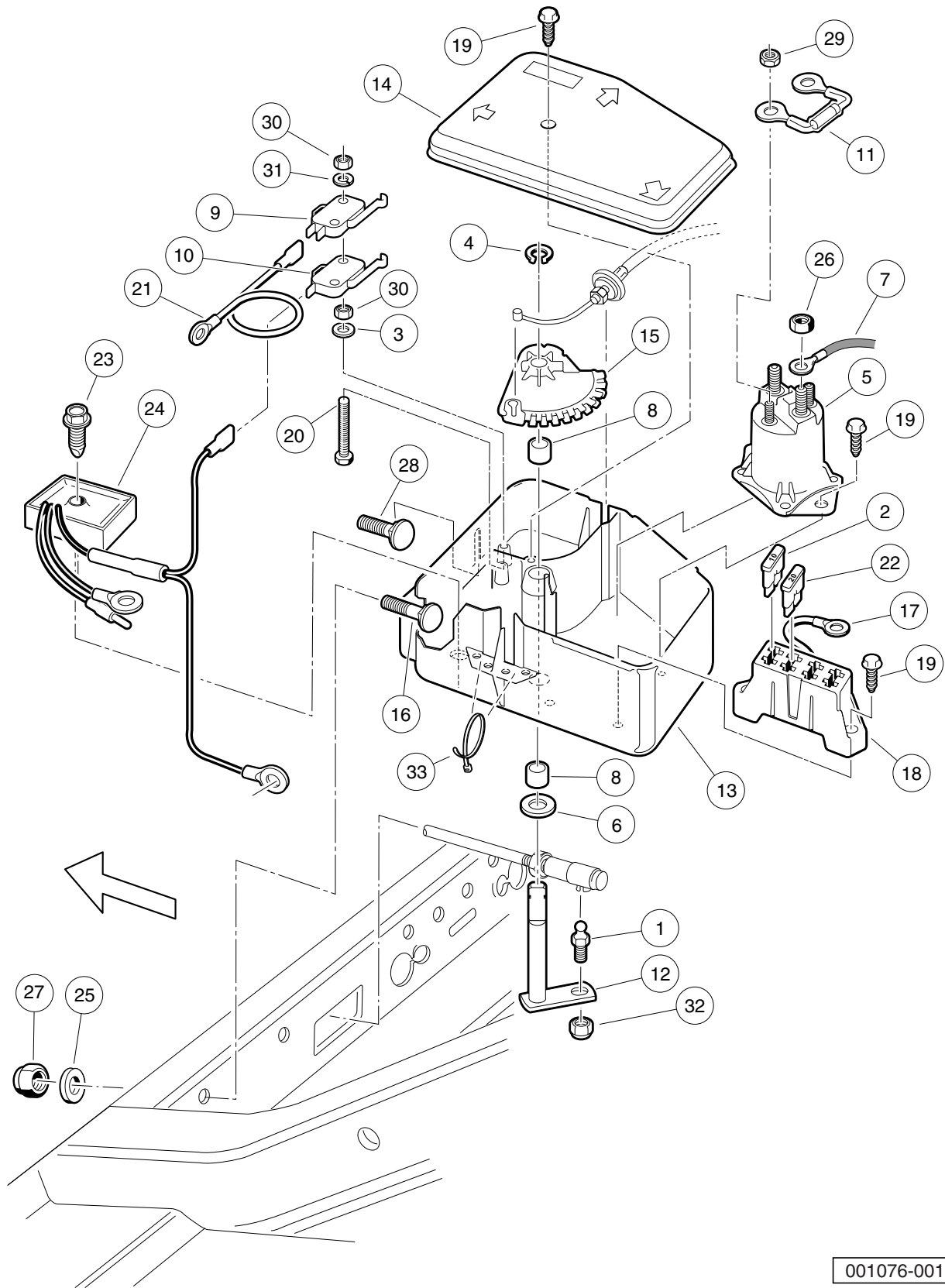


000755-003

# OPERATION AND MAINTENANCE SWITCH

ITEM	PART NO.	DESCRIPTION	QTY
		1 2 3 4	
1	<u>101908401</u>	Boot, Switch .....	1
2	<u>101922501</u>	Bracket, Tow/Run Switch Mounting .....	1
3	<u>103198401</u>	Switch, Toggle, SPDT .....	1
4	<u>103205501</u>	Decal, Run/Service Switch .....	1
5	<u>332</u>	Washer, 1/4 Type A Narrow Flat .....	2
6	<u>8233</u>	Locknut, 1/4-20, Nylon Insert .....	2
7	<u>8248</u>	Screw, 1/4-20 X 0.75, Truss-Head Machine .....	2

**8**  
**G**

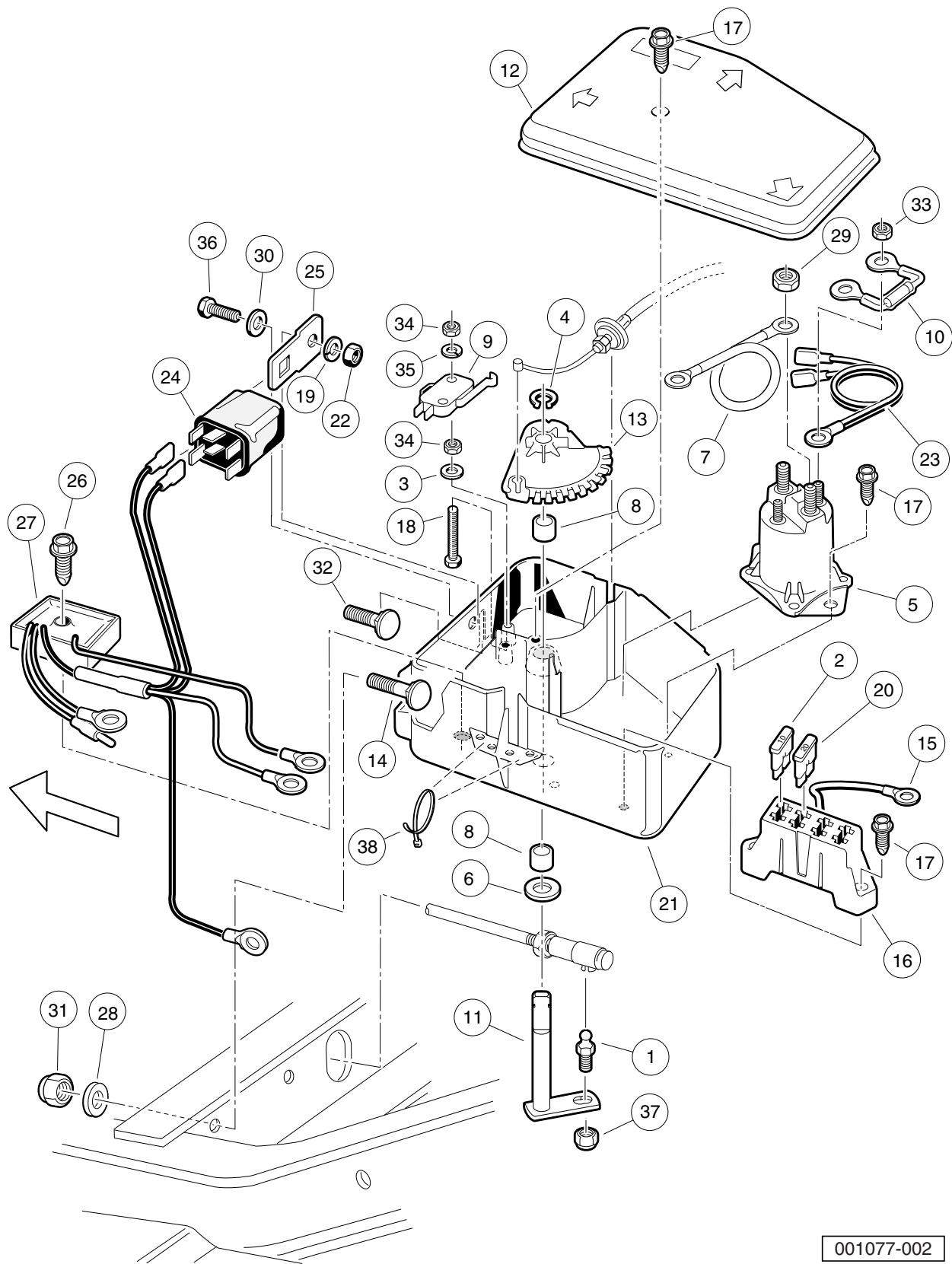


001076-001

# ELECTRICAL COMPONENT BOX – TURF/CARRYALL 1, 2, AND 252

**8**  
**G**

ITEM	PART NO.	DESCRIPTION	QTY
		<b>1 2 3 4</b>	
1	<u>1010954</u>	Stud, Ball, 1/4-28 X 0.560 .....	1
2	<u>1012295</u>	Fuse, 10-Amp .....	1
3	<u>1012431</u>	Washer, #4 Flat .....	2
4	<u>1013589</u>	Ring, Retaining, 0.338" Internal .....	1
5	<u>1013609</u>	Solenoid, 12-Volt .....	1
6	<u>1014065</u>	Washer, Flat, 0.38" ID, Delrin .....	1
7	<u>1014119</u>	Wire Assembly #6 Red .....	1
8	<u>1014145</u>	Bushing, Secondary Weight, Split .....	2
9	<u>1014807</u>	Switch, Limit .....	1
10	<u>1014808</u>	Switch, Limit .....	1
11	<u>1014948</u>	Diode .....	1
12	<u>1015345</u>	Bell Crank and Shaft Assembly .....	1
13	<u>1015371</u>	Box, Electrical Component .....	1
14	<u>1015372</u>	Cover, Electric Box .....	1
15	<u>1015373</u>	Cam, Electric Box .....	1
16	<u>1015405</u>	Bolt, Carriage, 5/16-18 X 2.0 .....	1
17	<u>1015737</u>	Wire Assy, #10 Red .....	1
18	<u>1015741</u>	Fuse Block .....	1
19	<u>1015752</u>	Screw, #12-16 X 0.625, Hi-Lo .....	5
20	<u>1015878</u>	Screw, #4-40 Hex Head Machine .....	2
21	<u>1016401</u>	Wire Assy, #16 Orange .....	1
22	<u>1016423</u>	Fuse, 20-Amp .....	1
23	<u>101856102</u>	Screw, 1/4-15 X 1.50, Hi-lo, Hex .....	1
24	<u>102711201</u>	Voltage Regulator .....	1
25	<u>1241</u>	Washer, 5/16 Type A Flat .....	2
26	<u>1242</u>	Nut, 5/16-18 Hex .....	2
27	<u>7473</u>	Locknut, 5/16-18 Nylon Insert .....	2
28	<u>7818</u>	Bolt, Carriage, 5/16-18 X 1.5 .....	1
29	<u>7893</u>	Nut, #10-32 Hex .....	2
30	<u>8057</u>	Nut, #4-40 Hex Machine .....	4
31	<u>8058</u>	Lockwasher, #4 Split .....	2
32	<u>8717</u>	Locknut, Nylon Insert, 1/4-28 .....	1
33	<u>8990</u>	Tie Wrap, 8" Nylon .....	2



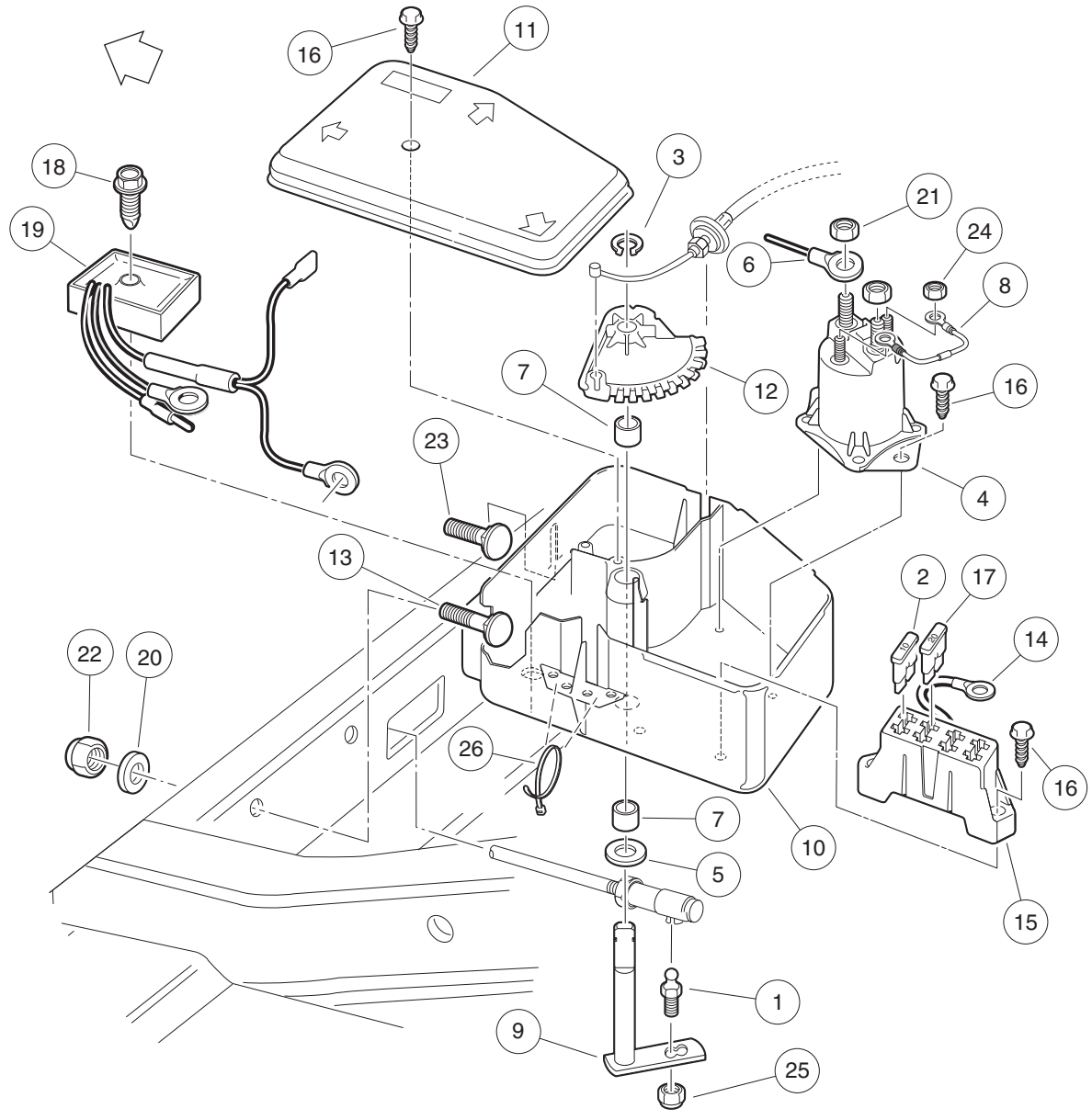
001077-002



# ELECTRICAL COMPONENT BOX – CARRYALL 2 PLUS

ITEM	PART NO.	DESCRIPTION	QTY
		1 2 3 4	
1	<u>1010954</u>	Stud, Ball, 1/4-28 X 0.560 .....	1
2	<u>1012295</u>	Fuse, 10-Amp .....	1
3	<u>1012431</u>	Washer, #4 Flat .....	2
4	<u>1013589</u>	Ring, Retaining, 0.338" Internal .....	1
5	<u>1013609</u>	Solenoid, 12-Volt .....	1
6	<u>1014065</u>	Washer, Flat, 0.38" ID, Delrin .....	1
7	<u>1014119</u>	Wire Assembly #6 Red .....	1
8	<u>1014145</u>	Bushing, Secondary Weight, Split .....	2
9	<u>1014807</u>	Switch, Limit .....	1
10	<u>1014948</u>	Diode .....	1
11	<u>1015345</u>	Bell Crank and Shaft Assembly .....	1
12	<u>1015372</u>	Cover, Electric Box .....	1
13	<u>1015373</u>	Cam, Electric Box .....	1
14	<u>1015405</u>	Bolt, Carriage, 5/16-18 X 2.0 .....	1
15	<u>1015737</u>	Wire Assy, #10 Red .....	1
16	<u>1015741</u>	Fuse Block .....	1
17	<u>1015752</u>	Screw, #12-16 X 0.625, Hi-Lo .....	5
18	<u>1015878</u>	Screw, #4-40 Hex Head Machine .....	2
19	<u>1016</u>	Lockwasher, #10 Split .....	1
20	<u>1016423</u>	Fuse, 20-Amp .....	1
21	<u>1016997</u>	Electrical Component Box .....	1
22	<u>1017</u>	Nut, #10-24 Stainless-Steel Hex Machine .....	1
23	<u>1017006</u>	Wire Assembly Orange #18 .....	1
24	<u>1017239</u>	Relay W/mounting Bracket .....	1
25	<u>1017243</u>	Mounting Bracket, Relay .....	1
26	<u>101856102</u>	Screw, 1/4-15 X 1.50, Hi-lo, Hex .....	1
27	<u>102803401</u>	Asm, Voltage Regulator Key Sta .....	1
28	<u>1241</u>	Washer, 5/16 Type A Flat .....	2
29	<u>1242</u>	Nut, 5/16-18 Hex .....	2
30	<u>183</u>	Washer, #10, Type A, Flat .....	1
31	<u>7473</u>	Locknut, 5/16-18 Nylon Insert .....	2
32	<u>7818</u>	Bolt, Carriage, 5/16-18 X 1.5 .....	1
33	<u>7893</u>	Nut, #10-32 Hex .....	2
34	<u>8057</u>	Nut, #4-40 Hex Machine .....	4
35	<u>8058</u>	Lockwasher, #4 Split .....	2
36	<u>8450</u>	Screw, #10-24 X 0.50, Hex-Head .....	1
37	<u>8717</u>	Locknut, Nylon Insert, 1/4-28 .....	1
38	<u>8990</u>	Tie Wrap, 8" Nylon .....	3

**8**  
**G**

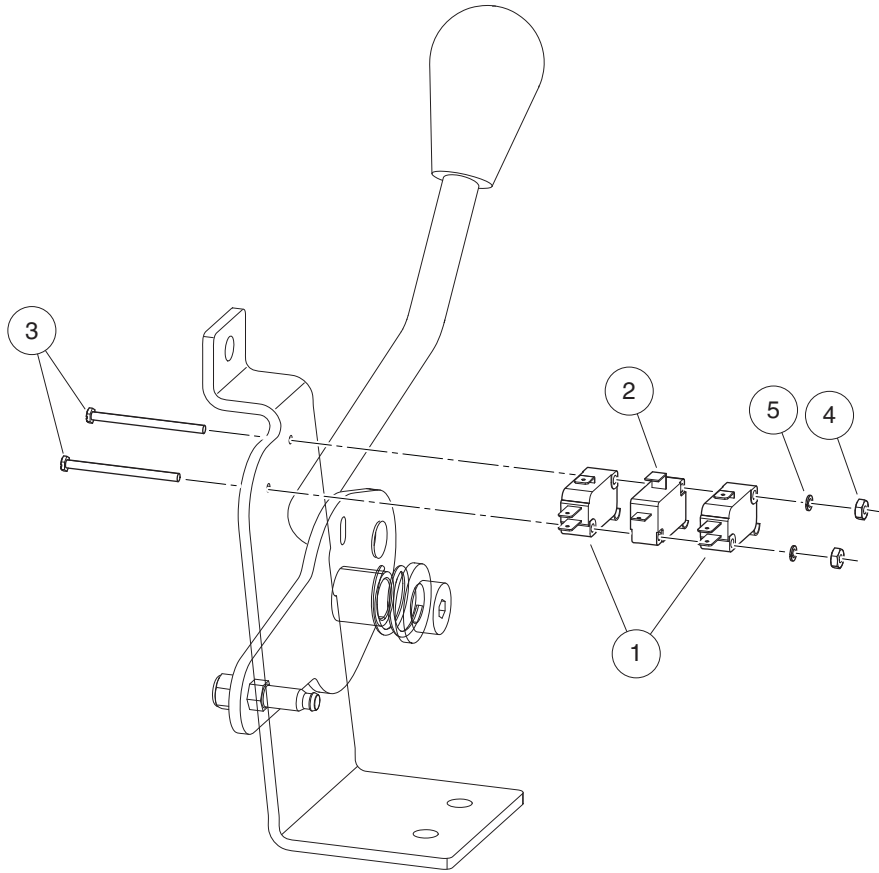


001078-001

## ELECTRICAL COMPONENT BOX – XRT 900

ITEM	PART NO.	DESCRIPTION	QTY
		1 2 3 4	
1	<u>1010954</u>	Stud, Ball, 1/4-28 X 0.560 .....	1
2	<u>1012295</u>	Fuse, 10-Amp .....	1
3	<u>1013589</u>	Ring, Retaining, 0.338" Internal .....	1
4	<u>1013609</u>	Solenoid, 12-Volt .....	1
5	<u>1014065</u>	Washer, Flat, 0.38" ID, Delrin .....	1
6	<u>1014119</u>	Wire Assembly #6 Red .....	1
7	<u>1014145</u>	Bushing, Secondary Weight, Split .....	2
8	1014948	Diode .....	1
9	1015345	Bell Crank and Shaft Assembly .....	1
10	<u>1015371</u>	Box, Electrical Component .....	1
11	<u>1015372</u>	Cover, Electric Box .....	1
12	<u>1015373</u>	Cam, Electric Box .....	1
13	<u>1015405</u>	Bolt, Carriage, 5/16-18 X 2.0 .....	1
14	<u>1015737</u>	Wire Assy, #10 Red .....	1
15	<u>1015741</u>	Fuse Block .....	1
16	<u>1015752</u>	Screw, #12-16 X 0.625, Hi-Lo .....	5
17	<u>1016423</u>	Fuse, 20-Amp .....	1
18	<u>101856102</u>	Screw, 1/4-15 X 1.50, Hi-lo, Hex .....	1
19	<u>102711201</u>	Voltage Regulator .....	1
20	<u>1241</u>	Washer, 5/16 Type A Flat .....	2
21	<u>1242</u>	Nut, 5/16-18 Hex .....	2
22	<u>7473</u>	Locknut, 5/16-18 Nylon Insert .....	2
23	<u>7818</u>	Bolt, Carriage, 5/16-18 X 1.5 .....	1
24	<u>7893</u>	Nut, #10-32 Hex .....	2
25	<u>8717</u>	Locknut, Nylon Insert, 1/4-28 .....	1
26	<u>8990</u>	Tie Wrap, 8" Nylon .....	2

**8**  
**G**

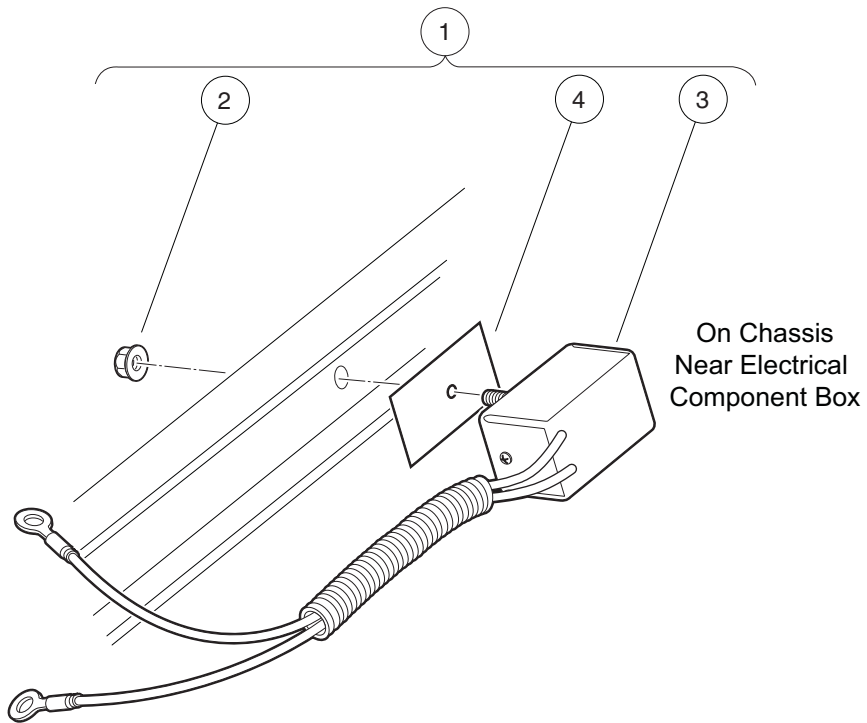


001080-001

# FORWARD/REVERSE SHIFTER SWITCHES – DASH MOUNTED SHIFTER

ITEM	PART NO.	DESCRIPTION	QTY
		1 2 3 4	
1	<u>1014807</u>	Switch, Limit .....	2
2	<u>1014808</u>	Switch, Limit .....	1
3	<u>1015878</u>	Screw, #4-40 Hex Head Machine .....	2
4	<u>8057</u>	Nut, #4-40 Hex Machine .....	2
5	<u>8058</u>	Lockwasher, #4 Split .....	2

**8**  
**G**

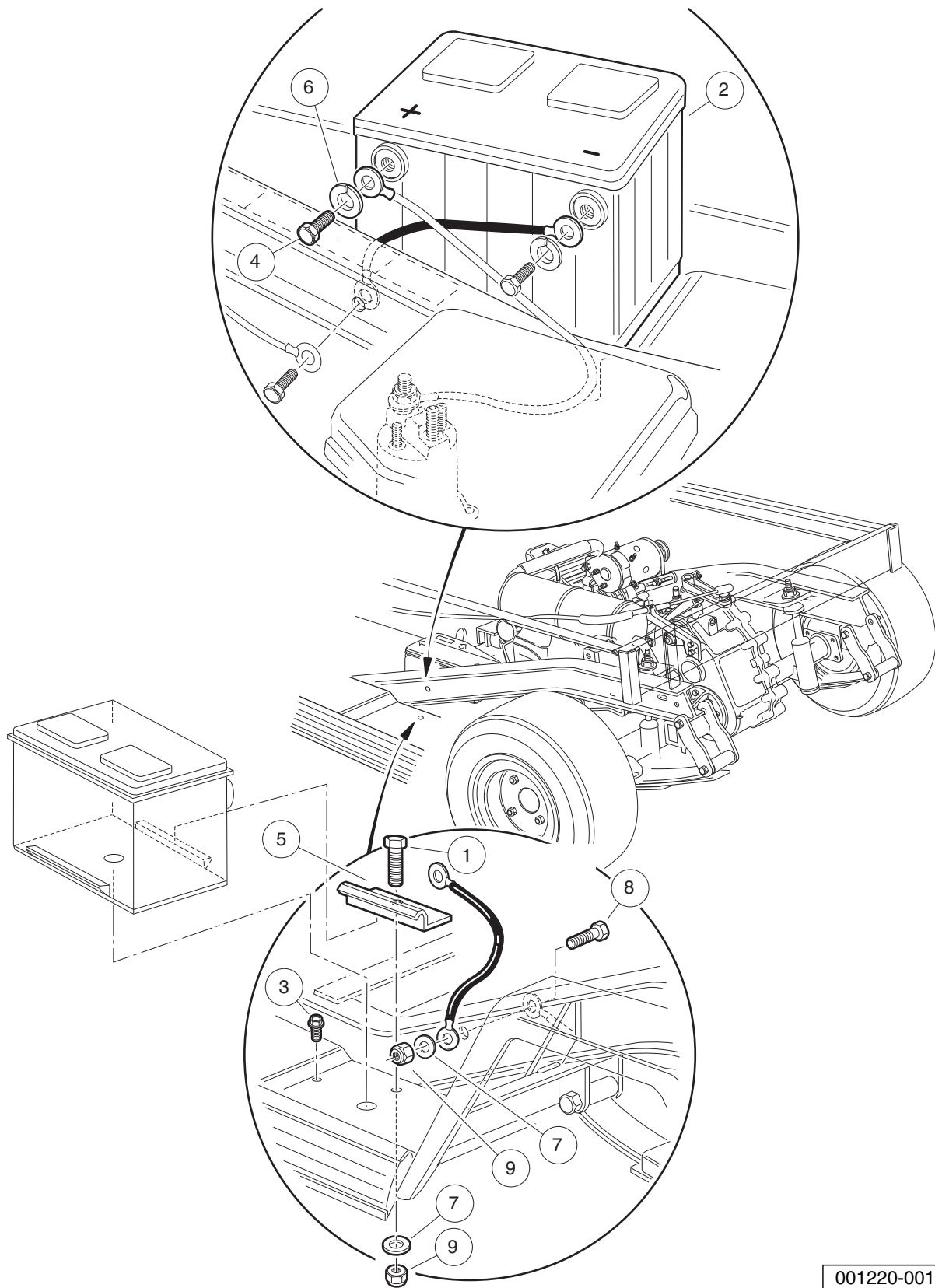


001079-001

## CHARGING DIODE, KEY-START – XRT VEHICLES

ITEM	PART NO.	DESCRIPTION	QTY
		1 2 3 4	
1	102272501	Kit, Diode (includes items 2 through 4) .....	1
2	<u>101963401</u>	Locknut, 5/16-18 Hex Flange .....	1
3	102264001	Diode Assembly .....	1
4	<u>102269701</u>	Thermal Pad .....	1

**8**  
**G**



001220-001



## BATTERY – GASOLINE UTILITY VEHICLES

ITEM	PART NO.	DESCRIPTION	QTY
		1 2 3 4	
1	<u>1010934</u>	Screw, 5/16-18 X 1.00 Hex Cap .....	1
2	<u>1012328</u>	Battery, 12-Volt .....	1
3	<u>1014288</u>	Screw, 5/16-18 X 0.75, Thread-Forming .....	1
4	<u>1014375</u>	Screw, 3/8-16 X 0.50, Stainless Steel, Hex-Head .....	2
5	<u>101898001</u>	Clamp, Battery .....	1
6	<u>102355301</u>	Lockwasher, 3/8 Split Ss .....	2
7	<u>1241</u>	Washer, 5/16 Type A Flat .....	2
8	<u>7173</u>	Screw, 5/16-18 X 0.75, Hex-Head Cap .....	1
9	<u>7473</u>	Locknut, 5/16-18 Nylon Insert .....	2

**8**

**G**

8

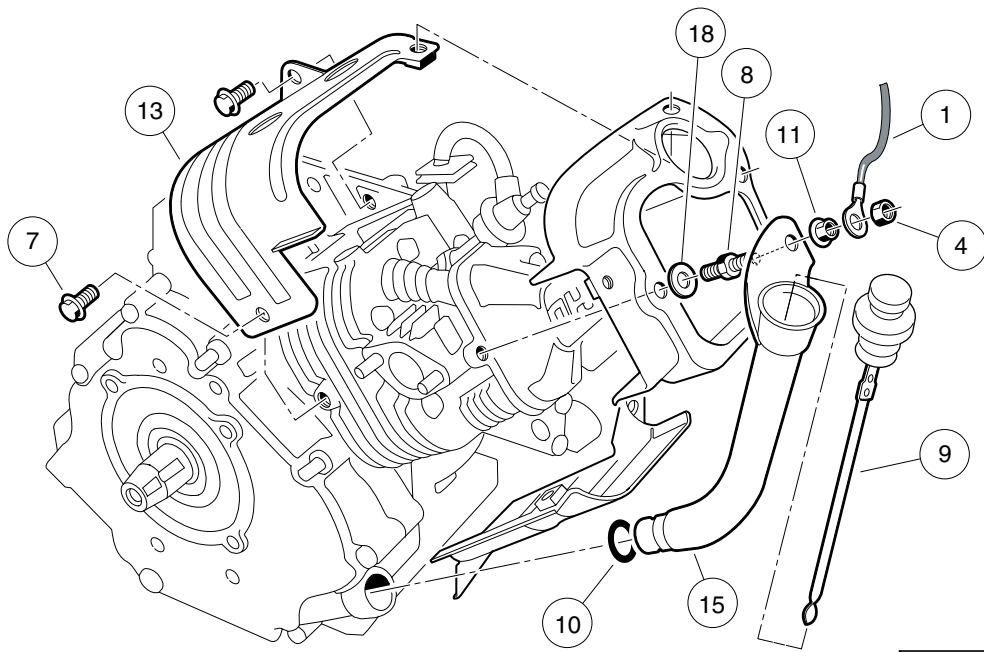
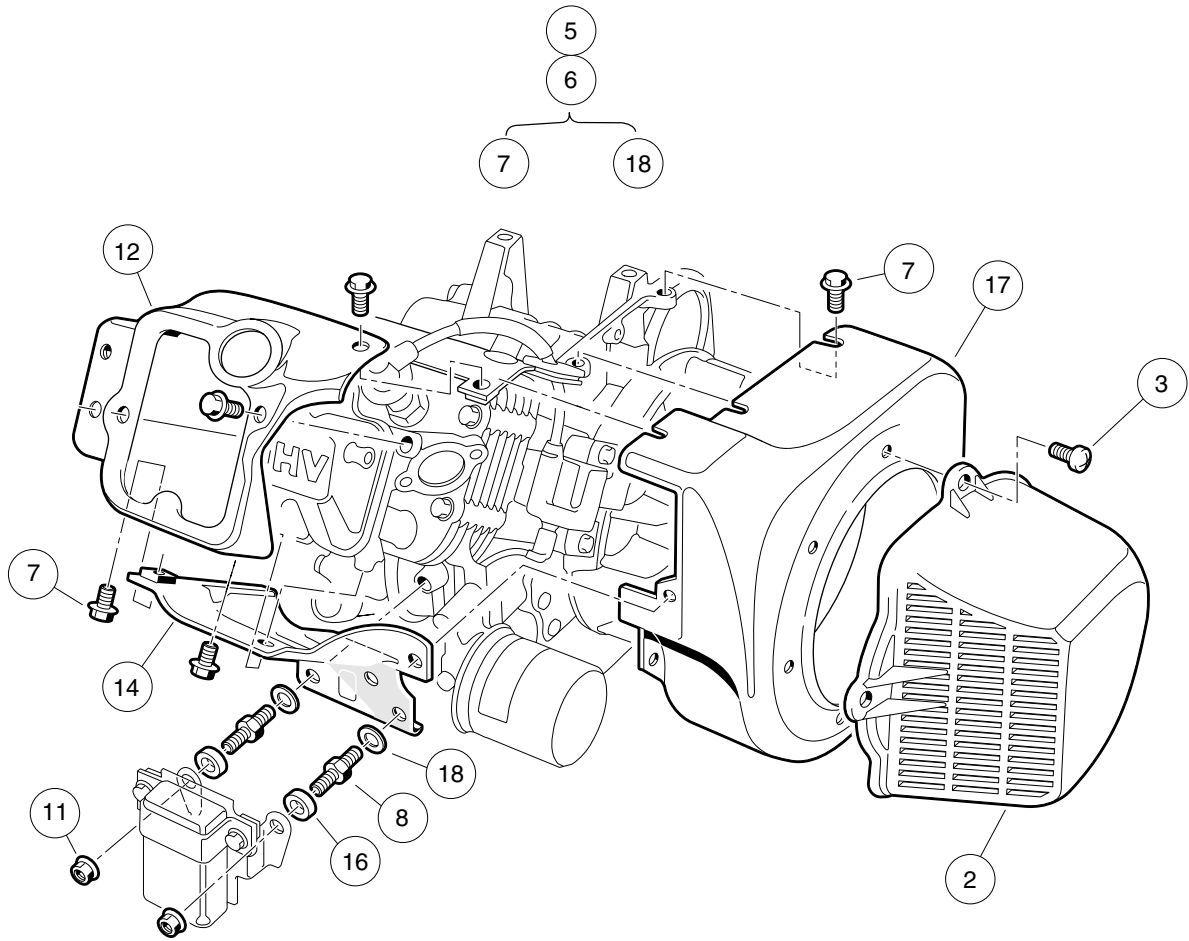
G

# FE350 ENGINE WITH ACR (CARRYALL 2 PLUS)

---

9

G

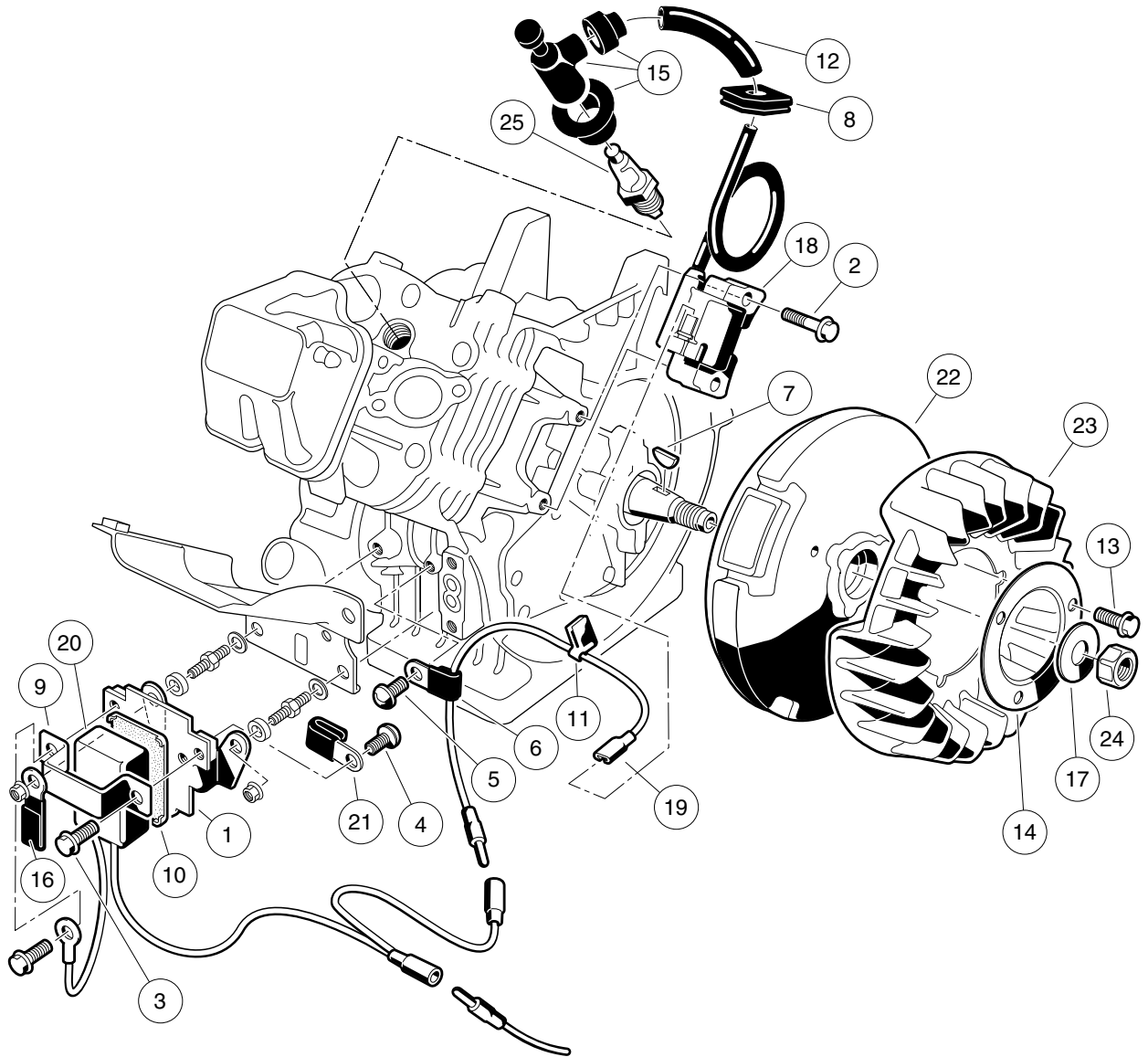


000201-003

# FE350 ENGINE WITH ACR (AUTOMATIC COMPRESSION RELEASE) – SHROUDS AND BRACKETS

ITEM	PART NO.	DESCRIPTION	QTY
		1 2 3 4	
1	<u>1015332</u>	Wire, Ground, #10, Uninsulated .....	1
2	<u>1015649</u>	Shroud, Fan .....	1
3	<u>1015969</u>	Screw, M6-1.00 X 10mm, Pan Hd .....	4
4	<u>101887601</u>	Locknut, M6-1.00 Nylon Insert .....	1
5	<u>101953801</u>	Engine, FE350 with ACR .....	1
6	101953803	Engine, FE350, California-Only, with ACR (includes items 7 through 18) .....	1
7	1016456	Bolt, Flange Head, M6 x 1 x 12 mm .....	14
8	<u>1016507</u>	Bolt, Two-Ended .....	3
9	1016531	Dipstick .....	1
10	<u>1016539</u>	O-Ring .....	1
11	1016547	Nut, Flanged, M6 X 1.00 .....	3
12	<u>1017474</u>	Shroud, Engine .....	1
13	<u>1017475</u>	Shroud, Engine .....	1
14	<u>1017476</u>	Shroud, Engine .....	1
15	<u>1017486</u>	Tube, Oil Filler .....	1
16	<u>1017500</u>	Spacer 6.50 X 12 X 5.5 .....	2
17	<u>101916101</u>	Housing, FE350 Fan .....	1
18	N/A	Washer, 6mm Flat .....	3

9  
G



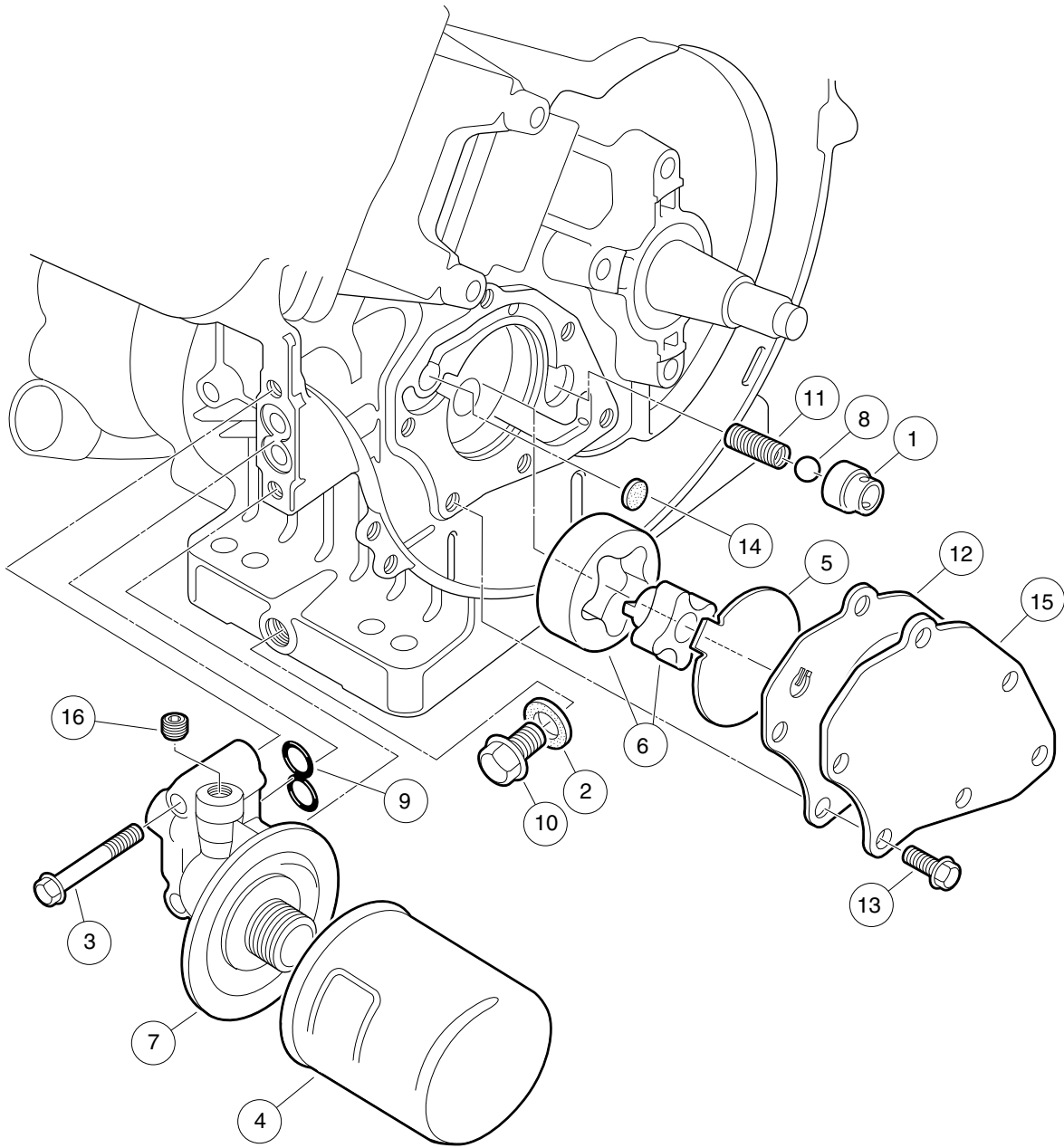
000202-003

# FE350 ENGINE – IGNITION COMPONENTS AND FLYWHEEL

ITEM	PART NO.	DESCRIPTION	QTY
		1 2 3 4	
1	1016445	Bracket, RPM Limiter .....	1
2	<u>1016455</u>	Bolt, Flange Head .....	2
3	1016456	Bolt, Flange Head, M6 x 1 x 12 mm .....	2
4	<u>1016497</u>	Screw, Pan WP Cross .....	1
5	<u>1016544</u>	Screw .....	1
6	<u>1016561</u>	Clamp .....	1
7	<u>1016562</u>	Key .....	1
8	<u>1016578</u>	Grommet, Ignition .....	1
9	<u>1016579</u>	Band, RPM Limiter Mount .....	1
10	1016586	Damper, RPM Limiter .....	1
11	<u>1016587</u>	Clamp .....	1
12	<u>1016588</u>	Tube, 7mm X 10mm X 70mm .....	1
13	<u>1017448</u>	Bolt, Flanged .....	3
14	<u>1017455</u>	Plate, Flywheel Fan .....	1
15	<u>1017463</u>	Cap Asm, Plug .....	1
16	<u>1017468</u>	Clamp .....	1
17	<u>1017490</u>	Washer, Flat .....	1
18	<u>101909201</u>	Coil, Ignition .....	1
19	<u>101909301</u>	Lead Wire Assy .....	1
20	101909401	Limiter, RPM .....	1
21	101909501	Clamp, Steel .....	1
22	<u>101916201</u>	Flywheel .....	1
23	<u>101916301</u>	Fan (cw) .....	1
24	<u>102838401</u>	Nut, Hex, 18 mm Fine .....	1
25	<u>AM1232301</u>	Spark Plug, BPR2ES .....	1

**9**

**G**



000203-001

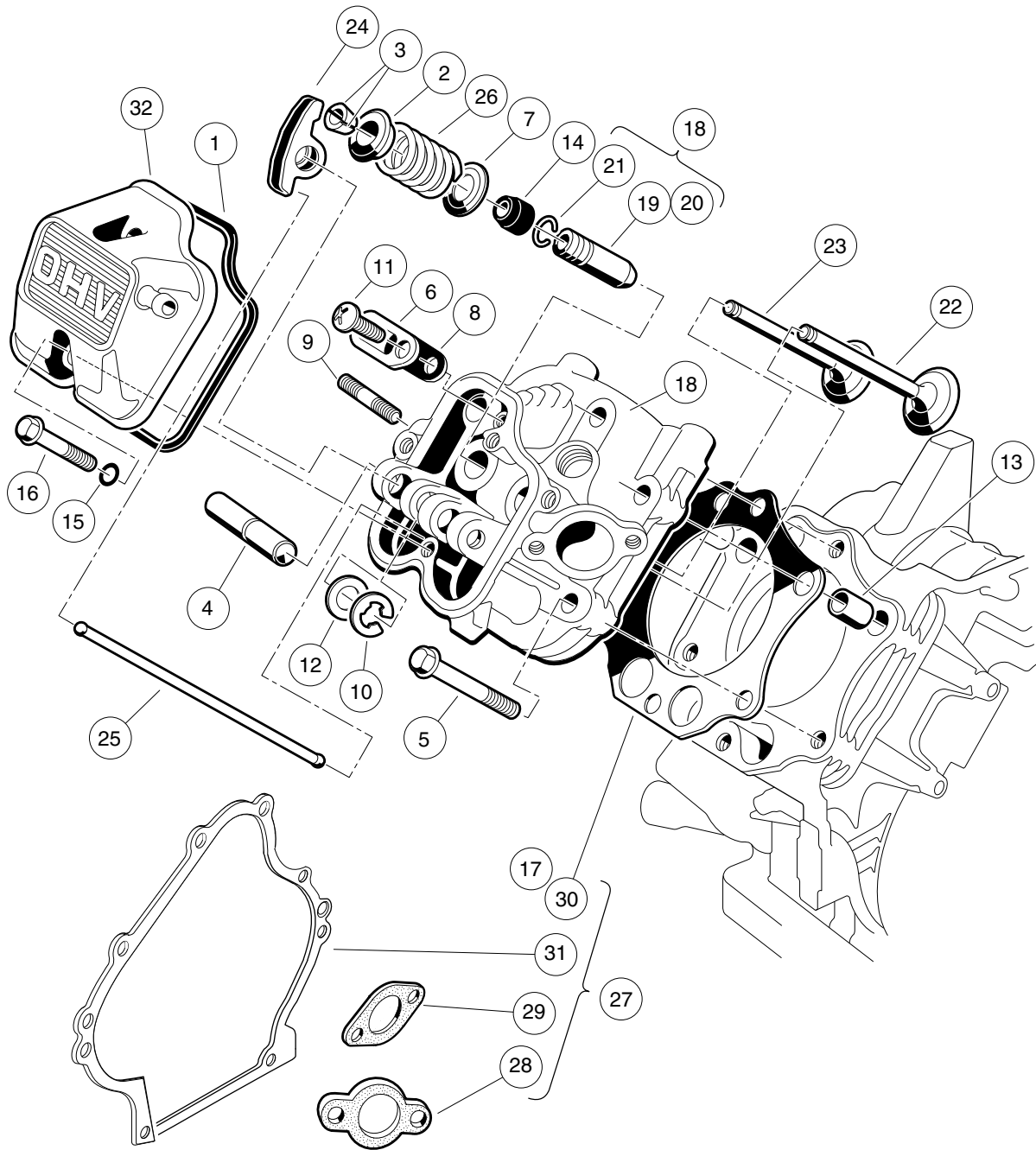


## FE350 ENGINE – OIL CIRCULATION

ITEM	PART NO.	DESCRIPTION	QTY
		1 2 3 4	
1	1016429	Seat, Valve Oil Pressure Relief .....	1
2	<u>1016432</u>	Gasket, Drain Plug .....	1
3	<u>1016457</u>	Bolt, Flange Head .....	2
4	<u>1016467</u>	Filter, Oil .....	1
5	<u>1016473</u>	Plate, Oil Pump .....	1
6	<u>101648203</u>	Oil Pump And Rotor .....	1
7	<u>1016502</u>	Bracket, Oil Filter Mount .....	1
8	<u>1016537</u>	Ball, Steel, Press, Relief .....	1
9	<u>1016570</u>	O-Ring .....	1
10	1016576	Plug, Drain .....	1
11	<u>1016581</u>	Spring .....	1
12	<u>1017442</u>	Gasket .....	1
13	<u>1017456</u>	Bolt, Flanged .....	6
14	<u>1017458</u>	Filter .....	1
15	<u>1017460</u>	Cover, Pump .....	1
16	<u>1017507</u>	Plug .....	2

**9**

**G**



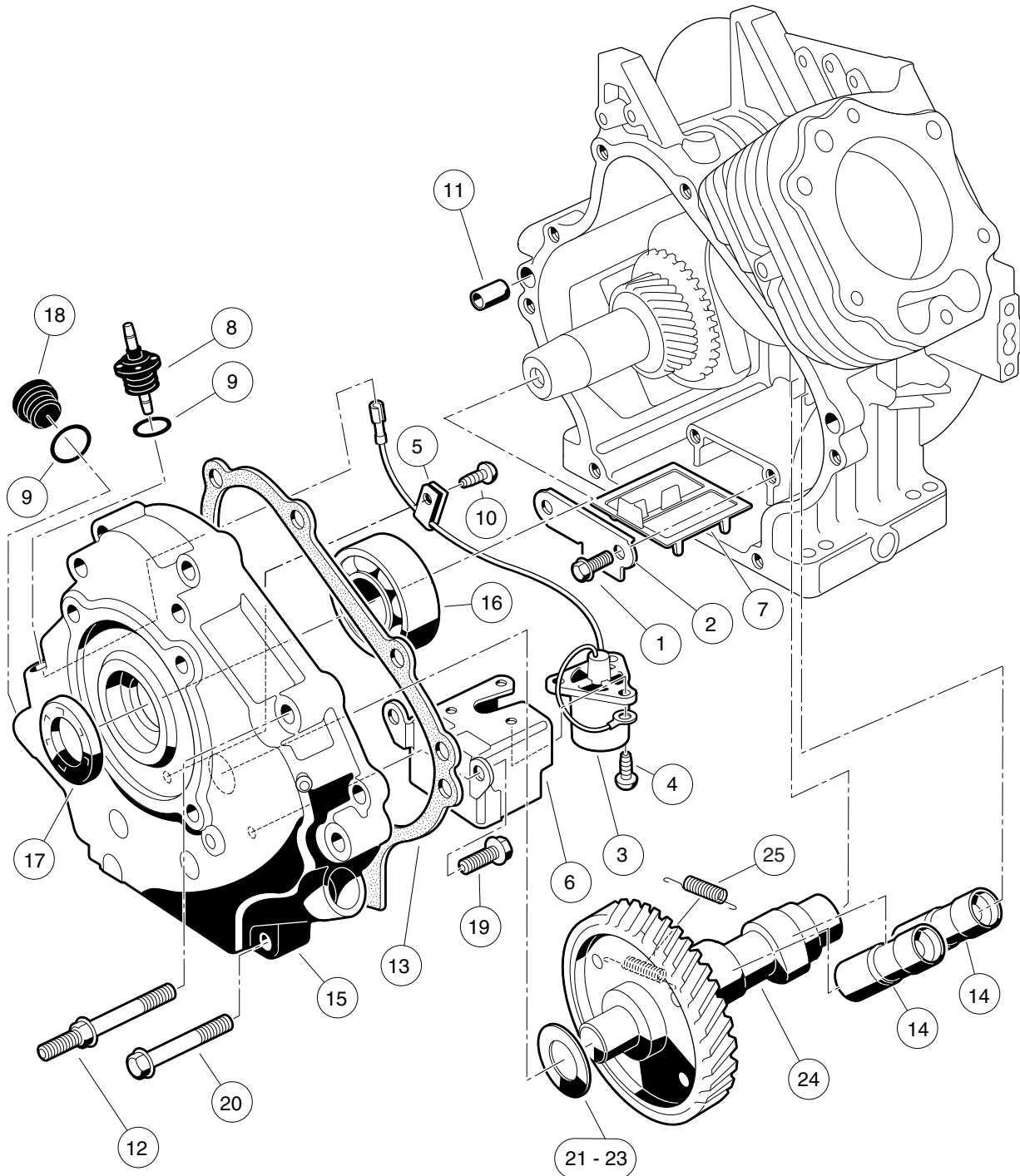
000204-003

## FE350 ENGINE – CYLINDER HEAD

ITEM	PART NO.	DESCRIPTION	QTY
		1 2 3 4	
1	<u>1016436</u>	Gasket, Rocker Case .....	1
2	<u>1016449</u>	Retainer, Valve Spring .....	2
3	<u>1016450</u>	Collet .....	4
4	<u>1016452</u>	Shaft, Rocker .....	1
5	<u>1016458</u>	Bolt, Flange Head, M8 x 1.25 x 45 mm .....	6
6	<u>1016474</u>	Plate .....	1
7	<u>1016479</u>	Seat, Spring .....	2
8	<u>1016483</u>	Valve .....	1
9	<u>1016489</u>	Stud, Two-Ended, M8-1.25 .....	2
10	<u>1016517</u>	Circlip, Type-E .....	1
11	<u>1016544</u>	Screw .....	1
12	<u>1016549</u>	Washer, 12.1x19x1.8 .....	1
13	<u>1016563</u>	Pin .....	2
14	<u>1016566</u>	Seal, Oil .....	2
15	<u>1016569</u>	O-Ring .....	2
16	<u>1016583</u>	Bolt, 6x35 .....	2
17	<u>1017434</u>	Gasket, Head .....	1
18	<u>1017435</u>	Assembly, Cylinder Head, FE350 (includes items 19 through 21) .....	1
19	<u>1016518</u>	Guide, Valve, Exhaust .....	1
20	<u>1016519</u>	Guide, Valve, Intake, Exhaust .....	1
21	<u>1016560</u>	Snap Ring .....	2
22	<u>1017444</u>	Valve, Intake .....	1
23	<u>1017445</u>	Valve, Exhaust .....	1
24	<u>1017446</u>	Arm, Rocker .....	2
25	<u>1017454</u>	Rod, Push .....	2
26	<u>1017473</u>	Spring, Engine Valve .....	2
27	<u>102304801</u>	Kit, Gasket, FE350 (includes items 28 through 31) .....	1
28	<u>1016440</u>	Gasket, Engine to Insulator .....	1
29	<u>1016904</u>	Gasket, Exhaust .....	1
30	<u>1017434</u>	Gasket, Head .....	1
31	<u>1017443</u>	Gasket, Crankcase Cover .....	1
32	<u>102753401</u>	Case, Rocker .....	1
		Note: Item 28, <u>1016440</u> , is not a component of the FE350 engine.	

**9**

**G**



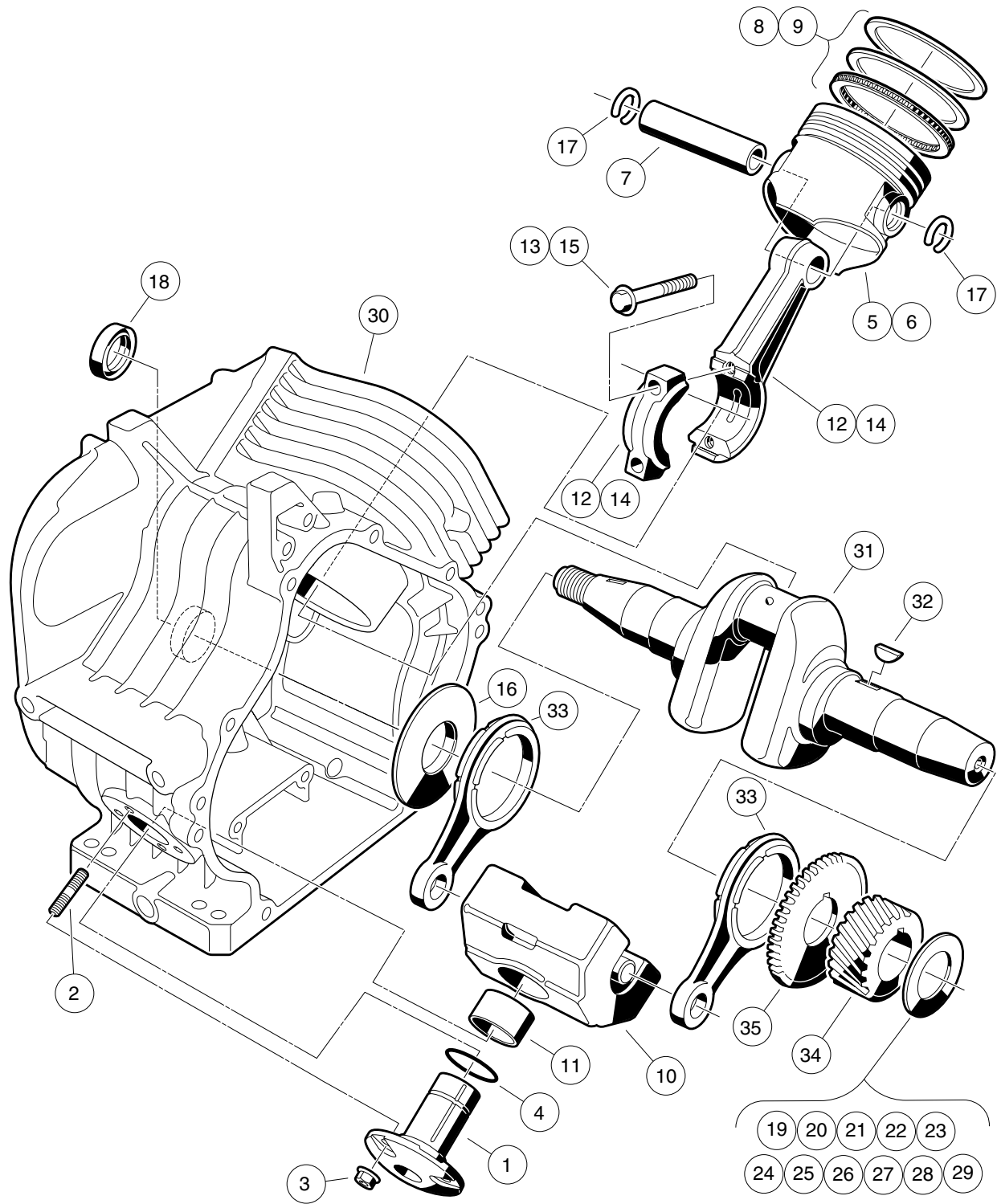
000205-001

# FE350 ENGINE WITH ACR – CRANKCASE, CAMSHAFT, AND OIL SENSOR

ITEM	PART NO.	DESCRIPTION	QTY
		1 2 3 4	
1	<u>1016454</u>	Bolt, Flange Head, M5 x 0.8 x 8 mm .....	2
2	<u>1016472</u>	Plate, Oil Filter Screen .....	1
3	<u>1016494</u>	Sensor, Oil Level .....	1
4	<u>1016496</u>	Screw, Cross Pan-Head, M4 x 0.7 x 8 mm .....	3
5	<u>1016506</u>	Clamp .....	1
6	<u>1016510</u>	Bracket, Switch, Oil Level .....	1
7	<u>1016521</u>	Screen, Oil Filter .....	1
8	<u>1016535</u>	Connector, Cord .....	1
9	<u>1016538</u>	O-Ring .....	2
10	<u>1016544</u>	Screw .....	1
11	<u>1016564</u>	Pin .....	2
12	<u>1016584</u>	Bolt, Two-Ended, M8 x 1.25 x 69 mm .....	2
13	<u>1017443</u>	Gasket, Crankcase Cover .....	1
14	<u>1017447</u>	Adjuster, Lash .....	2
15	<u>1017472</u>	Cover Crankcase .....	1
16	<u>1017487</u>	Bearing, Ball .....	1
17	<u>1017504</u>	Seal, Oil .....	1
18	<u>1017508</u>	Plug .....	1
19	<u>1017513</u>	Bolt Switch Bracket .....	2
20	<u>1017514</u>	Screw, M8-1.25 X 45mm Hex .....	6
21	<u>101751801</u>	Shim, 0.3 .....	1
22	<u>101751802</u>	Shim, 0.4 .....	1
23	<u>101751803</u>	Shim, 0.5 .....	1
24	<u>102271601</u>	Camshaft, FE350/FE400 with ACR, 44-tooth (includes item 25) .....	1
25	<u>1017511</u>	Spring .....	1

**9**

**G**

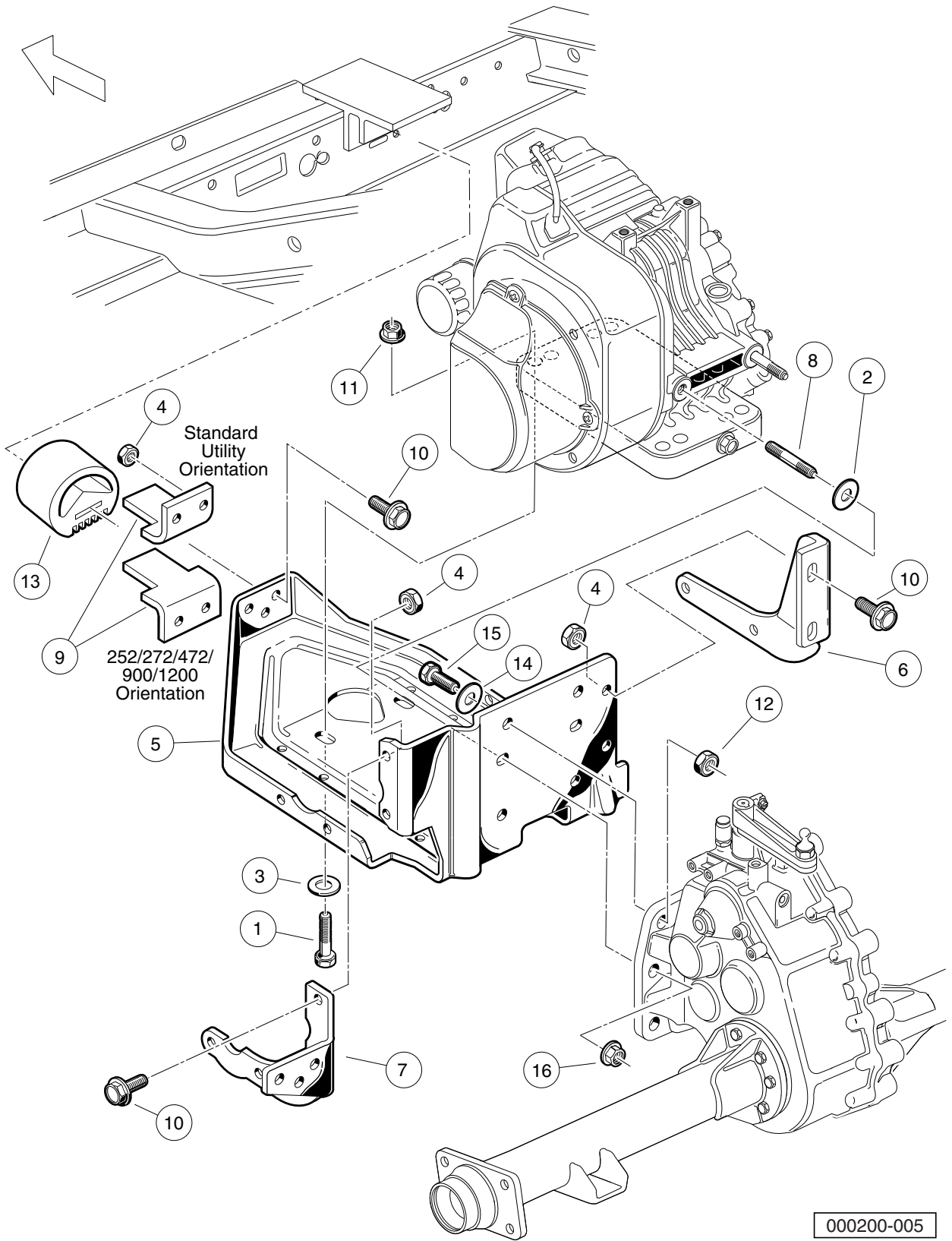


000206-001

## FE350 ENGINE – CRANKCASE AND CRANKSHAFT

ITEM	PART NO.	DESCRIPTION	QTY
		1 2 3 4	
1	1016470	Shaft, Guide, Counterbalance .....	1
2	<u>1016541</u>	Stud, 6x14 .....	4
3	1016547	Nut, M6 Flange .....	4
4	<u>1016571</u>	O-Ring .....	1
5	<u>101744901</u>	Piston, Standard .....	1
6	<u>101744902</u>	Piston, 0.50 mm Oversize .....	1
7	1017450	Pin, Piston .....	1
8	<u>101745101</u>	Ring Set, Standard Piston .....	1
9	<u>101745102</u>	Ring Set, Piston, 0.50 mm Oversize .....	1
10	<u>1017453</u>	Counterbalance Weight (includes item 11) .....	1
11	1017510	Bearing, Plain .....	1
12	101745701	Asm, Con. Rod Std (includes item 13) .....	1
13	<u>1017512</u>	Bolt .....	2
14	<u>101745702</u>	Asm, Con. Rod 0.5mm U/s (includes item 15) .....	1
15	<u>1017512</u>	Bolt .....	2
16	1017501	Spacer .....	1
17	<u>1017502</u>	Snap Ring .....	2
18	<u>1017503</u>	Seal, Oil .....	1
19	<u>101773301</u>	Shim, Crankshaft, 1.18mm .....	1
20	<u>101773302</u>	Shim, Crankshaft, 1.25mm .....	1
21	<u>101773303</u>	Shim, Crankshaft, 1.32mm .....	1
22	<u>101773304</u>	Shim, Crankshaft, 1.39mm .....	1
23	<u>101773305</u>	Shim, Crankshaft, 1.46mm .....	1
24	<u>101773306</u>	Shim, Crankshaft, 1.53mm .....	1
25	<u>101773307</u>	Shim, Crankshaft, 1.60mm .....	1
26	<u>101773308</u>	Shim, Crankshaft, 1.67mm .....	1
27	<u>101773309</u>	Shim, Crankshaft, 1.74mm .....	1
28	<u>101773310</u>	Shim, Crankshaft, 1.11 mm .....	1
29	<u>101773311</u>	Shim, Crankshaft, 1.81mm .....	1
30	<u>101916001</u>	Crankcase Complete, FE350 (cw) .....	1
31	<u>102430901</u>	Crankshaft, FE350 Left-Hand, 22-Tooth (includes items 32 through 35) .....	1
32	<u>1016562</u>	Key .....	1
33	<u>1017471</u>	Rod .....	2
34	N/A	Gear, Helical .....	1
35	N/A	Gear, Spur .....	1

9  
G



000200-005



# FE350 ENGINE MOUNTING

ITEM	PART NO.	DESCRIPTION	QTY
		1 2 3 4	
1	<u>1010577</u>	Bolt, Hex-Head, 5/16-18 X 1.50 .....	4
2	<u>1011697</u>	Washer, 5/16 Flat .....	2
3	1012571	Washer, 5/16 Extra Thick Flat .....	4
4	<u>1013924</u>	Nut, 5/16-24, Hex Head Cone .....	10
5	<u>101827101</u>	Plate, Engine Mounting .....	1
6	<u>101832601</u>	Stiffener (PTO Side) .....	1
7	<u>101832701</u>	Stiffener (Flywheel Side) .....	1
8	<u>101833101</u>	Stud, M8-1.25 X 50 mm Two-Ended .....	2
9	<u>101834601</u>	Bracket, Snubber .....	1
10	<u>101884801</u>	Screw, 5/16-24 X 0.875, Grade-8 .....	10
11	<u>101963401</u>	Locknut, 5/16-18 Hex Flange .....	4
12	<u>102065901</u>	Locknut, 3/8-16 Flanged Dimple .....	4
13	<u>102540301</u>	Snubber, Inner Frame .....	1
14	<u>334</u>	Washer, 3/8, Type A, Flat .....	4
15	705	Screw, Cap-hex Hd 3/8-16x1.25 .....	4
16	<u>96704416</u>	Nut, Flange, M8 X 1.25 Serrated .....	2

9  
G

9

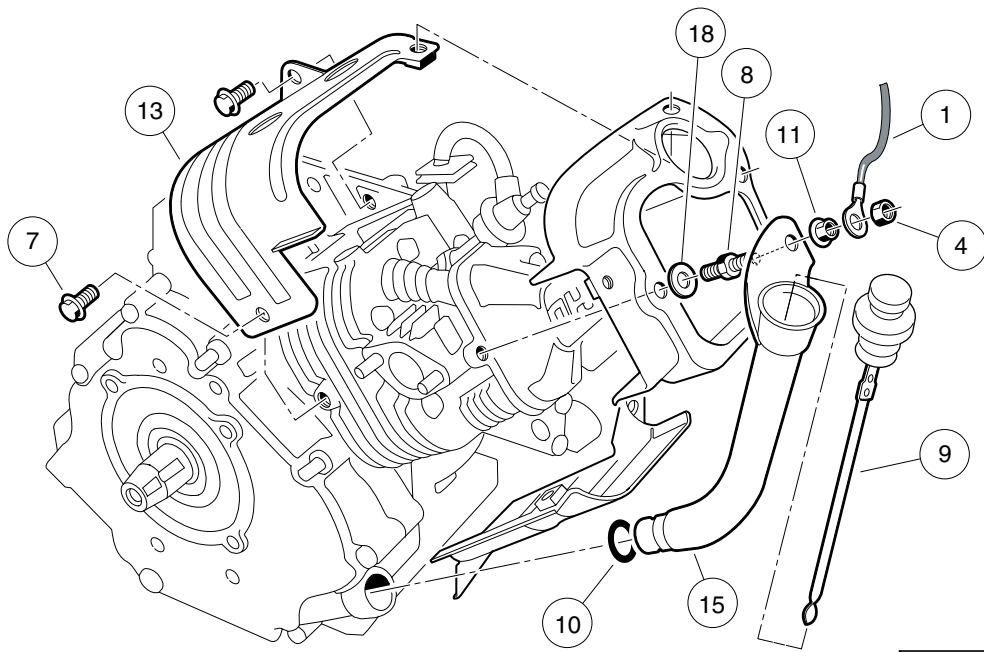
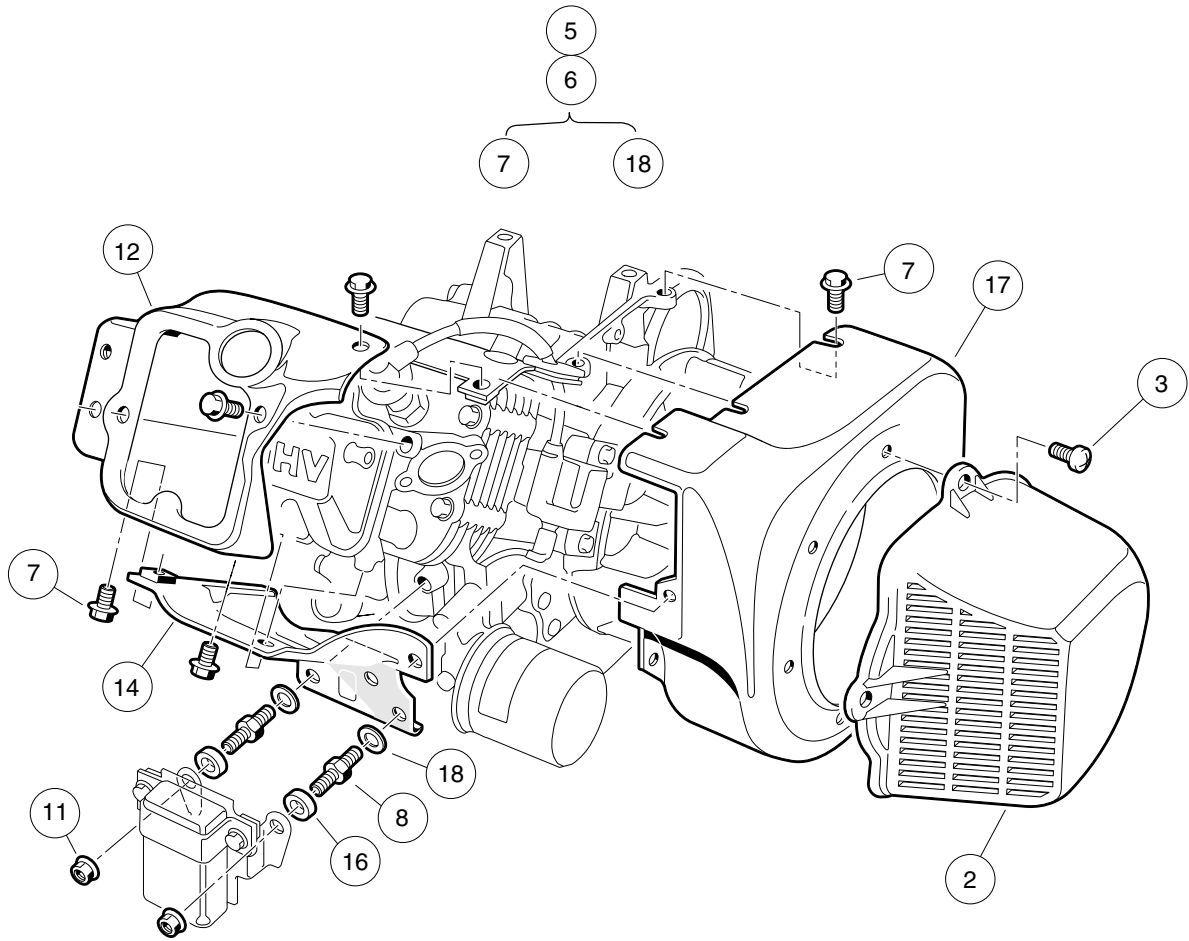
G

# FE350 ENGINE W/O ACR (TURF/CA 2, 252 AND XRT 900)

---

10

G

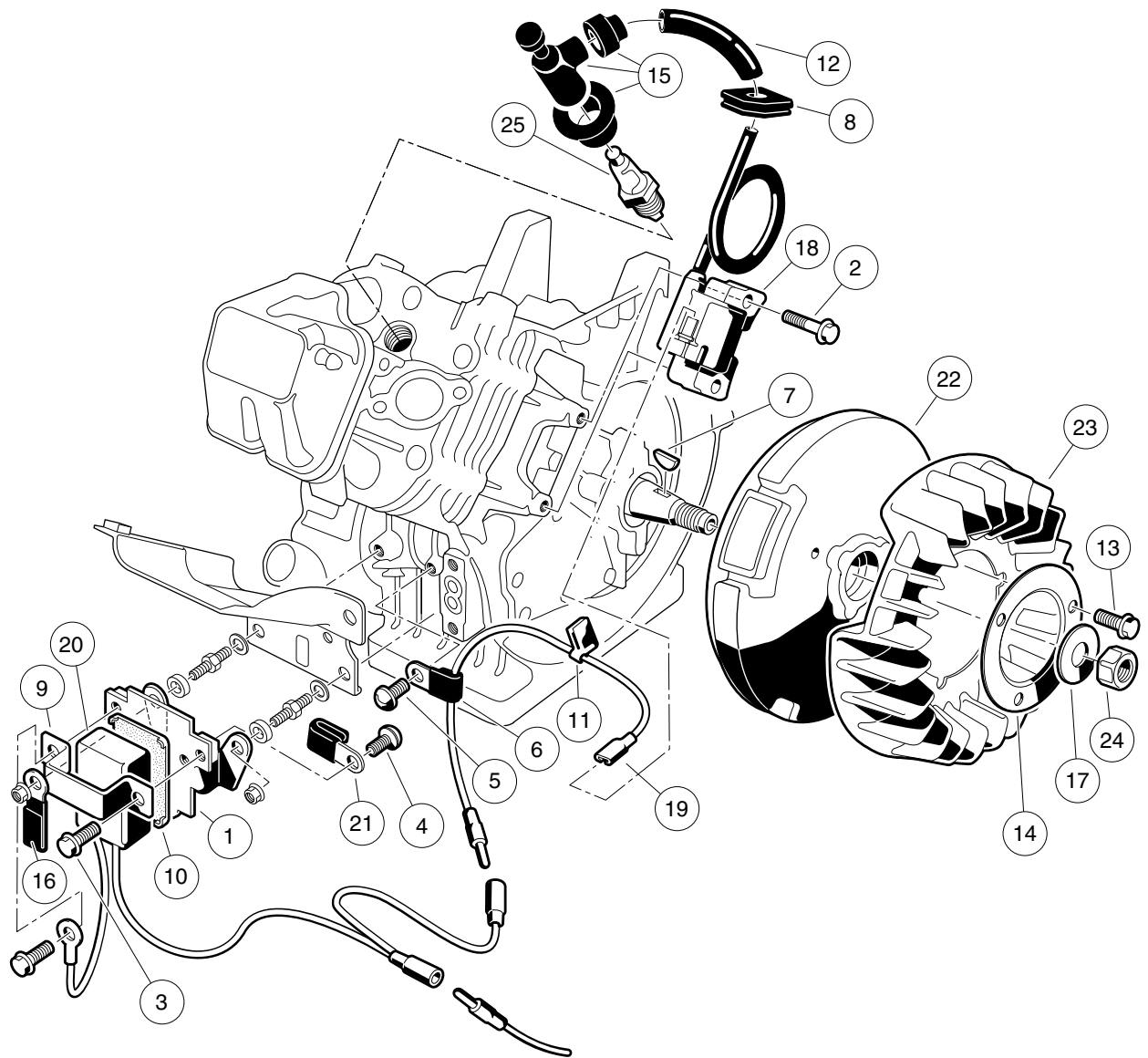


000201-003

## FE350 ENGINE W/O ACR – SHROUDS AND BRACKETS

ITEM	PART NO.	DESCRIPTION	QTY
		1 2 3 4	
1	<u>1015332</u>	Wire, Ground, #10, Uninsulated .....	1
2	<u>1015649</u>	Shroud, Fan .....	1
3	<u>1015969</u>	Screw, M6-1.00 X 10mm, Pan Hd .....	4
4	<u>101887601</u>	Locknut, M6-1.00 Nylon Insert .....	1
5	<u>101953802</u>	Engine, FE350, without ACR .....	1
6	101953804	Engine, FE350, California-Only, without ACR (includes items 7 through 18) .....	1
7	1016456	Bolt, Flange Head, M6 x 1 x 12 mm .....	14
8	<u>1016507</u>	Bolt, Two-Ended .....	3
9	1016531	Dipstick .....	1
10	<u>1016539</u>	O-Ring .....	1
11	1016547	Nut, Flanged, M6 X 1.00 .....	3
12	<u>1017474</u>	Shroud, Engine .....	1
13	<u>1017475</u>	Shroud, Engine .....	1
14	<u>1017476</u>	Shroud, Engine .....	1
15	<u>1017486</u>	Tube, Oil Filler .....	1
16	<u>1017500</u>	Spacer 6.50 X 12 X 5.5 .....	2
17	<u>101916101</u>	Housing, FE350 Fan .....	1
18	N/A	Washer, 6mm Flat .....	3

**10**  
**G**

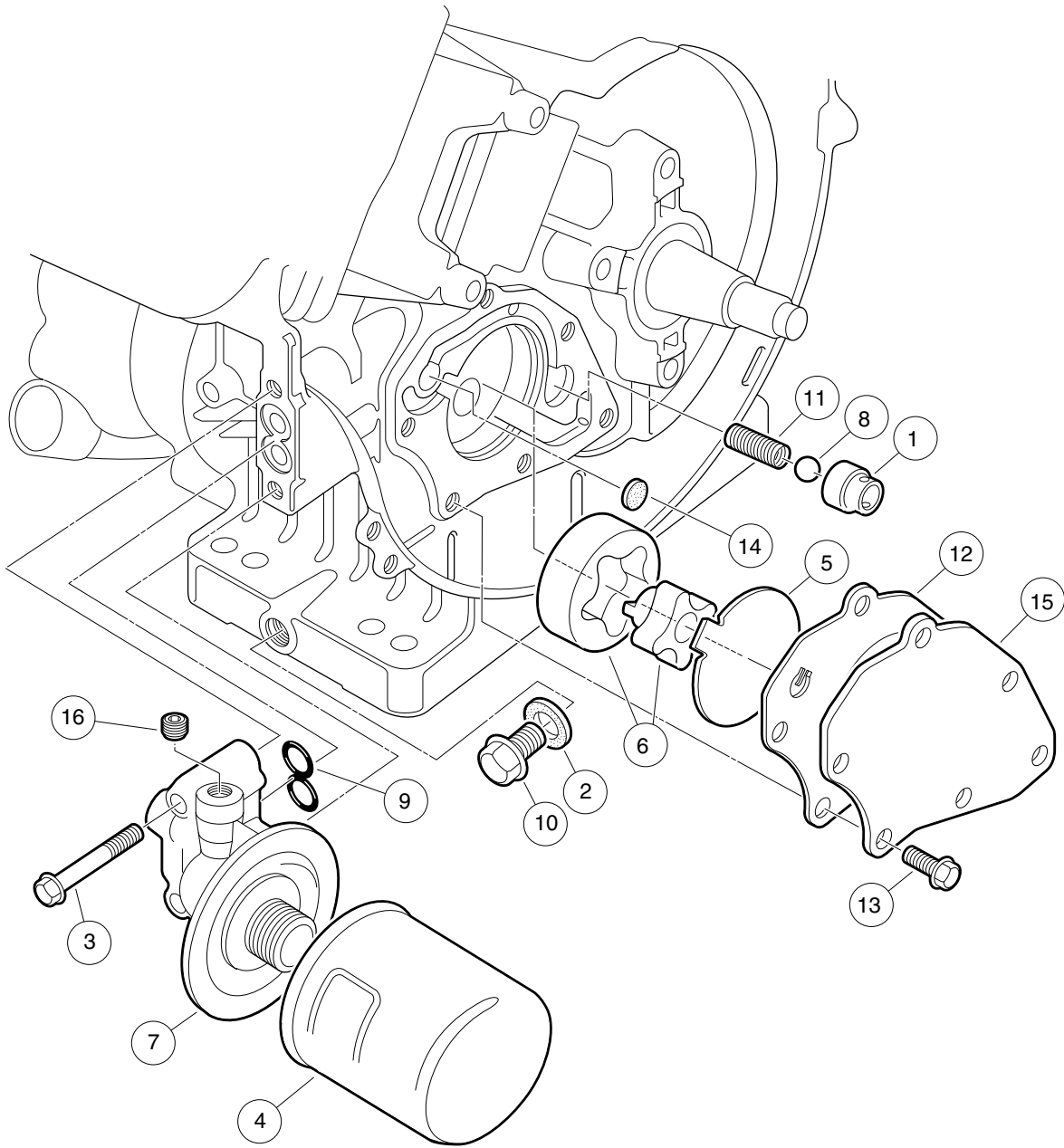


000202-003

# FE350 ENGINE – IGNITION COMPONENTS AND FLYWHEEL

ITEM	PART NO.	DESCRIPTION	QTY
		1 2 3 4	
1	1016445	Bracket, RPM Limiter .....	1
2	<u>1016455</u>	Bolt, Flange Head .....	2
3	1016456	Bolt, Flange Head, M6 x 1 x 12 mm .....	2
4	<u>1016497</u>	Screw, Pan WP Cross .....	1
5	<u>1016544</u>	Screw .....	1
6	<u>1016561</u>	Clamp .....	1
7	<u>1016562</u>	Key .....	1
8	<u>1016578</u>	Grommet, Ignition .....	1
9	<u>1016579</u>	Band, RPM Limiter Mount .....	1
10	1016586	Damper, RPM Limiter .....	1
11	<u>1016587</u>	Clamp .....	1
12	<u>1016588</u>	Tube, 7mm X 10mm X 70mm .....	1
13	<u>1017448</u>	Bolt, Flanged .....	3
14	<u>1017455</u>	Plate, Flywheel Fan .....	1
15	<u>1017463</u>	Cap Asm, Plug .....	1
16	<u>1017468</u>	Clamp .....	1
17	<u>1017490</u>	Washer, Flat .....	1
18	<u>101909201</u>	Coil, Ignition .....	1
19	<u>101909301</u>	Lead Wire Assy .....	1
20	101909401	Limiter, RPM .....	1
21	101909501	Clamp, Steel .....	1
22	<u>101916201</u>	Flywheel .....	1
23	<u>101916301</u>	Fan (cw) .....	1
24	<u>102838401</u>	Nut, Hex, 18 mm Fine .....	1
25	<u>AM1232301</u>	Spark Plug, BPR2ES .....	1

**10**  
**G**



000203-001

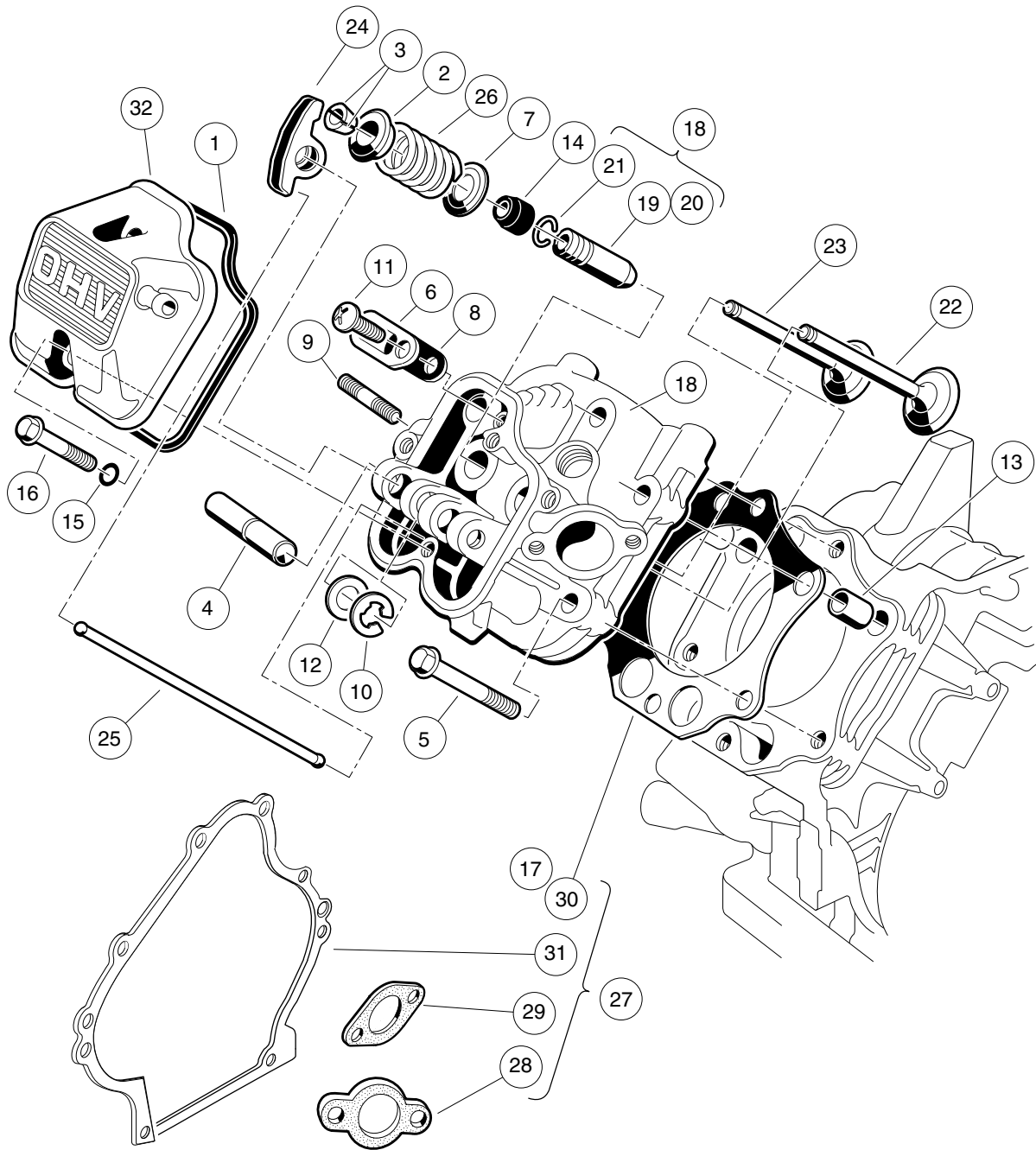


## FE350 ENGINE – OIL CIRCULATION

ITEM	PART NO.	DESCRIPTION	QTY
		1 2 3 4	
1	1016429	Seat, Valve Oil Pressure Relief .....	1
2	<u>1016432</u>	Gasket, Drain Plug .....	1
3	<u>1016457</u>	Bolt, Flange Head .....	2
4	<u>1016467</u>	Filter, Oil .....	1
5	<u>1016473</u>	Plate, Oil Pump .....	1
6	<u>101648203</u>	Oil Pump And Rotor .....	1
7	<u>1016502</u>	Bracket, Oil Filter Mount .....	1
8	<u>1016537</u>	Ball, Steel, Press, Relief .....	1
9	<u>1016570</u>	O-Ring .....	1
10	1016576	Plug, Drain .....	1
11	<u>1016581</u>	Spring .....	1
12	<u>1017442</u>	Gasket .....	1
13	<u>1017456</u>	Bolt, Flanged .....	6
14	<u>1017458</u>	Filter .....	1
15	<u>1017460</u>	Cover, Pump .....	1
16	<u>1017507</u>	Plug .....	2

10

G



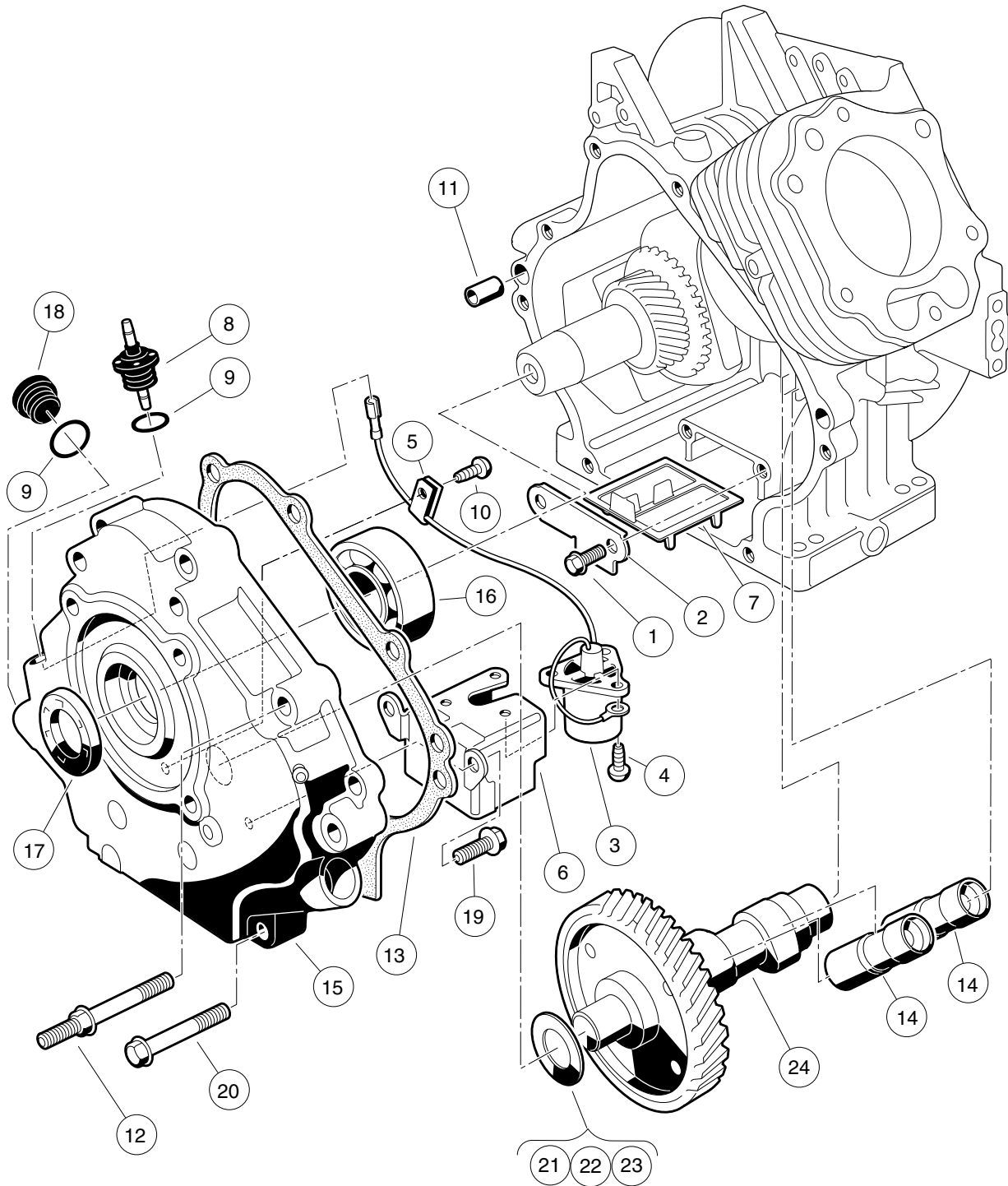
000204-003

## FE350 ENGINE – CYLINDER HEAD

ITEM	PART NO.	DESCRIPTION	QTY
		1 2 3 4	
1	<u>1016436</u>	Gasket, Rocker Case .....	1
2	<u>1016449</u>	Retainer, Valve Spring .....	2
3	<u>1016450</u>	Collet .....	4
4	<u>1016452</u>	Shaft, Rocker .....	1
5	<u>1016458</u>	Bolt, Flange Head, M8 x 1.25 x 45 mm .....	6
6	<u>1016474</u>	Plate .....	1
7	<u>1016479</u>	Seat, Spring .....	2
8	<u>1016483</u>	Valve .....	1
9	<u>1016489</u>	Stud, Two-Ended, M8-1.25 .....	2
10	<u>1016517</u>	Circlip, Type-E .....	1
11	<u>1016544</u>	Screw .....	1
12	<u>1016549</u>	Washer, 12.1x19x1.8 .....	1
13	<u>1016563</u>	Pin .....	2
14	<u>1016566</u>	Seal, Oil .....	2
15	<u>1016569</u>	O-Ring .....	2
16	<u>1016583</u>	Bolt, 6x35 .....	2
17	<u>1017434</u>	Gasket, Head .....	1
18	<u>1017435</u>	Assembly, Cylinder Head, FE350 (includes items 19 through 21) .....	1
19	<u>1016518</u>	Guide, Valve, Exhaust .....	1
20	<u>1016519</u>	Guide, Valve, Intake, Exhaust .....	1
21	<u>1016560</u>	Snap Ring .....	2
22	<u>1017444</u>	Valve, Intake .....	1
23	<u>1017445</u>	Valve, Exhaust .....	1
24	<u>1017446</u>	Arm, Rocker .....	2
25	<u>1017454</u>	Rod, Push .....	2
26	<u>1017473</u>	Spring, Engine Valve .....	2
27	<u>102304801</u>	Kit, Gasket, FE350 (includes items 28 through 31) .....	1
28	<u>1016440</u>	Gasket, Engine to Insulator .....	1
29	<u>1016904</u>	Gasket, Exhaust .....	1
30	<u>1017434</u>	Gasket, Head .....	1
31	<u>1017443</u>	Gasket, Crankcase Cover .....	1
32	<u>102753401</u>	Case, Rocker .....	1
		Note: Item 28, <u>1016440</u> , is not a component of the FE350 engine.	

10

G

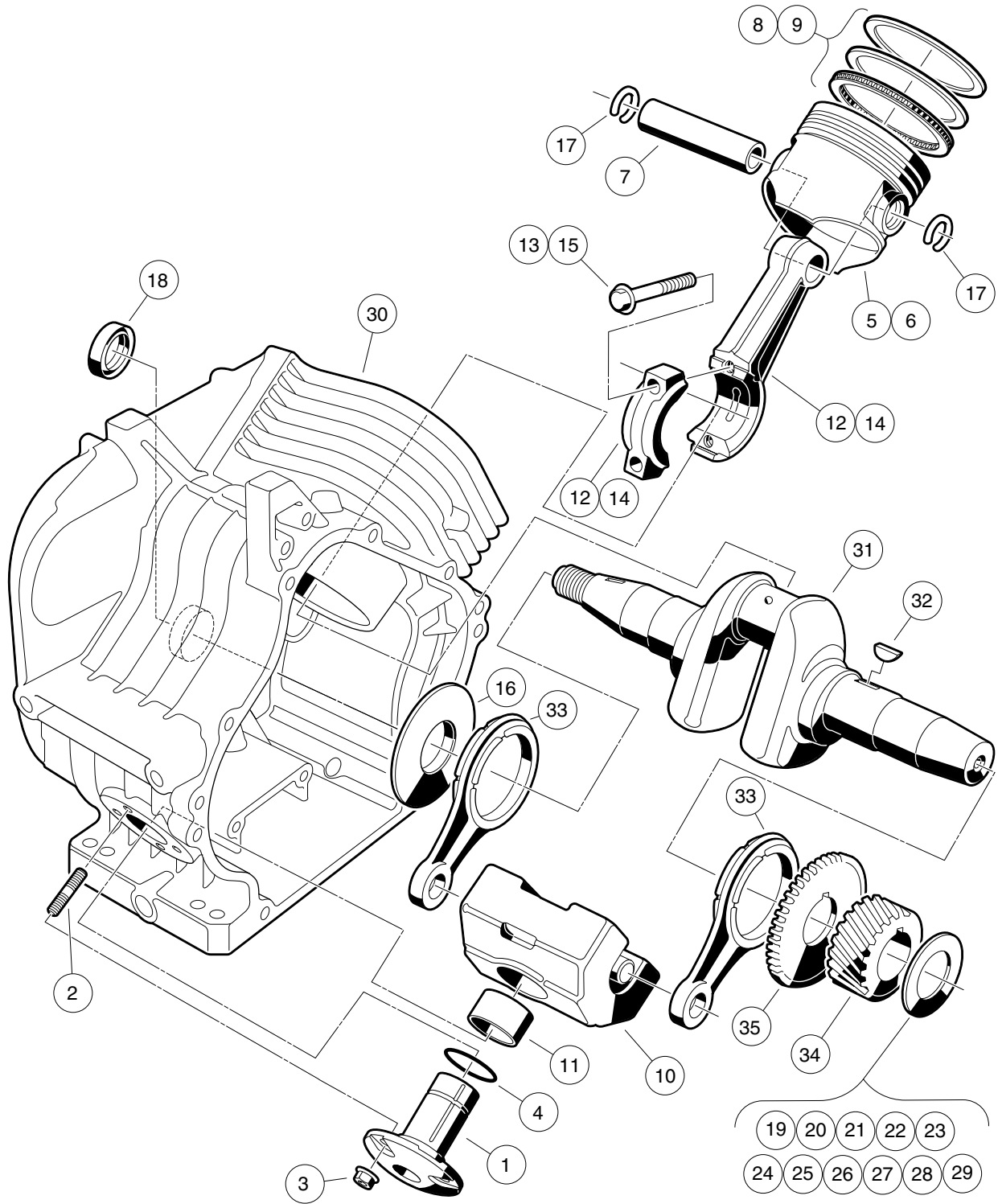


000205-002

# FE350 ENGINE W/O ACR – CRANKCASE, CAMSHAFT, AND OIL SENSOR

ITEM	PART NO.	DESCRIPTION	QTY
		1 2 3 4	
1	<u>1016454</u>	Bolt, Flange Head, M5 x 0.8 x 8 mm .....	2
2	<u>1016472</u>	Plate, Oil Filter Screen .....	1
3	<u>1016494</u>	Sensor, Oil Level .....	1
4	<u>1016496</u>	Screw, Cross Pan-Head, M4 x 0.7 x 8 mm .....	3
5	<u>1016506</u>	Clamp .....	1
6	<u>1016510</u>	Bracket, Switch, Oil Level .....	1
7	<u>1016521</u>	Screen, Oil Filter .....	1
8	<u>1016535</u>	Connector, Cord .....	1
9	<u>1016538</u>	O-Ring .....	2
10	<u>1016544</u>	Screw .....	1
11	<u>1016564</u>	Pin .....	2
12	<u>1016584</u>	Bolt, Two-Ended, M8 x 1.25 x 69 mm .....	2
13	<u>1017443</u>	Gasket, Crankcase Cover .....	1
14	<u>1017447</u>	Adjuster, Lash .....	2
15	<u>1017472</u>	Cover Crankcase .....	1
16	<u>1017487</u>	Bearing, Ball .....	1
17	<u>1017504</u>	Seal, Oil .....	1
18	<u>1017508</u>	Plug .....	1
19	<u>1017513</u>	Bolt Switch Bracket .....	2
20	<u>1017514</u>	Screw, M8-1.25 X 45mm Hex .....	6
21	<u>101751801</u>	Shim, 0.3 .....	1
22	<u>101751802</u>	Shim, 0.4 .....	1
23	<u>101751803</u>	Shim, 0.5 .....	1
24	<u>102431001</u>	Camshaft, FE350 without ACR, 44-Tooth .....	1

**10**  
**G**



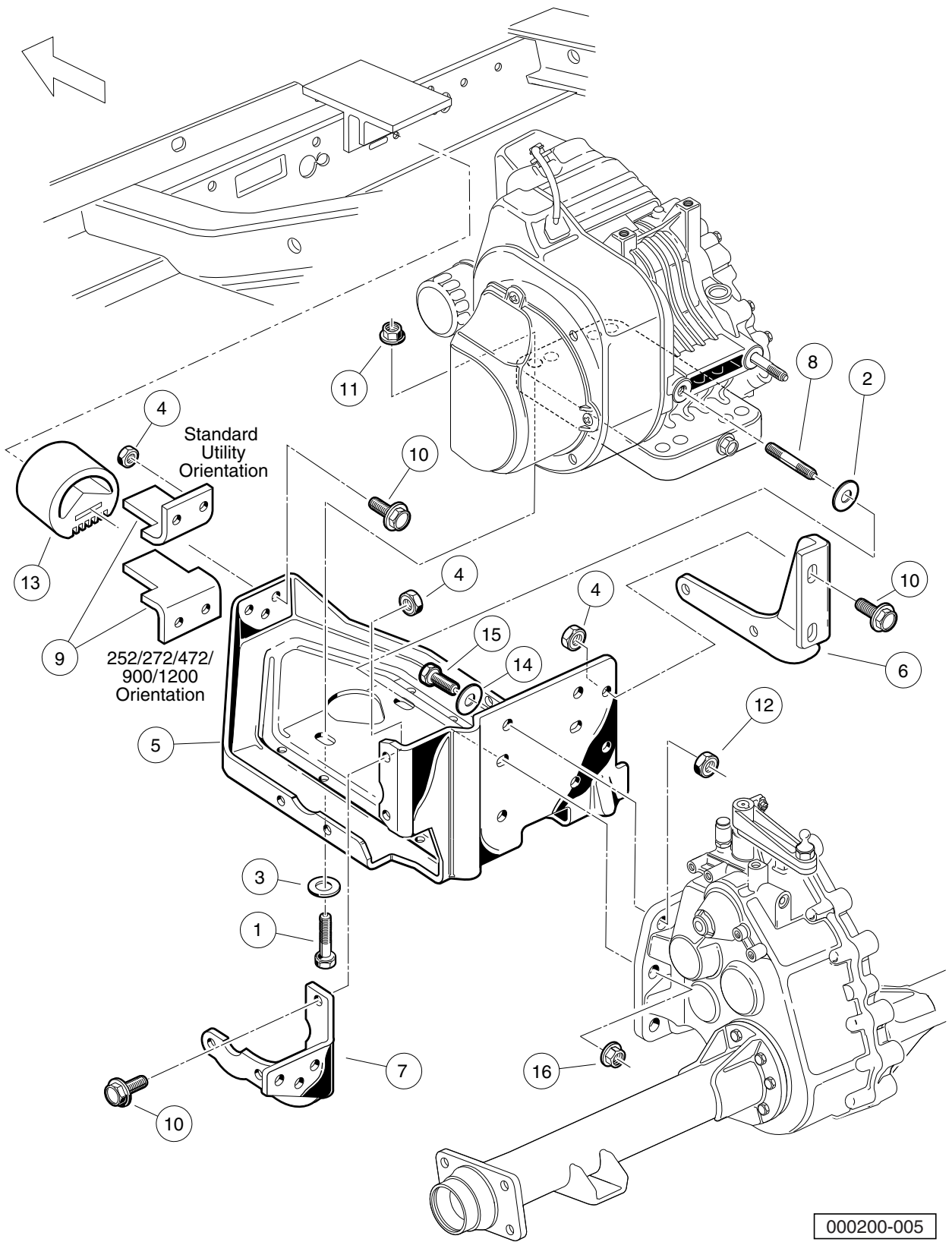
000206-001

## FE350 ENGINE – CRANKCASE AND CRANKSHAFT

ITEM	PART NO.	DESCRIPTION	QTY
		1 2 3 4	
1	1016470	Shaft, Guide, Counterbalance .....	1
2	<u>1016541</u>	Stud, 6x14 .....	4
3	1016547	Nut, M6 Flange .....	4
4	<u>1016571</u>	O-Ring .....	1
5	<u>101744901</u>	Piston, Standard .....	1
6	<u>101744902</u>	Piston, 0.50 mm Oversize .....	1
7	1017450	Pin, Piston .....	1
8	<u>101745101</u>	Ring Set, Standard Piston .....	1
9	<u>101745102</u>	Ring Set, Piston, 0.50 mm Oversize .....	1
10	<u>1017453</u>	Counterbalance Weight (includes item 11) .....	1
11	1017510	Bearing, Plain .....	1
12	101745701	Asm, Con. Rod Std (includes item 13) .....	1
13	<u>1017512</u>	Bolt .....	2
14	<u>101745702</u>	Asm, Con. Rod 0.5mm U/s (includes item 15) .....	1
15	<u>1017512</u>	Bolt .....	2
16	1017501	Spacer .....	1
17	<u>1017502</u>	Snap Ring .....	2
18	<u>1017503</u>	Seal, Oil .....	1
19	<u>101773301</u>	Shim, Crankshaft, 1.18mm .....	1
20	<u>101773302</u>	Shim, Crankshaft, 1.25mm .....	1
21	<u>101773303</u>	Shim, Crankshaft, 1.32mm .....	1
22	<u>101773304</u>	Shim, Crankshaft, 1.39mm .....	1
23	<u>101773305</u>	Shim, Crankshaft, 1.46mm .....	1
24	<u>101773306</u>	Shim, Crankshaft, 1.53mm .....	1
25	<u>101773307</u>	Shim, Crankshaft, 1.60mm .....	1
26	<u>101773308</u>	Shim, Crankshaft, 1.67mm .....	1
27	<u>101773309</u>	Shim, Crankshaft, 1.74mm .....	1
28	<u>101773310</u>	Shim, Crankshaft, 1.11 mm .....	1
29	<u>101773311</u>	Shim, Crankshaft, 1.81mm .....	1
30	<u>101916001</u>	Crankcase Complete, FE350 (cw) .....	1
31	<u>102430901</u>	Crankshaft, FE350 Left-Hand, 22-Tooth (includes items 32 through 35) .....	1
32	<u>1016562</u>	Key .....	1
33	<u>1017471</u>	Rod .....	2
34	N/A	Gear, Helical .....	1
35	N/A	Gear, Spur .....	1

**10**  
**G**

**10**  
**G**



000200-005



# FE350 ENGINE MOUNTING

ITEM	PART NO.	DESCRIPTION	QTY
		1 2 3 4	
1	<u>1010577</u>	Bolt, Hex-Head, 5/16-18 X 1.50 .....	4
2	<u>1011697</u>	Washer, 5/16 Flat .....	2
3	1012571	Washer, 5/16 Extra Thick Flat .....	4
4	<u>1013924</u>	Nut, 5/16-24, Hex Head Cone .....	10
5	<u>101827101</u>	Plate, Engine Mounting .....	1
6	<u>101832601</u>	Stiffener (PTO Side) .....	1
7	<u>101832701</u>	Stiffener (Flywheel Side) .....	1
8	<u>101833101</u>	Stud, M8-1.25 X 50 mm Two-Ended .....	2
9	<u>101834601</u>	Bracket, Snubber .....	1
10	<u>101884801</u>	Screw, 5/16-24 X 0.875, Grade-8 .....	10
11	<u>101963401</u>	Locknut, 5/16-18 Hex Flange .....	4
12	<u>102065901</u>	Locknut, 3/8-16 Flanged Dimple .....	4
13	<u>102540301</u>	Snubber, Inner Frame .....	1
14	<u>334</u>	Washer, 3/8, Type A, Flat .....	4
15	705	Screw, Cap-hex Hd 3/8-16x1.25 .....	4
16	<u>96704416</u>	Nut, Flange, M8 X 1.25 Serrated .....	2

10

G

**10**

**G**

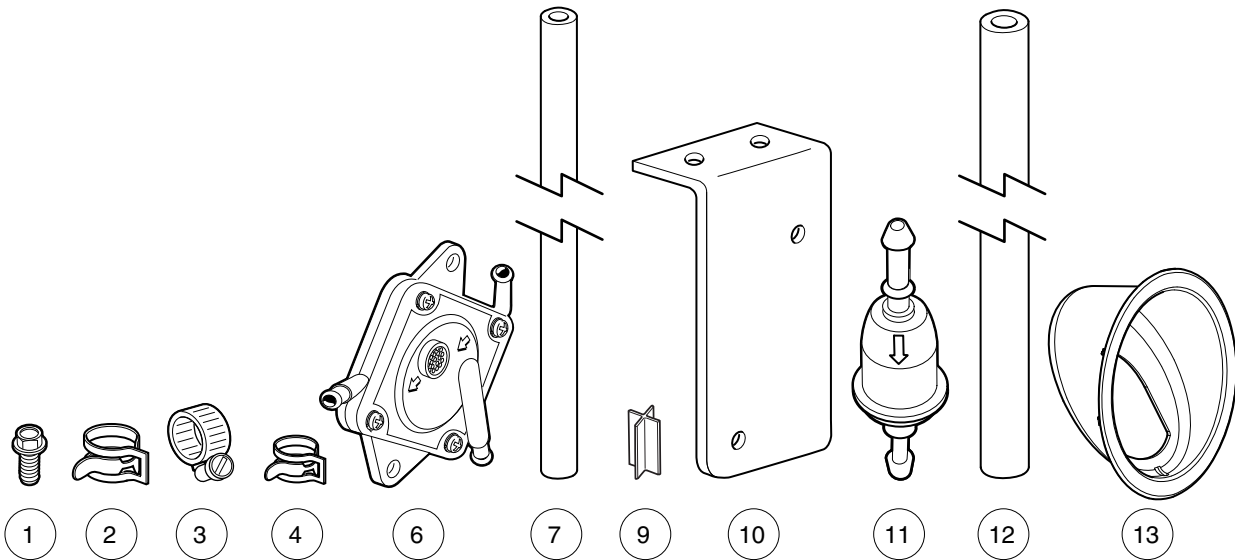
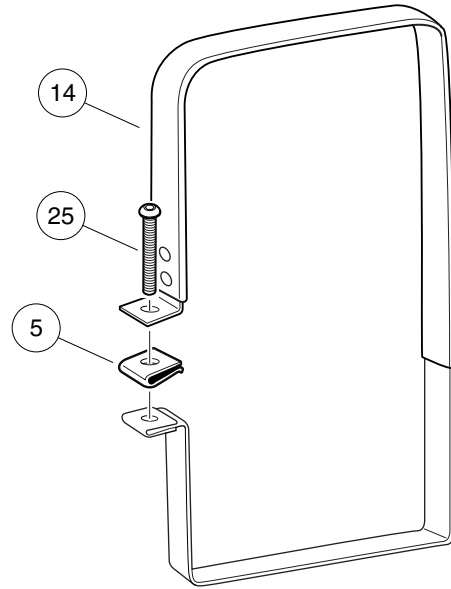
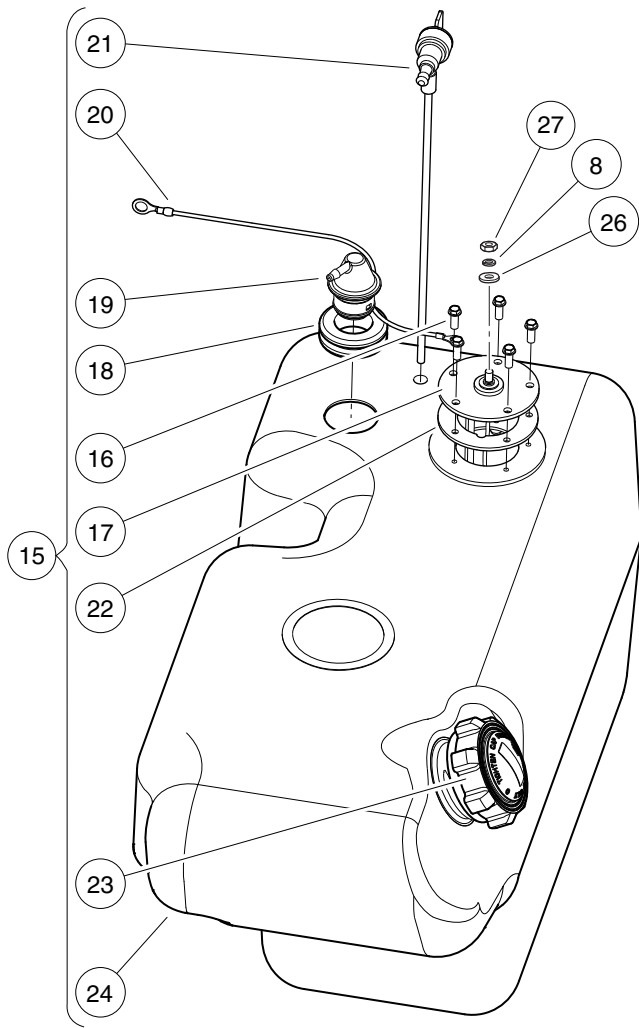
# FUEL, INTAKE, AND GOVERNOR SYSTEMS

---

11

G

**11**  
**G**



001072-001

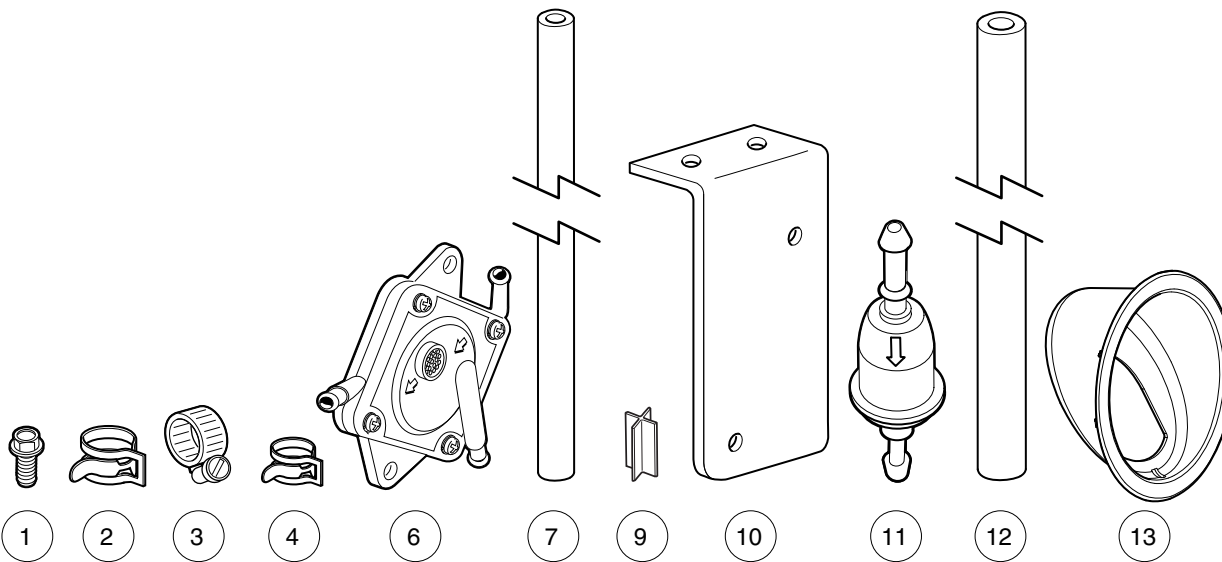
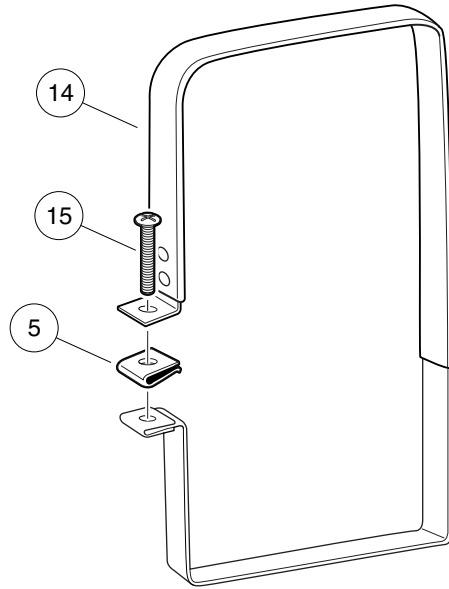
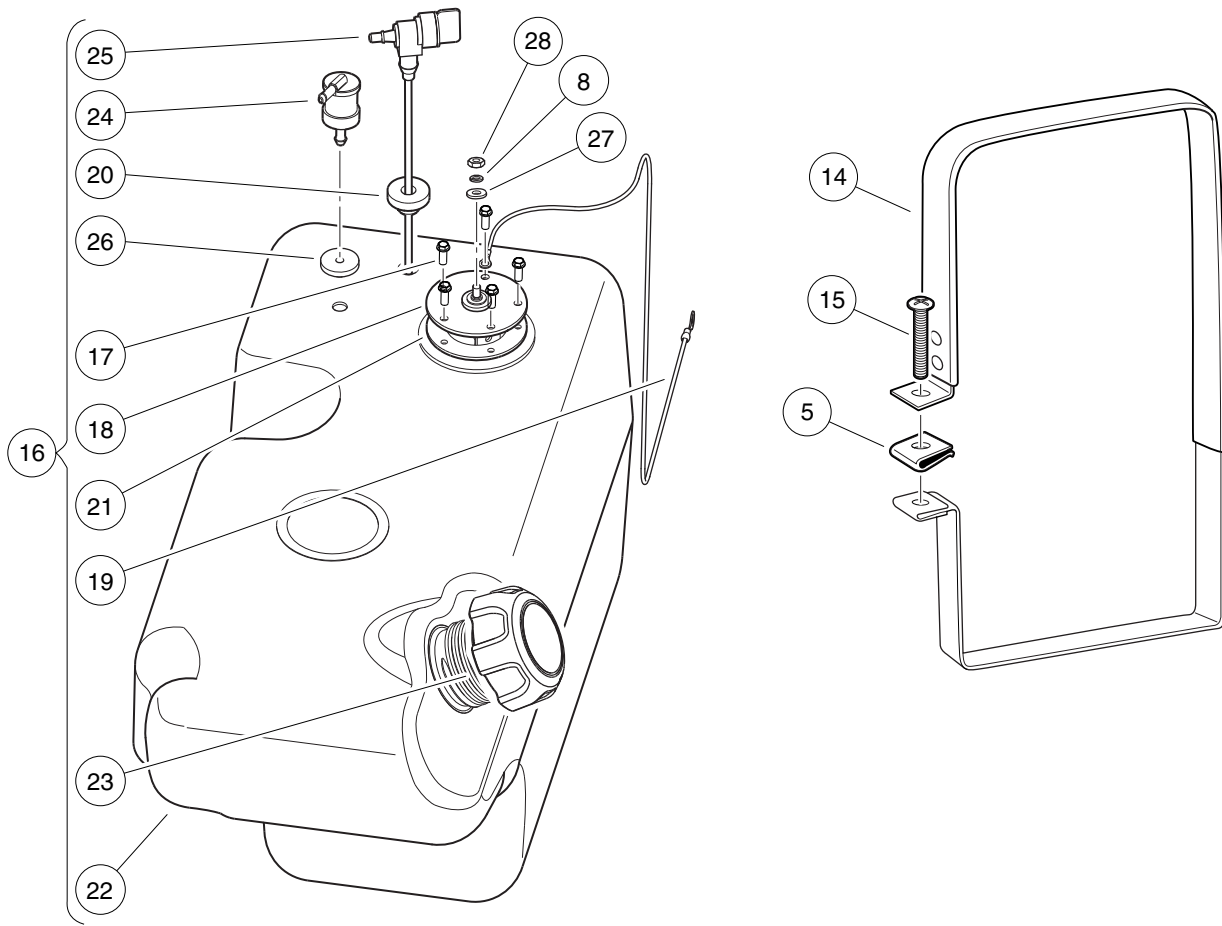
# FUEL SYSTEM – 49 STATE

11

G

ITEM	PART NO.	DESCRIPTION	QTY
		1 2 3 4	
1	<u>1012285</u>	Screw, 1/4 X 0.625 Hex-Head .....	4
2	<u>1012649</u>	Clamp, 0.460 Red Hose .....	8
3	<u>1013687</u>	Clamp, 3/8" Hose (screw type) .....	1
4	<u>1013746</u>	Clamp, 0.301 ID Hose .....	2
5	<u>1014116</u>	Nut, 1/4-20 Speed .....	1
6	<u>1014523</u>	Pump, Impulse Fuel .....	1
7	<u>1015137</u>	Fuel Line, 3/16 (available by the foot) .....	A/R
8	<u>1016</u>	Lockwasher, #10 Split .....	1
9	<u>101824401</u>	Vent Barb .....	1
10	<u>101929501</u>	Mount Fuel Pump .....	1
11	<u>102003201</u>	Filter, Fuel, 30 Micron .....	2
12	<u>102865101</u>	Fuel Line, 1/4 (available by the foot) .....	A/R
13	<u>102977901</u>	Bezel, Fuel Fill, 5.0 Dia .....	1
14	<u>102978001</u>	Strap, Fuel Tank, Side Fill .....	1
15	<u>103187601</u>	Asm, Fuel Tank, Side Fill, Su (includes items 16 through 24) .....	1
16	<u>1013461</u>	Screw, #10-16 Hex-Head Hi-Lo .....	5
17	<u>1013462</u>	Sending Unit, Fuel Level * .....	1
18	<u>1015139</u>	Insulation Grommet .....	1
19	<u>1015143</u>	Vent, Fuel Tank .....	1
20	<u>1015921</u>	Wire Assembly #16 Black .....	1
21	<u>102513701</u>	Valve - Fuel Pickup Tube .....	1
22	<u>102522001</u>	Gasket, Rubber .....	1
23	<u>102751601</u>	Cap, Fuel Tank, Gasoline .....	1
24	<u>102974201</u>	Tank, Fuel, Side Fill .....	1
25	<u>103306301</u>	Screw, Bhsc, 1/4-20 X 2.0 .....	1
26	<u>183</u>	Washer, #10, Type A, Flat .....	1
27	<u>8797</u>	Nut, #10-32 Brass Hex .....	1
		* Note: Must replace fuel sending unit gasket when servicing this component.	

**11**  
**G**



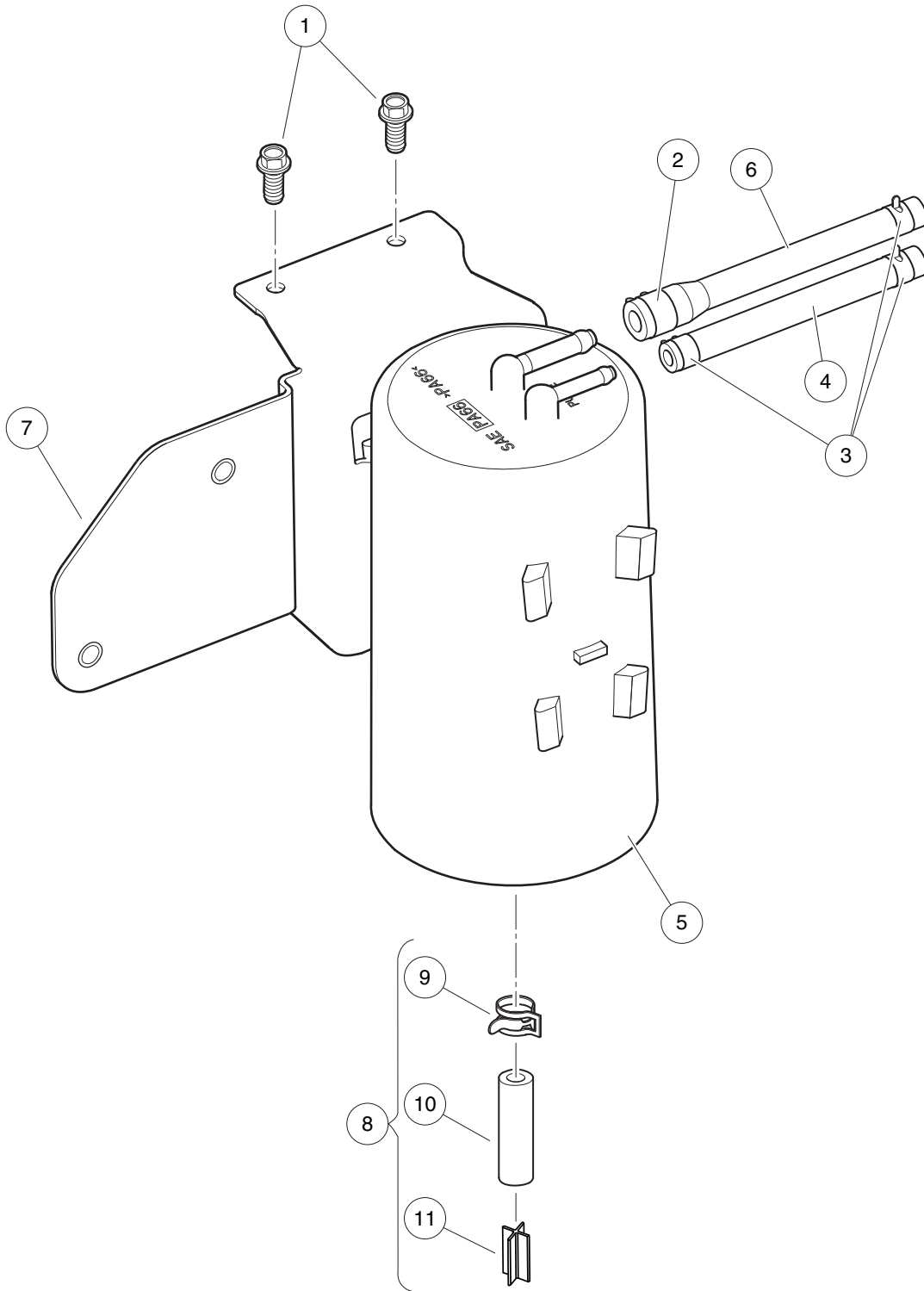
001072-002

## FUEL SYSTEM – CALIFORNIA ONLY

ITEM	PART NO.	DESCRIPTION	QTY
		<b>1 2 3 4</b>	
1	<u>1012285</u>	Screw, 1/4 X 0.625 Hex-Head .....	4
2	<u>1012649</u>	Clamp, 0.460 Red Hose .....	8
3	<u>1013687</u>	Clamp, 3/8" Hose (screw type) .....	1
4	<u>1013746</u>	Clamp, 0.301 ID Hose .....	2
5	<u>1014116</u>	Nut, 1/4-20 Speed .....	1
6	<u>1014523</u>	Pump, Impulse Fuel .....	1
7	<u>1015137</u>	Fuel Line, 3/16 (available by the foot) .....	A/R
8	<u>1016</u>	Lockwasher, #10 Split .....	1
9	<u>101824401</u>	Vent Barb .....	1
10	<u>101929501</u>	Mount Fuel Pump .....	1
11	<u>102003201</u>	Filter, Fuel, 30 Micron .....	2
12	<u>102865101</u>	Fuel Line, 1/4 (available by the foot) .....	A/R
13	<u>102977901</u>	Bezel, Fuel Fill, 5.0 Dia .....	1
14	<u>102978001</u>	Strap, Fuel Tank, Side Fill .....	1
15	<u>103306301</u>	Screw, Bhsc, 1/4-20 X 2.0 .....	1
16	<u>103369101</u>	Asm, Fuel Tank,side Fill,nano (includes items 17 through 26) .....	1
17	<u>1013461</u>	Screw, #10-16 Hex-Head Hi-Lo .....	5
18	<u>1013462</u>	Sending Unit, Fuel Level * .....	1
19	<u>1015921</u>	Wire Assembly #16 Black .....	1
20	<u>102406701</u>	Bushing, Line, Return .....	1
21	<u>102522001</u>	Gasket, Rubber .....	1
22	<u>N/A</u>	Tank, Fuel,side Fill,nano .....	1
23	<u>103372101</u>	Cap, Fuel Tank, Gas, Ratchet .....	1
24	<u>103372201</u>	Vent, Fuel Tank, W/ Valve .....	1
25	<u>103372301</u>	Valve, Fuel, 259mm .....	1
26	<u>103374701</u>	Grommet, Fuel Tank Vent .....	1
27	<u>183</u>	Washer, #10, Type A, Flat .....	1
28	<u>8797</u>	Nut, #10-32 Brass Hex .....	1
		* Note: Must replace fuel sending unit gasket when servicing this component.	

11

G



000980-007

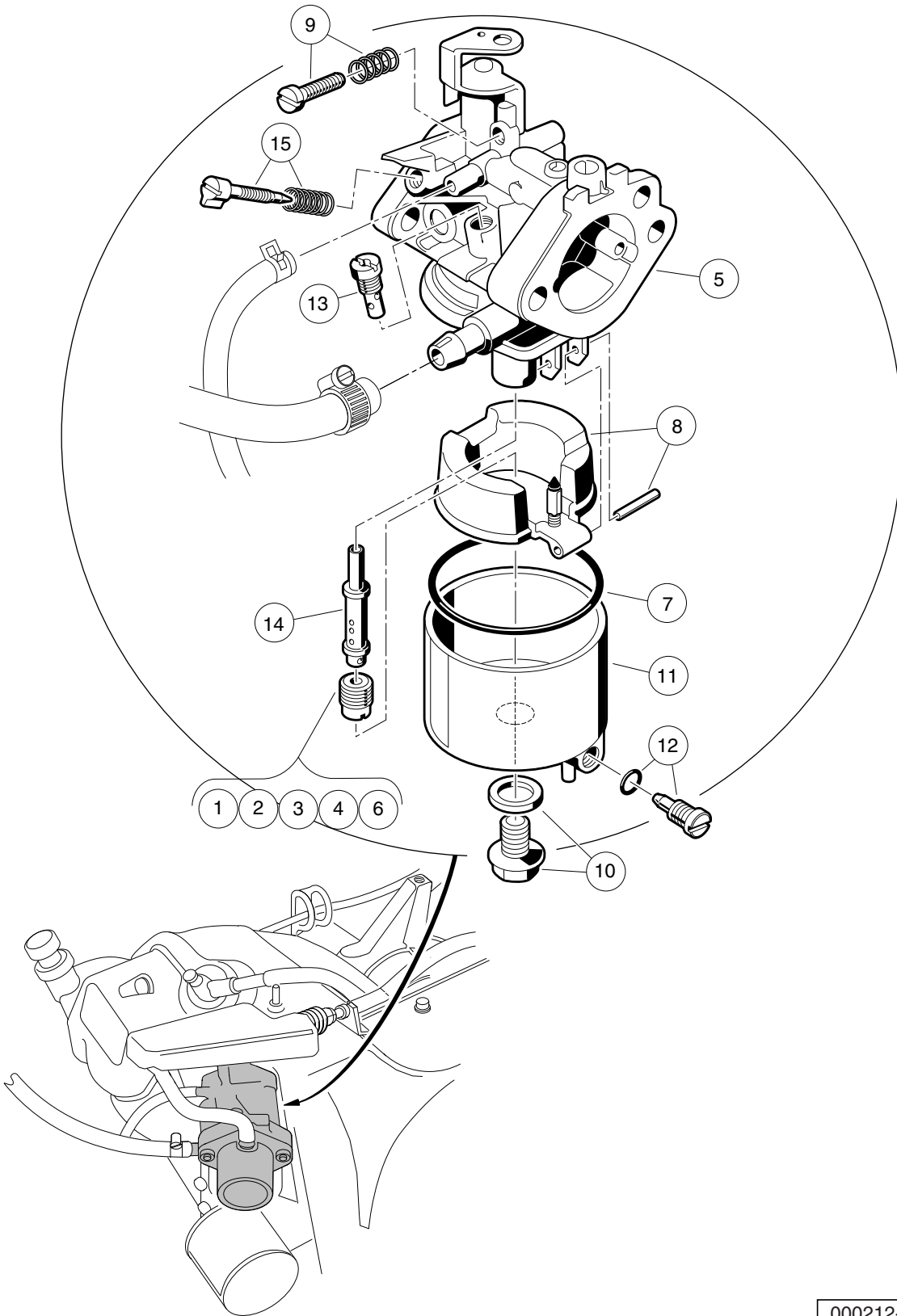


## CARBON CANISTER – CALIFORNIA ONLY

ITEM	PART NO.	DESCRIPTION	QTY
		1 2 3 4	
1	<u>1012285</u>	Screw, 1/4 X 0.625 Hex-Head .....	2
2	<u>101313402</u>	Clamp, Green Hose .....	1
3	<u>1013746</u>	Clamp, 0.301 ID Hose .....	3
4	<u>1015137</u>	Fuel Line, 3/16 (available by the foot) .....	A/R
5	<u>103372401</u>	Canister, Carbon .....	1
6	<u>103372501</u>	Hose, Vent, Flare, 4.7" .....	1
7	<u>103372801</u>	Bracket, Carbon Canister, Sw .....	1
8	<u>103418601</u>	Asm, Vent Line, Utility (includes items 9 through 11) .....	1
9	<u>1012649</u>	Clamp, 0.460 Red Hose .....	1
10	N/A	Hose, Vent, 5/16 I.D., Bulk .....	A/R
11	N/A	Vent, Barb, 5/16 I.D. Hose .....	1

**11**  
**G**

**11**  
**G**



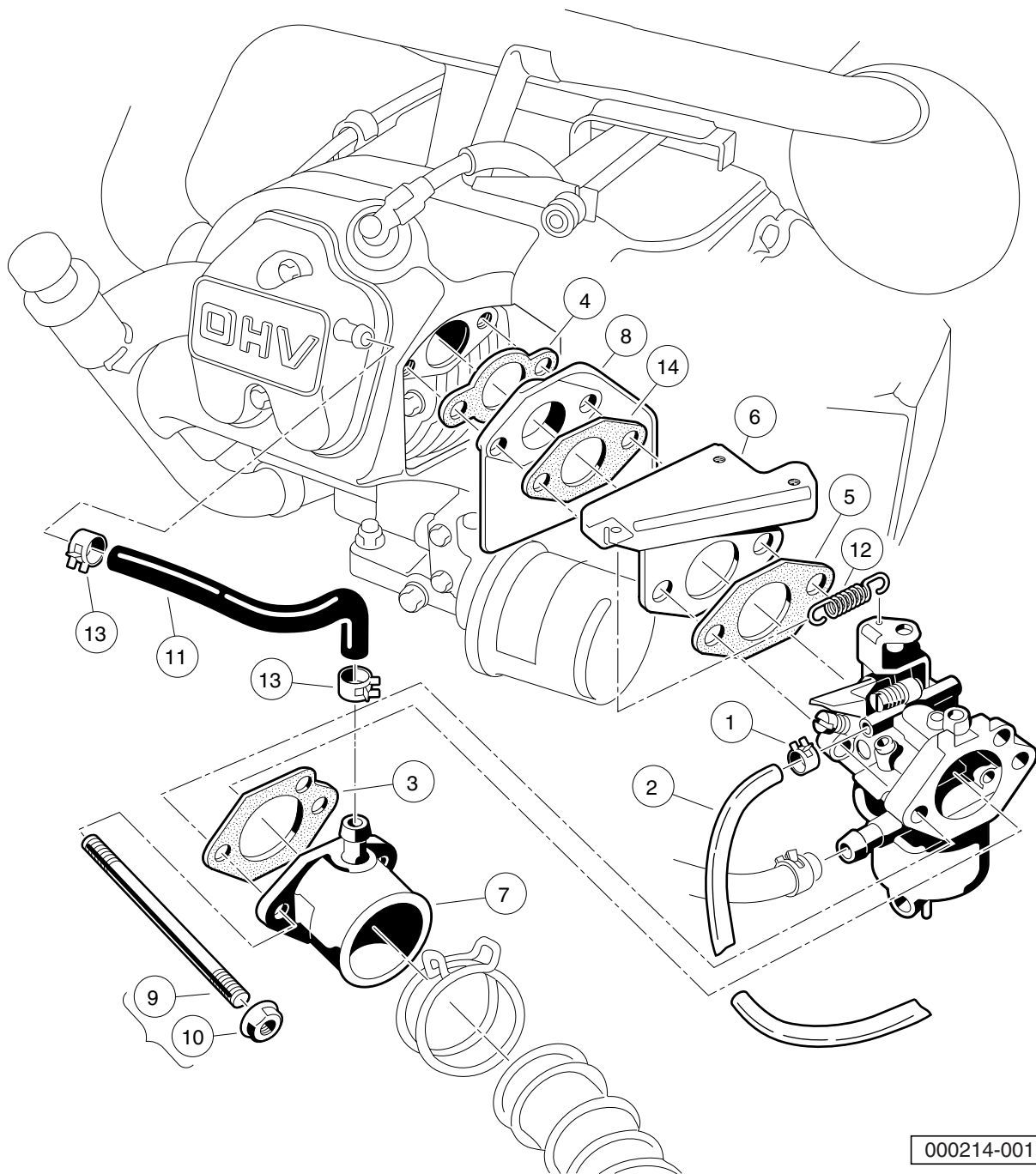
000212-001

# CARBURETOR ASSEMBLY, FE350 (AS11)

ITEM	PART NO.	DESCRIPTION	QTY
		1 2 3 4	
1	<u>101642575</u>	Jet, Altitude, # 75 .....	1
2	<u>101642578</u>	Jet, Altitude, # 78 .....	1
3	<u>101642580</u>	Jet, Altitude, # 80 .....	1
4	<u>101642582</u>	Jet, Altitude, # 82 .....	1
5	<u>101905901</u>	Carburetor, FE350D (includes items 6 through 15) .....	1
6	<u>101642585</u>	Jet, Altitude, # 85 .....	1
7	<u>1016437</u>	Gasket, Carburetor Bowl OHV .....	1
8	<u>1016486</u>	Float Assembly .....	1
9	<u>1016501</u>	Screw Assembly .....	1
10	<u>1016585</u>	Bolt .....	1
11	<u>1017461</u>	Chamber Assembly, Float (includes item 12) .....	1
12	<u>1016499</u>	Screw Assembly .....	1
13	<u>101973101</u>	Jet, #40 Pilot .....	1
14	<u>101973301</u>	Nozzle, Main .....	1
15	N/A	Assembly, Pilot Air Screw .....	1
<p>Note: Jets- <u>101642585</u> for 0 - 3,000 feet; <u>101642582</u> for 3,000 - 5,000 feet; <u>101642580</u> for 5,000 - 8,000 feet; <u>101642578</u> for 8,000 - 10,000 feet; <u>101642575</u> for 10,000 feet and higher. NOTE 2: Carburetor <u>101905901</u>, shown above, is no longer available. Order part number 103524501 for replacement.</p>			

11

G

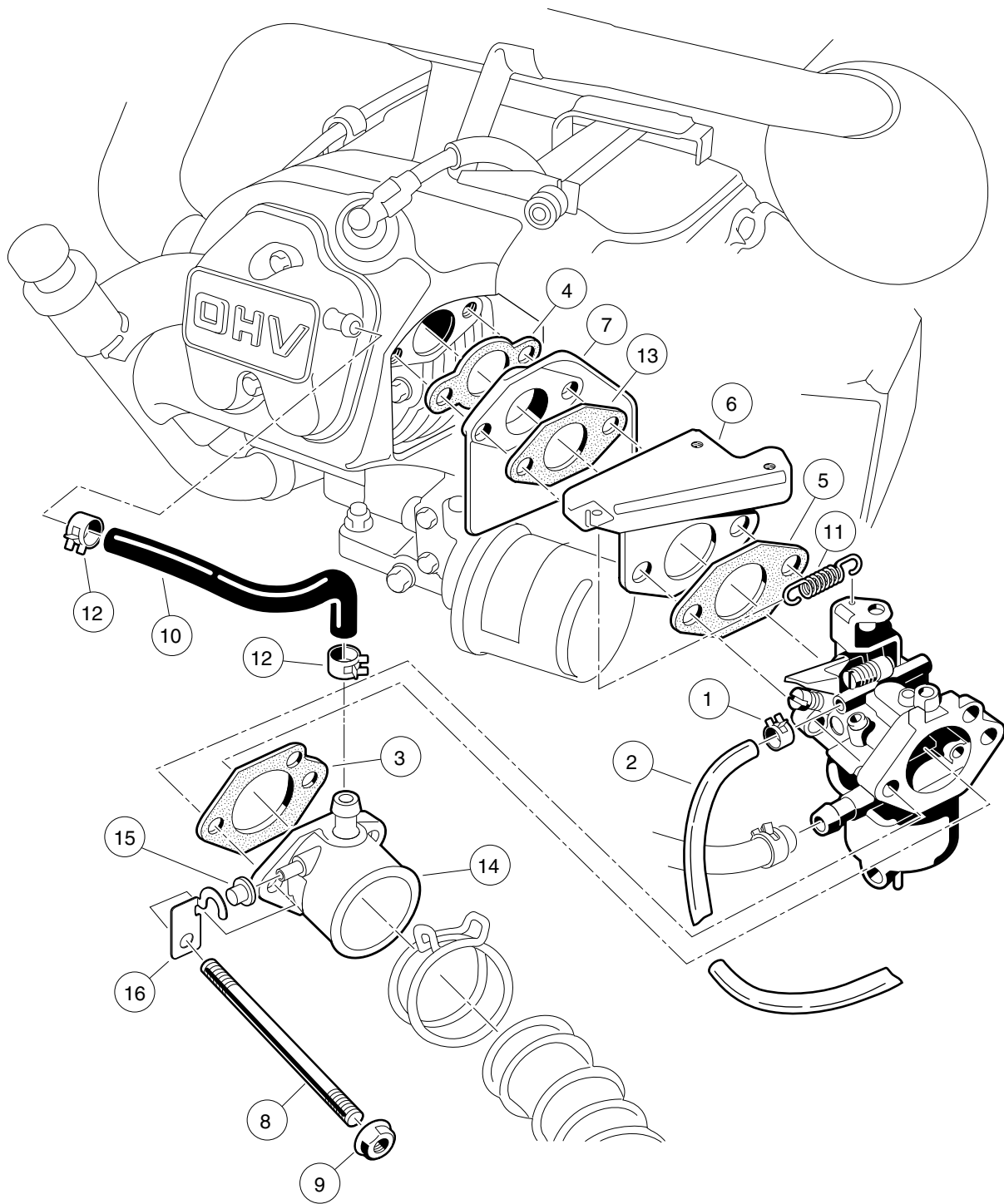


000214-001

## CARBURETOR MOUNTING, UTILITY, FE350 – 49 STATE

ITEM	PART NO.	DESCRIPTION	QTY
		1 2 3 4	
1	<u>1013746</u>	Clamp, 0.301 ID Hose .....	1
2	<u>1015137</u>	Fuel Line, 3/16 (available by the foot) .....	1
3	<u>1016438</u>	Gasket, Carb To Intake Manifold .....	1
4	<u>1016440</u>	Gasket, Engine to Insulator .....	1
5	<u>1016441</u>	Gasket, Sprg Brkt To Carb OHV .....	1
6	<u>1016444</u>	Bracket, Throttle Spring Return .....	1
7	1016480	Pipe, Intake Manifold .....	1
8	101648102	Insulator, Carburetor .....	1
9	<u>101649002</u>	Stud, M6-1.00 Two-Ended .....	2
10	1016547	Nut, M6 Flange .....	2
11	<u>1016572</u>	Tube, Crankcase Vent .....	1
12	<u>1016582</u>	Spring, Throttle Return .....	1
13	<u>1017466</u>	Clamp .....	2
14	<u>101973401</u>	Gasket, Insulator To Bracket .....	1

**11**  
**G**



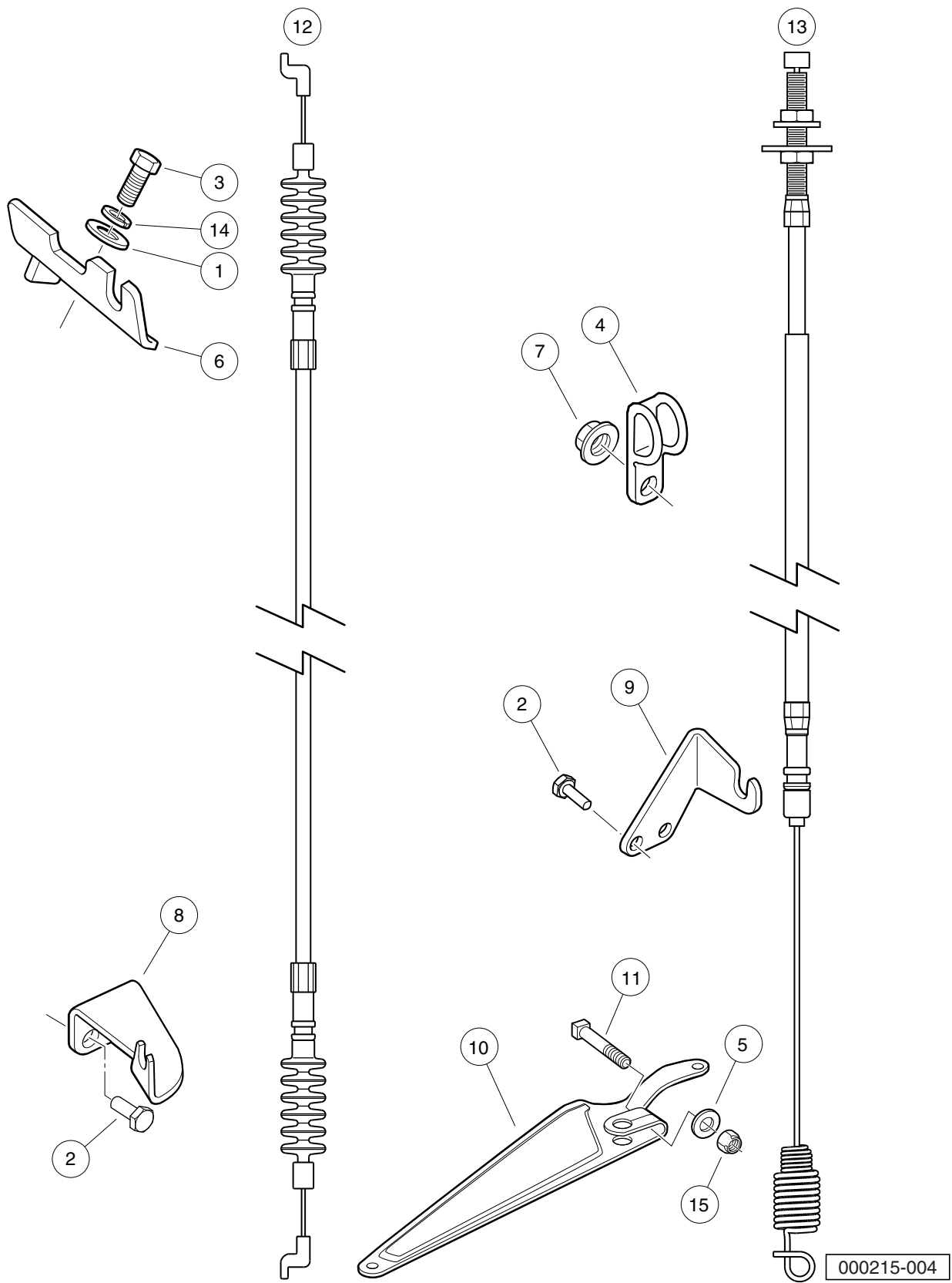
000214-002

# CARBURETOR MOUNTING, UTILITY, FE350 – CALIFORNIA ONLY

ITEM	PART NO.	DESCRIPTION	QTY
		<b>1 2 3 4</b>	
1	<u>1013746</u>	Clamp, 0.301 ID Hose .....	1
2	<u>1015137</u>	Fuel Line, 3/16 (available by the foot) .....	1
3	<u>1016438</u>	Gasket, Carb To Intake Manifold .....	1
4	<u>1016440</u>	Gasket, Engine to Insulator .....	1
5	<u>1016441</u>	Gasket, Sprg Brkt To Carb OHV .....	1
6	<u>1016444</u>	Bracket, Throttle Spring Return .....	1
7	101648102	Insulator, Carburetor .....	1
8	<u>101649002</u>	Stud, M6-1.00 Two-Ended .....	2
9	1016547	Nut, M6 Flange .....	2
10	<u>1016572</u>	Tube, Crankcase Vent .....	1
11	<u>1016582</u>	Spring, Throttle Return .....	1
12	<u>1017466</u>	Clamp .....	2
13	<u>101973401</u>	Gasket, Insulator To Bracket .....	1
14	103507101	Carburetor Adapter w/ Tap .....	1
15	103507201	Plug, Intake Manifold, Carb .....	1
16	103507301	Bracket, Intake Manifold, Carb .....	1

**11**  
**G**

**11**  
**G**



000215-004

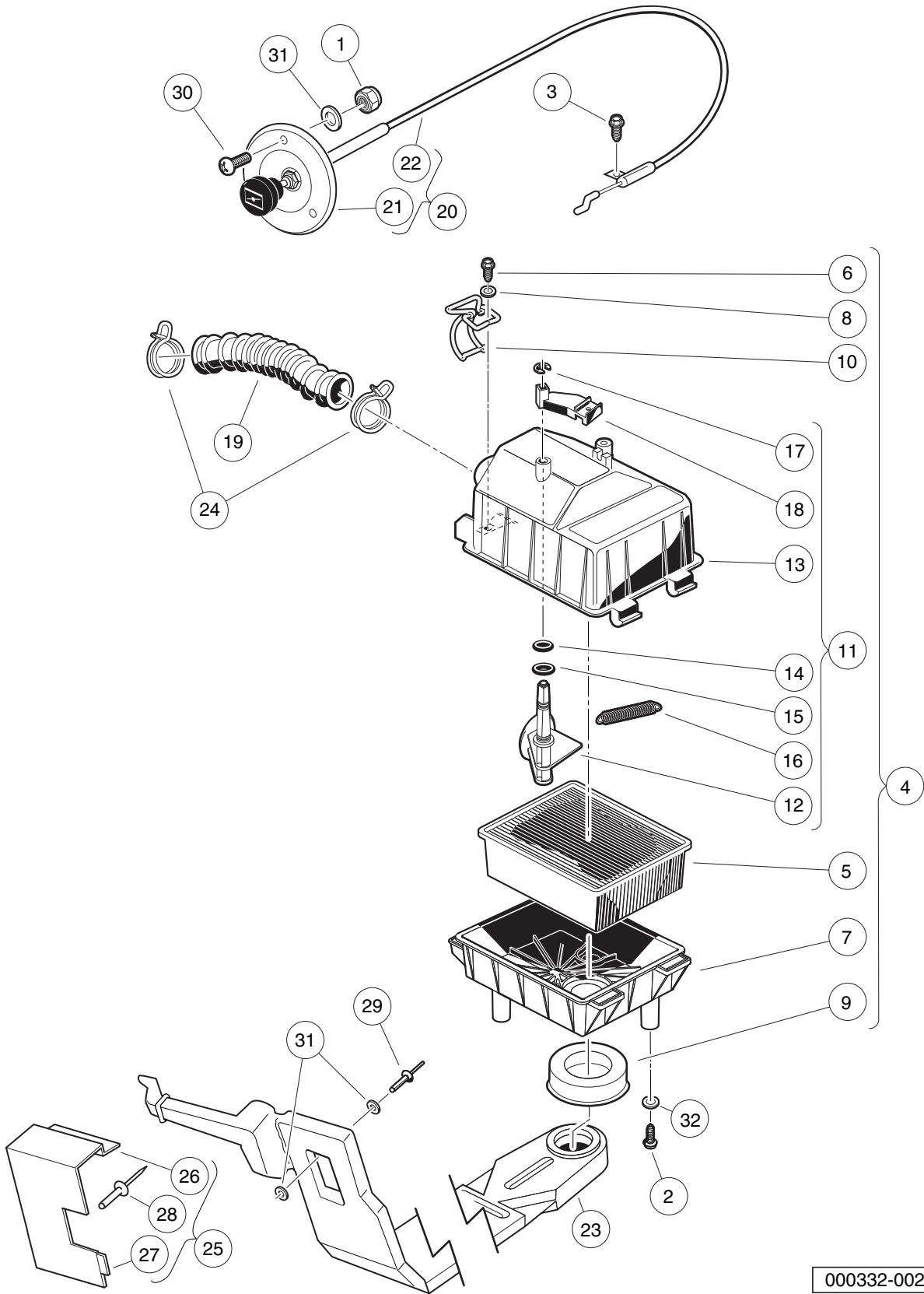


# GOVERNOR AND ACCELERATOR CABLES

ITEM	PART NO.	DESCRIPTION	QTY
		1 2 3 4	
1	<u>1011697</u>	Washer, 5/16 Flat .....	1
2	<u>1012285</u>	Screw, 1/4 X 0.625 Hex-Head .....	4
3	<u>1012830</u>	Screw, M8-125 X 22 Hex-Head .....	1
4	<u>1013700</u>	Clamp .....	2
5	<u>1014007</u>	Washer, 1/4, Flat .....	1
6	<u>101584502</u>	Bracket, Governor Cable Snap-In .....	1
7	<u>1016546</u>	Nut .....	2
8	<u>101832202</u>	Bracket, Rear Governor Cable Snap-In .....	1
9	<u>101832302</u>	Bracket, Rear Accelerator Cable Snap-In .....	1
10	<u>101834801</u>	Arm, Governor .....	1
11	<u>101886101</u>	Screw, 1/4-20 X 1.00, Square-Head .....	1
12	<u>102336001</u>	Cable, Governor, Snap-In .....	1
13	<u>102336101</u>	Cable, Accelerator, Snap-In .....	1
14	<u>7174</u>	Lockwasher, 5/16 Split .....	1
15	<u>8233</u>	Locknut, 1/4-20, Nylon Insert .....	1

11

G



000332-002

# AIR FILTER AND INTAKE SYSTEM – TURF/CA 2, 252 AND XRT 900

ITEM	PART NO.	DESCRIPTION	QTY
		<b>1 2 3 4</b>	
1	<u>1012438</u>	Locknut, #10-24 Nylon Insert .....	3
2	<u>1015752</u>	Screw, #12-16 X 0.625, Hi-Lo .....	3
3	<u>101804301</u>	Screw, #8 X 0.500, Hex-Head Hi-Lo .....	1
4	<u>101821501</u>	Assembly, Air Box (includes items 5 through 11) .....	1
5	<u>1015426</u>	Filter, Air .....	1
6	<u>101804301</u>	Screw, #8 X 0.500, Hex-Head Hi-Lo .....	2
7	<u>101811901</u>	Bottom, Air Box .....	1
8	<u>101881701</u>	Washer, #8 Stainless-Steel Flat .....	2
9	<u>101921501</u>	Seal, Intake .....	1
10	<u>101925701</u>	Latch, Wireform .....	2
11	<u>101972801</u>	Top Assy, Air Box (includes items 12 through 18) .....	1
12	N/A	Valve, Choke .....	1
13	N/A	Top, Air Box .....	1
14	N/A	O-Ring, 5/16 .....	1
15	N/A	O-Ring, 3/8 .....	1
16	<u>101812301</u>	Spring, Extension Return .....	1
17	<u>101813001</u>	Retaining Ring 0.25, Shaft .....	1
18	<u>101917601</u>	Lever, Choke .....	1
19	<u>101837101</u>	Hose, Air Intake .....	1
20	<u>101926801</u>	Cable, Choke (includes items 21 and 22) .....	1
21	<u>101933701</u>	Bezel, Choke Cable .....	1
22	N/A	Choke Cable without Bezel, Short .....	1
23	<u>101958102</u>	Duct Assembly .....	1
24	<u>101971301</u>	Clamp, 1.58" ID Hose .....	2
25	<u>102190702</u>	Kit, Air Duct Shield (includes items 26 through 28) .....	1
26	<u>102185401</u>	Tape, 3M VHB 4950 .....	1
27	N/A	Shield, Air Duct .....	1
28	<u>7973</u>	Rivet, 3/16 X .400 Blind .....	1
29	<u>1606</u>	Rivet, 3/16 X .500 Alum Pop .....	2
30	<u>1631</u>	Screw, #10-24 X 0.75 Phillips Pan-Head .....	3
31	<u>183</u>	Washer, #10, Type A, Flat .....	7
32	<u>332</u>	Washer, 1/4 Type A Narrow Flat .....	3

**11**  
**G**

11

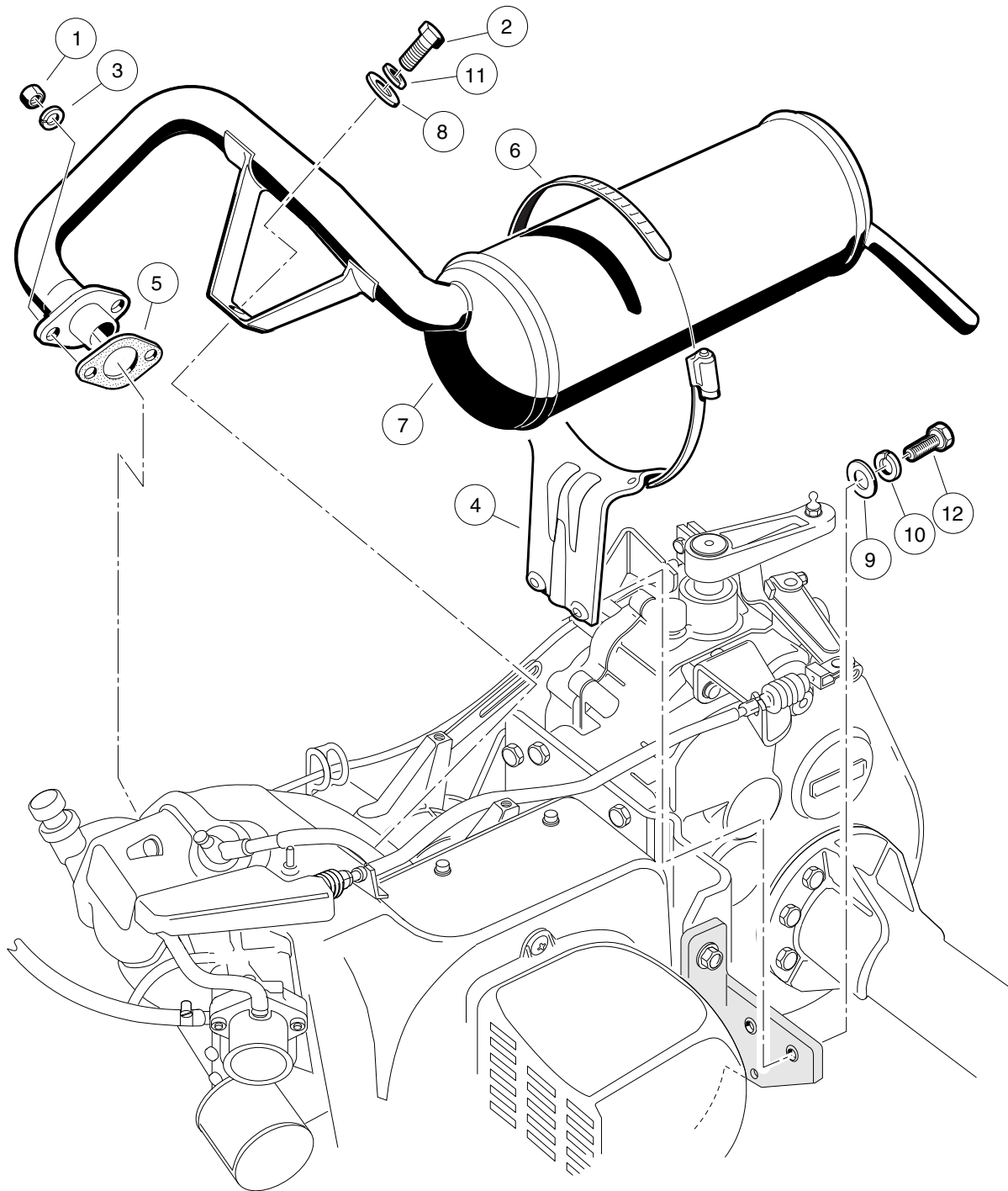
G

# EXHAUST SYSTEM

---

12

G



000209-001

## EXHAUST SYSTEM – FE350 ENGINE

ITEM	PART NO.	DESCRIPTION	QTY
		1 2 3 4	
1	<u>1012528</u>	Nut, M8-1.25 Hex .....	2
2	<u>1012830</u>	Screw, M8-125 X 22 Hex-Head .....	1
3	<u>1013734</u>	Lockwasher, 8mm Split .....	2
4	<u>1015814</u>	Bracket, Muffler Mounting .....	1
5	<u>1016904</u>	Gasket, Exhaust .....	1
6	1017689	Clamp, 5" Muffler Hose .....	1
7	<u>101859401</u>	Exhaust System, FE350 .....	1
8	<u>1241</u>	Washer, 5/16 Type A Flat .....	1
9	<u>332</u>	Washer, 1/4 Type A Narrow Flat .....	2
10	<u>451</u>	Lockwasher, 1/4 Split .....	2
11	<u>7174</u>	Lockwasher, 5/16 Split .....	1
12	<u>7847</u>	Screw, 1/4-20 X 0.75 Hex-Head Cap .....	2

**12**  
**G**

12

G



# DRIVE BELT AND CLUTCHES

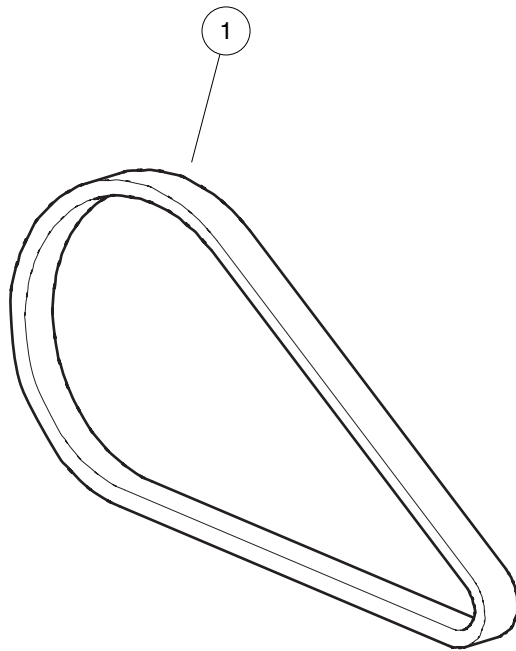
---

13

G

13

G

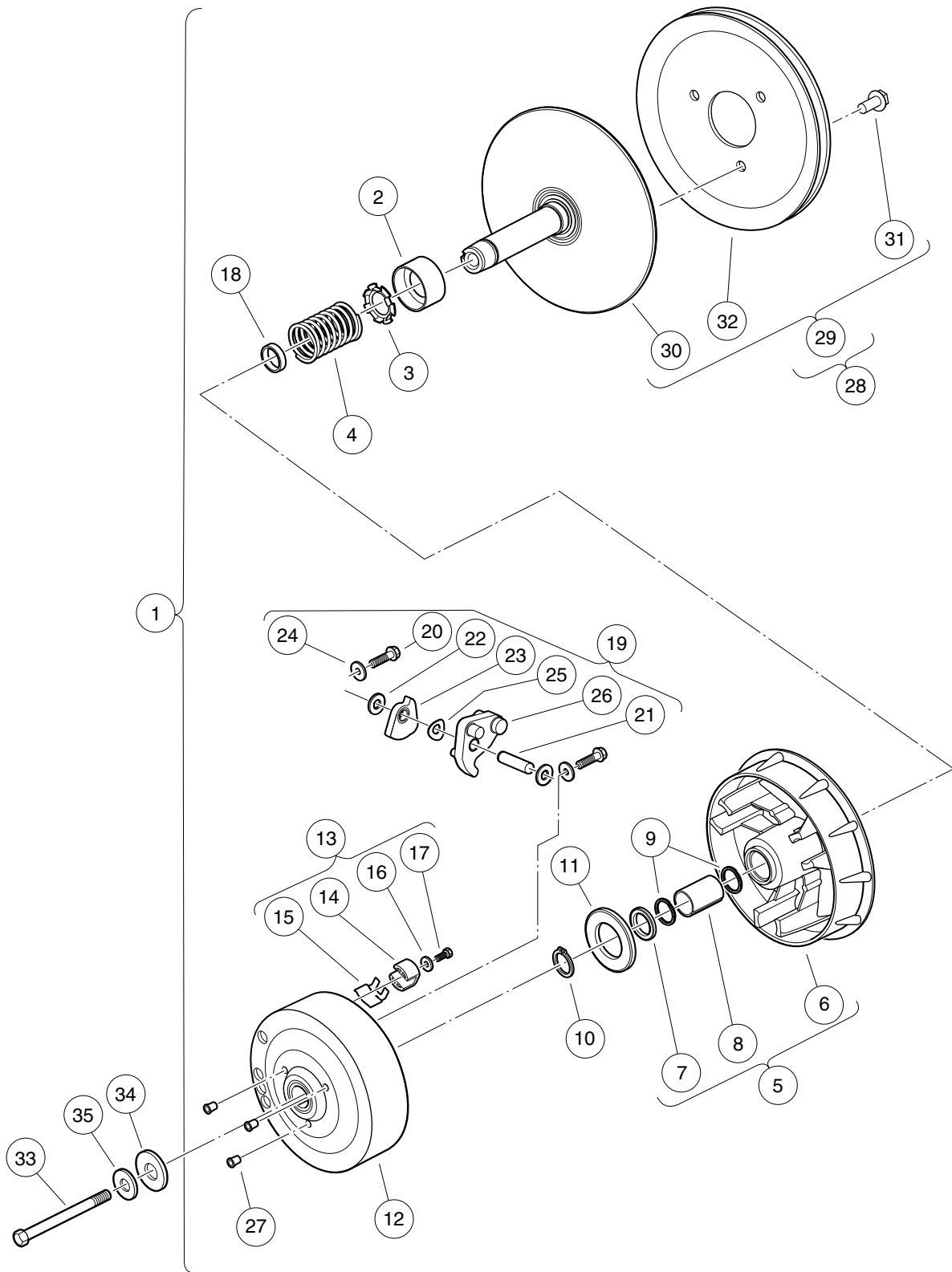


000918-001

# DRIVE BELT

ITEM	PART NO.	DESCRIPTION	QTY
1	<u>1017188</u>	1 2 3 4 Belt, Drive (FE350) .....	1

**13**  
**G**



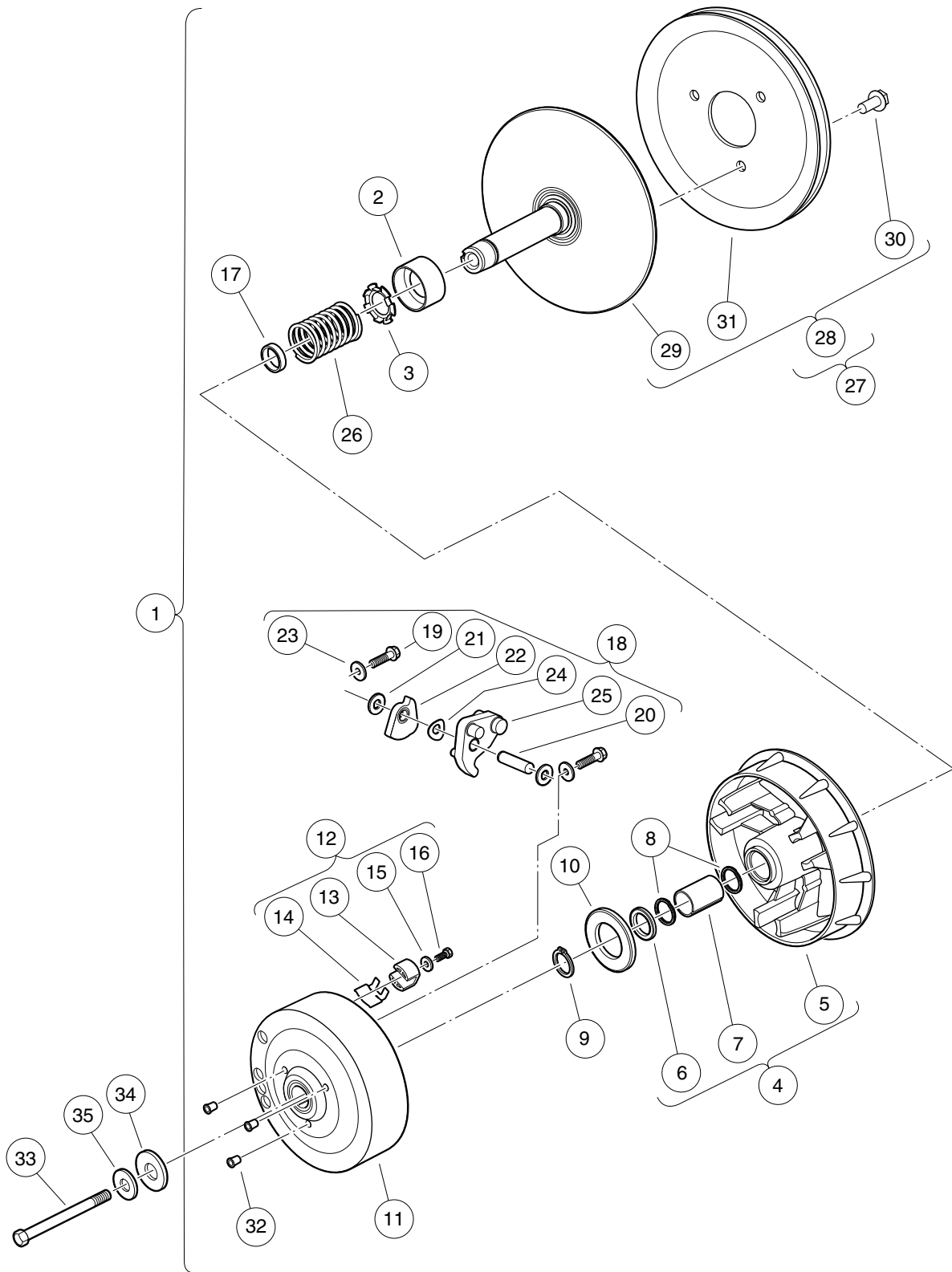
000217-006

## DRIVE CLUTCH – TURF/CARRYALL 1, 2, AND 252

ITEM	PART NO.	DESCRIPTION	QTY
		1 2 3 4	
1	<u>101833902</u>	Clutch, Drive (includes items 2 through 28) .....	1
2	1014049	Bearing, Idler .....	1
3	<u>1014050</u>	Retainer, Spring .....	1
4	<u>1014051</u>	Spring, Drive Clutch .....	1
5	1014052	Movable-Face Assembly (includes items 6 through 8) .....	1
6	N/A	Drive Clutch Movable Face .....	1
7	<u>1014055</u>	Retainer .....	1
8	N/A	Bushing, Split, Drive Clutch .....	1
9	<u>1014056</u>	Ring, Spiral Backup .....	2
10	<u>1014057</u>	Ring, 0.810" Internal Retaining .....	1
11	1014058	Thrust Washer .....	1
12	1014059	Drive Hub Assy, Drive Clutch .....	1
13	<u>1014453</u>	Kit, Drive Clutch Button (includes items 14 through 17) .....	1
14	<u>1014062</u>	Driver, Drive Clutch .....	3
15	<u>1014287</u>	Spring, Drive Button .....	3
16	<u>183</u>	Washer, #10, Type A, Flat .....	3
17	<u>8450</u>	Screw, #10-24 X 0.50, Hex-Head .....	3
18	<u>1016289</u>	Spacer, Fixed Face Shaft .....	1
19	<u>1016801</u>	Kit, Drive Clutch Weight (includes items 20 through 26) .....	1
20	<u>1014063</u>	Screw, 1/4-20 X 1.00, Hex Head .....	6
21	N/A	Pin, Dowel, 0.3752 x 1.50 .....	3
22	<u>1014065</u>	Washer, Flat, 0.38" ID, Delrin .....	6
23	N/A	Clutch Weight, Secondary .....	3
24	N/A	Washer .....	6
25	<u>1016201</u>	Washer, Wave .....	3
26	N/A	Weight, Primary .....	3
27	<u>101925601</u>	Plug, Drive Clutch .....	3
28	<u>101929802</u>	Kit, Fxd Face Dr Asm Fe290/350 (includes item 29) .....	1
29	N/A	Assembly, Fixed-Face Drive (includes items 30 through 32) .....	1
30	N/A	Fixed Face Assembly, Drive Clutch .....	1
31	<u>1014288</u>	Screw, 5/16-18 X 0.75, Thread-Forming .....	3
32	N/A	Pulley, Clutch .....	1
33	<u>103345701</u>	Screw 3/8-24x5.5 Hex Loc Ptch .....	1
34	<u>334</u>	Washer, 3/8, Type A, Flat .....	1
35	<u>808</u>	Washer, 3/8 Type B Flat .....	1

13

G



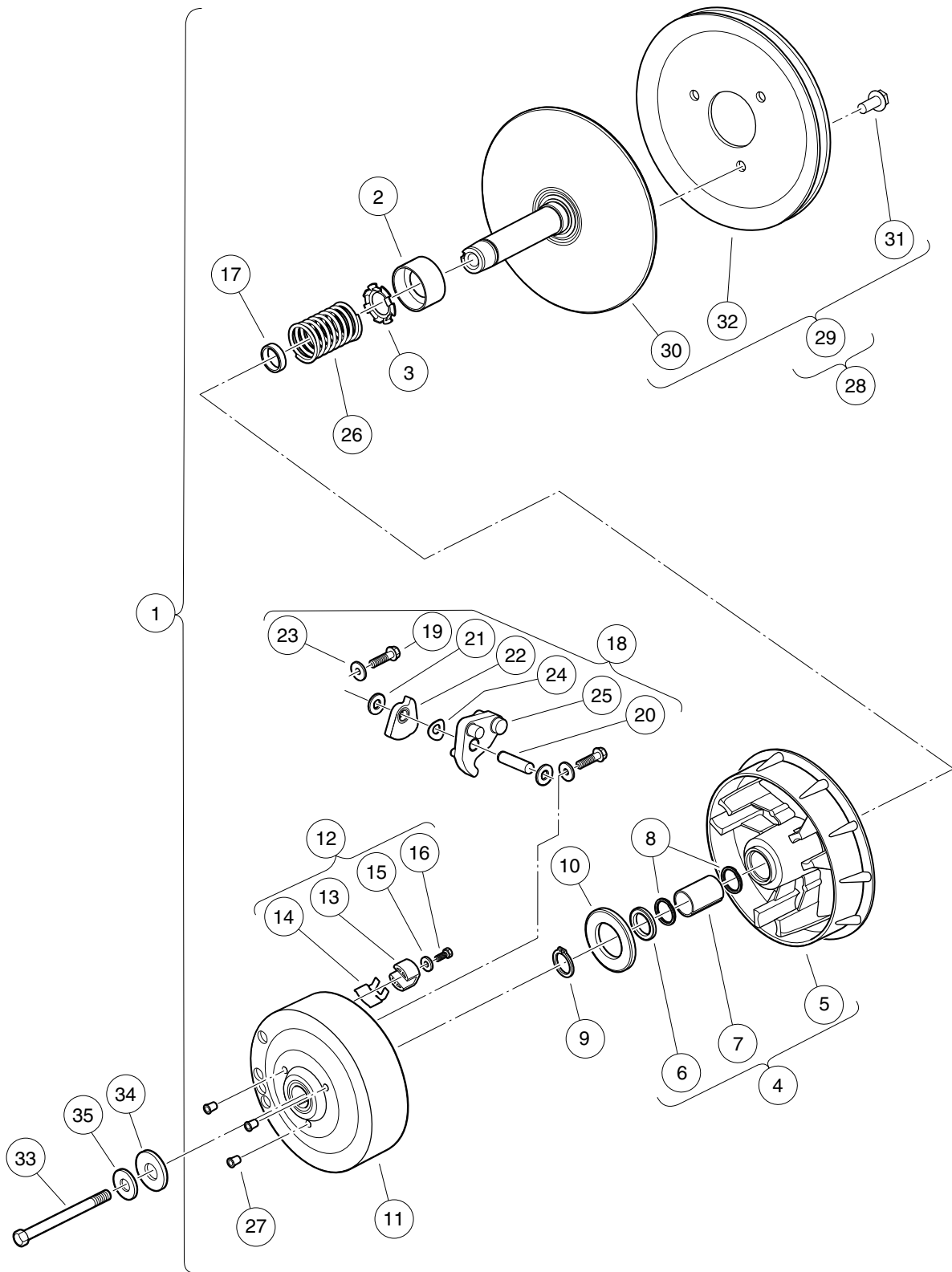
000217-007

# DRIVE CLUTCH – CARRYALL 2 PLUS

ITEM	PART NO.	DESCRIPTION	QTY
		1 2 3 4	
1	<u>101833904</u>	Assembly, Drive Clutch (includes items 2 through 32) .....	1
2	1014049	Bearing, Idler .....	1
3	<u>1014050</u>	Retainer, Spring .....	1
4	1014052	Movable-Face Assembly (includes items 5 through 7) .....	1
5	N/A	Drive Clutch Movable Face .....	1
6	<u>1014055</u>	Retainer .....	1
7	N/A	Bushing, Split, Drive Clutch .....	1
8	<u>1014056</u>	Ring, Spiral Backup .....	2
9	<u>1014057</u>	Ring, 0.810" Internal Retaining .....	1
10	1014058	Thrust Washer .....	1
11	1014059	Drive Hub Assy, Drive Clutch .....	1
12	<u>1014453</u>	Kit, Drive Clutch Button (includes items 13 through 16) .....	1
13	<u>1014062</u>	Driver, Drive Clutch .....	3
14	<u>1014287</u>	Spring, Drive Button .....	3
15	<u>183</u>	Washer, #10, Type A, Flat .....	3
16	<u>8450</u>	Screw, #10-24 X 0.50, Hex-Head .....	3
17	<u>1016289</u>	Spacer, Fixed Face Shaft .....	1
18	<u>1016801</u>	Kit, Drive Clutch Weight (includes items 19 through 25) .....	1
19	<u>1014063</u>	Screw, 1/4-20 X 1.00, Hex Head .....	6
20	N/A	Pin, Dowel, 0.3752 x 1.50 .....	3
21	<u>1014065</u>	Washer, Flat, 0.38" ID, Delrin .....	6
22	N/A	Clutch Weight, Secondary .....	3
23	N/A	Washer .....	6
24	<u>1016201</u>	Washer, Wave .....	3
25	N/A	Weight, Primary .....	3
26	<u>1016901</u>	Spring, Drive Clutch .....	1
27	101738302	Kit, Fixed Face - Drive (includes item 28) .....	1
28	<u>101738301</u>	Fixed Face Drive (includes items 29 through 31) .....	1
29	N/A	Fixed Face Assembly, Drive Clutch .....	1
30	<u>1014288</u>	Screw, 5/16-18 X 0.75, Thread-Forming .....	3
31	1016011	Pulley, Drive Clutch .....	1
32	N/A	Cap Plug .....	3
33	<u>103345701</u>	Screw 3/8-24x5.5 Hex Loc Ptch .....	1
34	<u>334</u>	Washer, 3/8, Type A, Flat .....	1
35	<u>808</u>	Washer, 3/8 Type B Flat .....	1

13

G



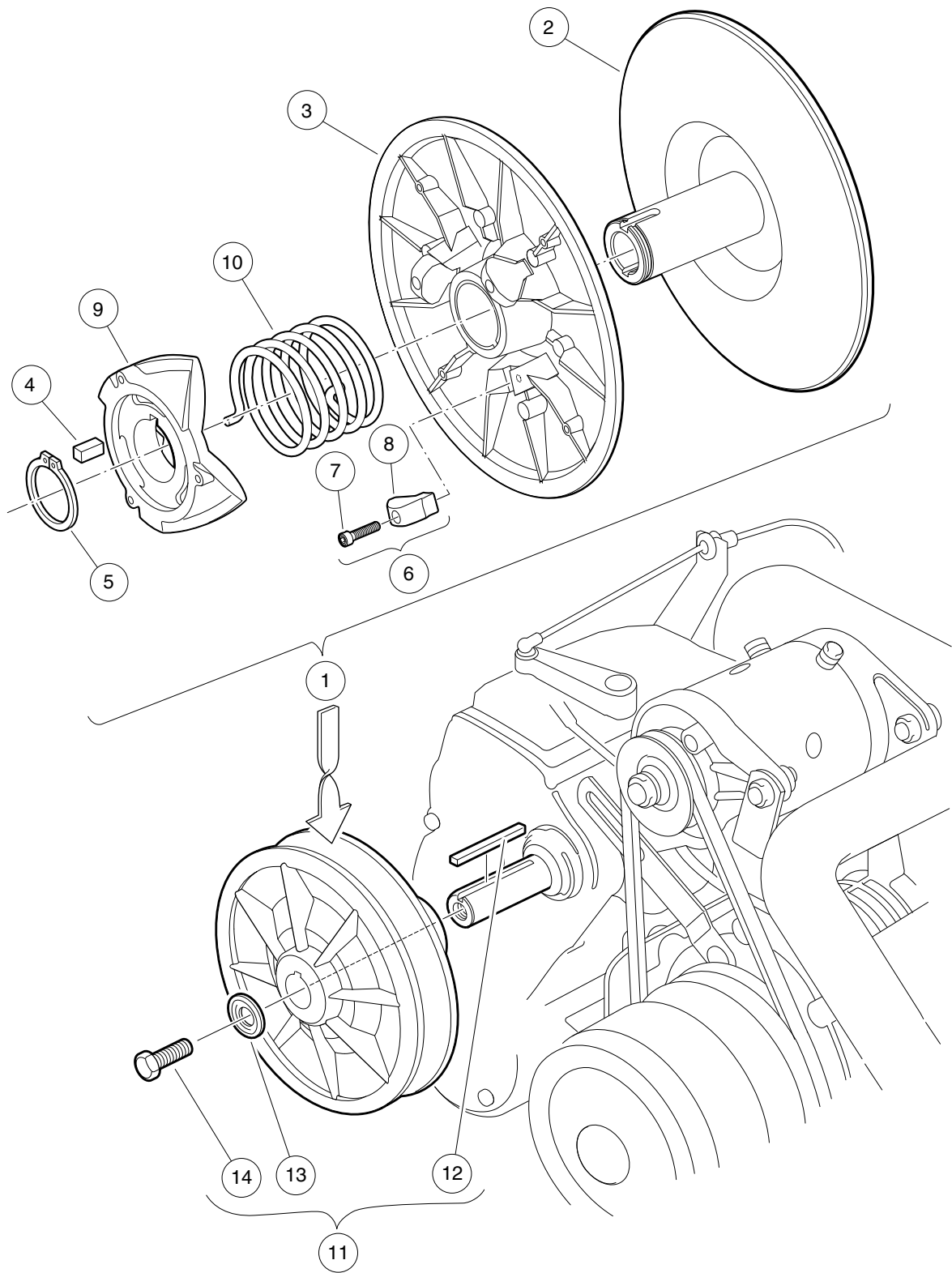
000217-008



# DRIVE CLUTCH – XRT 900

**13**  
**G**

ITEM	PART NO.	DESCRIPTION	QTY
		<b>1 2 3 4</b>	
1	<u>101833906</u>	Drive Clutch Assy. FE 350/272 (includes items 2 through 28) .....	1
2	1014049	Bearing, Idler .....	1
3	<u>1014050</u>	Retainer, Spring .....	1
4	1014052	Movable-Face Assembly (includes items 5 through 7) .....	1
5	N/A	Drive Clutch Movable Face .....	1
6	<u>1014055</u>	Retainer .....	1
7	N/A	Bushing, Split, Drive Clutch .....	1
8	<u>1014056</u>	Ring, Spiral Backup .....	2
9	<u>1014057</u>	Ring, 0.810" Internal Retaining .....	1
10	1014058	Thrust Washer .....	1
11	1014059	Drive Hub Assy, Drive Clutch .....	1
12	<u>1014453</u>	Kit, Drive Clutch Button (includes items 13 through 16) .....	1
13	<u>1014062</u>	Driver, Drive Clutch .....	3
14	<u>1014287</u>	Spring, Drive Button .....	3
15	<u>183</u>	Washer, #10, Type A, Flat .....	3
16	<u>8450</u>	Screw, #10-24 X 0.50, Hex-Head .....	3
17	<u>1016289</u>	Spacer, Fixed Face Shaft .....	1
18	<u>1016801</u>	Kit, Drive Clutch Weight (includes items 19 through 25) .....	1
19	<u>1014063</u>	Screw, 1/4-20 X 1.00, Hex Head .....	6
20	N/A	Pin, Dowel, 0.3752 x 1.50 .....	3
21	<u>1014065</u>	Washer, Flat, 0.38" ID, Delrin .....	6
22	N/A	Clutch Weight, Secondary .....	3
23	N/A	Washer .....	6
24	<u>1016201</u>	Washer, Wave .....	3
25	N/A	Weight, Primary .....	3
26	<u>1016901</u>	Spring, Drive Clutch .....	1
27	N/A	Cap Plug .....	3
28	<u>101929802</u>	Kit, Fxd Face Dr Asm Fe290/350 (includes item 29) .....	1
29	N/A	Assembly, Fixed-Face Drive (includes items 30 through 32) .....	1
30	N/A	Fixed Face Assembly, Drive Clutch .....	1
31	<u>1014288</u>	Screw, 5/16-18 X 0.75, Thread-Forming .....	3
32	N/A	Pulley, Clutch .....	1
33	<u>103345701</u>	Screw 3/8-24x5.5 Hex Loc Ptch .....	1
34	<u>334</u>	Washer, 3/8, Type A, Flat .....	1
35	<u>808</u>	Washer, 3/8 Type B Flat .....	1



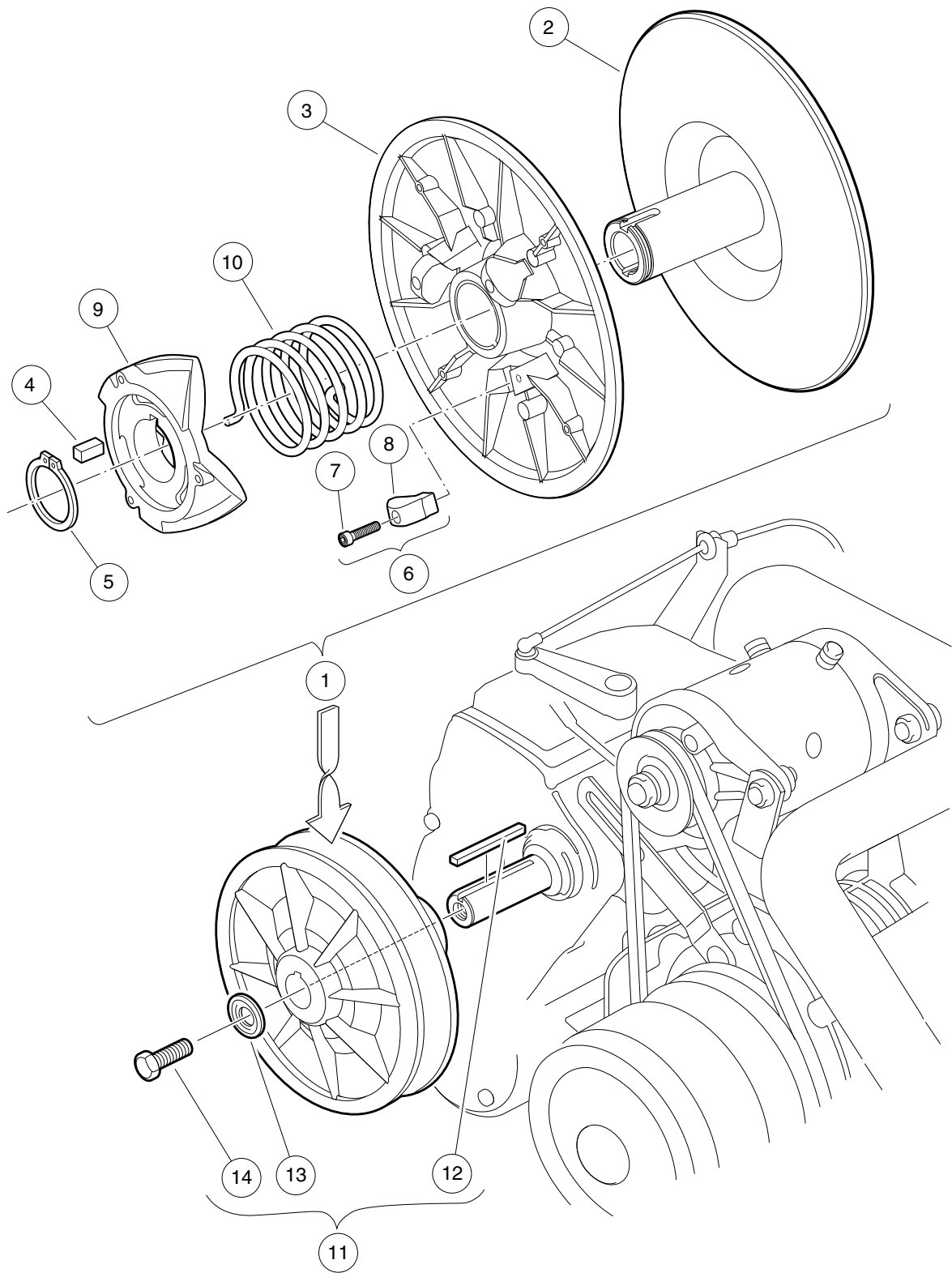
000219-001

## DRIVEN CLUTCH – TURF/CARRYALL 1, 2, AND 252

ITEM	PART NO.	DESCRIPTION	QTY
		1 2 3 4	
1	<u>101834001</u>	Assembly, Driven Clutch (includes items 2 through 10) .....	1
2	<u>1014070</u>	Fixed Face Assy, Driven Clutch .....	1
3	<u>1014072</u>	Movable-Face Assembly with Bushing .....	1
4	<u>1014078</u>	Key, Driven Clutch .....	1
5	<u>1014080</u>	Ring, Retaining .....	1
6	<u>1014454</u>	Kit, Driven Clutch Button (includes items 7 and 8) .....	1
7	<u>1012836</u>	Screw, #8-32 X 3/4, Socket-Head Cap .....	3
8	N/A	Button, Drive .....	3
9	<u>1017686</u>	Cam, Driven Clutch .....	1
10	<u>101836201</u>	Spring, Driven Clutch, Reversed .....	1
11	<u>AM10419</u>	Kit, Clutch Repair (includes items 12 through 14) .....	1
12	<u>101833401</u>	Key, 3/16 Sq X 1.50" .....	1
13	<u>102155801</u>	Washer, Driven Clutch .....	1
14	<u>102242101</u>	Screw, 5/16-18 X 3/4 Hex-Head with Patch .....	1

13

G



000219-001

## DRIVEN CLUTCH – CARRYALL 2 PLUS AND XRT 900

ITEM	PART NO.	DESCRIPTION	QTY
		1 2 3 4	
1	<u>101834003</u>	Clutch, Driven (includes items 2 through 10) .....	1
2	<u>1014070</u>	Fixed Face Assy, Driven Clutch .....	1
3	<u>1014072</u>	Movable-Face Assembly with Bushing .....	1
4	<u>1014078</u>	Key, Driven Clutch .....	1
5	<u>1014080</u>	Ring, Retaining .....	1
6	<u>1014454</u>	Kit, Driven Clutch Button (includes items 7 and 8) .....	1
7	<u>1012836</u>	Screw, #8-32 X 3/4, Socket-Head Cap .....	3
8	N/A	Button, Drive .....	3
9	<u>1017686</u>	Cam, Driven Clutch .....	1
10	<u>101836202</u>	Spring, Driven Clutch, Reversed .....	1
11	<u>AM10419</u>	Kit, Clutch Repair (includes items 12 through 14) .....	1
12	<u>101833401</u>	Key, 3/16 Sq X 1.50" .....	1
13	<u>102155801</u>	Washer, Driven Clutch .....	1
14	<u>102242101</u>	Screw, 5/16-18 X 3/4 Hex-Head with Patch .....	1

13

G

13

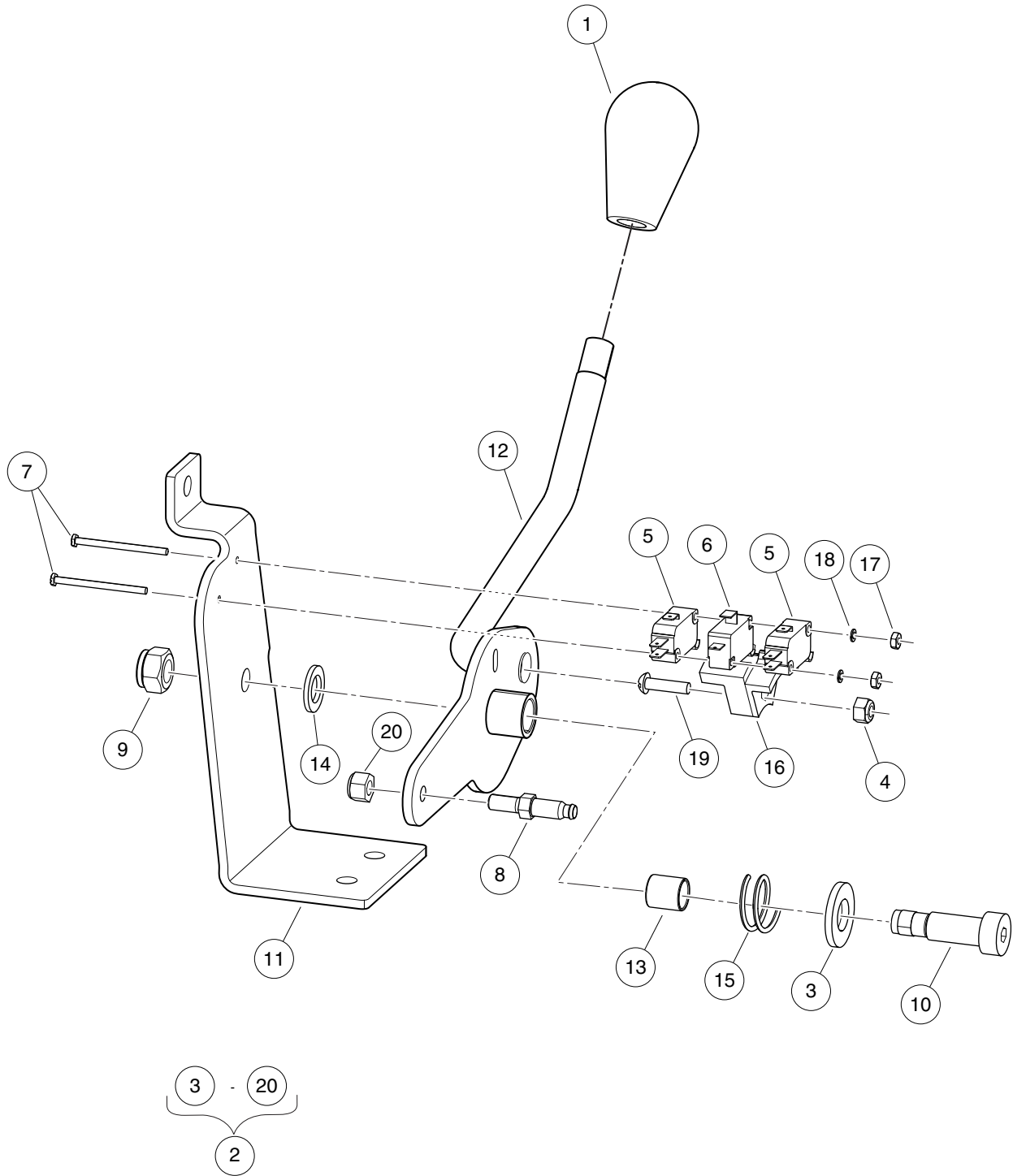
G

# UNITIZED TRANSAXLE – GASOLINE VEHICLES

---

14

G



000563-001

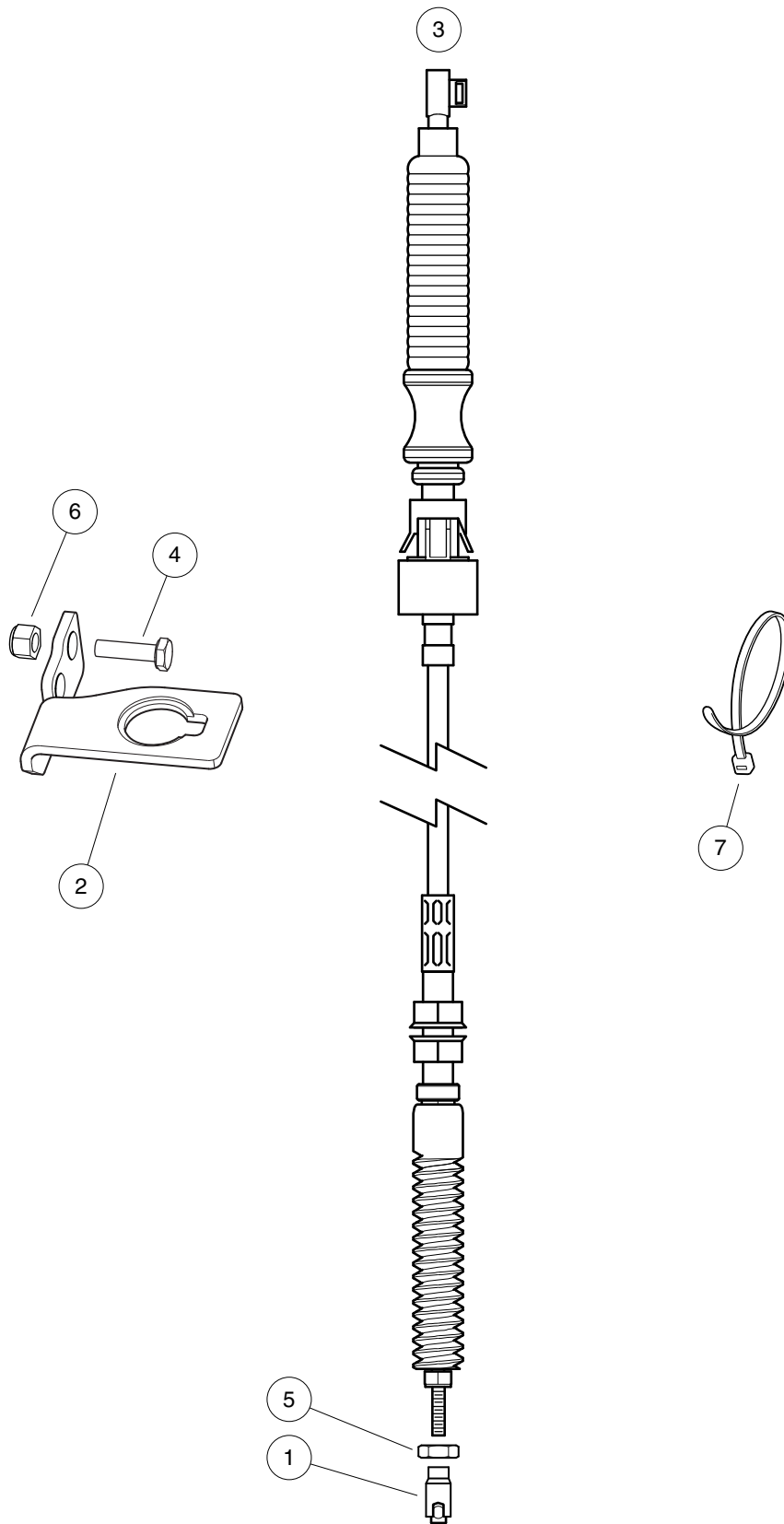


# FORWARD/REVERSE SHIFTER

ITEM	PART NO.	DESCRIPTION	QTY
		1 2 3 4	
1	<u>102376001</u>	Knob, FNR, Shifter .....	1
2	<u>102969901</u>	Asm, Shifter, FNR (includes items 3 through 20) .....	1
3	<u>1010028</u>	Washer, 1/2 Type A Flat .....	1
4	<u>1013061</u>	Locknut, #10-32 Nylon Insert .....	1
5	<u>1014807</u>	Switch, Limit .....	2
6	<u>1014808</u>	Switch, Limit .....	1
7	<u>1015878</u>	Screw, #4-40 Hex Head Machine .....	2
8	<u>102526201</u>	Stud, Thread, 1/4-28 .....	1
9	<u>102616701</u>	Locknut, M10x1.5 Nylon Insert .....	1
10	<u>102684602</u>	Shoulder Bolt, M12 X 25.0 .....	1
11	<u>102969401</u>	Bracket, Shifter, FNR .....	1
12	<u>102969801</u>	Weldment, Shift Lever, FNR .....	1
13	<u>103173301</u>	Bushing, Greaseless, 12mm Id .....	1
14	<u>103177401</u>	Washer, Thrust, Shifter, FNR .....	1
15	<u>103192701</u>	Spring, Comp, .97 Od X.75 L .....	1
16	<u>103369501</u>	Cam, Limit Switch, Fnr Shifter .....	1
17	<u>8057</u>	Nut, #4-40 Hex Machine .....	2
18	<u>8058</u>	Lockwasher, #4 Split .....	2
19	8104	Screw, #10-32 X .75 Rd Hd Mach .....	1
20	<u>8717</u>	Locknut, Nylon Insert, 1/4-28 .....	1

14

G



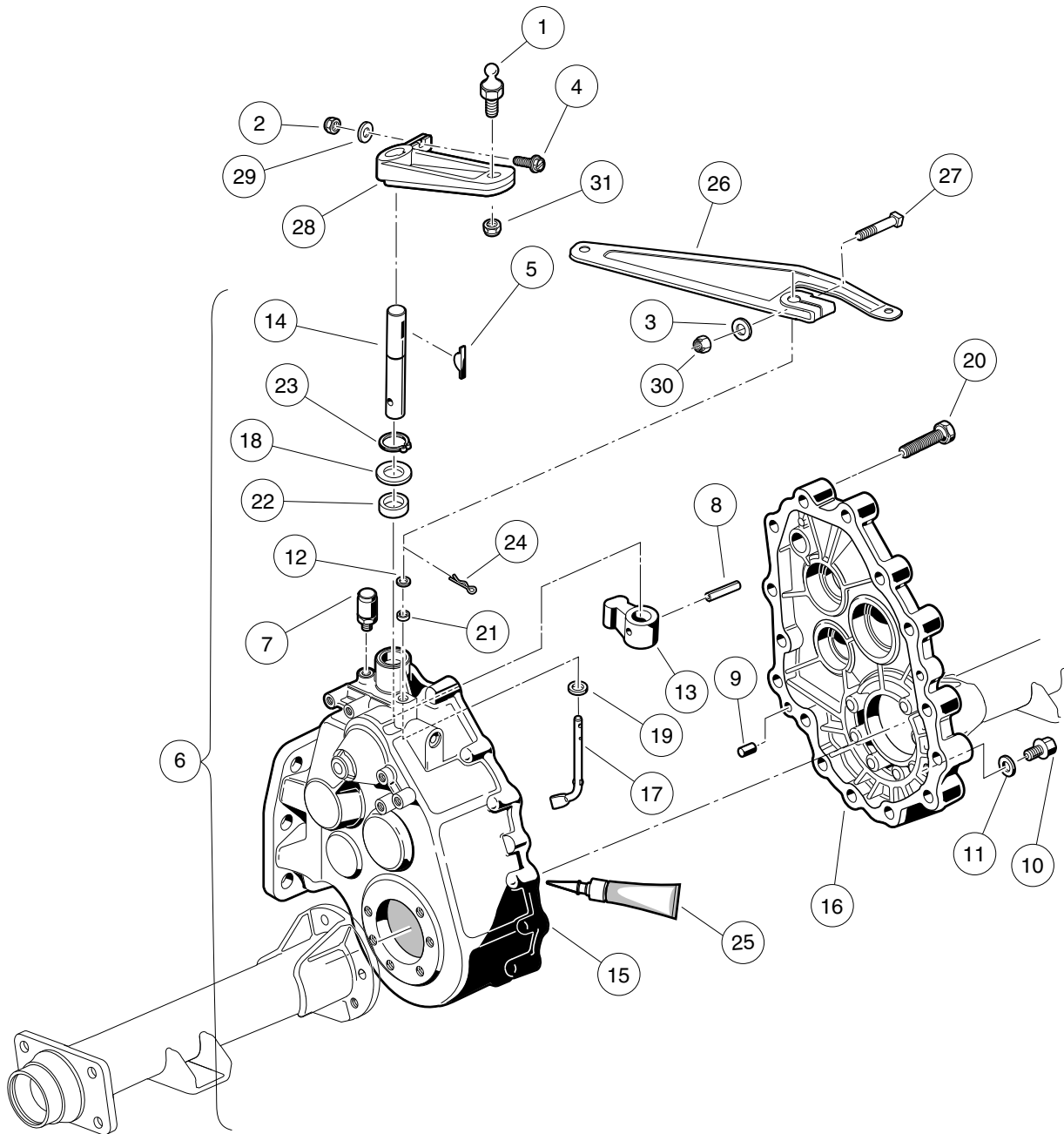
001071-001

## SHIFTER CABLE – TURF/CA 2/252/2 PLUS AND XRT900

ITEM	PART NO.	DESCRIPTION	QTY
		1 2 3 4	
1	<u>1012333</u>	Joint, #10-32 Ball .....	1
2	<u>103295101</u>	Brkt, Spt, Cable End, Fnr .....	1
3	<u>103295202</u>	Cable, Trans, Ball End, 1855mm .....	1
4	304	Screw, 1/4-20 X 1.0 Hex-Head Cap .....	2
5	<u>7893</u>	Nut, #10-32 Hex .....	1
6	<u>8233</u>	Locknut, 1/4-20, Nylon Insert .....	2
7	<u>8639</u>	Tie Wrap, 11" Nylon .....	A/R

14

G



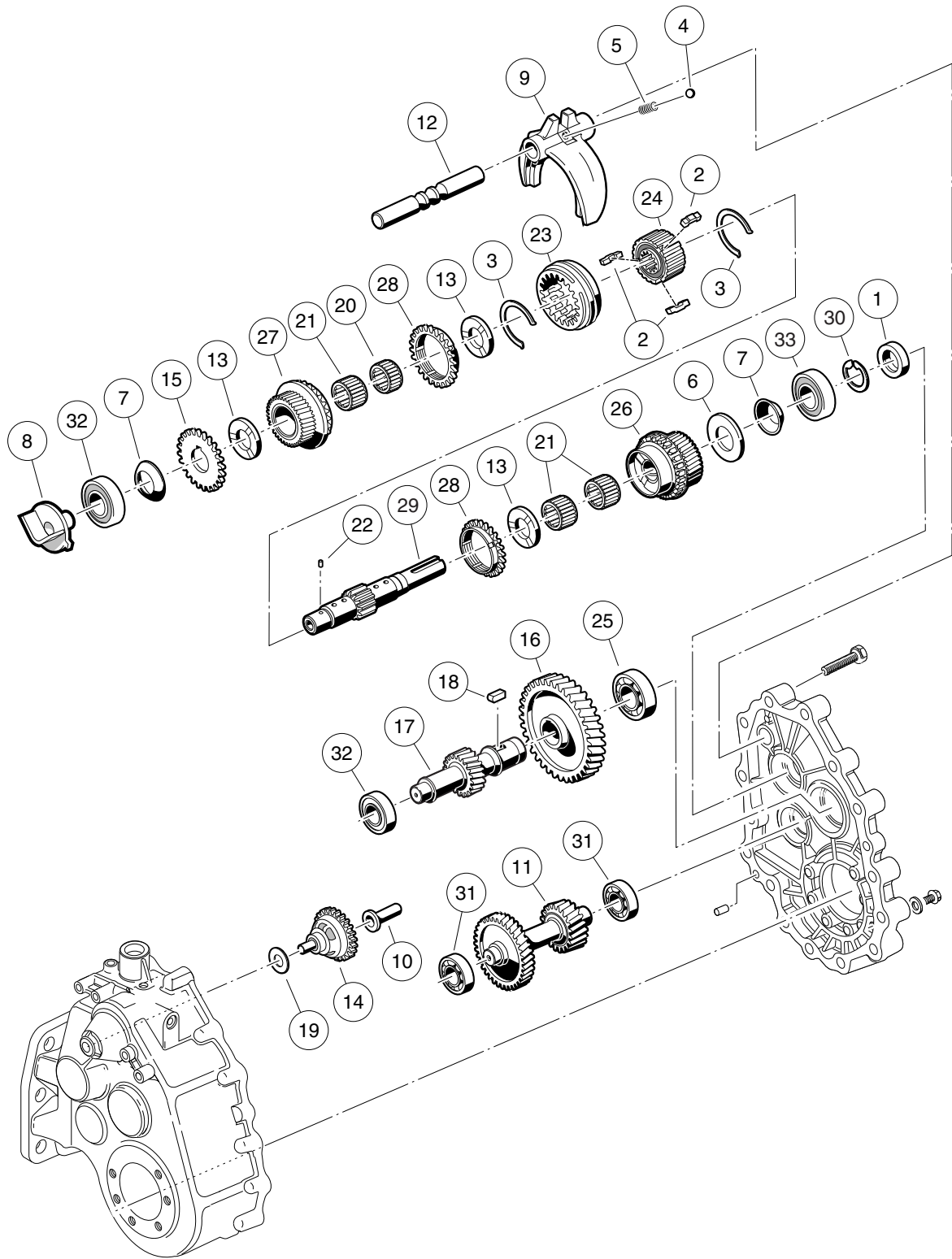
000220-005

# KAWASAKI TRANSAXLE – GEAR CASES AND BRACKETS

14

G

ITEM	PART NO.	DESCRIPTION	QTY
		1 2 3 4	
1	<u>1010954</u>	Stud, Ball, 1/4-28 X 0.560 .....	1
2	<u>1013061</u>	Locknut, #10-32 Nylon Insert .....	1
3	<u>1014007</u>	Washer, 1/4, Flat .....	1
4	<u>1017082</u>	Screw, #10-32 X 0.75, Hex-Head Machine .....	1
5	<u>1017231</u>	Key, Woodruff .....	1
6	<u>101833601</u>	Transaxle, 11.77 Ratio (includes items 7 through 25) .....	1
7	<u>1012711</u>	Breather .....	1
8	<u>1012752</u>	Roll Pin .....	1
9	<u>1012896</u>	Pin, Dowel .....	2
10	<u>1013760</u>	Fill Plug .....	2
11	<u>1016432</u>	Gasket, Drain Plug .....	1
12	<u>1016513</u>	Washer, M6 Flat .....	1
13	<u>101890101</u>	Lever, Drive Selector .....	1
14	<u>101890201</u>	Shaft, Drive Selector .....	1
15	<u>101890501</u>	Gear Case (driver side) .....	1
16	<u>101890601</u>	Gear Case (passenger side) .....	1
17	<u>101891301</u>	Arm Pivot .....	1
18	<u>101892901</u>	Washer .....	1
19	<u>101893801</u>	Washer .....	1
20	<u>101926901</u>	Screw, M8-1.25 X 40mm Hex-Head .....	15
21	<u>101927101</u>	Seal, Oil .....	1
22	<u>101927201</u>	Seal, Oil .....	1
23	<u>101927301</u>	Snap Ring .....	1
24	<u>101928601</u>	Pin, Cotter .....	1
25	<u>101928701</u>	Liquid Gasket (Transaxle case) .....	1
26	<u>101834801</u>	Arm, Governor .....	1
27	<u>101886101</u>	Screw, 1/4-20 X 1.00, Square-Head .....	1
28	<u>102515401</u>	Lever, Transmission Shift .....	1
29	<u>183</u>	Washer, #10, Type A, Flat .....	1
30	<u>8233</u>	Locknut, 1/4-20, Nylon Insert .....	1
31	<u>8717</u>	Locknut, Nylon Insert, 1/4-28 .....	1
Note: Kawasaki transaxle component listings span three pages. To identify your transaxle, locate the serial number decal on the axle tube.			



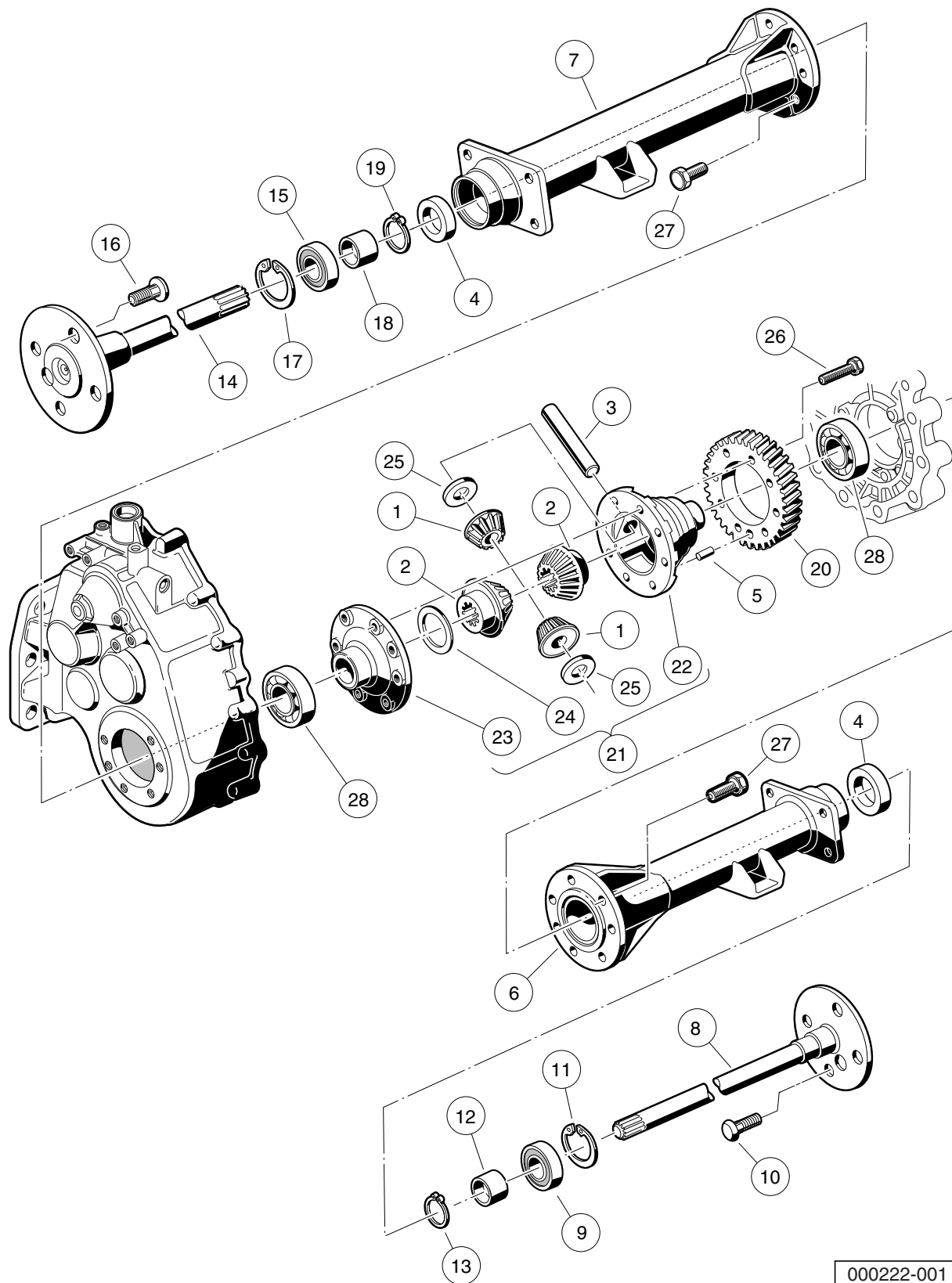
000221-001

# KAWASAKI TRANSAXLE – F&R TRANSMISSION AND GEAR REDUCTION

14

G

ITEM	PART NO.	DESCRIPTION	QTY
		1 2 3 4	
1	<u>1012714</u>	Oil Seal .....	1
2	<u>1012740</u>	Synchro Insert .....	3
3	<u>1012741</u>	Synchro Spring .....	2
4	<u>1012747</u>	Shifter Ball .....	1
5	<u>1012748</u>	Shifter Spring .....	1
6	<u>1016337</u>	Washer, Thrust .....	1
7	<u>1016338</u>	Washer, Spring .....	2
8	<u>101889401</u>	Guide .....	1
9	<u>101890001</u>	Fork - Shift .....	1
10	<u>101891601</u>	Sleeve, Governor .....	1
11	<u>101891901</u>	Gear, Cluster .....	1
12	<u>101892001</u>	Rod, Shift .....	1
13	<u>101892201</u>	Plate, Thrust .....	3
14	<u>101892301</u>	Governor Assembly .....	1
15	<u>101892401</u>	Gear, Spur .....	1
16	<u>101892501</u>	Gear, Helical (61 Tooth) .....	1
17	<u>101892601</u>	Gear, Helical (17 Tooth) .....	1
18	<u>101893201</u>	Key Sunk .....	1
19	<u>101893901</u>	Washer .....	1
20	<u>101927501</u>	Needle Bearing .....	1
21	<u>101927601</u>	Needle Bearing .....	3
22	<u>101927701</u>	Pin, .116" Dia X 0.264 Dowel .....	1
23	<u>101927901</u>	Sleeve, Synchro .....	1
24	<u>101928001</u>	Hub, Synchro Clutch .....	1
25	<u>101928101</u>	Bearing, Ball .....	1
26	<u>101980801</u>	Gear Assembly, 16-Degree Synchro (25 Tooth) .....	1
27	<u>101980901</u>	Gear Assembly, 16-Degree Rear Synchro (28 Tooth) .....	1
28	<u>101981001</u>	Ring, 16-Degree Synchronizer .....	2
29	<u>102453001</u>	Shaft, Trans, with Circlip .....	1
30	<u>102453101</u>	Circlip .....	1
31	<u>7335</u>	Bearing .....	2
32	<u>AM10080</u>	Bearing, Ball, Sealed .....	2
33	<u>AM10081</u>	Bearing, Ball, Sealed .....	1
<p>Note: To identify your transaxle, locate the serial number decal on the axle</p>			



000222-001



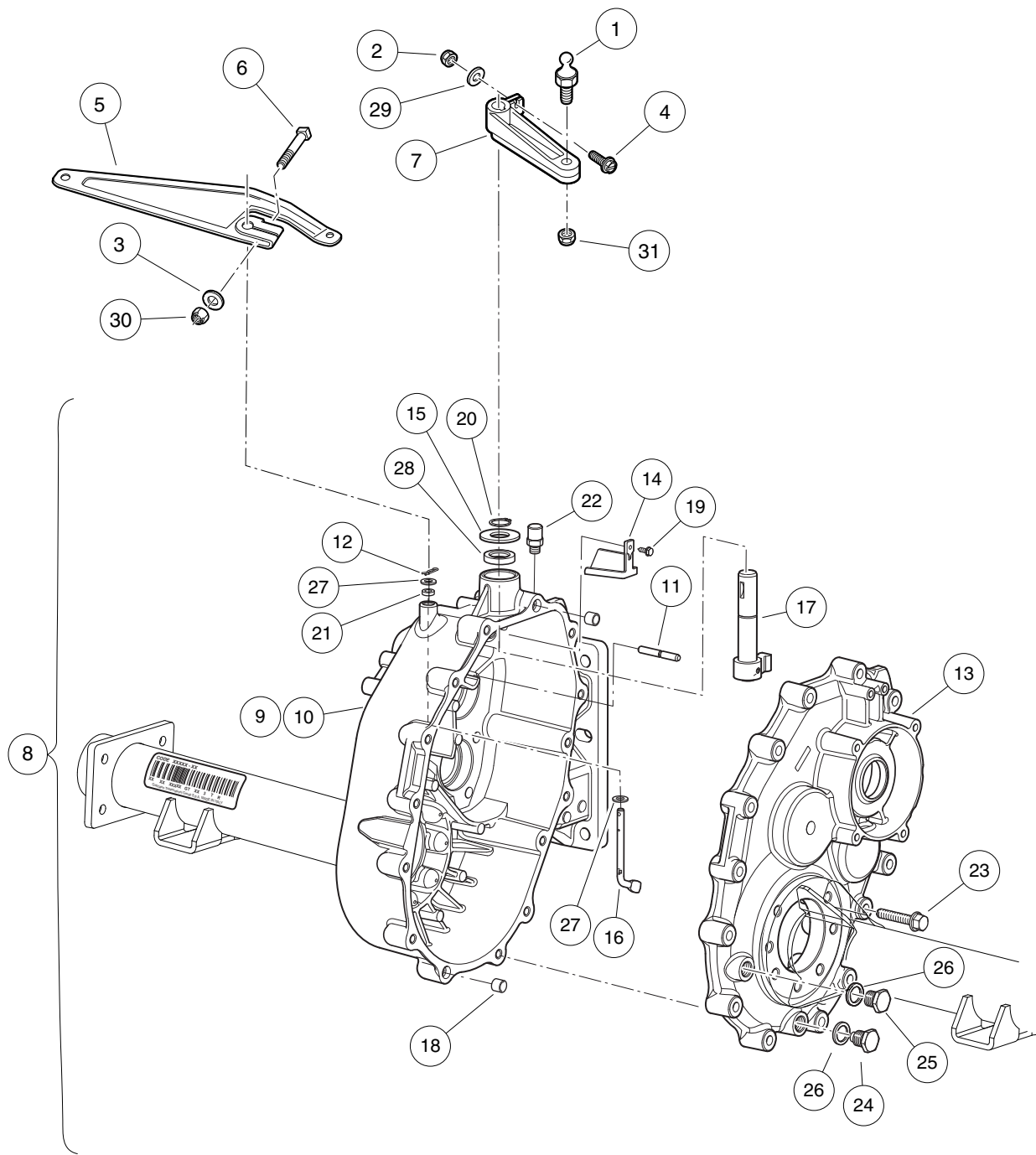
# KAWASAKI TRANSAXLE – DIFFERENTIAL AND AXLES

ITEM	PART NO.	DESCRIPTION	QTY
		1 2 3 4	
1	<u>1013770</u>	Differential Idler Gear .....	2
2	<u>1013771</u>	Gear, Differential .....	2
3	<u>1013772</u>	Pin, Differential .....	1
4	<u>1013794</u>	Axle Shaft Oil Seal .....	2
5	N/A	Dowel Pin .....	1
6	<u>101890901</u>	Axle Tube (Passenger Side) .....	1
7	<u>101891001</u>	Axle Tube (Driver Side) .....	1
8	<u>101891401</u>	Axle Assembly, Passenger Side (includes items 9 through 13) .....	1
9	<u>1011291</u>	Outer Axle, Tube Bearing .....	1
10	<u>1013787</u>	Lug Stud .....	4
11	<u>1013792</u>	Circlip Type C .....	1
12	<u>1014207</u>	Bushing .....	1
13	<u>1016672</u>	Retaining Ring .....	1
14	<u>101891501</u>	Axle Assembly, Driver-Side (includes items 15 through 19) .....	1
15	<u>1011291</u>	Outer Axle, Tube Bearing .....	1
16	<u>1013787</u>	Lug Stud .....	4
17	<u>1013792</u>	Circlip Type C .....	1
18	<u>1014207</u>	Bushing .....	1
19	<u>1016672</u>	Retaining Ring .....	1
20	<u>101892701</u>	Gear, Helical .....	1
21	<u>101910501</u>	Kit, Differential Gear Case (includes items 22 through 25) .....	1
22	<u>1013768</u>	Differential Gear Case, Left-Hand .....	1
23	<u>1013769</u>	Differential Gear Case, Right-Hand .....	1
24	<u>1013773</u>	Plate, Thrust (Differential Gear) .....	1
25	<u>1013774</u>	Plate, Thrust (Idler Gear) .....	2
26	<u>101928301</u>	Screw, M8-1.25 X 35mm Hex Head .....	8
27	<u>102031901</u>	Bolt, M10 X 1.5 X 30mm .....	14
28	<u>7330</u>	Inner Axle Tube Bearing .....	2
Note: To identify your transaxle, locate the serial number decal on the axle			

14

G

**14**  
**G**



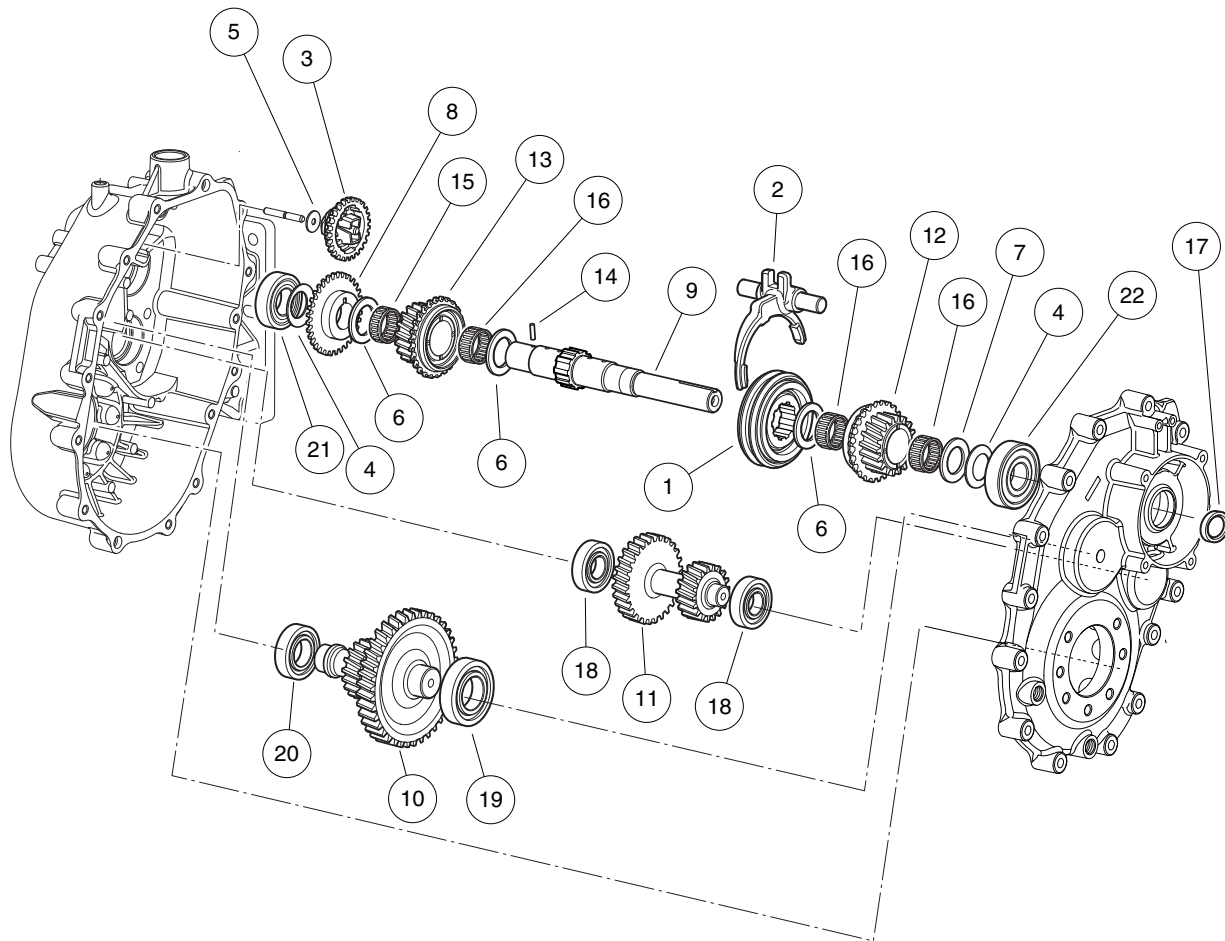
000680-009

## GRAZIANO TRANSAXLE – GEAR CASES AND LEVERS

ITEM	PART NO.	DESCRIPTION	QTY
		1 2 3 4	
1	<u>1010954</u>	Stud, Ball, 1/4-28 X 0.560 .....	1
2	<u>1013061</u>	Locknut, #10-32 Nylon Insert .....	1
3	<u>1014007</u>	Washer, 1/4, Flat .....	1
4	<u>1017082</u>	Screw, #10-32 X 0.75, Hex-Head Machine .....	1
5	<u>101834801</u>	Arm, Governor .....	1
6	<u>101886101</u>	Screw, 1/4-20 X 1.00, Square-Head .....	1
7	<u>102515401</u>	Lever, Transmission Shift .....	1
8	<u>102896801</u>	Transaxle, Unitized, Graziano (includes items 9 through 28) .....	1
9	<u>102896901</u>	Gear Box (Driver-Side) (includes items 10 and 11) .....	1
10	N/A	Gear Box .....	1
11	N/A	Pin, Speed Governor .....	1
12	<u>102897401</u>	Pin, Split .....	1
13	<u>102897501</u>	Cover, Gear Box (Passenger-Side) .....	1
14	<u>102897601</u>	Conveyor, Oil .....	1
15	<u>102897801</u>	Washer, Thrust .....	1
16	<u>102897901</u>	Lever, Speed Governor .....	1
17	<u>102898201</u>	Unit, Drive Selector .....	1
18	<u>102899101</u>	Dowel .....	2
19	<u>102899201</u>	Screw .....	1
20	<u>102899401</u>	Ring, Snap .....	1
21	<u>102899701</u>	Grommet .....	1
22	<u>102899801</u>	Breather .....	1
23	<u>102900001</u>	Screw .....	15
24	<u>102900101</u>	Drain Plug, Magnetic .....	1
25	<u>102900201</u>	Fill Plug .....	1
26	<u>102900301</u>	Seal .....	2
27	<u>102900601</u>	Washer .....	2
28	<u>102900901</u>	Grommet .....	1
29	<u>183</u>	Washer, #10, Type A, Flat .....	1
30	<u>8233</u>	Locknut, 1/4-20, Nylon Insert .....	1
31	<u>8717</u>	Locknut, Nylon Insert, 1/4-28 .....	1
		<p>Note: Graziano transaxle component listings span three pages. To identify your transaxle, locate the serial number decal on the axle tube.</p>	

14

G



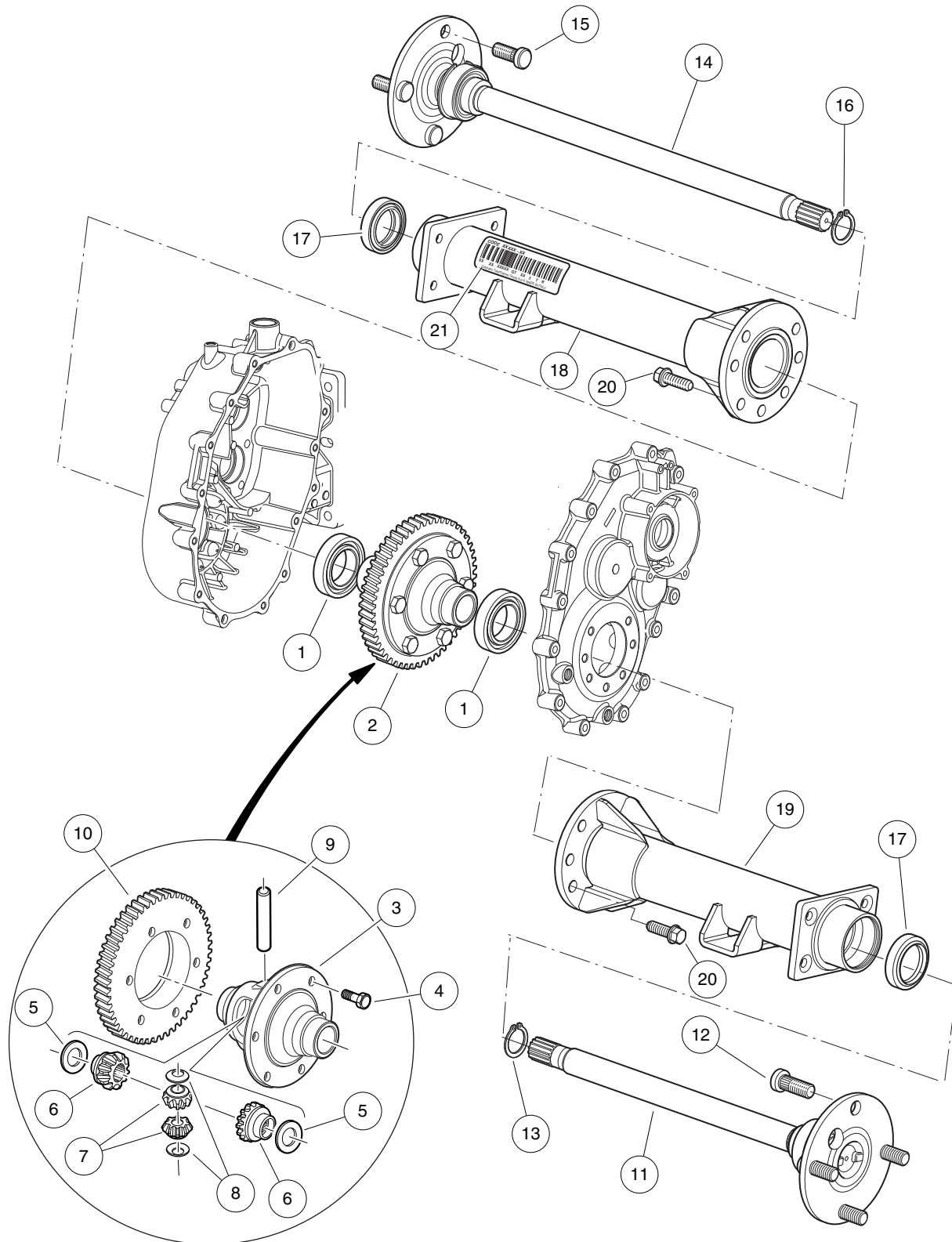
000680-006

# GRAZIANO TRANSAXLE – F&R TRANSMISSION AND GEAR REDUCTION

14

G

ITEM	PART NO.	DESCRIPTION	QTY
		1 2 3 4	
1	<u>102897201</u>	Synchronizer, Complete .....	1
2	<u>102897301</u>	Fork, Complete .....	1
3	<u>102897701</u>	Assembly, Speed Governor .....	1
4	<u>102898001</u>	Washer, Belleville .....	2
5	<u>102898101</u>	Bearing, Thrust .....	1
6	<u>102898301</u>	Bearing, Thrust .....	3
7	<u>102898401</u>	Washer, Thrust .....	1
8	<u>102898501</u>	Gear, Speed Governor .....	1
9	<u>102898601</u>	Shaft, Main .....	1
10	<u>102898701</u>	Shaft, Secondary .....	1
11	<u>102898801</u>	Shaft, Reverse Gear .....	1
12	<u>102898901</u>	Gear, Complete, 25t .....	1
13	<u>102899001</u>	Gear, Complete, 28t .....	1
14	<u>102899301</u>	Pin .....	1
15	<u>102899501</u>	Cage, Roller .....	1
16	<u>102899601</u>	Cage, Roller .....	3
17	<u>102899901</u>	Grommet .....	1
18	<u>102900401</u>	Bearing .....	2
19	<u>102900501</u>	Bearing, 62 Od X 30 Id X 16 .....	1
20	<u>102900701</u>	Bearing .....	1
21	<u>102901001</u>	Bearing .....	1
22	<u>102901101</u>	Bearing .....	1
<p>Note: To identify your transaxle, locate the serial number decal on the axle tube.</p>			



000681-002

# GRAZIANO TRANSAXLE -DIFFERENTIAL AND AXLES

ITEM	PART NO.	DESCRIPTION	QTY
		1 2 3 4	
1	<u>102900801</u>	Bearing, 68 Od X 40 Id X 15 .....	2
2	<u>102902001</u>	Assembly, Differential (includes items 3 through 10) .....	1
3	<u>102901201</u>	Box, Differential .....	1
4	<u>102901301</u>	Screw, M10 X 25 .....	6
5	<u>102901401</u>	Ring, Sleeve .....	2
6	<u>102901501</u>	Gear, Sun .....	2
7	<u>102901601</u>	Gear, Planetary .....	2
8	<u>102901701</u>	Ring, Sleeve .....	2
9	<u>102901801</u>	Pin .....	1
10	<u>102901901</u>	Gear .....	1
11	<u>102902101</u>	Shaft, Axle, Short, Complete (Passenger-Side) (includes items 12 and 13) .....	1
12	<u>102902301</u>	Bolt, Stud .....	4
13	<u>102902401</u>	Snap Ring .....	1
14	<u>102902201</u>	Shaft, Axle, Long, Complete (Driver-Side) (includes items 15 and 16) .....	1
15	<u>102902301</u>	Bolt, Stud .....	4
16	<u>102902401</u>	Snap Ring .....	1
17	<u>102902501</u>	Seal, Lip .....	2
18	<u>102902601</u>	Axle Tube, (Driver-Side) .....	1
19	<u>102902701</u>	Axle Tube, (Passenger-Side) .....	1
20	<u>102902801</u>	Screw, M10 X 30 .....	14
21	N/A	Tag, Serial .....	1
		Note: To identify your transaxle, locate the serial number decal on the axle tube.	

14

G

14

G

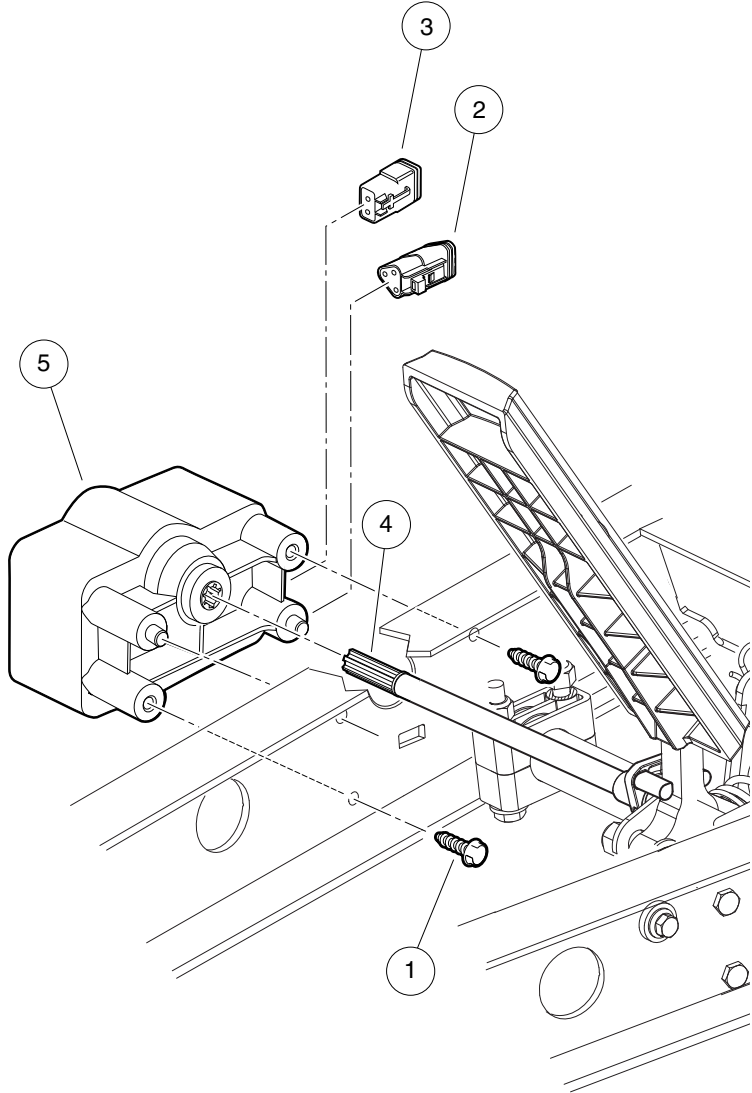


# ELECTRICAL SYSTEM – ELECTRIC VEHICLES

---

15

*E*



001070-001

# MOTOR CONTROLLER OUTPUT REGULATOR (MCOR)

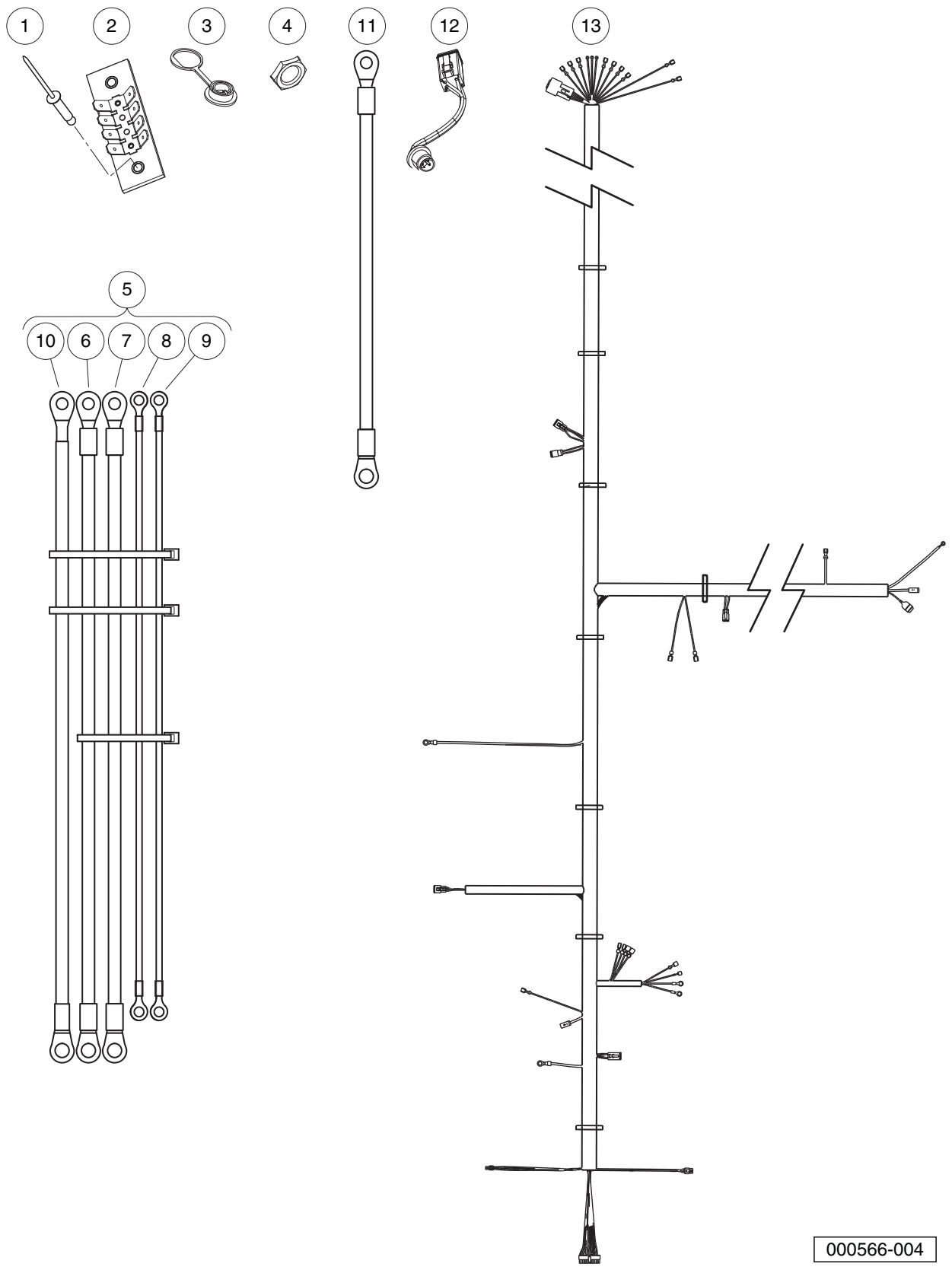
ITEM	PART NO.	DESCRIPTION	QTY
		1 2 3 4	
1	<u>1015752</u>	Screw, #12-16 X 0.625, Hi-Lo .....	2
2	<u>101920101</u>	Kit, 3-Pin Wedge Lock .....	1
3	<u>101936801</u>	Kit, 2-Pin Wedge Lock .....	1
4	102101001	Bar, Drive, Cast .....	1
5	<u>102101101</u>	MCOR .....	1

15

E

15

E



000566-004

# MAIN WIRING HARNESS, 48-VOLT FUSE BLOCK – ELECTRIC VEHICLE

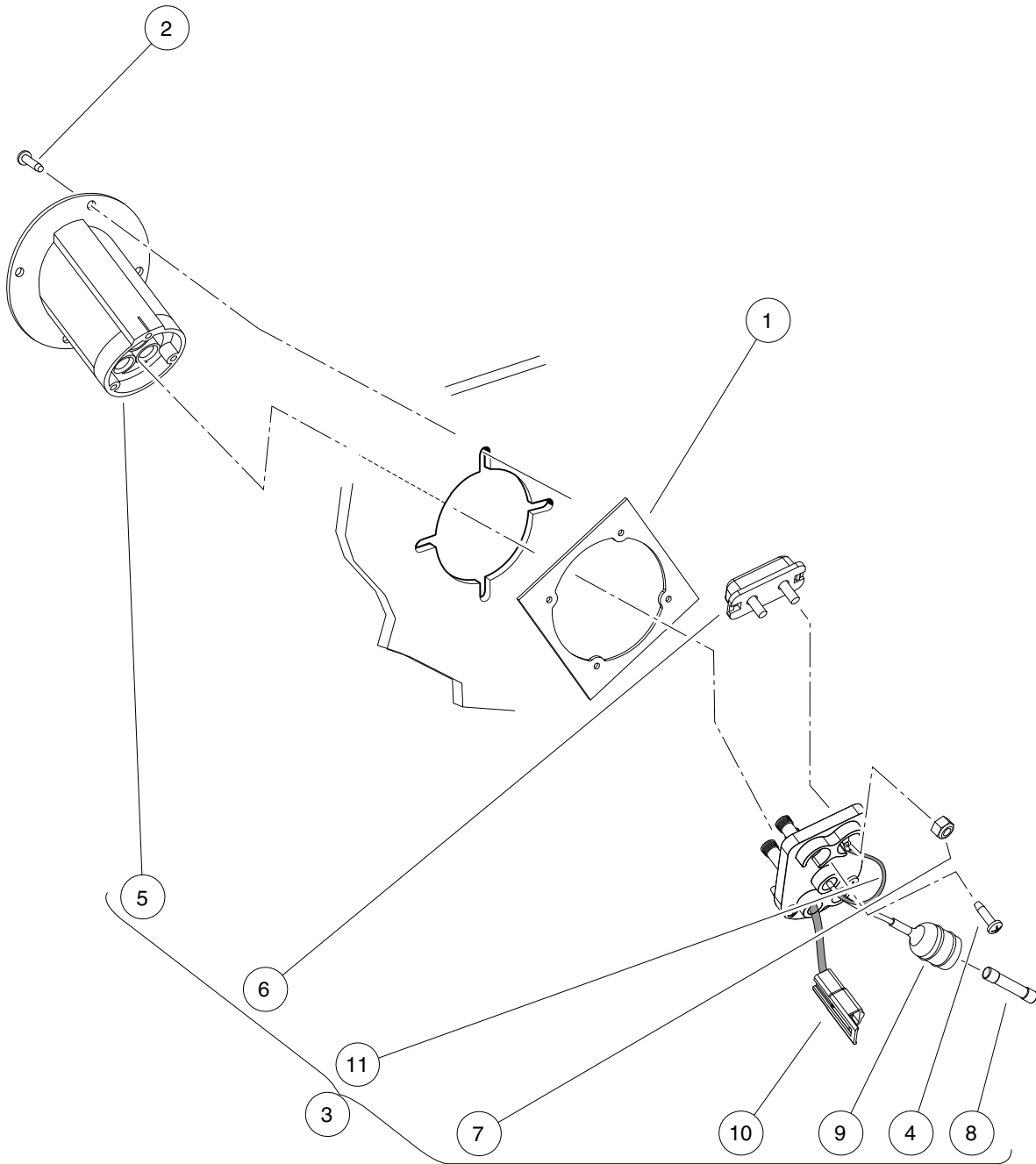
ITEM	PART NO.	DESCRIPTION	QTY
		1 2 3 4	
1	<u>1013357</u>	Rivet, 5/32 Aluminum Pop .....	2
2	<u>1016356</u>	Terminal Block with Insulator .....	1
3	<u>102196901</u>	Dust Cap .....	1
4	<u>102572401</u>	Nut, Diagnostic Port, Prec .....	1
5	<u>102845401</u>	Wire Harness, Power, IQ Plus (includes items 6 through 10) .....	1
6	N/A	Asm, #4 Grn Wire, 37" .....	1
7	N/A	Asm, #4 Wht Wire, 36.5" .....	1
8	N/A	Asm, #10 Org Wire, 39" .....	1
9	N/A	Asm, #10 Blu Wire, 46" .....	1
10	<u>102846402</u>	Asm, #4 Red Wire, 33" .....	1
11	<u>102863801</u>	Wire Asm, #4 Yellow, 12.5" .....	1
12	<u>103218601</u>	Harness, Diagnostic Port .....	1
13	<u>103221901</u>	Asm, Wire Harness, Carryall 2, Elec .....	1

15

E

**15**

**E**



000369-002

# BATTERY CHARGER RECEPTACLE

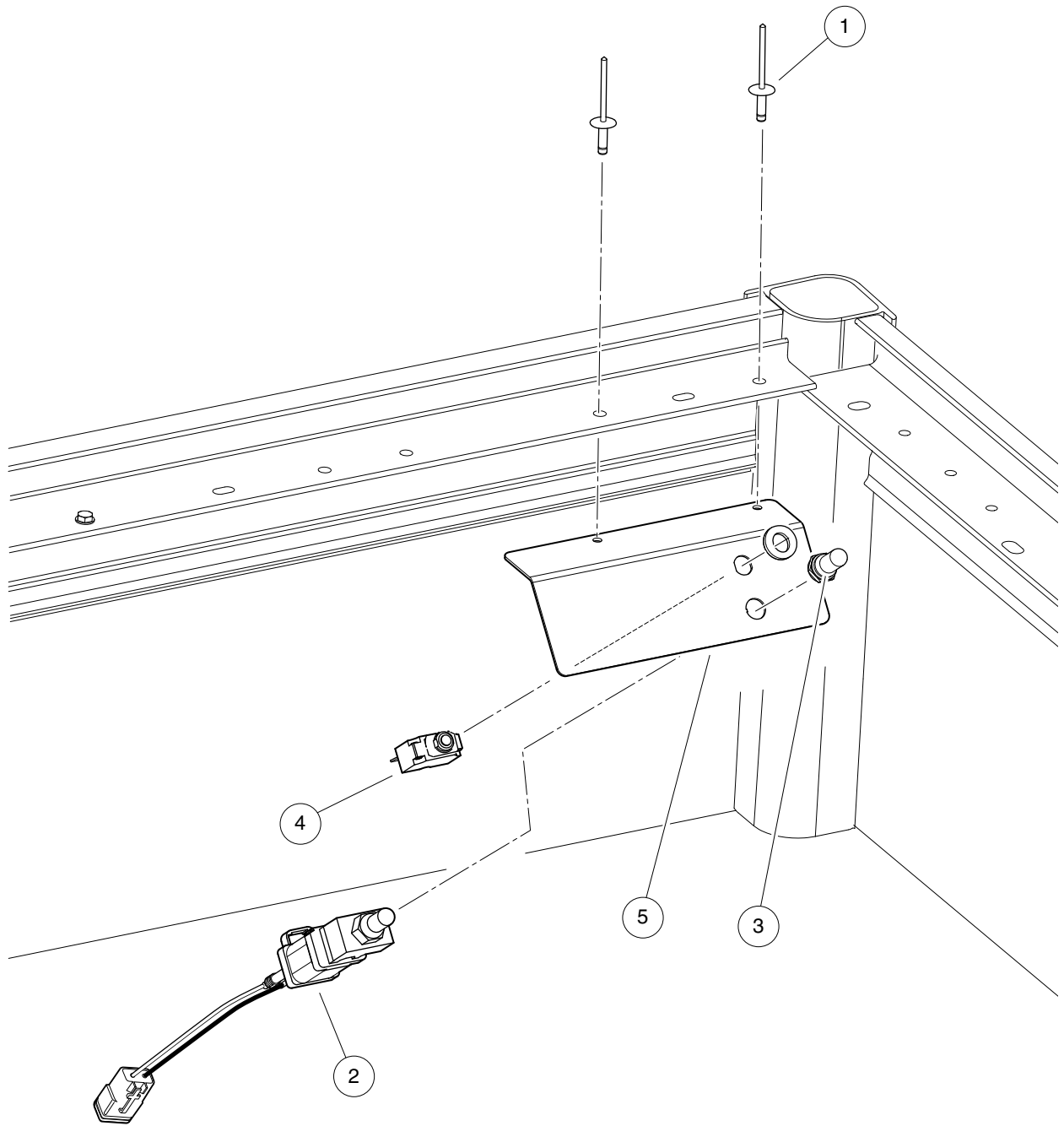
ITEM	PART NO.	DESCRIPTION	QTY
		1 2 3 4	
1	<u>101801001</u>	Plate, Receptacle Backing .....	1
2	<u>101832001</u>	Screw, #7-19 X 0.625 Phillips Pan-Head Tap .....	4
3	<u>102848701</u>	Fuse and Receptacle Assembly (includes items 4 through 11) .....	1
4	<u>1017705</u>	Screw, #8 X 5/8 Phillips Pan-Head Type AB .....	3
5	<u>101796501</u>	Receptacle .....	1
6	<u>101796801</u>	Fuse Assembly (includes item 7) .....	1
7	<u>1013061</u>	Locknut, #10-32 Nylon Insert .....	2
8	<u>101894901</u>	Fuse, 3/8-Amp .....	1
9	N/A	Wire Assembly, Sense Lead, Gray .....	1
10	N/A	Wire Assembly, #10 Red .....	1
11	N/A	Wire Assembly, #10 Black .....	1

15

E

15

E



002520-003

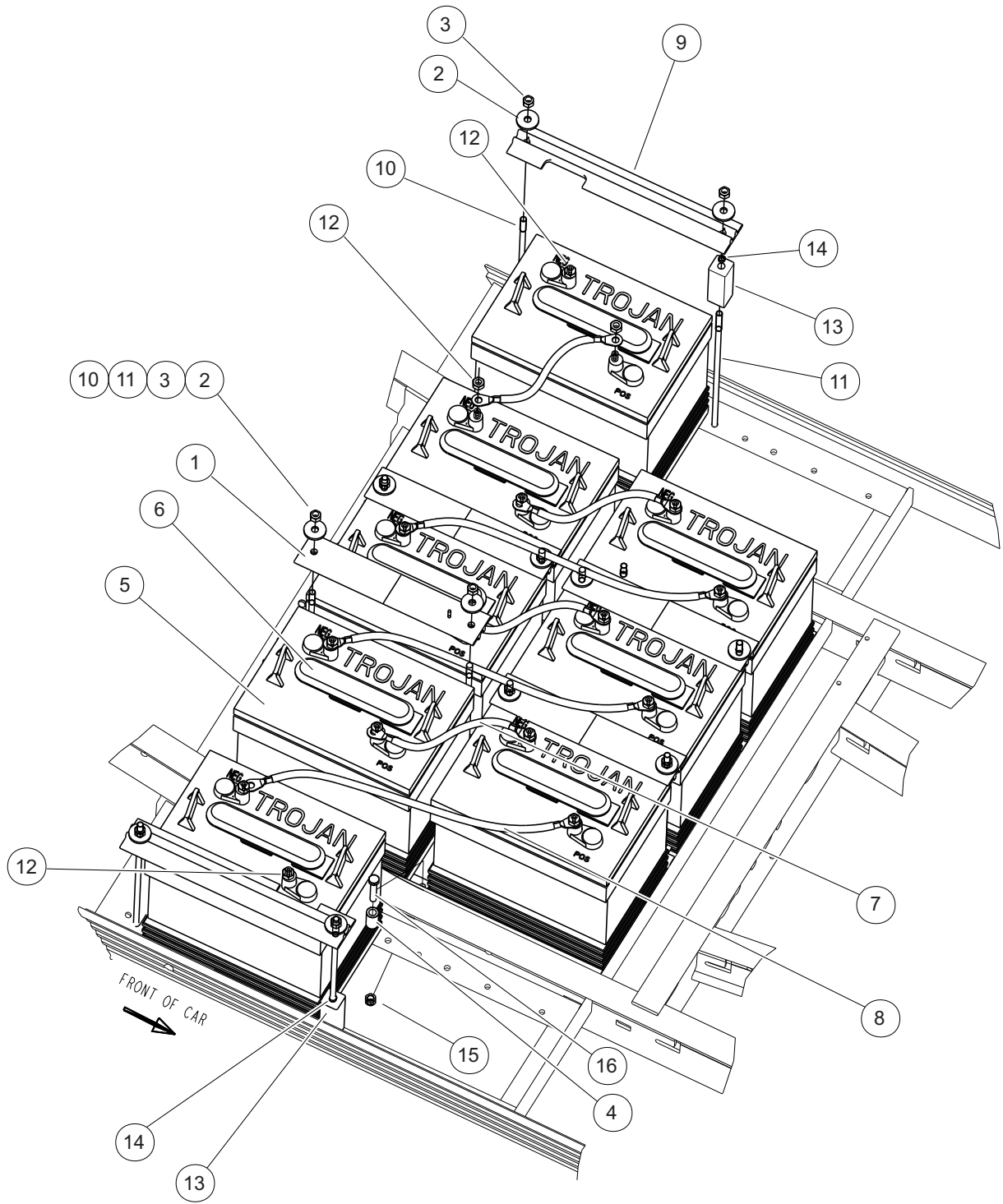


# TOW/RUN SWITCH AND CIRCUIT-BREAKER – IQ PLUS

ITEM	PART NO.	DESCRIPTION	QTY
		1 2 3 4	
1	<u>1015392</u>	Rivet, 3/16 Pop .....	2
2	<u>101908101</u>	Switch Assembly, Tow/Run .....	1
3	<u>101908401</u>	Boot, Switch .....	1
4	<u>102838101</u>	Circuit Breaker, 20 Amp .....	1
5	<u>102915701</u>	Plate, Switch, Run Tow, Mode .....	1

15

E



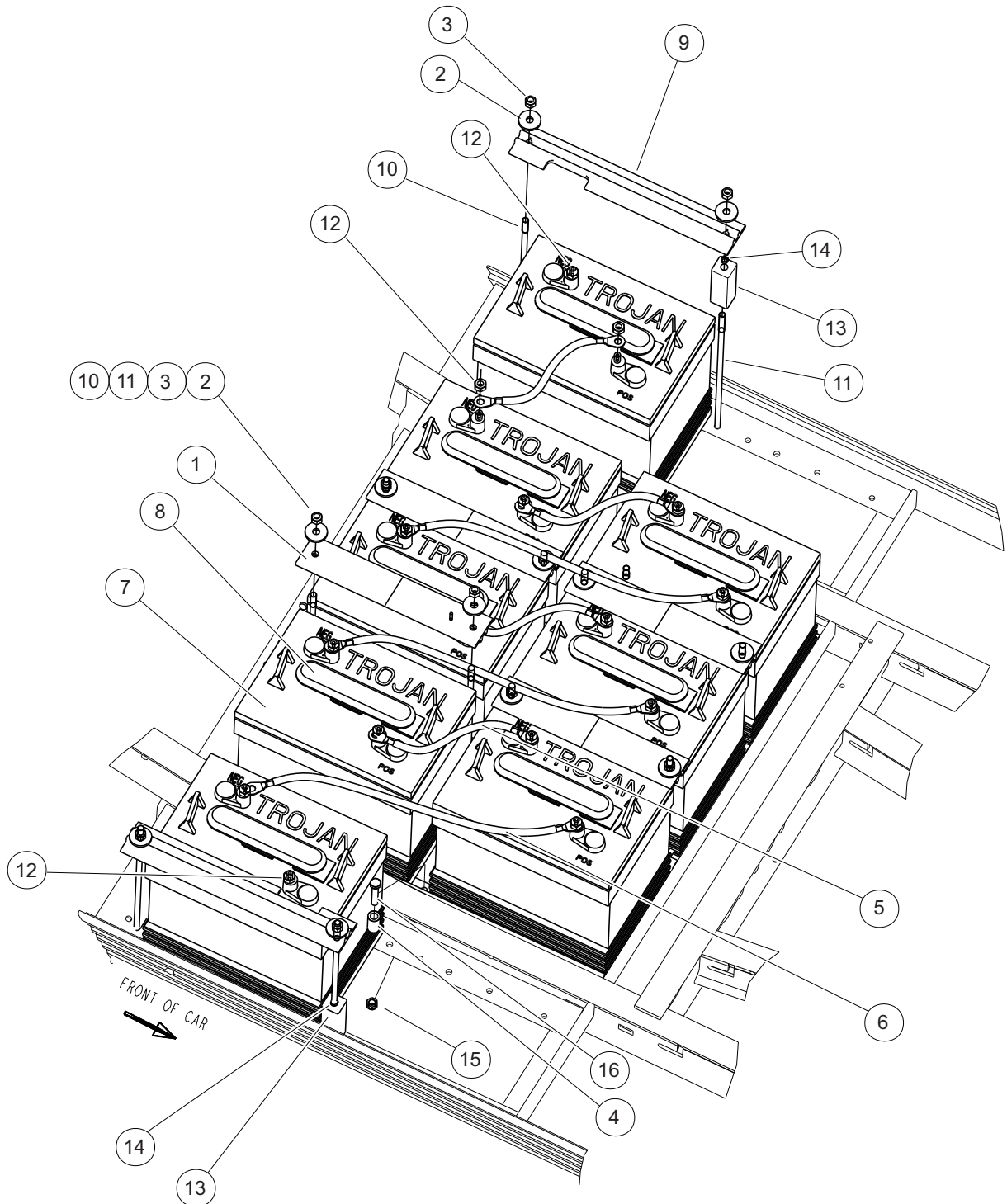
000409-003

## BATTERIES, 6-VOLT, STANDARD DUTY

ITEM	PART NO.	DESCRIPTION	QTY
		1 2 3 4	
1	<u>101090801</u>	Hold-Down, Battery .....	4
2	1012571	Washer, 5/16 Extra Thick Flat .....	12
3	1015072	Locknut, 5/16-18 Nylon Insert .....	12
4	<u>1015608</u>	Tube Spacer, Hydraulic Cylinder .....	2
5	<u>101661601</u>	Battery, 6-Volt, Trojan T105 (Wet) (includes item 6) .....	8
6	<u>101831401</u>	Battery Cap 6 Volt .....	1
7	<u>102002901</u>	Wire Assy, #4 Black .....	4
8	<u>102764001</u>	Wire Asm, #4 Black .....	3
9	<u>102766201</u>	Hold Down, Outside .....	2
10	<u>102845201</u>	Rod, Battery Hold Down 9.7" .....	10
11	<u>102845203</u>	Rod, Battery Hold Down 10.7" .....	2
12	<u>102873401</u>	5/16-18 Heavy Hex Nut .....	16
13	<u>102980801</u>	Extr, Plastic, 1 X 1 X 3 .....	2
14	<u>102980901</u>	Clamp, Hose, Nylon, .25 .....	2
15	<u>7473</u>	Locknut, 5/16-18 Nylon Insert .....	2
16	<u>8963</u>	Screw, 5/16-18 X 1.75 Hex-Head Cap .....	2

15

E



000409-004

## BATTERIES, 6-VOLT, HEAVY DUTY

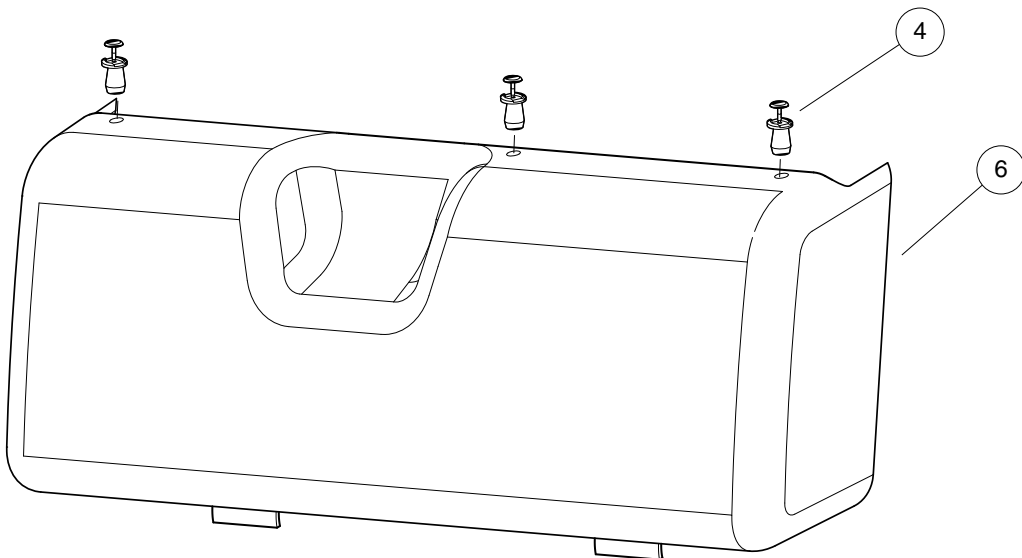
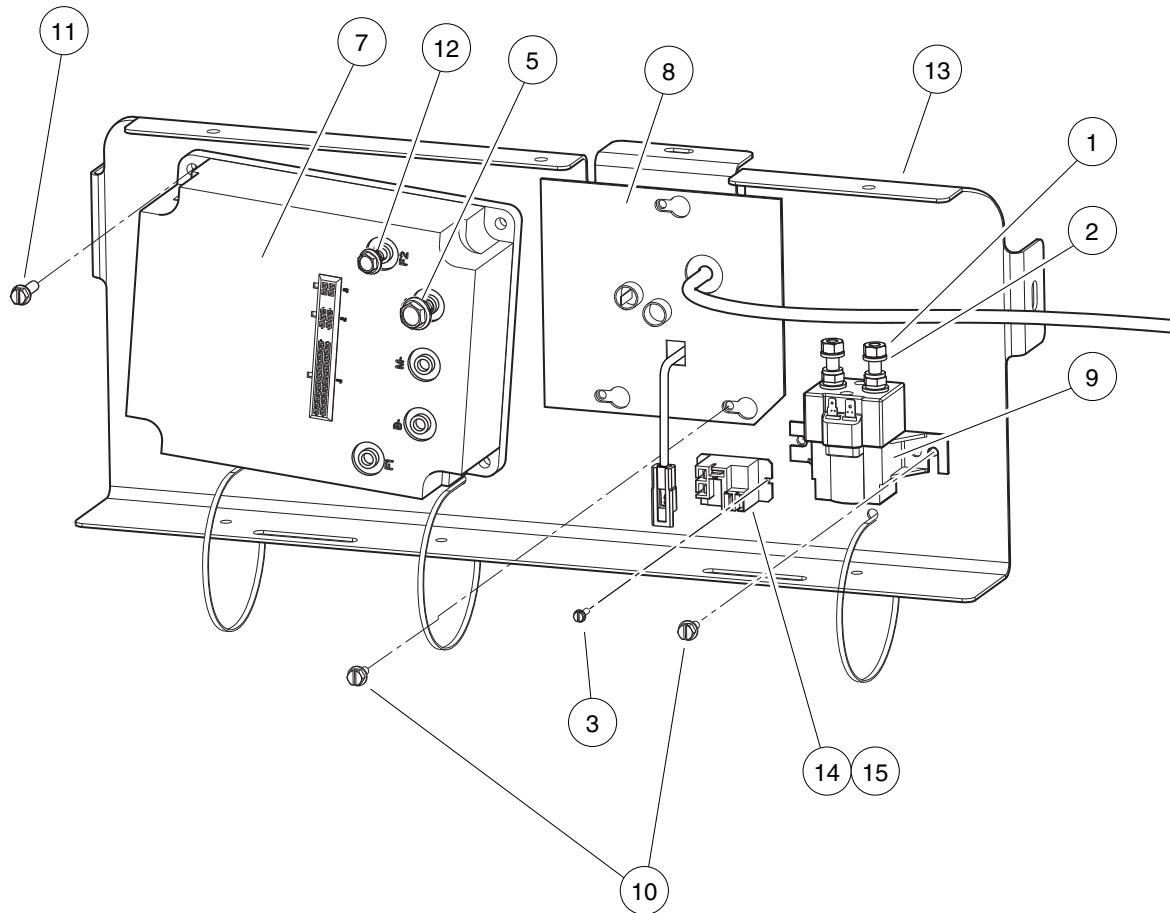
ITEM	PART NO.	DESCRIPTION	QTY
		1 2 3 4	
1	<u>101090801</u>	Hold-Down, Battery .....	4
2	1012571	Washer, 5/16 Extra Thick Flat .....	12
3	1015072	Locknut, 5/16-18 Nylon Insert .....	12
4	<u>1015608</u>	Tube Spacer, Hydraulic Cylinder .....	2
5	<u>102002901</u>	Wire Assy, #4 Black .....	4
6	<u>102764001</u>	Wire Asm, #4 Black .....	3
7	<u>102764401</u>	Battery, 6v Trojan T145 (Wet) (includes item 8) .....	8
8	<u>101831401</u>	Battery Cap 6 Volt .....	1
9	<u>102766201</u>	Hold Down, Outside .....	2
10	<u>102845203</u>	Rod, Battery Hold Down 10.7" .....	10
11	<u>102845204</u>	Rod, Battery Hold Down 12" .....	2
12	<u>102873401</u>	5/16-18 Heavy Hex Nut .....	16
13	<u>102980801</u>	Extr, Plastic, 1 X 1 X 3 .....	2
14	<u>102980901</u>	Clamp, Hose, Nylon, .25 .....	2
15	<u>7473</u>	Locknut, 5/16-18 Nylon Insert .....	2
16	<u>8963</u>	Screw, 5/16-18 X 1.75 Hex-Head Cap .....	2

15

E

15

E



000597-002

## COMPUTER, CONTROLLER, AND SOLENOID

ITEM	PART NO.	DESCRIPTION	QTY
		1 2 3 4	
1	<u>1012528</u>	Nut, M8-1.25 Hex .....	2
2	<u>1013734</u>	Lockwasher, 8mm Split .....	2
3	<u>1015720</u>	Screw, #6-32 X 1/2 Hex Washer-Head .....	2
4	<u>1016967</u>	Blind Rivet, Push Type .....	3
5	<u>102240501</u>	Bolt, Controller, Terminal .....	3
6	<u>102772401</u>	Cover, Component, Elec, Rear .....	1
7	<u>102774501</u>	Controller, 500 Amp .....	1
8	<u>102774602</u>	Computer, Onbrd, 8x 6v, 38" .....	1
9	<u>102774701</u>	Solenoid, 48v .....	1
10	<u>102817101</u>	Screw, 1/4-20 X .50 Hex Wsh Hd .....	5
11	<u>102817201</u>	Screw, 1/4-20 X .88 Hex Wsh Hd .....	4
12	<u>102859501</u>	Screw, M6 X 1 X 20 Ser Hex Flg .....	2
13	<u>102931101</u>	Plate, Component, Rear .....	1
14	<u>103414901</u>	Kit, Relay, 48v 30a W/instr (includes item 15) .....	1
15	<u>103397901</u>	Relay, Spst No, 48v 30a, Pmt .....	1

15

E

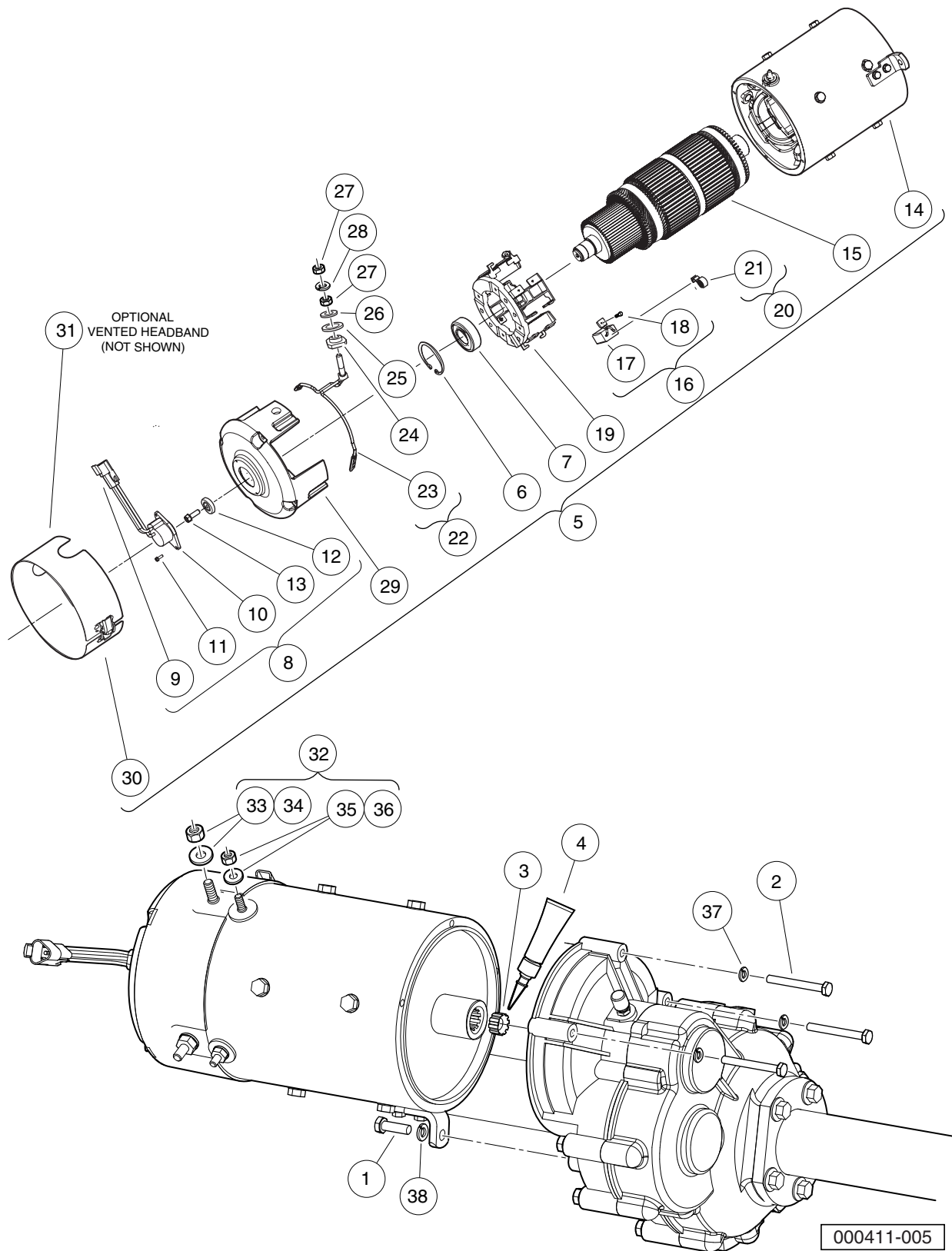
**15**

***E***



# MOTOR (MODEL DA5-4006) – IQ PLUS

---



# MOTOR (MODEL DA5-4006) – IQ PLUS

ITEM	PART NO.	DESCRIPTION	QTY
		<b>1 2 3 4</b>	
1	<u>1010934</u>	Screw, 5/16-18 X 1.00 Hex Cap .....	1
2	1014201	Screw, 1/4-20 X 2.25 Hex Cap .....	3
3	<u>102235201</u>	Bumper, Drive Unit .....	1
4	<u>102243403</u>	Lubricant, Moly-Teflon (Single-Use Tube) .....	1
5	<u>102775101</u>	IQ Plus Electric Motor, 48-VDC 3.7 hp (includes items 6 through 30) .....	1
6	N/A	Ring, 2.24" Internal Retaining .....	1
7	<u>102186401</u>	Bearing, Ball .....	1
8	<u>102704901</u>	Kit, Speed Sensor (includes items 9 through 13) .....	1
9	<u>101942301</u>	Kit, 3-Pin Wedge Lock .....	1
10	N/A	Sensor, Motor Speed, ADC .....	1
11	N/A	Screw, #8-32, Taptite Thread .....	2
12	N/A	Magnet, ADC Motor .....	1
13	N/A	Screw, 1/4-20 x 0.5 .....	1
14	N/A	Asm, Frame And Field, 3.7 Hp .....	1
15	N/A	Armature (Includes external hardware not shown) .....	1
16	<u>102938601</u>	Kit, Brush, 3.7 Hp (includes items 17 and 18) .....	1
17	N/A	Brush, Motor .....	8
18	N/A	Screw, Taptite .....	8
19	<u>102938701</u>	Asm, Brush Box, 3.7 Hp .....	1
20	<u>102938801</u>	Kit, Brush Spring, 3.7 Hp (includes item 21) .....	1
21	N/A	Brush Spring .....	8
22	<u>102938901</u>	Kit, Brush Lead Asm, 3.7 Hp (includes items 23 through 28) .....	1
23	N/A	Terminal and Lead Assembly .....	2
24	N/A	Insulator, Terminal .....	2
25	N/A	Washer, Insulating .....	2
26	N/A	Washer, Flat, 5/16, Brass/Bronze .....	2
27	N/A	Nut, 5/16, Steel .....	4
28	N/A	Lockwasher, 5/16, Steel .....	2
29	<u>102939001</u>	Commutator End Head, 3.7 Hp .....	1
30	<u>102939101</u>	Sealed Headband, 3.7 Hp .....	1
31	<u>102939102</u>	Vented Headband, 3.7 HP (optional - not shown) .....	1
32	<u>102951701</u>	Pkg, Terminal Hardware, 3.7hp (includes items 33 through 36) .....	1
33	N/A	Nut, 5/16, Steel .....	2
34	N/A	Lockwasher, 5/16, Steel .....	2
35	N/A	Nut, 1/4-20, Steel .....	2
36	N/A	Lockwasher, 1/4-20, Steel .....	2
37	<u>451</u>	Lockwasher, 1/4 Split .....	3
38	<u>7174</u>	Lockwasher, 5/16 Split .....	1

16

E

**16**

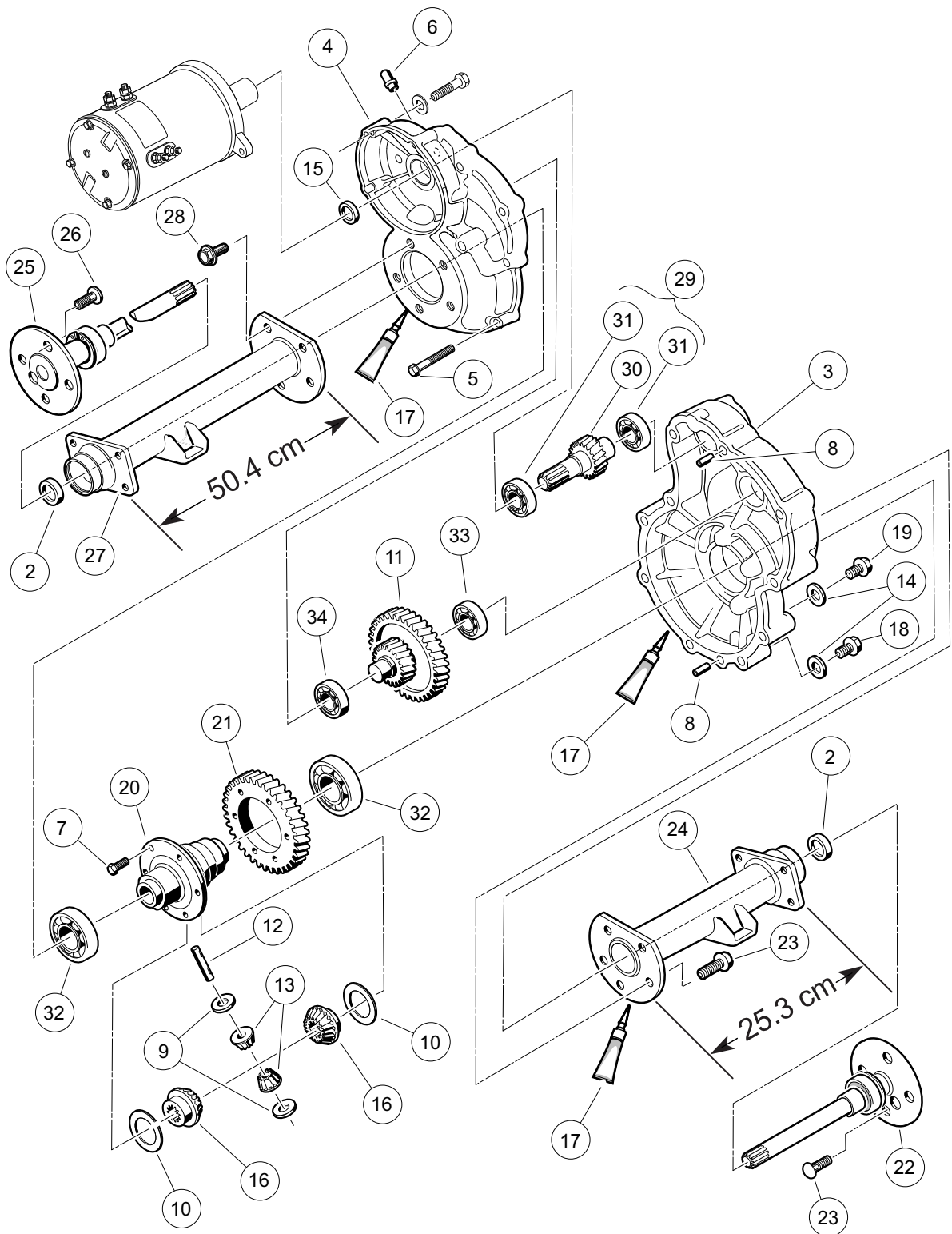
***E***

# TRANSAXLE – ELECTRIC VEHICLES

---

17

E



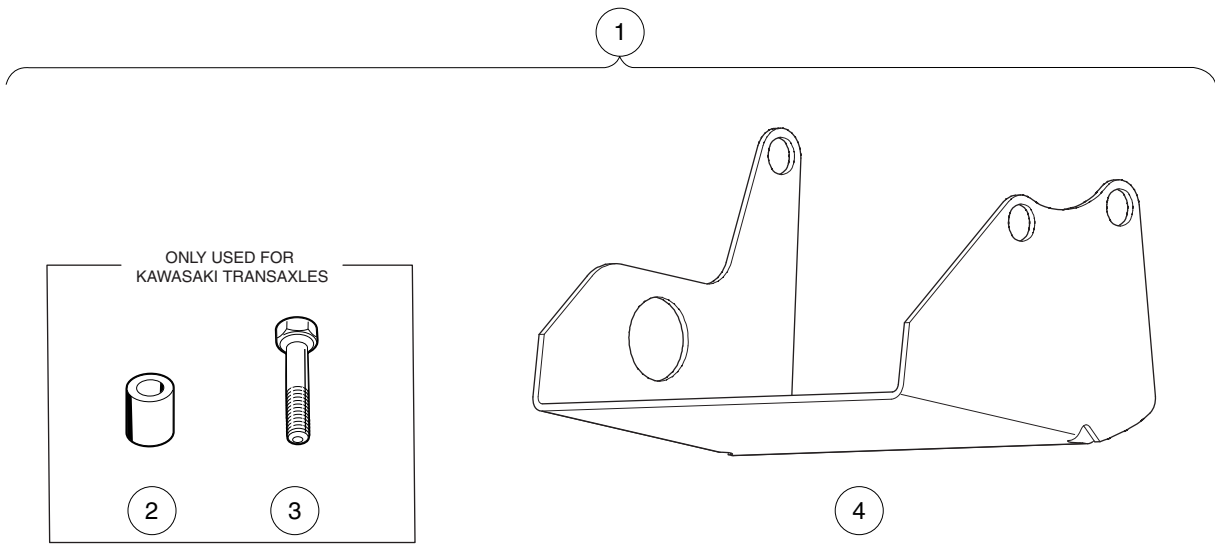
000223-005

# TRANSAXLE – ELECTRIC VEHICLES

ITEM	PART NO.	DESCRIPTION	QTY
		<b>1 2 3 4</b>	
1	<u>102771701</u>	Transaxle, Electric (includes items 2 through 34) .....	1
2	<u>1013794</u>	Axle Shaft Oil Seal .....	2
3	<u>101895401</u>	Gear Case, Driver-Side .....	1
4	<u>101895501</u>	Gear Case, Passenger-Side .....	1
5	<u>101897001</u>	Screw, M8-1.25 X 60mm Hex-Head .....	11
6	<u>101897201</u>	Breather .....	1
7	<u>101897401</u>	Screw, M10-1.25 X 25mm .....	6
8	<u>101897601</u>	Pin, 11mm OD X 8.5mm ID X 10mm .....	2
9	<u>101903601</u>	Washer, Thrust .....	2
10	<u>101903701</u>	Washer, Thrust .....	2
11	<u>101906901</u>	Intermediate Shaft Assembly .....	1
12	<u>101922101</u>	Pin, 15.99mm X 88.7mm Dowel .....	1
13	<u>101923001</u>	Gear, Differential Idler .....	2
14	<u>101923201</u>	Gasket .....	2
15	<u>101923501</u>	Seal, Lip .....	1
16	<u>101923901</u>	Gear, Differential .....	2
17	<u>101928701</u>	Liquid Gasket (Transaxle case) .....	1
18	<u>101972101</u>	Plug, M14-1.5 X 12mm Magnetic .....	1
19	<u>101972201</u>	Plug, M14-1.5 X 12mm Hex .....	1
20	<u>102356601</u>	Housing, Differential, 6 Bolt .....	6
21	<u>102356801</u>	Gear, Differential Output, 6-Bolt .....	6
22	<u>102886301</u>	Axle Assembly, Driver-Side (includes item 23) .....	1
23	<u>101922201</u>	Lug Stud .....	4
24	<u>102886401</u>	Tube, Axle, Driver-Side .....	1
25	<u>102886501</u>	Axle Assembly, Passenger-Side (includes item 26) .....	1
26	<u>101922201</u>	Lug Stud .....	4
27	<u>102886601</u>	Tube, Axle, Passenger-Side .....	1
28	<u>102902801</u>	Screw, M10 X 30 .....	10
29	<u>103582801</u>	Asm, E Trans Shaft/bearing (includes items 30 and 31) .....	1
30	N/A	Shaft, Input .....	1
31	<u>7335</u>	Bearing .....	2
32	<u>7330</u>	Inner Axle Tube Bearing .....	2
33	<u>7335</u>	Bearing .....	1
34	<u>7336</u>	Bearing .....	1

17

E



000365-002



## DIFFERENTIAL GUARD – ELECTRIC VEHICLES

ITEM	PART NO.	DESCRIPTION	QTY
		1 2 3 4	
1	<u>101611402</u>	Kit, Differential Guard, Elec Vehicles (includes items 2 through 4) .....	1
2	<u>101914001</u>	Spacer, Steel .....	2
3	<u>101936101</u>	Screw, M10-1.50 X 60mm Hex Cap .....	2
4	<u>101978601</u>	Guard, Differential, Electric Vehicle Transaxle .....	1

17

E

17

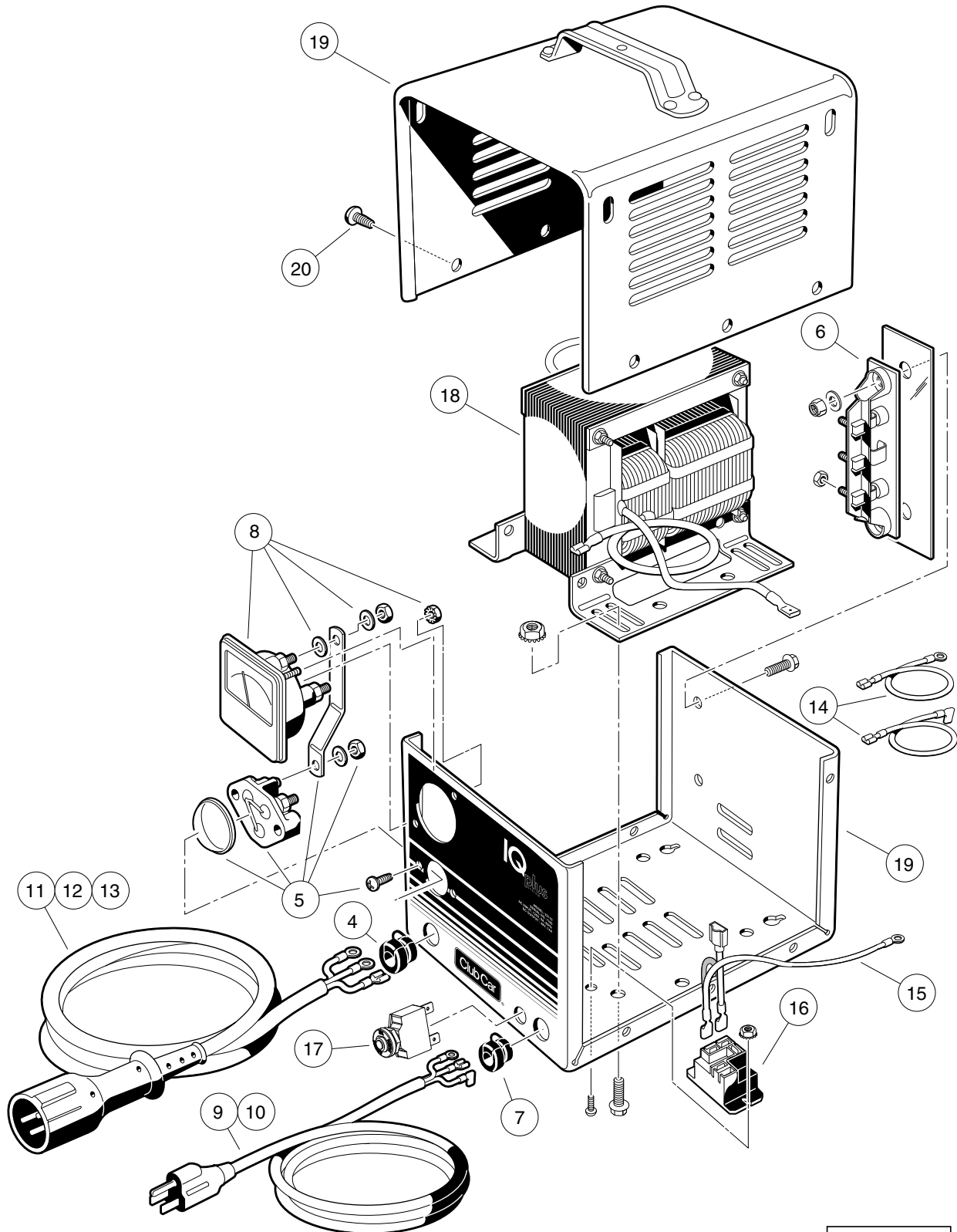
*E*

# BATTERY CHARGERS

---

18

*E*



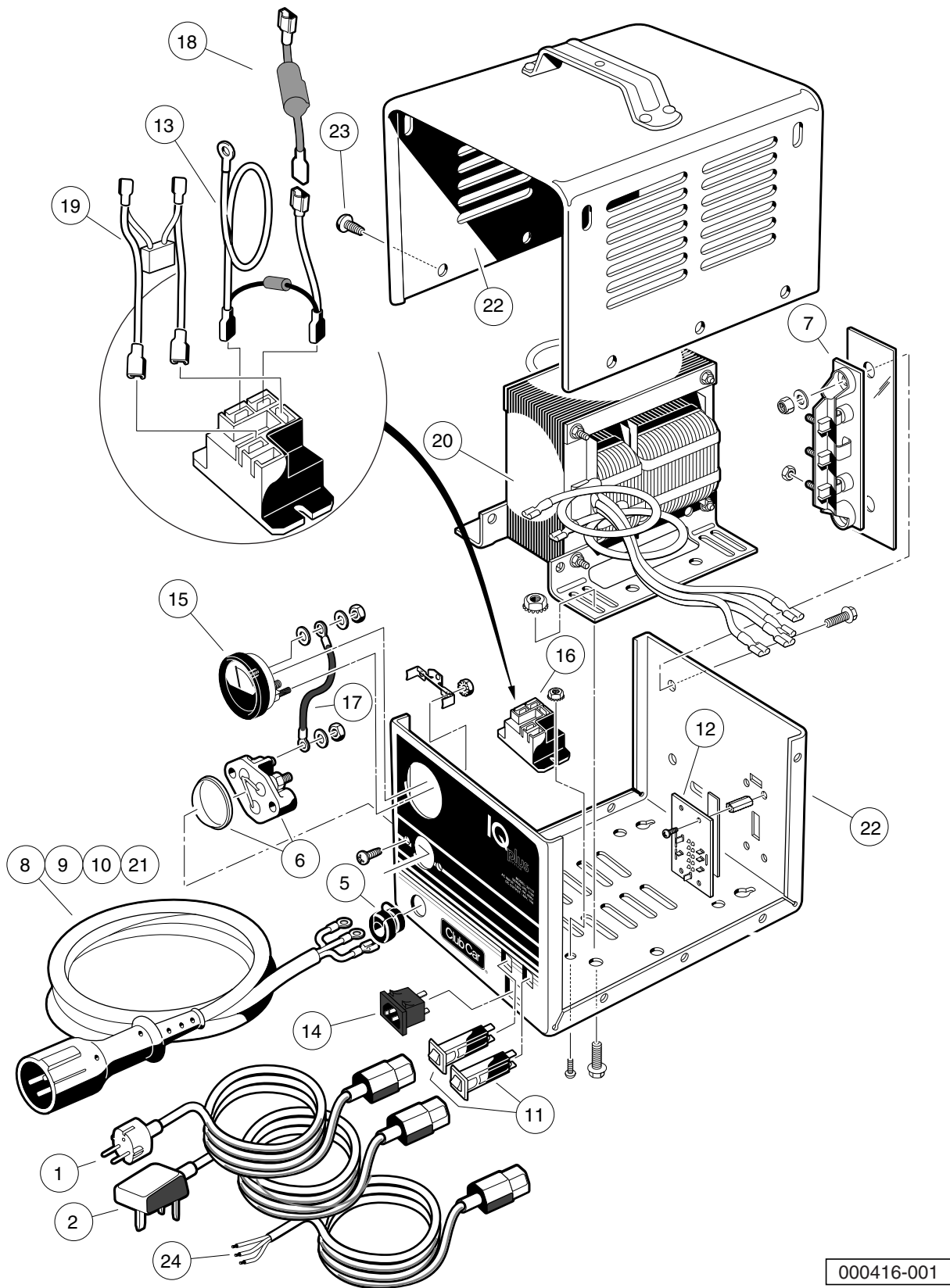
000414-001

# IQ PLUS BATTERY CHARGER (MODELS 25730-11,-18,-19), DOMESTIC

ITEM	PART NO.	DESCRIPTION	QTY
		1 2 3 4	
1	<u>102847801</u>	Charger, IQ Plus, Domestic (9-ft. DC Cord, 6-ft. AC Cord) .....	1
2	<u>102847802</u>	Charger, IQ Plus, Domestic (12-ft. DC Cord, 9-ft. AC Cord) .....	1
3	<u>102847803</u>	Charger, IQ Plus, Domestic (20-ft. DC Cord, 9-ft. AC Cord) (includes items 4 through 20)	1
4	<u>1012098</u>	Bushing, DC Cord .....	1
5	<u>1012101</u>	Fuse Assembly .....	1
6	<u>1015914</u>	Rectifier with Heatsink Assembly .....	1
7	<u>1015917</u>	Bushing, AC Cord .....	1
8	<u>101828501</u>	Ammeter .....	1
9	<u>101828801</u>	Cord, AC, 80-Inch (203 cm) .....	1
10	<u>101828802</u>	Cord, AC, 108-Inch (274 cm) .....	1
11	<u>101828901</u>	Cord, DC, 113-Inch (287 cm) .....	1
12	<u>101828902</u>	Cord, DC, 154-Inch (391 cm) .....	1
13	<u>101828903</u>	Cord, DC, 250-Inch (635 cm) .....	1
14	<u>101831101</u>	Wire Assembly Kit .....	1
15	101914401	Assembly, Voltage Suppressor .....	1
16	<u>102275401</u>	Relay, 48-VDC .....	1
17	<u>102838101</u>	Circuit Breaker 250vac-50vdc .....	1
18	N/A	Transformer, Battery Charger .....	1
19	N/A	Case, Battery Charger .....	1
20	7577	Screw, #10 X 0.50 Phillips Pan-Head .....	10

18

E



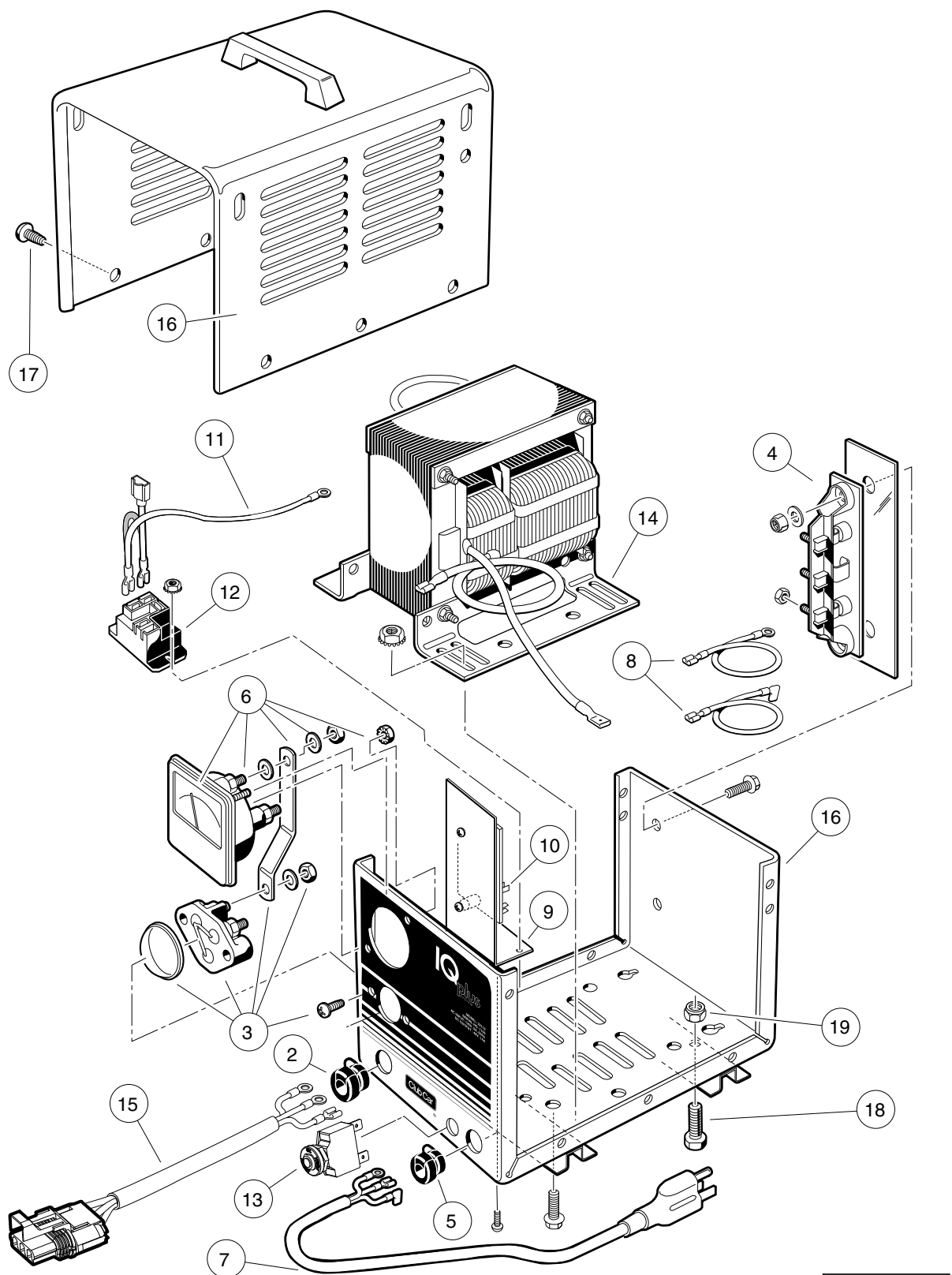
000416-001

# IQ PLUS BATTERY CHARGER (MODELS 25880-11 AND -18), INTERNATIONAL

ITEM	PART NO.	DESCRIPTION	QTY
		1 2 3 4	
1	<u>101958201</u>	Cord, UK, AC, Battery Charger .....	1
2	101958301	Cord, European AC, Battery Charger .....	1
3	<u>102892901</u>	Charger, IQ Plus, International (9-ft. DC Cord) .....	1
4	<u>102892902</u>	Charger, IQ Plus, International (12-ft. DC Cord) (includes items 5 through 23) .....	1
5	<u>1012098</u>	Bushing, DC Cord .....	1
6	<u>1012101</u>	Fuse Assembly .....	1
7	<u>1015914</u>	Rectifier with Heatsink Assembly .....	1
8	<u>101828901</u>	Cord, DC, 113-Inch (287 cm) .....	1
9	<u>101828902</u>	Cord, DC, 154-Inch (391 cm) .....	1
10	<u>101828903</u>	Cord, DC, 250-Inch (635 cm) .....	1
11	101838401	Circuit Breaker .....	2
12	101838601	Four-Position Switch .....	1
13	101914401	Assembly, Voltage Suppressor .....	1
14	101973501	Receptacle, AC Cord .....	1
15	101976601	Ammeter with Mounting Bracket .....	1
16	<u>102275401</u>	Relay, 48-VDC .....	1
17	N/A	Wire, Jumper .....	1
18	N/A	Limiters, Current .....	1
19	N/A	Wire Assembly, Battery Charger .....	1
20	N/A	Transformer, Battery Charger .....	1
21	<u>102940801</u>	Cord, Dc .....	1
22	N/A	Case, Battery Charger .....	1
23	7577	Screw, #10 X 0.50 Phillips Pan-Head .....	10
24	<u>102939501</u>	Cord, European AC, Battery Charger .....	1

18

E



000415-001

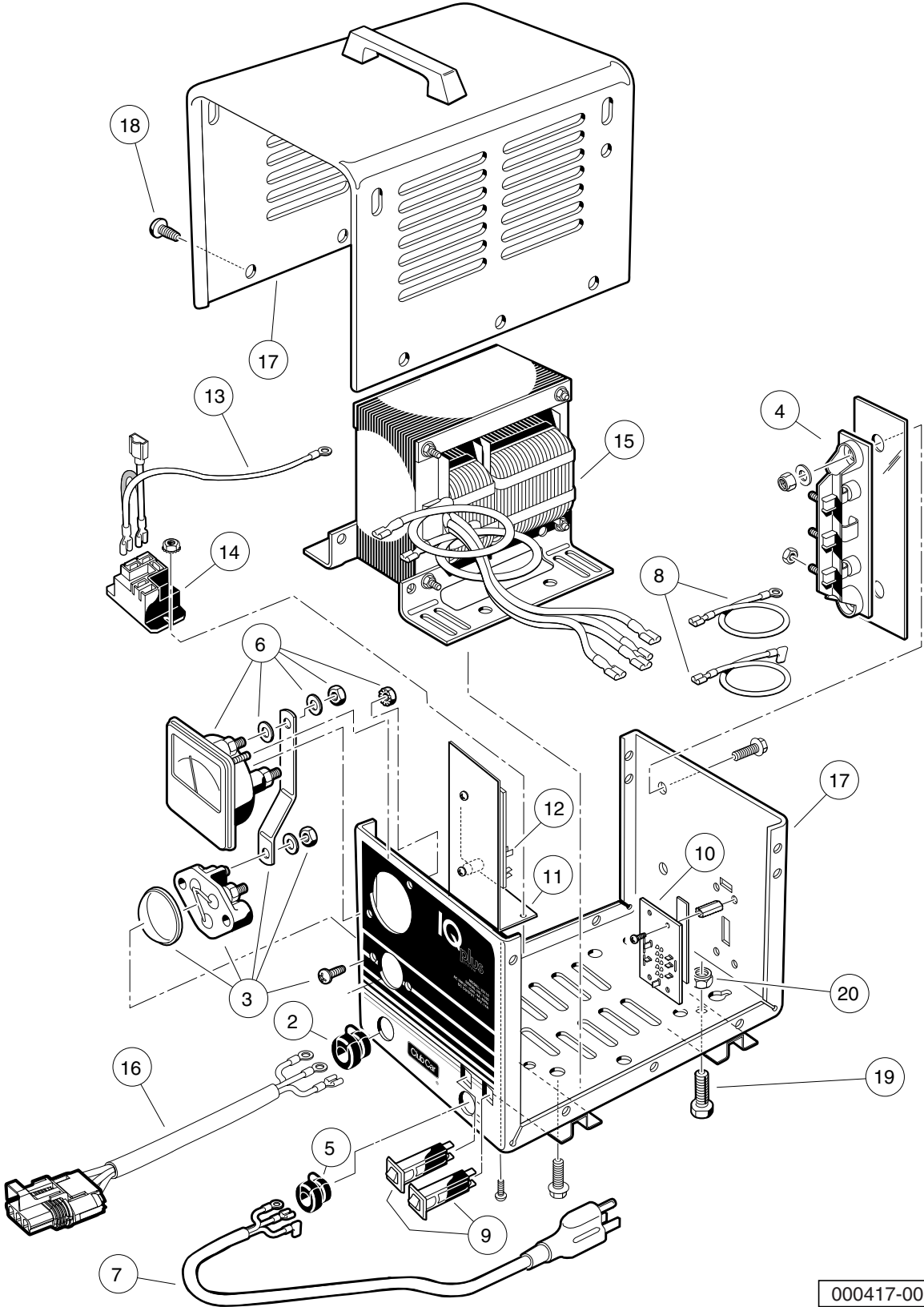


# ONBOARD IQ PLUS BATTERY CHARGER (MODEL 25260-11), DOMESTIC

ITEM	PART NO.	DESCRIPTION	QTY
		1 2 3 4	
1	<u>102837001</u>	Battery Charger, Onboard, 120-VAC, 48-VDC (includes items 2 through 19) .....	1
2	<u>1012098</u>	Bushing, DC Cord .....	1
3	<u>1012101</u>	Fuse Assembly .....	1
4	<u>1015914</u>	Rectifier with Heatsink Assembly .....	1
5	<u>1015917</u>	Bushing, AC Cord .....	1
6	<u>101828501</u>	Ammeter .....	1
7	<u>101829001</u>	Cord, AC, 22-Inch (56 cm) .....	1
8	<u>101831101</u>	Wire Assembly Kit .....	1
9	<u>101838701</u>	Mounting Bracket, Relay .....	1
10	<u>101841901</u>	Control Board .....	1
11	101914401	Assembly, Voltage Suppressor .....	1
12	<u>102275401</u>	Relay, 48-VDC .....	1
13	<u>102838101</u>	Circuit Breaker 250vac-50vdc .....	1
14	N/A	Transformer, Battery Charger .....	1
15	<u>102940801</u>	Cord, Dc .....	1
16	N/A	Case, Battery Charger .....	1
17	7577	Screw, #10 X 0.50 Phillips Pan-Head .....	12
18	<u>7847</u>	Screw, 1/4-20 X 0.75 Hex-Head Cap .....	4
19	<u>8233</u>	Locknut, 1/4-20, Nylon Insert .....	4

18

E



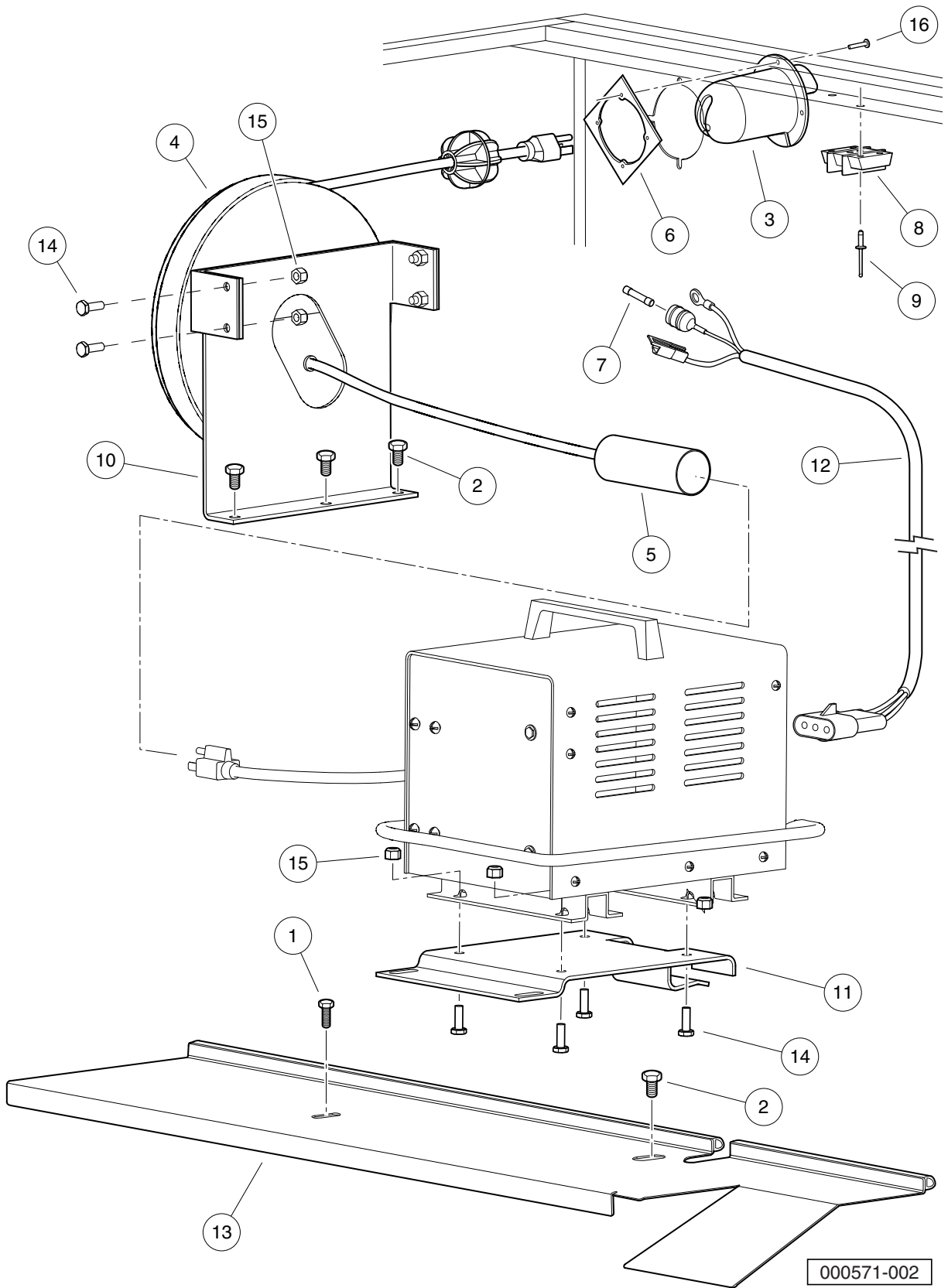
000417-001

# ONBOARD IQ PLUS BATTERY CHARGER (MODEL 25660-40), INTERNATIONAL

ITEM	PART NO.	DESCRIPTION	QTY
		1 2 3 4	
1	102893001	Battery Charger, Onboard, International, IQ Plus (includes items 2 through 20) .....	1
2	<u>1012098</u>	Bushing, DC Cord .....	1
3	<u>1012101</u>	Fuse Assembly .....	1
4	<u>1015914</u>	Rectifier with Heatsink Assembly .....	1
5	<u>1015917</u>	Bushing, AC Cord .....	1
6	<u>101828501</u>	Ammeter .....	1
7	<u>101829001</u>	Cord, AC, 22-Inch (56 cm) .....	1
8	<u>101831101</u>	Wire Assembly Kit .....	1
9	101838401	Circuit Breaker .....	2
10	101838601	Four-Position Switch .....	1
11	<u>101838701</u>	Mounting Bracket, Relay .....	1
12	<u>101841901</u>	Control Board .....	1
13	101914401	Assembly, Voltage Suppressor .....	1
14	<u>102275401</u>	Relay, 48-VDC .....	1
15	N/A	Transformer, Battery Charger .....	1
16	<u>102940801</u>	Cord, Dc .....	1
17	N/A	Case, Battery Charger .....	1
18	7577	Screw, #10 X 0.50 Phillips Pan-Head .....	12
19	<u>7847</u>	Screw, 1/4-20 X 0.75 Hex-Head Cap .....	4
20	<u>8233</u>	Locknut, 1/4-20, Nylon Insert .....	4

18

E



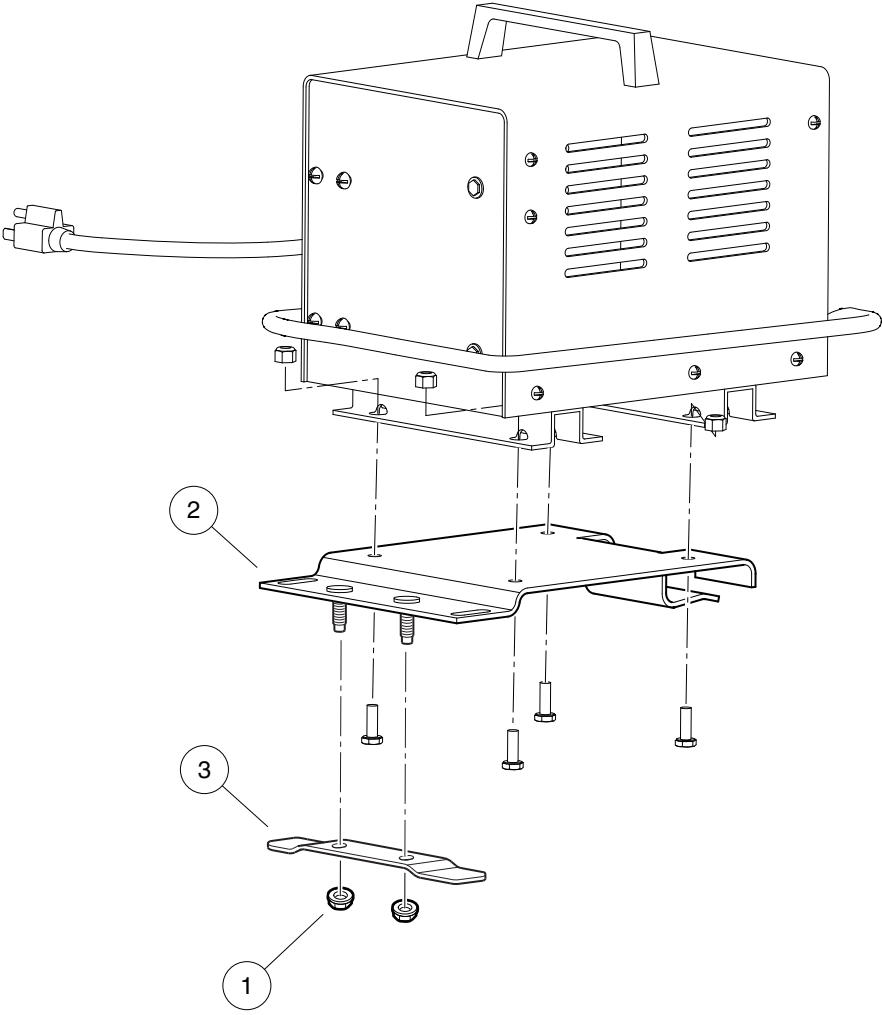
000571-002

# ONBOARD IQ PLUS CHARGER AND CORD REEL MOUNTING, PAGE 1 OF 2

ITEM	PART NO.	DESCRIPTION	QTY
		1 2 3 4	
1	<u>1014063</u>	Screw, 1/4-20 X 1.00, Hex Head .....	1
2	<u>1014288</u>	Screw, 5/16-18 X 0.75, Thread-Forming .....	4
3	<u>1016673</u>	Housing, Cord Reel .....	1
4	<u>1017187</u>	Retractable Cord Reel .....	1
5	<u>1017189</u>	Heat Shrink Tube 1.5" X 3" .....	1
6	<u>101801001</u>	Plate, Receptacle Backing .....	1
7	<u>101894901</u>	Fuse, 3/8-Amp .....	1
8	<u>101966801</u>	Block, Terminal .....	1
9	<u>101968801</u>	Rivet, 3/16", Pop .....	2
10	<u>102770701</u>	Bracket, Reel, Tabbed .....	1
11	<u>102844001</u>	Plate, Charger Mounting .....	1
12	<u>102881401</u>	Charger Harness, IQ Plus, 55" .....	1
13	<u>103353501</u>	Shield .....	1
14	<u>7847</u>	Screw, 1/4-20 X 0.75 Hex-Head Cap .....	8
15	<u>8233</u>	Locknut, 1/4-20, Nylon Insert .....	8
16	<u>8796</u>	Screw, #7-19 X 0.75 Pan-Head Type AB .....	4
17	<u>8990</u>	Tie Wrap, 8" Nylon .....	4
Note: Item 17 not shown. NOTE 2: See following page for parts specific to the international onboard charger.			

18

E



000572-003

# ONBOARD IQ PLUS CHARGER AND CORD REEL MOUNTING, PAGE 2 OF 2

ITEM	PART NO.	DESCRIPTION	QTY
		1 2 3 4	
1	<u>101832901</u>	Nut, M10-1.25 Hex Flange .....	2
2	<u>102844002</u>	Plate, Charger Mounting, with Studs, International .....	1
3	<u>103189101</u>	Retainer, Charger Assembly .....	1
<p>Note: Items on this page are used only for the International Onboard IQ Plus Battery Charger.</p>			

18

E



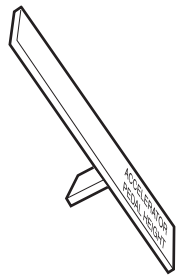


# MAINTENANCE AND SERVICE TOOLS

---

**19**  
**G**  
**E**

**19**  
**G**  
**E**



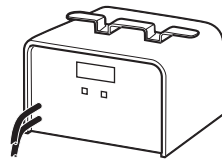
1



2



3



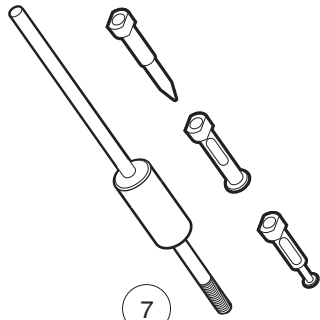
4



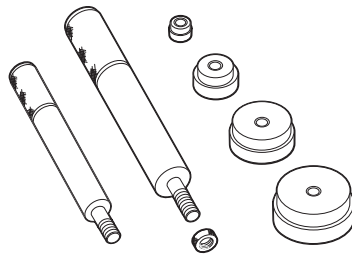
5



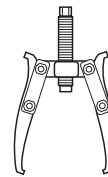
6



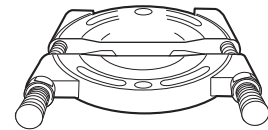
7



8



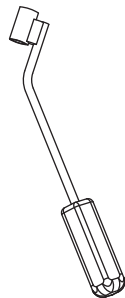
9



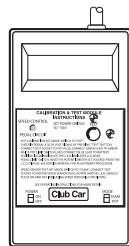
10



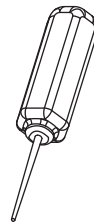
11



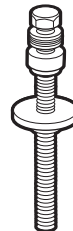
12



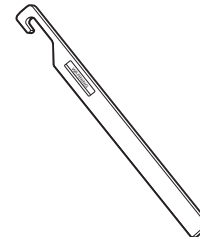
13



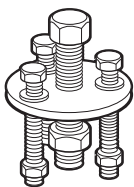
14



15



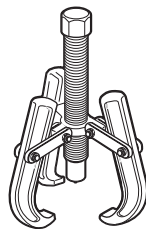
16



17



18



19



20



21

001600-001

# MAINTENANCE AND SERVICE TOOLS

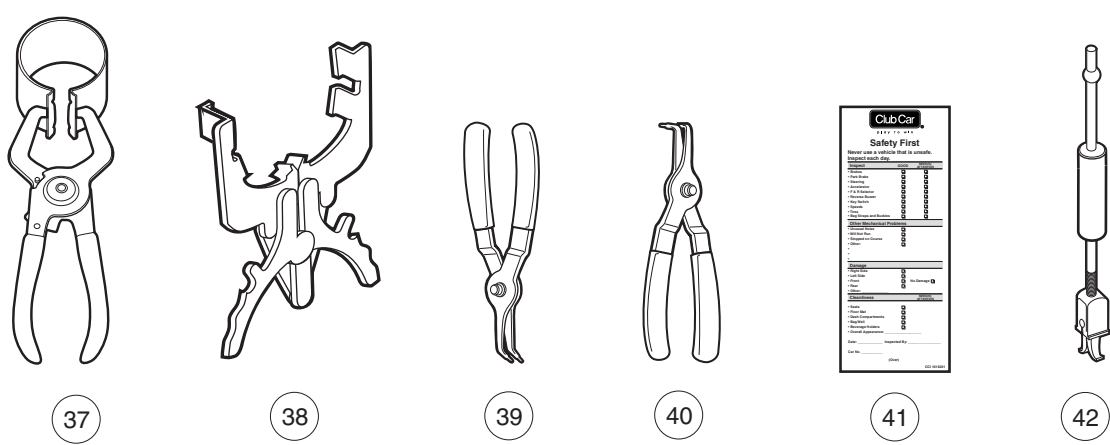
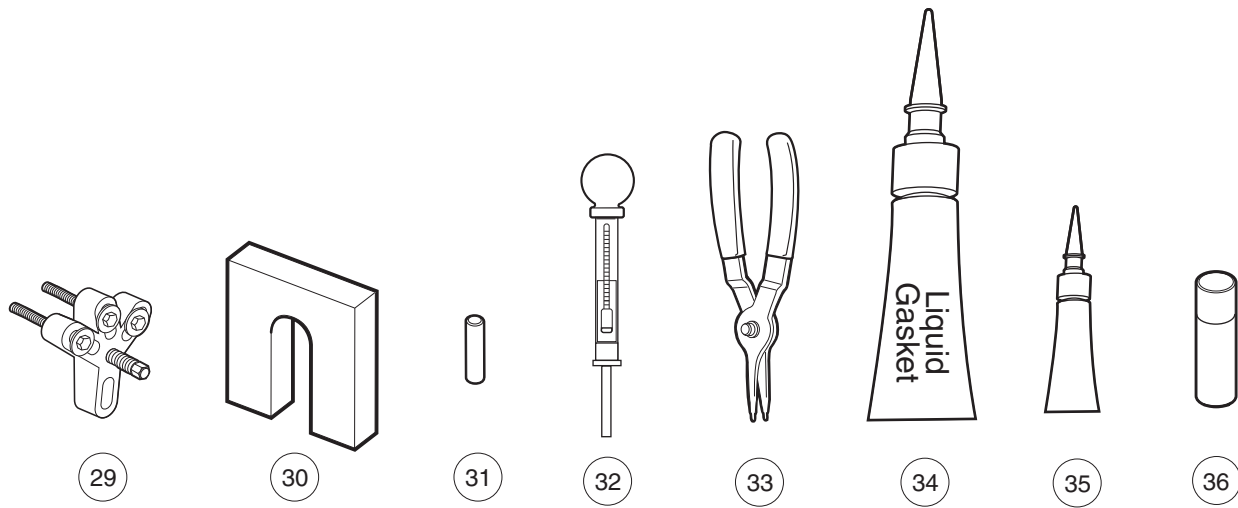
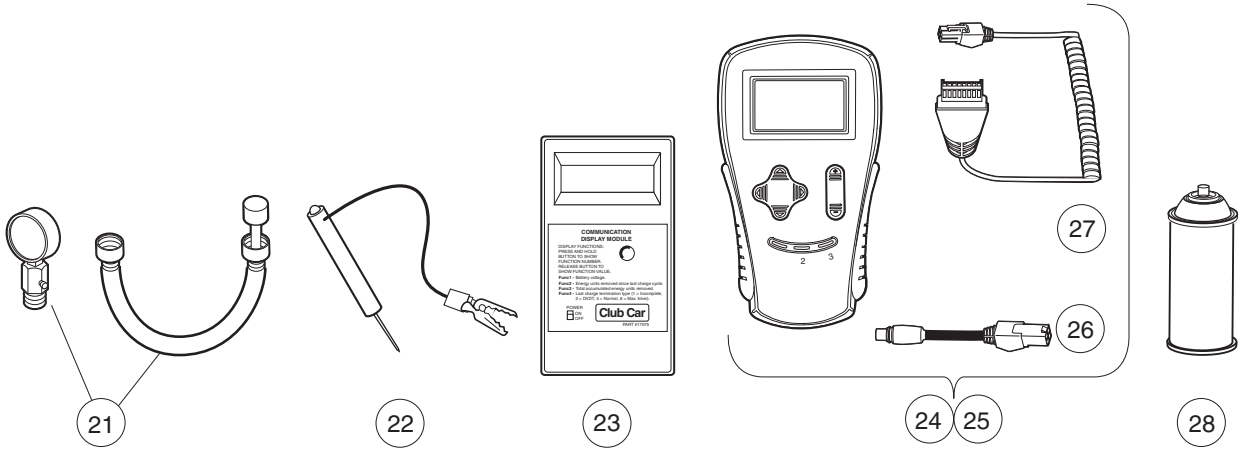
ITEM	PART NO.	DESCRIPTION	QTY GAS	QTY ELEC
		<p style="text-align: center;"><b>1 2 3 4</b></p> <p>The following tool list includes all tools available from Club Car to perform maintenance and service procedures on all electric utility vehicles and all gasoline utility vehicles equipped with Kawasaki FE-series engines. Be sure to carefully examine the tool list for applicability to your vehicle before ordering.</p>		
1	<u>101871001</u>	Accelerator Pedal Adjustment Tool (Utility Vehicles).....	1	1
2	<u>101813202</u>	Adhesive, Guide Ring, 3-Gram Tube .....		1
3	<u>101641202</u>	Arbor .....	1	
4	<u>101831901</u>	Battery Discharge Machine, 36/48 Volt .....		1
5	<u>1014305</u>	Battery Terminal Protector Spray .....	1	1
6	1011767	Battery Thermometer .....	1	1
7	<u>1016417</u>	Bearing and Oil Seal Remover Assembly .....	1	1
8	<u>1016416</u>	Bearing Driver Set .....	1	1
9	<u>1012811</u>	Bearing Puller .....	1	1
10	<u>1012812</u>	Bearing Puller Wedge Attachment .....	1	1
11	1013582	Brake Adjustment Tool (used only on vehicles with manually adjusted mechanical brakes) .....	1	1
12	<u>102555501</u>	Brake Cable Release Tool .....	1	1
13	<u>101887101</u>	Calibration Test Module .....		1
14	<u>102562401</u>	Charger Bezel Tool .....		1
		Clutch Tools (items 14 - 20) .....	1	
15	<u>101808401</u>	Clutch Cam Installation Tool (for Kawasaki engines) .....	1	
16	<u>1015524</u>	Drive Clutch Holder Tool Assembly (for Kawasaki engines) .....	1	
17	<u>1014497</u>	Drive Clutch Hub Puller (for Kawasaki engines) .....	1	
18	<u>1014496</u>	Drive Clutch Puller (for Kawasaki engines) .....	1	
19	<u>1014508</u>	Driven Clutch Cam Puller (for Kawasaki engines) .....	1	
20	<u>1014507</u>	Driven Clutch Puller Plug (for Kawasaki engines) .....	1	
21	<u>101809101</u>	Press Weldment (for Kawasaki engines) .....	1	
		<p>Please refer to the maintenance and service manual for proper tool application.</p>		

**19**

**G**

**E**

**19**  
**G**  
**E**



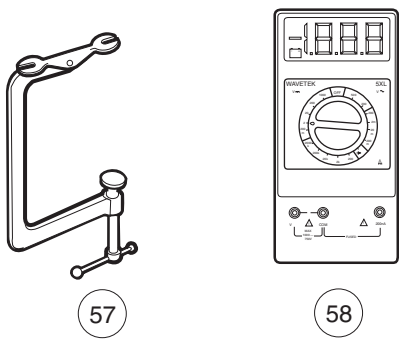
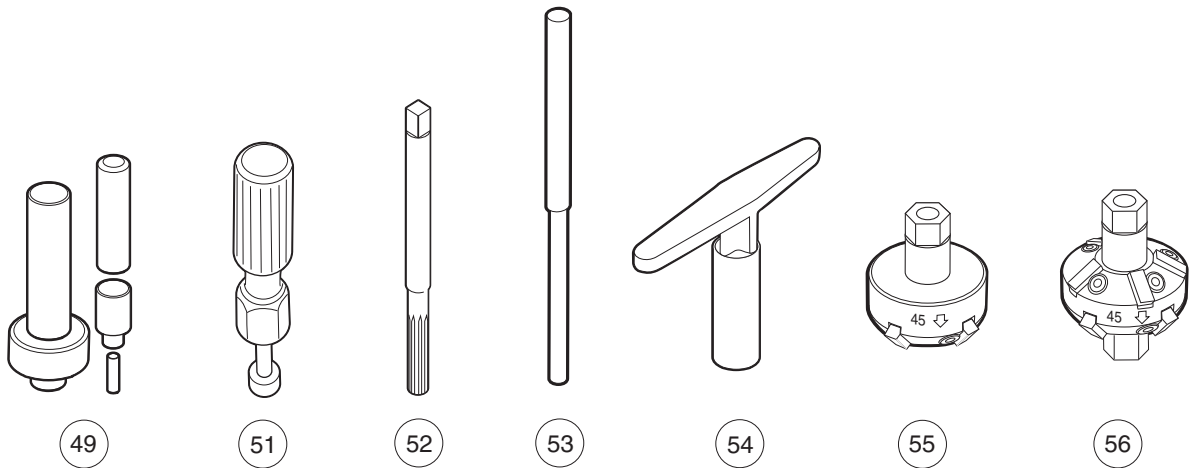
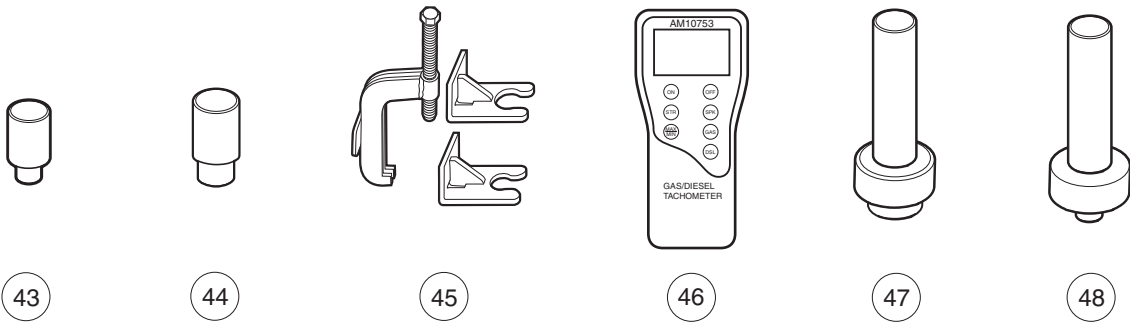
001601-001

## MAINTENANCE AND SERVICE TOOLS, CONTINUED

ITEM	PART NO.	DESCRIPTION	QTY GAS	QTY ELEC
		1 2 3 4		
21	101641002	Compression Gauge and Adapter .....	1	
22	1011273	Continuity Tester .....	1	1
23	101831801	Communication Display Module .....		1
24	<u>102248803</u>	IQ Display Module (IQDM) Kit (IQ System and IQ Plus vehicles) ..... (includes items 54 and 55)		1
25	102248804	IQ Display Module (IQDM-P) Kit (IQ System and IQ Plus vehicles) ..... (includes items 54 and 55)		1
26	<u>102251501</u>	Adaptor, Cable .....		1
27	<u>102241502</u>	IQDM Series 2 Cable .....		1
28	<u>1012151</u>	Dry Moly Lubricant .....	1	1
29	<u>1016627</u>	Flywheel Puller Kit (for Kawasaki Engines) .....	1	
30	<u>1016418</u>	Gear Yoke .....	1	1
31	<u>101933101</u>	Governor Shaft Installation Tool (for Kawasaki Engine Vehicles) .....	1	
32	<u>1011478</u>	Hydrometer .....	1	1
33	<u>1013593</u>	Internal Retaining Ring Pliers .....	1	1
34	<u>101928701</u>	Liquid Gasket (transaxle case) .....	1	1
35	<u>102243402</u>	Moly-Teflon Lubricant (4-oz. (113-gram) tube) .....		1
36	<u>101997201</u>	Paint, Touch-Up ,Äi Beige* .....	1	1
36	<u>101997207</u>	Paint, Touch-Up ,Äi Black* .....	1	1
36	<u>101997212</u>	Paint, Touch-Up ,Äi Burgundy* .....	1	1
36	<u>101997211</u>	Paint, Touch-Up ,Äi Classic Blue (Navy)* .....	1	1
36	<u>101997205</u>	Paint, Touch-Up ,Äi Dark Gray* .....	1	1
36	<u>101997209</u>	Paint, Touch-Up ,Äi Dark Green* .....	1	1
36	<u>101997204</u>	Paint, Touch-Up ,Äi Gray* .....	1	1
36	<u>101997203</u>	Paint, Touch-Up ,Äi Red* .....	1	1
36	<u>101997206</u>	Paint, Touch-Up ,Äi Royal Blue (Pacific Blue)* .....	1	1
36	<u>101997202</u>	Paint, Touch-Up ,Äi White* .....	1	1
37	<u>1016414</u>	Piston Ring Compressor Kit .....	1	
38	<u>1016415</u>	Piston Ring Pliers .....	1	
39	<u>1012549</u>	Retaining Ring Pliers, 45→ External .....	1	1
40	<u>1012560</u>	Retaining Ring Pliers, 90→ Internal .....	1	1
41	<u>101823101</u>	Safety First Card (50 per pack) .....	1	1
42	<u>1012809</u>	Seal Puller .....	1	1
		Please refer to the maintenance and service manual for proper tool application.		

**19**  
**G**  
**E**

**19**  
**G**  
**E**



001602-001

## MAINTENANCE AND SERVICE TOOLS, CONTINUED

ITEM	PART NO.	DESCRIPTION	QTY GAS	QTY ELEC
		1 2 3 4		
43	<u>1014264</u>	Steering Column Bearing Press Tool .....	1	1
44	<u>1014259</u>	Steering Column Retaining Ring Tool .....	1	1
45	102061201	Steering Wheel Puller Tool .....	1	1
46	<u>AM10753</u>	Tachometer (includes gasoline engine pick up lead only) .....	1	
47	<u>1014162</u>	Transaxle Axle Seal Tool (for electric vehicles) .....		1
48	1014161	Transaxle Pinion Seal Tool (for electric vehicles) .....		1
49	<u>1014115</u>	Transmission Tool Kit (for electric vehicles).....		1
50	<u>101611003</u>	Tune-Up Kit, All OHV (for FE290, FE350, FE400 only) (includes air filter, spark plug, oil filter, fuel filters) (not shown) .....	1	
51	<u>1016413</u>	Valve Clearance Adjuster Screw Holder (for FE290 engines only) .....	1	
52	101641201	Valve Guide Reamer (FE290, FE350, and FE400 only).....	1	
53	<u>1016552</u>	Valve Seat Cutter Guide .....	1	
54	<u>1016551</u>	Valve Seat Cutter T-Wrench .....	1	
55	<u>1016553</u>	Valve Seat Cutter, 45→× (32 mm diameter) (for FE290 engines only) .....	1	
56	<u>1016554</u>	Valve Seat Cutter, 45→×/30→× (35 mm diameter) .....	1	
57	<u>101641101</u>	Valve Spring Compressor .....	1	
58	1011480	Volt Ohm Meter .....	1	1
		Please refer to the maintenance and service manual for proper tool application.		

**19**  
**G**  
**E**





# INDEX

## Part Number and Page

AM10753	19-7	1606	11-17	6-25, 6-27, 6-29, 7-5, 7-7, 7-17, 7-19, 7-21, 7-23, 8-11
AM10015	4-37, 4-39	1620	4-3	8755
AM10080	14-9	1624	5-5, 5-7, 6-3, 6-17, 7-5	1-33, 6-17, 6-25, 6-27, 7-19, 7-21, 7-23
AM10081	14-9	1631	11-17	8796
AM10419	13-11, 13-13	1703	1-25, 1-27, 1-29	18-11
AM10808	1-5	2402	6-15, 6-23, 7-17	8797
AM1232301	9-5, 10-5	4029	4-41	11-3, 11-5
AM1243501	4-35	7048	6-13, 6-21, 7-15	8861
AM1243701	4-31, 4-33, 4-35	7049	1-41	6-15, 6-23, 6-31, 7-17, 7-25
AM1243801	4-31, 4-33, 4-35	7173	1-13, 4-7, 4-10, 6-31, 7-25, 8-25	8935
AM1264001	1-61	7174	1-53, 1-59, 1-63, 6-7, 6-31, 7-9, 7-25, 8-11, 11-15, 12-3, 16-3	1-5
AM1304001	1-69	7251	1-3, 1-5, 1-13	8963
AM1304101	1-69	7274	6-13, 6-21, 7-15	1-25, 1-27, 1-29, 15-11, 15-13
AM1304201	1-69	7308	6-13, 6-21, 7-15	8990
AM1304301	1-69	7310	2-3, 2-5, 2-7	1-49, 1-51, 1-53, 4-7, 4-11, 4-13, 4-27, 4-33, 4-37, 4-39, 4-43, 6-3, 7-5, 8-15, 8-17, 8-19, 18-11
AM1304401	1-69	7311	1-25, 1-27, 1-29, 1-47, 6-31, 7-25	1010005
AM1304501	1-69	7330	14-11, 17-3	6-13, 6-21, 7-15
AM1304601	1-69	7335	14-9, 17-3	1010028
AM1304701	1-69	7336	17-3	14-3
AM1304801	1-69	7473	1-3, 1-5, 1-25, 1-27, 1-29, 1-33, 1-41, 1-43, 1-49, 1-51, 1-53, 1-85, 4-7, 4-11, 4-37, 4-39, 5-3, 5-5, 5-7, 5-13, 5-15, 5-21, 7-3, 8-15, 8-17, 8-19, 8-25, 15-11, 15-13	1010086
AM1304901	1-69	7479	1-47	1-47
AM1305001	1-69	7532	1-33	1010124
AM1305101	1-69	7539	6-15, 6-23, 7-17	6-17, 6-25, 7-19
AM1305201	1-69	7540	6-3, 6-15, 6-23, 7-5, 7-17	1010138
183	4-5, 4-9, 4-13, 4-29, 4-35, 8-17, 11-3, 11-5, 11-17, 13-5, 13-7, 13-9, 14-7, 14-13	7555	6-3, 6-15, 6-23, 7-5, 7-17	1-49, 1-51, 1-53, 6-15, 6-23, 7-17
304	1-67, 1-83, 4-6, 4-9, 4-41, 14-5	7561	1-49, 1-51, 1-53	1010145
320	1-53	7577	18-3, 18-5, 18-7, 18-9	6-27, 6-29, 7-21, 7-23
324	4-31, 4-33	7591	4-5, 4-7, 4-9, 4-11	1010150
332	1-17, 1-35, 1-37, 1-41, 1-43, 1-47, 1-65, 1-67, 4-7, 4-9, 4-31, 4-33, 4-41, 8-13, 11-17, 12-3	7602	6-3, 6-15, 6-23, 7-5, 7-17	6-17, 6-25, 7-19
334	1-37, 5-5, 5-7, 6-3, 6-5, 7-5, 7-7, 9-15, 10-15, 13-5, 13-7, 13-9	7716	5-3, 5-5, 5-7	1010177
357	1-49, 1-51, 1-53, 1-59, 6-17, 6-25, 6-31, 7-19, 7-25	7818	8-15, 8-17, 8-19	1-53, 6-25, 7-19
403	1-33	7820	4-7, 4-11, 4-41	1010200
451	5-11, 5-17, 12-3, 16-3	7840	6-13, 6-21, 7-15	6-17
705	1-33, 1-49, 1-51, 1-53, 1-59, 8-11, 9-15, 10-15	7847	1-11, 1-37, 1-65, 12-3, 18-7, 18-9, 18-11	1010219
706	1-49, 1-51, 1-53, 1-59, 6-17, 6-25, 7-19	7893	4-7, 4-13, 4-29, 8-15, 8-17, 8-19, 14-5	6-15, 6-23, 7-17
808	1-37, 6-31, 7-25, 13-5, 13-7, 13-9	7910	6-13, 6-21, 7-15	1010237
1016	4-5, 4-9, 4-13, 4-29, 8-17, 11-3, 11-5	7973	1-9, 11-17	1-25, 1-27, 1-29
1017	4-3, 4-5, 4-9, 8-17	8057	8-15, 8-17, 8-21, 14-3	6-13
1028	5-3	8058	8-15, 8-17, 8-21, 14-3	1010342
1032	1-39, 5-3	8067	6-13, 6-21, 7-15	6-13
1035	1-37, 1-83, 6-3, 6-15, 6-23, 7-5, 7-17	8104	4-13, 14-3	1010344
1108	1-47	8233	1-25, 1-27, 1-29, 1-35, 1-37, 1-41, 1-43, 1-65, 1-67, 1-83, 4-7, 4-11, 4-31, 4-33, 4-41, 4-43, 5-5, 5-7, 6-31, 7-25, 8-13, 11-15, 14-5, 14-7, 14-13, 18-7, 18-9, 18-11	6-13
1218	1-25, 1-27, 1-29, 4-5, 7-3	8248	1-13, 8-13	1010347
1231	1-39	8251	1-31	6-13
1241	1-3, 1-5, 1-25, 1-27, 1-29, 1-53, 1-59, 1-63, 4-5, 4-9, 4-37, 4-39, 5-3, 5-5, 5-7, 5-15, 5-21, 7-3, 8-11, 8-15, 8-17, 8-19, 8-25, 12-3	8294	4-41	1010348
1242	1-53, 1-59, 1-63, 5-13, 5-15, 5-21, 6-31, 7-25, 8-11, 8-15, 8-17, 8-19	8450	8-17, 13-5, 13-7, 13-9	6-13
1308	6-15, 6-23, 7-17	8639	1-83, 4-11, 4-35, 14-5	1-3, 1-5, 1-7, 1-39
		8717	5-7, 8-15, 8-17, 8-19, 14-3, 14-7, 14-13	1010434
		8745	6-17, 6-25	1-3, 1-5, 1-33, 1-43, 1-49, 1-51, 1-53
		8754	1-33, 5-5, 5-7, 6-3, 6-5, 6-15, 6-17, 6-23,	1010436
				1-43
				1010543
				1-17
				1-3
				1010577
				9-15, 10-15
				1010805
				5-3
				1010829
				5-13, 5-15, 5-21
				1010850
				5-11, 5-17, 5-19
				1010877
				5-3
				1010878
				1-35, 5-3
				101090801
				15-11, 15-13
				1010909
				4-5, 4-29
				1010921
				1-25, 1-27, 1-29, 5-3
				1010927
				5-3
				1010932
				5-3
				1010933
				5-3
				1010934
				1-5, 1-41, 1-47, 1-53, 1-59, 1-63, 4-37, 4-39, 8-25, 16-3
				1010954
				8-15, 8-17, 8-19, 14-7, 14-13
				1010984
				2-3, 2-5, 2-7
				1011014
				1-3, 1-5
				1011017
				1-3, 1-5, 4-23
				1011084
				5-9
				1011114
				5-11, 5-17
				1011137
				5-11
				1011154
				5-11, 5-17
				1011226
				1-83
				1011229
				4-5, 4-9
				1011273
				19-5

# INDEX

1011291	14-11	1012098	18-3, 18-5, 18-7, 18-9	101313402	11-7
1011298	5-11, 5-17	1012101	18-3, 18-5, 18-7, 18-9	1013135	6-13, 6-21, 7-15
1011303	5-11, 5-17	1012151	19-5	1013207	6-27, 7-21
1011314	5-11, 5-17	1012180	6-27, 7-21	1013309	1-17
1011382	4-15, 4-17, 4-19, 4-21	1012181	6-29	1013311	1-17
1011393	6-13, 6-21, 7-15	1012182	6-29	1013312	1-17
1011394	1-3, 1-5	1012285	1-65, 1-67, 1-83, 4-43, 11-3, 11-5, 11-7, 11-15	1013317	1-39, 3-27, 3-29, 3-31
1011402	5-3	1012295	8-15, 8-17, 8-19	1013343	1-9
1011415	6-27, 6-29, 7-21, 7-23	1012303	1-33, 6-17, 6-19, 6-25, 6-27, 6-29, 7-19, 7-21, 7-23	1013344	1-9
1011418	5-3	1012304	6-27	1013357	4-5, 4-9, 15-5
1011439	4-5, 4-9	1012328	8-25	1013366	1-43
101146302	5-11, 5-17	1012333	14-5	1013420	1-11
1011464	5-11, 5-17	1012349	1-83	1013422	1-11
1011465	5-11, 5-17	1012382	8-3, 8-5, 8-7	1013461	11-3, 11-5
1011466	5-11, 5-17, 5-19	1012396	4-15, 4-17, 8-3, 8-5, 8-7	1013462	11-3, 11-5
1011467	5-11, 5-17	1012431	8-15, 8-17	1013483	1-59
1011478	19-5	1012438	4-9, 4-35, 11-17	1013494	4-15, 4-17, 4-19, 4-21
1011480	19-7	1012463	1-53	1013509	4-31, 4-33
1011494	5-11, 5-17	1012467	6-3, 7-5	1013531	5-15, 5-21
1011546	1-61	1012505	4-15, 4-17, 4-19, 4-21	1013547	4-43
1011553	1-59, 1-63, 3-5, 3-9, 3-13, 3-17, 3-21, 3-25	1012528	12-3, 15-15	1013579	4-43
1011557	4-5, 4-9	1012549	19-5	1013582	19-3
1011558	4-5, 4-9	1012560	19-5	1013589	8-15, 8-17, 8-19
1011578	1-5, 6-5, 7-7	1012565	6-11, 7-13	1013593	19-5
1011582	4-45	1012566	6-11, 7-13	1013609	8-15, 8-17, 8-19
1011590	4-13	1012571	9-15, 10-15, 15-11, 15-13	1013677	3-5, 3-9
1011694	5-5, 5-7	1012604	6-5, 7-7	1013687	11-3, 11-5
1011697	6-5, 7-7, 9-15, 10-15, 11-15	1012605	6-5, 7-7	1013700	11-15
1011734	5-9	1012640	2-9	1013734	12-3, 15-15
1011767	19-3	1012641	2-9	1013746	11-3, 11-5, 11-7, 11-11, 11-13
1011779	5-13, 5-15, 5-21	1012642	2-9	1013760	14-7
1011825	4-5, 4-9, 4-41	1012649	11-3, 11-5, 11-7	1013768	14-11
1011843	4-45	1012711	14-7	1013769	14-11
1011852	1-25, 1-27, 1-29	1012714	14-9	1013770	14-11
1011862	1-25, 1-27, 1-29	1012740	14-9	1013771	14-11
1011865	1-25, 1-27, 1-29	1012741	14-9	1013772	14-11
1011868	1-25, 1-27, 1-29	1012747	14-9	1013773	14-11
101187702	5-3	1012748	14-9	1013774	14-11
1011878	1-13, 1-25, 1-27, 1-29	1012752	14-7	1013787	14-11
1011883	1-25, 1-27, 1-29	1012809	19-5	1013792	14-11
1011887	6-13, 6-21, 7-15	1012811	19-3	1013794	14-11, 17-3
1011892	6-13, 6-21, 7-15	1012812	19-3	1013824	1-13
1011893	6-15, 6-23, 7-17	1012830	8-11, 11-15, 12-3	1013825	1-13
1011895	6-3, 6-15, 6-23, 7-5, 7-17	1012836	13-11, 13-13	1013846	1-13
1011897	1-23	1012896	14-7	1013857	4-5, 4-9
1011930	6-3, 6-15, 6-23, 7-5, 7-17	1013001	8-9	1013861	6-7
1011931	5-5, 5-7	1013003	8-9	1013869	5-3
1011937	1-25, 1-27, 1-29	1013005	8-9	1013870	5-3
1011942	1-25, 1-27, 1-29	101301102	8-9	1013871	5-5, 5-7
1011962	1-55	1013035	6-3, 7-5	1013876	5-3
1011964	1-25, 1-27, 1-29, 1-83	1013042	6-3, 7-5	1013924	5-11, 5-17, 5-19, 9-15, 10-15
1011965	1-25, 1-27, 1-29	1013044	6-3, 7-5	1014007	5-5, 5-7, 11-15, 14-7, 14-13
1011990	1-39, 1-49, 1-51, 1-53, 1-59	1013052	6-3, 7-5	1014049	13-5, 13-7, 13-9
1012008	1-25, 1-27, 1-29	1013061	14-3, 14-7, 14-13, 15-7	1014050	13-5, 13-7, 13-9
1012030	6-17, 6-25			1014051	13-5
				1014052	13-5, 13-7, 13-9

# INDEX

1014055	13-5, 13-7, 13-9	1014530	4-5, 4-9, 4-41	1015507	1-33
1014056	13-5, 13-7, 13-9	1014537	1-41, 1-43	1015524	19-3
1014057	13-5, 13-7, 13-9	1014540	4-43	1015526	4-31, 4-33, 4-35
1014058	13-5, 13-7, 13-9	1014555	6-27, 6-29, 7-21, 7-23	1015528	4-15, 4-17, 4-19, 4-21
1014059	13-5, 13-7, 13-9	1014771	2-3	1015530	1-65, 1-67
1014062	13-5, 13-7, 13-9	1014807	8-15, 8-17, 8-21, 14-3	101553901	1-39, 1-47, 3-3, 3-7, 3-11, 3-15, 3-19, 3-23
1014063	13-5, 13-7, 13-9, 18-11	1014808	8-15, 8-21, 14-3	1015583	1-33, 6-17, 6-19, 6-25, 6-27, 6-29, 7-19, 7-21, 7-23
1014065	8-15, 8-17, 8-19, 13-5, 13-7, 13-9	1014902	6-29, 7-23	1015597	6-3, 6-13, 6-15, 6-21, 6-23, 7-5, 7-15, 7-17
1014070	13-11, 13-13	1014948	8-15, 8-17, 8-19	1015607	1-39
1014072	13-11, 13-13	1015010	4-35	1015608	1-5, 1-53, 15-11, 15-13
1014078	13-11, 13-13	101503202	1-5, 1-9	1015610	1-53
1014080	13-11, 13-13	1015072	15-11, 15-13	1015612	1-49, 1-53
1014109	4-5	1015075	1-3, 1-5	1015613	6-31, 7-25
1014115	19-7	1015137	11-3, 11-5, 11-7, 11-11, 11-13	1015614	6-31, 7-25
1014116	11-3, 11-5	1015139	11-3	1015615	1-53
1014119	8-3, 8-5, 8-7, 8-15, 8-17, 8-19	1015143	11-3	1015616	1-53
1014125	6-5, 7-7	1015153	4-31	1015617	1-53
1014126	6-5, 7-7	1015154	4-31	1015621	1-53
1014145	8-15, 8-17, 8-19	1015156	4-31, 4-33, 4-35	1015623	1-53
1014153	5-11, 5-17, 5-19	1015157	4-31, 4-33	1015624	1-53
1014161	19-7	1015160	4-31, 4-33	101562711	1-17
1014162	19-7	1015162	4-31	101562712	1-17
1014201	16-3	1015167	4-35	101562714	1-17
1014207	14-11	1015170	4-35	101562715	1-17
1014213	6-5, 7-7	1015172	4-31, 4-33	101564501	1-17
1014214	6-5, 7-7	1015187	4-31, 4-33, 4-35	101564502	1-17
1014217	6-5, 7-7	101524002	8-11	101564503	1-17
1014259	19-7	1015245	1-39	101564505	1-17
1014264	19-7	1015252	1-33	1015649	9-3, 10-3
1014276	6-17, 6-25, 7-19	1015258	1-33	1015654	1-47
1014287	13-5, 13-7, 13-9	1015277	1-35	1015656	1-47
1014288	6-5, 7-7, 8-25, 13-5, 13-7, 13-9, 18-11	1015313	1-39	101565803	1-47
1014289	8-9	1015332	8-3, 8-5, 8-7, 9-3, 10-3	1015700	1-37
1014305	19-3	1015345	8-15, 8-17, 8-19	101570401	1-53
1014306	1-43, 1-65, 1-67, 4-43	1015348	1-37	1015720	15-15
1014307	4-9	1015356	1-33	1015737	4-5, 8-3, 8-5, 8-7, 8-15, 8-17, 8-19
1014321	1-31, 1-41	1015363	1-39	1015741	4-5, 4-9, 8-15, 8-17, 8-19
1014375	8-25	1015366	1-39	1015752	8-15, 8-17, 8-19, 11-17, 15-3
1014387	1-31, 1-41	1015368	1-39	1015760	6-31, 7-25
1014415	1-41, 1-43	1015371	8-15, 8-19	1015765	4-31
1014435	1-23	1015372	8-15, 8-17, 8-19	1015768	4-35
101444101	1-23	1015373	8-15, 8-17, 8-19	1015770	4-35
1014453	13-5, 13-7, 13-9	1015390	1-39	1015814	12-3
1014454	13-11, 13-13	1015391	1-33	1015820	1-53
1014471	1-33	1015392	15-9	101584502	11-15
1014496	19-3	1015399	1-33, 1-41, 1-43, 1-85	1015878	8-15, 8-17, 8-21, 14-3
1014497	19-3	1015400	1-33, 1-39	1015914	18-3, 18-5, 18-7, 18-9
1014503	1-25, 1-27, 1-29	1015405	1-3, 8-15, 8-17, 8-19	1015917	18-3, 18-7, 18-9
1014506	1-25	1015412	1-39	1015921	11-3, 11-5
101450698	1-27	1015424	1-39	1015932	8-11
1014507	19-3	1015426	11-17	1015969	9-3, 10-3
1014508	19-3	101542901	1-33	1016011	13-7
1014509	1-25	1015445	1-59	1016060	1-35
101450902	1-29	1015453	6-31, 7-25		
101450903	1-27	1015457	6-31, 7-25		
1014523	11-3, 11-5	101547601	3-13, 3-17, 3-21, 3-25		

# INDEX

1016074	8-11	1016432	9-7, 10-7, 14-7	1016547	9-3, 9-13, 10-3, 10-13, 11-11, 11-13
1016077	1-47	1016436	9-9, 10-9	1016549	9-9, 10-9
1016078	1-35	1016437	11-9	1016551	19-7
101609401	3-3, 3-7, 3-11, 3-15, 3-19, 3-23	1016438	11-11, 11-13	1016552	19-7
101611003	19-7	1016440	9-9, 10-9, 11-11, 11-13	1016553	19-7
101611402	17-5	1016441	11-11, 11-13	1016554	19-7
1016136	1-53	1016444	11-11, 11-13	1016557	5-11, 5-17
1016154	6-11, 7-13	1016445	9-5, 10-5	1016560	9-9, 10-9
101615504	6-9, 7-11	1016449	9-9, 10-9	1016561	9-5, 10-5
1016156	6-9, 6-11, 7-11, 7-13	1016450	9-9, 10-9	1016562	9-5, 9-13, 10-5, 10-13
1016183	6-5, 7-7	1016452	9-9, 10-9	1016563	9-9, 10-9
1016201	13-5, 13-7, 13-9	1016454	9-11, 10-11	1016564	9-11, 10-11
1016214	6-11, 7-13	1016455	9-5, 10-5	1016566	9-9, 10-9
1016219	6-11, 7-13	1016456	9-3, 9-5, 10-3, 10-5	1016569	9-9, 10-9
1016230	4-35	1016457	9-7, 10-7	1016570	9-7, 10-7
1016267	4-35	1016458	9-9, 10-9	1016571	9-13, 10-13
1016269	6-5, 7-7	1016467	9-7, 10-7	1016572	11-11, 11-13
1016287	4-35	1016470	9-13, 10-13	1016573	5-11, 5-17
1016289	13-5, 13-7, 13-9	1016472	9-11, 10-11	1016576	9-7, 10-7
1016319	5-13	1016473	9-7, 10-7	1016578	9-5, 10-5
1016320	5-13	1016474	9-9, 10-9	1016579	9-5, 10-5
1016337	14-9	1016479	9-9, 10-9	1016581	9-7, 10-7
1016338	14-9	1016480	11-11	1016582	11-11, 11-13
1016346	6-15, 6-23, 7-17	101648102	11-11, 11-13	1016583	9-9, 10-9
1016349	6-15, 6-23, 7-17	101648203	9-7, 10-7	1016584	9-11, 10-11
1016350	6-15, 6-23, 7-17	1016483	9-9, 10-9	1016585	11-9
1016351	6-15, 6-23, 7-17	1016486	11-9	1016586	9-5, 10-5
1016353	6-15, 6-23, 7-17	1016489	9-9, 10-9	1016587	9-5, 10-5
1016356	4-5, 4-9, 15-5	101649002	11-11, 11-13	1016588	9-5, 10-5
1016363	4-9	1016494	9-11, 10-11	1016603	1-49, 1-51
1016365	4-27	1016496	9-11, 10-11	101661601	15-11
1016366	4-9	1016497	9-5, 10-5	1016627	19-5
1016367	4-5	1016499	11-9	1016630	4-15, 4-17
1016384	6-17, 6-25, 7-19	1016501	11-9	1016631	4-9
1016385	6-15, 6-23, 7-17	1016502	9-7, 10-7	1016663	6-9, 6-11, 7-11, 7-13
1016386	6-17, 6-25, 7-19	1016506	9-11, 10-11	1016672	14-11
1016387	6-17, 6-25, 7-19	1016507	9-3, 10-3	1016673	18-11
1016389	6-17, 6-25, 7-19	1016510	9-11, 10-11	1016679	1-65
1016401	8-3, 8-15	1016513	14-7	101670201	3-27, 3-29, 3-31
101641002	19-5	101651406	2-3	1016751	1-19
101641101	19-7	101651407	2-3	101675511	1-19
101641201	19-7	101651409	2-3	101675512	1-19
101641202	19-3	101651414	2-3	101675514	1-19
1016413	19-7	101651416	2-3	101675515	1-19
1016414	19-5	1016517	9-9, 10-9	101677701	1-19
1016415	19-5	1016518	9-9, 10-9	101677702	1-19
1016416	19-3	1016519	9-9, 10-9	101677703	1-19
1016417	19-3	1016521	9-11, 10-11	101677705	1-19
1016418	19-5	1016531	9-3, 10-3	1016801	13-5, 13-7, 13-9
1016423	4-5, 4-9, 8-15, 8-17, 8-19	1016535	9-11, 10-11	1016813	6-31, 7-25
101642575	11-9	1016537	9-7, 10-7	1016814	6-31
101642578	11-9	1016538	9-11, 10-11	1016837	4-31, 4-33
101642580	11-9	1016539	9-3, 10-3	1016849	4-15, 4-17, 4-19, 4-21
101642582	11-9	1016541	9-13, 10-13	1016851	4-15, 4-17, 4-19, 4-21
101642585	11-9	1016544	9-5, 9-9, 9-11, 10-5, 10-9, 10-11	1016868	1-3, 1-5
1016429	9-7, 10-7	1016546	11-15	1016879	4-3

# INDEX

1016880	4-3	1017313	6-5, 7-7	1017513	9-11, 10-11
1016883	8-11	1017314	6-5, 7-7	1017514	9-11, 10-11
1016901	13-7, 13-9	1017315	6-5, 7-7	101751801	9-11, 10-11
1016904	1-83, 9-9, 10-9, 12-3	1017317	6-5, 7-7	101751802	9-11, 10-11
1016916	1-47	101734802	1-3	101751803	9-11, 10-11
101692501	1-3	101737002	2-3	101754201	1-85
101692502	1-3	1017378	5-5, 5-7	101754204	1-85
101692504	1-3	1017380	5-5, 5-7	1017653	8-9
101692506	1-3	101738301	13-7	1017686	13-11, 13-13
101692509	1-3	101738302	13-7	1017689	1-83, 12-3
101692510	1-3	1017424	5-5, 5-7	101769302	2-3
101692511	1-3	1017434	9-9, 10-9	1017696	5-5, 5-7
101692512	1-3	1017435	9-9, 10-9	1017699	4-45
101692513	1-3	1017442	9-7, 10-7	101770202	1-45
101692514	1-3	1017443	9-9, 9-11, 10-9, 10-11	1017705	15-7
101692515	1-3	1017444	9-9, 10-9	1017721	4-5, 4-29
1016929	4-31, 4-33, 4-35	1017445	9-9, 10-9	1017722	4-5
101693201	3-15, 3-23	1017446	9-9, 10-9	1017724	4-13
101693901	1-3, 1-5	1017447	9-11, 10-11	101773301	9-13, 10-13
101693902	1-3, 1-5	1017448	9-5, 10-5	101773302	9-13, 10-13
101693904	1-3	101744901	9-13, 10-13	101773303	9-13, 10-13
101693906	1-3, 1-5	101744902	9-13, 10-13	101773304	9-13, 10-13
101693908	1-5	1017450	9-13, 10-13	101773305	9-13, 10-13
101693909	1-3, 1-5	101745101	9-13, 10-13	101773306	9-13, 10-13
101693910	1-3, 1-5	101745102	9-13, 10-13	101773307	9-13, 10-13
101693911	1-3, 1-5	1017453	9-13, 10-13	101773308	9-13, 10-13
101693912	1-3, 1-5	1017454	9-9, 10-9	101773309	9-13, 10-13
101693913	1-3, 1-5	1017455	9-5, 10-5	101773310	9-13, 10-13
101693914	1-3, 1-5	1017456	9-7, 10-7	101773311	9-13, 10-13
1016952	1-11	101745701	9-13, 10-13	1017774	1-49, 1-51
1016967	1-3, 1-5, 15-15	101745702	9-13, 10-13	1017853	4-5, 4-9
1016997	8-17	1017458	9-7, 10-7	101791101	5-17, 5-19
1017006	8-5, 8-17	1017460	9-7, 10-7	101796201	5-5, 5-7
1017029	5-3	1017461	11-9	101796501	15-7
1017035	4-5, 4-9, 4-45	1017463	9-5, 10-5	101796801	15-7
101705603	4-5	1017466	11-11, 11-13	101801001	15-7, 18-11
1017062	4-3	1017468	9-5, 10-5	101804301	4-15, 4-17, 11-17
1017064	4-3	1017471	9-13, 10-13	101806001	1-15
1017065	4-3	1017472	9-11, 10-11	101806002	1-15
101707402	4-13	1017473	9-9, 10-9	101806005	1-15
1017075	4-13	1017474	9-3, 10-3	101808401	19-3
1017080	1-3, 1-5	1017475	9-3, 10-3	101809101	19-3
1017082	14-7, 14-13	1017476	9-3, 10-3	101810601	4-9
1017162	1-49, 1-51	1017486	9-3, 10-3	101811901	11-17
1017167	1-49, 1-51	1017487	9-11, 10-11	101812301	11-17
1017187	18-11	1017490	9-5, 10-5	101813001	11-17
1017188	13-3	1017500	9-3, 10-3	101813202	19-3
1017189	18-11	1017501	9-13, 10-13	101814601	4-33
1017211	5-13	1017502	9-13, 10-13	101815501	5-19
1017226	6-7, 7-9	1017503	9-13, 10-13	101815502	5-19
1017231	14-7	1017504	9-11, 10-11	101816301	5-19
1017239	8-17	1017507	9-7, 10-7	101816501	5-19
1017243	8-17	1017508	9-11, 10-11	101816502	5-19
1017266	6-15, 6-23, 7-17	1017510	9-13, 10-13	101817401	5-5, 5-7
1017273	6-9, 6-11, 7-11, 7-13	1017511	9-11	101818801	5-7
101728602	1-21	1017512	9-13, 10-13	101821501	11-17

# INDEX

101821601	4-35	101838401	18-5, 18-9	101879701	6-3, 7-5
101822001	5-9	101838601	18-5, 18-9	101879801	6-3, 7-5
101823101	19-5	101838701	18-7, 18-9	101879901	6-3, 7-5
101823201	5-19	101839801	4-25	101880001	6-3, 7-5
101823301	5-19	101839802	4-25	101880101	6-3, 7-5
101823302	5-19	101839803	4-25	101880201	6-3, 7-5
101823801	5-19	101839804	4-25	101880301	6-3, 7-5
101823901	5-19	101839805	4-25	101880701	5-11, 5-17
101824001	5-19	101839806	4-25	101881501	4-43
101824002	5-19	101839807	4-25	101881601	4-43
101824401	11-3, 11-5	101839808	4-25	101881701	11-17
101825101	3-3, 3-7, 3-11, 3-19	101839809	4-25	101884801	9-15, 10-15
101825102	3-15, 3-23	101839810	4-25	101884901	2-3
101825103	4-23	101839811	4-25	101886101	11-15, 14-7, 14-13
101826201	4-19, 4-21	101839812	4-25	101887101	19-3
101826301	4-15	101841901	18-7, 18-9	101887601	9-3, 10-3
101826401	4-17	101851101	4-15, 4-17, 4-19, 4-21, 4-25	101889401	14-9
101827101	9-15, 10-15	101856002	4-19, 4-21	101890001	14-9
101828501	18-3, 18-7, 18-9	101856102	8-15, 8-17, 8-19	101890101	14-7
101828801	18-3	101859401	12-3	101890201	14-7
101828802	18-3	101861901	5-5, 5-7	101890501	14-7
101828901	18-3, 18-5	101862001	5-5	101890601	14-7
101828902	18-3, 18-5	101865301	5-13	101890901	14-11
101828903	18-3, 18-5	101869302	8-9	101891001	14-11
101829001	18-7, 18-9	101870401	1-3	101891301	14-7
101830601	4-15, 4-17, 4-19, 4-21	101870501	6-25, 7-19	101891401	14-11
101830701	4-15, 4-17, 4-19, 4-21, 4-25	101870601	6-23	101891501	14-11
101831101	18-3, 18-7, 18-9	101871001	19-3	101891601	14-9
101831401	15-11, 15-13	101874601	5-13	101891901	14-9
101831801	19-5	101874901	8-9	101892001	14-9
101831901	19-3	101875001	8-9	101892201	14-9
101832001	15-7	101875101	8-9	101892301	14-9
101832202	11-15	101875102	8-9	101892401	14-9
101832302	11-15	101875201	8-9	101892501	14-9
101832601	9-15, 10-15	101875301	8-9	101892601	14-9
101832701	9-15, 10-15	101875401	8-9	101892701	14-11
101832901	18-13	101875501	8-9	101892901	14-7
101833101	9-15, 10-15	101875601	8-9	101893201	14-9
101833401	13-11, 13-13	101875701	8-9	101893801	14-7
101833601	14-7	101875802	8-9	101893901	14-9
101833701	8-9	101876001	8-9	101894303	1-17
101833902	13-5	101876202	8-9	101894304	1-43
101833904	13-7	101876301	8-9	101894702	1-41
101833906	13-9	101876402	8-9	101894901	15-7, 18-11
101834001	13-11	101876501	8-9	101895401	17-3
101834003	13-13	101876901	6-21, 7-15	101895501	17-3
101834502	4-15, 4-17, 4-19, 4-21, 4-25	101877001	6-21, 7-15	101896501	8-9
101834601	9-15, 10-15	101877601	8-9	101897001	17-3
101834801	11-15, 14-7, 14-13	101877701	8-9	101897201	17-3
101835601	1-33, 1-35, 4-27	101878101	8-9	101897401	17-3
101836201	13-11	101878201	5-3	101897601	17-3
101836202	13-13	101878302	6-3, 7-5	101898001	8-25
101837101	11-17	101879001	8-9	101903101	6-17, 6-25, 7-19
101837301	8-3, 8-5, 8-7, 8-11	101879401	6-3, 7-5	101903601	17-3
101837401	1-57	101879501	6-3, 7-5	101903701	17-3
101837502	1-57	101879601	6-3, 7-5	101905901	11-9

# INDEX

101906901	17-3	101936801	15-3	101974712	4-25
101908101	15-9	101939901	8-9	101976601	18-5
101908401	8-13, 15-9	101942301	16-3	101978601	17-5
101909201	9-5, 10-5	101946201	1-31	101980801	14-9
101909301	9-5, 10-5	101953102	5-21	101980901	14-9
101909401	9-5, 10-5	101953106	5-13, 5-15	101981001	14-9
101909501	9-5, 10-5	101953801	9-3	101984801	6-5, 7-7
101910501	14-11	101953802	10-3	101987901	4-3
101914001	17-5	101953803	9-3	101988001	4-3, 4-5, 4-9
101914401	4-5, 18-3, 18-5, 18-7, 18-9	101953804	10-3	101988002	4-3, 4-5, 4-9
101914402	4-9	101954301	1-17	101988101	4-3
101915201	3-13, 3-17, 3-21, 3-25	101955001	6-23, 7-17	101988201	4-3
101916001	9-13, 10-13	101955101	4-5, 4-9, 4-41	101990801	5-15, 5-21
101916101	9-3, 10-3	101957101	4-5, 4-9	101994301	1-77
101916201	9-5, 10-5	101958102	11-17	101994401	1-81
101916301	9-5, 10-5	101958201	18-5	101994601	1-75
101916701	8-11	101958301	18-5	101994801	1-79
101917601	11-17	101958601	1-35	101995101	1-71
101918402	2-3	101960201	3-3, 3-11, 3-15	101996901	1-55
101918501	5-3	101960501	3-13, 3-17, 3-21, 3-25	101997802	4-43
101919801	5-5, 5-7	101960601	3-23	101997803	4-43
101920101	15-3	101963301	1-31	101997902	4-43
101921501	11-17	101963401	1-31, 1-41, 1-43, 8-23, 9-15, 10-15	101997903	4-43
101921601	1-37	101964001	1-31	102002901	15-11, 15-13
101922101	17-3	101966801	18-11	102003201	11-3, 11-5
101922201	17-3	101968801	18-11	102004001	7-19
101922501	8-13	101969701	4-5, 4-9, 4-41	102004101	7-9
101922801	1-37	101971301	11-17	102004201	7-21
101923001	17-3	101972001	19-5	102004301	1-5
101923201	17-3	101972002	19-5	102004601	1-67
101923301	17-3	101972003	19-5	102004602	1-67
101923501	17-3	101972004	19-5	102004901	7-25
101923901	17-3	101972005	19-5	102005701	1-21
101925601	13-5	101972006	19-5	102006201	1-85
101925701	11-17	101972007	19-5	102006701	3-7, 3-19, 3-23
101926501	6-27, 7-21, 7-23	101972009	19-5	102009201	2-5
101926801	11-17	101972011	19-5	102009202	2-5
101926901	14-7	101972012	19-5	102009301	2-5
101927101	14-7	101972101	17-3	102009302	2-5
101927201	14-7	101972201	17-3	102009401	2-5
101927301	14-7	101972801	11-17	102009402	2-5
101927501	14-9	101973101	11-9	102009501	2-5
101927601	14-9	101973301	11-9	102009502	2-5
101927701	14-9	101973401	11-11, 11-13	102009901	2-7
101927901	14-9	101973501	18-5	102009902	2-7
101928001	14-9	101974701	4-25	102010001	2-7
101928101	14-9	101974702	4-25	102010002	2-7
101928301	14-11	101974703	4-25	102010501	1-67
101928601	14-7	101974704	4-25	102022101	5-21
101928701	14-7, 17-3, 19-5	101974705	4-25	102025401	1-83
101929401	6-27, 7-21, 7-23	101974706	4-25	102026001	5-5, 5-7
101929501	11-3, 11-5	101974707	4-25	102031901	14-11
101929802	13-5, 13-9	101974708	4-25	102051901	4-5, 4-9
101932201	1-83, 4-5, 4-9	101974709	4-25	102054501	4-37
101933101	19-5	101974710	4-25	102054502	4-39
101933701	11-17	101974711	4-25	102056001	1-63
101936101	17-5				

# INDEX

102056401	1-55	102242101	13-11, 13-13	102704901	16-3
102056502	1-83	102243402	19-5	102711201	8-15, 8-19
102061201	19-7	102243403	16-3	102751601	11-3
102065103	1-63	102248803	19-5	102753401	9-9, 10-9
102065901	1-33, 9-15, 10-15	102251501	19-5	102764001	15-11, 15-13
102066001	1-33	102262901	1-69	102764401	15-13
102066201	6-29, 7-23	102264001	8-23	102766201	15-11, 15-13
102070601	1-83	102264501	1-69	102770701	18-11
102071701	1-83	102269701	8-23	102771701	17-3
102074101	1-83	102271601	9-11	102772401	15-15
102074201	1-83	102272501	8-23	102774501	15-15
102074501	1-83	102272601	1-73	102774602	15-15
102074601	1-83	102275401	18-3, 18-5, 18-7, 18-9	102774701	15-15
102074701	1-83	102278001	6-5, 7-7	102775101	16-3
102074801	1-83	102292801	5-13, 5-15, 5-21	102803401	8-17
102074901	1-83	102304801	9-9, 10-9	102817101	15-15
102075801	3-7, 3-19, 3-23	102323101	5-3, 5-13, 5-15, 5-21	102817201	15-15
102077601	4-37, 4-39	102323201	5-3, 5-13, 5-15, 5-21	102837001	18-7
102077701	4-37, 4-39	102336001	11-15	102838101	15-9, 18-3, 18-7
102077801	4-37, 4-39	102336101	11-15	102838401	9-5, 10-5
102077901	4-37, 4-39	102345901	3-25	102844001	18-11
102078001	4-37, 4-39	102352201	4-27	102844002	18-13
102101001	15-3	102354901	4-27	102845101	3-5, 3-9
102101101	15-3	102355301	8-25	102845201	15-11
102155701	4-37	102356601	17-3	102845203	15-11, 15-13
102155801	13-11, 13-13	102356801	17-3	102845204	15-13
102158901	5-5, 5-7	102376001	14-3	102845401	15-5
102159601	4-37, 4-39	102399001	7-23	102846402	15-5
102163001	1-21	102406701	11-5	102847601	1-47
102163101	1-21	102430901	9-13, 10-13	102847602	1-47
102181101	1-83	102431001	10-11	102847603	1-47
102182101	1-83	102453001	14-9	102847701	1-47
102185401	11-17	102453101	14-9	102847801	18-3
102186401	16-3	102459301	3-5, 3-9, 3-13, 3-15, 3-19, 3-23	102847802	18-3
102190702	11-17	102508701	4-19, 4-21	102847803	18-3
102196901	4-19, 4-21, 15-5	102513701	11-3	102848701	15-7
102198501	1-29	102515401	14-7, 14-13	102852101	5-15
102198701	4-5	102518001	3-3, 3-7	102859501	15-15
102199001	4-5	102518301	3-5, 3-9	102863801	15-5
102199201	4-5, 4-9	102519201	3-11, 3-19	102865101	11-3, 11-5
102199301	4-5, 4-9	102522001	11-3, 11-5	102869401	4-5, 4-9, 4-17, 4-21
102199401	4-5, 4-9	102526201	14-3	102871801	6-27, 6-29, 7-21, 7-23
102221301	1-43	102529201	4-13	102873401	15-11, 15-13
102221401	1-43	102540301	9-15, 10-15	102881401	18-11
102221501	1-43	102555501	19-3	102882501	1-49, 1-51, 1-53
102221701	1-43	102559901	2-9	102886301	17-3
102221801	1-43	102562401	19-3	102886401	17-3
102222001	1-43	102572401	4-19, 4-21, 15-5	102886501	17-3
102222101	1-43	102614401	1-43	102886601	17-3
102222201	1-43	102616701	14-3	102890201	4-27
102224001	1-67, 3-21, 3-25	102673201	1-43	102891101	6-29, 7-23
102231601	3-9, 3-21, 3-25	102683201	3-29	102892901	18-5
102235201	16-3	102683301	3-29	102892902	18-5
102239901	1-43	102683701	3-31	102893001	18-9
102240501	15-15	102683801	3-31	102893601	1-51
102241502	19-5	102684602	14-3	102896801	14-13



# INDEX

102896901	14-13	102902701	14-17	103234301	3-27, 3-29, 3-31
102897201	14-15	102902801	14-17, 17-3	103245201	1-31
102897301	14-15	102915101	4-9	103245301	1-31
102897401	14-13	102915701	15-9	103254101	4-5
102897501	14-13	102917101	6-29	103256901	4-5, 4-9
102897601	14-13	102918701	4-27	103260101	3-27
102897701	14-15	102931101	15-15	103260801	3-27
102897801	14-13	102938601	16-3	103260901	3-27
102897901	14-13	102938701	16-3	103261301	3-29
102898001	14-15	102938801	16-3	103270201	1-49
102898101	14-15	102938901	16-3	103270301	1-51
102898201	14-13	102939001	16-3	103272801	1-49
102898301	14-15	102939101	16-3	103274202	1-51
102898401	14-15	102939102	16-3	103274401	1-69
102898501	14-15	102939501	18-5	103284101	3-27, 3-29
102898601	14-15	102940801	18-5, 18-7, 18-9	103295101	14-5
102898701	14-15	102950301	4-23	103295202	14-5
102898801	14-15	102951701	16-3	103306301	11-3, 11-5
102898901	14-15	102959601	1-51	103318401	1-53
102899001	14-15	102962303	4-23	103324402	1-53
102899101	14-13	102962602	4-23	103324801	7-23
102899201	14-13	102966401	1-31	103345701	13-5, 13-7, 13-9
102899301	14-15	102966501	1-31	103348201	4-15, 4-17
102899401	14-13	102966502	1-31	103348501	4-15, 4-17, 8-3, 8-5, 8-7
102899501	14-15	102967601	3-5, 3-9	103348601	4-15, 4-17
102899601	14-15	102969401	14-3	103350001	4-39
102899701	14-13	102969801	14-3	103350901	6-27
102899801	14-13	102969901	14-3	103351001	6-15, 7-17
102899901	14-15	102974201	11-3	103351101	6-29, 7-21, 7-23
102900001	14-13	102977001	4-15, 4-17	103353501	18-11
102900101	14-13	102977002	4-19, 4-21	103369101	11-5
102900201	14-13	102977901	11-3, 11-5	103369501	14-3
102900301	14-13	102978001	11-3, 11-5	103372101	11-5
102900401	14-15	102980801	15-11, 15-13	103372201	11-5
102900501	14-15	102980901	15-11, 15-13	103372301	11-5
102900601	14-13	102989501	1-31, 1-33	103372401	11-7
102900701	14-15	103173301	14-3	103372501	11-7
102900801	14-17	103174401	1-7	103372801	11-7
102900901	14-13	103177401	14-3	103374701	11-5
102901001	14-15	103180101	4-15, 4-17, 4-19, 4-21	103397901	4-9, 15-15
102901101	14-15	103187601	11-3	103406501	1-39
102901201	14-17	103189101	18-13	103406502	1-39
102901301	14-17	103192701	14-3	103406601	1-39
102901401	14-17	103197101	8-3	103414901	15-15
102901501	14-17	103198001	8-5	103418601	11-7
102901601	14-17	103198101	8-7	103459102	2-3
102901701	14-17	103198301	4-19, 4-21	103477901	6-13, 6-21, 7-15
102901801	14-17	103198401	8-13	103502701	6-19
102901901	14-17	103199001	4-15, 4-17	103502801	6-19
102902001	14-17	103199101	4-15, 4-17	103507001	7-19
102902101	14-17	103205401	3-3, 3-7, 3-11, 3-15, 3-19	103507101	11-13
102902201	14-17	103205501	3-13, 3-17, 3-21, 3-25, 8-13	103507201	11-13
102902301	14-17	103210201	3-13, 3-17, 3-21, 3-25	103507301	11-13
102902401	14-17	103210301	3-5, 3-9	103582801	17-3
102902501	14-17	103218601	4-19, 4-21, 15-5	103628801	6-19
102902601	14-17	103221901	15-5	103628901	6-19

# INDEX

103694501 2-9  
96704416 9-15, 10-15

## A

absorber, shock 6-23  
AC cord 18-3, 18-5, 18-7, 18-9  
AC cord receptacle 18-5  
accelerator bracket and bearing assembly 5-5, 5-7  
accelerator cable 11-15  
accelerator pedal 5-5, 5-7  
accelerator pedal adjustment tool 19-3  
accelerator pivot rod 5-5, 5-7  
accelerator return spring 5-5, 5-7  
accelerator rod 5-9  
accessory switch panel 1-75  
actuator 1-49, 1-51  
adapter  
    actuator 1-49, 1-51  
    cable (IQDM) 19-5  
adhesive, guide ring 19-3  
adjuster, lash 9-11, 10-11  
air box 11-17  
air box top 11-17  
air duct 11-17  
air duct shield 11-17  
air filter 11-17  
air intake hose 11-17  
ammeter 18-3, 18-5, 18-7, 18-9  
anchor body 5-11, 5-17  
anchor body kit 5-11, 5-17  
anchor, piston 5-11, 5-17  
anti-sway bar 6-31, 7-25  
A-plate strap 6-15, 6-23, 7-17  
A-plate, delta 6-15, 6-23, 7-17  
arbor 19-3  
arm  
    governor 11-15, 14-7, 14-13  
    pivot 14-7  
    rocker 9-9, 10-9  
    wiper 1-69  
armature 8-9, 16-3  
armature conversion kit 8-9  
assembly  
    accelerator bracket and bearing 5-5, 5-7  
    accelerator pivot rod 5-5, 5-7  
    air box 11-17  
    air box top 11-17  
    air duct 11-17  
    armature 8-9  
    axle 14-11  
    bearing, steering shaft 6-5, 7-7  
    bell crank and shaft 8-15, 8-17, 8-19  
    brake lever 5-19  
    brush connector 8-9  
    brush holder 8-9

cab 1-69  
carburetor 11-9  
choke cable 11-17  
connecting rod 9-13, 10-13  
cylinder head 9-9, 10-9  
delta A-plate 6-15, 6-23, 7-17  
delta shock and gear support 6-15, 6-23, 7-17  
drive clutch 13-7  
drive hub 13-5, 13-7, 13-9  
driven clutch 13-11  
driven clutch fixed-face 13-11, 13-13  
field coil 8-9  
float 11-9  
fuel cap 11-5  
fuel tank vent 11-3  
governor 14-9, 14-15  
headlight 4-3, 4-5, 4-9  
headlight harness 4-3  
hinge, tilt bed 1-33  
idle screw 11-9  
inner ball joint 6-3, 7-5  
kingpin 6-17, 6-25, 7-19  
latch weld 1-33  
moveable-face 13-5, 13-7, 13-9, 13-11, 13-13  
pilot air screw 11-9  
plug cap 9-5, 10-5  
prop rod support 1-37  
ratchet 5-3  
score card plate 6-11, 7-13  
secondary clutch weight 13-5, 13-7, 13-9  
steering shaft 6-5, 7-7  
steering wheel 6-9, 6-11, 7-11, 7-13  
tailgate 1-43  
tether 1-43  
tilt bed 1-33  
turn signal lens 4-3  
axle 14-7, 14-11, 14-17, 17-3  
axle guard 17-5  
axle shaft oil seal 14-11, 14-17, 17-3  
axle tube 14-11, 14-17, 17-3

## B

backing plate, brake 5-11, 5-17, 5-19  
ball bearing 9-11, 10-11  
ball joint 5-3, 5-9, 6-3, 6-15, 6-23, 7-5, 7-17, 14-5  
ball joint, left-hand thread 6-3, 6-15, 6-23, 7-5, 7-17  
ball stud 8-15, 8-17, 8-19, 14-7, 14-13  
ball, shifter 14-9  
ball, steel pressure relief 9-7, 10-7  
ball, trailer hitch 1-61  
band, RPM limiter mount 9-5, 10-5  
bar, drive 15-3  
bar, light 4-37, 4-39

bar, stabilizer 6-31, 7-25  
barb, vent 11-3, 11-5  
barrel, plastic 1-3, 1-5, 1-7, 1-39  
battery cap, 6-volt 15-11, 15-13  
battery charger 18-3, 18-5  
battery charger case 18-3, 18-5, 18-7, 18-9  
battery charger harness 18-11  
battery charger mounting plate 18-11  
battery charger receptacle 15-7  
battery charger retainer 18-13  
battery charger shield 18-11  
battery charger transformer 18-3, 18-5, 18-7, 18-9  
battery charger wire assembly 18-5  
battery charger, onboard 18-7, 18-9  
battery clamp 8-25  
battery discharge machine 19-3  
battery hold-down 15-11, 15-13  
battery hold-down rod 15-11, 15-13  
battery light 4-19, 4-21  
battery terminal protector spray 4-9, 19-3  
battery thermometer 19-3  
battery, 12-volt 8-25  
battery, 6-volt, Trojan T105 15-11  
battery, 6-volt, Trojan T145 15-13  
bearing 17-3  
    ball 9-11, 10-11  
    ball (motor) 16-3  
    ball (steering pinion) 6-3, 7-5  
    cage roller 14-15  
    front wheel hub 6-13, 6-21, 7-15  
    hub 6-13, 6-21, 7-15  
    idler 13-5, 13-7, 13-9  
    inner axle tube 14-11, 17-3  
    lower pinion (steering) 6-3, 7-5  
    needle 14-9  
    outer axle tube 14-11  
    pivot support 5-5, 5-7  
    steering shaft 6-5, 7-7  
    thrust 6-17, 6-25, 7-19  
bearing and oil seal remover 19-3  
bearing driver set 19-3  
bearing puller 19-3  
bearing puller wedge 19-3  
bearing seat 6-5, 7-7  
bed floor plate 1-33  
bed latch 1-39  
bed latch spring 1-39  
bed lift  
    hydraulic 1-53  
bed mat 1-45  
bed seal 1-31, 1-33  
bed, tilt 1-33  
bell crank and shaft 8-15, 8-17, 8-19  
bellows 6-3, 7-5  
belt, drive 13-3

# INDEX

- belt, seat 1-69
  - belt, starter/generator 8-11
  - belt, V 8-11
  - bezel, choke cable 11-17
  - bezel, headlight 4-3
  - block, brake-mounting 5-3
  - block, fuse 4-5, 4-9, 8-15, 8-17, 8-19
  - block, terminal 4-5, 4-9, 15-5
  - blower cover 1-83
  - blower mounting bracket 1-83
  - blower, centrifugal 1-83
  - body, anchor 5-11, 5-17
  - body, front 1-3
  - bolt, U- 6-29, 7-23
  - boot, steering column 6-5, 7-7
  - boot, switch 8-13, 15-9
  - bottom, air box 11-17
  - box
    - air 11-17
    - cargo 1-39
    - differential 14-17
    - electrical component 8-15, 8-17, 8-19
    - steering gear 6-3, 7-5
    - tool 1-57
    - van 1-85
  - brace, light bar 4-37, 4-39
  - brace, trailer hitch 1-59
  - bracket 6-27, 7-21, 7-23
    - accelerator cable 11-15
    - adjustable starter/generator 8-11
    - brace mounting 4-37, 4-39
    - brake cable guide 6-23, 7-17
    - brake light switch 4-5, 4-9
    - FNR shifter 14-3
    - governor cable 11-15
    - headlight mounting 4-3
    - horn 4-5, 4-9, 4-41
    - hour meter 4-43
    - light mounting 4-37, 4-39
    - muffler mounting 12-3
    - oil filter mount 9-7, 10-7
    - oil level switch 9-11, 10-11
    - relay mounting 8-17, 18-7, 18-9
    - RPM limiter 9-5, 10-5
    - shock mounting, drv 6-29
    - shock mounting, pas 6-29
    - snubber 9-15, 10-15
    - stabilizer bar mounting 6-31, 7-25
    - stake side 1-47
    - starter/generator mounting 8-11
    - steering column 6-5, 7-7
    - steering column mounting 6-5, 7-7
    - throttle spring return 11-11, 11-13
    - Tow/Run switch 8-13
  - bracket, carburetor intake manifold 11-13
  - brake actuator kit 5-11, 5-17
  - brake adjusting mechanism 5-19
  - brake adjustment tool 19-3
  - brake backing plate 5-11, 5-17, 5-19
  - brake cable 5-13, 5-15, 5-21
  - brake cable equalizer 5-13, 5-15, 5-21
  - brake cable hanger 6-27, 7-21
  - brake cable release tool 19-3
  - brake cluster 5-11, 5-17, 5-19
  - brake drum 5-11, 5-17, 5-19
  - brake lever 5-19
  - brake lever arm 5-11, 5-17
  - brake light switch bracket 4-5, 4-9
  - brake mounting block 5-3
  - brake pedal 5-3
  - brake pedal pad 5-3
  - brake relay kit, 12-volt 4-5
  - brake return spring 5-15, 5-21
  - brake self-adjusting mechanism 5-19
  - brake shoe 5-11, 5-17, 5-19
  - brake spring 5-11, 5-17, 5-19
  - breaker, circuit 18-5, 18-9
  - breather 14-7, 14-13, 17-3
  - brush and screw set 8-9
  - brush box assembly 16-3
  - brush connector 8-9
  - brush cover kit, starter/generator 8-9
  - brush guard 1-5
  - brush holder 8-9
  - brush inspection port cover 8-9
  - brush kit, motor 16-3
  - brush plate
    - starter/generator 8-9
  - brush port cover 8-9
  - brush rigging 16-3
  - brush spring 16-3
  - brush spring set 8-9
  - brush spring, starter/generator 8-9
  - brush terminal, starter/generator 8-9
  - brush, motor 16-3
  - bulb, headlight 4-3
  - bulb, light bar 4-37, 4-39
  - bulb, strobe light 4-31, 4-33, 4-35
  - bulb, tail light 4-45
  - bumper 1-23
    - drive unit (motor) 16-3
    - front 1-3, 1-5
    - front, heavy duty 1-3
    - front, kit 1-3, 1-5
    - rubber 1-35, 1-43, 5-3
    - seal, long 1-17
    - spring return 5-5, 5-7
  - bumper, heavy-duty 1-3
  - bumper, seat 1-17
  - bushing 1-49, 1-51, 8-15, 8-17, 8-19, 13-5, 13-7, 13-9, 14-3
  - bronze 6-13, 6-21, 7-15
  - nylon 1-39, 1-41, 5-3
  - return line 11-5
  - snap-in 1-39
  - spindle 6-13, 6-21, 7-15
  - stabilizer bar 6-31, 7-25
  - steel 1-33, 6-17, 6-19, 6-25, 6-27, 6-29, 7-19, 7-21, 7-23
  - urethane 1-33, 6-15, 6-17, 6-19, 6-23, 6-25, 6-27, 6-29, 7-17, 7-19, 7-21, 7-23
- bushing support 6-31, 7-25
- button, drive 13-11, 13-13
- buzzer, reverse 4-15, 4-17, 4-19, 4-21
- ## C
- cab 1-69
    - door 1-69
    - door hinge 1-69
    - door latch 1-69
    - heater 1-83
    - roof 1-69
    - side rear window 1-69
    - windshield 1-69
    - windshield latches 1-69
    - wiper arm 1-69
    - wiper blade 1-69
    - wiper motor 1-69
  - cable
    - accelerator 11-15
    - brake 5-13, 5-15, 5-21
    - choke 11-17
    - FNR shifter 14-5
    - governor 11-15
  - calibration test module 19-3
  - cam
    - driven clutch 13-11, 13-13
    - electrical component box 8-15, 8-17, 8-19
  - cam, FNR shifter 14-3
  - camshaft 9-11, 10-11
  - camshaft shim 9-11, 10-11
  - camshaft spring 9-11
  - canister, carbon, fuel tank 11-7
  - canopy 1-25, 1-27, 1-29
  - canopy brace 1-25, 1-27, 1-29
  - canopy support 1-25, 1-27, 1-29
  - canopy trim plate 1-25, 1-27, 1-29
  - cap
    - battery, 6-volt 15-11, 15-13
    - corner 1-31, 1-41
    - dust 4-19, 4-21, 15-5
    - front corner 1-43
    - fuel tank 11-3
    - fuel, gas, ratchet 11-5
    - key switch 4-15, 4-17, 4-19, 4-21, 4-25
    - plug 9-5, 10-5
    - seat back 1-19
  - cap, hub, 7 prong 2-9

# INDEX

- carbon canister 11-7
  - carburetor 11-9
  - carburetor adapter 11-13
  - carburetor gasket 11-11, 11-13
  - carburetor insulator 11-11, 11-13
  - carburetor mounting gasket 11-11, 11-13
  - card, safety first 19-5
  - cargo bed, side panel 1-39
  - cargo box 1-39
  - case
    - battery charger 18-3, 18-5, 18-7, 18-9
    - differential gear 14-11
    - gear 14-7, 14-13, 17-3
    - rocker 9-9, 10-9
  - centrifugal blower 1-83
  - charger
    - wire assembly kit 18-3, 18-7, 18-9
  - charger bezel tool 19-3
  - charger receptacle 15-7
  - charger, battery 18-3, 18-5
  - charger, battery, onboard 18-7, 18-9
  - charger, battery, shield 18-11
  - choke cable 11-17
  - choke cable bezel 11-17
  - choke valve 11-17
  - circuit breaker 15-9, 18-3, 18-5, 18-7, 18-9
  - clamp
    - battery 8-25
    - cable retaining 11-15
    - hose 11-3, 11-5, 11-7, 11-11, 11-13, 11-17
    - hose, green 11-7
    - muffler hose 1-83, 12-3
  - clevis, upper delta 6-17, 6-25, 7-19
  - clip
    - hair pin 1-43
    - meter 4-15, 4-17
  - clip, score card 6-11, 7-13
  - cluster idler gear 14-9
  - cluster, brake 5-11, 5-17, 5-19
  - clutch cam installation tool 19-3
  - clutch pulley 13-5, 13-9
  - clutch repair kit 13-11, 13-13
  - clutch tool kit 19-3
  - clutch weight 13-5, 13-7, 13-9
  - clutch, drive 13-5, 13-9
  - clutch, driven 13-11, 13-13
  - coil, field 8-9
  - coil, ignition 9-5, 10-5
  - collet 9-9, 10-9
  - column, steering 6-5, 7-7
  - communication display module 19-5
  - component box, electrical 8-15, 8-17, 8-19
  - component mounting plate 15-15
  - compression gauge 19-5
  - compression mount 6-31, 7-25
  - compressor, piston ring 19-5
    - 3-15, 3-19, 3-23
  - compressor, valve spring 19-7
  - computer, onboard 15-15
  - conduit 4-35
  - connecting rod 9-13, 10-13
  - connector, a- 8-9
  - continuity tester 19-5
  - control board 18-7, 18-9
  - controller, speed 15-15
  - converter, DC/DC 4-27
  - cord connector 9-11, 10-11
  - cord reel 18-11
  - cord, AC 18-3, 18-5, 18-7, 18-9
  - cord, DC 18-3, 18-5, 18-7, 18-9
  - corner cap 1-43
  - counterbalance guide shaft 9-13, 10-13
  - counterbalance weight 9-13, 10-13
  - cover
    - brush inspection port 8-9
    - brush port 8-9
    - crankcase 9-11, 10-11
    - dust 5-11, 5-17, 5-19, 6-13, 6-21, 7-15
    - electrical box 8-15, 8-17, 8-19
    - electrical component 15-15
    - fuse block 4-9
    - oil pump 9-7, 10-7
    - rocker switch hole 4-15, 4-17, 4-19, 4-21
    - screw head 4-15, 4-17, 4-19, 4-21
    - steering column 6-5, 7-7
    - wheel 2-9
  - cover, steering column 4-13
  - cowl 1-3, 1-5
  - crankcase 9-13, 10-13
  - crankcase cover 9-11, 10-11
  - crankcase vent tube 11-11, 11-13
  - crankshaft 9-13, 10-13
  - crankshaft rod 9-13, 10-13
  - crankshaft shim 9-13, 10-13
  - C-type stop ring 6-3, 7-5
  - cup holder 1-11
  - cup, spring 5-5, 5-7
  - current limiter 18-5
  - cushion, shock absorber 6-27, 6-29, 7-21, 7-23
  - cutter, valve seat 19-7
  - cylinder adapter 1-53
  - cylinder head 9-9, 10-9
- ## D
- damper, RPM limiter 9-5, 10-5
  - dash component 1-9
  - dash panel 4-15, 4-17, 4-19, 4-21
  - DC cord 18-3, 18-5, 18-7, 18-9
  - DC/DC converter 4-27
  - decal
    - 4-gauge wire warning 3-5, 3-9
    - battery danger 3-5, 3-9
    - bed load warning 1-39, 1-47, 3-3, 3-7, 3-11,

# INDEX

diode 8-15, 8-17, 8-19, 8-23  
diode, charging 8-23  
dipstick 9-3, 10-3  
door 1-69  
door latch 1-69  
drain plug 9-7, 10-7, 14-13  
drain plug gasket 9-7, 10-7, 14-7, 14-13  
drive bar 15-3  
drive belt 13-3  
drive button 13-11, 13-13  
drive clutch 13-5, 13-9  
drive clutch assembly 13-7  
drive clutch button 13-5, 13-7, 13-9  
drive clutch fixed-face 13-5, 13-7, 13-9  
drive clutch holder tool 19-3  
drive clutch hub puller 19-3  
drive clutch puller 19-3  
drive clutch pulley 13-7  
drive clutch spring 13-5, 13-7, 13-9  
drive clutch weight 13-5, 13-7, 13-9  
drive hub 13-5, 13-7, 13-9  
drive selector shaft 14-7, 14-13  
drive unit bumper 16-3  
drive unit guard 17-5  
driven clutch 13-11, 13-13  
driven clutch button 13-11, 13-13  
driven clutch cam 13-11, 13-13  
driven clutch cam puller 19-3  
driven clutch fixed-face assembly 13-11, 13-13  
driven clutch puller plug 19-3  
driver, drive clutch 13-5, 13-7, 13-9  
drum, brake 5-11, 5-17, 5-19  
dry moly lubricant 19-5  
duct hose 1-83  
dust cap 4-19, 4-21, 15-5  
dust cover 5-11, 5-17, 5-19, 6-13, 6-21, 7-15

## E

eccentric adjustment screw 6-17, 6-25  
eccentric bolt 7-19  
E-clip 5-13, 5-15, 5-21  
electrical box cover 8-15, 8-17, 8-19  
electrical component box 8-15, 8-17, 8-19  
electrical component cover 15-15  
end bell, commutator 8-9  
end bell, output shaft 8-9  
end cap, motor 16-3  
engine 9-3, 10-3  
engine mounting plate 9-15, 10-15  
engine shroud 9-3, 10-3  
equalizer pivot 5-13  
equalizer rod 5-13, 5-15, 5-21  
equalizer, brake cable 5-13, 5-15, 5-21  
exhaust system 12-3  
exhaust valve 9-9, 10-9  
extension, spring latch 1-33

extrusion, fender 1-3  
extrusion, plastic 1-23

## F

face, moveable 13-5, 13-7, 13-9, 13-11, 13-13  
fan housing 9-3, 10-3  
fan shroud 9-3, 10-3  
fan, defogger 1-81  
fan, flywheel 9-5, 10-5  
fender 1-67  
fender extrusion 1-3  
fender kit 1-67  
fender, rear 1-65, 1-67  
field coil 8-9  
field coil housing 8-9  
fill plug 14-7, 14-13  
fill plug gasket 14-13  
filter  
    air 11-17  
    fuel 11-3, 11-5  
    oil 9-7, 10-7  
    oil pump 9-7, 10-7  
fitting, thread-forming grease 6-3, 6-13, 6-15, 6-21, 6-23, 7-5, 7-15, 7-17  
fixed-face, drive clutch 13-5, 13-7, 13-9  
fixed-face, driven clutch 13-11, 13-13  
float 11-9  
floor mat 1-5, 1-9  
floor plate, bed 1-33  
fluid, hydraulic 1-53  
flywheel 9-5, 10-5  
flywheel fan 9-5, 10-5  
flywheel fan plate 9-5, 10-5  
flywheel puller 19-5  
FNR closeout brush 4-15, 4-17  
FNR shift lever 14-7, 14-13  
FNR shifter 14-3  
FNR shifter bracket 14-3  
FNR shifter cable 14-5  
FNR shifter cam 14-3  
fork, shift 14-9, 14-15  
frame and field, motor 16-3  
frame and field, starter/generator 8-9  
frame, tilt bed 1-33  
front body 1-3  
front bumper 1-3, 1-5  
front bumper kit 1-3, 1-5  
front leaf spring 6-17, 6-25  
front spring retainer plate 6-17, 6-25, 7-19  
F-terminal hardware 8-9  
f-terminal insulator 8-9  
fuel filter 11-3, 11-5  
fuel gauge sending unit 11-3, 11-5  
fuel line 11-3, 11-5, 11-7, 11-11, 11-13  
fuel meter 4-15, 4-17  
fuel pickup tube 11-3

fuel pump mount 11-3, 11-5  
fuel pump, impulse 11-3, 11-5  
fuel tank 11-3  
fuel tank cap 11-3  
fuel tank strap 11-3, 11-5  
fuel tank vent 11-3  
fuel tank vent grommet 11-5  
fuse 15-7, 18-3, 18-5, 18-7, 18-9  
    10-amp 8-15, 8-17, 8-19  
    20-amp 4-5, 4-9, 8-15, 8-17, 8-19  
    3/8-amp 15-7, 18-11  
fuse and receptacle 15-7  
fuse block 4-5, 4-9, 8-15, 8-17, 8-19  
fuse block cover 4-9

## G

gasket  
    carburetor 11-11, 11-13  
    carburetor mounting 11-9, 11-11, 11-13  
    crankcase cover 9-9, 9-11, 10-9, 10-11  
    drain plug 9-7, 10-7, 14-7  
    drain plug, fill plug 14-13  
    exhaust 1-83, 9-9, 10-9, 12-3  
    head 9-9, 10-9  
    insulator 9-9, 10-9, 11-11, 11-13  
    liquid 14-7, 17-3, 19-5  
    plug 17-3  
    rocker case 9-9, 10-9  
    sending unit 11-3, 11-5  
    taillight 4-45  
gasket kit, FE350 9-9, 10-9  
gauge, compression 19-5  
gauge, fuel-hour 4-15, 4-17  
gear  
    25 tooth 14-15  
    28 tooth 14-15  
    case 14-13  
    cluster idler 14-9  
    differential 14-11, 14-17, 17-3  
    differential idler 14-11, 17-3  
    differential output 17-3  
    helical 9-13, 10-13, 14-9, 14-11  
    planetary 14-17  
    speed governor 14-15  
    spur 9-13, 10-13, 14-9  
    sun 14-17  
    synchro 14-9  
gear yoke 19-5  
gearcase 14-7, 17-3  
governor 14-9, 14-15  
governor arm 11-15, 14-7, 14-13  
governor cable 11-15  
governor cable bracket 11-15  
governor shaft installation tool 19-5  
grip, pencil 6-11, 7-13  
grip, tilt latch hand 1-33, 1-39

# INDEX

grommet 1-15, 1-25, 1-27, 1-29, 11-3

fuel tank vent 11-5

ignition 9-5, 10-5

guard, brush 1-5

guard, differential 17-5

guard, splash 1-7

guide

intake valve 9-9, 10-9

valve 9-9, 10-9

valve seat cutter 19-7

guide ring adhesive 19-3

## H

hair pin clip 1-43

handle 1-85

hanger, brake cable 6-27, 7-21

hardware, F-terminal 8-9

harness, battery charger 18-11

harness, wire 1-83, 4-27, 4-31, 4-33, 8-3, 8-5, 8-7, 15-5

head gasket 9-9, 10-9

head, cylinder 9-9, 10-9

headband, sealed, motor 16-3

headband, vented, motor 16-3

headlamp template 4-5, 4-9

headlight 4-3

headlight assembly 4-3, 4-5, 4-9

headlight bulb 4-3

headlight harness 4-3

headlight retainer 4-3

heat shrink tube 18-11

heater 1-83

heatsink and rectifier 18-3, 18-5, 18-7, 18-9

heavy-duty bumper 1-3

helical gear 9-13, 10-13, 14-9, 14-11

hill brake rod 5-3

hill brake weld assembly 5-3

hinge kit, door 1-69

hinge pin 1-47

hinge, stake side 1-47

hinge, tilt bed 1-33

hitch, trailer 1-59

hitch, trailer, ball 1-61

hold-down rod, battery 15-11, 15-13

hold-down, battery 15-11, 15-13

holder, cup 1-11

hole plug 4-19, 4-21

horn 4-5, 4-9, 4-41

horn bracket 4-5, 4-9, 4-41

horn button and wire assembly 4-5, 4-9, 4-41

hose 1-53

fuel 11-3, 11-5

vent 11-7

hose clamp, green 11-7

hose, air intake 11-17

hose, duct 1-83

hour meter 4-15, 4-17, 4-43

hour meter, 36-48 volt 4-43

housing

2-pin 15-3

3-pin 15-3, 16-3

differential 17-3

fan 9-3, 10-3

field coil 8-9

hub 6-13, 6-21, 7-15

hub bearing 6-13, 6-21, 7-15

hub cap 2-9

hub cap, 7 prong 2-9

hub, synchronizer clutch 14-9

hydraulic bed lift 1-53

hydraulic bed lift harness 1-53

hydraulic fluid 1-53

hydraulic tilt bed pump 1-53

hydraulic tilt cylinder 1-53

hydrometer 19-5

## I

idle screw assembly 11-9

idler bearing 13-5, 13-7, 13-9

idler gear, differential 17-3

ignition coil 9-5, 10-5

inlet valve 1-83

inner frame snubber 9-15, 10-15

input shaft 17-3

insert, synchronizer 14-9

instrument panel 4-15, 4-17, 4-19, 4-21

insulating washer 16-3

insulator gasket 9-9, 10-9, 11-11, 11-13

insulator, carburetor 11-11, 11-13

insulator, motor terminal 16-3

intake pipe 11-11

intake valve 9-9, 10-9

intermediate shaft 17-3

intermediate steering shaft 6-7

internal retaining ring pliers 19-5

IQ display module (IQDM) 19-5

## J

jet, main 11-9

jet, pilot 11-9

joint

ball 5-3, 5-9, 6-15, 6-23, 7-17, 14-5

left-hand thread ball 6-3, 6-15, 6-23, 7-5, 7-17

steering 7-9

## K

key

crankshaft 9-5, 9-13, 10-5, 10-13

driven clutch 13-11, 13-13

On/Off 4-15, 4-17, 4-19, 4-21

square 13-11, 13-13

starter/generator 8-9

woodruff 14-7

key switch 4-15, 4-17

key switch cap 4-15, 4-17, 4-19, 4-21, 4-25

key switch, On/Off 4-19, 4-21

key switch, uncommon 4-25

kingpin 6-17, 6-25, 7-19

kit

2-pin housing 15-3

3-pin housing 15-3, 16-3

accelerator pivot rod 5-5, 5-7

air duct shield 11-17

anchor body 5-11, 5-17

armature conversion 8-9

bed lift 1-49, 1-51

brake actuator 5-11, 5-17

brake cable 5-13, 5-21

brake pedal 5-3

brake relay 4-5

brake shoe 5-11, 5-17

brake shoe retainer 5-11, 5-17, 5-19

cab adapter 1-69

canopy 1-25, 1-27, 1-29

clutch repair 13-11, 13-13

cup holder 1-11

DC/DC converter 4-27

differential gear case 14-11

diode 8-23

door hinge 1-69

drive clutch button 13-5, 13-7, 13-9

drive clutch weight 13-5, 13-7, 13-9

driven clutch button 13-11, 13-13

equalizer, brake 5-13

fan/defogger 1-81

fixed-face drive 13-5, 13-7, 13-9

flywheel puller 19-5

front bumper 1-3, 1-5

gasket, FE350 9-9, 10-9

heater, cab 1-83

heavy-duty front bumper 1-3

hour meter 4-43

hub cap 2-9

hydraulic bed lift 1-53

IQ display module (IQDM) 19-5

light 4-5, 4-9

mirror 1-13

mirror, inside rear-view 1-71

mirror, side-view 1-73

motor brush 16-3

motor brush lead assembly 16-3

motor brush spring 16-3

motor speed sensor 16-3

name plate 3-27, 3-29, 3-31

park brake latch 5-3

park brake pedal 5-3

# INDEX

piston ring compressor 19-5  
prop rod 1-37  
rear fender 1-67  
rear receiver hitch 1-63  
relay, 48V 15-15  
seat belt 1-69  
shock absorber cushion 6-27, 6-29, 7-21, 7-23  
shoe retainer 5-11, 5-17, 5-19  
smartkey 4-23  
stake side 1-47  
steering column mounting bracket 6-5, 7-7  
strobe light 1-77, 4-31, 4-33, 4-35  
tailgate angle 1-41  
tailgate mounting 1-39  
taillight hardware 4-45  
trailer hitch 1-59  
transmission tool 19-7  
tune-up 19-7  
turn signal 4-13  
wheel cover 2-9  
windshield, hinged 1-21  
windshield, one-piece 1-23  
wire assembly, charger 18-3, 18-7, 18-9  
work light 1-79  
knob, forward/reverse 14-3  
knob, light switch 4-5, 4-9

## L

lamp, strobe light 4-31, 4-33, 4-35  
lamp, turn signal and socket 4-13  
lash adjuster 9-11, 10-11  
latch plate, tilt bed 1-35  
latch weld 1-33  
latch, air box 11-17  
latch, bed 1-39  
latch, park brake 5-3  
latch, slam 1-43  
latch, spring 1-43  
leaf spring 6-17, 6-25, 6-27, 6-29, 7-19, 7-21, 7-23  
lens, headlight 4-3  
lens, strobe light 4-31, 4-33, 4-35  
lens, taillight 4-45  
lever  
choke 11-17  
drive selector 14-7  
speed governor 14-13  
transmission shift 14-7, 14-13  
light  
battery 4-19, 4-21  
oil 4-15, 4-17  
light bar 4-37, 4-39  
light switch 4-5, 4-9  
light switch knob 4-5, 4-9

light, strobe 1-77, 4-31, 4-33, 4-35  
lighting package 4-5, 4-9  
limit switch 4-5, 4-9, 8-15, 8-17, 8-21, 14-3  
limiter  
current 18-5  
RPM 9-5, 10-5  
voltage 4-5, 4-29  
line, fuel 11-3, 11-5, 11-7, 11-11, 11-13  
link, rack and pinion drag 6-3, 7-5  
link, stabilizer bar 6-31, 7-25  
liquid gasket 14-7, 17-3, 19-5  
low oil warning light 4-15, 4-17  
lubricant, dry moly 19-5  
lubricant, moly-teflon 16-3, 19-5  
lug nut 2-3, 2-5, 2-7  
lug stud 14-11, 14-17, 17-3

## M

magnet, speed sensor 16-3  
main jet 11-9  
mat, bed 1-45  
mat, floor 1-5, 1-9  
MCOR 15-3  
mechanism, brake adjusting 5-19  
meter clip 4-15, 4-17  
meter, hour 4-43  
meter, volt ohm 19-7  
mirror 1-13  
mirror, inside rear-view 1-71  
mirror, rear view 1-13  
mirror, side-view 1-73  
module  
calibration test 19-3  
communication display 19-5  
moly-teflon lubricant 19-5  
motor  
48-volt IQ Plus 16-3  
wiper 1-69  
motor brush 16-3  
motor brush kit 16-3  
motor brush lead assembly kit 16-3  
motor brush spring 16-3  
motor bumper 16-3  
motor controller 15-15  
motor end cap 16-3  
motor frame and field 16-3  
motor headband, sealed 16-3  
motor headband, vented 16-3  
motor magnet, speed sensor 16-3  
motor speed sensor 16-3  
motor speed sensor kit 16-3  
motor terminal and lead assembly 16-3  
motor terminal insulator 16-3  
mount, compression 6-31, 7-25  
mount, fuel pump 11-3, 11-5  
mounting block, brake 5-3

moveable-face 13-5, 13-7, 13-9, 13-11, 13-13  
muffler hose clamp 1-83, 12-3

## N

name plate 3-27, 3-29, 3-31  
needle bearing 14-9  
nozzle, main 11-9  
nut, lug 2-3, 2-5, 2-7

## O

OBC 15-15  
oil conveyer 14-13  
oil filler tube 9-3, 10-3  
oil filter 9-7, 10-7  
oil filter mount bracket 9-7, 10-7  
oil filter screen 9-11, 10-11  
oil filter screen plate 9-11, 10-11  
oil level sensor 9-11, 10-11  
oil level switch bracket 9-11, 10-11  
oil pump and rotor 9-7, 10-7  
oil pump cover 9-7, 10-7  
oil pump filter 9-7, 10-7  
oil pump plate 9-7, 10-7  
oil seal 9-9, 9-11, 9-13, 10-9, 10-11, 10-13, 14-7, 14-9  
oil warning light, low 4-15, 4-17  
onboard battery charger 18-7, 18-9  
onboard computer 15-15  
O-ring 9-3, 9-9, 9-11, 9-13, 10-3, 10-9, 10-11, 10-13

## P

pad  
accelerator pedal 5-5, 5-7  
brake pedal 5-3  
park brake 5-3  
thermal 8-23  
paint, touch-up 19-5  
panel  
front 1-43  
left 1-43  
right 1-43  
panel box 1-39  
panel, front 1-39  
panel, instrument 4-15, 4-17, 4-19, 4-21  
park brake latch 5-3  
park brake pedal 5-3  
park brake rod sleeve 5-3  
park brake spacer 5-3  
park brake torsion spring 5-3  
pawl 5-3  
pedal, accelerator 5-5, 5-7  
pedal, brake 5-3  
pedal, park brake 5-3  
pencil grip 6-11, 7-13

# INDEX

- pilot air screw assembly 11-9
  - pilot jet 11-9
  - pin
    - bow tie locking 5-13, 5-15, 5-21
    - clevis 5-13, 5-15, 5-21
    - differential 14-11
    - piston 9-13, 10-13
  - pin, hinge 1-47
  - pinion, steering 6-3, 7-5
  - pipe, intake 11-11
  - piston 9-13, 10-13
  - piston anchor 5-11, 5-17
  - piston pin 9-13, 10-13
  - piston ring 9-13, 10-13
  - piston ring compressor 19-5
  - piston ring pliers 19-5
  - piston ring set 9-13, 10-13
  - pivot arm 14-7
  - pivot support bearing 5-5, 5-7
  - plate
    - backing (brake) 5-19
    - component mounting 15-15
    - engine mounting 9-15, 10-15
    - flywheel fan 9-5, 10-5
    - front spring retainer 6-17, 6-25, 7-19
    - latch 1-35
    - name 3-27, 3-29, 3-31
    - oil filter screen 9-11, 10-11
    - oil pump 9-7, 10-7
    - receptacle backing 15-7, 18-11
    - score card 6-9, 6-11, 7-11, 7-13
    - spring mounting 6-17, 6-25, 7-19
    - steering wheel 6-9, 7-11
    - thrust 14-9, 14-11
  - plate, canopy trim 1-25, 1-27, 1-29
  - plate, Tow/Run switch 15-9
  - pliers
    - internal retaining ring 19-5
    - piston ring 19-5
    - retaining ring 19-5
  - plug
    - drain 9-7, 10-7, 14-13
    - drive clutch 13-5
    - driven clutch puller 19-3
    - fill 14-7, 14-13
    - hole 4-19, 4-21
    - spark 9-5, 10-5
  - plug cap 9-5, 10-5
  - plug, carburetor intake manifold 11-13
  - pole set 8-9
  - port, diagnostic 4-19, 4-21, 15-5
  - portable refreshment center 1-55
  - PRC 1-55
  - press weldment 19-3
  - prop rod 1-37
  - prop rod track 1-37
  - protector spray, battery terminal 19-3
  - puller
    - bearing 19-3
    - drive clutch 19-3
    - drive clutch hub 19-3
    - driven clutch cam 19-3
    - flywheel 19-5
    - seal 19-5
  - pulley
    - clutch 13-5, 13-9
    - drive clutch 13-7
    - starter-generator 8-9
    - v-belt 8-9
  - pump assembly, hydraulic tilt bed 1-53
  - pump, impulse fuel 11-3, 11-5
  - push rod 9-9, 10-9
- ## R
- race, front hub bearing 6-13, 6-21, 7-15
  - rack and pinion drag link 6-3, 7-5
  - rack guide pressure spring 6-3, 7-5
  - rack, steering 6-3, 7-5
  - ratchet, park brake 5-3
  - reamer, valve guide 19-7
  - rear fender 1-65
  - rear spring shackle 6-27, 7-21
  - rear view mirror 1-13
  - rear-view mirror, inside 1-71
  - receiver hitch 1-63
  - receptacle and fuse 15-7
  - receptacle backing plate 15-7, 18-11
  - receptacle, AC cord 18-5
  - receptacle, battery charger 15-7
  - rectifier with heatsink 18-3, 18-5, 18-7, 18-9
  - reel bracket 18-11
  - reel cord 18-11
  - refreshment center, portable 1-55
  - regulator, voltage 8-15, 8-17, 8-19
  - relay 4-9, 8-17, 15-15
  - relay mounting bracket 8-17, 18-7, 18-9
  - relay, 12-volt 4-5
  - relay, 48V 15-15
  - relay, 48-volt 18-3, 18-5, 18-7, 18-9
  - relay, brake, kit, 12-volt 4-5
  - remover, bearing and oil seal 19-3
  - retainer
    - accelerator pedal spring 5-5, 5-7
    - brake shoe 5-11, 5-17, 5-19
    - headlight 4-3
    - shock absorber cushion 6-27, 6-29, 7-21, 7-23
    - spring (drive clutch) 13-5, 13-7, 13-9
    - valve spring 9-9, 10-9
  - retainer, battery charger 18-13
  - retaining ring 6-5, 7-7
  - retaining ring pliers 19-5
- ## S
- return spring bumper 5-5, 5-7
  - reverse buzzer 4-15, 4-17, 4-19, 4-21
  - rim, wheel 2-5, 2-7
  - rim, wheel, silver 2-5, 2-7
  - rim, wheel, white 2-3
  - ring
    - C-type stop 6-3, 7-5
    - piston 9-13, 10-13
    - retaining 6-5, 7-7, 8-15, 8-17, 8-19, 13-5, 13-7, 13-9, 13-11, 13-13
    - snap 6-3, 7-5, 9-9, 9-13, 10-9, 10-13
    - spiral backup 13-5, 13-7, 13-9
    - synchronizer 14-9
  - rivet, blind push 1-3, 1-5, 15-15
  - rock guard 17-5
  - rocker arm 9-9, 10-9
  - rocker case 9-9, 10-9
  - rocker case gasket 9-9, 10-9
  - rocker shaft 9-9, 10-9
  - rocker switch 1-49, 1-51, 1-53, 4-19, 4-21
  - rocker switch (lights) 4-5, 4-9, 4-17, 4-21
  - rod
    - accelerator 5-9
    - accelerator pivot 5-5, 5-7
    - battery hold-down 15-11, 15-13
    - connecting 9-13, 10-13
    - crankshaft 9-13, 10-13
    - equalizer 5-13, 5-15, 5-21
    - hill brake 5-3
    - prop 1-37
    - push 9-9, 10-9
    - shift 14-9
    - tie 6-15, 6-23, 7-17
  - roof 1-69
  - RPM limiter 9-5, 10-5
  - RPM limiter bracket 9-5, 10-5
  - RPM limiter damper 9-5, 10-5
  - RPM limiter mount band 9-5, 10-5
  - rubber bumper 1-43



# INDEX

- seal, bed 1-31, 1-33
- sealant 14-7, 17-3
- seat
  - spring 9-9, 10-9
  - valve 9-7, 10-7
- seat back 1-19
- seat back assembly 1-19
- seat back cap 1-19
- seat back tube 1-31
- seat back, white 1-19
- seat belt 1-69
- seat bottom assembly 1-17
- seat bumper 1-17
- seat cover, vinyl 1-17
- seat strap 1-17
- seat, bearing 6-5, 7-7
- sending unit, fuel gauge 11-3, 11-5
- sensor, motor speed 16-3
- sensor, oil level 9-11, 10-11
- set, brush and screw 8-9
- set, pole 8-9
- shackle weldment 6-29
- shackle, rear spring 6-27, 7-21
- shaft
  - counterbalance guide 9-13, 10-13
  - drive selector 14-7, 14-13
  - input 17-3
  - intermediate 17-3
  - intermediate steering 6-7
  - rocker 9-9, 10-9
  - steering column 6-5, 7-7
  - transmission 14-9, 14-15
- shaft, reverse gear 14-15
- shaft, secondary
  - transmission 14-15
- shield, air duct 11-17
- shield, battery charger 18-11
- shift fork 14-9, 14-15
- shift lever 14-7, 14-13
- shift rod 14-9
- shifter, FNR 14-3
- shim, camshaft 9-11, 10-11
- shim, crankshaft 9-13, 10-13
- shim, latch plate 1-35
- shim, tilt bed pivot 1-33
- shock absorber 6-15, 6-23, 6-27, 6-29, 7-17, 7-21, 7-23
- shock absorber cushion 6-27, 6-29, 7-21, 7-23
- shock absorber cushion retainer 6-27, 6-29, 7-21, 7-23
- shock extension 7-23
- shock mounting bracket, drv 6-29
- shock mounting bracket, pas 6-29
- shoe retainer kit 5-11, 5-17, 5-19
- shoe, brake 5-11, 5-17, 5-19
- shroud 9-3, 10-3
- shroud, engine 9-3, 10-3
- shroud, fan 9-3, 10-3
- side-view mirror 1-73
- signal, turn 4-13
- slam latch 1-43
- sleeve
  - delta A-plate 6-15, 6-23, 7-17
  - governor 14-9
  - park brake rod 5-3
  - synchronizer 14-9
- smartkey 4-23
- snap ring 6-3, 7-5, 9-9, 9-13, 10-9, 10-13
- snubber bracket 9-15, 10-15
- snubber, inner frame 9-15, 10-15
- socket 6-3, 6-15, 6-23, 7-5, 7-17
- solenoid 15-15
- solenoid, 12-volt 8-15, 8-17, 8-19
- spacer 1-5, 1-53, 15-11, 15-13
  - accelerator pivot rod 5-5, 5-7
  - park brake 5-3
- spark plug 9-5, 10-5
- speed controller 15-15
- speed sensor 16-3
- speed sensor magnet 16-3
- speed sensor, motor 16-3
- spindle 6-13, 6-21, 7-15
- spiral backup ring 13-5, 13-7, 13-9
- splash guard 1-7
- spray, battery terminal protector 4-9, 19-3
- spring
  - accelerator return 5-5, 5-7
  - brake 5-11, 5-17, 5-19
  - brake return 5-15, 5-21
  - brush 8-9, 16-3
  - camshaft 9-11
  - compression 6-11, 7-13
  - drive button 13-5, 13-7, 13-9
  - drive clutch 13-5, 13-7, 13-9
  - driven clutch 13-11
  - extension 1-33
  - extension return 11-17
  - latch tilt 1-39
  - leaf 6-17, 6-25, 6-27, 6-29, 7-19, 7-21, 7-23
  - park brake torsion 5-3
  - rack guide pressure 6-3, 7-5
  - shifter 14-9
  - steering shaft compression 6-5, 7-7
  - synchronizer 14-9
  - throttle return 11-11, 11-13
  - valve 9-9, 10-9
- spring cup 5-5, 5-7
- spring latch 1-43
- spring mounting plate 6-17, 6-25, 7-19
- spring, motor brush 16-3
- spur gear 9-13, 10-13, 14-9
- stabilizer bar 6-31, 7-25
- stabilizer bar link 6-31, 7-25
- stabilizer bar mounting bracket 6-31, 7-25
- stake side 1-47
- stake side bracket 1-47
- stake side hinge 1-47
- stake side kit 1-47
- starter/generator (cw) (model G425419) 8-9
- starter/generator belt 8-11
- starter/generator brush cover kit 8-9
- starter/generator brush plate 8-9
- starter/generator brush spring 8-9
- starter/generator brush terminal 8-9
- starter/generator frame and field 8-9
- starter/generator pulley 8-9
- steel bushing 1-33, 6-17, 6-19, 6-25, 6-27, 6-29, 7-19, 7-21, 7-23
- steel pressure relief ball 9-7, 10-7
- steering column 6-5, 7-7
- steering column bearing press tool 19-7
- steering column cover 4-13
- steering column retaining ring tool 19-7
- steering gear box 6-3, 7-5
- steering joint 7-9
- steering pinion 6-3, 7-5
- steering pinion dust seal 6-3, 7-5
- steering rack 6-3, 7-5
- steering shaft assembly 6-5, 7-7
- steering shaft compression spring 6-5, 7-7
- steering wheel 6-9, 6-11, 7-11, 7-13
- steering wheel plate 6-9, 7-11
- steering wheel puller tool 19-7
- stem, valve 2-3, 2-5, 2-7
- stiffener 1-17
- stiffener, flywheel side 9-15, 10-15
- stiffener, PTO side 9-15, 10-15
- strap, A-plate 6-15, 6-23, 7-17
- strap, fuel tank 11-3, 11-5
- strap, seat 1-17
- strobe light 1-77, 4-31, 4-33, 4-35
- strobe light lens 4-31, 4-33, 4-35
- stud 9-15, 10-15
  - lug 14-11, 14-17, 17-3
  - self-clinching 1-41, 1-43
- stud, ball 8-15, 8-17, 8-19, 14-7, 14-13
- support yoke (steering) 6-3, 7-5
- support, bushing 6-31, 7-25
- suppressor, voltage 4-5, 18-3, 18-5, 18-7, 18-9
- switch plate cover 4-31, 4-33, 4-35
- switch 1-83
  - four-position 18-5, 18-9
  - key 4-15, 4-17, 4-19, 4-21
  - key, uncommon 4-25
  - light 4-5, 4-9
  - light rocker 4-5, 4-9, 4-17, 4-21
  - limit 4-5, 4-9, 8-15, 8-17, 8-21, 14-3
  - rocker 1-49, 1-51, 1-53, 4-19, 4-21

# INDEX

toggle 4-37, 4-39  
Tow/Run 15-9  
turn signal 4-13  
switch assembly 4-31, 4-33, 4-35  
switch panel, accessory 1-75  
switch rubber boot 8-13, 15-9  
switch, toggle 8-13  
synchro gear 14-9  
synchronizer clutch hub 14-9  
synchronizer insert 14-9  
synchronizer sleeve 14-9  
synchronizer spring 14-9  
synchronizer, complete 14-15  
system, exhaust 12-3

## T

12-volt battery 8-25  
12-volt solenoid 8-15, 8-17, 8-19  
tachometer 19-7  
tail light bulb 4-45  
tailgate 1-39, 1-43  
tailgate angle 1-41, 1-43  
tailgate mounting kit 1-39  
taillight 4-45  
taillight assembly 4-5, 4-9, 4-45  
taillight base 4-45  
taillight gasket 4-45  
taillight hardware kit 4-45  
taillight lens 4-45  
taillight skirt 1-65, 1-67  
tank, fuel 11-3  
tape 11-17  
tape, vinyl foam 1-33  
terminal block 4-5, 4-9, 15-5, 18-11  
tester, continuity 19-5  
tether 1-43  
thermal pad 8-23  
thermometer, battery 19-3  
thread-forming grease fitting 6-3, 6-13, 6-15, 6-21, 6-23, 7-5, 7-15, 7-17  
throttle return spring 11-11, 11-13  
throttle spring return bracket 11-11, 11-13  
thrust bearing 6-17, 6-25, 7-19  
thrust plate 14-9, 14-11  
tie rod 6-15, 6-23, 7-17  
tie wrap 1-49, 1-51, 1-53, 1-83, 4-7, 4-11, 4-13, 4-27, 4-33, 4-35, 4-37, 4-39, 4-43, 6-3, 7-5, 8-15, 8-17, 8-19, 14-5, 18-11  
tilt bed 1-33  
tilt bed frame 1-33  
tilt latch hand grip 1-33, 1-39  
tilt, hydraulic, cylinder 1-53  
tire 2-3, 2-5, 2-7  
tire and wheel assembly 2-3  
toggle switch 4-37, 4-39, 8-13  
tool

accelerator pedal adjustment 19-3  
brake adjustment 19-3  
brake cable release 19-3  
charger bezel 19-3  
clutch cam installation 19-3  
drive clutch holder 19-3  
governor shaft installation 19-5  
steering column bearing press 19-7  
steering column retaining ring 19-7  
steering wheel puller 19-7  
transaxle axle seal 19-7  
transaxle pinion seal 19-7  
transmission 19-7  
tool kit, clutch 19-3  
toolbox 1-57  
touch-up paint 19-5  
Tow/Run switch 15-9  
Tow/Run switch bracket 8-13  
Tow/Run switch plate 15-9  
track, prop rod 1-37  
trailer hitch 1-59  
trailer hitch ball 1-61  
trailer hitch brace 1-59  
transaxle (Electric Vehicle) 17-3  
transaxle axle seal tool 19-7  
transaxle Graziano (gasoline vehicle), unitized 14-13  
transaxle guard 17-5  
transaxle pinion seal tool 19-7  
transaxle, Kawasaki (Gasoline Vehicle) 14-7  
transformer, battery charger 18-3, 18-5, 18-7, 18-9  
transmission secondary shaft 14-15  
transmission shaft 14-9, 14-15  
transmission tool 19-7  
trim

    cowl 1-3, 1-5  
    seat bottom 1-31  
tube  
    axle 14-11, 14-17, 17-3  
    crankcase vent 11-11, 11-13  
    fuel pickup 11-3  
    oil filler 9-3, 10-3  
    seat back 1-31  
tune-up kit 19-7  
turn signal 4-13  
turn signal conversion kit 4-13  
turn signal lens 4-3  
turn signal socket and lamp 4-13

## U

U-bolt 6-27, 6-29, 7-21, 7-23  
unitized transaxle Graziano 14-13  
upper delta clevis 6-17, 6-25, 7-19  
urethane bushing 1-33, 6-15, 6-17, 6-19, 6-23, 6-25, 6-27, 6-29, 7-17, 7-19, 7-21, 7-23

## V

valve  
    choke 11-17  
    exhaust 9-9, 10-9  
    intake 9-9, 10-9  
    reed 9-9, 10-9  
valve clearance adjuster screw 19-7  
valve guide 9-9, 10-9  
valve guide reamer 19-7  
valve guide, intake 9-9, 10-9  
valve seat 9-7, 10-7  
valve seat cutter 19-7  
valve seat cutter guide 19-7  
valve seat t-wrench 19-7  
valve spring 9-9, 10-9  
valve spring compressor 19-7  
valve spring retainer 9-9, 10-9  
valve stem 2-3, 2-5, 2-7  
valve stem extension 2-9  
valve, inlet 1-83  
van box 1-85  
v-belt 8-11  
vent barb 11-3, 11-5  
vent, barb 11-7  
vent, fuel tank, w/ valve 11-5  
vertical socket dust seal 6-3, 6-15, 6-23, 7-5, 7-17  
volt ohm meter 19-7  
voltage limiter 4-5, 4-29  
voltage regulator 8-15, 8-17, 8-19  
voltage suppressor 4-5, 18-3, 18-5, 18-7, 18-9

## W

warning light, low oil 4-15, 4-17  
washer, insulating 16-3  
wedge, bearing puller 19-3  
weight  
    clutch 13-5, 13-7, 13-9  
    counterbalance 9-13, 10-13  
    secondary clutch 13-5, 13-7, 13-9  
weldment  
    press 19-3  
    tilt bed frame 1-33  
weldment, receiver hitch 1-63  
wheel 2-3  
wheel and tire assembly 2-3  
wheel cover 2-9  
wheel rim 2-5, 2-7  
wheel rim, silver 2-5, 2-7  
wheel rim, white 2-3  
wheel, steering 6-9, 6-11, 7-11, 7-13  
window 1-69  
windshield 1-69  
    hinged 1-21  
    one-piece 1-23

# INDEX

windshield channel 1-21  
windshield frame 1-25, 1-27, 1-29  
windshield frame pad 1-25, 1-27, 1-29  
windshield latches 1-69  
wiper arm 1-69  
wiper blade 1-69  
wiper motor 1-69  
wire assembly, battery charger 18-5  
wire harness 1-53, 1-83, 4-27, 4-31, 4-33, 8-3,  
8-5, 8-7, 15-5  
wire harness, light bar 4-37  
woodruff key 14-7  
work lights, light, work 1-79  
wrap, tie 1-49, 1-51, 1-53, 1-83, 4-7, 4-11, 4-13,  
4-27, 4-33, 4-35, 4-37, 4-39, 4-43, 6-3, 7-5,  
8-15, 8-17, 8-19, 14-5, 18-11

## Y

yoke, gear 19-5  
yoke, support (steering) 6-3, 7-5











**Club Car, Inc.**  
P.O. Box 204658  
Augusta, GA 30917-4658  
USA

**Web** [www.clubcar.com](http://www.clubcar.com)  
**Phone** 1.706.863.3000  
1.800.ClubCar  
**Int'l** +1 706.863.3000  
**Fax** 1.706.863.5808