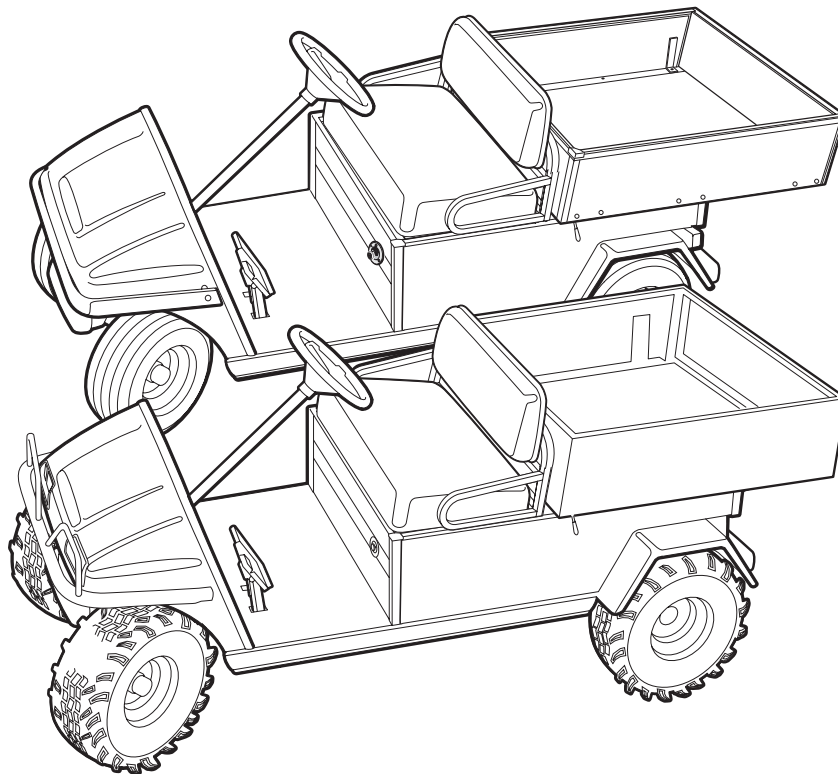




**2007**  
**Turf/Carryall 2, 252, 2 Plus,**  
**and XRT 900**  
**Illustrated Parts List**



**Turf/Carryall 2, 252, 2 Plus, and XRT 900**  
**Gasoline and Electric Vehicles**

Manual Number 103209004  
Edition Code 0107M1114L



# USING THE ILLUSTRATED PARTS LIST

---

## **⚠ WARNING**

- **This manual is to be used only for identification and ordering of service parts. Be sure to read and use the maintenance and service manual before attempting any vehicle repairs.**

This manual covers all Turf/Carryall 2, 252, 2 Plus and XRT 900 vehicles built during the 2007 model year.

The manual is divided into sections. Note that there are two or three flags on the outside edge of each page. The first flag contains the section number of which that page is a part. The other flag (or flags) contains the letter G or E, signifying that the page pertains to the electric or gasoline vehicles only.

Use the Table of Contents to find the sections and pages that contain the parts and assemblies you seek. The Table of Contents lists section numbers, and under them, the individual page titles and numbers to be found in that section. The index can be used to find specific parts and assemblies. The index is divided into numerical and alphabetical listings with the page numbers in italic text.

There is a two-page spread for each individual page title in the Table of Contents. On the left-hand page is an illustration showing the parts in their relative positions; the parts are each tagged with an item number in a balloon. The right-hand page is the parts list page, and gives the page title at the top, then the item numbers (corresponding to the numbers on the illustration), part descriptions, and quantity of parts used.

Note that a part description may be indented. This indention corresponds to a parts assembly level indicated by the numbers 1, 2, 3, and 4 at the top left corner of the parts description area of the parts list page. A part that is indented to *level 2* is a component of the *level 1* part (assembly) that it is listed under. A *level 3* part is a component of the *level 2* part that it is listed under, and a *level 4* part is a component of the *level 3* part preceding it. In each case, the part quantity given for a level 2, 3, or 4 part is the quantity used per next higher level assembly of which it is a component. A part that is not indented is a *level 1* part. This means that the quantity given is the quantity used per the portion of the vehicle illustrated on that particular spread.

## **HOW TO ORDER PARTS**

Replacement parts and accessories can be obtained from our network of authorized dealers and distributors. You can obtain the name and phone number of your closest authorized Club Car dealer or distributor by visiting our web site at [www.clubcar.com](http://www.clubcar.com) and clicking on the "Distributor Search" link or by calling our toll-free Service Parts and Technical Assistance hotline at (800) 872-2246 or (706) 863-3000, extension 3887.



**P. O. Box 204658**  
**Augusta, Georgia 30917-4658 USA**  
**Telephone 706-863-3000**  
**Service Parts Fax 706-855-7413**  
**[www.clubcar.com](http://www.clubcar.com)**

**NOTE:** *This illustrated parts list represents the most current information at the time of publication. Club Car, Inc. is continually working to further improve its vehicles and other products. These improvements may affect the parts used to service the vehicle. Any modification and/or significant change in specifications will be forwarded to all Club Car and Carryall distributors/dealers and will, when applicable, appear in future editions of this illustrated parts list.*

*Club Car, Inc. reserves the right to change specifications and designs at any time without notice and without the obligation of making changes to units previously sold.*

Copyright © 2007, 2014 Club Car, Inc.  
*Club Car* and *ArmorFlex*  
are registered trademarks of Club Car, Inc.  
This manual effective July 31, 2006.

*2007 Turf/Carryall 2, 252, 2 Plus, and XRT 900 Gasoline and Electric Vehicle Illustrated Parts List*



# CONTENTS

---

## SECTION 1 – BODY AND TRIM

---

Front Body and Trim – Turf/Carryall 2 and Carryall 2 Plus .....	1-3
Front Body and Trim – Turf/Carryall 252 and XRT 900 .....	1-5
Dash Pockets and Floormat .....	1-7
Beverage Holder .....	1-9
Seat Bottom .....	1-11
Seat Back Assembly .....	1-13
Hip Restraints and Seat Back Mounting .....	1-15
Tilt Bed, Hinge, and Latch – Turf/Carryall 2, 252, 2 XRT, and Carryall 2 Plus .....	1-17
Latch Plate .....	1-19
Prop Rod .....	1-21
Cargo Box (Aluminum) .....	1-23
Cargo Box Mounting .....	1-25
Cargo Box (Steel) .....	1-27
Trailer Hitch .....	1-29
Receiver Hitch – XRT 900 .....	1-31
Rear Body Trim – Turf/Carryall 2, and Carryall 2 Plus .....	1-33
Rear Body Trim – Turf/Carryall 252 and XRT 900 .....	1-35

---

## SECTION 2 – WHEELS AND TIRES

---

Wheels and Tires – Turf/Carryall 2 .....	2-3
Wheels and Tires, Off-Road Tread – Turf/Carryall 252 and XRT 900 .....	2-5
Wheels and Tires, Turf Tread – Turf/Carryall 252 and XRT 900 .....	2-7

---

## SECTION 3 – DECALS

---

Decals – Turf/Carryall 2 IQ Plus Vehicles .....	3-3
Decals – Turf/Carryall 2 IQ Plus Vehicles, Continued .....	3-5
Decals – Turf/Carryall 252 and XRT 900 IQ Plus Vehicles .....	3-7
Decals – Turf/Carryall 252 and XRT 900 IQ Plus Vehicles, Continued .....	3-9
Decals – Turf/Carryall 2 Gasoline Vehicles .....	3-11
Decals – Turf/Carryall 2 Gasoline Vehicles, Continued .....	3-13
Decals – Carryall 2 Plus Gasoline Vehicles .....	3-15
Decals – Carryall 2 Plus Gasoline Vehicles, Continued .....	3-17
Decals – Turf/Carryall 252 Gasoline Vehicles .....	3-19
Decals – Turf/Carryall 252 Gasoline Vehicles, Continued .....	3-21
Decals – XRT 900 Gasoline Vehicles .....	3-23
Decals – XRT 900 Gasoline Vehicles, Continued .....	3-25
Decals, Logo – Turf/Carryall 2, and Carryall 2 Plus .....	3-27

# CONTENTS

Decals, Logo – Turf/Carryall 252 .....	3-29
Decals, Logo – XRT 900 .....	3-31

## SECTION 4 – BRAKES, PEDAL, AND CABLE ASSEMBLIES

Rear Brake Assembly, Self-Adjusting – Vehicle with 2-Wheel Brakes .....	4-3
Rear Brake Assembly, Manually-Adjusted – Vehicles with 4-Wheel Brakes .....	4-5
Brake Pedal Assembly – Vehicles with Two-Wheel Brakes .....	4-7
Brake Pedal Assembly – IQ Plus Vehicles .....	4-9
Front Brake Assembly – Vehicles with Four-Wheel Brakes .....	4-11
Front Brake Cables and Equalizer – Vehicles with Four-Wheel Brakes .....	4-13
Front Brake Cable Clips and Hardware – Vehicles with Front-Wheel Brakes .....	4-15
Rear Brake Cables and Equalizer – IQ Plus Electric Vehicles .....	4-17
Brake Cables and Equalizer – Turf/Carryall 2 Vehicles with Two-Wheel Brakes .....	4-19
Accelerator Pedal Assembly – Electric Vehicles .....	4-21
Accelerator Rod .....	4-23

## SECTION 5 – STEERING, FRONT AND REAR SUSPENSION

Steering Column – All Vehicles Except Turf/Carryall 252 and XRT 900 .....	5-3
Steering Column – Turf/Carryall 2 XRT and Turf/Carryall 252 Vehicles .....	5-5
Steering Wheel – Turf Vehicles .....	5-7
Steering Wheel – Carryall and XRT Vehicles .....	5-9
Steering Gear Assembly .....	5-11
Front Frame Plates – Turf/Carryall 252 and XRT 900 .....	5-13
Front Suspension, Upper – Vehicles with Two-Wheel Brakes .....	5-15
Front Suspension, Lower – Vehicles with Two-Wheel Brakes .....	5-17
Front Suspension, Upper – Turf/Carryall 252 and XRT 900 .....	5-19
Front Suspension, Lower – Turf/Carryall 252 and XRT 900 .....	5-21
Front Suspension, Upper – Turf/Carryall 2 and 2 Plus with Four-Wheel Brakes .....	5-23
Front Suspension, Lower – Turf/Carryall 2 and 2 Plus with Four-Wheel Brakes .....	5-25
Front Spindles and Hubs – Vehicles with Two-Wheel Brakes .....	5-27
Front Spindles and Hubs – Vehicles with Four-Wheel Brakes .....	5-29
Rear Suspension – Gasoline Turf/Carryall 2 and Carryall 2 Plus .....	5-31
Rear Suspension – Gasoline Turf/Carryall 252 and XRT 900 .....	5-33
Rear Suspension – Turf/Carryall 2 IQ Plus Vehicles .....	5-35
Rear Suspension – Turf/Carryall 252 and XRT 900 IQ Plus Vehicles .....	5-37
Stabilizer Bar – Turf/Carryall 2 and Carryall 2 Plus Gasoline Vehicles .....	5-39
Stabilizer Bar – Gasoline Turf/Carryall 252 and XRT 900 .....	5-41

# CONTENTS

---

## SECTION 6 – ELECTRICAL SYSTEM – GASOLINE VEHICLE

---

Wiring – Turf/Carryall 2 and 252 .....	6-5
Wiring – Carryall 2 Plus .....	6-9
Wiring – XRT 900 .....	6-13
Headlight and Horn Electrical Components .....	6-15
Headlights .....	6-17
Electrical Component Box – Turf/Carryall 2, and 252 .....	6-19
Electrical Component Box – XRT 900 .....	6-21
Electrical Component Box – Carryall 2 Plus .....	6-23
Instrument Panel and Electrical Components – XRT 900 and Carryall 2 Plus .....	6-25
Instrument panel and Electrical Components – Turf/Carryall 2 and 252 .....	6-27
Horn and Brake Switches .....	6-29
Starter/Generator Assembly .....	6-31
FE350 Starter/Generator Mounting .....	6-33
Battery .....	6-35
Operation and Maintenance Switch .....	6-37

---

## SECTION 7 – FE350 ENGINE WITH ACR (CARRYALL 2 PLUS)

---

FE350 Engine with ACR (Automatic Compression Release) – Shrouds and Brackets .....	7-3
FE350 Engine – Ignition Components and Flywheel .....	7-5
FE350 Engine – Oil Circulation .....	7-7
FE350 Engine – Cylinder Head .....	7-9
FE350 Engine with ACR – Crankcase, Camshaft, and Oil Sensor .....	7-11
FE350 Engine – Crankcase and Crankshaft .....	7-13
Engine Mounting – Turf/Carryall 252 and XRT 900 .....	7-15
FE350 Engine Mounting – Turf/Carryall 2 and Carryall 2 Plus .....	7-17

---

## SECTION 8 – FE350 ENGINE WITHOUT ACR (TURF/CA 2, 252 AND XRT 900)

---

FE350 Engine without ACR (Automatic Compression Release) – Shrouds and Brackets .....	8-3
FE350 Engine – Ignition Components and Flywheel .....	8-5
FE350 Engine – Oil Circulation .....	8-7
FE350 Engine – Cylinder Head .....	8-9
FE350 Engine without ACR – Crankcase, Camshaft, and Oil Sensor .....	8-11
FE350 Engine – Crankcase and Crankshaft .....	8-13
Engine Mounting – Turf/Carryall 252 and XRT 900 .....	8-15
FE350 Engine Mounting – Turf/Carryall 2 and Carryall 2 Plus .....	8-17

# CONTENTS

---

## SECTION 9 – EXHAUST SYSTEM

---

Exhaust System – FE350 Engine .....	9-3
-------------------------------------	-----

---

## SECTION 10 – FUEL, INTAKE, AND GOVERNOR SYSTEMS

---

Splash Guard .....	10-3
Fuel Tank with Sending Unit .....	10-5
Fuel System .....	10-7
Carburetor Assembly – FE350 .....	10-9
Carburetor Installation – FE350 .....	10-11
Governor and Accelerator Cables .....	10-13
Air Box and Intake Hose .....	10-15
Intake System .....	10-17

---

## SECTION 11 – TORQUE CONVERTER

---

Drive Clutch – Turf/Carryall 2, and 252 .....	11-3
Drive Clutch – XRT 900 .....	11-5
Drive Clutch – Carryall 2 Plus .....	11-7
Drive Belt – FE350 .....	11-9
Driven Clutch – Turf/Carryall 2, 252 .....	11-11
Driven Clutch – Carryall 2 Plus, and XRT 900 .....	11-13

---

## SECTION 12 – UNITIZED TRANSAXLE

---

Unitized Transaxle – Gear Cases and Brackets .....	12-3
Transaxle – Transmission and Gear Reduction .....	12-5
Transaxle – Differential and Axles .....	12-7
Forward/Reverse Shifter .....	12-9
Forward/Reverse Shifter Cable .....	12-13

---

## SECTION 13 – ELECTRICAL SYSTEM – ELECTRIC VEHICLES

---

Headlight and Horn Electrical Components .....	13-3
Wiring – Turf/Carryall 2 .....	13-7
Headlights .....	13-9
Instrument Panel with Electrical Components – Turf/Carryall 252, and XRT 900 .....	13-11
Horn and Brake Switches .....	13-13
Motor Controller Output Regulator (MCOR) .....	13-15
Instrument Panel and Electrical Components – Turf/Carryall 2 .....	13-17
Battery Charger Receptacle .....	13-19
Electrical Installation .....	13-23

# CONTENTS

---

Tow/Run Switch .....	13-25
Electrical Components .....	13-29
Hour Meter – Turf 2, 252, Carryall 252, XRT 900 .....	13-31
Batteries, T-105 .....	13-33
Batteries, T-145 .....	13-35

## **SECTION 14 – ELECTRIC MOTOR**

---

Motor (Model DA5-4006) .....	14-3
------------------------------	------

## **SECTION 15 – TRANSAXLE – ELECTRIC VEHICLES**

---

Transaxle .....	15-3
-----------------	------

## **SECTION 16 – BATTERY CHARGER**

---

IQ Plus Domestic Battery Charger (Model 25730) .....	16-3
IQ Plus Onboard Battery Charger (Model 25260) .....	16-5
Onboard Charger (Model 25260) and Reel Mounting .....	16-7
Onboard Charger (Model 25260) and Reel Mounting – IQ Plus Turf/Carryall 2, Continued .....	16-11
IQ Plus Battery Charger (Model 25880), Export and European .....	16-13
IQ Plus Onboard Battery Charger (Model 25660), Export .....	16-15
Onboard Charger (Model 25660) and Reel Mounting .....	16-17
Onboard Charger (Model 25660) and Reel Mounting – IQ Plus Turf/Carryall 2, Continued .....	16-21

## **SECTION 17 – MAINTENANCE AND SERVICE TOOLS**

---

Maintenance and Service Tools .....	17-3
Maintenance and Service Tools, Continued .....	17-5
Maintenance and Service Tools, Continued .....	17-7
Maintenance and Service Tools, Continued .....	17-9
Maintenance and Service Tools, Continued .....	17-11



# BODY AND TRIM

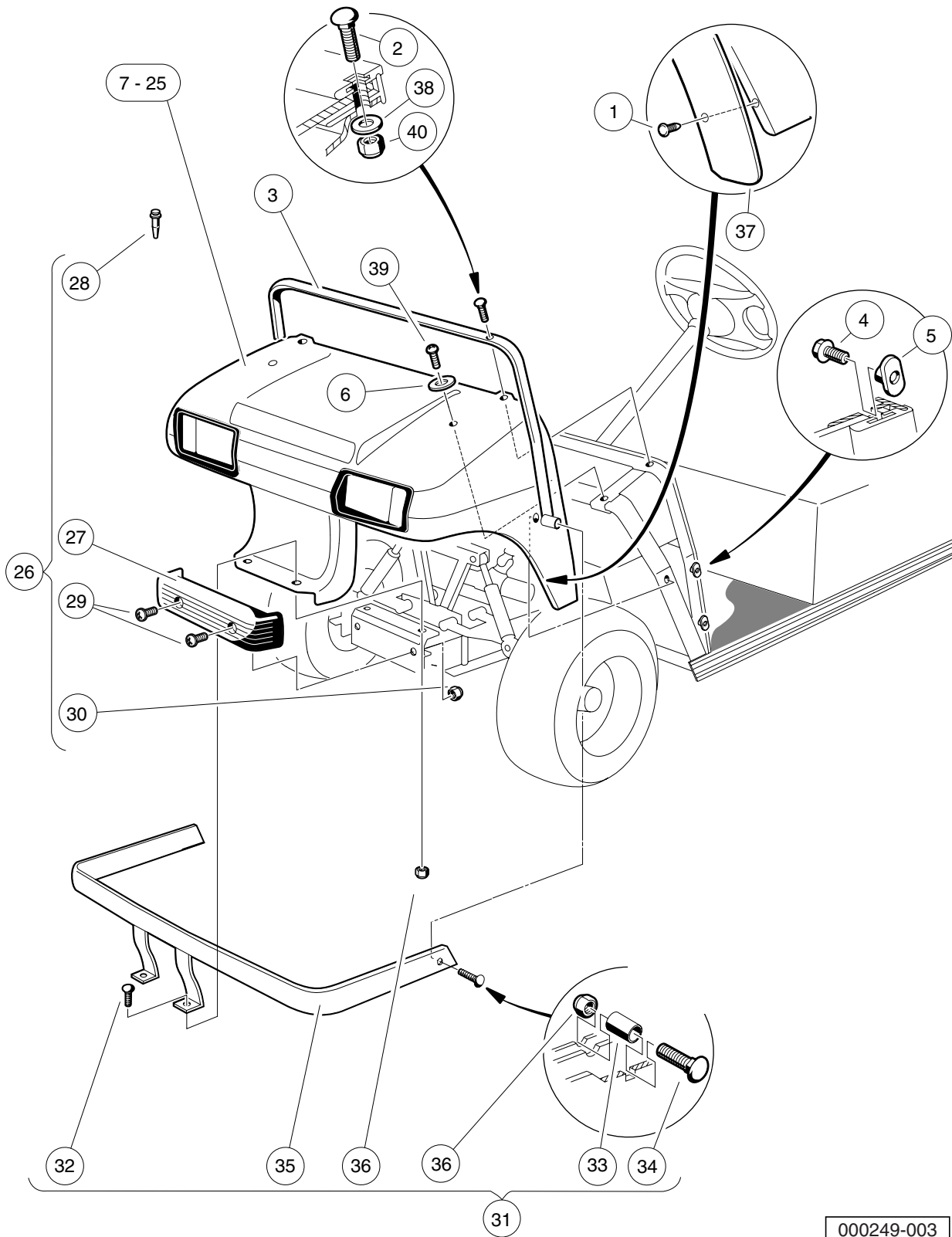
---

1

G

E

**1**  
**G**  
**E**



000249-003

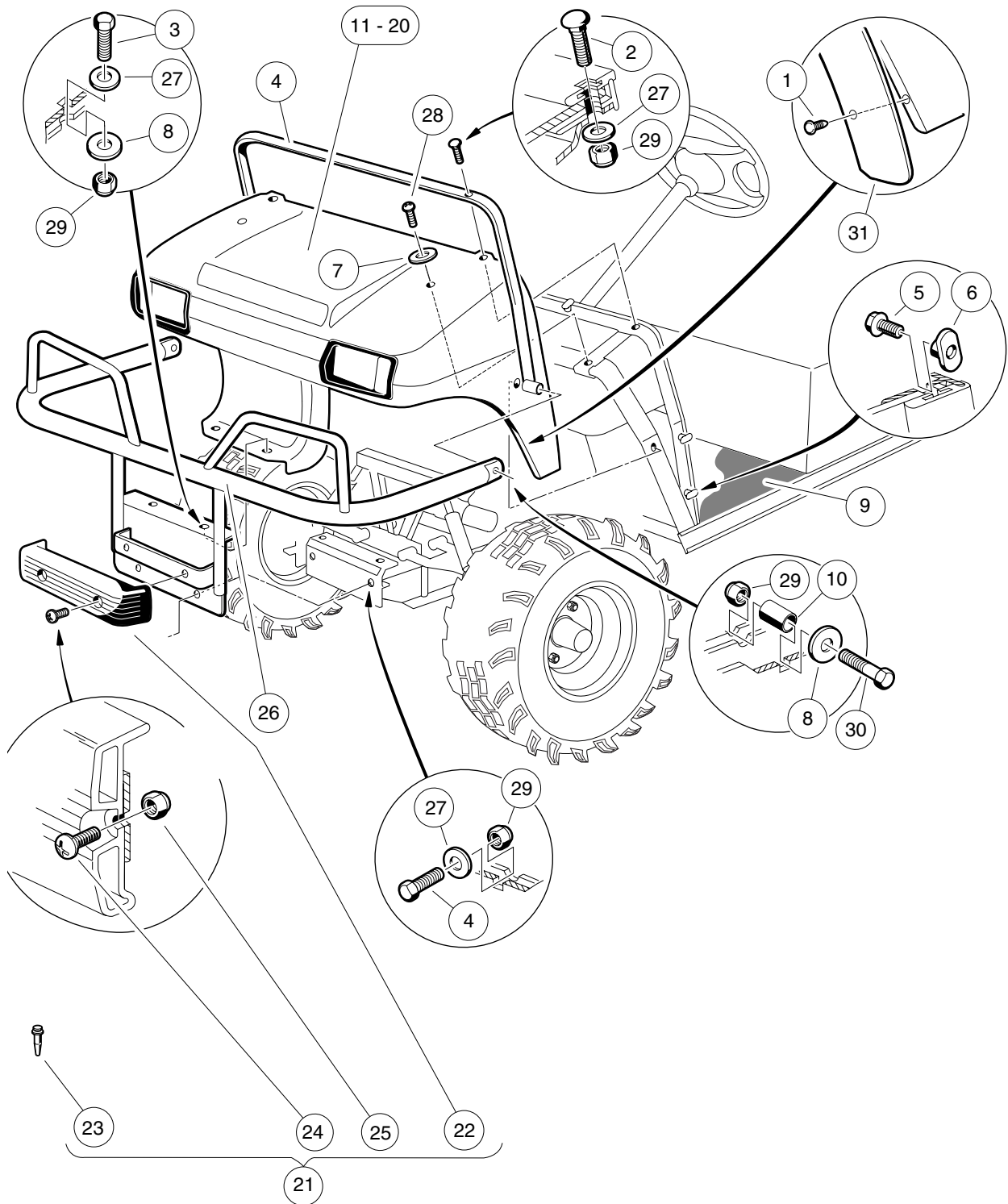


# FRONT BODY AND TRIM – TURF/ CARRYALL 2 AND CARRYALL 2 PLUS

ITEM	PART NO.	DESCRIPTION	QTY
		<b>1 2 3 4</b>	
1	<u>1010434</u>	Barrel - Plastic .....	12
2	<u>1010435</u>	Bolt, Carriage, 5/16-18 X 1.00 .....	2
3	<u>1011014</u>	Trim, Cowl .....	1
4	<u>1011017</u>	Screw, #8-32 X 0.375 .....	6
5	<u>1011394</u>	T-Nut Package (Set of 4) .....	1
6	<u>1015075</u>	Washer, 5/16 Flat Type A .....	2
7	<u>101692501</u>	Cowl, TPO, Beige .....	1
8	<u>101692502</u>	Cowl, TPO, White .....	1
9	<u>101692506</u>	Cowl, TPO, Red .....	1
10	<u>101692509</u>	Cowl, TPO, Pacific Blue (Royal Blue) .....	1
11	<u>101692510</u>	Cowl, TPO, Dark Green .....	1
12	<u>101692511</u>	Cowl, TPO, Black .....	1
13	<u>101692512</u>	Cowl, TPO, Classic Blue (Navy) .....	1
14	<u>101692513</u>	Cowl, TPO, Burgundy .....	1
15	<u>101692514</u>	Cowl, TPO, Dark Gray .....	1
16	<u>101692515</u>	Cowl, TPO, Safety Yellow .....	1
17	<u>101693901</u>	Cowl with Headlight Opening, TPO, Beige .....	1
18	<u>101693902</u>	Cowl with Headlight Opening, TPO, White .....	1
19	<u>101693906</u>	Cowl with Headlight Opening, TPO, Red .....	1
20	<u>101693909</u>	Cowl with Headlight Opening, TPO, Dark Green .....	1
21	<u>101693910</u>	Cowl with Headlight Opening, TPO, Black .....	1
22	<u>101693911</u>	Cowl with Headlight Opening, TPO, Classic Blue (Navy) .....	1
23	<u>101693912</u>	Cowl with Headlight Opening, TPO, Burgundy .....	1
24	<u>101693913</u>	Cowl with Headlight Opening, TPO, Dark Gray .....	1
25	<u>101693914</u>	Cowl with Headlight Opening, TPO, Safety Yellow .....	1
26	<u>1017080</u>	Kit, Front Bumper (includes items 27 through 30) .....	1
27	<u>1016868</u>	Front Bumper .....	1
28	<u>1016967</u>	Blind Rivet, Push Type .....	2
29	<u>7251</u>	Screw, 5/16-18 x 1.0 Truss-Head .....	2
30	<u>7473</u>	Locknut, 5/16-18 Nylon Insert .....	2
31	<u>101734802</u>	Kit, Heavy-Duty Bumper (includes items 32 through 36) .....	1
32	<u>1010435</u>	Bolt, Carriage, 5/16-18 X 1.00 .....	2
33	<u>1010546</u>	Spacer .....	2
34	<u>1015405</u>	Bolt, Carriage, 5/16-18 X 2.0 .....	2
35	N/A	Weldment, Heavy Duty Bumper .....	1
36	<u>7473</u>	Locknut, 5/16-18 Nylon Insert .....	4
37	<u>101870401</u>	Fender Extrusion .....	2
38	<u>1241</u>	Washer, 5/16 Type A Flat .....	2
39	<u>7251</u>	Screw, 5/16-18 x 1.0 Truss-Head .....	2
40	<u>7473</u>	Locknut, 5/16-18 Nylon Insert .....	2

**1**  
**G**  
**E**

**1**  
**G**  
**E**



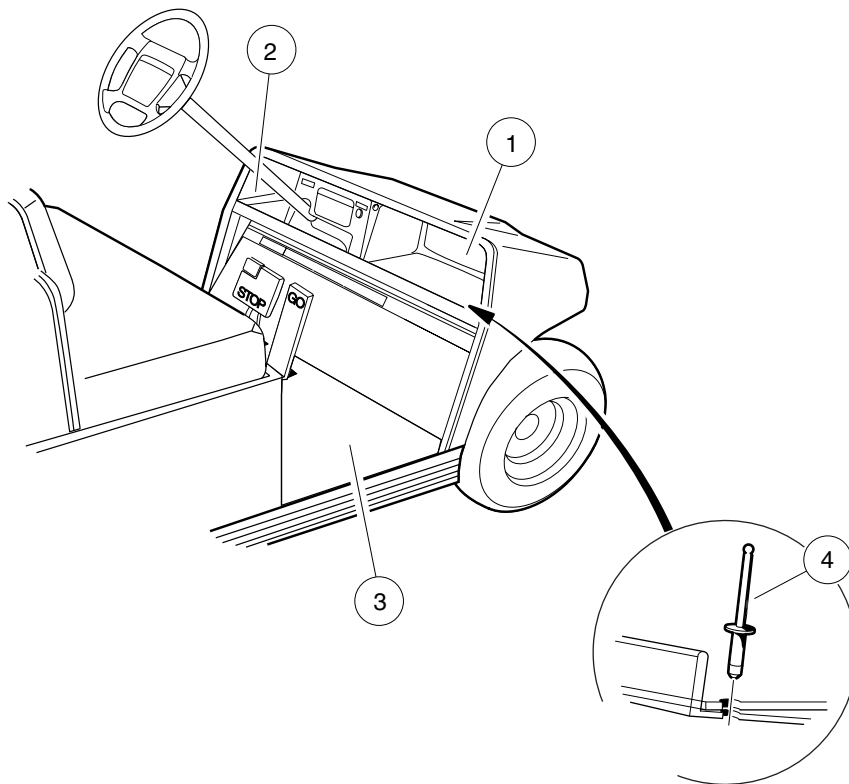
000249-004

# FRONT BODY AND TRIM – TURF/CARRYALL 252 AND XRT 900

ITEM	PART NO.	DESCRIPTION	QTY
		1 2 3 4	
1	<u>1010434</u>	Barrel - Plastic .....	12
2	<u>1010435</u>	Bolt, Carriage, 5/16-18 X 1.00 .....	2
3	<u>1010934</u>	Screw, 5/16-18 X 1.00 Hex Cap .....	4
4	<u>1011014</u>	Trim, Cowl .....	1
5	<u>1011017</u>	Screw, #8-32 X 0.375 .....	6
6	<u>1011394</u>	T-Nut Package (Set of 4) .....	1
7	<u>1011578</u>	Washer, 5/16 Type B Flat .....	4
8	<u>101503202</u>	Floormat .....	1
9	<u>1015075</u>	Washer, 5/16 Flat Type A .....	2
10	<u>1015608</u>	Tube Spacer, Hydraulic Cylinder .....	2
11	<u>101693901</u>	Cowl with Headlight Opening, TPO, Beige .....	1
12	<u>101693902</u>	Cowl with Headlight Opening, TPO, White .....	1
13	<u>101693906</u>	Cowl with Headlight Opening, TPO, Red .....	1
14	<u>101693908</u>	Cowl with Headlight Opening, TPO, Pacific Blue (Royal Blue) .....	1
15	<u>101693909</u>	Cowl with Headlight Opening, TPO, Dark Green .....	1
16	<u>101693910</u>	Cowl with Headlight Opening, TPO, Black .....	1
17	<u>101693911</u>	Cowl with Headlight Opening, TPO, Classic Blue (Navy) .....	1
18	<u>101693912</u>	Cowl with Headlight Opening, TPO, Burgundy .....	1
19	<u>101693913</u>	Cowl with Headlight Opening, TPO, Dark Gray .....	1
20	<u>101693914</u>	Cowl with Headlight Opening, TPO, Safety Yellow .....	1
21	<u>1017080</u>	Kit, Front Bumper (includes items 22 through 25) .....	1
22	<u>1016868</u>	Front Bumper .....	1
23	<u>1016967</u>	Blind Rivet, Push Type .....	2
24	<u>7251</u>	Screw, 5/16-18 x 1.0 Truss-Head .....	2
25	<u>7473</u>	Locknut, 5/16-18 Nylon Insert .....	2
26	<u>102004301</u>	Brush Guard .....	1
27	<u>1241</u>	Washer, 5/16 Type A Flat .....	6
28	<u>7251</u>	Screw, 5/16-18 x 1.0 Truss-Head .....	2
29	<u>7473</u>	Locknut, 5/16-18 Nylon Insert .....	8
30	<u>8935</u>	Screw, 5/16-18 X 2.25 Hex-Head Cap .....	2
31	<u>AM10808</u>	Front Fender Extrusion - Lynx .....	2

**1**  
**G**  
**E**

**1**  
**G**  
**E**



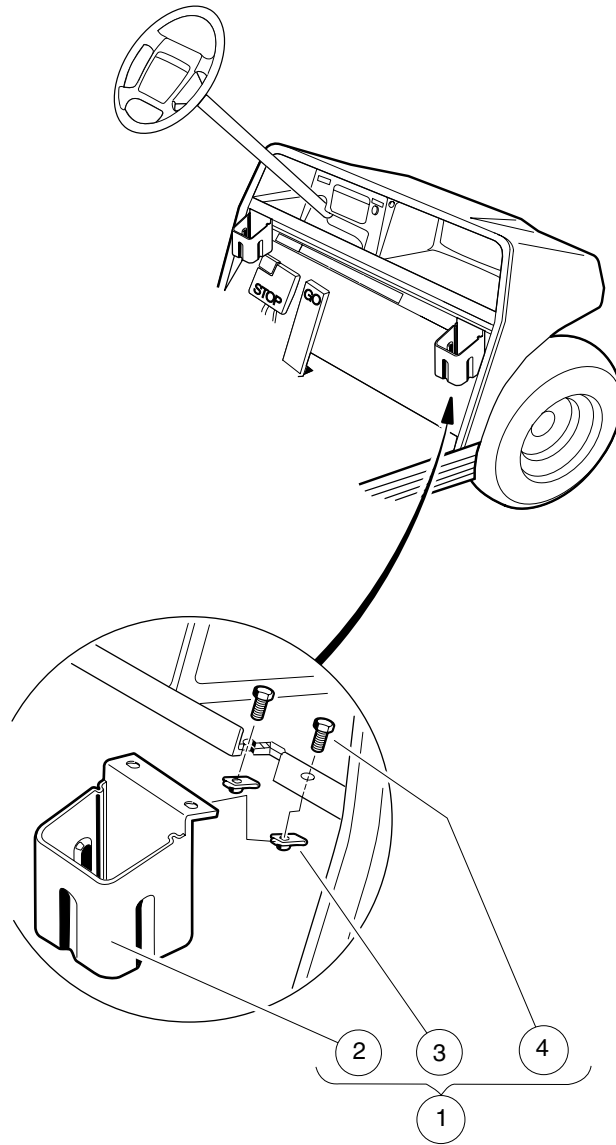
000252-002

# DASH POCKETS AND FLOORMAT

ITEM	PART NO.	DESCRIPTION	QTY
		1 2 3 4	
1	<u>1013343</u>	Dash Component, Passenger-Side, Black .....	1
2	1013344	Dash Component, Driver-Side .....	1
3	<u>101503202</u>	Floormat .....	1
4	<u>7973</u>	Rivet, 3/16 X .400 Blind .....	5

1  
G  
E

**1**  
**G**  
**E**



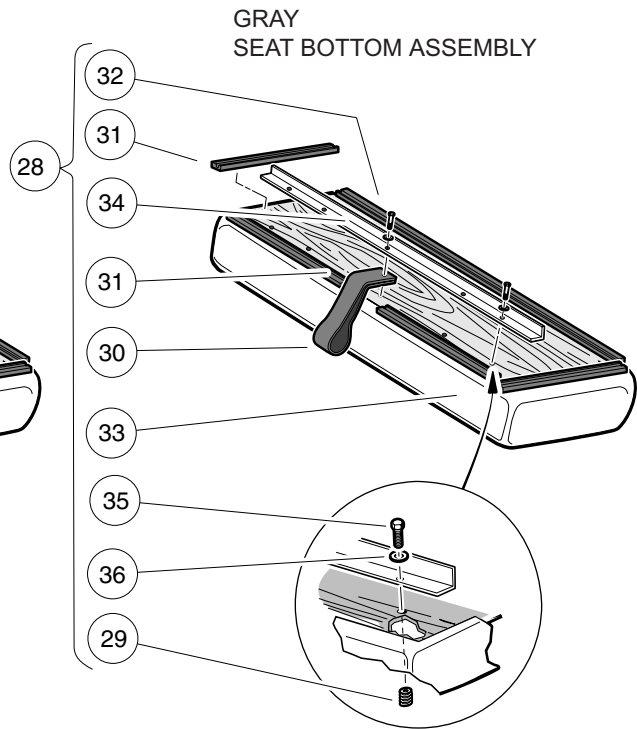
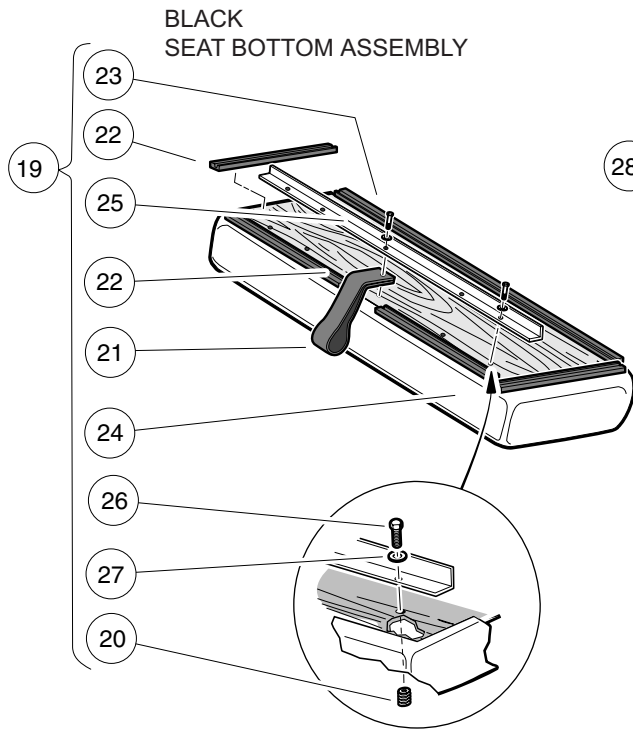
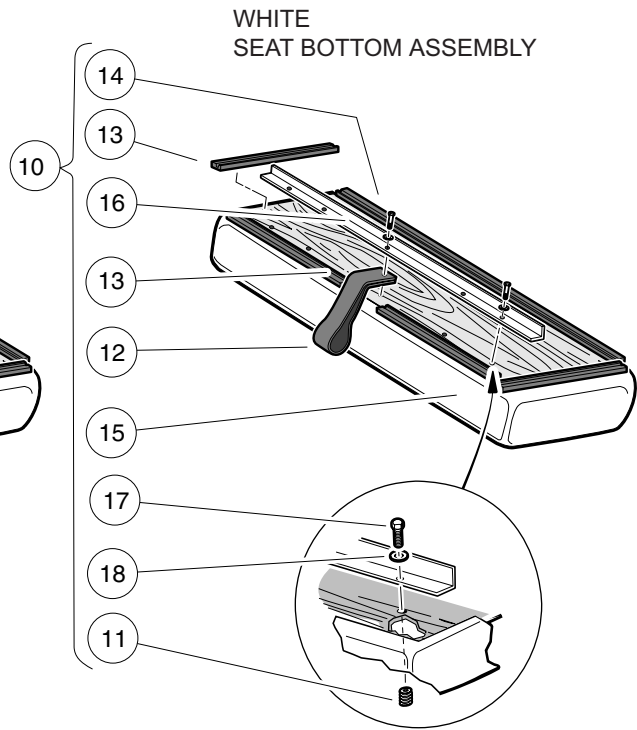
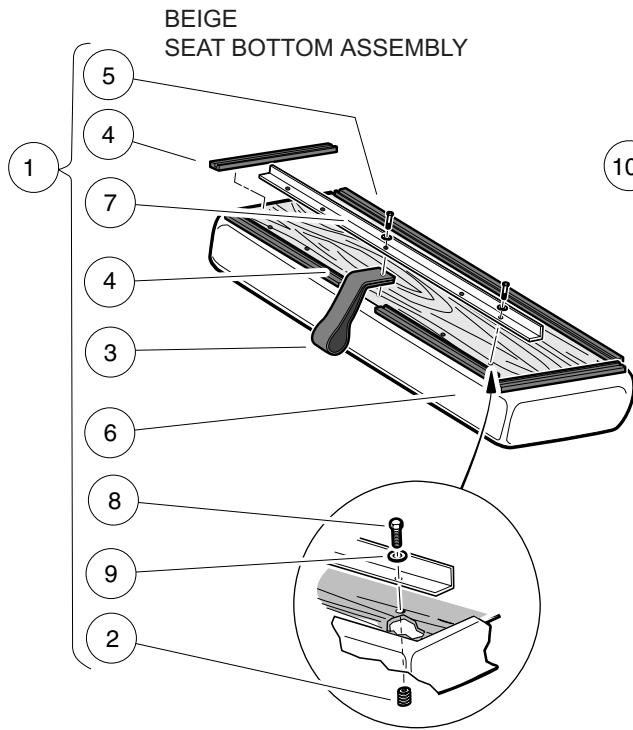
000253-001

# BEVERAGE HOLDER

ITEM	PART NO.	DESCRIPTION	QTY
		1 2 3 4	
1	1013422	Cup Holder Kit (includes items 2 through 4) .....	2
2	N/A	Holder, Single Cup .....	1
3	1016952	U-Nut, 1/4-20 .....	2
4	<u>7847</u>	Screw, 1/4-20 X 0.75 Hex-Head Cap .....	2

1  
G  
E

**1**  
**G**  
**E**



000254-001

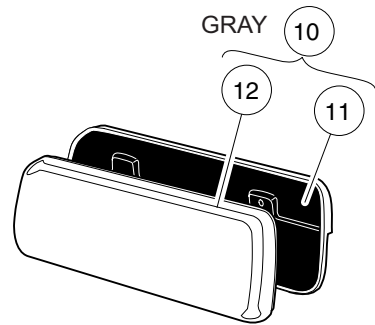
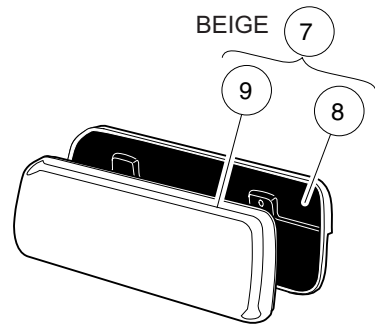
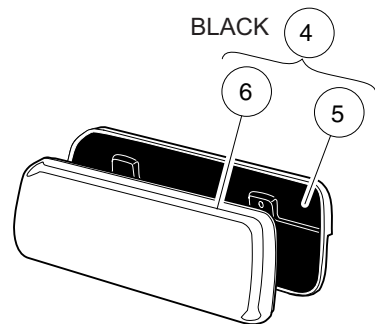
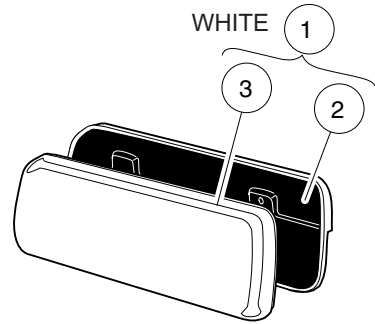


# SEAT BOTTOM

ITEM	PART NO.	DESCRIPTION	QTY
		1 2 3 4	
1	<u>101564501</u>	Seat Bottom Assembly, Beige (includes items 2 through 9) .....	1
2	<u>1010543</u>	Insert - Wood .....	5
3	<u>1013309</u>	Strap, Utility Seat .....	1
4	<u>1013311</u>	Bumper, Seat, Short .....	4
5	<u>1013312</u>	Bumper, Seat, Long .....	1
6	<u>101562711</u>	Vinyl Cover, Seat Bottom, Buff .....	1
7	<u>101894303</u>	Stiffener .....	1
8	<u>101954301</u>	Screw, 1/4-20 X 0.75 Hex-Head Cap .....	5
9	<u>332</u>	Washer, 1/4 Type A Narrow Flat .....	5
10	<u>101564502</u>	Seat Bottom Assembly, White (includes items 11 through 18) .....	1
11	<u>1010543</u>	Insert - Wood .....	5
12	<u>1013309</u>	Strap, Utility Seat .....	1
13	<u>1013311</u>	Bumper, Seat, Short .....	4
14	<u>1013312</u>	Bumper, Seat, Long .....	1
15	<u>101562712</u>	Vinyl Cover, Seat Bottom, White .....	1
16	<u>101894303</u>	Stiffener .....	1
17	<u>101954301</u>	Screw, 1/4-20 X 0.75 Hex-Head Cap .....	5
18	<u>332</u>	Washer, 1/4 Type A Narrow Flat .....	5
19	<u>101564503</u>	Seat Bottom Assembly, Black (includes items 20 through 27) .....	1
20	<u>1010543</u>	Insert - Wood .....	5
21	<u>1013309</u>	Strap, Utility Seat .....	1
22	<u>1013311</u>	Bumper, Seat, Short .....	4
23	<u>1013312</u>	Bumper, Seat, Long .....	1
24	<u>101562714</u>	Vinyl Cover, Seat Bottom, Black .....	1
25	<u>101894303</u>	Stiffener .....	1
26	<u>101954301</u>	Screw, 1/4-20 X 0.75 Hex-Head Cap .....	5
27	<u>332</u>	Washer, 1/4 Type A Narrow Flat .....	5
28	<u>101564505</u>	Seat Bottom Assembly, Gray (includes items 29 through 36) .....	1
29	<u>1010543</u>	Insert - Wood .....	5
30	<u>1013309</u>	Strap, Utility Seat .....	1
31	<u>1013311</u>	Bumper, Seat, Short .....	4
32	<u>1013312</u>	Bumper, Seat, Long .....	1
33	<u>101562715</u>	Vinyl Cover, Seat Bottom, Gray .....	2
34	<u>101894303</u>	Stiffener .....	1
35	<u>101954301</u>	Screw, 1/4-20 X 0.75 Hex-Head Cap .....	5
36	<u>332</u>	Washer, 1/4 Type A Narrow Flat .....	5

1  
G  
E

**1**  
**G**  
**E**

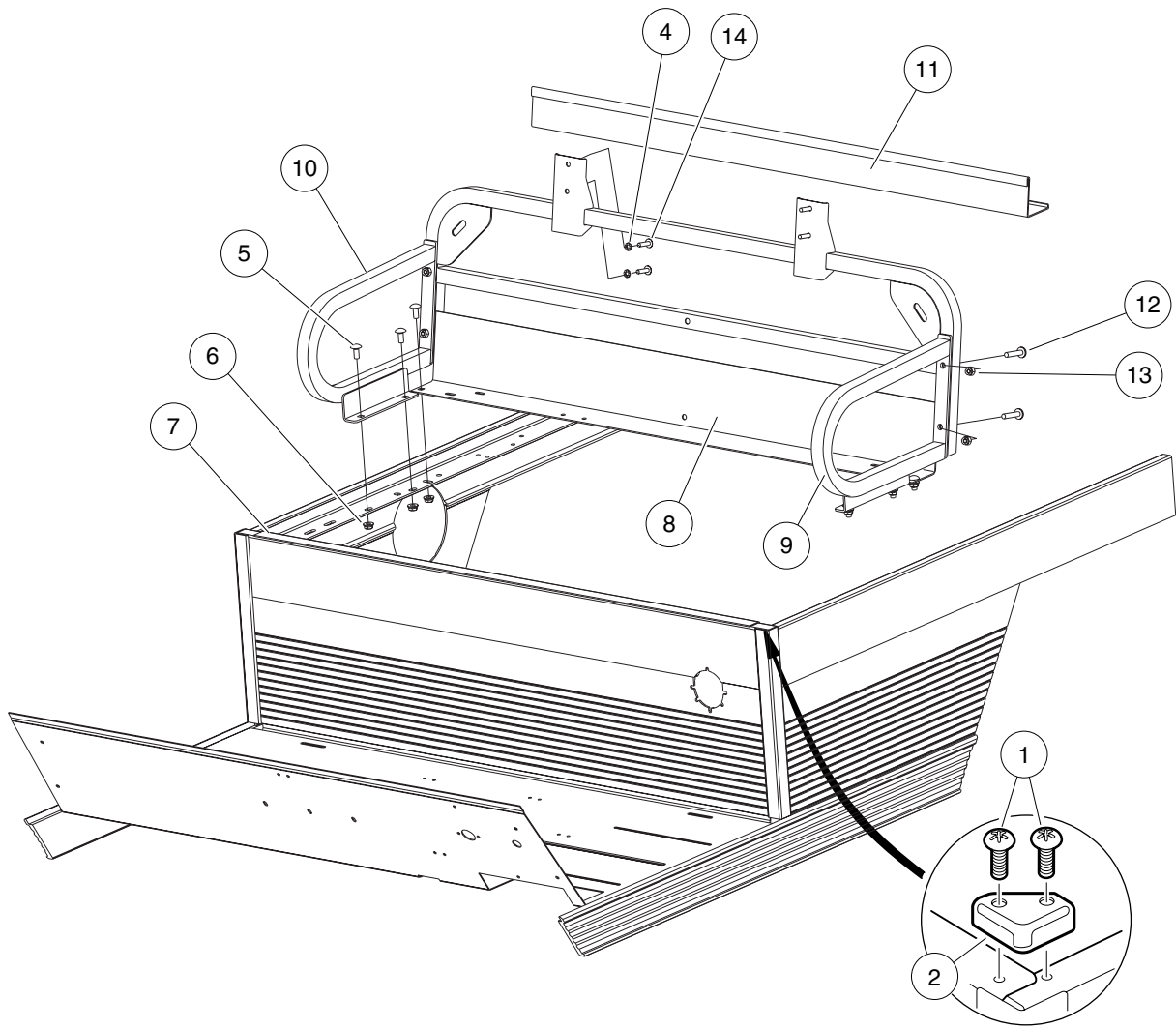


000608-001

# SEAT BACK ASSEMBLY

ITEM	PART NO.	DESCRIPTION	QTY
		<b>1 2 3 4</b>	
1	<u>101677701</u>	Seat Back Assembly, White (includes items 2 and 3) .....	1
2	1016751	Cap, Seat Back .....	1
3	<u>101675512</u>	Vinyl Seat Back, White .....	1
4	<u>101677702</u>	Seat Back Assembly, Black (includes items 5 and 6) .....	1
5	1016751	Cap, Seat Back .....	1
6	<u>101675514</u>	Vinyl Seat Back, Black .....	1
7	<u>101677703</u>	Seat Back Assembly, Beige (includes items 8 and 9) .....	1
8	1016751	Cap, Seat Back .....	1
9	<u>101675511</u>	Vinyl Seat Back, Beige .....	1
10	<u>101677705</u>	Seat Back Assembly, Gray (includes items 11 and 12) .....	1
11	1016751	Cap, Seat Back .....	1
12	<u>101675515</u>	Vinyl Seat Back-gray Svc .....	1

1  
G  
E



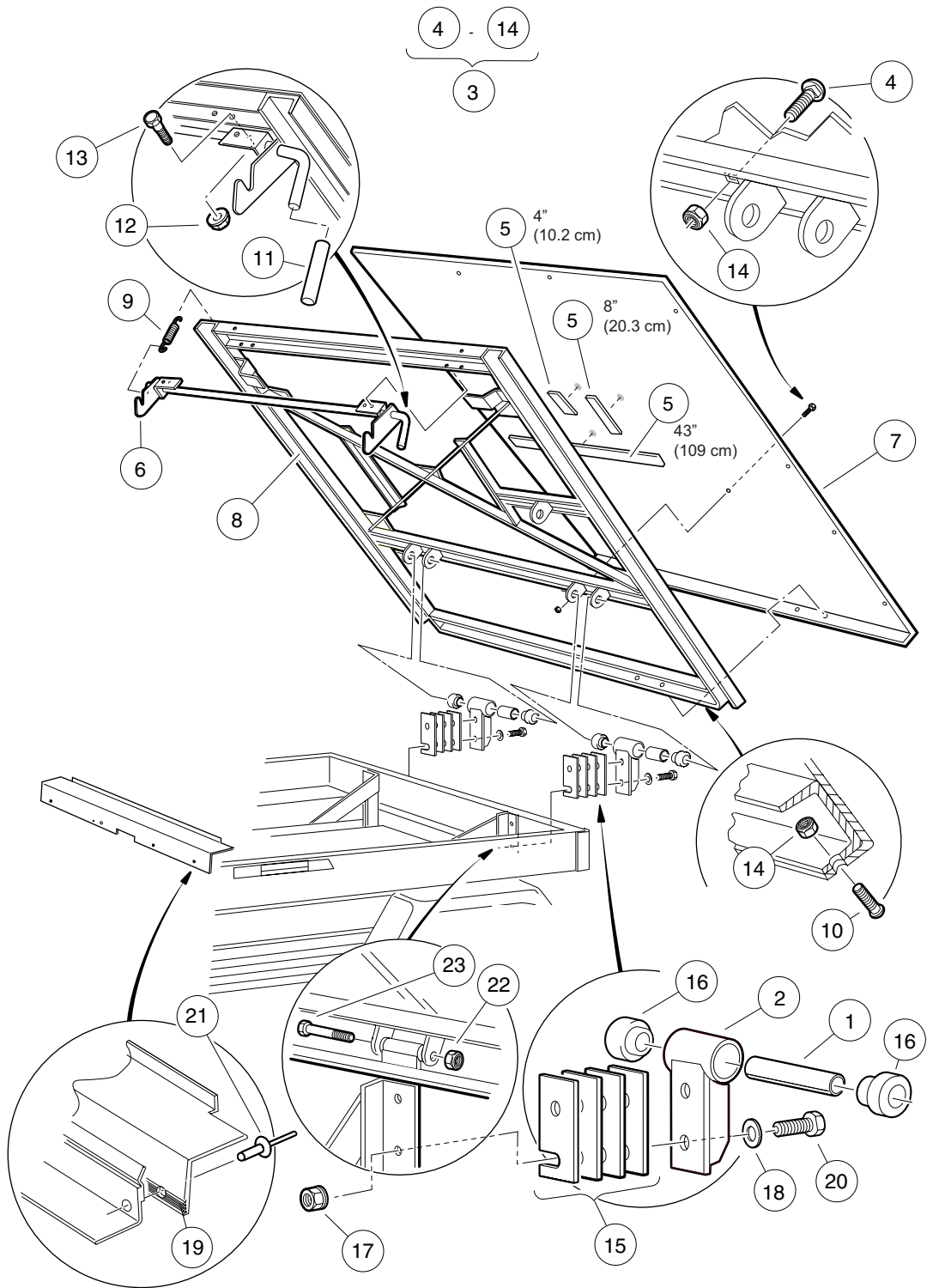
000603-001

# HIP RESTRAINTS AND SEAT BACK MOUNTING

ITEM	PART NO.	DESCRIPTION	QTY
		1 2 3 4	
1	<u>1014321</u>	Screw, #10 Truss-Head Torx .....	4
2	<u>1014387</u>	Cap, Corner .....	2
3	N/A	Instl, Seat Bk, Hip Restr, Ca1 (includes items 4 through 14) .....	1
4	<u>101946201</u>	Washer, Lock, 0.250 External-Tooth .....	4
5	<u>101963301</u>	Bolt, 5/16-18 X 0.75 Round-Head .....	6
6	<u>101963401</u>	Locknut, 5/16-18 Hex Flange .....	6
7	<u>101964001</u>	Trim, Seat Bottom Front .....	1
8	<u>102966401</u>	Seat Back, Tube .....	1
9	<u>102966501</u>	Hip Restraint, Left .....	1
10	<u>102966502</u>	Hip Restraint, Right .....	1
11	<u>102989501</u>	Seal, Bed, 41-Inch .....	1
12	<u>103245201</u>	Screw, 5/16-18 X 1.5, Tr Tx Hd .....	4
13	<u>103245301</u>	Nut, Hex, Cp, Mech Def, 5/16-1 .....	4
14	<u>8251</u>	Screw, 1/4-20 X 1.0 Truss-Head Machine .....	4

**1**  
**G**  
**E**

**1**  
**G**  
**E**



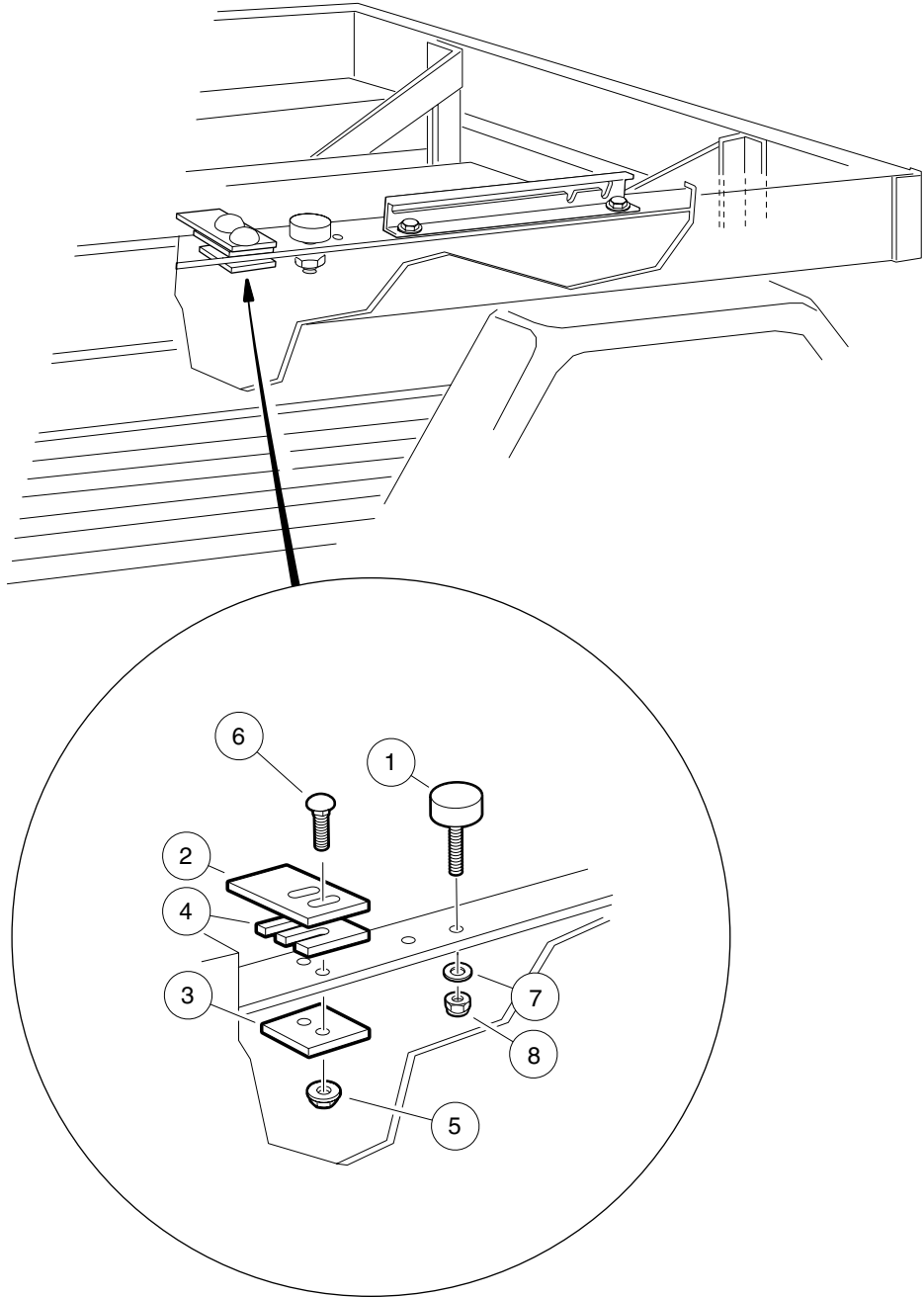
000257-003

# TILT BED, HINGE, AND LATCH – TURF/CARRYALL 2, 252, 2 XRT, AND CARRYALL 2 PLUS

ITEM	PART NO.	DESCRIPTION	QTY
		1 2 3 4	
1	<u>1012303</u>	Bushing, Steel .....	2
2	<u>1015356</u>	Hinge .....	2
3	<u>101542901</u>	Assembly, Tilt Bed (includes items 4 through 14) .....	1
4	<u>1010435</u>	Bolt, Carriage, 5/16-18 X 1.00 .....	4
5	<u>1014471</u>	Tape, Vinyl Foam 1/8" x 3/4" * .....	A/R
6	<u>1015252</u>	Latch Weld Assembly .....	1
7	N/A	Plate, Floor Bed .....	1
8	N/A	Frame Assembly .....	1
9	<u>1015391</u>	Extension, Spring Latch .....	2
10	<u>1015399</u>	Screw, 5/16-18 X 0.88 Torx Truss-Head .....	4
11	<u>1015400</u>	Grip, Tilt Latch Hand .....	1
12	<u>101835601</u>	Locknut, 1/4-20 Hex Whiz .....	4
13	<u>403</u>	Screw, 1/4-20 X 0.625 Hex-Head Cap .....	4
14	<u>7473</u>	Locknut, 5/16-18 Nylon Insert .....	8
15	<u>1015507</u>	Shim, Tilt Bed Pivot .....	A/R
16	<u>1015583</u>	Bushing, Urethane .....	4
17	<u>102065901</u>	Locknut, 3/8-16 Flanged Dimple .....	4
18	<u>102066001</u>	Washer, 3/8 Type B Hard Flat .....	4
19	<u>102989501</u>	Seal, Bed, 41-Inch .....	1
20	705	Screw, Cap-hex Hd 3/8-16x1.25 .....	4
21	7532	Rivet, 3/16 X 0.3125, Pop .....	1
22	<u>8754</u>	Locknut, 3/8-16 Hex .....	2
23	<u>8755</u>	Screw, 3/8-16 X 3.375 Hex Cap .....	2
		* Note: Item not shown.	

**1**  
**G**  
**E**

**1**  
**G**  
**E**



000258-002

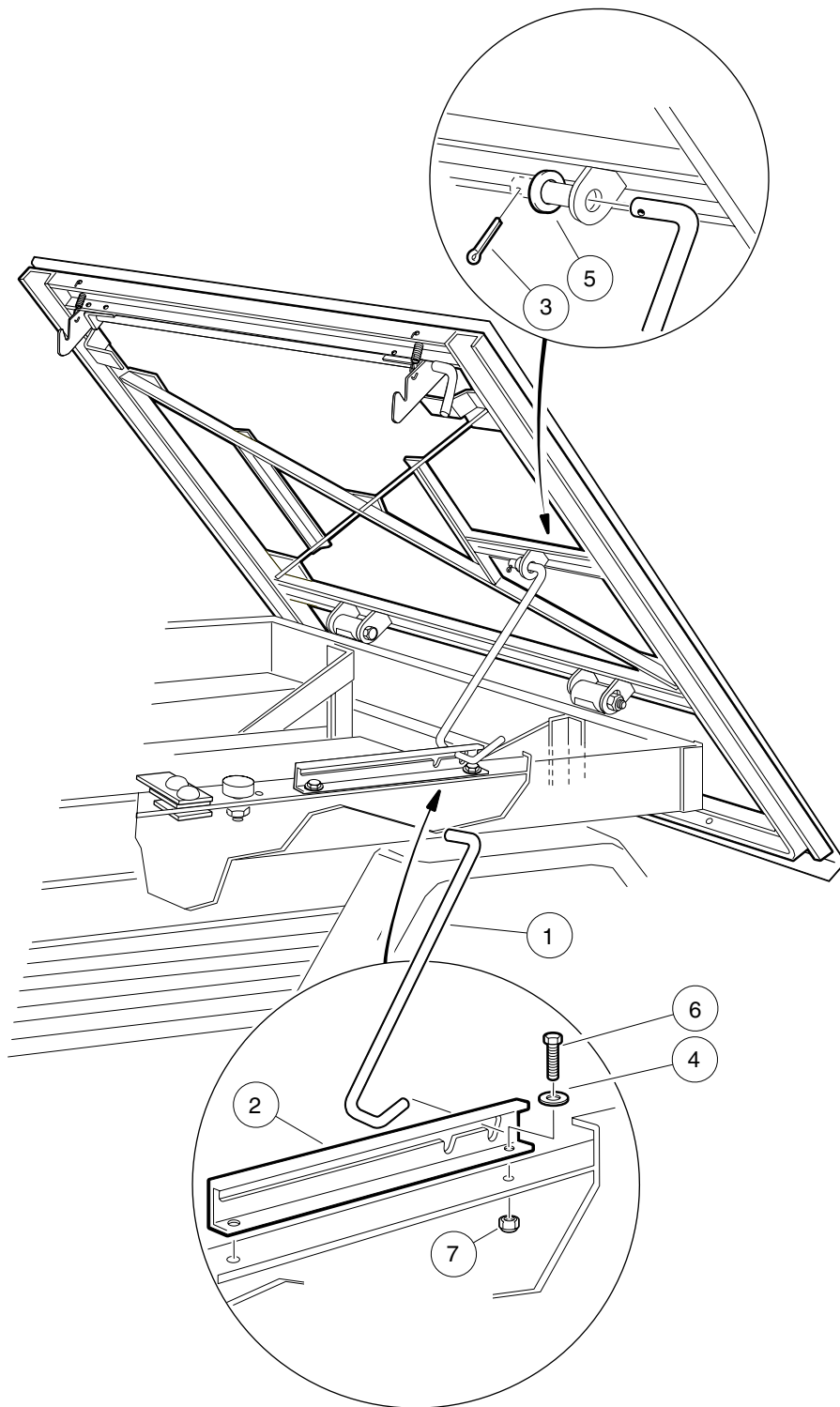


# LATCH PLATE

ITEM	PART NO.	DESCRIPTION	QTY
		1 2 3 4	
1	<u>1010878</u>	Bumper, Rubber .....	2
2	<u>1015277</u>	Latch Plate, Tilt Bed .....	2
3	<u>1016060</u>	Plate, Latch Support .....	2
4	<u>1016078</u>	Latch Plate Shim .....	A/R
5	<u>101835601</u>	Locknut, 1/4-20 Hex Whiz .....	4
6	<u>101958601</u>	Carriage Bolt, 1/4-20 X 0.75 .....	4
7	<u>332</u>	Washer, 1/4 Type A Narrow Flat .....	4
8	<u>8233</u>	Locknut, 1/4-20 Nylon Insert .....	4

**1**  
**G**  
**E**

**1**  
**G**  
**E**



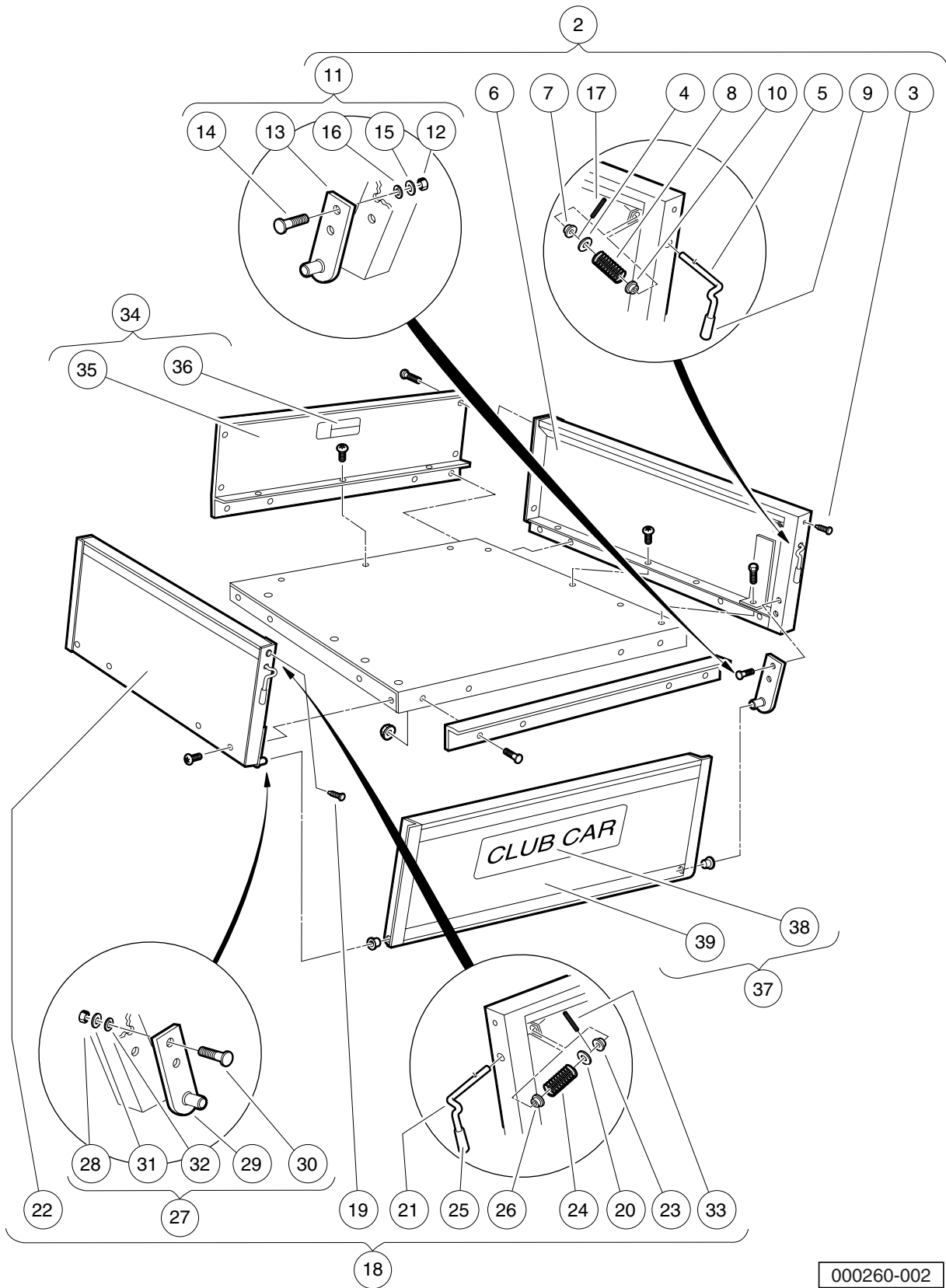
000259-002

# PROP ROD

ITEM	PART NO.	DESCRIPTION	QTY
		<b>1 2 3 4</b>	
1	<u>102301401</u>	Rod, Prop .....	1
2	<u>102418101</u>	Track, Prop Rod .....	1
3	<u>1035</u>	Cotter Pin, 3/32 x 1 .....	2
4	<u>332</u>	Washer, 1/4 Type A Narrow Flat .....	2
5	<u>334</u>	Washer, 3/8 Type A Flat .....	1
6	<u>7847</u>	Screw, 1/4-20 X 0.75 Hex-Head Cap .....	2
7	<u>8233</u>	Locknut, 1/4-20 Nylon Insert .....	2

**1**  
**G**  
**E**

**1**  
**G**  
**E**



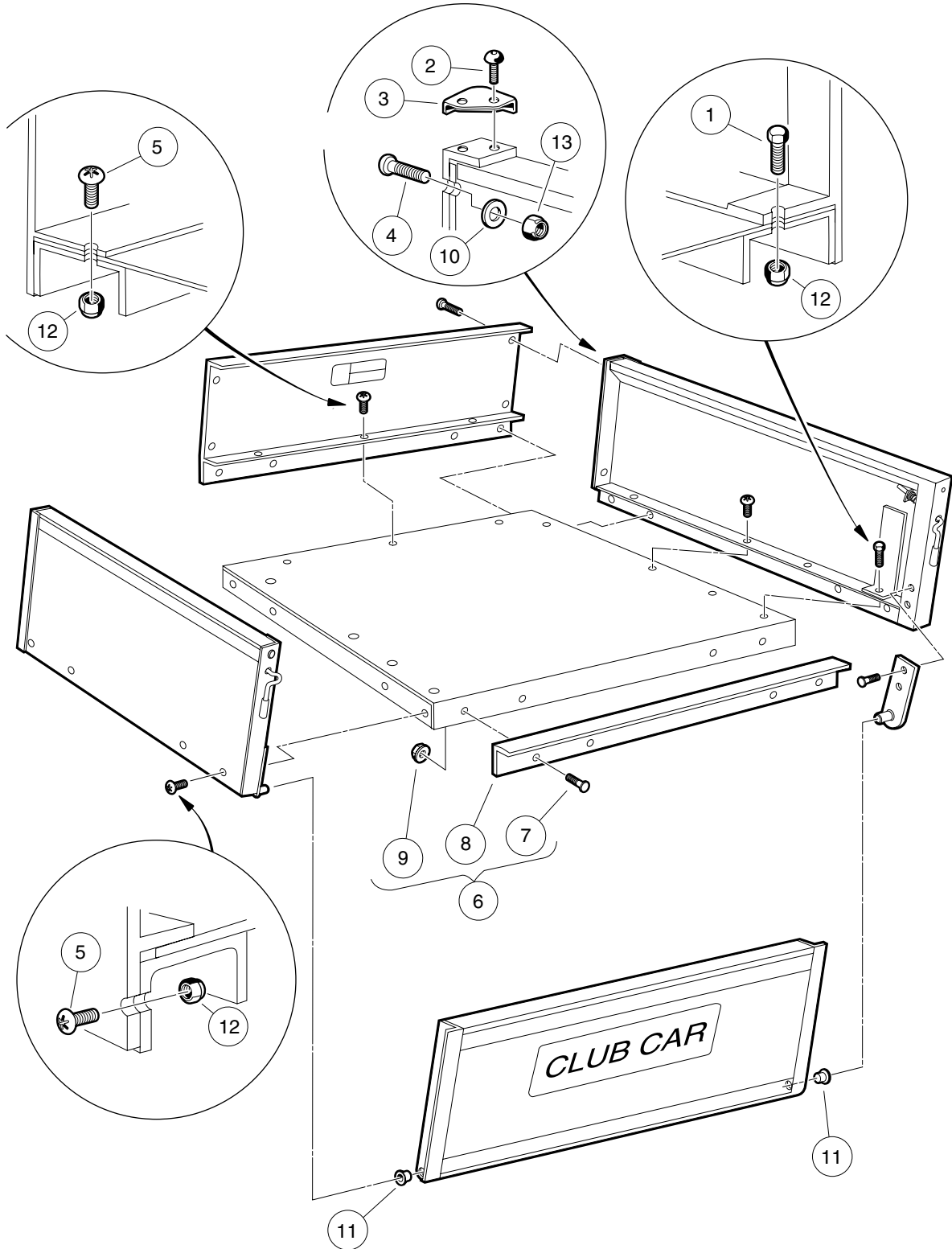
000260-002

# CARGO BOX (ALUMINUM)

ITEM	PART NO.	DESCRIPTION	QTY
		1 2 3 4	
1	<u>1015607</u>	Cargo Box Set (includes items 2 through 37) .....	1
2	<u>1015366</u>	Side-Panel Assembly, Right-Hand (includes items 3 through 17) .....	1
3	<u>1010434</u>	Barrel - Plastic .....	1
4	<u>1011990</u>	Washer, 3/8 Flat .....	1
5	<u>1015245</u>	Latch, Tailgate, Right-Hand .....	1
6	N/A	Side-Panel Weldment, Right-Hand .....	1
7	<u>1015363</u>	Bushing, Snap-In .....	1
8	<u>1015390</u>	Compression Spring Latch Tilt .....	1
9	<u>1015400</u>	Grip, Tilt Latch Hand .....	1
10	<u>1032</u>	Bushing, Nylon .....	1
11	<u>103406502</u>	Kit, Tlgt Mtg Brkt, Ca Rh (includes items 12 through 16) .....	1
12	<u>1028</u>	Nut, 1/4-20 Hex .....	2
13	<u>103388602</u>	Asm, Tlgt, Mtg Brkt, Ca Rh .....	1
14	<u>103406601</u>	Stud, 1/4 Self-clnchg Flush .....	2
15	<u>332</u>	Washer, 1/4 Type A Narrow Flat .....	2
16	<u>451</u>	Lockwasher, 1/4 Helical Split .....	2
17	1231	Pin, 1/8 X 1.00 Split Roll .....	1
18	<u>1015368</u>	Side Panel Assembly, Left-Hand (includes items 19 through 33) .....	1
19	<u>1010434</u>	Barrel - Plastic .....	1
20	<u>1011990</u>	Washer, 3/8 Flat .....	1
21	<u>1015313</u>	Latch, Tailgate, Left-Hand .....	1
22	N/A	Side-Panel Weldment, Left-Hand .....	1
23	<u>1015363</u>	Bushing, Snap-In .....	1
24	<u>1015390</u>	Compression Spring Latch Tilt .....	1
25	<u>1015400</u>	Grip, Tilt Latch Hand .....	1
26	<u>1032</u>	Bushing, Nylon .....	1
27	<u>103406501</u>	Kit, Tlgt Mtg Brkt, Ca Lh (includes items 28 through 32) .....	1
28	<u>1028</u>	Nut, 1/4-20 Hex .....	2
29	<u>103388601</u>	Asm, Tlgt, Mtg Brkt, Ca Lh .....	1
30	<u>103406601</u>	Stud, 1/4 Self-clnchg Flush .....	2
31	<u>332</u>	Washer, 1/4 Type A Narrow Flat .....	2
32	<u>451</u>	Lockwasher, 1/4 Helical Split .....	2
33	1231	Pin, 1/8 X 1.00 Split Roll .....	1
34	<u>1015412</u>	Front Panel Assembly (includes items 35 and 36) .....	1
35	N/A	Front Panel Box .....	1
36	<u>101553901</u>	Decal, Bed Load Warning .....	1
37	<u>1015424</u>	Tailgate Assembly (includes items 38 and 39) .....	1
38	<u>1013317</u>	Decal, Logo, Tailgate .....	1
39	N/A	Tailgate Weldment .....	1
<p>Note: Additional components in kit <u>1015607</u> are shown on the following two pages.</p>			



**1**  
**G**  
**E**



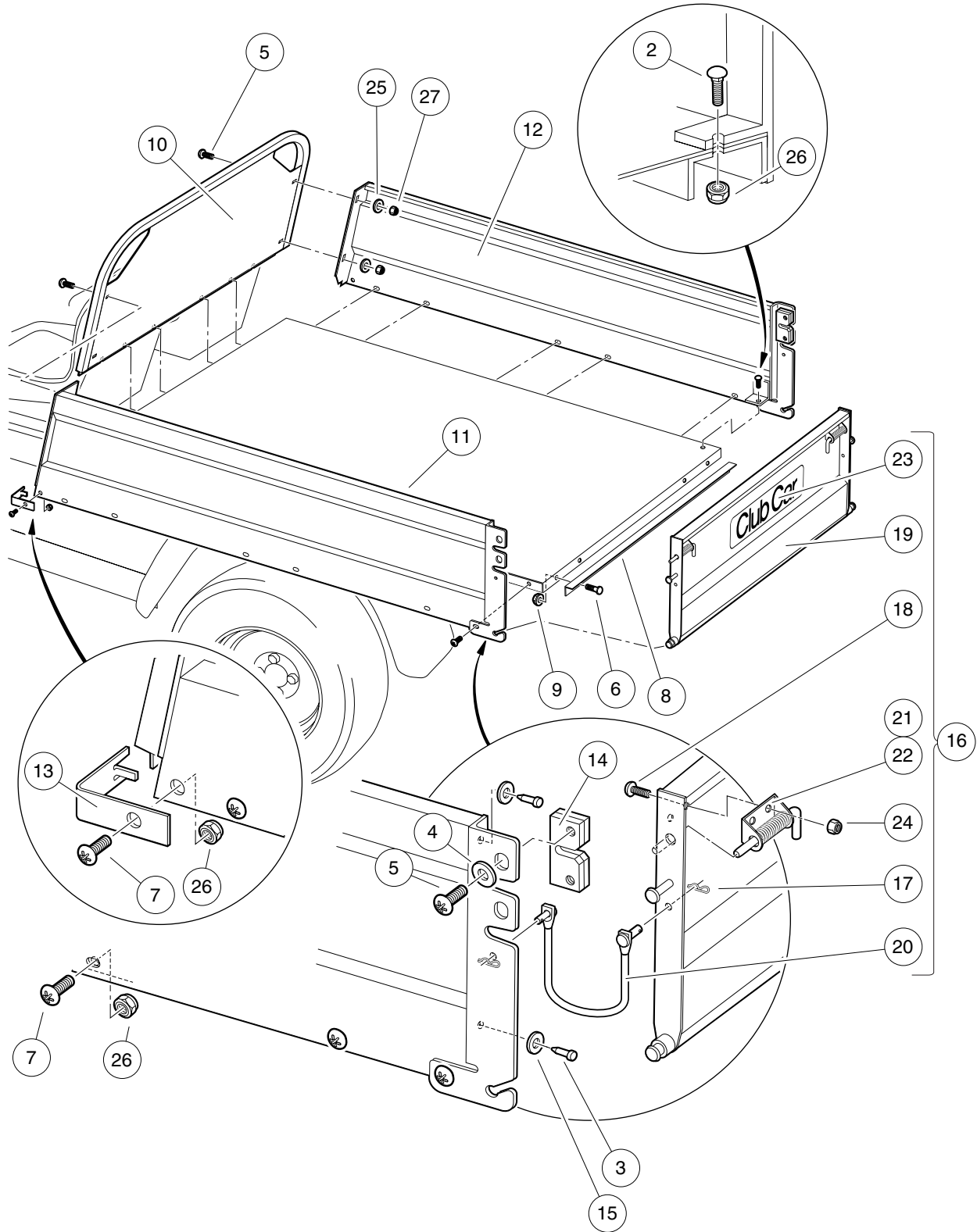
000261-001

# CARGO BOX MOUNTING

ITEM	PART NO.	DESCRIPTION	QTY
		1 2 3 4	
1	<u>1010934</u>	Screw, 5/16-18 X 1.00 Hex Cap .....	2
2	<u>1014321</u>	Screw, #10 Truss-Head Torx .....	4
3	<u>1014387</u>	Cap, Corner .....	2
4	<u>1014415</u>	Screw, 1/4-20 X 0.75 Torx Truss-Head .....	4
5	<u>1015399</u>	Screw, 5/16-18 X 0.88 Torx Truss-Head .....	23
6	<u>101894702</u>	Kit, Tailgate Angle (includes items 7 through 9) .....	1
7	<u>1014537</u>	Stud, Self-Clinching Flush Head .....	4
8	N/A	Box Bed Tailgate Angle .....	1
9	<u>101963401</u>	Locknut, 5/16-18 Hex Flange .....	4
10	<u>332</u>	Washer, 1/4 Type A Narrow Flat .....	4
11	<u>7049</u>	Bushing, Nylon .....	2
12	<u>7473</u>	Locknut, 5/16-18 Nylon Insert .....	25
13	<u>8233</u>	Locknut, 1/4-20 Nylon Insert .....	4
<p>Note: All parts listed on this page are included in kit 1015607.</p>			

1  
G  
E

**1**  
**G**  
**E**



000038-001

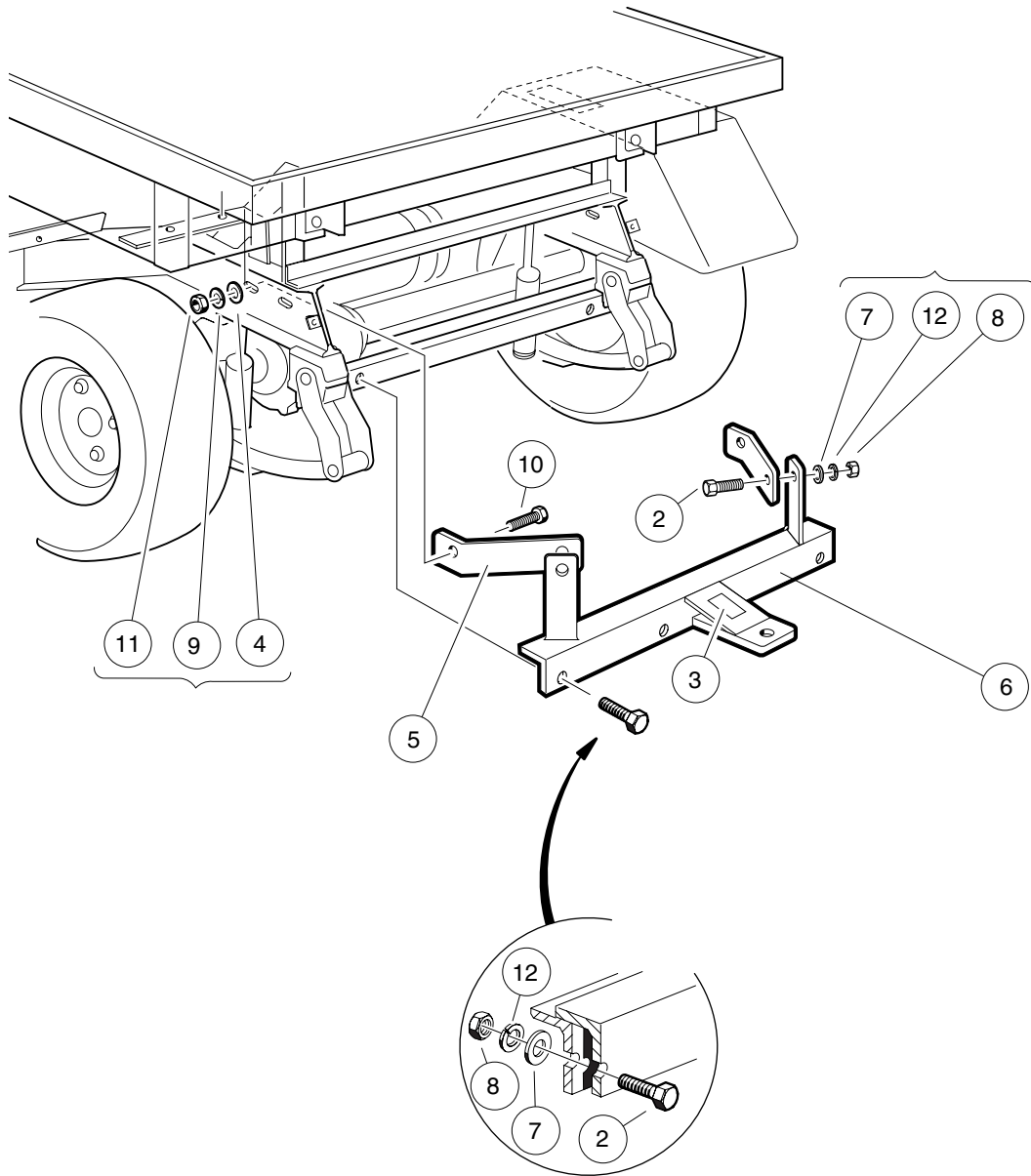


# CARGO BOX (STEEL)

ITEM	PART NO.	DESCRIPTION	QTY
		1 2 3 4	
1	N/A	Instl, Steel Box, XRT (includes items 2 through 27) .....	1
2	<u>1010435</u>	Bolt, Carriage, 5/16-18 X 1.00 .....	13
3	<u>1010436</u>	Bumper, Rubber .....	4
4	<u>1014306</u>	Washer, 1/4" Type B Flat .....	4
5	<u>1014415</u>	Screw, 1/4-20 X 0.75 Torx Truss-Head .....	8
6	<u>1014537</u>	Stud, Self-Clinching Flush Head .....	4
7	1015399	Screw, 5/16-18 X 0.88 Torx Truss-Head .....	18
8	<u>101894304</u>	Box Bed Tailgate Angle .....	1
9	<u>101963401</u>	Locknut, 5/16-18 Hex Flange .....	4
10	<u>102221301</u>	Front Panel Weldment .....	1
11	<u>102221401</u>	Left Panel Weldment .....	1
12	<u>102221501</u>	Right Panel Weldment .....	1
13	<u>102221701</u>	Front Corner Cap .....	2
14	<u>102222001</u>	Slam Latch .....	2
15	<u>102239901</u>	Washer, Rubber, 3/8 .....	4
16	<u>102614401</u>	Assembly, Tailgate (includes items 17 through 24) .....	1
17	<u>1013366</u>	Hair Pin Clip .....	4
18	<u>1014415</u>	Screw, 1/4-20 X 0.75 Torx Truss-Head .....	4
19	N/A	Tailgate, Weldment .....	1
20	<u>102221801</u>	Tether Assembly .....	2
21	<u>102222101</u>	Spring Latch Left .....	1
22	<u>102222201</u>	Spring Latch Right .....	1
23	<u>102673201</u>	Decal, Club Car Tailgate .....	1
24	<u>8233</u>	Locknut, 1/4-20 Nylon Insert .....	4
25	<u>332</u>	Washer, 1/4 Type A Narrow Flat .....	4
26	<u>7473</u>	Locknut, 5/16-18 Nylon Insert .....	31
27	<u>8233</u>	Locknut, 1/4-20 Nylon Insert .....	4

1  
G  
E

**1**  
**G**  
**E**

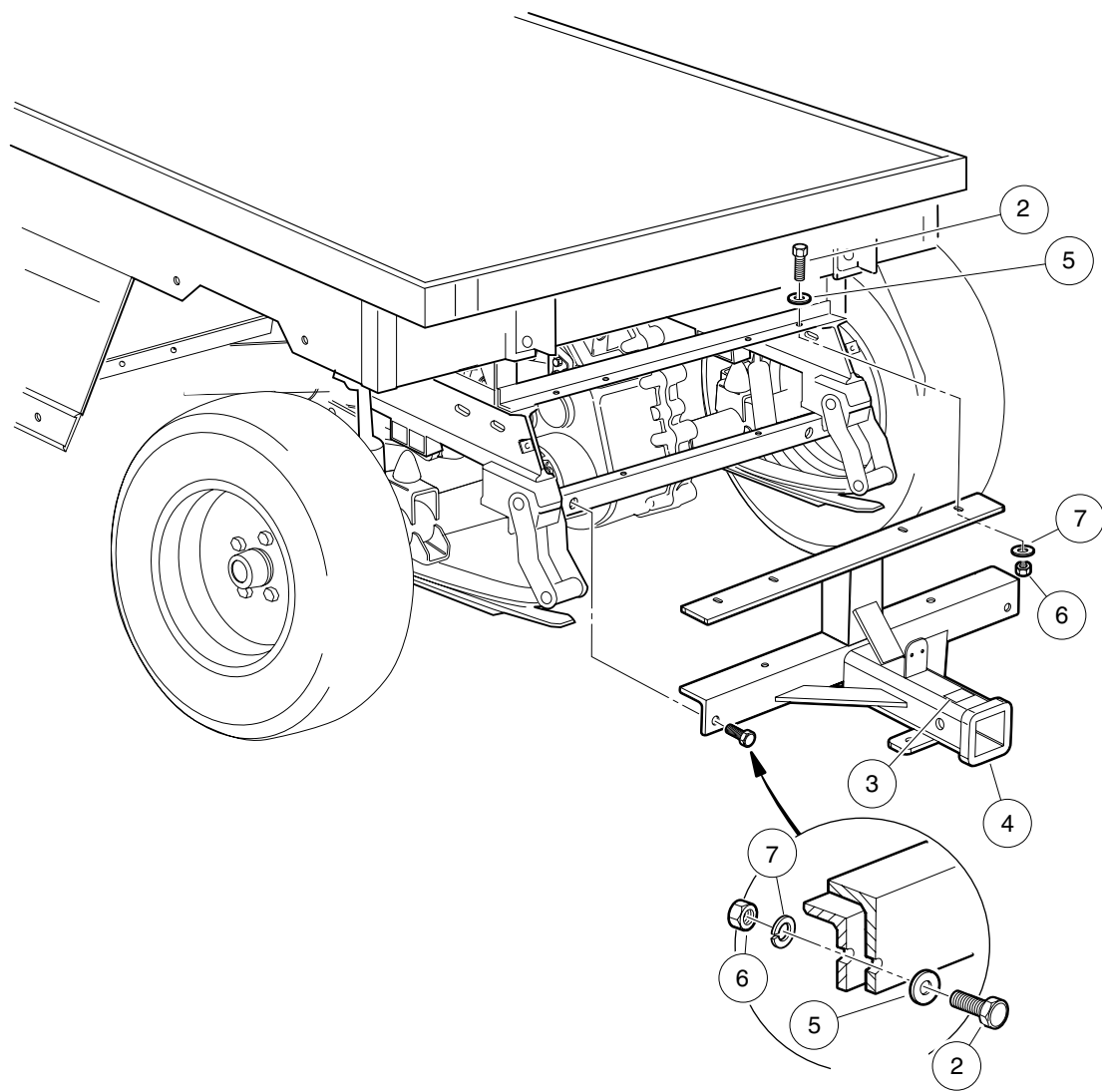


000265-001

# TRAILER HITCH

ITEM	PART NO.	DESCRIPTION	QTY
		<b>1 2 3 4</b>	
1	<u>1015445</u>	Kit, Trailer Hitch (includes items 2 through 12) .....	1
2	<u>1010934</u>	Screw, 5/16-18 X 1.00 Hex Cap .....	4
3	<u>1011553</u>	Decal, Trailer Hitch .....	1
4	<u>1011990</u>	Washer, 3/8 Flat .....	2
5	<u>1013483</u>	Brace, Trailer Hitch .....	2
6	N/A	Asm, Trailer Hitch .....	1
7	<u>1241</u>	Washer, 5/16 Type A Flat .....	4
8	<u>1242</u>	Nut, 5/16-18 Hex .....	4
9	<u>357</u>	Washer, Lock, Hel Sp 3/8 Reg .....	2
10	705	Screw, Cap-hex Hd 3/8-16x1.25 .....	2
11	<u>706</u>	Nut, Hex 3/8-16 .....	2
12	<u>7174</u>	Lockwasher, 5/16 Split .....	4

**1**  
**G**  
**E**



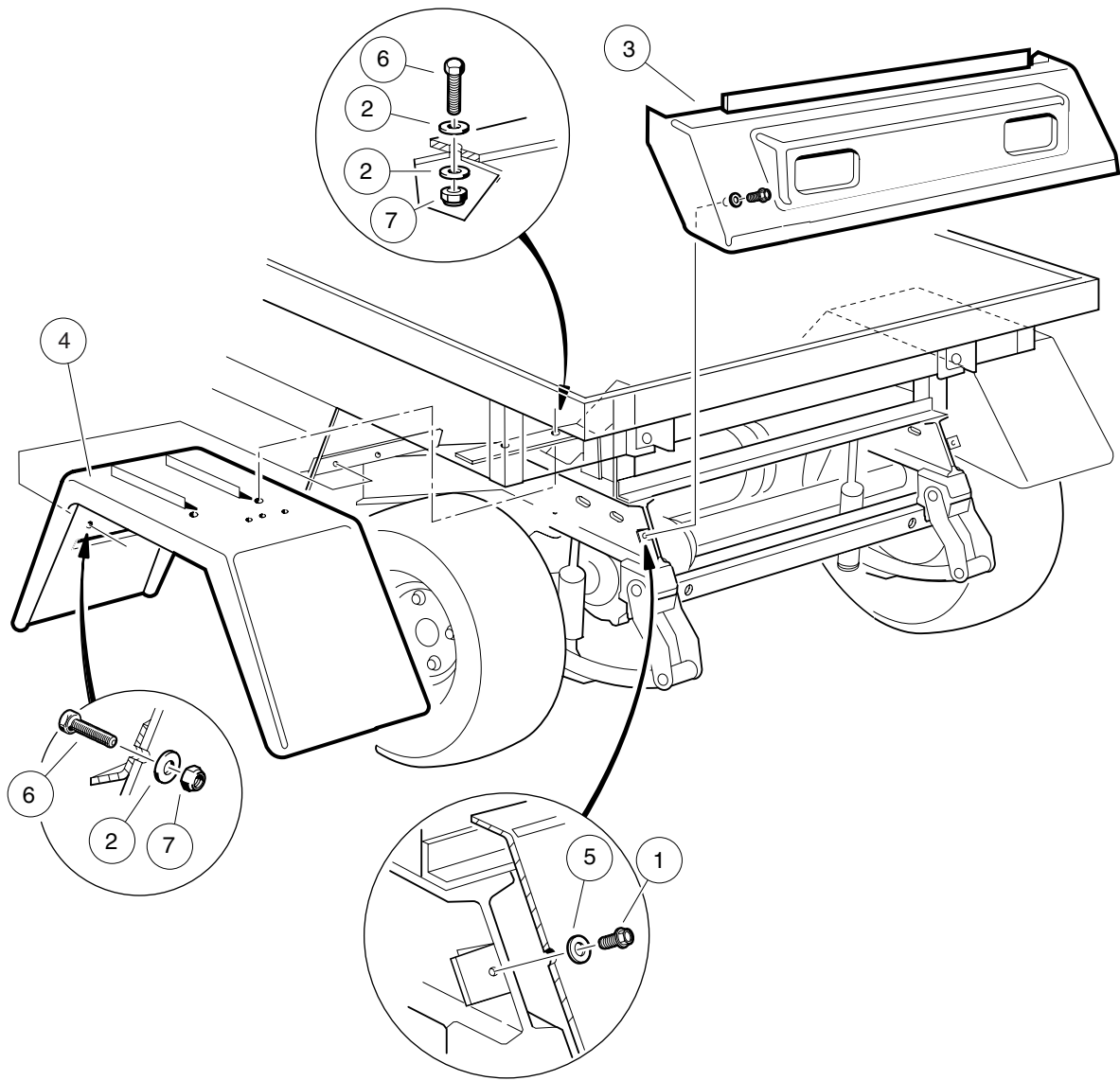
000100-002

# RECEIVER HITCH – XRT 900

ITEM	PART NO.	DESCRIPTION	QTY
		<b>1 2 3 4</b>	
1	<u>102065103</u>	Kit, Rear Receiver (includes items 2 through 7) .....	1
2	<u>1010934</u>	Screw, 5/16-18 X 1.00 Hex Cap .....	6
3	<u>1011553</u>	Decal, Trailer Hitch .....	1
4	<u>102056001</u>	Receiver Hitch Weld Asm .....	1
5	<u>1241</u>	Washer, 5/16 Type A Flat .....	6
6	<u>1242</u>	Nut, 5/16-18 Hex .....	6
7	<u>7174</u>	Lockwasher, 5/16 Split .....	6

1  
G  
E

**1**  
**G**  
**E**



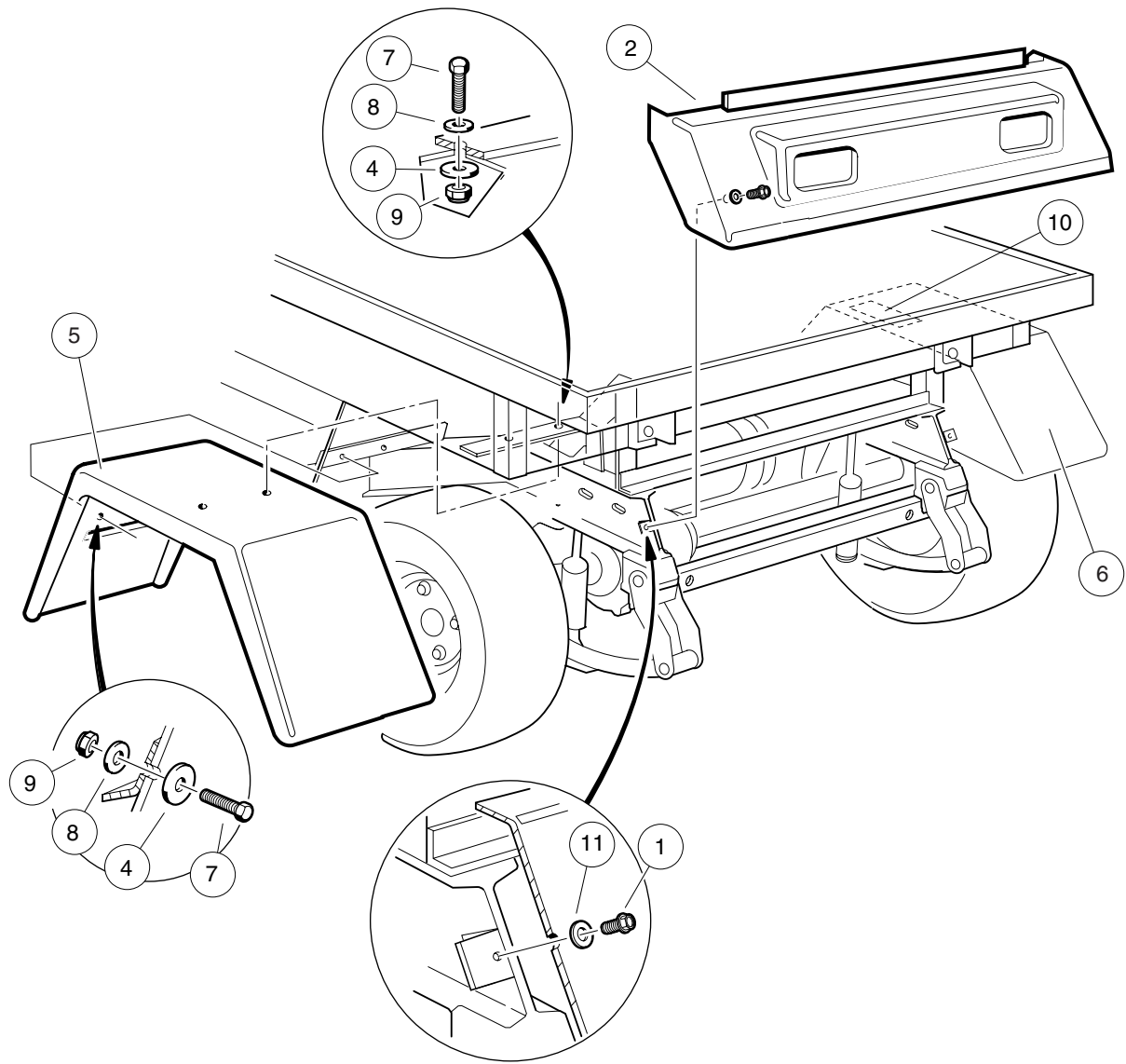
000266-001

# REAR BODY TRIM – TURF/CARRYALL 2, AND CARRYALL 2 PLUS

ITEM	PART NO.	DESCRIPTION	QTY
		1 2 3 4	
1	<u>1012285</u>	Screw, 1/4 X 0.625 Hex-Head .....	2
2	<u>1014306</u>	Washer, 1/4" Type B Flat .....	12
3	<u>1015530</u>	Tailskirt .....	1
4	<u>1016679</u>	Rear Fender .....	2
5	<u>332</u>	Washer, 1/4 Type A Narrow Flat .....	2
6	<u>7847</u>	Screw, 1/4-20 X 0.75 Hex-Head Cap .....	8
7	<u>8233</u>	Locknut, 1/4-20 Nylon Insert .....	8

**1**  
**G**  
**E**

**1**  
**G**  
**E**



000267-001



## REAR BODY TRIM – TURF/CARRYALL 252 AND XRT 900

ITEM	PART NO.	DESCRIPTION	QTY
		1 2 3 4	
1	<u>1012285</u>	Screw, 1/4 X 0.625 Hex-Head .....	2
2	<u>1015530</u>	Tailskirt .....	1
3	N/A	Rear Fender Kit (includes items 4 through 9) .....	1
4	<u>1014306</u>	Washer, 1/4" Type B Flat .....	10
5	<u>102004601</u>	Extended Fender, Rear, Left-Hand .....	1
6	<u>102004602</u>	Extended Fender, Rear, Right-Hand .....	1
7	304	Screw, 1/4-20 X 1.0 Hex-Head Cap .....	8
8	<u>332</u>	Washer, 1/4 Type A Narrow Flat .....	6
9	<u>8233</u>	Locknut, 1/4-20 Nylon Insert .....	8
10	<u>102224001</u>	Decal, Rotating Parts Warning .....	1
11	<u>332</u>	Washer, 1/4 Type A Narrow Flat .....	2

**1**  
**G**  
**E**

**1**

**G**

**E**

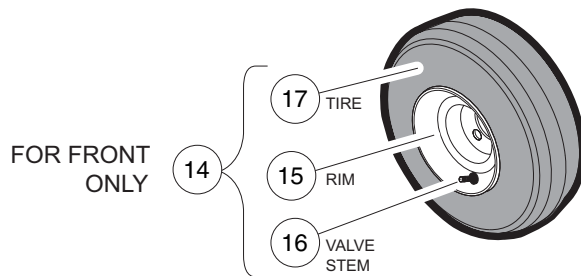
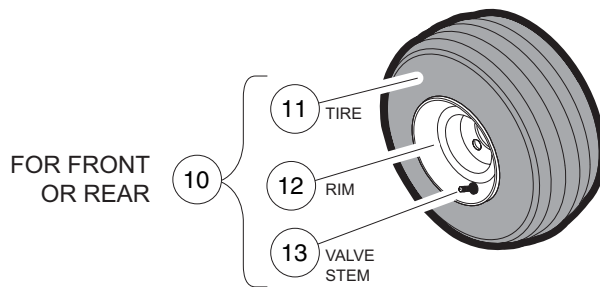
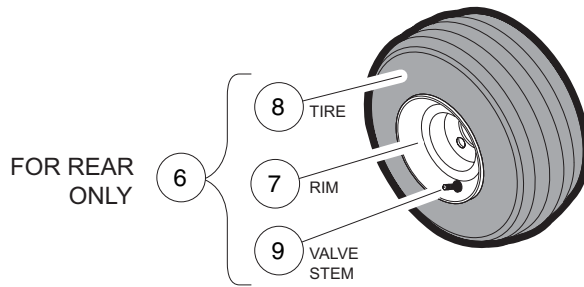
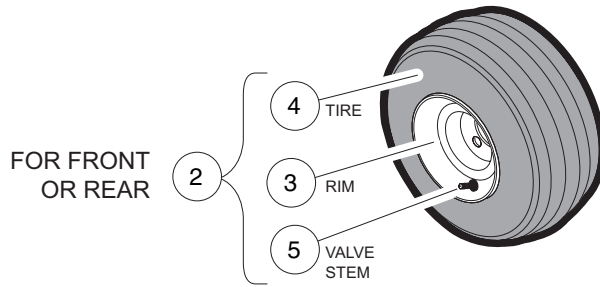
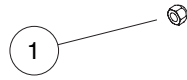
# WHEELS AND TIRES

---

2

G

E



000269-002

## WHEELS AND TIRES – TURF/CARRYALL 2

ITEM	PART NO.	DESCRIPTION	QTY
		1 2 3 4	
1	<u>1010984</u>	.500-20 Unf Lug Nut .....	16
2	<u>101651406</u>	Tire/Wheel Asm, White, Premium Tread, 6-Ply (includes items 3 through 5) .....	4
3	<u>1014771</u>	Wheel Rim, White .....	1
4	<u>101737002</u>	Tire, Unmounted .....	1
5	<u>7310</u>	Valve Stem .....	1
6	<u>101651407</u>	Tire/Wheel Asm, White, Extra-Traction, 6-Ply (includes items 7 through 9) .....	2
7	<u>1014771</u>	Wheel Rim, White .....	1
8	<u>101769302</u>	Tire, Unmounted Xtrac 18 x 8.50-8 .....	1
9	<u>7310</u>	Valve Stem .....	1
10	<u>101651409</u>	Tire/Wheel Asm, White, Premium Tread, 6.5-inch (includes items 11 through 13) .....	4
11	<u>101884901</u>	Tire, Unmounted, Power Rib 18 x 6.50-8 .....	1
12	<u>101918401</u>	Wheel Rim, Beige .....	1
13	<u>7310</u>	Valve Stem .....	1
14	<u>101651414</u>	Tire/Wheel Asm, White, Duro HF 232 (includes items 15 through 17) .....	4
15	<u>101918402</u>	Wheel Rim, White .....	1
16	<u>7310</u>	Valve Stem .....	1
17	****	Tire, Unmounted, 6-Ply Rated (18.5 x 8.5 - 8) (Duro) .....	1
**** Special order item available upon request.			

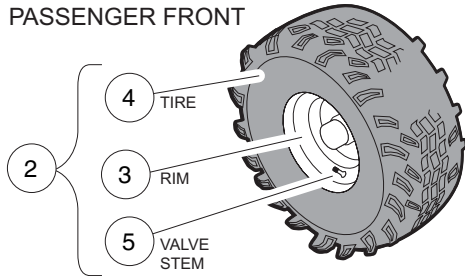
2  
G  
E



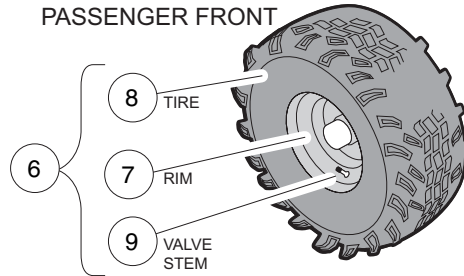
**WHITE RIMS**

**SILVER RIMS**

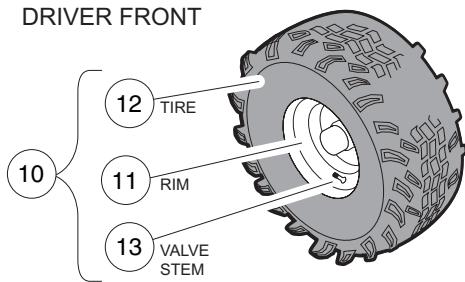
PASSENGER FRONT



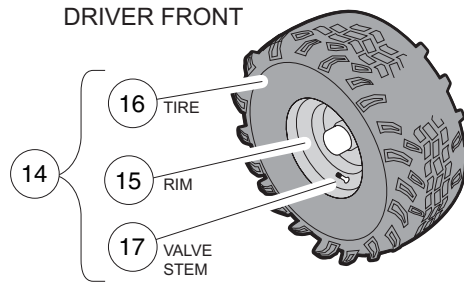
PASSENGER FRONT



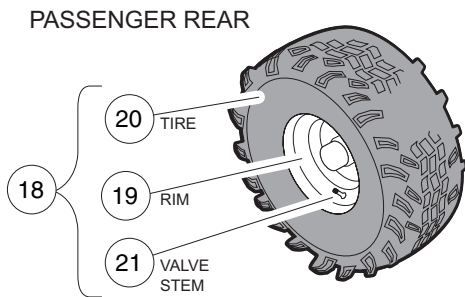
DRIVER FRONT



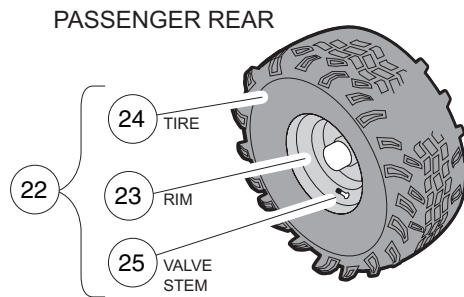
DRIVER FRONT



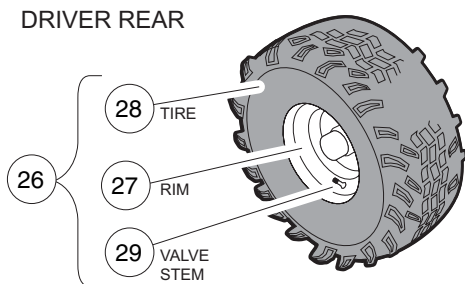
PASSENGER REAR



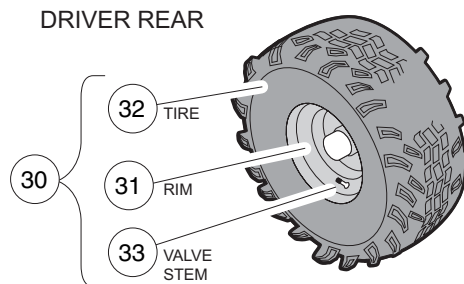
PASSENGER REAR



DRIVER REAR



DRIVER REAR



000269-004

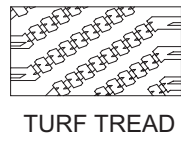
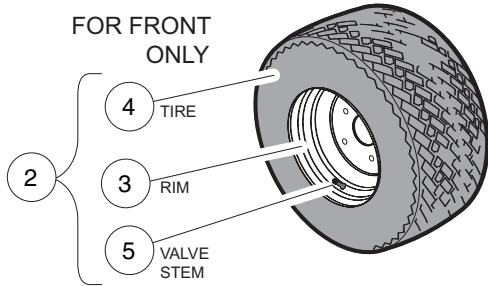
# WHEELS AND TIRES, OFF-ROAD TREAD – TURF/CARRYALL 252 AND XRT 900

ITEM	PART NO.	DESCRIPTION	QTY
		1 2 3 4	
1	<u>1010984</u>	.500-20 Unf Lug Nut .....	16
2	<u>102009201</u>	Off-Road Tire and Wheel Asm, Right, Front (includes items 3 through 5) .....	1
3	N/A	Rim, Wheel, White .....	1
4	N/A	Tire, Unmounted, Duro, Off-Road Tire, 22 x 11-10, 6-Ply Rated .....	1
5	<u>7310</u>	Valve Stem .....	1
6	<u>102009202</u>	Off-Road Tire and Wheel Asm, Right, Front (includes items 7 through 9) .....	1
7	N/A	Wheel Rim, Silver .....	1
8	N/A	Tire, Unmounted, Duro, Off-Road Tire, 22 x 11-10, 6-Ply Rated .....	1
9	<u>7310</u>	Valve Stem .....	1
10	<u>102009301</u>	Off-Road Tire and Wheel Asm, Left, Front (includes items 11 through 13) .....	1
11	N/A	Rim, Wheel, White .....	1
12	N/A	Tire, Unmounted, Duro, Off-Road Tire, 22 x 11-10, 6-Ply Rated .....	1
13	<u>7310</u>	Valve Stem .....	1
14	<u>102009302</u>	Off-Road Tire and Wheel Asm, Left, Front (includes items 15 through 17) .....	1
15	N/A	Wheel Rim, Silver .....	1
16	N/A	Tire, Unmounted, Duro, Off-Road Tire, 22 x 11-10, 6-Ply Rated .....	1
17	<u>7310</u>	Valve Stem .....	1
18	<u>102009401</u>	Off-Road Tire and Wheel Asm, Right, Rear (includes items 19 through 21) .....	1
19	N/A	Rim, Wheel, White .....	1
20	N/A	Tire, Unmounted, Duro, Off-Road Tire, 22 x 11-10, 6-Ply Rated .....	1
21	<u>7310</u>	Valve Stem .....	1
22	<u>102009402</u>	Off-Road Tire and Wheel Asm, Right, Rear (includes items 23 through 25) .....	1
23	N/A	Wheel Rim, Silver .....	1
24	N/A	Tire, Unmounted, Duro, Off-Road Tire, 22 x 11-10, 6-Ply Rated .....	1
25	<u>7310</u>	Valve Stem .....	1
26	<u>102009501</u>	Off-Road Tire and Wheel Asm, Left, Rear (includes items 27 through 29) .....	1
27	N/A	Rim, Wheel, White .....	1
28	N/A	Tire, Unmounted, Duro, Off-Road Tire, 22 x 11-10, 6-Ply Rated .....	1
29	<u>7310</u>	Valve Stem .....	1
30	<u>102009502</u>	Off-Road Tire and Wheel Asm, Left, Rear (includes items 31 through 33) .....	1
31	N/A	Wheel Rim, Silver .....	1
32	N/A	Tire, Unmounted, Duro, Off-Road Tire, 22 x 11-10, 6-Ply Rated .....	1
33	<u>7310</u>	Valve Stem .....	1
<p>Note: Front and rear wheels are NOT interchangeable. The rear wheels have a different offset than the front wheels. The rear wheels must be installed with the deeper offset facing out. Off-road tires are directional.</p>			

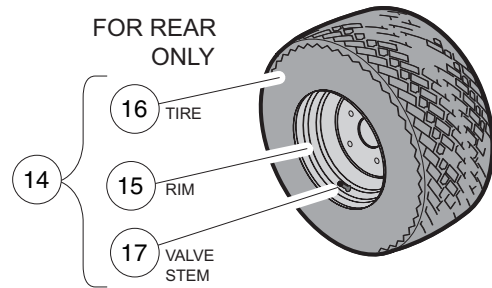
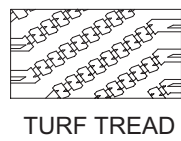
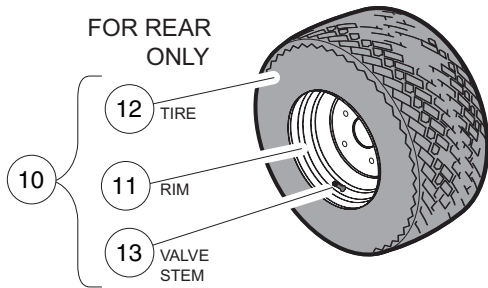
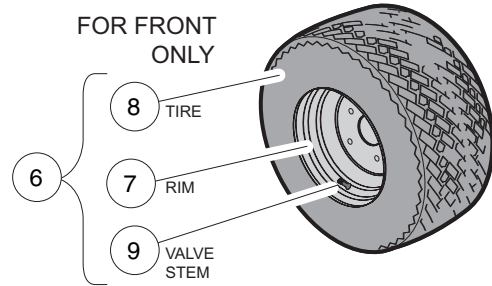
2  
G  
E



**WHITE RIMS**



**SILVER RIMS**



000269-005



# WHEELS AND TIRES, TURF TREAD – TURF/CARRYALL 252 AND XRT 900

ITEM	PART NO.	DESCRIPTION	QTY
		<b>1 2 3 4</b>	
1	<u>1010984</u>	.500-20 Unf Lug Nut .....	16
2	<u>102009901</u>	Turf Tire and Wheel Asm, Front (includes items 3 through 5) .....	2
3	N/A	Rim, Wheel, White .....	1
4	N/A	Tire, Front, Unmounted, Titan Turf Trac, 23 x 10.5-12, 4-Ply Rated .....	1
5	<u>7310</u>	Valve Stem .....	1
6	<u>102009902</u>	Turf Tire and Wheel Asm, Front (includes items 7 through 9) .....	2
7	N/A	Wheel Rim, Silver .....	1
8	N/A	Tire, Front, Unmounted, Titan Turf Trac, 23 x 10.5-12, 4-Ply Rated .....	1
9	<u>7310</u>	Valve Stem .....	1
10	<u>102010001</u>	Turf Tire and Wheel Asm, Rear (includes items 11 through 13) .....	2
11	N/A	Rim, Wheel, White .....	1
12	N/A	Tire, Rear, Unmounted, Titan Turf Trac, 23 x 10.5-12, 4-Ply Rated .....	1
13	<u>7310</u>	Valve Stem .....	1
14	<u>102010002</u>	Turf Tire and Wheel Asm, Rear (includes items 15 through 17) .....	2
15	N/A	Wheel Rim, Silver .....	1
16	N/A	Tire, Rear, Unmounted, Titan Turf Trac, 23 x 10.5-12, 4-Ply Rated .....	1
17	<u>7310</u>	Valve Stem .....	1

**2**  
**G**  
**E**

**2**

**G**

**E**

# DECALS

---

3

G

E

**⚠ WARNING**

**ROLLOVER OR FALLING OFF MAY CAUSE DEATH.**

- Before using vehicle, read operating instructions.
- Remain seated and hold on to seat handle while moving.
- Do not start vehicle until all occupants are seated.
- Two (2) persons per seat maximum.
- Operate from driver side only and not on public roads.
- Keep entire body inside vehicle while moving.
- Drive slowly in turns and straight up and down slopes.
- Do not leave children unattended on vehicle.
- Never operate under the influence of alcohol or drugs.
- Use brakes to reduce speed when coasting downhill.
- Never stand in front of or behind vehicle.

CCI 103205401

**OPERATING INSTRUCTIONS**

- Read owner's manual and dash-mounted safety warnings prior to driving.
- Study and understand controls.

**TO OPERATE**

- Turn wheels to desired direction and ensure path is clear.
- Turn key to ON position.
- While stopped, place Forward/Reverse switch in desired position: F=Forward N=Neutral R=Reverse (Buzzer will sound)
- Park brake will release and vehicle will start moving when accelerator pedal is pressed.
- Slowly press accelerator pedal to increase speed.
- To stop, release accelerator pedal and press brake pedal.

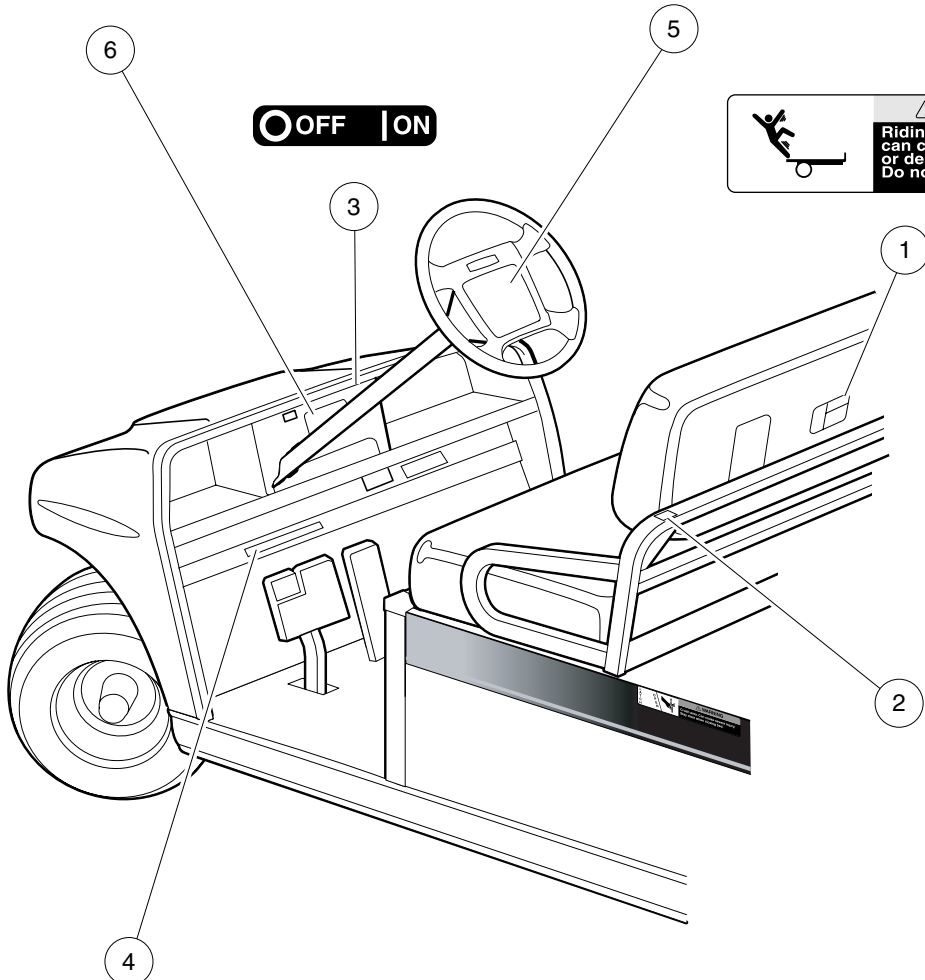
**BEFORE LEAVING**

- Press park brake pedal until it locks and holds vehicle.
- Place Forward/Reverse switch in NEUTRAL position.
- Turn key OFF and remove key when not in use.

**MOTOR BRAKING**

- Electric motor braking provides speed regulation functions.
- For parked vehicle, beeping alarm indicates vehicle roll away.
- In operation, beeping alarm indicates reduction in motor braking.
- Apply brakes to further reduce vehicle speed as required.
- System is activated only when tow switch is in the RUN position.
- When towing this vehicle, tow switch must be in the TOW position.

CCI 102518001



**⚠ WARNING**

**Riding in cargo bed can cause severe injury or death. Do not ride in cargo bed.**

CCI 101553901

**⚠ WARNING**

**CRUSH AREA**

**STAY CLEAR**

CCI 101609401

**VEHICLE LOADING**

Read Owner's Manual and warnings on dash.

- Vehicle rated capacity - 1200 lbs. on level surface only. Weight to include passengers, cargo bed load, and gross trailer weight. See Owner's Manual.
- Maximum cargo load - 800 lbs. Weight to include cargo bed load and gross trailer weight.
- Maximum trailer hitch tongue weight - 150 lbs.

- Cargo should be evenly spread over the floor of the cargo bed as far forward as possible and secured.
- For vehicle stability, when fully loaded, drive slowly and avoid stopping on or backing down steep hills.
- Avoid top heavy loads. See Owner's Manual.
- When driving on uneven terrain or down steep hills, reduce speed and load.

CCI 101960201

000600-001

## DECALS – TURF/CARRYALL 2 IQ PLUS VEHICLES

ITEM	PART NO.	DESCRIPTION	QTY
		1 2 3 4	
1	<u>101553901</u>	Decal, Bed Load Warning .....	1
2	<u>101609401</u>	Decal, Crush Area Warning .....	2
3	<u>101825101</u>	Decal, Off/On .....	1
4	<u>101960201</u>	Decal, Vehicle Loading .....	1
5	102518001	Decal, Operating Instr, Elec .....	1
6	<u>103205401</u>	Decal, Warning, Rollover, Utl .....	1

**3**  
**G**  
**E**

**⚠ WARNING**  
**AVOID FIRE HAZARD**

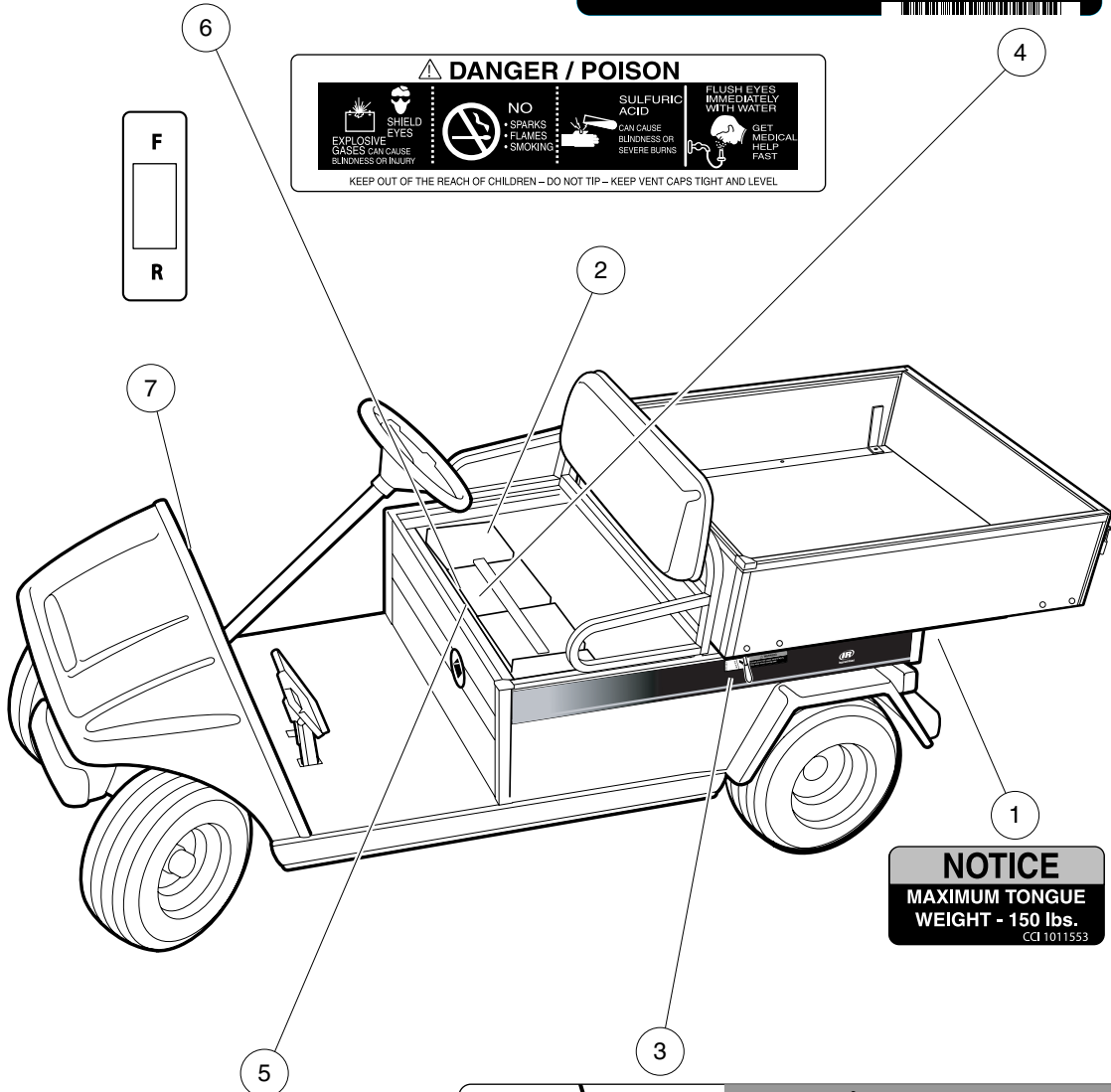
- Replacement battery wires must be 4-gauge (AWG) with low-resistance terminals equivalent to factory-installed wires.
- Ensure that battery connections are clean and properly tightened. See owner's manual.

CCI 102967601

**CAUTION**  
**EXPOSURE TO WATER MAY DAMAGE ELECTRONIC COMPONENTS**

- Do not operate vehicle without this cover properly installed.
- Do not direct water stream in the area of the cover without cover securely in place.
- See vehicle maintenance and service manual before servicing.

CCI 102518301



**⚠ DANGER / POISON**

<p><b>EXPLOSIVE</b> GASES CAN CAUSE BLINDNESS OR INJURY</p> <p><b>SHIELD EYES</b></p>	<p><b>NO</b> • SPARKS • FLAMES • SMOKING</p>	<p><b>SULFURIC ACID</b> CAN CAUSE BLINDNESS OR SEVERE BURNS</p>	<p><b>FLUSH EYES IMMEDIATELY WITH WATER</b></p> <p><b>GET MEDICAL HELP FAST</b></p>
---	--	---	---

KEEP OUT OF THE REACH OF CHILDREN – DO NOT TIP – KEEP VENT CAPS TIGHT AND LEVEL

**NOTICE**  
**MAXIMUM TONGUE WEIGHT - 150 lbs.**

CCI 1011553

**⚠ WARNING**  
**BATTERY EXPLOSION COULD RESULT IN SEVERE PERSONAL INJURY.**

- Do not store items in battery compartment.
- Place Run/Tow switch in TOW position before:
  - Disconnecting or connecting battery cables
  - Towing this vehicle
  - Extended storage
  - Servicing the vehicle

**NORMAL**    **TRIPPED**  
**TOW**    **RUN**

CCI 102845101

**LATCH OPEN**

**⚠ WARNING**  
**Crush area. Can cause severe injury. Stay clear when closing bed.**

000611-001

# DECALS – TURF/CARRYALL 2 IQ PLUS VEHICLES, CONTINUED

ITEM	PART NO.	DESCRIPTION	QTY
		1 2 3 4	
1	<u>1011553</u>	Decal, Trailer Hitch .....	1
2	<u>1013677</u>	Decal, Battery Danger .....	6
3	<u>102459301</u>	Decal, Bed Crush Area Warning .....	1
4	<u>102518301</u>	Decal, Caution, Electrical Component Cover .....	1
5	<u>102845101</u>	Decal, Tow Switch .....	1
6	<u>102967601</u>	Decal, Warning, 4 Gauge Wire .....	1
7	<u>103210301</u>	Decal, Forward/Reverse, Electric .....	1

3  
G  
E

**WARNING**

**ROLLOVER OR FALLING OFF MAY CAUSE DEATH.**

- Before using vehicle, read operating instructions.
- Remain seated and hold on to seat handle while moving.
- Do not start vehicle until all occupants are seated.
- Two (2) persons per seat maximum.
- Operate from driver side only and not on public roads.
- Keep entire body inside vehicle while moving.
- Drive slowly in turns and straight up and down slopes.
- Do not leave children unattended on vehicle.
- Never operate under the influence of alcohol or drugs.
- Use brakes to reduce speed when coasting downhill.
- Never stand in front of or behind vehicle.

CCI 103205401

**OPERATING INSTRUCTIONS**

- Read owner's manual and dash-mounted safety warnings prior to driving.
- Study and understand controls.

**TO OPERATE**

- Turn wheels to desired direction and ensure path is clear.
- Turn key to ON position.
- While stopped, place Forward/Reverse switch in desired position: F=Forward N=Neutral R=Reverse (Buzzer will sound)
- Park brake will release and vehicle will start moving when accelerator pedal is pressed.
- Slowly press accelerator pedal to increase speed.
- To stop, release accelerator pedal and press brake pedal.

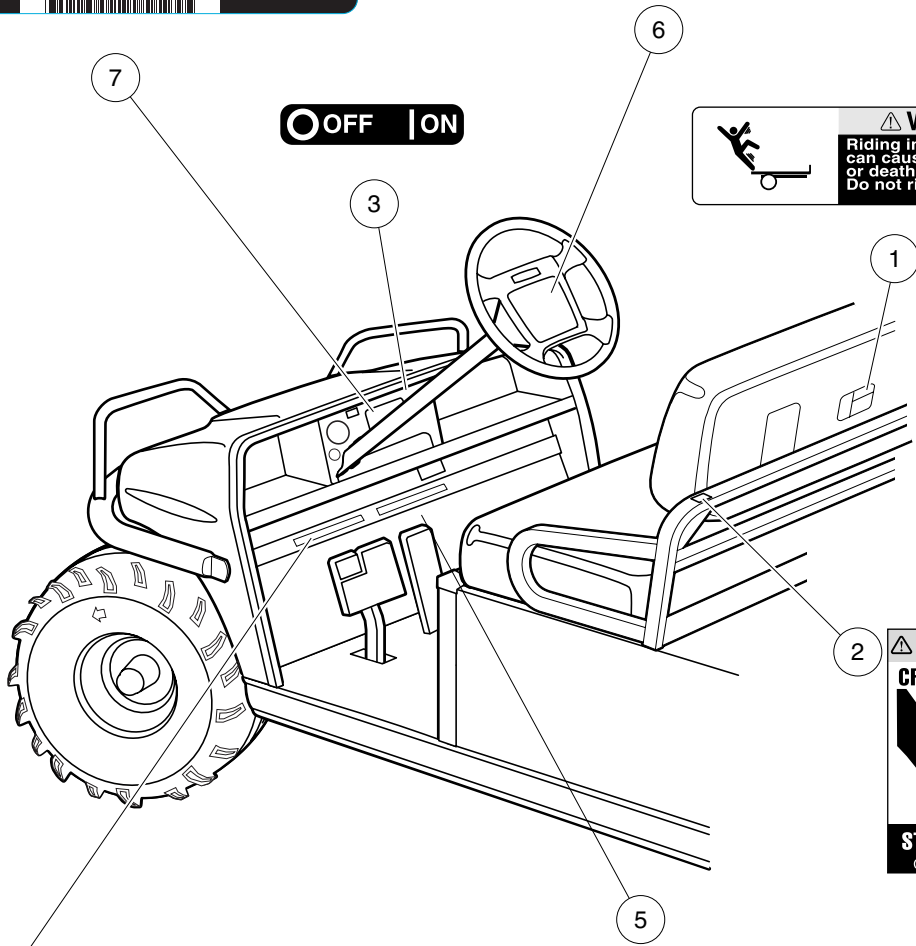
**BEFORE LEAVING**

- Press park brake pedal until it locks and holds vehicle.
- Place Forward/Reverse switch in NEUTRAL position.
- Turn key OFF and remove key when not in use.

**MOTOR BRAKING**

- Electric motor braking provides speed regulation functions.
- For parked vehicle, beeping alarm indicates vehicle roll away.
- In operation, beeping alarm indicates reduction in motor braking.
- Apply brakes to further reduce vehicle speed as required.
- System is activated only when tow switch is in the RUT position.
- When towing this vehicle, tow switch must be in the TOW position.

CCI 102518001



**OFF | ON**

**WARNING**

Riding in cargo bed can cause severe injury or death. Do not ride in cargo bed.

CCI 101553901

**WARNING**

**CRUSH AREA**

**STAY CLEAR**

CCI 101609401

**UNDER 16**

**WARNING**

**YOUNG DRIVERS INCREASE CHANCE OF DEATH**

- Young drivers may not be able to control vehicle.
- No drivers younger than 16 years old.

CCI 102075801

**VEHICLE LOADING**

Read owner's manual and warnings on dash.

- Vehicle rated capacity - 900 lbs. on level surface only. Weight to include passengers, cargo bed load, and gross trailer weight. See Owner's Manual.
- Maximum cargo load - 500 lbs. Weight to include cargo bed load and gross trailer weight.
- Maximum trailer hitch tongue weight - 150 lbs.
- Cargo should be evenly spread over the floor of the cargo bed as far forward as possible and secured.
- For vehicle stability, when fully loaded, drive slowly and avoid stopping on or backing down steep hills.
- Avoid top heavy loads. See Owner's Manual.
- When driving on uneven terrain or down steep hills, reduce speed and load.

CCI 10206701

000612-001



# DECALS – TURF/CARRYALL 252 AND XRT 900 IQ PLUS VEHICLES

ITEM	PART NO.	DESCRIPTION	QTY
		1 2 3 4	
1	<u>101553901</u>	Decal, Bed Load Warning .....	1
2	<u>101609401</u>	Decal, Crush Area Warning .....	2
3	<u>101825101</u>	Decal, Off/On .....	1
4	<u>102006701</u>	Decal, Vehicle Loading .....	1
5	<u>102075801</u>	Decal, Young Driver Warning .....	1
6	<u>102518001</u>	Decal, Operating Instr, Elec .....	1
7	<u>103205401</u>	Decal, Warning, Rollover, Utl .....	1

**3**  
**G**  
**E**

**⚠ WARNING**  
**AVOID FIRE HAZARD**

- Replacement battery wires must be 4-gauge (AWG) with low-resistance terminals equivalent to factory-installed wires.
- Ensure that battery connections are clean and properly tightened. See owner's manual.

CCI 102967601

**⚠ WARNING**

**WINCH CABLE FRACTURE COULD RESULT IN SERIOUS INJURY OR DEATH.**

- Do not use winch while persons are seated on the vehicle.
- Use remote operation switch for winch control.
- Stand to the side and away from the vehicle to operate winch.
- Read winch operator manual before operating winch.

102231601

**⚠ DANGER / POISON**

**EXPLOSIVE** **SULFURIC ACID** **FLUSH EYES IMMEDIATELY WITH WATER**

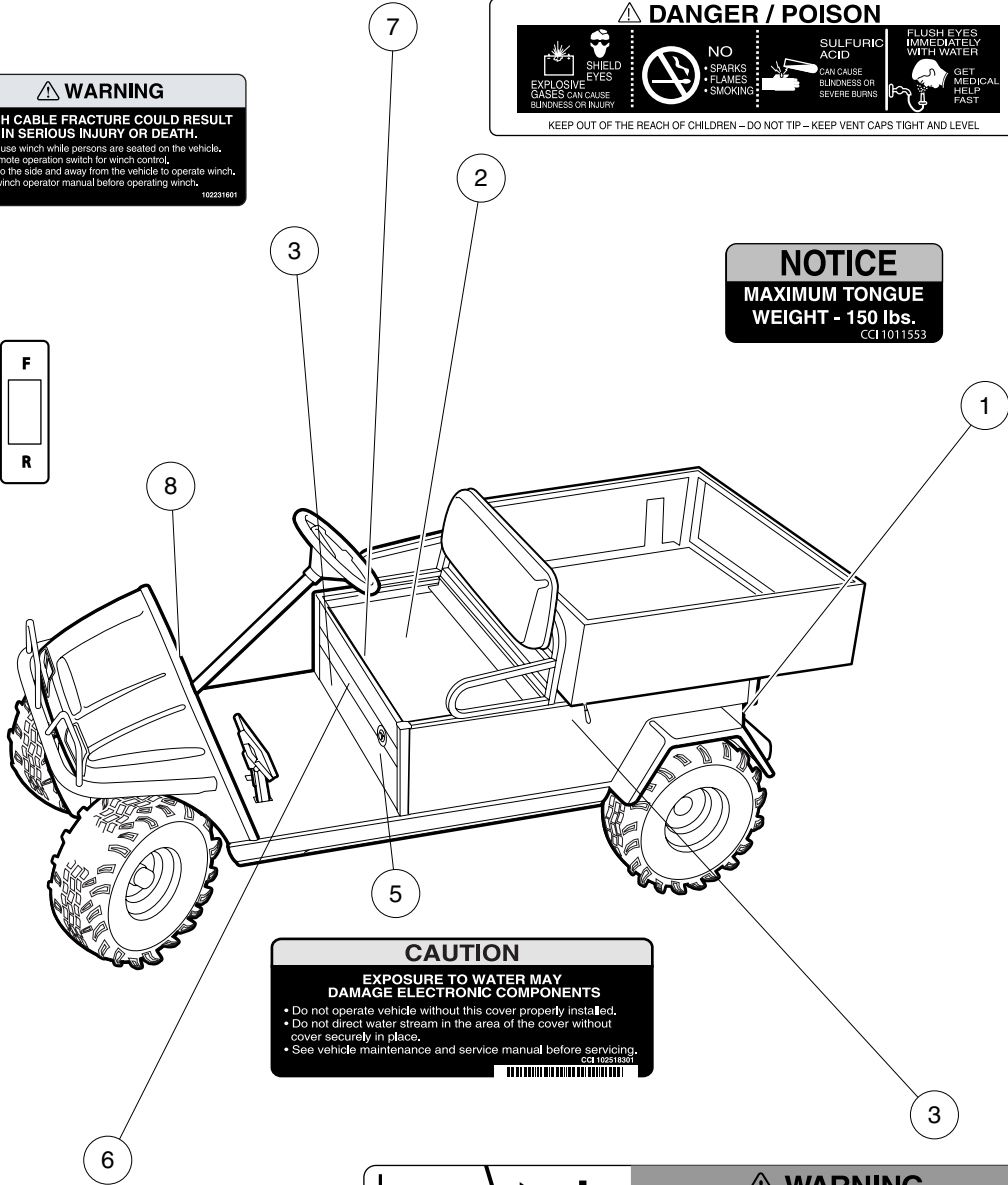
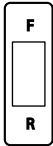
**SHIELD EYES** **NO SPARKS, FLAMES, SMOKING** **GET MEDICAL HELP FAST**

**EXPLOSIVE GASES CAN CAUSE BLINDNESS OR INJURY** **NO SPARKS, FLAMES, SMOKING** **SULFURIC ACID CAN CAUSE BLINDNESS OR SEVERE BURNS** **GET MEDICAL HELP FAST**

KEEP OUT OF THE REACH OF CHILDREN - DO NOT TIP - KEEP VENT CAPS TIGHT AND LEVEL

**NOTICE**  
**MAXIMUM TONGUE WEIGHT - 150 lbs.**

CCI 1011553



**CAUTION**  
**EXPOSURE TO WATER MAY DAMAGE ELECTRONIC COMPONENTS**

- Do not operate vehicle without this cover properly installed.
- Do not direct water stream in the area of the cover without cover securely in place.
- See vehicle maintenance and service manual before servicing.

CCI 102518301

**⚠ WARNING**  
**BATTERY EXPLOSION COULD RESULT IN SEVERE PERSONAL INJURY.**

- Do not store items in battery compartment.
- Place Run/Tow switch in TOW position before:
  - Disconnecting or connecting battery cables
  - Towing this vehicle
  - Extended storage
  - Servicing the vehicle

**NORMAL** **TRIPPED**  
**TOW** **RUN**

CCI 102845101

**LATCH** **OPEN** **⚠ WARNING**

**Crush area. Can cause severe injury. Stay clear when closing bed.**

000613-001

# DECALS – TURF/CARRYALL 252 AND XRT 900 IQ PLUS VEHICLES, CONTINUED

ITEM	PART NO.	DESCRIPTION	QTY
		1 2 3 4	
1	<u>1011553</u>	Decal, Trailer Hitch .....	1
2	<u>1013677</u>	Decal, Battery Danger .....	6
3	<u>102231601</u>	Decal, Winch Cable Fracture Warning .....	A/R
4	<u>102459301</u>	Decal, Bed Crush Area Warning .....	1
5	<u>102518301</u>	Decal, Caution, Electrical Component Cover .....	A/R
6	<u>102845101</u>	Decal, Tow Switch .....	1
7	<u>102967601</u>	Decal, Warning, 4 Gauge Wire .....	1
8	<u>103210301</u>	Decal, Forward/Reverse, Electric .....	1

**3**  
**G**  
**E**

**⚠ WARNING**

**ROLLOVER OR FALLING OFF MAY CAUSE DEATH.**

- Before using vehicle, read operating instructions.
- Remain seated and hold on to seat handle while moving.
- Do not start vehicle until all occupants are seated.
- Two (2) persons per seat maximum.
- Operate from driver side only and not on public roads.
- Keep entire body inside vehicle while moving.
- Drive slowly in turns and straight up and down slopes.
- Do not leave children unattended on vehicle.
- Never operate under the influence of alcohol or drugs.
- Use brakes to reduce speed when coasting downhill.
- Never stand in front of or behind vehicle.

CCI 103205401

**OPERATING INSTRUCTIONS**

- Read owner's manual and safety warnings located on dash panel prior to driving.
- Study and understand controls.

**TO OPERATE**

- Turn wheels to desired direction and ensure path is clear.
- Turn key to ON position.
- While stopped, place shift lever in desired position:

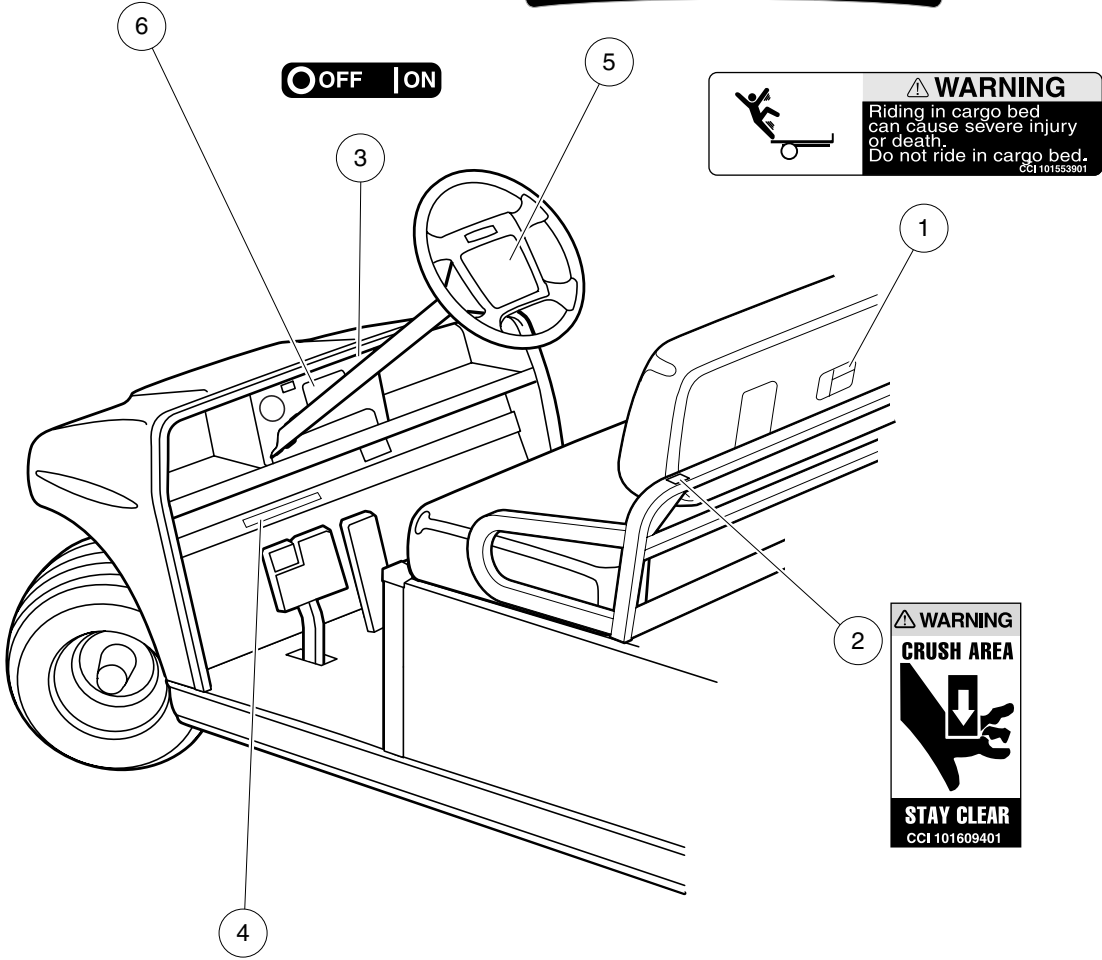
**F**—Forward **N**—Neutral **R**—Reverse (Buzzer will sound)

- Park brake will release and vehicle will start moving when accelerator pedal is pressed.
- Slowly press accelerator pedal to increase speed.
- To stop, release accelerator pedal and press brake pedal.

**BEFORE LEAVING**

- Press park brake pedal until it locks and holds vehicle.
- Place Forward/Reverse switch in NEUTRAL position.
- Turn key OFF and remove key when not in use.

CCI 102519201



**⚠ WARNING**

Riding in cargo bed can cause severe injury or death. Do not ride in cargo bed.

CCI 101553901

**⚠ WARNING**

**CRUSH AREA**

**STAY CLEAR**

CCI 101609401

**VEHICLE LOADING**

Read Owner's Manual and warnings on dash.

- Vehicle rated capacity - 1200 lbs. on level surface only. Weight to include passengers, cargo bed load, and gross trailer weight. See Owner's Manual.
- Maximum cargo load - 800 lbs. Weight to include cargo bed load and gross trailer weight.
- Maximum trailer hitch tongue weight - 150 lbs.

- Cargo should be evenly spread over the floor of the cargo bed as far forward as possible and secured.
- For vehicle stability, when fully loaded, drive slowly and avoid stopping on or backing down steep hills.
- Avoid top heavy loads. See Owner's Manual.
- When driving on uneven terrain or down steep hills, reduce speed and load.

CCI 101960201

000616-001

## DECALS – TURF/CARRYALL 2 GASOLINE VEHICLES

ITEM	PART NO.	DESCRIPTION	QTY
		1 2 3 4	
1	<u>101553901</u>	Decal, Bed Load Warning .....	1
2	<u>101609401</u>	Decal, Crush Area Warning .....	2
3	<u>101825101</u>	Decal, Off/On .....	1
4	<u>101960201</u>	Decal, Vehicle Loading .....	1
5	<u>102519201</u>	Decal, Operating Instr, Gas .....	1
6	<u>103205401</u>	Decal, Warning, Rollover, Utl .....	1

3  
G  
E

**WARNING**

**GASOLINE EXPLOSION / FIRE.**

- Can cause severe injury or death.
- No smoking, sparks, or open flame.
- Stop engine, allow to cool before refueling.
- Turn fuel valve (←) on during operation. (→) off during storage or transport.

CCI 101547601

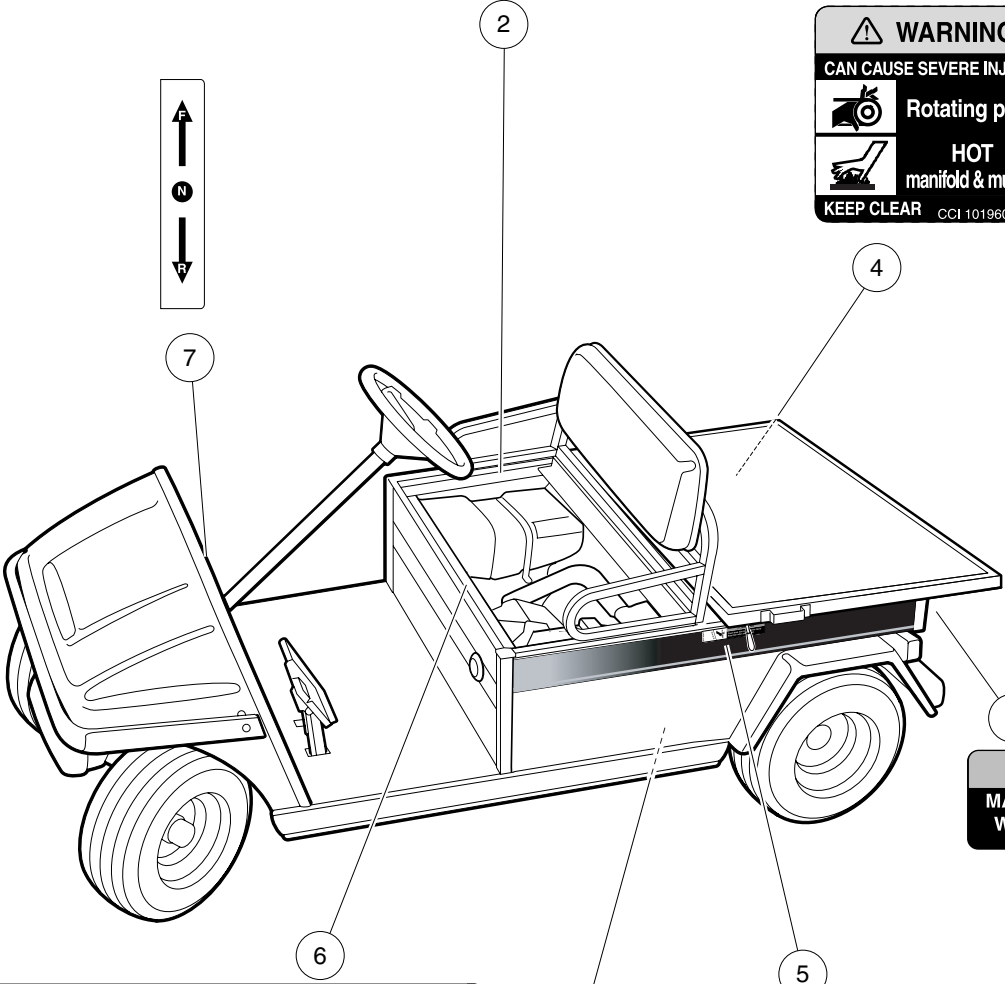
**WARNING**

**CAN CAUSE SEVERE INJURY**

**Rotating parts**

**HOT manifold & muffler**

**KEEP CLEAR** CCI 101960501



**NOTICE**

**MAXIMUM TONGUE WEIGHT - 150 lbs.**

CCI 1011553

Maintenance Operate

**WARNING**

**VEHICLE MOVEMENT MAY CAUSE SERIOUS INJURY**

When switch is in Maintenance position, chock wheels and firmly set park brake.

CCI 103205501

**LATCH** **OPEN**

**WARNING**

**Crush area. Can cause severe injury. Stay clear when closing bed.**

**WARNING**

Negative frame ground. Can cause severe injury. Do not contact positive (+) battery post or cable to frame. Disconnect negative battery lead first.

**WARNING**

Excessive speed. Can cause severe injury or death. Do not tamper with engine governor adjustment.

CCI 101915201

000617-001

# DECALS – TURF/CARRYALL 2 GASOLINE VEHICLES, CONTINUED

ITEM	PART NO.	DESCRIPTION	QTY
		<b>1 2 3 4</b>	
1	<u>1011553</u>	Decal, Trailer Hitch .....	1
2	<u>101547601</u>	Decal, Gasoline Explosion/Fire Warning .....	1
3	<u>101915201</u>	Decal, Frame Ground and Governor Warning .....	1
4	<u>101960501</u>	Decal, Rotating Parts/Hot Manifold .....	1
5	<u>102459301</u>	Decal, Bed Crush Area Warning .....	1
6	<u>103205501</u>	Decal, Run/Service Switch .....	1
7	<u>103210201</u>	Decal, Forward/Reverse, Gas .....	1

**3**  
**G**  
**E**

**⚠ WARNING**

**ROLLOVER OR FALLING OFF MAY CAUSE DEATH.**

- Before using vehicle, read operating instructions.
- Remain seated and hold on to seat handle while moving.
- Do not start vehicle until all occupants are seated.
- Two (2) persons per seat maximum.
- Operate from driver side only and not on public roads.
- Keep entire body inside vehicle while moving.
- Drive slowly in turns and straight up and down slopes.
- Do not leave children unattended on vehicle.
- Never operate under the influence of alcohol or drugs.
- Use brakes to reduce speed when coasting downhill.
- Never stand in front of or behind vehicle.

CCI 103205401

**OPERATING INSTRUCTIONS**

- Read Owner's Manual and safety warnings located on dash panel prior to driving.
- Study and understand controls.

**TO START ENGINE**

- Place shift lever in "N"- Neutral position.
- Depress brake pedal.
- Turn key switch to "START" position and release.

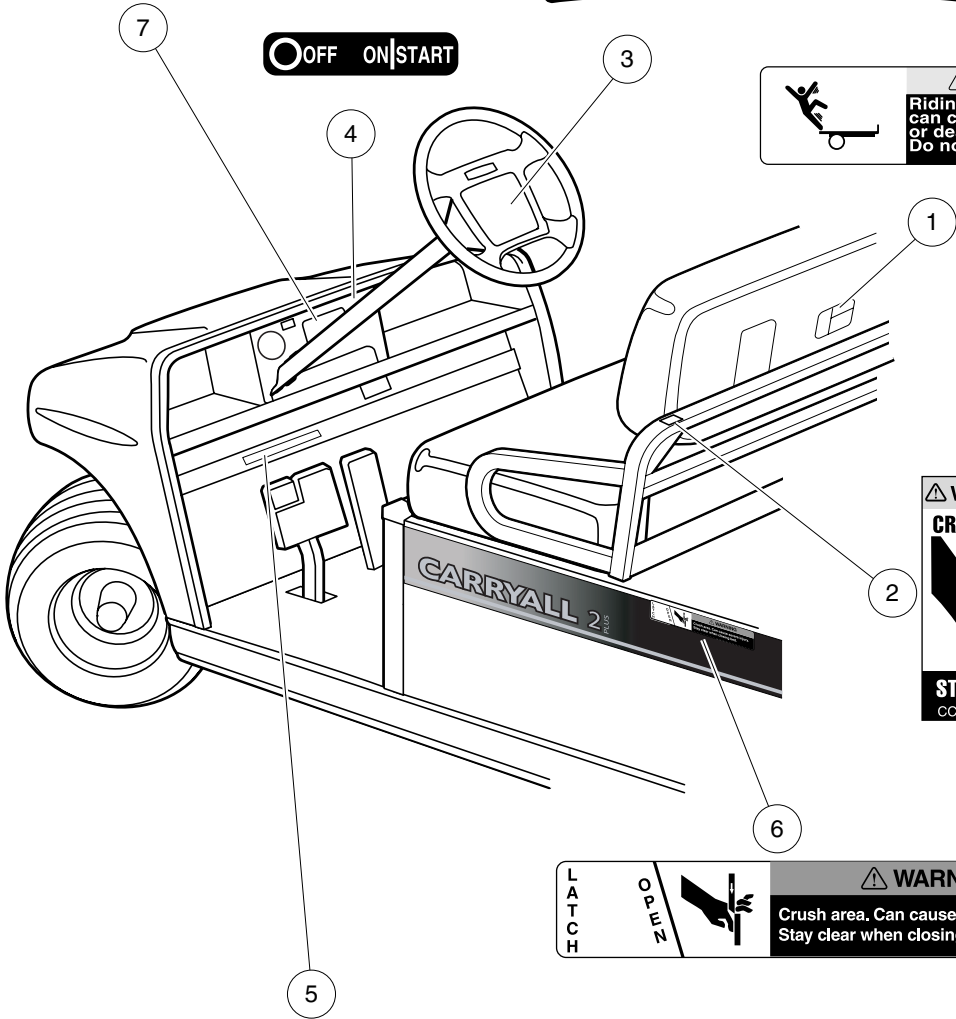
**TO OPERATE VEHICLE**

- Make sure wheels are turned in desired direction.
- Be sure nothing is in your path.
- While vehicle is stopped, and engine is at idle, select vehicle direction by placing shift lever or switch in desired position.
- F - Forward N - Neutral R - Reverse (Buzzer will sound)
- Park brake will release when accelerator pedal is pushed.
- Slowly push accelerator pedal to increase speed.
- Engine must be at idle before moving shift lever.

**TO STOP VEHICLE**

- Release accelerator pedal and push brake pedal.
- After stopping, firmly push park brake until it locks.
- Turn key to "OFF" position, remove key and place shift lever in straight up neutral position when not in use.

CCI 101693201



**⚠ WARNING**

**Riding in cargo bed can cause severe injury or death. Do not ride in cargo bed.**

CCI 101553901

**⚠ WARNING**

**CRUSH AREA**

**STAY CLEAR**

CCI 101609401

**⚠ WARNING**

**Crush area. Can cause severe injury. Stay clear when closing bed.**

**VEHICLE LOADING**

Read Owner's Manual and warnings on dash.

- Vehicle rated capacity - 1200 lbs. on level surface only. Weight to include passengers, cargo bed load, and gross trailer weight. See Owner's Manual.
- Maximum cargo load - 800 lbs. Weight to include cargo bed load and gross trailer weight.
- Maximum trailer hitch tongue weight - 150 lbs.

- Cargo should be evenly spread over the floor of the cargo bed as far forward as possible and secured.
- For vehicle stability, when fully loaded, drive slowly and avoid stopping on or backing down steep hills.
- Avoid top heavy loads. See Owner's Manual.
- When driving on uneven terrain or down steep hills, reduce speed and load.

CCI 101960201

000618-001



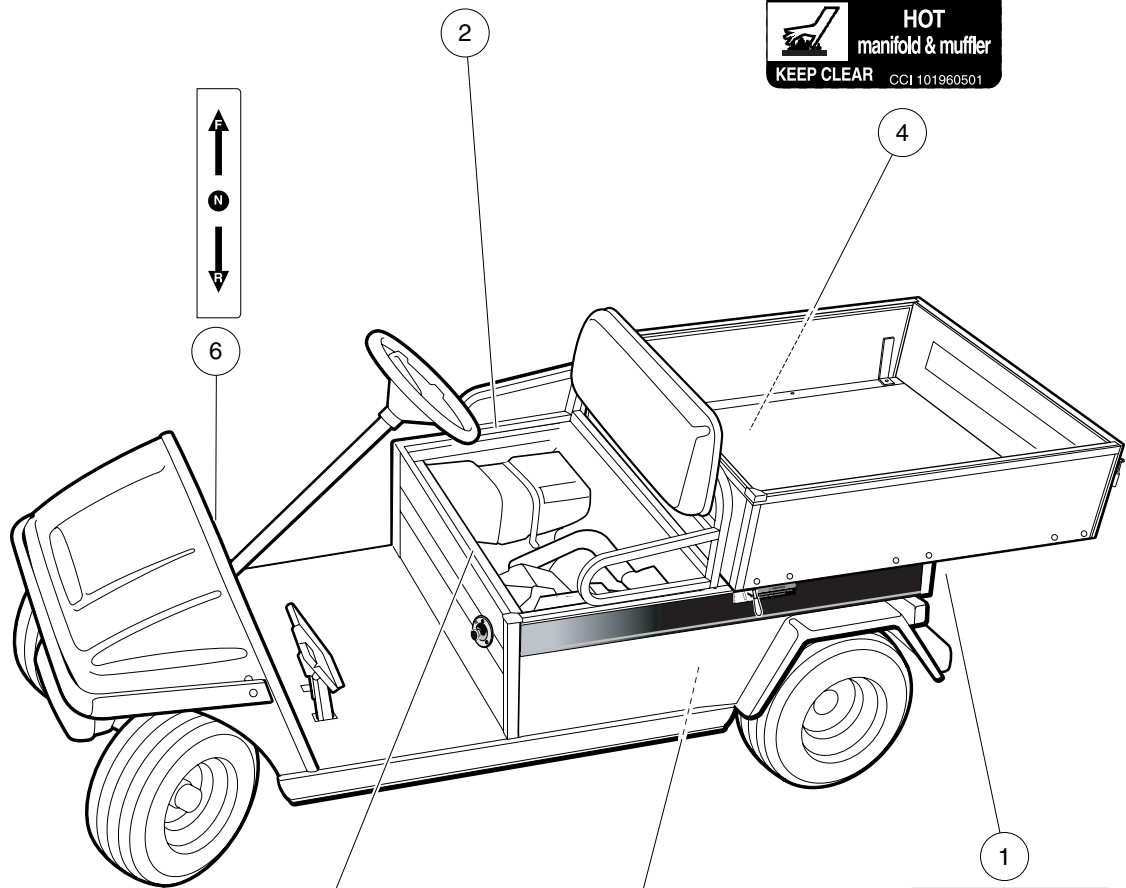
## DECALS – CARRYALL 2 PLUS GASOLINE VEHICLES

ITEM	PART NO.	DESCRIPTION	QTY
		1 2 3 4	
1	<u>101553901</u>	Decal, Bed Load Warning .....	1
2	<u>101609401</u>	Decal, Crush Area Warning .....	2
3	<u>101693201</u>	Decal, Operating Instructions, Key-Start .....	1
4	<u>101825102</u>	Decal, Off/On/Start .....	1
5	<u>101960201</u>	Decal, Vehicle Loading .....	1
6	<u>102459301</u>	Decal, Bed Crush Area Warning .....	1
7	<u>103205401</u>	Decal, Warning, Rollover, Utl .....	1

3  
G  
E

**⚠ WARNING**  
**GASOLINE EXPLOSION / FIRE.**  
 • Can cause severe injury or death.  
 • No smoking, sparks, or open flame.  
 • Stop engine, allow to cool before refueling.  
 • Turn fuel valve (↔) on during operation.  
 (↔) off during storage or transport.  
 CCI 101547601



**⚠ WARNING**  
**CAN CAUSE SEVERE INJURY**  
 **Rotating parts**  
 **HOT manifold & muffler**  
**KEEP CLEAR** CCI 101960501



**NOTICE**  
**MAXIMUM TONGUE WEIGHT - 150 lbs.**  
 CCI 1011553

Maintenance Operate  
**⚠ WARNING**  
**VEHICLE MOVEMENT MAY CAUSE SERIOUS INJURY**  
 When switch is in Maintenance position, chock wheels and firmly set park brake.  
 CCI 103205501

3

	<p><b>⚠ WARNING</b>                  Negative frame ground. Can cause severe injury. Do not contact positive (+) battery post or cable to frame. Disconnect negative battery lead first.</p>		<p><b>⚠ WARNING</b>                  Excessive speed. Can cause severe injury or death. Do not tamper with engine governor adjustment.                  CCI 101915201</p>
---	--	---	---

000619-001

# DECALS – CARRYALL 2 PLUS GASOLINE VEHICLES, CONTINUED

ITEM	PART NO.	DESCRIPTION	QTY
		<b>1 2 3 4</b>	
1	<u>1011553</u>	Decal, Trailer Hitch .....	1
2	<u>101547601</u>	Decal, Gasoline Explosion/Fire Warning .....	1
3	<u>101915201</u>	Decal, Frame Ground and Governor Warning .....	1
4	<u>101960501</u>	Decal, Rotating Parts/Hot Manifold .....	1
5	<u>103205501</u>	Decal, Run/Service Switch .....	1
6	<u>103210201</u>	Decal, Forward/Reverse, Gas .....	1

**3**  
**G**  
**E**

**WARNING**

**ROLLOVER OR FALLING OFF MAY CAUSE DEATH.**

- Before using vehicle, read operating instructions.
- Remain seated and hold on to seat handle while moving.
- Do not start vehicle until all occupants are seated.
- Two (2) persons per seat maximum.
- Operate from driver side only and not on public roads.
- Keep entire body inside vehicle while moving.
- Drive slowly in turns and straight up and down slopes.
- Do not leave children unattended on vehicle.
- Never operate under the influence of alcohol or drugs.
- Use brakes to reduce speed when coasting downhill.
- Never stand in front of or behind vehicle.

CCI 103205401

**OPERATING INSTRUCTIONS**

- Read owner's manual and safety warnings located on dash panel prior to driving.
- Study and understand controls.

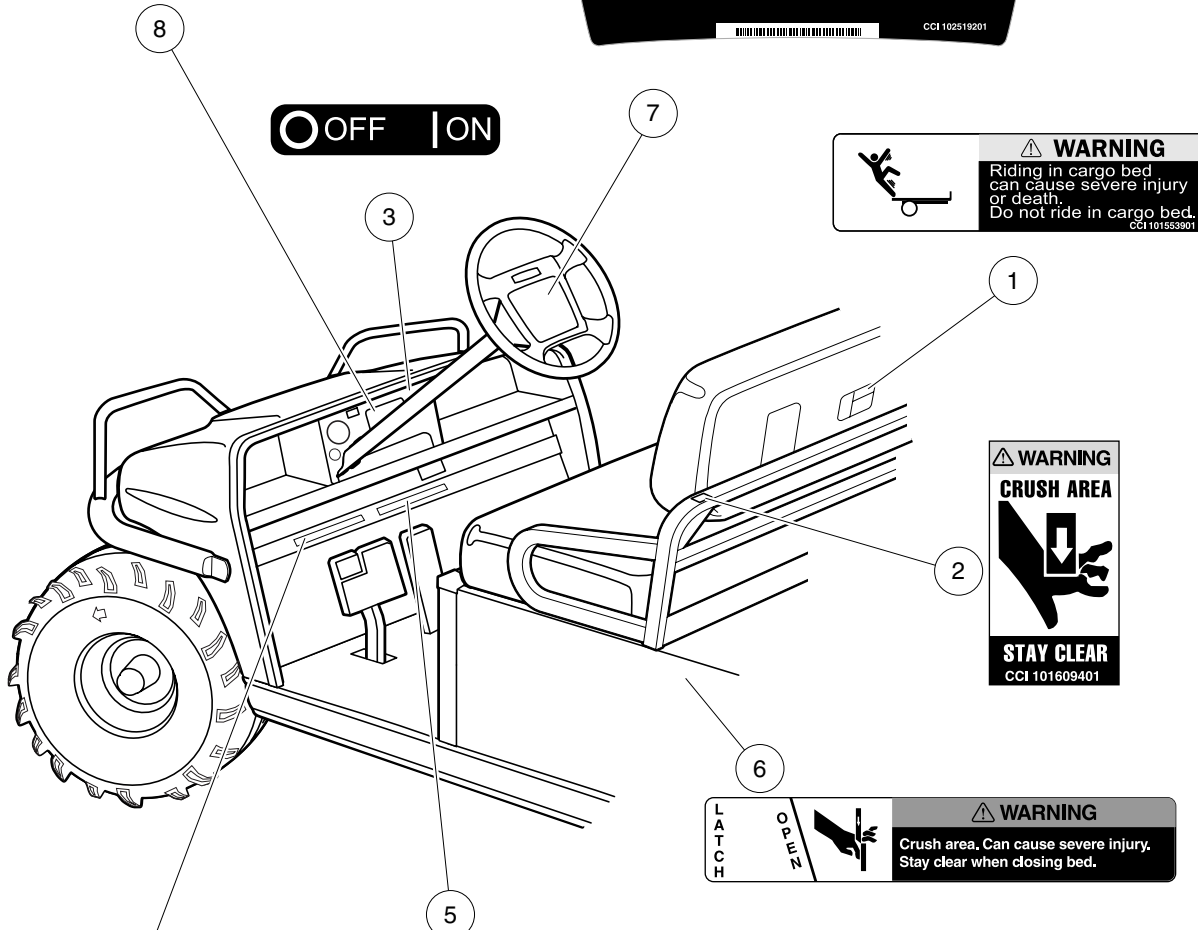
**TO OPERATE**

- Turn wheels to desired direction and ensure path is clear.
- Turn key to ON position.
- While stopped, place shift lever in desired position:  
F—Forward N—Neutral R—Reverse (Buzzer will sound)
- Park brake will release and vehicle will start moving when accelerator pedal is pressed.
- Slowly press accelerator pedal to increase speed.
- To stop, release accelerator pedal and press brake pedal.

**BEFORE LEAVING**

- Press park brake pedal until it locks and holds vehicle.
- Place Forward/Reverse switch in NEUTRAL position.
- Turn key OFF and remove key when not in use.

CCI 102519201



**WARNING**

**YOUNG DRIVERS INCREASE CHANCE OF DEATH**

- Young drivers may not be able to control vehicle.
- No drivers younger than 16 years old.

CCI 102075801

**VEHICLE LOADING**

Read owner's manual and warnings on dash.

- Vehicle rated capacity - 900 lbs. on level surface only. Weight to include passengers, cargo bed load, and gross trailer weight. See Owner's Manual.
- Maximum cargo load - 500 lbs. Weight to include cargo bed load and gross trailer weight.
- Maximum trailer hitch tongue weight - 150 lbs.

- Cargo should be evenly spread over the floor of the cargo bed as far forward as possible and secured.
- For vehicle stability, when fully loaded, drive slowly and avoid stopping on or backing down steep hills.
- Avoid top heavy loads. See Owner's Manual.
- When driving on uneven terrain or down steep hills, reduce speed and load.

CCI 102006701

000620-001

## DECALS – TURF/CARRYALL 252 GASOLINE VEHICLES

ITEM	PART NO.	DESCRIPTION	QTY
		1 2 3 4	
1	<u>101553901</u>	Decal, Bed Load Warning .....	1
2	<u>101609401</u>	Decal, Crush Area Warning .....	2
3	<u>101825101</u>	Decal, Off/On .....	1
4	<u>102006701</u>	Decal, Vehicle Loading .....	1
5	<u>102075801</u>	Decal, Young Driver Warning .....	1
6	<u>102459301</u>	Decal, Bed Crush Area Warning .....	1
7	<u>102519201</u>	Decal, Operating Instr, Gas .....	1
8	<u>103205401</u>	Decal, Warning, Rollover, Utl .....	1

3  
G  
E

**⚠ WARNING**  
**GASOLINE EXPLOSION / FIRE.**

- Can cause severe injury or death.
- No smoking, sparks, or open flame.
- Stop engine, allow to cool before refueling.
- Turn fuel valve (←) on during operation, (→) off during storage or transport.

CCI 101547601

Maintenance Operate

**⚠ WARNING**

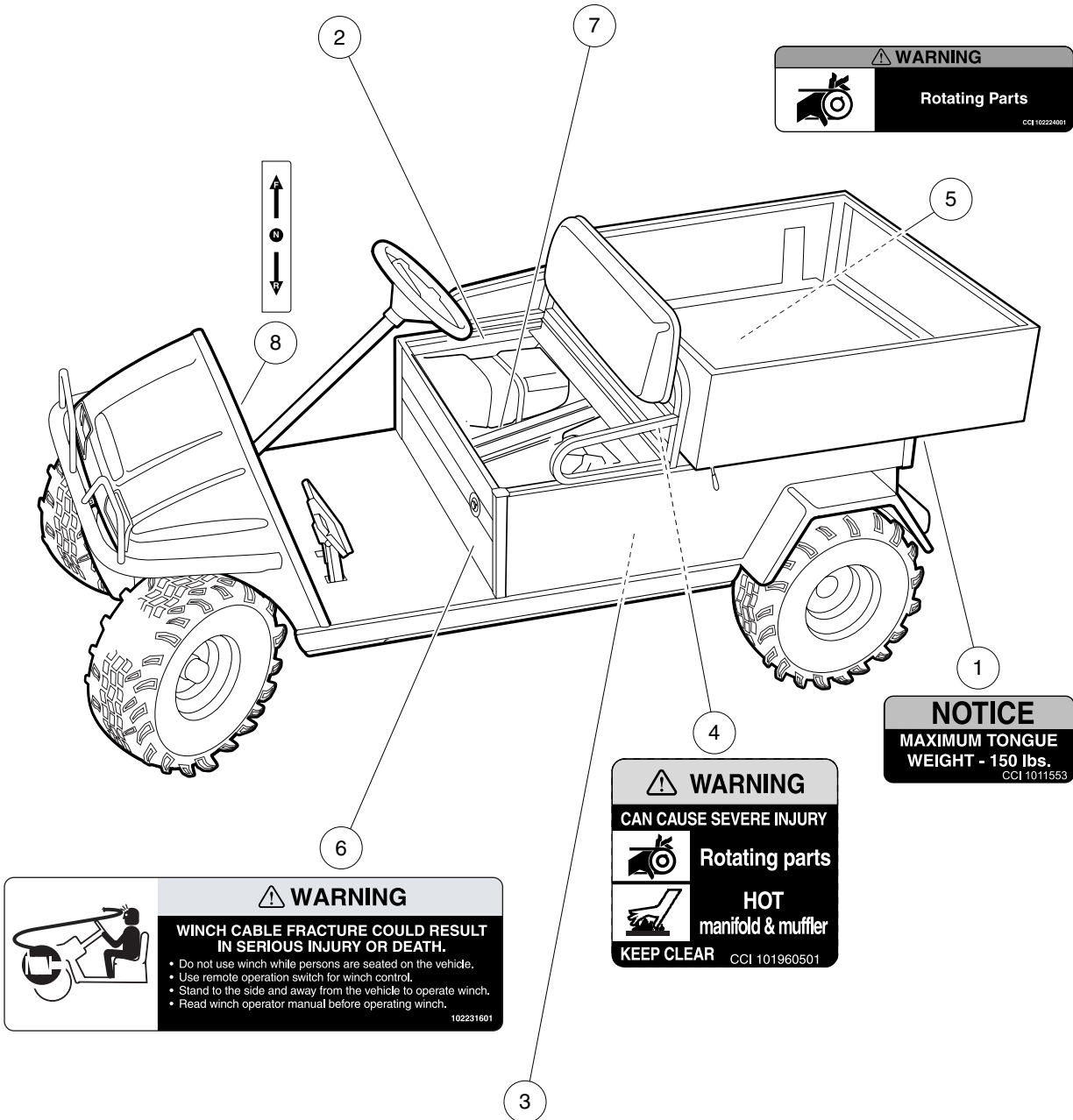
**VEHICLE MOVEMENT MAY CAUSE SERIOUS INJURY**  
When switch is in Maintenance position, chock wheels and firmly set park brake.

CCI 103205001

**⚠ WARNING**

**Rotating Parts**

CCI 10224001



**NOTICE**  
**MAXIMUM TONGUE WEIGHT - 150 lbs.**  
CCI 1011553

**⚠ WARNING**  
**CAN CAUSE SEVERE INJURY**

**Rotating parts**

**HOT**  
manifold & muffler

**KEEP CLEAR** CCI 101960501

**⚠ WARNING**

**WINCH CABLE FRACTURE COULD RESULT IN SERIOUS INJURY OR DEATH.**

- Do not use winch while persons are seated on the vehicle.
- Use remote operation switch for winch control.
- Stand to the side and away from the vehicle to operate winch.
- Read winch operator manual before operating winch.

102231601

**⚠ WARNING**

**Negative frame ground. Can cause severe injury. Do not contact positive (+) battery post or cable to frame. Disconnect negative battery cable first.**

**⚠ WARNING**

**Excessive speed can cause severe injury or death. Do not tamper with engine governor adjustment.**

CCI 101915201

000621-001

## DECALS – TURF/CARRYALL 252 GASOLINE VEHICLES, CONTINUED

ITEM	PART NO.	DESCRIPTION	QTY
		1 2 3 4	
1	<u>1011553</u>	Decal, Trailer Hitch .....	1
2	<u>101547601</u>	Decal, Gasoline Explosion/Fire Warning .....	1
3	<u>101915201</u>	Decal, Frame Ground and Governor Warning .....	1
4	<u>101960501</u>	Decal, Rotating Parts/Hot Manifold .....	1
5	<u>102224001</u>	Decal, Rotating Parts Warning .....	1
6	<u>102231601</u>	Decal, Winch Cable Fracture Warning .....	1
7	<u>103205501</u>	Decal, Run/Service Switch .....	1
8	<u>103210201</u>	Decal, Forward/Reverse, Gas .....	1

**3**  
**G**  
**E**

**⚠ WARNING**  
**ROLLOVER OR FALLING OFF MAY CAUSE DEATH.**

- Before using vehicle, read operating instructions.
- Remain seated and hold on to seat handle while moving.
- Do not start vehicle until all occupants are seated.
- Two (2) persons per seat maximum.
- Operate from driver side only and not on public roads.
- Keep entire body inside vehicle while moving.
- Drive slowly in turns and straight up and down slopes.
- Do not leave children unattended on vehicle.
- Never operate under the influence of alcohol or drugs.
- Use brakes to reduce speed when coasting downhill.
- Never stand in front of or behind vehicle.

CCI 1019606-01

**OPERATING INSTRUCTIONS**

- Read Owner's Manual and safety warnings located on dash panel prior to driving.
- Study and understand controls.

**TO START ENGINE**

- Place shift lever in "N"—Neutral position.
- Depress brake pedal.
- Turn key switch to "START" position and release.

**TO OPERATE VEHICLE**

- Make sure wheels are turned in desired direction.
- Be sure nothing is in your path.

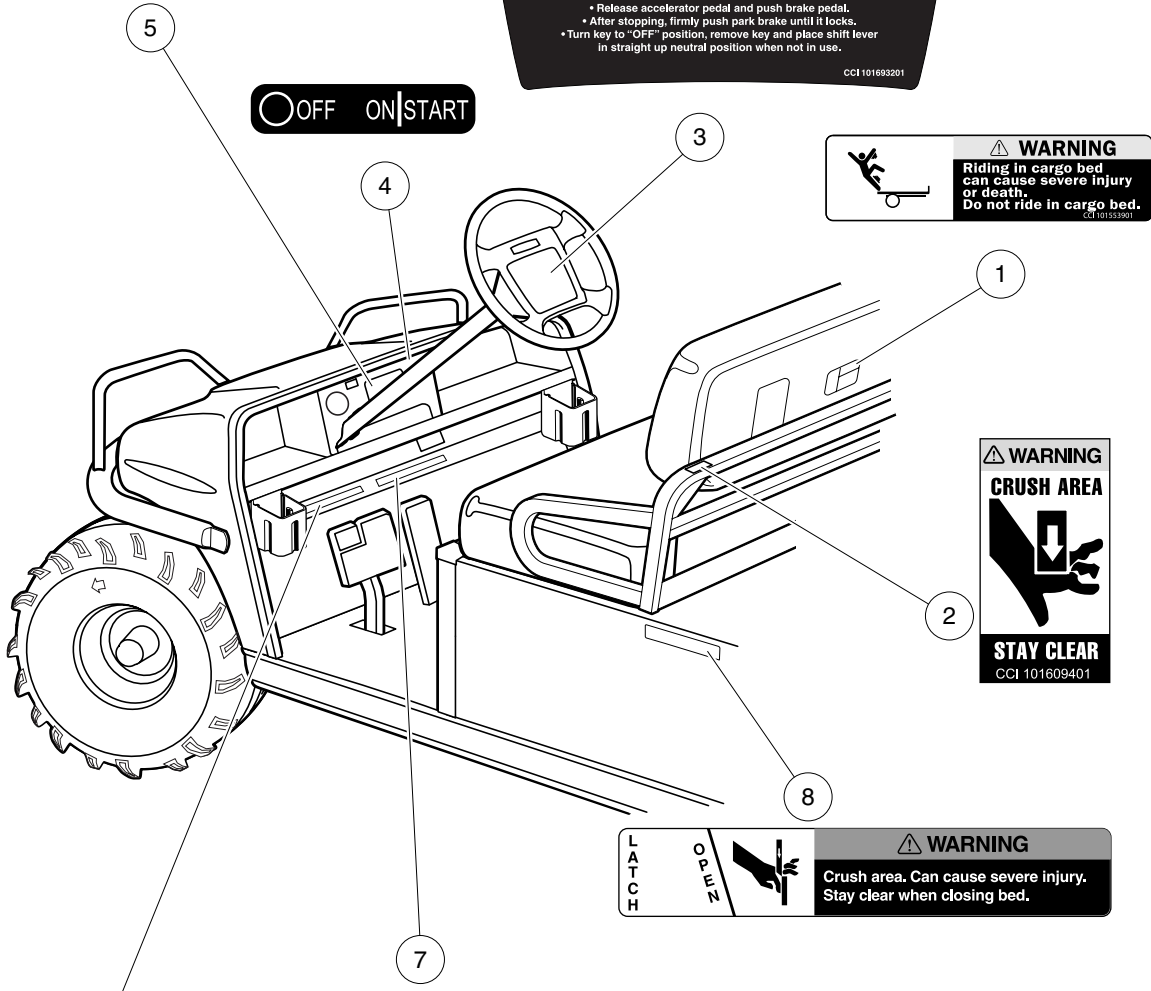
• While vehicle is stopped, and engine is at idle, select vehicle direction by placing shift lever or switch in desired position.  
 F—Forward N—Neutral R—Reverse (Buzzer will sound)

- Park brake will release when accelerator pedal is pushed.
- Slowly push accelerator pedal to increase speed.
- Engine must be at idle before moving shift lever.

**TO STOP VEHICLE**

- Release accelerator pedal and push brake pedal.
- After stopping, firmly push park brake until it locks.
- Turn key to "OFF" position, remove key and place shift lever in straight up neutral position when not in use.

CCI 101693201



**⚠ WARNING**  
 Riding in cargo bed can cause severe injury or death. Do not ride in cargo bed.  
 CCI 101553901

**⚠ WARNING**  
**CRUSH AREA**  
**STAY CLEAR**  
 CCI 101609401

**⚠ WARNING**  
 Crush area. Can cause severe injury. Stay clear when closing bed.  
 CCI 10206701

**⚠ WARNING**  
**YOUNG DRIVERS INCREASE CHANCE OF DEATH**

**UNDER 16**

- Young drivers may not be able to control vehicle.
- No drivers younger than 16 years old.

CCI 102075801

**VEHICLE LOADING**  
 Read owner's manual and warnings on dash.

- Vehicle rated capacity - 900 lbs. on level surface only. Weight to include passengers, cargo bed load, and gross trailer weight. See Owner's Manual.
- Maximum cargo load - 500 lbs. Weight to include cargo bed load and gross trailer weight.
- Maximum trailer hitch tongue weight - 150 lbs.
- Cargo should be evenly spread over the floor of the cargo bed as far forward as possible and secured.
- For vehicle stability, when fully loaded, drive slowly and avoid stopping on or backing down steep hills.
- Avoid top heavy loads. See Owner's Manual.
- When driving on uneven terrain or down steep hills, reduce speed and load.

CCI 102006701

000622-001



## DECALS – XRT 900 GASOLINE VEHICLES

ITEM	PART NO.	DESCRIPTION	QTY
		1 2 3 4	
1	<u>101553901</u>	Decal, Bed Load Warning .....	1
2	<u>101609401</u>	Decal, Crush Area Warning .....	1
3	<u>101693201</u>	Decal, Operating Instructions, Key-Start .....	1
4	<u>101825102</u>	Decal, Off/On/Start .....	1
5	<u>101960601</u>	Decal, Dash Warning .....	1
6	<u>102006701</u>	Decal, Vehicle Loading .....	1
7	<u>102075801</u>	Decal, Young Driver Warning .....	1
8	<u>102459301</u>	Decal, Bed Crush Area Warning .....	1

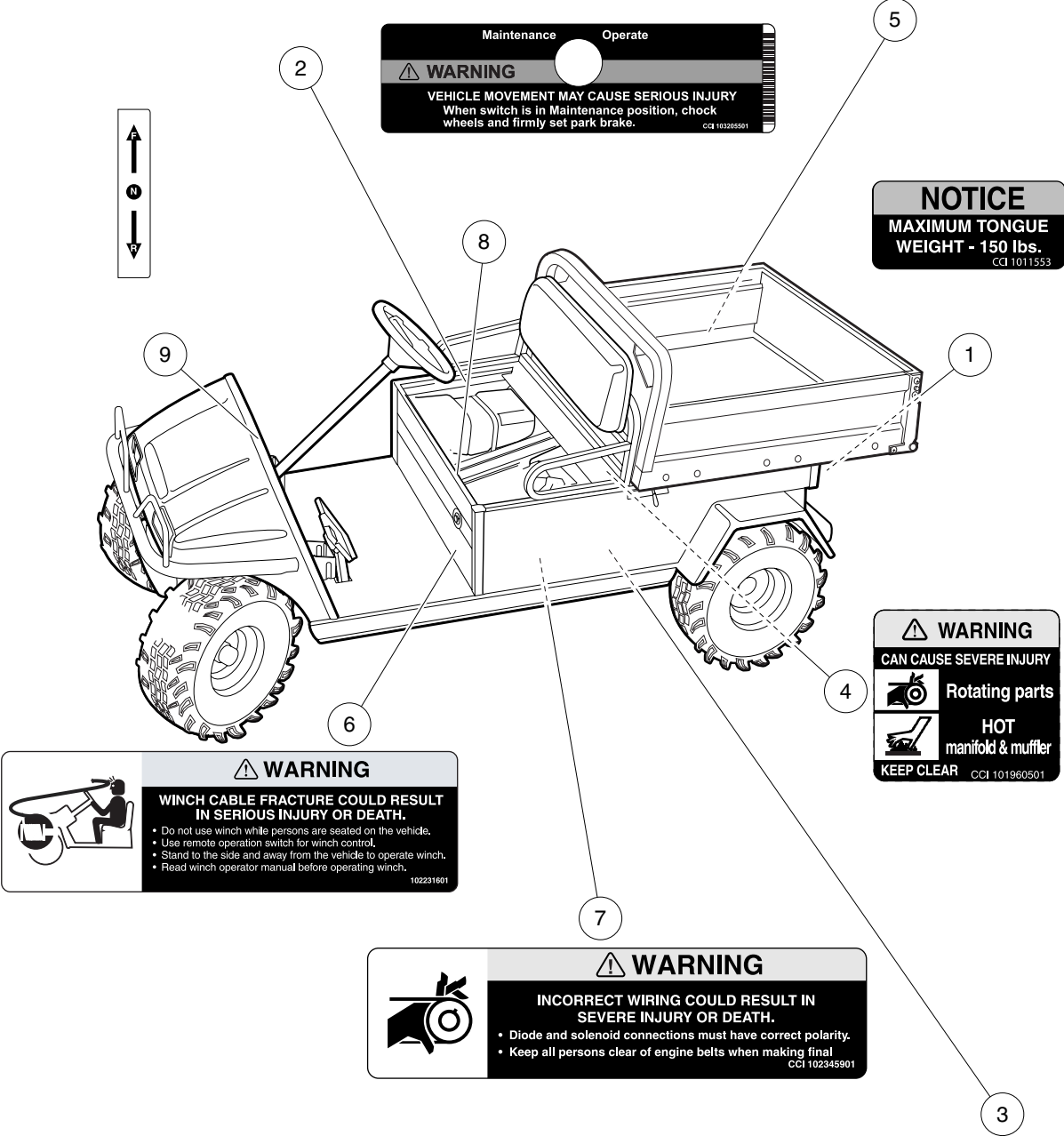
**3**  
**G**  
**E**

**WARNING**  
**GASOLINE EXPLOSION / FIRE.**  
 • Can cause severe injury or death.  
 • No smoking, sparks, or open flame.  
 • Stop engine, allow to cool before refueling.  
 • Turn fuel valve (—) on during operation.  
 (→) off during storage or transport.  
 CCI 101547691

**WARNING**  
**Rotating Parts**  
 CCI 100298001

Maintenance Operate  
**WARNING**  
**VEHICLE MOVEMENT MAY CAUSE SERIOUS INJURY**  
 When switch is in Maintenance position, chock wheels and firmly set park brake.  
 CCI 102055901

**NOTICE**  
**MAXIMUM TONGUE WEIGHT - 150 lbs.**  
 CCI 1011553



**WARNING**  
**WINCH CABLE FRACTURE COULD RESULT IN SERIOUS INJURY OR DEATH.**  
 • Do not use winch while persons are seated on the vehicle.  
 • Use remote operation switch for winch control.  
 • Stand to the side and away from the vehicle to operate winch.  
 • Read winch operator manual before operating winch.  
 102231601

**WARNING**  
**CAN CAUSE SEVERE INJURY**  
**Rotating parts**  
**HOT manifold & muffler**  
**KEEP CLEAR**  
 CCI 101960501

**WARNING**  
**INCORRECT WIRING COULD RESULT IN SEVERE INJURY OR DEATH.**  
 • Diode and solenoid connections must have correct polarity.  
 • Keep all persons clear of engine belts when making final  
 CCI 102345901

**WARNING**  
**Negative frame ground. Can cause severe injury.**  
 Do not contact positive (+) battery post or cable to frame. Disconnect negative battery cable first.

**WARNING**  
**Excessive speed can cause severe injury or death. Do not tamper with engine governor adjustment.**  
 CCI 101915201

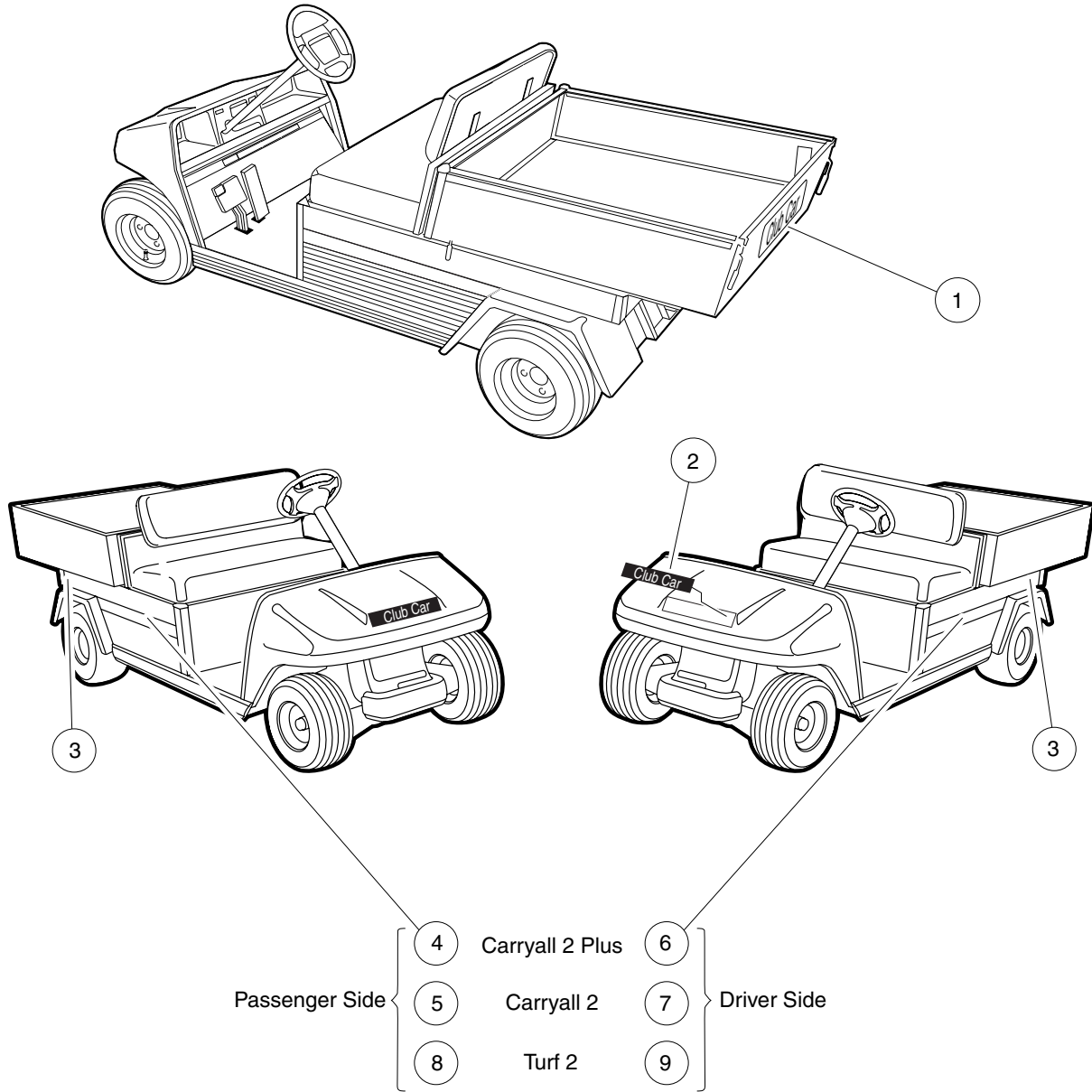
000623-001

## DECALS – XRT 900 GASOLINE VEHICLES, CONTINUED

ITEM	PART NO.	DESCRIPTION	QTY
		1 2 3 4	
1	<u>1011553</u>	Decal, Trailer Hitch .....	1
2	<u>101547601</u>	Decal, Gasoline Explosion/Fire Warning .....	1
3	<u>101915201</u>	Decal, Frame Ground and Governor Warning .....	A/R
4	<u>101960501</u>	Decal, Rotating Parts/Hot Manifold .....	1
5	<u>102224001</u>	Decal, Rotating Parts Warning .....	1
6	<u>102231601</u>	Decal, Winch Cable Fracture Warning .....	1
7	<u>102345901</u>	Decal, Diode Safety .....	1
8	<u>103205501</u>	Decal, Run/Service Switch .....	1
9	<u>103210201</u>	Decal, Forward/Reverse, Gas .....	1

3  
G  
E

**LOGO DECALS**



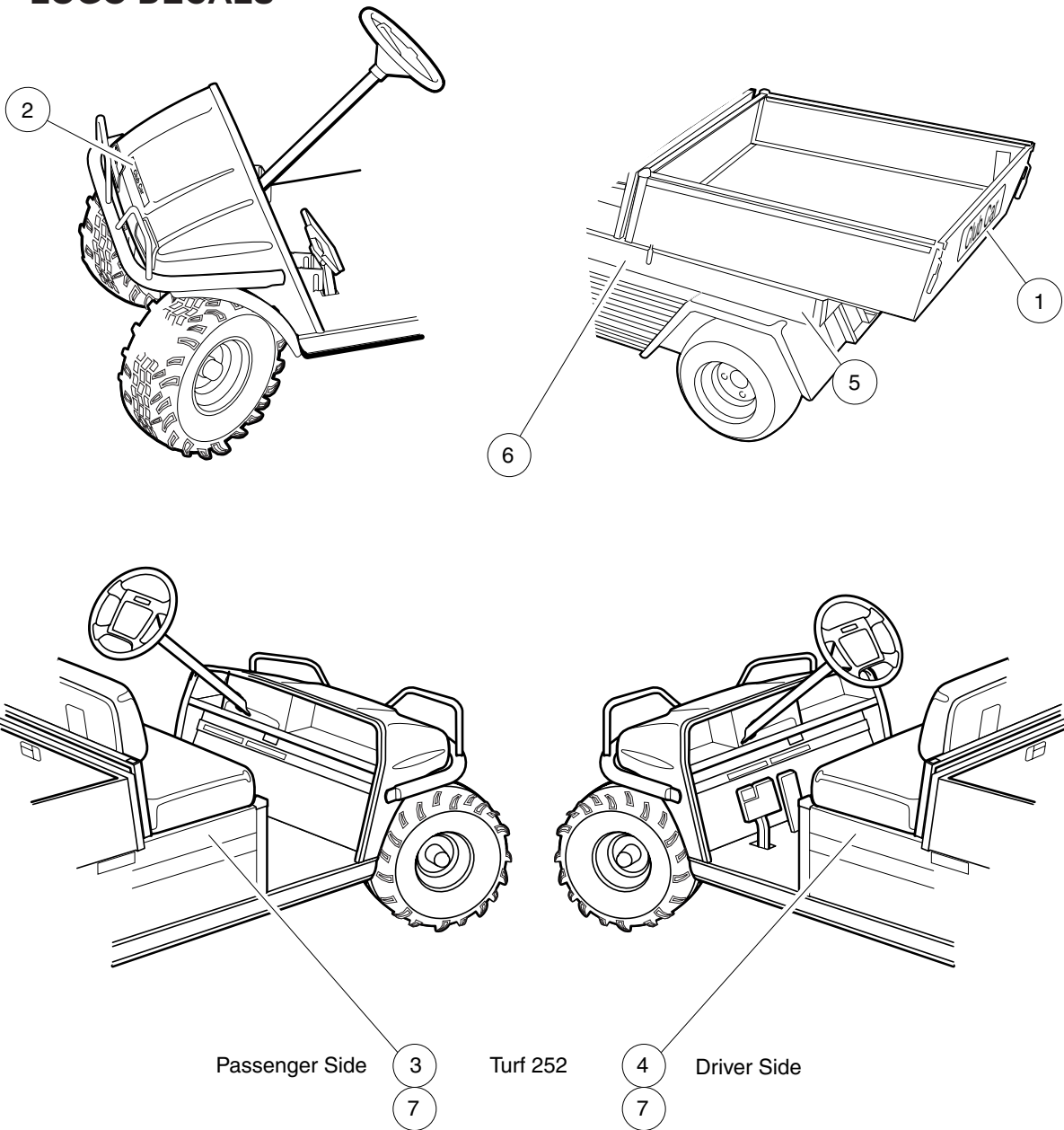
000287-004

# DECALS, LOGO – TURF/CARRYALL 2, AND CARRYALL 2 PLUS

ITEM	PART NO.	DESCRIPTION	QTY
		1 2 3 4	
1	<u>1013317</u>	Decal, Logo, Tailgate .....	1
2	<u>101670201</u>	Nameplate Kit (silver) .....	1
3	<u>103234301</u>	Decal, Badge, IR .....	2
4	<u>103260101</u>	Decal Turf 2 Side Panel .....	2
5	<u>103260801</u>	Decal Ca 2 Side Panel .....	2
6	<u>103260901</u>	Decal Ca 2 Plus Side Panel .....	2
7	N/A	Decal Ca2/ca2p/ca252/ca272 Bar .....	2

3  
G  
E

**LOGO DECALS**



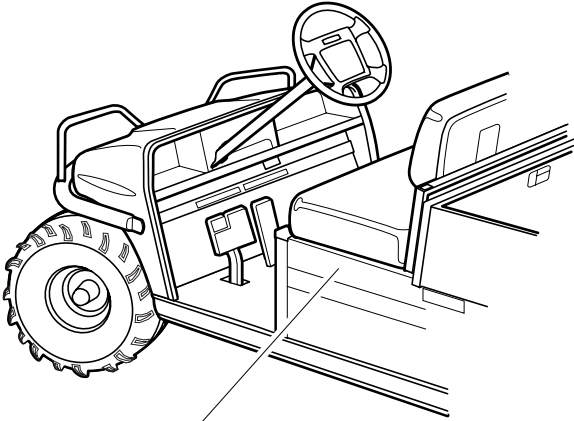
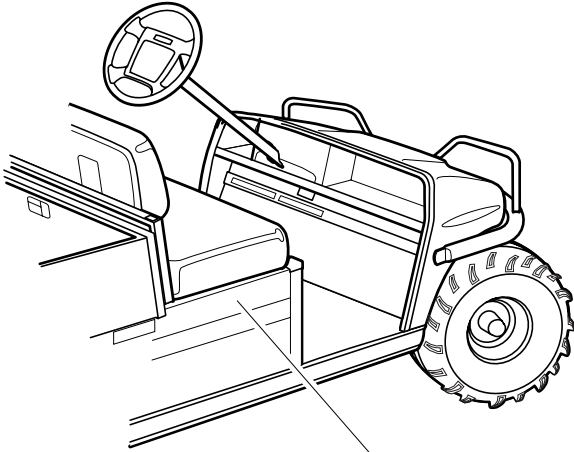
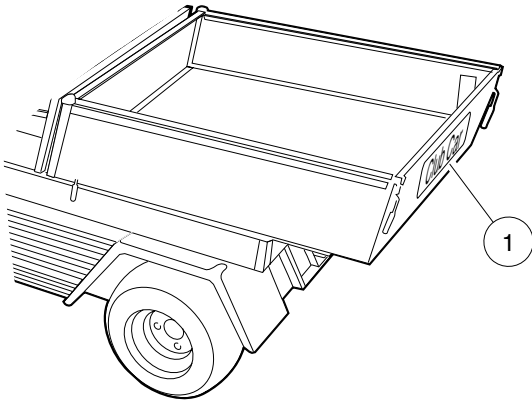
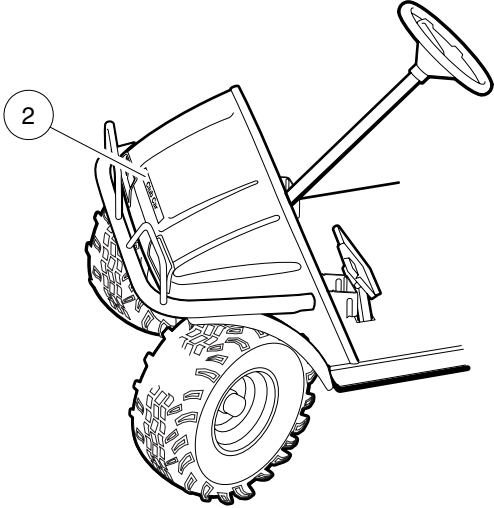
000289-002

## DECALS, LOGO – TURF/CARRYALL 252

ITEM	PART NO.	DESCRIPTION	QTY
		1 2 3 4	
1	<u>1013317</u>	Decal, Logo, Tailgate .....	1
2	<u>101670201</u>	Nameplate Kit (silver) .....	1
3	N/A	Decal, Turf 252, Passenger-Side .....	1
4	N/A	Decal, Turf 252, Driver-Side .....	1
5	<u>103234301</u>	Decal, Badge, IR .....	2
6	N/A	Decal Ca 252 Side Panel .....	2
7	N/A	Decal Ca2/ca2p/ca252/ca272 Bar .....	2

3  
G  
E

**LOGO DECALS**



Passenger Side (3)  
(5)

XRT 900

(4) Driver Side  
(5)

000624-001



# DECALS, LOGO – XRT 900

ITEM	PART NO.	DESCRIPTION	QTY
		1 2 3 4	
1	<u>1013317</u>	Decal, Logo, Tailgate .....	1
2	<u>101670201</u>	Nameplate Kit (silver) .....	1
3	<u>102683701</u>	Decal, XRT 900 Passenger-Side .....	1
4	<u>102683801</u>	Decal, XRT 900 Driver-Side .....	1
5	<u>103234301</u>	Decal, Badge, IR .....	2

3  
G  
E

**3**

**G**

**E**

# **BRAKES, PEDAL, AND CABLE ASSEMBLIES**

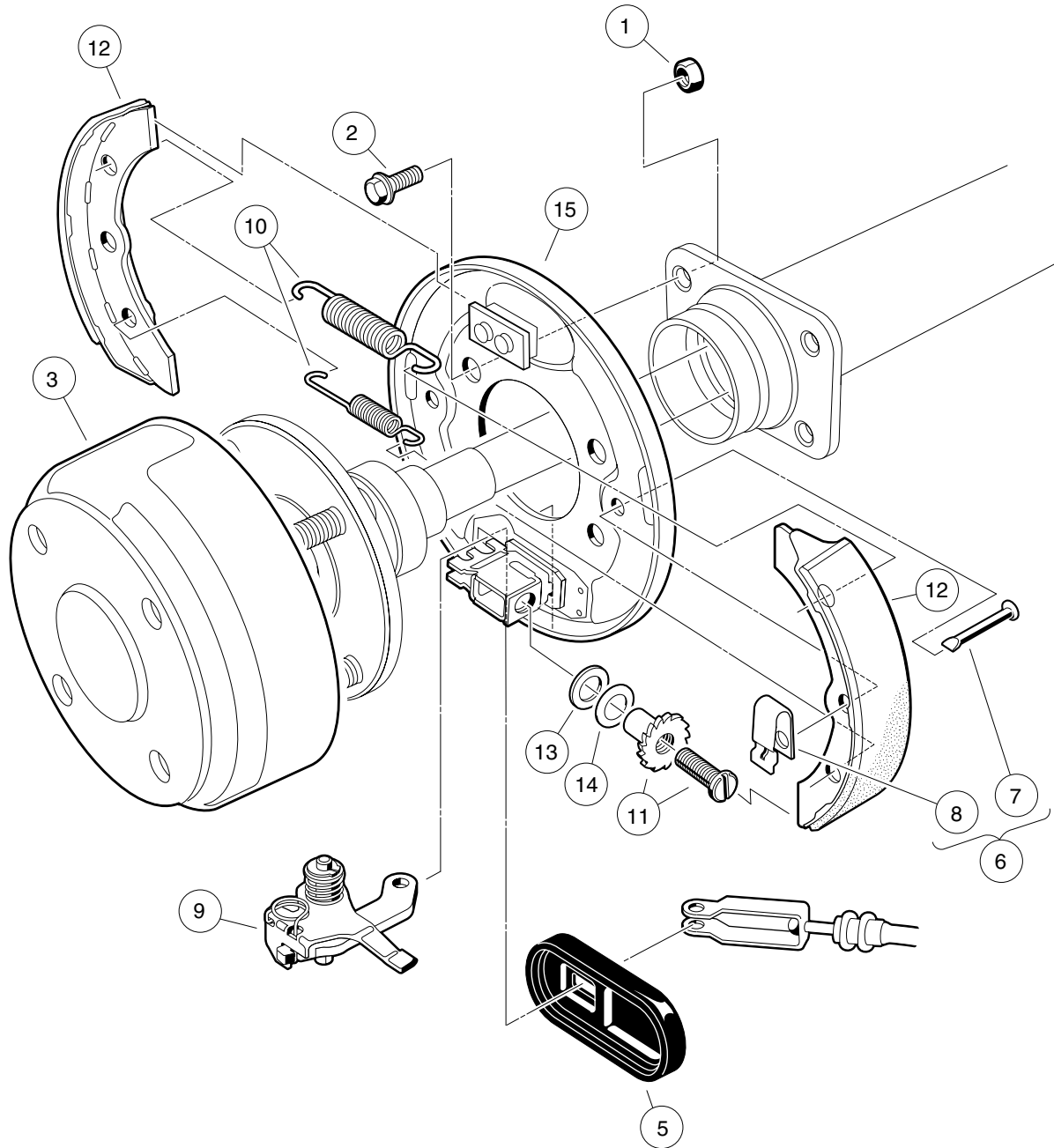
---

**4**

**G**

**E**

**4**  
**G**  
**E**



000186-001

# REAR BRAKE ASSEMBLY, SELF-ADJUSTING – VEHICLE WITH 2-WHEEL BRAKES

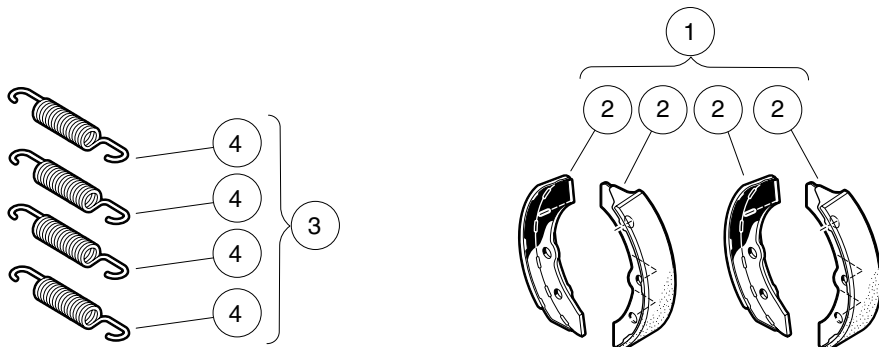
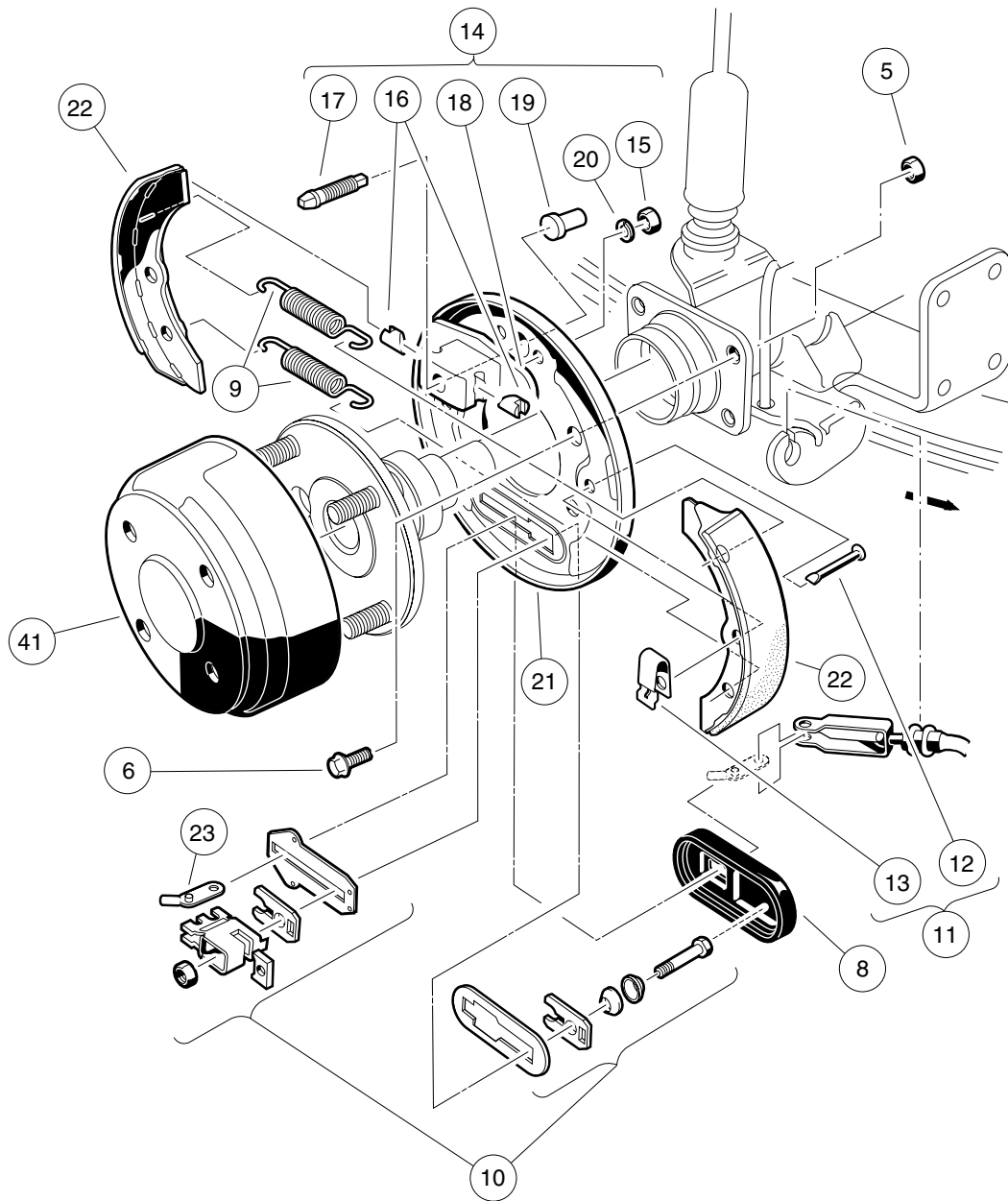
ITEM	PART NO.	DESCRIPTION	QTY
		1 2 3 4	
1	<u>1013924</u>	Nut, 5/16-24 Hex Head Cone .....	8
2	<u>1014153</u>	Bolt, Brake Cluster Mounting .....	8
3	<u>101791101</u>	Drum without Center Hole, Brake .....	2
4	<u>101823301</u>	Cluster Assembly, Right (Passenger) Brake (includes items 5 through 15) .....	1
5	<u>1010850</u>	Dust Cover .....	1
6	<u>1011466</u>	Kit, Shoe Retainer (includes items 7 and 8) .....	1
7	N/A	Pin .....	2
8	N/A	Shoe Clamp Spring .....	2
9	101815501	Lever Assembly, Self-Adjusting Brake, Right (Passenger) .....	1
10	<u>101816301</u>	Package, Brake Spring, Self-Adjusting .....	1
11	<u>101816501</u>	Adj Mechanism, S.A. Brakes, Right (Passenger) .....	1
12	<u>101823201</u>	Package, Brake Shoe, Self-Adjusting .....	1
13	<u>101823801</u>	Plate, Washer, Brake, Self-Adjusting .....	1
14	<u>101823901</u>	Washer, Brake, Self-Adjusting .....	1
15	<u>101824001</u>	Plate Assembly, Right Brake Backing .....	1
16	<u>101823302</u>	Cluster Assembly, Left Brake (includes items 17 through 27) .....	1
17	<u>1010850</u>	Dust Cover .....	1
18	<u>1011466</u>	Kit, Shoe Retainer (includes items 19 and 20) .....	1
19	N/A	Pin .....	2
20	N/A	Shoe Clamp Spring .....	2
21	101815502	Lever Assembly, Self-Adjusting Brake, Left .....	1
22	<u>101816301</u>	Package, Brake Spring, Self-Adjusting .....	1
23	<u>101816502</u>	Adjusting Mechanism, Self-Adjusting Brake, Left .....	1
24	<u>101823201</u>	Package, Brake Shoe, Self-Adjusting .....	1
25	<u>101823801</u>	Plate, Washer, Brake, Self-Adjusting .....	1
26	<u>101823901</u>	Washer, Brake, Self-Adjusting .....	1
27	<u>101824002</u>	Plate Assembly, Left Brake Backing .....	1
Note: Driver-side brake cluster not shown. Components have a similar appearance to passenger-side brake cluster components.			

4

G

E

**4**  
**G**  
**E**



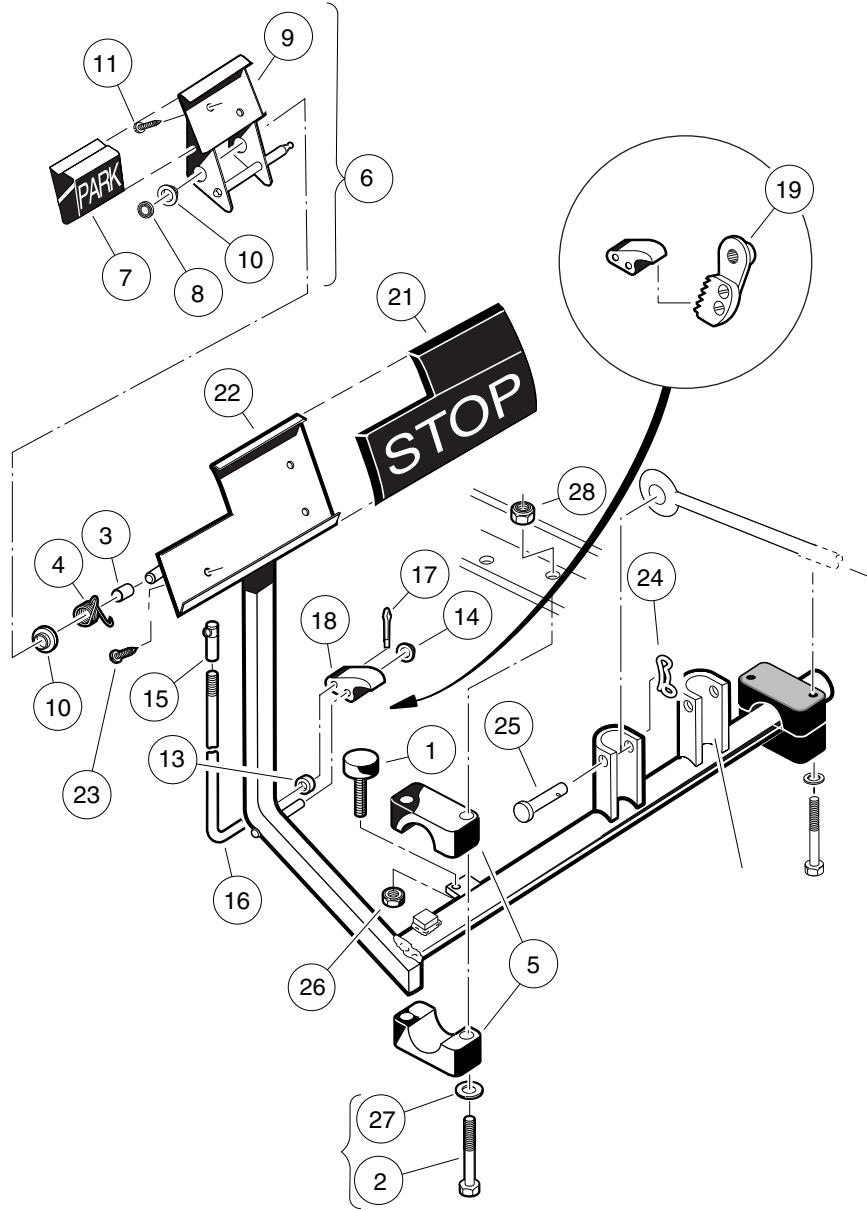
000293-001

## REAR BRAKE ASSEMBLY, MANUALLY-ADJUSTED – VEHICLES WITH 4-WHEEL BRAKES

ITEM	PART NO.	DESCRIPTION	QTY
		1 2 3 4	
1	<u>101146302</u>	Kit, Non-Asbestos Brake Shoe (includes item 2) .....	1
2	N/A	Shoe Brake Manual Adj .....	4
3	<u>1011464</u>	Package, Brake Spring (includes item 4) .....	1
4	N/A	Brake Spring .....	4
5	<u>1013924</u>	Nut, 5/16-24 Hex Head Cone .....	8
6	<u>1014153</u>	Bolt, Brake Cluster Mounting .....	8
7	<u>1016557</u>	Cluster, Brake, Driver-Side (includes items 8 through 23) .....	1
8	<u>1010850</u>	Dust Cover .....	1
9	N/A	Brake Spring .....	2
10	<u>1011465</u>	Kit, Brake Actuator .....	1
11	<u>1011466</u>	Kit, Shoe Retainer (includes items 12 and 13) .....	1
12	N/A	Pin .....	2
13	N/A	Shoe Clamp Spring .....	2
14	<u>1011467</u>	Kit, Anchor Body (includes items 15 through 20) .....	1
15	<u>1011114</u>	Nut, M6-1.00 Hex .....	2
16	N/A	Anchor Piston .....	2
17	N/A	Adjustment Bolt .....	1
18	N/A	Anchor Body Component .....	1
19	<u>1011303</u>	Adjustment Bolt Cap .....	1
20	<u>451</u>	Lockwasher, 1/4 Helical Split .....	2
21	N/A	Backing Plate, Left-Hand .....	1
22	N/A	Shoe Brake Manual Adj .....	2
23	N/A	Arm, Brake Lever .....	1
24	<u>1016573</u>	Cluster, Brake, Passenger-Side (includes items 25 through 40) .....	1
25	<u>1010850</u>	Dust Cover .....	1
26	N/A	Backing Plate, Right-Hand .....	1
27	N/A	Brake Spring .....	2
28	<u>1011465</u>	Kit, Brake Actuator .....	1
29	<u>1011466</u>	Kit, Shoe Retainer (includes items 30 and 31) .....	1
30	N/A	Pin .....	2
31	N/A	Shoe Clamp Spring .....	2
32	<u>1011467</u>	Kit, Anchor Body (includes items 33 through 38) .....	1
33	<u>1011114</u>	Nut, M6-1.00 Hex .....	2
34	N/A	Anchor Piston .....	2
35	N/A	Adjustment Bolt .....	1
36	N/A	Anchor Body Component .....	1
37	<u>1011303</u>	Adjustment Bolt Cap .....	1
38	<u>451</u>	Lockwasher, 1/4 Helical Split .....	2
39	N/A	Shoe Brake Manual Adj .....	2
40	N/A	Arm, Brake Lever .....	1
41	<u>101791101</u>	Drum without Center Hole, Brake .....	2
		Note: Passenger-side brake cluster not shown. Components have a similar appearance to driver-side brake cluster components.	

4  
G  
E

**4**  
**G**  
**E**



000187-001

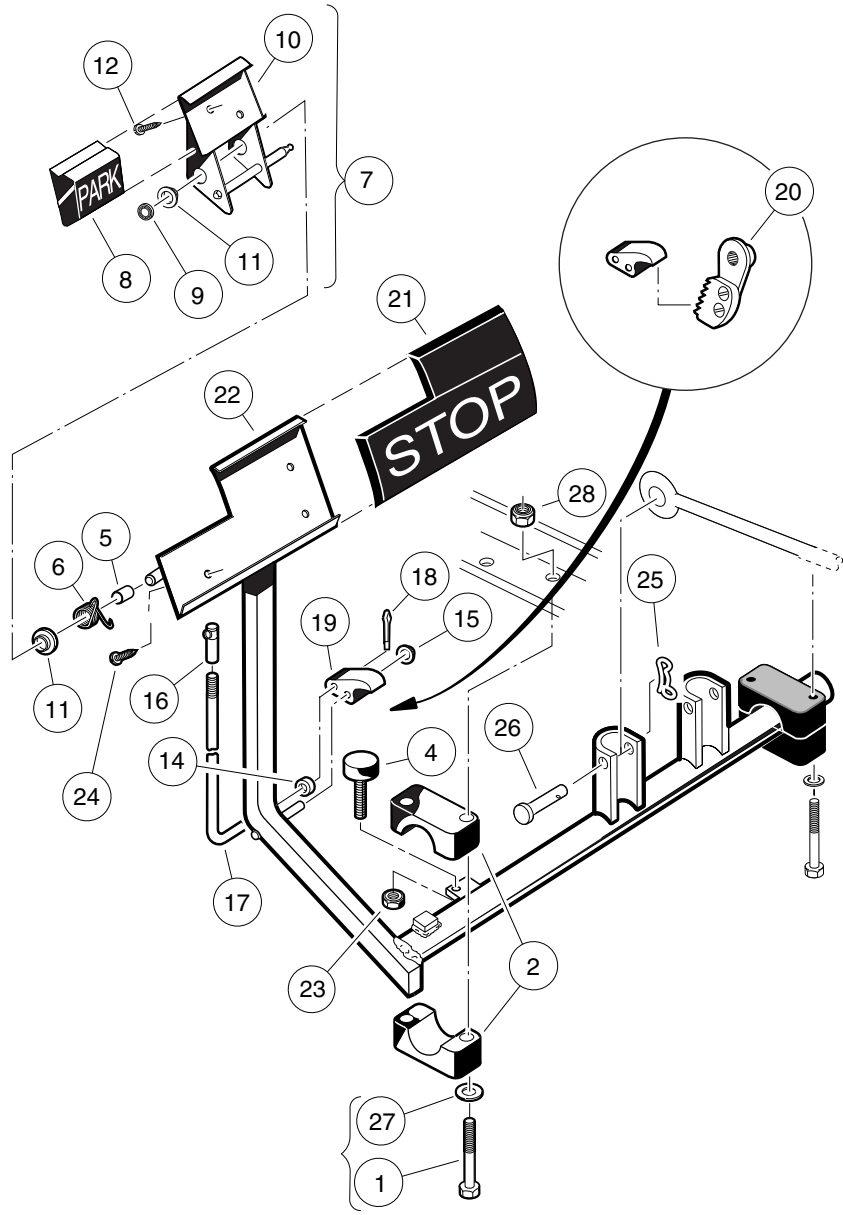


# BRAKE PEDAL ASSEMBLY – VEHICLES WITH TWO-WHEEL BRAKES

ITEM	PART NO.	DESCRIPTION	QTY
		<b>1 2 3 4</b>	
1	<u>1010878</u>	Bumper, Rubber .....	1
2	<u>1010921</u>	Screw, 5/16-18 X 2.50 Hex Cap .....	4
3	<u>1010927</u>	Hill Brake Spacer .....	1
4	<u>1010933</u>	Spring, Hill Brake Torsion .....	1
5	<u>1011402</u>	Package, Brake Mounting Block .....	1
6	<u>1011418</u>	Kit, Hill Brake Pedal (includes items 7 through 11) .....	1
7	<u>1013870</u>	Pad, Hill Brake .....	1
8	<u>1013876</u>	Pushnut, 3/8 .....	1
9	N/A	Hill Brake Weld Assembly .....	1
10	<u>1032</u>	Bushing, Nylon .....	2
11	7716	Screw, #10-16 Type AB, Sheet Metal .....	2
12	<u>101187702</u>	Kit, Hill Brake Latch (includes items 13 through 19) .....	1
13	<u>1010805</u>	Sleeve, Hill Brake Rod .....	1
14	<u>1010877</u>	Pushnut, 3/8 .....	1
15	1010932	Ball Joint, 1/4-28 .....	1
16	N/A	Rod, Hill Brake .....	1
17	<u>1017029</u>	Pin, Cotter, 7/64 x 1/2 Stainless-Steel .....	1
18	N/A	Pawl, Hill Brake .....	1
19	N/A	Ratchet Assembly .....	1
20	<u>101878201</u>	Brake Pedal Kit (includes items 21 through 23) .....	1
21	<u>1013869</u>	Pad, Brake Pedal .....	1
22	N/A	Weldment, Brake Pedal 4wb Std .....	1
23	7716	Screw, #10-16 Type AB, Sheet Metal .....	3
24	<u>102323101</u>	Pin, Bow Tie Locking .....	1
25	<u>102323201</u>	Pin, 3/8 X 1-5/16 Clevis .....	1
26	<u>1028</u>	Nut, 1/4-20 Hex .....	1
27	<u>1241</u>	Washer, 5/16 Type A Flat .....	4
28	<u>7473</u>	Locknut, 5/16-18 Nylon Insert .....	4

**4**  
**G**  
**E**

**4**  
**G**  
**E**



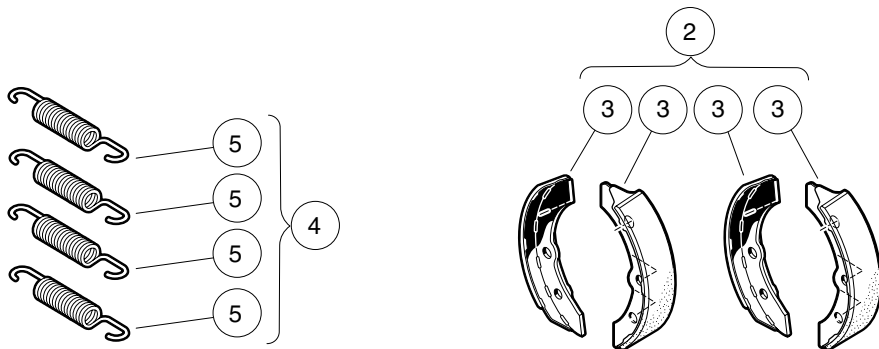
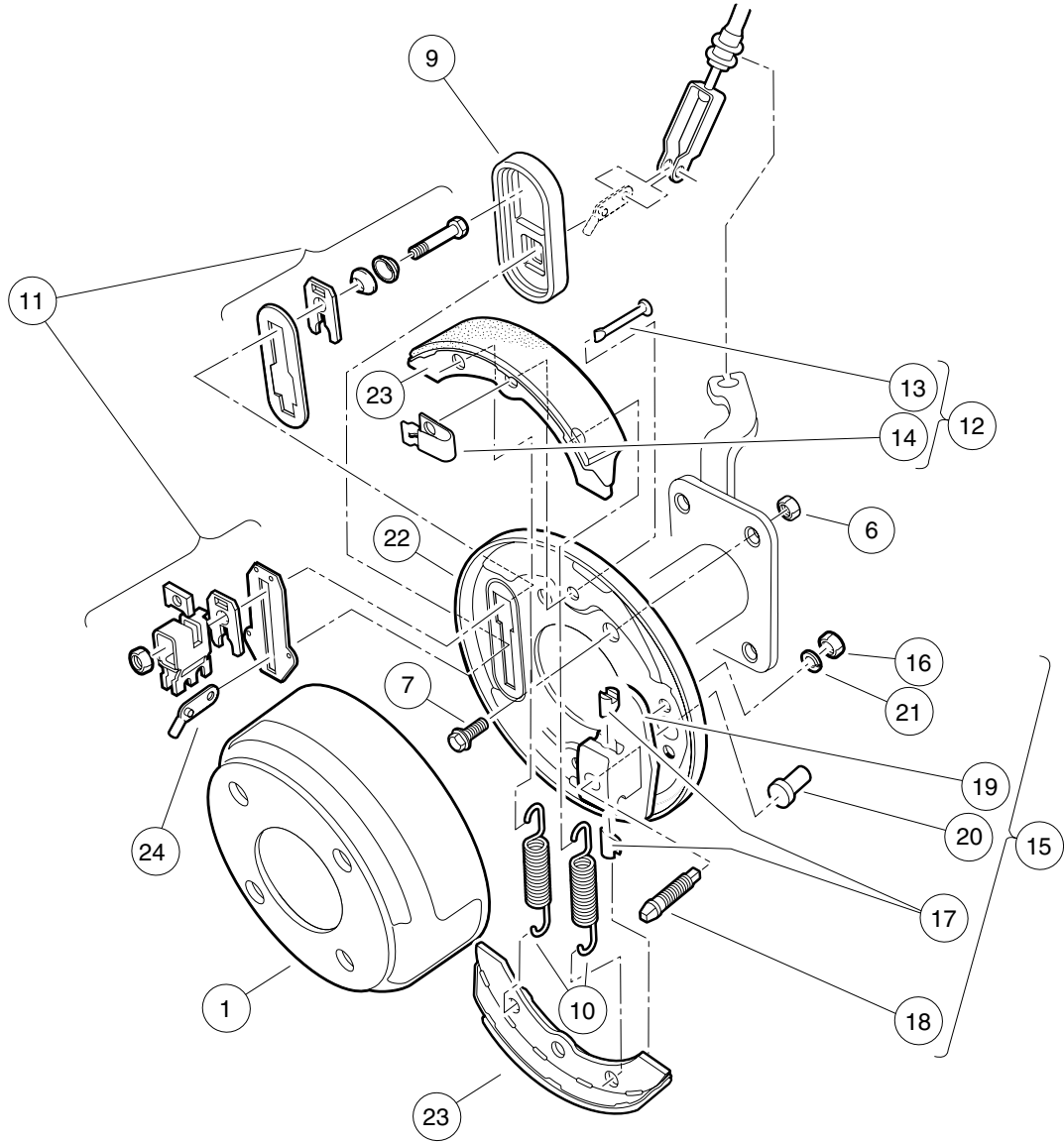
000187-002

## BRAKE PEDAL ASSEMBLY – IQ PLUS VEHICLES

ITEM	PART NO.	DESCRIPTION	QTY
		1 2 3 4	
1	<u>1010921</u>	Screw, 5/16-18 X 2.50 Hex Cap .....	4
2	<u>1011402</u>	Package, Brake Mounting Block .....	1
3	N/A	Subasm, Pedal Group, 4-Wheel Brake (includes items 4 through 24) .....	1
4	<u>1010878</u>	Bumper, Rubber .....	1
5	<u>1010927</u>	Hill Brake Spacer .....	1
6	<u>1010933</u>	Spring, Hill Brake Torsion .....	1
7	<u>1011418</u>	Kit, Hill Brake Pedal (includes items 8 through 12) .....	1
8	<u>1013870</u>	Pad, Hill Brake .....	1
9	<u>1013876</u>	Pushnut, 3/8 .....	1
10	N/A	Hill Brake Weld Assembly .....	1
11	<u>1032</u>	Bushing, Nylon .....	2
12	7716	Screw, #10-16 Type AB, Sheet Metal .....	2
13	<u>101187702</u>	Kit, Hill Brake Latch (includes items 14 through 20) .....	1
14	<u>1010805</u>	Sleeve, Hill Brake Rod .....	1
15	<u>1010877</u>	Pushnut, 3/8 .....	1
16	1010932	Ball Joint, 1/4-28 .....	1
17	N/A	Rod, Hill Brake .....	1
18	<u>1017029</u>	Pin, Cotter, 7/64 x 1/2 Stainless-Steel .....	1
19	N/A	Pawl, Hill Brake .....	1
20	N/A	Ratchet Assembly .....	1
21	<u>1013869</u>	Pad, Brake Pedal .....	1
22	<u>101511303</u>	Brake Pedal Weldment .....	1
23	<u>1028</u>	Nut, 1/4-20 Hex .....	1
24	7716	Screw, #10-16 Type AB, Sheet Metal .....	3
25	<u>102323101</u>	Pin, Bow Tie Locking .....	2
26	<u>102323201</u>	Pin, 3/8 X 1-5/16 Clevis .....	2
27	<u>1241</u>	Washer, 5/16 Type A Flat .....	4
28	<u>7473</u>	Locknut, 5/16-18 Nylon Insert .....	4

**4**  
**G**  
**E**

**4**  
**G**  
**E**



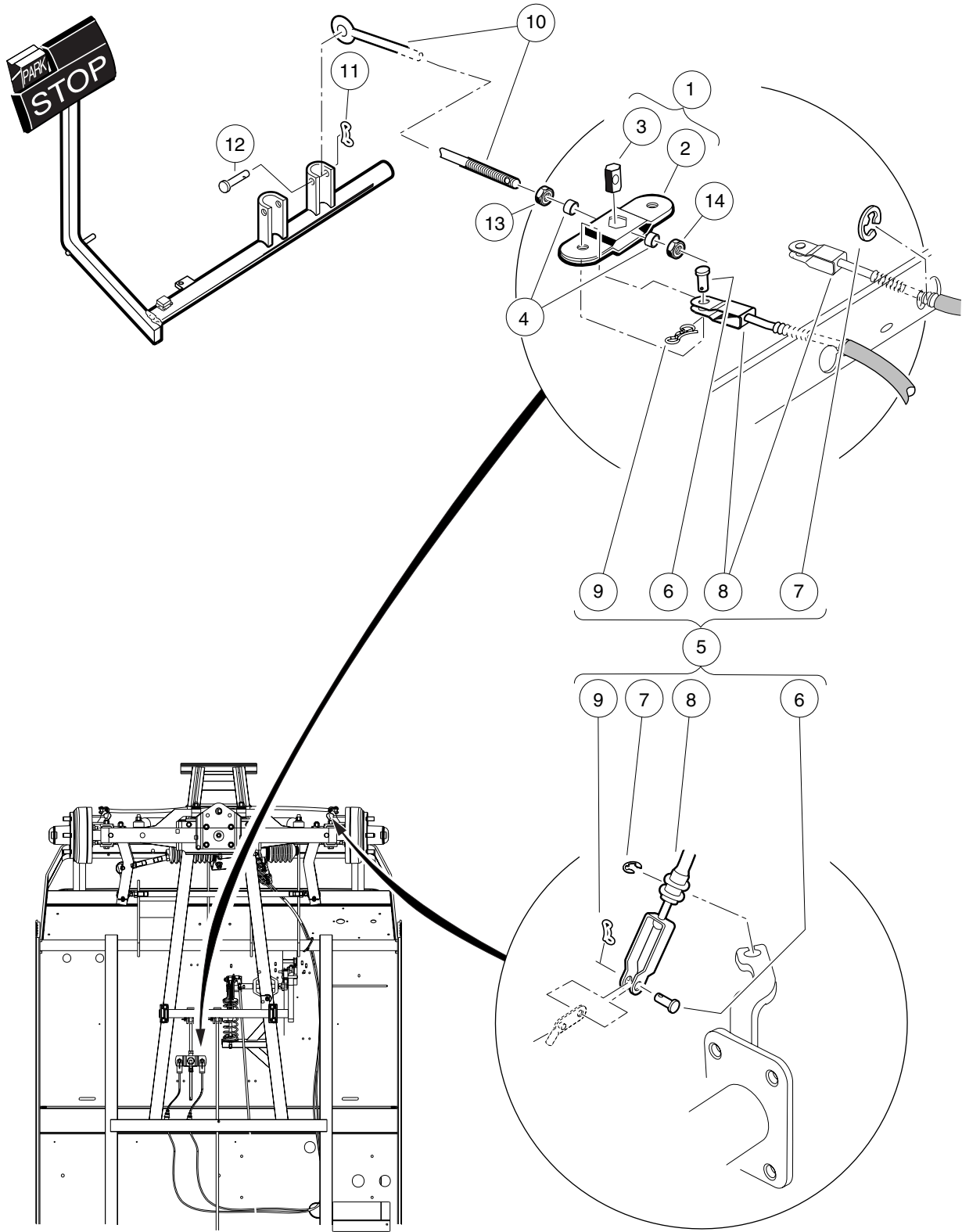
000298-001

# FRONT BRAKE ASSEMBLY – VEHICLES WITH FOUR-WHEEL BRAKES

ITEM	PART NO.	DESCRIPTION	QTY
		1 2 3 4	
1	<u>1011137</u>	Drum, Brake .....	2
2	<u>101146302</u>	Kit, Non-Asbestos Brake Shoe (includes item 3) .....	1
3	N/A	Shoe Brake Manual Adj .....	4
4	<u>1011464</u>	Package, Brake Spring (includes item 5) .....	1
5	N/A	Brake Spring .....	4
6	<u>1013924</u>	Nut, 5/16-24 Hex Head Cone .....	8
7	<u>1014153</u>	Bolt, Brake Cluster Mounting .....	8
8	<u>1016557</u>	Cluster, Brake, Driver-Side (includes items 9 through 24) .....	1
9	<u>1010850</u>	Dust Cover .....	1
10	N/A	Brake Spring .....	2
11	<u>1011465</u>	Kit, Brake Actuator .....	1
12	<u>1011466</u>	Kit, Shoe Retainer (includes items 13 and 14) .....	1
13	N/A	Pin .....	2
14	N/A	Shoe Clamp Spring .....	2
15	<u>1011467</u>	Kit, Anchor Body (includes items 16 through 21) .....	1
16	<u>1011114</u>	Nut, M6-1.00 Hex .....	2
17	N/A	Anchor Piston .....	2
18	N/A	Adjustment Bolt .....	1
19	N/A	Anchor Body Component .....	1
20	<u>1011303</u>	Adjustment Bolt Cap .....	1
21	<u>451</u>	Lockwasher, 1/4 Helical Split .....	2
22	N/A	Backing Plate, Left-Hand .....	1
23	N/A	Shoe Brake Manual Adj .....	2
24	N/A	Arm, Brake Lever .....	1
25	<u>1016573</u>	Cluster, Brake, Passenger-Side (includes items 26 through 41) .....	1
26	<u>1010850</u>	Dust Cover .....	1
27	N/A	Backing Plate, Right-Hand .....	1
28	N/A	Brake Spring .....	2
29	<u>1011465</u>	Kit, Brake Actuator .....	1
30	<u>1011466</u>	Kit, Shoe Retainer (includes items 31 and 32) .....	1
31	N/A	Pin .....	2
32	N/A	Shoe Clamp Spring .....	2
33	<u>1011467</u>	Kit, Anchor Body (includes items 34 through 39) .....	1
34	<u>1011114</u>	Nut, M6-1.00 Hex .....	2
35	N/A	Anchor Piston .....	2
36	N/A	Adjustment Bolt .....	1
37	N/A	Anchor Body Component .....	1
38	<u>1011303</u>	Adjustment Bolt Cap .....	1
39	<u>451</u>	Lockwasher, 1/4 Helical Split .....	2
40	N/A	Shoe Brake Manual Adj .....	2
41	N/A	Arm, Brake Lever .....	1
		Note: Passenger-side brake cluster not shown. Components have a similar appearance to driver-side brake cluster components.	

4  
G  
E

**4**  
**G**  
**E**



000294-001

# FRONT BRAKE CABLES AND EQUALIZER – VEHICLES WITH FOUR-WHEEL BRAKES

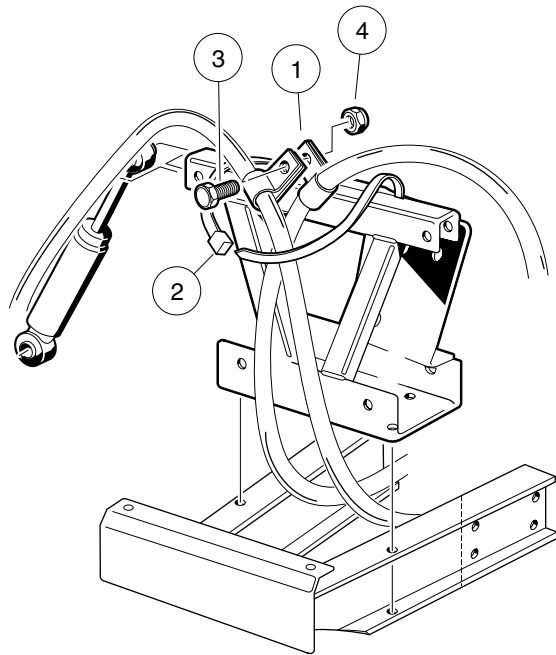
ITEM	PART NO.	DESCRIPTION	QTY
		1 2 3 4	
1	<u>1017211</u>	Kit, Equalizer and Pivot Limiter (includes items 2 and 3) .....	1
2	N/A	Equalizer Weld Assembly .....	1
3	N/A	Equalizer, Pivot Limiter .....	1
4	<u>101865301</u>	Spacer .....	2
5	<u>101874601</u>	Kit, Brake Cable (includes items 6 through 9) .....	1
6	<u>1010829</u>	Pin, Clevis, 5/16 X 3/4 .....	4
7	<u>1011779</u>	E-Clip, 1/2 .....	4
8	N/A	Brake Cable .....	2
9	<u>102292801</u>	Pin, Bow Tie Locking - .072 .....	4
10	<u>101953106</u>	Rod, Equalizer, 9.75" .....	1
11	<u>102323101</u>	Pin, Bow Tie Locking .....	1
12	<u>102323201</u>	Pin, 3/8 X 1-5/16 Clevis .....	1
13	<u>1242</u>	Nut, 5/16-18 Hex .....	1
14	<u>7473</u>	Locknut, 5/16-18 Nylon Insert .....	1

**4**  
**G**  
**E**

4

G

E



000305-001



# FRONT BRAKE CABLE CLIPS AND HARDWARE – VEHICLES WITH FRONT-WHEEL BRAKES

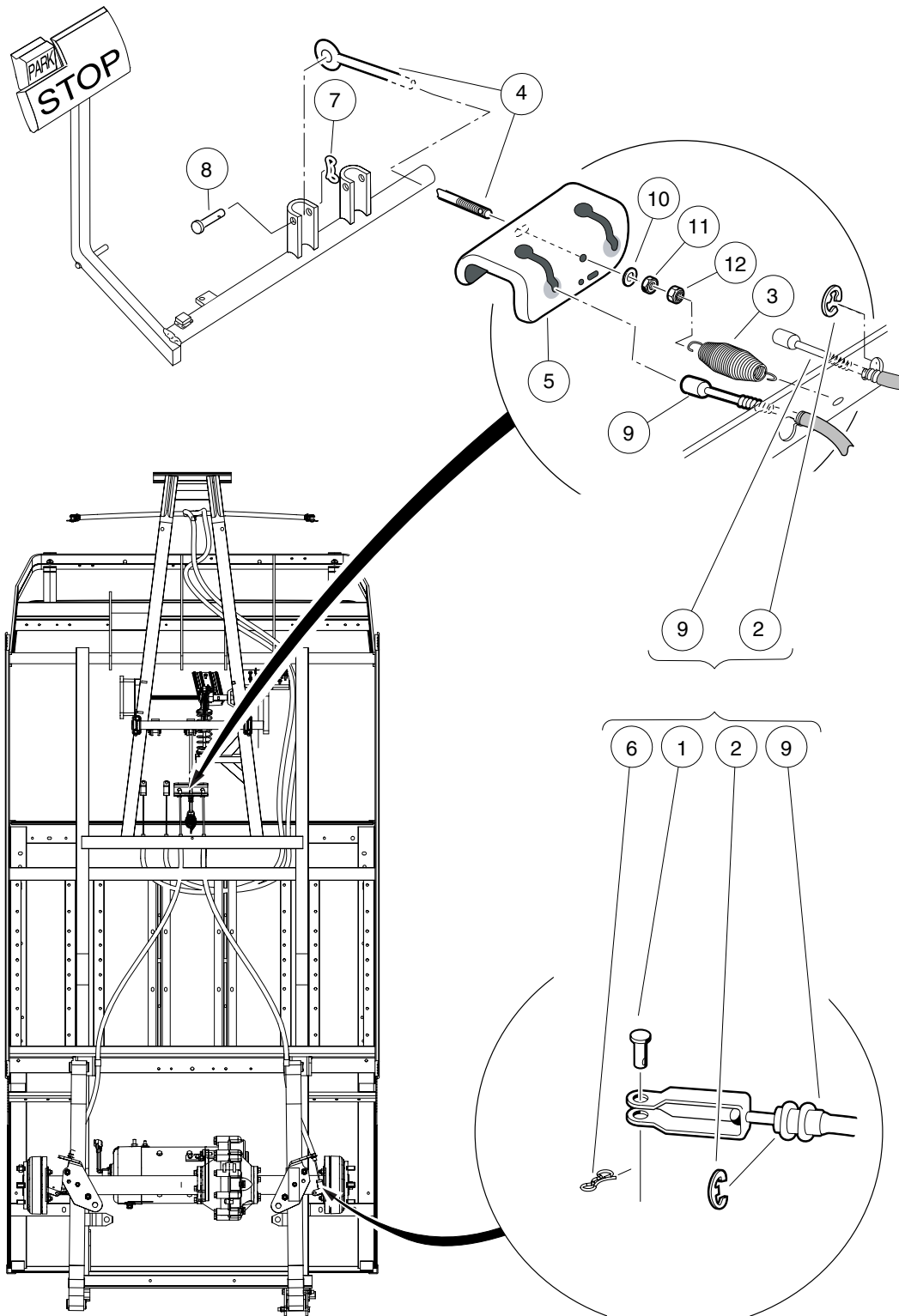
ITEM	PART NO.	DESCRIPTION	QTY
		1 2 3 4	
1	<u>101935301</u>	Clamp, Brake Cable .....	2
2	<u>102025401</u>	Tie Wrap, Heavy Duty .....	1
3	320	Screw, 3/8-16 X 1.00 Hex-Head Cap .....	1
4	<u>8754</u>	Locknut, 3/8-16 Hex .....	1

4

G

E

**4**  
**G**  
**E**



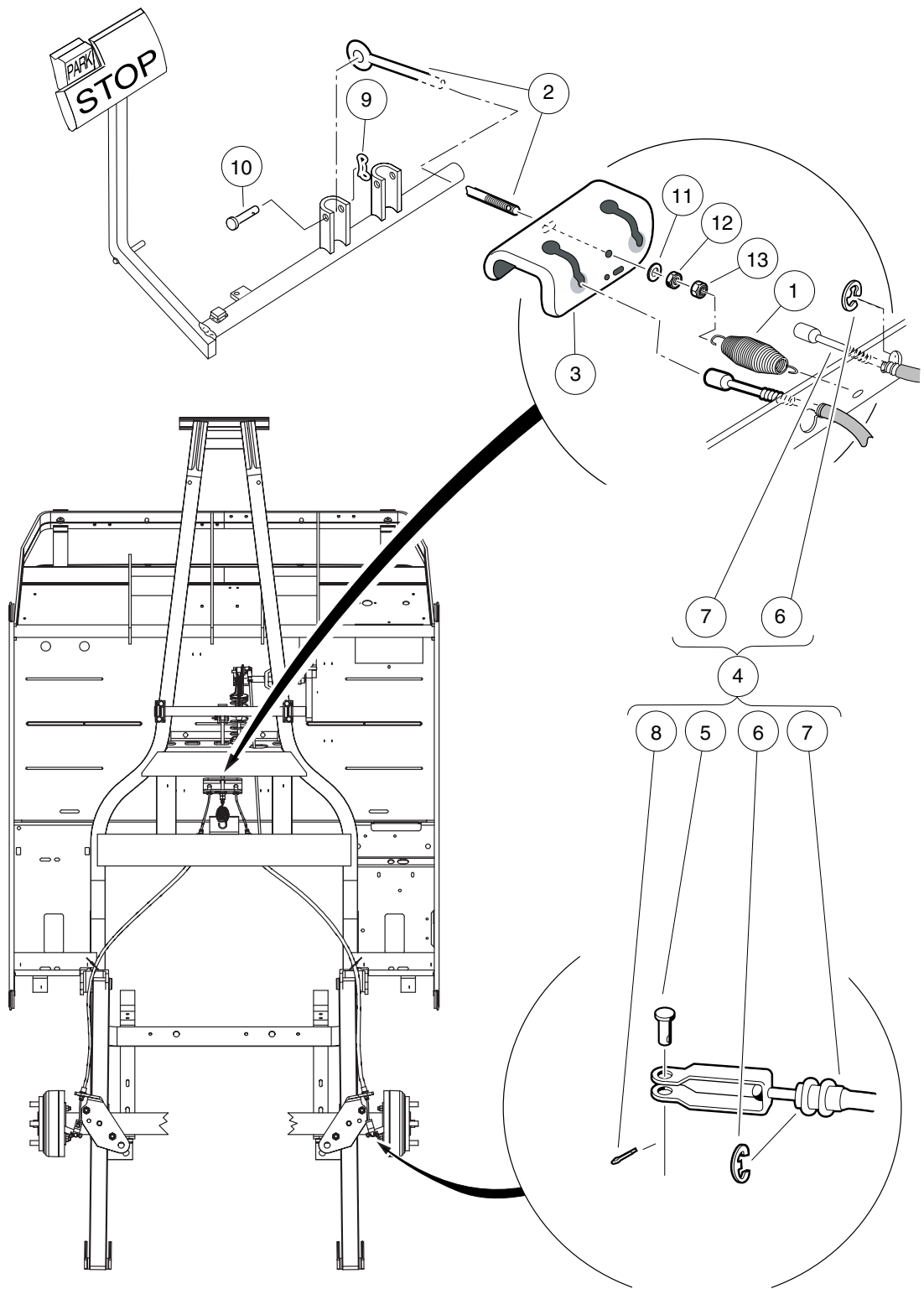
000295-002

# REAR BRAKE CABLES AND EQUALIZER – IQ PLUS ELECTRIC VEHICLES

ITEM	PART NO.	DESCRIPTION	QTY
		1 2 3 4	
1	<u>1010829</u>	Pin, Clevis, 5/16 X 3/4 .....	2
2	<u>1011779</u>	E-Clip, 1/2 .....	4
3	<u>1013531</u>	Spring, Brake Return .....	1
4	<u>101953106</u>	Rod, Equalizer, 9.75" .....	1
5	<u>101990801</u>	Equalizer Bracket .....	1
6	<u>102292801</u>	Pin, Bow Tie Locking - .072 .....	2
7	<u>102323101</u>	Pin, Bow Tie Locking .....	1
8	<u>102323201</u>	Pin, 3/8 X 1-5/16 Clevis .....	1
9	<u>102852101</u>	Cable, Brake, 51-inch, Right .....	2
10	<u>1241</u>	Washer, 5/16 Type A Flat .....	1
11	<u>1242</u>	Nut, 5/16-18 Hex .....	1
12	<u>7473</u>	Locknut, 5/16-18 Nylon Insert .....	1

**4**  
**G**  
**E**

**4**  
**G**  
**E**



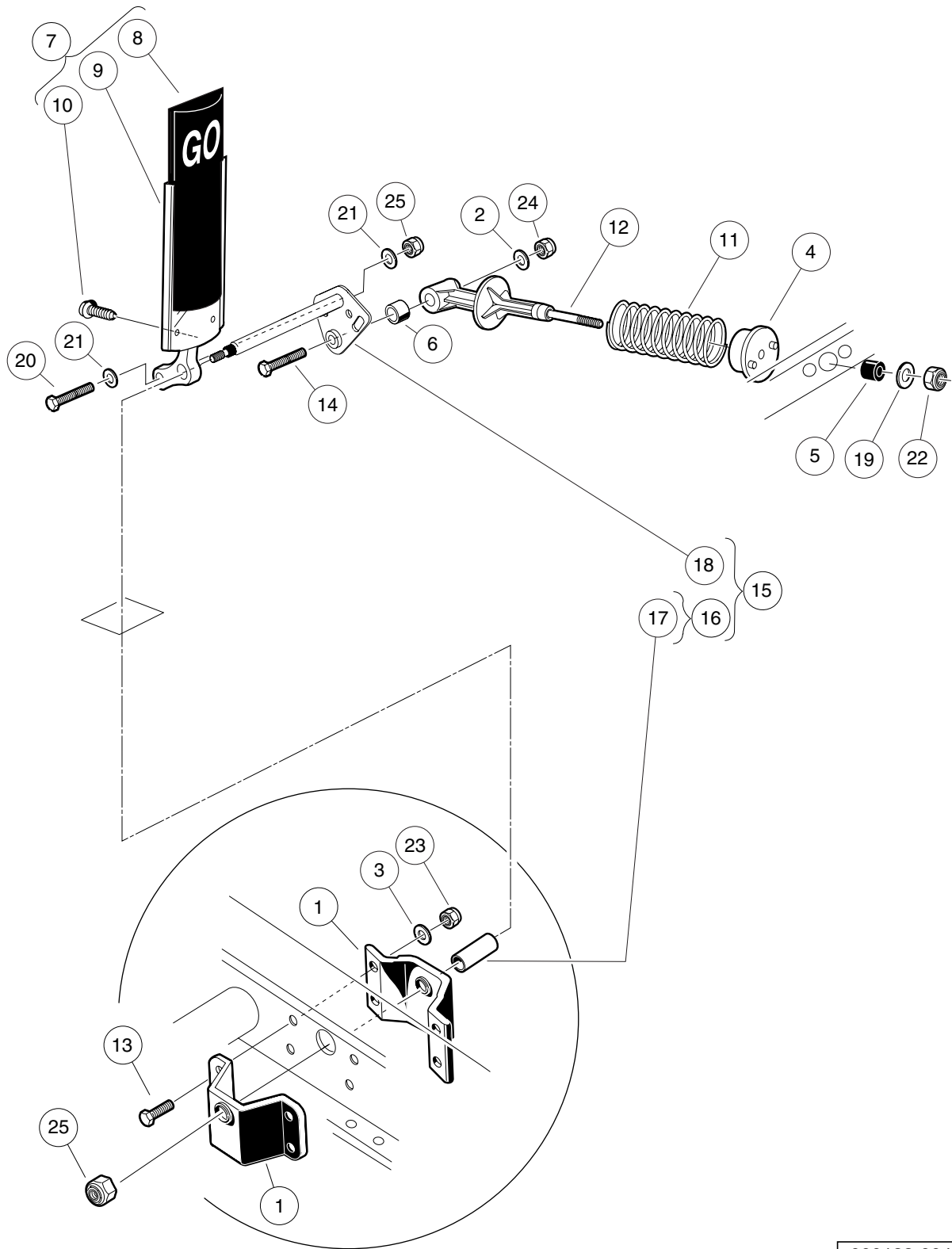
000296-001

## BRAKE CABLES AND EQUALIZER – TURF/CARRYALL 2 VEHICLES WITH TWO-WHEEL BRAKES

ITEM	PART NO.	DESCRIPTION	QTY
		1 2 3 4	
1	<u>1013531</u>	Spring, Brake Return .....	1
2	101953102	Rod, Equalizer .....	1
3	<u>101990801</u>	Equalizer Bracket .....	1
4	<u>102022101</u>	Brake Cable Kit (includes items 5 through 8) .....	2
5	<u>1010829</u>	Pin, Clevis, 5/16 X 3/4 .....	1
6	<u>1011779</u>	E-Clip, 1/2 .....	2
7	N/A	Cable, Brake .....	1
8	<u>1035</u>	Cotter Pin, 3/32 x 1 .....	1
9	<u>102323101</u>	Pin, Bow Tie Locking .....	1
10	<u>102323201</u>	Pin, 3/8 X 1-5/16 Clevis .....	1
11	<u>1241</u>	Washer, 5/16 Type A Flat .....	1
12	<u>1242</u>	Nut, 5/16-18 Hex .....	1
13	<u>7473</u>	Locknut, 5/16-18 Nylon Insert .....	1

**4**  
**G**  
**E**

**4**  
**G**  
**E**



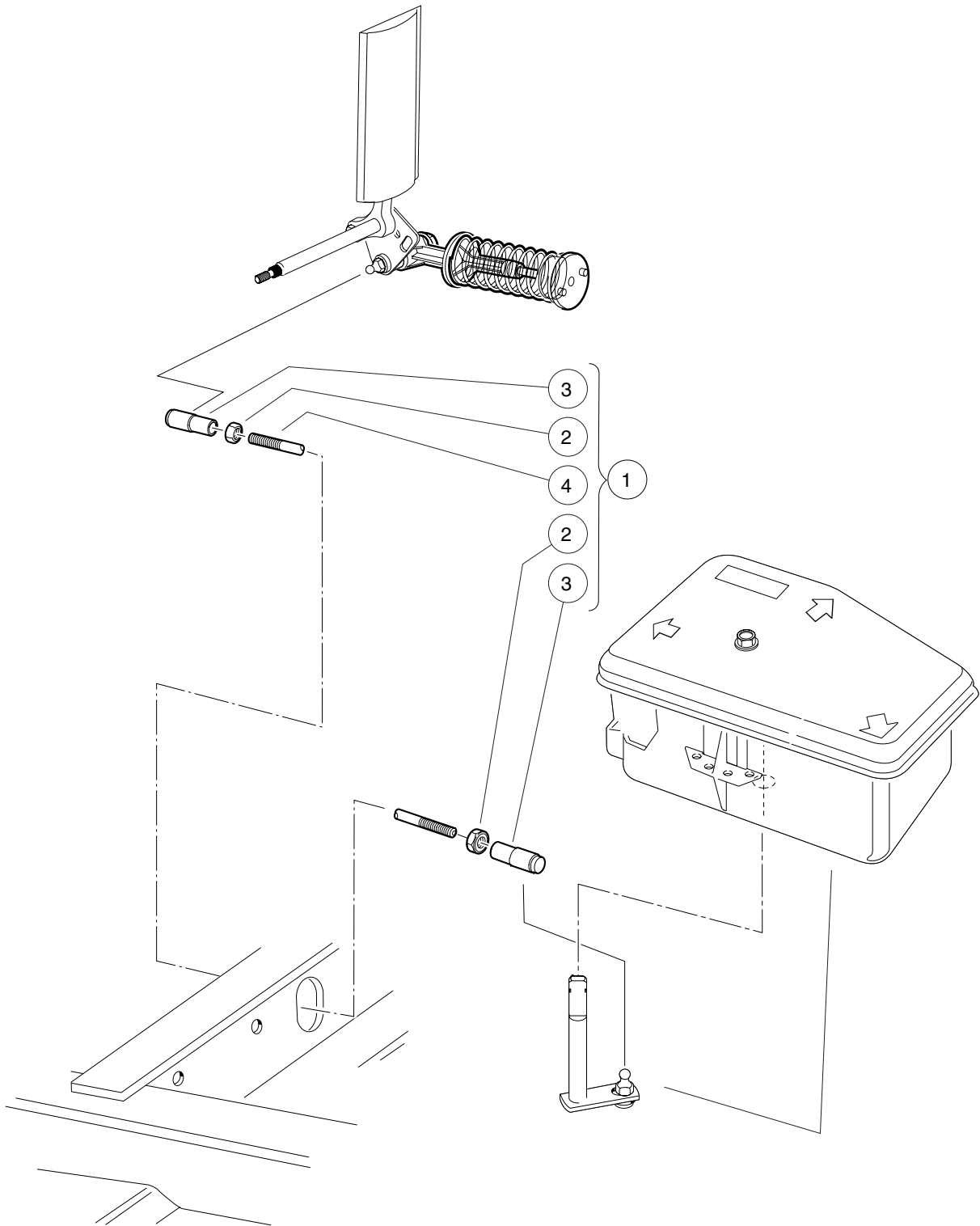
000188-004

# ACCELERATOR PEDAL ASSEMBLY – ELECTRIC VEHICLES

ITEM	PART NO.	DESCRIPTION	QTY
		1 2 3 4	
1	<u>1011694</u>	Accelerator Bracket and Bearing Assembly .....	2
2	<u>1011931</u>	Washer, 1/4 Flat .....	1
3	<u>1014007</u>	Washer, 1/4 Flat .....	4
4	<u>1017378</u>	Cup, Spring .....	1
5	<u>1017380</u>	Bumper, Spring Return .....	1
6	<u>1017424</u>	Bearing, Pivot Support .....	1
7	<u>1017696</u>	Sub Asm, Accelerator Pedal (includes items 8 through 10) .....	1
8	1013871	Pad, Accelerator Pedal .....	1
9	N/A	Accelerator Pedal Weldment .....	1
10	7716	Screw, #10-16 Type AB, Sheet Metal .....	4
11	101796201	Spring, Accelerator Return .....	1
12	<u>101817401</u>	Retainer, Spring .....	1
13	<u>101861901</u>	Screw, 1/4-20 X 1.125 Hex Cap .....	4
14	<u>101862001</u>	Screw, 1/4-20 X 1.500 Flange .....	1
15	<u>102026001</u>	Kit, Accelerator Pivot Rod Assembly (includes items 16 through 18) .....	1
16	<u>1011700</u>	Spacer Assembly (includes item 17) .....	1
17	N/A	Spacer, Accelerator .....	1
18	N/A	Pivot Rod Weldment .....	1
19	<u>1241</u>	Washer, 5/16 Type A Flat .....	1
20	<u>1624</u>	Screw, 3/8-16 X 1.50 Hex-Head Cap .....	1
21	<u>334</u>	Washer, 3/8 Type A Flat .....	2
22	<u>7473</u>	Locknut, 5/16-18 Nylon Insert .....	1
23	<u>8233</u>	Locknut, 1/4-20 Nylon Insert .....	4
24	<u>8717</u>	Locknut, 1/4-28 Nylon Insert .....	1
25	<u>8754</u>	Locknut, 3/8-16 Hex .....	2

**4**  
**G**  
**E**

**4**  
**G**  
**E**



000362-001



# ACCELERATOR ROD

ITEM	PART NO.	DESCRIPTION	QTY
		1 2 3 4	
1	<u>101822001</u>	Rod, Accelerator (includes items 2 through 4) .....	1
2	<u>1011084</u>	Nut, 1/4-28 Hex Jam .....	2
3	<u>1011734</u>	Joint, Ball .....	2
4	N/A	Accelerator Rod .....	1

**4**

**G**

**E**

**4**

**G**

**E**

# STEERING, FRONT AND REAR SUSPENSION

---

**5**

**G**

**E**

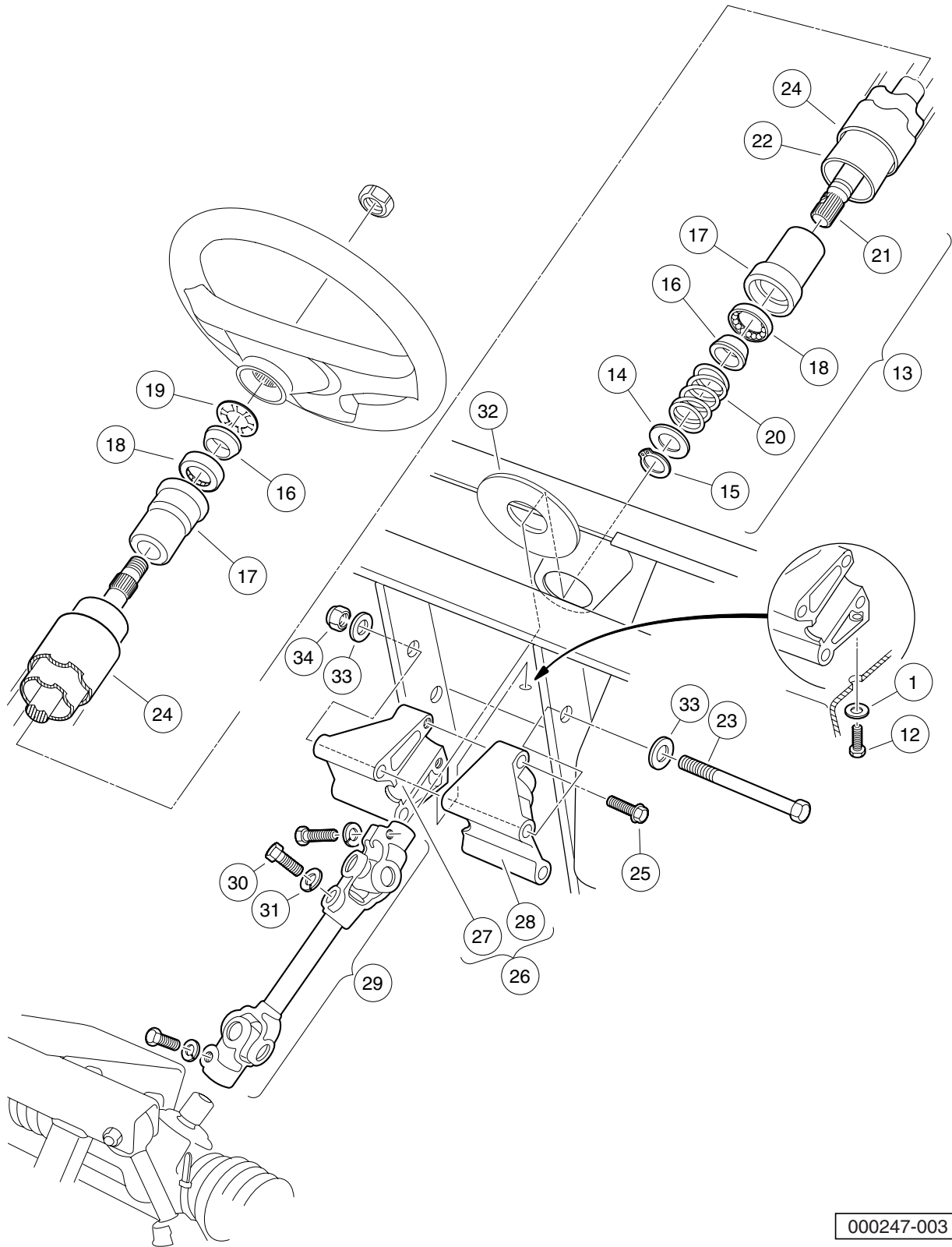


# STEERING COLUMN – ALL VEHICLES EXCEPT TURF/CARRYALL 252 AND XRT 900

ITEM	PART NO.	DESCRIPTION	QTY
		1 2 3 4	
1	<u>1011578</u>	Washer, 5/16 Type B Flat .....	1
2	<u>1011697</u>	Washer, 5/16 Flat .....	1
3	<u>1013861</u>	Intermediate Steering Shaft (includes items 4 and 5) .....	1
4	<u>1017226</u>	Bolt, Hex-Head, 8mm X 1.25 - 30 .....	3
5	<u>7174</u>	Lockwasher, 5/16 Split .....	3
6	<u>1014216</u>	Steering Column Rebuild Kit (includes items 7 through 15) .....	A/R
7	<u>1012466</u>	Dust Cover .....	1
8	<u>1012605</u>	Ring, 0.579 Internal Retaining .....	1
9	<u>1014125</u>	Wedge, Molded .....	2
10	<u>1014126</u>	Seat, Plastic Bearing .....	2
11	<u>1014211</u>	Seal, Bearing .....	1
12	<u>1014212</u>	Spacer, Shaft .....	1
13	<u>1014213</u>	Bearing, Ball .....	2
14	<u>1014214</u>	Ring, Retaining .....	1
15	<u>1014217</u>	Spring, Steering Shaft .....	1
16	<u>1014288</u>	Screw, 5/16-18 X 0.75 Thread-Forming .....	1
17	<u>1016183</u>	Screw, 3/8-16 X 7.00 Hex Cap .....	2
18	<u>1016269</u>	Screw, 5/16-18 Thrd Forming .....	2
19	<u>1017313</u>	Steering Shaft Assembly (includes items 20 through 28) .....	1
20	<u>1012604</u>	Washer, 0.675 ID X 1.19 OD .....	1
21	<u>1012605</u>	Ring, 0.579 Internal Retaining .....	1
22	<u>1014125</u>	Wedge, Molded .....	2
23	<u>1014126</u>	Seat, Plastic Bearing .....	2
24	<u>1014213</u>	Bearing, Ball .....	2
25	<u>1014214</u>	Ring, Retaining .....	1
26	<u>1014217</u>	Spring, Steering Shaft .....	1
27	<u>1017314</u>	Column, Aluminum Steering .....	1
28	<u>1017315</u>	Shaft Steering Column .....	1
29	<u>1017317</u>	Tube Cover, Steering Column .....	1
30	<u>101984801</u>	Kit, Steering Column Mounting Bracket (includes items 31 and 32) .....	1
31	N/A	Bracket, RH Steering Column Mount .....	1
32	N/A	Bracket, LH Steering column mount .....	1
33	<u>102278001</u>	Boot, Steering Column Round .....	1
34	<u>334</u>	Washer, 3/8 Type A Flat .....	4
35	<u>8754</u>	Locknut, 3/8-16 Hex .....	2
		Note: Item 6 is not illustrated.	

**5**  
**G**  
**E**

**5**  
**G**  
**E**



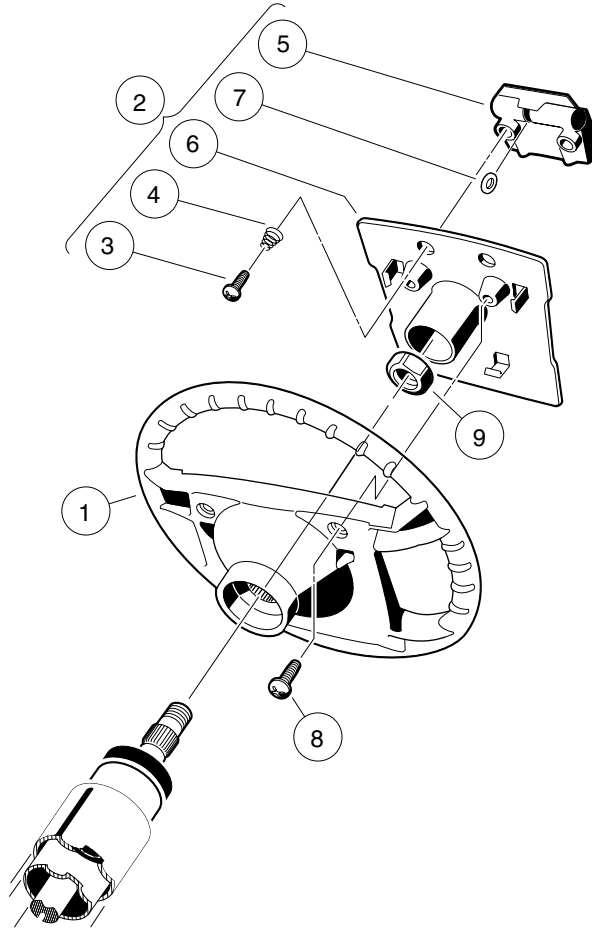
000247-003

# STEERING COLUMN – TURF/CARRYALL 2 XRT AND TURF/ CARRYALL 252 VEHICLES

ITEM	PART NO.	DESCRIPTION	QTY
		<b>1 2 3 4</b>	
1	<u>1011578</u>	Washer, 5/16 Type B Flat .....	1
2	<u>1011697</u>	Washer, 5/16 Flat .....	1
3	<u>1014216</u>	Steering Column Rebuild Kit (includes items 4 through 12) .....	1
4	<u>1012466</u>	Dust Cover .....	1
5	<u>1012605</u>	Ring, 0.579 Internal Retaining .....	1
6	<u>1014125</u>	Wedge, Molded .....	2
7	<u>1014126</u>	Seat, Plastic Bearing .....	2
8	<u>1014211</u>	Seal, Bearing .....	1
9	<u>1014212</u>	Spacer, Shaft .....	1
10	<u>1014213</u>	Bearing, Ball .....	2
11	<u>1014214</u>	Ring, Retaining .....	1
12	<u>1014217</u>	Spring, Steering Shaft .....	1
13	<u>1014288</u>	Screw, 5/16-18 X 0.75 Thread-Forming .....	1
14	<u>1016183</u>	Screw, 3/8-16 X 7.00 Hex Cap .....	2
15	<u>1016263</u>	Cover, Steering Column Tube .....	1
16	<u>1016269</u>	Screw, 5/16-18 Thrd Forming .....	2
17	<u>1017313</u>	Steering Shaft Assembly (includes items 18 through 26) .....	1
18	<u>1012604</u>	Washer, 0.675 ID X 1.19 OD .....	1
19	<u>1012605</u>	Ring, 0.579 Internal Retaining .....	1
20	<u>1014125</u>	Wedge, Molded .....	2
21	<u>1014126</u>	Seat, Plastic Bearing .....	2
22	<u>1014213</u>	Bearing, Ball .....	2
23	<u>1014214</u>	Ring, Retaining .....	1
24	<u>1014217</u>	Spring, Steering Shaft .....	1
25	<u>1017314</u>	Column, Aluminum Steering .....	1
26	<u>1017315</u>	Shaft Steering Column .....	1
27	101984801	Kit, Steering Column Mounting Bracket (includes items 28 and 29) .....	1
28	N/A	Bracket, RH Steering Column Mount .....	1
29	N/A	Bracket, LH Steering column mount .....	1
30	<u>102004101</u>	Joint, Steering (includes items 31 and 32) .....	1
31	<u>1017226</u>	Bolt, Hex-Head, 8mm X 1.25 - 30 .....	3
32	<u>7174</u>	Lockwasher, 5/16 Split .....	3
33	<u>102278001</u>	Boot, Steering Column Round .....	1
34	<u>334</u>	Washer, 3/8 Type A Flat .....	4
35	<u>8754</u>	Locknut, 3/8-16 Hex .....	2
		Note: Item 5 is not illustrated.	

**5**  
**G**  
**E**

**5**  
**G**  
**E**



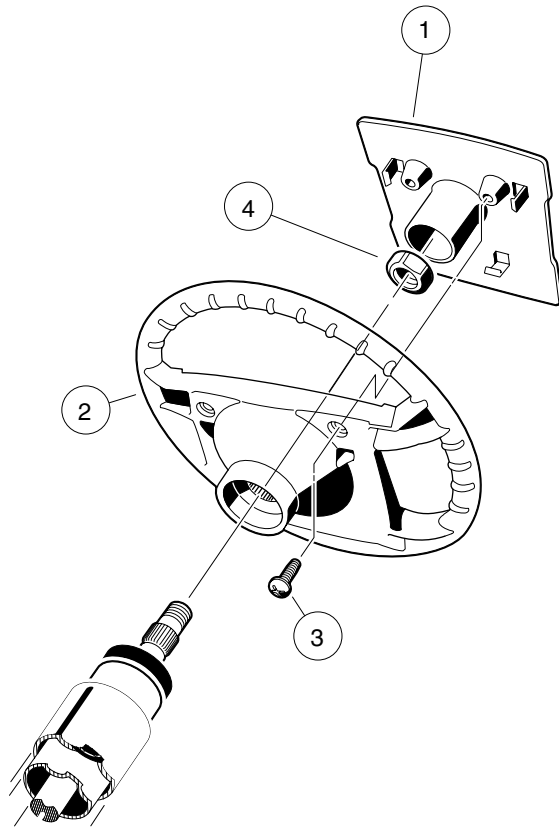
000246-002



# STEERING WHEEL – TURF VEHICLES

ITEM	PART NO.	DESCRIPTION	QTY
		1 2 3 4	
1	<u>1016156</u>	Wheel, Steering .....	1
2	1016219	Plate, Scorecard (includes items 3 through 7) .....	1
3	<u>1012565</u>	Screw, #12 Phillips Round Head .....	2
4	<u>1012566</u>	Tapered Compression Spring .....	2
5	1016154	Clip, Scorecard .....	1
6	N/A	Plate, Score Card .....	1
7	<u>1016214</u>	Pencil Grip .....	1
8	<u>1016663</u>	Screw, #12-14 X 0.625 .....	2
9	<u>1017273</u>	Nut, 5/8-18 Nylon Insert Jam .....	1

5  
G  
E



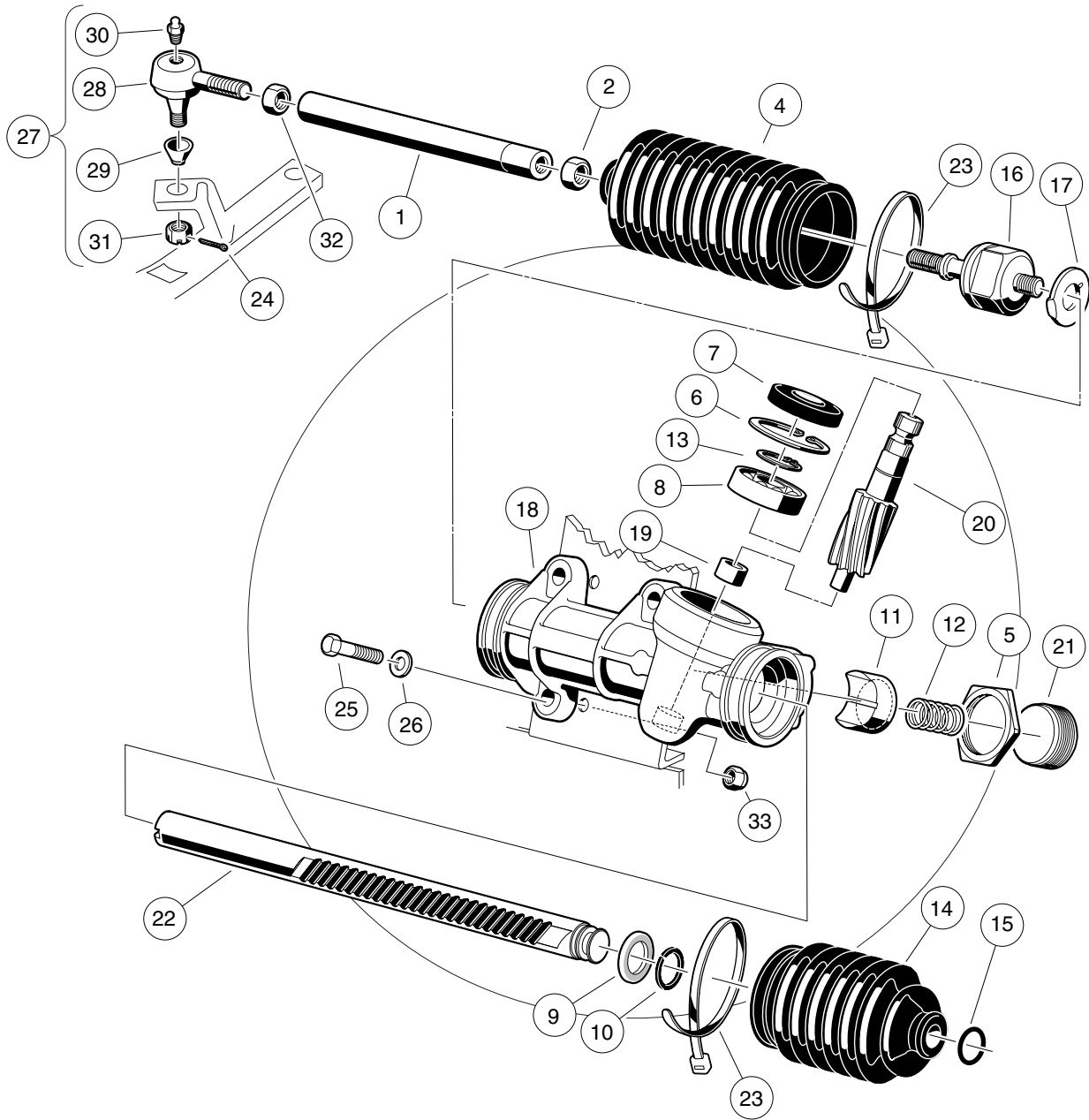
000246-003

## STEERING WHEEL – CARRYALL AND XRT VEHICLES

ITEM	PART NO.	DESCRIPTION	QTY
		1 2 3 4	
1	<u>101615504</u>	Plate, Scorecard .....	1
2	<u>1016156</u>	Wheel, Steering .....	1
3	<u>1016663</u>	Screw, #12-14 X 0.625 .....	2
4	<u>1017273</u>	Nut, 5/8-18 Nylon Insert Jam .....	1

5  
G  
E

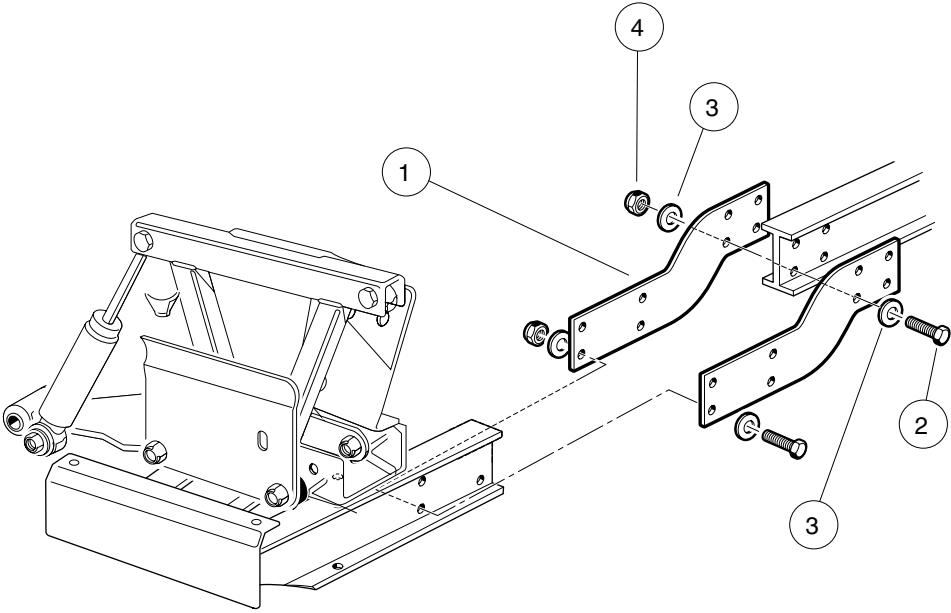
**5**  
**G**  
**E**



000189-001

# STEERING GEAR ASSEMBLY

ITEM	PART NO.	DESCRIPTION	QTY	5
		1 2 3 4		G
1	<u>1012467</u>	Link, Rack and Pinion Drag .....	1	E
2	1013042	Nut, 12mm Hex .....	1	
3	<u>101878302</u>	Steering Gear Assembly (without yoke) (includes items 4 through 23) .....	1	
4	<u>1013035</u>	Bellows, Long .....	1	
5	<u>1013044</u>	Rack Screw Locknut .....	1	
6	1013051	Snap Ring .....	1	
7	<u>1013052</u>	Seal, Steering Pinion Dust .....	1	
8	<u>101879401</u>	Bearing, Ball .....	1	
9	<u>101879501</u>	Stop Washer .....	1	
10	101879601	Stop Ring, C-Type .....	1	
11	<u>101879701</u>	Support Yoke .....	1	
12	<u>101879801</u>	Rack Guide Pressure Spring .....	1	
13	<u>101879901</u>	Ring, Stop, C-Type .....	1	
14	<u>101880001</u>	Bellows, Short .....	1	
15	101880101	Dust Seal Retaining Ring .....	1	
16	<u>101880201</u>	Inner Ball Joint Asm .....	1	
17	101880301	Washer, Tab .....	1	
18	N/A	Box, Steering Gear .....	1	
19	N/A	Bearing, Lower Pinion .....	1	
20	N/A	Pinion, Steering .....	1	
21	N/A	Screw, Rack Guide .....	1	
22	N/A	Rack, Steering .....	1	
23	<u>8990</u>	Tie Wrap, 8" Nylon .....	2	
24	<u>1035</u>	Cotter Pin, 3/32 x 1 .....	1	
25	<u>1624</u>	Screw, 3/8-16 X 1.50 Hex-Head Cap .....	3	
26	<u>334</u>	Washer, 3/8 Type A Flat .....	3	
27	<u>7540</u>	Ball Joint, Left (includes items 28 through 31) .....	1	
28	N/A	Socket, LH Vertical .....	1	
29	<u>1011930</u>	Seal, Vertical Socket Dust .....	1	
30	<u>1015597</u>	Fitting, 1/4-28 Thread-Forming Grease .....	1	
31	7602	Nut, 3/8-24 UNF Hex .....	1	
32	<u>7555</u>	Nut, 1/2-20 Hex, Left-Hand Thread .....	1	
33	<u>8754</u>	Locknut, 3/8-16 Hex .....	3	



000304-001

# FRONT FRAME PLATES – TURF/CARRYALL 252 AND XRT 900

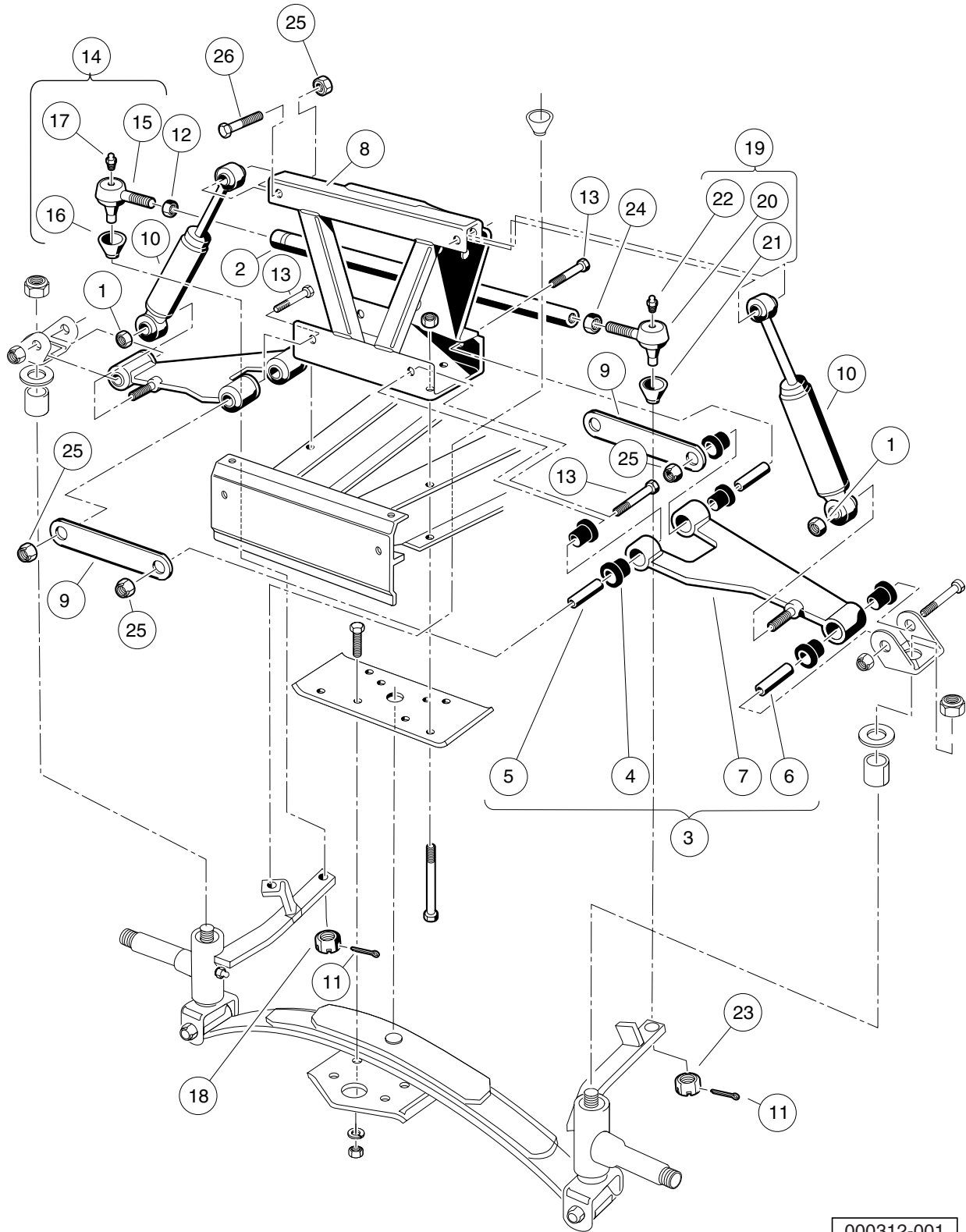
ITEM	PART NO.	DESCRIPTION	QTY
		1 2 3 4	
1	N/A	Extension, I-Beam .....	4
2	1218	Screw, 5/16-18 X 1.25 Hex-Head Cap .....	16
3	<u>1241</u>	Washer, 5/16 Type A Flat .....	32
4	<u>7473</u>	Locknut, 5/16-18 Nylon Insert .....	16

**5**

**G**

**E**

**5**  
**G**  
**E**



000312-001

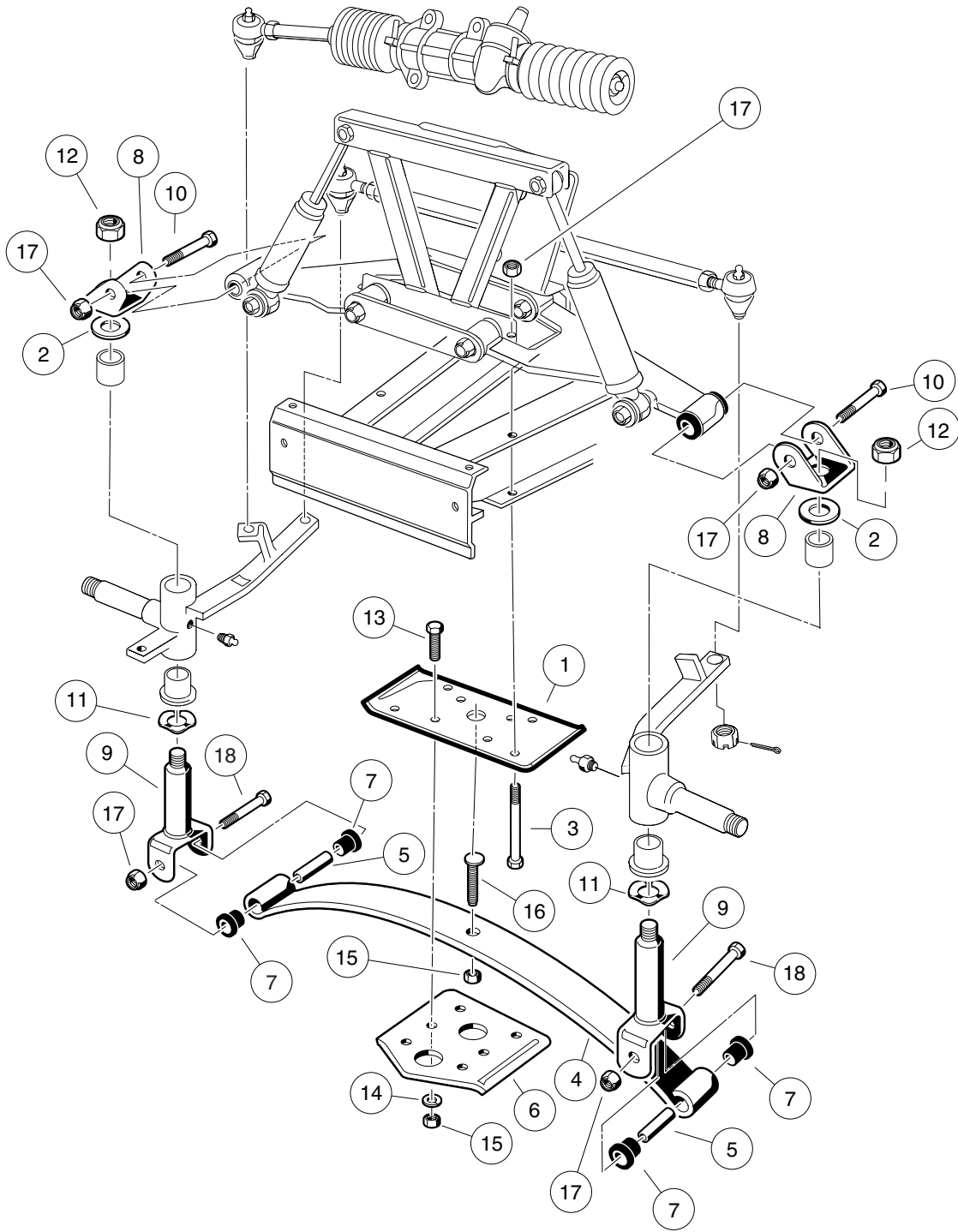


# FRONT SUSPENSION, UPPER – VEHICLES WITH TWO-WHEEL BRAKES

ITEM	PART NO.	DESCRIPTION	QTY
		<b>1 2 3 4</b>	
1	<u>1010138</u>	Locknut, 3/8-16 Dimpled .....	2
2	<u>1010219</u>	Tie Rod .....	1
3	<u>1016353</u>	Sub-Assembly, Delta A-Plate (includes items 4 through 7) .....	2
4	<u>1016346</u>	Bushing, Urethane .....	6
5	<u>1016349</u>	Sleeve, Delta Inner .....	2
6	<u>1016350</u>	Sleeve, Delta Outer .....	1
7	N/A	Delta A-Plate .....	1
8	<u>1016385</u>	Delta Shock and Gear Support Assembly .....	1
9	<u>1017266</u>	A-Plate Strap .....	2
10	<u>103351001</u>	Shock Absorber, Front, Common .....	2
11	<u>1035</u>	Cotter Pin, 3/32 x 1 .....	2
12	<u>1308</u>	Nut, 1/2-20 Hex .....	1
13	<u>2402</u>	Screw, 3/8-16 X 2.25 Hx Hd Cap .....	4
14	<u>7539</u>	Ball Joint, Right-Hand (includes items 15 through 18) .....	1
15	N/A	Socket, RH Vertical .....	1
16	<u>1011930</u>	Seal, Vertical Socket Dust .....	1
17	<u>1015597</u>	Fitting, 1/4-28 Thread-Forming Grease .....	1
18	7602	Nut, 3/8-24 UNF Hex .....	1
19	<u>7540</u>	Ball Joint, Left (includes items 20 through 23) .....	1
20	N/A	Socket, LH Vertical .....	1
21	<u>1011930</u>	Seal, Vertical Socket Dust .....	1
22	<u>1015597</u>	Fitting, 1/4-28 Thread-Forming Grease .....	1
23	7602	Nut, 3/8-24 UNF Hex .....	1
24	<u>7555</u>	Nut, 1/2-20 Hex, Left-Hand Thread .....	1
25	<u>8754</u>	Locknut, 3/8-16 Hex .....	6
26	<u>8861</u>	Bolt, 3/8-16 X 1.75 Hex .....	2

**5**  
**G**  
**E**

**5**  
**G**  
**E**



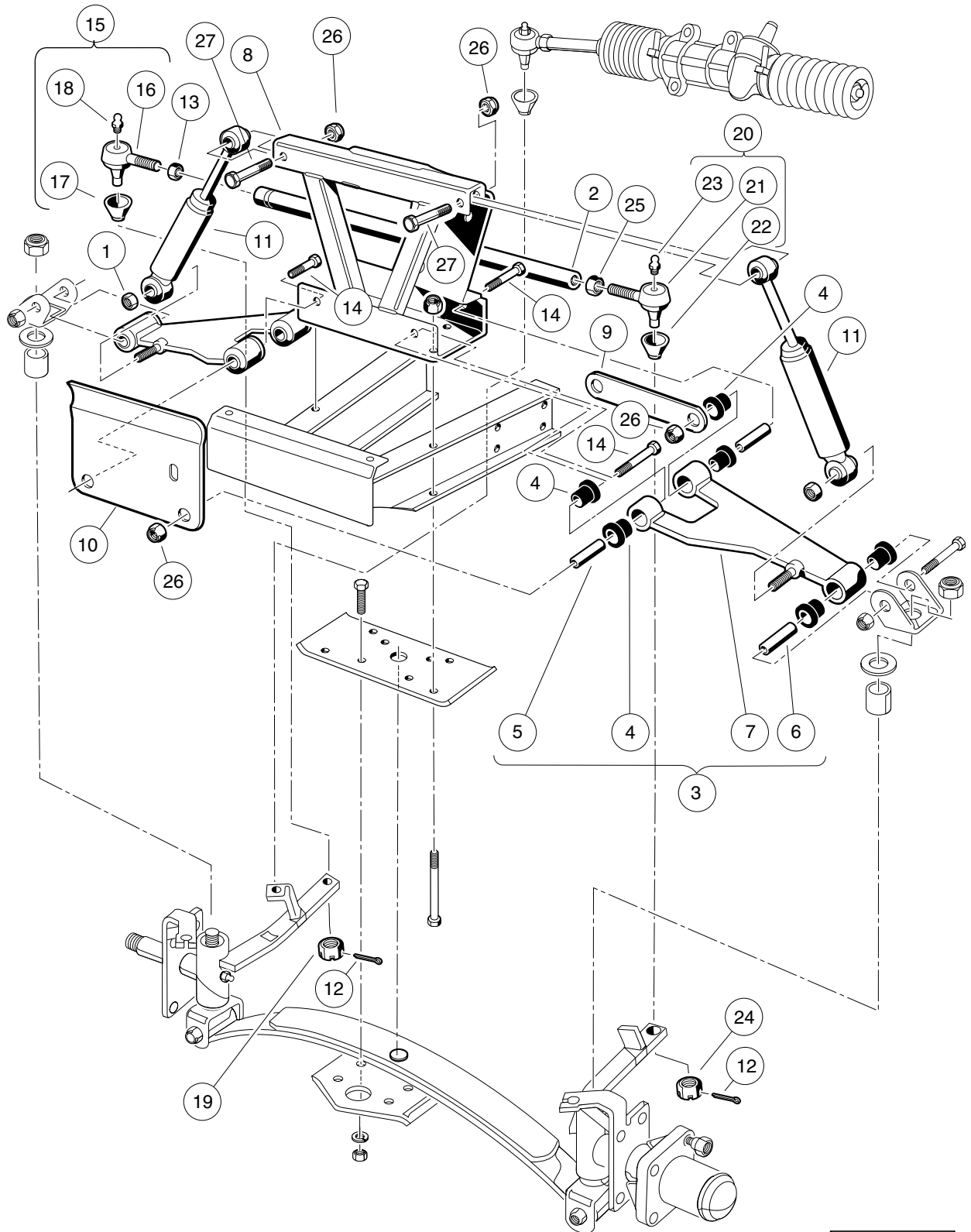
000311-001

# FRONT SUSPENSION, LOWER – VEHICLES WITH TWO-WHEEL BRAKES

ITEM	PART NO.	DESCRIPTION	QTY
		1 2 3 4	
1	<u>1010124</u>	Plate, Spring Mount .....	1
2	<u>1010150</u>	Bearing, Thrust .....	2
3	<u>1010200</u>	Bolt, 3/8-16 X 4.25 Hex Head .....	4
4	<u>1012030</u>	Spring, Front Leaf .....	1
5	<u>1012303</u>	Bushing, Steel .....	2
6	<u>1014276</u>	Plate, Front Spring Retainer .....	1
7	<u>1015583</u>	Bushing, Urethane .....	4
8	<u>1016384</u>	Clevis, Delta Upper .....	2
9	<u>1016386</u>	King Pin Assembly .....	2
10	<u>1016387</u>	Screw, 3/8-16 X 2.75 Hx Hd Cap .....	2
11	<u>1016389</u>	Washer, 1.125 Od Wave .....	2
12	<u>101903101</u>	Locknut, 1/2-20 Nylon Insert .....	2
13	<u>1624</u>	Screw, 3/8-16 X 1.50 Hex-Head Cap .....	4
14	<u>357</u>	Washer, Lock, Hel Sp 3/8 Reg .....	4
15	<u>706</u>	Nut, Hex 3/8-16 .....	5
16	<u>8745</u>	Screw, Eccentric Adjustment .....	1
17	<u>8754</u>	Locknut, 3/8-16 Hex .....	8
18	<u>8755</u>	Screw, 3/8-16 X 3.375 Hex Cap .....	2

**5**  
**G**  
**E**

**5**  
**G**  
**E**



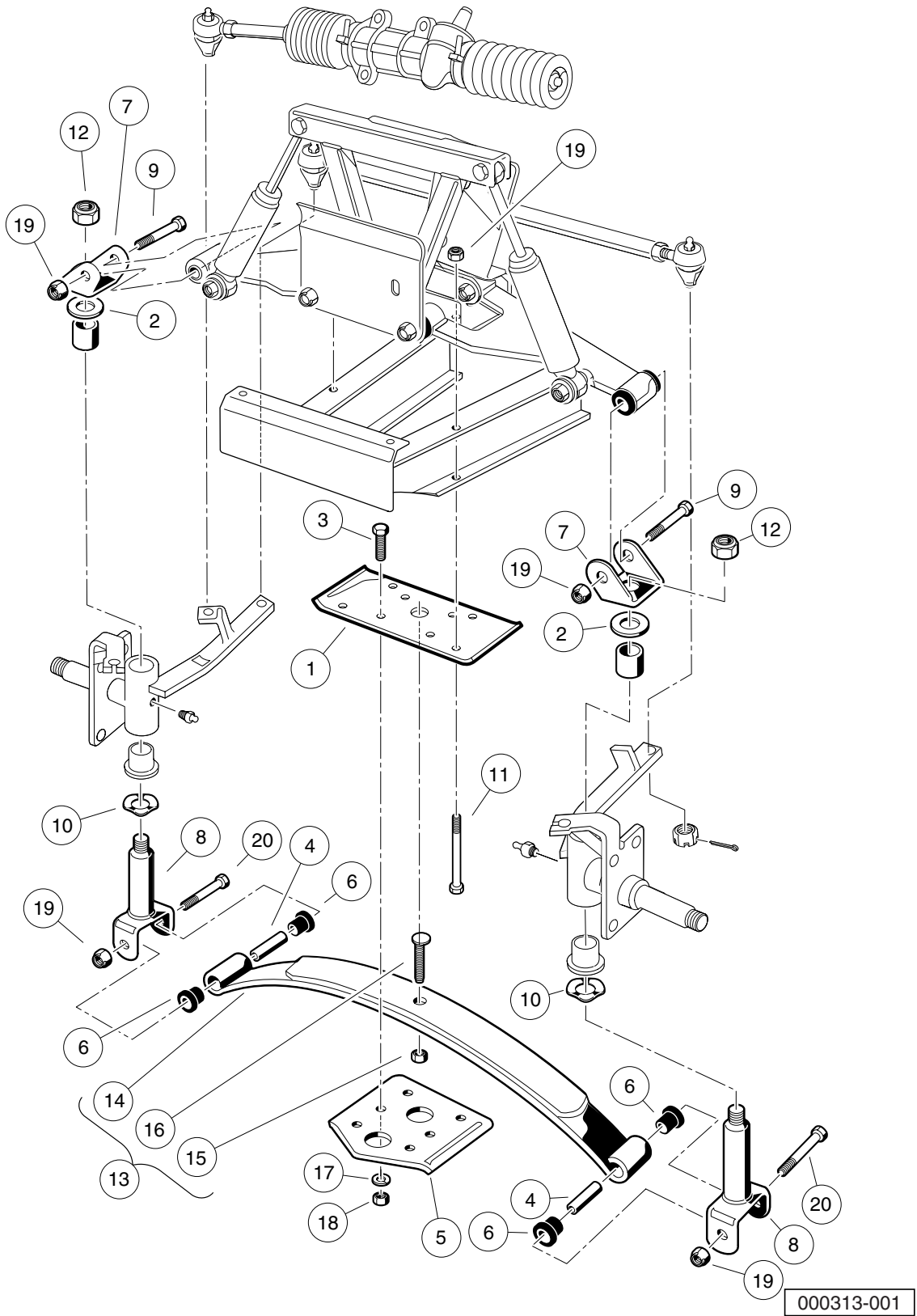
000314-001

# FRONT SUSPENSION, UPPER – TURF/CARRYALL 252 AND XRT 900

ITEM	PART NO.	DESCRIPTION	QTY
		1 2 3 4	
1	<u>1010138</u>	Locknut, 3/8-16 Dimpled .....	2
2	<u>1010219</u>	Tie Rod .....	1
3	<u>1016353</u>	Sub-Assembly, Delta A-Plate (includes items 4 through 7) .....	2
4	<u>1016346</u>	Bushing, Urethane .....	6
5	<u>1016349</u>	Sleeve, Delta Inner .....	2
6	<u>1016350</u>	Sleeve, Delta Outer .....	1
7	N/A	Delta A-Plate .....	1
8	<u>1016385</u>	Delta Shock and Gear Support Assembly .....	1
9	<u>1017266</u>	A-Plate Strap .....	1
10	<u>101955001</u>	Bracket, Brake Cable Guide .....	1
11	<u>103351001</u>	Shock Absorber, Front, Common .....	2
12	<u>1035</u>	Cotter Pin, 3/32 x 1 .....	2
13	<u>1308</u>	Nut, 1/2-20 Hex .....	1
14	<u>2402</u>	Screw, 3/8-16 X 2.25 Hx Hd Cap .....	4
15	<u>7539</u>	Ball Joint, Right-Hand (includes items 16 through 19) .....	1
16	N/A	Socket, RH Vertical .....	1
17	<u>1011930</u>	Seal, Vertical Socket Dust .....	1
18	<u>1015597</u>	Fitting, 1/4-28 Thread-Forming Grease .....	1
19	7602	Nut, 3/8-24 UNF Hex .....	1
20	<u>7540</u>	Ball Joint, Left (includes items 21 through 24) .....	1
21	N/A	Socket, LH Vertical .....	1
22	<u>1011930</u>	Seal, Vertical Socket Dust .....	1
23	<u>1015597</u>	Fitting, 1/4-28 Thread-Forming Grease .....	1
24	7602	Nut, 3/8-24 UNF Hex .....	1
25	<u>7555</u>	Nut, 1/2-20 Hex, Left-Hand Thread .....	1
26	<u>8754</u>	Locknut, 3/8-16 Hex .....	6
27	<u>8861</u>	Bolt, 3/8-16 X 1.75 Hex .....	2

5  
G  
E

**5**  
**G**  
**E**

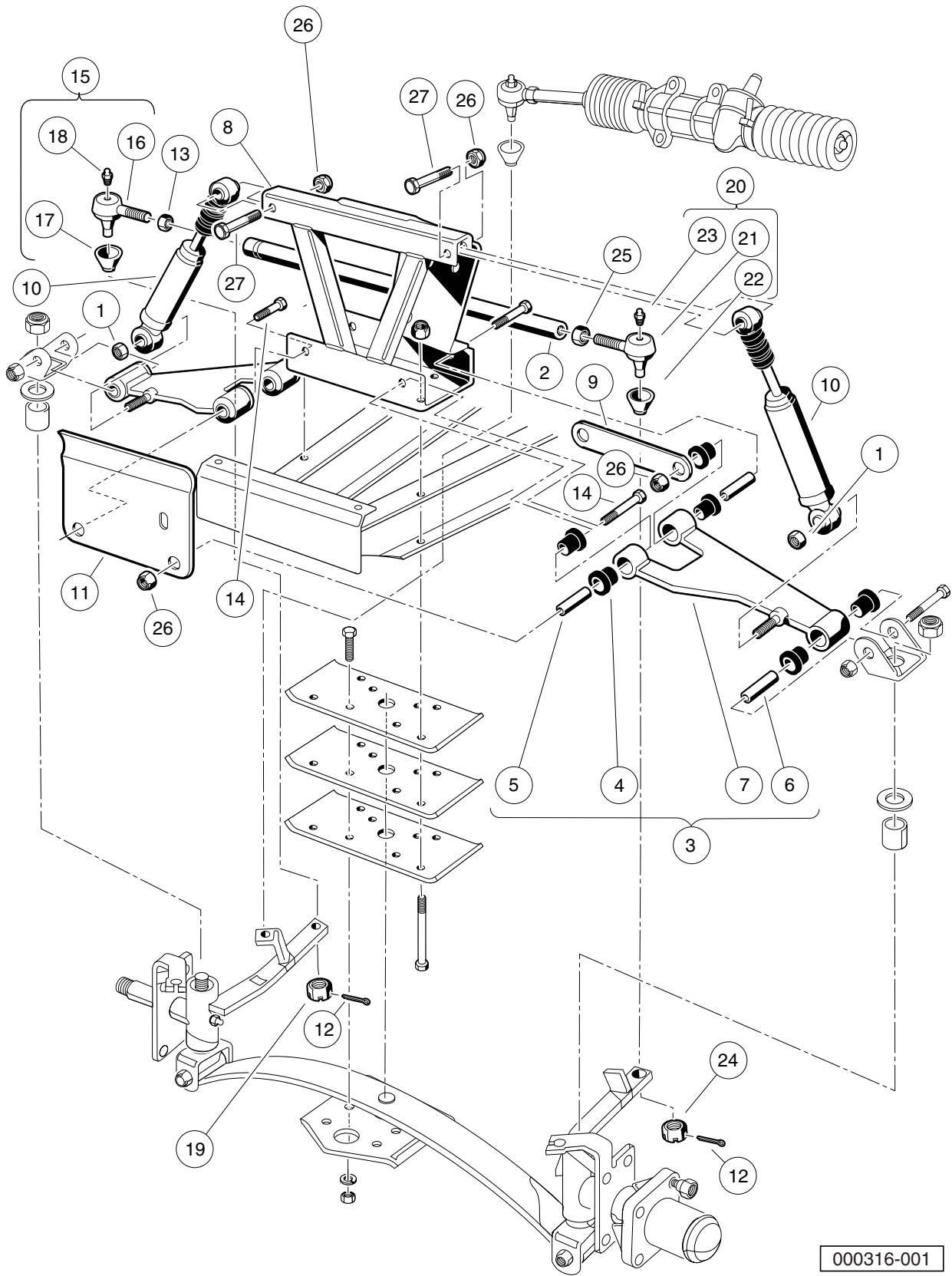


# FRONT SUSPENSION, LOWER – TURF/CARRYALL 252 AND XRT 900

ITEM	PART NO.	DESCRIPTION	QTY
		1 2 3 4	
1	<u>1010124</u>	Plate, Spring Mount .....	1
2	<u>1010150</u>	Bearing, Thrust .....	2
3	<u>1010177</u>	Bolt, 3/8-16 X 2.00 Hex Head .....	4
4	<u>1012303</u>	Bushing, Steel .....	2
5	<u>1014276</u>	Plate, Front Spring Retainer .....	1
6	<u>1015583</u>	Bushing, Urethane .....	4
7	<u>1016384</u>	Clevis, Delta Upper .....	2
8	<u>1016386</u>	King Pin Assembly .....	2
9	<u>1016387</u>	Screw, 3/8-16 X 2.75 Hx Hd Cap .....	2
10	<u>1016389</u>	Washer, 1.125 Od Wave .....	2
11	<u>101870501</u>	Screw, 3/8-16 X 4.75 Hx Hd Cap .....	4
12	<u>101903101</u>	Locknut, 1/2-20 Nylon Insert .....	2
13	<u>102004001</u>	Spring, Front (includes items 14 through 16) .....	1
14	N/A	Spring, Front Leaf .....	1
15	<u>706</u>	Nut, Hex 3/8-16 .....	1
16	<u>8745</u>	Screw, Eccentric Adjustment .....	1
17	<u>357</u>	Washer, Lock, Hel Sp 3/8 Reg .....	4
18	<u>706</u>	Nut, Hex 3/8-16 .....	4
19	<u>8754</u>	Locknut, 3/8-16 Hex .....	8
20	<u>8755</u>	Screw, 3/8-16 X 3.375 Hex Cap .....	2

5  
G  
E

**5**  
**G**  
**E**



000316-001

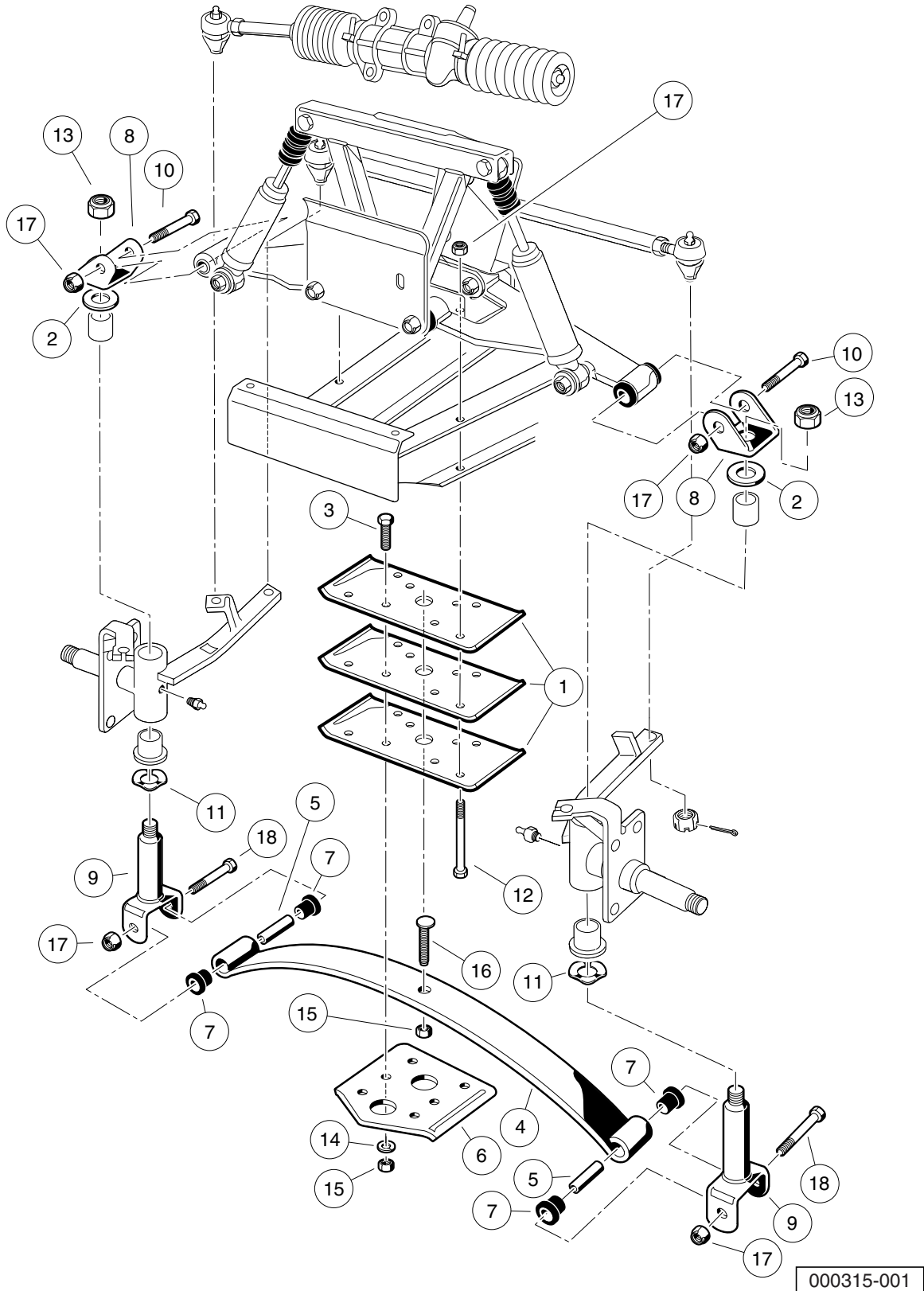


# FRONT SUSPENSION, UPPER – TURF/CARRYALL 2 AND 2 PLUS WITH FOUR-WHEEL BRAKES

ITEM	PART NO.	DESCRIPTION	QTY
		<b>1 2 3 4</b>	
1	<u>1010138</u>	Locknut, 3/8-16 Dimpled .....	2
2	<u>1010219</u>	Tie Rod .....	1
3	<u>1016353</u>	Sub-Assembly, Delta A-Plate (includes items 4 through 7) .....	2
4	<u>1016346</u>	Bushing, Urethane .....	6
5	<u>1016349</u>	Sleeve, Delta Inner .....	2
6	<u>1016350</u>	Sleeve, Delta Outer .....	1
7	N/A	Delta A-Plate .....	1
8	<u>1016385</u>	Delta Shock and Gear Support Assembly .....	1
9	<u>1017266</u>	A-Plate Strap .....	1
10	<u>101870601</u>	Shock Absorber, Front Utility .....	2
11	<u>101955001</u>	Bracket, Brake Cable Guide .....	1
12	<u>1035</u>	Cotter Pin, 3/32 x 1 .....	2
13	<u>1308</u>	Nut, 1/2-20 Hex .....	1
14	<u>2402</u>	Screw, 3/8-16 X 2.25 Hx Hd Cap .....	4
15	<u>7539</u>	Ball Joint, Right-Hand (includes items 16 through 19) .....	1
16	N/A	Socket, RH Vertical .....	1
17	<u>1011930</u>	Seal, Vertical Socket Dust .....	1
18	<u>1015597</u>	Fitting, 1/4-28 Thread-Forming Grease .....	1
19	7602	Nut, 3/8-24 UNF Hex .....	1
20	<u>7540</u>	Ball Joint, Left (includes items 21 through 24) .....	1
21	N/A	Socket, LH Vertical .....	1
22	<u>1011930</u>	Seal, Vertical Socket Dust .....	1
23	<u>1015597</u>	Fitting, 1/4-28 Thread-Forming Grease .....	1
24	7602	Nut, 3/8-24 UNF Hex .....	1
25	<u>7555</u>	Nut, 1/2-20 Hex, Left-Hand Thread .....	1
26	<u>8754</u>	Locknut, 3/8-16 Hex .....	6
27	<u>8861</u>	Bolt, 3/8-16 X 1.75 Hex .....	2

**5**  
**G**  
**E**

**5**  
**G**  
**E**



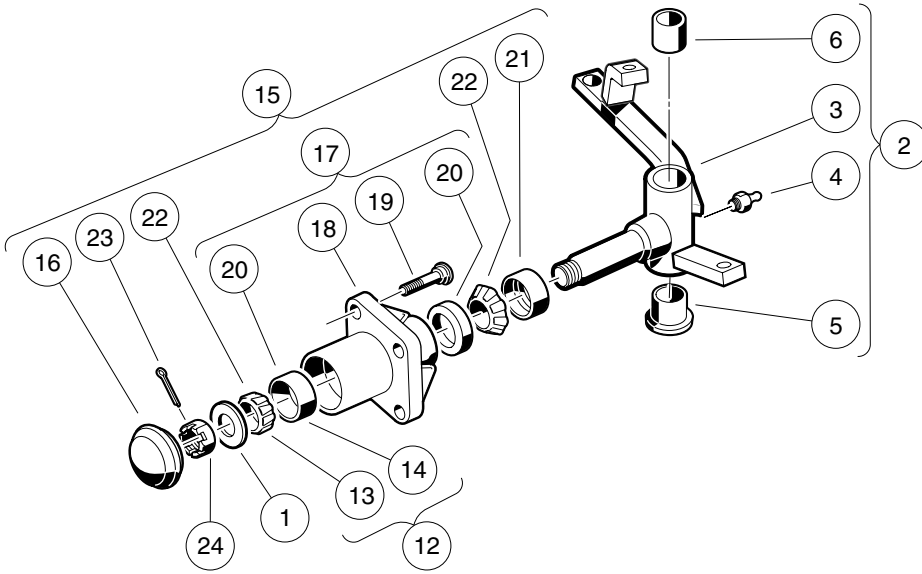
000315-001

# FRONT SUSPENSION, LOWER – TURF/CARRYALL 2 AND 2 PLUS WITH FOUR-WHEEL BRAKES

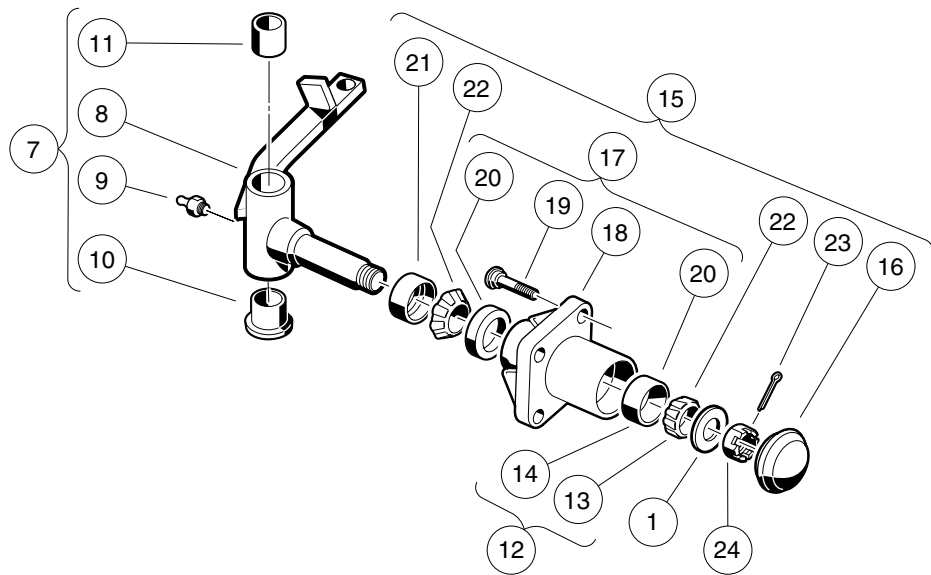
ITEM	PART NO.	DESCRIPTION	QTY
		1 2 3 4	
1	<u>1010124</u>	Plate, Spring Mount .....	3
2	<u>1010150</u>	Bearing, Thrust .....	2
3	<u>1010177</u>	Bolt, 3/8-16 X 2.00 Hex Head .....	4
4	<u>1012030</u>	Spring, Front Leaf .....	1
5	<u>1012303</u>	Bushing, Steel .....	2
6	<u>1014276</u>	Plate, Front Spring Retainer .....	1
7	<u>1015583</u>	Bushing, Urethane .....	4
8	<u>1016384</u>	Clevis, Delta Upper .....	2
9	<u>1016386</u>	King Pin Assembly .....	2
10	<u>1016387</u>	Screw, 3/8-16 X 2.75 Hx Hd Cap .....	2
11	<u>1016389</u>	Washer, 1.125 Od Wave .....	2
12	<u>101870501</u>	Screw, 3/8-16 X 4.75 Hx Hd Cap .....	4
13	<u>101903101</u>	Locknut, 1/2-20 Nylon Insert .....	2
14	<u>357</u>	Washer, Lock, Hel Sp 3/8 Reg .....	4
15	<u>706</u>	Nut, Hex 3/8-16 .....	5
16	<u>8745</u>	Screw, Eccentric Adjustment .....	1
17	<u>8754</u>	Locknut, 3/8-16 Hex .....	8
18	<u>8755</u>	Screw, 3/8-16 X 3.375 Hex Cap .....	2

**5**  
**G**  
**E**

PASSENGER SIDE



DRIVER SIDE



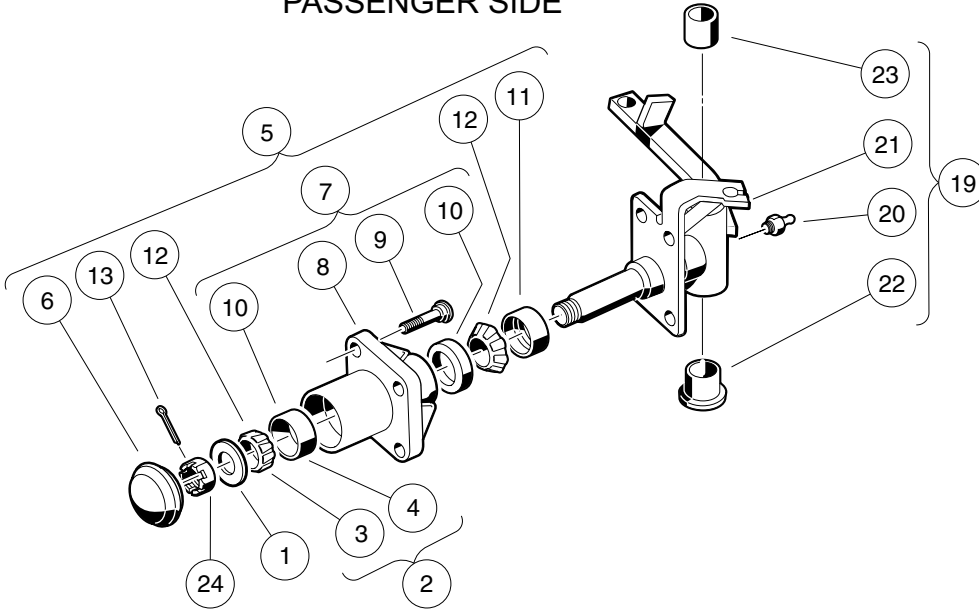
000310-001

## FRONT SPINDLES AND HUBS – VEHICLES WITH TWO-WHEEL BRAKES

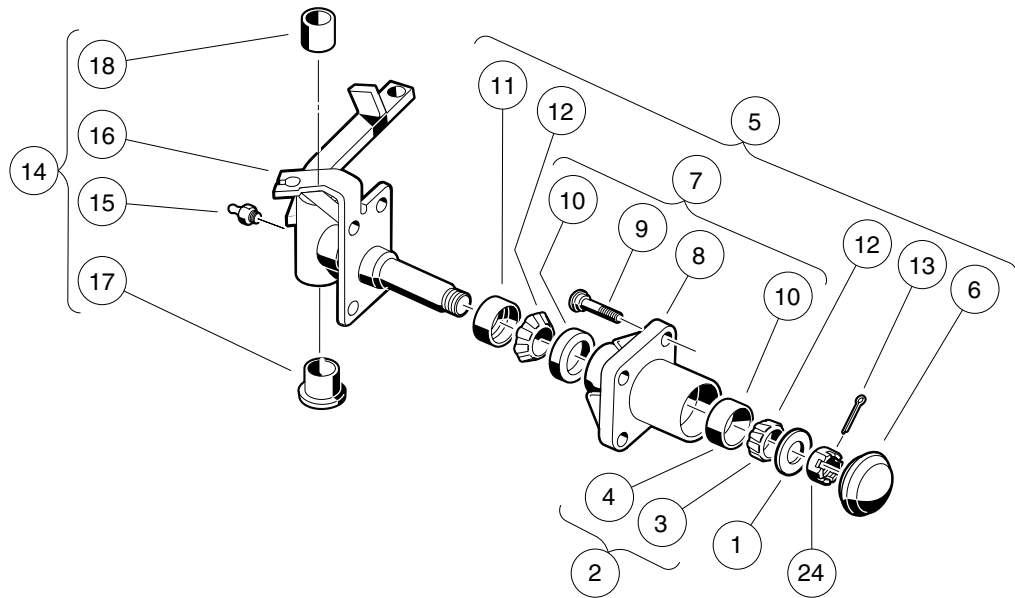
ITEM	PART NO.	DESCRIPTION	QTY
		<b>1 2 3 4</b>	
1	<u>1010005</u>	Washer, 3/4 Flat .....	2
2	<u>1010347</u>	Spindle Assembly, Right (includes items 3 through 6) .....	1
3	N/A	Spindle Sub-Assembly, Right-Hand .....	1
4	<u>1015597</u>	Fitting, 1/4-28 Thread-Forming Grease .....	1
5	<u>7048</u>	Bushing, Flanged Bronze .....	1
6	<u>8067</u>	Bushing, Bronze Spindle .....	1
7	<u>1010348</u>	Spindle Assembly, Left (includes items 8 through 11) .....	1
8	N/A	Spindle Sub-Assembly, Left-Hand .....	1
9	<u>1015597</u>	Fitting, 1/4-28 Thread-Forming Grease .....	1
10	<u>7048</u>	Bushing, Flanged Bronze .....	1
11	<u>8067</u>	Bushing, Bronze Spindle .....	1
12	<u>1011393</u>	Hub Bearing Package (includes items 13 and 14) .....	4
13	N/A	Bearing, Front Hub Wheel .....	1
14	N/A	Race, Front Hub Bearing .....	1
15	<u>1011892</u>	Hub Assembly (includes items 16 through 23) .....	2
16	<u>1011887</u>	Dust Cover .....	1
17	N/A	Hub (includes items 18 through 20) .....	1
18	N/A	Front Hub .....	1
19	N/A	50-20 Lug Stud .....	4
20	N/A	Race, Front Hub Bearing .....	2
21	<u>1013135</u>	Seal, Double Lip .....	1
22	N/A	Bearing, Front Hub Wheel .....	2
23	<u>7910</u>	Pin, 5/32 X 1.00 Cotter .....	1
24	<u>7840</u>	Nut, 3/4-16 Hex Slotted .....	2

**5**  
**G**  
**E**

PASSENGER SIDE



DRIVER SIDE

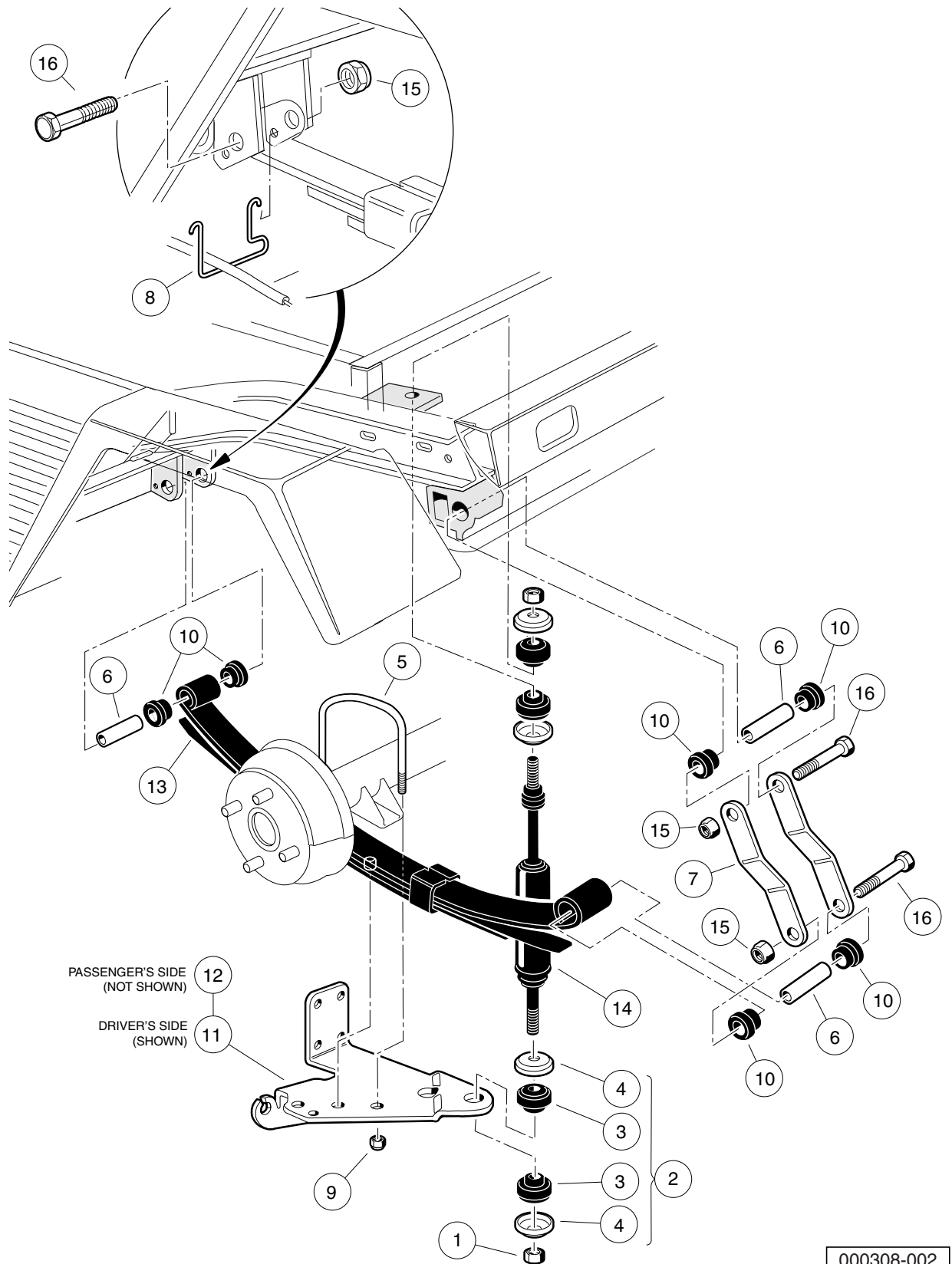


000310-002

## FRONT SPINDLES AND HUBS – VEHICLES WITH FOUR-WHEEL BRAKES

ITEM	PART NO.	DESCRIPTION	QTY	<b>5</b>
		<b>1 2 3 4</b>		<b>G</b>
1	<u>1010005</u>	Washer, 3/4 Flat .....	2	<b>E</b>
2	<u>1011393</u>	Hub Bearing Package (includes items 3 and 4) .....	4	
3	N/A	Bearing, Front Hub Wheel .....	1	
4	N/A	Race, Front Hub Bearing .....	1	
5	<u>1011892</u>	Hub Assembly (includes items 6 through 13) .....	2	
6	<u>1011887</u>	Dust Cover .....	1	
7	N/A	Hub (includes items 8 through 10) .....	1	
8	N/A	Front Hub .....	1	
9	N/A	50-20 Lug Stud .....	4	
10	N/A	Race, Front Hub Bearing .....	2	
11	<u>1013135</u>	Seal, Double Lip .....	1	
12	N/A	Bearing, Front Hub Wheel .....	2	
13	<u>7910</u>	Pin, 5/32 X 1.00 Cotter .....	1	
14	101876901	Spindle Assembly Left (includes items 15 through 18) .....	1	
15	<u>1015597</u>	Fitting, 1/4-28 Thread-Forming Grease .....	1	
16	N/A	Spindle Assembly, Left .....	1	
17	<u>7048</u>	Bushing, Flanged Bronze .....	1	
18	<u>8067</u>	Bushing, Bronze Spindle .....	1	
19	<u>101877001</u>	Spindle Assembly Right (includes items 20 through 23) .....	1	
20	<u>1015597</u>	Fitting, 1/4-28 Thread-Forming Grease .....	1	
21	N/A	Spindle Assembly, Right .....	1	
22	<u>7048</u>	Bushing, Flanged Bronze .....	1	
23	<u>8067</u>	Bushing, Bronze Spindle .....	1	
24	<u>7840</u>	Nut, 3/4-16 Hex Slotted .....	2	

**5**  
**G**  
**E**



000308-002

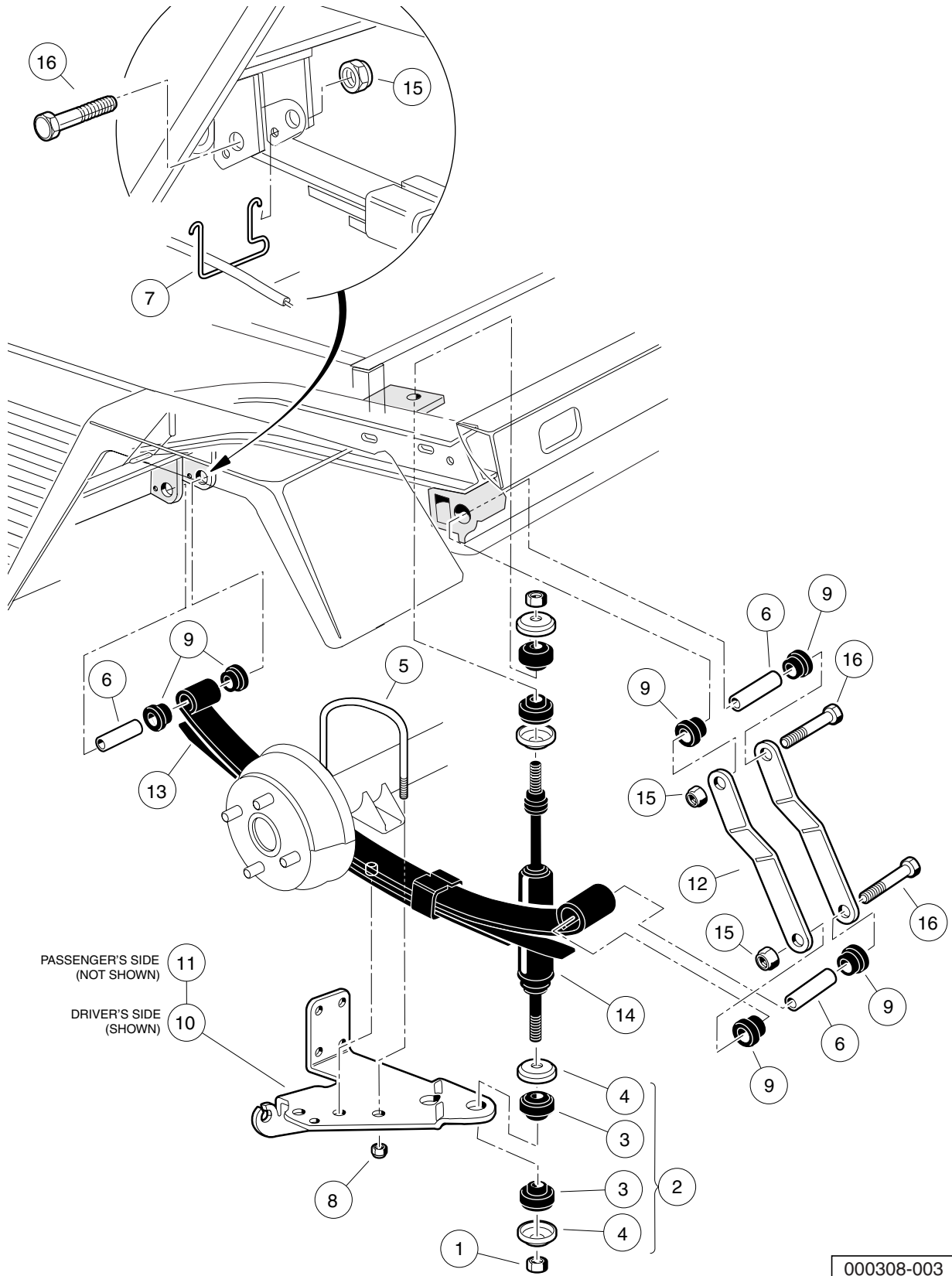


# REAR SUSPENSION – GASOLINE TURF/CARRYALL 2 AND CARRYALL 2 PLUS

ITEM	PART NO.	DESCRIPTION	QTY
		1 2 3 4	
1	<u>1010145</u>	Nut, 3/8-24 Hex .....	4
2	<u>1011415</u>	Kit, Shock Absorber Cushion (includes items 3 and 4) .....	4
3	N/A	Cushion, Shock Absorber .....	2
4	N/A	Retainer, Shock Absorber Cushion .....	2
5	<u>1012180</u>	U-Bolt .....	2
6	<u>1012303</u>	Bushing, Steel .....	6
7	<u>1012304</u>	Shackle, Rear Spring .....	4
8	<u>1013207</u>	Hanger, Brake Cable .....	2
9	<u>1014555</u>	Locknut, 7/16-14 Nylon Insert .....	4
10	<u>1015583</u>	Bushing, Urethane .....	12
11	<u>101926501</u>	Bracket, Left-Hand .....	1
12	<u>101929401</u>	Bracket, Right .....	1
13	<u>102871801</u>	Spring, Multi Leaf .....	2
14	<u>103350901</u>	Shock Absorber, Rear, Utility .....	2
15	<u>8754</u>	Locknut, 3/8-16 Hex .....	6
16	<u>8755</u>	Screw, 3/8-16 X 3.375 Hex Cap .....	6
<p>Note: Only the driver-side rear suspension is shown. Parts for the passenger-side rear suspension are identical except for the leaf spring/shock mounting plate.</p>			

5  
G  
E

**5**  
**G**  
**E**



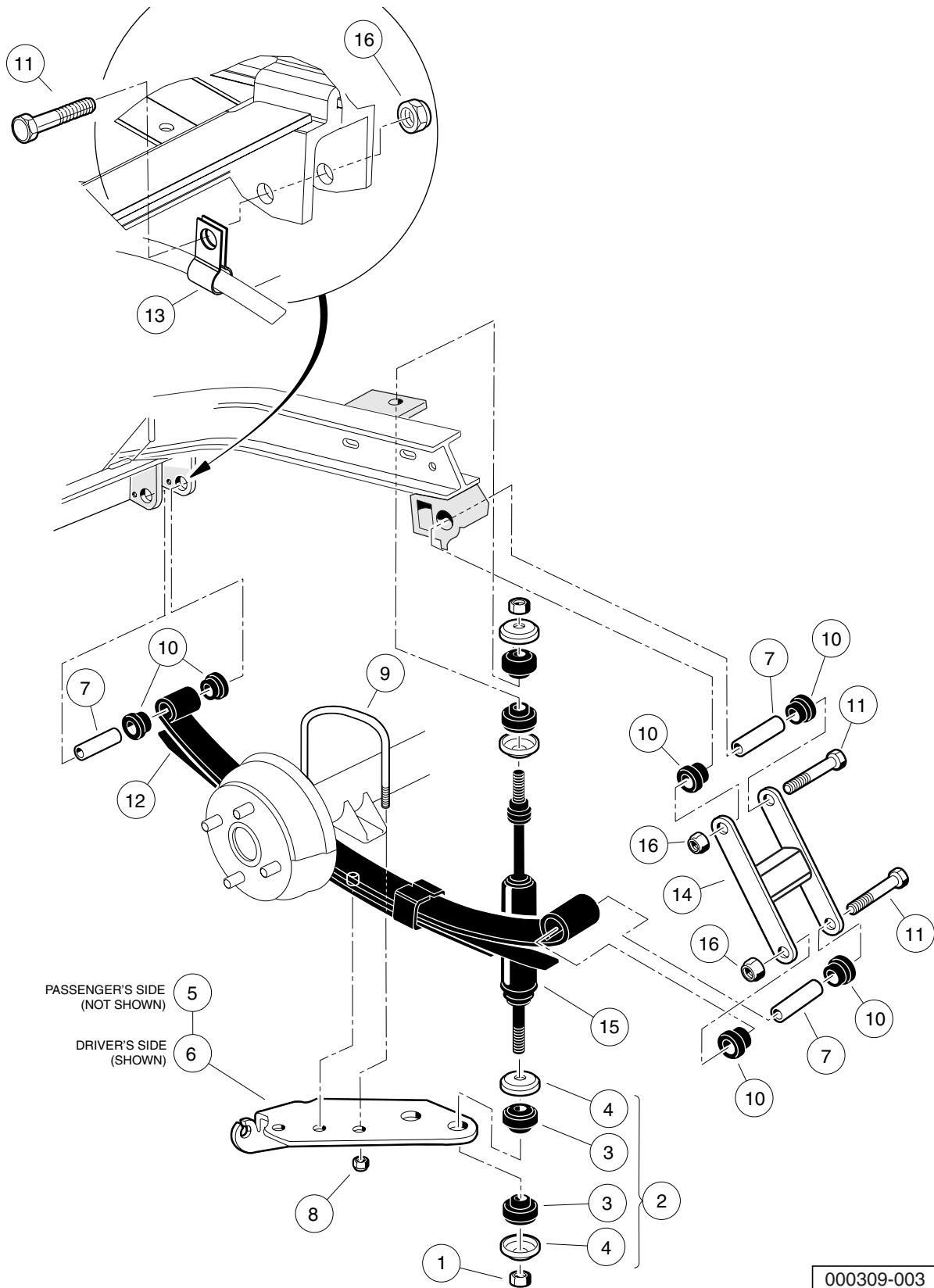
000308-003

## REAR SUSPENSION – GASOLINE TURF/ CARRYALL 252 AND XRT 900

ITEM	PART NO.	DESCRIPTION	QTY
		1 2 3 4	
1	<u>1010145</u>	Nut, 3/8-24 Hex .....	4
2	<u>1011415</u>	Kit, Shock Absorber Cushion (includes items 3 and 4) .....	4
3	N/A	Cushion, Shock Absorber .....	2
4	N/A	Retainer, Shock Absorber Cushion .....	2
5	<u>1012180</u>	U-Bolt .....	2
6	<u>1012303</u>	Bushing, Steel .....	6
7	<u>1013207</u>	Hanger, Brake Cable .....	2
8	<u>1014555</u>	Locknut, 7/16-14 Nylon Insert .....	4
9	<u>1015583</u>	Bushing, Urethane .....	12
10	<u>101926501</u>	Bracket, Left-Hand .....	1
11	<u>101929401</u>	Bracket, Right .....	1
12	<u>102004201</u>	Rear Spring Shackle .....	4
13	<u>102871801</u>	Spring, Multi Leaf .....	2
14	<u>103351101</u>	Shock, Absorber, Utility .....	2
15	<u>8754</u>	Locknut, 3/8-16 Hex .....	6
16	<u>8755</u>	Screw, 3/8-16 X 3.375 Hex Cap .....	6
<p>Note: Only the driver-side rear suspension is shown. Parts for the passenger-side rear suspension are identical except for the leaf spring/shock mounting plate.</p>			

5  
G  
E

**5**  
**G**  
**E**

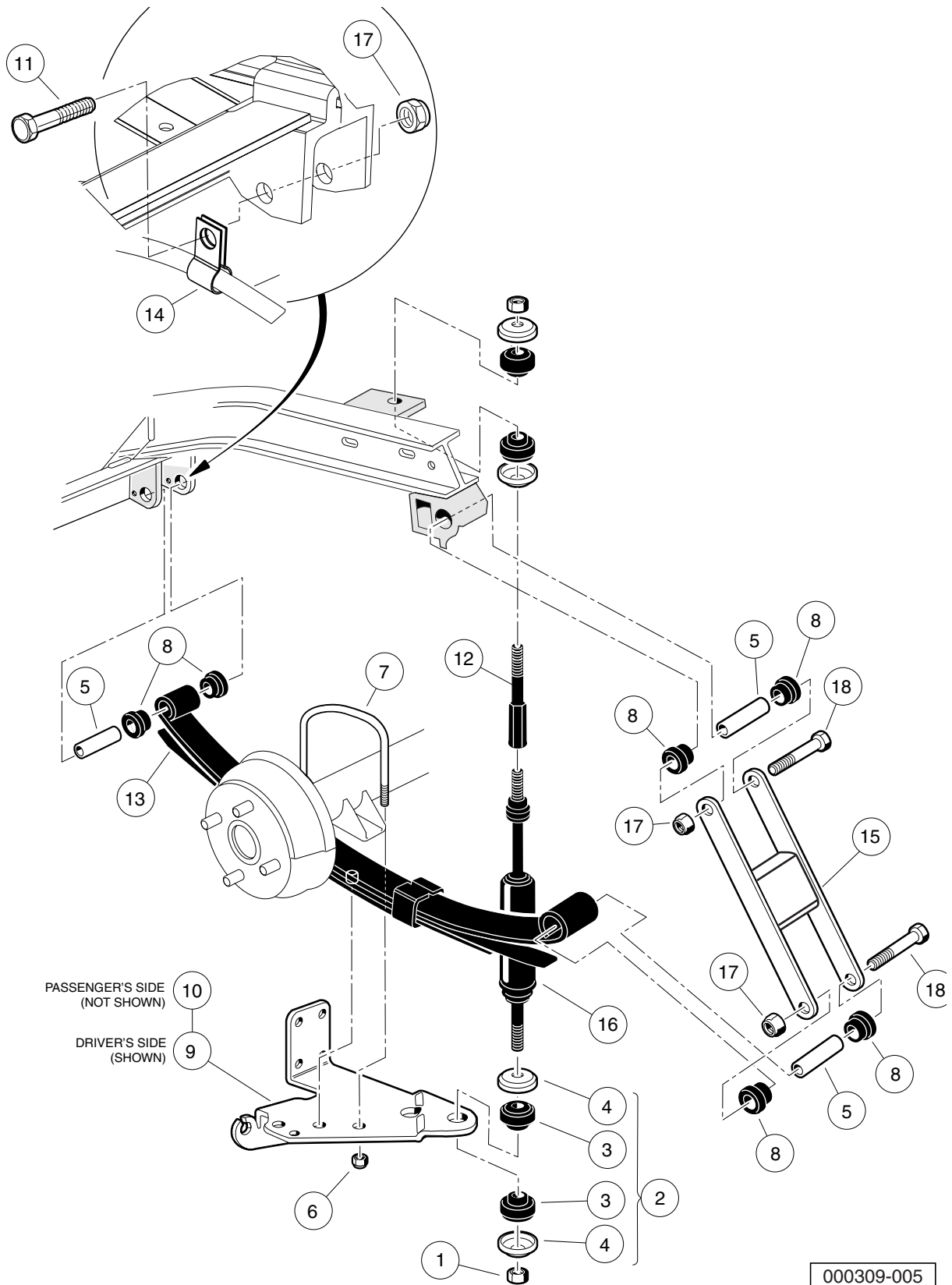


# REAR SUSPENSION – TURF/CARRYALL 2 IQ PLUS VEHICLES

ITEM	PART NO.	DESCRIPTION	QTY
		1 2 3 4	
1	<u>1010145</u>	Nut, 3/8-24 Hex .....	4
2	<u>1011415</u>	Kit, Shock Absorber Cushion (includes items 3 and 4) .....	4
3	N/A	Cushion, Shock Absorber .....	2
4	N/A	Retainer, Shock Absorber Cushion .....	2
5	1012181	Bracket, Shock Mounting, Right (Passenger) .....	1
6	1012182	Bracket, Shock Mounting, Left (Driver) .....	1
7	<u>1012303</u>	Bushing, Steel .....	6
8	<u>1014555</u>	Locknut, 7/16-14 Nylon Insert .....	4
9	<u>1014902</u>	U-Bolt .....	2
10	<u>1015583</u>	Bushing, Urethane .....	12
11	<u>102066201</u>	Screw, 3/8-16 X 3.50 Hex Cap .....	6
12	<u>102871801</u>	Spring, Multi Leaf .....	2
13	<u>102891101</u>	Clamp, Cable, Brake, Sym .....	2
14	<u>102917101</u>	Weldment, Shackle .....	2
15	<u>103351101</u>	Shock, Absorber, Utility .....	2
16	<u>8754</u>	Locknut, 3/8-16 Hex .....	6
<p>Note: Only the driver-side rear suspension is shown. Parts for the passenger-side rear suspension are identical except for the leaf spring/shock mounting plate.</p>			

5  
G  
E

**5**  
**G**  
**E**

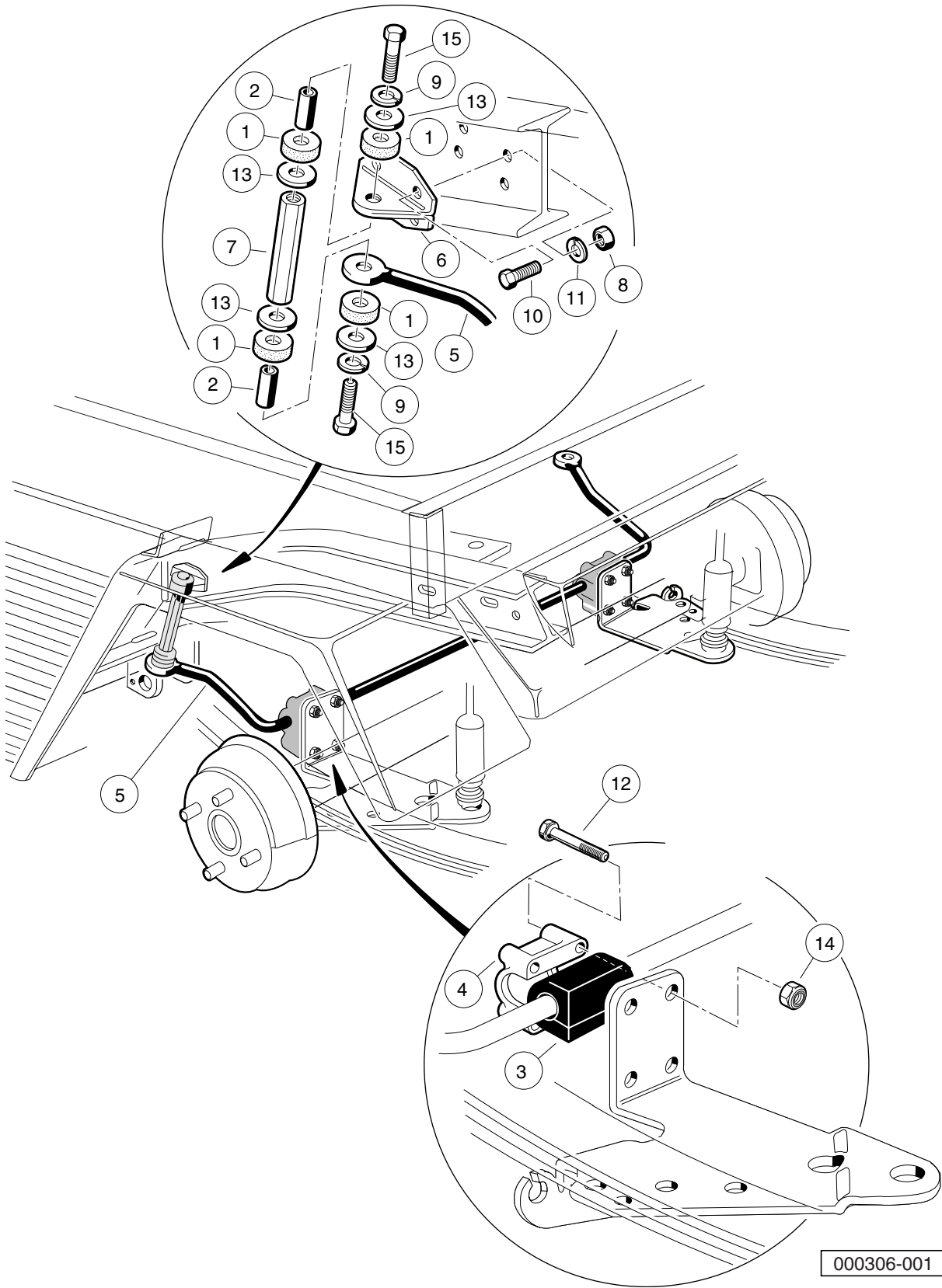


# REAR SUSPENSION – TURF/CARRYALL 252 AND XRT 900 IQ PLUS VEHICLES

ITEM	PART NO.	DESCRIPTION	QTY
		1 2 3 4	
1	<u>1010145</u>	Nut, 3/8-24 Hex .....	4
2	<u>1011415</u>	Kit, Shock Absorber Cushion (includes items 3 and 4) .....	4
3	N/A	Cushion, Shock Absorber .....	2
4	N/A	Retainer, Shock Absorber Cushion .....	2
5	<u>1012303</u>	Bushing, Steel .....	6
6	<u>1014555</u>	Locknut, 7/16-14 Nylon Insert .....	4
7	<u>1014902</u>	U-Bolt .....	2
8	<u>1015583</u>	Bushing, Urethane .....	12
9	<u>101926501</u>	Bracket, Left-Hand .....	1
10	<u>101929401</u>	Bracket, Right .....	1
11	<u>102066201</u>	Screw, 3/8-16 X 3.50 Hex Cap .....	2
12	<u>102399001</u>	Shock Extension .....	2
13	<u>102871801</u>	Spring, Multi Leaf .....	2
14	<u>102891101</u>	Clamp, Cable, Brake, Sym .....	2
15	<u>103324801</u>	Weldment, Shackle, 10.0 .....	2
16	<u>103351101</u>	Shock, Absorber, Utility .....	2
17	<u>8754</u>	Locknut, 3/8-16 Hex .....	6
18	<u>8755</u>	Screw, 3/8-16 X 3.375 Hex Cap .....	4
<p>Note: Only the driver-side rear suspension is shown. Parts for the passenger-side rear suspension are identical except for the leaf spring/shock mounting plate.</p>			

5  
G  
E

**5**  
**G**  
**E**



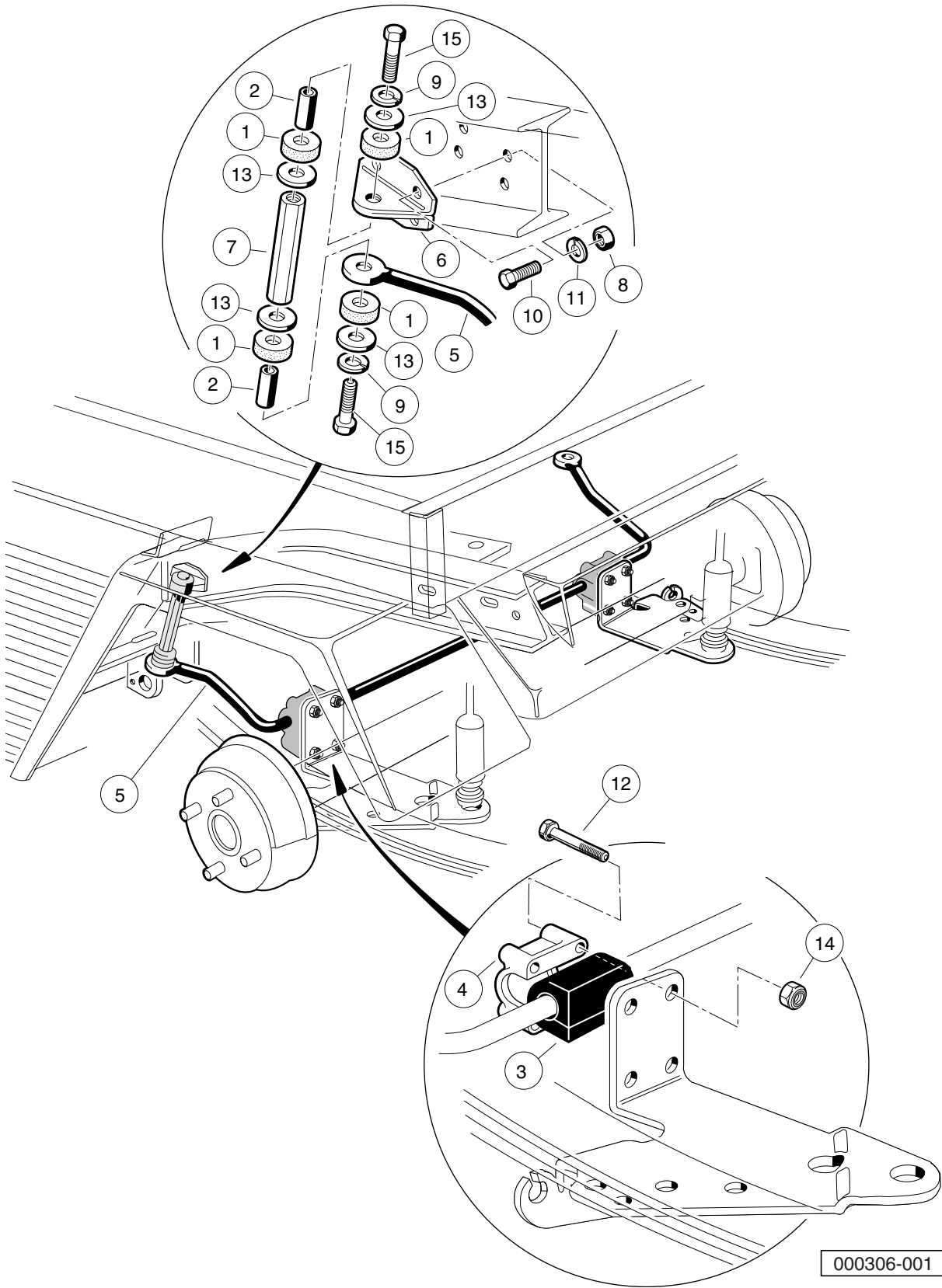
000306-001



# STABILIZER BAR – TURF/CARRYALL 2 AND CARRYALL 2 PLUS GASOLINE VEHICLES

ITEM	PART NO.	DESCRIPTION	QTY	
		1 2 3 4		<b>5</b>
1	<u>1015453</u>	Compression Mount .....	8	<b>G</b>
2	<u>1015457</u>	Spacer, 0.720" .....	4	<b>E</b>
3	<u>1015613</u>	Bushing, Stabilizer Bar .....	2	
4	<u>1015614</u>	Support, Bushing .....	2	
5	<u>1015760</u>	Stabilizer Bar .....	1	
6	<u>1016813</u>	Mounting Bracket, Stabilizer Bar .....	2	
7	<u>1016814</u>	Link, Stabilizer Bar .....	2	
8	<u>1242</u>	Nut, 5/16-18 Hex .....	8	
9	<u>357</u>	Washer, Lock, Hel Sp 3/8 Reg .....	4	
10	<u>7173</u>	Screw, 5/16-18 X 0.75 Hex-Head Cap .....	8	
11	<u>7174</u>	Lockwasher, 5/16 Split .....	8	
12	<u>7311</u>	Screw, 1/4-20 X 2.00 Hex-Head Cap .....	8	
13	<u>808</u>	Washer, 3/8 Type B Flat .....	8	
14	<u>8233</u>	Locknut, 1/4-20 Nylon Insert .....	8	
15	<u>8861</u>	Bolt, 3/8-16 X 1.75 Hex .....	4	
<p>Note: Only the driver side of the stabilizer bar is shown. Parts for the passenger side of the stabilizer bar are identical.</p>				

**5**  
**G**  
**E**



000306-001

# STABILIZER BAR – GASOLINE TURF/CARRYALL 252 AND XRT 900

ITEM	PART NO.	DESCRIPTION	QTY
		1 2 3 4	
1	<u>1015453</u>	Compression Mount .....	8
2	<u>1015457</u>	Spacer, 0.720" .....	4
3	<u>1015613</u>	Bushing, Stabilizer Bar .....	2
4	<u>1015614</u>	Support, Bushing .....	2
5	<u>1015760</u>	Stabilizer Bar .....	1
6	<u>1016813</u>	Mounting Bracket, Stabilizer Bar .....	2
7	<u>102004901</u>	Link, Stabilizer Bar .....	2
8	<u>1242</u>	Nut, 5/16-18 Hex .....	8
9	<u>357</u>	Washer, Lock, Hel Sp 3/8 Reg .....	4
10	<u>7173</u>	Screw, 5/16-18 X 0.75 Hex-Head Cap .....	8
11	<u>7174</u>	Lockwasher, 5/16 Split .....	8
12	<u>7311</u>	Screw, 1/4-20 X 2.00 Hex-Head Cap .....	8
13	<u>808</u>	Washer, 3/8 Type B Flat .....	8
14	<u>8233</u>	Locknut, 1/4-20 Nylon Insert .....	8
15	<u>8861</u>	Bolt, 3/8-16 X 1.75 Hex .....	4
<p>Note: Only the driver side of the stabilizer bar is shown. Parts for the passenger side of the stabilizer bar are identical.</p>			

5  
G  
E

**5**

**G**

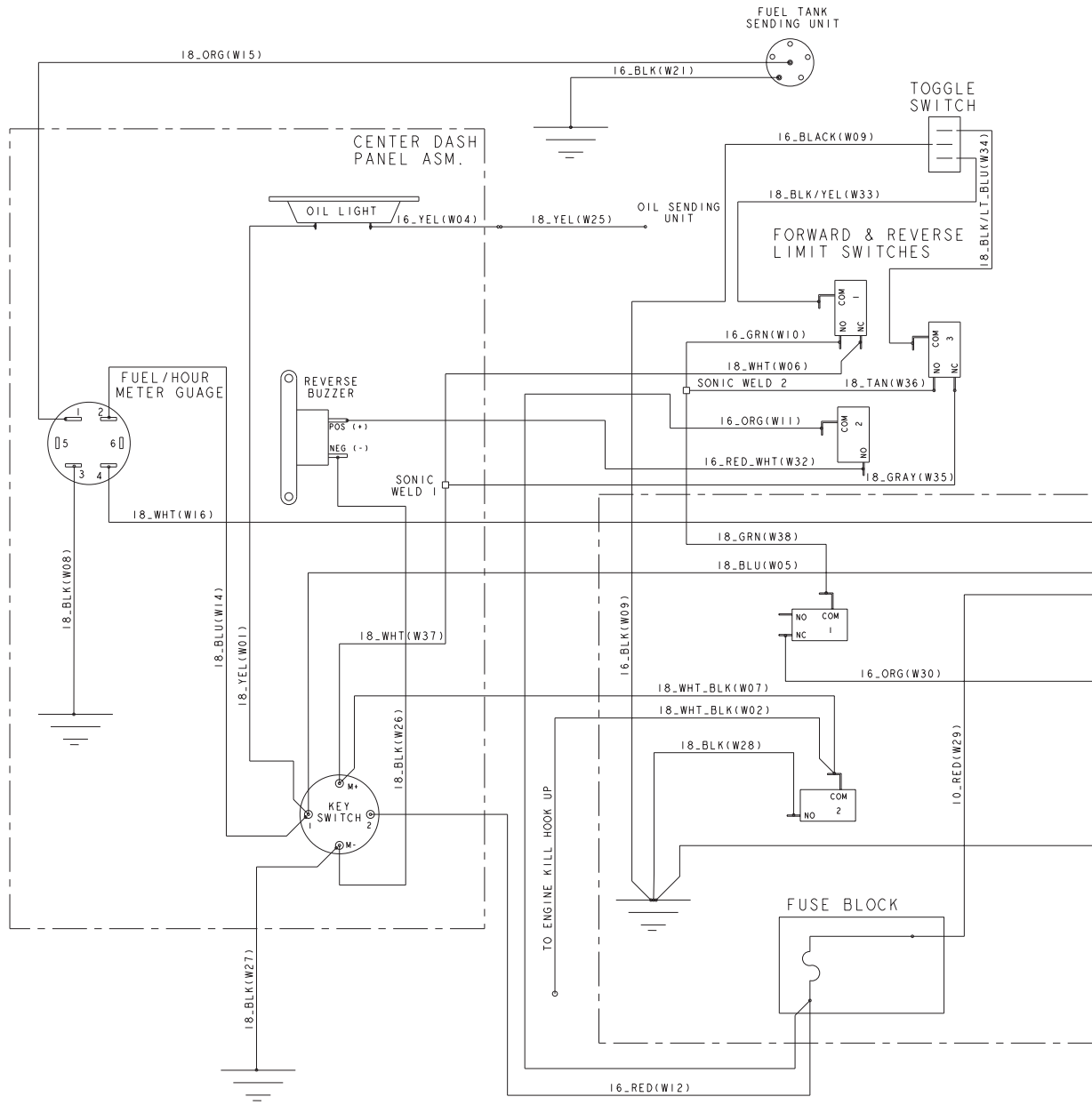
**E**

# ELECTRICAL SYSTEM – GASOLINE VEHICLE

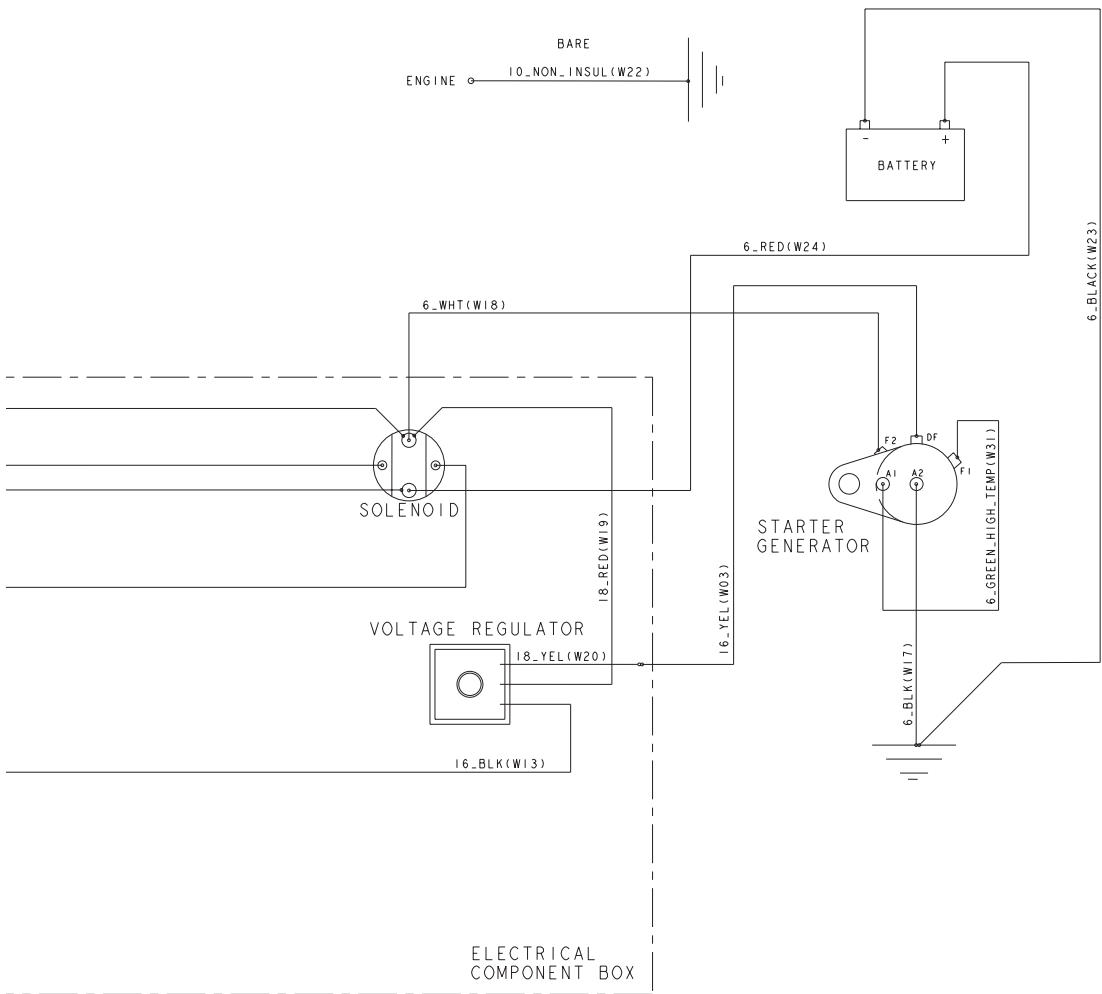
---

6

G



000594-001



000594-001

**6**

**G**

See previous two pages for illustration.

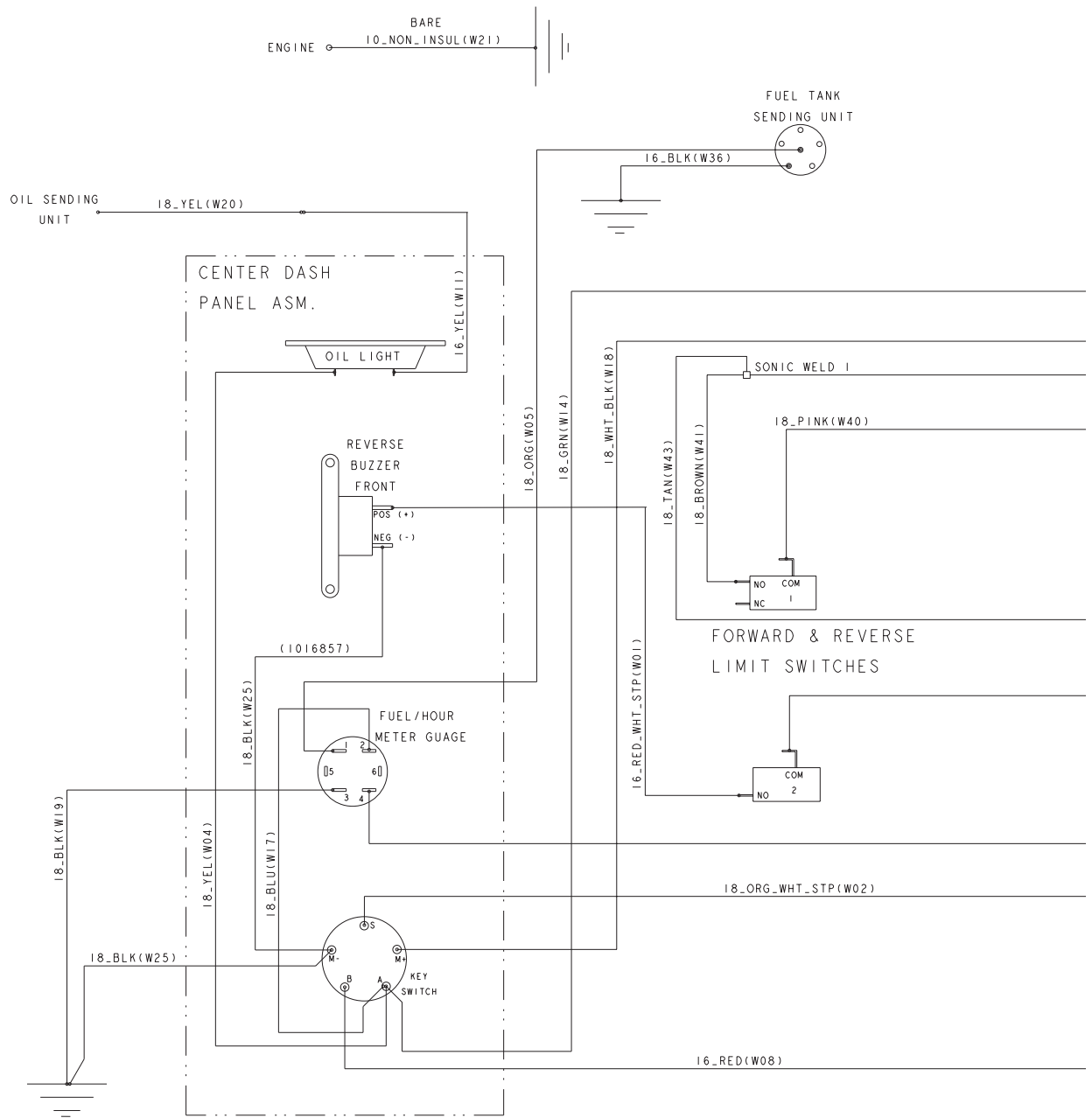


# WIRING – TURF/CARRYALL 2 AND 252

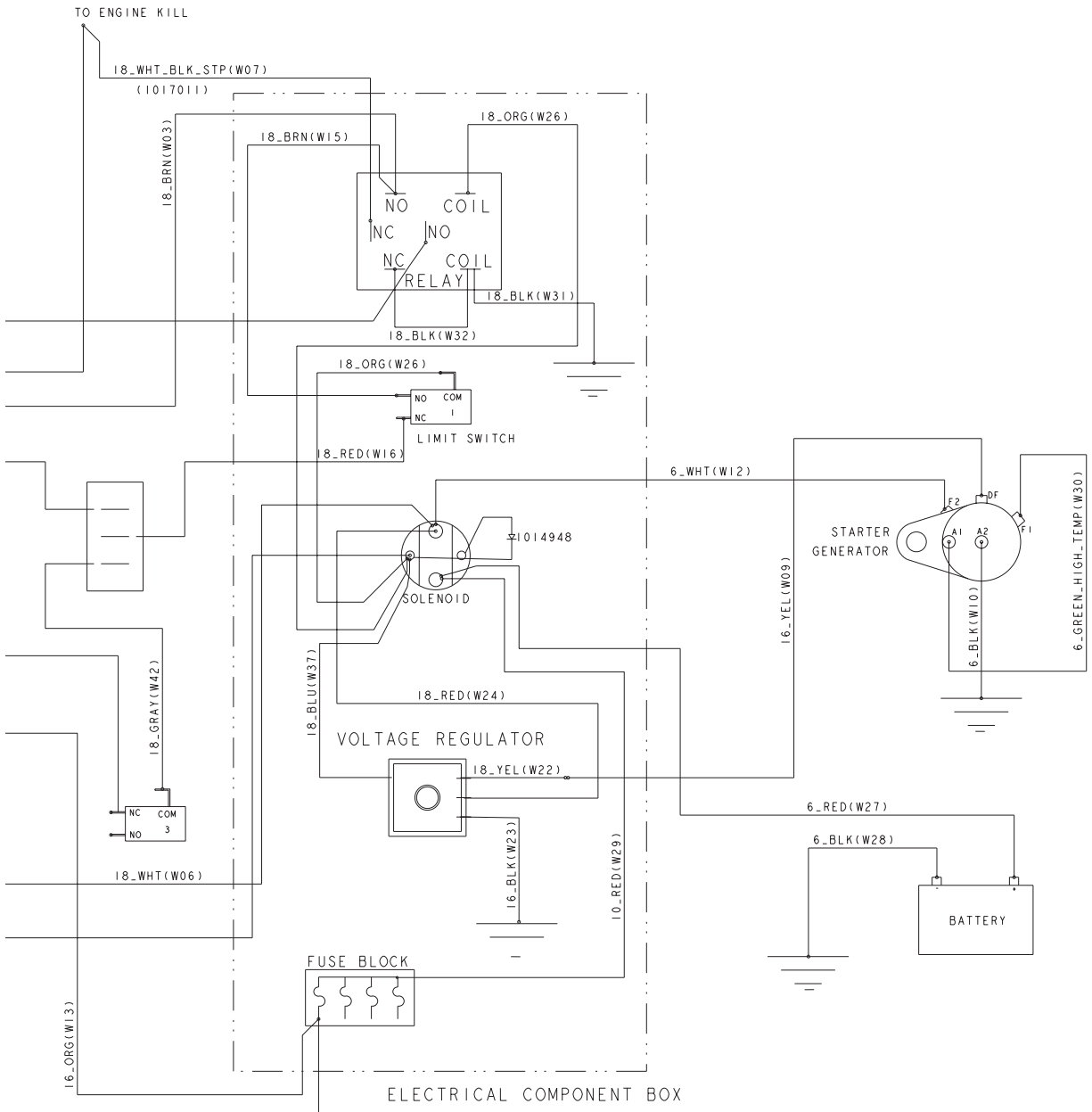
ITEM	PART NO.	DESCRIPTION	QTY
1	<u>103197101</u>	<p>1 2 3 4</p> <p>Asm, Wire Harness, Carryall 2, Gas .....</p>	1

6

G



000595-001



000595-001

**6**

**G**

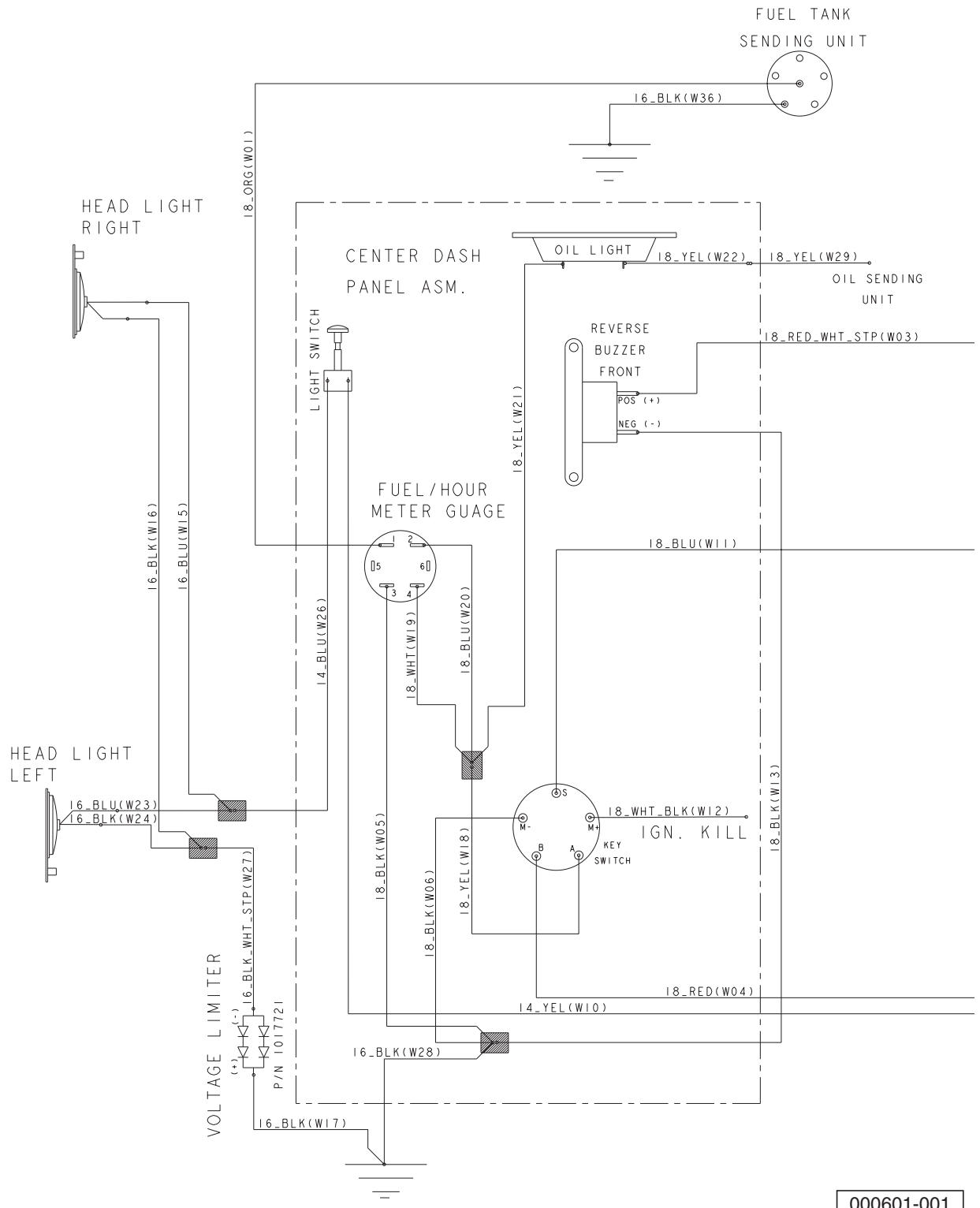
See previous two pages for illustration.

# WIRING – CARRYALL 2 PLUS

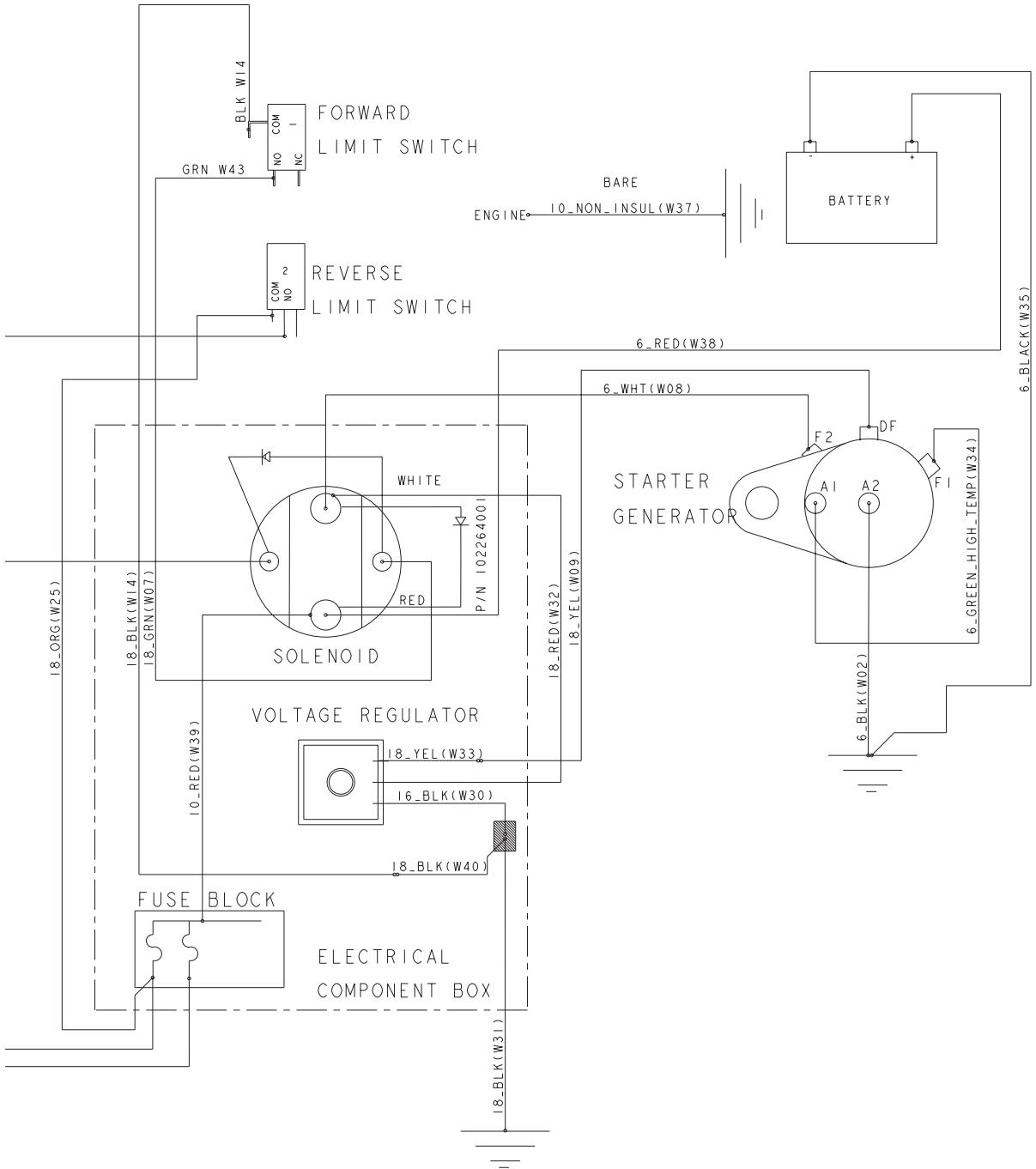
ITEM	PART NO.	DESCRIPTION	QTY
1	<u>103198001</u>	<p>1 2 3 4</p> <p>Asm, Wire Harness, Carryall 2 Plus .....</p>	1

6

G



000601-001



000601-001

**6**

**G**

See previous two pages for illustration.



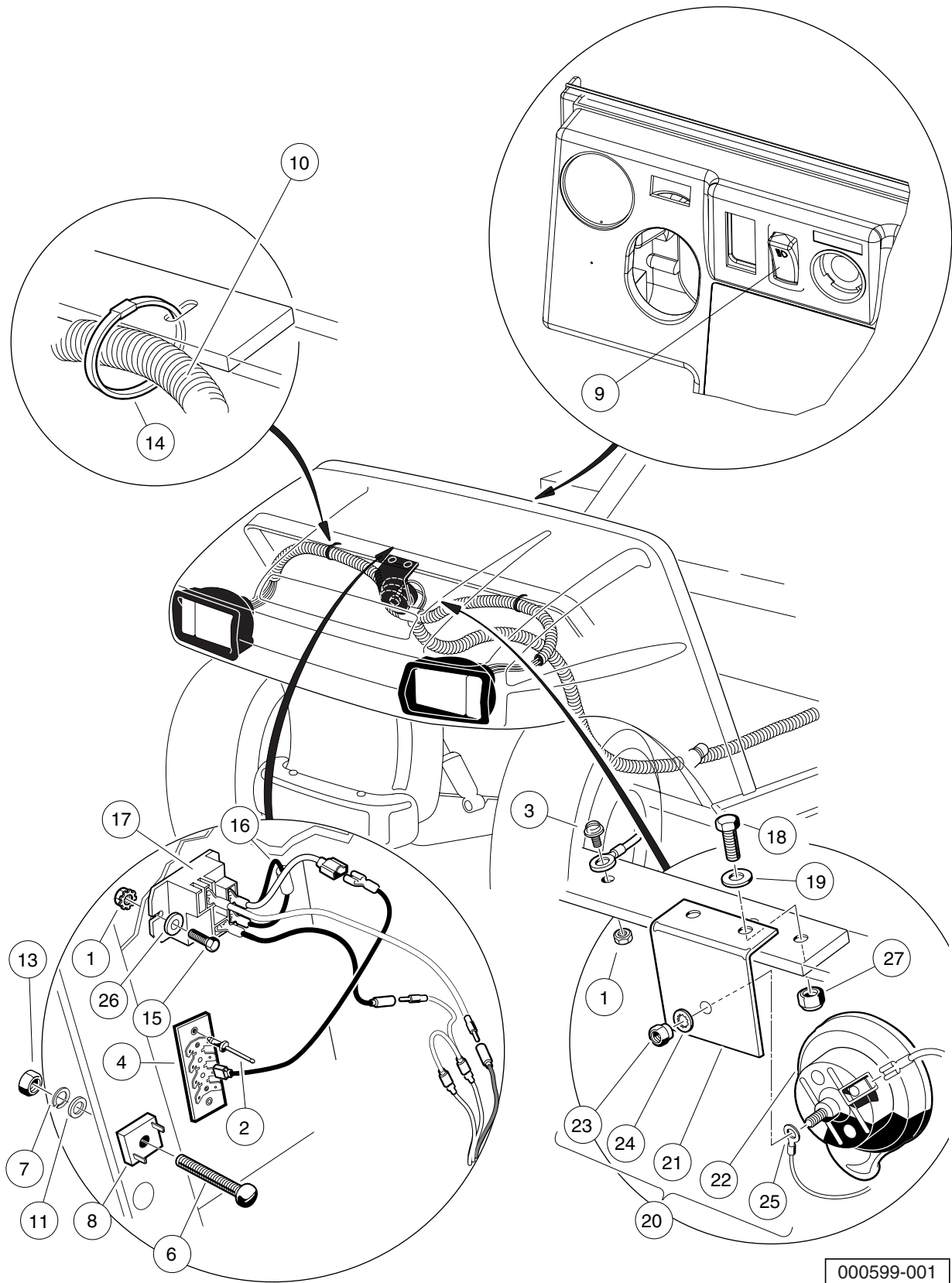
# WIRING – XRT 900

ITEM	PART NO.	DESCRIPTION	QTY
1	<u>103198101</u>	1 2 3 4 Asm, Wire Harness, CA XRT .....	1

6

G

**6**  
**G**



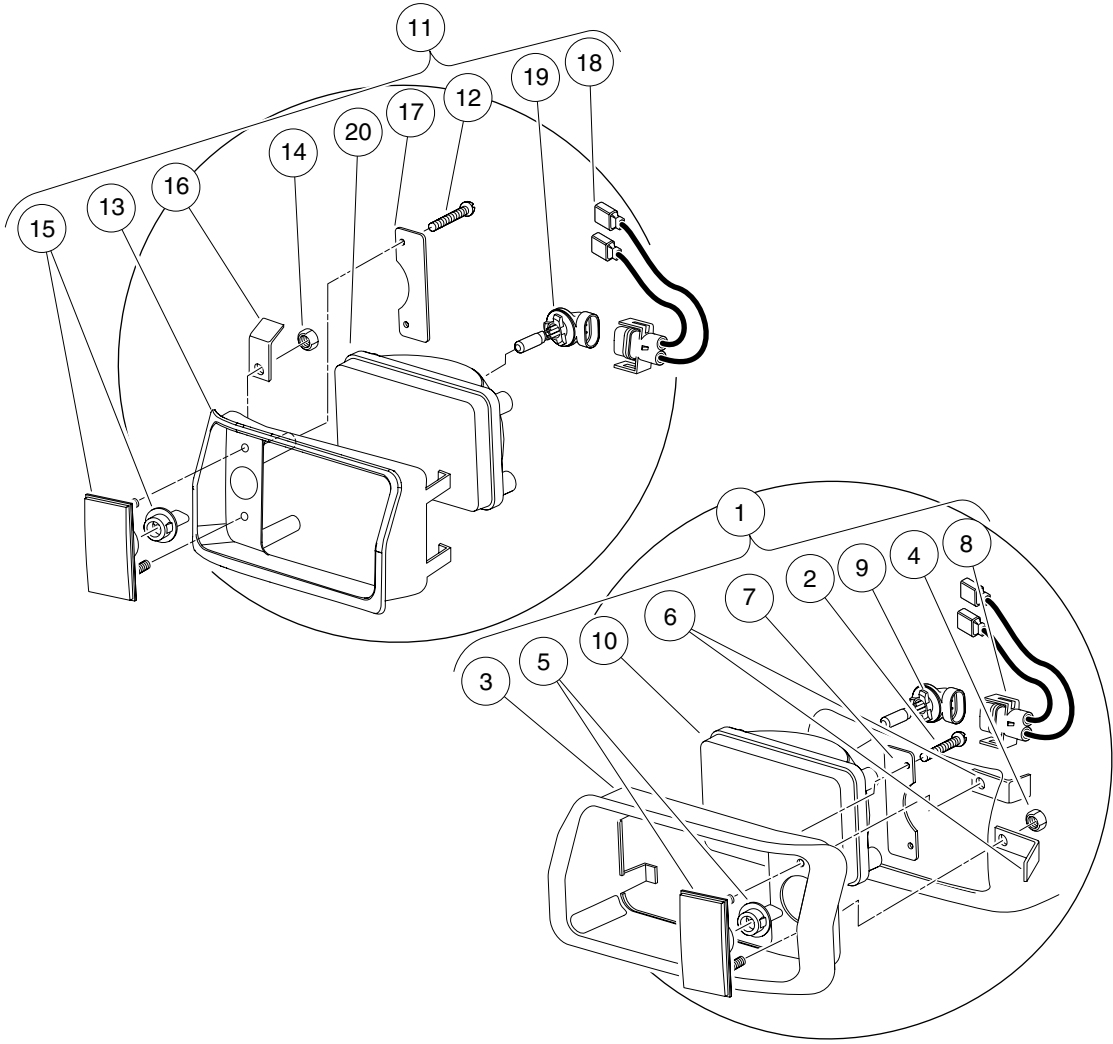
000599-001

# HEADLIGHT AND HORN ELECTRICAL COMPONENTS

ITEM	PART NO.	DESCRIPTION	QTY
		1 2 3 4	
1	<u>1011229</u>	Locknut, #6-32 Whiz .....	3
2	<u>1013357</u>	Rivet, 5/32 Aluminum Pop .....	2
3	<u>1015720</u>	Screw, #6-32 X 1/2 Hex Washer-Head .....	1
4	<u>1016356</u>	Terminal Block with Insulator .....	1
5	N/A	Headlight Instl-gas Golf (includes items 6 through 14) .....	1
6	<u>1010909</u>	Screw, #10-32 X 1.25 Rd Hd Mch .....	1
7	<u>1016</u>	Washer, #10 Split Lock .....	1
8	<u>1017721</u>	Limiter, Voltage .....	1
9	<u>102869401</u>	Switch, Rocker, Light .....	1
10	<u>103255601</u>	Wire Harness, Hd Lght, Ca, Gas .....	1
11	<u>183</u>	Washer, #10 Type A Flat .....	1
12	<u>7473</u>	Locknut, 5/16-18 Nylon Insert .....	1
13	<u>7893</u>	Nut, #10-32 Hex .....	1
14	<u>8990</u>	Tie Wrap, 8" Nylon .....	12
15	<u>1017853</u>	Screw, #6-32 X 0.75 Hex-Head Machine .....	2
16	101914401	Assembly, Voltage Suppressor .....	1
17	<u>102199001</u>	Relay, 12-Volt .....	1
18	304	Screw, 1/4-20 X 1.0 Hex-Head Cap .....	2
19	<u>332</u>	Washer, 1/4 Type A Narrow Flat .....	2
20	<u>4029</u>	Horn (includes items 21 through 25) .....	1
21	<u>1011825</u>	Horn Bracket .....	1
22	N/A	Horn, 12-VDC .....	1
23	<u>101955101</u>	Nut, M6 Hex .....	1
24	<u>7820</u>	Washer, 5/16 Internal-Tooth .....	1
25	N/A	5/16 Ring Term. ....	1
26	<u>7591</u>	Washer, #6 Flat .....	2
27	<u>8233</u>	Locknut, 1/4-20 Nylon Insert .....	2

**6**

**G**

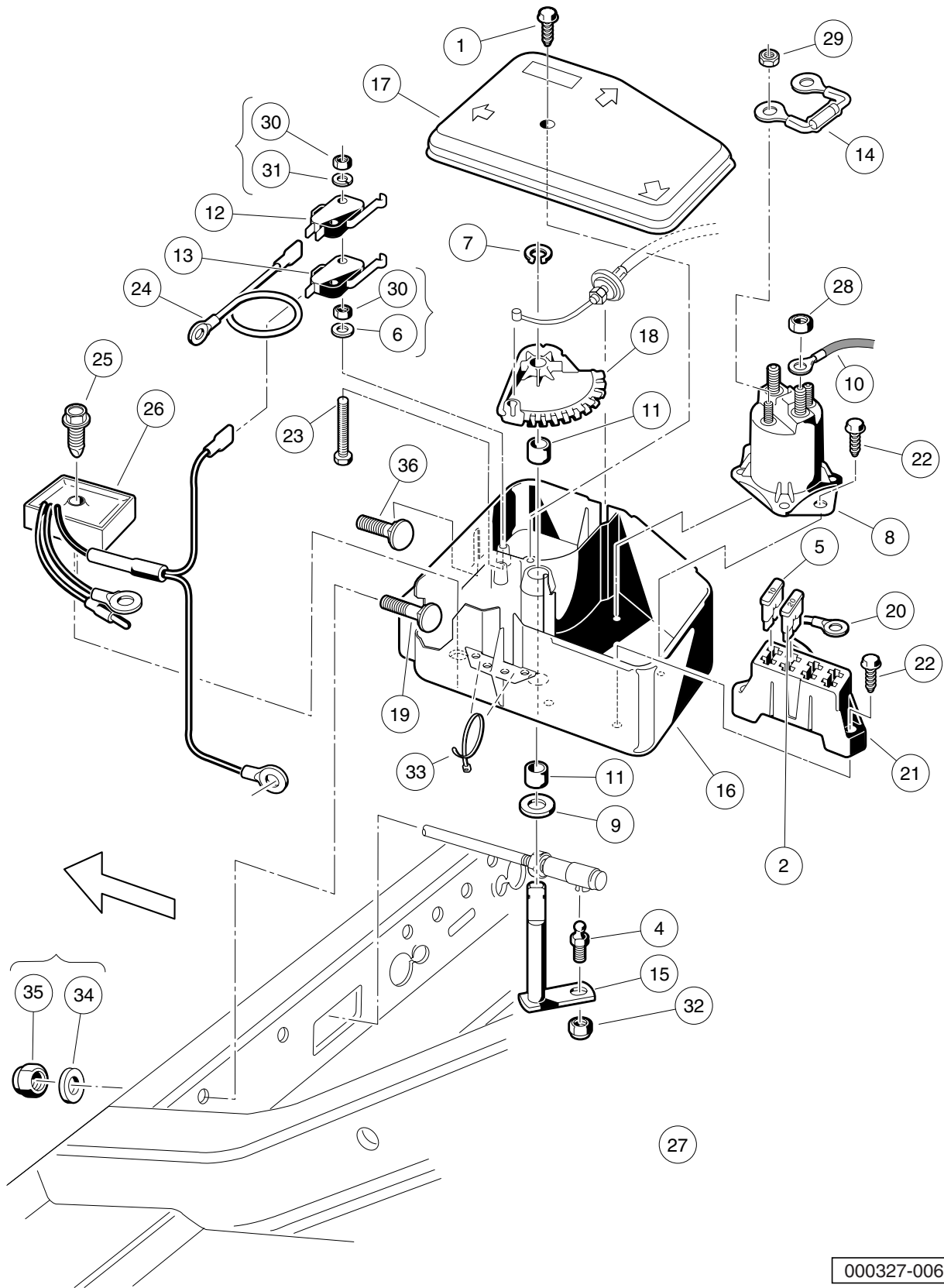


000073-001

# HEADLIGHTS

ITEM	PART NO.	DESCRIPTION	QTY
		<b>1 2 3 4</b>	
1	<u>101988001</u>	Headlight Assembly, Driver-Side Single Beam (includes items 2 through 10) .....	1
2	<u>1013461</u>	Screw, #10-16 Hex-Head Hi-Lo .....	2
3	<u>1016880</u>	Headlight Bezel, Left .....	1
4	<u>1017</u>	Nut, #10-24 Stainless-Steel Hex Machine .....	2
5	<u>1017062</u>	Turn Signal Lens Assy .....	1
6	<u>1017064</u>	Mounting Bracket .....	2
7	<u>1017065</u>	Retainer, Headlight .....	1
8	<u>101987901</u>	Connector Harness Assembly, Headlight .....	1
9	<u>101988101</u>	Bulb, Headlight .....	1
10	<u>101988201</u>	Lens, Headlight .....	1
11	<u>101988002</u>	Headlight Assy, Passenger-Side Single Beam (includes items 12 through 20) .....	1
12	<u>1013461</u>	Screw, #10-16 Hex-Head Hi-Lo .....	2
13	<u>1016879</u>	Headlight Bezel, Right .....	1
14	<u>1017</u>	Nut, #10-24 Stainless-Steel Hex Machine .....	2
15	<u>1017062</u>	Turn Signal Lens Assy .....	1
16	<u>1017064</u>	Mounting Bracket .....	2
17	<u>1017065</u>	Retainer, Headlight .....	1
18	<u>101987901</u>	Connector Harness Assembly, Headlight .....	1
19	<u>101988101</u>	Bulb, Headlight .....	1
20	<u>101988201</u>	Lens, Headlight .....	1

**6**  
**G**



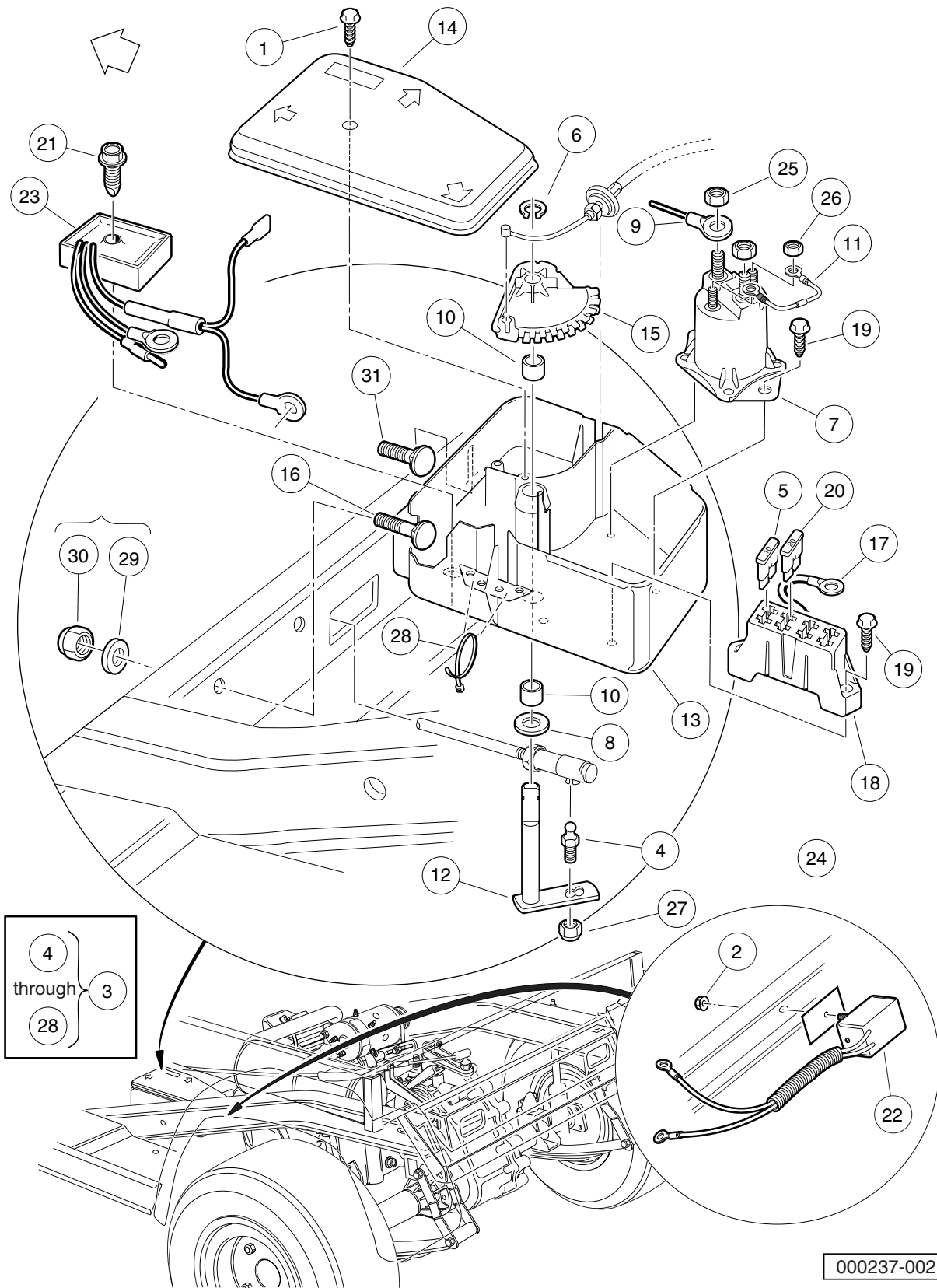
000327-006

# ELECTRICAL COMPONENT BOX – TURF/CARRYALL 2, AND 252

ITEM	PART NO.	DESCRIPTION	QTY
		1 2 3 4	
1	<u>1015752</u>	Screw, #12-16 X 0.625 Hi-Lo .....	1
2	<u>1016423</u>	Fuse, 20-Amp .....	1
3	N/A	Asm, Electrical Component Box (includes items 4 through 33) .....	1
4	<u>1010954</u>	Stud, 1/4-28 X 0.560 Ball .....	1
5	<u>1012295</u>	Fuse, 10-Amp .....	1
6	<u>1012431</u>	Washer, #4 Flat .....	2
7	<u>1013589</u>	Ring, 0.338" Internal Retaining .....	1
8	<u>1013609</u>	Solenoid, 12-Volt .....	1
9	<u>1014065</u>	Washer, 0.38" ID Delrin Flat .....	1
10	<u>1014119</u>	Wire Assembly #6 Red .....	1
11	<u>1014145</u>	Bushing, Secondary Weight, Split .....	2
12	<u>1014807</u>	Switch, Limit .....	1
13	<u>1014808</u>	Switch, Limit .....	1
14	<u>1014948</u>	Diode .....	1
15	<u>1015345</u>	Bell Crank and Shaft Assembly .....	1
16	<u>1015371</u>	Box, Electrical Component .....	1
17	<u>1015372</u>	Cover, Electric Box .....	1
18	<u>1015373</u>	Cam, Electric Box .....	1
19	<u>1015405</u>	Bolt, Carriage, 5/16-18 X 2.0 .....	1
20	<u>1015737</u>	Wire Assy, #10 Red .....	1
21	<u>1015741</u>	Fuse Block .....	1
22	<u>1015752</u>	Screw, #12-16 X 0.625 Hi-Lo .....	4
23	<u>1015878</u>	Screw, #4-40 Hex Head Machine .....	2
24	N/A	Wire Assy, #16 Orange .....	1
25	<u>101856102</u>	Screw, 1/4-15 X 1.50 Hi-lo Hex .....	1
26	<u>102711201</u>	Voltage Regulator .....	1
27	<u>103197101</u>	Asm, Wire Harness, Carryall 2, Gas .....	1
28	<u>1242</u>	Nut, 5/16-18 Hex .....	2
29	<u>7893</u>	Nut, #10-32 Hex .....	2
30	<u>8057</u>	Nut, #4-40 Hex Machine .....	4
31	<u>8058</u>	Lockwasher, #4 Helical Split .....	2
32	<u>8717</u>	Locknut, 1/4-28 Nylon Insert .....	1
33	<u>8990</u>	Tie Wrap, 8" Nylon .....	2
34	<u>1241</u>	Washer, 5/16 Type A Flat .....	2
35	<u>7473</u>	Locknut, 5/16-18 Nylon Insert .....	2
36	<u>7818</u>	Bolt, Carriage, 5/16-18 X 1.5 .....	1

**6**  
**G**

**6**  
**G**



000237-002

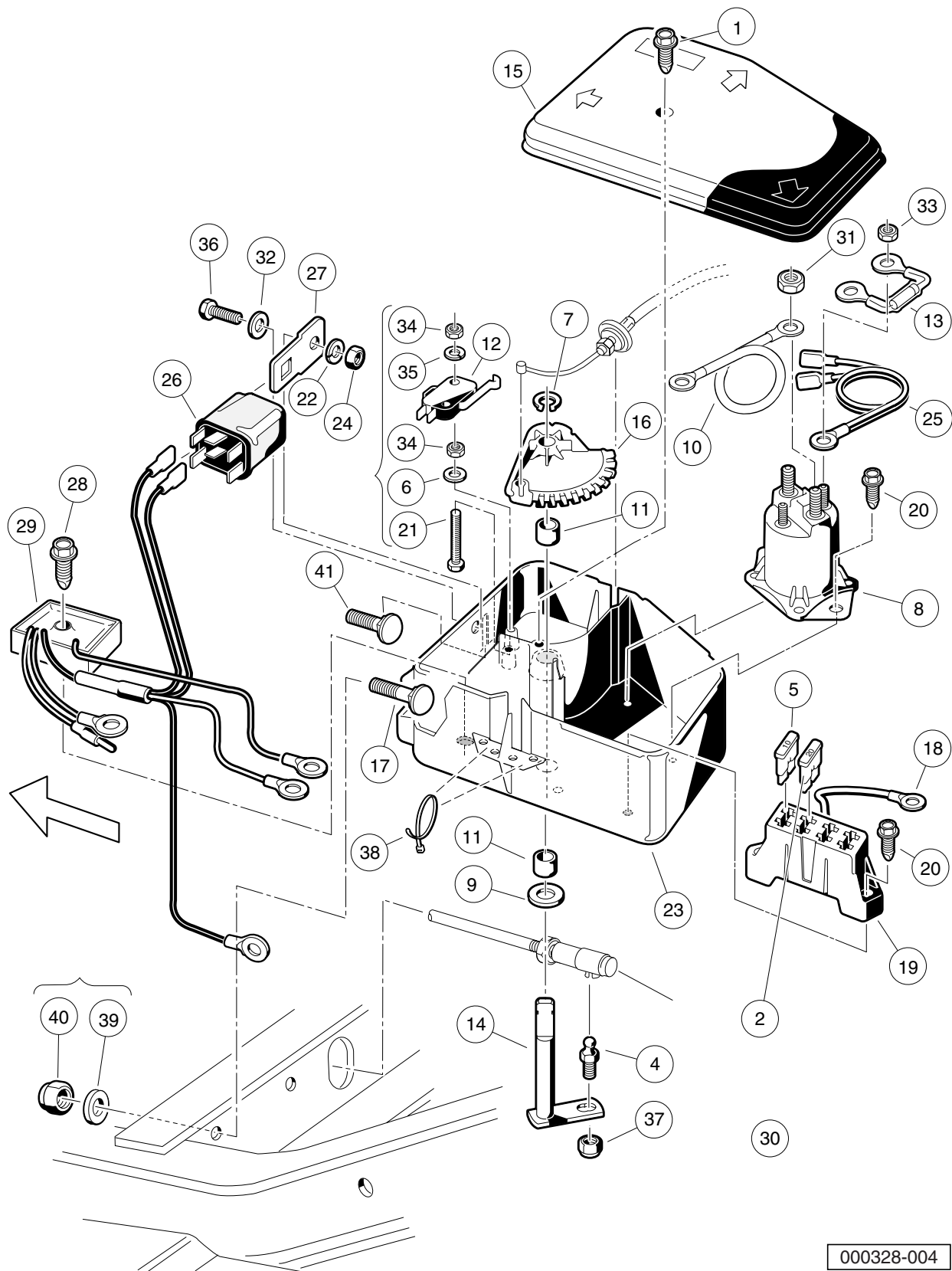


# ELECTRICAL COMPONENT BOX – XRT 900

ITEM	PART NO.	DESCRIPTION	QTY
		1 2 3 4	
1	<u>1015752</u>	Screw, #12-16 X 0.625 Hi-Lo .....	1
2	<u>101963401</u>	Locknut, 5/16-18 Hex Flange .....	1
3	N/A	Asm, Electrical Component Box (includes items 4 through 28) .....	1
4	<u>1010954</u>	Stud, 1/4-28 X 0.560 Ball .....	1
5	<u>1012295</u>	Fuse, 10-Amp .....	1
6	<u>1013589</u>	Ring, 0.338" Internal Retaining .....	1
7	<u>1013609</u>	Solenoid, 12-Volt .....	1
8	<u>1014065</u>	Washer, 0.38" ID Delrin Flat .....	1
9	<u>1014119</u>	Wire Assembly #6 Red .....	1
10	<u>1014145</u>	Bushing, Secondary Weight, Split .....	2
11	1014948	Diode .....	1
12	1015345	Bell Crank and Shaft Assembly .....	1
13	<u>1015371</u>	Box, Electrical Component .....	1
14	<u>1015372</u>	Cover, Electric Box .....	1
15	<u>1015373</u>	Cam, Electric Box .....	1
16	<u>1015405</u>	Bolt, Carriage, 5/16-18 X 2.0 .....	1
17	<u>1015737</u>	Wire Assy, #10 Red .....	1
18	<u>1015741</u>	Fuse Block .....	1
19	<u>1015752</u>	Screw, #12-16 X 0.625 Hi-Lo .....	4
20	<u>1016423</u>	Fuse, 20-Amp .....	1
21	<u>101856102</u>	Screw, 1/4-15 X 1.50 Hi-lo Hex .....	1
22	102264001	Diode Assembly .....	1
23	<u>102711201</u>	Voltage Regulator .....	1
24	<u>103198101</u>	Asm, Wire Harness, CA XRT .....	1
25	<u>1242</u>	Nut, 5/16-18 Hex .....	2
26	<u>7893</u>	Nut, #10-32 Hex .....	2
27	<u>8717</u>	Locknut, 1/4-28 Nylon Insert .....	1
28	<u>8990</u>	Tie Wrap, 8" Nylon .....	2
29	<u>1241</u>	Washer, 5/16 Type A Flat .....	2
30	<u>7473</u>	Locknut, 5/16-18 Nylon Insert .....	2
31	<u>7818</u>	Bolt, Carriage, 5/16-18 X 1.5 .....	1

**6**

**G**

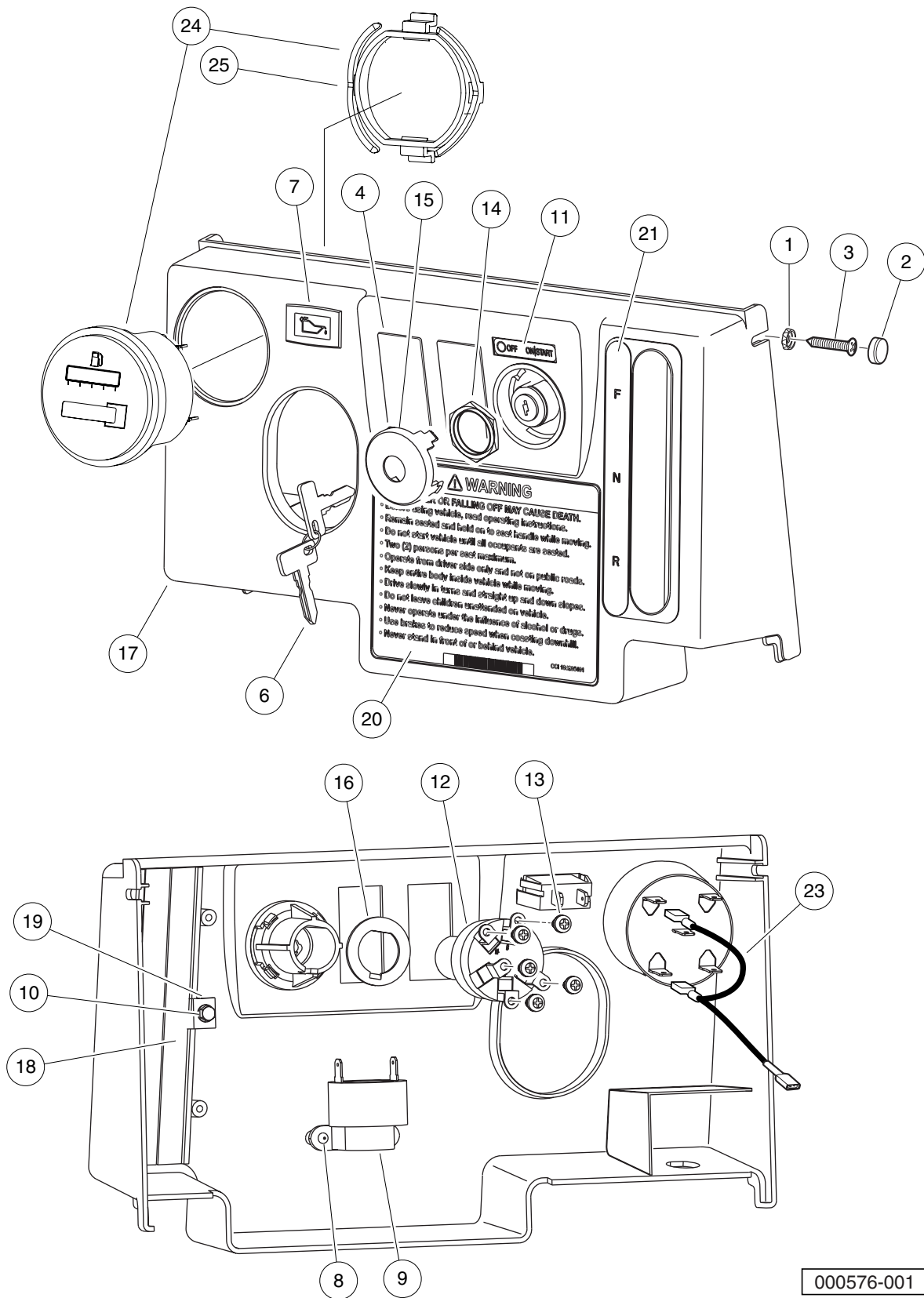


000328-004

# ELECTRICAL COMPONENT BOX – CARRYALL 2 PLUS

ITEM	PART NO.	DESCRIPTION	QTY
		1 2 3 4	
1	<u>1015752</u>	Screw, #12-16 X 0.625 Hi-Lo .....	1
2	<u>1016423</u>	Fuse, 20-Amp .....	1
3	N/A	Asm, Electrical Component Box (includes items 4 through 38) .....	1
4	<u>1010954</u>	Stud, 1/4-28 X 0.560 Ball .....	1
5	<u>1012295</u>	Fuse, 10-Amp .....	1
6	<u>1012431</u>	Washer, #4 Flat .....	2
7	<u>1013589</u>	Ring, 0.338" Internal Retaining .....	1
8	<u>1013609</u>	Solenoid, 12-Volt .....	1
9	<u>1014065</u>	Washer, 0.38" ID Delrin Flat .....	1
10	<u>1014119</u>	Wire Assembly #6 Red .....	1
11	<u>1014145</u>	Bushing, Secondary Weight, Split .....	2
12	<u>1014807</u>	Switch, Limit .....	1
13	<u>1014948</u>	Diode .....	1
14	<u>1015345</u>	Bell Crank and Shaft Assembly .....	1
15	<u>1015372</u>	Cover, Electric Box .....	1
16	<u>1015373</u>	Cam, Electric Box .....	1
17	<u>1015405</u>	Bolt, Carriage, 5/16-18 X 2.0 .....	1
18	<u>1015737</u>	Wire Assy, #10 Red .....	1
19	<u>1015741</u>	Fuse Block .....	1
20	<u>1015752</u>	Screw, #12-16 X 0.625 Hi-Lo .....	4
21	<u>1015878</u>	Screw, #4-40 Hex Head Machine .....	2
22	<u>1016</u>	Washer, #10 Split Lock .....	1
23	<u>1016997</u>	Electrical Component Box .....	1
24	<u>1017</u>	Nut, #10-24 Stainless-Steel Hex Machine .....	1
25	N/A	Wire Assembly Orange #18 .....	1
26	<u>1017239</u>	Relay .....	1
27	<u>1017243</u>	Mounting Bracket, Relay .....	1
28	<u>101856102</u>	Screw, 1/4-15 X 1.50 Hi-lo Hex .....	1
29	<u>102803401</u>	Asm, Voltage Regulator Key Sta .....	1
30	<u>103198001</u>	Asm, Wire Harness, Carryall 2 Plus .....	1
31	<u>1242</u>	Nut, 5/16-18 Hex .....	2
32	<u>183</u>	Washer, #10 Type A Flat .....	1
33	<u>7893</u>	Nut, #10-32 Hex .....	2
34	<u>8057</u>	Nut, #4-40 Hex Machine .....	4
35	<u>8058</u>	Lockwasher, #4 Helical Split .....	2
36	<u>8450</u>	Screw, #10-24 X 0.50 Hex-Head .....	1
37	<u>8717</u>	Locknut, 1/4-28 Nylon Insert .....	1
38	<u>8990</u>	Tie Wrap, 8" Nylon .....	3
39	<u>1241</u>	Washer, 5/16 Type A Flat .....	2
40	<u>7473</u>	Locknut, 5/16-18 Nylon Insert .....	2
41	<u>7818</u>	Bolt, Carriage, 5/16-18 X 1.5 .....	1

**6**  
**G**

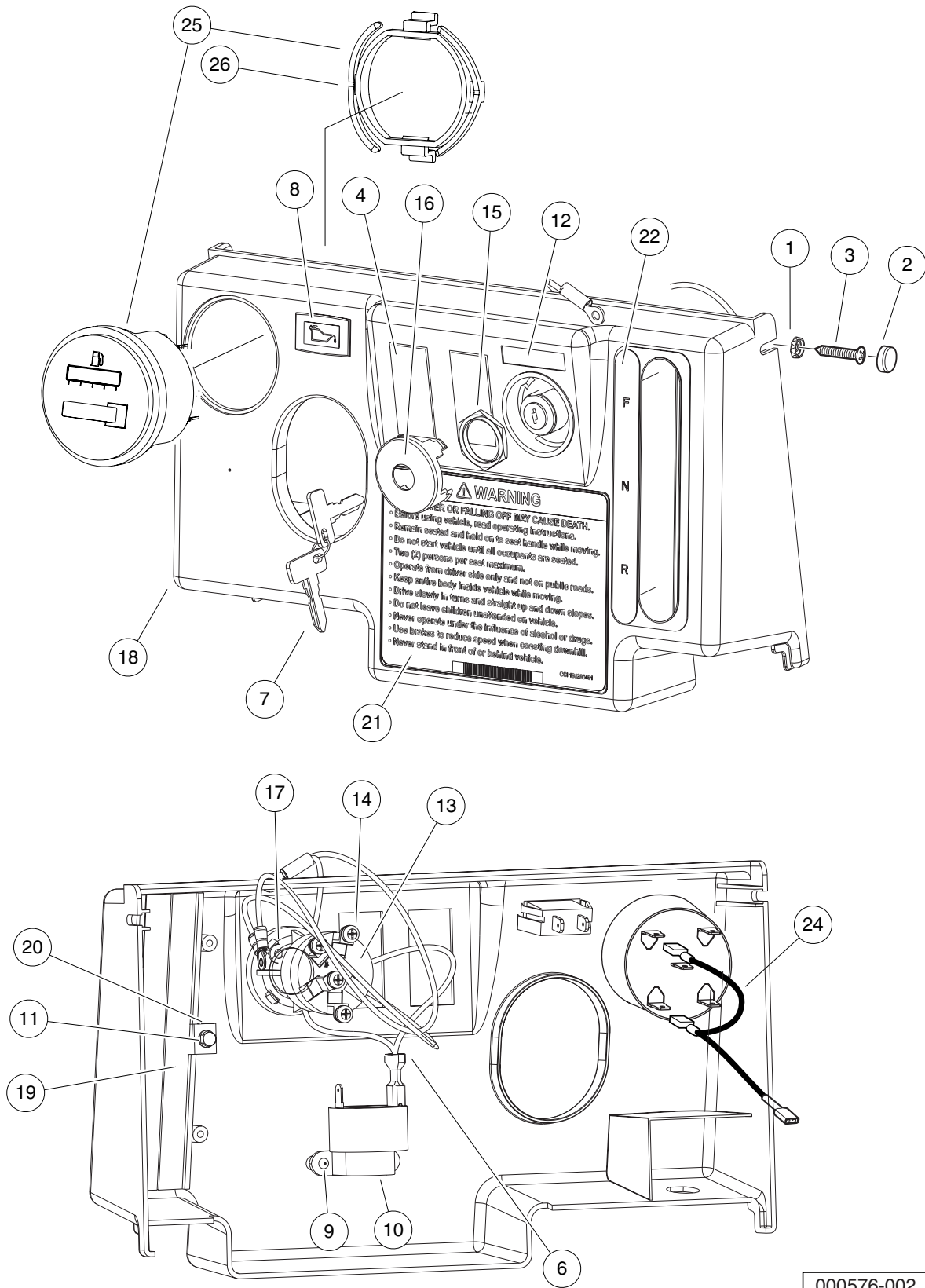


000576-001

# INSTRUMENT PANEL AND ELECTRICAL COMPONENTS – XRT 900 AND CARRYALL 2 PLUS

ITEM	PART NO.	DESCRIPTION	QTY
		1 2 3 4	
1	N/A	Washer, #10 Pan-Head Screw .....	2
2	<u>1013494</u>	Cover, Screw Head .....	2
3	<u>1015528</u>	Screw, #10 x 1-1/4 Phillips Head .....	2
4	<u>103180101</u>	Cover, Hole, Switch, Rocker .....	2
5	N/A	Asm, Dash, Gas, Key Start (Instrument Panel) (includes items 6 through 22) .....	1
6	<u>1012505</u>	Keys (set of 2) .....	1
7	<u>1016630</u>	Light, Oil .....	1
8	<u>1016849</u>	Screw, #4-24 X 0.33 Pan-Head Machine .....	2
9	<u>1016851</u>	Buzzer, Reverse (9-48 VDC) .....	1
10	<u>101804301</u>	Screw, #8 X 0.500, Hex-Head Hi-Lo .....	2
11	<u>101825102</u>	Decal, Off/On/Start .....	1
12	<u>101826401</u>	Key Switch, 12-Volt, Off/On/Start .....	1
13	<u>101830601</u>	Screw and Washer Assembly .....	5
14	<u>101830701</u>	Nut, Key Switch .....	1
15	<u>101834502</u>	Cap, Black Key Switch .....	1
16	<u>101851101</u>	Washer, Key Switch .....	1
17	<u>102977001</u>	Panel, Dash, Center, Gas (Instrument Panel) .....	1
18	<u>103199001</u>	Brush, Closeout, FNR .....	2
19	<u>103199101</u>	Washer, Retaining, Brush, FNR .....	2
20	<u>103205401</u>	Decal, Warning, Rollover, Utl .....	1
21	<u>103210201</u>	Decal, Forward/Reverse, Gas .....	1
22	<u>103390801</u>	Kit, F-h Replmnt Utl Pre2007 (includes items 23 through 26) .....	1
23	<u>103348501</u>	Asm Wire Meter F-h Jumper .....	1
24	<u>103348601</u>	Gauge, Fuel-hour,sep Gnd,utl (includes item 25) .....	1
25	<u>103348201</u>	Clip, Meter, Round .....	1
26	<u>103391001</u>	Instr, F-h Replmnt Pre2007 .....	1

**6**  
**G**



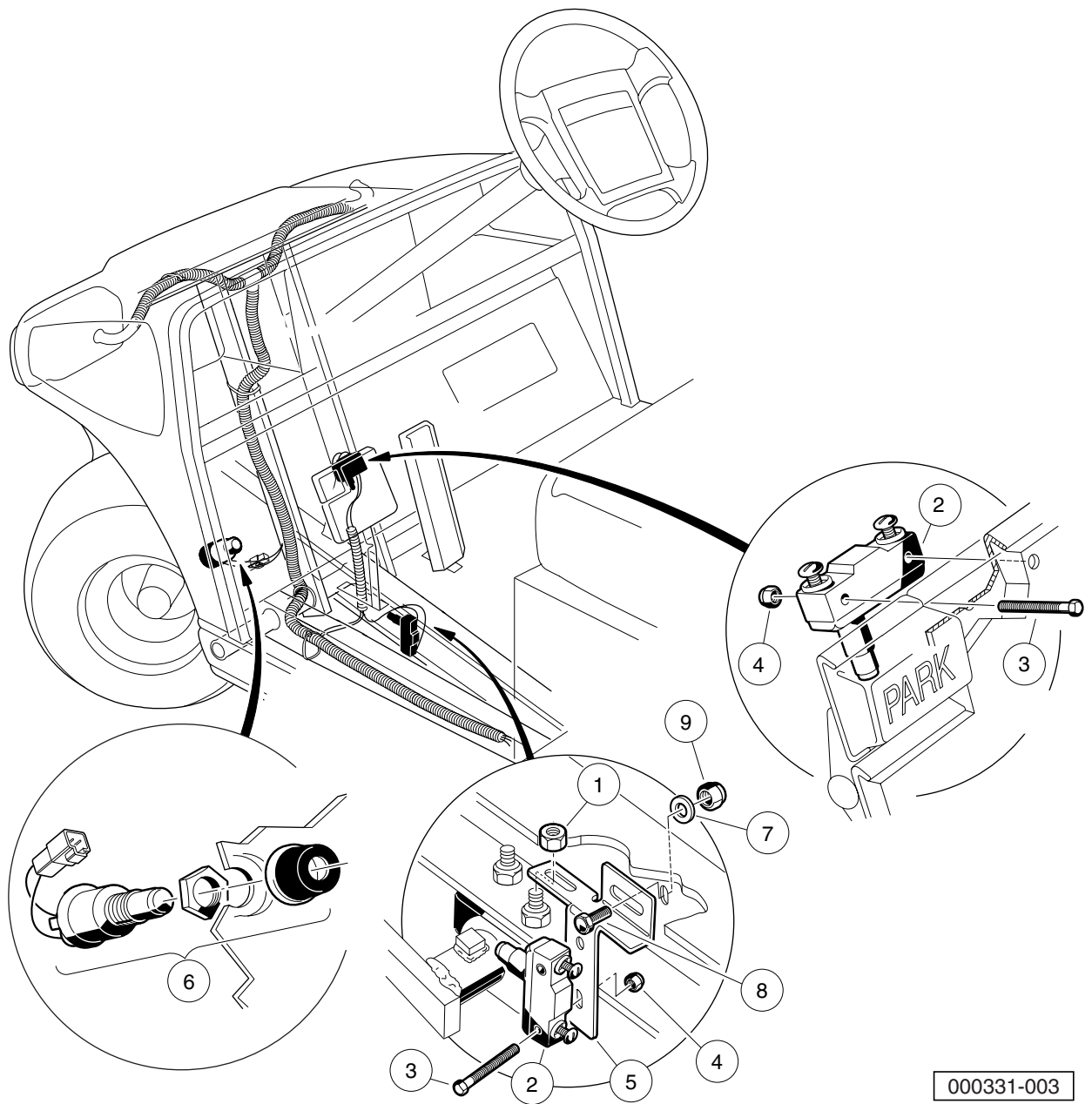
000576-002

# INSTRUMENT PANEL AND ELECTRICAL COMPONENTS – TURF/ CARRYALL 2 AND 252

ITEM	PART NO.	DESCRIPTION	QTY
		1 2 3 4	
1	N/A	Washer, #10 Pan-Head Screw .....	2
2	<u>1013494</u>	Cover, Screw Head .....	2
3	<u>1015528</u>	Screw, #10 x 1-1/4 Phillips Head .....	2
4	<u>103180101</u>	Cover, Hole, Switch, Rocker .....	2
5	N/A	Asm, Dash, Gas, Pedal-Start (Instrument Panel) (includes items 6 through 23) .....	1
6	N/A	Wire Assy #18 Black .....	1
7	<u>1012505</u>	Keys (set of 2) .....	1
8	<u>1016630</u>	Light, Oil .....	1
9	<u>1016849</u>	Screw, #4-24 X 0.33 Pan-Head Machine .....	2
10	<u>1016851</u>	Buzzer, Reverse (9-48 VDC) .....	1
11	<u>101804301</u>	Screw, #8 X 0.500, Hex-Head Hi-Lo .....	2
12	<u>101825101</u>	Decal, Off/On .....	1
13	<u>101826301</u>	Key Switch, 12-Volt, Off/On .....	1
14	101830601	Screw and Washer Assembly .....	4
15	<u>101830701</u>	Nut, Key Switch .....	1
16	<u>101834502</u>	Cap, Black Key Switch .....	1
17	<u>101851101</u>	Washer, Key Switch .....	1
18	<u>102977001</u>	Panel, Dash, Center, Gas (Instrument Panel) .....	1
19	<u>103199001</u>	Brush, Closeout, FNR .....	2
20	<u>103199101</u>	Washer, Retaining, Brush, FNR .....	2
21	<u>103205401</u>	Decal, Warning, Rollover, Utl .....	1
22	<u>103210201</u>	Decal, Forward/Reverse, Gas .....	1
23	<u>103390801</u>	Kit, F-h Replmnt Utl Pre2007 (includes items 24 through 27) .....	1
24	<u>103348501</u>	Asm Wire Meter F-h Jumper .....	1
25	<u>103348601</u>	Gauge, Fuel-hour,sep Gnd,utl (includes item 26) .....	1
26	<u>103348201</u>	Clip, Meter, Round .....	1
27	<u>103391001</u>	Instr, F-h Replmnt Pre2007 .....	1

**6**

**G**



000331-003

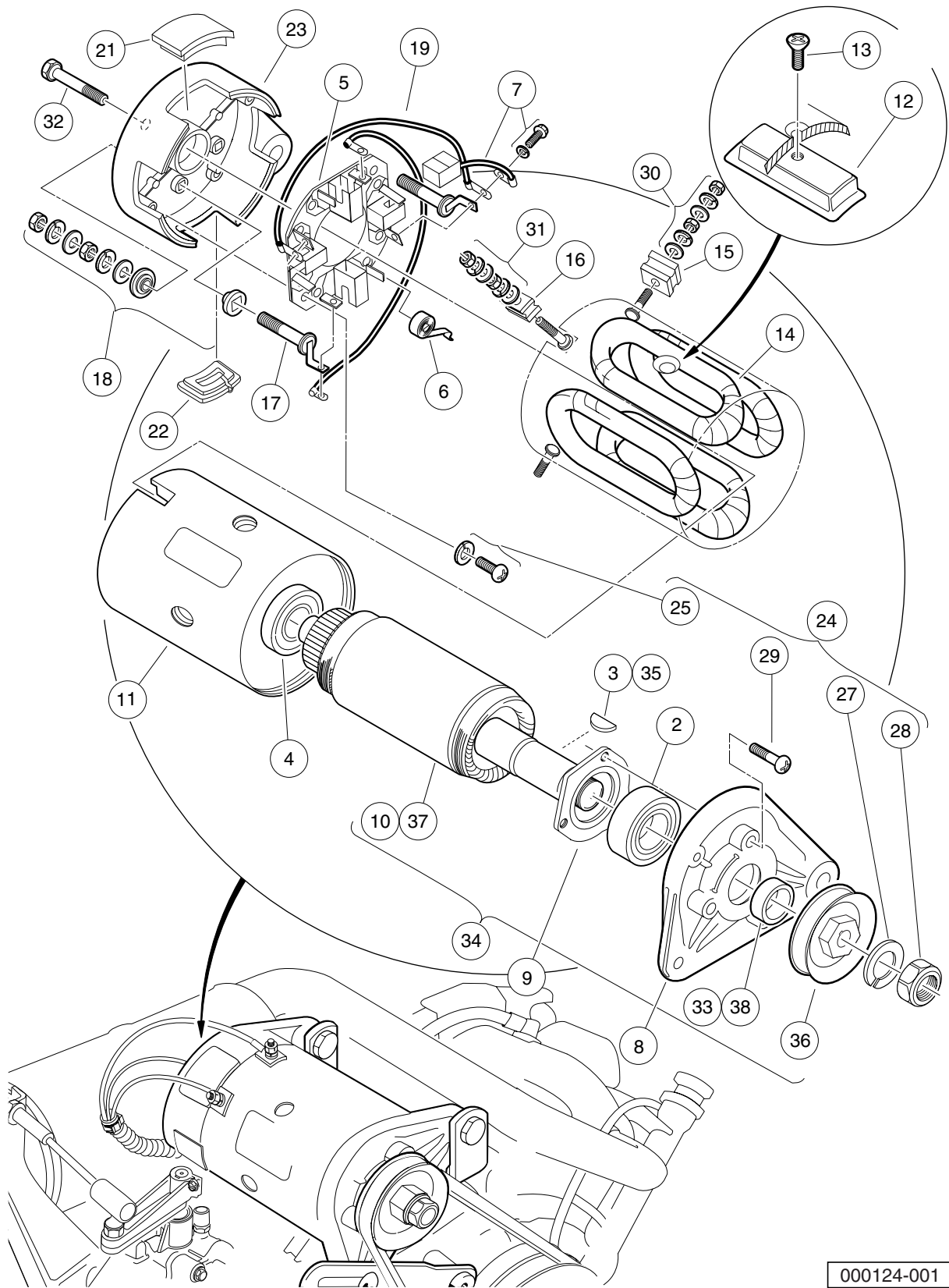


# HORN AND BRAKE SWITCHES

ITEM	PART NO.	DESCRIPTION	QTY
		1 2 3 4	
1	<u>1011280</u>	Locknut, 5/16-18 .....	1
2	<u>1011439</u>	Switch, Limit .....	2
3	<u>1011557</u>	Screw, #6-32 X 1.00 Hex-Head Machine .....	4
4	<u>101932201</u>	Locknut, #6-32 Nylon .....	4
5	<u>101957101</u>	Bracket, Brake Light Switch .....	1
6	<u>101969701</u>	Horn Button and Wire Assembly .....	1
7	<u>1241</u>	Washer, 5/16 Type A Flat .....	1
8	<u>7173</u>	Screw, 5/16-18 X 0.75 Hex-Head Cap .....	1
9	<u>7473</u>	Locknut, 5/16-18 Nylon Insert .....	1

**6**  
**G**

**6**  
**G**



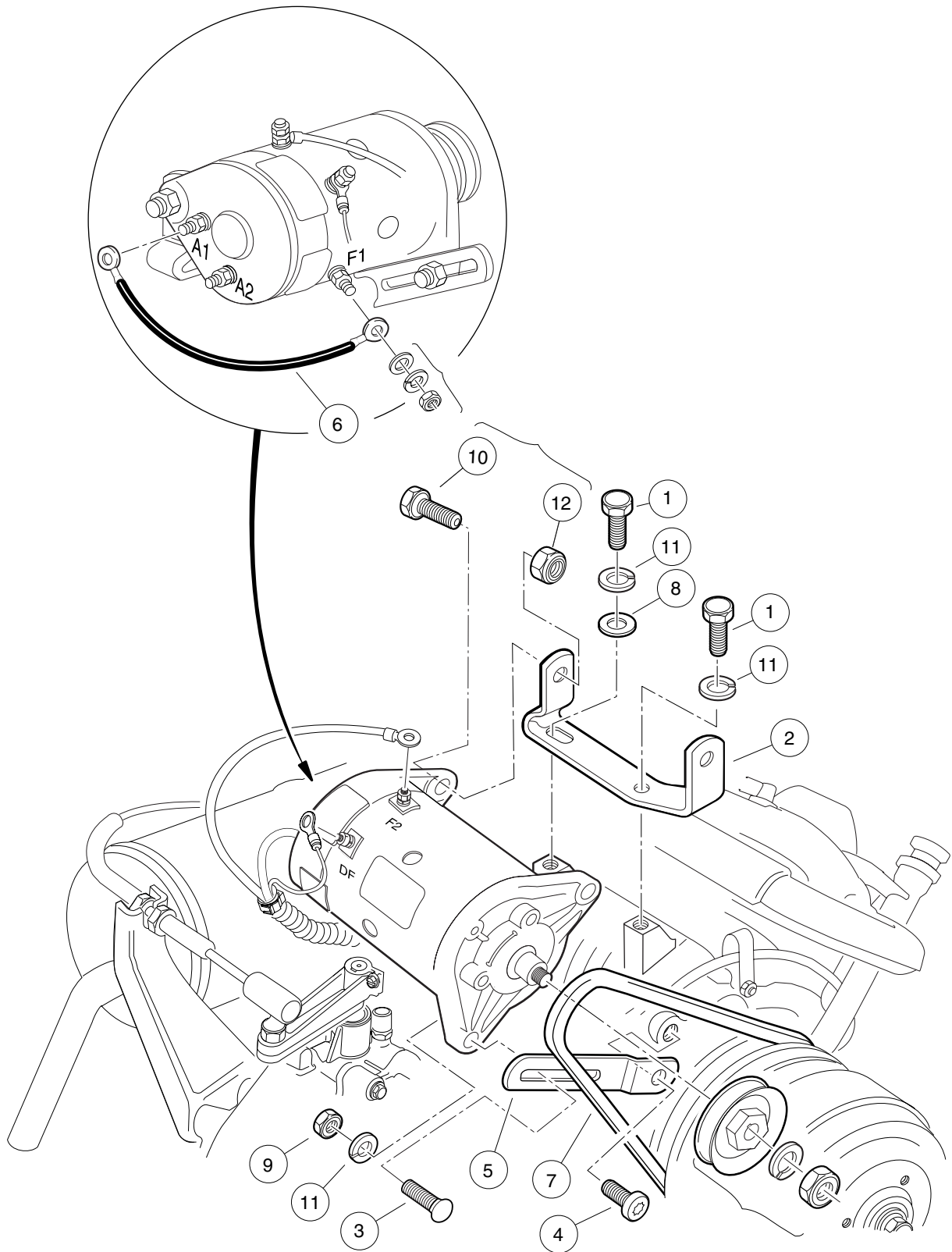
000124-001

# STARTER/GENERATOR ASSEMBLY

ITEM	PART NO.	DESCRIPTION	QTY
		1 2 3 4	
1	<u>101833701</u>	Starter/Generator (cw) (includes items 2 through 33) .....	1
2	<u>1013001</u>	Bearing, Output Shaft Ball .....	1
3	<u>1013003</u>	Key, Starter/Generator .....	1
4	<u>1013005</u>	Bearing, Ball .....	1
5	<u>101301102</u>	Brush Holder Assembly (cw) (includes item 6) .....	1
6	<u>101878101</u>	Brush Spring Set .....	4
7	<u>101869302</u>	Brush and Screw Set (cw) .....	1
8	<u>101874901</u>	Front Bracket .....	1
9	<u>101875001</u>	Retainer .....	1
10	N/A	Armature .....	1
11	<u>101875201</u>	Field Coil Housing .....	1
12	<u>101875301</u>	Pole Set .....	1
13	<u>101875401</u>	Screw Set .....	1
14	<u>101875501</u>	Field Stator Coil Assembly .....	1
15	<u>101875601</u>	F Insulator Set .....	2
16	<u>101875701</u>	DF Insulator .....	1
17	<u>101875802</u>	A Connector (cw) .....	1
18	<u>101876001</u>	Screw and Mold Assembly .....	2
19	<u>101876202</u>	Brush Connector Assembly (cw) .....	2
20	<u>101876301</u>	Cover Set (includes items 21 and 22) .....	1
21	N/A	Brush Inspection Port Cover .....	3
22	N/A	Brush Port Cover w/Drain .....	1
23	<u>101876402</u>	Rear Bracket (cw) .....	1
24	<u>101876501</u>	Nut and Screw Set (includes items 25 through 29) .....	1
25	<u>101896501</u>	Brush Holder Asm Screw .....	2
26	N/A	Washer, M5 Flat .....	1
27	N/A	Washer, M14 Lock .....	1
28	N/A	Nut, Hex, M14 x 2 .....	1
29	N/A	Screw, M5 x 0.8 x 18mm .....	3
30	<u>101877601</u>	Nut and Washer Set .....	2
31	<u>101877701</u>	Nut and Washer Set .....	1
32	<u>101879001</u>	Through Bolt Set .....	2
33	<u>101939901</u>	Spacer .....	1
34	<u>101875102</u>	Armature Asm Conversion Kit (includes items 35 through 38) .....	1
35	<u>1013003</u>	Key, Starter/Generator .....	1
36	<u>1014289</u>	Pulley, Starter/Generator .....	1
37	N/A	Armature .....	1
38	<u>101939901</u>	Spacer .....	1
		Note: Item 36 will ONLY fit Model G425419 Starter/Generator.	

**6**  
**G**

**6**  
**G**



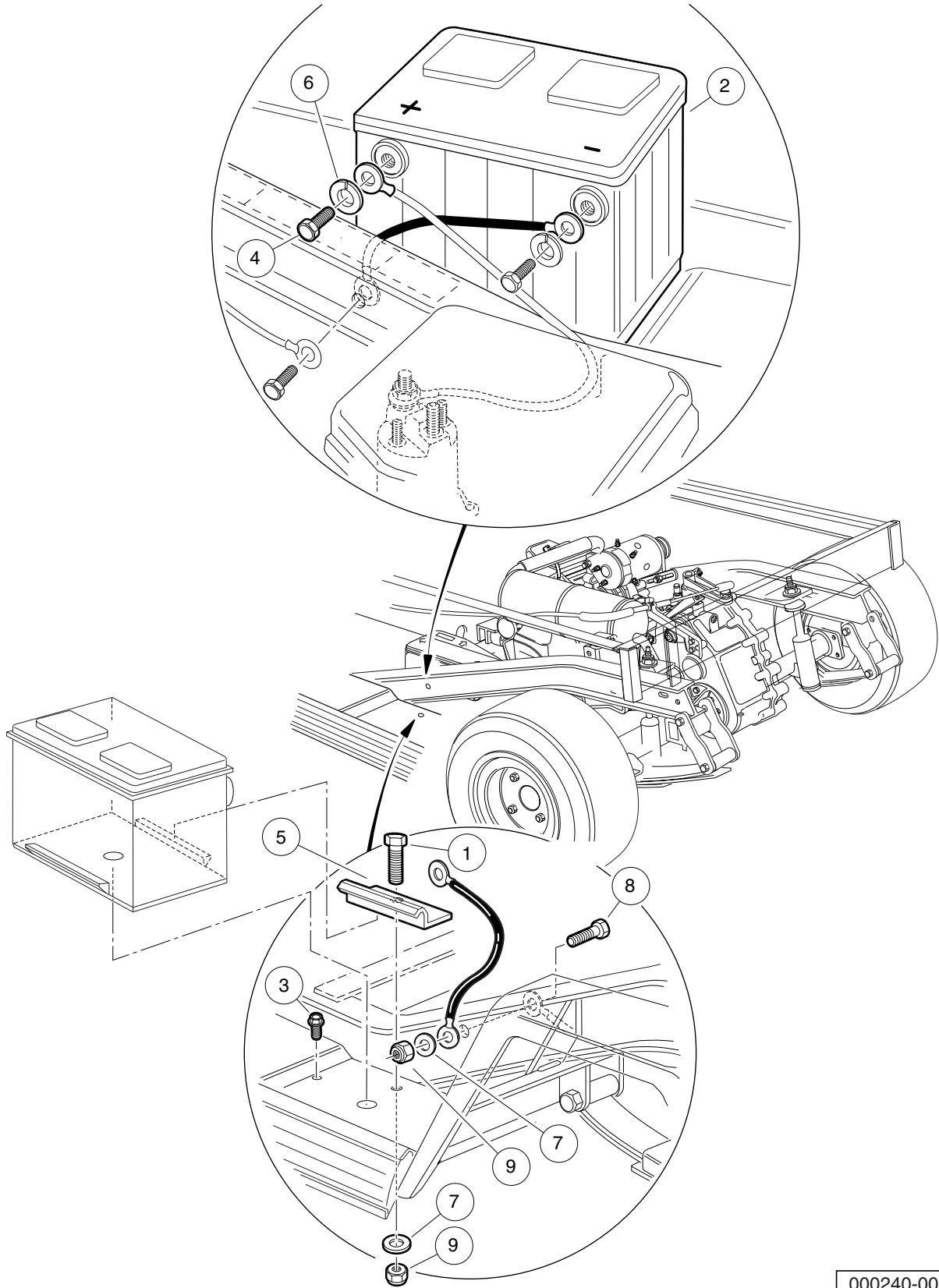
000239-001

## FE350 STARTER/GENERATOR MOUNTING

ITEM	PART NO.	DESCRIPTION	QTY
		1 2 3 4	
1	<u>1012830</u>	Screw, M8-125 X 22 Hex-Head .....	2
2	<u>101524002</u>	Bracket, Starter/Generator Mounting .....	1
3	<u>1015932</u>	Bolt, Carriage, 5/16-18 .....	1
4	<u>1016074</u>	Screw, M8-1.25 X 18mm Torx .....	1
5	<u>1016883</u>	Bracket, Starter/Generator Adjustment .....	1
6	<u>101837301</u>	Wire Assy, #6 Green .....	1
7	<u>101916701</u>	V-Belt .....	1
8	<u>1241</u>	Washer, 5/16 Type A Flat .....	1
9	<u>1242</u>	Nut, 5/16-18 Hex .....	1
10	705	Screw, Cap-hex Hd 3/8-16x1.25 .....	2
11	<u>7174</u>	Lockwasher, 5/16 Split .....	3
12	<u>8754</u>	Locknut, 3/8-16 Hex .....	2

6  
G

**6**  
**G**



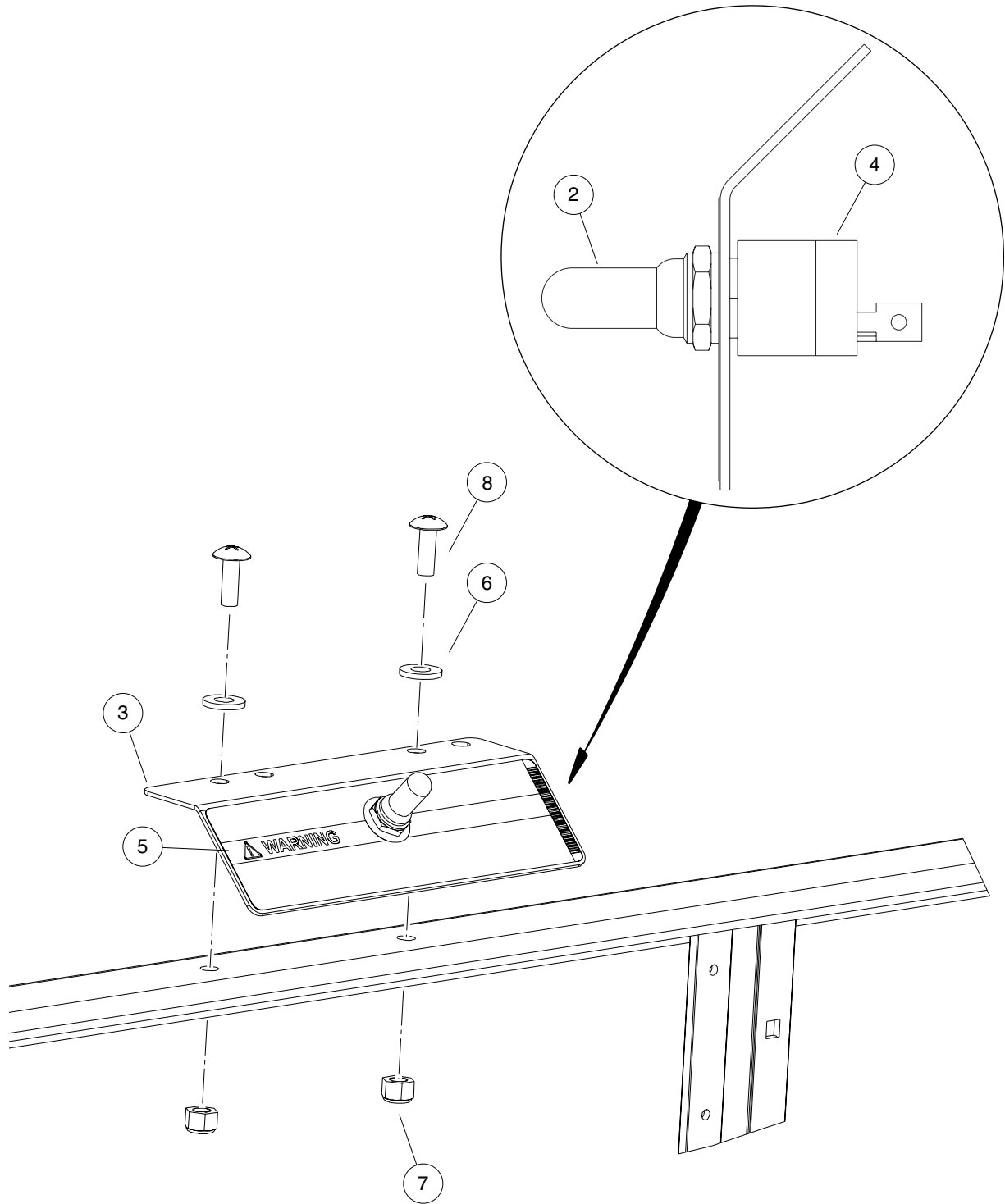
000240-001

# BATTERY

ITEM	PART NO.	DESCRIPTION	QTY
		<b>1 2 3 4</b>	
1	<u>1010934</u>	Screw, 5/16-18 X 1.00 Hex Cap .....	1
2	<u>1012328</u>	Battery, 12-Volt .....	1
3	<u>1014288</u>	Screw, 5/16-18 X 0.75 Thread-Forming .....	1
4	<u>1014375</u>	Screw, 3/8-16 X 0.50 Stainless Steel Hex-Head .....	2
5	<u>101898001</u>	Clamp, Battery .....	1
6	<u>102355301</u>	Lockwasher, 3/8 Stainless Stl .....	2
7	<u>1241</u>	Washer, 5/16 Type A Flat .....	2
8	<u>7173</u>	Screw, 5/16-18 X 0.75 Hex-Head Cap .....	1
9	<u>7473</u>	Locknut, 5/16-18 Nylon Insert .....	2

**6**  
**G**

**6**  
**G**



000755-001



# OPERATION AND MAINTENANCE SWITCH

ITEM	PART NO.	DESCRIPTION	QTY
		1 2 3 4	
1	N/A	Switch, Operation/Maintenance (includes items 2 through 5) .....	1
2	<u>101908401</u>	Boot, Switch .....	1
3	<u>101922501</u>	Bracket, Tow/Run Switch Mounting .....	1
4	<u>103198401</u>	Switch, Toggle, SPDT .....	1
5	<u>103205501</u>	Decal, Run/Service Switch .....	1
6	<u>332</u>	Washer, 1/4 Type A Narrow Flat .....	2
7	<u>8233</u>	Locknut, 1/4-20 Nylon Insert .....	2
8	<u>8248</u>	Screw, 1/4-20 X 0.75 Truss-Head Machine .....	2

6

G

6

G

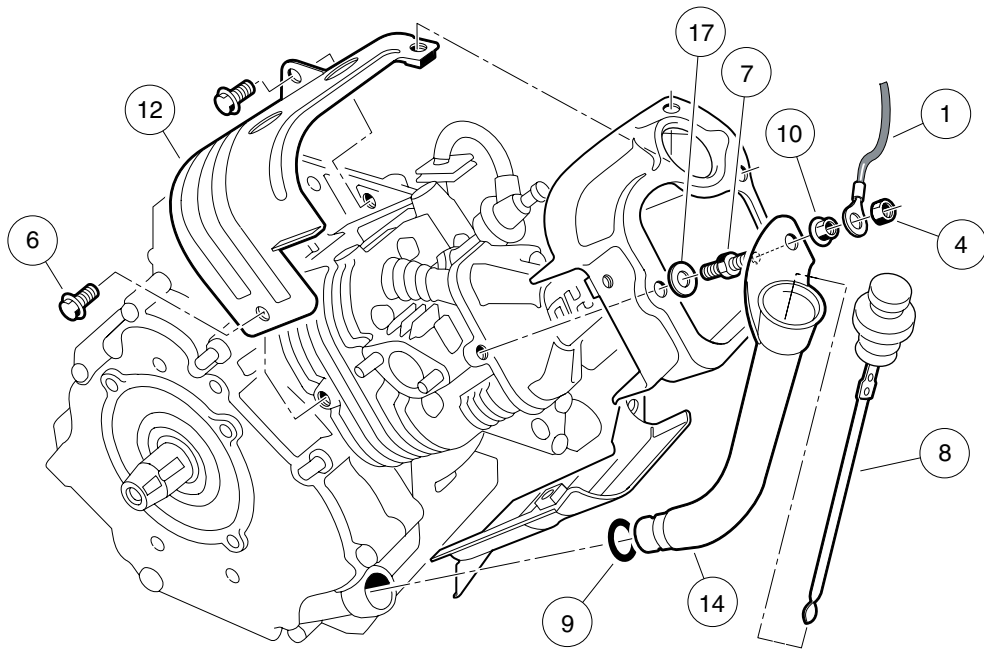
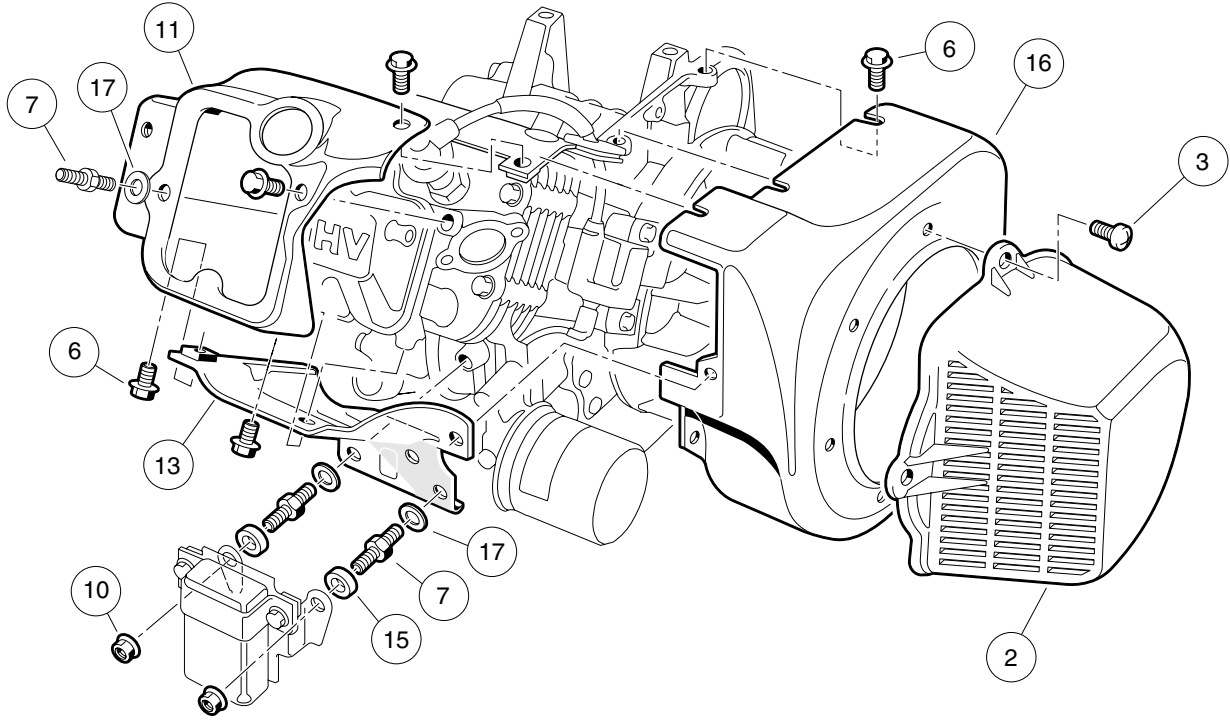
# FE350 ENGINE WITH ACR (CARRYALL 2 PLUS)

---

7

G

**7**  
**G**

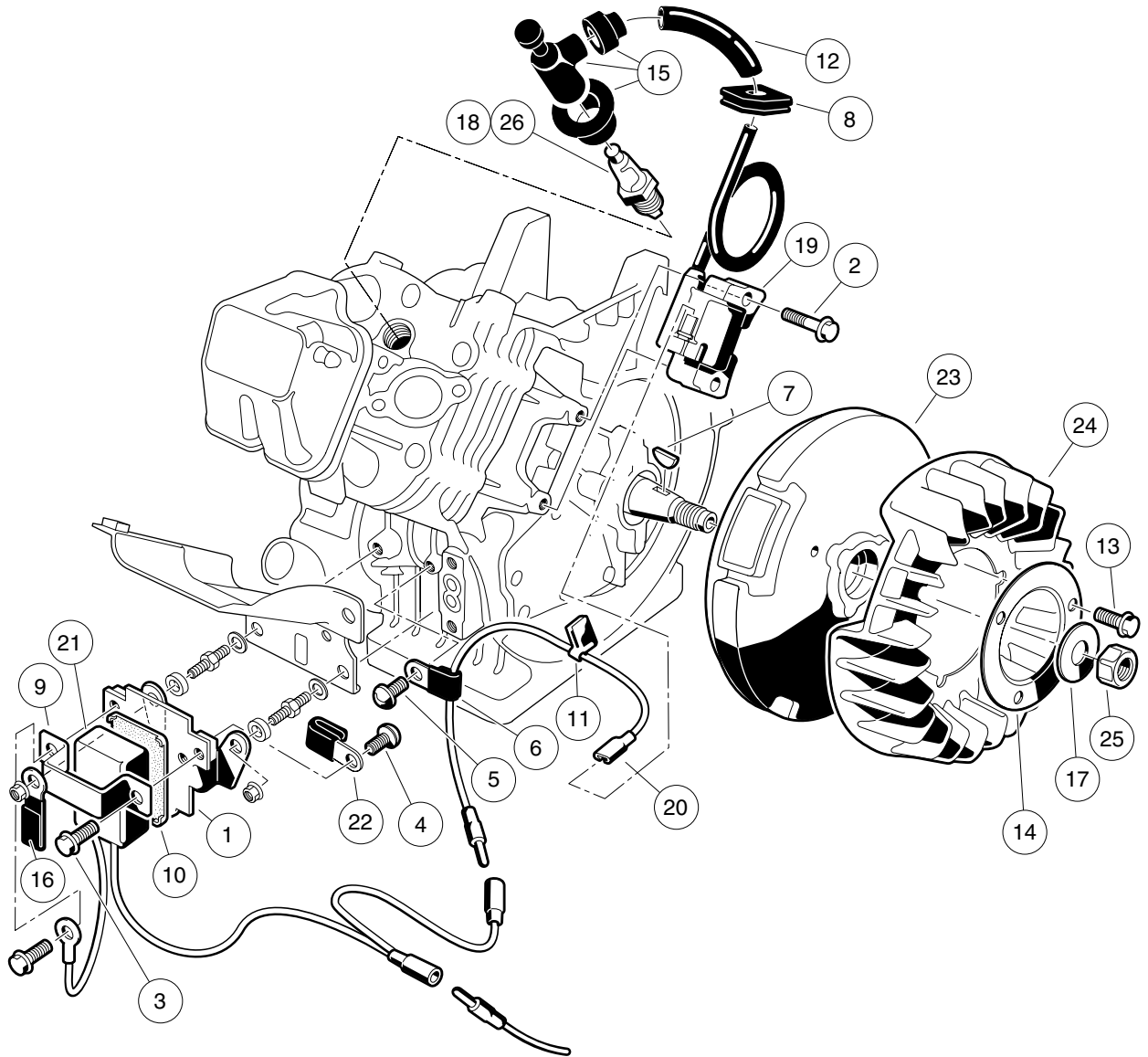


000201-001

# FE350 ENGINE WITH ACR (AUTOMATIC COMPRESSION RELEASE) – SHROUDS AND BRACKETS

ITEM	PART NO.	DESCRIPTION	QTY
		1 2 3 4	
1	<u>1015332</u>	Wire Assembly, #10, Uninsulated .....	1
2	<u>1015649</u>	Shroud, Fan .....	1
3	<u>1015969</u>	Screw, M6-1.00 X 10mm Pan Hd .....	4
4	<u>101887601</u>	Locknut, M6-1.00 Nylon Insert .....	1
5	<u>101953801</u>	Engine, FE350 (cw) with ACR * (includes items 6 through 17) .....	1
6	1016456	Bolt, Flange Head, M6 x 1 x 12 mm .....	14
7	<u>1016507</u>	Bolt, Two-Ended .....	3
8	1016531	Dipstick .....	1
9	<u>1016539</u>	O-Ring .....	1
10	1016547	Nut .....	3
11	<u>1017474</u>	Shroud, Engine .....	1
12	<u>1017475</u>	Shroud, Engine .....	1
13	<u>1017476</u>	Shroud, Engine .....	1
14	<u>1017486</u>	Tube, Oil Filler .....	1
15	<u>1017500</u>	Spacer 6.50 X 12 X 5.5 .....	2
16	<u>101916101</u>	Housing, FE350 Fan .....	1
17	N/A	Washer, 6mm Flat .....	3
* Note: FE350 engine component listings span several pages.			

**7**  
**G**



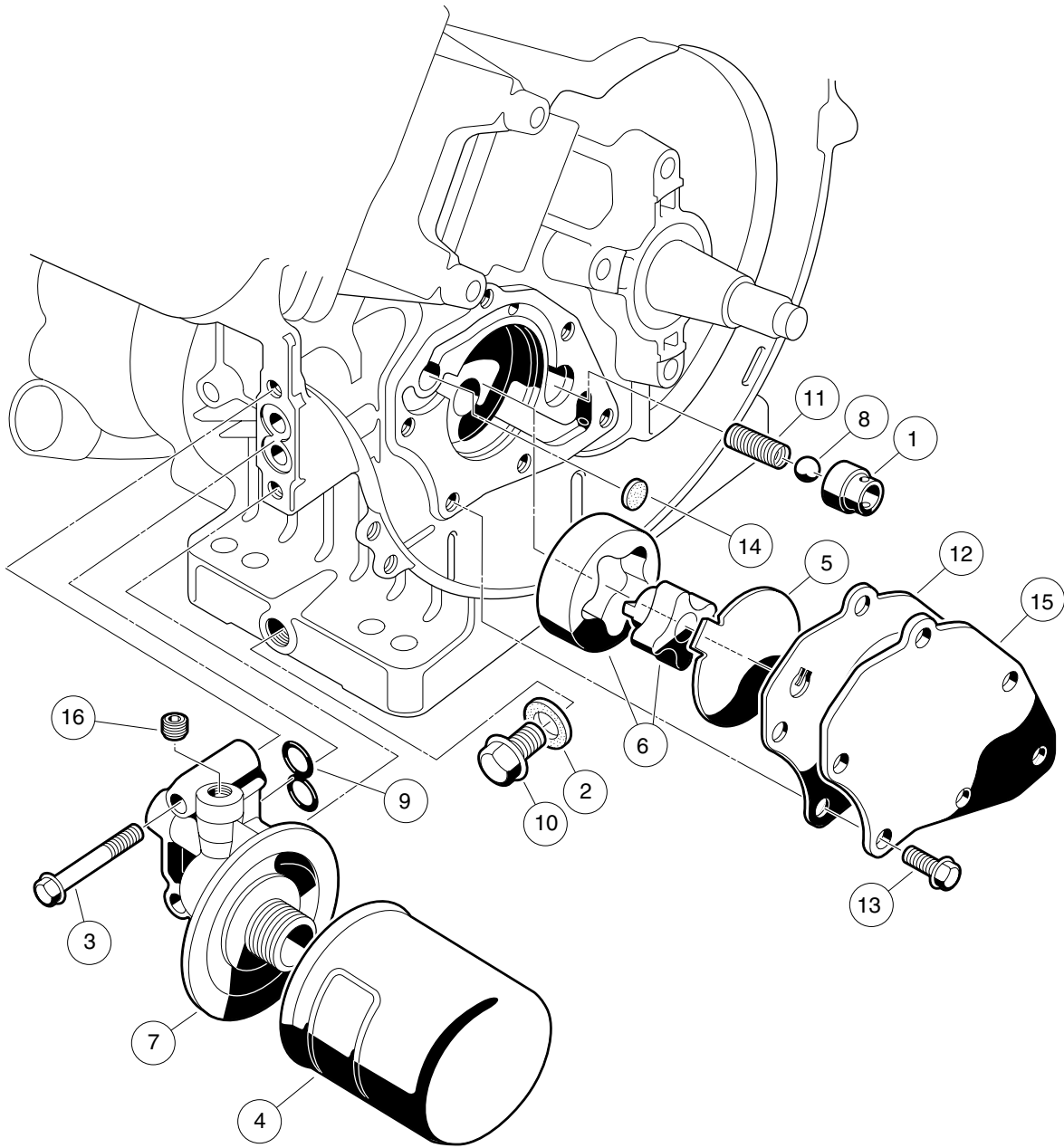
000202-001

# FE350 ENGINE – IGNITION COMPONENTS AND FLYWHEEL

ITEM	PART NO.	DESCRIPTION	QTY
		1 2 3 4	
1	1016445	Bracket, RPM Limiter .....	1
2	<u>1016455</u>	Bolt, Flange Head .....	2
3	1016456	Bolt, Flange Head, M6 x 1 x 12 mm .....	2
4	<u>1016497</u>	Screw, Pan WP Cross .....	1
5	<u>1016544</u>	Screw .....	1
6	<u>1016561</u>	Clamp .....	1
7	<u>1016562</u>	Key .....	1
8	<u>1016578</u>	Grommet .....	1
9	<u>1016579</u>	Band, RPM Limiter Mount .....	1
10	1016586	Damper, RPM Limiter .....	1
11	<u>1016587</u>	Clamp .....	1
12	<u>1016588</u>	Tube, 7mm X 10mm X 70mm .....	1
13	<u>1017448</u>	Bolt, Flanged .....	3
14	<u>1017455</u>	Plate, Flywheel Fan .....	1
15	<u>1017463</u>	Cap Asm Plug .....	1
16	<u>1017468</u>	Clamp .....	1
17	<u>1017490</u>	Washer, Flat .....	1
18	<u>101881101</u>	Spark Plug, OHV (Autolite) .....	1
19	<u>101909201</u>	Coil, Ignition .....	1
20	<u>101909301</u>	Lead Wire Assy .....	1
21	101909401	Limiter, RPM .....	1
22	N/A	Clamp, Steel .....	1
23	<u>101916201</u>	Flywheel .....	1
24	<u>101916301</u>	Fan (cw) .....	1
25	N/A	Nut, Hex, 18 mm Fine .....	1
26	<u>AM10724</u>	Spark Plug, OHV (NGK) .....	1

**7**

**G**



000203-001

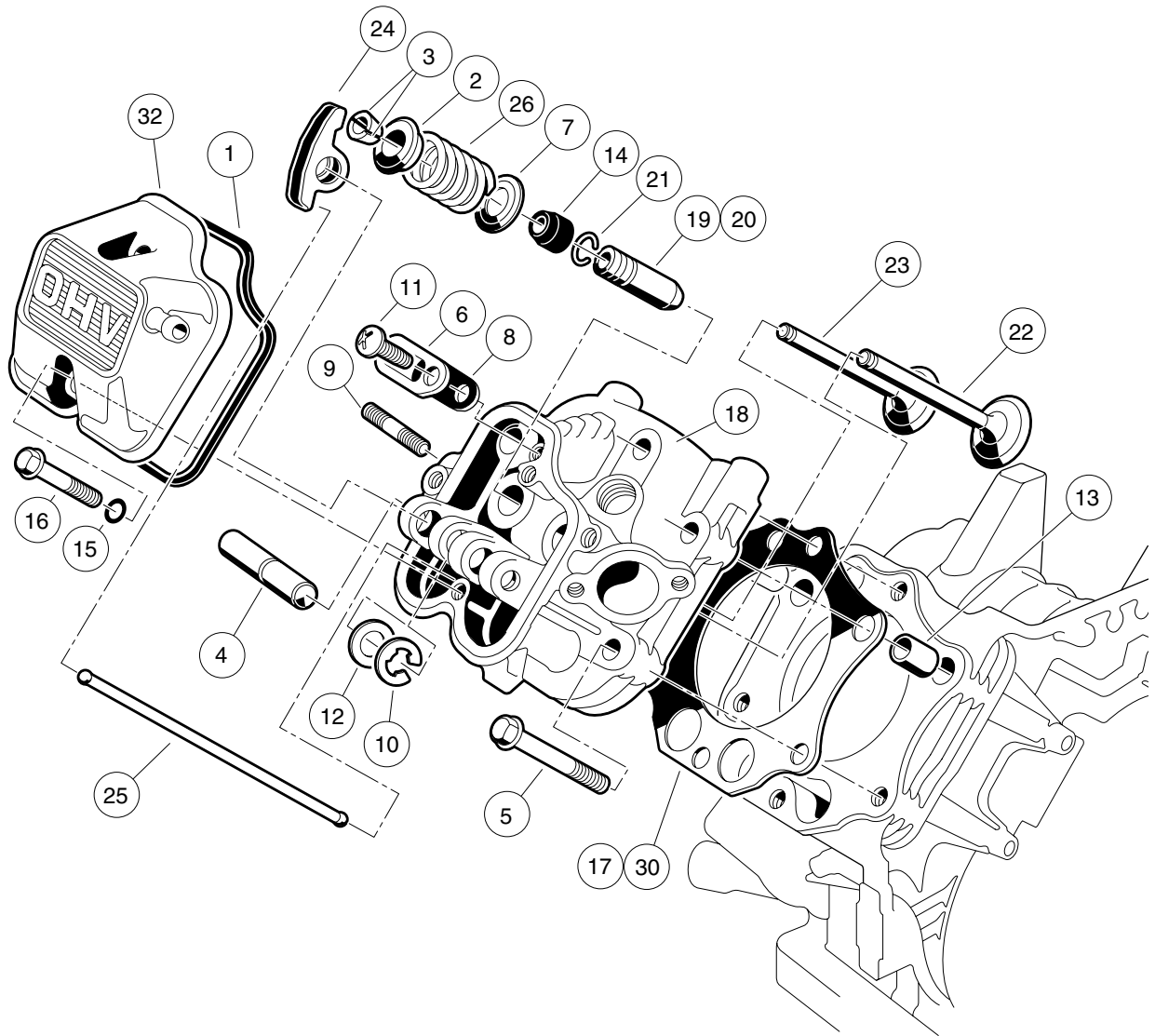


## FE350 ENGINE – OIL CIRCULATION

ITEM	PART NO.	DESCRIPTION	QTY
		1 2 3 4	
1	1016429	Seat, Value Oil Press Relief .....	1
2	<u>1016432</u>	Gasket, Drain Plug .....	1
3	<u>1016457</u>	Bolt, Flange Head .....	2
4	<u>1016467</u>	Filter, Oil .....	1
5	<u>1016473</u>	Plate, Oil Pump .....	1
6	<u>101648203</u>	Oil Pump And Rotor .....	1
7	<u>1016502</u>	Bracket, Oil Filter Mount .....	1
8	<u>1016537</u>	Ball, Steel, Press, Relief .....	1
9	<u>1016570</u>	O-Ring .....	1
10	1016576	Plug, Drain .....	1
11	<u>1016581</u>	Spring .....	1
12	<u>1017442</u>	Gasket .....	1
13	<u>1017456</u>	Bolt, Flanged .....	6
14	<u>1017458</u>	Filter .....	1
15	<u>1017460</u>	Cover, Pump .....	1
16	<u>1017507</u>	Plug .....	2

7

G



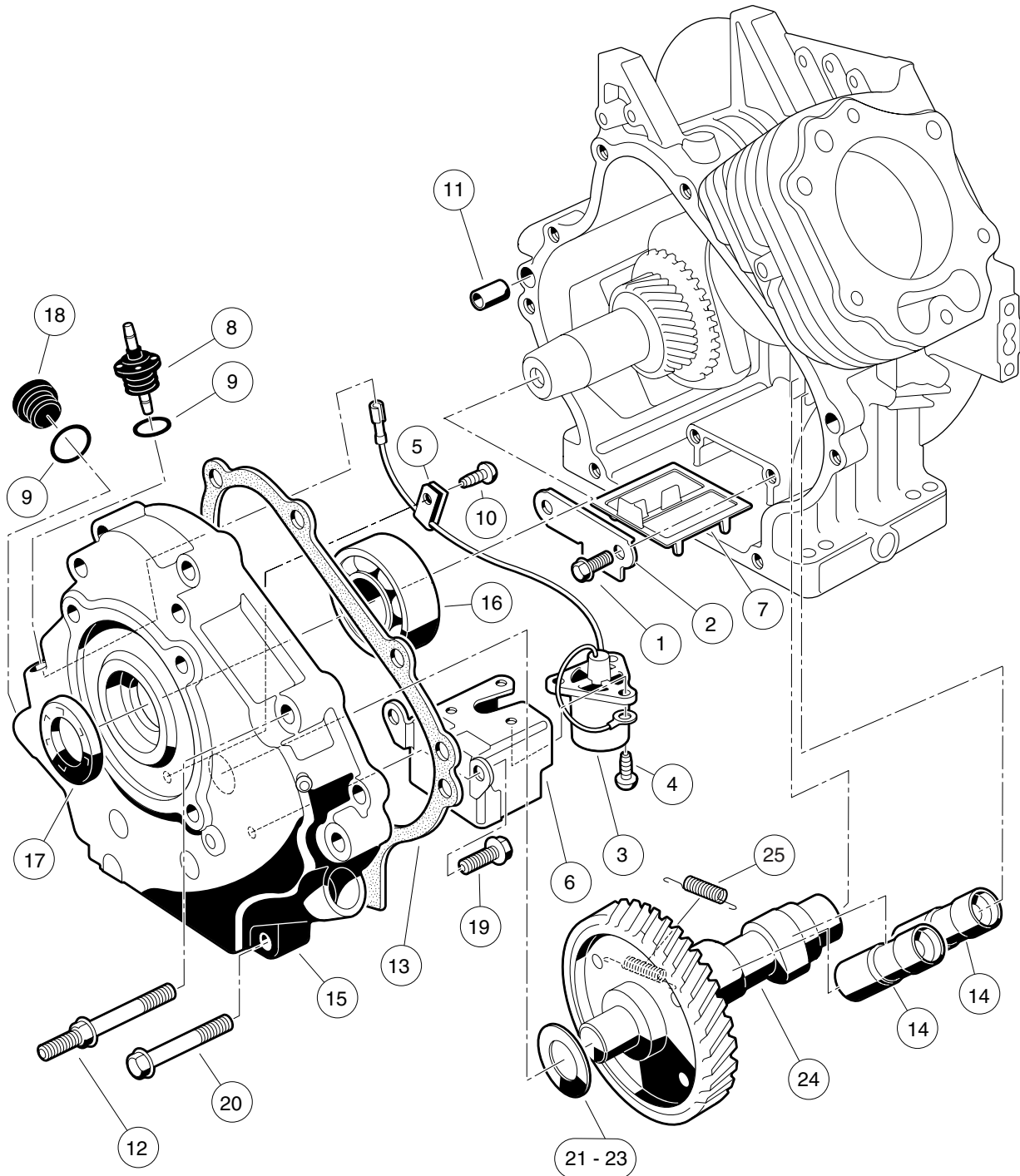
000204-001

# FE350 ENGINE – CYLINDER HEAD

ITEM	PART NO.	DESCRIPTION	QTY
		1 2 3 4	
1	<u>1016436</u>	Gasket, Rocker Case .....	1
2	<u>1016449</u>	Retainer, Valve Spring .....	2
3	<u>1016450</u>	Collet .....	4
4	<u>1016452</u>	Shaft, Rocker .....	1
5	<u>1016458</u>	Bolt, Flange Head, M8 x 1.25 x 45 mm .....	6
6	<u>1016474</u>	Plate .....	1
7	<u>1016479</u>	Seat, Spring .....	2
8	<u>1016483</u>	Valve .....	1
9	<u>1016489</u>	Stud, Two-Ended, M8-1.25 .....	2
10	<u>1016517</u>	Circlip, Type-E .....	1
11	<u>1016544</u>	Screw .....	1
12	<u>1016549</u>	Washer, 12.1x19x1.8 .....	1
13	<u>1016563</u>	Pin .....	2
14	<u>1016566</u>	Seal, Oil .....	2
15	<u>1016569</u>	O-Ring .....	2
16	<u>1016583</u>	Bolt, 6x35 .....	2
17	<u>1017434</u>	Gasket, Head .....	1
18	<u>1017435</u>	Assembly, Cylinder Head, FE350 (includes items 19 through 21) .....	1
19	<u>1016518</u>	Guide, Valve, Exhaust .....	1
20	<u>1016519</u>	Guide, Valve .....	1
21	<u>1016560</u>	Snap Ring .....	2
22	<u>1017444</u>	Valve, Intake .....	1
23	<u>1017445</u>	Valve, Exhaust .....	1
24	<u>1017446</u>	Arm, Rocker .....	2
25	<u>1017454</u>	Rod, Push .....	2
26	<u>1017473</u>	Spring, Engine Valve .....	2
27	<u>102304801</u>	Kit, Gasket, FE350 (includes items 28 through 31) .....	1
28	<u>1016440</u>	Gasket, Engine to Insulator .....	1
29	<u>1016904</u>	Gasket, Exhaust .....	1
30	<u>1017434</u>	Gasket, Head .....	1
31	<u>1017443</u>	Gasket, Crankcase Cover .....	1
32	<u>102753401</u>	Case, Rocker -w/o Logo Fe290 .....	1
		Note: Item 28 is not a component of the FE350 engine.	

7

G



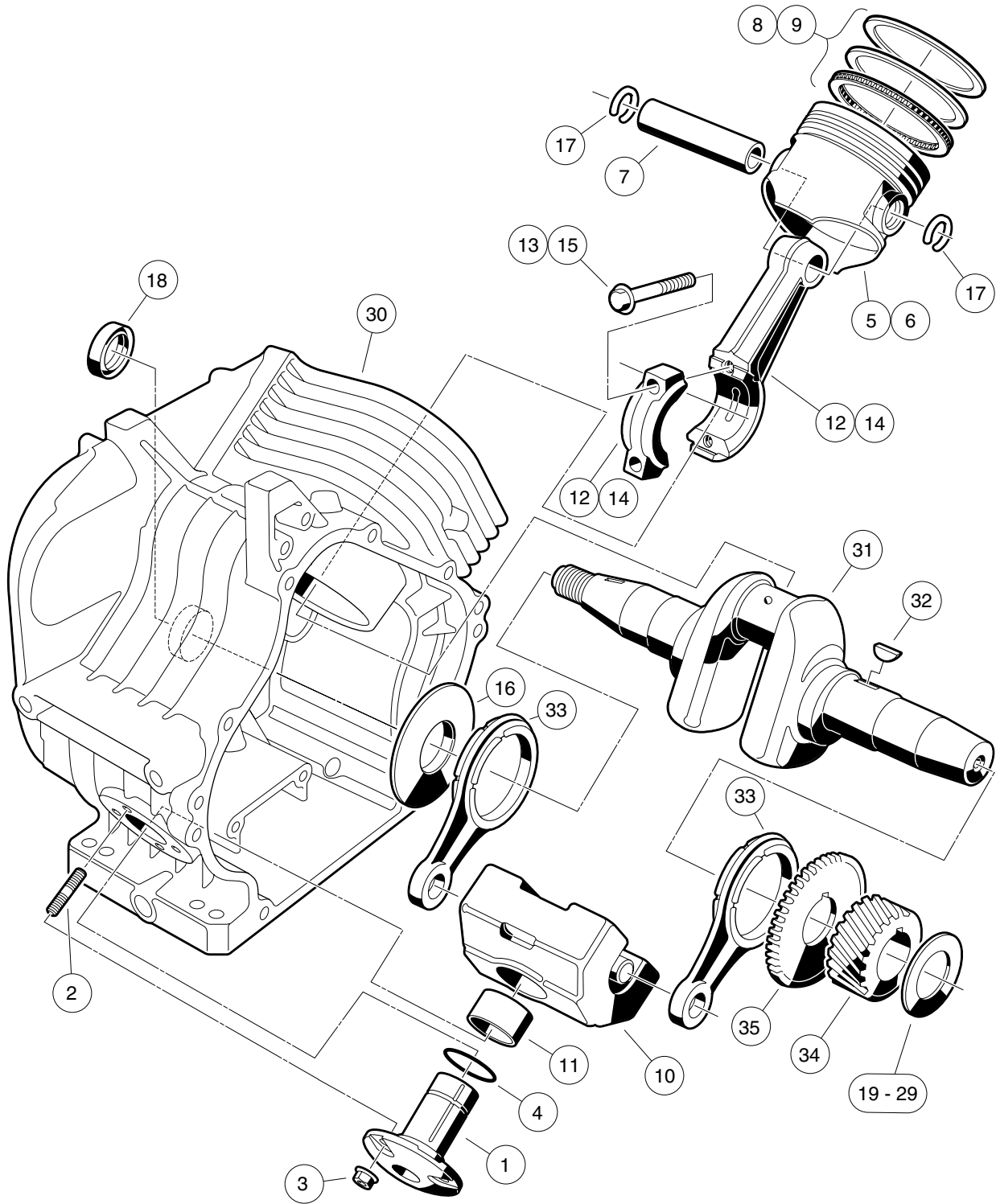
000205-001

# FE350 ENGINE WITH ACR – CRANKCASE, CAMSHAFT, AND OIL SENSOR

ITEM	PART NO.	DESCRIPTION	QTY
		1 2 3 4	
1	<u>1016454</u>	Bolt, Flange Head, M5 x 0.8 x 8 mm .....	2
2	<u>1016472</u>	Plate, Oil Filter Screen .....	1
3	<u>1016494</u>	Sensor, Oil Level .....	1
4	<u>1016496</u>	Screw, Cross Pan-Head, M4 x 0.7 x 8 mm .....	3
5	<u>1016506</u>	Clamp .....	1
6	<u>1016510</u>	Bracket, Switch, Oil Level .....	1
7	<u>1016521</u>	Screen, Oil Filter .....	1
8	<u>1016535</u>	Connector, Cord .....	1
9	<u>1016538</u>	O-Ring .....	2
10	<u>1016544</u>	Screw .....	1
11	<u>1016564</u>	Pin .....	2
12	<u>1016584</u>	Bolt, Two-Ended, M8 x 1.25 x 69 mm .....	2
13	<u>1017443</u>	Gasket, Crankcase Cover .....	1
14	<u>1017447</u>	Adjuster, Lash .....	2
15	<u>1017472</u>	Cover Crankcase .....	1
16	<u>1017487</u>	Bearing, Ball .....	1
17	<u>1017504</u>	Seal, Oil .....	1
18	<u>1017508</u>	Plug .....	1
19	<u>1017513</u>	Bolt .....	2
20	<u>1017514</u>	Screw, M8-1.25 X 45mm Hex .....	6
21	<u>101751801</u>	Shim, 0.3 .....	A/R
22	<u>101751802</u>	Shim, 0.4 .....	A/R
23	<u>101751803</u>	Shim, 0.5 .....	A/R
24	<u>102271601</u>	Camshaft, FE350/FE400 with ACR, 44-tooth (includes item 25) .....	1
25	<u>1017511</u>	Spring .....	1

**7**

**G**



000206-001

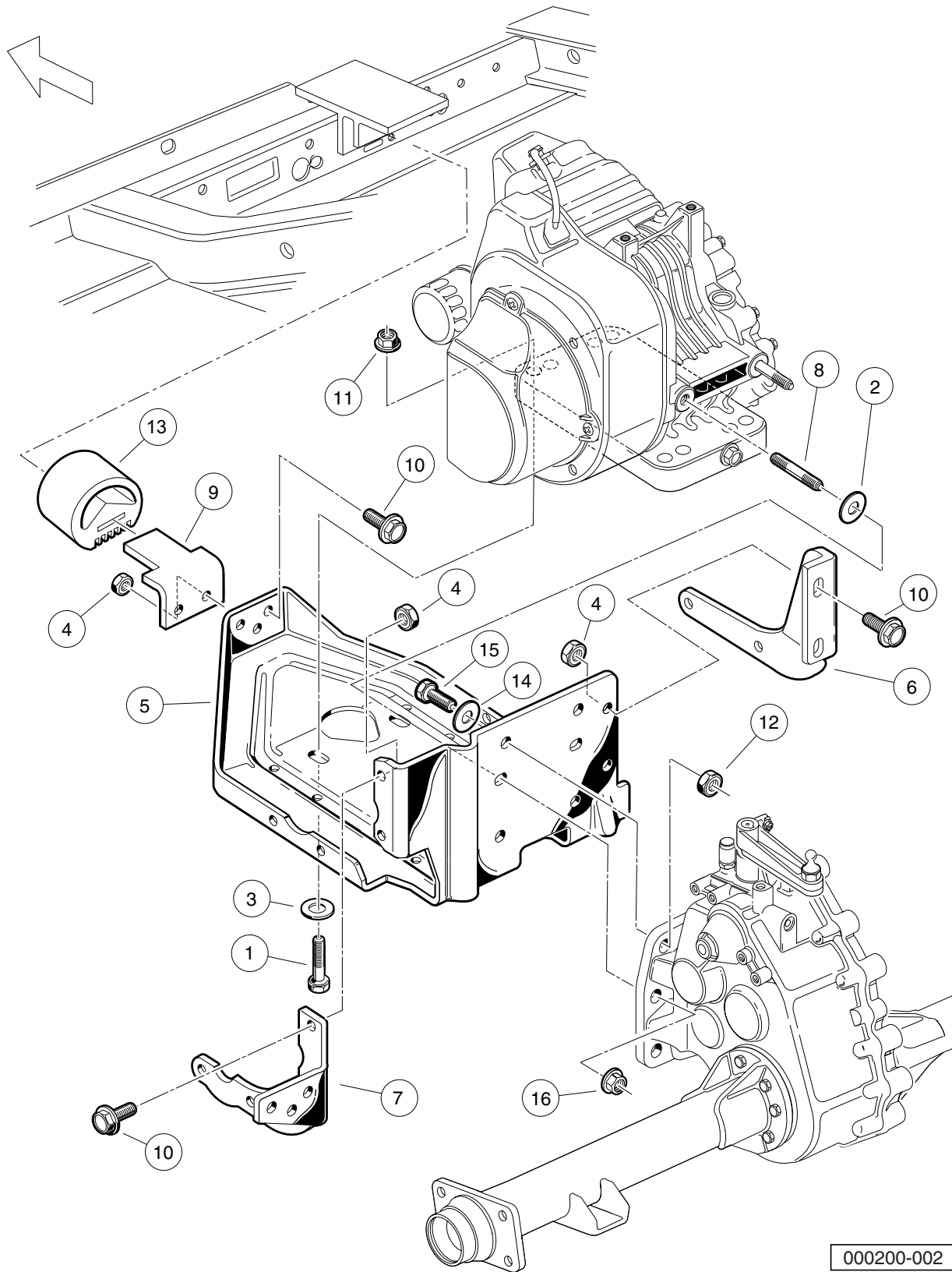
## FE350 ENGINE – CRANKCASE AND CRANKSHAFT

ITEM	PART NO.	DESCRIPTION	QTY
		1 2 3 4	
1	1016470	Shaft, Guide, Counterbalance .....	1
2	<u>1016541</u>	Stud, 6x14 .....	4
3	1016547	Nut .....	4
4	<u>1016571</u>	O-Ring .....	1
5	<u>101744901</u>	Piston, Standard .....	1
6	<u>101744902</u>	Piston, 0.50 mm Oversize .....	1
7	1017450	Pin, Piston .....	1
8	<u>101745101</u>	Ring Set, Standard Piston .....	1
9	<u>101745102</u>	Ring Set, Piston, 0.50 mm Oversize .....	1
10	<u>1017453</u>	Weight (includes item 11) .....	1
11	1017510	Bearing, Plain .....	1
12	101745701	Asm, Con. Rod Std (includes item 13) .....	1
13	<u>1017512</u>	Bolt .....	2
14	<u>101745702</u>	Rod Assembly Connecting Rod 0.5mm (includes item 15) .....	1
15	<u>1017512</u>	Bolt .....	2
16	1017501	Spacer .....	1
17	<u>1017502</u>	Snap Ring .....	2
18	<u>1017503</u>	Seal, Oil .....	1
19	<u>101773301</u>	Shim, Crankshaft, 1.18mm .....	A/R
20	<u>101773302</u>	Shim, Crankshaft, 1.25mm .....	A/R
21	<u>101773303</u>	Shim, Crankshaft, 1.32mm .....	A/R
22	<u>101773304</u>	Shim, Crankshaft, 1.39mm .....	A/R
23	<u>101773305</u>	Shim, Crankshaft, 1.46mm .....	A/R
24	<u>101773306</u>	Shim, Crankshaft, 1.53mm .....	A/R
25	<u>101773307</u>	Shim, Crankshaft, 1.60mm .....	A/R
26	<u>101773308</u>	Shim, Crankshaft, 1.67mm .....	A/R
27	<u>101773309</u>	Shim, Crankshaft, 1.74mm .....	A/R
28	<u>101773310</u>	Shim, Crankshaft, 1.11 mm .....	A/R
29	<u>101773311</u>	Shim, Crankshaft, 1.81mm .....	A/R
30	<u>101916001</u>	Crankcase Complete, FE350 (cw) .....	1
31	<u>102430901</u>	Crankshaft, FE350 Left-Hand, 22-Tooth (includes items 32 through 35) .....	1
32	<u>1016562</u>	Key .....	1
33	<u>1017471</u>	Rod .....	2
34	N/A	Gear, Helical .....	1
35	N/A	Gear, Spur .....	1

**7**

**G**

**7**  
**G**



000200-002



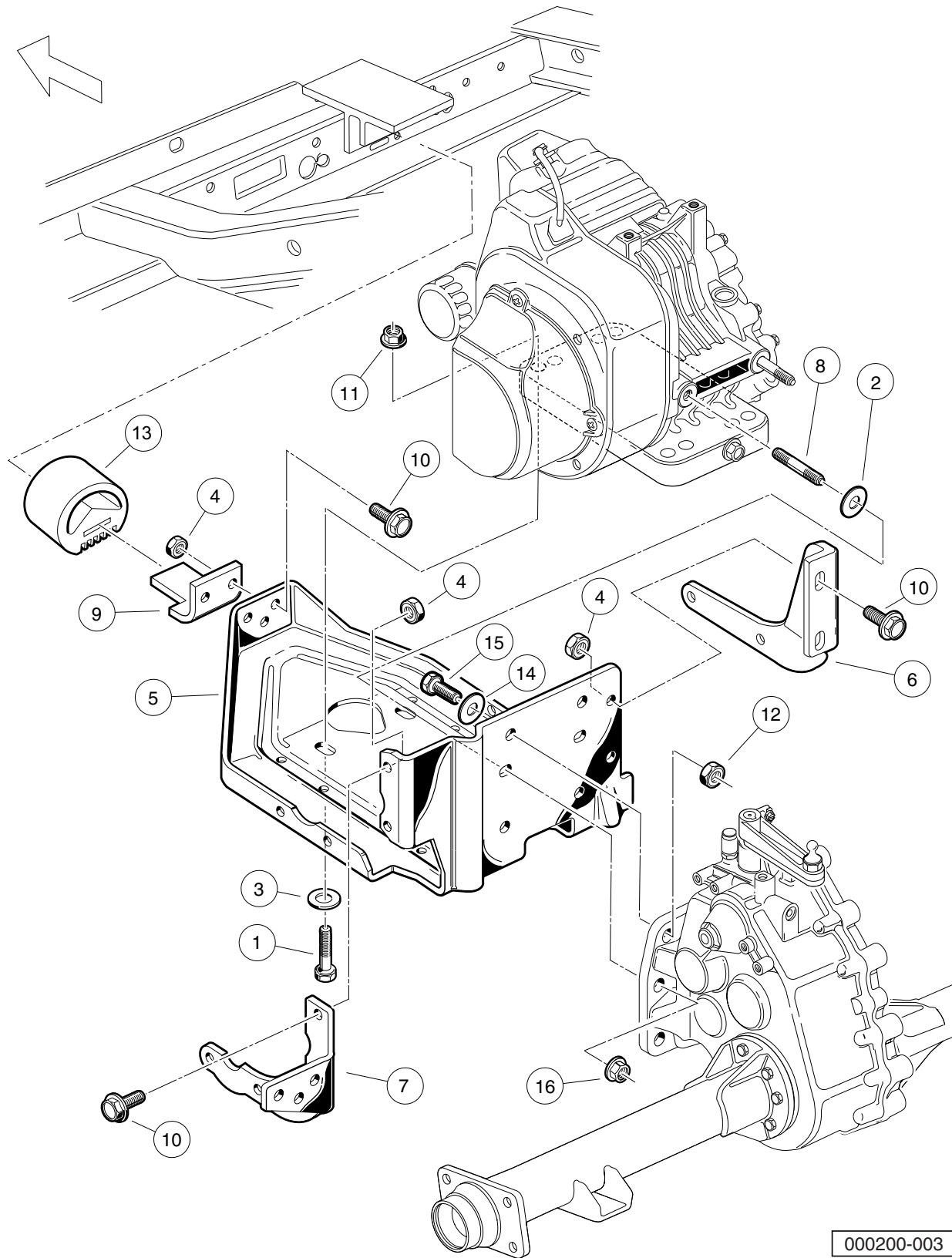
# ENGINE MOUNTING – TURF/CARRYALL 252 AND XRT 900

ITEM	PART NO.	DESCRIPTION	QTY
		1 2 3 4	
1	<u>1010577</u>	Bolt, Hex-Head, 5/16-18 X 1.50 .....	4
2	<u>1011697</u>	Washer, 5/16 Flat .....	2
3	1012571	Washer, 5/16 Extra Thick Flat .....	4
4	<u>1013924</u>	Nut, 5/16-24 Hex Head Cone .....	10
5	<u>101827101</u>	Plate, Engine Mounting .....	1
6	<u>101832601</u>	Stiffener (PTO Side) .....	1
7	<u>101832701</u>	Stiffener (Flywheel Side) .....	1
8	<u>101833101</u>	Stud, M8-1.25 X 50 mm Two-Ended .....	2
9	<u>101834601</u>	Snubber Bracket .....	1
10	<u>101884801</u>	Screw, 5/16-24 X 0.875 Grade-8 .....	10
11	<u>101963401</u>	Locknut, 5/16-18 Hex Flange .....	4
12	<u>102065901</u>	Locknut, 3/8-16 Flanged Dimple .....	4
13	<u>102540301</u>	Inner Frame Snubber .....	1
14	<u>334</u>	Washer, 3/8 Type A Flat .....	4
15	705	Screw, Cap-hex Hd 3/8-16x1.25 .....	4
16	<u>96704416</u>	Nut Flg, M8 X 1.25 Serrated .....	2

7

G

**7**  
**G**



000200-003

# FE350 ENGINE MOUNTING – TURF/CARRYALL 2 AND CARRYALL 2 PLUS

ITEM	PART NO.	DESCRIPTION	QTY
		1 2 3 4	
1	<u>1010577</u>	Bolt, Hex-Head, 5/16-18 X 1.50 .....	4
2	<u>1011697</u>	Washer, 5/16 Flat .....	2
3	1012571	Washer, 5/16 Extra Thick Flat .....	4
4	<u>1013924</u>	Nut, 5/16-24 Hex Head Cone .....	10
5	<u>101827101</u>	Plate, Engine Mounting .....	1
6	<u>101832601</u>	Stiffener (PTO Side) .....	1
7	<u>101832701</u>	Stiffener (Flywheel Side) .....	1
8	<u>101833101</u>	Stud, M8-1.25 X 50 mm Two-Ended .....	2
9	<u>101834601</u>	Snubber Bracket .....	1
10	<u>101884801</u>	Screw, 5/16-24 X 0.875 Grade-8 .....	10
11	<u>101963401</u>	Locknut, 5/16-18 Hex Flange .....	4
12	<u>102065901</u>	Locknut, 3/8-16 Flanged Dimple .....	4
13	<u>102540301</u>	Inner Frame Snubber .....	1
14	<u>334</u>	Washer, 3/8 Type A Flat .....	4
15	705	Screw, Cap-hex Hd 3/8-16x1.25 .....	4
16	<u>96704416</u>	Nut Flg, M8 X 1.25 Serrated .....	2

**7**

**G**

7

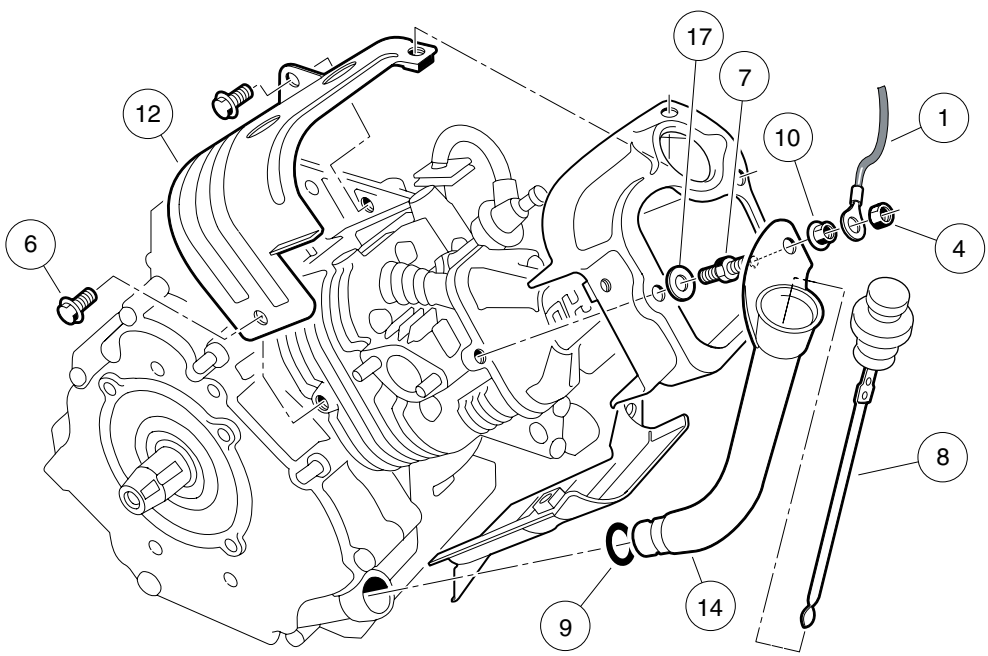
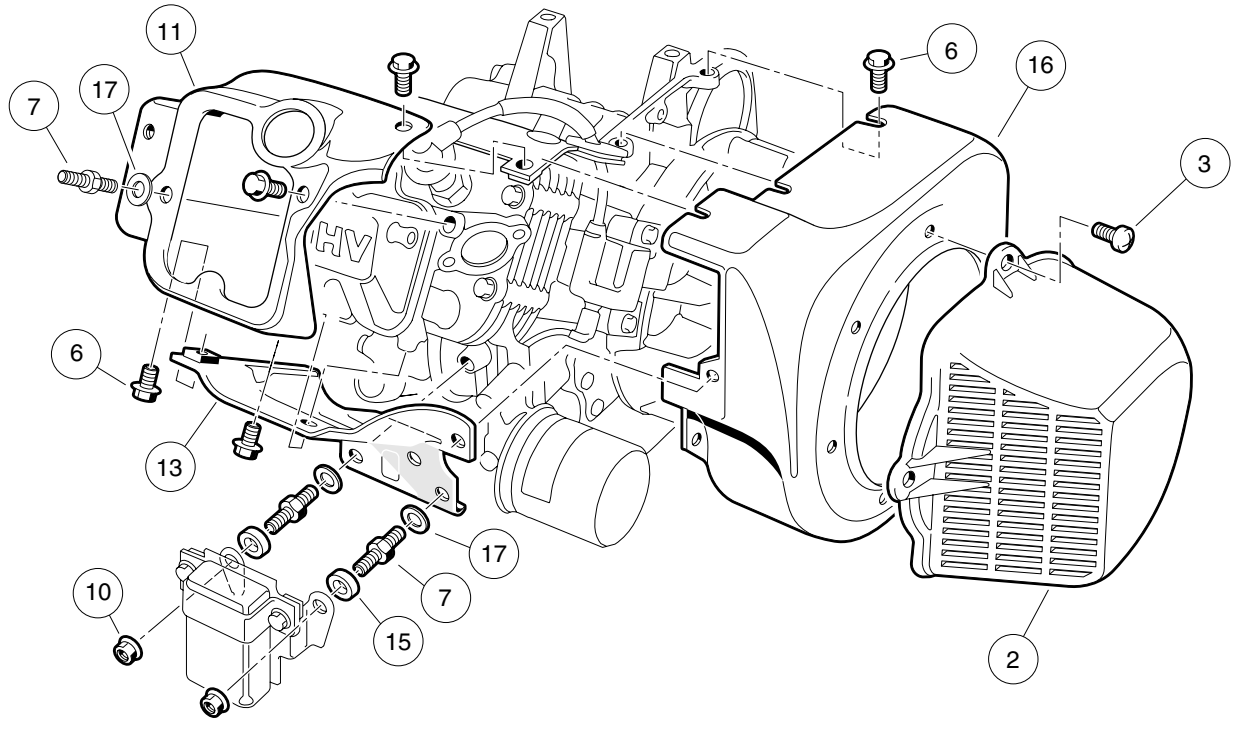
G

# **FE350 ENGINE WITHOUT ACR (TURF/ CA 2, 252 AND XRT 900)**

---

**8**

**G**



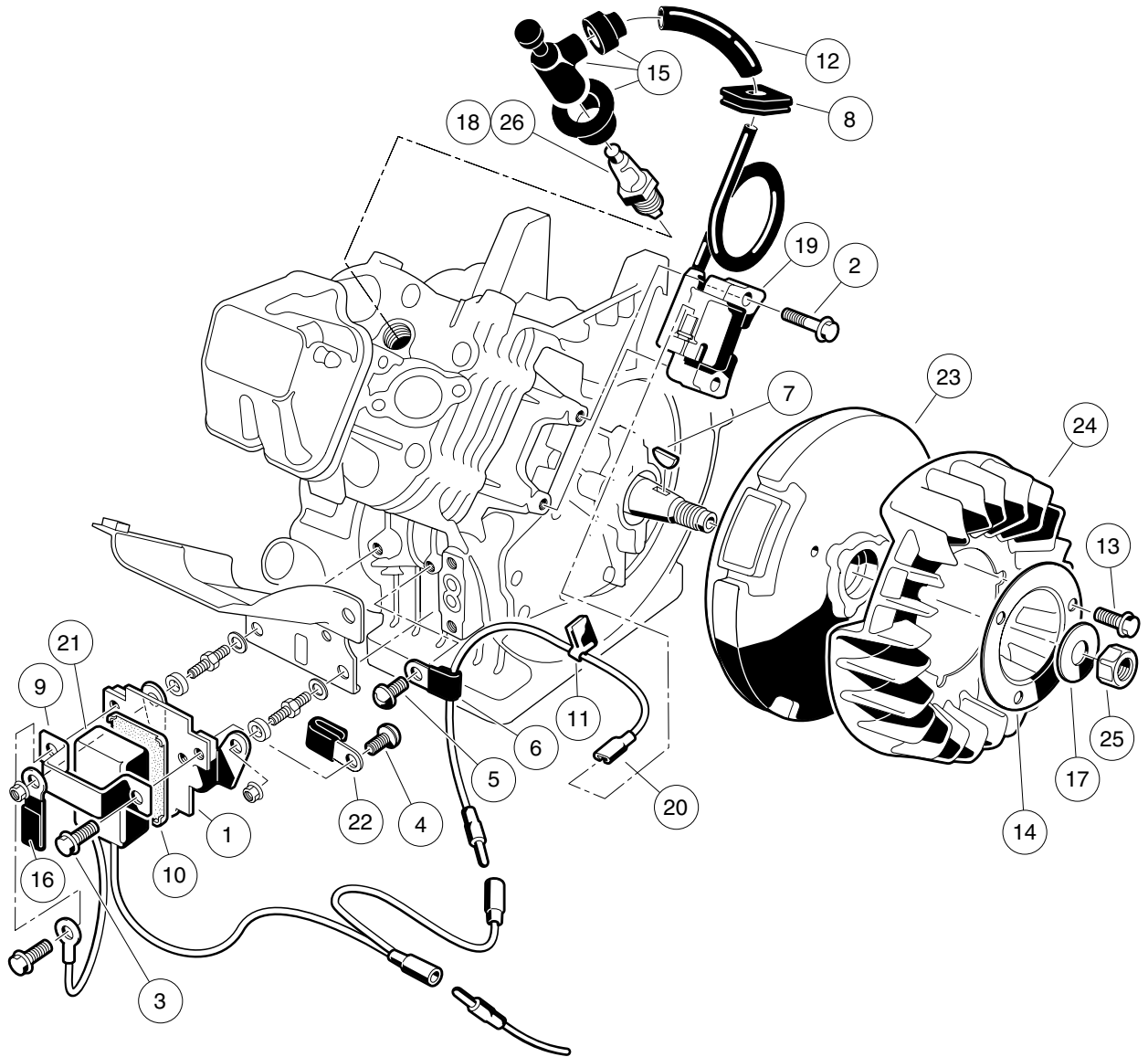
000201-001

# FE350 ENGINE WITHOUT ACR (AUTOMATIC COMPRESSION RELEASE) – SHROUDS AND BRACKETS

ITEM	PART NO.	DESCRIPTION	QTY
		1 2 3 4	
1	<u>1015332</u>	Wire Assembly, #10, Uninsulated .....	1
2	<u>1015649</u>	Shroud, Fan .....	1
3	<u>1015969</u>	Screw, M6-1.00 X 10mm Pan Hd .....	4
4	<u>101887601</u>	Locknut, M6-1.00 Nylon Insert .....	1
5	<u>101953802</u>	Engine, FE350 (cw) without ACR * (includes items 6 through 17) .....	1
6	<u>1016456</u>	Bolt, Flange Head, M6 x 1 x 12 mm .....	14
7	<u>1016507</u>	Bolt, Two-Ended .....	3
8	<u>1016531</u>	Dipstick .....	1
9	<u>1016539</u>	O-Ring .....	1
10	<u>1016547</u>	Nut .....	3
11	<u>1017474</u>	Shroud, Engine .....	1
12	<u>1017475</u>	Shroud, Engine .....	1
13	<u>1017476</u>	Shroud, Engine .....	1
14	<u>1017486</u>	Tube, Oil Filler .....	1
15	<u>1017500</u>	Spacer 6.50 X 12 X 5.5 .....	2
16	<u>101916101</u>	Housing, FE350 Fan .....	1
17	N/A	Washer, 6mm Flat .....	3
* Note: FE350 engine component listings span several pages.			

8

G



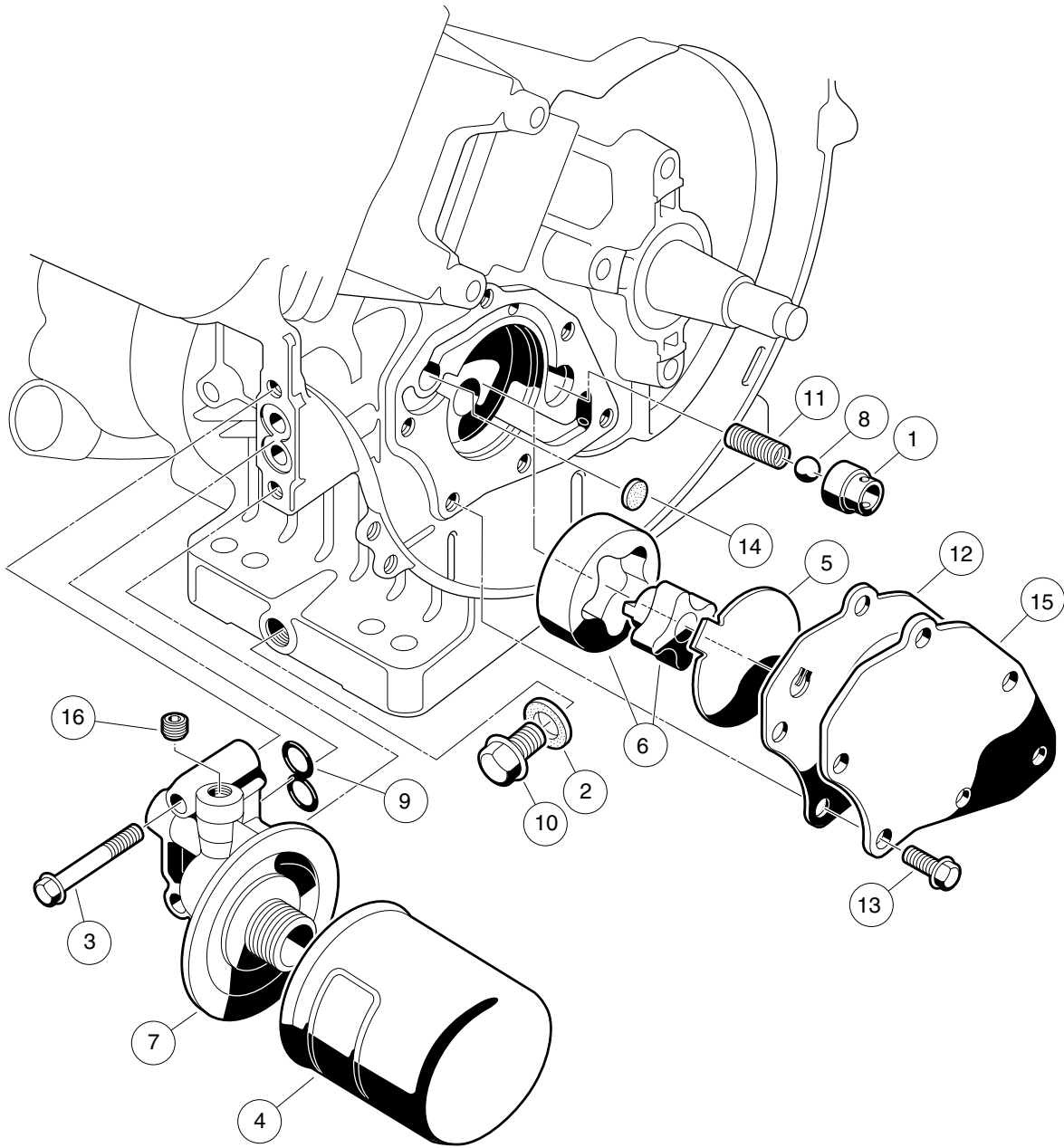
000202-001



# FE350 ENGINE – IGNITION COMPONENTS AND FLYWHEEL

ITEM	PART NO.	DESCRIPTION	QTY
		1 2 3 4	
1	1016445	Bracket, RPM Limiter .....	1
2	<u>1016455</u>	Bolt, Flange Head .....	2
3	1016456	Bolt, Flange Head, M6 x 1 x 12 mm .....	2
4	<u>1016497</u>	Screw, Pan WP Cross .....	1
5	<u>1016544</u>	Screw .....	1
6	<u>1016561</u>	Clamp .....	1
7	<u>1016562</u>	Key .....	1
8	<u>1016578</u>	Grommet .....	1
9	<u>1016579</u>	Band, RPM Limiter Mount .....	1
10	1016586	Damper, RPM Limiter .....	1
11	<u>1016587</u>	Clamp .....	1
12	<u>1016588</u>	Tube, 7mm X 10mm X 70mm .....	1
13	<u>1017448</u>	Bolt, Flanged .....	3
14	<u>1017455</u>	Plate, Flywheel Fan .....	1
15	<u>1017463</u>	Cap Asm Plug .....	1
16	<u>1017468</u>	Clamp .....	1
17	<u>1017490</u>	Washer, Flat .....	1
18	<u>101881101</u>	Spark Plug, OHV (Autolite) .....	1
19	<u>101909201</u>	Coil, Ignition .....	1
20	<u>101909301</u>	Lead Wire Assy .....	1
21	101909401	Limiter, RPM .....	1
22	N/A	Clamp, Steel .....	1
23	<u>101916201</u>	Flywheel .....	1
24	<u>101916301</u>	Fan (cw) .....	1
25	N/A	Nut, Hex, 18 mm Fine .....	1
26	<u>AM10724</u>	Spark Plug, OHV (NGK) .....	1

**8**  
**G**

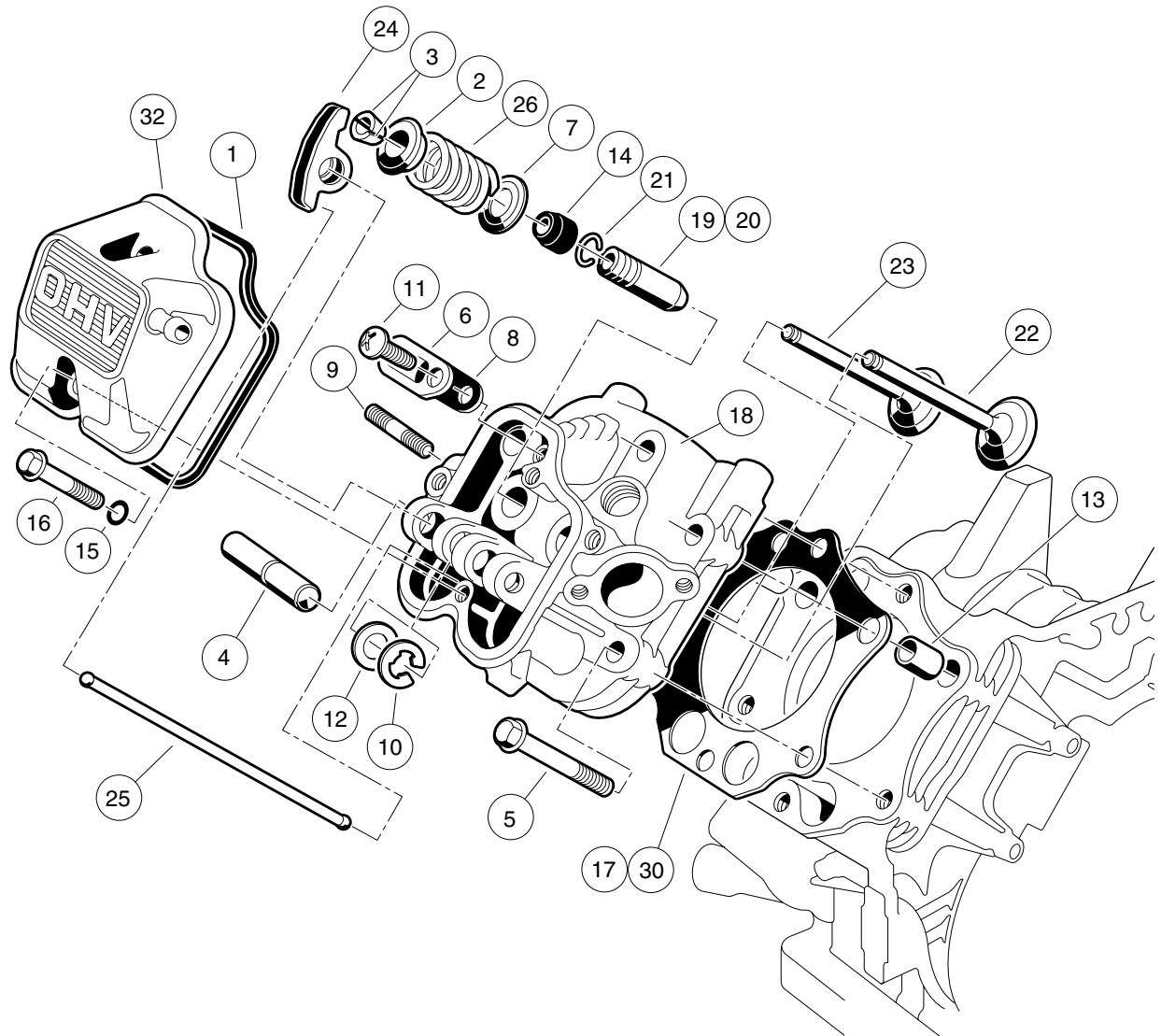


000203-001

## FE350 ENGINE – OIL CIRCULATION

ITEM	PART NO.	DESCRIPTION	QTY
		1 2 3 4	
1	1016429	Seat, Value Oil Press Relief .....	1
2	<u>1016432</u>	Gasket, Drain Plug .....	1
3	<u>1016457</u>	Bolt, Flange Head .....	2
4	<u>1016467</u>	Filter, Oil .....	1
5	<u>1016473</u>	Plate, Oil Pump .....	1
6	<u>101648203</u>	Oil Pump And Rotor .....	1
7	<u>1016502</u>	Bracket, Oil Filter Mount .....	1
8	<u>1016537</u>	Ball, Steel, Press, Relief .....	1
9	<u>1016570</u>	O-Ring .....	1
10	1016576	Plug, Drain .....	1
11	<u>1016581</u>	Spring .....	1
12	<u>1017442</u>	Gasket .....	1
13	<u>1017456</u>	Bolt, Flanged .....	6
14	<u>1017458</u>	Filter .....	1
15	<u>1017460</u>	Cover, Pump .....	1
16	<u>1017507</u>	Plug .....	2

**8**  
**G**



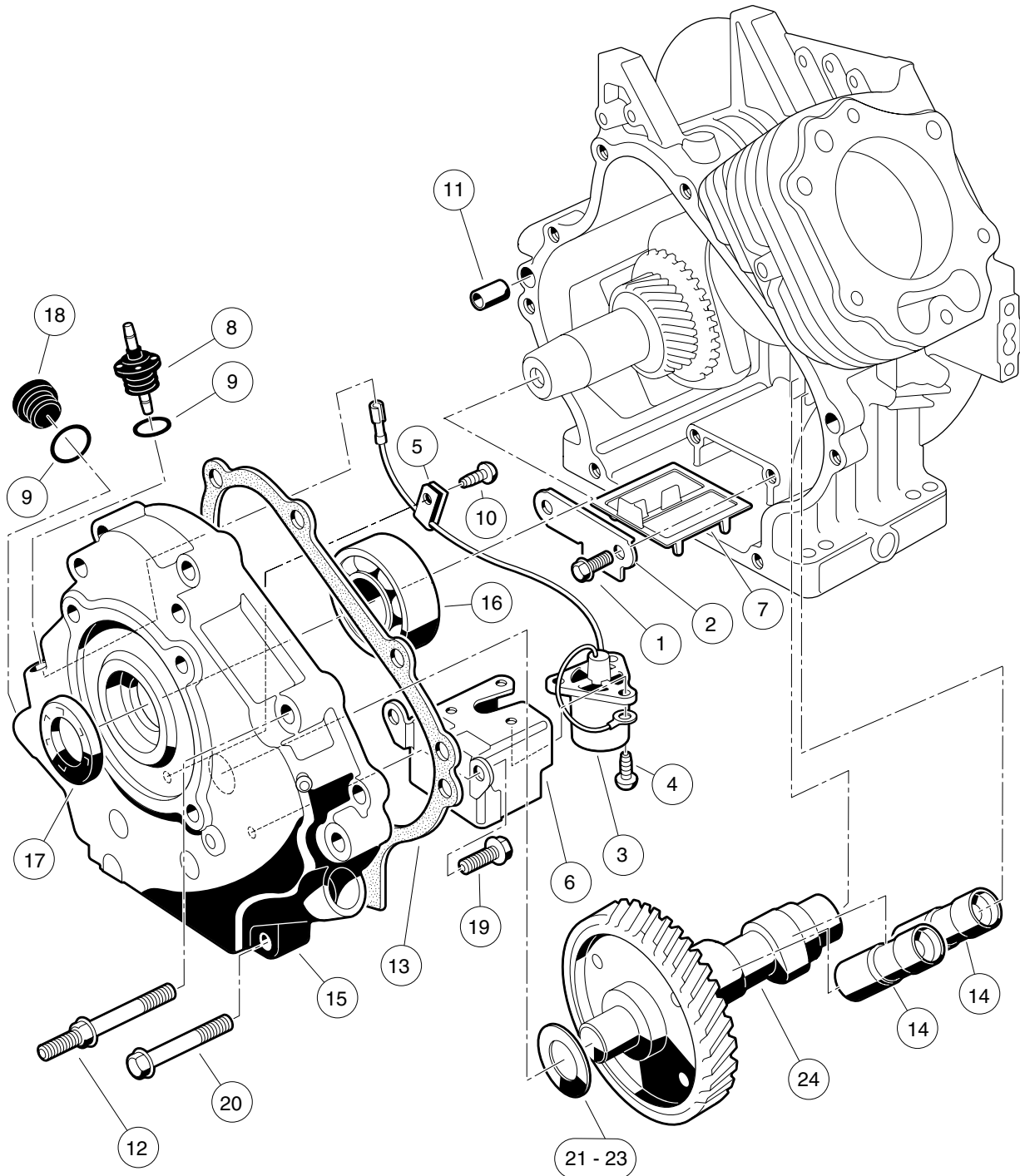
000204-001

## FE350 ENGINE – CYLINDER HEAD

ITEM	PART NO.	DESCRIPTION	QTY
		1 2 3 4	
1	<u>1016436</u>	Gasket, Rocker Case .....	1
2	<u>1016449</u>	Retainer, Valve Spring .....	2
3	<u>1016450</u>	Collet .....	4
4	<u>1016452</u>	Shaft, Rocker .....	1
5	<u>1016458</u>	Bolt, Flange Head, M8 x 1.25 x 45 mm .....	6
6	<u>1016474</u>	Plate .....	1
7	<u>1016479</u>	Seat, Spring .....	2
8	<u>1016483</u>	Valve .....	1
9	<u>1016489</u>	Stud, Two-Ended, M8-1.25 .....	2
10	<u>1016517</u>	Circlip, Type-E .....	1
11	<u>1016544</u>	Screw .....	1
12	<u>1016549</u>	Washer, 12.1x19x1.8 .....	1
13	<u>1016563</u>	Pin .....	2
14	<u>1016566</u>	Seal, Oil .....	2
15	<u>1016569</u>	O-Ring .....	2
16	<u>1016583</u>	Bolt, 6x35 .....	2
17	<u>1017434</u>	Gasket, Head .....	1
18	<u>1017435</u>	Assembly, Cylinder Head, FE350 (includes items 19 through 21) .....	1
19	<u>1016518</u>	Guide, Valve, Exhaust .....	1
20	<u>1016519</u>	Guide, Valve .....	1
21	<u>1016560</u>	Snap Ring .....	2
22	<u>1017444</u>	Valve, Intake .....	1
23	<u>1017445</u>	Valve, Exhaust .....	1
24	<u>1017446</u>	Arm, Rocker .....	2
25	<u>1017454</u>	Rod, Push .....	2
26	<u>1017473</u>	Spring, Engine Valve .....	2
27	<u>102304801</u>	Kit, Gasket, FE350 (includes items 28 through 31) .....	1
28	<u>1016440</u>	Gasket, Engine to Insulator .....	1
29	<u>1016904</u>	Gasket, Exhaust .....	1
30	<u>1017434</u>	Gasket, Head .....	1
31	<u>1017443</u>	Gasket, Crankcase Cover .....	1
32	<u>102753401</u>	Case, Rocker -w/o Logo Fe290 .....	1
		Note: Item 28 is not a component of the FE350 engine.	

**8**

**G**

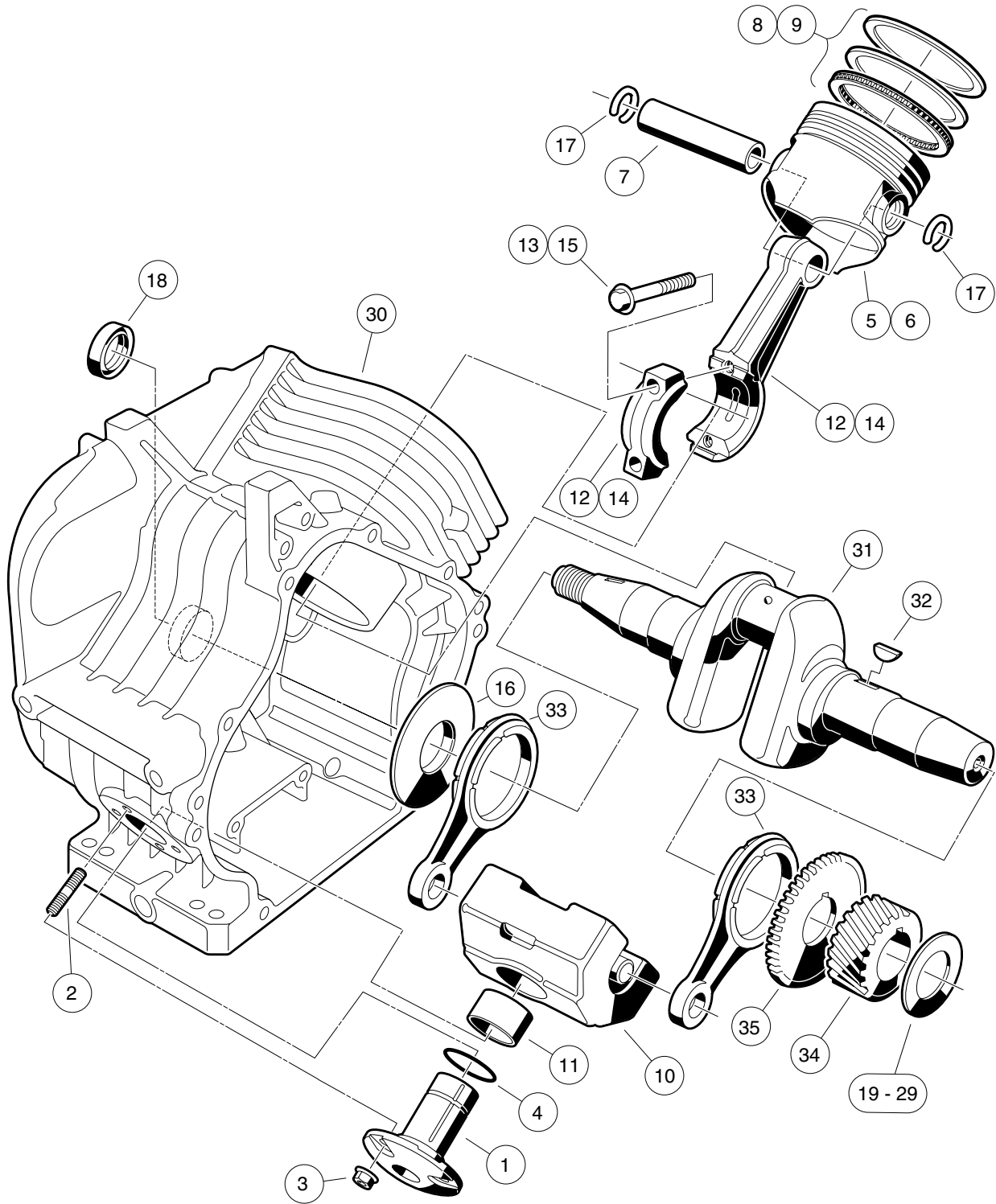


000205-002

## FE350 ENGINE WITHOUT ACR – CRANKCASE, CAMSHAFT, AND OIL SENSOR

ITEM	PART NO.	DESCRIPTION	QTY
		1 2 3 4	
1	<u>1016454</u>	Bolt, Flange Head, M5 x 0.8 x 8 mm .....	2
2	<u>1016472</u>	Plate, Oil Filter Screen .....	1
3	<u>1016494</u>	Sensor, Oil Level .....	1
4	<u>1016496</u>	Screw, Cross Pan-Head, M4 x 0.7 x 8 mm .....	3
5	<u>1016506</u>	Clamp .....	1
6	<u>1016510</u>	Bracket, Switch, Oil Level .....	1
7	<u>1016521</u>	Screen, Oil Filter .....	1
8	<u>1016535</u>	Connector, Cord .....	1
9	<u>1016538</u>	O-Ring .....	2
10	<u>1016544</u>	Screw .....	1
11	<u>1016564</u>	Pin .....	2
12	<u>1016584</u>	Bolt, Two-Ended, M8 x 1.25 x 69 mm .....	2
13	<u>1017443</u>	Gasket, Crankcase Cover .....	1
14	<u>1017447</u>	Adjuster, Lash .....	2
15	<u>1017472</u>	Cover Crankcase .....	1
16	<u>1017487</u>	Bearing, Ball .....	1
17	<u>1017504</u>	Seal, Oil .....	1
18	<u>1017508</u>	Plug .....	1
19	<u>1017513</u>	Bolt .....	2
20	<u>1017514</u>	Screw, M8-1.25 X 45mm Hex .....	6
21	<u>101751801</u>	Shim, 0.3 .....	A/R
22	<u>101751802</u>	Shim, 0.4 .....	A/R
23	<u>101751803</u>	Shim, 0.5 .....	A/R
24	<u>102431001</u>	Camshaft, FE350 without ACR, 44-Tooth .....	1

**8**  
**G**



000206-001

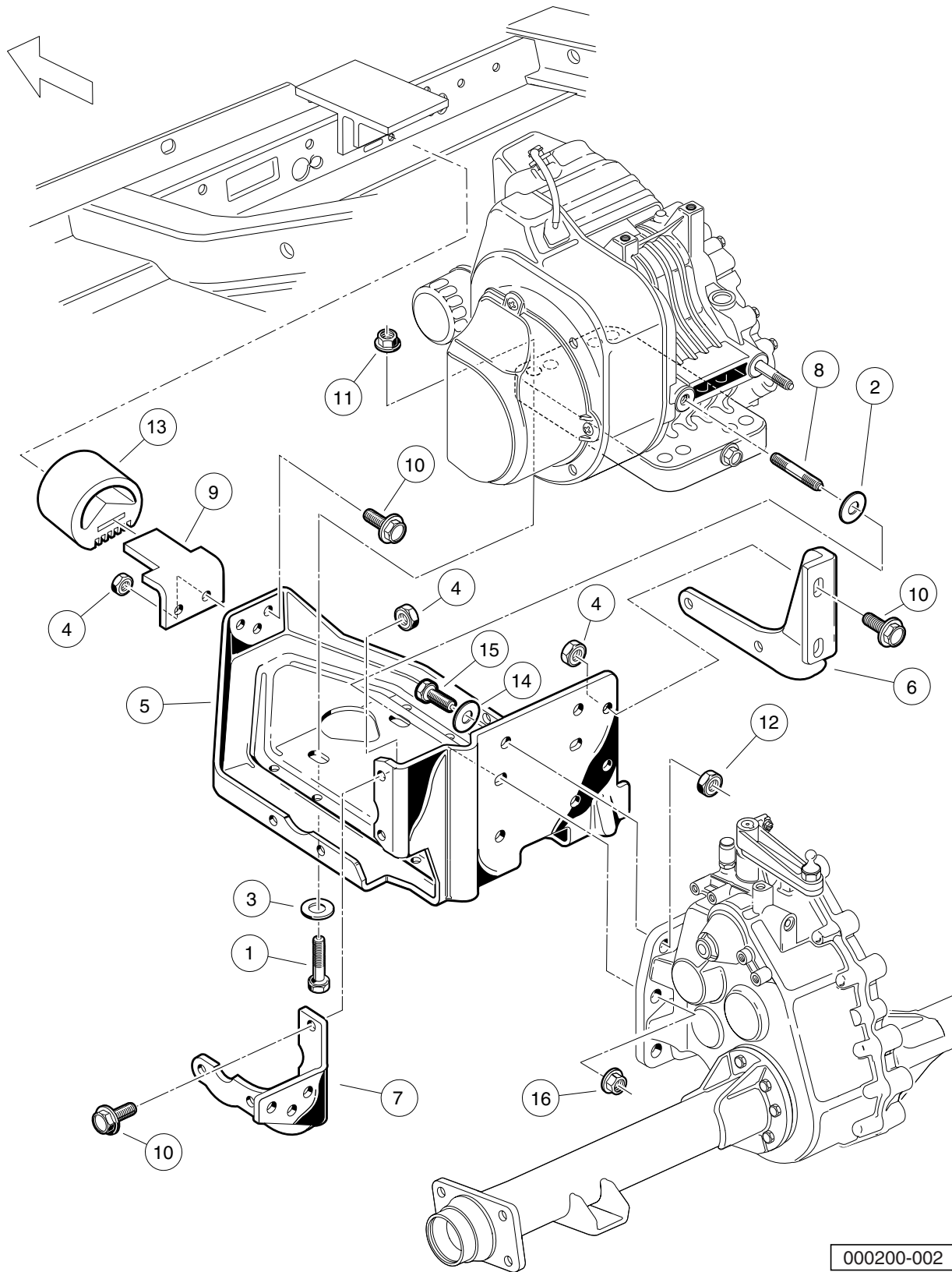


## FE350 ENGINE – CRANKCASE AND CRANKSHAFT

ITEM	PART NO.	DESCRIPTION	QTY
		1 2 3 4	
1	1016470	Shaft, Guide, Counterbalance .....	1
2	<u>1016541</u>	Stud, 6x14 .....	4
3	1016547	Nut .....	4
4	<u>1016571</u>	O-Ring .....	1
5	<u>101744901</u>	Piston, Standard .....	1
6	<u>101744902</u>	Piston, 0.50 mm Oversize .....	1
7	1017450	Pin, Piston .....	1
8	<u>101745101</u>	Ring Set, Standard Piston .....	1
9	<u>101745102</u>	Ring Set, Piston, 0.50 mm Oversize .....	1
10	<u>1017453</u>	Weight (includes item 11) .....	1
11	1017510	Bearing, Plain .....	1
12	101745701	Asm, Con. Rod Std (includes item 13) .....	1
13	<u>1017512</u>	Bolt .....	2
14	<u>101745702</u>	Rod Assembly Connecting Rod 0.5mm (includes item 15) .....	1
15	<u>1017512</u>	Bolt .....	2
16	1017501	Spacer .....	1
17	<u>1017502</u>	Snap Ring .....	2
18	<u>1017503</u>	Seal, Oil .....	1
19	<u>101773301</u>	Shim, Crankshaft, 1.18mm .....	A/R
20	<u>101773302</u>	Shim, Crankshaft, 1.25mm .....	A/R
21	<u>101773303</u>	Shim, Crankshaft, 1.32mm .....	A/R
22	<u>101773304</u>	Shim, Crankshaft, 1.39mm .....	A/R
23	<u>101773305</u>	Shim, Crankshaft, 1.46mm .....	A/R
24	<u>101773306</u>	Shim, Crankshaft, 1.53mm .....	A/R
25	<u>101773307</u>	Shim, Crankshaft, 1.60mm .....	A/R
26	<u>101773308</u>	Shim, Crankshaft, 1.67mm .....	A/R
27	<u>101773309</u>	Shim, Crankshaft, 1.74mm .....	A/R
28	<u>101773310</u>	Shim, Crankshaft, 1.11 mm .....	A/R
29	<u>101773311</u>	Shim, Crankshaft, 1.81mm .....	A/R
30	<u>101916001</u>	Crankcase Complete, FE350 (cw) .....	1
31	<u>102430901</u>	Crankshaft, FE350 Left-Hand, 22-Tooth (includes items 32 through 35) .....	1
32	<u>1016562</u>	Key .....	1
33	<u>1017471</u>	Rod .....	2
34	N/A	Gear, Helical .....	1
35	N/A	Gear, Spur .....	1

**8**  
**G**

8  
G



000200-002

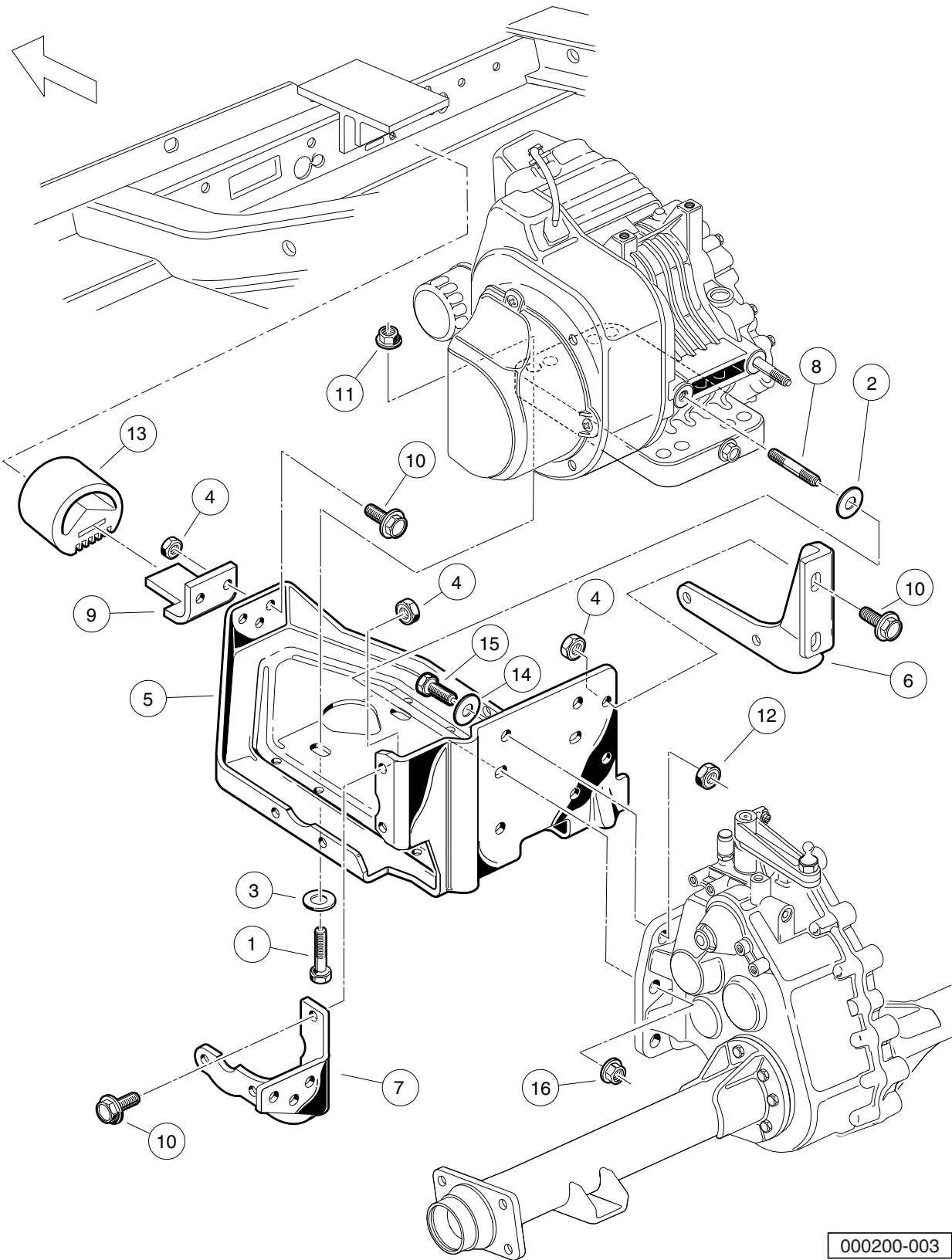
# ENGINE MOUNTING – TURF/CARRYALL 252 AND XRT 900

ITEM	PART NO.	DESCRIPTION	QTY
		1 2 3 4	
1	<u>1010577</u>	Bolt, Hex-Head, 5/16-18 X 1.50 .....	4
2	<u>1011697</u>	Washer, 5/16 Flat .....	2
3	1012571	Washer, 5/16 Extra Thick Flat .....	4
4	<u>1013924</u>	Nut, 5/16-24 Hex Head Cone .....	10
5	<u>101827101</u>	Plate, Engine Mounting .....	1
6	<u>101832601</u>	Stiffener (PTO Side) .....	1
7	<u>101832701</u>	Stiffener (Flywheel Side) .....	1
8	<u>101833101</u>	Stud, M8-1.25 X 50 mm Two-Ended .....	2
9	<u>101834601</u>	Snubber Bracket .....	1
10	<u>101884801</u>	Screw, 5/16-24 X 0.875 Grade-8 .....	10
11	<u>101963401</u>	Locknut, 5/16-18 Hex Flange .....	4
12	<u>102065901</u>	Locknut, 3/8-16 Flanged Dimple .....	4
13	<u>102540301</u>	Inner Frame Snubber .....	1
14	<u>334</u>	Washer, 3/8 Type A Flat .....	4
15	705	Screw, Cap-hex Hd 3/8-16x1.25 .....	4
16	<u>96704416</u>	Nut Flg, M8 X 1.25 Serrated .....	2

**8**

**G**

**8**  
**G**



000200-003

# FE350 ENGINE MOUNTING – TURF/CARRYALL 2 AND CARRYALL 2 PLUS

ITEM	PART NO.	DESCRIPTION	QTY
		1 2 3 4	
1	<u>1010577</u>	Bolt, Hex-Head, 5/16-18 X 1.50 .....	4
2	<u>1011697</u>	Washer, 5/16 Flat .....	2
3	1012571	Washer, 5/16 Extra Thick Flat .....	4
4	<u>1013924</u>	Nut, 5/16-24 Hex Head Cone .....	10
5	<u>101827101</u>	Plate, Engine Mounting .....	1
6	<u>101832601</u>	Stiffener (PTO Side) .....	1
7	<u>101832701</u>	Stiffener (Flywheel Side) .....	1
8	<u>101833101</u>	Stud, M8-1.25 X 50 mm Two-Ended .....	2
9	<u>101834601</u>	Snubber Bracket .....	1
10	<u>101884801</u>	Screw, 5/16-24 X 0.875 Grade-8 .....	10
11	<u>101963401</u>	Locknut, 5/16-18 Hex Flange .....	4
12	<u>102065901</u>	Locknut, 3/8-16 Flanged Dimple .....	4
13	<u>102540301</u>	Inner Frame Snubber .....	1
14	<u>334</u>	Washer, 3/8 Type A Flat .....	4
15	705	Screw, Cap-hex Hd 3/8-16x1.25 .....	4
16	<u>96704416</u>	Nut Flg, M8 X 1.25 Serrated .....	2

**8**

**G**

8

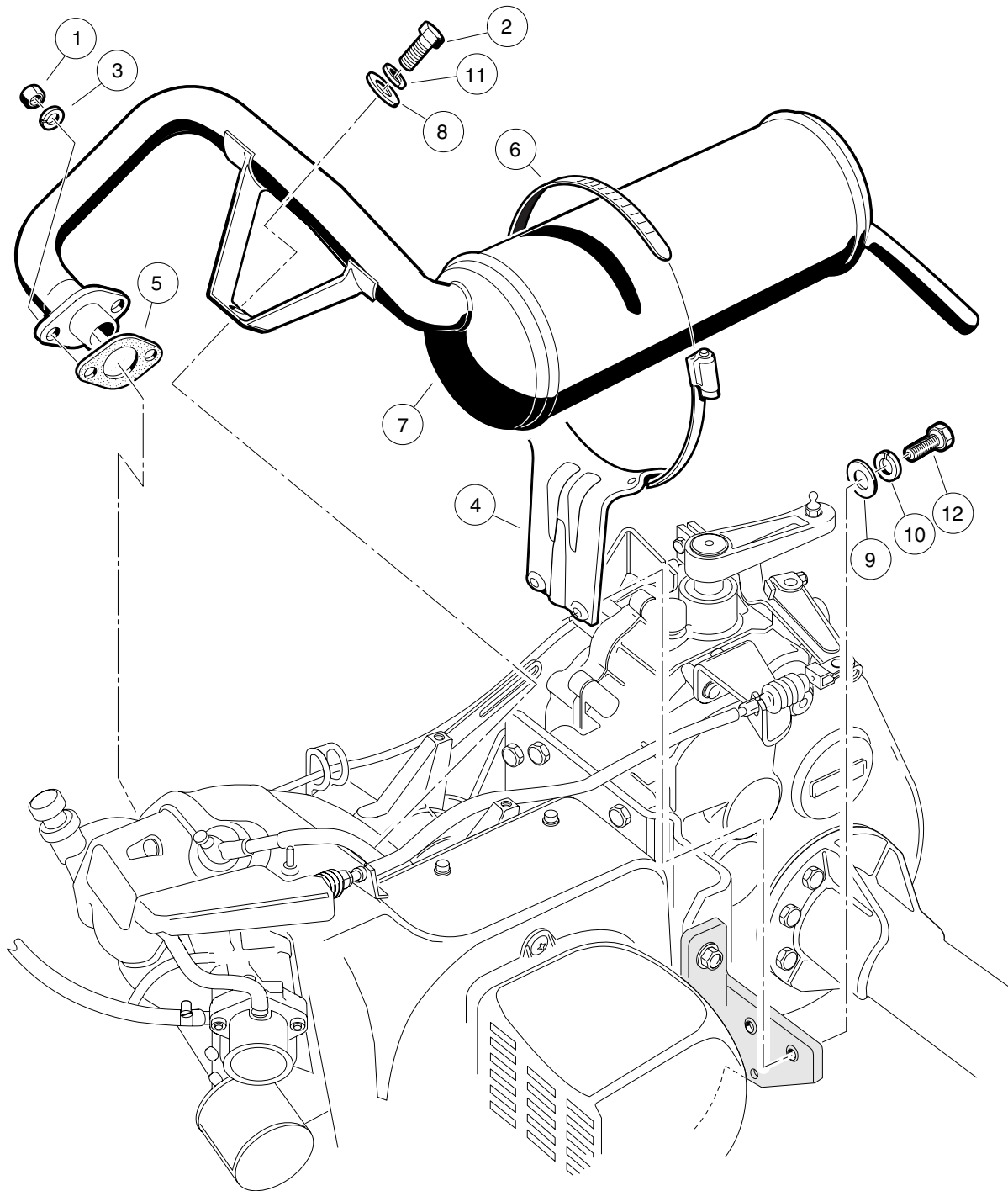
G

# EXHAUST SYSTEM

---

9

G



000209-001



## EXHAUST SYSTEM – FE350 ENGINE

ITEM	PART NO.	DESCRIPTION	QTY
		1 2 3 4	
1	<u>1012528</u>	Nut, M8-1.25 Hex .....	2
2	<u>1012830</u>	Screw, M8-125 X 22 Hex-Head .....	1
3	<u>1013734</u>	Lockwasher, 8mm Split .....	2
4	<u>1015814</u>	Bracket, Muffler Mounting .....	1
5	<u>1016904</u>	Gasket, Exhaust .....	1
6	1017689	Clamp, 5" Muffler Hose .....	1
7	<u>101859401</u>	Exhaust System, FE350 .....	1
8	<u>1241</u>	Washer, 5/16 Type A Flat .....	1
9	<u>332</u>	Washer, 1/4 Type A Narrow Flat .....	2
10	<u>451</u>	Lockwasher, 1/4 Helical Split .....	2
11	<u>7174</u>	Lockwasher, 5/16 Split .....	1
12	<u>7847</u>	Screw, 1/4-20 X 0.75 Hex-Head Cap .....	2

**9**  
**G**

9

G

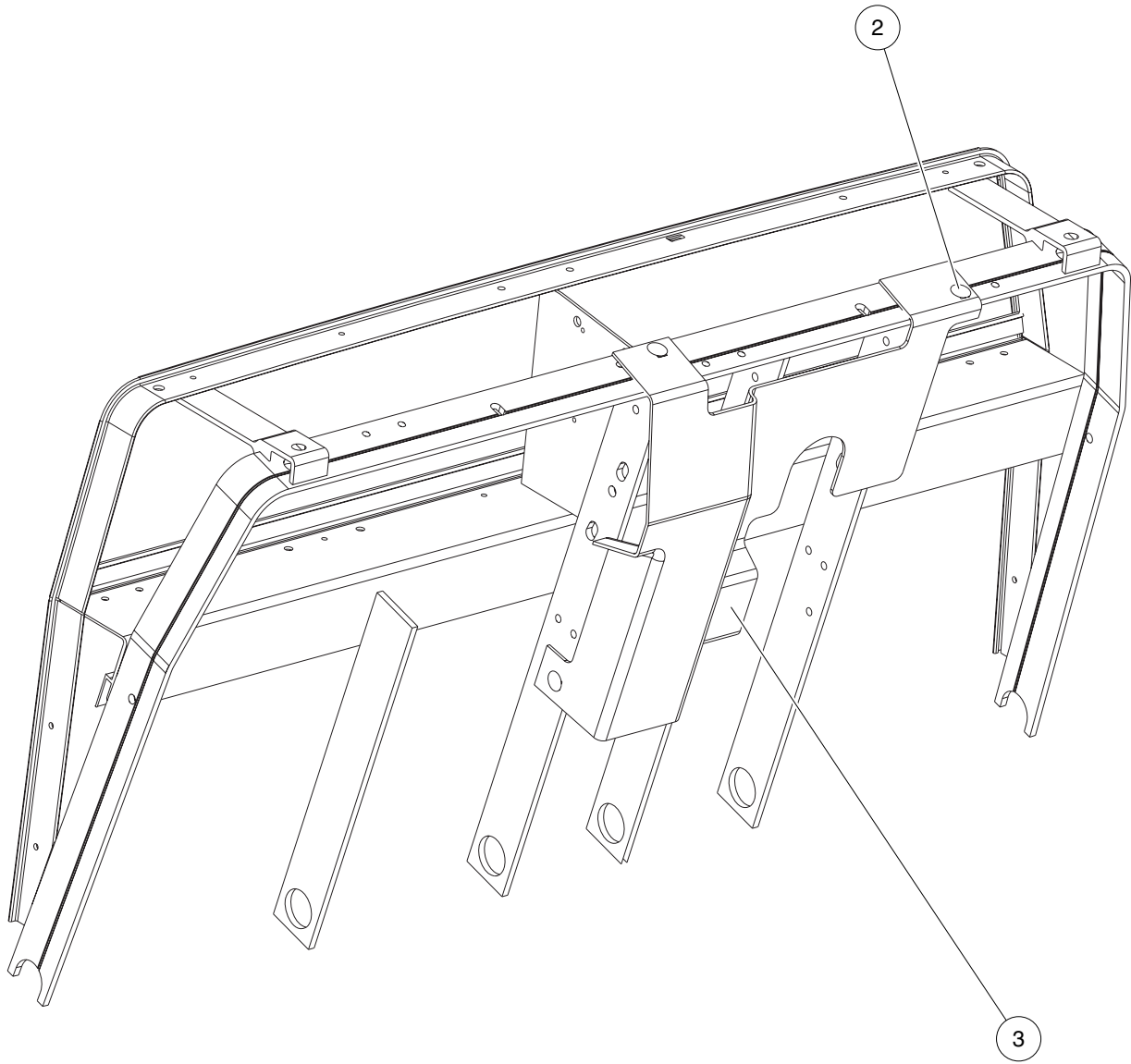
# FUEL, INTAKE, AND GOVERNOR SYSTEMS

---

10

G

**10**  
**G**



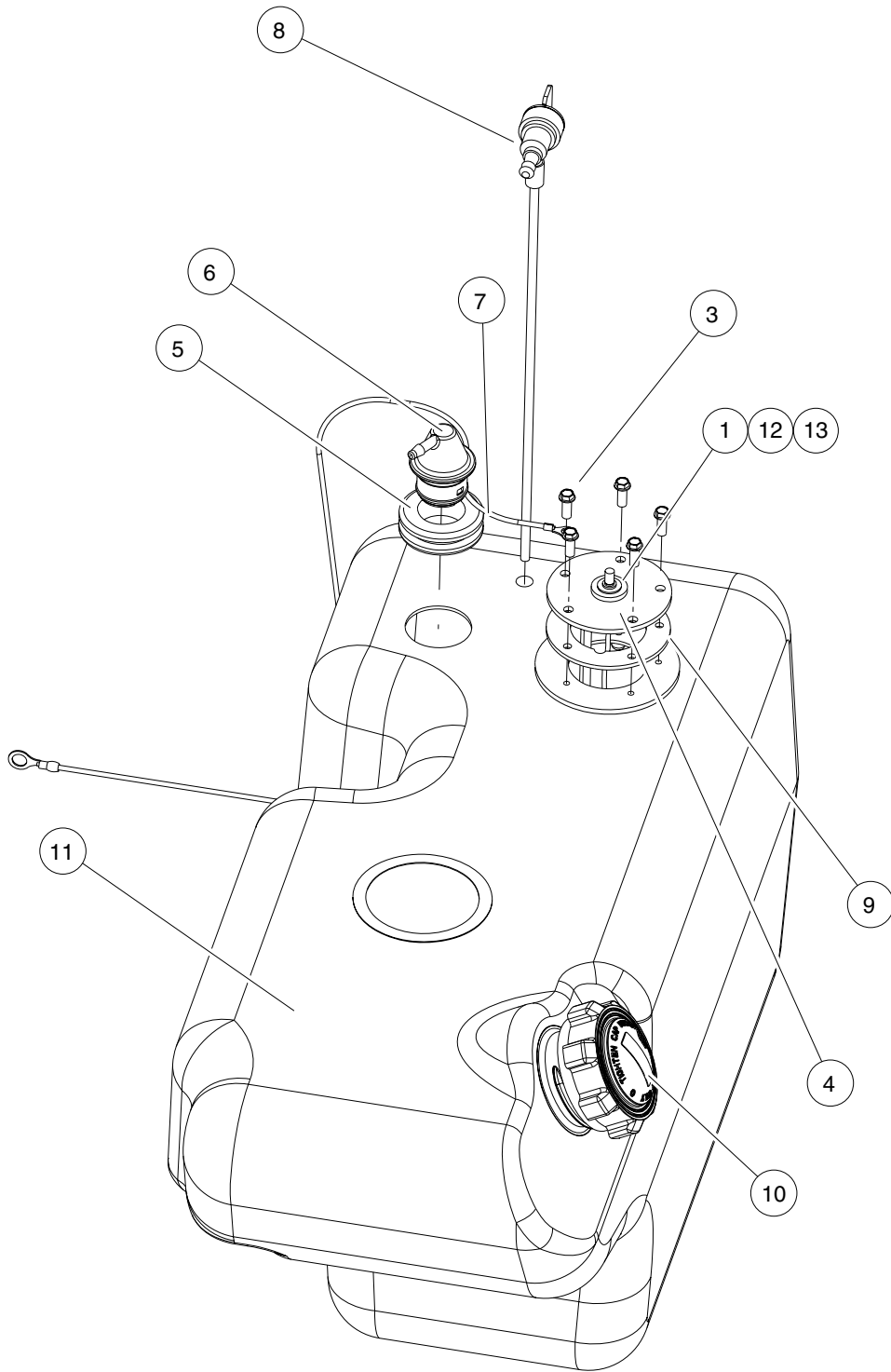
000593-001

# SPLASH GUARD

ITEM	PART NO.	DESCRIPTION	QTY
		1 2 3 4	
1	N/A	Instl, Splashguard, Ca (includes items 2 and 3) .....	1
2	<u>1010434</u>	Barrel - Plastic .....	3
3	<u>103174401</u>	Splash Guard .....	1

10

G



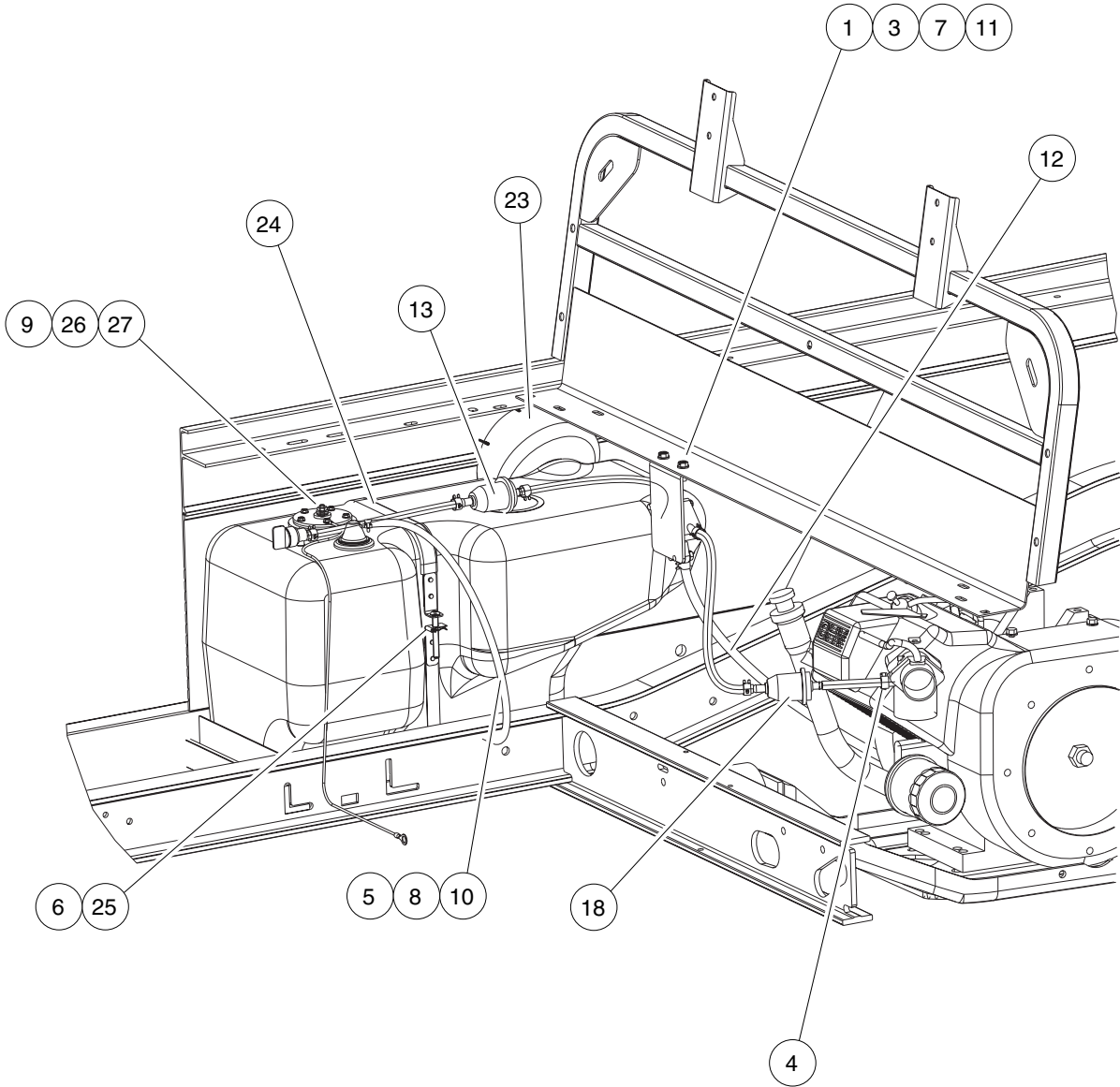
000609-001

## FUEL TANK WITH SENDING UNIT

ITEM	PART NO.	DESCRIPTION	QTY
		1 2 3 4	
1	<u>1016</u>	Washer, #10 Split Lock .....	1
2	103187601	Asm, Fuel Tank, Side Fill, Su (includes items 3 through 11) .....	1
3	<u>1013461</u>	Screw, #10-16 Hex-Head Hi-Lo .....	5
4	****	Sending Unit, Fuel Level * .....	1
5	<u>1015139</u>	Insulation Grommet .....	1
6	<u>1015143</u>	Vent, Fuel Tank .....	1
7	N/A	Wire Assembly #16 Black .....	1
8	<u>102513701</u>	Valve - Fuel Pickup Tube .....	1
9	<u>102522001</u>	Gasket, Rubber .....	1
10	<u>102751601</u>	Cap, Fuel Tank, Gasoline .....	1
11	N/A	Tank, Fuel, Side Fill .....	1
12	<u>183</u>	Washer, #10 Type A Flat .....	1
13	<u>8797</u>	Nut, #10-32 Brass Hex .....	1
<p>**** Special order item available upon request.</p> <p>* Note: Must replace fuel sending unit gasket when servicing this component.</p>			

10

G



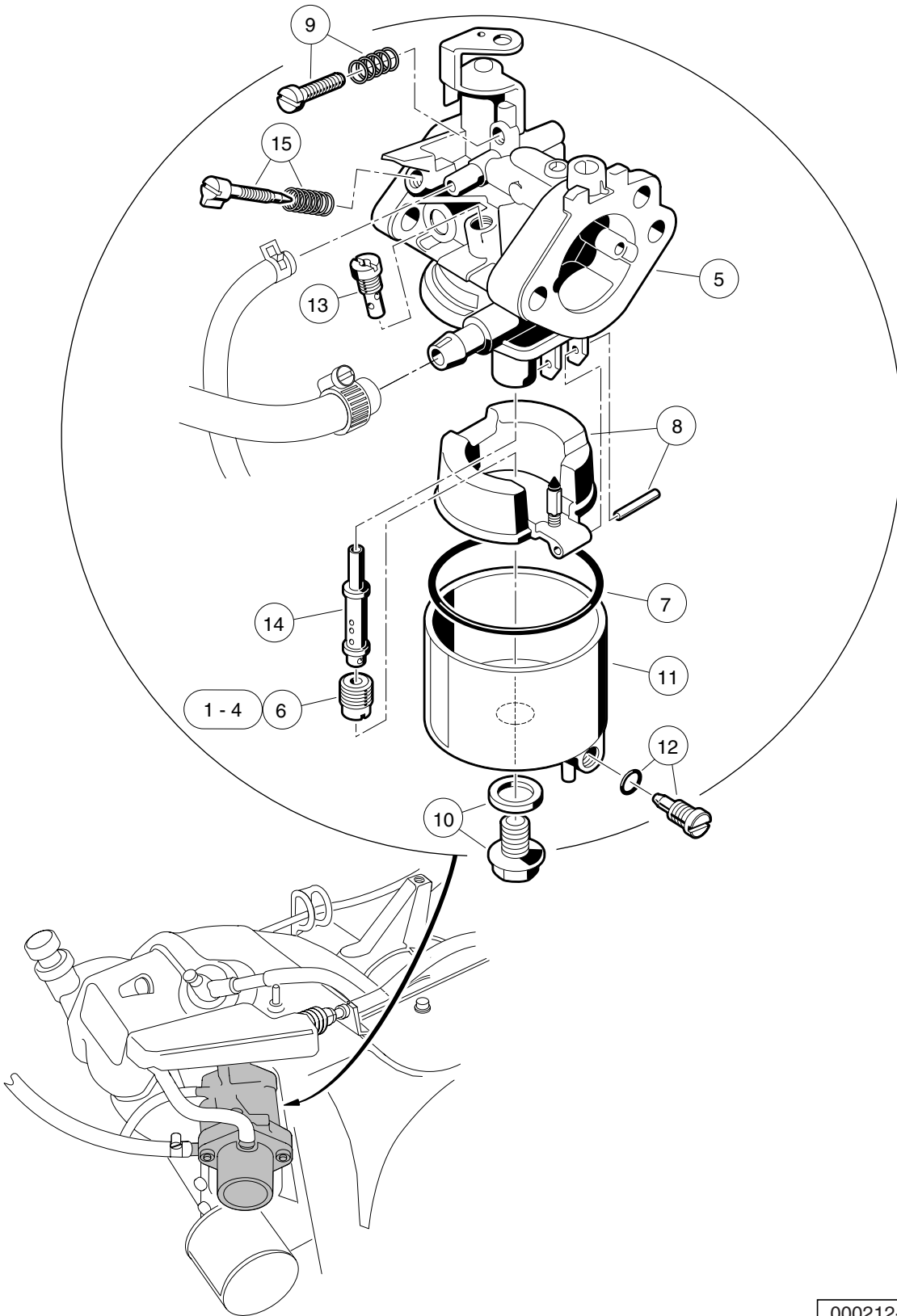
000602-002



# FUEL SYSTEM

**10**  
**G**

ITEM	PART NO.	DESCRIPTION	QTY
		<b>1 2 3 4</b>	
1	<u>1014524</u>	Kit, Impulse Pump Rebuild .....	1
2	N/A	Instl, Fuel Sys, Side Fill,ca2 (includes items 3 through 27) .....	1
3	<u>1012285</u>	Screw, 1/4 X 0.625 Hex-Head .....	4
4	<u>1013687</u>	Clamp, 3/8" Hose (screw type) .....	1
5	<u>1013746</u>	Clamp, 0.301 ID Hose .....	2
6	<u>1014116</u>	Nut, 1/4-20 Speed .....	1
7	<u>1014523</u>	Pump, Impulse Fuel .....	1
8	<u>1015137</u>	Fuel Line (available by the foot) .....	A/R
9	<u>1016</u>	Washer, #10 Split Lock .....	1
10	<u>101824401</u>	Vent Barb .....	1
11	<u>101929501</u>	Mount, Fuel Pump .....	1
12	<u>102865101</u>	Fuel Line .....	A/R
13	N/A	Asm, Fuel Filter 22.93" J1737 (includes items 14 through 17) .....	1
14	<u>1012649</u>	Clamp, 0.460 Red Hose .....	4
15	<u>102003201</u>	Filter, Fuel, 30 Micron .....	1
16	N/A	Cap, Plug, Plastic .....	2
17	<u>102865101</u>	Fuel Line .....	A/R
18	N/A	Asm, Fuel Filter 16.93" J1737 (includes items 19 through 22) .....	1
19	<u>1012649</u>	Clamp, 0.460 Red Hose .....	3
20	<u>102003201</u>	Filter, Fuel, 30 Micron .....	1
21	N/A	Cap, Plug, Plastic .....	2
22	<u>102865101</u>	Fuel Line .....	A/R
23	<u>102977901</u>	Bezel, Fuel Fill, 5.0 Dia .....	1
24	<u>102978001</u>	Strap, Fuel Tank, Side Fill .....	1
25	<u>103306301</u>	Screw, Bhsc, 1/4-20 X 2.0 .....	1
26	<u>183</u>	Washer, #10 Type A Flat .....	1
27	<u>8797</u>	Nut, #10-32 Brass Hex .....	1



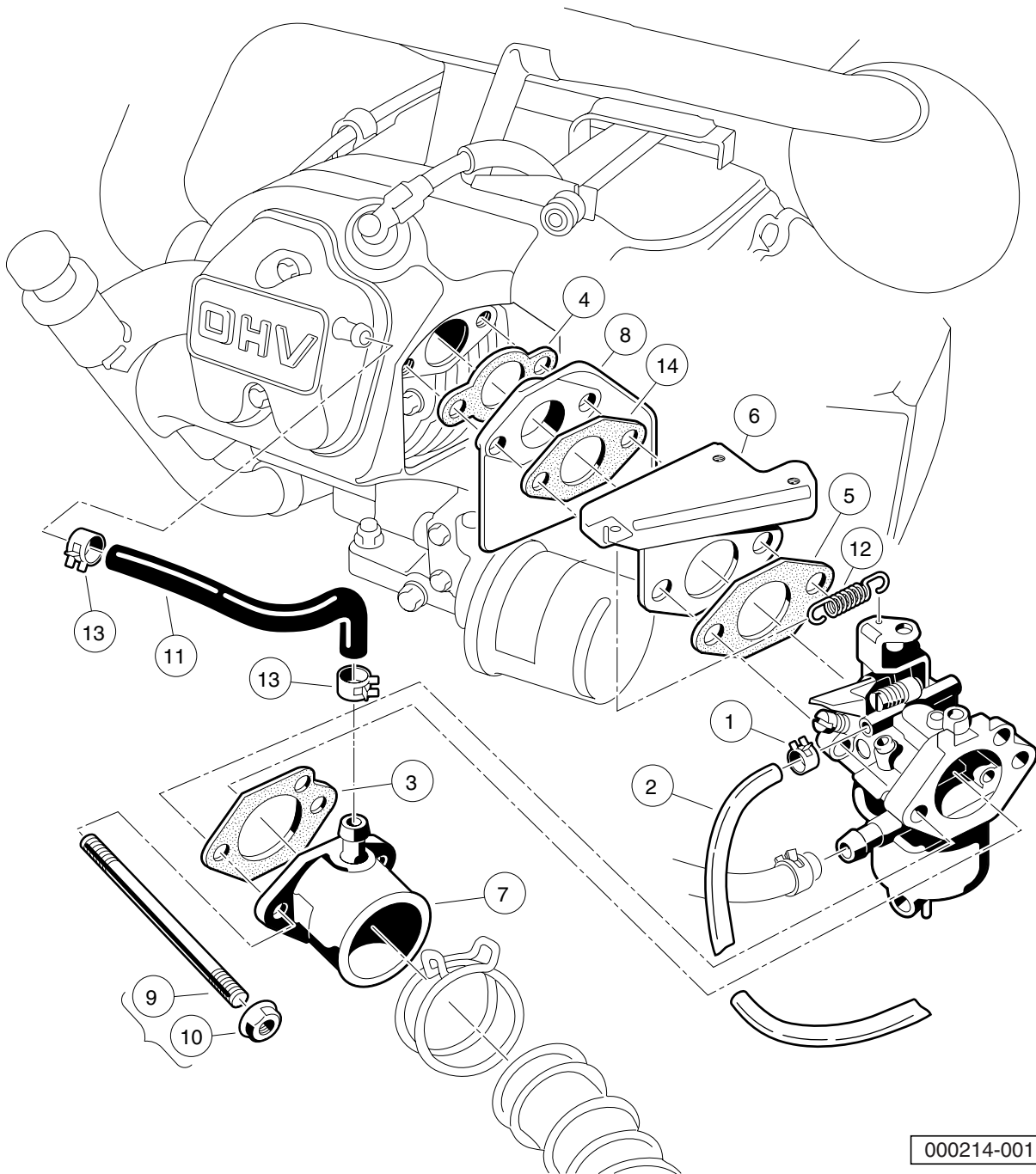
000212-001

# CARBURETOR ASSEMBLY – FE350

ITEM	PART NO.	DESCRIPTION	QTY
		1 2 3 4	
1	<u>101642575</u>	Jet, Altitude, # 75 .....	A/R
2	<u>101642578</u>	Jet, Altitude, # 78 .....	A/R
3	<u>101642580</u>	Jet, Altitude, # 80 .....	A/R
4	<u>101642582</u>	Jet, Altitude, # 82 .....	A/R
5	<u>101905901</u>	Carburetor, FE350D (includes items 6 through 15) .....	1
6	<u>101642585</u>	Jet, Altitude, # 85 .....	1
7	<u>1016437</u>	Gasket, Carburetor Bowl OHV .....	1
8	<u>1016486</u>	Float Assembly .....	1
9	<u>1016501</u>	Screw Assembly .....	1
10	<u>1016585</u>	Bolt .....	1
11	<u>1017461</u>	Chamber Assembly, Float (includes item 12) .....	1
12	<u>1016499</u>	Screw Assembly .....	1
13	<u>101973101</u>	Jet, #40 Pilot .....	1
14	<u>101973301</u>	Nozzle, Main .....	1
15	N/A	Assembly, Pilot Air Screw .....	1
Note: <u>101642585</u> for 0 - 3,000 feet; <u>101642582</u> for 3,000 - 5,000 feet; <u>101642580</u> for 5,000 - 8,000 feet; <u>101642578</u> for 8,000 - 10,000 feet; <u>101642575</u> for 10,000 feet and higher.			

10

G



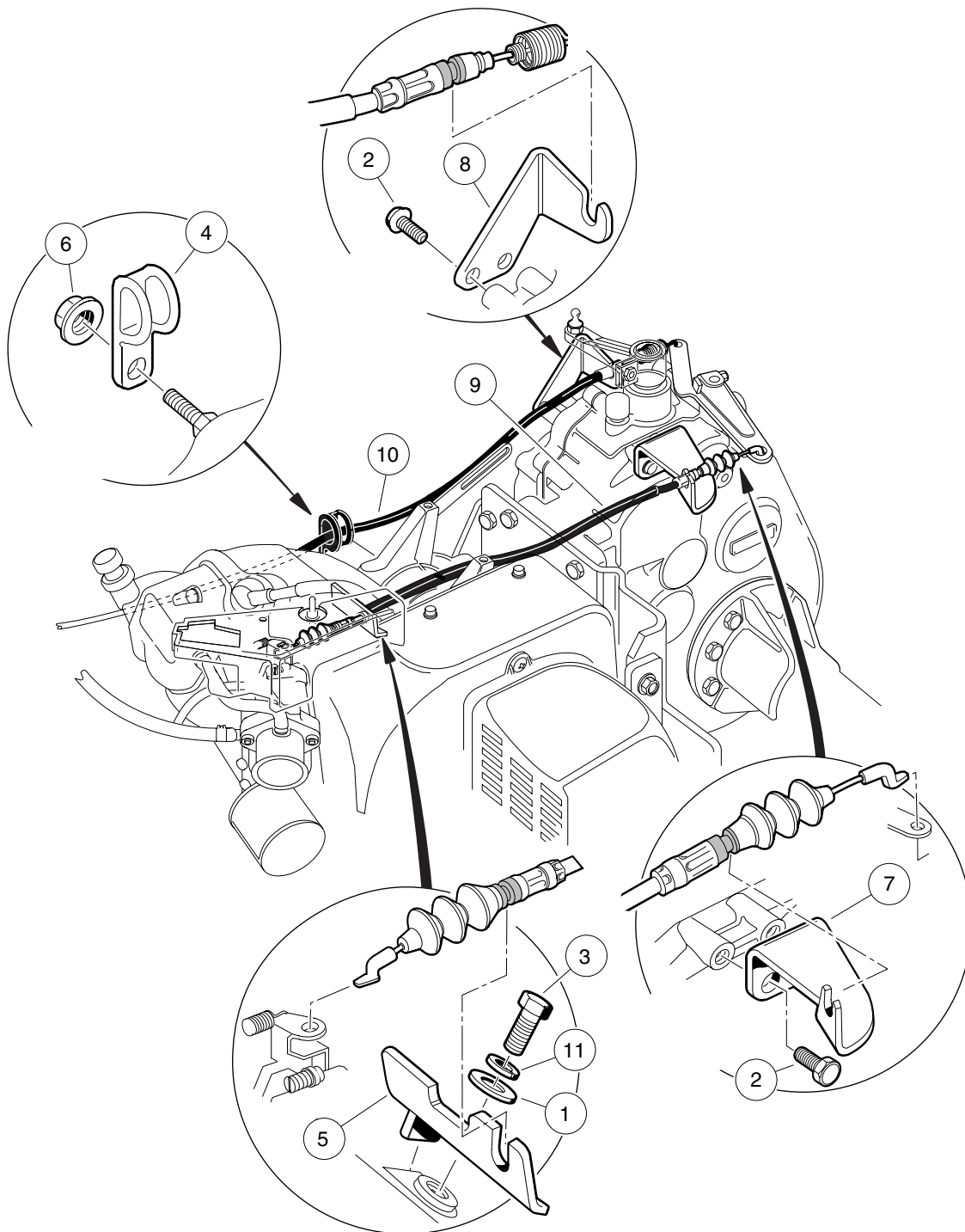
000214-001

# CARBURETOR INSTALLATION – FE350

ITEM	PART NO.	DESCRIPTION	QTY
		1 2 3 4	
1	<u>1013746</u>	Clamp, 0.301 ID Hose .....	1
2	<u>1015137</u>	Fuel Line (available by the foot) .....	A/R
3	<u>1016438</u>	Gasket, Carb To Intake Manifold .....	1
4	<u>1016440</u>	Gasket, Engine to Insulator .....	1
5	<u>1016441</u>	Gasket, Sprg Brkt To Carb OHV .....	1
6	<u>1016444</u>	Bracket, Throttle Spring Return .....	1
7	1016480	Pipe, Intake Manifold .....	1
8	101648102	Insulator, Carburetor .....	1
9	<u>101649002</u>	Stud, M6-1.00 Two-Ended .....	2
10	1016547	Nut .....	2
11	<u>1016572</u>	Tube, Crankcase Vent .....	1
12	<u>1016582</u>	Spring, Throttle Return .....	1
13	<u>1017466</u>	Clamp .....	2
14	<u>101973401</u>	Gasket, Insulator To Bracket .....	1

10

G

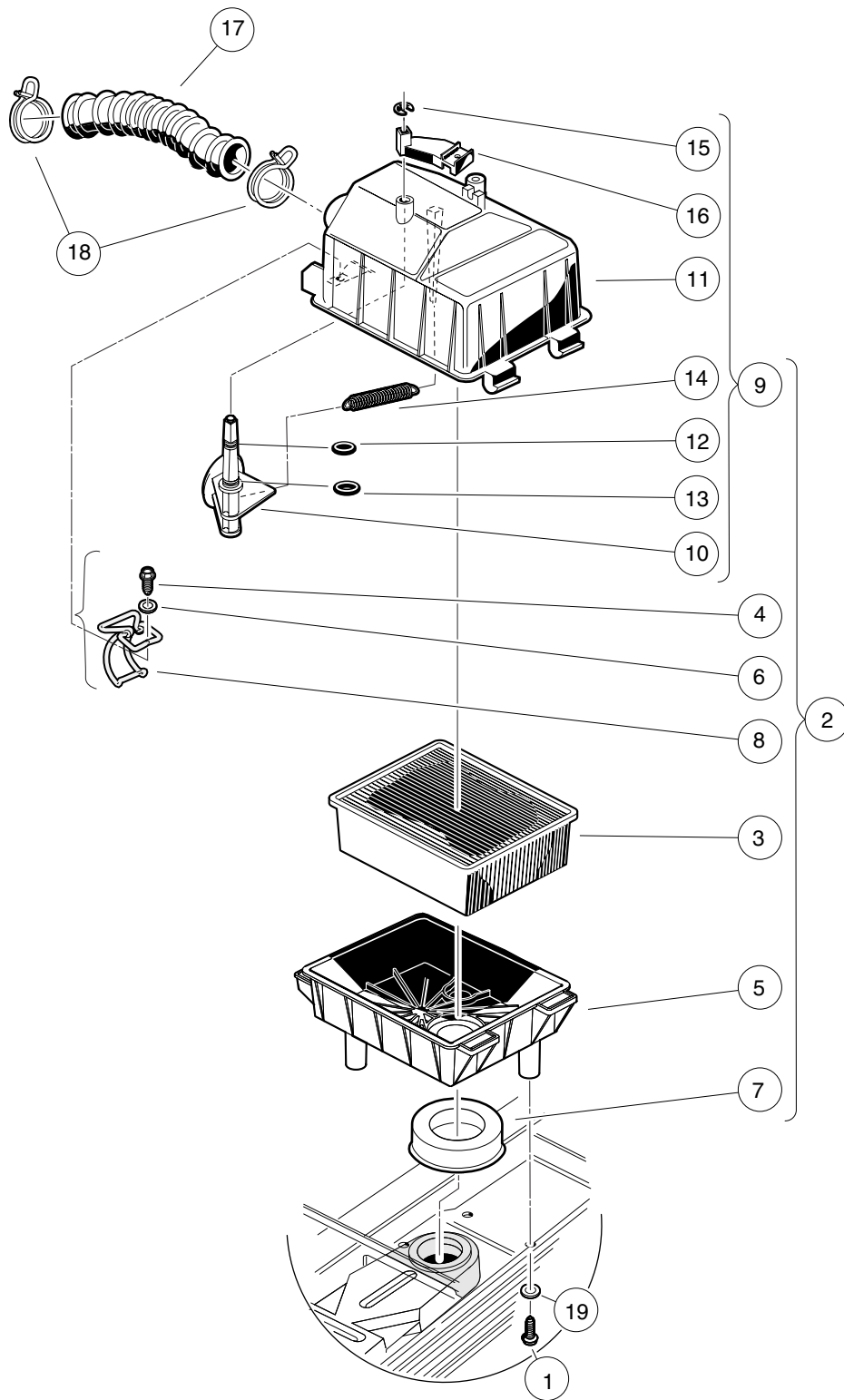


000215-001

# GOVERNOR AND ACCELERATOR CABLES

ITEM	PART NO.	DESCRIPTION	QTY
		1 2 3 4	
1	<u>1011697</u>	Washer, 5/16 Flat .....	1
2	<u>1012285</u>	Screw, 1/4 X 0.625 Hex-Head .....	4
3	<u>1012830</u>	Screw, M8-125 X 22 Hex-Head .....	1
4	<u>1013700</u>	Clamp .....	2
5	<u>101584502</u>	Bracket, Governor Cable Snap-In .....	1
6	<u>1016546</u>	Nut .....	2
7	<u>101832202</u>	Bracket, Rear Governor Cable Snap-In .....	1
8	<u>101832302</u>	Bracket, Rear Accelerator Cable Snap-In .....	1
9	<u>102336001</u>	Cable, Governor, Snap-In .....	1
10	<u>102336101</u>	Cable, Accelerator, Snap-In .....	1
11	<u>7174</u>	Lockwasher, 5/16 Split .....	1

**10**  
**G**



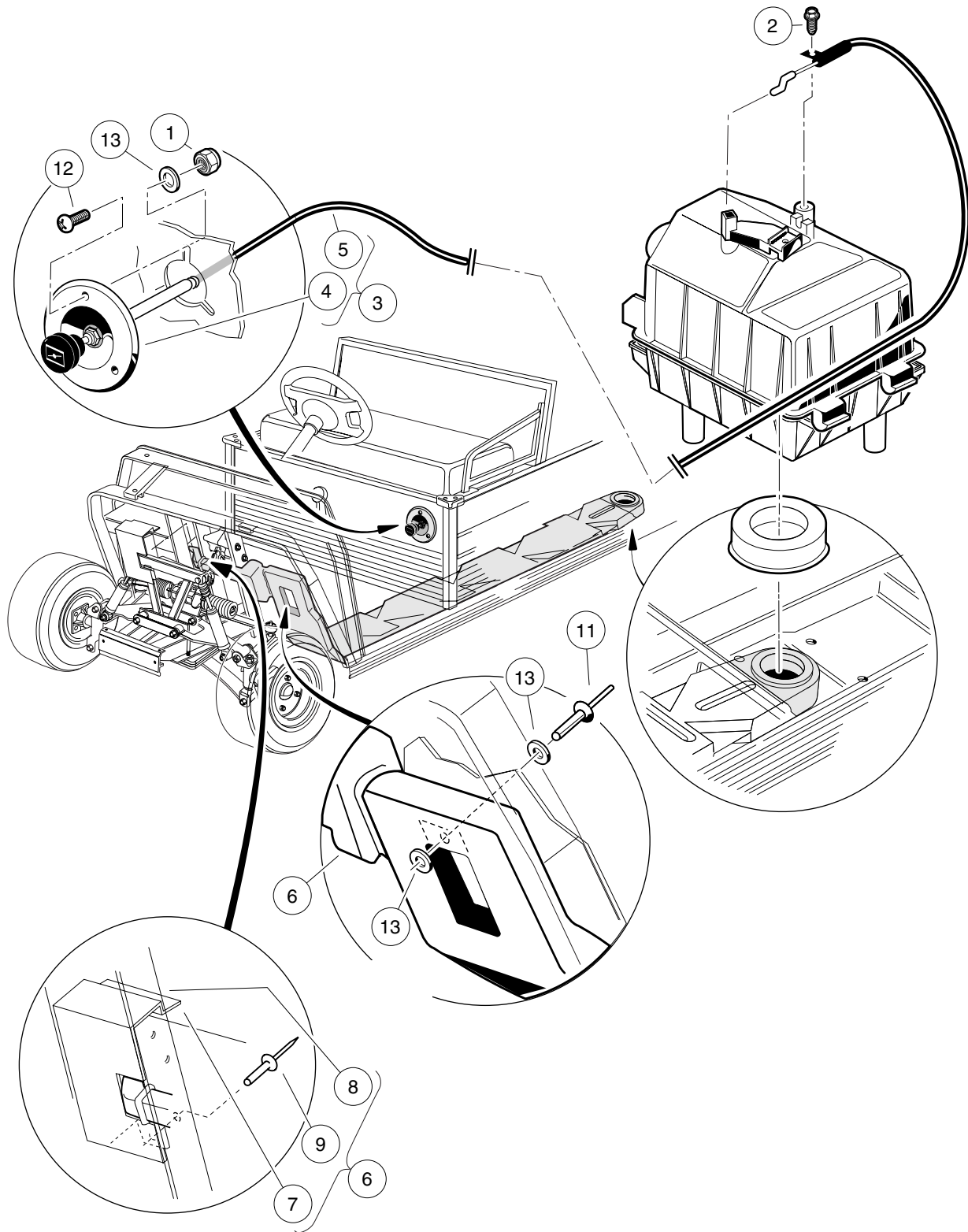
000332-001



# AIR BOX AND INTAKE HOSE

ITEM	PART NO.	DESCRIPTION	QTY
		1 2 3 4	
1	<u>1015752</u>	Screw, #12-16 X 0.625 Hi-Lo .....	3
2	<u>101821501</u>	Assembly, Air Box (includes items 3 through 9) .....	1
3	<u>1015426</u>	Filter, Air .....	1
4	<u>101804301</u>	Screw, #8 X 0.500, Hex-Head Hi-Lo .....	2
5	<u>101811901</u>	Bottom, Air Box .....	1
6	<u>101881701</u>	Washer, #8 Stainless-Steel Flat .....	2
7	<u>101921501</u>	Seal, Intake .....	1
8	<u>101925701</u>	Latch, Wireform .....	2
9	<u>101972801</u>	Top Assy, Air Box (includes items 10 through 16) .....	1
10	N/A	Valve, Choke .....	1
11	N/A	Top, Air Box .....	1
12	N/A	O-Ring, 5/16 .....	1
13	N/A	O-Ring, 3/8 .....	1
14	<u>101812301</u>	Spring, Extension Return .....	1
15	<u>101813001</u>	Retaining Ring 0.25, Shaft .....	1
16	<u>101917601</u>	Lever, Choke .....	1
17	<u>101837101</u>	Hose, Air Intake .....	1
18	<u>101971301</u>	Clamp, 1.58" ID Hose .....	2
19	<u>332</u>	Washer, 1/4 Type A Narrow Flat .....	3

**10**  
**G**



000338-002

# INTAKE SYSTEM

ITEM	PART NO.	DESCRIPTION	QTY
		<b>1 2 3 4</b>	
1	<u>1012438</u>	Locknut, #10-24 Nylon Insert .....	3
2	<u>101804301</u>	Screw, #8 X 0.500, Hex-Head Hi-Lo .....	1
3	<u>101926801</u>	Cable, Choke (includes items 4 and 5) .....	1
4	<u>101933701</u>	Bezel, Choke Cable .....	1
5	N/A	Choke Cable without Bezel, Short .....	1
6	<u>101958102</u>	Duct Assembly .....	1
7	<u>102190702</u>	Kit, Air Duct Shield (includes items 8 through 10) .....	1
8	<u>102185401</u>	Tape, 3M VHB 4950 .....	A/R
9	N/A	Shield, Air Duct .....	1
10	<u>7973</u>	Rivet, 3/16 X .400 Blind .....	1
11	<u>1606</u>	Rivet, 3/16 X .500 Alum Pop .....	2
12	<u>1631</u>	Screw, #10-24 X 0.75 Phillips Pan-Head .....	3
13	<u>183</u>	Washer, #10 Type A Flat .....	7

10

G

**10**

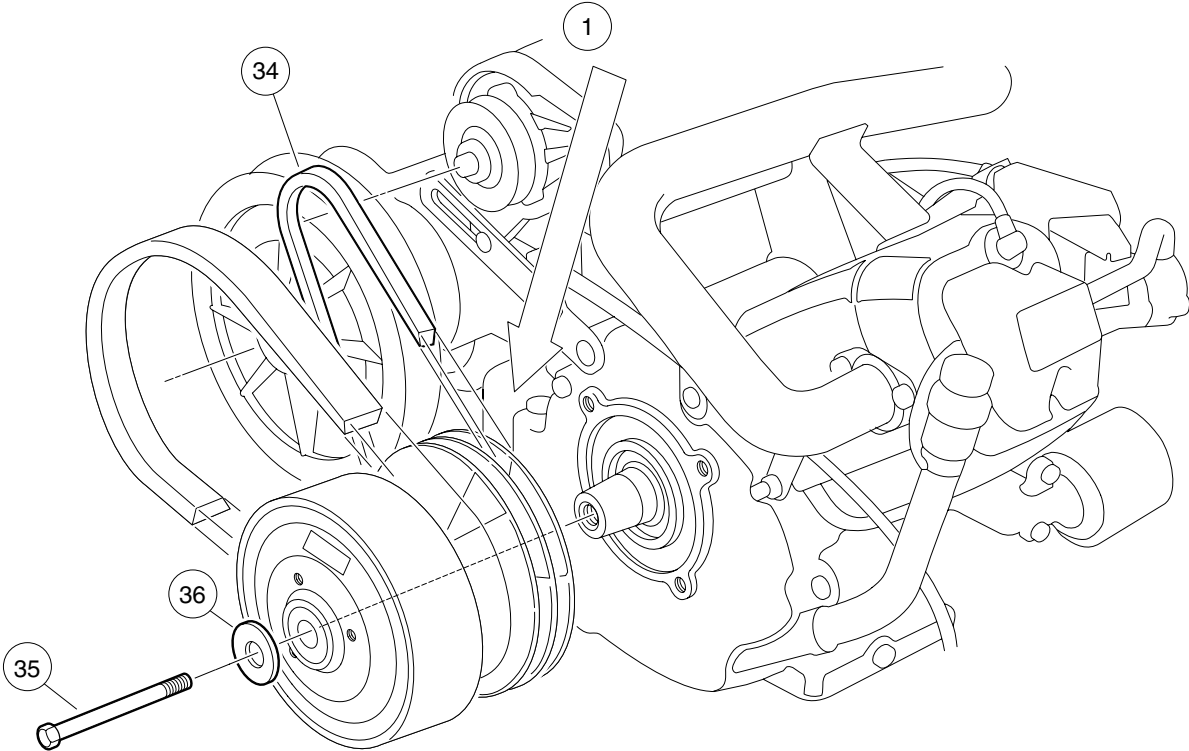
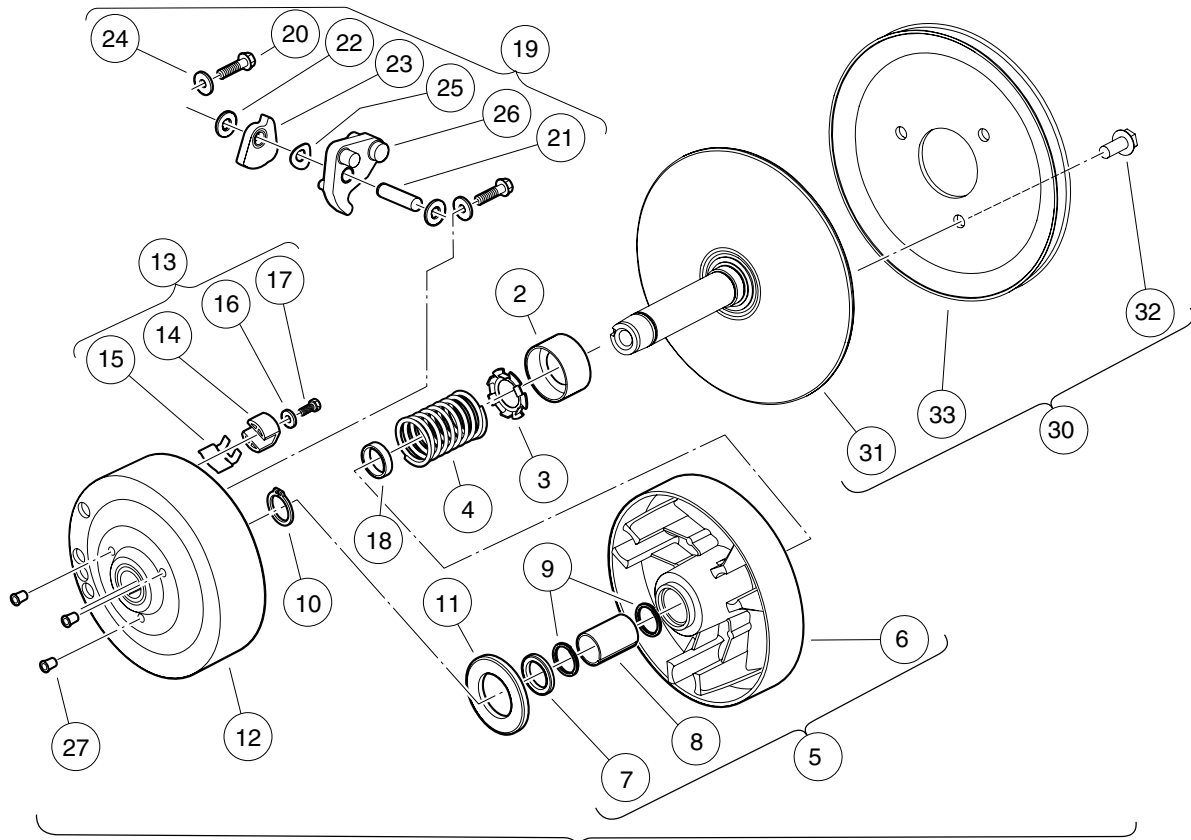
**G**

# TORQUE CONVERTER

---

11

G



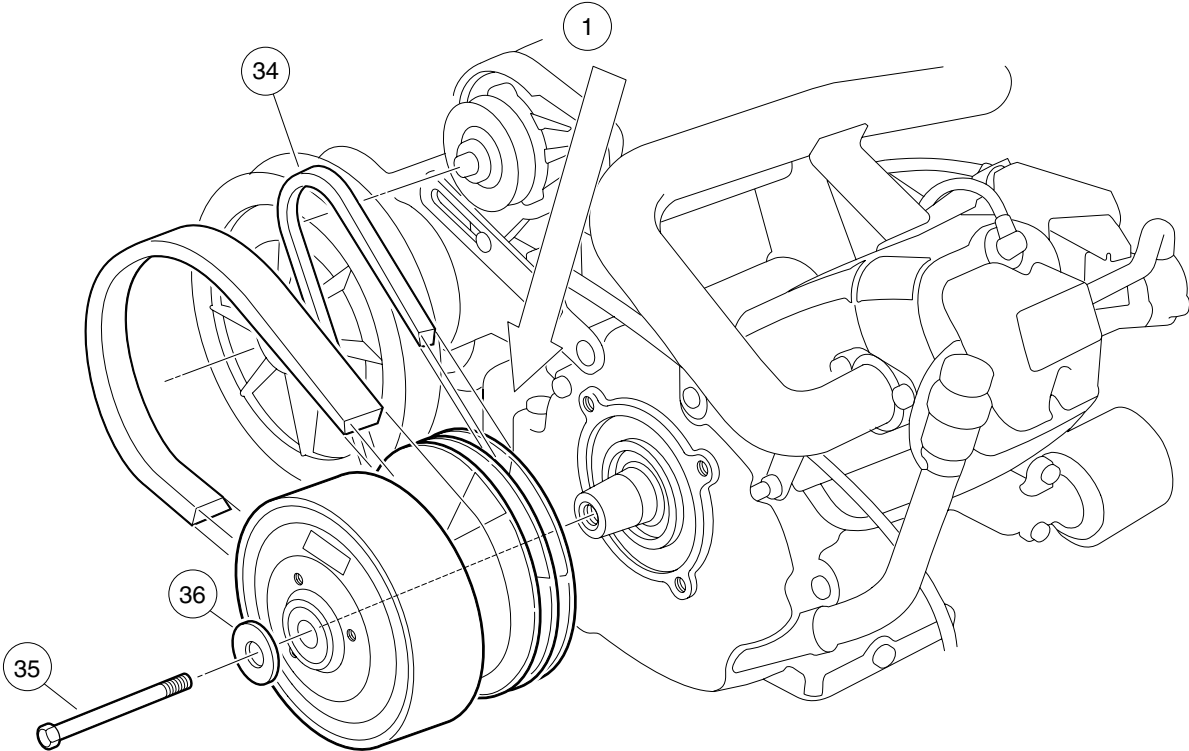
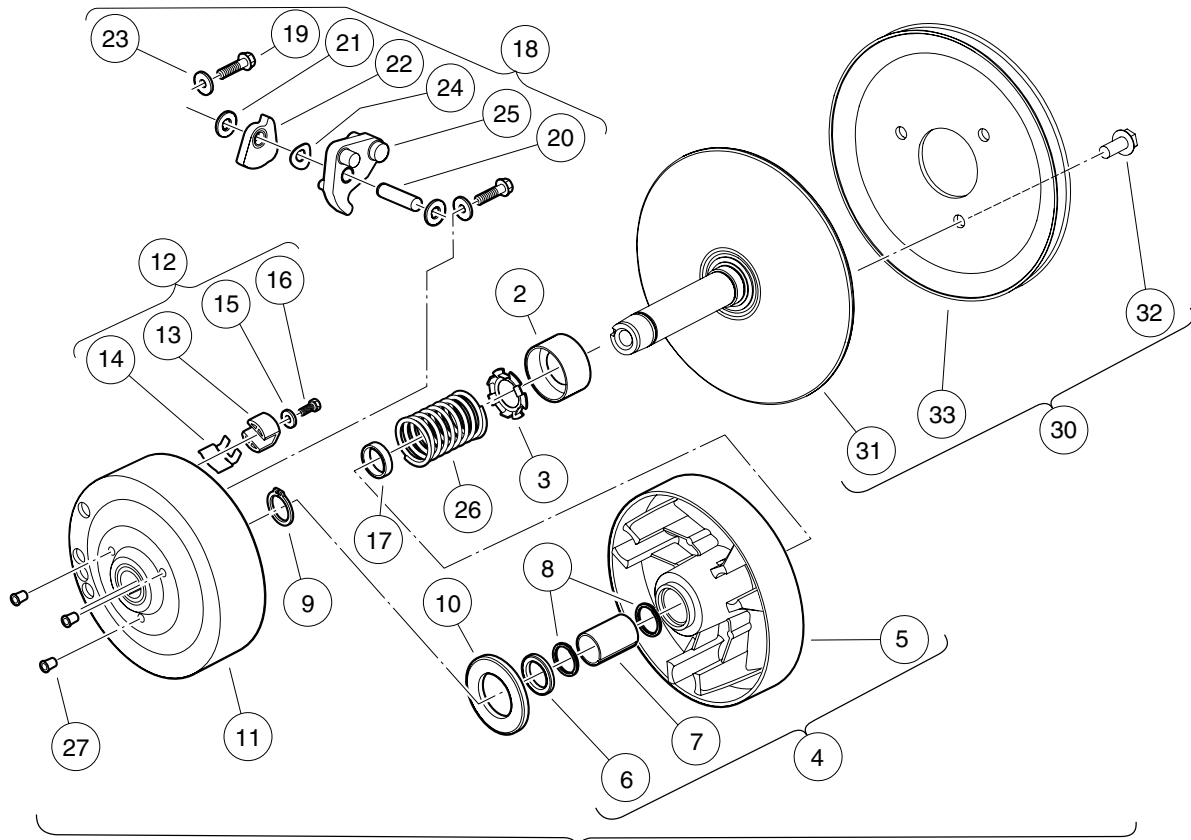
000217-001

## DRIVE CLUTCH – TURF/CARRYALL 2, AND 252

ITEM	PART NO.	DESCRIPTION	QTY
		1 2 3 4	
1	<u>101833902</u>	Clutch, Drive (includes items 2 through 28) .....	1
2	1014049	Bearing, Idler .....	1
3	<u>1014050</u>	Retainer, Spring .....	1
4	<u>1014051</u>	Spring, Drive Clutch .....	1
5	1014052	Movable-Face Assembly (includes items 6 through 8) .....	1
6	N/A	Drive Clutch Movable Face .....	1
7	<u>1014055</u>	Retainer .....	1
8	N/A	Bushing, Split, Drive Clutch .....	1
9	<u>1014056</u>	Ring, Spiral Backup .....	2
10	<u>1014057</u>	Ring, 0.810" Internal Retaining .....	1
11	1014058	Washer, Thrust .....	1
12	1014059	Drive Hub Assy, Drive Clutch .....	1
13	<u>1014453</u>	Kit, Drive Clutch Button (includes items 14 through 17) .....	1
14	<u>1014062</u>	Driver, Drive Clutch .....	3
15	<u>1014287</u>	Spring, Drive Button .....	3
16	<u>183</u>	Washer, #10 Type A Flat .....	3
17	<u>8450</u>	Screw, #10-24 X 0.50 Hex-Head .....	3
18	<u>1016289</u>	Spacer, Fixed Face Shaft .....	1
19	<u>1016801</u>	Kit, Drive Clutch Weight (includes items 20 through 26) .....	1
20	<u>1014063</u>	Screw, 1/4-20 X 1.00 Hex Head .....	6
21	N/A	Pin, 0.3752 X 1.50 Dowel .....	3
22	<u>1014065</u>	Washer, 0.38" ID Delrin Flat .....	6
23	N/A	Clutch Weight, Secondary .....	3
24	N/A	Washer .....	6
25	<u>1016201</u>	Washer, Wave .....	3
26	N/A	Weight, Primary .....	3
27	N/A	Plug, Drive Clutch .....	3
28	<u>101929802</u>	Kit, Fxd Face Dr Asm Fe290/350 (includes items 29 and 30) .....	1
29	N/A	Desiccant Bag (Not Shown) .....	1
30	N/A	Assembly, Fixed-Face Drive (includes items 31 through 33) .....	1
31	N/A	Fixed Face Assembly, Drive Clutch .....	1
32	<u>1014288</u>	Screw, 5/16-18 X 0.75 Thread-Forming .....	3
33	N/A	Pulley, Clutch .....	1
34	<u>101916701</u>	V-Belt .....	1
35	<u>103345701</u>	Screw 3/8-24x5.5 Hex Loc Ptch .....	1
36	<u>808</u>	Washer, 3/8 Type B Flat .....	1
		Note: Item 29 not shown.	

11

G



000217-003

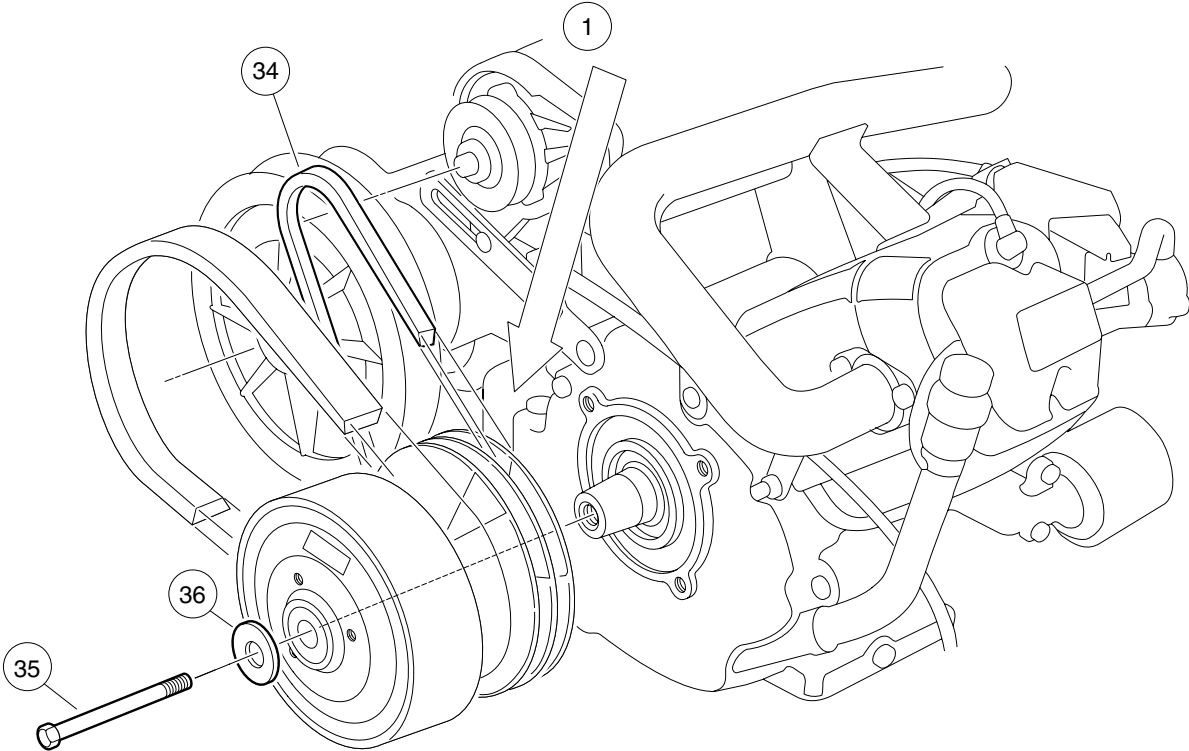
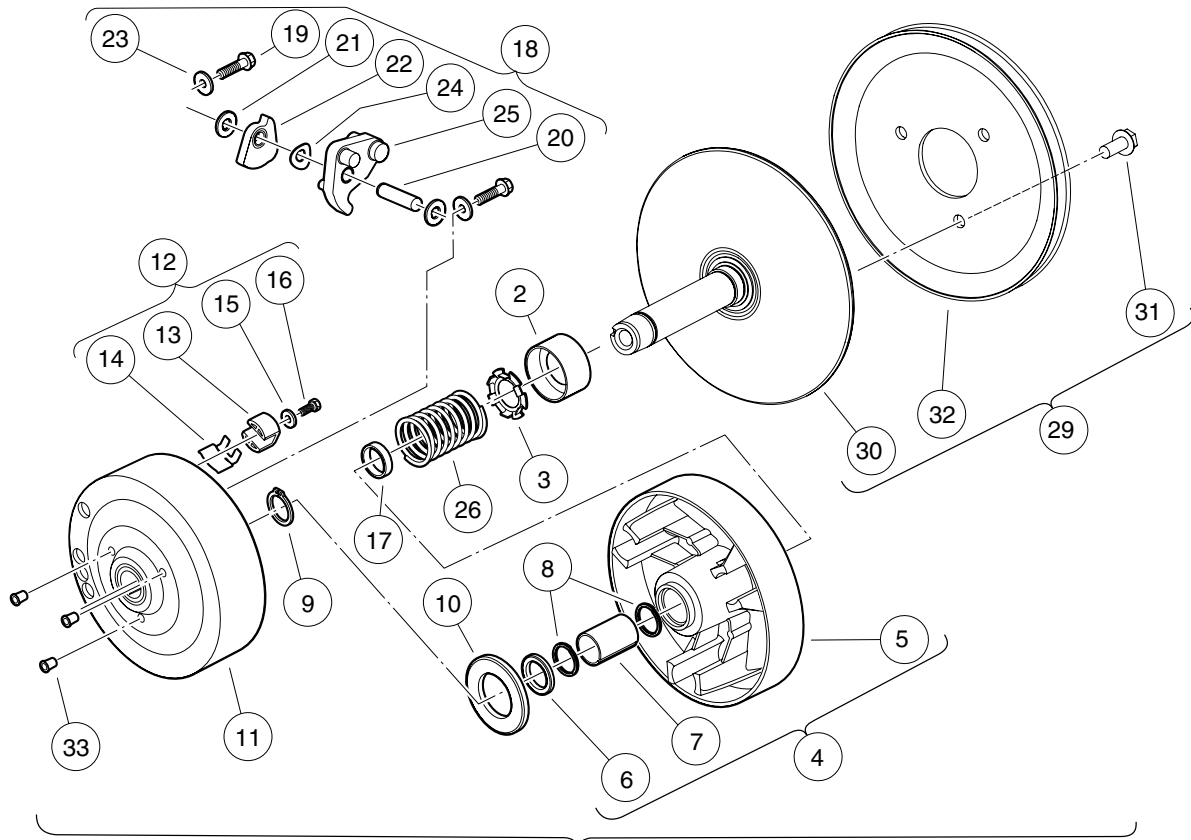


# DRIVE CLUTCH – XRT 900

11

G

ITEM	PART NO.	DESCRIPTION	QTY
		1 2 3 4	
1	<u>101833906</u>	Drive Clutch Assy. FE 350/272 (includes items 2 through 28) .....	1
2	1014049	Bearing, Idler .....	1
3	<u>1014050</u>	Retainer, Spring .....	1
4	1014052	Movable-Face Assembly (includes items 5 through 7) .....	1
5	N/A	Drive Clutch Movable Face .....	1
6	<u>1014055</u>	Retainer .....	1
7	N/A	Bushing, Split, Drive Clutch .....	1
8	<u>1014056</u>	Ring, Spiral Backup .....	2
9	<u>1014057</u>	Ring, 0.810" Internal Retaining .....	1
10	1014058	Washer, Thrust .....	1
11	1014059	Drive Hub Assy, Drive Clutch .....	1
12	<u>1014453</u>	Kit, Drive Clutch Button (includes items 13 through 16) .....	1
13	<u>1014062</u>	Driver, Drive Clutch .....	3
14	<u>1014287</u>	Spring, Drive Button .....	3
15	<u>183</u>	Washer, #10 Type A Flat .....	3
16	<u>8450</u>	Screw, #10-24 X 0.50 Hex-Head .....	3
17	<u>1016289</u>	Spacer, Fixed Face Shaft .....	1
18	<u>1016801</u>	Kit, Drive Clutch Weight (includes items 19 through 25) .....	1
19	<u>1014063</u>	Screw, 1/4-20 X 1.00 Hex Head .....	6
20	N/A	Pin, 0.3752 X 1.50 Dowel .....	3
21	<u>1014065</u>	Washer, 0.38" ID Delrin Flat .....	6
22	N/A	Clutch Weight, Secondary .....	3
23	N/A	Washer .....	6
24	<u>1016201</u>	Washer, Wave .....	3
25	N/A	Weight, Primary .....	3
26	<u>1016901</u>	Spring, Drive Clutch .....	1
27	N/A	Cap Plug .....	3
28	<u>101929802</u>	Kit, Fxd Face Dr Asm Fe290/350 (includes items 29 and 30) .....	1
29	N/A	Desiccant Bag (Not Shown) .....	1
30	N/A	Assembly, Fixed-Face Drive (includes items 31 through 33) .....	1
31	N/A	Fixed Face Assembly, Drive Clutch .....	1
32	<u>1014288</u>	Screw, 5/16-18 X 0.75 Thread-Forming .....	3
33	N/A	Pulley, Clutch .....	1
34	<u>101916701</u>	V-Belt .....	1
35	<u>103345701</u>	Screw 3/8-24x5.5 Hex Loc Ptch .....	1
36	<u>808</u>	Washer, 3/8 Type B Flat .....	1
		Note: Item 29 not shown.	



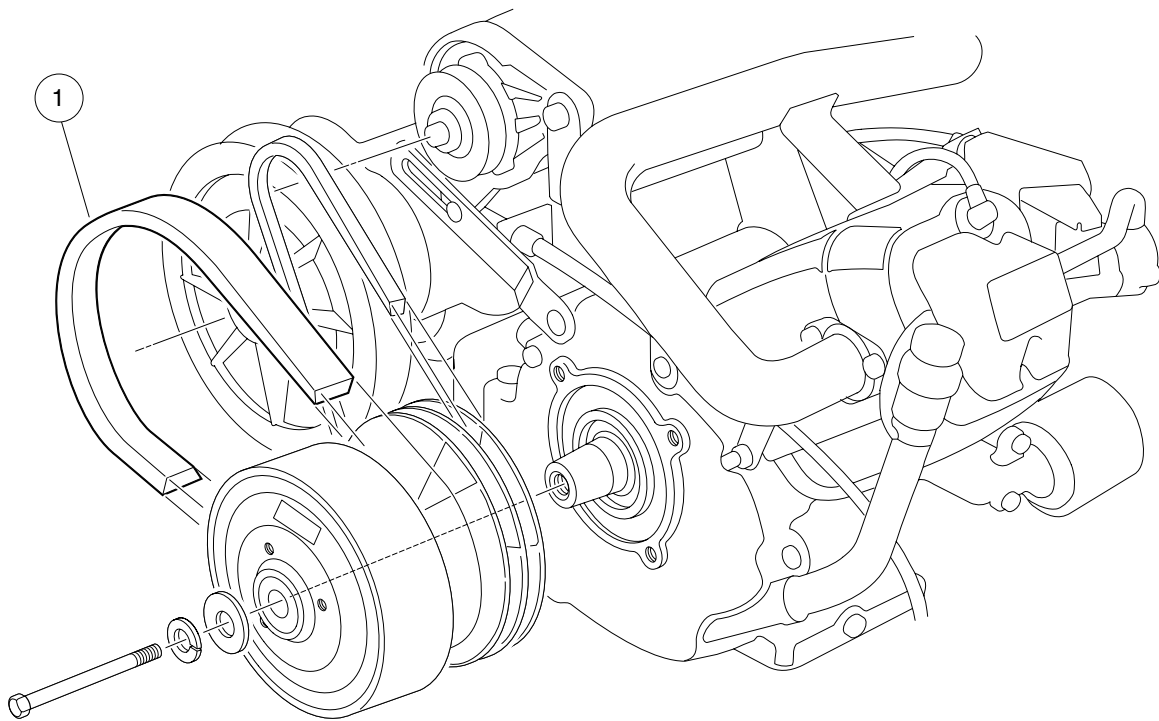
000217-002

# DRIVE CLUTCH – CARRYALL 2 PLUS

ITEM	PART NO.	DESCRIPTION	QTY
		<b>1 2 3 4</b>	
1	<u>101833904</u>	Assembly, Drive Clutch (includes items 2 through 33) .....	1
2	1014049	Bearing, Idler .....	1
3	<u>1014050</u>	Retainer, Spring .....	1
4	1014052	Movable-Face Assembly (includes items 5 through 7) .....	1
5	N/A	Drive Clutch Movable Face .....	1
6	<u>1014055</u>	Retainer .....	1
7	N/A	Bushing, Split, Drive Clutch .....	1
8	<u>1014056</u>	Ring, Spiral Backup .....	2
9	<u>1014057</u>	Ring, 0.810" Internal Retaining .....	1
10	1014058	Washer, Thrust .....	1
11	1014059	Drive Hub Assy, Drive Clutch .....	1
12	<u>1014453</u>	Kit, Drive Clutch Button (includes items 13 through 16) .....	1
13	<u>1014062</u>	Driver, Drive Clutch .....	3
14	<u>1014287</u>	Spring, Drive Button .....	3
15	<u>183</u>	Washer, #10 Type A Flat .....	3
16	<u>8450</u>	Screw, #10-24 X 0.50 Hex-Head .....	3
17	<u>1016289</u>	Spacer, Fixed Face Shaft .....	1
18	<u>1016801</u>	Kit, Drive Clutch Weight (includes items 19 through 25) .....	1
19	<u>1014063</u>	Screw, 1/4-20 X 1.00 Hex Head .....	6
20	N/A	Pin, 0.3752 X 1.50 Dowel .....	3
21	<u>1014065</u>	Washer, 0.38" ID Delrin Flat .....	6
22	N/A	Clutch Weight, Secondary .....	3
23	N/A	Washer .....	6
24	<u>1016201</u>	Washer, Wave .....	3
25	N/A	Weight, Primary .....	3
26	<u>1016901</u>	Spring, Drive Clutch .....	1
27	101738302	Kit, Fixed Face - Drive (includes items 28 and 29) .....	1
28	N/A	Desiccant Bag (Not Shown) .....	1
29	N/A	Fixed Face Drive (includes items 30 through 32) .....	1
30	N/A	Fixed Face Assembly, Drive Clutch .....	1
31	<u>1014288</u>	Screw, 5/16-18 X 0.75 Thread-Forming .....	3
32	N/A	Pulley, Drive Clutch .....	1
33	N/A	Cap Plug .....	3
34	<u>101916701</u>	V-Belt .....	1
35	<u>103345701</u>	Screw 3/8-24x5.5 Hex Loc Ptch .....	1
36	<u>808</u>	Washer, 3/8 Type B Flat .....	1
		Note: Item 28 not shown.	

11

G



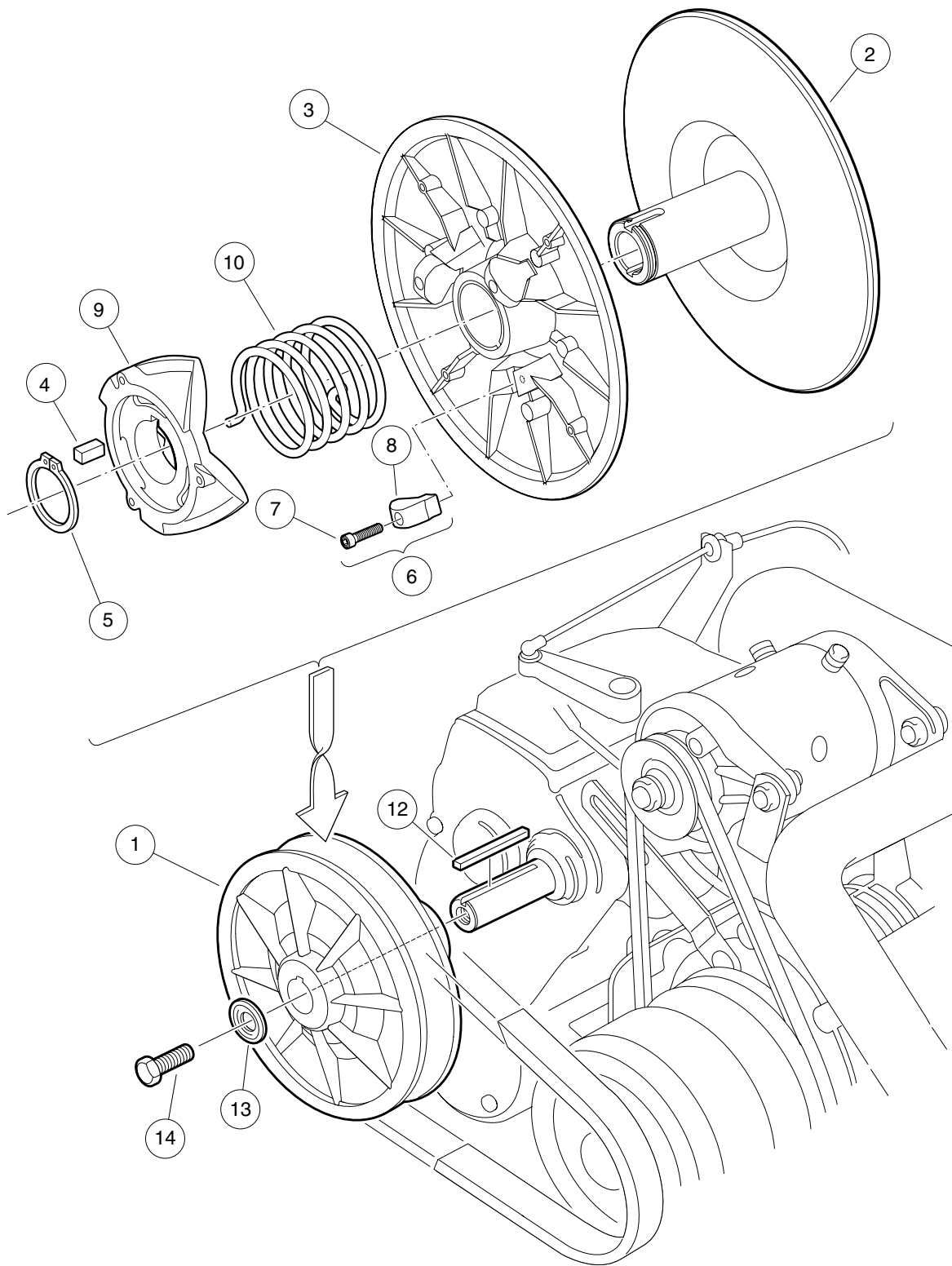
000218-001

# DRIVE BELT – FE350

ITEM	PART NO.	DESCRIPTION	QTY
1	<u>1017188</u>	<div style="display: flex; justify-content: space-between; margin-bottom: 5px;"> <span>1</span> <span>2</span> <span>3</span> <span>4</span> </div> Belt, Drive (FE350) .....	1

11

G

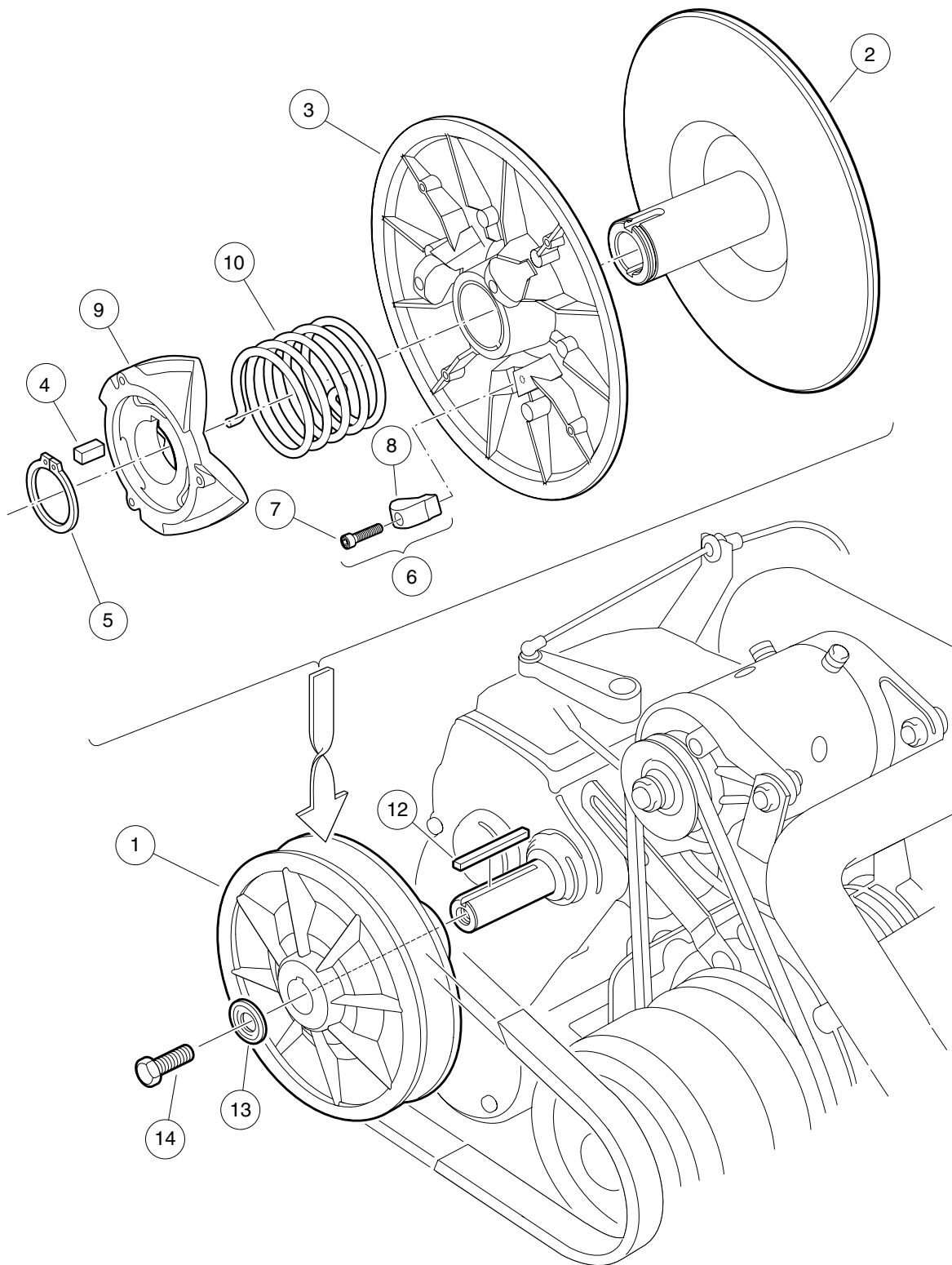


000219-001

## DRIVEN CLUTCH – TURF/CARRYALL 2, 252

ITEM	PART NO.	DESCRIPTION	QTY
		1 2 3 4	
1	<u>101834001</u>	Assembly, Driven Clutch (includes items 2 through 10) .....	1
2	<u>1014070</u>	Fixed Face Assy, Driven Clutch .....	1
3	<u>1014072</u>	Movable-Face Assembly with Bushing .....	1
4	<u>1014078</u>	Key, Driven Clutch .....	1
5	<u>1014080</u>	Ring, Retaining .....	1
6	<u>1014454</u>	Kit, Driven Clutch Button (includes items 7 and 8) .....	1
7	<u>1012836</u>	Screw, #8-32 X 3/4 Socket-Head Cap .....	3
8	N/A	Button, Drive .....	3
9	<u>1017686</u>	Cam, Driven Clutch .....	1
10	<u>101836201</u>	Spring, Driven Clutch, Reversed .....	1
11	<u>AM10419</u>	Kit, Clutch Repair (includes items 12 through 14) .....	1
12	<u>101833401</u>	Key, 3/16 Sq X 1.50" .....	1
13	N/A	Washer, Driven Clutch .....	1
14	<u>102242101</u>	Screw, 5/16-18 X 3/4 Hex-Head with Patch .....	1

**11**  
**G**



000219-001



## DRIVEN CLUTCH – CARRYALL 2 PLUS, AND XRT 900

ITEM	PART NO.	DESCRIPTION	QTY
		1 2 3 4	
1	<u>101834003</u>	Clutch, Driven (includes items 2 through 10) .....	1
2	<u>1014070</u>	Fixed Face Assy, Driven Clutch .....	1
3	<u>1014072</u>	Movable-Face Assembly with Bushing .....	1
4	<u>1014078</u>	Key, Driven Clutch .....	1
5	<u>1014080</u>	Ring, Retaining .....	1
6	<u>1014454</u>	Kit, Driven Clutch Button (includes items 7 and 8) .....	1
7	<u>1012836</u>	Screw, #8-32 X 3/4 Socket-Head Cap .....	3
8	N/A	Button, Drive .....	3
9	<u>1017686</u>	Cam, Driven Clutch .....	1
10	<u>101836202</u>	Spring, Driven Clutch, Reversed .....	1
11	<u>AM10419</u>	Kit, Clutch Repair (includes items 12 through 14) .....	1
12	<u>101833401</u>	Key, 3/16 Sq X 1.50" .....	1
13	N/A	Washer, Driven Clutch .....	1
14	<u>102242101</u>	Screw, 5/16-18 X 3/4 Hex-Head with Patch .....	1

**11**

**G**

11

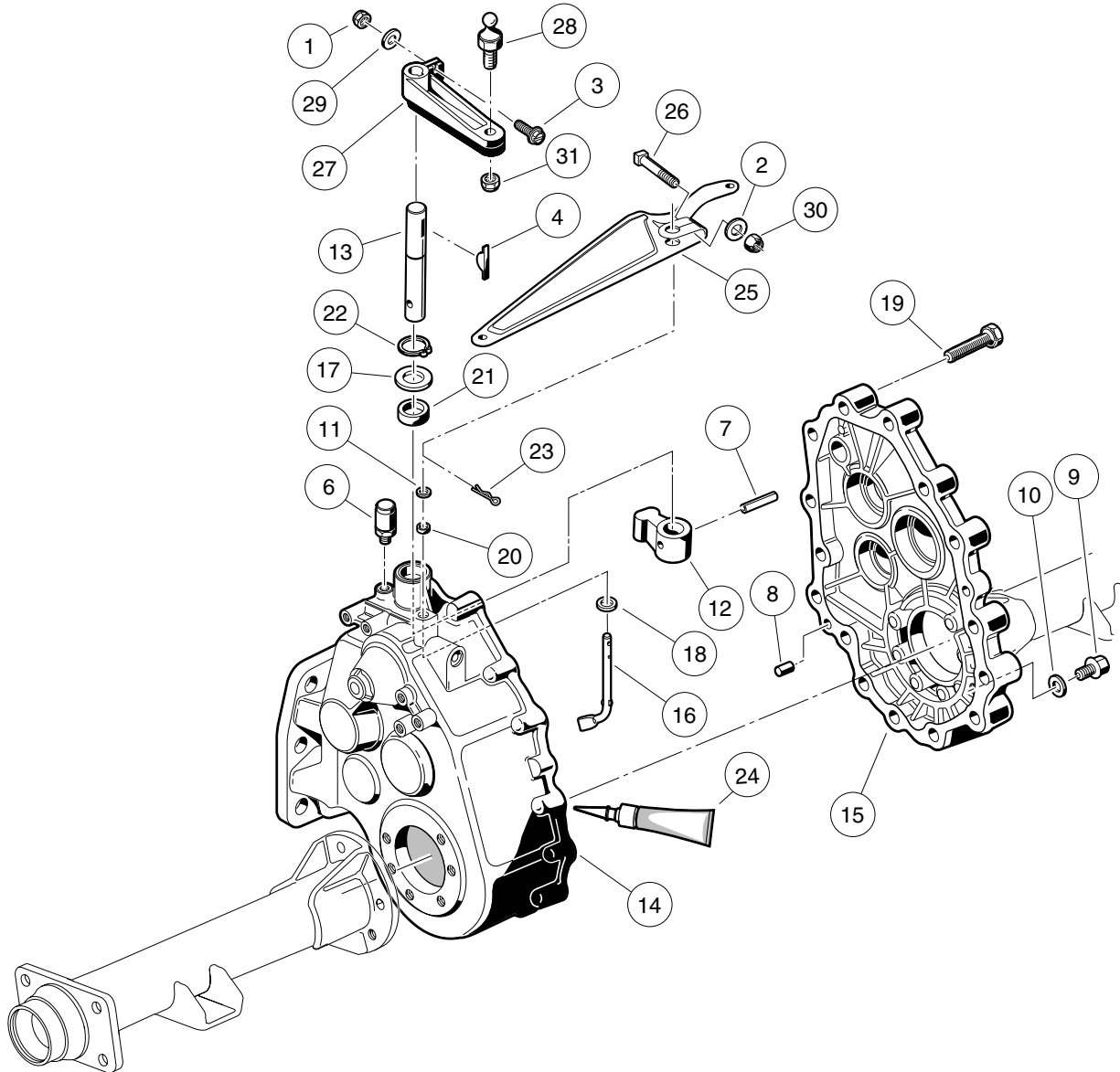
G

# UNITIZED TRANSAXLE

---

12

G



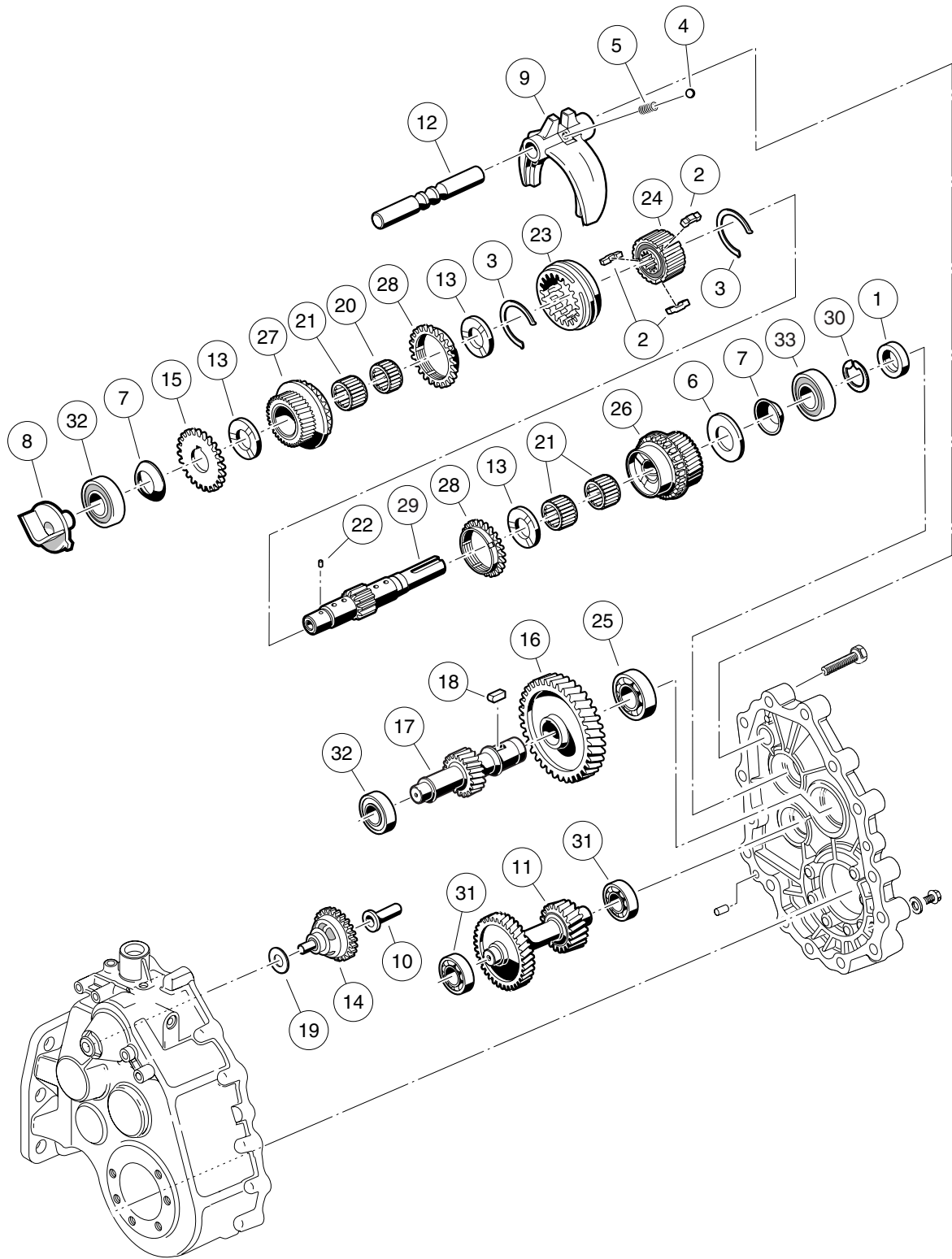
000220-002

# UNITIZED TRANSAXLE – GEAR CASES AND BRACKETS

ITEM	PART NO.	DESCRIPTION	QTY
		1 2 3 4	
1	<u>1013061</u>	Locknut, #10-32 Nylon Insert .....	1
2	<u>1014007</u>	Washer, 1/4 Flat .....	1
3	<u>1017082</u>	Screw, #10-32 X 0.75, Hex-Head Machine .....	1
4	<u>1017231</u>	Key, Woodruff .....	1
5	<u>101833601</u>	Transaxle, 11.77 Ratio (includes items 6 through 24) .....	1
6	<u>1012711</u>	Breather .....	1
7	<u>1012752</u>	Roll Pin .....	1
8	<u>1012896</u>	Pin, Dowel .....	2
9	<u>1013760</u>	Fill Plug .....	2
10	<u>1016432</u>	Gasket, Drain Plug .....	1
11	<u>1016513</u>	Washer, M6 Flat .....	1
12	<u>101890101</u>	Lever, Change .....	1
13	<u>101890201</u>	Shaft - Change .....	1
14	<u>101890501</u>	Gear Case (driver side) .....	1
15	<u>101890601</u>	Gear Case (passenger side) .....	1
16	<u>101891301</u>	Arm Pivot .....	1
17	<u>101892901</u>	Washer .....	1
18	<u>101893801</u>	Washer .....	1
19	<u>101926901</u>	Screw, M8-1.25 X 40mm Hex-Head .....	15
20	<u>101927101</u>	Seal, Oil .....	1
21	<u>101927201</u>	Seal, Oil .....	1
22	<u>101927301</u>	Snap Ring .....	1
23	<u>101928601</u>	Pin, Cotter .....	1
24	<u>101928701</u>	Liquid Gasket (Transaxle case) .....	A/R
25	<u>101834801</u>	Arm, Governor .....	1
26	<u>101886101</u>	Screw, 1/4-20 X 1.00 Square-Head .....	1
27	<u>102515401</u>	Lever, Transmission Shift .....	1
28	<u>102526201</u>	Stud, Thread, 1/4-28 .....	1
29	<u>183</u>	Washer, #10 Type A Flat .....	1
30	<u>8233</u>	Locknut, 1/4-20 Nylon Insert .....	1
31	<u>8717</u>	Locknut, 1/4-28 Nylon Insert .....	1
Note: Unitized transaxle component listings span several pages.			

12

G



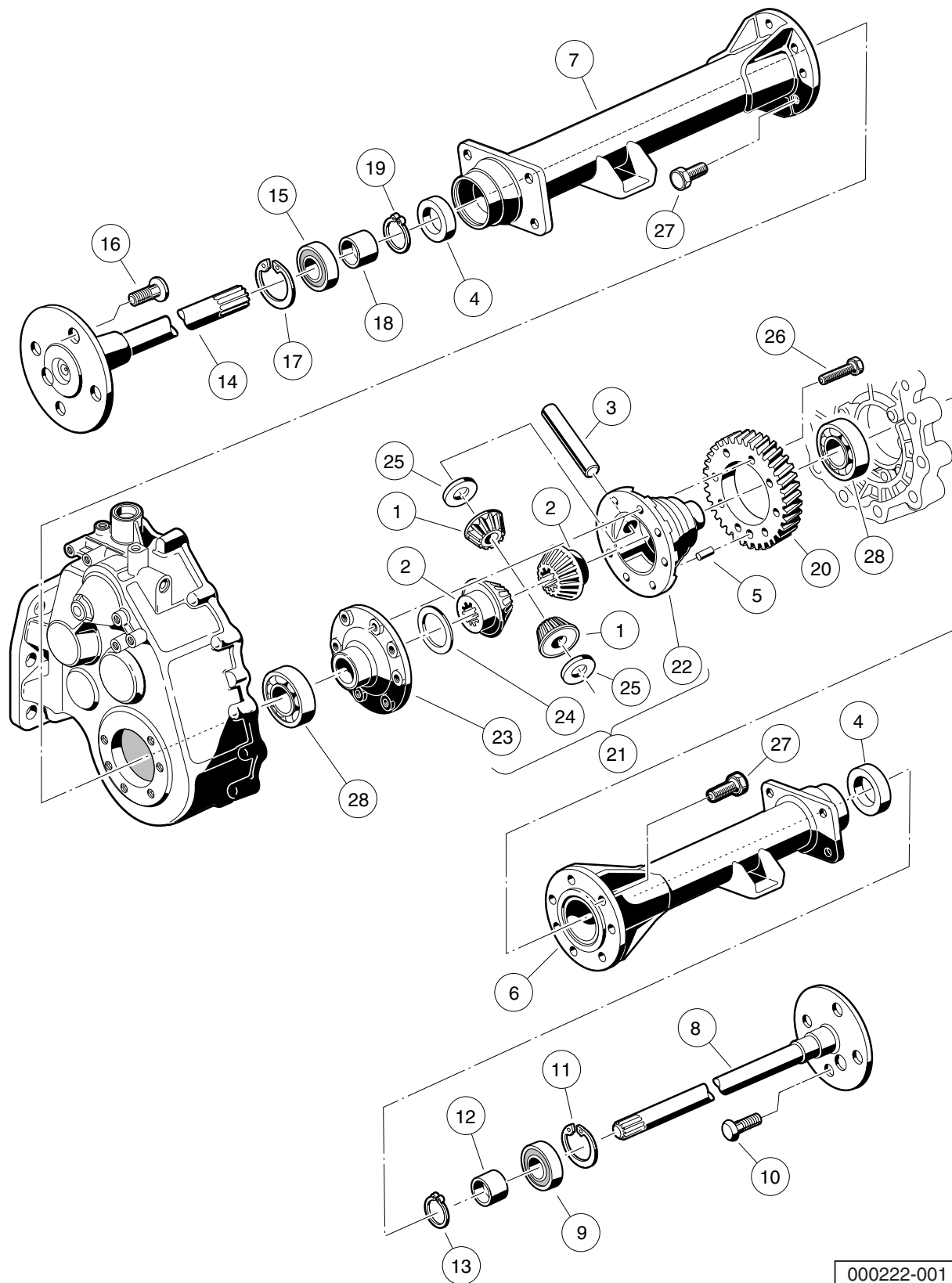
000221-001

# TRANSAXLE – TRANSMISSION AND GEAR REDUCTION

ITEM	PART NO.	DESCRIPTION	QTY
		1 2 3 4	
1	<u>1012714</u>	Oil Seal .....	1
2	<u>1012740</u>	Synchro Insert .....	3
3	<u>1012741</u>	Synchro Spring .....	2
4	<u>1012747</u>	Shifter Ball .....	1
5	<u>1012748</u>	Shifter Spring .....	1
6	<u>1016337</u>	Washer, Thrust .....	1
7	<u>1016338</u>	Washer, Spring .....	2
8	<u>101889401</u>	Guide .....	1
9	<u>101890001</u>	Fork - Shift .....	1
10	<u>101891601</u>	Sleeve, Governor .....	1
11	<u>101891901</u>	Gear, Cluster .....	1
12	<u>101892001</u>	Rod, Shift .....	1
13	<u>101892201</u>	Plate, Thrust .....	3
14	<u>101892301</u>	Governor Assembly .....	1
15	<u>101892401</u>	Gear, Spur .....	1
16	<u>101892501</u>	Gear, Helical (61 Tooth) .....	1
17	<u>101892601</u>	Gear, Helical (17 Tooth) .....	1
18	<u>101893201</u>	Key Sunk .....	1
19	<u>101893901</u>	Washer .....	1
20	<u>101927501</u>	Needle Bearing .....	1
21	<u>101927601</u>	Needle Bearing .....	3
22	<u>101927701</u>	Pin, .116" Dia X 0.264 Dowel .....	1
23	<u>101927901</u>	Sleeve, Synchro .....	1
24	<u>101928001</u>	Hub, Synchro Clutch .....	1
25	<u>101928101</u>	Bearing, Ball .....	1
26	<u>101980801</u>	Gear Assembly, 16-Degree Synchro (25 Tooth) .....	1
27	<u>101980901</u>	Gear Assembly, 16-Degree Rear Synchro (28 Tooth) .....	1
28	<u>101981001</u>	Ring, 16-Degree Synchronizer .....	2
29	<u>102453001</u>	Shaft, Trans, with Circlip .....	1
30	<u>102453101</u>	Circlip .....	1
31	<u>7335</u>	Bearing .....	2
32	<u>AM10080</u>	Bearing, Ball, Sealed .....	2
33	<u>AM10081</u>	Bearing, Ball, Sealed .....	1
Note: Items listed on this page are components of the unitized transaxle.			

12

G



000222-001



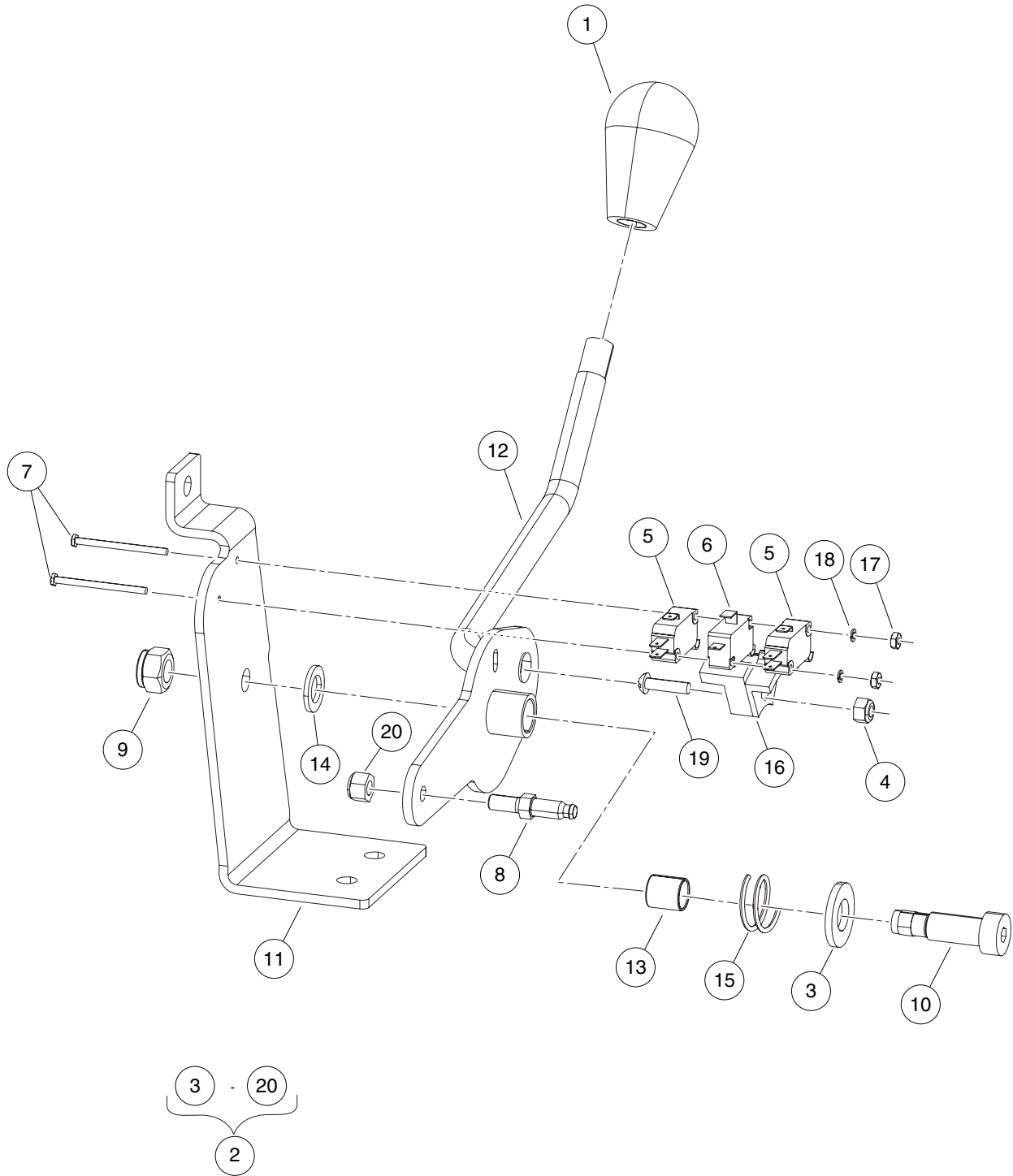
## TRANSAXLE – DIFFERENTIAL AND AXLES

ITEM	PART NO.	DESCRIPTION	QTY
		1 2 3 4	
1	<u>1013770</u>	Differential Idler Gear .....	2
2	<u>1013771</u>	Gear, Differential .....	2
3	<u>1013772</u>	Pin, Differential .....	1
4	<u>1013794</u>	Axle Shaft Oil Seal .....	2
5	N/A	Dowel Pin .....	1
6	<u>101890901</u>	Pipe .....	1
7	<u>101891001</u>	Pipe .....	1
8	<u>101891401</u>	Axle Assembly, Passenger Side (includes items 9 through 13) .....	1
9	<u>1011291</u>	Outer Axle, Tube Bearing .....	1
10	<u>1013787</u>	Lug Stud .....	4
11	<u>1013792</u>	Circlip Type C .....	1
12	<u>1014207</u>	Bushing .....	1
13	<u>1016672</u>	Retaining Ring .....	1
14	<u>101891501</u>	Axle Assembly, Driver-Side (includes items 15 through 19) .....	1
15	<u>1011291</u>	Outer Axle, Tube Bearing .....	1
16	<u>1013787</u>	Lug Stud .....	4
17	<u>1013792</u>	Circlip Type C .....	1
18	<u>1014207</u>	Bushing .....	1
19	<u>1016672</u>	Retaining Ring .....	1
20	<u>101892701</u>	Gear, Helical .....	1
21	<u>101910501</u>	Kit, Differential Gear Case (includes items 22 through 25) .....	1
22	<u>1013768</u>	Differential Gear Case, Left-Hand .....	1
23	<u>1013769</u>	Differential Gear Case, Right-Hand .....	1
24	<u>1013773</u>	Plate, Thrust (Differential Gear) .....	1
25	<u>1013774</u>	Plate, Thrust (Idler Gear) .....	2
26	<u>101928301</u>	Screw, M8-1.25 X 35mm Hex Head .....	8
27	<u>102031901</u>	Bolt, M10 X 1.5 X 30mm .....	14
28	<u>7330</u>	Inner Axle Tube Bearing .....	2
Note: Items listed on this page are components of the unitized transaxle.			

12

G

**12**  
**G**



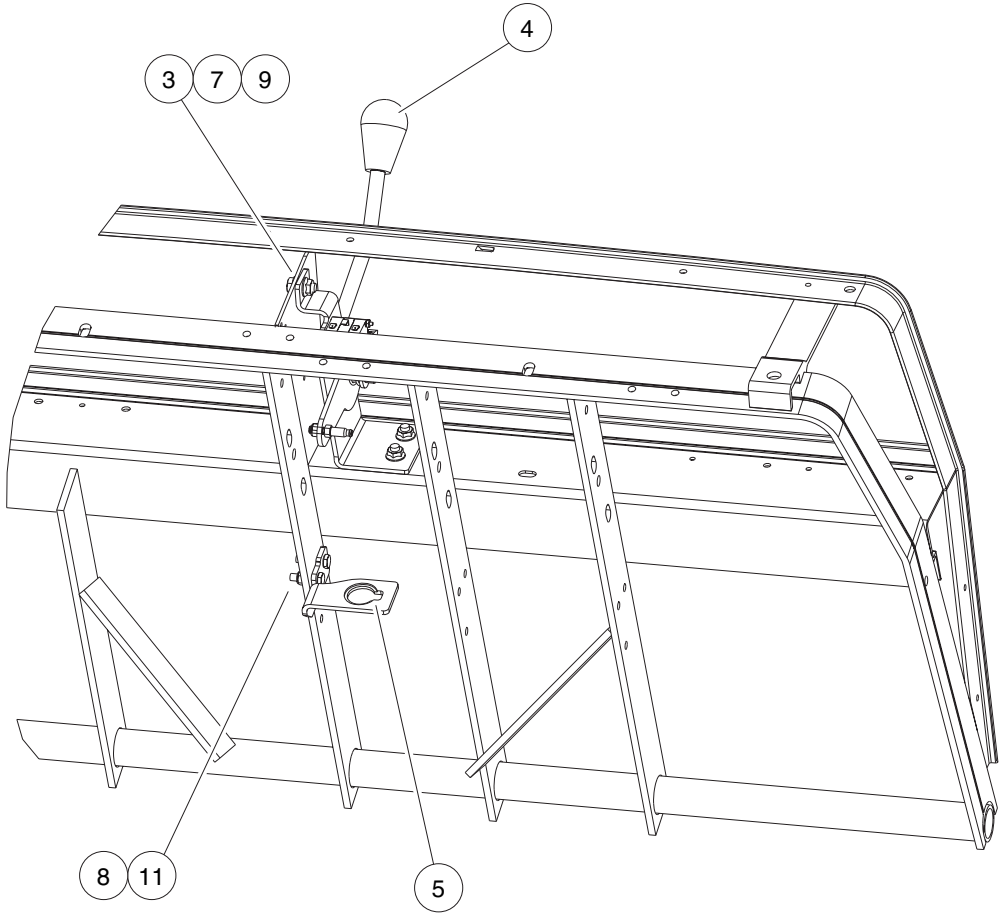
000563-001

# FORWARD/REVERSE SHIFTER

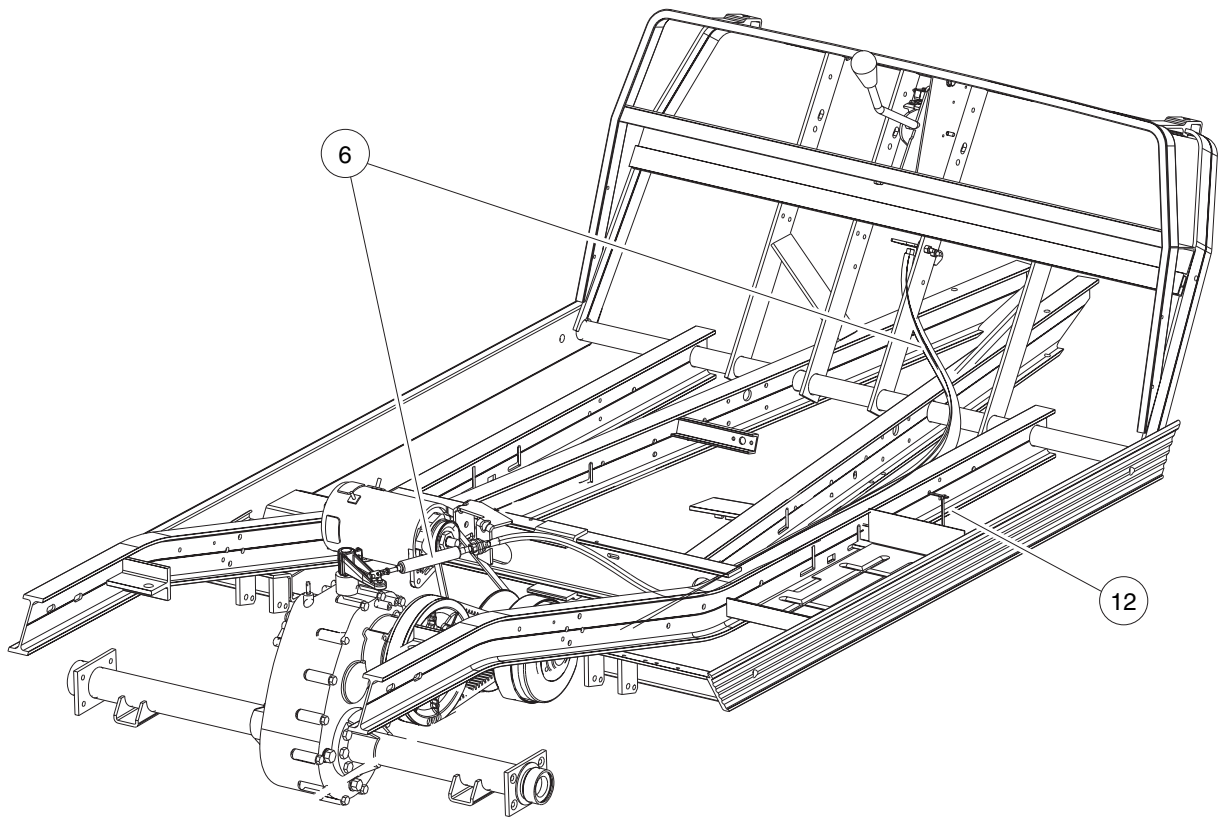
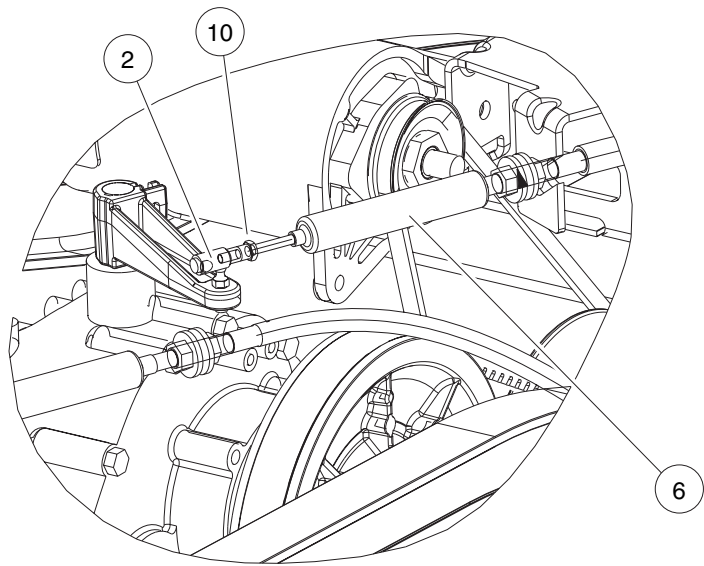
ITEM	PART NO.	DESCRIPTION	QTY
		1 2 3 4	
1	<u>102376001</u>	Knob, Fnr .....	1
2	<u>102969901</u>	Asm, Shifter, FNR (includes items 3 through 20) .....	1
3	<u>1010028</u>	Washer, 1/2 Type A Flat .....	1
4	<u>1013061</u>	Locknut, #10-32 Nylon Insert .....	1
5	<u>1014807</u>	Switch, Limit .....	2
6	<u>1014808</u>	Switch, Limit .....	1
7	<u>1015878</u>	Screw, #4-40 Hex Head Machine .....	2
8	<u>102526201</u>	Stud, Thread, 1/4-28 .....	1
9	<u>102616701</u>	Locknut, M10x1.5 Nylon Insert .....	1
10	<u>102684602</u>	Shoulder Bolt, M12 X 25.0 .....	1
11	<u>102969401</u>	Bracket, Shifter, FNR .....	1
12	<u>102969801</u>	Weldment, Shift Lever, FNR .....	1
13	<u>103173301</u>	Bushing, Greaseless, 12mm Id .....	1
14	<u>103177401</u>	Washer, Thrust, Shifter, FNR .....	1
15	<u>103192701</u>	Spring, Comp, .97 Od X.75 L .....	1
16	<u>103369501</u>	Cam, Limit Switch, Fnr Shifter .....	1
17	<u>8057</u>	Nut, #4-40 Hex Machine .....	2
18	<u>8058</u>	Lockwasher, #4 Helical Split .....	2
19	8104	Screw, #10-32 X .75 Rd Hd Mach .....	1
20	<u>8717</u>	Locknut, 1/4-28 Nylon Insert .....	1

12

G



000573-002



000573-002

See previous two pages for illustration.

## FORWARD/REVERSE SHIFTER CABLE

ITEM	PART NO.	DESCRIPTION	QTY
		<b>1 2 3 4</b>	
1	N/A	Instl, Shifter, FNR ,ca2 (includes items 2 through 12) .....	1
2	<u>1012333</u>	Joint, #10-32 Ball .....	1
3	<u>101963401</u>	Locknut, 5/16-18 Hex Flange .....	3
4	<u>102376001</u>	Knob, Fnr .....	1
5	<u>103295101</u>	Brkt, Spt, Cable End, Fnr .....	1
6	<u>103295202</u>	Cable, Trans, Ball End, 1855mm .....	1
7	<u>1241</u>	Washer, 5/16 Type A Flat .....	3
8	<u>304</u>	Screw, 1/4-20 X 1.0 Hex-Head Cap .....	2
9	<u>7173</u>	Screw, 5/16-18 X 0.75 Hex-Head Cap .....	3
10	<u>7893</u>	Nut, #10-32 Hex .....	1
11	<u>8233</u>	Locknut, 1/4-20 Nylon Insert .....	2
12	<u>8639</u>	Tie Wrap, 11" Nylon .....	1

12

G

12

G

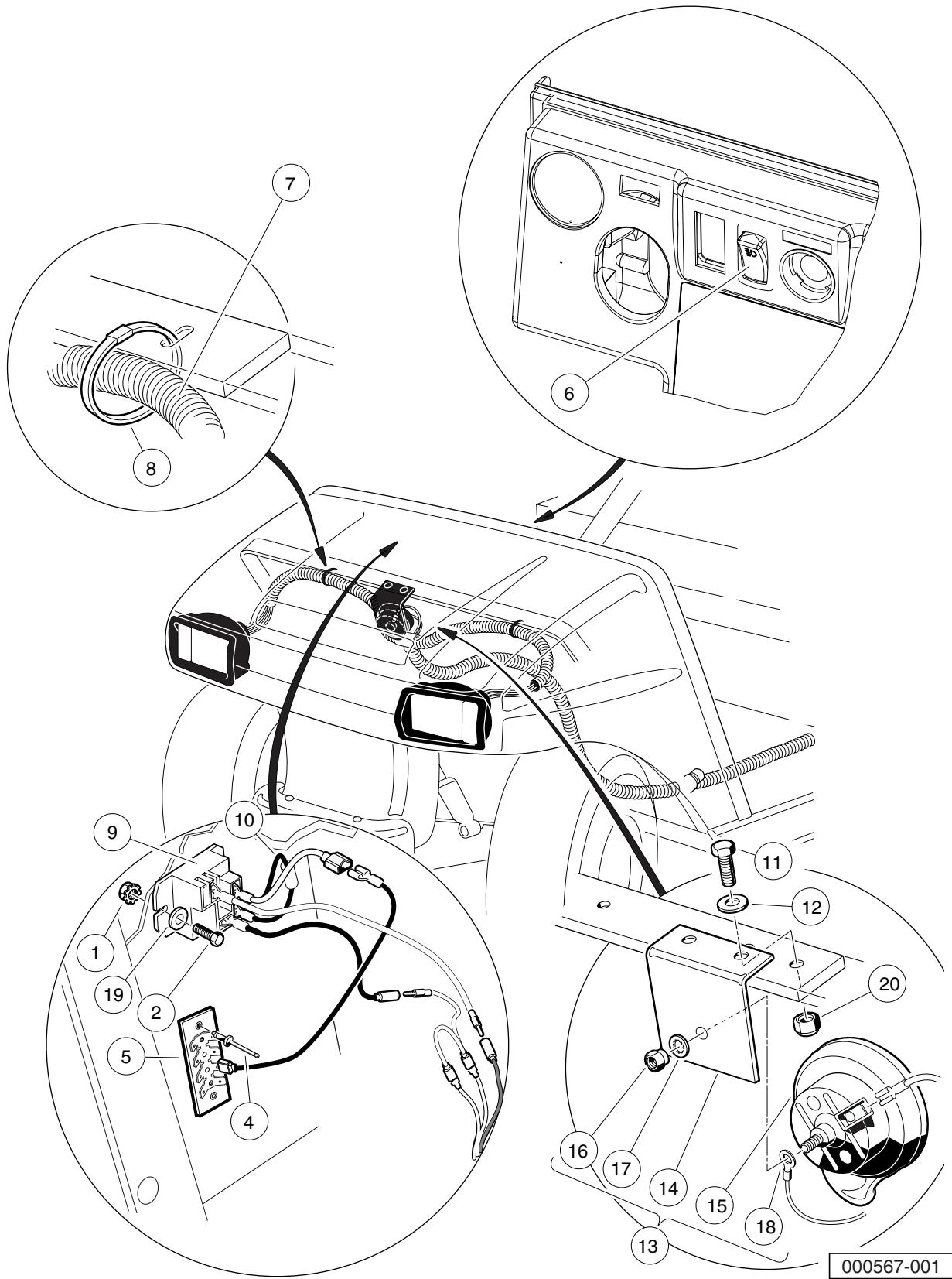


# ELECTRICAL SYSTEM – ELECTRIC VEHICLES

---

13

*E*

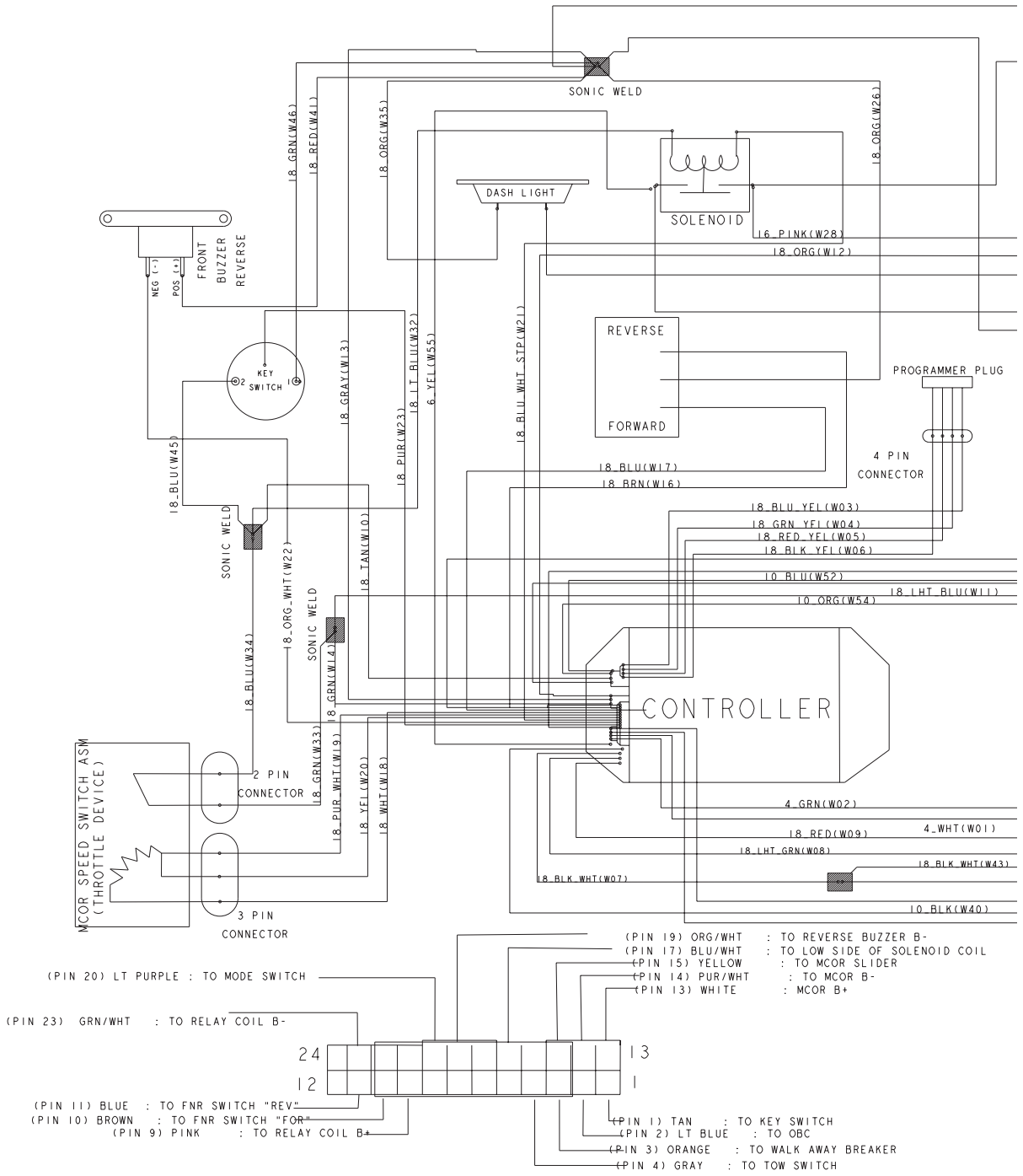


# HEADLIGHT AND HORN ELECTRICAL COMPONENTS

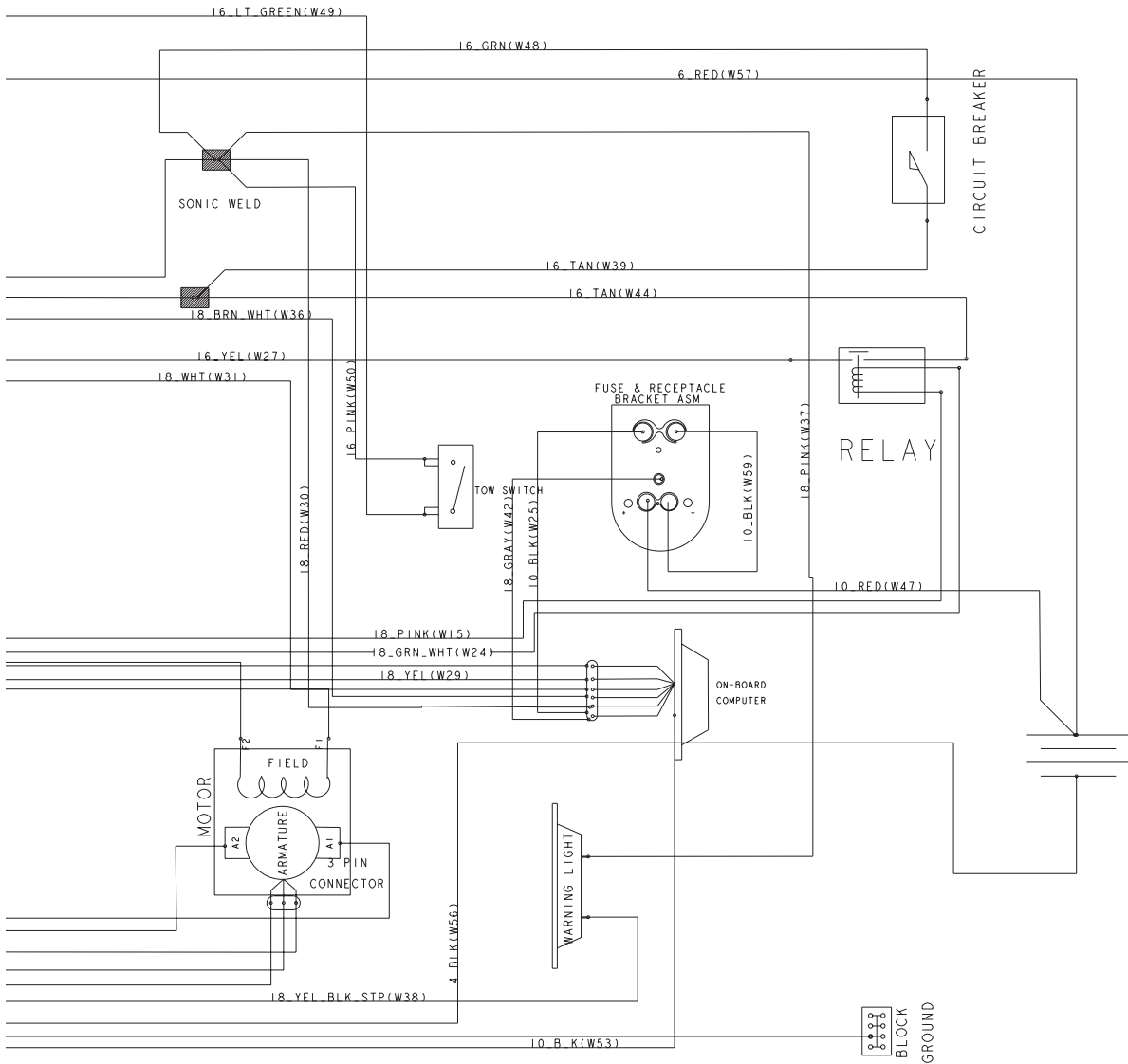
ITEM	PART NO.	DESCRIPTION	QTY
		1 2 3 4	
1	<u>1011229</u>	Locknut, #6-32 Whiz .....	2
2	<u>1017853</u>	Screw, #6-32 X 0.75 Hex-Head Machine .....	2
3	N/A	Headlight Only, IQ Plus (includes items 4 through 8) .....	1
4	<u>1013357</u>	Rivet, 5/32 Aluminum Pop .....	2
5	<u>1016356</u>	Terminal Block with Insulator .....	1
6	<u>102869401</u>	Switch, Rocker, Light .....	1
7	<u>103255701</u>	Wire Harness, Hd Lght, Ca, Ele .....	1
8	<u>8990</u>	Tie Wrap, 8" Nylon .....	8
9	<u>101828601</u>	Relay, 48-Volt .....	1
10	<u>101914401</u>	Assembly, Voltage Suppressor .....	1
11	304	Screw, 1/4-20 X 1.0 Hex-Head Cap .....	2
12	<u>332</u>	Washer, 1/4 Type A Narrow Flat .....	2
13	<u>4029</u>	Horn (includes items 14 through 18) .....	1
14	<u>1011825</u>	Horn Bracket .....	1
15	N/A	Horn, 12-VDC .....	1
16	<u>101955101</u>	Nut, M6 Hex .....	1
17	<u>7820</u>	Washer, 5/16 Internal-Tooth .....	1
18	N/A	5/16 Ring Term. ....	1
19	<u>7591</u>	Washer, #6 Flat .....	2
20	<u>8233</u>	Locknut, 1/4-20 Nylon Insert .....	2

13

E



000566-001



000566-001

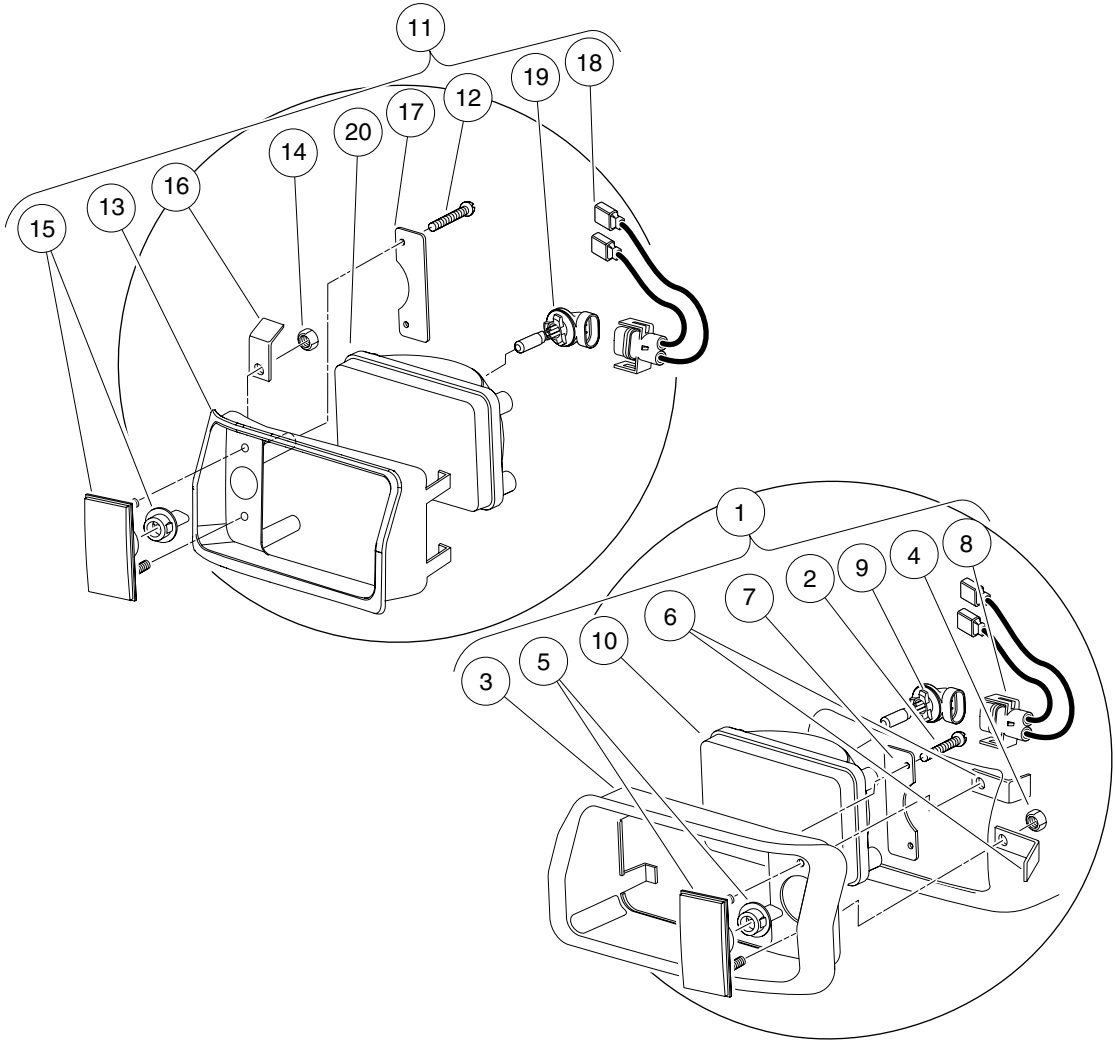
See previous two pages for illustration.

## WIRING – TURF/CARRYALL 2

ITEM	PART NO.	DESCRIPTION	QTY
		1 2 3 4	
1	<u>102845401</u>	Wire Harness, Power, IQ Plus (includes items 2 through 7) .....	1
2	N/A	Asm, #4 Grn Wire, 37" .....	1
3	N/A	Asm, #4 Wht Wire, 36.5" .....	1
4	N/A	Asm, #10 Org Wire, 39" .....	1
5	N/A	Asm, #10 Blu Wire, 46" .....	1
6	N/A	Asm, #4 Red Wire, 33" .....	1
7	<u>8639</u>	Tie Wrap, 11" Nylon .....	3
8	103221901	Asm, Wire Harness, Carryall 2, Elec .....	1

13

E



000073-001

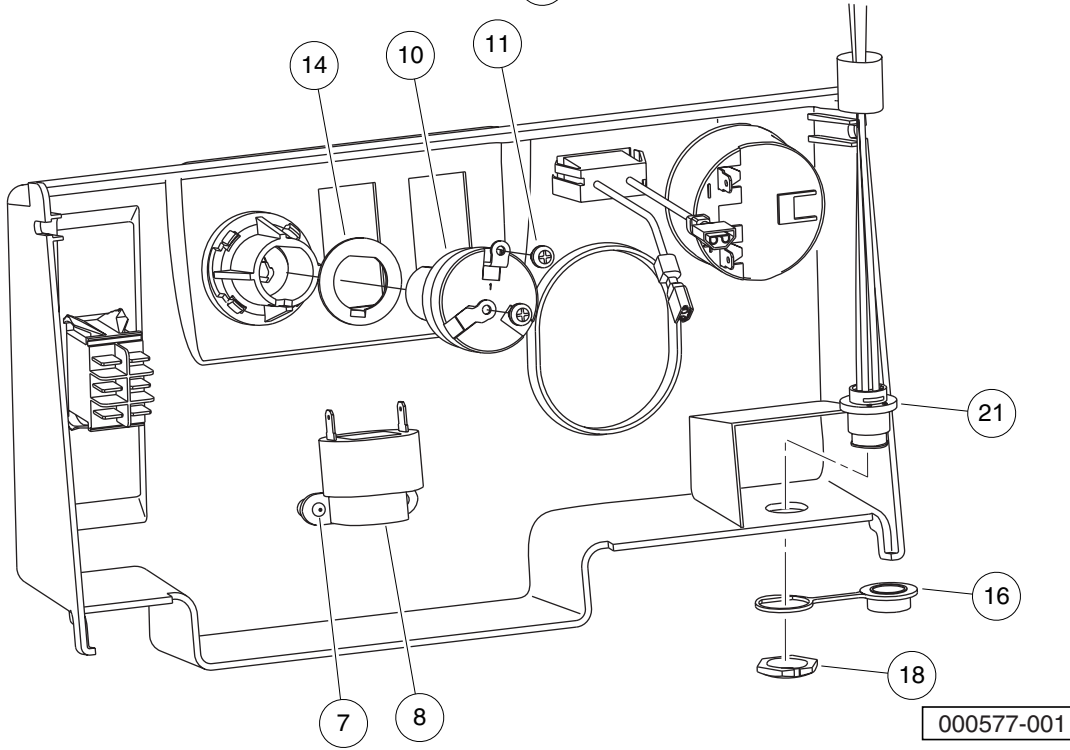
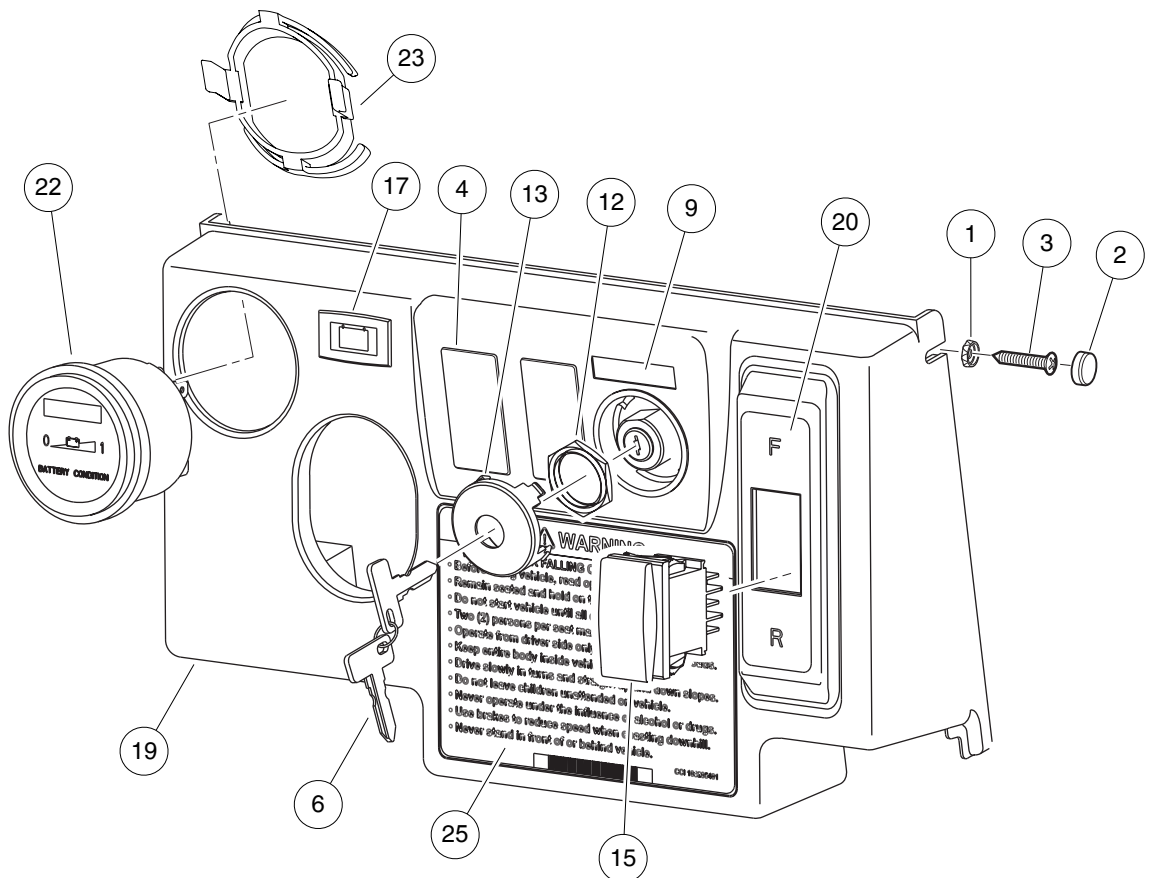


# HEADLIGHTS

**13**

**E**

ITEM	PART NO.	DESCRIPTION	QTY
		<b>1 2 3 4</b>	
1	<u>101988001</u>	Headlight Assembly, Driver-Side Single Beam (includes items 2 through 10) .....	1
2	<u>1013461</u>	Screw, #10-16 Hex-Head Hi-Lo .....	2
3	<u>1016880</u>	Headlight Bezel, Left .....	1
4	<u>1017</u>	Nut, #10-24 Stainless-Steel Hex Machine .....	2
5	<u>1017062</u>	Turn Signal Lens Assy .....	1
6	<u>1017064</u>	Mounting Bracket .....	2
7	<u>1017065</u>	Retainer, Headlight .....	1
8	<u>101987901</u>	Connector Harness Assembly, Headlight .....	1
9	<u>101988101</u>	Bulb, Headlight .....	1
10	<u>101988201</u>	Lens, Headlight .....	1
11	<u>101988002</u>	Headlight Assy, Passenger-Side Single Beam (includes items 12 through 20) .....	1
12	<u>1013461</u>	Screw, #10-16 Hex-Head Hi-Lo .....	2
13	<u>1016879</u>	Headlight Bezel, Right .....	1
14	<u>1017</u>	Nut, #10-24 Stainless-Steel Hex Machine .....	2
15	<u>1017062</u>	Turn Signal Lens Assy .....	1
16	<u>1017064</u>	Mounting Bracket .....	2
17	<u>1017065</u>	Retainer, Headlight .....	1
18	<u>101987901</u>	Connector Harness Assembly, Headlight .....	1
19	<u>101988101</u>	Bulb, Headlight .....	1
20	<u>101988201</u>	Lens, Headlight .....	1



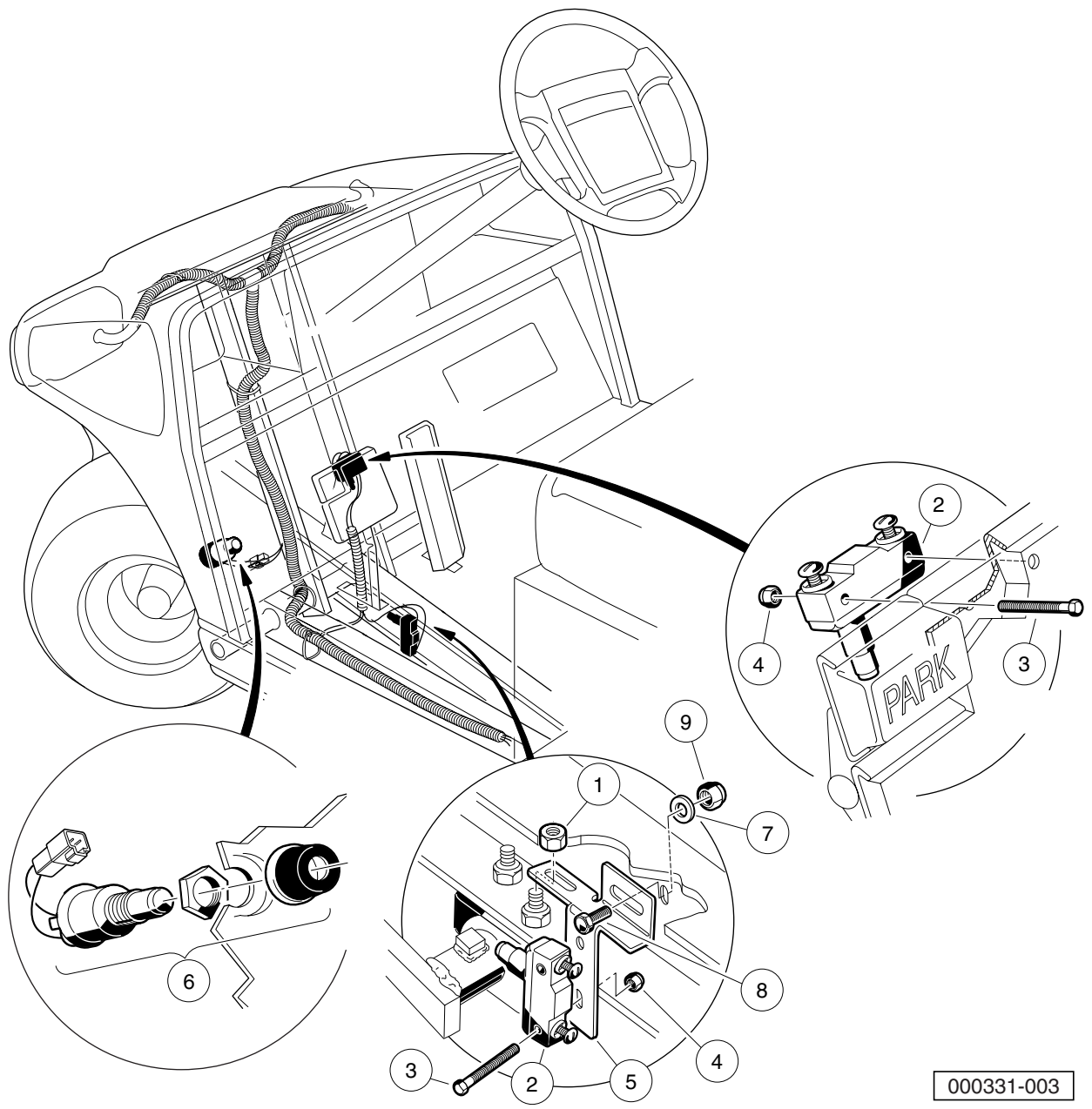
000577-001

# INSTRUMENT PANEL WITH ELECTRICAL COMPONENTS – TURF/ CARRYALL 252, AND XRT 900

ITEM	PART NO.	DESCRIPTION	QTY
		1 2 3 4	
1	N/A	Washer, #10 Pan-Head Screw .....	2
2	<u>1013494</u>	Cover, Screw Head .....	2
3	<u>1015528</u>	Screw, #10 x 1-1/4 Phillips Head .....	2
4	<u>103180101</u>	Cover, Hole, Switch, Rocker .....	2
5	N/A	Asm, Dash, Elec, BCI (Instrument Panel) (includes items 6 through 25) .....	1
6	<u>1012505</u>	Keys (set of 2) .....	1
7	<u>1016849</u>	Screw, #4-24 X 0.33 Pan-Head Machine .....	2
8	<u>1016851</u>	Buzzer, Reverse (9-48 VDC) .....	1
9	<u>101825101</u>	Decal, Off/On .....	1
10	<u>101826201</u>	Key Switch, On/Off .....	1
11	101830601	Screw and Washer Assembly .....	5
12	<u>101830701</u>	Nut, Key Switch .....	1
13	<u>101834502</u>	Cap, Black Key Switch .....	1
14	<u>101851101</u>	Washer, Key Switch .....	1
15	<u>101856001</u>	Switch, Rocker, Double-Pole .....	1
16	<u>102196901</u>	Dust Cap .....	1
17	<u>102508701</u>	Light, Battery .....	1
18	<u>102572401</u>	Nut, Diagnostic Port, Prec .....	1
19	<u>102977002</u>	Panel, Dash, Center, Gas (Instrument Panel) .....	1
20	<u>103210301</u>	Decal, Forward/Reverse, Electric .....	1
21	<u>103218601</u>	Harness, Diagnostic Port .....	1
22	<u>103354401</u>	Gauge, Battery Cond Ind, Rnd (includes items 23 and 24) .....	1
23	<u>103348202</u>	Clip, Bci, Round .....	1
24	N/A	Battery Condition Indicator Gauge .....	1
25	<u>103499301</u>	Decal, Operating Inst, On-road .....	1

13

E



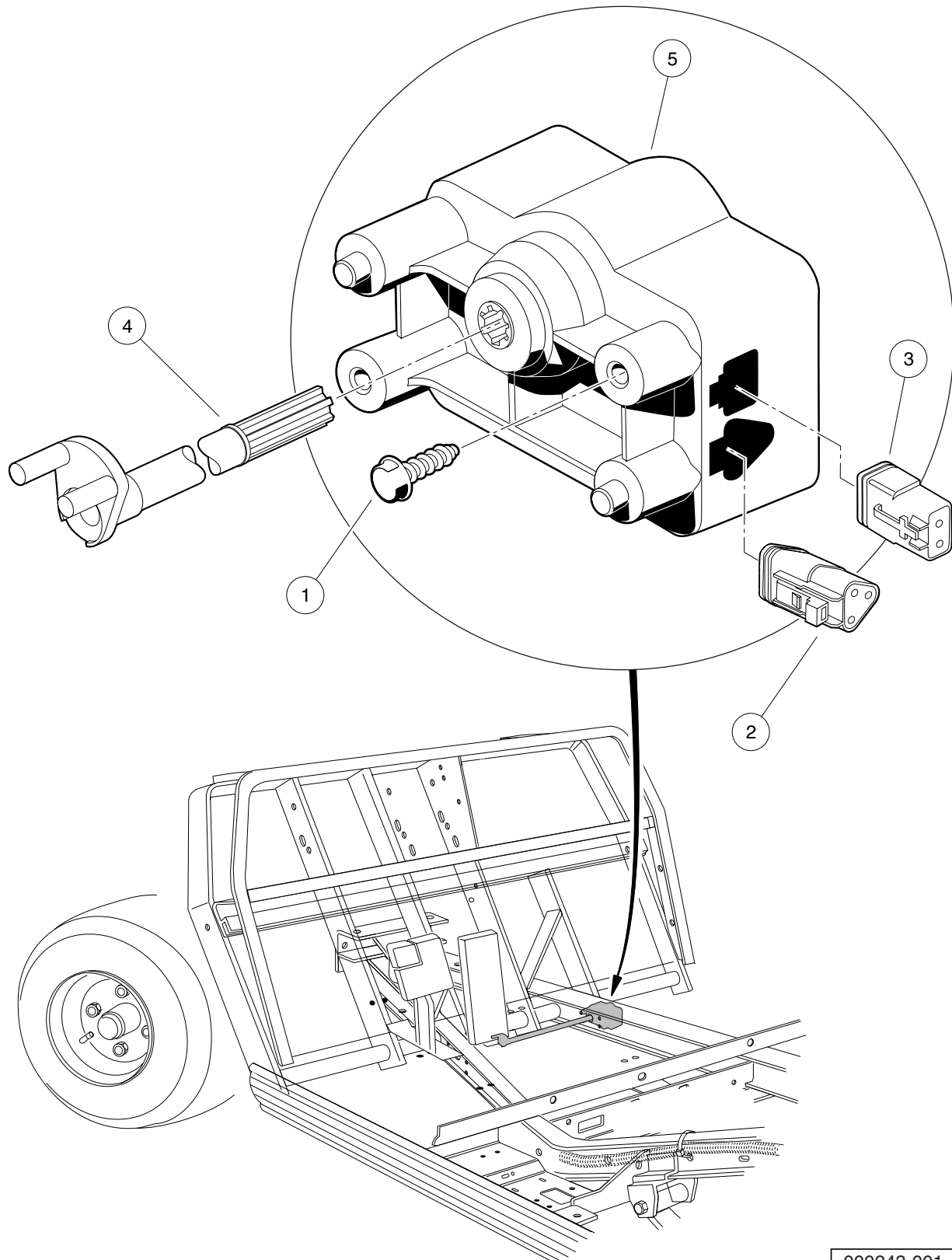
000331-003

# HORN AND BRAKE SWITCHES

ITEM	PART NO.	DESCRIPTION	QTY
		1 2 3 4	
1	<u>1011280</u>	Locknut, 5/16-18 .....	1
2	<u>1011439</u>	Switch, Limit .....	2
3	<u>1011557</u>	Screw, #6-32 X 1.00 Hex-Head Machine .....	4
4	<u>101932201</u>	Locknut, #6-32 Nylon .....	4
5	<u>101957101</u>	Bracket, Brake Light Switch .....	1
6	<u>101969701</u>	Horn Button and Wire Assembly .....	1
7	<u>1241</u>	Washer, 5/16 Type A Flat .....	1
8	<u>7173</u>	Screw, 5/16-18 X 0.75 Hex-Head Cap .....	1
9	<u>7473</u>	Locknut, 5/16-18 Nylon Insert .....	1

13

E



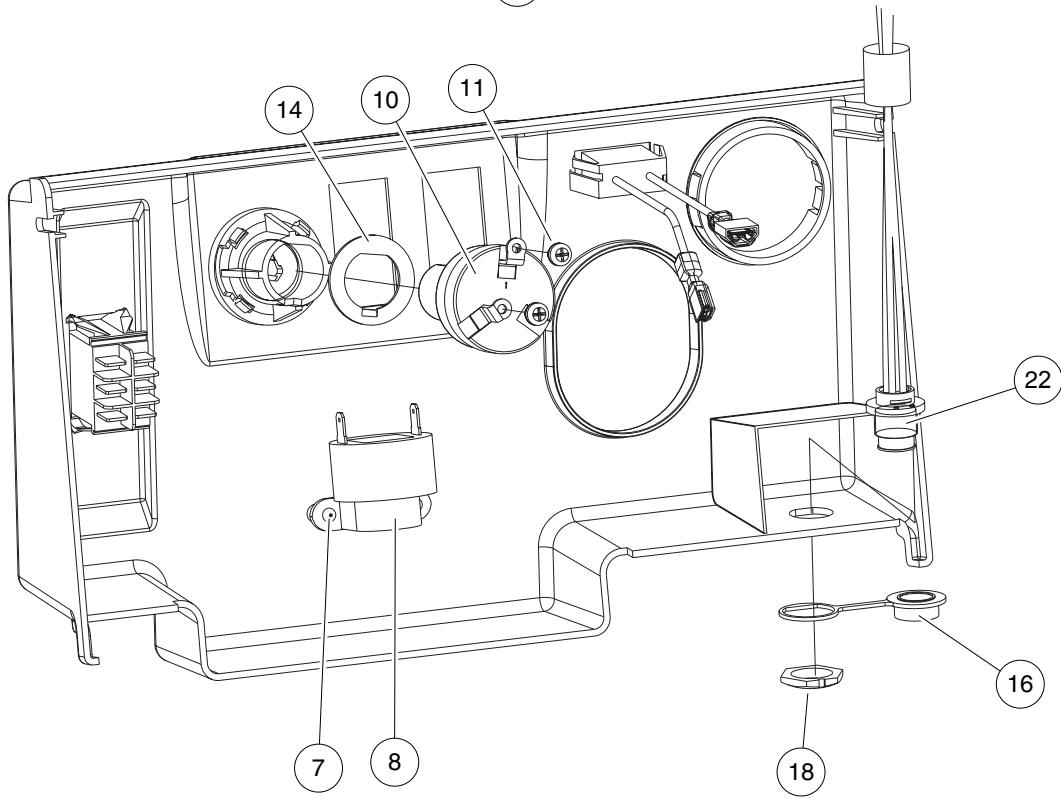
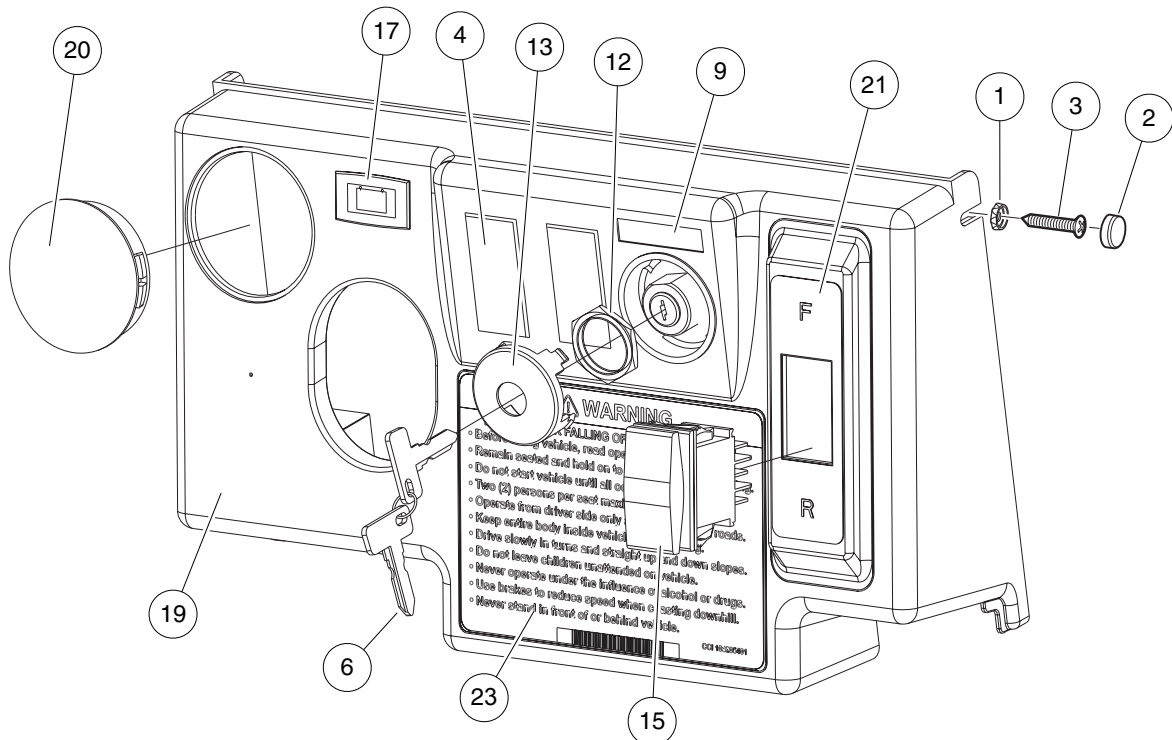
000243-001

# MOTOR CONTROLLER OUTPUT REGULATOR (MCOR)

ITEM	PART NO.	DESCRIPTION	QTY
		1 2 3 4	
1	<u>1015752</u>	Screw, #12-16 X 0.625 Hi-Lo .....	2
2	<u>101920101</u>	Kit, 3-Pin Wedge Lock .....	1
3	<u>101936801</u>	Kit, 2-Pin Wedge Lock .....	1
4	102101001	Bar, Drive, Cast .....	1
5	<u>102101101</u>	MCOR .....	1

13

E



000577-006



# INSTRUMENT PANEL AND ELECTRICAL COMPONENTS – TURF/ CARRYALL 2

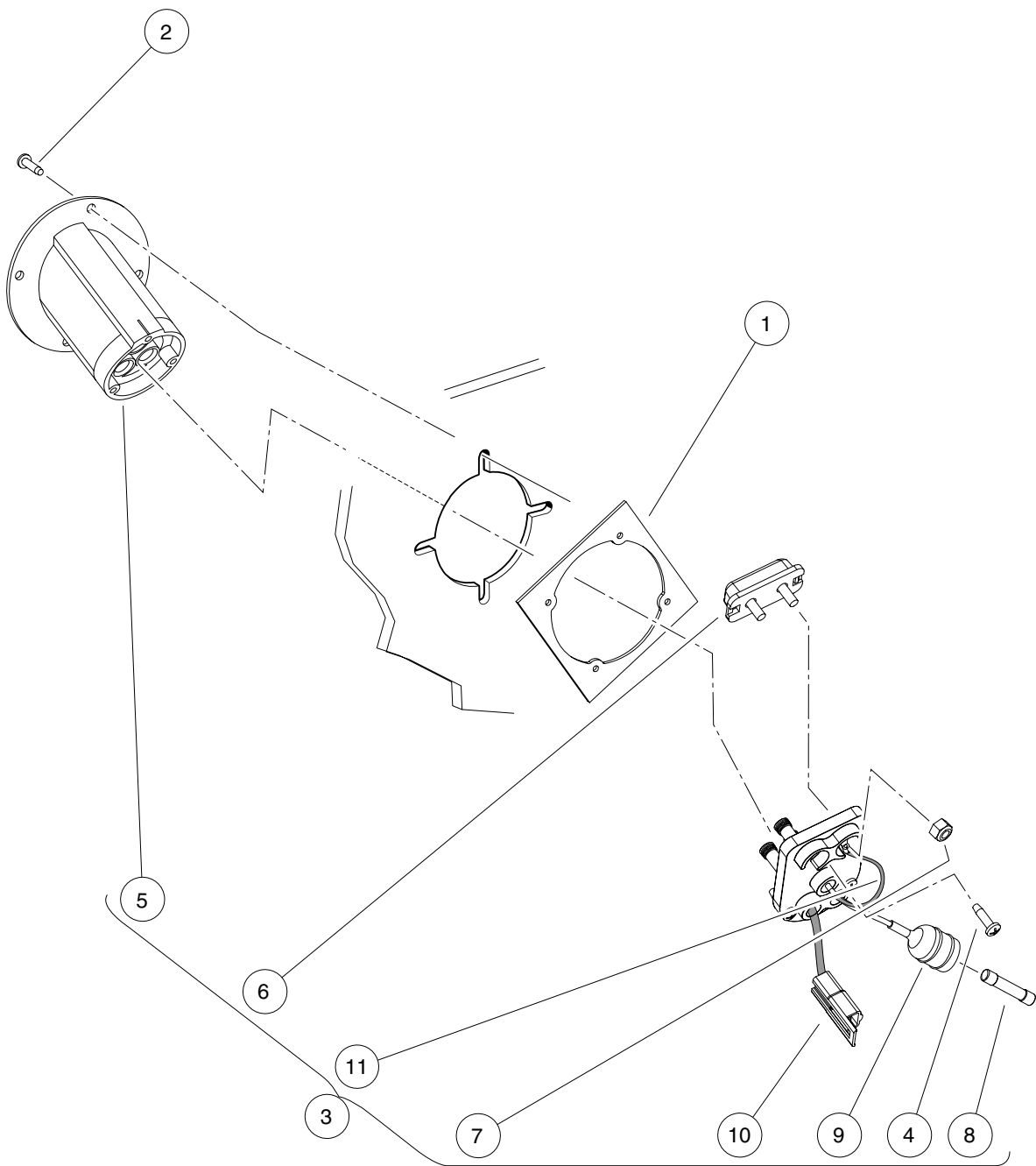
ITEM	PART NO.	DESCRIPTION	QTY
		1 2 3 4	
1	N/A	Washer, #10 Pan-Head Screw .....	2
2	<u>1013494</u>	Cover, Screw Head .....	2
3	<u>1015528</u>	Screw, #10 x 1-1/4 Phillips Head .....	2
4	<u>103180101</u>	Cover, Hole, Switch, Rocker .....	2
5	N/A	Asm, Dash, Elec (Instrument Panel) (includes items 6 through 23) .....	1
6	<u>1012505</u>	Keys (set of 2) .....	1
7	<u>1016849</u>	Screw, #4-24 X 0.33 Pan-Head Machine .....	2
8	<u>1016851</u>	Buzzer, Reverse (9-48 VDC) .....	1
9	<u>101825101</u>	Decal, Off/On .....	1
10	<u>101826201</u>	Key Switch, On/Off .....	1
11	<u>101830601</u>	Screw and Washer Assembly .....	2
12	<u>101830701</u>	Nut, Key Switch .....	1
13	<u>101834502</u>	Cap, Black Key Switch .....	1
14	<u>101851101</u>	Washer, Key Switch .....	1
15	<u>101856001</u>	Switch, Rocker, Double-Pole .....	1
16	<u>102196901</u>	Dust Cap .....	1
17	<u>102508701</u>	Light, Battery .....	1
18	<u>102572401</u>	Nut, Diagnostic Port, Prec .....	1
19	<u>102977002</u>	Panel, Dash, Center, Gas (Instrument Panel) .....	1
20	<u>103198301</u>	Plug, Hole, Round, 2.0 In .....	1
21	<u>103210301</u>	Decal, Forward/Reverse, Electric .....	1
22	<u>103218601</u>	Harness, Diagnostic Port .....	1
23	<u>103499301</u>	Decal, Operating Inst, On-road .....	1

13

E

**13**

**E**



000369-002

# BATTERY CHARGER RECEPTACLE

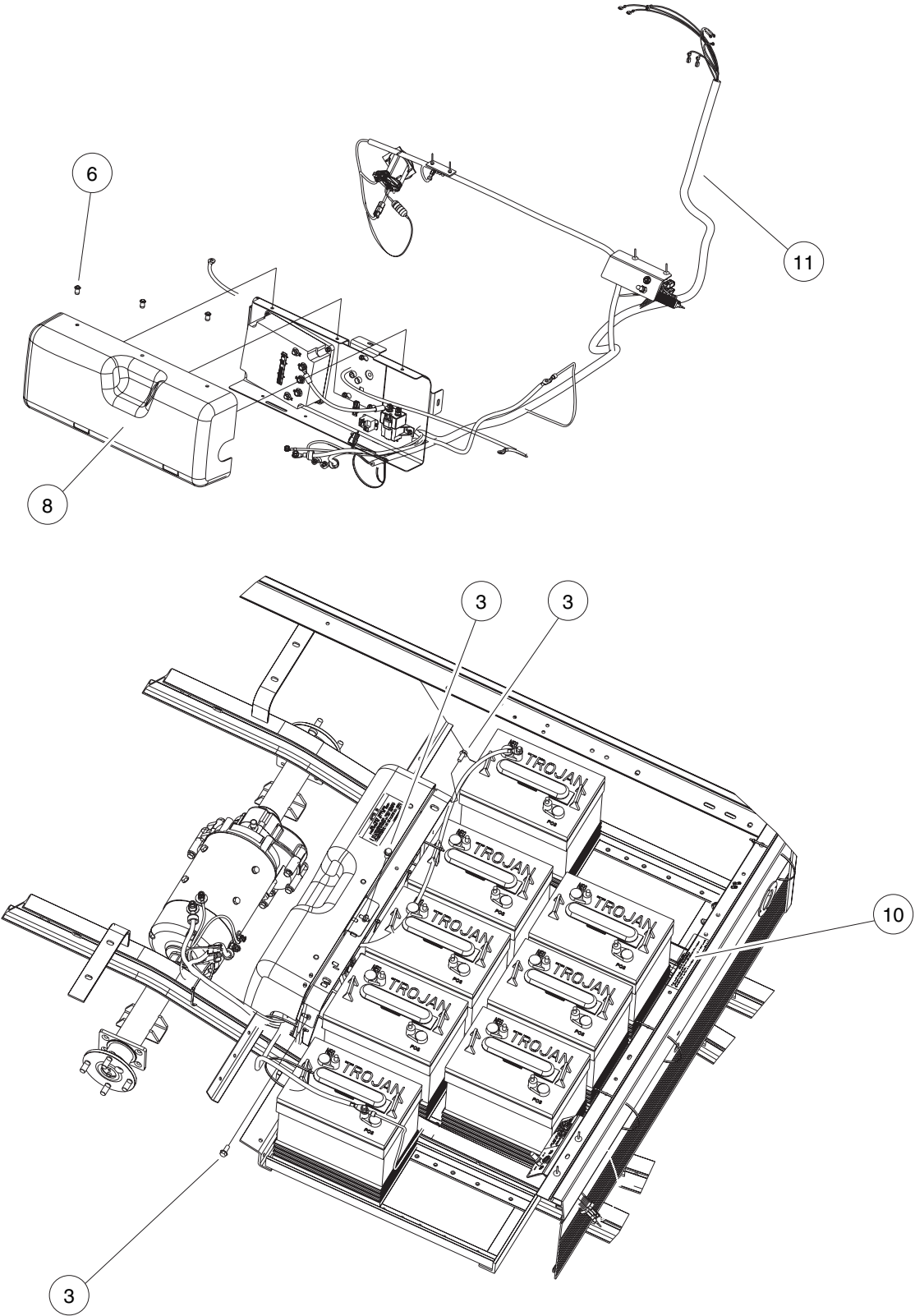
ITEM	PART NO.	DESCRIPTION	QTY
		<b>1 2 3 4</b>	
1	<u>101801001</u>	Plate, Receptacle Backing .....	1
2	<u>101832001</u>	Screw, #7-19 X 0.625 Phillips Pan-Head Tap .....	4
3	<u>102848701</u>	Fuse and Receptacle Assembly (includes items 4 through 11) .....	1
4	<u>1017705</u>	Screw, #8 X 5/8 Phillips Pan-Head Type AB .....	3
5	<u>101796501</u>	Receptacle .....	1
6	<u>101796801</u>	Fuse Assembly (includes item 7) .....	1
7	<u>1013061</u>	Locknut, #10-32 Nylon Insert .....	2
8	<u>101894901</u>	Fuse, 3/8-Amp .....	1
9	N/A	Wire Assembly, Sense Lead, Gray .....	1
10	N/A	Wire Assembly, #10 Red .....	1
11	N/A	Wire Assembly, #10 Black .....	1

13

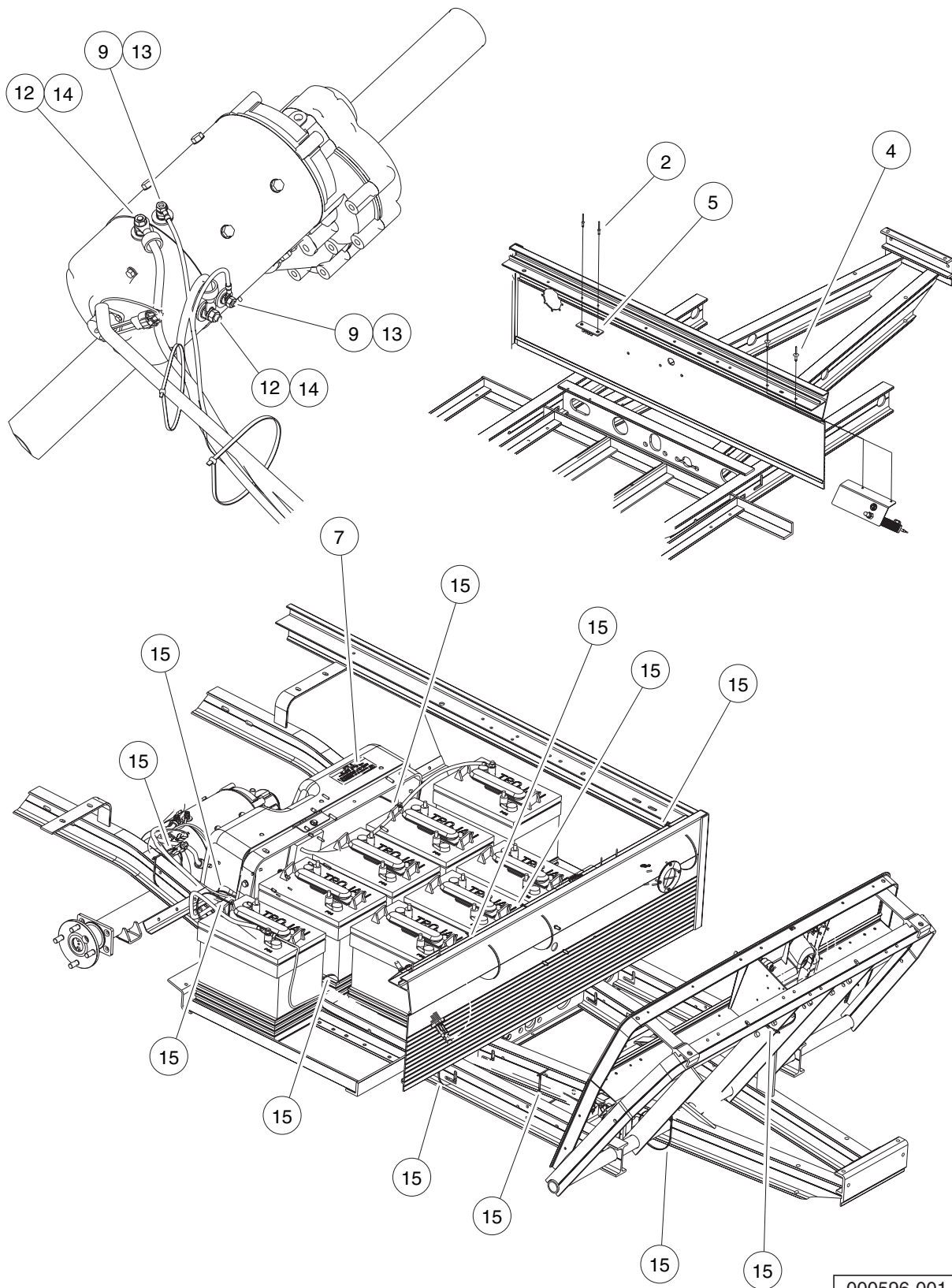
E

13

E



000596-001



000596-001

See previous two pages for illustration.

# ELECTRICAL INSTALLATION

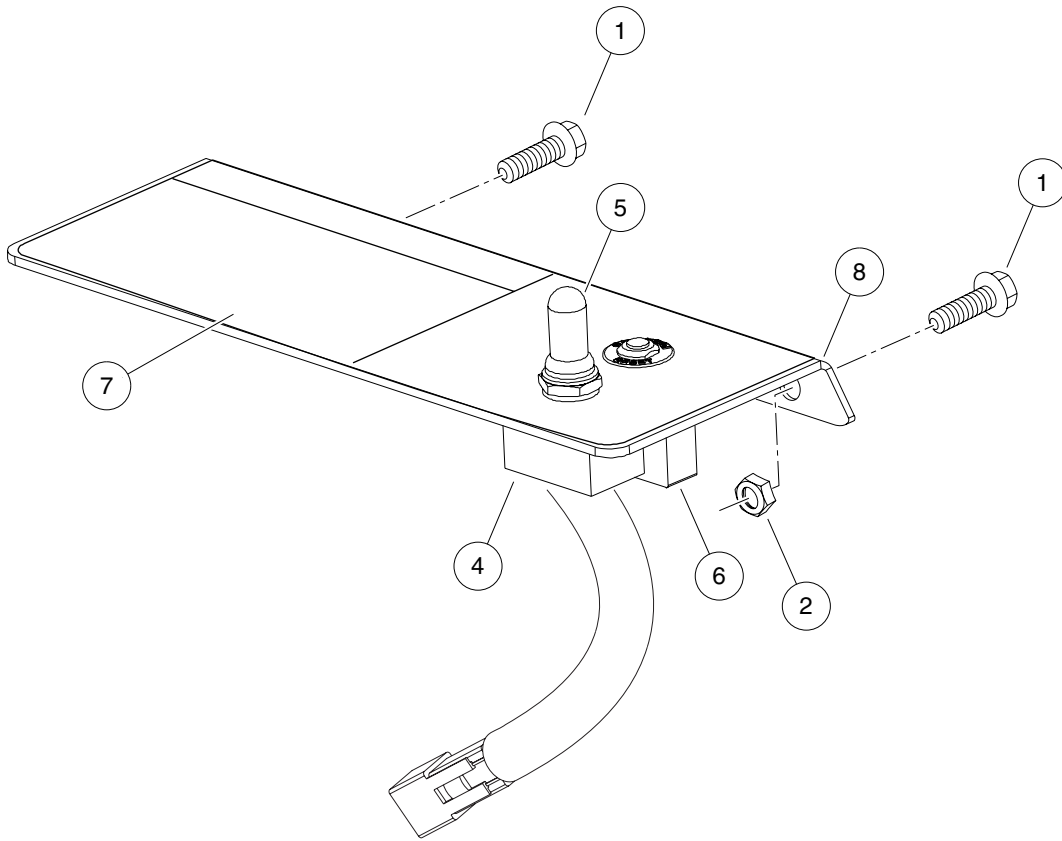
ITEM	PART NO.	DESCRIPTION	QTY
		1 2 3 4	
1	N/A	Inst, Elec Sys, Iq Plus (includes items 2 through 15) .....	1
2	<u>1013357</u>	Rivet, 5/32 Aluminum Pop .....	2
3	<u>1014288</u>	Screw, 5/16-18 X 0.75 Thread-Forming .....	3
4	<u>1015392</u>	Rivet, 3/16 Pop .....	2
5	<u>1016356</u>	Terminal Block with Insulator .....	1
6	<u>1016967</u>	Blind Rivet, Push Type .....	3
7	<u>102518301</u>	Decal, Caution, Electrical Component Cover .....	1
8	<u>102772401</u>	Cover, Electrical Component .....	1
9	<u>1028</u>	Nut, 1/4-20 Hex .....	2
10	<u>102967601</u>	Decal, Warning, 4 Gauge Wire .....	1
11	103221901	Asm, Wire Harness, Carryall 2, Elec .....	1
12	<u>1242</u>	Nut, 5/16-18 Hex .....	2
13	<u>451</u>	Lockwasher, 1/4 Helical Split .....	2
14	<u>7174</u>	Lockwasher, 5/16 Split .....	2
15	<u>8990</u>	Tie Wrap, 8" Nylon .....	12

13

E

13

E



000425-001



# TOW/RUN SWITCH

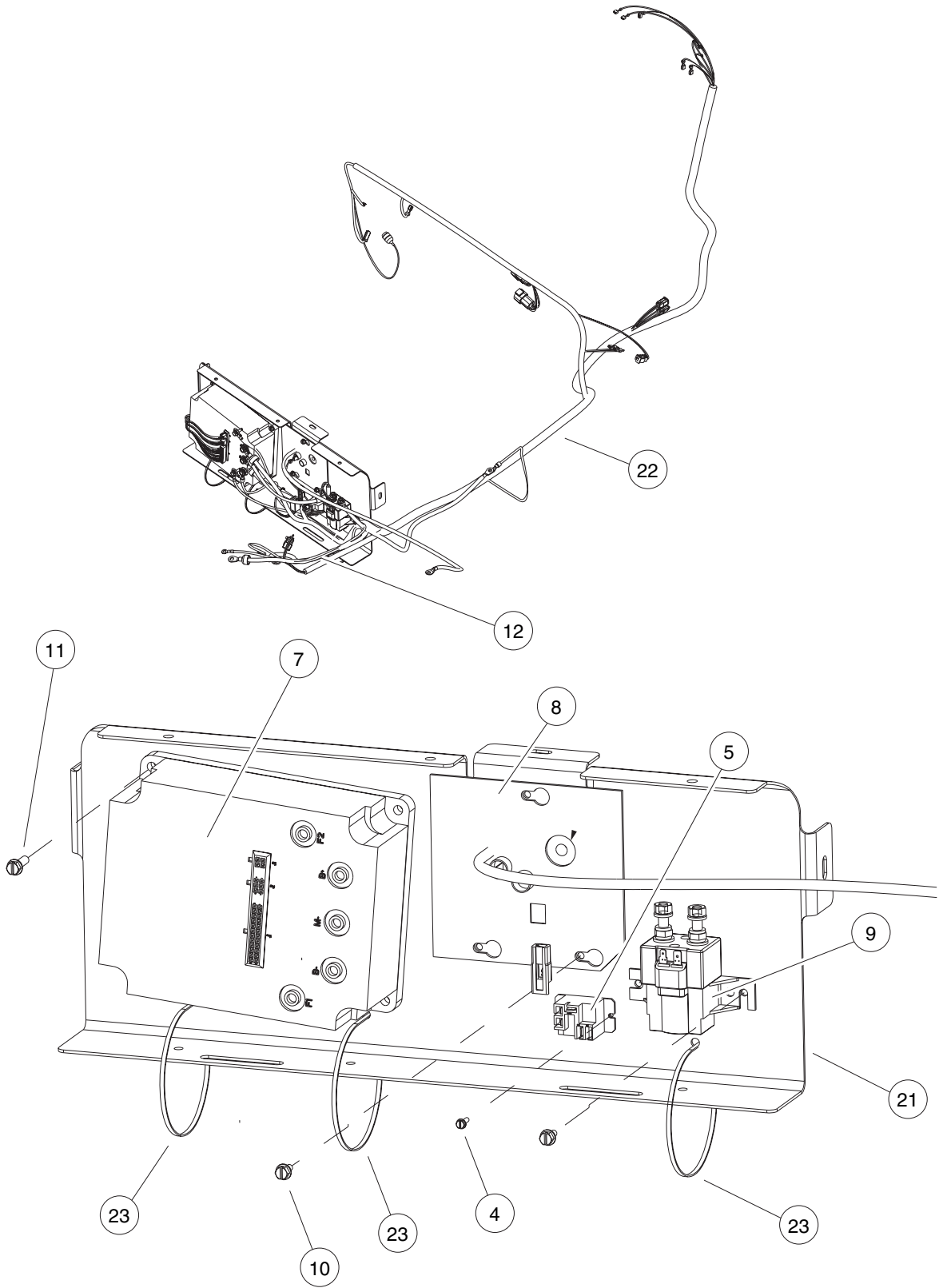
ITEM	PART NO.	DESCRIPTION	QTY
		<b>1 2 3 4</b>	
1	<u>1012126</u>	Screw, #10-32 X .625 Hx Washer .....	A/R
2	<u>1013061</u>	Locknut, #10-32 Nylon Insert .....	2
3	N/A	Tow/Run Switch Assembly (includes items 4 through 8) .....	1
4	<u>101908101</u>	Switch Assembly, Tow/Run .....	1
5	<u>101908401</u>	Boot, Switch .....	1
6	<u>102838101</u>	Circuit Breaker 250vac-50vdc .....	1
7	<u>102845101</u>	Decal, Tow Switch .....	1
8	<u>102915701</u>	Plate, Switch, Run Tow, Mode .....	1

**13**

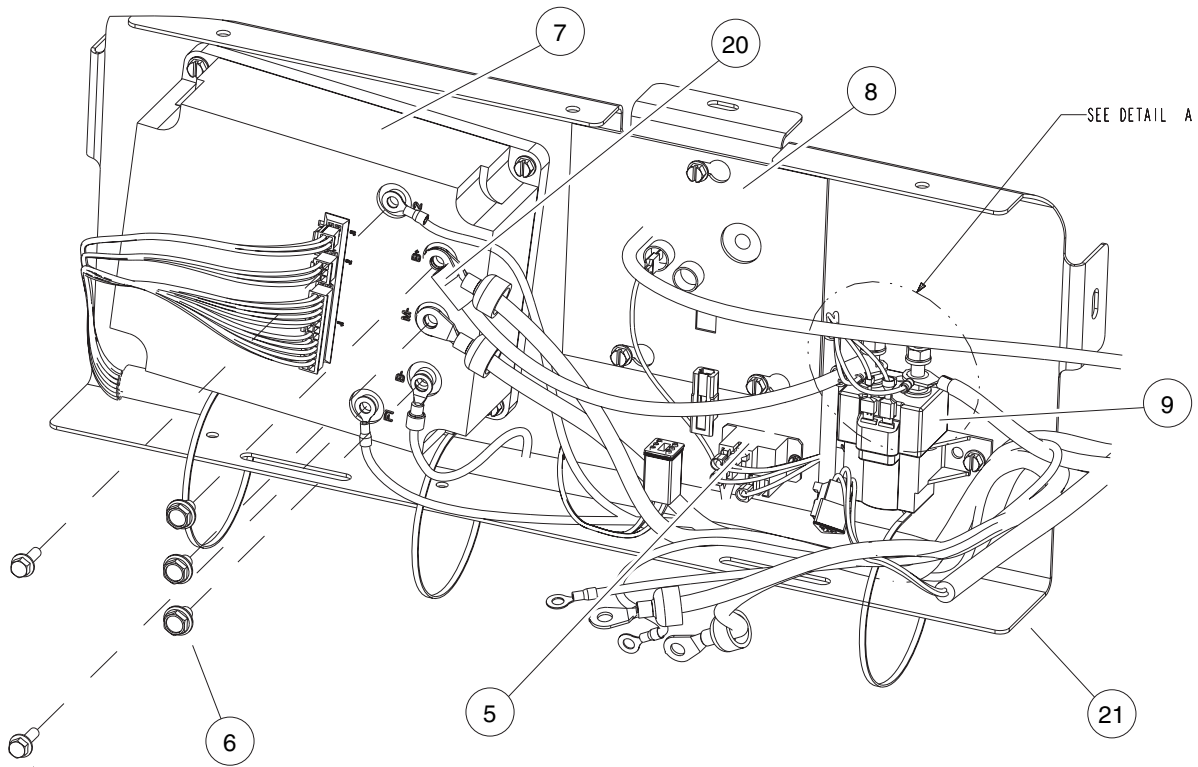
**E**

13

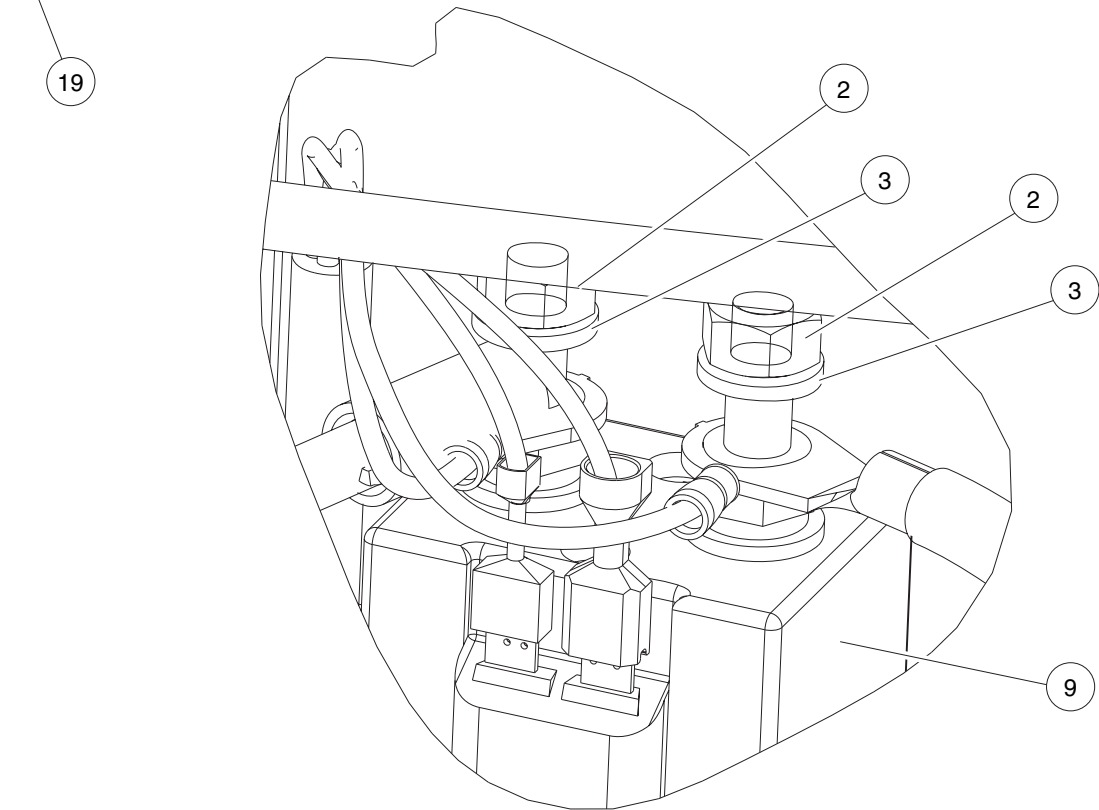
E



000597-001



SEE DETAIL A



DETAIL A

000597-001

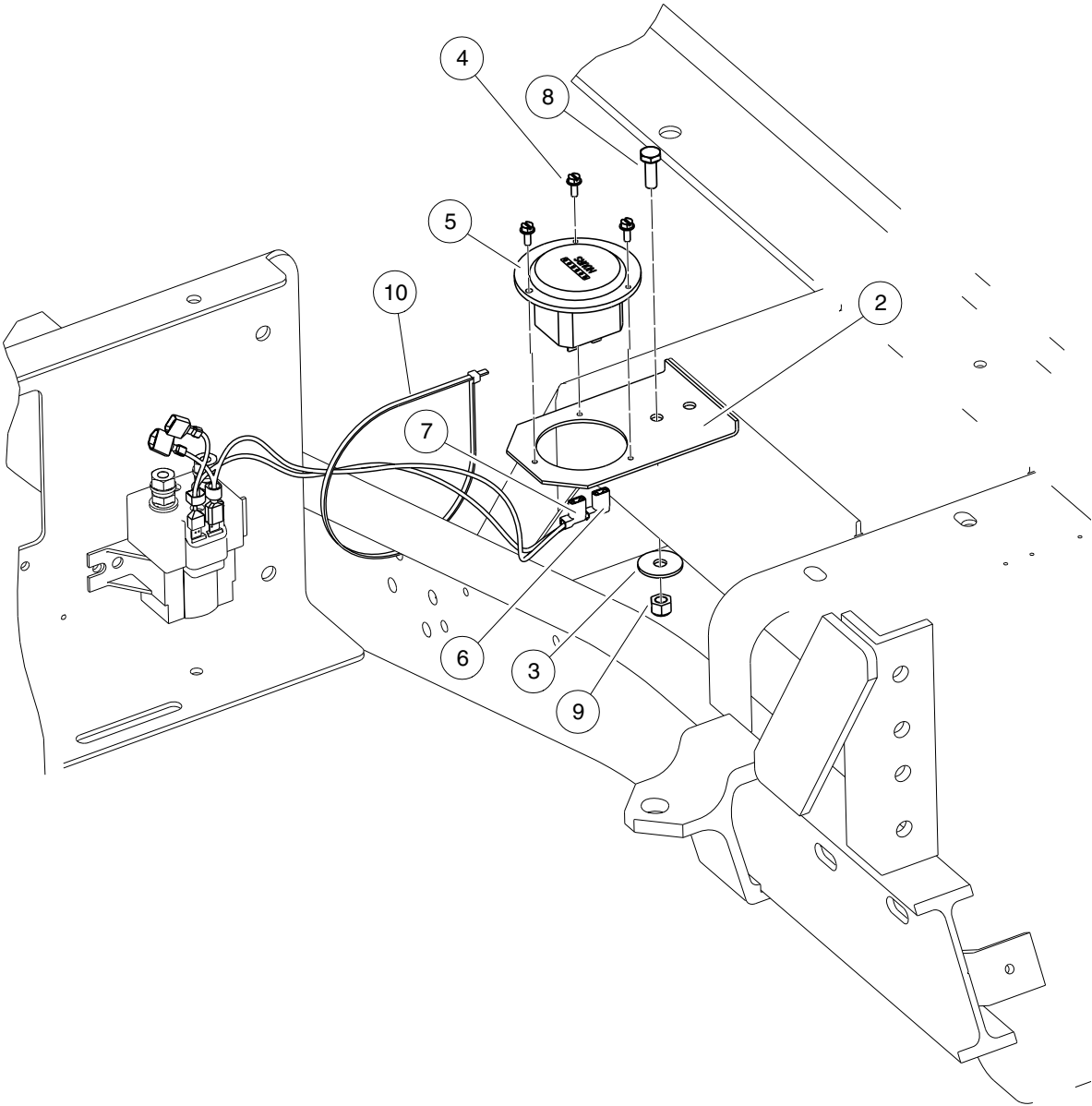
See previous two pages for illustration.

# ELECTRICAL COMPONENTS

13

E

ITEM	PART NO.	DESCRIPTION	QTY
		<b>1 2 3 4</b>	
1	N/A	Asm, Electrical Component Box (includes items 2 through 23) .....	1
2	<u>1012528</u>	Nut, M8-1.25 Hex .....	2
3	<u>1013734</u>	Lockwasher, 8mm Split .....	2
4	<u>1015720</u>	Screw, #6-32 X 1/2 Hex Washer-Head .....	2
5	<u>101828601</u>	Relay, 48-Volt .....	1
6	<u>102240501</u>	Bolt, Controller, Terminal .....	3
7	<u>102774501</u>	Controller, 500 Amp .....	1
8	<u>102774602</u>	Computer, Onbrd, 8x 6v, 38" .....	1
9	<u>102774701</u>	Solenoid, 48v, lth-150 .....	1
10	<u>102817101</u>	Screw, 1/4-20 X .50 Hex Wsh Hd .....	5
11	<u>102817201</u>	Screw, 1/4-20 X .88 Hex Wsh Hd .....	4
12	<u>102845401</u>	Wire Harness, Power, IQ Plus (includes items 13 through 18) .....	1
13	N/A	Asm, #4 Grn Wire, 37" .....	1
14	N/A	Asm, #4 Wht Wire, 36.5" .....	1
15	N/A	Asm, #10 Org Wire, 39" .....	1
16	N/A	Asm, #10 Blu Wire, 46" .....	1
17	N/A	Asm, #4 Red Wire, 33" .....	1
18	<u>8639</u>	Tie Wrap, 11" Nylon .....	3
19	<u>102859501</u>	Screw, M6 X 1 X 20 Ser Hex Flg .....	2
20	<u>102863801</u>	Wire Asm, #4 Yellow, 12.5" .....	1
21	<u>102931101</u>	Plate, Component, Rear .....	1
22	103221901	Asm, Wire Harness, Carryall 2, Elec .....	1
23	<u>8990</u>	Tie Wrap, 8" Nylon .....	3



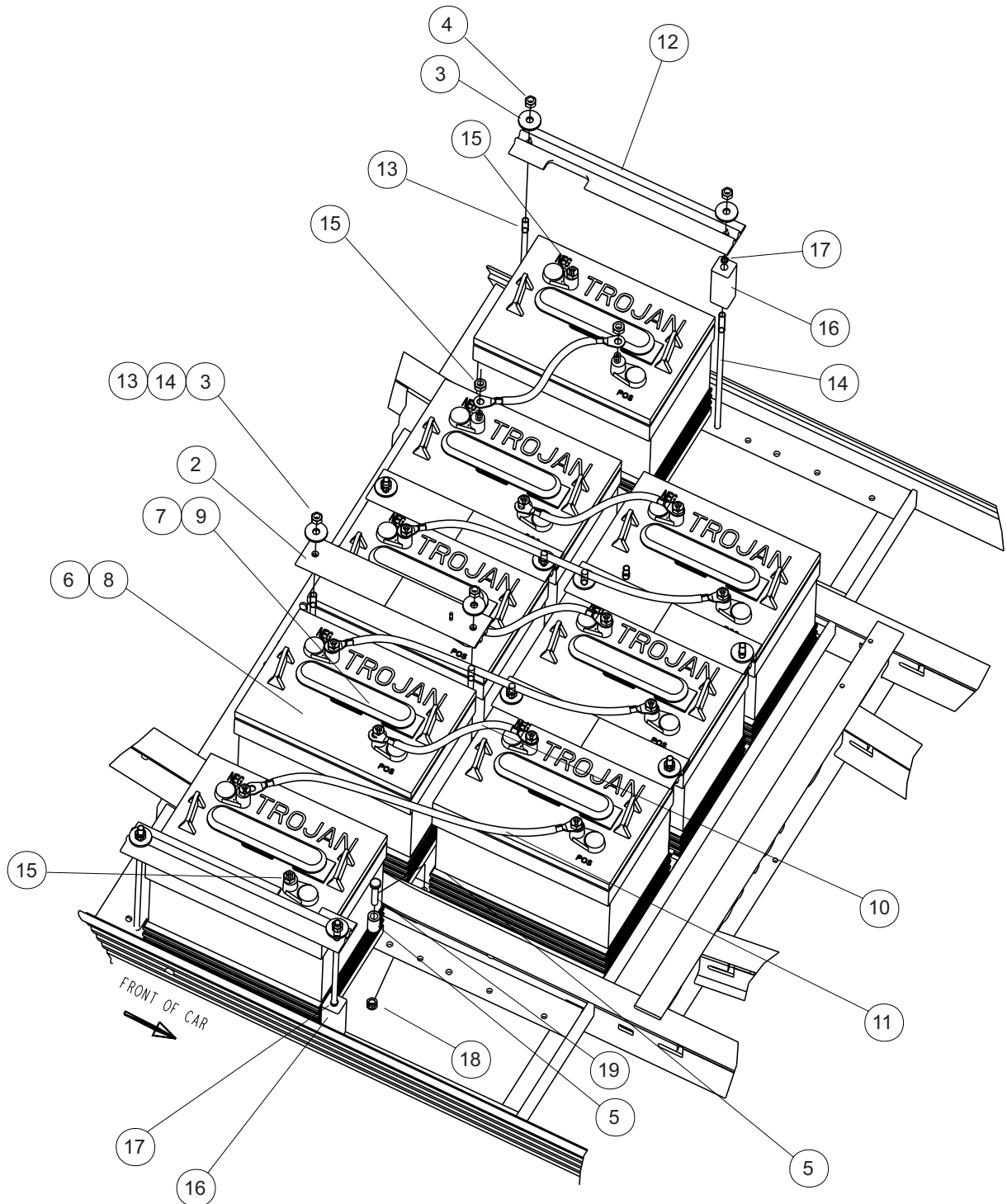
000346-002

# HOUR METER – TURF 2, 252, CARRYALL 252, XRT 900

ITEM	PART NO.	DESCRIPTION	QTY
		1 2 3 4	
1	N/A	Hour Meter Installation, IQ Plus (includes items 2 through 10) .....	1
2	<u>1013547</u>	Hour Meter Bracket .....	1
3	<u>1014306</u>	Washer, 1/4" Type B Flat .....	1
4	<u>1014540</u>	Screw, #6-32 X 3/8 Taptite .....	3
5	<u>1016877</u>	Hour Meter .....	1
6	N/A	Wire Assembly #18 Yellow .....	1
7	<u>101997902</u>	Wire Assembly #18 Red .....	1
8	<u>7847</u>	Screw, 1/4-20 X 0.75 Hex-Head Cap .....	1
9	<u>8233</u>	Locknut, 1/4-20 Nylon Insert .....	1
10	<u>8990</u>	Tie Wrap, 8" Nylon .....	1

13

E



000409-001

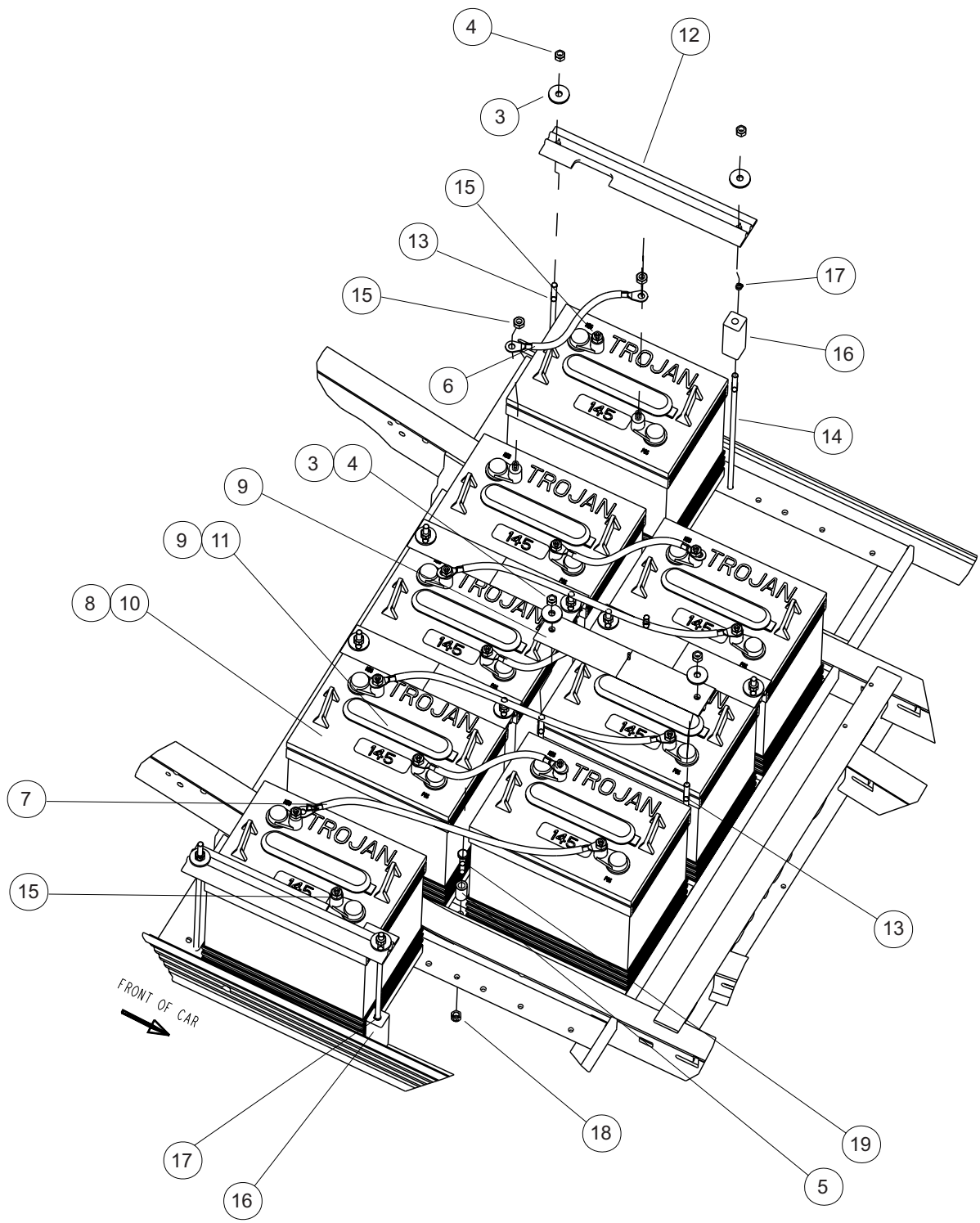


# BATTERIES, T-105

ITEM	PART NO.	DESCRIPTION	QTY
		<b>1 2 3 4</b>	
1	N/A	Battery Install, Carryall 2 IQ Plus w/T-105 Batteries (includes items 2 through 19) .....	1
2	<u>101090801</u>	Hold-Down, Battery .....	4
3	1012571	Washer, 5/16 Extra Thick Flat .....	12
4	1015072	Locknut, 5/16-18 Nylon Insert .....	12
5	<u>1015608</u>	Tube Spacer, Hydraulic Cylinder .....	2
6	<u>101661601</u>	Battery, 6v Trojan T105 (Wet) (includes item 7) .....	8
7	<u>101831401</u>	Battery Cap 6 Volt .....	1
8	<u>101661602</u>	Battery, 6v Trojan T105 (Dry, also known as moist) (includes item 9) .....	8
9	<u>101831401</u>	Battery Cap 6 Volt .....	1
10	<u>102002901</u>	Wire Assy, #4 Black .....	4
11	<u>102764001</u>	Wire Asm, #4 Black .....	3
12	<u>102766201</u>	Hold Down, Outside .....	2
13	<u>102845201</u>	Rod, Battery Hold Down 9.7" .....	10
14	<u>102845203</u>	Rod, Battery Hold Down 10.7" .....	2
15	<u>102873401</u>	5/16-18 Heavy Hex Nut .....	16
16	<u>102980801</u>	Extr, Plastic, 1 X 1 X 3 .....	2
17	<u>102980901</u>	Clamp, Hose, Nylon, .25 .....	2
18	<u>7473</u>	Locknut, 5/16-18 Nylon Insert .....	2
19	<u>8963</u>	Screw, 5/16-18 X 1.75 Hex-Head Cap .....	2

**13**

**E**



000409-002

# BATTERIES, T-145

ITEM	PART NO.	DESCRIPTION	QTY
		<b>1 2 3 4</b>	
1	N/A	Battery Install, Carryall 2 IQ Plus w/T-145 Batteries (includes items 2 through 19) .....	1
2	<u>101090801</u>	Hold-Down, Battery .....	4
3	1012571	Washer, 5/16 Extra Thick Flat .....	12
4	1015072	Locknut, 5/16-18 Nylon Insert .....	12
5	<u>1015608</u>	Tube Spacer, Hydraulic Cylinder .....	2
6	<u>102002901</u>	Wire Assy, #4 Black .....	4
7	<u>102764001</u>	Wire Asm, #4 Black .....	3
8	<u>102764401</u>	Battery, 6v Trojan T145 (wet) (includes item 9) .....	8
9	<u>101831401</u>	Battery Cap 6 Volt .....	1
10	<u>102764402</u>	Battery, 6v Trojan T145 (Dry, also known as moist) (includes item 11) .....	8
11	<u>101831401</u>	Battery Cap 6 Volt .....	1
12	<u>102766201</u>	Hold Down, Outside .....	2
13	<u>102845203</u>	Rod, Battery Hold Down 10.7" .....	10
14	<u>102845204</u>	Rod, Battery Hold Down 12" .....	2
15	<u>102873401</u>	5/16-18 Heavy Hex Nut .....	16
16	<u>102980801</u>	Extr, Plastic, 1 X 1 X 3 .....	2
17	<u>102980901</u>	Clamp, Hose, Nylon, .25 .....	2
18	<u>7473</u>	Locknut, 5/16-18 Nylon Insert .....	2
19	<u>8963</u>	Screw, 5/16-18 X 1.75 Hex-Head Cap .....	2

**13**

**E**

13

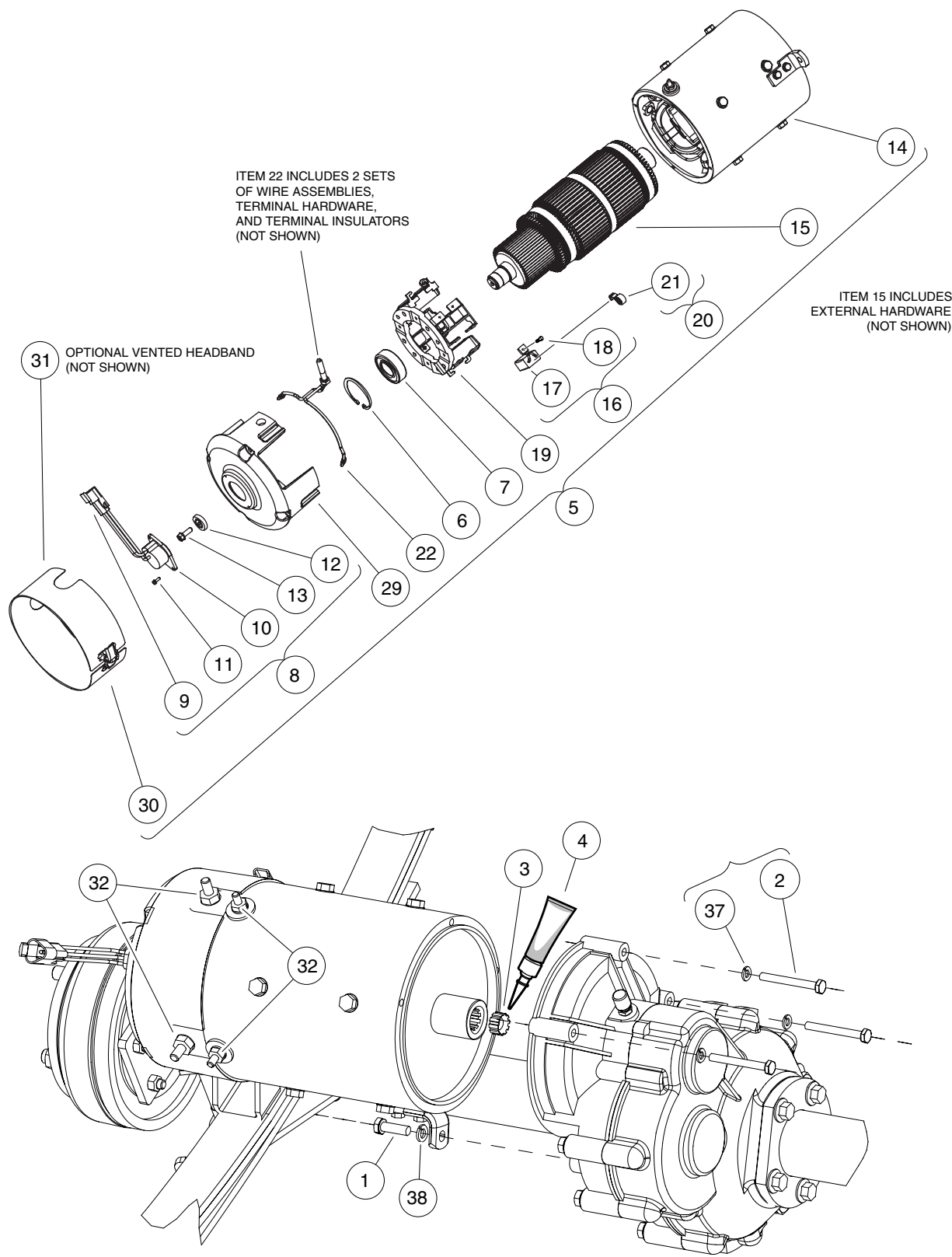
*E*

# ELECTRIC MOTOR

---

14

*E*



000411-001

# MOTOR (MODEL DA5-4006)

ITEM	PART NO.	DESCRIPTION	QTY
		<b>1 2 3 4</b>	
1	<u>1010934</u>	Screw, 5/16-18 X 1.00 Hex Cap .....	1
2	1014201	Screw, 1/4-20 X 2.25 Hex Cap .....	3
3	<u>102235201</u>	Bumper, Drive Unit .....	1
4	<u>102243403</u>	Lubricant, Moly-Teflon (Single-Use Tube) .....	1
5	<u>102775101</u>	IQ Plus Electric Motor, 48-VDC 3.7 hp (includes items 6 through 30) .....	1
6	<u>102186301</u>	Ring, 2.24" Internal Retaining .....	1
7	<u>102186401</u>	Bearing, Ball .....	1
8	<u>102704901</u>	Kit, Speed Sensor (includes items 9 through 13) .....	1
9	<u>101942301</u>	Kit, 3-Pin Wedge Lock .....	1
10	N/A	Sensor, Motor Speed, ADC .....	1
11	N/A	Screw, #8-32, Taptite Thread .....	2
12	N/A	Magnet, ADC Motor .....	1
13	N/A	Screw, 1/4-20 x 0.5 .....	1
14	<u>102938401</u>	Asm, Frame And Field, 3.7 Hp .....	1
15	N/A	Armature (Includes external hardware - not shown) .....	1
16	<u>102938601</u>	Kit, Brush, 3.7 Hp (includes items 17 and 18) .....	1
17	N/A	Brush, Motor .....	8
18	N/A	Screw, Taptite .....	8
19	<u>102938701</u>	Asm, Brush Box, 3.7 Hp .....	1
20	<u>102938801</u>	Kit, Brush Spring, 3.7 Hp (includes item 21) .....	1
21	N/A	Brush Spring .....	8
22	<u>102938901</u>	Kit, Brush Lead Asm, 3.7 Hp (includes items 23 through 28) .....	1
23	N/A	Terminal and Lead Assembly .....	2
24	N/A	Insulator, Terminal .....	2
25	N/A	Washer, Insulating .....	2
26	N/A	Washer, Flat, 5/16, Brass/Bronze .....	2
27	N/A	Nut, 5/16, Steel .....	4
28	N/A	Lockwasher, 5/16, Steel .....	2
29	<u>102939001</u>	Commutator End Head, 3.7 Hp .....	1
30	<u>102939101</u>	Sealed Headband, 3.7 Hp .....	1
31	<u>102939102</u>	Vented Headband, 3.7 HP (optional - not shown) .....	1
32	<u>102951701</u>	Pkg, Terminal Hardware, 3.7hp (includes items 33 through 36) .....	1
33	N/A	Nut, 5/16, Steel .....	2
34	N/A	Lockwasher, 5/16, Steel .....	2
35	N/A	Nut, 1/4-20, Steel .....	2
36	N/A	Lockwasher, 1/4-20, Steel .....	2
37	<u>451</u>	Lockwasher, 1/4 Helical Split .....	3
38	<u>7174</u>	Lockwasher, 5/16 Split .....	1

14

E

**14**

***E***

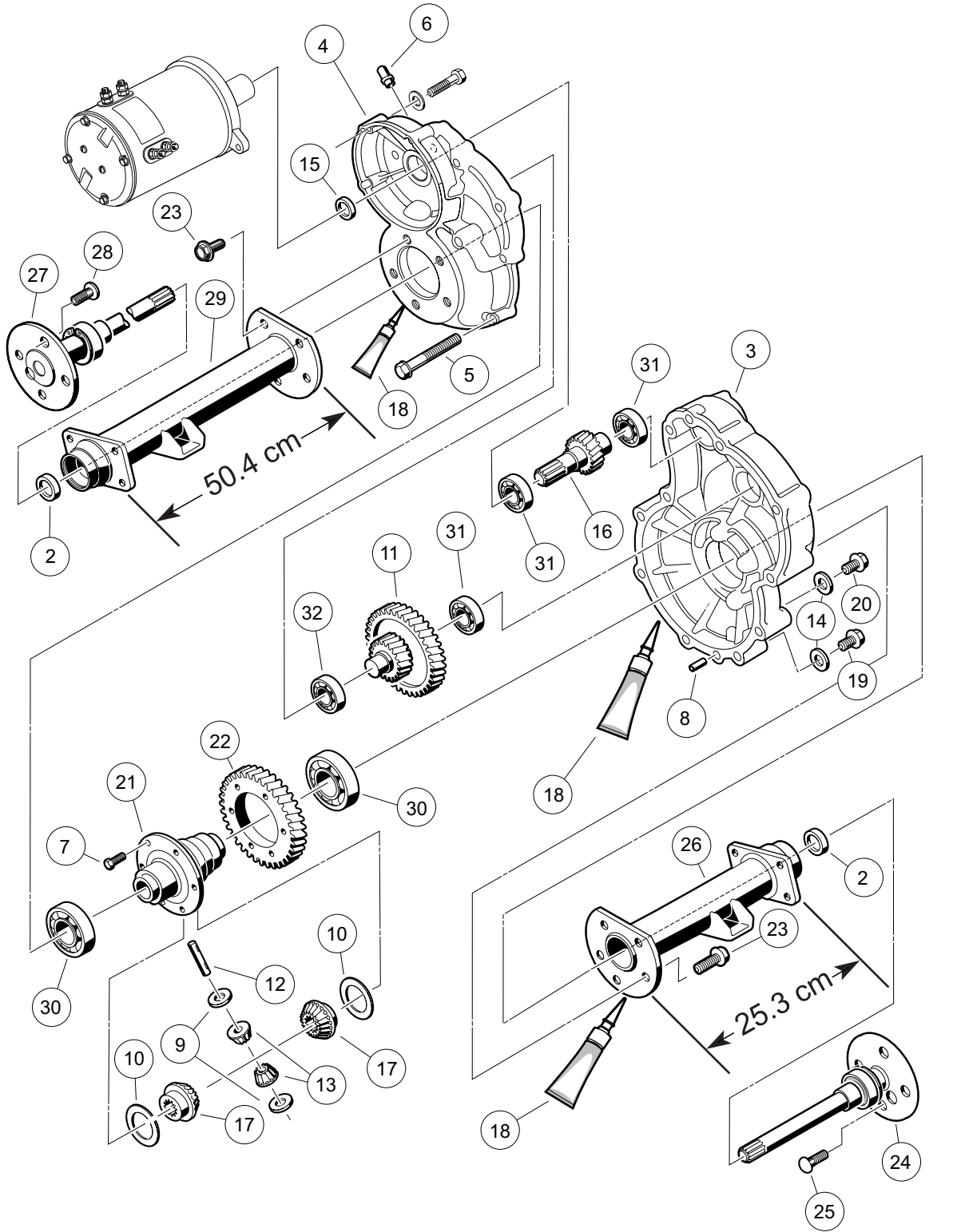


# TRANSAXLE – ELECTRIC VEHICLES

---

15

*E*



000223-002

# TRANSAXLE

15

E

ITEM	PART NO.	DESCRIPTION	QTY
		<b>1 2 3 4</b>	
1	<u>102771701</u>	Transaxle, Electric (includes items 2 through 32) .....	1
2	<u>1013794</u>	Axle Shaft Oil Seal .....	2
3	<u>101895401</u>	Gear Case, Left-Hand .....	1
4	<u>101895501</u>	Gear Case, Passenger-Side .....	1
5	<u>101897001</u>	Screw, M8-1.25 X 60mm Hex-Head .....	11
6	<u>101897201</u>	Breather .....	1
7	<u>101897401</u>	Screw, M10-1.25 X 25mm .....	6
8	<u>101897601</u>	Pin, 11mm OD X 8.5mm ID X 10mm .....	2
9	<u>101903601</u>	Washer, Thrust .....	2
10	<u>101903701</u>	Washer, Thrust .....	2
11	<u>101906901</u>	Intermediate Shaft Assembly .....	1
12	<u>101922101</u>	Pin, 15.99mm X 88.7mm Dowel .....	1
13	<u>101923001</u>	Gear, Differential Idler .....	2
14	<u>101923201</u>	Gasket .....	2
15	<u>101923501</u>	Seal, Lip .....	1
16	<u>101923701</u>	Shaft, Input .....	1
17	<u>101923901</u>	Gear, Differential .....	2
18	<u>101928701</u>	Liquid Gasket (Transaxle case) .....	A/R
19	<u>101972101</u>	Plug, M14-1.5 X 12mm Magnetic .....	1
20	<u>101972201</u>	Plug, M14-1.5 X 12mm Hex .....	1
21	<u>102356601</u>	Housing, Differential, 6 Bolt .....	1
22	<u>102356801</u>	Gear, Differential Output, 6-Bolt .....	1
23	<u>102357001</u>	Screw, Flg Hd M10 X 1.5 X 30 .....	10
24	<u>102886301</u>	Axle Assembly, Driver-Side (includes item 25) .....	1
25	<u>101922201</u>	Lug Stud .....	4
26	<u>102886401</u>	Tube, Axle, Driver-Side .....	1
27	<u>102886501</u>	Axle Assembly, Passenger-Side (includes item 28) .....	1
28	<u>101922201</u>	Lug Stud .....	4
29	<u>102886601</u>	Tube, Axle, Passenger-Side .....	1
30	<u>7330</u>	Inner Axle Tube Bearing .....	2
31	<u>7335</u>	Bearing .....	3
32	<u>7336</u>	Bearing .....	1

**15**

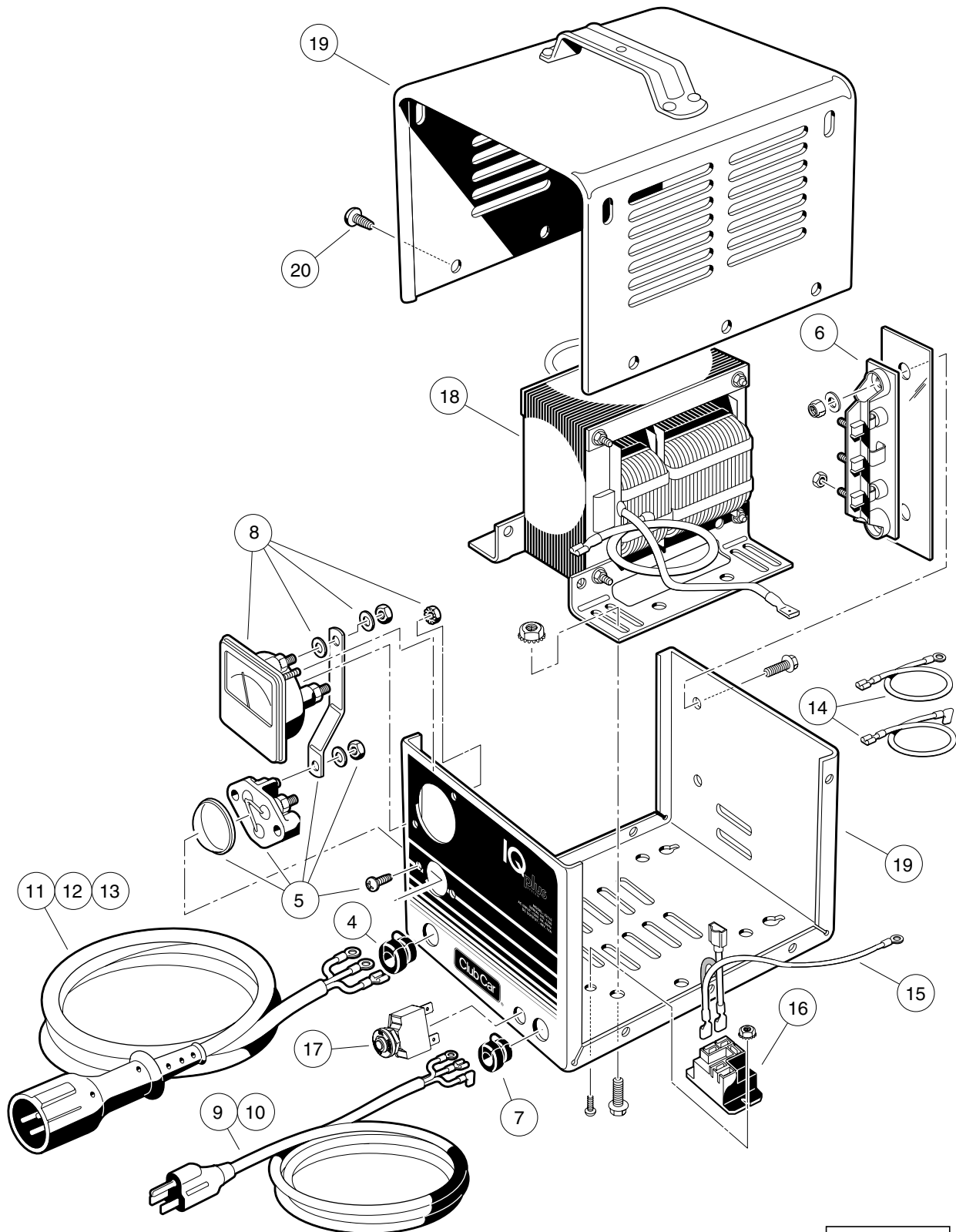
***E***

# BATTERY CHARGER

---

16

*E*



000414-001

# IQ PLUS DOMESTIC BATTERY CHARGER (MODEL 25730)

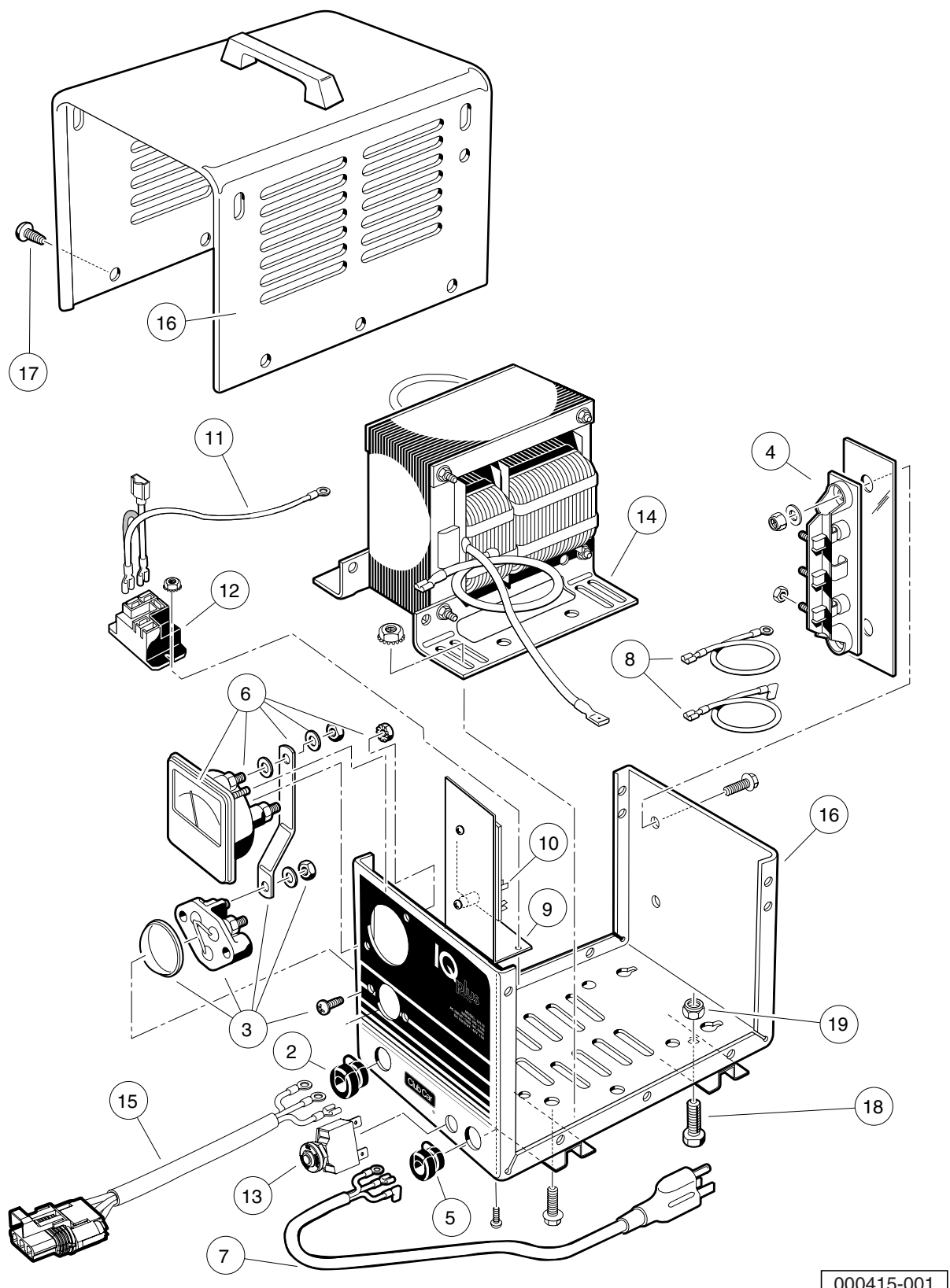
ITEM	PART NO.	DESCRIPTION	QTY
		1 2 3 4	
1	<u>102847801</u>	48-V/17-A IQ Plus (9-ft. DC Cord, 6-ft. AC Cord) .....	1
2	<u>102847802</u>	48-V/17-A IQ Plus (12-ft. DC Cord, 9-ft. AC Cord) .....	1
3	<u>102847803</u>	48-V/17-A IQ Plus (20-ft. DC Cord, 9-ft. AC Cord) (includes items 4 through 20) .....	1
4	<u>1012098</u>	Bushing, DC Cord .....	1
5	<u>1012101</u>	Fuse Assembly .....	1
6	<u>1015914</u>	Rectifier with Heatsink Assembly .....	1
7	<u>1015917</u>	Bushing, AC Cord .....	1
8	****	Ammeter .....	1
9	<u>101828801</u>	Cord, AC, 80-Inch (203 cm) .....	1
10	<u>101828802</u>	Cord, AC, 108-Inch (274 cm) .....	1
11	<u>101828901</u>	Cord, DC, 113-Inch (287 cm) .....	1
12	<u>101828902</u>	Cord, DC, 154-Inch (391 cm) .....	1
13	<u>101828903</u>	Cord, DC, 250-Inch (635 cm) .....	1
14	<u>101831101</u>	Wire Assembly Kit .....	1
15	101914401	Assembly, Voltage Suppressor .....	1
16	<u>102275401</u>	Relay, 48-VDC .....	1
17	<u>102838101</u>	Circuit Breaker 250vac-50vdc .....	1
18	N/A	Transformer, Battery Charger .....	1
19	N/A	Case, Battery Charger .....	1
20	7577	Screw, #10 X 0.50 Phillips Pan-Head .....	10
**** Special order item available upon request.			

16

E

16

E



000415-001



# IQ PLUS ONBOARD BATTERY CHARGER (MODEL 25260)

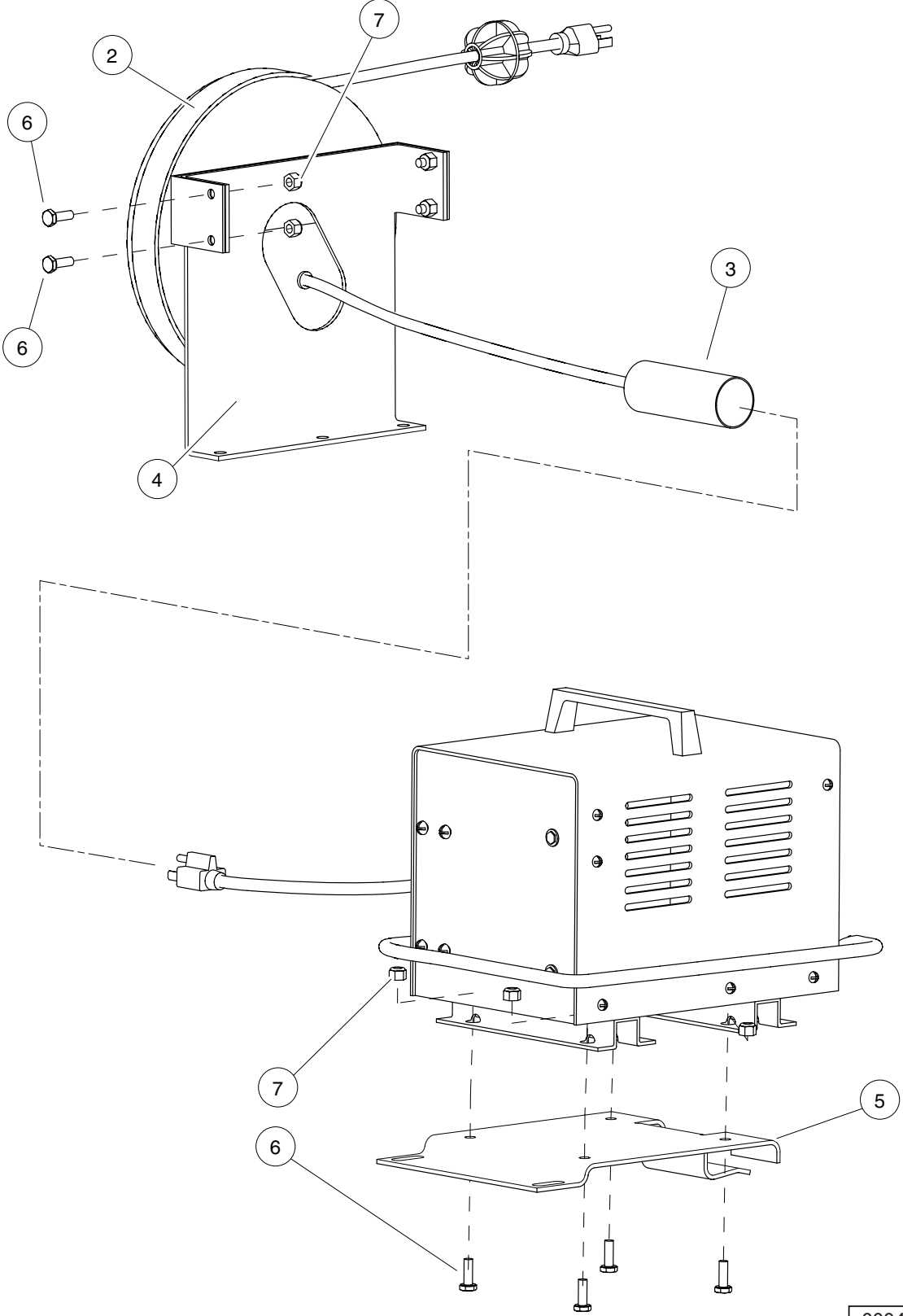
ITEM	PART NO.	DESCRIPTION	QTY
		1 2 3 4	
1	<u>102837001</u>	Battery Charger, Onboard, 120-VAC, 48-VDC (includes items 2 through 19) .....	1
2	<u>1012098</u>	Bushing, DC Cord .....	1
3	<u>1012101</u>	Fuse Assembly .....	1
4	<u>1015914</u>	Rectifier with Heatsink Assembly .....	1
5	<u>1015917</u>	Bushing, AC Cord .....	1
6	****	Ammeter .....	1
7	<u>101829001</u>	Cord, AC, 22-Inch (56 cm) .....	1
8	<u>101831101</u>	Wire Assembly Kit .....	1
9	****	Mounting Bracket, Relay .....	1
10	<u>101841901</u>	Control Board .....	1
11	<u>101914401</u>	Assembly, Voltage Suppressor .....	1
12	<u>102275401</u>	Relay, 48-VDC .....	1
13	<u>102838101</u>	Circuit Breaker 250vac-50vdc .....	1
14	N/A	Transformer, Battery Charger .....	1
15	<u>102940801</u>	Cord, Dc .....	1
16	N/A	Case, Battery Charger .....	1
17	7577	Screw, #10 X 0.50 Phillips Pan-Head .....	12
18	<u>7847</u>	Screw, 1/4-20 X 0.75 Hex-Head Cap .....	4
19	<u>8233</u>	Locknut, 1/4-20 Nylon Insert .....	4
		**** Special order item available upon request.	

16

E

16

E



000419-001

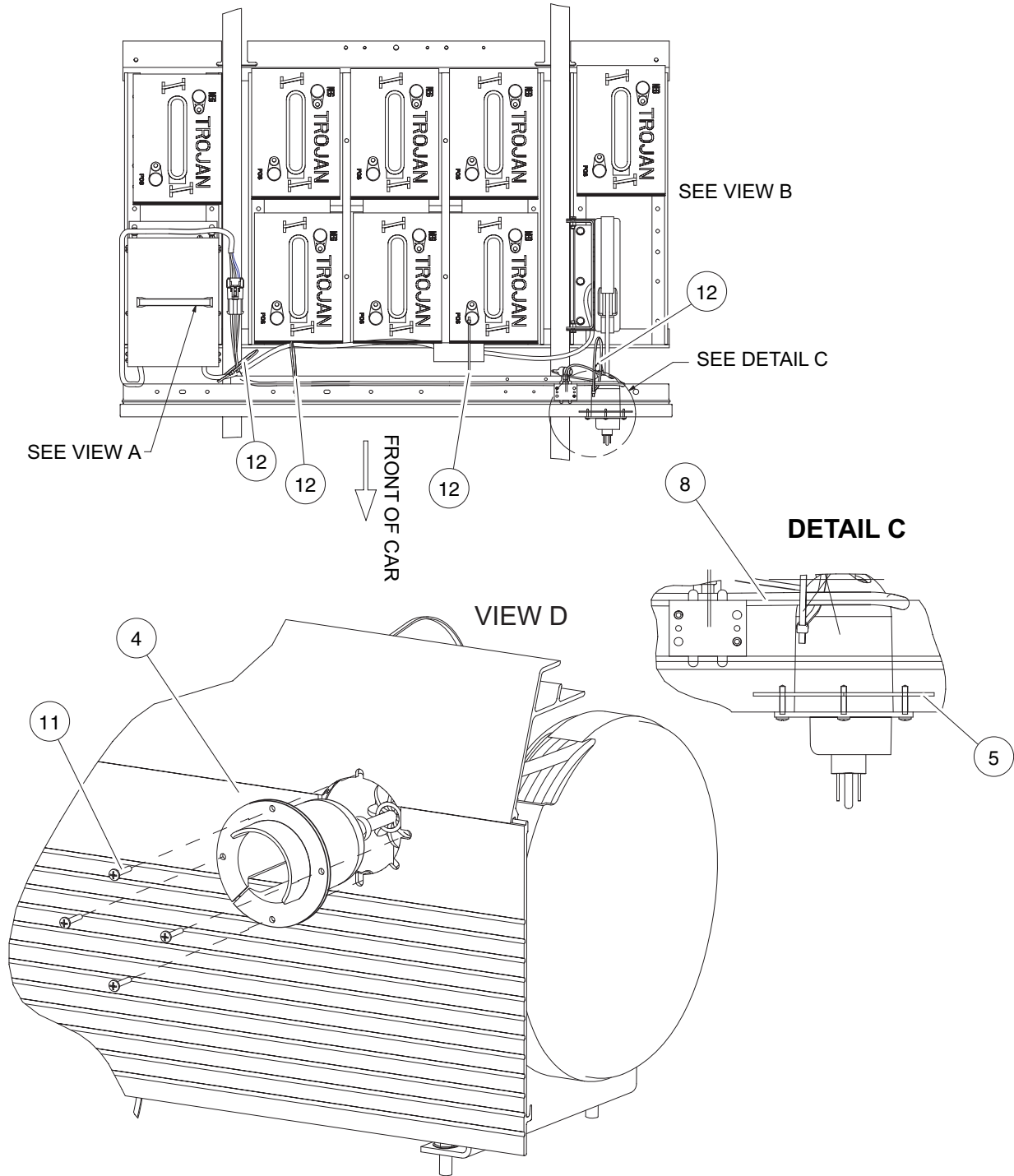
# ONBOARD CHARGER (MODEL 25260) AND REEL MOUNTING

ITEM	PART NO.	DESCRIPTION	QTY
		1 2 3 4	
1	N/A	Onboard Charger Installation, IQ Plus (domestic) (includes items 2 through 7) .....	1
2	<u>1017187</u>	Retractable Cord Reel .....	1
3	<u>1017189</u>	Heat Shrink Tube 1.5"x 4' .....	A/R
4	<u>102770701</u>	Bracket, Reel, Tabbed .....	1
5	<u>102844001</u>	Plate, Charger Mtg .....	1
6	<u>7847</u>	Screw, 1/4-20 X 0.75 Hex-Head Cap .....	8
7	<u>8233</u>	Locknut, 1/4-20 Nylon Insert .....	8

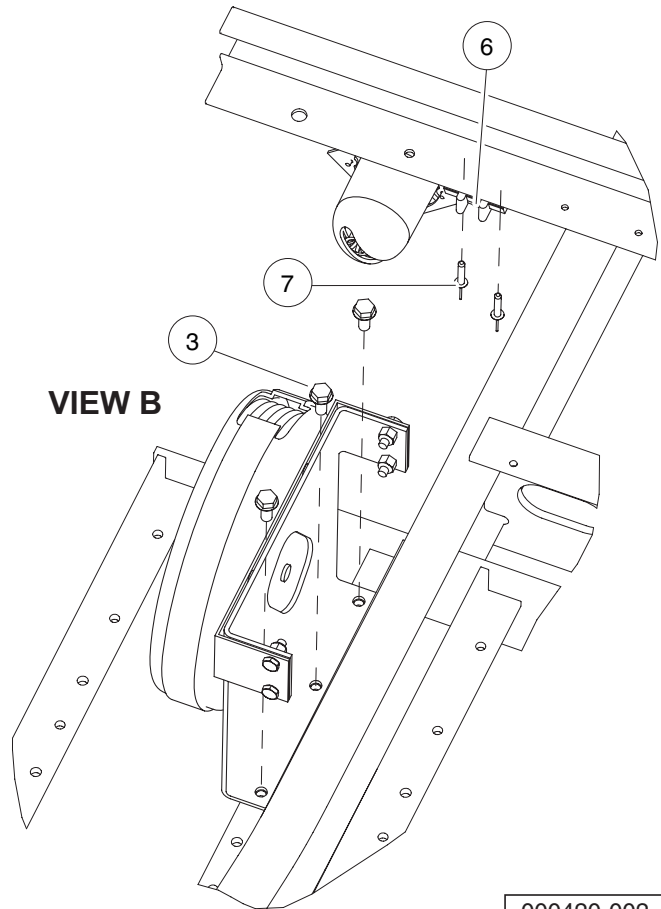
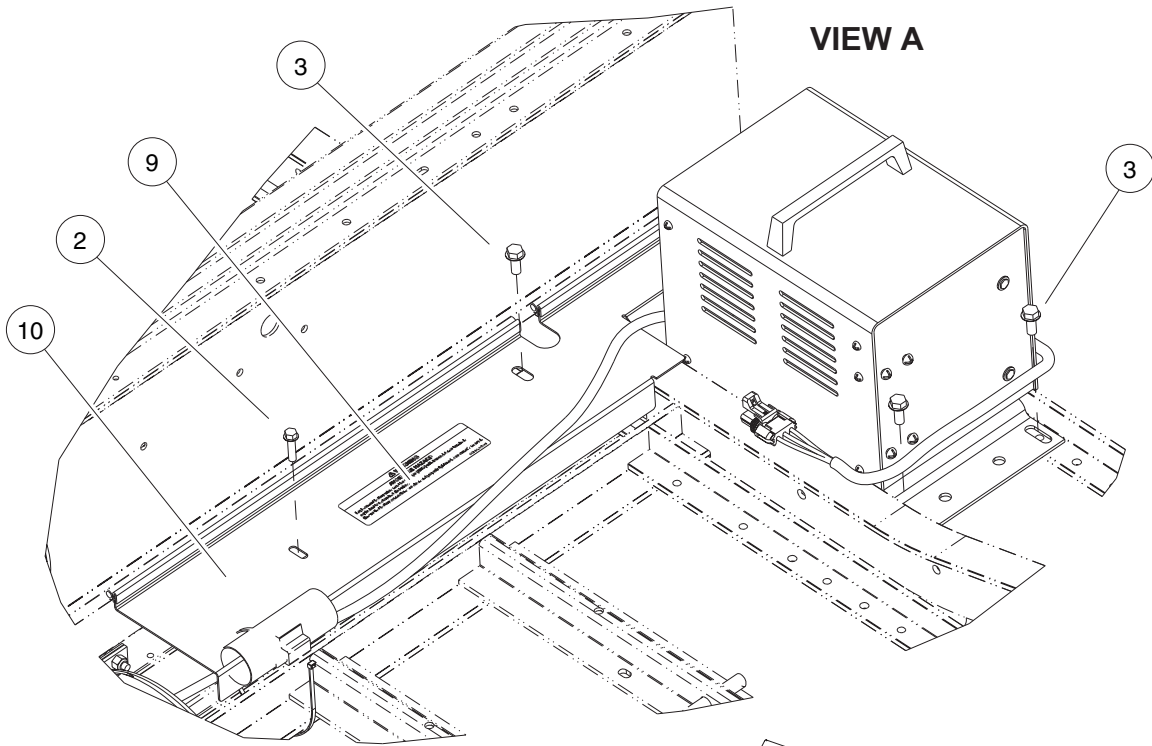
16

E

# Turf/Carryall 2 IQ Plus Onboard Charger (Model 25260) Mounting



000420-002



000420-002

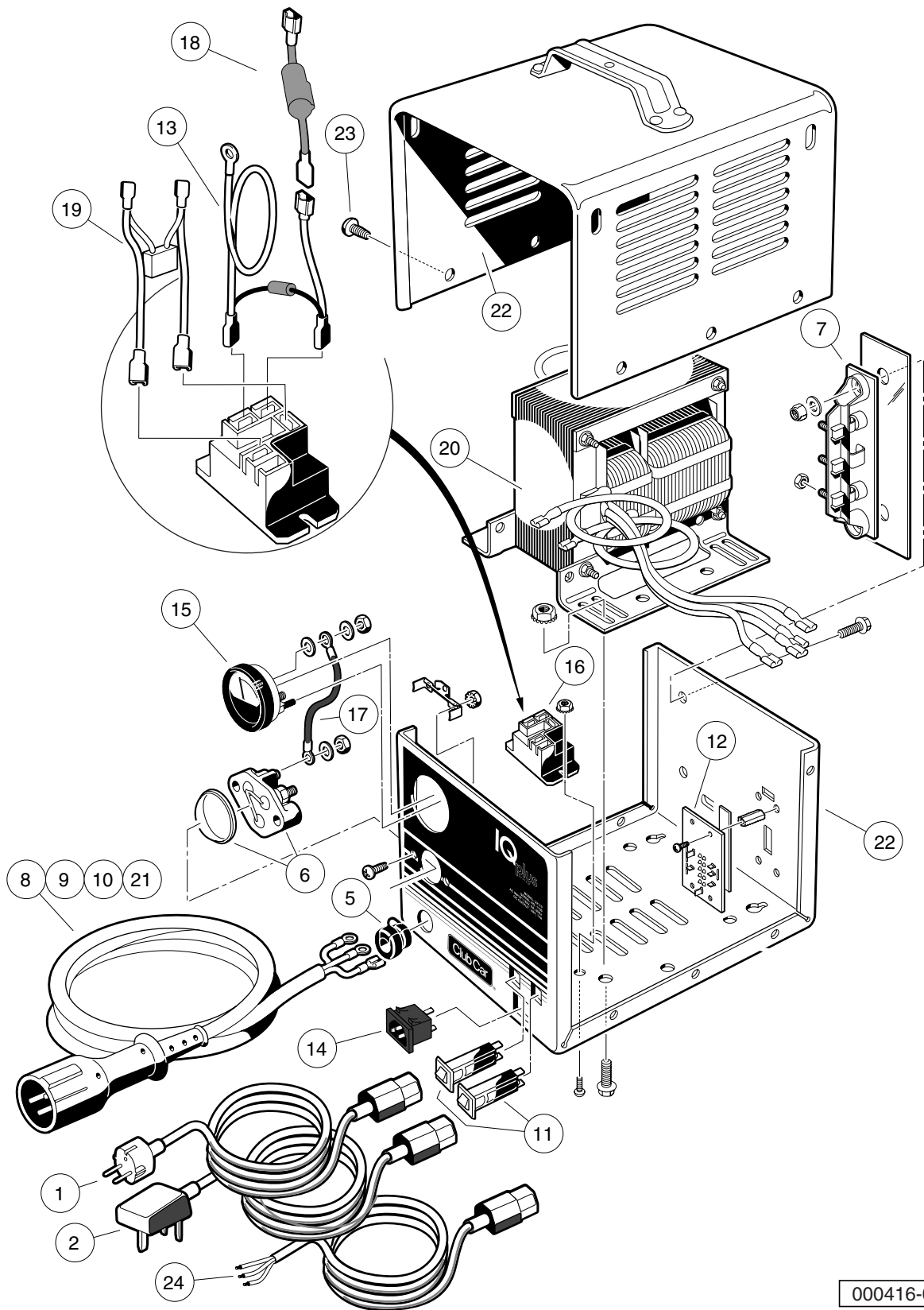
See previous two pages for illustration.

# ONBOARD CHARGER (MODEL 25260) AND REEL MOUNTING – IQ PLUS TURF/CARRYALL 2, CONTINUED

ITEM	PART NO.	DESCRIPTION	QTY
		1 2 3 4	
1	N/A	Onboard Charger Installation, IQ Plus (domestic) (includes items 2 through 12) .....	1
2	<u>1014063</u>	Screw, 1/4-20 X 1.00 Hex Head .....	1
3	<u>1014288</u>	Screw, 5/16-18 X 0.75 Thread-Forming .....	6
4	<u>1016673</u>	Housing, Cord Reel .....	1
5	<u>101801001</u>	Plate, Receptacle Backing .....	1
6	<u>101966801</u>	Block, Terminal .....	1
7	<u>101968801</u>	Rivet, 3/16", Pop .....	2
8	<u>102881401</u>	Charger Harness, IQ Plus, 55" .....	1
9	<u>102967601</u>	Decal, Warning, 4 Gauge Wire .....	1
10	<u>103353501</u>	Shield .....	1
11	<u>8796</u>	Screw, #7-19 X 0.75 Pan-Head Type AB .....	4
12	<u>8990</u>	Tie Wrap, 8" Nylon .....	4

16

E



000416-001

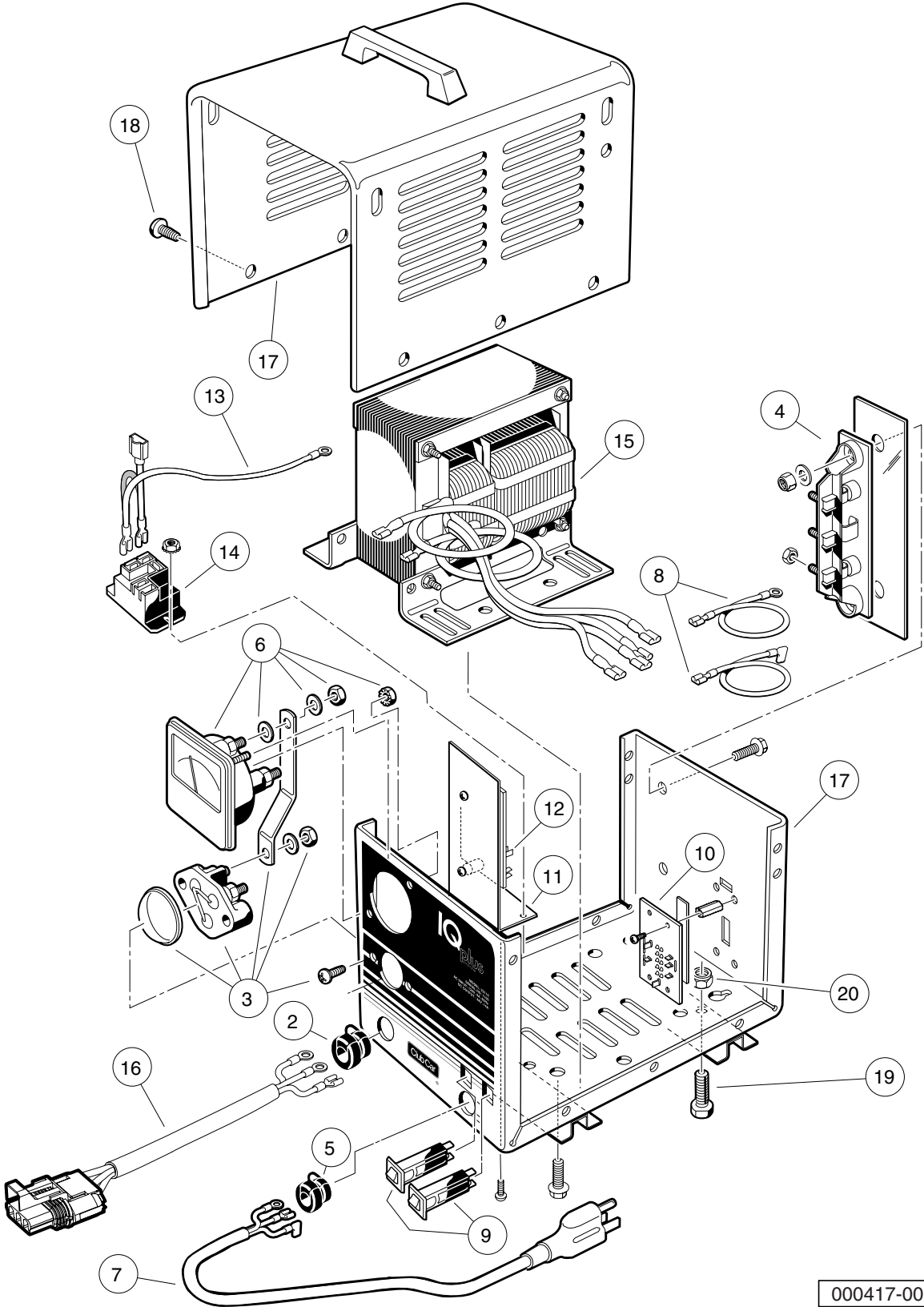


# IQ PLUS BATTERY CHARGER (MODEL 25880), EXPORT AND EUROPEAN

16

E

ITEM	PART NO.	DESCRIPTION	QTY
		1 2 3 4	
1	<u>101958201</u>	Cord, UK, AC, Battery Charger .....	1
2	<u>101958301</u>	Cord, European AC, Battery Charger .....	1
3	<u>102892901</u>	Charger, Export and European .....	1
4	<u>102892902</u>	Charger, Export and European (includes items 5 through 23) .....	1
5	<u>1012098</u>	Bushing, DC Cord .....	1
6	<u>1012101</u>	Fuse Assembly .....	1
7	<u>1015914</u>	Rectifier with Heatsink Assembly .....	1
8	<u>101828901</u>	Cord, DC, 113-Inch (287 cm) .....	1
9	<u>101828902</u>	Cord, DC, 154-Inch (391 cm) .....	1
10	<u>101828903</u>	Cord, DC, 250-Inch (635 cm) .....	1
11	<u>101838401</u>	Circuit Breaker .....	2
12	<u>101838601</u>	Four-Position Switch .....	1
13	<u>101914401</u>	Assembly, Voltage Suppressor .....	1
14	<u>101973501</u>	Receptacle, AC Cord .....	1
15	<u>101976601</u>	Ammeter with Mounting Bracket .....	1
16	<u>102275401</u>	Relay, 48-VDC .....	1
17	N/A	Wire, Jumper .....	1
18	****	Limiters, Current .....	1
19	****	Wire Assembly, Battery Charger .....	1
20	****	Transformer, Battery Charger .....	1
21	<u>102940801</u>	Cord, Dc .....	1
22	N/A	Case, Battery Charger .....	1
23	7577	Screw, #10 X 0.50 Phillips Pan-Head .....	10
24	<u>102939501</u>	Cord, European AC, Battery Charger .....	1
		**** Special order item available upon request.	



000417-001

# IQ PLUS ONBOARD BATTERY CHARGER (MODEL 25660), EXPORT

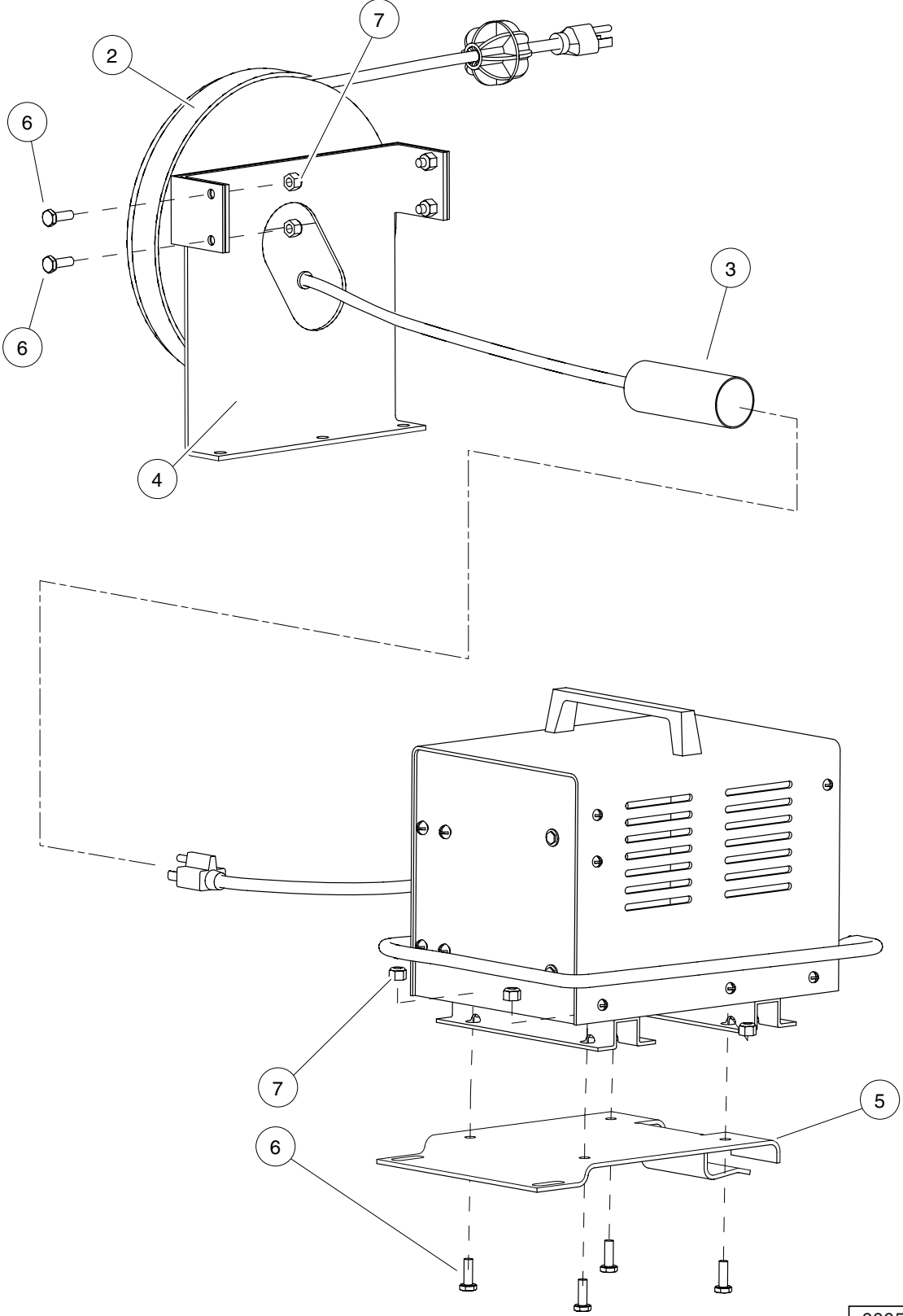
ITEM	PART NO.	DESCRIPTION	QTY
		1 2 3 4	
1	102893001	Battery Charger, Onboard, International, IQ Plus (includes items 2 through 20) .....	1
2	<u>1012098</u>	Bushing, DC Cord .....	1
3	<u>1012101</u>	Fuse Assembly .....	1
4	<u>1015914</u>	Rectifier with Heatsink Assembly .....	1
5	<u>1015917</u>	Bushing, AC Cord .....	1
6	****	Ammeter .....	1
7	<u>101829001</u>	Cord, AC, 22-Inch (56 cm) .....	1
8	<u>101831101</u>	Wire Assembly Kit .....	1
9	101838401	Circuit Breaker .....	2
10	101838601	Four-Position Switch .....	1
11	****	Mounting Bracket, Relay .....	1
12	<u>101841901</u>	Control Board .....	1
13	101914401	Assembly, Voltage Suppressor .....	1
14	<u>102275401</u>	Relay, 48-VDC .....	1
15	****	Transformer, Battery Charger .....	1
16	<u>102940801</u>	Cord, Dc .....	1
17	N/A	Case, Battery Charger .....	1
18	7577	Screw, #10 X 0.50 Phillips Pan-Head .....	12
19	<u>7847</u>	Screw, 1/4-20 X 0.75 Hex-Head Cap .....	4
20	<u>8233</u>	Locknut, 1/4-20 Nylon Insert .....	4
**** Special order item available upon request.			

16

E

16

E



000571-001

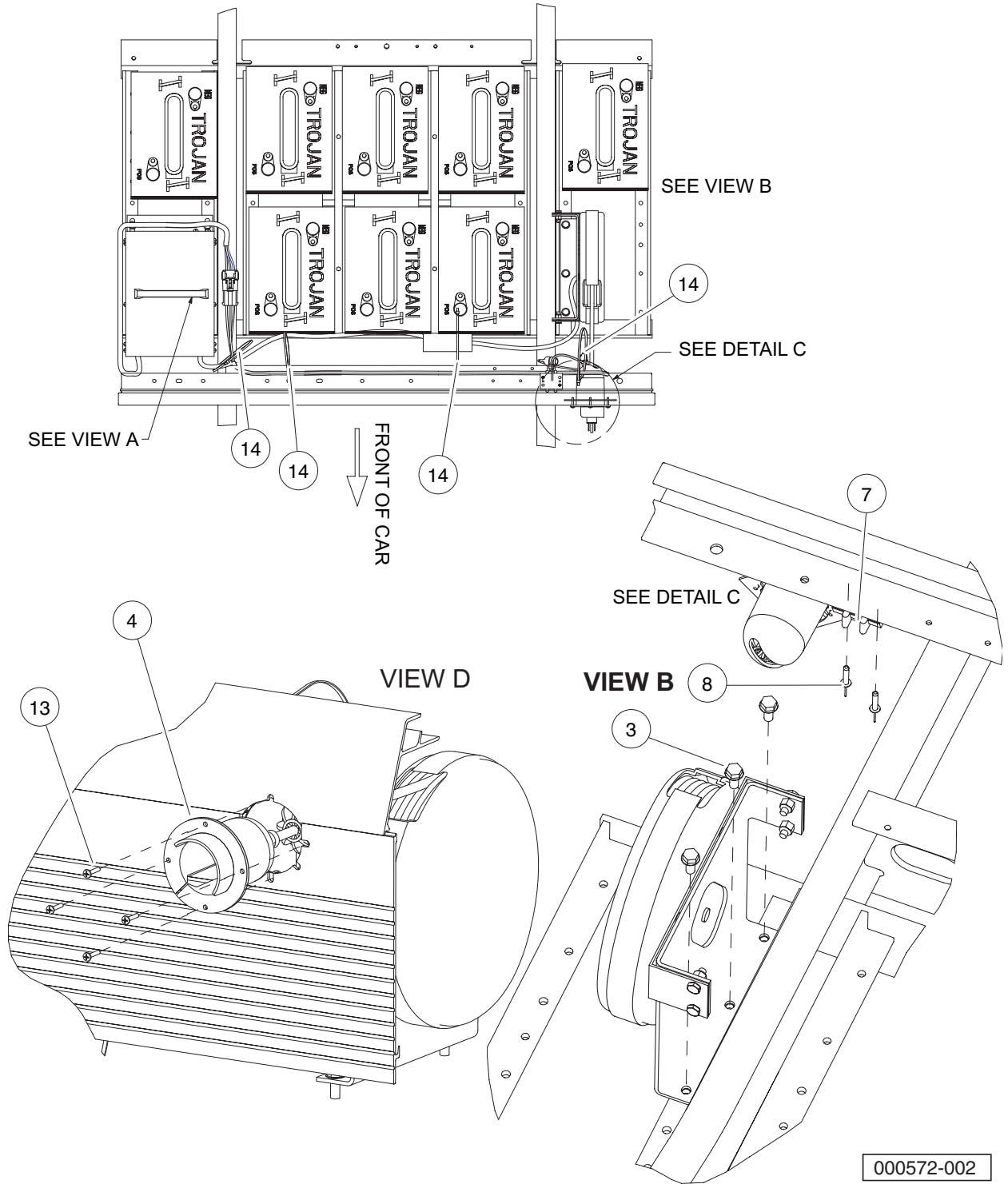
# ONBOARD CHARGER (MODEL 25660) AND REEL MOUNTING

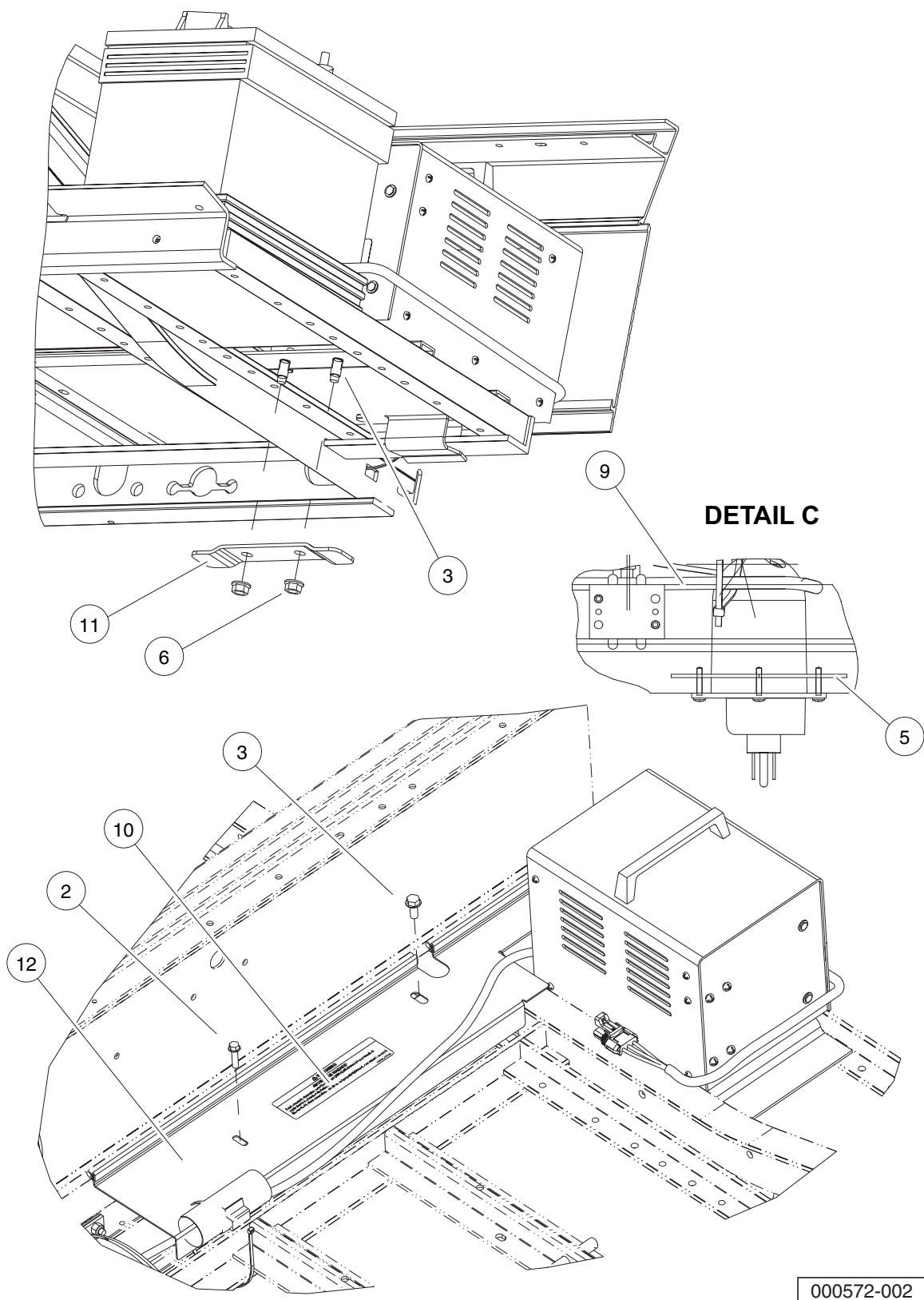
ITEM	PART NO.	DESCRIPTION	QTY
		1 2 3 4	
1	N/A	Onboard Charger Installation, IQ Plus (export) (includes items 2 through 7) .....	1
2	<u>1017187</u>	Retractable Cord Reel .....	1
3	<u>1017189</u>	Heat Shrink Tube 1.5"x 4' .....	A/R
4	<u>102770701</u>	Bracket, Reel, Tabbed .....	1
5	<u>102844002</u>	Asm, Charger Plate, Intl .....	1
6	<u>7847</u>	Screw, 1/4-20 X 0.75 Hex-Head Cap .....	8
7	<u>8233</u>	Locknut, 1/4-20 Nylon Insert .....	8

16

E

# Turf/Carryall 2 IQ Plus Onboard Charger (Model 25660) Mounting





000572-002

See previous two pages for illustration.



# ONBOARD CHARGER (MODEL 25660) AND REEL MOUNTING – IQ PLUS TURF/CARRYALL 2, CONTINUED

ITEM	PART NO.	DESCRIPTION	QTY
		1 2 3 4	
1	N/A	Onboard Charger Installation, IQ Plus (export) (includes items 2 through 14) .....	1
2	<u>1014063</u>	Screw, 1/4-20 X 1.00 Hex Head .....	1
3	<u>1014288</u>	Screw, 5/16-18 X 0.75 Thread-Forming .....	4
4	<u>1016673</u>	Housing, Cord Reel .....	1
5	<u>101801001</u>	Plate, Receptacle Backing .....	1
6	<u>101832901</u>	Nut, M10-1.25 Hex Flange .....	2
7	<u>101966801</u>	Block, Terminal .....	1
8	<u>101968801</u>	Rivet, 3/16", Pop .....	2
9	<u>102881401</u>	Charger Harness, IQ Plus, 55" .....	1
10	<u>102967601</u>	Decal, Warning, 4 Gauge Wire .....	1
11	<u>103189101</u>	Retainer, Charger Asm .....	1
12	<u>103353501</u>	Shield .....	1
13	<u>8796</u>	Screw, #7-19 X 0.75 Pan-Head Type AB .....	4
14	<u>8990</u>	Tie Wrap, 8" Nylon .....	4

16

E

**16**

***E***

# MAINTENANCE AND SERVICE TOOLS

---

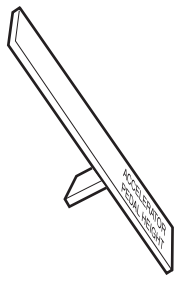
17

G

E

D

**17**  
**G**  
**E**  
**D**



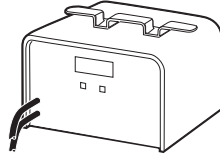
1



2



3



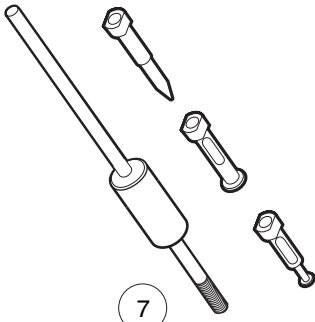
4



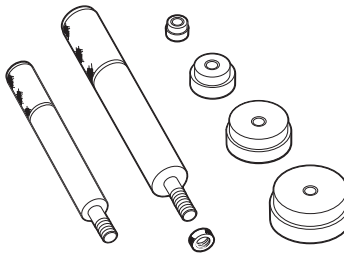
5



6



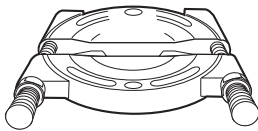
7



8



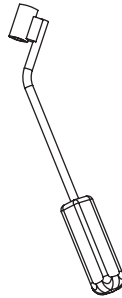
9



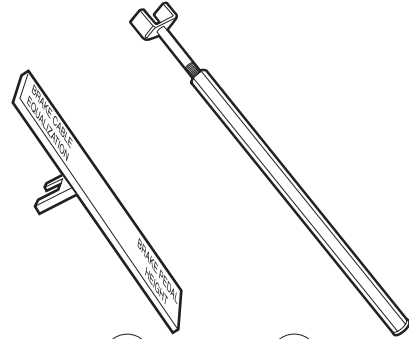
10



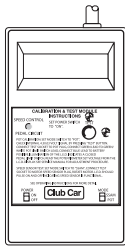
11



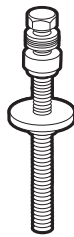
12



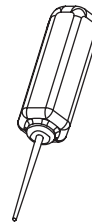
14 15  
13



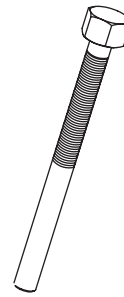
16



17



18



19

# MAINTENANCE AND SERVICE TOOLS

ITEM	PART NO.	DESCRIPTION	QTY DIESEL	QTY GAS	QTY ELEC
		<p style="text-align: center;">1 2 3 4</p> <p>The following tool list includes all tools available from Club Car for maintenance and service procedures for gasoline, electric, and/or diesel vehicles, both past and present models. Be sure to carefully examine the tool list for applicability to your vehicle before ordering.</p>			
1	<u>101871001</u>	Accelerator Pedal Adjustment Tool .....		1	1
2	<u>101813202</u>	Adhesive, Guide Ring, 3-Gram Tube .....			1
3	<u>101641202</u>	Arbor .....		1	
4	<u>101831901</u>	Battery Discharge Machine, 36/48 Volt .....			1
5	<u>1014305</u>	Battery Terminal Protector Spray .....	1	1	1
6	1011767	Battery Thermometer .....	1	1	1
7	<u>1016417</u>	Bearing and Oil Seal Remover Assembly .....	1	1	1
8	<u>1016416</u>	Bearing Driver Set .....	1	1	1
9	<u>1012811</u>	Bearing Puller .....	1	1	1
10	<u>1012812</u>	Bearing Puller Wedge Attachment .....	1	1	1
11	1013582	Brake Adjustment Tool (used only on vehicles with manually adjusted mechanical brakes) .....			
12	<u>102555501</u>	Brake Cable Release Tool .....	1	1	1
13	102249901	Brake Pedal Adjustment Tool Kit (used for the Carryall Electric Industrial Truck only) (includes items 14 and 15).....			1
14	****	Brake Pedal Adjustment Tool .....			1
15	****	Brake Pedal Tension Tool .....			1
16	<u>101887101</u>	Calibration Test Module .....			1
17	<u>101808401</u>	Cam Installation Tool .....		1	
18	<u>102562401</u>	Charger Bezel Tool .....			1
19	<u>102686101</u>	Clutch Removal Tool (for 4x4 vehicles) .....	1	1	
		Please refer to the maintenance and service manual for proper tool application.			
	****	Special order item available upon request			

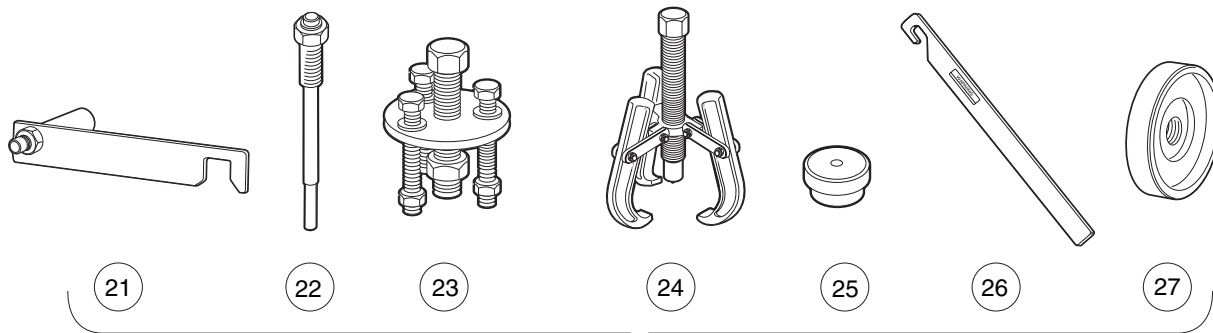
**17**

**G**

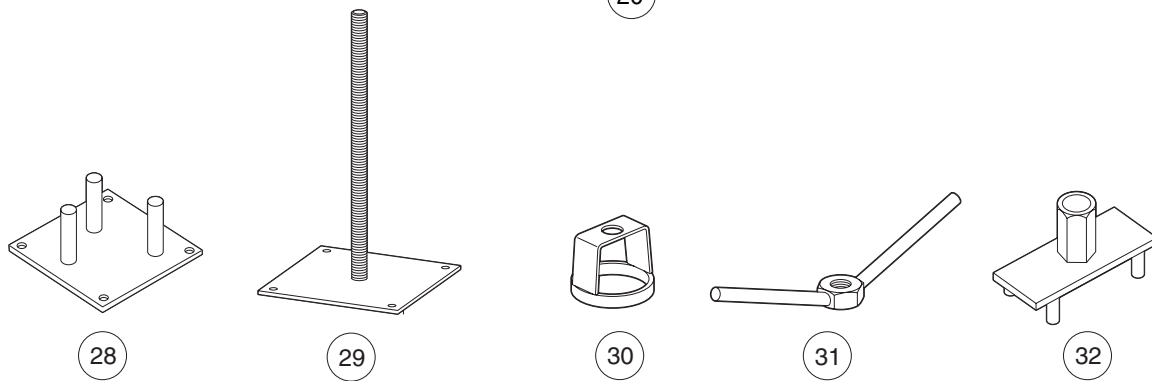
**E**

**D**

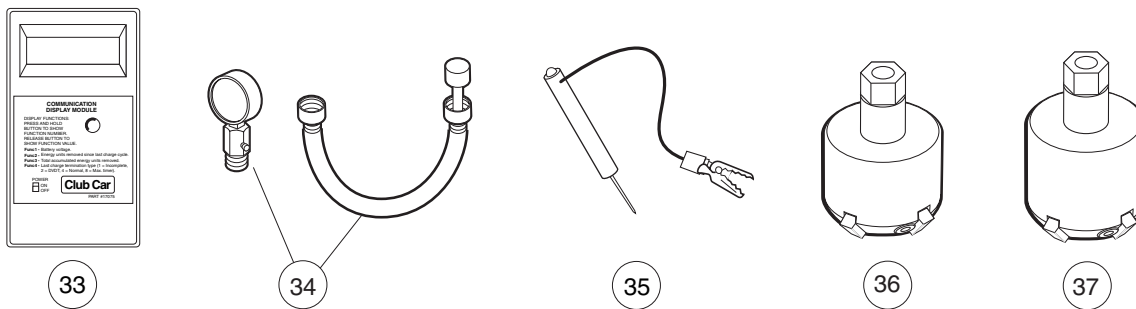
**17**  
**G**  
**E**  
**D**



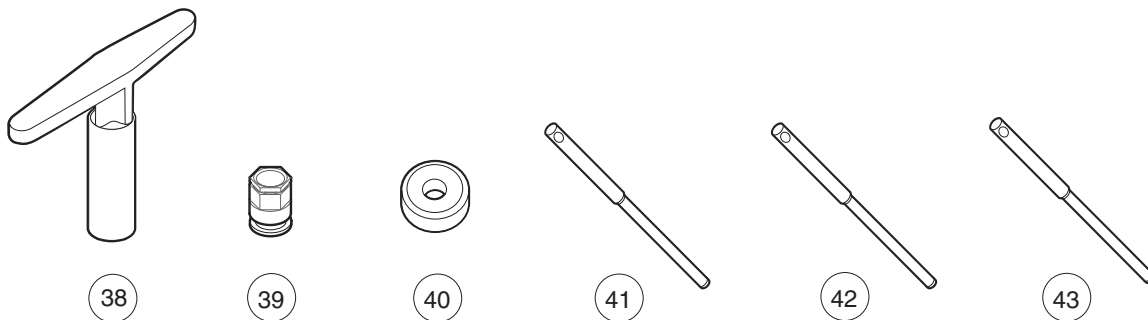
(21) (22) (23) (24) (25) (26) (27)  
20



(28) (29) (30) (31) (32)



(33) (34) (35) (36) (37)



(38) (39) (40) (41) (42) (43)

## MAINTENANCE AND SERVICE TOOLS, CONTINUED

ITEM	PART NO.	DESCRIPTION	QTY DIESEL	QTY GAS	QTY ELEC
		1 2 3 4			
20	<u>1014510</u>	Clutch Tool Kit (includes items 21 - 27) .....		1	
21	<u>1014498</u>	Clutch Alignment Tool (for pre-unitized transaxle vehicles built prior to 1997 model year) .....		1	
22	<u>1014496</u>	Drive Clutch Puller (for Kawasaki engines only) .....		1	
23	<u>1014497</u>	Drive Clutch Hub Puller (for Kawasaki engines only) .....		1	
24	<u>1014508</u>	Driven Clutch Cam Puller (for Kawasaki engines only) .....		1	
25	<u>1014507</u>	Driven Clutch Puller Plug (for Kawasaki engines only) .....		1	
26	<u>1015524</u>	Drive Clutch Holder Tool Assembly (for Kawasaki engines only) .....		1	
27	<u>101809101</u>	Press Weldment (for Kawasaki engines only) .....		1	
28	<u>102601501</u>	Drive ClutchFixed Sheave Tool (for 4x4 vehicles) .....	1	1	
29	<u>102603501</u>	Driven Clutch Spring Compression Base (for use with items 30 and 31) (for 4x4 vehicles) .....	1	1	
30	<u>102605201</u>	Driven Clutch Spring Compression Collar (for use with items 29 and 31) (for 4x4 vehicles) .....	1	1	
31	<u>102606101</u>	Driven Clutch Spring Compression Nut (for use with items 29 and 30) (for 4x4 vehicles) .....	1	1	
32	<u>102607501</u>	Drive Clutch Spider Removal Tool (for 4x4 vehicles) .....	1	1	
33	101831801	Communication Display Module .....			1
34	101641002	Compression Gauge and Adapter .....		1	
35	1011273	Continuity Tester .....		1	1
36	<u>102773801</u>	Cutter, Valve Seat, #122 .....		1	
37	<u>102773901</u>	Cutter, Valve Seat #115 .....		1	
38	<u>102774101</u>	Wrench, T, #505.....		1	
39	<u>102774101</u>	Adapter, T-Wrench .....		1	
40	102675401	Cutter, Valve Seat, 60 Degree (requires item 51) (for Honda GX620 Gasoline Engines) .....		1	
41	<u>102774201</u>	Pilot, 6.6 MM .....		1	
42	<u>102774301</u>	Pilot, 6.62 MM.....		1	
43	<u>102774401</u>	Pilot, 6.65 MM.....		1	
		Please refer to the maintenance and service manual for proper tool application.			

17

G

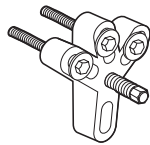
E

D

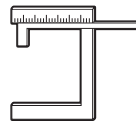
**17**  
**G**  
**E**  
**D**



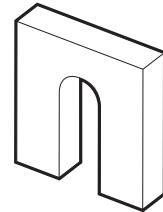
44



45



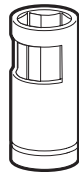
46



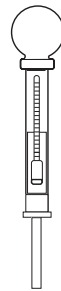
47



48



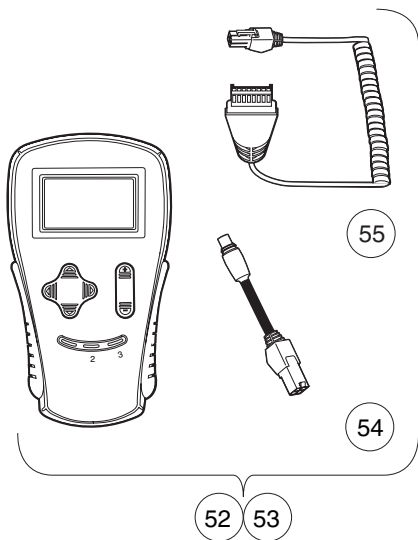
49



50



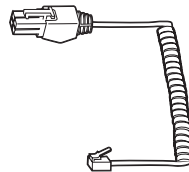
51



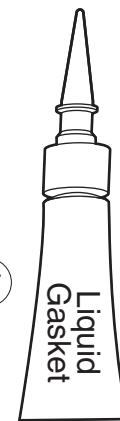
52 53

55

54



56



57



58



59 60



61



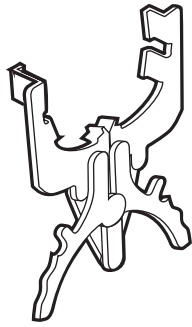
## MAINTENANCE AND SERVICE TOOLS, CONTINUED

ITEM	PART NO.	DESCRIPTION	QTY DIESEL	QTY GAS	QTY ELEC	<b>17</b>
		1 2 3 4				<b>G</b>
44	<u>1012151</u>	Dry Moly Lubricant .....	1	1	1	<b>E</b>
45	<u>1016627</u>	Flywheel Puller Kit (for Kawasaki Engines) .....		1		<b>D</b>
46	<u>102669901</u>	Gauge, Carburetor Float Level (for Honda GX620 Gasoline Engines) .....		1		
47	<u>1016418</u>	Gear Yoke .....	1	1	1	
48	<u>101933101</u>	Governor Shaft Installation Tool (for Kawasaki Engine Vehicles) .....		1		
49	<u>102169401</u>	Hydraulic Brake Adjuster (for Turf/CA 272/472, Pioneer/XRT 1200, Bobcat 2100, HUV 4213) .....			1	
50	<u>1011478</u>	Hydrometer .....	1	1	1	
51	<u>1013593</u>	Internal Retaining Ring Pliers .....	1	1	1	
52	<u>102248803</u>	IQ Display Module (IQDM) Kit (IQ System and IQ Plus vehicles) .....			1	
		(includes items 54 and 55)				
53	<u>102248804</u>	IQ Display Module (IQDM-P) Kit (IQ System and IQ Plus vehicles) .....			1	
		(includes items 54 and 55)				
54	<u>102251501</u>	Adaptor, Cable .....			1	
55	<u>102241502</u>	IQDM Series 2 Cable .....			1	
56	<u>102241501</u>	IQDM Series 1 Cable (replacement) .....			1	
57	<u>101928701</u>	Liquid Gasket (transaxle case) .....	1	1	1	
58	<u>102243402</u>	Moly-Teflon Lubricant (4-oz. (113-gram) tube) .....			1	
59	<u>101997201</u>	Paint, Touch-Up – Beige* .....		1	1	
59	<u>101997207</u>	Paint, Touch-Up – Black* .....		1	1	
59	<u>101997212</u>	Paint, Touch-Up – Burgundy* .....		1	1	
59	<u>101997211</u>	Paint, Touch-Up – Classic Blue (Navy)* .....		1	1	
59	<u>101997205</u>	Paint, Touch-Up – Dark Gray* .....	1	1	1	
59	<u>101997209</u>	Paint, Touch-Up – Dark Green* .....	1	1	1	
59	<u>101997204</u>	Paint, Touch-Up – Gray* .....	1	1	1	
59	<u>101997203</u>	Paint, Touch-Up – Red* .....	1	1	1	
59	<u>101997206</u>	Paint, Touch-Up – Royal Blue (Pacific Blue)* .....		1	1	
59	<u>101997202</u>	Paint, Touch-Up – White* .....	1	1	1	
60	<u>102562301</u>	Paint, Precedent Underbody – Gray .....		1	1	
61	<u>102587201</u>	Paint Pen, Touch-Up, Precedent Underbody – Black .....		1	1	
		Please refer to the maintenance and service manual for proper tool application.				
		* Item 59 is not for use on Surlyn <sup>®</sup> body material, which is used on Precedent vehicles.				

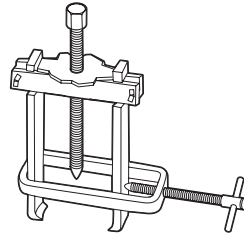
**17**  
**G**  
**E**  
**D**



62



63



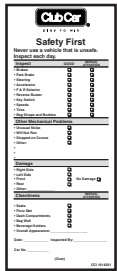
64



65



66



67



68



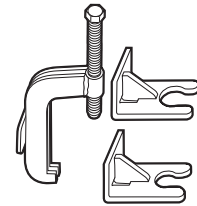
69



70



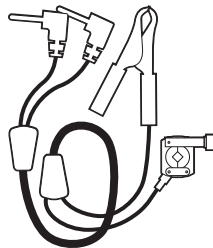
71



72



73



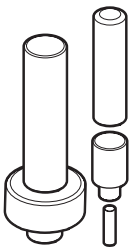
74



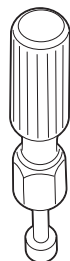
75



76



77



83



84



85



86

## MAINTENANCE AND SERVICE TOOLS, CONTINUED

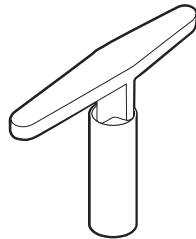
ITEM	PART NO.	DESCRIPTION	QTY DIESEL	QTY GAS	QTY ELEC
		1 2 3 4			
62	<u>1016414</u>	Piston Ring Compressor Kit (FE290, FE350 and FE400 engines) .....		1	
63	<u>1016415</u>	Piston Ring Pliers (for Kawasaki Engines) .....		1	
64	<u>102668801</u>	Puller, Special Use (for Kubota D722 Diesel Engines) .....	1		
65	<u>1012549</u>	Retaining Ring Pliers, 45° External .....	1	1	1
66	<u>1012560</u>	Retaining Ring Pliers, 90° Internal .....	1	1	1
67	<u>101823101</u>	Safety First Card (50 per pack) .....	1	1	1
68	<u>1012809</u>	Seal Puller .....	1	1	1
69	<u>102330901</u>	Spanner Wrench (for coil over shock front suspension vehicles only) .....	1	1	
70	<u>1014264</u>	Steering Column Bearing Press Tool .....		1	1
71	<u>1014259</u>	Steering Column Retaining Ring Tool .....		1	1
72	<u>102061201</u>	Steering Wheel Puller Tool .....	1	1	1
73	<u>AM10753</u>	Tachometer (includes gasoline engine pick up lead only) .....	1	1	
74	<u>AM10771</u>	Tachometer Diesel Probe (for use with item 73) .....	1		
75	<u>1014162</u>	Transaxle Axle Seal Tool .....		1	
76	<u>1014161</u>	Transaxle Pinion Seal Tool .....		1	
77	<u>1014115</u>	Transmission Tool Kit .....		1	
78	<u>101611003</u>	Tune-Up Kit, All OHV (for FE290, FE350, FE400 only) (includes air filter, spark plug, oil filter, fuel filters) (not shown) .....		1	
79	<u>AM11804</u>	Tune-Up Kit, Gx620 (for Honda Engines) (includes air filter, spark plug, oil filter, fuel filters) (not shown) .....		1	
80	<u>AM11805</u>	Tune-Up Kit, D722 (for Kubota Engines) (includes air filter, oil filter, fuel filters, water separator filter) (not shown) .....	1		
81	<u>AM1220301</u>	Tune-Up Kit, Precedent (for FE290/350 Engines) (includes air filter, spark plug, oil filter, fuel filters) (not shown) .....		1	
82	<u>AM1232401</u>	Tune-Up Kit, FH680D (for Kawasaki V-Twin Engines) (includes oil filter, fuel filter, air filter, and spark plugs) (not shown) .....		1	
83	<u>1016413</u>	Valve Clearance Adjuster Screw Holder (for FE290 engines only) .....		1	
84	<u>102674601</u>	Valve Guide Driver (for Honda GX620 Gasoline Engines) .....		1	
85	<u>101641201</u>	Valve Guide Reamer (FE290, FE350, and FE400 only) .....		1	
86	<u>102674401</u>	Valve Guide Reamer, 6.6 mm (for Honda GX620 Gasoline Engines) .....		1	

**17**  
**G**  
**E**  
**D**

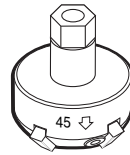
**17**  
**G**  
**E**  
**D**



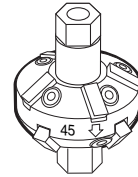
87



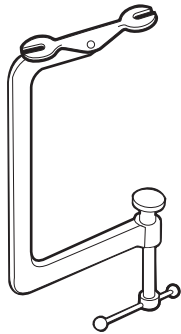
88



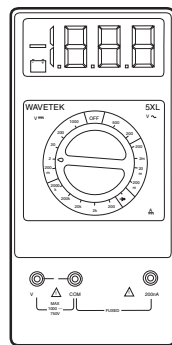
89



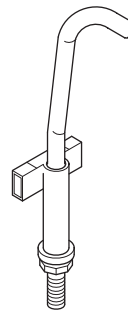
90



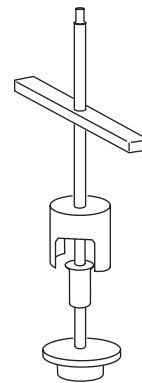
91



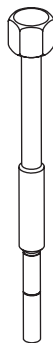
92



93



94



95

## MAINTENANCE AND SERVICE TOOLS, CONTINUED

ITEM	PART NO.	DESCRIPTION	QTY DIESEL	QTY GAS	QTY ELEC
		1 2 3 4			
87	<u>1016552</u>	Valve Seat Cutter Guide .....		1	
88	<u>1016551</u>	Valve Seat Cutter T-Wrench .....		1	
89	<u>1016553</u>	Valve Seat Cutter, 45° (32 mm diameter) (for FE290 engines only) .....		1	
90	<u>1016554</u>	Valve Seat Cutter, 45°/30° (35 mm diameter) .....		1	
91	<u>101641101</u>	Valve Spring Compressor .....		1	
92	1011480	Volt Ohm Meter .....	1	1	1
93	<u>102570401</u>	Tool, Tensioning, Starter Generator (For Precedent vehicles) .....		1	
94	<u>103601401</u>	Puller, Drive Clutch, XRT 950.....		1	
95	<u>103601701</u>	Tool, Disassembly, Driven Clutch, XRT 950.....		1	

17

G

E

D



# INDEX

## Part Number and Page

AM10753	17-9	7555	5-11, 5-15, 5-19, 5-23	1010877	4-7, 4-9
AM10771	17-9	7577	16-3, 16-5, 16-13, 16-15	1010878	1-19, 4-7, 4-9
AM10080	12-5	7591	6-15, 13-3	101090801	13-33, 13-35
AM10081	12-5	7602	5-11, 5-15, 5-19, 5-23	1010909	6-15
AM10419	11-11, 11-13	7716	4-7, 4-9, 4-21	1010921	4-7, 4-9
AM10724	7-5, 8-5	7818	6-19, 6-21, 6-23	1010927	4-7, 4-9
AM10808	1-5	7820	6-15, 13-3	1010932	4-7, 4-9
183	6-15, 6-23, 10-5, 10-7, 10-17, 11-3, 11-5, 11-7, 12-3	7840	5-27, 5-29	1010933	4-7, 4-9
304	1-35, 6-15, 12-13, 13-3	7847	1-9, 1-21, 1-33, 9-3, 13-31, 16-5, 16-7, 16-15, 16-17	1010934	1-5, 1-25, 1-29, 1-31, 6-35, 14-3
320	4-15	7893	6-15, 6-19, 6-21, 6-23, 12-13	1010954	6-19, 6-21, 6-23
332	1-11, 1-19, 1-21, 1-23, 1-25, 1-27, 1-33, 1-35, 6-15, 6-37, 9-3, 10-15, 13-3	7910	5-27, 5-29	1010984	2-3, 2-5, 2-7
334	1-21, 4-21, 5-3, 5-5, 5-11, 7-15, 7-17, 8-15, 8-17	7973	1-7, 10-17	1011014	1-3, 1-5
357	1-29, 5-17, 5-21, 5-25, 5-39, 5-41	8057	6-19, 6-23, 12-9	1011017	1-3, 1-5
403	1-17	8058	6-19, 6-23, 12-9	1011084	4-23
451	1-23, 4-5, 4-11, 9-3, 13-23, 14-3	8067	5-27, 5-29	1011114	4-5, 4-11
705	1-17, 1-29, 6-33, 7-15, 7-17, 8-15, 8-17	8104	12-9	1011137	4-11
706	1-29, 5-17, 5-21, 5-25	8233	1-19, 1-21, 1-25, 1-27, 1-33, 1-35, 4-21, 5-39, 5-41, 6-15, 6-37, 12-3, 12-13, 13-3, 13-31, 16-5, 16-7, 16-15, 16-17	1011229	6-15, 13-3
808	5-39, 5-41, 11-3, 11-5, 11-7	8248	6-37	1011273	17-5
1016	6-15, 6-23, 10-5, 10-7	8251	1-15	1011280	6-29, 13-13
1017	6-17, 6-23, 13-9	8450	6-23, 11-3, 11-5, 11-7	1011291	12-7
1028	1-23, 4-7, 4-9, 13-23	8639	12-13, 13-7, 13-29	1011303	4-5, 4-11
1032	1-23, 4-7, 4-9	8717	4-21, 6-19, 6-21, 6-23, 12-3, 12-9	1011393	5-27, 5-29
1035	1-21, 4-19, 5-11, 5-15, 5-19, 5-23	8745	5-17, 5-21, 5-25	1011394	1-3, 1-5
1218	5-13	8754	1-17, 4-15, 4-21, 5-3, 5-5, 5-11, 5-15, 5-17, 5-19, 5-21, 5-23, 5-25, 5-31, 5-33, 5-35, 5-37, 6-33	1011402	4-7, 4-9
1231	1-23	8755	1-17, 5-17, 5-21, 5-25, 5-31, 5-33, 5-37	1011415	5-31, 5-33, 5-35, 5-37
1241	1-3, 1-5, 1-29, 1-31, 4-7, 4-9, 4-17, 4-19, 4-21, 5-13, 6-19, 6-21, 6-23, 6-29, 6-33, 6-35, 9-3, 12-13, 13-13	8796	16-11, 16-21	1011418	4-7, 4-9
1242	1-29, 1-31, 4-13, 4-17, 4-19, 5-39, 5-41, 6-19, 6-21, 6-23, 6-33, 13-23	8797	10-5, 10-7	1011439	6-29, 13-13
1308	5-15, 5-19, 5-23	8861	5-15, 5-19, 5-23, 5-39, 5-41	101146302	4-5, 4-11
1606	10-17	8935	1-5	1011464	4-5, 4-11
1624	4-21, 5-11, 5-17	8963	13-33, 13-35	1011465	4-5, 4-11
1631	10-17	8990	5-11, 6-15, 6-19, 6-21, 6-23, 13-3, 13-23, 13-29, 13-31, 16-11, 16-21	1011466	4-3, 4-5, 4-11
2402	5-15, 5-19, 5-23	1010005	5-27, 5-29	1011467	4-5, 4-11
4029	6-15, 13-3	1010028	12-9	1011478	17-7
7048	5-27, 5-29	1010124	5-17, 5-21, 5-25	1011480	17-11
7049	1-25	1010138	5-15, 5-19, 5-23	1011553	1-29, 1-31, 3-5, 3-9, 3-13, 3-17, 3-21, 3-25
7173	5-39, 5-41, 6-29, 6-35, 12-13, 13-13	1010145	5-31, 5-33, 5-35, 5-37	1011557	6-29, 13-13
7174	1-29, 1-31, 5-3, 5-5, 5-39, 5-41, 6-33, 9-3, 10-13, 13-23, 14-3	1010150	5-17, 5-21, 5-25	1011578	1-5, 5-3, 5-5
7251	1-3, 1-5	1010177	5-21, 5-25	1011694	4-21
7310	2-3, 2-5, 2-7	1010200	5-17	1011697	5-3, 5-5, 7-15, 7-17, 8-15, 8-17, 10-13
7311	5-39, 5-41	1010219	5-15, 5-19, 5-23	1011700	4-21
7330	12-7, 15-3	1010347	5-27	1011734	4-23
7335	12-5, 15-3	1010348	5-27	1011767	17-3
7336	15-3	1010434	1-3, 1-5, 1-23, 10-3	1011779	4-13, 4-17, 4-19
7473	1-3, 1-5, 1-17, 1-25, 1-27, 4-7, 4-9, 4-13, 4-17, 4-19, 4-21, 5-13, 6-15, 6-19, 6-21, 6-23, 6-29, 6-35, 13-13, 13-33, 13-35	1010435	1-3, 1-5, 1-17, 1-27	1011825	6-15, 13-3
7532	1-17	1010436	1-27	101187702	4-7, 4-9
7539	5-15, 5-19, 5-23	1010543	1-11	1011887	5-27, 5-29
7540	5-11, 5-15, 5-19, 5-23	1010546	1-3	1011892	5-27, 5-29
		1010577	7-15, 7-17, 8-15, 8-17	1011930	5-11, 5-15, 5-19, 5-23
		1010805	4-7, 4-9	1011931	4-21
		1010829	4-13, 4-17, 4-19	1011990	1-23, 1-29
		1010850	4-3, 4-5, 4-11	1012030	5-17, 5-25
				1012098	16-3, 16-5, 16-13, 16-15
				1012101	16-3, 16-5, 16-13, 16-15
				1012126	13-25
				1012151	17-7

# INDEX

1012180	5-31, 5-33	1013366	1-27	1014153	4-3, 4-5, 4-11
1012181	5-35	1013422	1-9	1014161	17-9
1012182	5-35	1013461	6-17, 10-5, 13-9	1014162	17-9
1012285	1-33, 1-35, 10-7, 10-13	1013483	1-29	1014201	14-3
1012295	6-19, 6-21, 6-23	1013494	6-25, 6-27, 13-11, 13-17	1014207	12-7
1012303	1-17, 5-17, 5-21, 5-25, 5-31, 5-33, 5-35, 5-37	1013531	4-17, 4-19	1014211	5-3, 5-5
1012304	5-31	1013547	13-31	1014212	5-3, 5-5
1012328	6-35	1013582	17-3	1014213	5-3, 5-5
1012333	12-13	1013589	6-19, 6-21, 6-23	1014214	5-3, 5-5
1012431	6-19, 6-23	1013593	17-7	1014216	5-3, 5-5
1012438	10-17	1013609	6-19, 6-21, 6-23	1014217	5-3, 5-5
1012466	5-3, 5-5	1013677	3-5, 3-9	1014259	17-9
1012467	5-11	1013687	10-7	1014264	17-9
1012505	6-25, 6-27, 13-11, 13-17	1013700	10-13	1014276	5-17, 5-21, 5-25
1012528	9-3, 13-29	1013734	9-3, 13-29	1014287	11-3, 11-5, 11-7
1012549	17-9	1013746	10-7, 10-11	1014288	5-3, 5-5, 6-35, 11-3, 11-5, 11-7, 13-23, 16-11, 16-21
1012560	17-9	1013760	12-3	1014289	6-31
1012565	5-7	1013768	12-7	1014305	17-3
1012566	5-7	1013769	12-7	1014306	1-27, 1-33, 1-35, 13-31
1012571	7-15, 7-17, 8-15, 8-17, 13-33, 13-35	1013770	12-7	1014321	1-15, 1-25
1012604	5-3, 5-5	1013771	12-7	1014375	6-35
1012605	5-3, 5-5	1013772	12-7	1014387	1-15, 1-25
1012649	10-7	1013773	12-7	1014415	1-25, 1-27
1012711	12-3	1013774	12-7	1014453	11-3, 11-5, 11-7
1012714	12-5	1013787	12-7	1014454	11-11, 11-13
1012740	12-5	1013792	12-7	1014471	1-17
1012741	12-5	1013794	12-7, 15-3	1014496	17-5
1012747	12-5	1013861	5-3	1014497	17-5
1012748	12-5	1013869	4-7, 4-9	1014498	17-5
1012752	12-3	1013870	4-7, 4-9	1014507	17-5
1012809	17-9	1013871	4-21	1014508	17-5
1012811	17-3	1013876	4-7, 4-9	1014510	17-5
1012812	17-3	1013924	4-3, 4-5, 4-11, 7-15, 7-17, 8-15, 8-17	1014523	10-7
1012830	6-33, 9-3, 10-13	1014007	4-21, 12-3	1014524	10-7
1012836	11-11, 11-13	1014049	11-3, 11-5, 11-7	1014537	1-25, 1-27
1012896	12-3	1014050	11-3, 11-5, 11-7	1014540	13-31
1013001	6-31	1014051	11-3	1014555	5-31, 5-33, 5-35, 5-37
1013003	6-31	1014052	11-3, 11-5, 11-7	1014771	2-3
1013005	6-31	1014055	11-3, 11-5, 11-7	1014807	6-19, 6-23, 12-9
101301102	6-31	1014056	11-3, 11-5, 11-7	1014808	6-19, 12-9
1013035	5-11	1014057	11-3, 11-5, 11-7	1014902	5-35, 5-37
1013042	5-11	1014058	11-3, 11-5, 11-7	1014948	6-19, 6-21, 6-23
1013044	5-11	1014059	11-3, 11-5, 11-7	101503202	1-5, 1-7
1013051	5-11	1014062	11-3, 11-5, 11-7	1015072	13-33, 13-35
1013052	5-11	1014063	11-3, 11-5, 11-7, 16-11, 16-21	1015075	1-3, 1-5
1013061	12-3, 12-9, 13-19, 13-25	1014065	6-19, 6-21, 6-23, 11-3, 11-5, 11-7	101511303	4-9
1013135	5-27, 5-29	1014070	11-11, 11-13	1015137	10-7, 10-11
1013207	5-31, 5-33	1014072	11-11, 11-13	1015139	10-5
1013309	1-11	1014078	11-11, 11-13	1015143	10-5
1013311	1-11	1014080	11-11, 11-13	101524002	6-33
1013312	1-11	1014115	17-9	1015245	1-23
1013317	1-23, 3-27, 3-29, 3-31	1014116	10-7	1015252	1-17
1013343	1-7	1014119	6-19, 6-21, 6-23	1015277	1-19
1013344	1-7	1014125	5-3, 5-5	1015313	1-23
1013357	6-15, 13-3, 13-23	1014126	5-3, 5-5	1015332	7-3, 8-3
		1014145	6-19, 6-21, 6-23		



# INDEX

1015345	6-19, 6-21, 6-23	1016074	6-33	1016456	7-3, 7-5, 8-3, 8-5
1015356	1-17	1016078	1-19	1016457	7-7, 8-7
1015363	1-23	101609401	3-3, 3-7, 3-11, 3-15, 3-19, 3-23	1016458	7-9, 8-9
1015366	1-23	101611003	17-9	1016467	7-7, 8-7
1015368	1-23	1016154	5-7	1016470	7-13, 8-13
1015371	6-19, 6-21	101615504	5-9	1016472	7-11, 8-11
1015372	6-19, 6-21, 6-23	1016156	5-7, 5-9	1016473	7-7, 8-7
1015373	6-19, 6-21, 6-23	1016183	5-3, 5-5	1016474	7-9, 8-9
1015390	1-23	1016201	11-3, 11-5, 11-7	1016479	7-9, 8-9
1015391	1-17	1016214	5-7	1016480	10-11
1015392	13-23	1016219	5-7	101648102	10-11
1015399	1-17, 1-25, 1-27	1016263	5-5	101648203	7-7, 8-7
1015400	1-17, 1-23	1016269	5-3, 5-5	1016483	7-9, 8-9
1015405	1-3, 6-19, 6-21, 6-23	1016289	11-3, 11-5, 11-7	1016486	10-9
1015412	1-23	1016337	12-5	1016489	7-9, 8-9
1015424	1-23	1016338	12-5	101649002	10-11
1015426	10-15	1016346	5-15, 5-19, 5-23	1016494	7-11, 8-11
101542901	1-17	1016349	5-15, 5-19, 5-23	1016496	7-11, 8-11
1015445	1-29	1016350	5-15, 5-19, 5-23	1016497	7-5, 8-5
1015453	5-39, 5-41	1016353	5-15, 5-19, 5-23	1016499	10-9
1015457	5-39, 5-41	1016356	6-15, 13-3, 13-23	1016501	10-9
101547601	3-13, 3-17, 3-21, 3-25	1016384	5-17, 5-21, 5-25	1016502	7-7, 8-7
1015507	1-17	1016385	5-15, 5-19, 5-23	1016506	7-11, 8-11
1015524	17-5	1016386	5-17, 5-21, 5-25	1016507	7-3, 8-3
1015528	6-25, 6-27, 13-11, 13-17	1016387	5-17, 5-21, 5-25	1016510	7-11, 8-11
1015530	1-33, 1-35	1016389	5-17, 5-21, 5-25	1016513	12-3
101553901	1-23, 3-3, 3-7, 3-11, 3-15, 3-19, 3-23	101641002	17-5	101651406	2-3
1015583	1-17, 5-17, 5-21, 5-25, 5-31, 5-33, 5-35, 5-37	101641101	17-11	101651407	2-3
1015597	5-11, 5-15, 5-19, 5-23, 5-27, 5-29	101641201	17-9	101651409	2-3
1015607	1-23	101641202	17-3	101651414	2-3
1015608	1-5, 13-33, 13-35	1016413	17-9	1016517	7-9, 8-9
1015613	5-39, 5-41	1016414	17-9	1016518	7-9, 8-9
1015614	5-39, 5-41	1016415	17-9	1016519	7-9, 8-9
101562711	1-11	1016416	17-3	1016521	7-11, 8-11
101562712	1-11	1016417	17-3	1016531	7-3, 8-3
101562714	1-11	1016418	17-7	1016535	7-11, 8-11
101562715	1-11	1016423	6-19, 6-21, 6-23	1016537	7-7, 8-7
101564501	1-11	101642575	10-9	1016538	7-11, 8-11
101564502	1-11	101642578	10-9	1016539	7-3, 8-3
101564503	1-11	101642580	10-9	1016541	7-13, 8-13
101564505	1-11	101642582	10-9	1016544	7-5, 7-9, 7-11, 8-5, 8-9, 8-11
1015649	7-3, 8-3	101642585	10-9	1016546	10-13
1015720	6-15, 13-29	1016429	7-7, 8-7	1016547	7-3, 7-13, 8-3, 8-13, 10-11
1015737	6-19, 6-21, 6-23	1016432	7-7, 8-7, 12-3	1016549	7-9, 8-9
1015741	6-19, 6-21, 6-23	1016436	7-9, 8-9	1016551	17-11
1015752	6-19, 6-21, 6-23, 10-15, 13-15	1016437	10-9	1016552	17-11
1015760	5-39, 5-41	1016438	10-11	1016553	17-11
1015814	9-3	1016440	7-9, 8-9, 10-11	1016554	17-11
101584502	10-13	1016441	10-11	1016557	4-5, 4-11
1015878	6-19, 6-23, 12-9	1016444	10-11	1016560	7-9, 8-9
1015914	16-3, 16-5, 16-13, 16-15	1016445	7-5, 8-5	1016561	7-5, 8-5
1015917	16-3, 16-5, 16-15	1016449	7-9, 8-9	1016562	7-5, 7-13, 8-5, 8-13
1015932	6-33	1016450	7-9, 8-9	1016563	7-9, 8-9
1015969	7-3, 8-3	1016452	7-9, 8-9	1016564	7-11, 8-11
1016060	1-19	1016454	7-11, 8-11	1016566	7-9, 8-9
		1016455	7-5, 8-5	1016569	7-9, 8-9

# INDEX

1016570	7-7, 8-7	101693901	1-3, 1-5	1017456	7-7, 8-7
1016571	7-13, 8-13	101693902	1-3, 1-5	101745701	7-13, 8-13
1016572	10-11	101693906	1-3, 1-5	101745702	7-13, 8-13
1016573	4-5, 4-11	101693908	1-5	1017458	7-7, 8-7
1016576	7-7, 8-7	101693909	1-3, 1-5	1017460	7-7, 8-7
1016578	7-5, 8-5	101693910	1-3, 1-5	1017461	10-9
1016579	7-5, 8-5	101693911	1-3, 1-5	1017463	7-5, 8-5
1016581	7-7, 8-7	101693912	1-3, 1-5	1017466	10-11
1016582	10-11	101693913	1-3, 1-5	1017468	7-5, 8-5
1016583	7-9, 8-9	101693914	1-3, 1-5	1017471	7-13, 8-13
1016584	7-11, 8-11	1016952	1-9	1017472	7-11, 8-11
1016585	10-9	1016967	1-3, 1-5, 13-23	1017473	7-9, 8-9
1016586	7-5, 8-5	1016997	6-23	1017474	7-3, 8-3
1016587	7-5, 8-5	1017029	4-7, 4-9	1017475	7-3, 8-3
1016588	7-5, 8-5	1017062	6-17, 13-9	1017476	7-3, 8-3
101661601	13-33	1017064	6-17, 13-9	1017486	7-3, 8-3
101661602	13-33	1017065	6-17, 13-9	1017487	7-11, 8-11
1016627	17-7	1017080	1-3, 1-5	1017490	7-5, 8-5
1016630	6-25, 6-27	1017082	12-3	1017500	7-3, 8-3
1016663	5-7, 5-9	1017187	16-7, 16-17	1017501	7-13, 8-13
1016672	12-7	1017188	11-9	1017502	7-13, 8-13
1016673	16-11, 16-21	1017189	16-7, 16-17	1017503	7-13, 8-13
1016679	1-33	1017211	4-13	1017504	7-11, 8-11
101670201	3-27, 3-29, 3-31	1017226	5-3, 5-5	1017507	7-7, 8-7
1016751	1-13	1017231	12-3	1017508	7-11, 8-11
101675511	1-13	1017239	6-23	1017510	7-13, 8-13
101675512	1-13	1017243	6-23	1017511	7-11
101675514	1-13	1017266	5-15, 5-19, 5-23	1017512	7-13, 8-13
101675515	1-13	1017273	5-7, 5-9	1017513	7-11, 8-11
101677701	1-13	1017313	5-3, 5-5	1017514	7-11, 8-11
101677702	1-13	1017314	5-3, 5-5	101751801	7-11, 8-11
101677703	1-13	1017315	5-3, 5-5	101751802	7-11, 8-11
101677705	1-13	1017317	5-3	101751803	7-11, 8-11
1016801	11-3, 11-5, 11-7	101734802	1-3	1017686	11-11, 11-13
1016813	5-39, 5-41	101737002	2-3	1017689	9-3
1016814	5-39	1017378	4-21	101769302	2-3
1016849	6-25, 6-27, 13-11, 13-17	1017380	4-21	1017696	4-21
1016851	6-25, 6-27, 13-11, 13-17	101738302	11-7	1017705	13-19
1016868	1-3, 1-5	1017424	4-21	1017721	6-15
1016877	13-31	1017434	7-9, 8-9	101773301	7-13, 8-13
1016879	6-17, 13-9	1017435	7-9, 8-9	101773302	7-13, 8-13
1016880	6-17, 13-9	1017442	7-7, 8-7	101773303	7-13, 8-13
1016883	6-33	1017443	7-9, 7-11, 8-9, 8-11	101773304	7-13, 8-13
1016901	11-5, 11-7	1017444	7-9, 8-9	101773305	7-13, 8-13
1016904	7-9, 8-9, 9-3	1017445	7-9, 8-9	101773306	7-13, 8-13
101692501	1-3	1017446	7-9, 8-9	101773307	7-13, 8-13
101692502	1-3	1017447	7-11, 8-11	101773308	7-13, 8-13
101692506	1-3	1017448	7-5, 8-5	101773309	7-13, 8-13
101692509	1-3	101744901	7-13, 8-13	101773310	7-13, 8-13
101692510	1-3	101744902	7-13, 8-13	101773311	7-13, 8-13
101692511	1-3	1017450	7-13, 8-13	1017853	6-15, 13-3
101692512	1-3	101745101	7-13, 8-13	101791101	4-3, 4-5
101692513	1-3	101745102	7-13, 8-13	101796201	4-21
101692514	1-3	1017453	7-13, 8-13	101796501	13-19
101692515	1-3	1017454	7-9, 8-9	101796801	13-19
101693201	3-15, 3-23	1017455	7-5, 8-5	101801001	13-19, 16-11, 16-21

# INDEX

101804301	6-25, 6-27, 10-15, 10-17	101833906	11-5	101880001	5-11
101808401	17-3	101834001	11-11	101880101	5-11
101809101	17-5	101834003	11-13	101880201	5-11
101811901	10-15	101834502	6-25, 6-27, 13-11, 13-17	101880301	5-11
101812301	10-15	101834601	7-15, 7-17, 8-15, 8-17	101881101	7-5, 8-5
101813001	10-15	101834801	12-3	101881701	10-15
101813202	17-3	101835601	1-17, 1-19	101884801	7-15, 7-17, 8-15, 8-17
101815501	4-3	101836201	11-11	101884901	2-3
101815502	4-3	101836202	11-13	101886101	12-3
101816301	4-3	101837101	10-15	101887101	17-3
101816501	4-3	101837301	6-33	101887601	7-3, 8-3
101816502	4-3	101838401	16-13, 16-15	101889401	12-5
101817401	4-21	101838601	16-13, 16-15	101890001	12-5
101821501	10-15	101841901	16-5, 16-15	101890101	12-3
101822001	4-23	101851101	6-25, 6-27, 13-11, 13-17	101890201	12-3
101823101	17-9	101856001	13-11, 13-17	101890501	12-3
101823201	4-3	101856102	6-19, 6-21, 6-23	101890601	12-3
101823301	4-3	101859401	9-3	101890901	12-7
101823302	4-3	101861901	4-21	101891001	12-7
101823801	4-3	101862001	4-21	101891301	12-3
101823901	4-3	101865301	4-13	101891401	12-7
101824001	4-3	101869302	6-31	101891501	12-7
101824002	4-3	101870401	1-3	101891601	12-5
101824401	10-7	101870501	5-21, 5-25	101891901	12-5
101825101	3-3, 3-7, 3-11, 3-19, 6-27, 13-11, 13-17	101870601	5-23	101892001	12-5
101825102	3-15, 3-23, 6-25	101871001	17-3	101892201	12-5
101826201	13-11, 13-17	101874601	4-13	101892301	12-5
101826301	6-27	101874901	6-31	101892401	12-5
101826401	6-25	101875001	6-31	101892501	12-5
101827101	7-15, 7-17, 8-15, 8-17	101875102	6-31	101892601	12-5
101828601	13-3, 13-29	101875201	6-31	101892701	12-7
101828801	16-3	101875301	6-31	101892901	12-3
101828802	16-3	101875401	6-31	101893201	12-5
101828901	16-3, 16-13	101875501	6-31	101893801	12-3
101828902	16-3, 16-13	101875601	6-31	101893901	12-5
101828903	16-3, 16-13	101875701	6-31	101894303	1-11
101829001	16-5, 16-15	101875802	6-31	101894304	1-27
101830601	6-25, 6-27, 13-11, 13-17	101876001	6-31	101894702	1-25
101830701	6-25, 6-27, 13-11, 13-17	101876202	6-31	101894901	13-19
101831101	16-3, 16-5, 16-15	101876301	6-31	101895401	15-3
101831401	13-33, 13-35	101876402	6-31	101895501	15-3
101831801	17-5	101876501	6-31	101896501	6-31
101831901	17-3	101876901	5-29	101897001	15-3
101832001	13-19	101877001	5-29	101897201	15-3
101832202	10-13	101877601	6-31	101897401	15-3
101832302	10-13	101877701	6-31	101897601	15-3
101832601	7-15, 7-17, 8-15, 8-17	101878101	6-31	101898001	6-35
101832701	7-15, 7-17, 8-15, 8-17	101878201	4-7	101903101	5-17, 5-21, 5-25
101832901	16-21	101878302	5-11	101903601	15-3
101833101	7-15, 7-17, 8-15, 8-17	101879001	6-31	101903701	15-3
101833401	11-11, 11-13	101879401	5-11	101905901	10-9
101833601	12-3	101879501	5-11	101906901	15-3
101833701	6-31	101879601	5-11	101908101	13-25
101833902	11-3	101879701	5-11	101908401	6-37, 13-25
101833904	11-7	101879801	5-11	101909201	7-5, 8-5
		101879901	5-11	101909301	7-5, 8-5

# INDEX

101909401	7-5, 8-5	101957101	6-29, 13-13	102009202	2-5
101910501	12-7	101958102	10-17	102009301	2-5
101914401	6-15, 13-3, 16-3, 16-5, 16-13, 16-15	101958201	16-13	102009302	2-5
101915201	3-13, 3-17, 3-21, 3-25	101958301	16-13	102009401	2-5
101916001	7-13, 8-13	101958601	1-19	102009402	2-5
101916101	7-3, 8-3	101960201	3-3, 3-11, 3-15	102009501	2-5
101916201	7-5, 8-5	101960501	3-13, 3-17, 3-21, 3-25	102009502	2-5
101916301	7-5, 8-5	101960601	3-23	102009901	2-7
101916701	6-33, 11-3, 11-5, 11-7	101963301	1-15	102009902	2-7
101917601	10-15	101963401	1-15, 1-25, 1-27, 6-21, 7-15, 7-17, 8-15, 8-17, 12-13	102010001	2-7
101918401	2-3	101964001	1-15	102010002	2-7
101918402	2-3	101966801	16-11, 16-21	102022101	4-19
101920101	13-15	101968801	16-11, 16-21	102025401	4-15
101921501	10-15	101969701	6-29, 13-13	102026001	4-21
101922101	15-3	101971301	10-15	102031901	12-7
101922201	15-3	101972001	17-7	102056001	1-31
101922501	6-37	101972002	17-7	102061201	17-9
101923001	15-3	101972003	17-7	102065103	1-31
101923201	15-3	101972004	17-7	102065901	1-17, 7-15, 7-17, 8-15, 8-17
101923501	15-3	101972005	17-7	102066001	1-17
101923701	15-3	101972006	17-7	102066201	5-35, 5-37
101923901	15-3	101972007	17-7	102075801	3-7, 3-19, 3-23
101925701	10-15	101972009	17-7	102101001	13-15
101926501	5-31, 5-33, 5-37	101972011	17-7	102101101	13-15
101926801	10-17	101972012	17-7	102169401	17-7
101926901	12-3	101972101	15-3	102185401	10-17
101927101	12-3	101972201	15-3	102186301	14-3
101927201	12-3	101972801	10-15	102186401	14-3
101927301	12-3	101973101	10-9	102190702	10-17
101927501	12-5	101973301	10-9	102196901	13-11, 13-17
101927601	12-5	101973401	10-11	102199001	6-15
101927701	12-5	101973501	16-13	102221301	1-27
101927901	12-5	101976601	16-13	102221401	1-27
101928001	12-5	101980801	12-5	102221501	1-27
101928101	12-5	101980901	12-5	102221701	1-27
101928301	12-7	101981001	12-5	102221801	1-27
101928601	12-3	101984801	5-3, 5-5	102222001	1-27
101928701	12-3, 15-3, 17-7	101987901	6-17, 13-9	102222101	1-27
101929401	5-31, 5-33, 5-37	101988001	6-17, 13-9	102222201	1-27
101929501	10-7	101988002	6-17, 13-9	102224001	1-35, 3-21, 3-25
101929802	11-3, 11-5	101988101	6-17, 13-9	102231601	3-9, 3-21, 3-25
101932201	6-29, 13-13	101988201	6-17, 13-9	102235201	14-3
101933101	17-7	101990801	4-17, 4-19	102239901	1-27
101933701	10-17	101997902	13-31	102240501	13-29
101935301	4-15	102002901	13-33, 13-35	102241501	17-7
101936801	13-15	102003201	10-7	102241502	17-7
101939901	6-31	102004001	5-21	102242101	11-11, 11-13
101942301	14-3	102004101	5-5	102243402	17-7
101946201	1-15	102004201	5-33	102243403	14-3
101953102	4-19	102004301	1-5	102248803	17-7
101953106	4-13, 4-17	102004601	1-35	102249901	17-3
101953801	7-3	102004602	1-35	102251501	17-7
101953802	8-3	102004901	5-41	102264001	6-21
101954301	1-11	102006701	3-7, 3-19, 3-23	102271601	7-11
101955001	5-19, 5-23	102009201	2-5	102275401	16-3, 16-5, 16-13, 16-15
101955101	6-15, 13-3			102278001	5-3, 5-5

# INDEX

102292801	4-13, 4-17	102684602	12-9	102938901	14-3
102301401	1-21	102686101	17-3	102939001	14-3
102304801	7-9, 8-9	102704901	14-3	102939101	14-3
102323101	4-7, 4-9, 4-13, 4-17, 4-19	102711201	6-19, 6-21	102939102	14-3
102323201	4-7, 4-9, 4-13, 4-17, 4-19	102751601	10-5	102939501	16-13
102330901	17-9	102753401	7-9, 8-9	102940801	16-5, 16-13, 16-15
102336001	10-13	102764001	13-33, 13-35	102951701	14-3
102336101	10-13	102764401	13-35	102966401	1-15
102345901	3-25	102764402	13-35	102966501	1-15
102355301	6-35	102766201	13-33, 13-35	102966502	1-15
102356601	15-3	102770701	16-7, 16-17	102967601	3-5, 3-9, 13-23, 16-11, 16-21
102356801	15-3	102771701	15-3	102969401	12-9
102357001	15-3	102772401	13-23	102969801	12-9
102376001	12-9, 12-13	102774501	13-29	102969901	12-9
102399001	5-37	102774602	13-29	102977001	6-25, 6-27
102418101	1-21	102774701	13-29	102977002	13-11, 13-17
102430901	7-13, 8-13	102775101	14-3	102977901	10-7
102431001	8-11	102803401	6-23	102978001	10-7
102453001	12-5	102817101	13-29	102980801	13-33, 13-35
102453101	12-5	102817201	13-29	102980901	13-33, 13-35
102459301	3-5, 3-9, 3-13, 3-15, 3-19, 3-23	102837001	16-5	102989501	1-15, 1-17
102508701	13-11, 13-17	102838101	13-25, 16-3, 16-5	103173301	12-9
102513701	10-5	102844001	16-7	103174401	10-3
102515401	12-3	102844002	16-17	103177401	12-9
102518001	3-3, 3-7	102845101	3-5, 3-9, 13-25	103180101	6-25, 6-27, 13-11, 13-17
102518301	3-5, 3-9, 13-23	102845201	13-33	103187601	10-5
102519201	3-11, 3-19	102845203	13-33, 13-35	103189101	16-21
102522001	10-5	102845204	13-35	103192701	12-9
102526201	12-3, 12-9	102845401	13-7, 13-29	103197101	6-5, 6-19
102540301	7-15, 7-17, 8-15, 8-17	102847801	16-3	103198001	6-9, 6-23
102555501	17-3	102847802	16-3	103198101	6-13, 6-21
102562401	17-3	102847803	16-3	103198301	13-17
102570401	17-11	102848701	13-19	103198401	6-37
102572401	13-11, 13-17	102852101	4-17	103199001	6-25, 6-27
102601501	17-5	102859501	13-29	103199101	6-25, 6-27
102603501	17-5	102863801	13-29	103205401	3-3, 3-7, 3-11, 3-15, 3-19, 6-25, 6-27
102605201	17-5	102865101	10-7	103205501	3-13, 3-17, 3-21, 3-25, 6-37
102606101	17-5	102869401	6-15, 13-3	103210201	3-13, 3-17, 3-21, 3-25, 6-25, 6-27
102607501	17-5	102871801	5-31, 5-33, 5-35, 5-37	103210301	3-5, 3-9, 13-11, 13-17
102614401	1-27	102873401	13-33, 13-35	103218601	13-11, 13-17
102616701	12-9	102881401	16-11, 16-21	103221901	13-7, 13-23, 13-29
102668801	17-9	102886301	15-3	103234301	3-27, 3-29, 3-31
102669901	17-7	102886401	15-3	103245201	1-15
102673201	1-27	102886501	15-3	103245301	1-15
102674001	17-5	102886601	15-3	103255601	6-15
102674101	17-5	102891101	5-35, 5-37	103255701	13-3
102674201	17-5	102892901	16-13	103260101	3-27
102674401	17-9	102892902	16-13	103260801	3-27
102674601	17-9	102893001	16-15	103260901	3-27
102675001	17-5	102915701	13-25	103295101	12-13
102675101	17-5	102917101	5-35	103295202	12-13
102675201	17-5	102931101	13-29	103306301	10-7
102675301	17-5	102938401	14-3	103324801	5-37
102675401	17-5	102938601	14-3	103345701	11-3, 11-5, 11-7
102683701	3-31	102938701	14-3	103348201	6-25, 6-27
102683801	3-31	102938801	14-3	103348202	13-11

# INDEX

103348501 6-25, 6-27  
103348601 6-25, 6-27  
103350901 5-31  
103351001 5-15, 5-19  
103351101 5-33, 5-35, 5-37  
103353501 16-11, 16-21  
103354401 13-11  
103369501 12-9  
103388601 1-23  
103388602 1-23  
103390801 6-25, 6-27  
103391001 6-25, 6-27  
103406501 1-23  
103406502 1-23  
103406601 1-23  
103452901 14-3  
103499301 13-11, 13-17  
96704416 7-15, 7-17, 8-15, 8-17

## A

absorber, shock 5-23  
AC cord 16-3, 16-5, 16-13, 16-15  
AC cord receptacle 16-13  
accelerator bracket and bearing assembly 4-21  
accelerator cable 10-13  
accelerator pedal 4-21  
accelerator pedal adjustment tool 17-3  
accelerator pivot rod 4-21  
accelerator return spring 4-21  
accelerator rod 4-23  
adapter  
    cable (IQDM) 17-7  
adhesive, guide ring 17-3  
adjuster  
    hydraulic brake 17-7  
adjuster, lash 7-11, 8-11  
air box 10-15  
air box top 10-15  
air duct 10-17  
air duct shield 10-17  
air filter 10-15  
air intake hose 10-15  
ammeter 16-3, 16-5, 16-13, 16-15  
anchor body 4-5, 4-11  
anchor body kit 4-5, 4-11  
anchor, piston 4-5, 4-11  
anti-sway bar 5-39, 5-41  
A-plate strap 5-15, 5-19, 5-23  
A-plate, delta 5-15, 5-19, 5-23  
arbor 17-3  
arm  
    governor 12-3  
    pivot 12-3  
    rocker 7-9, 8-9  
armature 6-31, 14-3

armature conversion kit 6-31  
assembly  
    accelerator bracket and bearing 4-21  
    accelerator pivot rod 4-21  
    air box 10-15  
    air box top 10-15  
    air duct 10-17  
    armature 6-31  
    axle 12-7  
    bearing, steering shaft 5-3, 5-5  
    bell crank and shaft 6-19, 6-21, 6-23  
    brake lever 4-3  
    brush connector 6-31  
    brush holder 6-31  
    carburetor 10-9  
    choke cable 10-17  
    connecting rod 7-13, 8-13  
    cylinder head 7-9, 8-9  
    delta A-plate 5-15, 5-19, 5-23  
    delta shock and gear support 5-15, 5-19, 5-23  
    drive clutch 11-7  
    drive hub 11-3, 11-5, 11-7  
    driven clutch 11-11  
    driven clutch fixed-face 11-11, 11-13  
    field coil 6-31  
    float 10-9  
    fuel tank vent 10-5  
    governor 12-5  
    headlight 6-17, 13-9  
    headlight harness 6-17, 13-9  
    hinge, tilt bed 1-17  
    idle screw 10-9  
    inner ball joint 5-11  
    kingpin 5-17, 5-21, 5-25  
    latch weld 1-17  
    moveable-face 11-3, 11-5, 11-7, 11-11, 11-13  
    pilot air screw 10-9  
    plug cap 7-5, 8-5  
    ratchet 4-7, 4-9  
    score card plate 5-7  
    secondary clutch weight 11-3, 11-5, 11-7  
    steering shaft 5-3, 5-5  
    steering wheel 5-7, 5-9  
    tailgate 1-27  
    tether 1-27  
    tilt bed 1-17  
    turn signal lens 6-17, 13-9  
axle 12-7, 15-3  
axle shaft oil seal 12-7, 15-3  
axle tube 15-3

## B

backing plate, brake 4-3, 4-5, 4-11  
bag, desiccant 11-3, 11-5, 11-7

ball bearing 7-11, 8-11  
ball joint 4-7, 4-9, 4-23, 5-11, 5-15, 5-19, 5-23, 12-13  
ball joint, left-hand thread 5-11, 5-15, 5-19, 5-23  
ball stud 6-19, 6-21, 6-23  
ball, shifter 12-5  
ball, steel pressure relief 7-7, 8-7  
band, RPM limiter mount 7-5, 8-5  
bar, drive 13-15  
bar, stabilizer 5-39, 5-41  
barb, vent 10-7  
barrel, plastic 1-3, 1-5, 1-23, 10-3  
battery cap, 6-volt 13-33, 13-35  
battery charger 16-3, 16-13, 16-17  
battery charger case 16-3, 16-5, 16-13, 16-15  
battery charger harness 16-11, 16-21  
battery charger mounting plate 16-7  
battery charger receptacle 13-19  
battery charger retainer 16-21  
battery charger shield 16-11, 16-21  
battery charger transformer 16-3, 16-5, 16-13, 16-15  
battery charger wire assembly 16-13  
battery charger, onboard 16-5, 16-15  
battery clamp 6-35  
battery condition indicator 13-11  
battery discharge machine 17-3  
battery hold-down 13-33, 13-35  
battery hold-down rod 13-33, 13-35  
battery light 13-11, 13-17  
battery terminal protector spray 17-3  
battery thermometer 17-3  
battery, 12-volt 6-35  
battery, 6-volt, Trojan T105 13-33  
battery, 6-volt, Trojan T105, moist 13-33  
battery, 6-volt, Trojan T145 13-35  
battery, 6-volt, Trojan T145, moist 13-35  
bearing 15-3  
    ball 7-11, 8-11  
    ball (motor) 14-3  
    ball (steering pinion) 5-11  
    front wheel hub 5-27, 5-29  
    hub 5-27, 5-29  
    idler 11-3, 11-5, 11-7  
    inner axle tube 12-7, 15-3  
    lower pinion (steering) 5-11  
    needle 12-5  
    outer axle tube 12-7  
    pivot support 4-21  
    steering shaft 5-3, 5-5  
    thrust 5-17, 5-21, 5-25  
bearing and oil seal remover 17-3  
bearing driver set 17-3  
bearing puller 17-3  
bearing puller wedge 17-3

# INDEX

- bearing seal 5-3, 5-5
  - bearing seat 5-3, 5-5
  - bed floor plate 1-17
  - bed latch 1-23
  - bed latch spring 1-23
  - bed seal 1-15, 1-17
  - bed, tilt 1-17
  - bell crank and shaft 6-19, 6-21, 6-23
  - bellows 5-11
  - belt, drive 11-9
  - belt, starter/generator 6-33, 11-3, 11-5, 11-7
  - bezel, choke cable 10-17
  - bezel, headlight 6-17, 13-9
  - block, brake-mounting 4-7, 4-9
  - block, fuse 6-19, 6-21, 6-23
  - block, terminal 6-15, 13-3, 13-23
  - body, anchor 4-5, 4-11
  - bolt, U- 5-35, 5-37
  - boot, steering column 5-3, 5-5
  - boot, switch 6-37, 13-25
  - bottom, air box 10-15
  - box
    - air 10-15
    - cargo 1-23, 1-27
    - electrical component 6-19, 6-21, 6-23
    - steering gear 5-11
  - box, electrical component 6-19, 6-21, 6-23, 13-29
  - brace, trailer hitch 1-29
  - bracket 5-31, 5-33, 5-37
    - accelerator cable 10-13
    - adjustable starter/generator 6-33
    - brake cable guide 5-19, 5-23
    - brake light switch 6-29, 13-13
    - FNR shifter 12-9
    - governor cable 10-13
    - headlight mounting 6-17, 13-9
    - horn 6-15, 13-3
    - hour meter 13-31
    - muffler mounting 9-3
    - oil filter mount 7-7, 8-7
    - oil level switch 7-11, 8-11
    - relay mounting 6-23, 16-5, 16-15
    - RPM limiter 7-5, 8-5
    - shock absorber 5-35
    - shock mounting 5-35
    - snubber 7-15, 7-17, 8-15, 8-17
    - stabilizer bar mounting 5-39, 5-41
    - starter/generator mounting 6-33
    - steering column 5-3, 5-5
    - steering column mounting 5-3, 5-5
    - throttle spring return 10-11
    - Tow/Run switch 6-37
  - brake actuator kit 4-5, 4-11
  - brake adjusting mechanism 4-3
  - brake adjustment tool 17-3
  - brake backing plate 4-3, 4-5, 4-11
  - brake cable 4-13, 4-17, 4-19
  - brake cable equalizer 4-13, 4-17, 4-19
  - brake cable hanger 5-31, 5-33
  - brake cable release tool 17-3
  - brake cluster 4-3, 4-5, 4-11
  - brake drum 4-3, 4-5, 4-11
  - brake lever 4-3
  - brake lever arm 4-5, 4-11
  - brake light switch bracket 6-29, 13-13
  - brake mounting block 4-7, 4-9
  - brake pedal 4-7
    - pedal, brake 4-9
  - brake pedal adjustment tool 17-3
  - brake pedal pad 4-7, 4-9
  - brake pedal tension tool 17-3
  - brake return spring 4-17, 4-19
  - brake self-adjusting mechanism 4-3
  - brake shoe 4-3, 4-5, 4-11
  - brake spring 4-3, 4-5, 4-11
  - breaker, circuit 16-13, 16-15
  - breather 12-3, 15-3
  - brush and screw set 6-31
  - brush box assembly 14-3
  - brush connector 6-31
  - brush guard 1-5
  - brush holder 6-31
  - brush inspection port cover 6-31
  - brush kit, motor 14-3
  - brush port cover 6-31
  - brush rigging 14-3
  - brush spring 14-3
  - brush spring set 6-31
  - brush, motor 14-3
  - bulb, headlight 6-17, 13-9
  - bumper
    - drive unit (motor) 14-3
    - front 1-3, 1-5
    - front, heavy duty 1-3
    - front, kit 1-3, 1-5
    - rubber 1-19, 1-27, 4-7, 4-9
    - seal, long 1-11
    - spring return 4-21
  - bumper, heavy duty 1-3
  - bumper, seat 1-11
  - bushing 11-3, 11-5, 11-7, 12-9
    - bronze 5-27, 5-29
    - nylon 1-23, 1-25, 4-7, 4-9
    - snap-in 1-23
    - spindle 5-27, 5-29
    - stabilizer bar 5-39, 5-41
    - steel 1-17, 5-17, 5-21, 5-25, 5-31, 5-33, 5-35, 5-37
    - urethane 1-17, 5-15, 5-17, 5-19, 5-21, 5-23, 5-25, 5-31, 5-33, 5-35, 5-37
  - bushing support 5-39, 5-41
  - button, drive 11-11, 11-13
  - buzzer, reverse 6-25, 6-27, 13-11, 13-17
- ## C
- cable
    - accelerator 10-13
    - brake 4-13, 4-17, 4-19
    - choke 10-17
    - FNR shifter 12-13
    - governor 10-13
    - IQDM 17-7
  - calibration test module 17-3
  - cam
    - driven clutch 11-11, 11-13
    - electrical component box 6-19, 6-21, 6-23
  - cam installation tool 17-3
  - cam, FNR shifter 12-9
  - camshaft 7-11, 8-11
  - camshaft shim 7-11, 8-11
  - camshaft spring 7-11
  - cap
    - battery, 6-volt 13-33, 13-35
    - corner 1-15, 1-25
    - dust 13-11, 13-17
    - fuel tank 10-5
    - key switch 6-25, 6-27, 13-11, 13-17
    - plug 7-5, 8-5
    - seat back 1-13
  - cap, front corner 1-27
  - carburetor 10-9
  - carburetor float level tool 17-7
  - carburetor gasket 10-11
  - carburetor insulator 10-11
  - carburetor mounting gasket 10-11
  - card, safety first 17-9
  - cargo bed, side panel 1-23
  - cargo box 1-23, 1-27
  - case
    - battery charger 16-3, 16-5, 16-13, 16-15
    - differential gear 12-7
    - gear 12-3, 15-3
    - rocker 7-9, 8-9
  - charger bezel tool 17-3
  - charger receptacle 13-19
  - charger, battery 16-3, 16-13, 16-17
  - charger, battery, onboard 16-5, 16-15
  - charger, battery, shield 16-11, 16-21
  - choke cable 10-17
  - choke cable bezel 10-17
  - choke valve 10-15
  - circuit breaker 13-25, 16-3, 16-5, 16-13, 16-15
  - clamp
    - battery 6-35
    - cable retaining 10-13
    - hose 10-7, 10-11, 10-15
    - muffler hose 9-3

# INDEX

- clevis, upper delta 5-17, 5-21, 5-25
  - clip
    - hair pin 1-27
  - clip, meter 6-25, 6-27
  - clip, score card 5-7
  - cluster idler gear 12-5
  - cluster, brake 4-3, 4-5, 4-11
  - clutch alignment tool 17-5
  - clutch pulley 11-3, 11-5
  - clutch removal tool 17-3
  - clutch repair kit 11-11, 11-13
  - clutch tool kit 17-5
  - clutch weight 11-3, 11-5, 11-7
  - clutch, drive 11-3, 11-5
  - clutch, driven 11-11, 11-13
  - coil, field 6-31
  - coil, ignition 7-5, 8-5
  - collet 7-9, 8-9
  - column, steering 5-3, 5-5
  - communication display module 17-5
  - component box, electrical 6-19, 6-21, 6-23
  - component mounting plate 13-29
  - compression gauge 17-5
  - compression mount 5-39, 5-41
  - compressor, piston ring 17-9
  - compressor, valve spring 17-11
  - computer, onboard 13-29
  - connecting rod 7-13, 8-13
  - connector, a- 6-31
  - continuity tester 17-5
  - control board 16-5, 16-15
  - controller, speed 13-29
  - cord connector 7-11, 8-11
  - cord reel 16-7, 16-11, 16-17, 16-21
  - cord, AC 16-3, 16-5, 16-13, 16-15
  - cord, DC 16-3, 16-5, 16-13, 16-15
  - corner cap 1-27
  - counterbalance guide shaft 7-13, 8-13
  - counterbalance weight 7-13, 8-13
  - cover
    - brush inspection port 6-31
    - brush port 6-31
    - crankcase 7-11, 8-11
    - dust 4-3, 4-5, 4-11, 5-3, 5-5, 5-27, 5-29
    - electrical box 6-19, 6-21, 6-23
    - electrical component 13-23
    - oil pump 7-7, 8-7
    - rocker switch hole 6-25, 6-27, 13-11, 13-17
    - screw head 6-25, 6-27, 13-11, 13-17
    - steering column 5-3
    - steering column tube 5-5
  - cowl 1-3, 1-5
  - crankcase 7-13, 8-13
  - crankcase cover 7-11, 8-11
  - crankcase vent tube 10-11
  - crankshaft 7-13, 8-13
  - crankshaft rod 7-13, 8-13
  - crankshaft shim 7-13, 8-13
  - C-type stop ring 5-11
  - cup holder 1-9
  - cup, spring 4-21
  - current limiter 16-13
  - cushion, shock absorber 5-31, 5-33, 5-35, 5-37
  - cutter, valve seat 17-5, 17-11
- ## D
- damper, RPM limiter 7-5, 8-5
  - dash 6-25, 6-27, 13-11, 13-17
  - dash component 1-7
  - dash panel 6-25, 6-27, 13-11, 13-17
  - DC cord 16-3, 16-5, 16-13, 16-15
  - decal
    - 4-gauge wire warning 3-5, 3-9, 13-23, 16-11, 16-21
    - battery danger 3-5, 3-9
    - bed load warning 1-23, 3-3, 3-7, 3-11, 3-15, 3-19, 3-23
    - Carryall 3-27, 3-29
    - Carryall 2 3-27
    - Carryall 2 Plus 3-27
    - Carryall 252 3-29
    - Club Car tailgate 1-27
    - crush area warning 3-3, 3-5, 3-7, 3-9, 3-11, 3-13, 3-15, 3-19, 3-23
    - dash warning 3-23
    - diode safety 3-25
    - driver/passenger 3-13, 3-17, 3-21, 3-25
    - electrical cover safety 3-5, 3-9, 13-23
    - FNR 3-5, 3-9, 3-13, 3-17, 3-21, 3-25, 6-25, 6-27, 13-11, 13-17
    - frame ground 3-13, 3-17, 3-21, 3-25
    - IR 3-27, 3-29, 3-31
    - key switch 3-15, 3-23, 6-25
    - on/off 3-3, 3-7, 3-11, 3-19, 6-27, 13-11, 13-17
    - operating instructions 3-15, 3-23
    - operating instructions (electric) 3-3, 3-7
    - operating instructions (gas) 3-11, 3-19
    - rollover warning 3-3, 3-7, 3-11, 3-15, 3-19, 6-25, 6-27
    - rotating parts 1-35, 3-13, 3-17, 3-21, 3-25
    - run/service switch 3-13, 3-17, 3-21, 3-25, 6-37
    - tailgate 1-23, 3-27, 3-29, 3-31
    - Tow/Run switch 3-5, 3-9, 13-25
    - trailer hitch 1-29, 1-31, 3-5, 3-9, 3-13, 3-17, 3-21, 3-25
    - Turf 2 3-27
    - Turf 252 3-29
    - vehicle loading 3-3, 3-7, 3-11, 3-15, 3-19, 3-23
    - winch cable warning 3-9, 3-21, 3-25
    - XRT 900 3-31
    - young driver warning 3-7, 3-19, 3-23
  - delta A-plate 5-15, 5-19, 5-23
  - delta A-plate sub-assembly 5-15, 5-19, 5-23
  - delta shock and gear support 5-15, 5-19, 5-23
  - desiccant bag 11-3, 11-5, 11-7
  - DF-terminal insulator 6-31
  - diagnostic port 13-11, 13-17
  - diesel tachometer probe 17-9
  - differential
    - drive unit 15-3
  - differential gear 12-7, 15-3
  - differential gear case 12-7
  - differential housing 15-3
  - differential idler gear 12-7
  - differential pin 12-7
  - diode 6-19, 6-21, 6-23
  - dipstick 7-3, 8-3
  - drain plug 7-7, 8-7
  - drain plug gasket 7-7, 8-7, 12-3
  - drive bar 13-15
  - drive belt 11-9
  - drive button 11-11, 11-13
  - drive clutch 11-3, 11-5
  - drive clutch assembly 11-7
  - drive clutch button 11-3, 11-5, 11-7
  - drive clutch fixed sheave tool 17-5
  - drive clutch fixed-face 11-3, 11-5, 11-7
  - drive clutch holder tool 17-5
  - drive clutch hub puller 17-5
  - drive clutch puller 17-5
  - drive clutch pulley 11-7
  - drive clutch spider removal tool 17-5
  - drive clutch spring 11-3, 11-5, 11-7
  - drive clutch weight 11-3, 11-5, 11-7
  - drive hub 11-3, 11-5, 11-7
  - drive unit bumper 14-3
  - driven clutch 11-11, 11-13
  - driven clutch button 11-11, 11-13
  - driven clutch cam 11-11, 11-13
  - driven clutch cam puller 17-5
  - driven clutch fixed-face assembly 11-11, 11-13
  - driven clutch puller plug 17-5
  - driven clutch spring compression base tool 17-5
  - driven clutch spring compression collar tool 17-5
  - driven clutch spring compression nut tool 17-5
  - driver, drive clutch 11-3, 11-5, 11-7
  - drum, brake 4-3, 4-5, 4-11
  - dry moly lubricant 17-7
  - dust cap 13-11, 13-17
  - dust cover 4-3, 4-5, 4-11, 5-3, 5-5, 5-27, 5-29
- ## E
- eccentric adjustment screw 5-17, 5-21, 5-25



# INDEX

E-clip 4-13, 4-17, 4-19  
electrical box cover 6-19, 6-21, 6-23  
electrical component box 6-19, 6-21, 6-23, 13-29  
electrical component cover 13-23  
end bell, commutator 6-31  
end bell, output shaft 6-31  
end cap, motor 14-3  
engine 7-3  
engine mounting plate 7-15, 7-17, 8-15, 8-17  
engine shroud 7-3, 8-3  
engine, FE350 CW without ACR 8-3  
equalizer pivot 4-13  
equalizer rod 4-13, 4-17, 4-19  
equalizer, brake cable 4-13, 4-17, 4-19  
exhaust system 9-3  
exhaust valve 7-9, 8-9  
extension, I-beam 5-13  
extension, spring latch 1-17  
extrusion, fender 1-3

## F

face, moveable 11-3, 11-5, 11-7, 11-11, 11-13  
fan housing 7-3, 8-3  
fan shroud 7-3, 8-3  
fan, flywheel 7-5, 8-5  
fender 1-35  
fender extrusion 1-3  
fender, rear 1-33, 1-35  
field coil 6-31  
field coil housing 6-31  
fill plug 12-3  
filter  
    air 10-15  
    fuel 10-7  
    oil 7-7, 8-7  
    oil pump 7-7, 8-7  
fitting, thread-forming grease 5-11, 5-15, 5-19, 5-23, 5-27, 5-29  
fixed-face, drive clutch 11-3, 11-5, 11-7  
fixed-face, driven clutch 11-11, 11-13  
float 10-9  
floor mat 1-5, 1-7  
floor plate, bed 1-17  
flywheel 7-5, 8-5  
flywheel fan 7-5, 8-5  
flywheel fan plate 7-5, 8-5  
flywheel puller 17-7  
FNR closeout brush 6-25, 6-27  
FNR shift lever 12-3  
FNR shifter 12-9  
FNR shifter bracket 12-9  
FNR shifter cable 12-13  
FNR shifter cam 12-9  
fork, shift 12-5  
frame and field, motor 14-3

frame, tilt bed 1-17  
front bumper 1-3, 1-5  
front bumper kit 1-3, 1-5  
front spring retainer plate 5-17, 5-21, 5-25  
F-terminal hardware 6-31  
f-terminal insulator 6-31  
fuel filter 10-7  
fuel gauge sending unit 10-5  
fuel line 10-7, 10-11  
fuel meter 6-25, 6-27  
fuel pickup tube 10-5  
fuel pump mount 10-7  
fuel pump, impulse 10-7  
fuel tank 10-5  
fuel tank cap 10-5  
fuel tank strap 10-7  
fuel tank vent 10-5  
fuse 13-19, 16-3, 16-5, 16-13, 16-15  
    10-amp 6-19, 6-21, 6-23  
    20-amp 6-19, 6-21, 6-23  
    3/8-amp 13-19  
fuse and receptacle 13-19  
fuse block 6-19, 6-21, 6-23

## G

gasket 15-3  
    carburetor 10-11  
    carburetor mounting 10-9, 10-11  
    crankcase cover 7-9, 7-11, 8-9, 8-11  
    drain plug 7-7, 8-7, 12-3  
    exhaust 7-9, 8-9, 9-3  
    head 7-9, 8-9  
    insulator 7-9, 8-9, 10-11  
    liquid 12-3, 15-3, 17-7  
    rocker case 7-9, 8-9  
    sending unit 10-5  
gasket kit, FE350 7-9, 8-9  
gauge, battery condition 13-11  
gauge, compression 17-5  
gauge, fuel-hour 6-25, 6-27  
gear  
    case 12-3, 15-3  
    cluster idler 12-5  
    differential 12-7, 15-3  
    differential idler 12-7, 15-3  
    differential output 15-3  
    helical 7-13, 8-13, 12-5, 12-7  
    spur 7-13, 8-13, 12-5  
    synchro 12-5  
gear yoke 17-7  
governor 12-5  
governor arm 12-3  
governor cable 10-13  
governor cable bracket 10-13  
governor shaft installation tool 17-7  
grip, pencil 5-7

grip, tilt latch hand 1-17, 1-23  
grommet 10-5  
guard, brush 1-5  
guard, splash 10-3  
guide  
    intake valve 7-9, 8-9  
    valve 7-9, 8-9  
    valve seat cutter 17-11  
guide ring adhesive 17-3

## H

hair pin clip 1-27  
hanger, brake cable 5-31, 5-33  
hardware, F-terminal 6-31  
harness, battery charger 16-11, 16-21  
harness, headlight 6-15, 13-3  
harness, wire 6-5, 6-9, 6-13, 6-19, 6-21, 6-23, 13-7, 13-23, 13-29  
head gasket 7-9, 8-9  
head, cylinder 7-9, 8-9  
headband, sealed, motor 14-3  
headband, vented, motor 14-3  
headlight assembly 6-17, 13-9  
headlight bulb 6-17, 13-9  
headlight harness 6-17, 13-9  
headlight retainer 6-17, 13-9  
headlight wire harness 6-15, 13-3  
heat shrink tube 16-7, 16-17  
heatsink and rectifier 16-3, 16-5, 16-13, 16-15  
heavy duty bumper 1-3  
helical gear 7-13, 8-13, 12-5, 12-7  
hill brake rod 4-7, 4-9  
hill brake weld assembly 4-7, 4-9  
hinge, tilt bed 1-17  
hitch, trailer 1-29  
hold-down rod, battery 13-33, 13-35  
hold-down, battery 13-33, 13-35  
holder, cup 1-9  
hole plug 13-17  
horn 6-15, 13-3  
horn bracket 6-15, 13-3  
horn button and wire assembly 6-29, 13-13  
hose, air intake 10-15  
hose, fuel 10-7  
hour meter 6-25, 6-27, 13-31  
housing  
    2-pin 13-15  
    3-pin 13-15, 14-3  
    differential 15-3  
    fan 7-3, 8-3  
    field coil 6-31  
hub 5-27, 5-29  
hub bearing 5-27, 5-29  
hub, synchronizer clutch 12-5  
hydraulic brake adjuster 17-7  
hydrometer 17-7

# INDEX

- I**
- I-beam extension 5-13
  - idle screw assembly 10-9
  - idler bearing 11-3, 11-5, 11-7
  - idler gear, differential 15-3
  - ignition coil 7-5, 8-5
  - indicator, battery condition 13-11
  - inner frame snubber 7-15, 7-17, 8-15, 8-17
  - input shaft 15-3
  - insert, synchronizer 12-5
  - instrument panel 6-25, 6-27, 13-11, 13-17
  - insulating washer 14-3
  - insulator gasket 7-9, 8-9, 10-11
  - insulator, carburetor 10-11
  - insulator, motor terminal 14-3
  - intake pipe 10-11
  - intake valve 7-9, 8-9
  - intermediate shaft 15-3
  - intermediate steering shaft 5-3
  - internal retaining ring pliers 17-7
  - IQ display module (IQDM) 17-7
- J**
- jet, main 10-9
  - jet, pilot 10-9
  - joint
    - ball 4-7, 4-9, 4-23, 5-15, 5-19, 5-23, 12-13
    - left-hand thread ball 5-11, 5-15, 5-19, 5-23
    - steering 5-5
- K**
- key
    - crankshaft 7-5, 7-13, 8-5, 8-13
    - driven clutch 11-11, 11-13
    - On/Off 6-25, 6-27, 13-11, 13-17
    - square 11-11, 11-13
    - starter/generator 6-31
    - woodruff 12-3
  - key switch 6-25, 6-27
  - key switch cap 6-25, 6-27, 13-11, 13-17
  - key switch, On/Off 13-11, 13-17
  - kingpin 5-17, 5-21, 5-25
  - kit
    - 2-pin housing 13-15
    - 3-pin housing 13-15, 14-3
    - accelerator pivot rod 4-21
    - anchor body 4-5, 4-11
    - brake cable 4-19
    - brake pedal 4-7
    - brake pedal adjustment tool 17-3
    - brake shoe retainer 4-3, 4-5, 4-11
    - clutch repair 11-11, 11-13
    - differential gear case 12-7
    - drive clutch button 11-3, 11-5, 11-7
    - drive clutch weight 11-3, 11-5, 11-7
    - driven clutch button 11-11, 11-13
    - impulse fuel pump rebuild 10-7
    - IQ display module (IQDM) 17-7
    - motor brush 14-3
    - motor speed sensor 14-3
    - park brake latch 4-7, 4-9
    - park brake pedal 4-7, 4-9
    - rear receiver hitch 1-31
    - shock absorber cushion 5-31, 5-33, 5-35, 5-37
    - steering column rebuild 5-3, 5-5
    - tune-up 17-9
  - kit, taillight mounting 1-23
  - knob, forward/reverse 12-9, 12-13
- L**
- lash adjuster 7-11, 8-11
  - latch plate, tilt bed 1-19
  - latch weld 1-17
  - latch, air box 10-15
  - latch, bed 1-23
  - latch, park brake 4-7, 4-9
  - latch, slam 1-27
  - latch, spring 1-27
  - leaf spring 5-17, 5-21, 5-25, 5-31, 5-33, 5-35, 5-37
  - lens, headlight 6-17, 13-9
  - lever
    - change 12-3
    - choke 10-15
  - light
    - battery 13-11, 13-17
    - oil 6-25, 6-27
  - limit switch 6-19, 6-23, 6-29, 12-9, 13-13
  - limiter
    - current 16-13
    - RPM 7-5, 8-5
    - voltage 6-15
  - line, fuel 10-7, 10-11
  - link, rack and pinion drag 5-11
  - link, stabilizer bar 5-39, 5-41
  - liquid gasket 12-3, 15-3, 17-7
  - low oil warning light 6-25, 6-27
  - lubricant, dry moly 17-7
  - lubricant, moly-teflon 14-3, 17-7
  - lug nut 2-3, 2-5, 2-7
  - lug stud 5-27, 5-29, 12-7, 15-3
- M**
- magnet, speed sensor 14-3
  - main jet 10-9
  - maintenance/operation switch 6-37
  - mat, floor 1-5, 1-7
  - MCOR 13-15
  - mechanism, brake adjusting 4-3
  - meter clip 6-25, 6-27
  - meter, hour 13-31
  - meter, volt ohm 17-11
  - module
    - calibration test 17-3
    - communication display 17-5
  - moly-teflon lubricant 17-7
  - motor
    - 48-volt IQ Plus 14-3
    - brush 14-3
    - brush kit 14-3
    - brush spring 14-3
    - bumper 14-3
    - controller 13-29
    - end cap 14-3
    - frame and field 14-3
    - headband, sealed 14-3
    - headband, vented 14-3
    - magnet, speed sensor 14-3
    - speed sensor 14-3
    - speed sensor kit 14-3
    - terminal and lead assembly 14-3
    - terminal insulator 14-3
    - AC electric 14-3
  - mount, compression 5-39, 5-41
  - mount, fuel pump 10-7
  - mounting block, brake 4-7, 4-9
  - moveable-face 11-3, 11-5, 11-7, 11-11, 11-13
  - muffler hose clamp 9-3
- N**
- name plate 3-27, 3-29, 3-31
  - needle bearing 12-5
  - nozzle, main 10-9
  - nut, lug 2-3, 2-5, 2-7
- O**
- OBC 13-29
  - oil filler tube 7-3, 8-3
  - oil filter 7-7, 8-7
  - oil filter mount bracket 7-7, 8-7
  - oil filter screen 7-11, 8-11
  - oil filter screen plate 7-11, 8-11
  - oil level sensor 7-11, 8-11
  - oil level switch bracket 7-11, 8-11
  - oil pump and rotor 7-7, 8-7
  - oil pump cover 7-7, 8-7
  - oil pump filter 7-7, 8-7
  - oil pump plate 7-7, 8-7
  - oil seal 7-9, 7-11, 7-13, 8-9, 8-11, 8-13, 12-3, 12-5
  - oil warning light, low 6-25, 6-27
  - onboard battery charger 16-5, 16-15
  - onboard computer 13-29
  - operation/maintenance switch 6-37
  - O-ring 7-3, 7-9, 7-11, 7-13, 8-3, 8-9, 8-11, 8-13

# INDEX

- P**
- pad
    - accelerator pedal 4-21
    - brake pedal 4-7, 4-9
    - park brake 4-7, 4-9
  - paint, touch-up 17-7
  - panel
    - left 1-27
    - right 1-27
  - panel box 1-23
  - panel, front 1-23, 1-27
  - panel, instrument 6-25, 6-27, 13-11, 13-17
  - park brake latch 4-7, 4-9
  - park brake pedal 4-7, 4-9
  - park brake rod sleeve 4-7, 4-9
  - park brake spacer 4-7, 4-9
  - park brake torsion spring 4-7, 4-9
  - pawl 4-7, 4-9
  - pedal group 4-9
  - pedal, accelerator 4-21
  - pedal, brake 4-7
  - pedal, park brake 4-7, 4-9
  - pencil grip 5-7
  - pilot air screw assembly 10-9
  - pilot jet 10-9
  - pin, differential 12-7
  - pin, piston 7-13, 8-13
  - pinion, steering 5-11
  - pipe, intake 10-11
  - piston 7-13, 8-13
  - piston anchor 4-5, 4-11
  - piston pin 7-13, 8-13
  - piston ring 7-13, 8-13
  - piston ring compressor 17-9
  - piston ring pliers 17-9
  - piston ring set 7-13, 8-13
  - pivot arm 12-3
  - pivot support bearing 4-21
  - plate
    - backing (brake) 4-3
    - component mounting 13-29
    - engine mounting 7-15, 7-17, 8-15, 8-17
    - flywheel fan 7-5, 8-5
    - front spring retainer 5-17, 5-21, 5-25
    - latch 1-19
    - name 3-27, 3-29, 3-31
    - oil filter screen 7-11, 8-11
    - oil pump 7-7, 8-7
    - receptacle backing 13-19, 16-11, 16-21
    - score card 5-7, 5-9
    - spring mounting 5-17, 5-21, 5-25
    - steering wheel 5-9
    - thrust 12-5, 12-7
  - plate, Tow/Run switch 13-25
  - pliers
    - internal retaining ring 17-7
    - piston ring 17-9
    - retaining ring 17-9
  - plug
    - drain 7-7, 8-7
    - driven clutch puller 17-5
    - fill 12-3
    - hole 13-17
    - spark 7-5, 8-5
  - plug cap 7-5, 8-5
  - pole set 6-31
  - port, diagnostic 13-11, 13-17
  - press weldment 17-5
  - prop rod 1-21
  - protector spray, battery terminal 17-3
  - puller
    - bearing 17-3
    - clutch 17-3
    - drive clutch 17-5
    - drive clutch hub 17-5
    - driven clutch cam 17-5
    - flywheel 17-7
    - seal 17-9
    - special use tool 17-9
  - pulley
    - clutch 11-3, 11-5
    - drive clutch 11-7
    - starter-generator 6-31
  - pump, impulse fuel 10-7
  - push rod 7-9, 8-9
- R**
- race, front hub bearing 5-27, 5-29
  - rack and pinion drag link 5-11
  - rack guide pressure spring 5-11
  - rack, steering 5-11
  - ratchet, park brake 4-7, 4-9
  - reamer, valve guide 17-9
  - rear fender 1-33
  - rear spring shackle 5-31, 5-33
  - receiver hitch 1-31
  - receptacle and fuse 13-19
  - receptacle backing plate 13-19, 16-11, 16-21
  - receptacle, AC cord 16-13
  - receptacle, battery charger 13-19
  - rectifier with heatsink 16-3, 16-5, 16-13, 16-15
  - reel bracket 16-7, 16-17
  - reel cord 16-7, 16-11, 16-17, 16-21
  - regulator, voltage 6-19, 6-21, 6-23
  - relay 6-23
  - relay mounting bracket 6-23, 16-5, 16-15
  - relay, 12-volt 6-15
  - relay, 48-volt 13-3, 13-29, 16-3, 16-5, 16-13, 16-15
  - remover, bearing and oil seal 17-3
  - retainer
    - accelerator pedal spring 4-21
    - brake shoe 4-3, 4-5, 4-11
    - headlight 6-17, 13-9
    - shock absorber cushion 5-31, 5-33, 5-35, 5-37
    - spring (drive clutch) 11-3, 11-5, 11-7
    - valve spring 7-9, 8-9
  - retainer, battery charger 16-21
  - retaining ring 5-3, 5-5
  - retaining ring pliers 17-9
  - return spring bumper 4-21
  - reverse buzzer 6-25, 6-27, 13-11, 13-17
  - rim, wheel 2-5, 2-7
  - rim, wheel, silver 2-5, 2-7
  - rim, wheel, white 2-3
  - ring
    - piston 7-13, 8-13
    - retaining 5-3, 5-5, 6-19, 6-21, 6-23, 11-3, 11-5, 11-7, 11-11, 11-13
    - snap 5-11, 7-9, 7-13, 8-9, 8-13
    - spiral backup 11-3, 11-5, 11-7
    - synchronizer 12-5
  - ring, C-type stop 5-11
  - ring, piston 7-13, 8-13
  - rivet, blind push 1-3, 1-5, 13-23
  - rocker arm 7-9, 8-9
  - rocker case 7-9, 8-9
  - rocker case gasket 7-9, 8-9
  - rocker shaft 7-9, 8-9
  - rocker switch 13-11, 13-17
  - rocker switch (lights) 6-15, 13-3
  - rod
    - accelerator 4-23
    - accelerator pivot 4-21
    - battery hold-down 13-33, 13-35
    - connecting 7-13, 8-13
    - crankshaft 7-13, 8-13
    - equalizer 4-13, 4-17, 4-19
    - hill brake 4-7, 4-9
    - prop 1-21
    - push 7-9, 8-9
    - shift 12-5
    - tie 5-15, 5-19, 5-23
  - rotor, oil pump and 7-7, 8-7
  - RPM limiter 7-5, 8-5
  - RPM limiter bracket 7-5, 8-5
  - RPM limiter damper 7-5, 8-5
  - RPM limiter mount band 7-5, 8-5
  - rubber bumper 1-27
- S**
- safety first card 17-9
  - score card clip 5-7
  - score card plate 5-7
  - screen, oil filter 7-11, 8-11
  - screw, eccentric adjustment 5-17, 5-21, 5-25

# INDEX

- screw, valve clearance adjuster 17-9
- seal
  - bearing 5-3, 5-5
  - intake 10-15
  - lip 15-3
  - oil 7-9, 7-11, 7-13, 8-9, 8-11, 8-13, 12-3, 12-5, 12-7, 15-3
  - steering pinion dust 5-11
  - vertical socket dust 5-11, 5-15, 5-19, 5-23
- seal puller 17-9
- seal, bed 1-15, 1-17
- sealant 12-3, 15-3
- seat
  - spring 7-9, 8-9
  - valve 7-7, 8-7
- seat back 1-13
- seat back assembly 1-13
- seat back cap 1-13
- seat back tube 1-15
- seat back, white 1-13
- seat bottom assembly 1-11
- seat bumper 1-11
- seat cover, vinyl 1-11
- seat strap 1-11
- seat, bearing 5-3, 5-5
- sending unit, fuel gauge 10-5
- sensor, motor speed 14-3
- sensor, oil level 7-11, 8-11
- set, brush and screw 6-31
- set, pole 6-31
- shackle weldment 5-35
- shackle, rear spring 5-31, 5-33
- shaft
  - change 12-3
  - counterbalance guide 7-13, 8-13
  - input 15-3
  - intermediate 15-3
  - intermediate steering 5-3
  - rocker 7-9, 8-9
  - steering column 5-3, 5-5
  - transmission 12-5
- shield, air duct 10-17
- shield, battery charger 16-11, 16-21
- shift fork 12-5
- shift lever 12-3
- shift rod 12-5
- shifter, FNR 12-9
- shim, camshaft 7-11, 8-11
- shim, crankshaft 7-13, 8-13
- shim, latch plate 1-19
- shim, tilt bed pivot 1-17
- shock absorber 5-15, 5-19, 5-23, 5-31, 5-33, 5-35, 5-37
- shock absorber cushion 5-31, 5-33, 5-35, 5-37
- shock absorber cushion retainer 5-31, 5-33, 5-35, 5-37
- shock extension 5-37
- shock mounting bracket 5-35
- shoe, brake 4-3, 4-5, 4-11
- shroud 7-3, 8-3
- shroud, engine 7-3, 8-3
- shroud, fan 7-3, 8-3
- slam latch 1-27
- sleeve
  - delta A-plate 5-15, 5-19, 5-23
  - governor 12-5
  - park brake rod 4-7, 4-9
  - synchronizer 12-5
- snap ring 5-11, 7-9, 7-13, 8-9, 8-13
- snubber bracket 7-15, 7-17, 8-15, 8-17
- snubber, inner frame 7-15, 7-17, 8-15, 8-17
- socket 5-11, 5-15, 5-19, 5-23
- solenoid 13-29
- solenoid, 12-volt 6-19, 6-21, 6-23
- spacer 1-5, 13-33, 13-35
  - accelerator pivot rod 4-21
  - park brake 4-7, 4-9
- spanner wrench 17-9
- spark plug 7-5, 8-5
- speed controller 13-29
- speed sensor 14-3
- speed sensor magnet 14-3
- speed sensor, motor 14-3
- spindle 5-27, 5-29
- spiral backup ring 11-3, 11-5, 11-7
- splash guard 10-3
- spray, battery terminal protector 17-3
- spring
  - accelerator return 4-21
  - brake 4-3, 4-5, 4-11
  - brake return 4-17, 4-19
  - brush 6-31, 14-3
  - camshaft 7-11
  - compression 5-7
  - drive button 11-3, 11-5, 11-7
  - drive clutch 11-3, 11-5, 11-7
  - driven clutch 11-11
  - extension return 10-15
  - latch tilt 1-23
  - leaf 5-17, 5-21, 5-25, 5-31, 5-33, 5-35, 5-37
  - park brake torsion 4-7, 4-9
  - rack guide pressure 5-11
  - shifter 12-5
  - steering shaft compression 5-3, 5-5
  - synchronizer 12-5
  - throttle return 10-11
  - valve 7-9, 8-9
- spring cup 4-21
- spring latch 1-27
- spring mounting plate 5-17, 5-21, 5-25
- spring, motor brush 14-3
- spur gear 7-13, 8-13, 12-5
- stabilizer bar 5-39, 5-41
- stabilizer bar link 5-39, 5-41
- stabilizer bar mounting bracket 5-39, 5-41
- starter/generator 6-31
- starter/generator belt 6-33, 11-3, 11-5, 11-7
- starter/generator pulley 6-31
- steel bushing 1-17, 5-17, 5-21, 5-25, 5-31, 5-33, 5-35, 5-37
- steel pressure relief ball 7-7, 8-7
- steering column 5-3, 5-5
- steering column bearing press tool 17-9
- steering column retaining ring tool 17-9
- steering gear box 5-11
- steering joint 5-5
- steering pinion 5-11
- steering pinion dust seal 5-11
- steering rack 5-11
- steering shaft assembly 5-3, 5-5
- steering shaft compression spring 5-3, 5-5
- steering wheel 5-7, 5-9
- steering wheel plate 5-9
- steering wheel puller tool 17-9
- stem, valve 2-3, 2-5, 2-7
- stiffener 1-11
- stiffener, flywheel side 7-15, 7-17, 8-15, 8-17
- stiffener, PTO side 7-15, 7-17, 8-15, 8-17
- strap, A-plate 5-15, 5-19, 5-23
- strap, fuel tank 10-7
- strap, seat 1-11
- stud 7-15, 7-17, 8-15, 8-17
  - lug 5-27, 5-29, 12-7, 15-3
  - self-clinching 1-25, 1-27
- stud, ball 6-19, 6-21, 6-23
- support yoke (steering) 5-11
- support, bushing 5-39, 5-41
- suppressor, voltage 6-15, 13-3, 16-3, 16-5, 16-13, 16-15
- switch
  - four-position 16-13, 16-15
  - key 6-25, 6-27, 13-11, 13-17
  - light rocker 6-15, 13-3
  - limit 6-19, 6-23, 6-29, 12-9, 13-13
  - rocker 13-11, 13-17
  - Tow/Run 13-25
- switch plate, Tow/Run 13-25
- switch rubber boot 6-37, 13-25
- switch, operation/maintenance 6-37
- switch, toggle 6-37
- synchro gear 12-5
- synchronizer clutch hub 12-5
- synchronizer insert 12-5
- synchronizer sleeve 12-5
- synchronizer spring 12-5
- system, exhaust 9-3

# INDEX

- T**
- 12-volt battery 6-35
  - 12-volt solenoid 6-19, 6-21, 6-23
  - tachometer 17-9
  - tachometer probe, diesel 17-9
  - tailgate 1-23, 1-27
  - tailgate angle 1-25, 1-27
  - taillight mounting kit 1-23
  - taillskirt 1-33, 1-35
  - tank, fuel 10-5
  - tape 10-17
  - tape, vinyl foam 1-17
  - terminal block 6-15, 13-3, 13-23, 16-11, 16-21
  - tester, continuity 17-5
  - tether 1-27
  - thermometer, battery 17-3
  - thread-forming grease fitting 5-11, 5-15, 5-19, 5-23, 5-27, 5-29
  - throttle return spring 10-11
  - throttle spring return bracket 10-11
  - thrust bearing 5-17, 5-21, 5-25
  - thrust plate 12-5, 12-7
  - tie rod 5-15, 5-19, 5-23
  - tie wrap 5-11, 6-15, 6-19, 6-21, 6-23, 12-13, 13-3, 13-7, 13-23, 13-29, 13-31, 16-11, 16-21
  - tilt bed 1-17
  - tilt bed frame 1-17
  - tilt latch hand grip 1-17, 1-23
  - tire 2-3, 2-5, 2-7
  - tire and wheel assembly 2-3
  - toggle switch 6-37
  - tool
    - accelerator pedal adjustment 17-3
    - belt tensioning, starter/generator 17-11
    - brake adjustment 17-3
    - brake cable release 17-3
    - brake pedal adjustment 17-3
    - brake pedal tension 17-3
    - cam installation 17-3
    - carburetor float level 17-7
    - charger bezel 17-3
    - clutch alignment 17-5
    - cT-wrench 17-5
    - drive clutch fixed sheave 17-5
    - drive clutch holder 17-5
    - drive clutch spider removal 17-5
    - driven clutch spring compression base 17-5
    - driven clutch spring compression collar 17-5
    - driven clutch spring compression nut 17-5
    - governor shaft installation 17-7
    - puller, special use 17-9
    - steering column bearing press 17-9
    - steering column retaining ring 17-9
    - steering wheel puller 17-9
    - transaxle axle seal 17-9
    - transaxle pinion seal 17-9
    - transmission 17-9
    - valve guide driver 17-9
    - valve seat cutter 17-5
  - tool kit, clutch 17-5
  - touch-up paint 17-7
  - Tow/Run switch 13-25
  - Tow/Run switch bracket 6-37
  - Tow/Run switch plate 13-25
  - track, prop rod 1-21
  - trailer hitch 1-29
  - trailer hitch brace 1-29
  - transaxle 15-3
  - transaxle axle seal tool 17-9
  - transaxle housing 15-3
  - transaxle pinion seal tool 17-9
  - transaxle, unitized 12-3
  - transformer, battery charger 16-3, 16-5, 16-13, 16-15
  - transmission shaft 12-5
  - transmission tool 17-9
  - trim
    - cowl 1-3, 1-5
    - seat bottom 1-15
  - tube
    - crankcase vent 10-11
    - fuel pickup 10-5
    - oil filler 7-3, 8-3
    - seat back 1-15
  - tune-up kit 17-9
  - turn signal lens 6-17, 13-9
  - T-wrench tool 17-5
- U**
- U-bolt 5-35, 5-37
  - u-bolt 5-31, 5-33
  - unitized transaxle 12-3
  - upper delta clevis 5-17, 5-21, 5-25
  - urethane bushing 1-17, 5-15, 5-17, 5-19, 5-21, 5-23, 5-25, 5-31, 5-33, 5-35, 5-37
- V**
- valve
    - choke 10-15
    - exhaust 7-9, 8-9
    - intake 7-9, 8-9
    - reed 7-9, 8-9
  - valve clearance adjuster screw 17-9
  - valve guide 7-9, 8-9
  - valve guide driver tool 17-9
  - valve guide reamer 17-9
  - valve guide, intake 7-9, 8-9
  - valve seat 7-7, 8-7
  - valve seat cutter 17-5, 17-11
  - valve seat cutter guide 17-11
  - valve seat cutter tool 17-5
  - valve seat t-wrench 17-11
  - valve spring 7-9, 8-9
  - valve spring compressor 17-11
  - valve spring retainer 7-9, 8-9
  - valve stem 2-3, 2-5, 2-7
  - vent barb 10-7
  - vertical socket dust seal 5-11, 5-15, 5-19, 5-23
  - volt ohm meter 17-11
  - voltage limiter 6-15
  - voltage regulator 6-19, 6-21, 6-23
  - voltage suppressor 6-15, 13-3, 16-3, 16-5, 16-13, 16-15
- W**
- warning light, low oil 6-25, 6-27
  - washer, insulating 14-3
  - wedge, bearing puller 17-3
  - weight
    - clutch 11-3, 11-5, 11-7
    - counterbalance 7-13, 8-13
    - secondary clutch 11-3, 11-5, 11-7
  - weldment
    - press 17-5
  - weldment, receiver hitch 1-31
  - weldment, tilt bed frame 1-17
  - wheel 2-3
  - wheel and tire assembly 2-3
  - wheel rim 2-5, 2-7
  - wheel rim, silver 2-5, 2-7
  - wheel rim, white 2-3
  - wheel, steering 5-7, 5-9
  - wire assembly, battery charger 16-13
  - wire harness 6-5, 6-9, 6-13, 6-19, 6-21, 6-23, 13-7, 13-23, 13-29
  - wire harness, headlight 6-15, 13-3
  - woodruff key 12-3
  - wrap, tie 5-11, 6-15, 6-19, 6-21, 6-23, 12-13, 13-3, 13-7, 13-23, 13-29, 13-31, 16-11, 16-21
  - wrench, spanner 17-9
- Y**
- yoke, gear 17-7
  - yoke, support (steering) 5-11

















**Club Car, Inc.**  
P.O. Box 204658  
Augusta, GA 30917-4658  
USA

**Web** [www.clubcar.com](http://www.clubcar.com)  
**Phone** 1.706.863.3000  
1.800.ClubCar  
**Int'l** +1 706.863.3000  
**Fax** 1.706.863.5808