



**2008
Precedent
Illustrated Parts List**



Gasoline and Electric Vehicles

Manual Number 103373028
Edition Code 0412C0616B

USING THE ILLUSTRATED PARTS LIST

⚠ WARNING

- **This manual is to be used only for identification and ordering of service parts. Be sure to read and use the maintenance and service manual before attempting any vehicle repairs.**

This manual covers all 2008 Club Car Precedent vehicles.

The manual is divided into sections. Note that there are two or three flags on the outside edge of each page. The first flag contains the section number of which that page is a part. The other flag (or flags) contains the letter D, E, or G, signifying that the page pertains to diesel, electric, or gasoline vehicles.

Use the Table of Contents to find the sections and pages that contain the parts and assemblies you seek. The Table of Contents lists section numbers, and under them, the individual page titles and numbers to be found in that section. The index can be used to find specific parts and assemblies. The index is divided into numerical and alphabetical listings with the page numbers in italic text.

There is a two-page spread for each individual page title in the Table of Contents. On the left-hand page is an illustration showing the parts in their relative positions; the parts are each tagged with an item number in a balloon. The right-hand page is the parts list page, and gives the page title at the top, then the item numbers (corresponding to the numbers on the illustration), part descriptions, and quantity of parts used. Some item numbers have more than one part number because several configurations of a component are represented together on one spread.

Note that a part description may be indented. This indentation corresponds to a parts assembly level indicated by the numbers 1, 2, 3, and 4 at the top left corner of the parts description area of the parts list page. A part that is indented to *level 2* is a component of the *level 1* part (assembly) that it is listed under. A *level 3* part is a component of the *level 2* part that it is listed under, and a *level 4* part is a component of the *level 3* part preceding it. In each case, the part quantity given for a level 2, 3, or 4 part is the quantity used per next higher level assembly of which it is a component. A part that is not indented is a *level 1* part. This means that the quantity given is the quantity used per the portion of the vehicle illustrated on that particular spread.

HOW TO ORDER PARTS

Replacement parts and accessories can be obtained from our network of authorized dealers and distributors. You can obtain the name and phone number of your closest authorized Club Car dealer or distributor by visiting our web site at www.clubcar.com and clicking on the "Distributor Search" link or by calling our toll-free Service Parts and Technical Assistance hotline at (800) 872-2246 or (706) 863-3000, extension 3887.



P. O. Box 204658
Augusta, Georgia 30917-4658 USA
Telephone 706-863-3000
Service Parts Fax 706-855-7413
www.clubcar.com

NOTE: *This illustrated parts list represents the most current information at the time of publication. Club Car, LLC. is continually working to further improve its vehicles and other products. These improvements may affect the parts used to service the vehicle. Any modification and/or significant change in specifications will be forwarded to all Club Car and Carryall distributors/dealers and will, when applicable, appear in future editions of this illustrated parts list.*

Club Car, LLC. reserves the right to change specifications and designs at any time without notice and without the obligation of making changes to units previously sold.

Copyright © 2012 Club Car, LLC
Club Car, Precedent, and Surllyn
are registered trademarks of Club Car, LLC
This manual effective March 11, 2012.

2008 Precedent Illustrated Parts List

CONTENTS

SECTION 1 – BODY AND TRIM

Front Bumper	1-3
Front Body	1-5
Underbody Covers (Vehicle Without Canopy)	1-7
Dash – Style A	1-9
Dash – Style B	1-11
Floor Mat, Retainer, and Front Underbody-Style A Underbody	1-13
Floor Mat, Retainer, and Front Underbody-Style B Underbody	1-15
Kick Plate – Gasoline Vehicle	1-17
Kick Plate – Electric Vehicle	1-19
Seat with Hip Restraints – Style A	1-21
Seat with Hip Restraints – Style B	1-23
Backrest and Structural Accessory Module (SAM)	1-25
Rear Body	1-27
Canopy – Beige	1-29
Canopy – White	1-31
Rear Seat – Precedent Villager 4	1-33
Rear Footrest Assembly – Precedent Villager 4	1-35
Four Passenger Conversion Kit – Beige	1-37
Four Passenger Conversion Kit – White	1-39
Four Passenger Conversion Kit – Gray	1-41

SECTION 2 – WHEELS AND TIRES

Wheels and Tires – Professional and i2	2-3
Wheels and Tires – Champion and i2L	2-5

SECTION 3 – DECALS

Decals – Gasoline Vehicle	3-3
Decals – Electric Vehicle, Styles A, B, and C	3-5
Decals – Electric Vehicle, Style A	3-7
Decals – Electric Vehicle, Style B and Style C	3-9
Decal – Precedent Villager 4	3-11

SECTION 4 – BRAKES AND PEDAL GROUP ASSEMBLIES

Rear Brake Assembly, Self-Adjusting	4-3
Brake Cables	4-5
Pedal Group Connections – Gasoline Vehicle	4-7
Pedal Group Connections – Electric Vehicle	4-9

CONTENTS

Pedal Group Components – Gasoline Vehicle	4-11
Pedal Group Components – Electric Vehicle	4-13

SECTION 5 – STEERING, FRONT AND REAR SUSPENSION

Steering Wheel – Champion and i2L	5-3
Steering Wheel – Professional and i2	5-5
Steering Column	5-7
Steering Gear Assembly	5-9
Front Suspension, Upper	5-11
Front Suspension, Lower	5-13
Rear Suspension – Gasoline Vehicle	5-15
Rear Suspension – Electric Vehicle	5-17
Rear Suspension – Precedent Villager 4 and i2 4 Passenger	5-19

SECTION 6 – ELECTRICAL SYSTEM – GASOLINE VEHICLE

GCOR – Gasoline Vehicle	6-3
Wiring – Gasoline Vehicle	6-7
Instrument Panel Wire Harness	6-11
Electrical Components, Front Body – Gasoline Vehicle	6-13
Forward/Reverse Shifter Assembly	6-15
Starter/Generator Assembly Model G425419 – FE350 (AS11)	6-17
Starter/Generator Mounting – FE350 (AS11)	6-19
Battery – Gasoline Vehicle	6-21

SECTION 7 – FE350 ENGINE (AS11)

FE350 Engine (AS11) – Shrouds and Brackets	7-3
FE350 Engine – Ignition Components and Flywheel	7-5
FE350 Engine (AS11) – Oil Circulation	7-7
FE350 Engine (AS11) – Cylinder Head	7-9
FE350 Engine w/o ACR – Crankcase, Camshaft, and Oil Sensor	7-11
FE350 Engine (AS11) – Crankcase and Crankshaft	7-13
FE350 Engine (AS11) – Mounting	7-15

SECTION 8 – FUEL, INTAKE, AND GOVERNOR SYSTEMS

Fuel System	8-3
Carburetor Assembly – FE350 (AS11)	8-5
Carburetor Installation – FE350 (AS11)	8-7
Governor and Accelerator Cables	8-9

CONTENTS

Choke and Air Box Assembly	8-11
----------------------------------	------

SECTION 9 – EXHAUST SYSTEM

Exhaust System – FE350 (AS11)	9-3
-------------------------------------	-----

SECTION 10 – TORQUE CONVERTER

Drive Clutch	10-3
Driven Clutch	10-5

SECTION 11 – UNITIZED TRANSAXLE

Kawasaki Transaxle – Gear Cases and Brackets	11-3
Kawasaki Transaxle – F&R Transmission and Gear Reduction	11-5
Unitized Transaxle – Differential and Axles	11-7

SECTION 12 – ELECTRICAL SYSTEM – ELECTRIC VEHICLE

Electrical Components, Front Body – Electric Vehicle	12-3
Motor Controller Output Regulator (MCOR)	12-5
Wiring – IQ System with Style A Battery Configuration	12-9
Wiring – IQ System with Styles B or C Battery Configuration	12-13
Wiring – Excel System with Style B or C Battery Configuration	12-17
Forward/Reverse Switch and Tow/Run Switch – Electric Vehicle, Style A	12-19
Forward/Reverse Switch and Tow/Run Switch – Electric Vehicle, Styles B and C	12-21
Batteries, Bucket, and Charger Receptacle – IQ System, Style A	12-23
Batteries, Bucket, and Charger Receptacle – IQ and Excel Systems, Style B	12-25
Batteries, Bucket, and Charger Receptacle – IQ and Excel Systems, Style C	12-27
Batteries, Bucket, and Charger Receptacle – IQ and Excel Systems, Heavy Duty, Style C	12-29
Batteries, Bucket, and Charger Receptacle – IQ and Excel Systems, CE, Style C	12-31
Batteries, Bucket, and Charger Receptacle – IQ and Excel Systems, Heavy Duty, CE, Style C	12-33
Single Point Watering System, Style A	12-35
Single Point Watering System, Style B	12-37
Single Point Watering System, Style C	12-39
Computer, Controller, and Solenoid – IQ System, Style A	12-41
Computer, Controller, and Solenoid – IQ System, Styles B and C	12-43
Computer, Controller, and Solenoid – Excel System, Styles B and C	12-45

SECTION 13 – ELECTRIC MOTOR

Motor (Model 5BC59JBS6390) – Electric Vehicle	13-3
Motor (Model EJ4-4001) – Electric Vehicle	13-5

CONTENTS

SECTION 14 – TRANSAXLE – ELECTRIC VEHICLES

Transaxle – Electric Vehicles	14-3
-------------------------------------	------

SECTION 15 – BATTERY CHARGER

PowerDrive 3 Battery Charger (Model 26580), Domestic	15-3
PowerDrive 2 Battery Charger (Model 22110), Domestic	15-5
PowerDrive Battery Charger (Model 17930), Domestic	15-7
PowerDrive Battery Charger (Model 18780), Export	15-9
PowerDrive Battery Charger (Model 20310), European	15-11
Onboard PowerDrive Battery Charger (Model 17935-40), Domestic	15-13
Onboard PowerDrive Battery Charger (Model 17790-40), International	15-15

SECTION 16 – MAINTENANCE AND SERVICE TOOLS

Maintenance and Service Tools – Golf	16-3
Maintenance and Service Tools – Golf, Continued	16-5
Maintenance and Service Tools – Golf, Continued	16-7

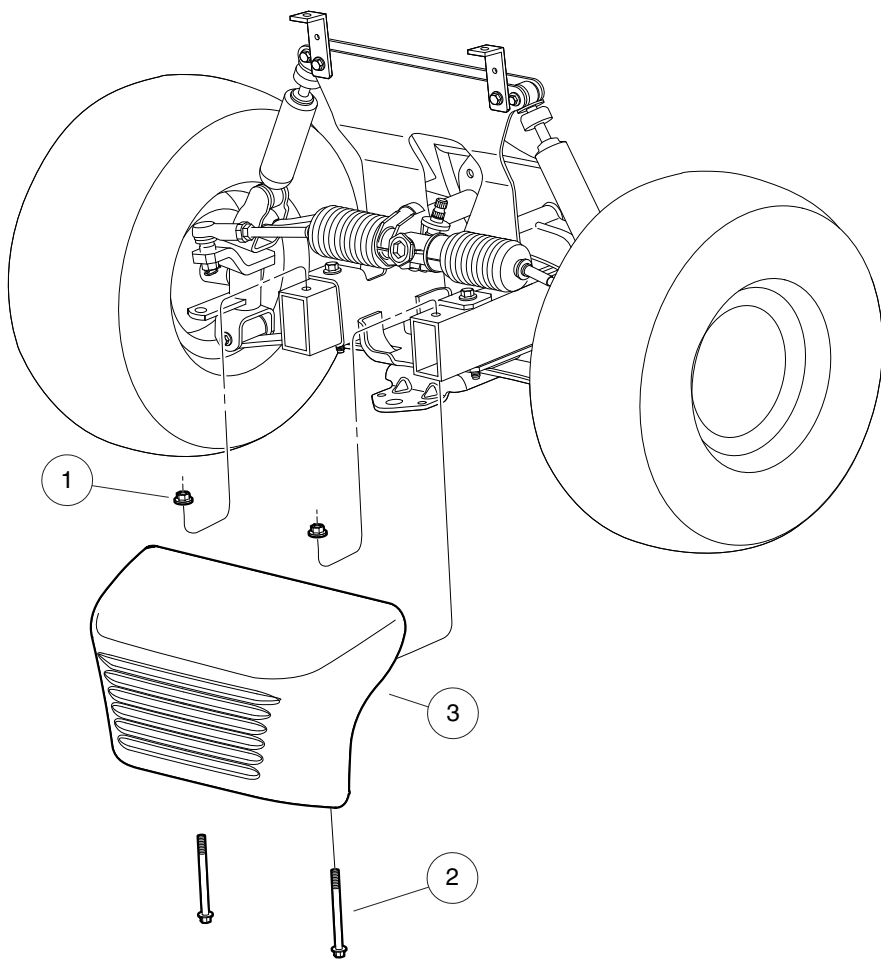
SECTION i – INDEX

BODY AND TRIM

1

G

E



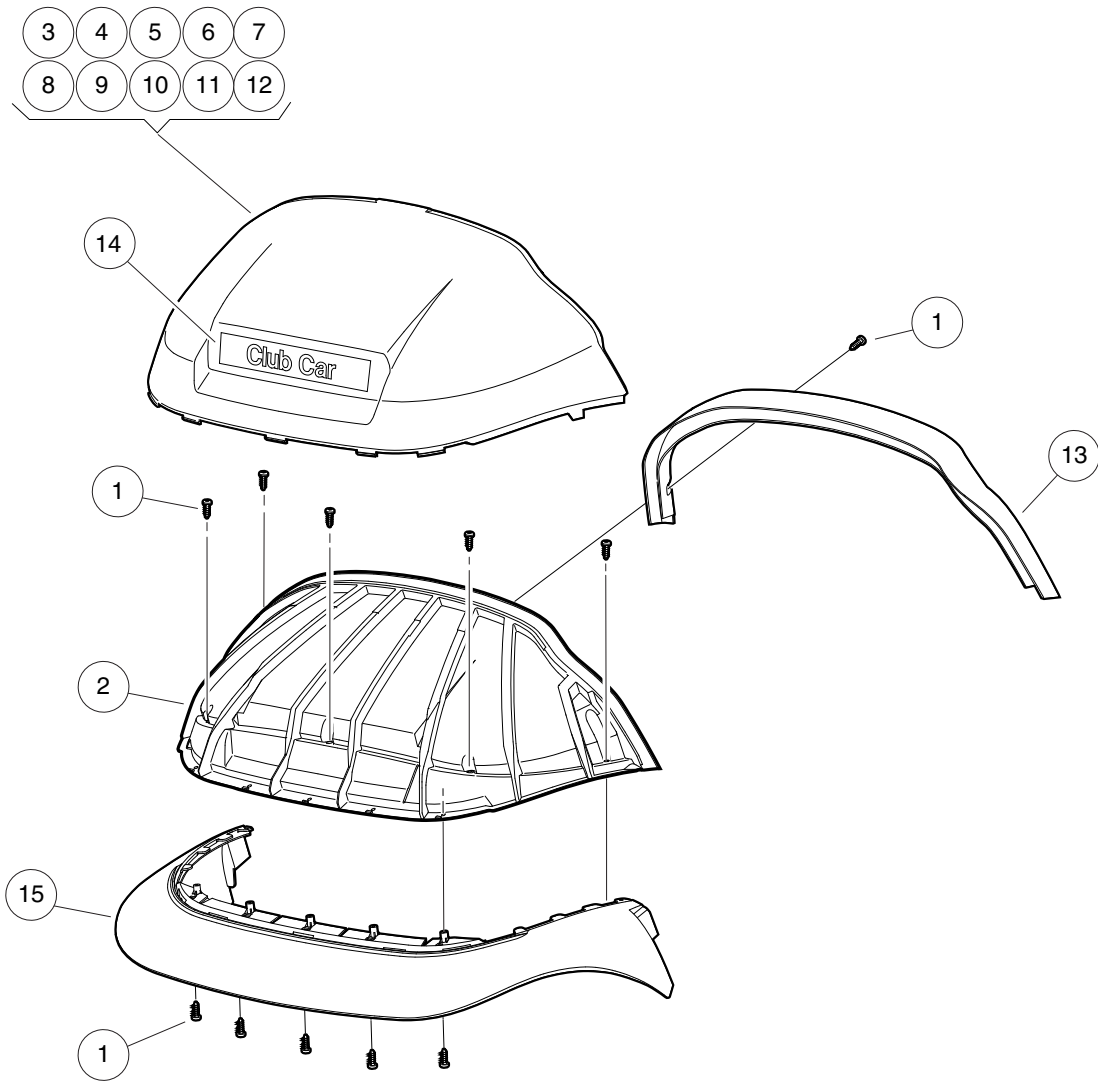
000437-001

FRONT BUMPER

ITEM	PART NO.	DESCRIPTION	QTY
		1 2 3 4	
1	<u>102298401</u>	Nut,m8,all Metal Lock	2
2	102534201	Bolt - Fl Hd, M8 X 95	2
3	<u>103330601</u>	Asm, Bumper, Front, Precedent (includes items 4 and 5)	1
4	N/A	Bumper, Front, Precedent	1
5	<u>103325001</u>	Plug, Shock, Precedent Bumper	2

1
G
E

1
G
E

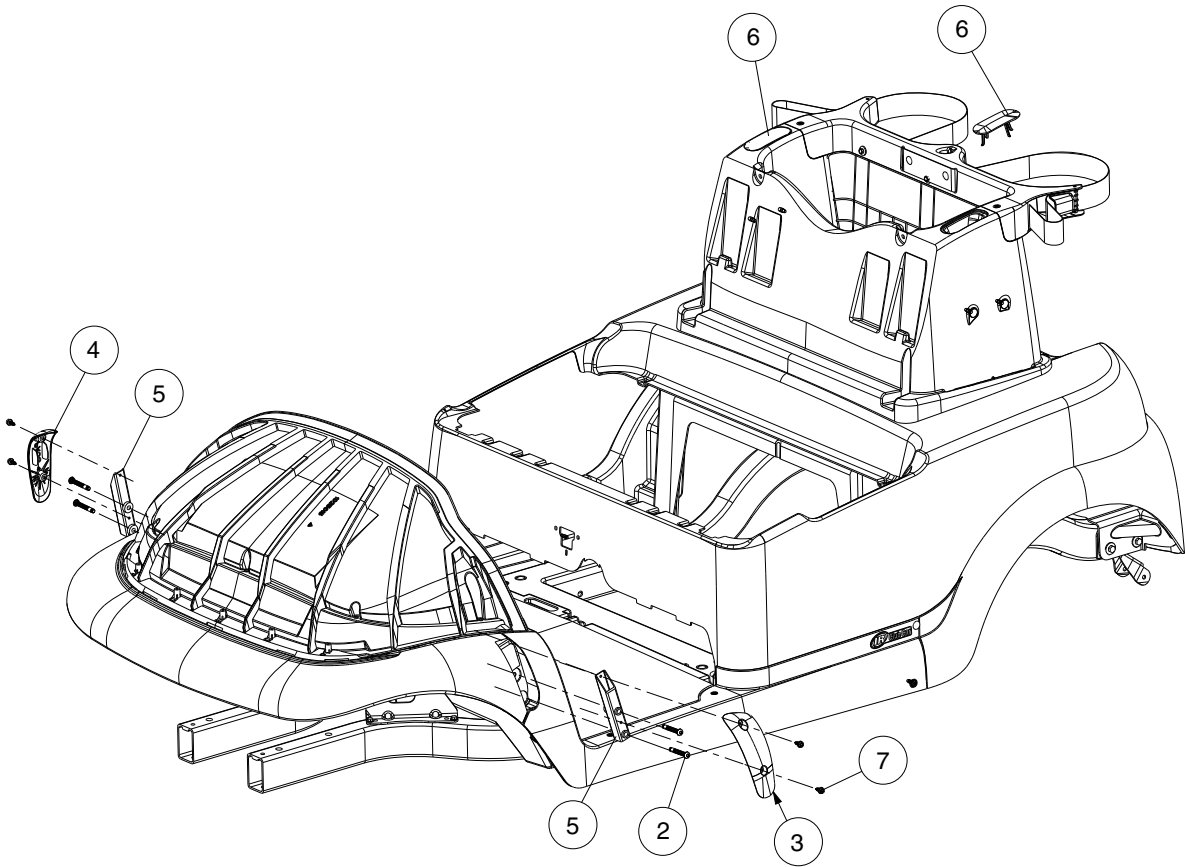


000434-002

FRONT BODY

ITEM	PART NO.	DESCRIPTION	QTY
		1 2 3 4	
1	<u>102296020</u>	Screw, Torx Pan Hd Pt, M6 X 20	14
2	<u>102501501</u>	Brow	1
3	<u>102502401</u>	Panel, Beauty Front, White	1
4	<u>102502402</u>	Panel, Beauty Front, Beige	1
5	<u>102502404</u>	Panel, Beauty Front, Gray	1
6	<u>102502405</u>	Panel, Beauty Front, Red	1
7	<u>102502406</u>	Panel, Beauty Front, Burgundy	1
8	<u>102502407</u>	Panel, Beauty Front, Green	1
9	<u>102502408</u>	Panel, Beauty Front, Blue	1
10	<u>102502409</u>	Panel, Beauty Front, Black	1
11	<u>102502411</u>	Panel, Beauty, Front, Cayenne	1
12	<u>102502413</u>	Panel-beauty Front, Atlantic	1
13	<u>102502501</u>	Brow Cap	1
14	<u>102502601</u>	Nameplate-cs	1
15	<u>102534404</u>	Fascia, Blk	1

1
G
E



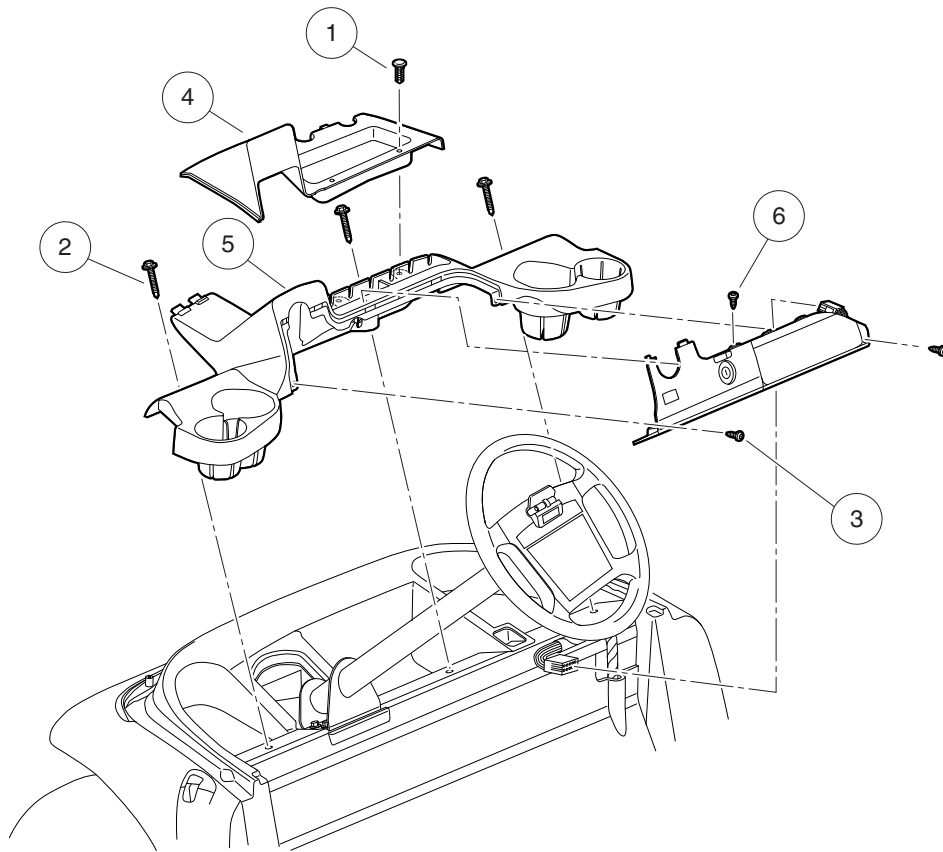
000730-001

UNDERBODY COVERS (VEHICLE WITHOUT CANOPY)

ITEM	PART NO.	DESCRIPTION	QTY
		1 2 3 4	
1	<u>102543902</u>	Kit, Underbody Cover, Black (includes items 2 through 7)	1
2	<u>102299065</u>	M8-1.25 X 65 Tx Bttn Hd Bolt	4
3	<u>102400202</u>	Cover, Lh Non-canopy, Blk	1
4	<u>102400302</u>	Cover, Rh Non-canopy, Blk	1
5	N/A	Support, Strut Cover	2
6	N/A	SAM Cap	2
7	<u>102544201</u>	Screw, M6 Hex	4

1
G
E

1
G
E

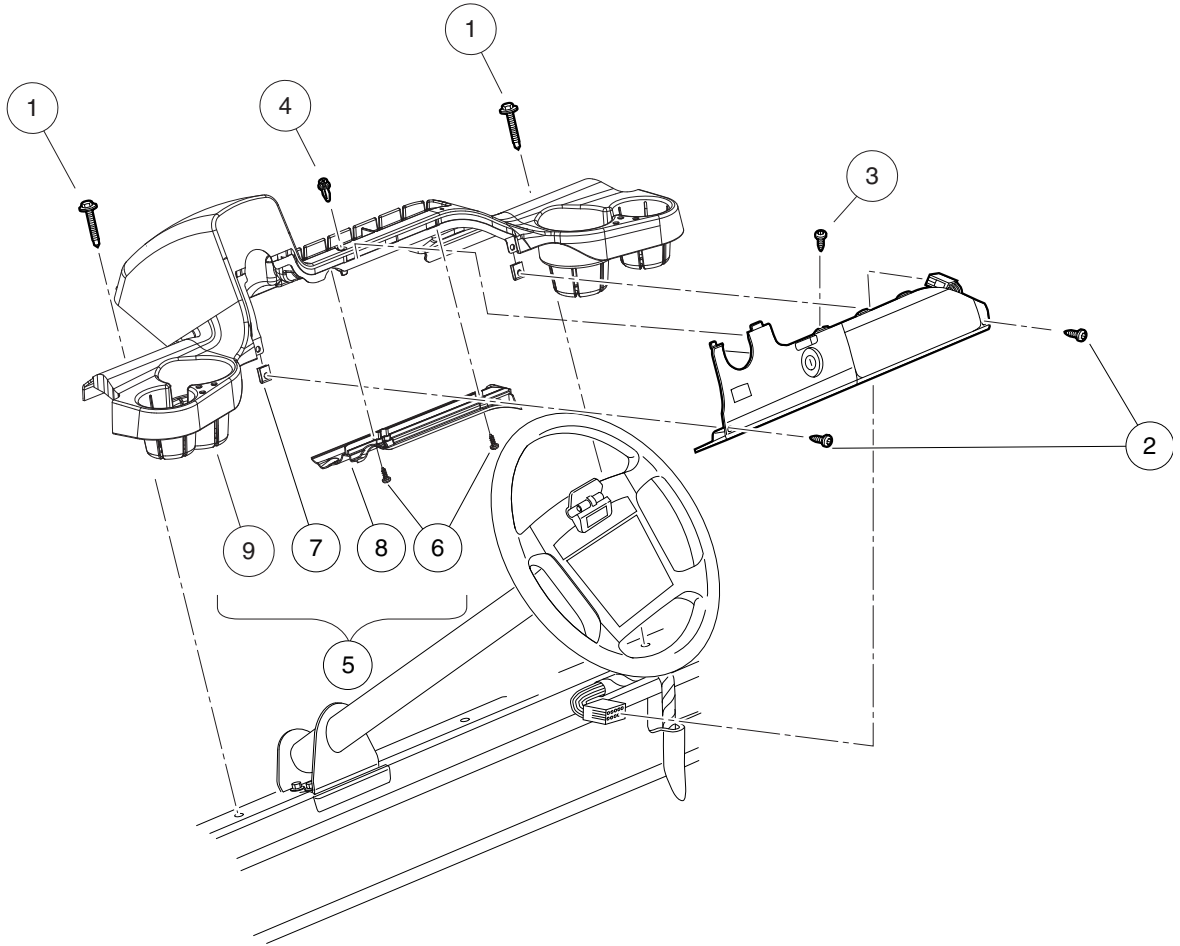


000438-001

DASH – STYLE A

ITEM	PART NO.	DESCRIPTION	QTY
		1 2 3 4	
1	<u>1010434</u>	Barrel - Plastic	2
2	<u>102292356</u>	Screw-1/4-20x56 Hwh Self Drill	3
3	<u>102296819</u>	Screw-M6 x 19	2
4	<u>102380401</u>	Dash, Tray	1
5	<u>102523101</u>	Dash Assembly	1
6	<u>102557201</u>	Screw, #6-20 Type Abx1.00 Pan	1
<p>Note: Dash-style A can only be used with front underbody-style A.</p>			

1
G
E



000438-002

DASH – STYLE B

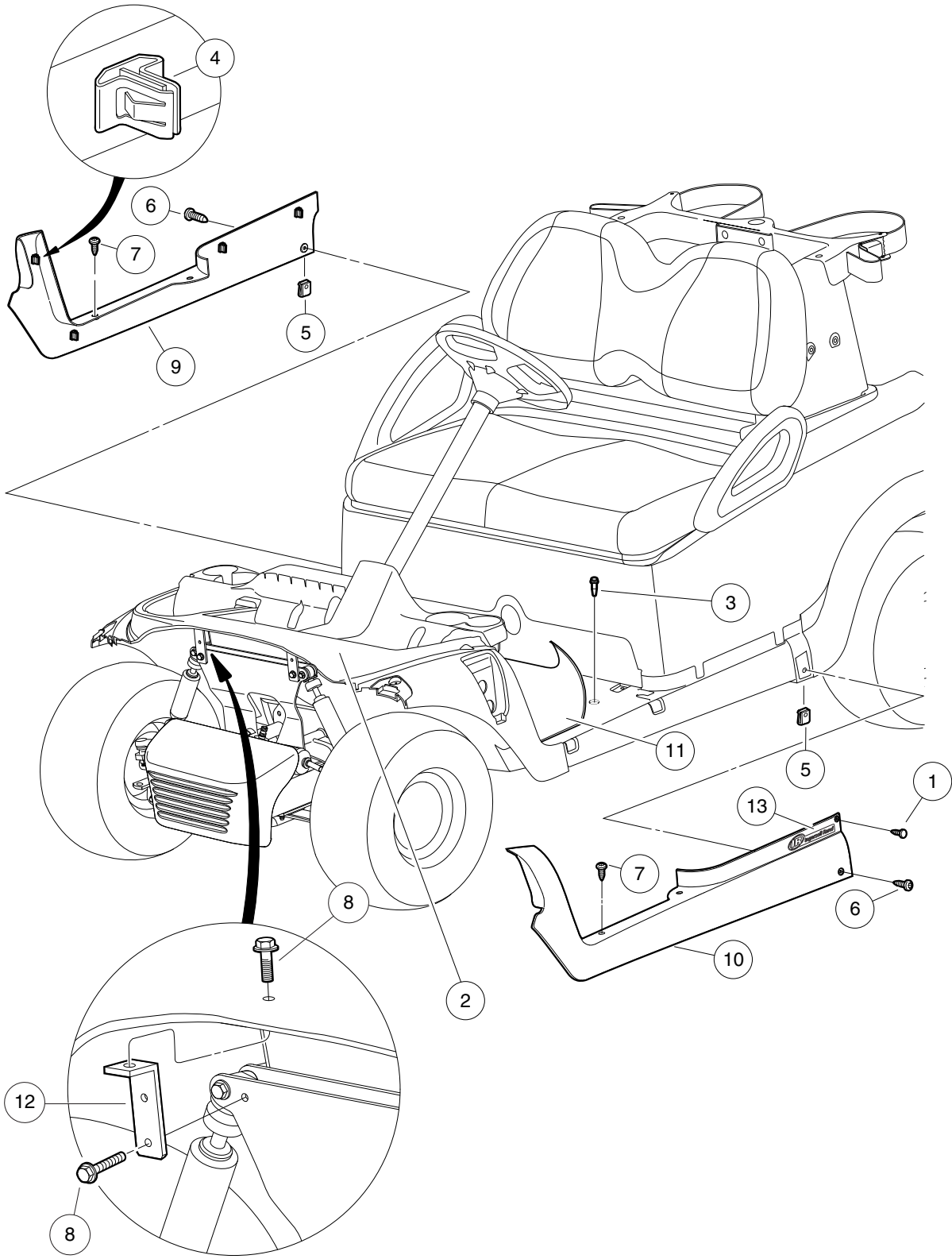
ITEM	PART NO.	DESCRIPTION	QTY
		1 2 3 4	
1	<u>102292356</u>	Screw-1/4-20x56 Hwh Self Drill	2
2	<u>102296819</u>	Screw-M6 x 19	2
3	<u>102557201</u>	Screw, #6-20 Type Abx1.00 Pan	1
4	<u>102915601</u>	Plastic Rivet - Tuflock	1
5	<u>103402701</u>	Dash Assembly, Prec (includes items 6 through 9)	1
6	N/A	Screw-torx Pan Hd Pt,m6 X 16	2
7	<u>102297001</u>	U-nut, 1/4" Type Ab	2
8	N/A	Drain Channel - Dash	1
9	N/A	Dash, Prec	1
Note: Dash-style B can only be used with front underbody-style B.			

1

G

E

1
G
E



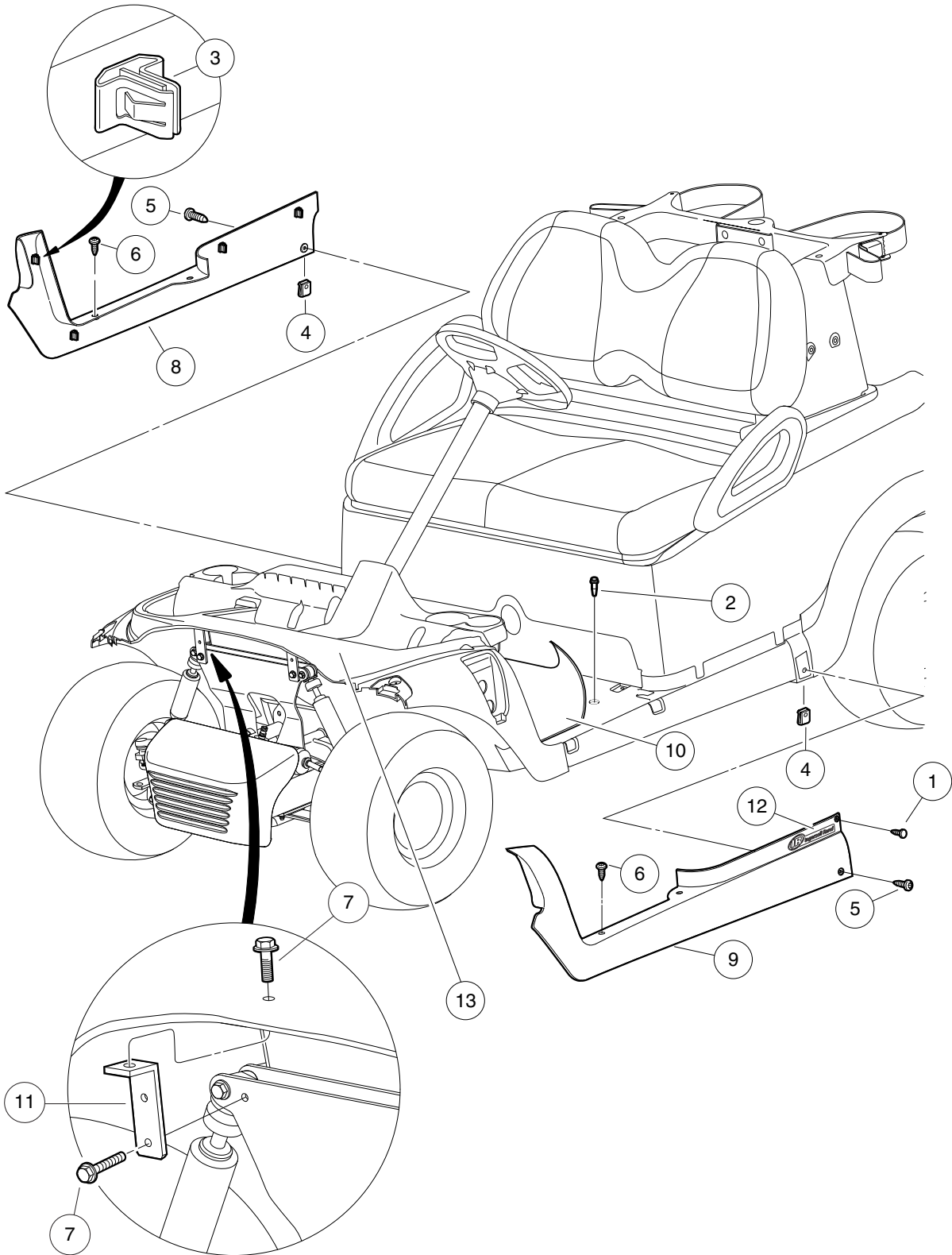
000497-003

FLOOR MAT, RETAINER, AND FRONT UNDERBODY-STYLE A UNDERBODY

ITEM	PART NO.	DESCRIPTION	QTY
		1 2 3 4	
1	<u>1010434</u>	Barrel - Plastic	2
2	<u>102279402</u>	Asm-front Underbody Blk	1
3	<u>102292356</u>	Screw-1/4-20x56 Hwh Self Drill	3
4	<u>102292701</u>	Clip-body-trim	8
5	<u>102296601</u>	U-Nut, M6-1.0, Prevailing Torque	2
6	<u>102296920</u>	Screw, M6, Torx Button Head, Sems	2
7	<u>102298020</u>	Screw, K80x20, Torx Pn Hd Pt	4
8	<u>102298716</u>	M8-1.25x16 Taptite	4
9	<u>102302504</u>	Retainer Asm-floormat Rh, Blk	1
10	<u>102302604</u>	Retainer Asm-floormat Lh, Blk	1
11	<u>102504802</u>	Floormat, Precedent	1
12	<u>102521901</u>	Bracket-clamshell	2
13	<u>102523901</u>	Decal, IR/Club Car	2
<p>Note: Front underbody Style A, which was replaced in production by underbody Style B on Jan. 15, 2008, is not available. Special order instead Style B.</p>			

1
G
E

1
G
E



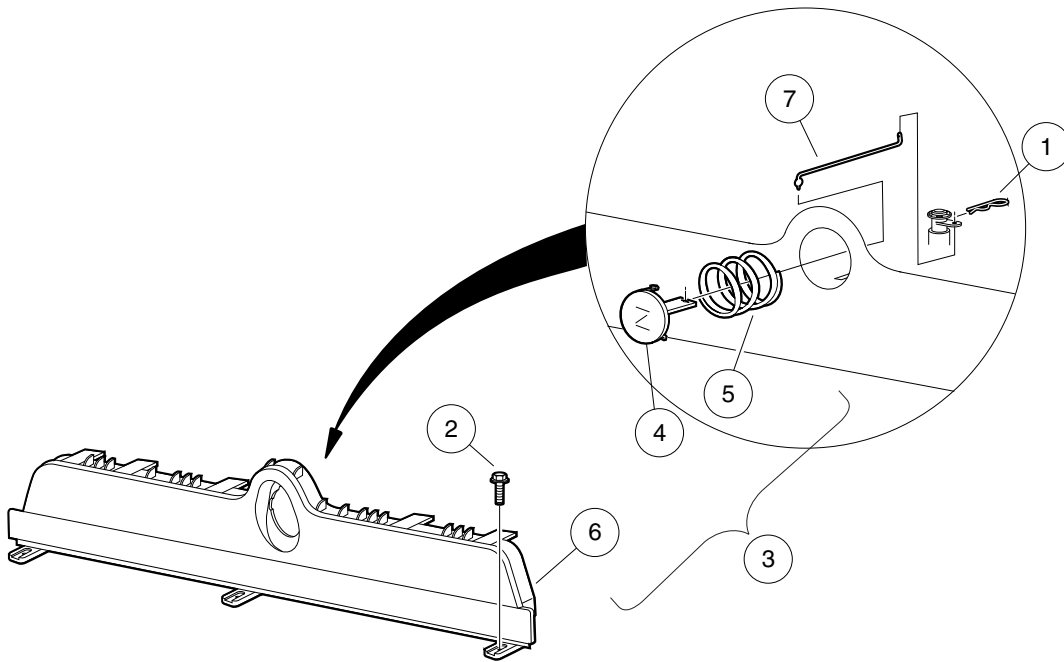
000497-001

FLOOR MAT, RETAINER, AND FRONT UNDERBODY-STYLE B UNDERBODY

ITEM	PART NO.	DESCRIPTION	QTY
		1 2 3 4	
1	<u>1010434</u>	Barrel - Plastic	2
2	<u>102292356</u>	Screw-1/4-20x56 Hwh Self Drill	3
3	<u>102292701</u>	Clip-body-trim	8
4	<u>102296601</u>	U-Nut, M6-1.0, Prevailing Torque	2
5	<u>102296920</u>	Screw, M6, Torx Button Head, Sems	2
6	<u>102298020</u>	Screw, K80x20, Torx Pn Hd Pt	4
7	<u>102298716</u>	M8-1.25x16 Taptite	4
8	<u>102302504</u>	Retainer Asm-floormat Rh, Blk	1
9	<u>102302604</u>	Retainer Asm-floormat Lh, Blk	1
10	<u>102504802</u>	Floormat, Precedent	1
11	<u>102521901</u>	Bracket-clamshell	2
12	<u>102523901</u>	Decal, IR/Club Car	2
13	****	Asm-front Underbody, Black	1
<p>**** Special order item available upon request.</p> <p>Note: Style B front underbody incorporated on January 15, 2008.</p>			

1
G
E

1
G
E



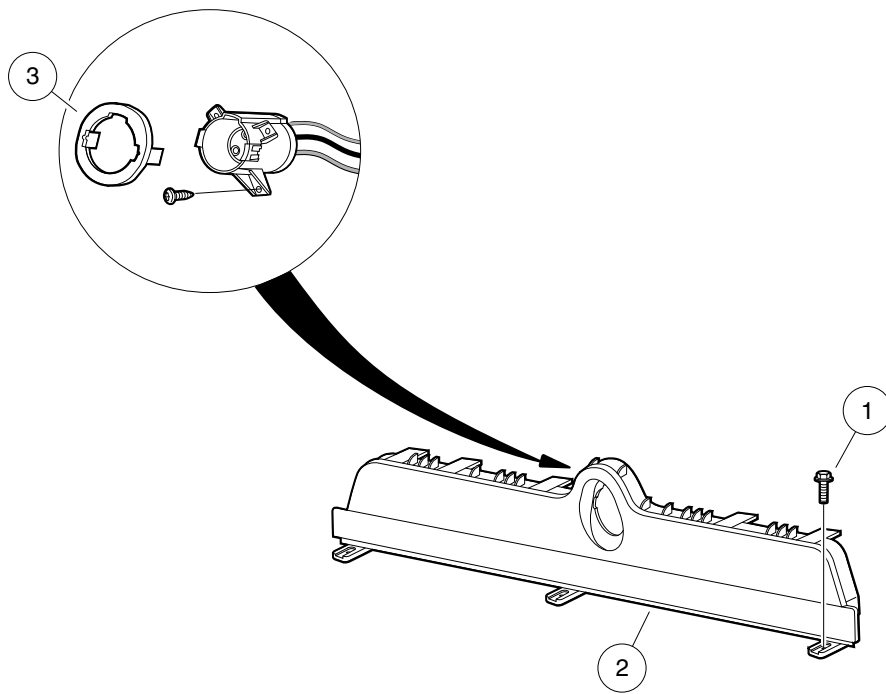
000501-001

KICK PLATE – GASOLINE VEHICLE

ITEM	PART NO.	DESCRIPTION	QTY
		1 2 3 4	
1	<u>1014413</u>	Pin, Hair Spring Cotter	1
2	102298030	Screw, K80x30, Torx Pn Hd Pt	3
3	<u>102511702</u>	Asm-gas Kick Plate, Blk (includes items 4 through 6)	1
4	<u>101811401</u>	Lever, Choke	1
5	<u>101856201</u>	Compression Spring	1
6	N/A	Plate - Gas Kick, Blk	1
7	<u>102514401</u>	Rod, Choke Button	1

1
G
E

1
G
E



000500-001

KICK PLATE – ELECTRIC VEHICLE

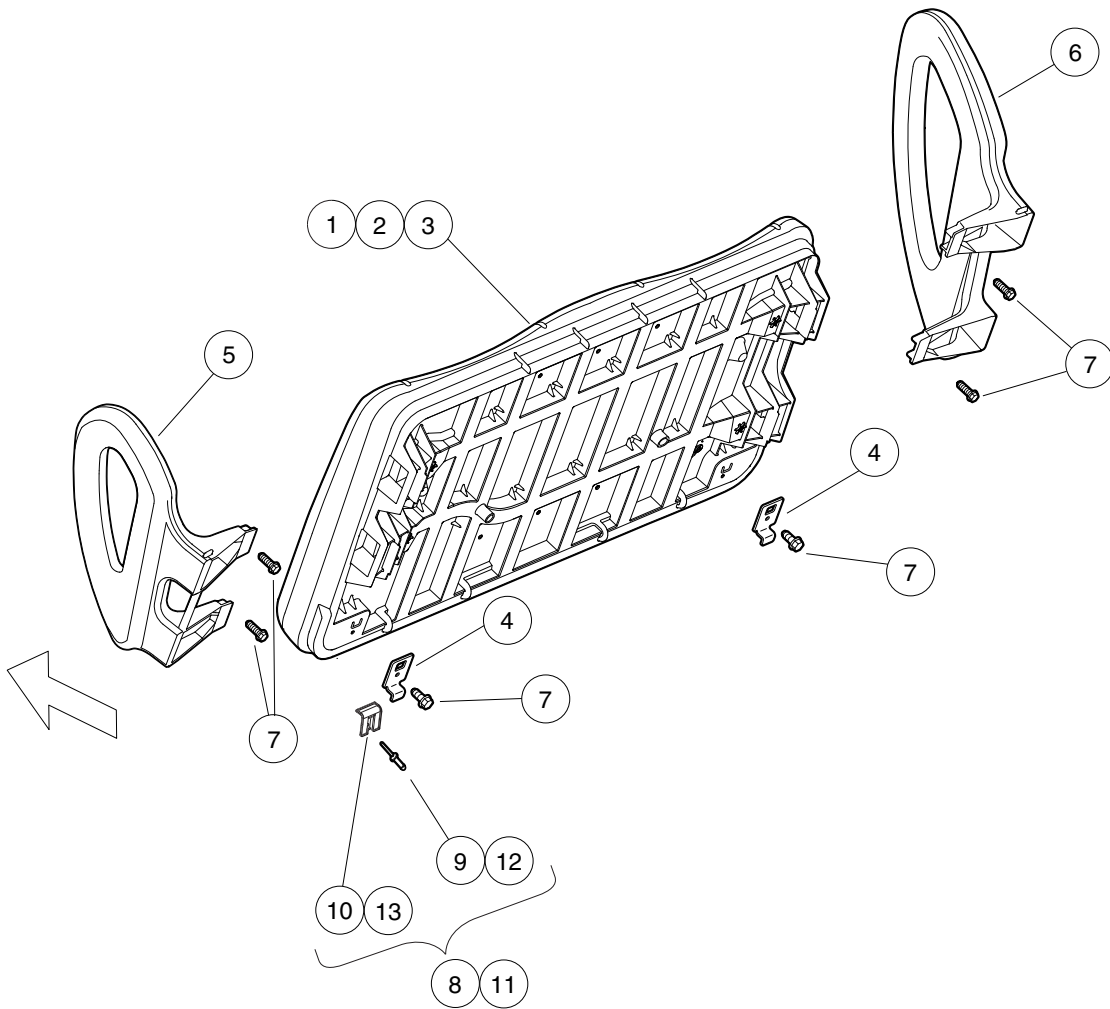
ITEM	PART NO.	DESCRIPTION	QTY
		1 2 3 4	
1	102298030	Screw, K80x30, Torx Pn Hd Pt	3
2	<u>102508202</u>	Plate - Electric Kick Blk	1
3	<u>102516901</u>	Socket Trim	1

1

G

E

1
G
E

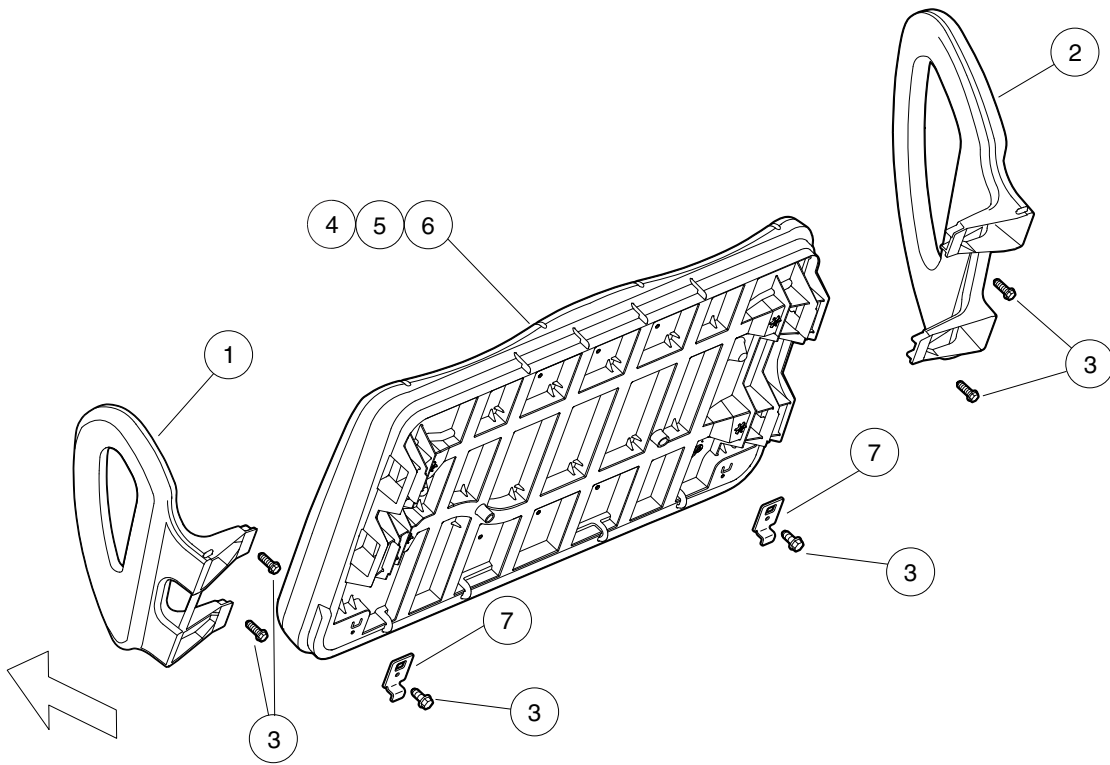


000440-004

SEAT WITH HIP RESTRAINTS – STYLE A

ITEM	PART NO.	DESCRIPTION	QTY
		1 2 3 4	
1	<u>102552501</u>	Seat Bottom Assembly, Beige	1
2	<u>102552502</u>	Seat Bottom Assembly, White	1
3	<u>102552504</u>	Seat Bottom Assembly, Gray	1
4	<u>102554601</u>	Hinge Plate, Prec	2
5	<u>102562701</u>	Hip Restraint, Prec, Lh	1
6	<u>102562801</u>	Hip Restraint, Prec, Rh	1
7	102562901	Screw, Seat Bottom Prec	4
8	102577001	Kit, Bucket Closeout (includes items 9 and 10)	1
9	<u>1013357</u>	Rivet, 5/32 Aluminum Pop	2
10	N/A	Bracket, Bucket Closeout	2
11	<u>102577002</u>	Kit, Bucket Closeout - 10 Sets (includes items 12 and 13)	1
12	<u>1013357</u>	Rivet, 5/32 Aluminum Pop	20
13	N/A	Bracket, Bucket Closeout	20
<p>Note: Style A seats are not forward compatible with vehicles built with the new battery bucket, which went into production for vehicles with serial numbers 0819-905217 and greater. Note 2: The bucket closeout kit is for use with the Style A battery bucket.</p>			

1
G
E



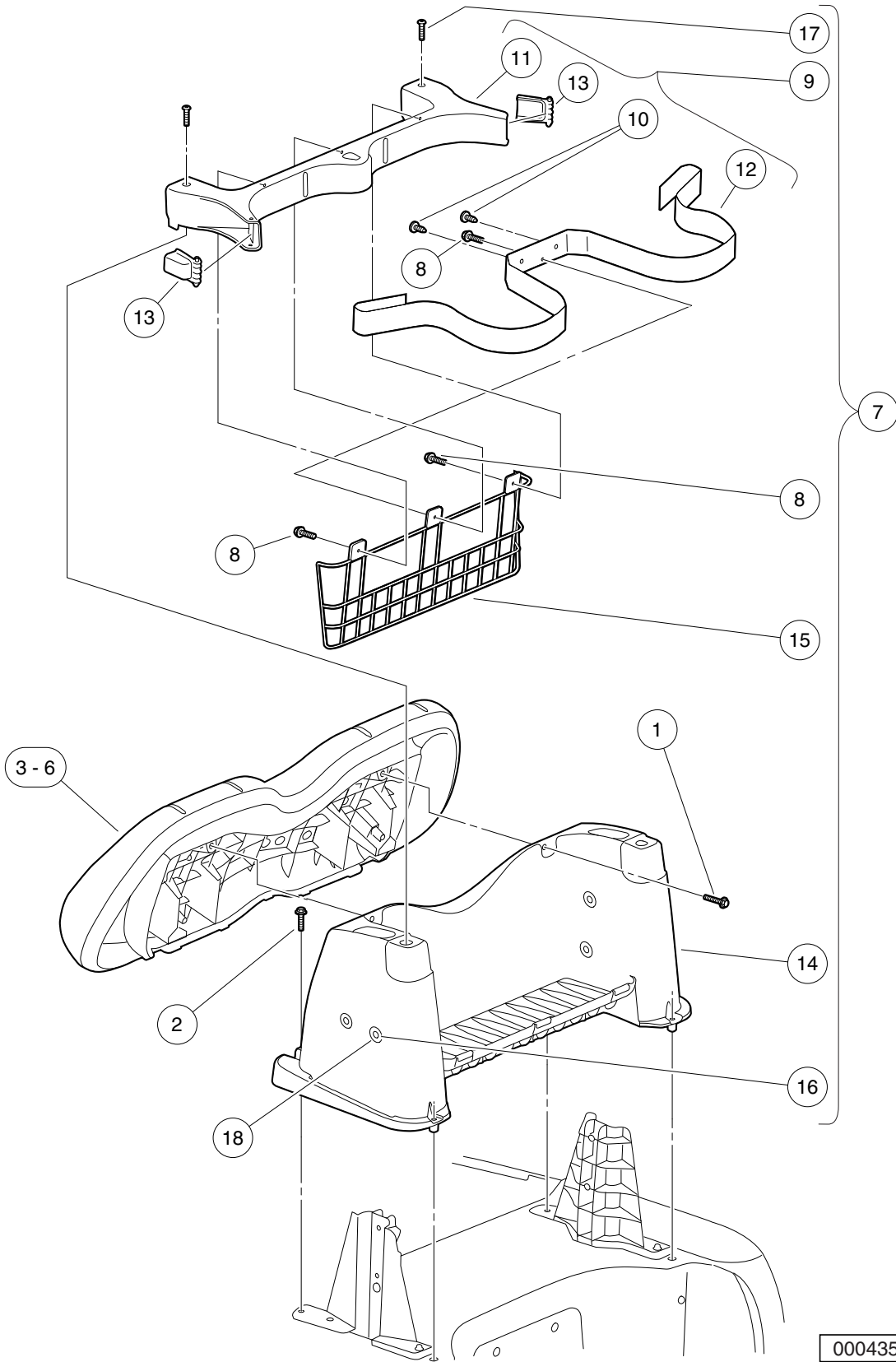
000440-002

SEAT WITH HIP RESTRAINTS – STYLE B

ITEM	PART NO.	DESCRIPTION	QTY
		1 2 3 4	
1	<u>102562701</u>	Hip Restraint, Prec, Lh	1
2	<u>102562801</u>	Hip Restraint, Prec, Rh	1
3	<u>102562901</u>	Screw, Seat Bottom Prec	6
4	<u>103423001</u>	Seat Bottom Asy, Prec-beige	1
5	<u>103423002</u>	Seat Bottom Asy, Prec-white	1
6	<u>103423004</u>	Seat Bottom Asy, Prec-gray	1
7	<u>103447901</u>	Bracket, Hinge, Male, Prec	2
		Note: Style B seats are retrofitable.	

1
G
E

1
G
E



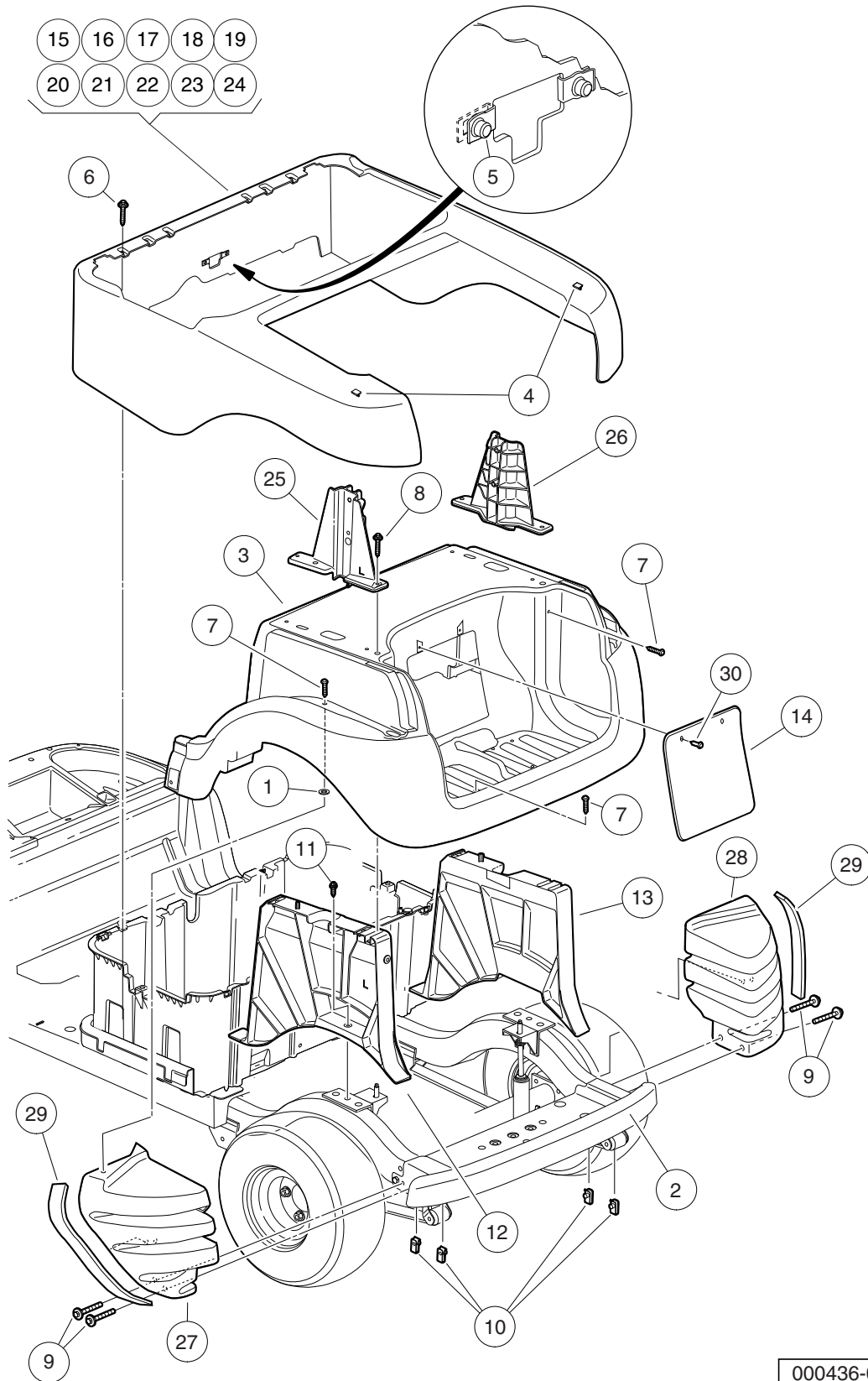
000435-001

BACKREST AND STRUCTURAL ACCESSORY MODULE (SAM)

ITEM	PART NO.	DESCRIPTION	QTY
		1 2 3 4	
1	<u>102296530</u>	Screw - M6 X 1.0 X 30 Sems	2
2	<u>102298240</u>	Bolt, Flange Head, M8-1.25 X 40	4
3	<u>102503221</u>	Service Backrest Asm, Beige	1
4	<u>102503222</u>	Service Backrest Asm, White	1
5	<u>102503224</u>	Service Backrest Asm, Gray	1
6	<u>102503225</u>	Service Backrest Asm-black	1
7	<u>102503901</u>	Asm-sam (includes items 8 through 17)	1
8	<u>102297125</u>	Screw, M6-1.0x25.4, Thread-Forming, SEMS	3
9	<u>102504001</u>	Asm-bag Hoop (includes items 10 through 13)	1
10	<u>1010434</u>	Barrel - Plastic	2
11	<u>102504201</u>	Hoop-bag	1
12	<u>102504301</u>	Strap, Bag	1
13	<u>102517001</u>	Buckle-bag Strap	2
14	N/A	Structural Accessory Module	1
15	<u>102504501</u>	Panel, SAM	1
16	<u>102551701</u>	Insert M6x1.0	4
17	<u>103327601</u>	Screw, 5/16, Torx, Bosscrew	2
18	<u>102568701</u>	Barrel - Plastic 6mm	8

1
G
E

1
G
E

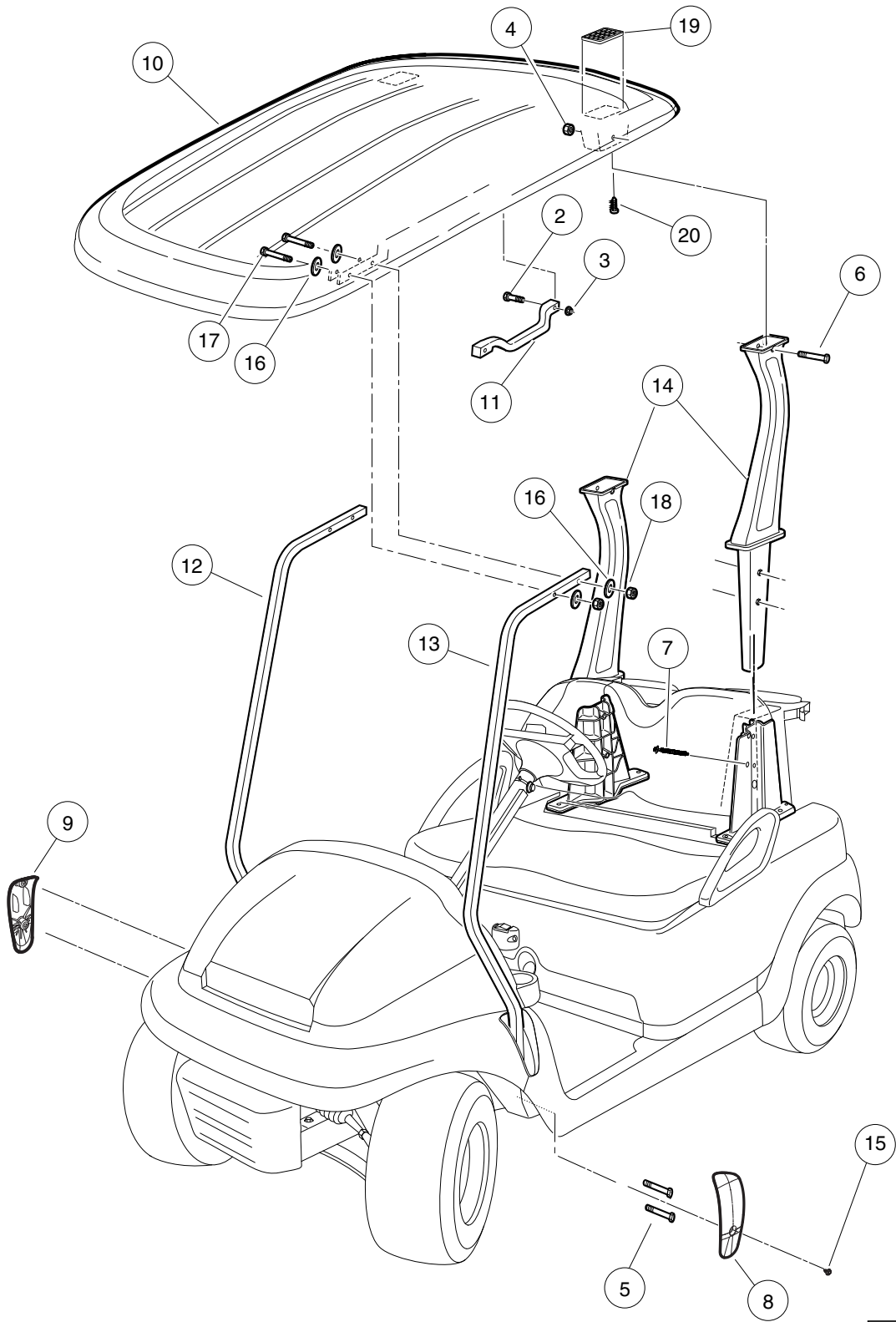


REAR BODY

ITEM	PART NO.	DESCRIPTION	QTY
		1 2 3 4	
1	1012571	Washer, 5/16 Extra Thick Flat	2
2	<u>102279001</u>	Rear Bumper Beam	1
3	<u>102279104</u>	Underbody - Rear, Blk	1
4	<u>102292701</u>	Clip-body-trim	2
5	<u>102296601</u>	U-Nut, M6-1.0, Prevailing Torque	2
6	<u>102297230</u>	Screw, M6, Torx, Interlock Thread	4
7	102298030	Screw, K80x30, Torx Pn Hd Pt	4
8	<u>102298240</u>	Bolt, Flange Head, M8-1.25 X 40	2
9	<u>102298580</u>	M8-1.25 X 80 Sems	4
10	<u>102298601</u>	J-clip - M8 X 1.25	4
11	102298716	M8-1.25x16 Taptite	2
12	102500501	Asm, Rear U/b Support, Lh	1
13	<u>102500601</u>	Asm, Rear U/b Support, Rh	1
14	<u>102501402</u>	Panel, Access, Black	1
15	102502301	Panel, Beauty, Rear, White	1
16	<u>102502302</u>	Panel, Beauty, Rear, Beige	1
17	<u>102502304</u>	Panel, Beauty, Rear, Gray	1
18	<u>102502305</u>	Panel, Beauty, Rear, Red	1
19	<u>102502306</u>	Panel, Beauty, Rear, Burgundy	1
20	102502307	Panel, Beauty, Rear, Green	1
21	<u>102502308</u>	Panel, Beauty, Rear, Blue	1
22	<u>102502309</u>	Panel, Beauty, Rear, Black	1
23	<u>102502311</u>	Panel-beauty Rear, Cayenne	1
24	<u>102502313</u>	Panel-beauty Rear, Atlantic	1
25	<u>102502901</u>	Bracket, Canopy Support Left-Hand	1
26	<u>102503001</u>	Bracket, Canopy Support Right-Hand	1
27	102545601	Liner, Rear Underbody Lh	1
28	<u>102545602</u>	Liner, Rear Underbody Right-Hand	1
29	<u>102562101</u>	Tape, Foam Black 12" *	2
30	<u>102967901</u>	Rivet, Removable, Tuflok 1/4"	2
		* Note: Sold by the foot, 12 inches required per side	

1
G
E

1
G
E



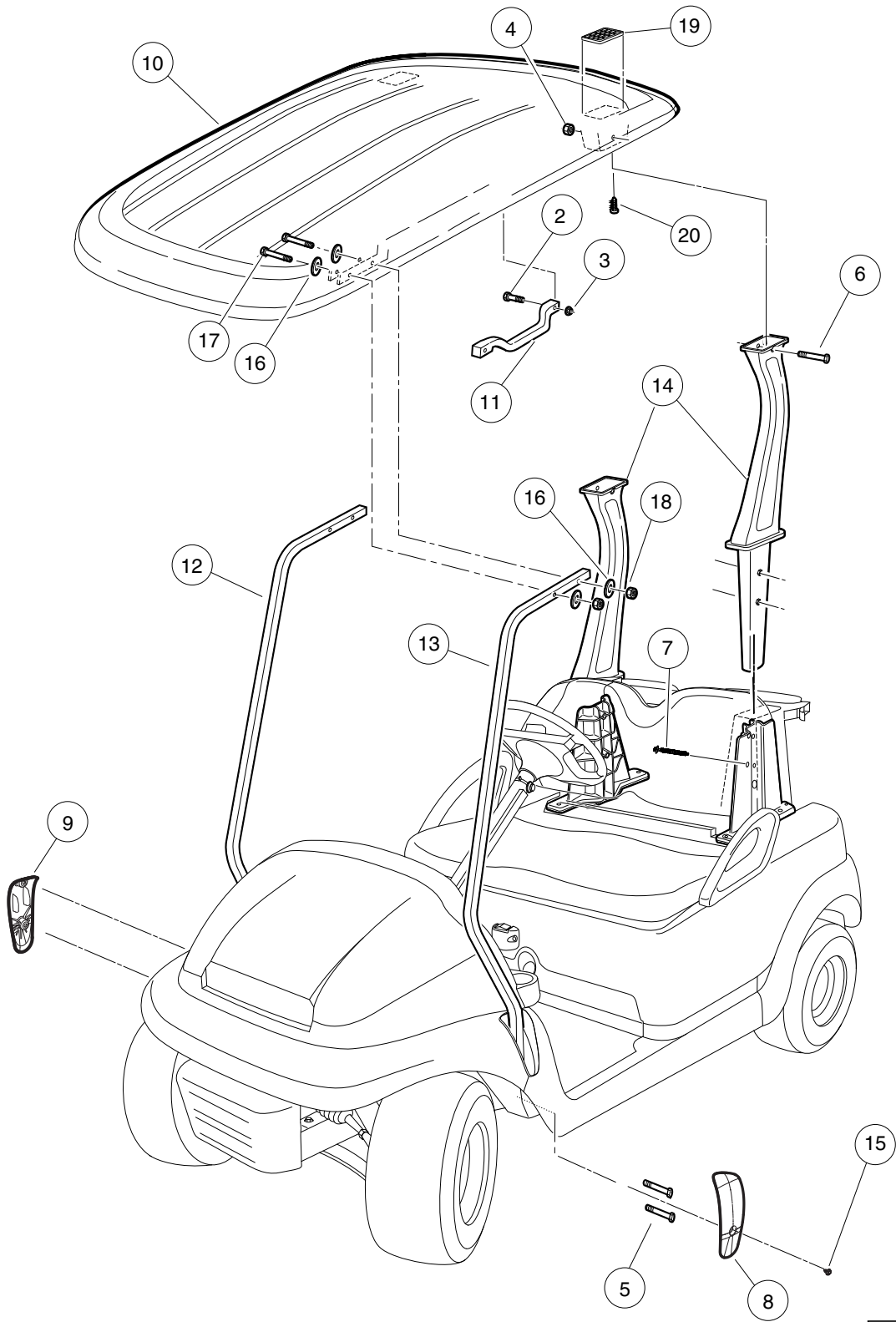
000439-003

CANOPY – BEIGE

ITEM	PART NO.	DESCRIPTION	QTY
1	<u>102520702</u>	1 2 3 4 Kit-canopy, Prec-beige	1

1
G
E

1
G
E



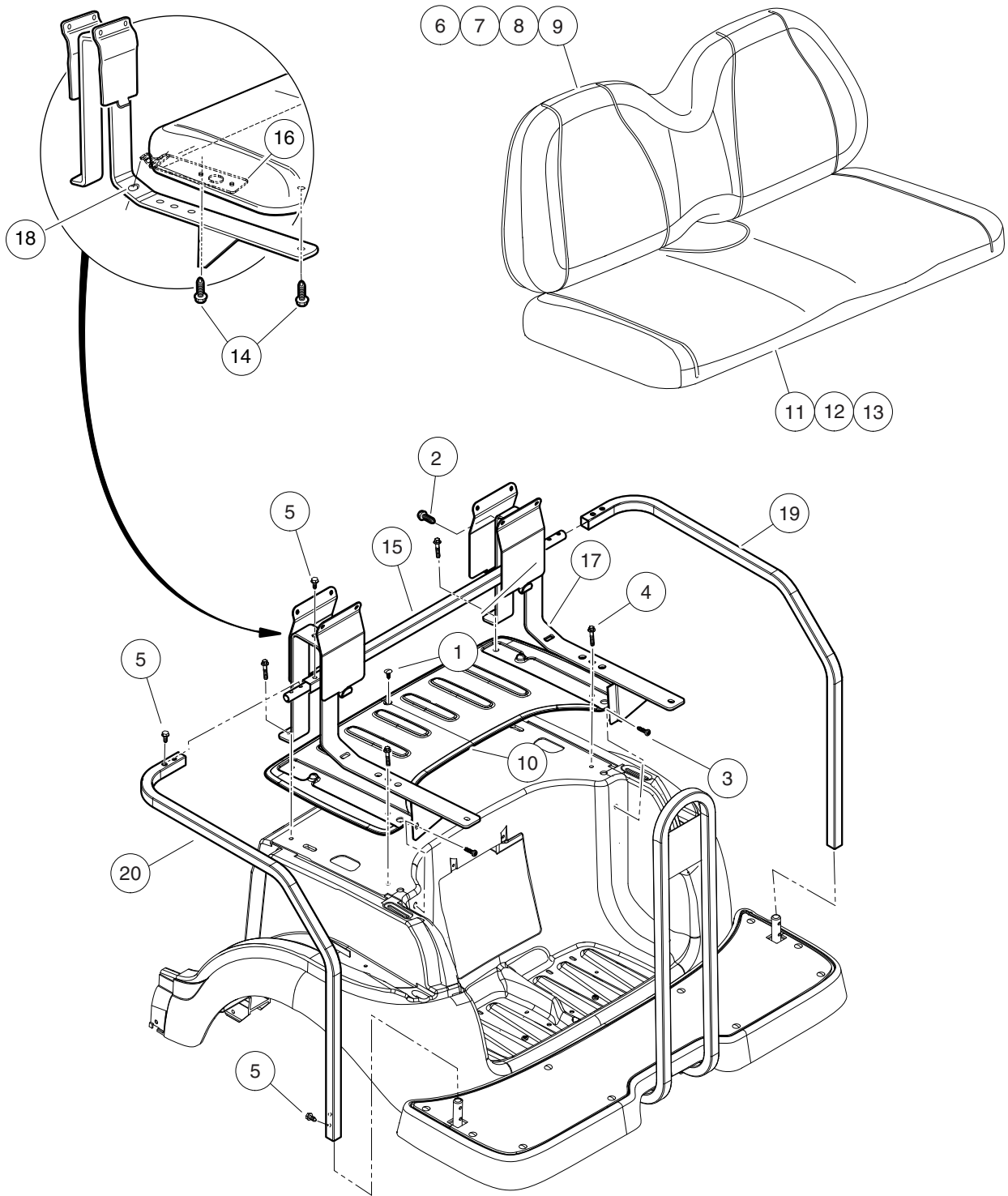
000439-003

CANOPY – WHITE

ITEM	PART NO.	DESCRIPTION	QTY
		1 2 3 4	
1	<u>102520701</u>	Kit-canopy, Prec-white (includes items 2 through 20)	1
2	<u>102296140</u>	Bolt, Flanged Head, M6x1.0x40	4
3	<u>102296401</u>	Nut, M6x1.0, Flange, Metal Lock	4
4	<u>102298401</u>	Nut,m8,all Metal Lock	2
5	<u>102299065</u>	M8-1.25 X 65 Tx Bttm Hd Bolt	4
6	<u>102299360</u>	Screw, M8-1.25 X 60, Sems, Tx	2
7	<u>102299601</u>	Screw, Pt, K80x70 Hex Flg Hd	2
8	<u>102400002</u>	Cover, Lh Canopy Support, Blk	1
9	<u>102400102</u>	Cover, Rh Canopy Support, Blk	1
10	<u>102508901</u>	Canopy-white	1
11	<u>102511601</u>	Handle, Canopy (White)	2
12	<u>102512401</u>	Support, Canopy Front, Right-Hand	1
13	<u>102513301</u>	Support, Canopy Front Left-Hand	1
14	<u>102513501</u>	Asm-rear Canopy Support	1
15	<u>102544201</u>	Screw, M6 Hex	2
16	<u>103196001</u>	Washer, Conical Spring, Canopy	8
17	<u>103199301</u>	Bolt - M6 X 1 X 45 Hh Grey	4
18	<u>103200301</u>	Nut, M6 x 1.00	4
19	<u>103205101</u>	Cover, Drain, Canopy, Precedent	2
20	<u>103210101</u>	Screw, #8 X.75, Torx, Tapping	2

1
G
E

1
G
E

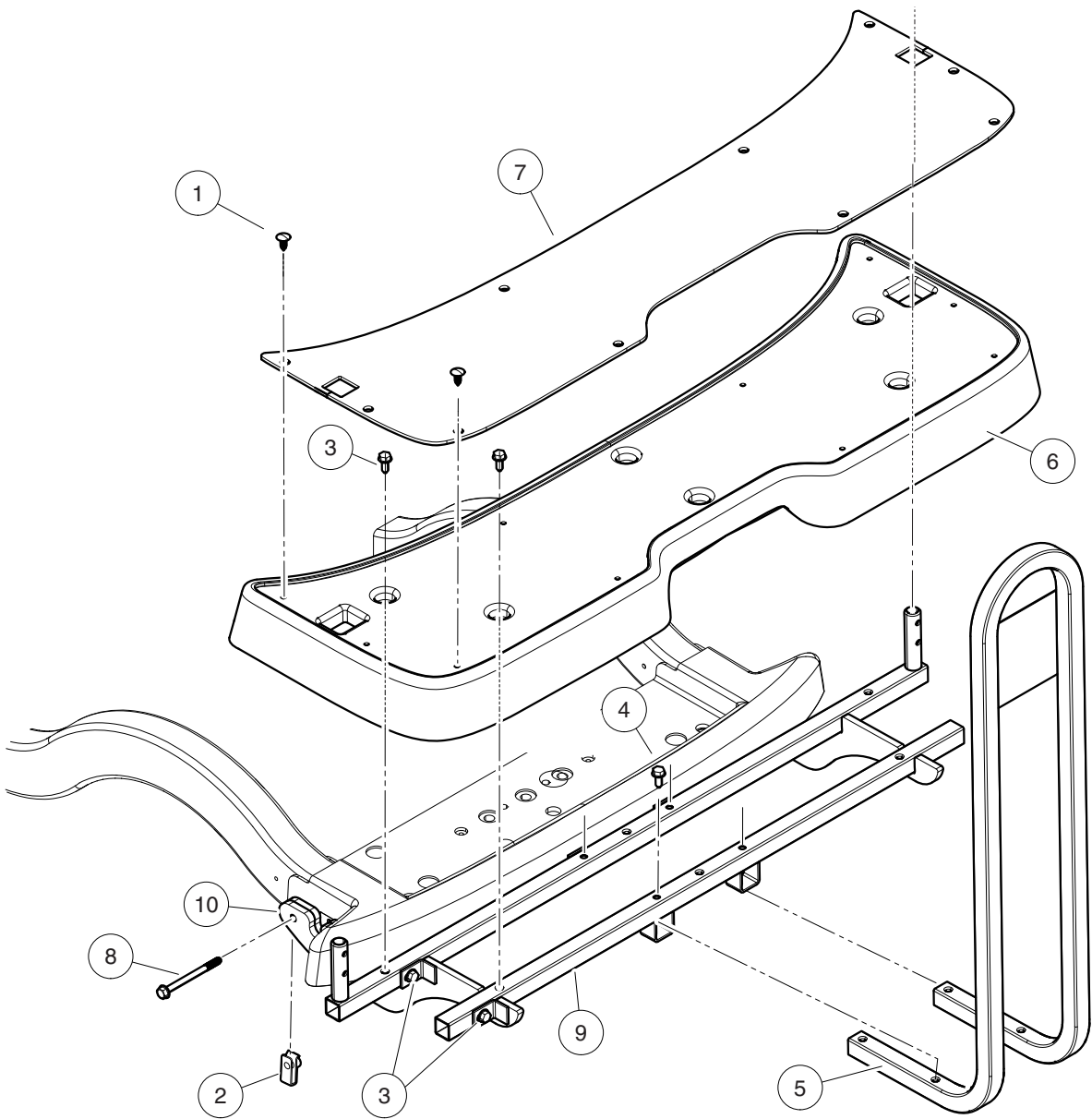


000494-001

REAR SEAT – PRECEDENT VILLAGER 4

ITEM	PART NO.	DESCRIPTION	QTY
		1 2 3 4	
1	<u>1010434</u>	Barrel - Plastic	10
2	<u>102296530</u>	Screw - M6 X 1.0 X 30 Sems	4
3	<u>102298030</u>	Screw, K80x30, Torx Pn Hd Pt	2
4	<u>102298240</u>	Bolt, Flange Head, M8-1.25 X 40	1
5	<u>102298720</u>	Screw, M8-1.25x20, Taptite	10
6	<u>102503221</u>	Service Backrest Asm, Beige	1
7	<u>102503222</u>	Service Backrest Asm, White	1
8	<u>102503224</u>	Service Backrest Asm, Gray	1
9	<u>102503225</u>	Service Backrest Asm-black	1
10	<u>102531501</u>	Cover, 4-pass Ns1 Underbody	1
11	<u>102531701</u>	4-Passenger Rear Seat Bottom, Beige	1
12	<u>102531702</u>	4-Passenger Rear Seat Bottom, White	1
13	<u>102531704</u>	4-Passenger Rear Seat Bottom, Gray	1
14	<u>102541425</u>	Bolt, M6x1.0x25, Hex Flhd, Blk-l	4
15	<u>102572201</u>	Connector Tube-hand Rail Asm	1
16	<u>102573101</u>	Bracket, 4-pass Lower Seat	2
17	<u>102574801</u>	Support-rh 4 Passenger Seat	1
18	<u>102574901</u>	Support-lh 4 Passenger Seat	1
19	<u>102575101</u>	Restraint- Rh 4-passenger Hip	1
20	<u>102575201</u>	Restraint- Lh 4-passenger Hip	1
		Note: See also four-passenger kit information.	

1
G
E



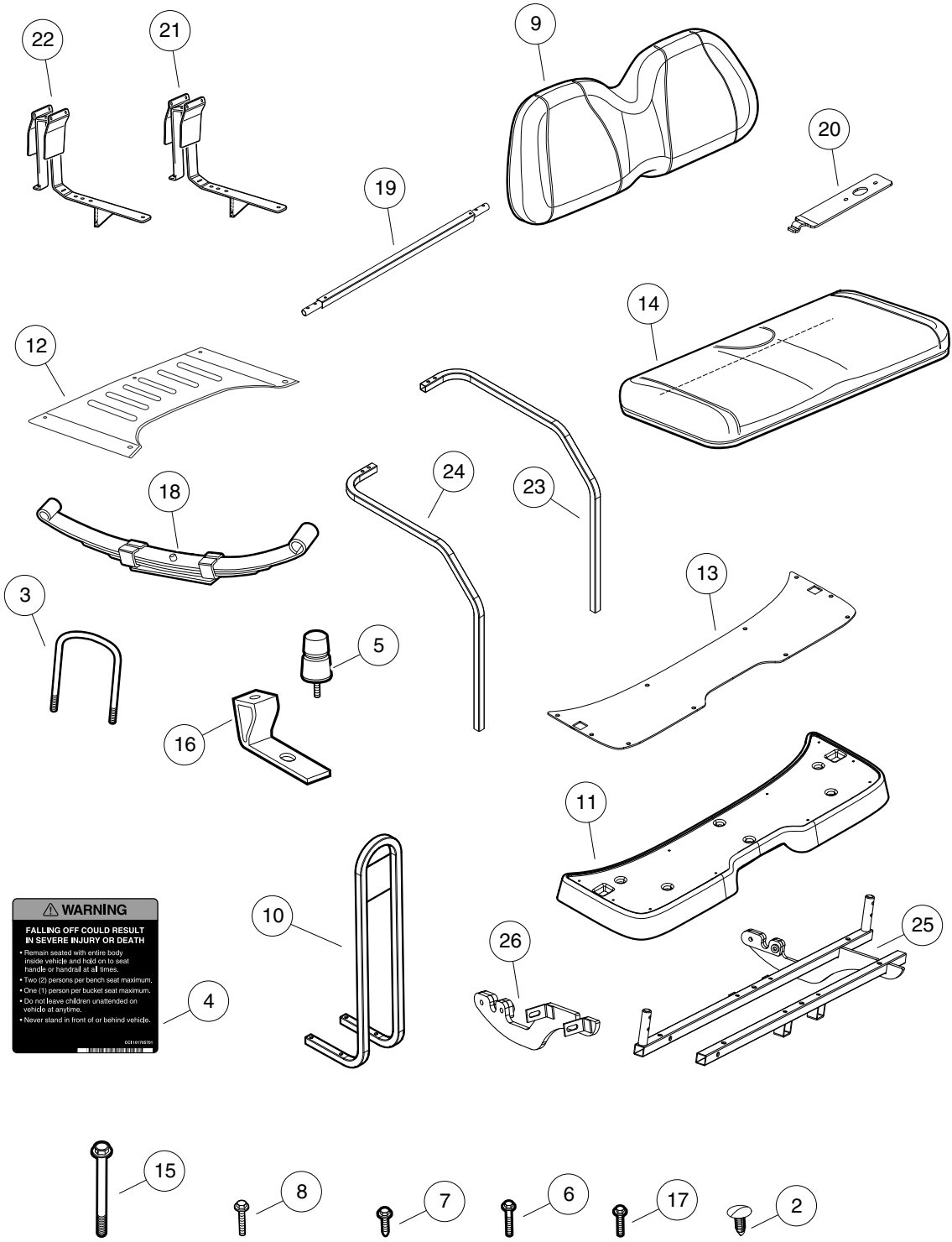
000493-002

REAR FOOTREST ASSEMBLY – PRECEDENT VILLAGER 4

ITEM	PART NO.	DESCRIPTION	QTY
		1 2 3 4	
1	<u>1010434</u>	Barrel - Plastic	10
2	<u>102298601</u>	J-clip - M8 X 1.25	4
3	<u>102298720</u>	Screw, M8-1.25x20, Taptite	8
4	<u>102298745</u>	M8-1.25x45 Taptite	4
5	<u>102531001</u>	Handrail Weldment, Rear Seat	1
6	<u>102531402</u>	Footdeck, 4-Passenger, Black	1
7	<u>102531601</u>	Floor mat, 4-Passenger, Rear	1
8	<u>102534201</u>	Bolt - Fl Hd, M8 X 95	4
9	<u>102584701</u>	Weld, 4-pass Footdeck-a	1
10	<u>102584801</u>	Weld, 4-pass Footdeck-b	1

1
G
E

1
G
E



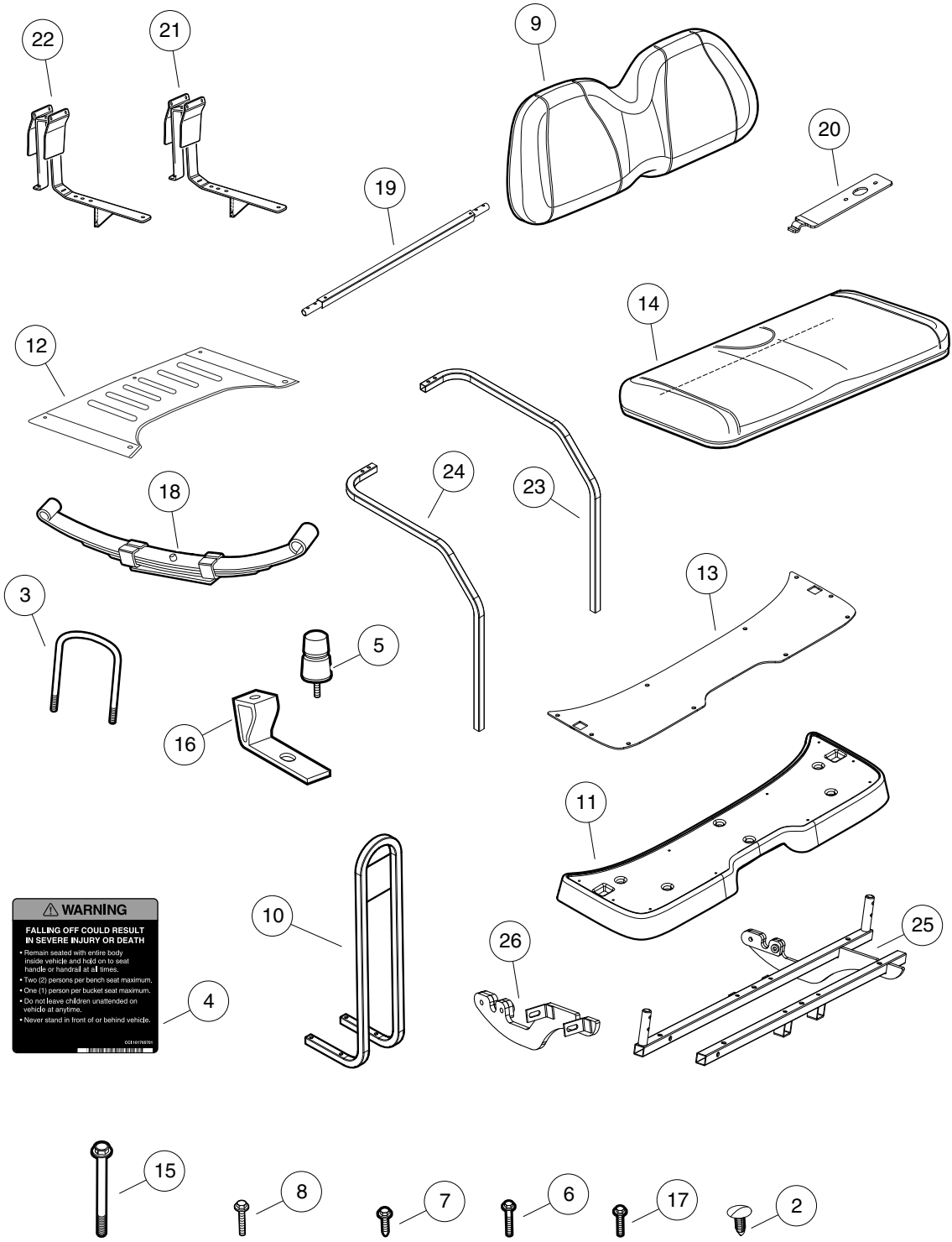
000505-002

FOUR PASSENGER CONVERSION KIT – BEIGE

ITEM	PART NO.	DESCRIPTION	QTY
		1 2 3 4	
1	<u>102570901</u>	Kit-4-pass, Prec, Std, Beige (includes items 2 through 26)	1
2	<u>1010434</u>	Barrel - Plastic	11
3	<u>1014902</u>	U-Bolt	2
4	<u>101705701</u>	Decal, Warning	1
5	<u>1017235</u>	Bumper, Jounce	2
6	<u>102296530</u>	Screw - M6 X 1.0 X 30 Sems	4
7	<u>102298720</u>	Screw, M8-1.25x20, Taptite	18
8	<u>102298745</u>	M8-1.25x45 Taptite	4
9	<u>102531001</u>	Handrail Weldment, Rear Seat	1
10	<u>102531402</u>	Footdeck, 4-Passenger, Black	1
11	<u>102531501</u>	Cover, 4-pass Ns1 Underbody	1
12	<u>102531601</u>	Floormat, 4-Passenger, Rear	1
13	<u>102534201</u>	Bolt - Fl Hd, M8 X 95	4
14	<u>102534801</u>	Jounce Bumper Bracket	2
15	<u>102541425</u>	Bolt, M6x1.0x25, Hex Flhd, Blk-l	6
16	<u>102544901</u>	Spring, Leaf, Rear	2
17	<u>102572201</u>	Connector Tube-hand Rail Asm	1
18	<u>102573101</u>	Bracket, 4-pass Lower Seat	2
19	<u>102574801</u>	Support-rh 4 Passenger Seat	1
20	<u>102574901</u>	Support-lh 4 Passenger Seat	1
21	<u>102575101</u>	Restraint- Rh 4-passenger Hip	1
22	<u>102575201</u>	Restraint- Lh 4-passenger Hip	1
23	<u>102584701</u>	Weld, 4-pass Footdeck-a	1
24	<u>102584801</u>	Weld, 4-pass Footdeck-b	1
25	<u>103853121</u>	Service, Beige, Seatback Asm	1
26	<u>103896721</u>	Service, Beige, 4pass Rear Btm	1

1
G
E

1
G
E



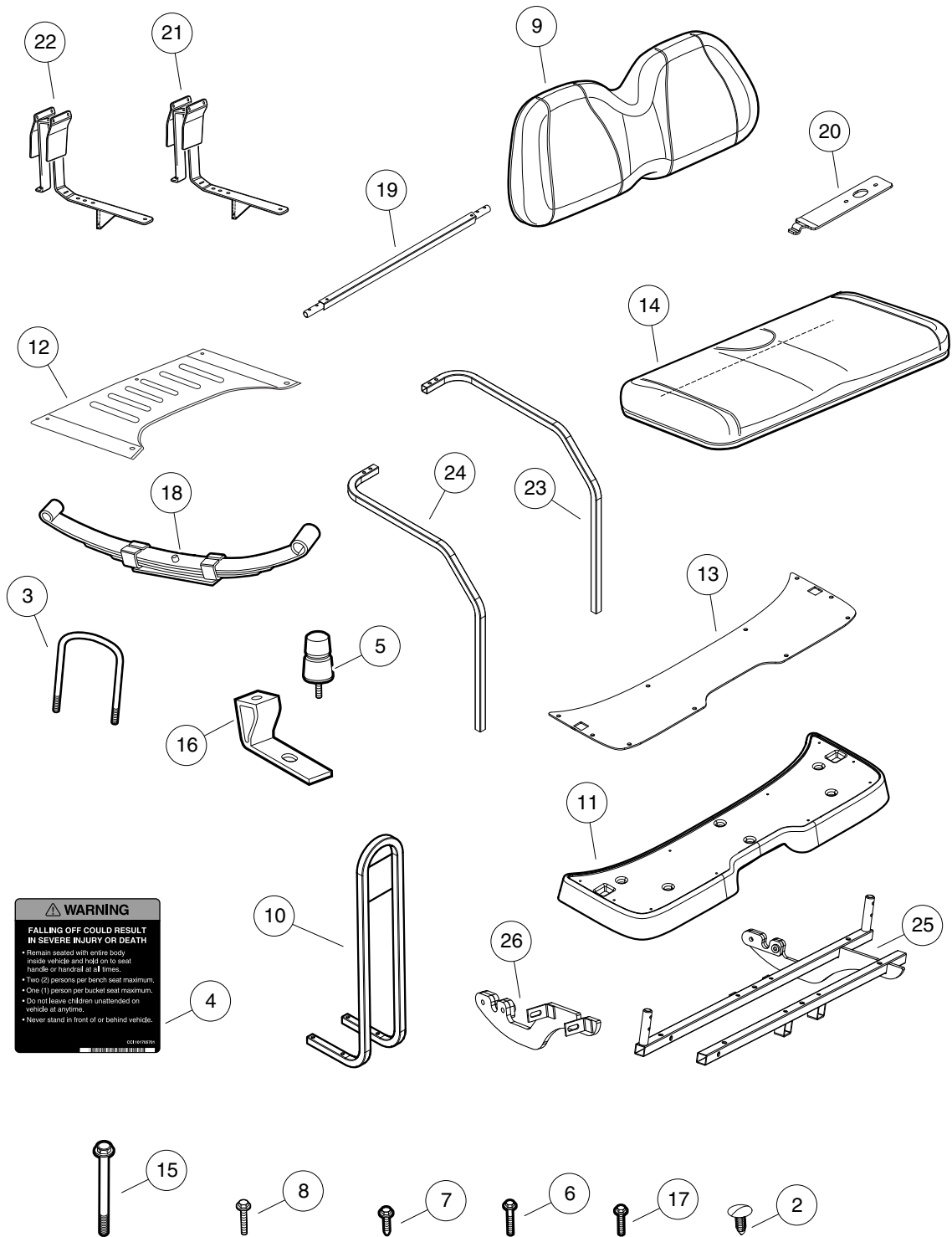
000505-002

FOUR PASSENGER CONVERSION KIT – WHITE

ITEM	PART NO.	DESCRIPTION	QTY
		1 2 3 4	
1	<u>102570902</u>	Kit-4-pass, Prec, Std, White (includes items 2 through 26)	1
2	<u>1010434</u>	Barrel - Plastic	11
3	<u>1014902</u>	U-Bolt	2
4	<u>101705701</u>	Decal, Warning	1
5	<u>1017235</u>	Bumper, Jounce	2
6	<u>102296530</u>	Screw - M6 X 1.0 X 30 Sems	4
7	<u>102298720</u>	Screw, M8-1.25x20, Taptite	18
8	<u>102298745</u>	M8-1.25x45 Taptite	4
9	<u>102531001</u>	Handrail Weldment, Rear Seat	1
10	<u>102531402</u>	Footdeck, 4-Passenger, Black	1
11	<u>102531501</u>	Cover, 4-pass Ns1 Underbody	1
12	<u>102531601</u>	Floormat, 4-Passenger, Rear	1
13	<u>102534201</u>	Bolt - Fl Hd, M8 X 95	4
14	<u>102534801</u>	Jounce Bumper Bracket	2
15	<u>102541425</u>	Bolt, M6x1.0x25, Hex Flhd, Blk-l	6
16	<u>102544901</u>	Spring, Leaf, Rear	2
17	<u>102572201</u>	Connector Tube-hand Rail Asm	1
18	<u>102573101</u>	Bracket, 4-pass Lower Seat	2
19	<u>102574801</u>	Support-rh 4 Passenger Seat	1
20	<u>102574901</u>	Support-lh 4 Passenger Seat	1
21	<u>102575101</u>	Restraint- Rh 4-passenger Hip	1
22	<u>102575201</u>	Restraint- Lh 4-passenger Hip	1
23	<u>102584701</u>	Weld, 4-pass Footdeck-a	1
24	<u>102584801</u>	Weld, 4-pass Footdeck-b	1
25	<u>103853122</u>	Service, White, Seatback Asm	1
26	<u>103896722</u>	Service, White, 4pass Rear Btm	1

1
G
E

1
G
E



000505-002

FOUR PASSENGER CONVERSION KIT – GRAY

ITEM	PART NO.	DESCRIPTION	QTY
		1 2 3 4	
1	<u>102570904</u>	Kit, 4 Passenger, Precedent, Std, Gray (includes items 2 through 26)	1
2	<u>1010434</u>	Barrel - Plastic	11
3	<u>1014902</u>	U-Bolt	2
4	<u>101705701</u>	Decal, Warning	1
5	<u>1017235</u>	Bumper, Jounce	2
6	<u>102296530</u>	Screw - M6 X 1.0 X 30 Sems	4
7	<u>102298720</u>	Screw, M8-1.25x20, Taptite	18
8	<u>102298745</u>	M8-1.25x45 Taptite	4
9	<u>102531001</u>	Handrail Weldment, Rear Seat	1
10	<u>102531402</u>	Footdeck, 4-Passenger, Black	1
11	<u>102531501</u>	Cover, 4-pass Ns1 Underbody	1
12	<u>102531601</u>	Floormat, 4-Passenger, Rear	1
13	<u>102534201</u>	Bolt - Fl Hd, M8 X 95	4
14	<u>102534801</u>	Jounce Bumper Bracket	2
15	<u>102541425</u>	Bolt, M6x1.0x25, Hex Flhd, Blk-l	6
16	<u>102544901</u>	Spring, Leaf, Rear	2
17	<u>102572201</u>	Connector Tube-hand Rail Asm	1
18	<u>102573101</u>	Bracket, 4-pass Lower Seat	2
19	<u>102574801</u>	Support-rh 4 Passenger Seat	1
20	<u>102574901</u>	Support-lh 4 Passenger Seat	1
21	<u>102575101</u>	Restraint- Rh 4-passenger Hip	1
22	<u>102575201</u>	Restraint- Lh 4-passenger Hip	1
23	<u>102584701</u>	Weld, 4-pass Footdeck-a	1
24	<u>102584801</u>	Weld, 4-pass Footdeck-b	1
25	<u>103853124</u>	Service, Gray, Seatback Asm	1
26	<u>103896724</u>	Service, Gray, 4pass Rear Btm	1

1
G
E

1

G

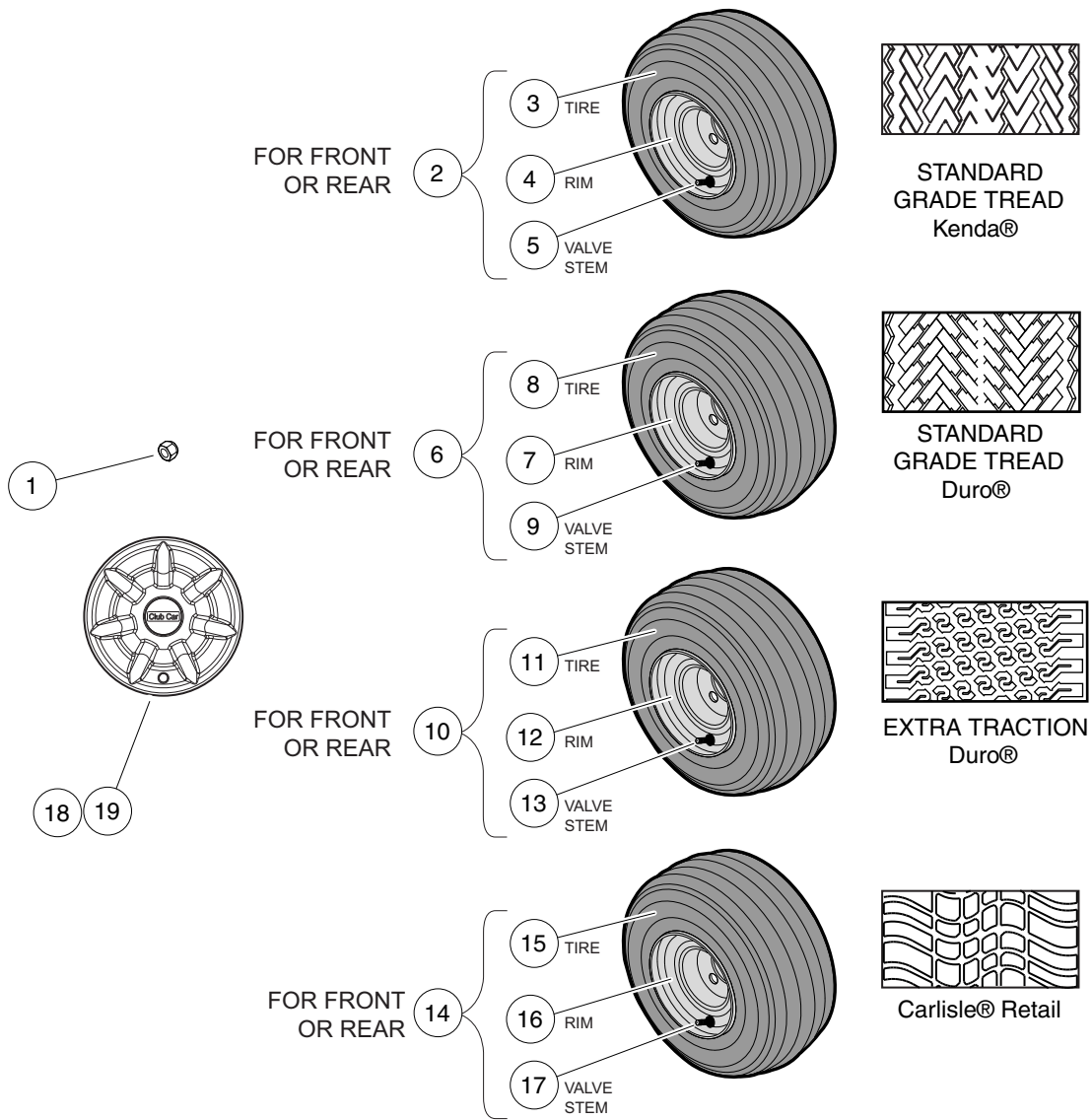
E

WHEELS AND TIRES

2

G

E

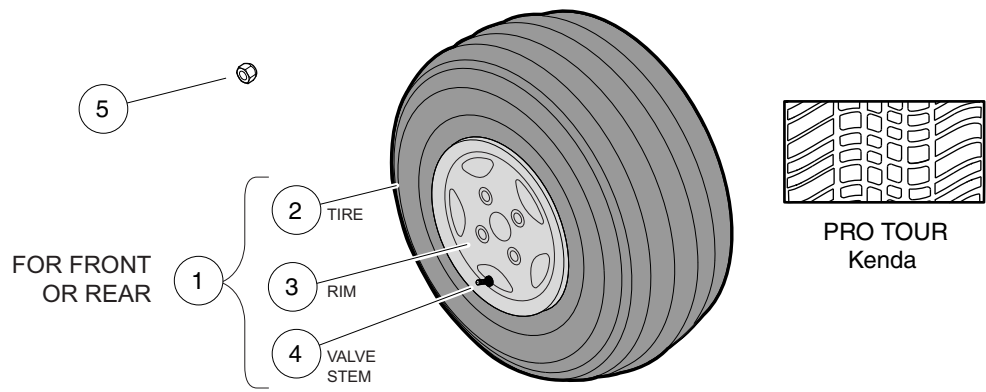


000474-004

WHEELS AND TIRES – PROFESSIONAL AND I2

ITEM	PART NO.	DESCRIPTION	QTY
		1 2 3 4	
1	<u>1010984</u>	.500-20 Unf Lug Nut	16
2	<u>102522601</u>	Asm-Kenda Std Gray (includes items 3 through 5)	4
3	<u>103458601</u>	Tire, Kenda Hole-n-1, Xt	1
4	<u>103459101</u>	Wheel Rim Asm, 8"x7", Gray	1
5	<u>7310</u>	Valve Stem, Black Plastic	1
6	<u>102522604</u>	Asm-duro Std Gray (includes items 7 through 9)	4
7	<u>102557801</u>	Wheel Rim Asm, 8"X7.000" (Duro rim)	1
8	<u>102569304</u>	Duro 18 X 8.5 X 8, 4-Ply	1
9	<u>7310</u>	Valve Stem, Black Plastic	1
10	<u>102522605</u>	Asm-duro Extra Tract Gray (includes items 11 through 13)	4
11	<u>101769302</u>	Tire, Unmounted Xtrac 18 x 8.50-8	1
12	<u>102557801</u>	Wheel Rim Asm, 8"X7.000" (Duro rim)	1
13	<u>7310</u>	Valve Stem, Black Plastic	1
14	<u>102522609</u>	Asm-carlisle Retail (includes items 15 through 17)	4
15	<u>102569309</u>	Tire-carlisle 18.5x8.5r8 4-ply	1
16	<u>103459101</u>	Wheel Rim Asm, 8"x7", Gray	1
17	<u>7310</u>	Valve Stem, Black Plastic	1

2
G
E



000475-004

WHEELS AND TIRES – CHAMPION AND I2L

ITEM	PART NO.	DESCRIPTION	QTY
		1 2 3 4	
1	<u>102540601</u>	Tire and Wheel, 10" Aluminum, Pro Tour Tire (includes items 2 through 4)	4
2	<u>102556701</u>	Tire, Pro Tour, 205-50 X 10	1
3	<u>102556801</u>	Wheel, Aluminum, Champion	1
4	<u>7310</u>	Valve Stem, Black Plastic	1
5	<u>102540701</u>	Lug Nut, 1/2" Closed End	16

2
G
E

2

G

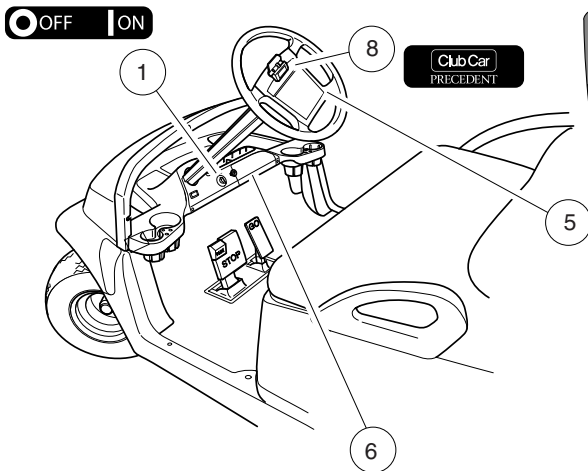
E

DECALS

3

G

E



OPERATING INSTRUCTIONS

- Read owner's manual and safety warnings located on dash panel prior to driving.
- Study and understand controls.

TO OPERATE

- Turn wheels to desired direction and ensure path is clear.
- Turn key to ON position.
- While stopped, place shift lever in desired position:
F – Forward N – Neutral R – Reverse (Buzzer will sound)
- Park brake will release and vehicle will start moving when accelerator pedal is pressed.
- Slowly press accelerator pedal to increase speed.
- To stop, release accelerator pedal and press brake pedal.

BEFORE LEAVING

- Press park brake pedal until it locks and holds vehicle.
- Place Forward/Reverse switch in NEUTRAL position.
- Turn key OFF and remove key when not in use.

CCI 102519201

WARNING

ROLLOVER OR FALLING OFF MAY CAUSE SERIOUS INJURY OR DEATH.

- Before using vehicle, read operating instructions.
- Do not start vehicle until all occupants are seated.
- Keep entire body inside vehicle while moving.
- Drive slowly in turns and straight up and down slopes.
- Use brakes to reduce speed when coasting downhill.
- Never operate under the influence of alcohol or drugs.
- For use by authorized persons in designated areas only.
- Remain seated while moving.
- Operate from driver side only.
- Never operate on public roads.
- Hold on to seat handle while moving.
- Two (2) persons per seat maximum.
- Never stand in front of or behind vehicle.
- Do not leave children unattended on vehicle.

CCI 102519301

WARNING

BATTERY EXPLOSION / FIRE CAN CAUSE SEVERE INJURY

- Do not contact positive (+) battery post or cable to frame.
- Disconnect negative (-) cable first.
- Negative (-) frame ground.

CCI 102517901

WARNING

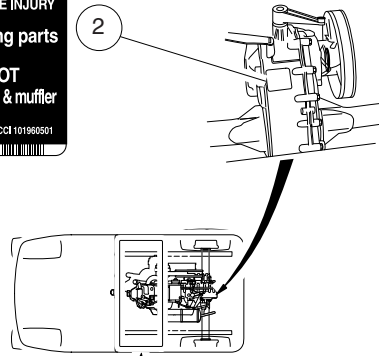
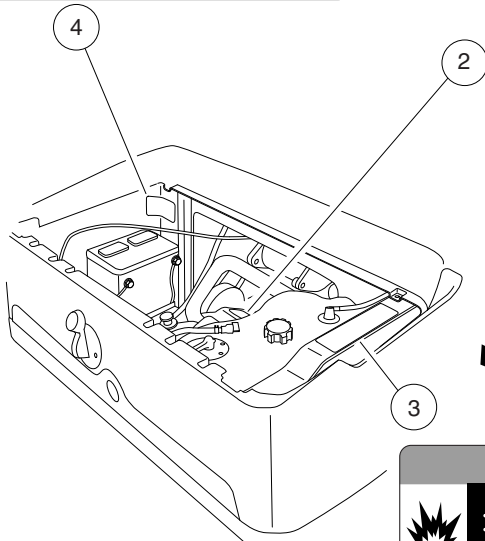
CAN CAUSE SEVERE INJURY

Rotating parts

HOT manifold & muffler

KEEP CLEAR

CCI 101960501



WARNING

GASOLINE EXPLOSION / FIRE CAN CAUSE SEVERE INJURY OR DEATH

- No sparks or open flame near fuel or fuel tank.
- No smoking near fuel or fuel tank.
- Stop engine and allow to cool before refueling.
- Turn fuel valve (—) on during operation.
- Turn fuel valve (—) off during storage or transport.

EXCESSIVE SPEED CAN CAUSE SEVERE INJURY OR DEATH

- Do not tamper with engine governor adjustment.

CCI 102517801

CE

000444-001

DECALS – GASOLINE VEHICLE

ITEM	PART NO.	DESCRIPTION	QTY
		1 2 3 4	
1	<u>101825101</u>	Decal, Off/On	1
2	<u>101960501</u>	Decal, Rotating Parts/Hot Manifold	2
3	<u>102517801</u>	Decal, Warning - Gas and Govenor	1
4	<u>102517901</u>	Decal, Warning - Frame Ground	1
5	<u>102519201</u>	Decal, Operating Instr, Gas	1
6	<u>102519301</u>	Decal, Warning, Rollover	1
7	<u>102538101</u>	Decal, Operating Instructions, Gas, Comfort Grip	1
8	<u>102540901</u>	Decal, Club Car Clip	1
		Note: Item 7 not shown.	

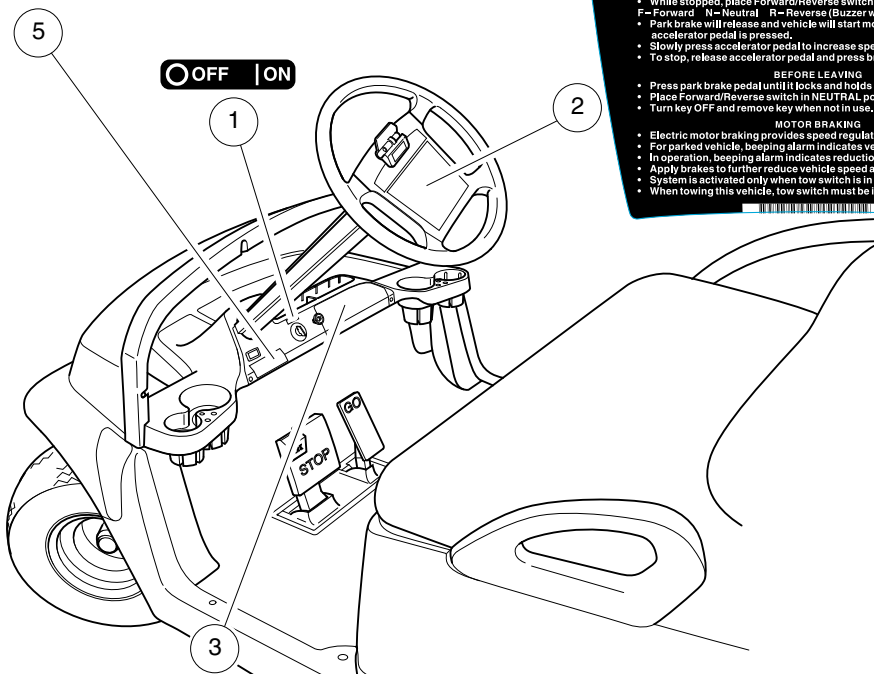
3
G
E

IMPORTANT NOTICE

This vehicle does not conform to ANSI Z130.1 - "Standard for Golf Cars - Safety and Performance Requirements" because it is capable of speeds in excess of 15 miles per hour. Exercise caution.

CCI 102555901

OFF ON



OPERATING INSTRUCTIONS

- Read owner's manual and dash-mounted safety warnings prior to driving.
- Study and understand controls.

TO OPERATE

- Turn wheels to desired direction and ensure path is clear.
- Turn key to ON position.
- While stopped, place Forward/Reverse switch in desired position: F=Forward N=Neutral R=Reverse (Buzzer will sound)
- Park brake will release and vehicle will start moving when accelerator pedal is pressed.
- Slowly press accelerator pedal to increase speed.
- To stop, release accelerator pedal and press brake pedal.

BEFORE LEAVING

- Press park brake pedal until it locks and holds vehicle.
- Place Forward/Reverse switch in NEUTRAL position.
- Turn key OFF and remove key when not in use.

MOTOR BRAKING

- Electric motor braking provides speed regulation functions.
- For parked vehicle, beeping alarm indicates vehicle roll away.
- In operation, beeping alarm indicates reduction in motor braking.
- Apply brakes to further reduce vehicle speed as required.
- System is activated only when tow switch is in the RUN position.
- When towing this vehicle, tow switch must be in the TOW position.

CCI 102518001

WARNING

ROLLOVER OR FALLING OFF MAY CAUSE SERIOUS INJURY OR DEATH.

- Before using vehicle, read operating instructions.
- Do not start vehicle until all occupants are seated.
- Keep entire body inside vehicle while moving.
- Drive slowly in turns and straight up and down slopes.
- Use brakes to reduce speed when coasting downhill.
- Never operate under the influence of alcohol or drugs.
- For use by authorized persons in designated areas only.
- Remain seated while moving.
- Operate from driver side only.
- Never operate on public roads.
- Hold on to seat handle while moving.
- Two (2) persons per seat maximum.
- Never stand in front of or behind vehicle.
- Do not leave children unattended on vehicle.

CCI 102519301

000441-005

DECALS – ELECTRIC VEHICLE, STYLES A, B, AND C

ITEM	PART NO.	DESCRIPTION	QTY
		1 2 3 4	
1	<u>101825101</u>	Decal, Off/On	1
2	102518001	Decal, Operating Instr, Elec	1
3	<u>102519301</u>	Decal, Warning, Rollover	1
4	<u>102538201</u>	Decal, Operating Instr, Ele, Comfort Grip	1
5	<u>102555901</u>	Decal, Private Speed, Prec	1
		Note: Item 4 not shown.	

3
G
E

⚠ WARNING
HEAVY LIFTING CAN CAUSE SEVERE PERSONAL INJURY

- The weight of each 12-volt battery is in excess of 80 lb (36.3 kg).
- Lift batteries only with the aid of an assistant.

CCI 103238501

CAUTION
EXPOSURE TO WATER MAY DAMAGE ELECTRONIC COMPONENTS

- Do not operate vehicle without this cover properly installed.
- Do not direct water stream in the area of the cover without cover securely in place.
- See vehicle maintenance and service manual before servicing.

CCI 102516301

⚠ WARNING
BATTERY EXPLOSION COULD RESULT IN SEVERE PERSONAL INJURY

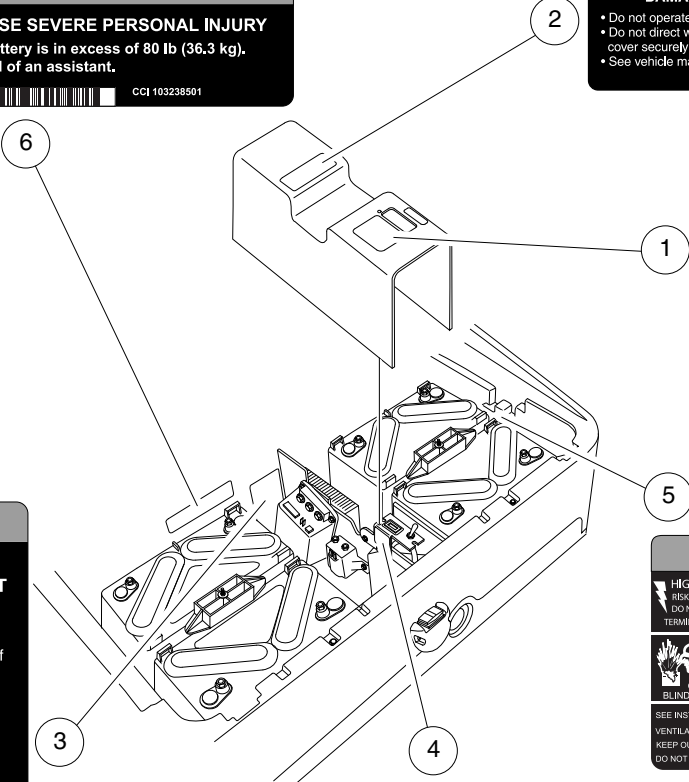
- Do not store items in battery compartment.
- Place Run/Tow switch in TOW position before performing any of the following:
 - Disconnecting or connecting battery cables
 - Towing this vehicle
 - Extended storage
 - Servicing the vehicle

CCI 102516101

⚠ WARNING
BATTERY EXPLOSION / ELECTRICAL COMPONENT DAMAGE

- Place Run/Tow switch in TOW position before performing any of the following:
 - Disconnecting or connecting battery cables
 - Towing this vehicle
 - Extended storage
 - Servicing the vehicle
- Do not store items in battery compartment.
- Do not operate vehicle without the cover properly installed.
- Keep electronic components dry.
- See vehicle maintenance and service manual before servicing.

CCI 102519401



⚠ WARNING
SHORTING OF BATTERY TERMINALS CAN CAUSE PERSONAL INJURY OR DEATH.

- Do not place component mounting plate directly on top of batteries, when removing or installing plate.
- Remove plate from vehicle completely.

102527501

⚠ DANGER!

HIGH VOLTAGE... RISK OF SHOCK. DO NOT TOUCH UNINSULATED TERMINALS OR CONNECTORS.	NO SPARKS, FLAMES, SMOKING	SULFURIC ACID CAN CAUSE BLINDNESS OR SEVERE BURNS.
SHIELD EYES EXPLOSIVE GASES CAN CAUSE BLINDNESS OR INJURY.	FLUSH EYES IMMEDIATELY WITH WATER. GET MEDICAL HELP FAST.	RECYCLE

SEE INSTALLATION, MAINTENANCE AND OPERATION INSTRUCTIONS.
VENTILATE WELL WHEN IN AN ENCLOSED SPACE AND WHEN CHARGING.
KEEP OUT OF REACH OF CHILDREN.
DO NOT TIP

CCI 102591901

000441-003

DECALS – ELECTRIC VEHICLE, STYLE A

ITEM	PART NO.	DESCRIPTION	QTY
		1 2 3 4	
1	<u>102518101</u>	Decal, Run/Tow with Storage Area	1
2	<u>102518301</u>	Decal, Caution, Electrical Component Cover	1
3	<u>102519401</u>	Decal, Run/Tow Safety, IQ	1
4	<u>102527501</u>	Decal-component Mounting Plate	1
5	<u>102591901</u>	Warning Tag, Battery, SPWS (For SPWS Accessory)	4
6	<u>103238501</u>	Decal, Warning -battery Weight	1

3
G
E

WARNING

BATTERY EXPLOSION COULD RESULT IN SEVERE PERSONAL INJURY

- Place Run/Tow switch in TOW position before performing any of the following:
 - Disconnecting or connecting battery cables
 - Towing this vehicle
 - Extended storage
 - Servicing the vehicle
- Do not store items in battery compartment.
- Keep electronic components dry.
- Do not operate vehicle without this plate properly installed.
- See vehicle service manual before servicing.

RUN

TOW

CCI 103384601

CAUTION EXPOSURE TO WATER MAY DAMAGE ELECTRONIC COMPONENTS

- Do not direct water stream in the area of this plate.
- See vehicle service manual before servicing.

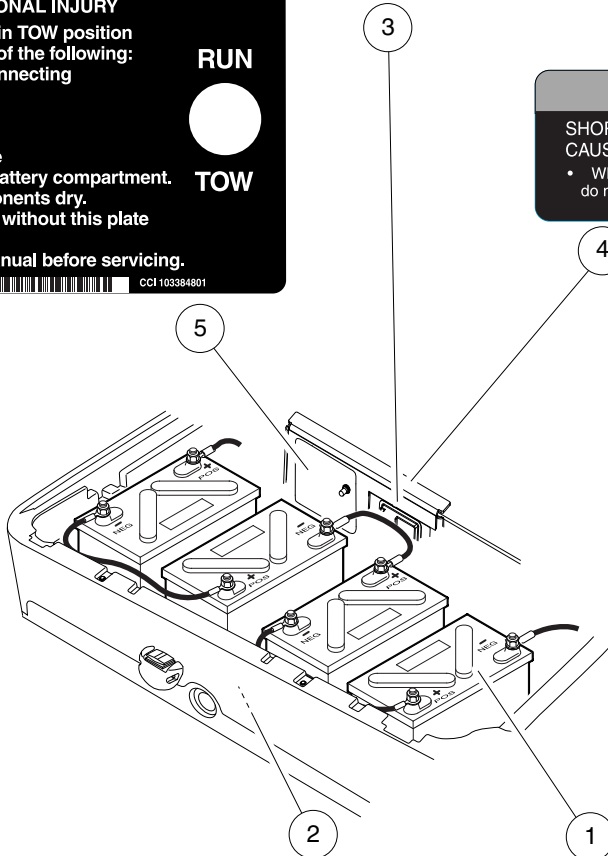
CCI 103384601

WARNING

SHORTING OF BATTERY TERMINALS CAN CAUSE PERSONAL INJURY OR DEATH.

- When removing component mounting plate, do not place plate directly on top of batteries.

103384701



WARNING

HEAVY LIFTING CAN CAUSE SEVERE PERSONAL INJURY

- The weight of each 12-volt battery is in excess of 80 lb (36.3 kg).
- Lift batteries only with the aid of an assistant.

CCI 103238501

DANGER!

HIGH VOLTAGE...
RISK OF SHOCK
DO NOT TOUCH UNINSULATED TERMINALS OR CONNECTORS.

NO SPARKS, FLAMES, SMOKING

SULFURIC ACID
CAN CAUSE BLINDNESS OR SEVERE BURNS

SHIELD EYES
EXPLOSIVE GASES
CAN CAUSE BLINDNESS OR INJURY

FLUSH EYES IMMEDIATELY WITH WATER.
GET MEDICAL HELP FAST

SEE INSTALLATION, MAINTENANCE AND OPERATION INSTRUCTIONS
VENTILATE WELL WHEN IN AN ENCLOSED SPACE AND WHEN CHARGING.
KEEP OUT OF REACH OF CHILDREN
DO NOT TIP

CCI 102591901

000441-004

DECALS – ELECTRIC VEHICLE, STYLE B AND STYLE C

ITEM	PART NO.	DESCRIPTION	QTY
		1 2 3 4	
1	<u>102591901</u>	Warning Tag, Battery, SPWS (For SPWS Accessory)	4
2	<u>103238501</u>	Decal, Warning -battery Weight	1
3	<u>103384601</u>	Decal-water Exposure	1
4	<u>103384701</u>	Decal-warning, Short	1
5	<u>103384801</u>	Decal-warning, Run Tow	1

3
G
E

3

G

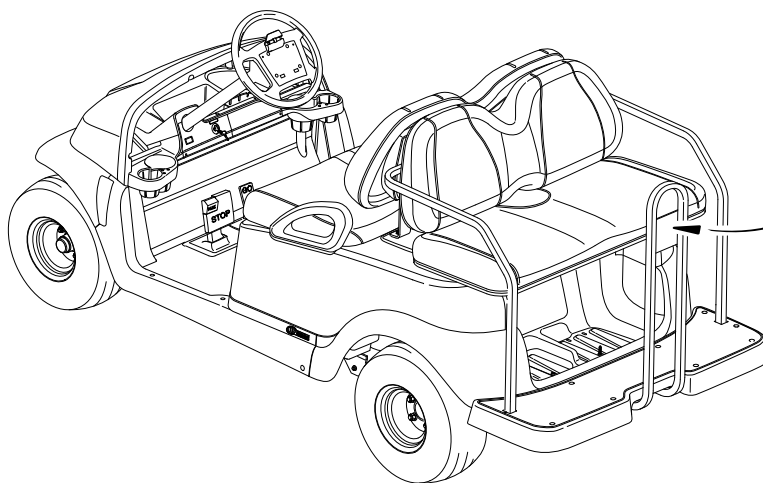
E

 **WARNING**

**FALLING OFF COULD RESULT
IN SEVERE INJURY OR DEATH**

- Remain seated with entire body inside vehicle and hold on to seat handle or handrail at all times.
- Two (2) persons per bench seat maximum.
- One (1) person per bucket seat maximum.
- Do not leave children unattended on vehicle at anytime.
- Never stand in front of or behind vehicle.

CCI 101705701



000495-001

DECAL – PRECEDENT VILLAGER 4

ITEM	PART NO.	DESCRIPTION	QTY
1	<u>101705701</u>	1 2 3 4 Decal, Warning	4

3
G
E

3

G

E

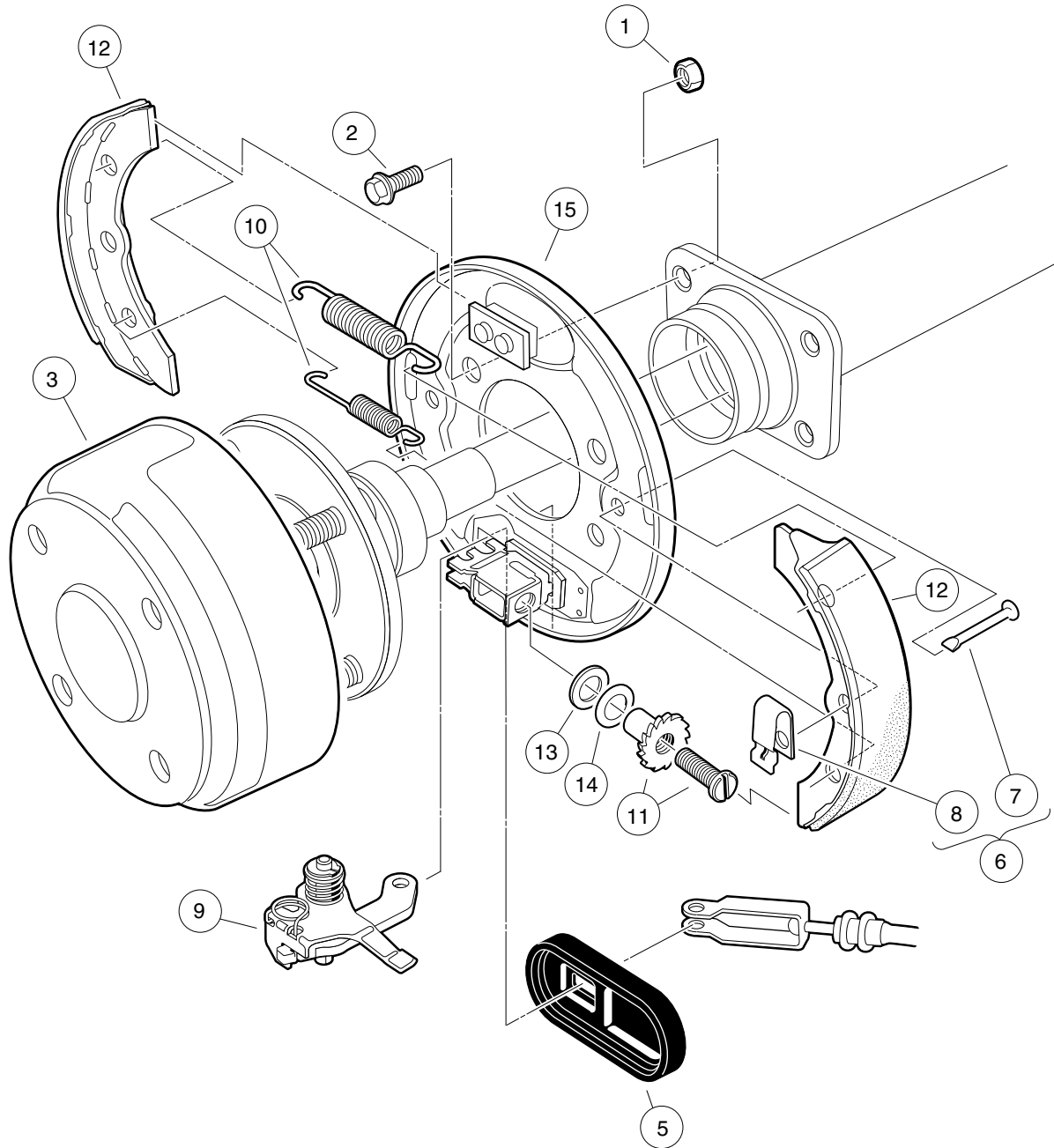
BRAKES AND PEDAL GROUP ASSEMBLIES

4

G

E

4
G
E



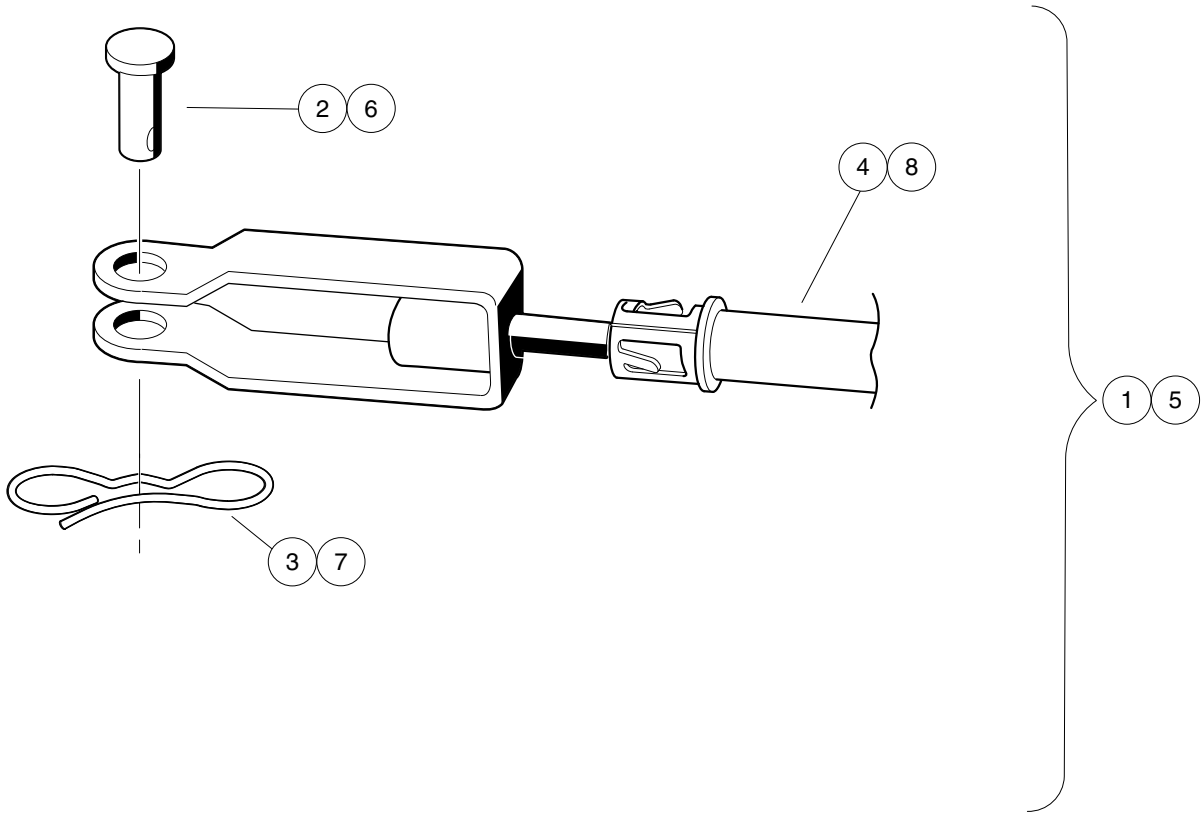
000186-002

REAR BRAKE ASSEMBLY, SELF-ADJUSTING

ITEM	PART NO.	DESCRIPTION	QTY
		1 2 3 4	
1	<u>1013924</u>	Nut, 5/16-24, Hex Head Cone	8
2	<u>1014153</u>	Bolt, Brake Cluster Mounting	8
3	<u>101791101</u>	Drum without Center Hole, Brake	2
4	<u>101823301</u>	Cluster Assembly, Right (Passenger) Brake (includes items 5 through 15)	1
5	<u>1010850</u>	Dust Cover	1
6	<u>1011466</u>	Kit, Shoe Retainer (includes items 7 and 8)	1
7	N/A	Pin	2
8	N/A	Shoe Clamp Spring	2
9	101815501	Lever Assembly, Self-Adjusting Brake, Right (Passenger)	1
10	<u>101816301</u>	Package, Brake Spring, Self-Adjusting	1
11	<u>101816501</u>	Adj Mechanism, S.A. Brakes, Right (Passenger)	1
12	<u>101823201</u>	Package, Brake Shoe, Self-Adjusting	1
13	<u>101823801</u>	Plate, Washer, Brake, Self-Adjusting	1
14	<u>101823901</u>	Washer, Brake, Self-Adjusting	1
15	<u>101824001</u>	Plate Assembly, Right Brake Backing	1
16	<u>101823302</u>	Cluster Assembly, Left Brake (includes items 17 through 27)	1
17	<u>1010850</u>	Dust Cover	1
18	<u>1011466</u>	Kit, Shoe Retainer (includes items 19 and 20)	1
19	N/A	Pin	2
20	N/A	Shoe Clamp Spring	2
21	101815502	Lever Assembly, Self-Adjusting Brake, Left	1
22	<u>101816301</u>	Package, Brake Spring, Self-Adjusting	1
23	<u>101816502</u>	Adjusting Mechanism, Self-Adjusting Brake, Left	1
24	<u>101823201</u>	Package, Brake Shoe, Self-Adjusting	1
25	<u>101823801</u>	Plate, Washer, Brake, Self-Adjusting	1
26	<u>101823901</u>	Washer, Brake, Self-Adjusting	1
27	<u>101824002</u>	Plate Assembly, Left Brake Backing	1
		Note: Driver-side brake cluster not shown. Components have a similar appearance to passenger-side brake cluster components.	

4
G
E

4
G
E



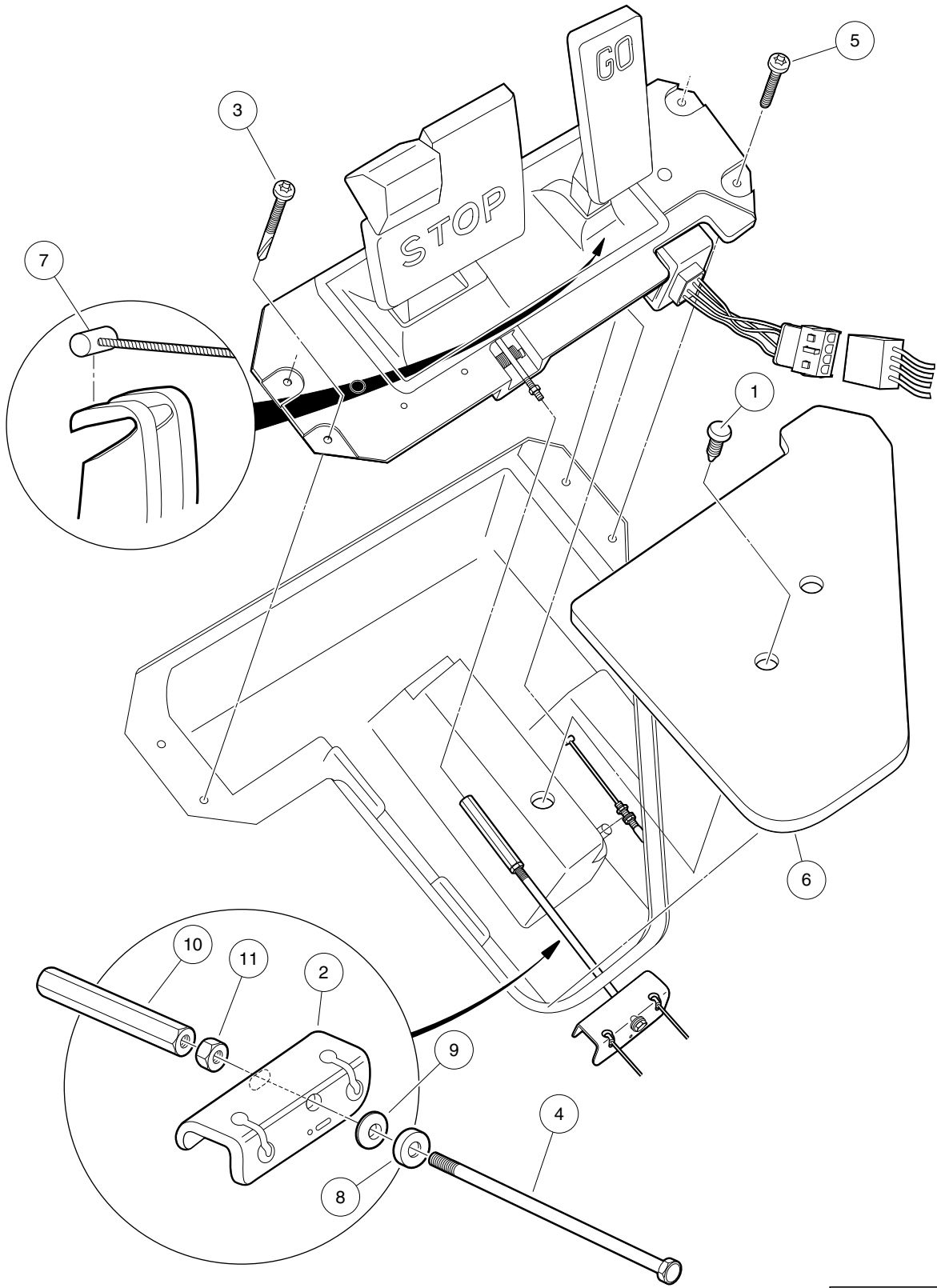
000467-002

BRAKE CABLES

ITEM	PART NO.	DESCRIPTION	QTY
		1 2 3 4	
1	<u>102557501</u>	Brake Cable Kit, Precedent Right-Hand (includes items 2 through 4)	1
2	<u>1010829</u>	Pin, Clevis, 5/16 X 3/4	1
3	<u>102292801</u>	Pin, Bow Tie Locking - .072	1
4	N/A	Brake Cable (Right)	1
5	<u>102557502</u>	Brake Cable Kit, Precedent Left-Hand (includes items 6 through 8)	1
6	<u>1010829</u>	Pin, Clevis, 5/16 X 3/4	1
7	<u>102292801</u>	Pin, Bow Tie Locking - .072	1
8	N/A	Brake Cable (Left)	1

4
G
E

4
G
E



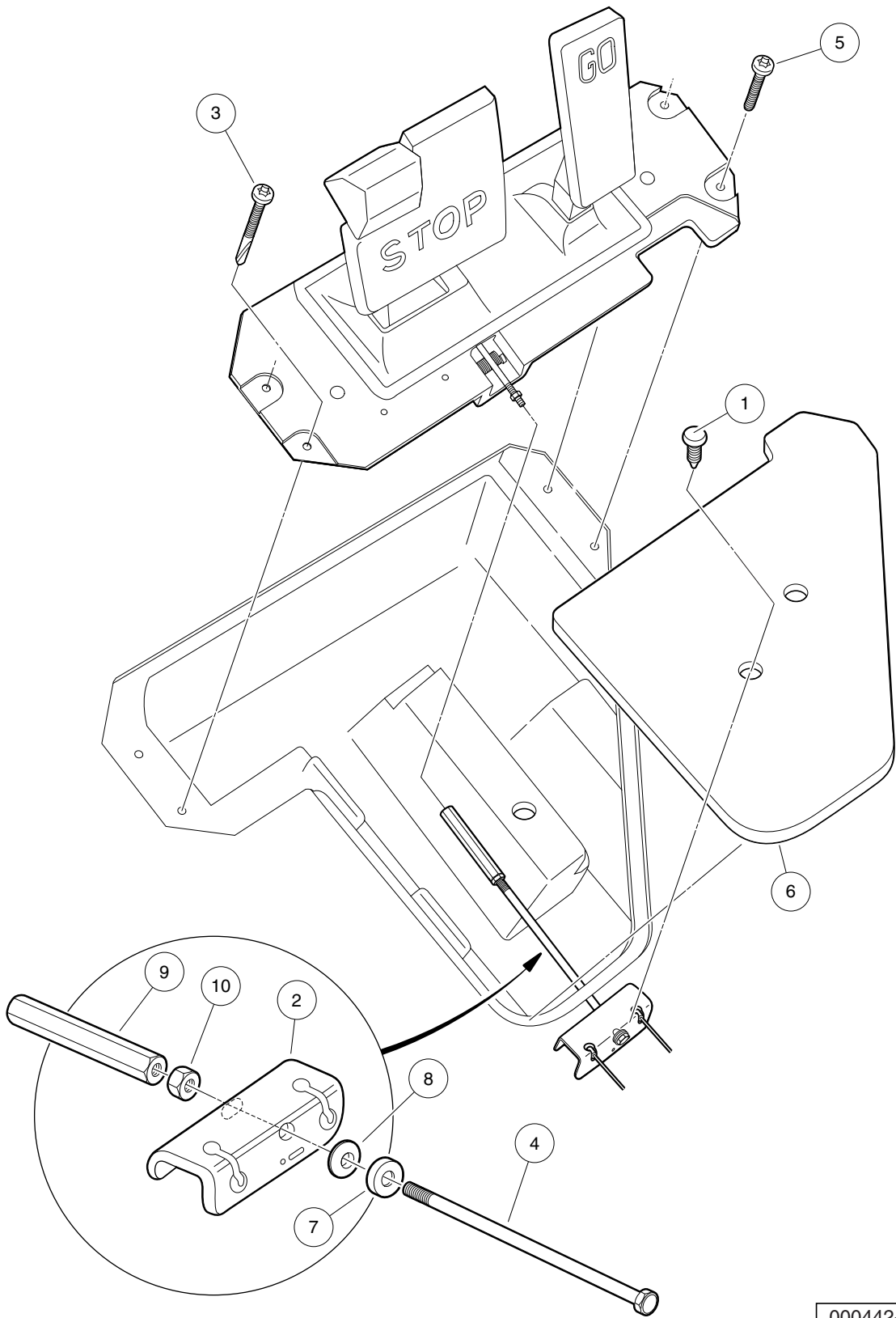
000443-004

PEDAL GROUP CONNECTIONS – GASOLINE VEHICLE

ITEM	PART NO.	DESCRIPTION	QTY
		1 2 3 4	
1	<u>1010434</u>	Barrel - Plastic	1
2	<u>101990802</u>	Equalizer Bracket	1
3	<u>102292201</u>	Screw-1/4-20x2.20 Tx Pn Hd Sd	2
4	<u>102297901</u>	Bolt, 5/16-18 X 7.375, Hex	1
5	<u>102298030</u>	Screw, K80x30, Torx Pn Hd Pt	2
6	<u>102500801</u>	Plate - Floor Cover	1
7	<u>102513102</u>	Cable, Acc, Snap-in (Generation 1)	1
8	<u>102551901</u>	Washer, 5/16, Self Comp, Cup	1
9	<u>102552001</u>	Washer, 5/16, Self Comp, Cone	1
10	<u>102594301</u>	Nut, 5/16-18, Hex Adjusting -l	1
11	<u>1242</u>	Nut, 5/16-18 Hex	1

4
G
E

4
G
E



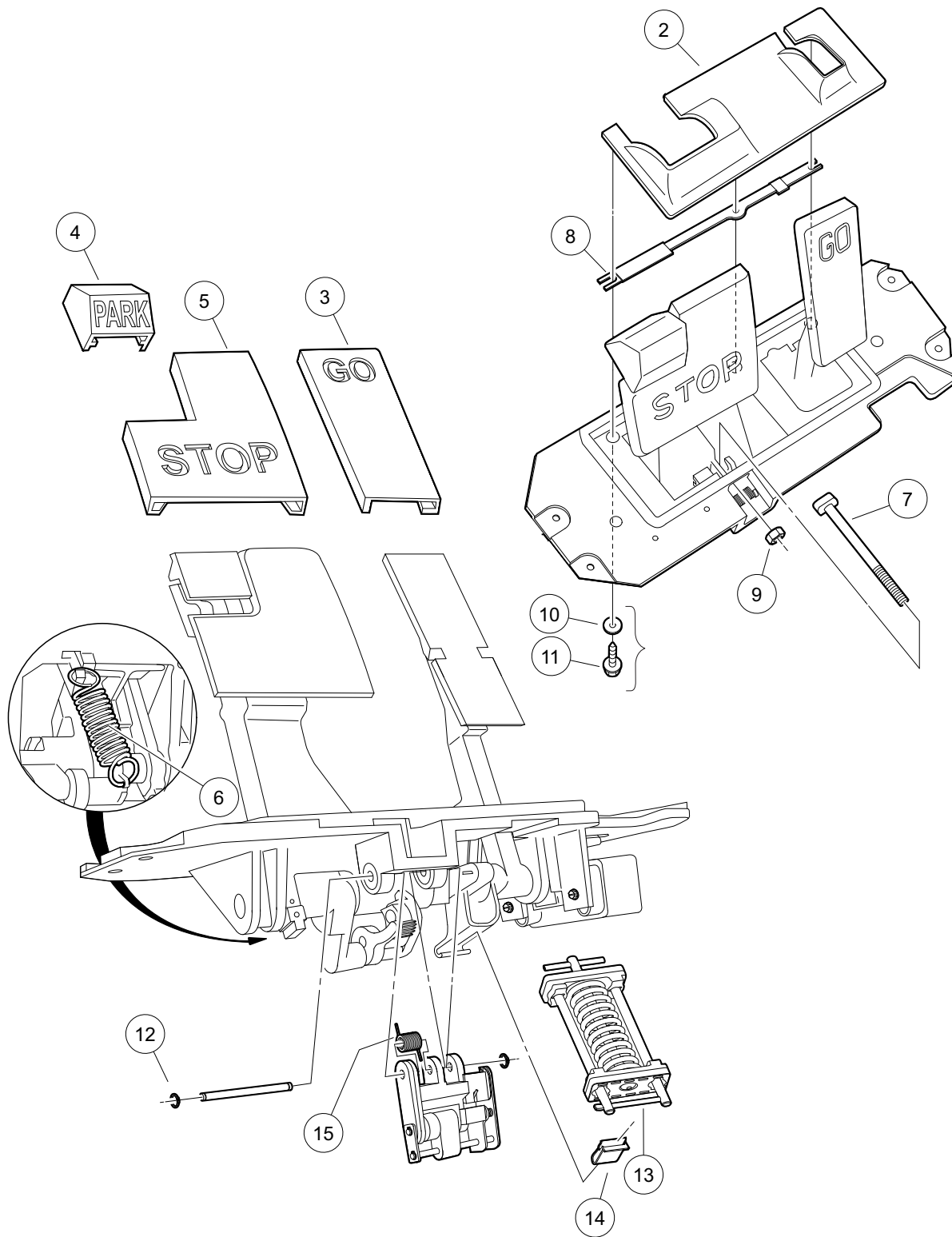
000442-002

PEDAL GROUP CONNECTIONS – ELECTRIC VEHICLE

ITEM	PART NO.	DESCRIPTION	QTY
		1 2 3 4	
1	<u>1010434</u>	Barrel - Plastic	1
2	<u>101990802</u>	Equalizer Bracket	1
3	<u>102292201</u>	Screw-1/4-20x2.20 Tx Pn Hd Sd	2
4	<u>102297901</u>	Bolt, 5/16-18 X 7.375, Hex	1
5	<u>102298030</u>	Screw, K80x30, Torx Pn Hd Pt	2
6	<u>102500801</u>	Plate - Floor Cover	1
7	<u>102551901</u>	Washer, 5/16, Self Comp, Cup	1
8	<u>102552001</u>	Washer, 5/16, Self Comp, Cone	1
9	<u>102594301</u>	Nut, 5/16-18, Hex Adjusting -l	1
10	<u>1242</u>	Nut, 5/16-18 Hex	1

4
G
E

4
G
E



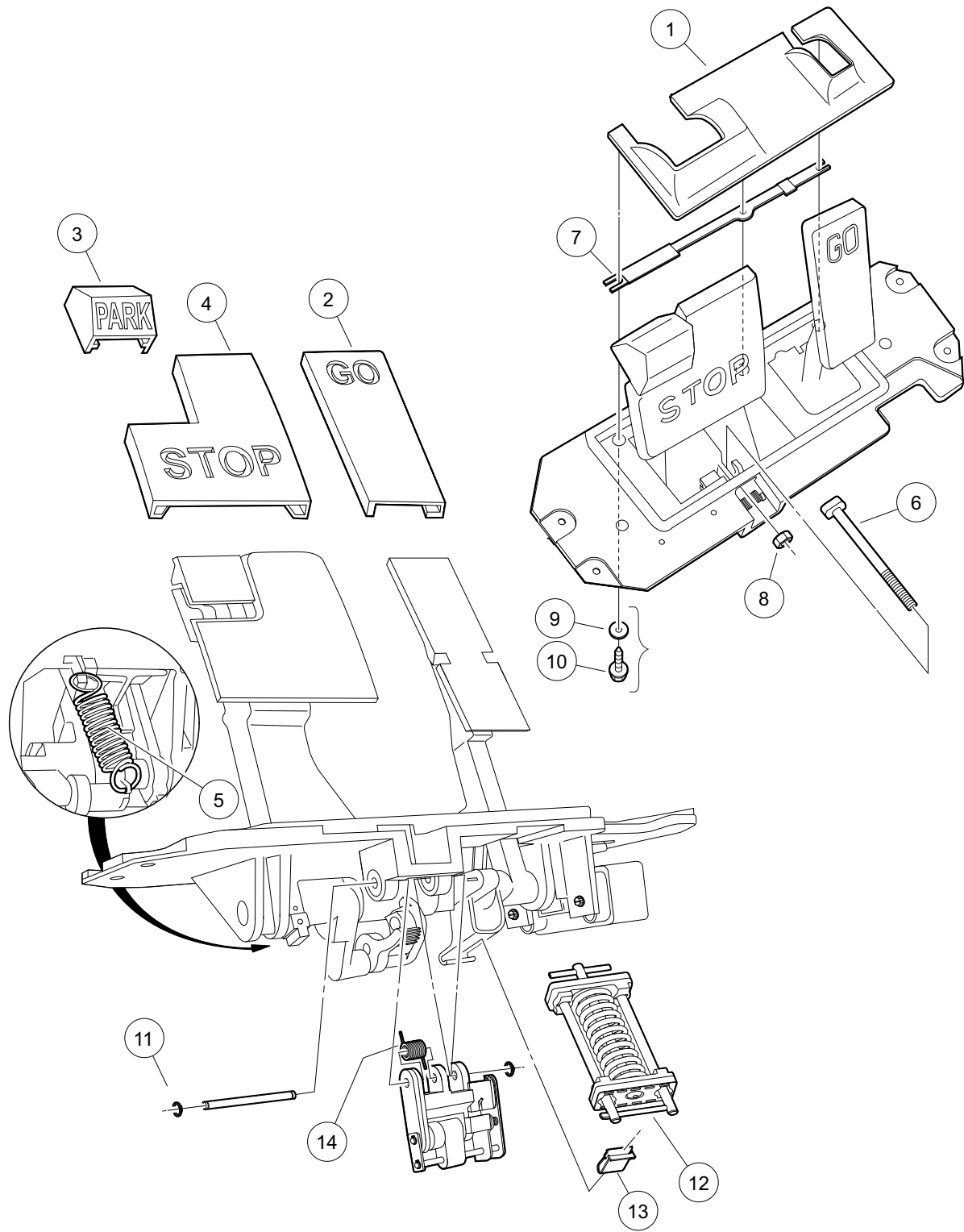
000487-005

PEDAL GROUP COMPONENTS – GASOLINE VEHICLE

ITEM	PART NO.	DESCRIPTION	QTY
		1 2 3 4	
1	<u>102500101</u>	Asm, Pedal Box Gas (includes items 2 through 15)	1
2	<u>102558801</u>	Shield, Debris	1
3	<u>102558901</u>	Pad, Pedal, Accelerator	1
4	<u>102559001</u>	Pad, Pedal, Park	1
5	<u>102559101</u>	Pad, Pedal, Brake	1
6	<u>102559301</u>	Spring, Brake, Return	1
7	<u>102559401</u>	Rod, Brake	1
8	<u>102559601</u>	Shield, Debris, Aux	1
9	<u>102559701</u>	Nut, Brake Rod	1
10	<u>102563001</u>	Washer, Std Fender, #10	3
11	<u>102563101</u>	Screw, Type A, #10	5
12	<u>102587501</u>	Clip, Push, Pawl	2
13	<u>102588701</u>	Kit, Pedal Spring	1
14	<u>102588901</u>	Clip, U	1
15	<u>103344301</u>	Spring, Pawl Return	1

4
G
E

4
G
E



000488-002

PEDAL GROUP COMPONENTS – ELECTRIC VEHICLE

ITEM	PART NO.	DESCRIPTION	QTY
		1 2 3 4	
1	<u>102500001</u>	Asm, Pedal Box Elec (includes items 2 through 15)	1
2	<u>102558801</u>	Shield, Debris	1
3	<u>102558901</u>	Pad, Pedal, Accelerator	1
4	<u>102559001</u>	Pad, Pedal, Park	1
5	<u>102559101</u>	Pad, Pedal, Brake	1
6	<u>102559301</u>	Spring, Brake, Return	1
7	<u>102559401</u>	Rod, Brake	1
8	<u>102559601</u>	Shield, Debris, Aux	1
9	<u>102559701</u>	Nut, Brake Rod	1
10	<u>102563001</u>	Washer, Std Fender, #10	3
11	<u>102563101</u>	Screw, Type A, #10	5
12	<u>102587501</u>	Clip, Push, Pawl	2
13	<u>102588701</u>	Kit, Pedal Spring	1
14	<u>102588901</u>	Clip, U	1
15	<u>103344301</u>	Spring, Pawl Return	1

4
G
E

4

G

E

STEERING, FRONT AND REAR SUSPENSION

5

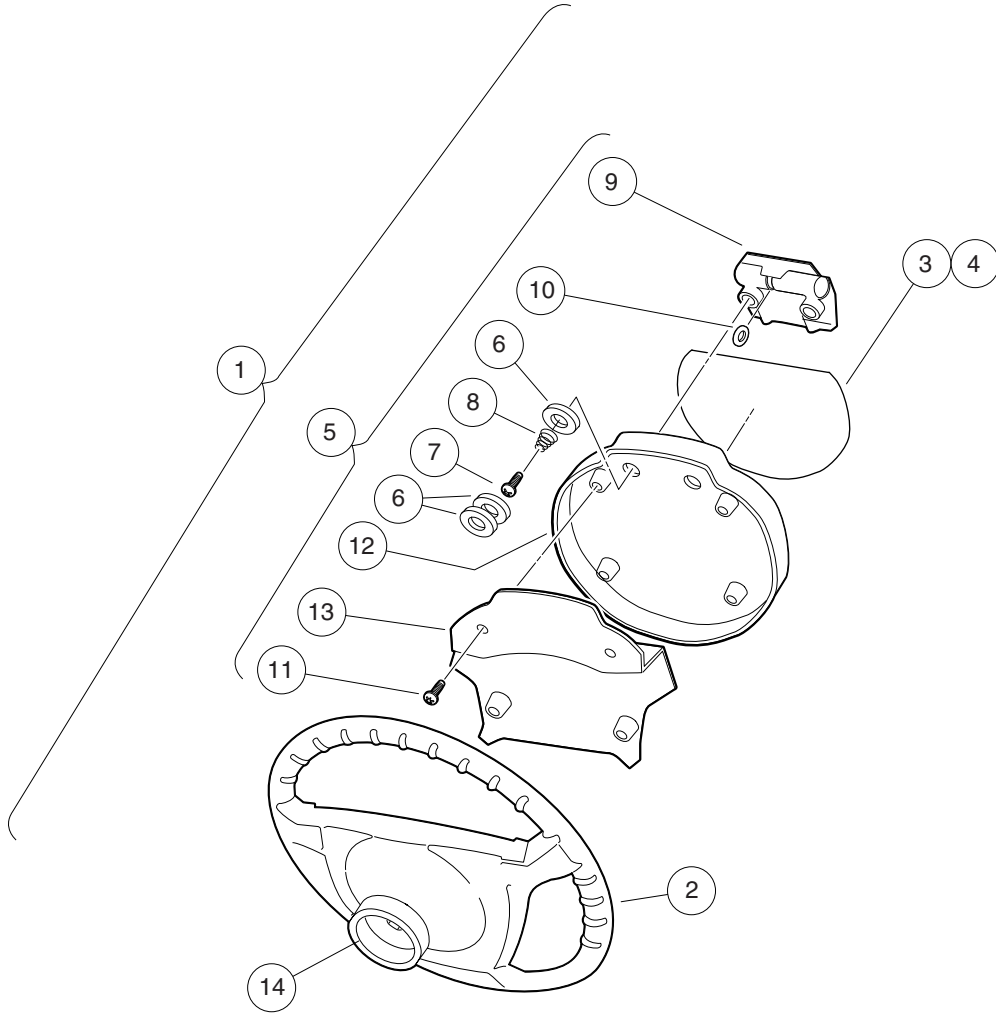
G

E

5

G

E



000470-004

STEERING WHEEL – CHAMPION AND I2L

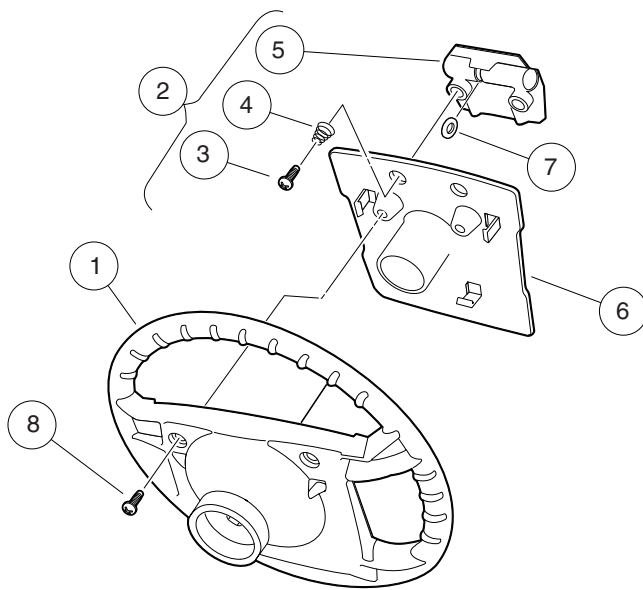
ITEM	PART NO.	DESCRIPTION	QTY
		1 2 3 4	
1	AM1229401	Kit, Comfort Grip Conv, Hex (includes items 2 through 14)	1
2	<u>102537801</u>	Steering Wheel, Comfort Grip, Hex	1
3	<u>102538101</u>	Decal, Operating Instructions, Gas, Comfort Grip	1
4	<u>102538201</u>	Decal, Operating Instr, Ele, Comfort Grip	1
5	102540801	Scorecard Plate Assembly (includes items 6 through 13)	1
6	<u>1011697</u>	Washer, 5/16 Flat	6
7	<u>1012565</u>	Screw, #12 Phillips Round Head	2
8	<u>1012566</u>	Tapered Compression Spring	2
9	1016154	Clip, Scorecard	1
10	<u>1016214</u>	Pencil Grip	1
11	<u>102296020</u>	Screw, Torx Pan Hd Pt, M6 X 20	4
12	N/A	Scorecard Plate, Comfort Grip	1
13	N/A	Scorecard Back Plate	1
14	<u>102571301</u>	Shroud, Steering Column	1

5
G
E

5

G

E

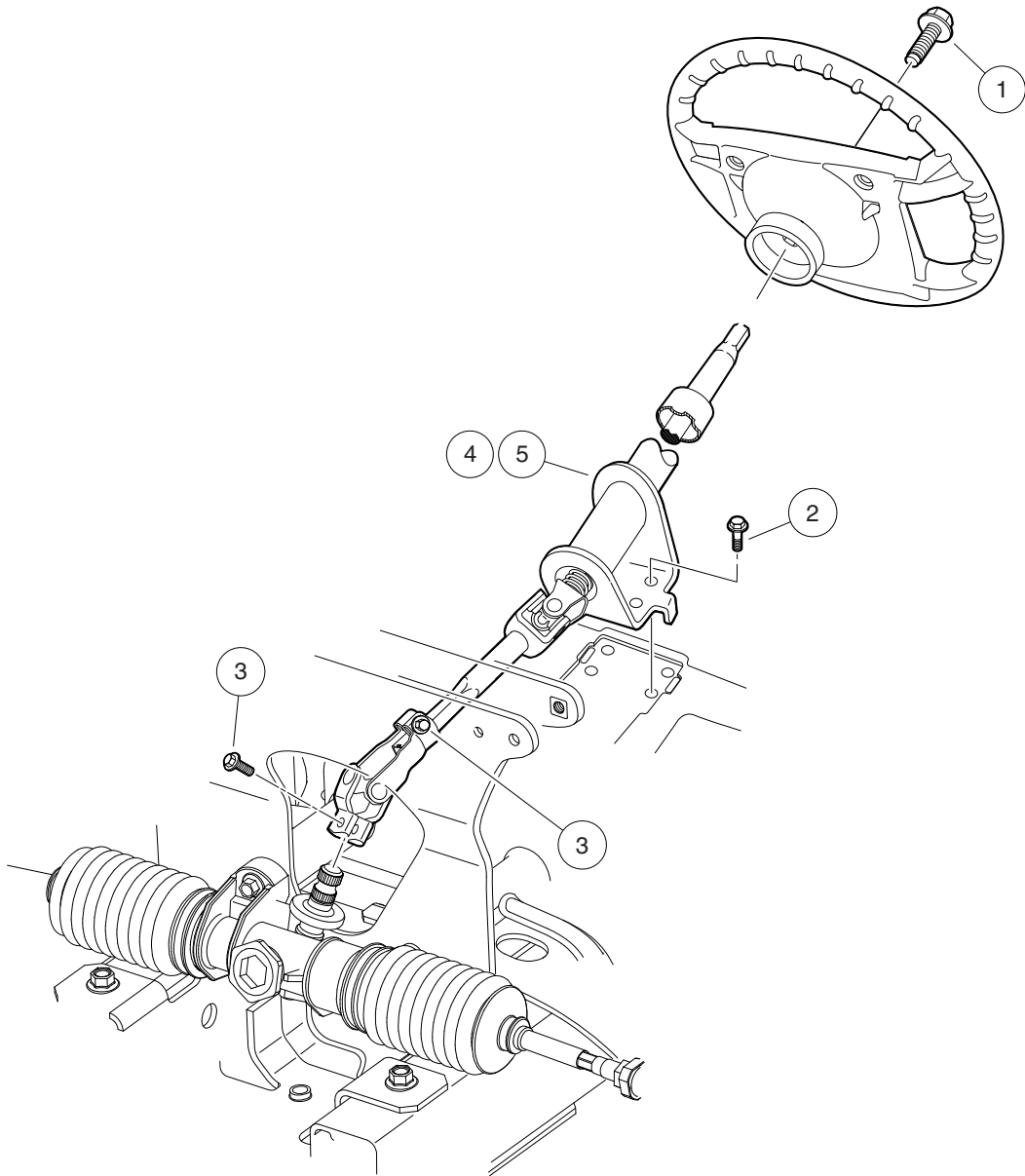


000471-003

STEERING WHEEL – PROFESSIONAL AND I2

ITEM	PART NO.	DESCRIPTION	QTY
		1 2 3 4	
1	<u>101615602</u>	Wheel Assy, Tri-Lobe Steering	1
2	1016219	Plate, Scorecard (includes items 3 through 7)	1
3	<u>1012565</u>	Screw, #12 Phillips Round Head	2
4	<u>1012566</u>	Tapered Compression Spring	2
5	1016154	Clip, Scorecard	1
6	N/A	Plate, Score Card	1
7	<u>1016214</u>	Pencil Grip	1
8	<u>1016663</u>	Screw, #12-14 X 0.625	2

5
G
E



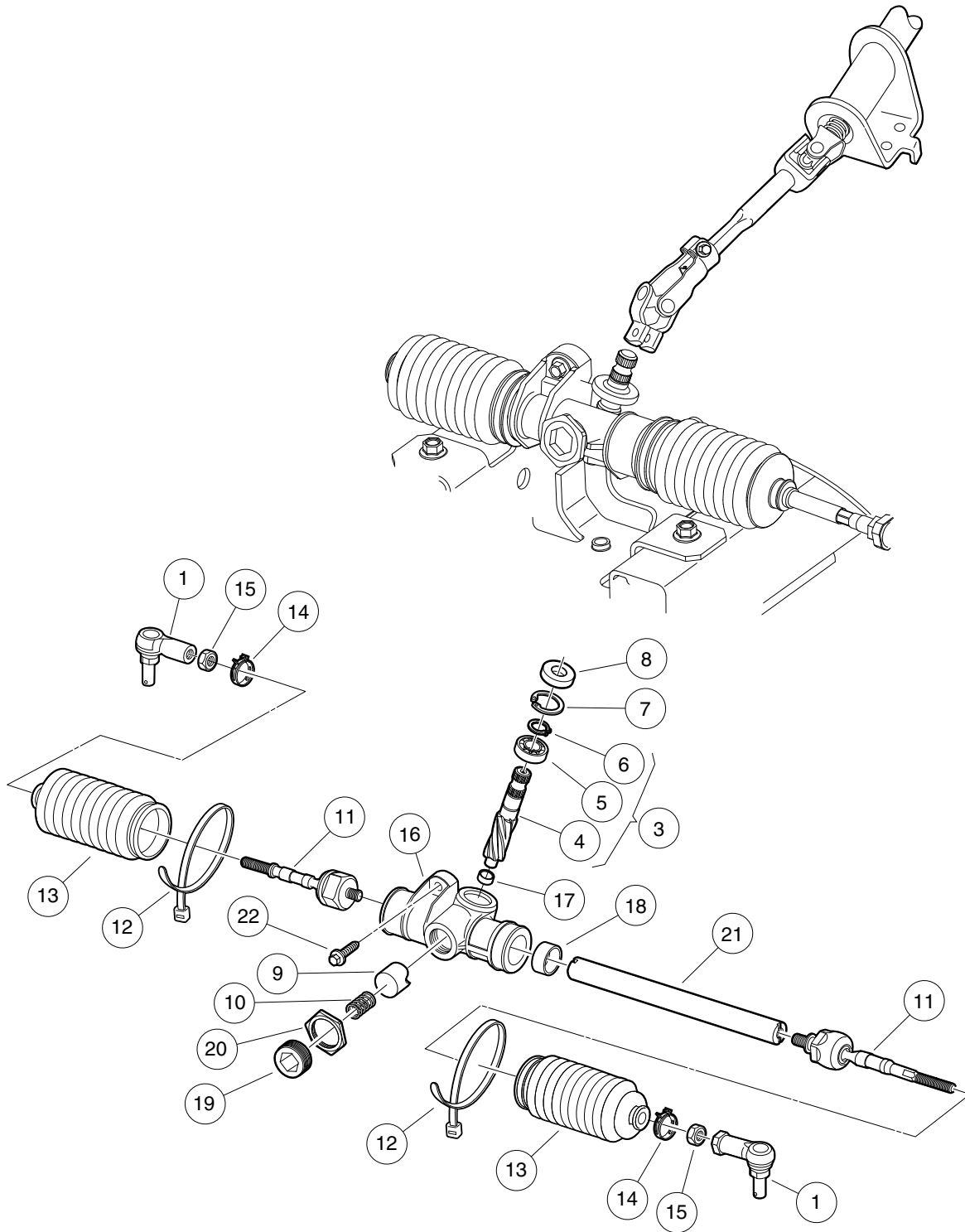
000469-005

STEERING COLUMN

ITEM	PART NO.	DESCRIPTION	QTY
		1 2 3 4	
1	102290120	Bolt, M10 X 20 Hex Washer Hd	1
2	<u>102298116</u>	Bolt, Flanged Head, M8 X 16.0	4
3	<u>102298130</u>	Bolt, Flange Head, M8 X 30.0	2
4	<u>102507101</u>	Steering Column Assembly	1
5	<u>103209501</u>	Assy, Steering Column, Ld	1
		<p>Note: During 2008, two steering columns were used in production for both gas and electric cars. The columns are interchangeable.</p>	

5
G
E

5
G
E

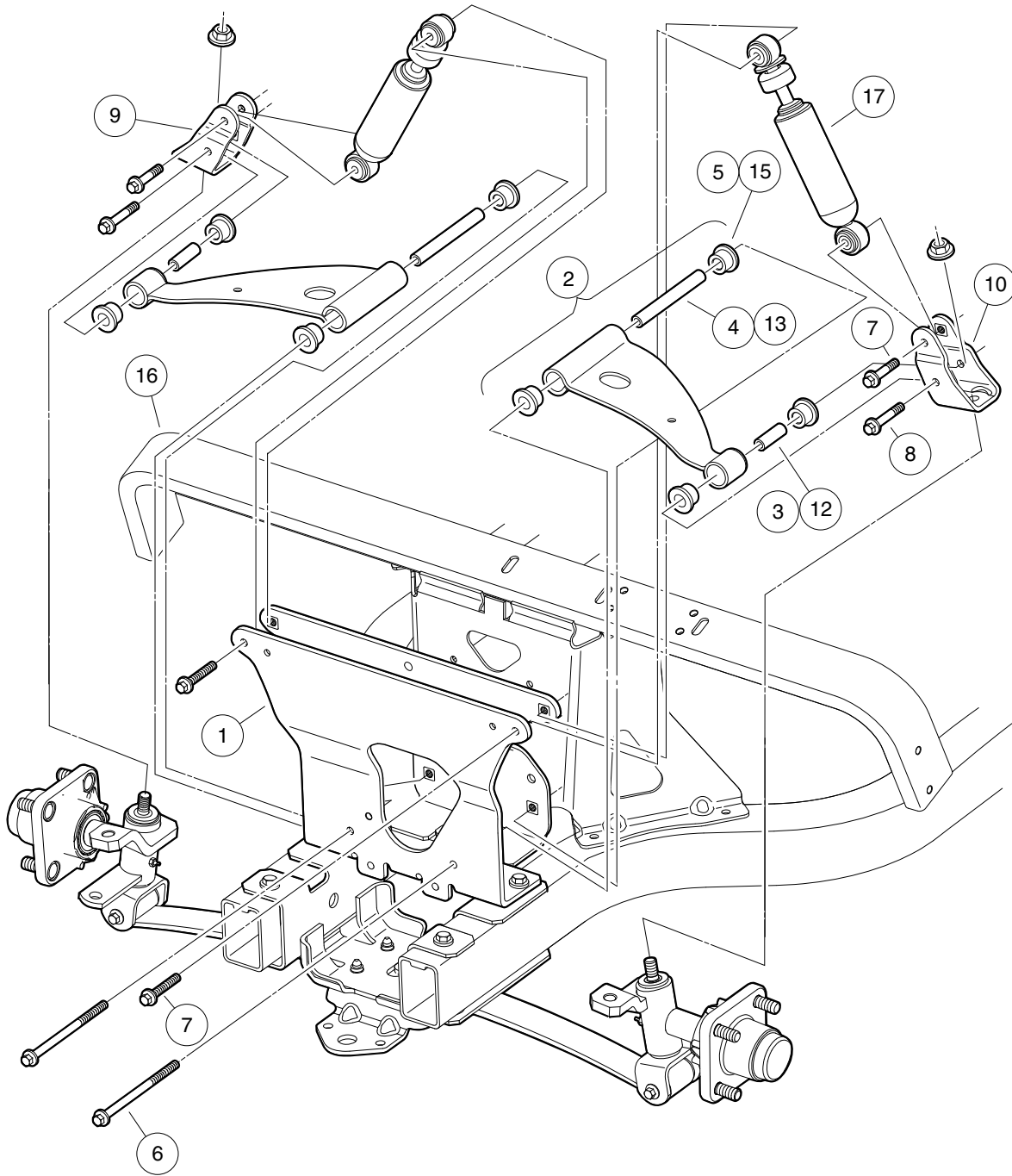


000476-004

STEERING GEAR ASSEMBLY

ITEM	PART NO.	DESCRIPTION	QTY	
		1 2 3 4		5
1	<u>102022601</u>	End, Tie Rod M12 X 1.25 Rh	2	G
2	<u>102288601</u>	Steering Gear Box Assembly (includes items 3 through 21)	1	E
3	<u>102564901</u>	Asm, Pinion, Steer Gear, Prec (includes items 4 through 6)	1	
4	N/A	Pinion, Steering	1	
5	N/A	Bearing, Ball	1	
6	N/A	Ring, Retaining	1	
7	<u>102565101</u>	Ring, C-type, Stop, Prec	1	
8	<u>102565201</u>	Seal, Dust, Steering, Pinion	1	
9	<u>102565301</u>	Yoke, Support	1	
10	<u>102565401</u>	Spring, Yoke, Prec	1	
11	<u>102565701</u>	Assy, Ball Joint, Inner, Prec	2	
12	<u>102565801</u>	Wrap, Tie, Steel, Prec	2	
13	<u>102565901</u>	Bellows, Steering	2	
14	<u>102566001</u>	Clip, Steering, Prec	2	
15	<u>102566101</u>	Nut,m12-1.25,jam,steer,prec	2	
16	N/A	Housing, Pinion (includes items 17 and 18)	1	
17	N/A	Bearing, Needle	1	
18	N/A	Bushing, Rack	1	
19	N/A	Plug, Yoke	1	
20	N/A	Nut, Lock, Rack Screw	1	
21	N/A	Rack, Steering	1	
22	<u>102289001</u>	Screw, M8X1.25X30, Hex	3	
23	<u>102289201</u>	Nut - Hex Locking, M12 X 1.25	2	
24	<u>102289301</u>	Rue Ring - 1/2"	2	

5
G
E



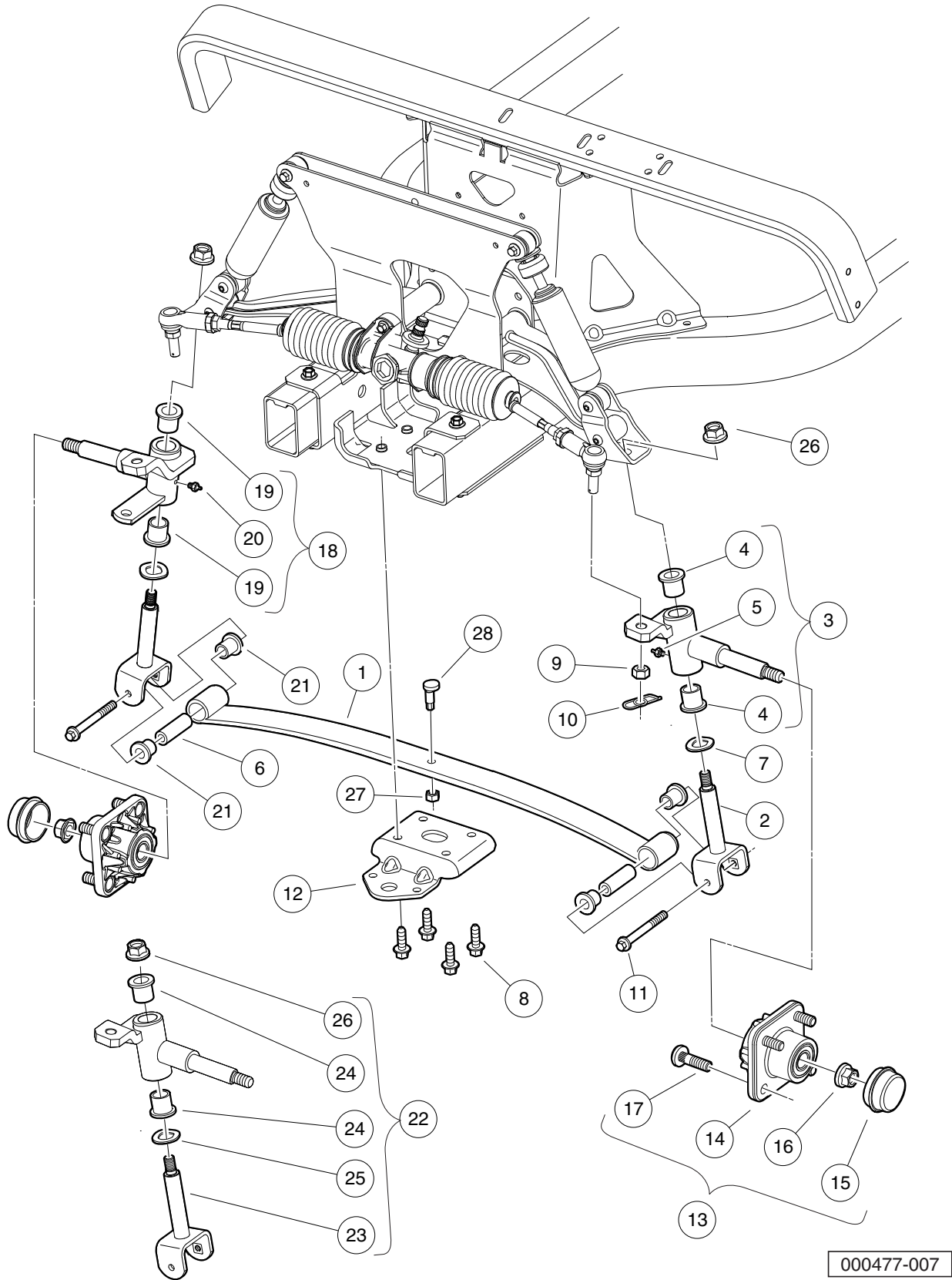
000445-006

FRONT SUSPENSION, UPPER

ITEM	PART NO.	DESCRIPTION	QTY
		1 2 3 4	
1	<u>102287101</u>	Assembly - Front Structure	1
2	<u>102287301</u>	Asm - Control Arm Bushing (includes items 3 through 5)	2
3	<u>102287601</u>	Sleeve - Rolled, Outer	1
4	<u>102287701</u>	Sleeve - Rolled, Inner	1
5	<u>102956201</u>	Bushing, Urethane, Short, Prec	4
6	<u>102288901</u>	Bolt, Hex, M8x1.25 X 135	2
7	<u>102289401</u>	Screw- Hex Cap, M8 X 1.25 X 45	4
8	<u>102289501</u>	Screw- Hex Cap, M8 X 1.25 X 70	2
9	<u>102289601</u>	Upper Clevis Assembly - Rh	1
10	<u>102289701</u>	Upper Clevis Assembly - Lh	1
11	<u>102289901</u>	Kit, Susp, Bushing Joints (includes items 12 through 15)	1
12	<u>102287601</u>	Sleeve - Rolled, Outer	2
13	<u>102287701</u>	Sleeve - Rolled, Inner	2
14	<u>102288101</u>	Sleeve - Rolled, Spring	2
15	<u>102956201</u>	Bushing, Urethane, Short, Prec	12
16	<u>102505701</u>	Assembly, Dash Support	1
17	<u>102588601</u>	Shock Absorber Front Prv Spd	2
		<p>Note: Item 2 includes bushings and sleeves. Item 8 (not shown) includes bushings and sleeves for control arms and front suspension leaf spring. See lower suspension page for illustration of item 11.</p>	

5
G
E

5
G
E



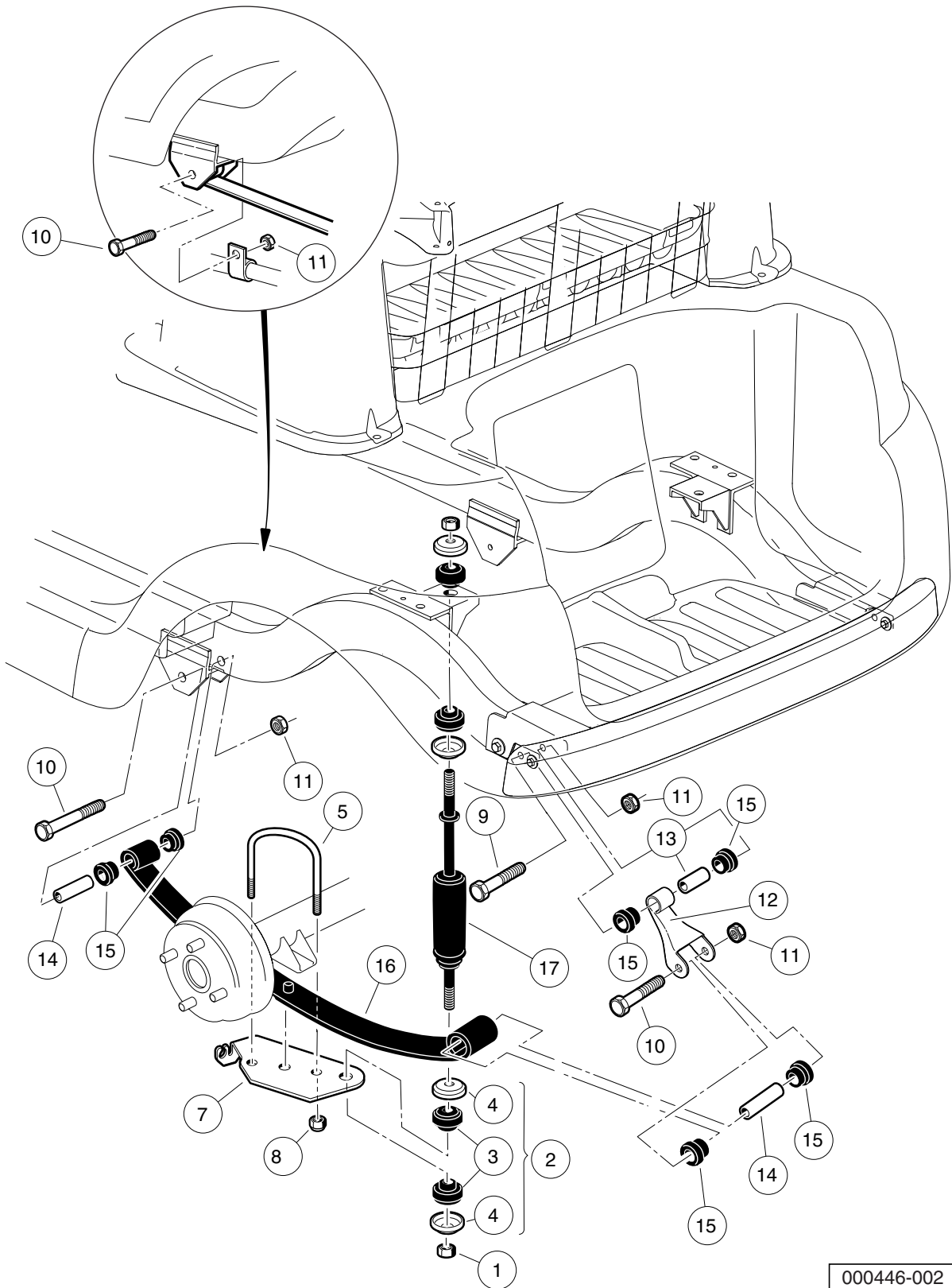
000477-007

FRONT SUSPENSION, LOWER

ITEM	PART NO.	DESCRIPTION	QTY
		1 2 3 4	
1	<u>1012030</u>	Spring, Front Leaf	1
2	<u>102287201</u>	Assembly - King Pin	2
3	<u>102287901</u>	Knuckle Spindle Asm - Lh (includes items 4 and 5)	1
4	<u>102288201</u>	Bushing - Flanged	2
5	N/A	Fitting, Grease, Knuckle Spindle Asym	1
6	<u>102288101</u>	Sleeve - Rolled, Spring	2
7	<u>102288401</u>	Wave Washer - Kingpin	2
8	<u>102289101</u>	Screw-m10x1.5, Trilob, Hex Fl	4
9	<u>102289201</u>	Nut - Hex Locking, M12 X 1.25	2
10	<u>102289301</u>	Rue Ring - 1/2"	2
11	<u>102289501</u>	Screw- Hex Cap, M8 X 1.25 X 70	2
12	<u>102289801</u>	Clamp - Leaf Spring	1
13	<u>102357701</u>	Replacement Kit, Front Hub (includes items 14 through 17)	1
14	N/A	Front Hub, Ball Bearing	1
15	<u>102353201</u>	Cap, Front Hub	1
16	<u>102353301</u>	Hex Nut, Locking Flange, M14x2	1
17	<u>102353401</u>	Lug Stud, 1/2-20 UNE, 4037 Stl	4
18	<u>102878101</u>	Assy, Knuckle, Right Side (includes items 19 and 20)	1
19	<u>102288201</u>	Bushing - Flanged	2
20	N/A	Fitting, Grease, Knuckle Spindle Asym	1
21	<u>102956201</u>	Bushing, Urethane, Short, Prec	4
22	<u>102973801</u>	Kit, Susp, Kingpin Joints (includes items 23 through 26)	1
23	<u>102287201</u>	Assembly - King Pin	2
24	<u>102288201</u>	Bushing - Flanged	4
25	<u>102288401</u>	Wave Washer - Kingpin	2
26	<u>102878201</u>	Nut, Lock,m12,washer,conical	2
27	<u>706</u>	Nut, Hex 3/8-16	1
28	<u>8745</u>	Screw, Eccentric Adjustment	1
		Note: Item 20 not shown.	

5
G
E

5
G
E



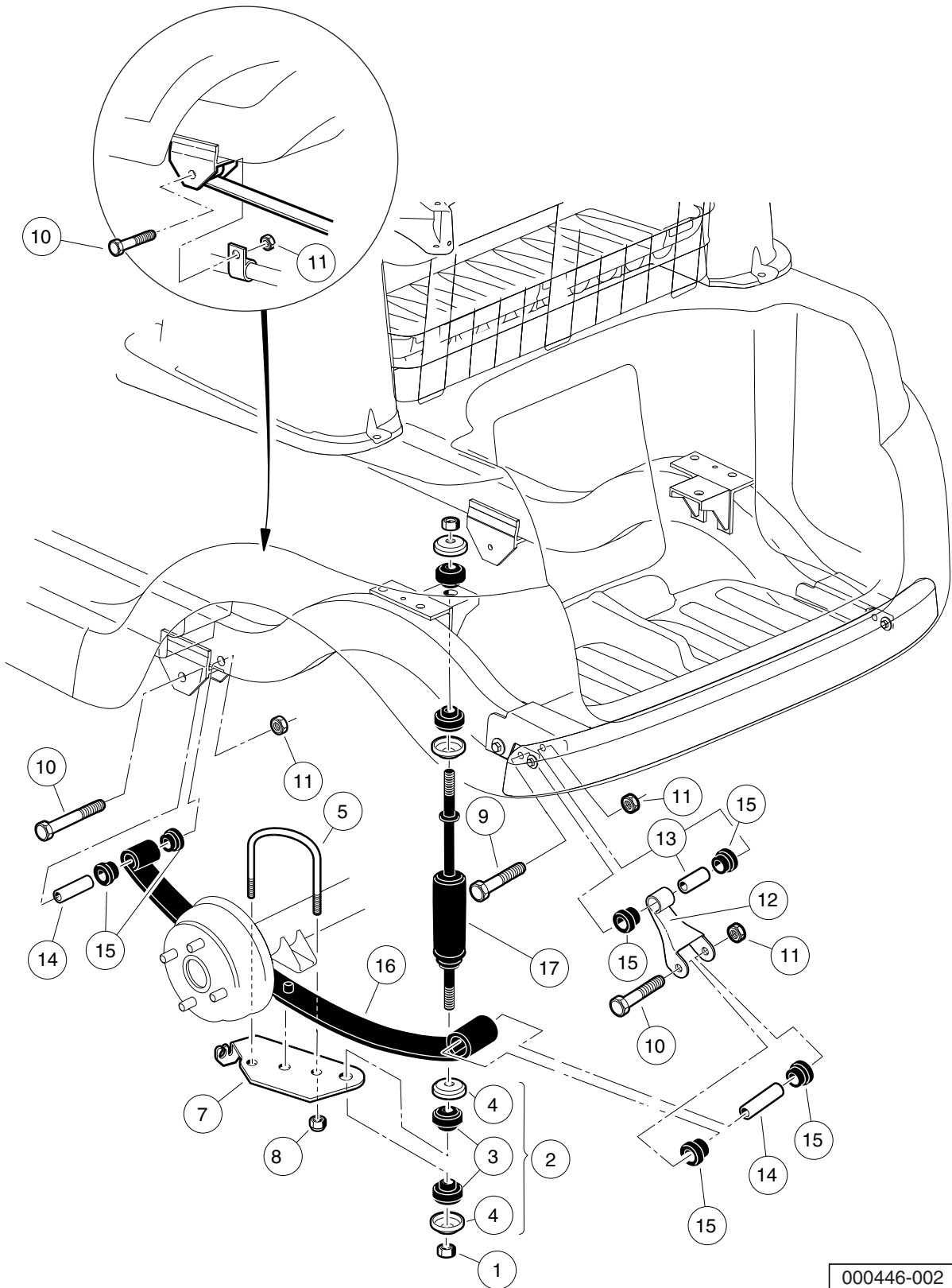
000446-002

REAR SUSPENSION – GASOLINE VEHICLE

ITEM	PART NO.	DESCRIPTION	QTY
		1 2 3 4	
1	<u>1010145</u>	Nut, 3/8-24 Hex	4
2	<u>1011415</u>	Kit, Shock Absorber Cushion (includes items 3 and 4)	2
3	N/A	Cushion, Shock Absorber	2
4	N/A	Retainer, Shock Absorber Cushion	2
5	<u>1012180</u>	U-Bolt	2
6	<u>1012181</u>	Bracket, Shock Mounting, Right (Passenger)	1
7	<u>1012182</u>	Bracket, Shock Mounting, Left (Driver)	1
8	<u>1014555</u>	Locknut, 7/16-14 Nylon Hex	4
9	<u>102298170</u>	Bolt - Flange Hd, M8 X 70.0	2
10	<u>102298185</u>	Bolt - Flange Hd, M8 X 85.0	4
11	<u>102298401</u>	Nut,m8,all Metal Lock	6
12	<u>102506201</u>	Shackle - Rear	2
13	<u>102506301</u>	Sleeve - Shackle Upper	2
14	<u>102506401</u>	Sleeve - Spring Eye Mounts	4
15	<u>102506601</u>	Bushing - Urethane	12
16	<u>102513001</u>	Rear Leaf Spring, Gas	2
17	<u>102588501</u>	Shock Absorber Rear Prv Spd	2

5
G
E

5
G
E



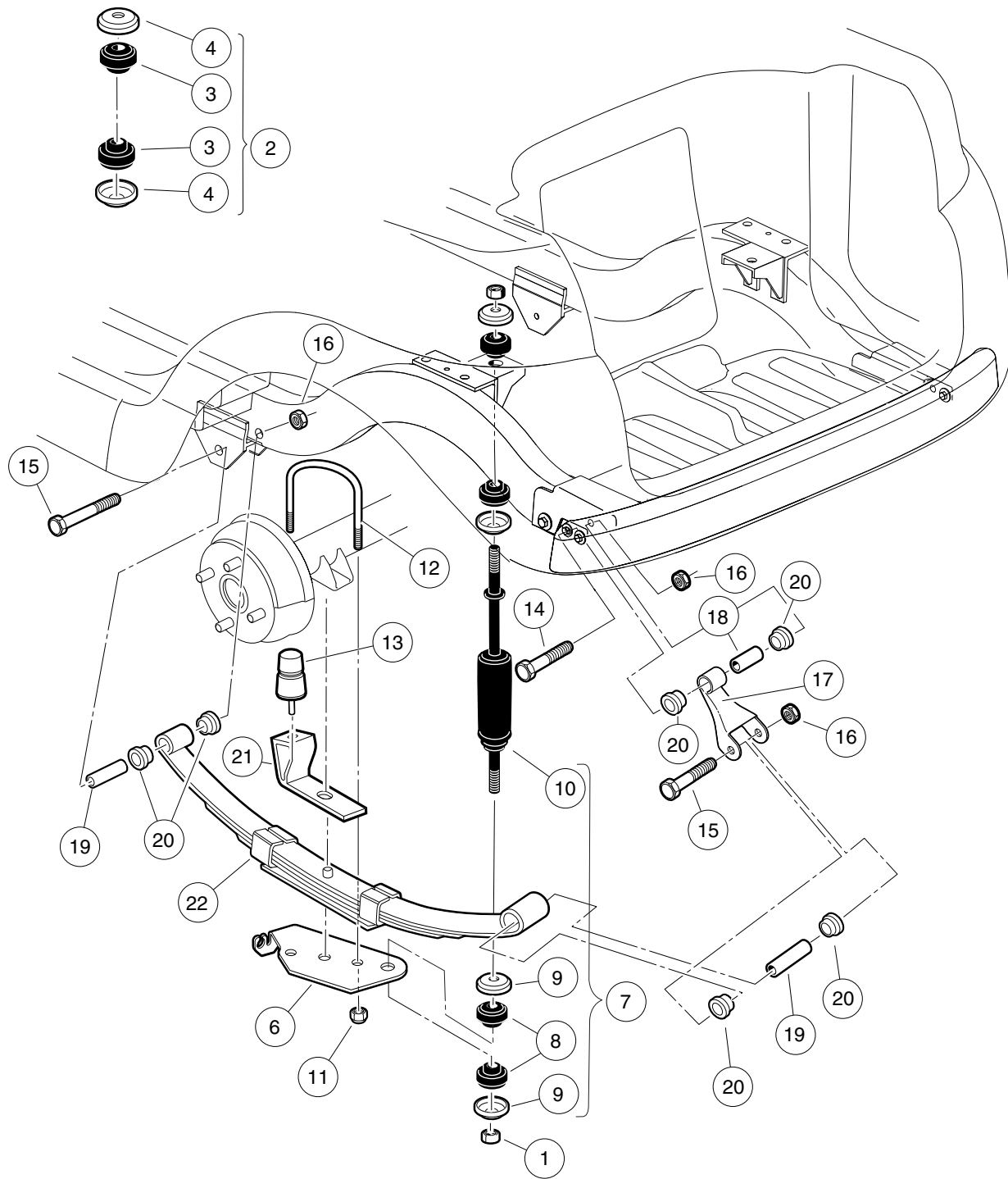
000446-002

REAR SUSPENSION – ELECTRIC VEHICLE

ITEM	PART NO.	DESCRIPTION	QTY
		1 2 3 4	
1	<u>1010145</u>	Nut, 3/8-24 Hex	4
2	<u>1011415</u>	Kit, Shock Absorber Cushion (includes items 3 and 4)	2
3	N/A	Cushion, Shock Absorber	2
4	N/A	Retainer, Shock Absorber Cushion	2
5	<u>1012180</u>	U-Bolt	2
6	<u>1012181</u>	Bracket, Shock Mounting, Right (Passenger)	1
7	<u>1012182</u>	Bracket, Shock Mounting, Left (Driver)	1
8	<u>1014555</u>	Locknut, 7/16-14 Nylon Hex	4
9	<u>102298170</u>	Bolt - Flange Hd, M8 X 70.0	2
10	<u>102298185</u>	Bolt - Flange Hd, M8 X 85.0	4
11	<u>102298401</u>	Nut,m8,all Metal Lock	6
12	<u>102506201</u>	Shackle - Rear	2
13	<u>102506301</u>	Sleeve - Shackle Upper	2
14	<u>102506401</u>	Sleeve - Spring Eye Mounts	4
15	<u>102506601</u>	Bushing - Urethane	12
16	<u>102509301</u>	Rear Leaf Spring, Elec	2
17	<u>102588501</u>	Shock Absorber Rear Prv Spd	2

5
G
E

5
G
E



000492-002

REAR SUSPENSION – PRECEDENT VILLAGER 4 AND I2 4 PASSENGER

ITEM	PART NO.	DESCRIPTION	QTY
		1 2 3 4	
1	<u>1010145</u>	Nut, 3/8-24 Hex	4
2	<u>1011415</u>	Kit, Shock Absorber Cushion (includes items 3 and 4)	2
3	N/A	Cushion, Shock Absorber	2
4	N/A	Retainer, Shock Absorber Cushion	2
5	1012181	Bracket, Shock Mounting, Right (Passenger)	1
6	1012182	Bracket, Shock Mounting, Left (Driver)	1
7	<u>1014555</u>	Locknut, 7/16-14 Nylon Hex	4
8	<u>1014902</u>	U-Bolt	2
9	<u>1017235</u>	Bumper, Jounce	2
10	<u>102298170</u>	Bolt - Flange Hd, M8 X 70.0	2
11	<u>102298185</u>	Bolt - Flange Hd, M8 X 85.0	4
12	<u>102298401</u>	Nut,m8,all Metal Lock	6
13	<u>102506201</u>	Shackle - Rear	2
14	<u>102506301</u>	Sleeve - Shackle Upper	2
15	<u>102506401</u>	Sleeve - Spring Eye Mounts	4
16	<u>102506601</u>	Bushing - Urethane	12
17	<u>102534801</u>	Jounce Bumper Bracket	2
18	<u>102544901</u>	Spring, Leaf, Rear	2
19	<u>102588501</u>	Shock Absorber Rear Prv Spd	2

5
G
E

5

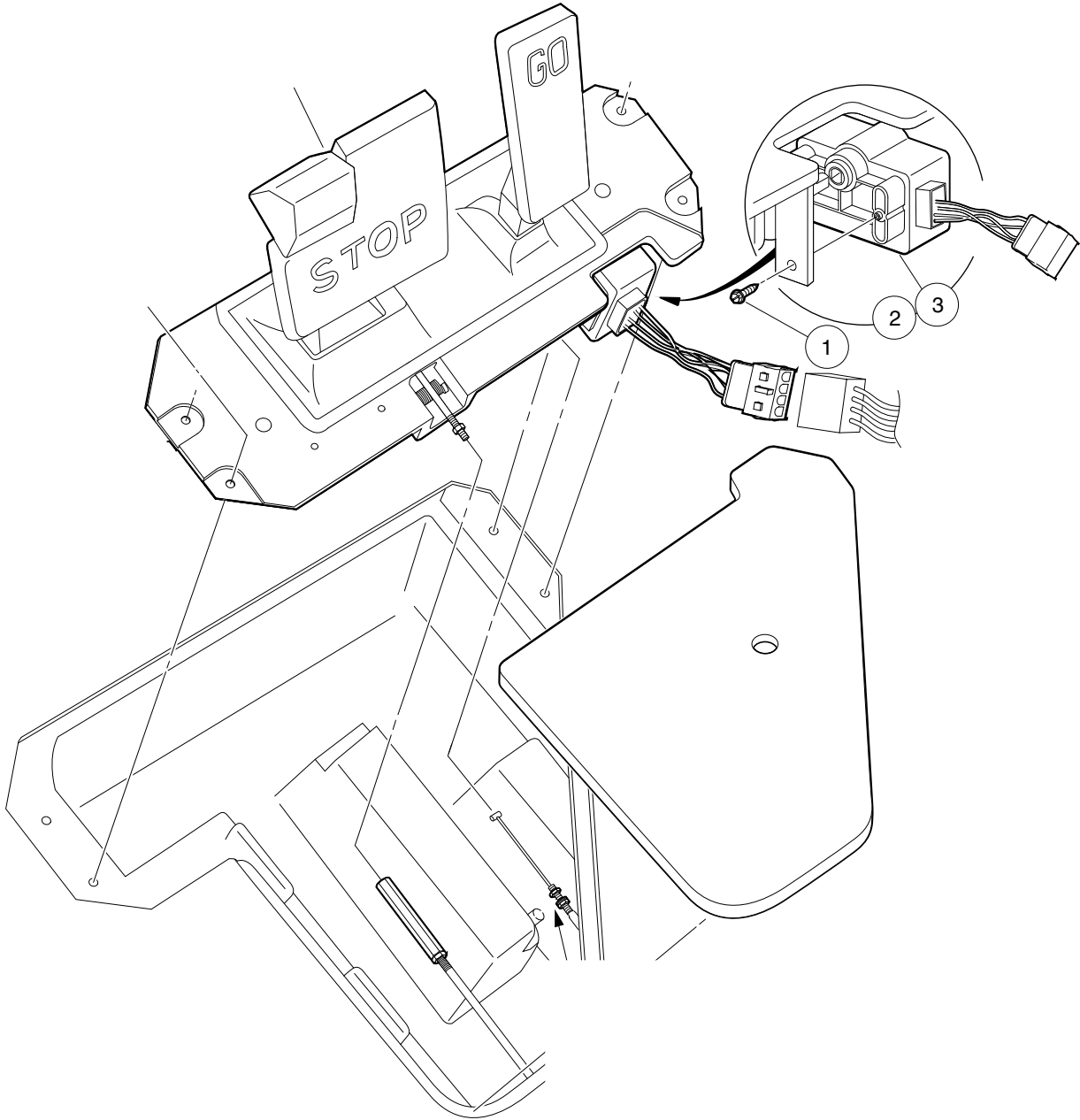
G

E

ELECTRICAL SYSTEM – GASOLINE VEHICLE

6

G



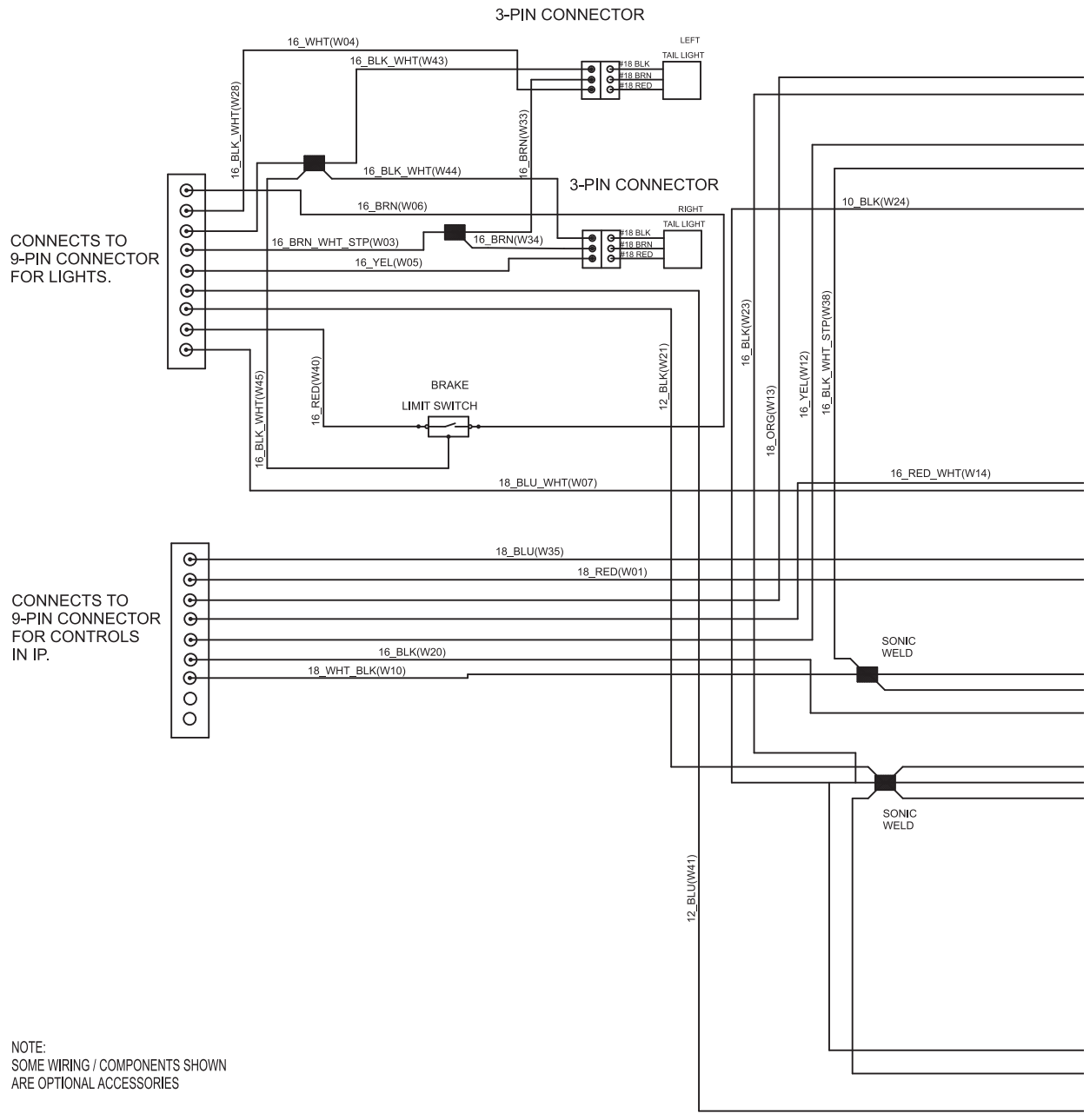
000487-004

GCOR – GASOLINE VEHICLE

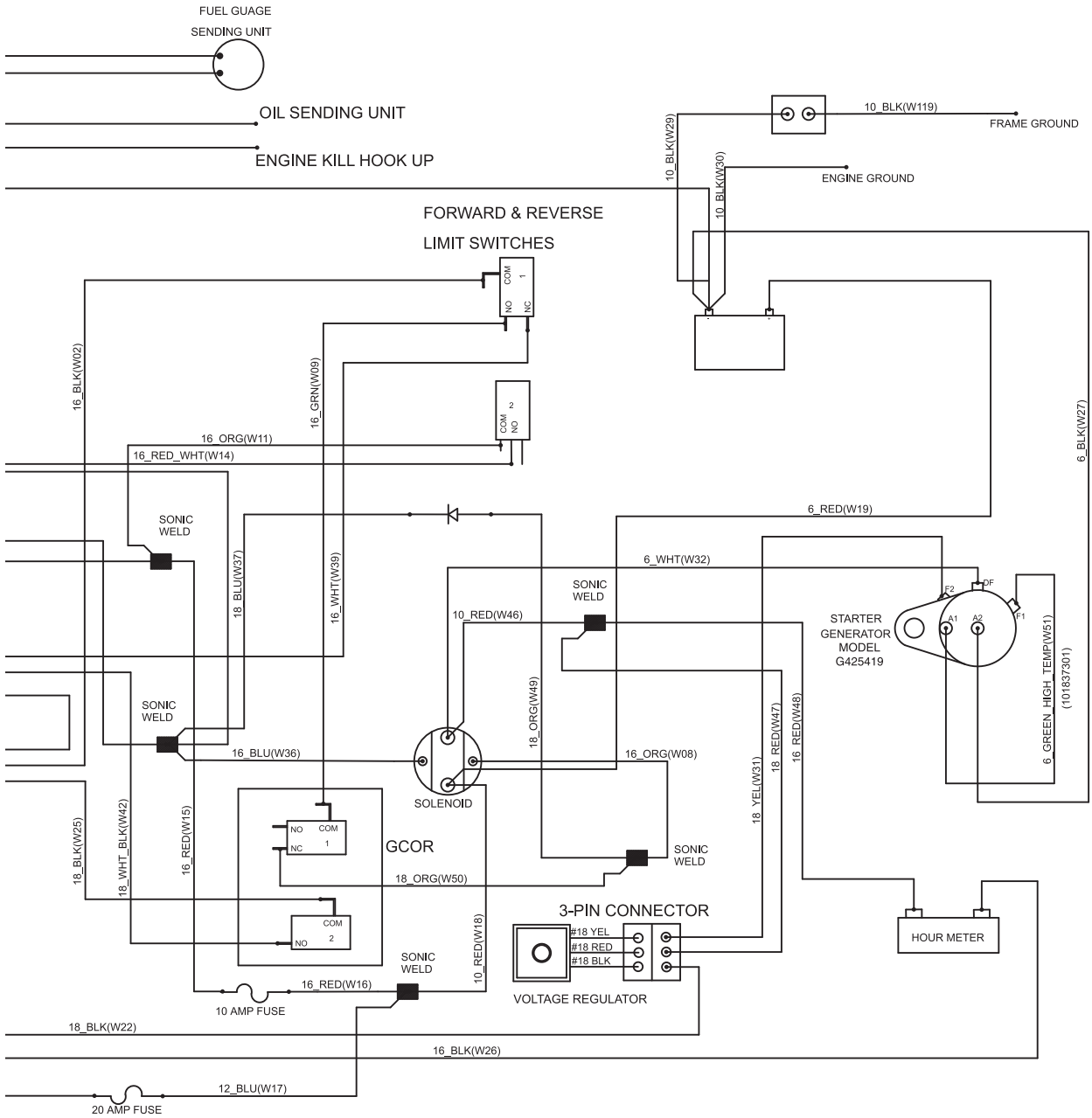
ITEM	PART NO.	DESCRIPTION	QTY
		1 2 3 4	
1	<u>102563101</u>	Screw, Type A, #10	2
2	<u>103327701</u>	Kit, Gcor (includes item 3)	1
3	N/A	GCOR, Prec	1

6

G



000481-001



000481-001

6

G

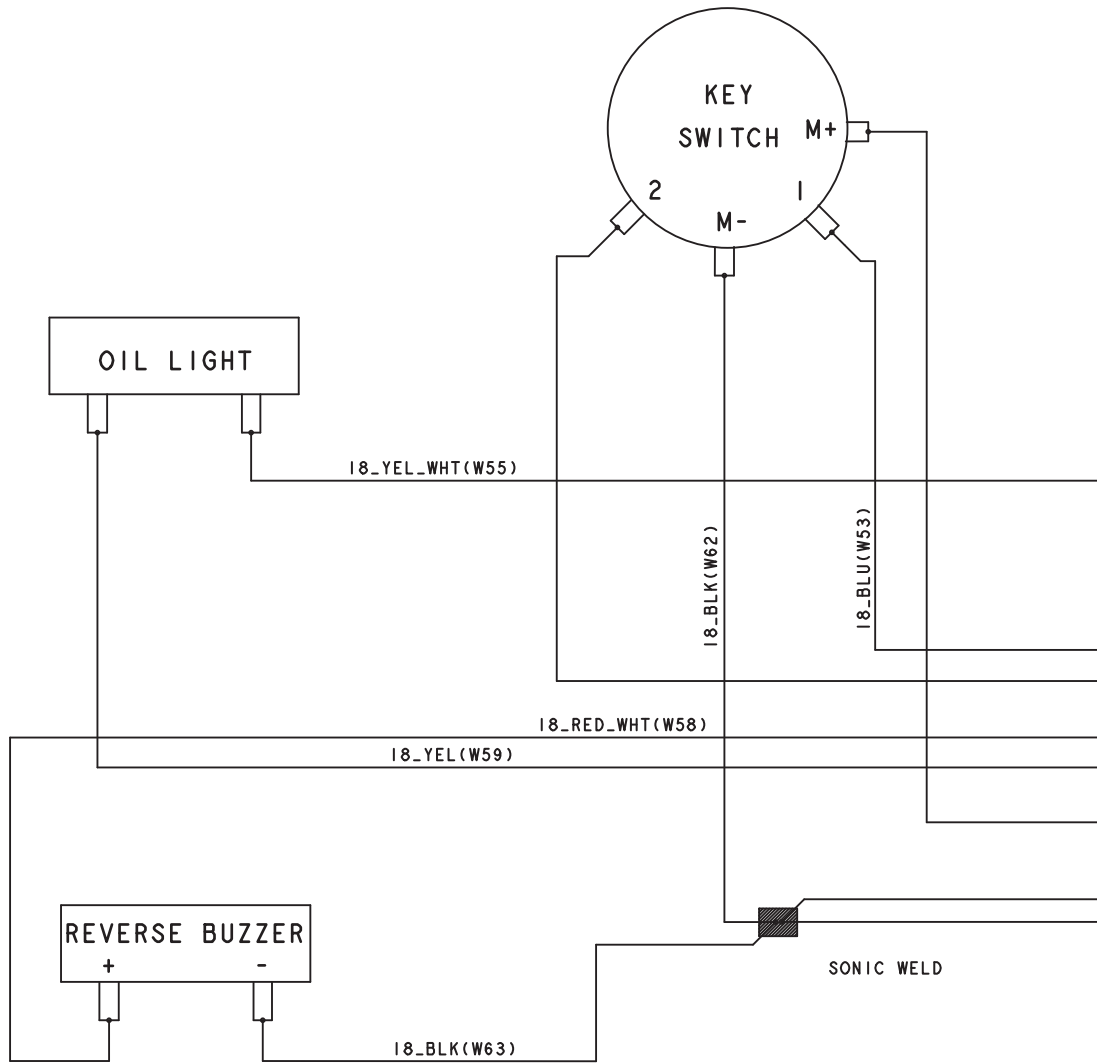
See previous two pages for illustration.

WIRING – GASOLINE VEHICLE

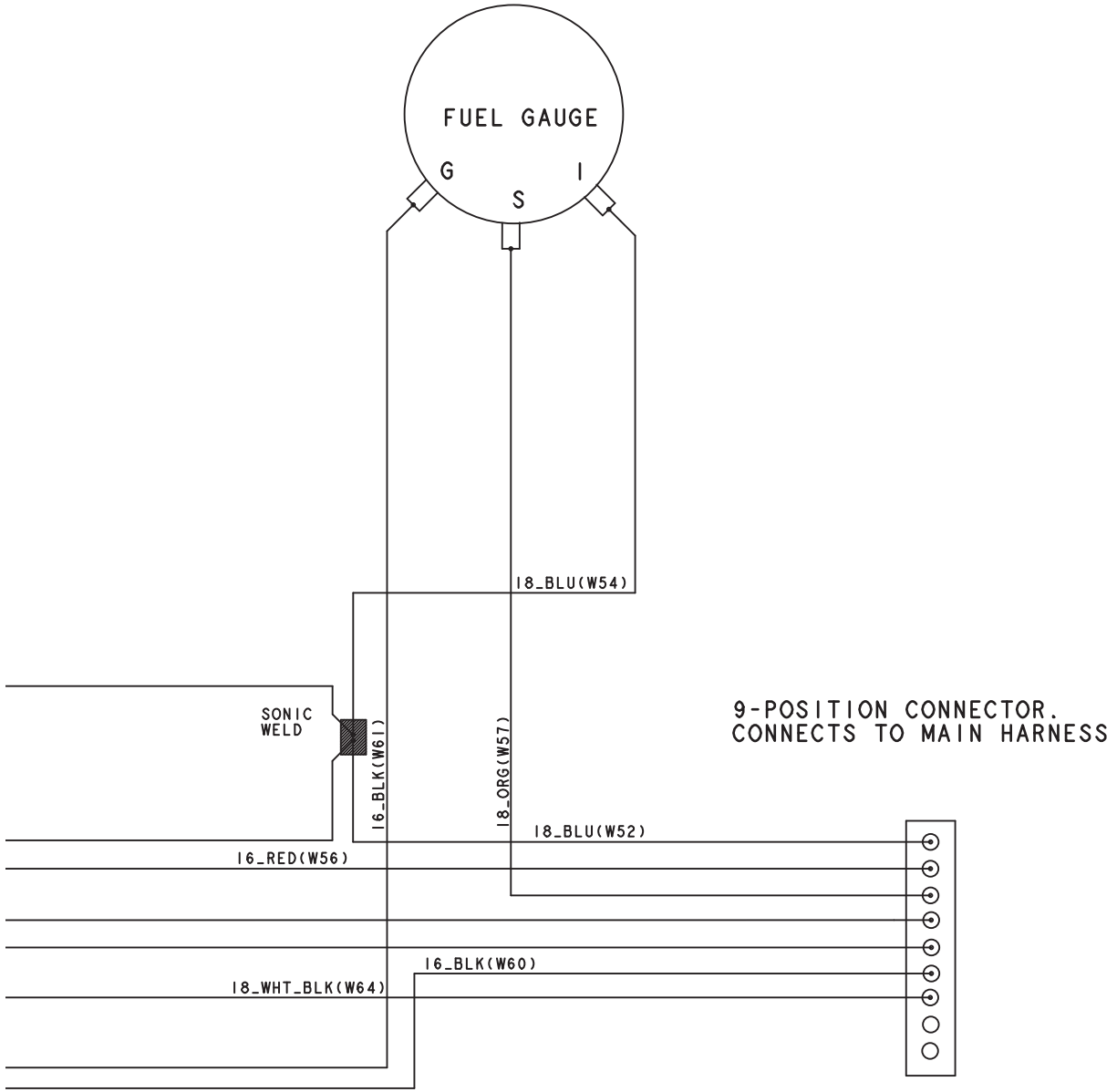
ITEM	PART NO.	DESCRIPTION	QTY
1	<u>102586201</u>	1 2 3 4 Main Harness, Gas	1

6

G



000489-001



000489-001

6

G

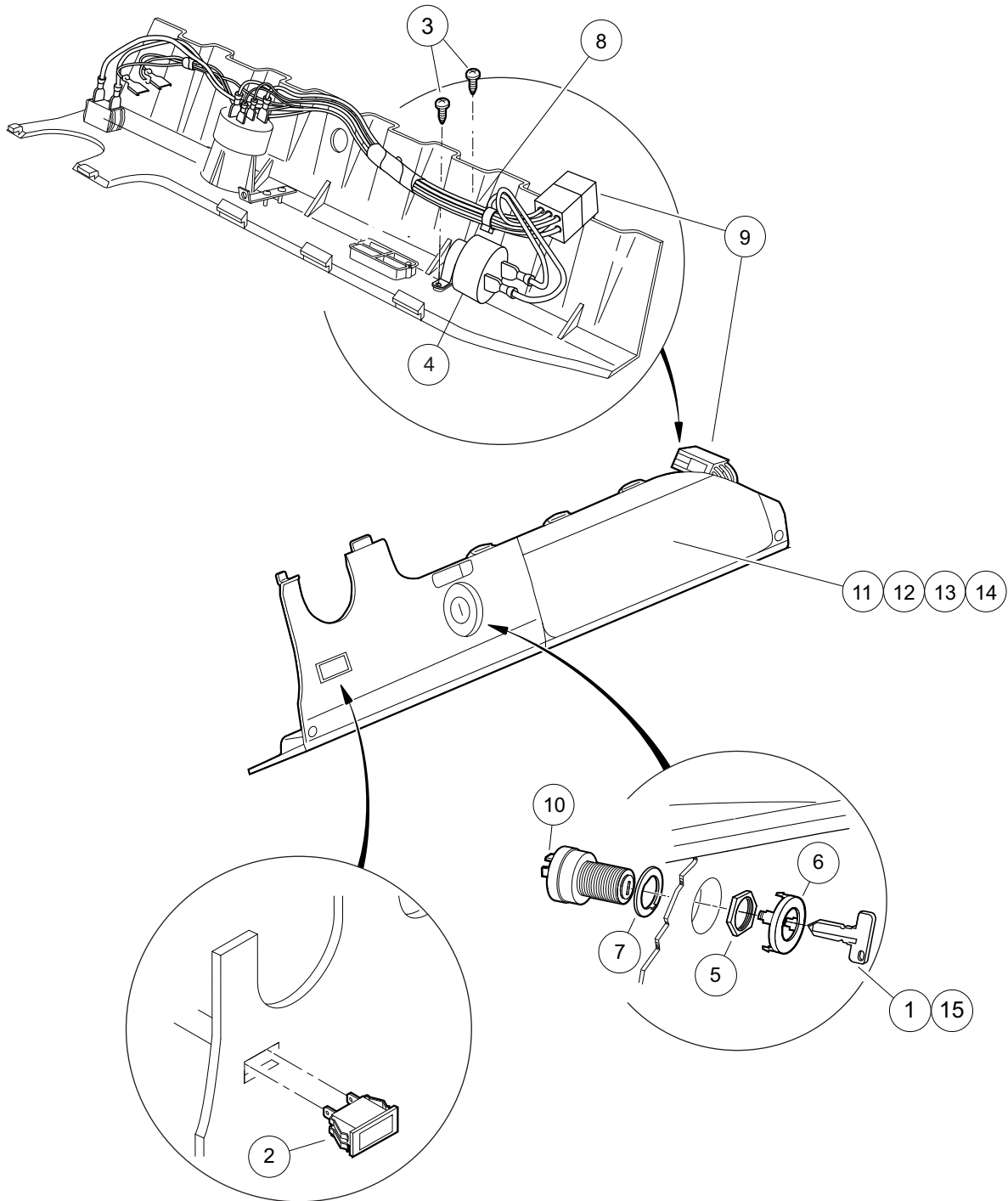
See previous two pages for illustration.

INSTRUMENT PANEL WIRE HARNESS

ITEM	PART NO.	DESCRIPTION	QTY
1	<u>102515001</u>	1 2 3 4 Ip Control Harness, Gas (includes item 2)	1
2	N/A	Connector, Plug 9-pin	1

6
G

6
G



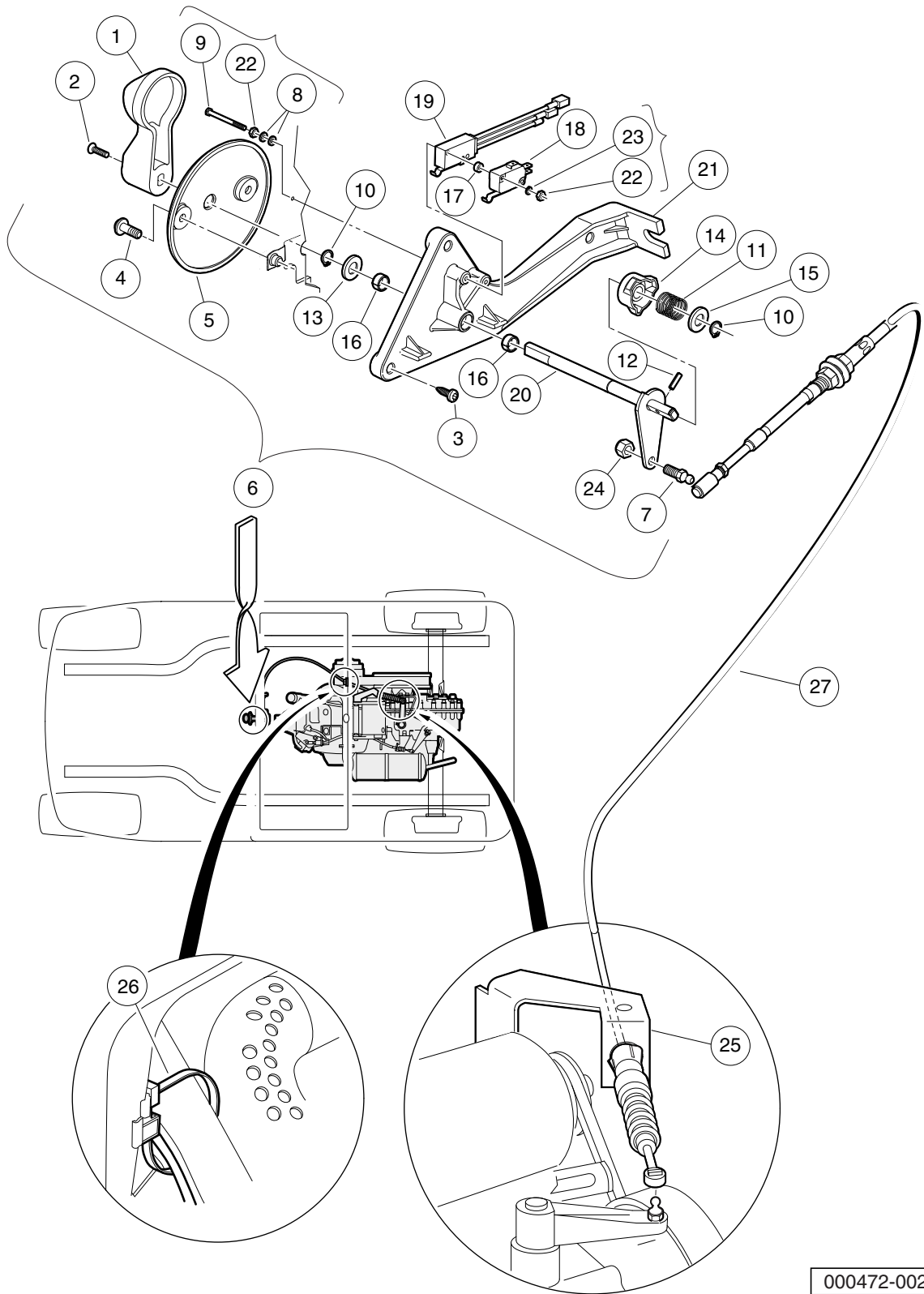
000490-003

ELECTRICAL COMPONENTS, FRONT BODY – GASOLINE VEHICLE

ITEM	PART NO.	DESCRIPTION	QTY
		1 2 3 4	
1	<u>1012505</u>	Keys (set of 2)	1
2	<u>1016630</u>	Light, Oil	1
3	<u>1016849</u>	Screw, #4-24 X 0.33, Pan-Head, Machine	2
4	<u>1016851</u>	Buzzer, Reverse (9-48 VDC)	1
5	<u>101830701</u>	Nut, Key Switch	1
6	<u>101834502</u>	Cap, Black Key Switch	1
7	<u>101851101</u>	Washer, Key Switch	1
8	<u>102515001</u>	Ip Control Harness, Gas (includes item 9)	1
9	N/A	Connector, Plug 9-pin	1
10	<u>102515101</u>	Key Switch, Gas, Prec	1
11	<u>102522901</u>	Instrument Panel (standard)	1
12	<u>102536601</u>	Instrument Panel (with Hole for Headlight Switch)	1
13	<u>102536602</u>	Instrument Panel (with Hole for Fuel Gauge)	1
14	<u>102536604</u>	Instrument Panel (with Hole for Headlight Switch and Fuel Gauge)	1
15	<u>AM10079</u>	Bulk Std Keys (50) *	1
		* Note: Must order in multiples of 50.	

6
G

6
G



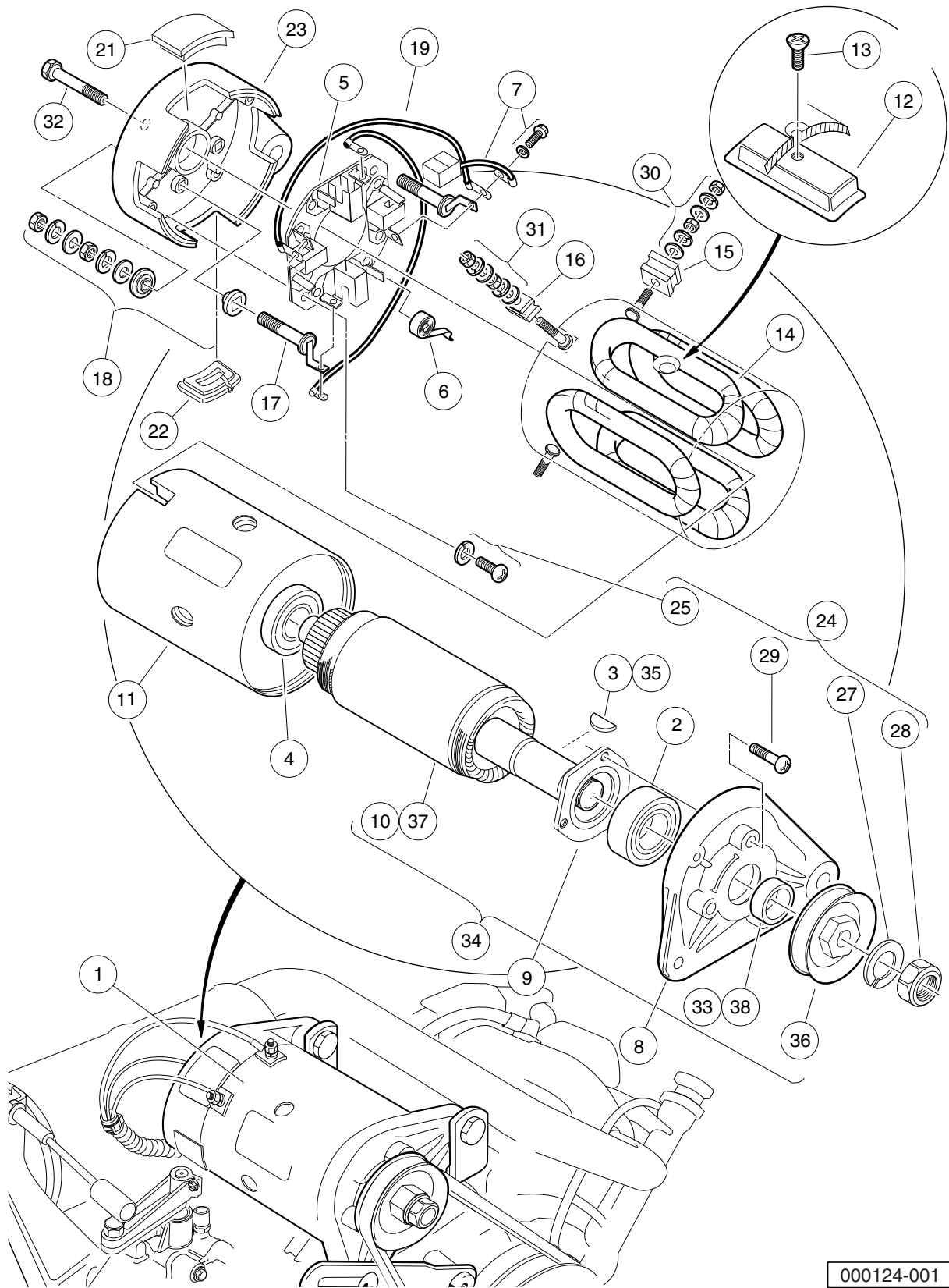
FORWARD/REVERSE SHIFTER ASSEMBLY

ITEM	PART NO.	DESCRIPTION	QTY
		1 2 3 4	
1	<u>1012987</u>	Handle, FNR	1
2	<u>1015064</u>	Screw, #8-32 X 0.63 Machine	1
3	<u>102296040</u>	Screw, Torx Pan Hd Pt, M6 X 40	3
4	<u>102296920</u>	Screw, M6, Torx Button Head, Sems	2
5	<u>102512001</u>	Bezel, FNR, Gas	1
6	<u>102514601</u>	Assembly - Gas F-n-r Shifter (includes items 7 through 25)	1
7	<u>1010954</u>	Stud, Ball, 1/4-28 X 0.560	1
8	<u>1012431</u>	Washer, #4 Flat	4
9	<u>1012594</u>	Screw, #4-40 Machine	2
10	<u>1013589</u>	Ring, Retaining, 0.338" Internal	2
11	<u>1013590</u>	Spring, FNR Cam	1
12	<u>1013591</u>	Pin, Roll, 1/8 X 1/2	1
13	<u>1014065</u>	Washer, Flat, 0.38" ID, Delrin	1
14	<u>1014089</u>	Neutral Lockout Cam Kit (includes items 15 and 16)	1
15	N/A	Cam, Neutral Lockout	1
16	<u>1014065</u>	Washer, Flat, 0.38" ID, Delrin	1
17	<u>1014145</u>	Bushing, Secondary Weight, Split	2
18	<u>1014727</u>	Washer, Flat, #4, Nylon	2
19	<u>1014807</u>	Switch, Limit	1
20	<u>101979101</u>	Switch, Limit, Assembly, Sealed	1
21	<u>102515301</u>	Weldment, F-n-r Gas	1
22	<u>102515601</u>	Base, Gas FNR Shifter	1
23	<u>8057</u>	Nut, #4-40 Hex Machine	4
24	<u>8058</u>	Lockwasher, #4 Split	2
25	<u>8717</u>	Locknut, Nylon Insert, 1/4-28	1
26	<u>102515501</u>	Bracket-trans Cable Support	1
27	<u>102554901</u>	Clip, Edge, with Wire Tie	1
28	<u>102589901</u>	Cable, Transmission	1

6

G

6
G

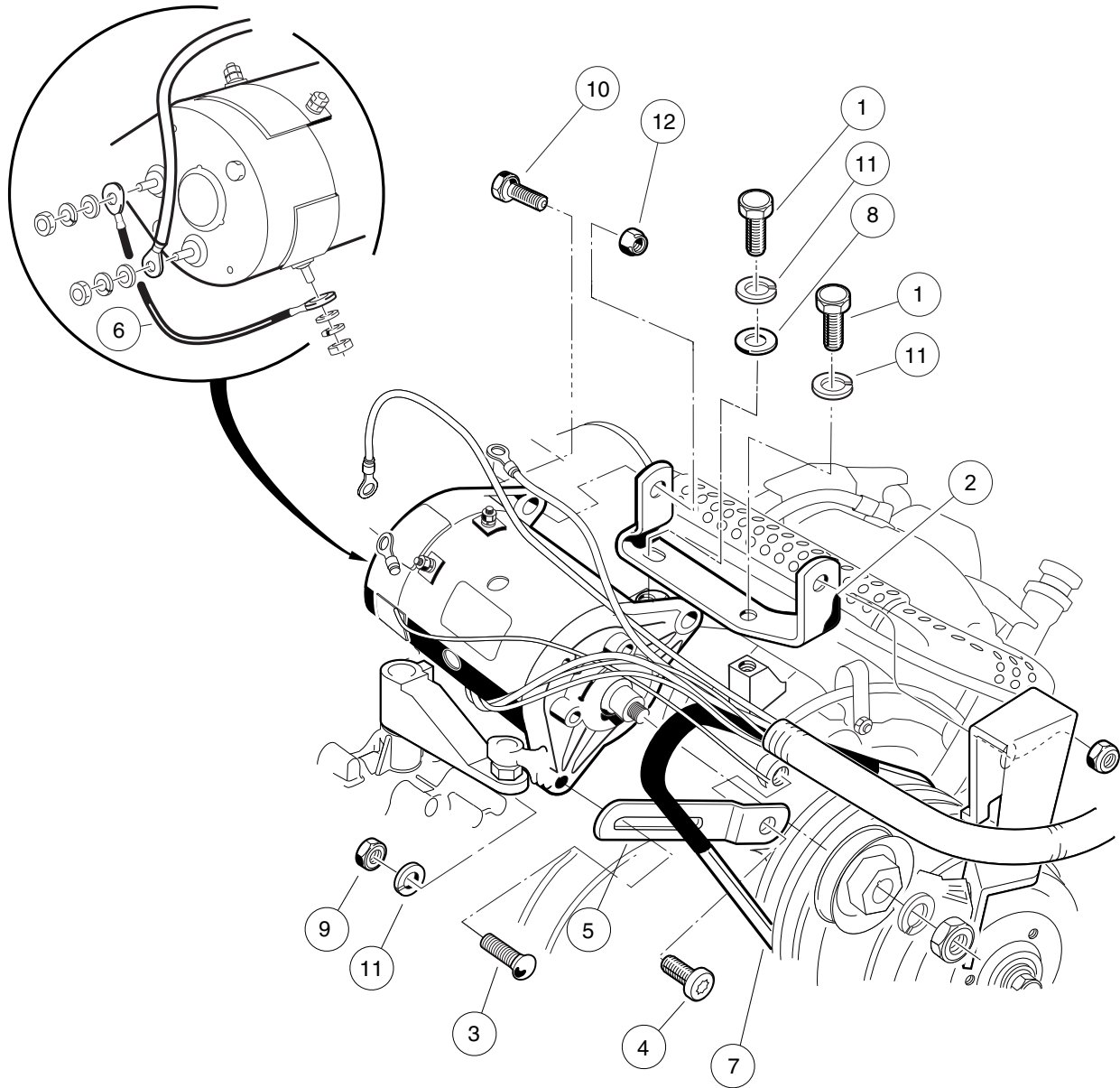


000124-001

STARTER/GENERATOR ASSEMBLY MODEL G425419 – FE350 (AS11)

ITEM	PART NO.	DESCRIPTION	QTY
		1 2 3 4	
1	<u>101833701</u>	Starter/Generator (cw) (includes items 2 through 33)	1
2	<u>1013001</u>	Bearing, Output Shaft Ball	1
3	<u>1013003</u>	Key, Starter/Generator	1
4	<u>1013005</u>	Bearing, Ball	1
5	<u>101301102</u>	Brush Holder Assembly (cw) (includes item 6)	1
6	<u>101878101</u>	Brush Spring Set	4
7	<u>101869302</u>	Brush and Screw Set (cw)	1
8	<u>101874901</u>	Front Bracket	1
9	<u>101875001</u>	Retainer	1
10	<u>101875101</u>	Armature	1
11	<u>101875201</u>	Field Coil Housing	1
12	<u>101875301</u>	Pole Set	1
13	<u>101875401</u>	Screw Set	1
14	<u>101875501</u>	Field Stator Coil Assembly	1
15	<u>101875601</u>	F Insulator Set	2
16	<u>101875701</u>	DF Insulator	1
17	<u>101875802</u>	A Connector (cw)	1
18	<u>101876001</u>	Screw and Mold Assembly	2
19	<u>101876202</u>	Brush Connector Assembly (cw)	2
20	<u>101876301</u>	Cover Set (includes items 21 and 22)	1
21	N/A	Brush Inspection Port Cover	3
22	<u>1017653</u>	Brush Port Cover w/Drain	1
23	<u>101876402</u>	End Bell, Commutator, Rear Bracket (cw)	1
24	<u>101876501</u>	Nut and Screw Set (includes items 25 through 29)	1
25	<u>101896501</u>	Brush Holder Asm Screw	2
26	N/A	Washer, M5 Flat	1
27	N/A	Washer, M14 Lock	1
28	N/A	Nut, Hex, M14 x 2	1
29	N/A	Screw, M5 x 0.8 x 18mm	3
30	<u>101877601</u>	Nut and Washer Set	2
31	<u>101877701</u>	Nut and Washer Set	1
32	<u>101879001</u>	Through Bolt Set	2
33	<u>101939901</u>	Spacer	1
34	<u>101875102</u>	Armature Asm Conversion Kit (includes items 35 through 38)	1
35	<u>1013003</u>	Key, Starter/Generator	1
36	<u>1014289</u>	Pulley, Starter/Generator	1
37	<u>101875101</u>	Armature	1
38	<u>101939901</u>	Spacer	1
		Note: Item 36 will ONLY fit Model G425419 Starter/Generator.	

6
G



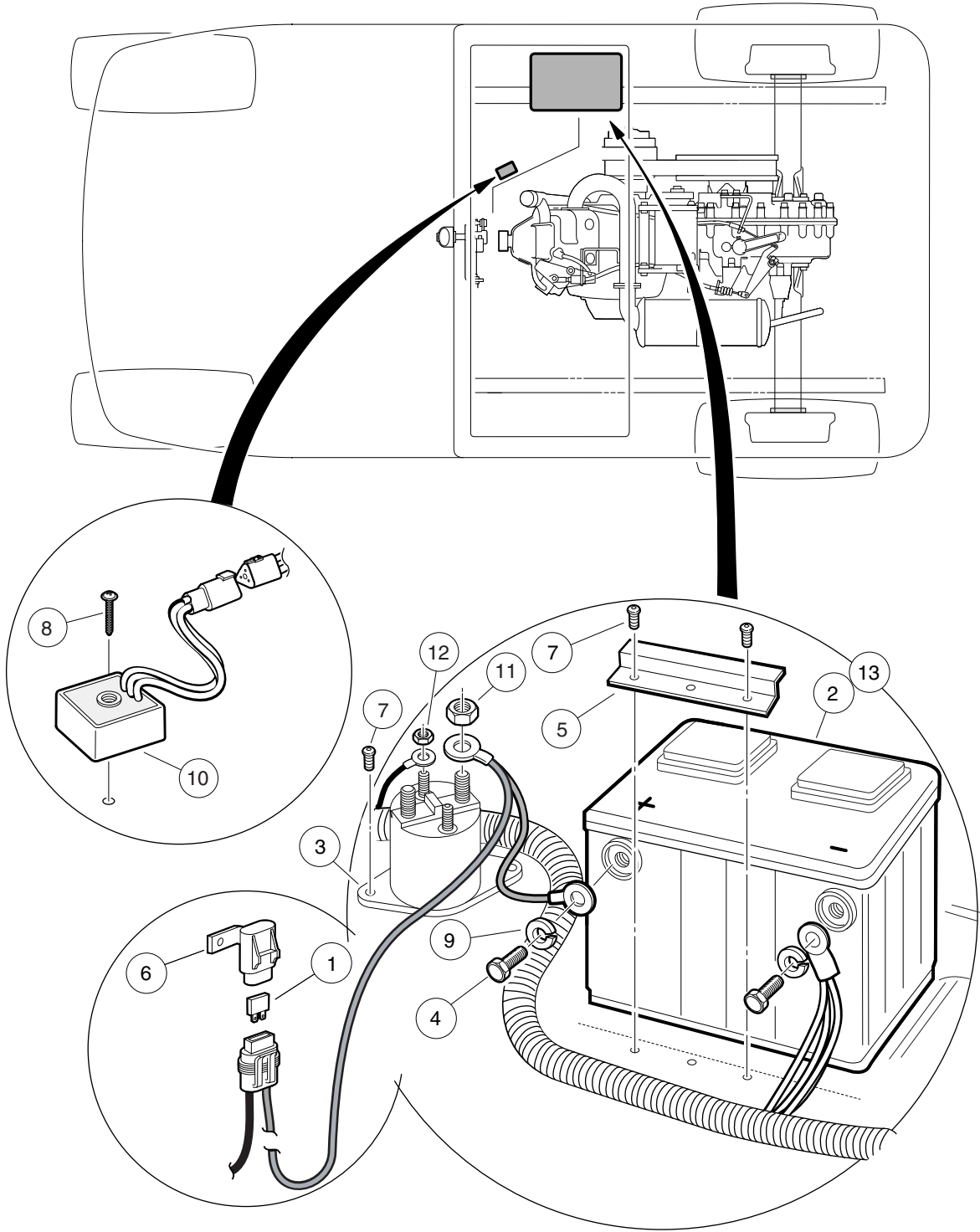
000238-004

STARTER/GENERATOR MOUNTING – FE350 (AS11)

ITEM	PART NO.	DESCRIPTION	QTY
		1 2 3 4	
1	<u>1012830</u>	Screw, M8-125 X 22 Hex-Head	2
2	<u>101524002</u>	Bracket, Starter/Generator Mounting	1
3	<u>1015932</u>	Bolt, Carriage, 5/16-18	1
4	<u>1016074</u>	Screw, M8-1.25 X 18mm Torx	1
5	<u>1016883</u>	Bracket, Starter/Generator Adjustment	1
6	<u>101837301</u>	Wire Assy, #6 Green	1
7	<u>101916701</u>	V-Belt	1
8	<u>1241</u>	Washer, 5/16 Type A Flat	1
9	<u>1242</u>	Nut, 5/16-18 Hex	1
10	<u>1624</u>	Screw, 3/8-16 X 1.50, Hex-Head Cap	2
11	<u>7174</u>	Lockwasher, 5/16 Split	3
12	<u>8754</u>	Locknut, 3/8-16 Hex	2

6
G

6
G



000479-004

BATTERY – GASOLINE VEHICLE

ITEM	PART NO.	DESCRIPTION	QTY
		1 2 3 4	
1	<u>1012295</u>	Fuse, 10-Amp	1
2	<u>1012328</u>	Battery, 12-Volt	1
3	<u>1013609</u>	Solenoid, 12-Volt	1
4	<u>1014375</u>	Screw, 3/8-16 X 0.50, Stainless Steel, Hex-Head	2
5	<u>101898001</u>	Clamp, Battery	1
6	N/A	Cover, Fuse, Sealed, Metri	1
7	<u>102296020</u>	Screw, Torx Pan Hd Pt, M6 X 20	4
8	<u>102296040</u>	Screw, Torx Pan Hd Pt, M6 X 40	1
9	<u>102355301</u>	Lockwasher, 3/8 Split Ss	2
10	<u>102803301</u>	Asm, Voltage Regulator, Prec.	1
11	<u>103496801</u>	Battery, Start, 12v	1
12	<u>1242</u>	Nut, 5/16-18 Hex	2
13	<u>7893</u>	Nut, #10-32 Hex	2
<p>Note: Vehicles with serial numbers 0838-062231 and greater were produced with the <u>103496801</u> battery.</p>			

6

G

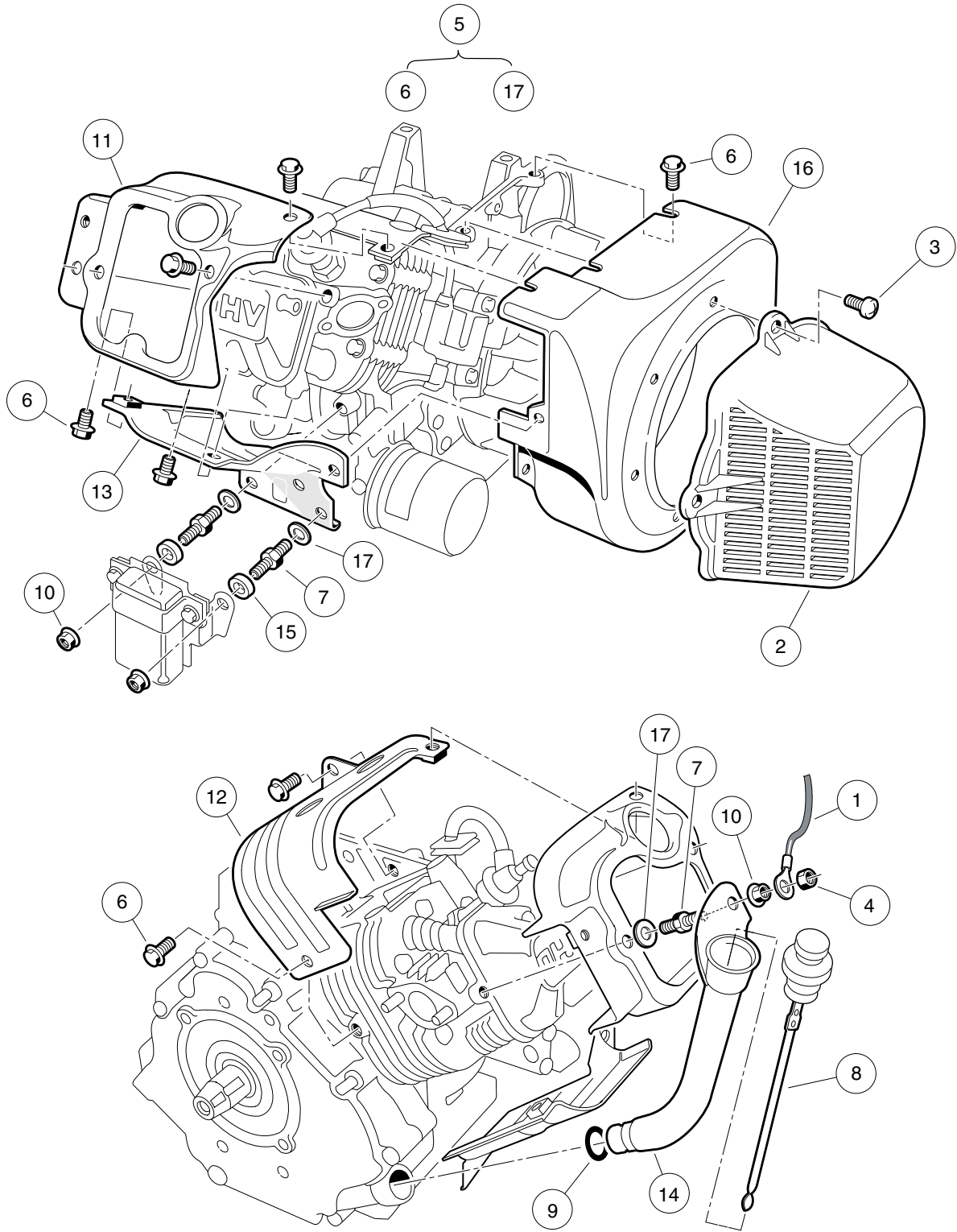
6

G

FE350 ENGINE (AS11)

7

G



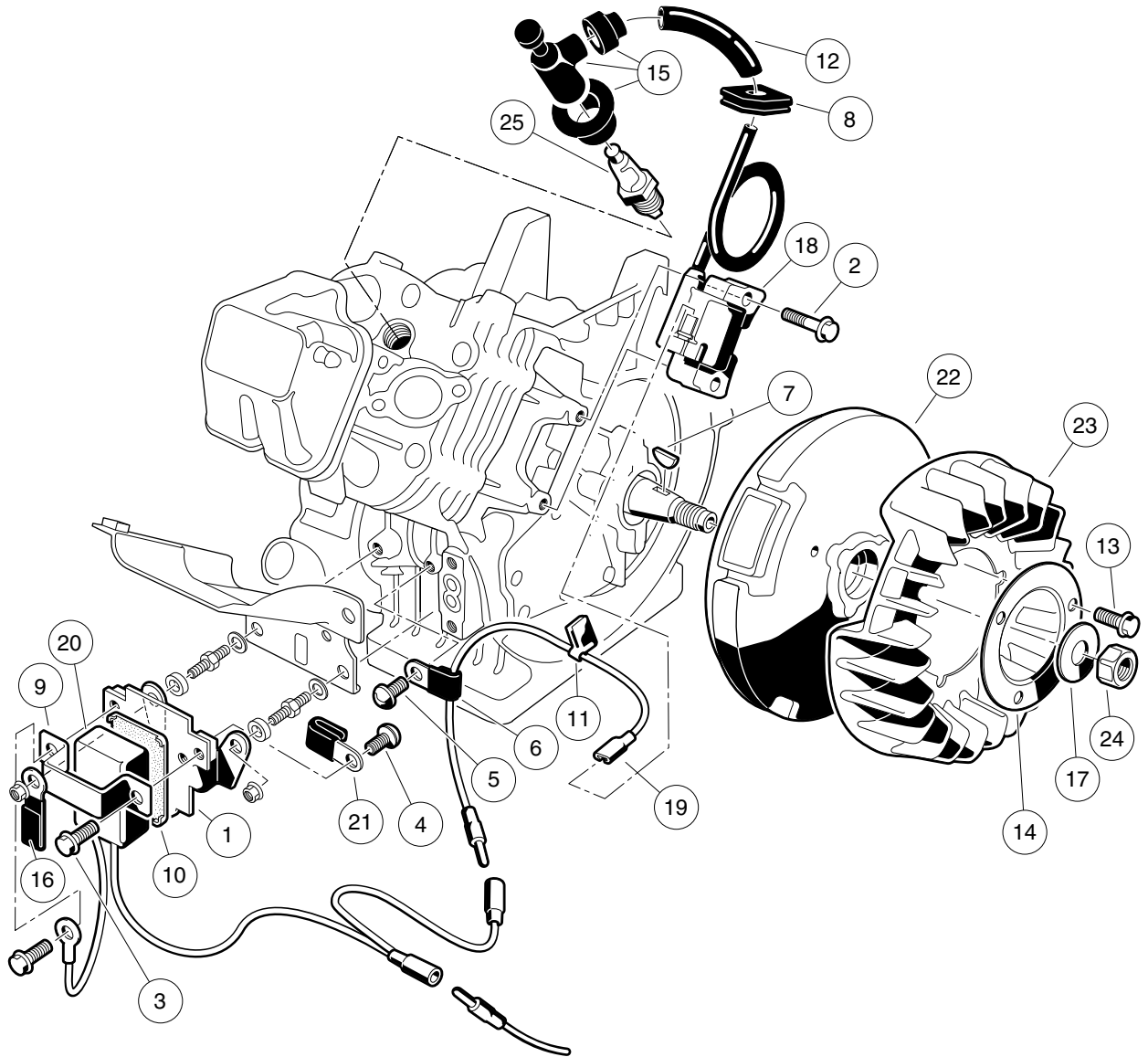
000201-001

FE350 ENGINE (AS11) – SHROUDS AND BRACKETS

ITEM	PART NO.	DESCRIPTION	QTY
		1 2 3 4	
1	<u>1015332</u>	Wire, Ground, #10, Uninsulated	1
2	<u>1015649</u>	Shroud, Fan	1
3	<u>1015969</u>	Screw, M6-1.00 X 10mm, Pan Hd	4
4	<u>101887601</u>	Locknut, M6-1.00 Nylon Insert	1
5	<u>101953802</u>	Engine, FE350, without ACR (includes items 6 through 17)	1
6	<u>1016456</u>	Bolt, Flange Head, M6 x 1 x 12 mm	14
7	<u>1016507</u>	Bolt, Two-Ended	3
8	<u>1016531</u>	Dipstick	1
9	<u>1016539</u>	O-Ring	1
10	<u>1016547</u>	Nut, M6 Flange	3
11	<u>1017474</u>	Shroud, Engine	1
12	<u>1017475</u>	Shroud, Engine	1
13	<u>1017476</u>	Shroud, Engine	1
14	<u>1017486</u>	Tube, Oil Filler	1
15	<u>1017500</u>	Spacer 6.50 X 12 X 5.5	2
16	<u>101916101</u>	Housing, FE350 Fan	1
17	N/A	Washer, 6mm Flat	3
Note: The AS11 engine qualifies for use in 2009 vehicles in all states except California due to their regulations for 2009 and newer vehicles.			

7

G



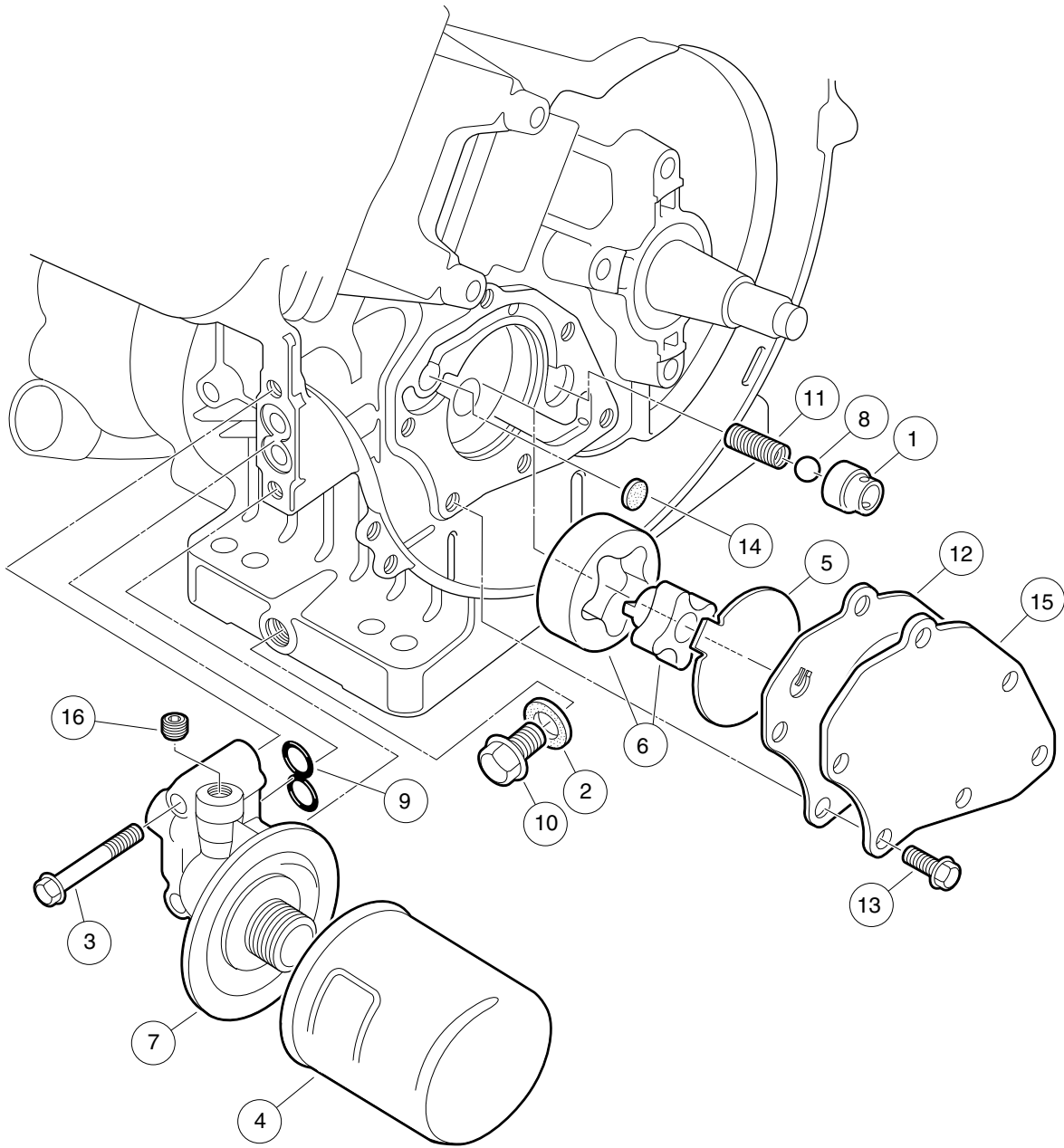
000202-003

FE350 ENGINE – IGNITION COMPONENTS AND FLYWHEEL

ITEM	PART NO.	DESCRIPTION	QTY
		1 2 3 4	
1	1016445	Bracket, RPM Limiter	1
2	<u>1016455</u>	Bolt, Flange Head	2
3	1016456	Bolt, Flange Head, M6 x 1 x 12 mm	2
4	<u>1016497</u>	Screw, Pan WP Cross	1
5	<u>1016544</u>	Screw	1
6	<u>1016561</u>	Clamp	1
7	<u>1016562</u>	Key	1
8	<u>1016578</u>	Grommet, Ignition	1
9	<u>1016579</u>	Band, RPM Limiter Mount	1
10	1016586	Damper, RPM Limiter	1
11	<u>1016587</u>	Clamp	1
12	<u>1016588</u>	Tube, 7mm X 10mm X 70mm	1
13	<u>1017448</u>	Bolt, Flanged	3
14	<u>1017455</u>	Plate, Flywheel Fan	1
15	<u>1017463</u>	Cap Asm, Plug	1
16	<u>1017468</u>	Clamp	1
17	<u>1017490</u>	Washer, Flat	1
18	<u>101909201</u>	Coil, Ignition	1
19	<u>101909301</u>	Lead Wire Assy	1
20	101909401	Limiter, RPM	1
21	101909501	Clamp, Steel	1
22	<u>101916201</u>	Flywheel	1
23	<u>101916301</u>	Fan (cw)	1
24	<u>102838401</u>	Nut, Hex, 18 mm Fine	1
25	<u>AM1232301</u>	Spark Plug, BPR2ES	1

7

G

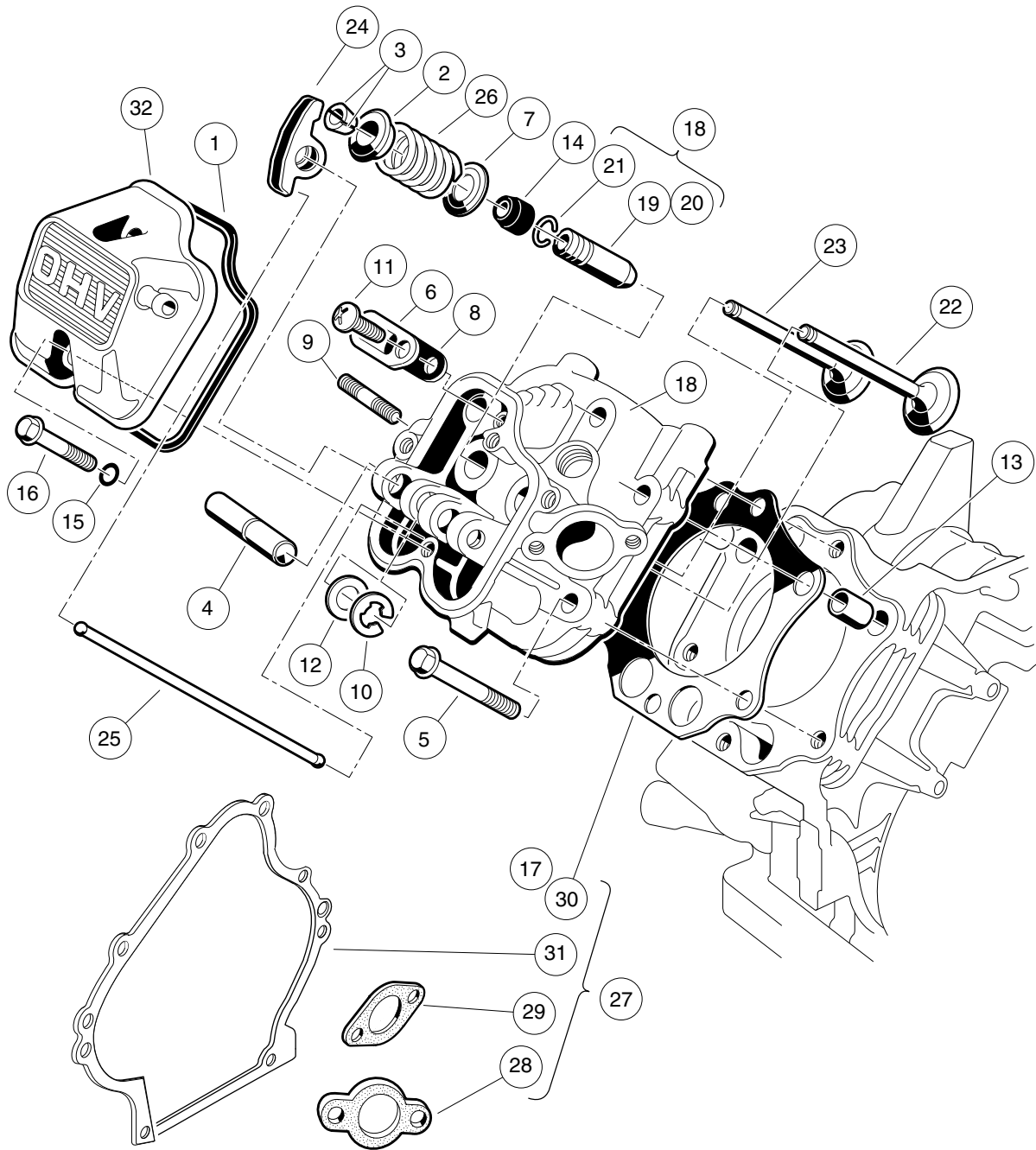


000203-001

FE350 ENGINE (AS11) – OIL CIRCULATION

ITEM	PART NO.	DESCRIPTION	QTY
		1 2 3 4	
1	1016429	Seat, Valve Oil Pressure Relief	1
2	<u>1016432</u>	Gasket, Drain Plug	1
3	<u>1016457</u>	Bolt, Flange Head	2
4	<u>1016467</u>	Filter, Oil	1
5	<u>1016473</u>	Plate, Oil Pump	1
6	<u>101648203</u>	Oil Pump And Rotor	1
7	<u>1016502</u>	Bracket, Oil Filter Mount	1
8	<u>1016537</u>	Ball, Steel, Press, Relief	1
9	<u>1016570</u>	O-Ring	1
10	1016576	Plug, Drain	1
11	<u>1016581</u>	Spring	1
12	<u>1017442</u>	Gasket	1
13	<u>1017456</u>	Bolt, Flanged	6
14	<u>1017458</u>	Filter	1
15	<u>1017460</u>	Cover, Pump	1
16	<u>1017507</u>	Plug	2

7
G

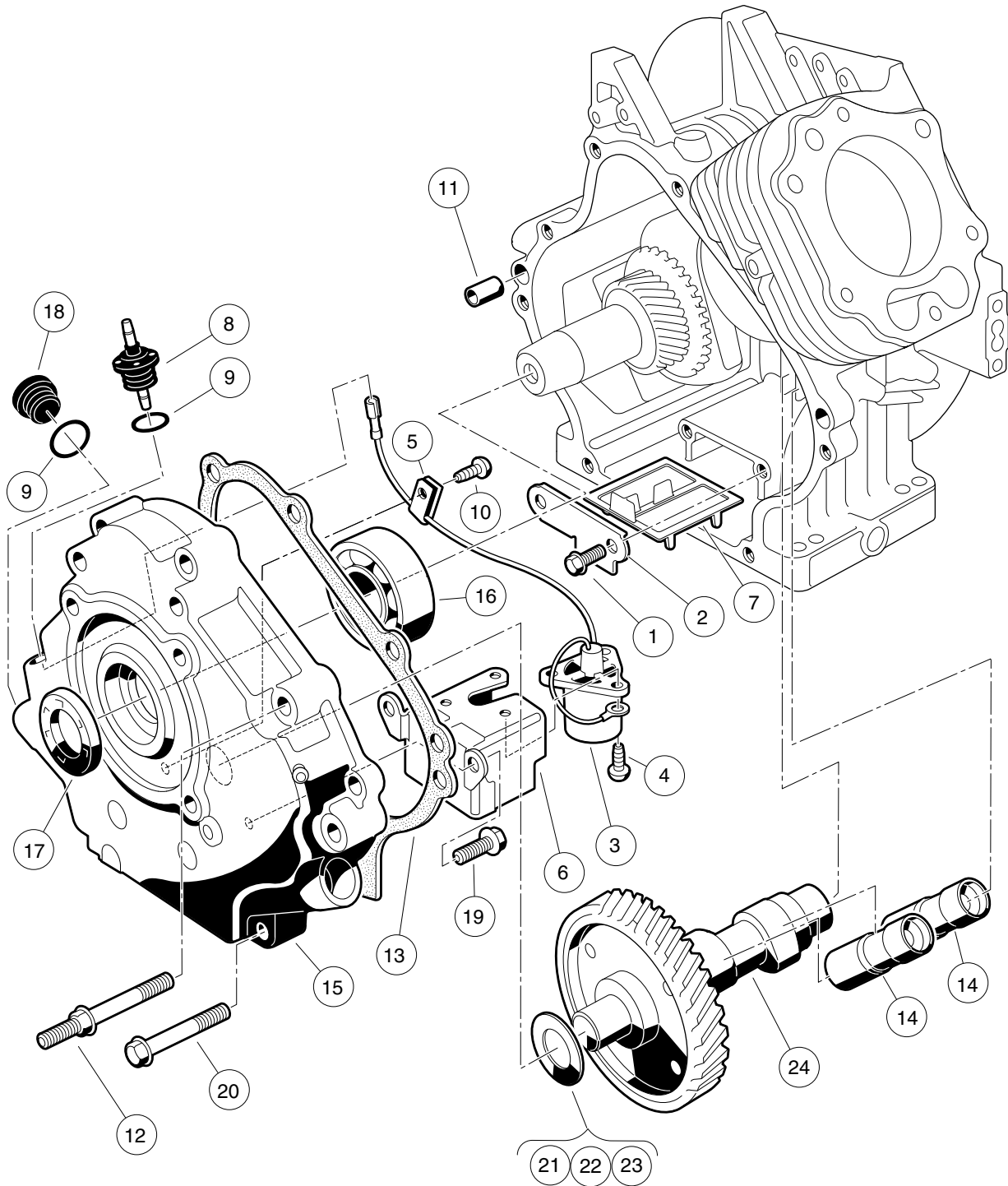


000204-003

FE350 ENGINE (AS11) – CYLINDER HEAD

ITEM	PART NO.	DESCRIPTION	QTY
		1 2 3 4	
1	<u>1016436</u>	Gasket, Rocker Case	1
2	<u>1016449</u>	Retainer, Valve Spring	2
3	<u>1016450</u>	Collet	4
4	<u>1016452</u>	Shaft, Rocker	1
5	<u>1016458</u>	Bolt, Flange Head, M8 x 1.25 x 45 mm	6
6	<u>1016474</u>	Plate	1
7	<u>1016479</u>	Seat, Spring	2
8	<u>1016483</u>	Valve	1
9	<u>1016489</u>	Stud, Two-Ended, M8-1.25	2
10	<u>1016517</u>	Circlip, Type-E	1
11	<u>1016544</u>	Screw	1
12	<u>1016549</u>	Washer, 12.1x19x1.8	1
13	<u>1016563</u>	Pin	2
14	<u>1016566</u>	Seal, Oil	2
15	<u>1016569</u>	O-Ring	2
16	<u>1016583</u>	Bolt, 6x35	2
17	<u>1017434</u>	Gasket, Head	1
18	<u>1017435</u>	Assembly, Cylinder Head, FE350 (includes items 19 through 21)	1
19	<u>1016518</u>	Guide, Valve, Exhaust	1
20	<u>1016519</u>	Guide, Valve, Intake, Exhaust	1
21	<u>1016560</u>	Snap Ring	2
22	<u>1017444</u>	Valve, Intake	1
23	<u>1017445</u>	Valve, Exhaust	1
24	<u>1017446</u>	Arm, Rocker	2
25	<u>1017454</u>	Rod, Push	2
26	<u>1017473</u>	Spring, Engine Valve	2
27	<u>102304801</u>	Kit, Gasket, FE350 (includes items 28 through 31)	1
28	<u>1016440</u>	Gasket, Engine to Insulator	1
29	<u>1016904</u>	Gasket, Exhaust	1
30	<u>1017434</u>	Gasket, Head	1
31	<u>1017443</u>	Gasket, Crankcase Cover	1
32	<u>102753401</u>	Case, Rocker	1
		Note: Item 28, <u>1016440</u> , is not a component of the FE350 engine.	

7
G

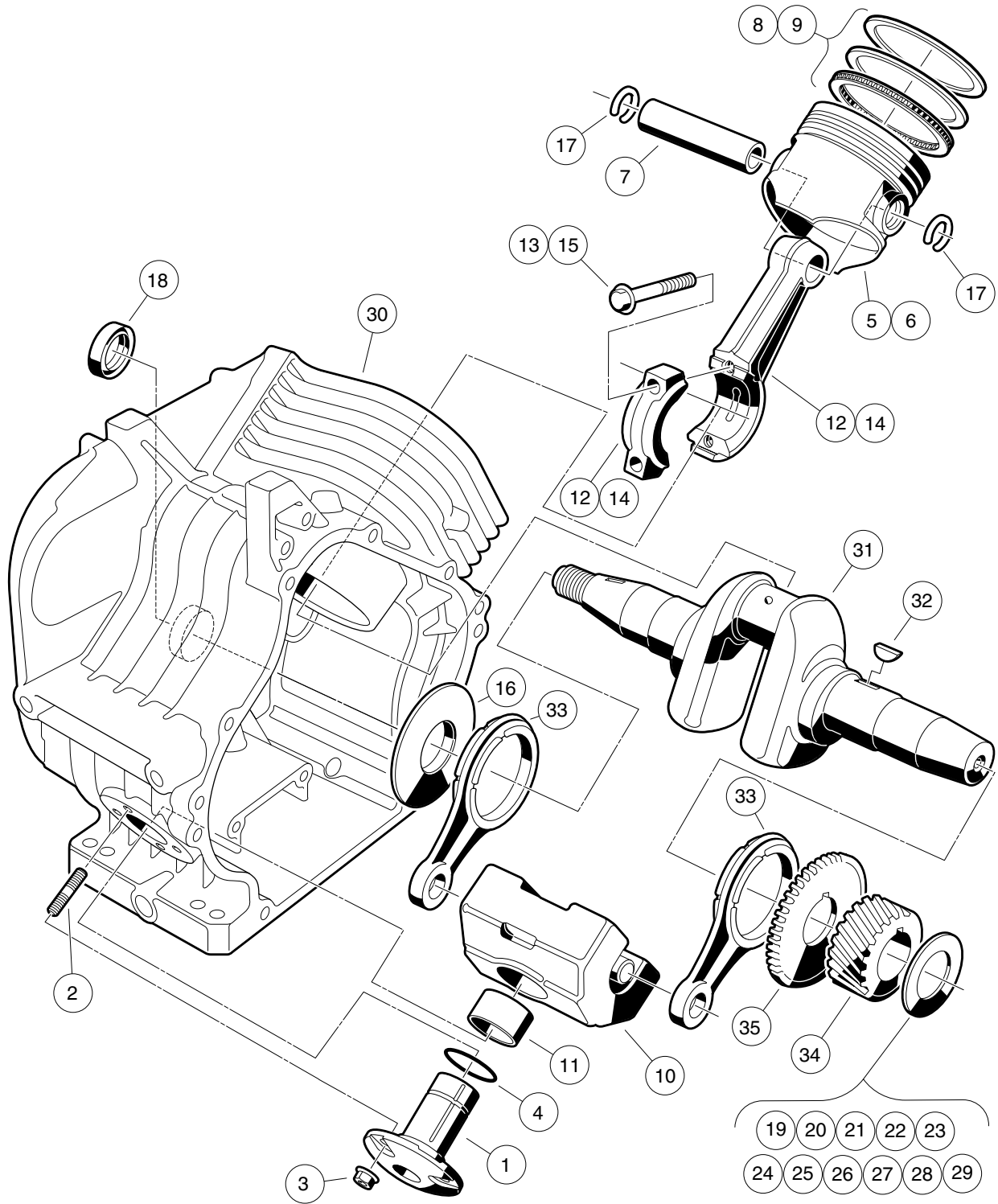


000205-002

FE350 ENGINE W/O ACR – CRANKCASE, CAMSHAFT, AND OIL SENSOR

ITEM	PART NO.	DESCRIPTION	QTY
		1 2 3 4	
1	<u>1016454</u>	Bolt, Flange Head, M5 x 0.8 x 8 mm	2
2	<u>1016472</u>	Plate, Oil Filter Screen	1
3	<u>1016494</u>	Sensor, Oil Level	1
4	<u>1016496</u>	Screw, Cross Pan-Head, M4 x 0.7 x 8 mm	3
5	<u>1016506</u>	Clamp	1
6	<u>1016510</u>	Bracket, Switch, Oil Level	1
7	<u>1016521</u>	Screen, Oil Filter	1
8	<u>1016535</u>	Connector, Cord	1
9	<u>1016538</u>	O-Ring	2
10	<u>1016544</u>	Screw	1
11	<u>1016564</u>	Pin	2
12	<u>1016584</u>	Bolt, Two-Ended, M8 x 1.25 x 69 mm	2
13	<u>1017443</u>	Gasket, Crankcase Cover	1
14	<u>1017447</u>	Adjuster, Lash	2
15	<u>1017472</u>	Cover Crankcase	1
16	<u>1017487</u>	Bearing, Ball	1
17	<u>1017504</u>	Seal, Oil	1
18	<u>1017508</u>	Plug	1
19	<u>1017513</u>	Bolt Switch Bracket	2
20	<u>1017514</u>	Screw, M8-1.25 X 45mm Hex	6
21	<u>101751801</u>	Shim, 0.3	1
22	<u>101751802</u>	Shim, 0.4	1
23	<u>101751803</u>	Shim, 0.5	1
24	<u>102431001</u>	Camshaft, FE350 without ACR, 44-Tooth	1

7
G



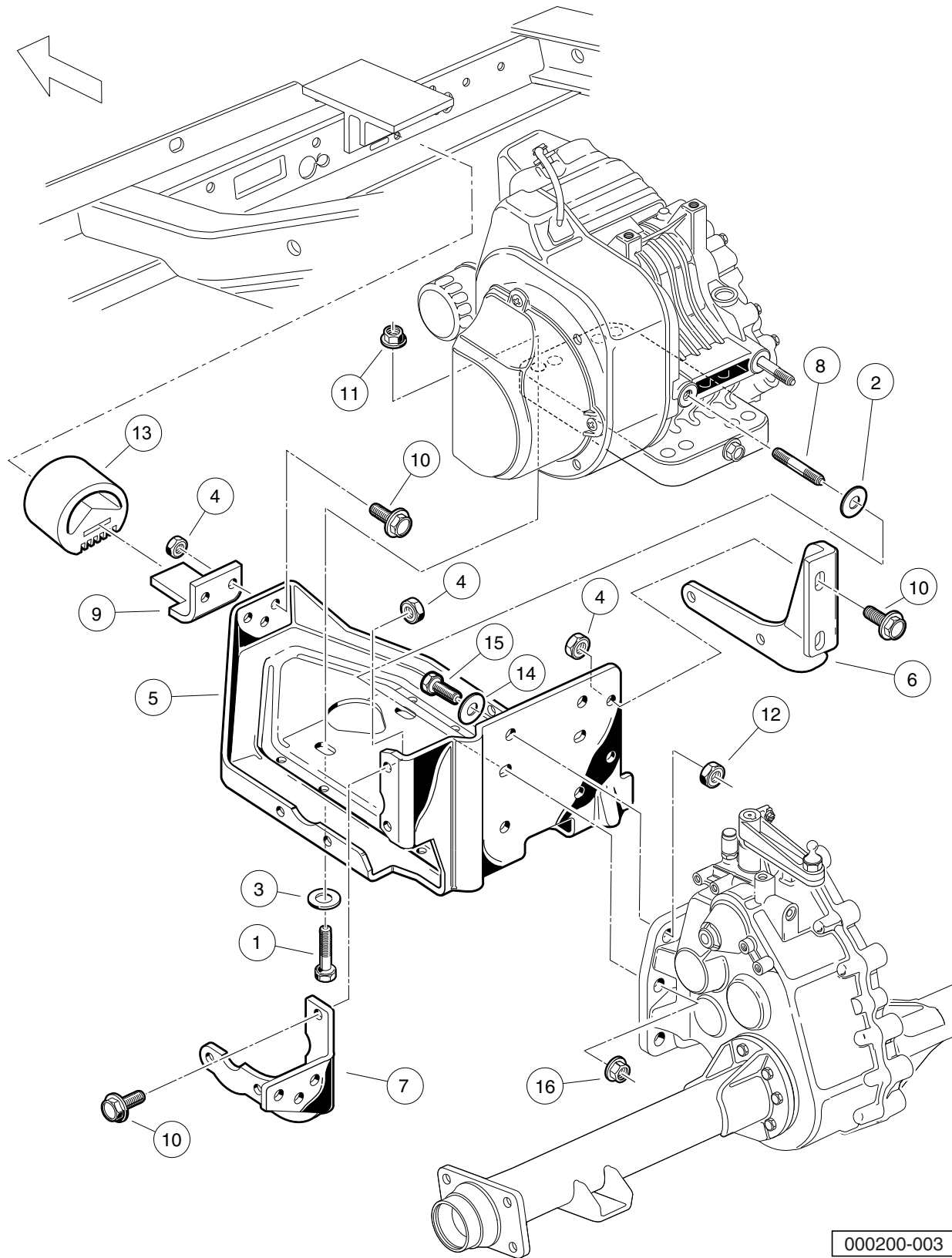
000206-001

FE350 ENGINE (AS11) – CRANKCASE AND CRANKSHAFT

ITEM	PART NO.	DESCRIPTION	QTY
		1 2 3 4	
1	1016470	Shaft, Guide, Counterbalance	1
2	<u>1016541</u>	Stud, 6x14	4
3	1016547	Nut, M6 Flange	4
4	<u>1016571</u>	O-Ring	1
5	<u>101744901</u>	Piston, Standard	1
6	<u>101744902</u>	Piston, 0.50 mm Oversize	1
7	1017450	Pin, Piston	1
8	<u>101745101</u>	Ring Set, Standard Piston	1
9	<u>101745102</u>	Ring Set, Piston, 0.50 mm Oversize	1
10	<u>1017453</u>	Counterbalance Weight (includes item 11)	1
11	1017510	Bearing, Plain	1
12	101745701	Asm, Con. Rod Std (includes item 13)	1
13	<u>1017512</u>	Bolt	2
14	<u>101745702</u>	Asm,Con.Rod 0.5mm U/s (includes item 15)	1
15	<u>1017512</u>	Bolt	2
16	1017501	Spacer	1
17	<u>1017502</u>	Snap Ring	2
18	<u>1017503</u>	Seal, Oil	1
19	<u>101773301</u>	Shim, Crankshaft, 1.18mm	1
20	<u>101773302</u>	Shim, Crankshaft, 1.25mm	1
21	<u>101773303</u>	Shim, Crankshaft, 1.32mm	1
22	<u>101773304</u>	Shim, Crankshaft, 1.39mm	1
23	<u>101773305</u>	Shim, Crankshaft, 1.46mm	1
24	<u>101773306</u>	Shim, Crankshaft, 1.53mm	1
25	<u>101773307</u>	Shim, Crankshaft, 1.60mm	1
26	<u>101773308</u>	Shim, Crankshaft, 1.67mm	1
27	<u>101773309</u>	Shim, Crankshaft, 1.74mm	1
28	<u>101773310</u>	Shim, Crankshaft, 1.11 mm	1
29	<u>101773311</u>	Shim, Crankshaft, 1.81mm	1
30	<u>101916001</u>	Crankcase Complete, FE350 (cw)	1
31	<u>102430901</u>	Crankshaft, FE350 Left-Hand, 22-Tooth (includes items 32 through 35)	1
32	<u>1016562</u>	Key	1
33	<u>1017471</u>	Rod	2
34	N/A	Gear, Helical	1
35	N/A	Gear, Spur	1

7
G

7
G



000200-003

FE350 ENGINE (AS11) – MOUNTING

ITEM	PART NO.	DESCRIPTION	QTY
		1 2 3 4	
1	<u>1010577</u>	Bolt, Hex-Head, 5/16-18 X 1.50	4
2	<u>1011697</u>	Washer, 5/16 Flat	2
3	1012571	Washer, 5/16 Extra Thick Flat	4
4	<u>1013924</u>	Nut, 5/16-24, Hex Head Cone	10
5	<u>101827101</u>	Plate, Engine Mounting	1
6	<u>101832601</u>	Stiffener (PTO Side)	1
7	<u>101832701</u>	Stiffener (Flywheel Side)	1
8	<u>101833101</u>	Stud, M8-1.25 X 50 mm Two-Ended	2
9	<u>101834601</u>	Bracket, Snubber	1
10	<u>101884801</u>	Screw, 5/16-24 X 0.875, Grade-8	10
11	<u>101963401</u>	Locknut, 5/16-18 Hex Flange	4
12	<u>102065901</u>	Locknut, 3/8-16 Flanged Dimple	4
13	<u>102540301</u>	Snubber, Inner Frame	1
14	<u>334</u>	Washer, 3/8, Type A, Flat	4
15	705	Screw, Cap-hex Hd 3/8-16x1.25	4
16	<u>96704416</u>	Nut, Flange, M8 X 1.25 Serrated	2

7

G

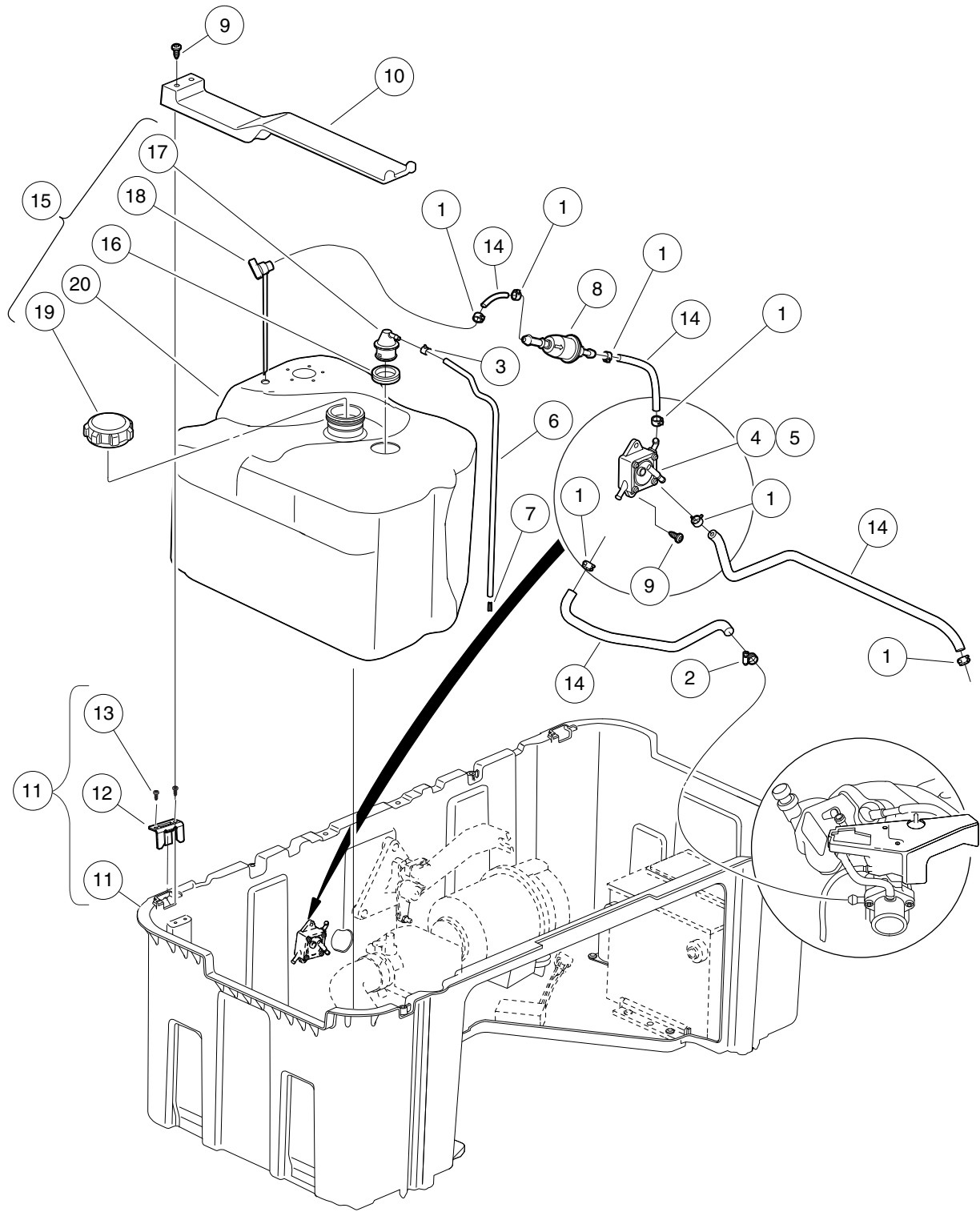
7

G

FUEL, INTAKE, AND GOVERNOR SYSTEMS

8

G



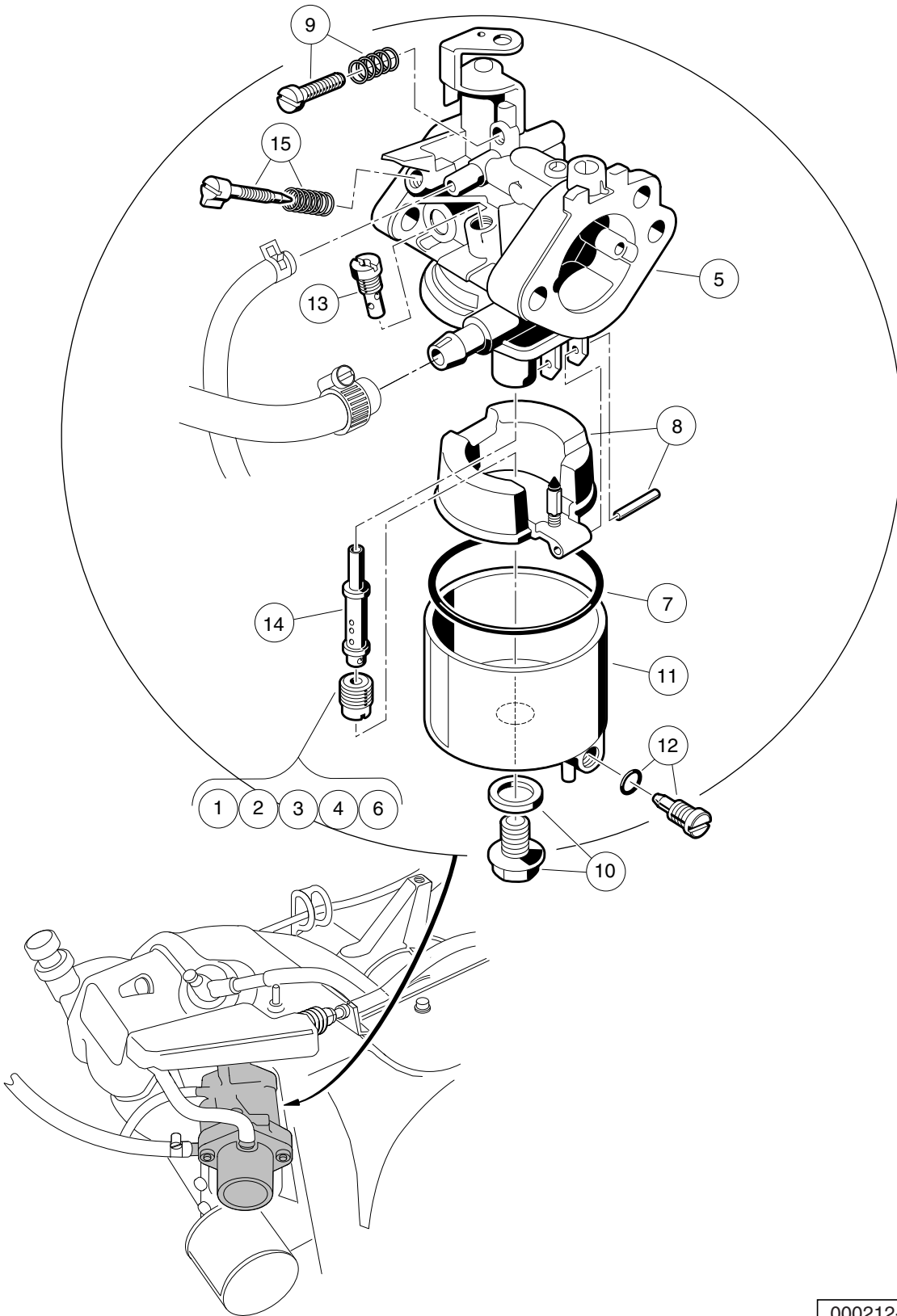
000449-004

FUEL SYSTEM

ITEM	PART NO.	DESCRIPTION	QTY
		1 2 3 4	
1	<u>1012649</u>	Clamp, 0.460 Red Hose	7
2	<u>1013687</u>	Clamp, 3/8" Hose (screw type)	1
3	<u>1013746</u>	Clamp, 0.301 ID Hose	1
4	<u>1014523</u>	Pump, Impulse Fuel	1
5	<u>1014524</u>	Kit, Impulse Pump Rebuild	1
6	<u>1015137</u>	Fuel Line, 3/16 (available by the foot)	1
7	<u>101824401</u>	Vent Barb	1
8	<u>102003201</u>	Filter, Fuel, 30 Micron	1
9	<u>102296020</u>	Screw, Torx Pan Hd Pt, M6 X 20	4
10	<u>102514201</u>	Hold-down - Fuel Tank	1
11	<u>102514701</u>	Bucket - Gas Vehicle (includes items 12 and 13)	1
12	103470701	Bracket, Bucket Hinge	2
13	N/A	Screw, #6 X .75, Cs Ss, Hi-lo	4
14	<u>102865101</u>	Fuel Line, 1/4 (available by the foot)	1
15	<u>102952202</u>	Asm, Tank, Fuel (includes items 16 through 20)	1
16	<u>1015139</u>	Insulation Grommet	1
17	<u>1015143</u>	Vent, Fuel Tank	1
18	<u>102513701</u>	Valve - Fuel Pickup Tube	1
19	<u>102751601</u>	Cap, Fuel Tank, Gasoline	1
20	N/A	Tank, Fuel, Prec	1

8

G



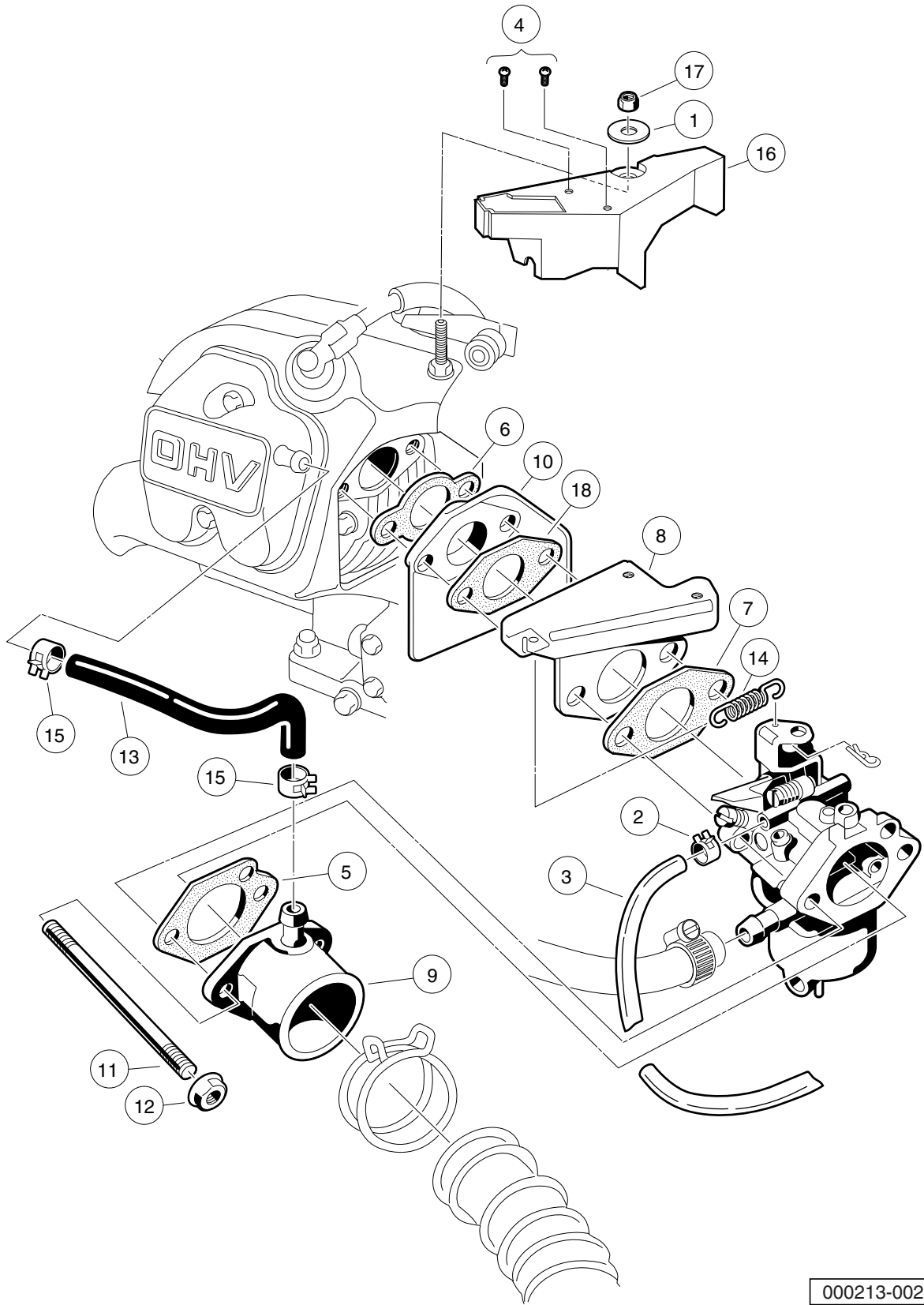
000212-001

CARBURETOR ASSEMBLY – FE350 (AS11)

ITEM	PART NO.	DESCRIPTION	QTY
		1 2 3 4	
1	<u>101642575</u>	Jet, Altitude, # 75	1
2	<u>101642578</u>	Jet, Altitude, # 78	1
3	<u>101642580</u>	Jet, Altitude, # 80	1
4	<u>101642582</u>	Jet, Altitude, # 82	1
5	<u>101905901</u>	Carburetor, FE350D (includes items 6 through 15)	1
6	<u>101642585</u>	Jet, Altitude, # 85	1
7	<u>1016437</u>	Gasket, Carburetor Bowl OHV	1
8	<u>1016486</u>	Float Assembly	1
9	<u>1016501</u>	Screw Assembly	1
10	<u>1016585</u>	Bolt	1
11	<u>1017461</u>	Chamber Assembly, Float (includes item 12)	1
12	<u>1016499</u>	Screw Assembly	1
13	<u>101973101</u>	Jet, #40 Pilot	1
14	<u>101973301</u>	Nozzle, Main	1
15	N/A	Assembly, Pilot Air Screw	1
<p>Note: Jets- <u>101642585</u> for 0 - 3,000 feet; <u>101642582</u> for 3,000 - 5,000 feet; <u>101642580</u> for 5,000 - 8,000 feet; <u>101642578</u> for 8,000 - 10,000 feet; <u>101642575</u> for 10,000 feet and higher. NOTE 2: Carburetor <u>101905901</u>, shown above, is no longer available. Order part number 103524501 for replacement.</p>			

8

G



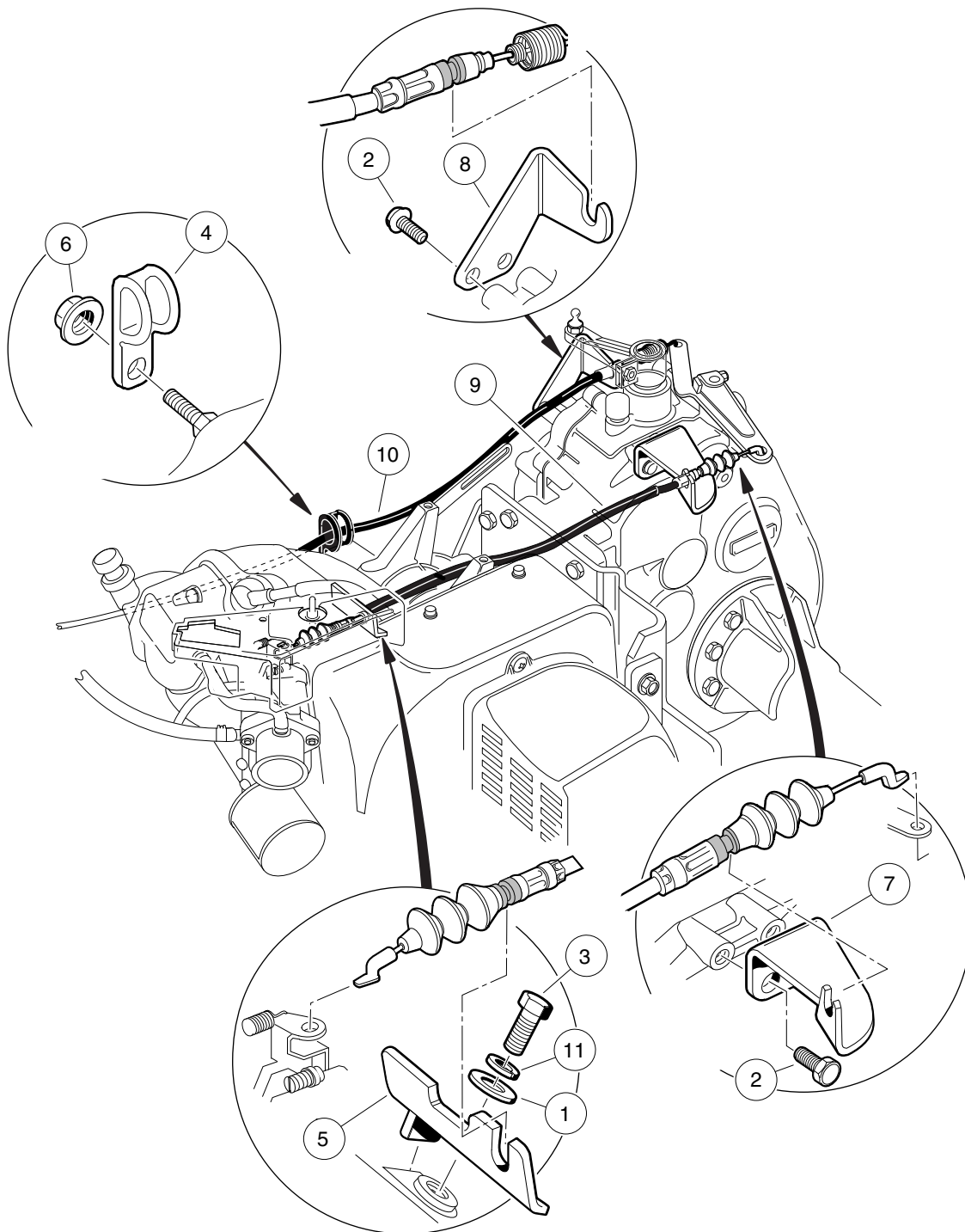
000213-002

CARBURETOR INSTALLATION – FE350 (AS11)

ITEM	PART NO.	DESCRIPTION	QTY
		1 2 3 4	
1	<u>1011697</u>	Washer, 5/16 Flat	1
2	<u>1013746</u>	Clamp, 0.301 ID Hose	1
3	<u>1015137</u>	Fuel Line, 3/16 (available by the foot)	1
4	<u>1016103</u>	Screw, Pan Hd Tx, Taptite 6-32	2
5	<u>1016438</u>	Gasket, Carb To Intake Manifold	1
6	<u>1016440</u>	Gasket, Engine to Insulator	1
7	<u>1016441</u>	Gasket, Sprg Brkt To Carb OHV	1
8	<u>1016444</u>	Bracket, Throttle Spring Return	1
9	1016480	Pipe, Intake Manifold	1
10	101648102	Insulator, Carburetor	1
11	<u>101649002</u>	Stud, M6-1.00 Two-Ended	2
12	1016547	Nut, M6 Flange	2
13	<u>1016572</u>	Tube, Crankcase Vent	1
14	<u>1016582</u>	Spring, Throttle Return	1
15	<u>1017466</u>	Clamp	2
16	101820201	Shield, Governor	1
17	<u>101887601</u>	Locknut, M6-1.00 Nylon Insert	1
18	<u>101973401</u>	Gasket, Insulator To Bracket	1

8

G

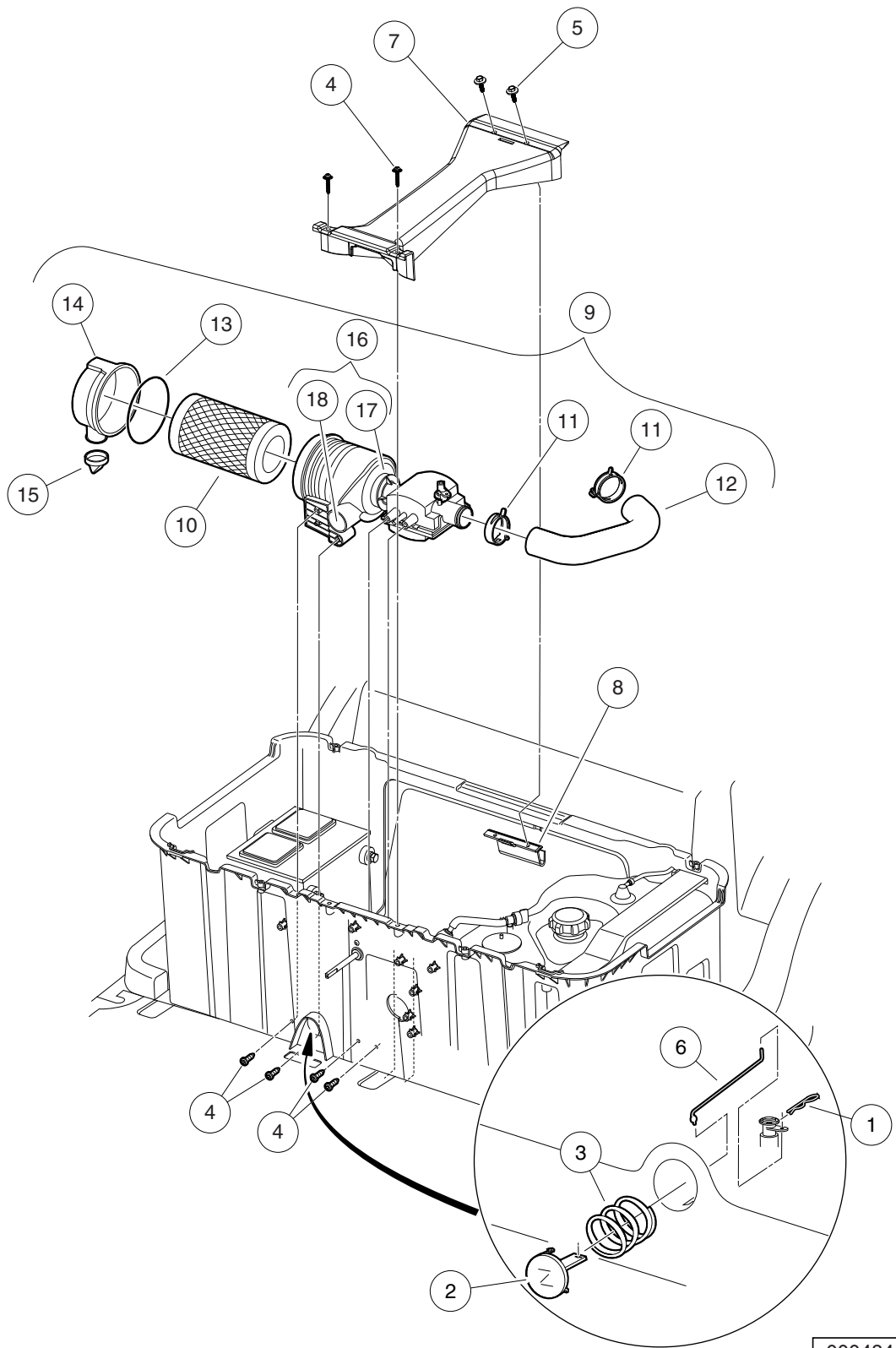


000215-001

GOVERNOR AND ACCELERATOR CABLES

ITEM	PART NO.	DESCRIPTION	QTY
		1 2 3 4	
1	<u>1011697</u>	Washer, 5/16 Flat	1
2	<u>1012285</u>	Screw, 1/4 X 0.625 Hex-Head	4
3	<u>1012830</u>	Screw, M8-125 X 22 Hex-Head	1
4	<u>1013700</u>	Clamp	2
5	<u>101584502</u>	Bracket, Governor Cable Snap-In	1
6	<u>1016546</u>	Nut	2
7	<u>101832202</u>	Bracket, Rear Governor Cable Snap-In	1
8	<u>101832302</u>	Bracket, Rear Accelerator Cable Snap-In	1
9	<u>102336001</u>	Cable, Governor, Snap-In	1
10	<u>102513102</u>	Cable, Acc, Snap-in (Generation 1)	1
11	<u>7174</u>	Lockwasher, 5/16 Split	1

8
G



000484-002

CHOKE AND AIR BOX ASSEMBLY

ITEM	PART NO.	DESCRIPTION	QTY
		1 2 3 4	
1	<u>1014413</u>	Pin, Hair Spring Cotter	1
2	<u>101811401</u>	Lever, Choke	1
3	<u>101856201</u>	Compression Spring	1
4	<u>102296020</u>	Screw, Torx Pan Hd Pt, M6 X 20	6
5	<u>102297125</u>	Screw, M6-1.0x25.4, Thread-Forming, SEMS	2
6	<u>102514401</u>	Rod, Choke Button	1
7	<u>102521301</u>	Brace, Gas Fuel Bucket	1
8	<u>102521401</u>	Support, Gas Bucket Brace	1
9	102588301	Air Intake Assy (includes items 10 through 16)	1
10	<u>102558201</u>	Air Filter, 4 Inch	1
11	<u>102558301</u>	Clamp, Air Intake, Prec	2
12	<u>102558401</u>	Hose, Air Intake, Prec	1
13	<u>102558501</u>	Gasket, Air Intake, Prec	1
14	<u>102558601</u>	Asm, Cover, Air Intake, Precedent	1
15	<u>102558701</u>	Evac Valve, Air Intake, Prec	1
16	N/A	Assembly, Body Intake (includes items 17 and 18)	1
17	N/A	Filter Element, Air Intake	1
18	N/A	Insert, Air Intake Body	1

8

G

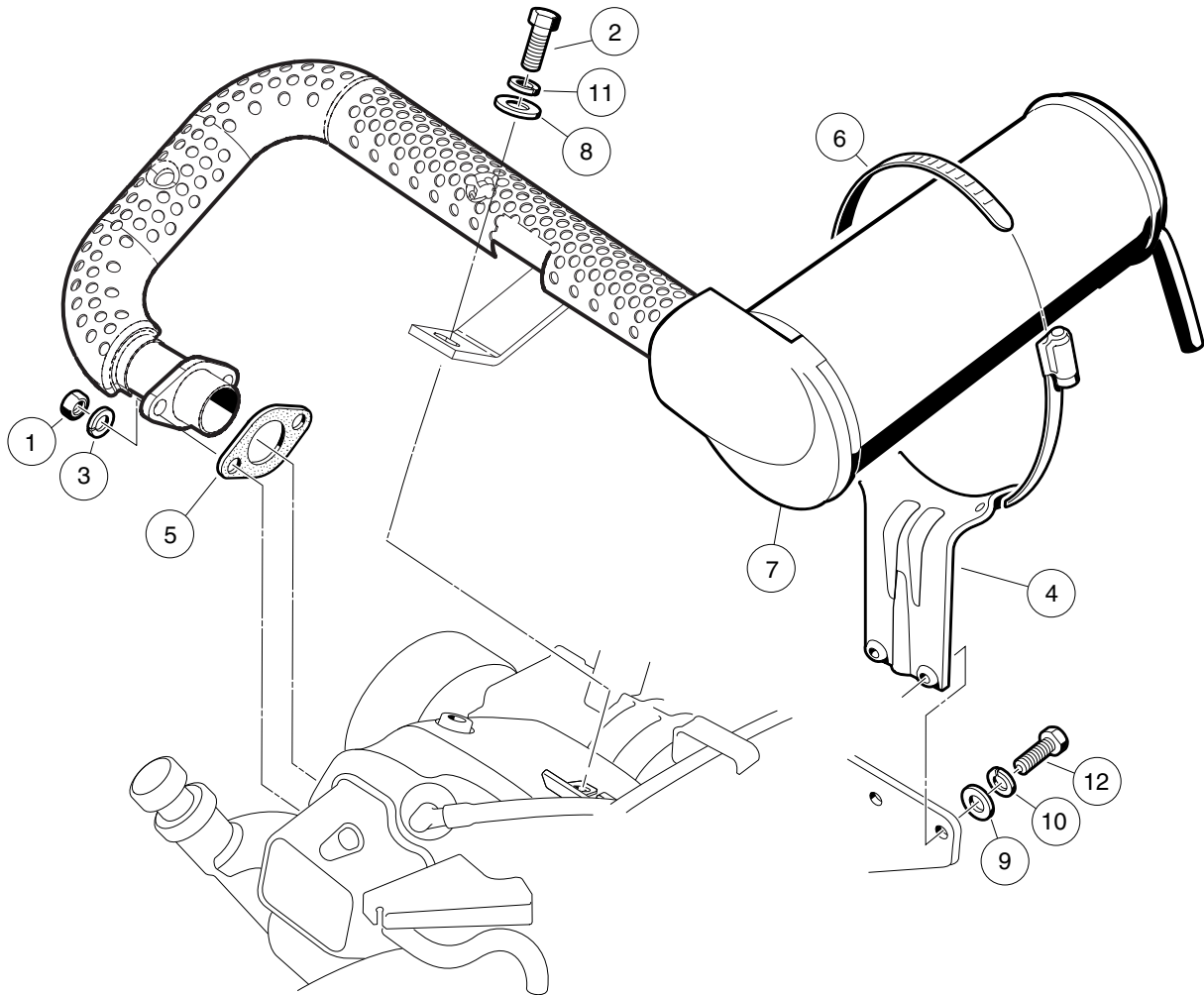
8

G

EXHAUST SYSTEM

9

G



000491-001

EXHAUST SYSTEM – FE350 (AS11)

ITEM	PART NO.	DESCRIPTION	QTY
		1 2 3 4	
1	<u>1012528</u>	Nut, M8-1.25 Hex	2
2	<u>1012830</u>	Screw, M8-125 X 22 Hex-Head	1
3	<u>1013734</u>	Lockwasher, 8mm Split	2
4	<u>1015814</u>	Bracket, Muffler Mounting	1
5	<u>1016904</u>	Gasket, Exhaust	1
6	1017689	Clamp, 5" Muffler Hose	1
7	<u>102585901</u>	Exhaust System, FE350, Precedent	1
8	<u>1241</u>	Washer, 5/16 Type A Flat	1
9	<u>332</u>	Washer, 1/4 Type A Narrow Flat	2
10	<u>451</u>	Lockwasher, 1/4 Split	2
11	<u>7174</u>	Lockwasher, 5/16 Split	1
12	<u>7847</u>	Screw, 1/4-20 X 0.75 Hex-Head Cap	2

9
G

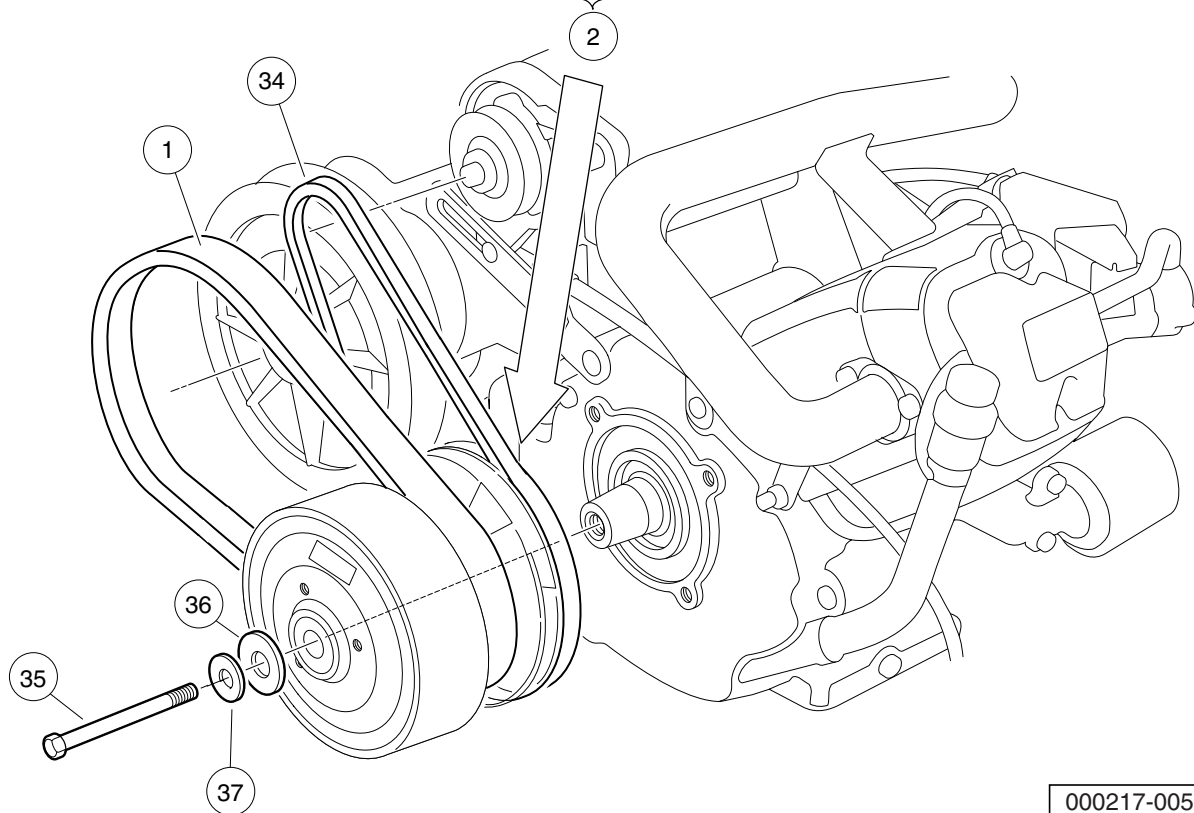
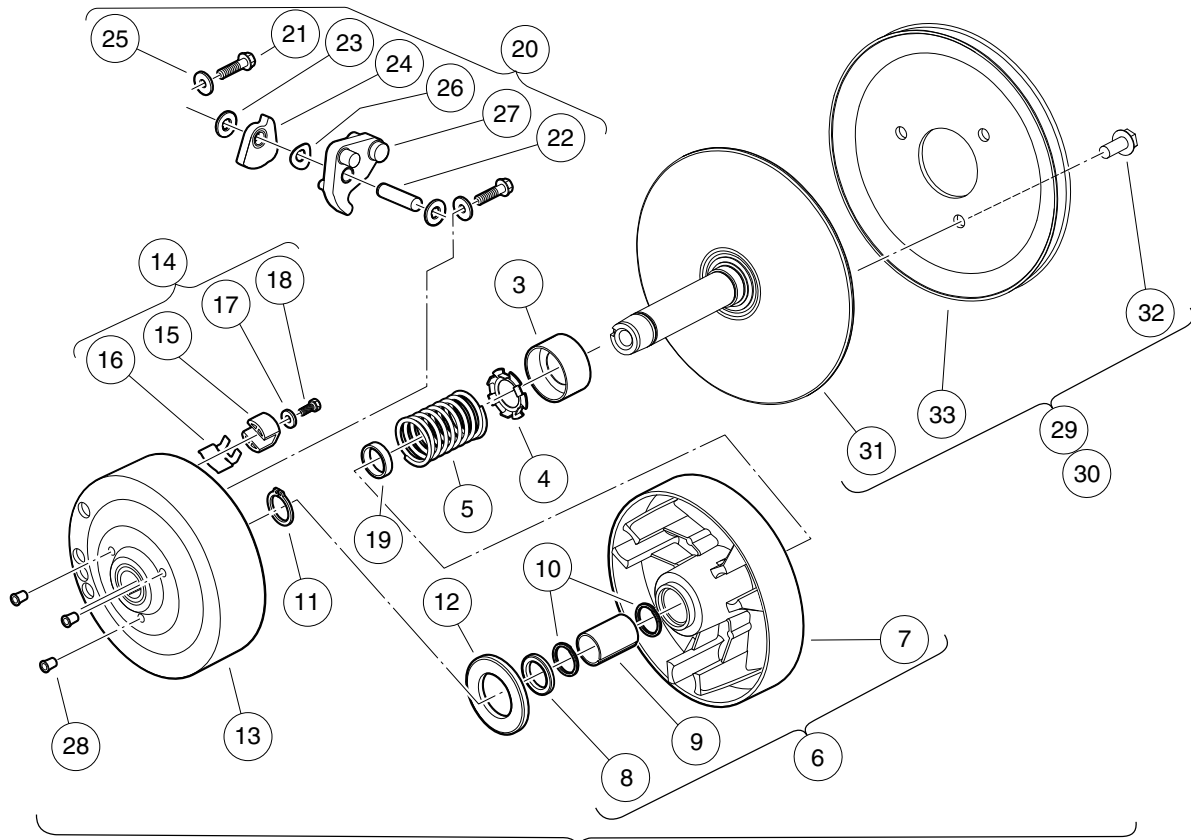
9

G

TORQUE CONVERTER

10

G

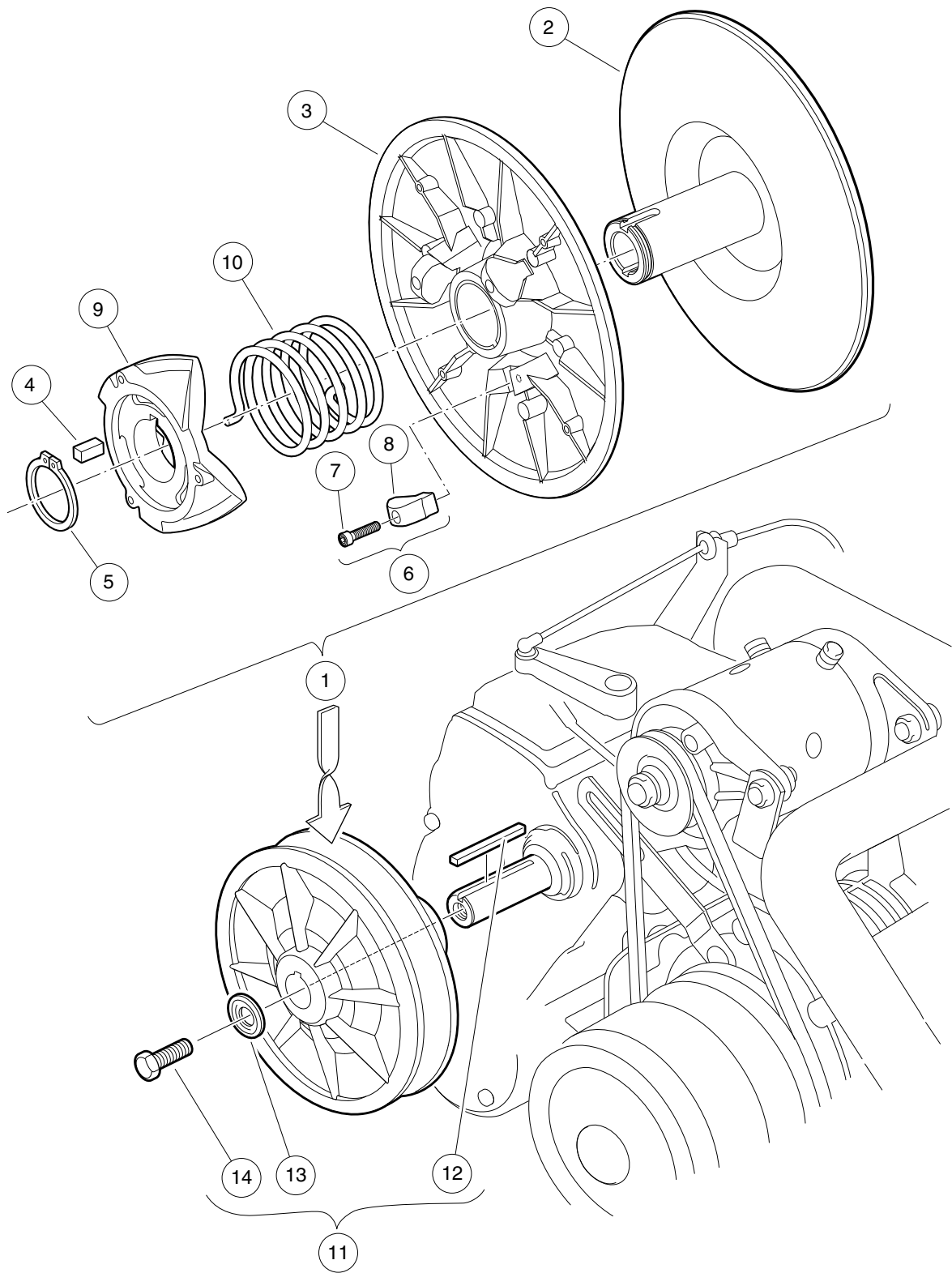


000217-005

DRIVE CLUTCH

10
G

ITEM	PART NO.	DESCRIPTION	QTY
		1 2 3 4	
1	<u>1017188</u>	Belt, Drive (FE350)	1
2	<u>101833902</u>	Clutch, Drive (includes items 3 through 29)	1
3	1014049	Bearing, Idler	1
4	<u>1014050</u>	Retainer, Spring	1
5	<u>1014051</u>	Spring, Drive Clutch	1
6	1014052	Movable-Face Assembly (includes items 7 through 9)	1
7	N/A	Drive Clutch Movable Face	1
8	<u>1014055</u>	Retainer	1
9	N/A	Bushing, Split, Drive Clutch	1
10	<u>1014056</u>	Ring, Spiral Backup	2
11	<u>1014057</u>	Ring, 0.810" Internal Retaining	1
12	1014058	Thrust Washer	1
13	1014059	Drive Hub Assy, Drive Clutch	1
14	<u>1014453</u>	Kit, Drive Clutch Button (includes items 15 through 18)	1
15	<u>1014062</u>	Driver, Drive Clutch	3
16	<u>1014287</u>	Spring, Drive Button	3
17	<u>183</u>	Washer, #10, Type A, Flat	3
18	<u>8450</u>	Screw, #10-24 X 0.50, Hex-Head	3
19	<u>1016289</u>	Spacer, Fixed Face Shaft	1
20	<u>1016801</u>	Kit, Drive Clutch Weight (includes items 21 through 27)	1
21	<u>1014063</u>	Screw, 1/4-20 X 1.00, Hex Head	6
22	N/A	Pin, Dowel, 0.3752 x 1.50	3
23	<u>1014065</u>	Washer, Flat, 0.38" ID, Delrin	6
24	N/A	Clutch Weight, Secondary	3
25	N/A	Washer	6
26	<u>1016201</u>	Washer, Wave	3
27	N/A	Weight, Primary	3
28	<u>101925601</u>	Plug, Drive Clutch	3
29	<u>101929802</u>	Kit, Fxd Face Dr Asm Fe290/350 (includes item 30)	1
30	N/A	Assembly, Fixed-Face Drive (includes items 31 through 33)	1
31	N/A	Fixed Face Assembly, Drive Clutch	1
32	<u>1014288</u>	Screw, 5/16-18 X 0.75, Thread-Forming	3
33	N/A	Pulley, Clutch	1
34	<u>101916701</u>	V-Belt	1
35	<u>103345701</u>	Screw 3/8-24x5.5 Hex Loc Ptch	1
36	<u>334</u>	Washer, 3/8, Type A, Flat	1
37	<u>808</u>	Washer, 3/8 Type B Flat	1



000219-001

DRIVEN CLUTCH

ITEM	PART NO.	DESCRIPTION	QTY
		1 2 3 4	
1	<u>101834001</u>	Assembly, Driven Clutch (includes items 2 through 10)	1
2	<u>1014070</u>	Fixed Face Assy, Driven Clutch	1
3	<u>1014072</u>	Movable-Face Assembly with Bushing	1
4	<u>1014078</u>	Key, Driven Clutch	1
5	<u>1014080</u>	Ring, Retaining	1
6	<u>1014454</u>	Kit, Driven Clutch Button (includes items 7 and 8)	1
7	<u>1012836</u>	Screw, #8-32 X 3/4, Socket-Head Cap	3
8	N/A	Button, Drive	3
9	<u>1017686</u>	Cam, Driven Clutch	1
10	<u>101836201</u>	Spring, Driven Clutch, Reversed	1
11	<u>AM10419</u>	Kit, Clutch Repair (includes items 12 through 14)	1
12	<u>101833401</u>	Key, 3/16 Sq X 1.50"	1
13	<u>102155801</u>	Washer, Driven Clutch	1
14	<u>102242101</u>	Screw, 5/16-18 X 3/4 Hex-Head with Patch	1

10
G

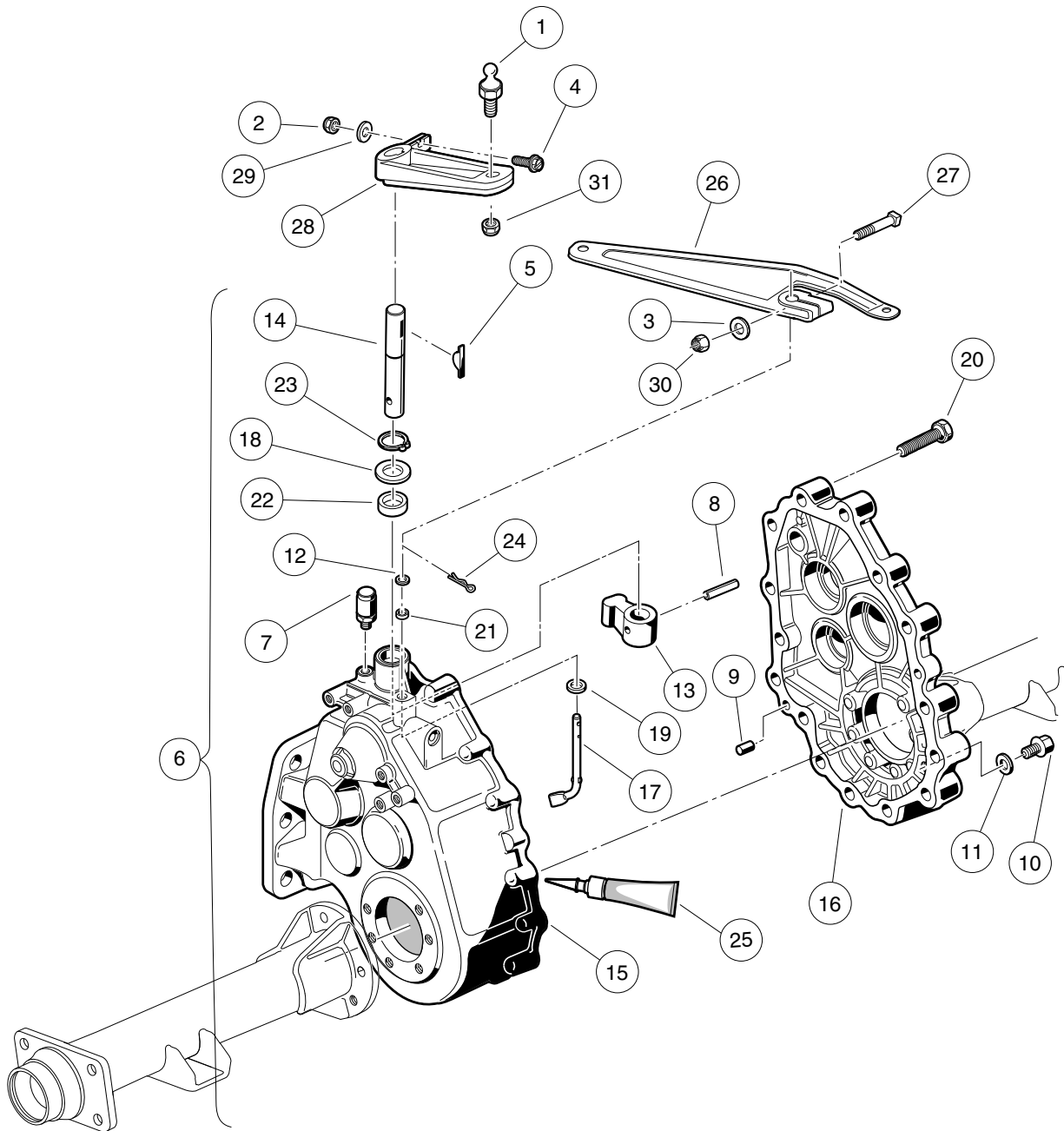
10

G

UNITIZED TRANSAXLE

11

G



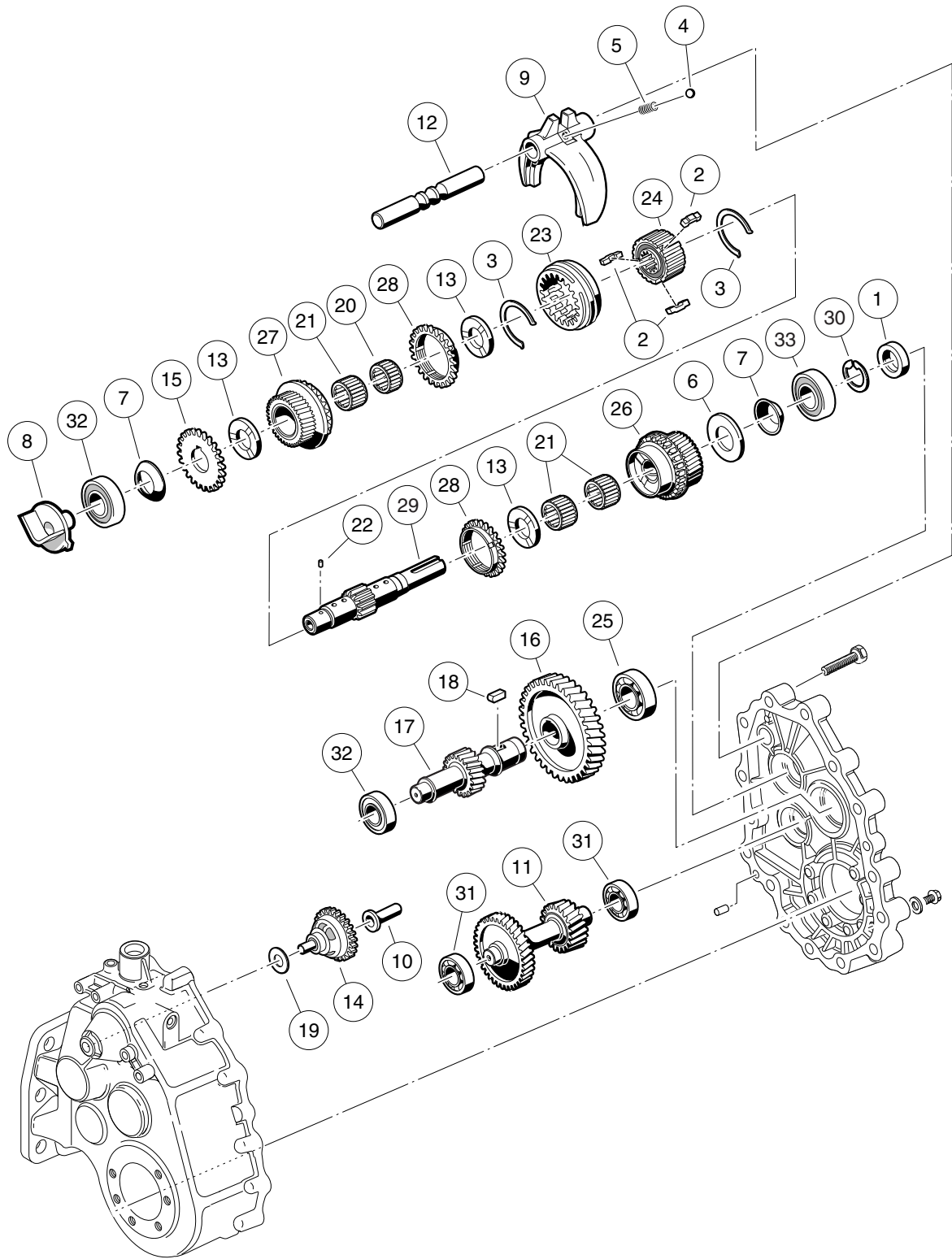
000220-005

KAWASAKI TRANSAXLE – GEAR CASES AND BRACKETS

ITEM	PART NO.	DESCRIPTION	QTY
		1 2 3 4	
1	<u>1010954</u>	Stud, Ball, 1/4-28 X 0.560	1
2	<u>1013061</u>	Locknut, #10-32 Nylon Insert	1
3	<u>1014007</u>	Washer, 1/4, Flat	1
4	<u>1017082</u>	Screw, #10-32 X 0.75, Hex-Head Machine	1
5	<u>1017231</u>	Key, Woodruff	1
6	<u>101833601</u>	Transaxle, 11.77 Ratio (includes items 7 through 25)	1
7	<u>1012711</u>	Breather	1
8	<u>1012752</u>	Roll Pin	1
9	<u>1012896</u>	Pin, Dowel	2
10	<u>1013760</u>	Fill Plug	2
11	<u>1016432</u>	Gasket, Drain Plug	1
12	<u>1016513</u>	Washer, M6 Flat	1
13	<u>101890101</u>	Lever, Drive Selector	1
14	<u>101890201</u>	Shaft, Drive Selector	1
15	<u>101890501</u>	Gear Case (driver side)	1
16	<u>101890601</u>	Gear Case (passenger side)	1
17	<u>101891301</u>	Arm Pivot	1
18	<u>101892901</u>	Washer	1
19	<u>101893801</u>	Washer	1
20	<u>101926901</u>	Screw, M8-1.25 X 40mm Hex-Head	15
21	<u>101927101</u>	Seal, Oil	1
22	<u>101927201</u>	Seal, Oil	1
23	<u>101927301</u>	Snap Ring	1
24	<u>101928601</u>	Pin, Cotter	1
25	<u>101928701</u>	Liquid Gasket (Transaxle case)	1
26	<u>101834801</u>	Arm, Governor	1
27	<u>101886101</u>	Screw, 1/4-20 X 1.00, Square-Head	1
28	<u>102515401</u>	Lever, Transmission Shift	1
29	<u>183</u>	Washer, #10, Type A, Flat	1
30	<u>8233</u>	Locknut, 1/4-20, Nylon Insert	1
31	<u>8717</u>	Locknut, Nylon Insert, 1/4-28	1
<p>Note: Kawasaki transaxle component listings span three pages. To identify your transaxle, locate the serial number decal on the axle tube.</p>			

11

G



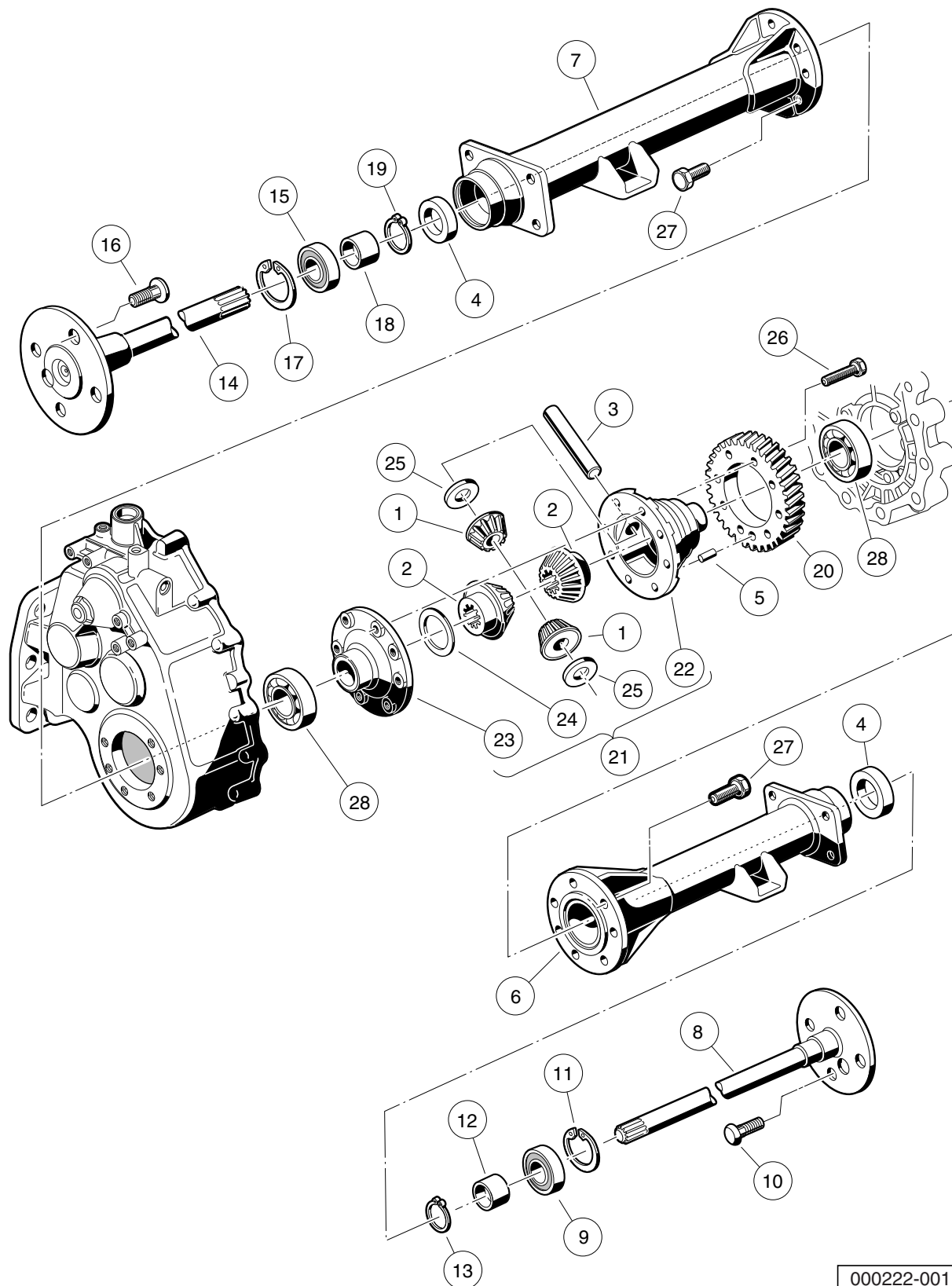
000221-001

KAWASAKI TRANSAXLE – F&R TRANSMISSION AND GEAR REDUCTION

11

G

ITEM	PART NO.	DESCRIPTION	QTY
		1 2 3 4	
1	<u>1012714</u>	Oil Seal	1
2	<u>1012740</u>	Synchro Insert	3
3	<u>1012741</u>	Synchro Spring	2
4	<u>1012747</u>	Shifter Ball	1
5	<u>1012748</u>	Shifter Spring	1
6	<u>1016337</u>	Washer, Thrust	1
7	<u>1016338</u>	Washer, Spring	2
8	<u>101889401</u>	Guide	1
9	<u>101890001</u>	Fork - Shift	1
10	<u>101891601</u>	Sleeve, Governor	1
11	<u>101891901</u>	Gear, Cluster	1
12	<u>101892001</u>	Rod, Shift	1
13	<u>101892201</u>	Plate, Thrust	3
14	<u>101892301</u>	Governor Assembly	1
15	<u>101892401</u>	Gear, Spur	1
16	<u>101892501</u>	Gear, Helical (61 Tooth)	1
17	<u>101892601</u>	Gear, Helical (17 Tooth)	1
18	<u>101893201</u>	Key Sunk	1
19	<u>101893901</u>	Washer	1
20	<u>101927501</u>	Needle Bearing	1
21	<u>101927601</u>	Needle Bearing	3
22	<u>101927701</u>	Pin, .116" Dia X 0.264 Dowel	1
23	<u>101927901</u>	Sleeve, Synchro	1
24	<u>101928001</u>	Hub, Synchro Clutch	1
25	<u>101928101</u>	Bearing, Ball	1
26	<u>101980801</u>	Gear Assembly, 16-Degree Synchro (25 Tooth)	1
27	<u>101980901</u>	Gear Assembly, 16-Degree Rear Synchro (28 Tooth)	1
28	<u>101981001</u>	Ring, 16-Degree Synchronizer	2
29	<u>102453001</u>	Shaft, Trans, with Circlip	1
30	<u>102453101</u>	Circlip	1
31	<u>7335</u>	Bearing	2
32	<u>AM10080</u>	Bearing, Ball, Sealed	2
33	<u>AM10081</u>	Bearing, Ball, Sealed	1
Note: To identify your transaxle, locate the serial number decal on the axle			



000222-001

UNITIZED TRANSAXLE – DIFFERENTIAL AND AXLES

ITEM	PART NO.	DESCRIPTION	QTY
		1 2 3 4	
1	<u>1013770</u>	Differential Idler Gear	2
2	<u>1013771</u>	Gear, Differential	2
3	<u>1013772</u>	Pin, Differential	1
4	<u>1013794</u>	Axle Shaft Oil Seal	2
5	N/A	Dowel Pin	1
6	<u>101890901</u>	Axle Tube (Passenger Side)	1
7	<u>101891001</u>	Axle Tube (Driver Side)	1
8	<u>101891401</u>	Axle Assembly, Passenger Side (includes items 9 through 13)	1
9	<u>1011291</u>	Outer Axle, Tube Bearing	1
10	<u>1013787</u>	Lug Stud	4
11	<u>1013792</u>	Circlip Type C	1
12	<u>1014207</u>	Bushing	1
13	<u>1016672</u>	Retaining Ring	1
14	<u>101891501</u>	Axle Assembly, Driver-Side (includes items 15 through 19)	1
15	<u>1011291</u>	Outer Axle, Tube Bearing	1
16	<u>1013787</u>	Lug Stud	4
17	<u>1013792</u>	Circlip Type C	1
18	<u>1014207</u>	Bushing	1
19	<u>1016672</u>	Retaining Ring	1
20	<u>101892701</u>	Gear, Helical	1
21	<u>101910501</u>	Kit, Differential Gear Case (includes items 22 through 25)	1
22	<u>1013768</u>	Differential Gear Case, Left-Hand	1
23	<u>1013769</u>	Differential Gear Case, Right-Hand	1
24	<u>1013773</u>	Plate, Thrust (Differential Gear)	1
25	<u>1013774</u>	Plate, Thrust (Idler Gear)	2
26	<u>101928301</u>	Screw, M8-1.25 X 35mm Hex Head	8
27	<u>102031901</u>	Bolt, M10 X 1.5 X 30mm	14
28	<u>7330</u>	Inner Axle Tube Bearing	2
Note: To identify your transaxle, locate the serial number decal on the axle			

11

G

11

G

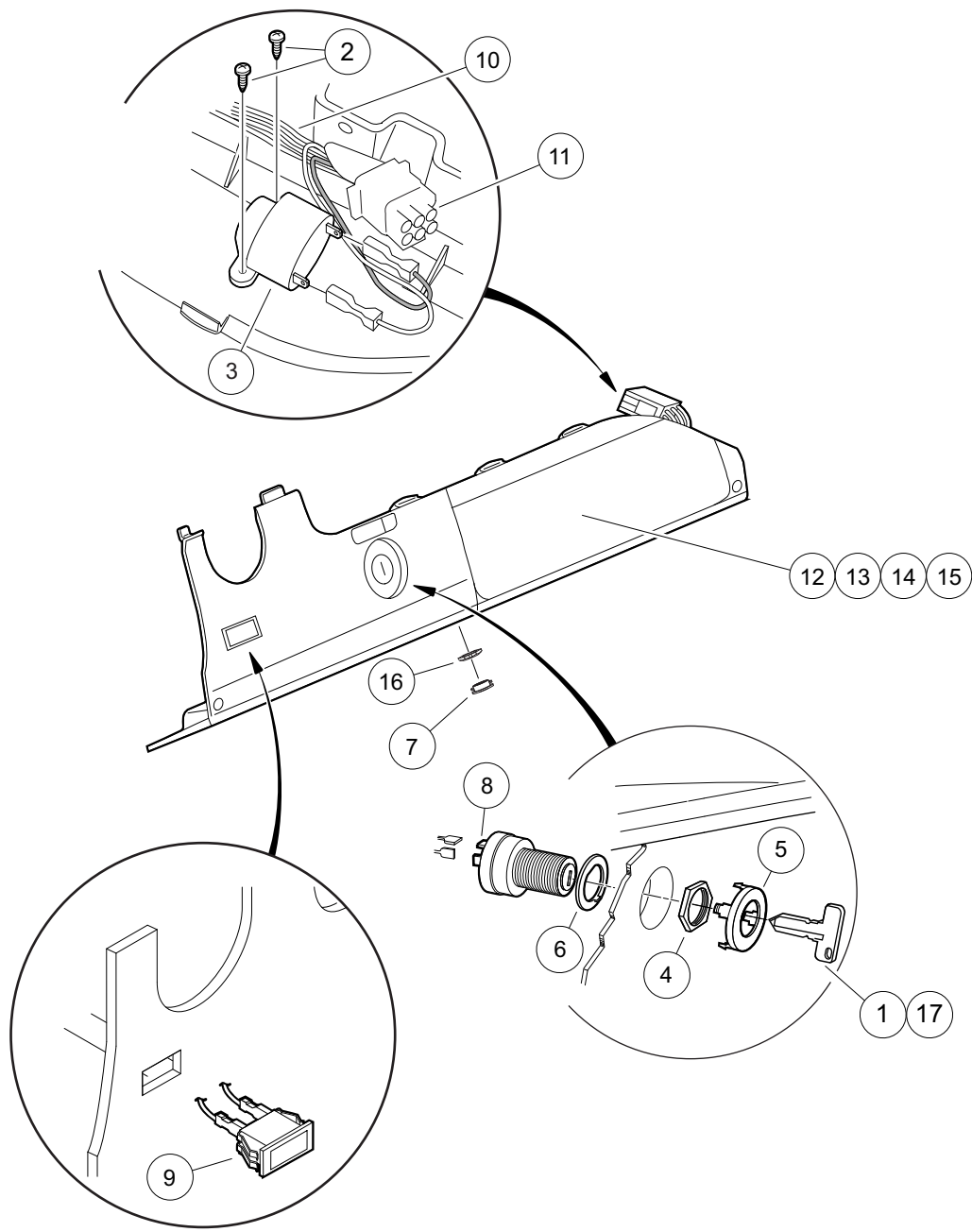
ELECTRICAL SYSTEM – ELECTRIC VEHICLE

12

E

12

E



000490-001

ELECTRICAL COMPONENTS, FRONT BODY – ELECTRIC VEHICLE

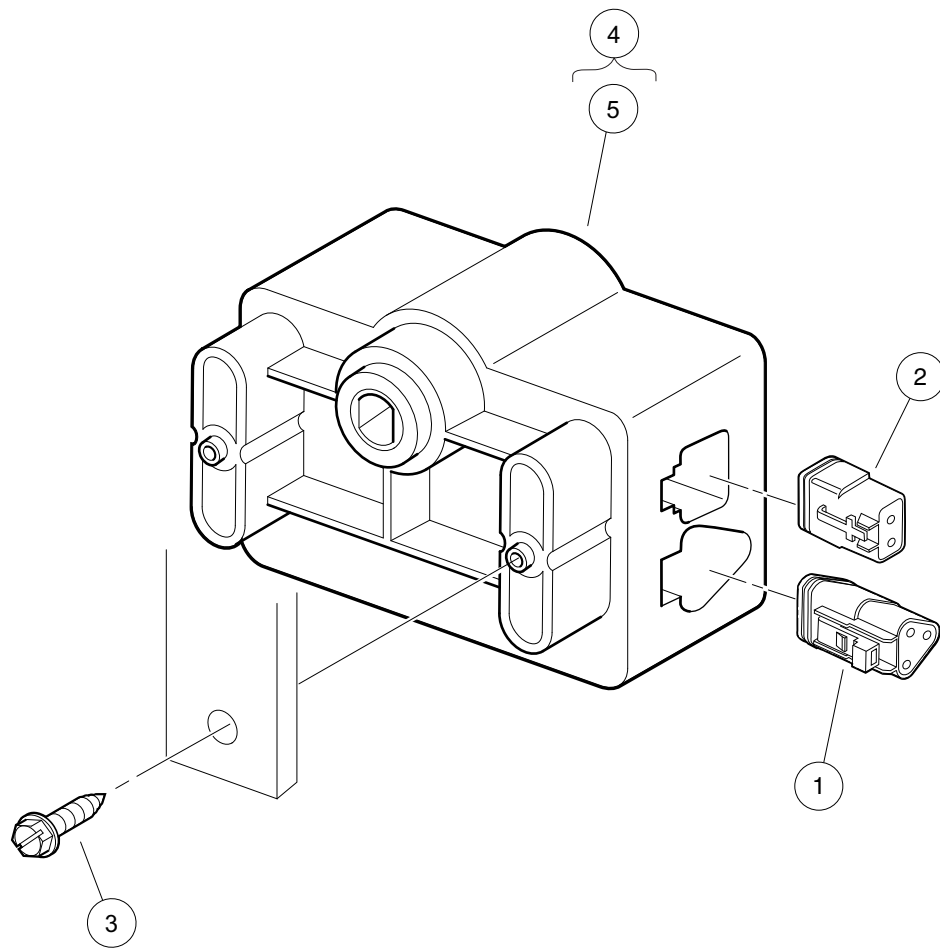
ITEM	PART NO.	DESCRIPTION	QTY
		1 2 3 4	
1	<u>1012505</u>	Keys (set of 2)	1
2	<u>1016849</u>	Screw, #4-24 X 0.33, Pan-Head, Machine	2
3	<u>1016851</u>	Buzzer, Reverse (9-48 VDC)	1
4	<u>101830701</u>	Nut, Key Switch	1
5	<u>101834502</u>	Cap, Black Key Switch	1
6	<u>101851101</u>	Washer, Key Switch	1
7	<u>102196901</u>	Dust Cap	1
8	<u>102508601</u>	Key Switch, Electric	1
9	<u>102508701</u>	Light, Battery	1
10	<u>102510001</u>	Ip Control Harness, Elec (includes item 11)	1
11	N/A	Connector, Cap 9-pin	1
12	<u>102522901</u>	Instrument Panel (standard)	1
13	<u>102536601</u>	Instrument Panel (with Hole for Headlight Switch)	1
14	<u>102536603</u>	Instrument Panel (with Hole for Battery Condition Indicator)	1
15	<u>102536605</u>	Instrument Panel (with Hole for Headlight Switch and Battery Condition Indicator)	1
16	<u>102572401</u>	Nut, Diagnostic Port, Prec	1
17	<u>AM10079</u>	Bulk Std Keys (50) *	1
		* Note: Must order in multiples of 50.	

12

E

12

E



000488-003

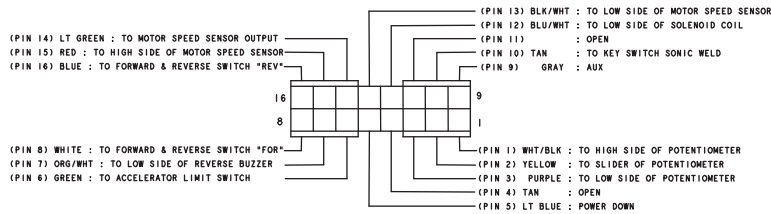
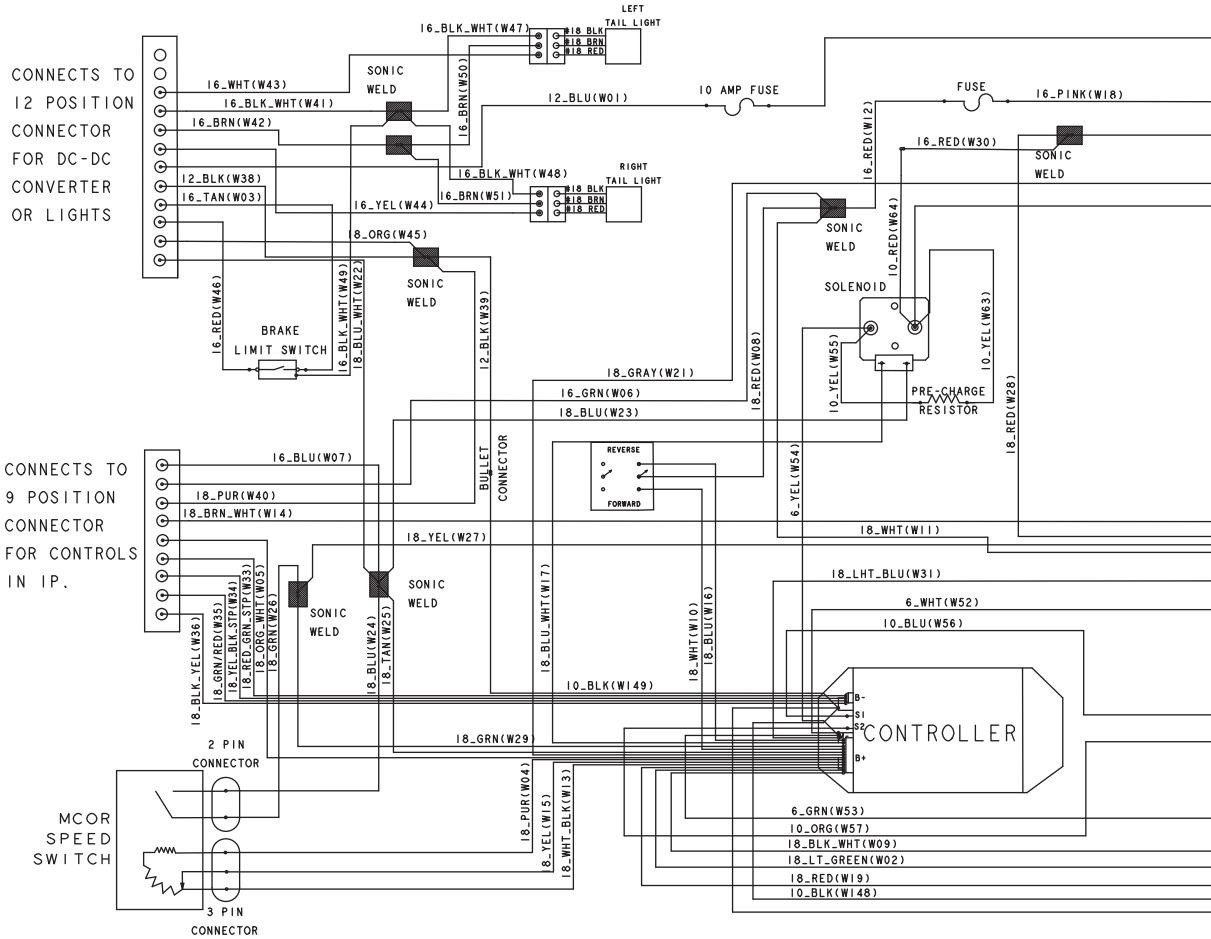
MOTOR CONTROLLER OUTPUT REGULATOR (MOTOR)

ITEM	PART NO.	DESCRIPTION	QTY
		1 2 3 4	
1	<u>101920101</u>	Kit, 3-Pin Wedge Lock	1
2	<u>101936801</u>	Kit, 2-Pin Wedge Lock	1
3	<u>102563101</u>	Screw, Type A, #10	2
4	<u>103327901</u>	Kit, Mcor (includes item 5)	1
5	N/A	Mcor, Prec	1

12

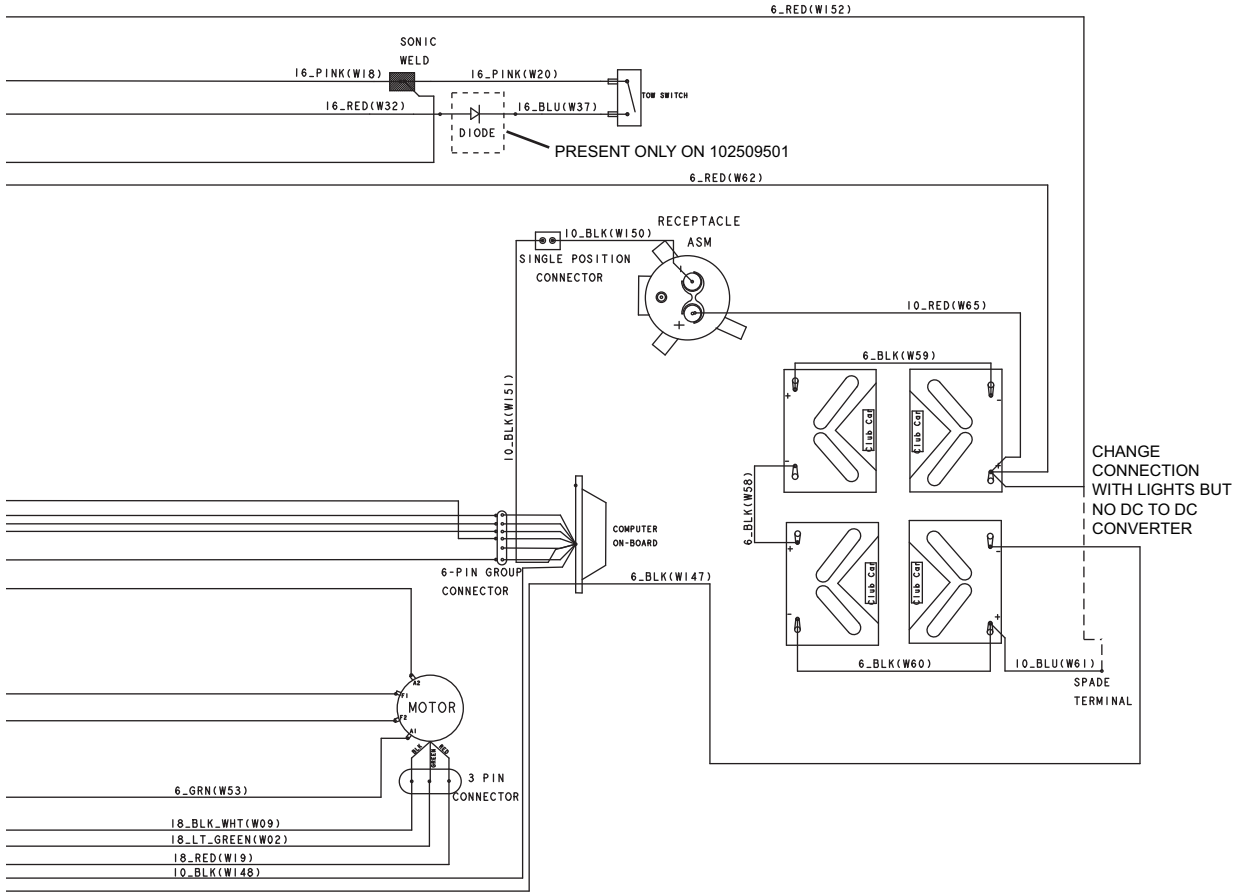
E

IQ SYSTEM VEHICLE - STYLE A BATTERY CONFIGURATION



16 - PIN CONNECTOR AT CONTROLLER

000498-001



NOTE:
SOME WIRING / COMPONENTS SHOWN
ARE OPTIONAL ACCESSORIES

000498-001

12

E

See previous two pages for illustration.

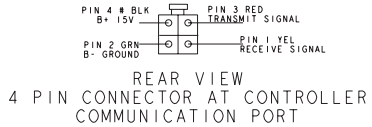
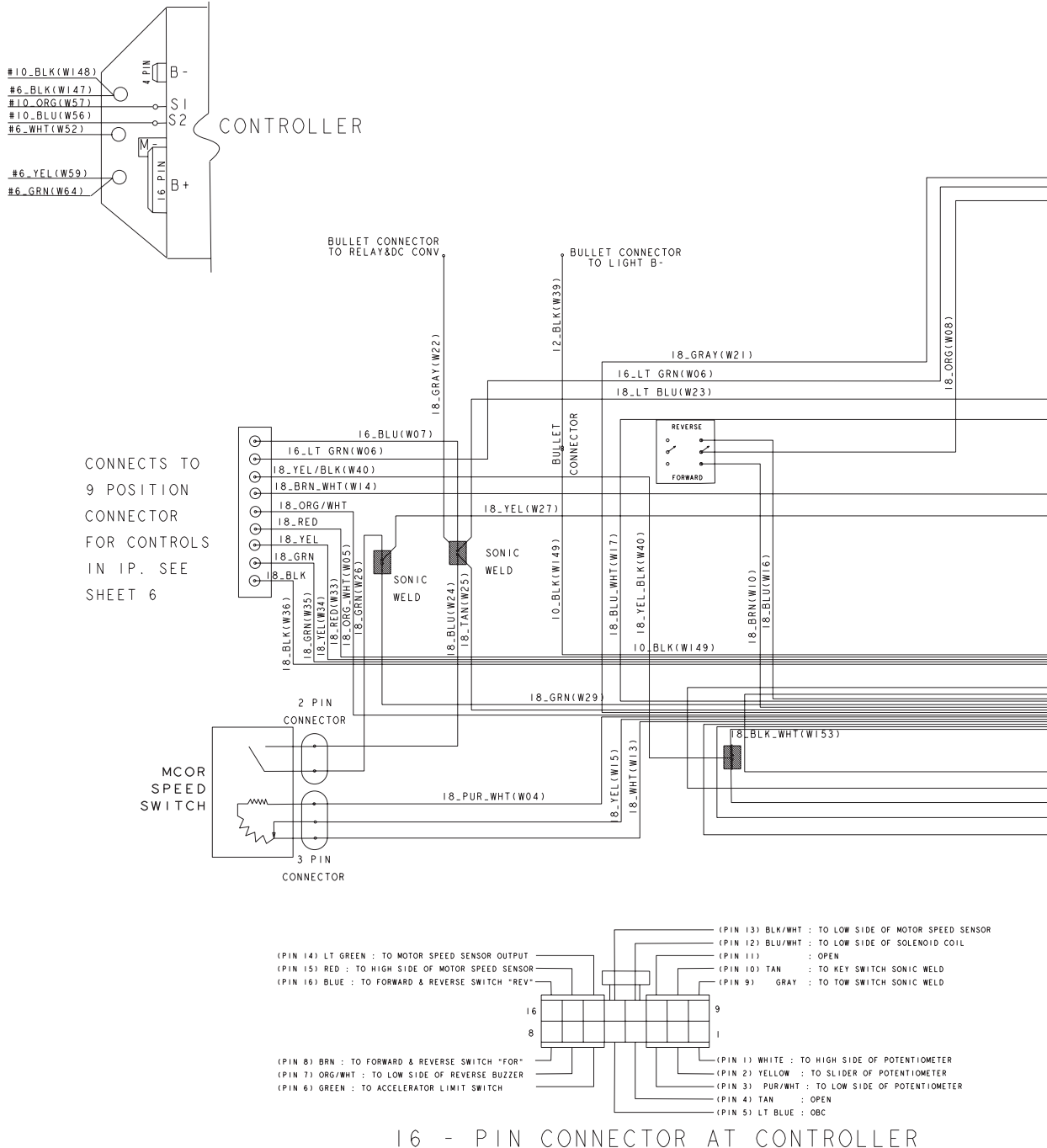
WIRING – IQ SYSTEM WITH STYLE A BATTERY CONFIGURATION

ITEM	PART NO.	DESCRIPTION	QTY
		1 2 3 4	
1	<u>102510101</u>	Motor Sub-harness	1
2	<u>102550301</u>	Sub Harness Charger, Prec	1
3	<u>102585801</u>	Prec Elec Harness For 1510a	1
4	<u>102590001</u>	Prec Ce Tow-switch Diode	1
<p>Note: Item 4 is used on vehicles going to the European Union.</p>			

12

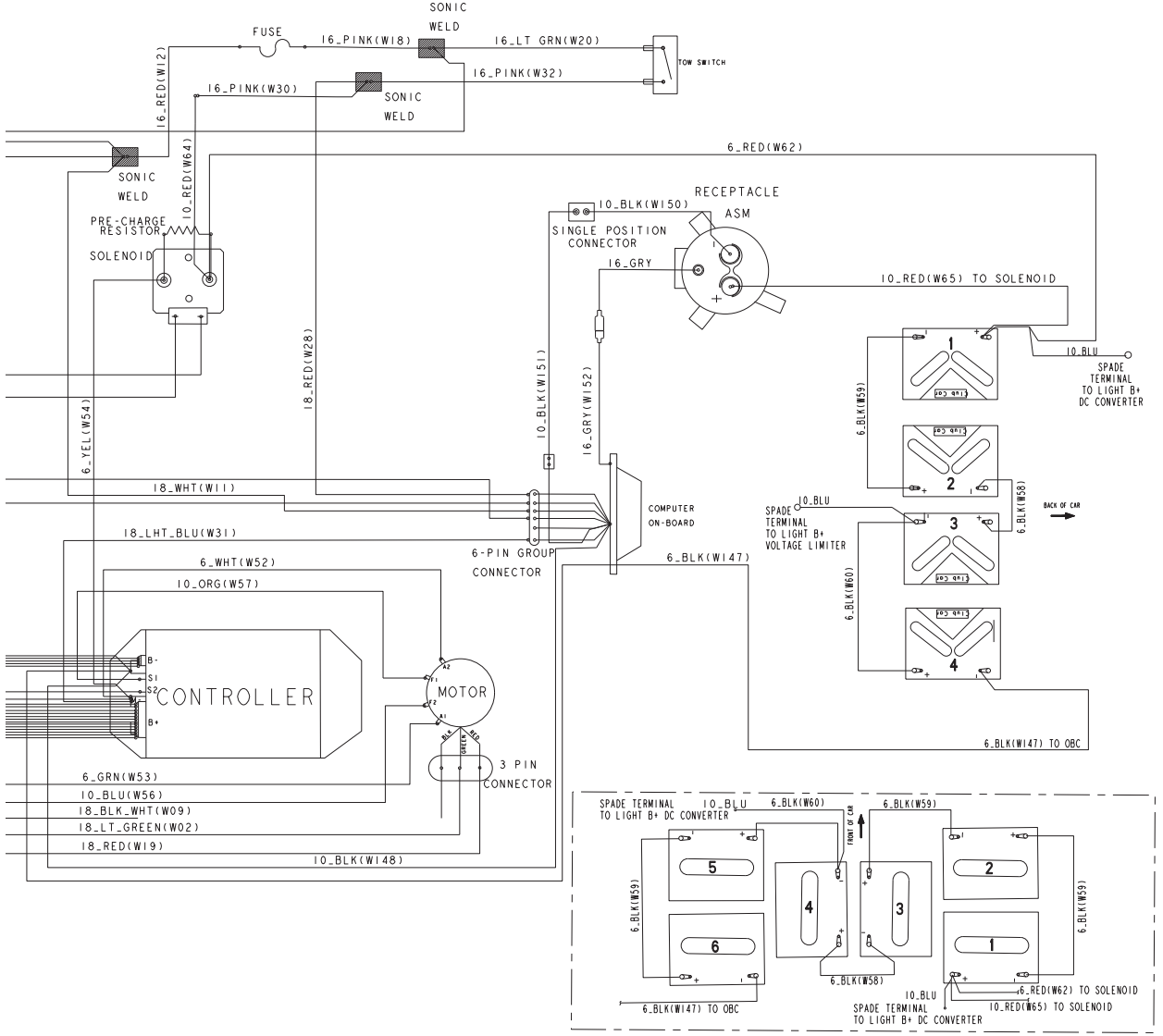
E

IQ SYSTEM VEHICLE - STYLE B AND STYLE C BATTERY CONFIGURATIONS



000498-002

NOTE:
SOME WIRING / COMPONENTS SHOWN
ARE OPTIONAL ACCESSORIES



000498-002

12

E

See previous two pages for illustration.

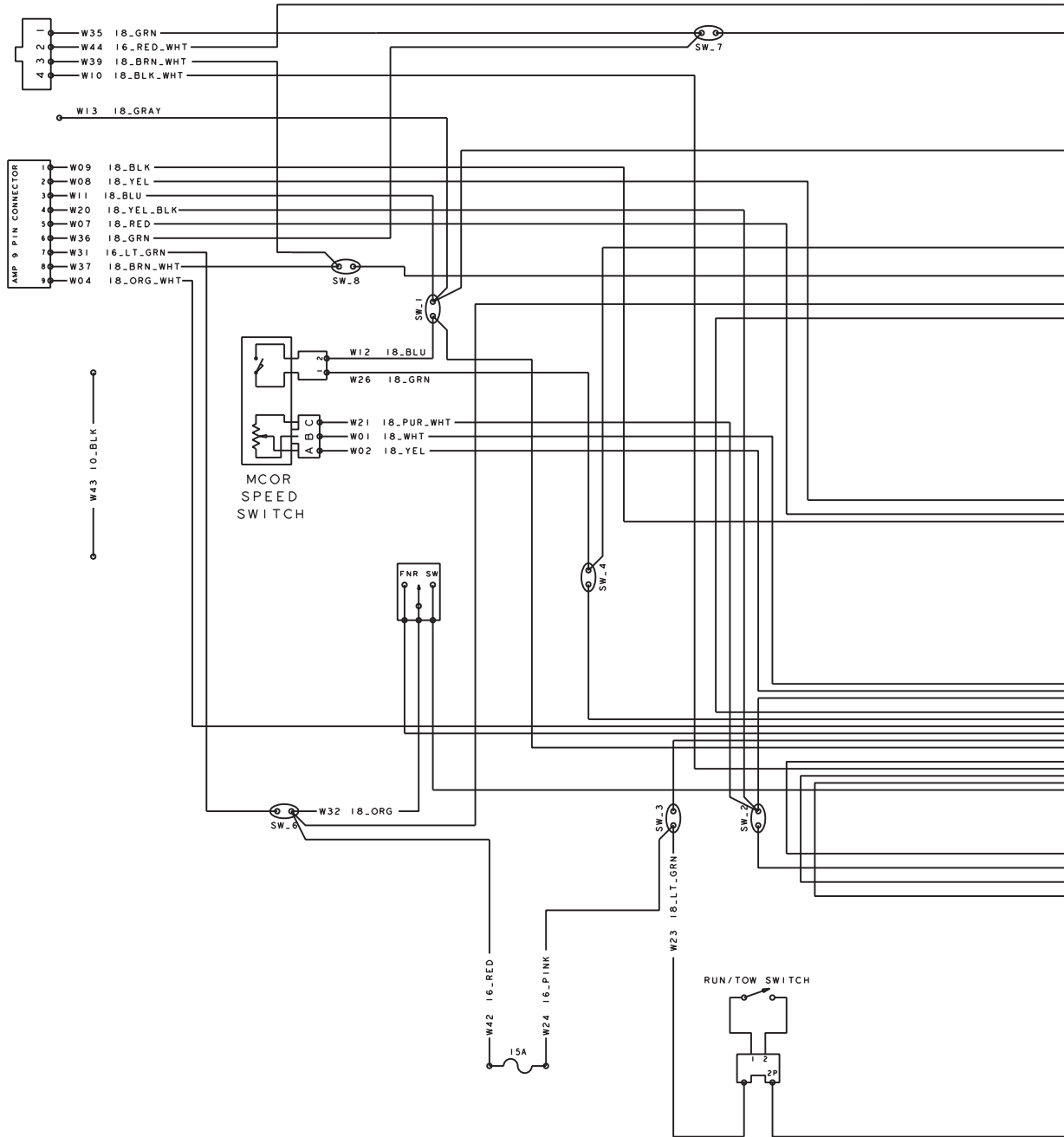
WIRING – IQ SYSTEM WITH STYLES B OR C BATTERY CONFIGURATION

ITEM	PART NO.	DESCRIPTION	QTY
		1 2 3 4	
1	<u>102590001</u>	Prec Ce Tow-switch Diode	1
2	<u>103374901</u>	Wire Harness, Prec/restyle	1
3	<u>103375701</u>	Asm, Harness, Motor	1
4	<u>103421801</u>	Harness, Wire, PD Onboard Charger, 4-Pass, Prec	1
<p>Note: Item 1 is used on vehicles going to the European Union.</p>			

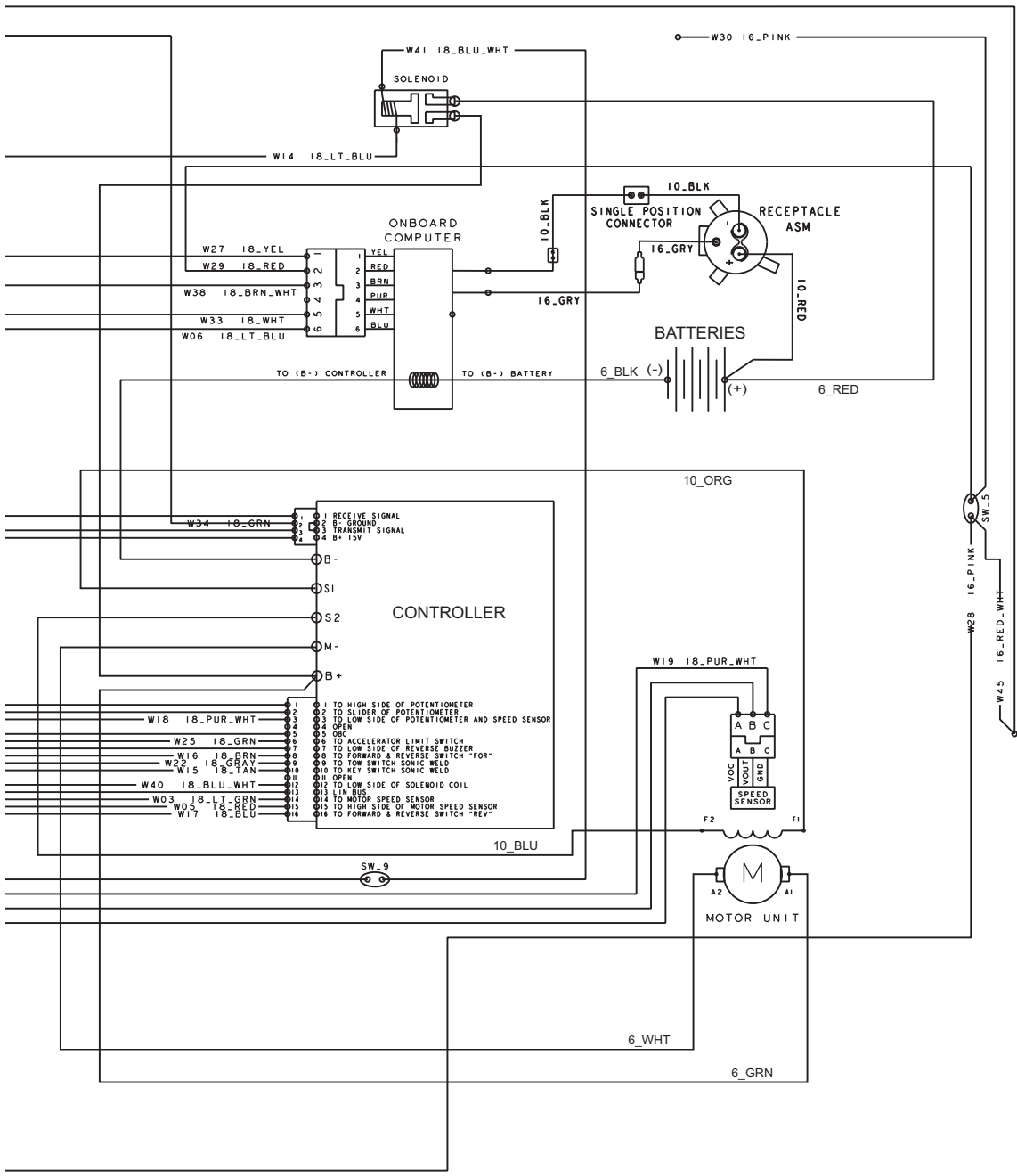
12

E

EXCEL SYSTEM VEHICLE - STYLE B AND STYLE C BATTERY CONFIGURATIONS



000498-003



000498-003

12

E

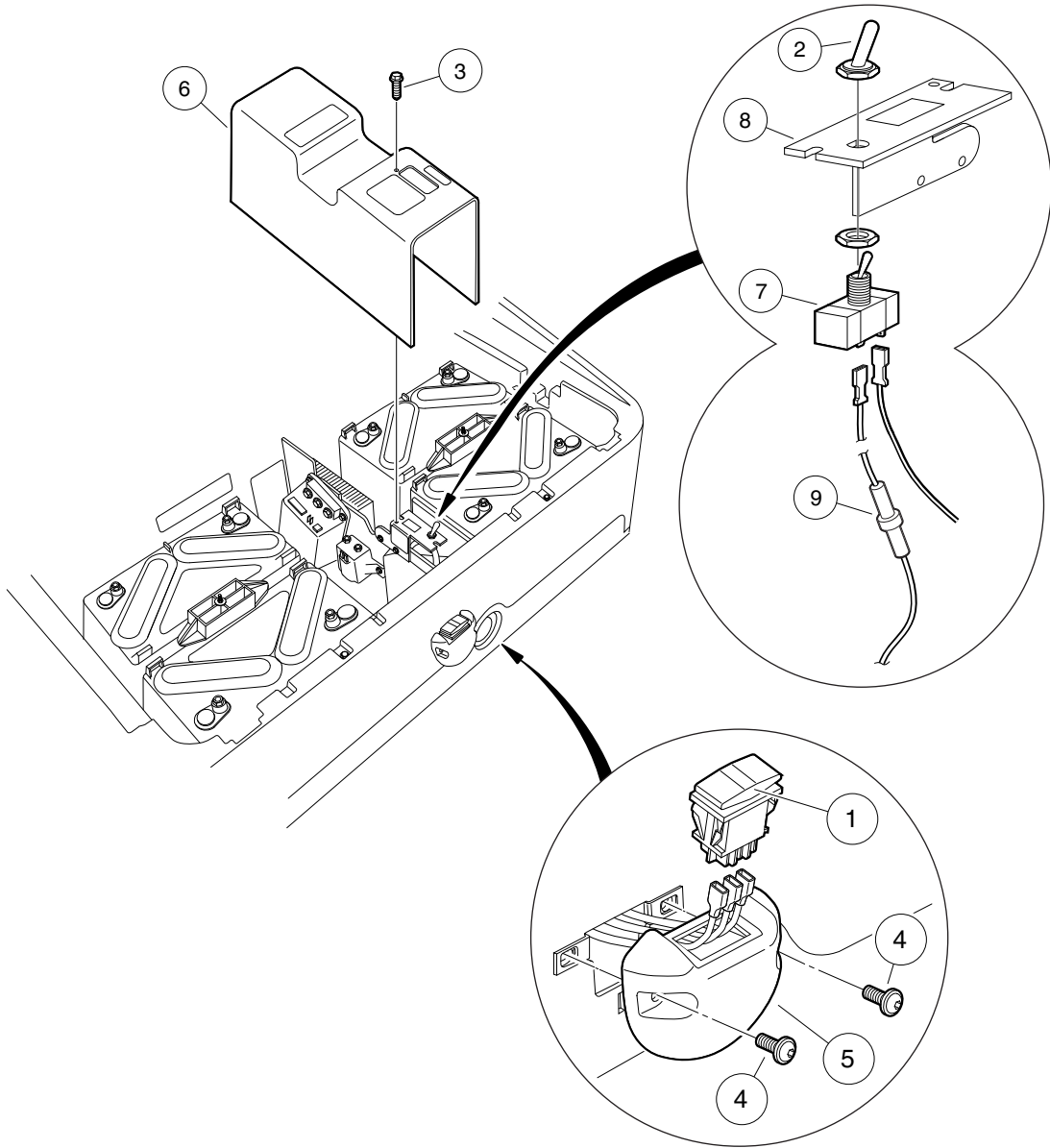
See previous two pages for illustration.

WIRING – EXCEL SYSTEM WITH STYLE B OR C BATTERY CONFIGURATION

ITEM	PART NO.	DESCRIPTION	QTY
		1 2 3 4	
1	<u>102590001</u>	Prec Ce Tow-switch Diode	1
2	<u>103375701</u>	Asm, Harness, Motor	1
3	<u>103403501</u>	Harness, Main, Excel	1
4	<u>103421801</u>	Harness, Wire, PD Onboard Charger, 4-Pass, Prec	1
<p>Note: Item 1 is used on vehicles going to the European Union.</p>			

12

E



000462-003

FORWARD/REVERSE SWITCH AND TOW/RUN SWITCH – ELECTRIC VEHICLE, STYLE A

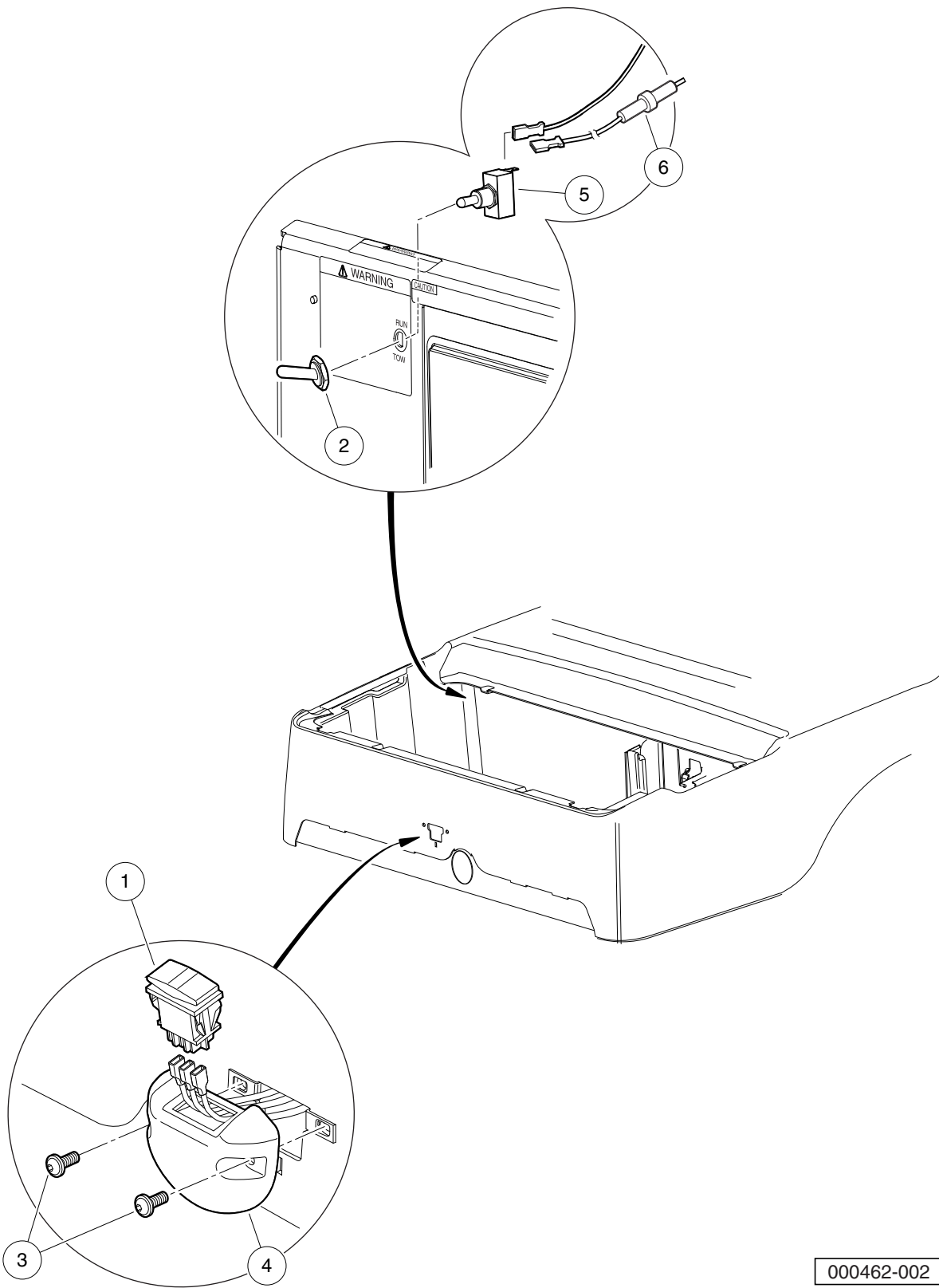
ITEM	PART NO.	DESCRIPTION	QTY
		1 2 3 4	
1	<u>101856001</u>	Switch, Rocker, Double-Pole	1
2	<u>101908401</u>	Boot, Switch	1
3	<u>102296716</u>	Screw, M6 X 16 Tt Hx Fl Hd	1
4	<u>102296920</u>	Screw, M6, Torx Button Head, Sems	2
5	<u>102508401</u>	Housing, FNR Electric	1
6	<u>102510901</u>	Cover, Electronics Module	1
7	<u>102511101</u>	Switch, Tow	1
8	<u>102520001</u>	Hour Meter/tow Switch Bkt	1
9	<u>102538601</u>	15 Amp Fuse	1

12

E

12

E



000462-002

FORWARD/REVERSE SWITCH AND TOW/RUN SWITCH – ELECTRIC VEHICLE, STYLES B AND C

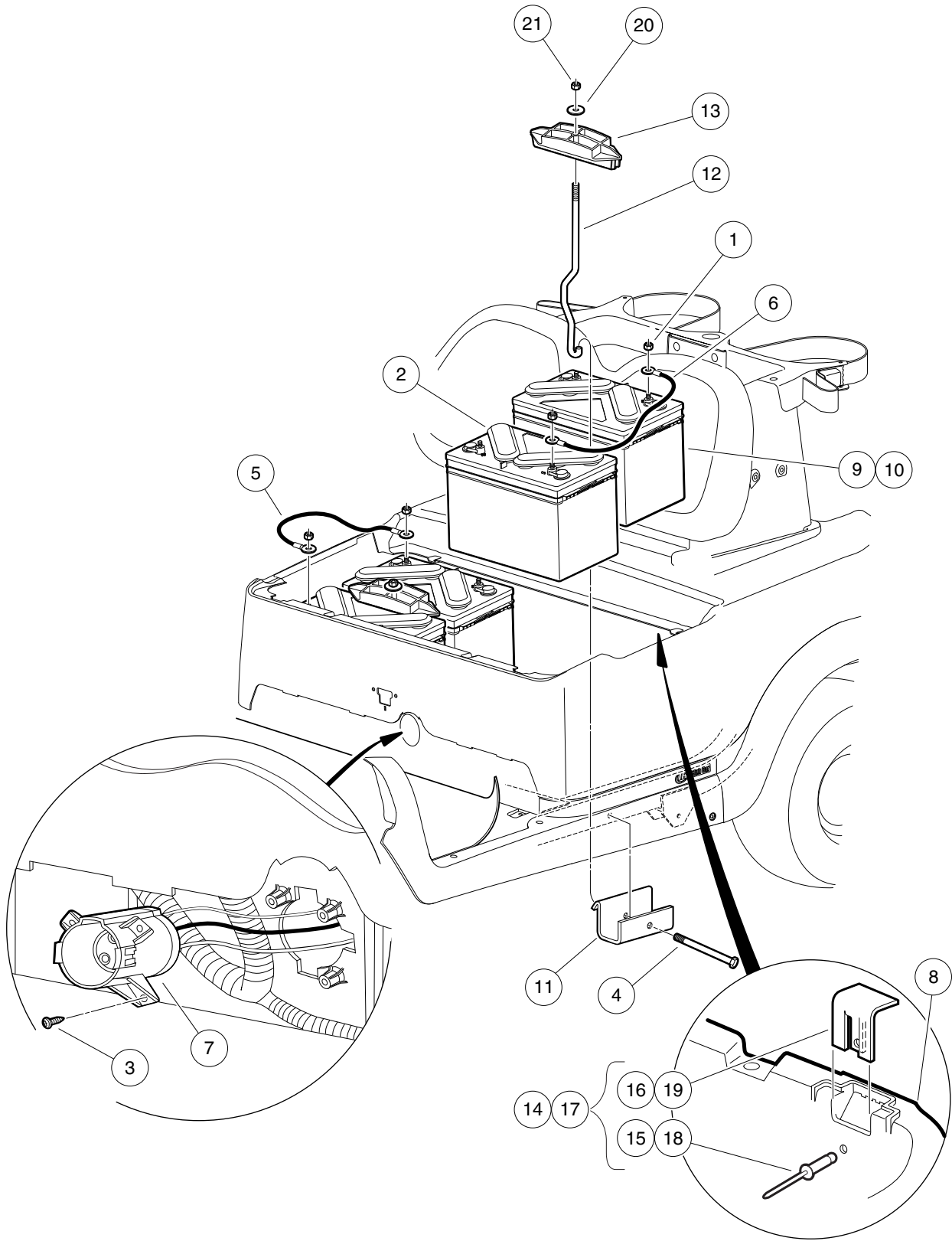
ITEM	PART NO.	DESCRIPTION	QTY
		1 2 3 4	
1	<u>101856001</u>	Switch, Rocker, Double-Pole	1
2	<u>101908401</u>	Boot, Switch	1
3	<u>102296920</u>	Screw, M6, Torx Button Head, Sems	2
4	<u>102508401</u>	Housing, FNR Electric	1
5	<u>102511101</u>	Switch, Tow	1
6	<u>102538601</u>	15 Amp Fuse	1

12

E

12

E



000463-016

BATTERIES, BUCKET, AND CHARGER RECEPTACLE – IQ SYSTEM, STYLE A

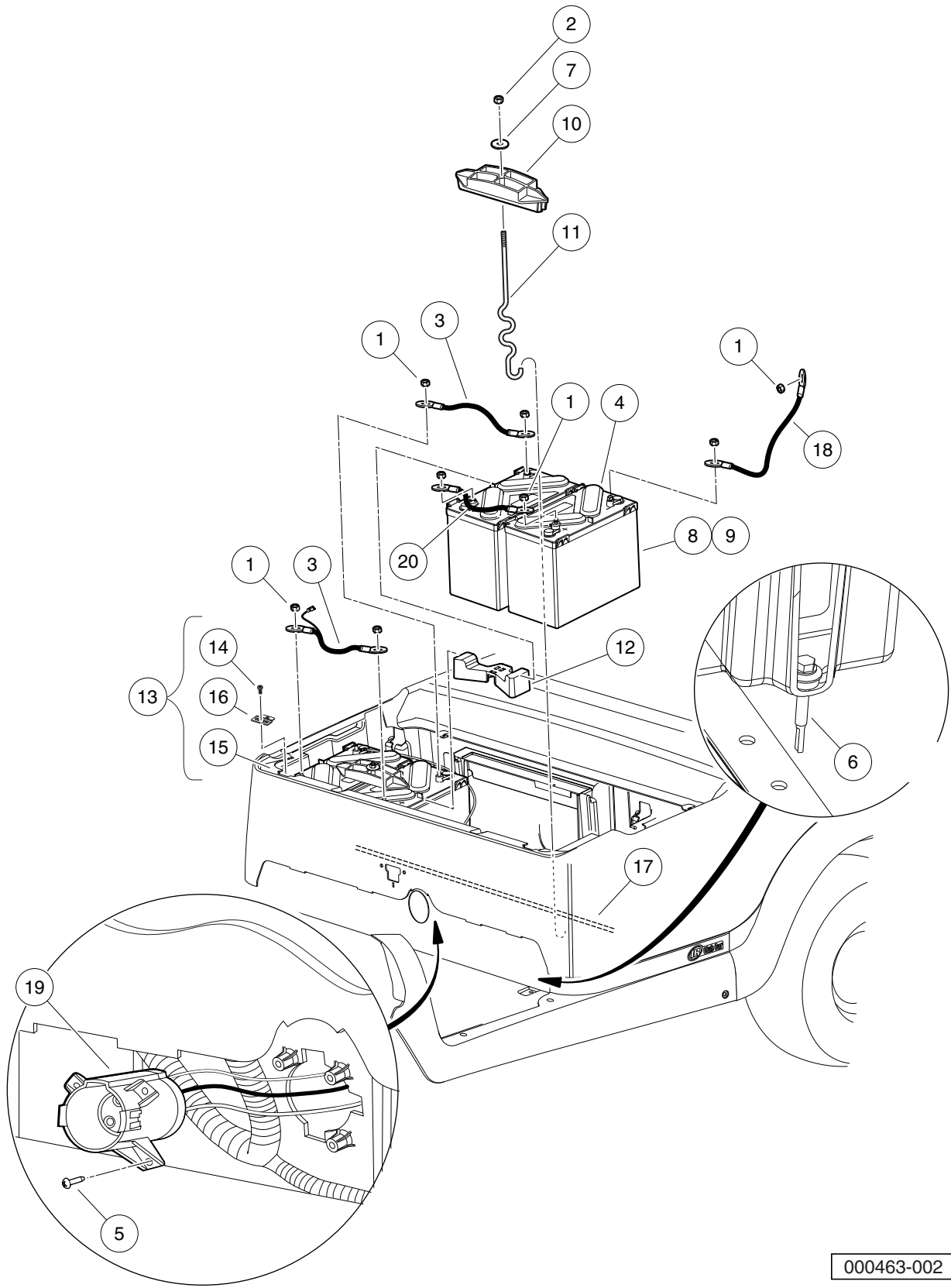
ITEM	PART NO.	DESCRIPTION	QTY
		1 2 3 4	
1	<u>1014304</u>	Nut, 5/16-18 Stainless-Steel Hex	8
2	<u>101831401</u>	Battery Cap 6 Volt	8
3	<u>102293512</u>	Screw-k35 Torx Pan Head Pt	3
4	<u>102298770</u>	M8-1.25x70 Taptite	2
5	102509701	Cable - Ev Passenger Jumper	1
6	<u>102509801</u>	Cable - Ev Rear Jumper	2
7	102510201	Receptacle Asm	1
8	<u>102510601</u>	Bucket-Electric Vehicle	1
9	<u>102511301</u>	Battery, Ventmaster 12-Volt (Wet)	4
10	<u>102511302</u>	Battery, Ventmaster 12-Volt (Dry, also known as moist)	4
11	<u>102526401</u>	Support - Battery Clamp	2
12	<u>102526801</u>	Rod - Battery Clamp	2
13	<u>102534001</u>	Clamp - Battery	2
14	102577001	Kit, Bucket Closeout (includes items 15 and 16)	1
15	<u>1013357</u>	Rivet, 5/32 Aluminum Pop	2
16	N/A	Bracket, Bucket Closeout	2
17	<u>102577002</u>	Kit, Bucket Closeout - 10 Sets (includes items 18 and 19)	1
18	<u>1013357</u>	Rivet, 5/32 Aluminum Pop	20
19	N/A	Bracket, Bucket Closeout	20
20	<u>808</u>	Washer, 3/8 Type B Flat	2
21	<u>8754</u>	Locknut, 3/8-16 Hex	2

12

E

12

E



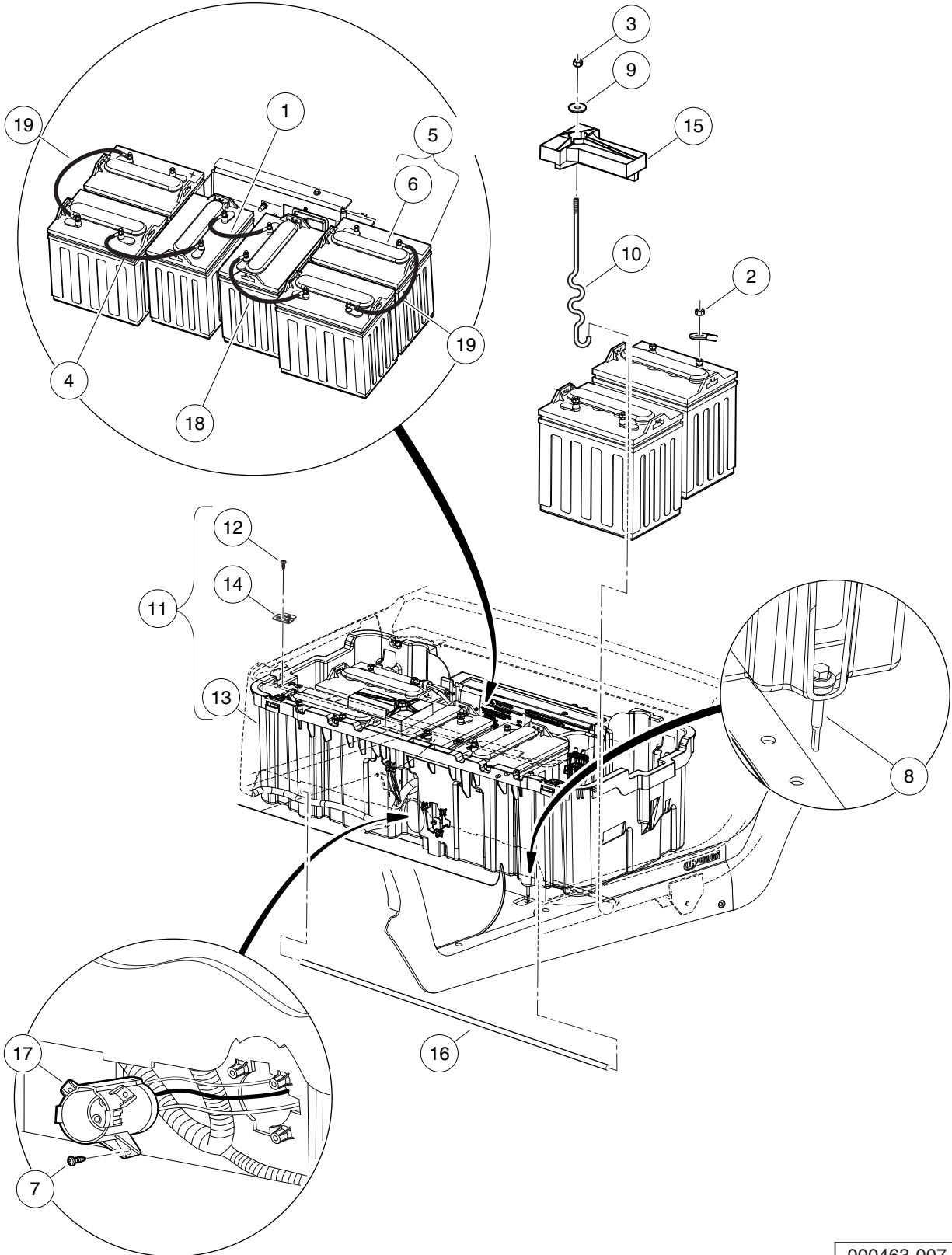
000463-002

BATTERIES, BUCKET, AND CHARGER RECEPTACLE – IQ AND EXCEL SYSTEMS, STYLE B

ITEM	PART NO.	DESCRIPTION	QTY
		1 2 3 4	
1	<u>1014304</u>	Nut, 5/16-18 Stainless-Steel Hex	8
2	<u>1014555</u>	Locknut, 7/16-14 Nylon Hex	2
3	<u>101795701</u>	Asm, Wire, #6blk 13in	2
4	<u>101831401</u>	Battery Cap 6 Volt	8
5	<u>101832001</u>	Screw, #7-19 X 0.625 Phillips Pan-Head Tap	3
6	<u>102292356</u>	Screw-1/4-20x56 Hwh Self Drill	4
7	<u>102491501</u>	Washer, Hard, M10	2
8	<u>102511301</u>	Battery, Ventmaster 12-Volt (Wet)	4
9	<u>102511302</u>	Battery, Ventmaster 12-Volt (Dry, also known as moist)	4
10	<u>102534001</u>	Clamp - Battery	2
11	<u>103357701</u>	Bolt, Battery, "s" Hold-down	2
12	<u>103358501</u>	Separator, Battery, 12 Volt	1
13	<u>103368401</u>	Asm, Bucket, Batt, Elec, Prec (includes items 14 through 16)	1
14	<u>102298020</u>	Screw, K80x20, Torx Pn Hd Pt	2
15	N/A	Bucket, Batt, Elec, Precedent	1
16	<u>103368301</u>	Hinge - Nested	2
17	<u>103375301</u>	Tube, Cross, Battery Rod	1
18	<u>103375401</u>	Asm, Ev Battery Positive	1
19	<u>103375501</u>	Asm, Prec Restyle Receptacle	1
20	<u>103376001</u>	Wire Asm #6 Blk, Prec/restyle	1

12

E



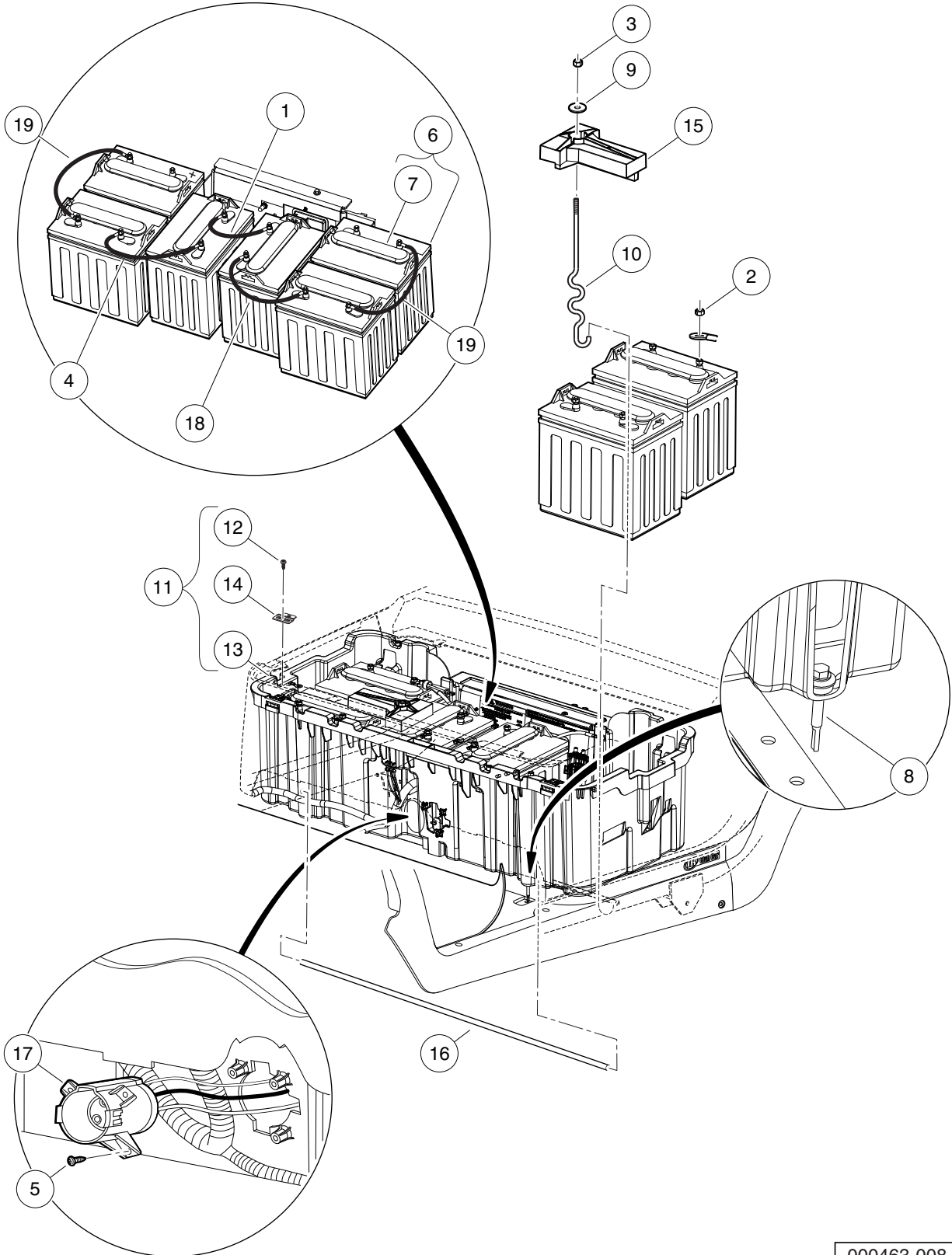
000463-007

BATTERIES, BUCKET, AND CHARGER RECEPTACLE – IQ AND EXCEL SYSTEMS, STYLE C

ITEM	PART NO.	DESCRIPTION	QTY
		1 2 3 4	
1	<u>1010958</u>	Asm, Wire, #6blk 8in	1
2	<u>1014304</u>	Nut, 5/16-18 Stainless-Steel Hex	12
3	<u>1014555</u>	Locknut, 7/16-14 Nylon Hex	2
4	<u>101795701</u>	Asm, Wire, #6blk 13in	1
5	<u>101797701</u>	Battery, 8-Volt, Trojan T875 (includes item 6)	6
6	<u>101797801</u>	Cap, 4-Gang Battery	1
7	<u>101832001</u>	Screw, #7-19 X 0.625 Phillips Pan-Head Tap	3
8	<u>102292356</u>	Screw-1/4-20x56 Hwh Self Drill	4
9	<u>102491501</u>	Washer, Hard, M10	2
10	<u>103357701</u>	Bolt, Battery, "s" Hold-down	2
11	<u>103368401</u>	Asm, Bucket, Batt, Elec, Prec (includes items 12 through 14)	1
12	<u>102298020</u>	Screw, K80x20, Torx Pn Hd Pt	2
13	N/A	Bucket, Batt, Elec, Precedent	1
14	<u>103368301</u>	Hinge - Nested	2
15	<u>103374801</u>	Hold Down, Battery	2
16	<u>103375301</u>	Tube, Cross, Battery Rod	1
17	<u>103375501</u>	Asm, Prec Restyle Receptacle	1
18	<u>103376001</u>	Wire Asm #6 Blk, Prec/restyle	1
19	<u>103413901</u>	Wire Asm, #6 Blk #21	2
20	<u>8639</u>	Tie Wrap, 11" Nylon	2
		Note: Item 20 not shown.	

12

E



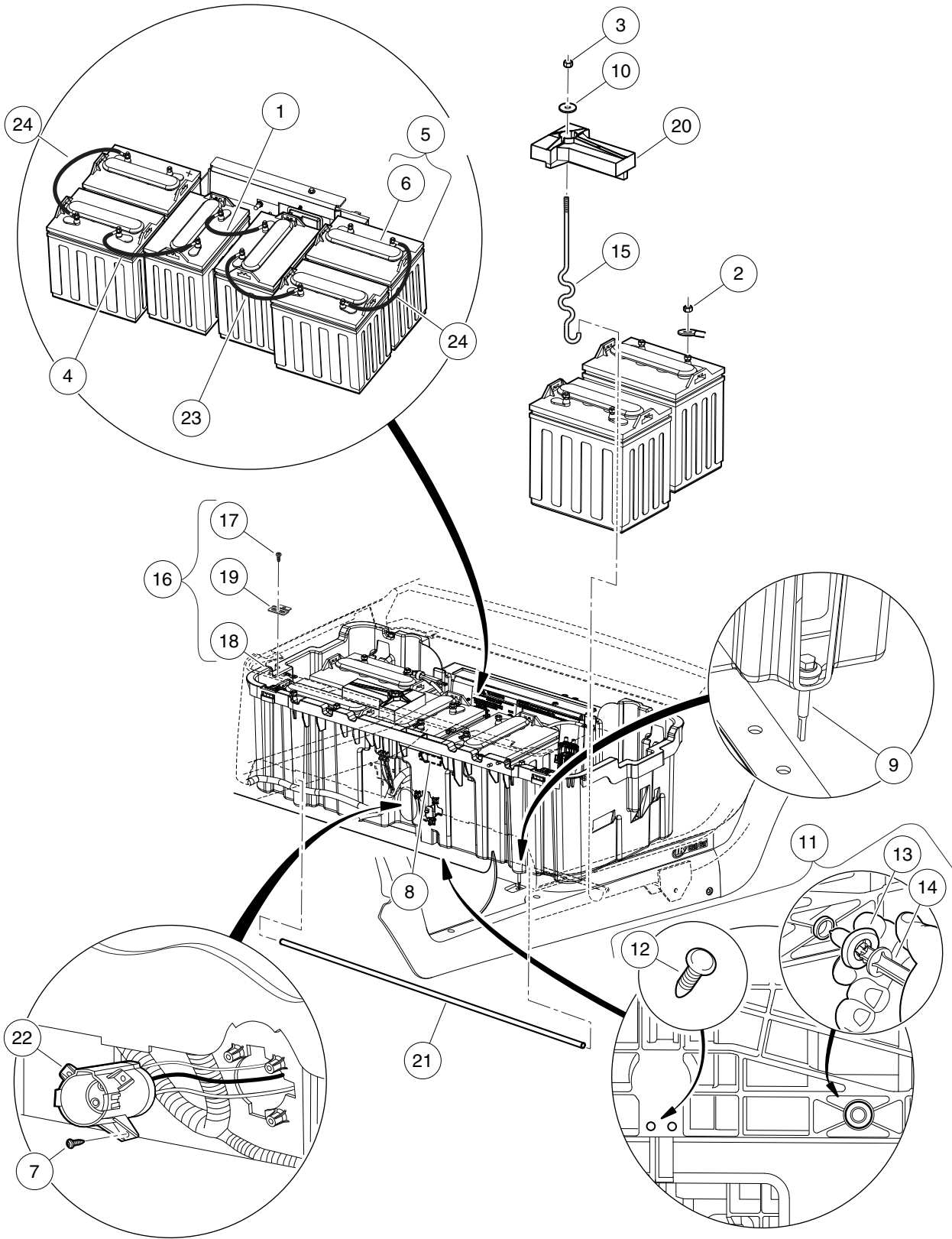
000463-008

BATTERIES, BUCKET, AND CHARGER RECEPTACLE – IQ AND EXCEL SYSTEMS, HEAVY DUTY, STYLE C

ITEM	PART NO.	DESCRIPTION	QTY
		1 2 3 4	
1	<u>1010958</u>	Asm, Wire, #6blk 8in	1
2	<u>1014304</u>	Nut, 5/16-18 Stainless-Steel Hex	12
3	<u>1014555</u>	Locknut, 7/16-14 Nylon Hex	2
4	<u>101795701</u>	Asm, Wire, #6blk 13in	1
5	<u>101832001</u>	Screw, #7-19 X 0.625 Phillips Pan-Head Tap	3
6	<u>101964201</u>	Battery, 8v Trojan T890 (Wet) (includes item 7)	6
7	<u>101797801</u>	Cap, 4-Gang Battery	1
8	<u>102292356</u>	Screw-1/4-20x56 Hwh Self Drill	4
9	<u>102491501</u>	Washer, Hard, M10	2
10	<u>103357701</u>	Bolt, Battery, "s" Hold-down	2
11	<u>103368401</u>	Asm, Bucket, Batt, Elec, Prec (includes items 12 through 14)	1
12	<u>102298020</u>	Screw, K80x20, Torx Pn Hd Pt	2
13	N/A	Bucket, Batt, Elec, Precedent	1
14	<u>103368301</u>	Hinge - Nested	2
15	<u>103374801</u>	Hold Down, Battery	2
16	<u>103375301</u>	Tube, Cross, Battery Rod	1
17	<u>103375501</u>	Asm, Prec Restyle Receptacle	1
18	<u>103376001</u>	Wire Asm #6 Blk, Prec/restyle	1
19	<u>103413901</u>	Wire Asm, #6 Blk #21	2
20	<u>8639</u>	Tie Wrap, 11" Nylon	2
		Note: Item 20 not shown.	

12

E



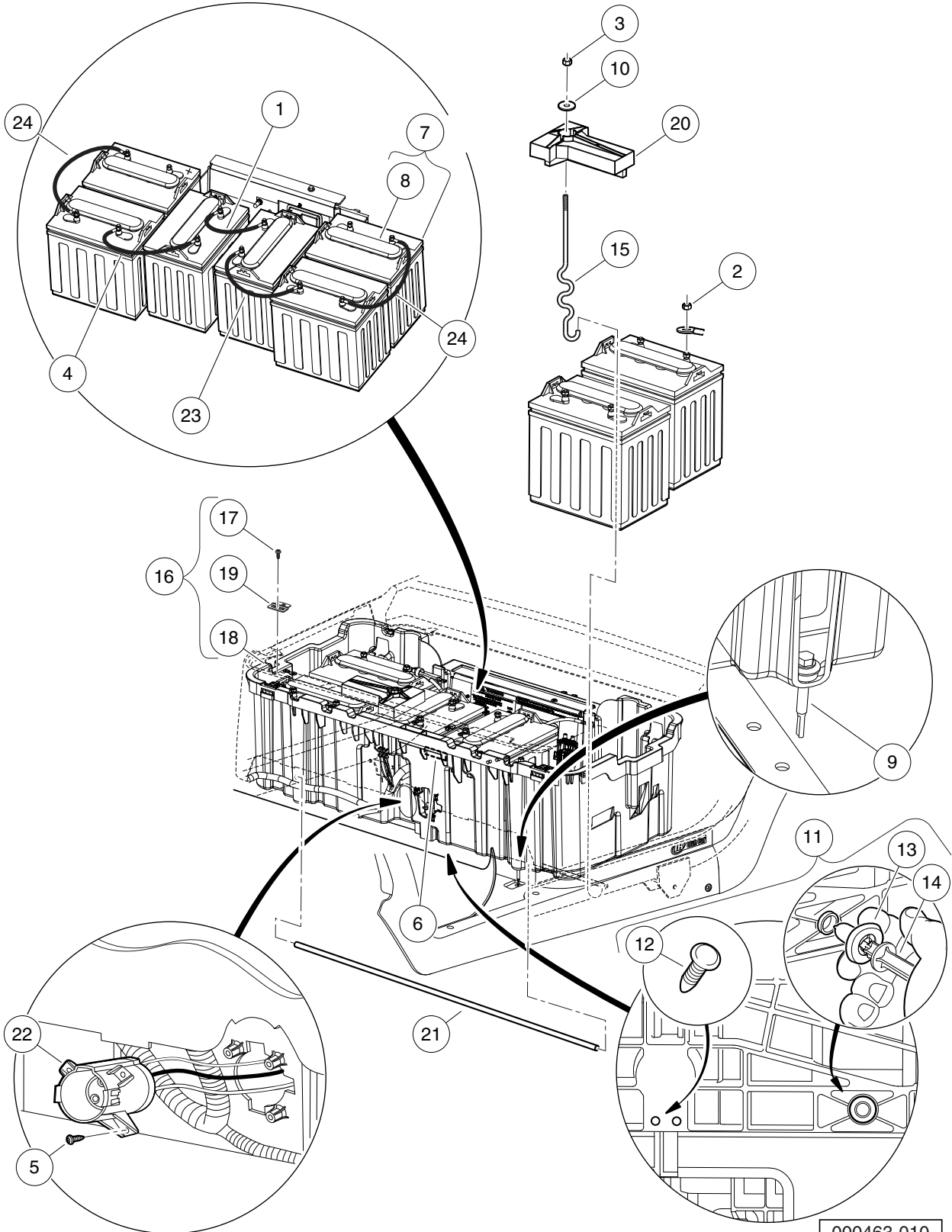
000463-009

BATTERIES, BUCKET, AND CHARGER RECEPTACLE – IQ AND EXCEL SYSTEMS, CE, STYLE C

12

E

ITEM	PART NO.	DESCRIPTION	QTY
		1 2 3 4	
1	<u>1010958</u>	Asm, Wire, #6blk 8in	1
2	<u>1014304</u>	Nut, 5/16-18 Stainless-Steel Hex	12
3	<u>1014555</u>	Locknut, 7/16-14 Nylon Hex	2
4	<u>101795701</u>	Asm, Wire, #6blk 13in	1
5	<u>101797701</u>	Battery, 8-Volt, Trojan T875 (includes item 6)	6
6	<u>101797801</u>	Cap, 4-Gang Battery	1
7	<u>101832001</u>	Screw, #7-19 X 0.625 Phillips Pan-Head Tap	3
8	<u>101865805</u>	Ce - Decal	1
9	<u>102292356</u>	Screw-1/4-20x56 Hwh Self Drill	4
10	<u>102491501</u>	Washer, Hard, M10	2
11	<u>102571202</u>	Kit Ce Plug - Bucket Elec (includes items 12 through 14)	1
12	<u>1010434</u>	Barrel - Plastic	2
13	N/A	Plug, 1/2", CE Bucket	6
14	N/A	Install Tool, CE Bucket Plug	1
15	<u>103357701</u>	Bolt, Battery, "s" Hold-down	2
16	<u>103368401</u>	Asm, Bucket, Batt, Elec, Prec (includes items 17 through 19)	1
17	<u>102298020</u>	Screw, K80x20, Torx Pn Hd Pt	2
18	N/A	Bucket, Batt, Elec, Precedent	1
19	<u>103368301</u>	Hinge - Nested	2
20	<u>103374801</u>	Hold Down, Battery	2
21	<u>103375301</u>	Tube, Cross, Battery Rod	1
22	<u>103375501</u>	Asm, Prec Restyle Receptacle	1
23	<u>103376001</u>	Wire Asm #6 Blk, Prec/restyle	1
24	<u>103413901</u>	Wire Asm, #6 Blk #21	2
25	<u>8639</u>	Tie Wrap, 11" Nylon	2
		Note: Item 25 not shown.	



000463-010

BATTERIES, BUCKET, AND CHARGER RECEPTACLE – IQ AND EXCEL SYSTEMS, HEAVY DUTY, CE, STYLE C

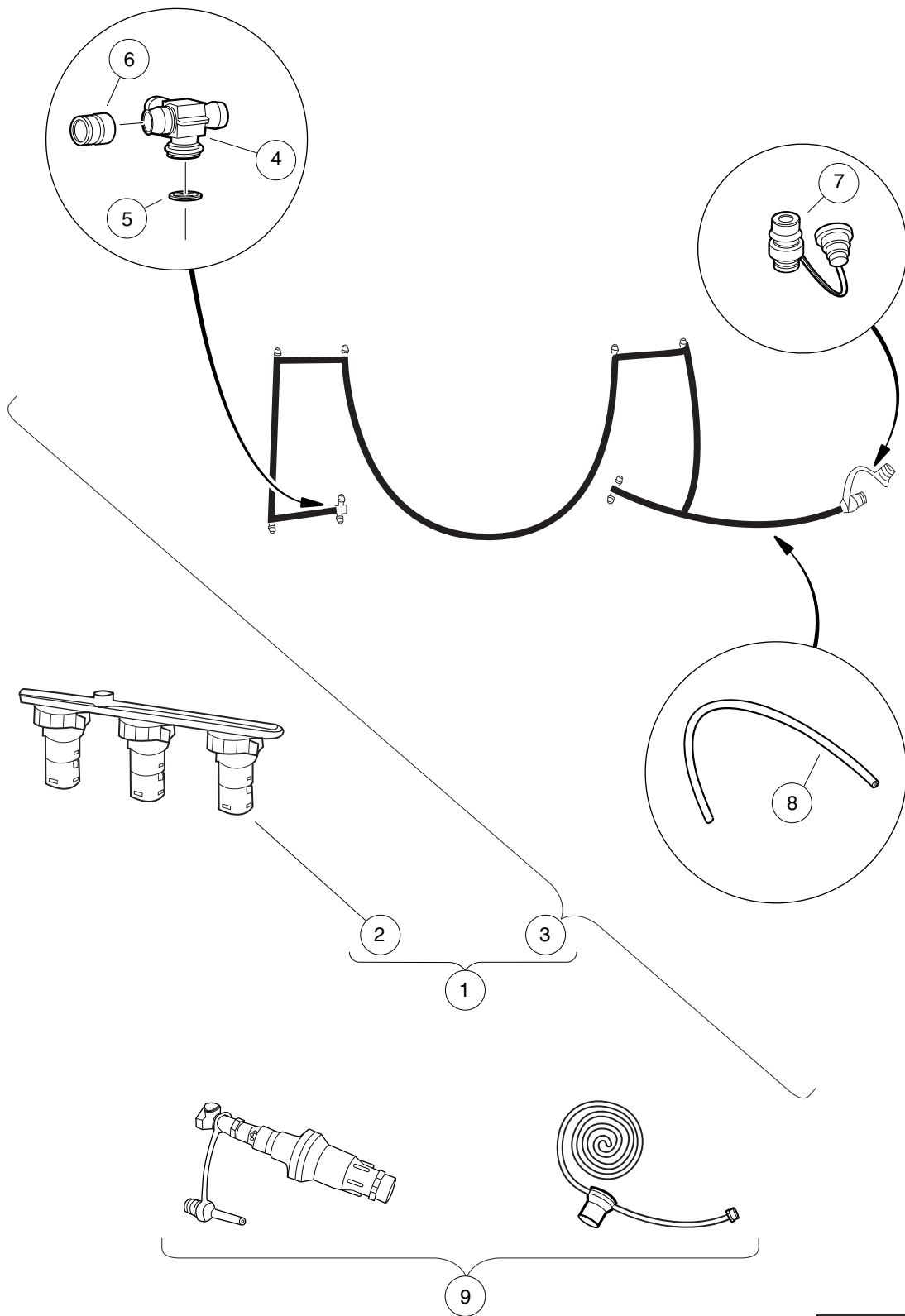
12

E

ITEM	PART NO.	DESCRIPTION	QTY
		1 2 3 4	
1	<u>1010958</u>	Asm, Wire, #6blk 8in	1
2	<u>1014304</u>	Nut, 5/16-18 Stainless-Steel Hex	12
3	<u>1014555</u>	Locknut, 7/16-14 Nylon Hex	2
4	<u>101795701</u>	Asm, Wire, #6blk 13in	1
5	<u>101832001</u>	Screw, #7-19 X 0.625 Phillips Pan-Head Tap	3
6	<u>101865805</u>	Ce - Decal	1
7	<u>101964201</u>	Battery, 8v Trojan T890 (Wet) (includes item 8)	6
8	<u>101797801</u>	Cap, 4-Gang Battery	1
9	<u>102292356</u>	Screw-1/4-20x56 Hwh Self Drill	4
10	<u>102491501</u>	Washer, Hard, M10	2
11	<u>102571202</u>	Kit Ce Plug - Bucket Elec (includes items 12 through 14)	1
12	<u>1010434</u>	Barrel - Plastic	2
13	N/A	Plug, 1/2", CE Bucket	6
14	N/A	Install Tool, CE Bucket Plug	1
15	<u>103357701</u>	Bolt, Battery, "s" Hold-down	2
16	<u>103368401</u>	Asm, Bucket, Batt, Elec, Prec (includes items 17 through 19)	1
17	<u>102298020</u>	Screw, K80x20, Torx Pn Hd Pt	2
18	N/A	Bucket, Batt, Elec, Precedent	1
19	<u>103368301</u>	Hinge - Nested	2
20	<u>103374801</u>	Hold Down, Battery	2
21	<u>103375301</u>	Tube, Cross, Battery Rod	1
22	<u>103375501</u>	Asm, Prec Restyle Receptacle	1
23	<u>103376001</u>	Wire Asm #6 Blk, Prec/restyle	1
24	<u>103413901</u>	Wire Asm, #6 Blk #21	2
25	<u>8639</u>	Tie Wrap, 11" Nylon	2
		Note: Item 25 not shown.	

12

E



000731-004

SINGLE POINT WATERING SYSTEM, STYLE A

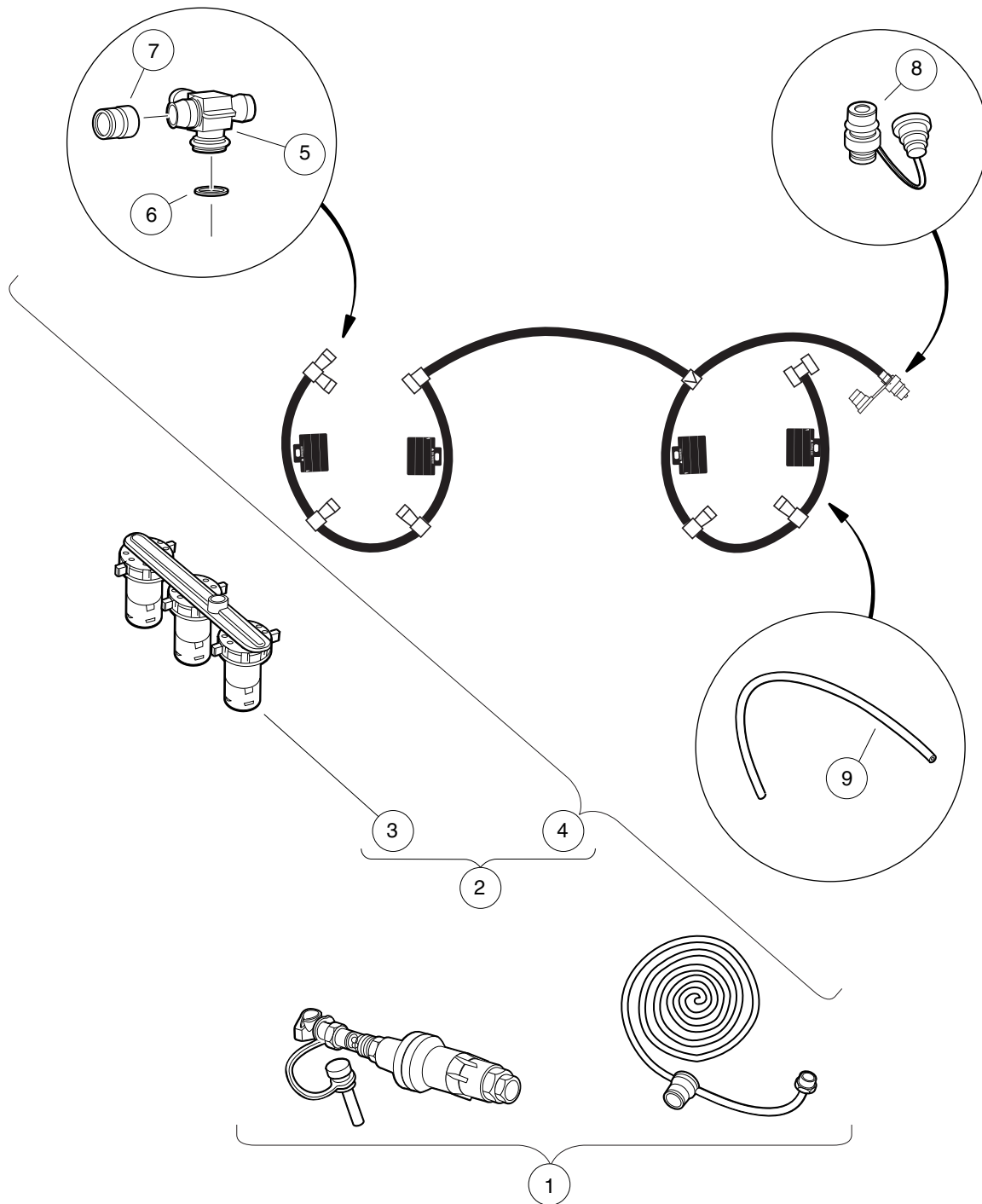
ITEM	PART NO.	DESCRIPTION	QTY
		1 2 3 4	
1	<u>102956301</u>	Kit Spws Prec Fr (includes items 2 and 3)	1
2	<u>102956401</u>	Manifold, SPWS (Single-Point Watering System)	8
3	<u>102956501</u>	Assy Tube Single-Point Watering System, Precedent (includes items 4 through 8)	1
4	<u>103226201</u>	Fitting Spws Swivel T	8
5	<u>103226301</u>	O-ring Spws Swivel T	8
6	<u>103226401</u>	Cap Spws Swivel T Red	9
7	<u>103226601</u>	Coupler Male Spws Supply	1
8	<u>103226701</u>	Tubing Spws	1
9	<u>102958001</u>	Kit Regulated Hose Sply Spws	1
<p style="margin-left: 40px;">Note: For Style A battery configuration.</p>			

12

E

12

E



000731-005

SINGLE POINT WATERING SYSTEM, STYLE B

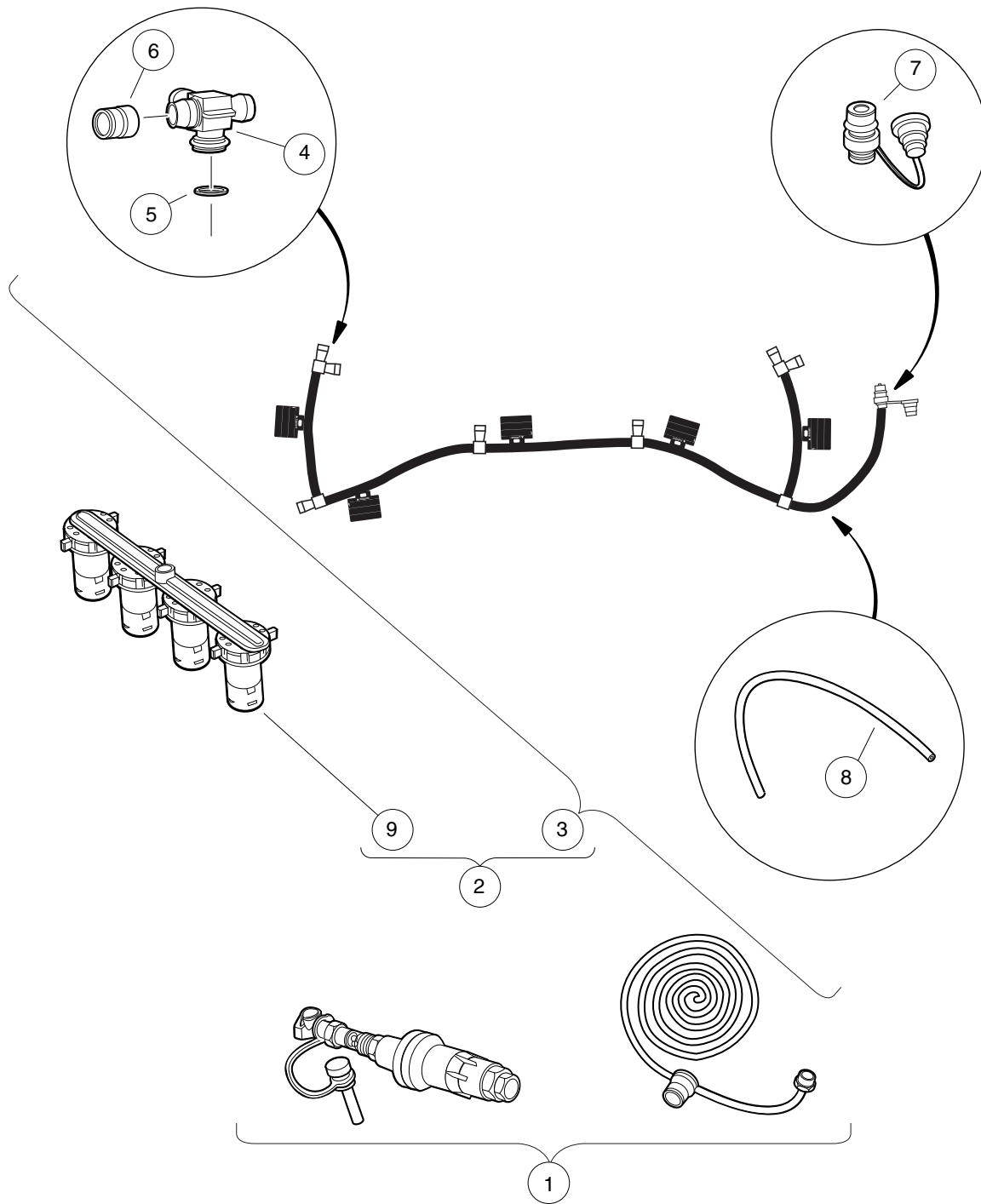
ITEM	PART NO.	DESCRIPTION	QTY
		1 2 3 4	
1	<u>102958001</u>	Kit Regulated Hose Sply Spws	1
2	<u>103395503</u>	Kit, Spws F/r, Prec/res, 12v (includes items 3 and 4)	1
3	<u>102956401</u>	Manifold, SPWS (Single-Point Watering System)	8
4	<u>103395402</u>	Asm Tube Spws Prec/res, 12v (includes items 5 through 9)	1
5	<u>103226201</u>	Fitting Spws Swivel T	8
6	<u>103226301</u>	O-ring Spws Swivel T	8
7	<u>103226401</u>	Cap Spws Swivel T Red	9
8	<u>103226601</u>	Coupler Male Spws Supply	1
9	<u>103226701</u>	Tubing Spws	1
Note: For Style B battery configuration.			

12

E

12

E



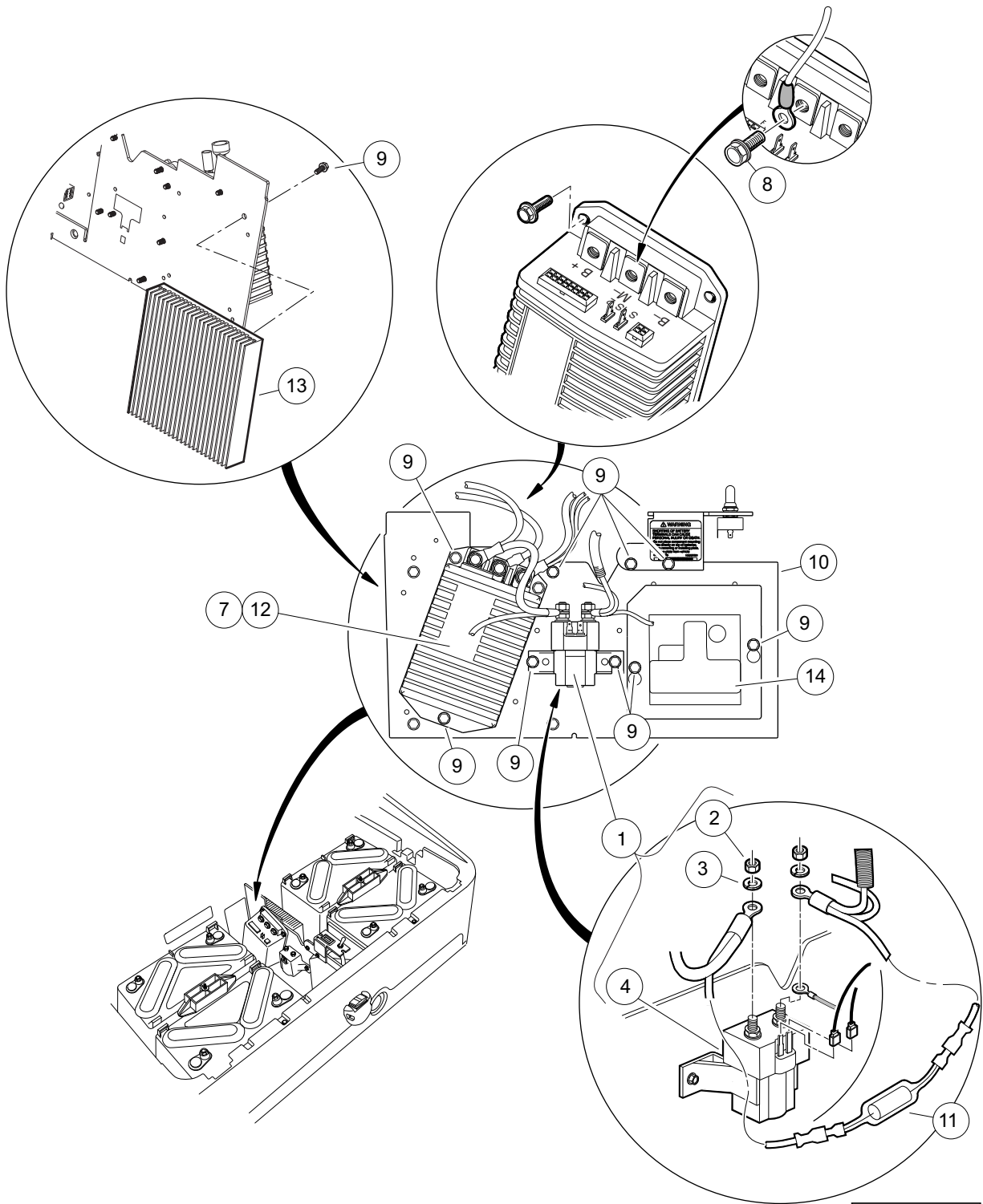
000731-006

SINGLE POINT WATERING SYSTEM, STYLE C

ITEM	PART NO.	DESCRIPTION	QTY
		1 2 3 4	
1	<u>102958001</u>	Kit Regulated Hose Sply Spws	1
2	<u>103395501</u>	Kit, Spws F/r, Prec/res, 8v (includes items 3 through 9)	1
3	<u>103395401</u>	Asm Tube Spws Prec/res, 8v (includes items 4 through 8)	1
4	<u>103226201</u>	Fitting Spws Swivel T	6
5	<u>103226301</u>	O-ring Spws Swivel T	6
6	<u>103226401</u>	Cap Spws Swivel T Red	7
7	<u>103226601</u>	Coupler Male Spws Supply	1
8	<u>103226701</u>	Tubing Spws	1
9	<u>103395701</u>	Manifold, 4 Valve Spw	6
<p>Note: For Style C battery configuration.</p>			

12

E



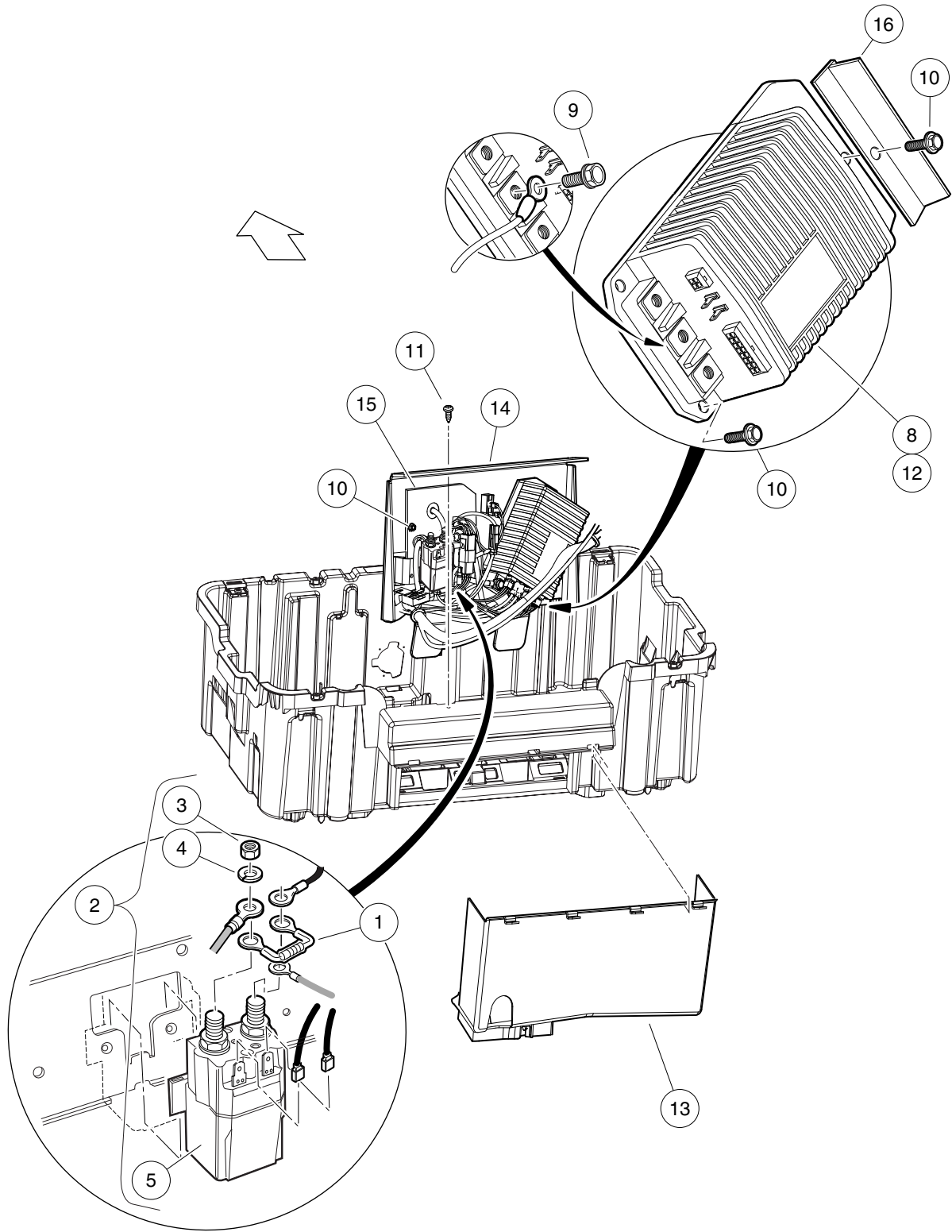
000486-001

COMPUTER, CONTROLLER, AND SOLENOID – IQ SYSTEM, STYLE A

ITEM	PART NO.	DESCRIPTION	QTY
		1 2 3 4	
1	<u>101908701</u>	Solenoid, 48-Volt (includes items 2 through 6)	1
2	<u>1012528</u>	Nut, M8-1.25 Hex	2
3	<u>1013734</u>	Lockwasher, 8mm Split	2
4	N/A	Solenoid, 48-Volt	1
5	N/A	Washer, Lock	2
6	N/A	Nut	2
7	<u>101956503</u>	Controller, 48-volt, IQ, CE Mark	1
8	<u>102240501</u>	Bolt, Controller, Terminal	3
9	<u>102296716</u>	Screw, M6 X 16 Tt Hx Fl Hd	13
10	<u>102510802</u>	Plate - Heat Sink Mntg Solnd	1
11	<u>102522701</u>	Asm, Pre-charge Resistor	1
12	<u>102806201</u>	Controller, IQ, 48-volt	1
13	<u>103262001</u>	Heat Sink Prec	1
14	<u>103403201</u>	Precedent V3.0 Obc	1
		<p>Note: Item 7 is for vehicles shipped to the European Union. Items 5 & 6 are not used for the European Union application.</p>	

12

E



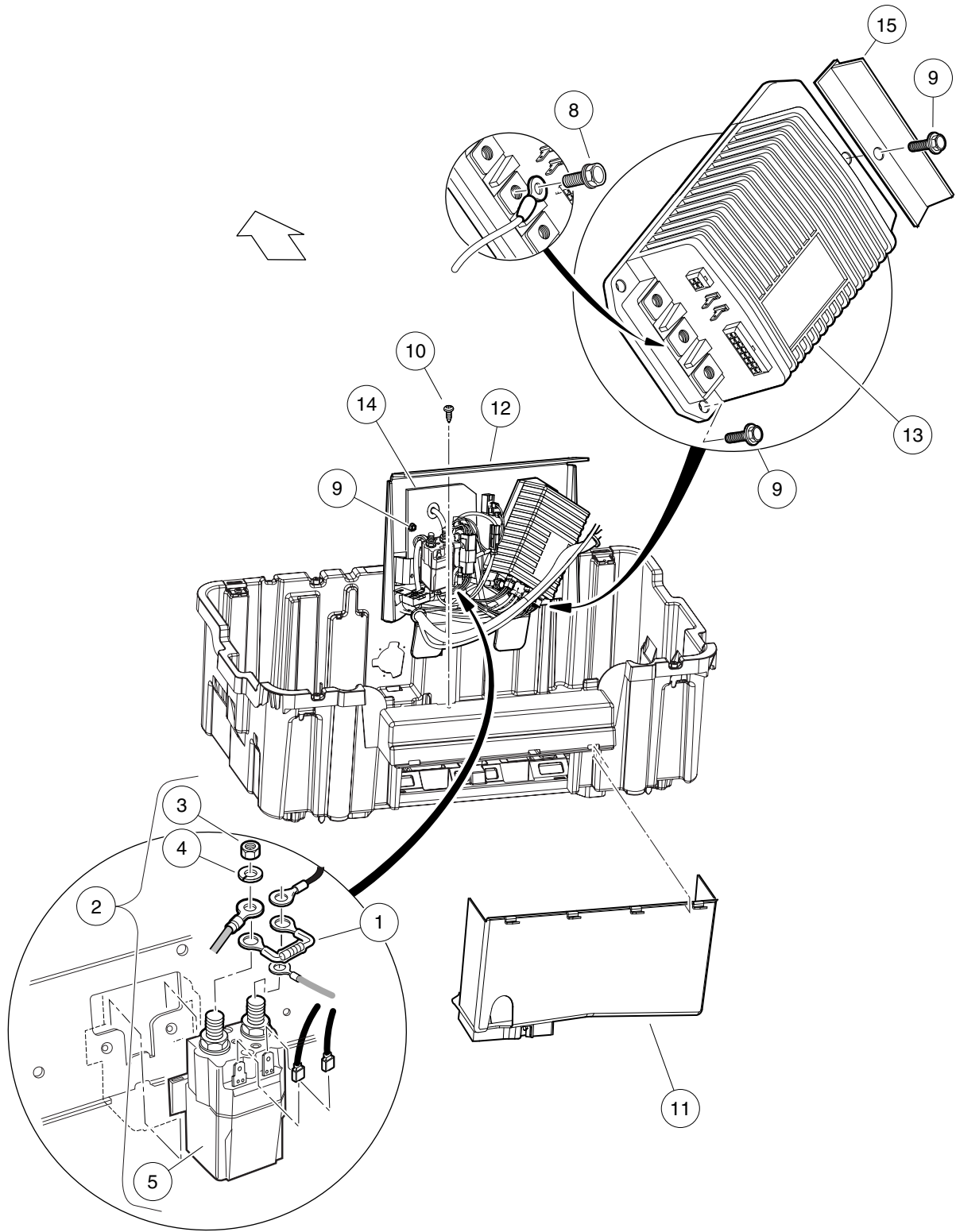
000486-004

COMPUTER, CONTROLLER, AND SOLENOID – IQ SYSTEM, STYLES B AND C

ITEM	PART NO.	DESCRIPTION	QTY
		1 2 3 4	
1	<u>1014947</u>	Resistor Assembly	1
2	<u>101908701</u>	Solenoid, 48-Volt (includes items 3 through 7)	1
3	<u>1012528</u>	Nut, M8-1.25 Hex	2
4	<u>1013734</u>	Lockwasher, 8mm Split	2
5	N/A	Solenoid, 48-Volt	1
6	N/A	Washer, Lock	2
7	N/A	Nut	2
8	<u>101956503</u>	Controller, 48-volt, IQ, CE Mark	1
9	<u>102240501</u>	Bolt, Controller, Terminal	3
10	<u>102296716</u>	Screw, M6 X 16 Tt Hx Fl Hd	11
11	<u>102298020</u>	Screw, K80x20, Torx Pn Hd Pt	1
12	<u>102806201</u>	Controller, IQ, 48-volt	1
13	<u>103367901</u>	Shield - Controller	1
14	<u>103369401</u>	Component Mounting Plate	1
15	<u>103403201</u>	Precedent V3.0 Obc	1
16	<u>103498501</u>	Watershed, Controller, Angle	1
		Note: Item 8 is for vehicles shipped to the European Union.	

12

E



000486-005

COMPUTER, CONTROLLER, AND SOLENOID – EXCEL SYSTEM, STYLES B AND C

ITEM	PART NO.	DESCRIPTION	QTY
		1 2 3 4	
1	<u>1014947</u>	Resistor Assembly	1
2	<u>101908701</u>	Solenoid, 48-Volt (includes items 3 through 7)	1
3	<u>1012528</u>	Nut, M8-1.25 Hex	2
4	<u>1013734</u>	Lockwasher, 8mm Split	2
5	N/A	Solenoid, 48-Volt	1
6	N/A	Washer, Lock	2
7	N/A	Nut	2
8	<u>102240501</u>	Bolt, Controller, Terminal	3
9	<u>102296716</u>	Screw, M6 X 16 Tt Hx Fl Hd	11
10	<u>102298020</u>	Screw, K80x20, Torx Pn Hd Pt	1
11	<u>103367901</u>	Shield - Controller	1
12	<u>103369401</u>	Component Mounting Plate	1
13	<u>103403402</u>	Controller, 1515, 250A, Gray, Non-Std	1
14	<u>103446601</u>	Obc, Prec, V4.0	1
15	<u>103498501</u>	Watershed, Controller, Angle	1

12

E

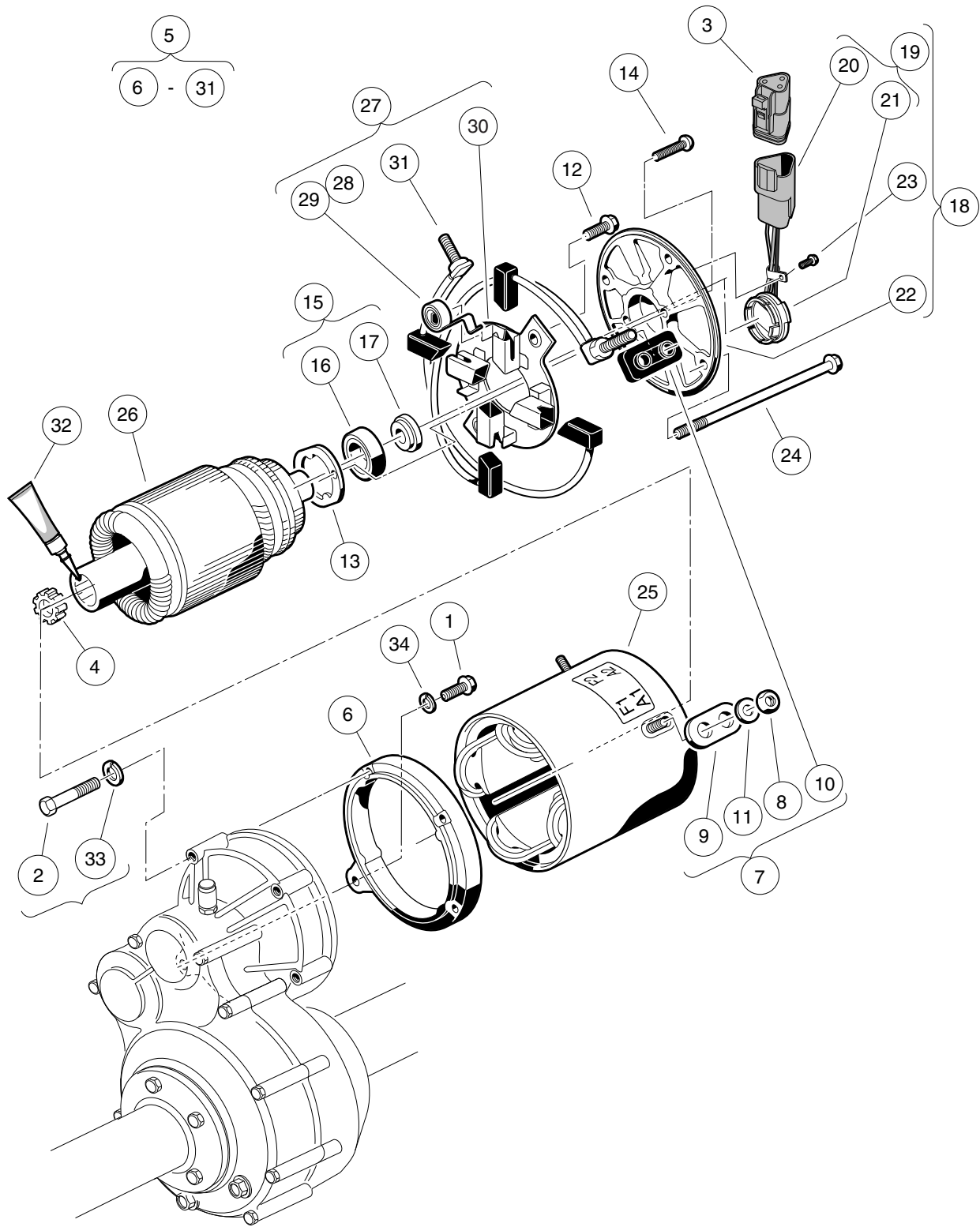
12

E

ELECTRIC MOTOR

13

E



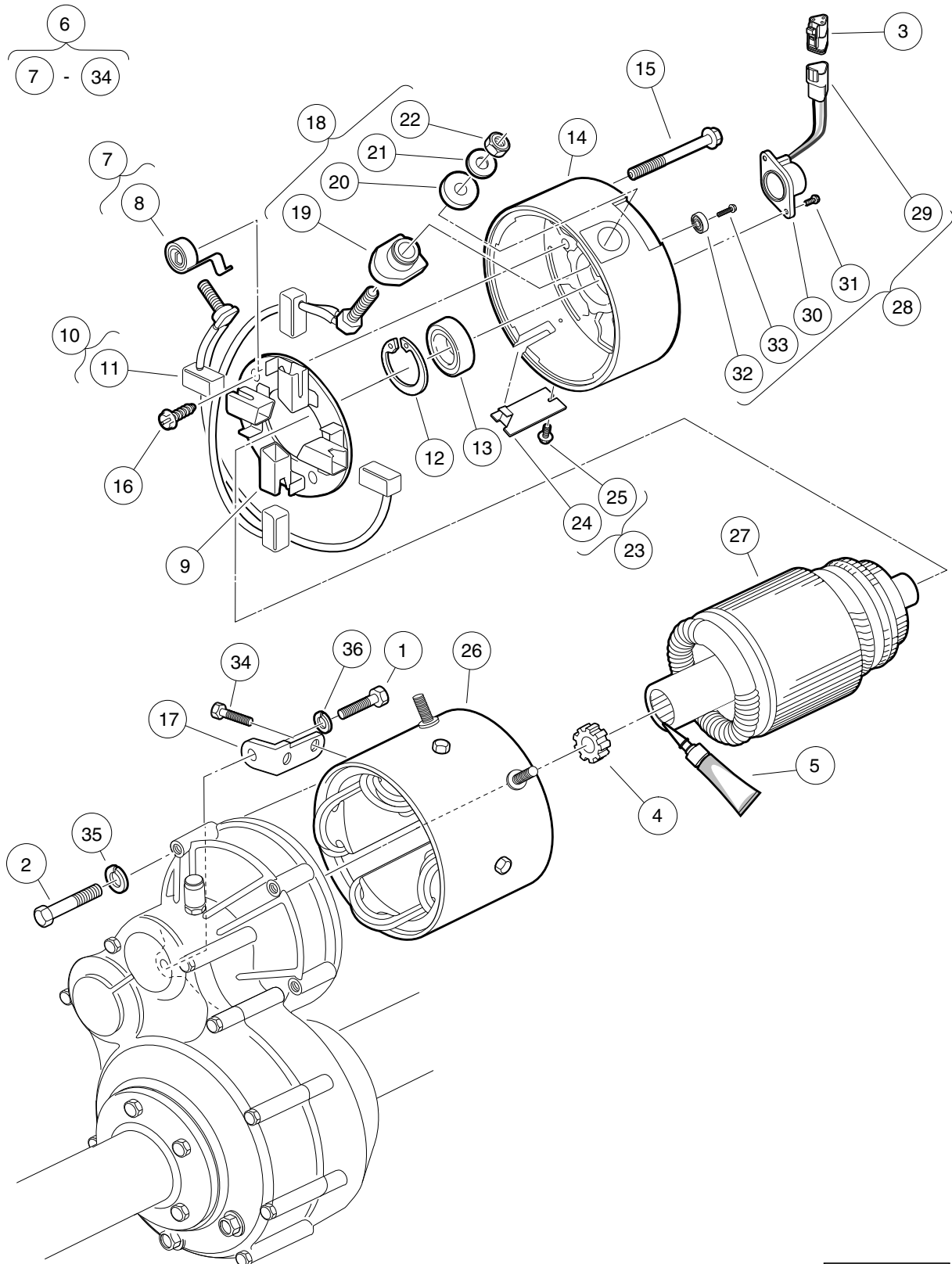
000349-002

MOTOR (MODEL 5BC59JBS6390) – ELECTRIC VEHICLE

ITEM	PART NO.	DESCRIPTION	QTY
		1 2 3 4	
1	<u>1010934</u>	Screw, 5/16-18 X 1.00 Hex Cap	1
2	<u>1014201</u>	Screw, 1/4-20 X 2.25 Hex Cap	3
3	<u>101920101</u>	Kit, 3-Pin Wedge Lock	1
4	<u>102235201</u>	Bumper, Drive Unit	1
5	<u>102240104</u>	Motor, 48-Volt Non-Skew IQ (includes items 6 through 27)	1
6	<u>1017944</u>	End Shield	1
7	<u>1017947</u>	Hardware Package (includes items 8 through 11)	1
8	<u>1011280</u>	Locknut, 5/16-18	4
9	N/A	Insulator Bushing	2
10	N/A	Insulated Bushing	2
11	<u>1241</u>	Washer, 5/16 Type A Flat	4
12	<u>1017949</u>	Screw, #6-32 X 0.480 Hex-Head	2
13	<u>1017950</u>	Bearing Retainer	1
14	<u>1017953</u>	Screw, Bearing Retainer	2
15	<u>102265701</u>	Kit, Bearing and Magnet (includes items 16 and 17)	1
16	<u>1011290</u>	Ball Bearing	1
17	<u>102265801</u>	Magnet	1
18	<u>102265901</u>	Motor End Shield Asm (includes items 19 through 23)	1
19	<u>102265601</u>	Speed Sensor Assembly (includes items 20 and 21)	1
20	<u>101942301</u>	Kit, 3-Pin Wedge Lock	1
21	N/A	Sensor, Speed, without Connector	1
22	<u>102266001</u>	End Shield, Motor	1
23	<u>102267001</u>	Screw, #8-32 X 0.375 Hex-Head	1
24	<u>102266101</u>	Screw, #10 - 32 X 8.250	4
25	<u>103325701</u>	Stator Shell and Winding	1
26	<u>103325801</u>	Non Skew Armature	1
27	<u>103337601</u>	Brush Assembly, IQ Motor, Non-Skew (includes items 28 through 31)	1
28	<u>1011411</u>	Kit, Brush Spring (ge Motor) (includes item 29)	1
29	<u>1011285</u>	Brush Spring	4
30	<u>103325501</u>	Brush Rigging, Non-Skew Motor	1
31	<u>103325601</u>	Brush Set, Non-Skew	1
32	<u>102243403</u>	Lubricant, Moly-Teflon (Single-Use Tube)	1
33	<u>451</u>	Lockwasher, 1/4 Split	3
34	<u>7174</u>	Lockwasher, 5/16 Split	1

13

E



000185-001

MOTOR (MODEL EJ4-4001) – ELECTRIC VEHICLE

ITEM	PART NO.	DESCRIPTION	QTY
		1 2 3 4	
1	<u>1010934</u>	Screw, 5/16-18 X 1.00 Hex Cap	1
2	1014201	Screw, 1/4-20 X 2.25 Hex Cap	3
3	<u>101920101</u>	Kit, 3-Pin Wedge Lock	1
4	<u>102235201</u>	Bumper, Drive Unit	1
5	<u>102243403</u>	Lubricant, Moly-Teflon (Single-Use Tube)	1
6	<u>102705001</u>	IQ Electric Motor, 48-VDC 3.3 hp (includes items 7 through 34)	1
7	<u>102186001</u>	Spring Kit, Motor Brush (includes item 8)	1
8	N/A	Spring, Brush, S-g	4
9	<u>102186101</u>	Brush Box Assembly	1
10	<u>102186201</u>	Brush Kit, Motor (includes item 11)	1
11	N/A	Assembly, Brush and Terminal	2
12	N/A	Ring, 2.24" Internal Retaining	1
13	<u>102186401</u>	Bearing, Ball	1
14	<u>102186701</u>	End Cap, Motor	1
15	N/A	Screw, 1/4-20 X 2.25 Hex-Head Washer	2
16	<u>102186901</u>	Screw, #8-32 X .5 Hex-Head	2
17	<u>102187001</u>	L-Bracket, Motor	1
18	<u>102187101</u>	Hardware Kit, Motor Terminal (includes items 19 through 22)	2
19	N/A	Bushing, Nylon	2
20	N/A	Washer, Nylon Flat	2
21	N/A	Washer, Flat, 5/16 Steel	2
22	N/A	Nut, Brass Hex, 5/16 - 18	2
23	<u>102187201</u>	Plate Kit, Motor Cover (includes items 24 and 25)	1
24	N/A	Assembly, Cover Plate	1
25	N/A	Screw, #8-32 x 0.375, Taptite Thread	1
26	<u>102704701</u>	Frame and Field Assembly	1
27	<u>102704801</u>	Armature Assembly	1
28	<u>102704901</u>	Kit, Speed Sensor (includes items 29 through 33)	1
29	<u>101942301</u>	Kit, 3-Pin Wedge Lock	1
30	N/A	Sensor, Motor Speed, ADC	1
31	N/A	Screw, #8-32, Taptite Thread	2
32	N/A	Magnet, ADC Motor	1
33	N/A	Screw, 1/4-20 x 0.5	1
34	N/A	Bolt, 1/4 - 20 x 0.73 Thread-Forming	2
35	<u>451</u>	Lockwasher, 1/4 Split	3
36	<u>7174</u>	Lockwasher, 5/16 Split	1

13

E

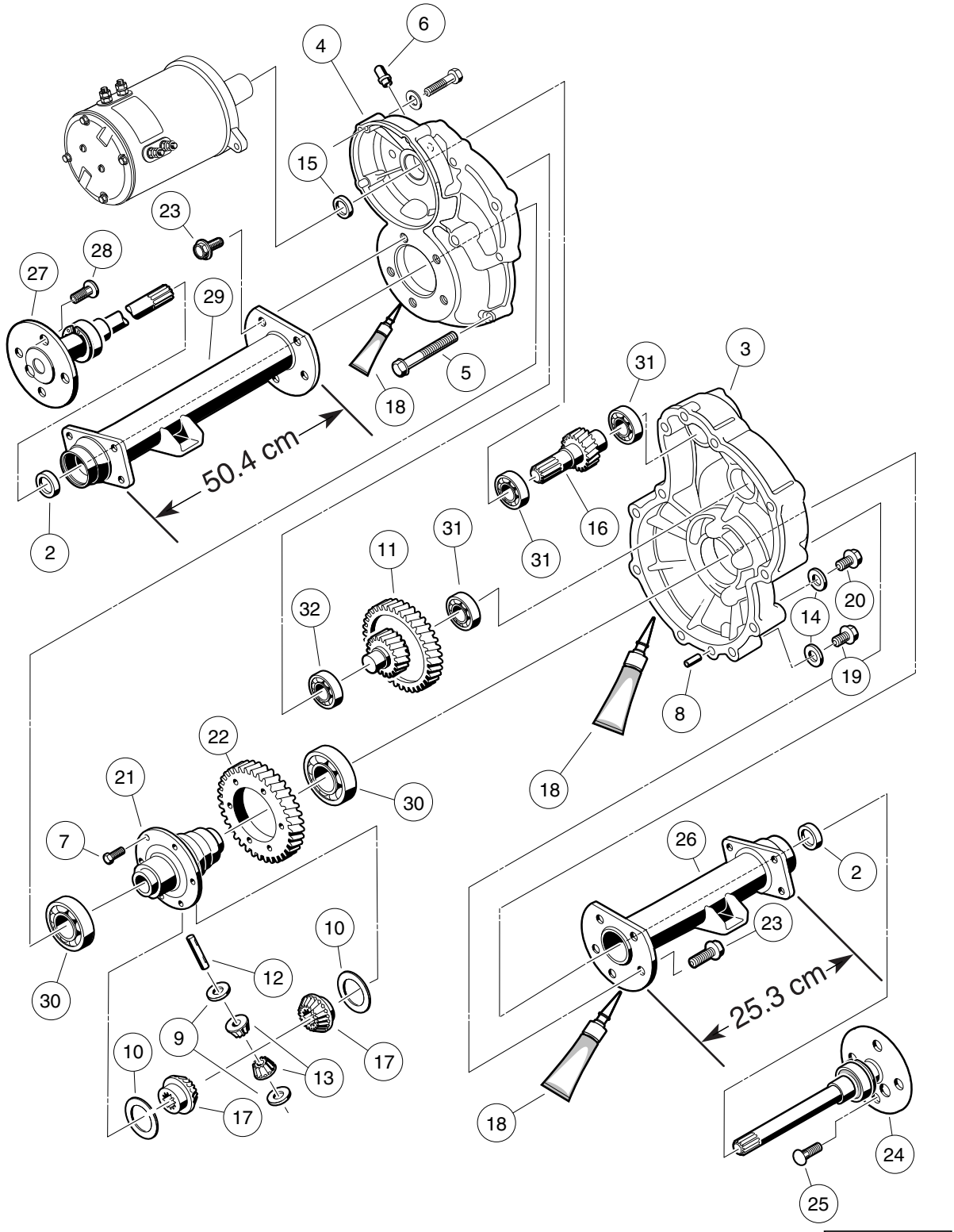
13

E

TRANSAXLE – ELECTRIC VEHICLES

14

E



000223-002

TRANSAXLE – ELECTRIC VEHICLES

ITEM	PART NO.	DESCRIPTION	QTY
		1 2 3 4	
1	<u>102771701</u>	Transaxle, Electric (includes items 2 through 32)	1
2	<u>1013794</u>	Axle Shaft Oil Seal	2
3	<u>101895401</u>	Gear Case, Driver-Side	1
4	<u>101895501</u>	Gear Case, Passenger-Side	1
5	<u>101897001</u>	Screw, M8-1.25 X 60mm Hex-Head	11
6	<u>101897201</u>	Breather	1
7	<u>101897401</u>	Screw, M10-1.25 X 25mm	6
8	<u>101897601</u>	Pin, 11mm OD X 8.5mm ID X 10mm	2
9	<u>101903601</u>	Washer, Thrust	2
10	<u>101903701</u>	Washer, Thrust	2
11	<u>101906901</u>	Intermediate Shaft Assembly	1
12	<u>101922101</u>	Pin, 15.99mm X 88.7mm Dowel	1
13	<u>101923001</u>	Gear, Differential Idler	2
14	<u>101923201</u>	Gasket	2
15	<u>101923501</u>	Seal, Lip	1
16	N/A	Shaft, Input	1
17	<u>101923901</u>	Gear, Differential	2
18	<u>101928701</u>	Liquid Gasket (Transaxle case)	1
19	<u>101972101</u>	Plug, M14-1.5 X 12mm Magnetic	1
20	<u>101972201</u>	Plug, M14-1.5 X 12mm Hex	1
21	<u>102356601</u>	Housing, Differential, 6 Bolt	1
22	<u>102356801</u>	Gear, Differential Output, 6-Bolt	1
23	<u>102357001</u>	Screw, Flg Hd M10 X 1.5 X 30	10
24	<u>102886301</u>	Axle Assembly, Driver-Side (includes item 25)	1
25	<u>101922201</u>	Lug Stud	4
26	<u>102886401</u>	Tube, Axle, Driver-Side	1
27	<u>102886501</u>	Axle Assembly, Passenger-Side (includes item 28)	1
28	<u>101922201</u>	Lug Stud	4
29	<u>102886601</u>	Tube, Axle, Passenger-Side	1
30	<u>7330</u>	Inner Axle Tube Bearing	2
31	<u>7335</u>	Bearing	3
32	<u>7336</u>	Bearing	1

14

E

14

E

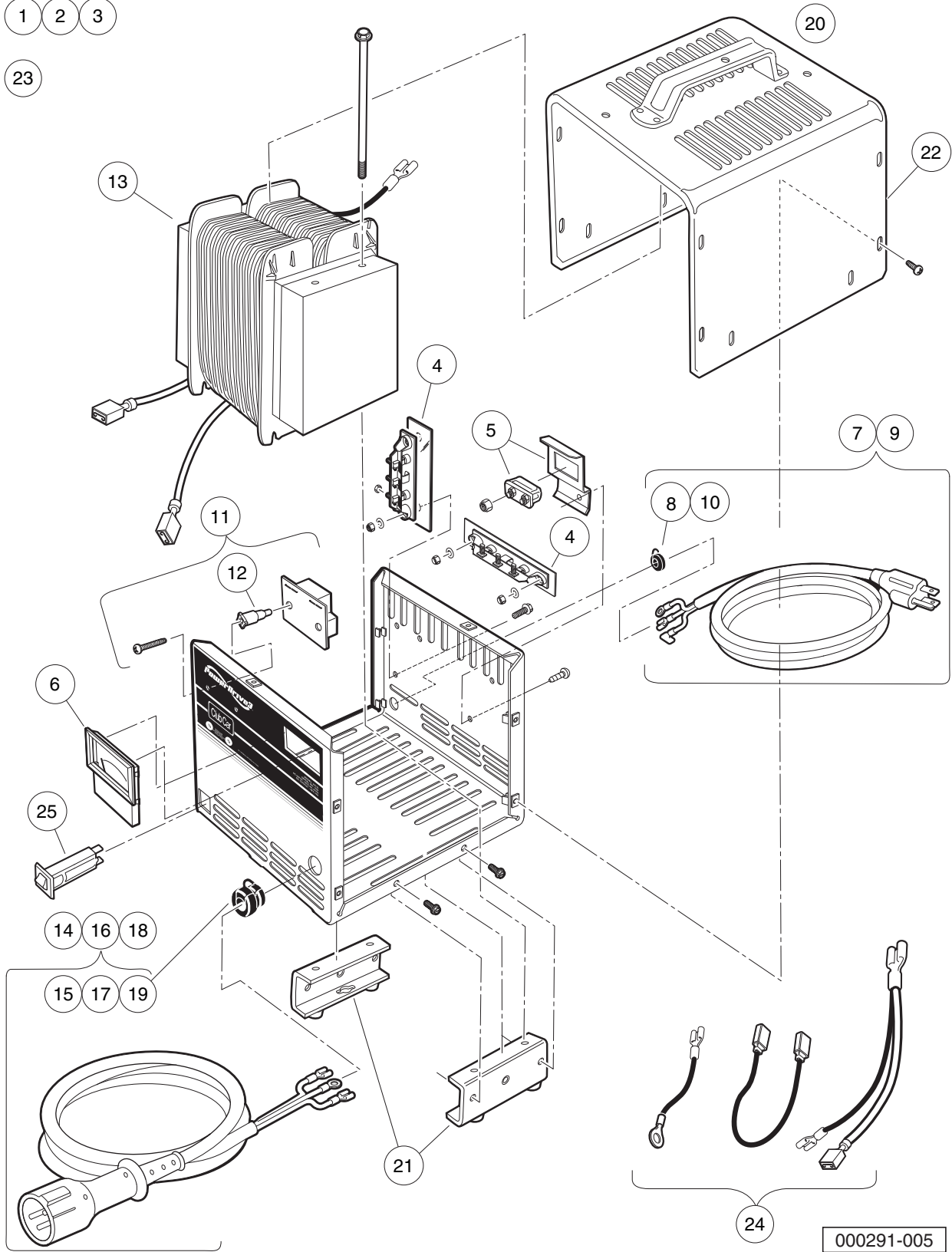
BATTERY CHARGER

15

E

- 1
- 2
- 3

- 23



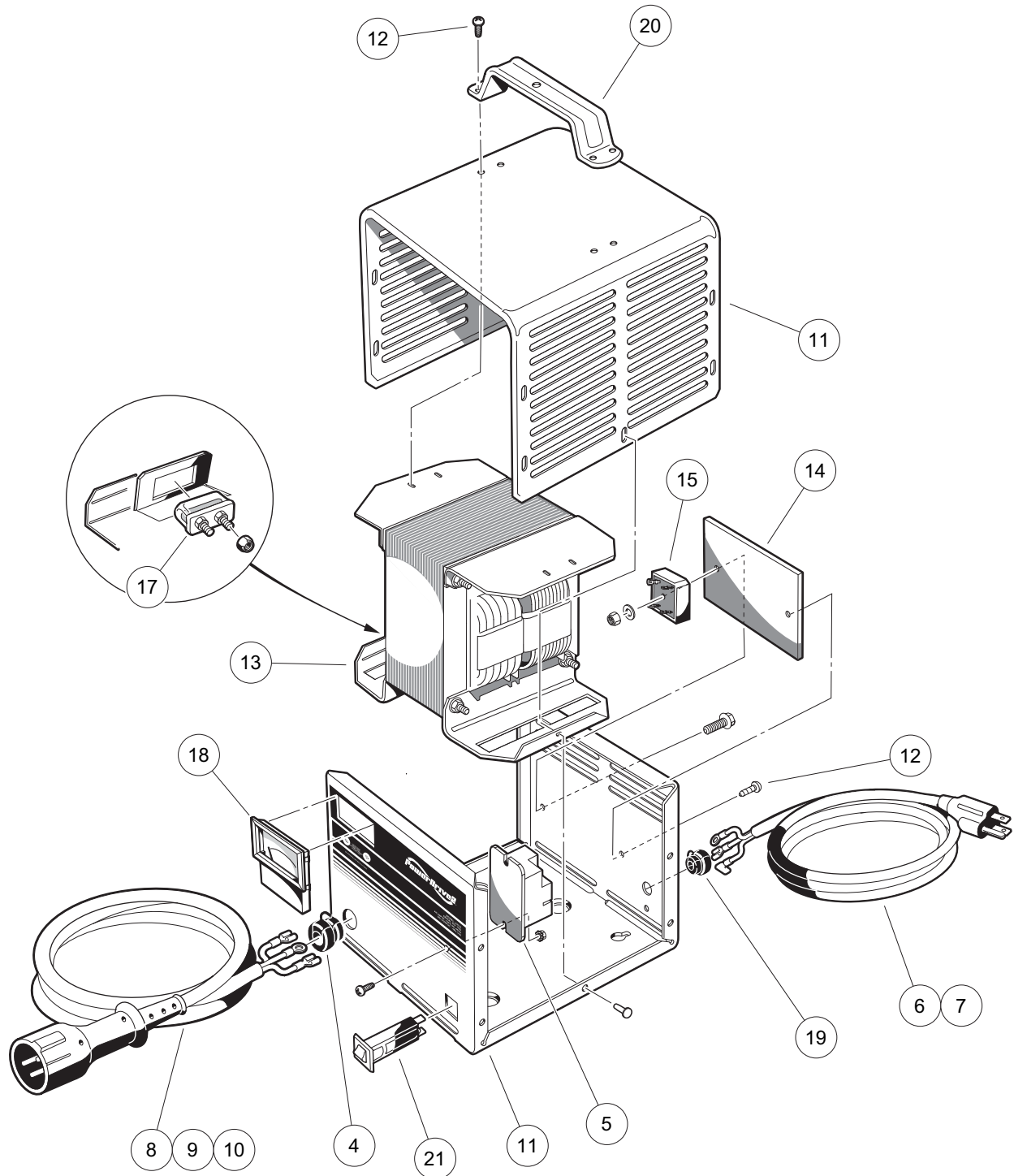
000291-005

POWERDRIVE 3 BATTERY CHARGER (MODEL 26580), DOMESTIC

ITEM	PART NO.	DESCRIPTION	QTY
		1 2 3 4	
1	103499101	Charger, PowerDrive 3, 9ft DC, 6ft AC	1
2	<u>103499102</u>	Charger, PowerDrive 3, 12ft DC, 9ft AC	1
3	<u>103499103</u>	Charger, PowerDrive 3, 20ft DC, 9ft AC (includes items 4 through 25)	1
4	<u>1015914</u>	Rectifier with Heatsink Assembly	2
5	<u>102273701</u>	PD2 Fuse Asm	1
6	<u>102273801</u>	PD2 Ammeter	1
7	<u>103428501</u>	Kit, PD3 Cordset - AC 80" (includes item 8)	1
8	<u>102273901</u>	PD2 AC Cord Bushing	1
9	<u>103428601</u>	Kit, PD3 Cordset, - AC 114" (includes item 10)	1
10	<u>102273901</u>	PD2 AC Cord Bushing	1
11	<u>103428701</u>	Asm, PD3 Board Relay (includes item 12)	1
12	<u>103429701</u>	PD3 Plastic Stand-Offs	2
13	<u>103428801</u>	PD3 Transformer	1
14	<u>103429001</u>	PD3 Cordset - DC 113" (includes item 15)	1
15	<u>1012098</u>	Bushing, DC Cord	1
16	<u>103429101</u>	PD3 Cordset - DC 154" (includes item 17)	1
17	<u>1012098</u>	Bushing, DC Cord	1
18	<u>103429201</u>	PD3 Cordset - DC 205" (includes item 19)	1
19	<u>1012098</u>	Bushing, DC Cord	1
20	<u>103429301</u>	Asm, PD3 Case (includes items 21 and 22)	1
21	<u>103434001</u>	Asm, PD3 Legs	1
22	<u>103439901</u>	PD3Case Top (Includes Handle)	1
23	<u>103429501</u>	Kit, PD3 Hardware	1
24	<u>103429601</u>	Kit, PD3 Wires	1
25	<u>CCX8506</u>	Circuit Breaker, 15-Amp/120-Volt	1

15

E



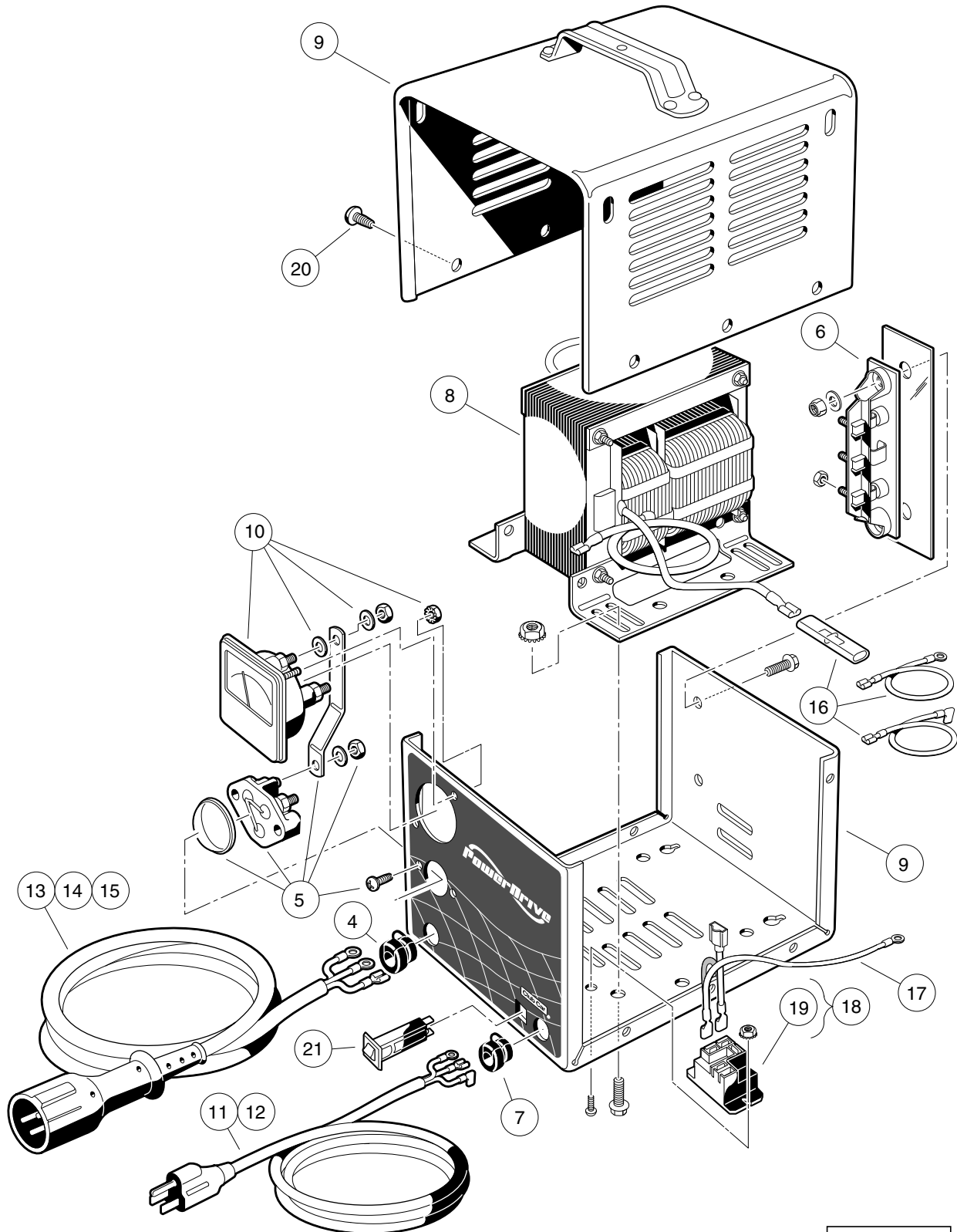
000291-004

POWERDRIVE 2 BATTERY CHARGER (MODEL 22110), DOMESTIC

ITEM	PART NO.	DESCRIPTION	QTY
		1 2 3 4	
1	<u>101802204</u>	48-V/13-A PowerDrive 2 (9-ft. DC, 6-ft. AC)	1
2	<u>101802205</u>	48-V/13-A PowerDrive 2 (12-ft. DC, 9-ft. AC)	1
3	<u>101802206</u>	48-V/13-A PowerDrive 2 (20-ft. DC, 9-ft. AC) (includes items 4 through 21)	1
4	<u>1012098</u>	Bushing, DC Cord	1
5	<u>101828601</u>	Relay, 48-Volt	1
6	<u>101828801</u>	Cord, AC, 80-Inch (203 cm)	1
7	<u>101828802</u>	Cord, AC, 108-Inch (274 cm)	1
8	<u>101828904</u>	PD2 DC Cordset, 113-inch	1
9	<u>101828905</u>	PD2 DC Cordset, 154-inch	1
10	<u>101828906</u>	Pd2 Dc Cordset 250 Inch	1
11	<u>102273201</u>	PD2 Case (includes item 12)	1
12	7577	Screw, #10 X 0.50 Phillips Pan-Head	12
13	<u>102273301</u>	PD2 Transformer Asm	1
14	<u>102273401</u>	PD2 Heatsink	1
15	<u>102273501</u>	PD2 Diode Bridge w/Film	1
16	<u>102273601</u>	PD2 Wire Asm	1
17	<u>102273701</u>	PD2 Fuse Asm	1
18	<u>102273801</u>	PD2 Ammeter	1
19	<u>102273901</u>	PD2 AC Cord Bushing	1
20	<u>102274001</u>	PD2 Handle	1
21	<u>CCX8506</u>	Circuit Breaker, 15-Amp/120-Volt	1
<p>Note: Item 16 not shown. Level 1 Battery Charger part numbers include one AC and one DC cord. They do not include all of the level 2 cords listed.</p>			

15

E



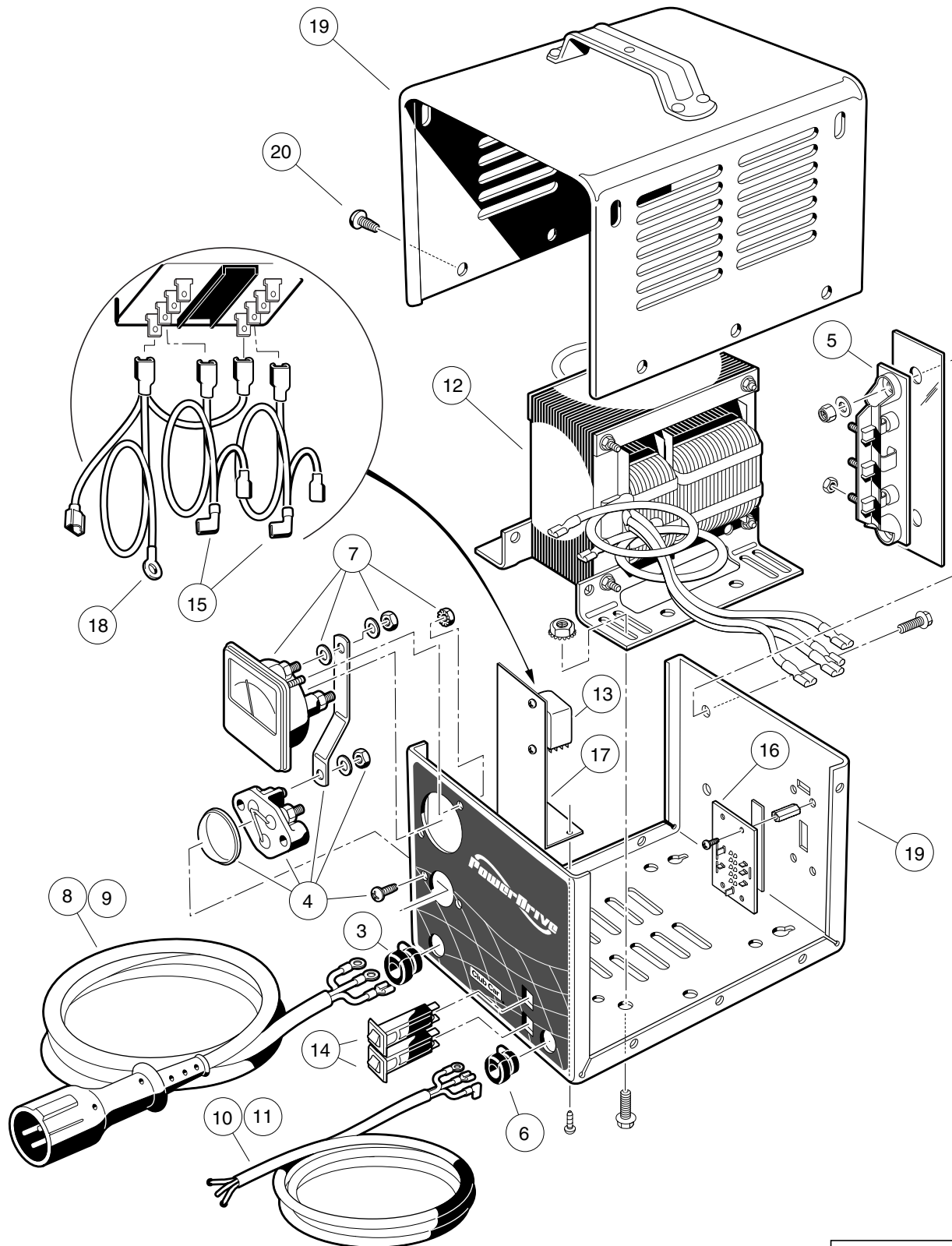
000351-002

POWERDRIVE BATTERY CHARGER (MODEL 17930), DOMESTIC

ITEM	PART NO.	DESCRIPTION	QTY
		1 2 3 4	
1	<u>101802201</u>	Charger, PowerDrive, 48V/17A, 9ft DC, 6ft AC Cord	1
2	<u>101802202</u>	Charger, PowerDrive, 48V/17A, 12ft DC, 9ft AC Cord	1
3	<u>101802203</u>	Charger, PowerDrive, 48V/17A, 20ft DC, 9ft AC Cord (includes items 4 through 21)	1
4	<u>1012098</u>	Bushing, DC Cord	1
5	<u>1012101</u>	Fuse Assembly	1
6	<u>1015914</u>	Rectifier with Heatsink Assembly	1
7	<u>1015917</u>	Bushing, AC Cord	1
8	<u>101819701</u>	Transformer, Battery Charger	1
9	<u>101828301</u>	Case Assembly	1
10	<u>101828501</u>	Ammeter	1
11	<u>101828801</u>	Cord, AC, 80-Inch (203 cm)	1
12	<u>101828802</u>	Cord, AC, 108-Inch (274 cm)	1
13	<u>101828901</u>	Cord, DC, 113-Inch (287 cm)	1
14	<u>101828902</u>	Cord, DC, 154-Inch (391 cm)	1
15	<u>101828903</u>	Cord, DC, 250-Inch (635 cm)	1
16	<u>101831101</u>	Wire Assembly Kit	1
17	101914401	Assembly, Voltage Suppressor	1
18	<u>103414901</u>	Kit, Relay, 48v 30a W/instr (includes item 19)	1
19	<u>103397901</u>	Relay, Spst No, 48v 30a, Pmt	1
20	7577	Screw, #10 X 0.50 Phillips Pan-Head	10
21	<u>CCX8506</u>	Circuit Breaker, 15-Amp/120-Volt	1
<p>Note: Level 1 Battery Charger part numbers include one AC and one DC cord. They do not include all of the level 2 cords listed.</p>			

15

E



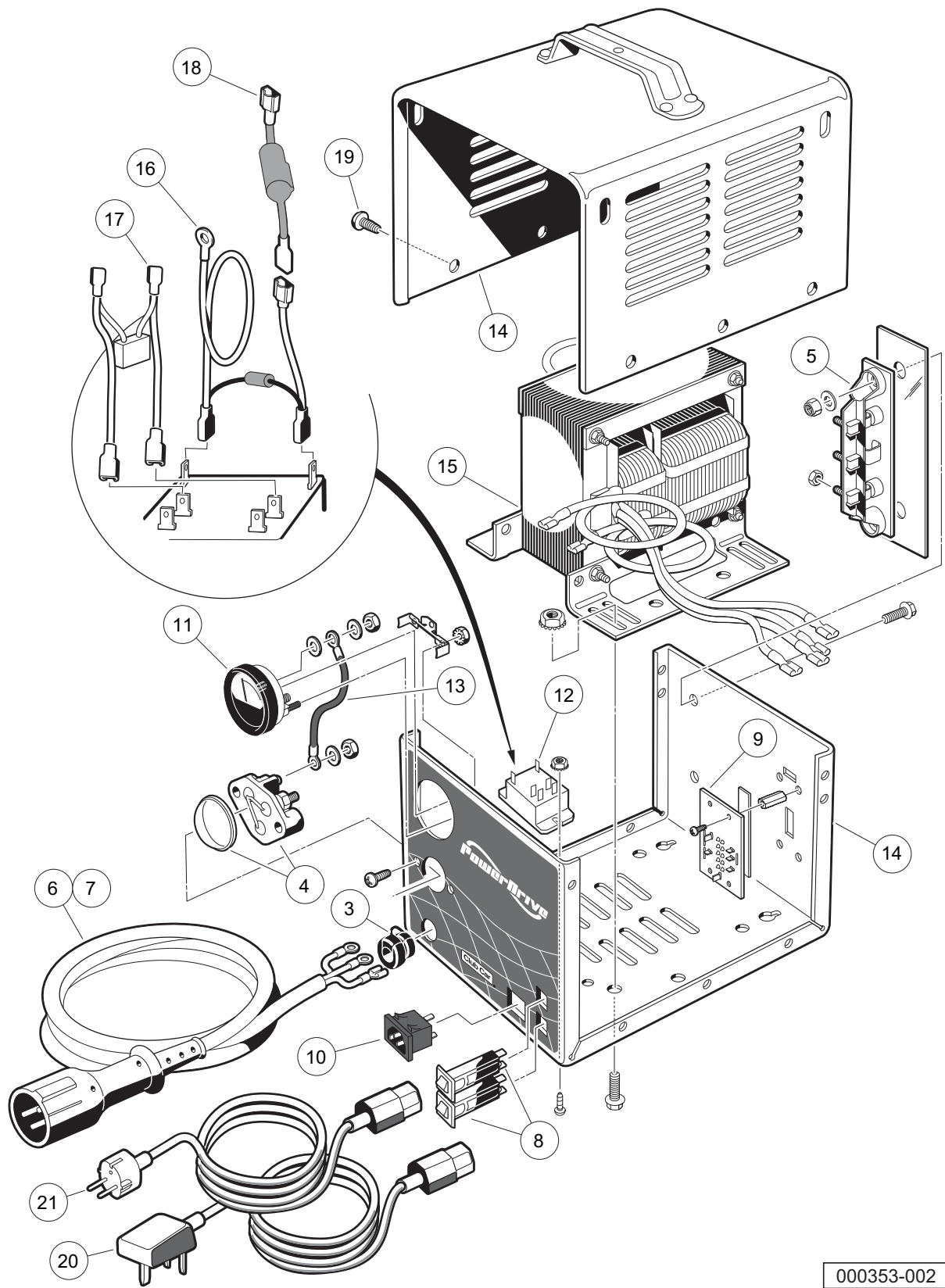
000352-001

POWERDRIVE BATTERY CHARGER (MODEL 18780), EXPORT

ITEM	PART NO.	DESCRIPTION	QTY
		1 2 3 4	
1	101831503	Battery Charger, 48-Volt DC (8.5-ft DC, 6-ft AC)	1
2	101831504	Battery Charger, 48-Volt DC (12-ft DC, 9-ft AC) (includes items 3 through 20)	1
3	<u>1012098</u>	Bushing, DC Cord	1
4	<u>1012101</u>	Fuse Assembly	1
5	<u>1015914</u>	Rectifier with Heatsink Assembly	1
6	<u>1015917</u>	Bushing, AC Cord	1
7	<u>101828501</u>	Ammeter	1
8	<u>101828901</u>	Cord, DC, 113-Inch (287 cm)	1
9	<u>101828902</u>	Cord, DC, 154-Inch (391 cm)	1
10	<u>101831701</u>	Cord, AC, 80-Inch (203 cm), without Plug	1
11	<u>101831702</u>	Cord, AC, 118-Inch (300 cm), without Plug	1
12	<u>101838201</u>	Transformer, Export Battery Charger	1
13	<u>101838301</u>	Relay, Export Charger	1
14	<u>101838401</u>	Circuit Breaker	2
15	<u>101838501</u>	Kit, Wire Assembly	1
16	<u>101838601</u>	Four-Position Switch	1
17	<u>101838701</u>	Mounting Bracket, Relay	1
18	<u>101914401</u>	Assembly, Voltage Suppressor	1
19	N/A	Case, Charger	1
20	7577	Screw, #10 X 0.50 Phillips Pan-Head	10
<p>Note: Level 1 Battery Charger part numbers include one AC and one DC cord. They do not include all of the level 2 cords listed.</p>			

15

E



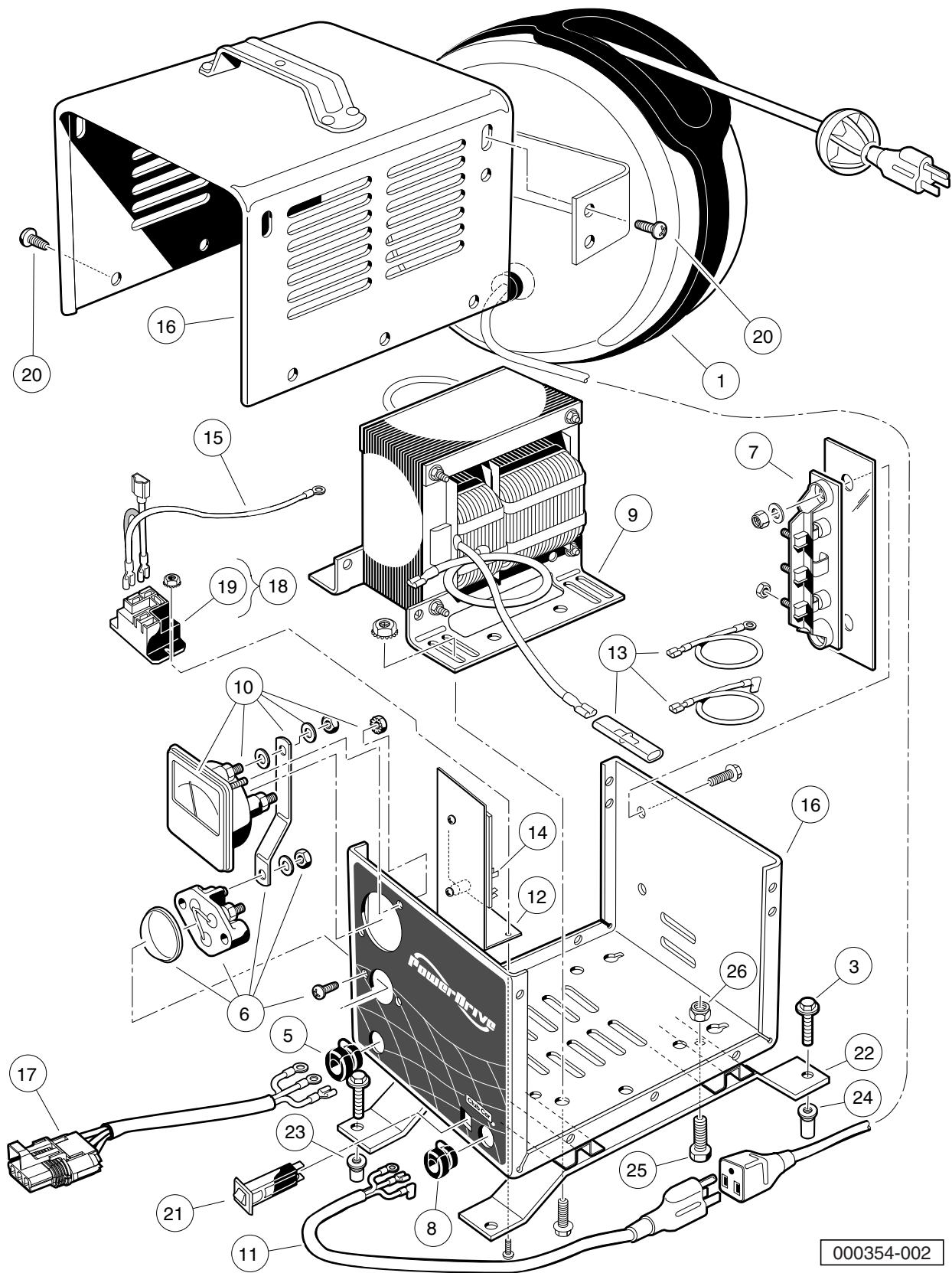
000353-002

POWERDRIVE BATTERY CHARGER (MODEL 20310), EUROPEAN

15

E

ITEM	PART NO.	DESCRIPTION	QTY
		1 2 3 4	
1	<u>101956201</u>	Battery Charger, 48-Volt w/ 4-Position Switch (8.5-ft DC)	1
2	<u>101956202</u>	Battery Charger, 48-Volt w/ 4-Pos. Switch (12-ft DC) (includes items 3 through 19)	1
3	<u>1012098</u>	Bushing, DC Cord	1
4	<u>1012101</u>	Fuse Assembly	1
5	<u>1015914</u>	Rectifier with Heatsink Assembly	1
6	<u>101828901</u>	Cord, DC, 113-Inch (287 cm)	1
7	<u>101828902</u>	Cord, DC, 154-Inch (391 cm)	1
8	101838401	Circuit Breaker	2
9	101838601	Four-Position Switch	1
10	101973501	Receptacle, AC Cord	1
11	101976601	Ammeter with Mounting Bracket	1
12	<u>101987501</u>	Relay	1
13	N/A	Wire, Jumper	1
14	N/A	Case, Charger	1
15	****	Transformer, European Battery Charger	1
16	****	Suppressor, AC Voltage	1
17	****	Assembly, Wire	1
18	N/A	Limiter, Current	1
19	7577	Screw, #10 X 0.50 Phillips Pan-Head	10
20	<u>101958201</u>	Cord, UK, AC, Battery Charger	1
21	101958301	Cord, European AC, Battery Charger	1
		**** Special order item available upon request.	
		Note: Level 1 Battery Charger part numbers include one AC and one DC cord. They do not include all of the level 2 cords listed.	



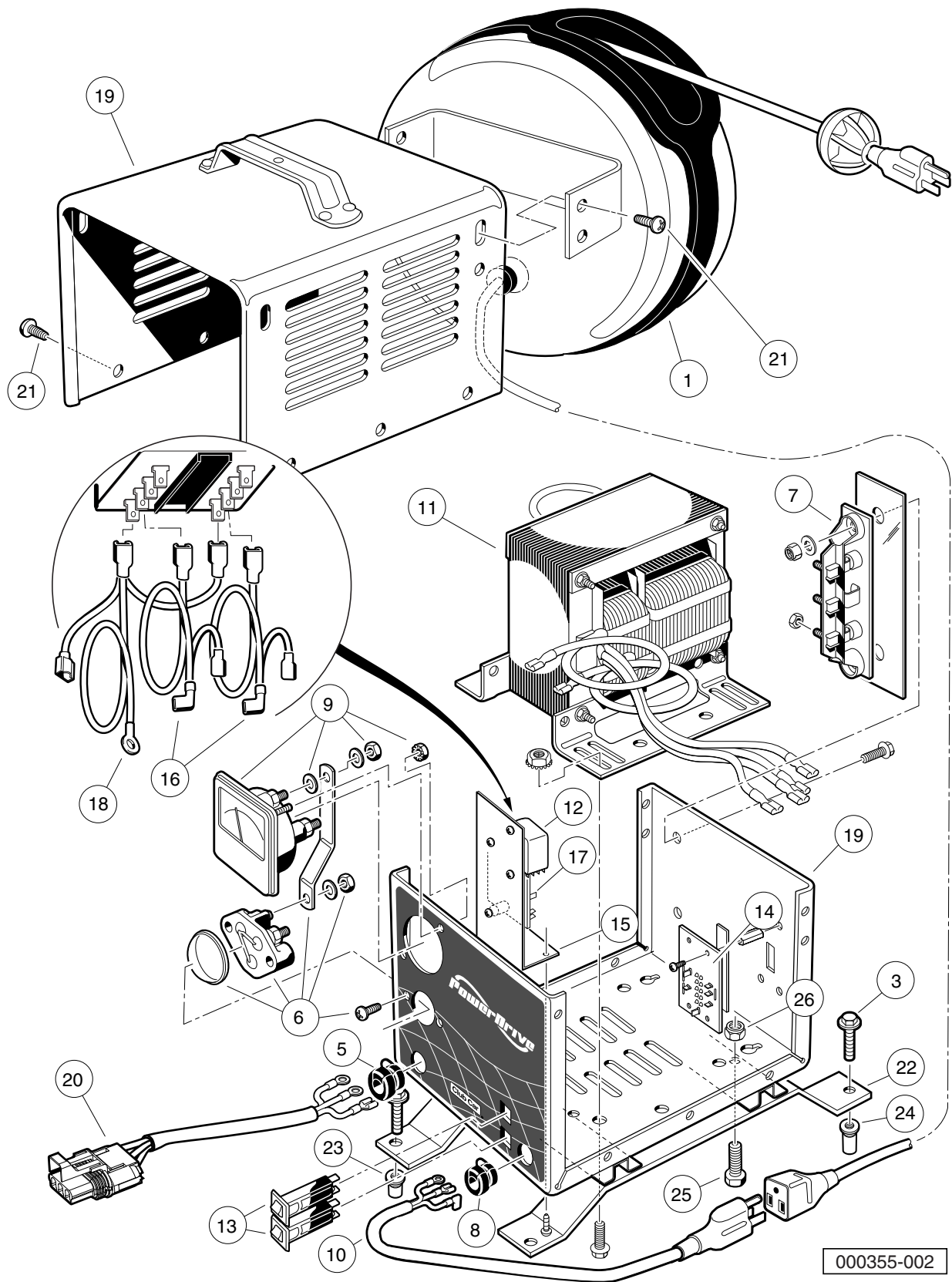
000354-002

ONBOARD POWERDRIVE BATTERY CHARGER (MODEL 17935-40), DOMESTIC

15

E

ITEM	PART NO.	DESCRIPTION	QTY
		1 2 3 4	
1	<u>1017187</u>	Retractable Cord Reel	1
2	<u>1017189</u>	Heat Shrink Tube 1.5" X 3"	1
3	<u>102541425</u>	Bolt, M6x1.0x25, Hex Flhd, Blk-l	4
4	<u>102546901</u>	Battery Charger, Onboard, PowerDrive, 48VDC, Domestic (includes items 5 through 21)	1
5	<u>1012098</u>	Bushing, DC Cord	1
6	<u>1012101</u>	Fuse Assembly	1
7	<u>1015914</u>	Rectifier with Heatsink Assembly	1
8	<u>1015917</u>	Bushing, AC Cord	1
9	<u>101819701</u>	Transformer, Battery Charger	1
10	<u>101828501</u>	Ammeter	1
11	<u>101829001</u>	Cord, AC, 22-Inch (56 cm)	1
12	<u>101838701</u>	Mounting Bracket, Relay	1
13	<u>101841701</u>	Kit, Wire Assembly	1
14	<u>101914401</u>	Assembly, Voltage Suppressor	1
15	N/A	Case, Charger	1
16	<u>102940801</u>	Cord, Dc	1
17	<u>103414901</u>	Kit, Relay, 48v 30a W/instr (includes item 18)	1
18	<u>103397901</u>	Relay, Spst No, 48v 30a, Pmt	1
19	<u>103869401</u>	Control Board, Potted	1
20	<u>7577</u>	Screw, #10 X 0.50 Phillips Pan-Head	12
21	<u>CCX8506</u>	Circuit Breaker, 15-Amp/120-Volt	1
22	<u>102547201</u>	Charger Support, Prec	2
23	<u>102551701</u>	Insert M6x1.0	2
24	<u>103339901</u>	Insert M6x1.0 Long	2
25	<u>7847</u>	Screw, 1/4-20 X 0.75 Hex-Head Cap	4
26	<u>8233</u>	Locknut, 1/4-20, Nylon Insert	4
27	<u>8990</u>	Tie Wrap, 8" Nylon	2
<p>Note: Items 2 and 27 not shown. For wire harness connecting charger to vehicle, see Electrical System section.</p>			



000355-002

ONBOARD POWERDRIVE BATTERY CHARGER (MODEL 17790-40), INTERNATIONAL

15

E

ITEM	PART NO.	DESCRIPTION	QTY
		1 2 3 4	
1	<u>1017187</u>	Retractable Cord Reel	1
2	<u>1017189</u>	Heat Shrink Tube 1.5" X 3"	1
3	<u>102541425</u>	Bolt, M6x1.0x25, Hex Flhd, Blk-l	4
4	<u>102546902</u>	Battery Charger, Onboard, PowerDrive, 48VDC, International (includes items 5 through 21)	1
5	<u>1012098</u>	Bushing, DC Cord	1
6	<u>1012101</u>	Fuse Assembly	1
7	<u>1015914</u>	Rectifier with Heatsink Assembly	1
8	<u>1015917</u>	Bushing, AC Cord	1
9	<u>101828501</u>	Ammeter	1
10	<u>101829001</u>	Cord, AC, 22-Inch (56 cm)	1
11	<u>101838201</u>	Transformer, Export Battery Charger	1
12	<u>101838301</u>	Relay, Export Charger	1
13	<u>101838401</u>	Circuit Breaker	2
14	<u>101838601</u>	Four-Position Switch	1
15	<u>101838701</u>	Mounting Bracket, Relay	1
16	****	Kit, Wire Assembly	1
17	<u>101914401</u>	Assembly, Voltage Suppressor	1
18	N/A	Case, Charger	1
19	<u>102940801</u>	Cord, Dc	1
20	<u>103869401</u>	Control Board, Potted	1
21	<u>7577</u>	Screw, #10 X 0.50 Phillips Pan-Head	12
22	<u>102547201</u>	Charger Support, Prec	2
23	<u>102551701</u>	Insert M6x1.0	2
24	<u>103339901</u>	Insert M6x1.0 Long	2
25	<u>7847</u>	Screw, 1/4-20 X 0.75 Hex-Head Cap	4
26	<u>8233</u>	Locknut, 1/4-20, Nylon Insert	4
27	<u>8990</u>	Tie Wrap, 8" Nylon	2
<p>**** Special order item available upon request.</p> <p>Note: Items 2 and 27 not shown. For wire harness connecting charger to vehicle, see Electrical System section.</p>			

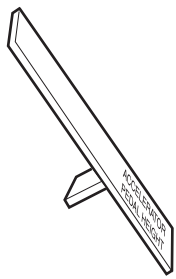
15

E

MAINTENANCE AND SERVICE TOOLS

16
G
E

16
G
E



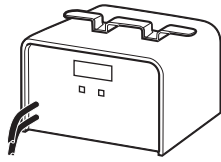
1



2



3



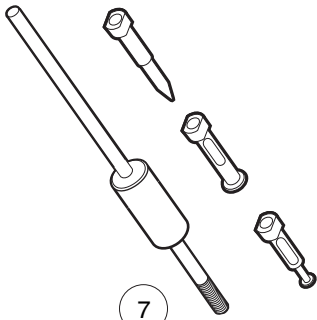
4



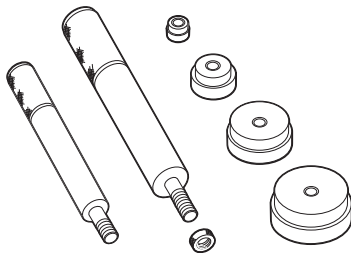
5



6



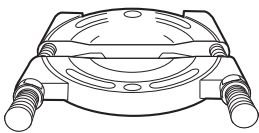
7



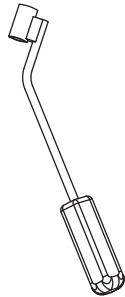
8



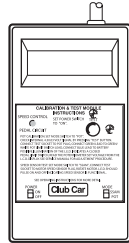
9



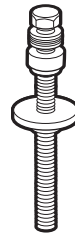
10



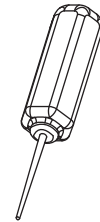
11



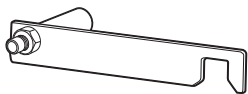
12



13



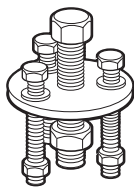
14



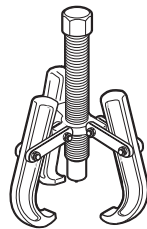
16



17



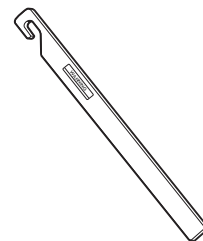
18



19



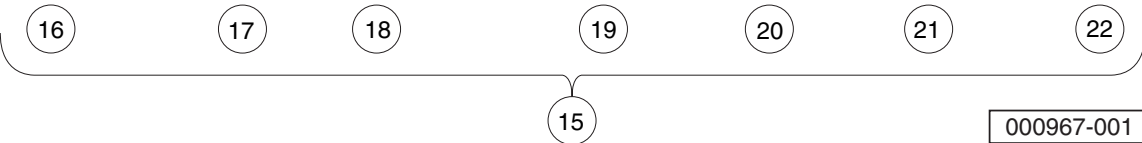
20



21



22



000967-001

MAINTENANCE AND SERVICE TOOLS – GOLF

ITEM	PART NO.	DESCRIPTION	QTY GAS	QTY ELEC
		<p>1 2 3 4</p> <p>The following tool list includes all tools available from Club Car for maintenance and service procedures for gasoline and electric golf cars, both past and present models. Be sure to carefully examine the tool list for applicability to your vehicle before ordering.</p>		
1	<u>101871001</u>	Accelerator Pedal Adjustment Tool	1	1
2	<u>101813202</u>	Adhesive, Guide Ring, 3-Gram Tube		1
3	<u>101641202</u>	Arbor	1	
4	<u>101831901</u>	Battery Discharge Machine, 36/48 Volt		1
5	<u>1014305</u>	Battery Terminal Protector Spray	1	1
6	<u>1011767</u>	Battery Thermometer	1	1
7	<u>1016417</u>	Bearing and Oil Seal Remover Assembly	1	1
8	<u>1016416</u>	Bearing Driver Set	1	1
9	<u>1012811</u>	Bearing Puller	1	1
10	<u>1012812</u>	Bearing Puller Wedge Attachment	1	1
11	<u>102555501</u>	Brake Cable Release Tool	1	1
12	<u>101887101</u>	Calibration Test Module		1
13	<u>101808401</u>	Cam Installation Tool	1	
14	<u>102562401</u>	Charger Bezel Tool		1
15	<u>1014510</u>	Clutch Tool Kit (includes items 16 - 22)	1	
16	<u>1014498</u>	Clutch Alignment Tool (for pre-unitized transaxle vehicles built prior to 1997 model year)	1	
17	<u>1014496</u>	Drive Clutch Puller (for Kawasaki engines only)	1	
18	<u>1014497</u>	Drive Clutch Hub Puller (for Kawasaki engines only)	1	
19	<u>1014508</u>	Driven Clutch Cam Puller (for Kawasaki engines only)	1	
20	<u>1014507</u>	Driven Clutch Puller Plug (for Kawasaki engines only)	1	
21	<u>1015524</u>	Drive Clutch Holder Tool Assembly (for Kawasaki engines only)	1	
22	<u>101809101</u>	Press Weldment (for Kawasaki engines only)	1	
		<p>Please refer to the maintenance and service manual for proper tool application.</p>		

16

G

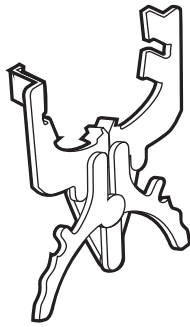
E

MAINTENANCE AND SERVICE TOOLS – GOLF, CONTINUED

ITEM	PART NO.	DESCRIPTION	QTY GAS	QTY ELEC	
		1 2 3 4			16
23	101831801	Communication Display Module		1	G
24	101641002	Compression Gauge and Adapter	1		E
25	1011273	Continuity Tester	1	1	
26	<u>1012151</u>	Dry Moly Lubricant	1	1	
27	<u>1016627</u>	Flywheel Puller Kit (for Kawasaki Engines)	1		
28	<u>1016418</u>	Gear Yoke	1	1	
29	<u>101933101</u>	Governor Shaft Installation Tool (for Kawasaki Engine Vehicles)	1		
30	<u>1011478</u>	Hydrometer	1	1	
31	<u>1013593</u>	Internal Retaining Ring Pliers	1	1	
32	<u>102248803</u>	IQ Display Module (IQDM) Kit (IQ System, Excel and IQ Plus vehicles)		1	
		(includes items 34 and 35)			
33	102248804	IQ Display Module (IQDM-P) Kit (IQ System, Excel and IQ Plus vehicles).....		1	
		(includes items 34 and 35)			
34	<u>102251501</u>	Adaptor, Cable		1	
35	<u>102241502</u>	IQDM Series 2 Cable		1	
36	<u>102241501</u>	IQDM Series 1 Cable (replacement)		1	
37	<u>101928701</u>	Liquid Gasket (transaxle case)	1	1	
38	<u>102243402</u>	Moly-Teflon Lubricant (4-oz. (113-gram) tube)		1	
39	<u>101997201</u>	Paint, Touch-Up – Beige*	1	1	
39	<u>101997207</u>	Paint, Touch-Up – Black*	1	1	
39	<u>101997212</u>	Paint, Touch-Up – Burgundy*	1	1	
39	<u>101997211</u>	Paint, Touch-Up – Classic Blue (Navy)*	1	1	
39	<u>101997205</u>	Paint, Touch-Up – Dark Gray*	1	1	
39	<u>101997209</u>	Paint, Touch-Up – Dark Green*	1	1	
39	<u>101997204</u>	Paint, Touch-Up – Gray*	1	1	
39	<u>101997203</u>	Paint, Touch-Up – Red*	1	1	
39	<u>101997206</u>	Paint, Touch-Up – Royal Blue (Pacific Blue)*	1	1	
39	<u>101997202</u>	Paint, Touch-Up – White*	1	1	
40	<u>102562301</u>	Paint, Precedent Underbody – Gray	1	1	
41	<u>102587201</u>	Paint Pen, Touch-Up, Precedent Underbody – Black	1	1	
		<p>Please refer to the maintenance and service manual for proper tool application.</p> <p>* Item 39 is not for use on Surlyn® body material, which is used on Precedent vehicles.</p>			



42



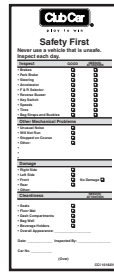
43



44



45



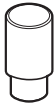
46



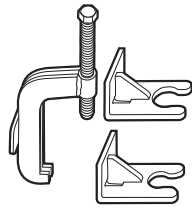
47



48



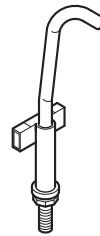
49



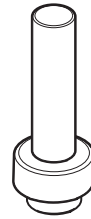
50



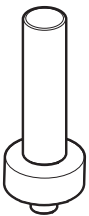
51



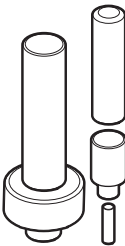
52



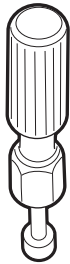
53



54



55



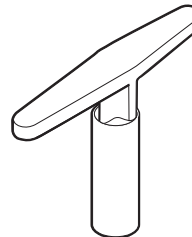
58



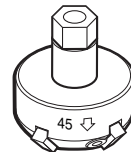
59



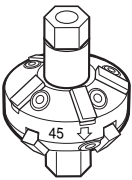
60



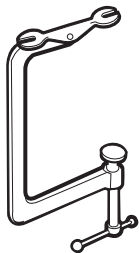
61



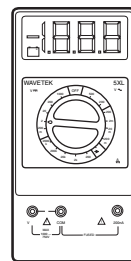
62



63



64



65

000969-001

MAINTENANCE AND SERVICE TOOLS – GOLF, CONTINUED

ITEM	PART NO.	DESCRIPTION	QTY GAS	QTY ELEC
		1 2 3 4		
42	<u>1016414</u>	Piston Ring Compressor Kit (FE290, FE350 and FE400 engines)	1	
43	<u>1016415</u>	Piston Ring Pliers (for Kawasaki Engines)	1	
44	<u>1012549</u>	Retaining Ring Pliers, 45° External	1	1
45	<u>1012560</u>	Retaining Ring Pliers, 90° Internal	1	1
46	<u>101823101</u>	Safety First Card (50 per pack)	1	1
47	<u>1012809</u>	Seal Puller	1	1
48	<u>1014264</u>	Steering Column Bearing Press Tool	1	1
49	<u>1014259</u>	Steering Column Retaining Ring Tool	1	1
50	102061201	Steering Wheel Puller Tool	1	1
51	<u>AM10753</u>	Tachometer (includes gasoline engine pick up lead only)	1	
52	<u>102570401</u>	Tool, Tensioning, Starter Generator (For Precedent vehicles)	1	
53	<u>1014162</u>	Transaxle Axle Seal Tool	1	
54	1014161	Transaxle Pinion Seal Tool	1	
55	<u>1014115</u>	Transmission Tool Kit	1	
56	<u>101611003</u>	Tune-Up Kit, DS (for FE290/350 Engines) (includes air filter, spark plug, oil filter, fuel filters) (not shown)	1	
57	<u>AM1220301</u>	Tune-Up Kit, Precedent (for FE290/350 Engines) (includes air filter, spark plug, oil filter, fuel filters) (not shown)	1	
58	<u>1016413</u>	Valve Clearance Adjuster Screw Holder (for FE290 engines only)	1	
59	101641201	Valve Guide Reamer (FE290, FE350, and FE400 only)	1	
60	<u>1016552</u>	Valve Seat Cutter Guide	1	
61	<u>1016551</u>	Valve Seat Cutter T-Wrench	1	
62	<u>1016553</u>	Valve Seat Cutter, 45° (32 mm diameter) (for FE290 engines only)	1	
63	<u>1016554</u>	Valve Seat Cutter, 45°/30° (35 mm diameter)	1	
64	<u>101641101</u>	Valve Spring Compressor	1	
65	1011480	Volt Ohm Meter	1	1
		Please refer to the maintenance and service manual for proper tool application.		

16
G
E

INDEX

Part Number and Page

AM10753	16-7	1011697	5-3, 7-15, 8-7, 8-9	1013771	11-7
AM10079	6-13, 12-3	1011767	16-3	1013772	11-7
AM10080	11-5	1012030	5-13	1013773	11-7
AM10081	11-5	1012098	15-3, 15-5, 15-7, 15-9, 15-11, 15-13, 15-15	1013774	11-7
AM10419	10-5	1012101	15-7, 15-9, 15-11, 15-13, 15-15	1013787	11-7
AM1229401	5-3	1012151	16-5	1013792	11-7
AM1232301	7-5	1012180	5-15, 5-17	1013794	11-7, 14-3
CCX8506	15-3, 15-5, 15-7, 15-13	1012181	5-15, 5-17, 5-19	1013924	4-3, 7-15
183	10-3, 11-3	1012182	5-15, 5-17, 5-19	1014007	11-3
332	9-3	1012285	8-9	1014049	10-3
334	7-15, 10-3	1012295	6-21	1014050	10-3
451	9-3, 13-3, 13-5	1012328	6-21	1014051	10-3
705	7-15	1012431	6-15	1014052	10-3
706	5-13	1012505	6-13, 12-3	1014055	10-3
808	10-3, 12-23	1012528	9-3, 12-41, 12-43, 12-45	1014056	10-3
1241	6-19, 9-3, 13-3	1012549	16-7	1014057	10-3
1242	4-7, 4-9, 6-19, 6-21	1012560	16-7	1014058	10-3
1624	6-19	1012565	5-3, 5-5	1014059	10-3
7174	6-19, 8-9, 9-3, 13-3, 13-5	1012566	5-3, 5-5	1014062	10-3
7310	2-3, 2-5	1012571	1-27, 7-15	1014063	10-3
7330	11-7, 14-3	1012594	6-15	1014065	6-15, 10-3
7335	11-5, 14-3	1012649	8-3	1014070	10-5
7336	14-3	1012711	11-3	1014072	10-5
7577	15-5, 15-7, 15-9, 15-11, 15-13, 15-15	1012714	11-5	1014078	10-5
7847	9-3, 15-13, 15-15	1012740	11-5	1014080	10-5
7893	6-21	1012741	11-5	1014089	6-15
8057	6-15	1012747	11-5	1014115	16-7
8058	6-15	1012748	11-5	1014145	6-15
8233	11-3, 15-13, 15-15	1012752	11-3	1014153	4-3
8450	10-3	1012809	16-7	1014161	16-7
8639	12-27, 12-29, 12-31, 12-33	1012811	16-3	1014162	16-7
8717	6-15, 11-3	1012812	16-3	1014201	13-3, 13-5
8745	5-13	1012830	6-19, 8-9, 9-3	1014207	11-7
8754	6-19, 12-23	1012836	10-5	1014259	16-7
8990	15-13, 15-15	1012896	11-3	1014264	16-7
1010145	5-15, 5-17, 5-19	1012896	11-3	1014287	10-3
1010434	1-9, 1-13, 1-15, 1-25, 1-33, 1-35, 1-37, 1-39, 1-41, 4-7, 4-9, 12-31, 12-33	1012987	6-15	1014288	10-3
1010577	7-15	1013001	6-17	1014289	6-17
1010829	4-5	1013003	6-17	1014304	12-23, 12-25, 12-27, 12-29, 12-31, 12-33
1010850	4-3	1013005	6-17	1014305	16-3
1010934	13-3, 13-5	101301102	6-17	1014375	6-21
1010954	6-15, 11-3	1013061	11-3	1014413	1-17, 8-11
1010958	12-27, 12-29, 12-31, 12-33	1013357	1-21, 12-23	1014453	10-3
1010984	2-3	1013589	6-15	1014454	10-5
1011273	16-5	1013590	6-15	1014496	16-3
1011280	13-3	1013591	6-15	1014497	16-3
1011285	13-3	1013593	16-5	1014498	16-3
1011290	13-3	1013609	6-21	1014507	16-3
1011291	11-7	1013687	8-3	1014508	16-3
1011411	13-3	1013700	8-9	1014510	16-3
1011415	5-15, 5-17, 5-19	1013734	9-3, 12-41, 12-43, 12-45	1014523	8-3
1011466	4-3	1013746	8-3, 8-7	1014524	8-3
1011478	16-5	1013760	11-3	1014555	5-15, 5-17, 5-19, 12-25, 12-27, 12-29, 12-31, 12-33
1011480	16-7	1013768	11-7	1014727	6-15
		1013769	11-7		
		1013770	11-7		

INDEX

1014807	6-15	1016455	7-5	1016578	7-5
1014902	1-37, 1-39, 1-41, 5-19	1016456	7-3, 7-5	1016579	7-5
1014947	12-43, 12-45	1016457	7-7	1016581	7-7
1015064	6-15	1016458	7-9	1016582	8-7
1015137	8-3, 8-7	1016467	7-7	1016583	7-9
1015139	8-3	1016470	7-13	1016584	7-11
1015143	8-3	1016472	7-11	1016585	8-5
101524002	6-19	1016473	7-7	1016586	7-5
1015332	7-3	1016474	7-9	1016587	7-5
1015524	16-3	1016479	7-9	1016588	7-5
1015649	7-3	1016480	8-7	1016627	16-5
1015814	9-3	101648102	8-7	1016630	6-13
101584502	8-9	101648203	7-7	1016663	5-5
1015914	15-3, 15-7, 15-9, 15-11, 15-13, 15-15	1016483	7-9	1016672	11-7
1015917	15-7, 15-9, 15-13, 15-15	1016486	8-5	1016801	10-3
1015932	6-19	1016489	7-9	1016849	6-13, 12-3
1015969	7-3	101649002	8-7	1016851	6-13, 12-3
1016074	6-19	1016494	7-11	1016883	6-19
1016103	8-7	1016496	7-11	1016904	7-9, 9-3
101611003	16-7	1016497	7-5	101705701	1-37, 1-39, 1-41, 3-11
1016154	5-3, 5-5	1016499	8-5	1017082	11-3
101615602	5-5	1016501	8-5	1017187	15-13, 15-15
1016201	10-3	1016502	7-7	1017188	10-3
1016214	5-3, 5-5	1016506	7-11	1017189	15-13, 15-15
1016219	5-5	1016507	7-3	1017231	11-3
1016289	10-3	1016510	7-11	1017235	1-37, 1-39, 1-41, 5-19
1016337	11-5	1016513	11-3	1017434	7-9
1016338	11-5	1016517	7-9	1017435	7-9
101641002	16-5	1016518	7-9	1017442	7-7
101641101	16-7	1016519	7-9	1017443	7-9, 7-11
101641201	16-7	1016521	7-11	1017444	7-9
101641202	16-3	1016531	7-3	1017445	7-9
1016413	16-7	1016535	7-11	1017446	7-9
1016414	16-7	1016537	7-7	1017447	7-11
1016415	16-7	1016538	7-11	1017448	7-5
1016416	16-3	1016539	7-3	101744901	7-13
1016417	16-3	1016541	7-13	101744902	7-13
1016418	16-5	1016544	7-5, 7-9, 7-11	1017450	7-13
101642575	8-5	1016546	8-9	101745101	7-13
101642578	8-5	1016547	7-3, 7-13, 8-7	101745102	7-13
101642580	8-5	1016549	7-9	1017453	7-13
101642582	8-5	1016551	16-7	1017454	7-9
101642585	8-5	1016552	16-7	1017455	7-5
1016429	7-7	1016553	16-7	1017456	7-7
1016432	7-7, 11-3	1016554	16-7	101745701	7-13
1016436	7-9	1016560	7-9	101745702	7-13
1016437	8-5	1016561	7-5	1017458	7-7
1016438	8-7	1016562	7-5, 7-13	1017460	7-7
1016440	7-9, 8-7	1016563	7-9	1017461	8-5
1016441	8-7	1016564	7-11	1017463	7-5
1016444	8-7	1016566	7-9	1017466	8-7
1016445	7-5	1016569	7-9	1017468	7-5
1016449	7-9	1016570	7-7	1017471	7-13
1016450	7-9	1016571	7-13	1017472	7-11
1016452	7-9	1016572	8-7	1017473	7-9
1016454	7-11	1016576	7-7	1017474	7-3

INDEX

1017475	7-3	101816501	4-3	101838601	15-9, 15-11, 15-15
1017476	7-3	101816502	4-3	101838701	15-9, 15-13, 15-15
1017486	7-3	101819701	15-7, 15-13	101841701	15-13
1017487	7-11	101820201	8-7	101851101	6-13, 12-3
1017490	7-5	101823101	16-7	101856001	12-19, 12-21
1017500	7-3	101823201	4-3	101856201	1-17, 8-11
1017501	7-13	101823301	4-3	101865805	12-31, 12-33
1017502	7-13	101823302	4-3	101869302	6-17
1017503	7-13	101823801	4-3	101871001	16-3
1017504	7-11	101823901	4-3	101874901	6-17
1017507	7-7	101824001	4-3	101875001	6-17
1017508	7-11	101824002	4-3	101875101	6-17
1017510	7-13	101824401	8-3	101875102	6-17
1017512	7-13	101825101	3-3, 3-5	101875201	6-17
1017513	7-11	101827101	7-15	101875301	6-17
1017514	7-11	101828301	15-7	101875401	6-17
101751801	7-11	101828501	15-7, 15-9, 15-13, 15-15	101875501	6-17
101751802	7-11	101828601	15-5	101875601	6-17
101751803	7-11	101828801	15-5, 15-7	101875701	6-17
1017653	6-17	101828802	15-5, 15-7	101875802	6-17
1017686	10-5	101828901	15-7, 15-9, 15-11	101876001	6-17
1017689	9-3	101828902	15-7, 15-9, 15-11	101876202	6-17
101769302	2-3	101828903	15-7	101876301	6-17
101773301	7-13	101828904	15-5	101876402	6-17
101773302	7-13	101828905	15-5	101876501	6-17
101773303	7-13	101828906	15-5	101877601	6-17
101773304	7-13	101829001	15-13, 15-15	101877701	6-17
101773305	7-13	101830701	6-13, 12-3	101878101	6-17
101773306	7-13	101831101	15-7	101879001	6-17
101773307	7-13	101831401	12-23, 12-25	101884801	7-15
101773308	7-13	101831503	15-9	101886101	11-3
101773309	7-13	101831504	15-9	101887101	16-3
101773310	7-13	101831701	15-9	101887601	7-3, 8-7
101773311	7-13	101831702	15-9	101889401	11-5
101791101	4-3	101831801	16-5	101890001	11-5
1017944	13-3	101831901	16-3	101890101	11-3
1017947	13-3	101832001	12-25, 12-27, 12-29, 12-31, 12-33	101890201	11-3
1017949	13-3	101832202	8-9	101890501	11-3
1017950	13-3	101832302	8-9	101890601	11-3
1017953	13-3	101832601	7-15	101890901	11-7
101795701	12-25, 12-27, 12-29, 12-31, 12-33	101832701	7-15	101891001	11-7
101797701	12-27, 12-31	101833101	7-15	101891301	11-3
101797801	12-27, 12-29, 12-31, 12-33	101833401	10-5	101891401	11-7
101802201	15-7	101833601	11-3	101891501	11-7
101802202	15-7	101833701	6-17	101891601	11-5
101802203	15-7	101833902	10-3	101891901	11-5
101802204	15-5	101834001	10-5	101892001	11-5
101802205	15-5	101834502	6-13, 12-3	101892201	11-5
101802206	15-5	101834601	7-15	101892301	11-5
101808401	16-3	101834801	11-3	101892401	11-5
101809101	16-3	101836201	10-5	101892501	11-5
101811401	1-17, 8-11	101837301	6-19	101892601	11-5
101813202	16-3	101838201	15-9, 15-15	101892701	11-7
101815501	4-3	101838301	15-9, 15-15	101892901	11-3
101815502	4-3	101838401	15-9, 15-11, 15-15	101893201	11-5
101816301	4-3	101838501	15-9	101893801	11-3

INDEX

101893901	11-5	101958201	15-11	102265701	13-3
101895401	14-3	101958301	15-11	102265801	13-3
101895501	14-3	101960501	3-3	102265901	13-3
101896501	6-17	101963401	7-15	102266001	13-3
101897001	14-3	101964201	12-29, 12-33	102266101	13-3
101897201	14-3	101972001	16-5	102267001	13-3
101897401	14-3	101972002	16-5	102273201	15-5
101897601	14-3	101972003	16-5	102273301	15-5
101898001	6-21	101972004	16-5	102273401	15-5
101903601	14-3	101972005	16-5	102273501	15-5
101903701	14-3	101972006	16-5	102273601	15-5
101905901	8-5	101972007	16-5	102273701	15-3, 15-5
101906901	14-3	101972009	16-5	102273801	15-3, 15-5
101908401	12-19, 12-21	101972011	16-5	102273901	15-3, 15-5
101908701	12-41, 12-43, 12-45	101972012	16-5	102274001	15-5
101909201	7-5	101972101	14-3	102279001	1-27
101909301	7-5	101972201	14-3	102279104	1-27
101909401	7-5	101973101	8-5	102279402	1-13
101909501	7-5	101973301	8-5	102287101	5-11
101910501	11-7	101973401	8-7	102287201	5-13
101914401	15-7, 15-9, 15-13, 15-15	101973501	15-11	102287301	5-11
101916001	7-13	101976601	15-11	102287601	5-11
101916101	7-3	101979101	6-15	102287701	5-11
101916201	7-5	101980801	11-5	102287901	5-13
101916301	7-5	101980901	11-5	102288101	5-11, 5-13
101916701	6-19, 10-3	101981001	11-5	102288201	5-13
101920101	12-5, 13-3, 13-5	101987501	15-11	102288401	5-13
101922101	14-3	101990802	4-7, 4-9	102288601	5-9
101922201	14-3	102003201	8-3	102288901	5-11
101923001	14-3	102022601	5-9	102289001	5-9
101923201	14-3	102031901	11-7	102289101	5-13
101923501	14-3	102061201	16-7	102289201	5-9, 5-13
101923901	14-3	102065901	7-15	102289301	5-9, 5-13
101925601	10-3	102155801	10-5	102289401	5-11
101926901	11-3	102186001	13-5	102289501	5-11, 5-13
101927101	11-3	102186101	13-5	102289601	5-11
101927201	11-3	102186201	13-5	102289701	5-11
101927301	11-3	102186401	13-5	102289801	5-13
101927501	11-5	102186701	13-5	102289901	5-11
101927601	11-5	102186901	13-5	102290120	5-7
101927701	11-5	102187001	13-5	102292201	4-7, 4-9
101927901	11-5	102187101	13-5	102292356	1-9, 1-11, 1-13, 1-15, 12-25, 12-27, 12-29, 12-31, 12-33
101928001	11-5	102187201	13-5	102292701	1-13, 1-15, 1-27
101928101	11-5	102196901	12-3	102292801	4-5
101928301	11-7	102235201	13-3, 13-5	102293512	12-23
101928601	11-3	102240104	13-3	102296020	1-5, 5-3, 6-21, 8-3, 8-11
101928701	11-3, 14-3, 16-5	102240501	12-41, 12-43, 12-45	102296040	6-15, 6-21
101929802	10-3	102241501	16-5	102296140	1-31
101933101	16-5	102241502	16-5	102296401	1-31
101936801	12-5	102242101	10-5	102296530	1-25, 1-33, 1-37, 1-39, 1-41
101939901	6-17	102243402	16-5	102296601	1-13, 1-15, 1-27
101942301	13-3, 13-5	102243403	13-3, 13-5	102296716	12-19, 12-41, 12-43, 12-45
101953802	7-3	102248803	16-5	102296819	1-9, 1-11
101956201	15-11	102248804	16-5	102296920	1-13, 1-15, 6-15, 12-19, 12-21
101956202	15-11	102251501	16-5	102297001	1-11
101956503	12-41, 12-43	102265601	13-3		

INDEX

102297125	1-25, 8-11	102502308	1-27	102513102	4-7, 8-9
102297230	1-27	102502309	1-27	102513301	1-31
102297901	4-7, 4-9	102502311	1-27	102513501	1-31
102298020	1-13, 1-15, 12-25, 12-27, 12-29, 12-31, 12-33, 12-43, 12-45	102502313	1-27	102513701	8-3
102298030	1-17, 1-19, 1-27, 1-33, 4-7, 4-9	102502401	1-5	102514201	8-3
102298116	5-7	102502402	1-5	102514401	1-17, 8-11
102298130	5-7	102502404	1-5	102514601	6-15
102298170	5-15, 5-17, 5-19	102502405	1-5	102514701	8-3
102298185	5-15, 5-17, 5-19	102502406	1-5	102515001	6-11, 6-13
102298240	1-25, 1-27, 1-33	102502407	1-5	102515101	6-13
102298401	1-3, 1-31, 5-15, 5-17, 5-19	102502408	1-5	102515301	6-15
102298580	1-27	102502409	1-5	102515401	11-3
102298601	1-27, 1-35	102502411	1-5	102515501	6-15
102298716	1-13, 1-15, 1-27	102502413	1-5	102515601	6-15
102298720	1-33, 1-35, 1-37, 1-39, 1-41	102502501	1-5	102516901	1-19
102298745	1-35, 1-37, 1-39, 1-41	102502601	1-5	102517001	1-25
102298770	12-23	102502901	1-27	102517801	3-3
102299065	1-7, 1-31	102503001	1-27	102517901	3-3
102299360	1-31	102503221	1-25, 1-33	102518001	3-5
102299601	1-31	102503222	1-25, 1-33	102518101	3-7
102302504	1-13, 1-15	102503224	1-25, 1-33	102518301	3-7
102302604	1-13, 1-15	102503225	1-25, 1-33	102519201	3-3
102304801	7-9	102503901	1-25	102519301	3-3, 3-5
102336001	8-9	102504001	1-25	102519401	3-7
102353201	5-13	102504201	1-25	102520001	12-19
102353301	5-13	102504301	1-25	102520701	1-31
102353401	5-13	102504501	1-25	102520702	1-29
102355301	6-21	102504802	1-13, 1-15	102521301	8-11
102356601	14-3	102505701	5-11	102521401	8-11
102356801	14-3	102506201	5-15, 5-17, 5-19	102521901	1-13, 1-15
102357001	14-3	102506301	5-15, 5-17, 5-19	102522601	2-3
102357701	5-13	102506401	5-15, 5-17, 5-19	102522604	2-3
102380401	1-9	102506601	5-15, 5-17, 5-19	102522605	2-3
102400002	1-31	102507101	5-7	102522609	2-3
102400102	1-31	102508202	1-19	102522701	12-41
102400202	1-7	102508401	12-19, 12-21	102522901	6-13, 12-3
102400302	1-7	102508601	12-3	102523101	1-9
102430901	7-13	102508701	12-3	102523901	1-13, 1-15
102431001	7-11	102508901	1-31	102526401	12-23
102453001	11-5	102509301	5-17	102526801	12-23
102453101	11-5	102509701	12-23	102527501	3-7
102491501	12-25, 12-27, 12-29, 12-31, 12-33	102509801	12-23	102531001	1-35, 1-37, 1-39, 1-41
102500001	4-13	102510001	12-3	102531402	1-35, 1-37, 1-39, 1-41
102500101	4-11	102510101	12-9	102531501	1-33, 1-37, 1-39, 1-41
102500501	1-27	102510201	12-23	102531601	1-35, 1-37, 1-39, 1-41
102500601	1-27	102510601	12-23	102531701	1-33
102500801	4-7, 4-9	102510802	12-41	102531702	1-33
102501402	1-27	102510901	12-19	102531704	1-33
102501501	1-5	102511101	12-19, 12-21	102534001	12-23, 12-25
102502301	1-27	102511301	12-23, 12-25	102534201	1-3, 1-35, 1-37, 1-39, 1-41
102502302	1-27	102511302	12-23, 12-25	102534404	1-5
102502304	1-27	102511601	1-31	102534801	1-37, 1-39, 1-41, 5-19
102502305	1-27	102511702	1-17	102536601	6-13, 12-3
102502306	1-27	102512001	6-15	102536602	6-13
102502307	1-27	102512401	1-31	102536603	12-3
		102513001	5-15	102536604	6-13

INDEX

102536605	12-3	102563001	4-11, 4-13	102865101	8-3
102537801	5-3	102563101	4-11, 4-13, 6-3, 12-5	102878101	5-13
102538101	3-3, 5-3	102564901	5-9	102878201	5-13
102538201	3-5, 5-3	102565101	5-9	102886301	14-3
102538601	12-19, 12-21	102565201	5-9	102886401	14-3
102540301	7-15	102565301	5-9	102886501	14-3
102540601	2-5	102565401	5-9	102886601	14-3
102540701	2-5	102565701	5-9	102915601	1-11
102540801	5-3	102565801	5-9	102940801	15-13, 15-15
102540901	3-3	102565901	5-9	102952202	8-3
102541425	1-33, 1-37, 1-39, 1-41, 15-13, 15-15	102566001	5-9	102956201	5-11, 5-13
102543902	1-7	102566101	5-9	102956301	12-35
102544201	1-7, 1-31	102568701	1-25	102956401	12-35, 12-37
102544901	1-37, 1-39, 1-41, 5-19	102569304	2-3	102956501	12-35
102545601	1-27	102569309	2-3	102958001	12-35, 12-37, 12-39
102545602	1-27	102570401	16-7	102967901	1-27
102546901	15-13	102570901	1-37	102973801	5-13
102546902	15-15	102570902	1-39	103196001	1-31
102547201	15-13, 15-15	102570904	1-41	103199301	1-31
102550301	12-9	102571202	12-31, 12-33	103200301	1-31
102551701	1-25, 15-13, 15-15	102571301	5-3	103205101	1-31
102551901	4-7, 4-9	102572201	1-33, 1-37, 1-39, 1-41	103209501	5-7
102552001	4-7, 4-9	102572401	12-3	103210101	1-31
102552501	1-21	102573101	1-33, 1-37, 1-39, 1-41	103226201	12-35, 12-37, 12-39
102552502	1-21	102574801	1-33, 1-37, 1-39, 1-41	103226301	12-35, 12-37, 12-39
102552504	1-21	102574901	1-33, 1-37, 1-39, 1-41	103226401	12-35, 12-37, 12-39
102554601	1-21	102575101	1-33, 1-37, 1-39, 1-41	103226601	12-35, 12-37, 12-39
102554901	6-15	102575201	1-33, 1-37, 1-39, 1-41	103226701	12-35, 12-37, 12-39
102555501	16-3	102577001	1-21, 12-23	103238501	3-7, 3-9
102555901	3-5	102577002	1-21, 12-23	103262001	12-41
102556701	2-5	102584701	1-35, 1-37, 1-39, 1-41	103325001	1-3
102556801	2-5	102584801	1-35, 1-37, 1-39, 1-41	103325501	13-3
102557201	1-9, 1-11	102585801	12-9	103325601	13-3
102557501	4-5	102585901	9-3	103325701	13-3
102557502	4-5	102586201	6-7	103325801	13-3
102557801	2-3	102587201	16-5	103327601	1-25
102558201	8-11	102587501	4-11, 4-13	103327701	6-3
102558301	8-11	102588301	8-11	103327901	12-5
102558401	8-11	102588501	5-15, 5-17, 5-19	103330601	1-3
102558501	8-11	102588601	5-11	103337601	13-3
102558601	8-11	102588701	4-11, 4-13	103339901	15-13, 15-15
102558701	8-11	102588901	4-11, 4-13	103344301	4-11, 4-13
102558801	4-11, 4-13	102589901	6-15	103345701	10-3
102558901	4-11, 4-13	102590001	12-9, 12-13, 12-17	103357701	12-25, 12-27, 12-29, 12-31, 12-33
102559001	4-11, 4-13	102591901	3-7, 3-9	103358501	12-25
102559101	4-11, 4-13	102594301	4-7, 4-9	103367901	12-43, 12-45
102559301	4-11, 4-13	102704701	13-5	103368301	12-25, 12-27, 12-29, 12-31, 12-33
102559401	4-11, 4-13	102704801	13-5	103368401	12-25, 12-27, 12-29, 12-31, 12-33
102559601	4-11, 4-13	102704901	13-5	103369401	12-43, 12-45
102559701	4-11, 4-13	102705001	13-5	103374801	12-27, 12-29, 12-31, 12-33
102562101	1-27	102751601	8-3	103374901	12-13
102562301	16-5	102753401	7-9	103375301	12-25, 12-27, 12-29, 12-31, 12-33
102562401	16-3	102771701	14-3	103375401	12-25
102562701	1-21, 1-23	102803301	6-21	103375501	12-25, 12-27, 12-29, 12-31, 12-33
102562801	1-21, 1-23	102806201	12-41, 12-43	103375701	12-13, 12-17
102562901	1-21, 1-23	102838401	7-5	103376001	12-25, 12-27, 12-29, 12-31, 12-33

INDEX

- 103384601 3-9
 - 103384701 3-9
 - 103384801 3-9
 - 103395401 12-39
 - 103395402 12-37
 - 103395501 12-39
 - 103395503 12-37
 - 103395701 12-39
 - 103397901 15-7, 15-13
 - 103402701 1-11
 - 103403201 12-41, 12-43
 - 103403402 12-45
 - 103403501 12-17
 - 103413901 12-27, 12-29, 12-31, 12-33
 - 103414901 15-7, 15-13
 - 103421801 12-13, 12-17
 - 103423001 1-23
 - 103423002 1-23
 - 103423004 1-23
 - 103428501 15-3
 - 103428601 15-3
 - 103428701 15-3
 - 103428801 15-3
 - 103429001 15-3
 - 103429101 15-3
 - 103429201 15-3
 - 103429301 15-3
 - 103429501 15-3
 - 103429601 15-3
 - 103429701 15-3
 - 103434001 15-3
 - 103439901 15-3
 - 103446601 12-45
 - 103447901 1-23
 - 103458601 2-3
 - 103459101 2-3
 - 103470701 8-3
 - 103496801 6-21
 - 103498501 12-43, 12-45
 - 103499101 15-3
 - 103499102 15-3
 - 103499103 15-3
 - 103853121 1-37
 - 103853122 1-39
 - 103853124 1-41
 - 103869401 15-13, 15-15
 - 103896721 1-37
 - 103896722 1-39
 - 103896724 1-41
 - 96704416 7-15
- A**
- absorber, front shock 5-11
 - absorber, rear shock 5-15, 5-17, 5-19
 - AC cord 15-3, 15-5, 15-7, 15-9, 15-11, 15-13, 15-15
 - AC cord bushing 15-3, 15-5
 - AC cord receptacle 15-11
 - accelerator cable 4-7, 8-9
 - accelerator pedal 4-11, 4-13
 - accelerator pedal adjustment tool 16-3
 - accelerator pedal pad 4-11, 4-13
 - access panel 1-27
 - adapter
 - cable (IQDM) 16-5
 - adhesive, guide ring 16-3
 - adjuster, lash 7-11
 - air filter 8-11
 - air filter canister evacuation valve 8-11
 - air intake assembly 8-11
 - air intake cover 8-11
 - air intake hose 8-11
 - AM1220301 16-7
 - ammeter 15-3, 15-5, 15-7, 15-9, 15-11, 15-13, 15-15
 - arbor 16-3
 - arm
 - governor 11-3
 - pivot 11-3
 - rocker 7-9
 - armature 6-17, 13-3, 13-5
 - armature conversion kit 6-17
 - armrest 1-21, 1-23
 - armrest 4 pass 1-33, 1-37, 1-39, 1-41
 - assembly
 - armature 6-17
 - axle 11-7
 - brake lever 4-3
 - brush connector 6-17
 - brush holder 6-17
 - carburetor 8-5
 - connecting rod 7-13
 - cylinder head 7-9
 - drive hub 10-3
 - driven clutch 10-5
 - driven clutch fixed-face 10-5
 - field coil 6-17
 - float 8-5
 - frame and field (motor) 13-5
 - fuel tank vent 8-3
 - governor 11-5
 - idle screw 8-5
 - moveable-face 10-3, 10-5
 - pilot air screw 8-5
 - plug cap 7-5
 - score card plate 5-5
 - secondary clutch weight 10-3
 - axle 11-3, 11-7, 14-3
 - axle shaft oil seal 11-7, 14-3
 - axle tube 11-7, 14-3

B

- backing plate, brake 4-3
- backrest, beige 1-25, 1-33, 1-37
- backrest, black 1-25, 1-33
- backrest, gray 1-25, 1-33, 1-41
- backrest, white 1-25, 1-33, 1-39
- bag hoop 1-25
- bag strap 1-25
- bag strap buckle 1-25
- ball bearing 5-9, 7-11
- ball joint 5-9
- ball stud 6-15, 11-3
- ball, shifter 11-5
- ball, steel pressure relief 7-7
- band, RPM limiter mount 7-5
- barb, vent 8-3
- barrel, plastic 1-9, 1-13, 1-15, 1-25, 1-33, 1-35, 1-37, 1-39, 1-41, 4-7, 4-9, 12-31, 12-33
- battery
 - 12-volt, side-post 6-21
 - 8-volt, T875 12-27, 12-31
 - 8-volt, Trojan T890 12-29, 12-33
- battery bucket 12-25, 12-27, 12-29, 12-31, 12-33
- battery cable 12-23
- battery cap, 6-volt 12-23, 12-25
- battery cap, 8-volt 12-27, 12-29, 12-31, 12-33
- battery charger 15-3, 15-5, 15-7, 15-9, 15-11
- battery charger case 15-3, 15-5, 15-7, 15-9, 15-11, 15-13, 15-15
- battery charger handle 15-5
- battery charger receptacle 12-23
- battery charger transformer 15-5, 15-7, 15-9, 15-11, 15-13, 15-15
- battery charger wire harness
 - onboard 12-13, 12-17
- battery charger, onboard, 48-volt 15-13
- battery charger, onboard, international 15-15
- battery clamp 6-21
- battery cross rod tube 12-25, 12-27, 12-29, 12-31, 12-33
- battery discharge machine 16-3
- battery hold-down 12-25, 12-27, 12-29, 12-31, 12-33
- battery light 12-3
- battery separator 12-25
- battery terminal protector spray 16-3
- battery thermometer 16-3
- battery, 12-volt 6-21
- battery, 12-volt, Trojan T1275, moist 12-23, 12-25
- battery, 12-volt, Trojan T1275, wet 12-23, 12-25
- beam, rear bumper 1-27
- bearing 14-3
 - ball 5-9, 7-11
 - ball (motor) 13-5

INDEX

- idler 10-3
 - inner axle tube 11-7, 14-3
 - needle 11-5
 - outer axle tube 11-7
 - bearing and oil seal remover 16-3
 - bearing driver set 16-3
 - bearing puller 16-3
 - bearing puller wedge 16-3
 - bearing retainer 13-3
 - beauty panel, front 1-5
 - beauty panel, rear 1-27
 - bellows, steering 5-9
 - belt, drive 10-3
 - belt, starter/generator 6-19, 10-3
 - belt, V 6-19, 10-3
 - bezel, FNR 6-15
 - body kick plate (ele) 1-19
 - body kick plate (gas) 1-17
 - body, rear 1-27
 - body, under 1-27
 - bolt
 - battery, "S" hold-down 12-25, 12-27, 12-29, 12-31, 12-33
 - bolt, U- 1-37, 1-39, 1-41, 5-19
 - boot, switch 12-19, 12-21
 - bottom, seat, beige 1-23
 - bottom, seat, gray 1-23
 - bottom, seat, white 1-23
 - bracket
 - accelerator cable 8-9
 - adjustable starter/generator 6-19
 - canopy support 1-31
 - canopy support, drv 1-27
 - canopy support, pas 1-27
 - clamshell 1-13, 1-15
 - equalizer 4-7, 4-9
 - governor cable 8-9
 - jounce bumper 1-37, 1-39, 1-41, 5-19
 - muffler mounting 9-3
 - oil filter mount 7-7
 - oil level switch 7-11
 - relay mounting 15-9, 15-13, 15-15
 - RPM limiter 7-5
 - seat bottom hinge 1-23
 - seat support, 4 pass, drv 1-33, 1-37, 1-39, 1-41
 - seat support, 4 pass, pas 1-33, 1-37, 1-39, 1-41
 - shock mounting, drv 5-15, 5-17, 5-19
 - shock mounting, pas 5-15, 5-17, 5-19
 - snubber 7-15
 - starter/generator mounting 6-19
 - throttle spring return 8-7
 - brake adjusting mechanism 4-3
 - brake backing plate 4-3
 - brake cable 4-5
 - brake cable release tool 16-3
 - brake cluster 4-3
 - brake drum 4-3
 - brake lever 4-3
 - brake pedal 4-11, 4-13
 - brake pedal pad 4-11, 4-13
 - brake return spring 4-11, 4-13
 - brake rod 4-11, 4-13
 - brake self-adjusting mechanism 4-3
 - brake shoe 4-3
 - brake spring 4-3
 - breaker, circuit 15-3, 15-5, 15-7, 15-9, 15-11, 15-13, 15-15
 - breather 11-3, 14-3
 - brow 1-5
 - brow cap 1-5
 - brush 13-3, 13-5
 - brush and screw set 6-17
 - brush box assembly 13-5
 - brush connector 6-17
 - brush cover kit, starter/generator 6-17
 - brush holder 6-17
 - brush inspection port cover 6-17
 - brush plate
 - starter/generator 6-17
 - brush port cover 6-17
 - brush rigging 13-3, 13-5
 - brush spring 13-3, 13-5
 - brush spring set 6-17
 - brush spring, starter/generator 6-17
 - brush terminal, starter/generator 6-17
 - bucket, battery 12-25, 12-27, 12-29, 12-31, 12-33
 - bucket, electric vehicle 12-23
 - bucket, gas vehicle 8-3
 - buckle, bag strap 1-25
 - Bumper 1-3
 - bumper 1-3
 - drive unit (motor) 13-3, 13-5
 - jounce 1-37, 1-39, 1-41, 5-19
 - bumper beam, rear 1-27
 - Bumper, Shock Plug 1-3
 - bushing 5-11, 5-13, 5-15, 5-17, 5-19, 6-15, 10-3
 - AC cord 15-3, 15-5
 - bushing, insulated 13-3
 - button, drive 10-5
 - buzzer, reverse 6-13, 12-3
- C**
- cable
 - accelerator 4-7, 8-9
 - brake 4-5
 - FNR shifter 6-15
 - governor 8-9
 - IQDM 16-5
 - cable support bracket 6-15
 - cable, battery 12-23
 - calibration test module 16-3
 - cam
 - driven clutch 10-5
 - neutral lockout 6-15
 - cam installation tool 16-3
 - cam, neutral lockout 6-15
 - camshaft 7-11
 - camshaft shim 7-11
 - canopy 1-29, 1-31
 - canopy drain cover 1-31
 - canopy handle 1-31
 - canopy support 1-31
 - canopy support bracket, drv 1-27
 - canopy support bracket, pas 1-27
 - canopy support cover, drv 1-7, 1-31
 - canopy support cover, pas 1-7, 1-31
- cap
- battery, 6-volt 12-23, 12-25
 - battery, 8-volt 12-27, 12-29, 12-31, 12-33
 - dust 12-3
 - front hub 5-13
 - fuel tank 8-3
 - key switch 6-13, 12-3
 - plug 7-5
- cap, SAM 1-7
- carburetor 8-5
 - carburetor gasket 8-7
 - carburetor insulator 8-7, 13-3
 - carburetor mounting gasket 8-7
 - card, safety first 16-7
- case
- battery charger 15-3, 15-5, 15-7, 15-9, 15-11, 15-13, 15-15
 - differential gear 11-7
 - gear 11-3, 14-3
 - rocker 7-9
- CE mark battery bucket plug kit 12-31, 12-33
- CE mark decal 12-31, 12-33
- CE mark diode, tow switch 12-9, 12-13, 12-17
- charger
 - wire assembly kit 15-7- charger bezel tool 16-3
- charger hardware kit 15-3
- charger receptacle 12-25, 12-27, 12-29, 12-31, 12-33
- charger wires 15-3
- charger, battery, onboard, 48-volt 15-13
- charger, battery, onboard, international 15-15
- charger, battery, PD2 15-5
- charger, battery, PD3 15-3
- charger, battery, PowerDrive 15-7
- charger, battery, PowerDrive European 15-11
- charger, battery, PowerDrive Export 15-9
- choke button rod 1-17, 8-11
- choke lever 1-17, 8-11

INDEX

- circuit breaker 15-3, 15-5, 15-7, 15-9, 15-11, 15-13, 15-15
 - clamp
 - battery 6-21
 - cable retaining 8-9
 - hose 8-3, 8-7
 - leaf spring 5-13
 - muffler hose 9-3
 - clamshell bracket 1-13, 1-15
 - clip
 - body trim 1-13, 1-15, 1-27
 - clip, score card 5-3, 5-5
 - closeout 1-21, 12-23
 - cluster idler gear 11-5
 - cluster, brake 4-3
 - clutch alignment tool 16-3
 - clutch pulley 10-3
 - clutch repair kit 10-5
 - clutch tool kit 16-3
 - clutch weight 10-3
 - clutch, drive 10-3
 - clutch, driven 10-5
 - coil, field 6-17
 - coil, ignition 7-5
 - collet 7-9
 - column, steering 5-7
 - comfort grip steering wheel 5-3
 - comfort grip steering wheel kit 5-3
 - communication display module 16-5
 - component mounting plate 12-41, 12-43, 12-45
 - compression gauge 16-5
 - compression spring 1-17, 8-11
 - compressor, piston ring 16-7
 - compressor, valve spring 16-7
 - computer, v 3.0 onboard 12-41, 12-43
 - computer, v 4.0 onboard 12-45
 - connecting rod 7-13
 - connector tube, handrail 1-33, 1-37, 1-39, 1-41
 - connector, 9-pin 6-11, 6-13, 12-3
 - connector, a- 6-17
 - continuity tester 16-5
 - control arm
 - A-arm 5-11
 - control board, potted 15-13, 15-15
 - controller shield 12-43, 12-45
 - controller, motor speed
 - Excel w/PD 12-45
 - IQ 12-41, 12-43
 - controller, speed 12-41, 12-43
 - cord connector 7-11
 - cord reel 15-13, 15-15
 - cord set, DC 15-3, 15-5
 - cord, AC 15-3, 15-5, 15-7, 15-9, 15-11, 15-13, 15-15
 - cord, DC 15-7, 15-9, 15-11, 15-13, 15-15
 - counterbalance guide shaft 7-13
 - counterbalance weight 7-13
 - coupler, SPWS 12-35, 12-37, 12-39
 - cover
 - 4-passenger underbody 1-33, 1-37, 1-39, 1-41
 - air intake 8-11
 - brush inspection port 6-17
 - brush port 6-17
 - canopy drain 1-31
 - crankcase 7-11
 - dust 4-3
 - electronics module 12-19
 - oil pump 7-7
 - steering column 5-3
 - support, canopy, drv 1-7, 1-31
 - support, canopy, pas 1-7, 1-31
 - cover plate 13-5
 - crankcase 7-13
 - crankcase cover 7-11
 - crankcase vent tube 8-7
 - crankshaft 7-13
 - crankshaft rod 7-13
 - crankshaft shim 7-13
 - current limiter 15-11
 - cushion, shock absorber 5-15, 5-17, 5-19
 - cutter, valve seat 16-7
 - cylinder head 7-9
- ## D
- damper, RPM limiter 7-5
 - dash 1-9, 1-11
 - dash support assembly 5-11
 - dash tray 1-9
 - DC cord 15-7, 15-9, 15-11, 15-13, 15-15
 - DC cord set 15-3, 15-5
 - decal
 - battery tag 3-7, 3-9
 - battery weight warning 3-7, 3-9
 - CE mark 12-31, 12-33
 - Club Car clip 3-3
 - component mounting plate 3-7
 - electrical cover safety 3-7
 - four-passenger warning 1-37, 1-39, 1-41, 3-11
 - frame ground warning 3-3
 - gas and governor warning 3-3
 - IR/Club Car 1-13, 1-15
 - on/off 3-3, 3-5
 - operating instructions 3-3, 3-5, 5-3
 - operating instructions (electric) 3-5, 5-3
 - operating instructions (gas) 3-3, 5-3
 - private speed mode 3-5
 - rollover warning 3-3, 3-5
 - rotating parts 3-3
 - Run/Tow warning 3-9
 - Tow/Run switch 3-7
 - warning 3-9
 - warning, battery weight 3-7, 3-9
 - warning, Run/Tow 3-9
 - water exposure 3-9
 - DF-terminal insulator 6-17
 - differential drive unit 11-3, 14-3
 - differential gear 11-7, 14-3
 - differential gear case 11-7
 - differential housing 14-3
 - differential idler gear 11-7
 - differential pin 11-7
 - diode, rectifier 15-5
 - diode, tow switch 12-9, 12-13, 12-17
 - dipstick 7-3
 - drain channel 1-11
 - drain plug 7-7
 - drain plug gasket 7-7, 11-3
 - drive belt 10-3
 - drive button 10-5
 - drive clutch 10-3
 - drive clutch button 10-3
 - drive clutch fixed-face 10-3
 - drive clutch holder tool 16-3
 - drive clutch hub puller 16-3
 - drive clutch puller 16-3
 - drive clutch spring 10-3
 - drive clutch weight 10-3
 - drive hub 10-3
 - drive selector shaft 11-3
 - drive unit bumper 13-3, 13-5
 - driven clutch 10-5
 - driven clutch button 10-5
 - driven clutch cam 10-5
 - driven clutch cam puller 16-3
 - driven clutch fixed-face assembly 10-5
 - driven clutch puller plug 16-3
 - driver, drive clutch 10-3
 - drum, brake 4-3
 - dry moly lubricant 16-5
 - dust cap 12-3
 - dust cover 4-3
 - dust seal 5-9
- ## E
- eccentric adjustment screw 5-13
 - electrical component mounting plate 12-43, 12-45
 - end bell, commutator 6-17
 - end bell, output shaft 6-17
 - end cap, motor 13-3, 13-5
 - end shield
 - motor 13-3
 - end, tie rod 5-9
 - engine 7-3
 - air filter 8-11

INDEX

engine mounting plate 7-15
engine shroud 7-3
equalizer 4-7, 4-9
exhaust system 9-3
exhaust valve 7-9

F

face, moveable 10-3, 10-5
fan housing 7-3
fan shroud 7-3
fan, flywheel 7-5
fascia 1-5
field coil 6-17
field coil housing 6-17
fill plug 11-3
filter
 air 8-11
 fuel 8-3
 oil 7-7
 oil pump 7-7
fixed-face, drive clutch 10-3
fixed-face, driven clutch 10-5
float 8-5
floor cover plate 4-7, 4-9
floor mat 1-13, 1-15
floor mat retainer 1-13, 1-15
floor mat, 4 pass, rear 1-35, 1-37, 1-39, 1-41
flywheel 7-5
flywheel fan 7-5
flywheel fan plate 7-5
flywheel puller 16-5
FNR bezel 6-15
FNR handle 6-15
FNR housing 12-19, 12-21
FNR shift lever 11-3
FNR shifter 6-15
FNR shifter base 6-15
FNR shifter cable 6-15
foam tape 1-27
foot deck 1-35, 1-37, 1-39, 1-41
fork, shift 11-5
four-passenger conversion kit 1-37, 1-39, 1-41
frame and field assembly (motor) 13-5
frame and field, starter/generator 6-17
front body beauty panel 1-5
front leaf spring 5-13
front suspension structure 5-11
front underbody 1-13
F-terminal hardware 6-17
f-terminal insulator 6-17
fuel filter 8-3
fuel line 8-3, 8-7
fuel pickup tube 8-3
fuel pump retrofit kit 8-3
fuel pump, impulse 8-3
fuel tank 8-3

fuel tank cap 8-3
fuel tank hold-down 8-3
fuel tank vent 8-3
fuse 15-7, 15-9, 15-11, 15-13, 15-15
 10-amp 6-21
 15-amp 12-19, 12-21
 charger 15-3, 15-5
fuse cover, sealed 6-21

G

gasket
 air intake 8-11
 carburetor 8-7
 carburetor mounting 8-5, 8-7
 crankcase cover 7-9, 7-11
 drain plug 7-7, 11-3
 exhaust 7-9, 9-3
 head 7-9
 insulator 7-9, 8-7
 liquid 11-3, 14-3, 16-5
 plug 14-3
 rocker case 7-9
gasket kit, FE350 7-9
gauge, compression 16-5
GCOR 6-3
gear
 cluster idler 11-5
 differential 11-7, 14-3
 differential idler 11-7, 14-3
 differential output 14-3
 helical 7-13, 11-5, 11-7
 spur 7-13, 11-5
 steering 5-9
 synchro 11-5
gear yoke 16-5
gearcase 11-3, 14-3
governor 11-5
governor arm 11-3
governor cable 8-9
governor cable bracket 8-9
governor shaft installation tool 16-5
governor shield 8-7
grip, pencil 5-3, 5-5
grommet 8-3
 ignition 7-5
guide
 intake valve 7-9
 valve 7-9
 valve seat cutter 16-7
guide ring adhesive 16-3

H

hand rail 1-35, 1-37, 1-39, 1-41
handle, battery charger 15-5
handle, FNR 6-15

handrail connector tube 1-33, 1-37, 1-39, 1-41
hardware kit, charger 15-3
hardware, F-terminal 6-17
harness, instrument panel 6-11, 6-13, 12-3
harness, wire 6-7, 12-9, 12-13, 12-17
harness, wire, gas IP 6-11, 6-13
harness, wire, onboard battery charger 12-13, 12-17
head gasket 7-9
head, cylinder 7-9
heat shrink tube 15-13, 15-15
heatsink 12-41, 15-5
heatsink and rectifier 15-3, 15-7, 15-9, 15-11, 15-13, 15-15
helical gear 7-13, 11-5, 11-7
hinge 12-25, 12-27, 12-29, 12-31, 12-33
hinge bracket, seat bottom 1-23
hinge plate 1-21
hip restraint 1-21, 1-23
hip restraint, 4 pass 1-33, 1-37, 1-39, 1-41
hold-down, battery 12-25, 12-27, 12-29, 12-31, 12-33
hold-down, fuel tank 8-3
hoop, bag 1-25
hose
 air intake 8-11
 fuel 8-3
 SPWS 12-35, 12-37, 12-39
housing
 2-pin 12-5
 3-pin 12-5, 13-3, 13-5
 differential 14-3
 fan 7-3
 field coil 6-17
hub 5-13
hub cap 5-13
hub, synchronizer clutch 11-5
hydrometer 16-5

I

idle screw assembly 8-5
idler bearing 10-3
idler gear, differential 14-3
ignition coil 7-5
inner frame snubber 7-15
input shaft 14-3
insert (SAM) 1-25, 15-13, 15-15
insert, synchronizer 11-5
instrument panel 6-13, 12-3
instrument panel harness 6-11, 6-13, 12-3
insulated bushing 13-3
insulator gasket 7-9, 8-7
insulator, carburetor 8-7, 13-3
intake assembly 8-11
intake cover 8-11
intake hose 8-11

INDEX

intake pipe 8-7
intake valve 7-9
intermediate shaft 14-3
internal retaining ring pliers 16-5
IQ display module (IQDM) 16-5
IQ display module (IQDM-P) 16-5

J

J-clip 1-27, 1-35
jet, main 8-5
jet, pilot 8-5
joint
 ball 5-9
jounce bumper 1-37, 1-39, 1-41, 5-19
jounce bumper bracket 1-37, 1-39, 1-41, 5-19

K

key
 crankshaft 7-5, 7-13
 driven clutch 10-5
 On/Off 6-13, 12-3
 square 10-5
 starter/generator 6-17
 woodruff 11-3
key switch 6-13, 12-3
key switch cap 6-13, 12-3
kick plate (ele) 1-19
kick plate (gas) 1-17
kick plate, body 1-17
king pin 5-13
kit
 2-pin housing 12-5
 3-pin housing 12-5, 13-3, 13-5
 armature conversion 6-17
 brake cable 4-5
 brake shoe retainer 4-3
 CE battery bucket plug 12-31, 12-33
 clutch repair 10-5
 comfort grip steering wheel 5-3
 differential gear case 11-7
 drive clutch button 10-3
 drive clutch weight 10-3
 driven clutch button 10-5
 fixed-face drive 10-3
 four-passenger 1-37, 1-39, 1-41
 front hub replacement 5-13
 gasket, FE350 7-9
 impulse fuel pump rebuild 8-3
 IQ display module (IQDM) 16-5
 IQ display module (IQDM-P) 16-5
 magnet and bearing 13-3
 motor brush 13-5
 motor brush spring 13-5
 motor cover plate 13-5
 motor speed sensor 13-5

motor terminal hardware 13-5
neutral lockout cam 6-15
PD3 hardware 15-3
PD3 wiring 15-3
relay, 48V 15-7, 15-13
shock absorber cushion 5-15, 5-17, 5-19
shoe retainer 4-3
SPWS 12-37, 12-39
SPWS (single-point watering system) 12-35
tune-up 16-7
underbody cover 1-7
wire assembly, charger 15-7

L

lash adjuster 7-11
L-bracket, motor 13-5
leaf spring 5-13
leaf spring, rear, 4-pass 1-37, 1-39, 1-41, 5-19
leaf spring, rear, ele 5-17
leaf spring, rear, gas 5-15
lever
 choke 1-17, 8-11
 drive selector 11-3
 transmission shift 11-3
light
 battery 12-3
 oil 6-13
limit switch 6-15
limiter
 current 15-11
 RPM 7-5
line, fuel 8-3, 8-7
liner, rear underbody 1-27
liquid gasket 11-3, 14-3, 16-5
low oil warning light 6-13
lubricant, dry moly 16-5
lubricant, moly-teflon 13-3, 13-5, 16-5
lug nut 2-3, 2-5
lug stud 5-13, 11-7, 14-3

M

magnet and bearing kit 13-3
magnet, speed sensor 13-3, 13-5
main jet 8-5
manifold, 4-valve (SPWS) 12-39
manifold, SPWS 12-35, 12-37
mat, floor 1-13, 1-15
mat, floor, 4 pass, rear 1-35, 1-37, 1-39, 1-41
MCOR 12-5
mechanism, brake adjusting 4-3
meter, volt ohm 16-7
module
 calibration test 16-3
 communication display 16-5
moly-teflon lubricant 16-5

motor
 48-volt 13-3
 48-volt IQ 13-5
motor armature 13-3
motor brush 13-3
motor brush kit 13-5
motor brush spring kit 13-5
motor bumper 13-3, 13-5
motor controller 12-41, 12-43
motor end cap 13-3, 13-5
motor end shield 13-3
motor L-bracket 13-5
motor magnet, speed sensor 13-3, 13-5
motor speed controller
 Excel w/PD 12-45
 IQ 12-41, 12-43
motor speed sensor 13-3, 13-5
motor speed sensor kit 13-5
motor stator shell and winding 13-3
motor terminal hardware kit 13-5
motor wire harness 12-13, 12-17
moveable-face 10-3, 10-5
muffler hose clamp 9-3

N

nameplate 1-5
needle bearing 11-5
neutral lockout cam 6-15
nozzle, main 8-5
nut, lug 2-3, 2-5

O

oil filler tube 7-3
oil filter 7-7
oil filter mount bracket 7-7
oil filter screen 7-11
oil filter screen plate 7-11
oil level sensor 7-11
oil level switch bracket 7-11
oil pump and rotor 7-7
oil pump cover 7-7
oil pump filter 7-7
oil pump plate 7-7
oil seal 7-9, 7-11, 7-13, 11-3, 11-5
oil warning light, low 6-13
onboard computer (v 3.0) 12-41, 12-43
onboard computer (v 4.0) 12-45
O-ring 7-3, 7-9, 7-11, 7-13, 12-35, 12-37, 12-39

P

pad
 accelerator pedal 4-11, 4-13
 brake pedal 4-11, 4-13
 park brake pedal 4-11, 4-13
paint, touch-up 16-5

INDEX

- paint, underbody (black) 16-5
 - paint, underbody (gray) 16-5
 - panel
 - access 1-27
 - front body beauty 1-5
 - rear body beauty 1-27
 - SAM 1-25
 - park brake pad 4-11, 4-13
 - pedal assembly 4-11, 4-13
 - pedal group 4-11, 4-13
 - pedal spring kit 4-11, 4-13
 - pencil grip 5-3, 5-5
 - pilot air screw assembly 8-5
 - pilot jet 8-5
 - pin
 - bow tie locking 4-5
 - clevis 4-5
 - differential 11-7
 - king 5-13
 - piston 7-13
 - pinion, steering 5-9
 - pipe, intake 8-7
 - piston 7-13
 - piston pin 7-13
 - piston ring 7-13
 - piston ring compressor 16-7
 - piston ring pliers 16-7
 - piston ring set 7-13
 - pivot arm 11-3
 - plate
 - backing (brake) 4-3
 - cover 13-5
 - engine mounting 7-15
 - floor cover 4-7, 4-9
 - flywheel fan 7-5
 - hinge 1-21
 - kick(ele) 1-19
 - kick(gas) 1-17
 - oil filter screen 7-11
 - oil pump 7-7
 - score card 5-5
 - thrust 11-5, 11-7
 - plate, component mounting 12-41, 12-43, 12-45
 - pliers
 - internal retaining ring 16-5
 - piston ring 16-7
 - retaining ring 16-7
 - plug
 - drain 7-7
 - drive clutch 10-3
 - driven clutch puller 16-3
 - fill 11-3
 - spark 7-5
 - plug cap 7-5
 - pole set 6-17
 - press weldment 16-3
 - protector spray, battery terminal 16-3
 - puller
 - bearing 16-3
 - drive clutch 16-3
 - drive clutch hub 16-3
 - driven clutch cam 16-3
 - flywheel 16-5
 - seal 16-7
 - pulley
 - clutch 10-3
 - starter-generator 6-17
 - v-belt 6-17
 - pump, impulse fuel 8-3
 - push rod 7-9
- ## R
- rack and pinion 5-9
 - rack and pinion steering gear box 5-9
 - rack, steering 5-9
 - reamer, valve guide 16-7
 - rear body beauty panel 1-27
 - rear bumper beam 1-27
 - rear leaf spring, ele 5-17
 - rear seat bottom 1-37
 - rear underbody support 1-27
 - rear-facing seat 1-37, 1-39, 1-41
 - receptacle 12-25, 12-27, 12-29, 12-31, 12-33
 - receptacle, AC cord 15-11
 - receptacle, battery charger 12-23
 - rectifier diode 15-5
 - rectifier with heatsink 15-3, 15-7, 15-9, 15-11, 15-13, 15-15
 - reel cord 15-13, 15-15
 - regulator, voltage 6-21
 - relay 15-3, 15-7, 15-9, 15-11, 15-13, 15-15
 - relay mounting bracket 15-9, 15-13, 15-15
 - relay, 48V 15-7, 15-13
 - relay, 48-volt 15-5
 - remover, bearing and oil seal 16-3
 - resistor 12-41
 - resistor assembly 12-43, 12-45
 - restraint, hip 1-21, 1-23
 - restraint, hip 4 pass 1-33, 1-37, 1-39, 1-41
 - retainer
 - bearing 13-3
 - brake shoe 4-3
 - floor mat 1-13, 1-15
 - shock absorber cushion 5-15, 5-17, 5-19
 - spring (drive clutch) 10-3
 - valve spring 7-9
 - retaining ring pliers 16-7
 - return spring, brake 4-11, 4-13
 - reverse buzzer 6-13, 12-3
 - rigging, brush 13-3
 - rim (wheel) 2-3, 2-5
- ## ring
- piston 7-13
 - retaining 6-15, 10-3, 10-5
 - snap 7-9, 7-13
 - spiral backup 10-3
 - synchronizer 11-5
- ## Rivet, Removable 1-27
- rocker arm 7-9
 - rocker case 7-9
 - rocker case gasket 7-9
 - rocker shaft 7-9
 - rocker switch 12-19, 12-21
- ## rod
- brake 4-11, 4-13
 - connecting 7-13
 - crankshaft 7-13
 - push 7-9
 - shift 11-5
- ## RPM limiter 7-5
- RPM limiter bracket 7-5
 - RPM limiter damper 7-5
 - RPM limiter mount band 7-5
- ## S
- safety first card 16-7
 - SAM 1-25
 - SAM (structural accessory module) 1-25
 - SAM cap 1-7
 - SAM panel 1-25
 - score card clip 5-3, 5-5
 - score card plate 5-3, 5-5
 - screen, oil filter 7-11
 - screw, eccentric adjustment 5-13
 - screw, valve clearance adjuster 16-7
 - seal
 - dust 5-9
 - lip 14-3
 - oil 7-9, 7-11, 7-13, 11-3, 11-5, 11-7, 14-3
 - seal puller 16-7
 - sealant 11-3, 14-3
 - seat
 - spring 7-9
 - valve 7-7
 - seat back, beige 1-25, 1-33, 1-37
 - seat back, black 1-25, 1-33
 - seat back, gray 1-25, 1-33, 1-41
 - seat back, white 1-25, 1-33, 1-39
 - seat bottom 1-21, 1-33
 - seat bottom, beige 1-23
 - seat bottom, gray 1-23
 - seat bottom, rear 1-37
 - seat bottom, white 1-23
 - seat bracket 1-33, 1-37, 1-39, 1-41
 - seat support bracket, 4-pass, drv 1-33, 1-37, 1-39, 1-41
 - seat support bracket, 4-pass, pas 1-33, 1-37,

INDEX

- 1-39, 1-41
- sensor, motor speed 13-3, 13-5
- sensor, oil level 7-11
- sensor, speed 13-3
- separator, battery 12-25
- set, brush and screw 6-17
- set, pole 6-17
- shackle 5-15, 5-17, 5-19
- shaft
 - counterbalance guide 7-13
 - drive selector 11-3
 - input 14-3
 - intermediate 14-3
 - rocker 7-9
 - transmission 11-5
- shield, controller 12-43, 12-45
- shield, debris aux 4-11, 4-13
- shield, debris primary 4-11, 4-13
- shield, governor 8-7
- shift fork 11-5
- shift lever 11-3
- shift rod 11-5
- shifter, FNR 6-15
- shim, camshaft 7-11
- shim, crankshaft 7-13
- shock absorber (front) 5-11
- shock absorber (rear) 5-15, 5-17, 5-19
- shock absorber cushion 5-15, 5-17, 5-19
- shock absorber cushion retainer 5-15, 5-17, 5-19
- shock mounting bracket, drv 5-15, 5-17, 5-19
- shock mounting bracket, pas 5-15, 5-17, 5-19
- shoe retainer kit 4-3
- shoe, brake 4-3
- shroud 7-3
 - steering column 5-3
- shroud, engine 7-3
- shroud, fan 7-3
- single-point watering system 12-35
- sleeve 5-11, 5-13, 5-15, 5-17, 5-19
 - governor 11-5
 - synchronizer 11-5
- snap ring 7-9, 7-13
- snubber bracket 7-15
- snubber, inner frame 7-15
- solenoid, 12-volt 6-21
- solenoid, 48-volt 12-41, 12-43, 12-45
- spark plug 7-5
- speed controller 12-41, 12-43
 - Excel w/PD 12-45
 - IQ 12-41, 12-43
- speed sensor 13-3, 13-5
- speed sensor magnet 13-3, 13-5
- speed sensor, motor 13-3, 13-5
- spindle 5-13
- spiral backup ring 10-3
- spray, battery terminal protector 16-3
- spring
 - brake 4-3
 - brake return 4-11, 4-13
 - brush 6-17, 13-3, 13-5
 - compression 1-17, 5-3, 5-5, 8-11
 - drive button 10-3
 - drive clutch 10-3
 - driven clutch 10-5
 - forward/reverse cam 6-15
 - leaf 5-13
 - leaf, rear, 4-pass 1-37, 1-39, 1-41, 5-19
 - leaf, rear, ele 5-17
 - leaf, rear, gas 5-15
 - pawl return 4-11, 4-13
 - shifter 11-5
 - synchronizer 11-5
 - throttle return 8-7
 - valve 7-9
- spur gear 7-13, 11-5
- SPWS 12-35
- SPWS (single-point watering system) kit 12-35
- SPWS coupler 12-35, 12-37, 12-39
- SPWS fitting, swivel T 12-35, 12-37, 12-39
- SPWS hose 12-35, 12-37, 12-39
- SPWS kit 12-37, 12-39
- SPWS manifold 12-35, 12-37, 12-39
- SPWS tubing 12-35, 12-37, 12-39
- stand-offs, plastic 15-3
- starter/generator (cw) (model G425419) 6-17
- starter/generator belt 6-19, 10-3
- starter/generator brush cover kit 6-17
- starter/generator brush plate 6-17
- starter/generator brush spring 6-17
- starter/generator brush terminal 6-17
- starter/generator frame and field 6-17
- starter/generator pulley 6-17
- stator shell and winding 13-3
- steel pressure relief ball 7-7
- steering column 5-7
- steering column bearing press tool 16-7
- steering column cover 5-3
- steering column retaining ring tool 16-7
- steering column shroud 5-3
- steering gear 5-9
- steering pinion 5-9
- steering rack 5-9
- steering wheel 5-3, 5-5
- steering wheel (comfort grip) kit 5-3
- steering wheel puller tool 16-7
- steering, rack and pinion gear box 5-9
- stem, valve 2-3, 2-5
- stiffener, flywheel side 7-15
- stiffener, PTO side 7-15
- strap, bag 1-25
- stud 7-15
- lug 5-13, 11-7, 14-3
- stud, ball 6-15, 11-3
- support, canopy 1-31
- suppressor, voltage 15-7, 15-9, 15-11, 15-13, 15-15
- suspension, front structure 5-11
- switch
 - four-position 15-9, 15-11, 15-15
 - key 6-13, 12-3
 - limit 6-15
 - rocker 12-19, 12-21
 - Tow/Run 12-19, 12-21
- switch rubber boot 12-19, 12-21
- synchro gear 11-5
- synchronizer clutch hub 11-5
- synchronizer insert 11-5
- synchronizer sleeve 11-5
- synchronizer spring 11-5

T

- 12-volt battery 6-21
- 12-volt solenoid 6-21
- tachometer 16-7
- tag, battery warning 3-7, 3-9
- tank, fuel 8-3
- tape, foam 1-27
- tester, continuity 16-5
- thermometer, battery 16-3
- throttle return spring 8-7
- throttle spring return bracket 8-7
- thrust plate 11-5, 11-7
- tie rod end 5-9
- tie wrap 12-27, 12-29, 12-31, 12-33, 15-13, 15-15
- tire 2-3
- tire, pro tour, 205-50 x 10 2-5
- tool
 - accelerator pedal adjustment 16-3
 - belt tensioning, starter/generator 16-7
 - brake cable release 16-3
 - cam installation 16-3
 - charger bezel 16-3
 - clutch alignment 16-3
 - drive clutch holder 16-3
 - governor shaft installation 16-5
 - steering column bearing press 16-7
 - steering column retaining ring 16-7
 - steering wheel puller 16-7
 - transaxle axle seal 16-7
 - transaxle pinion seal 16-7
 - transmission 16-7
- tool kit, clutch 16-3
- touch-up paint 16-5
- tow switch diode 12-9, 12-13, 12-17
- Tow/Run switch 12-19, 12-21
- transaxle (Electric Vehicle) 14-3

INDEX

transaxle axle seal tool 16-7
transaxle pinion seal tool 16-7
transaxle, Kawasaki (Gasoline Vehicle) 11-3
transformer 15-3
transformer, battery charger 15-5, 15-7, 15-9,
15-11, 15-13, 15-15
transmission shaft 11-5
transmission tool 16-7
tube
 axle 11-7, 14-3
 battery cross rod 12-25, 12-27, 12-29,
 12-31, 12-33
 crankcase vent 8-7
 fuel pickup 8-3
 oil filler 7-3
tubing, SPWS 12-35, 12-37, 12-39
Tuflok 1-27
tune-up kit 16-7

U

U-bolt 1-37, 1-39, 1-41, 5-15, 5-17, 5-19
underbody 1-27
underbody cover (4-pass) 1-33, 1-37, 1-39,
1-41
underbody cover kit 1-7
underbody support, rear 1-27
underbody, front 1-13
underbody, rear 1-27

V

valve
 exhaust 7-9
 intake 7-9
 reed 7-9
valve clearance adjuster screw 16-7
valve guide 7-9
valve guide reamer 16-7
valve guide, intake 7-9
valve seat 7-7
valve seat cutter 16-7
valve seat cutter guide 16-7
valve seat t-wrench 16-7
valve spring 7-9
valve spring compressor 16-7
valve spring retainer 7-9
valve stem 2-3, 2-5
v-belt 6-19, 10-3
vent barb 8-3
volt ohm meter 16-7
voltage regulator 6-21
voltage suppressor 15-7, 15-9, 15-11, 15-13,
15-15

W

warning light, low oil 6-13
warning tag, battery 3-7, 3-9

watering system, single-point 12-35
wedge, bearing puller 16-3
weight
 clutch 10-3
 counterbalance 7-13
 secondary clutch 10-3
weldment
 press 16-3
wheel 2-3, 2-5
wheel, steering 5-3, 5-5
wire harness 6-7, 12-9, 12-13, 12-17
wire harness, Excel, MCOR 12-17
wire harness, IQ, MCOR 12-13
wire harness, onboard battery charger 12-13,
12-17
wiring, charger 15-3
woodruff key 11-3
wrap, tie 12-27, 12-29, 12-31, 12-33, 15-13,
15-15

Y

yoke support 5-9
yoke, gear 16-5



Club Car, Inc.
P.O. Box 204658
Augusta, GA 30917-4658
USA

Web www.clubcar.com
Phone 1.706.863.3000
1.800.ClubCar
Int'l +1 706.863.3000
Fax 1.706.863.5808