



**2010
Precedent
Illustrated Parts List**



Gasoline and Electric Vehicles

Manual Number 103700524
Edition Code 0612E0616D

USING THE ILLUSTRATED PARTS LIST

⚠ WARNING

- **This manual is to be used only for identification and ordering of service parts. Be sure to read and use the maintenance and service manual before attempting any vehicle repairs.**

This manual covers all 2010 Club Car Precedent vehicles.

The manual is divided into sections. Note that there are two or three flags on the outside edge of each page. The first flag contains the section number of which that page is a part. The other flag (or flags) contains the letter D, E, or G, signifying that the page pertains to diesel, electric, or gasoline vehicles.

Use the Table of Contents to find the sections and pages that contain the parts and assemblies you seek. The Table of Contents lists section numbers, and under them, the individual page titles and numbers to be found in that section. The index can be used to find specific parts and assemblies. The index is divided into numerical and alphabetical listings with the page numbers in italic text.

There is a two-page spread for each individual page title in the Table of Contents. On the left-hand page is an illustration showing the parts in their relative positions; the parts are each tagged with an item number in a balloon. The right-hand page is the parts list page, and gives the page title at the top, then the item numbers (corresponding to the numbers on the illustration), part descriptions, and quantity of parts used. Some item numbers have more than one part number because several configurations of a component are represented together on one spread.

Note that a part description may be indented. This indentation corresponds to a parts assembly level indicated by the numbers 1, 2, 3, and 4 at the top left corner of the parts description area of the parts list page. A part that is indented to *level 2* is a component of the *level 1* part (assembly) that it is listed under. A *level 3* part is a component of the *level 2* part that it is listed under, and a *level 4* part is a component of the *level 3* part preceding it. In each case, the part quantity given for a level 2, 3, or 4 part is the quantity used per next higher level assembly of which it is a component. A part that is not indented is a *level 1* part. This means that the quantity given is the quantity used per the portion of the vehicle illustrated on that particular spread.

HOW TO ORDER PARTS

Replacement parts and accessories can be obtained from our network of authorized dealers and distributors. You can obtain the name and phone number of your closest authorized Club Car dealer or distributor by visiting our web site at www.clubcar.com and clicking on the "Distributor Search" link or by calling our toll-free Service Parts and Technical Assistance hotline at (800) 872-2246 or (706) 863-3000, extension 3887.



P. O. Box 204658
Augusta, Georgia 30917-4658 USA
Telephone 706-863-3000
Service Parts Fax 706-855-7413
www.clubcar.com

NOTE: *This illustrated parts list represents the most current information at the time of publication. Club Car, LLC. is continually working to further improve its vehicles and other products. These improvements may affect the parts used to service the vehicle. Any modification and/or significant change in specifications will be forwarded to all Club Car and Carryall distributors/dealers and will, when applicable, appear in future editions of this illustrated parts list.*

Club Car, LLC. reserves the right to change specifications and designs at any time without notice and without the obligation of making changes to units previously sold.

Copyright © 2012 Club Car, LLC
Club Car, Precedent, and Surlyn
are registered trademarks of Club Car, LLC
This manual effective August 3, 2009.

2010 Precedent Illustrated Parts List

CONTENTS

SECTION 1 – BODY AND TRIM

Front Bumper	1-3
Front Body	1-5
Underbody Covers (Vehicle Without Canopy)	1-7
Dash	1-9
Floor Mat, Retainers, and Front Underbody	1-11
Kick Plate – Gasoline Vehicle	1-13
Kick Plate – Electric Vehicle	1-15
Seat Bottom with Hip Restraints	1-17
Backrest and Structural Accessory Module (SAM) – Style A SAM Panel	1-19
Backrest and Structural Accessory Module (SAM) – Style B SAM Panel	1-21
Rear Body – Style A Fender Liners	1-23
Rear Body – Style B Fender Liners	1-25
Canopy – Beige	1-27
Canopy – White	1-29
Rear Seat – Precedent Villager 4	1-31
Rear Footrest Assembly – Precedent Villager 4	1-33
Four Passenger Conversion Kit – Beige	1-35
Four Passenger Conversion Kit – White	1-37
Four Passenger Conversion Kit – Gray	1-39

SECTION 2 – WHEELS AND TIRES

Wheels and Tires – i2 and Professional	2-3
Wheels and Tires – i2L and Champion	2-5

SECTION 3 – DECALS

Decals – Gasoline Vehicle	3-3
Decals – Electric Vehicle	3-5
Decals – Electric Vehicle, Continued	3-7
Decal – Precedent Villager 4	3-9

SECTION 4 – BRAKES AND PEDAL GROUP ASSEMBLIES

Rear Brake Assembly, Self-Adjusting	4-3
Brake Cables and Equalizer Bracket	4-5
Pedal Group with Sensor, Generation 2 – Gasoline Vehicle	4-7
Pedal Group, No Sensor, Generation 2 – Gasoline Vehicle	4-9
Pedal Group, No MCOR, Generation 2 – Electric Vehicle	4-11
Pedal Group, With MCOR, Generation 2 – Electric Vehicle	4-13

CONTENTS

SECTION 5 – STEERING, FRONT AND REAR SUSPENSION

Steering Wheel – i2L and Champion	5-3
Steering Wheel – i2 and Professional	5-5
Steering Column	5-7
Steering Gear Assembly	5-9
Front Suspension, Upper	5-11
Front Suspension, Lower	5-13
Rear Suspension – Gasoline Vehicle	5-15
Rear Suspension – Electric Vehicle	5-17
Rear Suspension – Precedent Villager 4	5-19

SECTION 6 – ELECTRICAL SYSTEM – GASOLINE VEHICLE

Electrical Components, Front Body – Gasoline Vehicle	6-3
Accelerator Pedal Assembly w/Sensor for Generation 2 Pedal Group	6-5
Instrument Panel Wire Harness	6-9
Forward/Reverse Shifter Assembly – Gasoline Vehicle	6-11
Wiring (with Generation 2 Pedal Group) – Gasoline Vehicle	6-15
Starter/Generator (S/G) Assembly Model 114-01-4005 - Gasoline Vehicles	6-17
Starter/Generator Mounting – FE350	6-19
Battery – Gasoline Vehicle	6-21

SECTION 7 – FE350 ENGINE (AS26)

FE350 Engine (AS26) – Shrouds and Brackets	7-3
FE350 Engine (AS26)- Ignition Components and Flywheel	7-5
FE350 Engine (AS26)- Oil Circulation	7-7
FE350 Engine (AS26)- Cylinder Head	7-9
FE350 Engine (AS26)- Crankcase, Camshaft, and Oil Sensor	7-11
FE350 Engine (AS26)- Crankcase and Crankshaft	7-13
FE350 Engine (AS26)- Mounting	7-15

SECTION 8 – FUEL, INTAKE, AND GOVERNOR SYSTEMS

Fuel System with Style A Fuel Pump	8-3
Fuel System with Style B Fuel Pump	8-5
Carbon Canister – FE350 (AS26)	8-7
Carburetor Assembly – FE350 (AS26)	8-9
Carburetor Installation – FE350 (AS26)	8-11
Governor and Accelerator Cables	8-13
Choke and Air Box Assembly	8-15

CONTENTS

SECTION 9 – EXHAUST SYSTEM

Exhaust System – FE350	9-3
------------------------------	-----

SECTION 10 – TORQUE CONVERTER

Drive Clutch	10-3
Driven Clutch	10-5

SECTION 11 – UNITIZED TRANSAXLE

Kawasaki Transaxle – Gear Cases and Levers	11-3
Kawasaki Transaxle – F&R Transmission and Gear Reduction	11-5
Kawasaki Transaxle – Differential and Axles	11-7
Graziano Transaxle – Gear Cases and Levers	11-9
Graziano Transaxle – F&R Transmission and Gear Reduction	11-11
Graziano Transaxle -Differential and Axles	11-13

SECTION 12 – ELECTRICAL SYSTEM – ELECTRIC VEHICLE

Electrical Components, Front Body – Electric Vehicle	12-3
Throttle Sensor	12-5
Motor Controller Output Regulator (MCOR)	12-7
Wiring – IQ System with Throttle Sensor	12-11
Wiring – IQ System with MCOR	12-15
Wiring – Excel System with Throttle Sensor	12-19
Wiring – Excel System with MCOR	12-23
Forward/Reverse Switch and Tow/Run Switch	12-25
Batteries, Bucket, and Charger Receptacle – IQ and Excel Systems, 8V	12-27
Batteries, Bucket, and Charger Receptacle – IQ and Excel Systems, Heavy Duty 8V	12-29
Batteries, Bucket, and Charger Receptacle – IQ and Excel Systems, CE, 8V	12-31
Batteries, Bucket, and Charger Receptacle – IQ and Excel Systems, Heavy Duty 8V, CE	12-33
Single Point Watering System, 8V Trojan	12-35
Single Point Watering System, 8V US, Crown & JCI	12-37
Computer, Controller, and Solenoid – IQ System	12-39
Computer, Controller, and Solenoid – Excel System	12-41
CE Ferrite Beads (IQ System)	12-43

SECTION 13 – ELECTRIC MOTOR

Motor (Model EJ8-4001A) – Electric Vehicle	13-3
--------------------------------------------------	------

CONTENTS

SECTION 14 – TRANSAXLE – ELECTRIC VEHICLES

Transaxle – Electric Vehicles	14-3
-------------------------------------	------

SECTION 15 – BATTERY CHARGERS

PowerDrive 3 Battery Charger (Model 26580-11,-12,-18,-19), Domestic	15-3
PowerDrive 3 Battery Charger (Model 26580-31,-38,-39), Domestic	15-5
PowerDrive Battery Charger (Model 17930), Domestic	15-7
PowerDrive Battery Charger (Model 18780), Export	15-9
PowerDrive Battery Charger (Model 20310), European	15-11
Onboard PowerDrive Battery Charger (Model 17935-40), Domestic	15-13
Onboard PowerDrive Battery Charger (Model 17790-40), International	15-15

SECTION 16 – MAINTENANCE AND SERVICE TOOLS

Maintenance and Service Tools – Golf	16-3
Maintenance and Service Tools – Golf, Continued	16-5
Maintenance and Service Tools – Golf, Continued	16-7

SECTION i – INDEX

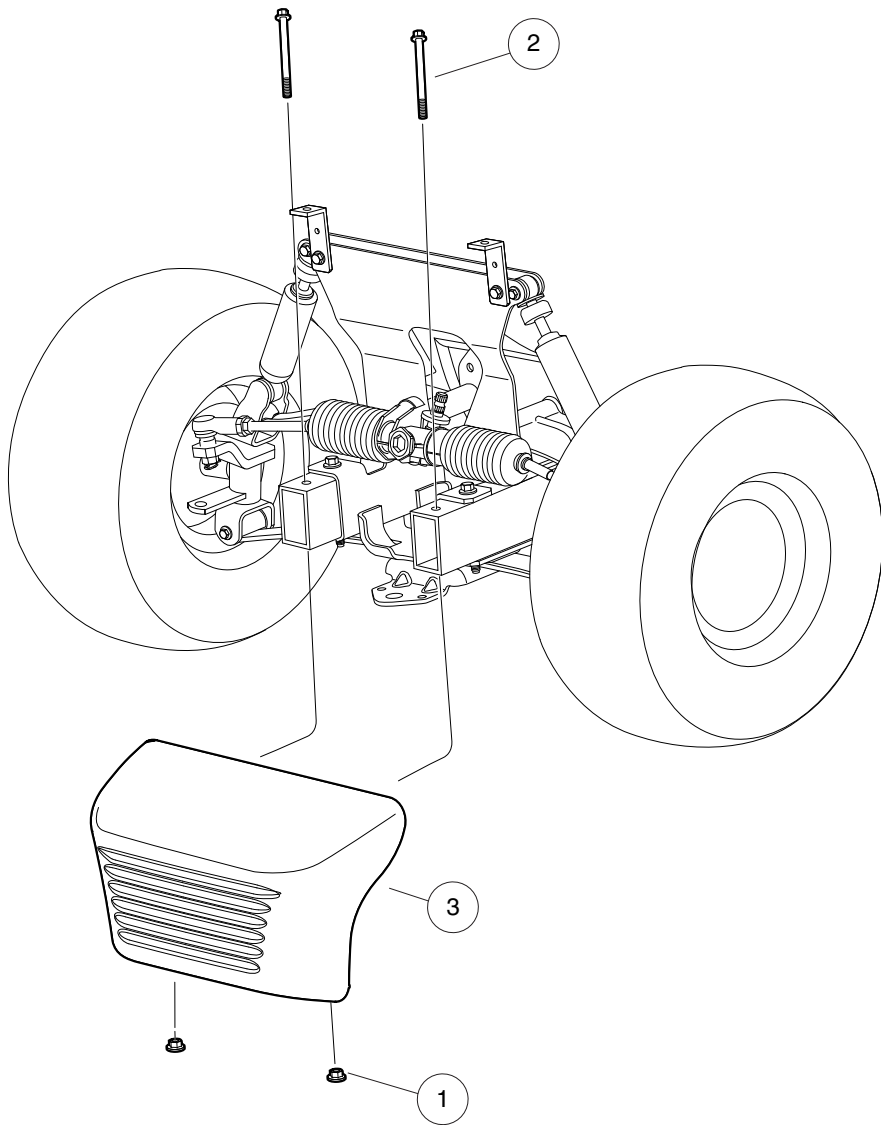
BODY AND TRIM

1

G

E

1
G
E



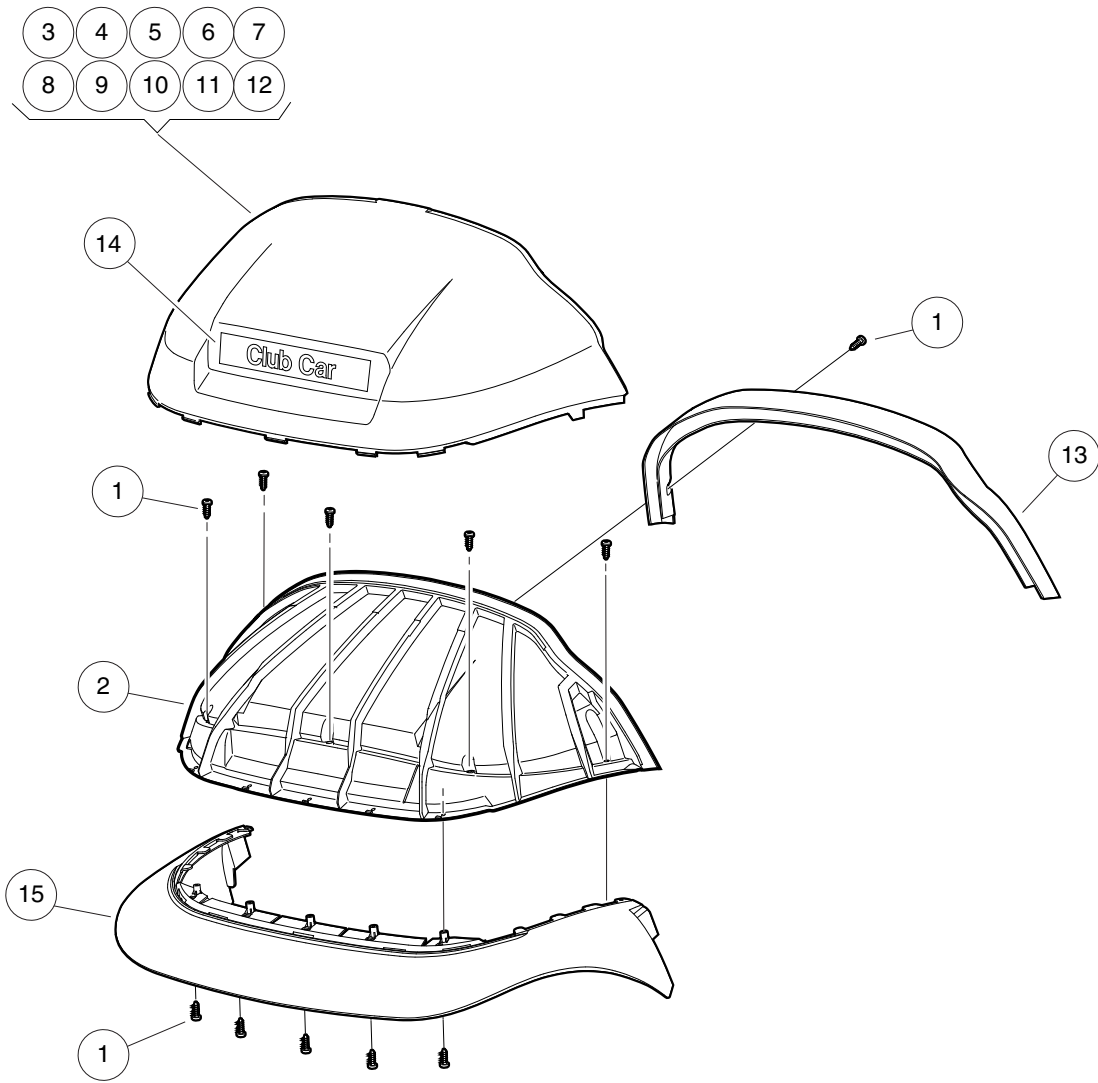
000437-002

FRONT BUMPER

ITEM	PART NO.	DESCRIPTION	QTY
		1 2 3 4	
1	<u>102298401</u>	Nut,m8,all Metal Lock	2
2	<u>102534201</u>	Bolt - Fl Hd, M8 X 95	2
3	<u>103330601</u>	Asm, Bumper, Front, Precedent (includes items 4 and 5)	1
4	N/A	Bumper, Front, Precedent	1
5	<u>103325001</u>	Plug, Shock, Precedent Bumper	2

1
G
E

1
G
E

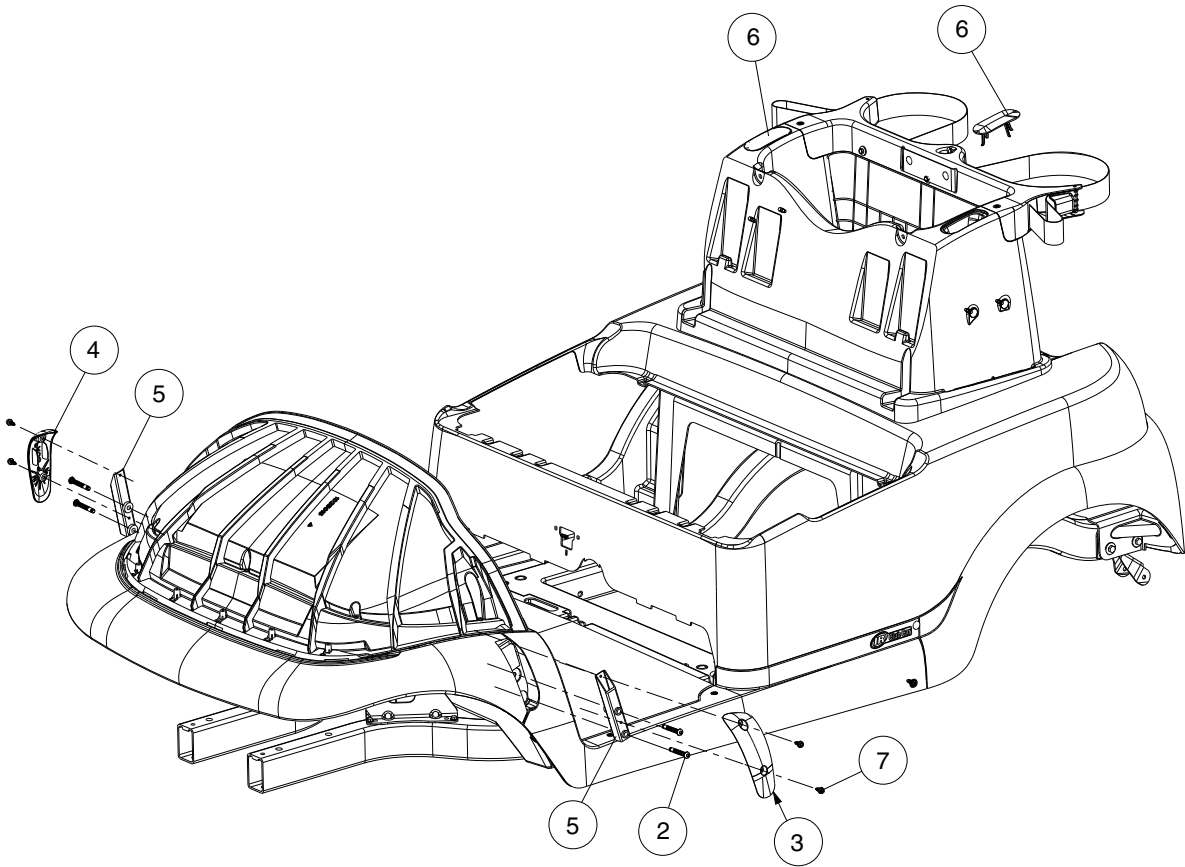


000434-002

FRONT BODY

ITEM	PART NO.	DESCRIPTION	QTY
		1 2 3 4	
1	<u>102296020</u>	Screw, Torx Pan Hd Pt, M6 X 20	14
2	<u>102501501</u>	Brow	1
3	<u>102502401</u>	Panel, Beauty Front, White	1
4	<u>102502402</u>	Panel, Beauty Front, Beige	1
5	<u>102502404</u>	Panel, Beauty Front, Gray	1
6	<u>102502405</u>	Panel, Beauty Front, Red	1
7	<u>102502406</u>	Panel, Beauty Front, Burgundy	1
8	<u>102502407</u>	Panel, Beauty Front, Green	1
9	<u>102502408</u>	Panel, Beauty Front, Blue	1
10	<u>102502409</u>	Panel, Beauty Front, Black	1
11	<u>102502411</u>	Panel, Beauty, Front, Cayenne	1
12	<u>102502413</u>	Panel-beauty Front, Atlantic	1
13	<u>102502501</u>	Brow Cap	1
14	<u>102502601</u>	Nameplate-cs	1
15	<u>102534404</u>	Fascia, Blk	1

1
G
E

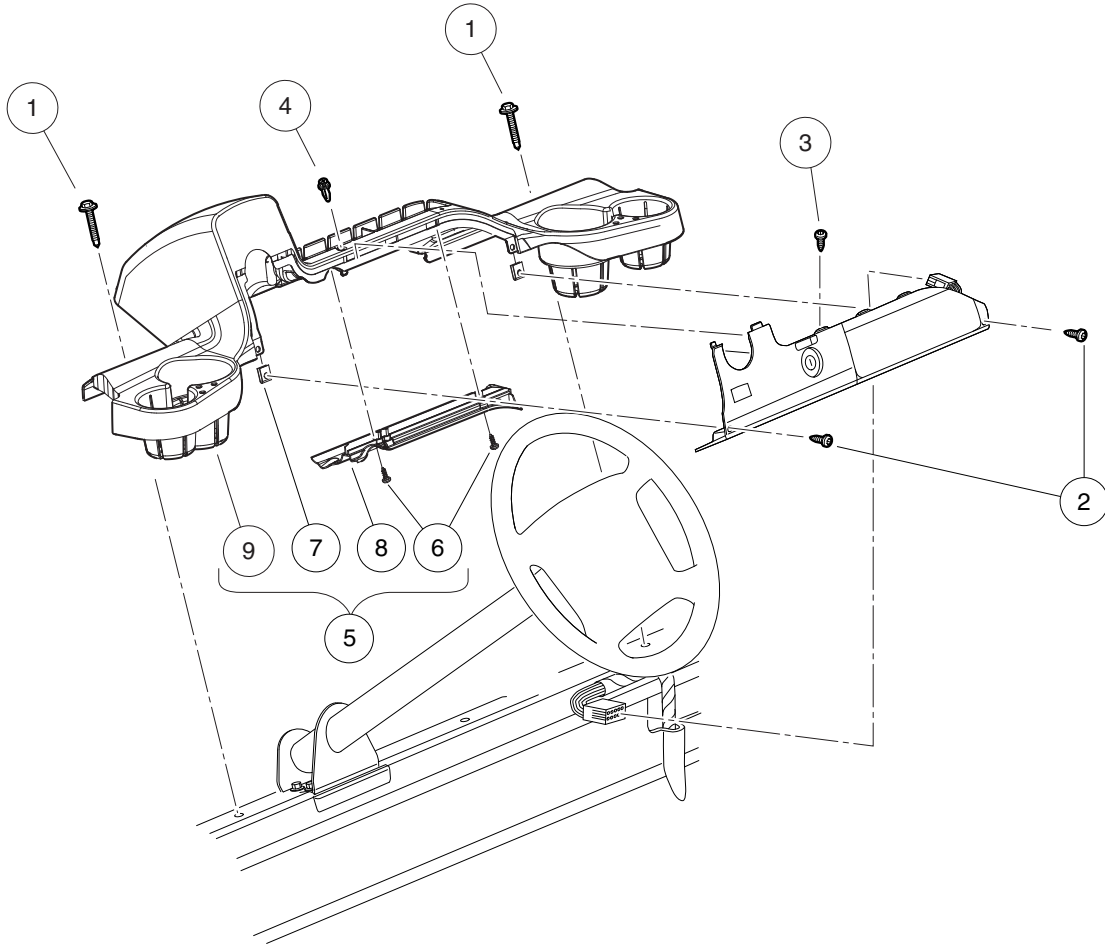


000730-002

UNDERBODY COVERS (VEHICLE WITHOUT CANOPY)

ITEM	PART NO.	DESCRIPTION	QTY
		1 2 3 4	
1	<u>102543902</u>	Kit, Underbody Cover, Black (includes items 2 through 7)	1
2	<u>102299065</u>	M8-1.25 X 65 Tx Bttn Hd Bolt	4
3	<u>102400202</u>	Cover, Lh Non-canopy, Blk	1
4	<u>102400302</u>	Cover, Rh Non-canopy, Blk	1
5	N/A	Support, Strut Cover	2
6	N/A	SAM Cap	2
7	<u>102544201</u>	Screw, M6 Hex	4

1
G
E



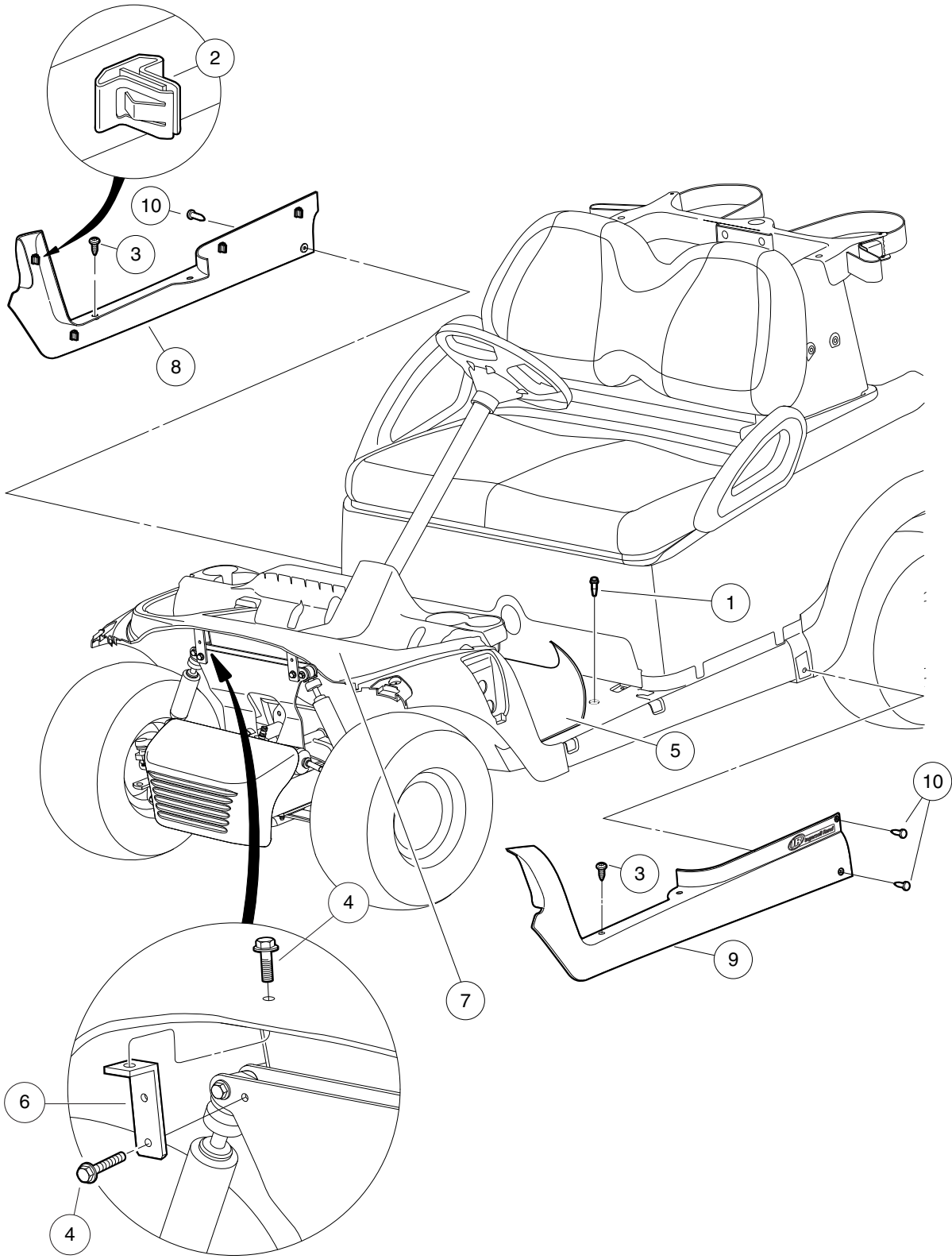
000438-003

DASH

ITEM	PART NO.	DESCRIPTION	QTY
		1 2 3 4	
1	<u>102292356</u>	Screw-1/4-20x56 Hwh Self Drill	2
2	<u>102296819</u>	Screw-M6 x 19	2
3	<u>102557201</u>	Screw, #6-20 Type Abx1.00 Pan	1
4	<u>102915601</u>	Plastic Rivet - Tuflock	1
5	<u>103402701</u>	Dash Assembly, Prec (includes items 6 through 9)	1
6	N/A	Screw-torx Pan Hd Pt,m6 X 16	2
7	<u>102297001</u>	U-nut, 1/4" Type Ab	2
8	N/A	Drain Channel - Dash	1
9	N/A	Dash, Prec	1

1
G
E

1
G
E



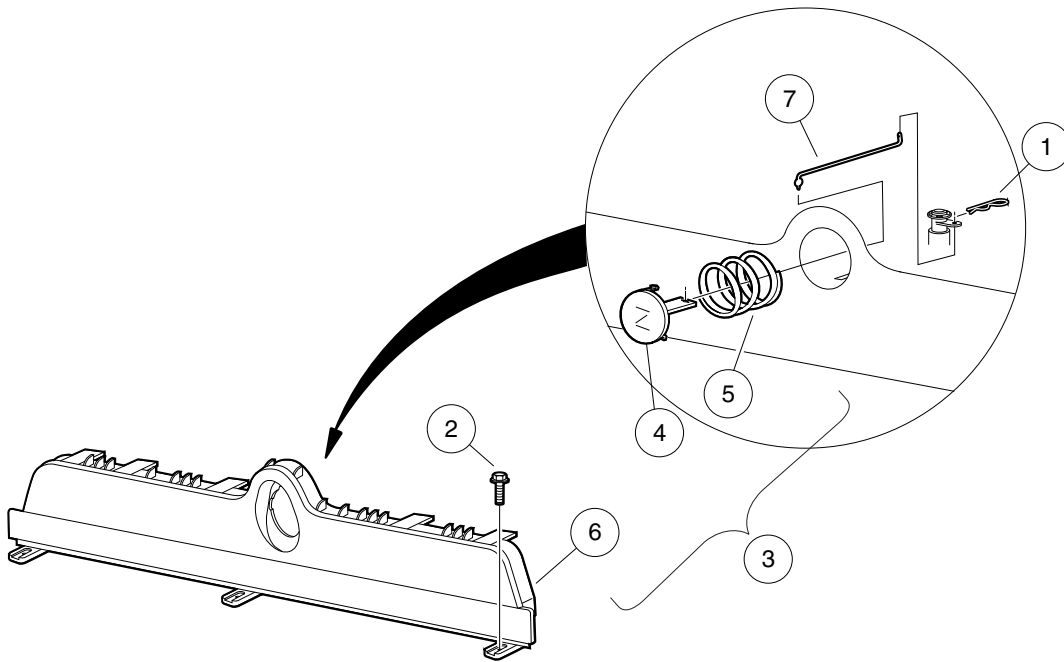
000497-005

FLOOR MAT, RETAINERS, AND FRONT UNDERBODY

ITEM	PART NO.	DESCRIPTION	QTY
		1 2 3 4	
1	<u>102292356</u>	Screw-1/4-20x56 Hwh Self Drill	3
2	<u>102292701</u>	Clip-body-trim	8
3	<u>102298020</u>	Screw, K80x20, Torx Pn Hd Pt	4
4	102298716	M8-1.25x16 Taptite	4
5	<u>102504802</u>	Floormat, Precedent	1
6	<u>102521901</u>	Bracket-clamshell	2
7	****	Asm-front Underbody, Black	1
8	<u>103678001</u>	Floormat Retainer Asm, Rh, Blk	1
9	<u>103678101</u>	Floormat Retainer Asm, Lh, Blk	1
10	<u>103683001</u>	Barrel Fastner, Blk, Firm	4
		**** Special order item available upon request.	

1
G
E

1
G
E



000501-002

KICK PLATE – GASOLINE VEHICLE

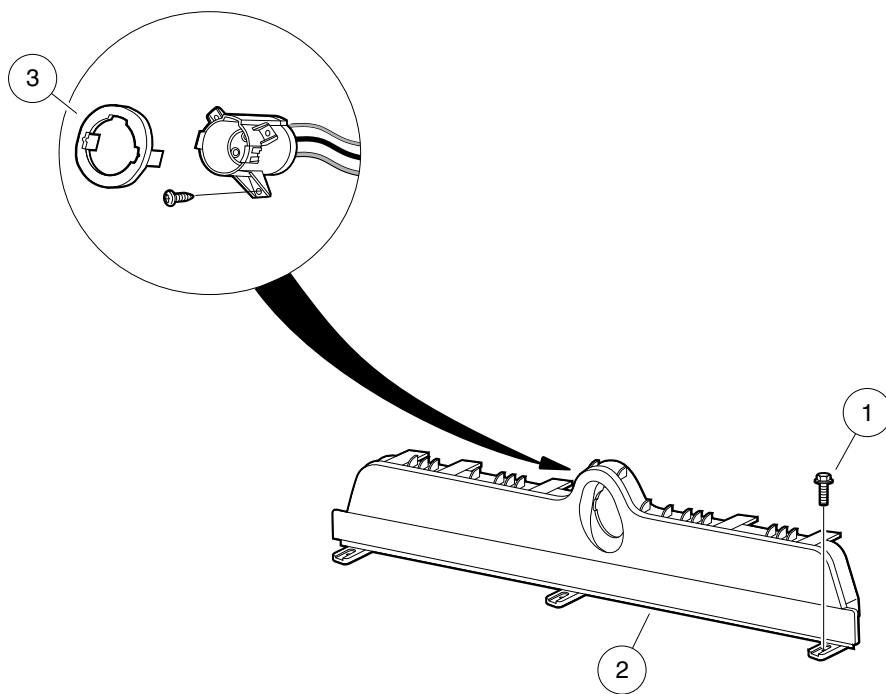
ITEM	PART NO.	DESCRIPTION	QTY
		1 2 3 4	
1	<u>1014413</u>	Pin, Hair Spring Cotter	1
2	102298030	Screw, K80x30, Torx Pn Hd Pt	3
3	<u>102511702</u>	Asm-gas Kick Plate, Blk (includes items 4 through 6)	1
4	<u>101811401</u>	Lever, Choke	1
5	<u>101856201</u>	Compression Spring	1
6	N/A	Plate - Gas Kick, Blk	1
7	<u>102514401</u>	Rod, Choke Button	1

1
G
E

1

G

E



000500-002

KICK PLATE – ELECTRIC VEHICLE

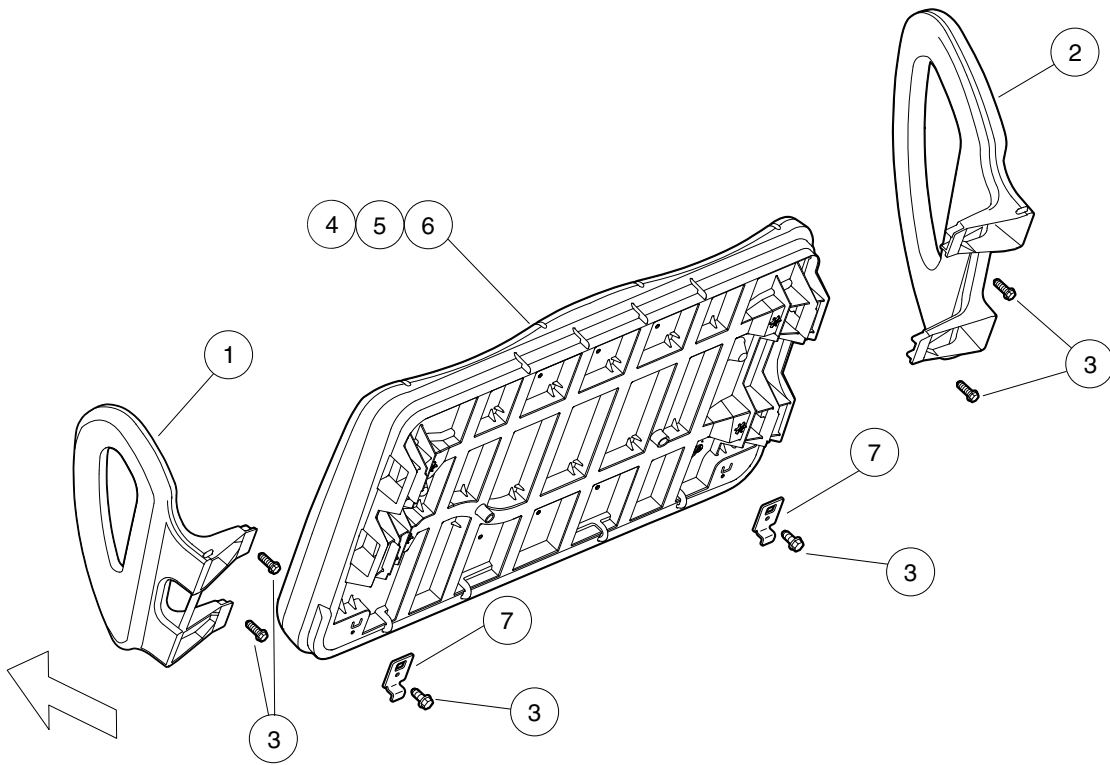
ITEM	PART NO.	DESCRIPTION	QTY
		1 2 3 4	
1	102298030	Screw, K80x30, Torx Pn Hd Pt	3
2	<u>102508202</u>	Plate - Electric Kick Blk	1
3	<u>102516901</u>	Socket Trim	1

1

G

E

1
G
E



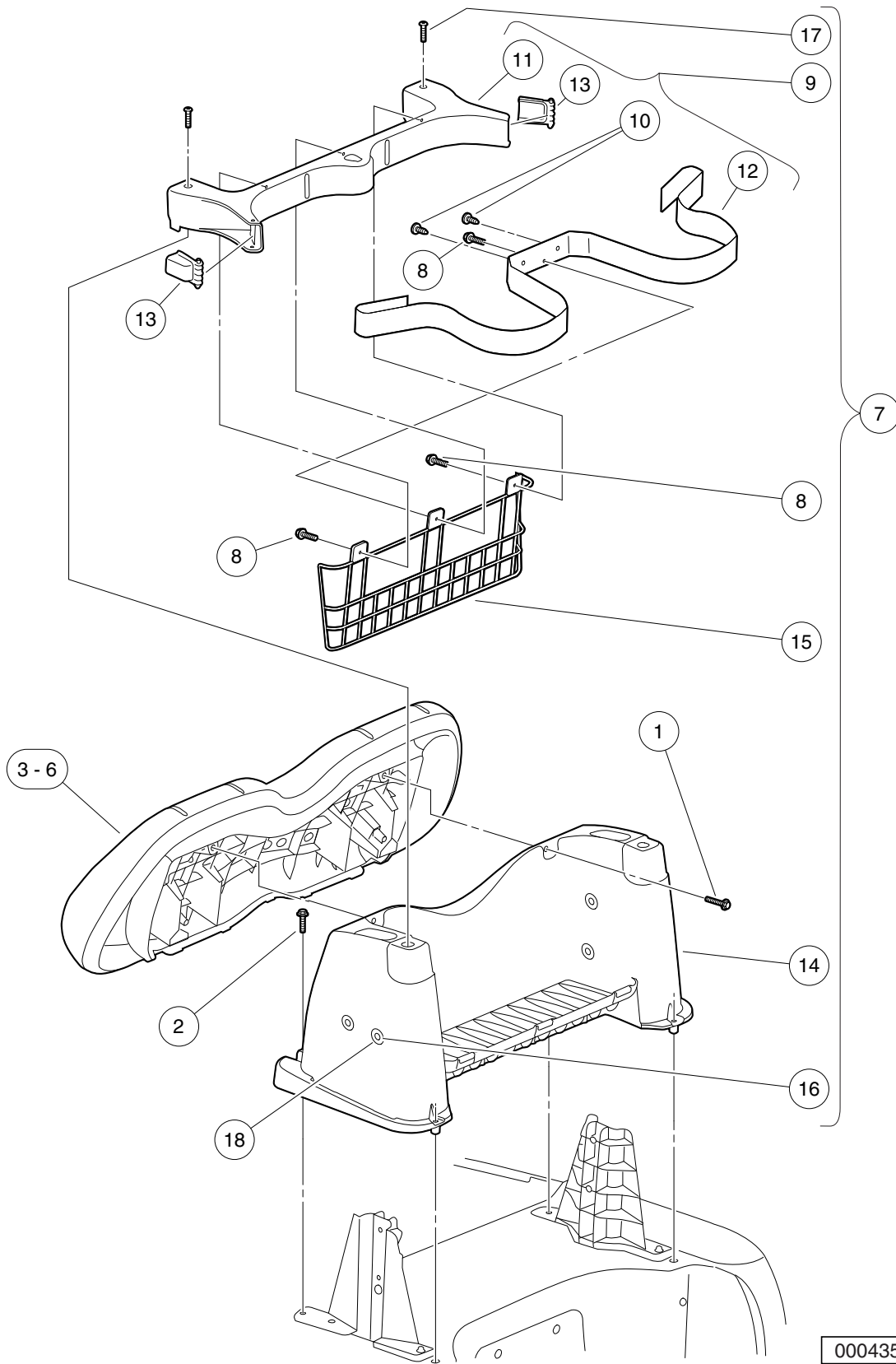
000440-003

SEAT BOTTOM WITH HIP RESTRAINTS

ITEM	PART NO.	DESCRIPTION	QTY
		1 2 3 4	
1	<u>102562701</u>	Hip Restraint, Prec, Lh	1
2	<u>102562801</u>	Hip Restraint, Prec, Rh	1
3	<u>102562901</u>	Screw, Seat Bottom Prec	6
4	<u>103423001</u>	Seat Bottom Asy, Prec-beige	1
5	<u>103423002</u>	Seat Bottom Asy, Prec-white	1
6	<u>103423004</u>	Seat Bottom Asy, Prec-gray	1
7	<u>103447901</u>	Bracket, Hinge, Male, Prec	2

1
G
E

1
G
E

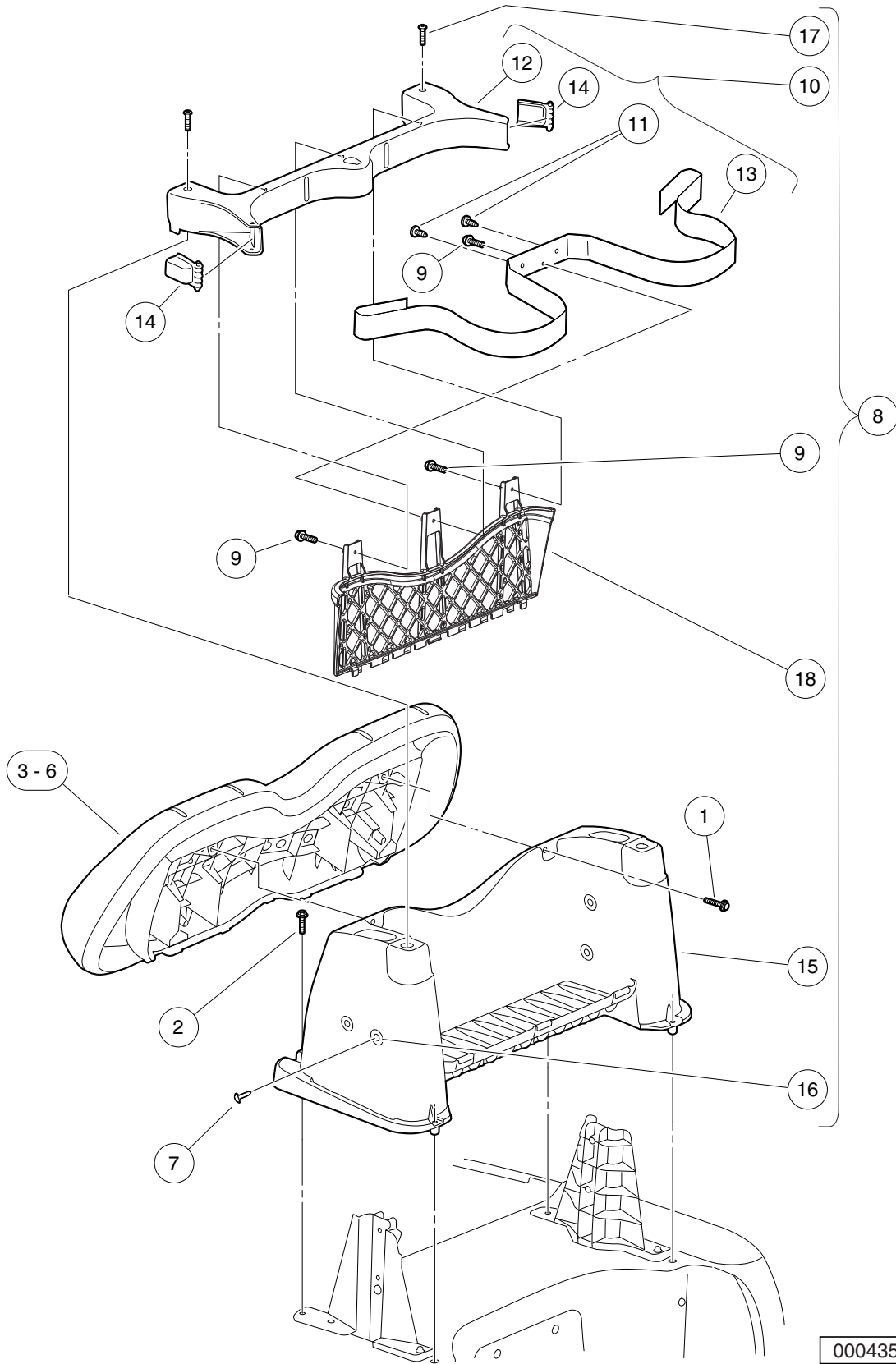


BACKREST AND STRUCTURAL ACCESSORY MODULE (SAM) – STYLE A SAM PANEL

ITEM	PART NO.	DESCRIPTION	QTY
		1 2 3 4	
1	<u>102296530</u>	Screw - M6 X 1.0 X 30 Sems	2
2	<u>102298240</u>	Bolt, Flange Head, M8-1.25 X 40	4
3	<u>102503221</u>	Service Backrest Asm, Beige	1
4	<u>102503222</u>	Service Backrest Asm, White	1
5	<u>102503224</u>	Service Backrest Asm, Gray	1
6	<u>102503225</u>	Service Backrest Asm-black	1
7	<u>102503901</u>	Asm-sam (includes items 8 through 17)	1
8	<u>102297125</u>	Screw, M6-1.0x25.4, Thread-Forming, SEMS	3
9	<u>102504001</u>	Asm-bag Hoop (includes items 10 through 13)	1
10	<u>1010434</u>	Barrel - Plastic	2
11	<u>102504201</u>	Hoop-bag	1
12	<u>102504301</u>	Strap, Bag	1
13	<u>102517001</u>	Buckle-bag Strap	2
14	N/A	Structural Accessory Module	1
15	102504501	Panel, SAM	1
16	<u>102551701</u>	Insert M6x1.0	4
17	<u>103327601</u>	Screw, 5/16, Torx, Bosscrew	2
18	<u>102568701</u>	Barrel - Plastic 6mm	8

1
G
E

1
G
E



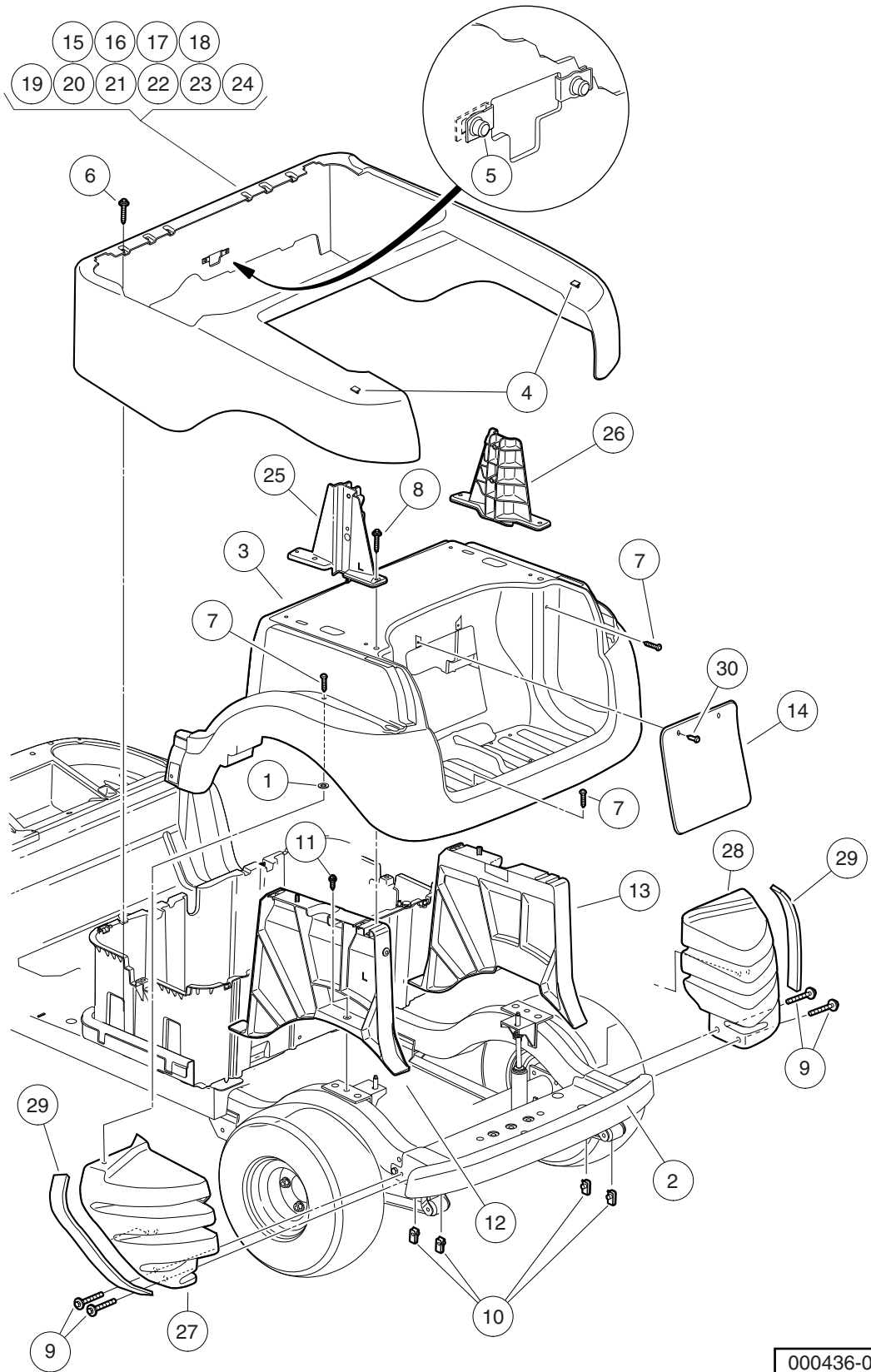
000435-006

BACKREST AND STRUCTURAL ACCESSORY MODULE (SAM) – STYLE B SAM PANEL

ITEM	PART NO.	DESCRIPTION	QTY
		1 2 3 4	
1	<u>102296530</u>	Screw - M6 X 1.0 X 30 Sems	2
2	<u>102298240</u>	Bolt, Flange Head, M8-1.25 X 40	4
3	<u>102503221</u>	Service Backrest Asm, Beige	1
4	<u>102503222</u>	Service Backrest Asm, White	1
5	<u>102503224</u>	Service Backrest Asm, Gray	1
6	<u>102503225</u>	Service Backrest Asm-black	1
7	<u>102568701</u>	Barrel - Plastic 6mm	2
8	<u>103720201</u>	Asm, Sam (includes items 9 through 18)	1
9	<u>102297230</u>	Screw, M6, Torx, Interlock Thread	3
10	<u>102504001</u>	Asm-bag Hoop (includes items 11 through 14)	1
11	<u>1010434</u>	Barrel - Plastic	2
12	<u>102504201</u>	Hoop-bag	1
13	<u>102504301</u>	Strap, Bag	1
14	<u>102517001</u>	Buckle-bag Strap	2
15	N/A	Structural Accessory Module	1
16	<u>102551701</u>	Insert M6x1.0	4
17	<u>103327601</u>	Screw, 5/16, Torx, Bosscrew	2
18	<u>103699401</u>	Panel, Sam, Prec	1

1
G
E

1
G
E



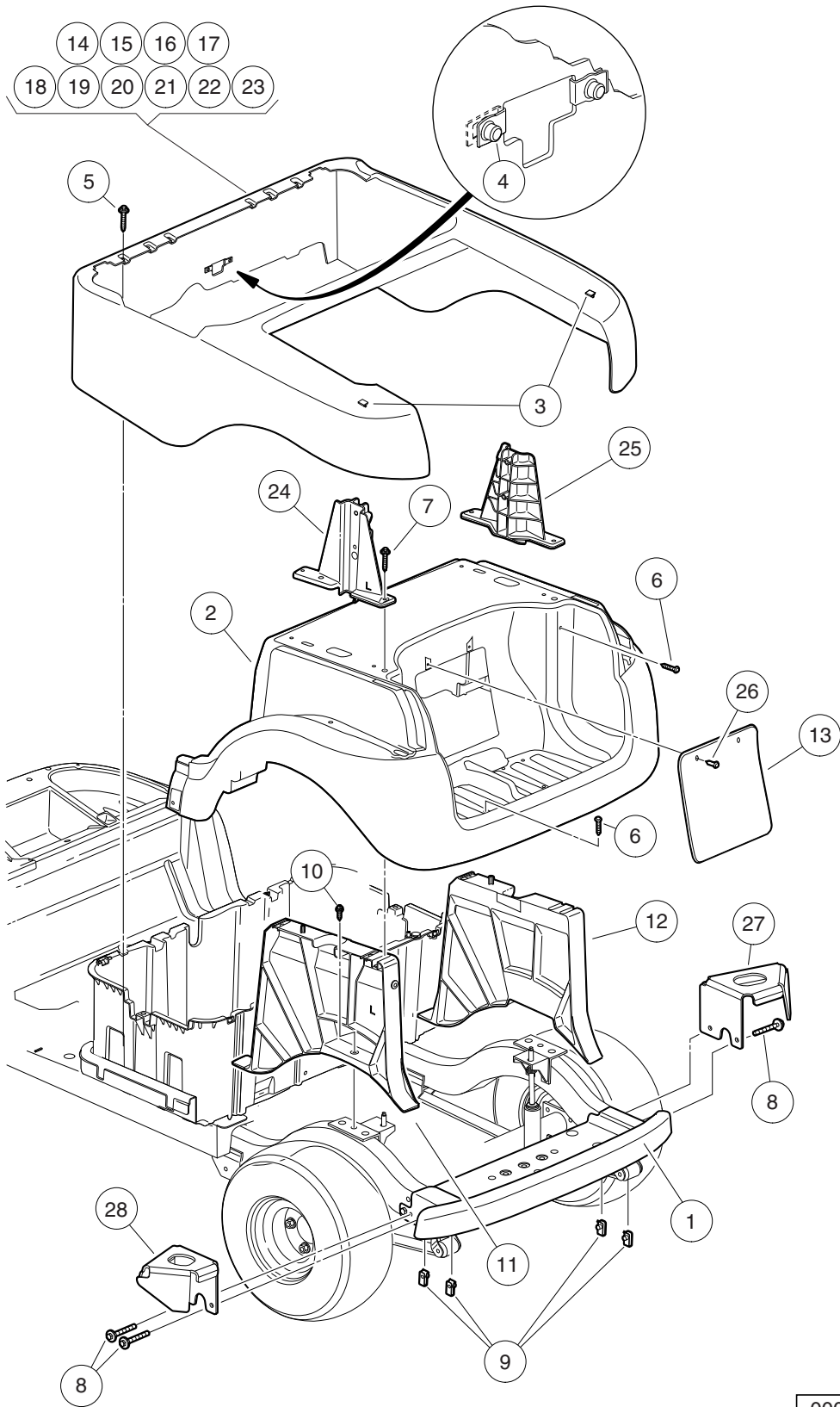
000436-006

REAR BODY – STYLE A FENDER LINERS

ITEM	PART NO.	DESCRIPTION	QTY
		1 2 3 4	
1	1012571	Washer, 5/16 Extra Thick Flat	2
2	<u>102279001</u>	Rear Bumper Beam	1
3	<u>102279104</u>	Underbody - Rear, Blk	1
4	<u>102292701</u>	Clip-body-trim	2
5	<u>102296601</u>	U-Nut, M6-1.0, Prevailing Torque	2
6	<u>102297230</u>	Screw, M6, Torx, Interlock Thread	4
7	102298030	Screw, K80x30, Torx Pn Hd Pt	4
8	<u>102298240</u>	Bolt, Flange Head, M8-1.25 X 40	2
9	<u>102298580</u>	M8-1.25 X 80 Sems	4
10	<u>102298601</u>	J-clip - M8 X 1.25	4
11	102298716	M8-1.25x16 Taptite	2
12	102500501	Asm, Rear U/b Support, Lh	1
13	<u>102500601</u>	Asm, Rear U/b Support, Rh	1
14	<u>102501402</u>	Panel, Access, Black	1
15	102502301	Panel, Beauty, Rear, White	1
16	<u>102502302</u>	Panel, Beauty, Rear, Beige	1
17	<u>102502304</u>	Panel, Beauty, Rear, Gray	1
18	<u>102502305</u>	Panel, Beauty, Rear, Red	1
19	<u>102502306</u>	Panel, Beauty, Rear, Burgundy	1
20	102502307	Panel, Beauty, Rear, Green	1
21	<u>102502308</u>	Panel, Beauty, Rear, Blue	1
22	<u>102502309</u>	Panel, Beauty, Rear, Black	1
23	<u>102502311</u>	Panel-beauty Rear, Cayenne	1
24	<u>102502313</u>	Panel-beauty Rear, Atlantic	1
25	<u>102502901</u>	Bracket, Canopy Support Left-Hand	1
26	<u>102503001</u>	Bracket, Canopy Support Right-Hand	1
27	102545601	Liner, Rear Underbody Lh	1
28	<u>102545602</u>	Liner, Rear Underbody Right-Hand	1
29	<u>102562101</u>	Tape, Foam Black 12" *	2
30	<u>102967901</u>	Rivet, Removable, Tuflok 1/4"	2
		* Note: Sold by the foot, 12 inches required per side	

1
G
E

1
G
E

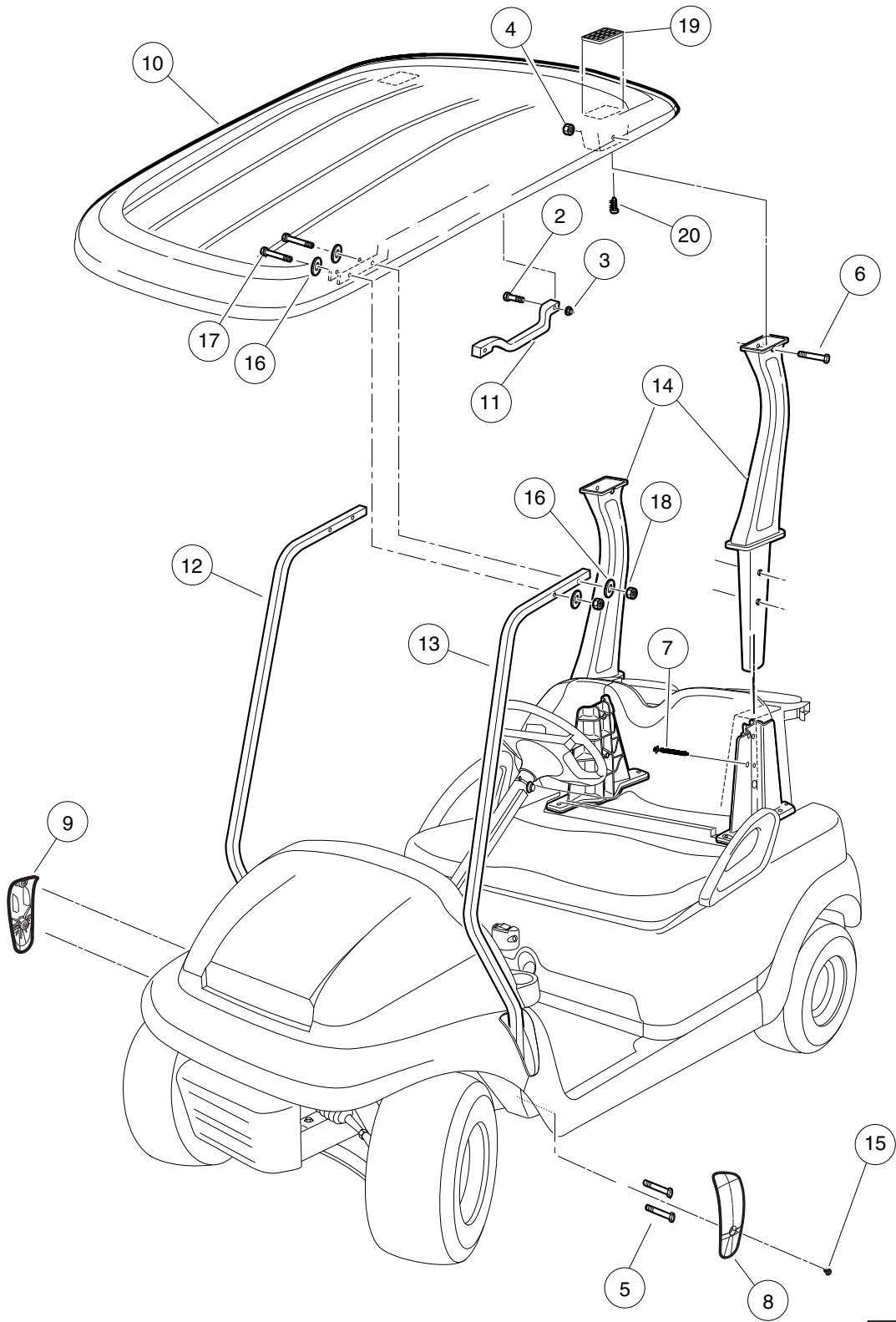


000436-005

REAR BODY – STYLE B FENDER LINERS

ITEM	PART NO.	DESCRIPTION	QTY	
		1 2 3 4		1
1	<u>102279001</u>	Rear Bumper Beam	1	G
2	<u>102279104</u>	Underbody - Rear, Blk	1	E
3	<u>102292701</u>	Clip-body-trim	2	
4	<u>102296601</u>	U-Nut, M6-1.0, Prevailing Torque	2	
5	<u>102297230</u>	Screw, M6, Torx, Interlock Thread	4	
6	<u>102298030</u>	Screw, K80x30, Torx Pn Hd Pt	4	
7	<u>102298240</u>	Bolt, Flange Head, M8-1.25 X 40	2	
8	<u>102298580</u>	M8-1.25 X 80 Sems	4	
9	<u>102298601</u>	J-clip - M8 X 1.25	4	
10	<u>102298716</u>	M8-1.25x16 Taptite	2	
11	<u>102500501</u>	Asm, Rear U/b Support, Lh	1	
12	<u>102500601</u>	Asm, Rear U/b Support, Rh	1	
13	<u>102501402</u>	Panel, Access, Black	1	
14	<u>102502301</u>	Panel, Beauty, Rear, White	1	
15	<u>102502302</u>	Panel, Beauty, Rear, Beige	1	
16	<u>102502304</u>	Panel, Beauty, Rear, Gray	1	
17	<u>102502305</u>	Panel, Beauty, Rear, Red	1	
18	<u>102502306</u>	Panel, Beauty, Rear, Burgundy	1	
19	<u>102502307</u>	Panel, Beauty, Rear, Green	1	
20	<u>102502308</u>	Panel, Beauty, Rear, Blue	1	
21	<u>102502309</u>	Panel, Beauty, Rear, Black	1	
22	<u>102502311</u>	Panel-beauty Rear, Cayenne	1	
23	<u>102502313</u>	Panel-beauty Rear, Atlantic	1	
24	<u>102502901</u>	Bracket, Canopy Support Left-Hand	1	
25	<u>102503001</u>	Bracket, Canopy Support Right-Hand	1	
26	<u>102967901</u>	Rivet, Removable, Tuflok 1/4"	2	
27	<u>103677401</u>	Bracket, Bumper, Pas	1	
28	<u>103677402</u>	Bracket, Bumper, Drv	1	
		Note: Style B fender liners (brackets) incorporated at serial number 1002-071464 and are backward compatible.		

1
G
E



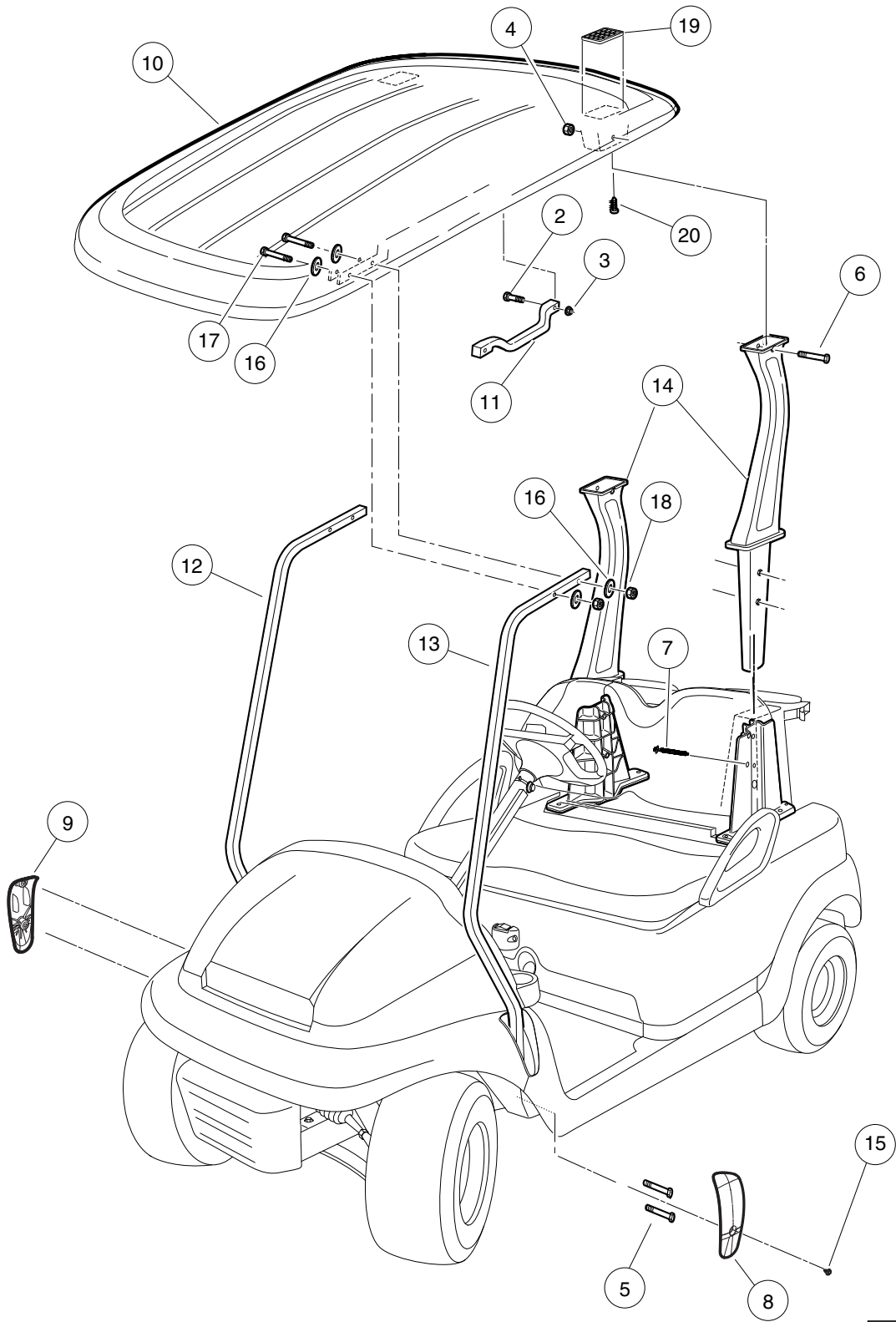
000439-004

CANOPY – BEIGE

ITEM	PART NO.	DESCRIPTION	QTY
		1 2 3 4	
1	<u>102520702</u>	Kit-canopy, Prec-beige (includes items 2 through 20)	1
2	<u>102296140</u>	Bolt, Flanged Head, M6x1.0x40	4
3	<u>102296401</u>	Nut, M6x1.0, Flange, Metal Lock	4
4	<u>102298401</u>	Nut,m8,all Metal Lock	2
5	<u>102299065</u>	M8-1.25 X 65 Tx Bttm Hd Bolt	4
6	<u>102299360</u>	Screw, M8-1.25 X 60, Sems, Tx	2
7	<u>102299601</u>	Screw, Pt, K80x70 Hex Flg Hd	2
8	<u>102400002</u>	Cover, Lh Canopy Support, Blk	1
9	<u>102400102</u>	Cover, Rh Canopy Support, Blk	1
10	<u>102508902</u>	Canopy-beige	1
11	<u>102511602</u>	Handle, Canopy (Beige)	2
12	<u>102512401</u>	Support, Canopy Front, Right-Hand	1
13	<u>102513301</u>	Support, Canopy Front Left-Hand	1
14	<u>102513501</u>	Asm-rear Canopy Support	2
15	<u>102544201</u>	Screw, M6 Hex	2
16	<u>103196001</u>	Washer, Conical Spring, Canopy	8
17	<u>103199301</u>	Bolt - M6 X 1 X 45 Hh Grey	4
18	<u>103200301</u>	Nut, M6 x 1.00	4
19	<u>103205101</u>	Cover, Drain, Canopy, Precedent	2
20	<u>103210101</u>	Screw, #8 X.75, Torx, Tapping	2

1
G
E

1
G
E



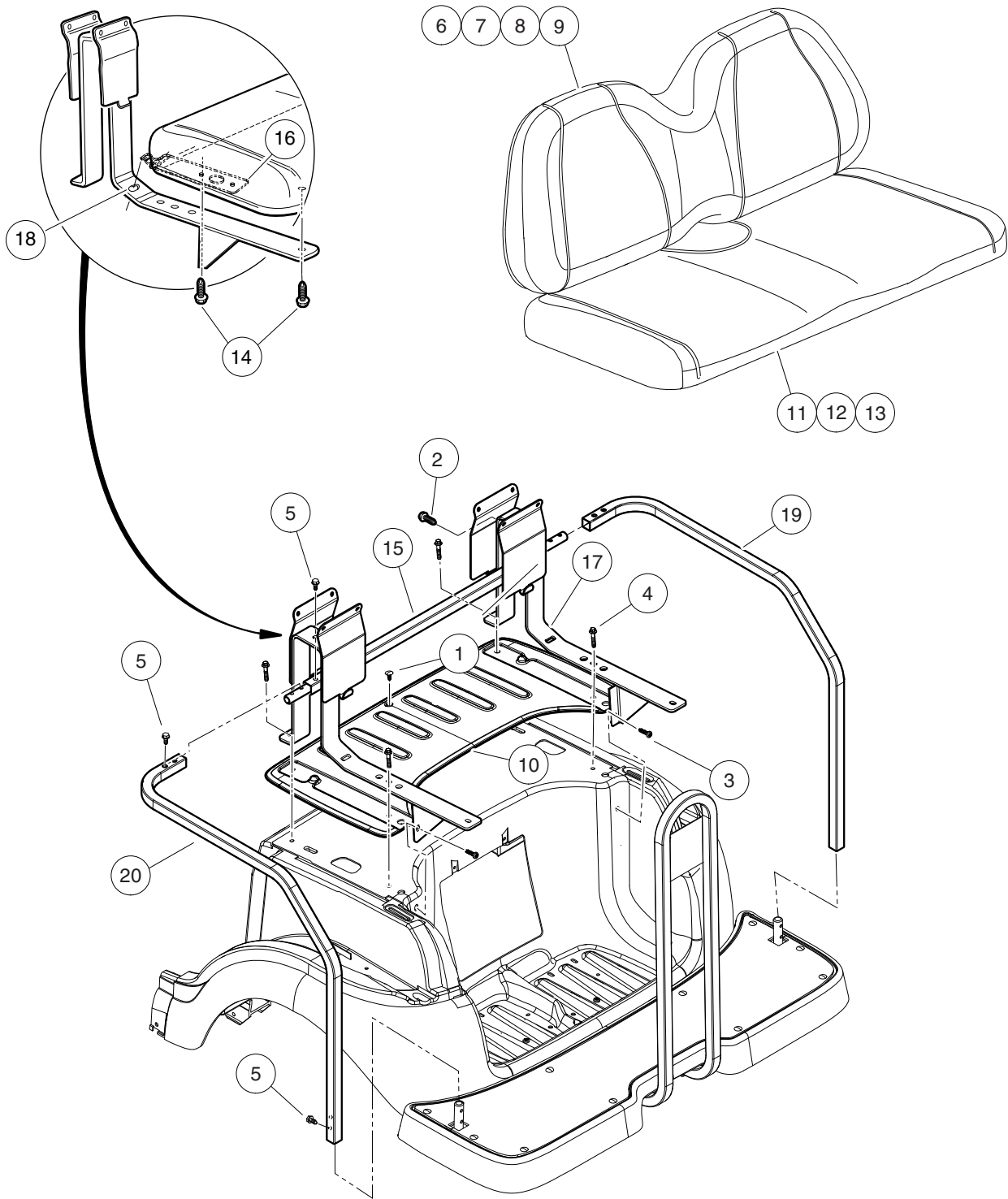
000439-004

CANOPY – WHITE

ITEM	PART NO.	DESCRIPTION	QTY
		1 2 3 4	
1	<u>102520701</u>	Kit-canopy, Prec-white (includes items 2 through 20)	1
2	<u>102296140</u>	Bolt, Flanged Head, M6x1.0x40	4
3	<u>102296401</u>	Nut, M6x1.0, Flange, Metal Lock	4
4	<u>102298401</u>	Nut,m8,all Metal Lock	2
5	<u>102299065</u>	M8-1.25 X 65 Tx Bttm Hd Bolt	4
6	<u>102299360</u>	Screw, M8-1.25 X 60, Sems, Tx	2
7	<u>102299601</u>	Screw, Pt, K80x70 Hex Flg Hd	2
8	<u>102400002</u>	Cover, Lh Canopy Support, Blk	1
9	<u>102400102</u>	Cover, Rh Canopy Support, Blk	1
10	<u>102508901</u>	Canopy-white	1
11	<u>102511601</u>	Handle, Canopy (White)	2
12	<u>102512401</u>	Support, Canopy Front, Right-Hand	1
13	<u>102513301</u>	Support, Canopy Front Left-Hand	1
14	<u>102513501</u>	Asm-rear Canopy Support	1
15	<u>102544201</u>	Screw, M6 Hex	2
16	<u>103196001</u>	Washer, Conical Spring, Canopy	8
17	<u>103199301</u>	Bolt - M6 X 1 X 45 Hh Grey	4
18	<u>103200301</u>	Nut, M6 x 1.00	4
19	<u>103205101</u>	Cover, Drain, Canopy, Precedent	2
20	<u>103210101</u>	Screw, #8 X.75, Torx, Tapping	2

1
G
E

1
G
E

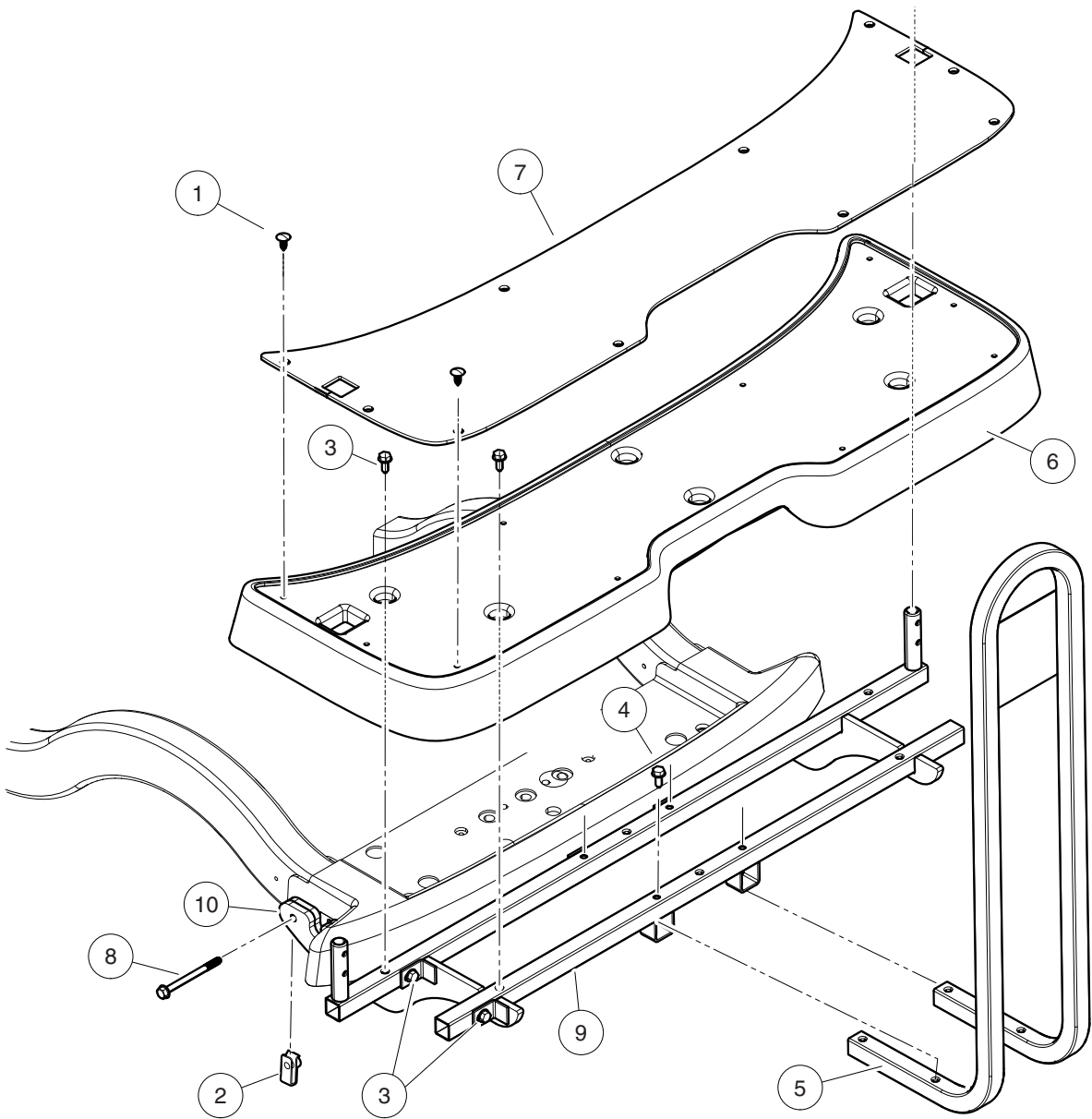


000494-002

REAR SEAT – PRECEDENT VILLAGER 4

ITEM	PART NO.	DESCRIPTION	QTY
		1 2 3 4	
1	<u>1010434</u>	Barrel - Plastic	10
2	<u>102296530</u>	Screw - M6 X 1.0 X 30 Sems	4
3	<u>102298030</u>	Screw, K80x30, Torx Pn Hd Pt	2
4	<u>102298240</u>	Bolt, Flange Head, M8-1.25 X 40	1
5	<u>102298720</u>	Screw, M8-1.25x20, Taptite	10
6	<u>102503221</u>	Service Backrest Asm, Beige	1
7	<u>102503222</u>	Service Backrest Asm, White	1
8	<u>102503224</u>	Service Backrest Asm, Gray	1
9	<u>102503225</u>	Service Backrest Asm-black	1
10	<u>102531501</u>	Cover, 4-pass Ns1 Underbody	1
11	<u>102531701</u>	4-Passenger Rear Seat Bottom, Beige	1
12	<u>102531702</u>	4-Passenger Rear Seat Bottom, White	1
13	<u>102531704</u>	4-Passenger Rear Seat Bottom, Gray	1
14	<u>102541425</u>	Bolt, M6x1.0x25, Hex Flhd, Blk-l	4
15	<u>102572201</u>	Connector Tube-hand Rail Asm	1
16	<u>102573101</u>	Bracket, 4-pass Lower Seat	2
17	<u>102574801</u>	Support-rh 4 Passenger Seat	1
18	<u>102574901</u>	Support-lh 4 Passenger Seat	1
19	<u>102575101</u>	Restraint- Rh 4-passenger Hip	1
20	<u>102575201</u>	Restraint- Lh 4-passenger Hip	1
		Note: See also four-passenger kit information.	

1
G
E



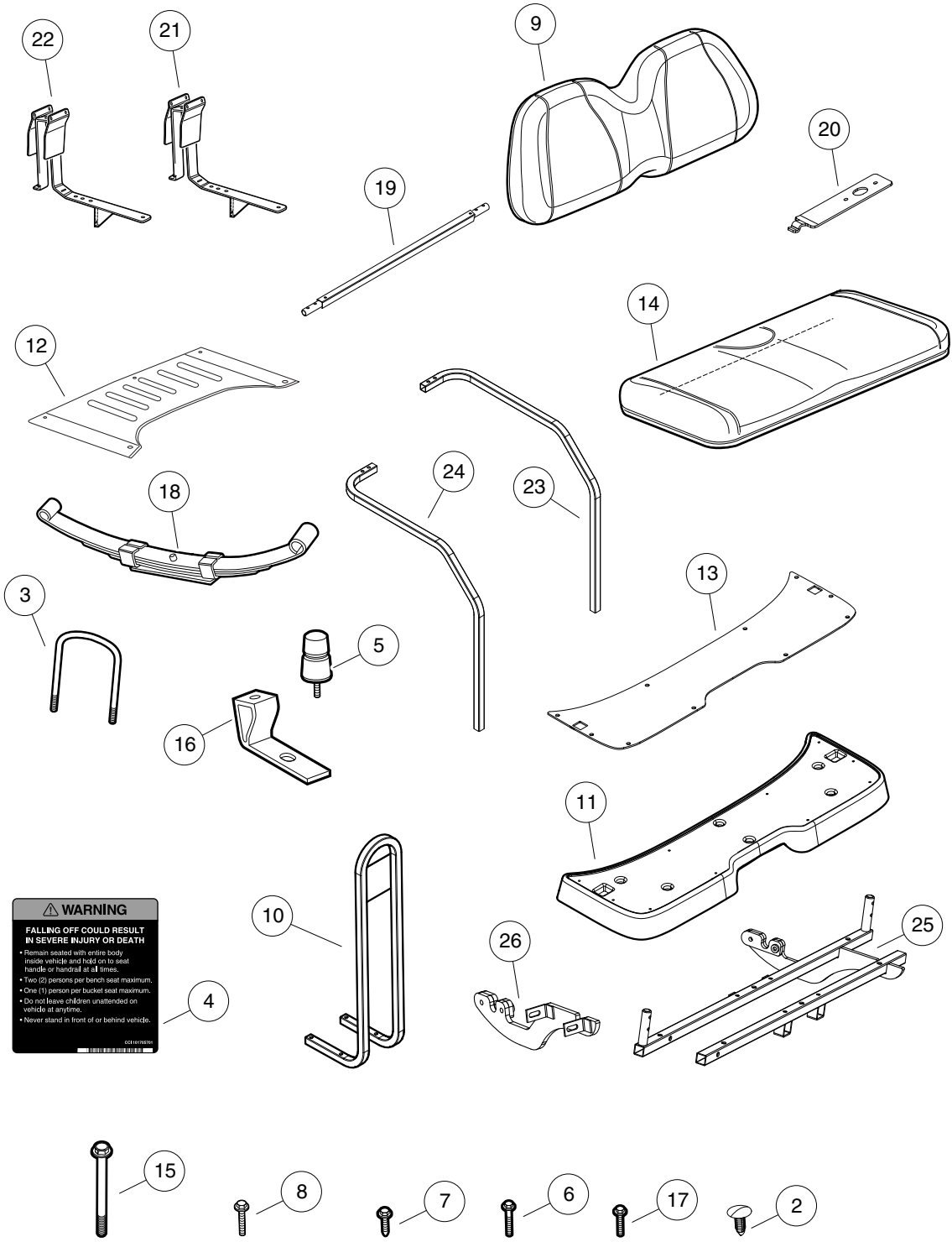
000493-003

REAR FOOTREST ASSEMBLY – PRECEDENT VILLAGER 4

ITEM	PART NO.	DESCRIPTION	QTY
		1 2 3 4	
1	<u>1010434</u>	Barrel - Plastic	10
2	<u>102298601</u>	J-clip - M8 X 1.25	4
3	<u>102298720</u>	Screw, M8-1.25x20, Taptite	8
4	<u>102298745</u>	M8-1.25x45 Taptite	4
5	<u>102531001</u>	Handrail Weldment, Rear Seat	1
6	<u>102531402</u>	Footdeck, 4-Passenger, Black	1
7	<u>102531601</u>	Floor mat, 4-Passenger, Rear	1
8	<u>102534201</u>	Bolt - Fl Hd, M8 X 95	4
9	<u>102584701</u>	Weld, 4-pass Footdeck-a	1
10	<u>102584801</u>	Weld, 4-pass Footdeck-b	1

1
G
E

1
G
E



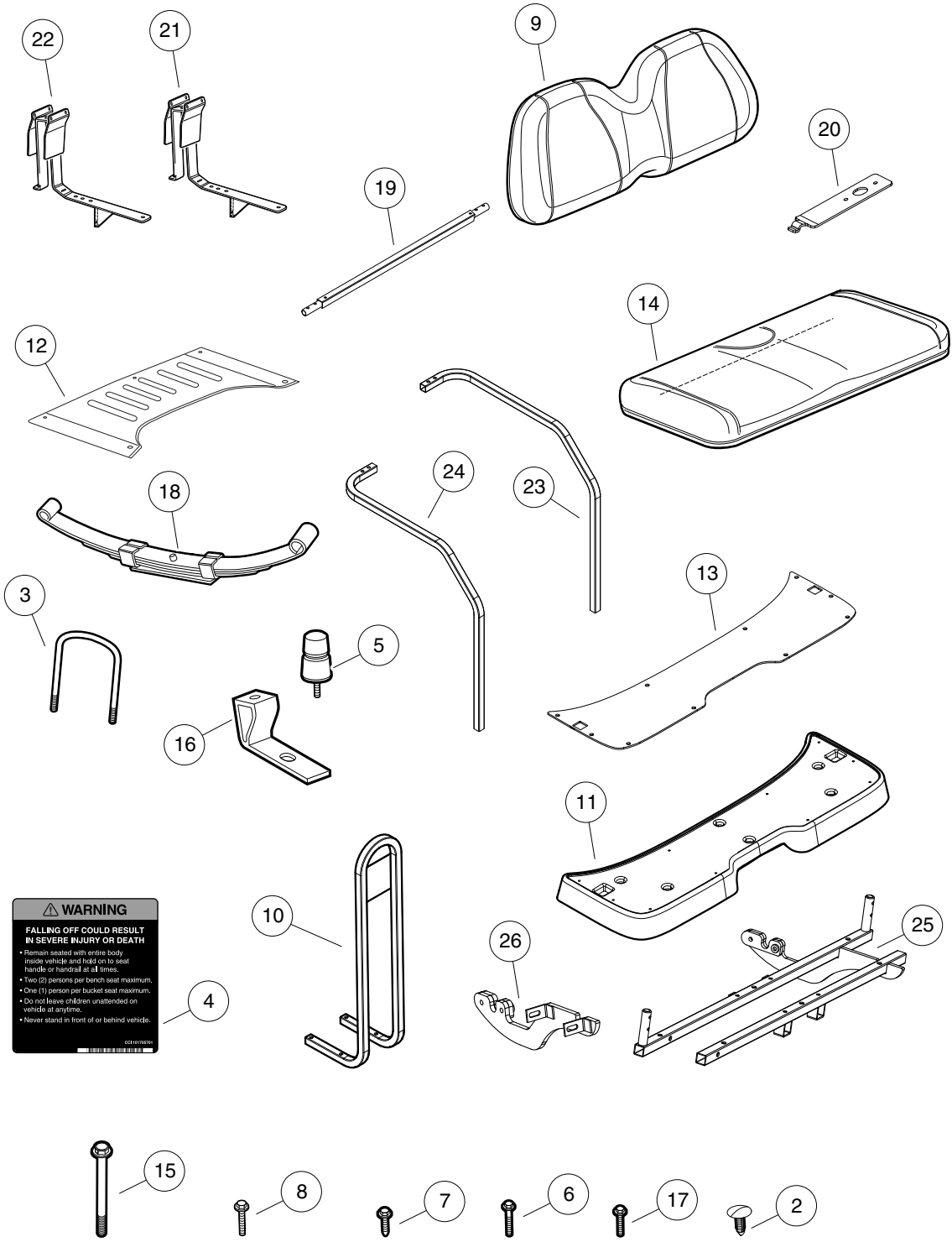
000505-003

FOUR PASSENGER CONVERSION KIT – BEIGE

ITEM	PART NO.	DESCRIPTION	QTY
		1 2 3 4	
1	<u>102570901</u>	Kit-4-pass, Prec, Std, Beige (includes items 2 through 26)	1
2	<u>1010434</u>	Barrel - Plastic	11
3	<u>1014902</u>	U-Bolt	2
4	<u>101705701</u>	Decal, Warning	1
5	<u>1017235</u>	Bumper, Jounce	2
6	<u>102296530</u>	Screw - M6 X 1.0 X 30 Sems	4
7	<u>102298720</u>	Screw, M8-1.25x20, Taptite	18
8	<u>102298745</u>	M8-1.25x45 Taptite	4
9	<u>102503221</u>	Service Backrest Asm, Beige	1
10	<u>102531001</u>	Handrail Weldment, Rear Seat	1
11	<u>102531402</u>	Footdeck, 4-Passenger, Black	1
12	<u>102531501</u>	Cover, 4-pass Ns1 Underbody	1
13	<u>102531601</u>	Floor mat, 4-Passenger, Rear	1
14	<u>102531701</u>	4-Passenger Rear Seat Bottom, Beige	1
15	<u>102534201</u>	Bolt - Fl Hd, M8 X 95	4
16	<u>102534801</u>	Jounce Bumper Bracket	2
17	<u>102541425</u>	Bolt, M6x1.0x25, Hex Flhd, Blk-l	6
18	<u>102544901</u>	Spring, Leaf, Rear	2
19	<u>102572201</u>	Connector Tube-hand Rail Asm	1
20	<u>102573101</u>	Bracket, 4-pass Lower Seat	2
21	<u>102574801</u>	Support-rh 4 Passenger Seat	1
22	<u>102574901</u>	Support-lh 4 Passenger Seat	1
23	<u>102575101</u>	Restraint- Rh 4-passenger Hip	1
24	<u>102575201</u>	Restraint- Lh 4-passenger Hip	1
25	<u>102584701</u>	Weld, 4-pass Footdeck-a	1
26	<u>102584801</u>	Weld, 4-pass Footdeck-b	1

1
G
E

1
G
E



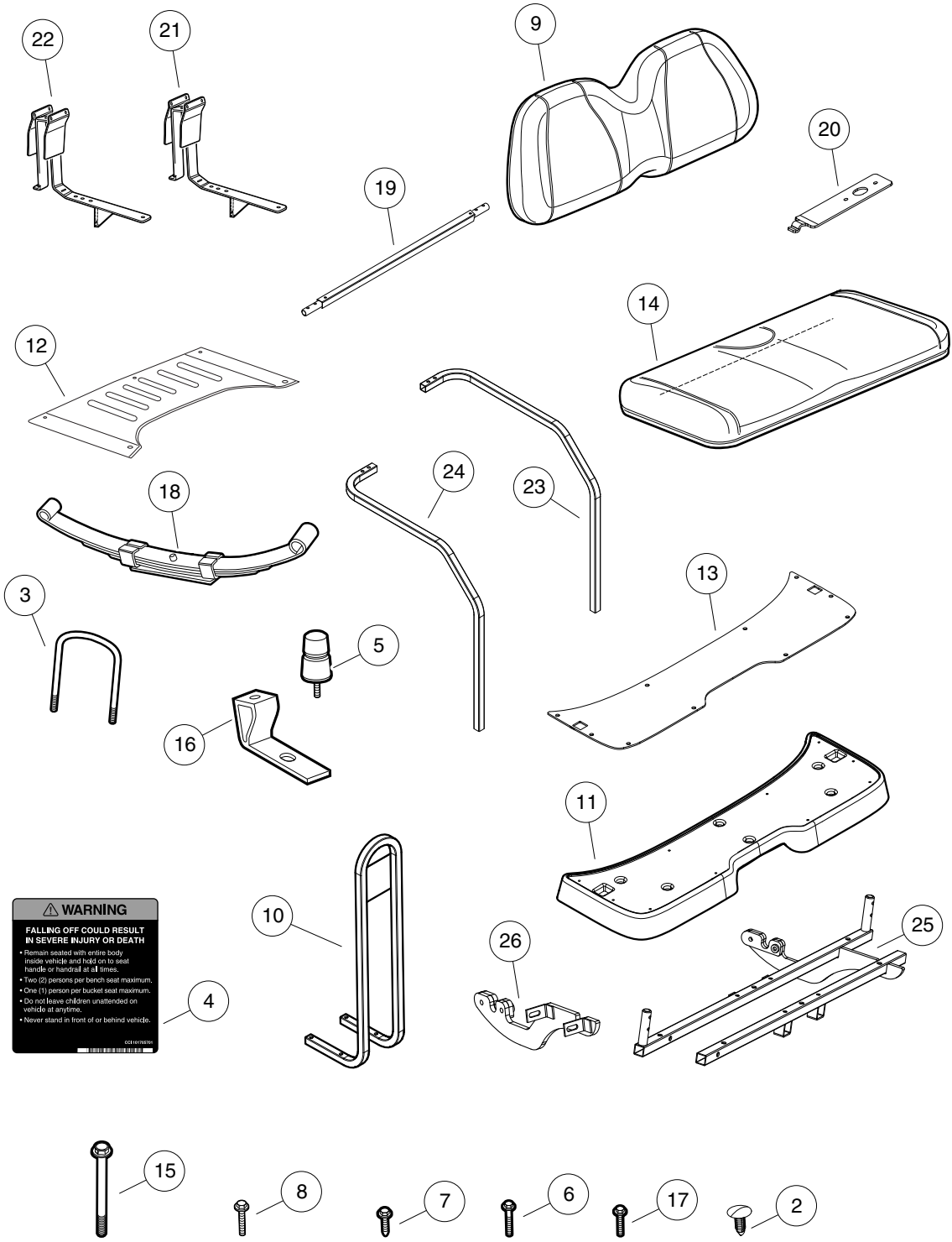
000505-003

FOUR PASSENGER CONVERSION KIT – WHITE

ITEM	PART NO.	DESCRIPTION	QTY
		1 2 3 4	
1	<u>102570902</u>	Kit-4-pass, Prec, Std, White (includes items 2 through 26)	1
2	<u>1010434</u>	Barrel - Plastic	11
3	<u>1014902</u>	U-Bolt	2
4	<u>101705701</u>	Decal, Warning	1
5	<u>1017235</u>	Bumper, Jounce	2
6	<u>102296530</u>	Screw - M6 X 1.0 X 30 Sems	4
7	<u>102298720</u>	Screw, M8-1.25x20, Taptite	18
8	<u>102298745</u>	M8-1.25x45 Taptite	4
9	<u>102503222</u>	Service Backrest Asm, White	1
10	<u>102531001</u>	Handrail Weldment, Rear Seat	1
11	<u>102531402</u>	Footdeck, 4-Passenger, Black	1
12	<u>102531501</u>	Cover, 4-pass Ns1 Underbody	1
13	<u>102531601</u>	Floor mat, 4-Passenger, Rear	1
14	<u>102531702</u>	4-Passenger Rear Seat Bottom, White	1
15	<u>102534201</u>	Bolt - Fl Hd, M8 X 95	4
16	<u>102534801</u>	Jounce Bumper Bracket	2
17	<u>102541425</u>	Bolt, M6x1.0x25, Hex Flhd, Blk-l	6
18	<u>102544901</u>	Spring, Leaf, Rear	2
19	<u>102572201</u>	Connector Tube-hand Rail Asm	1
20	<u>102573101</u>	Bracket, 4-pass Lower Seat	2
21	<u>102574801</u>	Support-rh 4 Passenger Seat	1
22	<u>102574901</u>	Support-lh 4 Passenger Seat	1
23	<u>102575101</u>	Restraint- Rh 4-passenger Hip	1
24	<u>102575201</u>	Restraint- Lh 4-passenger Hip	1
25	<u>102584701</u>	Weld, 4-pass Footdeck-a	1
26	<u>102584801</u>	Weld, 4-pass Footdeck-b	1

1
G
E

1
G
E



000505-003

FOUR PASSENGER CONVERSION KIT – GRAY

ITEM	PART NO.	DESCRIPTION	QTY
		1 2 3 4	
1	<u>102570904</u>	Kit, 4 Passenger, Precedent, Std, Gray (includes items 2 through 26)	1
2	<u>1010434</u>	Barrel - Plastic	11
3	<u>1014902</u>	U-Bolt	2
4	<u>101705701</u>	Decal, Warning	1
5	<u>1017235</u>	Bumper, Jounce	2
6	<u>102296530</u>	Screw - M6 X 1.0 X 30 Sems	4
7	<u>102298720</u>	Screw, M8-1.25x20, Taptite	18
8	<u>102298745</u>	M8-1.25x45 Taptite	4
9	<u>102503224</u>	Service Backrest Asm, Gray	1
10	<u>102531001</u>	Handrail Weldment, Rear Seat	1
11	<u>102531402</u>	Footdeck, 4-Passenger, Black	1
12	<u>102531501</u>	Cover, 4-pass Ns1 Underbody	1
13	<u>102531601</u>	Floor mat, 4-Passenger, Rear	1
14	<u>102531704</u>	4-Passenger Rear Seat Bottom, Gray	1
15	<u>102534201</u>	Bolt - Fl Hd, M8 X 95	4
16	<u>102534801</u>	Jounce Bumper Bracket	2
17	<u>102541425</u>	Bolt, M6x1.0x25, Hex Flhd, Blk-l	6
18	<u>102544901</u>	Spring, Leaf, Rear	2
19	<u>102572201</u>	Connector Tube-hand Rail Asm	1
20	<u>102573101</u>	Bracket, 4-pass Lower Seat	2
21	<u>102574801</u>	Support-rh 4 Passenger Seat	1
22	<u>102574901</u>	Support-lh 4 Passenger Seat	1
23	<u>102575101</u>	Restraint- Rh 4-passenger Hip	1
24	<u>102575201</u>	Restraint- Lh 4-passenger Hip	1
25	<u>102584701</u>	Weld, 4-pass Footdeck-a	1
26	<u>102584801</u>	Weld, 4-pass Footdeck-b	1

1
G
E

1

G

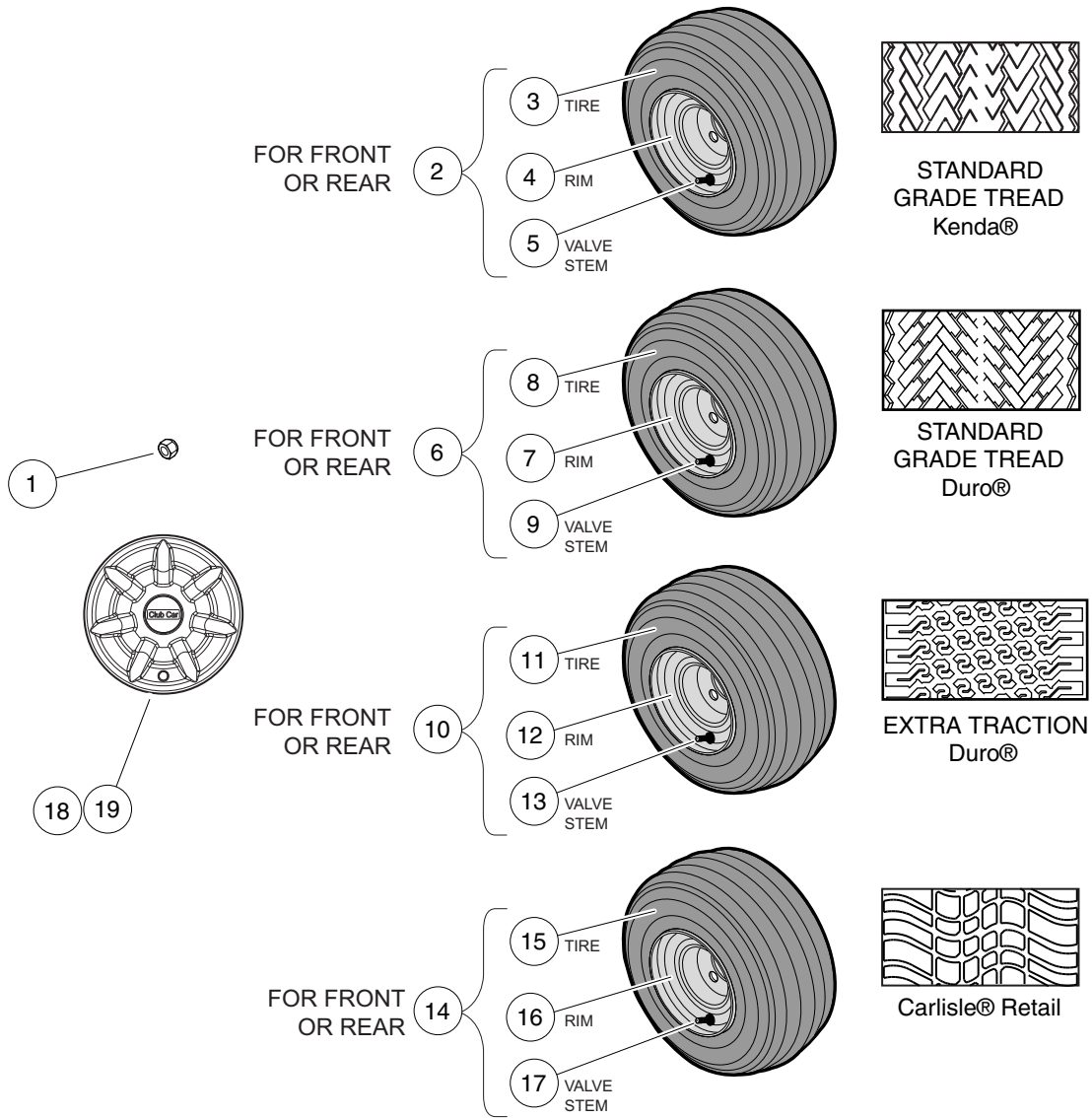
E

WHEELS AND TIRES

2

G

E

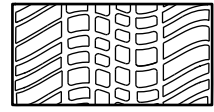
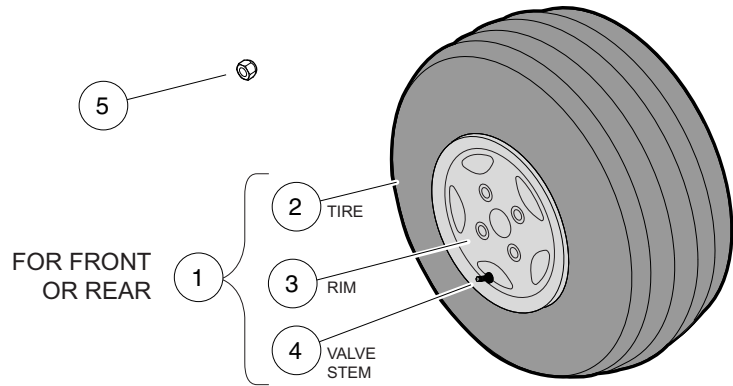


000474-004

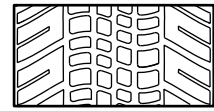
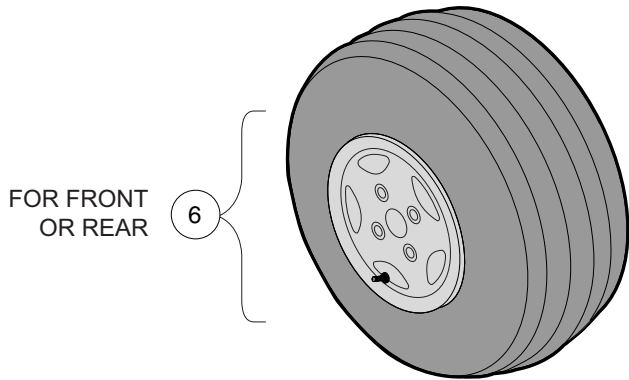
WHEELS AND TIRES – 12 AND PROFESSIONAL

ITEM	PART NO.	DESCRIPTION	QTY
		1 2 3 4	
1	<u>1010984</u>	.500-20 Unf Lug Nut	16
2	<u>102522601</u>	Asm-Kenda Std Gray (includes items 3 through 5)	4
3	<u>103458601</u>	Tire, Kenda Hole-n-1, Xt	1
4	<u>103459101</u>	Wheel Rim Asm, 8"x7", Gray	1
5	<u>7310</u>	Valve Stem, Black Plastic	1
6	<u>102522604</u>	Asm-duro Std Gray (includes items 7 through 9)	4
7	<u>102557801</u>	Wheel Rim Asm, 8"x7.000" (Duro rim)	1
8	<u>102569304</u>	Duro 18 X 8.5 X 8, 4-Ply	1
9	<u>7310</u>	Valve Stem, Black Plastic	1
10	<u>102522605</u>	Asm-duro Extra Tract Gray (includes items 11 through 13)	4
11	<u>101769302</u>	Tire, Unmounted Xtrac 18 x 8.50-8	1
12	<u>102557801</u>	Wheel Rim Asm, 8"x7.000" (Duro rim)	1
13	<u>7310</u>	Valve Stem, Black Plastic	1
14	<u>102522609</u>	Asm-carlisle Retail (includes items 15 through 17)	4
15	<u>102569309</u>	Tire-carlisle 18.5x8.5r8 4-ply	1
16	<u>103459101</u>	Wheel Rim Asm, 8"x7", Gray	1
17	<u>7310</u>	Valve Stem, Black Plastic	1
18	<u>102559901</u>	Hub Cap Kit, Prec (includes item 19)	1
19	<u>103694501</u>	Hub Cap, 7 Prong	4

2
G
E



PRO TOUR
Kenda



K399
Kenda

000475-005

WHEELS AND TIRES – I2L AND CHAMPION

ITEM	PART NO.	DESCRIPTION	QTY
		1 2 3 4	
1	<u>102540601</u>	Tire and Wheel, 10" Aluminum, Pro Tour Tire (includes items 2 through 4)	4
2	<u>102556701</u>	Tire, Pro Tour, 205-50 X 10	1
3	<u>102556801</u>	Wheel, Aluminum, Champion	1
4	<u>7310</u>	Valve Stem, Black Plastic	1
5	<u>102540701</u>	Lug Nut, 1/2" Closed End	16
6	<u>AM1263401</u>	Tire and Wheel, 10" Alum., Kenda K399 205/50 Tire	4

2
G
E

2

G

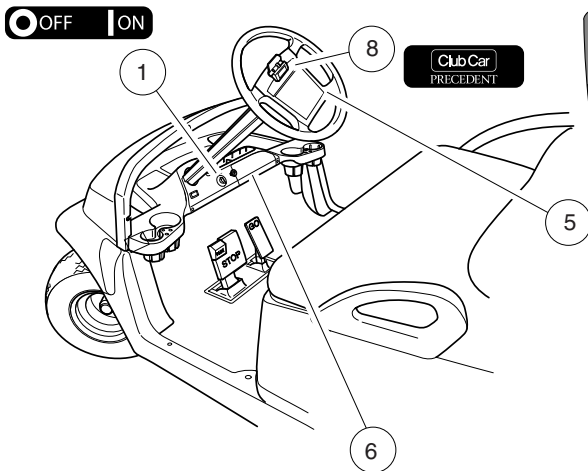
E

DECALS

3

G

E



OPERATING INSTRUCTIONS

- Read owner's manual and safety warnings located on dash panel prior to driving.
- Study and understand controls.

TO OPERATE

- Turn wheels to desired direction and ensure path is clear.
- Turn key to ON position.
- While stopped, place shift lever in desired position:
F – Forward N – Neutral R – Reverse (Buzzer will sound)
- Park brake will release and vehicle will start moving when accelerator pedal is pressed.
- Slowly press accelerator pedal to increase speed.
- To stop, release accelerator pedal and press brake pedal.

BEFORE LEAVING

- Press park brake pedal until it locks and holds vehicle.
- Place Forward/Reverse switch in NEUTRAL position.
- Turn key OFF and remove key when not in use.

CCI 102519201

WARNING

ROLLOVER OR FALLING OFF MAY CAUSE SERIOUS INJURY OR DEATH.

- Before using vehicle, read operating instructions.
- Do not start vehicle until all occupants are seated.
- Keep entire body inside vehicle while moving.
- Drive slowly in turns and straight up and down slopes.
- Use brakes to reduce speed when coasting downhill.
- Never operate under the influence of alcohol or drugs.
- For use by authorized persons in designated areas only.
- Remain seated while moving.
- Operate from driver side only.
- Never operate on public roads.
- Hold on to seat handle while moving.
- Two (2) persons per seat maximum.
- Never stand in front of or behind vehicle.
- Do not leave children unattended on vehicle.

CCI 102519301

WARNING

BATTERY EXPLOSION / FIRE CAN CAUSE SEVERE INJURY

- Do not contact positive (+) battery post or cable to frame.
- Disconnect negative (-) cable first.
- Negative (-) frame ground.

CCI 102517901

WARNING

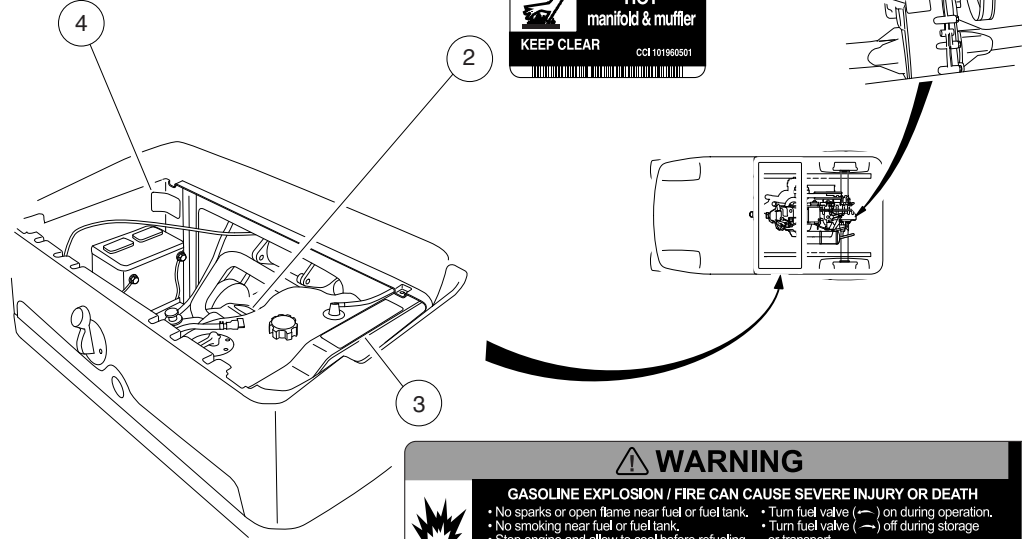
CAN CAUSE SEVERE INJURY

Rotating parts

HOT manifold & muffler

KEEP CLEAR

CCI 101960501



WARNING

GASOLINE EXPLOSION / FIRE CAN CAUSE SEVERE INJURY OR DEATH

- No sparks or open flame near fuel or fuel tank.
- No smoking near fuel or fuel tank.
- Stop engine and allow to cool before refueling.
- Turn fuel valve (—) on during operation.
- Turn fuel valve (—) off during storage or transport.

EXCESSIVE SPEED CAN CAUSE SEVERE INJURY OR DEATH

- Do not tamper with engine governor adjustment.

CCI 102517801

CE

000444-001

DECALS – GASOLINE VEHICLE

ITEM	PART NO.	DESCRIPTION	QTY
		1 2 3 4	
1	<u>101825101</u>	Decal, Off/On	1
2	<u>101960501</u>	Decal, Rotating Parts/Hot Manifold	2
3	<u>102517801</u>	Decal, Warning - Gas and Govenor	1
4	<u>102517901</u>	Decal, Warning - Frame Ground	1
5	<u>102519201</u>	Decal, Operating Instr, Gas	1
6	<u>102519301</u>	Decal, Warning, Rollover	1
7	<u>102538101</u>	Decal, Operating Instructions, Gas, Comfort Grip	1
8	<u>102540901</u>	Decal, Club Car Clip	1
		Note: Item 7 not shown.	

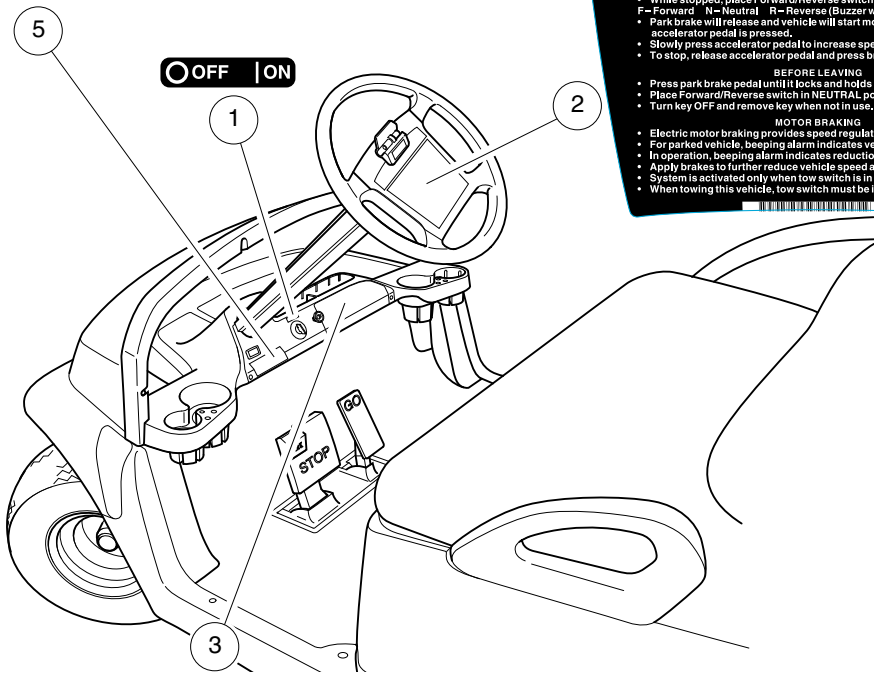
3
G
E

IMPORTANT NOTICE

This vehicle does not conform to ANSI Z130.1 - "Standard for Golf Cars - Safety and Performance Requirements" because it is capable of speeds in excess of 15 miles per hour. Exercise caution.

CCI 102555901

OFF ON



OPERATING INSTRUCTIONS

- Read owner's manual and dash-mounted safety warnings prior to driving.
- Study and understand controls.

TO OPERATE

- Turn wheels to desired direction and ensure path is clear.
- Turn key to ON position.
- While stopped, place Forward/Reverse switch in desired position: F=Forward N=Neutral R=Reverse (Buzzer will sound)
- Park brake will release and vehicle will start moving when accelerator pedal is pressed.
- Slowly press accelerator pedal to increase speed.
- To stop, release accelerator pedal and press brake pedal.

BEFORE LEAVING

- Press park brake pedal until it locks and holds vehicle.
- Place Forward/Reverse switch in NEUTRAL position.
- Turn key OFF and remove key when not in use.

MOTOR BRAKING

- Electric motor braking provides speed regulation functions.
- For parked vehicle, beeping alarm indicates vehicle roll away.
- In operation, beeping alarm indicates reduction in motor braking.
- Apply brakes to further reduce vehicle speed as required.
- System is activated only when tow switch is in the RUN position.
- When towing this vehicle, tow switch must be in the TOW position.

CCI 102518001

WARNING

ROLLOVER OR FALLING OFF MAY CAUSE SERIOUS INJURY OR DEATH.

- Before using vehicle, read operating instructions.
- Do not start vehicle until all occupants are seated.
- Keep entire body inside vehicle while moving.
- Drive slowly in turns and straight up and down slopes.
- Use brakes to reduce speed when coasting downhill.
- Never operate under the influence of alcohol or drugs.
- For use by authorized persons in designated areas only.
- Remain seated while moving.
- Operate from driver side only.
- Never operate on public roads.
- Hold on to seat handle while moving.
- Two (2) persons per seat maximum.
- Never stand in front of or behind vehicle.
- Do not leave children unattended on vehicle.

CCI 102519301

000441-005

DECALS – ELECTRIC VEHICLE

ITEM	PART NO.	DESCRIPTION	QTY
		1 2 3 4	
1	<u>101825101</u>	Decal, Off/On	1
2	102518001	Decal, Operating Instr, Elec	1
3	<u>102519301</u>	Decal, Warning, Rollover	1
4	<u>102538201</u>	Decal, Operating Instr, Ele, Comfort Grip	1
5	<u>102555901</u>	Decal, Private Speed, Prec	1
		Note: Item 4 not shown.	

3
G
E

WARNING

BATTERY EXPLOSION COULD RESULT IN SEVERE PERSONAL INJURY

- Place Run/Tow switch in TOW position before performing any of the following:
 - Disconnecting or connecting battery cables
 - Towing this vehicle
 - Extended storage
 - Servicing the vehicle
- Do not store items in battery compartment.
- Keep electronic components dry.
- Do not operate vehicle without this plate properly installed.
- See vehicle service manual before servicing.

RUN

TOW

CCI 102384601

CAUTION EXPOSURE TO WATER MAY DAMAGE ELECTRONIC COMPONENTS

- Do not direct water stream in the area of this plate.
- See vehicle service manual before servicing.

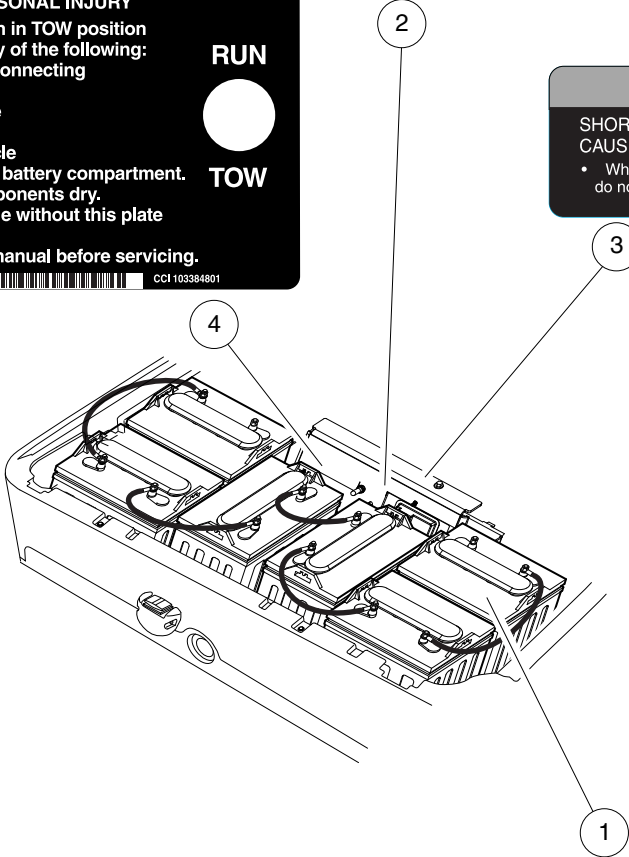
CCI 102384601

WARNING

SHORTING OF BATTERY TERMINALS CAN CAUSE PERSONAL INJURY OR DEATH.

- When removing component mounting plate, do not place plate directly on top of batteries.

103384701



DANGER!

HIGH VOLTAGE...
RISK OF SHOCK
DO NOT TOUCH UNINSULATED TERMINALS OR CONNECTORS.

NO SPARKS, FLAMES, SMOKING

SULFURIC ACID
CAN CAUSE BLINDNESS OR SEVERE BURNS

SHIELD EYES
EXPLOSIVE GASES
CAN CAUSE BLINDNESS OR INJURY

FLUSH EYES IMMEDIATELY WITH WATER.
GET MEDICAL HELP FAST

SEE INSTALLATION, MAINTENANCE AND OPERATION INSTRUCTIONS
VENTILATE WELL WHEN IN AN ENCLOSED SPACE AND WHEN CHARGING.
KEEP OUT OF REACH OF CHILDREN
DO NOT TIP

CCI 102591901

000441-007

DECALS – ELECTRIC VEHICLE, CONTINUED

ITEM	PART NO.	DESCRIPTION	QTY
		1 2 3 4	
1	<u>102591901</u>	Warning Tag, Battery, SPWS (For SPWS Accessory)	4
2	<u>103384601</u>	Decal-water Exposure	1
3	<u>103384701</u>	Decal-warning, Short	1
4	<u>103384801</u>	Decal-warning, Run Tow	1

3
G
E

3

G

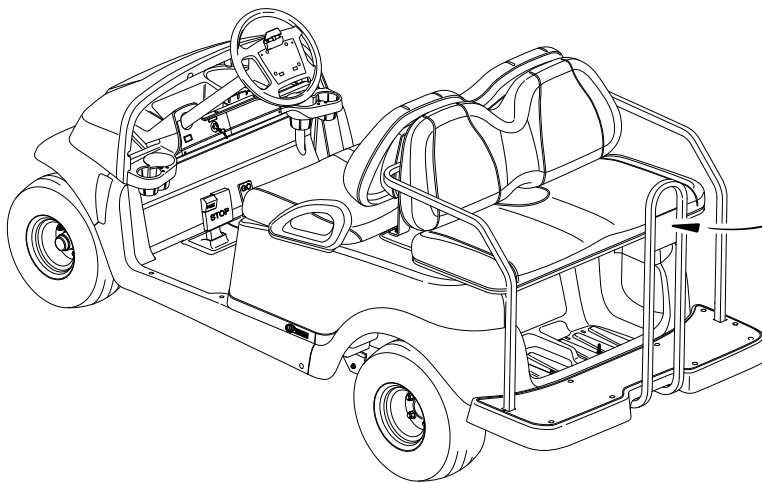
E

 **WARNING**

**FALLING OFF COULD RESULT
IN SEVERE INJURY OR DEATH**

- Remain seated with entire body inside vehicle and hold on to seat handle or handrail at all times.
- Two (2) persons per bench seat maximum.
- One (1) person per bucket seat maximum.
- Do not leave children unattended on vehicle at anytime.
- Never stand in front of or behind vehicle.

CCI 101705701



000495-001

DECAL – PRECEDENT VILLAGER 4

ITEM	PART NO.	DESCRIPTION	QTY
1	<u>101705701</u>	1 2 3 4 Decal, Warning	1

3
G
E

3

G

E

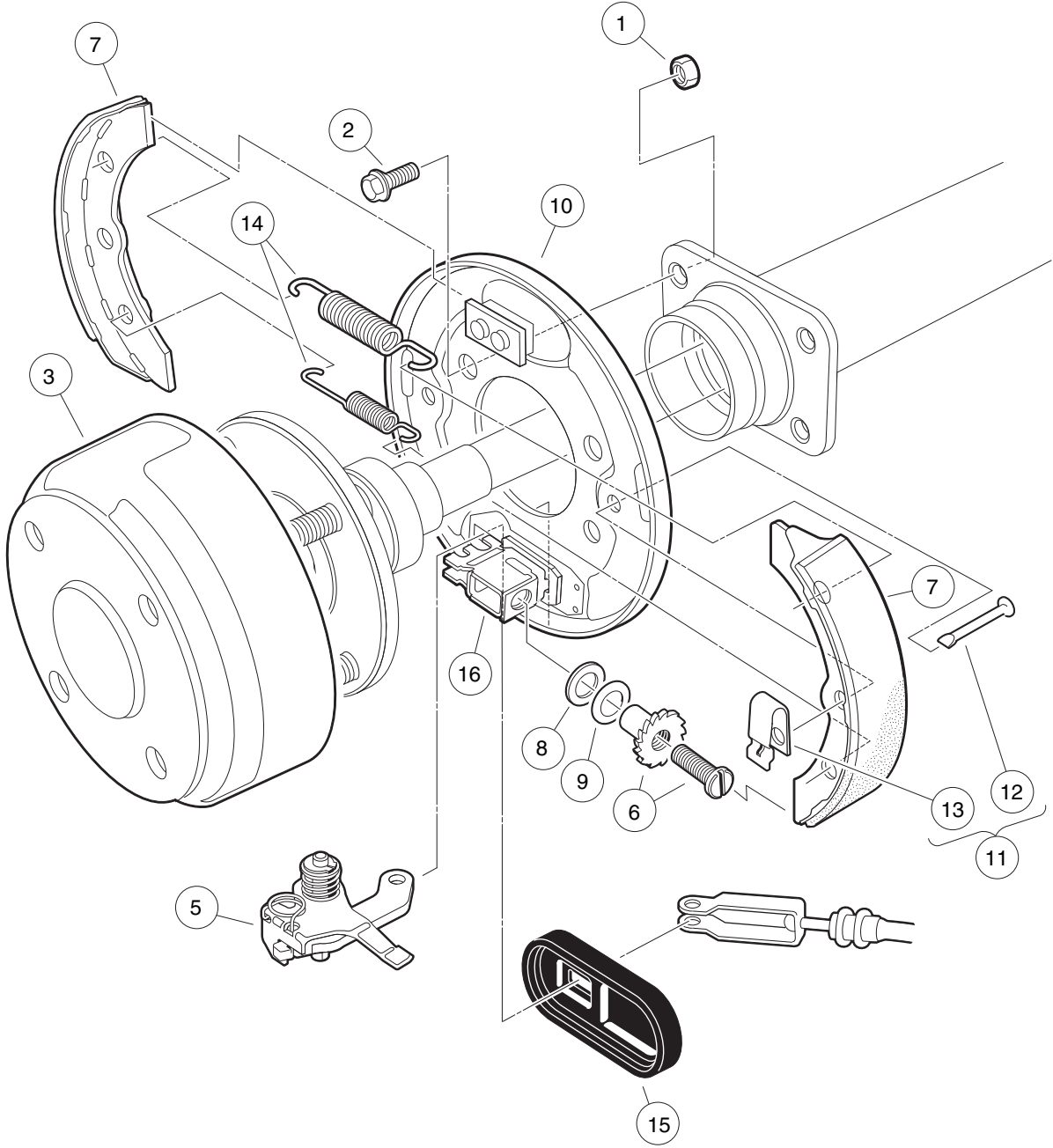
BRAKES AND PEDAL GROUP ASSEMBLIES

4

G

E

4
G
E



000186-003

REAR BRAKE ASSEMBLY, SELF-ADJUSTING

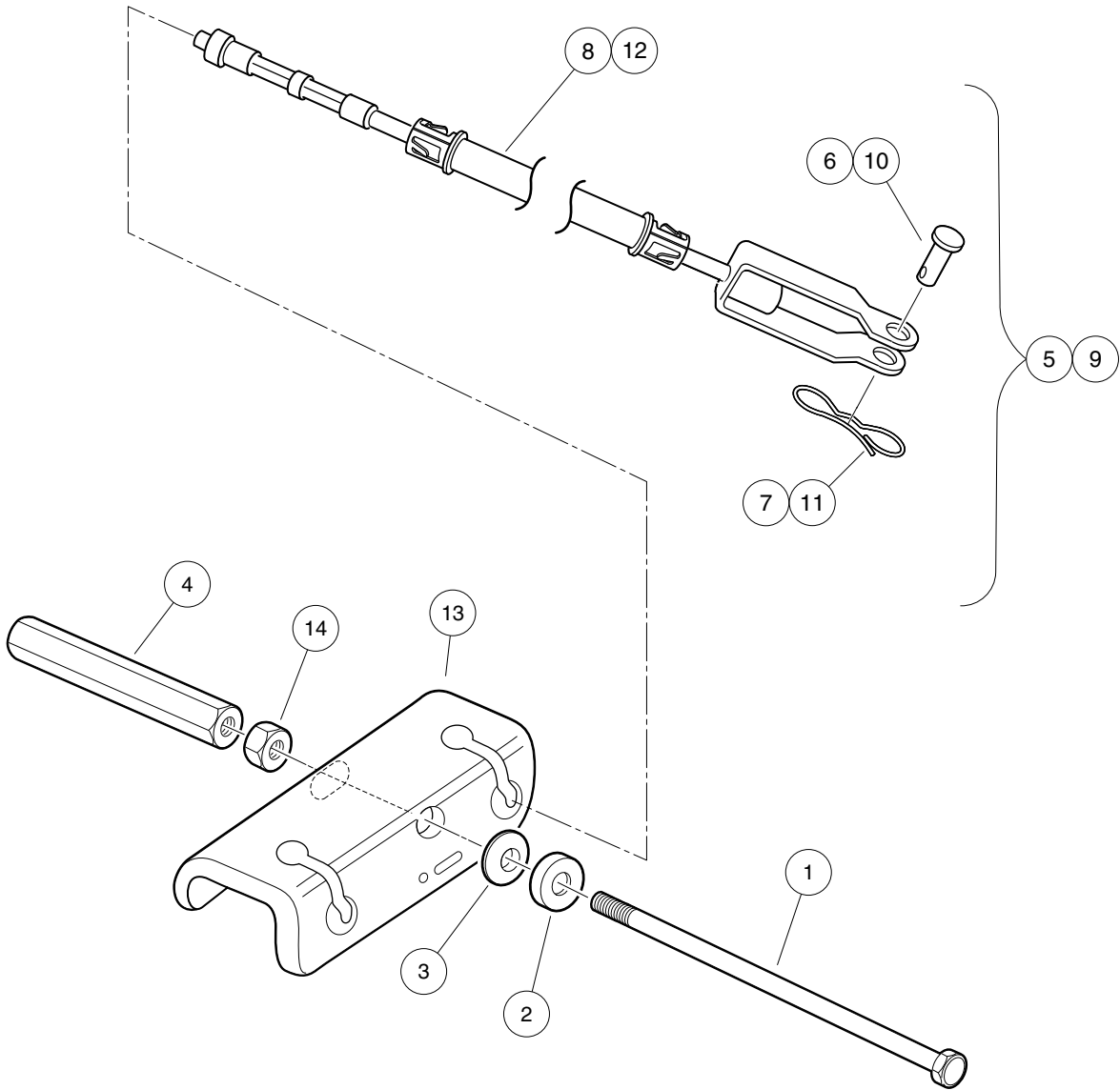
ITEM	PART NO.	DESCRIPTION	QTY
		1 2 3 4	
1	<u>1013924</u>	Nut, 5/16-24, Hex Head Cone	8
2	<u>1014153</u>	Bolt, Brake Cluster Mounting	8
3	<u>101791101</u>	Drum without Center Hole, Brake	2
4	<u>103380201</u>	Asm, Brake Cluster, Mech, Drvr (includes items 5 through 16)	1
5	<u>101815502</u>	Lever Assembly, Self-Adjusting Brake, Left	1
6	<u>101816502</u>	Adjusting Mechanism, Self-Adjusting Brake, Left	1
7	<u>101823201</u>	Package, Brake Shoe, Self-Adjusting	1
8	<u>101823801</u>	Plate, Washer, Brake, Self-Adjusting	1
9	<u>101823901</u>	Washer, Brake, Self-Adjusting	1
10	<u>103483102</u>	Back Plate, Lh	1
11	<u>103483201</u>	Kit, Shoe Retainer (includes items 12 and 13)	1
12	N/A	Pin	2
13	N/A	Spring, Shoe, Clamp	2
14	<u>103483401</u>	Package Brake Spring Self Adj	1
15	<u>103483601</u>	Cover, Dust	1
16	<u>103483701</u>	Brake Block	1
17	<u>103380202</u>	Asm, Brake Cluster, Mech, Pass (includes items 18 through 29)	1
18	<u>101815501</u>	Lever Assembly, Self-Adjusting Brake, Right (Passenger)	1
19	<u>101816501</u>	Adj Mechanism, S.A. Brakes, Right (Passenger)	1
20	<u>101823201</u>	Package, Brake Shoe, Self-Adjusting	1
21	<u>101823801</u>	Plate, Washer, Brake, Self-Adjusting	1
22	<u>101823901</u>	Washer, Brake, Self-Adjusting	1
23	<u>103483101</u>	Back Plate, Rh	1
24	<u>103483201</u>	Kit, Shoe Retainer (includes items 25 and 26)	1
25	N/A	Pin	2
26	N/A	Spring, Shoe, Clamp	2
27	<u>103483401</u>	Package Brake Spring Self Adj	1
28	<u>103483601</u>	Cover, Dust	1
29	<u>103483701</u>	Brake Block	1
Note: Driver-side brake cluster not shown. Components have a similar appearance to passenger-side brake cluster components.			

4

G

E

4
G
E



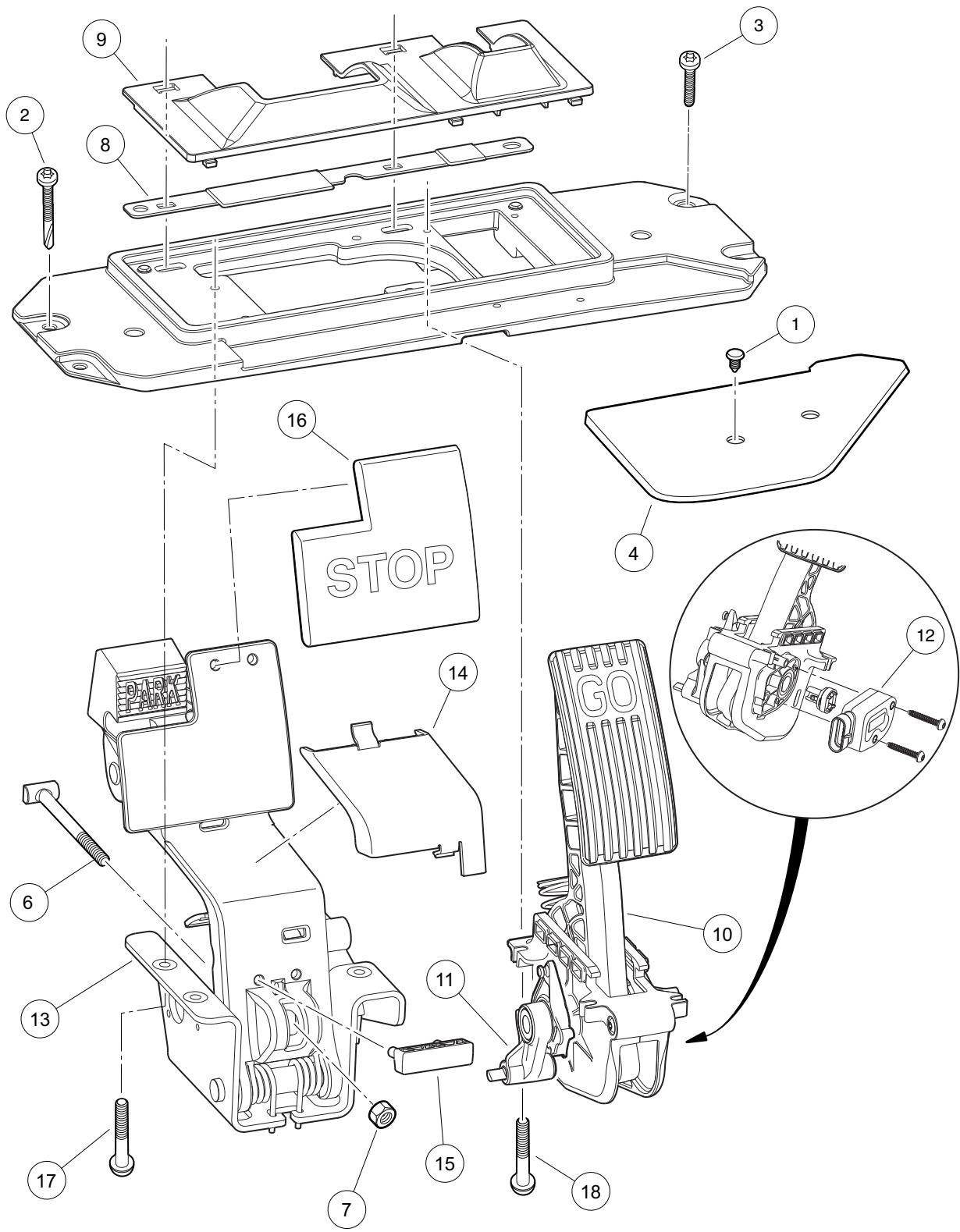
000467-005

BRAKE CABLES AND EQUALIZER BRACKET

ITEM	PART NO.	DESCRIPTION	QTY
		1 2 3 4	
1	<u>102297901</u>	Bolt, 5/16-18 X 7.375, Hex	1
2	<u>102551901</u>	Washer, 5/16, Self Comp, Cup	1
3	<u>102552001</u>	Washer, 5/16, Self Comp, Cone	1
4	<u>102594301</u>	Nut, 5/16-18, Hex Adjusting -l	1
5	<u>103528701</u>	Kit, Brake Cable, Prec, Rh (includes items 6 through 8)	1
6	<u>1010829</u>	Pin, Clevis, 5/16 X 3/4	1
7	<u>102292801</u>	Pin, Bow Tie Locking - .072	1
8	N/A	Cable, Brake, Prec, Right	1
9	<u>103528702</u>	Kit, Brake Cable, Prec, Lh (includes items 10 through 12)	1
10	<u>1010829</u>	Pin, Clevis, 5/16 X 3/4	1
11	<u>102292801</u>	Pin, Bow Tie Locking - .072	1
12	N/A	Cable, Brake, Prec, Left	1
13	<u>103535001</u>	Bracket, Equalizer, Prec Awd	1
14	<u>1242</u>	Nut, 5/16-18 Hex	1

4
G
E

4
G
E



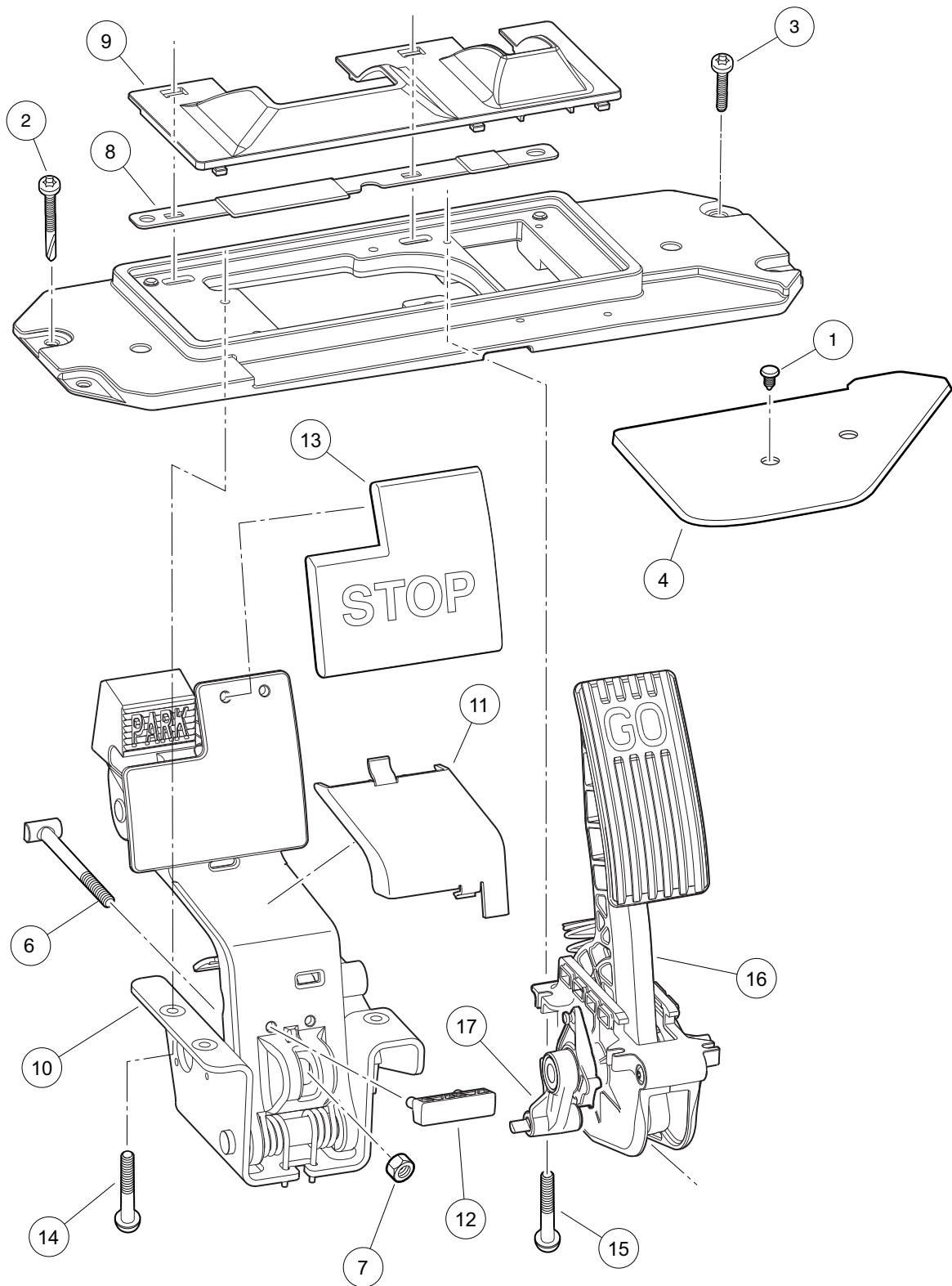
000487-008

PEDAL GROUP WITH SENSOR, GENERATION 2 – GASOLINE VEHICLE

ITEM	PART NO.	DESCRIPTION	QTY
		1 2 3 4	
1	<u>1010434</u>	Barrel - Plastic	1
2	<u>102292201</u>	Screw-1/4-20x2.20 Tx Pn Hd Sd	2
3	<u>102298030</u>	Screw, K80x30, Torx Pn Hd Pt	2
4	<u>102500801</u>	Plate - Floor Cover	1
5	<u>102595015</u>	Pedal Assy Gas Triac Sp (includes items 6 through 18)	1
6	<u>102559401</u>	Rod, Brake	1
7	<u>102559701</u>	Nut, Brake Rod	1
8	<u>102594801</u>	Shield, Debris Aux	1
9	<u>102594901</u>	Shield, Debris Primary	1
10	<u>102595502</u>	Asm, Accel. Pedal/Throttle, Anodized, Gas Vehicle (includes items 11 and 12)	1
11	<u>103777601</u>	Asm, Park Brake Release, Anodized	1
12	N/A	Throttle Sensor	1
13	<u>102595701</u>	Assy, Brake (includes items 14 through 16)	1
14	<u>102595201</u>	Cover, Brake	1
15	<u>102595301</u>	Upstop, Brake	1
16	<u>102595401</u>	Pad, Brake	1
17	<u>102595901</u>	Screw, M6x1.0x17 Ph, Taptite	4
18	<u>102596001</u>	Screw, M5x0.8x18 Ph, Taptite	4
<p>Note: The anodized park brake release assembly, <u>103777601</u>, incorporated during mid-model year 2010 beginning with vehicle serial number 1033-118753 and replaced park brake release assembly 103760701.</p>			

4
G
E

4
G
E



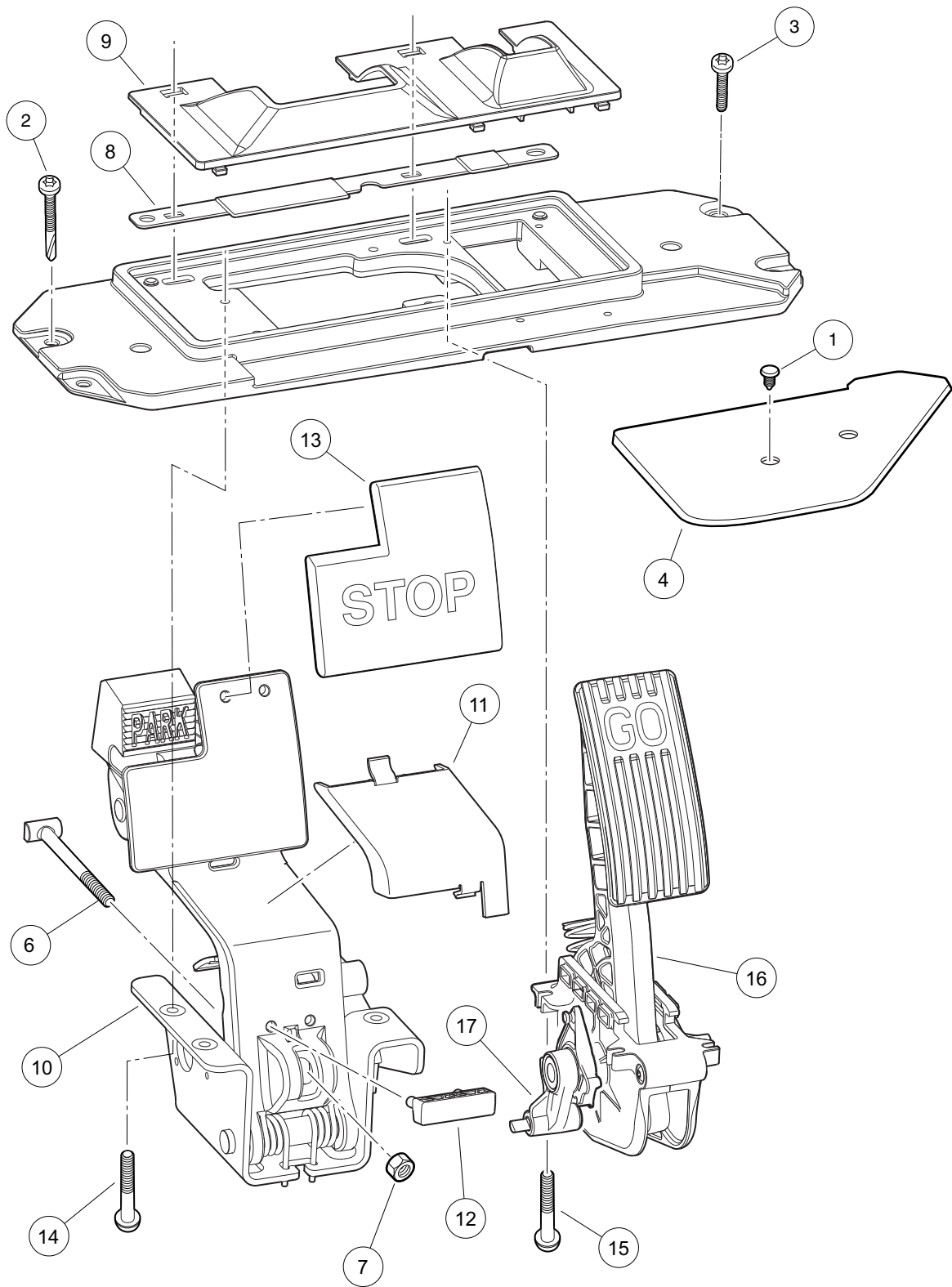
000487-013

PEDAL GROUP, NO SENSOR, GENERATION 2 – GASOLINE VEHICLE

ITEM	PART NO.	DESCRIPTION	QTY
		1 2 3 4	
1	<u>1010434</u>	Barrel - Plastic	1
2	102292201	Screw-1/4-20x2.20 Tx Pn Hd Sd	2
3	102298030	Screw, K80x30, Torx Pn Hd Pt	2
4	<u>102500801</u>	Plate - Floor Cover	1
5	<u>102595021</u>	Field Service Pedal (includes items 6 through 16)	1
6	<u>10259401</u>	Rod, Brake	1
7	<u>10259701</u>	Nut, Brake Rod	1
8	<u>102594801</u>	Shield, Debris Aux	1
9	<u>102594901</u>	Shield, Debris Primary	1
10	<u>102595701</u>	Assy, Brake (includes items 11 through 13)	1
11	<u>102595201</u>	Cover, Brake	1
12	<u>102595301</u>	Upstop, Brake	1
13	<u>102595401</u>	Pad, Brake	1
14	<u>102595901</u>	Screw, M6x1.0x17 Ph, Taptite	4
15	<u>102596001</u>	Screw, M5x0.8x18 Ph, Taptite	4
16	<u>102596301</u>	Pedal, Accelerator, Anodized, Gas or Elec (includes item 17)	1
17	<u>103777601</u>	Asm, Park Brake Release, Anodized	1
<p>Note: <u>102595021</u> has no sensor and is common to both gas and electric vehicles. Note 2: The anodized park brake release assembly, <u>103777601</u>, incorporated during mid-model year 2010 beginning with vehicle serial number 1033-118753 and replaced park brake release assembly 103760701.</p>			

4
G
E

4
G
E



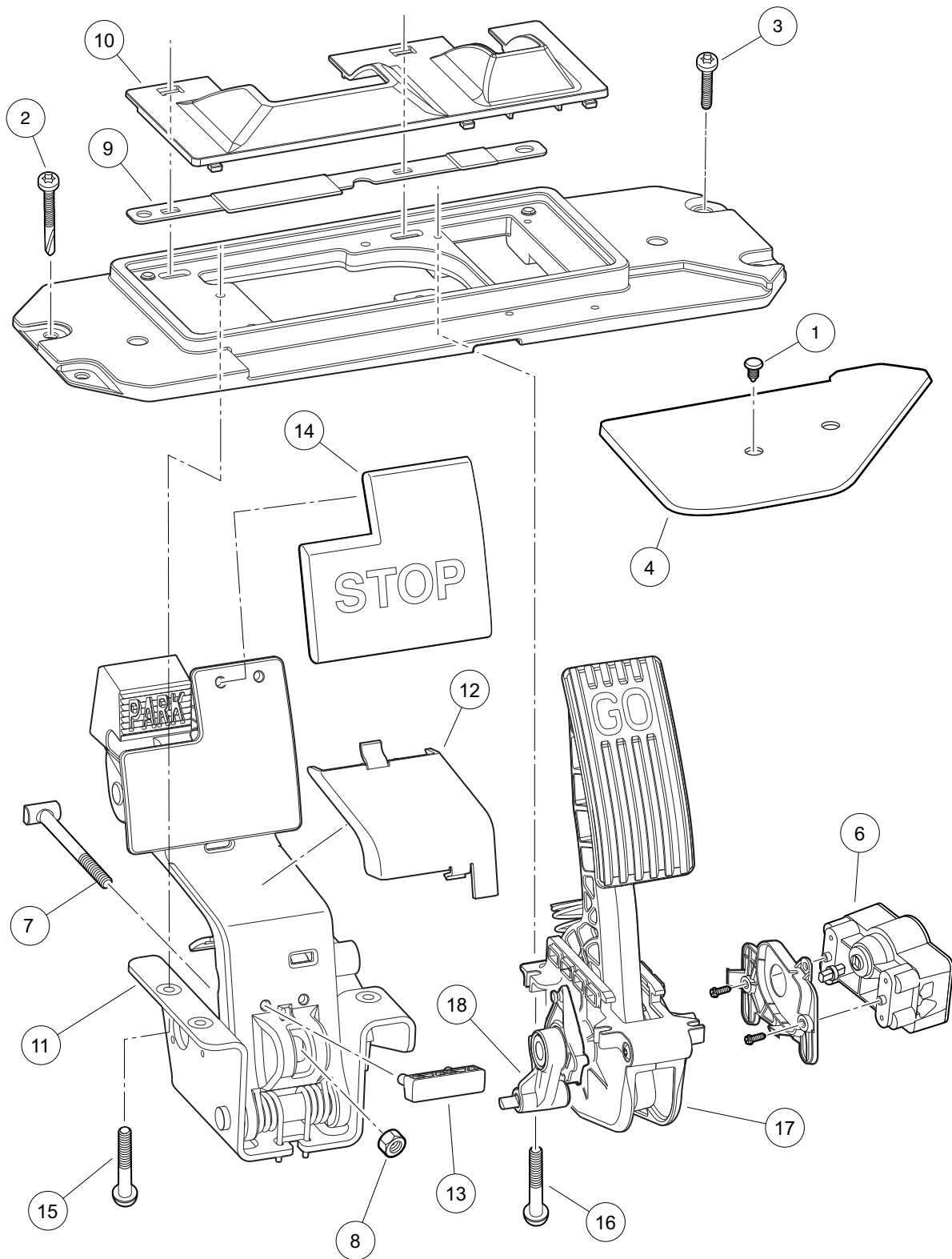
000487-009

PEDAL GROUP, NO MCOR, GENERATION 2 – ELECTRIC VEHICLE

ITEM	PART NO.	DESCRIPTION	QTY
		1 2 3 4	
1	<u>1010434</u>	Barrel - Plastic	1
2	102292201	Screw-1/4-20x2.20 Tx Pn Hd Sd	2
3	102298030	Screw, K80x30, Torx Pn Hd Pt	2
4	<u>102500801</u>	Plate - Floor Cover	1
5	<u>102595021</u>	Field Service Pedal (includes items 6 through 16)	1
6	<u>102559401</u>	Rod, Brake	1
7	<u>102559701</u>	Nut, Brake Rod	1
8	<u>102594801</u>	Shield, Debris Aux	1
9	<u>102594901</u>	Shield, Debris Primary	1
10	<u>102595701</u>	Assy, Brake (includes items 11 through 13)	1
11	<u>102595201</u>	Cover, Brake	1
12	<u>102595301</u>	Upstop, Brake	1
13	<u>102595401</u>	Pad, Brake	1
14	<u>102595901</u>	Screw, M6x1.0x17 Ph, Taptite	4
15	<u>102596001</u>	Screw, M5x0.8x18 Ph, Taptite	4
16	<u>102596301</u>	Pedal, Accelerator, Anodized, Gas or Elec (includes item 17)	1
17	<u>103777601</u>	Asm, Park Brake Release, Anodized	1
<p>Note: <u>102595021</u> has no MCOR and is common to both gas and electric vehicles. Note 2: The anodized park brake release assembly, <u>103777601</u>, incorporated during mid-model year 2010 beginning with vehicle serial number 1033-118753 and replaced park brake release assembly 103760701.</p>			

4
G
E

4
G
E



000487-014

PEDAL GROUP, WITH MCOR, GENERATION 2 – ELECTRIC VEHICLE

ITEM	PART NO.	DESCRIPTION	QTY
		1 2 3 4	
1	<u>1010434</u>	Barrel - Plastic	1
2	<u>102292201</u>	Screw-1/4-20x2.20 Tx Pn Hd Sd	2
3	<u>102298030</u>	Screw, K80x30, Torx Pn Hd Pt	2
4	<u>102500801</u>	Plate - Floor Cover	1
5	<u>102596211</u>	Pedal Assy Mcor Sp (includes items 6 through 17)	1
6	N/A	Mcor, Prec	1
7	<u>102559401</u>	Rod, Brake	1
8	<u>102559701</u>	Nut, Brake Rod	1
9	<u>102594801</u>	Shield, Debris Aux	1
10	<u>102594901</u>	Shield, Debris Primary	1
11	<u>102595701</u>	Assy, Brake (includes items 12 through 14)	1
12	<u>102595201</u>	Cover, Brake	1
13	<u>102595301</u>	Upstop, Brake	1
14	<u>102595401</u>	Pad, Brake	1
15	<u>102595901</u>	Screw, M6x1.0x17 Ph, Taptite	4
16	<u>102596001</u>	Screw, M5x0.8x18 Ph, Taptite	4
17	<u>102596301</u>	Pedal, Accelerator, Anodized, Gas or Elec (includes item 18)	1
18	<u>103777601</u>	Asm, Park Brake Release, Anodized	1
<p>Note: See the Electrical System - Section 12 for MCOR information. Note 2: When replacing a sensor pedal group with an MCOR pedal group, a conversion MCOR jumper harness, 103682701, is needed. See MCOR in Section 12. Note 3: The anodized park brake release assembly, <u>103777601</u>, incorporated during mid-model year 2010 beginning with vehicle serial number 1033-118753 and replaced park brake release assembly 103760701.</p>			

4
G
E

4

G

E

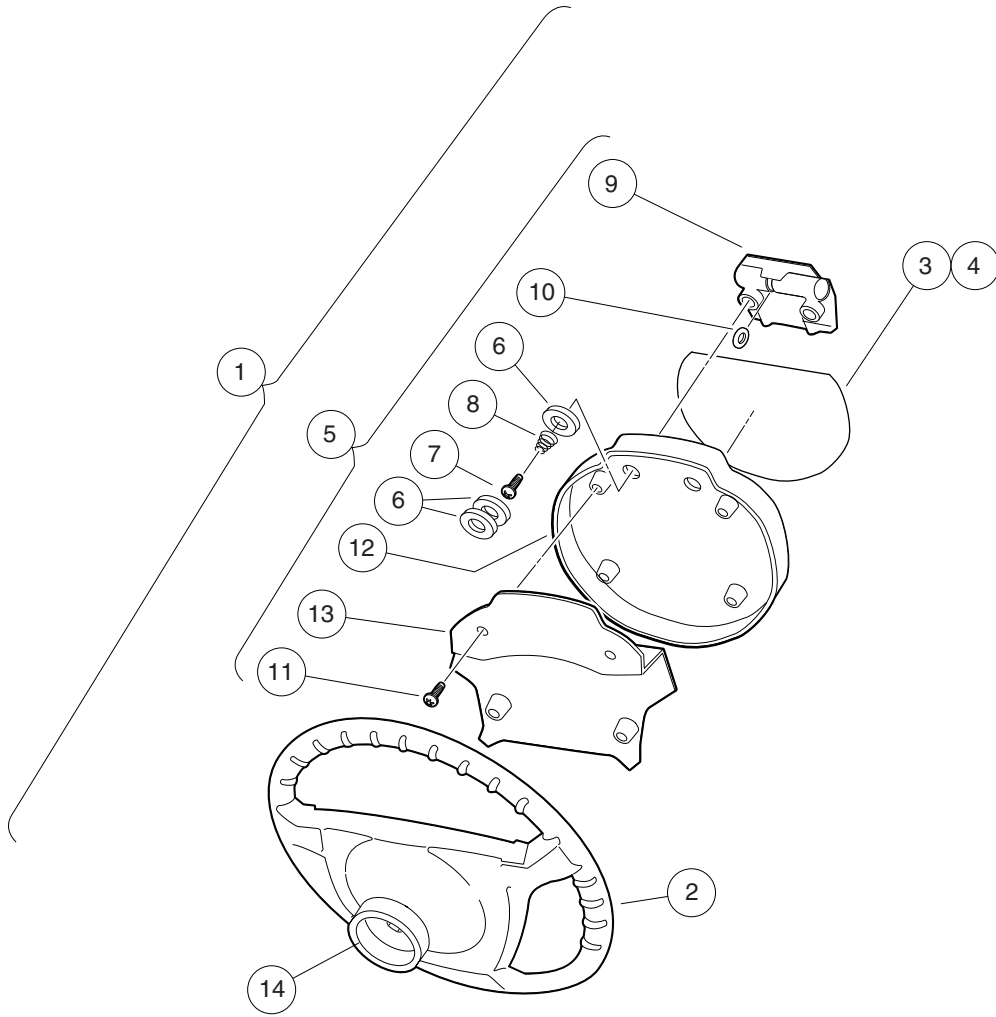
STEERING, FRONT AND REAR SUSPENSION

5

G

E

5
G
E



000470-004

STEERING WHEEL – I2L AND CHAMPION

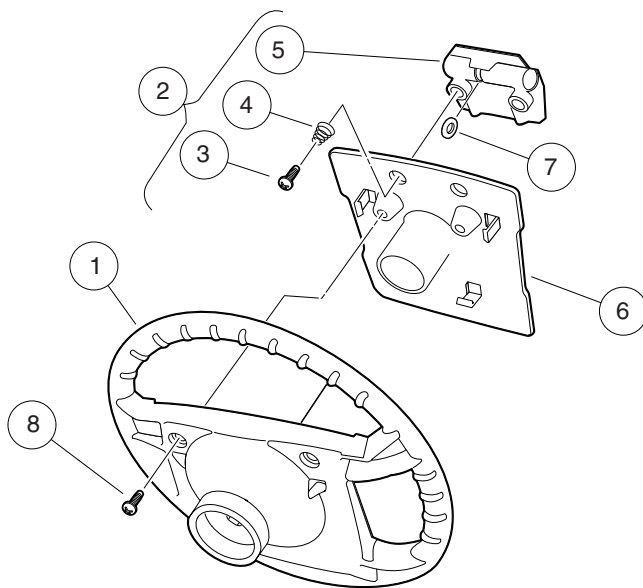
ITEM	PART NO.	DESCRIPTION	QTY
		1 2 3 4	
1	AM1229401	Kit, Comfort Grip Conv, Hex (includes items 2 through 14)	1
2	<u>102537801</u>	Steering Wheel, Comfort Grip, Hex	1
3	<u>102538101</u>	Decal, Operating Instructions, Gas, Comfort Grip	1
4	<u>102538201</u>	Decal, Operating Instr, Ele, Comfort Grip	1
5	102540801	Scorecard Plate Assembly (includes items 6 through 13)	1
6	<u>1011697</u>	Washer, 5/16 Flat	6
7	<u>1012565</u>	Screw, #12 Phillips Round Head	2
8	<u>1012566</u>	Tapered Compression Spring	2
9	1016154	Clip, Scorecard	1
10	<u>1016214</u>	Pencil Grip	1
11	<u>102296020</u>	Screw, Torx Pan Hd Pt, M6 X 20	4
12	N/A	Scorecard Plate, Comfort Grip	1
13	N/A	Scorecard Back Plate	1
14	<u>102571301</u>	Shroud, Steering Column	1

5
G
E

5

G

E



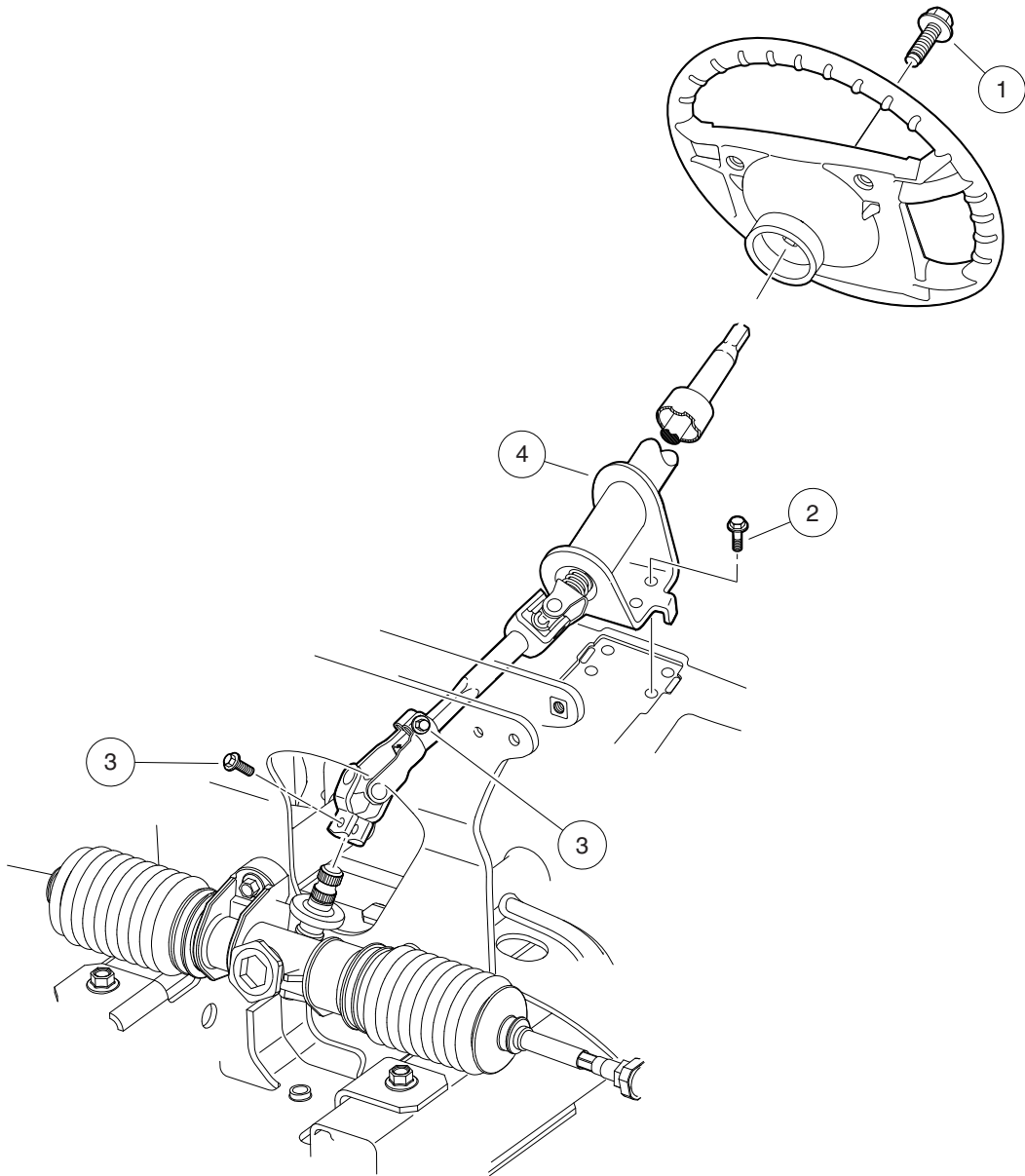
000471-003

STEERING WHEEL – I2 AND PROFESSIONAL

ITEM	PART NO.	DESCRIPTION	QTY
		1 2 3 4	
1	<u>101615602</u>	Wheel Assy, Tri-Lobe Steering	1
2	1016219	Plate, Scorecard (includes items 3 through 7)	1
3	<u>1012565</u>	Screw, #12 Phillips Round Head	2
4	<u>1012566</u>	Tapered Compression Spring	2
5	1016154	Clip, Scorecard	1
6	N/A	Plate, Score Card	1
7	<u>1016214</u>	Pencil Grip	1
8	<u>1016663</u>	Screw, #12-14 X 0.625	2

5
G
E

5
G
E



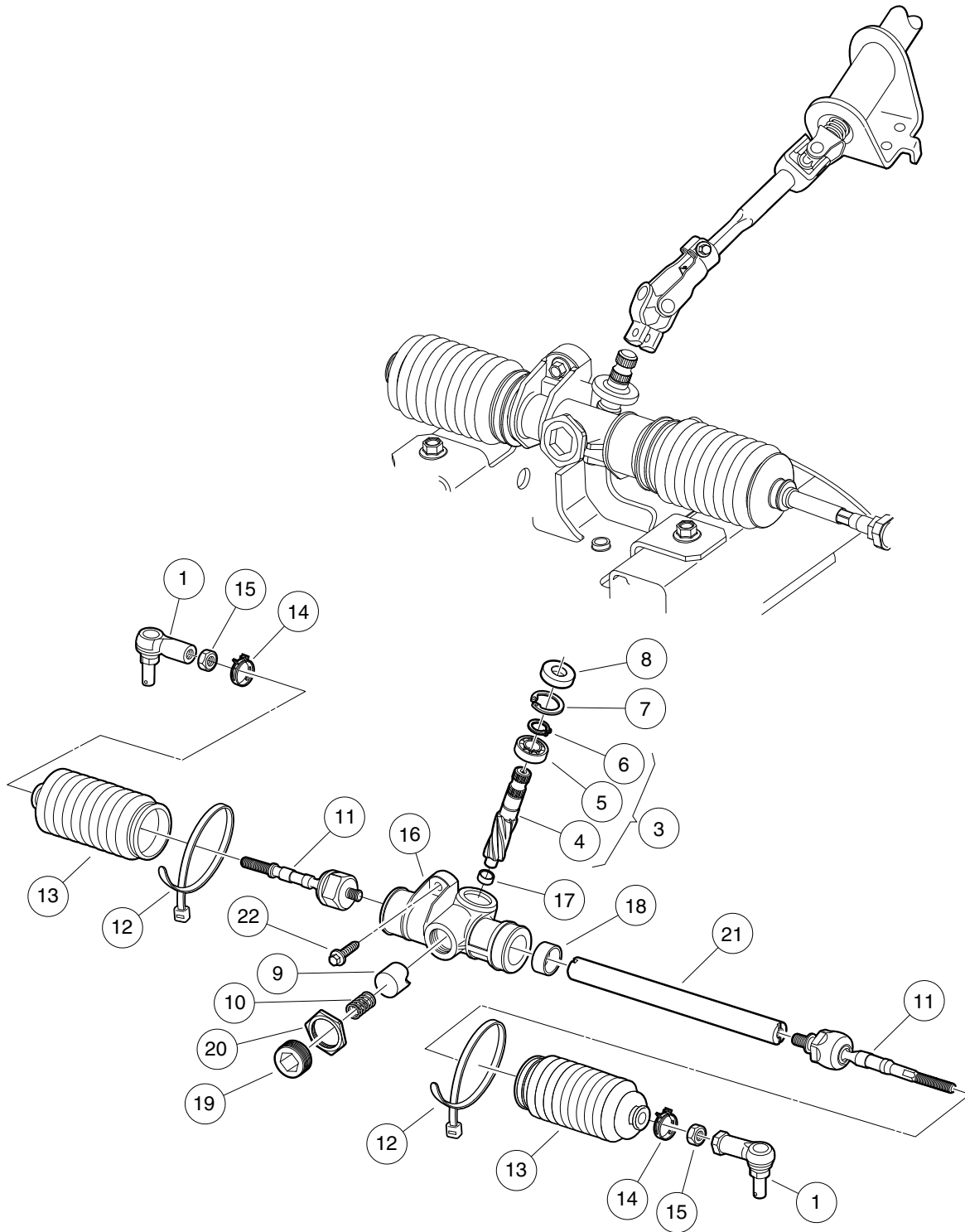
000469-003

STEERING COLUMN

ITEM	PART NO.	DESCRIPTION	QTY
		1 2 3 4	
1	102290120	Bolt, M10 X 20 Hex Washer Hd	1
2	<u>102298116</u>	Bolt, Flanged Head, M8 X 16.0	4
3	<u>102298130</u>	Bolt, Flange Head, M8 X 30.0	2
4	<u>103209501</u>	Assy, Steering Column, Ld	1

5
G
E

5
G
E



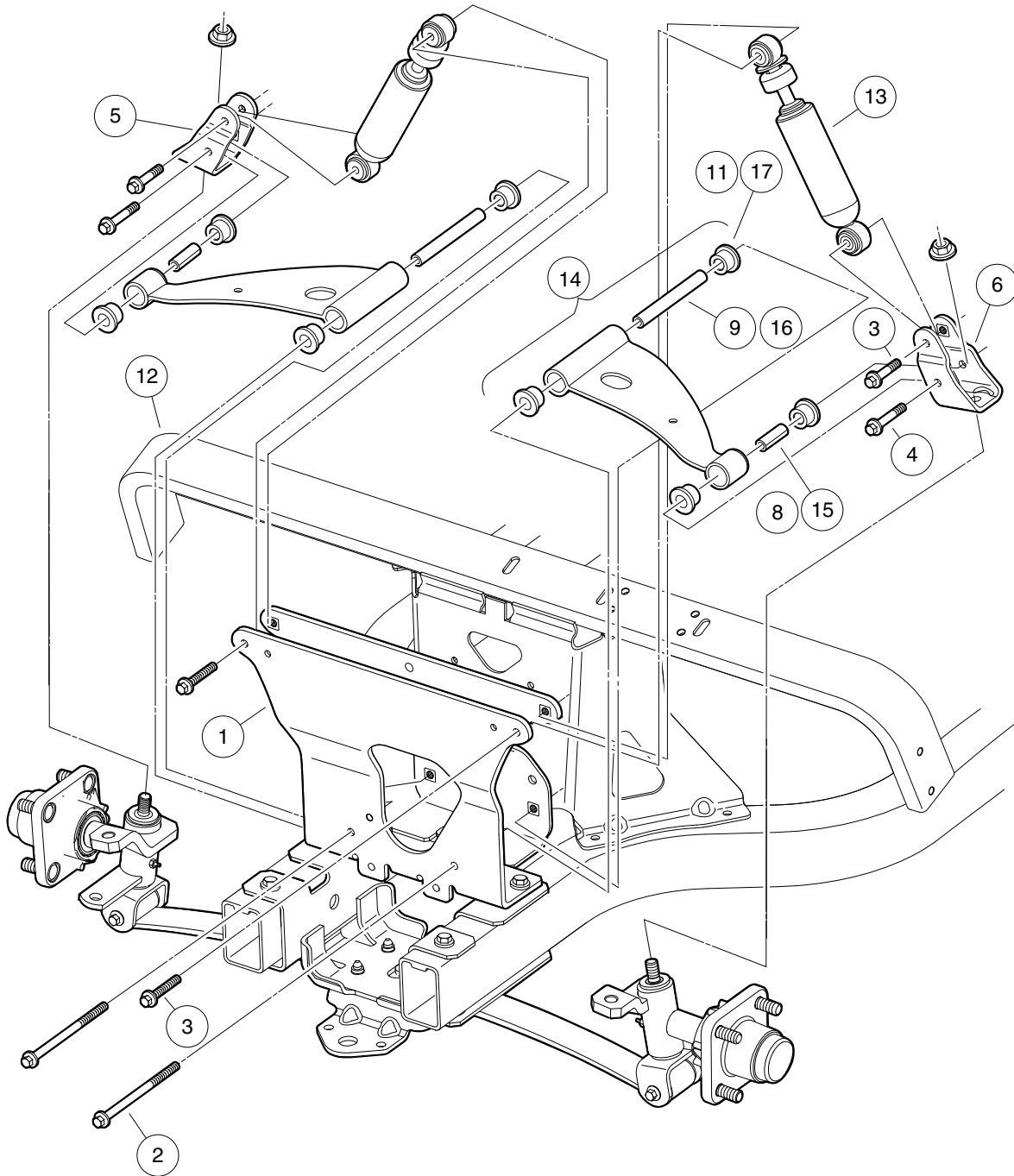
000476-004

STEERING GEAR ASSEMBLY

ITEM	PART NO.	DESCRIPTION	QTY
		1 2 3 4	
1	<u>102022601</u>	End, Tie Rod M12 X 1.25 Rh	2
2	<u>102288601</u>	Steering Gear Box Assembly (includes items 3 through 21)	1
3	<u>102564901</u>	Asm, Pinion, Steer Gear, Prec (includes items 4 through 6)	1
4	N/A	Pinion, Steering	1
5	N/A	Bearing, Ball	1
6	N/A	Ring, Retaining	1
7	<u>102565101</u>	Ring, C-type, Stop, Prec	1
8	<u>102565201</u>	Seal, Dust, Steering, Pinion	1
9	<u>102565301</u>	Yoke, Support	1
10	<u>102565401</u>	Spring, Yoke, Prec	1
11	<u>102565701</u>	Assy, Ball Joint, Inner, Prec	2
12	<u>102565801</u>	Wrap, Tie, Steel, Prec	2
13	<u>102565901</u>	Bellows, Steering	2
14	<u>102566001</u>	Clip, Steering, Prec	2
15	<u>102566101</u>	Nut,m12-1.25,jam,steer,prec	2
16	N/A	Housing, Pinion (includes items 17 and 18)	1
17	N/A	Bearing, Needle	1
18	N/A	Bushing, Rack	1
19	N/A	Plug, Yoke	1
20	N/A	Nut, Lock, Rack Screw	1
21	N/A	Rack, Steering	1
22	<u>102289001</u>	Screw, M8X1.25X30, Hex	3

5
G
E

5
G
E



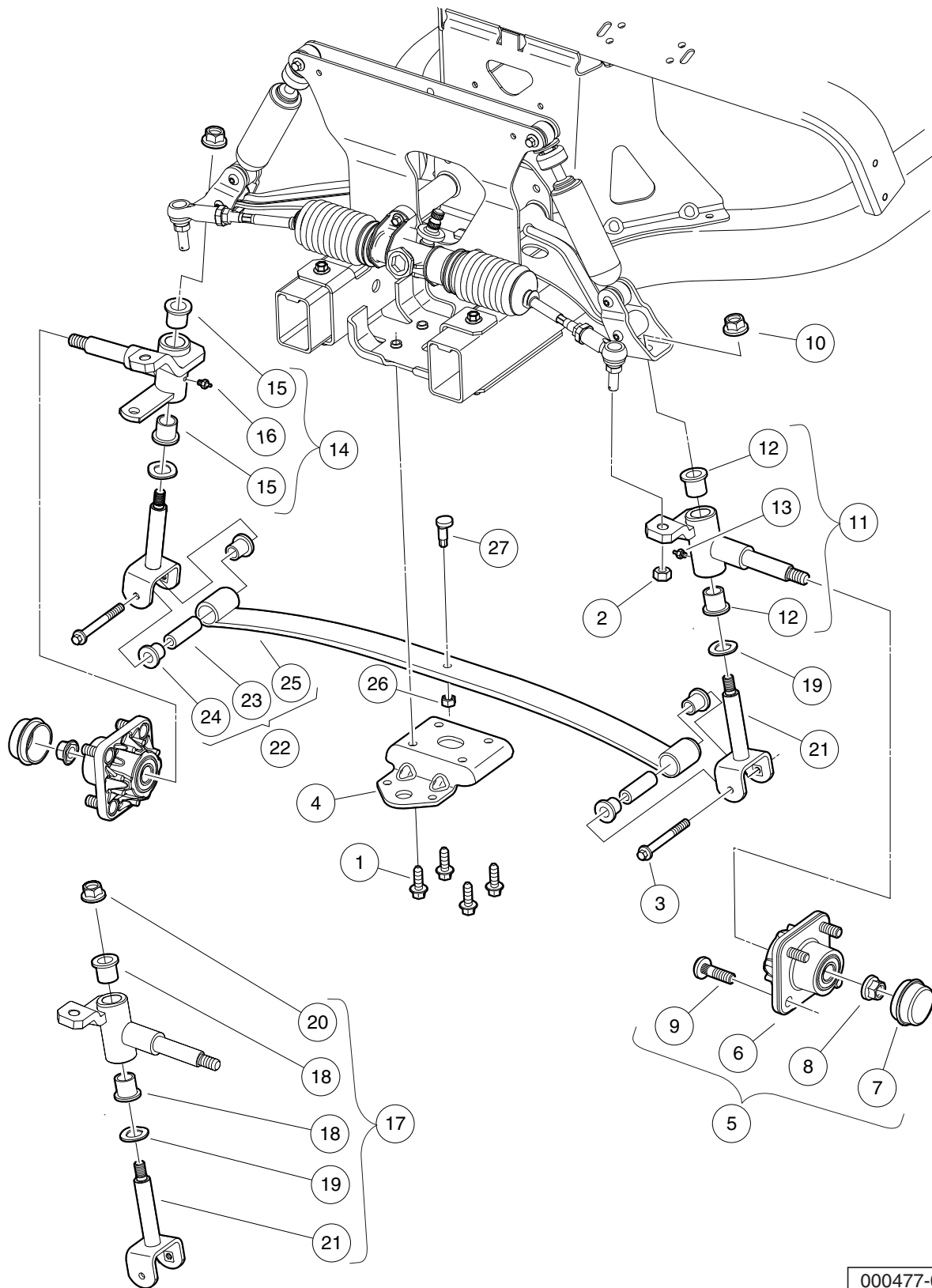
000445-005

FRONT SUSPENSION, UPPER

ITEM	PART NO.	DESCRIPTION	QTY
		1 2 3 4	
1	<u>102287101</u>	Assembly - Front Structure	1
2	<u>102288901</u>	Bolt, Hex, M8x1.25 X 135	2
3	<u>102289401</u>	Screw- Hex Cap, M8 X 1.25 X 45	4
4	<u>102289501</u>	Screw- Hex Cap, M8 X 1.25 X 70	2
5	<u>102289601</u>	Upper Clevis Assembly - Rh	1
6	<u>102289701</u>	Upper Clevis Assembly - Lh	1
7	<u>102289901</u>	Kit, Susp, Bushing Joints (includes items 8 through 11)	1
8	<u>102287601</u>	Sleeve - Rolled, Outer	2
9	<u>102287701</u>	Sleeve - Rolled, Inner	2
10	<u>102288101</u>	Sleeve - Rolled, Spring	2
11	<u>102956201</u>	Bushing, Urethane, Short, Prec	12
12	<u>102505701</u>	Assembly, Dash Support	1
13	<u>102588601</u>	Shock Absorber Front Prv Spd	2
14	<u>103388501</u>	Asm, 3 Piece A-arm, Bushings (includes items 15 through 17)	2
15	<u>102287601</u>	Sleeve - Rolled, Outer	1
16	<u>102287701</u>	Sleeve - Rolled, Inner	1
17	<u>102956201</u>	Bushing, Urethane, Short, Prec	4
		Note: Item 7 (not shown) includes bushings and sleeves for control arms and front suspension leaf spring. See lower suspension page for illustration of item 10.	

5
G
E

5
G
E



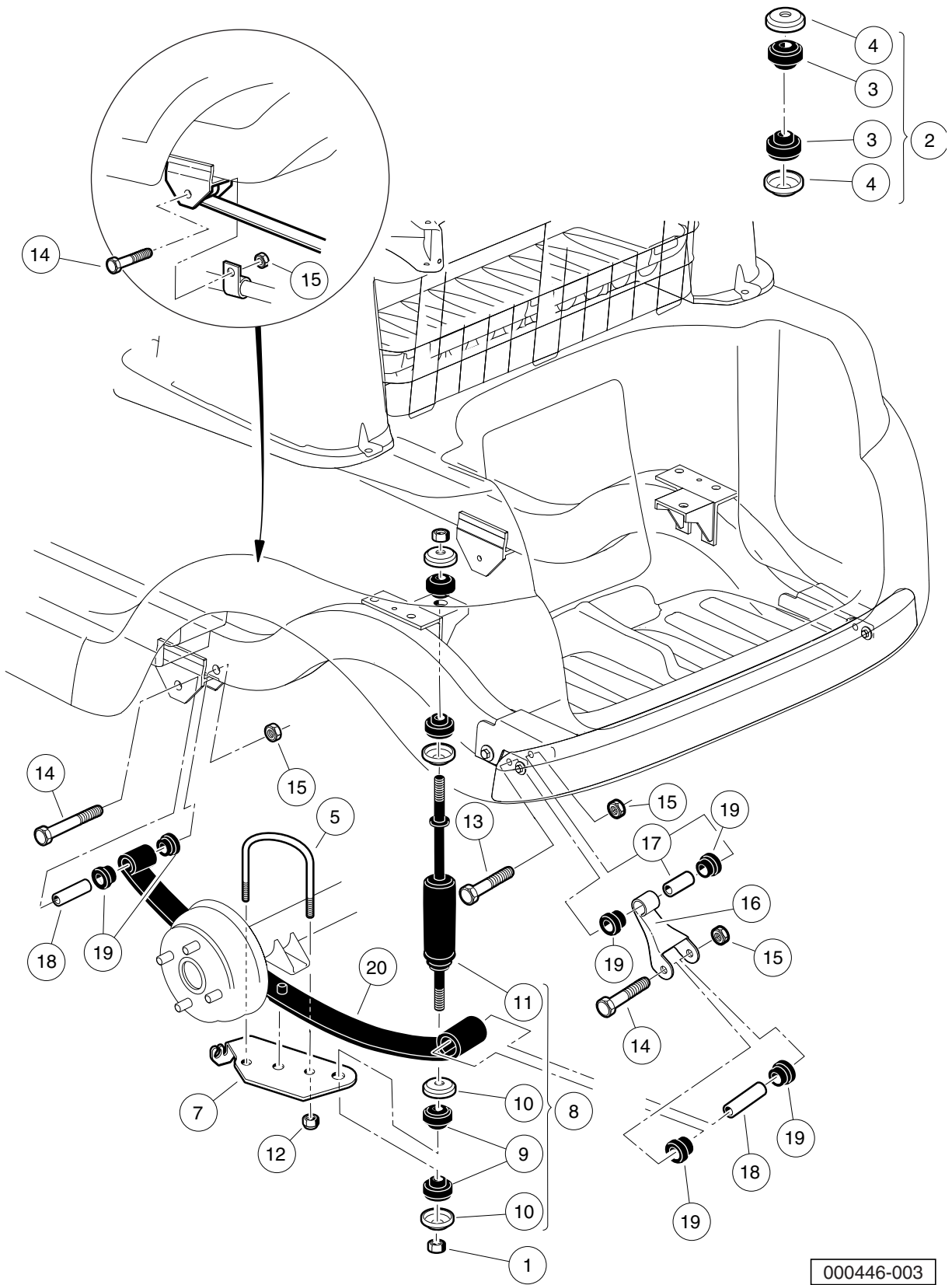
000477-005

FRONT SUSPENSION, LOWER

ITEM	PART NO.	DESCRIPTION	QTY
		1 2 3 4	
1	<u>102289101</u>	Screw-m10x1.5, Trilob, Hex Fl	4
2	<u>102289201</u>	Nut - Hex Locking, M12 X 1.25	2
3	<u>102289501</u>	Screw- Hex Cap, M8 X 1.25 X 70	2
4	<u>102289801</u>	Clamp - Leaf Spring	1
5	<u>102357701</u>	Replacement Kit, Front Hub (includes items 6 through 9)	1
6	N/A	Front Hub, Ball Bearing	1
7	<u>102353201</u>	Cap, Front Hub	1
8	<u>102353301</u>	Hex Nut, Locking Flange, M14x2	1
9	<u>102353401</u>	Lug Stud, 1/2-20 UNF, 4037 Stl	4
10	<u>102878201</u>	Nut, Lock,m12,washer,conical	2
11	<u>103638701</u>	Asm, Spindle-bushings, Lh (includes items 12 and 13)	1
12	<u>102288201</u>	Bushing - Flanged	2
13	N/A	Fitting, Grease, Knuckle Spindle Asym	1
14	<u>103638702</u>	Asm, Spindle-bushings, Rh (includes items 15 and 16)	1
15	<u>102288201</u>	Bushing - Flanged	2
16	N/A	Fitting, Grease, Knuckle Spindle Asym	1
17	<u>103638801</u>	Kit, King Pin Joints, Prec (includes items 18 through 21)	1
18	<u>102288201</u>	Bushing - Flanged	4
19	<u>102288401</u>	Wave Washer - Kingpin	2
20	<u>102878201</u>	Nut, Lock,m12,washer,conical	2
21	<u>103638601</u>	Asm, King Pin, M12	2
22	<u>103711001</u>	Asm, Spring, Leaf, Front, Prec (includes items 23 through 25)	1
23	<u>102288101</u>	Sleeve - Rolled, Spring	2
24	<u>102956201</u>	Bushing, Urethane, Short, Prec	4
25	N/A	Spring, 1 Leaf, Front	1
26	<u>706</u>	Nut, Hex 3/8-16	1
27	<u>8745</u>	Screw, Eccentric Adjustment	1

5
G
E

5
G
E



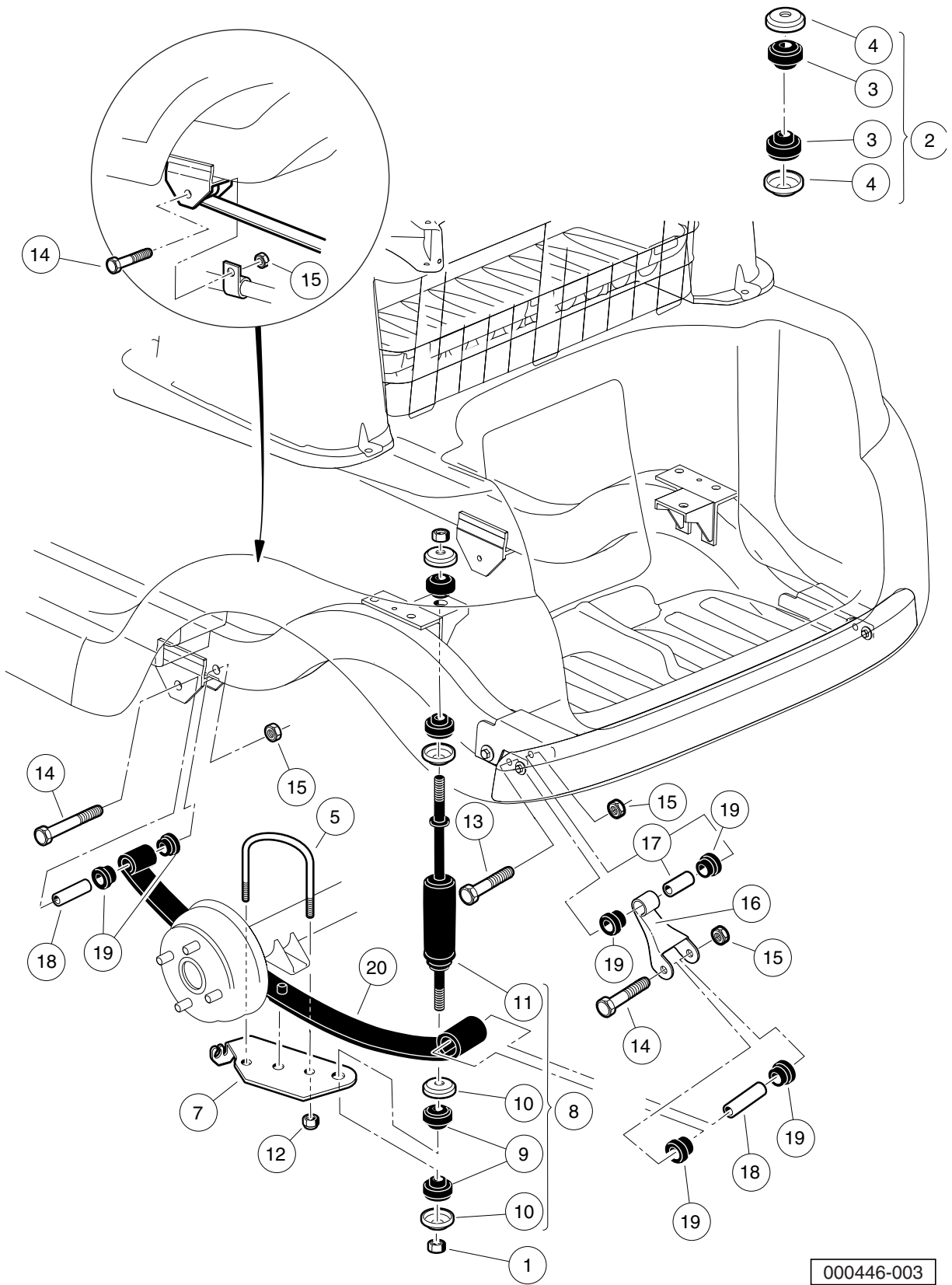
000446-003

REAR SUSPENSION – GASOLINE VEHICLE

ITEM	PART NO.	DESCRIPTION	QTY
		1 2 3 4	
1	<u>1010145</u>	Nut, 3/8-24 Hex	4
2	<u>1011415</u>	Kit, Shock Absorber Cushion (includes items 3 and 4)	2
3	N/A	Cushion, Shock Absorber	2
4	N/A	Retainer, Shock Absorber Cushion	2
5	<u>1012180</u>	U-Bolt	2
6	<u>1012181</u>	Bracket, Shock Mounting, Right (Passenger)	1
7	<u>1012182</u>	Bracket, Shock Mounting, Left (Driver)	1
8	<u>1013164</u>	Shock Absorber Kit (includes items 9 through 11)	1
9	N/A	Cushion, Shock Absorber	8
10	N/A	Retainer, Shock Absorber Cushion	8
11	<u>102588501</u>	Shock Absorber Rear Prv Spd	2
12	<u>1014555</u>	Locknut, 7/16-14 Nylon Hex	4
13	<u>102298170</u>	Bolt - Flange Hd, M8 X 70.0	2
14	<u>102298185</u>	Bolt - Flange Hd, M8 X 85.0	4
15	<u>102298401</u>	Nut,m8,all Metal Lock	6
16	<u>102506201</u>	Shackle - Rear	2
17	<u>102506301</u>	Sleeve - Shackle Upper	2
18	<u>102506401</u>	Sleeve - Spring Eye Mounts	4
19	<u>102506601</u>	Bushing - Urethane	12
20	<u>102513001</u>	Rear Leaf Spring, Gas	2

5
G
E

5
G
E



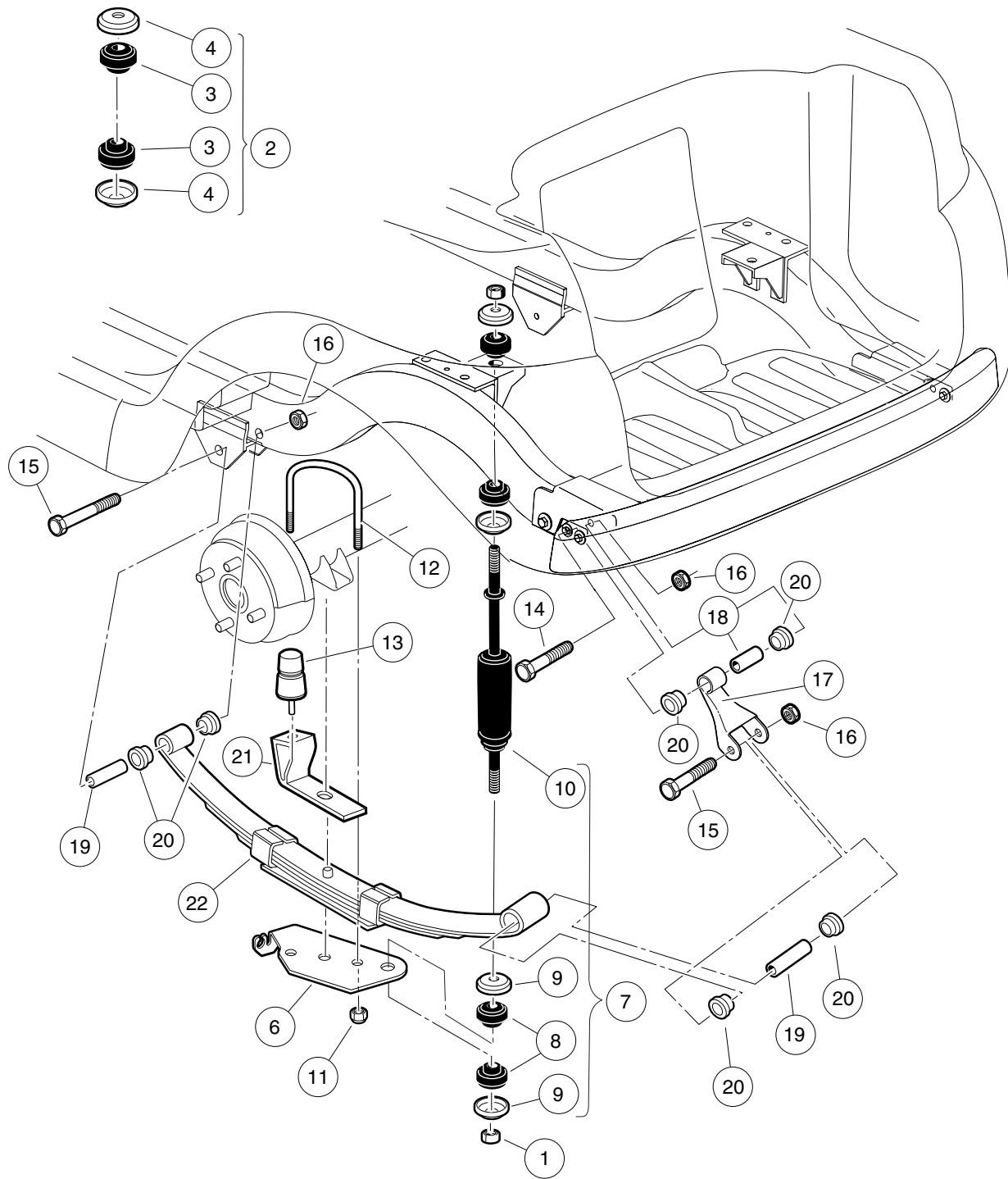
000446-003

REAR SUSPENSION – ELECTRIC VEHICLE

ITEM	PART NO.	DESCRIPTION	QTY
		1 2 3 4	
1	<u>1010145</u>	Nut, 3/8-24 Hex	4
2	<u>1011415</u>	Kit, Shock Absorber Cushion (includes items 3 and 4)	2
3	N/A	Cushion, Shock Absorber	2
4	N/A	Retainer, Shock Absorber Cushion	2
5	<u>1012180</u>	U-Bolt	2
6	<u>1012181</u>	Bracket, Shock Mounting, Right (Passenger)	1
7	<u>1012182</u>	Bracket, Shock Mounting, Left (Driver)	1
8	<u>1013164</u>	Shock Absorber Kit (includes items 9 through 11)	1
9	N/A	Cushion, Shock Absorber	8
10	N/A	Retainer, Shock Absorber Cushion	8
11	<u>102588501</u>	Shock Absorber Rear Prv Spd	2
12	<u>1014555</u>	Locknut, 7/16-14 Nylon Hex	4
13	<u>102298170</u>	Bolt - Flange Hd, M8 X 70.0	2
14	<u>102298185</u>	Bolt - Flange Hd, M8 X 85.0	4
15	<u>102298401</u>	Nut,m8,all Metal Lock	6
16	<u>102506201</u>	Shackle - Rear	2
17	<u>102506301</u>	Sleeve - Shackle Upper	2
18	<u>102506401</u>	Sleeve - Spring Eye Mounts	4
19	<u>102506601</u>	Bushing - Urethane	12
20	<u>102509301</u>	Rear Leaf Spring, Elec	2

5
G
E

5
G
E



000492-002

REAR SUSPENSION – PRECEDENT VILLAGER 4

ITEM	PART NO.	DESCRIPTION	QTY
		1 2 3 4	
1	<u>1010145</u>	Nut, 3/8-24 Hex	4
2	<u>1011415</u>	Kit, Shock Absorber Cushion (includes items 3 and 4)	2
3	N/A	Cushion, Shock Absorber	2
4	N/A	Retainer, Shock Absorber Cushion	2
5	1012181	Bracket, Shock Mounting, Right (Passenger)	1
6	1012182	Bracket, Shock Mounting, Left (Driver)	1
7	<u>1013164</u>	Shock Absorber Kit (includes items 8 through 10)	1
8	N/A	Cushion, Shock Absorber	8
9	N/A	Retainer, Shock Absorber Cushion	8
10	<u>102588501</u>	Shock Absorber Rear Prv Spd	2
11	<u>1014555</u>	Locknut, 7/16-14 Nylon Hex	4
12	<u>1014902</u>	U-Bolt	2
13	<u>1017235</u>	Bumper, Jounce	2
14	<u>102298170</u>	Bolt - Flange Hd, M8 X 70.0	2
15	<u>102298185</u>	Bolt - Flange Hd, M8 X 85.0	4
16	<u>102298401</u>	Nut,m8,all Metal Lock	6
17	<u>102506201</u>	Shackle - Rear	2
18	<u>102506301</u>	Sleeve - Shackle Upper	2
19	<u>102506401</u>	Sleeve - Spring Eye Mounts	4
20	<u>102506601</u>	Bushing - Urethane	12
21	<u>102534801</u>	Jounce Bumper Bracket	2
22	<u>102544901</u>	Spring, Leaf, Rear	2

5
G
E

5

G

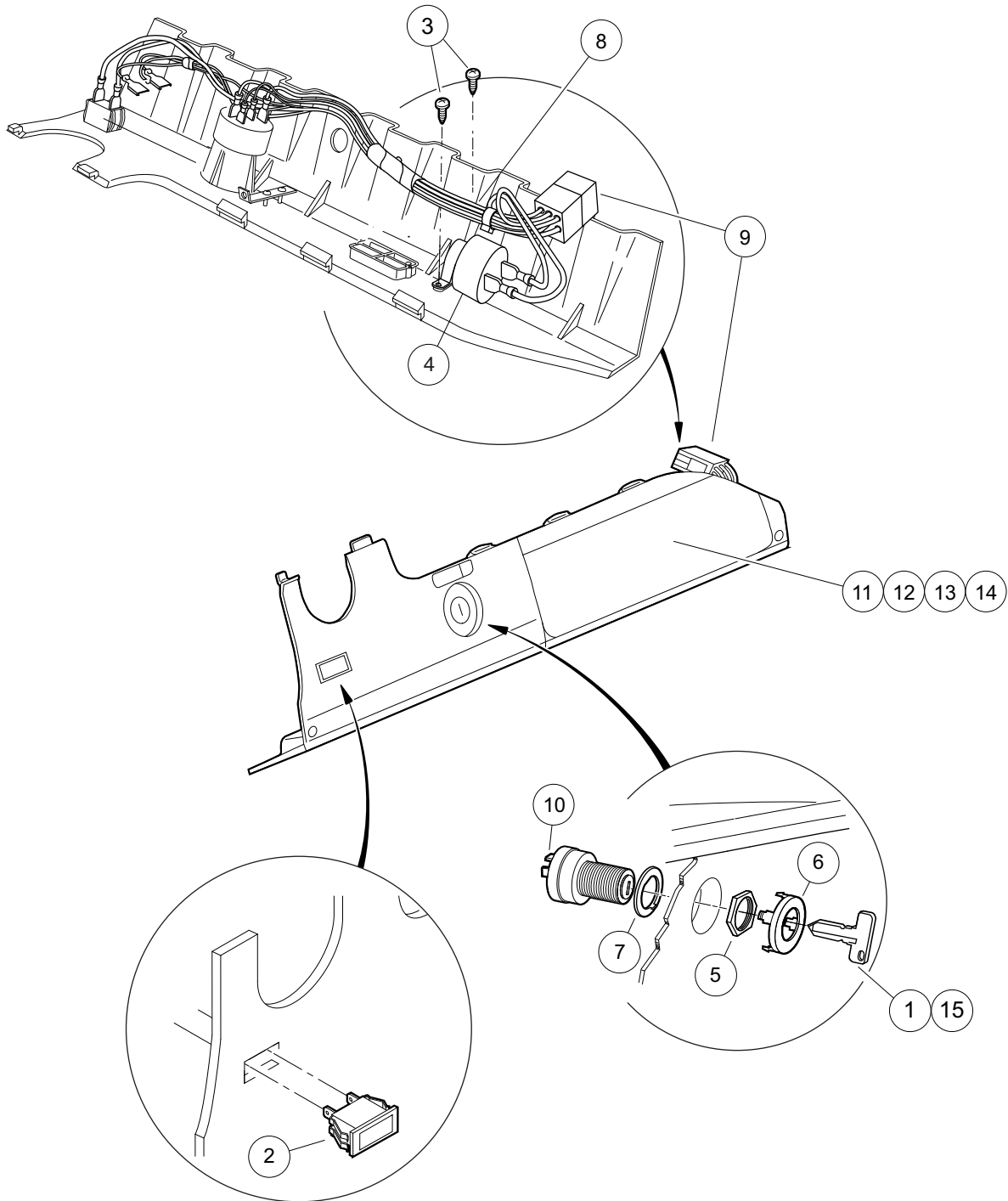
E

ELECTRICAL SYSTEM – GASOLINE VEHICLE

6

G

6
G



000490-003

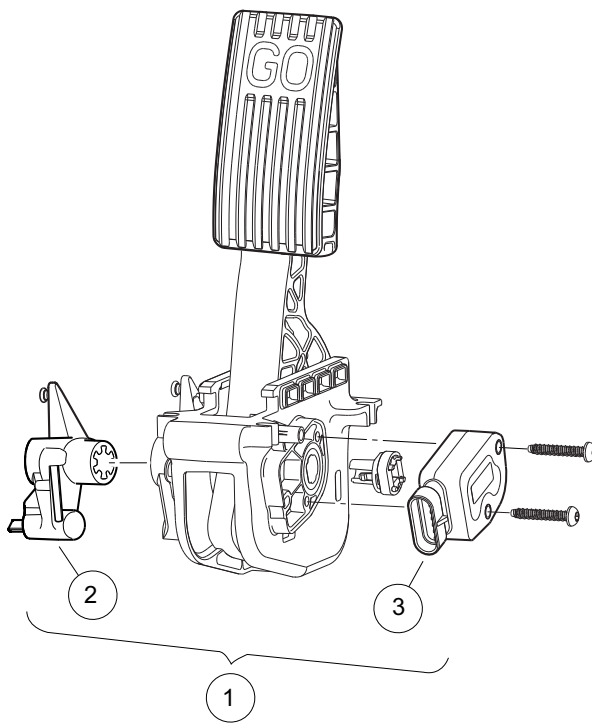
ELECTRICAL COMPONENTS, FRONT BODY – GASOLINE VEHICLE

ITEM	PART NO.	DESCRIPTION	QTY
		1 2 3 4	
1	<u>1012505</u>	Keys (set of 2)	1
2	<u>1016630</u>	Light, Oil	1
3	<u>1016849</u>	Screw, #4-24 X 0.33, Pan-Head, Machine	2
4	<u>1016851</u>	Buzzer, Reverse (9-48 VDC)	1
5	<u>101830701</u>	Nut, Key Switch	1
6	<u>101834502</u>	Cap, Black Key Switch	1
7	<u>101851101</u>	Washer, Key Switch	1
8	<u>102515001</u>	Ip Control Harness, Gas (includes item 9)	1
9	N/A	Connector, Plug 9-pin	1
10	<u>102515101</u>	Key Switch, Gas, Prec	1
11	<u>102522901</u>	Instrument Panel (standard)	1
12	<u>102536601</u>	Instrument Panel (with Hole for Headlight Switch)	1
13	<u>102536602</u>	Instrument Panel (with Hole for Fuel Gauge)	1
14	<u>102536604</u>	Instrument Panel (with Hole for Headlight Switch and Fuel Gauge)	1
15	<u>AM10079</u>	Bulk Std Keys (50) *	1
		* Note: Must order in multiples of 50.	

6
G

6

G

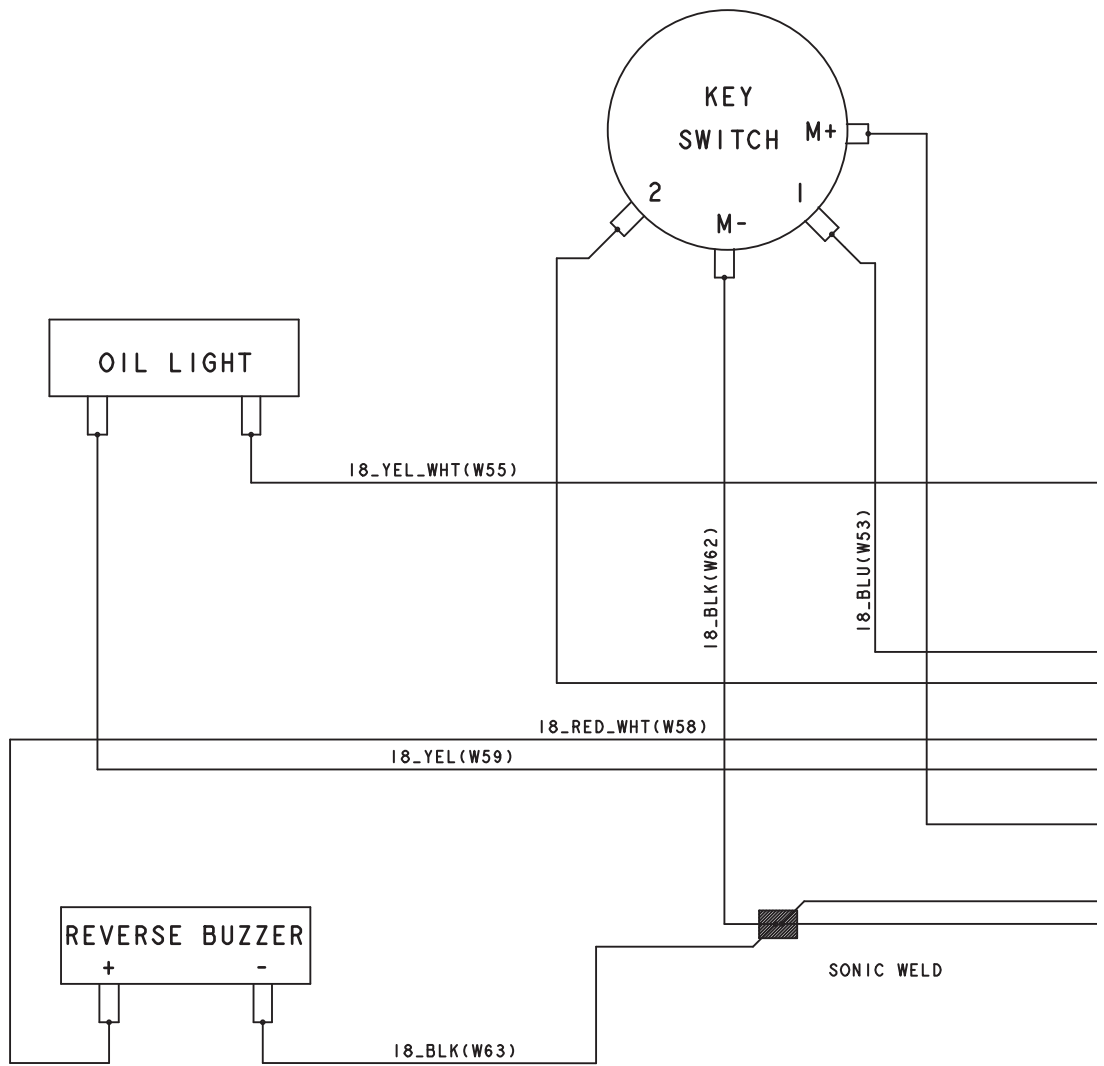


000487-012

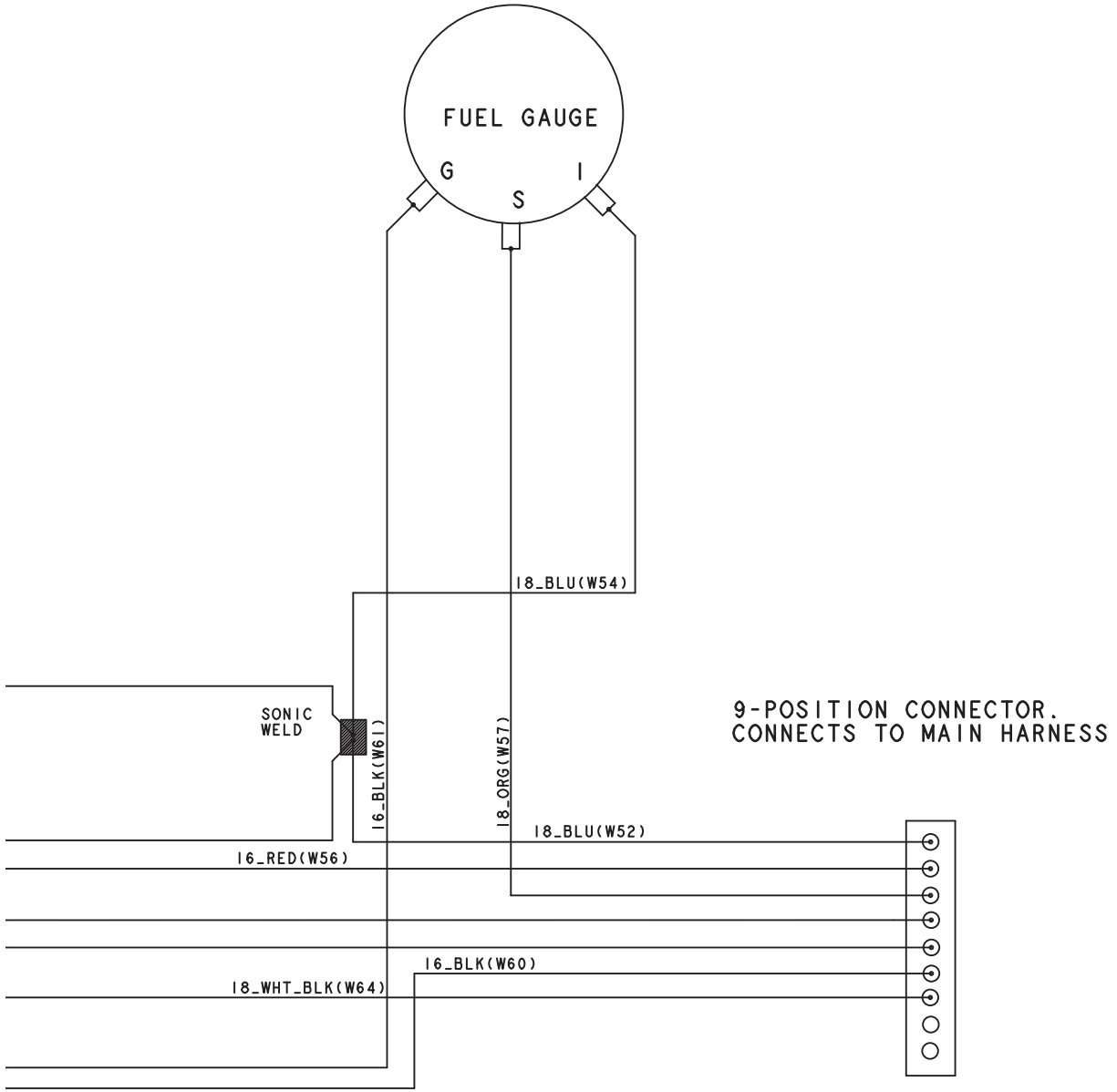
ACCELERATOR PEDAL ASSEMBLY W/SENSOR FOR GENERATION 2 PEDAL GROUP

ITEM	PART NO.	DESCRIPTION	QTY
1	<u>102595502</u>	1 2 3 4 Asm, Accel. Pedal/Throttle, Anodized, Gas Vehicle (includes items 2 and 3)	1
2	<u>103777601</u>	Asm, Park Brake Release, Anodized	1
3	N/A	Throttle Sensor	1
<p>Note: For a complete Pedal Group, see section 4, Brakes and Pedal Group Assemblies. Note2: The anodized park brake release assembly, <u>103777601</u>, incorporated during mid-model year 2010 beginning with vehicle serial number 1033-118753 and replaced park brake release assembly 103760701.</p>			

6
G



000489-001



000489-001

6

G

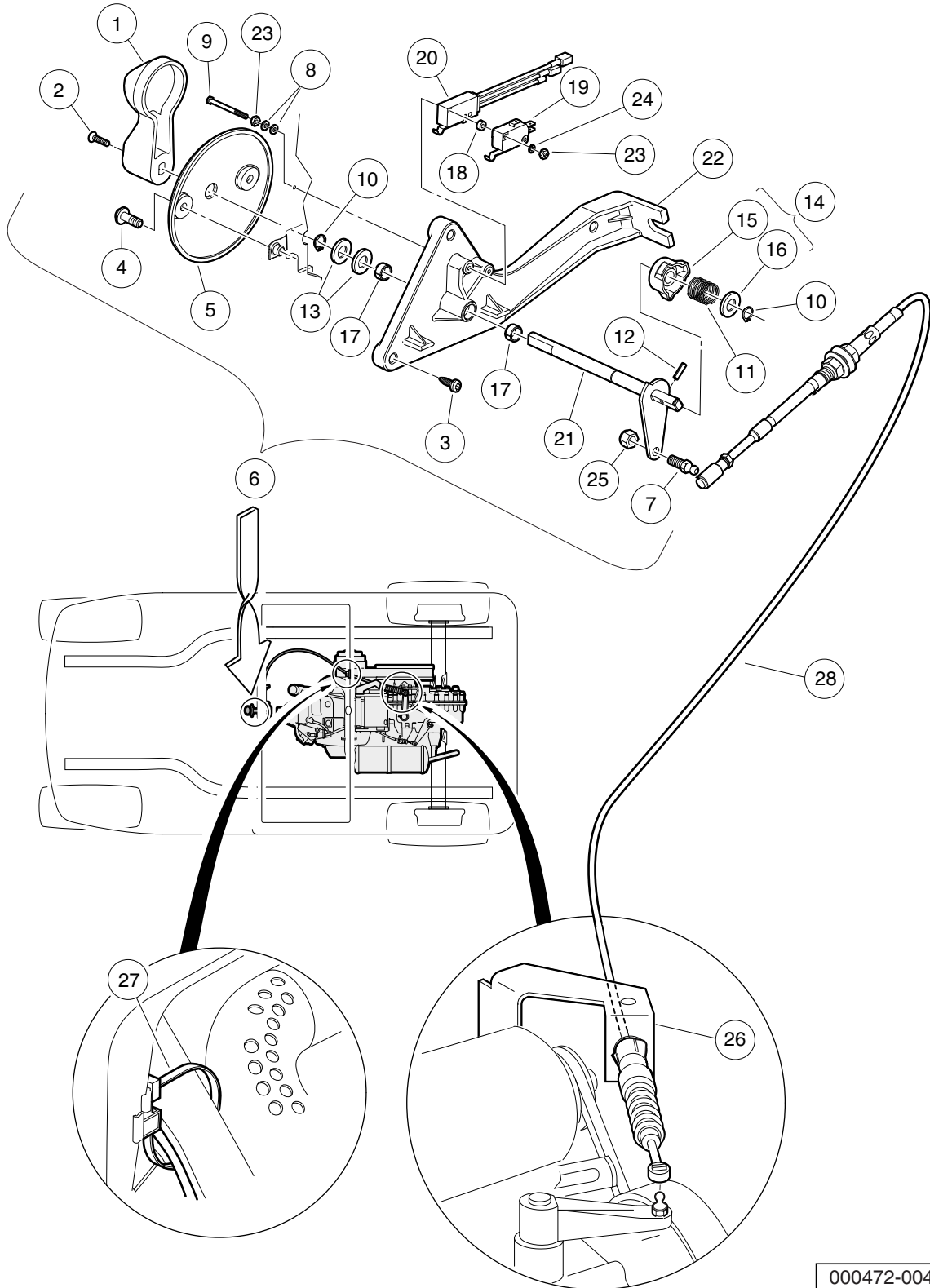
See previous two pages for illustration.

INSTRUMENT PANEL WIRE HARNESS

ITEM	PART NO.	DESCRIPTION	QTY
1	<u>102515001</u>	1 2 3 4 Ip Control Harness, Gas (includes item 2)	1
2	N/A	Connector, Plug 9-pin	1

6
G

6
G

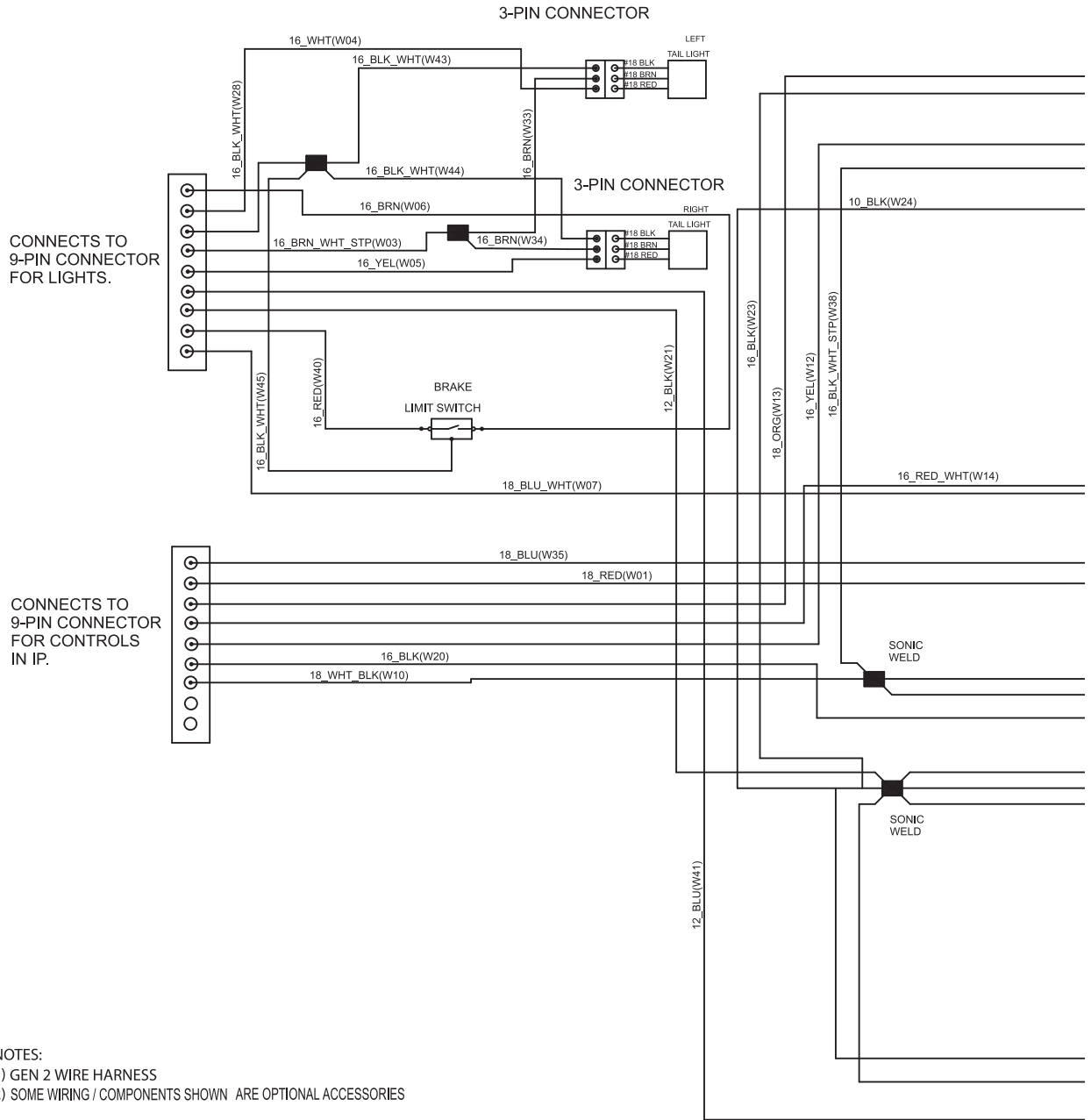


000472-004

FORWARD/REVERSE SHIFTER ASSEMBLY – GASOLINE VEHICLE

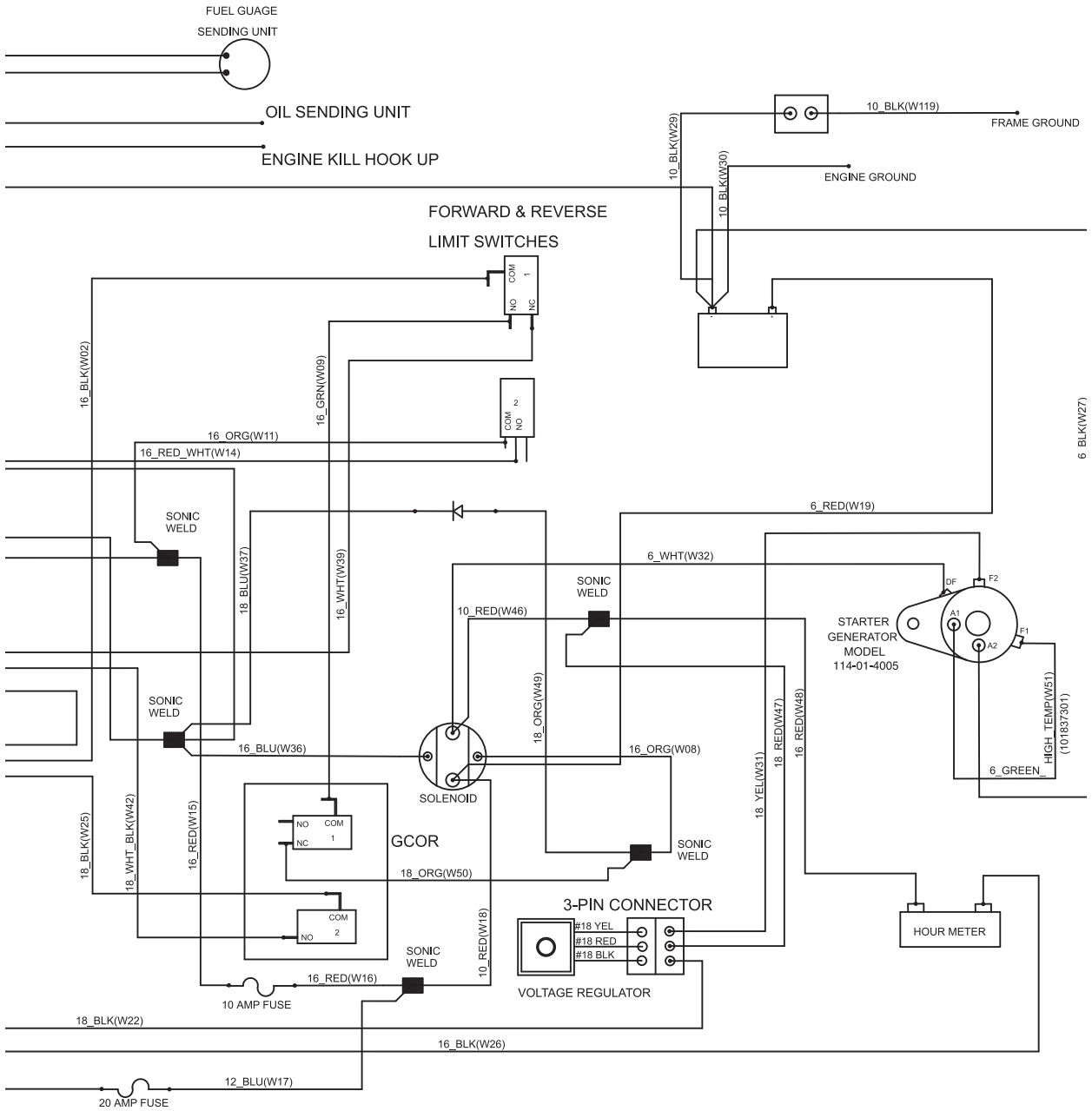
ITEM	PART NO.	DESCRIPTION	QTY
		1 2 3 4	
1	<u>1012987</u>	Handle, FNR	1
2	<u>1015064</u>	Screw, #8-32 X 0.63 Machine	1
3	<u>102296040</u>	Screw, Torx Pan Hd Pt, M6 X 40	3
4	<u>102296920</u>	Screw, M6, Torx Button Head, Sems	2
5	<u>102512001</u>	Bezel, FNR, Gas	1
6	<u>102514602</u>	Assembly Gas Fnr Shifter Svc (includes items 7 through 25)	1
7	<u>1010954</u>	Stud, Ball, 1/4-28 X 0.560	1
8	<u>1012431</u>	Washer, #4 Flat	4
9	<u>1012594</u>	Screw, #4-40 Machine	2
10	<u>1013589</u>	Ring, Retaining, 0.338" Internal	2
11	<u>1013590</u>	Spring, FNR Cam	1
12	<u>1013591</u>	Pin, Roll, 1/8 X 1/2	1
13	<u>1014065</u>	Washer, Flat, 0.38" ID, Delrin	2
14	<u>1014089</u>	Neutral Lockout Cam Kit (includes items 15 and 16)	1
15	N/A	Cam, Neutral Lockout	1
16	<u>1014065</u>	Washer, Flat, 0.38" ID, Delrin	1
17	<u>1014145</u>	Bushing, Secondary Weight, Split	2
18	<u>1014727</u>	Washer, Flat, #4, Nylon	2
19	<u>1014807</u>	Switch, Limit	1
20	<u>101979101</u>	Switch, Limit, Assembly, Sealed	1
21	<u>102515301</u>	Weldment, F-n-r Gas	1
22	<u>102515601</u>	Base, Gas FNR Shifter	1
23	<u>8057</u>	Nut, #4-40 Hex Machine	4
24	<u>8058</u>	Lockwasher, #4 Split	2
25	<u>8717</u>	Locknut, Nylon Insert, 1/4-28	1
26	<u>102515501</u>	Bracket-trans Cable Support	1
27	<u>102554901</u>	Clip, Edge, with Wire Tie	1
28	<u>103379601</u>	Cable, Transmission, Prec	1

6
G



NOTES:
 1) GEN 2 WIRE HARNESS
 2) SOME WIRING / COMPONENTS SHOWN ARE OPTIONAL ACCESSORIES

000481-003



000481-003

6

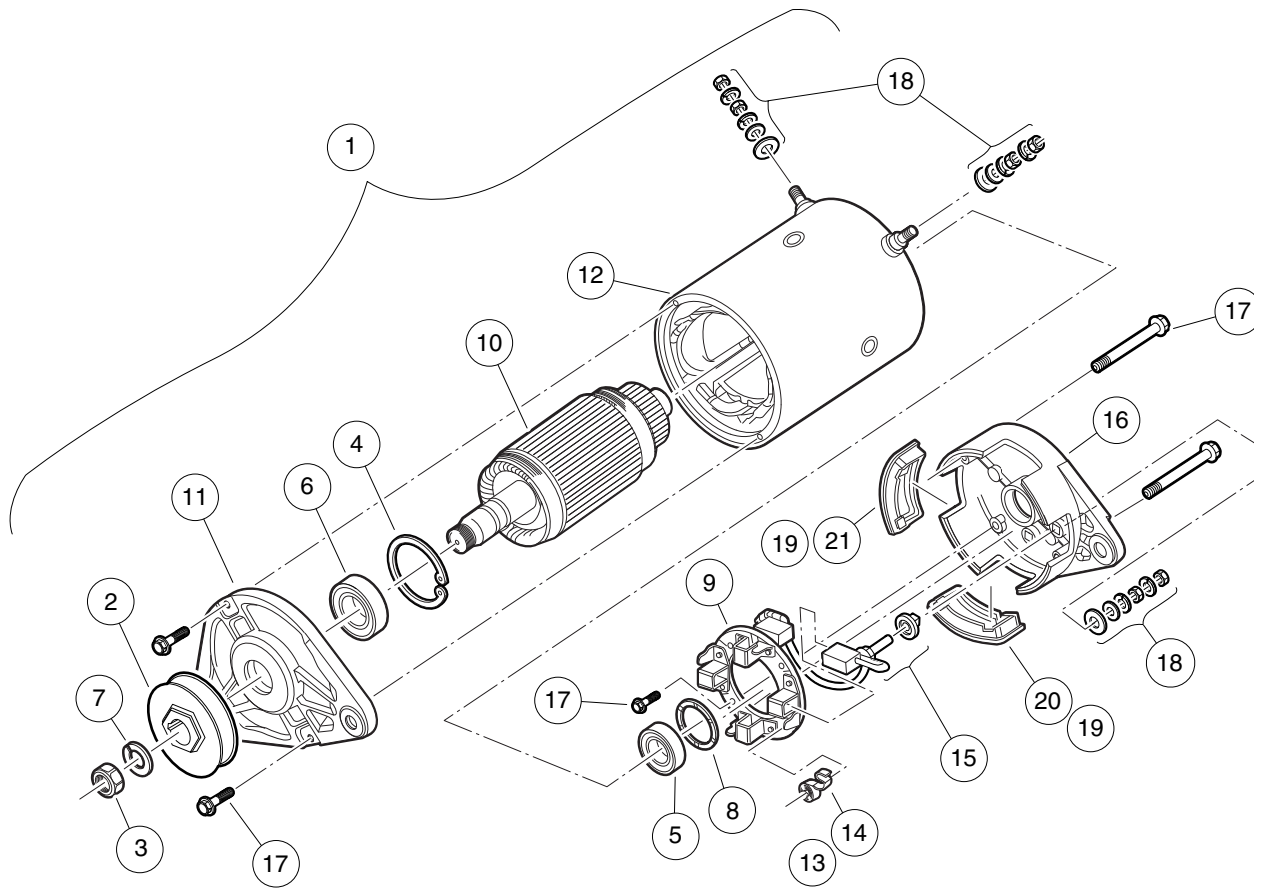
G

See previous two pages for illustration.

WIRING (WITH GENERATION 2 PEDAL GROUP) – GASOLINE VEHICLE

ITEM	PART NO.	DESCRIPTION	QTY
1	<u>103536501</u>	1 2 3 4 Harness, Prec Gas, Main (For Generation 2 Pedal Group) (includes item 2)	1
2	N/A	Conn, 6 Pos, Packard 12162210	1

6
G



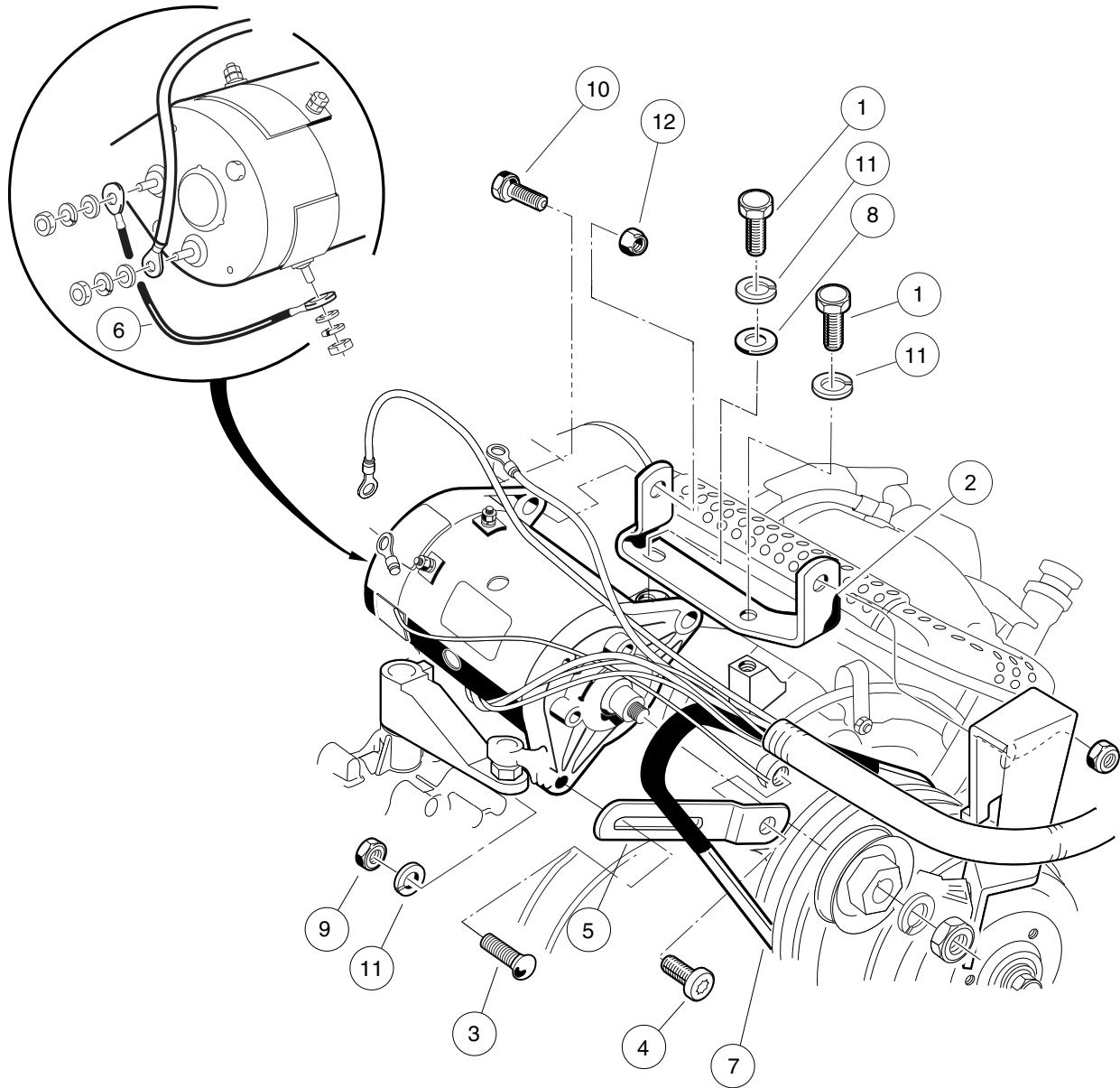
000124-002

STARTER/GENERATOR (S/G) ASSEMBLY MODEL 114-01-4005 - GASOLINE VEHICLES

ITEM	PART NO.	DESCRIPTION	QTY
		1 2 3 4	
1	<u>102628201</u>	Starter/Generator Bi-Rotational (includes items 2 through 19)	1
2	<u>102711001</u>	Pulley, V-Belt	1
3	<u>102838701</u>	Nut, Hex, M14x2, S/G	1
4	<u>102838801</u>	Retainer, Front, S/G	1
5	<u>102838901</u>	Bearing, Ball, Front, S-g	1
6	<u>102839001</u>	Bearing, Ball, Front, S-g	1
7	<u>102839301</u>	Washer, Lock M14x2, S-g	1
8	<u>102841101</u>	Washer, Wave, S-g	1
9	<u>102844401</u>	Assembly, Brush Plate, Starter/Generator	1
10	N/A	Asm, Armature, Starter/Generator	1
11	<u>102844601</u>	Head, Drive End, S-g	1
12	<u>102844701</u>	Asm, Frame and Field, Starter/Generator	1
13	<u>103347101</u>	Kit, Spring Brush, Starter/Generator (includes item 14)	1
14	N/A	Spring, Brush, S-g	4
15	<u>103347301</u>	Set, Brush Term, S-g	1
16	<u>103347601</u>	Head, Comm End, S-g	1
17	<u>103347701</u>	Set, Fastener, Ceh Deh, S-g	1
18	<u>103347801</u>	Set, Term Hardware, S/G	1
19	<u>103347901</u>	Kit, Cover, Brush Insp, Starter/Generator (includes items 20 and 21)	1
20	N/A	Plug, Rubber Drain, Start/Generator	3
21	N/A	Cover, Inspection, S-g	1
<p>Note: Item 2 will ONLY fit Model 114-01-4005 Starter/Generator.</p>			

6

G



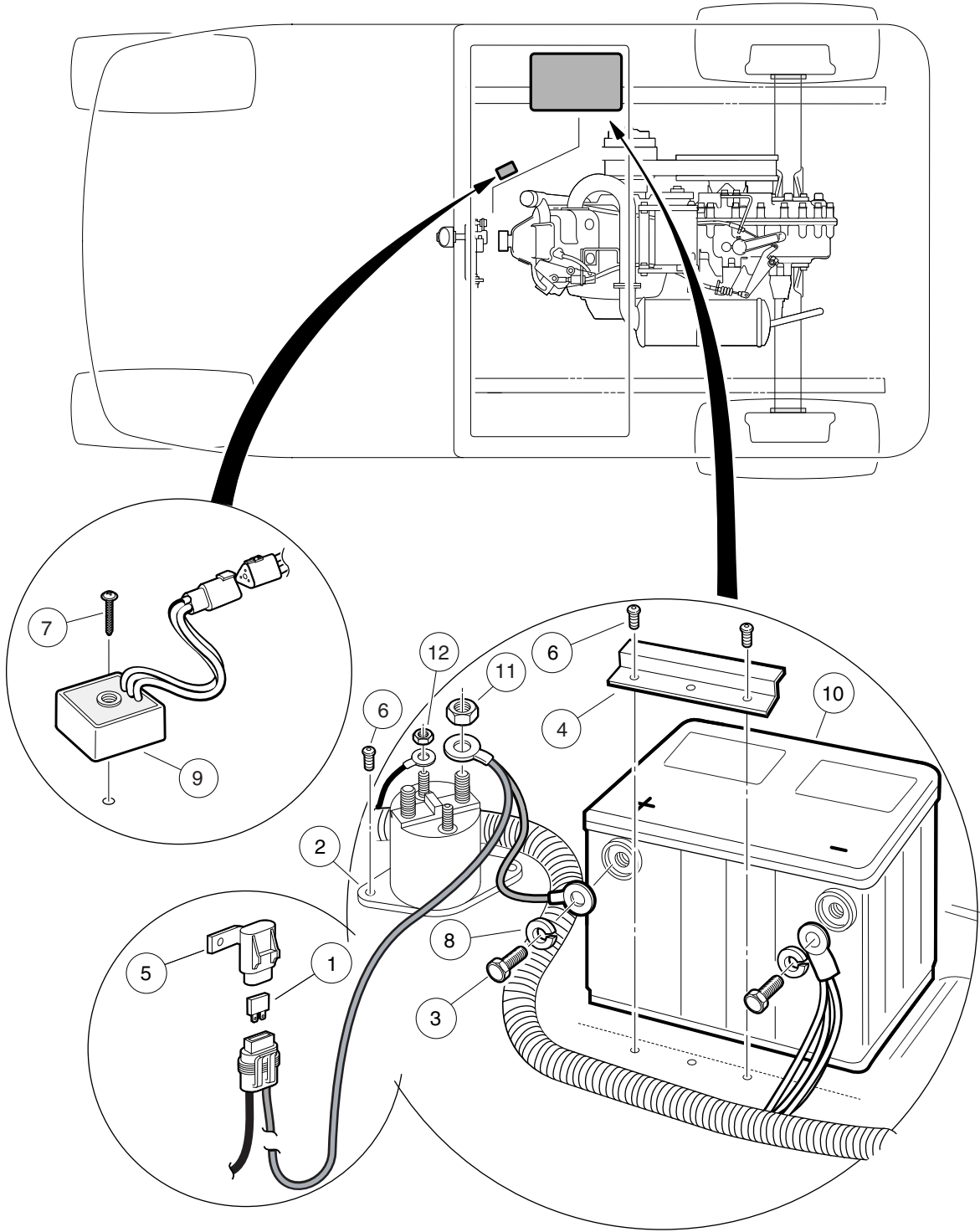
000238-004

STARTER/GENERATOR MOUNTING – FE350

ITEM	PART NO.	DESCRIPTION	QTY
		1 2 3 4	
1	<u>1012830</u>	Screw, M8-1.25 X 22 Hex-Head	2
2	<u>101524002</u>	Bracket, Starter/Generator Mounting	1
3	<u>1015932</u>	Bolt, Carriage, 5/16-18	1
4	<u>1016074</u>	Screw, M8-1.25 X 18mm Torx	1
5	<u>1016883</u>	Bracket, Starter/Generator Adjustment	1
6	<u>101837301</u>	Wire Assy, #6 Green	1
7	<u>101916701</u>	V-Belt	1
8	<u>1241</u>	Washer, 5/16 Type A Flat	1
9	<u>1242</u>	Nut, 5/16-18 Hex	1
10	<u>1624</u>	Screw, 3/8-16 X 1.50, Hex-Head Cap	2
11	<u>7174</u>	Lockwasher, 5/16 Split	3
12	<u>8754</u>	Locknut, 3/8-16 Hex	2

6
G

6
G



000479-003

BATTERY – GASOLINE VEHICLE

ITEM	PART NO.	DESCRIPTION	QTY
		1 2 3 4	
1	<u>1012295</u>	Fuse, 10-Amp	1
2	<u>1013609</u>	Solenoid, 12-Volt	1
3	<u>1014375</u>	Screw, 3/8-16 X 0.50, Stainless Steel, Hex-Head	2
4	<u>101898001</u>	Clamp, Battery	1
5	N/A	Cover, Fuse, Sealed, Metri	1
6	<u>102296020</u>	Screw, Torx Pan Hd Pt, M6 X 20	4
7	<u>102296040</u>	Screw, Torx Pan Hd Pt, M6 X 40	1
8	<u>102355301</u>	Lockwasher, 3/8 Split Ss	2
9	<u>102803301</u>	Asm, Voltage Regulator, Prec.	1
10	<u>103496801</u>	Battery, Start, 12v	1
11	<u>1242</u>	Nut, 5/16-18 Hex	2
12	<u>7893</u>	Nut, #10-32 Hex	2

6
G

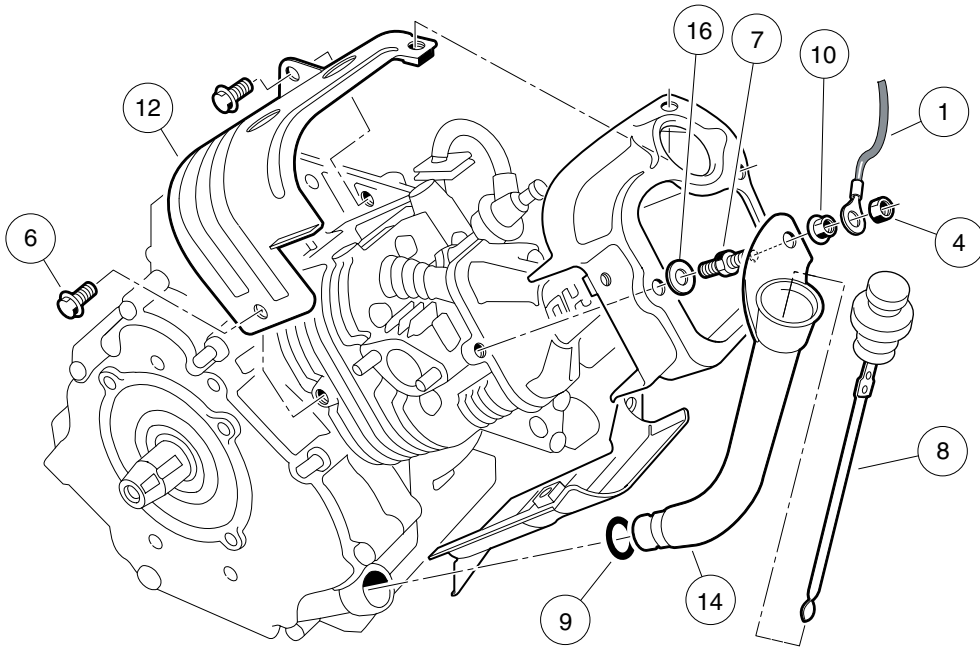
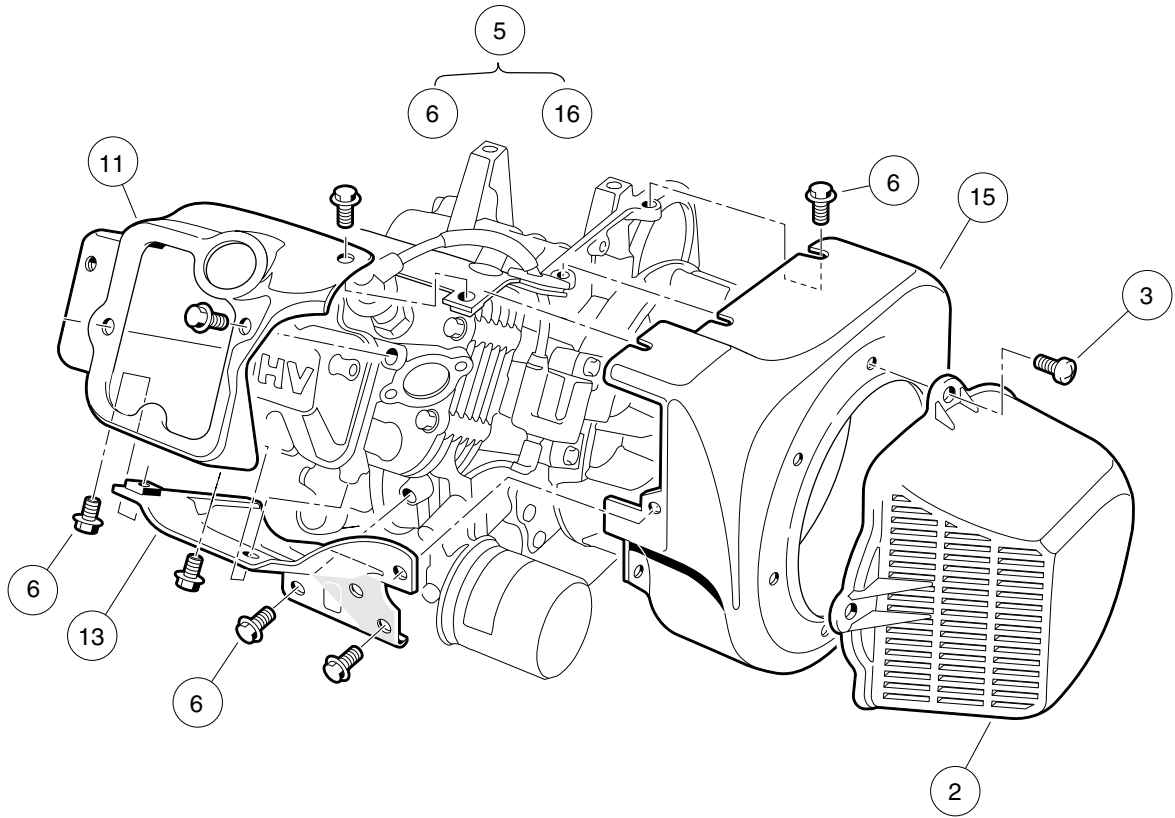
6

G

FE350 ENGINE (AS26)

7

G

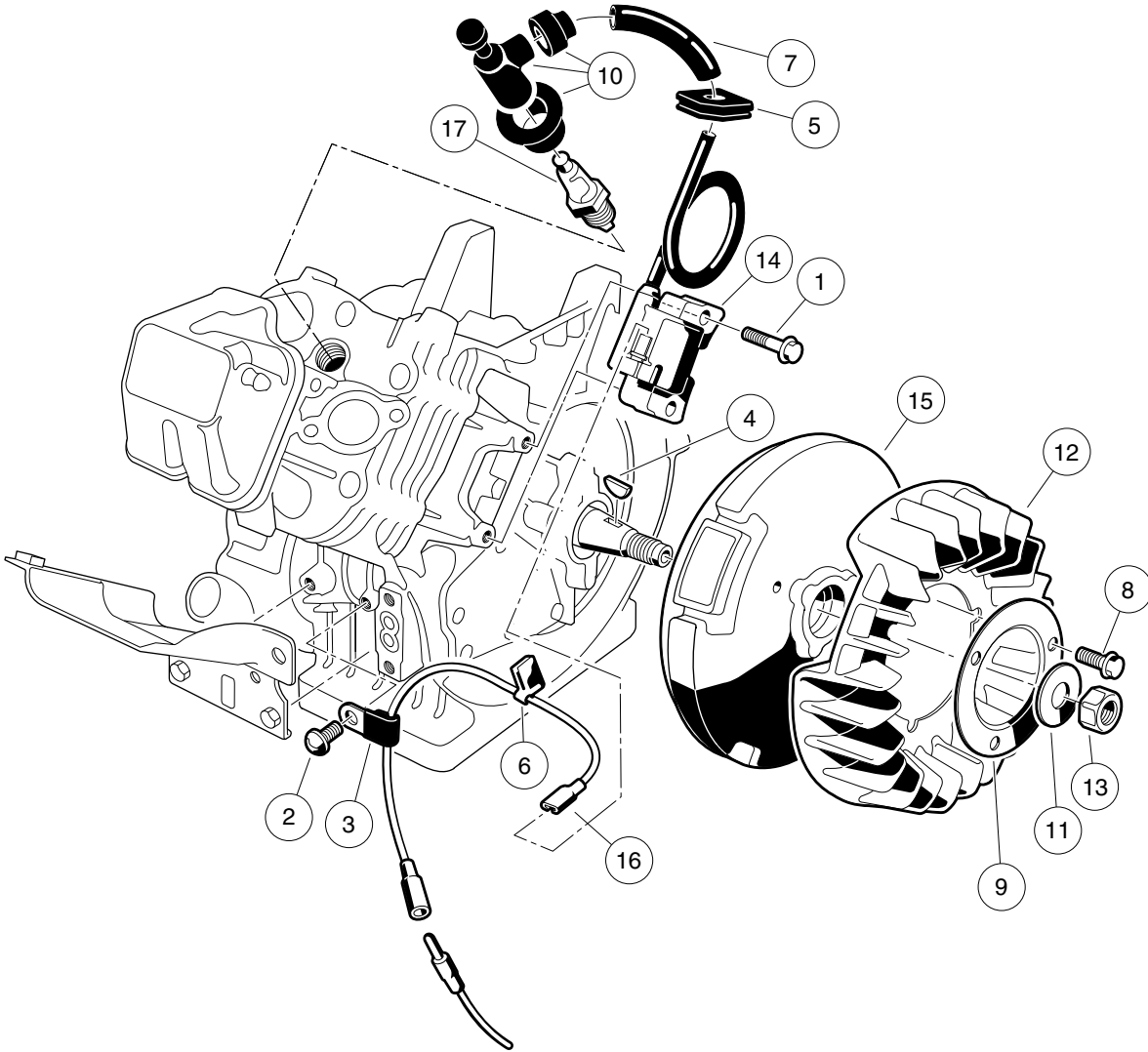


000201-002

FE350 ENGINE (AS26) – SHROUDS AND BRACKETS

ITEM	PART NO.	DESCRIPTION	QTY
		1 2 3 4	
1	<u>1015332</u>	Wire, Ground, #10, Uninsulated	1
2	<u>1015649</u>	Shroud, Fan	1
3	<u>1015969</u>	Screw, M6-1.00 X 10mm, Pan Hd	4
4	<u>101887601</u>	Locknut, M6-1.00 Nylon Insert	1
5	<u>103386201</u>	Engine, FE350 S26 (includes items 6 through 16)	1
6	1016456	Bolt, Flange Head, M6 x 1 x 12 mm	16
7	<u>1016507</u>	Bolt, Two-Ended	1
8	1016531	Dipstick	1
9	<u>1016539</u>	O-Ring	1
10	1016547	Nut, M6 Flange	1
11	<u>1017474</u>	Shroud, Engine	1
12	<u>1017475</u>	Shroud, Engine	1
13	<u>1017476</u>	Shroud, Engine	1
14	<u>1017486</u>	Tube, Oil Filler	1
15	<u>101916101</u>	Housing, FE350 Fan	1
16	N/A	Washer, 6mm Flat	2

7
G

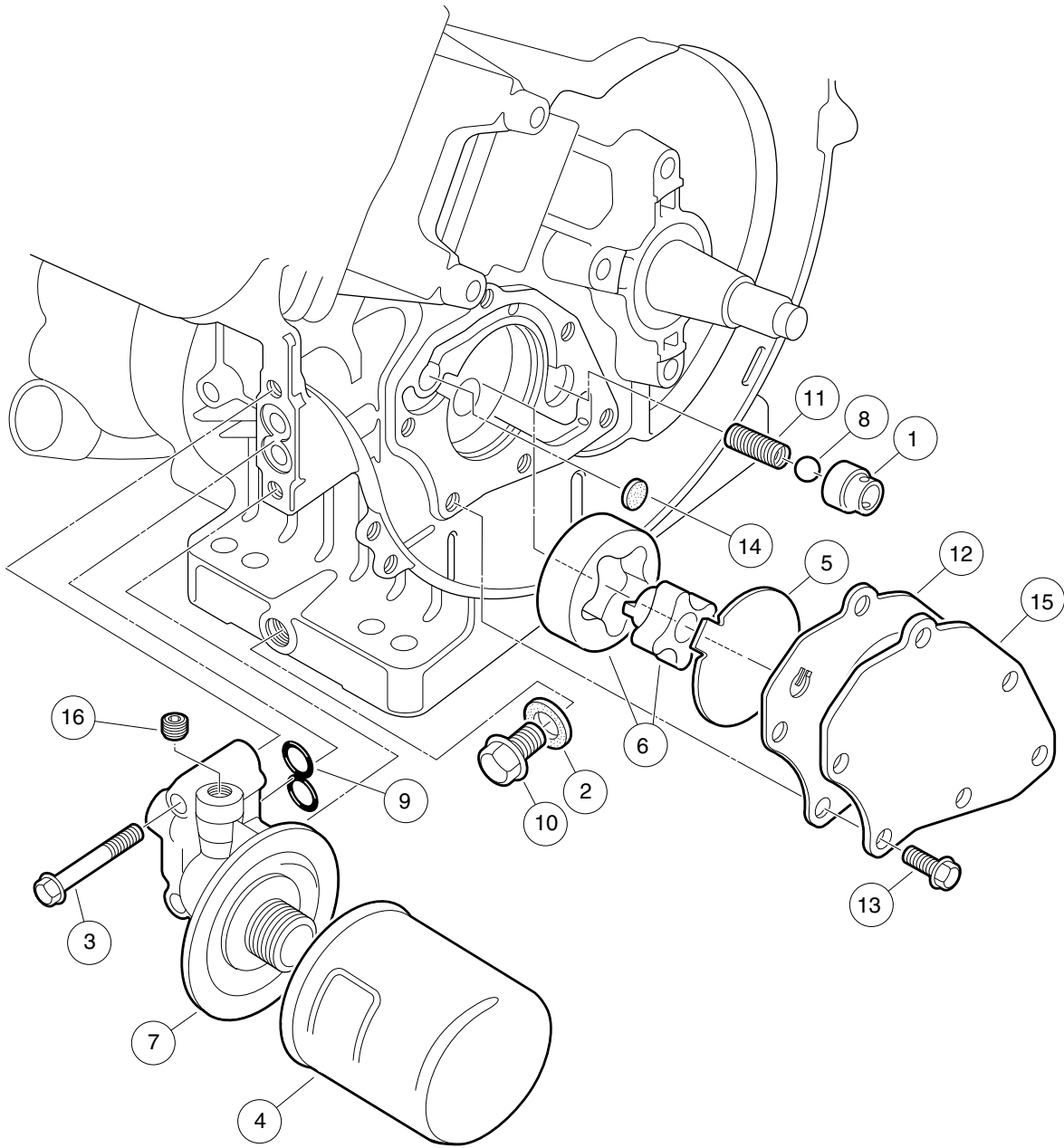


000202-004

FE350 ENGINE (AS26)- IGNITION COMPONENTS AND FLYWHEEL

ITEM	PART NO.	DESCRIPTION	QTY
		1 2 3 4	
1	<u>1016455</u>	Bolt, Flange Head	2
2	<u>1016544</u>	Screw	1
3	<u>1016561</u>	Clamp	1
4	<u>1016562</u>	Key	1
5	<u>1016578</u>	Grommet, Ignition	1
6	<u>1016587</u>	Clamp	1
7	<u>1016588</u>	Tube, 7mm X 10mm X 70mm	1
8	<u>1017448</u>	Bolt, Flanged	3
9	<u>1017455</u>	Plate, Flywheel Fan	1
10	<u>1017463</u>	Cap Asm, Plug	1
11	<u>1017490</u>	Washer, Flat	1
12	<u>101916301</u>	Fan (cw)	1
13	<u>102838401</u>	Nut, Hex, 18 mm Fine	1
14	<u>103616501</u>	Coil Asm, Ignition	1
15	<u>103616601</u>	Flywheel, Complete	1
16	<u>103616701</u>	Wire Lead, Ignition	1
17	<u>AM1232301</u>	Spark Plug, BPR2ES	1

7
G



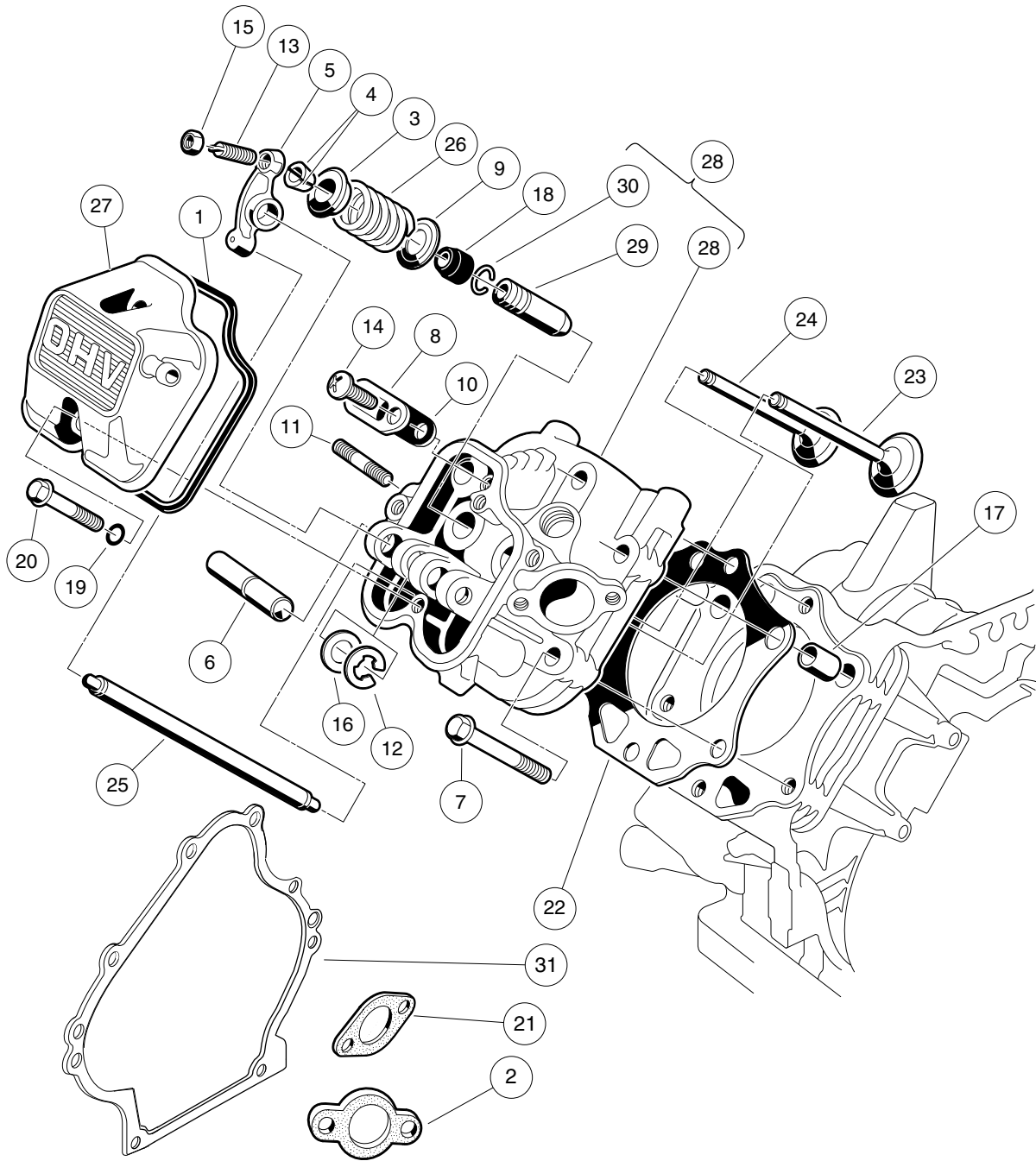
000203-001

FE350 ENGINE (AS26)- OIL CIRCULATION

ITEM	PART NO.	DESCRIPTION	QTY
		1 2 3 4	
1	1016429	Seat, Valve Oil Pressure Relief	1
2	<u>1016432</u>	Gasket, Drain Plug	1
3	<u>1016457</u>	Bolt, Flange Head	2
4	<u>1016467</u>	Filter, Oil	1
5	<u>1016473</u>	Plate, Oil Pump	1
6	<u>101648203</u>	Oil Pump And Rotor	1
7	<u>1016502</u>	Bracket, Oil Filter Mount	1
8	<u>1016537</u>	Ball, Steel, Press, Relief	1
9	<u>1016570</u>	O-Ring	1
10	1016576	Plug, Drain	1
11	<u>1016581</u>	Spring	1
12	<u>1017442</u>	Gasket	1
13	<u>1017456</u>	Bolt, Flanged	6
14	<u>1017458</u>	Filter	1
15	<u>1017460</u>	Cover, Pump	1
16	<u>1017507</u>	Plug	2

7

G

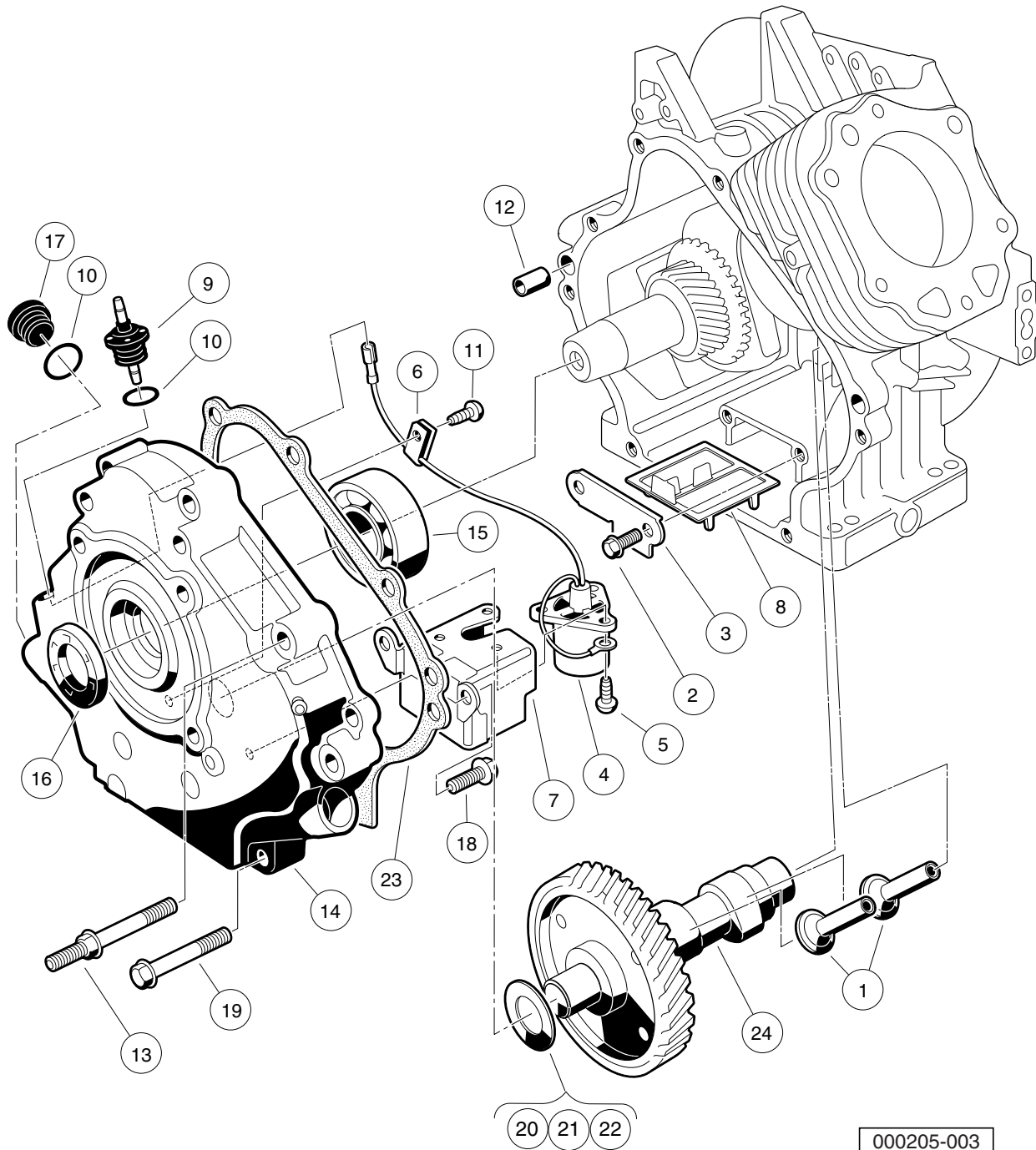


000204-006

FE350 ENGINE (AS26)- CYLINDER HEAD

ITEM	PART NO.	DESCRIPTION	QTY
		1 2 3 4	
1	<u>1016436</u>	Gasket, Rocker Case	1
2	<u>1016440</u>	Gasket, Engine to Insulator	1
3	<u>1016449</u>	Retainer, Valve Spring	2
4	<u>1016450</u>	Collet	4
5	1016451	Arm, Rocker	2
6	<u>1016452</u>	Shaft, Rocker	1
7	<u>1016458</u>	Bolt, Flange Head, M8 x 1.25 x 45 mm	6
8	<u>1016474</u>	Plate	1
9	<u>1016479</u>	Seat, Spring	2
10	<u>1016483</u>	Valve	1
11	<u>1016489</u>	Stud, Two-Ended, M8-1.25	2
12	<u>1016517</u>	Circlip, Type-E	1
13	1016542	Screw	2
14	<u>1016544</u>	Screw	1
15	<u>1016545</u>	Nut	2
16	<u>1016549</u>	Washer, 12.1x19x1.8	1
17	<u>1016563</u>	Pin	2
18	<u>1016566</u>	Seal, Oil	2
19	<u>1016569</u>	O-Ring	2
20	<u>1016583</u>	Bolt, 6x35	2
21	<u>1016904</u>	Gasket, Exhaust	1
22	<u>1017434</u>	Gasket, Head	1
23	<u>1017444</u>	Valve, Intake	1
24	<u>1017445</u>	Valve, Exhaust	1
25	<u>1017454</u>	Rod, Push	2
26	<u>1017473</u>	Spring, Engine Valve	2
27	<u>102753401</u>	Case, Rocker, Fe	1
28	<u>103615601</u>	Cylinder Head (includes items 29 and 30)	1
29	<u>1016519</u>	Guide, Valve, Intake, Exhaust	2
30	<u>1016560</u>	Snap Ring	2
31	<u>103615901</u>	Gasket, Crankcase Cover	1
		Note: Item 2, <u>1016440</u> as shown, is not a component of the FE350 engine.	

7
G

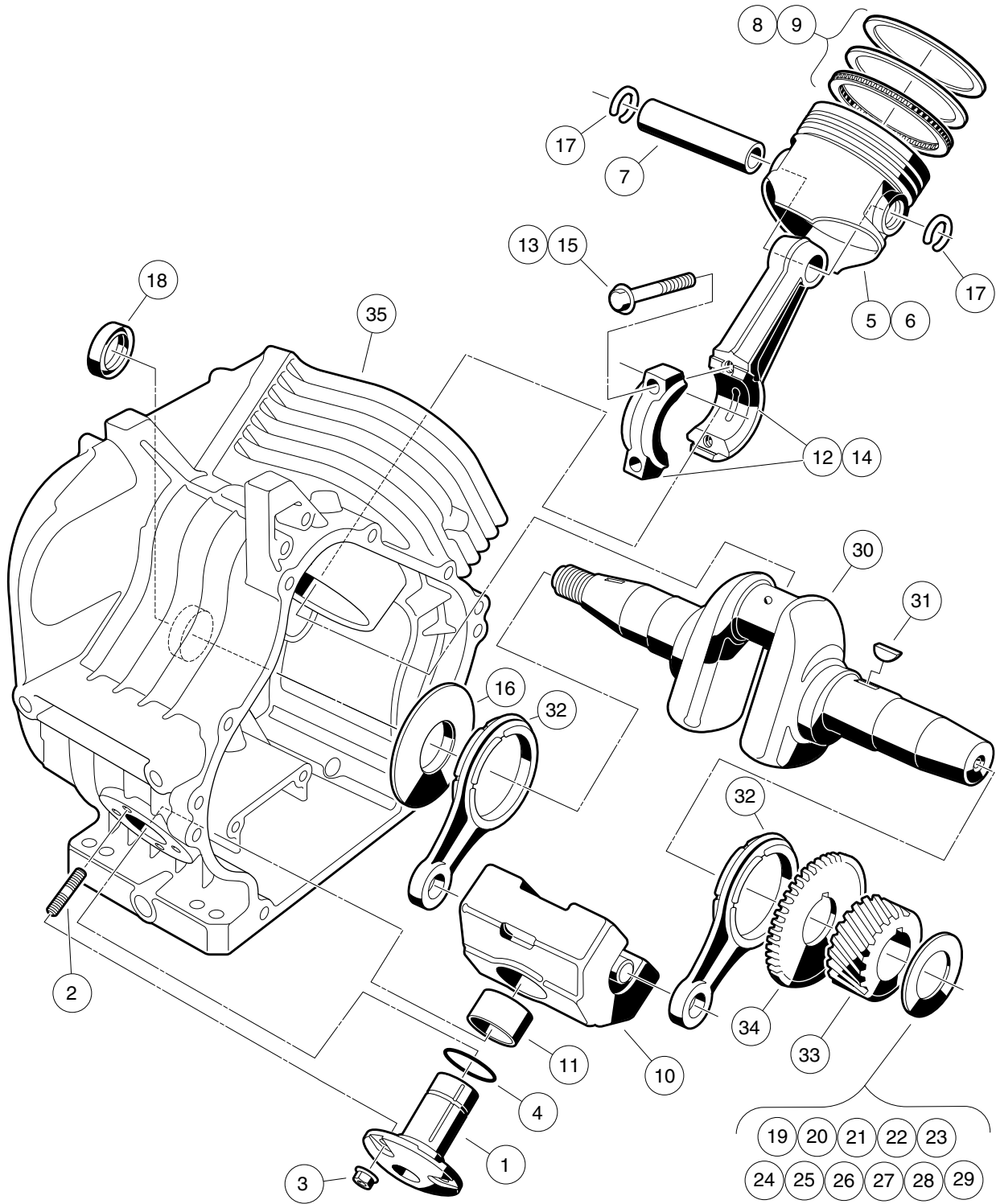


FE350 ENGINE (AS26)- CRANKCASE, CAMSHAFT, AND OIL SENSOR

ITEM	PART NO.	DESCRIPTION	QTY
		1 2 3 4	
1	1016453	Tapet	2
2	<u>1016454</u>	Bolt, Flange Head, M5 x 0.8 x 8 mm	2
3	<u>1016472</u>	Plate, Oil Filter Screen	1
4	1016494	Sensor, Oil Level	1
5	<u>1016496</u>	Screw, Cross Pan-Head, M4 x 0.7 x 8 mm	3
6	<u>1016506</u>	Clamp	1
7	<u>1016510</u>	Bracket, Switch, Oil Level	1
8	<u>1016521</u>	Screen, Oil Filter	1
9	<u>1016535</u>	Connector, Cord	1
10	<u>1016538</u>	O-Ring	2
11	<u>1016544</u>	Screw	1
12	<u>1016564</u>	Pin	2
13	<u>1016584</u>	Bolt, Two-Ended, M8 x 1.25 x 69 mm	2
14	<u>1017472</u>	Cover Crankcase	1
15	<u>1017487</u>	Bearing, Ball	1
16	<u>1017504</u>	Seal, Oil	1
17	1017508	Plug	1
18	<u>1017513</u>	Bolt Switch Bracket	2
19	<u>1017514</u>	Screw, M8-1.25 X 45mm Hex	6
20	<u>101751801</u>	Shim, 0.3	1
21	<u>101751802</u>	Shim, 0.4	1
22	<u>101751803</u>	Shim, 0.5	1
23	<u>103615901</u>	Gasket, Crankcase Cover	1
24	<u>103616401</u>	Camshaft, Complete	1

7

G



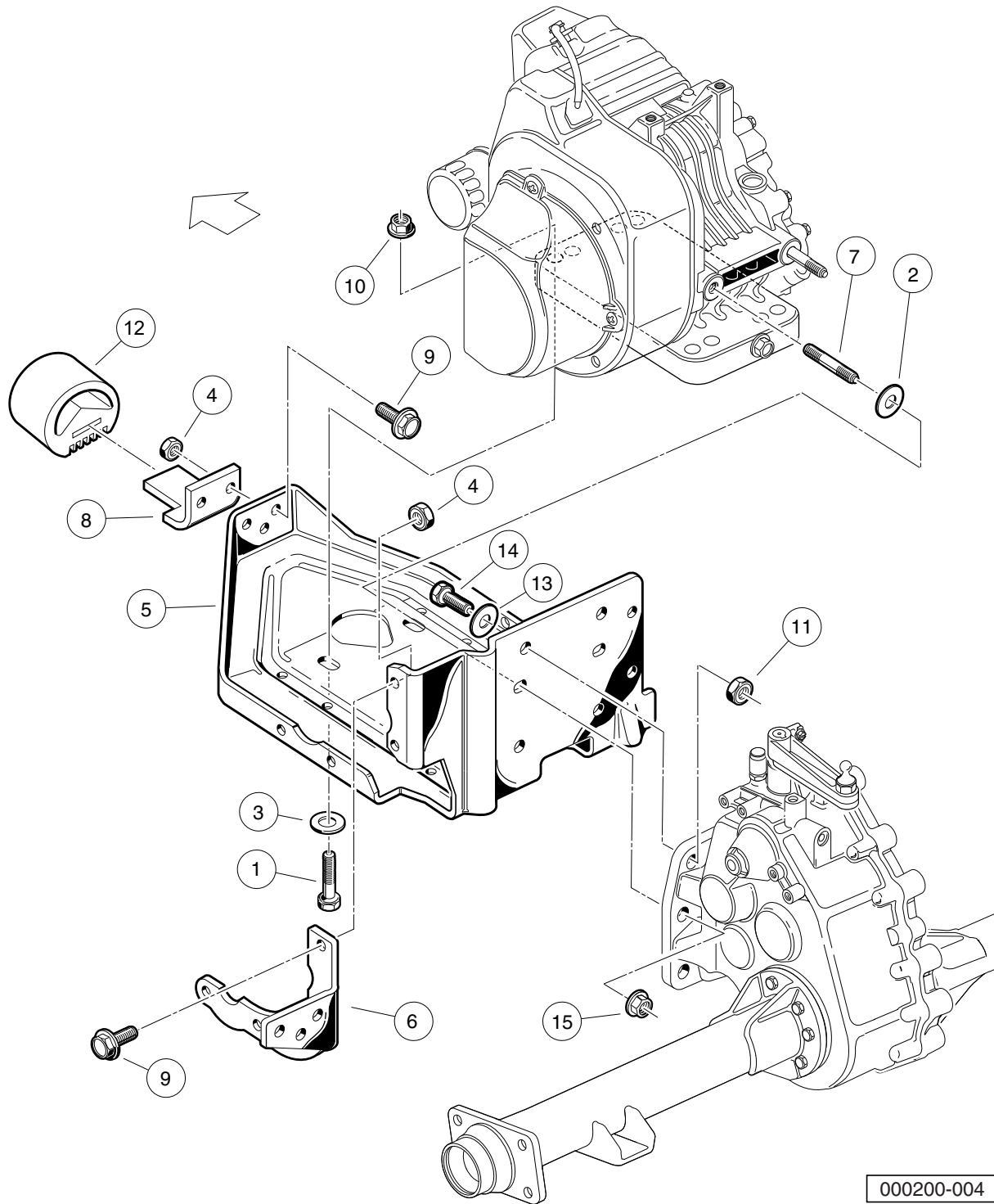
- 19
- 20
- 21
- 22
- 23
- 24
- 25
- 26
- 27
- 28
- 29

000206-003

FE350 ENGINE (AS26)- CRANKCASE AND CRANKSHAFT

ITEM	PART NO.	DESCRIPTION	QTY
		1 2 3 4	
1	1016470	Shaft, Guide, Counterbalance	1
2	<u>1016541</u>	Stud, 6x14	4
3	1016547	Nut, Flanged, M6 X 1.00	4
4	<u>1016571</u>	O-Ring	1
5	<u>101744901</u>	Piston, Standard	1
6	<u>101744902</u>	Piston, 0.50 mm Oversize	1
7	1017450	Pin, Piston	1
8	<u>101745101</u>	Ring Set, Standard Piston	1
9	<u>101745102</u>	Ring Set, Piston, 0.50 mm Oversize	1
10	<u>1017453</u>	Counterbalance Weight (includes item 11)	1
11	1017510	Bearing, Plain	1
12	101745701	Asm, Con. Rod Std (includes item 13)	1
13	<u>1017512</u>	Bolt	2
14	<u>101745702</u>	Asm,Con.Rod 0.5mm U/s (includes item 15)	1
15	<u>1017512</u>	Bolt	2
16	1017501	Spacer	1
17	<u>1017502</u>	Snap Ring	2
18	<u>1017503</u>	Seal, Oil	1
19	<u>101773301</u>	Shim, Crankshaft, 1.18mm	1
20	<u>101773302</u>	Shim, Crankshaft, 1.25mm	1
21	<u>101773303</u>	Shim, Crankshaft, 1.32mm	1
22	<u>101773304</u>	Shim, Crankshaft, 1.39mm	1
23	<u>101773305</u>	Shim, Crankshaft, 1.46mm	1
24	<u>101773306</u>	Shim, Crankshaft, 1.53mm	1
25	<u>101773307</u>	Shim, Crankshaft, 1.60mm	1
26	<u>101773308</u>	Shim, Crankshaft, 1.67mm	1
27	<u>101773309</u>	Shim, Crankshaft, 1.74mm	1
28	<u>101773310</u>	Shim, Crankshaft, 1.11 mm	1
29	<u>101773311</u>	Shim, Crankshaft, 1.81mm	1
30	<u>102430901</u>	Crankshaft, FE350 Left-Hand, 22-Tooth (includes items 31 through 34)	1
31	<u>1016562</u>	Key	1
32	<u>1017471</u>	Rod	2
33	N/A	Gear, Helical	1
34	N/A	Gear, Spur	1
35	<u>103615801</u>	Crankcase, FE350	1

7
G



000200-004

FE350 ENGINE (AS26)- MOUNTING

ITEM	PART NO.	DESCRIPTION	QTY
		1 2 3 4	
1	<u>1010577</u>	Bolt, Hex-Head, 5/16-18 X 1.50	4
2	<u>1011697</u>	Washer, 5/16 Flat	2
3	1012571	Washer, 5/16 Extra Thick Flat	4
4	<u>1013924</u>	Nut, 5/16-24, Hex Head Cone	6
5	<u>101827101</u>	Plate, Engine Mounting	1
6	<u>101832701</u>	Stiffener (Flywheel Side)	1
7	<u>101833101</u>	Stud, M8-1.25 X 50 mm Two-Ended	2
8	<u>101834601</u>	Bracket, Snubber	1
9	<u>101884801</u>	Screw, 5/16-24 X 0.875, Grade-8	6
10	<u>101963401</u>	Locknut, 5/16-18 Hex Flange	4
11	<u>102065901</u>	Locknut, 3/8-16 Flanged Dimple	4
12	<u>102540301</u>	Snubber, Inner Frame	1
13	<u>334</u>	Washer, 3/8, Type A, Flat	4
14	705	Screw, Cap-hex Hd 3/8-16x1.25	4
15	<u>96704416</u>	Nut, Flange, M8 X 1.25 Serrated	2

7

G

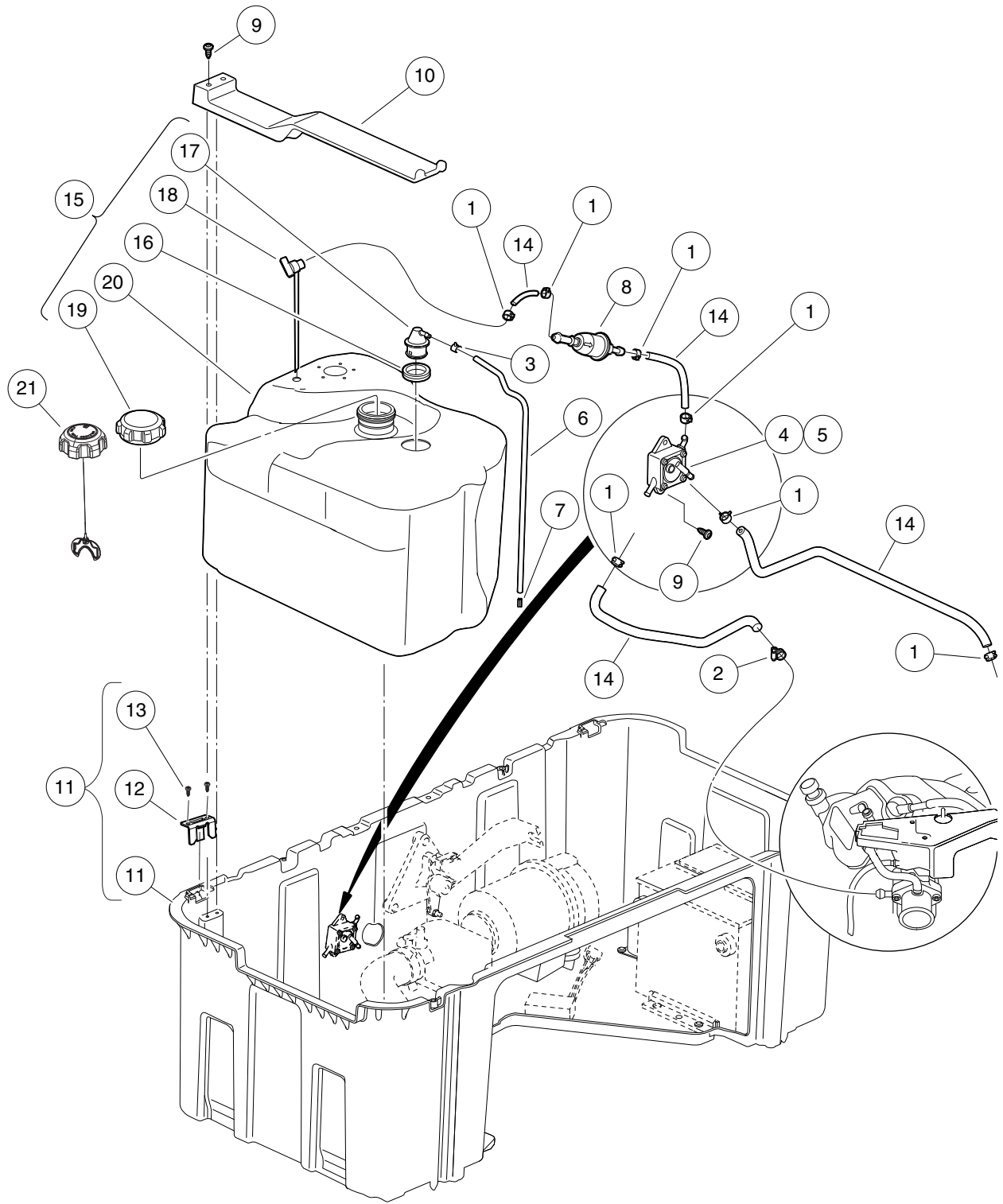
7

G

FUEL, INTAKE, AND GOVERNOR SYSTEMS

8

G



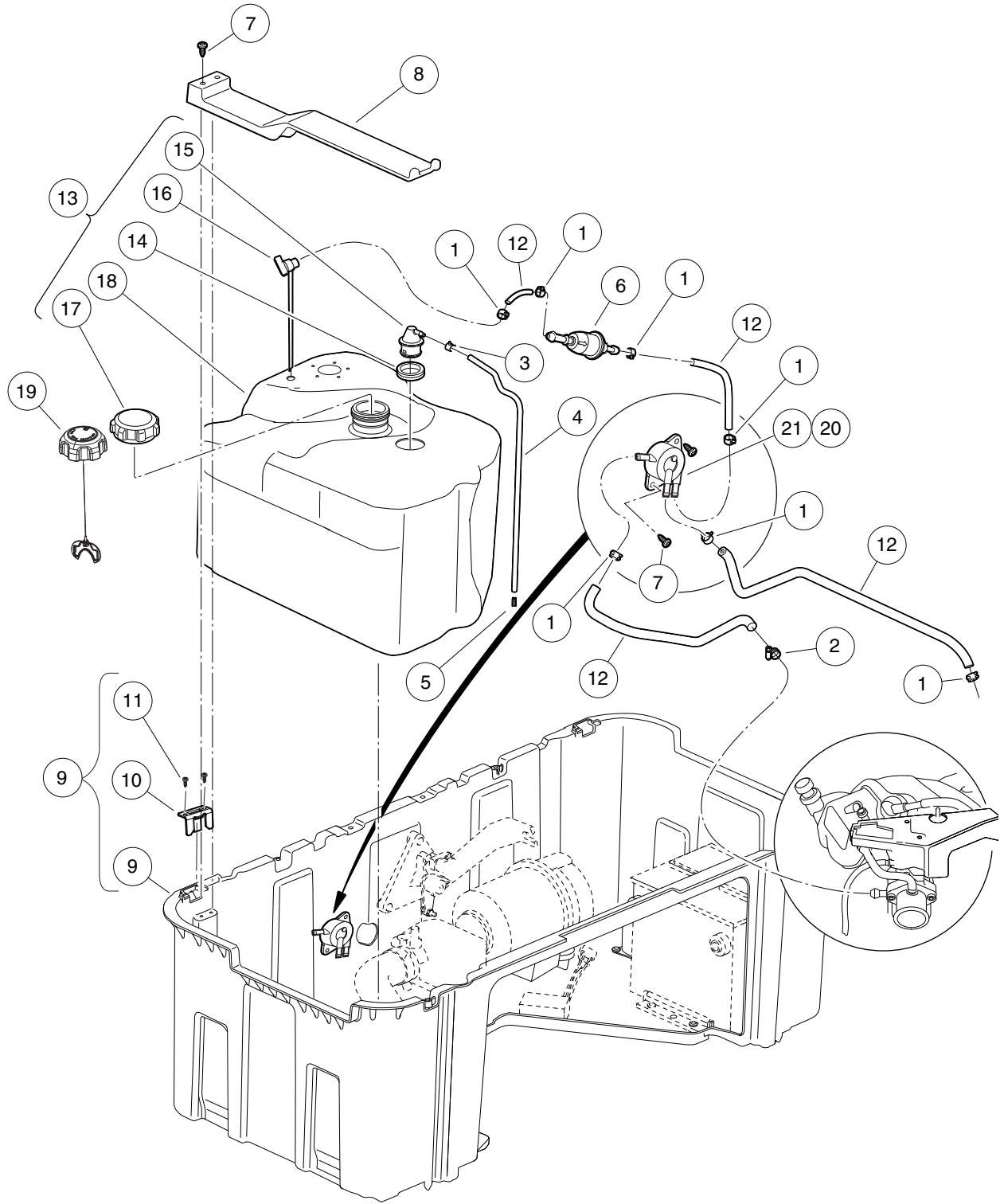
000449-006

FUEL SYSTEM WITH STYLE A FUEL PUMP

ITEM	PART NO.	DESCRIPTION	QTY
		1 2 3 4	
1	<u>1012649</u>	Clamp, 0.460 Red Hose	7
2	<u>1013687</u>	Clamp, 3/8" Hose (screw type)	1
3	<u>1013746</u>	Clamp, 0.301 ID Hose	1
4	<u>1014523</u>	Pump, Impulse Fuel	1
5	<u>1014524</u>	Kit, Impulse Pump Rebuild	1
6	<u>1015137</u>	Fuel Line, 3/16 (available by the foot)	1
7	<u>101824401</u>	Vent Barb	1
8	<u>102003201</u>	Filter, Fuel, 30 Micron	1
9	<u>102296020</u>	Screw, Torx Pan Hd Pt, M6 X 20	4
10	<u>102514201</u>	Hold-down - Fuel Tank	1
11	<u>102514701</u>	Bucket - Gas Vehicle (includes items 12 and 13)	1
12	103470701	Bracket, Bucket Hinge	2
13	N/A	Screw, #6 X .75, Cs Ss, Hi-lo	4
14	<u>102865101</u>	Fuel Line, 1/4 (available by the foot)	1
15	102952202	Asm, Tank, Fuel (includes items 16 through 20)	1
16	<u>1015139</u>	Insulation Grommet	1
17	<u>1015143</u>	Vent, Fuel Tank	1
18	<u>102513701</u>	Valve - Fuel Pickup Tube	1
19	<u>102751601</u>	Cap, Fuel Tank, Gasoline	1
20	N/A	Tank, Fuel, Prec	1
21	<u>103372101</u>	Cap, Fuel Tank, Gas, Ratchet	1
		<p>Note: 2010 Precedent Gasoline vehicles manufactured for use in California must use the ratcheting fuel cap, <u>103372101</u> to be compliant with California regulations.</p>	

8

G



000449-005

FUEL SYSTEM WITH STYLE B FUEL PUMP

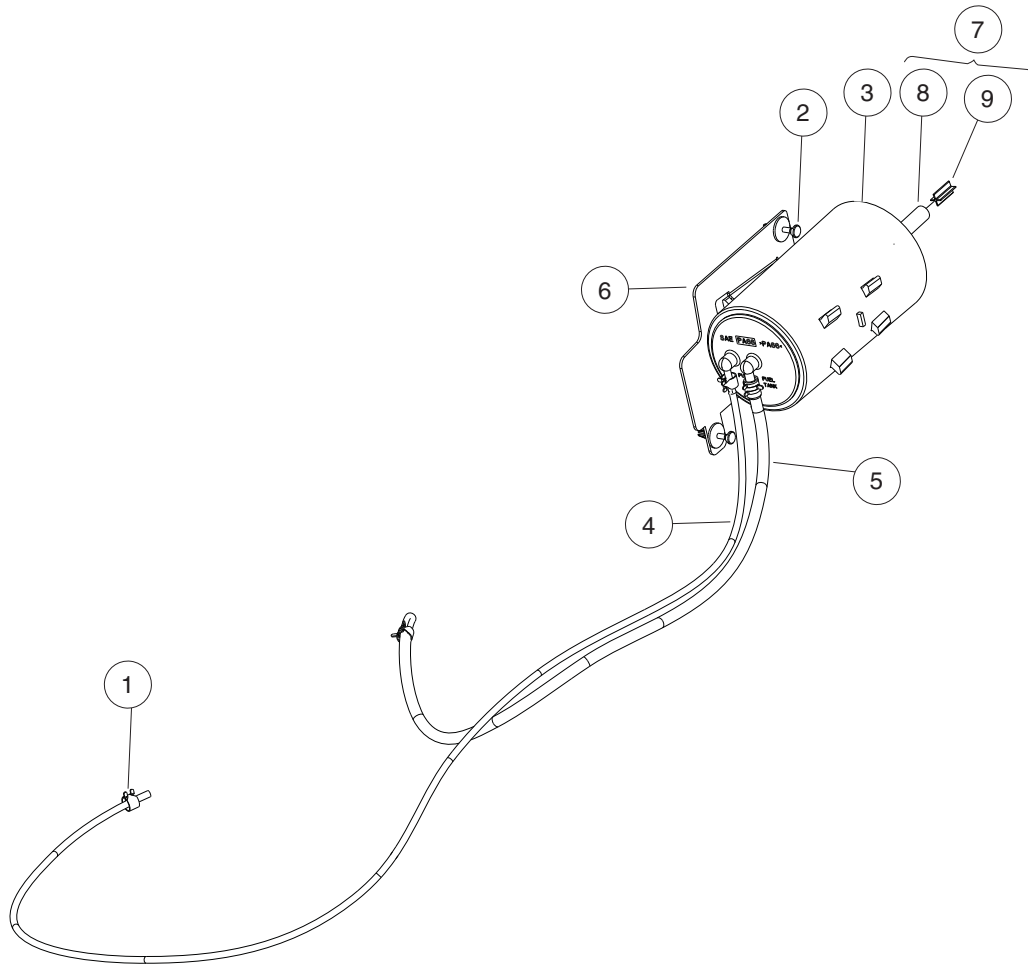
ITEM	PART NO.	DESCRIPTION	QTY
		1 2 3 4	
1	<u>1012649</u>	Clamp, 0.460 Red Hose	7
2	<u>1013687</u>	Clamp, 3/8" Hose (screw type)	1
3	<u>1013746</u>	Clamp, 0.301 ID Hose	1
4	<u>1015137</u>	Fuel Line, 3/16 (available by the foot)	1
5	<u>101824401</u>	Vent Barb	1
6	<u>102003201</u>	Filter, Fuel, 30 Micron	1
7	<u>102296020</u>	Screw, Torx Pan Hd Pt, M6 X 20	4
8	<u>102514201</u>	Hold-down - Fuel Tank	1
9	<u>102514701</u>	Bucket - Gas Vehicle (includes items 10 and 11)	A/R
10	103470701	Bracket, Bucket Hinge	2
11	N/A	Screw, #6 X .75, Cs Ss, Hi-lo	4
12	<u>102865101</u>	Fuel Line, 1/4 (available by the foot)	1
13	102952202	Asm, Tank, Fuel (includes items 14 through 18)	1
14	<u>1015139</u>	Insulation Grommet	1
15	<u>1015143</u>	Vent, Fuel Tank	1
16	<u>102513701</u>	Valve - Fuel Pickup Tube	1
17	<u>102751601</u>	Cap, Fuel Tank, Gasoline	1
18	N/A	Tank, Fuel, Prec	1
19	<u>103372101</u>	Cap, Fuel Tank, Gas, Ratchet	1
20	<u>103781101</u>	Kit, Fuel Pump Retrofit (includes item 21)	1
21	<u>103010101</u>	Pump, Fuel, Impulse, Fh	1
<p>Note: 2010 Precedent Gasoline vehicles manufactured for use in California must use the ratcheting fuel cap, <u>103372101</u> to be compliant with California regulations. Note 2: Style B fuel pump <u>103010101</u> is retrofitable.</p>			

8

G

8

G



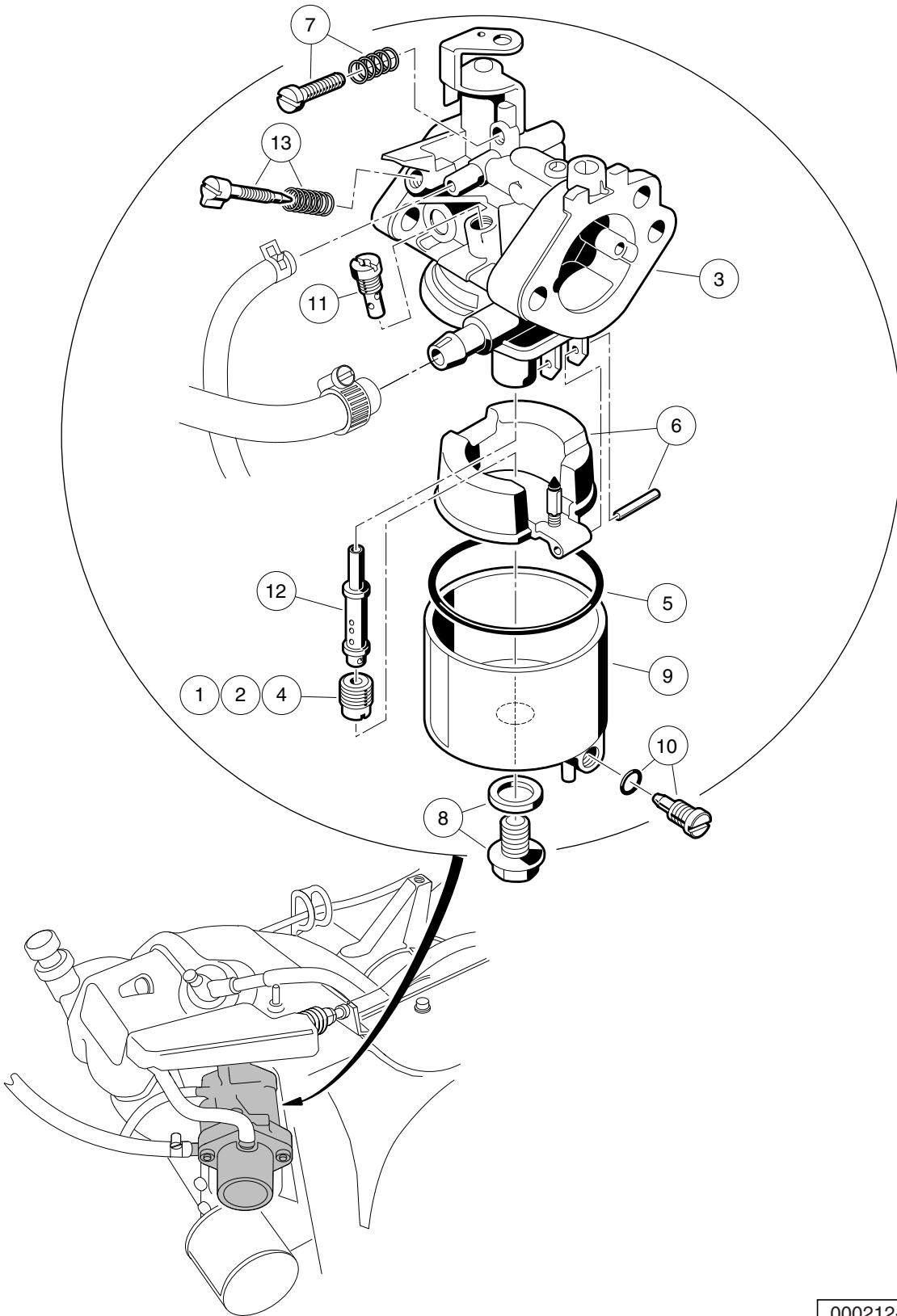
000980-001

CARBON CANISTER – FE350 (AS26)

ITEM	PART NO.	DESCRIPTION	QTY
		1 2 3 4	
1	<u>101313402</u>	Clamp, Green Hose	4
2	<u>102967901</u>	Rivet, Removable, Tuflok 1/4"	2
3	<u>103372401</u>	Canister, Carbon	1
4	<u>103372502</u>	Hose, Vent, Flare, 26"	3
5	<u>103372603</u>	Hose, Vent, 3/16" X 48"	4
6	<u>103452001</u>	Brkt, Mtg, Carbon Canister	1
7	<u>103756401</u>	Asm, Vent Line, Carbon Canister (includes items 8 and 9)	1
8	N/A	Hose, Vent, 5/16 I.D., Bulk	1
9	N/A	Vent, Barb, 5/16 I.D. Hose	1
<p style="text-align: center;">Note: The carbon canistor is mounted under the rear beauty panel on driver side in Model Year 2010 only.</p>			

8

G



000212-003

CARBURETOR ASSEMBLY – FE350 (AS26)

ITEM	PART NO.	DESCRIPTION	QTY
		1 2 3 4	
1	<u>101642580</u>	Jet, Altitude, # 80	1
2	<u>101642582</u>	Jet, Altitude, # 82	1
3	<u>103616901</u>	Carburetor, FE350 S26 (includes items 4 through 13)	1
4	<u>101642585</u>	Jet, Altitude, # 85	1
5	<u>1016437</u>	Gasket, Carburetor Bowl OHV	1
6	<u>1016486</u>	Float Assembly	1
7	<u>1016501</u>	Screw Assembly	1
8	<u>1016585</u>	Bolt	1
9	<u>1017461</u>	Chamber Assembly, Float (includes item 10)	1
10	<u>1016499</u>	Screw Assembly	1
11	<u>101973101</u>	Jet, #40 Pilot	1
12	<u>101973301</u>	Nozzle, Main	1
13	N/A	Assembly, Pilot Air Screw	1
<p>Note: Altitude Jet Sizes: <u>101642585</u> for 0 - 3,280 FT (0 - 1000 M); <u>101642582</u> for 3,280 - 9840 FT (1000 - 3000 M); <u>101642580</u> for Greater Than 9840 FT (3000 M). Carburetor <u>103616901</u> shown above, is only for AS26 FE350 engines.</p>			

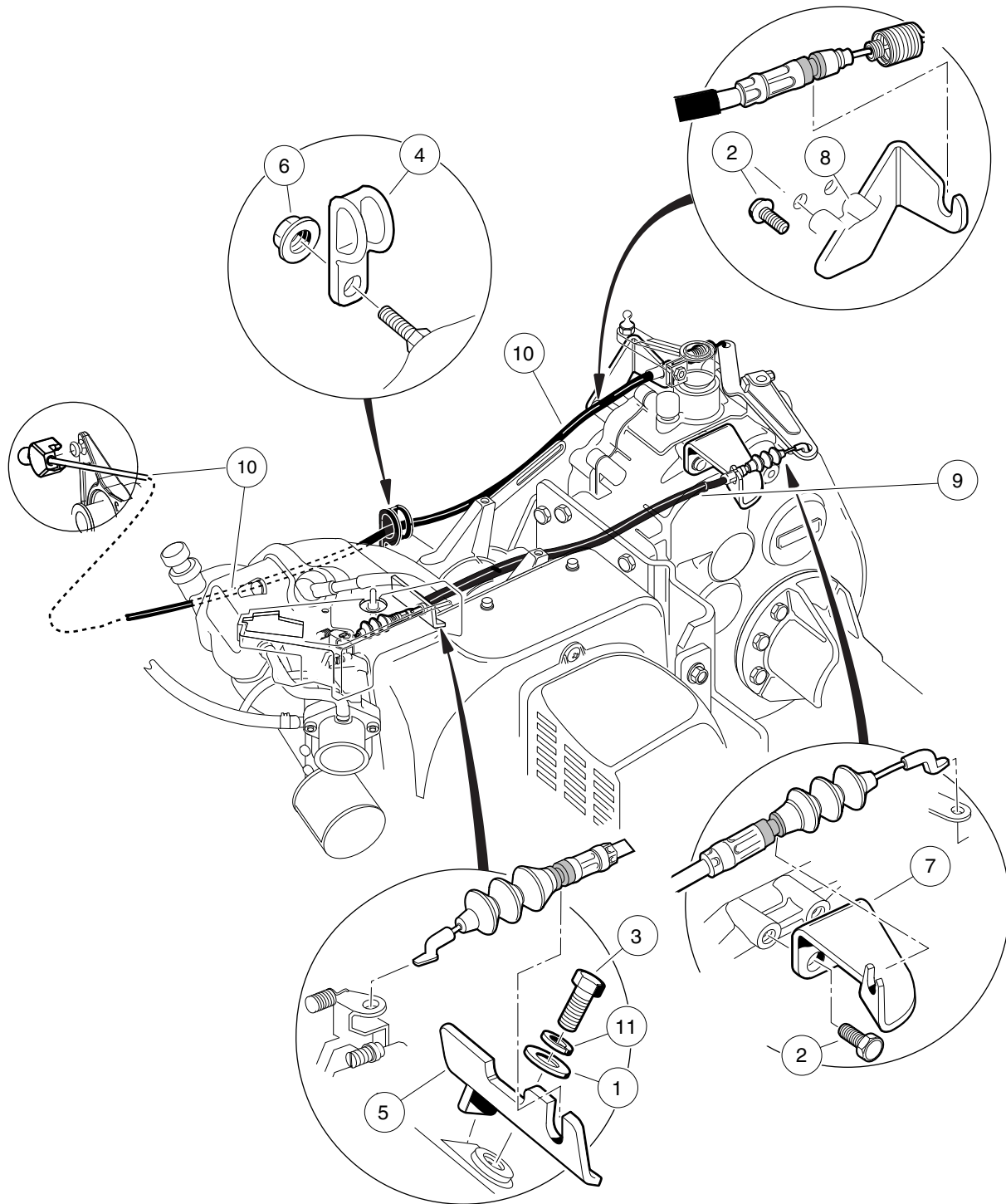
8

G

CARBURETOR INSTALLATION – FE350 (AS26)

ITEM	PART NO.	DESCRIPTION	QTY
		1 2 3 4	
1	<u>1011697</u>	Washer, 5/16 Flat	1
2	<u>1013746</u>	Clamp, 0.301 ID Hose	1
3	<u>1015137</u>	Fuel Line, 3/16 (available by the foot)	1
4	<u>1016103</u>	Screw, Pan Hd Tx, Taptite 6-32	2
5	<u>1016438</u>	Gasket, Carb To Intake Manifold	1
6	<u>1016440</u>	Gasket, Engine to Insulator	1
7	<u>1016441</u>	Gasket, Sprg Brkt To Carb OHV	1
8	<u>1016444</u>	Bracket, Throttle Spring Return	1
9	1016480	Pipe, Intake Manifold	1
10	101648102	Insulator, Carburetor	1
11	<u>101649002</u>	Stud, M6-1.00 Two-Ended	2
12	1016547	Nut, M6 Flange	2
13	<u>1016572</u>	Tube, Crankcase Vent	1
14	<u>1016582</u>	Spring, Throttle Return	1
15	<u>1017466</u>	Clamp	2
16	101820201	Shield, Governor	1
17	<u>101887601</u>	Locknut, M6-1.00 Nylon Insert	1
18	<u>101973401</u>	Gasket, Insulator To Bracket	1

8
G

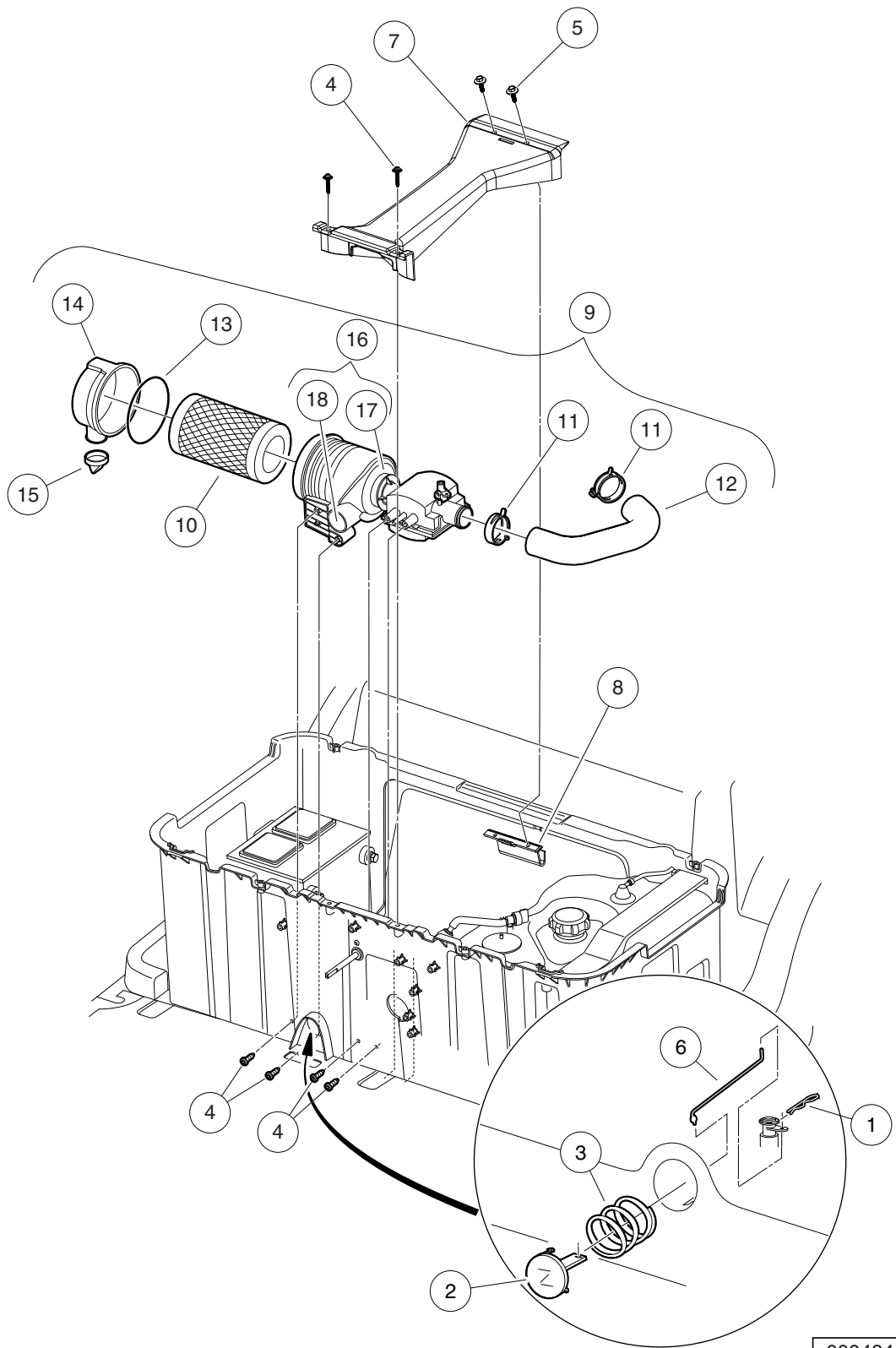


000215-003

GOVERNOR AND ACCELERATOR CABLES

ITEM	PART NO.	DESCRIPTION	QTY
		1 2 3 4	
1	<u>1011697</u>	Washer, 5/16 Flat	1
2	<u>1012285</u>	Screw, 1/4 X 0.625 Hex-Head	4
3	<u>1012830</u>	Screw, M8-125 X 22 Hex-Head	1
4	<u>1013700</u>	Clamp	2
5	<u>101584502</u>	Bracket, Governor Cable Snap-In	1
6	<u>1016546</u>	Nut	2
7	<u>101832202</u>	Bracket, Rear Governor Cable Snap-In	1
8	<u>101832302</u>	Bracket, Rear Accelerator Cable Snap-In	1
9	<u>102336001</u>	Cable, Governor, Snap-In	1
10	<u>102595101</u>	Cable, Acc, Snap-in (Generation 2)	1
11	<u>7174</u>	Lockwasher, 5/16 Split	1

8
G



000484-002

CHOKE AND AIR BOX ASSEMBLY

ITEM	PART NO.	DESCRIPTION	QTY
		1 2 3 4	
1	<u>1014413</u>	Pin, Hair Spring Cotter	1
2	<u>101811401</u>	Lever, Choke	1
3	<u>101856201</u>	Compression Spring	1
4	<u>102296020</u>	Screw, Torx Pan Hd Pt, M6 X 20	6
5	<u>102297125</u>	Screw, M6-1.0x25.4, Thread-Forming, SEMS	2
6	<u>102514401</u>	Rod, Choke Button	1
7	<u>102521301</u>	Brace, Gas Fuel Bucket	1
8	<u>102521401</u>	Support, Gas Bucket Brace	1
9	<u>102588301</u>	Air Intake Assy (includes items 10 through 16)	1
10	<u>102558201</u>	Air Filter, 4 Inch	1
11	<u>102558301</u>	Clamp, Air Intake, Prec	2
12	<u>102558401</u>	Hose, Air Intake, Prec	1
13	<u>102558501</u>	Gasket, Air Intake, Prec	1
14	<u>102558601</u>	Asm, Cover, Air Intake, Precedent	1
15	<u>102558701</u>	Evac Valve, Air Intake, Prec	1
16	N/A	Assembly, Body Intake (includes items 17 and 18)	1
17	N/A	Filter Element, Air Intake	1
18	N/A	Insert, Air Intake Body	1

8

G

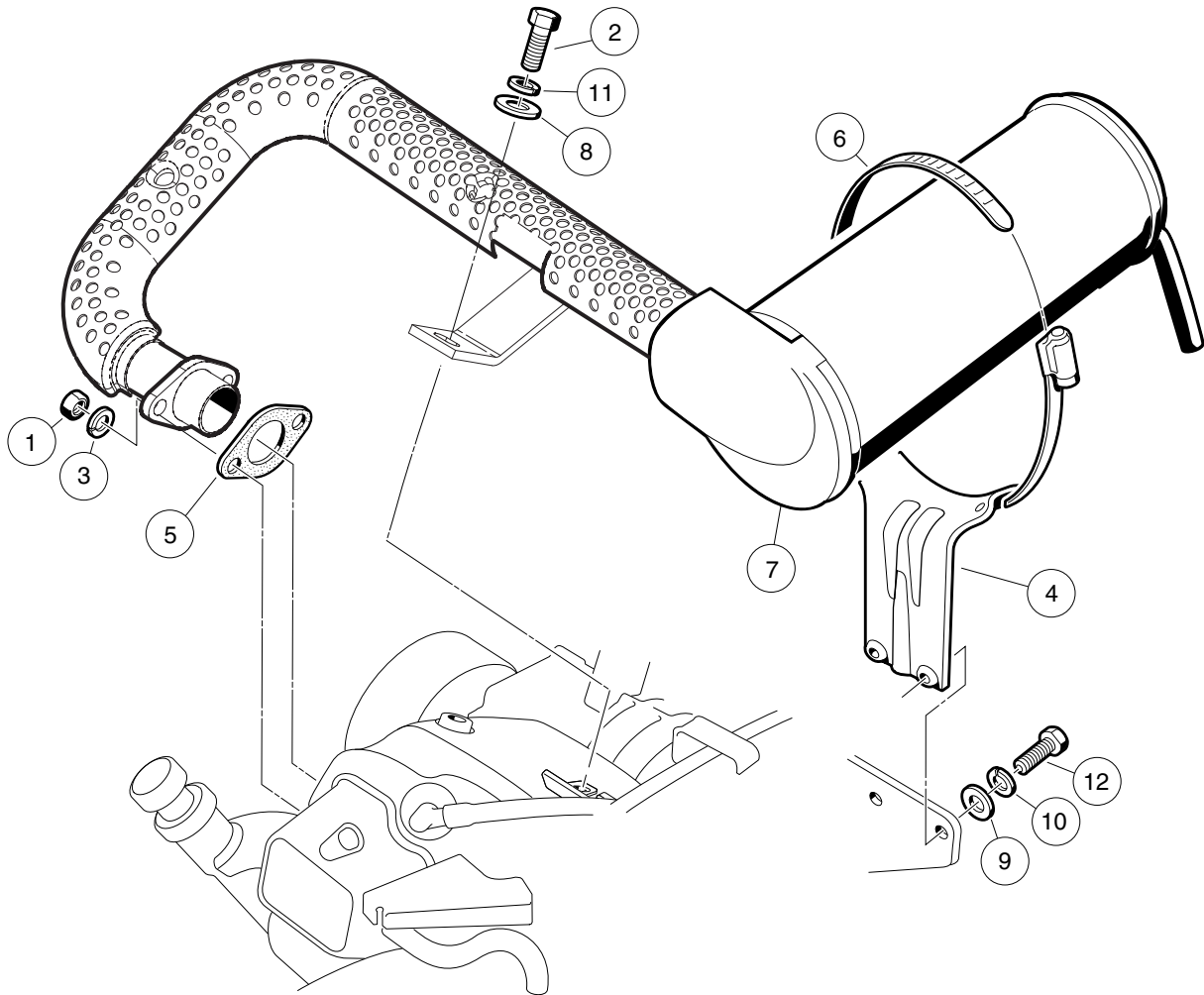
8

G

EXHAUST SYSTEM

9

G



000491-001

EXHAUST SYSTEM – FE350

ITEM	PART NO.	DESCRIPTION	QTY
		1 2 3 4	
1	<u>1012528</u>	Nut, M8-1.25 Hex	2
2	<u>1012830</u>	Screw, M8-125 X 22 Hex-Head	1
3	<u>1013734</u>	Lockwasher, 8mm Split	2
4	<u>1015814</u>	Bracket, Muffler Mounting	1
5	<u>1016904</u>	Gasket, Exhaust	1
6	<u>1017689</u>	Clamp, 5" Muffler Hose	1
7	<u>102585901</u>	Exhaust System, FE350, Precedent	1
8	<u>1241</u>	Washer, 5/16 Type A Flat	1
9	<u>332</u>	Washer, 1/4 Type A Narrow Flat	2
10	<u>451</u>	Lockwasher, 1/4 Split	2
11	<u>7174</u>	Lockwasher, 5/16 Split	1
12	<u>7847</u>	Screw, 1/4-20 X 0.75 Hex-Head Cap	2

9
G

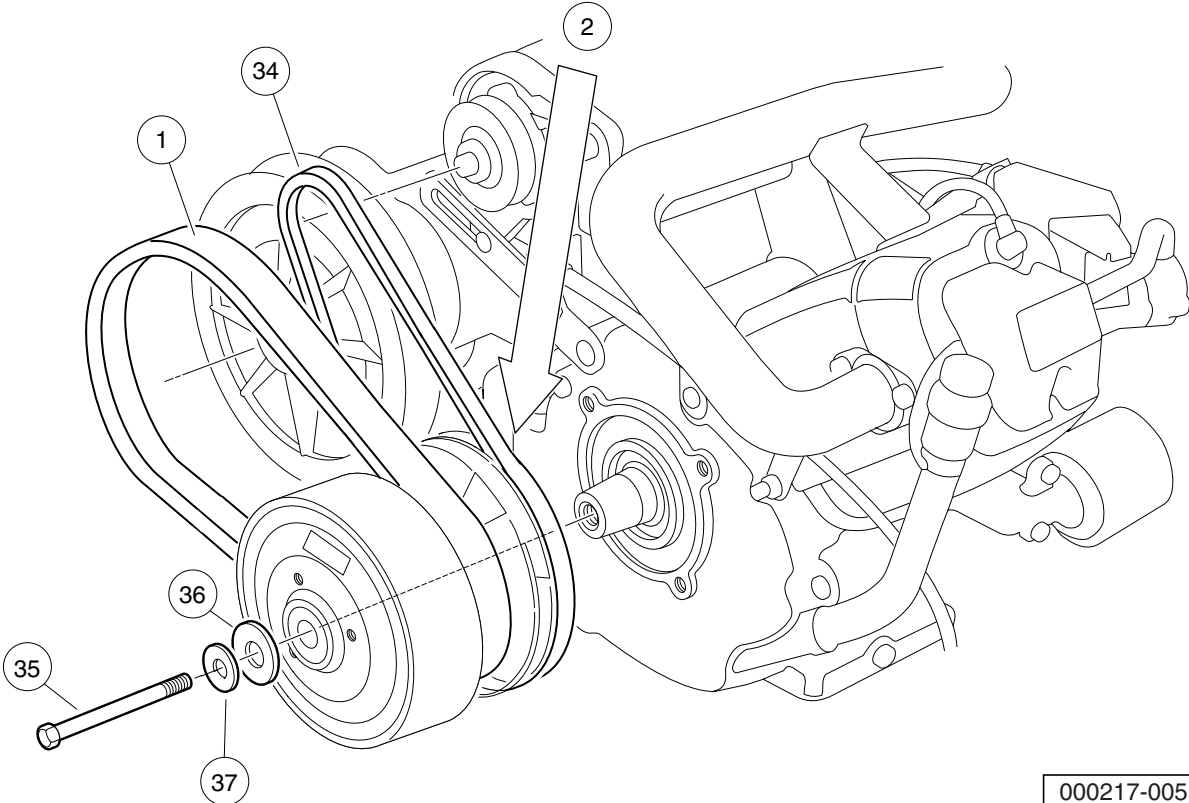
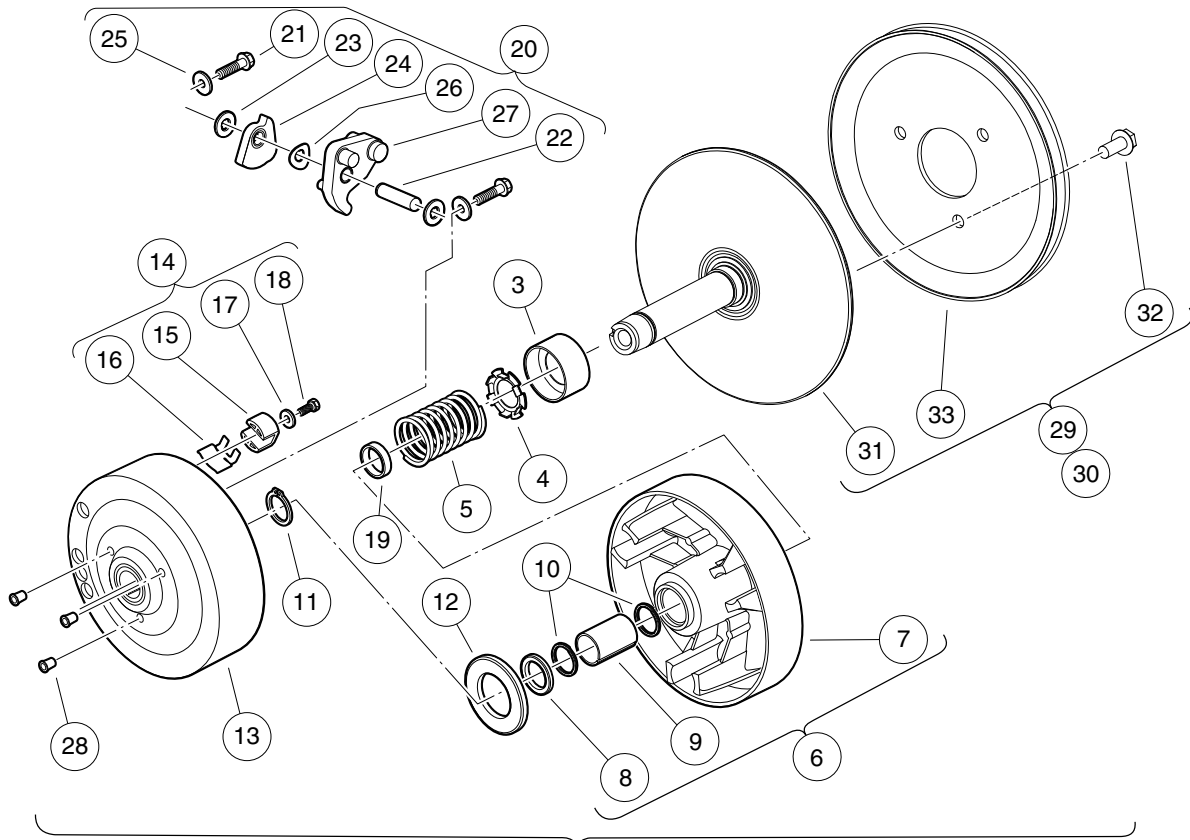
9

G

TORQUE CONVERTER

10

G

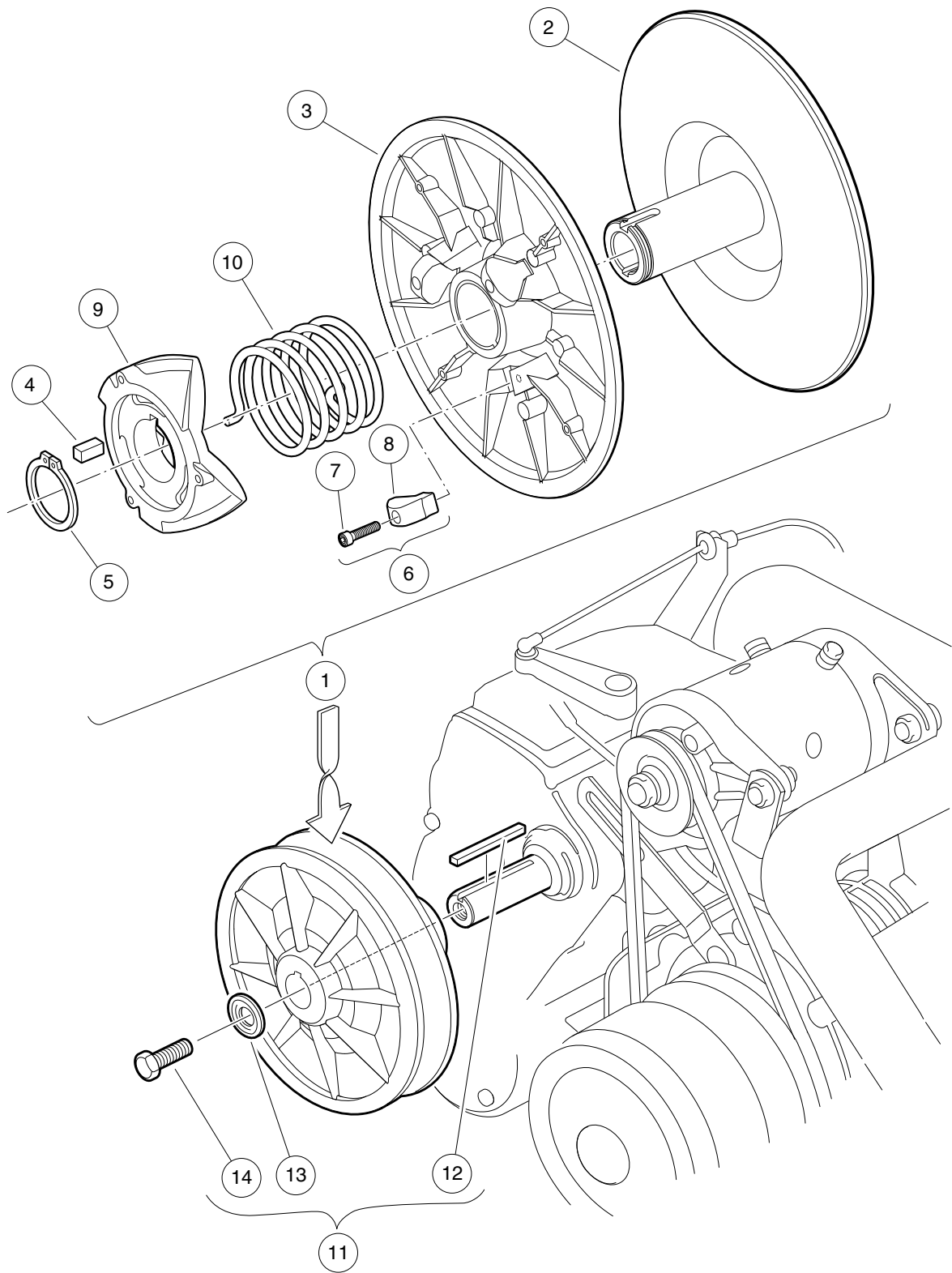


000217-005

DRIVE CLUTCH

10
G

ITEM	PART NO.	DESCRIPTION	QTY
		1 2 3 4	
1	<u>1016203</u>	Belt, Drive	1
2	<u>101833902</u>	Clutch, Drive (includes items 3 through 29)	1
3	1014049	Bearing, Idler	1
4	<u>1014050</u>	Retainer, Spring	1
5	<u>1014051</u>	Spring, Drive Clutch	1
6	1014052	Movable-Face Assembly (includes items 7 through 9)	1
7	N/A	Drive Clutch Movable Face	1
8	<u>1014055</u>	Retainer	1
9	N/A	Bushing, Split, Drive Clutch	1
10	<u>1014056</u>	Ring, Spiral Backup	2
11	<u>1014057</u>	Ring, 0.810" Internal Retaining	1
12	1014058	Thrust Washer	1
13	1014059	Drive Hub Assy, Drive Clutch	1
14	<u>1014453</u>	Kit, Drive Clutch Button (includes items 15 through 18)	1
15	<u>1014062</u>	Driver, Drive Clutch	3
16	<u>1014287</u>	Spring, Drive Button	3
17	<u>183</u>	Washer, #10, Type A, Flat	3
18	<u>8450</u>	Screw, #10-24 X 0.50, Hex-Head	3
19	<u>1016289</u>	Spacer, Fixed Face Shaft	1
20	<u>1016801</u>	Kit, Drive Clutch Weight (includes items 21 through 27)	1
21	<u>1014063</u>	Screw, 1/4-20 X 1.00, Hex Head	6
22	N/A	Pin, Dowel, 0.3752 x 1.50	3
23	<u>1014065</u>	Washer, Flat, 0.38" ID, Delrin	6
24	N/A	Clutch Weight, Secondary	3
25	N/A	Washer	6
26	<u>1016201</u>	Washer, Wave	3
27	N/A	Weight, Primary	3
28	<u>101925601</u>	Plug, Drive Clutch	3
29	<u>101929802</u>	Kit, Fxd Face Dr Asm Fe290/350 (includes item 30)	1
30	N/A	Assembly, Fixed-Face Drive (includes items 31 through 33)	1
31	N/A	Fixed Face Assembly, Drive Clutch	1
32	<u>1014288</u>	Screw, 5/16-18 X 0.75, Thread-Forming	3
33	N/A	Pulley, Clutch	1
34	<u>101916701</u>	V-Belt	1
35	<u>103345701</u>	Screw 3/8-24x5.5 Hex Loc Ptch	1
36	<u>334</u>	Washer, 3/8, Type A, Flat	1
37	<u>808</u>	Washer, 3/8 Type B Flat	1



000219-001

DRIVEN CLUTCH

ITEM	PART NO.	DESCRIPTION	QTY
		1 2 3 4	
1	<u>101834001</u>	Assembly, Driven Clutch (includes items 2 through 10)	1
2	<u>1014070</u>	Fixed Face Assy, Driven Clutch	1
3	<u>1014072</u>	Movable-Face Assembly with Bushing	1
4	<u>1014078</u>	Key, Driven Clutch	1
5	<u>1014080</u>	Ring, Retaining	1
6	<u>1014454</u>	Kit, Driven Clutch Button (includes items 7 and 8)	1
7	<u>1012836</u>	Screw, #8-32 X 3/4, Socket-Head Cap	3
8	N/A	Button, Drive	3
9	<u>1017686</u>	Cam, Driven Clutch	1
10	<u>101836201</u>	Spring, Driven Clutch, Reversed	1
11	<u>AM10419</u>	Kit, Clutch Repair (includes items 12 through 14)	1
12	<u>101833401</u>	Key, 3/16 Sq X 1.50"	1
13	<u>102155801</u>	Washer, Driven Clutch	1
14	<u>102242101</u>	Screw, 5/16-18 X 3/4 Hex-Head with Patch	1

10
G

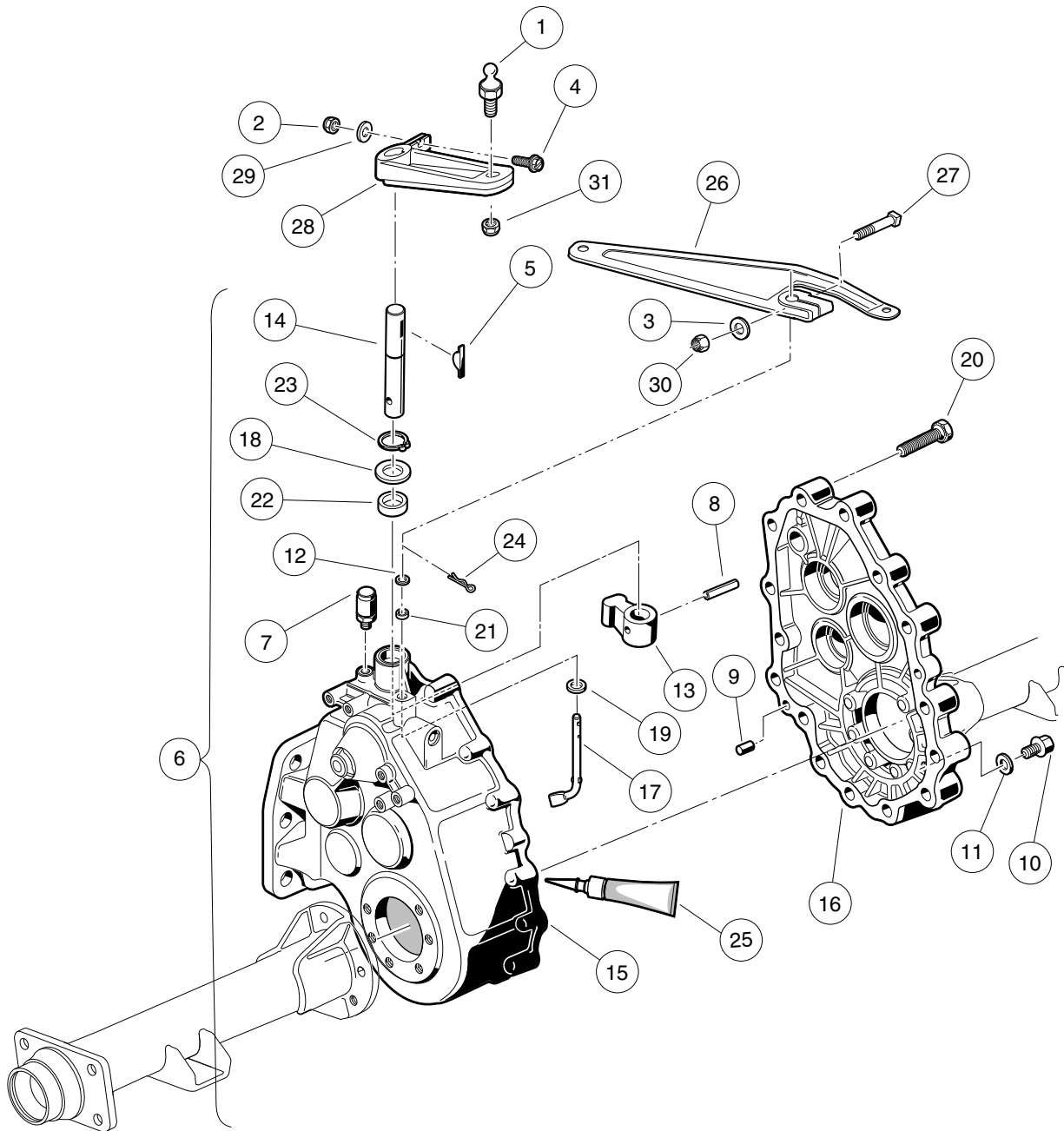
10

G

UNITIZED TRANSAXLE

11

G



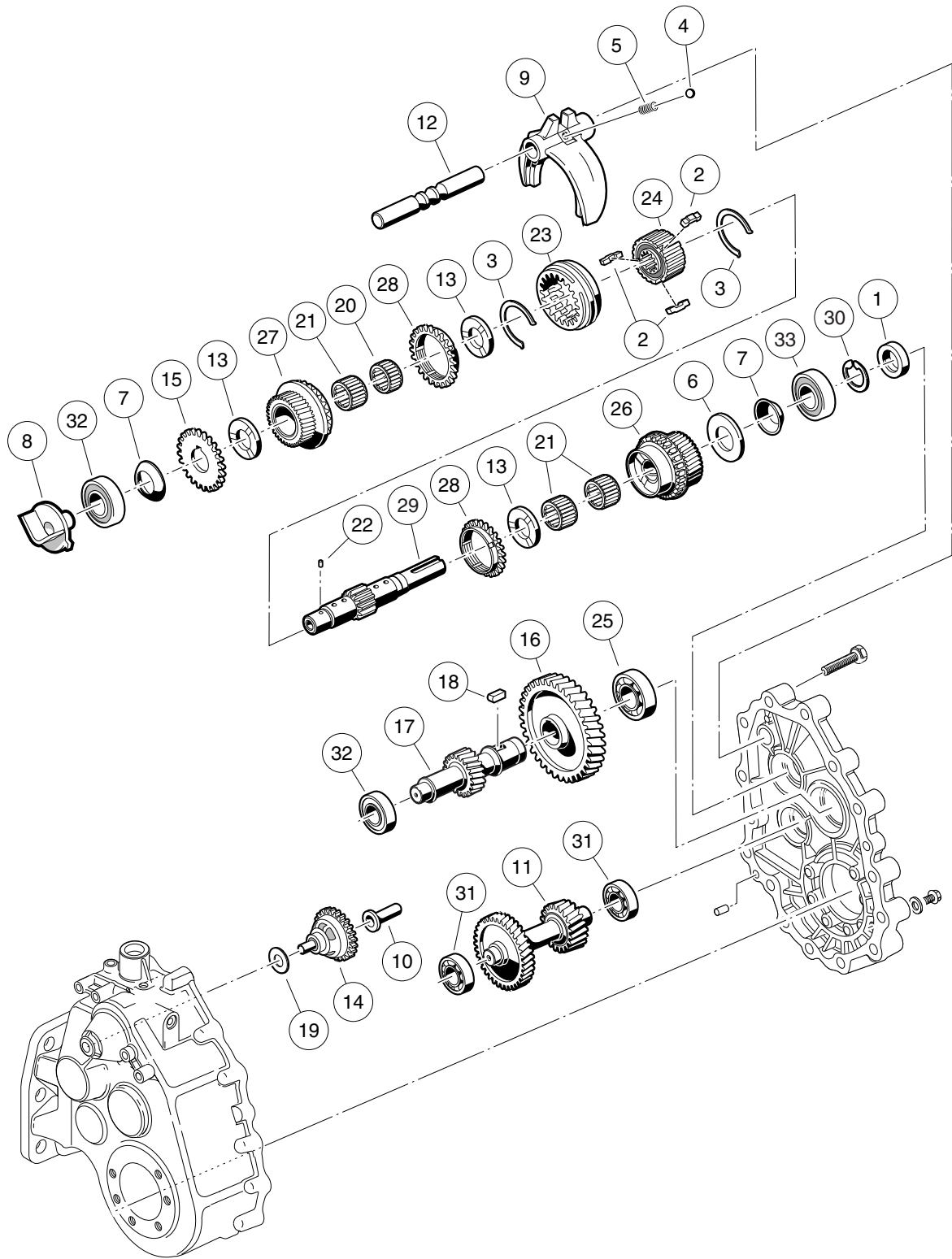
000220-005

KAWASAKI TRANSAXLE – GEAR CASES AND LEVERS

ITEM	PART NO.	DESCRIPTION	QTY
		1 2 3 4	
1	<u>1010954</u>	Stud, Ball, 1/4-28 X 0.560	1
2	<u>1013061</u>	Locknut, #10-32 Nylon Insert	1
3	<u>1014007</u>	Washer, 1/4, Flat	1
4	<u>1017082</u>	Screw, #10-32 X 0.75, Hex-Head Machine	1
5	<u>1017231</u>	Key, Woodruff	1
6	<u>101833601</u>	Transaxle, 11.77 Ratio (includes items 7 through 25)	1
7	<u>1012711</u>	Breather	1
8	<u>1012752</u>	Roll Pin	1
9	<u>1012896</u>	Pin, Dowel	2
10	<u>1013760</u>	Fill Plug	2
11	<u>1016432</u>	Gasket, Drain Plug	1
12	<u>1016513</u>	Washer, M6 Flat	1
13	<u>101890101</u>	Lever, Drive Selector	1
14	<u>101890201</u>	Shaft, Drive Selector	1
15	<u>101890501</u>	Gear Case (driver side)	1
16	<u>101890601</u>	Gear Case (passenger side)	1
17	<u>101891301</u>	Arm Pivot	1
18	<u>101892901</u>	Washer	1
19	<u>101893801</u>	Washer	1
20	<u>101926901</u>	Screw, M8-1.25 X 40mm Hex-Head	15
21	<u>101927101</u>	Seal, Oil	1
22	<u>101927201</u>	Seal, Oil	1
23	<u>101927301</u>	Snap Ring	1
24	<u>101928601</u>	Pin, Cotter	1
25	<u>101928701</u>	Liquid Gasket (Transaxle case)	1
26	<u>101834801</u>	Arm, Governor	1
27	<u>101886101</u>	Screw, 1/4-20 X 1.00, Square-Head	1
28	<u>102515401</u>	Lever, Transmission Shift	1
29	<u>183</u>	Washer, #10, Type A, Flat	1
30	<u>8233</u>	Locknut, 1/4-20, Nylon Insert	1
31	<u>8717</u>	Locknut, Nylon Insert, 1/4-28	1
Note: Kawasaki transaxle component listings span three pages.			

11

G



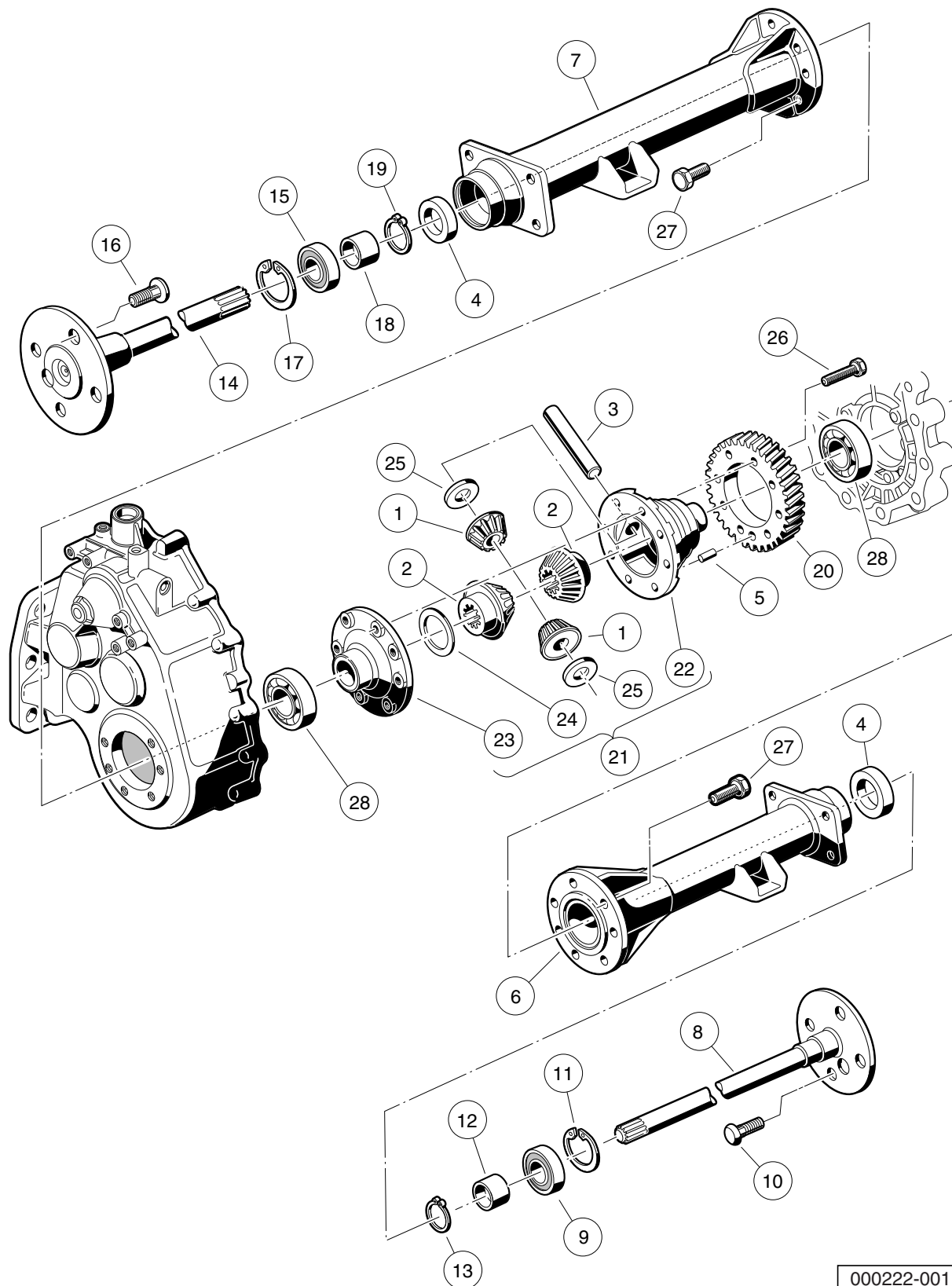
000221-001

KAWASAKI TRANSAXLE – F&R TRANSMISSION AND GEAR REDUCTION

11

G

ITEM	PART NO.	DESCRIPTION	QTY
		1 2 3 4	
1	<u>1012714</u>	Oil Seal	1
2	<u>1012740</u>	Synchro Insert	3
3	<u>1012741</u>	Synchro Spring	2
4	<u>1012747</u>	Shifter Ball	1
5	<u>1012748</u>	Shifter Spring	1
6	<u>1016337</u>	Washer, Thrust	1
7	<u>1016338</u>	Washer, Spring	2
8	<u>101889401</u>	Guide	1
9	<u>101890001</u>	Fork - Shift	1
10	<u>101891601</u>	Sleeve, Governor	1
11	<u>101891901</u>	Gear, Cluster	1
12	<u>101892001</u>	Rod, Shift	1
13	<u>101892201</u>	Plate, Thrust	3
14	<u>101892301</u>	Governor Assembly	1
15	<u>101892401</u>	Gear, Spur	1
16	<u>101892501</u>	Gear, Helical (61 Tooth)	1
17	<u>101892601</u>	Gear, Helical (17 Tooth)	1
18	<u>101893201</u>	Key Sunk	1
19	<u>101893901</u>	Washer	1
20	<u>101927501</u>	Needle Bearing	1
21	<u>101927601</u>	Needle Bearing	3
22	<u>101927701</u>	Pin, .116" Dia X 0.264 Dowel	1
23	<u>101927901</u>	Sleeve, Synchro	1
24	<u>101928001</u>	Hub, Synchro Clutch	1
25	<u>101928101</u>	Bearing, Ball	1
26	<u>101980801</u>	Gear Assembly, 16-Degree Synchro (25 Tooth)	1
27	<u>101980901</u>	Gear Assembly, 16-Degree Rear Synchro (28 Tooth)	1
28	<u>101981001</u>	Ring, 16-Degree Synchronizer	2
29	<u>102453001</u>	Shaft, Trans, with Circlip	1
30	<u>102453101</u>	Circlip	1
31	<u>7335</u>	Bearing	2
32	<u>AM10080</u>	Bearing, Ball, Sealed	2
33	<u>AM10081</u>	Bearing, Ball, Sealed	1



000222-001

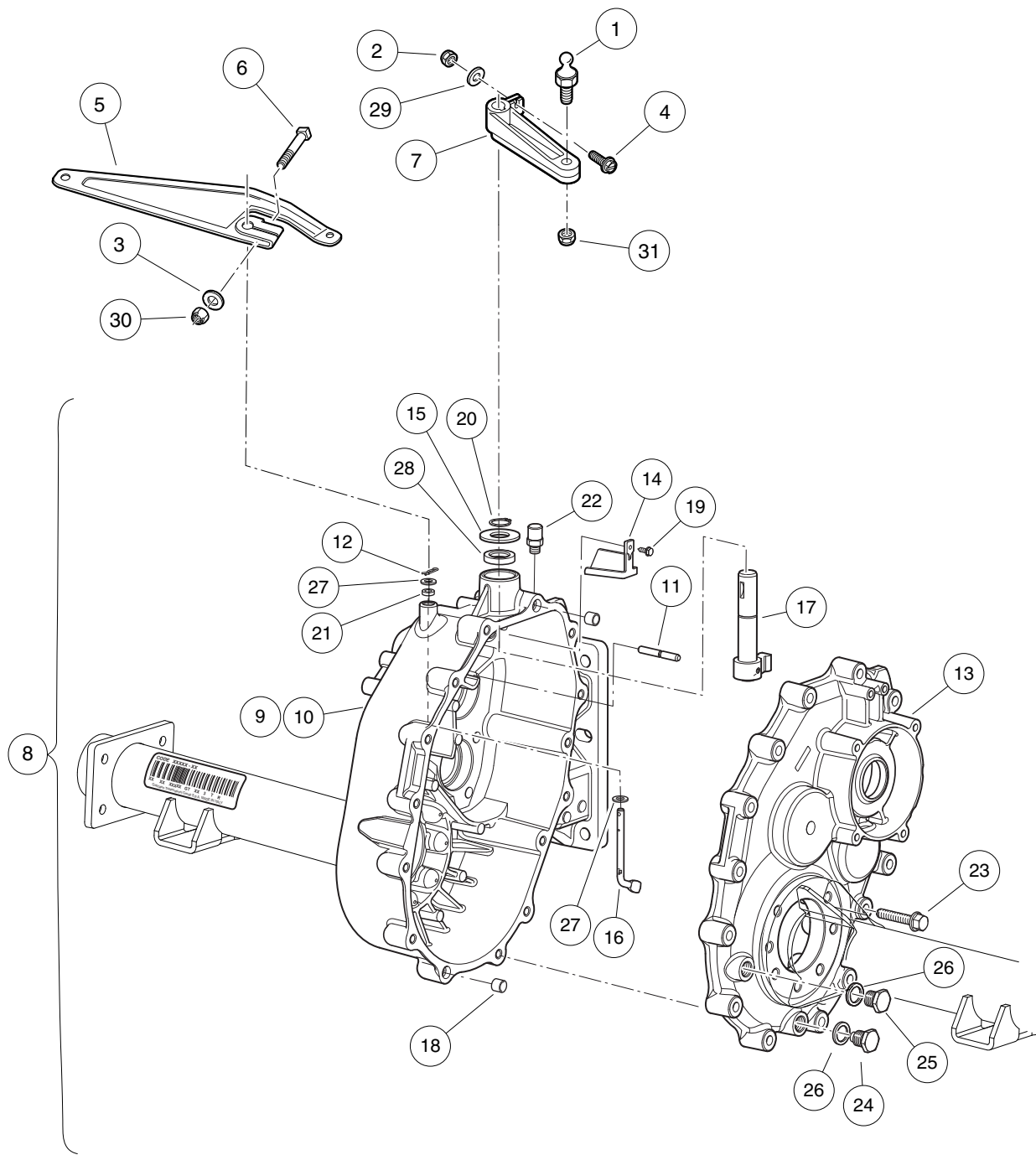
KAWASAKI TRANSAXLE – DIFFERENTIAL AND AXLES

ITEM	PART NO.	DESCRIPTION	QTY
		1 2 3 4	
1	<u>1013770</u>	Differential Idler Gear	2
2	<u>1013771</u>	Gear, Differential	2
3	<u>1013772</u>	Pin, Differential	1
4	<u>1013794</u>	Axle Shaft Oil Seal	2
5	N/A	Dowel Pin	1
6	<u>101890901</u>	Axle Tube (Passenger Side)	1
7	<u>101891001</u>	Axle Tube (Driver Side)	1
8	<u>101891401</u>	Axle Assembly, Passenger Side (includes items 9 through 13)	1
9	<u>1011291</u>	Outer Axle, Tube Bearing	1
10	<u>1013787</u>	Lug Stud	4
11	<u>1013792</u>	Circlip Type C	1
12	<u>1014207</u>	Bushing	1
13	<u>1016672</u>	Retaining Ring	1
14	<u>101891501</u>	Axle Assembly, Driver-Side (includes items 15 through 19)	1
15	<u>1011291</u>	Outer Axle, Tube Bearing	1
16	<u>1013787</u>	Lug Stud	4
17	<u>1013792</u>	Circlip Type C	1
18	<u>1014207</u>	Bushing	1
19	<u>1016672</u>	Retaining Ring	1
20	<u>101892701</u>	Gear, Helical	1
21	<u>101910501</u>	Kit, Differential Gear Case (includes items 22 through 25)	1
22	<u>1013768</u>	Differential Gear Case, Left-Hand	1
23	<u>1013769</u>	Differential Gear Case, Right-Hand	1
24	<u>1013773</u>	Plate, Thrust (Differential Gear)	1
25	<u>1013774</u>	Plate, Thrust (Idler Gear)	2
26	<u>101928301</u>	Screw, M8-1.25 X 35mm Hex Head	8
27	<u>102031901</u>	Bolt, M10 X 1.5 X 30mm	14
28	<u>7330</u>	Inner Axle Tube Bearing	2

11

G

11
G



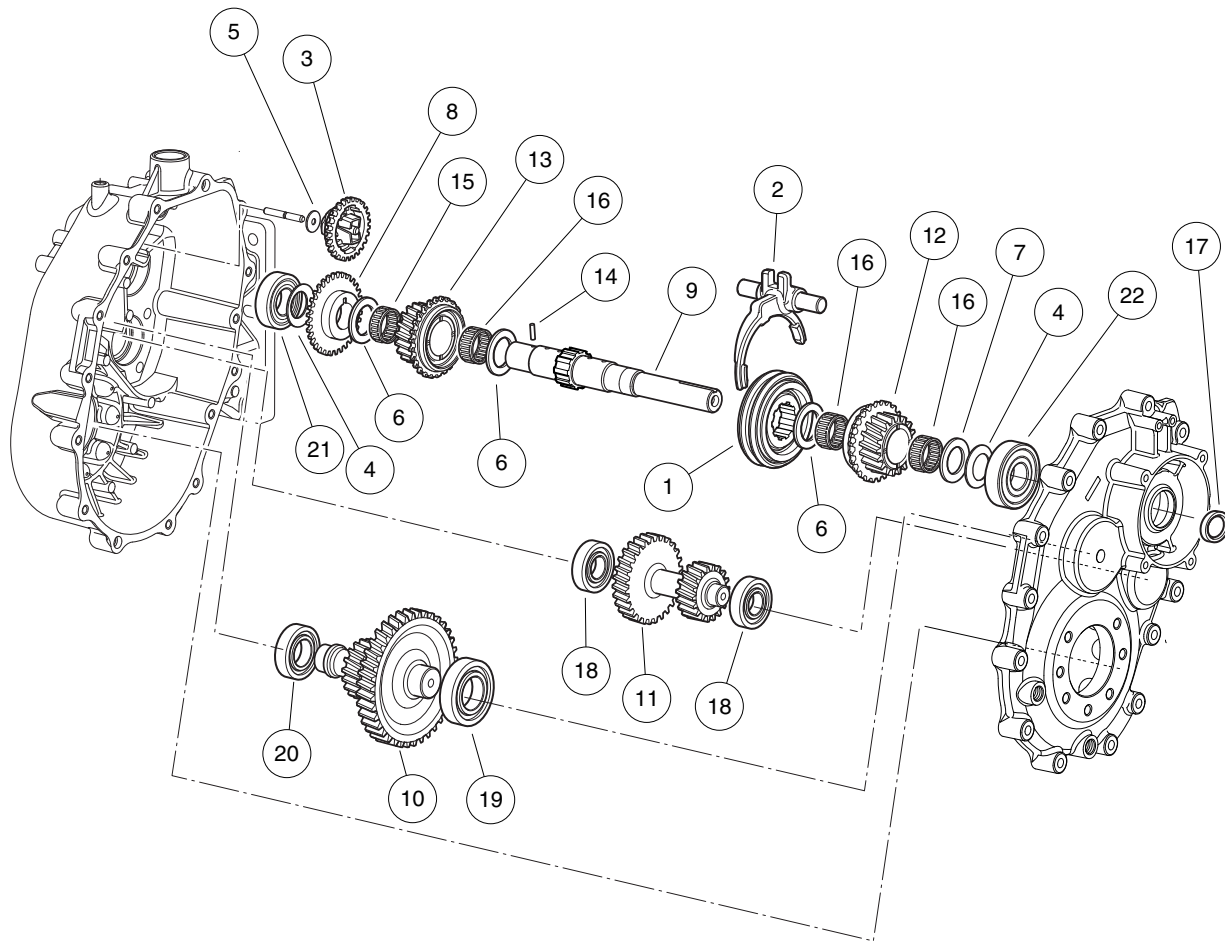
000680-009

GRAZIANO TRANSAXLE – GEAR CASES AND LEVERS

ITEM	PART NO.	DESCRIPTION	QTY
		1 2 3 4	
1	<u>1010954</u>	Stud, Ball, 1/4-28 X 0.560	1
2	<u>1013061</u>	Locknut, #10-32 Nylon Insert	1
3	<u>1014007</u>	Washer, 1/4, Flat	1
4	<u>1017082</u>	Screw, #10-32 X 0.75, Hex-Head Machine	1
5	<u>101834801</u>	Arm, Governor	1
6	<u>101886101</u>	Screw, 1/4-20 X 1.00, Square-Head	1
7	<u>102515401</u>	Lever, Transmission Shift	1
8	<u>102896801</u>	Transaxle, Unitized, Graziano (includes items 9 through 28)	1
9	<u>102896901</u>	Gear Box (Driver-Side) (includes items 10 and 11)	1
10	N/A	Gear Box	1
11	N/A	Pin, Speed Governor	1
12	<u>102897401</u>	Pin, Split	1
13	<u>102897501</u>	Cover, Gear Box (Passenger-Side)	1
14	<u>102897601</u>	Conveyor, Oil	1
15	<u>102897801</u>	Washer, Thrust	1
16	<u>102897901</u>	Lever, Speed Governor	1
17	<u>102898201</u>	Unit, Drive Selector	1
18	<u>102899101</u>	Dowel	2
19	<u>102899201</u>	Screw	1
20	<u>102899401</u>	Ring, Snap	1
21	<u>102899701</u>	Grommet	1
22	<u>102899801</u>	Breather	1
23	<u>102900001</u>	Screw	15
24	<u>102900101</u>	Drain Plug, Magnetic	1
25	<u>102900201</u>	Fill Plug	1
26	<u>102900301</u>	Seal	2
27	<u>102900601</u>	Washer	2
28	<u>102900901</u>	Grommet	1
29	<u>183</u>	Washer, #10, Type A, Flat	1
30	<u>8233</u>	Locknut, 1/4-20, Nylon Insert	1
31	<u>8717</u>	Locknut, Nylon Insert, 1/4-28	1
		<p>Note: Graziano transaxle component listings span three pages. To identify your transaxle, locate the serial number decal on the axle tube.</p>	

11

G



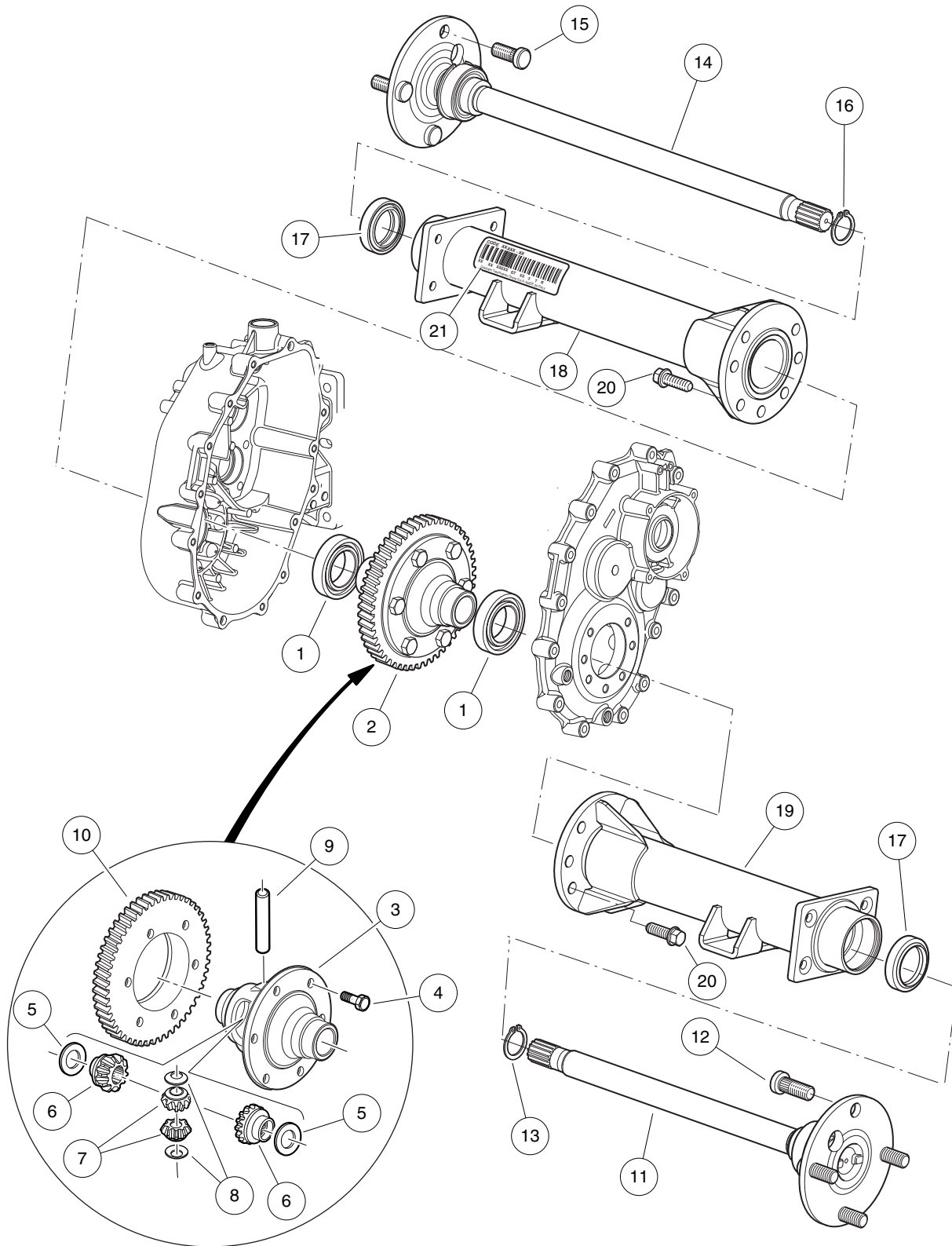
000680-006

GRAZIANO TRANSAXLE – F&R TRANSMISSION AND GEAR REDUCTION

11

G

ITEM	PART NO.	DESCRIPTION	QTY
		1 2 3 4	
1	<u>102897201</u>	Synchronizer, Complete	1
2	<u>102897301</u>	Fork, Complete	1
3	<u>102897701</u>	Assembly, Speed Governor	1
4	<u>102898001</u>	Washer, Belleville	2
5	<u>102898101</u>	Bearing, Thrust	1
6	<u>102898301</u>	Bearing, Thrust	3
7	<u>102898401</u>	Washer, Thrust	1
8	<u>102898501</u>	Gear, Speed Governor	1
9	<u>102898601</u>	Shaft, Main	1
10	<u>102898701</u>	Shaft, Secondary	1
11	<u>102898801</u>	Shaft, Reverse Gear	1
12	<u>102898901</u>	Gear, Complete, 25t	1
13	<u>102899001</u>	Gear, Complete, 28t	1
14	<u>102899301</u>	Pin	1
15	<u>102899501</u>	Cage, Roller	1
16	<u>102899601</u>	Cage, Roller	3
17	<u>102899901</u>	Grommet	1
18	<u>102900401</u>	Bearing	2
19	<u>102900501</u>	Bearing, 62 Od X 30 Id X 16	1
20	<u>102900701</u>	Bearing	1
21	<u>102901001</u>	Bearing	1
22	<u>102901101</u>	Bearing	1
<p>Note: To identify your transaxle, locate the serial number decal on the axle tube.</p>			



000681-002

GRAZIANO TRANSAXLE -DIFFERENTIAL AND AXLES

ITEM	PART NO.	DESCRIPTION	QTY
		1 2 3 4	
1	<u>102900801</u>	Bearing, 68 Od X 40 Id X 15	2
2	<u>102902001</u>	Assembly, Differential (includes items 3 through 10)	1
3	<u>102901201</u>	Box, Differential	1
4	<u>102901301</u>	Screw, M10 X 25	6
5	<u>102901401</u>	Ring, Sleeve	2
6	<u>102901501</u>	Gear, Sun	2
7	<u>102901601</u>	Gear, Planetary	2
8	<u>102901701</u>	Ring, Sleeve	2
9	<u>102901801</u>	Pin	1
10	<u>102901901</u>	Gear	1
11	<u>102902101</u>	Shaft, Axle, Short, Complete (Passenger-Side) (includes items 12 and 13)	1
12	<u>102902301</u>	Bolt, Stud	4
13	<u>102902401</u>	Snap Ring	1
14	<u>102902201</u>	Shaft, Axle, Long, Complete (Driver-Side) (includes items 15 and 16)	1
15	<u>102902301</u>	Bolt, Stud	4
16	<u>102902401</u>	Snap Ring	1
17	<u>102902501</u>	Seal, Lip	2
18	<u>102902601</u>	Axle Tube, (Driver-Side)	1
19	<u>102902701</u>	Axle Tube, (Passenger-Side)	1
20	<u>102902801</u>	Screw, M10 X 30	14
21	N/A	Tag, Serial	1
<p style="margin-left: 40px;">Note: To identify your transaxle, locate the serial number decal on the axle tube.</p>			

11

G

11

G

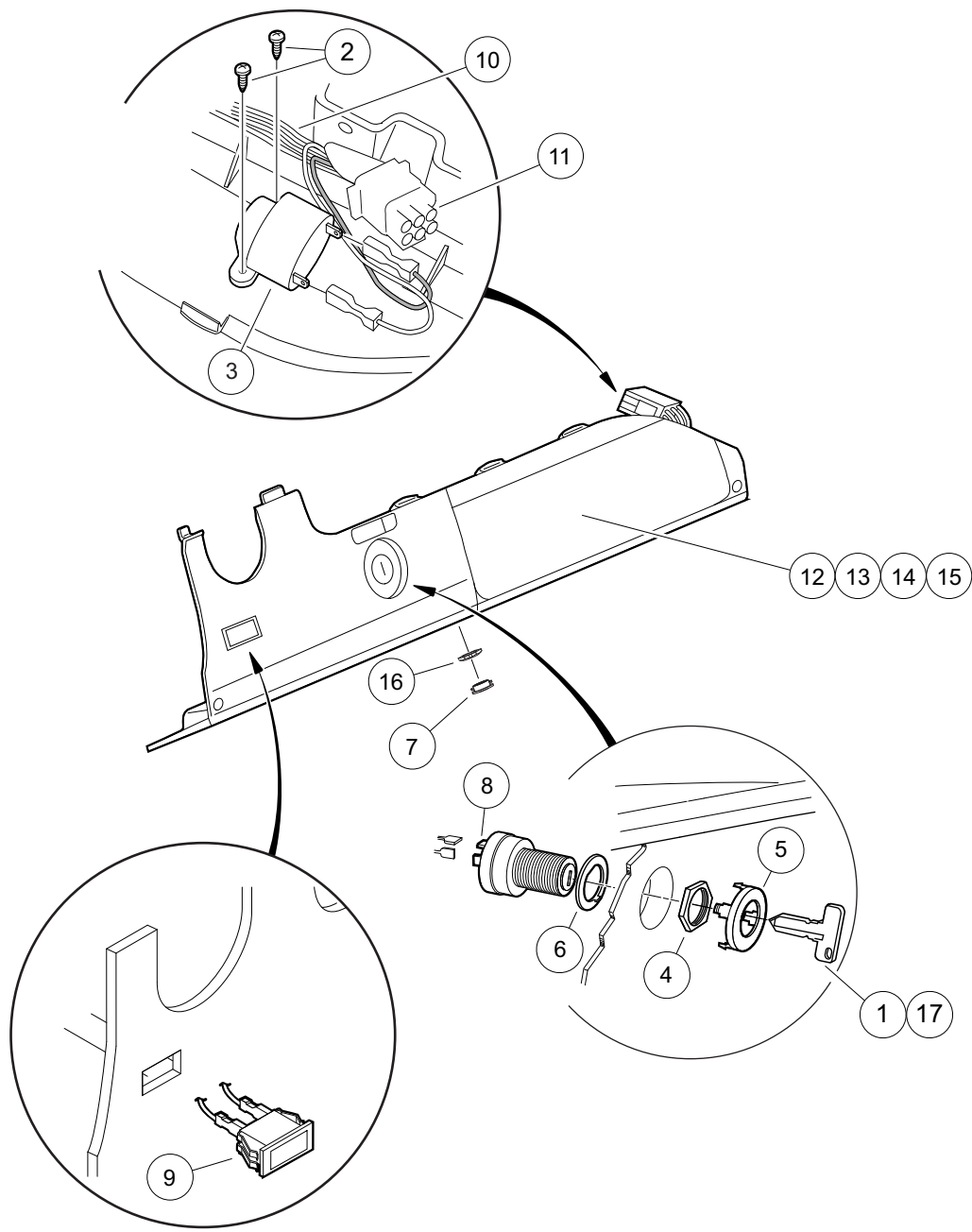
ELECTRICAL SYSTEM – ELECTRIC VEHICLE

12

E

12

E



000490-001

ELECTRICAL COMPONENTS, FRONT BODY – ELECTRIC VEHICLE

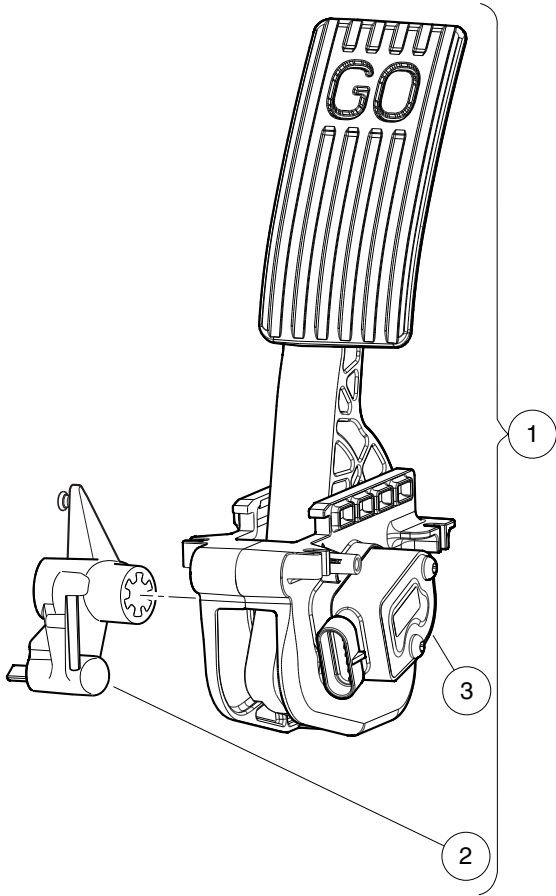
ITEM	PART NO.	DESCRIPTION	QTY
		1 2 3 4	
1	<u>1012505</u>	Keys (set of 2)	1
2	<u>1016849</u>	Screw, #4-24 X 0.33, Pan-Head, Machine	2
3	<u>1016851</u>	Buzzer, Reverse (9-48 VDC)	1
4	<u>101830701</u>	Nut, Key Switch	1
5	<u>101834502</u>	Cap, Black Key Switch	1
6	<u>101851101</u>	Washer, Key Switch	1
7	<u>102196901</u>	Dust Cap	1
8	<u>102508601</u>	Key Switch, Electric	1
9	<u>102508701</u>	Light, Battery	1
10	<u>102510001</u>	Ip Control Harness, Elec (includes item 11)	1
11	N/A	Connector, Cap 9-pin	1
12	<u>102522901</u>	Instrument Panel (standard)	1
13	<u>102536601</u>	Instrument Panel (with Hole for Headlight Switch)	1
14	<u>102536603</u>	Instrument Panel (with Hole for Battery Condition Indicator)	1
15	<u>102536605</u>	Instrument Panel (with Hole for Headlight Switch and Battery Condition Indicator)	1
16	<u>102572401</u>	Nut, Diagnostic Port, Prec	1
17	<u>AM10079</u>	Bulk Std Keys (50) *	1
		 * Note: Must order in multiples of 50.	

12

E

12

E



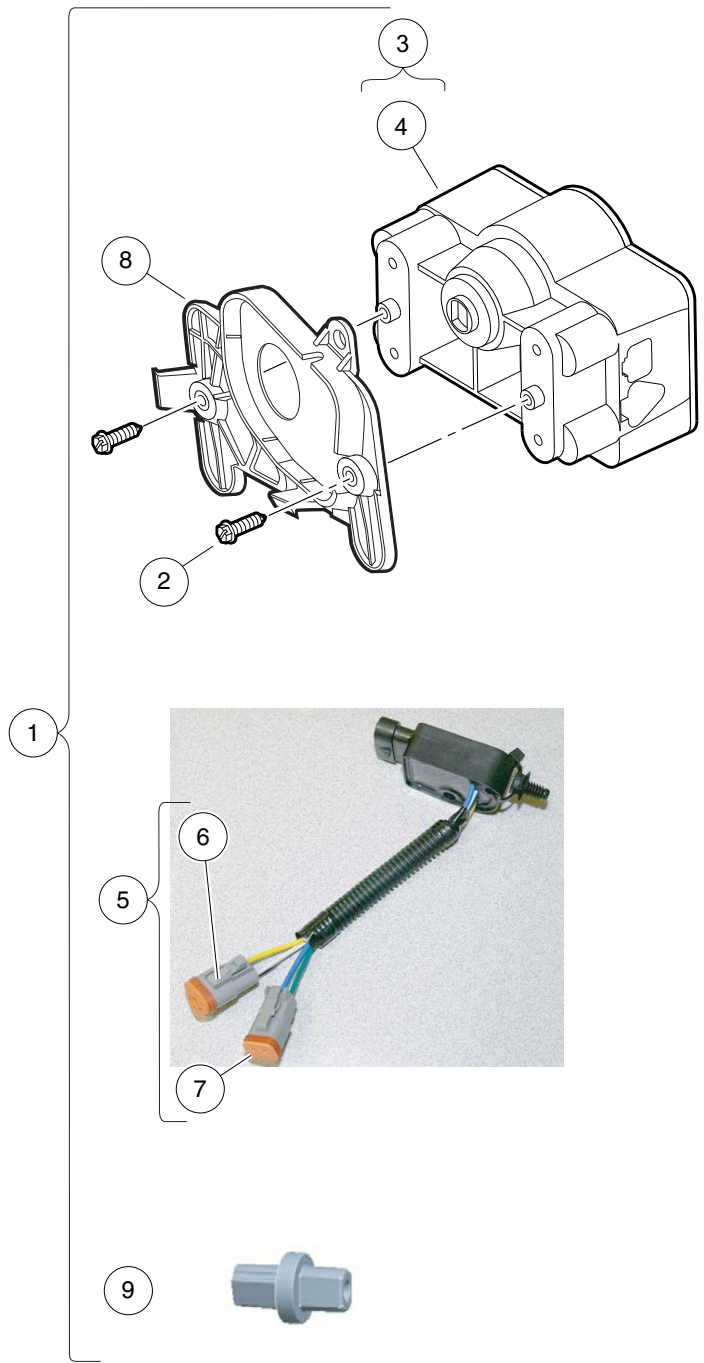
000488-006

THROTTLE SENSOR

ITEM	PART NO.	DESCRIPTION	QTY
		1 2 3 4	
1	<u>102595601</u>	Throttle, Elec (includes items 2 and 3)	1
2	<u>103760701</u>	Asm, Gen2, Park Brake Release	1
3	N/A	Throttle Sensor	1
<p>Note: The throttle sensor was used in electric vehicles with serial numbers lower than 1009-082079.</p>			

12

E



000488-005

MOTOR CONTROLLER OUTPUT REGULATOR (MCOR)

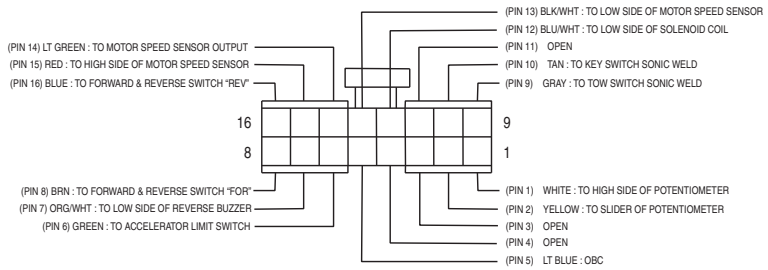
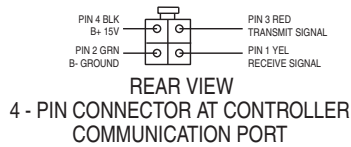
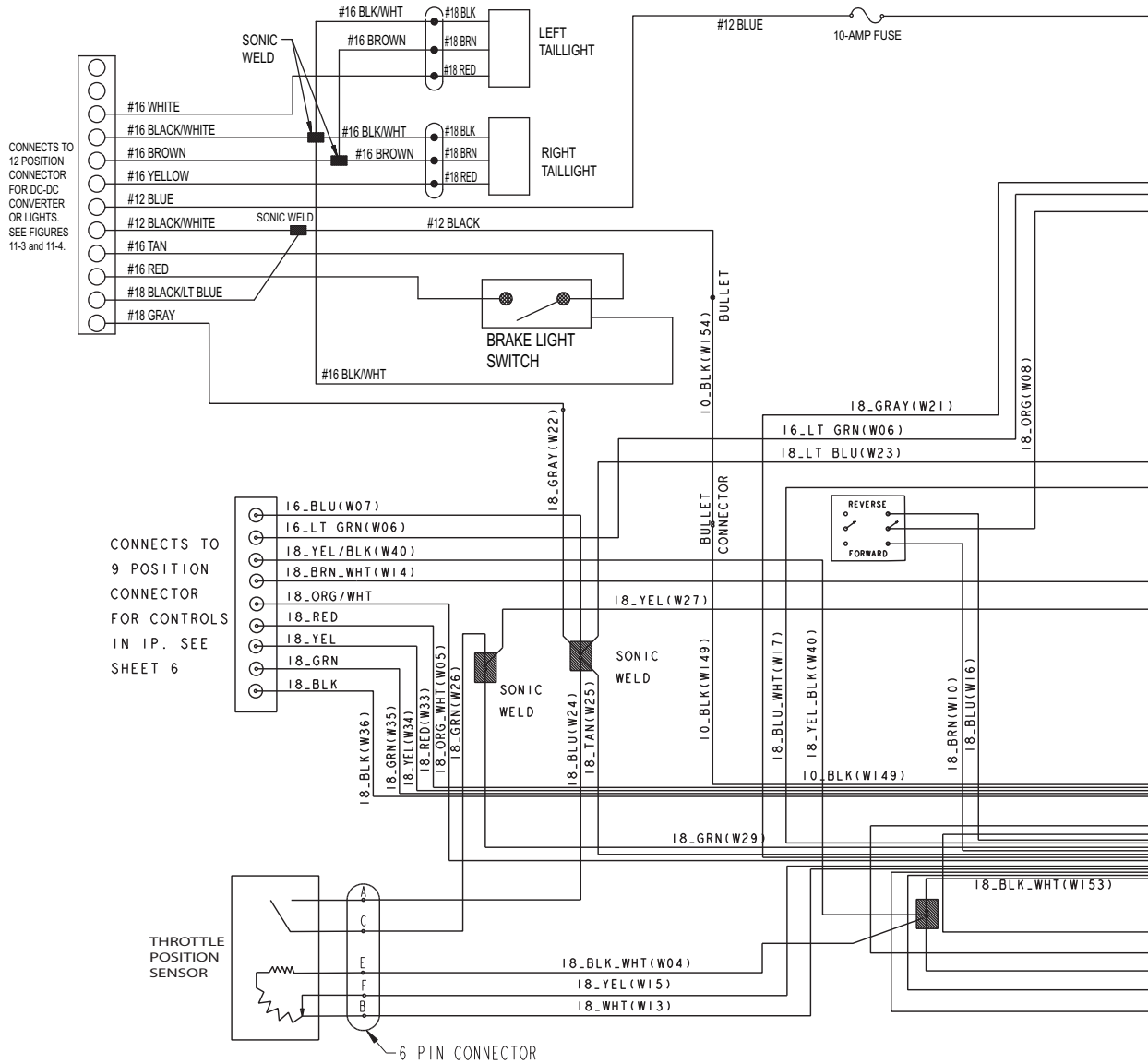
ITEM	PART NO.	DESCRIPTION	QTY
		1 2 3 4	
1	<u>103683101</u>	Kit, Gen 2 Pedal, Mcor, Excel and IQ (includes items 2 through 9)	1
2	<u>102563101</u>	Screw, Type A, #10	3
3	<u>103327901</u>	Kit, Mcor (includes item 4)	1
4	N/A	Mcor, Prec	1
5	<u>103682701</u>	Harness, Jumper, Mcor, Excel and IQ (includes items 6 and 7)	1
6	<u>101920101</u>	Kit, 3-Pin Wedge Lock	1
7	<u>101936801</u>	Kit, 2-Pin Wedge Lock	1
8	<u>103744901</u>	Adapter, Gen 2 Pedal, Mcor	1
9	<u>103745001</u>	Drive Bar, Gen 2 Pedal, Mcor	1
<p>Note: The MCOR incorporated at serial number 1009-082079. To replace it, use Item 3 kit. Note 2: The MCOR can also be installed in vehicles originally equipped with the throttle sensor, but the Item 1 kit is required to do so.</p>			

12

E

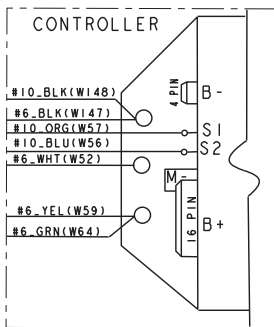
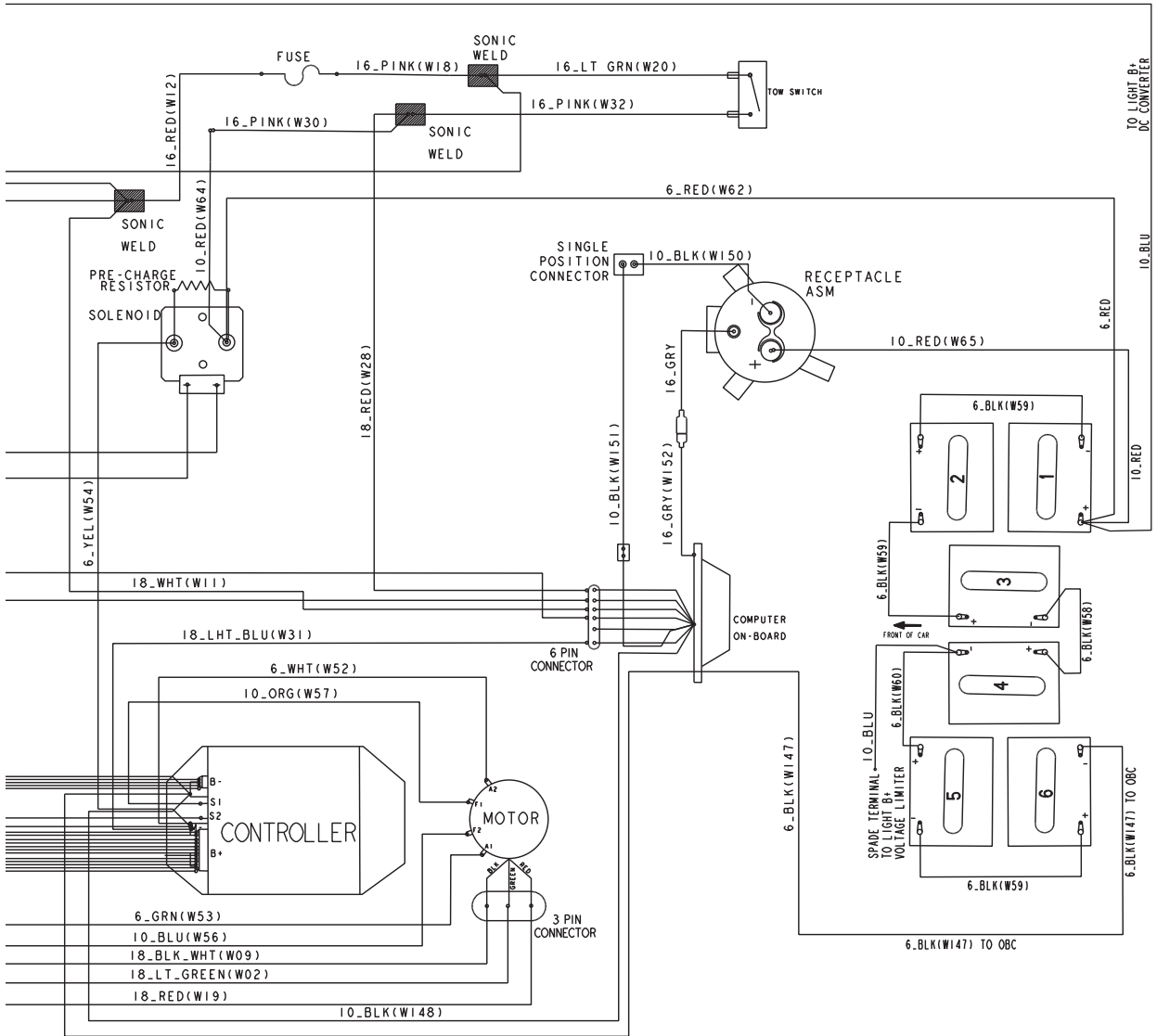
IQ SYSTEM (Gen 2 Pedal Group with Throttle Sensor)

E



000498-008

NOTE:
SOME WIRING / COMPONENTS SHOWN
ARE OPTIONAL ACCESSORIES



000498-008

12

E

See previous two pages for illustration.

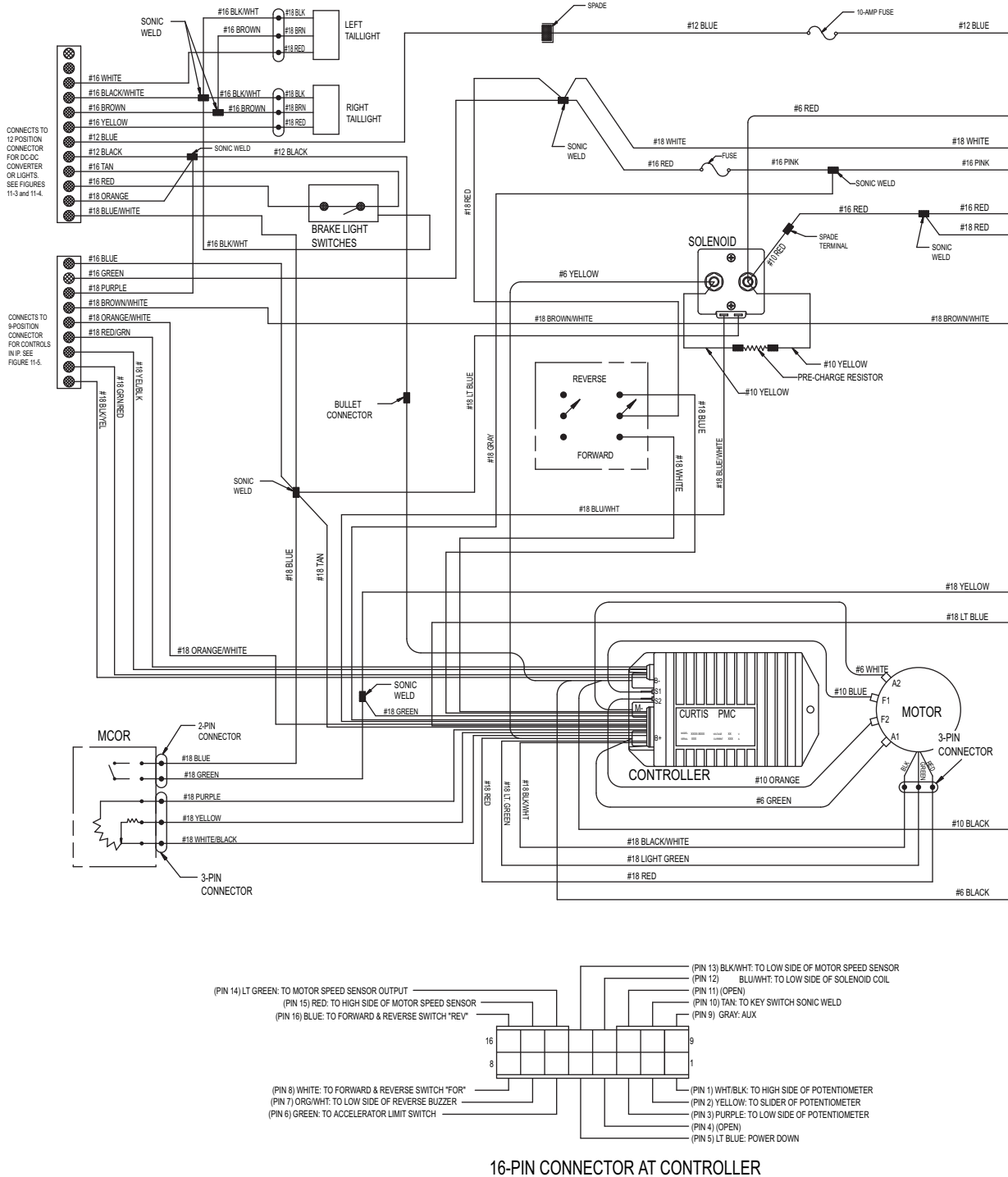
WIRING – IQ SYSTEM WITH THROTTLE SENSOR

ITEM	PART NO.	DESCRIPTION	QTY
		1 2 3 4	
1	<u>102590001</u>	Prec Ce Tow-switch Diode	1
2	<u>103375702</u>	Asm, Harness, Motor 1/4	1
3	<u>103421801</u>	Harness, Wire, PD Onboard Charger, 4-Pass, Prec	1
4	<u>103496901</u>	Harness, Prec Iq, Main	1
<p>Note: Item 1 is used on vehicles going to the European Union. Note 2: The throttle sensor was used in electric vehicles with serial numbers lower than 1009-082079.</p>			

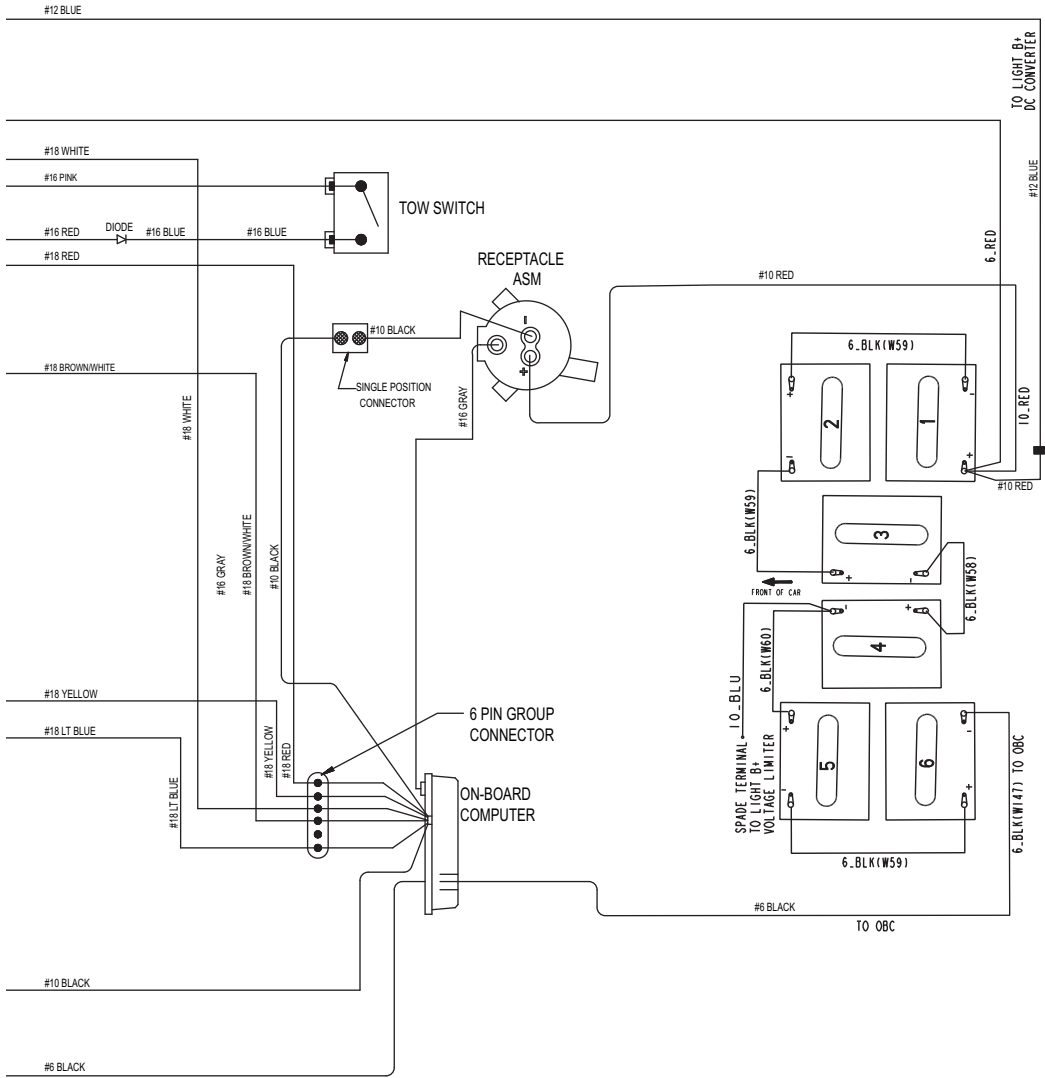
12

E

IQ SYSTEM (Gen 2 Pedal Group with MCOR)



000498-009



NOTE:
SOME WIRING / COMPONENTS SHOWN
ARE OPTIONAL ACCESSORIES

000498-009

12

E

See previous two pages for illustration.

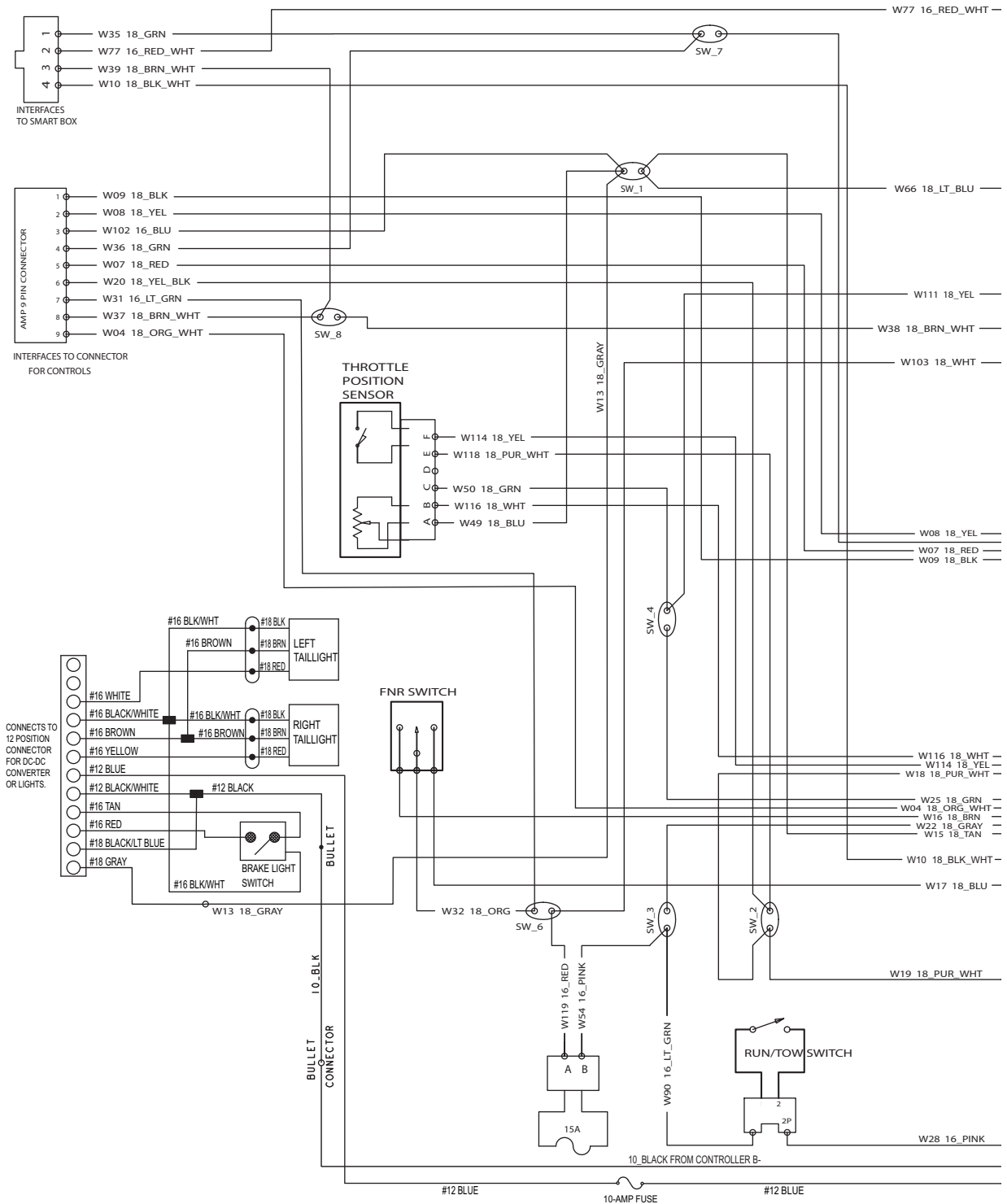
WIRING – IQ SYSTEM WITH MCOR

ITEM	PART NO.	DESCRIPTION	QTY
		1 2 3 4	
1	<u>102590001</u>	Prec Ce Tow-switch Diode	1
2	<u>103374901</u>	Wire Harness, Prec/restyle	1
3	<u>103375702</u>	Asm, Harness, Motor 1/4	1
4	<u>103421801</u>	Harness, Wire, PD Onboard Charger, 4-Pass, Prec	1
<p>Note: Item 1 is used on vehicles going to the European Union. Note 2: The MCOR incorporated at serial number 1009-082079.</p>			

12

E

EXCEL SYSTEM (Gen 2 Pedal Group with Throttle Sensor)



000498-005

12

E

See previous two pages for illustration.

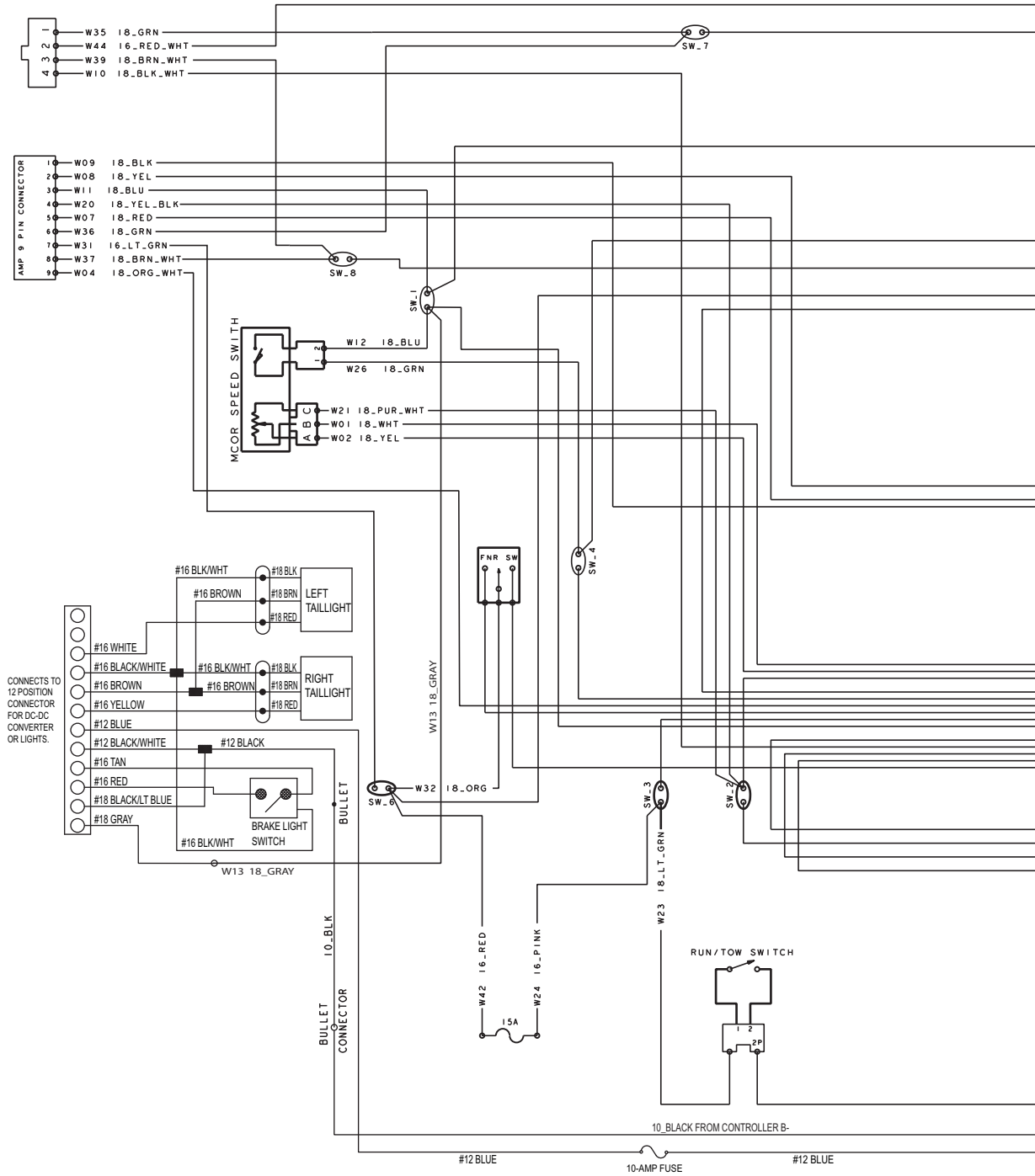
WIRING – EXCEL SYSTEM WITH THROTTLE SENSOR

ITEM	PART NO.	DESCRIPTION	QTY
		1 2 3 4	
1	<u>103375702</u>	Asm, Harness, Motor 1/4	1
2	<u>103421801</u>	Harness, Wire, PD Onboard Charger, 4-Pass, Prec	1
3	<u>103514801</u>	Harness, Prec Excel, Main	1
<p style="margin-left: 40px;">Note: The throttle sensor was used in electric vehicles with serial numbers lower than 1009-082079.</p>			

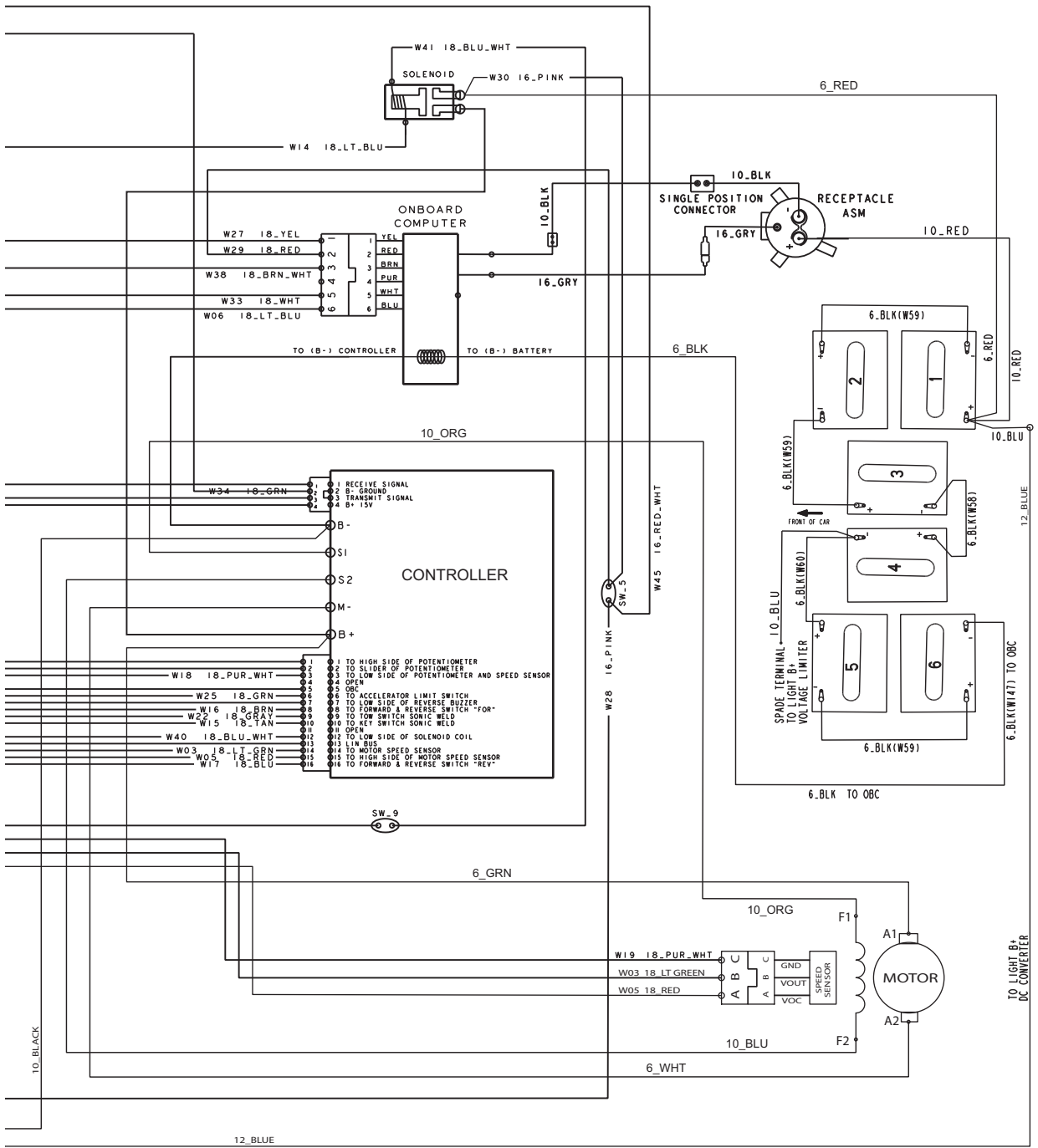
12

E

EXCEL SYSTEM (Gen 2 Pedal Group with MCOR)



000498-007



000498-007

12

E

See previous two pages for illustration.

WIRING – EXCEL SYSTEM WITH MCOR

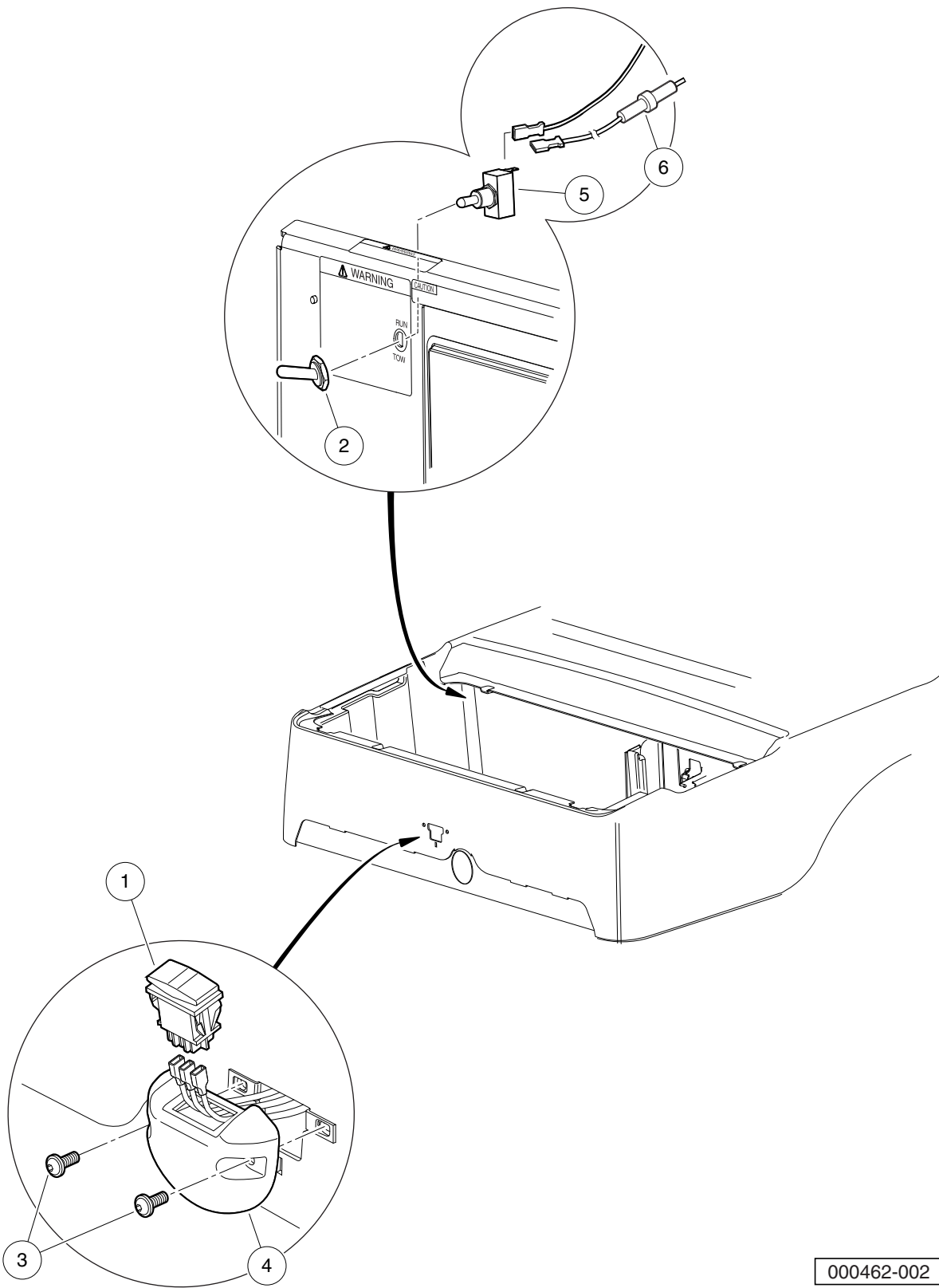
ITEM	PART NO.	DESCRIPTION	QTY
		1 2 3 4	
1	<u>103375702</u>	Asm, Harness, Motor 1/4	1
2	<u>103403501</u>	Harness, Main, Excel	1
3	<u>103421801</u>	Harness, Wire, PD Onboard Charger, 4-Pass, Prec	1
<p>Note: The MCOR incorporated at serial number 1009-082079.</p>			

12

E

12

E



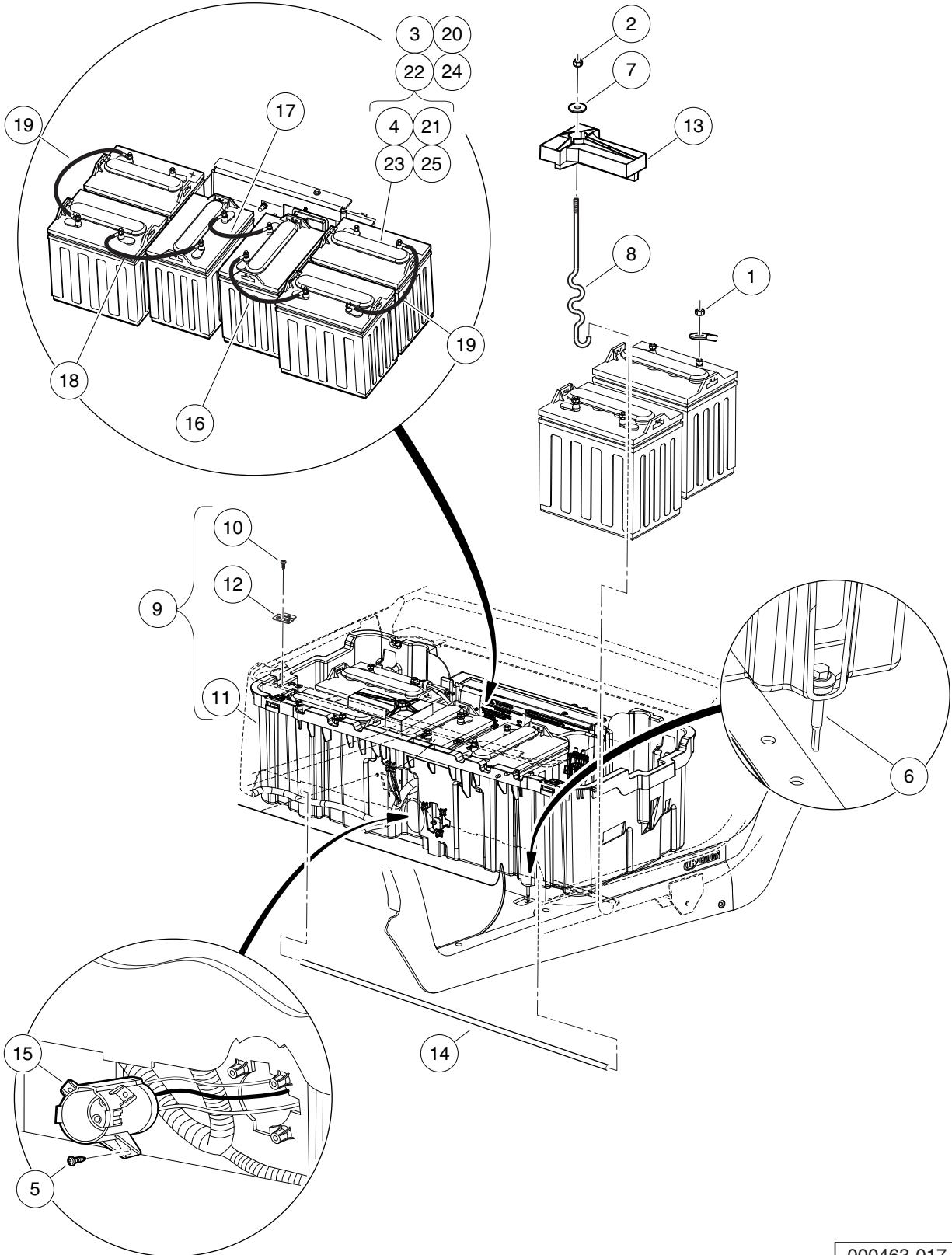
000462-002

FORWARD/REVERSE SWITCH AND TOW/RUN SWITCH

ITEM	PART NO.	DESCRIPTION	QTY
		1 2 3 4	
1	<u>101856001</u>	Switch, Rocker, Double-Pole	1
2	<u>101908401</u>	Boot, Switch	1
3	<u>102296920</u>	Screw, M6, Torx Button Head, Sems	2
4	<u>102508401</u>	Housing, FNR Electric	1
5	<u>102511101</u>	Switch, Tow	1
6	<u>102538601</u>	15 Amp Fuse	1

12

E



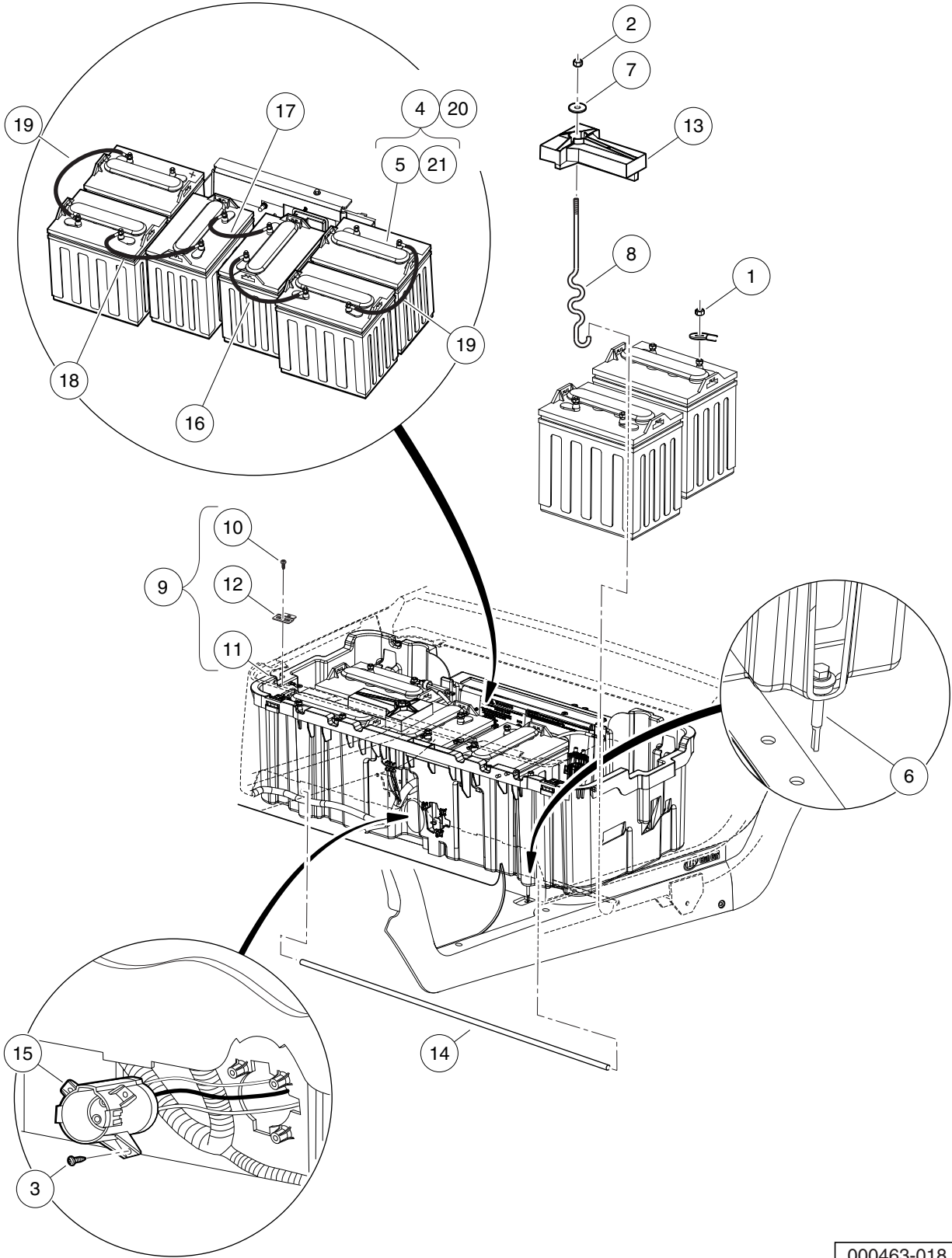
000463-017

BATTERIES, BUCKET, AND CHARGER RECEPTACLE – IQ AND EXCEL SYSTEMS, 8V

ITEM	PART NO.	DESCRIPTION	QTY
		1 2 3 4	
1	<u>1014304</u>	Nut, 5/16-18 Stainless-Steel Hex	12
2	<u>1014555</u>	Locknut, 7/16-14 Nylon Hex	2
3	<u>101797701</u>	Battery, 8-Volt, Trojan T875 (includes item 4)	6
4	<u>101797801</u>	Cap, 4-Gang Battery	1
5	<u>101832001</u>	Screw, #7-19 X 0.625 Phillips Pan-Head Tap	3
6	<u>102292356</u>	Screw-1/4-20x56 Hwh Self Drill	4
7	<u>102491501</u>	Washer, Hard, M10	2
8	<u>103357701</u>	Bolt, Battery, "s" Hold-down	2
9	<u>103368401</u>	Asm, Bucket, Batt, Elec, Prec (includes items 10 through 12)	1
10	<u>102298020</u>	Screw, K80x20, Torx Pn Hd Pt	2
11	N/A	Bucket, Batt, Elec, Precedent	1
12	<u>103368301</u>	Hinge - Nested	2
13	<u>103374801</u>	Hold Down, Battery	2
14	<u>103375301</u>	Tube, Cross, Battery Rod	1
15	<u>103375501</u>	Asm, Prec Restyle Receptacle	1
16	<u>103376001</u>	Wire Asm #6 Blk, Prec/restyle	1
17	<u>103647401</u>	Wire Asm #6 Blk, 5"	1
18	<u>103647402</u>	Wire Asm #6 Blk, 12"	1
19	<u>103647403</u>	Wire Asm #6 Blk, 17"	2
20	<u>103695801</u>	Battery, 8-Volt, US Battery 8VGCXC (includes item 21)	6
21	<u>103930201</u>	Cap, Battery, Us 8v, Svc	1
22	<u>103719701</u>	Battery, 8-Volt, Crown CR165 (includes item 23)	6
23	<u>103878401</u>	Cap, Batt, 8v, Crown, Svc	1
24	<u>103793001</u>	Battery, 8-Volt, JCI GC8 (includes item 25)	6
25	<u>103765601</u>	Cap, Spin, 8-Volt Battery	1
26	<u>8639</u>	Tie Wrap, 11" Nylon	2
<p>Note: Item 26 not shown. Note 2: JCI battery (item 24) uses Crown battery cap (item 25) to clear battery hold-down. Note 3: If item 20 (U.S. Battery) is used to replace any other brand of battery, the onboard computer must be changed to match. See Computer, Controller, and Solenoid pages.</p>			

12

E



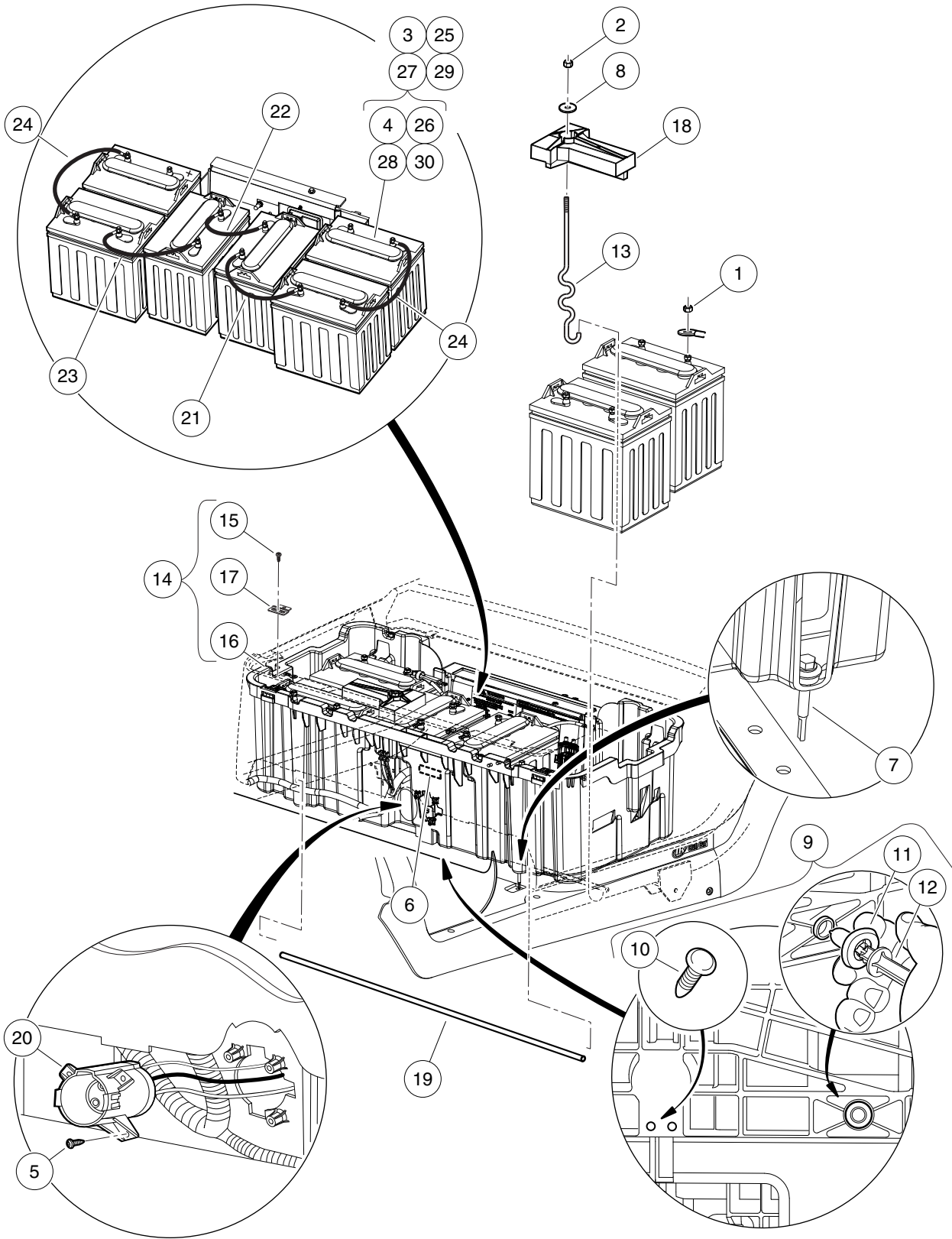
000463-018

BATTERIES, BUCKET, AND CHARGER RECEPTACLE – IQ AND EXCEL SYSTEMS, HEAVY DUTY 8V

ITEM	PART NO.	DESCRIPTION	QTY
		1 2 3 4	
1	<u>1014304</u>	Nut, 5/16-18 Stainless-Steel Hex	12
2	<u>1014555</u>	Locknut, 7/16-14 Nylon Hex	2
3	<u>101832001</u>	Screw, #7-19 X 0.625 Phillips Pan-Head Tap	3
4	<u>101964201</u>	Battery, 8v Trojan T890 (Wet) (includes item 5)	6
5	<u>101797801</u>	Cap, 4-Gang Battery	1
6	<u>102292356</u>	Screw-1/4-20x56 Hwh Self Drill	4
7	<u>102491501</u>	Washer, Hard, M10	2
8	<u>103357701</u>	Bolt, Battery, "s" Hold-down	2
9	<u>103368401</u>	Asm, Bucket, Batt, Elec, Prec (includes items 10 through 12)	1
10	<u>102298020</u>	Screw, K80x20, Torx Pn Hd Pt	2
11	N/A	Bucket, Batt, Elec, Precedent	1
12	<u>103368301</u>	Hinge - Nested	2
13	<u>103374801</u>	Hold Down, Battery	2
14	<u>103375301</u>	Tube, Cross, Battery Rod	1
15	<u>103375501</u>	Asm, Prec Restyle Receptacle	1
16	<u>103376001</u>	Wire Asm #6 Blk, Prec/restyle	1
17	<u>103647401</u>	Wire Asm #6 Blk, 5"	1
18	<u>103647402</u>	Wire Asm #6 Blk, 12"	1
19	<u>103647403</u>	Wire Asm #6 Blk, 17"	2
20	<u>103719801</u>	Battery, 8-Volt, Crown CR190 (includes item 21)	6
21	<u>103878401</u>	Cap, Batt, 8v, Crown, Svc	1
22	<u>8639</u>	Tie Wrap, 11" Nylon	2
		Note: Item 22 not shown.	

12

E



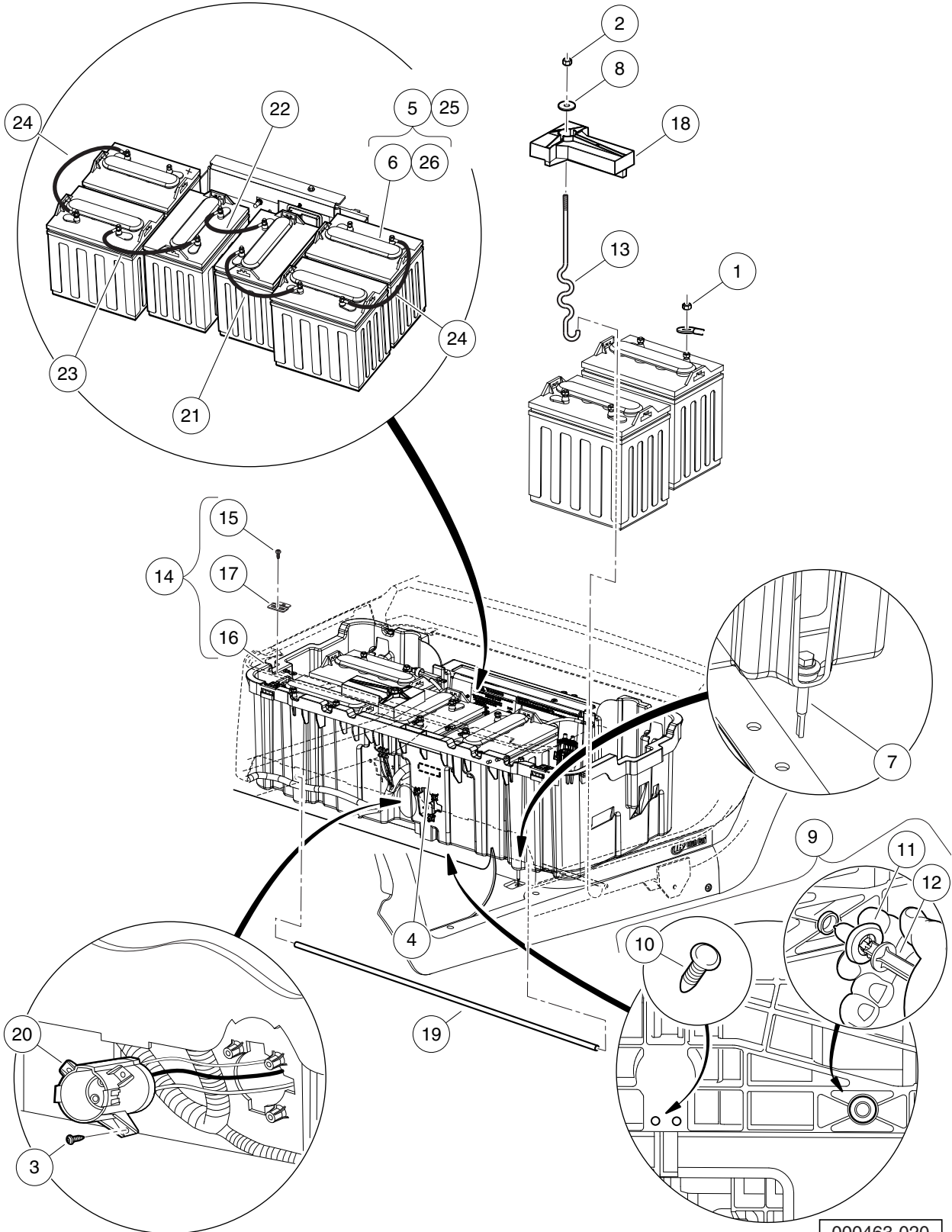
000463-019

BATTERIES, BUCKET, AND CHARGER RECEPTACLE – IQ AND EXCEL SYSTEMS, CE, 8V

ITEM	PART NO.	DESCRIPTION	QTY
		1 2 3 4	
1	<u>1014304</u>	Nut, 5/16-18 Stainless-Steel Hex	12
2	<u>1014555</u>	Locknut, 7/16-14 Nylon Hex	2
3	<u>101797701</u>	Battery, 8-Volt, Trojan T875 (includes item 4)	6
4	<u>101797801</u>	Cap, 4-Gang Battery	1
5	<u>101832001</u>	Screw, #7-19 X 0.625 Phillips Pan-Head Tap	3
6	<u>101865805</u>	Ce - Decal	1
7	<u>102292356</u>	Screw-1/4-20x56 Hwh Self Drill	4
8	<u>102491501</u>	Washer, Hard, M10	2
9	<u>102571202</u>	Kit Ce Plug - Bucket Elec (includes items 10 through 12)	1
10	<u>1010434</u>	Barrel - Plastic	2
11	N/A	Plug, 1/2", CE Bucket	6
12	N/A	Install Tool, CE Bucket Plug	1
13	<u>103357701</u>	Bolt, Battery, "s" Hold-down	2
14	<u>103368401</u>	Asm, Bucket, Batt, Elec, Prec (includes items 15 through 17)	1
15	<u>102298020</u>	Screw, K80x20, Torx Pn Hd Pt	2
16	N/A	Bucket, Batt, Elec, Precedent	1
17	<u>103368301</u>	Hinge - Nested	2
18	<u>103374801</u>	Hold Down, Battery	2
19	<u>103375301</u>	Tube, Cross, Battery Rod	1
20	<u>103375501</u>	Asm, Prec Restyle Receptacle	1
21	<u>103376001</u>	Wire Asm #6 Blk, Prec/restyle	1
22	<u>103647401</u>	Wire Asm #6 Blk, 5"	1
23	<u>103647402</u>	Wire Asm #6 Blk, 12"	1
24	<u>103647403</u>	Wire Asm #6 Blk, 17"	2
25	<u>103695801</u>	Battery, 8-Volt, US Battery 8VGCXC (includes item 26)	6
26	<u>103930201</u>	Cap, Battery, Us 8v, Svc	1
27	<u>103719701</u>	Battery, 8-Volt, Crown CR165 (includes item 28)	6
28	<u>103878401</u>	Cap, Batt, 8v, Crown, Svc	1
29	<u>103793001</u>	Battery, 8-Volt, JCI GC8 (includes item 30)	6
30	<u>103765601</u>	Cap, Spin, 8-Volt Battery	1
31	<u>8639</u>	Tie Wrap, 11" Nylon	2
<p>Note: Item 31 not shown. Note 2: The CE-specific parts shown are required for vehicles sold in the European Union. Note 3: JCI battery (item 29) uses Crown battery cap (item 30) to clear battery hold-down. Note 4: If item 25 (U.S. Battery) is used to replace any other brand of battery, the onboard computer must be changed to match. See Computer, Controller, and Solenoid pages.</p>			

12

E



000463-020

BATTERIES, BUCKET, AND CHARGER RECEPTACLE – IQ AND EXCEL SYSTEMS, HEAVY DUTY 8V, CE

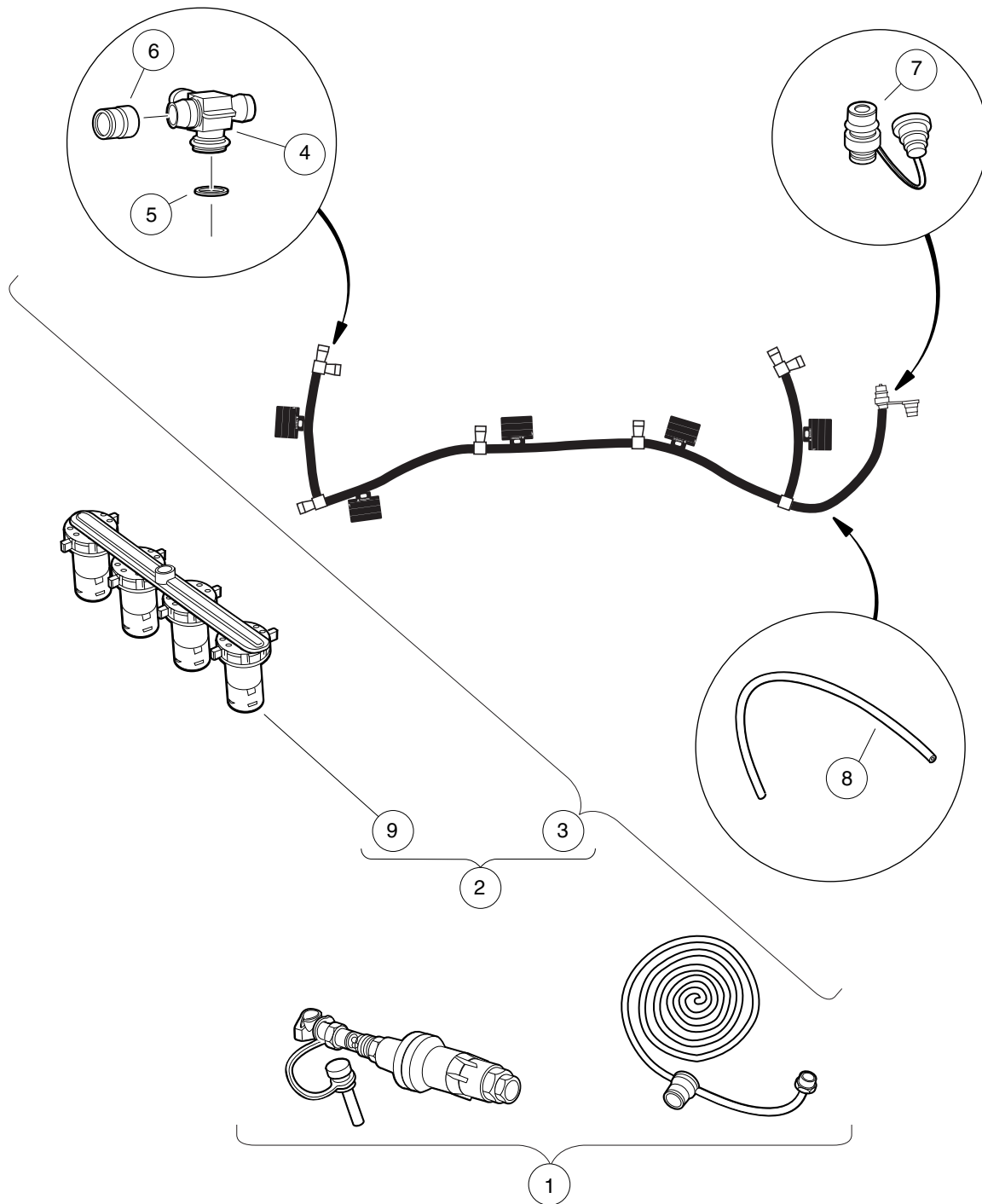
ITEM	PART NO.	DESCRIPTION	QTY
		1 2 3 4	
1	<u>1014304</u>	Nut, 5/16-18 Stainless-Steel Hex	12
2	<u>1014555</u>	Locknut, 7/16-14 Nylon Hex	2
3	<u>101832001</u>	Screw, #7-19 X 0.625 Phillips Pan-Head Tap	3
4	<u>101865805</u>	Ce - Decal	1
5	<u>101964201</u>	Battery, 8v Trojan T890 (Wet) (includes item 6)	6
6	<u>101797801</u>	Cap, 4-Gang Battery	1
7	<u>102292356</u>	Screw-1/4-20x56 Hwh Self Drill	4
8	<u>102491501</u>	Washer, Hard, M10	2
9	<u>102571202</u>	Kit Ce Plug - Bucket Elec (includes items 10 through 12)	1
10	<u>1010434</u>	Barrel - Plastic	2
11	N/A	Plug, 1/2", CE Bucket	6
12	N/A	Install Tool, CE Bucket Plug	1
13	<u>103357701</u>	Bolt, Battery, "s" Hold-down	2
14	<u>103368401</u>	Asm, Bucket, Batt, Elec, Prec (includes items 15 through 17)	1
15	<u>102298020</u>	Screw, K80x20, Torx Pn Hd Pt	2
16	N/A	Bucket, Batt, Elec, Precedent	1
17	<u>103368301</u>	Hinge - Nested	2
18	<u>103374801</u>	Hold Down, Battery	2
19	<u>103375301</u>	Tube, Cross, Battery Rod	1
20	<u>103375501</u>	Asm, Prec Restyle Receptacle	1
21	<u>103376001</u>	Wire Asm #6 Blk, Prec/restyle	1
22	<u>103647401</u>	Wire Asm #6 Blk, 5"	1
23	<u>103647402</u>	Wire Asm #6 Blk, 12"	1
24	<u>103647403</u>	Wire Asm #6 Blk, 17"	2
25	<u>103719801</u>	Battery, 8-Volt, Crown CR190 (includes item 26)	6
26	<u>103878401</u>	Cap, Batt, 8v, Crown, Svc	1
27	<u>8639</u>	Tie Wrap, 11" Nylon	2
<p>Note: Item 27 not shown. Note 2: The CE-specific parts shown are required for vehicles sold in the European Union.</p>			

12

E

12

E



000731-006

SINGLE POINT WATERING SYSTEM, 8V TROJAN

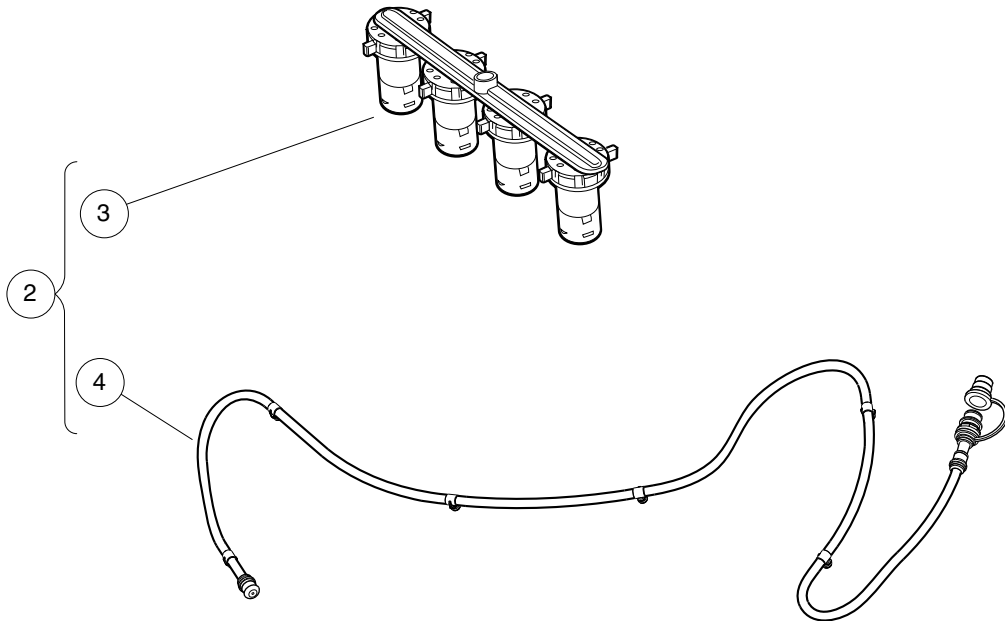
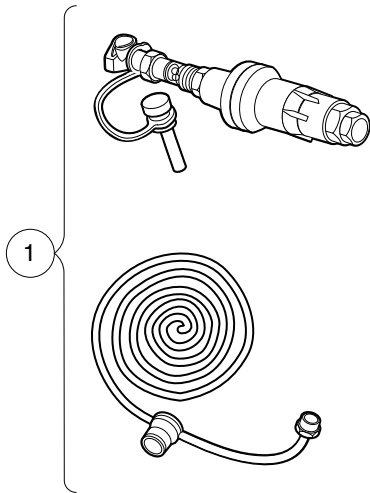
ITEM	PART NO.	DESCRIPTION	QTY
		1 2 3 4	
1	<u>102958001</u>	Kit Regulated Hose Sply Spws	1
2	<u>103395501</u>	Kit, Spws F/r, Prec/res, 8v (includes items 3 through 9)	1
3	<u>103395401</u>	Asm Tube Spws Prec/res, 8v (includes items 4 through 8)	1
4	<u>103226201</u>	Fitting Spws Swivel T	6
5	<u>103226301</u>	O-ring Spws Swivel T	6
6	<u>103226401</u>	Cap Spws Swivel T Red	7
7	<u>103226601</u>	Coupler Male Spws Supply	1
8	<u>103226701</u>	Tubing Spws	1
9	<u>103395701</u>	Manifold, 4 Valve Spw	6
		Note: For Trojan 8-Volt batteries only.	

12

E

12

E



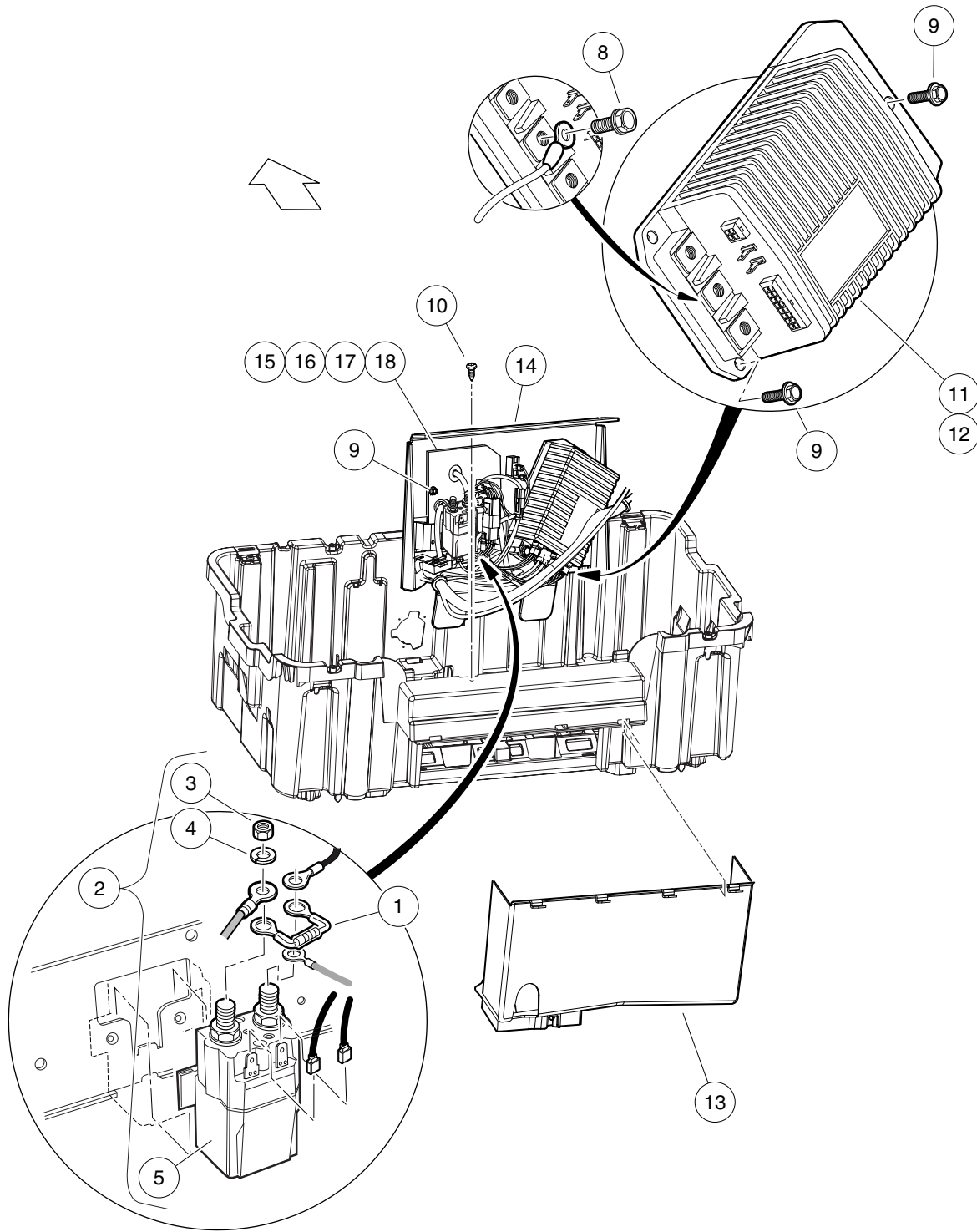
000731-007

SINGLE POINT WATERING SYSTEM, 8V US, CROWN & JCI

ITEM	PART NO.	DESCRIPTION	QTY
		1 2 3 4	
1	<u>102958001</u>	Kit Regulated Hose Sply Spws	1
2	<u>103395505</u>	Kit, Spws, Prec, 8 Volt Non-Trojan (includes items 3 and 4)	1
3	<u>103510602</u>	Spws, Manifold Asm, 8v Non-Trojan	6
4	<u>103774701</u>	Spws, Hose 8v Non-trojan	1
<p style="margin-left: 40px;">Note: For U.S. Battery, Crown and JCI 8-Volt batteries only.</p>			

12

E



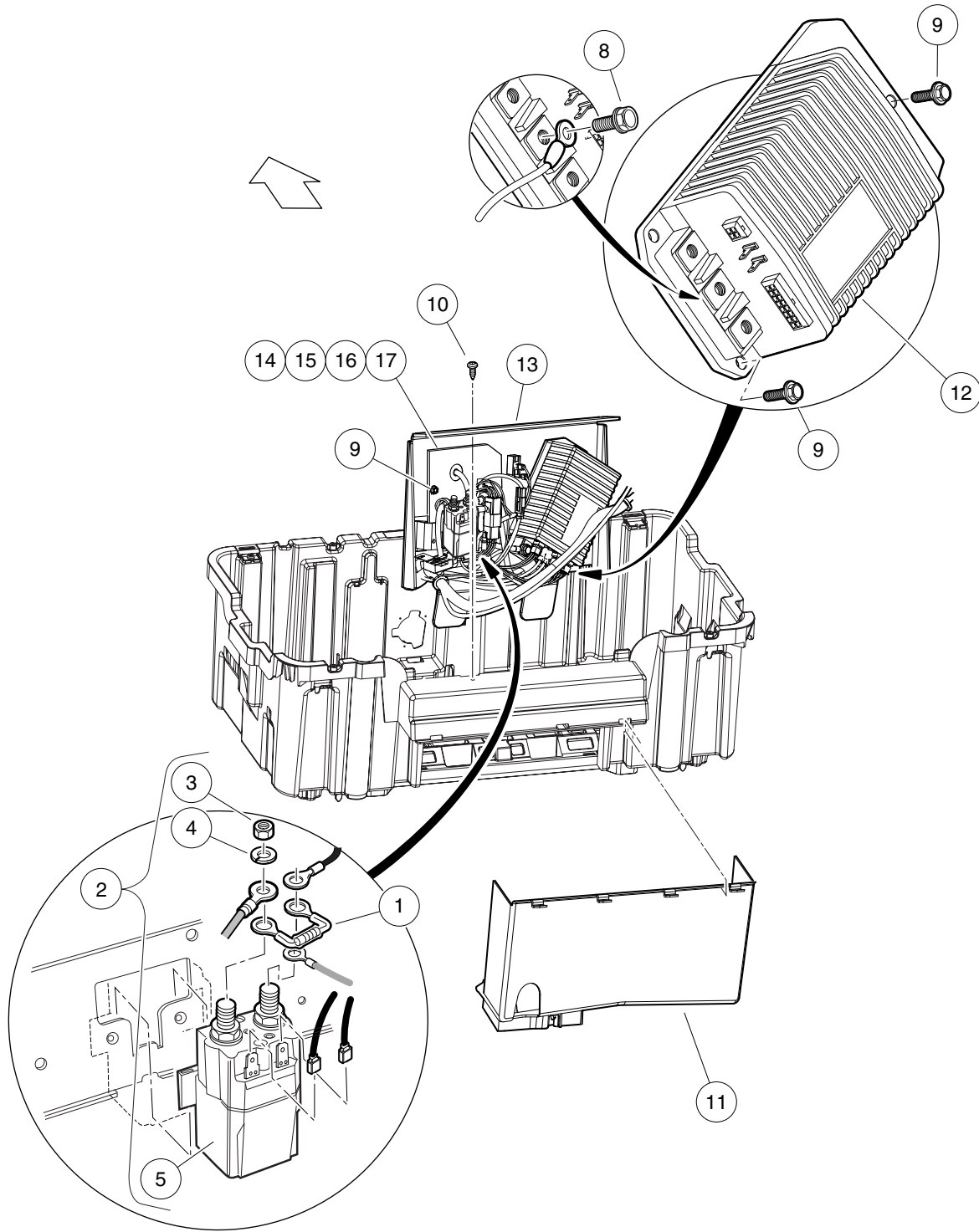
000486-008

COMPUTER, CONTROLLER, AND SOLENOID – IQ SYSTEM

ITEM	PART NO.	DESCRIPTION	QTY
		1 2 3 4	
1	<u>1014947</u>	Resistor Assembly	1
2	<u>101908701</u>	Solenoid, 48-Volt (includes items 3 through 7)	1
3	<u>1012528</u>	Nut, M8-1.25 Hex	2
4	<u>1013734</u>	Lockwasher, 8mm Split	2
5	N/A	Solenoid, 48-Volt	1
6	N/A	Washer, Lock	2
7	N/A	Nut	2
8	<u>102240501</u>	Bolt, Controller, Terminal	3
9	<u>102296716</u>	Screw, M6 X 16 Tt Hx Fl Hd	11
10	<u>102298020</u>	Screw, K80x20, Torx Pn Hd Pt	1
11	<u>102806201</u>	Controller, IQ, 48-volt	1
12	<u>102806203</u>	Controller, IQ, 48-volt, CE	1
13	<u>103367901</u>	Shield - Controller	1
14	<u>103639401</u>	Component Mounting Plate, Cast	1
15	<u>103702601</u>	Obc, Prec V5.0 8v/12v, A1, 6 Ga. Wire	1
16	<u>103702602</u>	Obc, Prec V5.0 8v/12v, A1, 4 Ga. Wire	1
17	<u>103702603</u>	Obc, Prec V5.0 8v/12v, A2, 6 Ga. Wire	1
18	<u>103702604</u>	Obc, Prec V5.0 8v/12v, A2, 4 Ga. Wire	1
		<p>Note: Item 12 is for vehicles sold in the European Union. Note 2: Items 15 and 16 must be used with Trojan, Crown, and JCI brand batteries. Items 17 and 18 must be used with US Battery brand batteries.</p>	

12

E



000486-009

COMPUTER, CONTROLLER, AND SOLENOID – EXCEL SYSTEM

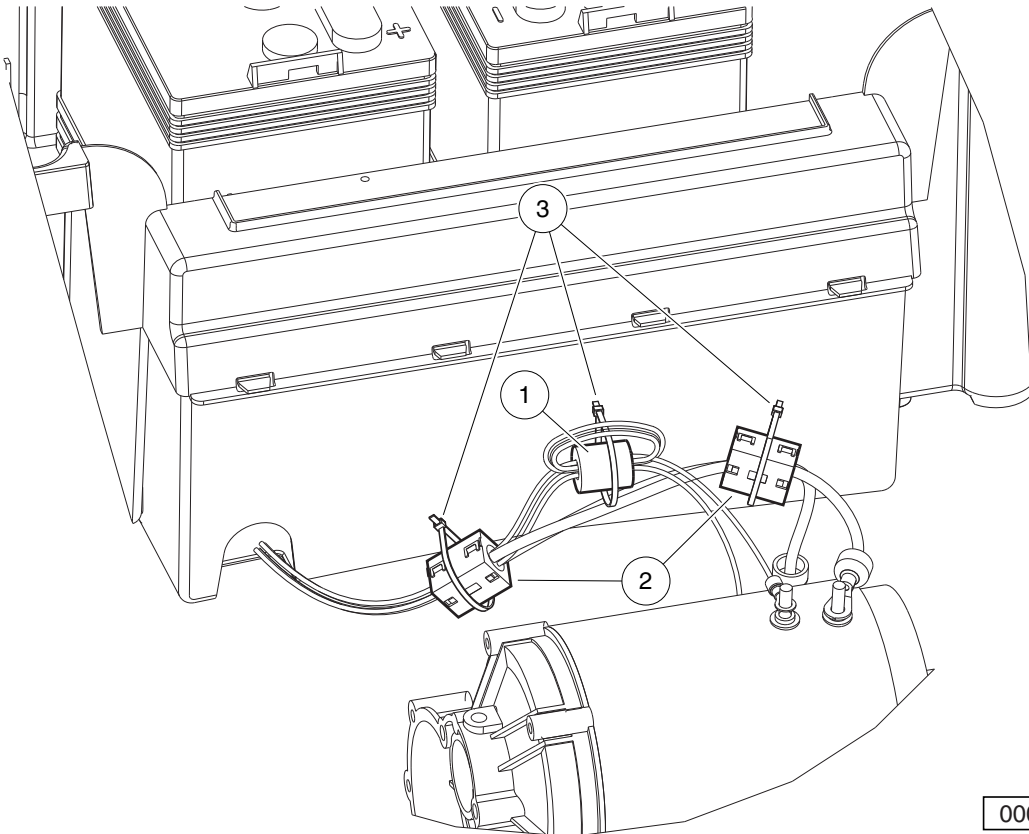
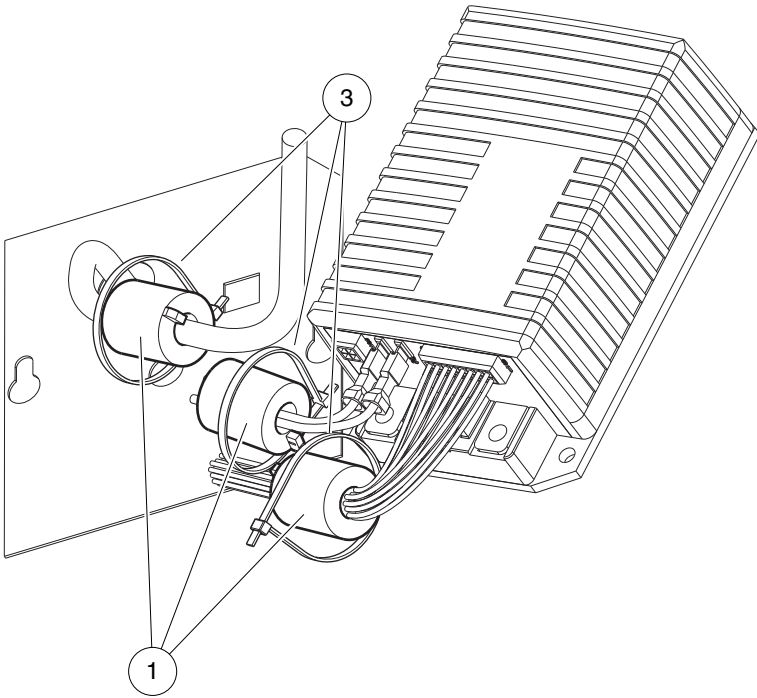
ITEM	PART NO.	DESCRIPTION	QTY
		1 2 3 4	
1	<u>1014947</u>	Resistor Assembly	1
2	<u>101908701</u>	Solenoid, 48-Volt (includes items 3 through 7)	1
3	<u>1012528</u>	Nut, M8-1.25 Hex	2
4	<u>1013734</u>	Lockwasher, 8mm Split	2
5	N/A	Solenoid, 48-Volt	1
6	N/A	Washer, Lock	2
7	N/A	Nut	2
8	<u>102240501</u>	Bolt, Controller, Terminal	3
9	<u>102296716</u>	Screw, M6 X 16 Tt Hx Fl Hd	11
10	<u>102298020</u>	Screw, K80x20, Torx Pn Hd Pt	1
11	<u>103367901</u>	Shield - Controller	1
12	<u>103403402</u>	Controller, 1515, 250A, Gray, Non-Std	1
13	<u>103639401</u>	Component Mounting Plate, Cast	1
14	<u>103702601</u>	Obc, Prec V5.0 8v/12v, A1, 6 Ga. Wire	1
15	<u>103702602</u>	Obc, Prec V5.0 8v/12v, A1, 4 Ga. Wire	1
16	<u>103702603</u>	Obc, Prec V5.0 8v/12v, A2, 6 Ga. Wire	1
17	<u>103702604</u>	Obc, Prec V5.0 8v/12v, A2, 4 Ga. Wire	1
Note: Items 14 and 15 must be used with Trojan, Crown, and JCI brand batteries. Items 16 and 17 must be used with US Battery brand batteries.			

12

E

12

E



000970-001

CE FERRITE BEADS (IQ SYSTEM)

ITEM	PART NO.	DESCRIPTION	QTY
		1 2 3 4	
1	<u>103449501</u>	Bead, Ferrite, Tdk	4
2	<u>103449601</u>	Bead, Ferrite, Fair-rite	2
3	<u>8990</u>	Tie Wrap, 8" Nylon	8
<p style="margin-left: 40px;">Note: The Excel System is CE compliant in the European Union without the use of ferrite beads.</p>			

12

E

12

E

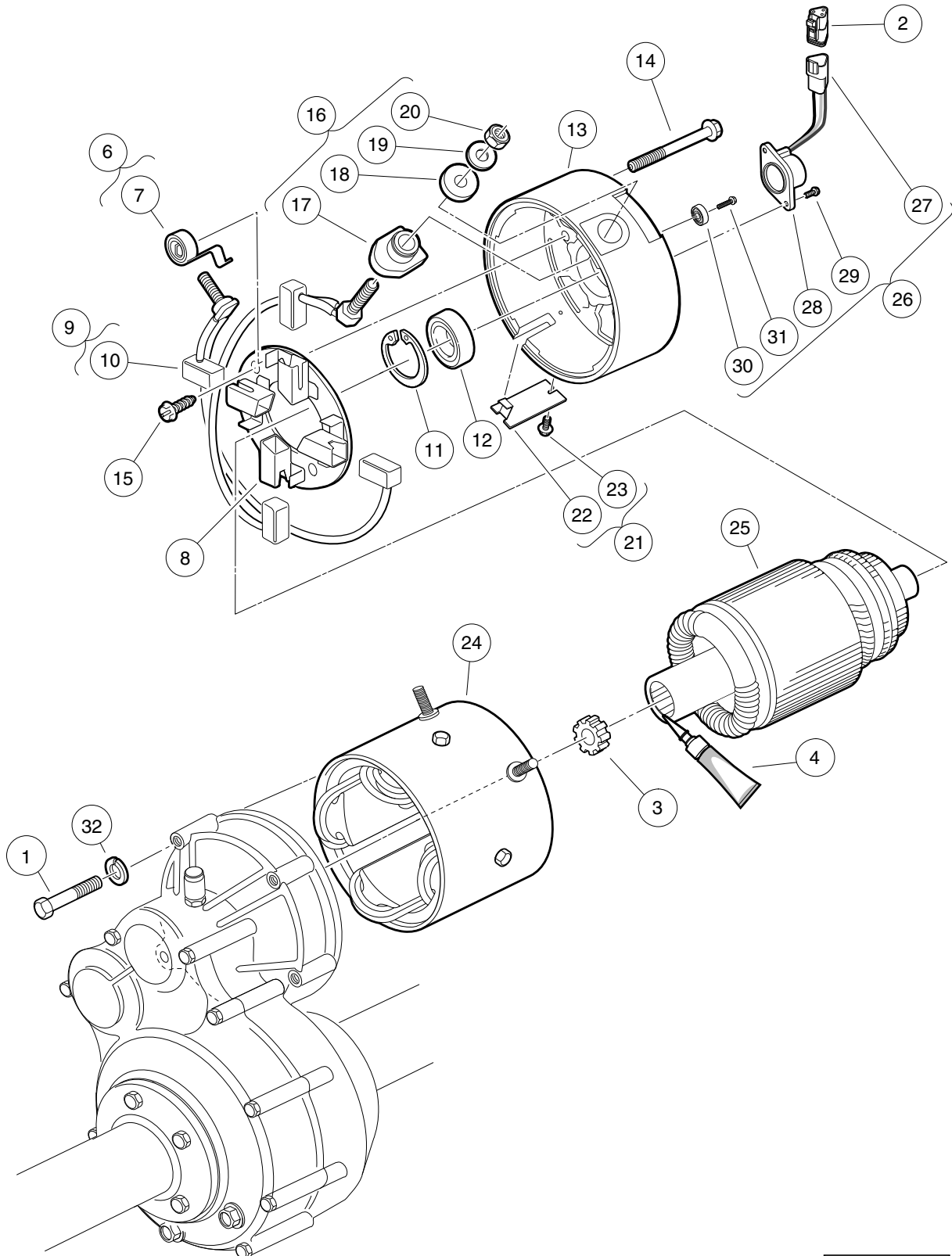
ELECTRIC MOTOR

13

E

13

E



000185-002

MOTOR (MODEL EJ8-4001A) – ELECTRIC VEHICLE

ITEM	PART NO.	DESCRIPTION	QTY
		1 2 3 4	
1	1014201	Screw, 1/4-20 X 2.25 Hex Cap	3
2	<u>101920101</u>	Kit, 3-Pin Wedge Lock	1
3	<u>102235201</u>	Bumper, Drive Unit	1
4	<u>102243403</u>	Lubricant, Moly-Teflon (Single-Use Tube)	1
5	<u>103572501</u>	IQ Electric Motor, 48-VDC 3.3 hp (includes items 6 through 26)	1
6	<u>102186001</u>	Spring Kit, Motor Brush (includes item 7)	1
7	N/A	Spring, Brush, S-g	4
8	<u>102186101</u>	Brush Box Assembly	1
9	<u>102186201</u>	Brush Kit, Motor (includes item 10)	1
10	N/A	Assembly, Brush and Terminal	2
11	N/A	Ring, 2.24" Internal Retaining	1
12	<u>102186401</u>	Bearing, Ball	1
13	<u>102186701</u>	End Cap, Motor	1
14	N/A	Screw, 1/4-20 X 2.25 Hex-Head Washer	2
15	<u>102186901</u>	Screw, #8-32 X .5 Hex-Head	2
16	<u>102187101</u>	Hardware Kit, Motor Terminal (includes items 17 through 20)	2
17	N/A	Bushing, Nylon	2
18	N/A	Washer, Nylon Flat	2
19	N/A	Washer, Flat, 5/16 Steel	2
20	N/A	Nut, Brass Hex, 5/16 - 18	2
21	<u>102187201</u>	Plate Kit, Motor Cover (includes items 22 and 23)	1
22	N/A	Assembly, Cover Plate	1
23	N/A	Screw, #8-32 x 0.375, Taptite Thread	1
24	<u>102704701</u>	Frame and Field Assembly	1
25	<u>102704801</u>	Armature Assembly	1
26	<u>102704901</u>	Kit, Speed Sensor (includes items 27 through 31)	1
27	<u>101942301</u>	Kit, 3-Pin Wedge Lock	1
28	N/A	Sensor, Motor Speed, ADC	1
29	N/A	Screw, #8-32, Taptite Thread	2
30	N/A	Magnet, ADC Motor	1
31	N/A	Screw, 1/4-20 x 0.5	1
32	<u>451</u>	Lockwasher, 1/4 Split	3
		Note: The F1 and F2 terminal posts on the EJ8-4001A motor have 1/4 - 20 thread.	

13

E

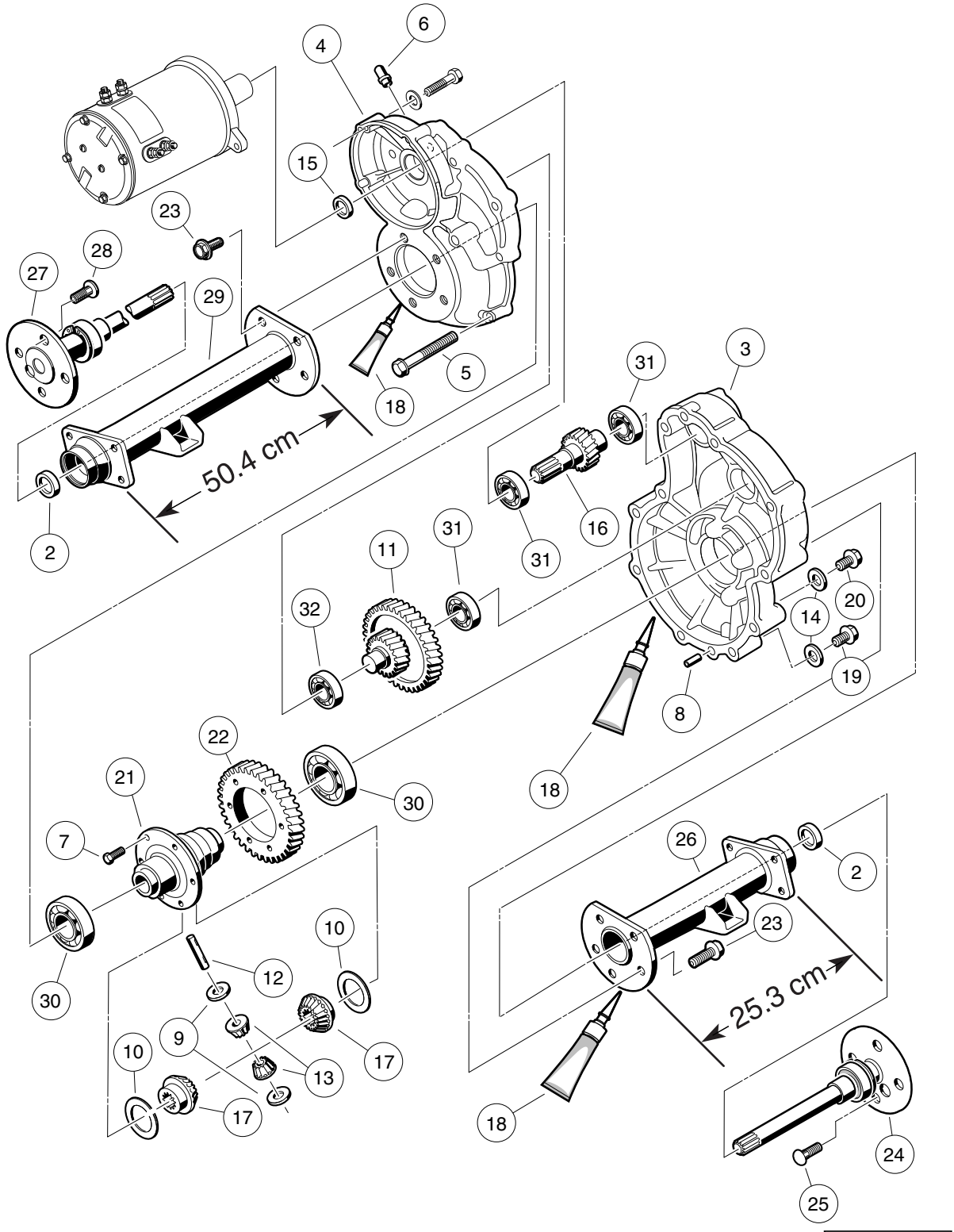
13

E

TRANSAXLE – ELECTRIC VEHICLES

14

E



000223-002

TRANSAXLE – ELECTRIC VEHICLES

ITEM	PART NO.	DESCRIPTION	QTY
		1 2 3 4	
1	<u>102771701</u>	Transaxle, Electric (includes items 2 through 32)	1
2	<u>1013794</u>	Axle Shaft Oil Seal	2
3	<u>101895401</u>	Gear Case, Driver-Side	1
4	<u>101895501</u>	Gear Case, Passenger-Side	1
5	<u>101897001</u>	Screw, M8-1.25 X 60mm Hex-Head	11
6	<u>101897201</u>	Breather	1
7	<u>101897401</u>	Screw, M10-1.25 X 25mm	6
8	<u>101897601</u>	Pin, 11mm OD X 8.5mm ID X 10mm	2
9	<u>101903601</u>	Washer, Thrust	2
10	<u>101903701</u>	Washer, Thrust	2
11	<u>101906901</u>	Intermediate Shaft Assembly	1
12	<u>101922101</u>	Pin, 15.99mm X 88.7mm Dowel	1
13	<u>101923001</u>	Gear, Differential Idler	2
14	<u>101923201</u>	Gasket	2
15	<u>101923501</u>	Seal, Lip	1
16	N/A	Shaft, Input	1
17	<u>101923901</u>	Gear, Differential	2
18	<u>101928701</u>	Liquid Gasket (Transaxle case)	1
19	<u>101972101</u>	Plug, M14-1.5 X 12mm Magnetic	1
20	<u>101972201</u>	Plug, M14-1.5 X 12mm Hex	1
21	<u>102356601</u>	Housing, Differential, 6 Bolt	1
22	<u>102356801</u>	Gear, Differential Output, 6-Bolt	1
23	<u>102357001</u>	Screw, Flg Hd M10 X 1.5 X 30	10
24	<u>102886301</u>	Axle Assembly, Driver-Side (includes item 25)	1
25	<u>101922201</u>	Lug Stud	4
26	<u>102886401</u>	Tube, Axle, Driver-Side	1
27	<u>102886501</u>	Axle Assembly, Passenger-Side (includes item 28)	1
28	<u>101922201</u>	Lug Stud	4
29	<u>102886601</u>	Tube, Axle, Passenger-Side	1
30	<u>7330</u>	Inner Axle Tube Bearing	2
31	<u>7335</u>	Bearing	3
32	<u>7336</u>	Bearing	1

14

E

14

E

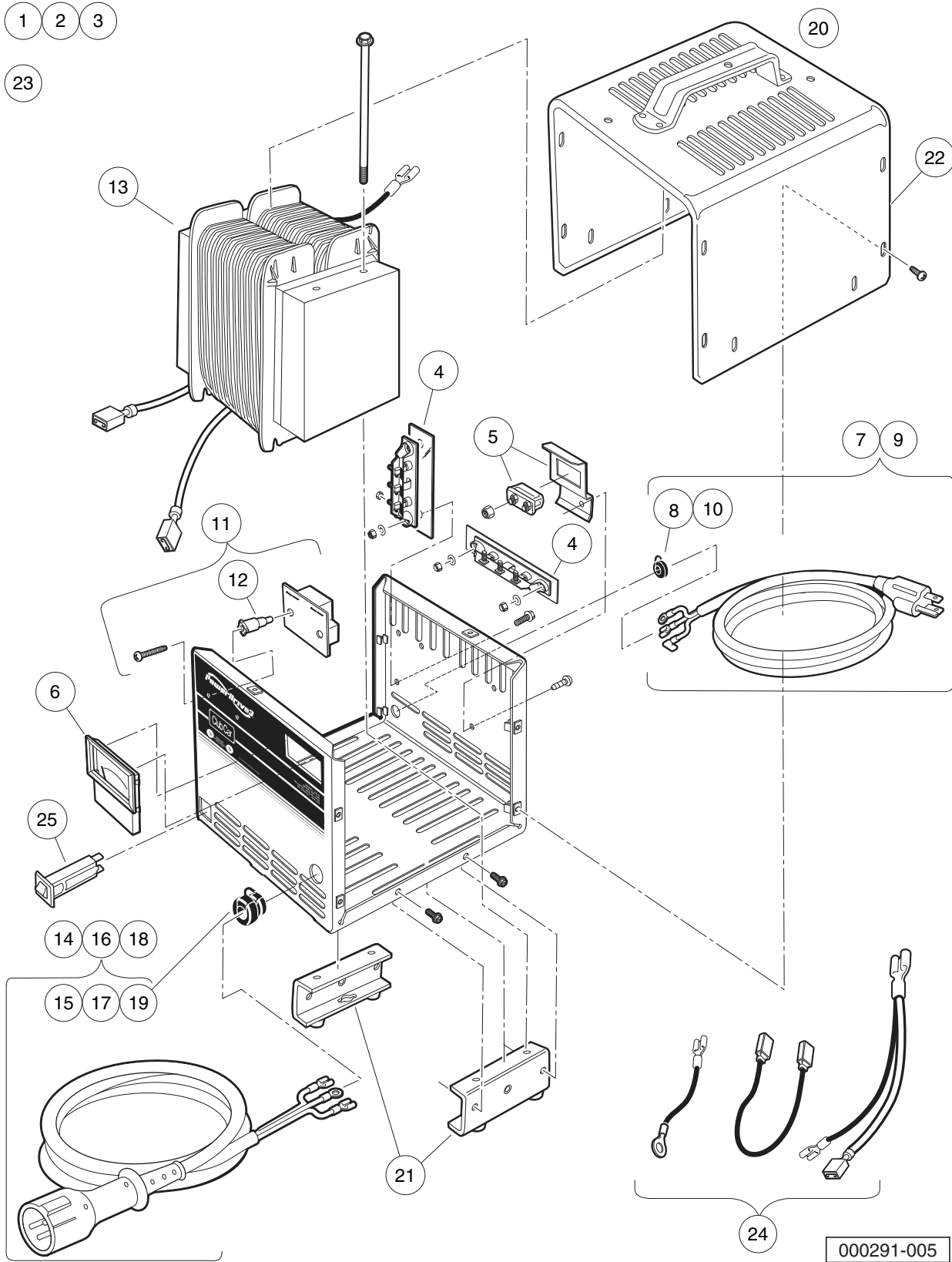
BATTERY CHARGERS

15

E

- 1
- 2
- 3

- 23



000291-005

POWERDRIVE 3 BATTERY CHARGER (MODEL 26580-11,-12,-18,-19), DOMESTIC

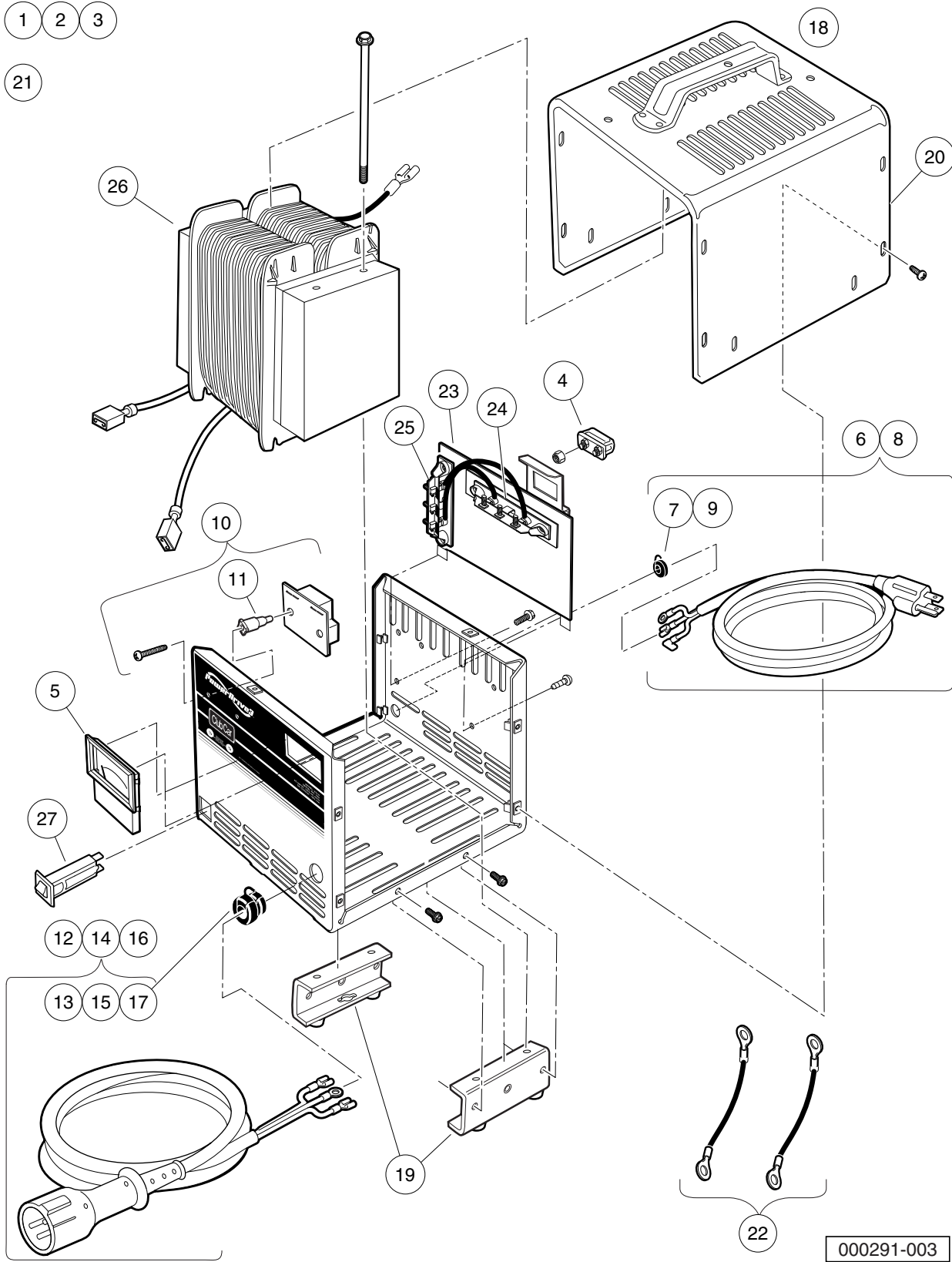
ITEM	PART NO.	DESCRIPTION	QTY
		1 2 3 4	
1	103499101	Charger, PowerDrive 3, 9ft DC, 6ft AC	1
2	<u>103499102</u>	Charger, PowerDrive 3, 12ft DC, 9ft AC	1
3	<u>103499103</u>	Charger, PowerDrive 3, 20ft DC, 9ft AC (includes items 4 through 25)	1
4	<u>1015914</u>	Rectifier with Heatsink Assembly	2
5	<u>102273701</u>	PD2 Fuse Asm	1
6	<u>102273801</u>	PD2 Ammeter	1
7	<u>103428501</u>	Kit, PD3 Cordset - AC 80" (includes item 8)	1
8	<u>102273901</u>	PD2 AC Cord Bushing	1
9	<u>103428601</u>	Kit, PD3 Cordset, - AC 114" (includes item 10)	1
10	<u>102273901</u>	PD2 AC Cord Bushing	1
11	<u>103428701</u>	Asm, PD3 Board Relay (includes item 12)	1
12	<u>103429701</u>	PD3 Plastic Stand-Offs	2
13	<u>103428801</u>	PD3 Transformer	1
14	<u>103429001</u>	PD3 Cordset - DC 113" (includes item 15)	1
15	<u>1012098</u>	Bushing, DC Cord	1
16	<u>103429101</u>	PD3 Cordset - DC 154" (includes item 17)	1
17	<u>1012098</u>	Bushing, DC Cord	1
18	<u>103429201</u>	PD3 Cordset - DC 205" (includes item 19)	1
19	<u>1012098</u>	Bushing, DC Cord	1
20	<u>103429301</u>	Asm, PD3 Case (includes items 21 and 22)	1
21	<u>103434001</u>	Asm, PD3 Legs	1
22	<u>103439901</u>	PD3Case Top (Includes Handle)	1
23	<u>103429501</u>	Kit, PD3 Hardware	1
24	<u>103429601</u>	Kit, PD3 Wires	1
25	<u>CCX8506</u>	Circuit Breaker, 15-Amp/120-Volt	1
		<p>Note: Level 1 Battery Charger part numbers include one AC and one DC cord. They do not include all of the level 2 cords listed.</p>	

15

E

- 1
- 2
- 3

- 21



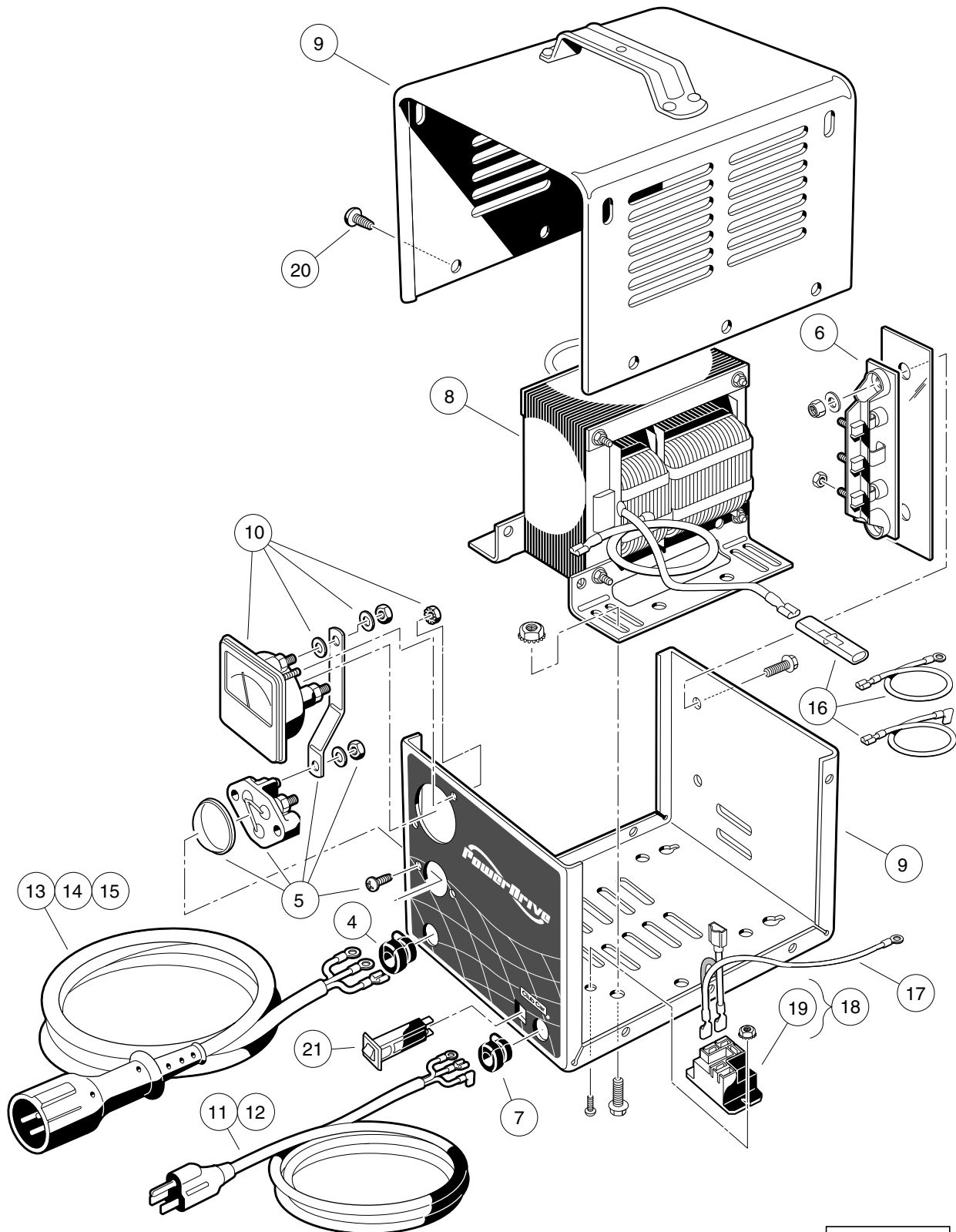
000291-003

POWERDRIVE 3 BATTERY CHARGER (MODEL 26580-31,-38,-39), DOMESTIC

ITEM	PART NO.	DESCRIPTION	QTY
		1 2 3 4	
1	<u>103717001</u>	Charger, PowerDrive 3, 9ft DC, 6ft AC	1
2	<u>103717002</u>	Charger, PowerDrive 3, 12ft DC, 9ft AC	1
3	<u>103717003</u>	Charger, PowerDrive 3, 20ft DC, 9ft AC (includes items 4 through 27)	1
4	<u>102273701</u>	PD2 Fuse Asm	1
5	<u>102273801</u>	PD2 Ammeter	1
6	<u>103428501</u>	Kit, PD3 Cordset - AC 80" (includes item 7)	1
7	<u>102273901</u>	PD2 AC Cord Bushing	1
8	<u>103428601</u>	Kit, PD3 Cordset, - AC 114" (includes item 9)	1
9	<u>102273901</u>	PD2 AC Cord Bushing	1
10	<u>103428701</u>	Asm, PD3 Board Relay (includes item 11)	1
11	<u>103429701</u>	PD3 Plastic Stand-Offs	2
12	<u>103429001</u>	PD3 Cordset - DC 113" (includes item 13)	1
13	<u>1012098</u>	Bushing, DC Cord	1
14	<u>103429101</u>	PD3 Cordset - DC 154" (includes item 15)	1
15	<u>1012098</u>	Bushing, DC Cord	1
16	<u>103429201</u>	PD3 Cordset - DC 205" (includes item 17)	1
17	<u>1012098</u>	Bushing, DC Cord	1
18	<u>103429301</u>	Asm, PD3 Case (includes items 19 and 20)	1
19	<u>103434001</u>	Asm, PD3 Legs	1
20	<u>103439901</u>	PD3Case Top (Includes Handle)	1
21	<u>103429501</u>	Kit, PD3 Hardware	1
22	<u>103513001</u>	Wire Asm Kit Blk Pd3	1
23	<u>103517401</u>	Kit Pd3 Button Diode (includes items 24 and 25)	1
24	N/A	Asm Diode Top	1
25	N/A	Asm Diode Side	1
26	<u>103779601</u>	Transformer, Pd3, Al	1
27	<u>CCX8506</u>	Circuit Breaker, 15-Amp/120-Volt	1
<p>Note: Level 1 Battery Charger part numbers include one AC and one DC cord. They do not include all of the level 2 cords listed.</p>			

15

E



000351-002

POWERDRIVE BATTERY CHARGER (MODEL 17930), DOMESTIC

ITEM	PART NO.	DESCRIPTION	QTY
		1 2 3 4	
1	<u>101802201</u>	Charger, PowerDrive, 48V/17A, 9ft DC, 6ft AC Cord	1
2	<u>101802202</u>	Charger, PowerDrive, 48V/17A, 12ft DC, 9ft AC Cord	1
3	<u>101802203</u>	Charger, PowerDrive, 48V/17A, 20ft DC, 9ft AC Cord (includes items 4 through 21)	1
4	<u>1012098</u>	Bushing, DC Cord	1
5	<u>1012101</u>	Fuse Assembly	1
6	<u>1015914</u>	Rectifier with Heatsink Assembly	1
7	<u>1015917</u>	Bushing, AC Cord	1
8	<u>101819701</u>	Transformer, Battery Charger	1
9	<u>101828301</u>	Case Assembly	1
10	<u>101828501</u>	Ammeter	1
11	<u>101828801</u>	Cord, AC, 80-Inch (203 cm)	1
12	<u>101828802</u>	Cord, AC, 108-Inch (274 cm)	1
13	<u>101828901</u>	Cord, DC, 113-Inch (287 cm)	1
14	<u>101828902</u>	Cord, DC, 154-Inch (391 cm)	1
15	<u>101828903</u>	Cord, DC, 250-Inch (635 cm)	1
16	<u>101831101</u>	Wire Assembly Kit	1
17	101914401	Assembly, Voltage Suppressor	1
18	<u>103414901</u>	Kit, Relay, 48v 30a W/instr (includes item 19)	1
19	<u>103397901</u>	Relay, Spst No, 48v 30a, Pmt	1
20	7577	Screw, #10 X 0.50 Phillips Pan-Head	10
21	<u>CCX8506</u>	Circuit Breaker, 15-Amp/120-Volt	1
<p>Note: Level 1 Battery Charger part numbers include one AC and one DC cord. They do not include all of the level 2 cords listed.</p>			

15

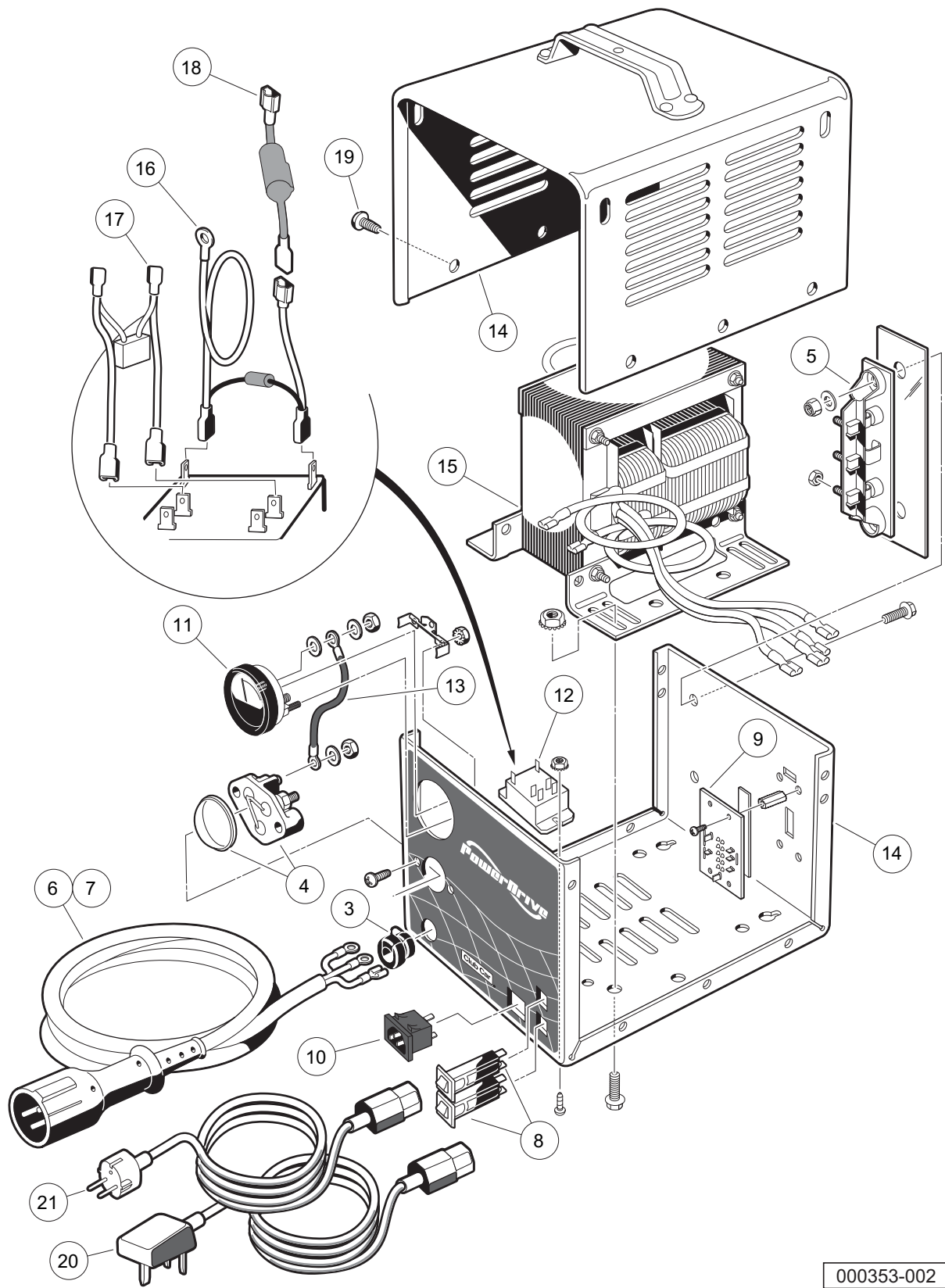
E

POWERDRIVE BATTERY CHARGER (MODEL 18780), EXPORT

ITEM	PART NO.	DESCRIPTION	QTY
		1 2 3 4	
1	101831503	Battery Charger, 48-Volt DC (8.5-ft DC, 6-ft AC)	1
2	101831504	Battery Charger, 48-Volt DC (12-ft DC, 9-ft AC) (includes items 3 through 20)	1
3	<u>1012098</u>	Bushing, DC Cord	1
4	<u>1012101</u>	Fuse Assembly	1
5	<u>1015914</u>	Rectifier with Heatsink Assembly	1
6	<u>1015917</u>	Bushing, AC Cord	1
7	<u>101828501</u>	Ammeter	1
8	<u>101828901</u>	Cord, DC, 113-Inch (287 cm)	1
9	<u>101828902</u>	Cord, DC, 154-Inch (391 cm)	1
10	<u>101831701</u>	Cord, AC, 80-Inch (203 cm), without Plug	1
11	<u>101831702</u>	Cord, AC, 118-Inch (300 cm), without Plug	1
12	<u>101838201</u>	Transformer, Export Battery Charger	1
13	<u>101838301</u>	Relay, Export Charger	1
14	<u>101838401</u>	Circuit Breaker	2
15	<u>101838501</u>	Kit, Wire Assembly	1
16	<u>101838601</u>	Four-Position Switch	1
17	<u>101838701</u>	Mounting Bracket, Relay	1
18	<u>101914401</u>	Assembly, Voltage Suppressor	1
19	N/A	Case, Charger	1
20	7577	Screw, #10 X 0.50 Phillips Pan-Head	10
<p>Note: Level 1 Battery Charger part numbers include one AC and one DC cord. They do not include all of the level 2 cords listed.</p>			

15

E



000353-002

POWERDRIVE BATTERY CHARGER (MODEL 20310), EUROPEAN

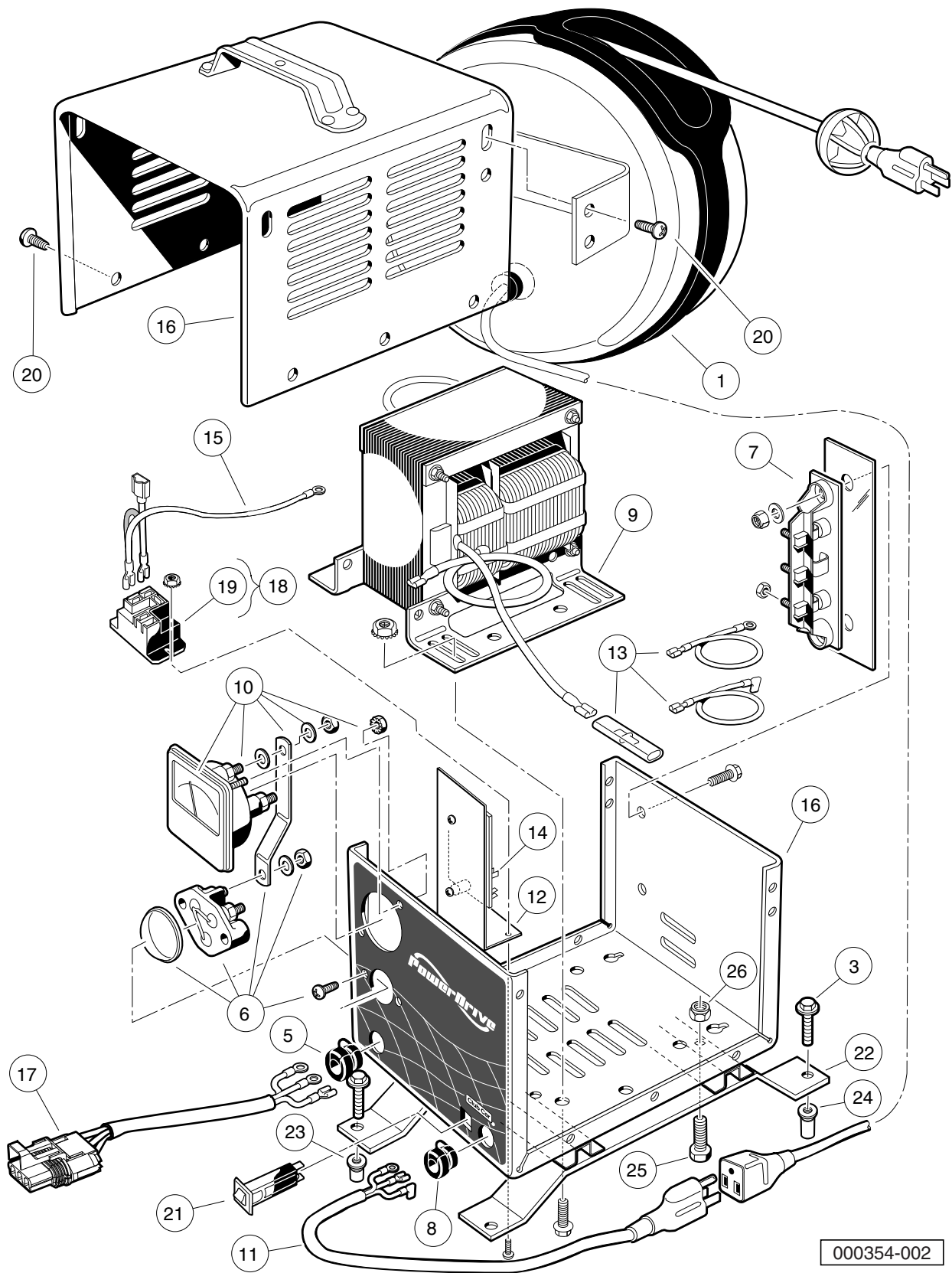
15

E

ITEM	PART NO.	DESCRIPTION	QTY
		1 2 3 4	
1	<u>101956201</u>	Battery Charger, 48-Volt w/ 4-Position Switch (8.5-ft DC)	1
2	<u>101956202</u>	Battery Charger, 48-Volt w/ 4-Pos. Switch (12-ft DC) (includes items 3 through 19)	1
3	<u>1012098</u>	Bushing, DC Cord	1
4	<u>1012101</u>	Fuse Assembly	1
5	<u>1015914</u>	Rectifier with Heatsink Assembly	1
6	<u>101828901</u>	Cord, DC, 113-Inch (287 cm)	1
7	<u>101828902</u>	Cord, DC, 154-Inch (391 cm)	1
8	101838401	Circuit Breaker	2
9	101838601	Four-Position Switch	1
10	101973501	Receptacle, AC Cord	1
11	101976601	Ammeter with Mounting Bracket	1
12	<u>101987501</u>	Relay	1
13	N/A	Wire, Jumper	1
14	N/A	Case, Charger	1
15	****	Transformer, European Battery Charger	1
16	****	Suppressor, AC Voltage	1
17	****	Assembly, Wire	1
18	N/A	Limiter, Current	1
19	7577	Screw, #10 X 0.50 Phillips Pan-Head	10
20	<u>101958201</u>	Cord, UK, AC, Battery Charger	1
21	101958301	Cord, European AC, Battery Charger	1
<p>**** Special order item available upon request.</p> <p>Note: Level 1 Battery Charger part numbers include one AC and one DC cord. They do not include all of the level 2 cords listed.</p>			

15

E



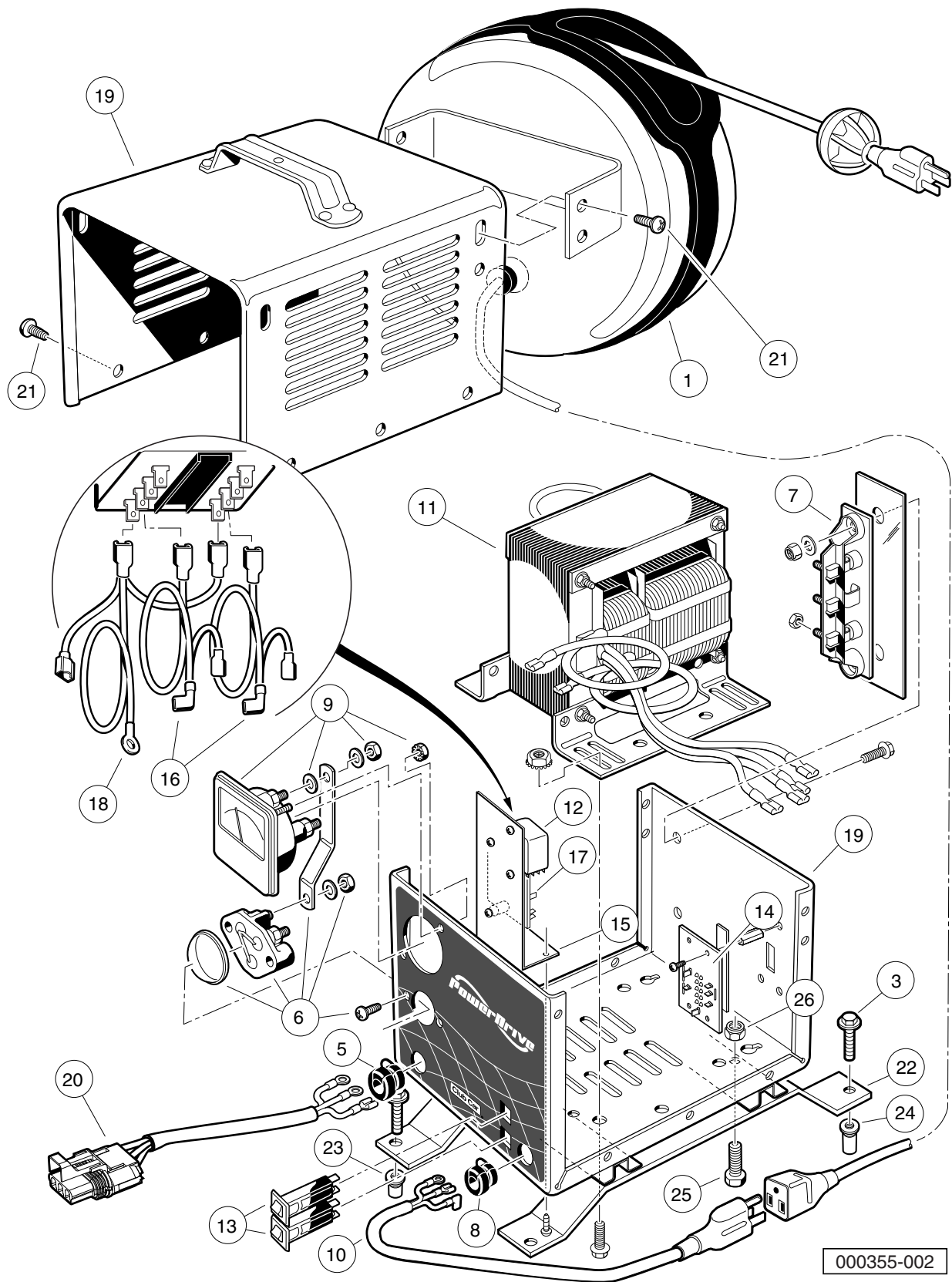
000354-002

ONBOARD POWERDRIVE BATTERY CHARGER (MODEL 17935-40), DOMESTIC

15

E

ITEM	PART NO.	DESCRIPTION	QTY
		1 2 3 4	
1	<u>1017187</u>	Retractable Cord Reel	1
2	<u>1017189</u>	Heat Shrink Tube 1.5" X 3"	1
3	<u>102541425</u>	Bolt, M6x1.0x25, Hex Flhd, Blk-l	4
4	<u>102546901</u>	Battery Charger, Onboard, PowerDrive, 48VDC, Domestic (includes items 5 through 21)	1
5	<u>1012098</u>	Bushing, DC Cord	1
6	<u>1012101</u>	Fuse Assembly	1
7	<u>1015914</u>	Rectifier with Heatsink Assembly	1
8	<u>1015917</u>	Bushing, AC Cord	1
9	<u>101819701</u>	Transformer, Battery Charger	1
10	<u>101828501</u>	Ammeter	1
11	<u>101829001</u>	Cord, AC, 22-Inch (56 cm)	1
12	<u>101838701</u>	Mounting Bracket, Relay	1
13	<u>101841701</u>	Kit, Wire Assembly	1
14	<u>101914401</u>	Assembly, Voltage Suppressor	1
15	N/A	Case, Charger	1
16	<u>102940801</u>	Cord, Dc	1
17	<u>103414901</u>	Kit, Relay, 48v 30a W/instr (includes item 18)	1
18	<u>103397901</u>	Relay, Spst No, 48v 30a, Pmt	1
19	<u>103869401</u>	Control Board, Potted	1
20	<u>7577</u>	Screw, #10 X 0.50 Phillips Pan-Head	12
21	<u>CCX8506</u>	Circuit Breaker, 15-Amp/120-Volt	1
22	<u>102547201</u>	Charger Support, Prec	2
23	<u>102551701</u>	Insert M6x1.0	2
24	<u>103339901</u>	Insert M6x1.0 Long	2
25	<u>7847</u>	Screw, 1/4-20 X 0.75 Hex-Head Cap	4
26	<u>8233</u>	Locknut, 1/4-20, Nylon Insert	4
27	<u>8990</u>	Tie Wrap, 8" Nylon	2
Note: Items 2 and 27 not shown. Note 2: For wire harness connecting charger to vehicle, see Electrical System section.			



000355-002

ONBOARD POWERDRIVE BATTERY CHARGER (MODEL 17790-40), INTERNATIONAL

15

E

ITEM	PART NO.	DESCRIPTION	QTY
		1 2 3 4	
1	<u>1017187</u>	Retractable Cord Reel	1
2	<u>1017189</u>	Heat Shrink Tube 1.5" X 3"	1
3	<u>102541425</u>	Bolt, M6x1.0x25, Hex Flhd, Blk-l	4
4	<u>102546902</u>	Battery Charger, Onboard, PowerDrive, 48VDC, International (includes items 5 through 21)	1
5	<u>1012098</u>	Bushing, DC Cord	1
6	<u>1012101</u>	Fuse Assembly	1
7	<u>1015914</u>	Rectifier with Heatsink Assembly	1
8	<u>1015917</u>	Bushing, AC Cord	1
9	<u>101828501</u>	Ammeter	1
10	<u>101829001</u>	Cord, AC, 22-Inch (56 cm)	1
11	<u>101838201</u>	Transformer, Export Battery Charger	1
12	<u>101838301</u>	Relay, Export Charger	1
13	<u>101838401</u>	Circuit Breaker	2
14	<u>101838601</u>	Four-Position Switch	1
15	<u>101838701</u>	Mounting Bracket, Relay	1
16	****	Kit, Wire Assembly	1
17	<u>101914401</u>	Assembly, Voltage Suppressor	1
18	N/A	Case, Charger	1
19	<u>102940801</u>	Cord, Dc	1
20	<u>103869401</u>	Control Board, Potted	1
21	<u>7577</u>	Screw, #10 X 0.50 Phillips Pan-Head	12
22	<u>102547201</u>	Charger Support, Prec	2
23	<u>102551701</u>	Insert M6x1.0	2
24	<u>103339901</u>	Insert M6x1.0 Long	2
25	<u>7847</u>	Screw, 1/4-20 X 0.75 Hex-Head Cap	4
26	<u>8233</u>	Locknut, 1/4-20, Nylon Insert	4
27	<u>8990</u>	Tie Wrap, 8" Nylon	2
<p>**** Special order item available upon request.</p> <p>Note: Items 2 and 27 not shown. Note 2: For wire harness connecting charger to vehicle, see Electrical System section.</p>			

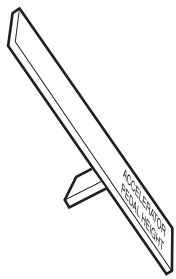
15

E

MAINTENANCE AND SERVICE TOOLS

16
G
E

16
G
E



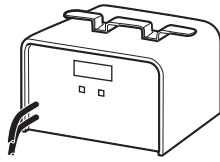
1



2



3



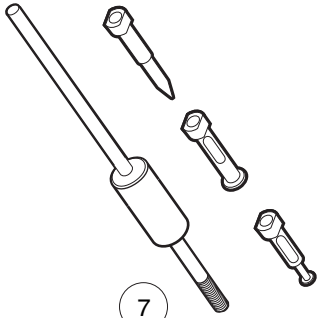
4



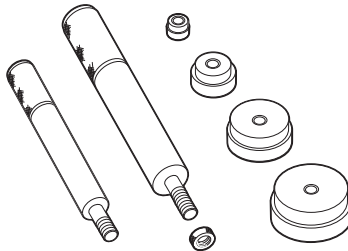
5



6



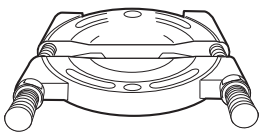
7



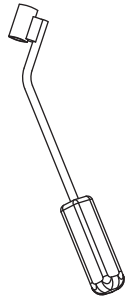
8



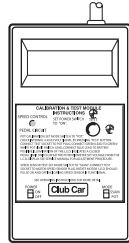
9



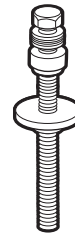
10



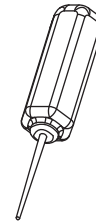
11



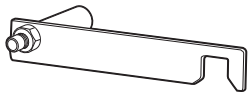
12



13



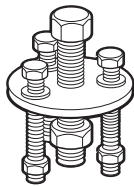
14



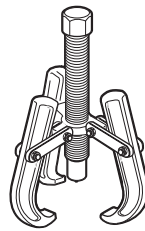
16



17



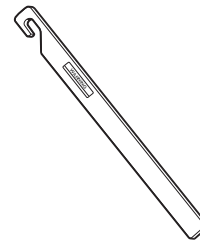
18



19



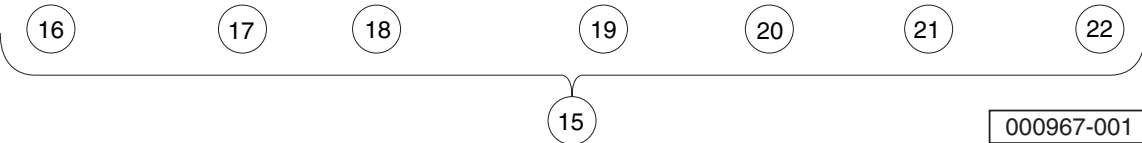
20



21



22



15

000967-001

MAINTENANCE AND SERVICE TOOLS – GOLF

ITEM	PART NO.	DESCRIPTION	QTY GAS	QTY ELEC
		<p>1 2 3 4</p> <p>The following tool list includes all tools available from Club Car for maintenance and service procedures for gasoline and electric golf cars, both past and present models. Be sure to carefully examine the tool list for applicability to your vehicle before ordering.</p>		
1	<u>101871001</u>	Accelerator Pedal Adjustment Tool	1	1
2	<u>101813202</u>	Adhesive, Guide Ring, 3-Gram Tube		1
3	<u>101641202</u>	Arbor	1	
4	<u>101831901</u>	Battery Discharge Machine, 36/48 Volt		1
5	<u>1014305</u>	Battery Terminal Protector Spray	1	1
6	<u>1011767</u>	Battery Thermometer	1	1
7	<u>1016417</u>	Bearing and Oil Seal Remover Assembly	1	1
8	<u>1016416</u>	Bearing Driver Set	1	1
9	<u>1012811</u>	Bearing Puller	1	1
10	<u>1012812</u>	Bearing Puller Wedge Attachment	1	1
11	<u>102555501</u>	Brake Cable Release Tool	1	1
12	<u>101887101</u>	Calibration Test Module		1
13	<u>101808401</u>	Cam Installation Tool	1	
14	<u>102562401</u>	Charger Bezel Tool		1
15	<u>1014510</u>	Clutch Tool Kit (includes items 16 - 22)	1	
16	<u>1014498</u>	Clutch Alignment Tool (for pre-unitized transaxle vehicles built prior to 1997 model year)	1	
17	<u>1014496</u>	Drive Clutch Puller (for Kawasaki engines only)	1	
18	<u>1014497</u>	Drive Clutch Hub Puller (for Kawasaki engines only)	1	
19	<u>1014508</u>	Driven Clutch Cam Puller (for Kawasaki engines only)	1	
20	<u>1014507</u>	Driven Clutch Puller Plug (for Kawasaki engines only)	1	
21	<u>1015524</u>	Drive Clutch Holder Tool Assembly (for Kawasaki engines only)	1	
22	<u>101809101</u>	Press Weldment (for Kawasaki engines only)	1	
		<p>Please refer to the maintenance and service manual for proper tool application.</p>		

16

G

E

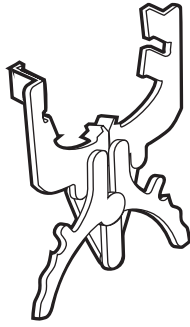
MAINTENANCE AND SERVICE TOOLS – GOLF, CONTINUED

ITEM	PART NO.	DESCRIPTION	QTY GAS	QTY ELEC	
		1 2 3 4			16
23	101831801	Communication Display Module		1	G
24	101641002	Compression Gauge and Adapter	1		E
25	1011273	Continuity Tester	1	1	
26	<u>1012151</u>	Dry Moly Lubricant	1	1	
27	<u>1016627</u>	Flywheel Puller Kit (for Kawasaki Engines)	1		
28	<u>1016418</u>	Gear Yoke	1	1	
29	<u>101933101</u>	Governor Shaft Installation Tool (for Kawasaki Engine Vehicles)	1		
30	<u>1011478</u>	Hydrometer	1	1	
31	<u>1013593</u>	Internal Retaining Ring Pliers	1	1	
32	<u>102248803</u>	IQ Display Module (IQDM) Kit (IQ System, Excel and IQ Plus vehicles)		1	
		(includes items 34 and 35)			
33	102248804	IQ Display Module (IQDM-P) Kit (IQ System, Excel and IQ Plus vehicles).....		1	
		(includes items 34 and 35)			
34	<u>102251501</u>	Adaptor, Cable		1	
35	<u>102241502</u>	IQDM Series 2 Cable		1	
36	<u>102241501</u>	IQDM Series 1 Cable (replacement)		1	
37	<u>101928701</u>	Liquid Gasket (transaxle case)	1	1	
38	<u>102243402</u>	Moly-Teflon Lubricant (4-oz. (113-gram) tube)		1	
39	<u>101997201</u>	Paint, Touch-Up – Beige*	1	1	
39	<u>101997207</u>	Paint, Touch-Up – Black*	1	1	
39	<u>101997212</u>	Paint, Touch-Up – Burgundy*	1	1	
39	<u>101997211</u>	Paint, Touch-Up – Classic Blue (Navy)*	1	1	
39	<u>101997205</u>	Paint, Touch-Up – Dark Gray*	1	1	
39	<u>101997209</u>	Paint, Touch-Up – Dark Green*	1	1	
39	<u>101997204</u>	Paint, Touch-Up – Gray*	1	1	
39	<u>101997203</u>	Paint, Touch-Up – Red*	1	1	
39	<u>101997206</u>	Paint, Touch-Up – Royal Blue (Pacific Blue)*	1	1	
39	<u>101997202</u>	Paint, Touch-Up – White*	1	1	
40	<u>102562301</u>	Paint, Precedent Underbody – Gray	1	1	
41	<u>102587201</u>	Paint Pen, Touch-Up, Precedent Underbody – Black	1	1	
		<p>Please refer to the maintenance and service manual for proper tool application.</p> <p>* Item 39 is not for use on Surlyn[®] body material, which is used on Precedent vehicles.</p>			

16
G
E



42



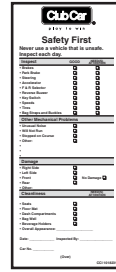
43



44



45



46



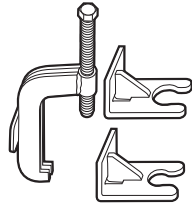
47



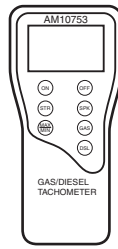
48



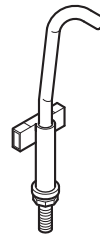
49



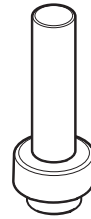
50



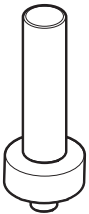
51



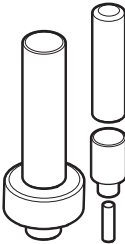
52



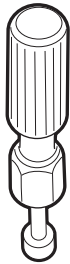
53



54



55



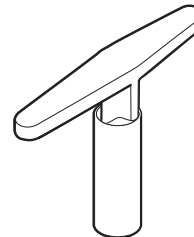
58



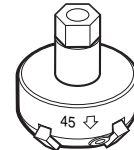
59



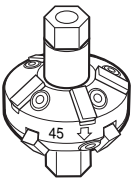
60



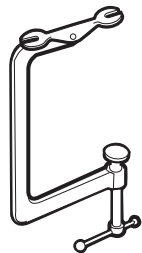
61



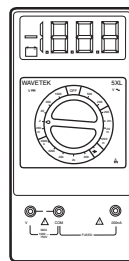
62



63



64



65

000969-001

MAINTENANCE AND SERVICE TOOLS – GOLF, CONTINUED

ITEM	PART NO.	DESCRIPTION	QTY GAS	QTY ELEC
		1 2 3 4		
42	<u>1016414</u>	Piston Ring Compressor Kit (FE290, FE350 and FE400 engines)	1	
43	<u>1016415</u>	Piston Ring Pliers (for Kawasaki Engines)	1	
44	<u>1012549</u>	Retaining Ring Pliers, 45° External	1	1
45	<u>1012560</u>	Retaining Ring Pliers, 90° Internal	1	1
46	<u>101823101</u>	Safety First Card (50 per pack)	1	1
47	<u>1012809</u>	Seal Puller	1	1
48	<u>1014264</u>	Steering Column Bearing Press Tool	1	1
49	<u>1014259</u>	Steering Column Retaining Ring Tool	1	1
50	102061201	Steering Wheel Puller Tool	1	1
51	<u>AM10753</u>	Tachometer (includes gasoline engine pick up lead only)	1	
52	<u>102570401</u>	Tool, Tensioning, Starter Generator (For Precedent vehicles)	1	
53	<u>1014162</u>	Transaxle Axle Seal Tool	1	
54	1014161	Transaxle Pinion Seal Tool	1	
55	<u>1014115</u>	Transmission Tool Kit	1	
56	<u>101611003</u>	Tune-Up Kit, DS (for FE290/350 Engines) (includes air filter, spark plug, oil filter, fuel filters) (not shown)	1	
57	<u>AM1220301</u>	Tune-Up Kit, Precedent (for FE290/350 Engines) (includes air filter, spark plug, oil filter, fuel filters) (not shown)	1	
58	<u>1016413</u>	Valve Clearance Adjuster Screw Holder (for FE290 engines only)	1	
59	101641201	Valve Guide Reamer (FE290, FE350, and FE400 only)	1	
60	<u>1016552</u>	Valve Seat Cutter Guide	1	
61	<u>1016551</u>	Valve Seat Cutter T-Wrench	1	
62	<u>1016553</u>	Valve Seat Cutter, 45° (32 mm diameter) (for FE290 engines only)	1	
63	<u>1016554</u>	Valve Seat Cutter, 45°/30° (35 mm diameter)	1	
64	<u>101641101</u>	Valve Spring Compressor	1	
65	1011480	Volt Ohm Meter	1	1
		Please refer to the maintenance and service manual for proper tool application.		

16

G

E

INDEX

Part Number and Page

AM10753	16-7	1012181	5-15, 5-17, 5-19	1014052	10-3
AM10079	6-3, 12-3	1012182	5-15, 5-17, 5-19	1014055	10-3
AM10080	11-5	1012285	8-13	1014056	10-3
AM10081	11-5	1012295	6-21	1014057	10-3
AM10419	10-5	1012431	6-11	1014058	10-3
AM1229401	5-3	1012505	6-3, 12-3	1014059	10-3
AM1232301	7-5	1012528	9-3, 12-39, 12-41	1014062	10-3
AM1263401	2-5	1012549	16-7	1014063	10-3
CCX8506	15-3, 15-5, 15-7, 15-13	1012560	16-7	1014065	6-11, 10-3
183	10-3, 11-3, 11-9	1012565	5-3, 5-5	1014070	10-5
332	9-3	1012566	5-3, 5-5	1014072	10-5
334	7-15, 10-3	1012571	1-23, 7-15	1014078	10-5
451	9-3, 13-3	1012594	6-11	1014080	10-5
705	7-15	1012649	8-3, 8-5	1014089	6-11
706	5-13	1012711	11-3	1014115	16-7
808	10-3	1012714	11-5	1014145	6-11
1241	6-19, 9-3	1012740	11-5	1014153	4-3
1242	4-5, 6-19, 6-21	1012741	11-5	1014161	16-7
1624	6-19	1012747	11-5	1014162	16-7
7174	6-19, 8-13, 9-3	1012748	11-5	1014201	13-3
7310	2-3, 2-5	1012752	11-3	1014207	11-7
7330	11-7, 14-3	1012809	16-7	1014259	16-7
7335	11-5, 14-3	1012811	16-3	1014264	16-7
7336	14-3	1012812	16-3	1014287	10-3
7577	15-7, 15-9, 15-11, 15-13, 15-15	1012830	6-19, 8-13, 9-3	1014288	10-3
7847	9-3, 15-13, 15-15	1012836	10-5	1014304	12-27, 12-29, 12-31, 12-33
7893	6-21	1012896	11-3	1014305	16-3
8057	6-11	1012987	6-11	1014375	6-21
8058	6-11	1013061	11-3, 11-9	1014413	1-13, 8-15
8233	11-3, 11-9, 15-13, 15-15	101313402	8-7	1014453	10-3
8450	10-3	1013164	5-15, 5-17, 5-19	1014454	10-5
8639	12-27, 12-29, 12-31, 12-33	1013589	6-11	1014496	16-3
8717	6-11, 11-3, 11-9	1013590	6-11	1014497	16-3
8745	5-13	1013591	6-11	1014498	16-3
8754	6-19	1013593	16-5	1014507	16-3
8990	12-43, 15-13, 15-15	1013609	6-21	1014508	16-3
1010145	5-15, 5-17, 5-19	1013687	8-3, 8-5	1014510	16-3
1010434	1-19, 1-21, 1-31, 1-33, 1-35, 1-37, 1-39, 4-7, 4-9, 4-11, 4-13, 12-31, 12-33	1013700	8-13	1014523	8-3
1010577	7-15	1013734	9-3, 12-39, 12-41	1014524	8-3
1010829	4-5	1013746	8-3, 8-5, 8-11	1014555	5-15, 5-17, 5-19, 12-27, 12-29, 12-31, 12-33
1010954	6-11, 11-3, 11-9	1013760	11-3	1014727	6-11
1010984	2-3	1013768	11-7	1014807	6-11
1011273	16-5	1013769	11-7	1014902	1-35, 1-37, 1-39, 5-19
1011291	11-7	1013770	11-7	1014947	12-39, 12-41
1011415	5-15, 5-17, 5-19	1013771	11-7	1015064	6-11
1011478	16-5	1013772	11-7	1015137	8-3, 8-5, 8-11
1011480	16-7	1013773	11-7	1015139	8-3, 8-5
1011697	5-3, 7-15, 8-11, 8-13	1013774	11-7	1015143	8-3, 8-5
1011767	16-3	1013787	11-7	101524002	6-19
1012098	15-3, 15-5, 15-7, 15-9, 15-11, 15-13, 15-15	1013792	11-7	1015332	7-3
1012101	15-7, 15-9, 15-11, 15-13, 15-15	1013794	11-7, 14-3	1015524	16-3
1012151	16-5	1013924	4-3, 7-15	1015649	7-3
1012180	5-15, 5-17	1014007	11-3, 11-9	1015814	9-3
		1014049	10-3	101584502	8-13
		1014050	10-3	1015914	15-3, 15-7, 15-9, 15-11, 15-13, 15-15
		1014051	10-3		

INDEX

1015917	15-7, 15-9, 15-13, 15-15	1016486	8-9	1016851	6-3, 12-3
1015932	6-19	1016489	7-9	1016883	6-19
1015969	7-3	101649002	8-11	1016904	7-9, 9-3
1016074	6-19	1016494	7-11	101705701	1-35, 1-37, 1-39, 3-9
1016103	8-11	1016496	7-11	1017082	11-3, 11-9
101611003	16-7	1016499	8-9	1017187	15-13, 15-15
1016154	5-3, 5-5	1016501	8-9	1017189	15-13, 15-15
101615602	5-5	1016502	7-7	1017231	11-3
1016201	10-3	1016506	7-11	1017235	1-35, 1-37, 1-39, 5-19
1016203	10-3	1016507	7-3	1017434	7-9
1016214	5-3, 5-5	1016510	7-11	1017442	7-7
1016219	5-5	1016513	11-3	1017444	7-9
1016289	10-3	1016517	7-9	1017445	7-9
1016337	11-5	1016519	7-9	1017448	7-5
1016338	11-5	1016521	7-11	101744901	7-13
101641002	16-5	1016531	7-3	101744902	7-13
101641101	16-7	1016535	7-11	1017450	7-13
101641201	16-7	1016537	7-7	101745101	7-13
101641202	16-3	1016538	7-11	101745102	7-13
1016413	16-7	1016539	7-3	1017453	7-13
1016414	16-7	1016541	7-13	1017454	7-9
1016415	16-7	1016542	7-9	1017455	7-5
1016416	16-3	1016544	7-5, 7-9, 7-11	1017456	7-7
1016417	16-3	1016545	7-9	101745701	7-13
1016418	16-5	1016546	8-13	101745702	7-13
101642580	8-9	1016547	7-3, 7-13, 8-11	1017458	7-7
101642582	8-9	1016549	7-9	1017460	7-7
101642585	8-9	1016551	16-7	1017461	8-9
1016429	7-7	1016552	16-7	1017463	7-5
1016432	7-7, 11-3	1016553	16-7	1017466	8-11
1016436	7-9	1016554	16-7	1017471	7-13
1016437	8-9	1016560	7-9	1017472	7-11
1016438	8-11	1016561	7-5	1017473	7-9
1016440	7-9, 8-11	1016562	7-5, 7-13	1017474	7-3
1016441	8-11	1016563	7-9	1017475	7-3
1016444	8-11	1016564	7-11	1017476	7-3
1016449	7-9	1016566	7-9	1017486	7-3
1016450	7-9	1016569	7-9	1017487	7-11
1016451	7-9	1016570	7-7	1017490	7-5
1016452	7-9	1016571	7-13	1017501	7-13
1016453	7-11	1016572	8-11	1017502	7-13
1016454	7-11	1016576	7-7	1017503	7-13
1016455	7-5	1016578	7-5	1017504	7-11
1016456	7-3	1016581	7-7	1017507	7-7
1016457	7-7	1016582	8-11	1017508	7-11
1016458	7-9	1016583	7-9	1017510	7-13
1016467	7-7	1016584	7-11	1017512	7-13
1016470	7-13	1016585	8-9	1017513	7-11
1016472	7-11	1016587	7-5	1017514	7-11
1016473	7-7	1016588	7-5	101751801	7-11
1016474	7-9	1016627	16-5	101751802	7-11
1016479	7-9	1016630	6-3	101751803	7-11
1016480	8-11	1016663	5-5	1017686	10-5
101648102	8-11	1016672	11-7	1017689	9-3
101648203	7-7	1016801	10-3	101769302	2-3
1016483	7-9	1016849	6-3, 12-3	101773301	7-13

INDEX

101773302	7-13	101833902	10-3	101906901	14-3
101773303	7-13	101834001	10-5	101908401	12-25
101773304	7-13	101834502	6-3, 12-3	101908701	12-39, 12-41
101773305	7-13	101834601	7-15	101910501	11-7
101773306	7-13	101834801	11-3, 11-9	101914401	15-7, 15-9, 15-13, 15-15
101773307	7-13	101836201	10-5	101916101	7-3
101773308	7-13	101837301	6-19	101916301	7-5
101773309	7-13	101838201	15-9, 15-15	101916701	6-19, 10-3
101773310	7-13	101838301	15-9, 15-15	101920101	12-7, 13-3
101773311	7-13	101838401	15-9, 15-11, 15-15	101922101	14-3
101791101	4-3	101838501	15-9	101922201	14-3
101797701	12-27, 12-31	101838601	15-9, 15-11, 15-15	101923001	14-3
101797801	12-27, 12-29, 12-31, 12-33	101838701	15-9, 15-13, 15-15	101923201	14-3
101802201	15-7	101841701	15-13	101923501	14-3
101802202	15-7	101851101	6-3, 12-3	101923901	14-3
101802203	15-7	101856001	12-25	101925601	10-3
101808401	16-3	101856201	1-13, 8-15	101926901	11-3
101809101	16-3	101865805	12-31, 12-33	101927101	11-3
101811401	1-13, 8-15	101871001	16-3	101927201	11-3
101813202	16-3	101884801	7-15	101927301	11-3
101815501	4-3	101886101	11-3, 11-9	101927501	11-5
101815502	4-3	101887101	16-3	101927601	11-5
101816501	4-3	101887601	7-3, 8-11	101927701	11-5
101816502	4-3	101889401	11-5	101927901	11-5
101819701	15-7, 15-13	101890001	11-5	101928001	11-5
101820201	8-11	101890101	11-3	101928101	11-5
101823101	16-7	101890201	11-3	101928301	11-7
101823201	4-3	101890501	11-3	101928601	11-3
101823801	4-3	101890601	11-3	101928701	11-3, 14-3, 16-5
101823901	4-3	101890901	11-7	101929802	10-3
101824401	8-3, 8-5	101891001	11-7	101933101	16-5
101825101	3-3, 3-5	101891301	11-3	101936801	12-7
101827101	7-15	101891401	11-7	101942301	13-3
101828301	15-7	101891501	11-7	101956201	15-11
101828501	15-7, 15-9, 15-13, 15-15	101891601	11-5	101956202	15-11
101828801	15-7	101891901	11-5	101958201	15-11
101828802	15-7	101892001	11-5	101958301	15-11
101828901	15-7, 15-9, 15-11	101892201	11-5	101960501	3-3
101828902	15-7, 15-9, 15-11	101892301	11-5	101963401	7-15
101828903	15-7	101892401	11-5	101964201	12-29, 12-33
101829001	15-13, 15-15	101892501	11-5	101972001	16-5
101830701	6-3, 12-3	101892601	11-5	101972002	16-5
101831101	15-7	101892701	11-7	101972003	16-5
101831503	15-9	101892901	11-3	101972004	16-5
101831504	15-9	101893201	11-5	101972005	16-5
101831701	15-9	101893801	11-3	101972006	16-5
101831702	15-9	101893901	11-5	101972007	16-5
101831801	16-5	101895401	14-3	101972009	16-5
101831901	16-3	101895501	14-3	101972011	16-5
101832001	12-27, 12-29, 12-31, 12-33	101897001	14-3	101972012	16-5
101832202	8-13	101897201	14-3	101972101	14-3
101832302	8-13	101897401	14-3	101972201	14-3
101832701	7-15	101897601	14-3	101973101	8-9
101833101	7-15	101898001	6-21	101973301	8-9
101833401	10-5	101903601	14-3	101973401	8-11
101833601	11-3	101903701	14-3	101973501	15-11

INDEX

101976601	15-11				
101979101	6-11				
101980801	11-5				
101980901	11-5				
101981001	11-5				
101987501	15-11				
102003201	8-3, 8-5				
102022601	5-9				
102031901	11-7				
102061201	16-7				
102065901	7-15				
102155801	10-5				
102186001	13-3				
102186101	13-3				
102186201	13-3				
102186401	13-3				
102186701	13-3				
102186901	13-3				
102187101	13-3				
102187201	13-3				
102196901	12-3				
102235201	13-3				
102240501	12-39, 12-41				
102241501	16-5				
102241502	16-5				
102242101	10-5				
102243402	16-5				
102243403	13-3				
102248803	16-5				
102248804	16-5				
102251501	16-5				
102273701	15-3, 15-5				
102273801	15-3, 15-5				
102273901	15-3, 15-5				
102279001	1-23, 1-25				
102279104	1-23, 1-25				
102287101	5-11				
102287601	5-11				
102287701	5-11				
102288101	5-11, 5-13				
102288201	5-13				
102288401	5-13				
102288601	5-9				
102288901	5-11				
102289001	5-9				
102289101	5-13				
102289201	5-13				
102289401	5-11				
102289501	5-11, 5-13				
102289601	5-11				
102289701	5-11				
102289801	5-13				
102289901	5-11				
102290120	5-7				
102292201	4-7, 4-9, 4-11, 4-13				
102292356	1-9, 1-11, 12-27, 12-29, 12-31,				
		12-33			
102292701	1-11, 1-23, 1-25				
102292801	4-5				
102296020	1-5, 5-3, 6-21, 8-3, 8-5, 8-15				
102296040	6-11, 6-21				
102296140	1-27, 1-29				
102296401	1-27, 1-29				
102296530	1-19, 1-21, 1-31, 1-35, 1-37, 1-39				
102296601	1-23, 1-25				
102296716	12-39, 12-41				
102296819	1-9				
102296920	6-11, 12-25				
102297001	1-9				
102297125	1-19, 8-15				
102297230	1-21, 1-23, 1-25				
102297901	4-5				
102298020	1-11, 12-27, 12-29, 12-31, 12-33,				
	12-39, 12-41				
102298030	1-13, 1-15, 1-23, 1-25, 1-31, 4-7, 4-9,				
	4-11, 4-13				
102298116	5-7				
102298130	5-7				
102298170	5-15, 5-17, 5-19				
102298185	5-15, 5-17, 5-19				
102298240	1-19, 1-21, 1-23, 1-25, 1-31				
102298401	1-3, 1-27, 1-29, 5-15, 5-17, 5-19				
102298580	1-23, 1-25				
102298601	1-23, 1-25, 1-33				
102298716	1-11, 1-23, 1-25				
102298720	1-31, 1-33, 1-35, 1-37, 1-39				
102298745	1-33, 1-35, 1-37, 1-39				
102299065	1-7, 1-27, 1-29				
102299360	1-27, 1-29				
102299601	1-27, 1-29				
102336001	8-13				
102353201	5-13				
102353301	5-13				
102353401	5-13				
102355301	6-21				
102356601	14-3				
102356801	14-3				
102357001	14-3				
102357701	5-13				
102400002	1-27, 1-29				
102400102	1-27, 1-29				
102400202	1-7				
102400302	1-7				
102430901	7-13				
102453001	11-5				
102453101	11-5				
102491501	12-27, 12-29, 12-31, 12-33				
102500501	1-23, 1-25				
102500601	1-23, 1-25				
102500801	4-7, 4-9, 4-11, 4-13				
102501402	1-23, 1-25				
102501501	1-5				
102502301	1-23, 1-25				
102502302	1-23, 1-25				
102502304	1-23, 1-25				
102502305	1-23, 1-25				
102502306	1-23, 1-25				
102502307	1-23, 1-25				
102502308	1-23, 1-25				
102502309	1-23, 1-25				
102502311	1-23, 1-25				
102502313	1-23, 1-25				
102502401	1-5				
102502402	1-5				
102502404	1-5				
102502405	1-5				
102502406	1-5				
102502407	1-5				
102502408	1-5				
102502409	1-5				
102502411	1-5				
102502413	1-5				
102502501	1-5				
102502601	1-5				
102502901	1-23, 1-25				
102503001	1-23, 1-25				
102503221	1-19, 1-21, 1-31, 1-35				
102503222	1-19, 1-21, 1-31, 1-37				
102503224	1-19, 1-21, 1-31, 1-39				
102503225	1-19, 1-21, 1-31				
102503901	1-19				
102504001	1-19, 1-21				
102504201	1-19, 1-21				
102504301	1-19, 1-21				
102504501	1-19				
102504802	1-11				
102505701	5-11				
102506201	5-15, 5-17, 5-19				
102506301	5-15, 5-17, 5-19				
102506401	5-15, 5-17, 5-19				
102506601	5-15, 5-17, 5-19				
102508202	1-15				
102508401	12-25				
102508601	12-3				
102508701	12-3				
102508901	1-29				
102508902	1-27				
102509301	5-17				
102510001	12-3				
102511101	12-25				
102511601	1-29				
102511602	1-27				
102511702	1-13				
102512001	6-11				
102512401	1-27, 1-29				
102513001	5-15				
102513301	1-27, 1-29				
102513501	1-27, 1-29				

INDEX

102513701	8-3, 8-5	102545601	1-23	102575201	1-31, 1-35, 1-37, 1-39
102514201	8-3, 8-5	102545602	1-23	102584701	1-33, 1-35, 1-37, 1-39
102514401	1-13, 8-15	102546901	15-13	102584801	1-33, 1-35, 1-37, 1-39
102514602	6-11	102546902	15-15	102585901	9-3
102514701	8-3, 8-5	102547201	15-13, 15-15	102587201	16-5
102515001	6-3, 6-9	102551701	1-19, 1-21, 15-13, 15-15	102588301	8-15
102515101	6-3	102551901	4-5	102588501	5-15, 5-17, 5-19
102515301	6-11	102552001	4-5	102588601	5-11
102515401	11-3, 11-9	102554901	6-11	102590001	12-11, 12-15
102515501	6-11	102555501	16-3	102591901	3-7
102515601	6-11	102555901	3-5	102594301	4-5
102516901	1-15	102556701	2-5	102594801	4-7, 4-9, 4-11, 4-13
102517001	1-19, 1-21	102556801	2-5	102594901	4-7, 4-9, 4-11, 4-13
102517801	3-3	102557201	1-9	102595015	4-7
102517901	3-3	102557801	2-3	102595021	4-9, 4-11
102518001	3-5	102558201	8-15	102595101	8-13
102519201	3-3	102558301	8-15	102595201	4-7, 4-9, 4-11, 4-13
102519301	3-3, 3-5	102558401	8-15	102595301	4-7, 4-9, 4-11, 4-13
102520701	1-29	102558501	8-15	102595401	4-7, 4-9, 4-11, 4-13
102520702	1-27	102558601	8-15	102595502	4-7, 6-5
102521301	8-15	102558701	8-15	102595601	12-5
102521401	8-15	102559401	4-7, 4-9, 4-11, 4-13	102595701	4-7, 4-9, 4-11, 4-13
102521901	1-11	102559701	4-7, 4-9, 4-11, 4-13	102595901	4-7, 4-9, 4-11, 4-13
102522601	2-3	102559901	2-3	102596001	4-7, 4-9, 4-11, 4-13
102522604	2-3	102562101	1-23	102596211	4-13
102522605	2-3	102562301	16-5	102596301	4-9, 4-11, 4-13
102522609	2-3	102562401	16-3	102628201	6-17
102522901	6-3, 12-3	102562701	1-17	102704701	13-3
102531001	1-33, 1-35, 1-37, 1-39	102562801	1-17	102704801	13-3
102531402	1-33, 1-35, 1-37, 1-39	102562901	1-17	102704901	13-3
102531501	1-31, 1-35, 1-37, 1-39	102563101	12-7	102711001	6-17
102531601	1-33, 1-35, 1-37, 1-39	102564901	5-9	102751601	8-3, 8-5
102531701	1-31, 1-35	102565101	5-9	102753401	7-9
102531702	1-31, 1-37	102565201	5-9	102771701	14-3
102531704	1-31, 1-39	102565301	5-9	102803301	6-21
102534201	1-3, 1-33, 1-35, 1-37, 1-39	102565401	5-9	102806201	12-39
102534404	1-5	102565701	5-9	102806203	12-39
102534801	1-35, 1-37, 1-39, 5-19	102565801	5-9	102838401	7-5
102536601	6-3, 12-3	102565901	5-9	102838701	6-17
102536602	6-3	102566001	5-9	102838801	6-17
102536603	12-3	102566101	5-9	102838901	6-17
102536604	6-3	102568701	1-19, 1-21	102839001	6-17
102536605	12-3	102569304	2-3	102839301	6-17
102537801	5-3	102569309	2-3	102841101	6-17
102538101	3-3, 5-3	102570401	16-7	102844401	6-17
102538201	3-5, 5-3	102570901	1-35	102844601	6-17
102538601	12-25	102570902	1-37	102844701	6-17
102540301	7-15	102570904	1-39	102865101	8-3, 8-5
102540601	2-5	102571202	12-31, 12-33	102878201	5-13
102540701	2-5	102571301	5-3	102886301	14-3
102540801	5-3	102572201	1-31, 1-35, 1-37, 1-39	102886401	14-3
102540901	3-3	102572401	12-3	102886501	14-3
102541425	1-31, 1-35, 1-37, 1-39, 15-13, 15-15	102573101	1-31, 1-35, 1-37, 1-39	102886601	14-3
102543902	1-7	102574801	1-31, 1-35, 1-37, 1-39	102896801	11-9
102544201	1-7, 1-27, 1-29	102574901	1-31, 1-35, 1-37, 1-39	102896901	11-9
102544901	1-35, 1-37, 1-39, 5-19	102575101	1-31, 1-35, 1-37, 1-39	102897201	11-11

INDEX

102897301	11-11	102915601	1-9	103397901	15-7, 15-13
102897401	11-9	102940801	15-13, 15-15	103402701	1-9
102897501	11-9	102952202	8-3, 8-5	103403402	12-41
102897601	11-9	102956201	5-11, 5-13	103403501	12-23
102897701	11-11	102958001	12-35, 12-37	103414901	15-7, 15-13
102897801	11-9	102967901	1-23, 1-25, 8-7	103421801	12-11, 12-15, 12-19, 12-23
102897901	11-9	103010101	8-5	103423001	1-17
102898001	11-11	103196001	1-27, 1-29	103423002	1-17
102898101	11-11	103199301	1-27, 1-29	103423004	1-17
102898201	11-9	103200301	1-27, 1-29	103428501	15-3, 15-5
102898301	11-11	103205101	1-27, 1-29	103428601	15-3, 15-5
102898401	11-11	103209501	5-7	103428701	15-3, 15-5
102898501	11-11	103210101	1-27, 1-29	103428801	15-3
102898601	11-11	103226201	12-35	103429001	15-3, 15-5
102898701	11-11	103226301	12-35	103429101	15-3, 15-5
102898801	11-11	103226401	12-35	103429201	15-3, 15-5
102898901	11-11	103226601	12-35	103429301	15-3, 15-5
102899001	11-11	103226701	12-35	103429501	15-3, 15-5
102899101	11-9	103325001	1-3	103429601	15-3
102899201	11-9	103327601	1-19, 1-21	103429701	15-3, 15-5
102899301	11-11	103327901	12-7	103434001	15-3, 15-5
102899401	11-9	103330601	1-3	103439901	15-3, 15-5
102899501	11-11	103339901	15-13, 15-15	103447901	1-17
102899601	11-11	103345701	10-3	103449501	12-43
102899701	11-9	103347101	6-17	103449601	12-43
102899801	11-9	103347301	6-17	103452001	8-7
102899901	11-11	103347601	6-17	103458601	2-3
102900001	11-9	103347701	6-17	103459101	2-3
102900101	11-9	103347801	6-17	103470701	8-3, 8-5
102900201	11-9	103347901	6-17	103483101	4-3
102900301	11-9	103357701	12-27, 12-29, 12-31, 12-33	103483102	4-3
102900401	11-11	103367901	12-39, 12-41	103483201	4-3
102900501	11-11	103368301	12-27, 12-29, 12-31, 12-33	103483401	4-3
102900601	11-9	103368401	12-27, 12-29, 12-31, 12-33	103483601	4-3
102900701	11-11	103372101	8-3, 8-5	103483701	4-3
102900801	11-13	103372401	8-7	103496801	6-21
102900901	11-9	103372502	8-7	103496901	12-11
102901001	11-11	103372603	8-7	103499101	15-3
102901101	11-11	103374801	12-27, 12-29, 12-31, 12-33	103499102	15-3
102901201	11-13	103374901	12-15	103499103	15-3
102901301	11-13	103375301	12-27, 12-29, 12-31, 12-33	103510602	12-37
102901401	11-13	103375501	12-27, 12-29, 12-31, 12-33	103513001	15-5
102901501	11-13	103375702	12-11, 12-15, 12-19, 12-23	103514801	12-19
102901601	11-13	103376001	12-27, 12-29, 12-31, 12-33	103517401	15-5
102901701	11-13	103379601	6-11	103528701	4-5
102901801	11-13	103380201	4-3	103528702	4-5
102901901	11-13	103380202	4-3	103535001	4-5
102902001	11-13	103384601	3-7	103536501	6-15
102902101	11-13	103384701	3-7	103572501	13-3
102902201	11-13	103384801	3-7	103615601	7-9
102902301	11-13	103386201	7-3	103615801	7-13
102902401	11-13	103388501	5-11	103615901	7-9, 7-11
102902501	11-13	103395401	12-35	103616401	7-11
102902601	11-13	103395501	12-35	103616501	7-5
102902701	11-13	103395505	12-37	103616601	7-5
102902801	11-13	103395701	12-35	103616701	7-5

INDEX

- 103616901 8-9
103638601 5-13
103638701 5-13
103638702 5-13
103638801 5-13
103639401 12-39, 12-41
103647401 12-27, 12-29, 12-31, 12-33
103647402 12-27, 12-29, 12-31, 12-33
103647403 12-27, 12-29, 12-31, 12-33
103677401 1-25
103677402 1-25
103678001 1-11
103678101 1-11
103682701 12-7
103683001 1-11
103683101 12-7
103694501 2-3
103695801 12-27, 12-31
103699401 1-21
103702601 12-39, 12-41
103702602 12-39, 12-41
103702603 12-39, 12-41
103702604 12-39, 12-41
103711001 5-13
103717001 15-5
103717002 15-5
103717003 15-5
103719701 12-27, 12-31
103719801 12-29, 12-33
103720201 1-21
103744901 12-7
103745001 12-7
103756401 8-7
103760701 12-5
103765601 12-27, 12-31
103774701 12-37
103777601 4-7, 4-9, 4-11, 4-13, 6-5
103779601 15-5
103781101 8-5
103793001 12-27, 12-31
103869401 15-13, 15-15
103878401 12-27, 12-29, 12-31, 12-33
103930201 12-27, 12-31
96704416 7-15
- A**
- A-arm, three-piece 5-11
absorber, front shock 5-11
absorber, rear shock 5-15, 5-17, 5-19
AC cord 15-3, 15-5, 15-7, 15-9, 15-11, 15-13, 15-15
AC cord bushing 15-3, 15-5
AC cord receptacle 15-11
accelerator cable 8-13
accelerator pedal 4-7, 4-9, 4-11, 4-13, 6-5
accelerator pedal adjustment tool 16-3
- access panel 1-23, 1-25
adapter
 cable (IQDM) 16-5
 MCOR 12-7
adhesive, guide ring 16-3
air filter 8-15
air filter canister evacuation valve 8-15
air intake assembly 8-15
air intake cover 8-15
air intake hose 8-15
AM1220301 16-7
ammeter 15-3, 15-5, 15-7, 15-9, 15-11, 15-13, 15-15
arbor 16-3
arm
 governor 11-3, 11-9
 pivot 11-3
 rocker 7-9
armature 13-3
armrest 1-17
armrest 4 pass 1-31, 1-35, 1-37, 1-39
assembly
 axle 11-7
 brake lever 4-3
 brush holder 6-17
 connecting rod 7-13
 cylinder head 7-9
 drive hub 10-3
 driven clutch 10-5
 driven clutch fixed-face 10-5
 float 8-9
 frame and field (motor) 13-3
 fuel cap 8-3, 8-5
 fuel pump 8-5
 fuel tank vent 8-3, 8-5
 governor 11-5, 11-11
 idle screw 8-9
 moveable-face 10-3, 10-5
 pilot air screw 8-9
 plug cap 7-5
 score card plate 5-5
 secondary clutch weight 10-3
axle 11-3, 11-7, 11-13, 14-3
axle shaft oil seal 11-7, 11-13, 14-3
axle tube 11-7, 11-13, 14-3
- B**
- backing plate, brake 4-3
backrest, beige 1-19, 1-21, 1-31, 1-35
backrest, black 1-19, 1-21, 1-31
backrest, gray 1-19, 1-21, 1-31, 1-39
backrest, white 1-19, 1-21, 1-31, 1-37
bag hoop 1-19, 1-21
bag strap 1-19, 1-21
bag strap buckle 1-19, 1-21
ball bearing 5-9, 6-17, 7-11
ball joint 5-9
ball stud 6-11, 11-3, 11-9
ball, shifter 11-5
ball, steel pressure relief 7-7
bar, drive 12-7
barb, vent 8-3, 8-5
barrel, plastic 1-19, 1-21, 1-31, 1-33, 1-35, 1-37, 1-39, 4-7, 4-9, 4-11, 4-13, 12-31, 12-33
battery
 12-volt, side-post 6-21
 8-volt, 8VGCXC 12-27, 12-31
 8-volt, CR165 12-27, 12-31
 8-volt, CR190 12-29, 12-33
 8-volt, GC8 12-27, 12-31
 8-volt, T875 12-27, 12-31
 8-volt, Trojan T890 12-29, 12-33
battery bucket 12-27, 12-29, 12-31, 12-33
battery cap, 8-volt 12-27, 12-29, 12-31, 12-33
battery charger 15-3, 15-5, 15-7, 15-9, 15-11
battery charger case 15-3, 15-5, 15-7, 15-9, 15-11, 15-13, 15-15
battery charger transformer 15-5, 15-7, 15-9, 15-11, 15-13, 15-15
battery charger wire harness
 onboard 12-11, 12-15, 12-19, 12-23
battery charger, onboard, 48-volt 15-13
battery charger, onboard, international 15-15
battery clamp 6-21
battery cross rod tube 12-27, 12-29, 12-31, 12-33
battery discharge machine 16-3
battery hold-down 12-27, 12-29, 12-31, 12-33
battery light 12-3
battery terminal protector spray 16-3
battery thermometer 16-3
bead, ferrite 12-43
beam, rear bumper 1-23, 1-25
bearing 14-3
 ball 5-9, 6-17, 7-11
 ball (motor) 13-3
 cage roller 11-11
 idler 10-3
 inner axle tube 11-7, 14-3
 needle 11-5
 outer axle tube 11-7
bearing and oil seal remover 16-3
bearing driver set 16-3
bearing puller 16-3
bearing puller wedge 16-3
beauty panel, front 1-5
beauty panel, rear 1-23, 1-25
bellows, steering 5-9
belt, drive 10-3
belt, starter/generator 6-19, 10-3
belt, V 6-19, 10-3
bezel, FNR 6-11

INDEX

- body kick plate (ele) 1-15
 - body kick plate (gas) 1-13
 - body, rear 1-23, 1-25
 - body, under 1-23, 1-25
 - bolt
 - battery, "S" hold-down 12-27, 12-29, 12-31, 12-33
 - bolt, U- 1-35, 1-37, 1-39, 5-19
 - boot, switch 12-25
 - bottom, seat, beige 1-17
 - bottom, seat, gray 1-17
 - bottom, seat, white 1-17
 - box
 - differential 11-13
 - bracket
 - accelerator cable 8-13
 - adjustable starter/generator 6-19
 - bumper, drv 1-25
 - bumper, pas 1-25
 - canopy support 1-27, 1-29
 - canopy support, drv 1-23, 1-25
 - canopy support, pas 1-23, 1-25
 - carbon canister 8-7
 - clamshell 1-11
 - equalizer 4-5
 - governor cable 8-13
 - jounce bumper 1-35, 1-37, 1-39, 5-19
 - muffler mounting 9-3
 - oil filter mount 7-7
 - oil level switch 7-11
 - relay mounting 15-9, 15-13, 15-15
 - seat bottom hinge 1-17
 - seat support, 4 pass, drv 1-31, 1-35, 1-37, 1-39
 - seat support, 4 pass, pas 1-31, 1-35, 1-37, 1-39
 - shock mounting, drv 5-15, 5-17, 5-19
 - shock mounting, pas 5-15, 5-17, 5-19
 - snubber 7-15
 - starter/generator mounting 6-19
 - throttle spring return 8-11
 - brake adjusting mechanism 4-3
 - brake backing plate 4-3
 - brake cable 4-5
 - brake cable release tool 16-3
 - brake cluster 4-3
 - brake drum 4-3
 - brake lever 4-3
 - brake pedal 4-7, 4-9, 4-11, 4-13
 - brake rod 4-7, 4-9, 4-11, 4-13
 - brake self-adjusting mechanism 4-3
 - brake shoe 4-3
 - brake spring 4-3
 - breaker, circuit 15-3, 15-5, 15-7, 15-9, 15-11, 15-13, 15-15
 - breather 11-3, 11-9, 14-3
 - brow 1-5
 - brow cap 1-5
 - brush 13-3
 - brush box assembly 13-3
 - brush cover kit, starter/generator 6-17
 - brush holder 6-17
 - brush inspection port cover 6-17
 - brush plate
 - starter/generator 6-17
 - brush rigging 13-3
 - brush spring 6-17, 13-3
 - brush spring set 6-17
 - brush spring, starter/generator 6-17
 - brush terminal, starter/generator 6-17
 - bucket, battery 12-27, 12-29, 12-31, 12-33
 - bucket, gas vehicle 8-3, 8-5
 - buckle, bag strap 1-19, 1-21
 - Bumper 1-3
 - bumper 1-3
 - drive unit (motor) 13-3
 - jounce 1-35, 1-37, 1-39, 5-19
 - bumper beam, rear 1-23, 1-25
 - bumper bracket, drv 1-25
 - bumper bracket, pas 1-25
 - Bumper, Shock Plug 1-3
 - bushing 5-11, 5-13, 5-15, 5-17, 5-19, 6-11, 10-3
 - AC cord 15-3, 15-5
 - button, drive 10-5
 - buzzer, reverse 6-3, 12-3
- ## C
- cable
 - accelerator 8-13
 - brake 4-5
 - FNR shifter 6-11
 - governor 8-13
 - IQDM 16-5
 - cable support bracket 6-11
 - calibration test module 16-3
 - cam
 - driven clutch 10-5
 - neutral lockout 6-11
 - cam installation tool 16-3
 - cam, neutral lockout 6-11
 - camshaft 7-11
 - camshaft shim 7-11
 - canister, carbon, fuel tank 8-7
 - canopy 1-27, 1-29
 - canopy drain cover 1-27, 1-29
 - canopy handle 1-27, 1-29
 - canopy support 1-27, 1-29
 - canopy support bracket, drv 1-23, 1-25
 - canopy support bracket, pas 1-23, 1-25
 - canopy support cover, drv 1-7, 1-27, 1-29
 - canopy support cover, pas 1-7, 1-27, 1-29
 - cap
 - battery, 8-volt 12-27, 12-29, 12-31, 12-33
 - dust 12-3
 - front hub 5-13
 - fuel tank 8-3, 8-5
 - fuel, gas, ratchet 8-3, 8-5
 - key switch 6-3, 12-3
 - plug 7-5
 - cap, hub, 7 prong 2-3
 - cap, SAM 1-7
 - carbon canister 8-7
 - carburetor gasket 8-11
 - carburetor insulator 8-11
 - carburetor mounting gasket 8-11
 - carburetor, FE350 S26 8-9
 - card, safety first 16-7
 - case
 - battery charger 15-3, 15-5, 15-7, 15-9, 15-11, 15-13, 15-15
 - differential gear 11-7
 - gear 11-3, 11-9, 14-3
 - rocker 7-9
 - CE mark battery bucket plug kit 12-31, 12-33
 - CE mark controller 12-39
 - CE mark decal 12-31, 12-33
 - CE mark diode, tow switch 12-11, 12-15
 - CE mark ferrite bead, Fair-rite 12-43
 - CE mark ferrite bead, TDK 12-43
 - charger
 - wire assembly kit 15-7
 - charger bezel tool 16-3
 - charger hardware kit 15-3, 15-5
 - charger receptacle 12-27, 12-29, 12-31, 12-33
 - charger wires 15-3
 - charger, battery, onboard, 48-volt 15-13
 - charger, battery, onboard, international 15-15
 - charger, battery, PD3 15-3
 - charger, battery, PowerDrive 15-7
 - charger, battery, PowerDrive 3 15-5
 - charger, battery, PowerDrive European 15-11
 - charger, battery, PowerDrive Export 15-9
 - choke button rod 1-13, 8-15
 - choke lever 1-13, 8-15
 - circuit breaker 15-3, 15-5, 15-7, 15-9, 15-11, 15-13, 15-15
 - clamp
 - battery 6-21
 - cable retaining 8-13
 - hose 8-3, 8-5, 8-11
 - hose, green 8-7
 - leaf spring 5-13
 - muffler hose 9-3
 - clamshell bracket 1-11
 - clip
 - body trim 1-11, 1-23, 1-25
 - clip, score card 5-3, 5-5
 - cluster idler gear 11-5

INDEX

cluster, brake 4-3
clutch alignment tool 16-3
clutch pulley 10-3
clutch repair kit 10-5
clutch tool kit 16-3
clutch weight 10-3
clutch, drive 10-3
clutch, driven 10-5
collet 7-9
column, steering 5-7
comfort grip steering wheel 5-3
comfort grip steering wheel kit 5-3
communication display module 16-5
component mounting plate 12-39, 12-41
compression gauge 16-5
compression spring 1-13, 8-15
compressor, piston ring 16-7
compressor, valve spring 16-7
computer, onboard 12-39, 12-41
connecting rod 7-13
connector tube, handrail 1-31, 1-35, 1-37, 1-39
connector, 9-pin 6-3, 6-9, 12-3
continuity tester 16-5
control board, potted 15-13, 15-15
controller shield 12-39, 12-41
controller, motor speed
 Excel w/PD 12-41
 IQ 12-39
controller, motor speed (CE) 12-39
cord connector 7-11
cord reel 15-13, 15-15
cord set, DC 15-3, 15-5
cord, AC 15-3, 15-5, 15-7, 15-9, 15-11, 15-13, 15-15
cord, DC 15-7, 15-9, 15-11, 15-13, 15-15
counterbalance guide shaft 7-13
counterbalance weight 7-13
coupler, SPWS 12-35
cover
 4-passenger underbody 1-31, 1-35, 1-37, 1-39
 air intake 8-15
 brush inspection port 6-17
 canopy drain 1-27, 1-29
 crankcase 7-11
 dust 4-3
 oil pump 7-7
 steering column 5-3
 support, canopy, drv 1-7, 1-27, 1-29
 support, canopy, pas 1-7, 1-27, 1-29
cover plate 13-3
crankcase 7-13
crankcase cover 7-11
crankcase vent tube 8-11
crankshaft 7-13
crankshaft rod 7-13

crankshaft shim 7-13
current limiter 15-11
cushion, shock absorber 5-15, 5-17, 5-19
cutter, valve seat 16-7
cylinder head 7-9

D

dash 1-9
dash support assembly 5-11
DC cord 15-7, 15-9, 15-11, 15-13, 15-15
DC cord set 15-3, 15-5
decal
 battery tag 3-7
 CE mark 12-31, 12-33
 Club Car clip 3-3
 four-passenger warning 1-35, 1-37, 1-39, 3-9
 frame ground warning 3-3
 gas and governor warning 3-3
 on/off 3-3, 3-5
 operating instructions 3-3, 3-5, 5-3
 operating instructions (electric) 3-5, 5-3
 operating instructions (gas) 3-3, 5-3
 private speed mode 3-5
 rollover warning 3-3, 3-5
 rotating parts 3-3
 Run/Tow warning 3-7
 warning 3-7
 warning, Run/Tow 3-7
 water exposure 3-7
differential drive unit 11-3, 14-3
differential gear 11-7, 14-3
differential gear case 11-7, 11-13
differential housing 14-3
differential idler gear 11-7
differential pin 11-7
diode, tow switch 12-11, 12-15
dipstick 7-3
drain channel 1-9
drain plug 7-7, 11-9
drain plug gasket 7-7, 11-3, 11-9
drain plug, rubber 6-17
drive bar 12-7
drive belt 10-3
drive button 10-5
drive clutch 10-3
drive clutch button 10-3
drive clutch fixed-face 10-3
drive clutch holder tool 16-3
drive clutch hub puller 16-3
drive clutch puller 16-3
drive clutch spring 10-3
drive clutch weight 10-3
drive hub 10-3
drive selector shaft 11-3, 11-9
drive unit bumper 13-3

driven clutch 10-5
driven clutch button 10-5
driven clutch cam 10-5
driven clutch cam puller 16-3
driven clutch fixed-face assembly 10-5
driven clutch puller plug 16-3
driver, drive clutch 10-3
drum, brake 4-3
dry moly lubricant 16-5
dust cap 12-3
dust cover 4-3
dust seal 5-9

E

eccentric adjustment screw 5-13
end cap, motor 13-3
end, tie rod 5-9
engine
 air filter 8-15
engine mounting plate 7-15
engine shroud 7-3
engine, FE350 S26 7-3
equalizer 4-5
exhaust system 9-3
exhaust valve 7-9

F

face, moveable 10-3, 10-5
fan housing 7-3
fan shroud 7-3
fan, flywheel 7-5
fascia 1-5
ferrite bead (CE), Fair-rite 12-43
ferrite bead (CE), TDK 12-43
field coil housing 6-17
field service pedal (group) 4-9, 4-11
fill plug 11-3, 11-9
fill plug gasket 11-9
filter
 air 8-15
 fuel 8-3, 8-5
 oil 7-7
 oil pump 7-7
fixed-face, drive clutch 10-3
fixed-face, driven clutch 10-5
float 8-9
floor cover plate 4-7, 4-9, 4-11, 4-13
floormat 1-11
floormat retainer, lh 1-11
floormat retainer, rh 1-11
floormat, 4 pass, rear 1-33, 1-35, 1-37, 1-39
flywheel 7-5
flywheel fan 7-5
flywheel fan plate 7-5
flywheel puller 16-5

INDEX

FNR bezel 6-11
FNR handle 6-11
FNR housing 12-25
FNR shift lever 11-3, 11-9
FNR shifter 6-11
FNR shifter base 6-11
FNR shifter cable 6-11
foam tape 1-23
foot deck 1-33, 1-35, 1-37, 1-39
fork, shift 11-5, 11-11
four-passenger conversion kit 1-35, 1-37, 1-39
frame and field assembly (motor) 13-3
frame and field, starter/generator 6-17
front body beauty panel 1-5
front leaf spring 5-13
front suspension structure 5-11
fuel filter 8-3, 8-5
fuel line 8-3, 8-5, 8-11
fuel pickup tube 8-3, 8-5
fuel pump 8-5
fuel pump retrofit kit 8-3
fuel pump, impulse 8-3
fuel tank 8-3, 8-5
fuel tank cap 8-3, 8-5
fuel tank hold-down 8-3, 8-5
fuel tank vent 8-3, 8-5
fuse 15-7, 15-9, 15-11, 15-13, 15-15
 10-amp 6-21
 15-amp 12-25
 charger 15-3, 15-5
fuse cover, sealed 6-21

G

gasket
 air intake 8-15
 carburetor 8-11
 carburetor mounting 8-9, 8-11
 crankcase cover 7-9, 7-11
 drain plug 7-7, 11-3
 drain plug, fill plug 11-9
 exhaust 7-9, 9-3
 head 7-9
 insulator 7-9, 8-11
 liquid 11-3, 14-3, 16-5
 plug 14-3
 rocker case 7-9
gauge, compression 16-5
gear
 25 tooth 11-11
 28 tooth 11-11
 case 11-9
 cluster idler 11-5
 differential 11-7, 11-13, 14-3
 differential idler 11-7, 14-3
 differential output 14-3
 helical 7-13, 11-5, 11-7

 planetary 11-13
 speed governor 11-11
 spur 7-13, 11-5
 steering 5-9
 sun 11-13
 synchro 11-5
gear yoke 16-5
gearcase 11-3, 14-3
governor 11-5, 11-11
governor arm 11-3, 11-9
governor cable 8-13
governor cable bracket 8-13
governor shaft installation tool 16-5
governor shield 8-11
grip, pencil 5-3, 5-5
grommet 8-3, 8-5
 ignition 7-5
guide
 intake valve 7-9
 valve seat cutter 16-7
guide ring adhesive 16-3

H

hand rail 1-33, 1-35, 1-37, 1-39
handle, canopy 1-27
handle, FNR 6-11
handrail connector tube 1-31, 1-35, 1-37, 1-39
hardware kit, charger 15-3, 15-5
harness, instrument panel 6-3, 6-9, 12-3
harness, MCOR jumper 12-7
harness, wire 12-11, 12-15, 12-19, 12-23
harness, wire, gas IP 6-3, 6-9
harness, wire, gas main 6-15
harness, wire, onboard battery charger 12-11, 12-15, 12-19, 12-23
head gasket 7-9
head, cylinder 7-9
heat shrink tube 15-13, 15-15
heatsink and rectifier 15-3, 15-7, 15-9, 15-11, 15-13, 15-15
helical gear 7-13, 11-5, 11-7
hinge 12-27, 12-29, 12-31, 12-33
hinge bracket, seat bottom 1-17
hip restraint 1-17
hip restraint, 4 pass 1-31, 1-35, 1-37, 1-39
hold-down, battery 12-27, 12-29, 12-31, 12-33
hold-down, fuel tank 8-3, 8-5
hoop, bag 1-19, 1-21
hose
 air intake 8-15
 fuel 8-3, 8-5
 SPWS 12-35, 12-37
 vent 8-7
hose clamp, green 8-7
Hose, Vent 8-7
Hose, Vent, Flare 8-7

housing
 2-pin 12-7
 3-pin 12-7, 13-3
 differential 14-3
 fan 7-3
 field coil 6-17
hub 5-13
hub cap 2-3, 5-13
hub cap, 7 prong 2-3
hub, synchronizer clutch 11-5
hydrometer 16-5

I

idle screw assembly 8-9
idler bearing 10-3
idler gear, differential 14-3
ignition coil 7-5
inner frame snubber 7-15
input shaft 14-3
insert (SAM) 1-19, 1-21, 15-13, 15-15
insert, synchronizer 11-5
instrument panel 6-3, 12-3
instrument panel harness 6-3, 6-9, 12-3
insulator gasket 7-9, 8-11
insulator, carburetor 8-11
intake assembly 8-15
intake cover 8-15
intake hose 8-15
intake pipe 8-11
intake valve 7-9
intermediate shaft 14-3
internal retaining ring pliers 16-5
IQ display module (IQDM) 16-5
IQ display module (IQDM-P) 16-5

J

J-clip 1-23, 1-25, 1-33
jet, main 8-9
jet, pilot 8-9
joint
 ball 5-9
jounce bumper 1-35, 1-37, 1-39, 5-19
jounce bumper bracket 1-35, 1-37, 1-39, 5-19

K

key
 crankshaft 7-5, 7-13
 driven clutch 10-5
 On/Off 6-3, 12-3
 square 10-5
 woodruff 11-3
key switch 6-3, 12-3
key switch cap 6-3, 12-3
kick plate (ele) 1-15
kick plate (gas) 1-13

INDEX

kick plate, body 1-13
king pin 5-13
kit
 2-pin housing 12-7
 3-pin housing 12-7, 13-3
 brake cable 4-5
 brake shoe retainer 4-3
 CE battery bucket plug 12-31, 12-33
 clutch repair 10-5
 comfort grip steering wheel 5-3
 differential gear case 11-7
 drive clutch button 10-3
 drive clutch weight 10-3
 driven clutch button 10-5
 fixed-face drive 10-3
 four-passenger 1-35, 1-37, 1-39
 front hub replacement 5-13
 hub cap 2-3
 impulse fuel pump rebuild 8-3
 IQ display module (IQDM) 16-5
 IQ display module (IQDM-P) 16-5
 MCOR 12-7
 motor brush 13-3
 motor brush spring 13-3
 motor cover plate 13-3
 motor speed sensor 13-3
 motor terminal hardware 13-3
 neutral lockout cam 6-11
 PD3 hardware 15-3, 15-5
 PD3 wiring 15-3
 relay, 48V 15-7, 15-13
 shock absorber 5-15, 5-17, 5-19
 shock absorber cushion 5-15, 5-17, 5-19
 shoe retainer 4-3
 SPWS 12-35
 tune-up 16-7
 underbody cover 1-7
 wire assembly, charger 15-7

L

leaf spring, front 5-13
leaf spring, rear, 4-pass 1-35, 1-37, 1-39, 5-19
leaf spring, rear, ele 5-17
leaf spring, rear, gas 5-15
lever
 choke 1-13, 8-15
 drive selector 11-3
 speed governor 11-9
 transmission shift 11-3, 11-9
light
 battery 12-3
 oil 6-3
limit switch 6-11
limiter
 current 15-11
line, fuel 8-3, 8-5, 8-11

liner, rear underbody 1-23
liquid gasket 11-3, 14-3, 16-5
low oil warning light 6-3
lubricant, dry moly 16-5
lubricant, moly-teflon 13-3, 16-5
lug nut 2-3, 2-5
lug stud 5-13, 11-7, 11-13, 14-3

M

magnet, speed sensor 13-3
main jet 8-9
manifold, 4-valve (SPWS) 12-35
mat, floor 1-11
mat, floor, 4 pass, rear 1-33, 1-35, 1-37, 1-39
MCOR 4-13, 12-7
MCOR adapter 12-7
mechanism, brake adjusting 4-3
meter, volt ohm 16-7
module
 calibration test 16-3
 communication display 16-5
moly-teflon lubricant 16-5
motor
 48-volt IQ 13-3
motor brush kit 13-3
motor brush spring kit 13-3
motor bumper 13-3
motor end cap 13-3
motor magnet, speed sensor 13-3
motor speed controller
 CE 12-39
 Excel w/PD 12-41
 IQ 12-39
motor speed sensor 13-3
motor speed sensor kit 13-3
motor terminal hardware kit 13-3
motor wire harness 12-11, 12-15, 12-19, 12-23
mounting plate, component 12-39, 12-41
moveable-face 10-3, 10-5
muffler hose clamp 9-3

N

nameplate 1-5
needle bearing 11-5
neutral lockout cam 6-11
nozzle, main 8-9
nut, lug 2-3, 2-5

O

oil conveyor 11-9
oil filler tube 7-3
oil filter 7-7
oil filter mount bracket 7-7
oil filter screen 7-11
oil filter screen plate 7-11

oil level sensor 7-11
oil level switch bracket 7-11
oil pump and rotor 7-7
oil pump cover 7-7
oil pump filter 7-7
oil pump plate 7-7
oil seal 7-9, 7-11, 7-13, 11-3, 11-5
oil warning light, low 6-3
onboard computer 12-39, 12-41
O-ring 7-3, 7-9, 7-11, 7-13, 12-35

P

paint, touch-up 16-5
paint, underbody (black) 16-5
paint, underbody (gray) 16-5
panel
 access 1-23, 1-25
 front body beauty 1-5
 rear body beauty 1-23, 1-25
 SAM 1-19, 1-21
park brake release, anod 4-7, 4-9, 4-11, 4-13, 6-5
pedal assembly 4-7, 4-9, 4-11, 4-13
pedal group 4-7, 4-9, 4-11, 4-13
pedal, accelerator 4-7, 4-9, 4-11, 4-13, 6-5
pencil grip 5-3, 5-5
pilot air screw assembly 8-9
pilot jet 8-9
pin
 bow tie locking 4-5
 clevis 4-5
 differential 11-7
 king 5-13
 piston 7-13
pinion, steering 5-9
pipe, intake 8-11
piston 7-13
piston pin 7-13
piston ring 7-13
piston ring compressor 16-7
piston ring pliers 16-7
piston ring set 7-13
pivot arm 11-3
plate
 backing (brake) 4-3
 component mounting 12-39, 12-41
 cover 13-3
 engine mounting 7-15
 floor cover 4-7, 4-9, 4-11, 4-13
 flywheel fan 7-5
 kick(ele) 1-15
 kick(gas) 1-13
 oil filter screen 7-11
 oil pump 7-7
 score card 5-5
 thrust 11-5, 11-7

INDEX

pliers
 internal retaining ring 16-5
 piston ring 16-7
 retaining ring 16-7
plug
 drain 7-7, 11-9
 drive clutch 10-3
 driven clutch puller 16-3
 fill 11-3, 11-9
 rubber drain 6-17
 spark 7-5
plug cap 7-5
press weldment 16-3
protector spray, battery terminal 16-3
puller
 bearing 16-3
 drive clutch 16-3
 drive clutch hub 16-3
 driven clutch cam 16-3
 flywheel 16-5
 seal 16-7
pulley
 clutch 10-3
 starter-generator 6-17
 v-belt 6-17
pump
 fuel 8-5
pump, impulse fuel 8-3
push rod 7-9

R

rack and pinion 5-9
rack and pinion steering gear box 5-9
rack, steering 5-9
reamer, valve guide 16-7
rear body beauty panel 1-23, 1-25
rear bumper beam 1-23, 1-25
rear leaf spring, ele 5-17
rear underbody support 1-23, 1-25
rear-facing seat 1-35, 1-37, 1-39
receptacle 12-27, 12-29, 12-31, 12-33
receptacle, AC cord 15-11
rectifier with heatsink 15-3, 15-7, 15-9, 15-11, 15-13, 15-15
reel cord 15-13, 15-15
regulator, voltage 6-21
relay 15-3, 15-5, 15-7, 15-9, 15-11, 15-13, 15-15
relay mounting bracket 15-9, 15-13, 15-15
relay, 48V 15-7, 15-13
release, anod park brake 4-7, 4-9, 4-11, 4-13, 6-5
remover, bearing and oil seal 16-3
resistor assembly 12-39, 12-41
restraint, hip 1-17
restraint, hip 4 pass 1-31, 1-35, 1-37, 1-39
retainer

brake shoe 4-3
shock absorber cushion 5-15, 5-17, 5-19
spring (drive clutch) 10-3
valve spring 7-9
retainer, floormat, lh 1-11
retainer, floormat, rh 1-11
retaining ring pliers 16-7
reverse buzzer 6-3, 12-3
rim (wheel) 2-3, 2-5
ring
 piston 7-13
 retaining 6-11, 10-3, 10-5
 snap 7-9, 7-13
 spiral backup 10-3
 synchronizer 11-5
Rivet, Removable 1-23, 1-25, 8-7
rocker arm 7-9
rocker case 7-9
rocker case gasket 7-9
rocker shaft 7-9
rocker switch 12-25
rod
 brake 4-7, 4-9, 4-11, 4-13
 connecting 7-13
 crankshaft 7-13
 push 7-9
 shift 11-5

S

safety first card 16-7
SAM 1-19
SAM (structural accessory module) 1-19, 1-21
SAM cap 1-7
SAM panel 1-19, 1-21
score card clip 5-3, 5-5
score card plate 5-3, 5-5
screen, oil filter 7-11
screw, eccentric adjustment 5-13
screw, valve clearance adjuster 16-7
seal
 dust 5-9
 lip 14-3
 oil 7-9, 7-11, 7-13, 11-3, 11-5, 11-7, 11-13, 14-3
seal puller 16-7
sealant 11-3, 14-3
seat
 spring 7-9
 valve 7-7
seat back, beige 1-19, 1-21, 1-31, 1-35
seat back, black 1-19, 1-21, 1-31
seat back, gray 1-19, 1-21, 1-31, 1-39
seat back, white 1-19, 1-21, 1-31, 1-37
seat bottom 1-31, 1-35, 1-37, 1-39
seat bottom, beige 1-17
seat bottom, gray 1-17
seat bottom, white 1-17
seat bracket 1-31, 1-35, 1-37, 1-39
seat support bracket, 4-pass, drv 1-31, 1-35, 1-37, 1-39
seat support bracket, 4-pass, pas 1-31, 1-35, 1-37, 1-39
sensor, motor speed 13-3
sensor, oil level 7-11
shackle 5-15, 5-17, 5-19
shaft
 counterbalance guide 7-13
 drive selector 11-3, 11-9
 input 14-3
 intermediate 14-3
 rocker 7-9
 transmission 11-5, 11-11
shaft, reverse gear 11-11
shaft, secondary
 transmission 11-11
shield, controller 12-39, 12-41
shield, debris aux 4-7, 4-9, 4-11, 4-13
shield, debris primary 4-7, 4-9, 4-11, 4-13
shield, governor 8-11
shift fork 11-5, 11-11
shift lever 11-3, 11-9
shift rod 11-5
shifter, FNR 6-11
shim, camshaft 7-11
shim, crankshaft 7-13
shock absorber (front) 5-11
shock absorber (rear) 5-15, 5-17, 5-19
shock absorber cushion 5-15, 5-17, 5-19
shock absorber cushion retainer 5-15, 5-17, 5-19
shock mounting bracket, drv 5-15, 5-17, 5-19
shock mounting bracket, pas 5-15, 5-17, 5-19
shoe retainer kit 4-3
shoe, brake 4-3
shroud 7-3
 steering column 5-3
shroud, engine 7-3
shroud, fan 7-3
sleeve 5-11, 5-13, 5-15, 5-17, 5-19
 governor 11-5
 synchronizer 11-5
snap ring 7-9, 7-13
snubber bracket 7-15
snubber, inner frame 7-15
solenoid, 12-volt 6-21
solenoid, 48-volt 12-39, 12-41
spark plug 7-5
speed controller
 CE 12-39
 Excel w/PD 12-41
 IQ 12-39
speed sensor 13-3

INDEX

- speed sensor magnet 13-3
 - speed sensor, motor 13-3
 - spindle 5-13
 - spiral backup ring 10-3
 - spray, battery terminal protector 16-3
 - spring
 - brake 4-3
 - brush 6-17, 13-3
 - compression 1-13, 5-3, 5-5, 8-15
 - drive button 10-3
 - drive clutch 10-3
 - driven clutch 10-5
 - forward/reverse cam 6-11
 - leaf, front 5-13
 - leaf, rear, 4-pass 1-35, 1-37, 1-39, 5-19
 - leaf, rear, ele 5-17
 - leaf, rear, gas 5-15
 - shifter 11-5
 - synchronizer 11-5
 - throttle return 8-11
 - valve 7-9
 - spur gear 7-13, 11-5
 - SPWS coupler 12-35
 - SPWS fitting, swivel T 12-35
 - SPWS hose 12-35, 12-37
 - SPWS kit 12-35
 - SPWS manifold 12-35
 - SPWS tubing 12-35
 - stand-offs, plastic 15-3, 15-5
 - starter/generator (bi-rotational) (model 114-01-4005) 6-17
 - starter/generator belt 6-19, 10-3
 - starter/generator brush cover kit 6-17
 - starter/generator brush plate 6-17
 - starter/generator brush spring 6-17
 - starter/generator brush terminal 6-17
 - starter/generator frame and field 6-17
 - starter/generator pulley 6-17
 - steel pressure relief ball 7-7
 - steering column 5-7
 - steering column bearing press tool 16-7
 - steering column cover 5-3
 - steering column retaining ring tool 16-7
 - steering column shroud 5-3
 - steering gear 5-9
 - steering pinion 5-9
 - steering rack 5-9
 - steering wheel 5-3, 5-5
 - steering wheel (comfort grip) kit 5-3
 - steering wheel puller tool 16-7
 - steering, rack and pinion gear box 5-9
 - stem, valve 2-3, 2-5
 - stiffener, flywheel side 7-15
 - strap, bag 1-19, 1-21
 - stud 7-15
 - lug 5-13, 11-7, 11-13, 14-3
 - stud, ball 6-11, 11-3, 11-9
 - support, canopy 1-27, 1-29
 - suppressor, voltage 15-7, 15-9, 15-11, 15-13, 15-15
 - suspension, front structure 5-11
 - switch
 - four-position 15-9, 15-11, 15-15
 - key 6-3, 12-3
 - limit 6-11
 - rocker 12-25
 - Tow/Run 12-25
 - switch rubber boot 12-25
 - synchro gear 11-5
 - synchronizer clutch hub 11-5
 - synchronizer insert 11-5
 - synchronizer sleeve 11-5
 - synchronizer spring 11-5
 - synchronizer, complete 11-11
- ## T
- 12-volt solenoid 6-21
 - tachometer 16-7
 - tag, battery warning 3-7
 - tank, fuel 8-3, 8-5
 - tape, foam 1-23
 - tappet 7-11
 - tester, continuity 16-5
 - thermometer, battery 16-3
 - three-piece A-arm 5-11
 - throttle device
 - MCOR 12-7
 - throttle sensor, elec 12-5
 - throttle return spring 8-11
 - throttle sensor, elec 12-5
 - throttle spring return bracket 8-11
 - throttle, gas, Gen2, triac, sensor 4-7, 6-5
 - throttle, Gen2, no sensor 4-9, 4-11, 4-13
 - thrust plate 11-5, 11-7
 - tie rod end 5-9
 - tie wrap 12-27, 12-29, 12-31, 12-33, 12-43, 15-13, 15-15
 - tire 2-3
 - tire, pro tour, 205-50 x 10 2-5
 - tool
 - accelerator pedal adjustment 16-3
 - belt tensioning, starter/generator 16-7
 - brake cable release 16-3
 - cam installation 16-3
 - charger bezel 16-3
 - clutch alignment 16-3
 - drive clutch holder 16-3
 - governor shaft installation 16-5
 - steering column bearing press 16-7
 - steering column retaining ring 16-7
 - steering wheel puller 16-7
 - transaxle axle seal 16-7
 - transaxle pinion seal 16-7
 - transmission 16-7
 - tool kit, clutch 16-3
 - touch-up paint 16-5
 - tow switch diode 12-11, 12-15
 - Tow/Run switch 12-25
 - transaxle (Electric Vehicle) 14-3
 - transaxle axle seal tool 16-7
 - transaxle Graziano (gasoline vehicle), unitized 11-9
 - transaxle pinion seal tool 16-7
 - transaxle, Kawasaki (Gasoline Vehicle) 11-3
 - transformer 15-3
 - transformer, battery charger 15-5, 15-7, 15-9, 15-11, 15-13, 15-15
 - transmission secondary shaft 11-11
 - transmission shaft 11-5, 11-11
 - transmission tool 16-7
 - tube
 - axle 11-7, 11-13, 14-3
 - battery cross rod 12-27, 12-29, 12-31, 12-33
 - crankcase vent 8-11
 - fuel pickup 8-3, 8-5
 - oil filler 7-3
 - tubing, SPWS 12-35
 - Tuflok 1-23, 1-25, 8-7
 - tune-up kit 16-7
- ## U
- U-bolt 1-35, 1-37, 1-39, 5-15, 5-17, 5-19
 - underbody 1-23, 1-25
 - underbody cover (4-pass) 1-31, 1-35, 1-37, 1-39
 - underbody cover kit 1-7
 - underbody support, rear 1-23, 1-25
 - underbody, rear 1-23
 - unitized transaxle Graziano 11-9
- ## V
- valve
 - exhaust 7-9
 - intake 7-9
 - reed 7-9
 - valve clearance adjuster screw 16-7
 - valve guide reamer 16-7
 - valve guide, intake 7-9
 - valve seat 7-7
 - valve seat cutter 16-7
 - valve seat cutter guide 16-7
 - valve seat t-wrench 16-7
 - valve spring 7-9
 - valve spring compressor 16-7
 - valve spring retainer 7-9
 - valve stem 2-3, 2-5
 - v-belt 6-19, 10-3
 - vent barb 8-3, 8-5

INDEX

vent, barb 8-7
volt ohm meter 16-7
voltage regulator 6-21
voltage suppressor 15-7, 15-9, 15-11, 15-13,
15-15

W

warning light, low oil 6-3
warning tag, battery 3-7
wedge, bearing puller 16-3
weight
 clutch 10-3
 counterbalance 7-13
 secondary clutch 10-3
weldment
 press 16-3
wheel 2-3, 2-5
wheel, steering 5-3, 5-5
wire harness 12-11, 12-15, 12-19, 12-23
wire harness, Excel, MCOR 12-23
wire harness, Excel, throttle sensor 12-19
wire harness, IQ, MCOR 12-15
wire harness, IQ, throttle sensor 12-11
wire harness, onboard battery charger 12-11,
12-15, 12-19, 12-23
wire lead, ignition 7-5
wiring, charger 15-3
woodruff key 11-3
wrap, tie 12-27, 12-29, 12-31, 12-33, 12-43,
15-13, 15-15

Y

yoke support 5-9
yoke, gear 16-5



Club Car, Inc.
P.O. Box 204658
Augusta, GA 30917-4658
USA

Web www.clubcar.com
Phone 1.706.863.3000
1.800.ClubCar
Int'l +1 706.863.3000
Fax 1.706.863.5808