



2014
Precedent[®]
Illustrated Parts List



Gasoline Vehicle with Kawasaki FE350 Engine
Electric Vehicle with PowerDrive™ Battery Charger
Electric Vehicle with ERIC Charging System

Manual Number 105062801
Edition Code 0713C0813B

USING THE ILLUSTRATED PARTS LIST

⚠ WARNING

- **This manual is to be used only for identification and ordering of service parts. Be sure to read and use the maintenance and service manual before attempting any vehicle repairs.**

This manual covers all 2014 Club Car Precedent vehicles.

The manual is divided into sections. Note that there are two or three flags on the outside edge of each page. The first flag contains the section number of which that page is a part. The other flag (or flags) contains the letter D, E, or G, signifying that the page pertains to diesel, electric, or gasoline vehicles.

Use the Table of Contents to find the sections and pages that contain the parts and assemblies you seek. The Table of Contents lists section numbers, and under them, the individual page titles and numbers to be found in that section. The index can be used to find specific parts and assemblies. The index is divided into numerical and alphabetical listings with the page numbers in italic text.

There is a two-page spread for each individual page title in the Table of Contents. On the left-hand page is an illustration showing the parts in their relative positions; the parts are each tagged with an item number in a balloon. The right-hand page is the parts list page, and gives the page title at the top, then the item numbers (corresponding to the numbers on the illustration), part descriptions, and quantity of parts used. Some item numbers have more than one part number because several configurations of a component are represented together on one spread.

Note that a part description may be indented. This indentation corresponds to a parts assembly level indicated by the numbers 1, 2, 3, and 4 at the top left corner of the parts description area of the parts list page. A part that is indented to *level 2* is a component of the *level 1* part (assembly) that it is listed under. A *level 3* part is a component of the *level 2* part that it is listed under, and a *level 4* part is a component of the *level 3* part preceding it. In each case, the part quantity given for a level 2, 3, or 4 part is the quantity used per next higher level assembly of which it is a component. A part that is not indented is a *level 1* part. This means that the quantity given is the quantity used per the portion of the vehicle illustrated on that particular spread.

HOW TO ORDER PARTS

Replacement parts and accessories can be obtained from our network of authorized dealers and distributors. You can obtain the name and phone number of your closest authorized Club Car dealer or distributor by visiting our web site at www.clubcar.com and clicking on the "Distributor Search" link or by calling our toll-free Service Parts and Technical Assistance hotline at (800) 872-2246 or (706) 863-3000, extension 3887.



P. O. Box 204658
Augusta, Georgia 30917-4658 USA
Telephone 706-863-3000
Service Parts Fax 706-855-7413
www.clubcar.com

NOTE: *This illustrated parts list represents the most current information at the time of publication. Club Car, LLC. is continually working to further improve its vehicles and other products. These improvements may affect the parts used to service the vehicle. Any modification and/or significant change in specifications will be forwarded to all Club Car and Carryall distributors/dealers and will, when applicable, appear in future editions of this illustrated parts list.*

Club Car, LLC. reserves the right to change specifications and designs at any time without notice and without the obligation of making changes to units previously sold.

Copyright © 2013 Club Car, LLC
Club Car, Precedent, and Surlyn
are registered trademarks of Club Car, LLC
This manual effective July 15, 2013.

2014 Precedent Illustrated Parts List

CONTENTS

SECTION 1 – BODY AND TRIM

Frame	1-3
Front Bumper	1-5
Front Body	1-7
Underbody Covers (Vehicle Without Canopy)	1-9
Dash	1-11
Floor Mat, Retainers, and Front Underbody	1-13
Kick Plate – Gasoline Vehicle	1-15
Kick Plate – Electric Vehicle	1-17
Seat Bottom with Hip Restraints	1-19
Backrest and Structural Accessory Module (SAM)	1-21
Rear Body	1-23
Canopy – White	1-25
Canopy – Beige	1-27
Canopy – Black	1-29
Canopy Struts	1-31
Visage Canopy Struts and Console	1-33
Four-Passenger Monsoon Canopy	1-35
Four-Passenger Monsoon Canopy Struts	1-37
Rear Seat – Precedent Villager 4	1-39
Rear Footrest Assembly, Precedent Villager 4	1-41
Four Passenger Conversion Kit, Monsoon – Beige	1-43
Four Passenger Conversion Kit, Monsoon – White	1-45
Four Passenger Conversion Kit, Monsoon – Gray	1-47

SECTION 2 – WHEELS AND TIRES

Wheels and Tires, i2 and Signature	2-3
Wheels and Tires – i2L and i2L2	2-5

SECTION 3 – DECALS

Decals – Gasoline Vehicle	3-3
Decals – Electric Vehicle	3-5
Decals – Electric Vehicle, Continued	3-7
Decal – Precedent Villager 4	3-9

SECTION 4 – BRAKES AND PEDAL GROUP ASSEMBLIES

Rear Brake Assembly, Self-Adjusting	4-3
Brake Cables and Equalizer Bracket	4-5

CONTENTS

Pedal Group with Sensor – Gasoline Vehicle	4-7
Pedal Group w/o Sensor, Gasoline Vehicle	4-9
Pedal Group w/o MCOR3 – Electric Vehicle	4-11
Pedal Group with MCOR3 – Electric Vehicle	4-13

SECTION 5 – STEERING, FRONT AND REAR SUSPENSION

Steering Wheel, Comfort Grip	5-3
Steering Wheel	5-5
Steering Column	5-7
Steering Gear Assembly	5-9
Front Suspension, Upper	5-11
Front Suspension, Lower	5-13
Rear Suspension, Gasoline Vehicle	5-15
Rear Suspension, Electric Vehicle	5-17
Rear Suspension, Precedent Villager 4	5-19

SECTION 6 – ELECTRICAL SYSTEM – GASOLINE VEHICLE

Electrical Components, Front Body – Gasoline Vehicle	6-3
Accelerator Pedal Assembly w/Sensor for Generation 2 Pedal Group	6-5
Instrument Panel Wire Harness	6-9
Forward/Reverse Shifter Assembly – Gasoline Vehicle	6-11
Wiring (with Generation 2 Pedal Group) – Gasoline Vehicle	6-15
Starter/Generator (S/G) Assembly – Gasoline Vehicles	6-17
Starter/Generator Mounting – FE350 (AS11, AS26)	6-19
Battery – Gasoline Vehicle	6-21

SECTION 7 – FE350 ENGINE (AS26)

FE350 Engine (AS26) – Shrouds and Brackets	7-3
FE350 Engine (AS26)- Ignition Components and Flywheel	7-5
FE350 Engine (AS26)- Oil Circulation	7-7
FE350 Engine (AS26)- Cylinder Head	7-9
FE350 Engine (AS26)- Crankcase, Camshaft, and Oil Sensor	7-11
FE350 Engine (AS26)- Crankcase and Crankshaft	7-13
FE350 Engine (AS26)- Mounting	7-15

SECTION 8 – FUEL, INTAKE, AND GOVERNOR SYSTEMS

Fuel System	8-3
Carbon Canister – FE350 (AS26)	8-5

CONTENTS

Carburetor Assembly – FE350 (AS26)	8-7
Carburetor Installation – FE350 (AS26)	8-9
Governor and Accelerator Cables	8-11
Choke and Air Box Assembly	8-13

SECTION 9 – EXHAUST SYSTEM

Exhaust System – FE350	9-3
------------------------------	-----

SECTION 10 – TORQUE CONVERTER

Drive Clutch	10-3
Driven Clutch	10-5

SECTION 11 – UNITIZED TRANSAXLE

Graziano Transaxle – Gear Cases and Levers	11-3
Graziano Transaxle – F&R Transmission and Gear Reduction	11-5
Graziano Transaxle -Differential and Axles	11-7

SECTION 12 – ELECTRICAL SYSTEM – EXCEL WITH POWERDRIVE CHARGERS

Electrical Components, Front Body – Electric Vehicle	12-3
Motor Controller Output Regulator 3 (MCOR3)	12-5
Wiring – Excel System with MCOR3	12-9
Forward/Reverse Switch and Tow/Run Switch	12-11
Batteries and Battery Bucket, PD+ 8-Volt	12-13
Batteries and Battery Bucket, PD+ 8-Volt, CE	12-15
Single Point Watering System, 8V	12-17
Computer v5.5, Controller, and Solenoid – Excel System	12-19

SECTION 13 – ELECTRICAL SYSTEM – EXCEL WITH HIGH FREQUENCY CHARGERS

Electrical Components, Front Body – Electric Vehicle	13-3
Motor Controller Output Regulator 3 (MCOR3)	13-5
Wiring and Fuses	13-7
Forward/Reverse Switch and Tow/Run Switch	13-9
Batteries and Battery Bucket, PD+ 8-Volt	13-11
Batteries and Battery Bucket, PD+ 8-Volt, CE	13-13
Single Point Watering System, 8V	13-15
Controller and Solenoid	13-17

CONTENTS

SECTION 14 – ELECTRIC MOTOR

Motor (Model EJ8-4001A) – Electric Vehicle	14-3
--	------

SECTION 15 – TRANSAXLE – ELECTRIC VEHICLES

Transaxle – Electric Vehicles	15-3
-------------------------------------	------

SECTION 16 – BATTERY CHARGERS – POWERDRIVE

PowerDrive 3 Battery Charger (Models 26580-31,-38,-39), Domestic	16-3
PowerDrive Battery Charger (Models 17930-11,-18,-19), Domestic	16-5
PowerDrive Battery Charger (Model 18780-18), Export	16-7
PowerDrive Battery Charger (Model 27640-61), Export	16-9
PowerDrive Battery Charger (Model 20310-18), European	16-11
PowerDrive Battery Charger (Model 27640-11), European	16-13
Onboard PowerDrive Battery Charger (Model 17935-40), Domestic	16-15
Onboard PowerDrive Battery Charger (Model 17790-40), International	16-17

SECTION 17 – BATTERY CHARGERS – HIGH-FREQUENCY

Battery Charger, High-Frequency – U.S./Canada	17-3
Battery Charger, High-Freq., 2.74 m DC Cord – Global	17-5
Battery Charger, High-Freq., 3.66 m DC Cord – Global	17-7
Battery Charger, High-Freq., 6.1 m DC Cord – Global	17-9
Cords – Battery Charger, High-Frequency	17-11
Battery Charger, High-Frequency – Onboard	17-13

SECTION 18 – MAINTENANCE AND SERVICE TOOLS

Maintenance and Service Tools – Golf	18-3
Maintenance and Service Tools – Golf, Continued	18-5
Maintenance and Service Tools – Golf, Continued	18-7

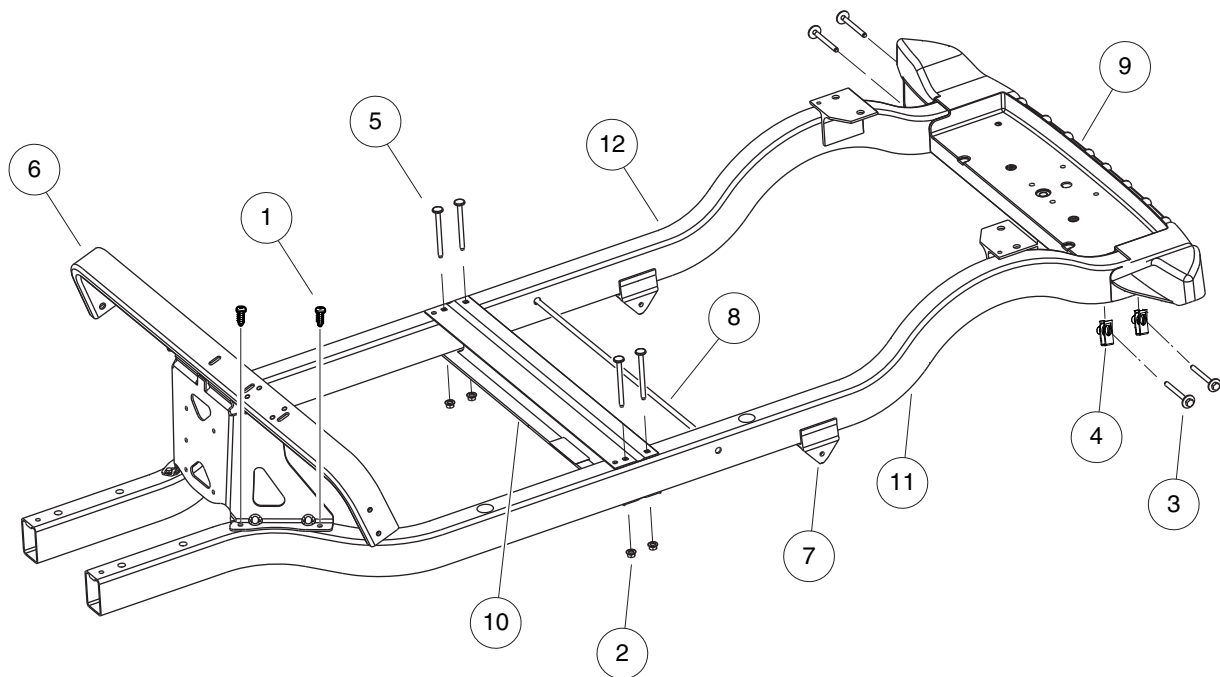
SECTION i – INDEX

BODY AND TRIM

1

G

E



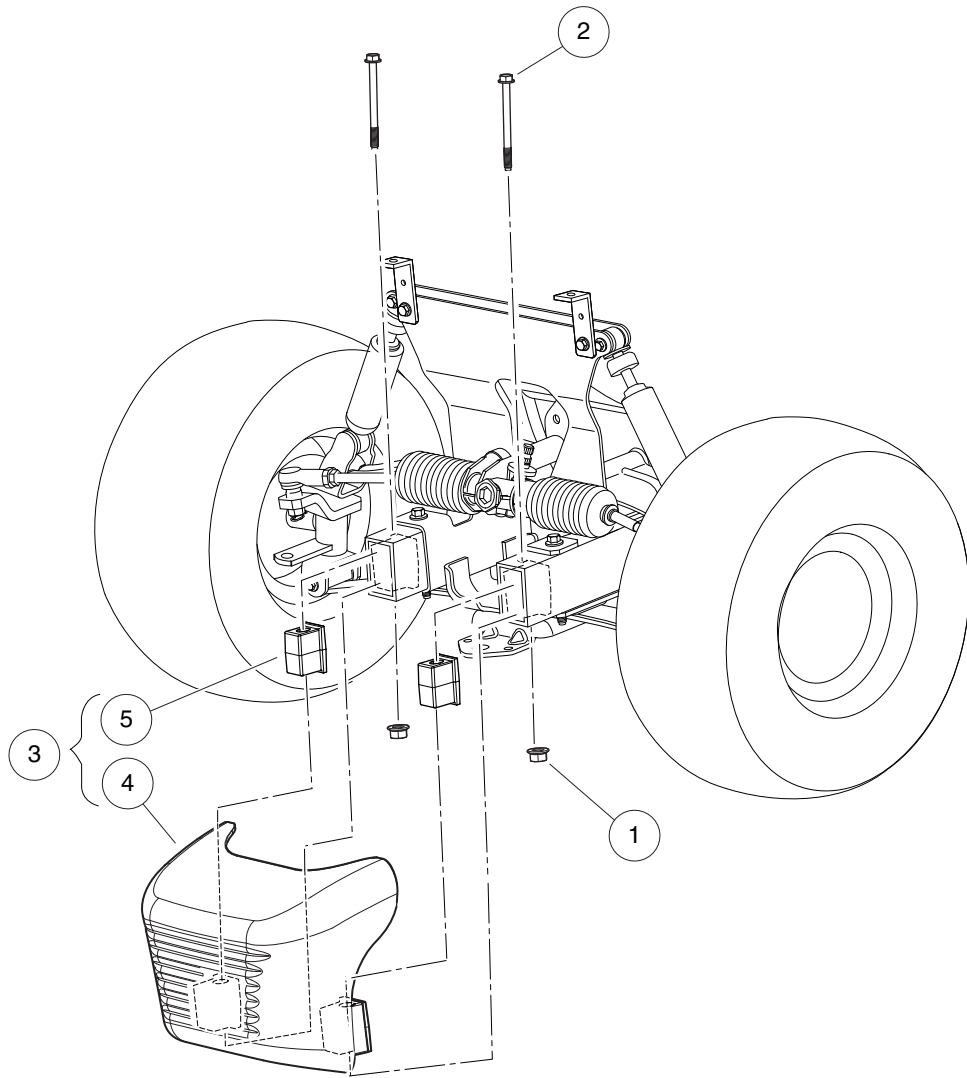
000436-009

FRAME

ITEM	PART NO.	DESCRIPTION	QTY
		1 2 3 4	
1	<u>102292101</u>	Screw-5/16 X 1.5 Tek	4
2	<u>102298401</u>	Nut,m8,all Metal Lock	4
3	<u>102298580</u>	M8-1.25 X 80 Sems	4
4	<u>102298601</u>	J-clip - M8 X 1.25	4
5	<u>102298995</u>	Bolt, Wafer Head, M8-1.25x95	4
6	<u>102505701</u>	Assembly, Dash Support	1
7	102507801	Hanger, Spring	2
8	<u>103638901</u>	Rod, .5 Od X 26.26	1
9	<u>103926601</u>	Crossmember, rear	1
10	103975901	I Beam, Cross Car	1
11	<u>103990501</u>	Weldment, Frame, Prec, Lh	1
12	<u>103990601</u>	Weldment, Frame, Prec, Rh	1

1
G
E

1
G
E



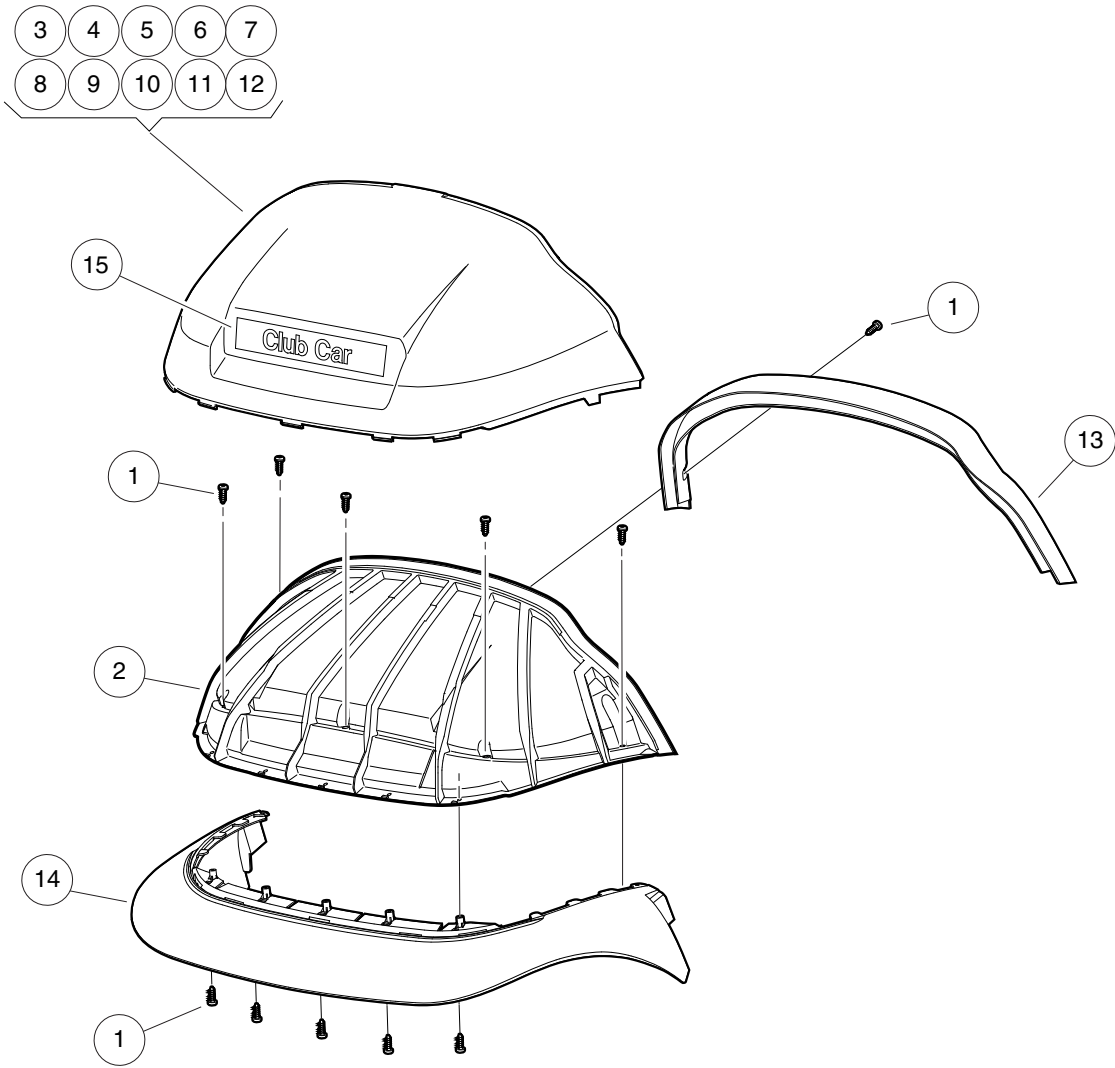
000437-003

FRONT BUMPER

ITEM	PART NO.	DESCRIPTION	QTY
		1 2 3 4	
1	<u>102298401</u>	Nut,m8,all Metal Lock	2
2	102534201	Bolt - Fl Hd, M8 X 95	2
3	<u>103330601</u>	Asm, Bumper, Front, Precedent (includes items 4 and 5)	1
4	N/A	Bumper, Front, Precedent	1
5	<u>103325001</u>	Plug, Shock, Precedent Bumper	2

1
G
E

1
G
E

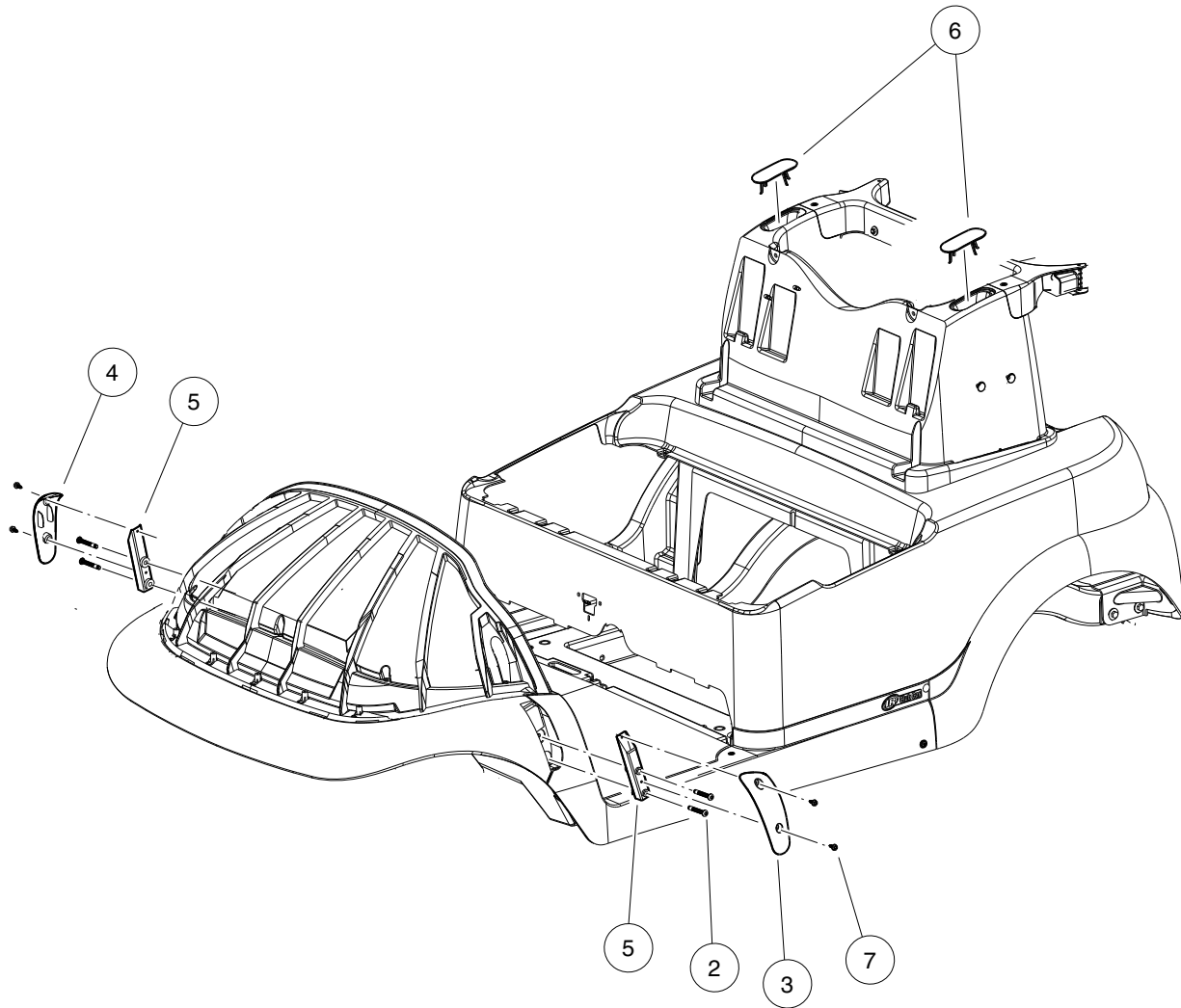


000434-005

FRONT BODY

ITEM	PART NO.	DESCRIPTION	QTY
		1 2 3 4	
1	<u>102296020</u>	Screw, Torx Pan Hd Pt, M6 X 20	14
2	<u>102501501</u>	Brow	1
3	<u>102502401</u>	Panel, Beauty Front, White	1
4	<u>102502402</u>	Panel, Beauty Front, Beige	1
5	<u>102502404</u>	Panel, Beauty Front, Gray	1
6	<u>102502405</u>	Panel, Beauty Front, Red	1
7	<u>102502406</u>	Panel, Beauty Front, Burgundy	1
8	<u>102502407</u>	Panel, Beauty Front, Green	1
9	<u>102502408</u>	Panel, Beauty Front, Blue	1
10	<u>102502409</u>	Panel, Beauty Front, Black	1
11	<u>102502411</u>	Panel, Beauty, Front, Cayenne	1
12	<u>102502413</u>	Panel-beauty Front, Atlantic	1
13	<u>102502501</u>	Brow Cap	1
14	<u>102534404</u>	Fascia, Blk	1
15	<u>103816601</u>	Nameplate -cc	1

1
G
E



000730-003

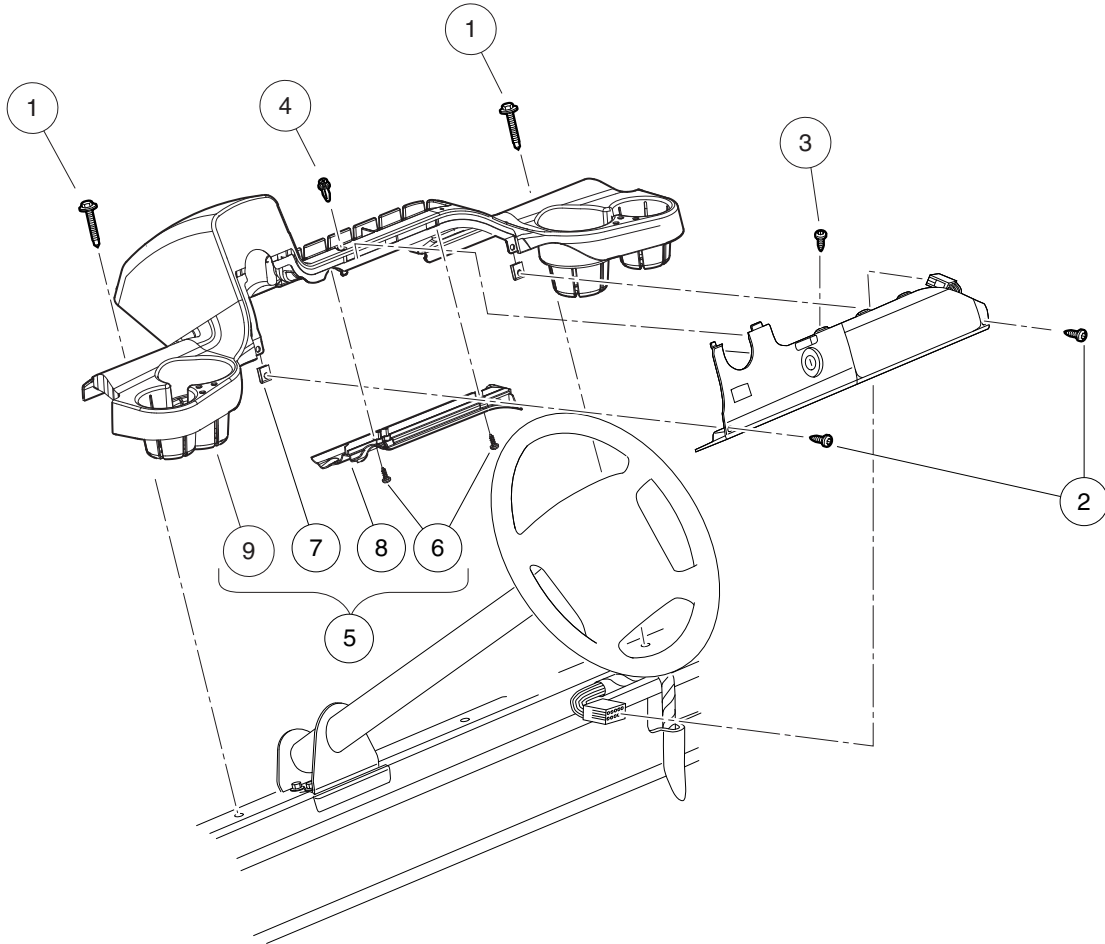
UNDERBODY COVERS (VEHICLE WITHOUT CANOPY)

ITEM	PART NO.	DESCRIPTION	QTY
		1 2 3 4	
1	<u>102543902</u>	Kit, Underbody Cover, Black (includes items 2 through 7)	1
2	<u>102299065</u>	M8-1.25 X 65 Tx Bttn Hd Bolt	4
3	<u>102400202</u>	Cover, Lh Non-canopy, Blk	1
4	<u>102400302</u>	Cover, Rh Non-canopy, Blk	1
5	N/A	Support, Strut Cover	2
6	N/A	SAM Cap	2
7	<u>102544201</u>	Screw, M6 Hex	4

1

G

E



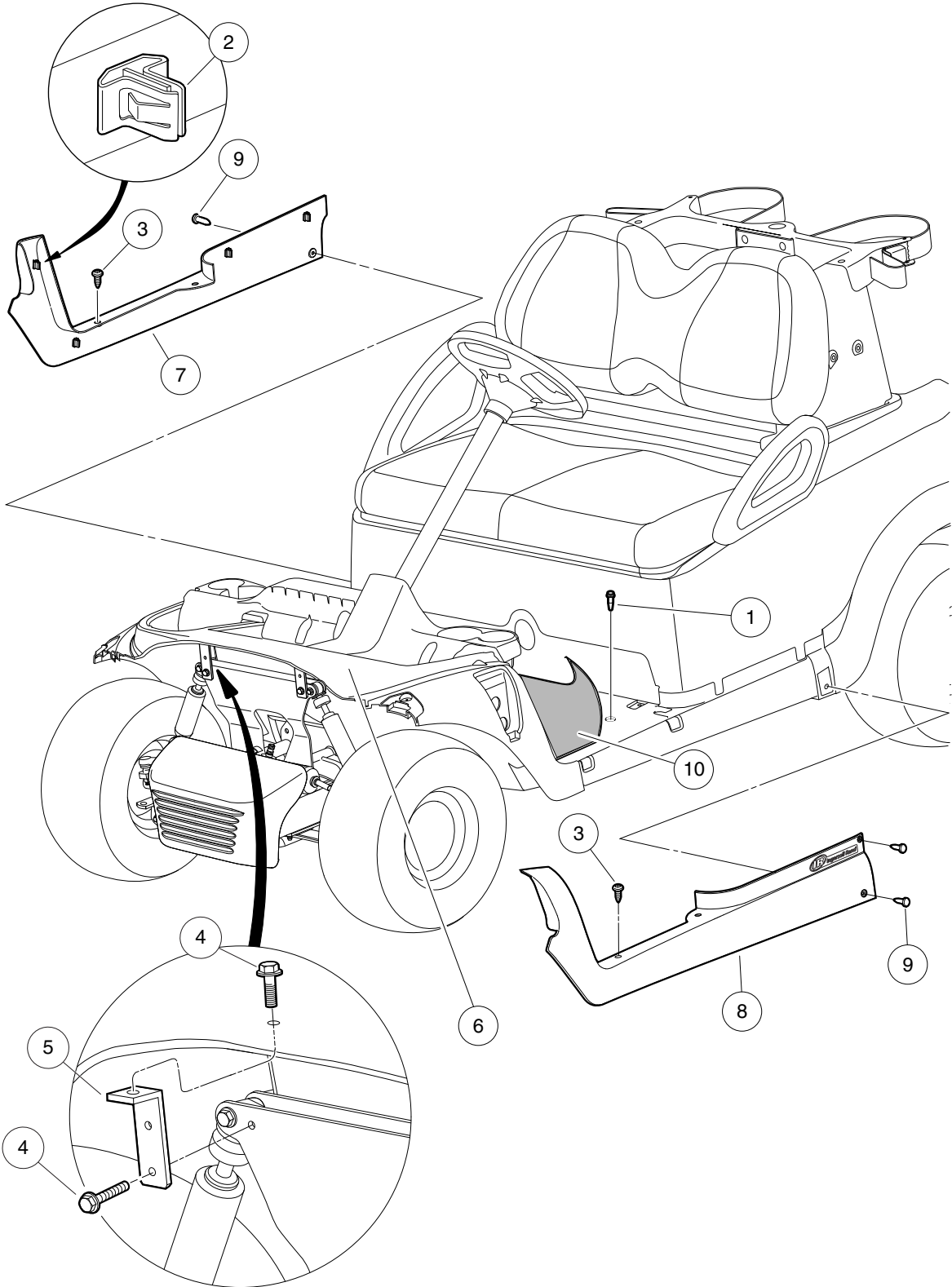
000438-003

DASH

ITEM	PART NO.	DESCRIPTION	QTY
		1 2 3 4	
1	<u>102292356</u>	Screw-1/4-20x56 Hwh Self Drill	2
2	<u>102296819</u>	Screw-m6 X 19-pnhd Ab	2
3	<u>102557201</u>	Screw, #6-20 Type Abx1.00 Pan	1
4	<u>102915601</u>	Plastic Rivet - Tuflock	1
5	<u>103402701</u>	Dash Assembly, Prec (includes items 6 through 9)	1
6	N/A	Screw-torx Pan Hd Pt,m6 X 16	2
7	<u>102297001</u>	U-nut, 1/4" Type Ab	2
8	N/A	Drain Channel - Dash	1
9	N/A	Dash, Prec	1

1
G
E

1
G
E



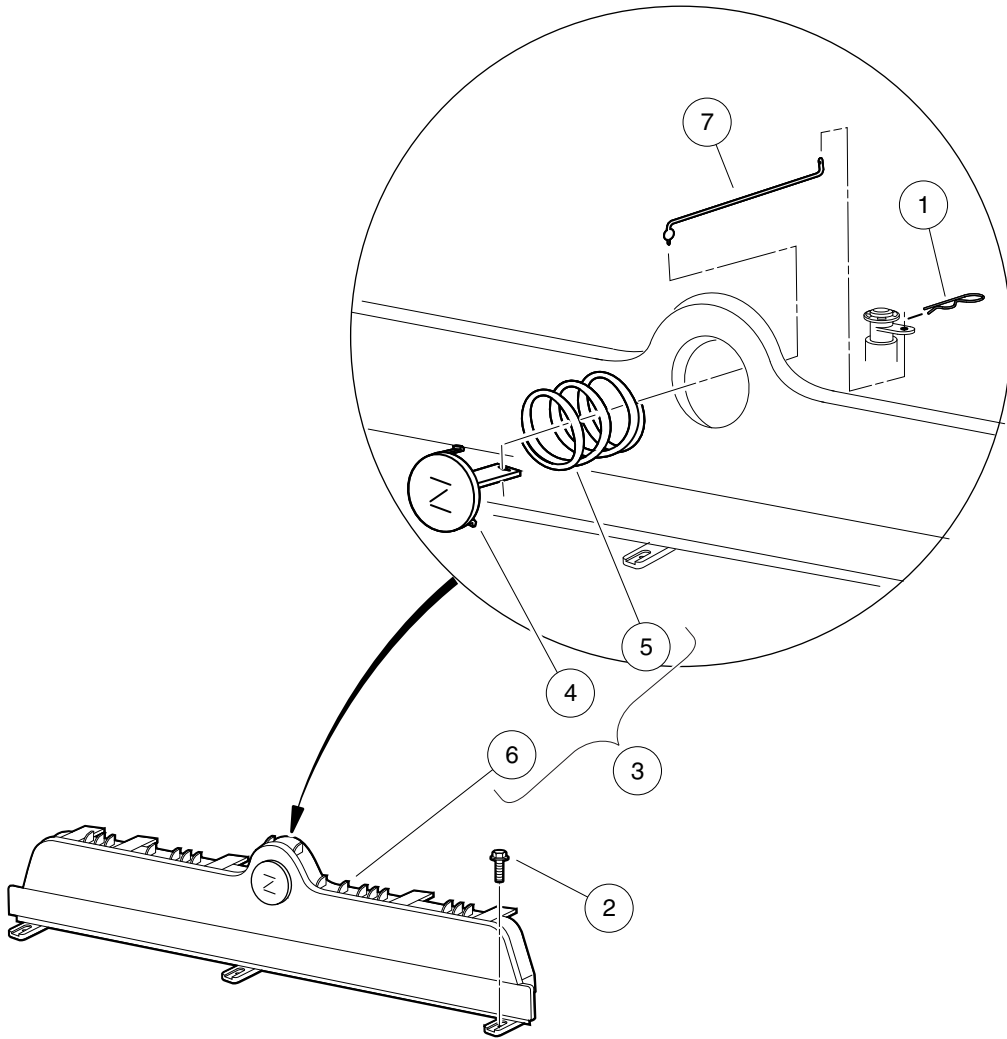
000497-007

FLOOR MAT, RETAINERS, AND FRONT UNDERBODY

ITEM	PART NO.	DESCRIPTION	QTY
		1 2 3 4	
1	<u>102292356</u>	Screw-1/4-20x56 Hwh Self Drill	3
2	<u>102292701</u>	Clip-body-trim	8
3	<u>102298020</u>	Screw, K80x20, Torx Pn Hd Pt	4
4	102298716	M8-1.25x16 Taptite	4
5	<u>102521901</u>	Bracket-clamshell	2
6	****	Asm-front Underbody, Black	1
7	<u>103678001</u>	Floormat Retainer Asm, Rh, Blk	1
8	<u>103678101</u>	Floormat Retainer Asm, Lh, Blk	1
9	<u>103683001</u>	Barrel Fastner, Blk, Firm	4
10	<u>103926401</u>	Floormat, Precedent	1
		**** Special order item available upon request.	

1
G
E

1
G
E



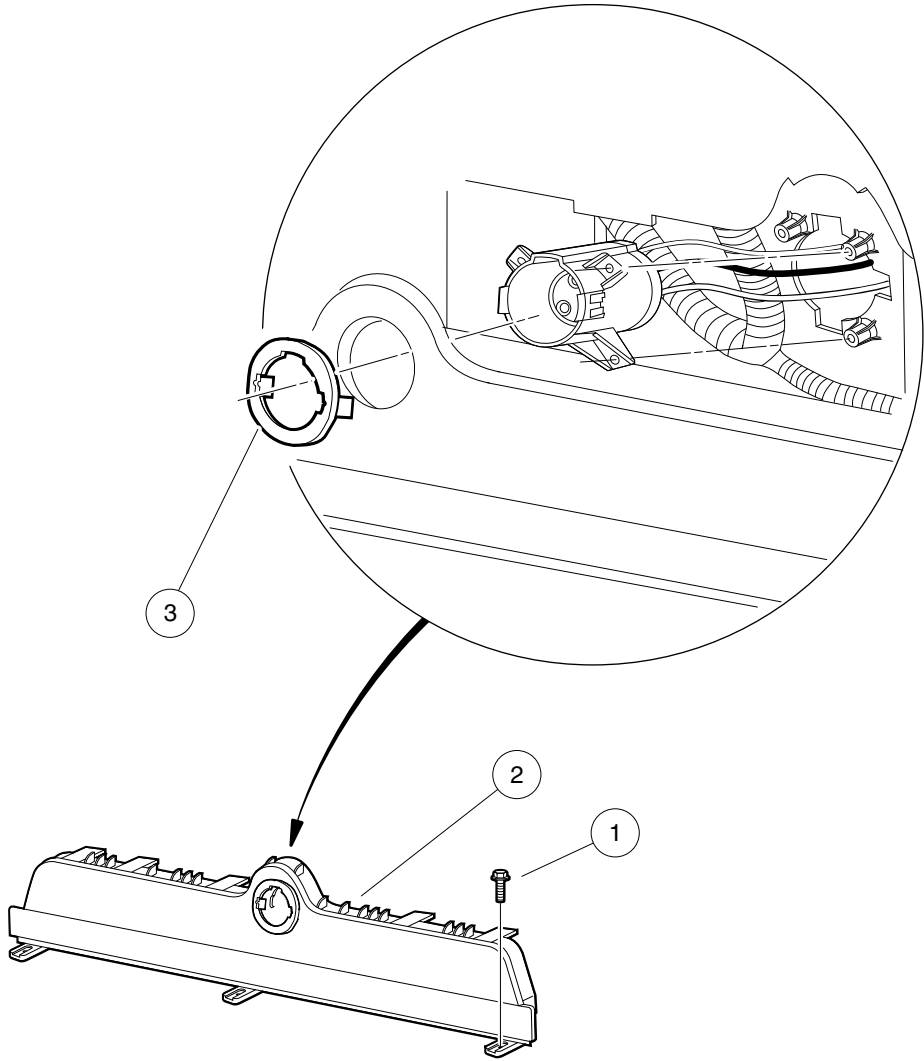
000501-003

KICK PLATE – GASOLINE VEHICLE

ITEM	PART NO.	DESCRIPTION	QTY
		1 2 3 4	
1	<u>1014413</u>	Pin, Hair Spring Cotter	1
2	102298030	Screw, K80x30, Torx Pn Hd Pt	3
3	<u>102511702</u>	Asm-gas Kick Plate, Blk (includes items 4 through 6)	1
4	<u>101811401</u>	Lever, Choke	1
5	<u>101856201</u>	Compression Spring	1
6	N/A	Plate - Gas Kick, Blk	1
7	<u>102514401</u>	Rod, Choke Button	1

1
G
E

1
G
E



000500-003

KICK PLATE – ELECTRIC VEHICLE

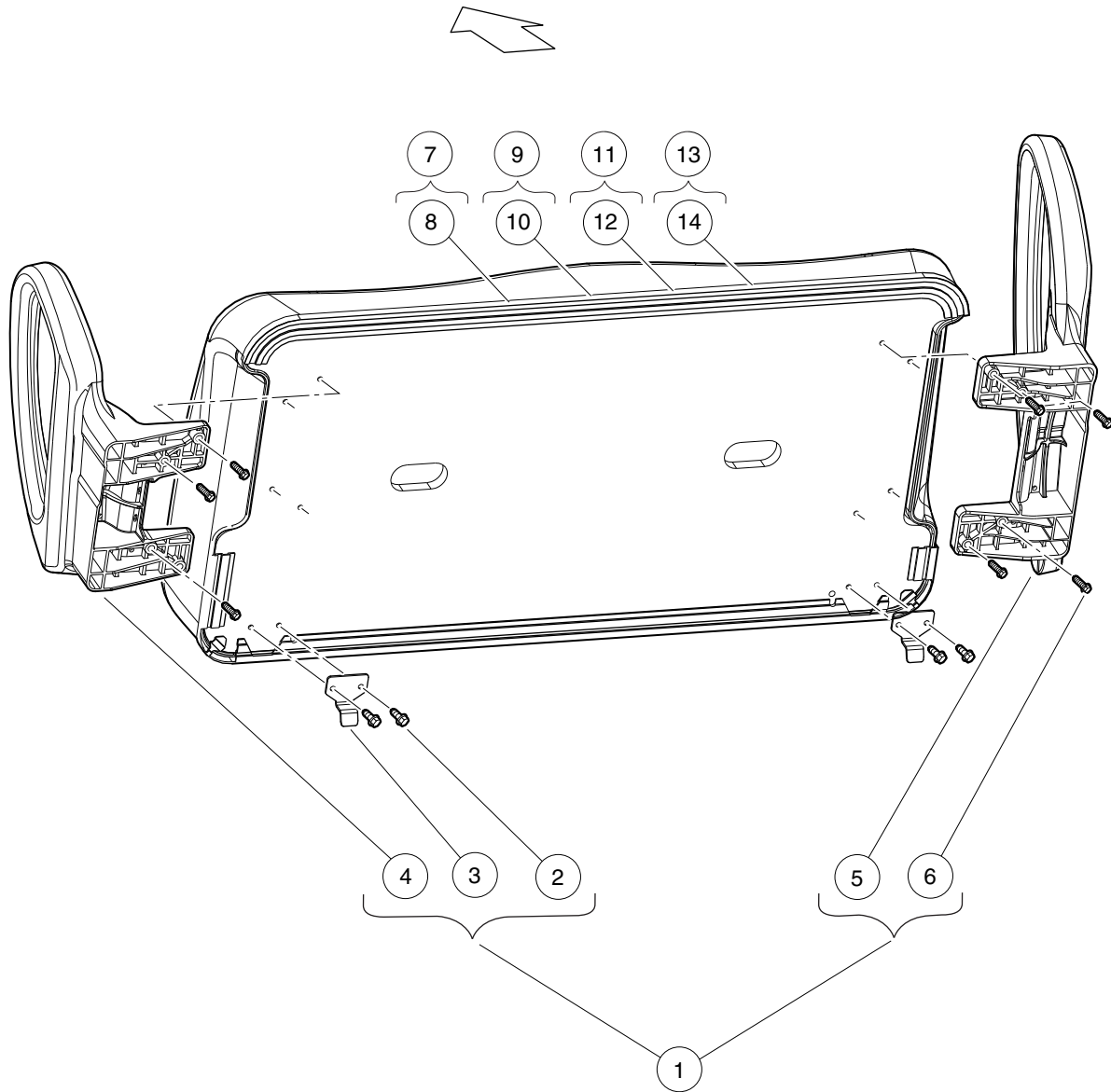
ITEM	PART NO.	DESCRIPTION	QTY
		1 2 3 4	
1	102298030	Screw, K80x30, Torx Pn Hd Pt	3
2	<u>102508202</u>	Plate - Electric Kick Blk	1
3	<u>102516901</u>	Socket Trim	1

1

G

E

1
G
E



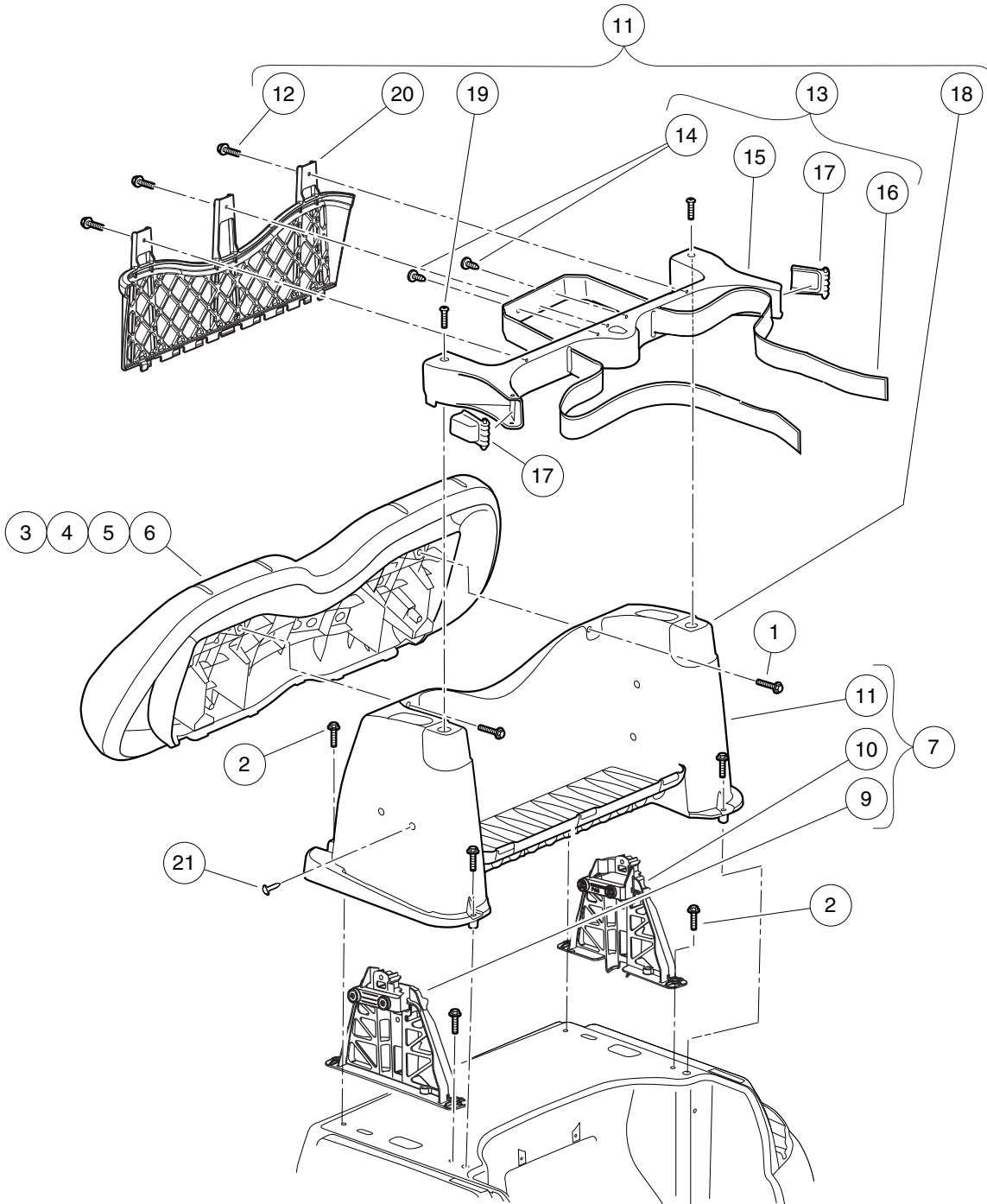
000440-006

SEAT BOTTOM WITH HIP RESTRAINTS

ITEM	PART NO.	DESCRIPTION	QTY
		1 2 3 4	
1	<u>103833901</u>	Kit, Prec, Seat Botm (includes items 2 through 6)	1
2	<u>101954301</u>	Screw, 1/4-20 X 0.75 Hex-Head Cap	4
3	<u>103832901</u>	Hinge, Seat Bottom	2
4	<u>103833601</u>	Hip Restraint, Drv	1
5	<u>103833701</u>	Hip Restraint, Pas	1
6	<u>103833801</u>	1/4-20 X 1.5 Hex Flg Patch	8
7	<u>104023421</u>	Service, Asm, Beige, Seat Btm (includes item 8)	1
8	<u>101998501</u>	Gasket, Seat	1
9	<u>104023422</u>	Service, Asm, White, Seat Btm (includes item 10)	1
10	<u>101998501</u>	Gasket, Seat	1
11	<u>104023424</u>	Service, Asm, Gray, Seat Btm (includes item 12)	1
12	<u>101998501</u>	Gasket, Seat	1
13	<u>104023425</u>	Service, Asm, Black, Seat Btm (includes item 14)	1
14	<u>101998501</u>	Gasket, Seat	1

1
G
E

1
G
E



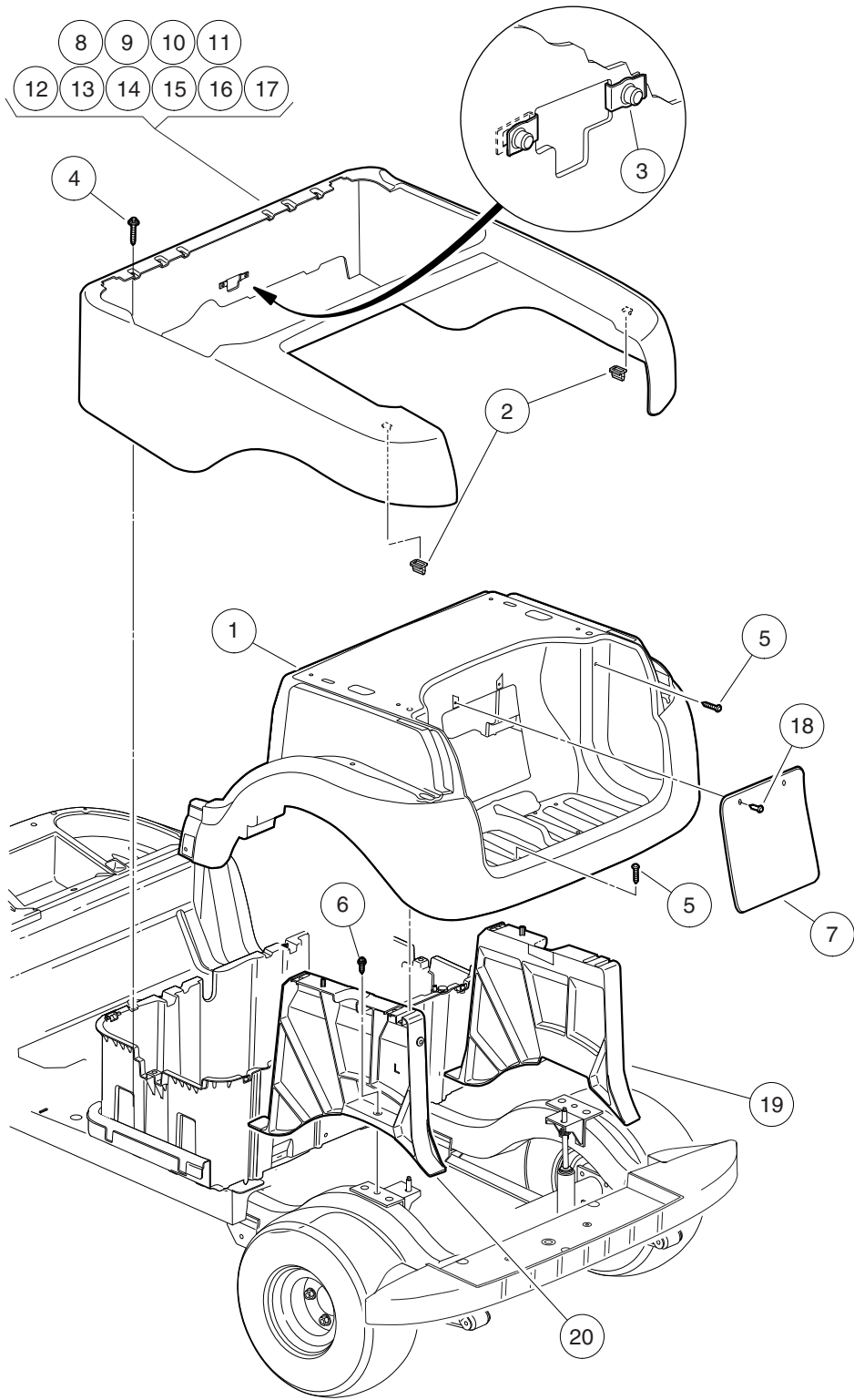
000435-010

BACKREST AND STRUCTURAL ACCESSORY MODULE (SAM)

ITEM	PART NO.	DESCRIPTION	QTY
		1 2 3 4	
1	<u>102296530</u>	Screw - M6 X 1.0 X 30 Sems	2
2	<u>102298240</u>	Bolt, Flange Head, M8-1.25 X 40	6
3	<u>103853121</u>	Service, Beige, Seatback Asm	1
4	<u>103853122</u>	Service, White, Seatback Asm	1
5	<u>103853124</u>	Service, Gray, Seatback Asm	1
6	<u>103853125</u>	Service, Black, Seatback Asm	1
7	<u>103952901</u>	Kit, Sam Assembly (includes items 8 through 11)	1
8	<u>102297230</u>	Screw,m6,torx,interlock,thread	4
9	<u>103929301</u>	Support- Canopy, Drv	1
10	<u>103929302</u>	Support- Canopy, Pass	1
11	N/A	Asm, Prec, Sam (includes items 12 through 20)	1
12	<u>102297230</u>	Screw,m6,torx,interlock,thread	3
13	<u>102504001</u>	Asm-bag Hoop (includes items 14 through 17)	1
14	<u>1010434</u>	Barrel - Plastic	2
15	<u>102504201</u>	Hoop-bag	1
16	<u>102504301</u>	Strap, Bag	1
17	<u>102517001</u>	Buckle-bag Strap	2
18	N/A	Structural Accessory Module	1
19	<u>103327601</u>	Screw, 5/16, Torx, Bosscrew	2
20	<u>103699401</u>	Panel, Sam, Prec	1
21	<u>103978801</u>	Barrel-push 6mm	4
<p>Note: Screws (item 8) not shown. These are four new screws to replace those used to attach accessory mounting brackets to SAM (item 18).</p>			

1
G
E

1
G
E



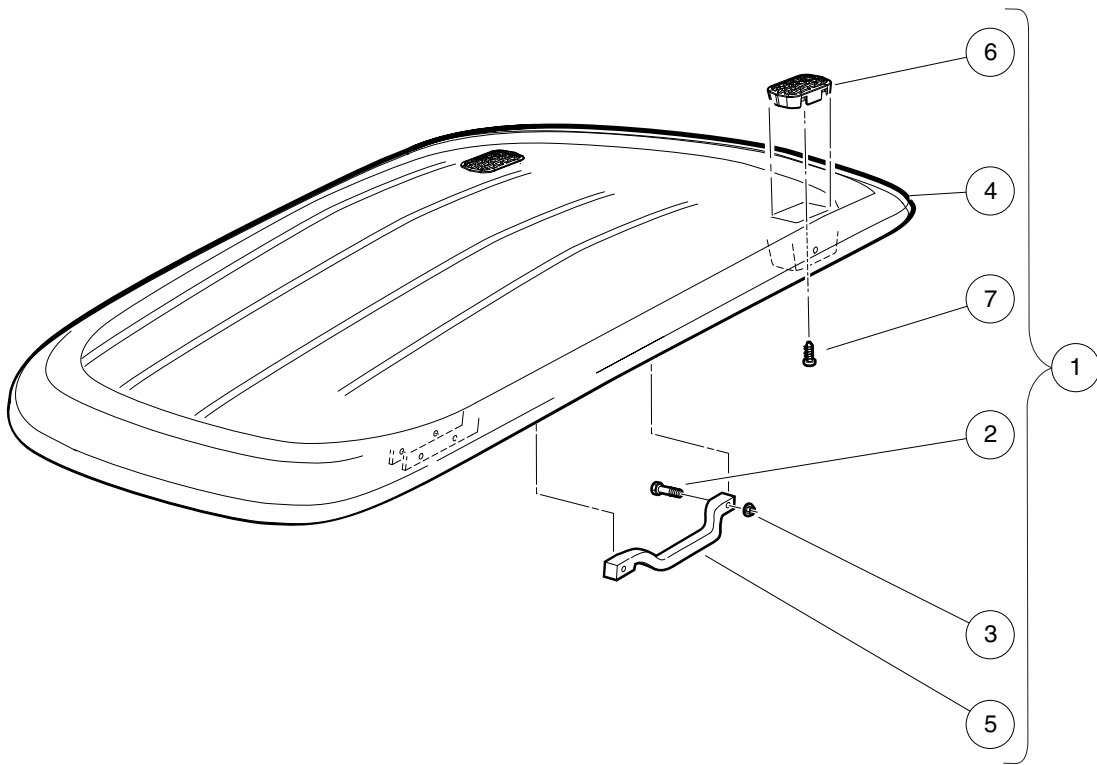
000436-010

REAR BODY

ITEM	PART NO.	DESCRIPTION	QTY
		1 2 3 4	
1	<u>102279104</u>	Underbody - Rear, Blk	1
2	<u>102292701</u>	Clip-body-trim	2
3	<u>102296601</u>	U-nut, M6-1.0 Prev Torque	2
4	<u>102297230</u>	Screw,m6,torx,interlock,thread	4
5	<u>102298030</u>	Screw, K80x30, Torx Pn Hd Pt	4
6	<u>102298716</u>	M8-1.25x16 Taptite	2
7	<u>102501402</u>	Panel, Access, Black	1
8	<u>102502301</u>	Panel, Beauty, Rear, White	1
9	<u>102502302</u>	Panel, Beauty, Rear, Beige	1
10	<u>102502304</u>	Panel, Beauty, Rear, Gray	1
11	<u>102502305</u>	Panel, Beauty, Rear, Red	1
12	<u>102502306</u>	Panel, Beauty, Rear, Burgundy	1
13	<u>102502307</u>	Panel, Beauty, Rear, Green	1
14	<u>102502308</u>	Panel, Beauty, Rear, Blue	1
15	<u>102502309</u>	Panel, Beauty, Rear, Black	1
16	<u>102502311</u>	Panel-beauty Rear, Cayenne	1
17	<u>102502313</u>	Panel-beauty Rear, Atlantic	1
18	<u>102967901</u>	Rivet, Removable, Tuflok 1/4"	2
19	<u>103812901</u>	Asm, Rear Underbody Supp, Rh	1
20	<u>103813001</u>	Asm, Rear Underbody Supp, Lh	1

1
G
E

1
G
E



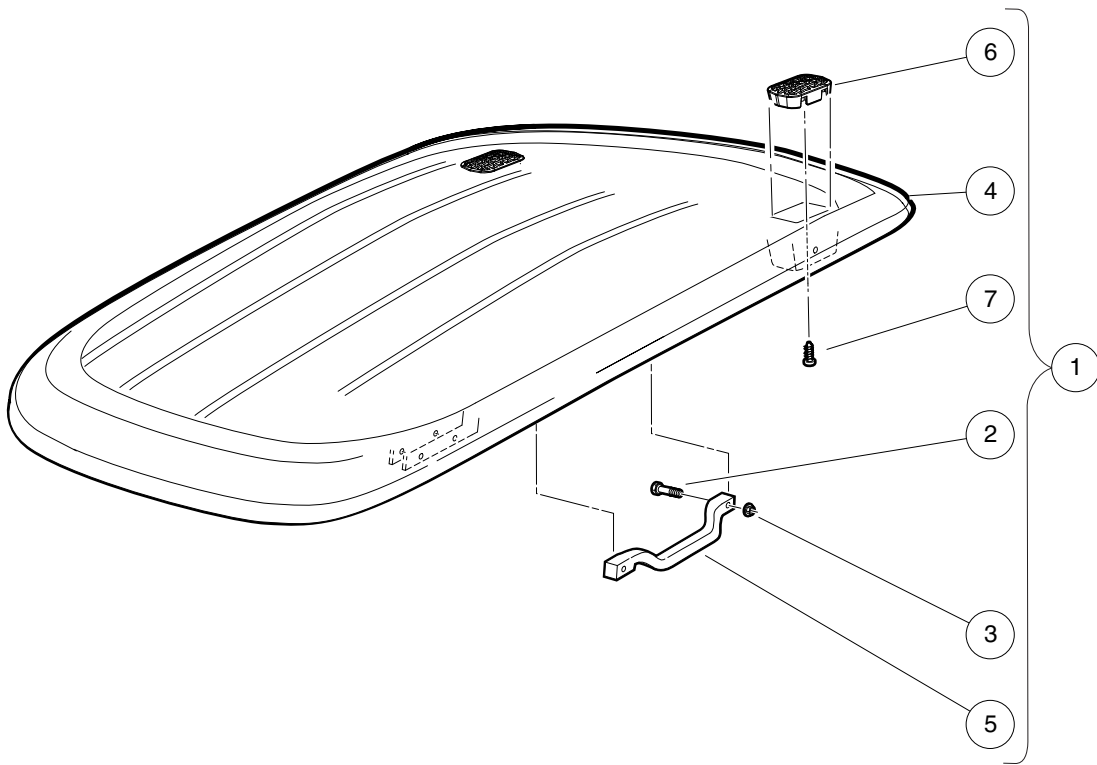
000439-009

CANOPY – WHITE

ITEM	PART NO.	DESCRIPTION	QTY
		1 2 3 4	
1	<u>104008001</u>	Asm, Canopy W/handles, White (includes items 2 through 7)	1
2	<u>102296140</u>	Bolt, Flanged Head, M6x1.0x40	4
3	<u>102296401</u>	Nut, M6x1.0, Flange, Metal Lock	4
4	<u>102508901</u>	Canopy-white	1
5	<u>102511601</u>	Handle, Canopy (White)	2
6	<u>103205101</u>	Cover, Drain, Canopy, Precedent	2
7	<u>103210101</u>	Screw, #8 X.75, Torx, Tapping	2

1
G
E

1
G
E



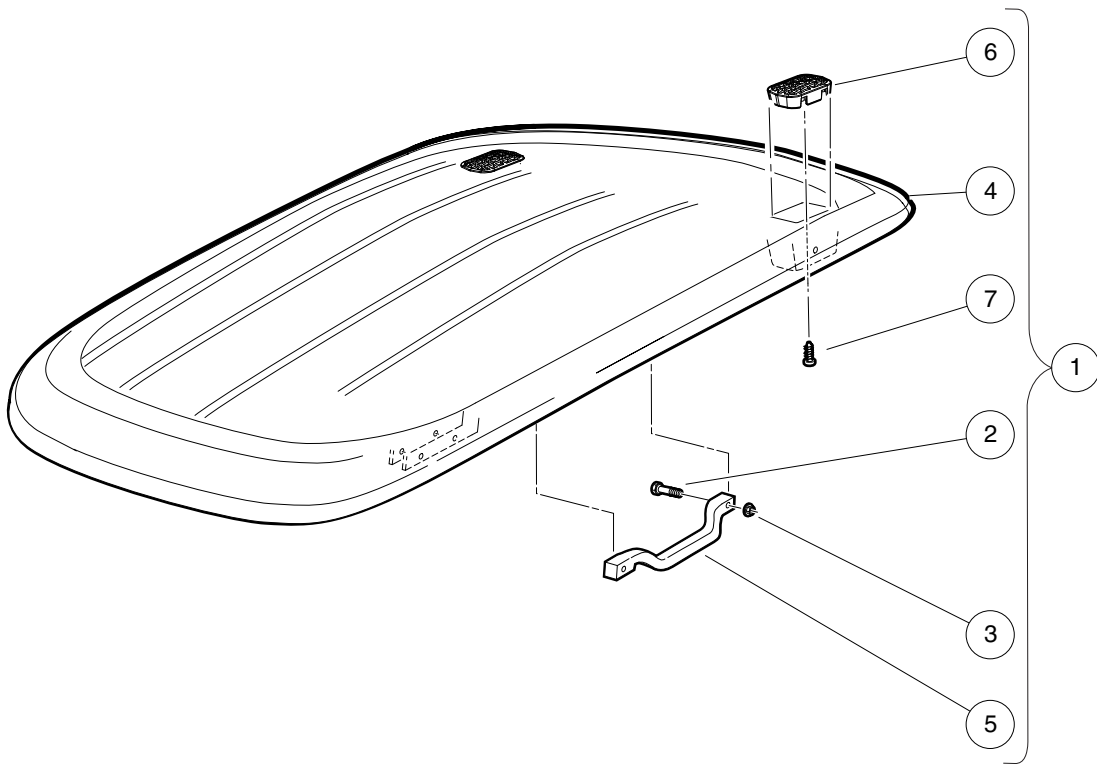
000439-009

CANOPY – BEIGE

ITEM	PART NO.	DESCRIPTION	QTY
		1 2 3 4	
1	<u>104008002</u>	Asm, Canopy W/handles, Beige (includes items 2 through 7)	1
2	<u>102296140</u>	Bolt, Flanged Head, M6x1.0x40	4
3	<u>102296401</u>	Nut, M6x1.0, Flange, Metal Lock	4
4	<u>102508902</u>	Canopy-beige	1
5	<u>102511602</u>	Handle, Canopy (Beige)	2
6	<u>103205101</u>	Cover, Drain, Canopy, Precedent	2
7	<u>103210101</u>	Screw, #8 X.75, Torx, Tapping	2

1
G
E

1
G
E



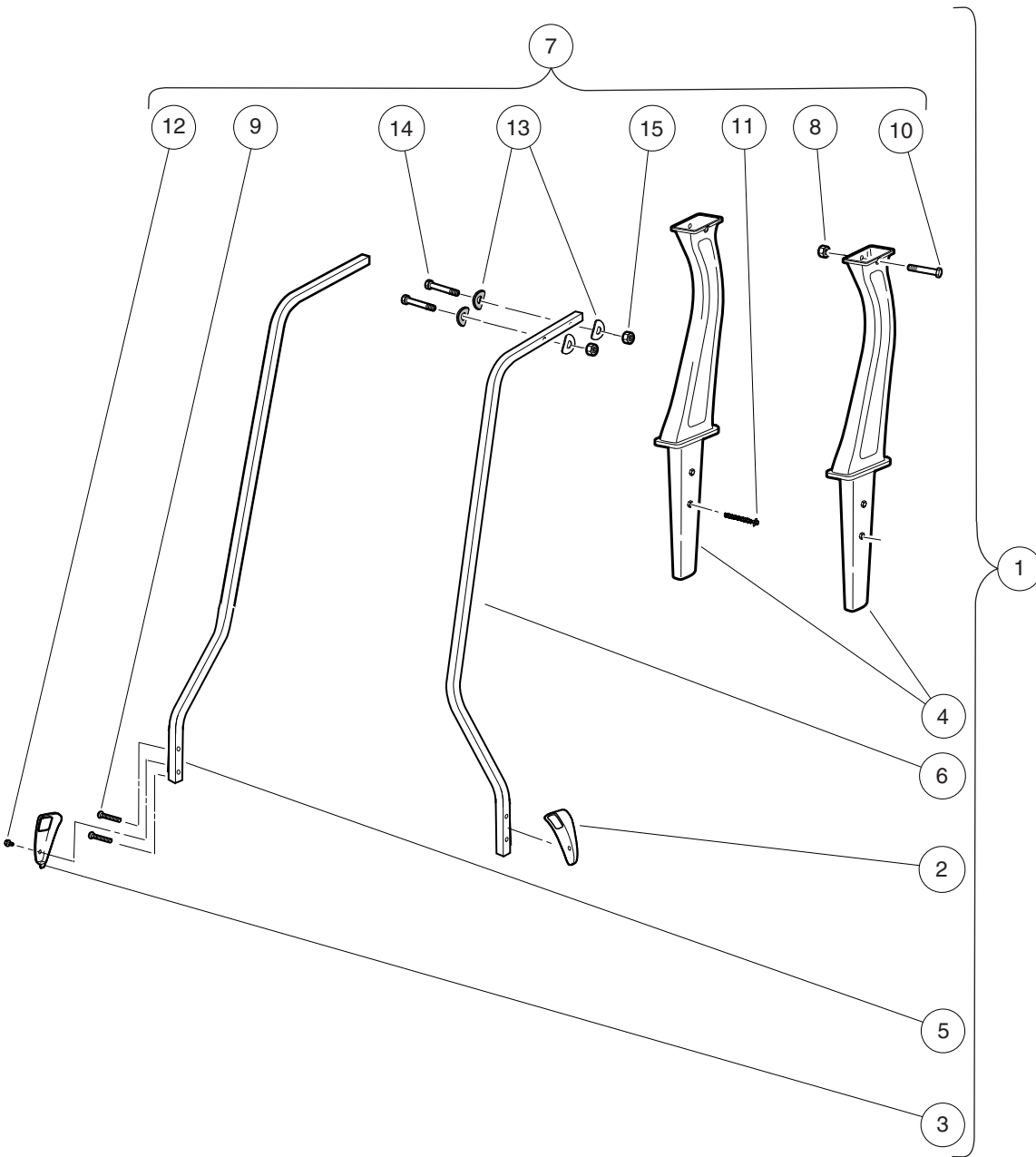
000439-009

CANOPY – BLACK

ITEM	PART NO.	DESCRIPTION	QTY
		1 2 3 4	
1	<u>104008003</u>	Asm, Canopy W/handles, Black (includes items 2 through 7)	1
2	<u>102296140</u>	Bolt, Flanged Head, M6x1.0x40	4
3	<u>102296401</u>	Nut, M6x1.0, Flange, Metal Lock	4
4	<u>102508903</u>	Canopy-black	1
5	<u>102511603</u>	Handle-canopy (black)	2
6	<u>103205101</u>	Cover, Drain, Canopy, Precedent	2
7	<u>103210101</u>	Screw, #8 X.75, Torx, Tapping	2

1
G
E

1
G
E



000439-010

CANOPY STRUTS

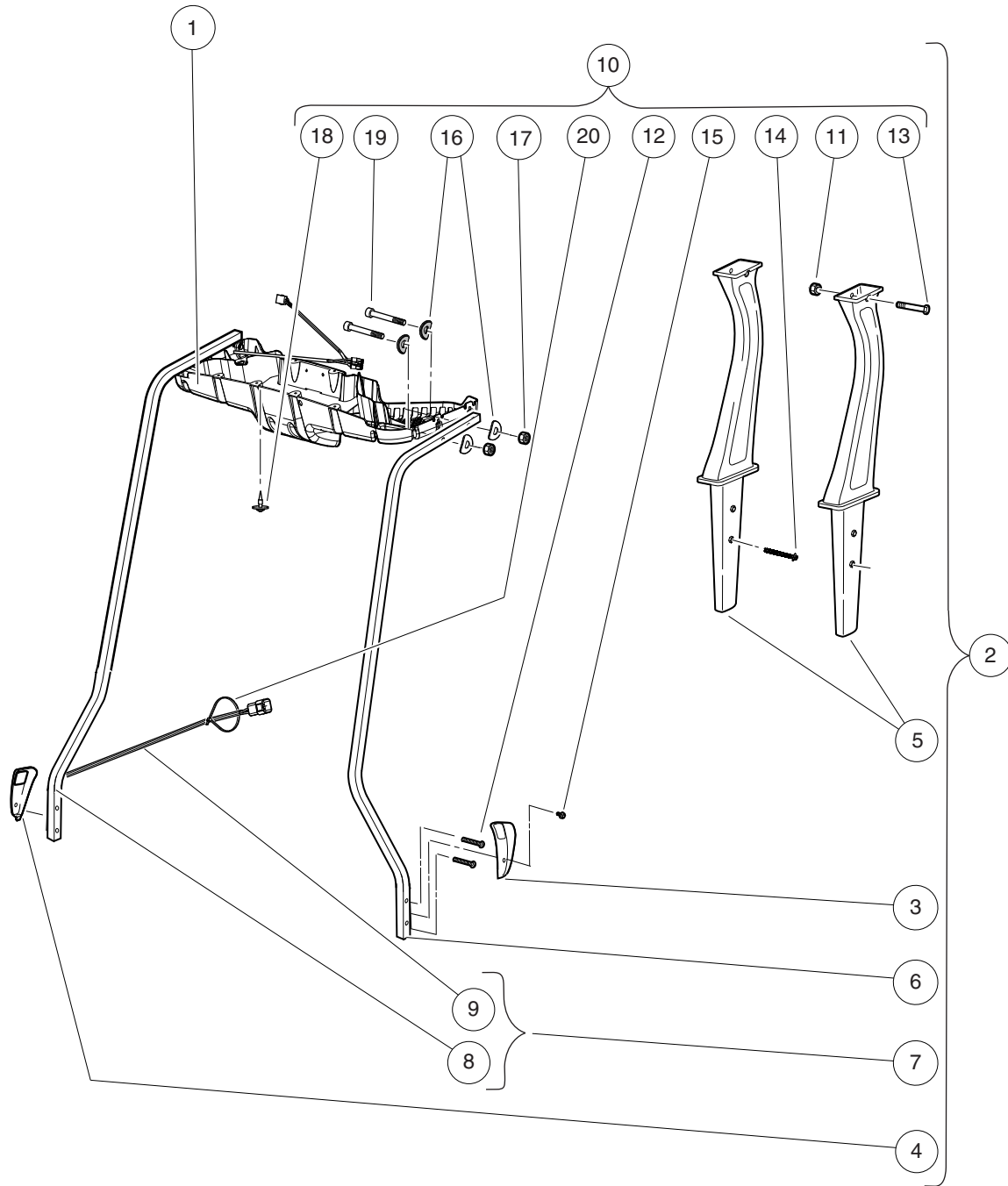
ITEM	PART NO.	DESCRIPTION	QTY
		1 2 3 4	
1	<u>104008901</u>	Kit, Sp, Struts, Prec, Std (includes items 2 through 7)	1
2	<u>102400002</u>	Cover, Lh Canopy Support, Blk	1
3	<u>102400102</u>	Cover, Rh Canopy Support, Blk	1
4	<u>102513501</u>	Asm-rear Canopy Support	2
5	<u>103750001</u>	Strut, Canopy Front Rh-prec	1
6	<u>103750101</u>	Strut, Canopy Front Lh-prec	1
7	<u>104008501</u>	Kit, Hardware, Canopy, Std (includes items 8 through 15)	1
8	<u>102298401</u>	Nut,m8,all Metal Lock	2
9	<u>102299065</u>	M8-1.25 X 65 Tx Bttm Hd Bolt	4
10	<u>102299360</u>	Screw, M8-1.25 X 60, Sems, Tx	2
11	<u>102299601</u>	Screw, Pt, K80x70 Hex Flg Hd	2
12	<u>102544201</u>	Screw, M6 Hex	2
13	<u>103196001</u>	Washer, Conical Spring, Canopy	8
14	<u>103199301</u>	Bolt - M6 X 1 X 45 Hh Grey	4
15	<u>103200301</u>	Nut, M6 x 1.00	4

1

G

E

1
G
E



000439-011

VISAGE CANOPY STRUTS AND CONSOLE

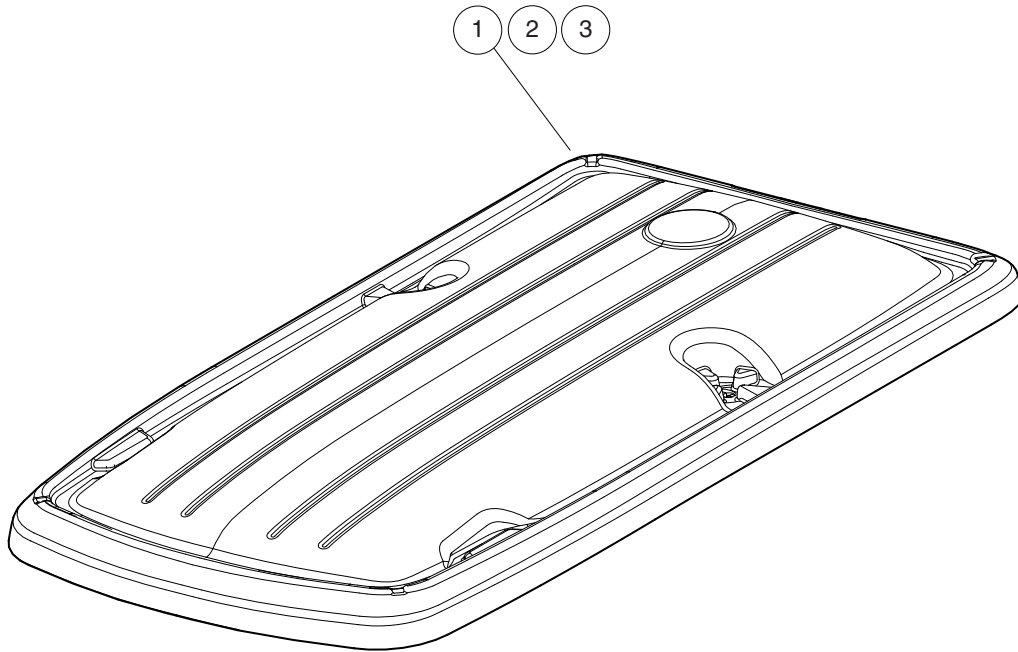
ITEM	PART NO.	DESCRIPTION	QTY
		1 2 3 4	
1	<u>103725601</u>	Support, Guardian Canopy Mt	1
2	<u>104008902</u>	Kit, Sp, Struts, Prec, Vis (includes items 3 through 10)	1
3	<u>102400002</u>	Cover, Lh Canopy Support, Blk	1
4	<u>102400102</u>	Cover, Rh Canopy Support, Blk	1
5	<u>102513501</u>	Asm-rear Canopy Support	2
6	<u>103750101</u>	Strut, Canopy Front Lh-prec	1
7	<u>103775201</u>	Asm, Frnt Strut, Prec, Ps, V2 (includes items 8 and 9)	1
8	<u>103750001</u>	Strut, Canopy Front Rh-prec	1
9	<u>103775601</u>	Harness, Canopy Mount, V2	1
10	<u>104008502</u>	Kit, Hardware, Canopy, Vis (includes items 11 through 20)	1
11	<u>102298401</u>	Nut,m8,all Metal Lock	2
12	<u>102299065</u>	M8-1.25 X 65 Tx Bttm Hd Bolt	4
13	<u>102299360</u>	Screw, M8-1.25 X 60, Sems, Tx	2
14	<u>102299601</u>	Screw, Pt, K80x70 Hex Flg Hd	2
15	<u>102544201</u>	Screw, M6 Hex	2
16	<u>103196001</u>	Washer, Conical Spring, Canopy	4
17	<u>103200301</u>	Nut, M6 x 1.00	4
18	<u>103774801</u>	Screw, Pt, Washer Head, 4x16	6
19	<u>103881201</u>	Socket Head Cap Screw, M6 X 50mm, Magni-Coated	4
20	<u>8990</u>	Tie Wrap, 8" Nylon	1

1
G
E

1

G

E



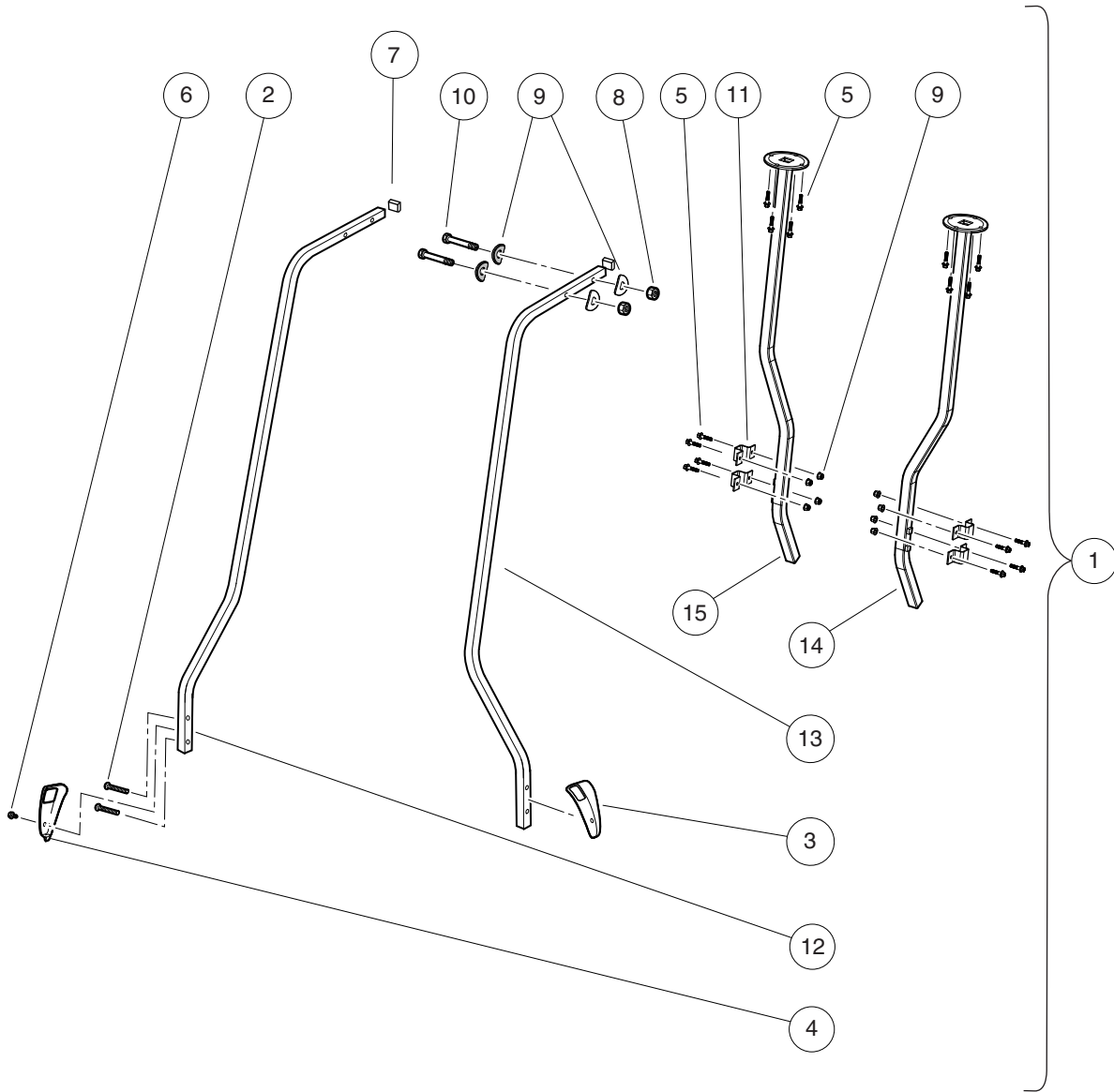
000439-012

FOUR-PASSENGER MONSOON CANOPY

ITEM	PART NO.	DESCRIPTION	QTY
		1 2 3 4	
1	<u>103286201</u>	Asm, Canopy 4p Monsoon XI, Wht	1
2	<u>103286202</u>	Asm, Canopy 4p Monsoon XI, Bge	1
3	<u>103286203</u>	Asm, Canopy 4p Monsoon XI, Blk	1

1
G
E

1
G
E



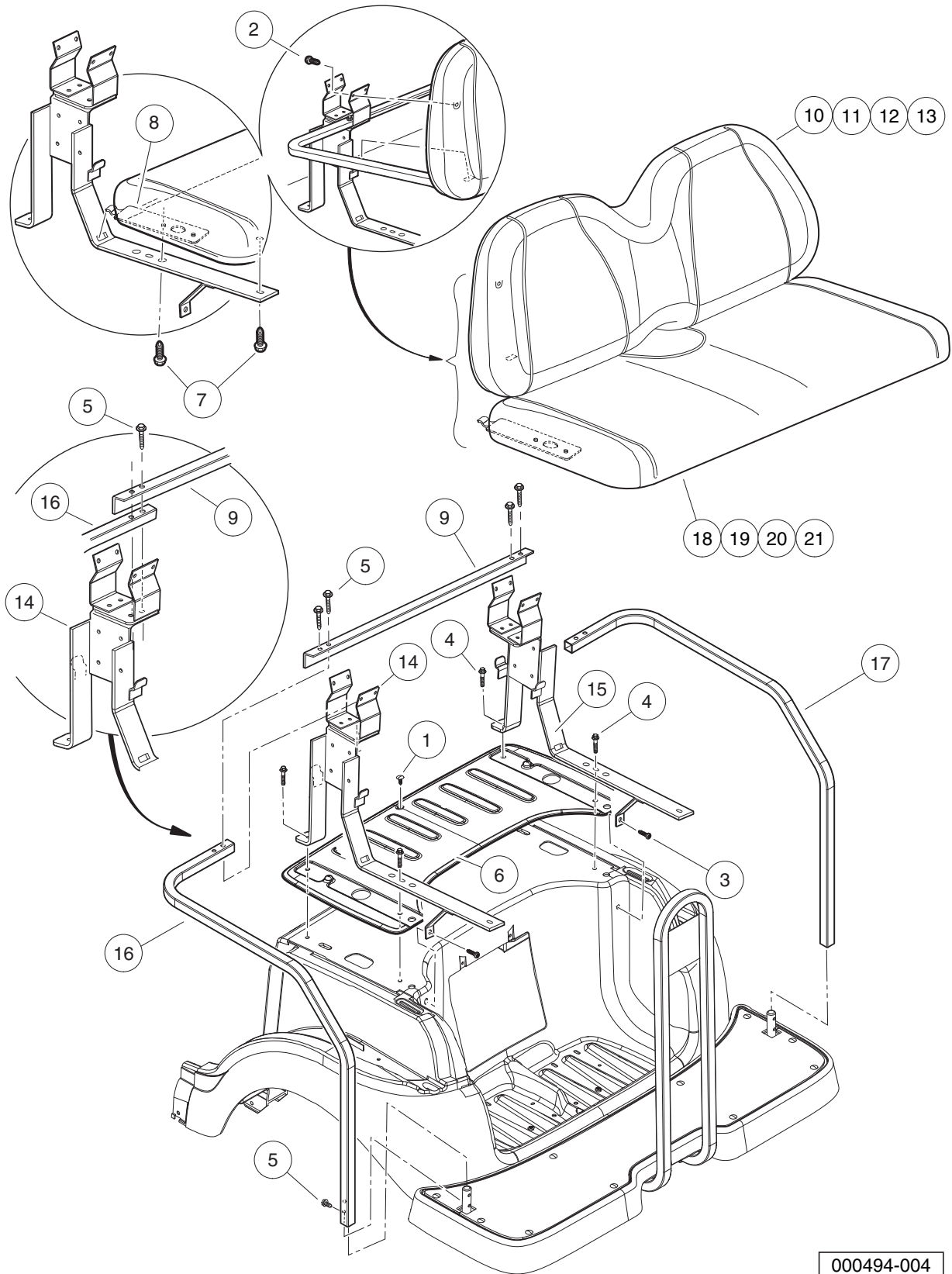
000439-013

FOUR-PASSENGER MONSOON CANOPY STRUTS

ITEM	PART NO.	DESCRIPTION	QTY
		1 2 3 4	
1	<u>103725701</u>	Kit- Canopy 4 Pass Strut (includes items 2 through 15)	1
2	<u>102299065</u>	M8-1.25 X 65 Tx Bttn Hd Bolt	4
3	<u>102400002</u>	Cover, Lh Canopy Support, Blk	1
4	<u>102400102</u>	Cover, Rh Canopy Support, Blk	1
5	<u>102541425</u>	Bolt, M6x1.0x25, Hex Flhd, Blk-l	16
6	<u>102544201</u>	Screw, M6 Hex	2
7	<u>102581201</u>	Plug, Square - 25.4 mm	2
8	<u>102621501</u>	Nut, Flange, M6 X 1.0 Nylon	12
9	<u>103196001</u>	Washer, Conical Spring, Canopy	8
10	<u>103199301</u>	Bolt - M6 X 1 X 45 Hh Grey	4
11	<u>103653201</u>	Bracket- Hat, Strut	4
12	<u>103750001</u>	Strut, Canopy Front Rh-prec	1
13	<u>103750101</u>	Strut, Canopy Front Lh-prec	1
14	<u>103816401</u>	Weldment- Drain Strut, Drv	1
15	<u>103816402</u>	Weldment- Drain Strut, Pas	1

1
G
E

1
G
E

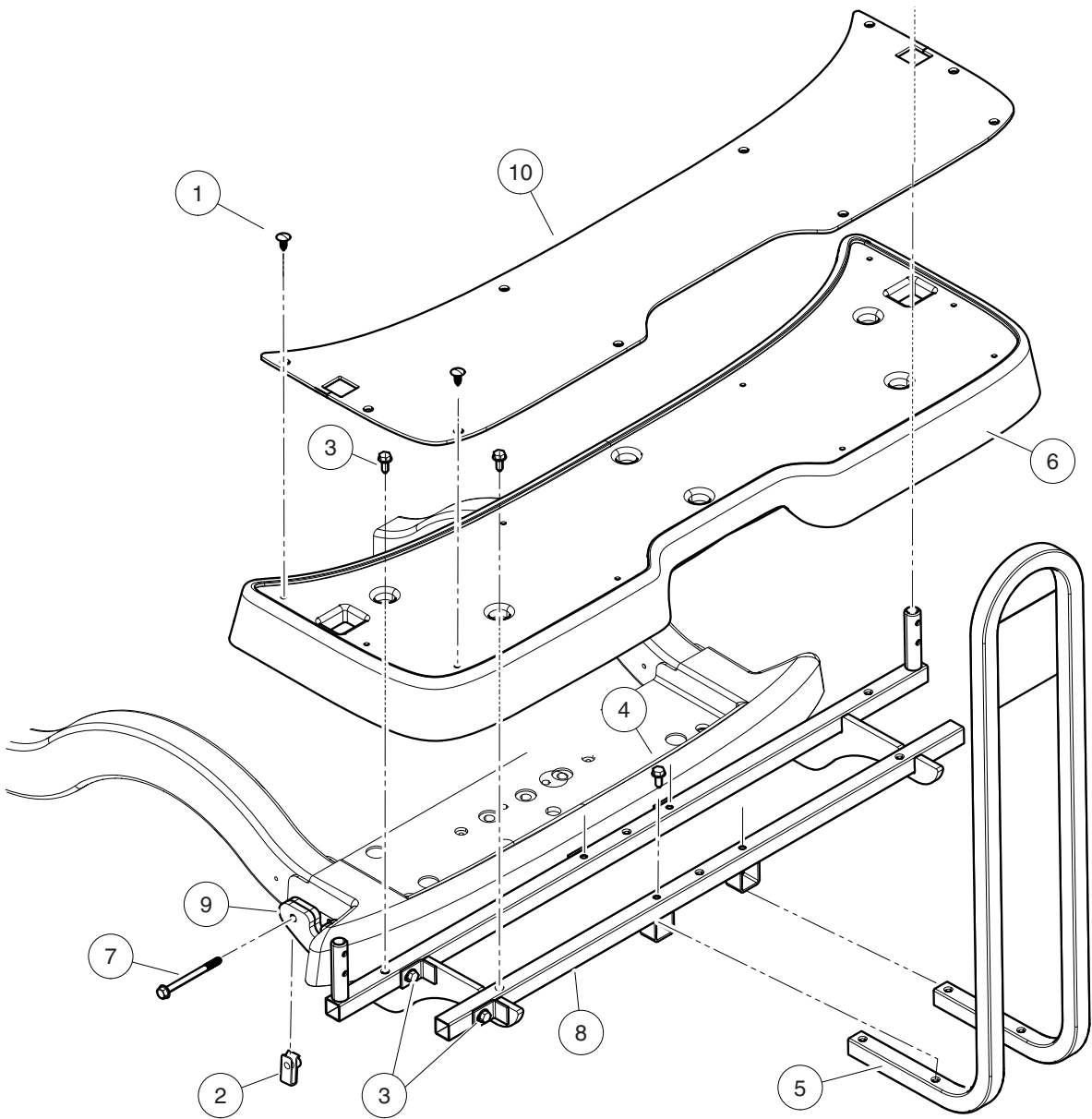


000494-004

REAR SEAT – PRECEDENT VILLAGER 4

ITEM	PART NO.	DESCRIPTION	QTY
		1 2 3 4	
1	<u>1010434</u>	Barrel - Plastic	10
2	<u>102296530</u>	Screw - M6 X 1.0 X 30 Sems	4
3	<u>102298030</u>	Screw, K80x30, Torx Pn Hd Pt	2
4	<u>102298240</u>	Bolt, Flange Head, M8-1.25 X 40	1
5	<u>102298745</u>	M8-1.25x45 Taptite	10
6	<u>102531502</u>	Cover- 4 Pass W/canopy	1
7	<u>102541425</u>	Bolt, M6x1.0x25, Hex Flhd, Blk-l	4
8	<u>102573101</u>	Bracket, 4-pass Lower Seat	2
9	<u>103653001</u>	Angle, Strut, Tie	1
10	<u>103853121</u>	Service, Beige, Seatback Asm	1
11	<u>103853122</u>	Service, White, Seatback Asm	1
12	<u>103853124</u>	Service, Gray, Seatback Asm	1
13	<u>103853125</u>	Service, Black, Seatback Asm	1
14	<u>103866801</u>	Weldment, Sprt, 4pass, Drv	1
15	<u>103866802</u>	Weldment, Sprt, 4pass, Pasrv	1
16	<u>103866901</u>	Restraint-lh 4pass Hip	1
17	<u>103866902</u>	Restraint-rh 4pass Hip	1
18	<u>105101221</u>	Service, Beige, 4pass Rear Btm	1
19	<u>105101222</u>	Service, White, 4pass Rear Btm	1
20	<u>105101224</u>	Service, Gray, 4pass Rear Btm	1
21	<u>105101225</u>	Service, Black, 4pass Rear Btm	1

1
G
E



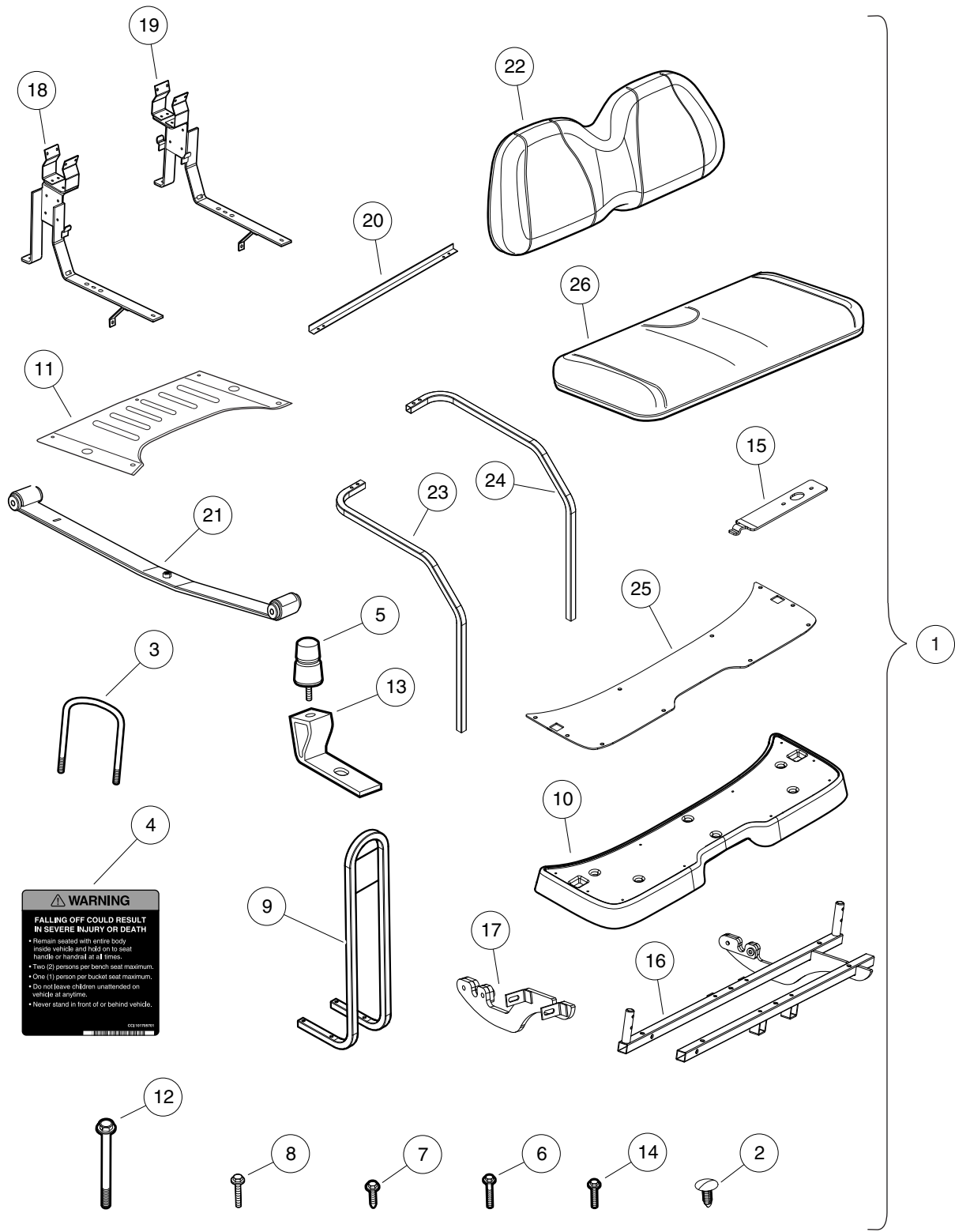
000493-004

REAR FOOTREST ASSEMBLY, PRECEDENT VILLAGER 4

ITEM	PART NO.	DESCRIPTION	QTY
		1 2 3 4	
1	<u>1010434</u>	Barrel - Plastic	10
2	<u>102298601</u>	J-clip - M8 X 1.25	4
3	<u>102298720</u>	Screw, M8-1.25x20, Taptite	8
4	<u>102298745</u>	M8-1.25x45 Taptite	4
5	<u>102531001</u>	Handrail Weldment, Rear Seat	1
6	<u>102531402</u>	Footdeck, 4-Passenger, Black	1
7	<u>102534201</u>	Bolt - Fl Hd, M8 X 95	4
8	<u>102584701</u>	Weld, 4-pass Footdeck-a	1
9	<u>102584801</u>	Weld, 4-pass Footdeck-b	1
10	<u>103922401</u>	Floormat, 4-pass, Rear	1

1
G
E

1
G
E



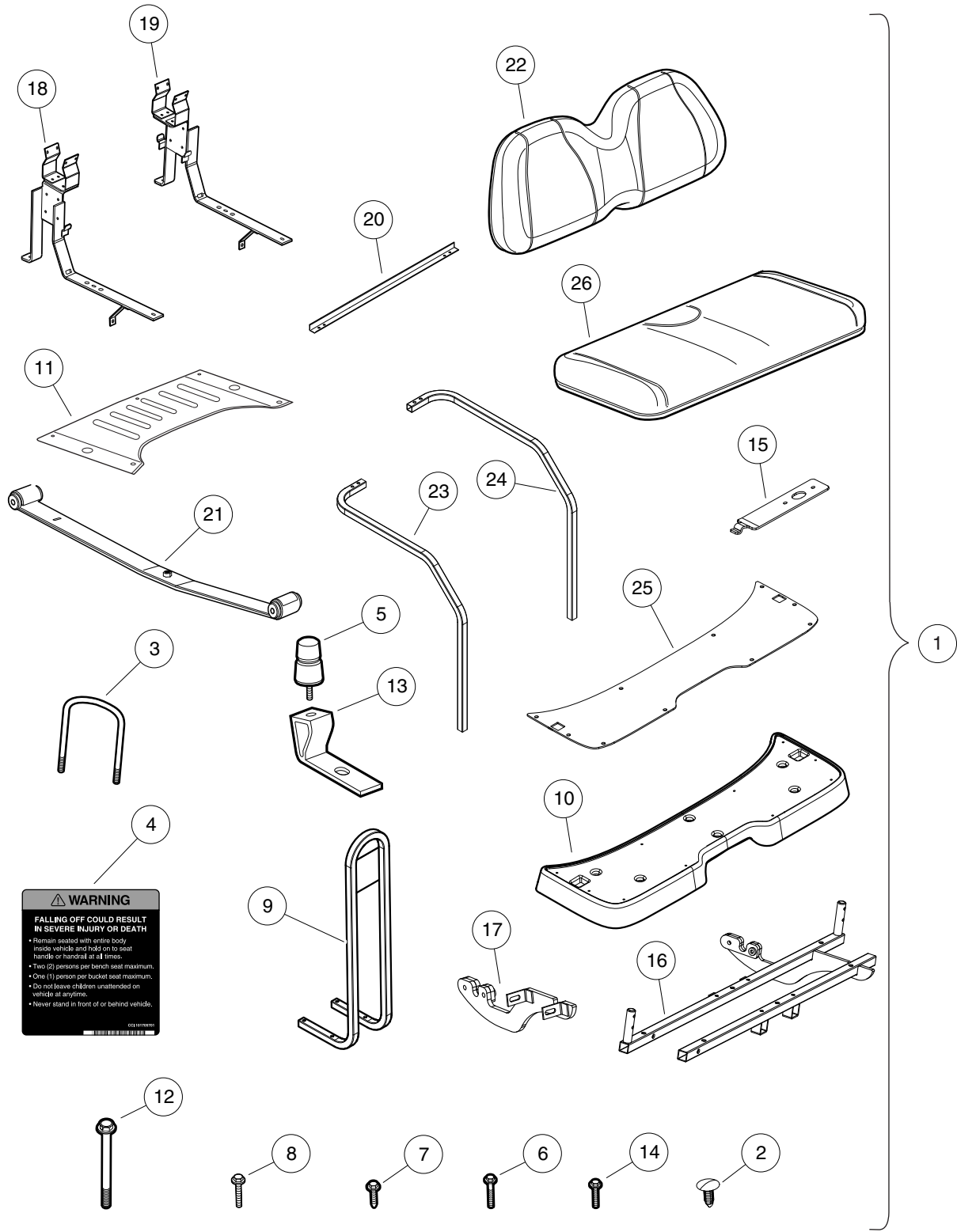
000505-008

FOUR PASSENGER CONVERSION KIT, MONSOON – BEIGE

ITEM	PART NO.	DESCRIPTION	QTY
		1 2 3 4	
1	<u>102570905</u>	Kit-4pass, Monsoon XI, Beige (includes items 2 through 26)	1
2	<u>1010434</u>	Barrel - Plastic	11
3	<u>1014902</u>	U-Bolt	2
4	<u>101705701</u>	Decal, Warning	1
5	<u>1017235</u>	Bumper, Jounce	2
6	<u>102296530</u>	Screw - M6 X 1.0 X 30 Sems	4
7	<u>102298720</u>	Screw, M8-1.25x20, Taptite	12
8	<u>102298745</u>	M8-1.25x45 Taptite	8
9	<u>102531001</u>	Handrail Weldment, Rear Seat	1
10	<u>102531402</u>	Footdeck, 4-Passenger, Black	1
11	<u>102531502</u>	Cover- 4 Pass W/canopy	1
12	<u>102534201</u>	Bolt - Fl Hd, M8 X 95	4
13	<u>102534801</u>	Jounce Bumper Bracket	2
14	<u>102541425</u>	Bolt, M6x1.0x25, Hex Flhd, Blk-l	6
15	<u>102573101</u>	Bracket, 4-pass Lower Seat	2
16	<u>102584701</u>	Weld, 4-pass Footdeck-a	1
17	<u>102584801</u>	Weld, 4-pass Footdeck-b	1
18	<u>103624601</u>	Weldment, Spt, 4pass, Drv	1
19	<u>103624602</u>	Weldment, Spt, 4pass, Pas	1
20	<u>103653001</u>	Angle, Strut, Tie	1
21	<u>103742303</u>	Asm, Rear Leaf Spring, Prec, 4-Passenger	2
22	<u>103853121</u>	Service, Beige, Seatback Asm	1
23	<u>103866901</u>	Restraint-lh 4pass Hip	1
24	<u>103866902</u>	Restraint-rh 4pass Hip	1
25	<u>103922401</u>	Floormat, 4-pass, Rear	1
26	<u>105101221</u>	Service, Beige, 4pass Rear Btm	1

1
G
E

1
G
E



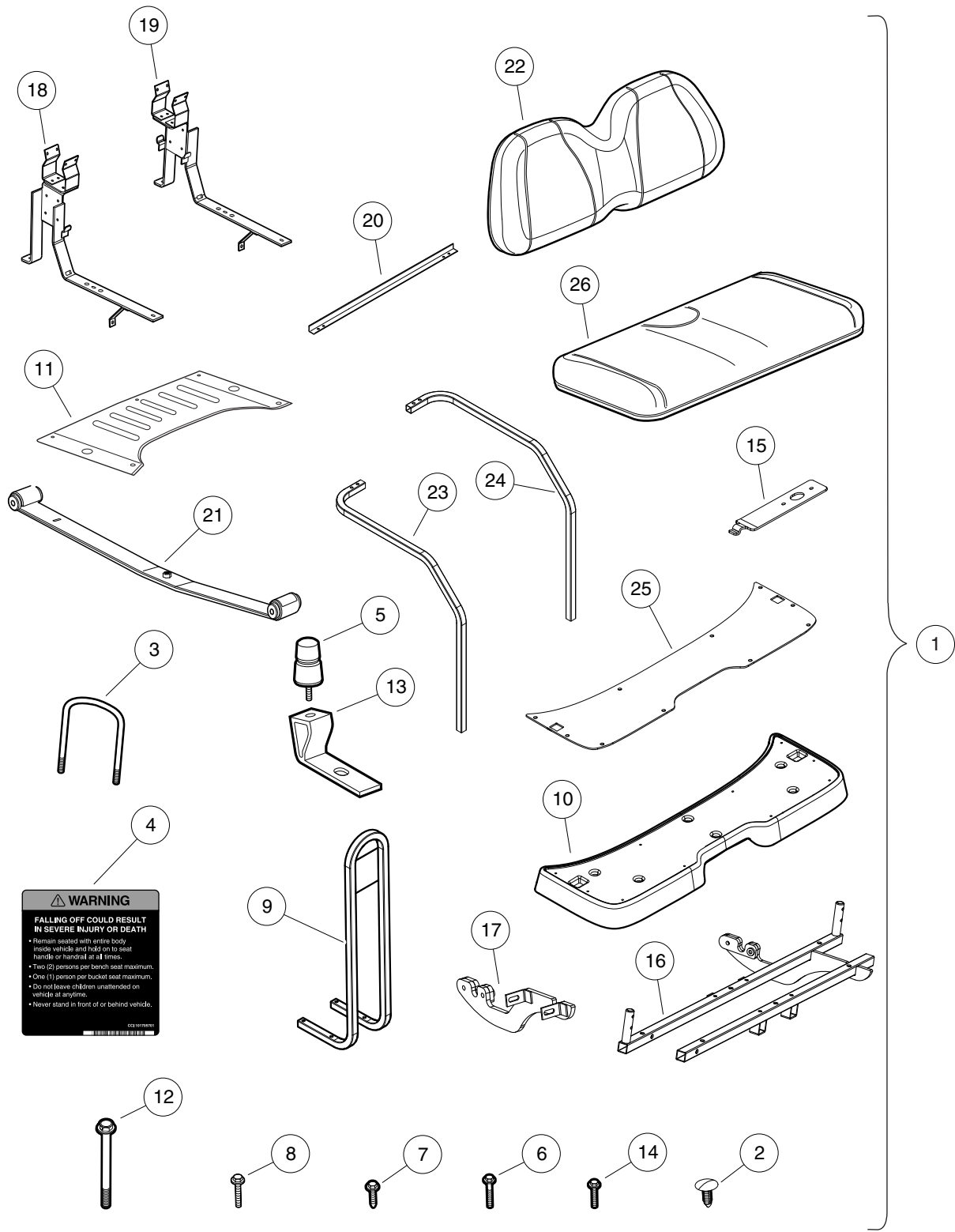
000505-008

FOUR PASSENGER CONVERSION KIT, MONSOON – WHITE

ITEM	PART NO.	DESCRIPTION	QTY
		1 2 3 4	
1	<u>102570906</u>	Kit-4pass, Monsoon XI, White (includes items 2 through 26)	1
2	<u>1010434</u>	Barrel - Plastic	11
3	<u>1014902</u>	U-Bolt	2
4	<u>101705701</u>	Decal, Warning	1
5	<u>1017235</u>	Bumper, Jounce	2
6	<u>102296530</u>	Screw - M6 X 1.0 X 30 Sems	4
7	<u>102298720</u>	Screw, M8-1.25x20, Taptite	12
8	<u>102298745</u>	M8-1.25x45 Taptite	8
9	<u>102531001</u>	Handrail Weldment, Rear Seat	1
10	<u>102531402</u>	Footdeck, 4-Passenger, Black	1
11	<u>102531502</u>	Cover- 4 Pass W/canopy	1
12	<u>102534201</u>	Bolt - Fl Hd, M8 X 95	4
13	<u>102534801</u>	Jounce Bumper Bracket	2
14	<u>102541425</u>	Bolt, M6x1.0x25, Hex Flhd, Blk-l	6
15	<u>102573101</u>	Bracket, 4-pass Lower Seat	2
16	<u>102584701</u>	Weld, 4-pass Footdeck-a	1
17	<u>102584801</u>	Weld, 4-pass Footdeck-b	1
18	<u>103624601</u>	Weldment, Spt, 4pass, Drv	1
19	<u>103624602</u>	Weldment, Spt, 4pass, Pas	1
20	<u>103653001</u>	Angle, Strut, Tie	1
21	<u>103742303</u>	Asm, Rear Leaf Spring, Prec, 4-Passenger	2
22	<u>103853122</u>	Service, White, Seatback Asm	1
23	<u>103866901</u>	Restraint-lh 4pass Hip	1
24	<u>103866902</u>	Restraint-rh 4pass Hip	1
25	<u>103922401</u>	Floormat, 4-pass, Rear	1
26	<u>105101222</u>	Service, White, 4pass Rear Btm	1

1
G
E

1
G
E



000505-008

FOUR PASSENGER CONVERSION KIT, MONSOON – GRAY

ITEM	PART NO.	DESCRIPTION	QTY
		1 2 3 4	
1	<u>102570907</u>	Kit-4pass, Monsoon XI, Gray (includes items 2 through 26)	1
2	<u>1010434</u>	Barrel - Plastic	11
3	<u>1014902</u>	U-Bolt	2
4	<u>101705701</u>	Decal, Warning	1
5	<u>1017235</u>	Bumper, Jounce	2
6	<u>102296530</u>	Screw - M6 X 1.0 X 30 Sems	4
7	<u>102298720</u>	Screw, M8-1.25x20, Taptite	12
8	<u>102298745</u>	M8-1.25x45 Taptite	8
9	<u>102531001</u>	Handrail Weldment, Rear Seat	1
10	<u>102531402</u>	Footdeck, 4-Passenger, Black	1
11	<u>102531502</u>	Cover- 4 Pass W/canopy	1
12	<u>102534201</u>	Bolt - Fl Hd, M8 X 95	4
13	<u>102534801</u>	Jounce Bumper Bracket	2
14	<u>102541425</u>	Bolt, M6x1.0x25, Hex Flhd, Blk-l	6
15	<u>102573101</u>	Bracket, 4-pass Lower Seat	2
16	<u>102584701</u>	Weld, 4-pass Footdeck-a	1
17	<u>102584801</u>	Weld, 4-pass Footdeck-b	1
18	<u>103624601</u>	Weldment, Spt, 4pass, Drv	1
19	<u>103624602</u>	Weldment, Spt, 4pass, Pas	1
20	<u>103653001</u>	Angle, Strut, Tie	1
21	<u>103742303</u>	Asm, Rear Leaf Spring, Prec, 4-Passenger	2
22	<u>103853124</u>	Service, Gray, Seatback Asm	1
23	<u>103866901</u>	Restraint-lh 4pass Hip	1
24	<u>103866902</u>	Restraint-rh 4pass Hip	1
25	<u>103922401</u>	Floormat, 4-pass, Rear	1
26	<u>105101224</u>	Service, Gray, 4pass Rear Btm	1

1
G
E

1

G

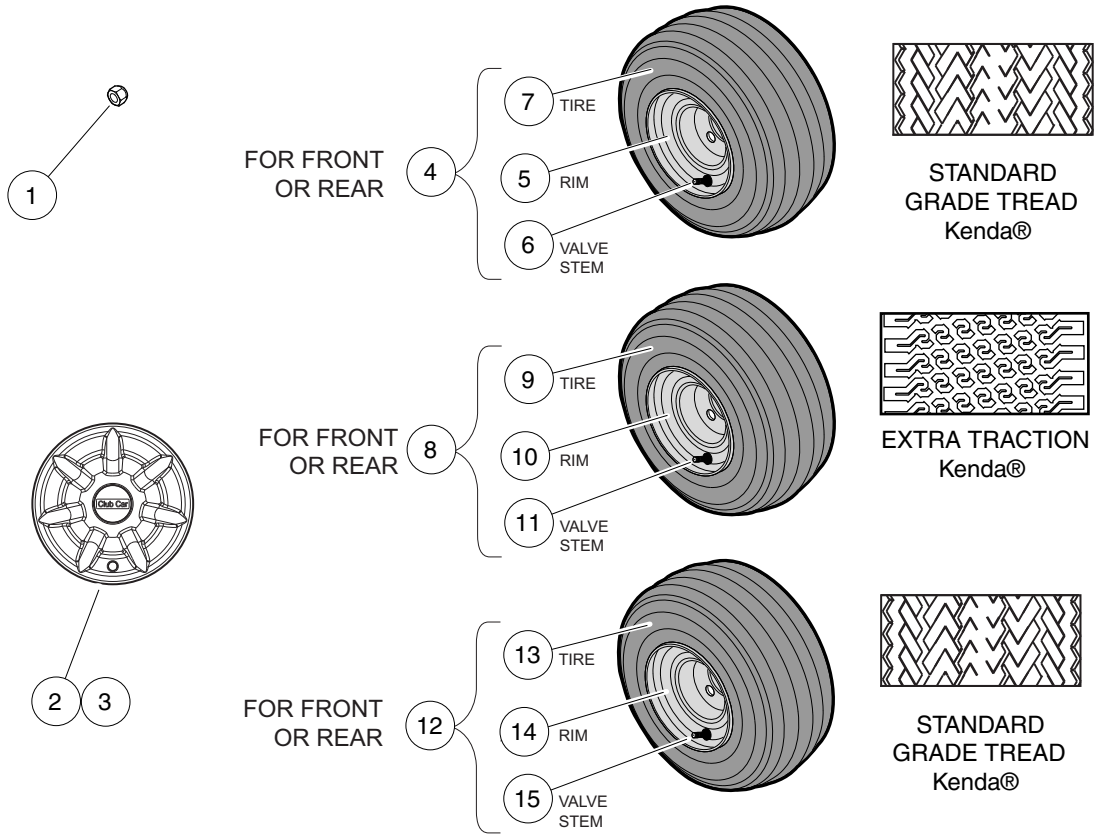
E

WHEELS AND TIRES

2

G

E



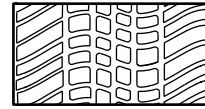
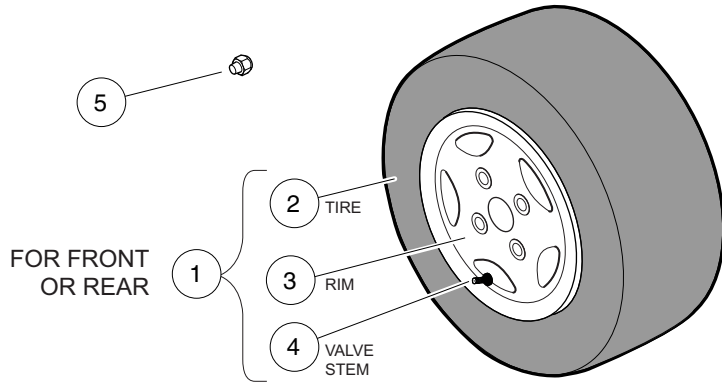
000474-007

WHEELS AND TIRES, I2 AND SIGNATURE

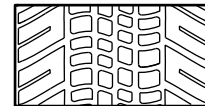
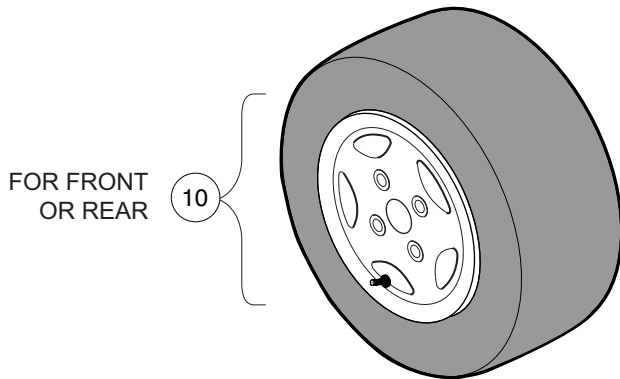
ITEM	PART NO.	DESCRIPTION	QTY
		1 2 3 4	
1	<u>1010984</u>	.500-20 Unf Lug Nut	16
2	<u>102559901</u>	Hub Cap Kit, Prec (includes item 3)	1
3	<u>103694501</u>	Hub Cap, 7 Prong	4
4	<u>103951001</u>	Assembly, Silver Wheel Kenda, Hn1 4ply (includes items 5 through 7)	4
5	<u>103459104</u>	Wheel Rim, 8"x7", Silver, Std	1
6	<u>7310</u>	Valve Stem	1
7	<u>AM10682</u>	Unmounted Prem Tire 18x8.50x8	1
8	<u>103951002</u>	Assembly, Silver Wheel Kenda, X/t 6ply (includes items 9 through 11)	4
9	<u>102569302</u>	Tire, Kenda, 18x8.5-8, 6-ply Xtr	1
10	<u>103459104</u>	Wheel Rim, 8"x7", Silver, Std	1
11	<u>7310</u>	Valve Stem	1
12	<u>103951007</u>	Assembly, Silver Wheel Kenda, Radial (includes items 13 through 15)	4
13	<u>102569311</u>	Tire, Kenda, 18x8.5 R8, 4-ply	1
14	<u>103459104</u>	Wheel Rim, 8"x7", Silver, Std	1
15	<u>7310</u>	Valve Stem	1

2
G
E

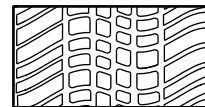
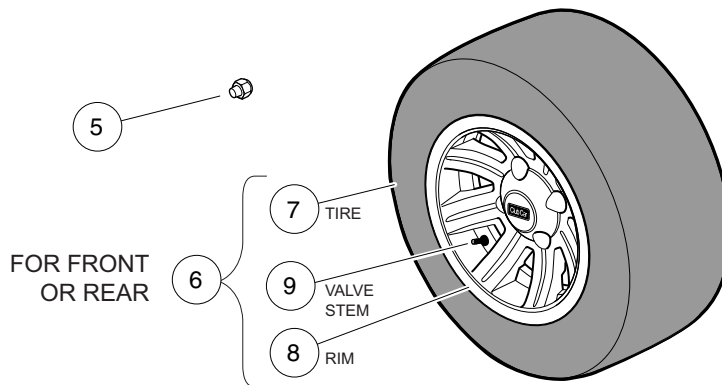
2
G
E



PRO TOUR
Kenda



K399
Kenda



PRO TOUR
Kenda

000475-006

WHEELS AND TIRES – I2L AND I2L2

ITEM	PART NO.	DESCRIPTION	QTY
		1 2 3 4	
1	<u>102540601</u>	Tire and Wheel, 10" Aluminum, Pro Tour Tire (includes items 2 through 4)	4
2	<u>102556701</u>	Tire, Pro Tour, 205-50 X 10	1
3	<u>102556801</u>	Wheel, ChampionsAluminum'	1
4	<u>7310</u>	Valve Stem	1
5	<u>102540701</u>	Lug Nut, 1/2" Closed End	16
6	<u>103935001</u>	Tire and Wheel, 10", 8 Spoke, Alum. (includes items 7 through 9)	4
7	<u>102556701</u>	Tire, Pro Tour, 205-50 X 10	1
8	<u>103934901</u>	Wheel, Aluminum 10x6, 8 Spoke	1
9	<u>7310</u>	Valve Stem	1
10	<u>AM1263401</u>	Tire and Wheel, 10" Alum., Kenda K399 205/50 Tire	4

2
G
E

2

G

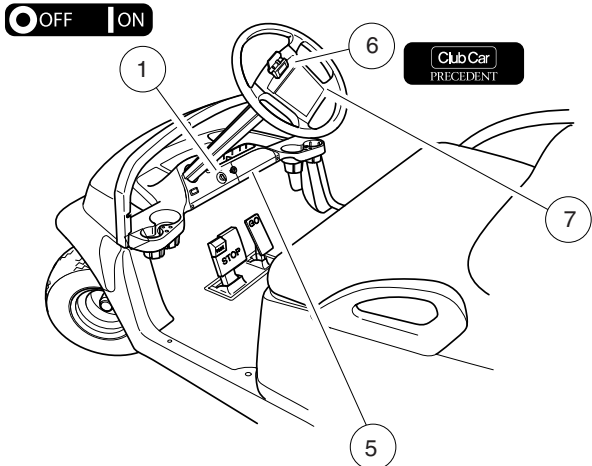
E

DECALS

3

G

E



OFF | ON

Club Car
PRECEDENT

OPERATING INSTRUCTIONS

Before using vehicle, read owner's manual and vehicle safety warnings. Study and understand controls.

TO OPERATE

- Ensure wheels are turned in desired direction and path is clear.
- Turn key to ON position.
- Select FORWARD or REVERSE only when stopped.
- Release park brake fully.
- Vehicle will start moving when accelerator pedal is pressed.
- Slowly press accelerator pedal to increase speed.
- To stop, release accelerator pedal and press brake pedal.

WARNING

Unintended vehicle movement may cause severe injury or death. Before leaving vehicle:

- Engage park brake to lock wheels.
- Place vehicle in NEUTRAL.
- Turn key to OFF and remove key.

102519301

WARNING

ROLLOVER OR FALLING OFF MAY CAUSE SERIOUS INJURY OR DEATH.

- Before using vehicle, read operating instructions.
- Do not start vehicle until all occupants are seated.
- Keep entire body inside vehicle while moving.
- Drive slowly in turns and straight up and down slopes.
- Use brakes to reduce speed when coasting downhill.
- Never operate under the influence of alcohol or drugs.
- For use by authorized persons in designated areas only.
- Remain seated while moving.
- Operate from driver side only.
- Never operate on public roads.
- Hold on to seat handle while moving.
- Two (2) persons per seat maximum.
- Never stand in front of or behind vehicle.
- Do not leave children unattended on vehicle.

CCI 102519301

WARNING

BATTERY EXPLOSION / FIRE CAN CAUSE SEVERE INJURY

- Do not contact positive (+) battery post or cable to frame.
- Disconnect negative (-) cable first.
- Negative (-) frame ground.

CCI 102517901

WARNING

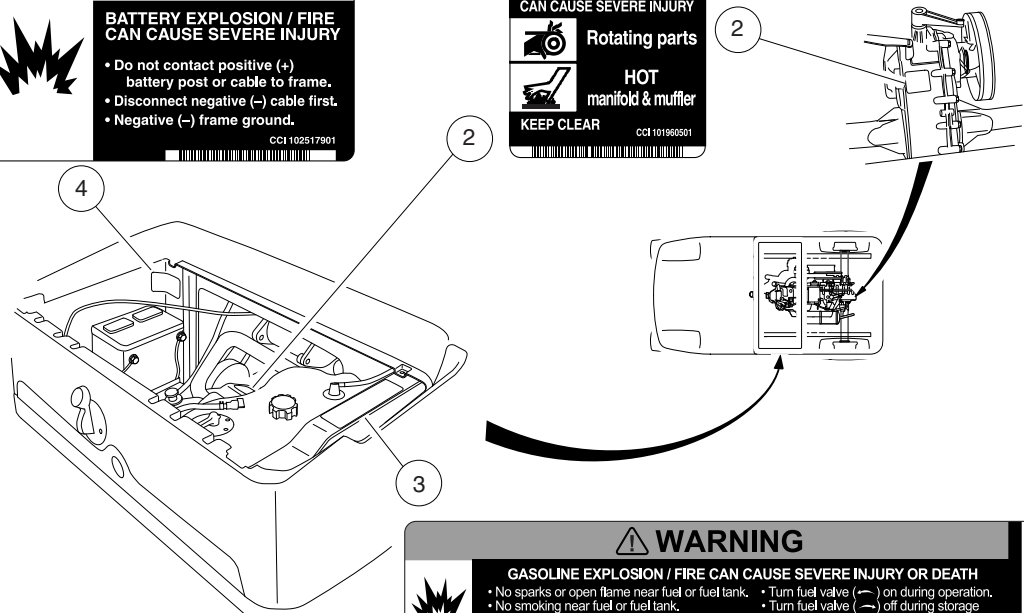
CAN CAUSE SEVERE INJURY

Rotating parts

HOT manifold & muffler

KEEP CLEAR

CCI 101960501



WARNING

GASOLINE EXPLOSION / FIRE CAN CAUSE SEVERE INJURY OR DEATH

- No sparks or open flame near fuel or fuel tank.
- No smoking near fuel or fuel tank.
- Stop engine and allow to cool before refueling.
- Turn fuel valve (—) on during operation.
- Turn fuel valve (—) off during storage or transport.

EXCESSIVE SPEED CAN CAUSE SEVERE INJURY OR DEATH

- Do not tamper with engine governor adjustment.

CCI 102517801

CE

000444-003

DECALS – GASOLINE VEHICLE

ITEM	PART NO.	DESCRIPTION	QTY
		1 2 3 4	
1	<u>101825101</u>	Decal, Off/On	1
2	<u>101960501</u>	Decal, Rotating Parts/Hot Manifold	2
3	<u>102517801</u>	Decal, Warning - Gas and Govenor	1
4	<u>102517901</u>	Decal, Warning - Frame Ground	1
5	<u>102519301</u>	Decal, Warning, Rollover	1
6	<u>102540901</u>	Decal, Club Car Clip	1
7	<u>103783002</u>	Decal, Op Instr, Gas Ps	1

3
G
E

IMPORTANT NOTICE

This vehicle does not conform to ANSI Z130.1 - "Standard for Golf Cars - Safety and Performance Requirements" because it is capable of speeds in excess of 15 miles per hour. Exercise caution.
CCI 10255901

OPERATING INSTRUCTIONS

Before using vehicle, read owner's manual and vehicle safety warnings. Study and understand controls.

TO OPERATE

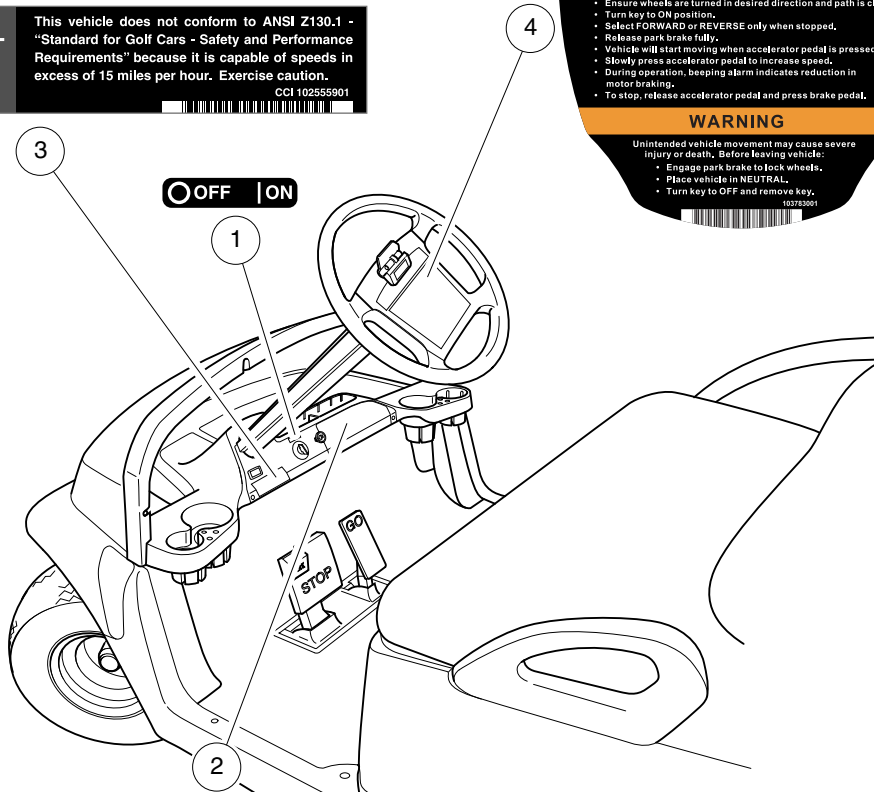
- Ensure wheels are turned in desired direction and path is clear.
- Turn key to ON position.
- Select FORWARD or REVERSE only when stopped.
- Release park brake fully.
- Vehicle will start moving when accelerator pedal is pressed.
- Slowly press accelerator pedal to increase speed.
- During operation, beeping alarm indicates reduction in motor braking.
- To stop, release accelerator pedal and press brake pedal.

WARNING

Unintended vehicle movement may cause severe injury or death. Before leaving vehicle:

- Engage park brake to lock wheels.
- Place vehicle in NEUTRAL.
- Turn key to OFF and remove key.

10373301



⚠ WARNING

ROLLOVER OR FALLING OFF MAY CAUSE SERIOUS INJURY OR DEATH.

- Before using vehicle, read operating instructions.
- Do not start vehicle until all occupants are seated.
- Keep entire body inside vehicle while moving.
- Drive slowly in turns and straight up and down slopes.
- Use brakes to reduce speed when coasting downhill.
- Never operate under the influence of alcohol or drugs.
- For use by authorized persons in designated areas only.
- Remain seated while moving.
- Operate from driver side only.
- Never operate on public roads.
- Hold on to seat handle while moving.
- Two (2) persons per seat maximum.
- Never stand in front of or behind vehicle.
- Do not leave children unattended on vehicle.

CCI 102519301

000441-010

DECALS – ELECTRIC VEHICLE

ITEM	PART NO.	DESCRIPTION	QTY
		1 2 3 4	
1	<u>101825101</u>	Decal, Off/On	1
2	<u>102519301</u>	Decal, Warning, Rollover	1
3	<u>102555901</u>	Decal, Private Speed, Prec	1
4	<u>103783001</u>	Decal, Op Instr, Ele	1

3
G
E

WARNING

BATTERY EXPLOSION COULD RESULT IN SEVERE PERSONAL INJURY

- Place Run/Tow switch in TOW position before performing any of the following:
 - Disconnecting or connecting battery cables
 - Towing this vehicle
 - Extended storage
 - Servicing the vehicle
- Do not store items in battery compartment.
- Keep electronic components dry.
- Do not operate vehicle without this plate properly installed.
- See vehicle service manual before servicing.

RUN

TOW

CCI 103384601

CAUTION EXPOSURE TO WATER MAY DAMAGE ELECTRONIC COMPONENTS

- Do not direct water stream in the area of this plate.
- See vehicle service manual before servicing.

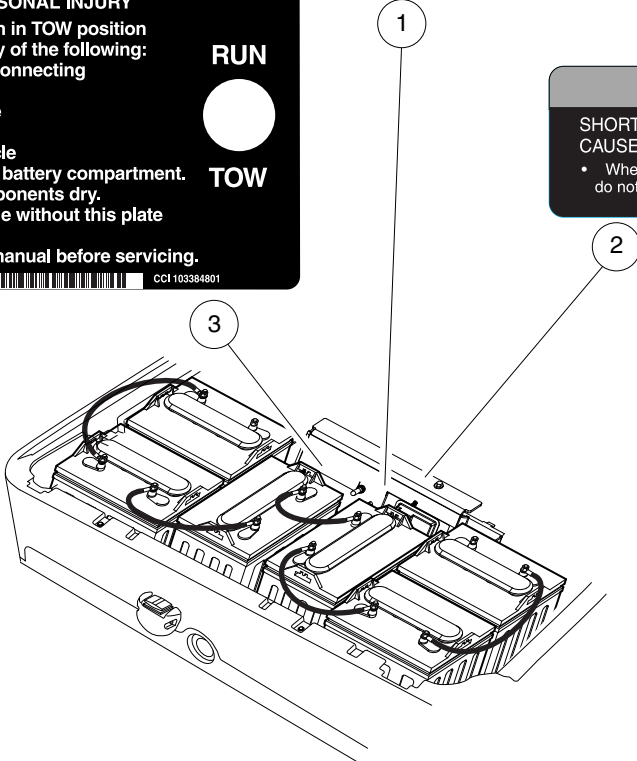
CCI 103384601

WARNING

SHORTING OF BATTERY TERMINALS CAN CAUSE PERSONAL INJURY OR DEATH.

- When removing component mounting plate, do not place plate directly on top of batteries.

103384701



000441-011

DECALS – ELECTRIC VEHICLE, CONTINUED

ITEM	PART NO.	DESCRIPTION	QTY
1	<u>103384601</u>	1 2 3 4 Decal-water Exposure	1
2	<u>103384701</u>	Decal-warning, Short	1
3	<u>103384801</u>	Decal-warning, Run Tow	1

3
G
E

3

G

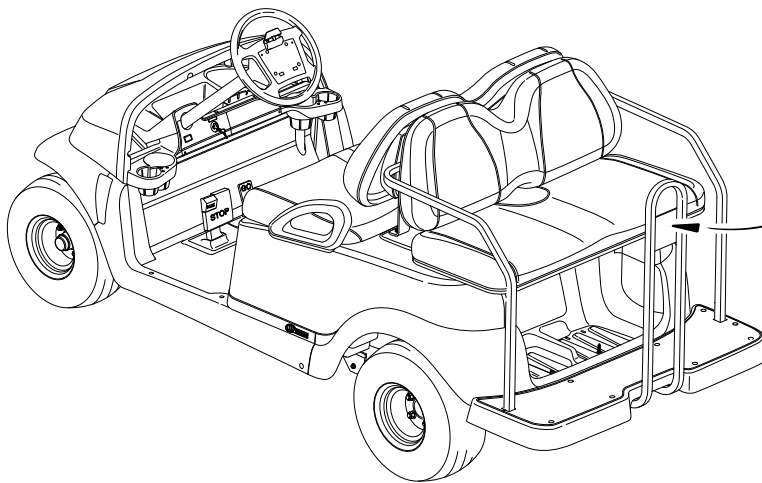
E

 **WARNING**

**FALLING OFF COULD RESULT
IN SEVERE INJURY OR DEATH**

- Remain seated with entire body inside vehicle and hold on to seat handle or handrail at all times.
- Two (2) persons per bench seat maximum.
- One (1) person per bucket seat maximum.
- Do not leave children unattended on vehicle at anytime.
- Never stand in front of or behind vehicle.

CCI 101705701



000495-001

DECAL – PRECEDENT VILLAGER 4

ITEM	PART NO.	DESCRIPTION	QTY
1	<u>101705701</u>	1 2 3 4 Decal, Warning	4

3
G
E

3

G

E

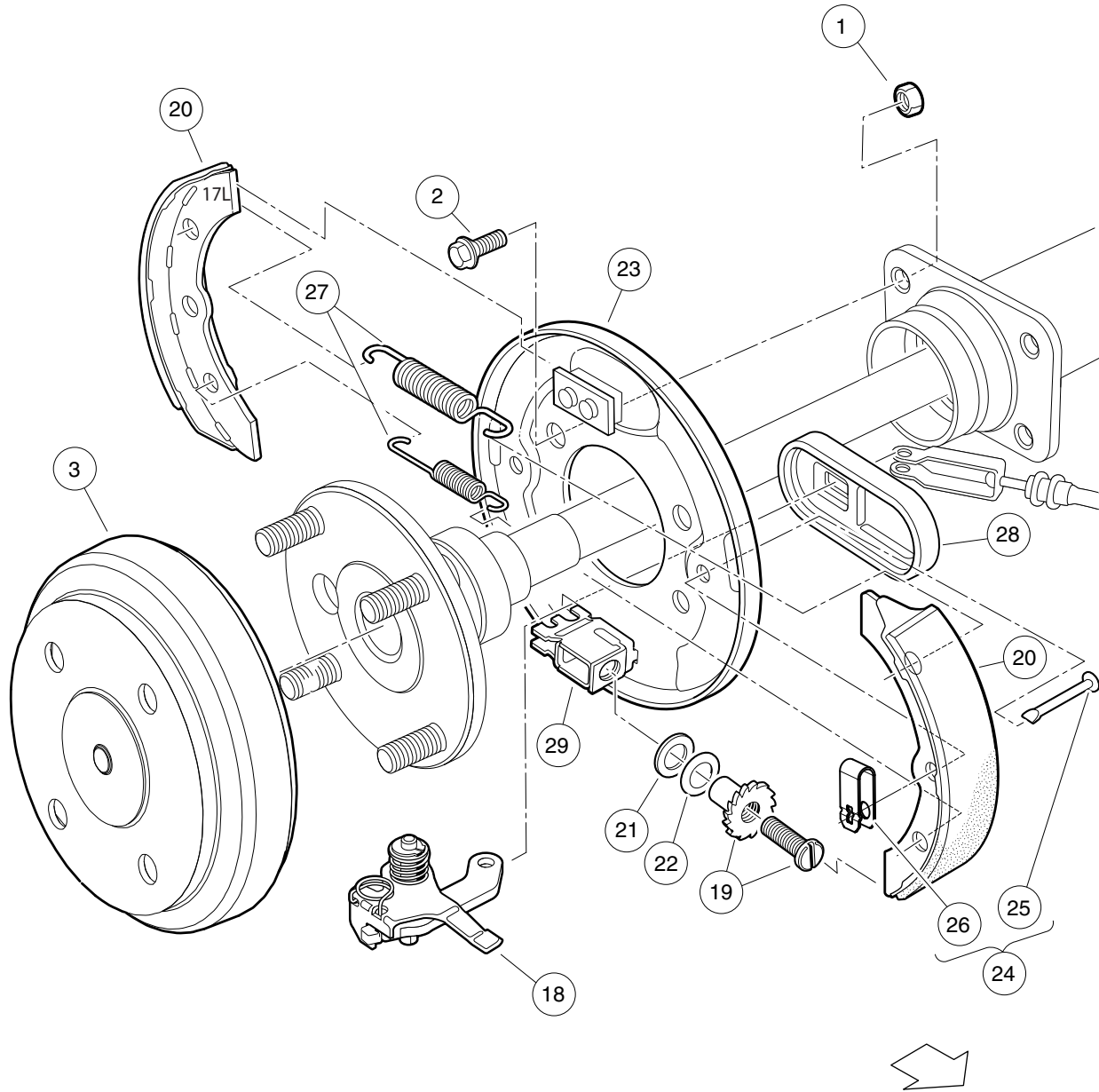
BRAKES AND PEDAL GROUP ASSEMBLIES

4

G

E

4
G
E



000186-004

REAR BRAKE ASSEMBLY, SELF-ADJUSTING

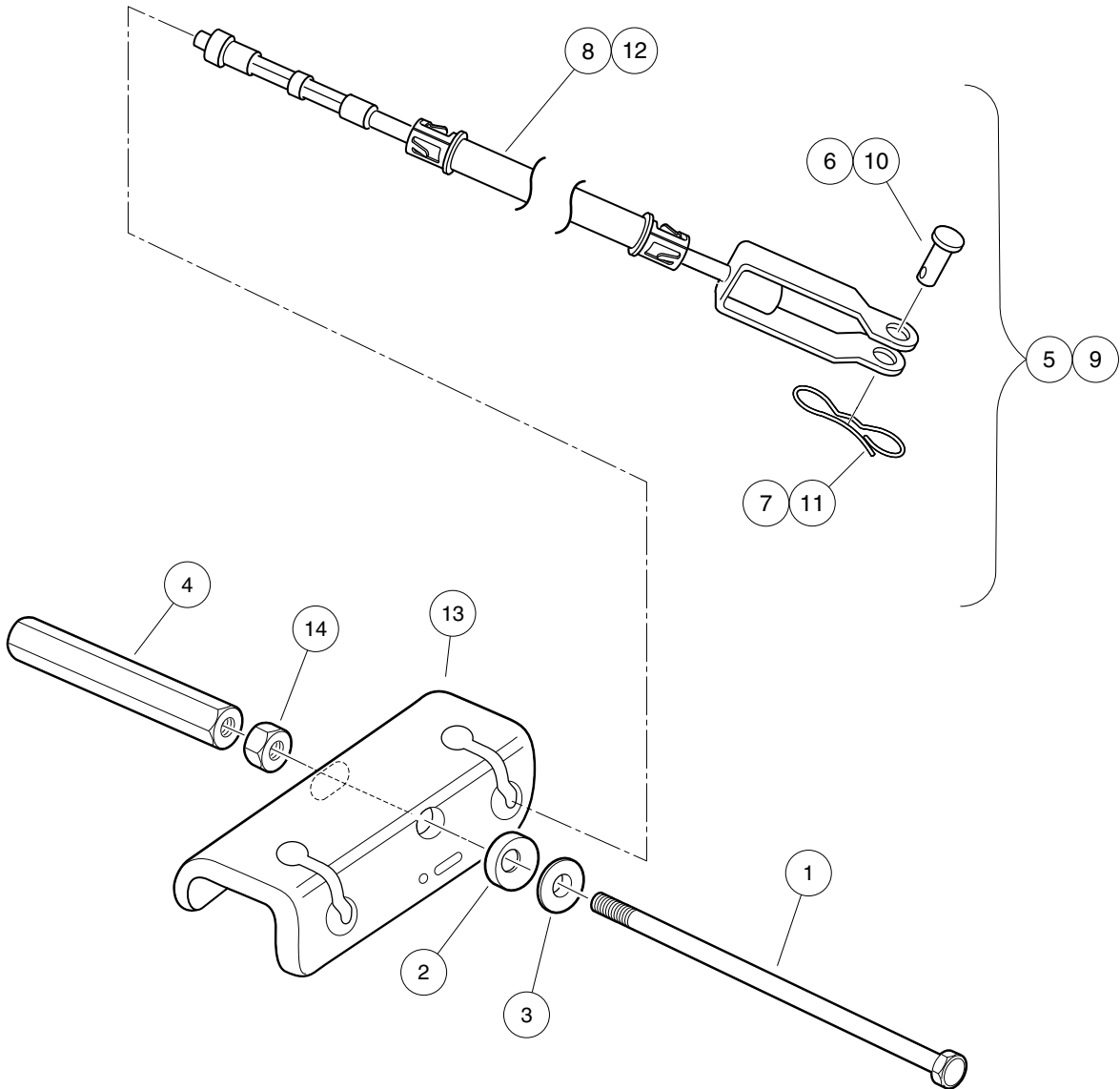
ITEM	PART NO.	DESCRIPTION	QTY
		1 2 3 4	
1	<u>1013924</u>	Nut, 5/16-24 Hex Head Cone	8
2	<u>1014153</u>	Bolt, Brake Cluster Mounting	8
3	<u>101791101</u>	Drum without Center Hole, Brake	2
4	<u>103380201</u>	Asm, Brake Cluster, Mech, Drvr (includes items 5 through 16)	1
5	<u>101815502</u>	Lever Assembly, Self-Adjusting Brake, Left	1
6	<u>101816502</u>	Adjusting Mechanism, Self-Adjusting Brake, Left	1
7	<u>101823201</u>	Package, Brake Shoe, Self-Adjusting	1
8	<u>101823801</u>	Plate, Washer, Brake, Self-Adjusting	1
9	<u>101823901</u>	Washer, Brake, Self-Adjusting	1
10	<u>103483102</u>	Back Plate, Lh	1
11	<u>103483201</u>	Kit, Shoe Retainer (includes items 12 and 13)	1
12	N/A	Pin	2
13	N/A	Spring, Shoe, Clamp	2
14	<u>103483401</u>	Package Brake Spring Self Adj	1
15	<u>103483601</u>	Cover, Dust	1
16	<u>103483701</u>	Brake Block	1
17	<u>103380202</u>	Asm, Brake Cluster, Mech, Pass (includes items 18 through 29)	1
18	<u>101815501</u>	Lever Assembly, Self-Adjusting Brake, Right (Passenger)	1
19	<u>101816501</u>	Adj Mechanism, S.A. Brakes, Right (Passenger)	1
20	<u>101823201</u>	Package, Brake Shoe, Self-Adjusting	1
21	<u>101823801</u>	Plate, Washer, Brake, Self-Adjusting	1
22	<u>101823901</u>	Washer, Brake, Self-Adjusting	1
23	<u>103483101</u>	Back Plate, Rh	1
24	<u>103483201</u>	Kit, Shoe Retainer (includes items 25 and 26)	1
25	N/A	Pin	2
26	N/A	Spring, Shoe, Clamp	2
27	<u>103483401</u>	Package Brake Spring Self Adj	1
28	<u>103483601</u>	Cover, Dust	1
29	<u>103483701</u>	Brake Block	1
Note: Driver-side brake cluster not shown. Components have a similar appearance to passenger-side brake cluster components.			

4

G

E

4
G
E



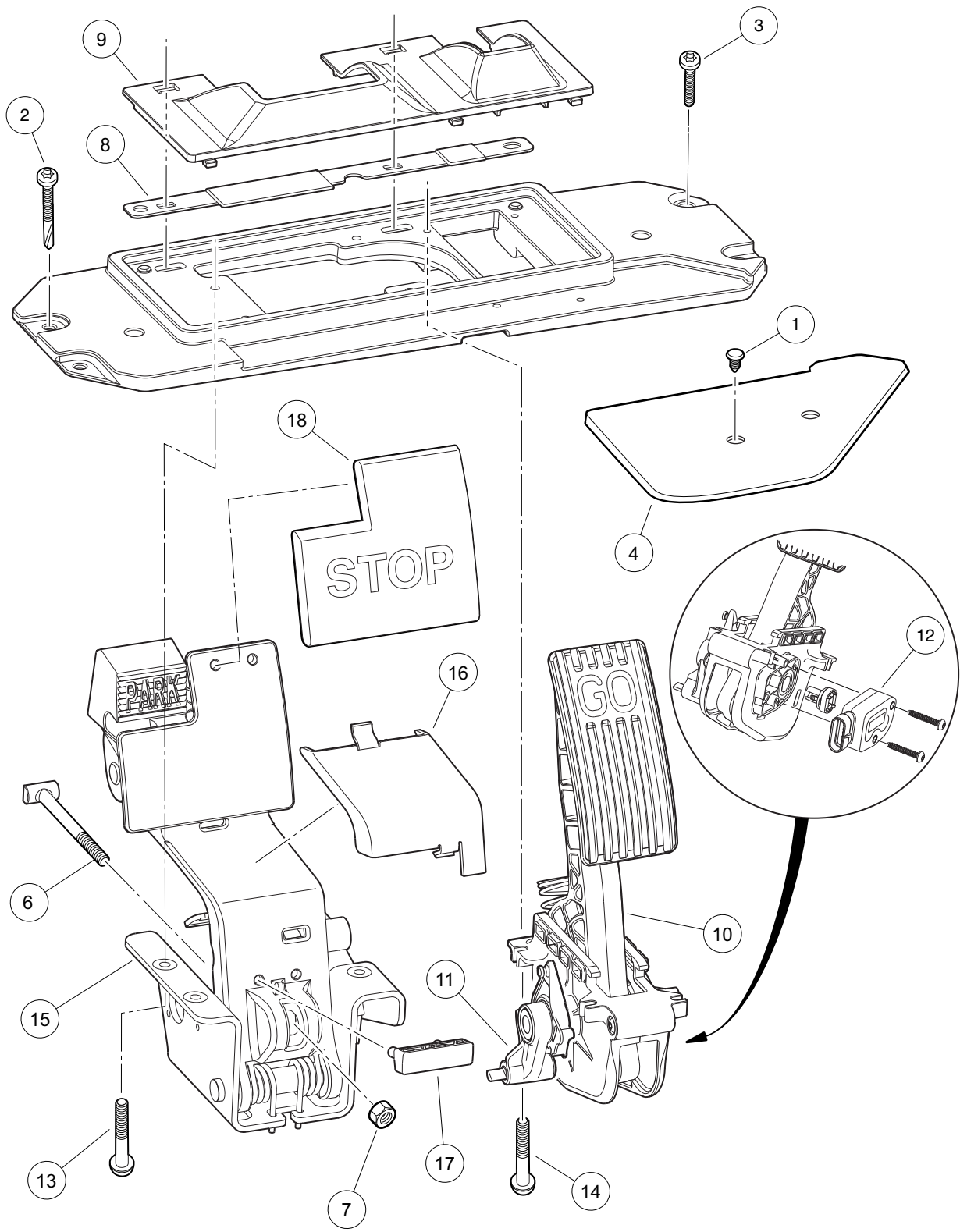
000467-006

BRAKE CABLES AND EQUALIZER BRACKET

ITEM	PART NO.	DESCRIPTION	QTY
		1 2 3 4	
1	<u>102297901</u>	Bolt, 5/16-18 X 7.375, Hex	1
2	<u>102551901</u>	Washer, 5/16, Self Comp, Cup	1
3	<u>102552001</u>	Washer, 5/16, Self Comp, Cone	1
4	<u>102594301</u>	Nut, 5/16-18, Hex Adjusting -l	1
5	<u>103528701</u>	Kit, Brake Cable, Prec, Rh (includes items 6 through 8)	1
6	<u>1010829</u>	Pin, Clevis, 5/16 X 3/4	1
7	<u>102292801</u>	Pin, Bow Tie Locking - .072	1
8	N/A	Cable, Brake, Prec, Right	1
9	<u>103528702</u>	Kit, Brake Cable, Prec, Lh (includes items 10 through 12)	1
10	<u>1010829</u>	Pin, Clevis, 5/16 X 3/4	1
11	<u>102292801</u>	Pin, Bow Tie Locking - .072	1
12	N/A	Cable, Brake, Prec, Left	1
13	<u>103535001</u>	Bracket, Equalizer, Prec Awd	1
14	<u>1242</u>	Nut, 5/16-18 Hex	1

4
G
E

4
G
E



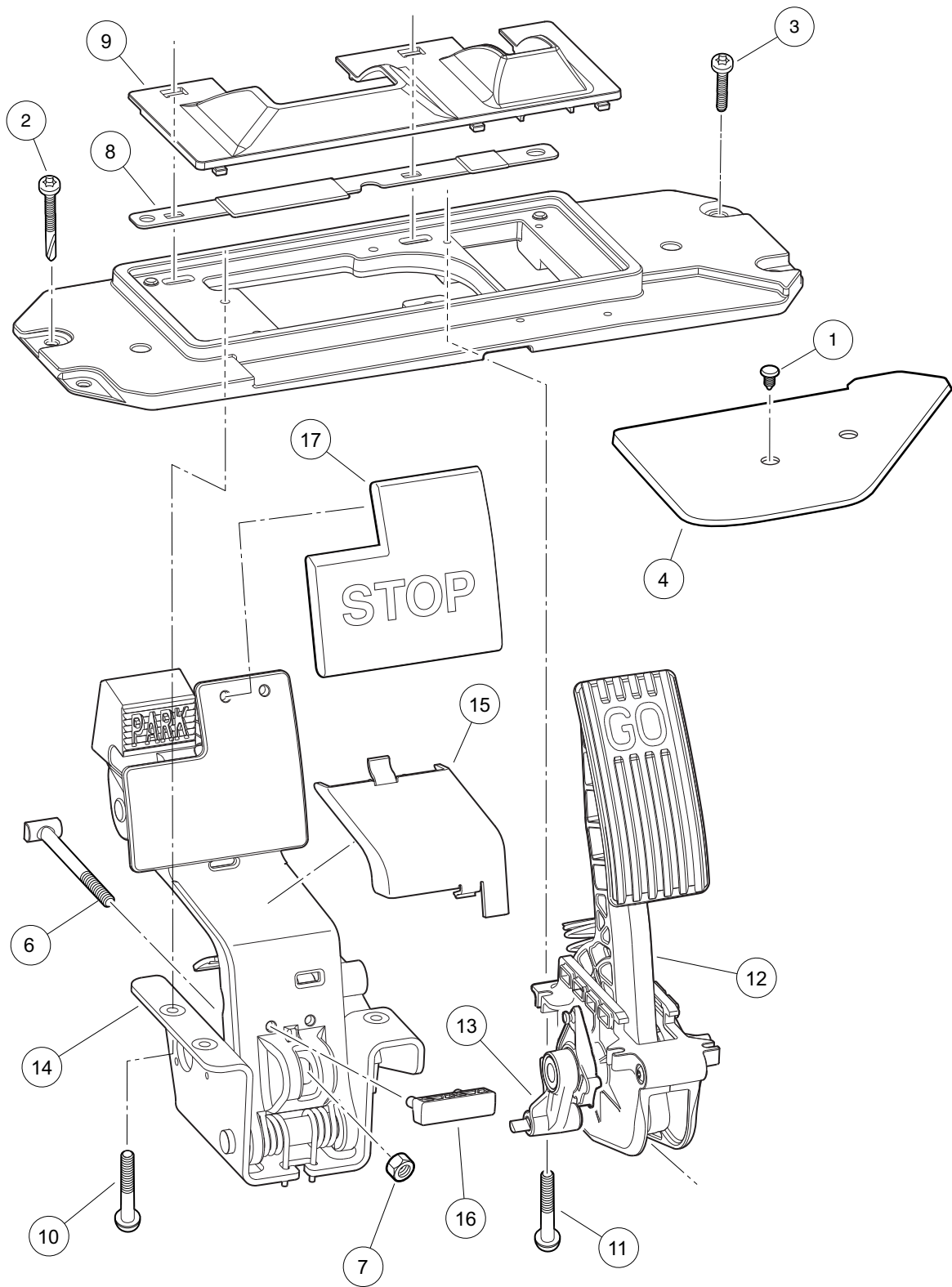
000487-015

PEDAL GROUP WITH SENSOR – GASOLINE VEHICLE

ITEM	PART NO.	DESCRIPTION	QTY
		1 2 3 4	
1	<u>1010434</u>	Barrel - Plastic	1
2	<u>102292201</u>	Screw-1/4-20x2.20 Tx Pn Hd Sd	2
3	<u>102298030</u>	Screw, K80x30, Torx Pn Hd Pt	2
4	<u>102500801</u>	Plate - Floor Cover	1
5	<u>103974815</u>	Asm, Pedal Set, Anodized, Service, Gas Vehicle (includes items 6 through 15)	1
6	<u>102559401</u>	Rod, Brake	1
7	<u>102559701</u>	Nut, Brake Rod	1
8	<u>102594801</u>	Shield, Debris Aux	1
9	<u>102594901</u>	Shield, Debris Primary	1
10	<u>102595502</u>	Asm, Accel. Pedal/Throttle, Anodized, Gas Vehicle (includes items 11 and 12)	1
11	<u>103777601</u>	Asm, Park Brake Release, Anodized	1
12	N/A	Throttle Sensor	1
13	<u>102595901</u>	Screw, M6x1.0x17 Ph, Taptite	4
14	<u>102596001</u>	Screw, M5x0.8x18 Ph, Taptite	4
15	<u>103974901</u>	Asm, Brake Pedal, Anodized (includes items 16 through 18)	1
16	<u>102595201</u>	Cover, Brake	1
17	<u>102595301</u>	Upstop, Brake	1
18	<u>102595401</u>	Pad, Brake	1

4
G
E

4
G
E



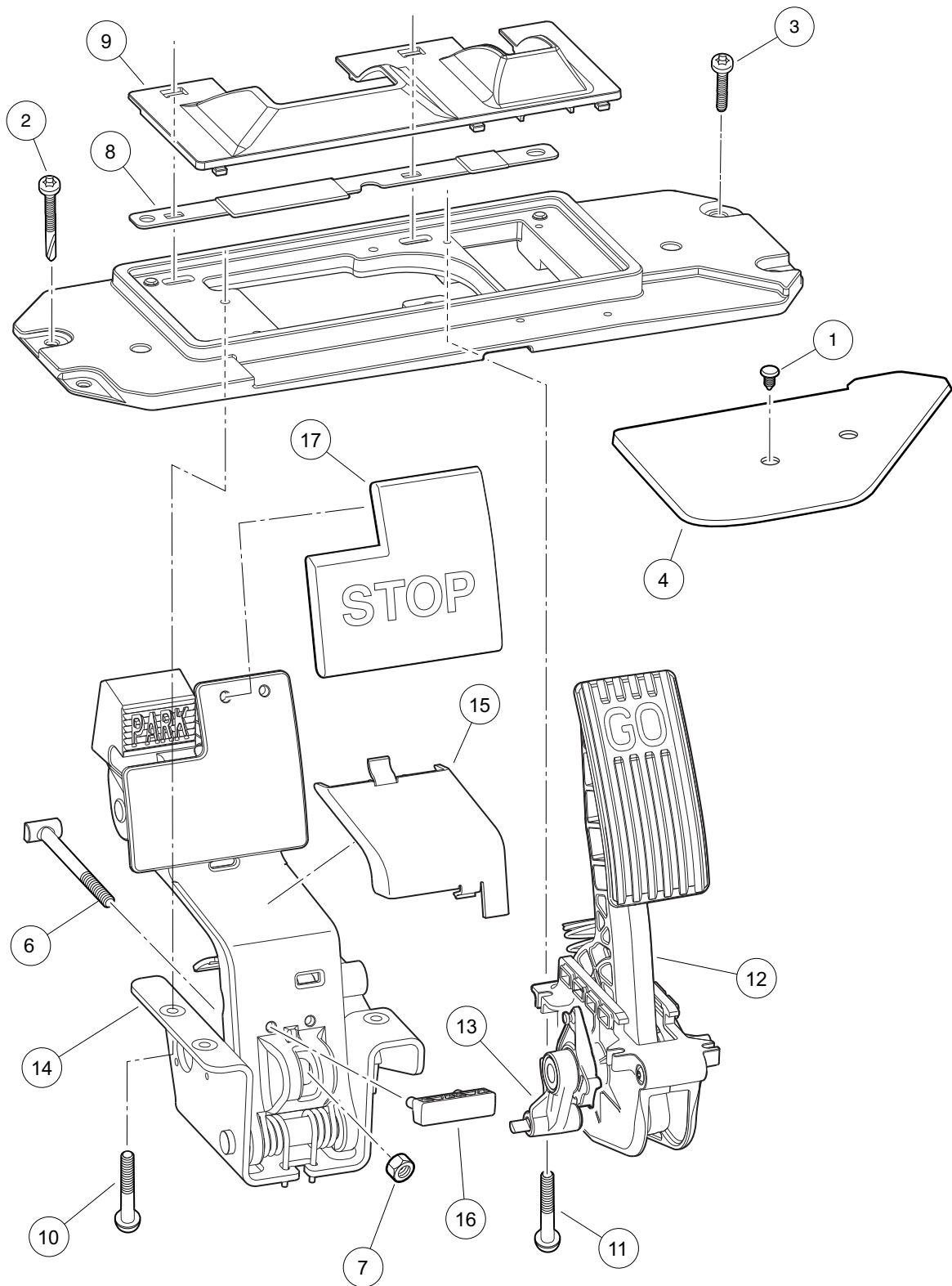
000487-018

PEDAL GROUP W/O SENSOR, GASOLINE VEHICLE

ITEM	PART NO.	DESCRIPTION	QTY
		1 2 3 4	
1	<u>1010434</u>	Barrel - Plastic	1
2	<u>102292201</u>	Screw-1/4-20x2.20 Tx Pn Hd Sd	2
3	<u>102298030</u>	Screw, K80x30, Torx Pn Hd Pt	2
4	<u>102500801</u>	Plate - Floor Cover	1
5	<u>103974821</u>	Asm, Pedal, Anodized, Field Service, Gas or Elec (includes items 6 through 14)	1
6	<u>102559401</u>	Rod, Brake	1
7	<u>102559701</u>	Nut, Brake Rod	1
8	<u>102594801</u>	Shield, Debris Aux	1
9	<u>102594901</u>	Shield, Debris Primary	1
10	<u>102595901</u>	Screw, M6x1.0x17 Ph, Taptite	4
11	<u>102596001</u>	Screw, M5x0.8x18 Ph, Taptite	4
12	<u>102596301</u>	Pedal, Accelerator, Anodized, Gas or Elec (includes item 13)	1
13	<u>103777601</u>	Asm, Park Brake Release, Anodized	1
14	<u>103974901</u>	Asm, Brake Pedal, Anodized (includes items 15 through 17)	1
15	<u>102595201</u>	Cover, Brake	1
16	<u>102595301</u>	Upstop, Brake	1
17	<u>102595401</u>	Pad, Brake	1
<p>Note: Pedal Assembly (item 5) has no sensor and is common to both gas and electric vehicles.</p>			

4
G
E

4
G
E



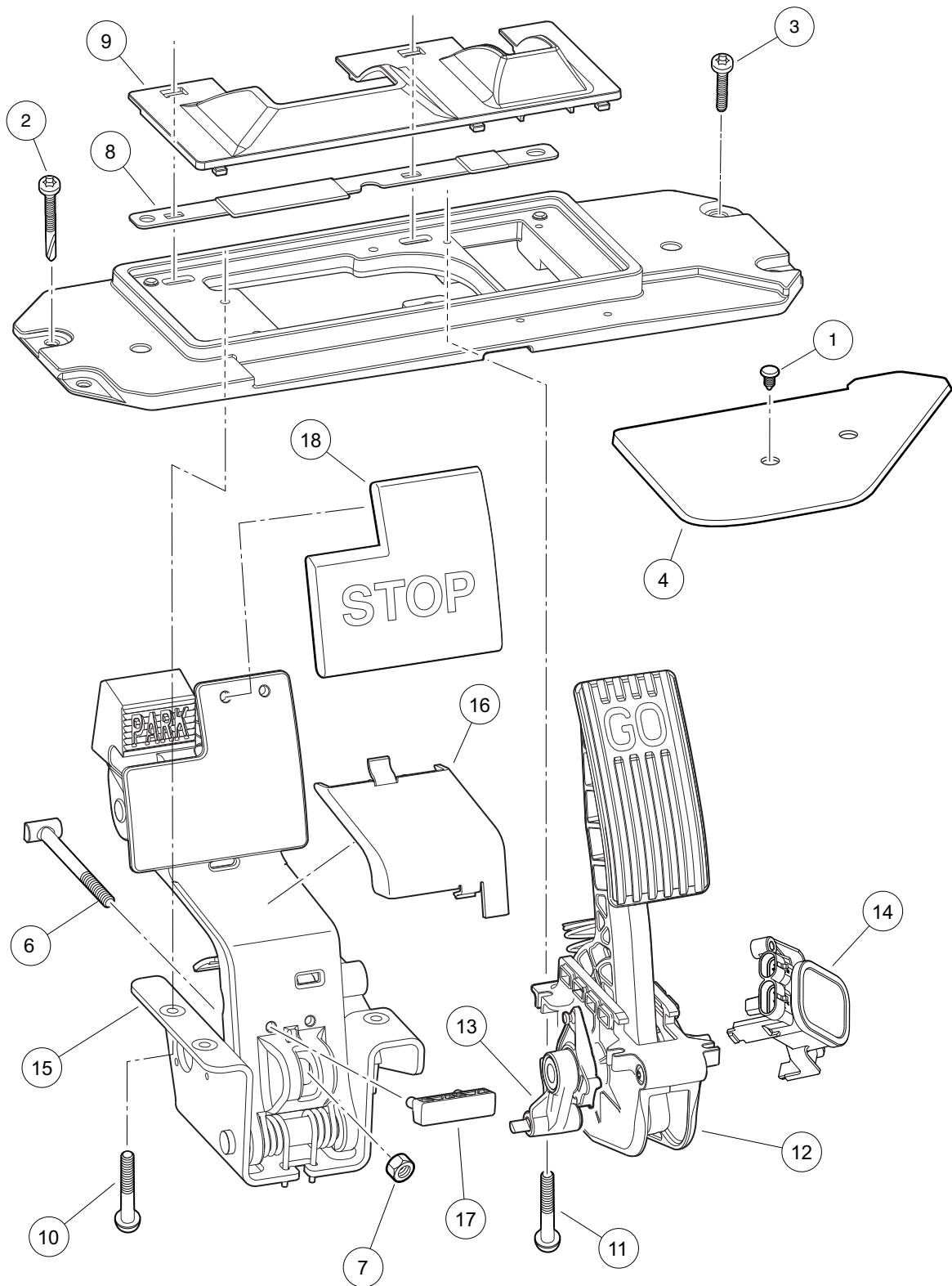
000487-016

PEDAL GROUP W/O MCOR3 – ELECTRIC VEHICLE

ITEM	PART NO.	DESCRIPTION	QTY
		1 2 3 4	
1	<u>1010434</u>	Barrel - Plastic	1
2	<u>102292201</u>	Screw-1/4-20x2.20 Tx Pn Hd Sd	2
3	<u>102298030</u>	Screw, K80x30, Torx Pn Hd Pt	2
4	<u>102500801</u>	Plate - Floor Cover	1
5	<u>103974821</u>	Asm, Pedal, Anodized, Field Service, Gas or Elec (includes items 6 through 14)	1
6	<u>102559401</u>	Rod, Brake	1
7	<u>102559701</u>	Nut, Brake Rod	1
8	<u>102594801</u>	Shield, Debris Aux	1
9	<u>102594901</u>	Shield, Debris Primary	1
10	<u>102595901</u>	Screw, M6x1.0x17 Ph, Taptite	4
11	<u>102596001</u>	Screw, M5x0.8x18 Ph, Taptite	4
12	<u>102596301</u>	Pedal, Accelerator, Anodized, Gas or Elec (includes item 13)	1
13	<u>103777601</u>	Asm, Park Brake Release, Anodized	1
14	<u>103974901</u>	Asm, Brake Pedal, Anodized (includes items 15 through 17)	1
15	<u>102595201</u>	Cover, Brake	1
16	<u>102595301</u>	Upstop, Brake	1
17	<u>102595401</u>	Pad, Brake	1
		Note: Pedal Assembly (item 5) has no MCOR3 and is common to both gas and electric vehicles.	

4
G
E

4
G
E



000487-017

PEDAL GROUP WITH MCOR3 – ELECTRIC VEHICLE

ITEM	PART NO.	DESCRIPTION	QTY
		1 2 3 4	
1	<u>1010434</u>	Barrel - Plastic	1
2	102292201	Screw-1/4-20x2.20 Tx Pn Hd Sd	2
3	102298030	Screw, K80x30, Torx Pn Hd Pt	2
4	<u>102500801</u>	Plate - Floor Cover	1
5	<u>103975011</u>	Asm, Pedal Set, Anodized, Service, Elec Vehicle (includes items 6 through 15)	1
6	<u>102559401</u>	Rod, Brake	1
7	<u>102559701</u>	Nut, Brake Rod	1
8	<u>102594801</u>	Shield, Debris Aux	1
9	<u>102594901</u>	Shield, Debris Primary	1
10	<u>102595901</u>	Screw, M6x1.0x17 Ph, Taptite	4
11	<u>102596001</u>	Screw, M5x0.8x18 Ph, Taptite	4
12	<u>102596301</u>	Pedal, Accelerator, Anodized, Gas or Elec (includes item 13)	1
13	<u>103777601</u>	Asm, Park Brake Release, Anodized	1
14	<u>103850401</u>	MCOR3	1
15	<u>103974901</u>	Asm, Brake Pedal, Anodized (includes items 16 through 18)	1
16	<u>102595201</u>	Cover, Brake	1
17	<u>102595301</u>	Upstop, Brake	1
18	<u>102595401</u>	Pad, Brake	1
Note: See the Electrical System - Section 12 for MCOR3 information.			

4
G
E

4

G

E

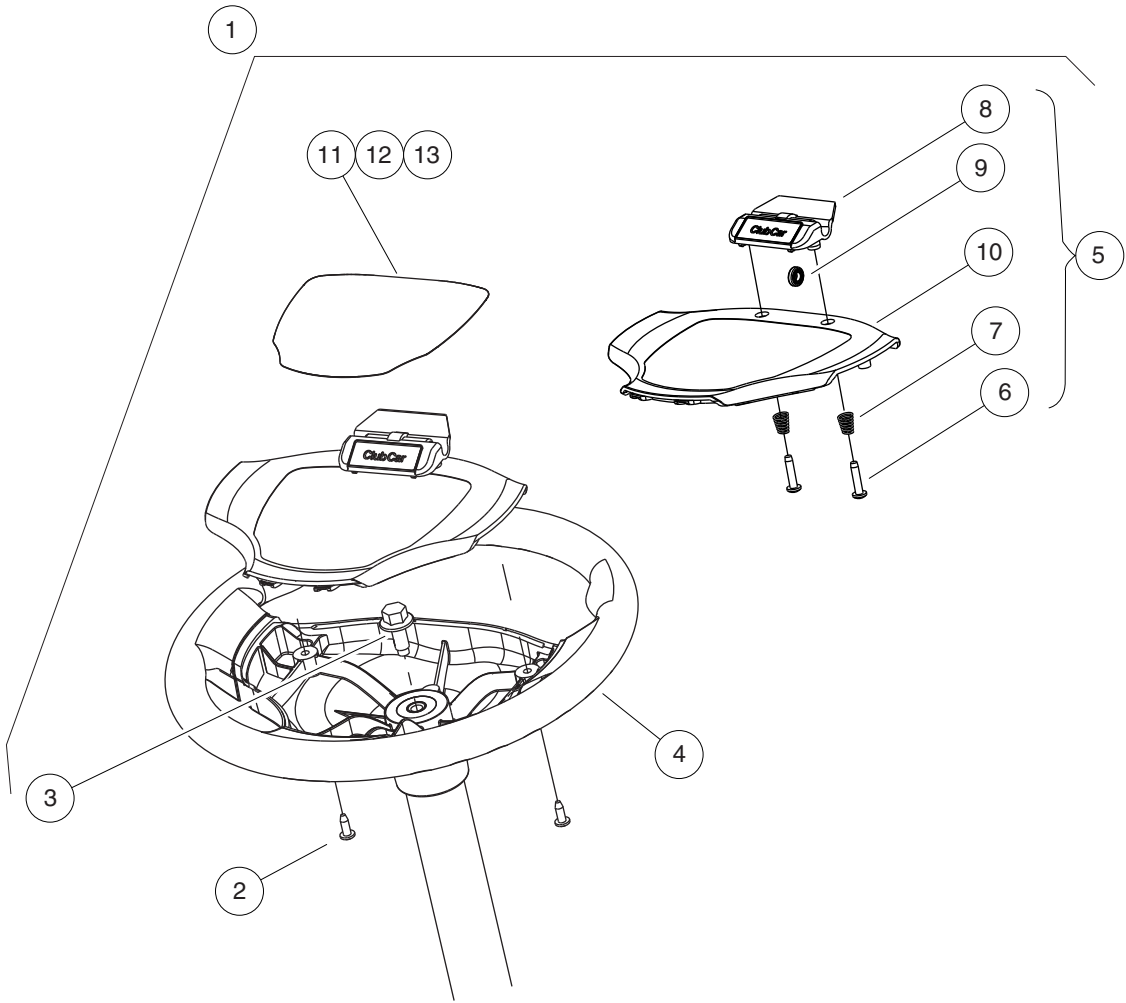
STEERING, FRONT AND REAR SUSPENSION

5

G

E

5
G
E



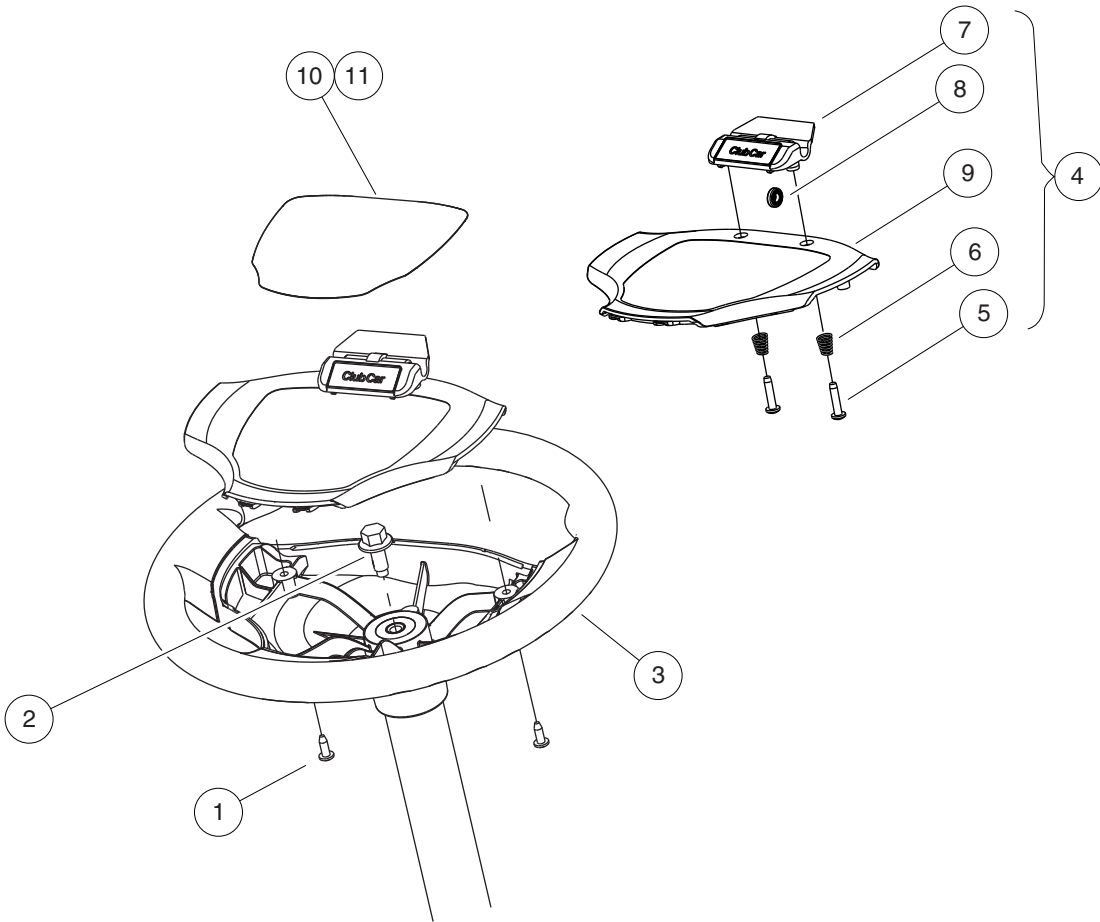
000470-002

STEERING WHEEL, COMFORT GRIP

ITEM	PART NO.	DESCRIPTION	QTY
		1 2 3 4	
1	<u>103796701</u>	Kit, Hex, Steering Wheel (includes items 2 through 13)	1
2	<u>101850301</u>	Screw, #12-16 X 0.50 Washer-Head Hi-Lo	2
3	<u>102290120</u>	Bolt, M10 X 20 Hex Washer Hd	1
4	<u>103724503</u>	Steering Wheel, Soft Grip, Hex	1
5	<u>103724901</u>	Asm, Scorecard, Clip (includes items 6 through 10)	1
6	<u>1012565</u>	Screw, #12 Phillips Round Head	2
7	<u>1012566</u>	Tapered Compression Spring	2
8	<u>1016154</u>	Clip, Scorecard	1
9	<u>1016214</u>	Pencil Grip	1
10	<u>103724601</u>	Cover, Steering Wheel, Clip	1
11	<u>103783001</u>	Decal, Op Instr, Ele	1
12	<u>103783002</u>	Decal, Op Instr, Gas Ps	1
13	<u>103783003</u>	Decal, Op Instr, Gas Ks	1
		Note: Decal Item 13 is not used for Precedent vehicles.	

5
G
E

5
G
E

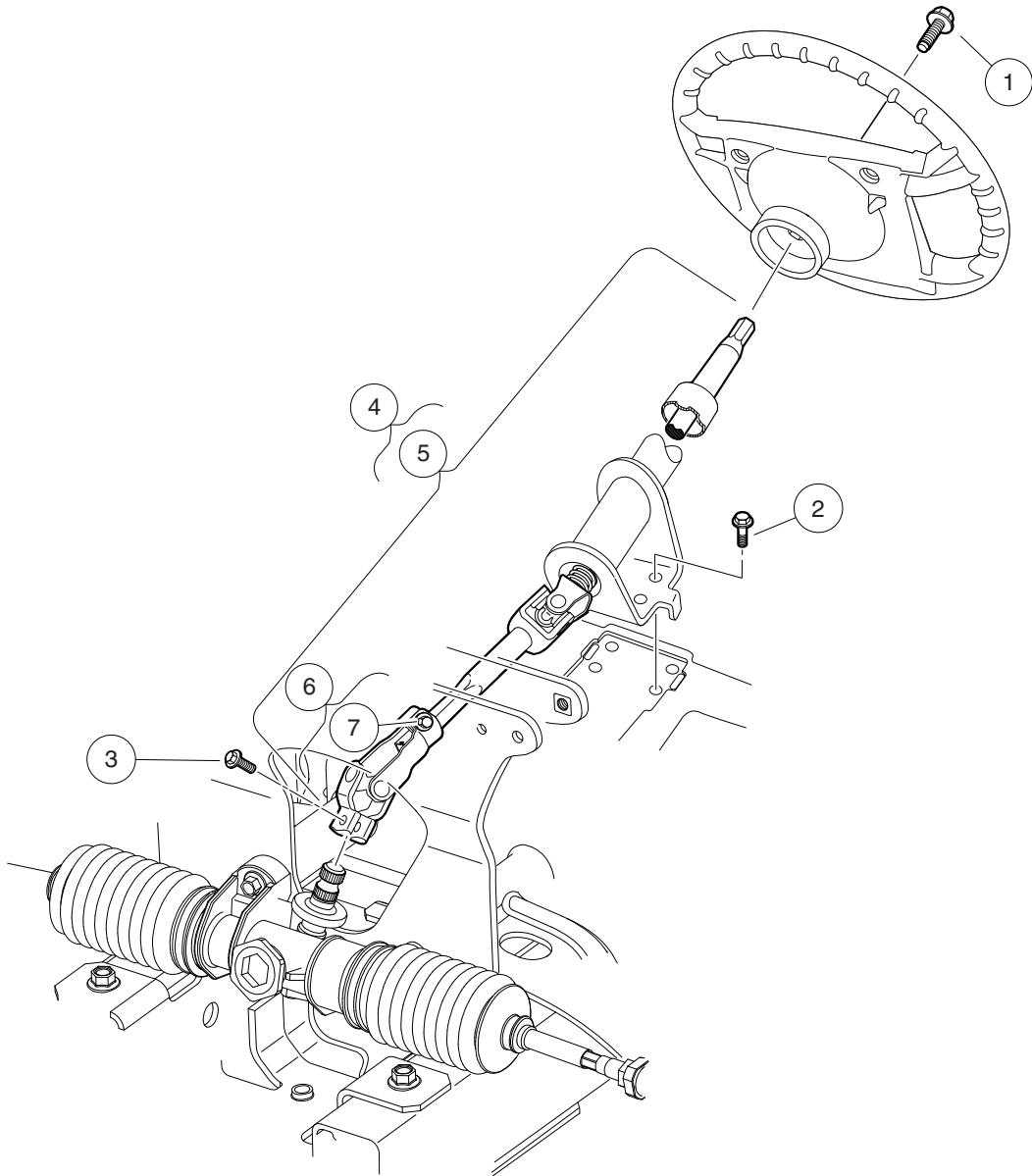


000470-005

STEERING WHEEL

ITEM	PART NO.	DESCRIPTION	QTY
		1 2 3 4	
1	<u>101850301</u>	Screw, #12-16 X 0.50 Washer-Head Hi-Lo	2
2	<u>102290120</u>	Bolt, M10 X 20 Hex Washer Hd	1
3	<u>103724501</u>	Steering Wheel, Hex	1
4	<u>103724901</u>	Asm, Scorecard, Clip (includes items 5 through 9)	1
5	<u>1012565</u>	Screw, #12 Phillips Round Head	2
6	<u>1012566</u>	Tapered Compression Spring	2
7	<u>1016154</u>	Clip, Scorecard	1
8	<u>1016214</u>	Pencil Grip	1
9	<u>103724601</u>	Cover, Steering Wheel, Clip	1
10	<u>103783001</u>	Decal, Op Instr, Ele	1
11	<u>103783002</u>	Decal, Op Instr, Gas Ps	1

5
G
E



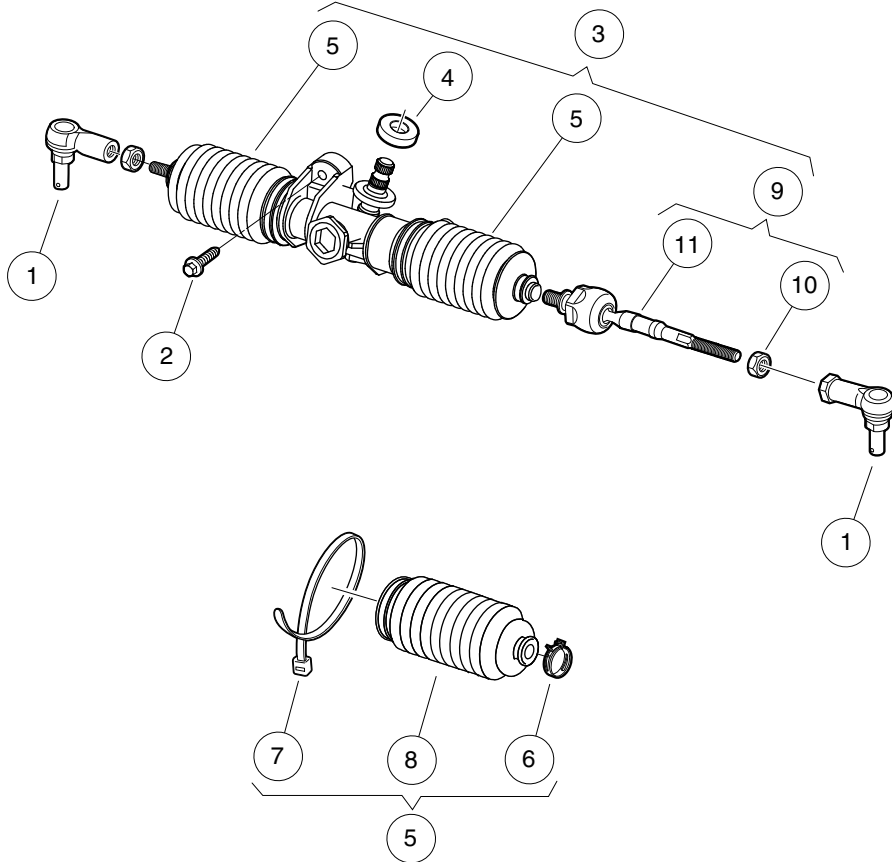
000469-007

STEERING COLUMN

ITEM	PART NO.	DESCRIPTION	QTY
		1 2 3 4	
1	102290120	Bolt, M10 X 20 Hex Washer Hd	1
2	<u>102298116</u>	Bolt - Flanged Hd, M8 X 16.0	4
3	<u>102298130</u>	Bolt, Flange Head, M8 X 30.0	1
4	<u>105049001</u>	Kit, Inner Steering Clmn, Prec (includes item 5)	1
5	105068601	Asm, Column, Inner, Prec (includes item 6)	1
6	<u>103810201</u>	Kit, Prec Lower Yoke, Wanda (includes item 7)	1
7	<u>102298130</u>	Bolt, Flange Head, M8 X 30.0	1

5
G
E

5
G
E



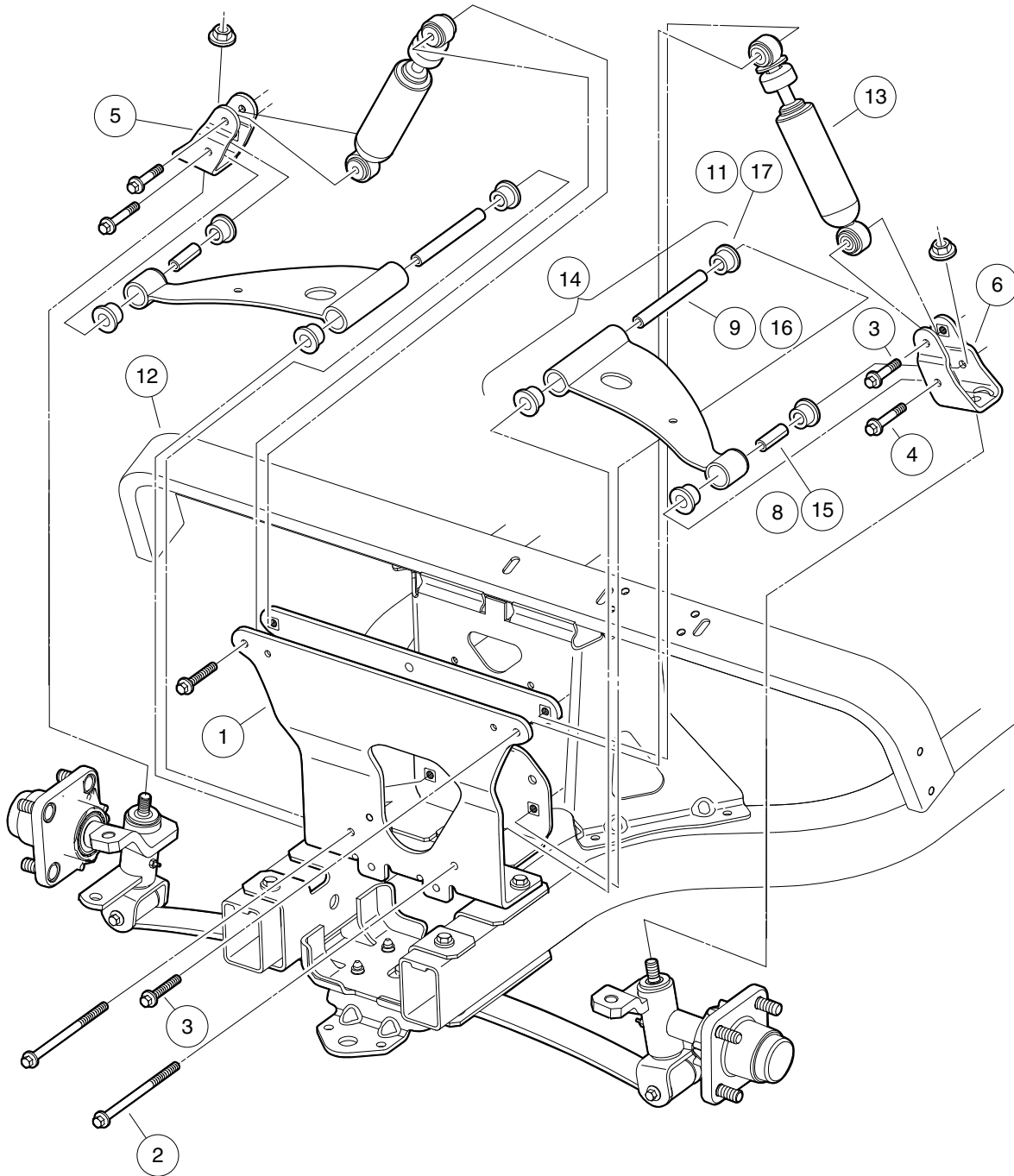
000476-005

STEERING GEAR ASSEMBLY

ITEM	PART NO.	DESCRIPTION	QTY
		1 2 3 4	
1	<u>102022601</u>	End, Tie Rod M12 X 1.25 Rh	2
2	<u>102289001</u>	Screw, M8X1.25X30, Hex	3
3	<u>103679701</u>	Asm, Rack & Pinion, Precedent (includes items 4 through 9)	1
4	<u>102565201</u>	Seal, Dust, Steering Pinion	1
5	<u>103826201</u>	Bellow Kit, Prec Steering-sona (includes items 6 through 8)	2
6	<u>102566001</u>	Clip, Steering, Prec	1
7	<u>8990</u>	Tie Wrap, 8" Nylon	1
8	N/A	Bellows	1
9	<u>103826301</u>	Kit, IBJ (Inner Ball Joint), Prec Steering-sona (includes items 10 and 11)	2
10	1013042	Nut, 12mm Hex	1
11	N/A	Inner Ball Joint	1

5
G
E

5
G
E



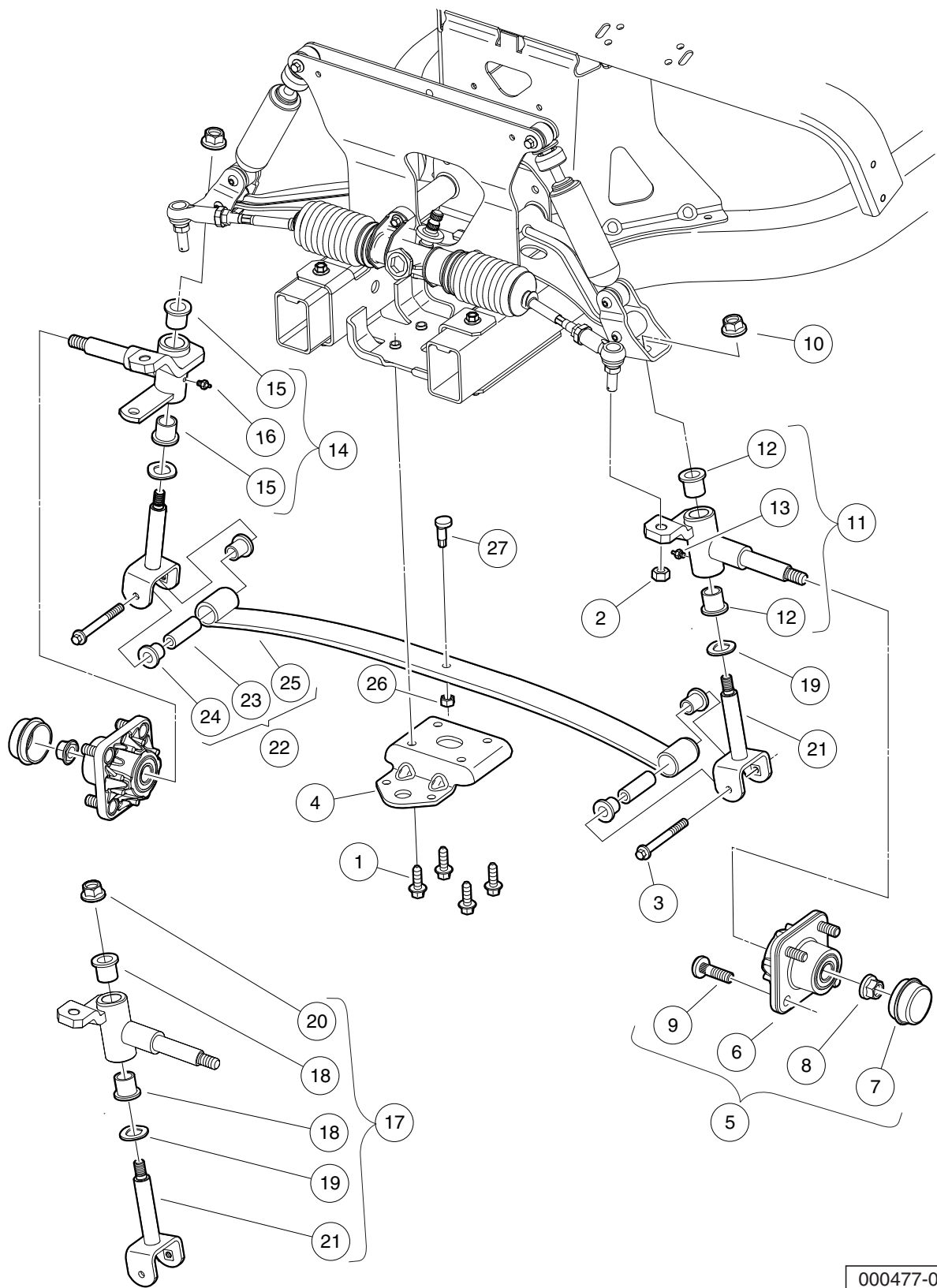
000445-005

FRONT SUSPENSION, UPPER

ITEM	PART NO.	DESCRIPTION	QTY
		1 2 3 4	
1	<u>102287101</u>	Assembly - Front Structure	1
2	<u>102288901</u>	Bolt, Hex, M8x1.25 X 135	2
3	<u>102289401</u>	Screw- Hex Cap, M8 X 1.25 X 45	4
4	<u>102289501</u>	Screw- Hex Cap, M8 X 1.25 X 70	2
5	<u>102289601</u>	Upper Clevis Assembly - Rh	1
6	<u>102289701</u>	Upper Clevis Assembly - Lh	1
7	<u>102289901</u>	Kit, Susp, Bushing Joints (includes items 8 through 11)	1
8	<u>102287601</u>	Sleeve - Rolled, Outer	2
9	<u>102287701</u>	Sleeve - Rolled, Inner	2
10	<u>102288101</u>	Sleeve - Rolled, Spring	2
11	<u>102956201</u>	Bushing, Urethane, Short, Prec	12
12	<u>102505701</u>	Assembly, Dash Support	1
13	<u>102588601</u>	Shock Absorber Front Prv Spd	2
14	<u>103388501</u>	Asm, 3 Piece A-arm, Bushings (includes items 15 through 17)	2
15	<u>102287601</u>	Sleeve - Rolled, Outer	1
16	<u>102287701</u>	Sleeve - Rolled, Inner	1
17	<u>102956201</u>	Bushing, Urethane, Short, Prec	4
		Note: Item 7 (not shown) includes bushings and sleeves for control arms and front suspension leaf spring. See lower suspension page for illustration of Sleeve Item 10.	

5
G
E

5
G
E

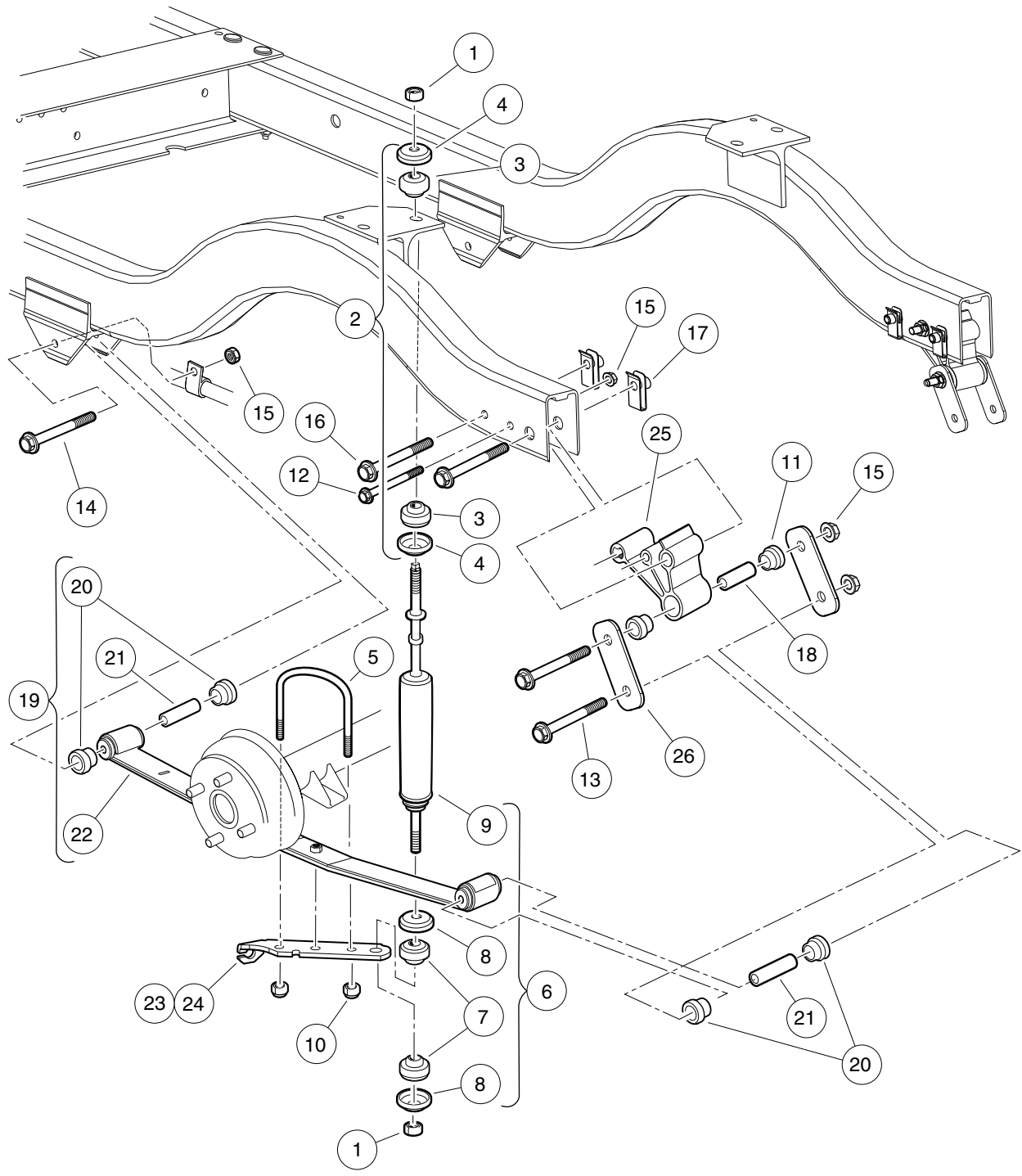


000477-005

FRONT SUSPENSION, LOWER

ITEM	PART NO.	DESCRIPTION	QTY
		1 2 3 4	
1	<u>102289101</u>	Screw-m10x1.5, Trilob, Hex Fl	4
2	<u>102289201</u>	Nut - Hex Locking, M12 X 1.25	2
3	<u>102289501</u>	Screw- Hex Cap, M8 X 1.25 X 70	2
4	<u>102289801</u>	Clamp - Leaf Spring	1
5	<u>102357701</u>	Replacement Kit, Front Hub (includes items 6 through 9)	1
6	N/A	Front Hub, Ball Bearing	1
7	<u>102353201</u>	Cap, Front Hub	1
8	<u>102353301</u>	Hex Nut, Locking Flange, M14x2	1
9	<u>102353401</u>	Lug Stud, 1/2-20 UNF, 4037 Stl	4
10	<u>102878201</u>	Nut, Lock,m12,washer,conical	2
11	<u>103638701</u>	Asm, Spindle-bushings, Lh (includes items 12 and 13)	1
12	<u>102288201</u>	Bushing - Flanged	2
13	N/A	Fitting, Grease, Knuckle Spindle Asym	1
14	<u>103638702</u>	Asm, Spindle-bushings, Rh (includes items 15 and 16)	1
15	<u>102288201</u>	Bushing - Flanged	2
16	N/A	Fitting, Grease, Knuckle Spindle Asym	1
17	<u>103638801</u>	Kit, King Pin Joints, Prec (includes items 18 through 21)	1
18	<u>102288201</u>	Bushing - Flanged	4
19	<u>102288401</u>	Wave Washer - Kingpin	2
20	<u>102878201</u>	Nut, Lock,m12,washer,conical	2
21	<u>103638601</u>	Asm, King Pin, M12	2
22	<u>103711001</u>	Asm, Spring, Leaf, Front, Prec (includes items 23 through 25)	1
23	<u>102288101</u>	Sleeve - Rolled, Spring	2
24	<u>102956201</u>	Bushing, Urethane, Short, Prec	4
25	N/A	Spring, 1 Leaf, Front	1
26	<u>706</u>	Nut, Hex 3/8-16	1
27	<u>8745</u>	Screw, Eccentric Adjustment	1

5
G
E



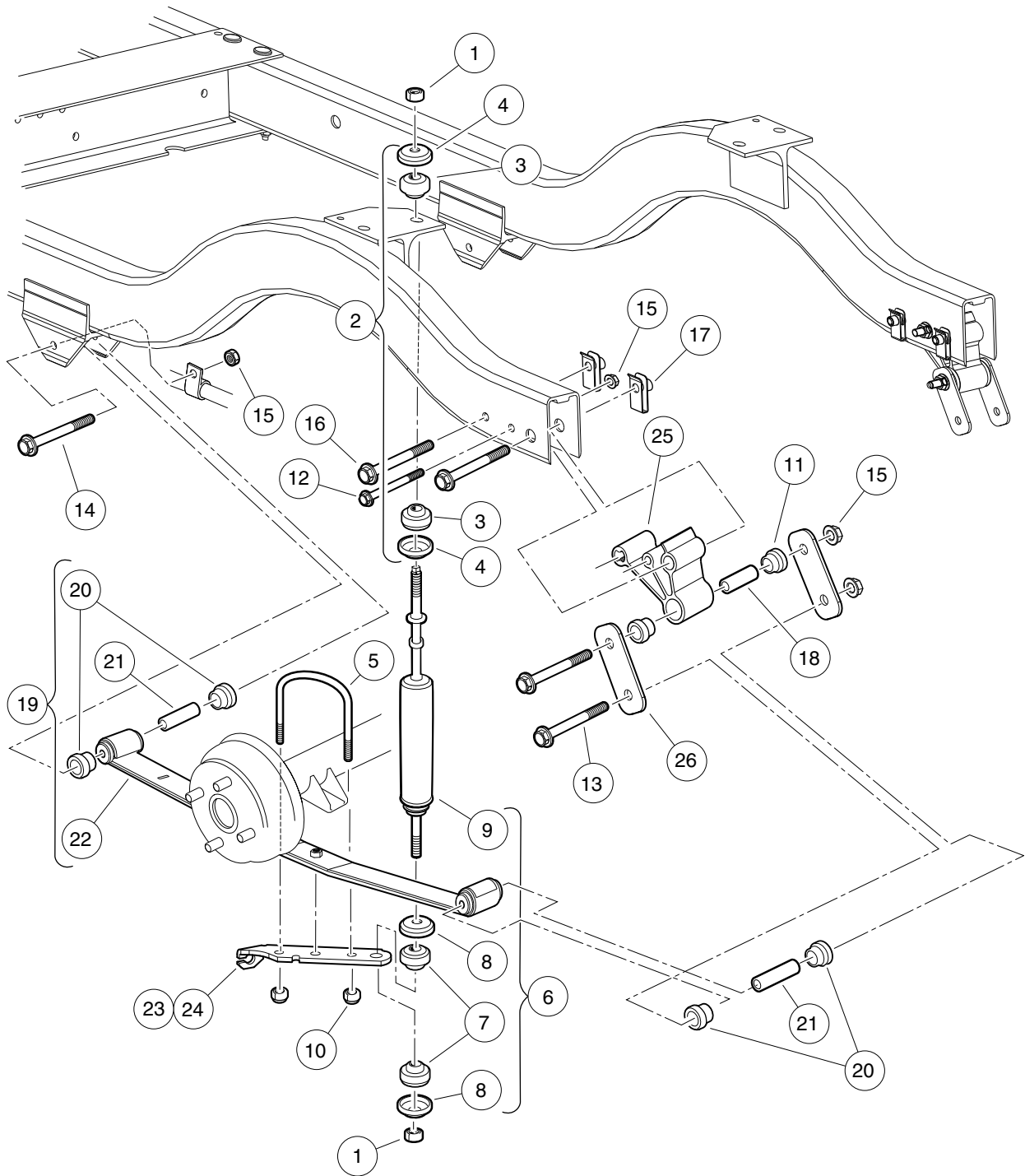
000446-005

REAR SUSPENSION, GASOLINE VEHICLE

ITEM	PART NO.	DESCRIPTION	QTY
		1 2 3 4	
1	<u>1010145</u>	Nut, 3/8-24 Hex	4
2	<u>1011415</u>	Kit, Shock Absorber Cushion (includes items 3 and 4)	2
3	N/A	Cushion, Shock Absorber	2
4	N/A	Retainer, Shock Absorber Cushion	2
5	<u>1012180</u>	U-Bolt	2
6	<u>1013164</u>	Shock Absorber Kit (includes items 7 through 9)	1
7	N/A	Cushion, Shock Absorber	8
8	N/A	Retainer, Shock Absorber Cushion	8
9	<u>102588501</u>	Shock Absorber Rear Prv Spd	2
10	<u>1014555</u>	Locknut, 7/16-14 Nylon Hex	4
11	<u>1015583</u>	Bushing, Urethane	4
12	<u>102298170</u>	Bolt - Flange Hd, M8 X 70.0	2
13	<u>102298175</u>	Bolt - Flange Hd, M8 X 75.0	4
14	<u>102298185</u>	Bolt - Flange Hd, M8 X 85.0	2
15	<u>102298401</u>	Nut,m8,all Metal Lock	8
16	<u>102298580</u>	M8-1.25 X 80 Sems	4
17	<u>102298601</u>	J-clip - M8 X 1.25	4
18	<u>102506401</u>	Sleeve - Spring Eye Mounts	2
19	<u>103742302</u>	Asm, Rear Leaf Spring, Prec, Gas (includes items 20 through 22)	2
20	<u>1015583</u>	Bushing, Urethane	4
21	<u>102506401</u>	Sleeve - Spring Eye Mounts	2
22	N/A	Leaf Spring, Rear, Prec Gas	1
23	<u>103921601</u>	Bracket, Shock Mounting, Drv	1
24	<u>103921602</u>	Bracket, Shock Mounting, Pas	1
25	<u>103964901</u>	Spacer, Rail, Shackle	2
26	<u>103965001</u>	Brkt, Shackle, Rear	4

5
G
E

5
G
E



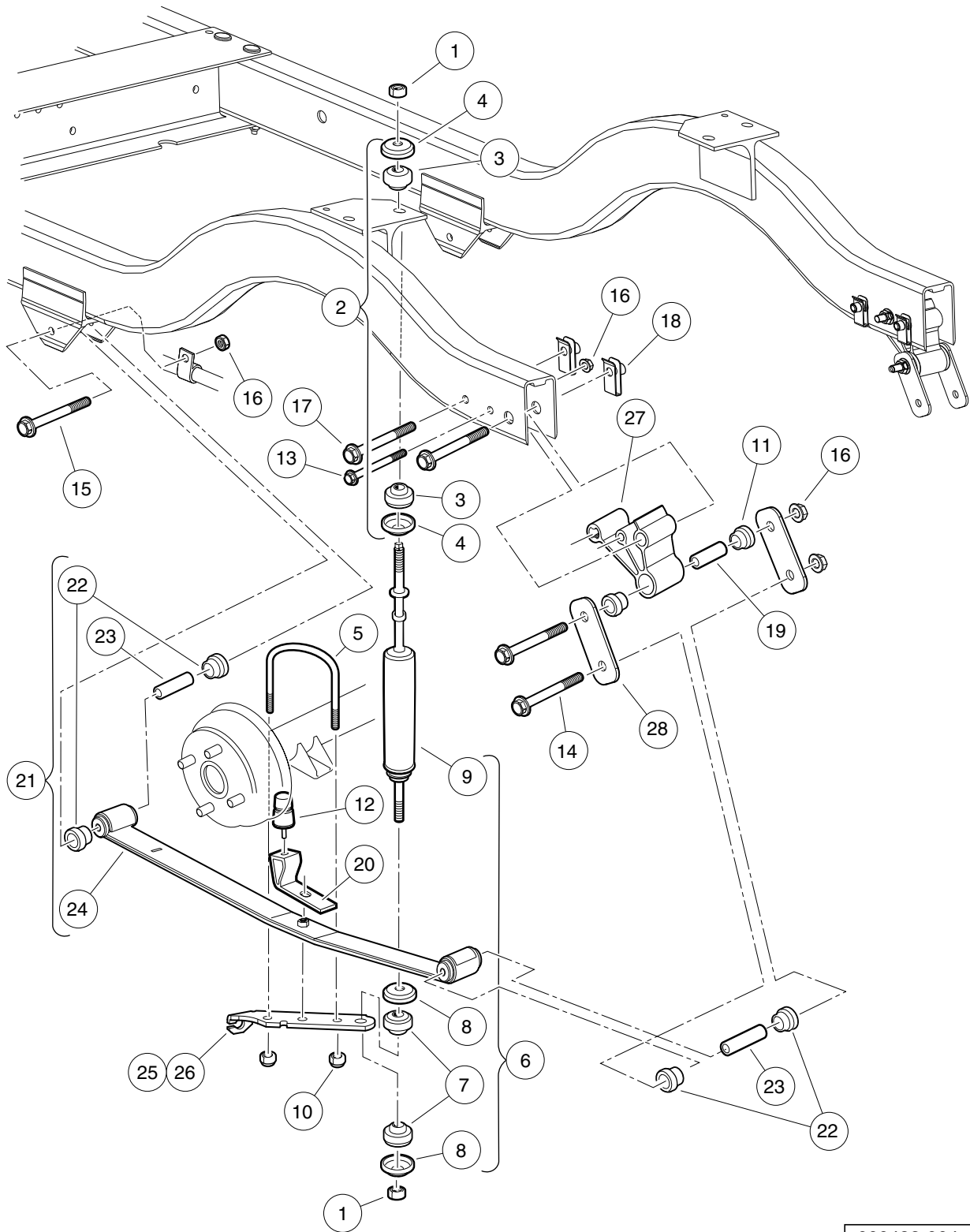
000446-005

REAR SUSPENSION, ELECTRIC VEHICLE

ITEM	PART NO.	DESCRIPTION	QTY
		1 2 3 4	
1	<u>1010145</u>	Nut, 3/8-24 Hex	4
2	<u>1011415</u>	Kit, Shock Absorber Cushion (includes items 3 and 4)	2
3	N/A	Cushion, Shock Absorber	2
4	N/A	Retainer, Shock Absorber Cushion	2
5	<u>1012180</u>	U-Bolt	2
6	<u>1013164</u>	Shock Absorber Kit (includes items 7 through 9)	1
7	N/A	Cushion, Shock Absorber	8
8	N/A	Retainer, Shock Absorber Cushion	8
9	<u>102588501</u>	Shock Absorber Rear Prv Spd	2
10	<u>1014555</u>	Locknut, 7/16-14 Nylon Hex	4
11	<u>1015583</u>	Bushing, Urethane	4
12	<u>102298170</u>	Bolt - Flange Hd, M8 X 70.0	2
13	<u>102298175</u>	Bolt - Flange Hd, M8 X 75.0	4
14	<u>102298185</u>	Bolt - Flange Hd, M8 X 85.0	2
15	<u>102298401</u>	Nut,m8,all Metal Lock	8
16	<u>102298580</u>	M8-1.25 X 80 Sems	4
17	<u>102298601</u>	J-clip - M8 X 1.25	4
18	<u>102506401</u>	Sleeve - Spring Eye Mounts	2
19	<u>103742301</u>	Asm, Rear Leaf Spring, Prec, Elec (includes items 20 through 22)	2
20	<u>1015583</u>	Bushing, Urethane	4
21	<u>102506401</u>	Sleeve - Spring Eye Mounts	2
22	N/A	Leaf Spring, Rear, Prec Elec	1
23	<u>103921601</u>	Bracket, Shock Mounting, Drv	1
24	<u>103921602</u>	Bracket, Shock Mounting, Pas	1
25	<u>103964901</u>	Spacer, Rail, Shackle	2
26	<u>103965001</u>	Brkt, Shackle, Rear	4

5
G
E

5
G
E



000492-004

REAR SUSPENSION, PRECEDENT VILLAGER 4

ITEM	PART NO.	DESCRIPTION	QTY
		1 2 3 4	
1	<u>1010145</u>	Nut, 3/8-24 Hex	4
2	<u>1011415</u>	Kit, Shock Absorber Cushion (includes items 3 and 4)	2
3	N/A	Cushion, Shock Absorber	2
4	N/A	Retainer, Shock Absorber Cushion	2
5	<u>1012180</u>	U-Bolt	2
6	<u>1013164</u>	Shock Absorber Kit (includes items 7 through 9)	1
7	N/A	Cushion, Shock Absorber	8
8	N/A	Retainer, Shock Absorber Cushion	8
9	<u>102588501</u>	Shock Absorber Rear Prv Spd	2
10	<u>1014555</u>	Locknut, 7/16-14 Nylon Hex	4
11	<u>1015583</u>	Bushing, Urethane	4
12	<u>1017235</u>	Bumper, Jounce	2
13	<u>102298170</u>	Bolt - Flange Hd, M8 X 70.0	2
14	<u>102298175</u>	Bolt - Flange Hd, M8 X 75.0	4
15	<u>102298185</u>	Bolt - Flange Hd, M8 X 85.0	2
16	<u>102298401</u>	Nut,m8,all Metal Lock	8
17	<u>102298580</u>	M8-1.25 X 80 Sems	4
18	<u>102298601</u>	J-clip - M8 X 1.25	4
19	<u>102506401</u>	Sleeve - Spring Eye Mounts	2
20	<u>102534801</u>	Jounce Bumper Bracket	2
21	103742303	Asm, Rear Leaf Spring, Prec, 4-Passenger (includes items 22 through 24)	2
22	<u>1015583</u>	Bushing, Urethane	4
23	<u>102506401</u>	Sleeve - Spring Eye Mounts	2
24	N/A	Leaf Spring, Rear, Prec 4pass	1
25	<u>103921601</u>	Bracket, Shock Mounting, Drv	1
26	<u>103921602</u>	Bracket, Shock Mounting, Pas	1
27	<u>103964901</u>	Spacer, Rail, Shackle	2
28	<u>103965001</u>	Brkt, Shackle, Rear	4

5
G
E

5

G

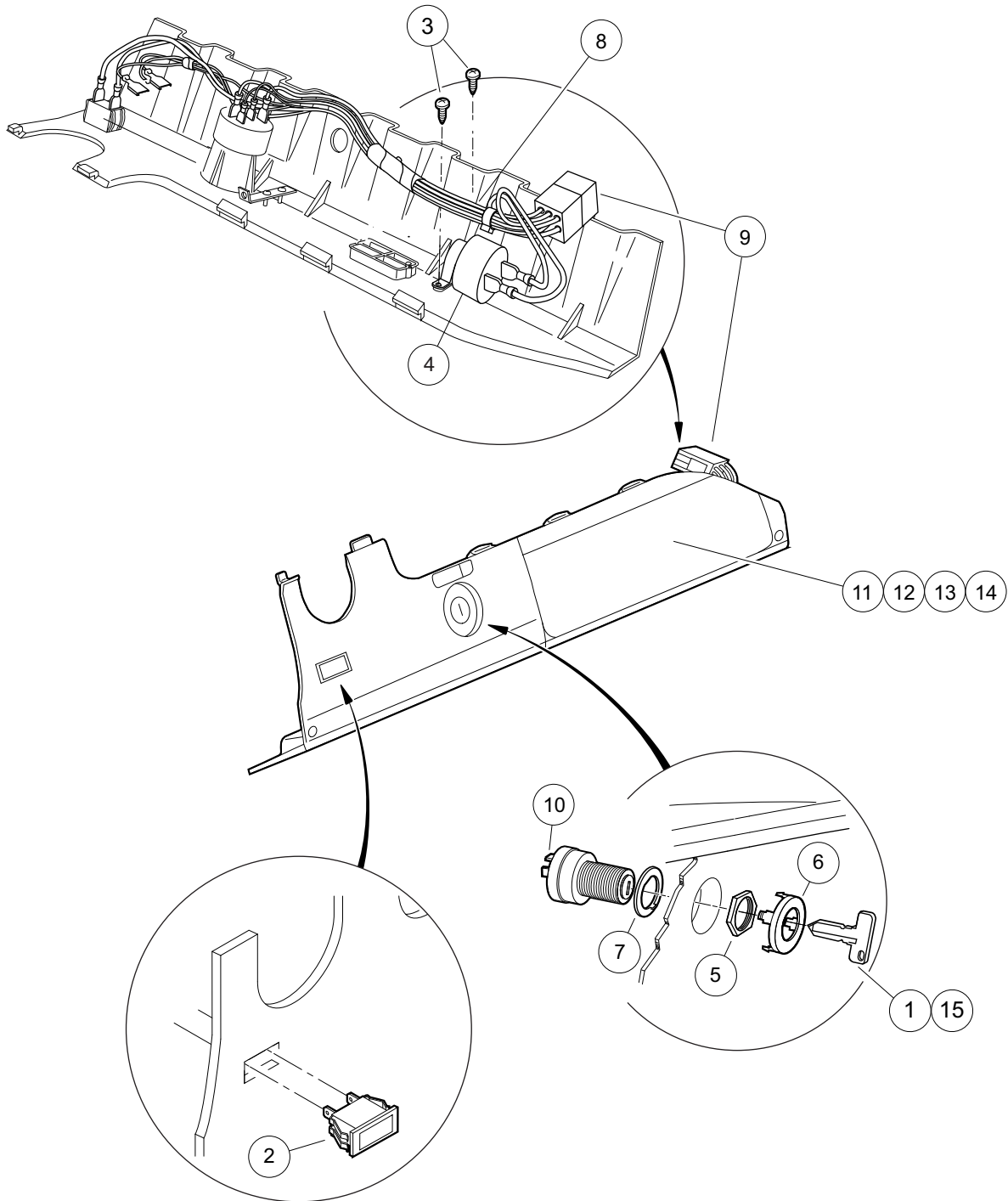
E

ELECTRICAL SYSTEM – GASOLINE VEHICLE

6

G

6
G



000490-003

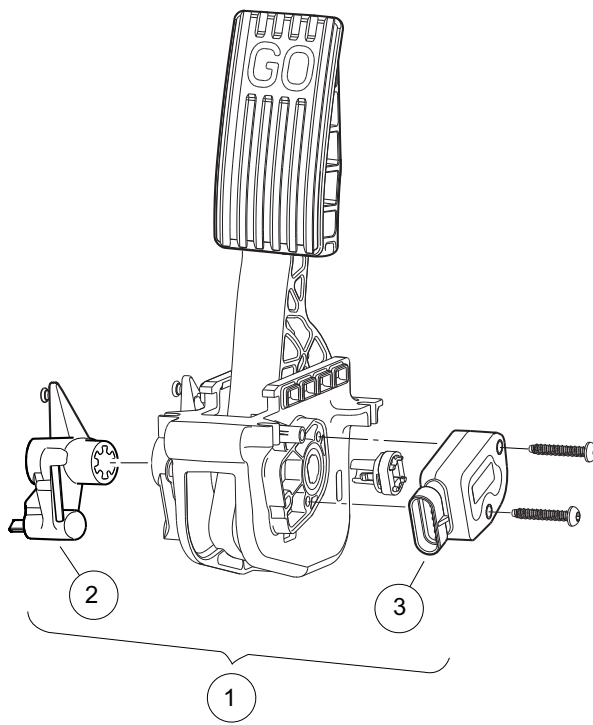
ELECTRICAL COMPONENTS, FRONT BODY – GASOLINE VEHICLE

ITEM	PART NO.	DESCRIPTION	QTY
		1 2 3 4	
1	<u>1012505</u>	Keys (set of 2)	1
2	<u>1016630</u>	Light, Oil	1
3	<u>1016849</u>	Screw, #4-24 X 0.33 Pan-Head Machine	2
4	<u>1016851</u>	Buzzer, Reverse (9-48 VDC)	1
5	<u>101830701</u>	Nut, Key Switch	1
6	<u>101834502</u>	Cap, Black Key Switch	1
7	<u>101851101</u>	Washer, Key Switch	1
8	<u>102515001</u>	Ip Control Harness, Gas (includes item 9)	1
9	N/A	Connector, Plug 9-pin	1
10	<u>102515101</u>	Key Switch, Gas, Prec	1
11	<u>102522901</u>	Instrument Panel (standard)	1
12	<u>102536601</u>	Instrument Panel (with Hole for Headlight Switch)	1
13	<u>102536602</u>	Instrument Panel (with Hole for Fuel Gauge)	1
14	<u>102536604</u>	Instrument Panel (with Hole for Headlight Switch and Fuel Gauge)	1
15	<u>AM10079</u>	Bulk Std Keys (50) *	1
		* Note: Must order in multiples of 50.	

6
G

6

G



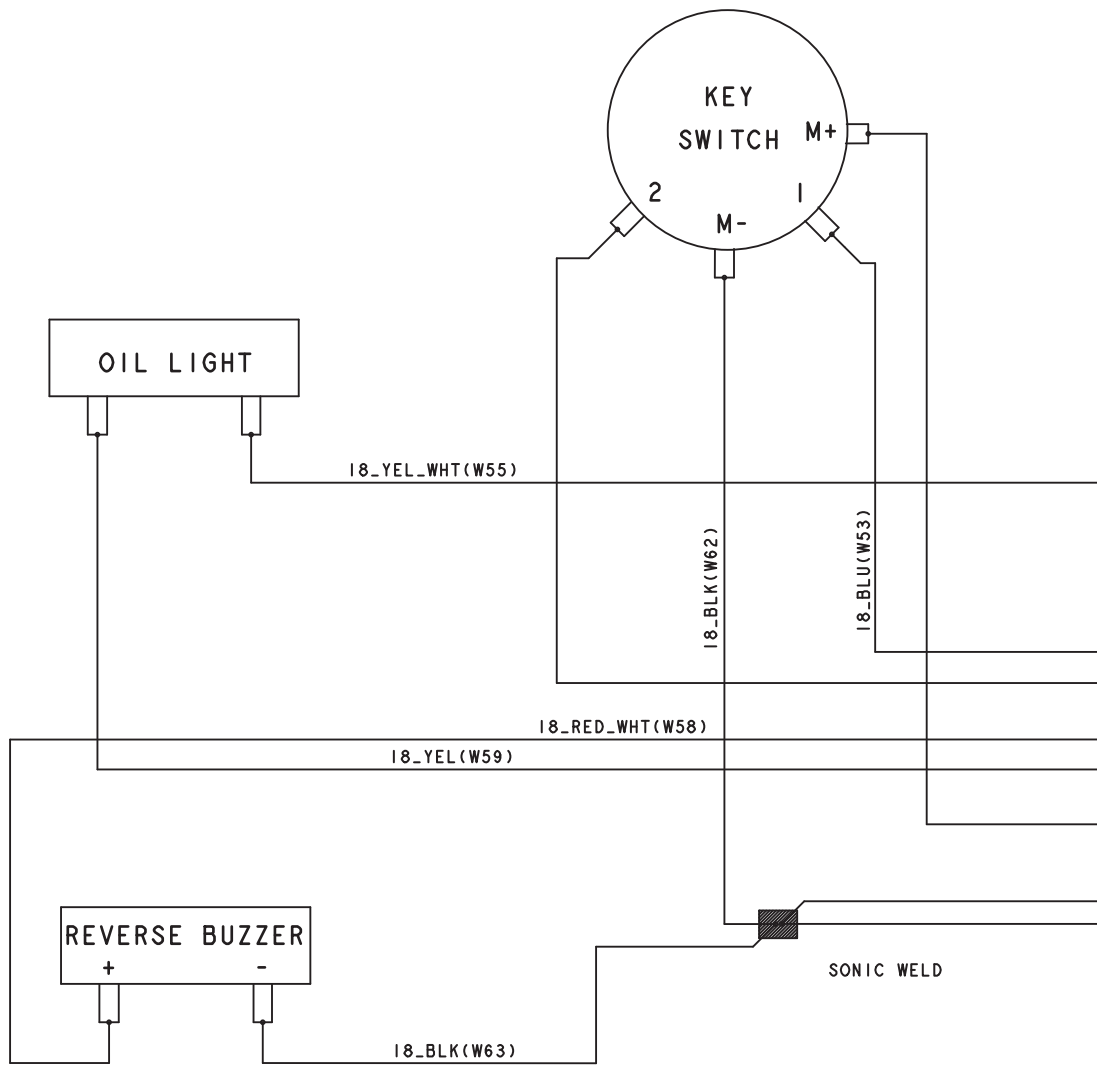
000487-012

ACCELERATOR PEDAL ASSEMBLY W/SENSOR FOR GENERATION 2 PEDAL GROUP

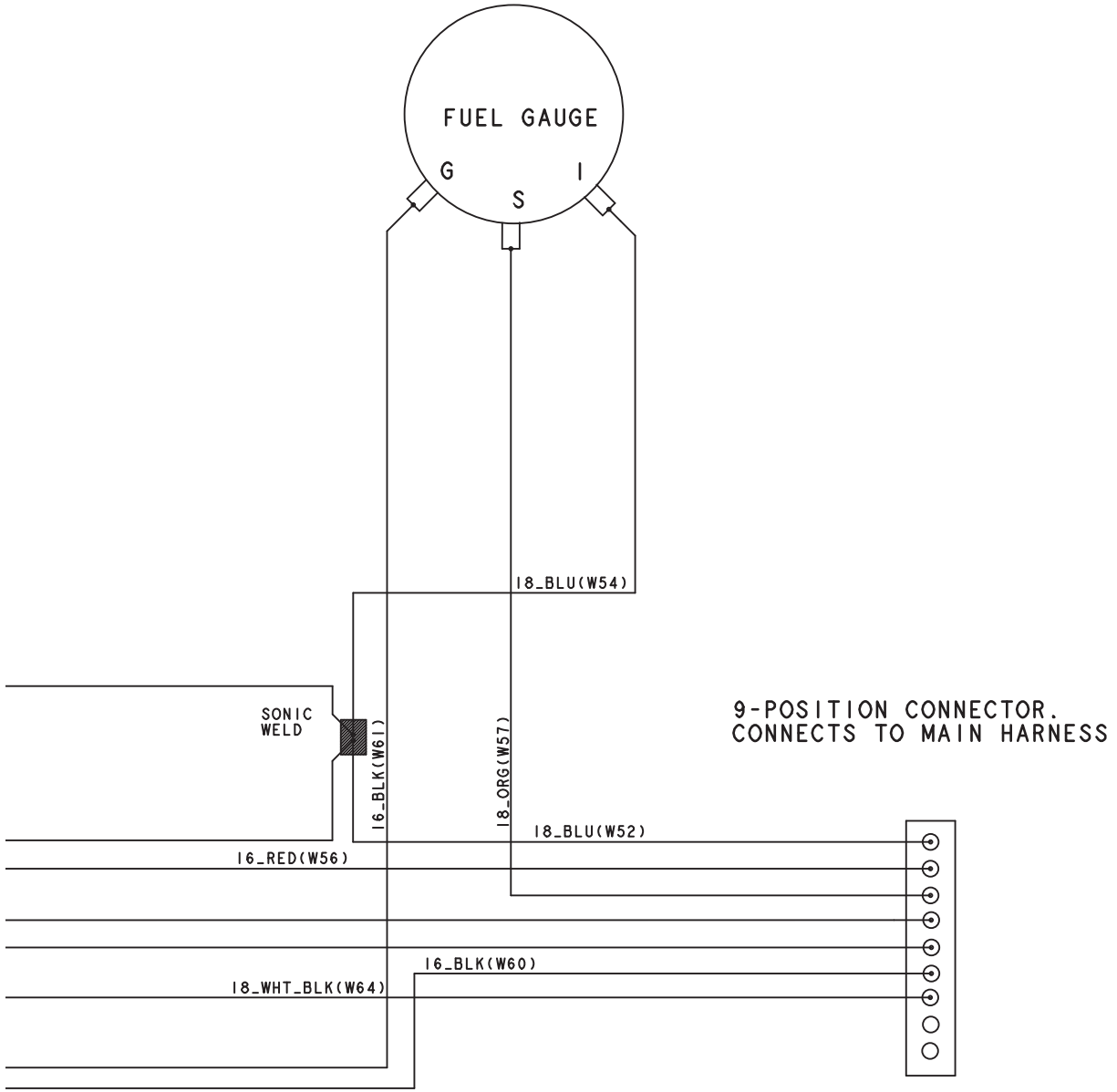
ITEM	PART NO.	DESCRIPTION	QTY
		1 2 3 4	
1	<u>102595502</u>	Asm, Accel. Pedal/Throttle, Anodized, Gas Vehicle (includes items 2 and 3)	1
2	<u>103777601</u>	Asm, Park Brake Release, Anodized	1
3	N/A	Throttle Sensor	1
<p>Note: For a complete Pedal Group, see section 4, Brakes and Pedal Group Assemblies.</p>			

6

G



000489-001



000489-001

6

G

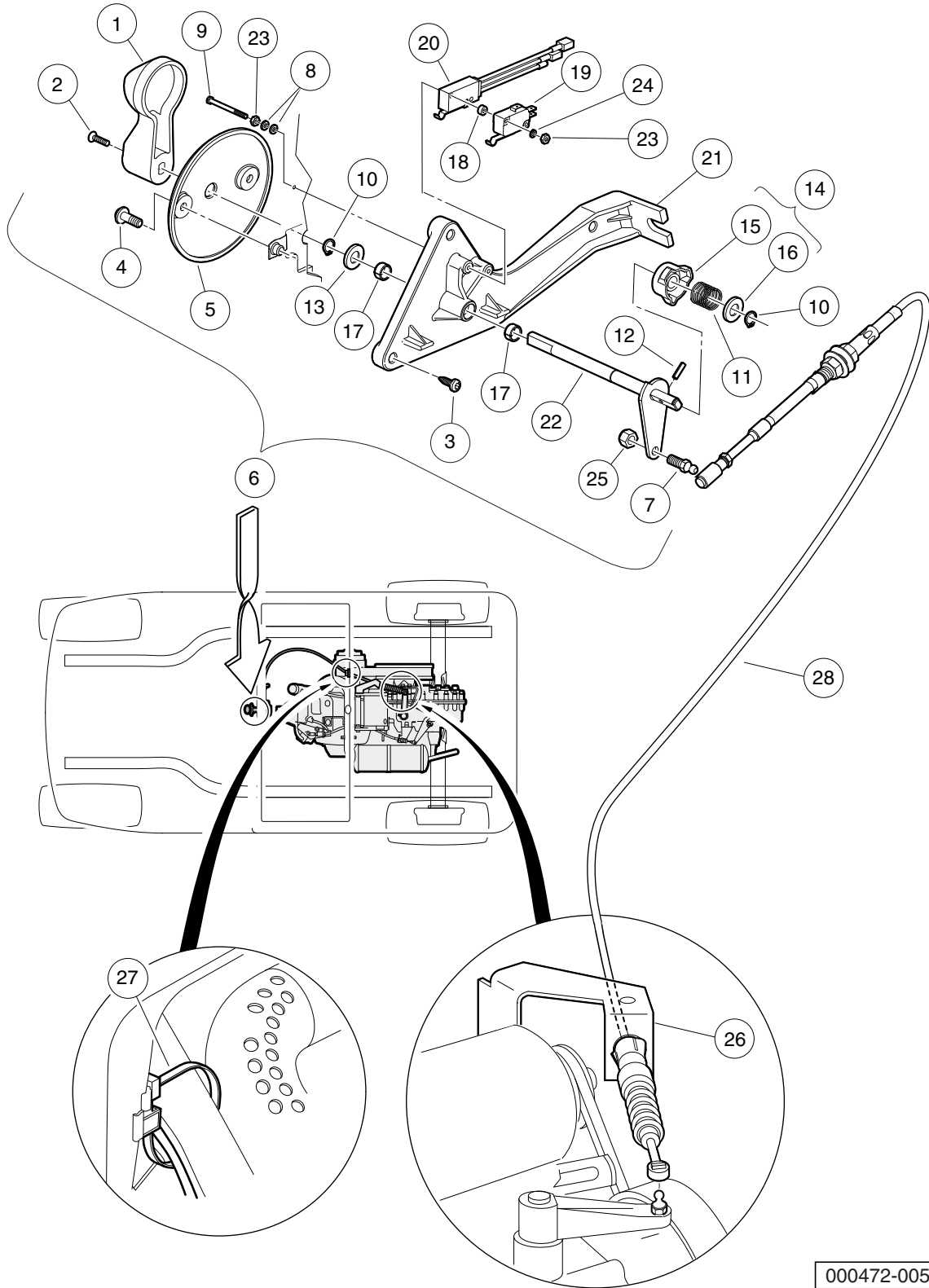
See previous two pages for illustration.

INSTRUMENT PANEL WIRE HARNESS

ITEM	PART NO.	DESCRIPTION	QTY
1	<u>102515001</u>	1 2 3 4 Ip Control Harness, Gas (includes item 2)	1
2	N/A	Connector, Plug 9-pin	1

6
G

6
G

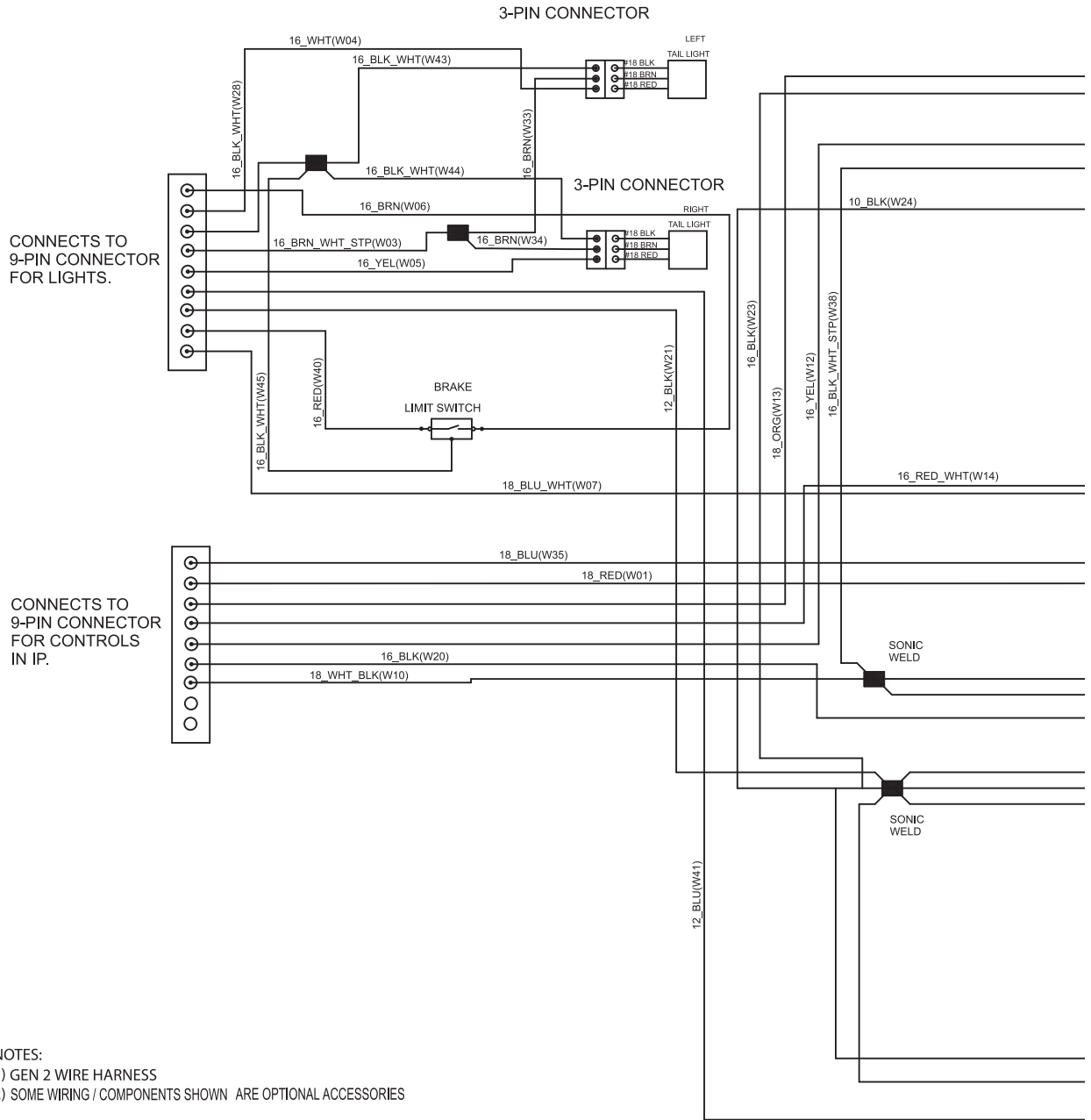


000472-005

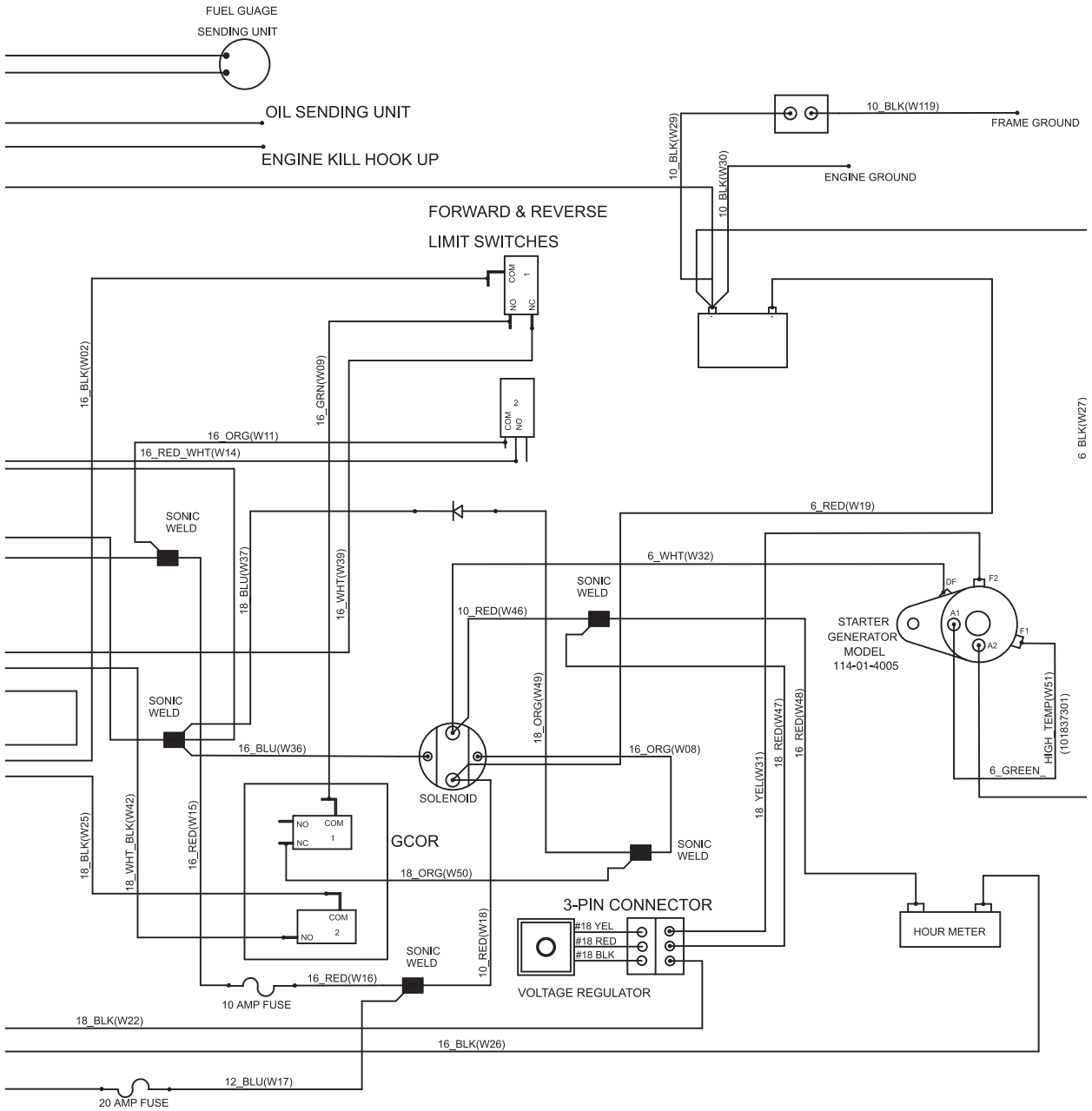
FORWARD/REVERSE SHIFTER ASSEMBLY – GASOLINE VEHICLE

ITEM	PART NO.	DESCRIPTION	QTY
		1 2 3 4	
1	<u>1012987</u>	Handle, FNR	1
2	<u>1015064</u>	Screw, #8-32 X 0.63 Machine	1
3	<u>102296040</u>	Screw, Torx Pan Hd Pt, M6 X 40	3
4	<u>102296920</u>	Screw, M6 Torx Bttn Hd Sems	2
5	<u>102512001</u>	Bezel, FNR Gas	1
6	<u>102514602</u>	Assembly Gas Fnr Shifter Svc (includes items 7 through 25)	1
7	<u>1010954</u>	Stud, 1/4-28 X 0.560 Ball	1
8	<u>1012431</u>	Washer, #4 Flat	4
9	<u>1012594</u>	Screw, #4-40 Machine	2
10	<u>1013589</u>	Ring, 0.338" Internal Retaining	2
11	<u>1013590</u>	Spring, FNR Cam	1
12	<u>1013591</u>	Pin, 1/8 X 1/2 Roll	1
13	<u>1014065</u>	Washer, 0.38" ID Delrin Flat	1
14	<u>1014089</u>	Neutral Lockout Cam Kit (includes items 15 and 16)	1
15	N/A	Cam, Neutral Lockout	1
16	<u>1014065</u>	Washer, 0.38" ID Delrin Flat	1
17	<u>1014145</u>	Bushing, Secondary Weight, Split	2
18	<u>1014727</u>	Washer, #4 Nylon Flat	2
19	<u>1014807</u>	Switch, Limit	1
20	<u>101979101</u>	Assembly, Switch, Limit	1
21	<u>102515601</u>	Base, Gas FNR Shifter	1
22	<u>103943201</u>	Weldment, F-n-r Gas	1
23	<u>8057</u>	Nut, #4-40 Hex Machine	4
24	<u>8058</u>	Lockwasher, #4 Split	2
25	<u>8717</u>	Locknut, 1/4-28 Nylon Insert	1
26	<u>102515501</u>	Bracket-trans Cable Support	1
27	<u>102554901</u>	Clip, Edge, with Wire Tie	1
28	<u>103379601</u>	Cable, Transmission, Prec	1

6
G



000481-003



000481-003

6

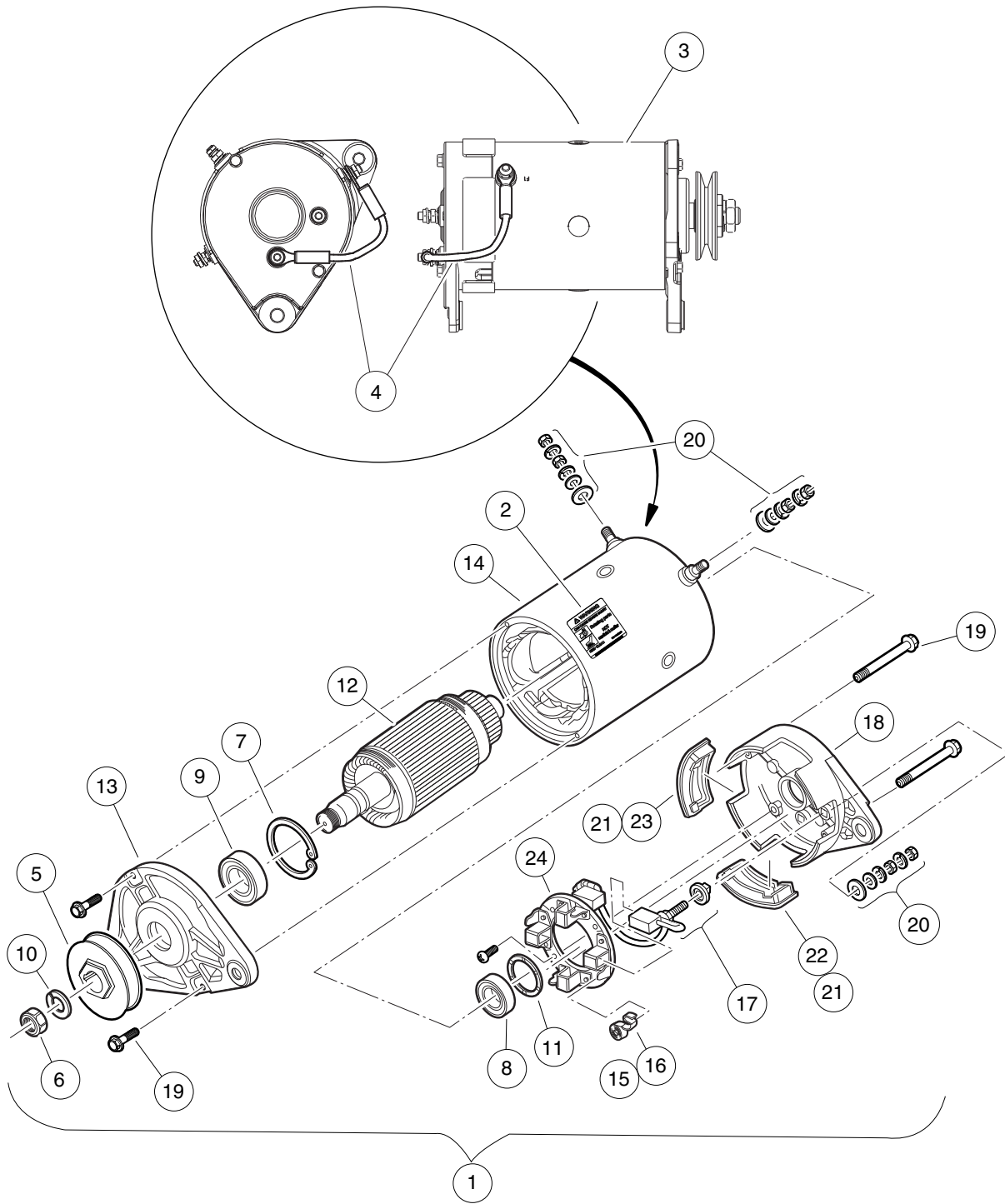
G

See previous two pages for illustration.

WIRING (WITH GENERATION 2 PEDAL GROUP) – GASOLINE VEHICLE

ITEM	PART NO.	DESCRIPTION	QTY
1	<u>103536501</u>	1 2 3 4 Harness, Prec Gas, Main (For Generation 2 Pedal Group) (includes item 2)	1
2	N/A	Conn, 6 Pos, Packard 12162210	1

6
G

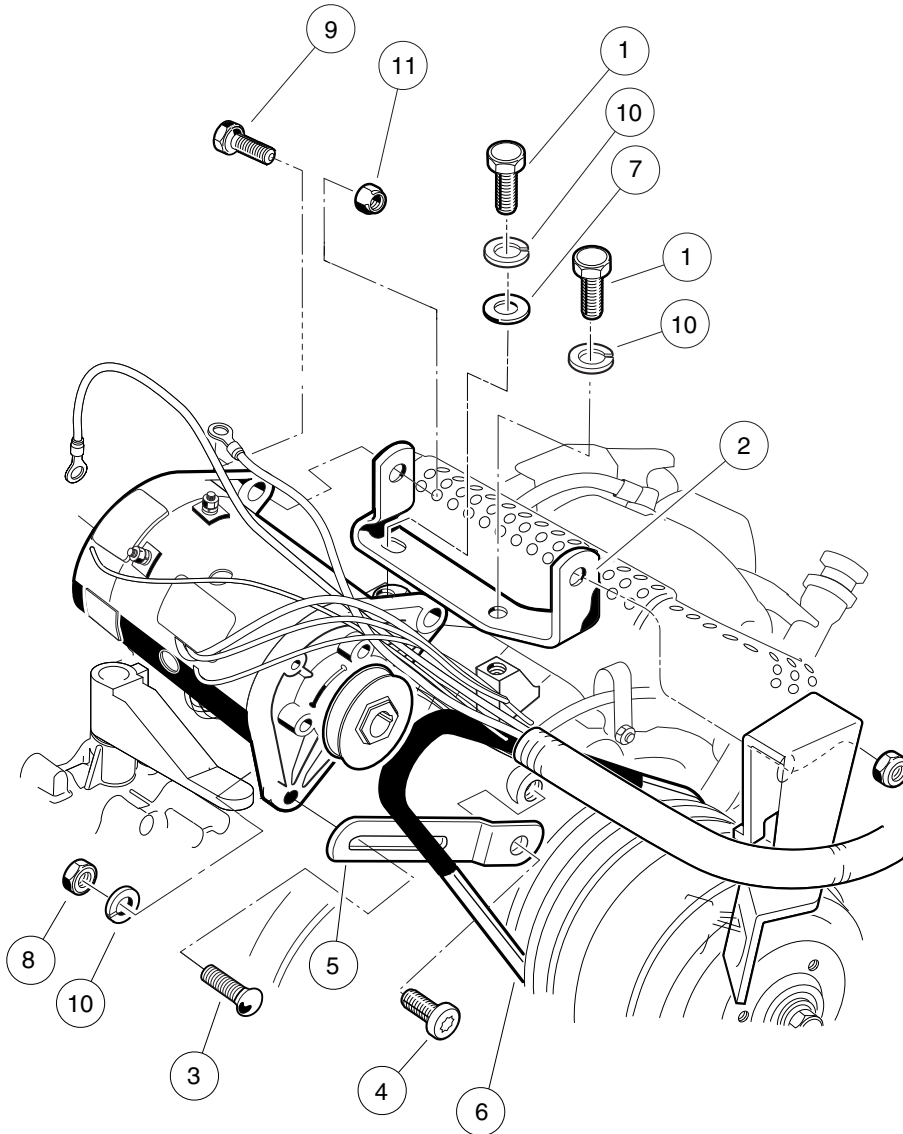


000124-005

STARTER/GENERATOR (S/G) ASSEMBLY – GASOLINE VEHICLES

ITEM	PART NO.	DESCRIPTION	QTY
		1 2 3 4	
1	<u>103678502</u>	Asm, St/gen, Bi-rot, Ks, Svc (includes items 2 and 3)	1
2	<u>101960501</u>	Decal, Rotating Parts/Hot Manifold	1
3	N/A	St/gen, Bi-rot, Util, Ks (includes items 4 through 24)	1
4	<u>101837301</u>	Wire Assy, #6 Green	1
5	<u>102711001</u>	Pulley, V-Belt	1
6	<u>102838701</u>	Nut, Hex, M14x2, S/G	1
7	<u>102838801</u>	Retainer, Front, S/G	1
8	<u>102838901</u>	Bearing, Ball, Front, S-g	1
9	<u>102839001</u>	Bearing, Ball, Front, S-g	1
10	<u>102839301</u>	Washer, Lock M14x2, S-g	1
11	<u>102841101</u>	Washer, Wave, S-g	1
12	<u>102844501</u>	Asm, Armature, Starter/Generator	1
13	102844601	Head, Drive End, S-g	1
14	<u>102844701</u>	Asm, Frame and Field, Starter/Generator	1
15	<u>103347101</u>	Kit, Spring Brush, Starter/Generator (includes item 16)	1
16	N/A	Spring, Brush, S-g	4
17	<u>103347301</u>	Set, Brush Term, S-g	1
18	<u>103347601</u>	Head, Comm End, S-g	1
19	<u>103347701</u>	Set, Fastener, Ceh Deh, S-g	1
20	<u>103347801</u>	Set, Term Hardware, S/G	1
21	<u>103347901</u>	Kit, Cover, Brush Insp, Starter/Generator (includes items 22 and 23)	1
22	N/A	Plug, Rubber Drain, Start/Generator	3
23	N/A	Cover, Inspection, S-g	1
24	<u>103953301</u>	Kit, Brush And Brush Holder	1

6
G



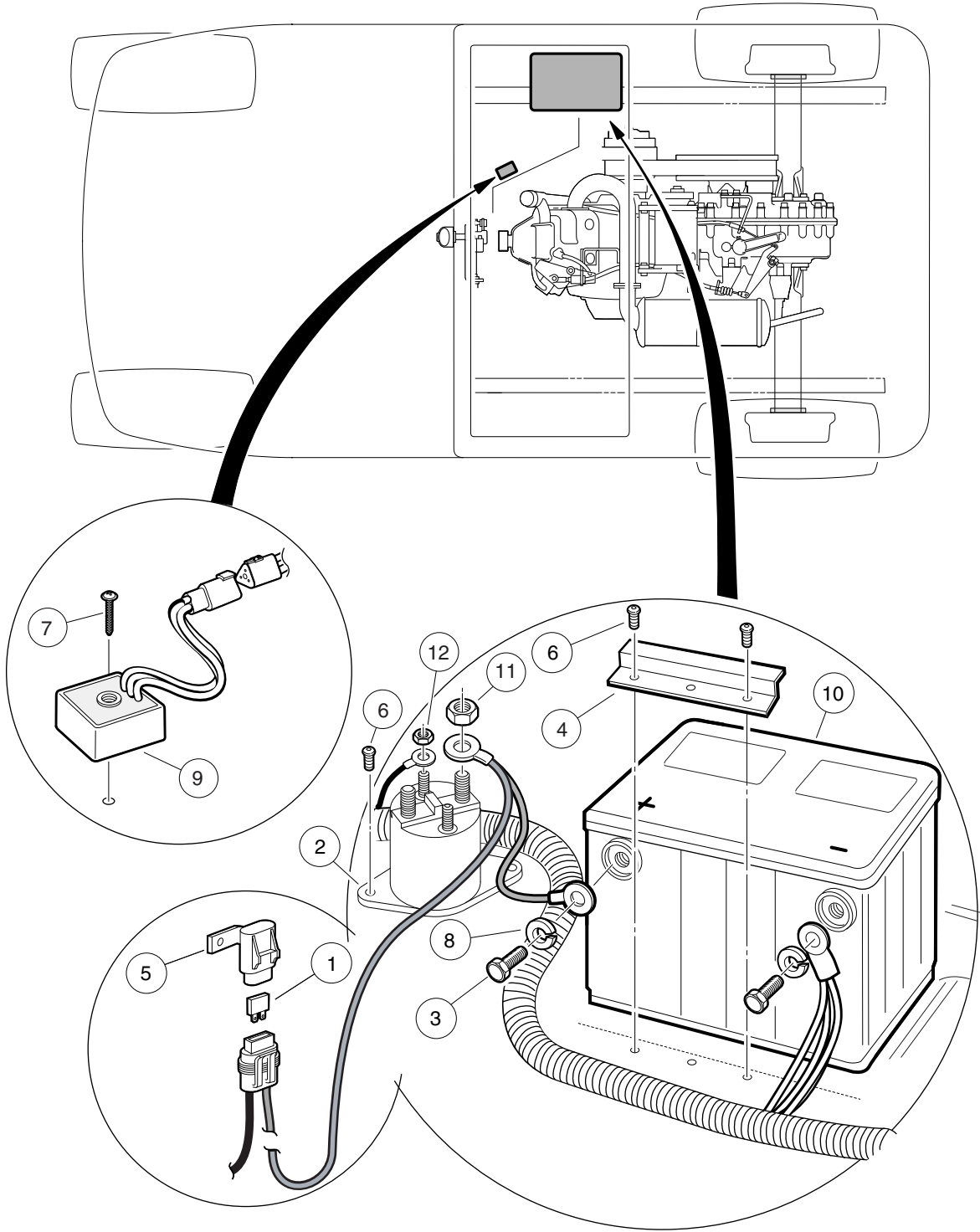
000238-005

STARTER/GENERATOR MOUNTING – FE350 (AS11, AS26)

ITEM	PART NO.	DESCRIPTION	QTY
		1 2 3 4	
1	<u>1012830</u>	Screw, M8-125 X 22 Hex-Head	2
2	<u>101524002</u>	Bracket, Starter/Generator Mounting	1
3	<u>1015932</u>	Bolt, Carriage, 5/16-18	1
4	<u>1016074</u>	Screw, M8-1.25 X 18mm Torx	1
5	<u>1016883</u>	Bracket, Starter/Generator Adjustment	1
6	<u>101916701</u>	V-Belt	1
7	<u>1241</u>	Washer, 5/16 Type A Flat	1
8	<u>1242</u>	Nut, 5/16-18 Hex	1
9	<u>1624</u>	Screw, 3/8-16 X 1.50 Hex-Head Cap	2
10	<u>7174</u>	Lockwasher, 5/16 Split	3
11	<u>8754</u>	Locknut, 3/8-16 Hex	2

6
G

6
G



000479-003

BATTERY – GASOLINE VEHICLE

ITEM	PART NO.	DESCRIPTION	QTY
		1 2 3 4	
1	<u>1012295</u>	Fuse, 10-Amp	1
2	<u>1013609</u>	Solenoid, 12-Volt	1
3	<u>1014375</u>	Screw, 3/8-16 X 0.50 Stainless Steel Hex-Head	2
4	<u>101898001</u>	Clamp, Battery	1
5	N/A	Cover, Fuse, Sealed, Metri	1
6	<u>102296020</u>	Screw, Torx Pan Hd Pt, M6 X 20	4
7	<u>102296040</u>	Screw, Torx Pan Hd Pt, M6 X 40	1
8	<u>102355301</u>	Lockwasher, #10 Split Ss	2
9	<u>102803301</u>	Asm, Voltage Regulator, Prec.	1
10	<u>103496801</u>	Battery, Start, 12v	1
11	<u>1242</u>	Nut, 5/16-18 Hex	2
12	<u>7893</u>	Nut, #10-32 Hex	2

6
G

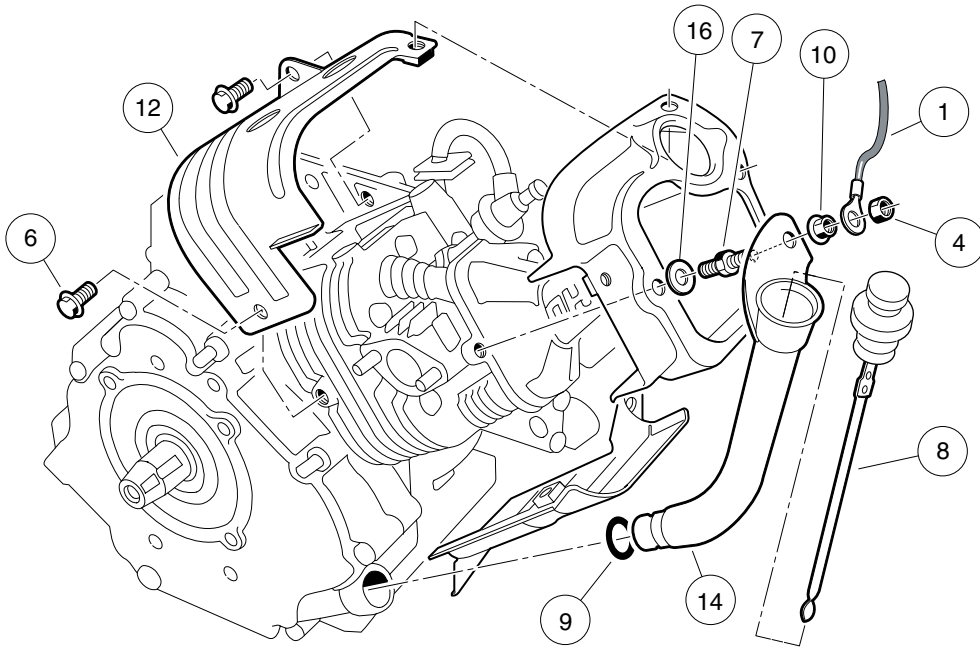
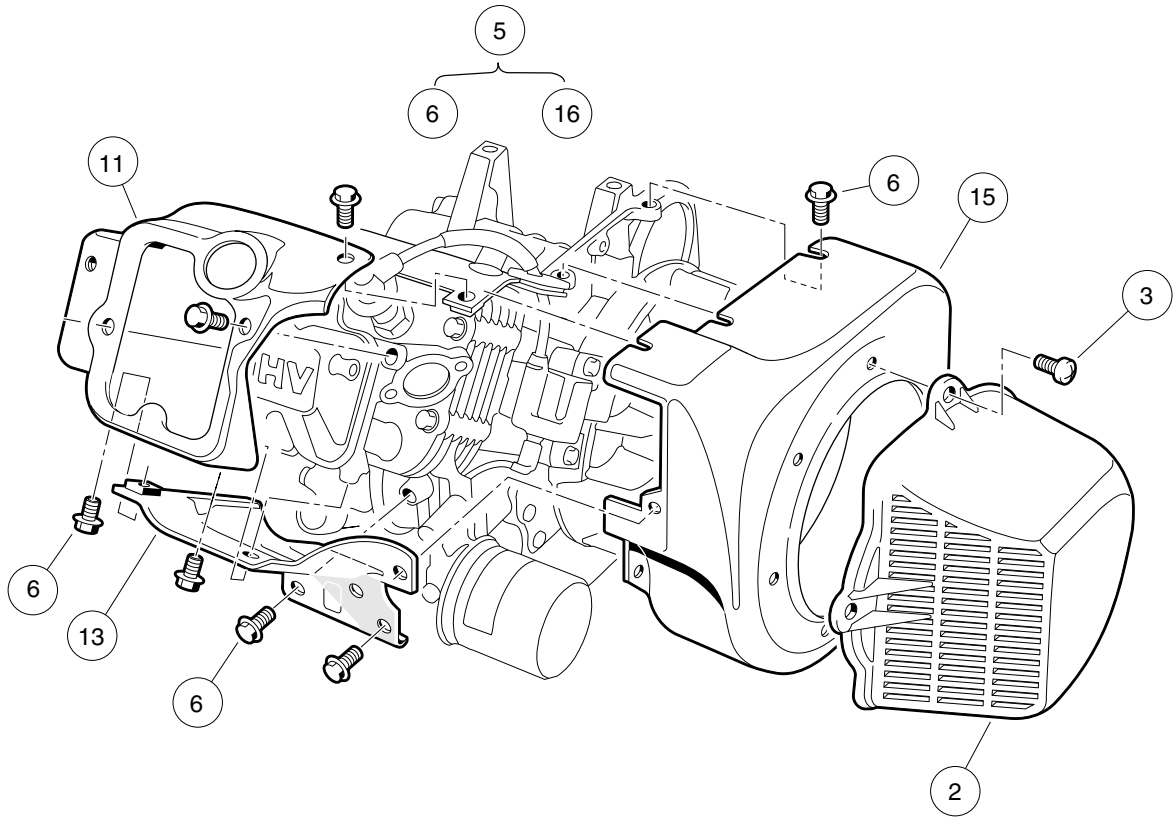
6

G

FE350 ENGINE (AS26)

7

G

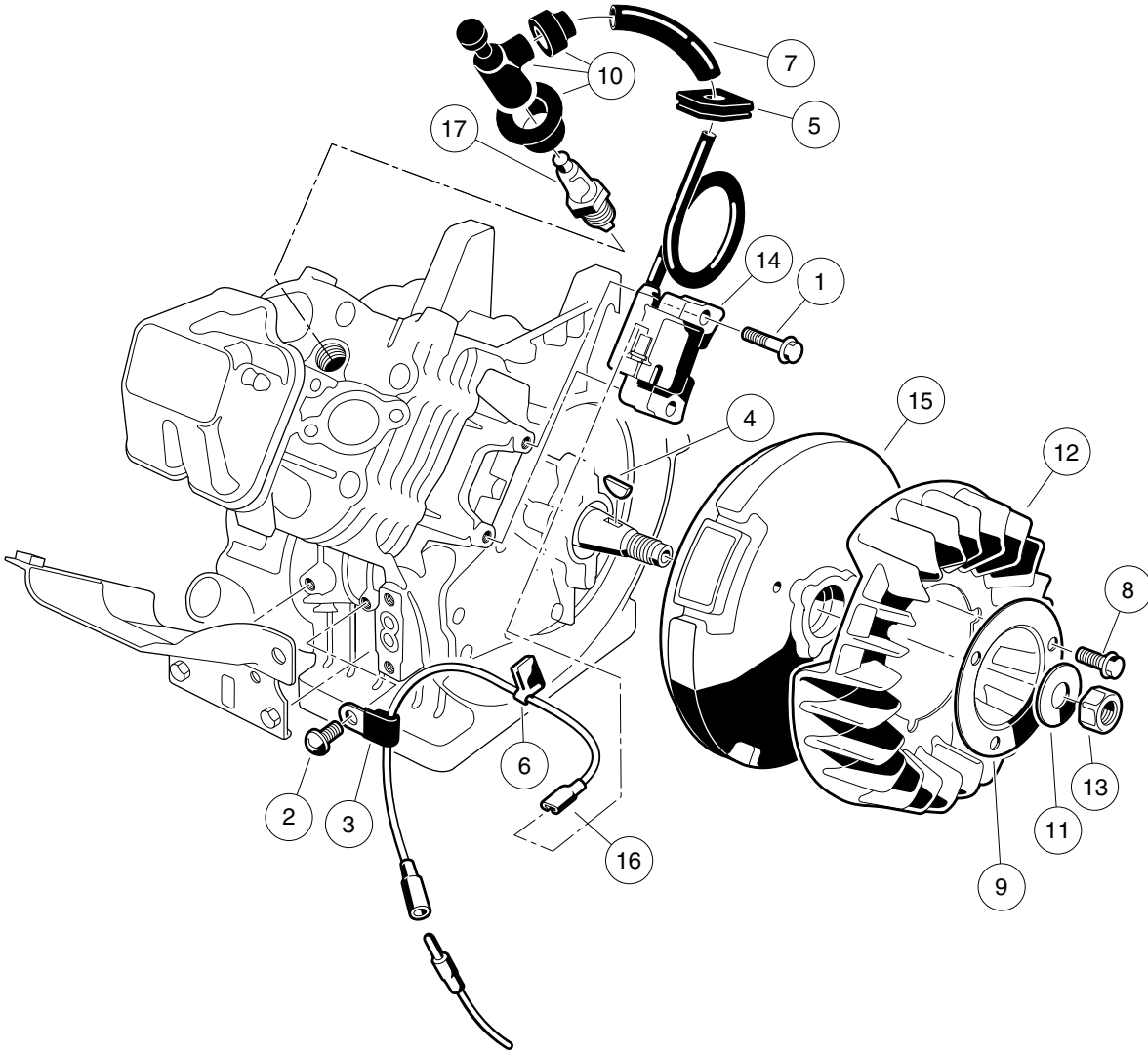


000201-002

FE350 ENGINE (AS26) – SHROUDS AND BRACKETS

ITEM	PART NO.	DESCRIPTION	QTY
		1 2 3 4	
1	<u>1015332</u>	Wire Assembly, #10, Uninsulated	1
2	<u>1015649</u>	Shroud, Fan	1
3	<u>1015969</u>	Screw, M6-1.00 X 10mm Pan Hd	4
4	<u>101887601</u>	Locknut, M6-1.00 Nylon Insert	1
5	<u>103386201</u>	Engine, FE350 S26 (includes items 6 through 16)	1
6	1016456	Bolt, Flange Head, M6 x 1 x 12 mm	16
7	<u>1016507</u>	Bolt, Two-Ended	1
8	1016531	Dipstick	1
9	<u>1016539</u>	O-Ring	1
10	1016547	Nut, M6 Flange	1
11	<u>1017474</u>	Shroud, Engine	1
12	<u>1017475</u>	Shroud, Engine	1
13	<u>1017476</u>	Shroud, Engine	1
14	<u>1017486</u>	Tube, Oil Filler	1
15	<u>101916101</u>	Housing, FE350 Fan	1
16	N/A	Washer, 6mm Flat	2

7
G

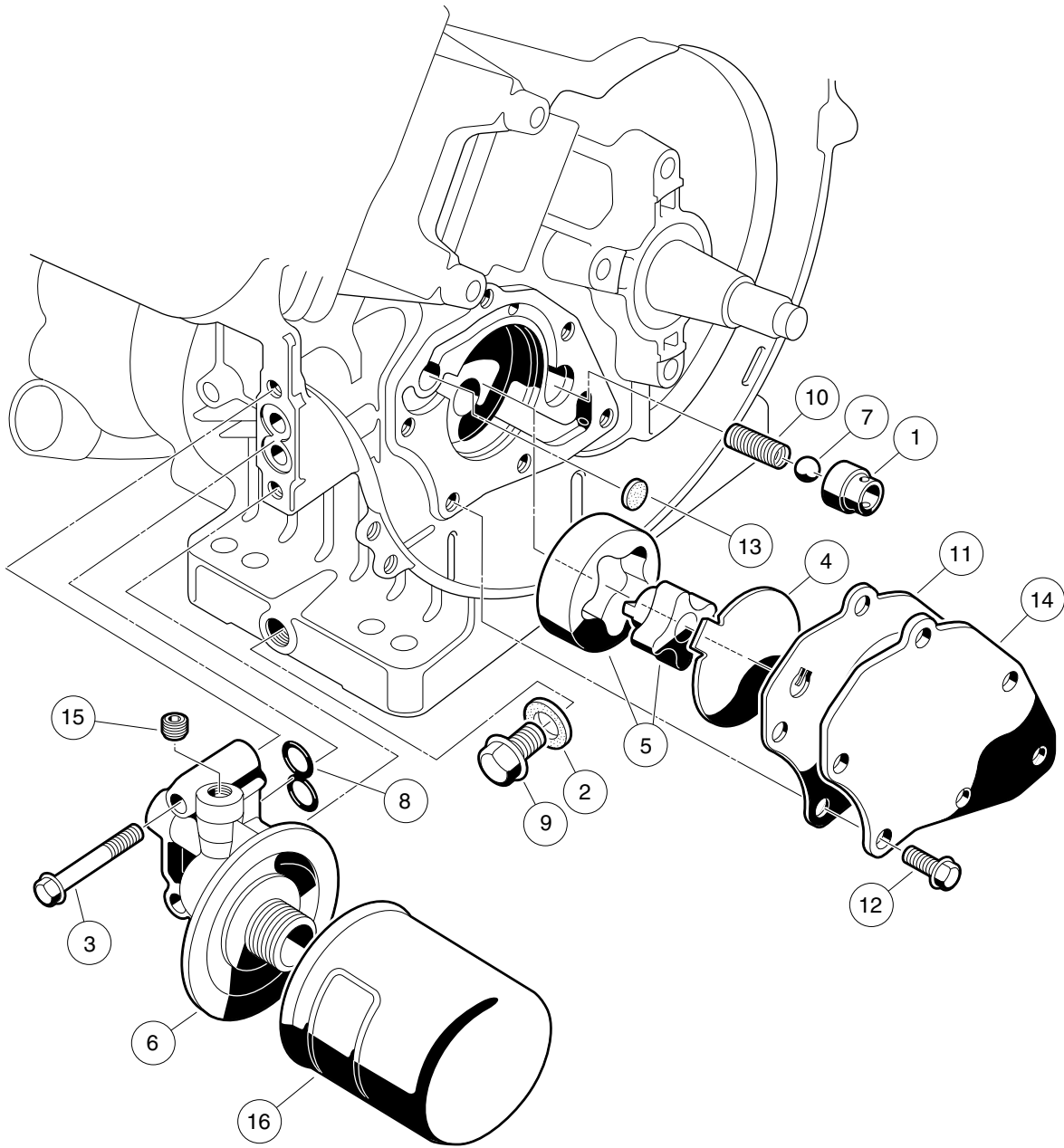


000202-004

FE350 ENGINE (AS26)- IGNITION COMPONENTS AND FLYWHEEL

ITEM	PART NO.	DESCRIPTION	QTY
		1 2 3 4	
1	<u>1016455</u>	Bolt, Flange Head	2
2	<u>1016544</u>	Screw	1
3	<u>1016561</u>	Clamp	1
4	<u>1016562</u>	Key	1
5	<u>1016578</u>	Grommet, Ignition	1
6	<u>1016587</u>	Clamp	1
7	<u>1016588</u>	Tube, 7mm X 10mm X 70mm	1
8	<u>1017448</u>	Bolt, Flanged	3
9	<u>1017455</u>	Plate, Flywheel Fan	1
10	<u>1017463</u>	Cap Asm, Plug	1
11	<u>1017490</u>	Washer, Flat	1
12	<u>101916301</u>	Fan (cw)	1
13	<u>102838401</u>	Nut, Hex, 18 mm Fine	1
14	<u>103616501</u>	Coil Asm, Ignition	1
15	<u>103616601</u>	Flywheel, Complete	1
16	<u>103616701</u>	Wire Lead, Ignition	1
17	<u>AM1232301</u>	Spark Plug, BPR2ES	1

7
G

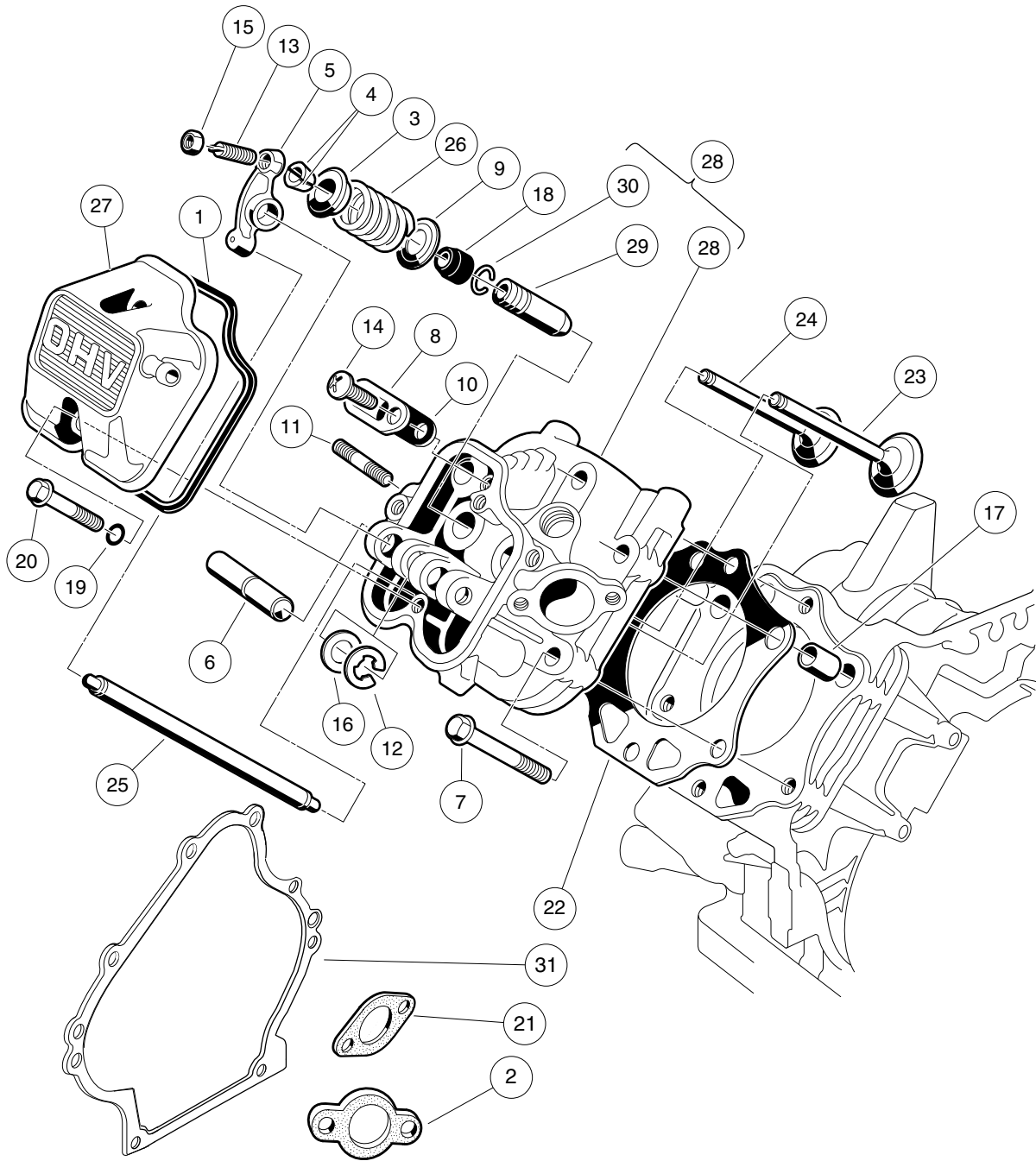


000203-002

FE350 ENGINE (AS26)- OIL CIRCULATION

ITEM	PART NO.	DESCRIPTION	QTY
		1 2 3 4	
1	1016429	Seat, Valve Oil Pressure Relief	1
2	<u>1016432</u>	Gasket, Drain Plug	1
3	<u>1016457</u>	Bolt, Flange Head	2
4	<u>1016473</u>	Plate, Oil Pump	1
5	<u>101648203</u>	Oil Pump And Rotor	1
6	<u>1016502</u>	Bracket, Oil Filter Mount	1
7	<u>1016537</u>	Ball, Steel, Press, Relief	1
8	<u>1016570</u>	O-Ring	1
9	1016576	Plug, Drain	1
10	<u>1016581</u>	Spring	1
11	<u>1017442</u>	Gasket	1
12	<u>1017456</u>	Bolt, Flanged	6
13	<u>1017458</u>	Filter	1
14	<u>1017460</u>	Cover, Pump	1
15	<u>1017507</u>	Plug	2
16	<u>103887901</u>	Filter, Oil, Kawasaki	1

7
G

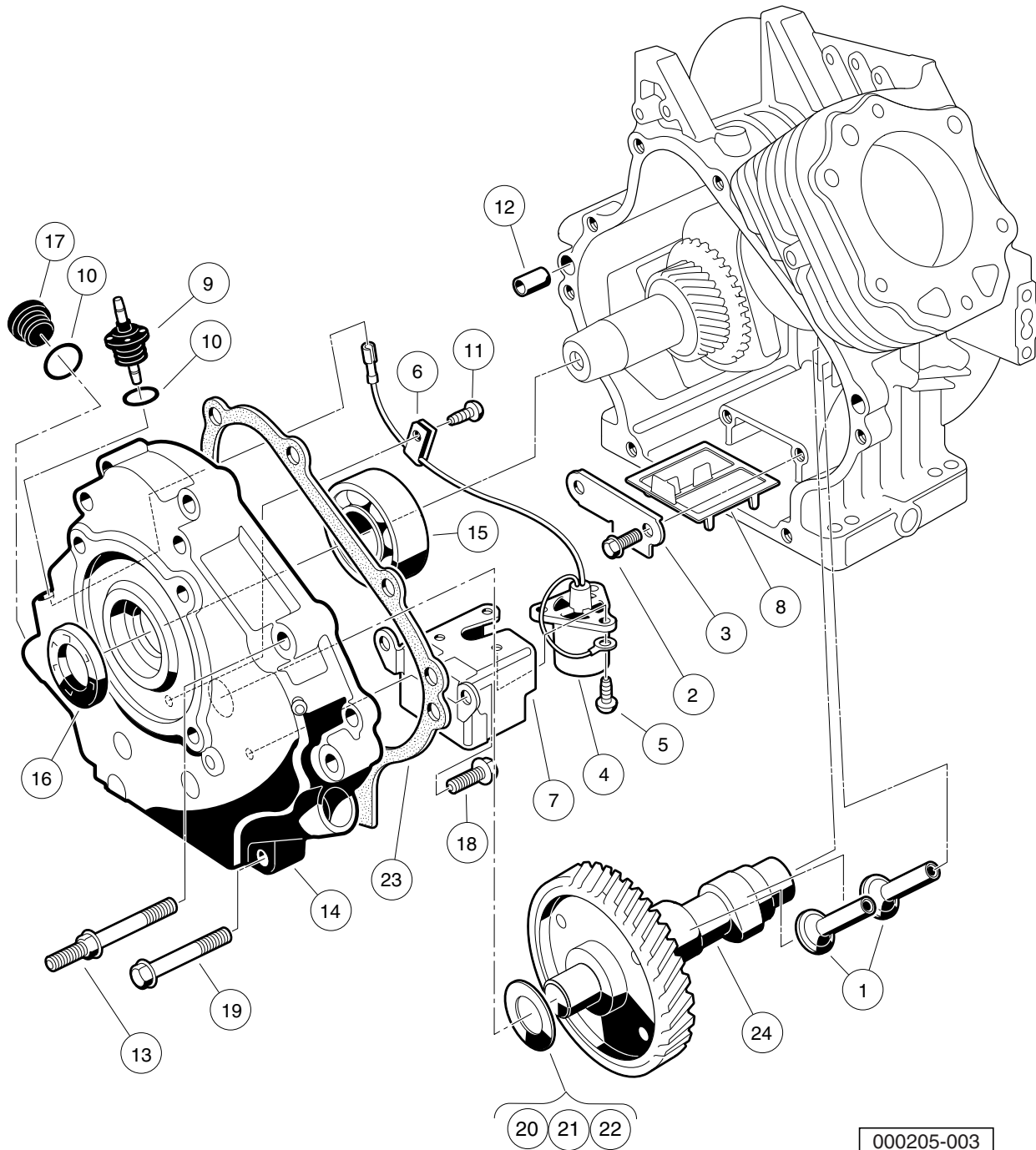


000204-006

FE350 ENGINE (AS26)- CYLINDER HEAD

ITEM	PART NO.	DESCRIPTION	QTY
		1 2 3 4	
1	<u>1016436</u>	Gasket, Rocker Case	1
2	<u>1016440</u>	Gasket, Engine to Insulator	1
3	<u>1016449</u>	Retainer, Valve Spring	2
4	<u>1016450</u>	Collet	4
5	1016451	Arm, Rocker	2
6	<u>1016452</u>	Shaft, Rocker	1
7	<u>1016458</u>	Bolt, Flange Head, M8 x 1.25 x 45 mm	6
8	<u>1016474</u>	Plate	1
9	<u>1016479</u>	Seat, Spring	2
10	<u>1016483</u>	Valve	1
11	<u>1016489</u>	Stud, Two-Ended, M8-1.25	2
12	<u>1016517</u>	Circlip, Type-E	1
13	1016542	Screw	2
14	<u>1016544</u>	Screw	1
15	<u>1016545</u>	Nut	2
16	<u>1016549</u>	Washer, 12.1x19x1.8	1
17	<u>1016563</u>	Pin	2
18	<u>1016566</u>	Seal, Oil	2
19	<u>1016569</u>	O-Ring	2
20	<u>1016583</u>	Bolt, 6x35	2
21	<u>1016904</u>	Gasket, Exhaust	1
22	<u>1017434</u>	Gasket, Head	1
23	<u>1017444</u>	Valve, Intake	1
24	<u>1017445</u>	Valve, Exhaust	1
25	<u>1017454</u>	Rod, Push	2
26	<u>1017473</u>	Spring, Engine Valve	2
27	<u>102753401</u>	Case, Rocker, Fe	1
28	<u>103615601</u>	Cylinder Head (includes items 29 and 30)	1
29	<u>1016519</u>	Guide, Valve, Intake, Exhaust	2
30	<u>1016560</u>	Snap Ring	2
31	<u>103615901</u>	Gasket, Crankcase Cover	1
		Note: Item 2, <u>1016440</u> shown above, is not a component of the FE350 engine.	

7
G

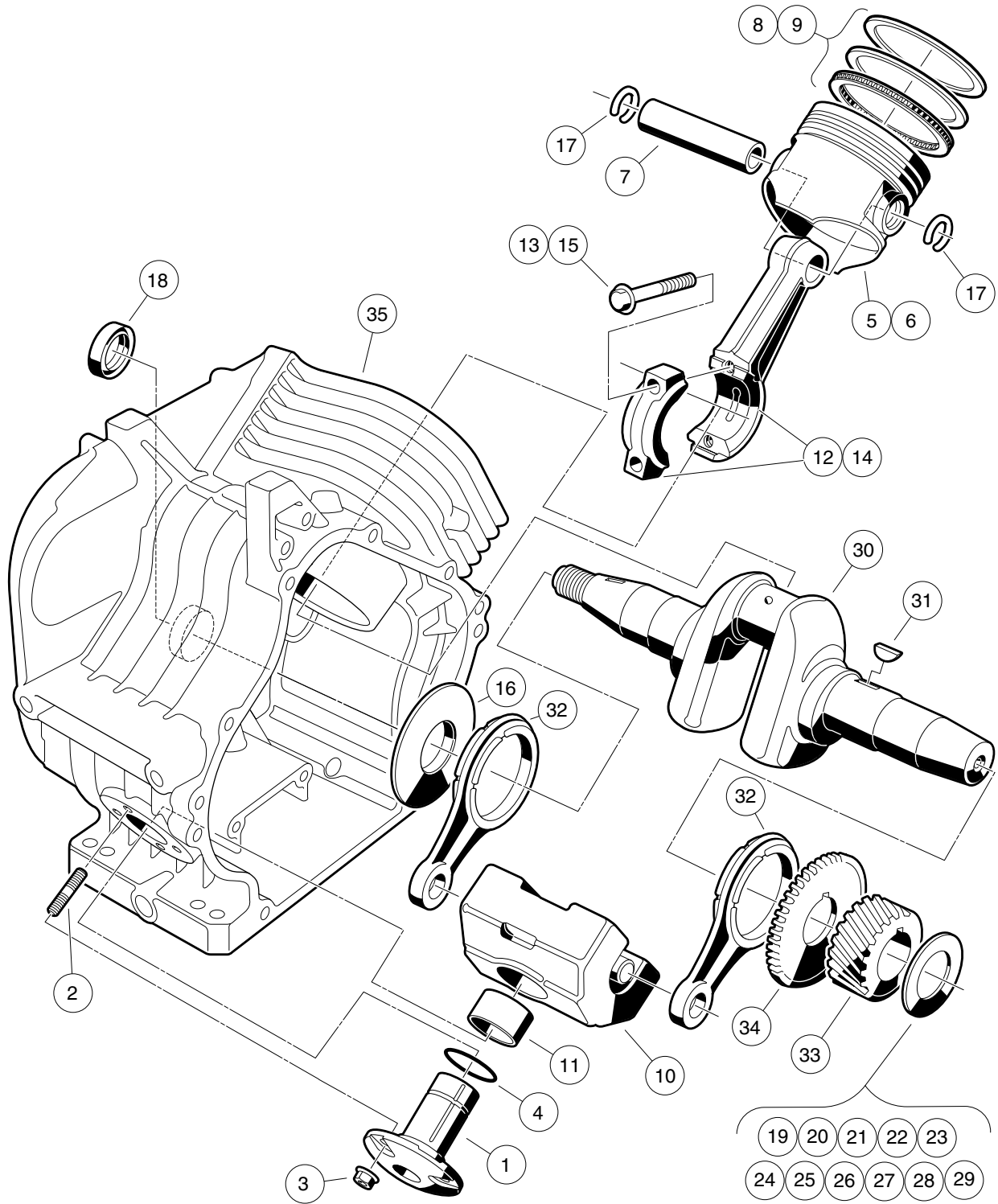


000205-003

FE350 ENGINE (AS26)- CRANKCASE, CAMSHAFT, AND OIL SENSOR

ITEM	PART NO.	DESCRIPTION	QTY
		1 2 3 4	
1	1016453	Tappet	2
2	<u>1016454</u>	Bolt, Flange Head, M5 x 0.8 x 8 mm	2
3	<u>1016472</u>	Plate, Oil Filter Screen	1
4	1016494	Sensor, Oil Level	1
5	<u>1016496</u>	Screw, Cross Pan-Head, M4 x 0.7 x 8 mm	3
6	<u>1016506</u>	Clamp	1
7	<u>1016510</u>	Bracket, Switch, Oil Level	1
8	<u>1016521</u>	Screen, Oil Filter	1
9	<u>1016535</u>	Connector, Cord	1
10	<u>1016538</u>	O-Ring	2
11	<u>1016544</u>	Screw	1
12	<u>1016564</u>	Pin	2
13	<u>1016584</u>	Bolt, Two-Ended, M8 x 1.25 x 69 mm	2
14	<u>1017472</u>	Cover Crankcase	1
15	<u>1017487</u>	Bearing, Ball	1
16	<u>1017504</u>	Seal, Oil	1
17	1017508	Plug	1
18	<u>1017513</u>	Bolt Switch Bracket	2
19	<u>1017514</u>	Screw, M8-1.25 X 45mm Hex	6
20	<u>101751801</u>	Shim, 0.3	1
21	<u>101751802</u>	Shim, 0.4	1
22	<u>101751803</u>	Shim, 0.5	1
23	<u>103615901</u>	Gasket, Crankcase Cover	1
24	<u>103616401</u>	Camshaft, Complete	1

7
G

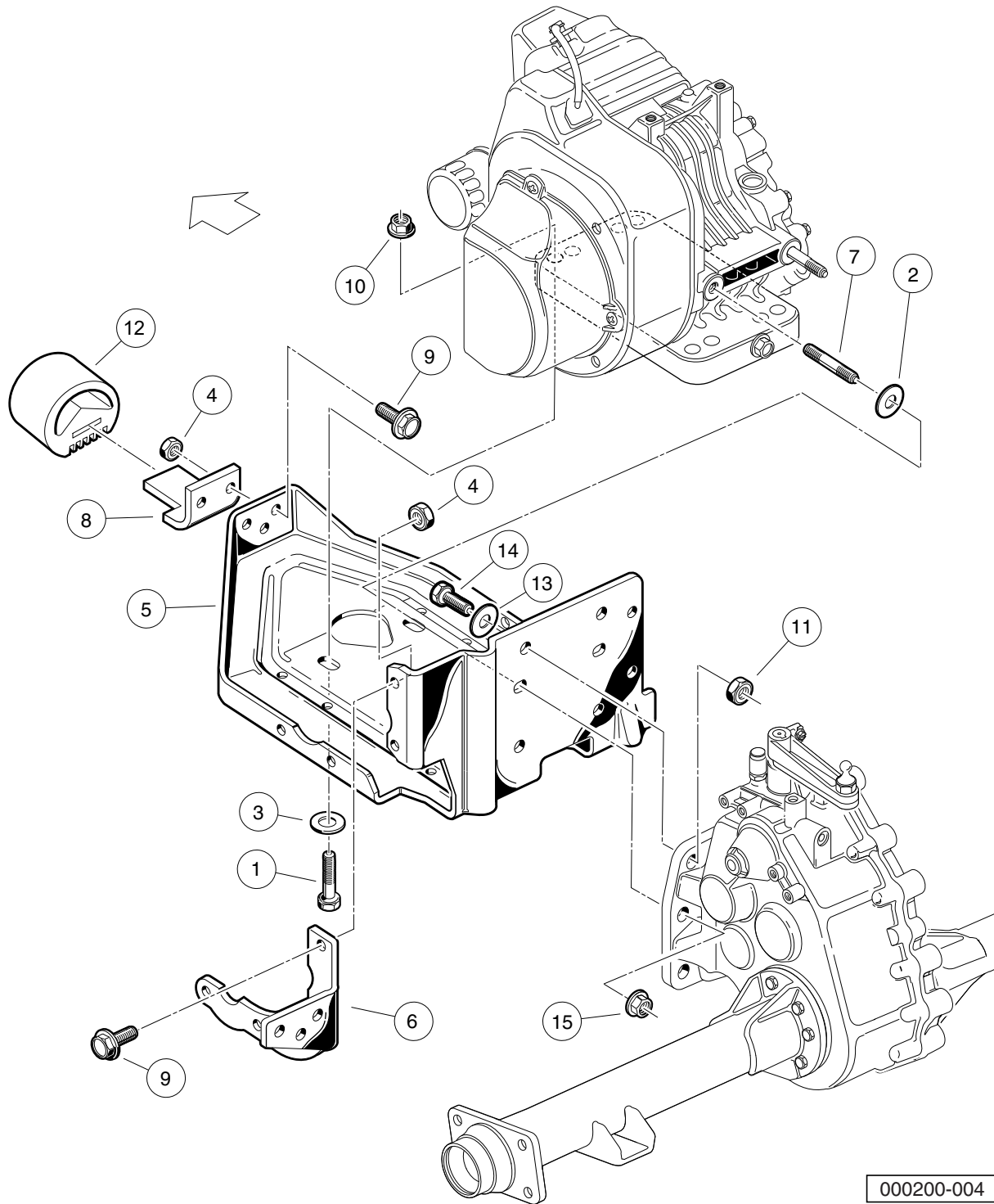


000206-003

FE350 ENGINE (AS26)- CRANKCASE AND CRANKSHAFT

ITEM	PART NO.	DESCRIPTION	QTY
		1 2 3 4	
1	1016470	Shaft, Guide, Counterbalance	1
2	<u>1016541</u>	Stud, 6x14	4
3	1016547	Nut, Flanged, M6 X 1.00	4
4	<u>1016571</u>	O-Ring	1
5	<u>101744901</u>	Piston, Standard	1
6	<u>101744902</u>	Piston, 0.50 mm Oversize	1
7	1017450	Pin, Piston	1
8	<u>101745101</u>	Ring Set, Standard Piston	1
9	<u>101745102</u>	Ring Set, Piston, 0.50 mm Oversize	1
10	<u>1017453</u>	Counterbalance Weight (includes item 11)	1
11	1017510	Bearing, Plain	1
12	101745701	Asm, Con. Rod Std (includes item 13)	1
13	<u>1017512</u>	Bolt	2
14	<u>101745702</u>	Asm,Con.Rod 0.5mm U/s (includes item 15)	1
15	<u>1017512</u>	Bolt	2
16	1017501	Spacer	1
17	<u>1017502</u>	Snap Ring	2
18	<u>1017503</u>	Seal, Oil	1
19	<u>101773301</u>	Shim, Crankshaft, 1.18mm	1
20	<u>101773302</u>	Shim, Crankshaft, 1.25mm	1
21	<u>101773303</u>	Shim, Crankshaft, 1.32mm	1
22	<u>101773304</u>	Shim, Crankshaft, 1.39mm	1
23	<u>101773305</u>	Shim, Crankshaft, 1.46mm	1
24	<u>101773306</u>	Shim, Crankshaft, 1.53mm	1
25	<u>101773307</u>	Shim, Crankshaft, 1.60mm	1
26	<u>101773308</u>	Shim, Crankshaft, 1.67mm	1
27	<u>101773309</u>	Shim, Crankshaft, 1.74mm	1
28	<u>101773310</u>	Shim, Crankshaft, 1.11 mm	1
29	<u>101773311</u>	Shim, Crankshaft, 1.81mm	1
30	<u>102430901</u>	Crankshaft, FE350 Left-Hand, 22-Tooth (includes items 31 through 34)	1
31	<u>1016562</u>	Key	1
32	<u>1017471</u>	Rod	2
33	N/A	Gear, Helical	1
34	N/A	Gear, Spur	1
35	<u>103615801</u>	Crankcase, FE350	1

7
G



000200-004

FE350 ENGINE (AS26)- MOUNTING

ITEM	PART NO.	DESCRIPTION	QTY
		1 2 3 4	
1	<u>1010577</u>	Bolt, Hex-Head, 5/16-18 X 1.50	4
2	<u>1011697</u>	Washer, 5/16 Flat	2
3	1012571	Washer, 5/16 Extra Thick Flat	4
4	<u>1013924</u>	Nut, 5/16-24 Hex Head Cone	6
5	<u>101827101</u>	Plate, Engine Mounting	1
6	<u>101832701</u>	Stiffener (Flywheel Side)	1
7	<u>101833101</u>	Stud, M8-1.25 X 50 mm Two-Ended	2
8	<u>101834601</u>	Snubber Bracket	1
9	<u>101884801</u>	Screw, 5/16-24 X 0.875 Grade-8	6
10	<u>101963401</u>	Locknut, 5/16-18 Hex Flange	4
11	<u>102065901</u>	Locknut, 3/8-16 Flanged Dimple	4
12	<u>102540301</u>	Inner Frame Snubber	1
13	<u>334</u>	Washer, 3/8 Type A Flat	4
14	705	Screw, Cap-hex Hd 3/8-16x1.25	4
15	<u>96704416</u>	Nut, Flange, M8 X 1.25 Serrated	2

7

G

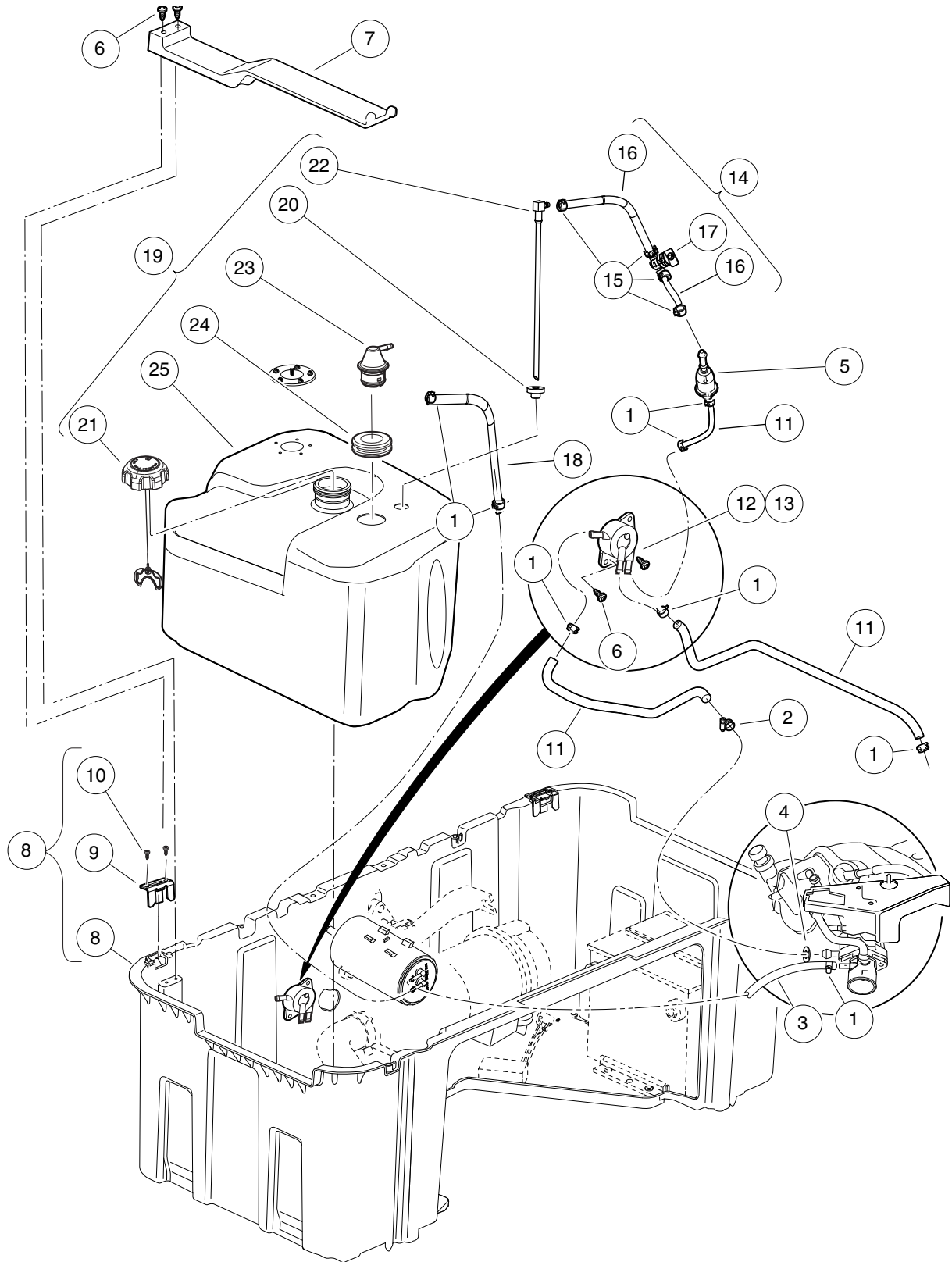
7

G

FUEL, INTAKE, AND GOVERNOR SYSTEMS

8

G



000449-010

FUEL SYSTEM

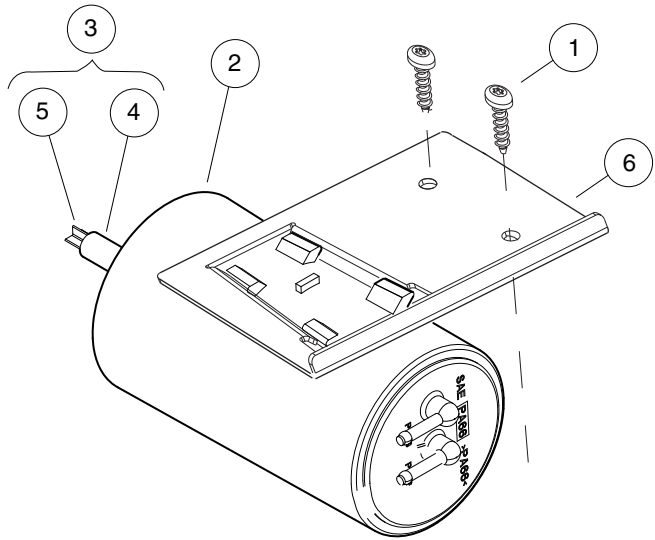
ITEM	PART NO.	DESCRIPTION	QTY
		1 2 3 4	
1	<u>1012649</u>	Clamp, 0.460 Red Hose	9
2	<u>1013687</u>	Clamp, 3/8" Hose (screw type)	1
3	<u>101587704</u>	Hose, Fuel, Vent, 17" Long	1
4	N/A	Washer, .31 Nylon Flat	1
5	<u>102003201</u>	Filter, Fuel, 30 Micron	1
6	<u>102296020</u>	Screw, Torx Pan Hd Pt, M6 X 20	4
7	<u>102514201</u>	Hold-down - Fuel Tank	1
8	<u>102514701</u>	Bucket - Gas Vehicle (includes items 9 and 10)	1
9	<u>103470701</u>	Bracket, Bucket Hinge	2
10	N/A	Screw, #6 X .75, Cs Ss, Hi-lo	4
11	<u>102865101</u>	Fuel Line (available by the foot)	A/R
12	<u>103781101</u>	Kit, Fuel Pump Retrofit (includes item 13)	1
13	<u>103010101</u>	Pump, Fuel, Impulse, Fh	1
14	<u>103862401</u>	Asm, Fuel Line, Prec, Field (includes items 15 through 17)	1
15	<u>1012649</u>	Clamp, 0.460 Red Hose	4
16	<u>102865101</u>	Fuel Line (available by the foot)	1
17	<u>103854501</u>	Valve, Fuel, In-line	1
18	<u>103896601</u>	Hose, Vent, 1/4 Id, 9 In	1
19	<u>103964002</u>	Asm, Tank Fuel, Pr Wo/su Nano (includes items 20 through 25)	1
20	<u>102406701</u>	Bushing, Line, Return	1
21	<u>103372101</u>	Cap, Fuel Tank, Gas, Ratchet	1
22	<u>103854301</u>	Asm, Fitting, Fuel Pickup, Id 1/4"	1
23	<u>103905201</u>	Assembly, Vent, Fuel, 1/4 Inch O.D.	1
24	<u>103944301</u>	Grommet, Fuel Tank, Vent	1
25	N/A	Tank, Fuel, Prec Nano	1

8

G

8

G

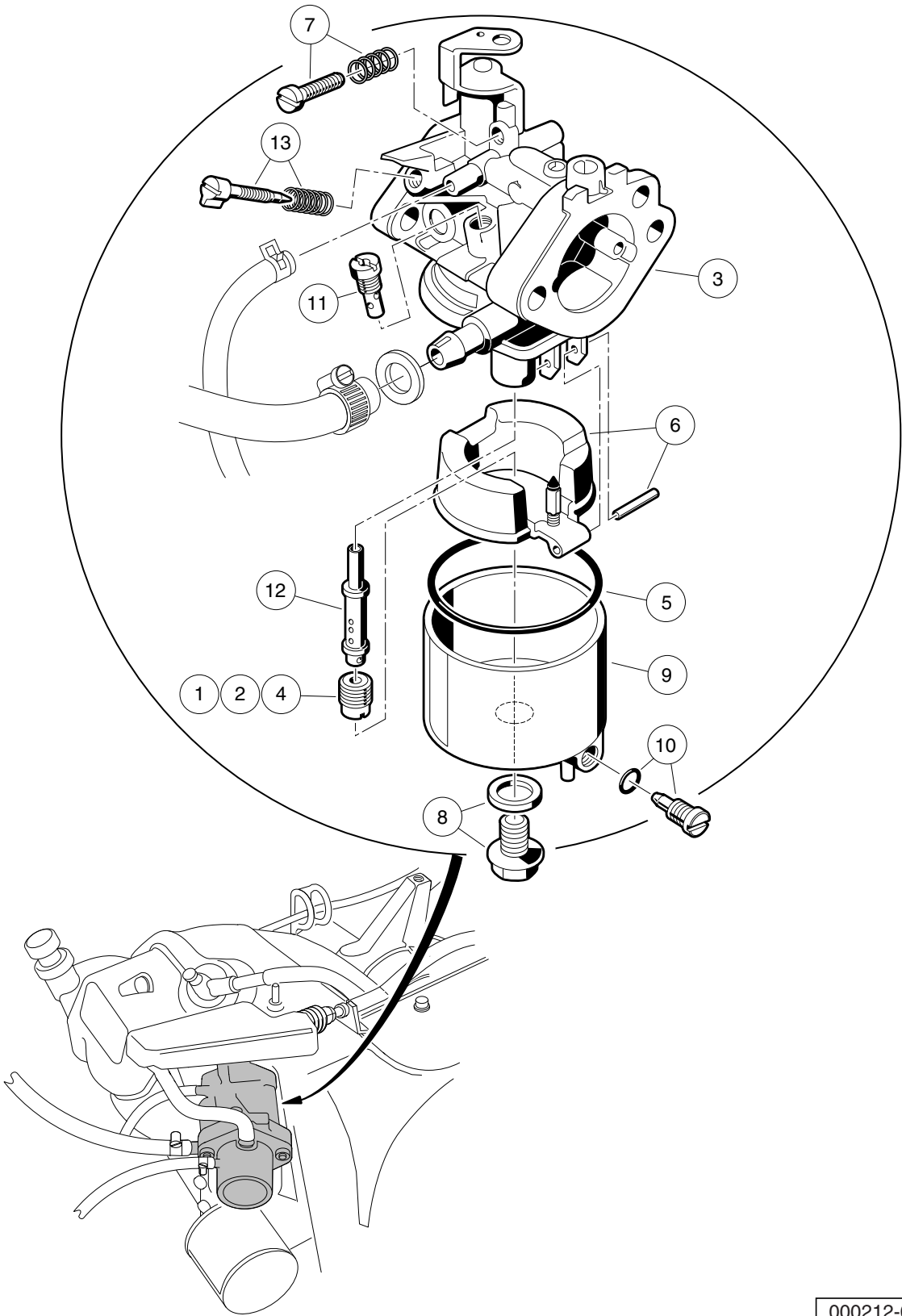


000980-002

CARBON CANISTER – FE350 (AS26)

ITEM	PART NO.	DESCRIPTION	QTY
		1 2 3 4	
1	<u>102297230</u>	Screw,m6,torx,interlock,thread	2
2	<u>103372401</u>	Canister, Carbon, Fuel Tank	1
3	<u>103756401</u>	Asm, Vent Line, Evap Canister (includes items 4 and 5)	1
4	N/A	Hose, Vent, 5/16 Id Bulk	1
5	N/A	Vent, Barb, 5/16 Dia Hose	1
6	<u>103794501</u>	Brkt, Carbon Canister, Gen	1

8
G



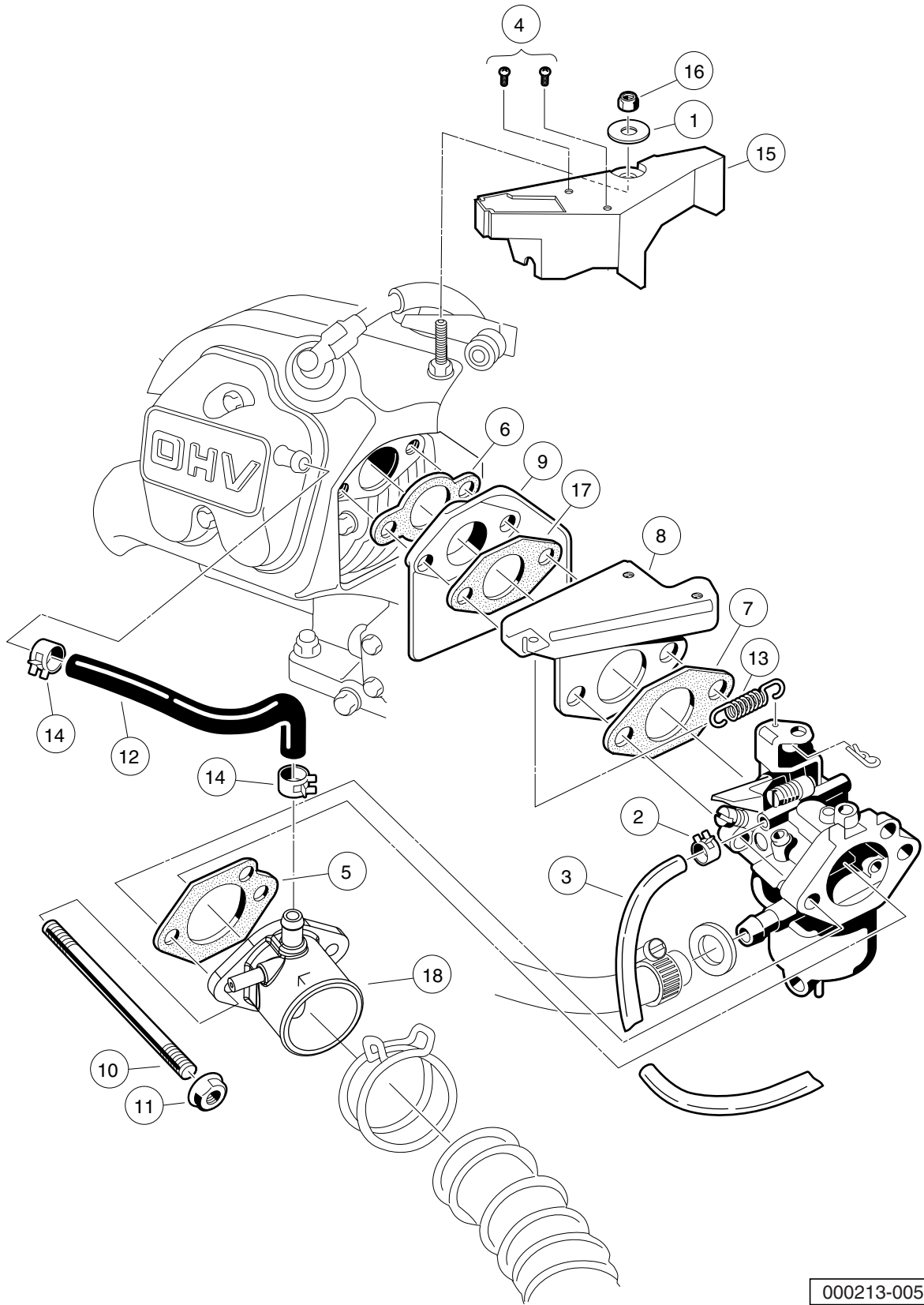
000212-006

CARBURETOR ASSEMBLY – FE350 (AS26)

ITEM	PART NO.	DESCRIPTION	QTY
		1 2 3 4	
1	<u>101642580</u>	Jet, Altitude, # 80	1
2	<u>101642582</u>	Jet, Altitude, # 82	1
3	<u>103616901</u>	Carburetor, FE350 S26 (includes items 4 through 13)	1
4	<u>101642585</u>	Jet, Altitude, # 85	1
5	<u>1016437</u>	Gasket, Carburetor Bowl OHV	1
6	<u>1016486</u>	Float Assembly	1
7	<u>1016501</u>	Screw Assembly	1
8	<u>1016585</u>	Bolt	1
9	<u>1017461</u>	Chamber Assembly, Float (includes item 12) (includes item 10)	1
10	<u>1016499</u>	Screw Assembly	1
11	<u>101973101</u>	Jet, #40 Pilot	1
12	<u>101973301</u>	Nozzle, Main	1
13	N/A	Assembly, Pilot Air Screw	1
<p>Note: Jets: <u>101642585</u> for 0 - 3,280 feet; <u>101642582</u> for 3,280 - 9840 feet; <u>101642580</u> for 9840 feet and greater. Carburetor <u>103616901</u> shown above, is only for AS26 FE350 engines.</p>			

8

G



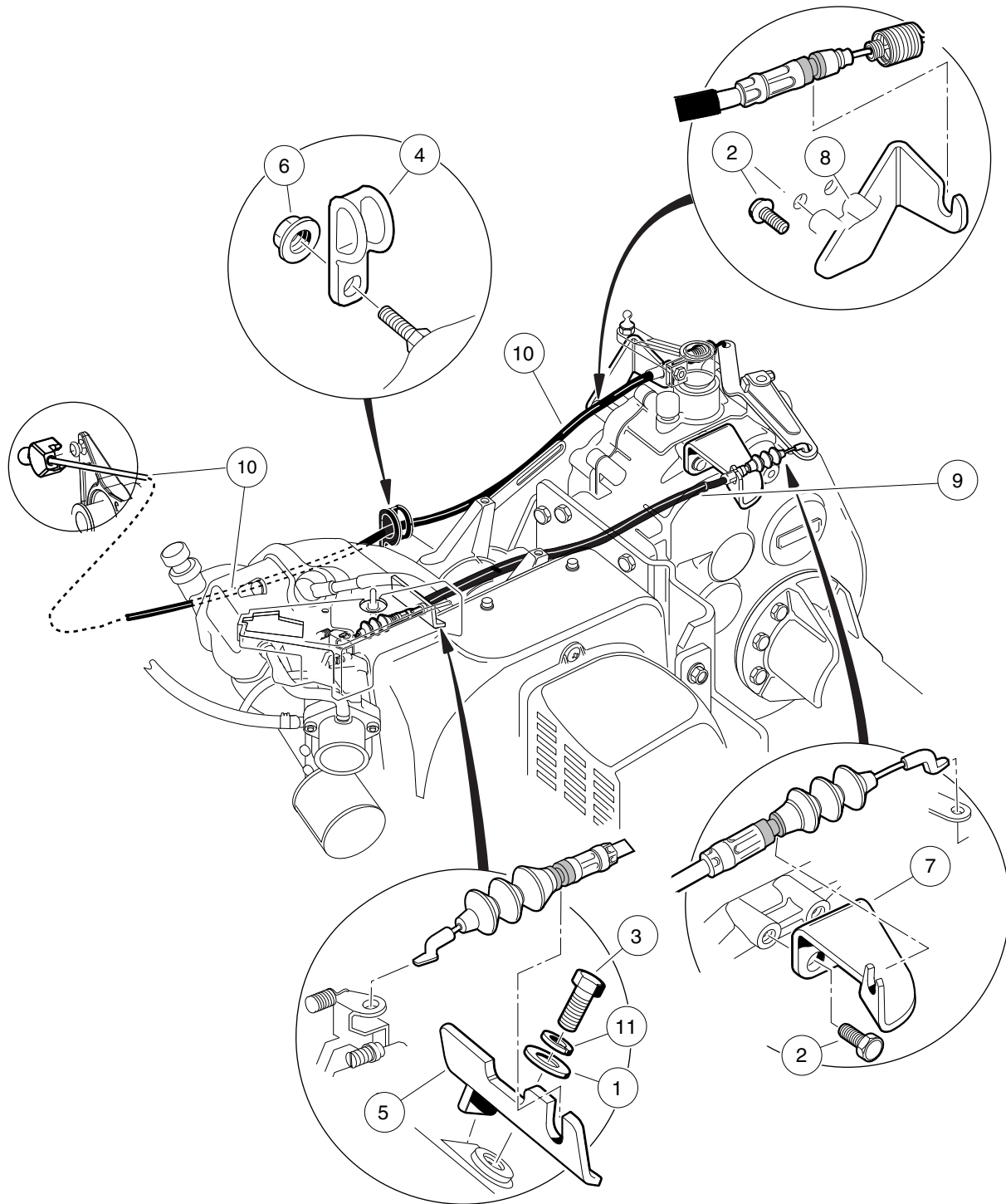
000213-005

CARBURETOR INSTALLATION – FE350 (AS26)

ITEM	PART NO.	DESCRIPTION	QTY
		1 2 3 4	
1	<u>1011697</u>	Washer, 5/16 Flat	1
2	<u>1013746</u>	Clamp, 0.301 ID Hose	1
3	<u>1015137</u>	Fuel Line (available by the foot)	1
4	<u>1016103</u>	Screw, Pan Hd Tx, Taptite 6-32	2
5	<u>1016438</u>	Gasket, Carb To Intake Manifold	1
6	<u>1016440</u>	Gasket, Engine to Insulator	1
7	<u>1016441</u>	Gasket, Sprg Brkt To Carb OHV	1
8	<u>1016444</u>	Bracket, Throttle Spring Return	1
9	101648102	Insulator, Carburetor	1
10	<u>101649002</u>	Stud, M6-1.00 Two-Ended	2
11	1016547	Nut, M6 Flange	2
12	<u>1016572</u>	Tube, Crankcase Vent	1
13	<u>1016582</u>	Spring, Throttle Return	1
14	<u>1017466</u>	Clamp	2
15	101820201	Shield, Governor	1
16	<u>101887601</u>	Locknut, M6-1.00 Nylon Insert	1
17	<u>101973401</u>	Gasket, Insulator To Bracket	1
18	103507101	Carburetor Adapter w/ Tap	1

8

G

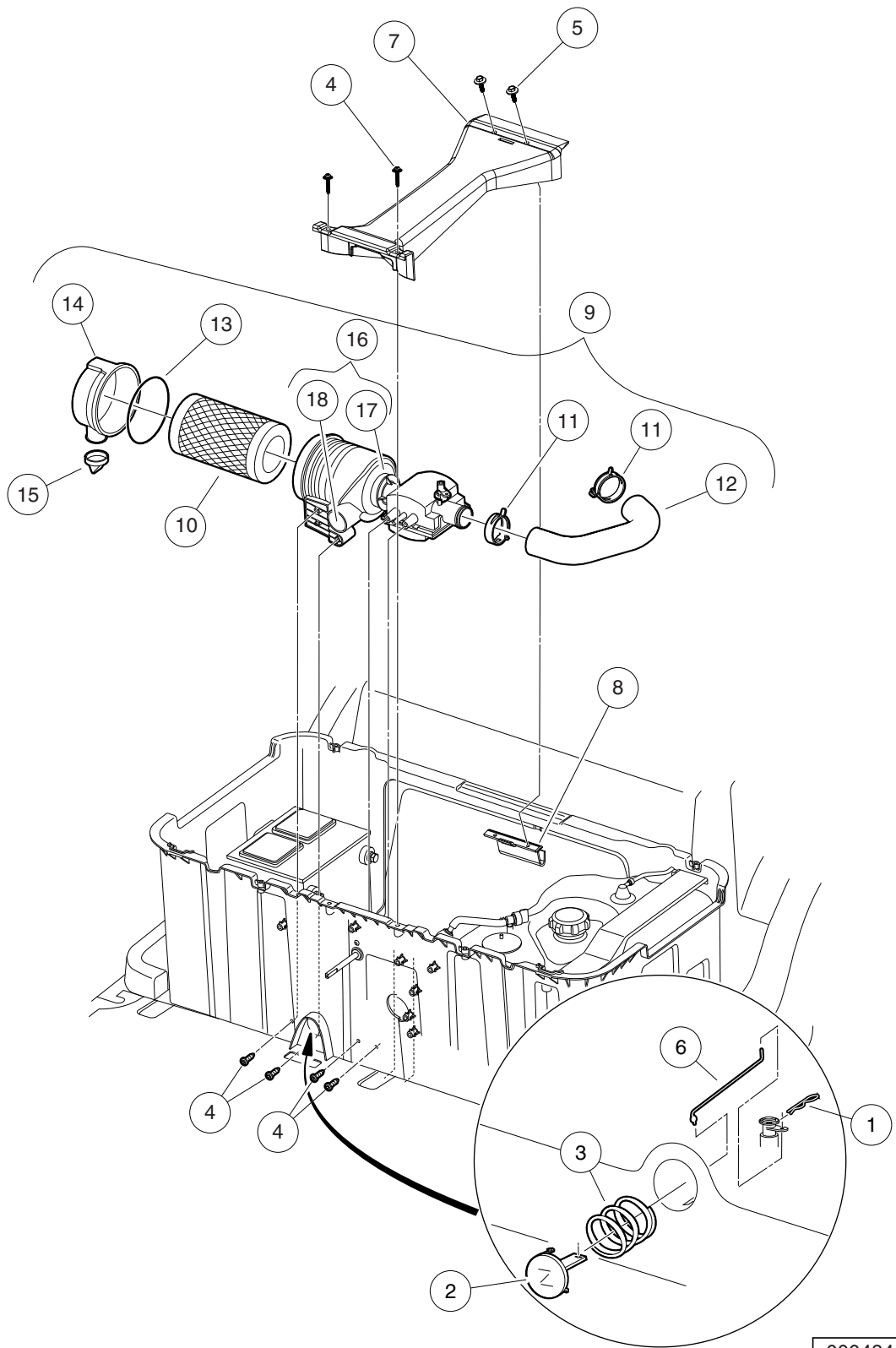


000215-003

GOVERNOR AND ACCELERATOR CABLES

ITEM	PART NO.	DESCRIPTION	QTY
		1 2 3 4	
1	<u>1011697</u>	Washer, 5/16 Flat	1
2	<u>1012285</u>	Screw, 1/4 X 0.625 Hex-Head	4
3	<u>1012830</u>	Screw, M8-125 X 22 Hex-Head	1
4	<u>1013700</u>	Clamp	2
5	<u>101584502</u>	Bracket, Governor Cable Snap-In	1
6	<u>1016546</u>	Nut	2
7	<u>101832202</u>	Bracket, Rear Governor Cable Snap-In	1
8	<u>101832302</u>	Bracket, Rear Accelerator Cable Snap-In	1
9	<u>102336001</u>	Cable, Governor, Snap-In	1
10	<u>102595101</u>	Cable, Acc, Snap-in (Generation 2)	1
11	<u>7174</u>	Lockwasher, 5/16 Split	1

8
G



000484-002

CHOKE AND AIR BOX ASSEMBLY

ITEM	PART NO.	DESCRIPTION	QTY
		1 2 3 4	
1	<u>1014413</u>	Pin, Hair Spring Cotter	1
2	<u>101811401</u>	Lever, Choke	1
3	<u>101856201</u>	Compression Spring	1
4	<u>102296020</u>	Screw, Torx Pan Hd Pt, M6 X 20	6
5	<u>102297125</u>	Screw M6-1.0x25.4 Thd Fm Sems	2
6	<u>102514401</u>	Rod, Choke Button	1
7	<u>102521301</u>	Brace, Gas Fuel Bucket	1
8	<u>102521401</u>	Support, Gas Bucket Brace	1
9	102588301	Air Intake Assy (includes items 10 through 16)	1
10	<u>102558201</u>	Air Filter, Precedent	1
11	<u>102558301</u>	Clamp, Air Intake, Prec	2
12	<u>102558401</u>	Hose, Air Intake, Prec	1
13	<u>102558501</u>	Gasket, Air Intake, Prec	1
14	<u>102558601</u>	Cover Asm, Air Intake, Prec	1
15	<u>102558701</u>	Evac Valve, Air Intake, Prec	1
16	N/A	Assembly, Body Intake (includes items 17 and 18)	1
17	N/A	Filter Element, Air Intake	1
18	N/A	Insert, Air Intake Body	1

8
G

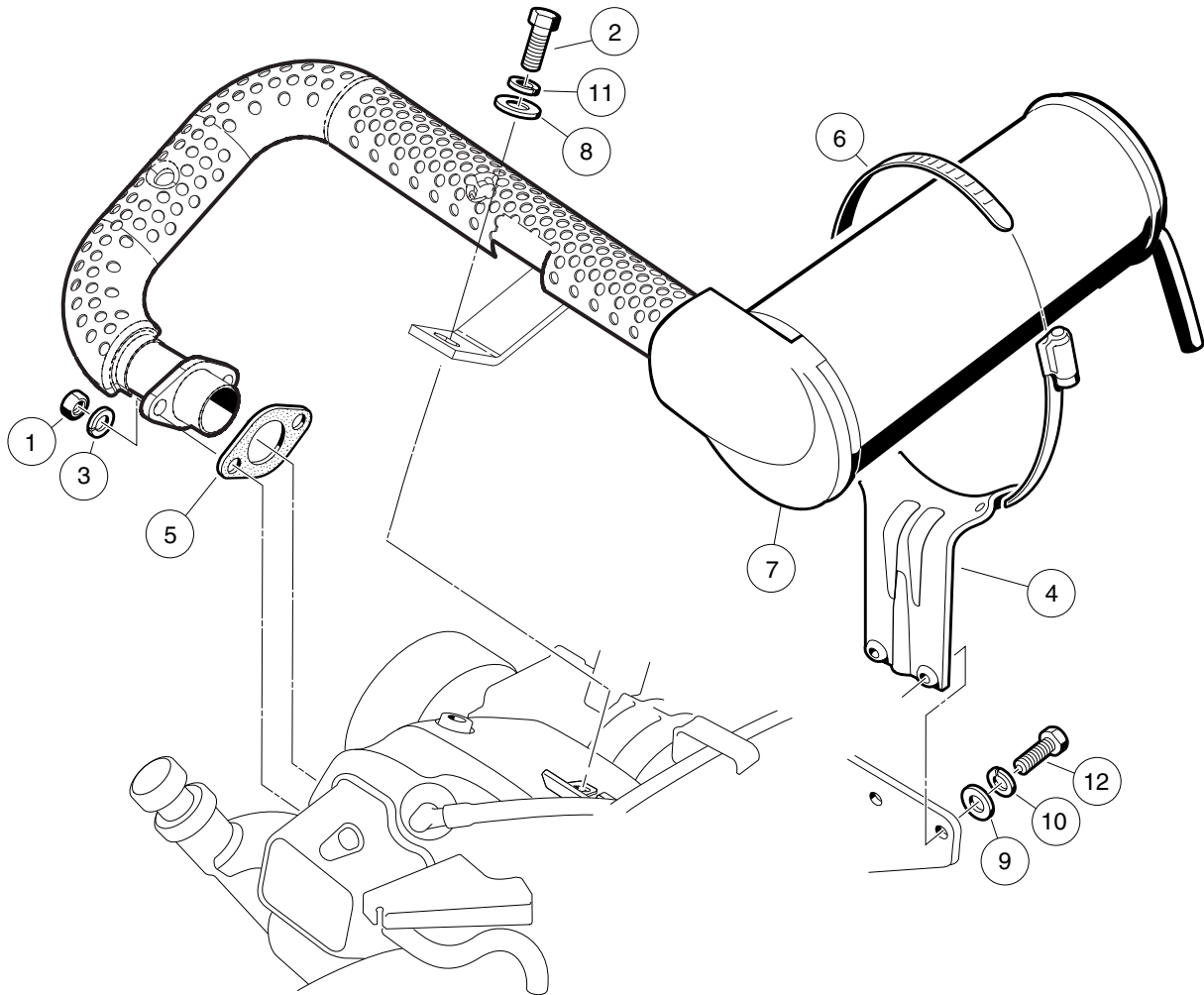
8

G

EXHAUST SYSTEM

9

G



000491-001

EXHAUST SYSTEM – FE350

ITEM	PART NO.	DESCRIPTION	QTY
		1 2 3 4	
1	<u>1012528</u>	Nut, M8-1.25 Hex	2
2	<u>1012830</u>	Screw, M8-125 X 22 Hex-Head	1
3	<u>1013734</u>	Lockwasher, 8mm Split	2
4	<u>1015814</u>	Bracket, Muffler Mounting	1
5	<u>1016904</u>	Gasket, Exhaust	1
6	<u>1017689</u>	Clamp, 5" Muffler Hose	1
7	<u>102585901</u>	Exhaust System, FE350, Precedent	1
8	<u>1241</u>	Washer, 5/16 Type A Flat	1
9	<u>332</u>	Washer, 1/4 Type A Narrow Flat	2
10	<u>451</u>	Lockwasher, 1/4 Split	2
11	<u>7174</u>	Lockwasher, 5/16 Split	1
12	<u>7847</u>	Screw, 1/4-20 X 0.75 Hex-Head Cap	2

9

G

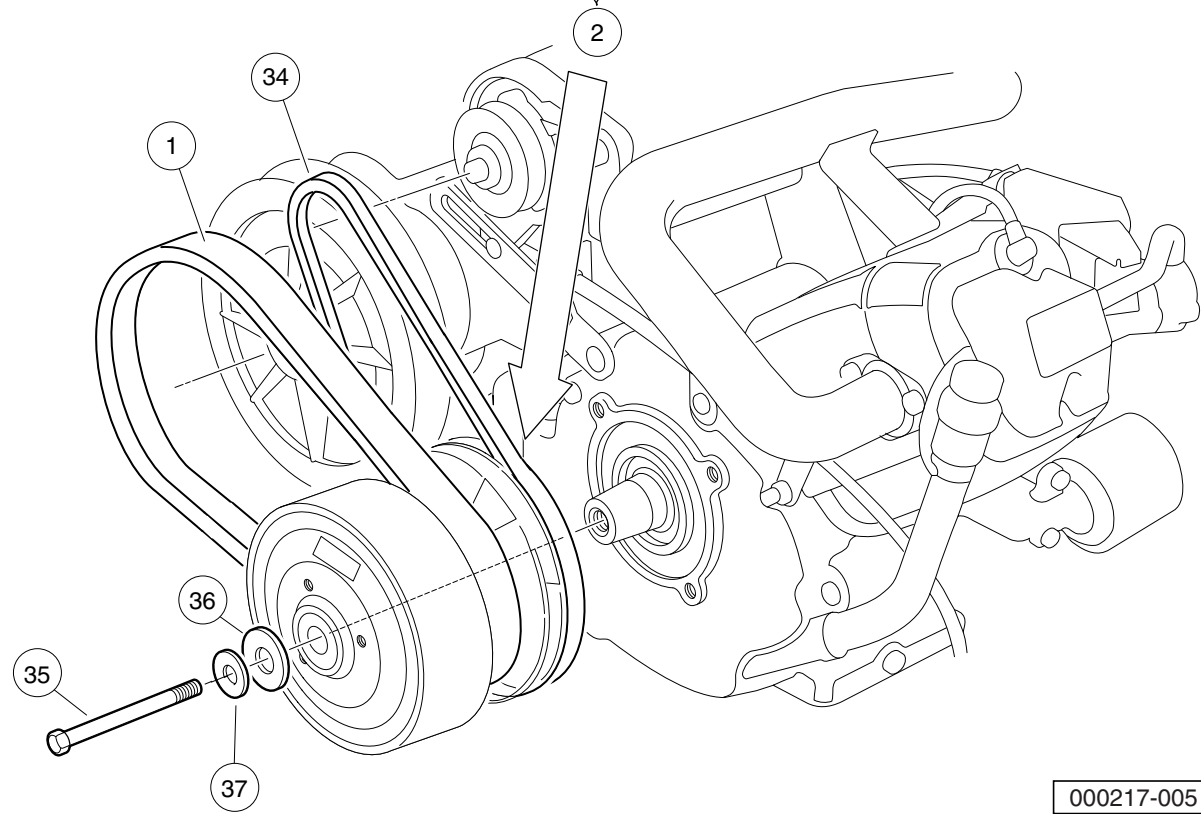
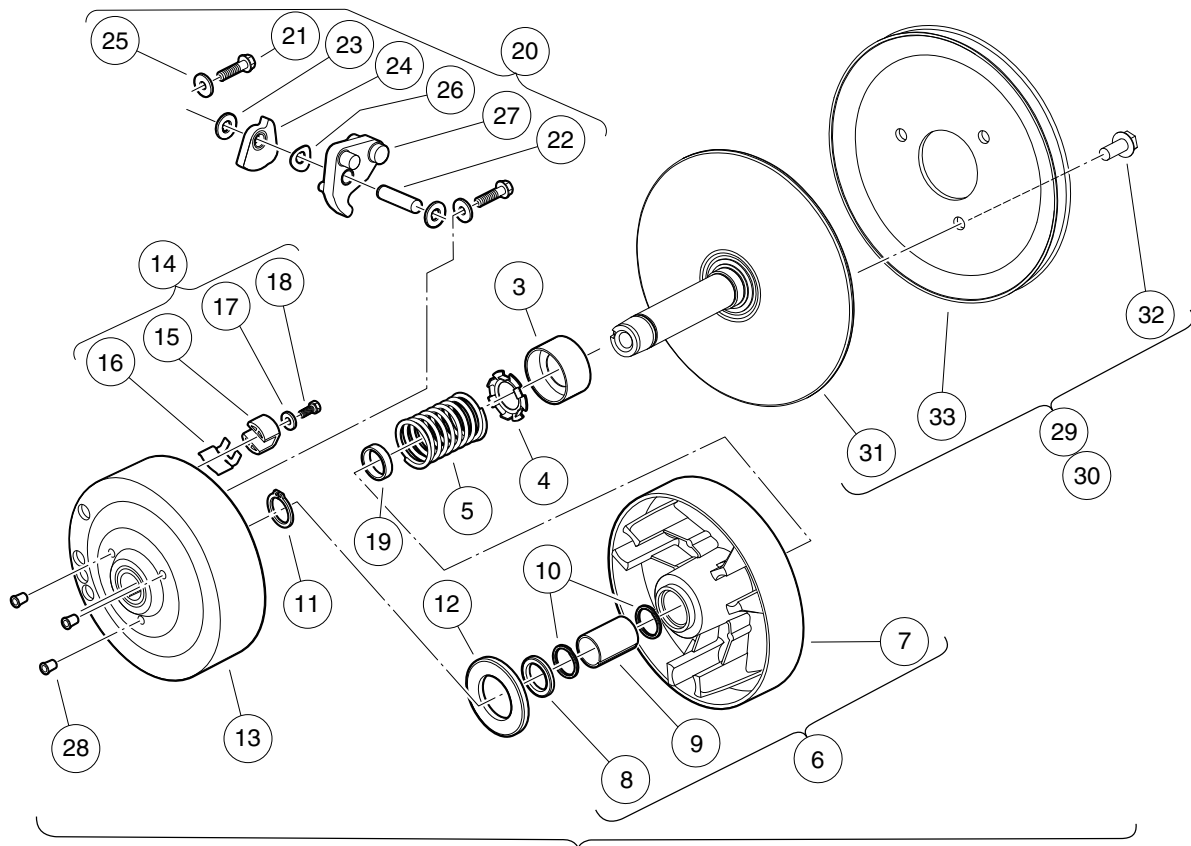
9

G

TORQUE CONVERTER

10

G

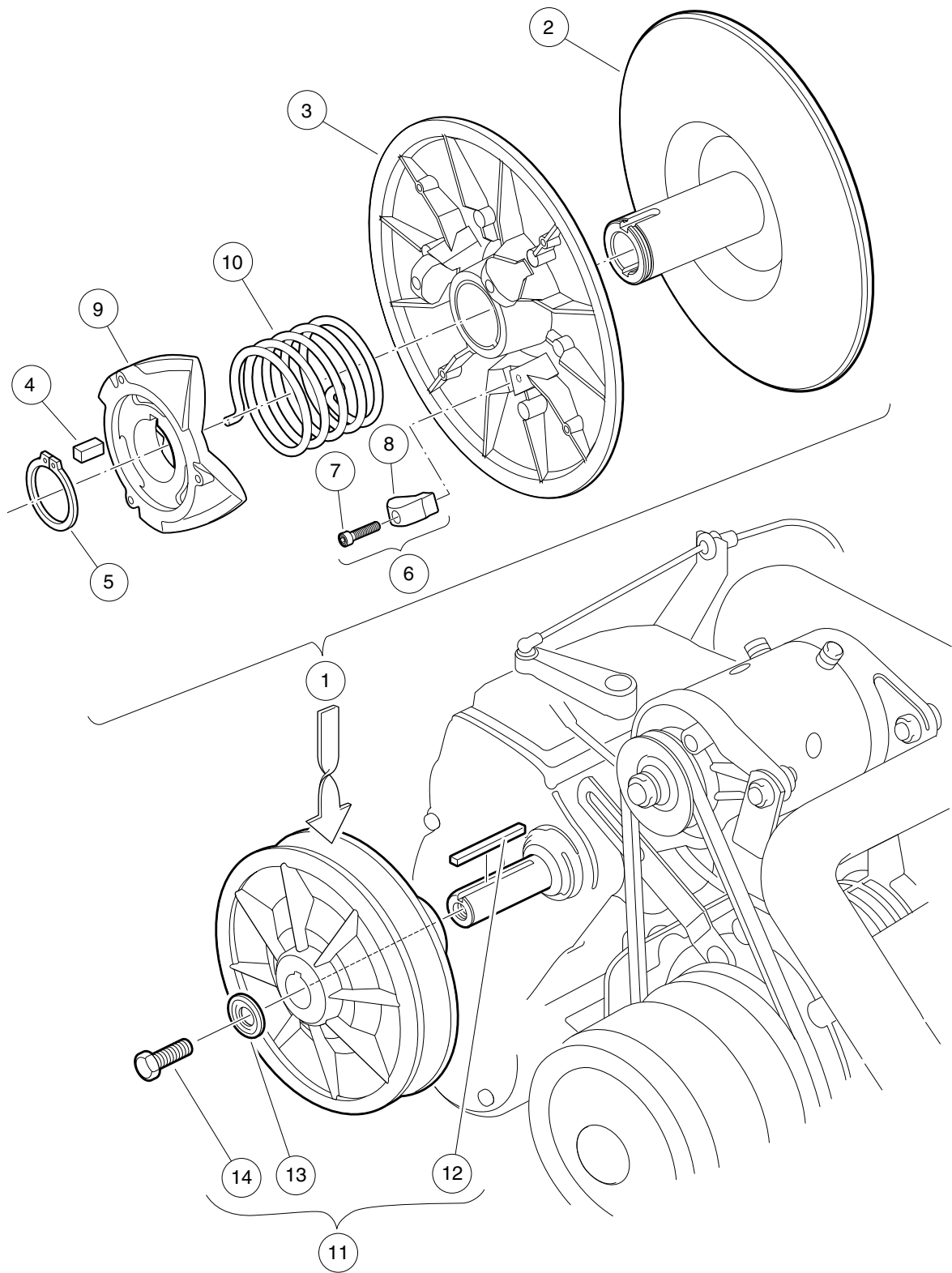


000217-005

DRIVE CLUTCH

10
G

ITEM	PART NO.	DESCRIPTION	QTY
		1 2 3 4	
1	<u>1016203</u>	Belt, Drive	1
2	<u>101833902</u>	Clutch, Drive (includes items 3 through 29)	1
3	1014049	Bearing, Idler	1
4	<u>1014050</u>	Retainer, Spring	1
5	<u>1014051</u>	Spring, Drive Clutch	1
6	1014052	Movable-Face Assembly (includes items 7 through 9)	1
7	N/A	Drive Clutch Movable Face	1
8	<u>1014055</u>	Retainer	1
9	N/A	Bushing, Split, Drive Clutch	1
10	<u>1014056</u>	Ring, Spiral Backup	2
11	<u>1014057</u>	Ring, 0.810" Internal Retaining	1
12	1014058	Thrust Washer	1
13	1014059	Drive Hub Assy, Drive Clutch	1
14	<u>1014453</u>	Kit, Drive Clutch Button (includes items 15 through 18)	1
15	<u>1014062</u>	Driver, Drive Clutch	3
16	<u>1014287</u>	Spring, Drive Button	3
17	<u>183</u>	Washer, #10 Type A Flat	3
18	<u>8450</u>	Screw, #10-24 X 0.50 Hex-Head	3
19	<u>1016289</u>	Spacer, Fixed Face Shaft	1
20	<u>1016801</u>	Kit, Drive Clutch Weight (includes items 21 through 27)	1
21	<u>1014063</u>	Screw, 1/4-20 X 1.00 Hex Head	6
22	N/A	Pin, 0.3752 X 1.50 Dowel	3
23	<u>1014065</u>	Washer, 0.38" ID Delrin Flat	6
24	N/A	Clutch Weight, Secondary	3
25	N/A	Washer	6
26	<u>1016201</u>	Washer, Wave	3
27	N/A	Weight, Primary	3
28	<u>101925601</u>	Plug, Drive Clutch	3
29	<u>101929802</u>	Kit, Fxd Face Dr Asm Fe290/350 (includes item 30)	1
30	N/A	Assembly, Fixed-Face Drive (includes items 31 through 33)	1
31	N/A	Fixed Face Assembly, Drive Clutch	1
32	<u>1014288</u>	Screw, 5/16-18 X 0.75 Thread-Forming	3
33	N/A	Pulley, Clutch	1
34	<u>101916701</u>	V-Belt	1
35	<u>103345701</u>	Screw 3/8-24x5.5 Hex Loc Ptch	1
36	<u>334</u>	Washer, 3/8 Type A Flat	1
37	<u>808</u>	Washer, 3/8 Type B Flat	1



000219-001

DRIVEN CLUTCH

ITEM	PART NO.	DESCRIPTION	QTY
		1 2 3 4	
1	<u>101834001</u>	Assembly, Driven Clutch (includes items 2 through 10)	1
2	<u>1014070</u>	Fixed Face Assy, Driven Clutch	1
3	<u>1014072</u>	Movable-Face Assembly with Bushing	1
4	<u>1014078</u>	Key, Driven Clutch	1
5	<u>1014080</u>	Ring, Retaining	1
6	<u>1014454</u>	Kit, Driven Clutch Button (includes items 7 and 8)	1
7	<u>1012836</u>	Screw, #8-32 X 3/4 Socket-Head Cap	3
8	N/A	Button, Drive	3
9	<u>1017686</u>	Cam, Driven Clutch	1
10	<u>101836201</u>	Spring, Driven Clutch, Reversed	1
11	<u>AM10419</u>	Kit, Clutch Repair (includes items 12 through 14)	1
12	<u>101833401</u>	Key, 3/16 Sq X 1.50"	1
13	<u>102155801</u>	Washer, Driven Clutch	1
14	<u>102242101</u>	Screw, 5/16-18 X 3/4 Hex-Head with Patch	1

10
G

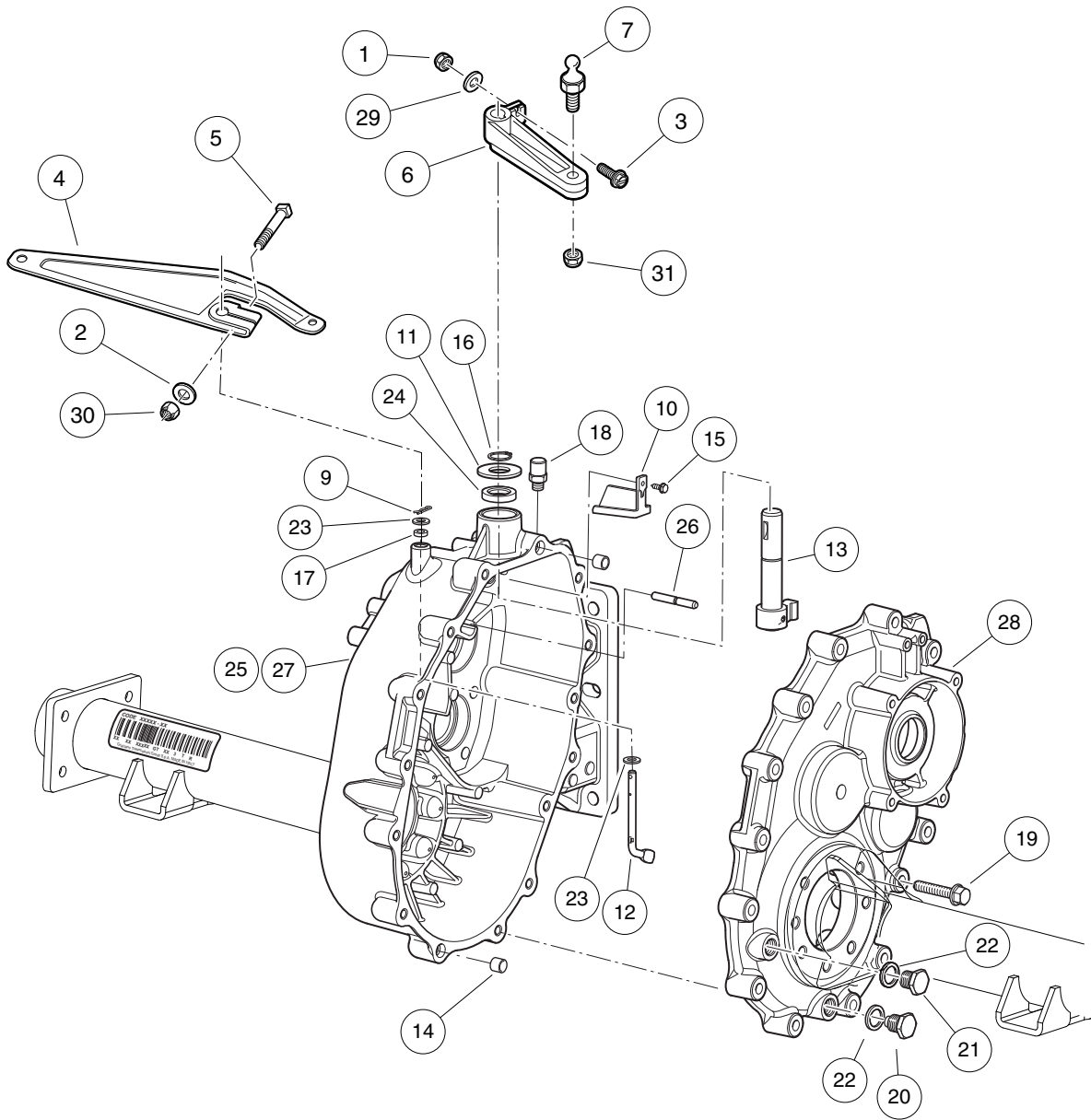
10

G

UNITIZED TRANSAXLE

11

G



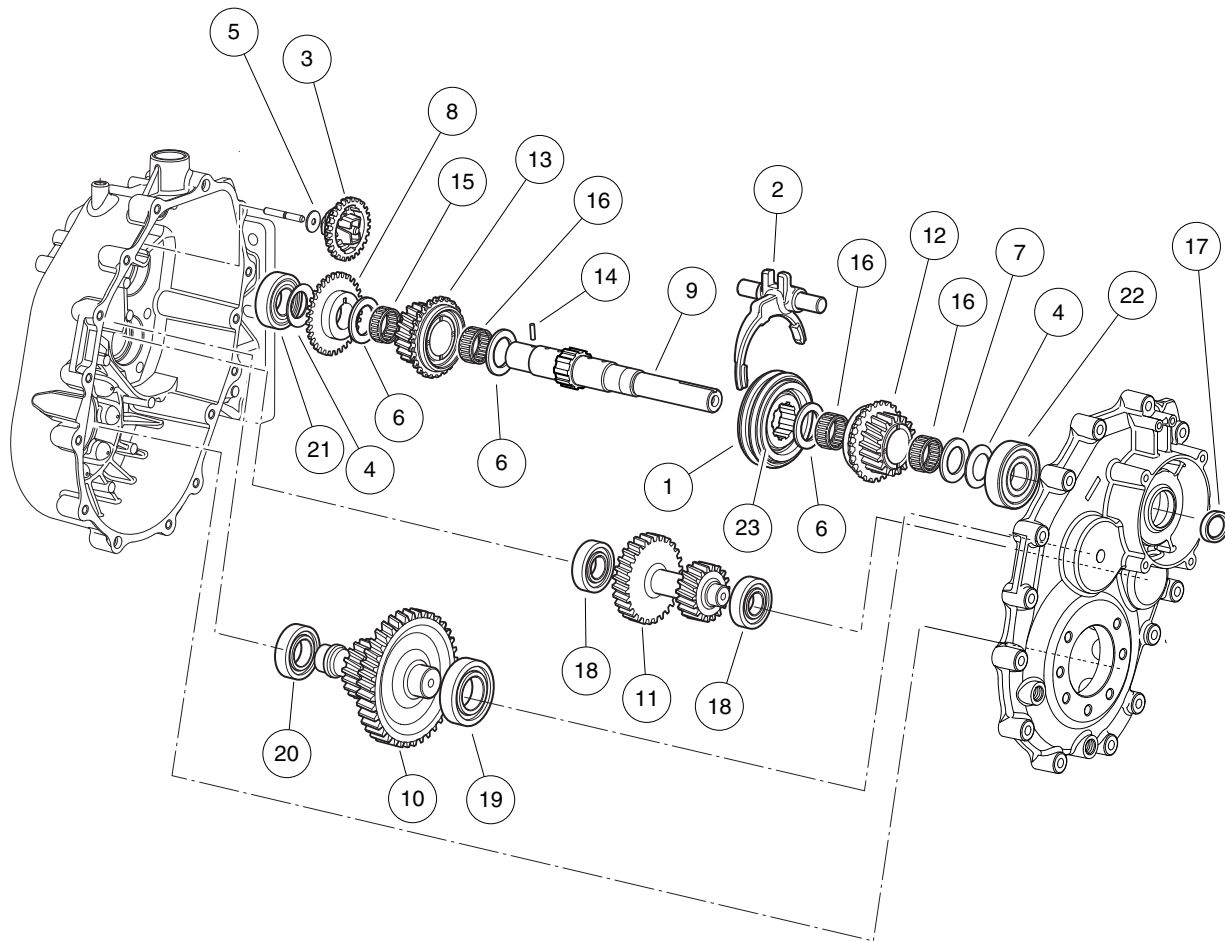
000680-007

GRAZIANO TRANSAXLE – GEAR CASES AND LEVERS

ITEM	PART NO.	DESCRIPTION	QTY
		1 2 3 4	
1	<u>1013061</u>	Locknut, #10-32 Nylon Insert	1
2	<u>1014007</u>	Washer, 1/4 Flat	1
3	<u>1017082</u>	Screw, #10-32 X 0.75, Hex-Head Machine	1
4	<u>101834801</u>	Arm, Governor	1
5	<u>101886101</u>	Screw, 1/4-20 X 1.00 Square-Head	1
6	<u>102515401</u>	Lever, Transmission Shift	1
7	<u>102526201</u>	Stud, Thread, 1/4-28	1
8	<u>103874201</u>	Transaxle, Gas, 11.77:1, Gtg (includes items 9 through 28)	1
9	<u>102897401</u>	Pin, Split	1
10	<u>102897601</u>	Conveyor, Oil	1
11	<u>102897801</u>	Washer, Thrust	1
12	<u>102897901</u>	Lever, Speed Governor	1
13	<u>102898201</u>	Unit, Drive Selector	1
14	<u>102899101</u>	Dowel	2
15	<u>102899201</u>	Screw	1
16	<u>102899401</u>	Ring, Snap	1
17	<u>102899701</u>	Grommet	1
18	<u>102899801</u>	Breather	1
19	<u>102900001</u>	Screw	15
20	<u>102900101</u>	Drain Plug, Magnetic	1
21	<u>102900201</u>	Fill Plug	1
22	<u>102900301</u>	Seal	2
23	<u>102900601</u>	Washer	2
24	<u>102900901</u>	Grommet	1
25	103882101	Case, Transaxle, W/gov Pin (includes items 26 and 27)	1
26	N/A	Pin, Speed Governor	1
27	N/A	Cover, Gear Box (Driver-Side)	1
28	103882301	Cover, Gear Box (Passenger-Side)	1
29	<u>183</u>	Washer, #10 Type A Flat	1
30	<u>8233</u>	Locknut, 1/4-20 Nylon Insert	1
31	<u>8717</u>	Locknut, 1/4-28 Nylon Insert	1
		<p>Note: Graziano transaxle component listings span three pages. To identify your transaxle, locate the serial number decal on the axle tube. <u>103874201</u> is backwards compatible. However, some service parts are not compatible with other transaxles.</p>	

11

G



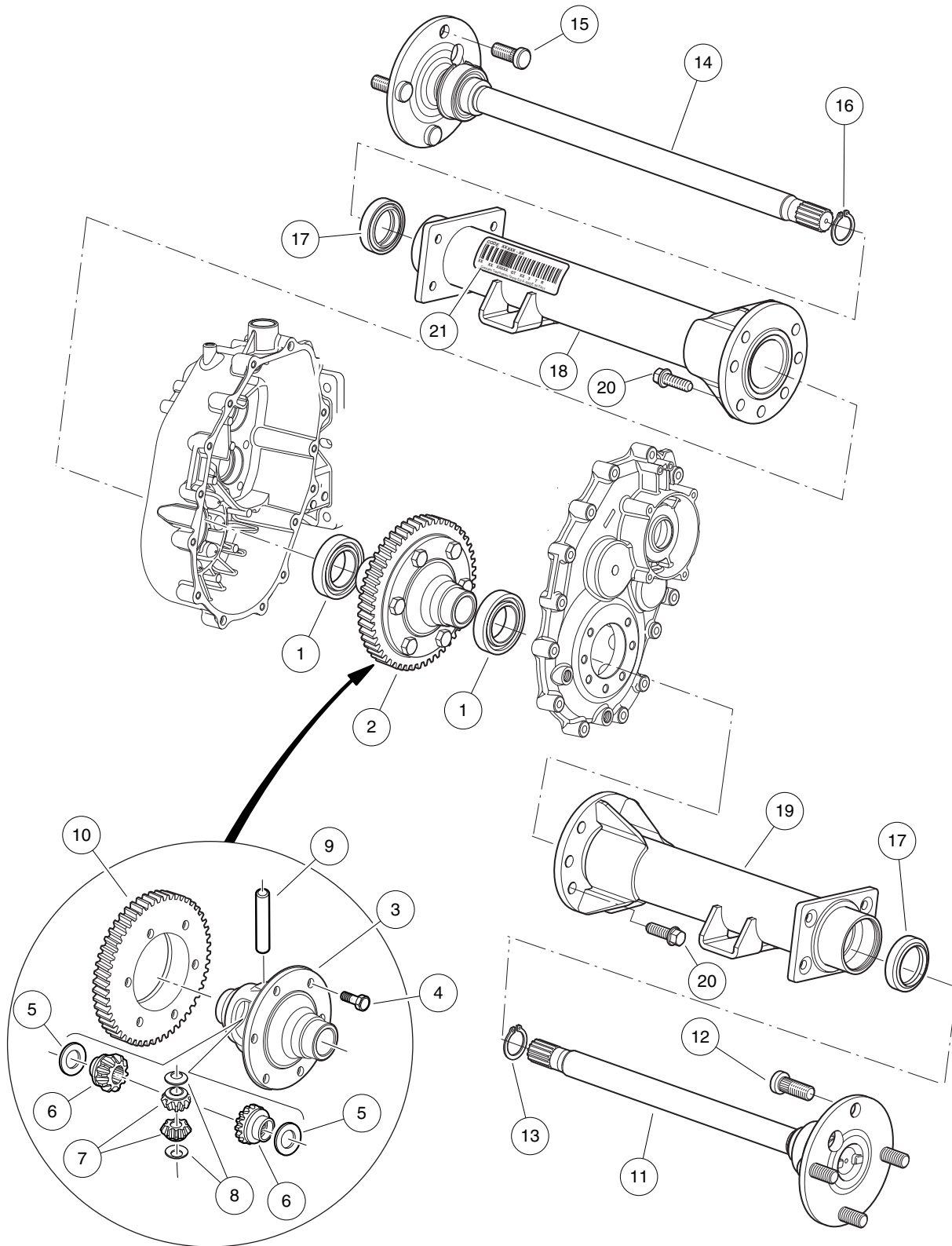
000680-008

GRAZIANO TRANSAXLE – F&R TRANSMISSION AND GEAR REDUCTION

11

G

ITEM	PART NO.	DESCRIPTION	QTY
		1 2 3 4	
1	<u>102897201</u>	Synchronizer, Complete	1
2	<u>102897301</u>	Fork, Complete	1
3	<u>102897701</u>	Assembly, Speed Governor	1
4	<u>102898001</u>	Washer, Belleville	2
5	<u>102898101</u>	Bearing, Thrust	1
6	<u>102898301</u>	Bearing, Thrust	3
7	<u>102898401</u>	Washer, Thrust	1
8	<u>102898501</u>	Gear, Speed Governor	1
9	<u>102898601</u>	Shaft, Main	1
10	<u>102898701</u>	Shaft, Secondary	1
11	<u>102898801</u>	Shaft, Reverse Gear	1
12	<u>102898901</u>	Gear, Complete, 25t	1
13	<u>102899001</u>	Gear, Complete, 28t	1
14	<u>102899301</u>	Pin	1
15	<u>102899501</u>	Cage, Roller	1
16	<u>102899601</u>	Cage, Roller	3
17	<u>102899901</u>	Grommet	1
18	<u>102900401</u>	Bearing	2
19	<u>102900501</u>	Bearing, 62 Od X 30 Id X 16	1
20	<u>102900701</u>	Bearing	1
21	<u>102901001</u>	Bearing	1
22	<u>102901101</u>	Bearing	1
23	<u>103882001</u>	Washer, Wave, Trans Synchro	2
<p>Note: To identify your transaxle, locate the serial number decal on the axle tube.</p>			



000681-002

GRAZIANO TRANSAXLE -DIFFERENTIAL AND AXLES

ITEM	PART NO.	DESCRIPTION	QTY
		1 2 3 4	
1	<u>102900801</u>	Bearing, 68 Od X 40 Id X 15	2
2	<u>102902001</u>	Assembly, Differential (includes items 3 through 10)	1
3	<u>102901201</u>	Box, Differential	1
4	<u>102901301</u>	Screw, M10 X 25	6
5	<u>102901401</u>	Ring, Sleeve	2
6	<u>102901501</u>	Gear, Sun	2
7	<u>102901601</u>	Gear, Planetary	2
8	<u>102901701</u>	Ring, Sleeve	2
9	<u>102901801</u>	Pin	1
10	<u>102901901</u>	Gear	1
11	<u>102902101</u>	Shaft, Axle, Short, Complete (Passenger-Side) (includes items 12 and 13)	1
12	<u>102902301</u>	Bolt, Stud	4
13	<u>102902401</u>	Snap Ring	1
14	<u>102902201</u>	Shaft, Axle, Long, Complete (Driver-Side) (includes items 15 and 16)	1
15	<u>102902301</u>	Bolt, Stud	4
16	<u>102902401</u>	Snap Ring	1
17	<u>102902501</u>	Seal, Lip	2
18	<u>102902601</u>	Axle Tube, (Driver-Side)	1
19	<u>102902701</u>	Axle Tube, (Passenger-Side)	1
20	<u>102902801</u>	Screw, M10 X 30	14
21	N/A	Tag, Serial	1
<p style="margin-left: 40px;">Note: To identify your transaxle, locate the serial number decal on the axle tube.</p>			

11

G

11

G

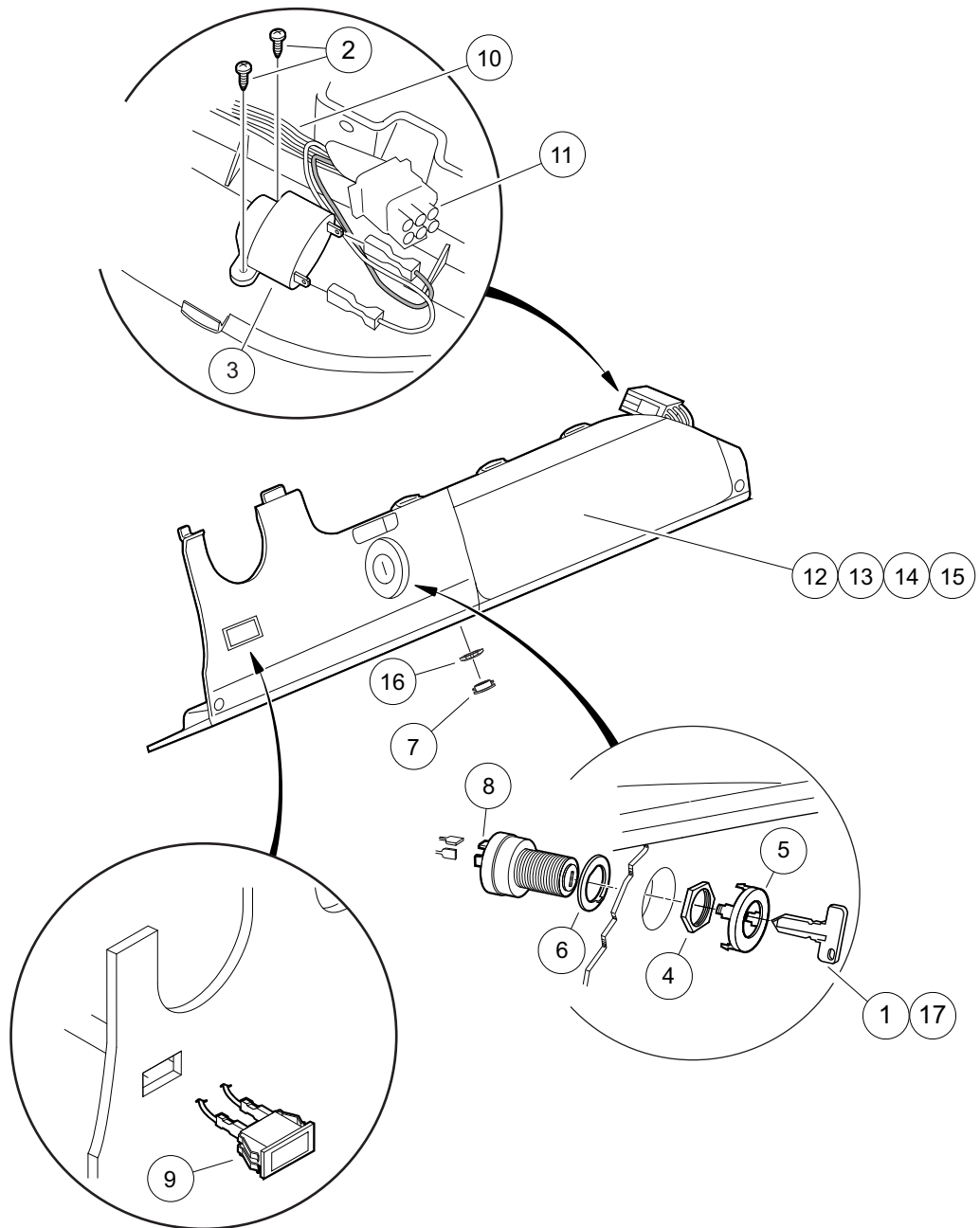
ELECTRICAL SYSTEM – EXCEL WITH POWERDRIVE CHARGERS

12

E

12

E



000490-001

ELECTRICAL COMPONENTS, FRONT BODY – ELECTRIC VEHICLE

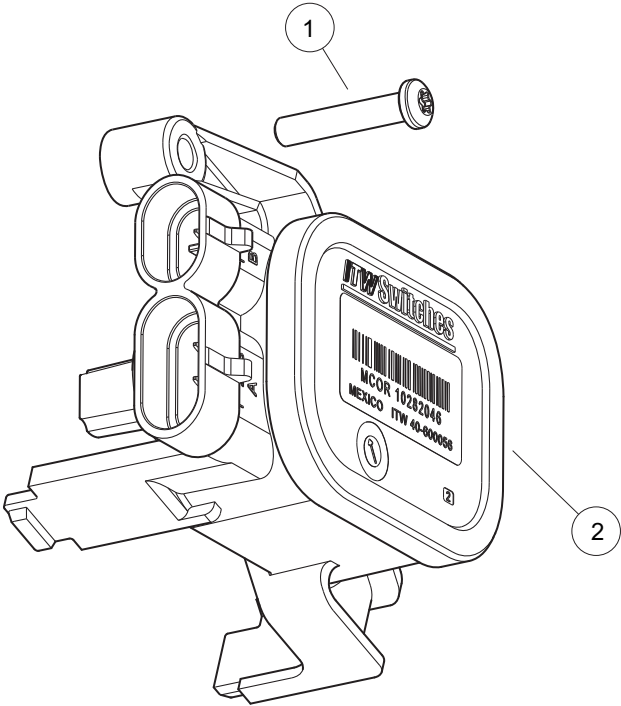
ITEM	PART NO.	DESCRIPTION	QTY
		1 2 3 4	
1	<u>1012505</u>	Keys (set of 2)	1
2	<u>1016849</u>	Screw, #4-24 X 0.33 Pan-Head Machine	2
3	<u>1016851</u>	Buzzer, Reverse (9-48 VDC)	1
4	<u>101830701</u>	Nut, Key Switch	1
5	<u>101834502</u>	Cap, Black Key Switch	1
6	<u>101851101</u>	Washer, Key Switch	1
7	<u>102196901</u>	Dust Cap	1
8	<u>102508601</u>	Key Switch, Electric	1
9	<u>102508701</u>	Light, Battery	1
10	<u>102510001</u>	Ip Control Harness, Elec (includes item 11)	1
11	N/A	Connector, Cap 9-pin	1
12	<u>102522901</u>	Instrument Panel (standard)	1
13	<u>102536601</u>	Instrument Panel (with Hole for Headlight Switch)	1
14	<u>102536603</u>	Instrument Panel (with Hole for Battery Condition Indicator)	1
15	<u>102536605</u>	Instrument Panel (with Hole for Headlight Switch and Battery Condition Indicator)	1
16	<u>102572401</u>	Nut, Diagnostic Port, Prec	1
17	<u>AM10079</u>	Bulk Std Keys (50) *	1
		 * Note: Must order in multiples of 50.	

12

E

12

E



000243-005

MOTOR CONTROLLER OUTPUT REGULATOR 3 (MCO3)

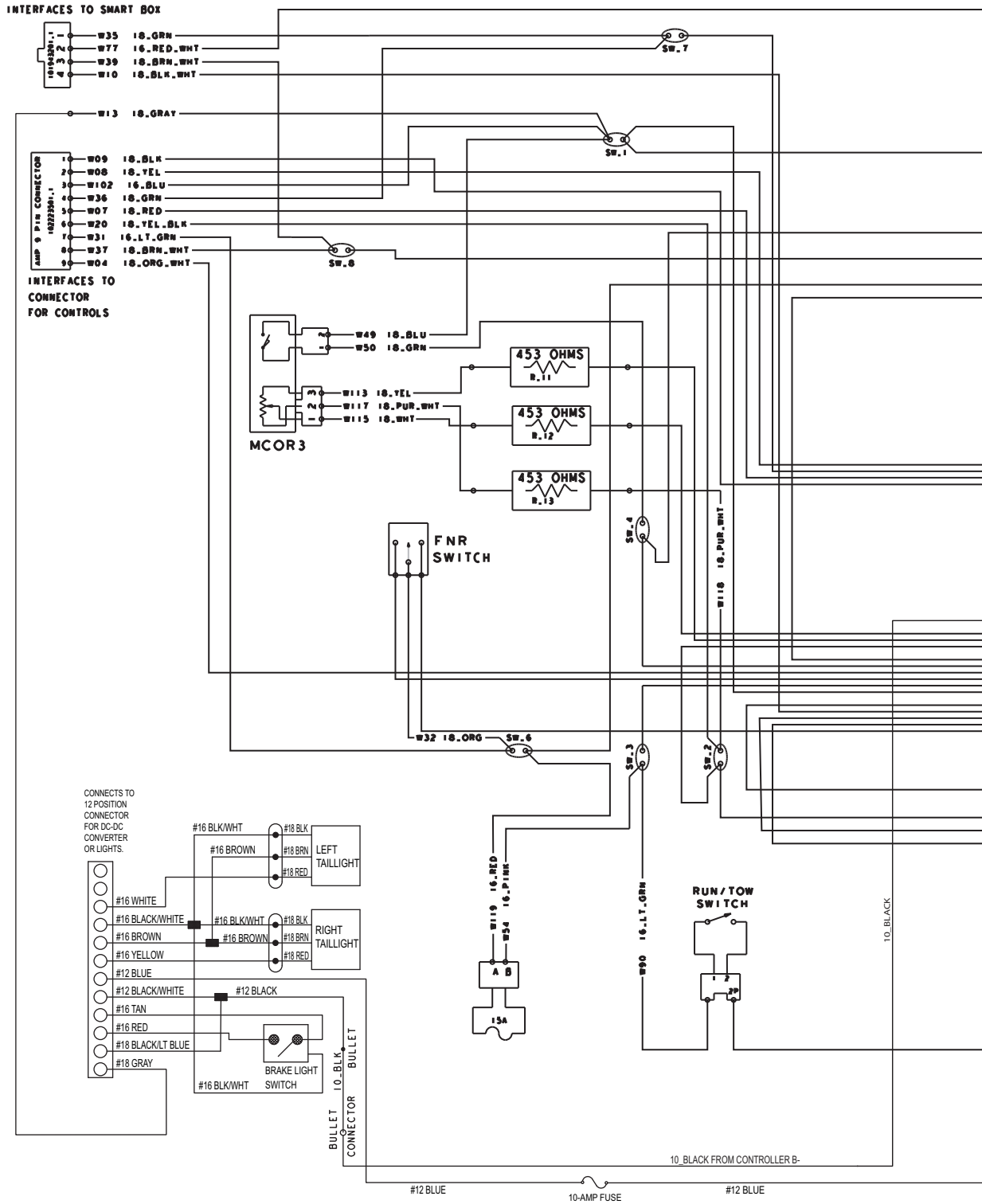
ITEM	PART NO.	DESCRIPTION	QTY
		1 2 3 4	
1	<u>103943401</u>	Screw, Pan, #10 X 1.00 Hi-lo	1
2	<u>105116301</u>	Mcor3, Type 16 Switch	1

12

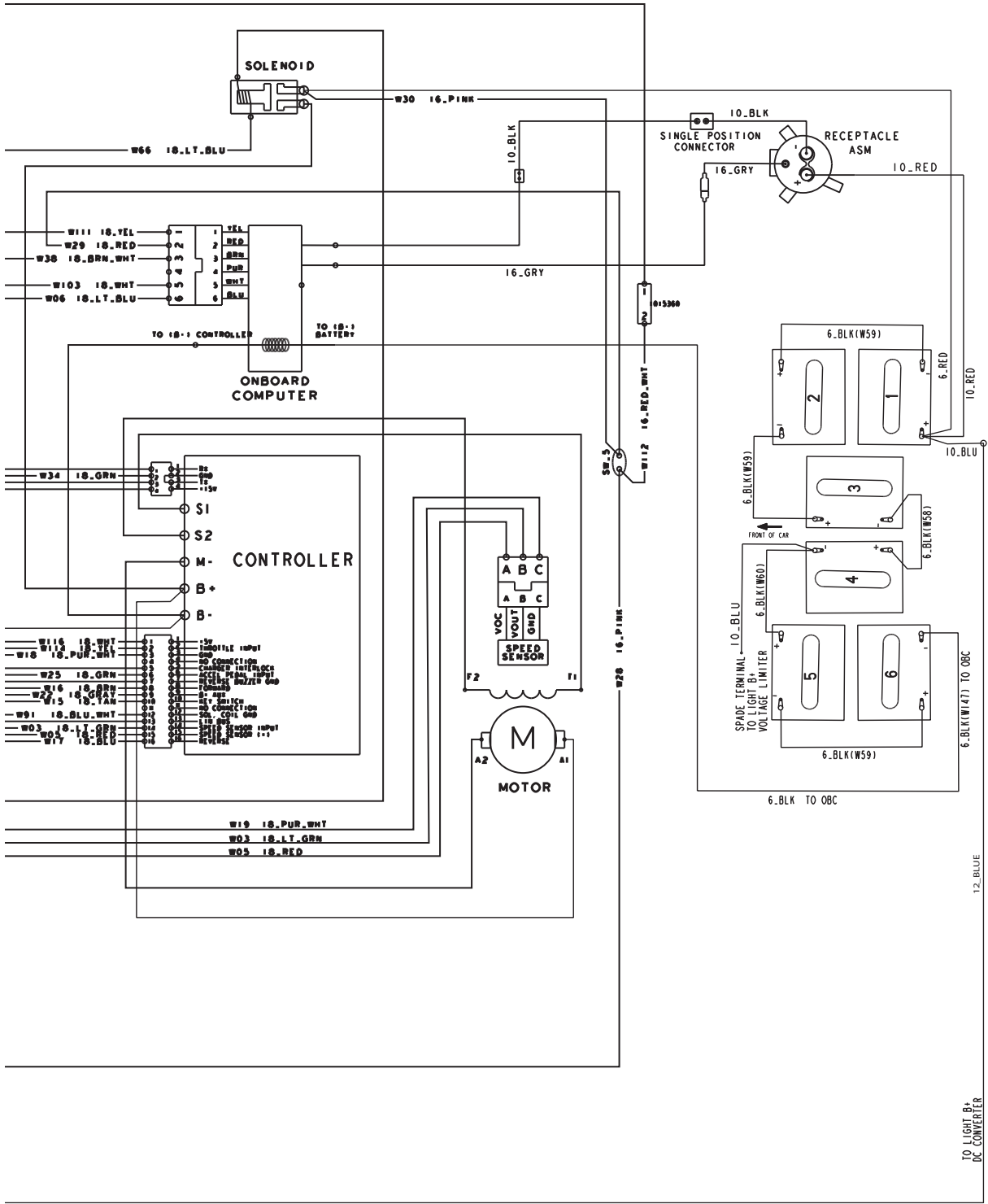
E

EXCEL SYSTEM (MCOR3)

E



000498-011



12_BLUE

000498-011

12

E

See previous two pages for illustration.

WIRING – EXCEL SYSTEM WITH MCOR3

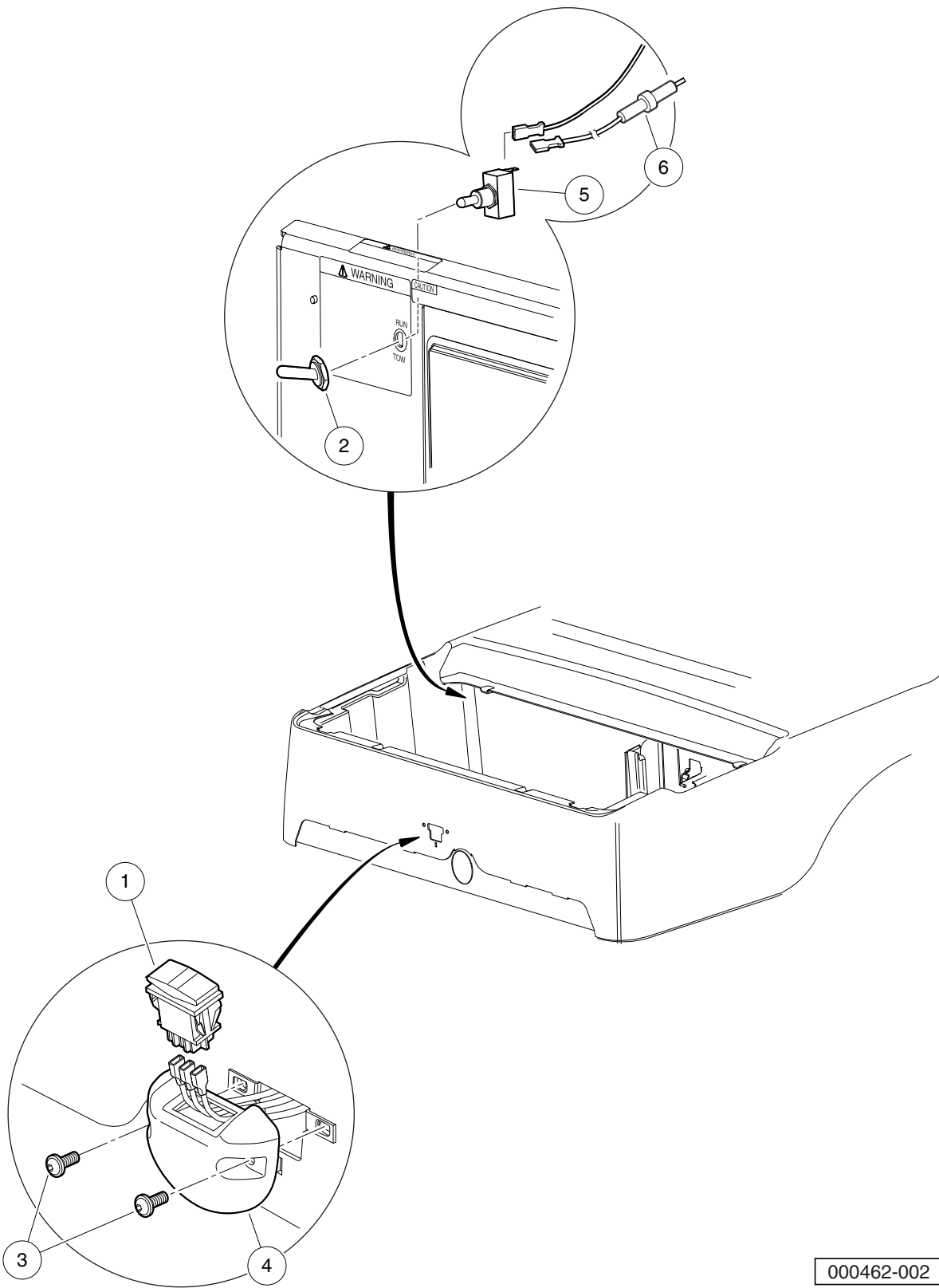
ITEM	PART NO.	DESCRIPTION	QTY
		1 2 3 4	
1	<u>102538601</u>	15 Amp Fuse	1
2	<u>103375702</u>	Asm, Harness, Motor 1/4	1
3	<u>103421801</u>	Harness, Wire, PD Onboard Charger, 4-Pass, Prec	1
4	<u>103850301</u>	Harness, Prec, Excel w/PD, Mcor3	1
5	<u>103924801</u>	2 Amp Fuse, Glass	1

12

E

12

E



000462-002

FORWARD/REVERSE SWITCH AND TOW/RUN SWITCH

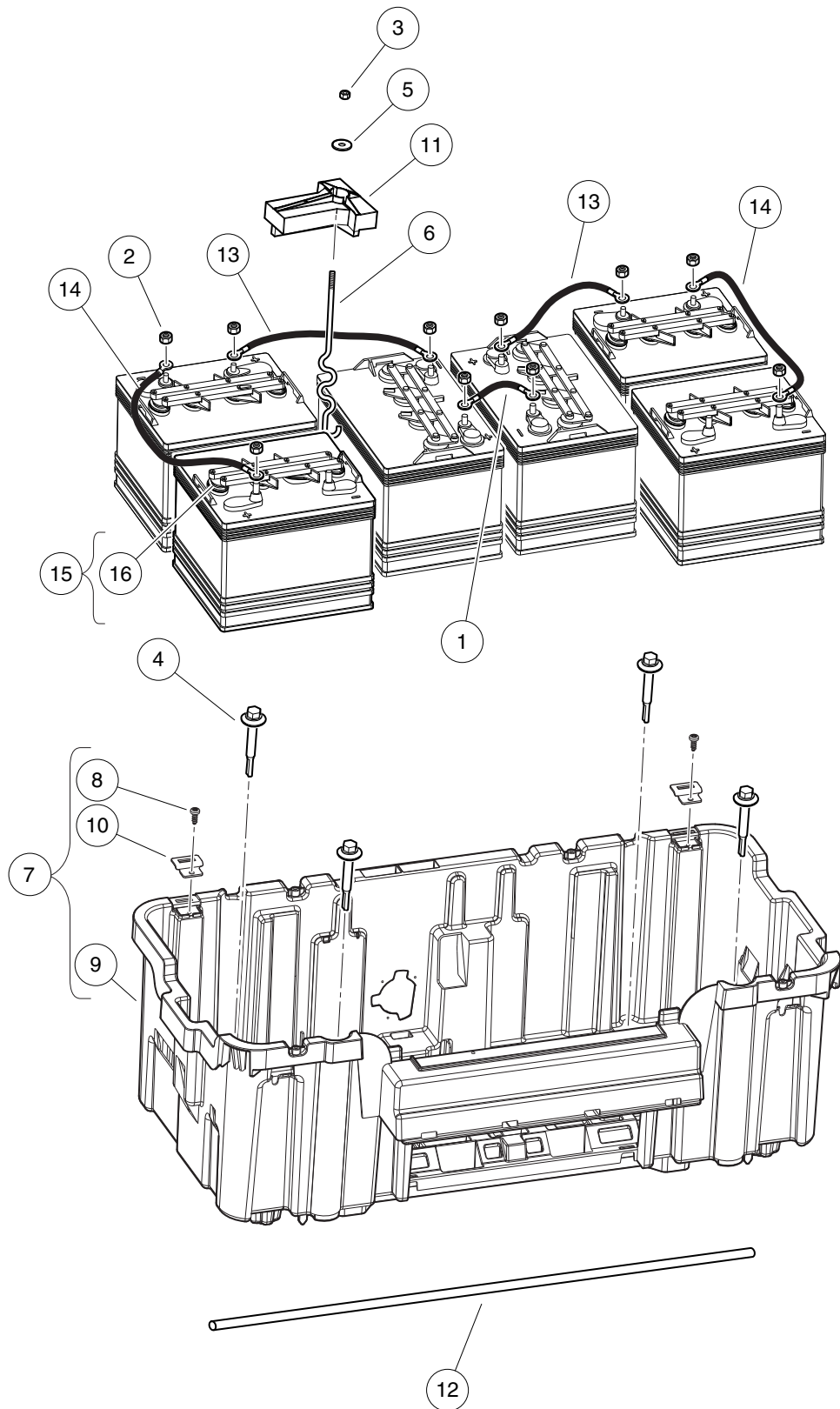
ITEM	PART NO.	DESCRIPTION	QTY
		1 2 3 4	
1	<u>101856001</u>	Switch, Rocker, Double-Pole	1
2	<u>101908401</u>	Boot, Switch	1
3	<u>102296920</u>	Screw, M6 Torx Btn Hd Sems	2
4	<u>102508401</u>	Housing, FNR Electric	1
5	<u>102511101</u>	Switch, Tow	1
6	<u>102538601</u>	15 Amp Fuse	1

12

E

12

E



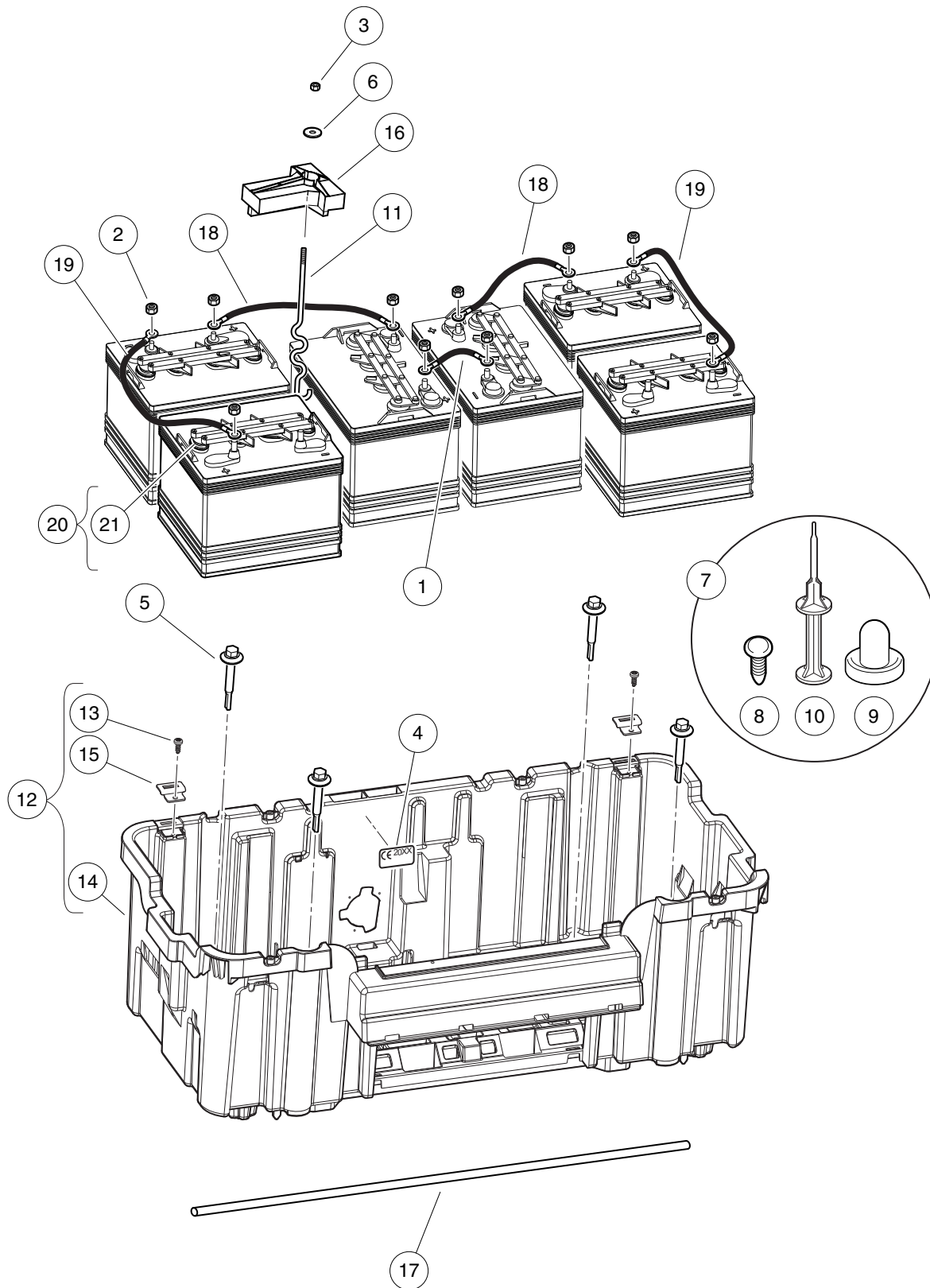
000682-001

BATTERIES AND BATTERY BUCKET, PD+ 8-VOLT

ITEM	PART NO.	DESCRIPTION	QTY
		1 2 3 4	
1	<u>1010958</u>	Asm, Wire, #6blk 8in	1
2	<u>1014304</u>	Nut, 5/16-18 Stainless-Steel Hex	12
3	<u>1014555</u>	Locknut, 7/16-14 Nylon Hex	2
4	<u>102292356</u>	Screw-1/4-20x56 Hwh Self Drill	4
5	<u>102491501</u>	Washer Hard,m10	2
6	<u>103357701</u>	Bolt, Battery, "s" Hold-down	2
7	<u>103368401</u>	Asm, Bucket, Batt, Elec, Prec (includes items 8 through 10)	1
8	<u>102298020</u>	Screw, K80x20, Torx Pn Hd Pt	2
9	N/A	Bucket, Batt, Elec, Precedent	1
10	<u>103368301</u>	Hinge - Nested	2
11	<u>103374801</u>	Hold Down, Battery	2
12	<u>103375301</u>	Tube, Cross, Battery Rod	1
13	<u>103647402</u>	Wire Asm #6 Blk, 12"	2
14	<u>103647403</u>	Wire Asm #6 Blk, 17"	2
15	<u>103793001</u>	Battery, 8-Volt, JCI GC8 (includes item 16)	6
16	<u>103765601</u>	Cap, Spin, 8-Volt Battery	1

12

E



000682-002

BATTERIES AND BATTERY BUCKET, PD+ 8-VOLT, CE

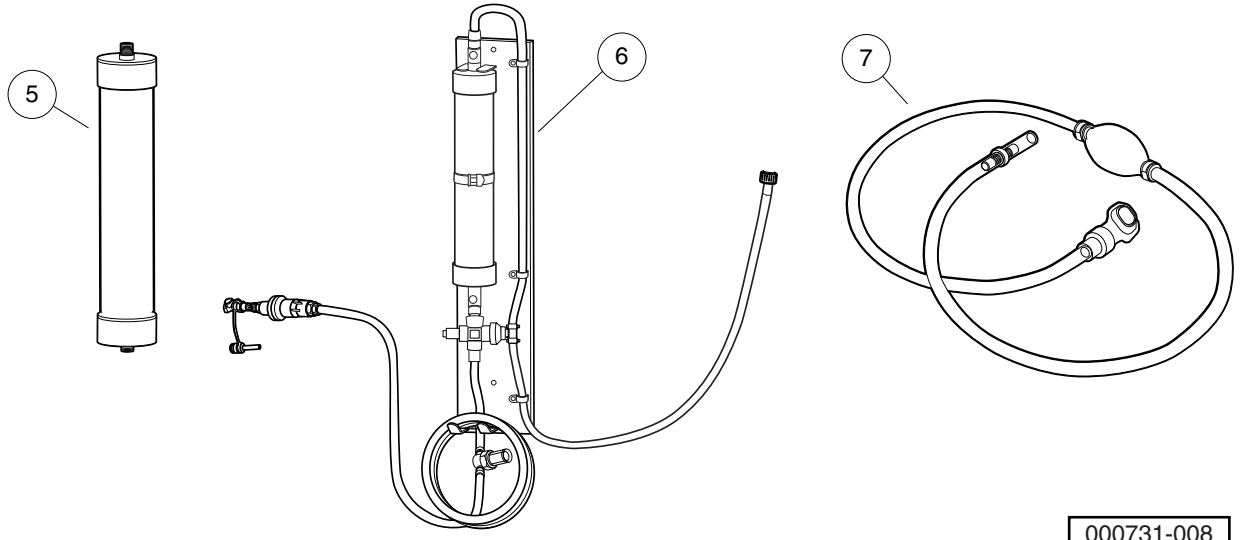
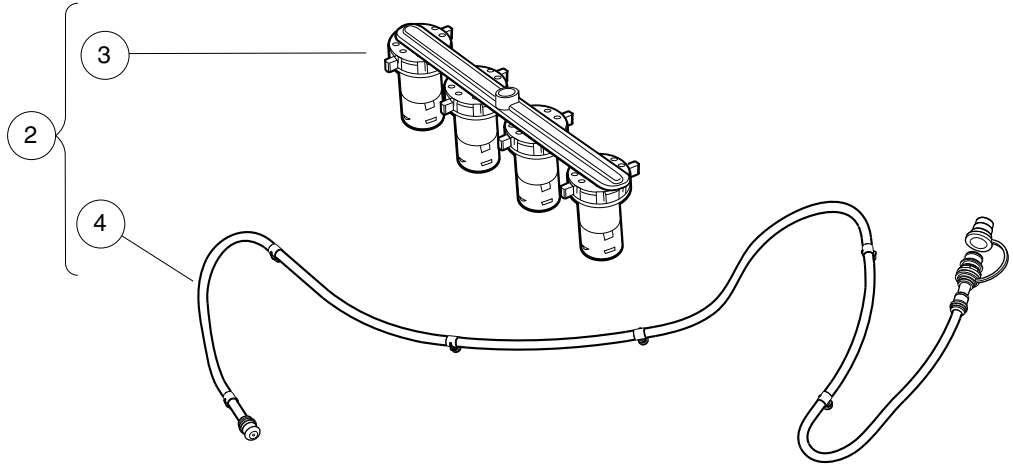
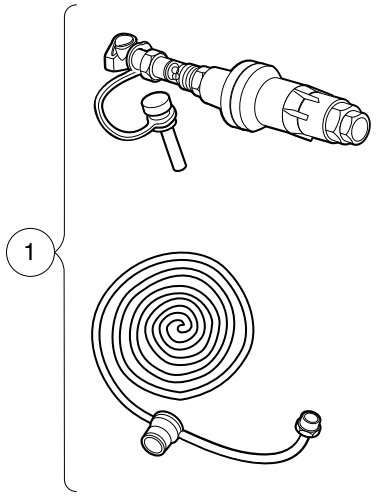
ITEM	PART NO.	DESCRIPTION	QTY
		1 2 3 4	
1	<u>1010958</u>	Asm, Wire, #6blk 8in	1
2	<u>1014304</u>	Nut, 5/16-18 Stainless-Steel Hex	12
3	<u>1014555</u>	Locknut, 7/16-14 Nylon Hex	2
4	<u>101865805</u>	Ce - Decal	1
5	<u>102292356</u>	Screw-1/4-20x56 Hwh Self Drill	4
6	<u>102491501</u>	Washer Hard,m10	2
7	<u>102571202</u>	Kit Ce Plug - Bucket Elec (includes items 8 through 10)	1
8	<u>1010434</u>	Barrel - Plastic	2
9	N/A	Plug, 1/2", CE Bucket	6
10	N/A	Install Tool, CE Bucket Plug	1
11	<u>103357701</u>	Bolt, Battery, "s" Hold-down	2
12	<u>103368401</u>	Asm, Bucket, Batt, Elec, Prec (includes items 13 through 15)	1
13	<u>102298020</u>	Screw, K80x20, Torx Pn Hd Pt	2
14	N/A	Bucket, Batt, Elec, Precedent	1
15	<u>103368301</u>	Hinge - Nested	2
16	<u>103374801</u>	Hold Down, Battery	2
17	<u>103375301</u>	Tube, Cross, Battery Rod	1
18	<u>103647402</u>	Wire Asm #6 Blk, 12"	2
19	<u>103647403</u>	Wire Asm #6 Blk, 17"	2
20	<u>103793001</u>	Battery, 8-Volt, JCI GC8 (includes item 21)	6
21	<u>103765601</u>	Cap, Spin, 8-Volt Battery	1
		Note: The CE-specific parts shown are required for vehicles sold in the European Union.	

12

E

12

E



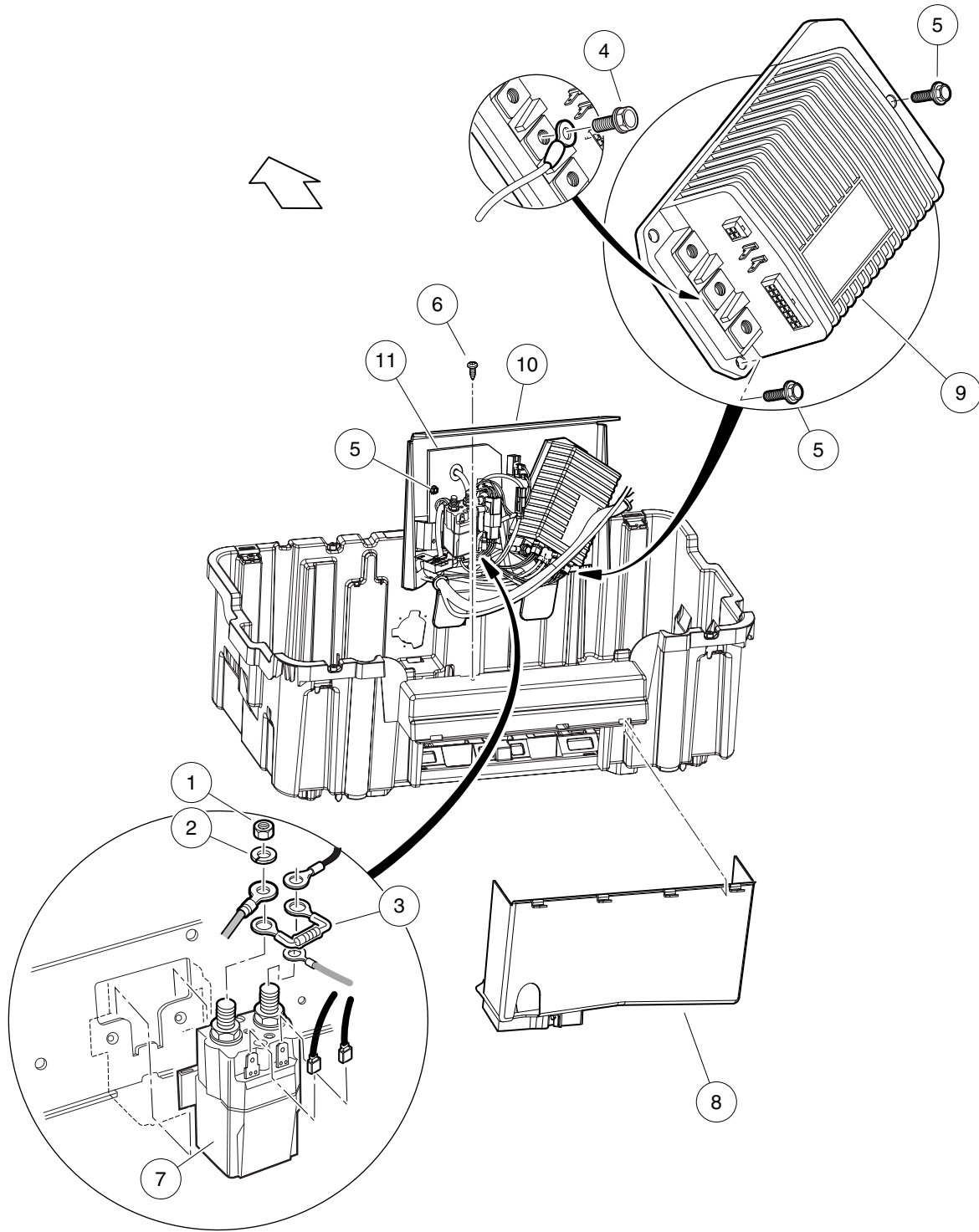
000731-008

SINGLE POINT WATERING SYSTEM, 8V

ITEM	PART NO.	DESCRIPTION	QTY
		1 2 3 4	
1	<u>102958001</u>	Kit Regulated Hose Sply Spws	1
2	<u>103395505</u>	Kit, Spws, Prec, 8 Volt Non-Trojan (includes items 3 and 4)	1
3	<u>103510602</u>	Spws, Manifold Asm, 8v Non-Trojan	6
4	<u>103774701</u>	Spws, Hose 8v Non-trojan	1
5	<u>104005901</u>	Cartridge, Flowrite Deionizer	1
6	<u>104006001</u>	Deionizer, Niagra, Flowrite	1
7	<u>104006101</u>	Kit, Hand Pump, Spws	1
		Note: For JCI 8-Volt batteries only.	

12

E



000486-014

COMPUTER V5.5, CONTROLLER, AND SOLENOID – EXCEL SYSTEM

ITEM	PART NO.	DESCRIPTION	QTY
		1 2 3 4	
1	<u>1012528</u>	Nut, M8-1.25 Hex	2
2	<u>1013734</u>	Lockwasher, 8mm Split	2
3	<u>1014947</u>	Resistor Assembly	1
4	<u>102240501</u>	Bolt, Controller, Terminal	3
5	<u>102296716</u>	Screw, M6 X 16 Tt Hx Fl Hd	11
6	<u>102298020</u>	Screw, K80x20, Torx Pn Hd Pt	1
7	<u>102865901</u>	Solenoid 48v Slot Mt No Diode	1
8	<u>103367901</u>	Shield - Controller	1
9	<u>103403402</u>	Controller, 1515, 250A, Gray, Non-Std	1
10	<u>103639401</u>	Component Mounting Plate, Cast	1
11	<u>103978302</u>	Obc, Prec, B1, #4, V5.5	1
		Note: Item 9 must be used with Crown and JCI brand batteries.	

12

E

12

E

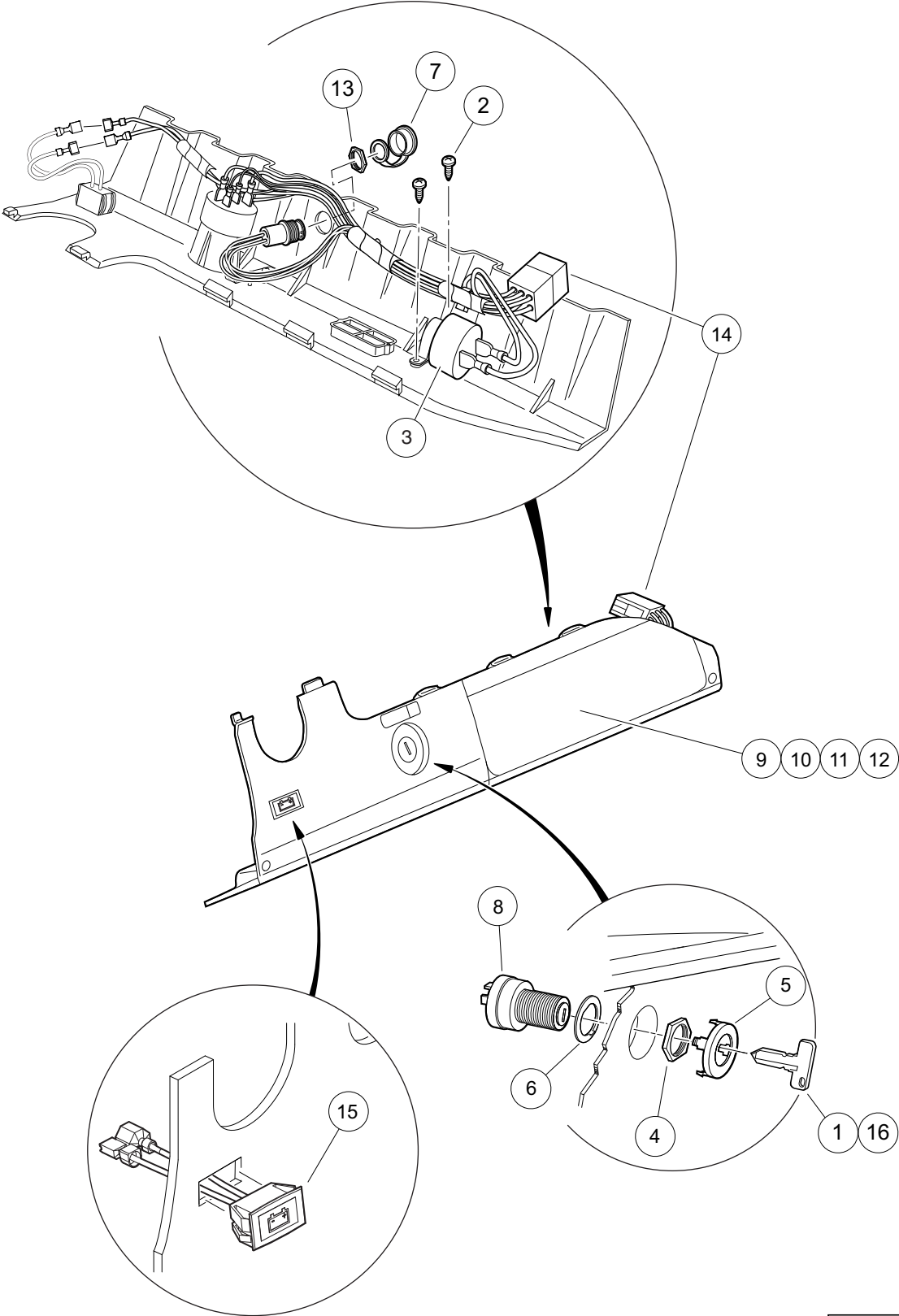
ELECTRICAL SYSTEM – EXCEL WITH HIGH FREQUENCY CHARGERS

13

E

13

E



000490-004

ELECTRICAL COMPONENTS, FRONT BODY – ELECTRIC VEHICLE

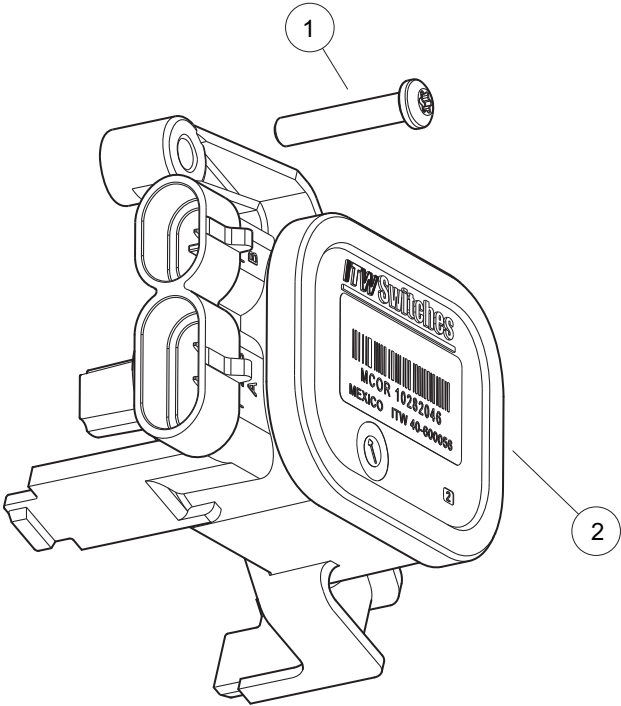
ITEM	PART NO.	DESCRIPTION	QTY
		1 2 3 4	
1	<u>1012505</u>	Keys (set of 2)	1
2	<u>1016849</u>	Screw, #4-24 X 0.33 Pan-Head Machine	2
3	<u>1016851</u>	Buzzer, Reverse (9-48 VDC)	1
4	<u>101830701</u>	Nut, Key Switch	1
5	<u>101834502</u>	Cap, Black Key Switch	1
6	<u>101851101</u>	Washer, Key Switch	1
7	<u>102196901</u>	Dust Cap	1
8	<u>102508601</u>	Key Switch, Electric	1
9	<u>102522901</u>	Instrument Panel (standard)	1
10	<u>102536601</u>	Instrument Panel (with Hole for Headlight Switch)	1
11	<u>102536603</u>	Instrument Panel (with Hole for Battery Condition Indicator)	1
12	<u>102536605</u>	Instrument Panel (with Hole for Headlight Switch and Battery Condition Indicator)	1
13	<u>102572401</u>	Nut, Diagnostic Port, Prec	1
14	<u>103991501</u>	Harness, Wire, Instrument Panel, Prec w/Hi-Freq	1
15	103993901	Light, Charge Indicator	1
16	<u>AM10079</u>	Bulk Std Keys (50) *	1
		* Note: Must order in multiples of 50.	

13

E

13

E



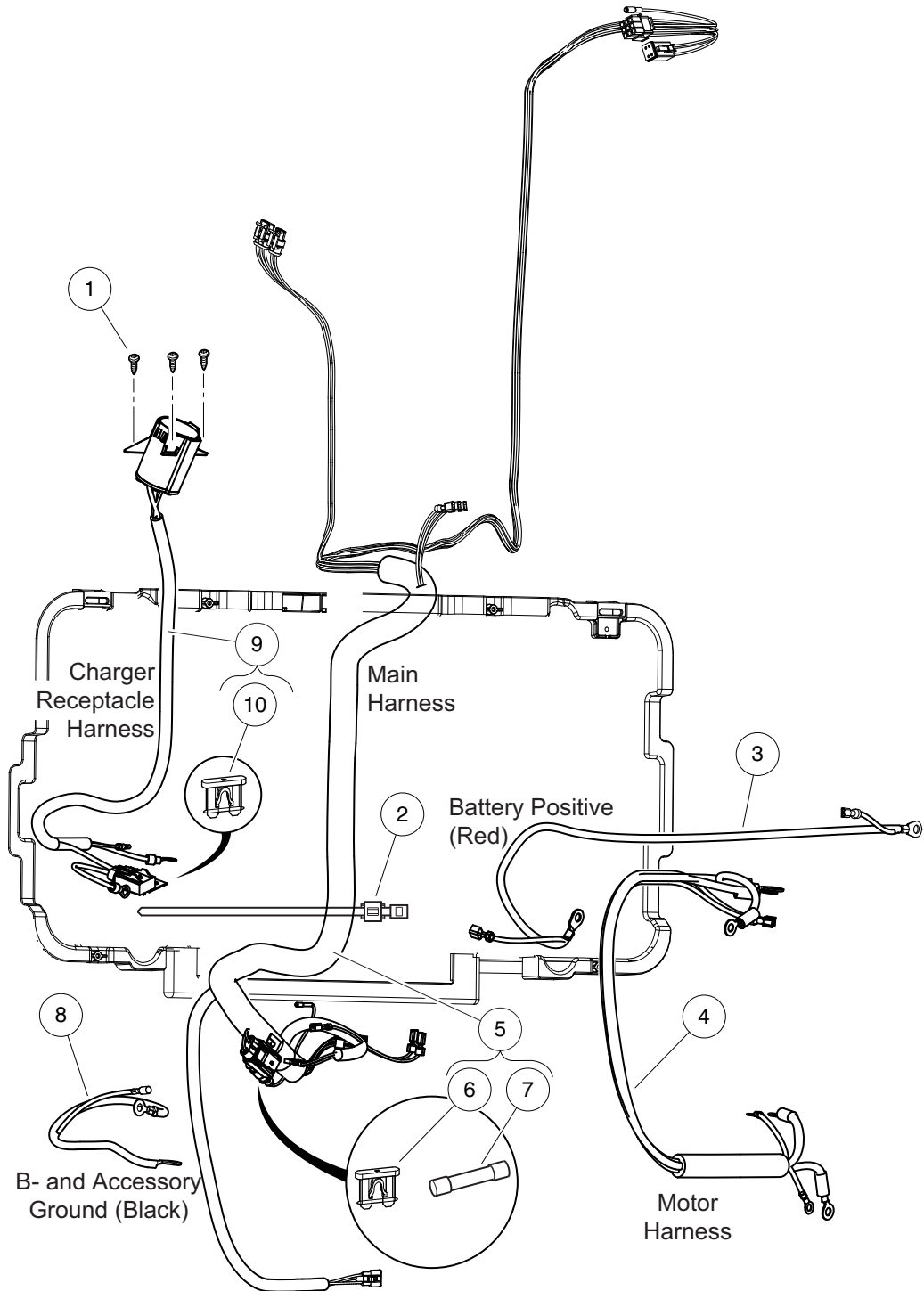
000243-005

MOTOR CONTROLLER OUTPUT REGULATOR 3 (MCOR3)

ITEM	PART NO.	DESCRIPTION	QTY
		1 2 3 4	
1	<u>103943401</u>	Screw, Pan, #10 X 1.00 Hi-lo	1
2	<u>105116301</u>	Mcor3, Type 16 Switch	1

13

E



000647-002

WIRING AND FUSES

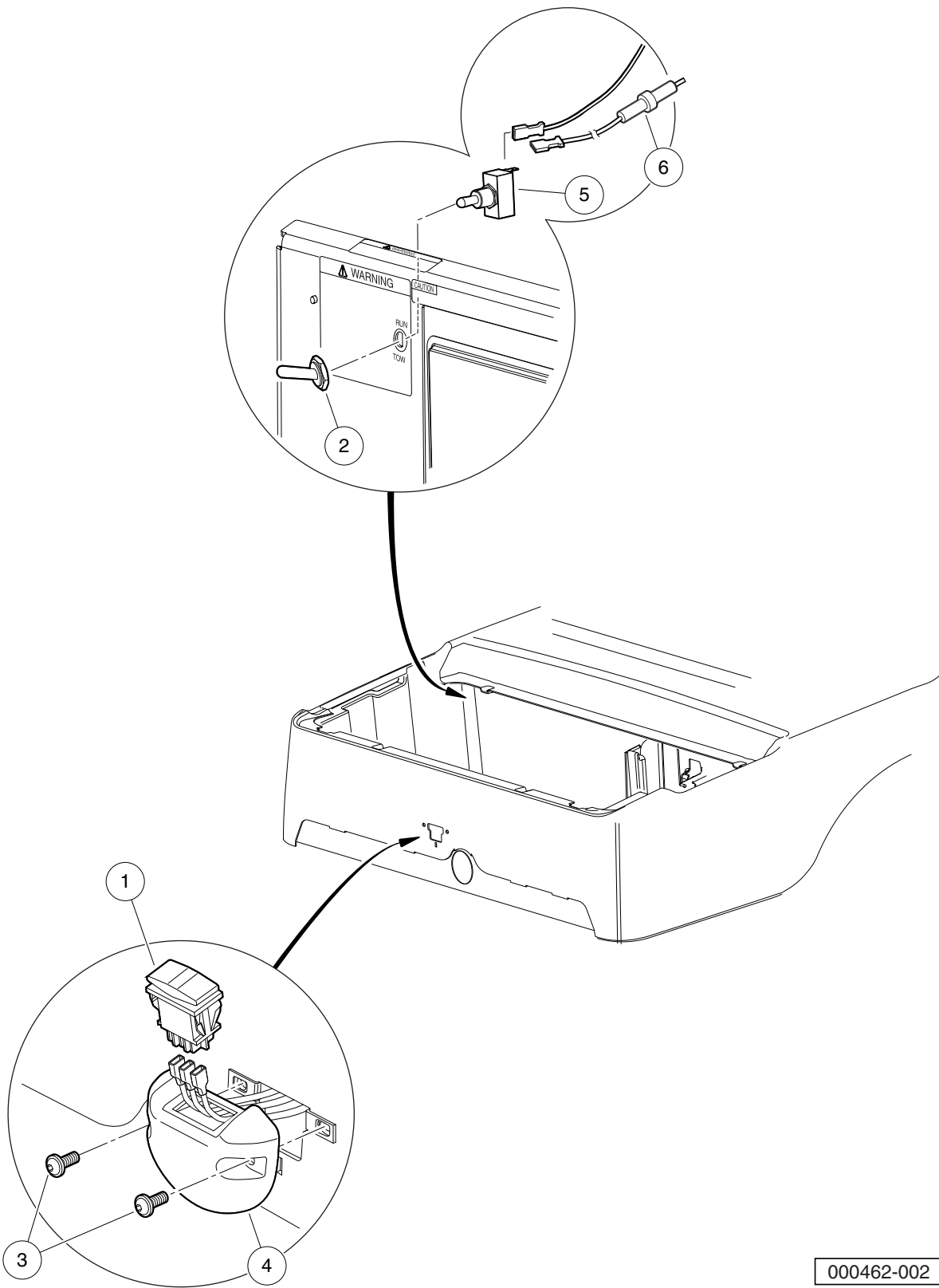
ITEM	PART NO.	DESCRIPTION	QTY
		1 2 3 4	
1	<u>101832001</u>	Screw, #7-19 X 0.625 Phillips Pan-Head Tap	3
2	<u>102554901</u>	Clip, Edge, with Wire Tie	1
3	<u>103375402</u>	Asm, Wire, Battery Positive, B+, Short	1
4	<u>103375702</u>	Asm, Harness, Motor 1/4	1
5	<u>104023201</u>	Harness, Main, Prec, Excel w/Hi-Freq, Mcor3 (includes items 6 and 7)	1
6	<u>102538601</u>	15 Amp Fuse	1
7	<u>103924801</u>	2 Amp Fuse, Glass	1
8	<u>104024001</u>	Asm, Wire, Battery Negative, B-, w/ Accy Ground	1
9	<u>105137401</u>	Harness, Wire, Charger Receptacle (for Yellow DC Cord) (includes item 10)	1
10	<u>102492301</u>	Fuse, 30-Amp	1
11	<u>8639</u>	Tie Wrap, 11" Nylon	A/R
12	<u>8990</u>	Tie Wrap, 8" Nylon	A/R
Note: Items 11 and 12 not shown.			

13

E

13

E



000462-002

FORWARD/REVERSE SWITCH AND TOW/RUN SWITCH

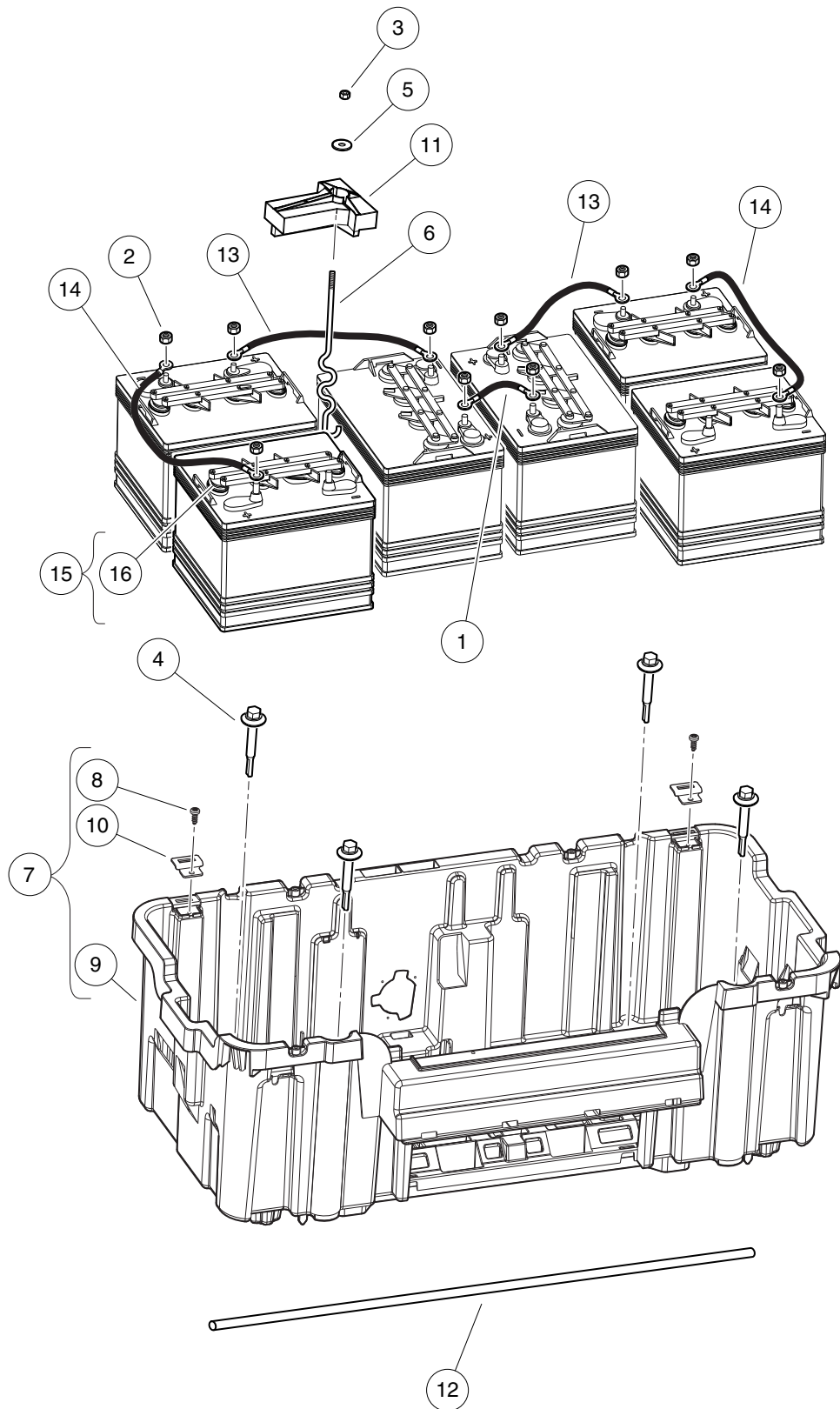
ITEM	PART NO.	DESCRIPTION	QTY
		1 2 3 4	
1	<u>101856001</u>	Switch, Rocker, Double-Pole	1
2	<u>101908401</u>	Boot, Switch	1
3	<u>102296920</u>	Screw, M6 Torx Bttm Hd Sems	2
4	<u>102508401</u>	Housing, FNR Electric	1
5	<u>102511101</u>	Switch, Tow	1
6	<u>102538601</u>	15 Amp Fuse	1

13

E

13

E



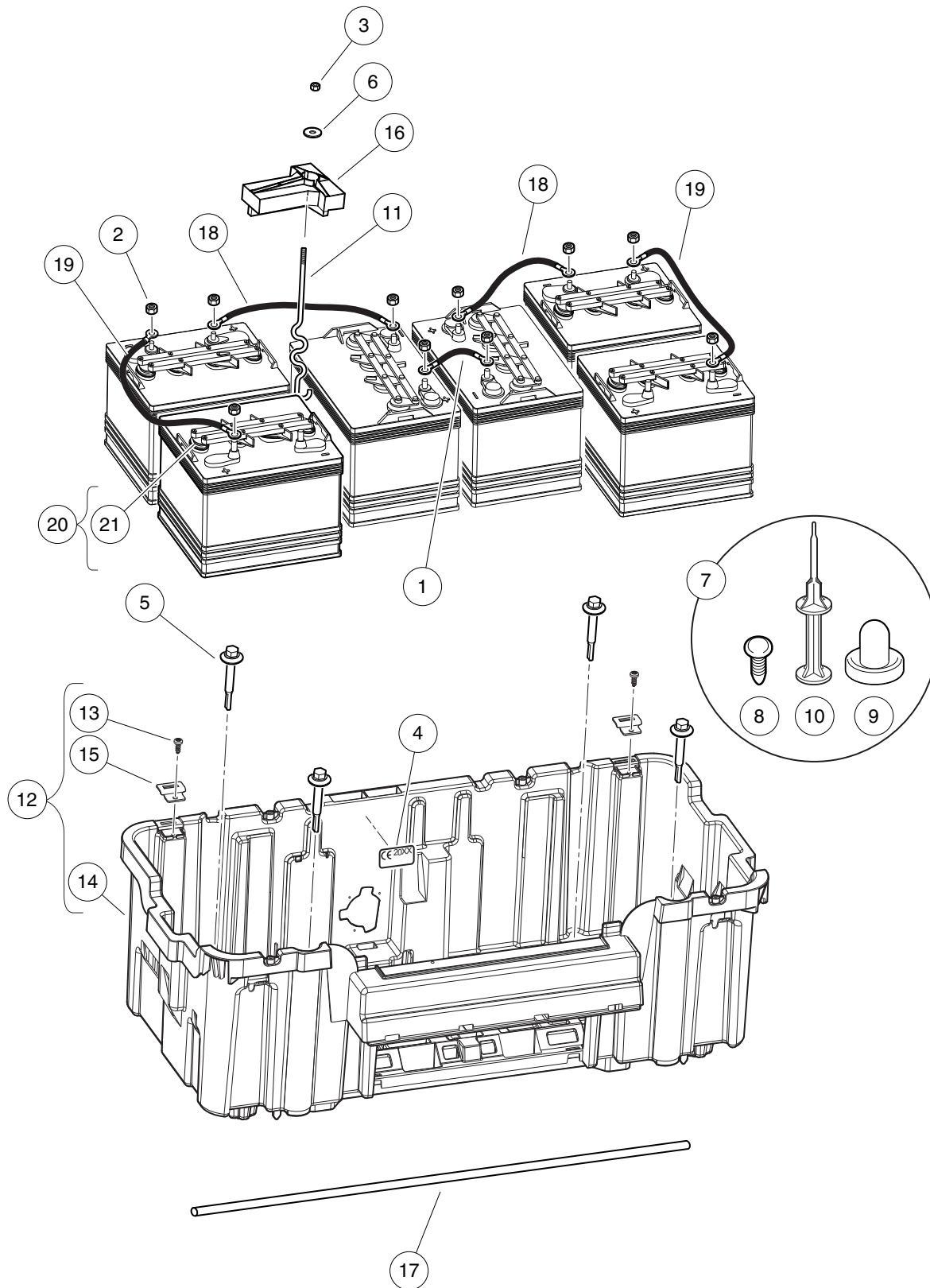
000682-001

BATTERIES AND BATTERY BUCKET, PD+ 8-VOLT

ITEM	PART NO.	DESCRIPTION	QTY
		1 2 3 4	
1	<u>1010958</u>	Asm, Wire, #6blk 8in	1
2	<u>1014304</u>	Nut, 5/16-18 Stainless-Steel Hex	12
3	<u>1014555</u>	Locknut, 7/16-14 Nylon Hex	2
4	<u>102292356</u>	Screw-1/4-20x56 Hwh Self Drill	4
5	<u>102491501</u>	Washer Hard,m10	2
6	<u>103357701</u>	Bolt, Battery, "s" Hold-down	2
7	<u>103368401</u>	Asm, Bucket, Batt, Elec, Prec (includes items 8 through 10)	1
8	<u>102298020</u>	Screw, K80x20, Torx Pn Hd Pt	2
9	N/A	Bucket, Batt, Elec, Precedent	1
10	<u>103368301</u>	Hinge - Nested	2
11	<u>103374801</u>	Hold Down, Battery	2
12	<u>103375301</u>	Tube, Cross, Battery Rod	1
13	<u>103647402</u>	Wire Asm #6 Blk, 12"	2
14	<u>103647403</u>	Wire Asm #6 Blk, 17"	2
15	<u>103793001</u>	Battery, 8-Volt, JCI GC8 (includes item 16)	6
16	<u>103765601</u>	Cap, Spin, 8-Volt Battery	1

13

E



000682-002

BATTERIES AND BATTERY BUCKET, PD+ 8-VOLT, CE

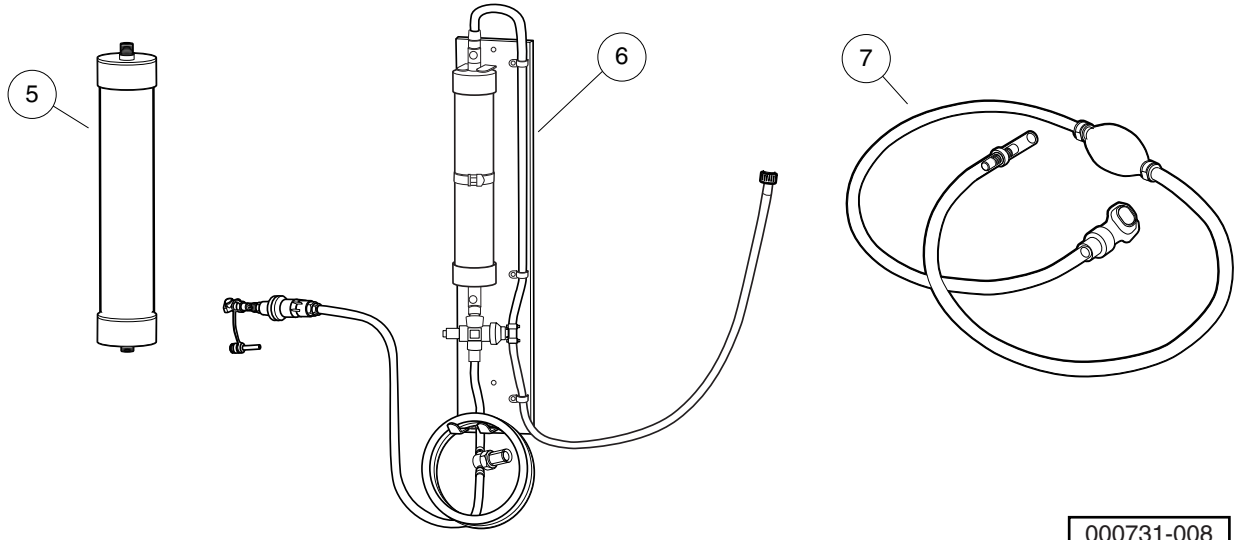
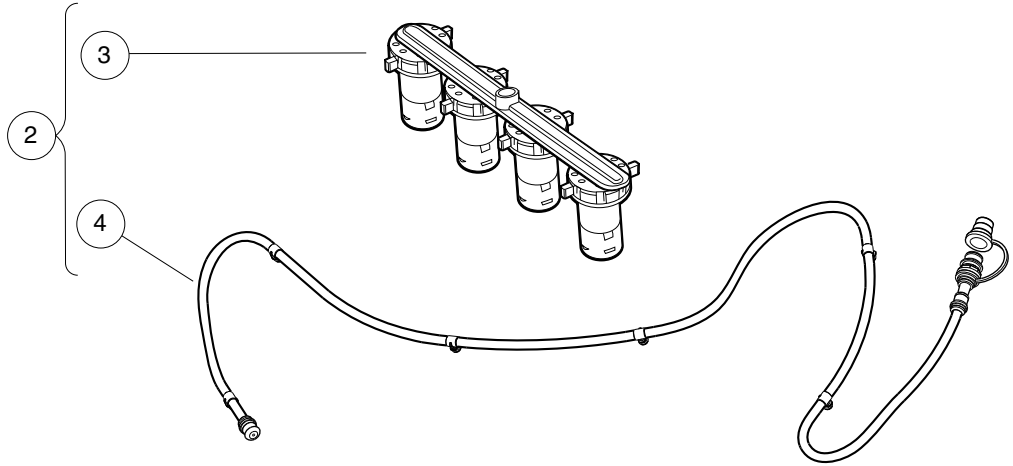
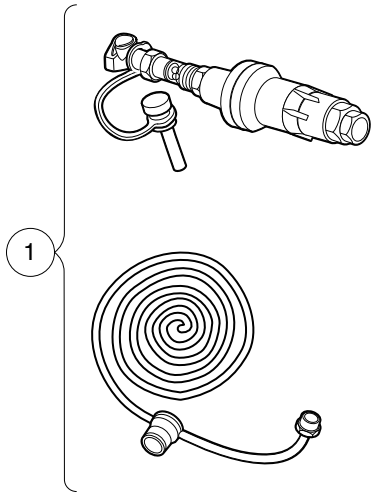
ITEM	PART NO.	DESCRIPTION	QTY
		1 2 3 4	
1	<u>1010958</u>	Asm, Wire, #6blk 8in	1
2	<u>1014304</u>	Nut, 5/16-18 Stainless-Steel Hex	12
3	<u>1014555</u>	Locknut, 7/16-14 Nylon Hex	2
4	<u>101865805</u>	Ce - Decal	1
5	<u>102292356</u>	Screw-1/4-20x56 Hwh Self Drill	4
6	<u>102491501</u>	Washer Hard,m10	2
7	<u>102571202</u>	Kit Ce Plug - Bucket Elec (includes items 8 through 10)	1
8	<u>1010434</u>	Barrel - Plastic	2
9	N/A	Plug, 1/2", CE Bucket	6
10	N/A	Install Tool, CE Bucket Plug	1
11	<u>103357701</u>	Bolt, Battery, "s" Hold-down	2
12	<u>103368401</u>	Asm, Bucket, Batt, Elec, Prec (includes items 13 through 15)	1
13	<u>102298020</u>	Screw, K80x20, Torx Pn Hd Pt	2
14	N/A	Bucket, Batt, Elec, Precedent	1
15	<u>103368301</u>	Hinge - Nested	2
16	<u>103374801</u>	Hold Down, Battery	2
17	<u>103375301</u>	Tube, Cross, Battery Rod	1
18	<u>103647402</u>	Wire Asm #6 Blk, 12"	2
19	<u>103647403</u>	Wire Asm #6 Blk, 17"	2
20	<u>103793001</u>	Battery, 8-Volt, JCI GC8 (includes item 21)	6
21	<u>103765601</u>	Cap, Spin, 8-Volt Battery	1
		Note: The CE-specific parts shown are required for vehicles sold in the European Union.	

13

E

13

E



000731-008

SINGLE POINT WATERING SYSTEM, 8V

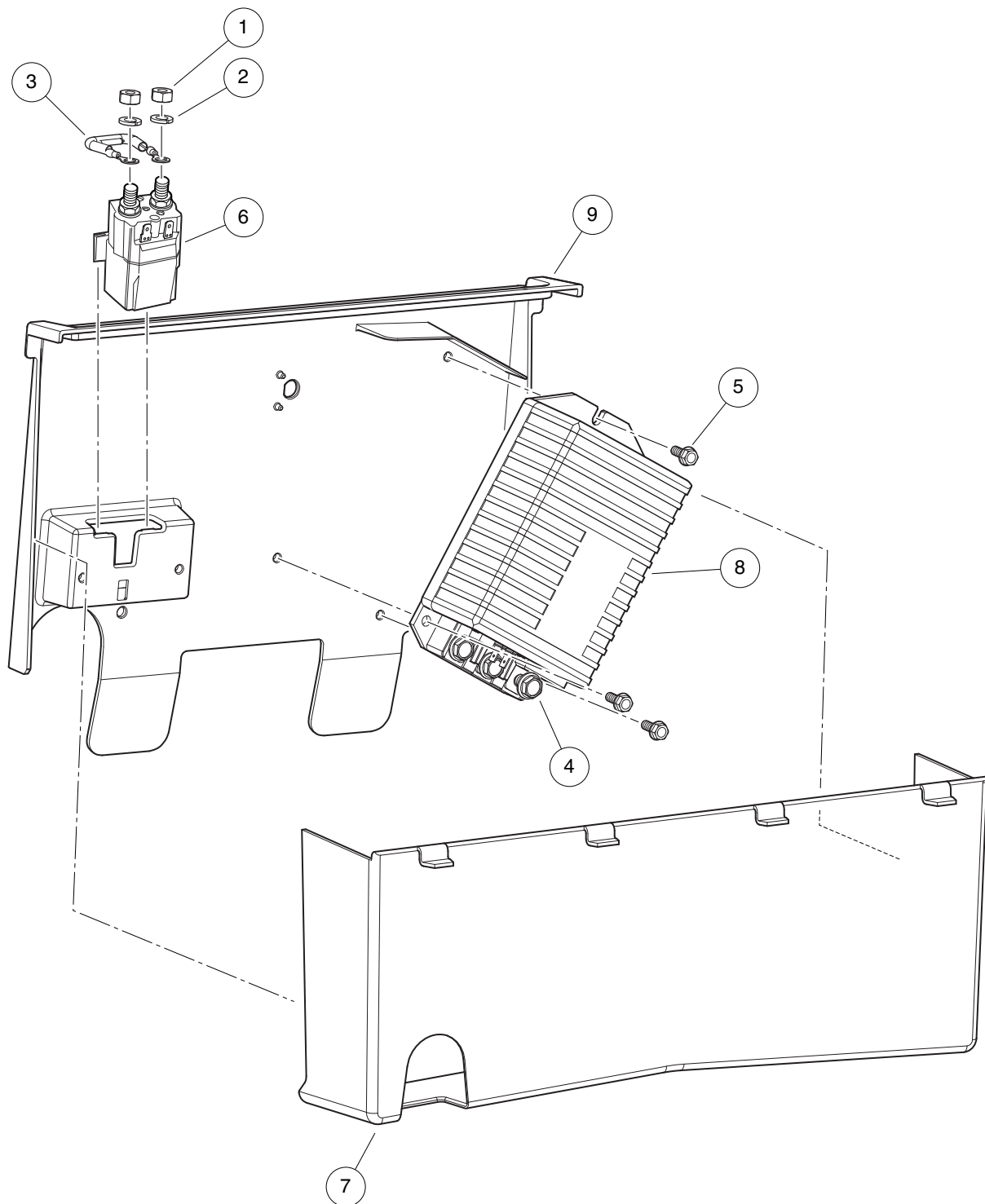
ITEM	PART NO.	DESCRIPTION	QTY
		1 2 3 4	
1	<u>102958001</u>	Kit Regulated Hose Sply Spws	1
2	<u>103395505</u>	Kit, Spws, Prec, 8 Volt Non-Trojan (includes items 3 and 4)	1
3	<u>103510602</u>	Spws, Manifold Asm, 8v Non-Trojan	6
4	<u>103774701</u>	Spws, Hose 8v Non-trojan	1
5	<u>104005901</u>	Cartridge, Flowrite Deionizer	1
6	<u>104006001</u>	Deionizer, Niagra, Flowrite	1
7	<u>104006101</u>	Kit, Hand Pump, Spws	1
		Note: For JCI 8-Volt batteries only.	

13

E

13

E



000486-013

CONTROLLER AND SOLENOID

ITEM	PART NO.	DESCRIPTION	QTY
		1 2 3 4	
1	<u>1012528</u>	Nut, M8-1.25 Hex	2
2	<u>1013734</u>	Lockwasher, 8mm Split	2
3	<u>1014947</u>	Resistor Assembly	1
4	<u>102240501</u>	Bolt, Controller, Terminal	3
5	<u>102296716</u>	Screw, M6 X 16 Tt Hx Fl Hd	3
6	<u>102865901</u>	Solenoid 48v Slot Mt No Diode	1
7	<u>103367901</u>	Shield - Controller	1
8	<u>103982301</u>	Controller, 1515, 250A, White	1
9	<u>105005001</u>	Component Mounting Plate	1
Note: Replacement solenoid may vary in appearance from the original.			

13

E

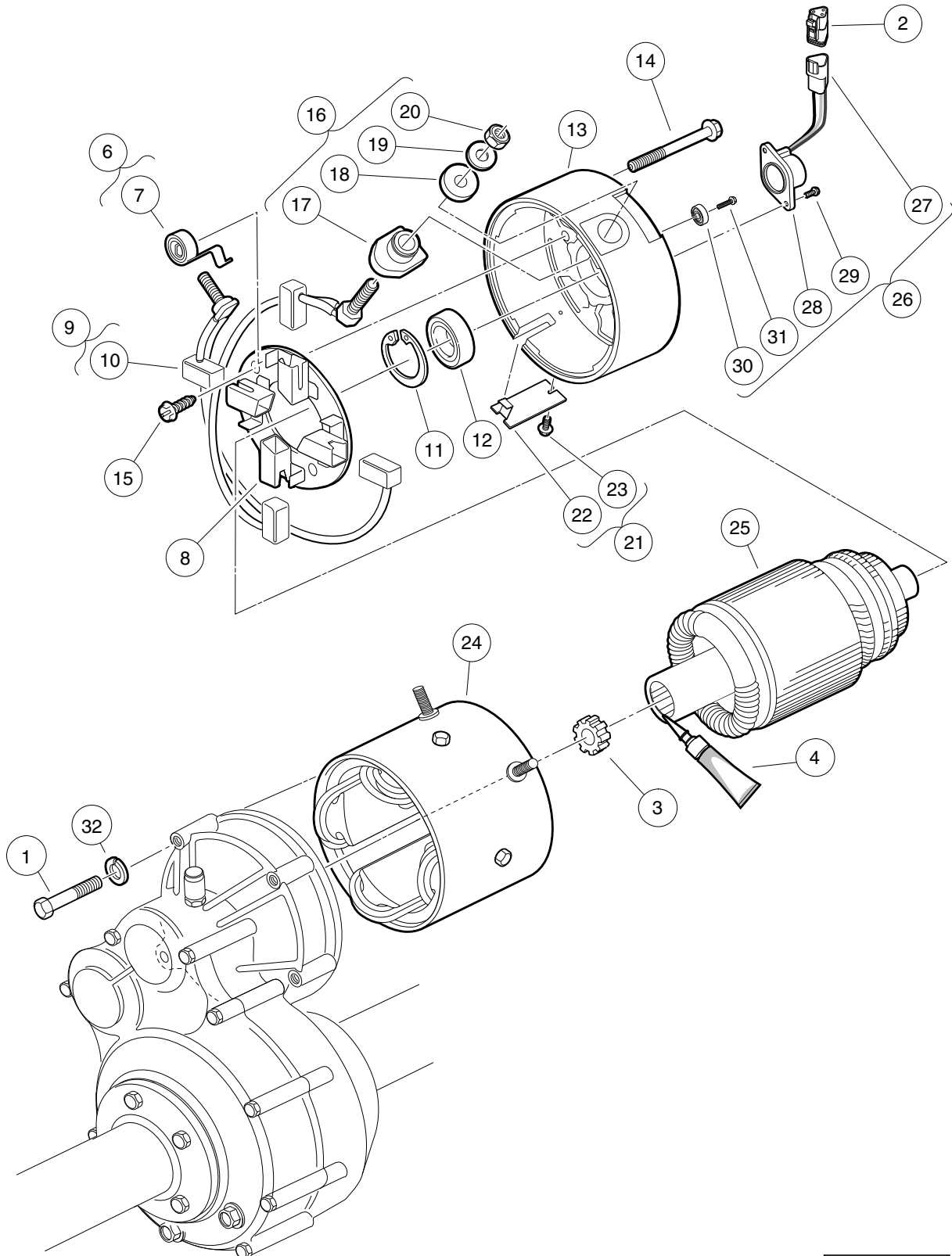
13

E

ELECTRIC MOTOR

14

E



000185-002

MOTOR (MODEL EJ8-4001A) – ELECTRIC VEHICLE

ITEM	PART NO.	DESCRIPTION	QTY
		1 2 3 4	
1	1014201	Screw, 1/4-20 X 2.25 Hex Cap	3
2	<u>101920101</u>	Kit, 3-Pin Wedge Lock	1
3	<u>102235201</u>	Bumper, Drive Unit	1
4	<u>102243403</u>	Lubricant, Moly-Teflon (Single-Use Tube)	1
5	<u>103572501</u>	IQ Electric Motor, 48-VDC 3.3 hp (includes items 6 through 26)	1
6	<u>102186001</u>	Spring Kit, Motor Brush (includes item 7)	1
7	N/A	Spring, Brush, S-g	4
8	<u>102186101</u>	Brush Box Assembly	1
9	<u>102186201</u>	Brush Kit, Motor (includes item 10)	1
10	N/A	Assembly, Brush and Terminal	2
11	<u>102186301</u>	Ring, 2.24" Internal Retaining	1
12	<u>102186401</u>	Bearing, Ball	1
13	<u>102186701</u>	End Cap, Motor	1
14	N/A	Screw, 1/4-20 X 2.25 Hex-Head Washer	2
15	<u>102186901</u>	Screw, #8-32 X .5 Hex-Head	2
16	<u>102187101</u>	Hardware Kit, Motor Terminal (includes items 17 through 20)	2
17	N/A	Bushing, Nylon	2
18	N/A	Washer, Nylon Flat	2
19	N/A	Washer, Flat, 5/16 Steel	2
20	N/A	Nut, Brass Hex, 5/16 - 18	2
21	<u>102187201</u>	Plate Kit, Motor Cover (includes items 22 and 23)	1
22	N/A	Assembly, Cover Plate	1
23	N/A	Screw, #8-32 x 0.375, Taptite Thread	1
24	<u>102704701</u>	Frame and Field Assembly	1
25	<u>102704801</u>	Armature Assembly	1
26	<u>102704901</u>	Kit, Speed Sensor (includes items 27 through 31)	1
27	<u>101942301</u>	Kit, 3-Pin Wedge Lock	1
28	N/A	Sensor, Motor Speed, ADC	1
29	N/A	Screw, #8-32, Taptite Thread	2
30	N/A	Magnet, ADC Motor	1
31	N/A	Screw, 1/4-20 x 0.5	1
32	<u>451</u>	Lockwasher, 1/4 Split	3
		Note: The F1 and F2 terminal posts on the EJ8-4001A motor have 1/4 - 20 thread.	

14

E

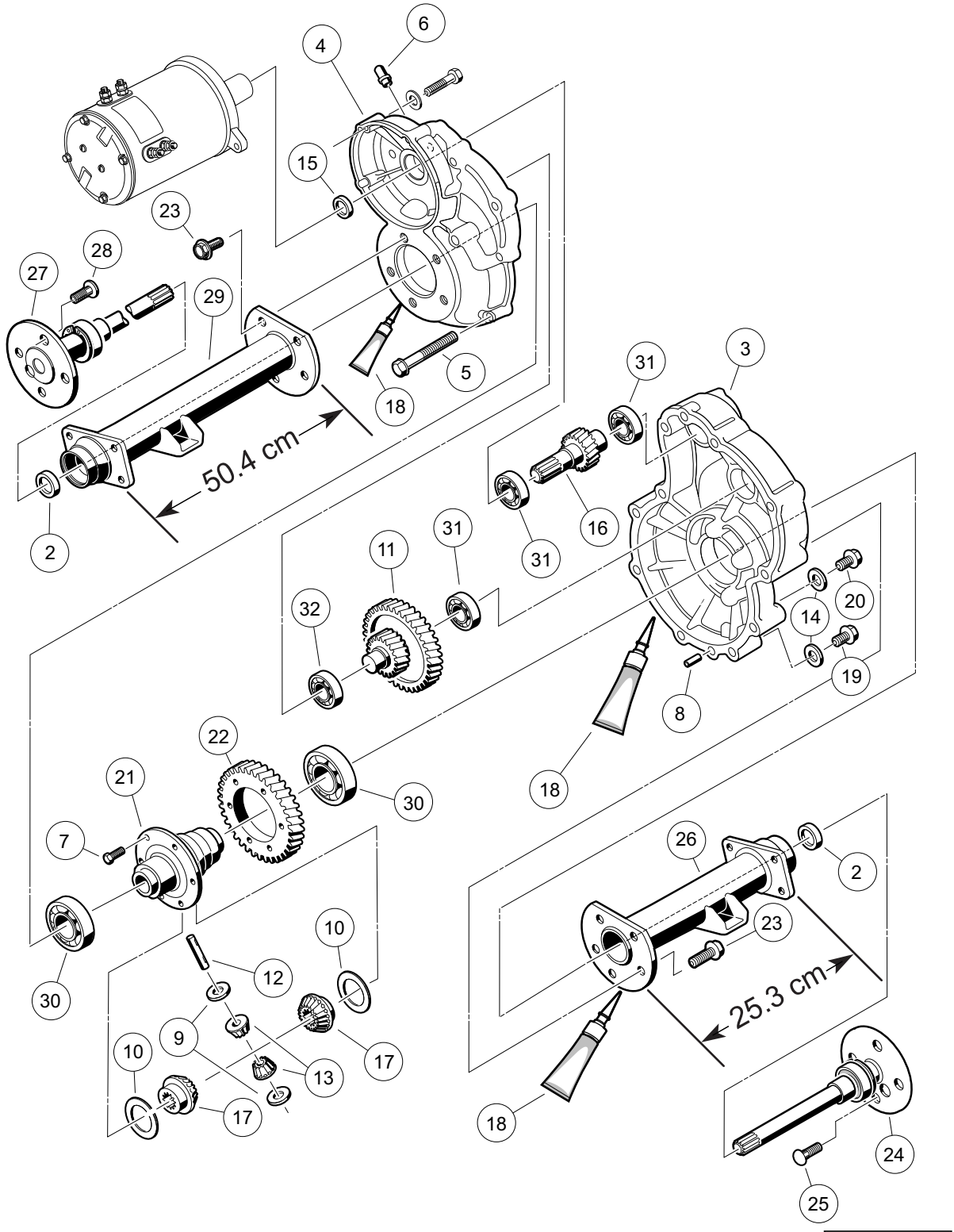
14

E

TRANSAXLE – ELECTRIC VEHICLES

15

E



000223-002

TRANSAXLE – ELECTRIC VEHICLES

ITEM	PART NO.	DESCRIPTION	QTY
		1 2 3 4	
1	<u>102771701</u>	Transaxle, Electric (includes items 2 through 32)	1
2	<u>1013794</u>	Axle Shaft Oil Seal	2
3	<u>101895401</u>	Gear Case, Left-Hand	1
4	<u>101895501</u>	Gear Case, Passenger-Side	1
5	<u>101897001</u>	Screw, M8-1.25 X 60mm Hex-Head	11
6	<u>101897201</u>	Breather	1
7	<u>101897401</u>	Screw, M10-1.25 X 25mm	6
8	<u>101897601</u>	Pin, 11mm OD X 8.5mm ID X 10mm	2
9	<u>101903601</u>	Washer, Thrust	2
10	<u>101903701</u>	Washer, Thrust	2
11	<u>101906901</u>	Intermediate Shaft Assembly	1
12	<u>101922101</u>	Pin, 15.99mm X 88.7mm Dowel	1
13	<u>101923001</u>	Gear, Differential Idler	2
14	<u>101923201</u>	Gasket	2
15	<u>101923501</u>	Seal, Lip	1
16	<u>101923701</u>	Shaft, Input	1
17	<u>101923901</u>	Gear, Differential	2
18	<u>101928701</u>	Liquid Gasket (Transaxle case)	1
19	<u>101972101</u>	Plug, M14-1.5 X 12mm Magnetic	1
20	<u>101972201</u>	Plug, M14-1.5 X 12mm Hex	1
21	<u>102356601</u>	Housing, Differential, 6 Bolt	1
22	<u>102356801</u>	Gear, Differential Output, 6-Bolt	1
23	<u>102357001</u>	Screw, Flg Hd M10 X 1.5 X 30	10
24	<u>102886301</u>	Axle Assembly, Driver-Side (includes item 25)	1
25	<u>101922201</u>	Lug Stud	4
26	<u>102886401</u>	Tube, Axle, Driver-Side	1
27	<u>102886501</u>	Axle Assembly, Passenger-Side (includes item 28)	1
28	<u>101922201</u>	Lug Stud	4
29	<u>102886601</u>	Tube, Axle, Passenger-Side	1
30	<u>7330</u>	Inner Axle Tube Bearing	2
31	<u>7335</u>	Bearing	3
32	<u>7336</u>	Bearing	1

15

E

15

E

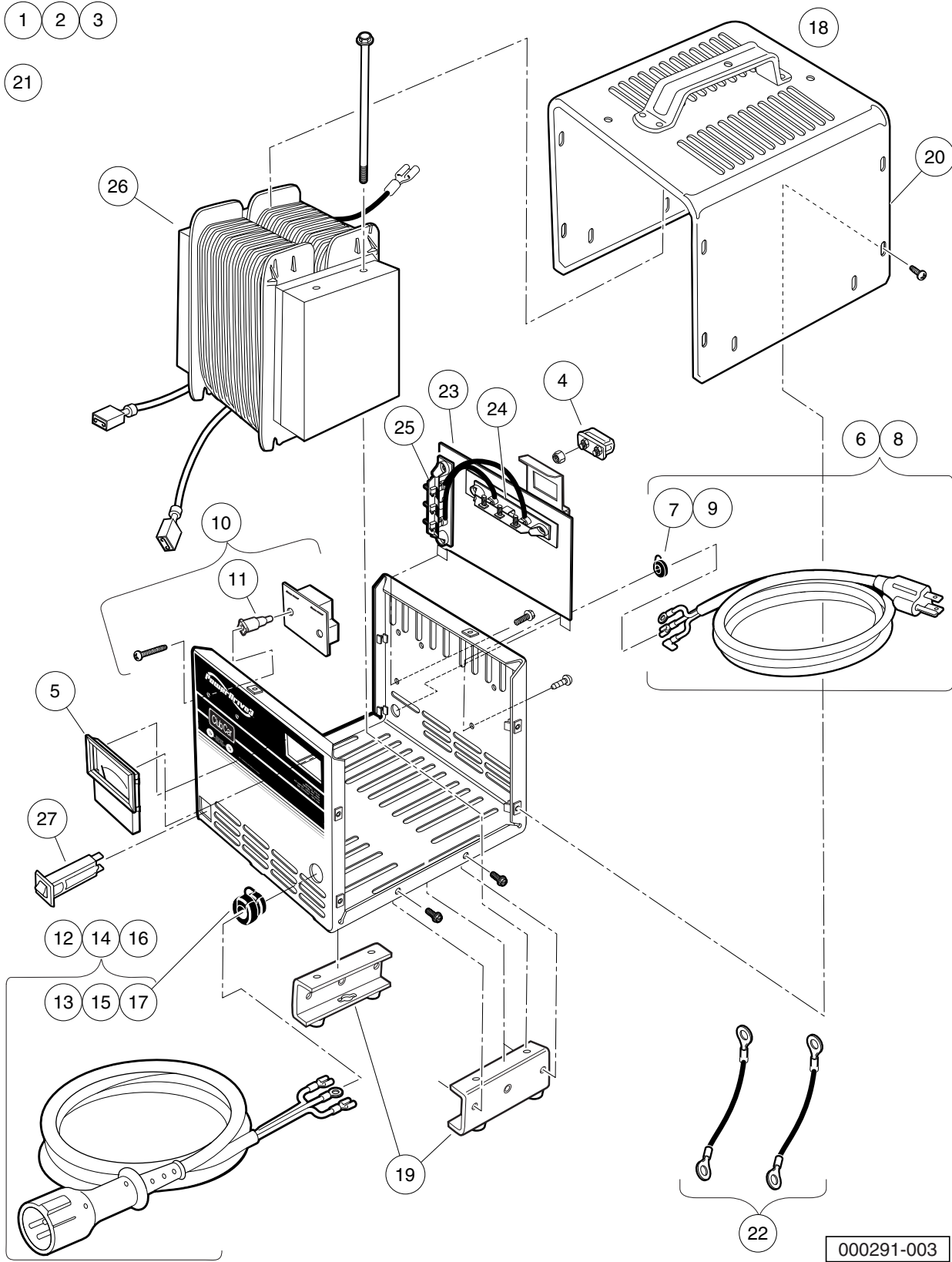
BATTERY CHARGERS – POWERDRIVE

16

E

1 2 3

21



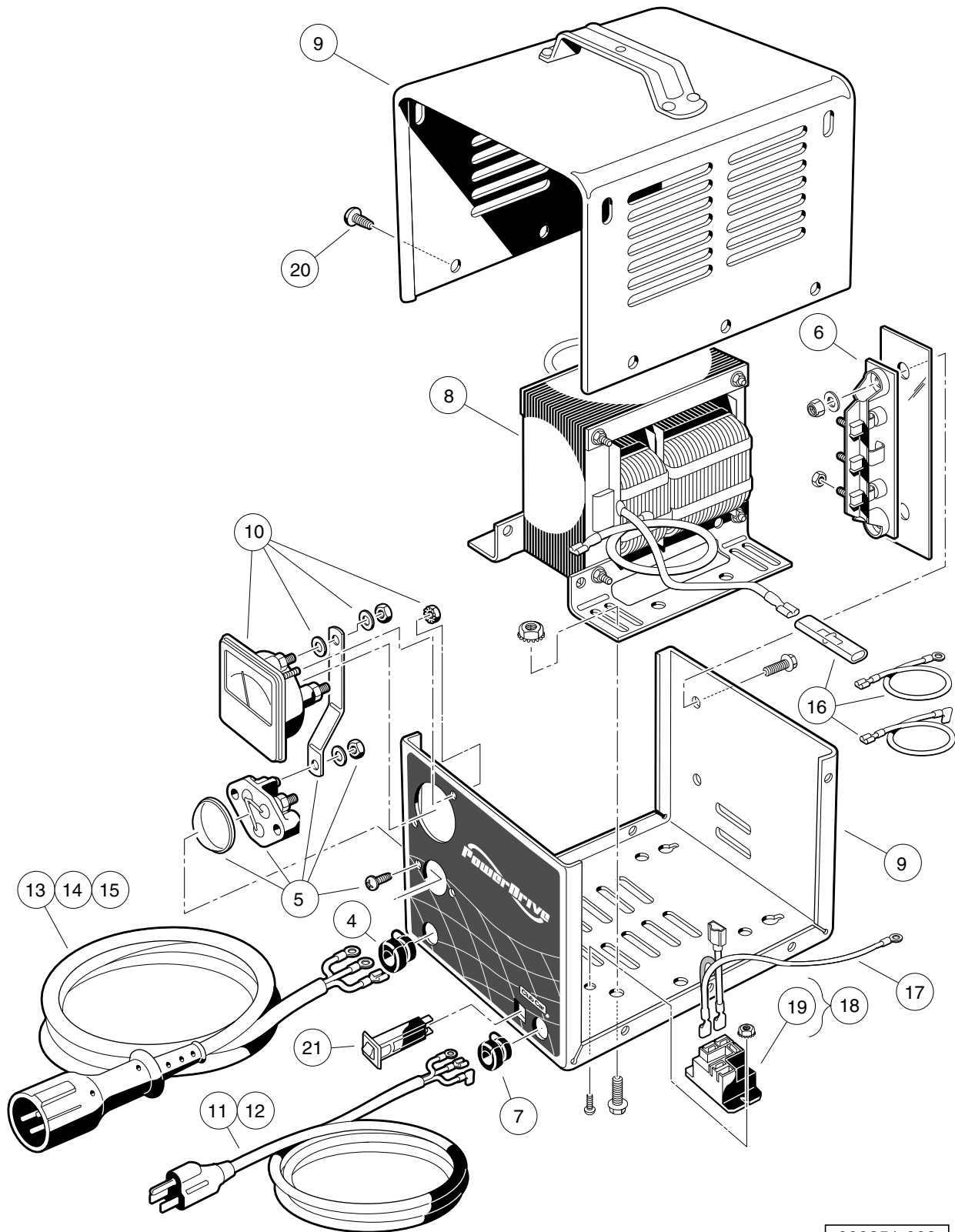
000291-003

POWERDRIVE 3 BATTERY CHARGER (MODELS 26580-31,-38,-39), DOMESTIC

16

E

ITEM	PART NO.	DESCRIPTION	QTY
		1 2 3 4	
1	<u>103717001</u>	Charger, PowerDrive 3, 9ft DC, 6ft AC	1
2	<u>103717002</u>	Charger, PowerDrive 3, 12ft DC, 9ft AC	1
3	<u>103717003</u>	Charger, PowerDrive 3, 20ft DC, 9ft AC (includes items 4 through 27)	1
4	<u>102273701</u>	PD2 Fuse Asm	1
5	<u>102273801</u>	PD2 Ammeter	1
6	<u>103428501</u>	Kit, PD3 Cordset - AC 80" (includes item 7)	1
7	<u>102273901</u>	PD2 AC Cord Bushing	1
8	<u>103428601</u>	Kit, PD3 Cordset, - AC 114" (includes item 9)	1
9	<u>102273901</u>	PD2 AC Cord Bushing	1
10	<u>103428701</u>	Asm, PD3 Board Relay (includes item 11)	1
11	<u>103429701</u>	PD3 Plastic Stand-Offs	2
12	<u>103429001</u>	PD3 Cordset - DC 113" (includes item 13)	1
13	<u>1012098</u>	Bushing, DC Cord	1
14	<u>103429101</u>	PD3 Cordset - DC 154" (includes item 15)	1
15	<u>1012098</u>	Bushing, DC Cord	1
16	<u>103429201</u>	PD3 Cordset - DC 205" (includes item 17)	1
17	<u>1012098</u>	Bushing, DC Cord	1
18	<u>103429301</u>	Asm, PD3 Case (includes items 19 and 20)	1
19	<u>103434001</u>	Asm, PD3 Legs	1
20	<u>103439901</u>	PD3Case Top (Includes Handle)	1
21	<u>103429501</u>	Kit, PD3 Hardware	1
22	<u>103513001</u>	Wire Asm Kit Blk Pd3	1
23	<u>103517401</u>	Kit Pd3 Button Diode (includes items 24 and 25)	1
24	N/A	Asm Diode Top	1
25	N/A	Asm Diode Side	1
26	<u>103779601</u>	Transformer, Pd3, Al	1
27	<u>CCX8506</u>	Circuit Breaker, 15-Amp/120-Volt	1
<p>Note: Level 1 Battery Charger part numbers include one AC and one DC cord. They do not include all of the level 2 cords listed.</p>			



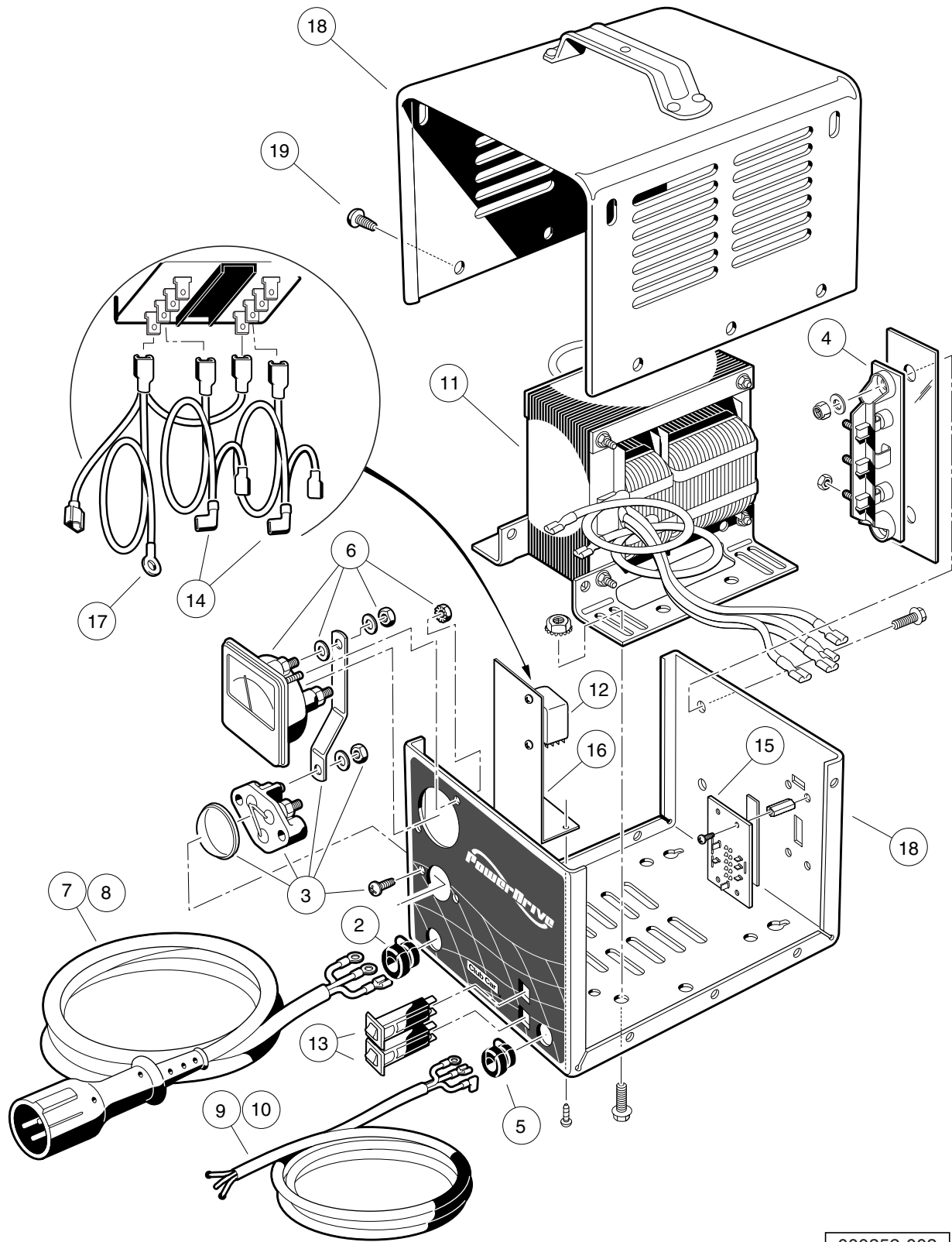
000351-002

POWERDRIVE BATTERY CHARGER (MODELS 17930-11,-18,-19), DOMESTIC

16

E

ITEM	PART NO.	DESCRIPTION	QTY
		1 2 3 4	
1	<u>101802201</u>	Charger, PowerDrive, 48V/17A, 9ft DC, 6ft AC Cord	1
2	<u>101802202</u>	Charger, PowerDrive, 48V/17A, 12ft DC, 9ft AC Cord	1
3	<u>101802203</u>	Charger, PowerDrive, 48V/17A, 20ft DC, 9ft AC Cord (includes items 4 through 21)	1
4	<u>1012098</u>	Bushing, DC Cord	1
5	<u>1012101</u>	Fuse Assembly	1
6	<u>1015914</u>	Rectifier with Heatsink Assembly	1
7	<u>1015917</u>	Bushing, AC Cord	1
8	<u>101819701</u>	Transformer, Battery Charger	1
9	<u>101828301</u>	Case Assembly	1
10	<u>101828501</u>	Ammeter	1
11	<u>101828801</u>	Cord, AC, 80-Inch (203 cm)	1
12	<u>101828802</u>	Cord, AC, 108-Inch (274 cm)	1
13	<u>101828901</u>	Cord, DC, 113-Inch (287 cm)	1
14	<u>101828902</u>	Cord, DC, 154-Inch (391 cm)	1
15	<u>101828903</u>	Cord, DC, 250-Inch (635 cm)	1
16	<u>101831101</u>	Wire Assembly Kit	1
17	101914401	Assembly, Voltage Suppressor	1
18	<u>103414901</u>	Kit, Relay, 48v 30a W/instr (includes item 19)	1
19	<u>103397901</u>	Relay, Spst No, 48v 30a, Pmt	1
20	7577	Screw, #10 X 0.50 Phillips Pan-Head	10
21	<u>CCX8506</u>	Circuit Breaker, 15-Amp/120-Volt	1
<p>Note: Level 1 Battery Charger part numbers include one AC and one DC cord. They do not include all of the level 2 cords listed. Note 2: These chargers were discontinued early in model year 2013. Individual components remain available. To replace the charger, see PowerDrive 3 chargers on page 15-3.</p>			



000352-003

POWERDRIVE BATTERY CHARGER (MODEL 18780-18), EXPORT

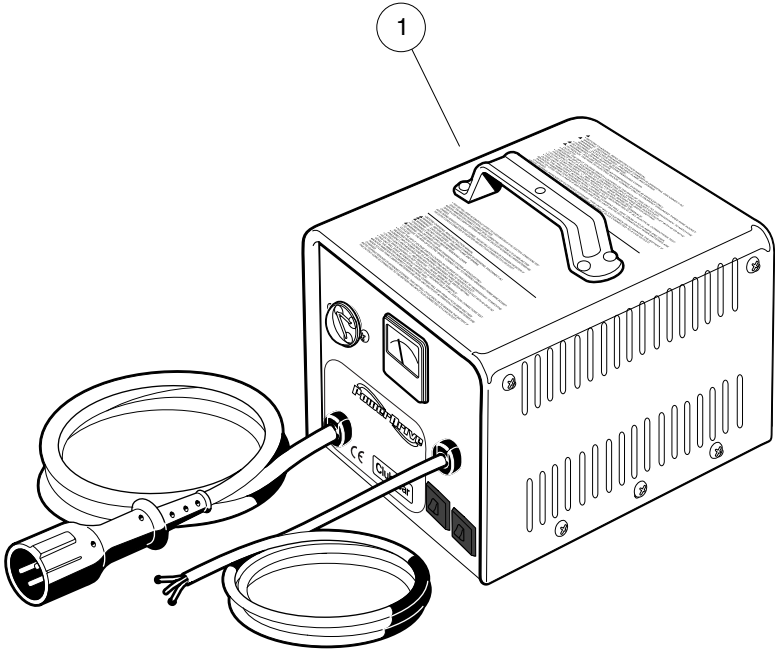
ITEM	PART NO.	DESCRIPTION	QTY
		1 2 3 4	
1	101831504	Battery Charger, 48-Volt DC (12-ft DC, 9-ft AC) (includes items 2 through 19)	1
2	<u>1012098</u>	Bushing, DC Cord	1
3	<u>1012101</u>	Fuse Assembly	1
4	<u>1015914</u>	Rectifier with Heatsink Assembly	1
5	<u>1015917</u>	Bushing, AC Cord	1
6	<u>101828501</u>	Ammeter	1
7	<u>101828901</u>	Cord, DC, 113-Inch (287 cm)	1
8	<u>101828902</u>	Cord, DC, 154-Inch (391 cm)	1
9	<u>101831701</u>	Cord, AC, 80-Inch (203 cm), without Plug	1
10	<u>101831702</u>	Cord, AC, 118-Inch (300 cm), without Plug	1
11	101838201	Transformer, Export Battery Charger	1
12	<u>101838301</u>	Relay, Export Charger	1
13	101838401	Circuit Breaker	2
14	101838501	Kit, Wire Assembly	1
15	101838601	Four-Position Switch	1
16	<u>101838701</u>	Mounting Bracket, Relay	1
17	101914401	Assembly, Voltage Suppressor	1
18	N/A	Case, Charger	1
19	7577	Screw, #10 X 0.50 Phillips Pan-Head	10
<p>Note: Model 18780-18 Export charger (p/n 101831504) is the only Export charger available with a 12 foot DC cord. For Export charger with an 8.5 foot DC cord, see Model 27640-61 on next page. Note 2: Level 1 Battery Charger part numbers include one AC and one DC cord. They do not include all of the level 2 cords listed.</p>			

16

E

16

E



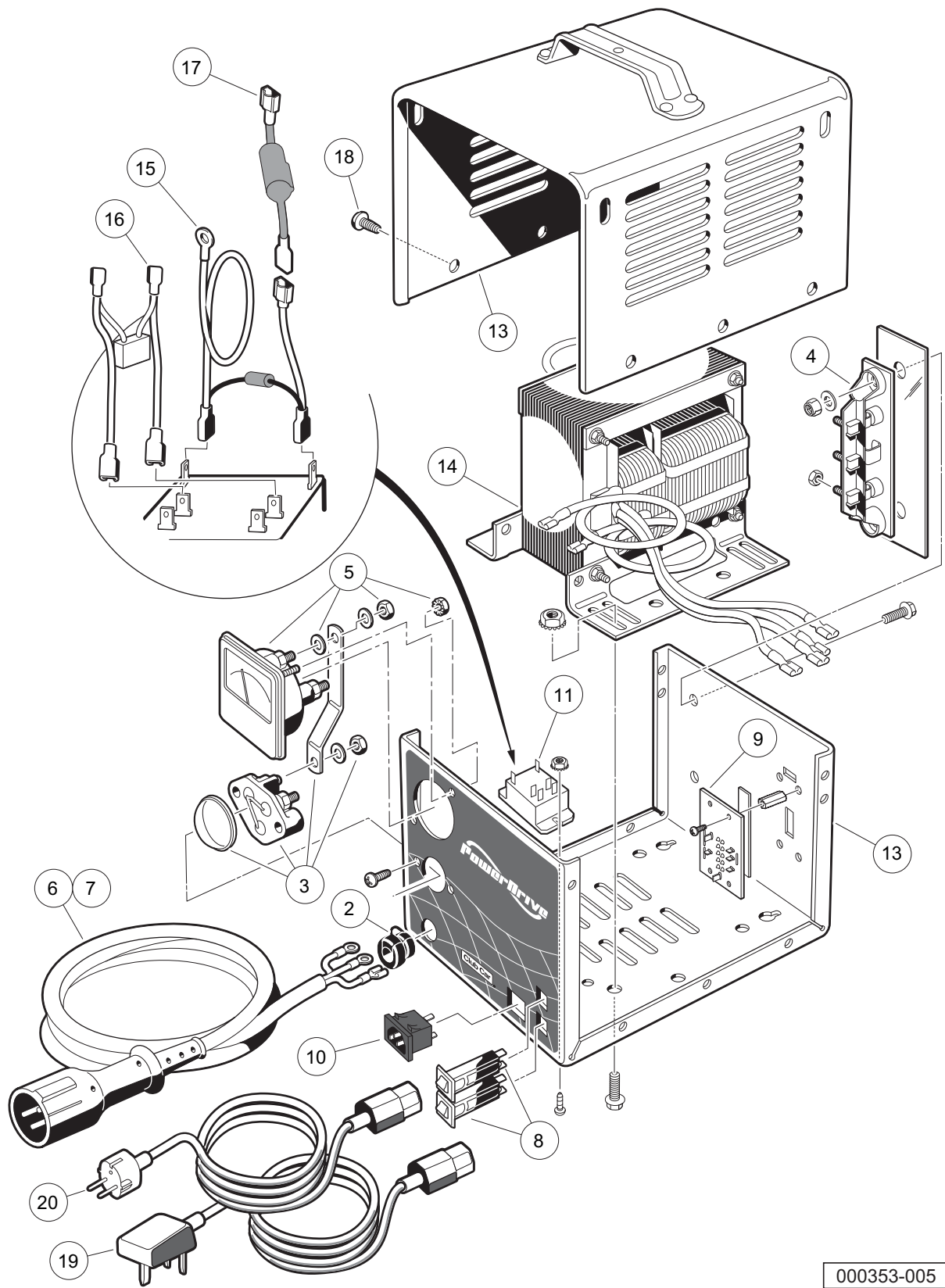
000352-002

POWERDRIVE BATTERY CHARGER (MODEL 27640-61), EXPORT

ITEM	PART NO.	DESCRIPTION	QTY
1	<u>103976801</u>	<p>1 2 3 4</p> <p>Battery Charger, Export, Stationary, 48VDC, 8.5ft DC, 6ft AC Cord</p> <p>Note: Model 27640-61 Export charger (p/n <u>103976801</u>) is the only Export charger available with an 8.5 foot DC cord. For Export charger with 12 foot DC cord, see Model 18780-18 on previous page. Note 2: Battery Charger</p>	1

16

E



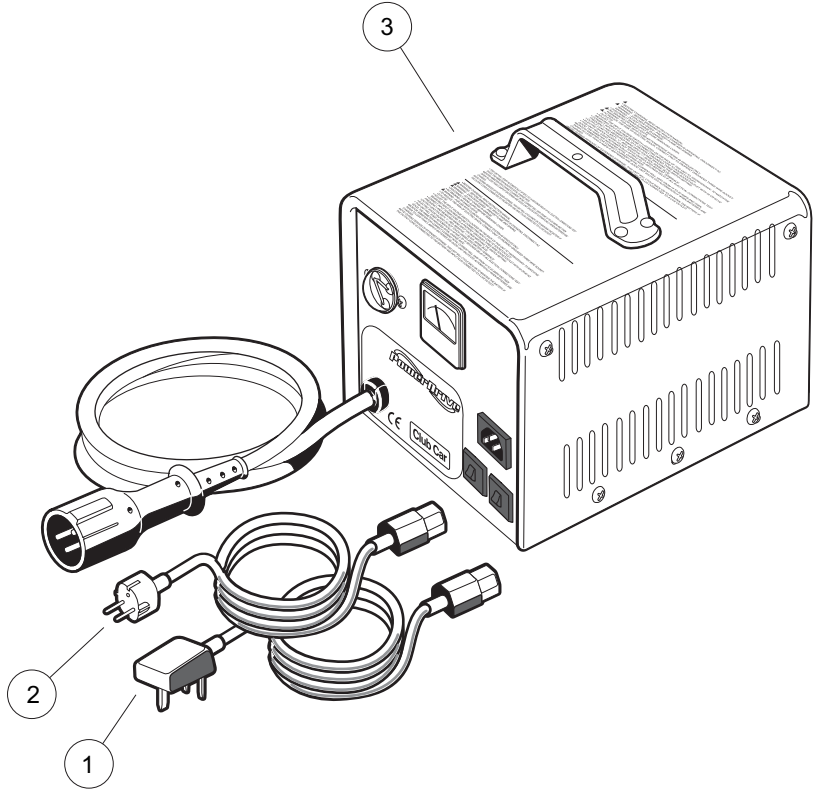
000353-005

POWERDRIVE BATTERY CHARGER (MODEL 20310-18), EUROPEAN

ITEM	PART NO.	DESCRIPTION	QTY
		1 2 3 4	
1	<u>101956202</u>	Battery Charger, 48-Volt w/ 4-Pos. Switch (12-ft DC) (includes items 2 through 18)	1
2	<u>1012098</u>	Bushing, DC Cord	1
3	<u>1012101</u>	Fuse Assembly	1
4	<u>1015914</u>	Rectifier with Heatsink Assembly	1
5	<u>101828501</u>	Ammeter	1
6	<u>101828901</u>	Cord, DC, 113-Inch (287 cm)	1
7	<u>101828902</u>	Cord, DC, 154-Inch (391 cm)	1
8	101838401	Circuit Breaker	2
9	101838601	Four-Position Switch	1
10	101973501	Receptacle, AC Cord	1
11	<u>101987501</u>	Relay	1
12	N/A	Wire, Jumper	1
13	N/A	Case, Charger	1
14	****	Transformer, European Battery Charger	1
15	****	Suppressor, AC Voltage	1
16	****	Assembly, Wire	1
17	N/A	Limiter, Current	1
18	7577	Screw, #10 X 0.50 Phillips Pan-Head	10
19	<u>101958201</u>	Cord, UK, AC, Battery Charger	1
20	101958301	Cord, European AC, Battery Charger	1
<p>**** Special order item available upon request.</p> <p>Note: Model 20310-18 European charger (p/n <u>101956202</u>) is the only European charger available with a 12 foot DC cord. For European charger with an 8.5 foot DC cord, see Model 27640-11 on next page. Note 2: Level 1 Battery Charger part numbers include one AC and one DC cord. They do not include all of the level 2 cords listed.</p>			

16

E



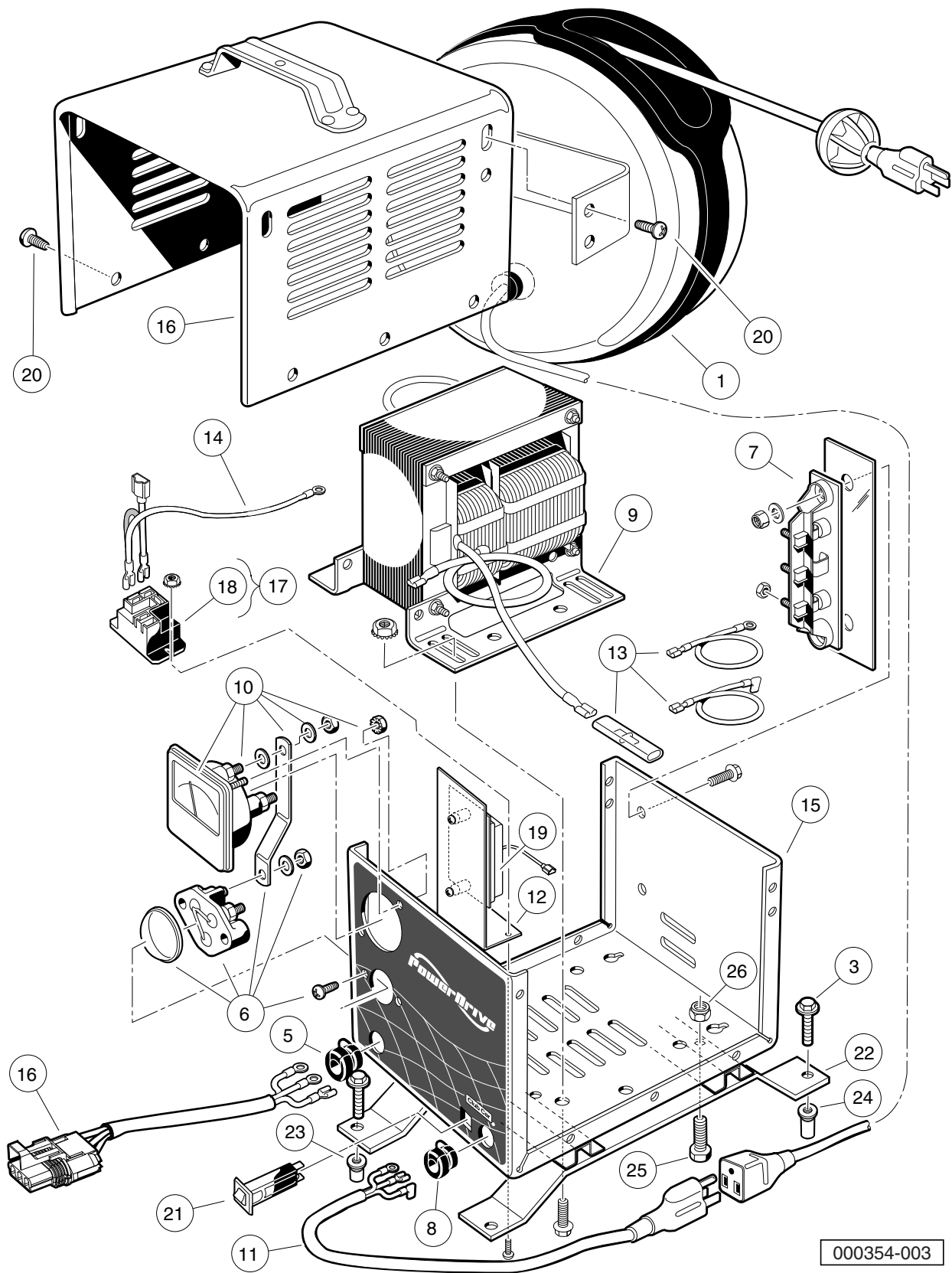
000353-004

POWERDRIVE BATTERY CHARGER (MODEL 27640-11), EUROPEAN

ITEM	PART NO.	DESCRIPTION	QTY
		1 2 3 4	
1	<u>101958201</u>	Cord, UK, AC, Battery Charger	1
2	<u>101958301</u>	Cord, European AC, Battery Charger	1
3	<u>103976901</u>	Battery Charger, European, Stationary, 48VDC, 8.5ft DC Cord	1
<p>Note: Model 27640-11 European charger (p/n <u>103976901</u>) is the only European charger available with an 8.5 foot DC cord. For European charger with 12 foot DC cord, see Model 20310-18 on previous page. Note 2: Battery Charger part number includes one AC and one DC cord.</p>			

16

E



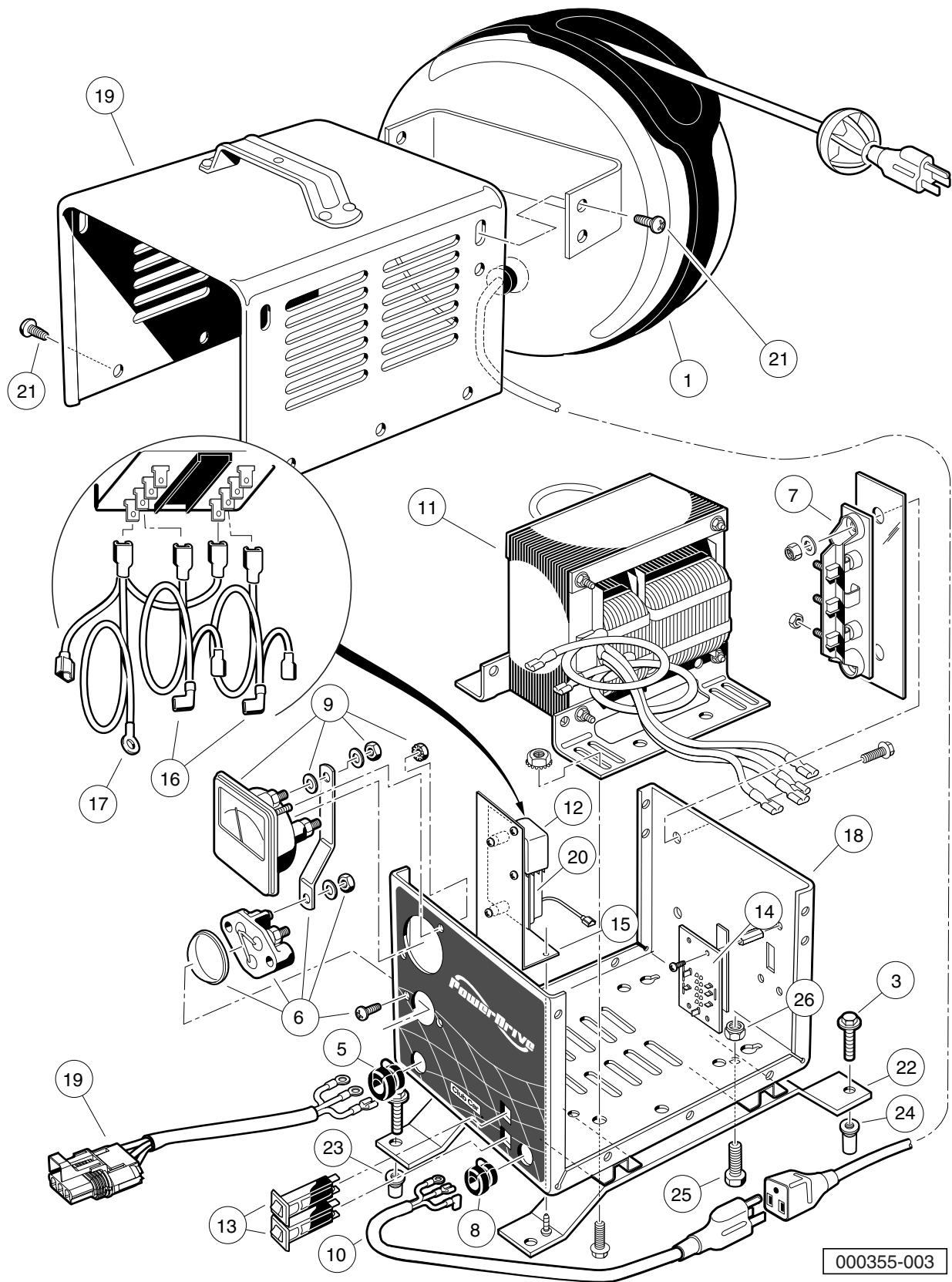
000354-003

ONBOARD POWERDRIVE BATTERY CHARGER (MODEL 17935-40), DOMESTIC

16

E

ITEM	PART NO.	DESCRIPTION	QTY
		1 2 3 4	
1	<u>1017187</u>	Retractable Cord Reel	1
2	<u>1017189</u>	Heat Shrink Tube 1.5" X 3"	1
3	<u>102541425</u>	Bolt, M6x1.0x25, Hex Flhd, Blk-l	4
4	<u>102546901</u>	Battery Charger, Onboard, PowerDrive, 48VDC, Domestic (includes items 5 through 21)	1
5	<u>1012098</u>	Bushing, DC Cord	1
6	<u>1012101</u>	Fuse Assembly	1
7	<u>1015914</u>	Rectifier with Heatsink Assembly	1
8	<u>1015917</u>	Bushing, AC Cord	1
9	<u>101819701</u>	Transformer, Battery Charger	1
10	<u>101828501</u>	Ammeter	1
11	<u>101829001</u>	Cord, AC, 22-Inch (56 cm)	1
12	<u>101838701</u>	Mounting Bracket, Relay	1
13	<u>101841701</u>	Kit, Wire Assembly	1
14	<u>101914401</u>	Assembly, Voltage Suppressor	1
15	N/A	Case, Charger	1
16	<u>102940801</u>	Cord, Dc	1
17	<u>103414901</u>	Kit, Relay, 48v 30a W/instr (includes item 18)	1
18	<u>103397901</u>	Relay, Spst No, 48v 30a, Pmt	1
19	<u>103869401</u>	Control Board, Potted	1
20	<u>7577</u>	Screw, #10 X 0.50 Phillips Pan-Head	12
21	<u>CCX8506</u>	Circuit Breaker, 15-Amp/120-Volt	1
22	<u>102547201</u>	Charger Support, Prec	2
23	<u>102551701</u>	Insert M6x1.0	2
24	<u>103339901</u>	Insert M6x1.0 Long	2
25	<u>7847</u>	Screw, 1/4-20 X 0.75 Hex-Head Cap	4
26	<u>8233</u>	Locknut, 1/4-20 Nylon Insert	4
27	<u>8990</u>	Tie Wrap, 8" Nylon	2
Note: Items 2 and 27 not shown. Note 2: For wire harness connecting charger to vehicle, see Electrical System section.			



000355-003

ONBOARD POWERDRIVE BATTERY CHARGER (MODEL 17790-40), INTERNATIONAL

16

E

ITEM	PART NO.	DESCRIPTION	QTY
		1 2 3 4	
1	<u>1017187</u>	Retractable Cord Reel	1
2	<u>1017189</u>	Heat Shrink Tube 1.5" X 3"	1
3	<u>102541425</u>	Bolt, M6x1.0x25, Hex Flhd, Blk-l	4
4	<u>102546902</u>	Battery Charger, Onboard, PowerDrive, 48VDC, International (includes items 5 through 21)	1
5	<u>1012098</u>	Bushing, DC Cord	1
6	<u>1012101</u>	Fuse Assembly	1
7	<u>1015914</u>	Rectifier with Heatsink Assembly	1
8	<u>1015917</u>	Bushing, AC Cord	1
9	<u>101828501</u>	Ammeter	1
10	<u>101829001</u>	Cord, AC, 22-Inch (56 cm)	1
11	<u>101838201</u>	Transformer, Export Battery Charger	1
12	<u>101838301</u>	Relay, Export Charger	1
13	<u>101838401</u>	Circuit Breaker	2
14	<u>101838601</u>	Four-Position Switch	1
15	<u>101838701</u>	Mounting Bracket, Relay	1
16	****	Kit, Wire Assembly	1
17	<u>101914401</u>	Assembly, Voltage Suppressor	1
18	N/A	Case, Charger	1
19	<u>102940801</u>	Cord, Dc	1
20	<u>103869401</u>	Control Board, Potted	1
21	<u>7577</u>	Screw, #10 X 0.50 Phillips Pan-Head	12
22	<u>102547201</u>	Charger Support, Prec	2
23	<u>102551701</u>	Insert M6x1.0	2
24	<u>103339901</u>	Insert M6x1.0 Long	2
25	<u>7847</u>	Screw, 1/4-20 X 0.75 Hex-Head Cap	4
26	<u>8233</u>	Locknut, 1/4-20 Nylon Insert	4
27	<u>8990</u>	Tie Wrap, 8" Nylon	2
<p>**** Special order item available upon request.</p> <p>Note: Items 2 and 27 not shown. Note 2: For wire harness connecting charger to vehicle, see Electrical System section.</p>			

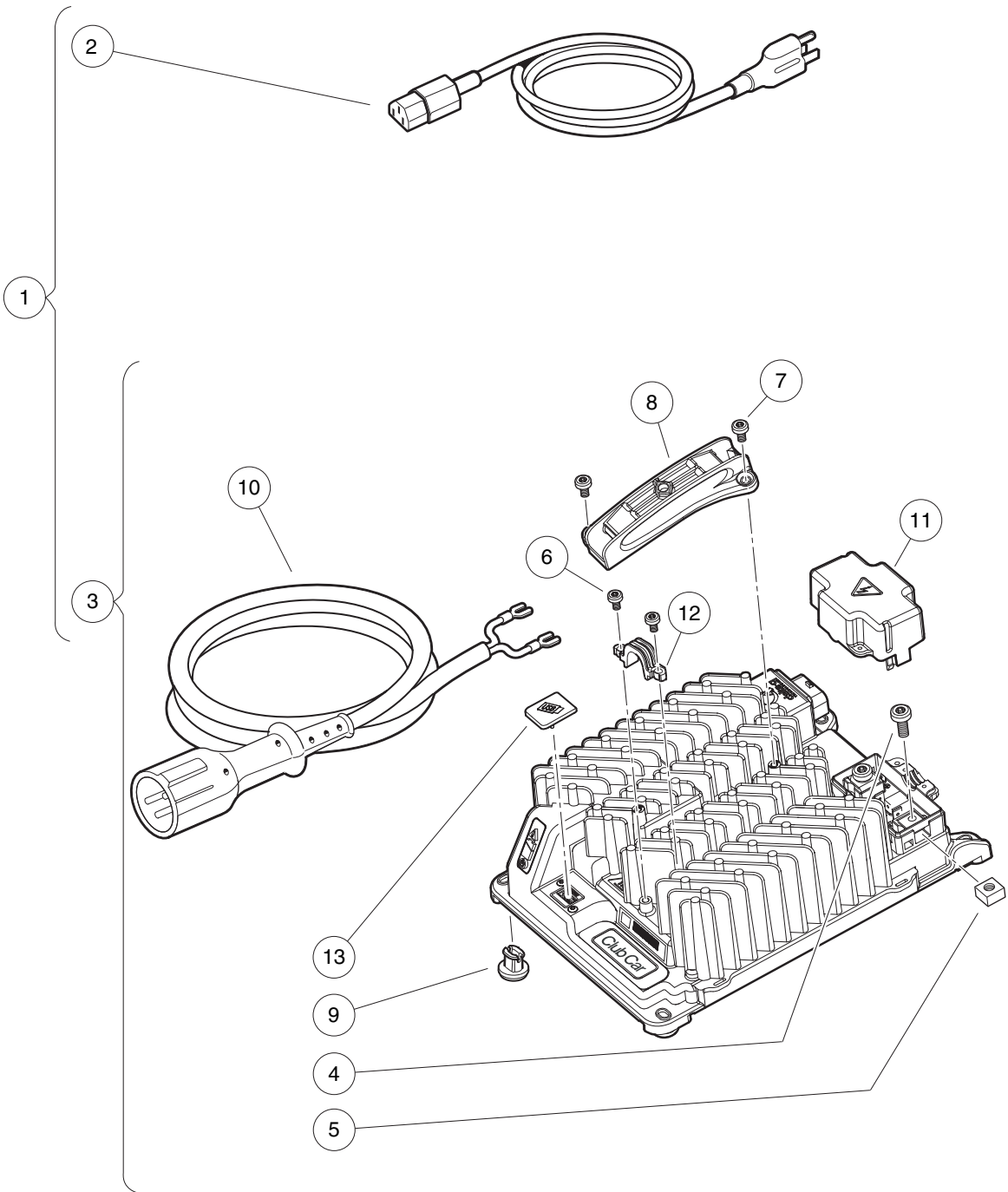
16

E

BATTERY CHARGERS – HIGH-FREQUENCY

17

E



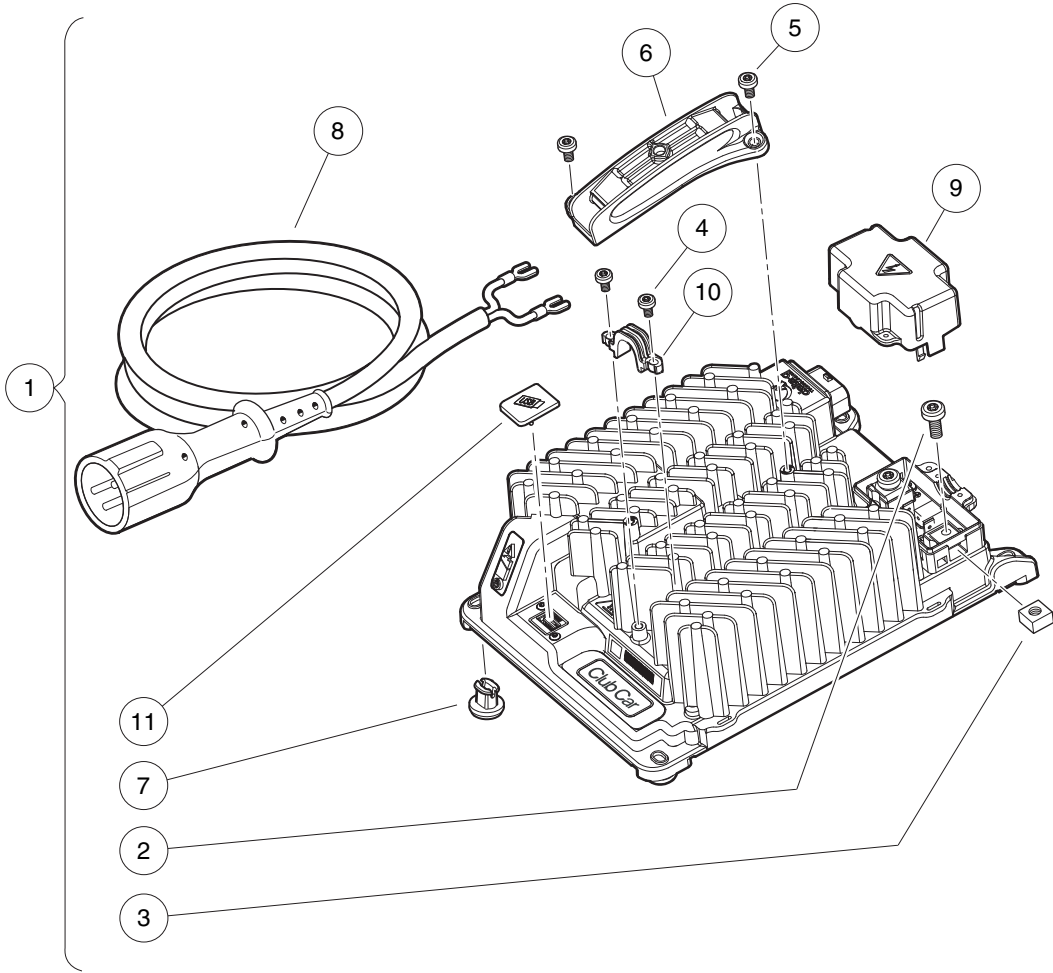
000610-002

BATTERY CHARGER, HIGH-FREQUENCY – U.S./CANADA

ITEM	PART NO.	DESCRIPTION	QTY
		1 2 3 4	
1	<u>105095201</u>	Charger, High-Freq, Service, 9ft Yel DC, 6ft AC, US/Canada (includes items 2 and 3)	1
2	<u>104024201</u>	Cord, AC, Nema To Iec320, 6ft (1.83 m), U.S./Canada	1
3	<u>104029601</u>	Charger, Asm, High-Freq, 9ft (2.74 m) Yellow DC Cord (includes items 4 through 13)	1
4	<u>104024501</u>	Screw, M6, Torx Head	2
5	<u>104024601</u>	Nut, M6, Square, Captured	2
6	<u>104028901</u>	Screw, M4 X .70, Pan Hd, Torx	2
7	<u>104029001</u>	Screw, M5 X .80, Pan Hd, Torx	2
8	<u>105003601</u>	Handle, Charger, High-Freq	1
9	<u>105003701</u>	Foot, Charger, High-Freq	4
10	<u>105070101</u>	Cord, DC, Yellow, 9ft (2.74 m)	1
11	<u>105092301</u>	Cover, DC Terminal Block, High-Freq Charger	1
12	<u>105093101</u>	Strain Relief, High-Freq, External, Charger	1
13	<u>105123801</u>	Cover, USB	1
		<p>Note: This charger includes both an AC cord and DC cord. For additional cord lengths that may be used with this charger, see the Battery Charger Cords page.</p>	

17

E



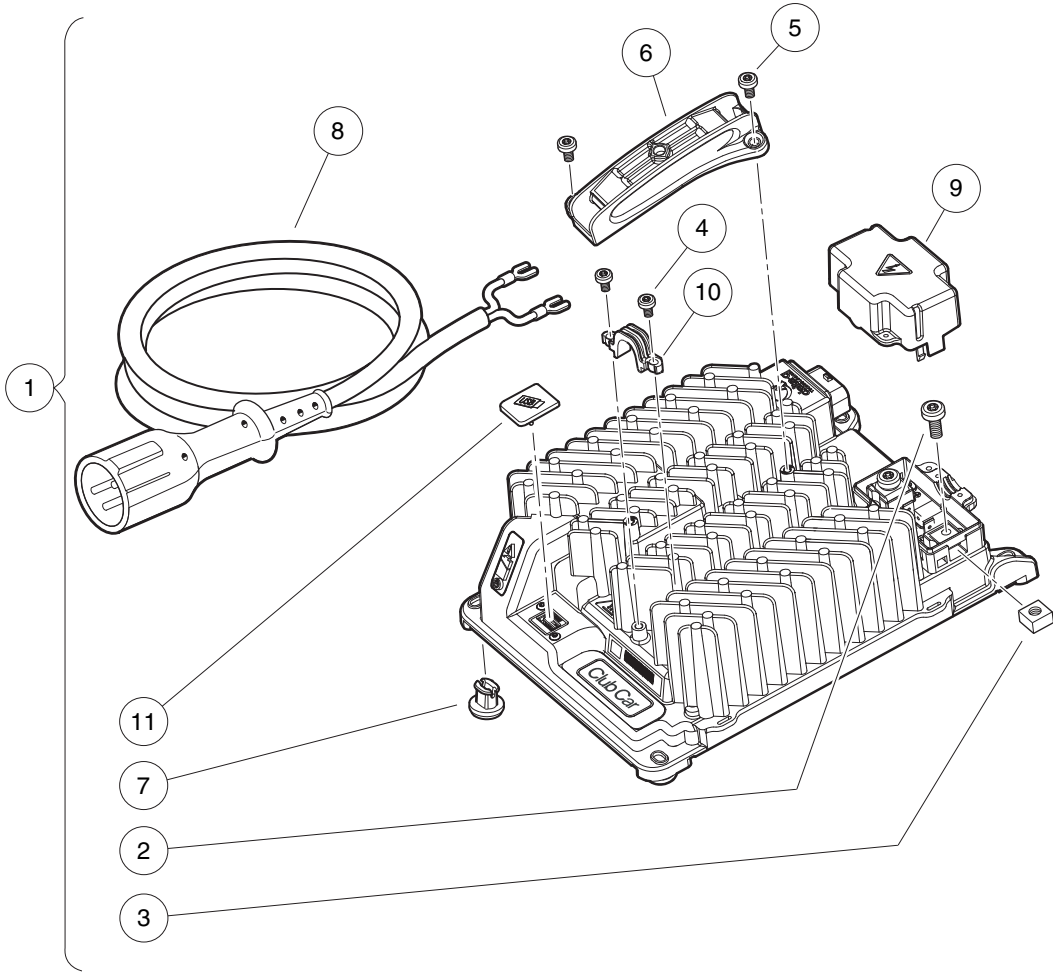
000610-003

BATTERY CHARGER, HIGH-FREQ., 2.74 M DC CORD – GLOBAL

ITEM	PART NO.	DESCRIPTION	QTY
		1 2 3 4	
1	<u>104029601</u>	Charger, Asm, High-Freq, 9ft (2.74 m) Yellow DC Cord (includes items 2 through 11)	1
2	<u>104024501</u>	Screw, M6, Torx Head	2
3	<u>104024601</u>	Nut, M6, Square, Captured	2
4	<u>104028901</u>	Screw, M4 X .70, Pan Hd, Torx	2
5	<u>104029001</u>	Screw, M5 X .80, Pan Hd, Torx	2
6	<u>105003601</u>	Handle, Charger, High-Freq	1
7	<u>105003701</u>	Foot, Charger, High-Freq	4
8	<u>105070101</u>	Cord, DC, Yellow, 9ft (2.74 m)	1
9	<u>105092301</u>	Cover, DC Terminal Block, High-Freq Charger	1
10	<u>105093101</u>	Strain Relief, High-Freq, External, Charger	1
11	<u>105123801</u>	Cover, USB	1
		Note: This charger does not include the AC cord. To complete the charger, choose the appropriate type and length of AC cord found on the Battery Charger Cords page.	

17

E



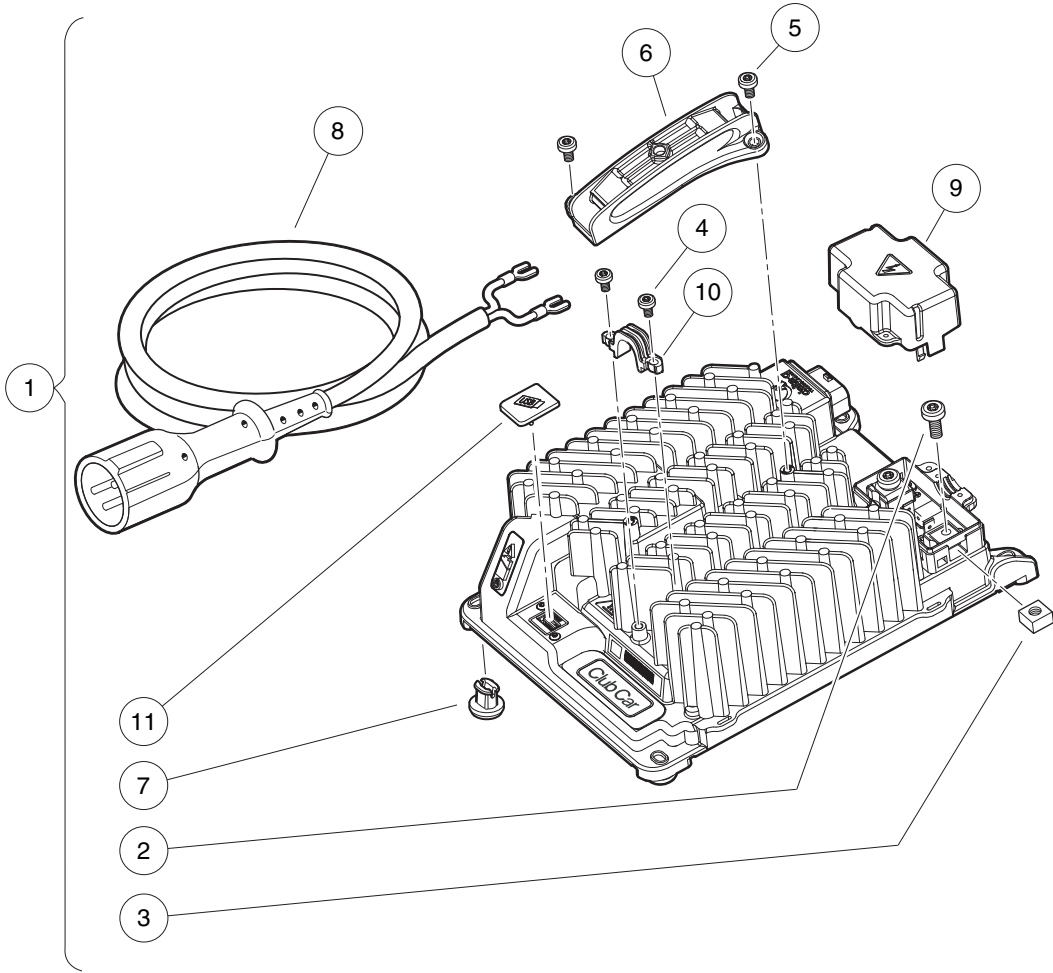
000610-003

BATTERY CHARGER, HIGH-FREQ., 3.66 M DC CORD – GLOBAL

ITEM	PART NO.	DESCRIPTION	QTY
		1 2 3 4	
1	<u>104029602</u>	Charger, Asm, High-Freq, 12ft (3.66 m) Yellow DC Cord (includes items 2 through 11) ..	1
2	<u>104024501</u>	Screw, M6, Torx Head	2
3	<u>104024601</u>	Nut, M6, Square, Captured	2
4	<u>104028901</u>	Screw, M4 X .70, Pan Hd, Torx	2
5	<u>104029001</u>	Screw, M5 X .80, Pan Hd, Torx	2
6	<u>105003601</u>	Handle, Charger, High-Freq	1
7	<u>105003701</u>	Foot, Charger, High-Freq	4
8	<u>105070102</u>	Cord, DC, Yellow, 12ft (3.66 m)	1
9	<u>105092301</u>	Cover, DC Terminal Block, High-Freq Charger	1
10	<u>105093101</u>	Strain Relief, High-Freq, External, Charger	1
11	<u>105123801</u>	Cover, USB	1
		Note: This charger does not include the AC cord. To complete the charger, choose the appropriate type and length of AC cord found on the Battery Charger Cords page.	

17

E



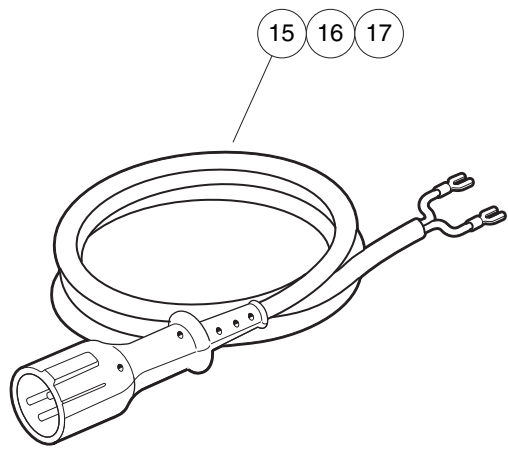
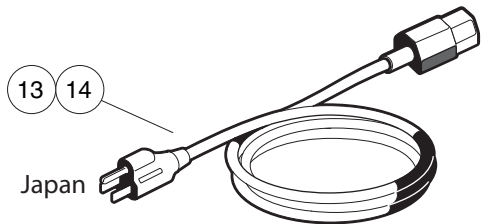
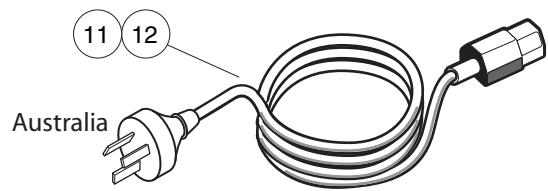
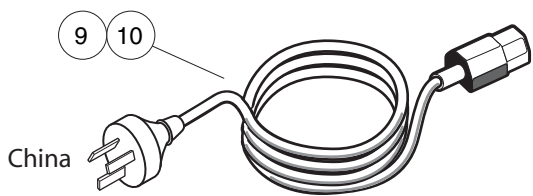
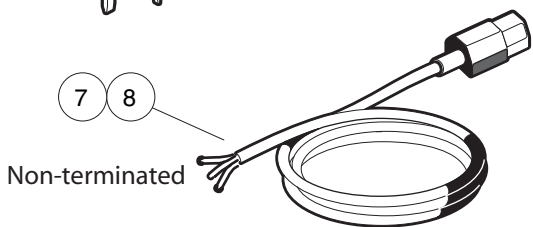
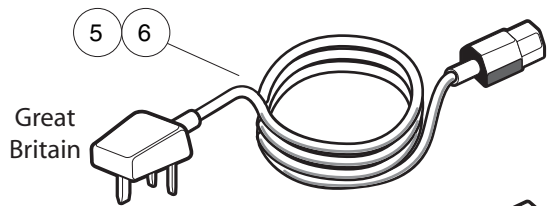
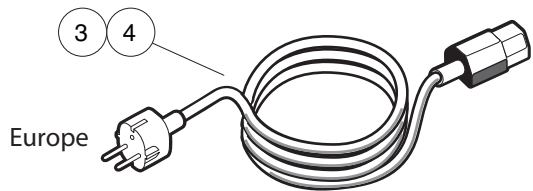
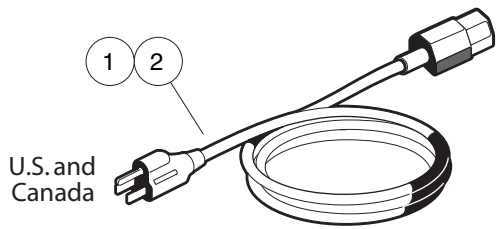
000610-003

BATTERY CHARGER, HIGH-FREQ., 6.1 M DC CORD – GLOBAL

ITEM	PART NO.	DESCRIPTION	QTY
		1 2 3 4	
1	<u>104029603</u>	Charger, Asm, High-Freq, 20ft (6.1 m) Yellow DC Cord (includes items 2 through 11)	1
2	<u>104024501</u>	Screw, M6, Torx Head	2
3	<u>104024601</u>	Nut, M6, Square, Captured	2
4	<u>104028901</u>	Screw, M4 X .70, Pan Hd, Torx	2
5	<u>104029001</u>	Screw, M5 X .80, Pan Hd, Torx	2
6	<u>105003601</u>	Handle, Charger, High-Freq	1
7	<u>105003701</u>	Foot, Charger, High-Freq	4
8	<u>105070103</u>	Cord, DC, Yellow, 20ft (6.1 m)	1
9	<u>105092301</u>	Cover, DC Terminal Block, High-Freq Charger	1
10	<u>105093101</u>	Strain Relief, High-Freq, External, Charger	1
11	<u>105123801</u>	Cover, USB	1
<p>Note: This charger does not include the AC cord. To complete the charger, choose the appropriate type and length of AC cord found on the Battery Charger Cords page.</p>			

17

E



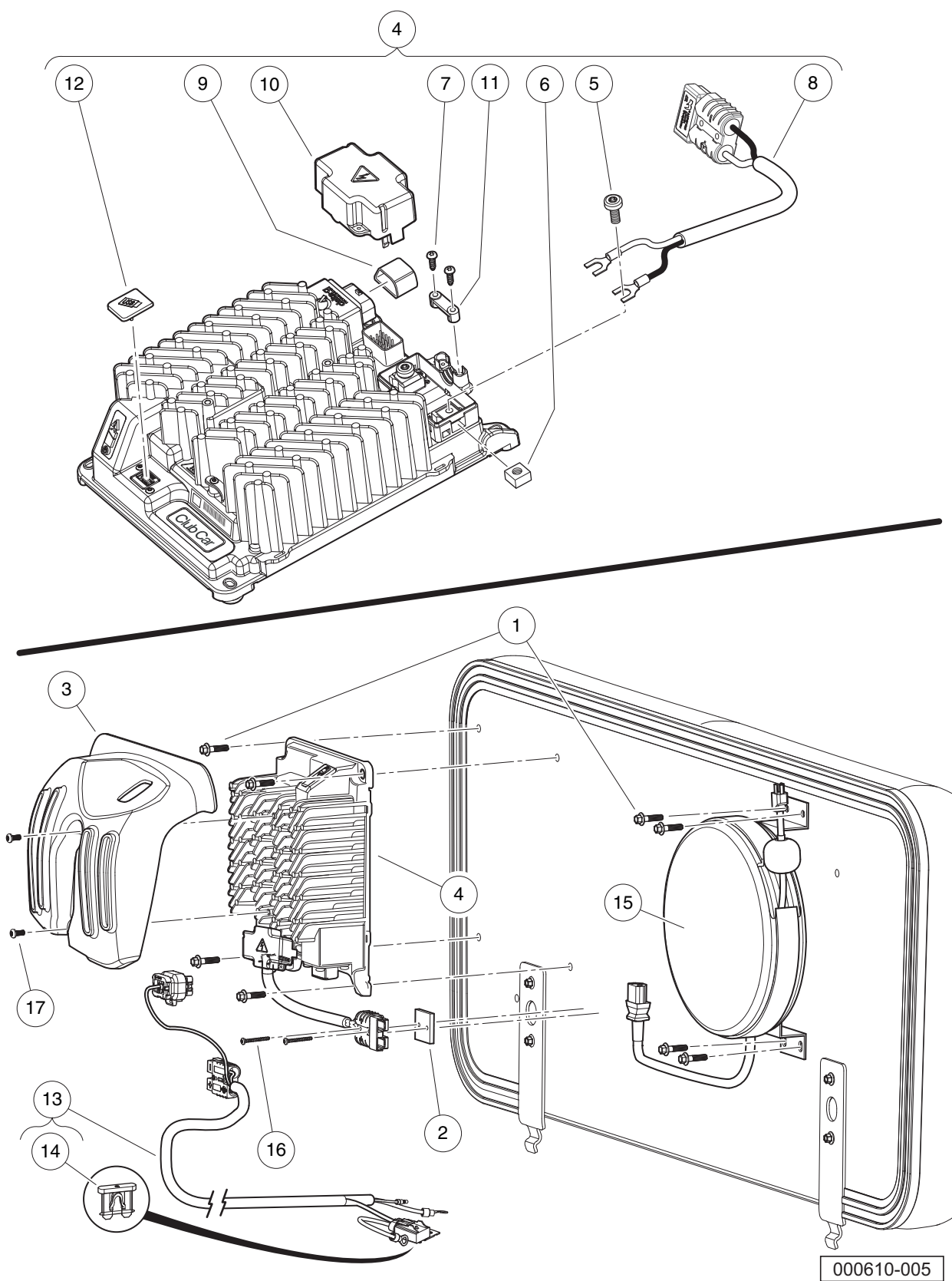
000610-004

CORDS – BATTERY CHARGER, HIGH-FREQUENCY

ITEM	PART NO.	DESCRIPTION	QTY
		1 2 3 4	
1	104024201	Cord, AC, Nema To lec320, 6ft (1.83 m), U.S./Canada	A/R
2	104024202	Cord, AC, Nema To lec320, 9ft (2.74 m), U.S./Canada	A/R
3	<u>104024401</u>	Cord, AC, lec320, 6ft (1.83 m), Europe	A/R
4	<u>104024402</u>	Cord, AC, lec320, 9ft (2.74 m), Europe	A/R
5	<u>104028501</u>	Cord, AC, lec320, 6ft (1.83 m), Great Britain	A/R
6	<u>104028502</u>	Cord, AC, lec320, 9ft (2.74 m), Great Britain	A/R
7	104028601	Cord, AC, lec320, 6ft (1.83 m), Non-terminated	A/R
8	104028602	Cord, AC, lec320, 9ft (2.74 m), Non-terminated	A/R
9	105068201	Cord, AC, lec320, 6ft (1.83 m), China	A/R
10	105068202	Cord, AC, lec320, 9ft (2.74 m), China	A/R
11	105068301	Cord, AC, lec320, 6ft (1.83 m), Australia	A/R
12	105068302	Cord, AC, lec320, 9ft (2.74 m), Australia	A/R
13	105068401	Cord, AC, lec320, 6ft (1.83 m), Japan	A/R
14	105068402	Cord, AC, lec320, 9ft (2.74 m), Japan	A/R
15	<u>105070101</u>	Cord, DC, Yellow, 9ft (2.74 m)	A/R
16	<u>105070102</u>	Cord, DC, Yellow, 12ft (3.66 m)	A/R
17	<u>105070103</u>	Cord, DC, Yellow, 20ft (6.1 m)	A/R

17

E



000610-005

BATTERY CHARGER, HIGH-FREQUENCY – ONBOARD

ITEM	PART NO.	DESCRIPTION	QTY
		1 2 3 4	
1	<u>102541425</u>	Bolt, M6x1.0x25, Hex Flhd, Blk-I	8
2	<u>105082601</u>	Insulation, Thermal	1
3	<u>105082801</u>	Shield, Charger, High-Freq	1
4	<u>105083001</u>	Charger, Asm, High-Freq, Onboard (includes items 5 through 12)	1
5	<u>104024501</u>	Screw, M6, Torx Head	2
6	<u>104024601</u>	Nut, M6, Square, Captured	2
7	<u>104029301</u>	Screw, M3x1.5, Plastic Tapping	2
8	<u>105084401</u>	Cord, DC, Onboard	1
9	<u>105086801</u>	Sleeve, lec 320 C14	1
10	<u>105092301</u>	Cover, DC Terminal Block, High-Freq Charger	1
11	<u>105094101</u>	Strain Relief, DC Block, High-Freq, Onboard, Charger	1
12	<u>105123801</u>	Cover, USB	1
13	<u>105084301</u>	Harness, Wire, High-Freq Onboard Charger, 4-Pass, Prec (includes item 14)	1
14	<u>102492301</u>	Fuse, 30-Amp	1
15	<u>105084501</u>	Cord Reel, AC, Retractable, High-Freq Charger, Onboard	1
16	<u>105086901</u>	Screw, #6-20 Type Abx1.25 Pan	2
17	<u>105101001</u>	Screw, M5-0.8x10, Torx, Trs	2
Note: Used on 4-passenger vehicle with rear-facing back seat.			

17

E

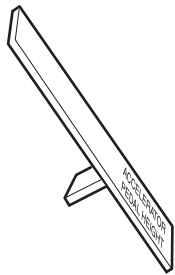
17

E

MAINTENANCE AND SERVICE TOOLS

18
G
E

18
G
E



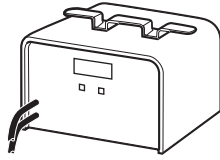
1



2



3



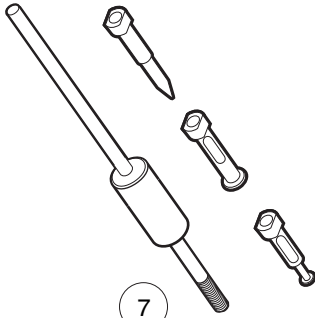
4



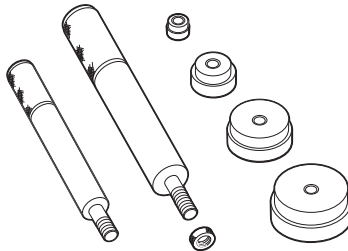
5



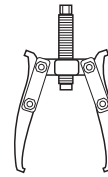
6



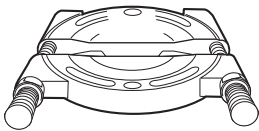
7



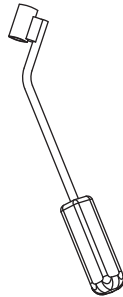
8



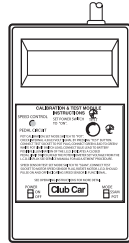
9



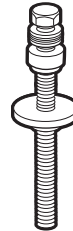
10



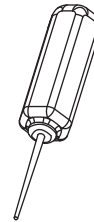
11



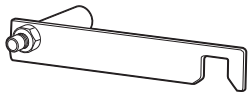
12



13



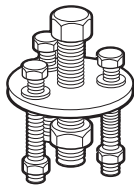
14



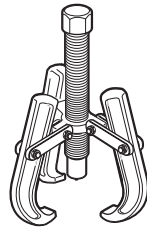
16



17



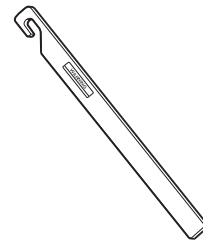
18



19



20



21



22

15

000967-001

MAINTENANCE AND SERVICE TOOLS – GOLF

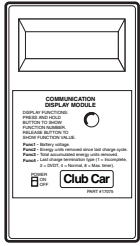
ITEM	PART NO.	DESCRIPTION	QTY GAS	QTY ELEC
		<p style="text-align: center;">1 2 3 4</p> <p>The following tool list includes all tools available from Club Car for maintenance and service procedures for gasoline and electric golf cars, both past and present models. Be sure to carefully examine the tool list for applicability to your vehicle before ordering.</p>		
1	<u>101871001</u>	Accelerator Pedal Adjustment Tool	1	1
2	<u>101813202</u>	Adhesive, Guide Ring, 3-Gram Tube		1
3	<u>101641202</u>	Arbor	1	
4	<u>101831901</u>	Battery Discharge Machine, 36/48 Volt		1
5	<u>1014305</u>	Battery Terminal Protector Spray	1	1
6	<u>1011767</u>	Battery Thermometer	1	1
7	<u>1016417</u>	Bearing and Oil Seal Remover Assembly	1	1
8	<u>1016416</u>	Bearing Driver Set	1	1
9	<u>1012811</u>	Bearing Puller	1	1
10	<u>1012812</u>	Bearing Puller Wedge Attachment	1	1
11	<u>102555501</u>	Brake Cable Release Tool	1	1
12	<u>101887101</u>	Calibration Test Module		1
13	<u>101808401</u>	Cam Installation Tool	1	
14	<u>102562401</u>	Charger Bezel Tool		1
15	<u>1014510</u>	Clutch Tool Kit (includes items 16 - 22)	1	
16	<u>1014498</u>	Clutch Alignment Tool (for pre-unitized transaxle vehicles built prior to 1997 model year)	1	
17	<u>1014496</u>	Drive Clutch Puller (for Kawasaki engines only)	1	
18	<u>1014497</u>	Drive Clutch Hub Puller (for Kawasaki engines only)	1	
19	<u>1014508</u>	Driven Clutch Cam Puller (for Kawasaki engines only)	1	
20	<u>1014507</u>	Driven Clutch Puller Plug (for Kawasaki engines only)	1	
21	<u>1015524</u>	Drive Clutch Holder Tool Assembly (for Kawasaki engines only)	1	
22	<u>101809101</u>	Press Weldment (for Kawasaki engines only)	1	
		<p>Please refer to the maintenance and service manual for proper tool application.</p>		

18

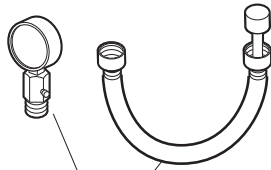
G

E

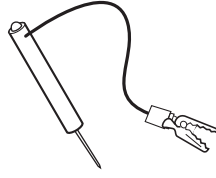
18
G
E



23



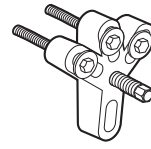
24



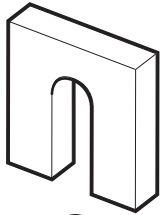
25



26



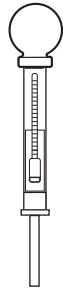
27



28



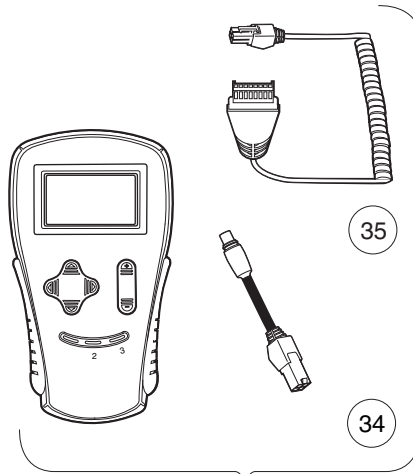
29



30



31

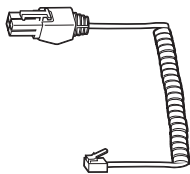


35

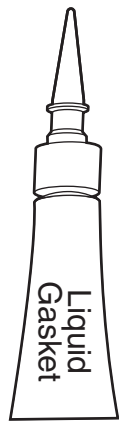
34

32

33



36



37



38



39

40



41

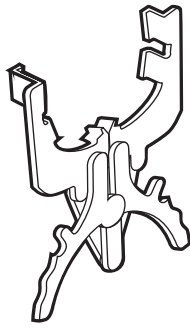
000968-001

MAINTENANCE AND SERVICE TOOLS – GOLF, CONTINUED

ITEM	PART NO.	DESCRIPTION	QTY GAS	QTY ELEC	
		1 2 3 4			18
23	101831801	Communication Display Module		1	G
24	101641002	Compression Gauge and Adapter	1		E
25	1011273	Continuity Tester	1	1	
26	<u>1012151</u>	Dry Moly Lubricant	1	1	
27	<u>1016627</u>	Flywheel Puller Kit (for Kawasaki Engines)	1		
28	<u>1016418</u>	Gear Yoke	1	1	
29	<u>101933101</u>	Governor Shaft Installation Tool (for Kawasaki Engine Vehicles)	1		
30	<u>1011478</u>	Hydrometer	1	1	
31	<u>1013593</u>	Internal Retaining Ring Pliers	1	1	
32	<u>102248803</u>	IQ Display Module (IQDM) Kit (IQ System, Excel and IQ Plus vehicles)		1	
		(includes items 34 and 35)			
33	102248804	IQ Display Module (IQDM-P) Kit (IQ System, Excel and IQ Plus vehicles).....		1	
		(includes items 34 and 35)			
34	<u>102251501</u>	Adaptor, Cable		1	
35	<u>102241502</u>	IQDM Series 2 Cable		1	
36	<u>102241501</u>	IQDM Series 1 Cable (replacement)		1	
37	<u>101928701</u>	Liquid Gasket (transaxle case)	1	1	
38	<u>102243402</u>	Moly-Teflon Lubricant (4-oz. (113-gram) tube)		1	
39	<u>101997201</u>	Paint, Touch-Up – Beige*	1	1	
39	<u>101997207</u>	Paint, Touch-Up – Black*	1	1	
39	<u>101997212</u>	Paint, Touch-Up – Burgundy*	1	1	
39	<u>101997211</u>	Paint, Touch-Up – Classic Blue (Navy)*	1	1	
39	<u>101997205</u>	Paint, Touch-Up – Dark Gray*	1	1	
39	<u>101997209</u>	Paint, Touch-Up – Dark Green*	1	1	
39	<u>101997204</u>	Paint, Touch-Up – Gray*	1	1	
39	<u>101997203</u>	Paint, Touch-Up – Red*	1	1	
39	<u>101997206</u>	Paint, Touch-Up – Royal Blue (Pacific Blue)*	1	1	
39	<u>101997202</u>	Paint, Touch-Up – White*	1	1	
40	<u>102562301</u>	Paint, Precedent Underbody – Gray	1	1	
41	<u>102587201</u>	Paint Pen, Touch-Up, Precedent Underbody – Black	1	1	
		<p>Please refer to the maintenance and service manual for proper tool application.</p> <p>* Item 39 is not for use on Surlyn[®] body material, which is used on Precedent vehicles.</p>			



42



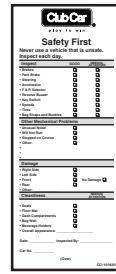
43



44



45



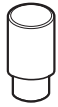
46



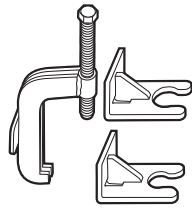
47



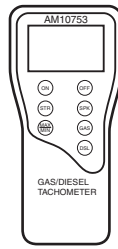
48



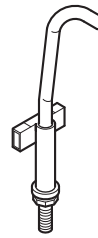
49



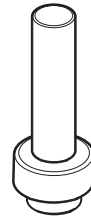
50



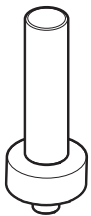
51



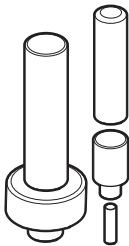
52



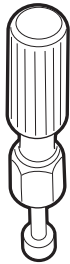
53



54



55



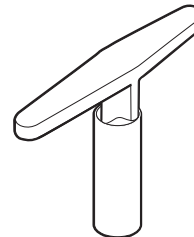
58



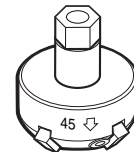
59



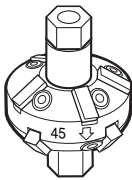
60



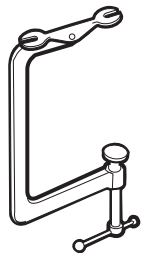
61



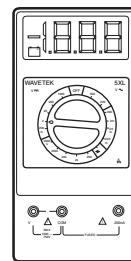
62



63



64



65

000969-001

MAINTENANCE AND SERVICE TOOLS – GOLF, CONTINUED

ITEM	PART NO.	DESCRIPTION	QTY GAS	QTY ELEC
		1 2 3 4		
42	<u>1016414</u>	Piston Ring Compressor Kit (FE290, FE350 and FE400 engines)	1	
43	<u>1016415</u>	Piston Ring Pliers (for Kawasaki Engines)	1	
44	<u>1012549</u>	Retaining Ring Pliers, 45° External	1	1
45	<u>1012560</u>	Retaining Ring Pliers, 90° Internal	1	1
46	<u>101823101</u>	Safety First Card (50 per pack)	1	1
47	<u>1012809</u>	Seal Puller	1	1
48	<u>1014264</u>	Steering Column Bearing Press Tool	1	1
49	<u>1014259</u>	Steering Column Retaining Ring Tool	1	1
50	102061201	Steering Wheel Puller Tool	1	1
51	<u>AM10753</u>	Tachometer (includes gasoline engine pick up lead only)	1	
52	<u>102570401</u>	Tool, Tensioning, Starter Generator (For Precedent vehicles)	1	
53	<u>1014162</u>	Transaxle Axle Seal Tool	1	
54	1014161	Transaxle Pinion Seal Tool	1	
55	<u>1014115</u>	Transmission Tool Kit	1	
56	<u>101611003</u>	Tune-Up Kit, DS (for FE290/350 Engines) (includes air filter, spark plug, oil filter, fuel filters) (not shown)	1	
57	<u>AM1220301</u>	Tune-Up Kit, Precedent (for FE290/350 Engines) (includes air filter, spark plug, oil filter, fuel filters) (not shown)	1	
58	<u>1016413</u>	Valve Clearance Adjuster Screw Holder (for FE290 engines only)	1	
59	101641201	Valve Guide Reamer (FE290, FE350, and FE400 only)	1	
60	<u>1016552</u>	Valve Seat Cutter Guide	1	
61	<u>1016551</u>	Valve Seat Cutter T-Wrench	1	
62	<u>1016553</u>	Valve Seat Cutter, 45° (32 mm diameter) (for FE290 engines only)	1	
63	<u>1016554</u>	Valve Seat Cutter, 45°/30° (35 mm diameter)	1	
64	<u>101641101</u>	Valve Spring Compressor	1	
65	1011480	Volt Ohm Meter	1	1
		Please refer to the maintenance and service manual for proper tool application.		

18
G
E

INDEX

Part Number and Page

AM10753	18-7	1012505	6-3, 12-3, 13-3	1014288	10-3
AM10079	6-3, 12-3, 13-3	1012528	9-3, 12-19, 13-17	1014304	12-13, 12-15, 13-11, 13-13
AM10419	10-5	1012549	18-7	1014305	18-3
AM10682	2-3	1012560	18-7	1014375	6-21
AM1232301	7-5	1012565	5-3, 5-5	1014413	1-15, 8-13
AM1263401	2-5	1012566	5-3, 5-5	1014453	10-3
CCX8506	16-3, 16-5, 16-15	1012571	7-15	1014454	10-5
183	10-3, 11-3	1012594	6-11	1014496	18-3
332	9-3	1012649	8-3	1014497	18-3
334	7-15, 10-3	1012809	18-7	1014498	18-3
451	9-3, 14-3	1012811	18-3	1014507	18-3
705	7-15	1012812	18-3	1014508	18-3
706	5-13	1012830	6-19, 8-11, 9-3	1014510	18-3
808	10-3	1012836	10-5	1014555	5-15, 5-17, 5-19, 12-13, 12-15, 13-11, 13-13
1241	6-19, 9-3	1012987	6-11	1014727	6-11
1242	4-5, 6-19, 6-21	1013042	5-9	1014807	6-11
1624	6-19	1013061	11-3	1014902	1-43, 1-45, 1-47
7174	6-19, 8-11, 9-3	1013164	5-15, 5-17, 5-19	1014947	12-19, 13-17
7310	2-3, 2-5	1013589	6-11	1015064	6-11
7330	15-3	1013590	6-11	1015137	8-9
7335	15-3	1013591	6-11	101524002	6-19
7336	15-3	1013593	18-5	1015332	7-3
7577	16-5, 16-7, 16-11, 16-15, 16-17	1013609	6-21	1015524	18-3
7847	9-3, 16-15, 16-17	1013687	8-3	1015583	5-15, 5-17, 5-19
7893	6-21	1013700	8-11	1015649	7-3
8057	6-11	1013734	9-3, 12-19, 13-17	1015814	9-3
8058	6-11	1013746	8-9	101584502	8-11
8233	11-3, 16-15, 16-17	1013794	15-3	101587704	8-3
8450	10-3	1013924	4-3, 7-15	1015914	16-5, 16-7, 16-11, 16-15, 16-17
8639	13-7	1014007	11-3	1015917	16-5, 16-7, 16-15, 16-17
8717	6-11, 11-3	1014049	10-3	1015932	6-19
8745	5-13	1014050	10-3	1015969	7-3
8754	6-19	1014051	10-3	1016074	6-19
8990	1-33, 5-9, 13-7, 16-15, 16-17	1014052	10-3	1016103	8-9
1010145	5-15, 5-17, 5-19	1014055	10-3	101611003	18-7
1010434	1-21, 1-39, 1-41, 1-43, 1-45, 1-47, 4-7, 4-9, 4-11, 4-13, 12-15, 13-13	1014056	10-3	1016154	5-3, 5-5
1010577	7-15	1014057	10-3	1016201	10-3
1010829	4-5	1014058	10-3	1016203	10-3
1010954	6-11	1014059	10-3	1016214	5-3, 5-5
1010958	12-13, 12-15, 13-11, 13-13	1014062	10-3	1016289	10-3
1010984	2-3	1014063	10-3	101641002	18-5
1011273	18-5	1014065	6-11, 10-3	101641101	18-7
1011415	5-15, 5-17, 5-19	1014070	10-5	101641201	18-7
1011478	18-5	1014072	10-5	101641202	18-3
1011480	18-7	1014078	10-5	1016413	18-7
1011697	7-15, 8-9, 8-11	1014080	10-5	1016414	18-7
1011767	18-3	1014089	6-11	1016415	18-7
1012098	16-3, 16-5, 16-7, 16-11, 16-15, 16-17	1014115	18-7	1016416	18-3
1012101	16-5, 16-7, 16-11, 16-15, 16-17	1014145	6-11	1016417	18-3
1012151	18-5	1014153	4-3	1016418	18-5
1012180	5-15, 5-17, 5-19	1014161	18-7	101642580	8-7
1012285	8-11	1014162	18-7	101642582	8-7
1012295	6-21	1014201	14-3	101642585	8-7
1012431	6-11	1014259	18-7	1016429	7-7
		1014264	18-7	1016432	7-7
		1014287	10-3		

INDEX

1016436	7-9	1016562	7-5, 7-13	1017486	7-3
1016437	8-7	1016563	7-9	1017487	7-11
1016438	8-9	1016564	7-11	1017490	7-5
1016440	7-9, 8-9	1016566	7-9	1017501	7-13
1016441	8-9	1016569	7-9	1017502	7-13
1016444	8-9	1016570	7-7	1017503	7-13
1016449	7-9	1016571	7-13	1017504	7-11
1016450	7-9	1016572	8-9	1017507	7-7
1016451	7-9	1016576	7-7	1017508	7-11
1016452	7-9	1016578	7-5	1017510	7-13
1016453	7-11	1016581	7-7	1017512	7-13
1016454	7-11	1016582	8-9	1017513	7-11
1016455	7-5	1016583	7-9	1017514	7-11
1016456	7-3	1016584	7-11	101751801	7-11
1016457	7-7	1016585	8-7	101751802	7-11
1016458	7-9	1016587	7-5	101751803	7-11
1016470	7-13	1016588	7-5	1017686	10-5
1016472	7-11	1016627	18-5	1017689	9-3
1016473	7-7	1016630	6-3	101773301	7-13
1016474	7-9	1016801	10-3	101773302	7-13
1016479	7-9	1016849	6-3, 12-3, 13-3	101773303	7-13
101648102	8-9	1016851	6-3, 12-3, 13-3	101773304	7-13
101648203	7-7	1016883	6-19	101773305	7-13
1016483	7-9	1016904	7-9, 9-3	101773306	7-13
1016486	8-7	101705701	1-43, 1-45, 1-47, 3-9	101773307	7-13
1016489	7-9	1017082	11-3	101773308	7-13
101649002	8-9	1017187	16-15, 16-17	101773309	7-13
1016494	7-11	1017189	16-15, 16-17	101773310	7-13
1016496	7-11	1017235	1-43, 1-45, 1-47, 5-19	101773311	7-13
1016499	8-7	1017434	7-9	101791101	4-3
1016501	8-7	1017442	7-7	101802201	16-5
1016502	7-7	1017444	7-9	101802202	16-5
1016506	7-11	1017445	7-9	101802203	16-5
1016507	7-3	1017448	7-5	101808401	18-3
1016510	7-11	101744901	7-13	101809101	18-3
1016517	7-9	101744902	7-13	101811401	1-15, 8-13
1016519	7-9	1017450	7-13	101813202	18-3
1016521	7-11	101745101	7-13	101815501	4-3
1016531	7-3	101745102	7-13	101815502	4-3
1016535	7-11	1017453	7-13	101816501	4-3
1016537	7-7	1017454	7-9	101816502	4-3
1016538	7-11	1017455	7-5	101819701	16-5, 16-15
1016539	7-3	1017456	7-7	101820201	8-9
1016541	7-13	101745701	7-13	101823101	18-7
1016542	7-9	101745702	7-13	101823201	4-3
1016544	7-5, 7-9, 7-11	1017458	7-7	101823801	4-3
1016545	7-9	1017460	7-7	101823901	4-3
1016546	8-11	1017461	8-7	101825101	3-3, 3-5
1016547	7-3, 7-13, 8-9	1017463	7-5	101827101	7-15
1016549	7-9	1017466	8-9	101828301	16-5
1016551	18-7	1017471	7-13	101828501	16-5, 16-7, 16-11, 16-15, 16-17
1016552	18-7	1017472	7-11	101828801	16-5
1016553	18-7	1017473	7-9	101828802	16-5
1016554	18-7	1017474	7-3	101828901	16-5, 16-7, 16-11
1016560	7-9	1017475	7-3	101828902	16-5, 16-7, 16-11
1016561	7-5	1017476	7-3	101828903	16-5

INDEX

101829001	16-15, 16-17	101923001	15-3	102243403	14-3
101830701	6-3, 12-3, 13-3	101923201	15-3	102248803	18-5
101831101	16-5	101923501	15-3	102248804	18-5
101831504	16-7	101923701	15-3	102251501	18-5
101831701	16-7	101923901	15-3	102273701	16-3
101831702	16-7	101925601	10-3	102273801	16-3
101831801	18-5	101928701	15-3, 18-5	102273901	16-3
101831901	18-3	101929802	10-3	102279104	1-23
101832001	13-7	101933101	18-5	102287101	5-11
101832202	8-11	101942301	14-3	102287601	5-11
101832302	8-11	101954301	1-19	102287701	5-11
101832701	7-15	101956202	16-11	102288101	5-11, 5-13
101833101	7-15	101958201	16-11, 16-13	102288201	5-13
101833401	10-5	101958301	16-11, 16-13	102288401	5-13
101833902	10-3	101960501	3-3, 6-17	102288901	5-11
101834001	10-5	101963401	7-15	102289001	5-9
101834502	6-3, 12-3, 13-3	101972001	18-5	102289101	5-13
101834601	7-15	101972002	18-5	102289201	5-13
101834801	11-3	101972003	18-5	102289401	5-11
101836201	10-5	101972004	18-5	102289501	5-11, 5-13
101837301	6-17	101972005	18-5	102289601	5-11
101838201	16-7, 16-17	101972006	18-5	102289701	5-11
101838301	16-7, 16-17	101972007	18-5	102289801	5-13
101838401	16-7, 16-11, 16-17	101972009	18-5	102289901	5-11
101838501	16-7	101972011	18-5	102290120	5-3, 5-5, 5-7
101838601	16-7, 16-11, 16-17	101972012	18-5	102292101	1-3
101838701	16-7, 16-15, 16-17	101972101	15-3	102292201	4-7, 4-9, 4-11, 4-13
101841701	16-15	101972201	15-3	102292356	1-11, 1-13, 12-13, 12-15, 13-11, 13-13
101850301	5-3, 5-5	101973101	8-7	102292701	1-13, 1-23
101851101	6-3, 12-3, 13-3	101973301	8-7	102292801	4-5
101856001	12-11, 13-9	101973401	8-9	102296020	1-7, 6-21, 8-3, 8-13
101856201	1-15, 8-13	101973501	16-11	102296040	6-11, 6-21
101865805	12-15, 13-13	101979101	6-11	102296140	1-25, 1-27, 1-29
101871001	18-3	101987501	16-11	102296401	1-25, 1-27, 1-29
101884801	7-15	101998501	1-19	102296530	1-21, 1-39, 1-43, 1-45, 1-47
101886101	11-3	102003201	8-3	102296601	1-23
101887101	18-3	102022601	5-9	102296716	12-19, 13-17
101887601	7-3, 8-9	102061201	18-7	102296819	1-11
101895401	15-3	102065901	7-15	102296920	6-11, 12-11, 13-9
101895501	15-3	102155801	10-5	102297001	1-11
101897001	15-3	102186001	14-3	102297125	8-13
101897201	15-3	102186101	14-3	102297230	1-21, 1-23, 8-5
101897401	15-3	102186201	14-3	102297901	4-5
101897601	15-3	102186301	14-3	102298020	1-13, 12-13, 12-15, 12-19, 13-11, 13-13
101898001	6-21	102186401	14-3	102298030	1-15, 1-17, 1-23, 1-39, 4-7, 4-9, 4-11, 4-13
101903601	15-3	102186701	14-3	102298116	5-7
101903701	15-3	102186901	14-3	102298130	5-7
101906901	15-3	102187101	14-3	102298170	5-15, 5-17, 5-19
101908401	12-11, 13-9	102187201	14-3	102298175	5-15, 5-17, 5-19
101914401	16-5, 16-7, 16-15, 16-17	102196901	12-3, 13-3	102298185	5-15, 5-17, 5-19
101916101	7-3	102235201	14-3	102298240	1-21, 1-39
101916301	7-5	102240501	12-19, 13-17	102298401	1-3, 1-5, 1-31, 1-33, 5-15, 5-17, 5-19
101916701	6-19, 10-3	102241501	18-5	102298580	1-3, 5-15, 5-17, 5-19
101920101	14-3	102241502	18-5		
101922101	15-3	102242101	10-5		
101922201	15-3	102243402	18-5		

INDEX

102298601	1-3, 1-41, 5-15, 5-17, 5-19	102508401	12-11, 13-9	102551701	16-15, 16-17
102298716	1-13, 1-23	102508601	12-3, 13-3	102551901	4-5
102298720	1-41, 1-43, 1-45, 1-47	102508701	12-3	102552001	4-5
102298745	1-39, 1-41, 1-43, 1-45, 1-47	102508901	1-25	102554901	6-11, 13-7
102298995	1-3	102508902	1-27	102555501	18-3
102299065	1-9, 1-31, 1-33, 1-37	102508903	1-29	102555901	3-5
102299360	1-31, 1-33	102510001	12-3	102556701	2-5
102299601	1-31, 1-33	102511101	12-11, 13-9	102556801	2-5
102336001	8-11	102511601	1-25	102557201	1-11
102353201	5-13	102511602	1-27	102558201	8-13
102353301	5-13	102511603	1-29	102558301	8-13
102353401	5-13	102511702	1-15	102558401	8-13
102355301	6-21	102512001	6-11	102558501	8-13
102356601	15-3	102513501	1-31, 1-33	102558601	8-13
102356801	15-3	102514201	8-3	102558701	8-13
102357001	15-3	102514401	1-15, 8-13	102559401	4-7, 4-9, 4-11, 4-13
102357701	5-13	102514602	6-11	102559701	4-7, 4-9, 4-11, 4-13
102400002	1-31, 1-33, 1-37	102514701	8-3	102559901	2-3
102400102	1-31, 1-33, 1-37	102515001	6-3, 6-9	102562301	18-5
102400202	1-9	102515101	6-3	102562401	18-3
102400302	1-9	102515401	11-3	102565201	5-9
102406701	8-3	102515501	6-11	102566001	5-9
102430901	7-13	102515601	6-11	102569302	2-3
102491501	12-13, 12-15, 13-11, 13-13	102516901	1-17	102569311	2-3
102492301	13-7, 17-13	102517001	1-21	102570401	18-7
102500801	4-7, 4-9, 4-11, 4-13	102517801	3-3	102570905	1-43
102501402	1-23	102517901	3-3	102570906	1-45
102501501	1-7	102519301	3-3, 3-5	102570907	1-47
102502301	1-23	102521301	8-13	102571202	12-15, 13-13
102502302	1-23	102521401	8-13	102572401	12-3, 13-3
102502304	1-23	102521901	1-13	102573101	1-39, 1-43, 1-45, 1-47
102502305	1-23	102522901	6-3, 12-3, 13-3	102581201	1-37
102502306	1-23	102526201	11-3	102584701	1-41, 1-43, 1-45, 1-47
102502307	1-23	102531001	1-41, 1-43, 1-45, 1-47	102584801	1-41, 1-43, 1-45, 1-47
102502308	1-23	102531402	1-41, 1-43, 1-45, 1-47	102585901	9-3
102502309	1-23	102531502	1-39, 1-43, 1-45, 1-47	102587201	18-5
102502311	1-23	102534201	1-5, 1-41, 1-43, 1-45, 1-47	102588301	8-13
102502313	1-23	102534404	1-7	102588501	5-15, 5-17, 5-19
102502401	1-7	102534801	1-43, 1-45, 1-47, 5-19	102588601	5-11
102502402	1-7	102536601	6-3, 12-3, 13-3	102594301	4-5
102502404	1-7	102536602	6-3	102594801	4-7, 4-9, 4-11, 4-13
102502405	1-7	102536603	12-3, 13-3	102594901	4-7, 4-9, 4-11, 4-13
102502406	1-7	102536604	6-3	102595101	8-11
102502407	1-7	102536605	12-3, 13-3	102595201	4-7, 4-9, 4-11, 4-13
102502408	1-7	102538601	12-9, 12-11, 13-7, 13-9	102595301	4-7, 4-9, 4-11, 4-13
102502409	1-7	102540301	7-15	102595401	4-7, 4-9, 4-11, 4-13
102502411	1-7	102540601	2-5	102595502	4-7, 6-5
102502413	1-7	102540701	2-5	102595901	4-7, 4-9, 4-11, 4-13
102502501	1-7	102540901	3-3	102596001	4-7, 4-9, 4-11, 4-13
102504001	1-21	102541425	1-37, 1-39, 1-43, 1-45, 1-47, 16-15, 16-17, 17-13	102596301	4-9, 4-11, 4-13
102504201	1-21	102543902	1-9	102621501	1-37
102504301	1-21	102544201	1-9, 1-31, 1-33, 1-37	102704701	14-3
102505701	1-3, 5-11	102546901	16-15	102704801	14-3
102506401	5-15, 5-17, 5-19	102546902	16-17	102704901	14-3
102507801	1-3	102547201	16-15, 16-17	102711001	6-17
102508202	1-17			102753401	7-9

INDEX

102771701	15-3	102901001	11-5	103380202	4-3
102803301	6-21	102901101	11-5	103384601	3-7
102838401	7-5	102901201	11-7	103384701	3-7
102838701	6-17	102901301	11-7	103384801	3-7
102838801	6-17	102901401	11-7	103386201	7-3
102838901	6-17	102901501	11-7	103388501	5-11
102839001	6-17	102901601	11-7	103395505	12-17, 13-15
102839301	6-17	102901701	11-7	103397901	16-5, 16-15
102841101	6-17	102901801	11-7	103402701	1-11
102844501	6-17	102901901	11-7	103403402	12-19
102844601	6-17	102902001	11-7	103414901	16-5, 16-15
102844701	6-17	102902101	11-7	103421801	12-9
102865101	8-3	102902201	11-7	103428501	16-3
102865901	12-19, 13-17	102902301	11-7	103428601	16-3
102878201	5-13	102902401	11-7	103428701	16-3
102886301	15-3	102902501	11-7	103429001	16-3
102886401	15-3	102902601	11-7	103429101	16-3
102886501	15-3	102902701	11-7	103429201	16-3
102886601	15-3	102902801	11-7	103429301	16-3
102897201	11-5	102915601	1-11	103429501	16-3
102897301	11-5	102940801	16-15, 16-17	103429701	16-3
102897401	11-3	102956201	5-11, 5-13	103434001	16-3
102897601	11-3	102958001	12-17, 13-15	103439901	16-3
102897701	11-5	102967901	1-23	103459104	2-3
102897801	11-3	103010101	8-3	103470701	8-3
102897901	11-3	103196001	1-31, 1-33, 1-37	103483101	4-3
102898001	11-5	103199301	1-31, 1-37	103483102	4-3
102898101	11-5	103200301	1-31, 1-33	103483201	4-3
102898201	11-3	103205101	1-25, 1-27, 1-29	103483401	4-3
102898301	11-5	103210101	1-25, 1-27, 1-29	103483601	4-3
102898401	11-5	103286201	1-35	103483701	4-3
102898501	11-5	103286202	1-35	103496801	6-21
102898601	11-5	103286203	1-35	103507101	8-9
102898701	11-5	103325001	1-5	103510602	12-17, 13-15
102898801	11-5	103327601	1-21	103513001	16-3
102898901	11-5	103330601	1-5	103517401	16-3
102899001	11-5	103339901	16-15, 16-17	103528701	4-5
102899101	11-3	103345701	10-3	103528702	4-5
102899201	11-3	103347101	6-17	103535001	4-5
102899301	11-5	103347301	6-17	103536501	6-15
102899401	11-3	103347601	6-17	103572501	14-3
102899501	11-5	103347701	6-17	103615601	7-9
102899601	11-5	103347801	6-17	103615801	7-13
102899701	11-3	103347901	6-17	103615901	7-9, 7-11
102899801	11-3	103357701	12-13, 12-15, 13-11, 13-13	103616401	7-11
102899901	11-5	103367901	12-19, 13-17	103616501	7-5
102900001	11-3	103368301	12-13, 12-15, 13-11, 13-13	103616601	7-5
102900101	11-3	103368401	12-13, 12-15, 13-11, 13-13	103616701	7-5
102900201	11-3	103372101	8-3	103616901	8-7
102900301	11-3	103372401	8-5	103624601	1-43, 1-45, 1-47
102900401	11-5	103374801	12-13, 12-15, 13-11, 13-13	103624602	1-43, 1-45, 1-47
102900501	11-5	103375301	12-13, 12-15, 13-11, 13-13	103638601	5-13
102900601	11-3	103375402	13-7	103638701	5-13
102900701	11-5	103375702	12-9, 13-7	103638702	5-13
102900801	11-7	103379601	6-11	103638801	5-13
102900901	11-3	103380201	4-3	103638901	1-3

INDEX

103639401	12-19	103850401	4-13	104005901	12-17, 13-15
103647402	12-13, 12-15, 13-11, 13-13	103853121	1-21, 1-39, 1-43	104006001	12-17, 13-15
103647403	12-13, 12-15, 13-11, 13-13	103853122	1-21, 1-39, 1-45	104006101	12-17, 13-15
103653001	1-39, 1-43, 1-45, 1-47	103853124	1-21, 1-39, 1-47	104008001	1-25
103653201	1-37	103853125	1-21, 1-39	104008002	1-27
103678001	1-13	103854301	8-3	104008003	1-29
103678101	1-13	103854501	8-3	104008501	1-31
103678502	6-17	103862401	8-3	104008502	1-33
103679701	5-9	103866801	1-39	104008901	1-31
103683001	1-13	103866802	1-39	104008902	1-33
103694501	2-3	103866901	1-39, 1-43, 1-45, 1-47	104023201	13-7
103699401	1-21	103866902	1-39, 1-43, 1-45, 1-47	104023421	1-19
103711001	5-13	103869401	16-15, 16-17	104023422	1-19
103717001	16-3	103874201	11-3	104023424	1-19
103717002	16-3	103881201	1-33	104023425	1-19
103717003	16-3	103882001	11-5	104024001	13-7
103724501	5-5	103882101	11-3	104024201	17-3, 17-11
103724503	5-3	103882301	11-3	104024202	17-11
103724601	5-3, 5-5	103887901	7-7	104024401	17-11
103724901	5-3, 5-5	103896601	8-3	104024402	17-11
103725601	1-33	103905201	8-3	104024501	17-3, 17-5, 17-7, 17-9, 17-13
103725701	1-37	103921601	5-15, 5-17, 5-19	104024601	17-3, 17-5, 17-7, 17-9, 17-13
103742301	5-17	103921602	5-15, 5-17, 5-19	104028501	17-11
103742302	5-15	103922401	1-41, 1-43, 1-45, 1-47	104028502	17-11
103742303	1-43, 1-45, 1-47, 5-19	103924801	12-9, 13-7	104028601	17-11
103750001	1-31, 1-33, 1-37	103926401	1-13	104028602	17-11
103750101	1-31, 1-33, 1-37	103926601	1-3	104028901	17-3, 17-5, 17-7, 17-9
103756401	8-5	103929301	1-21	104029001	17-3, 17-5, 17-7, 17-9
103765601	12-13, 12-15, 13-11, 13-13	103929302	1-21	104029301	17-13
103774701	12-17, 13-15	103934901	2-5	104029601	17-3, 17-5
103774801	1-33	103935001	2-5	104029602	17-7
103775201	1-33	103943201	6-11	104029603	17-9
103775601	1-33	103943401	12-5, 13-5	105003601	17-3, 17-5, 17-7, 17-9
103777601	4-7, 4-9, 4-11, 4-13, 6-5	103944301	8-3	105003701	17-3, 17-5, 17-7, 17-9
103779601	16-3	103951001	2-3	105005001	13-17
103781101	8-3	103951002	2-3	105049001	5-7
103783001	3-5, 5-3, 5-5	103951007	2-3	105068201	17-11
103783002	3-3, 5-3, 5-5	103952901	1-21	105068202	17-11
103783003	5-3	103953301	6-17	105068301	17-11
103793001	12-13, 12-15, 13-11, 13-13	103964002	8-3	105068302	17-11
103794501	8-5	103964901	5-15, 5-17, 5-19	105068401	17-11
103796701	5-3	103965001	5-15, 5-17, 5-19	105068402	17-11
103810201	5-7	103974815	4-7	105068601	5-7
103812901	1-23	103974821	4-9, 4-11	105070101	17-3, 17-5, 17-11
103813001	1-23	103974901	4-7, 4-9, 4-11, 4-13	105070102	17-7, 17-11
103816401	1-37	103975011	4-13	105070103	17-9, 17-11
103816402	1-37	103975901	1-3	105082601	17-13
103816601	1-7	103976801	16-9	105082801	17-13
103826201	5-9	103976901	16-13	105083001	17-13
103826301	5-9	103978302	12-19	105084301	17-13
103832901	1-19	103978801	1-21	105084401	17-13
103833601	1-19	103982301	13-17	105084501	17-13
103833701	1-19	103990501	1-3	105086801	17-13
103833801	1-19	103990601	1-3	105086901	17-13
103833901	1-19	103991501	13-3	105092301	17-3, 17-5, 17-7, 17-9, 17-13
103850301	12-9	103993901	13-3	105093101	17-3, 17-5, 17-7, 17-9

INDEX

- 105094101 17-13
 - 105095201 17-3
 - 105101001 17-13
 - 105101221 1-39, 1-43
 - 105101222 1-39, 1-45
 - 105101224 1-39, 1-47
 - 105101225 1-39
 - 105116301 12-5, 13-5
 - 105123801 17-3, 17-5, 17-7, 17-9, 17-13
 - 105137401 13-7
 - 4 pass conversion kit, beige 1-43
 - 4 pass conversion kit, gray 1-47
 - 4 pass conversion kit, white 1-45
 - 96704416 7-15
- A**
- A-arm, three-piece 5-11
 - absorber, front shock 5-11
 - absorber, rear shock 5-15, 5-17, 5-19
 - AC cord 16-3, 16-5, 16-7, 16-11, 16-13, 16-15, 16-17, 17-3, 17-11
 - AC cord bushing 16-3
 - AC cord receptacle 16-11
 - accelerator cable 8-11
 - accelerator pedal 4-7, 4-9, 4-11, 4-13, 6-5
 - accelerator pedal adjustment tool 18-3
 - access panel 1-23
 - adapter
 - cable (IQDM) 18-5
 - adhesive, guide ring 18-3
 - air filter 8-13
 - air filter canister evacuation valve 8-13
 - air intake assembly 8-13
 - air intake cover 8-13
 - air intake hose 8-13
 - AM1220301 18-7
 - ammeter 16-3, 16-5, 16-7, 16-11, 16-15, 16-17
 - arbor 18-3
 - arm
 - governor 11-3
 - rocker 7-9
 - armature 14-3
 - armrest 1-19
 - assembly
 - brake lever 4-3
 - connecting rod 7-13
 - cylinder head 7-9
 - drive hub 10-3
 - driven clutch 10-5
 - driven clutch fixed-face 10-5
 - float 8-7
 - frame and field (motor) 14-3
 - fuel cap 8-3
 - fuel pump 8-3
 - governor 11-5
 - idle screw 8-7
 - moveable-face 10-3, 10-5
 - pilot air screw 8-7
 - plug cap 7-5
 - secondary clutch weight 10-3
 - axle 11-3, 11-7, 15-3
 - axle shaft oil seal 11-7, 15-3
 - axle tube 11-7, 15-3
- B**
- backing plate, brake 4-3
 - backrest, beige 1-21, 1-39, 1-43
 - backrest, black 1-21, 1-39
 - backrest, gray 1-21, 1-39, 1-47
 - backrest, white 1-21, 1-39, 1-45
 - bag hoop 1-21
 - bag strap 1-21
 - bag strap buckle 1-21
 - ball bearing 6-17, 7-11
 - ball joint, inner 5-9
 - ball stud 6-11
 - ball, steel pressure relief 7-7
 - barrel, plastic 1-21, 1-39, 1-41, 1-43, 1-45, 1-47, 4-7, 4-9, 4-11, 4-13, 12-15, 13-13
 - battery
 - 8-volt, GC8 12-13, 12-15, 13-11, 13-13
 - battery bucket 12-13, 12-15, 13-11, 13-13
 - battery charger 16-3, 16-5, 16-7, 16-9, 16-11, 16-13, 17-3, 17-5, 17-7, 17-9, 17-13
 - battery charger case 16-3, 16-5, 16-7, 16-11, 16-15, 16-17
 - battery charger transformer 16-3, 16-5, 16-7, 16-11, 16-15, 16-17
 - battery charger wire harness
 - onboard 12-9, 17-13
 - battery charger, onboard, 48-volt 16-15
 - battery charger, onboard, international 16-17
 - battery clamp 6-21
 - battery cross rod tube 12-13, 12-15, 13-11, 13-13
 - battery discharge machine 18-3
 - battery hold-down 12-13, 12-15, 13-11, 13-13
 - battery light 12-3
 - battery terminal protector spray 18-3
 - battery thermometer 18-3
 - battery, 12-volt 6-21
 - bearing 15-3
 - ball 6-17, 7-11
 - ball (motor) 14-3
 - cage roller 11-5
 - idler 10-3
 - inner axle tube 15-3
 - bearing and oil seal remover 18-3
 - bearing driver set 18-3
 - bearing puller 18-3
 - bearing puller wedge 18-3
 - beauty panel, front 1-7
 - beauty panel, rear 1-23
 - bellows, steering 5-9
 - belt, drive 10-3
 - belt, starter/generator 6-19, 10-3
 - belt, V 6-19, 10-3
 - bezel, FNR 6-11
 - body kick plate (ele) 1-17
 - body kick plate (gas) 1-15
 - body, rear 1-23
 - body, under 1-23
 - bolt
 - battery, "S" hold-down 12-13, 12-15, 13-11, 13-13
 - U- 1-43, 1-45, 1-47
 - boot, switch 12-11, 13-9
 - box, differential 11-7
 - bracket
 - accelerator cable 8-11
 - adjustable starter/generator 6-19
 - canopy support 1-31, 1-33
 - carbon canister 8-5
 - clamshell 1-13
 - equalizer 4-5
 - governor cable 8-11
 - jounce bumper 1-43, 1-45, 1-47, 5-19
 - muffler mounting 9-3
 - oil filter mount 7-7
 - oil level switch 7-11
 - relay mounting 16-7, 16-15, 16-17
 - seat support 1-39
 - shock mounting, drv 5-15, 5-17, 5-19
 - shock mounting, pas 5-15, 5-17, 5-19
 - snubber 7-15
 - starter/generator mounting 6-19
 - throttle spring return 8-9
 - brake adjusting mechanism 4-3
 - brake backing plate 4-3
 - brake cable 4-5
 - brake cable release tool 18-3
 - brake cluster 4-3
 - brake drum 4-3
 - brake lever 4-3
 - brake pedal 4-7, 4-9, 4-11, 4-13
 - brake rod 4-7, 4-9, 4-11, 4-13
 - brake self-adjusting mechanism 4-3
 - brake shoe 4-3
 - brake spring 4-3
 - breaker, circuit 16-3, 16-5, 16-7, 16-11, 16-15, 16-17
 - breather 11-3, 15-3
 - brow 1-7
 - brow cap 1-7
 - brush 14-3
 - brush box assembly 14-3
 - brush cover kit, starter/generator 6-17
 - brush inspection port cover 6-17

INDEX

brush rigging 14-3
brush spring 6-17, 14-3
brush spring set 6-17
brush spring, starter/generator 6-17
brush terminal, starter/generator 6-17
bucket, battery 12-13, 12-15, 13-11, 13-13
bucket, gas vehicle 8-3
buckle, bag strap 1-21
Bumper 1-5
bumper 1-5
 drive unit (motor) 14-3
 jounce 1-43, 1-45, 1-47, 5-19
Bumper, Shock Plug 1-5
bushing 5-11, 5-13, 10-3
 AC cord 16-3
 return line 8-3
 urethane 5-15, 5-17, 5-19
button, drive 10-5
buzzer, reverse 6-3, 12-3, 13-3

C

cable
 accelerator 8-11
 brake 4-5
 FNR shifter 6-11
 governor 8-11
 IQDM 18-5
cable support bracket 6-11
calibration test module 18-3
cam
 driven clutch 10-5
 neutral lockout 6-11
cam installation tool 18-3
cam, neutral lockout 6-11
camshaft 7-11
camshaft shim 7-11
canister, carbon, fuel tank 8-5
canopy 1-25, 1-27
canopy drain cover 1-25, 1-27, 1-29
canopy handle 1-25, 1-27
canopy strut, front, lh 1-31, 1-33, 1-37
canopy strut, front, rh 1-31, 1-33, 1-37
canopy support 1-31, 1-33
canopy support bracket, drv 1-21
canopy support bracket, pas 1-21
canopy support cover, drv 1-9, 1-31, 1-33, 1-37
canopy support cover, pas 1-9, 1-31, 1-33, 1-37
cap
 dust 12-3, 13-3
 front hub 5-13
 fuel, gas, ratchet 8-3
 key switch 6-3, 12-3, 13-3
 plug 7-5
cap, hub, 7 prong 2-3
cap, SAM 1-9
carbon canister 8-5

carburetor adapter 8-9
carburetor gasket 8-9
carburetor insulator 8-9
carburetor mounting gasket 8-9
carburetor, FE350 S26 8-7
card, safety first 18-7
case
 battery charger 16-3, 16-5, 16-7, 16-11,
 16-15, 16-17
 gear 15-3
 rocker 7-9
CE mark battery bucket plug kit 12-15, 13-13
CE mark decal 12-15, 13-13
charge indicator light 13-3
charger bezel tool 18-3
charger hardware kit 16-3
charger receptacle 13-7
charger, battery, Hi-Freq 17-3, 17-5, 17-7, 17-9,
 17-13
charger, battery, onboard, 48-volt 16-15
charger, battery, onboard, international 16-17
charger, battery, PowerDrive 16-5
charger, battery, PowerDrive 3 16-3
charger, battery, PowerDrive European 16-11,
 16-13
charger, battery, PowerDrive Export 16-7, 16-9
choke button rod 1-15, 8-13
choke lever 1-15, 8-13
circuit breaker 16-3, 16-5, 16-7, 16-11, 16-15,
 16-17
clamp
 battery 6-21
 cable retaining 8-11
 hose 8-3, 8-9
 leaf spring 5-13
 muffler hose 9-3
clamshell bracket 1-13
clip
 body trim 1-13, 1-23
clip, score card 5-3, 5-5
cluster, brake 4-3
clutch alignment tool 18-3
clutch pulley 10-3
clutch repair kit 10-5
clutch tool kit 18-3
clutch weight 10-3
clutch, drive 10-3
clutch, driven 10-5
collet 7-9
comfort grip steering wheel 5-3
comfort grip steering wheel kit 5-3
communication display module 18-5
component mounting plate 12-19, 13-17
compression gauge 18-5
compression spring 1-15, 8-13
compressor, piston ring 18-7
compressor, valve spring 18-7
computer, onboard 12-19
connecting rod 7-13
connector, 9-pin 6-3, 6-9, 12-3
continuity tester 18-5
control board, potted 16-15, 16-17
controller shield 12-19, 13-17
controller, motor speed
 Excel w/Hi-Freq 13-17
 Excel w/PD 12-19
conversion kit, 4 pass, beige 1-43
conversion kit, 4 pass, gray 1-47
conversion kit, 4 pass, white 1-45
cord connector 7-11
cord reel 16-15, 16-17, 17-13
cord set, DC 16-3, 17-3, 17-5, 17-7, 17-9, 17-11
cord, AC 16-3, 16-5, 16-7, 16-11, 16-13, 16-15,
 16-17, 17-3, 17-11
cord, DC 16-5, 16-7, 16-11, 16-15, 16-17, 17-13
counterbalance guide shaft 7-13
counterbalance weight 7-13
cover
 air intake 8-13
 brush inspection port 6-17
 canopy drain 1-25, 1-27, 1-29
 crankcase 7-11
 DC terminal block 17-3, 17-5, 17-7, 17-9,
 17-13
 dust 4-3
 oil pump 7-7
 support, canopy, drv 1-9, 1-31, 1-33, 1-37
 support, canopy, pas 1-9, 1-31, 1-33, 1-37
 USB 17-3, 17-5, 17-7, 17-9, 17-13
cover plate 14-3
crankcase 7-13
crankcase cover 7-11
crankcase vent tube 8-9
crankshaft 7-13
crankshaft rod 7-13
crankshaft shim 7-13
crossmember, rear 1-3
current limiter 16-11
cushion, shock absorber 5-15, 5-17, 5-19
cutter, valve seat 18-7
cylinder head 7-9

D

dash 1-11
dash support assembly 1-3, 5-11
DC cord 16-5, 16-7, 16-11, 16-15, 16-17, 17-13
DC cord set 16-3, 17-3, 17-5, 17-7, 17-9, 17-11
decal
 CE mark 12-15, 13-13
 Club Car clip 3-3
 four-passenger warning 1-43, 1-45, 1-47,
 3-9

INDEX

frame ground warning 3-3
gas and governor warning 3-3
on/off 3-3, 3-5
private speed mode 3-5
rollover warning 3-3, 3-5
rotating parts 3-3, 6-17
Run/Tow warning 3-7
warning 3-7
warning, Run/Tow 3-7
water exposure 3-7
deionizer 12-17, 13-15
cartridge 12-17, 13-15
differential drive unit 11-3, 15-3
differential gear 15-3
differential gear case 11-7
differential housing 15-3
dipstick 7-3
drain channel 1-11
drain plug 7-7, 11-3
drain plug gasket 7-7, 11-3
drain plug, rubber 6-17
drive belt 10-3
drive button 10-5
drive clutch 10-3
drive clutch button 10-3
drive clutch fixed-face 10-3
drive clutch holder tool 18-3
drive clutch hub puller 18-3
drive clutch puller 18-3
drive clutch spring 10-3
drive clutch weight 10-3
drive hub 10-3
drive selector shaft 11-3
drive unit bumper 14-3
driven clutch 10-5
driven clutch button 10-5
driven clutch cam 10-5
driven clutch cam puller 18-3
driven clutch fixed-face assembly 10-5
driven clutch puller plug 18-3
driver, drive clutch 10-3
drum, brake 4-3
dry moly lubricant 18-5
dust cap 12-3, 13-3
dust cover 4-3
dust seal 5-9

E

eccentric adjustment screw 5-13
end cap, motor 14-3
end, tie rod 5-9
engine mounting plate 7-15
engine shroud 7-3
engine, FE350 S26 7-3
equalizer 4-5
exhaust system 9-3

exhaust valve 7-9

F

face, moveable 10-3, 10-5
fan housing 7-3
fan shroud 7-3
fan, flywheel 7-5
fascia 1-7
field coil housing 6-17
fill plug 11-3
fill plug gasket 11-3
filter
air 8-13
fuel 8-3
oil 7-7
oil pump 7-7
fitting, fuel 8-3
fixed-face, drive clutch 10-3
fixed-face, driven clutch 10-5
float 8-7
floor cover plate 4-7, 4-9, 4-11, 4-13
floor mat 1-13
floor mat retainer, lh 1-13
floor mat retainer, rh 1-13
floor mat, 4 pass, rear 1-41, 1-43, 1-45, 1-47
flywheel 7-5
flywheel fan 7-5
flywheel fan plate 7-5
flywheel puller 18-5
FNR bezel 6-11
FNR handle 6-11
FNR housing 12-11, 13-9
FNR shift lever 11-3
FNR shifter base 6-11
FNR shifter cable 6-11
foot deck 1-41, 1-43, 1-45, 1-47
fork, shift 11-5
frame and field assembly (motor) 14-3
frame and field, starter/generator 6-17
front body beauty panel 1-7
front leaf spring 5-13
front suspension structure 5-11
fuel
valve, inline 8-3
fuel filter 8-3
fuel line 8-3, 8-9
fuel pump 8-3
fuel tank 8-3
fuel tank hold-down 8-3
fuse 16-5, 16-7, 16-11, 16-15, 16-17
10-amp 6-21
15-amp 12-9, 12-11, 13-7, 13-9
2-amp 12-9, 13-7
30-amp 13-7, 17-13
charger 16-3
fuse cover, sealed 6-21

G

gas pedal assembly, anodized 4-9, 4-11
gas pedal assembly, anodized triac 4-7
gasket
air intake 8-13
carburetor 8-9
carburetor mounting 8-7, 8-9
crankcase cover 7-9, 7-11
drain plug 7-7
drain plug, fill plug 11-3
exhaust 7-9, 9-3
head 7-9
insulator 7-9, 8-9
liquid 15-3, 18-5
plug 15-3
rocker case 7-9
seat 1-19
gauge, compression 18-5
gear
25 tooth 11-5
28 tooth 11-5
differential 11-7, 15-3
differential idler 15-3
differential output 15-3
helical 7-13
planetary 11-7
speed governor 11-5
spur 7-13
sun 11-7
gear yoke 18-5
gearcase 15-3
governor 11-5
governor arm 11-3
governor cable 8-11
governor cable bracket 8-11
governor shaft installation tool 18-5
governor shield 8-9
grip, pencil 5-3, 5-5
grommet 8-3
Grommet, Ignition 7-5
guide
intake valve 7-9
valve seat cutter 18-7
guide ring adhesive 18-3

H

hand rail 1-41, 1-43, 1-45, 1-47
handle, canopy 1-27
handle, FNR 6-11
hardware kit, charger 16-3
harness, instrument panel 6-3, 6-9, 12-3, 13-3
harness, wire 12-9, 13-7
harness, wire, gas IP 6-3, 6-9
harness, wire, gas main 6-15
harness, wire, onboard battery charger 12-9,

INDEX

17-13
head gasket 7-9
head, cylinder 7-9
heat shrink tube 16-15, 16-17
heatsink and rectifier 16-5, 16-7, 16-11, 16-15, 16-17
helical gear 7-13
hinge 12-13, 12-15, 13-11, 13-13
 seat bottom 1-19
hinge, seat bottom 1-19
hip restraint 1-19
hip restraint, 4 pass 1-39, 1-43, 1-45, 1-47
hold-down, battery 12-13, 12-15, 13-11, 13-13
hold-down, fuel tank 8-3
hoop, bag 1-21
hose
 air intake 8-13
 fuel 8-3
 fuel vent 8-3
 SPWS 12-17, 13-15
 vent 8-3, 8-5
housing
 3-pin 14-3
 differential 15-3
 fan 7-3
 field coil 6-17
hub 5-13
hub cap 2-3, 5-13
hub cap, 7 prong 2-3
hydrometer 18-5

I

idle screw assembly 8-7
idler bearing 10-3
idler gear, differential 15-3
ignition coil 7-5
inner ball joint 5-9
inner frame snubber 7-15
input shaft 15-3
insert (SAM) 16-15, 16-17
instrument panel 6-3, 12-3, 13-3
instrument panel harness 6-3, 6-9, 12-3, 13-3
insulator gasket 7-9, 8-9
insulator, carburetor 8-9
intake assembly 8-13
intake cover 8-13
intake hose 8-13
intake valve 7-9
intermediate shaft 15-3
internal retaining ring pliers 18-5
IQ display module (IQDM) 18-5
IQ display module (IQDM-P) 18-5

J

J-clip 1-3, 1-41, 5-15, 5-17, 5-19
jet, main 8-7

jet, pilot 8-7
jounce bumper 1-43, 1-45, 1-47, 5-19
jounce bumper bracket 1-43, 1-45, 1-47, 5-19

K

key
 crankshaft 7-5, 7-13
 driven clutch 10-5
 On/Off 6-3, 12-3, 13-3
 square 10-5
key switch 6-3, 12-3, 13-3
key switch cap 6-3, 12-3, 13-3
kick plate (ele) 1-17
kick plate (gas) 1-15
kick plate, body 1-15
king pin 5-13
kit
 3-pin housing 14-3
 4 pass conversion, beige 1-43
 4 pass conversion, gray 1-47
 4 pass conversion, white 1-45
 ball joint, inner 5-9
 bellows, steering, sona 5-9
 brake cable 4-5
 brake shoe retainer 4-3
 CE battery bucket plug 12-15, 13-13
 clutch repair 10-5
 comfort grip steering wheel 5-3
 drive clutch button 10-3
 drive clutch weight 10-3
 driven clutch button 10-5
 front hub replacement 5-13
 hand pump, SPWS 12-17, 13-15
 hub cap 2-3
 IQ display module (IQDM) 18-5
 IQ display module (IQDM-P) 18-5
 motor brush 14-3
 motor brush spring 14-3
 motor cover plate 14-3
 motor speed sensor 14-3
 motor terminal hardware 14-3
 neutral lockout cam 6-11
 PD3 hardware 16-3
 SAM assembly 1-21
 seat bottom 1-19
 shock absorber 5-15, 5-17, 5-19
 shock absorber cushion 5-15, 5-17, 5-19
 shoe retainer 4-3
 tune-up 18-7
 underbody cover 1-9

L

leaf spring, front 5-13
leaf spring, rear 5-15, 5-17
leaf spring, rear, 4-pass 1-43, 1-45, 1-47, 5-19

lever
 choke 1-15, 8-13
 speed governor 11-3
 transmission shift 11-3
light
 battery 12-3
 charge indicator 13-3
 oil 6-3
limit switch 6-11
limiter
 current 16-11
line, fuel 8-9
liquid gasket 15-3, 18-5
low oil warning light 6-3
lubricant, dry moly 18-5
lubricant, moly-teflon 14-3, 18-5
lug nut 2-3, 2-5
lug stud 5-13, 11-7, 15-3

M

magnet, speed sensor 14-3
main jet 8-7
MCOR3 4-13
mechanism, brake adjusting 4-3
meter, volt ohm 18-7
module
 calibration test 18-3
 communication display 18-5
moly-teflon lubricant 18-5
motor
 48-volt IQ 14-3
 motor brush kit 14-3
 motor brush spring kit 14-3
 motor bumper 14-3
 motor end cap 14-3
 motor magnet, speed sensor 14-3
 motor speed controller
 Excel w/Hi-Freq 13-17
 Excel w/PD 12-19
 motor speed sensor 14-3
 motor speed sensor kit 14-3
 motor terminal hardware kit 14-3
 motor wire harness 12-9, 13-7
mounting plate, component 12-19, 13-17
moveable-face 10-3, 10-5
muffler hose clamp 9-3

N

nameplate 1-7
neutral lockout cam 6-11
nozzle, main 8-7
nut, lug 2-3, 2-5

O

oil conveyor 11-3

INDEX

oil filler tube 7-3
oil filter 7-7
oil filter mount bracket 7-7
oil filter screen 7-11
oil filter screen plate 7-11
oil level sensor 7-11
oil level switch bracket 7-11
oil pump and rotor 7-7
oil pump cover 7-7
oil pump filter 7-7
oil pump plate 7-7
oil seal 7-9, 7-11, 7-13
oil warning light, low 6-3
onboard computer 12-19
O-ring 7-3, 7-9, 7-11, 7-13

P

paint, touch-up 18-5
paint, underbody (black) 18-5
paint, underbody (gray) 18-5
panel
 access 1-23
 front body beauty 1-7
 rear body beauty 1-23
 SAM 1-21
park brake release, anod 4-7, 4-9, 4-11, 4-13, 6-5
pedal assembly, gas, anodized 4-9, 4-11
pedal assembly, gas, anodized triac 4-7
pedal, accelerator 4-7, 4-9, 4-11, 4-13, 6-5
pedal, brake 4-7, 4-9, 4-11, 4-13
pencil grip 5-3, 5-5
pilot air screw assembly 8-7
pilot jet 8-7
pin
 bow tie locking 4-5
 clevis 4-5
 king 5-13
 piston 7-13
piston 7-13
piston pin 7-13
piston ring 7-13
piston ring compressor 18-7
piston ring pliers 18-7
piston ring set 7-13
plate
 backing (brake) 4-3
 component mounting 12-19, 13-17
 cover 14-3
 engine mounting 7-15
 floor cover 4-7, 4-9, 4-11, 4-13
 flywheel fan 7-5
 kick(ele) 1-17
 kick(gas) 1-15
 oil filter screen 7-11
 oil pump 7-7

pliers
 internal retaining ring 18-5
 piston ring 18-7
 retaining ring 18-7
plug
 drain 7-7, 11-3
 drive clutch 10-3
 driven clutch puller 18-3
 fill 11-3
 rubber drain 6-17
 spark 7-5
plug cap 7-5
press weldment 18-3
protector spray, battery terminal 18-3
puller
 bearing 18-3
 drive clutch 18-3
 drive clutch hub 18-3
 driven clutch cam 18-3
 flywheel 18-5
 seal 18-7
pulley
 clutch 10-3
 starter-generator 6-17
 v-belt 6-17
pump
 fuel 8-3
push rod 7-9

R

rack and pinion 5-9
reamer, valve guide 18-7
rear body beauty panel 1-23
rear crossmember 1-3
rear underbody support 1-21
receptacle 13-7
receptacle, AC cord 16-11
rectifier with heatsink 16-5, 16-7, 16-11, 16-15, 16-17
reel cord 16-15, 16-17, 17-13
regulator, voltage 6-21
relay 16-3, 16-5, 16-7, 16-11, 16-15, 16-17
relay mounting bracket 16-7, 16-15, 16-17
release, anod park brake 4-7, 4-9, 4-11, 4-13, 6-5
remover, bearing and oil seal 18-3
resistor assembly 12-19, 13-17
restraint, hip, 4 pass 1-39, 1-43, 1-45, 1-47
retainer
 brake shoe 4-3
 shock absorber cushion 5-15, 5-17, 5-19
 spring (drive clutch) 10-3
 valve spring 7-9
retainer, floormat, lh 1-13
retainer, floormat, rh 1-13
retaining ring pliers 18-7

reverse buzzer 6-3, 12-3, 13-3
rim (wheel) 2-3, 2-5
ring
 piston 7-13
 retaining 6-11, 10-3, 10-5
 snap 7-9, 7-13
 spiral backup 10-3
Rivet, Removable 1-23
rocker arm 7-9
rocker case 7-9
rocker case gasket 7-9
rocker shaft 7-9
rocker switch 12-11, 13-9
rod

 brake 4-7, 4-9, 4-11, 4-13
 connecting 7-13
 crankshaft 7-13
 push 7-9

S

safety first card 18-7
SAM (structural accessory module) 1-21
SAM assembly kit 1-21
SAM cap 1-9
SAM panel 1-21
score card clip 5-3, 5-5
score card plate 5-3, 5-5
screen, oil filter 7-11
screw, eccentric adjustment 5-13
screw, valve clearance adjuster 18-7
seal
 dust 5-9
 lip 15-3
 oil 7-9, 7-11, 7-13, 11-7, 15-3
seal puller 18-7
sealant 15-3
seat
 spring 7-9
 valve 7-7
seat back, beige 1-21, 1-39, 1-43
seat back, black 1-21, 1-39
seat back, gray 1-21, 1-39, 1-47
seat back, white 1-21, 1-39, 1-45
seat bottom kit 1-19
seat bracket 1-39, 1-43, 1-45, 1-47
seat gasket 1-19
seat hinge 1-19
seat support bracket 1-39
seat support weldment 1-39
sensor, motor speed 14-3
sensor, oil level 7-11
shaft
 counterbalance guide 7-13
 drive selector 11-3
 input 15-3
 intermediate 15-3

INDEX

- rocker 7-9
 - transmission 11-5
 - shaft,reverse gear 11-5
 - shaft,secondary
 - transmission 11-5
 - shield, charger 17-13
 - shield, controller 12-19, 13-17
 - shield, debris aux 4-7, 4-9, 4-11, 4-13
 - shield, debris primary 4-7, 4-9, 4-11, 4-13
 - shield, governor 8-9
 - shift fork 11-5
 - shift lever 11-3
 - shim, camshaft 7-11
 - shim, crankshaft 7-13
 - shock absorber (front) 5-11
 - shock absorber (rear) 5-15, 5-17, 5-19
 - shock absorber cushion 5-15, 5-17, 5-19
 - shock absorber cushion retainer 5-15, 5-17, 5-19
 - shock mounting bracket, drv 5-15, 5-17, 5-19
 - shock mounting bracket, pas 5-15, 5-17, 5-19
 - shoe retainer kit 4-3
 - shoe, brake 4-3
 - shroud 7-3
 - shroud, engine 7-3
 - shroud, fan 7-3
 - sleeve 5-11, 5-13, 5-15, 5-17, 5-19
 - snap ring 7-9, 7-13
 - snubber bracket 7-15
 - snubber, inner frame 7-15
 - solenoid, 12-volt 6-21
 - spark plug 7-5
 - speed controller
 - Excel w/Hi-Freq 13-17
 - Excel w/PD 12-19
 - speed sensor 14-3
 - speed sensor magnet 14-3
 - speed sensor, motor 14-3
 - spindle 5-13
 - spiral backup ring 10-3
 - spray, battery terminal protector 18-3
 - spring
 - brake 4-3
 - brush 6-17, 14-3
 - compression 1-15, 5-3, 5-5, 8-13
 - drive button 10-3
 - drive clutch 10-3
 - driven clutch 10-5
 - forward/reverse cam 6-11
 - leaf, front 5-13
 - throttle return 8-9
 - valve 7-9
 - spring, leaf, rear 5-15, 5-17
 - spring, leaf, rear, 4-pass 1-43, 1-45, 1-47, 5-19
 - spur gear 7-13
 - SPWS hose 12-17, 13-15
 - stand-offs, plastic 16-3
 - starter/generator (bi-rotational) 6-17
 - starter/generator belt 6-19, 10-3
 - starter/generator brush cover kit 6-17
 - starter/generator brush spring 6-17
 - starter/generator brush terminal 6-17
 - starter/generator frame and field 6-17
 - starter/generator pulley 6-17
 - steel pressure relief ball 7-7
 - steering column bearing press tool 18-7
 - steering column retaining ring tool 18-7
 - steering wheel 5-3, 5-5
 - steering wheel (comfort grip) kit 5-3
 - steering wheel puller tool 18-7
 - stem, valve 2-3, 2-5
 - stiffener, flywheel side 7-15
 - strap, bag 1-21
 - strut, angle, tie 1-39, 1-43, 1-45, 1-47
 - strut, front canopy, lh 1-31, 1-33, 1-37
 - strut, front canopy, rh 1-31, 1-33, 1-37
 - stud 7-15
 - lug 5-13, 11-7, 15-3
 - stud, ball 6-11
 - support, canopy 1-31, 1-33
 - support, underbody, rear 1-21
 - suppressor, voltage 16-5, 16-7, 16-11, 16-15, 16-17
 - suspension, front structure 5-11
 - switch
 - four-position 16-7, 16-11, 16-17
 - key 6-3, 12-3, 13-3
 - limit 6-11
 - rocker 12-11, 13-9
 - Tow/Run 12-11, 13-9
 - switch rubber boot 12-11, 13-9
 - synchronizer, complete 11-5
- ## T
- 12-volt solenoid 6-21
 - tachometer 18-7
 - tank, fuel 8-3
 - tappet 7-11
 - tester, continuity 18-5
 - thermometer, battery 18-3
 - three-piece A-arm 5-11
 - throttle return spring 8-9
 - throttle spring return bracket 8-9
 - throttle, gas, Gen2, triac, sensor 4-7, 6-5
 - throttle, Gen2, no sensor 4-9, 4-11, 4-13
 - tie rod end 5-9
 - tie wrap 1-33, 5-9, 13-7, 16-15, 16-17
 - tire 2-3
 - tire, pro tour, 205-50 x 10 2-5
 - tool
 - accelerator pedal adjustment 18-3
 - belt tensioning, starter/generator 18-7
 - brake cable release 18-3
 - cam installation 18-3
 - charger bezel 18-3
 - clutch alignment 18-3
 - drive clutch holder 18-3
 - governor shaft installation 18-5
 - steering column bearing press 18-7
 - steering column retaining ring 18-7
 - steering wheel puller 18-7
 - transaxle axle seal 18-7
 - transaxle pinion seal 18-7
 - transmission 18-7
 - tool kit, clutch 18-3
 - touch-up paint 18-5
 - Tow/Run switch 12-11, 13-9
 - transaxle (Electric Vehicle) 15-3
 - transaxle axle seal tool 18-7
 - transaxle pinion seal tool 18-7
 - transaxle, Gaziano (Gasoline Vehicle) 11-3
 - transformer, battery charger 16-3, 16-5, 16-7, 16-11, 16-15, 16-17
 - transmission secondary shaft 11-5
 - transmission shaft 11-5
 - transmission tool 18-7
 - tube
 - axle 11-7, 15-3
 - battery cross rod 12-13, 12-15, 13-11, 13-13
 - crankcase vent 8-9
 - oil filler 7-3
 - Tuflok 1-23
 - tune-up kit 18-7
- ## U
- U-bolt 1-43, 1-45, 1-47, 5-15, 5-17, 5-19
 - underbody 1-23
 - underbody cover kit 1-9
 - underbody support, rear 1-21
 - urethane bushing 5-15, 5-17, 5-19
 - USB cover 17-3, 17-5, 17-7, 17-9, 17-13
- ## V
- valve
 - exhaust 7-9
 - intake 7-9
 - reed 7-9
 - valve clearance adjuster screw 18-7
 - valve guide reamer 18-7
 - valve guide, intake 7-9
 - valve seat 7-7
 - valve seat cutter 18-7
 - valve seat cutter guide 18-7
 - valve seat t-wrench 18-7
 - valve spring 7-9
 - valve spring compressor 18-7
 - valve spring retainer 7-9
 - valve stem 2-3, 2-5

INDEX

v-belt 6-19, 10-3
vent
 fuel tank 8-3
Vent, Barb 8-5
volt ohm meter 18-7
voltage regulator 6-21
voltage suppressor 16-5, 16-7, 16-11, 16-15,
 16-17

W

warning light, low oil 6-3
wedge, bearing puller 18-3
weight
 clutch 10-3
 counterbalance 7-13
 secondary clutch 10-3
weldment
 press 18-3
wheel 2-3, 2-5
 steering 5-3, 5-5
wire harness 12-9, 13-7
wire harness, Excel w/Hi-Freq, MCOR3 13-7
wire harness, Excel w/PD, MCOR3 12-9
wire harness, onboard battery charger 12-9,
 17-13
wire lead, ignition 7-5
wrap, tie 1-33, 5-9, 13-7, 16-15, 16-17

Y

yoke, gear 18-5



Club Car, LLC
P.O. Box 204658
Augusta, GA 30917-4658
USA

Web www.clubcar.com
Phone 1.706.863.3000
1.800.ClubCar
Int'l +1 706.863.3000
Fax 1.706.863.5808