



**2015
Precedent
Illustrated Parts List**



**Gasoline Vehicle with Subaru EX40 Engine
Electric Vehicle with ERIC Charging System
Gasoline Vehicle with Kawasaki FE350 Engine**

Manual Number 105157101
Edition Code 0714F0920E

USING THE ILLUSTRATED PARTS LIST

⚠ WARNING

- **This manual is to be used only for identification and ordering of service parts. Be sure to read and use the maintenance and service manual before attempting any vehicle repairs.**

This manual covers all 2015 Club Car Precedent vehicles.

The manual is divided into sections. Note that there are two or three flags on the outside edge of each page. The first flag contains the section number of which that page is a part. The other flag (or flags) contains the letter D, E, or G, signifying that the page pertains to diesel, electric, or gasoline vehicles.

Use the Table of Contents to find the sections and pages that contain the parts and assemblies you seek. The Table of Contents lists section numbers, and under them, the individual page titles and numbers to be found in that section. The index can be used to find specific parts and assemblies. The index is divided into numerical and alphabetical listings with the page numbers in italic text.

There is a two-page spread for each individual page title in the Table of Contents. On the left-hand page is an illustration showing the parts in their relative positions; the parts are each tagged with an item number in a balloon. The right-hand page is the parts list page, and gives the page title at the top, then the item numbers (corresponding to the numbers on the illustration), part descriptions, and quantity of parts used. Some item numbers have more than one part number because several configurations of a component are represented together on one spread.

Note that a part description may be indented. This indentation corresponds to a parts assembly level indicated by the numbers 1, 2, 3, and 4 at the top left corner of the parts description area of the parts list page. A part that is indented to *level 2* is a component of the *level 1* part (assembly) that it is listed under. A *level 3* part is a component of the *level 2* part that it is listed under, and a *level 4* part is a component of the *level 3* part preceding it. In each case, the part quantity given for a level 2, 3, or 4 part is the quantity used per next higher level assembly of which it is a component. A part that is not indented is a *level 1* part. This means that the quantity given is the quantity used per the portion of the vehicle illustrated on that particular spread.



P. O. Box 204658
Augusta, Georgia 30917-4658 USA
Telephone 706-863-3000
Service Parts Fax 706-855-7413
www.clubcar.com

HOW TO ORDER PARTS

Replacement parts and accessories can be obtained from our network of authorized dealers and distributors. You can obtain the name and phone number of your closest authorized Club Car dealer or distributor by visiting our web site at www.clubcardealer.com, by calling our toll-free Service Parts and Technical Assistance hotline at (800) 872-2246 or (706) 863-3000, extension 3887, or by scanning this Quick Response (QR) code to be taken to the Club Car dealer locator. **Refer to Figure 1.** Download a QR code reader such as RedLaser or Barcode Scanner to your cell phone or tablet.



Figure 1 Dealer Locator QR Code

CUSTOMER SATISFACTION SURVEY

Let your voice be heard!

Please take time to participate in the Technical Publications satisfaction survey. Obtaining feedback from our customers is important to the department's continuous improvement process. The online survey takes less than five minutes and responses will help the department to examine current performance as well as identify areas for future improvement.

Our top priority is to provide timely, accurate, and user friendly manuals.

The online satisfaction survey can be found at: <http://bit.ly/1w9uFMh>



Figure 2 Survey QR Code

NOTE: *This illustrated parts list represents the most current information at the time of publication. Club Car, LLC is continually working to further improve its vehicles and other products. These improvements may affect the parts used to service the vehicle. Any modification and/or significant change in specifications will be forwarded to all Club Car and Carryall distributors/dealers and will, when applicable, appear in future editions of this illustrated parts list.*

Club Car, LLC reserves the right to change specifications and designs at any time without notice and without the obligation of making changes to units previously sold.

Copyright © 2014, 2015 Club Car, LLC
Club Car, Precedent, and Surlyn
are registered trademarks of Club Car, LLC
This manual effective July 14, 2014.

2015 Precedent Illustrated Parts List

CONTENTS

SECTION 1 – BODY AND TRIM

Frame	1-3
Front Bumper	1-5
Front Body	1-7
Underbody Covers (Vehicle Without Canopy)	1-9
Dash	1-11
Floor Mat, Retainers, and Front Underbody	1-13
Kick Plate – Subaru EX40 Gas Vehicle	1-15
Kick Plate – Electric Vehicle	1-17
Seat Bottom with Hip Restraints	1-19
Backrest and Structural Accessory Module (SAM)	1-21
Rear Body	1-23
Club and Ball Cleaner Kit	1-25
Sand Bottle Kits With Handles	1-27
Sand Bottle Kits	1-29
Sand Bucket Kits	1-31
Windshield – Hinged	1-33
Canopy – White	1-35
Canopy – Beige	1-37
Canopy – Black	1-39
Canopy Struts	1-41
Visage Canopy Struts and Console	1-43
Four-Passenger Monsoon Canopy	1-45
Four-Passenger Monsoon Canopy Struts	1-47
Rear Seat – Precedent Villager 4	1-49
Rear Footrest Assembly, Precedent Villager 4	1-51
Four Passenger Conversion Kit, Monsoon – Beige	1-53
Four Passenger Conversion Kit, Monsoon – White	1-55
Four Passenger Conversion Kit, Monsoon – Gray	1-57

SECTION 2 – WHEELS AND TIRES

Wheels and Tires, i2 and Signature	2-3
Wheels and Tires – i2L and i2L2	2-5

SECTION 3 – DECALS

Decal – Precedent Villager 4	3-3
Decals – Subaru EX40 Gas Vehicle, Page 1 of 3	3-5
Decals – Subaru EX40 Gas Vehicle, Page 2 of 3	3-7

CONTENTS

Decals – Subaru EX40 Gas Vehicle, Page 3 of 3	3-9
Decals – Electric Vehicle, Page 1 of 2	3-11
Decals – Electric Vehicle, Page 2 of 2	3-13

SECTION 4 – LIGHTS, CONTROLS AND INDICATORS

Headlights Only – Precedent	4-3
Headlights Only (CE) – Precedent	4-5
Headlights, Horn and Taillights – Precedent	4-7
Headlights, Horn and Taillights (CE) – Precedent	4-9
Instrument Panel – Electric Vehicle with ERIC Charger	4-11
Instrument Panel – Kaw. FE350 Gas Vehicle	4-13
Instrument Panel – Subaru EX40 Gas Vehicle	4-15
DC Converter (Standard) – Electric Vehicle	4-17
DC Converter (CE) – Electric Vehicle	4-19

SECTION 5 – BRAKES AND PEDAL GROUP ASSEMBLIES

Rear Brakes, Self-Adjusting – Electric Vehicles	5-3
Rear Brakes, Self-Adjusting – Gasoline Vehicles	5-5
Brake Cables and Equalizer Bracket	5-7
Pedal Group with Sensor – Gasoline Vehicle	5-9
Pedal Group w/o Sensor, Gasoline Vehicle	5-11
Pedal Group w/o MCOR – Electric Vehicle	5-13
Pedal Group with MCOR – Electric Vehicle	5-15

SECTION 6 – STEERING, FRONT AND REAR SUSPENSION

Steering Wheel, Comfort Grip with Clip	6-3
Steering Wheel	6-5
Steering Column	6-7
Steering Gear Assembly	6-9
Front Suspension, Upper	6-11
Front Suspension, Lower	6-13
Rear Suspension, Gasoline Vehicle	6-15
Rear Suspension, Electric Vehicle	6-17
Rear Suspension, Precedent Villager 4	6-19

SECTION 7 – ELECTRICAL SYSTEM – KAW. FE350

Accelerator Pedal Assembly w/Sensor – Kaw. FE350	7-3
Instrument Panel Wire Harness – Kaw. FE350	7-7

CONTENTS

Forward/Reverse Shifter Assembly – Kaw. FE350	7-9
Wiring – Kaw. FE350 Gasoline Vehicle	7-13
Starter/Generator (S/G) Assembly – Kaw. FE350	7-15
Starter/Generator Mounting – Kaw. FE350	7-17
Battery – Kaw. FE350 Gasoline Vehicle	7-19

SECTION 8 – ELECTRICAL SYSTEM – SUBARU EX40

Accelerator Pedal Assembly w/Sensor – EFI	8-3
Wiring, Fuses and ECU – EFI with Side-Post Battery	8-5
Wiring, Fuses and ECU – EFI with Top-Post Battery	8-7
Starter/Generator (Model 114-05-4001), Pedal-Start – EFI	8-9
Starter/Generator Mounting – EX40	8-11
Side-Post Battery, Solenoid, Voltage Regulator – EFI	8-13
Kit, Battery Terminal Adapter (Side-Post to Top-Post) – EFI	8-15
Top-Post Battery, Solenoid, Voltage Regulator – EFI	8-17
Operation and Maintenance Switch	8-19
Forward/Reverse Shifter Switches – EFI	8-21

SECTION 9 – ENGINE – KAWASAKI FE350

Tune-Up Kit – Kawasaki FE350	9-3
FE350 Engine (AS26) – Shrouds and Brackets	9-5
FE350 Engine (AS26)- Ignition Components and Flywheel	9-7
FE350 Engine (AS26)- Oil Circulation	9-9
FE350 Engine (AS26)- Cylinder Head	9-11
FE350 Engine (AS26)- Crankcase, Camshaft, and Oil Sensor	9-13
FE350 Engine (AS26)- Crankcase and Crankshaft	9-15
FE350 Engine (AS26)- Mounting	9-17

SECTION 10 – ENGINE – SUBARU EX40

Tune-Up Parts – Subaru EX40	10-3
Engine and Engine Mounting, Precedent – EX40	10-5
Fan and Shroud – EX40	10-7
Air Deflector – EX40	10-9
Ignition Components and Flywheel – EX40	10-11
Sensors – EX40	10-13
Cylinder Head – EX40	10-15
Valvetrain and Timing Chain – EX40	10-17
Crankcase – EX40	10-19
Crankshaft and Piston – EX40	10-21

CONTENTS

SECTION 11 – FUEL SYSTEM – KAW. FE350

Fuel System – Kaw. FE350	11-3
Carbon Canister – Kaw. FE350	11-5
Carburetor Assembly – Kaw. FE350	11-7
Carburetor Installation – Kaw. FE350	11-9
Governor and Accelerator Cables – Kaw. FE350	11-11
Choke and Air Box Assembly – Kaw. FE350	11-13

SECTION 12 – FUEL SYSTEM, EFI – SUBARU EX40

Fuel System w/o Sending Unit – EFI	12-3
Fuel System with Sending Unit – EFI	12-5
Fuel Tank Kits – EFI	12-7
Carbon Canister – EFI	12-9
Throttle Body and ECU – EFI	12-11
Throttle Body Mounting – EFI	12-13
Governor and Accelerator Cables – EFI	12-15
Air Filter System and Intake Hose – EFI	12-17

SECTION 13 – EXHAUST SYSTEM – KAW. FE350

Exhaust System – FE350	13-3
------------------------------	------

SECTION 14 – EXHAUST SYSTEM, GOLF – SUBARU EX40

Exhaust System, Golf – Subaru EX40	14-3
--	------

SECTION 15 – DRIVE BELT AND CLUTCHES – KAW. FE350

Drive Clutch – Kaw. FE350	15-3
Driven Clutch – Kaw. FE350	15-5

SECTION 16 – DRIVE BELT AND CLUTCHES – SUBARU EX40

Drive Belt – Pedal-Start Vehicles with EFI	16-3
Drive Clutch – Pedal-Start Vehicles with EFI	16-5
Driven Clutch – All Gasoline Vehicles with EFI	16-7

SECTION 17 – UNITIZED TRANSAXLE, GRAZIANO (FOR KAW. FE350)

Graziano Transaxle – Gear Cases and Levers	17-3
Graziano Transaxle – F&R Transmission and Gear Reduction	17-5
Graziano Transaxle -Differential and Axles	17-7

CONTENTS

SECTION 18 – TRANSAXLE, FUJI ED65 (FOR SUBARU EX40)

Forward/Reverse Shifter Assembly – EFI	18-3
Shifter Cable – CA100, XRT800, Precedent	18-5
Shift Lever and Bracket – Pedal-Start Engines	18-7
Governor Arm and Brackets – Precedent	18-9
Transaxle (ED65), Open – Page 1 of 3	18-11
Transaxle (ED65), Limited Slip and Open – Page 2 of 3	18-13
Transaxle (ED65), Open – Page 3 of 3	18-15
Hub, Rear	18-17

SECTION 19 – ELECTRICAL SYSTEM – EXCEL WITH HIGH FREQUENCY CHARGERS

Motor Controller Output Regulator (MCOR)	19-3
Wiring and Fuses	19-5
Forward/Reverse Switch and Tow/Run Switch	19-7
Batteries and Battery Bucket, PD+ 8-Volt	19-9
Batteries and Battery Bucket, PD+ 8-Volt, CE	19-11
Single Point Watering System, 8V	19-13
Hand Pump and Deionizer (Battery-Powered Quality Light)	19-15
Controller and Solenoid	19-17
Ferrite Beads, CE	19-19

SECTION 20 – ELECTRIC MOTOR

Motor (Model EJ8-4001A) – Electric Vehicle	20-3
--	------

SECTION 21 – TRANSAXLE – ELECTRIC VEHICLES

Transaxle – Electric Vehicles	21-3
-------------------------------------	------

SECTION 22 – BATTERY CHARGERS – HIGH-FREQUENCY

Battery Charger, High-Frequency – U.S./Canada	22-3
Battery Charger, High-Freq., 2.74 m DC Cord – Global	22-5
Battery Charger, High-Freq., 3.66 m DC Cord – Global	22-7
Battery Charger, High-Freq., 6.1 m DC Cord – Global	22-9
Cords – Battery Charger, High-Frequency	22-11
Battery Charger, High-Frequency – Onboard	22-13
Battery Charger, High-Frequency – Onboard (for Rear-Facing-Seat)	22-15

CONTENTS

SECTION 23 – MAINTENANCE AND SERVICE TOOLS

Maintenance and Service Tools	23-3
Maintenance and Service Tools, Continued	23-5
Maintenance and Service Tools, Continued	23-7

SECTION i – INDEX

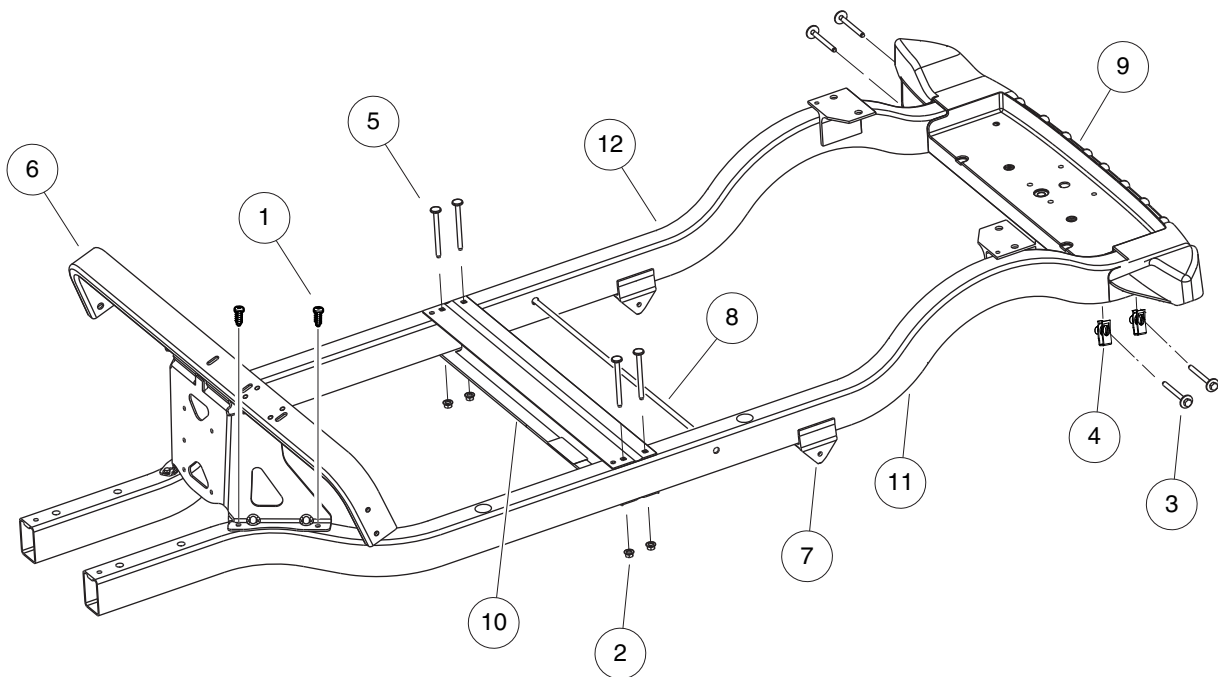
BODY AND TRIM

1

G

E

1
G
E



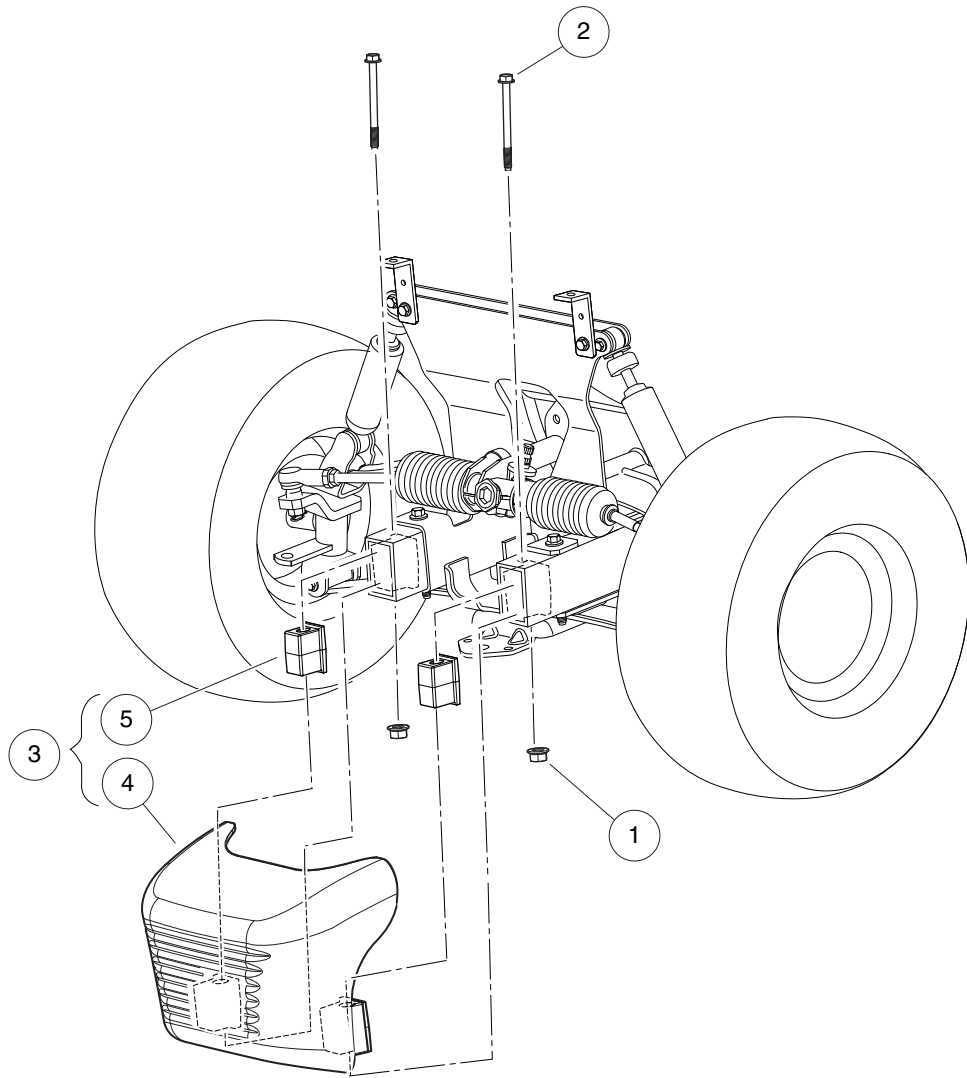
000436-009

FRAME

ITEM	PART NO.	DESCRIPTION	QTY
		1 2 3 4	
1	<u>102292101</u>	Screw-5/16 X 1.5 Tek	4
2	<u>102298401</u>	Nut,m8,all Metal Lock	4
3	<u>102298580</u>	M8-1.25 X 80 Sems	4
4	<u>102298601</u>	J-clip - M8 X 1.25	4
5	<u>102298995</u>	Bolt, Wafer Head, M8-1.25x95	4
6	<u>102505701</u>	Assembly, Dash Support	1
7	<u>102507801</u>	Hanger, Spring	2
8	<u>103638901</u>	Rod, .5 Od X 26.26	1
9	<u>103926601</u>	Crossmember, rear	1
10	<u>103975901</u>	I Beam, Cross Car	1
11	<u>103990501</u>	Weldment, Frame, Prec, Lh	1
12	<u>103990601</u>	Weldment, Frame, Prec, Passenger-side	1

1
G
E

1
G
E



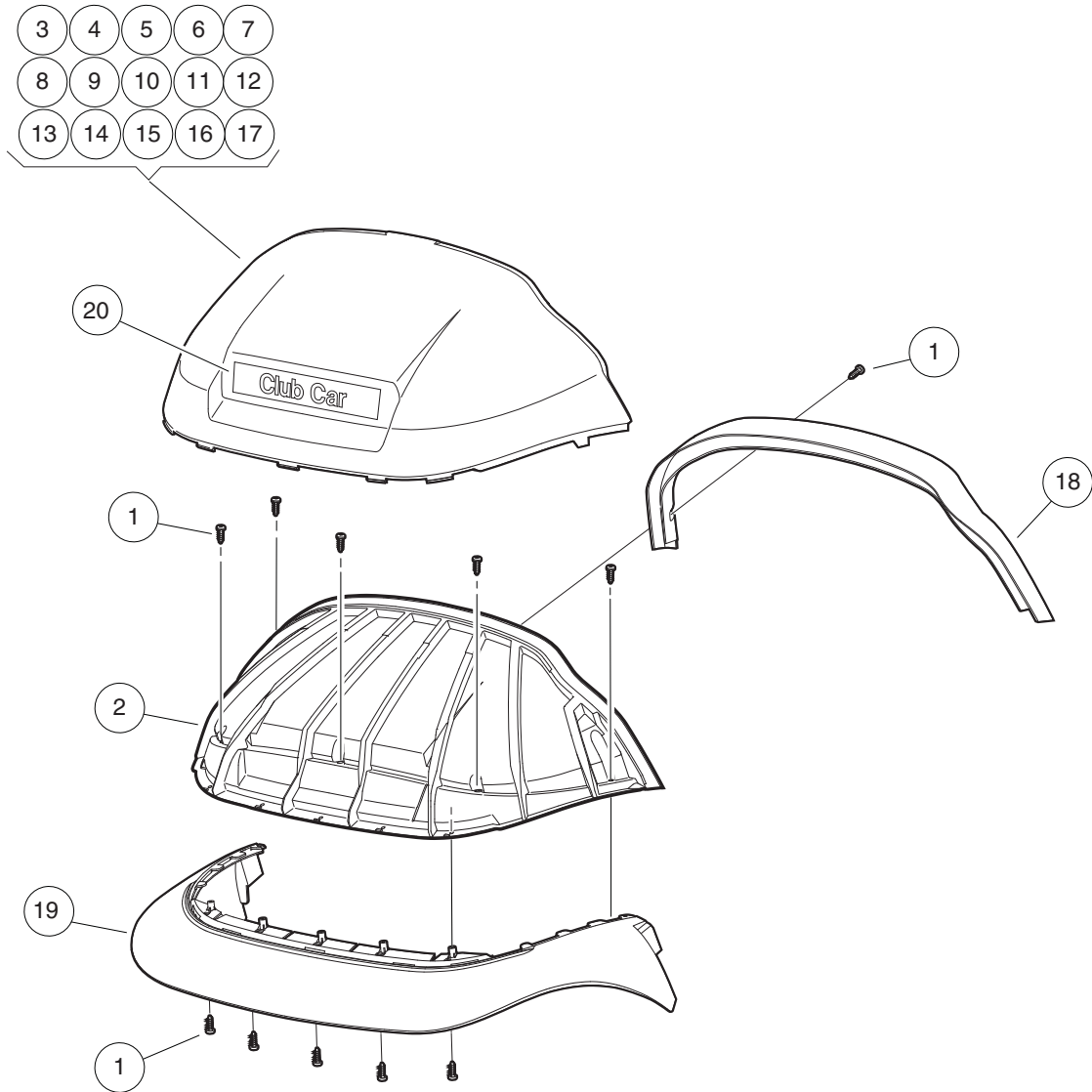
000437-003

FRONT BUMPER

ITEM	PART NO.	DESCRIPTION	QTY
		1 2 3 4	
1	<u>102298401</u>	Nut,m8,all Metal Lock	2
2	102534201	Bolt - Fl Hd, M8 X 95	2
3	<u>103330601</u>	Asm, Bumper, Front, Precedent (includes items 4 and 5)	1
4	N/A	Bumper, Front, Precedent	1
5	<u>103325001</u>	Plug, Shock, Precedent Bumper	2

1
G
E

1
G
E



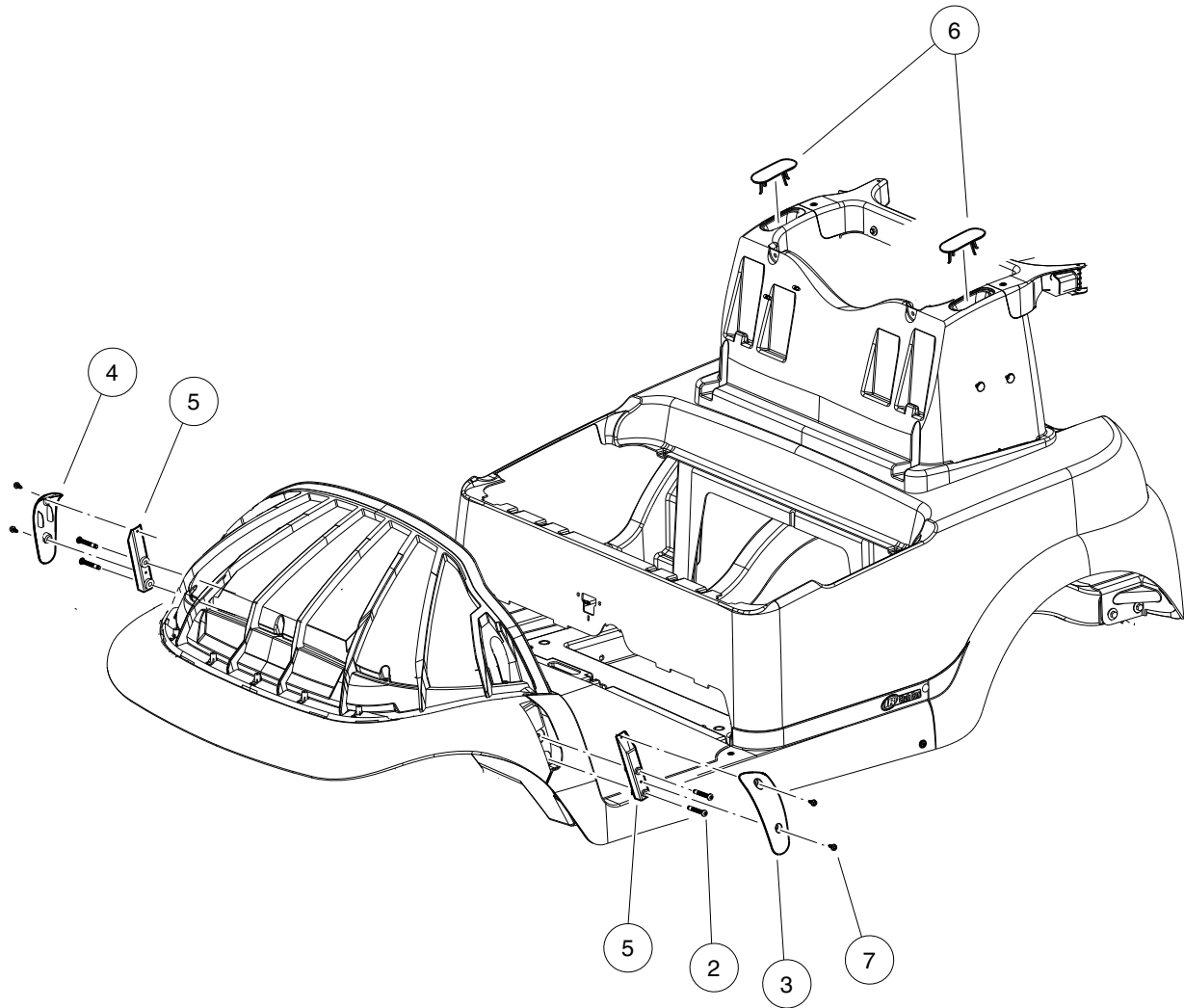
000434-007

FRONT BODY

ITEM	PART NO.	DESCRIPTION	QTY
		1 2 3 4	
1	<u>102296020</u>	Screw, Torx Pan Hd Pt, M6 X 20	14
2	<u>102501501</u>	Brow	1
3	<u>102502401</u>	Panel, Beauty Front, White	1
4	<u>102502402</u>	Panel, Beauty Front, Beige	1
5	<u>102502404</u>	Panel, Beauty Front, Gray	1
6	<u>102502405</u>	Panel, Beauty Front, Red	1
7	<u>102502406</u>	Panel, Beauty Front, Burgundy	1
8	<u>102502407</u>	Panel, Beauty Front, Green	1
9	<u>102502408</u>	Panel, Beauty Front, Blue	1
10	<u>102502409</u>	Panel, Beauty Front, Black	1
11	<u>102502411</u>	Panel, Beauty, Front, Cayenne	1
12	<u>102502413</u>	Panel-beauty Front, Atlantic	1
13	<u>102502415</u>	Panel-beauty Front, Sapphire	1
14	<u>102502416</u>	Panel-beauty Front, Platinum	1
15	<u>102502417</u>	Panel-beauty Front, Mocha	1
16	<u>102502418</u>	Panel-beauty Front, Cashmere	1
17	<u>102502419</u>	Panel-beauty Front, Sangria	1
18	<u>102502501</u>	Brow Cap	1
19	<u>102534404</u>	Fascia, Blk	1
20	<u>103816601</u>	Nameplate -cc	1

1
G
E

1
G
E

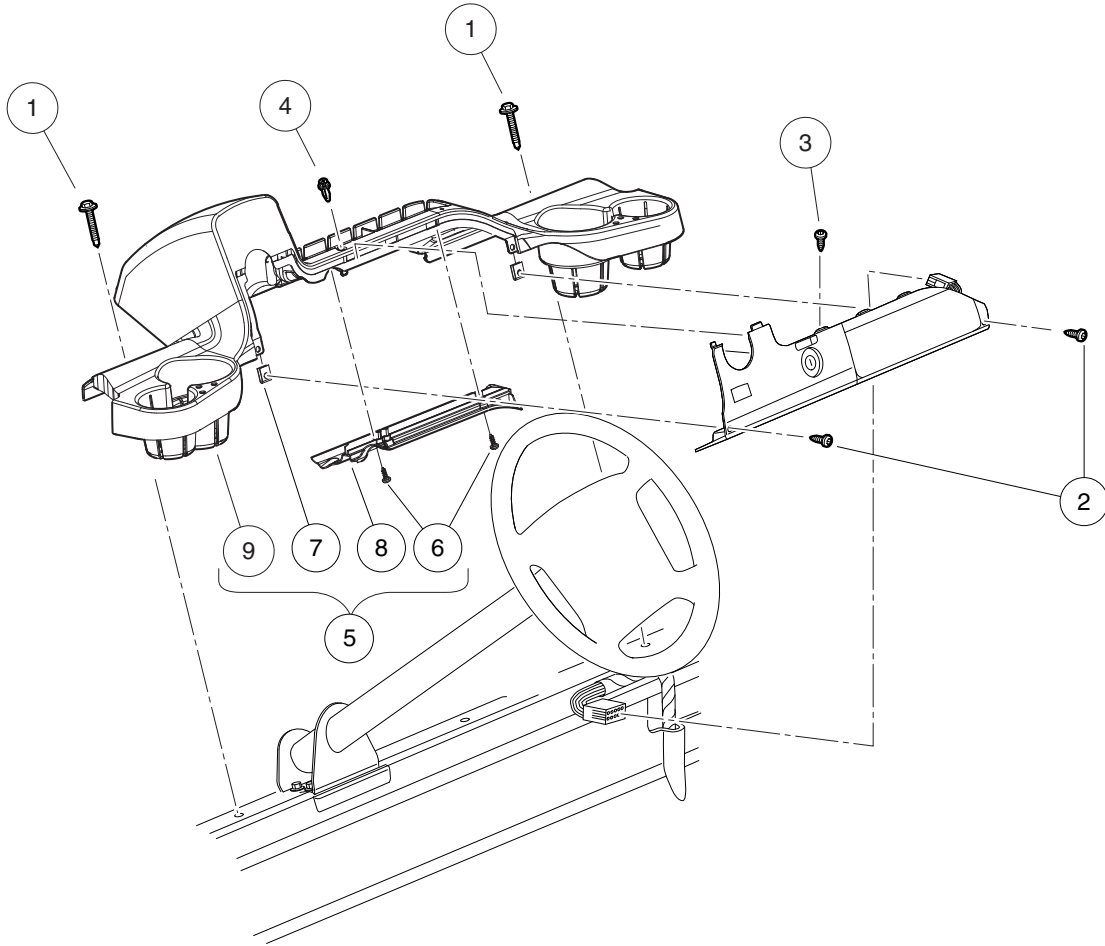


000730-003

UNDERBODY COVERS (VEHICLE WITHOUT CANOPY)

ITEM	PART NO.	DESCRIPTION	QTY
		1 2 3 4	
1	<u>102543902</u>	Kit, Underbody Cover, Black (includes items 2 through 7)	1
2	<u>102299065</u>	M8-1.25 X 65 Tx Bttn Hd Bolt	4
3	<u>102400202</u>	Cover, Lh Non-canopy, Blk	1
4	<u>102400302</u>	Cover, Rh Non-canopy, Blk	1
5	N/A	Support, Strut Cover	2
6	N/A	SAM Cap	2
7	<u>102544201</u>	Screw, M6 Hex	4

1
G
E



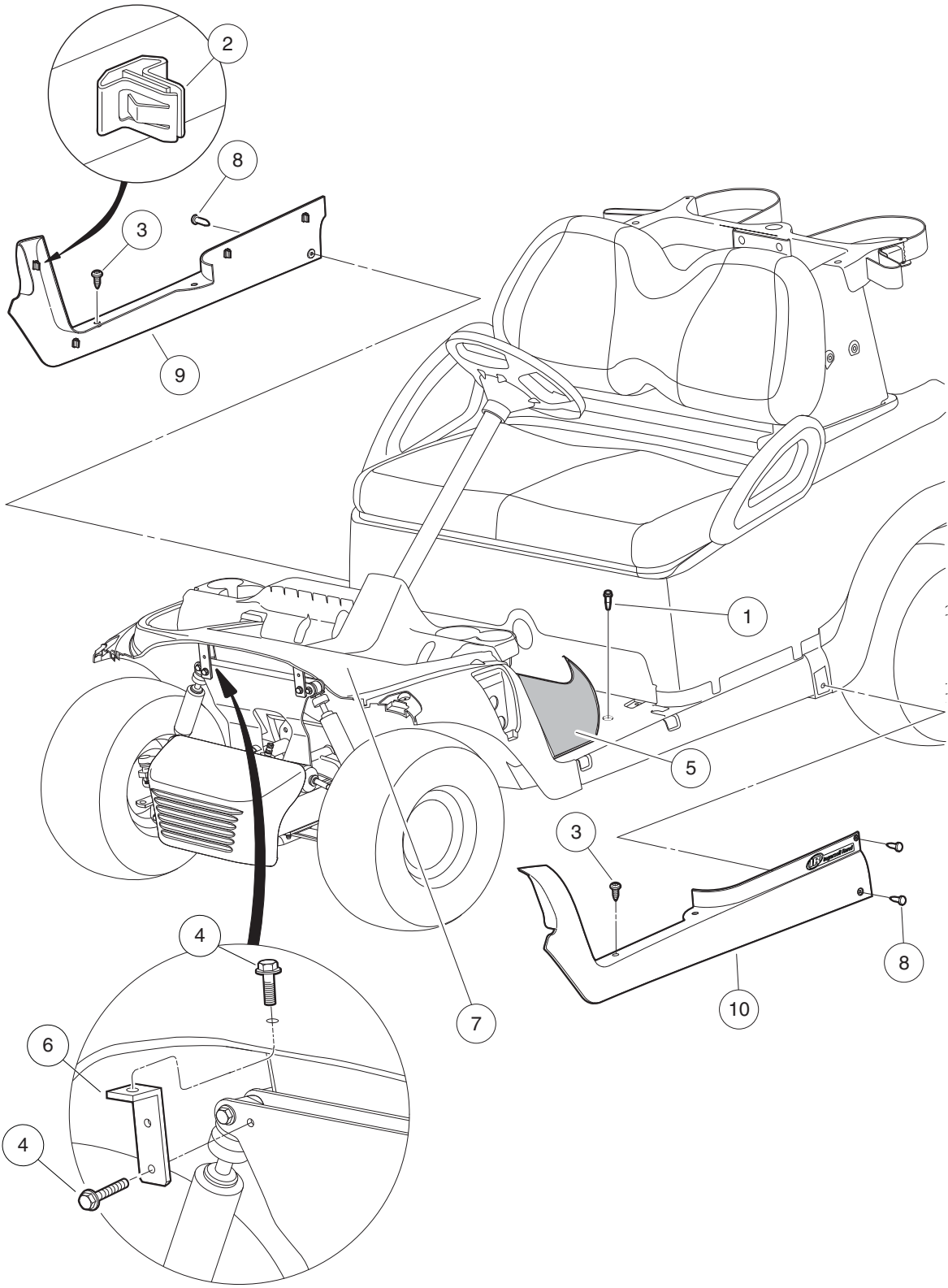
000438-003

DASH

ITEM	PART NO.	DESCRIPTION	QTY
		1 2 3 4	
1	<u>102292356</u>	Screw-1/4-20x56 Hwh Self Drill	2
2	<u>102296819</u>	Screw-M6 x 19	2
3	<u>102557201</u>	Screw, #6-20 Type Abx1.00 Pan	1
4	<u>102915601</u>	Plastic Rivet - Tuflock	1
5	<u>103402701</u>	Dash Assembly, Prec	1

1
G
E

1
G
E



000497-007

FLOOR MAT, RETAINERS, AND FRONT UNDERBODY

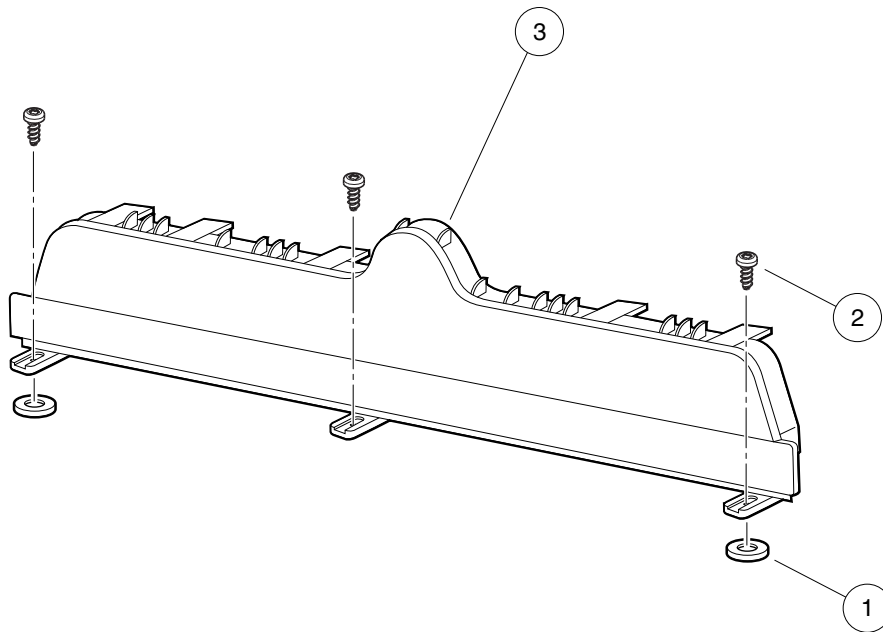
ITEM	PART NO.	DESCRIPTION	QTY
		1 2 3 4	
1	<u>102292356</u>	Screw-1/4-20x56 Hwh Self Drill	3
2	<u>102292701</u>	Clip-body-trim	8
3	<u>102298020</u>	Screw, K80x20, Torx Pn Hd Pt	4
4	<u>102298716</u>	M8-1.25x16 Taptite	4
5	<u>102504802</u>	Floormat, Precedent	1
6	<u>102521901</u>	Bracket-clamshell	2
7	<u>103635201</u>	Underbody, Front, One Piece	1
8	<u>105291501</u>	Rivet, Plastic Tuflok, 8mm	4
9	<u>105314001</u>	Floormat Retainer, Prec, Passenger-side, Black	1
10	<u>105314101</u>	Floormat Retainer, Prec, Driver-side, Black	1
		Note: Item 7 is a special order item available upon request.	

1
G
E

1

G

E



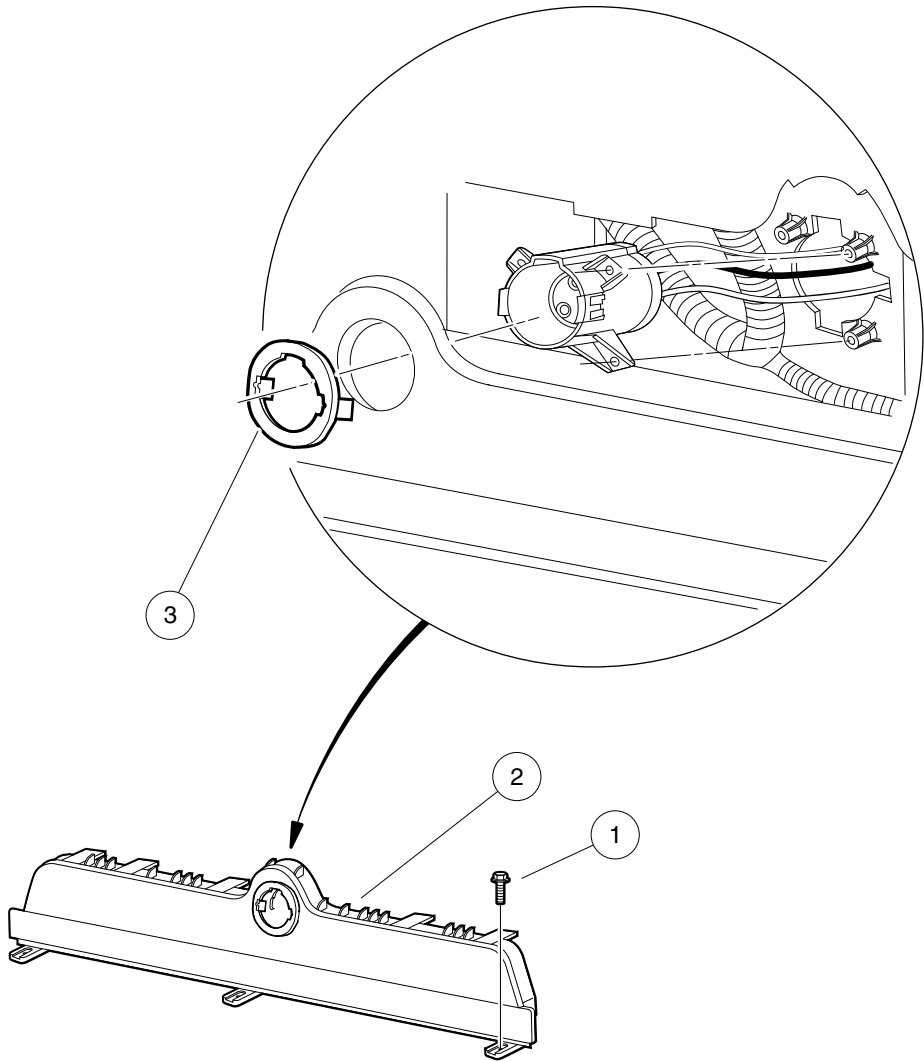
001059-001

KICK PLATE – SUBARU EX40 GAS VEHICLE

ITEM	PART NO.	DESCRIPTION	QTY
		1 2 3 4	
1	1012571	Washer, 5/16 Extra Thick Flat	2
2	<u>102298020</u>	Screw, K80x20, Torx Pn Hd Pt	3
3	<u>105005402</u>	Plate, Kick, Black, Gas EFI	1

1
G
E

1
G
E



000500-003

KICK PLATE – ELECTRIC VEHICLE

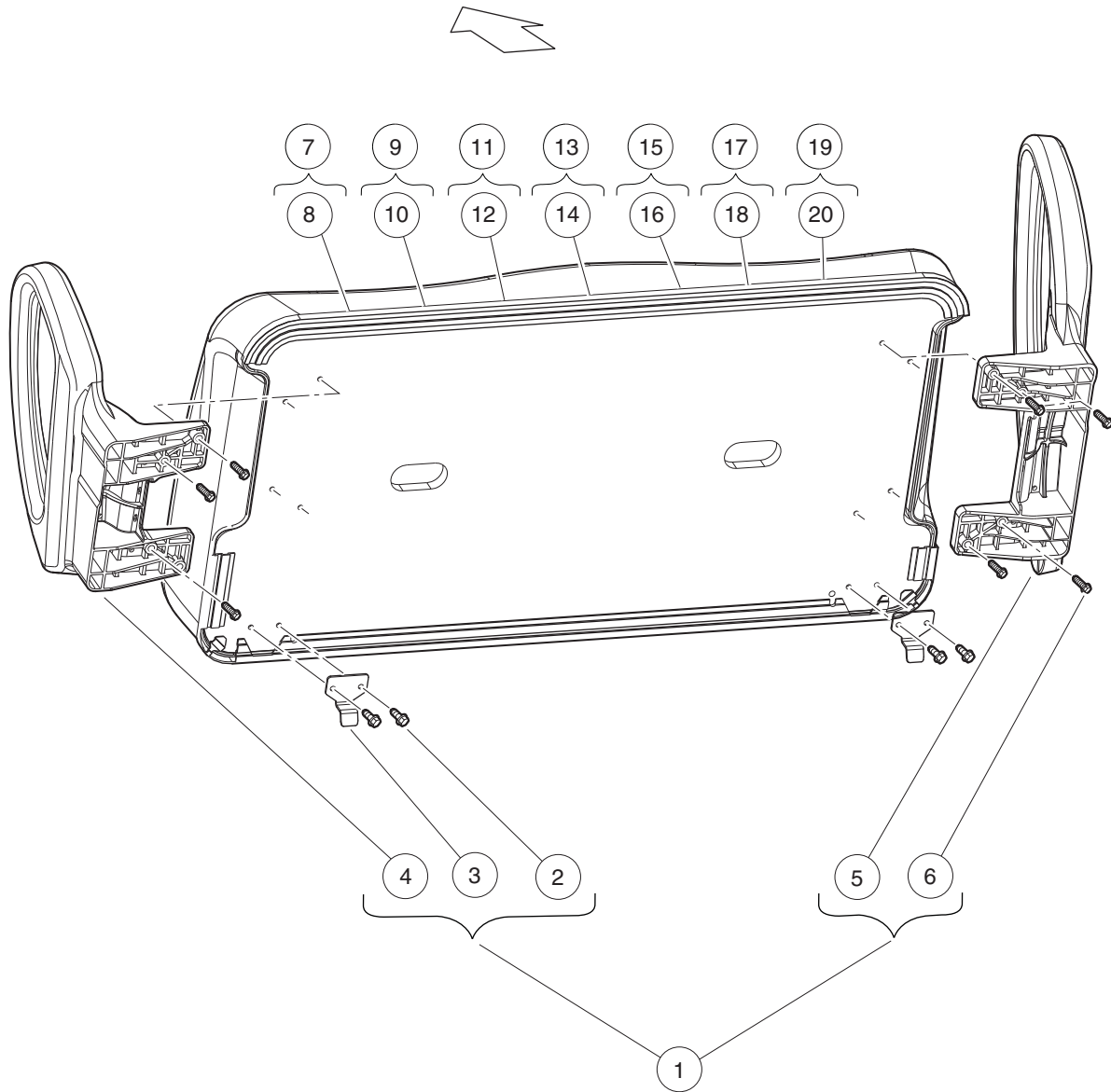
ITEM	PART NO.	DESCRIPTION	QTY
		1 2 3 4	
1	102298030	Screw, K80x30, Torx Pn Hd Pt	3
2	<u>102508202</u>	Plate - Electric Kick Blk	1
3	<u>102516901</u>	Socket Trim	1

1

G

E

1
G
E



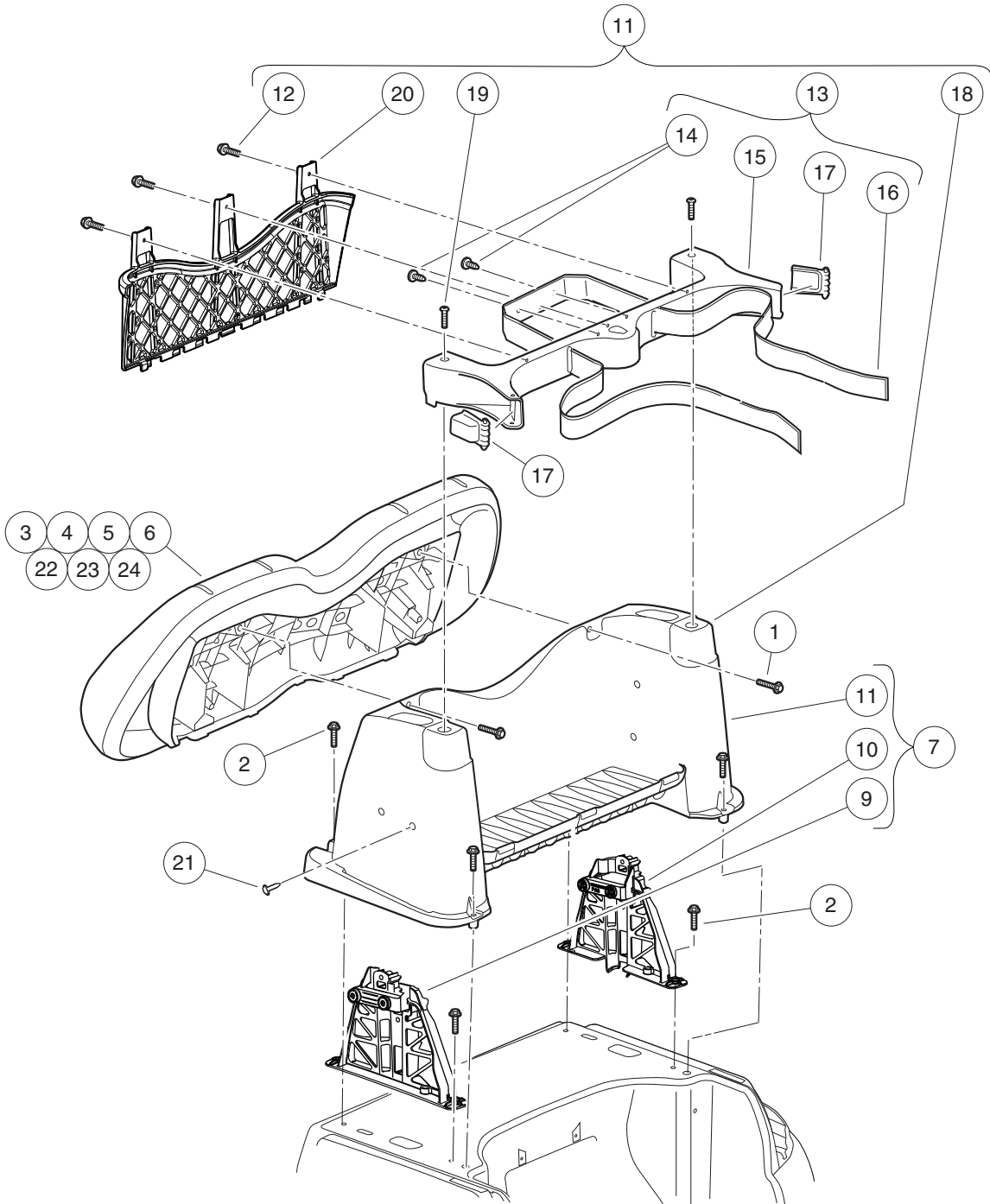
000440-006

SEAT BOTTOM WITH HIP RESTRAINTS

ITEM	PART NO.	DESCRIPTION	QTY
		1 2 3 4	
1	<u>103833901</u>	Kit, Prec, Seat Bottom (includes items 2 through 6)	1
2	<u>101954301</u>	Screw, 1/4-20 X 0.75 Hex-Head Cap	4
3	<u>103832901</u>	Hinge, Seat Bottom	2
4	<u>103833601</u>	Hip Restraint, Drv	1
5	<u>103833701</u>	Hip Restraint, Pas	1
6	<u>103833801</u>	1/4-20 X 1.5 Hex Flg Patch	8
7	<u>104023421</u>	Seat Bottom Asm, Beige, Service Replacement (includes item 8)	1
8	<u>101998501</u>	Gasket, Seat	1
9	<u>104023422</u>	Seat Bottom Asm, White, Service Replacement (includes item 10)	1
10	<u>101998501</u>	Gasket, Seat	1
11	<u>104023424</u>	Seat Bottom Asm, Gray, Service Replacement (includes item 12)	1
12	<u>101998501</u>	Gasket, Seat	1
13	<u>104023425</u>	Seat Bottom Asm, Black, Service Replacement (includes item 14)	1
14	<u>101998501</u>	Gasket, Seat	1
15	<u>105223321</u>	Seat Bottom Asm, Premium, Light Beige, Service Replacement (includes item 16)	1
16	<u>101998501</u>	Gasket, Seat	1
17	<u>105223322</u>	Seat Bottom Asm, Premium, Camello, Service Replacement (includes item 18)	1
18	<u>101998501</u>	Gasket, Seat	1
19	<u>105223323</u>	Seat Bottom Asm, Premium, Off-White, Service Replacement (includes item 20)	1
20	<u>101998501</u>	Gasket, Seat	1

1
G
E

1
G
E



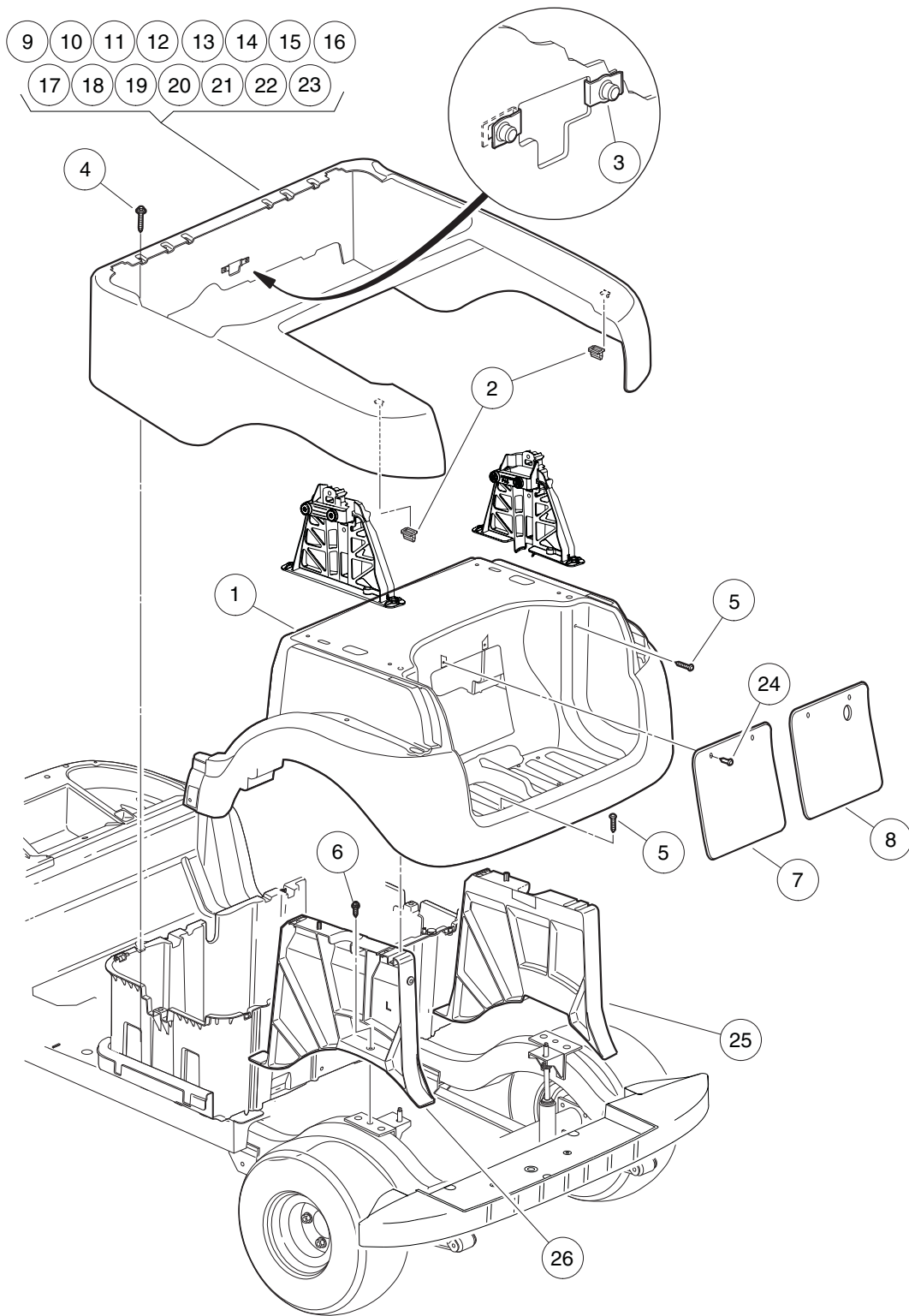
000435-010

BACKREST AND STRUCTURAL ACCESSORY MODULE (SAM)

ITEM	PART NO.	DESCRIPTION	QTY
		1 2 3 4	
1	<u>102296530</u>	Screw - M6 X 1.0 X 30 Sems	2
2	<u>102298240</u>	Bolt, Flange Head, M8-1.25 X 40	6
3	<u>103853121</u>	Asm, Seat Back, Beige, Service Replacement	1
4	<u>103853122</u>	Asm, Seat Back, White, Service Replacement	1
5	<u>103853124</u>	Asm, Seat Back, Gray, Service Replacement	1
6	<u>103853125</u>	Asm, Seat Back, Black, Service Replacement	1
7	<u>103952901</u>	Kit, S.A.M. Assembly (includes items 8 through 11)	1
8	<u>102297230</u>	Screw, M6, Torx, Interlock Thread	4
9	<u>103929301</u>	Support- Canopy, Drv	1
10	<u>103929302</u>	Support- Canopy, Pass	1
11	N/A	Asm, Prec, S.A.M. (includes items 12 through 20)	1
12	<u>102297230</u>	Screw, M6, Torx, Interlock Thread	3
13	<u>102504001</u>	Asm, Bag Hoop (includes items 14 through 17)	1
14	<u>1010434</u>	Barrel - Plastic	2
15	<u>102504201</u>	Hoop-bag	1
16	<u>102504301</u>	Strap, Bag	1
17	<u>102517001</u>	Buckle-bag Strap	2
18	N/A	Structural Accessory Module (S.A.M.)	1
19	<u>103327601</u>	Screw, 5/16, Torx, Bosscrew	2
20	<u>103699401</u>	Panel, S.A.M., Prec	1
21	<u>103978801</u>	Barrel-push 6mm	4
22	<u>105223421</u>	Asm, Seat Back, Premium, Lt. Beige, Service Replacement	1
23	<u>105223422</u>	Asm, Seat Back, Premium, Camello, Service Replacement	1
24	<u>105223423</u>	Asm, Seat Back, Premium, Off-White, Service Replacement	1
Note: Screws (item 8) not shown. These are four new screws to replace those used to attach accessory mounting brackets to SAM (item 18).			

1
G
E

1
G
E

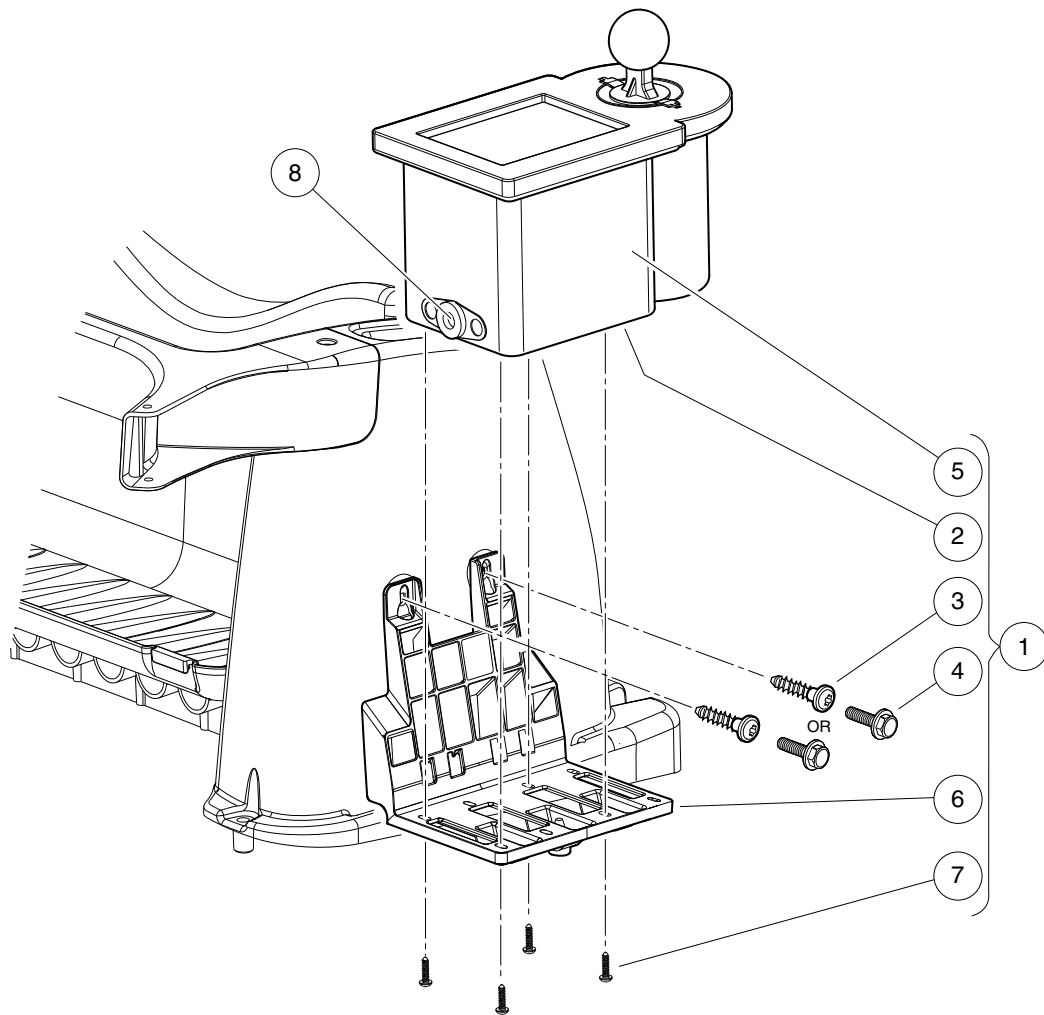


000436-014

REAR BODY

ITEM	PART NO.	DESCRIPTION	QTY
		1 2 3 4	
1	<u>102279104</u>	Underbody - Rear, Blk	1
2	<u>102292701</u>	Clip-body-trim	2
3	<u>102296601</u>	U-Nut, M6-1.0, Prevailing Torque	2
4	<u>102297230</u>	Screw, M6, Torx, Interlock Thread	4
5	<u>102298030</u>	Screw, K80x30, Torx Pn Hd Pt	4
6	<u>102298716</u>	M8-1.25x16 Taptite	2
7	<u>102501402</u>	Panel, Access, Black	1
8	<u>102501403</u>	Panel, Access, Black, with Punched Hole	1
9	<u>102502301</u>	Panel, Beauty, Rear, White	1
10	<u>102502302</u>	Panel, Beauty, Rear, Beige	1
11	<u>102502304</u>	Panel, Beauty, Rear, Gray	1
12	<u>102502305</u>	Panel, Beauty, Rear, Red	1
13	<u>102502306</u>	Panel, Beauty, Rear, Burgundy	1
14	<u>102502307</u>	Panel, Beauty, Rear, Green	1
15	<u>102502308</u>	Panel, Beauty, Rear, Blue	1
16	<u>102502309</u>	Panel, Beauty, Rear, Black	1
17	<u>102502311</u>	Panel-beauty Rear, Cayenne	1
18	<u>102502313</u>	Panel-beauty Rear, Atlantic	1
19	<u>102502315</u>	Panel-beauty Rear, Sapphire	1
20	<u>102502316</u>	Panel-beauty Rear, Platinum	1
21	<u>102502317</u>	Panel-beauty Rear, Mocha	1
22	<u>102502318</u>	Panel-beauty Rear, Cashmere	1
23	<u>102502319</u>	Panel-beauty Rear, Sangria	1
24	<u>102967901</u>	Rivet, Removable, Tuflok 1/4"	2
25	<u>103812901</u>	Asm, Rear Underbody Support, Passenger-side	1
26	<u>103813001</u>	Asm, Rear Underbody Support, Driver-side	1

1
G
E



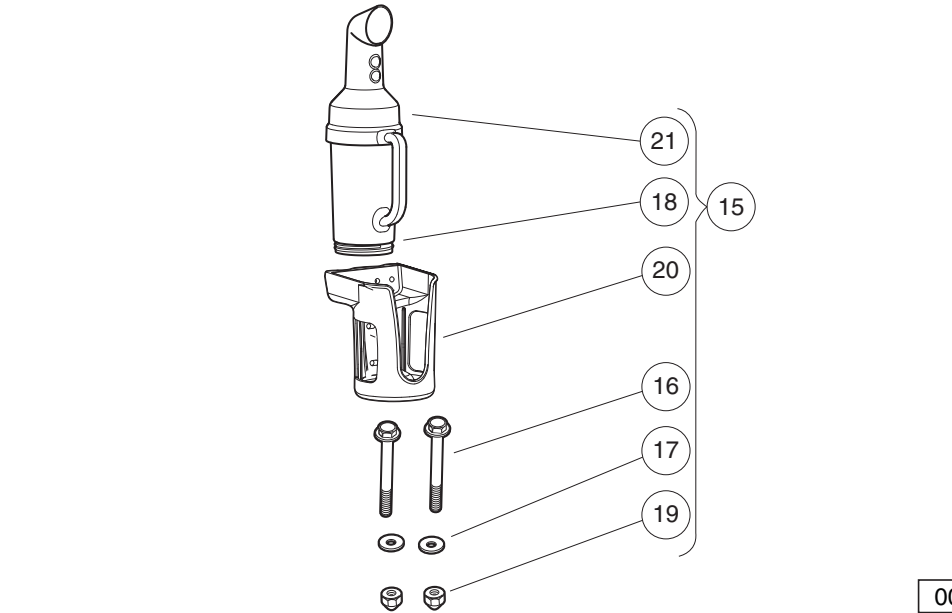
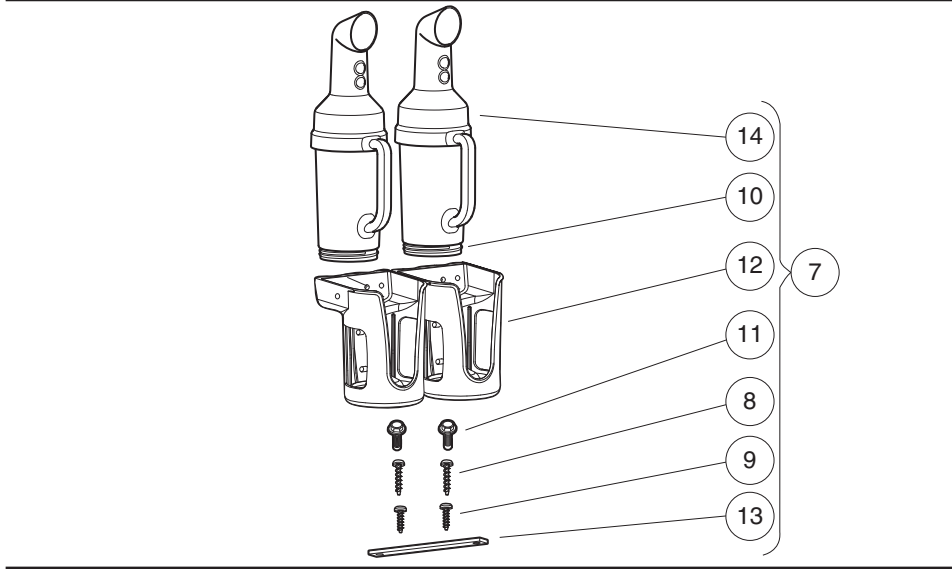
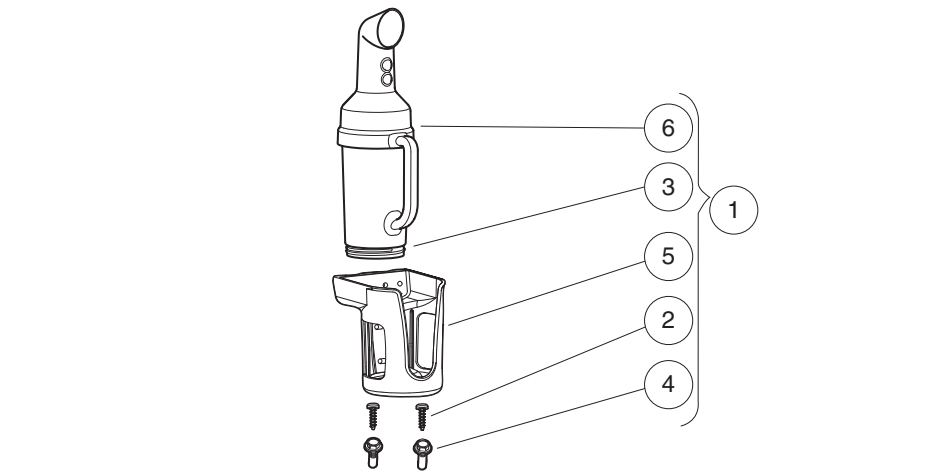
001046-001

CLUB AND BALL CLEANER KIT

ITEM	PART NO.	DESCRIPTION	QTY
		1 2 3 4	
1	<u>102538803</u>	Ball Washer Instl, Prec, Field (includes items 2 through 7)	1
2	<u>1010436</u>	Bumper, Rubber	1
3	<u>102297230</u>	Screw, M6, Torx, Interlock Thread	2
4	<u>102541401</u>	Bolt-m6x1.0x20 Hex Flhd Blk-l	2
5	<u>103662801</u>	Washer, Ball, Black	1
6	<u>103994101</u>	Bracket, Prec Ball Washer	1
7	1620	Screw, #10-16 X 0.75 Pan-Head Tap	4
8	<u>AM1231201</u>	Drain Plug, Club Clean	1

1
G
E

1
G
E



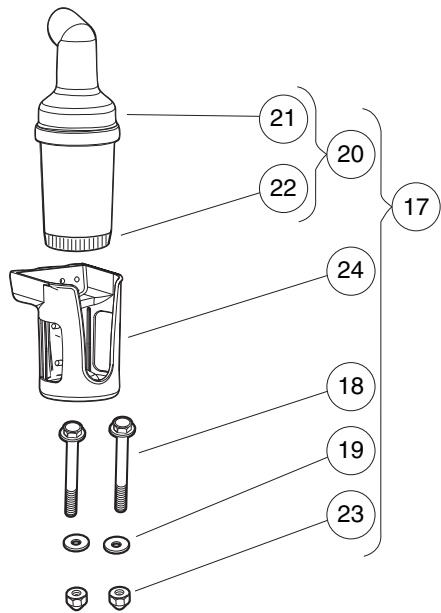
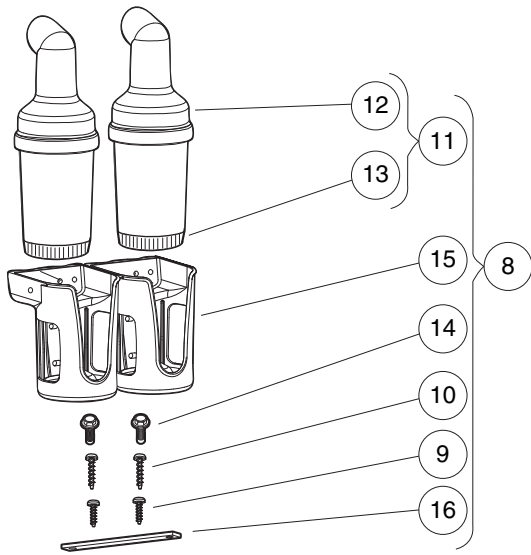
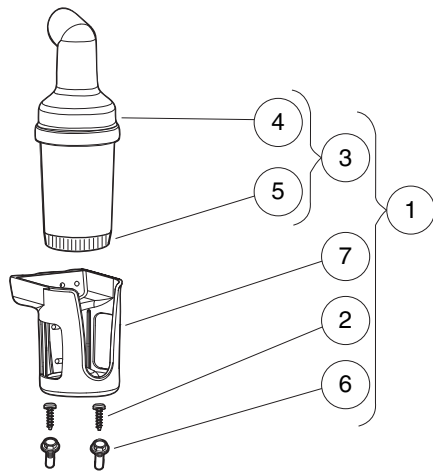
001048-002

SAND BOTTLE KITS WITH HANDLES

ITEM	PART NO.	DESCRIPTION	QTY
		1 2 3 4	
1	105291701	Kit, Hndl Sand Bttl, Sam, Sngl (includes items 2 through 6)	1
2	<u>102297230</u>	Screw, M6, Torx, Interlock Thread	2
3	<u>102478101</u>	Cap, Sand Bottle, Bottom-Fill	1
4	<u>102541425</u>	Bolt, M6x1.0x25, Hex Flhd, Blk-l	2
5	<u>103451301</u>	Basket, Sand Bottle	1
6	<u>105284001</u>	Sand Bottle Asm - Handled	1
7	105291702	Kit, Hndl Sand Bttl, Sam, Dual (includes items 8 through 14)	1
8	<u>102296020</u>	Screw-torx Pan Head Pt, M6x20	2
9	<u>102297230</u>	Screw, M6, Torx, Interlock Thread	2
10	<u>102478101</u>	Cap, Sand Bottle, Bottom-Fill	2
11	<u>102541425</u>	Bolt, M6x1.0x25, Hex Flhd, Blk-l	2
12	<u>103451301</u>	Basket, Sand Bottle	2
13	<u>103451401</u>	Link, Dual Basket	1
14	<u>105284001</u>	Sand Bottle Asm - Handled	2
15	<u>105291703</u>	Kit, Hndl Sand Bttl, Strt, Prc (includes items 16 through 21)	1
16	<u>102296150</u>	Bolt - M6x1.0x50 Hex Flng Hd	2
17	<u>102296301</u>	Washer, M6x18x1.6 Flat	2
18	<u>102478101</u>	Cap, Sand Bottle, Bottom-Fill	1
19	<u>102582401</u>	Cap Nut M6, Sp	2
20	<u>103451301</u>	Basket, Sand Bottle	1
21	<u>105284001</u>	Sand Bottle Asm - Handled	1
		Note: Sand bottle assembly is supplied with sand bottle cap.	

1
G
E

1
G
E



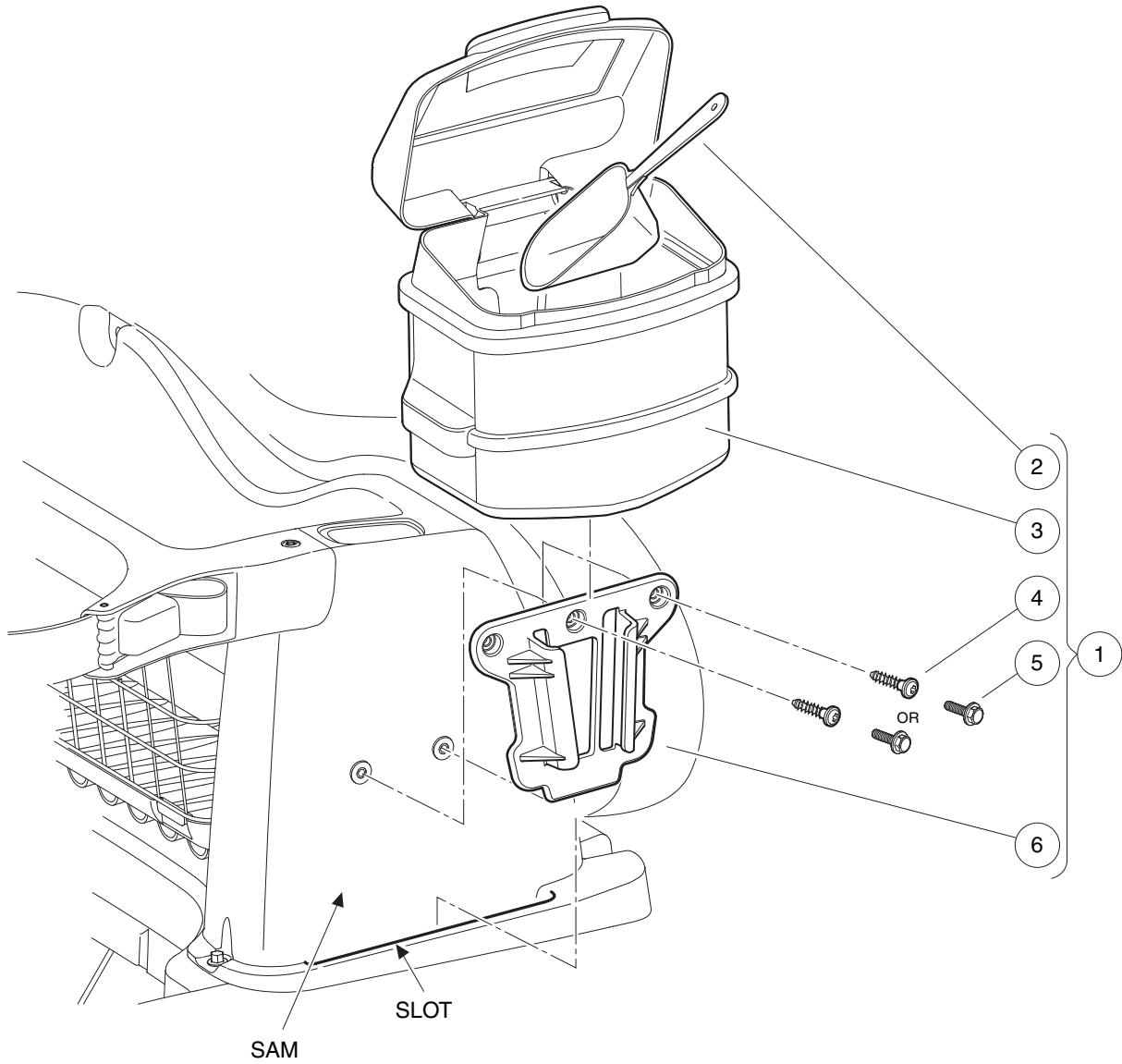
001048-001

SAND BOTTLE KITS

ITEM	PART NO.	DESCRIPTION	QTY
		1 2 3 4	
1	<u>103451901</u>	Kit, Sand Bottle, Sam, Single (includes items 2 through 7)	1
2	<u>102297230</u>	Screw, M6, Torx, Interlock Thread	2
3	<u>102478201</u>	Asm, Sand Bottle, Bottom-Fill, Curve/Grip Neck (includes items 4 and 5)	1
4	N/A	Sand Bottle, Bottom-Fill, Curve/Grip Neck	1
5	<u>102478101</u>	Cap, Sand Bottle, Bottom-Fill	1
6	<u>102541425</u>	Bolt, M6x1.0x25, Hex Flhd, Blk-l	2
7	<u>103451301</u>	Basket, Sand Bottle	1
8	<u>103451902</u>	Kit, Sand Bottle, Sam, Dual (includes items 9 through 16)	1
9	<u>102296020</u>	Screw, Torx Pan Hd Pt, M6 X 20	2
10	<u>102297230</u>	Screw, M6, Torx, Interlock Thread	2
11	<u>102478201</u>	Asm, Sand Bottle, Bottom-Fill, Curve/Grip Neck (includes items 12 and 13)	2
12	N/A	Sand Bottle, Bottom-Fill, Curve/Grip Neck	1
13	<u>102478101</u>	Cap, Sand Bottle, Bottom-Fill	1
14	<u>102541425</u>	Bolt, M6x1.0x25, Hex Flhd, Blk-l	2
15	<u>103451301</u>	Basket, Sand Bottle	2
16	<u>103451401</u>	Link, Dual Basket	1
17	<u>103451903</u>	Kit, Sand Bottle, Strut, Prec (includes items 18 through 24)	1
18	<u>102296150</u>	Bolt - M6x1.0x50 Hex Flng Hd	2
19	<u>102296301</u>	Washer, M6x18x1.6 Flat	2
20	<u>102478201</u>	Asm, Sand Bottle, Bottom-Fill, Curve/Grip Neck (includes items 21 and 22)	1
21	N/A	Sand Bottle, Bottom-Fill, Curve/Grip Neck	1
22	<u>102478101</u>	Cap, Sand Bottle, Bottom-Fill	1
23	<u>102582401</u>	Cap Nut M6, Sp	2
24	<u>103451301</u>	Basket, Sand Bottle	1

1
G
E

1
G
E



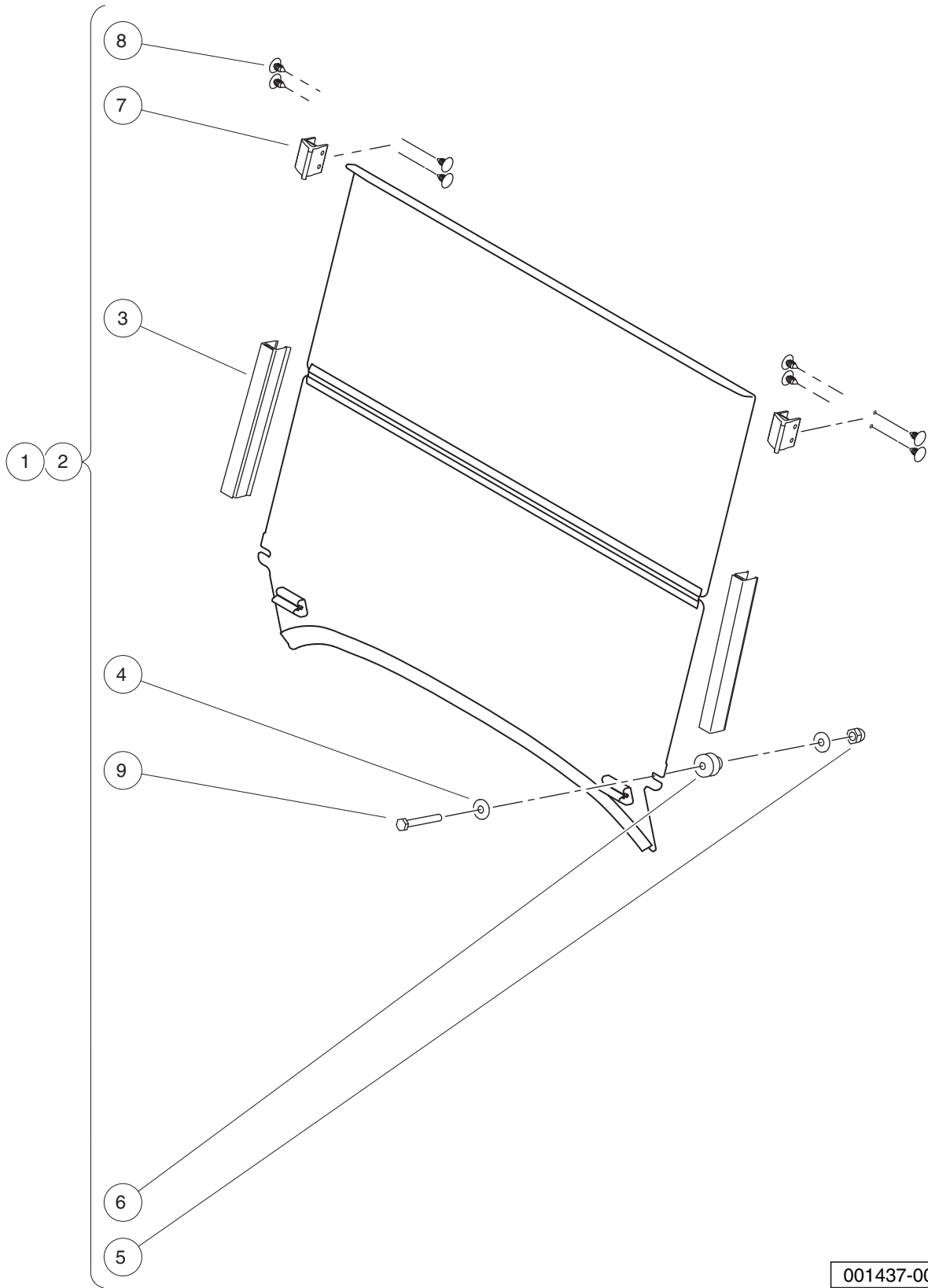
001047-001

SAND BUCKET KITS

ITEM	PART NO.	DESCRIPTION	QTY
		1 2 3 4	
1	<u>102536103</u>	Sand Bucket Instl, Prec, Field (includes items 2 through 6)	1
2	<u>1017041</u>	Scoop, Plastic Sand	1
3	<u>101985201</u>	Bucket Assy, Sand	1
4	<u>102297230</u>	Screw, M6, Torx, Interlock Thread	2
5	<u>102541401</u>	Bolt-m6x1.0x20 Hex Flhd Blk-l	2
6	<u>103886801</u>	Accessory Bracket, Prec	1

1
G
E

1
G
E



001437-001

WINDSHIELD – HINGED

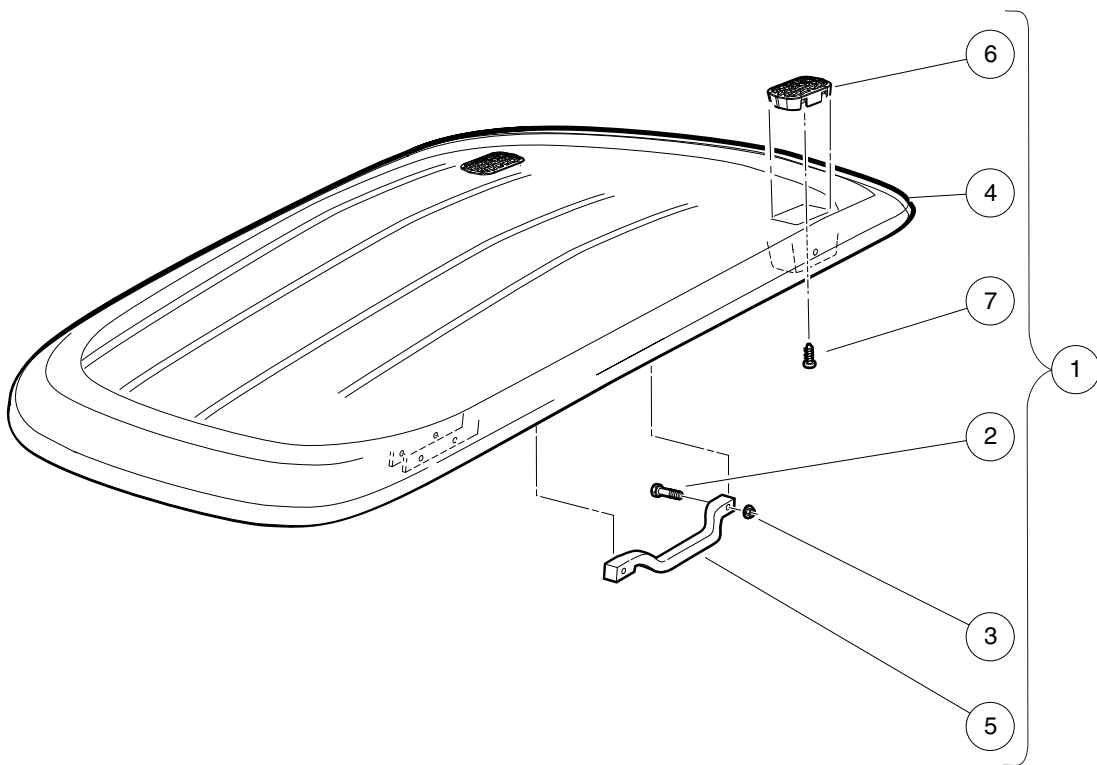
ITEM	PART NO.	DESCRIPTION	QTY
		1 2 3 4	
1	<u>105248601</u>	Kit, Windshield, Hinged, Tinted, Prec	1
2	<u>105248701</u>	Kit, Windshield, Hinged, Clear, Prec (includes items 3 through 9)	1
3	<u>102163001</u>	Windshield Channel	2
4	<u>102296301</u>	Washer, M6x18x1.6 Flat	4
5	<u>102582401</u>	Cap Nut M6, Sp	2
6	<u>102947601</u>	Grommet, Windshield, Prec	2
7	<u>103677101</u>	W/s, Rubber, Clip Retainer	2
8	<u>103754901</u>	Fastener, Barrel - .610 X .25	8
9	<u>105289701</u>	M6x1.0x48 Hex Hd Bolt-blk	2

1
G
E

1

G

E



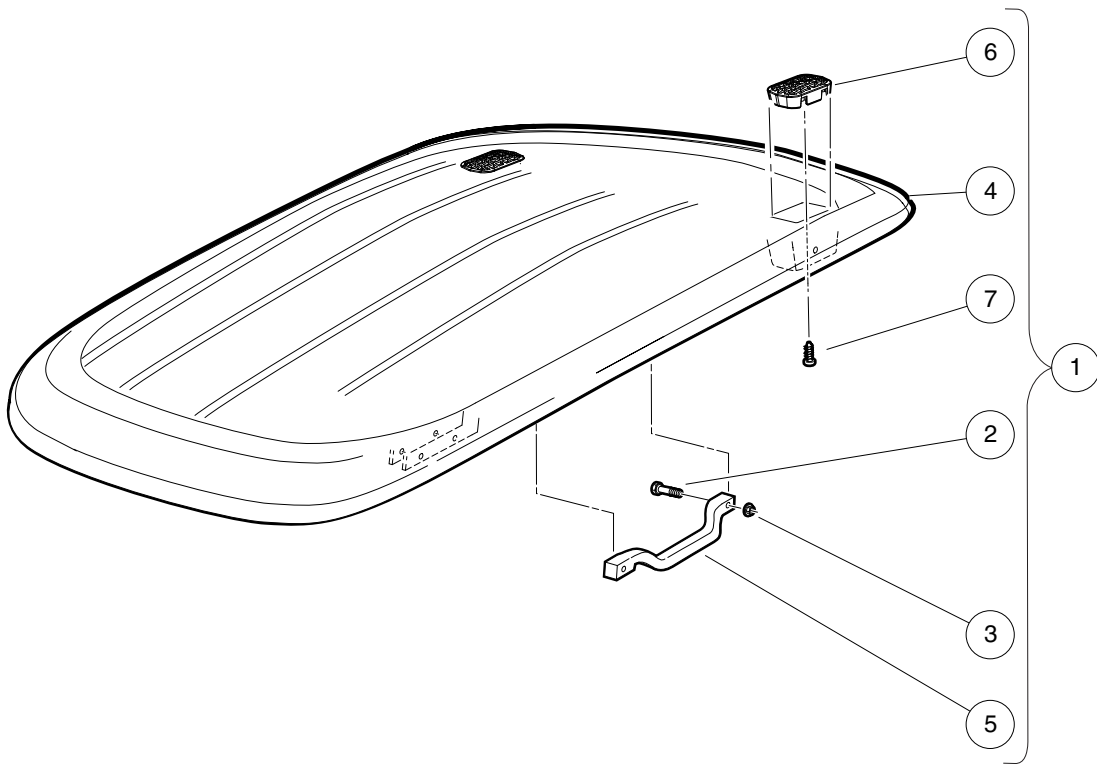
000439-009

CANOPY – WHITE

ITEM	PART NO.	DESCRIPTION	QTY
		1 2 3 4	
1	<u>104008001</u>	Asm, Canopy W/handles, White (includes items 2 through 7)	1
2	<u>102296140</u>	Bolt, Flanged Head, M6x1.0x40	4
3	<u>102296401</u>	Nut, M6x1.0, Flange, Metal Lock	4
4	<u>102508901</u>	Canopy-white	1
5	<u>102511601</u>	Handle, Canopy (White)	2
6	<u>103205101</u>	Cover, Drain, Canopy, Precedent	2
7	<u>103210101</u>	Screw, #8 X.75, Torx, Tapping	2

1
G
E

1
G
E



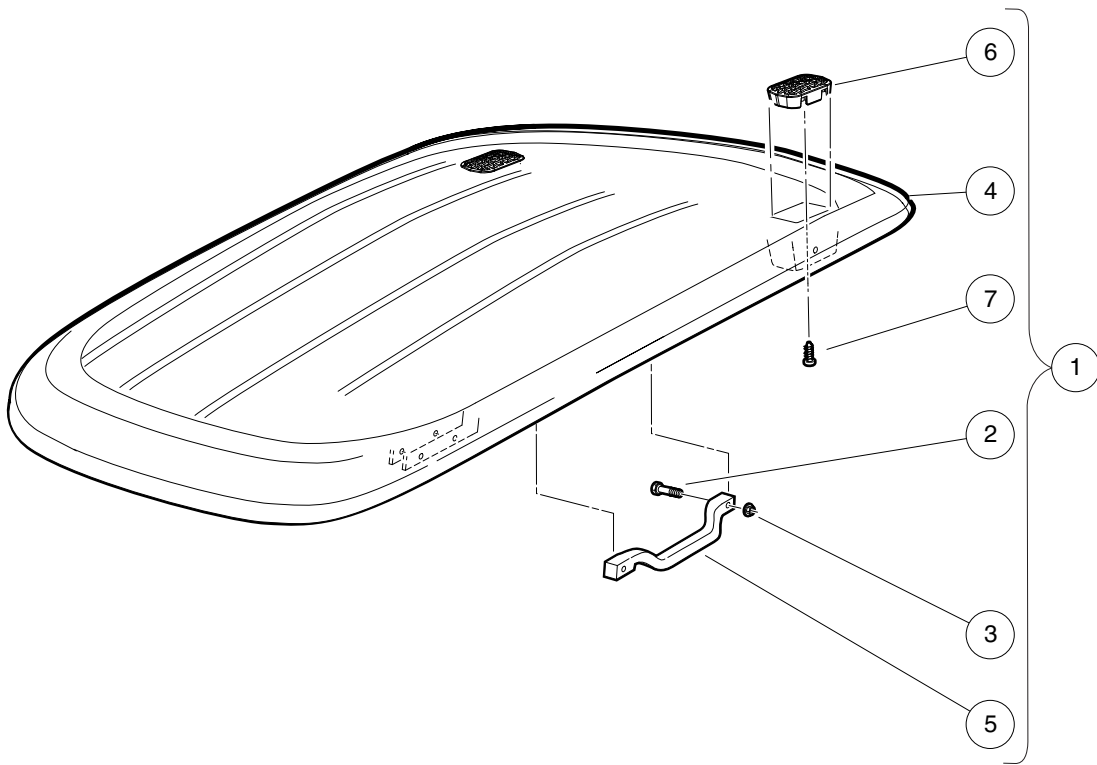
000439-009

CANOPY – BEIGE

ITEM	PART NO.	DESCRIPTION	QTY
		1 2 3 4	
1	<u>104008002</u>	Asm, Canopy W/handles, Beige (includes items 2 through 7)	1
2	<u>102296140</u>	Bolt, Flanged Head, M6x1.0x40	4
3	<u>102296401</u>	Nut, M6x1.0, Flange, Metal Lock	4
4	<u>102508902</u>	Canopy-beige	1
5	<u>102511602</u>	Handle, Canopy (Beige)	2
6	<u>103205101</u>	Cover, Drain, Canopy, Precedent	2
7	<u>103210101</u>	Screw, #8 X.75, Torx, Tapping	2

1
G
E

1
G
E



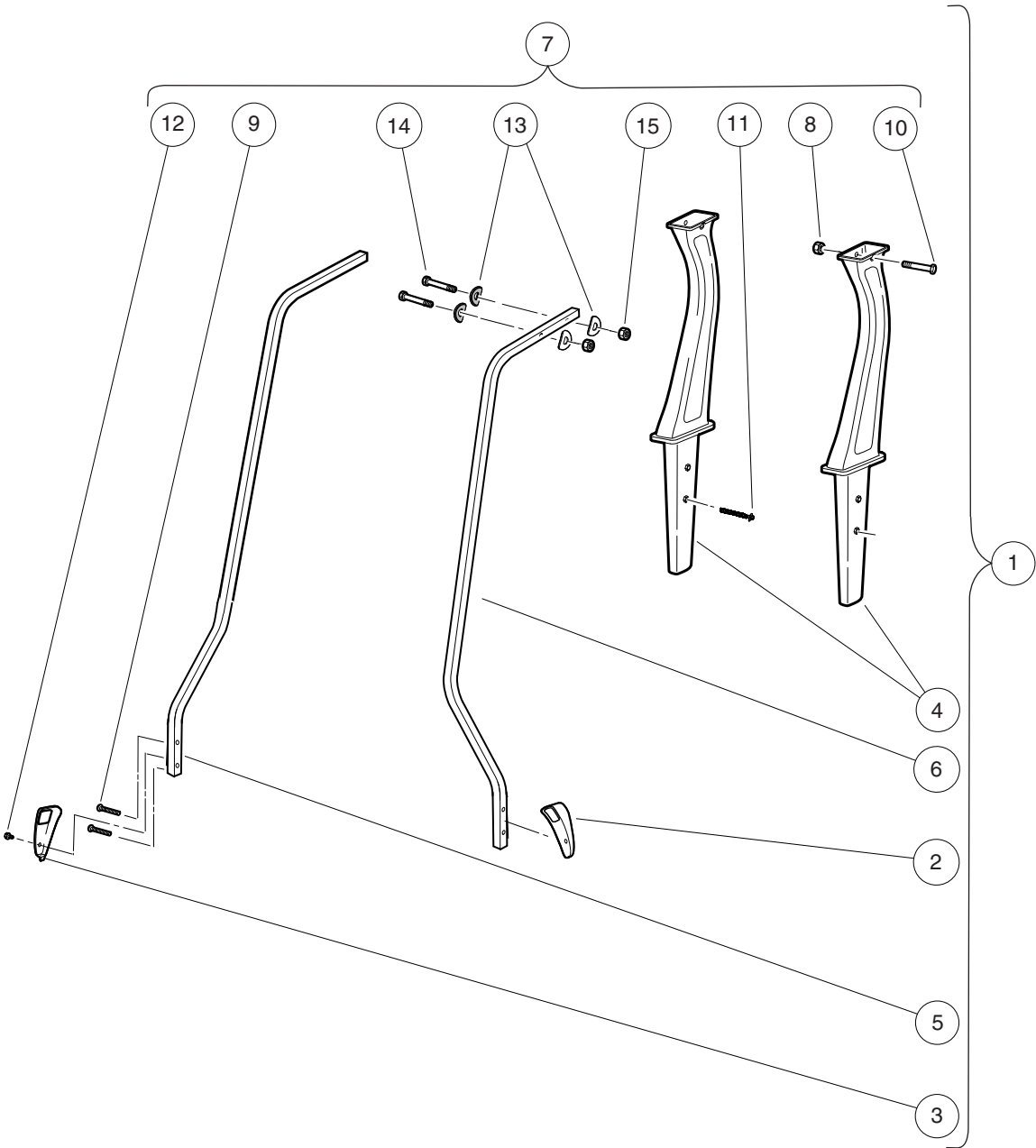
000439-009

CANOPY – BLACK

ITEM	PART NO.	DESCRIPTION	QTY
		1 2 3 4	
1	<u>104008003</u>	Asm, Canopy W/handles, Black (includes items 2 through 7)	1
2	<u>102296140</u>	Bolt, Flanged Head, M6x1.0x40	4
3	<u>102296401</u>	Nut, M6x1.0, Flange, Metal Lock	4
4	<u>102508903</u>	Canopy-black	1
5	<u>102511603</u>	Handle-canopy (black)	2
6	<u>103205101</u>	Cover, Drain, Canopy, Precedent	2
7	<u>103210101</u>	Screw, #8 X.75, Torx, Tapping	2

1
G
E

1
G
E



000439-010

CANOPY STRUTS

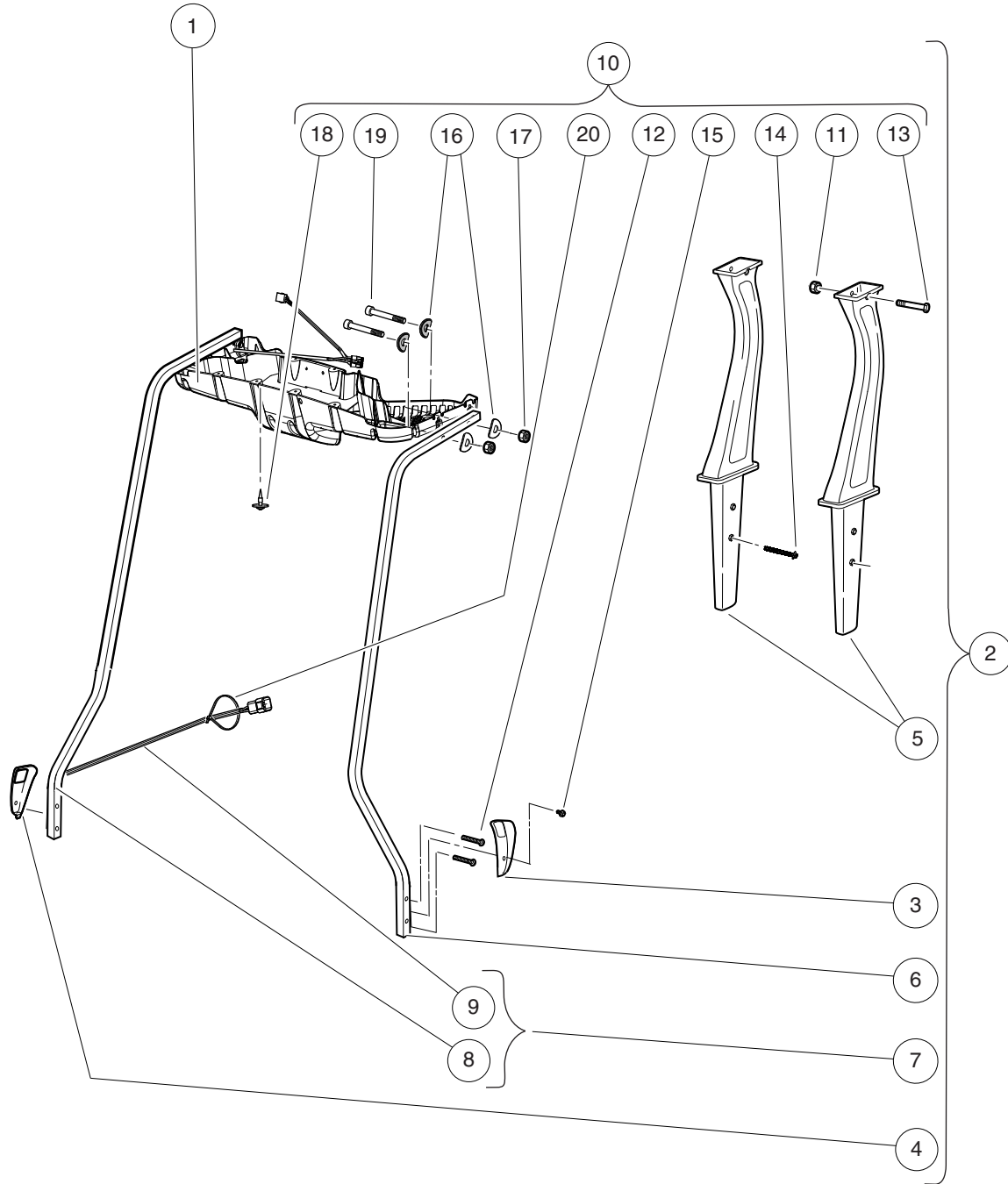
ITEM	PART NO.	DESCRIPTION	QTY
		1 2 3 4	
1	<u>104008901</u>	Kit, Sp, Struts, Prec, Std (includes items 2 through 7)	1
2	<u>102400002</u>	Cover, Canopy Support, Driver-side, Black	1
3	<u>102400102</u>	Cover, Canopy Support, Passenger-side, Black	1
4	<u>102513501</u>	Asm-rear Canopy Support	2
5	<u>103750001</u>	Strut, Canopy Front, Passenger-side, Prec	1
6	<u>103750101</u>	Strut, Canopy Front, Driver-side, Prec	1
7	<u>104008501</u>	Kit, Hardware, Canopy, Std (includes items 8 through 15)	1
8	<u>102298401</u>	Nut,m8,all Metal Lock	2
9	<u>102299065</u>	M8-1.25 X 65 Tx Bttm Hd Bolt	4
10	<u>102299360</u>	Screw, M8-1.25 X 60, Sems, Tx	2
11	<u>102299601</u>	Screw, Pt, K80x70 Hex Flg Hd	2
12	<u>102544201</u>	Screw, M6 Hex	2
13	<u>103196001</u>	Washer, Conical Spring, Canopy	8
14	<u>103199301</u>	Bolt - M6 X 1 X 45 Hh Grey	4
15	<u>103200301</u>	Nut, M6 x 1.00	4

1

G

E

1
G
E

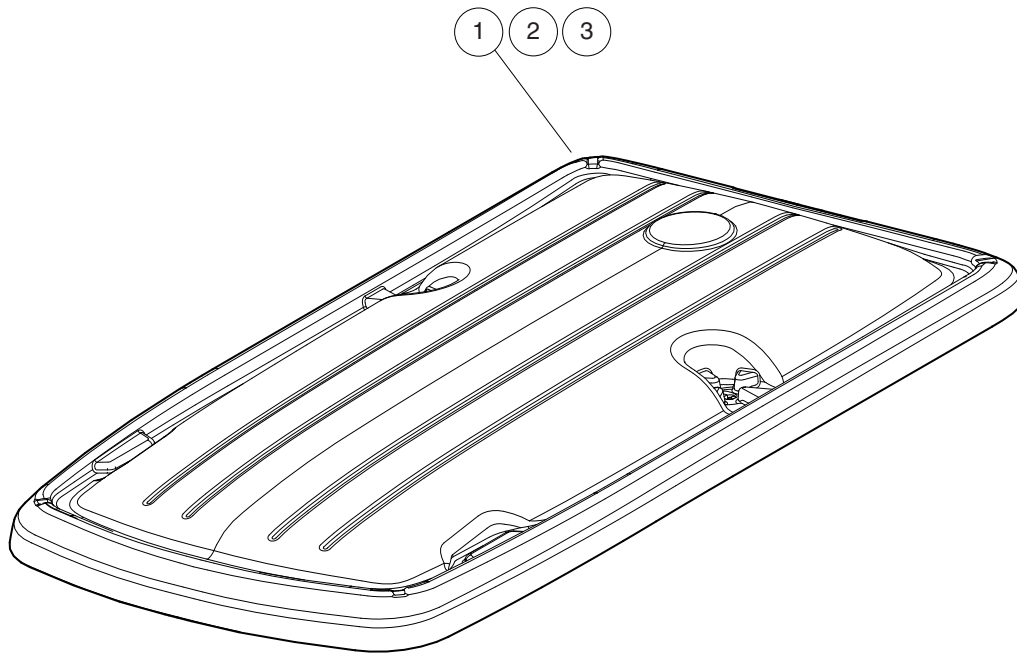


000439-011

VISAGE CANOPY STRUTS AND CONSOLE

ITEM	PART NO.	DESCRIPTION	QTY
		1 2 3 4	
1	<u>103725601</u>	Support, Guardian Canopy Mt	1
2	<u>104008902</u>	Kit, Sp, Struts, Prec, Vis (includes items 3 through 10)	1
3	<u>102400002</u>	Cover, Canopy Support, Driver-side, Black	1
4	<u>102400102</u>	Cover, Canopy Support, Passenger-side, Black	1
5	<u>102513501</u>	Asm-rear Canopy Support	2
6	<u>103750101</u>	Strut, Canopy Front, Driver-side, Prec	1
7	<u>103775201</u>	Asm, Strut, Canopy Front, Passenger-side, Prec, V2 (includes items 8 and 9)	1
8	<u>103750001</u>	Strut, Canopy Front, Passenger-side, Prec	1
9	<u>103775601</u>	Harness, Canopy Mount, V2	1
10	<u>104008502</u>	Kit, Hardware, Canopy, Vis (includes items 11 through 20)	1
11	<u>102298401</u>	Nut,m8,all Metal Lock	2
12	<u>102299065</u>	M8-1.25 X 65 Tx Bttm Hd Bolt	4
13	<u>102299360</u>	Screw, M8-1.25 X 60, Sems, Tx	2
14	<u>102299601</u>	Screw, Pt, K80x70 Hex Flg Hd	2
15	<u>102544201</u>	Screw, M6 Hex	2
16	<u>103196001</u>	Washer, Conical Spring, Canopy	4
17	<u>103200301</u>	Nut, M6 x 1.00	4
18	<u>103774801</u>	Screw, Pt, Washer Head, 4x16	6
19	<u>103881201</u>	Socket Head Cap Screw, M6 X 50mm, Magni-Coated	4
20	<u>8990</u>	Tie Wrap, 8" Nylon	1

1
G
E



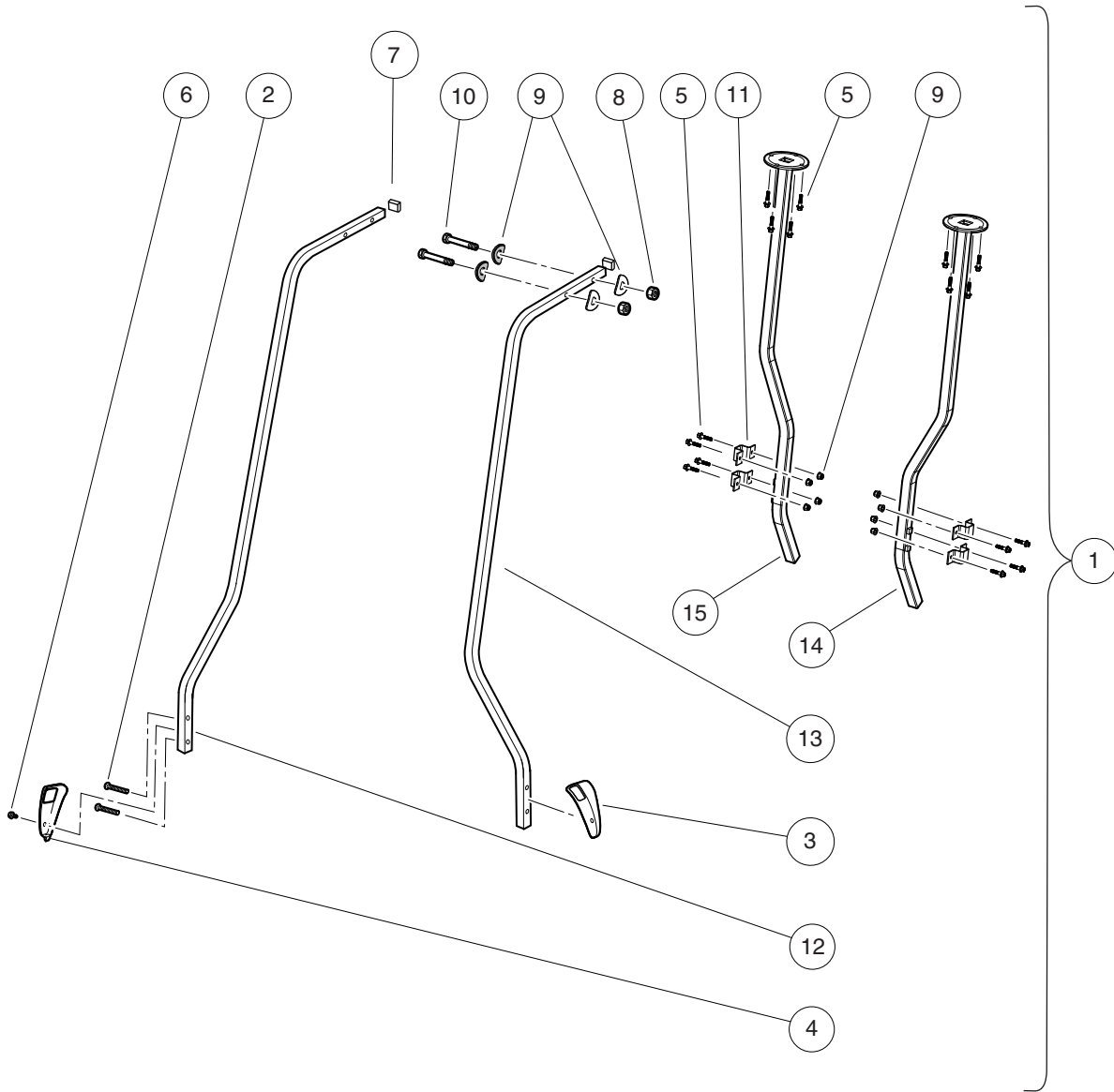
000439-012

FOUR-PASSENGER MONSOON CANOPY

ITEM	PART NO.	DESCRIPTION	QTY
1	<u>103286201</u>	1 2 3 4 Asm, Canopy 4p Monsoon XI, Wht	1
2	<u>103286202</u>	Asm, Canopy 4p Monsoon XI, Bge	1
3	<u>103286203</u>	Asm, Canopy 4p Monsoon XI, Blk	1

1
G
E

1
G
E



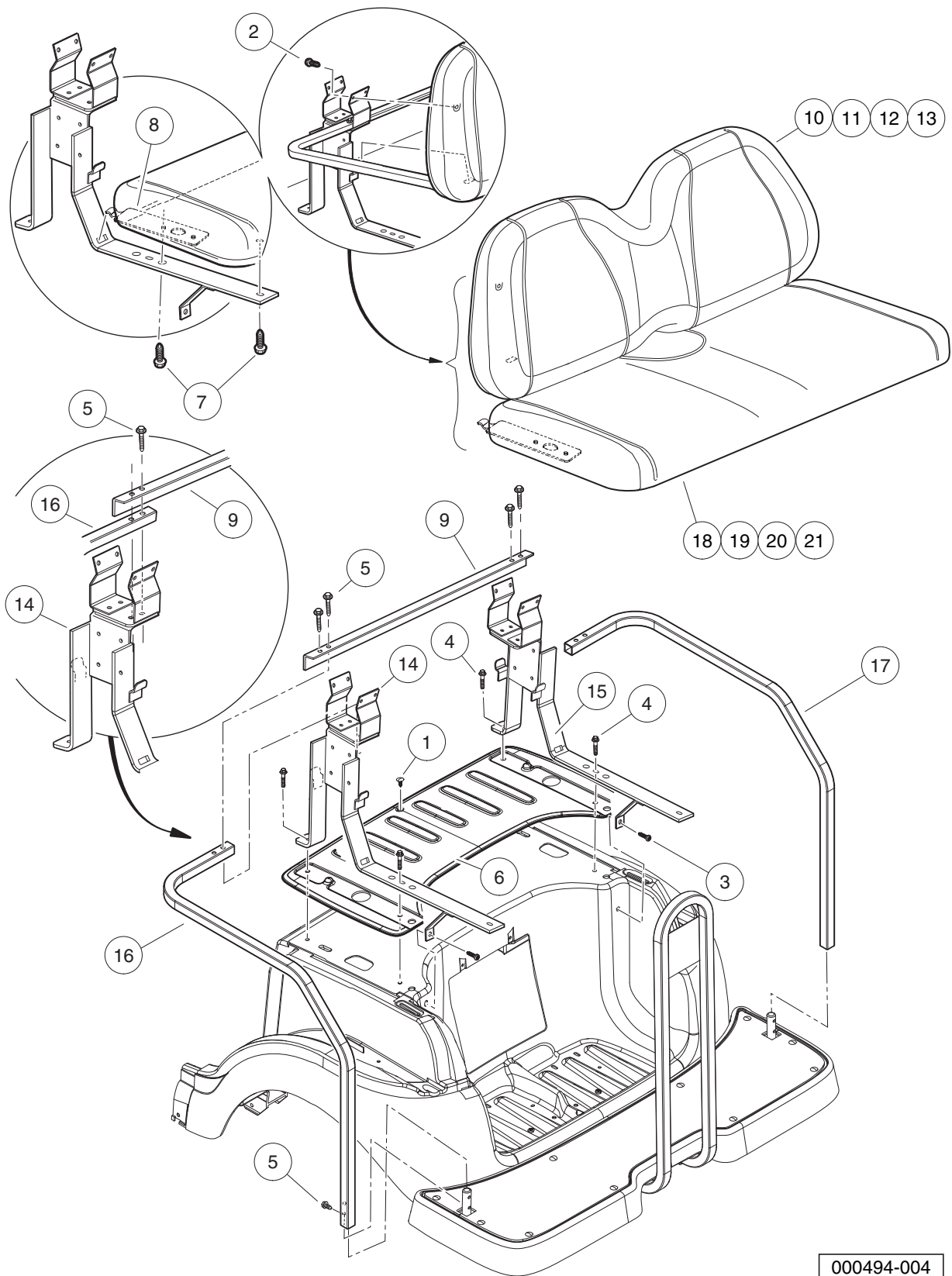
000439-013

FOUR-PASSENGER MONSOON CANOPY STRUTS

ITEM	PART NO.	DESCRIPTION	QTY
		1 2 3 4	
1	<u>103725701</u>	Kit- Canopy 4 Pass Strut (includes items 2 through 15)	1
2	<u>102299065</u>	M8-1.25 X 65 Tx Bttn Hd Bolt	4
3	<u>102400002</u>	Cover, Canopy Support, Driver-side, Black	1
4	<u>102400102</u>	Cover, Canopy Support, Passenger-side, Black	1
5	<u>102541425</u>	Bolt, M6x1.0x25, Hex Flhd, Blk-l	16
6	<u>102544201</u>	Screw, M6 Hex	2
7	<u>102581201</u>	Plug, Square - 25.4 mm	2
8	<u>102621501</u>	Nut, Flange, M6 X 1.0, Nylon	12
9	<u>103196001</u>	Washer, Conical Spring, Canopy	8
10	<u>103199301</u>	Bolt - M6 X 1 X 45 Hh Grey	4
11	<u>103653201</u>	Bracket- Hat, Strut	4
12	<u>103750001</u>	Strut, Canopy Front, Passenger-side, Prec	1
13	<u>103750101</u>	Strut, Canopy Front, Driver-side, Prec	1
14	<u>103816401</u>	Weldment- Drain Strut, Drv	1
15	<u>103816402</u>	Weldment- Drain Strut, Pas	1

1
G
E

1
G
E

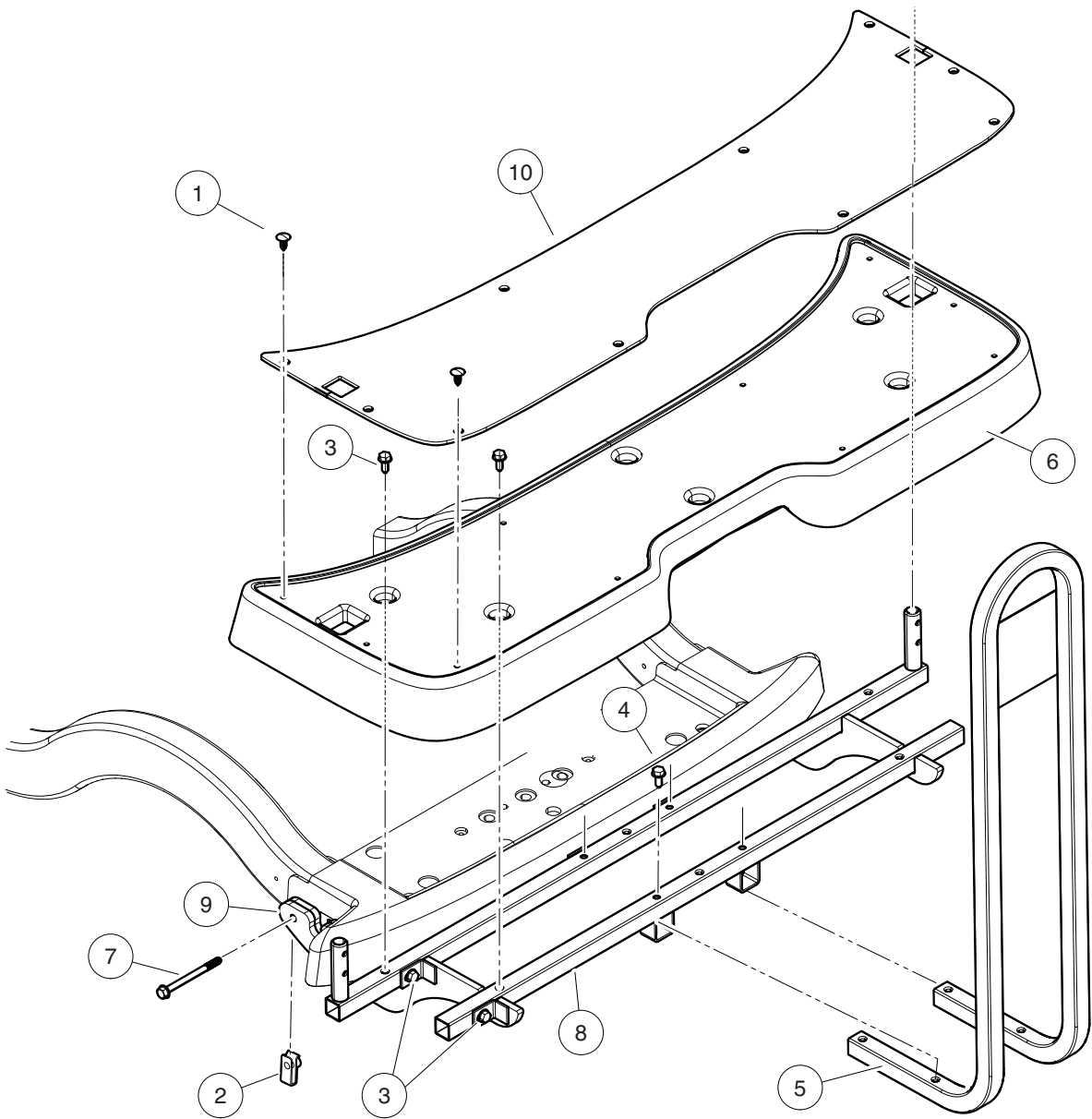


000494-004

REAR SEAT – PRECEDENT VILLAGER 4

ITEM	PART NO.	DESCRIPTION	QTY
		1 2 3 4	
1	<u>1010434</u>	Barrel - Plastic	10
2	<u>102296530</u>	Screw - M6 X 1.0 X 30 Sems	4
3	<u>102298030</u>	Screw, K80x30, Torx Pn Hd Pt	2
4	<u>102298240</u>	Bolt, Flange Head, M8-1.25 X 40	1
5	<u>102298745</u>	M8-1.25x45 Taptite	10
6	<u>102531502</u>	Cover- 4 Pass W/canopy	1
7	<u>102541425</u>	Bolt, M6x1.0x25, Hex Flhd, Blk-l	4
8	<u>102573101</u>	Bracket, 4-pass Lower Seat	2
9	<u>103653001</u>	Angle, Strut, Tie	1
10	<u>103853121</u>	Asm, Seat Back, Beige, Service Replacement	1
11	<u>103853122</u>	Asm, Seat Back, White, Service Replacement	1
12	<u>103853124</u>	Asm, Seat Back, Gray, Service Replacement	1
13	<u>103853125</u>	Asm, Seat Back, Black, Service Replacement	1
14	<u>103866801</u>	Weldment, Sprt, 4pass, Drv	1
15	<u>103866802</u>	Weldment, Sprt, 4pass, Pasrv	1
16	<u>103866901</u>	Restraint-lh 4pass Hip	1
17	<u>103866902</u>	Restraint-rh 4pass Hip	1
18	<u>105101221</u>	Service, Beige, 4pass Rear Btm	1
19	<u>105101222</u>	Service, White, 4pass Rear Btm	1
20	<u>105101224</u>	Service, Gray, 4pass Rear Btm	1
21	<u>105101225</u>	Service, Black, 4pass Rear Btm	1

1
G
E



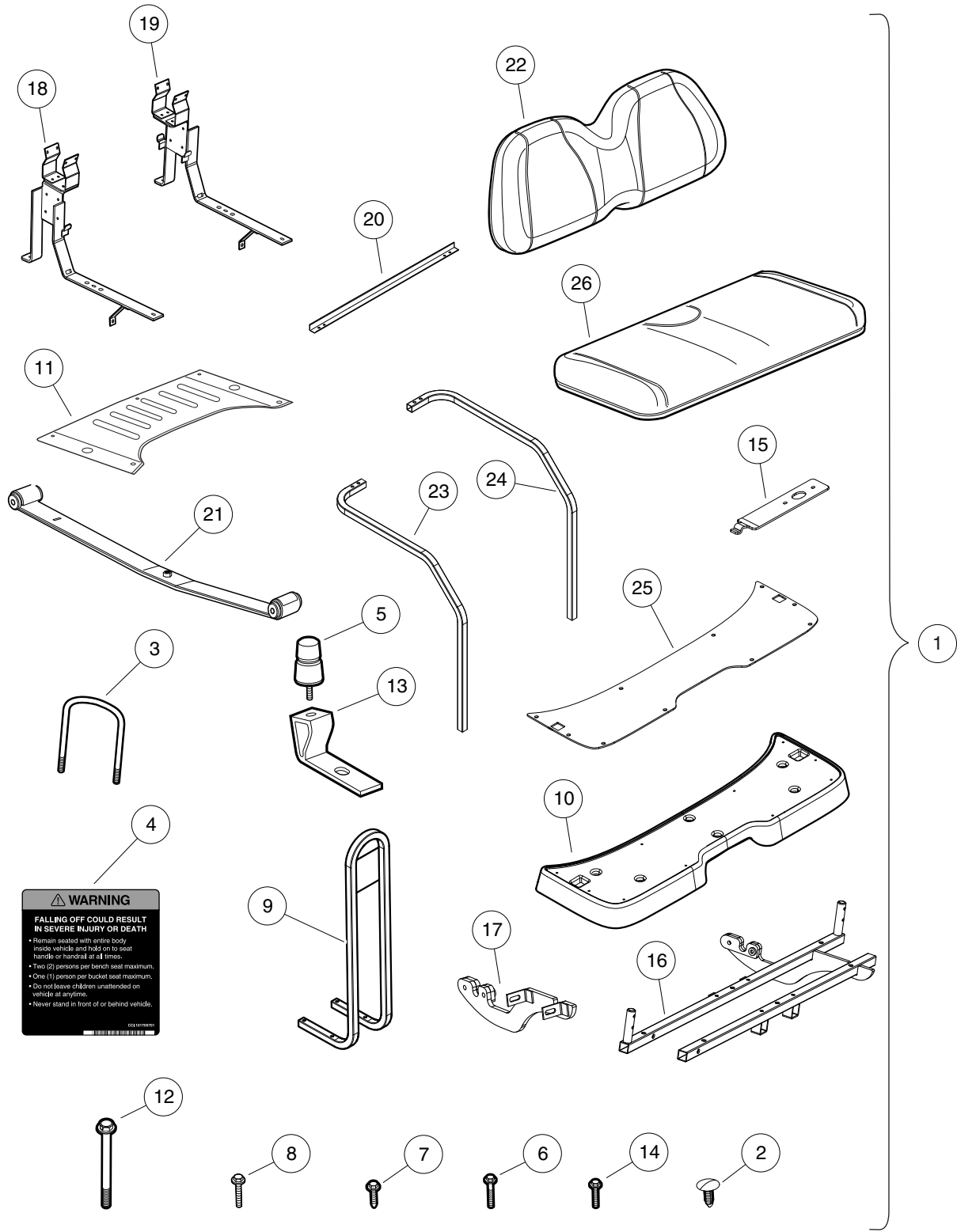
000493-004

REAR FOOTREST ASSEMBLY, PRECEDENT VILLAGER 4

ITEM	PART NO.	DESCRIPTION	QTY
		1 2 3 4	
1	<u>1010434</u>	Barrel - Plastic	10
2	<u>102298601</u>	J-clip - M8 X 1.25	4
3	<u>102298720</u>	Screw, M8-1.25x20, Taptite	8
4	<u>102298745</u>	M8-1.25x45 Taptite	4
5	<u>102531001</u>	Handrail Weldment, Rear Seat	1
6	<u>102531402</u>	Footdeck, 4-Passenger, Black	1
7	<u>102534201</u>	Bolt - Fl Hd, M8 X 95	4
8	<u>102584701</u>	Weld, 4-pass Footdeck-a	1
9	<u>102584801</u>	Weld, 4-pass Footdeck-b	1
10	<u>103922401</u>	Floormat, 4-pass, Rear	1

1
G
E

1
G
E



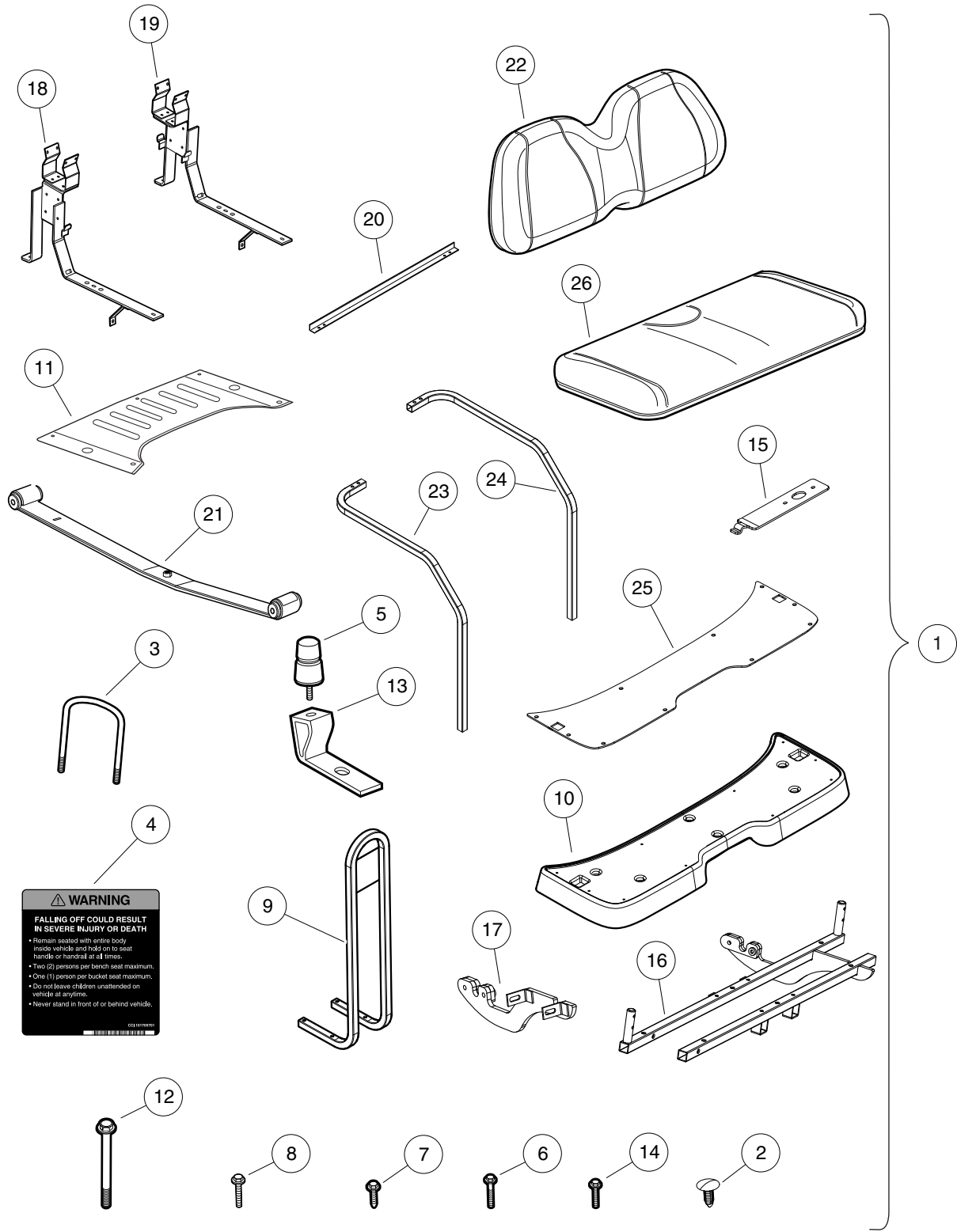
000505-008

FOUR PASSENGER CONVERSION KIT, MONSOON – BEIGE

ITEM	PART NO.	DESCRIPTION	QTY
		1 2 3 4	
1	<u>102570905</u>	Kit-4pass, Monsoon XI, Beige (includes items 2 through 26)	1
2	<u>1010434</u>	Barrel - Plastic	11
3	<u>1014902</u>	U-Bolt	2
4	<u>101705701</u>	Decal, Warning	1
5	<u>1017235</u>	Bumper, Jounce	2
6	<u>102296530</u>	Screw - M6 X 1.0 X 30 Sems	4
7	<u>102298720</u>	Screw, M8-1.25x20, Taptite	12
8	<u>102298745</u>	M8-1.25x45 Taptite	8
9	<u>102531001</u>	Handrail Weldment, Rear Seat	1
10	<u>102531402</u>	Footdeck, 4-Passenger, Black	1
11	<u>102531502</u>	Cover- 4 Pass W/canopy	1
12	<u>102534201</u>	Bolt - Fl Hd, M8 X 95	4
13	<u>102534801</u>	Jounce Bumper Bracket	2
14	<u>102541425</u>	Bolt, M6x1.0x25, Hex Flhd, Blk-l	6
15	<u>102573101</u>	Bracket, 4-pass Lower Seat	2
16	<u>102584701</u>	Weld, 4-pass Footdeck-a	1
17	<u>102584801</u>	Weld, 4-pass Footdeck-b	1
18	<u>103624601</u>	Weldment, Spt, 4pass, Drv	1
19	<u>103624602</u>	Weldment, Spt, 4pass, Pas	1
20	<u>103653001</u>	Angle, Strut, Tie	1
21	<u>103742303</u>	Asm, Rear Leaf Spring, Prec, 4-Passenger	2
22	<u>103853121</u>	Asm, Seat Back, Beige, Service Replacement	1
23	<u>103866901</u>	Restraint-lh 4pass Hip	1
24	<u>103866902</u>	Restraint-rh 4pass Hip	1
25	<u>103922401</u>	Floormat, 4-pass, Rear	1
26	<u>105101221</u>	Service, Beige, 4pass Rear Btm	1

1
G
E

1
G
E



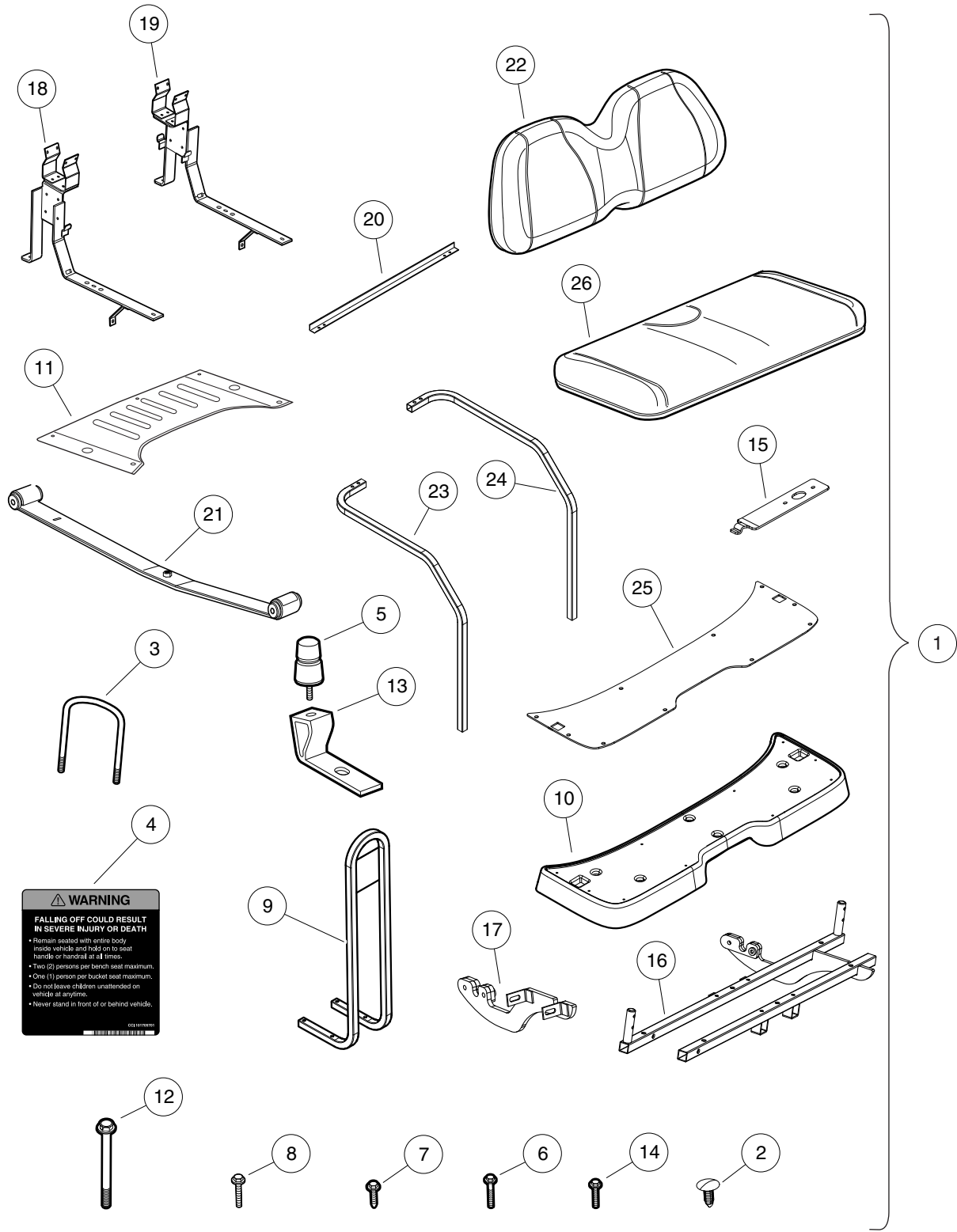
000505-008

FOUR PASSENGER CONVERSION KIT, MONSOON – WHITE

ITEM	PART NO.	DESCRIPTION	QTY
		1 2 3 4	
1	<u>102570906</u>	Kit-4pass, Monsoon XI, White (includes items 2 through 26)	1
2	<u>1010434</u>	Barrel - Plastic	11
3	<u>1014902</u>	U-Bolt	2
4	<u>101705701</u>	Decal, Warning	1
5	<u>1017235</u>	Bumper, Jounce	2
6	<u>102296530</u>	Screw - M6 X 1.0 X 30 Sems	4
7	<u>102298720</u>	Screw, M8-1.25x20, Taptite	12
8	<u>102298745</u>	M8-1.25x45 Taptite	8
9	<u>102531001</u>	Handrail Weldment, Rear Seat	1
10	<u>102531402</u>	Footdeck, 4-Passenger, Black	1
11	<u>102531502</u>	Cover- 4 Pass W/canopy	1
12	<u>102534201</u>	Bolt - Fl Hd, M8 X 95	4
13	<u>102534801</u>	Jounce Bumper Bracket	2
14	<u>102541425</u>	Bolt, M6x1.0x25, Hex Flhd, Blk-l	6
15	<u>102573101</u>	Bracket, 4-pass Lower Seat	2
16	<u>102584701</u>	Weld, 4-pass Footdeck-a	1
17	<u>102584801</u>	Weld, 4-pass Footdeck-b	1
18	<u>103624601</u>	Weldment, Spt, 4pass, Drv	1
19	<u>103624602</u>	Weldment, Spt, 4pass, Pas	1
20	<u>103653001</u>	Angle, Strut, Tie	1
21	<u>103742303</u>	Asm, Rear Leaf Spring, Prec, 4-Passenger	2
22	<u>103853122</u>	Asm, Seat Back, White, Service Replacement	1
23	<u>103866901</u>	Restraint-lh 4pass Hip	1
24	<u>103866902</u>	Restraint-rh 4pass Hip	1
25	<u>103922401</u>	Floor mat, 4-pass, Rear	1
26	<u>105101222</u>	Service, White, 4pass Rear Btm	1

1
G
E

1
G
E



000505-008

FOUR PASSENGER CONVERSION KIT, MONSOON – GRAY

ITEM	PART NO.	DESCRIPTION	QTY
		1 2 3 4	
1	<u>102570907</u>	Kit-4pass, Monsoon XI, Gray (includes items 2 through 26)	1
2	<u>1010434</u>	Barrel - Plastic	11
3	<u>1014902</u>	U-Bolt	2
4	<u>101705701</u>	Decal, Warning	1
5	<u>1017235</u>	Bumper, Jounce	2
6	<u>102296530</u>	Screw - M6 X 1.0 X 30 Sems	4
7	<u>102298720</u>	Screw, M8-1.25x20, Taptite	12
8	<u>102298745</u>	M8-1.25x45 Taptite	8
9	<u>102531001</u>	Handrail Weldment, Rear Seat	1
10	<u>102531402</u>	Footdeck, 4-Passenger, Black	1
11	<u>102531502</u>	Cover- 4 Pass W/canopy	1
12	<u>102534201</u>	Bolt - Fl Hd, M8 X 95	4
13	<u>102534801</u>	Jounce Bumper Bracket	2
14	<u>102541425</u>	Bolt, M6x1.0x25, Hex Flhd, Blk-l	6
15	<u>102573101</u>	Bracket, 4-pass Lower Seat	2
16	<u>102584701</u>	Weld, 4-pass Footdeck-a	1
17	<u>102584801</u>	Weld, 4-pass Footdeck-b	1
18	<u>103624601</u>	Weldment, Spt, 4pass, Drv	1
19	<u>103624602</u>	Weldment, Spt, 4pass, Pas	1
20	<u>103653001</u>	Angle, Strut, Tie	1
21	<u>103742303</u>	Asm, Rear Leaf Spring, Prec, 4-Passenger	2
22	<u>103853124</u>	Asm, Seat Back, Gray, Service Replacement	1
23	<u>103866901</u>	Restraint-lh 4pass Hip	1
24	<u>103866902</u>	Restraint-rh 4pass Hip	1
25	<u>103922401</u>	Floormat, 4-pass, Rear	1
26	<u>105101224</u>	Service, Gray, 4pass Rear Btm	1

1
G
E

1

G

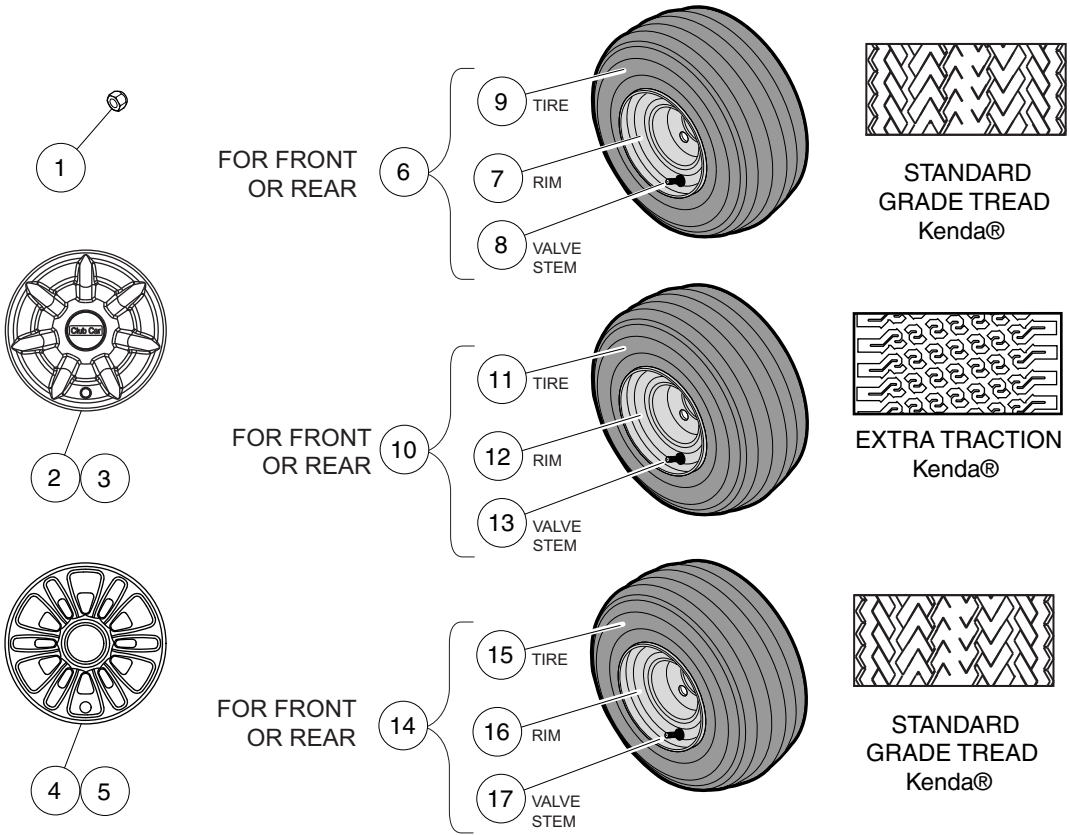
E

WHEELS AND TIRES

2

G

E



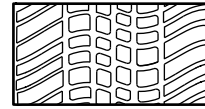
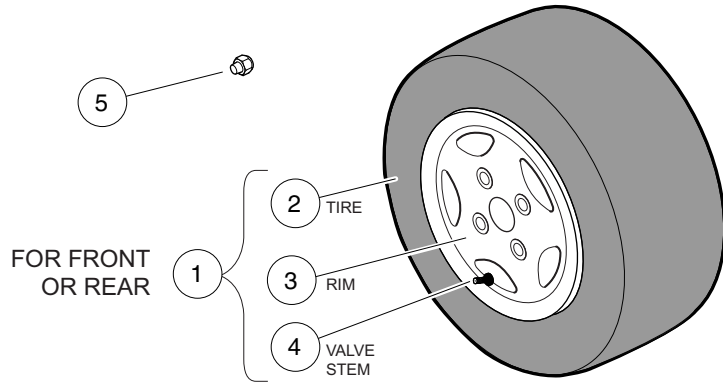
000474-010

WHEELS AND TIRES, 12 AND SIGNATURE

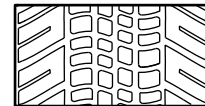
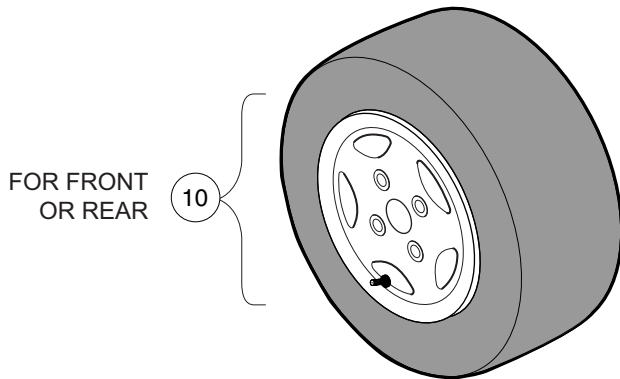
ITEM	PART NO.	DESCRIPTION	QTY
		1 2 3 4	
1	<u>1010984</u>	.500-20 Unf Lug Nut	16
2	<u>102559901</u>	Hub Cap Kit, Prec (includes item 3)	1
3	<u>103694501</u>	Hub Cap, 7 Prong	4
4	<u>102559902</u>	Kit, Wheel Cover, 12 Spk (includes item 5)	1
5	<u>105142401</u>	Wheel Cover, 12 Spk, 8", Slvr	4
6	<u>103951001</u>	Assembly, Silver Wheel Kenda, Hn1 4ply (includes items 7 through 9)	4
7	<u>103459104</u>	Wheel Rim, 8"x7", Silver, Std	1
8	<u>7310</u>	Valve Stem, Black Plastic	1
9	<u>AM10682</u>	Unmounted Prem Tire 18x8.50x8	1
10	<u>103951002</u>	Assembly, Silver Wheel Kenda, X/t 6ply (includes items 11 through 13)	4
11	<u>102569302</u>	Tire, Kenda, 18x8.5-8, 6-ply Xtr	1
12	<u>103459104</u>	Wheel Rim, 8"x7", Silver, Std	1
13	<u>7310</u>	Valve Stem, Black Plastic	1
14	<u>103951007</u>	Assembly, Silver Wheel Kenda, Radial (includes items 15 through 17)	4
15	<u>102569311</u>	Tire, Kenda, 18x8.5 R8, 4-ply	1
16	<u>103459104</u>	Wheel Rim, 8"x7", Silver, Std	1
17	<u>7310</u>	Valve Stem, Black Plastic	1

2
G
E

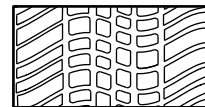
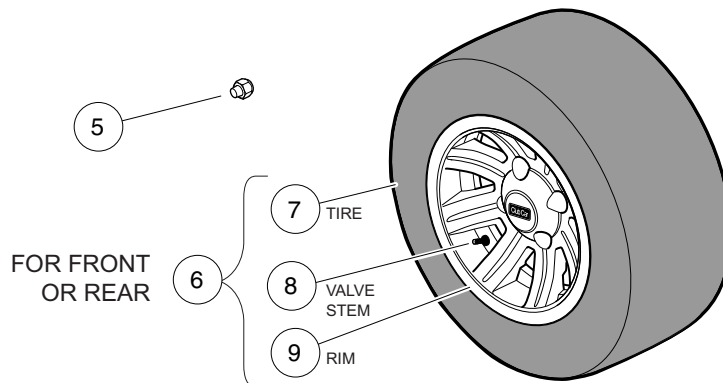
2
G
E



PRO TOUR
Kenda



K399
Kenda



PRO TOUR
Kenda

000475-006

WHEELS AND TIRES – I2L AND I2L2

ITEM	PART NO.	DESCRIPTION	QTY
		1 2 3 4	
1	<u>102540601</u>	Tire and Wheel, 10" Aluminum, Pro Tour Tire (includes items 2 through 4)	4
2	<u>102556701</u>	Tire, Pro Tour, 205-50 X 10	1
3	<u>102556801</u>	Wheel, Aluminum, Champion	1
4	<u>7310</u>	Valve Stem, Black Plastic	1
5	<u>102540701</u>	Lug Nut, 1/2" Closed End	16
6	<u>103935001</u>	Tire and Wheel, 10", 8 Spoke, Alum. (includes items 7 through 9)	4
7	<u>102556701</u>	Tire, Pro Tour, 205-50 X 10	1
8	<u>103832401</u>	Valve Stem With Cap, Chrome	1
9	<u>103934901</u>	Wheel, Aluminum 10x6, 8 Spoke	1
10	<u>AM1263401</u>	Tire and Wheel, 10" Alum., Kenda K399 205/50 Tire	4

2
G
E

2

G

E

DECALS

3

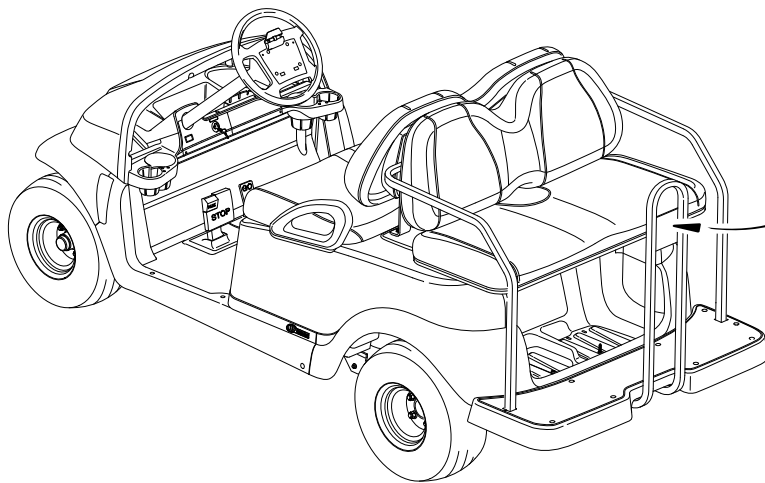
G

E

3

G

E



⚠ WARNING

**FALLING OFF COULD RESULT
IN SEVERE INJURY OR DEATH**

- Remain seated with entire body inside vehicle and hold on to seat handle or handrail at all times.
- Two (2) persons per bench seat maximum.
- One (1) person per bucket seat maximum.
- Do not leave children unattended on vehicle at anytime.
- Never stand in front of or behind vehicle.

CCI 101705701



000495-001

DECAL – PRECEDENT VILLAGER 4

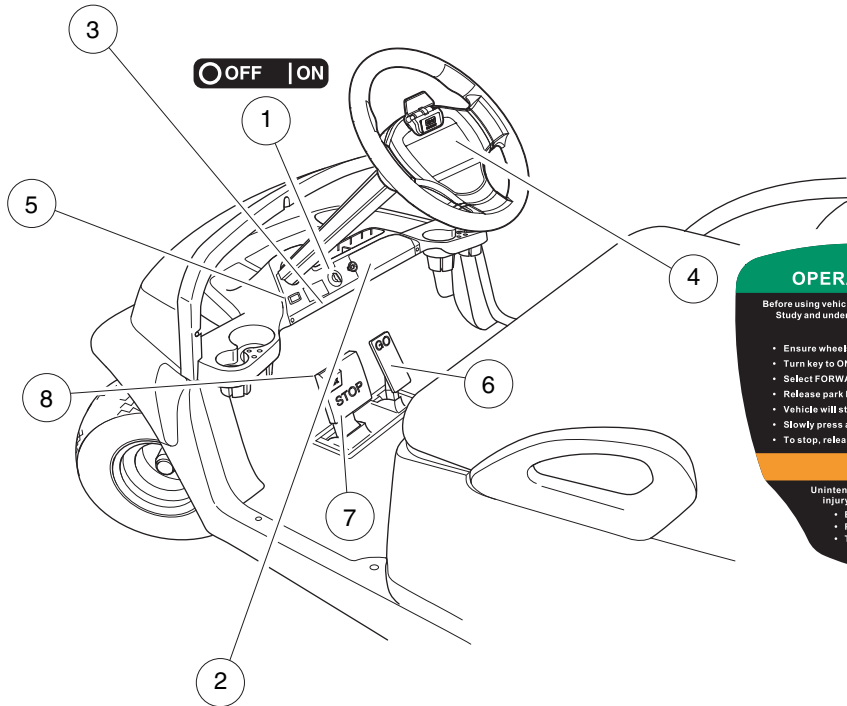
ITEM	PART NO.	DESCRIPTION	QTY
1	<u>101705701</u>	1 2 3 4 Decal, Warning	4

3
G
E

IMPORTANT NOTICE

This vehicle does not conform to ANSI Z130.1 - "Standard for Golf Cars - Safety and Performance Requirements" because it is capable of speeds in excess of 15 miles per hour. Exercise caution.

CCI 10255901



OPERATING INSTRUCTIONS

Before using vehicle, read owner's manual and vehicle safety warnings. Study and understand controls.

TO OPERATE

- Ensure wheels are turned in desired direction and path is clear.
- Turn key to ON position.
- Select FORWARD or REVERSE only when stopped.
- Release park brake fully.
- Vehicle will start moving when accelerator pedal is pressed.
- Slowly press accelerator pedal to increase speed.
- To stop, release accelerator pedal and press brake pedal.

WARNING

Unintended vehicle movement may cause severe injury or death. Before leaving vehicle:

- Engage park brake to lock wheels.
- Place vehicle in NEUTRAL.
- Turn key to OFF and remove key.

10259002

WARNING

ROLLOVER OR FALLING OFF MAY CAUSE SERIOUS INJURY OR DEATH.

- Before using vehicle, read operating instructions.
- Do not start vehicle until all occupants are seated.
- Keep entire body inside vehicle while moving.
- Drive slowly in turns and straight up and down slopes.
- Use brakes to reduce speed when coasting downhill.
- Never operate under the influence of alcohol or drugs.
- For use by authorized persons in designated areas only.
- Remain seated while moving.
- Operate from driver side only.
- Never operate on public roads.
- Hold on to seat handle while moving.
- Two (2) persons per seat maximum.
- Never stand in front of or behind vehicle.
- Do not leave children unattended on vehicle.

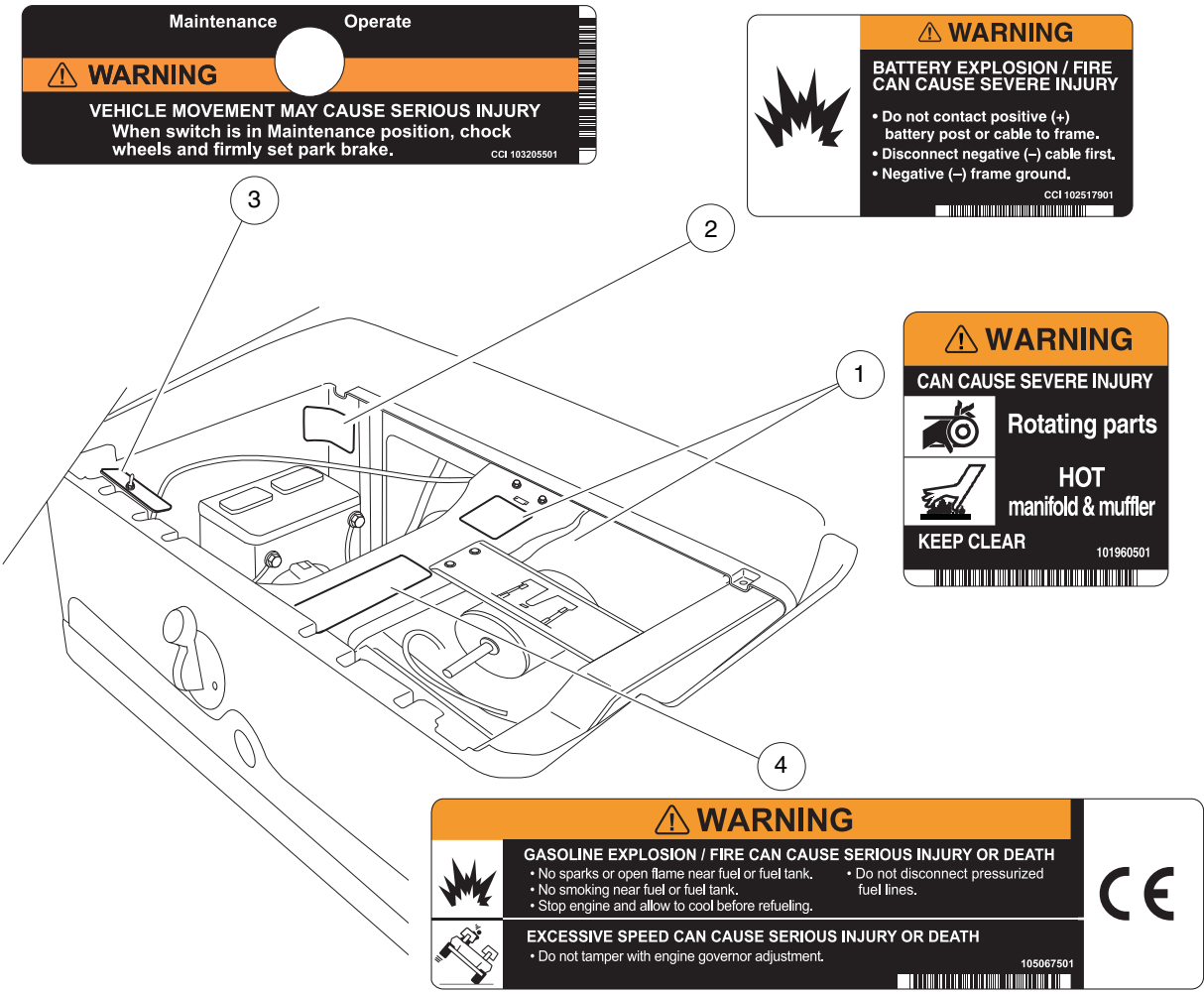
CCI 102519301

2546

DECALS – SUBARU EX40 GAS VEHICLE, PAGE 1 OF 3

ITEM	PART NO.	DESCRIPTION	QTY
		1 2 3 4	
1	<u>101825101</u>	Decal, Off/On	1
2	<u>102519301</u>	Decal, Warning, Rollover	1
3	<u>102555901</u>	Decal, Private Speed, Prec	1
4	<u>103783002</u>	Decal, Op Instr, Gas Ps	1

3
G
E



Maintenance Operate

WARNING

VEHICLE MOVEMENT MAY CAUSE SERIOUS INJURY
When switch is in Maintenance position, chock wheels and firmly set park brake.

CCI 103205501

WARNING

BATTERY EXPLOSION / FIRE CAN CAUSE SEVERE INJURY

- Do not contact positive (+) battery post or cable to frame.
- Disconnect negative (-) cable first.
- Negative (-) frame ground.

CCI 102517901

WARNING

CAN CAUSE SEVERE INJURY

Rotating parts

HOT manifold & muffler

KEEP CLEAR

101960501

WARNING

GASOLINE EXPLOSION / FIRE CAN CAUSE SERIOUS INJURY OR DEATH

- No sparks or open flame near fuel or fuel tank.
- No smoking near fuel or fuel tank.
- Stop engine and allow to cool before refueling.
- Do not disconnect pressurized fuel lines.

EXCESSIVE SPEED CAN CAUSE SERIOUS INJURY OR DEATH

- Do not tamper with engine governor adjustment.

105067501

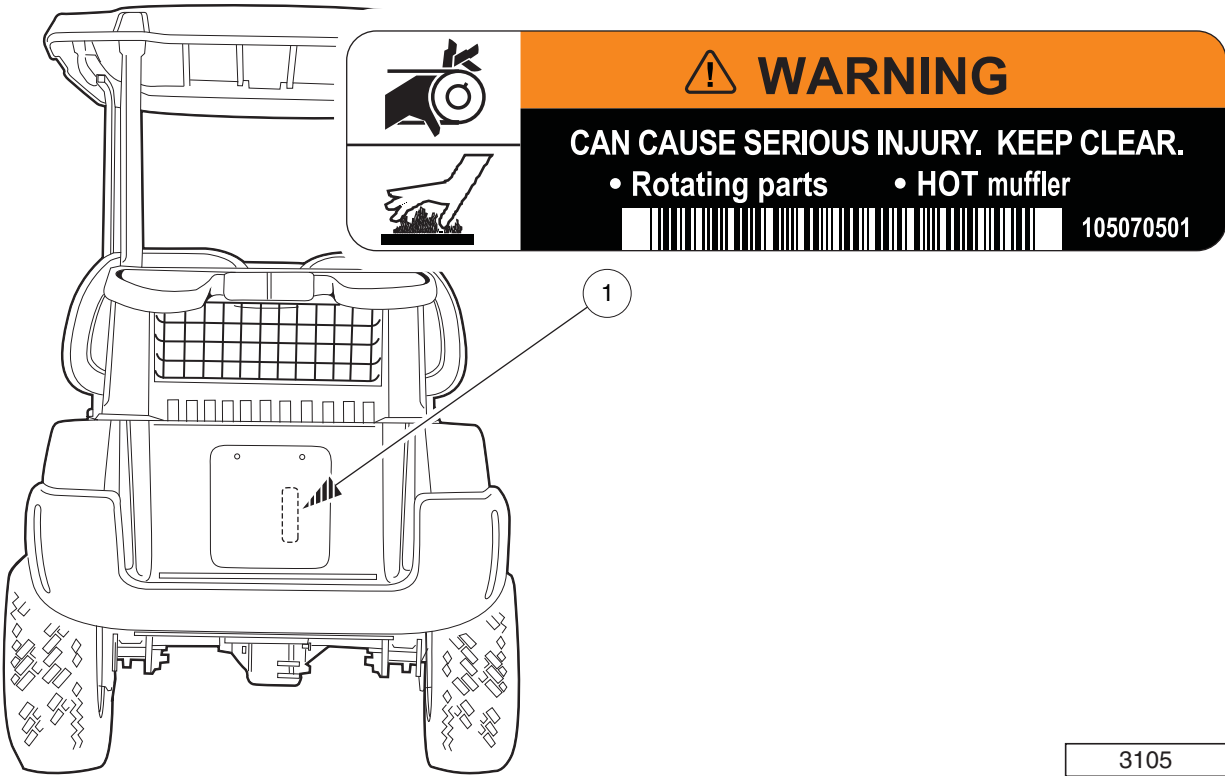
CE

3106

DECALS – SUBARU EX40 GAS VEHICLE, PAGE 2 OF 3

ITEM	PART NO.	DESCRIPTION	QTY
		1 2 3 4	
1	<u>101960501</u>	Decal, Rotating Parts/Hot Manifold	2
2	<u>102517901</u>	Decal, Warning - Frame Ground	1
3	<u>103205501</u>	Decal, Run/Service Switch	1
4	<u>105067501</u>	Decal, Warn - Gas/gov Prec	1
<p style="text-align: center;">Note: Item 1 is located on bucket brace and starter/generator.</p>			

3
G
E



3105

DECALS – SUBARU EX40 GAS VEHICLE, PAGE 3 OF 3

ITEM	PART NO.	DESCRIPTION	QTY
1	105070501	1 2 3 4 Decal, Gas, Rotating Parts/Hot Muffler, Precedent	1

3
G
E

IMPORTANT NOTICE

This vehicle does not conform to ANSI Z130.1 - "Standard for Golf Cars - Safety and Performance Requirements" because it is capable of speeds in excess of 15 miles per hour. Exercise caution.

CCI 10255901

OPERATING INSTRUCTIONS

Before using vehicle, read owner's manual and vehicle safety warnings. Study and understand controls.

TO OPERATE

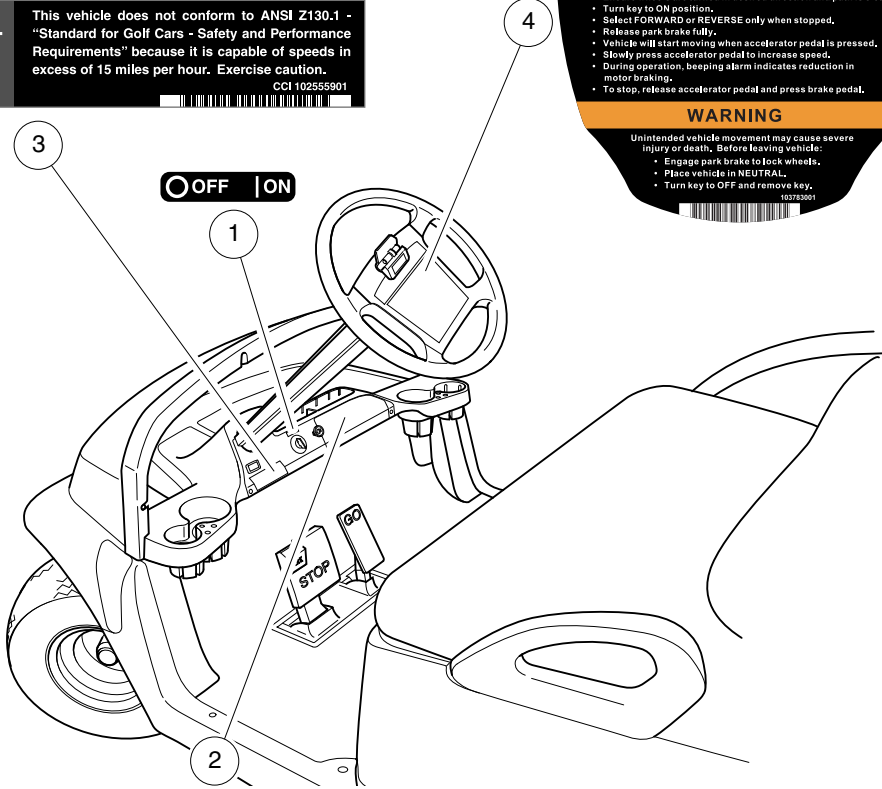
- Ensure wheels are turned in desired direction and path is clear.
- Turn key to ON position.
- Select FORWARD or REVERSE only when stopped.
- Release park brake fully.
- Vehicle will start moving when accelerator pedal is pressed.
- Slowly press accelerator pedal to increase speed.
- During operation, beeping alarm indicates reduction in motor braking.
- To stop, release accelerator pedal and press brake pedal.

WARNING

Unintended vehicle movement may cause severe injury or death. Before leaving vehicle:

- Engage park brake to lock wheels.
- Place vehicle in NEUTRAL.
- Turn key to OFF and remove key.

10373301



⚠ WARNING

ROLLOVER OR FALLING OFF MAY CAUSE SERIOUS INJURY OR DEATH.

- Before using vehicle, read operating instructions.
- Do not start vehicle until all occupants are seated.
- Keep entire body inside vehicle while moving.
- Drive slowly in turns and straight up and down slopes.
- Use brakes to reduce speed when coasting downhill.
- Never operate under the influence of alcohol or drugs.
- For use by authorized persons in designated areas only.
- Remain seated while moving.
- Operate from driver side only.
- Never operate on public roads.
- Hold on to seat handle while moving.
- Two (2) persons per seat maximum.
- Never stand in front of or behind vehicle.
- Do not leave children unattended on vehicle.

CCI 102519301

000441-010

DECALS – ELECTRIC VEHICLE, PAGE 1 OF 2

ITEM	PART NO.	DESCRIPTION	QTY
		1 2 3 4	
1	<u>101825101</u>	Decal, Off/On	1
2	<u>102519301</u>	Decal, Warning, Rollover	1
3	<u>102555901</u>	Decal, Private Speed, Prec	1
4	<u>103783001</u>	Decal, Op Instr, Ele	1

3
G
E

WARNING

BATTERY EXPLOSION COULD RESULT IN SEVERE PERSONAL INJURY

- Place Run/Tow switch in TOW position before performing any of the following:
 - Disconnecting or connecting battery cables
 - Towing this vehicle
 - Extended storage
 - Servicing the vehicle
- Do not store items in battery compartment.
- Keep electronic components dry.
- Do not operate vehicle without this plate properly installed.
- See vehicle service manual before servicing.

RUN

TOW

CCI 103384601

CAUTION EXPOSURE TO WATER MAY DAMAGE ELECTRONIC COMPONENTS

- Do not direct water stream in the area of this plate.
- See vehicle service manual before servicing.

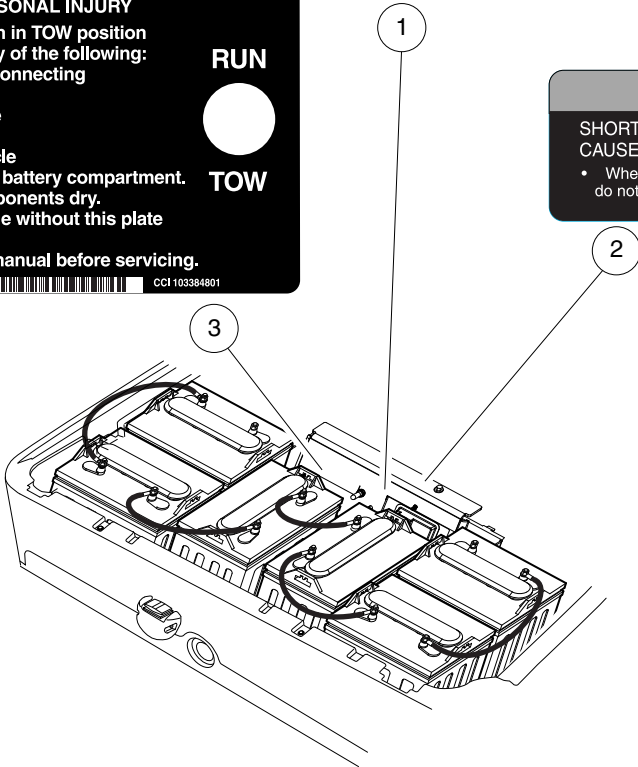
CCI 103384601

WARNING

SHORTING OF BATTERY TERMINALS CAN CAUSE PERSONAL INJURY OR DEATH.

- When removing component mounting plate, do not place plate directly on top of batteries.

103384701



000441-011

DECALS – ELECTRIC VEHICLE, PAGE 2 OF 2

ITEM	PART NO.	DESCRIPTION	QTY
1	<u>103384601</u>	1 2 3 4 Decal-water Exposure	1
2	<u>103384701</u>	Decal-warning, Short	1
3	<u>103384801</u>	Decal-warning, Run Tow	1

3
G
E

3

G

E

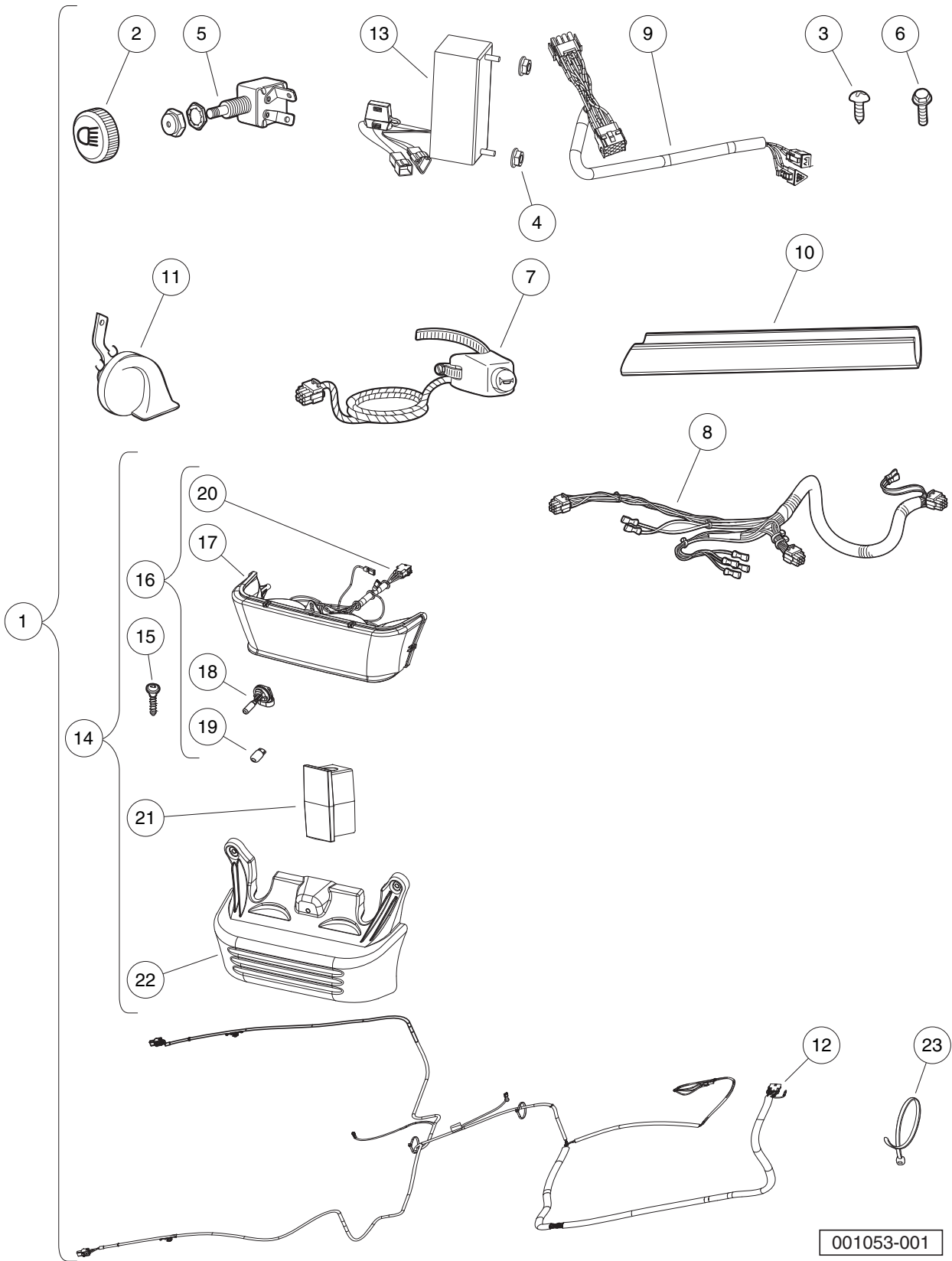
LIGHTS, CONTROLS AND INDICATORS

4

G

E

4
G
E

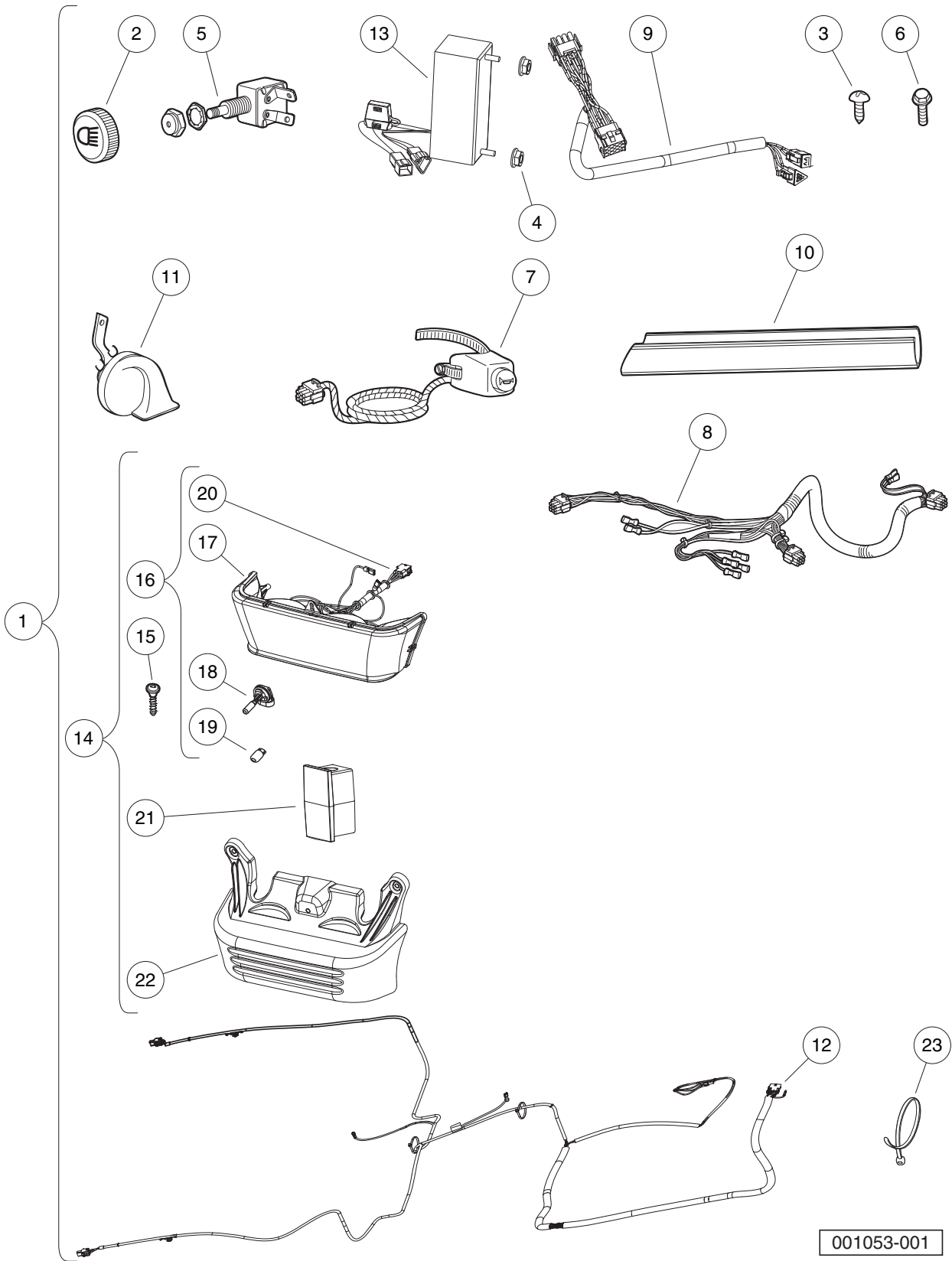


HEADLIGHTS ONLY – PRECEDENT

ITEM	PART NO.	DESCRIPTION	QTY
		1 2 3 4	
1	<u>105142601</u>	Kit, Hdlt's Only, Prec, Hfc (includes items 2 through 23)	1
2	<u>1013857</u>	Knob, Light Switch	1
3	<u>1016849</u>	Screw, #4-24 X 0.33, Pan-Head, Machine	2
4	<u>101835601</u>	Locknut, 1/4-20 Hex Whiz	2
5	<u>102051901</u>	Switch, Light	1
6	<u>102298720</u>	Screw, M8-1.25x20, TapTite	1
7	<u>102517601</u>	Subasm, Horn Button Harness	1
8	<u>102527801</u>	Ip Lighting Harness, Elec	1
9	<u>102528101</u>	Dc-dc Convert Harness, Prec	1
10	<u>102529201</u>	Wire Cover, Steering Column	1
11	<u>102535401</u>	Horn	1
12	<u>103375901</u>	Prec Light Harn Restyle	1
13	<u>103700302</u>	Converter, Dc/dc, Isoltd, Prec	1
14	<u>103933902</u>	Kit, Bumper W/light (includes items 15 through 22)	1
15	<u>102296020</u>	Screw, Torx Pan Hd Pt, M6 X 20	3
16	<u>102544301</u>	Headlight Asm, Prec (includes items 17 through 20)	1
17	<u>102528701</u>	Headlight, Lens/reflector	1
18	<u>102535101</u>	Bulb, Headlight, 37.5 W	2
19	<u>102535201</u>	Front Turn Signal Bulb	2
20	<u>102535301</u>	Headlight, Harness, Prec	1
21	<u>103325001</u>	Plug, Shock, Precedent Bumper	2
22	<u>103923601</u>	Bumper, Prec Fleet, W/light	1
23	<u>8990</u>	Tie Wrap, 8" Nylon	4

4
G
E

4
G
E



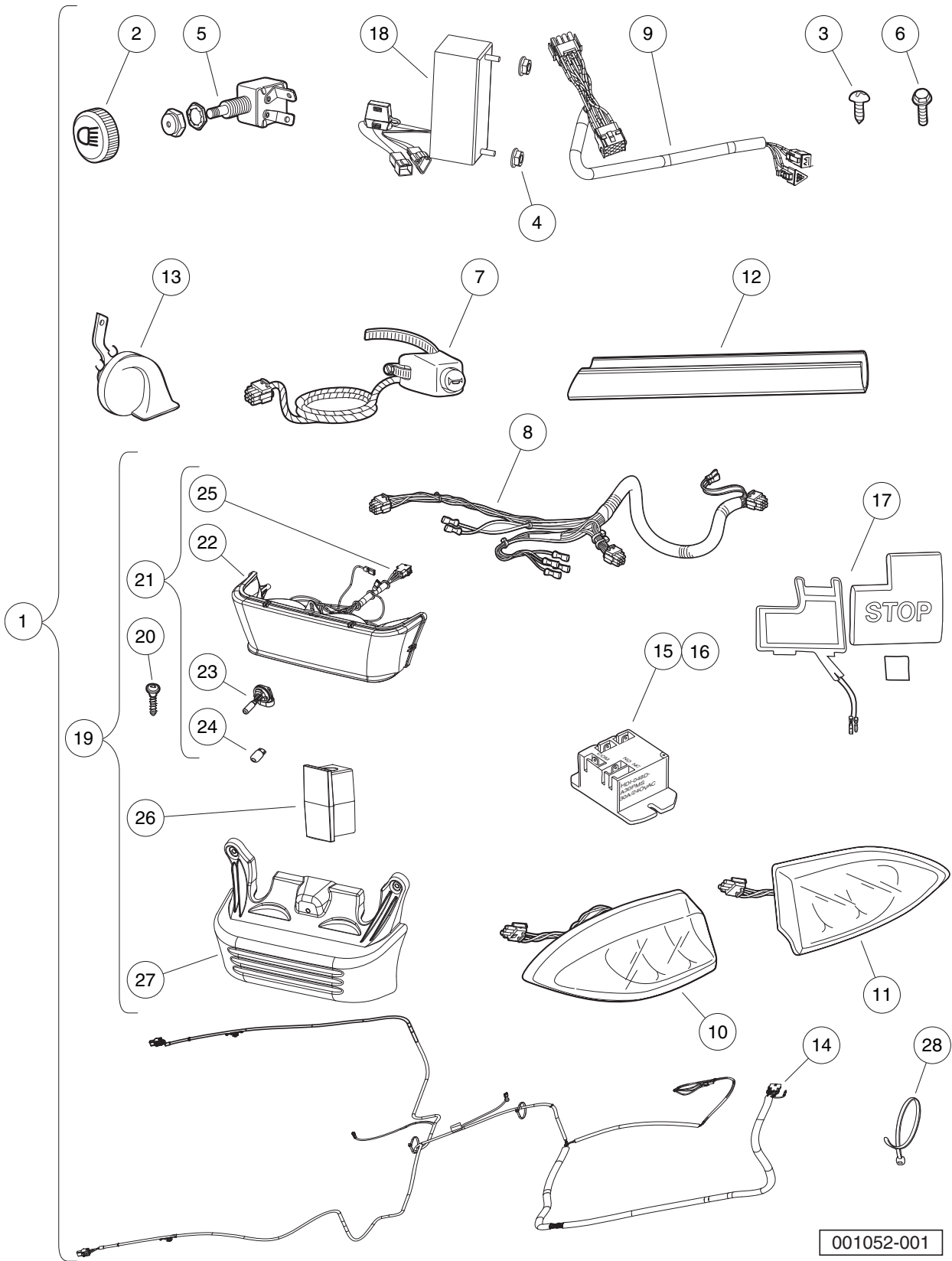
001053-001

HEADLIGHTS ONLY (CE) – PRECEDENT

ITEM	PART NO.	DESCRIPTION	QTY
		1 2 3 4	
1	<u>105142602</u>	Kit, Hdlt's Only, Prec, Hfc, Ce (includes items 2 through 23)	1
2	<u>1013857</u>	Knob, Light Switch	1
3	<u>1016849</u>	Screw, #4-24 X 0.33, Pan-Head, Machine	2
4	<u>101835601</u>	Locknut, 1/4-20 Hex Whiz	2
5	<u>102051901</u>	Switch, Light	1
6	<u>102298720</u>	Screw, M8-1.25x20, Taptite	1
7	<u>102517601</u>	Subasm, Horn Button Harness	1
8	<u>102527801</u>	Ip Lighting Harness, Elec	1
9	<u>102528101</u>	Dc-dc Convert Harness, Prec	1
10	<u>102529201</u>	Wire Cover, Steering Column	1
11	<u>102535401</u>	Horn	1
12	<u>103375901</u>	Prec Light Harn Restyle	1
13	<u>103802402</u>	Converter, Dc/dc, Ce, Prec	1
14	<u>103933902</u>	Kit, Bumper W/light (includes items 15 through 22)	1
15	<u>102296020</u>	Screw, Torx Pan Hd Pt, M6 X 20	3
16	<u>102544301</u>	Headlight Asm, Prec (includes items 17 through 20)	1
17	<u>102528701</u>	Headlight, Lens/reflector	1
18	<u>102535101</u>	Bulb, Headlight, 37.5 W	2
19	<u>102535201</u>	Front Turn Signal Bulb	2
20	<u>102535301</u>	Headlight, Harness, Prec	1
21	<u>103325001</u>	Plug, Shock, Precedent Bumper	2
22	<u>103923601</u>	Bumper, Prec Fleet, W/light	1
23	<u>8990</u>	Tie Wrap, 8" Nylon	4

4
G
E

4
G
E



HEADLIGHTS, HORN AND TAILLIGHTS – PRECEDENT

ITEM	PART NO.	DESCRIPTION	QTY
		1 2 3 4	
1	<u>105142501</u>	Kit, Std Lights, Prec, Hfc (includes items 2 through 28)	1
2	<u>1013857</u>	Knob, Light Switch	1
3	<u>1016849</u>	Screw, #4-24 X 0.33, Pan-Head, Machine	2
4	<u>101835601</u>	Locknut, 1/4-20 Hex Whiz	2
5	<u>102051901</u>	Switch, Light	1
6	<u>102298720</u>	Screw, M8-1.25x20, Taptite	1
7	<u>102517601</u>	Subasm, Horn Button Harness	1
8	<u>102527801</u>	Ip Lighting Harness, Elec	1
9	<u>102528101</u>	Dc-dc Convert Harness, Prec	1
10	<u>102528901</u>	Taillight, Driver-side, Prec and Csmr	1
11	<u>102529001</u>	Taillight, Passenger-side, Prec and Csmr	1
12	<u>102529201</u>	Wire Cover, Steering Column	1
13	<u>102535401</u>	Horn	1
14	<u>103375901</u>	Prec Light Harn Restyle	1
15	<u>103414901</u>	Kit, Relay, 48v 30a W/instr (includes item 16)	1
16	<u>103397901</u>	Relay, Spst No, 48v 30a, Pmt	1
17	<u>103597101</u>	Kit, Brake Light Switch	1
18	<u>103700302</u>	Converter, Dc/dc, Isoltd, Prec	1
19	<u>103933902</u>	Kit, Bumper W/light (includes items 20 through 27)	1
20	<u>102296020</u>	Screw, Torx Pan Hd Pt, M6 X 20	3
21	<u>102544301</u>	Headlight Asm, Prec (includes items 22 through 25)	1
22	<u>102528701</u>	Headlight, Lens/reflector	1
23	<u>102535101</u>	Bulb, Headlight, 37.5 W	2
24	<u>102535201</u>	Front Turn Signal Bulb	2
25	<u>102535301</u>	Headlight, Harness, Prec	1
26	<u>103325001</u>	Plug, Shock, Precedent Bumper	2
27	<u>103923601</u>	Bumper, Prec Fleet, W/light	1
28	<u>8990</u>	Tie Wrap, 8" Nylon	4

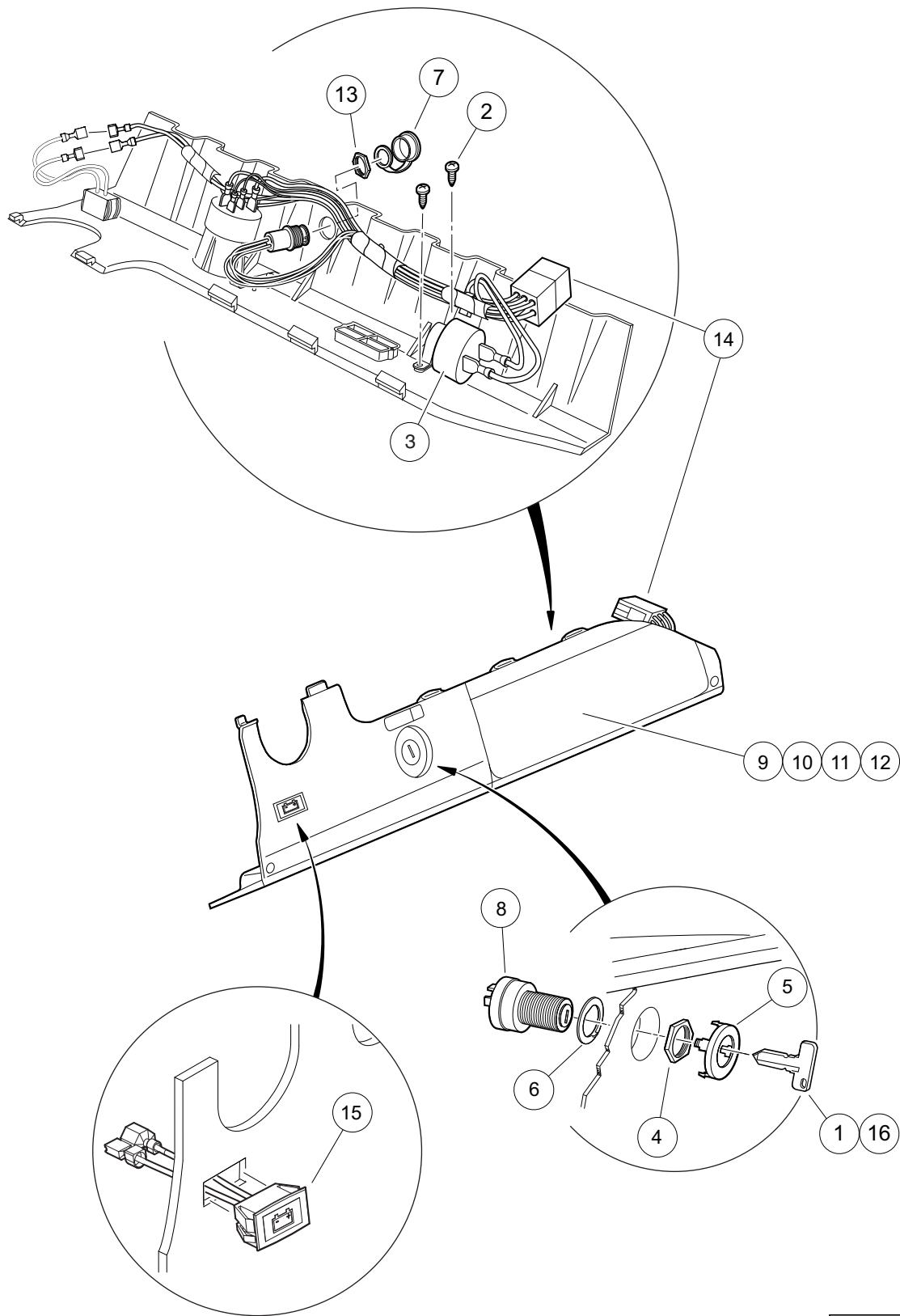
4
G
E

HEADLIGHTS, HORN AND TAILLIGHTS (CE) – PRECEDENT

ITEM	PART NO.	DESCRIPTION	QTY
		1 2 3 4	
1	<u>105142502</u>	Kit, Std Lights, Prec, Hfc, Ce (includes items 2 through 28)	1
2	<u>1013857</u>	Knob, Light Switch	1
3	<u>1016849</u>	Screw, #4-24 X 0.33, Pan-Head, Machine	2
4	<u>101835601</u>	Locknut, 1/4-20 Hex Whiz	2
5	<u>102051901</u>	Switch, Light	1
6	<u>102298720</u>	Screw, M8-1.25x20, Taptite	1
7	<u>102517601</u>	Subasm, Horn Button Harness	1
8	<u>102527801</u>	Ip Lighting Harness, Elec	1
9	<u>102528101</u>	Dc-dc Convert Harness, Prec	1
10	<u>102528901</u>	Taillight, Driver-side, Prec and Csmr	1
11	<u>102529001</u>	Taillight, Passenger-side, Prec and Csmr	1
12	<u>102529201</u>	Wire Cover, Steering Column	1
13	<u>102535401</u>	Horn	1
14	<u>103375901</u>	Prec Light Harn Restyle	1
15	<u>103414901</u>	Kit, Relay, 48v 30a W/instr (includes item 16)	1
16	<u>103397901</u>	Relay, Spst No, 48v 30a, Pmt	1
17	<u>103597101</u>	Kit, Brake Light Switch	1
18	<u>103802402</u>	Converter, Dc/dc, Ce, Prec	1
19	<u>103933902</u>	Kit, Bumper W/light (includes items 20 through 27)	1
20	<u>102296020</u>	Screw, Torx Pan Hd Pt, M6 X 20	3
21	<u>102544301</u>	Headlight Asm, Prec (includes items 22 through 25)	1
22	<u>102528701</u>	Headlight, Lens/reflector	1
23	<u>102535101</u>	Bulb, Headlight, 37.5 W	2
24	<u>102535201</u>	Front Turn Signal Bulb	2
25	<u>102535301</u>	Headlight, Harness, Prec	1
26	<u>103325001</u>	Plug, Shock, Precedent Bumper	2
27	<u>103923601</u>	Bumper, Prec Fleet, W/light	1
28	<u>8990</u>	Tie Wrap, 8" Nylon	4

4
G
E

4
G
E



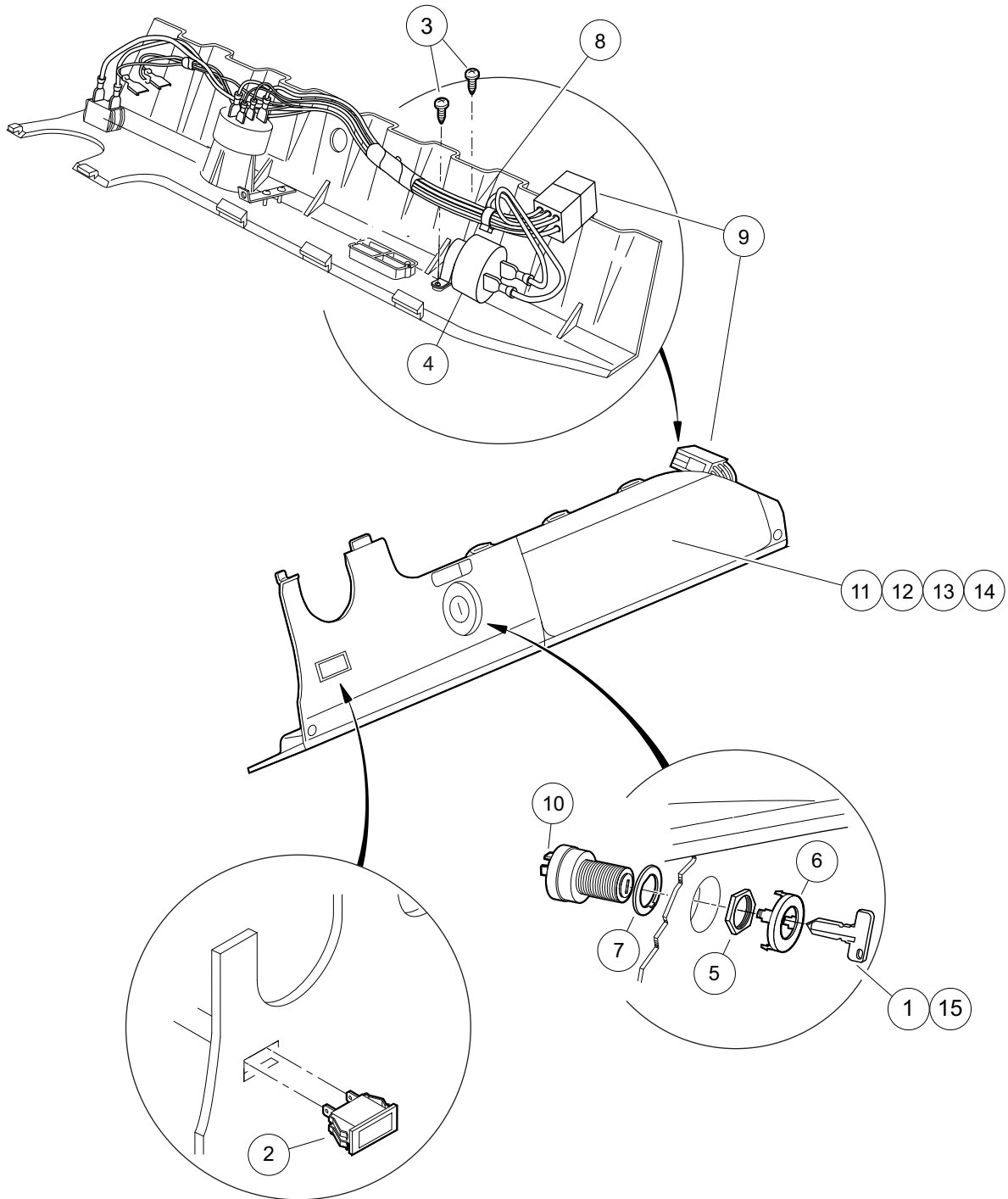
000490-004

INSTRUMENT PANEL – ELECTRIC VEHICLE WITH ERIC CHARGER

ITEM	PART NO.	DESCRIPTION	QTY
		1 2 3 4	
1	<u>1012505</u>	Keys (set of 2)	1
2	<u>1016849</u>	Screw, #4-24 X 0.33, Pan-Head, Machine	2
3	<u>1016851</u>	Buzzer, Reverse (9-48 VDC)	1
4	<u>101830701</u>	Nut, Key Switch	1
5	<u>101834502</u>	Cap, Black Key Switch	1
6	<u>101851101</u>	Washer, Key Switch	1
7	<u>102196901</u>	Dust Cap	1
8	<u>102508601</u>	Key Switch, Electric	1
9	<u>102522901</u>	Instrument Panel (standard)	1
10	<u>102536601</u>	Instrument Panel (with Hole for Headlight Switch)	1
11	<u>102536603</u>	Instrument Panel (with Hole for Battery Condition Indicator)	1
12	<u>102536605</u>	Instrument Panel (with Hole for Headlight Switch and Battery Condition Indicator)	1
13	<u>102572401</u>	Nut, Diagnostic Port, Prec	1
14	<u>103991501</u>	Harness, Wire, Instrument Panel, Prec w/Hi-Freq	1
15	<u>105152301</u>	Indicator, Charger, Dash, Cap	1
16	<u>AM10079</u>	Bulk Std Keys (50) *	1
		* Note: Must order in multiples of 50.	

4
G
E

4
G
E



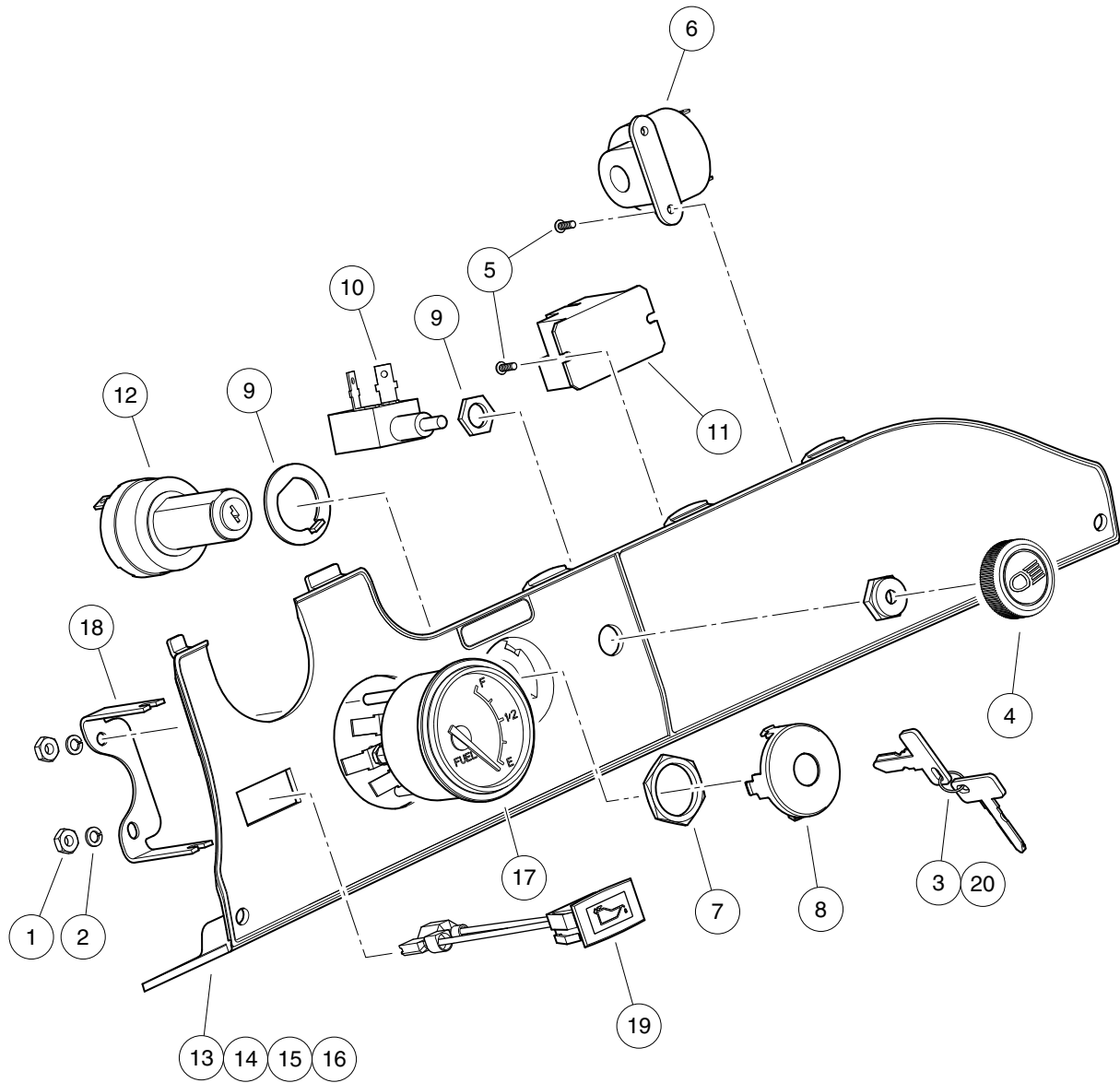
000490-003

INSTRUMENT PANEL – KAW. FE350 GAS VEHICLE

ITEM	PART NO.	DESCRIPTION	QTY
		1 2 3 4	
1	<u>1012505</u>	Keys (set of 2)	1
2	<u>1016630</u>	Light, Oil	1
3	<u>1016849</u>	Screw, #4-24 X 0.33, Pan-Head, Machine	2
4	<u>1016851</u>	Buzzer, Reverse (9-48 VDC)	1
5	<u>101830701</u>	Nut, Key Switch	1
6	<u>101834502</u>	Cap, Black Key Switch	1
7	<u>101851101</u>	Washer, Key Switch	1
8	<u>102515001</u>	Ip Control Harness, Gas (includes item 9)	1
9	N/A	Connector, Plug 9-pin	1
10	<u>102515101</u>	Key Switch, Gas, Prec	1
11	<u>102522901</u>	Instrument Panel (standard)	1
12	<u>102536601</u>	Instrument Panel (with Hole for Headlight Switch)	1
13	<u>102536602</u>	Instrument Panel (with Hole for Fuel Gauge)	1
14	<u>102536604</u>	Instrument Panel (with Hole for Headlight Switch and Fuel Gauge)	1
15	<u>AM10079</u>	Bulk Std Keys (50) *	1
		* Note: Must order in multiples of 50.	

4
G
E

4
G
E



000986-001

INSTRUMENT PANEL – SUBARU EX40 GAS VEHICLE

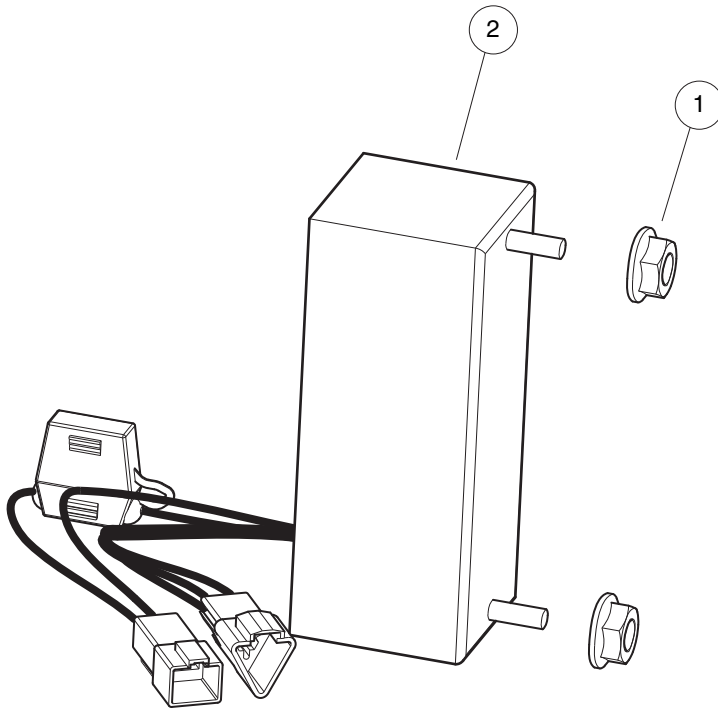
ITEM	PART NO.	DESCRIPTION	QTY
		1 2 3 4	
1	<u>1011571</u>	Nut, #8-32 Hex	2
2	<u>1011610</u>	Lockwasher, #8 Split SS	2
3	<u>1012505</u>	Keys (set of 2)	1
4	<u>1013857</u>	Knob, Light Switch	1
5	<u>1016849</u>	Screw, #4-24 X 0.33, Pan-Head, Machine	4
6	<u>1016851</u>	Buzzer, Reverse (9-48 VDC)	1
7	<u>101830701</u>	Nut, Key Switch	1
8	<u>101834502</u>	Cap, Black Key Switch	1
9	<u>101851101</u>	Washer, Key Switch	1
10	<u>102051901</u>	Switch, Light	1
11	<u>102199001</u>	Relay, 12-Volt	1
12	<u>102515101</u>	Key Switch, Gas, Prec	1
13	<u>102522901</u>	Instrument Panel (standard)	1
14	<u>102536601</u>	Instrument Panel (with Hole for Headlight Switch)	1
15	<u>102536602</u>	Instrument Panel (with Hole for Fuel Gauge)	1
16	<u>102536604</u>	Instrument Panel (with Hole for Headlight Switch and Fuel Gauge)	1
17	<u>103924301</u>	Fuel Gauge, Prime	1
18	<u>103924401</u>	Bracket, Fuel Gauge, Prime	1
19	<u>105037101</u>	Light, Oil (LED)	1
20	<u>AM10079</u>	Bulk Std Keys (50) *	1
		* Note: Must order in multiples of 50.	

4
G
E

4

G

E



001054-001

DC CONVERTER (STANDARD) – ELECTRIC VEHICLE

ITEM	PART NO.	DESCRIPTION	QTY
1	<u>101835601</u>	1 2 3 4 Locknut, 1/4-20 Hex Whiz	2
2	<u>103700302</u>	Converter, Dc/dc, Isoltd, Prec	1

4

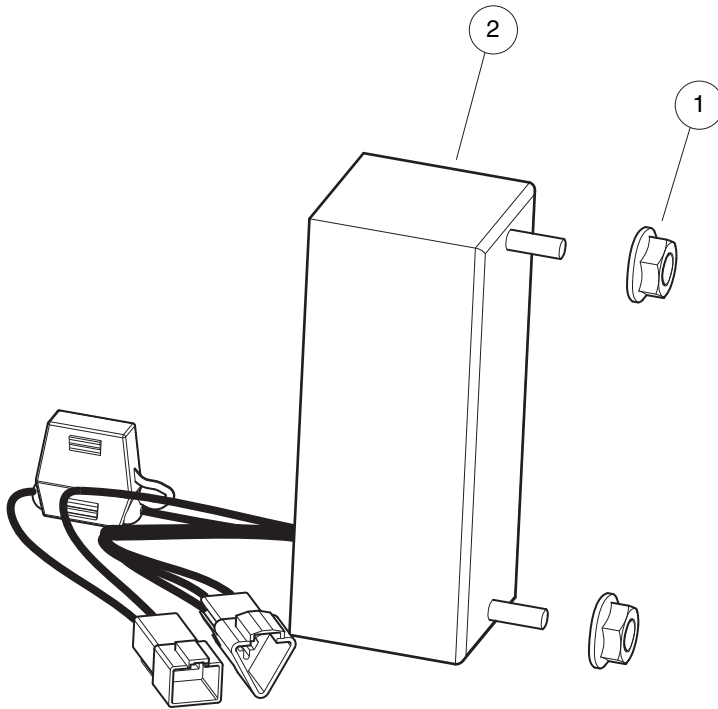
G

E

4

G

E



001054-001

DC CONVERTER (CE) – ELECTRIC VEHICLE

ITEM	PART NO.	DESCRIPTION	QTY
		1 2 3 4	
1	<u>101835601</u>	Locknut, 1/4-20 Hex Whiz	2
2	<u>103802402</u>	Converter, Dc/dc, Ce, Prec	1

4

G

E

4

G

E

BRAKES AND PEDAL GROUP ASSEMBLIES

5

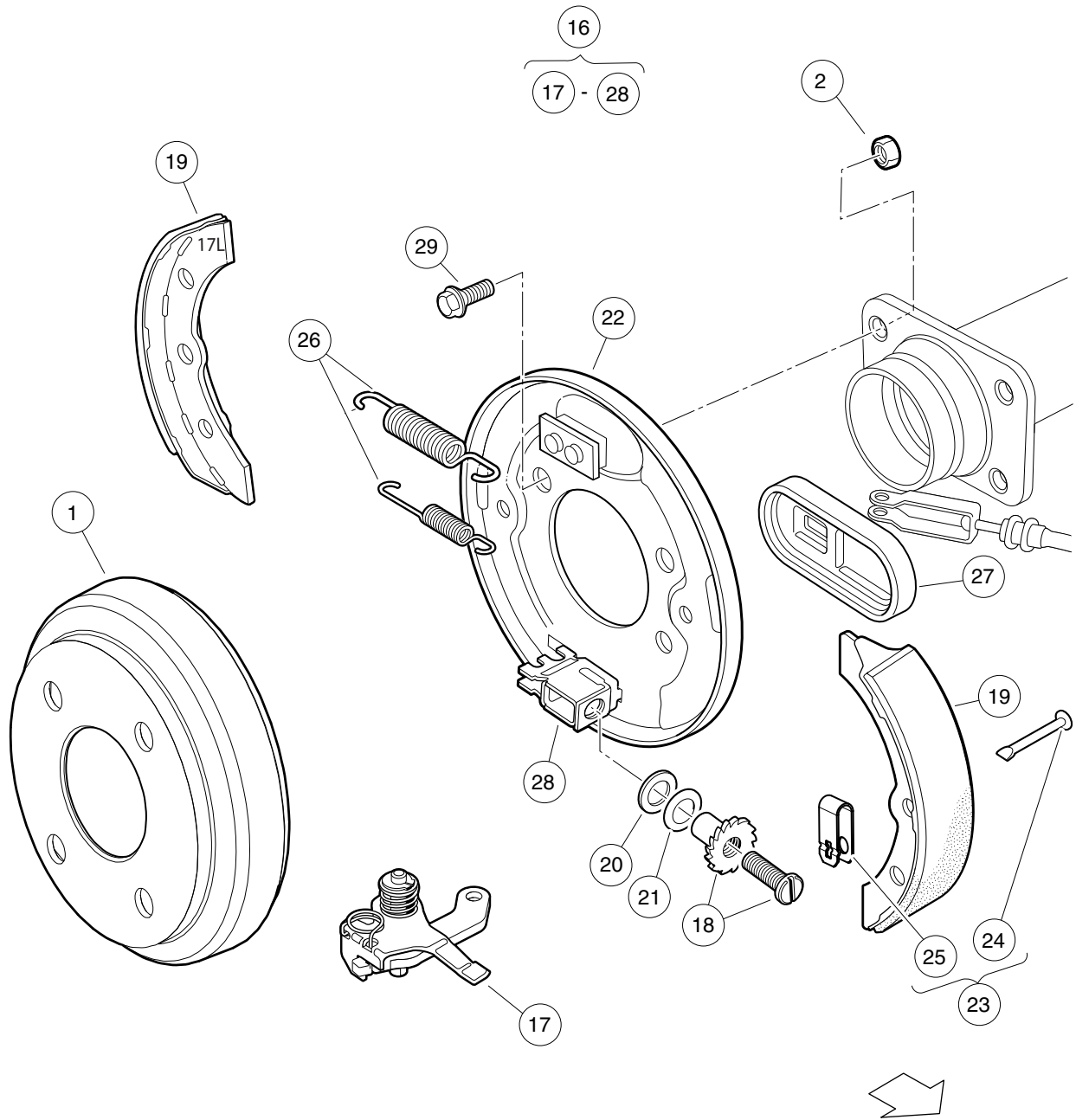
G

E

REAR BRAKES, SELF-ADJUSTING – ELECTRIC VEHICLES

ITEM	PART NO.	DESCRIPTION	QTY	
		1 2 3 4		5
1	<u>1013924</u>	Nut, 5/16-24, Hex Head Cone	8	G
2	<u>101791101</u>	Drum without Center Hole, Brake	2	E
3	<u>103380201</u>	Asm, Brake Cluster, Mech, Drvr (includes items 4 through 15)	1	
4	<u>101815502</u>	Lever Assembly, Self-Adjusting Brake, Left	1	
5	<u>101816502</u>	Adjusting Mechanism, Self-Adjusting Brake, Left	1	
6	<u>101823201</u>	Package, Brake Shoe, Self-Adjusting	1	
7	<u>101823801</u>	Plate, Washer, Brake, Self-Adjusting	1	
8	<u>101823901</u>	Washer, Brake, Self-Adjusting	1	
9	<u>103483102</u>	Backing Plate, Driver-side	1	
10	<u>103483201</u>	Kit, Shoe Retainer (includes items 11 and 12)	1	
11	N/A	Pin	2	
12	N/A	Spring, Shoe, Clamp	2	
13	<u>103483401</u>	Package Brake Spring Self Adj	1	
14	<u>103483601</u>	Cover, Dust	1	
15	<u>103483701</u>	Brake Block	1	
16	<u>103380202</u>	Asm, Brake Cluster, Mech, Pass (includes items 17 through 28)	1	
17	<u>101815501</u>	Lever Assembly, Self-Adjusting Brake, Right (Passenger)	1	
18	<u>101816501</u>	Adj Mechanism, S.A. Brakes, Right (Passenger)	1	
19	<u>101823201</u>	Package, Brake Shoe, Self-Adjusting	1	
20	<u>101823801</u>	Plate, Washer, Brake, Self-Adjusting	1	
21	<u>101823901</u>	Washer, Brake, Self-Adjusting	1	
22	<u>103483101</u>	Backing Plate, Passenger-side	1	
23	<u>103483201</u>	Kit, Shoe Retainer (includes items 24 and 25)	1	
24	N/A	Pin	2	
25	N/A	Spring, Shoe, Clamp	2	
26	<u>103483401</u>	Package Brake Spring Self Adj	1	
27	<u>103483601</u>	Cover, Dust	1	
28	<u>103483701</u>	Brake Block	1	
29	<u>47542195001</u>	Bolt, Brake Cluster Mnt	8	
		Note: Driver-side brake cluster not shown. Components have a similar appearance to passenger-side brake cluster components.		

5
G
E

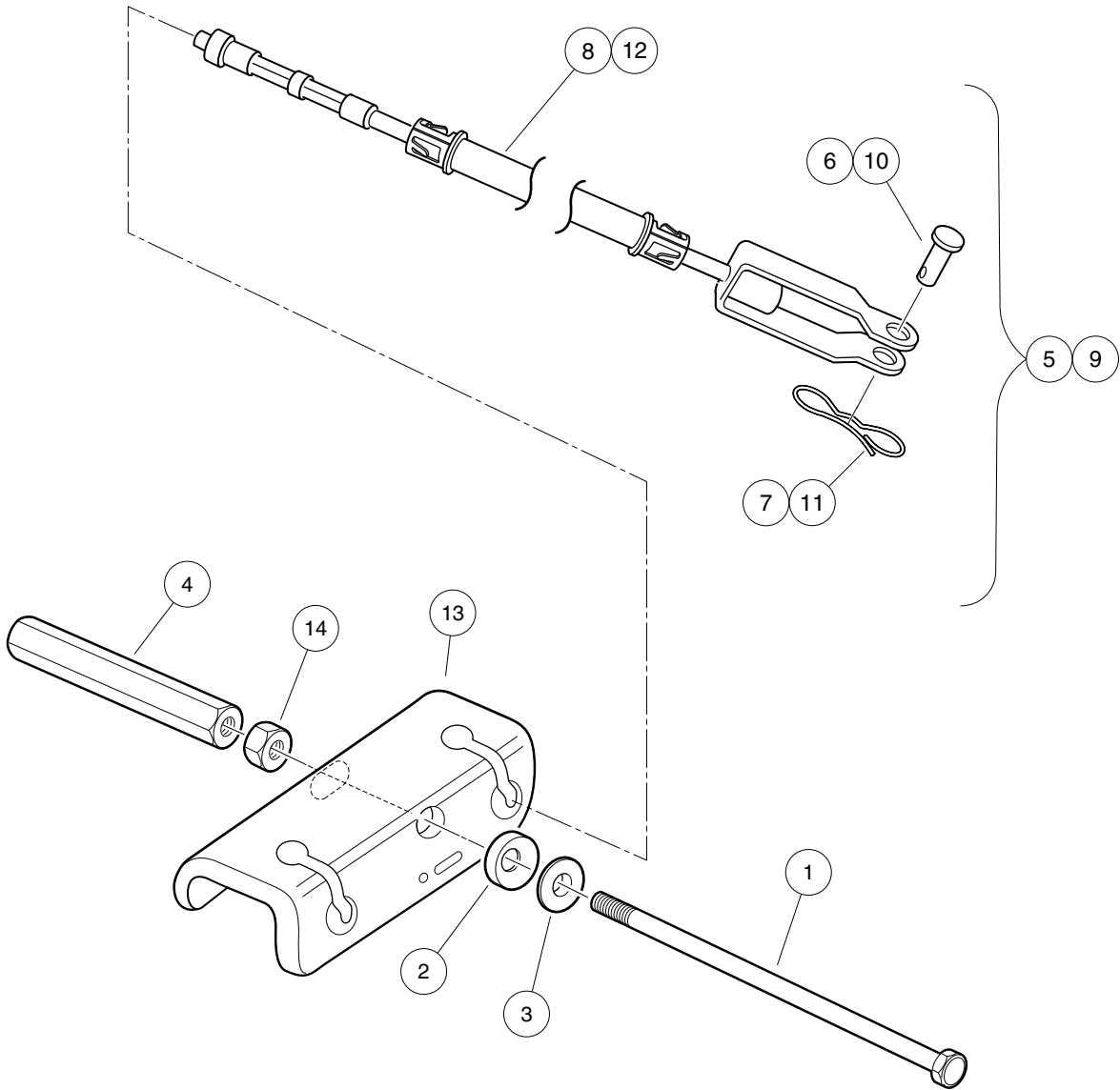


000186-007

REAR BRAKES, SELF-ADJUSTING – GASOLINE VEHICLES

ITEM	PART NO.	DESCRIPTION	QTY	
		1 2 3 4		5
1	<u>1011137</u>	Drum, Brake	2	G
2	<u>1013924</u>	Nut, 5/16-24, Hex Head Cone	8	E
3	<u>103380201</u>	Asm, Brake Cluster, Mech, Drvr (includes items 4 through 15)	1	
4	<u>101815502</u>	Lever Assembly, Self-Adjusting Brake, Left	1	
5	<u>101816502</u>	Adjusting Mechanism, Self-Adjusting Brake, Left	1	
6	<u>101823201</u>	Package, Brake Shoe, Self-Adjusting	1	
7	<u>101823801</u>	Plate, Washer, Brake, Self-Adjusting	1	
8	<u>101823901</u>	Washer, Brake, Self-Adjusting	1	
9	<u>103483102</u>	Backing Plate, Driver-side	1	
10	<u>103483201</u>	Kit, Shoe Retainer (includes items 11 and 12)	1	
11	N/A	Pin	2	
12	N/A	Spring, Shoe, Clamp	2	
13	<u>103483401</u>	Package Brake Spring Self Adj	1	
14	<u>103483601</u>	Cover, Dust	1	
15	<u>103483701</u>	Brake Block	1	
16	<u>103380202</u>	Asm, Brake Cluster, Mech, Pass (includes items 17 through 28)	1	
17	<u>101815501</u>	Lever Assembly, Self-Adjusting Brake, Right (Passenger)	1	
18	<u>101816501</u>	Adj Mechanism, S.A. Brakes, Right (Passenger)	1	
19	<u>101823201</u>	Package, Brake Shoe, Self-Adjusting	1	
20	<u>101823801</u>	Plate, Washer, Brake, Self-Adjusting	1	
21	<u>101823901</u>	Washer, Brake, Self-Adjusting	1	
22	<u>103483101</u>	Backing Plate, Passenger-side	1	
23	<u>103483201</u>	Kit, Shoe Retainer (includes items 24 and 25)	1	
24	N/A	Pin	2	
25	N/A	Spring, Shoe, Clamp	2	
26	<u>103483401</u>	Package Brake Spring Self Adj	1	
27	<u>103483601</u>	Cover, Dust	1	
28	<u>103483701</u>	Brake Block	1	
29	<u>47542195001</u>	Bolt, Brake Cluster Mnt	8	
		Note: Driver-side brake cluster not shown. Components have a similar appearance to passenger-side brake cluster components.		

5
G
E



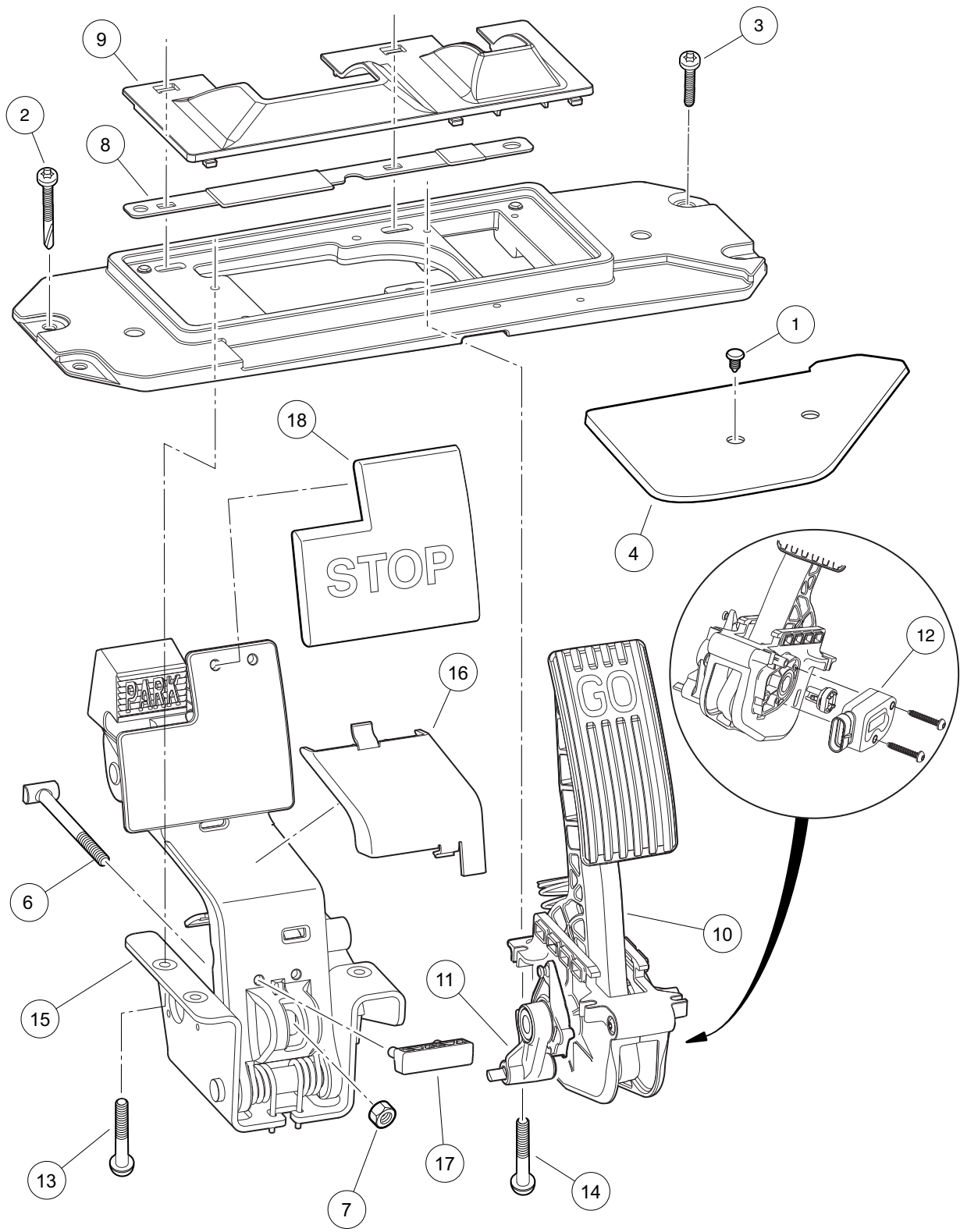
000467-006

BRAKE CABLES AND EQUALIZER BRACKET

ITEM	PART NO.	DESCRIPTION	QTY
		1 2 3 4	
1	<u>102297901</u>	Bolt, 5/16-18 X 7.375, Hex	1
2	<u>102551901</u>	Washer, 5/16, Self Comp, Cup	1
3	<u>102552001</u>	Washer, 5/16, Self Comp, Cone	1
4	<u>102594301</u>	Nut, 5/16-18, Hex Adjusting -l	1
5	<u>103528701</u>	Kit, Brake Cable, Prec, Passenger-side (includes items 6 through 8)	1
6	<u>1010829</u>	Pin, Clevis, 5/16 X 3/4	1
7	<u>102292801</u>	Pin, Bow Tie Locking - .072	1
8	N/A	Cable, Brake, Prec, Right	1
9	<u>103528702</u>	Kit, Brake Cable, Prec, Driver-side (includes items 10 through 12)	1
10	<u>1010829</u>	Pin, Clevis, 5/16 X 3/4	1
11	<u>102292801</u>	Pin, Bow Tie Locking - .072	1
12	N/A	Cable, Brake, Prec, Left	1
13	<u>103535001</u>	Bracket, Equalizer, Prec Awd	1
14	<u>1242</u>	Nut, 5/16-18 Hex	1

5
G
E

5
G
E



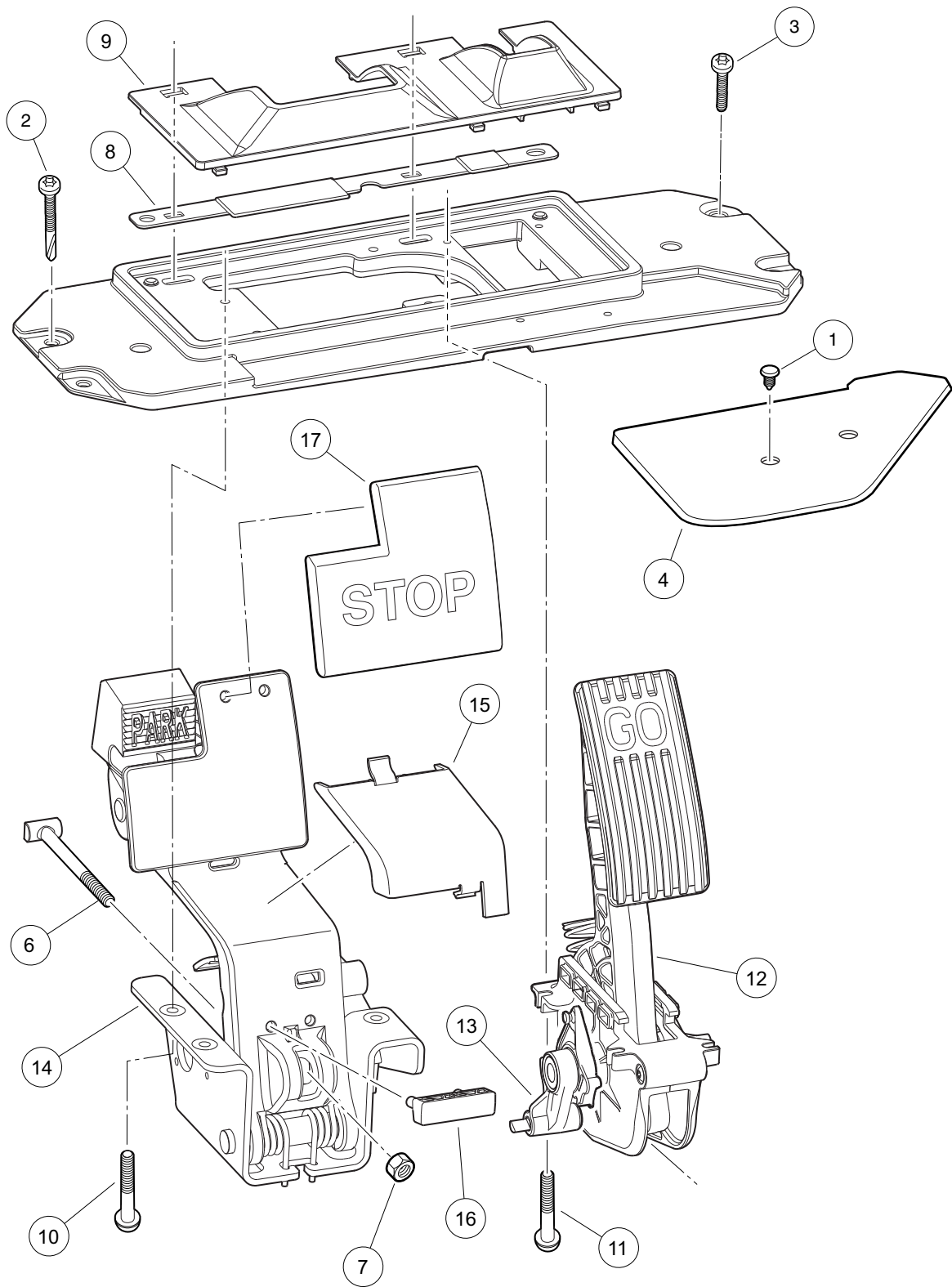
000487-015

PEDAL GROUP WITH SENSOR – GASOLINE VEHICLE

ITEM	PART NO.	DESCRIPTION	QTY
		1 2 3 4	
1	<u>1010434</u>	Barrel - Plastic	1
2	<u>102292201</u>	Screw-1/4-20x2.20 Tx Pn Hd Sd	2
3	<u>102298030</u>	Screw, K80x30, Torx Pn Hd Pt	2
4	<u>102500801</u>	Plate - Floor Cover	1
5	<u>103974815</u>	Asm, Pedal Set, Anodized, Service, Gas Vehicle (includes items 6 through 15)	1
6	<u>102559401</u>	Rod, Brake	1
7	<u>102559701</u>	Nut, Brake Rod	1
8	<u>102594801</u>	Shield, Debris Aux	1
9	<u>102594901</u>	Shield, Debris Primary	1
10	<u>102595502</u>	Asm, Accel. Pedal/Throttle, Anodized, Gas Vehicle (includes items 11 and 12)	1
11	<u>103777601</u>	Asm, Park Brake Release, Anodized	1
12	N/A	Throttle Sensor	1
13	<u>102595901</u>	Screw, M6x1.0x17 Ph, Taptite	4
14	<u>102596001</u>	Screw, M5x0.8x18 Ph, Taptite	4
15	<u>103974901</u>	Asm, Brake Pedal, Anodized (includes items 16 through 18)	1
16	<u>102595201</u>	Cover, Brake	1
17	<u>102595301</u>	Upstop, Brake	1
18	<u>102595401</u>	Pad, Brake	1

5
G
E

5
G
E



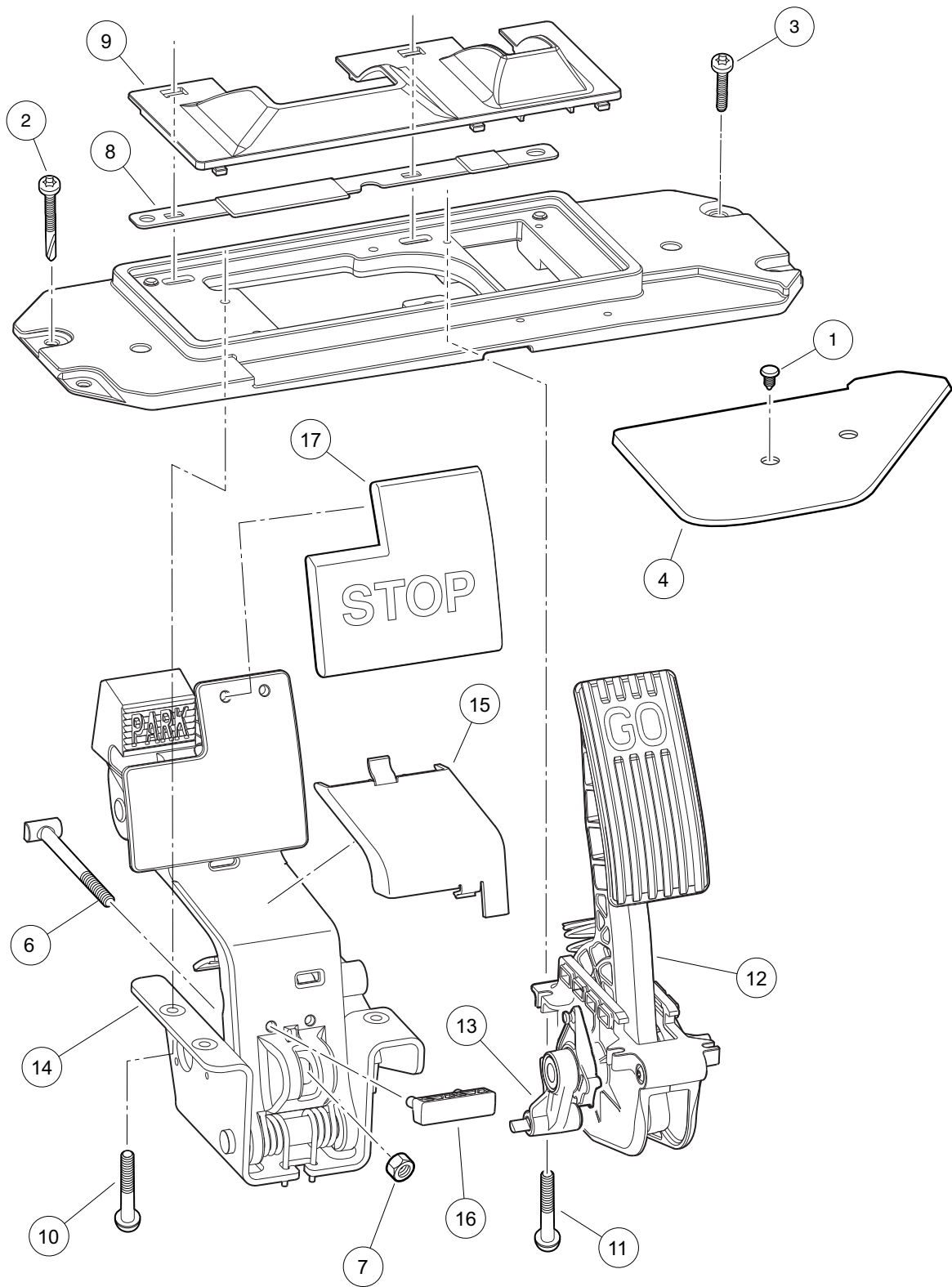
000487-018

PEDAL GROUP W/O SENSOR, GASOLINE VEHICLE

ITEM	PART NO.	DESCRIPTION	QTY
		1 2 3 4	
1	<u>1010434</u>	Barrel - Plastic	1
2	<u>102292201</u>	Screw-1/4-20x2.20 Tx Pn Hd Sd	2
3	<u>102298030</u>	Screw, K80x30, Torx Pn Hd Pt	2
4	<u>102500801</u>	Plate - Floor Cover	1
5	<u>103974821</u>	Asm, Pedal, Anodized, Field Service, Gas or Elec (includes items 6 through 14)	1
6	<u>102559401</u>	Rod, Brake	1
7	<u>102559701</u>	Nut, Brake Rod	1
8	<u>102594801</u>	Shield, Debris Aux	1
9	<u>102594901</u>	Shield, Debris Primary	1
10	<u>102595901</u>	Screw, M6x1.0x17 Ph, Taptite	4
11	<u>102596001</u>	Screw, M5x0.8x18 Ph, Taptite	4
12	<u>102596301</u>	Pedal, Accelerator, Anodized, Gas or Elec (includes item 13)	1
13	<u>103777601</u>	Asm, Park Brake Release, Anodized	1
14	<u>103974901</u>	Asm, Brake Pedal, Anodized (includes items 15 through 17)	1
15	<u>102595201</u>	Cover, Brake	1
16	<u>102595301</u>	Upstop, Brake	1
17	<u>102595401</u>	Pad, Brake	1
<p>Note: Pedal Assembly (item 5) has no sensor and is common to both gas and electric vehicles.</p>			

5
G
E

5
G
E



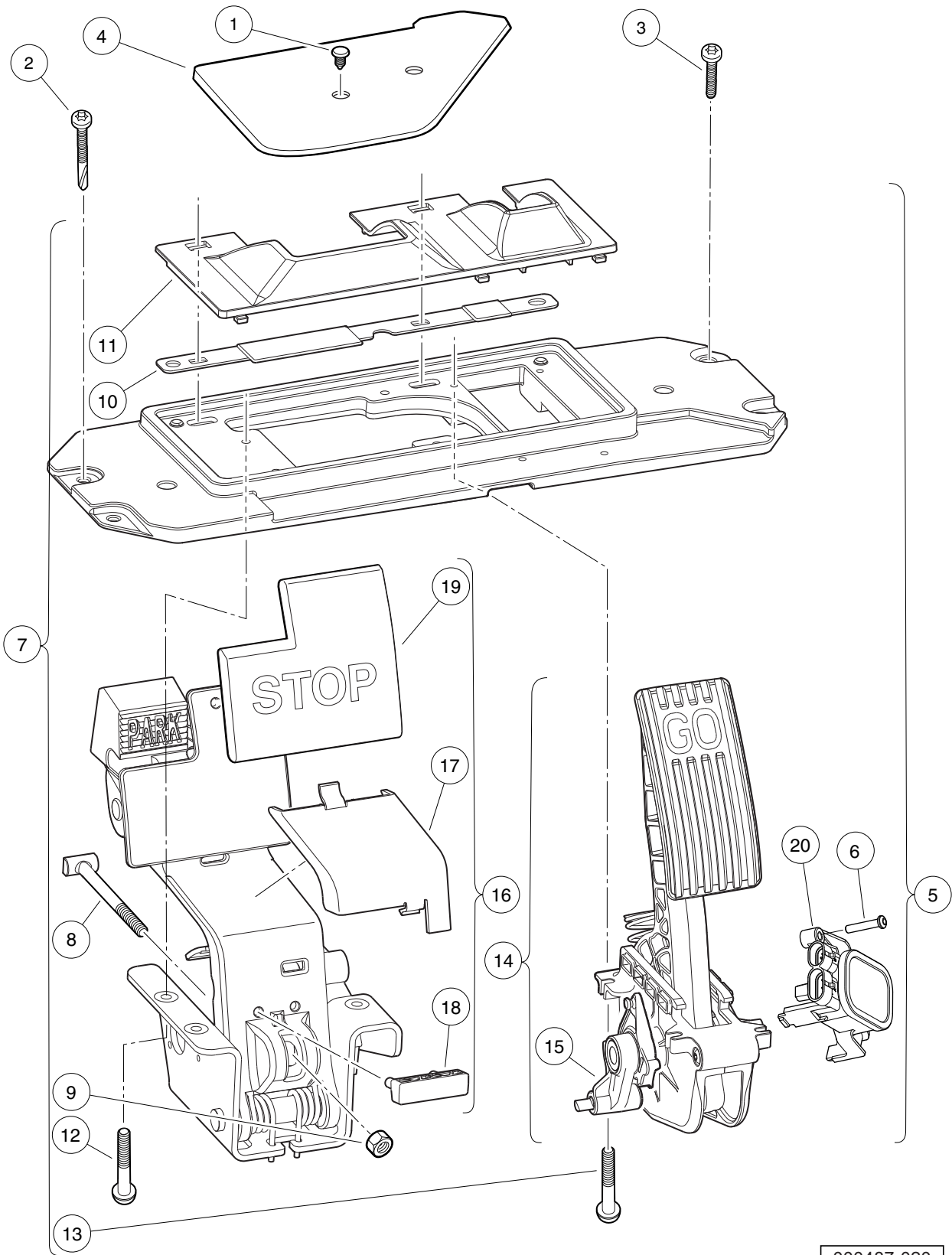
000487-016

PEDAL GROUP W/O MCOR – ELECTRIC VEHICLE

ITEM	PART NO.	DESCRIPTION	QTY
		1 2 3 4	
1	<u>1010434</u>	Barrel - Plastic	1
2	<u>102292201</u>	Screw-1/4-20x2.20 Tx Pn Hd Sd	2
3	<u>102298030</u>	Screw, K80x30, Torx Pn Hd Pt	2
4	<u>102500801</u>	Plate - Floor Cover	1
5	<u>103974821</u>	Asm, Pedal, Anodized, Field Service, Gas or Elec (includes items 6 through 14)	1
6	<u>102559401</u>	Rod, Brake	1
7	<u>102559701</u>	Nut, Brake Rod	1
8	<u>102594801</u>	Shield, Debris Aux	1
9	<u>102594901</u>	Shield, Debris Primary	1
10	<u>102595901</u>	Screw, M6x1.0x17 Ph, Taptite	4
11	<u>102596001</u>	Screw, M5x0.8x18 Ph, Taptite	4
12	<u>102596301</u>	Pedal, Accelerator, Anodized, Gas or Elec (includes item 13)	1
13	<u>103777601</u>	Asm, Park Brake Release, Anodized	1
14	<u>103974901</u>	Asm, Brake Pedal, Anodized (includes items 15 through 17)	1
15	<u>102595201</u>	Cover, Brake	1
16	<u>102595301</u>	Upstop, Brake	1
17	<u>102595401</u>	Pad, Brake	1
		Note: Pedal Assembly (item 5) has no MCOR and is common to both gas and electric vehicles.	

5
G
E

5
G
E



000487-020

PEDAL GROUP WITH MCOR – ELECTRIC VEHICLE

ITEM	PART NO.	DESCRIPTION	QTY
		1 2 3 4	
1	<u>1010434</u>	Barrel - Plastic	1
2	<u>102292201</u>	Screw-1/4-20x2.20 Tx Pn Hd Sd	2
3	<u>102298030</u>	Screw, K80x30, Torx Pn Hd Pt	2
4	<u>102500801</u>	Plate - Floor Cover	1
5	<u>103874111</u>	Asm, Pedal Set, Anodized, w/MCOR, Service (includes items 6 through 20)	1
6	<u>103943401</u>	Screw, Pan, #10 X 1.00 Hi-lo	1
7	<u>103975011</u>	Asm, Pedal Set, Anodized, Service, Elec Vehicle (includes items 8 through 16)	1
8	<u>102559401</u>	Rod, Brake	1
9	<u>102559701</u>	Nut, Brake Rod	1
10	<u>102594801</u>	Shield, Debris Aux	1
11	<u>102594901</u>	Shield, Debris Primary	1
12	<u>102595901</u>	Screw, M6x1.0x17 Ph, Taptite	4
13	<u>102596001</u>	Screw, M5x0.8x18 Ph, Taptite	4
14	<u>102596301</u>	Pedal, Accelerator, Anodized, Gas or Elec (includes item 15)	1
15	<u>103777601</u>	Asm, Park Brake Release, Anodized	1
16	<u>103974901</u>	Asm, Brake Pedal, Anodized (includes items 17 through 19)	1
17	<u>102595201</u>	Cover, Brake	1
18	<u>102595301</u>	Upstop, Brake	1
19	<u>102595401</u>	Pad, Brake	1
20	<u>105116301</u>	MCOR4, Type 16 Switch	1
		Note: See the Electrical System Section for more MCOR information.	

5
G
E

5

G

E

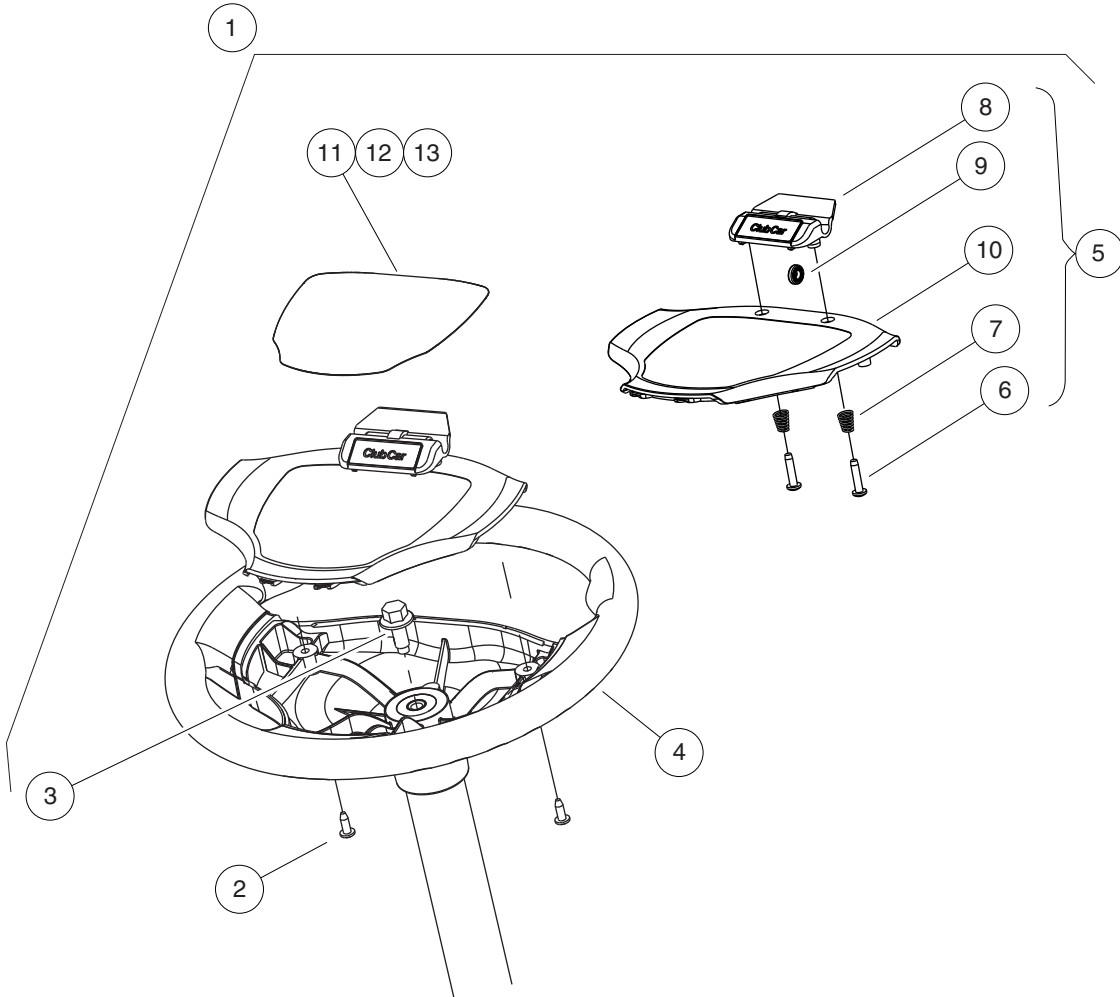
STEERING, FRONT AND REAR SUSPENSION

6

G

E

6
G
E



000470-002

STEERING WHEEL, COMFORT GRIP WITH CLIP

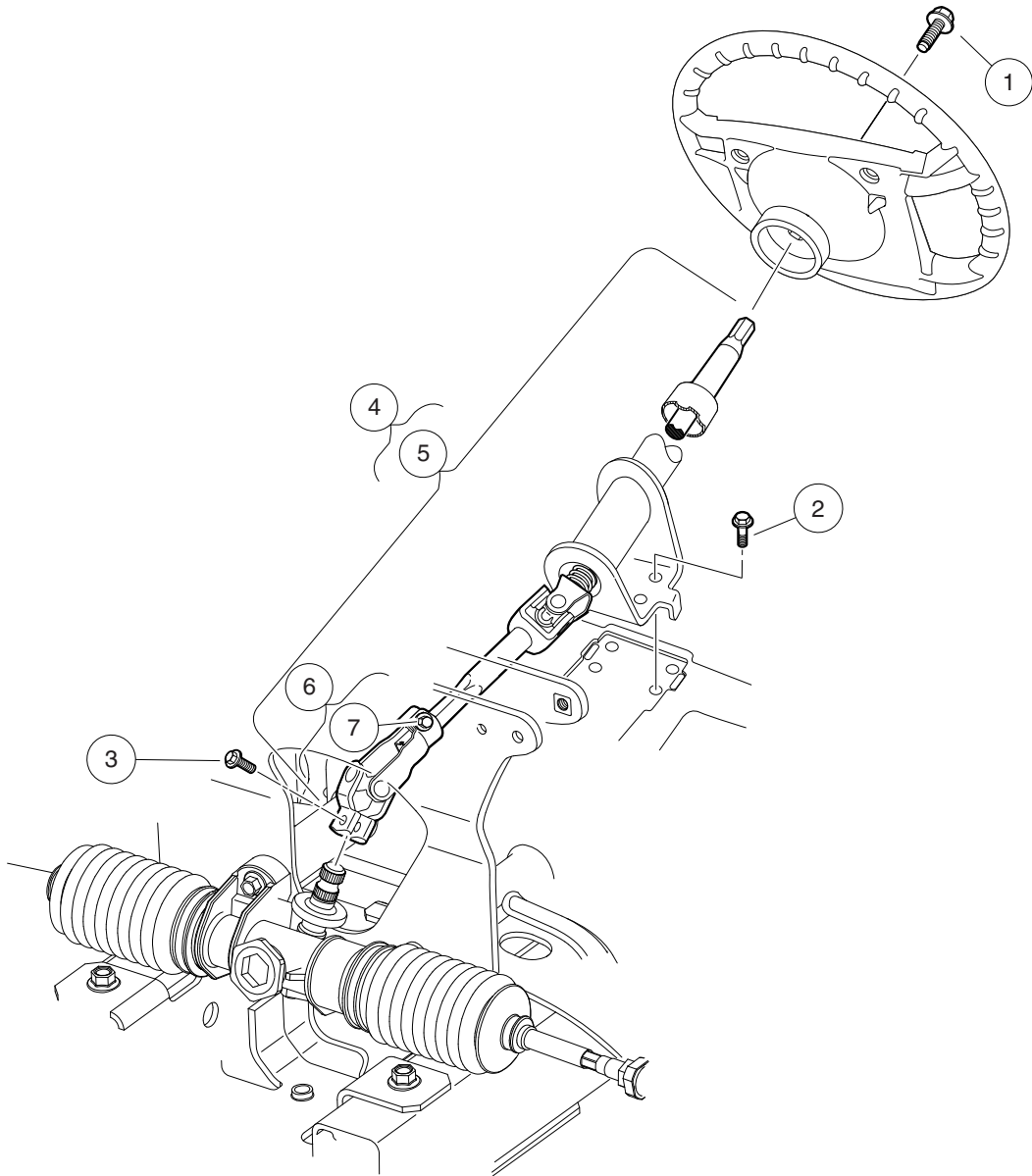
ITEM	PART NO.	DESCRIPTION	QTY
		1 2 3 4	
1	<u>103796701</u>	Kit, Hex, Steering Wheel (includes items 2 through 13)	1
2	<u>101850301</u>	Screw, #12-16 X 0.50 Washer-Head Hi-Lo	2
3	<u>102290120</u>	Bolt, M10 X 20 Hex Washer Hd	1
4	<u>103724503</u>	Steering Wheel, Soft Grip, Hex	1
5	<u>103724901</u>	Asm, Scorecard, Clip (includes items 6 through 10)	1
6	<u>1012565</u>	Screw, #12 Phillips Round Head	2
7	<u>1012566</u>	Tapered Compression Spring	2
8	<u>1016154</u>	Clip, Scorecard	1
9	<u>1016214</u>	Pencil Grip	1
10	<u>103724601</u>	Cover, Steering Wheel, Clip	1
11	<u>103783001</u>	Decal, Op Instr, Ele	1
12	<u>103783002</u>	Decal, Op Instr, Gas Ps	1
13	<u>103783003</u>	Decal, Op Instr, Gas Ks	1
<p style="margin-left: 40px;">Note: Decal Item 13 is not used for Precedent vehicles.</p>			

6
G
E

STEERING WHEEL

ITEM	PART NO.	DESCRIPTION	QTY
		1 2 3 4	
1	<u>101850301</u>	Screw, #12-16 X 0.50 Washer-Head Hi-Lo	2
2	<u>102290120</u>	Bolt, M10 X 20 Hex Washer Hd	1
3	<u>103724501</u>	Steering Wheel, Hex	1
4	<u>103724901</u>	Asm, Scorecard, Clip (includes items 5 through 9)	1
5	<u>1012565</u>	Screw, #12 Phillips Round Head	2
6	<u>1012566</u>	Tapered Compression Spring	2
7	<u>1016154</u>	Clip, Scorecard	1
8	<u>1016214</u>	Pencil Grip	1
9	<u>103724601</u>	Cover, Steering Wheel, Clip	1
10	<u>103783001</u>	Decal, Op Instr, Ele	1
11	<u>103783002</u>	Decal, Op Instr, Gas Ps	1

6
G
E



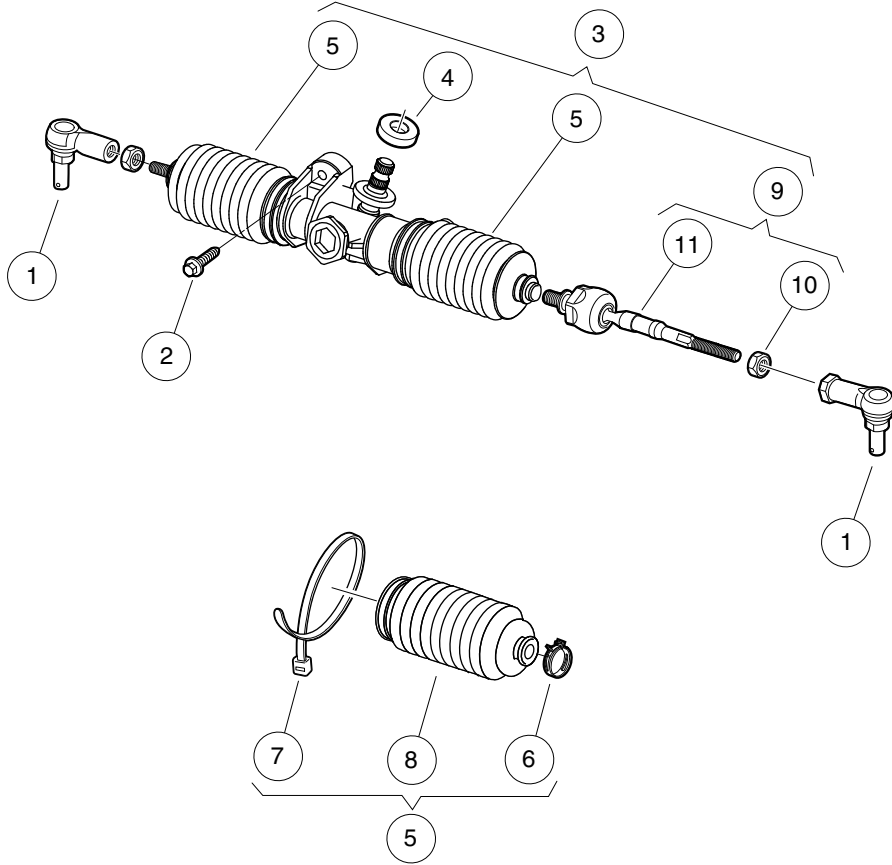
000469-007

STEERING COLUMN

ITEM	PART NO.	DESCRIPTION	QTY
		1 2 3 4	
1	102290120	Bolt, M10 X 20 Hex Washer Hd	1
2	<u>102298116</u>	Bolt, Flanged Head, M8 X 16.0	4
3	<u>102298130</u>	Bolt, Flange Head, M8 X 30.0	1
4	<u>105049001</u>	Kit, Inner Steering Clmn, Prec (includes item 5)	1
5	105068601	Asm, Column, Inner, Prec (includes item 6)	1
6	<u>103810201</u>	Kit, Prec Lower Yoke, Wanda (includes item 7)	1
7	<u>102298130</u>	Bolt, Flange Head, M8 X 30.0	1

6
G
E

6
G
E



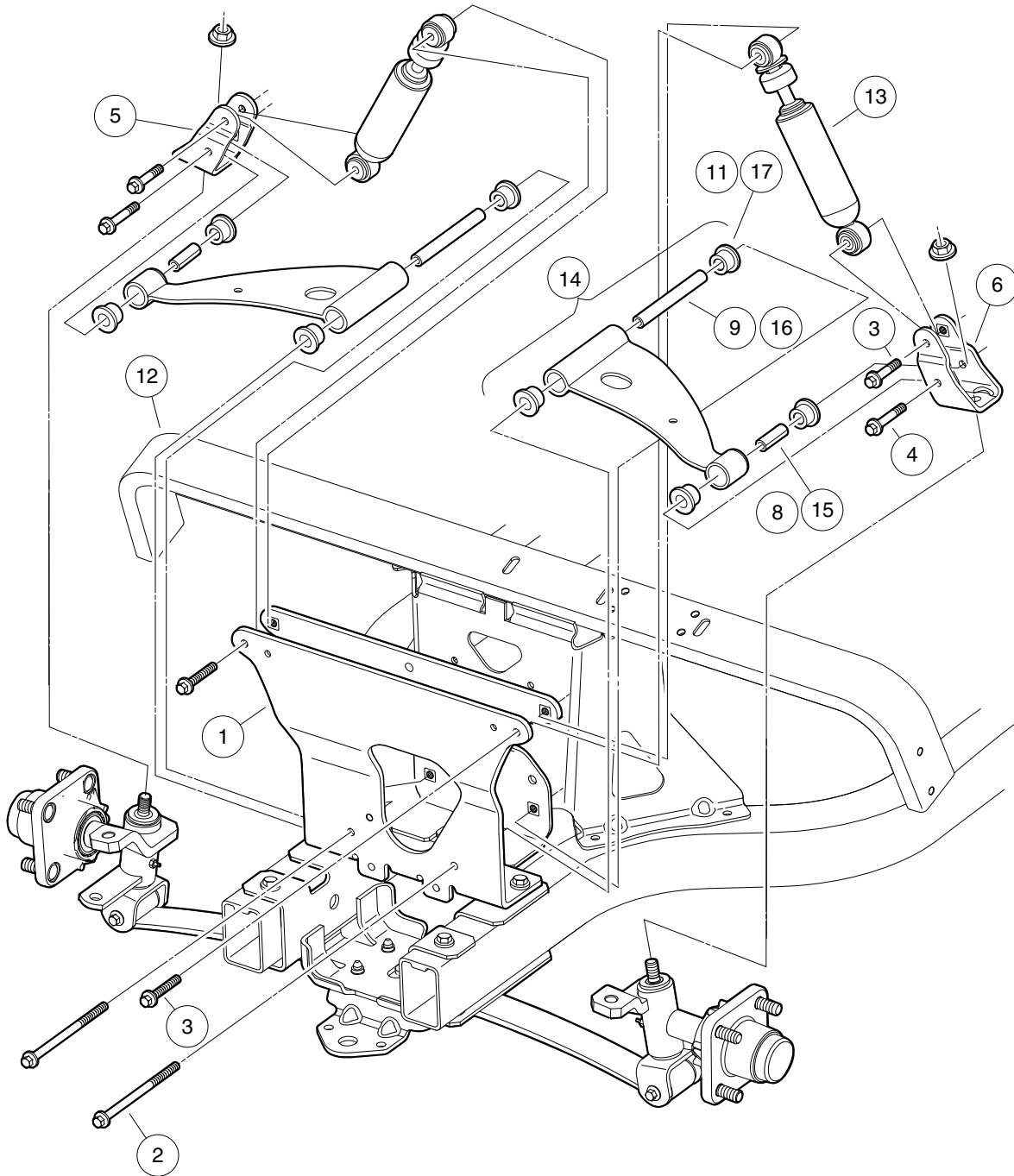
000476-005

STEERING GEAR ASSEMBLY

ITEM	PART NO.	DESCRIPTION	QTY
		1 2 3 4	
1	<u>102022601</u>	End, Tie Rod M12 X 1.25 Rh	2
2	<u>102289001</u>	Screw, M8X1.25X30, Hex	3
3	<u>103679701</u>	Asm, Rack & Pinion, Precedent (includes items 4 through 9)	1
4	<u>102565201</u>	Seal, Dust, Steering Pinion	1
5	<u>103826201</u>	Bellow Kit, Prec Steering-sona (includes items 6 through 8)	2
6	<u>102566001</u>	Clip, Steering, Prec	1
7	<u>8990</u>	Tie Wrap, 8" Nylon	1
8	N/A	Bellows	1
9	<u>103826301</u>	Kit, IBJ (Inner Ball Joint), Prec Steering-sona (includes items 10 and 11)	2
10	1013042	Nut, 12mm Hex	1
11	N/A	Inner Ball Joint	1

6
G
E

6
G
E



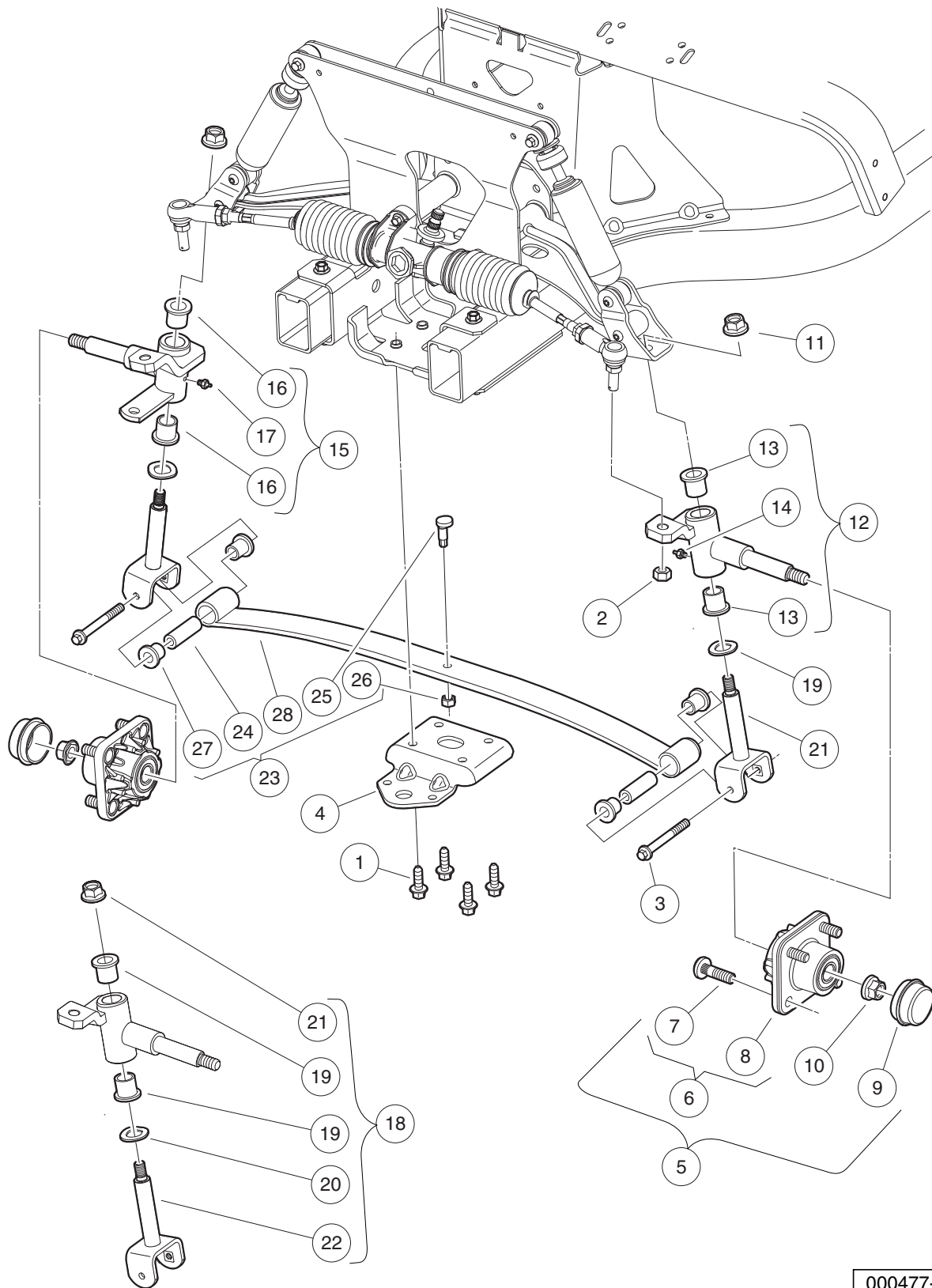
000445-005

FRONT SUSPENSION, UPPER

ITEM	PART NO.	DESCRIPTION	QTY
		1 2 3 4	
1	<u>102287101</u>	Assembly - Front Structure	1
2	<u>102288901</u>	Bolt, Hex, M8x1.25 X 135	2
3	<u>102289401</u>	Screw- Hex Cap, M8 X 1.25 X 45	4
4	<u>102289501</u>	Screw- Hex Cap, M8 X 1.25 X 70	2
5	<u>102289601</u>	Upper Clevis Assembly, Passenger-side	1
6	<u>102289701</u>	Upper Clevis Assembly, Driver-side	1
7	<u>102289901</u>	Kit, Susp, Bushing Joints (includes items 8 through 11)	1
8	<u>102287601</u>	Sleeve - Rolled, Outer	2
9	<u>102287701</u>	Sleeve - Rolled, Inner	2
10	<u>102288101</u>	Sleeve - Rolled, Spring	2
11	<u>102956201</u>	Bushing, Urethane, Short, Prec	12
12	<u>102505701</u>	Assembly, Dash Support	1
13	<u>102588601</u>	Shock Absorber Front Prv Spd	2
14	<u>103388501</u>	Asm, 3 Piece A-arm, Bushings (includes items 15 through 17)	2
15	<u>102287601</u>	Sleeve - Rolled, Outer	1
16	<u>102287701</u>	Sleeve - Rolled, Inner	1
17	<u>102956201</u>	Bushing, Urethane, Short, Prec	4
		Note: Item 7 (not shown) includes bushings and sleeves for control arms and front suspension leaf spring. See lower suspension page for illustration of item 10.	

6
G
E

6
G
E



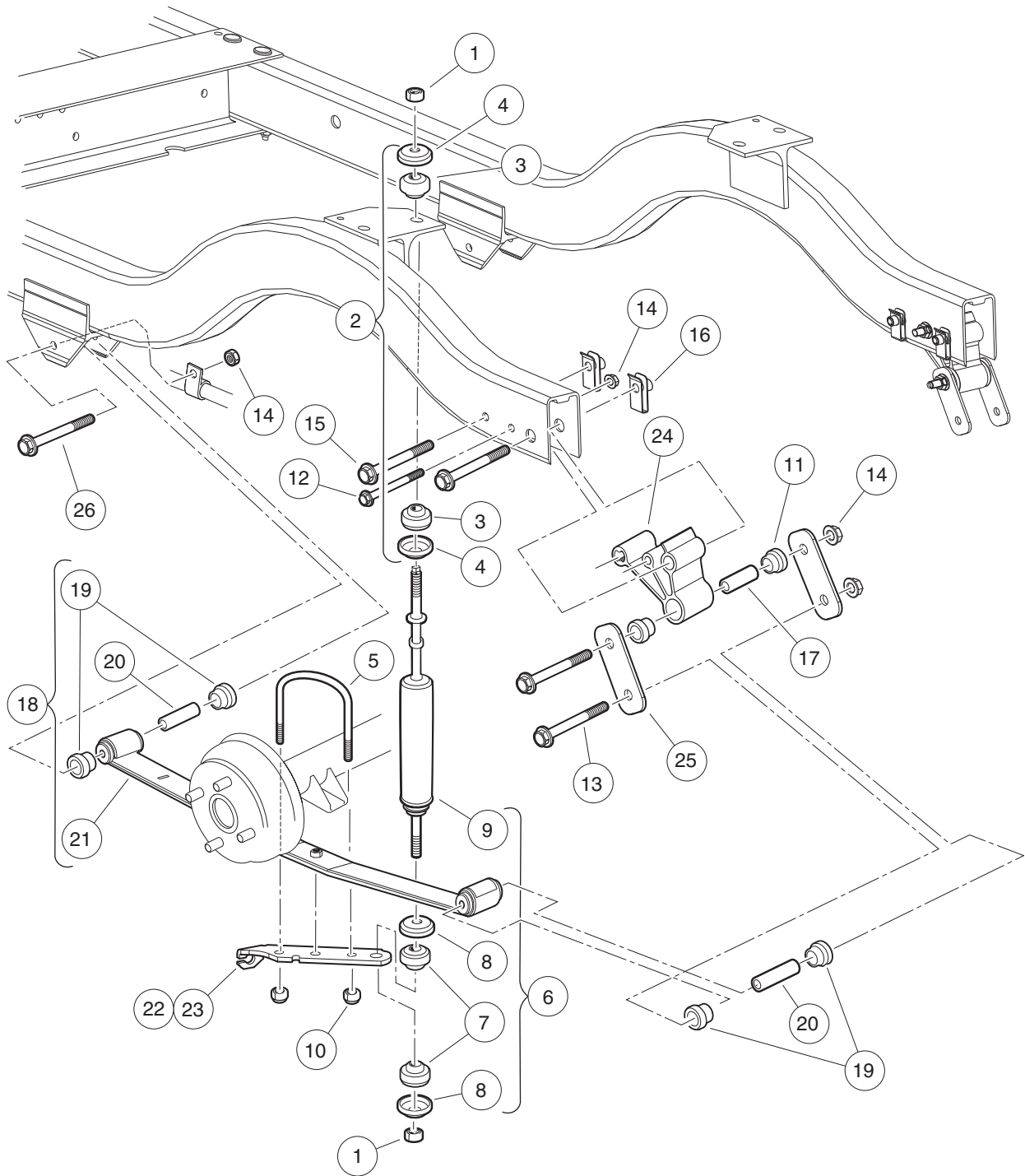
000477-009

FRONT SUSPENSION, LOWER

ITEM	PART NO.	DESCRIPTION	QTY
		1 2 3 4	
1	<u>102289101</u>	Screw-m10x1.5, Trilob, Hex Fl	4
2	<u>102289201</u>	Nut - Hex Locking, M12 X 1.25	2
3	<u>102289501</u>	Screw- Hex Cap, M8 X 1.25 X 70	2
4	<u>102289801</u>	Clamp - Leaf Spring	1
5	<u>102357701</u>	Replacement Kit, Front Hub (includes items 6 through 10)	1
6	N/A	Front Hub Assembly, Ball Bearing (includes items 7 and 8)	1
7	<u>102353401</u>	Lug Stud, 1/2-20 UNF, 4037 Stl	4
8	N/A	Hub, Front	1
9	<u>102353201</u>	Cap, Front Hub	1
10	<u>102353301</u>	Hex Nut, Locking Flange, M14x2	1
11	<u>102878201</u>	Nut, Lock,m12,washer,conical	2
12	<u>103638701</u>	Asm, Spindle, with Bushings, Driver-side (includes items 13 and 14)	1
13	<u>102288201</u>	Bushing - Flanged	2
14	N/A	Fitting, Grease, Knuckle Spindle Asym	1
15	<u>103638702</u>	Asm, Spindle, with Bushings, Passenger-side (includes items 16 and 17)	1
16	<u>102288201</u>	Bushing - Flanged	2
17	N/A	Fitting, Grease, Knuckle Spindle Asym	1
18	<u>103638801</u>	Kit, King Pin Joints, Prec (includes items 19 through 22)	1
19	<u>102288201</u>	Bushing - Flanged	4
20	<u>102288401</u>	Wave Washer - Kingpin	2
21	<u>102878201</u>	Nut, Lock,m12,washer,conical	2
22	<u>103638601</u>	Asm, King Pin, M12	2
23	<u>103935601</u>	Asm, Spring, Leaf, Front, 50.4 (includes items 24 through 28)	1
24	<u>102288101</u>	Sleeve - Rolled, Spring	2
25	102288701	Eccentric Bolt	1
26	102288801	Nut-hex, 3/8-16	1
27	<u>102956201</u>	Bushing, Urethane, Short, Prec	2
28	105187901	Spring, Leaf, Front, 50.4	1

6
G
E

6
G
E



000446-005

REAR SUSPENSION, GASOLINE VEHICLE

ITEM	PART NO.	DESCRIPTION	QTY
		1 2 3 4	
1	<u>1010145</u>	Nut, 3/8-24 Hex	4
2	<u>1011415</u>	Kit, Shock Absorber Cushion (includes items 3 and 4)	2
3	N/A	Cushion, Shock Absorber	2
4	N/A	Retainer, Shock Absorber Cushion	2
5	<u>1012180</u>	U-Bolt	2
6	<u>1013164</u>	Shock Absorber Kit (includes items 7 through 9)	1
7	N/A	Cushion, Shock Absorber	8
8	N/A	Retainer, Shock Absorber Cushion	8
9	<u>102588501</u>	Shock Absorber Rear Prv Spd	2
10	<u>1014555</u>	Locknut, 7/16-14 Nylon Hex	4
11	<u>1015583</u>	Bushing, Urethane	4
12	<u>102298170</u>	Bolt - Flange Hd, M8 X 70.0	2
13	<u>102298175</u>	Bolt - Flange Hd, M8 X 75.0	2
14	<u>102298401</u>	Nut,m8,all Metal Lock	8
15	<u>102298580</u>	M8-1.25 X 80 Sems	4
16	<u>102298601</u>	J-clip - M8 X 1.25	4
17	<u>102506401</u>	Sleeve - Spring Eye Mounts	2
18	<u>103742305</u>	Asm, Rear Leaf Spring, Light (includes items 19 through 21)	2
19	<u>101558302</u>	Bushing, Urethane, Soft	4
20	<u>102506401</u>	Sleeve - Spring Eye Mounts	2
21	N/A	Leaf Spring, Rear, Light	1
22	<u>103921601</u>	Bracket, Shock Mounting, Drv	1
23	<u>103921602</u>	Bracket, Shock Mounting, Pas	1
24	<u>103964901</u>	Spacer, Rail, Shackle	2
25	<u>103965001</u>	Brkt, Shackle, Rear	4
26	<u>105188185</u>	Bolt, M8 X 85mm, 10.9 Grade	4

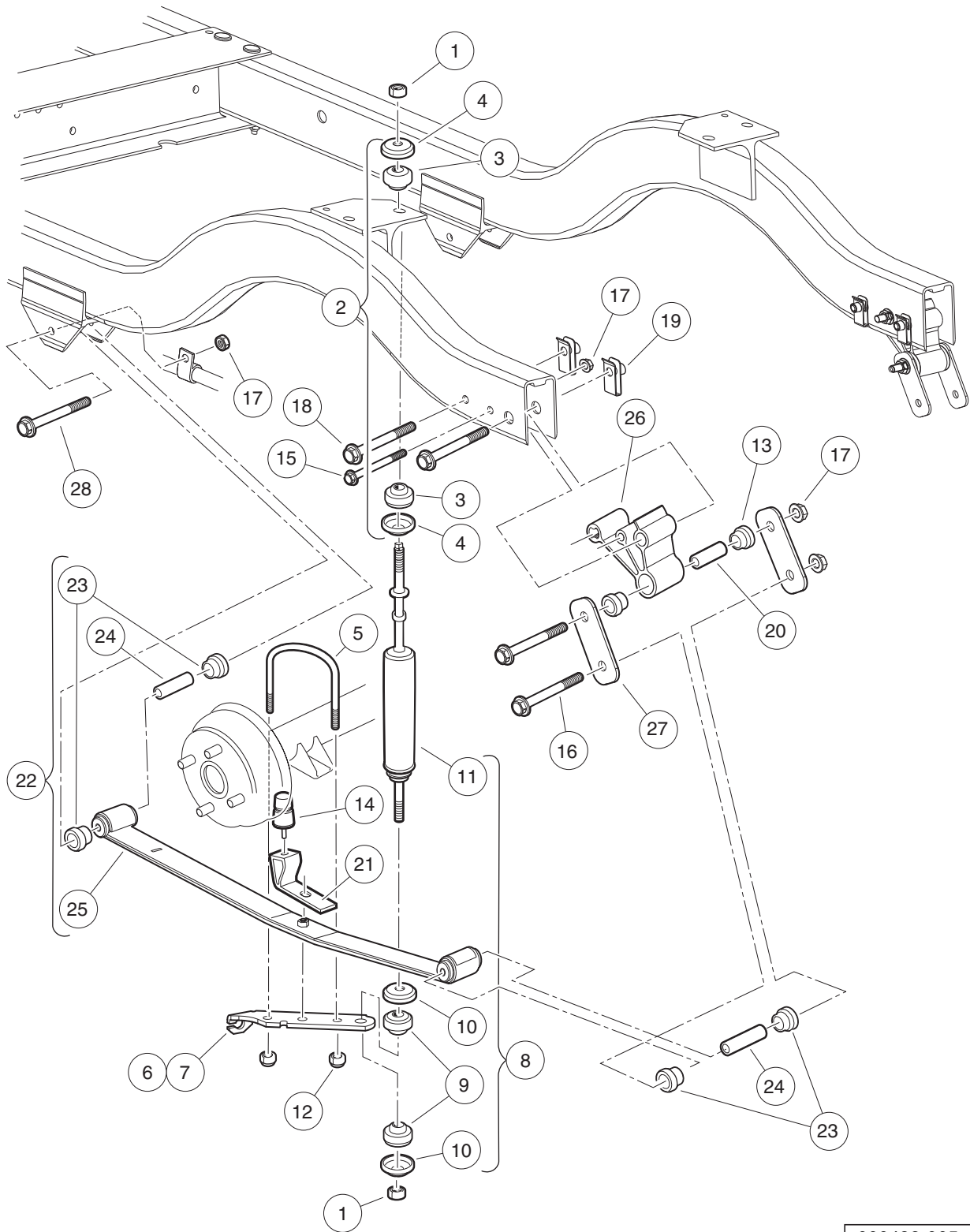
6
G
E

REAR SUSPENSION, ELECTRIC VEHICLE

ITEM	PART NO.	DESCRIPTION	QTY
		1 2 3 4	
1	<u>1010145</u>	Nut, 3/8-24 Hex	4
2	<u>1011415</u>	Kit, Shock Absorber Cushion (includes items 3 and 4)	2
3	N/A	Cushion, Shock Absorber	2
4	N/A	Retainer, Shock Absorber Cushion	2
5	<u>1012180</u>	U-Bolt	2
6	<u>1013164</u>	Shock Absorber Kit (includes items 7 through 9)	1
7	N/A	Cushion, Shock Absorber	8
8	N/A	Retainer, Shock Absorber Cushion	8
9	<u>102588501</u>	Shock Absorber Rear Prv Spd	2
10	<u>1014555</u>	Locknut, 7/16-14 Nylon Hex	4
11	<u>1015583</u>	Bushing, Urethane	4
12	<u>102298170</u>	Bolt - Flange Hd, M8 X 70.0	2
13	<u>102298175</u>	Bolt - Flange Hd, M8 X 75.0	2
14	<u>102298401</u>	Nut,m8,all Metal Lock	8
15	<u>102298580</u>	M8-1.25 X 80 Sems	4
16	<u>102298601</u>	J-clip - M8 X 1.25	4
17	<u>102506401</u>	Sleeve - Spring Eye Mounts	2
18	<u>103742304</u>	Asm, Rear Leaf Spring, Std (includes items 19 through 21)	2
19	<u>101558302</u>	Bushing, Urethane, Soft	4
20	<u>102506401</u>	Sleeve - Spring Eye Mounts	2
21	N/A	Leaf Spring, Rear, Std	1
22	<u>103921601</u>	Bracket, Shock Mounting, Drv	1
23	<u>103921602</u>	Bracket, Shock Mounting, Pas	1
24	<u>103964901</u>	Spacer, Rail, Shackle	2
25	<u>103965001</u>	Brkt, Shackle, Rear	4
26	<u>105188185</u>	Bolt, M8 X 85mm, 10.9 Grade	4

6
G
E

6
G
E



000492-005

REAR SUSPENSION, PRECEDENT VILLAGER 4

ITEM	PART NO.	DESCRIPTION	QTY
		1 2 3 4	
1	<u>1010145</u>	Nut, 3/8-24 Hex	4
2	<u>1011415</u>	Kit, Shock Absorber Cushion (includes items 3 and 4)	2
3	N/A	Cushion, Shock Absorber	2
4	N/A	Retainer, Shock Absorber Cushion	2
5	<u>1012180</u>	U-Bolt	2
6	<u>1012181</u>	Bracket, Shock Mounting, Right (Passenger)	1
7	<u>1012182</u>	Bracket, Shock Mounting, Left (Driver)	1
8	<u>1013164</u>	Shock Absorber Kit (includes items 9 through 11)	1
9	N/A	Cushion, Shock Absorber	8
10	N/A	Retainer, Shock Absorber Cushion	8
11	<u>102588501</u>	Shock Absorber Rear Prv Spd	2
12	<u>1014555</u>	Locknut, 7/16-14 Nylon Hex	4
13	<u>1015583</u>	Bushing, Urethane	4
14	<u>1017235</u>	Bumper, Jounce	2
15	<u>102298170</u>	Bolt - Flange Hd, M8 X 70.0	2
16	<u>102298175</u>	Bolt - Flange Hd, M8 X 75.0	2
17	<u>102298401</u>	Nut,m8,all Metal Lock	8
18	<u>102298580</u>	M8-1.25 X 80 Sems	4
19	<u>102298601</u>	J-clip - M8 X 1.25	4
20	<u>102506401</u>	Sleeve - Spring Eye Mounts	2
21	<u>102534801</u>	Jounce Bumper Bracket	2
22	<u>103742306</u>	Asm, Rear Leaf Spring, Prec, 4-Passenger (includes items 23 through 25)	2
23	<u>101558302</u>	Bushing, Urethane, Soft	4
24	<u>102506401</u>	Sleeve - Spring Eye Mounts	2
25	N/A	Leaf Spring, Rear, Prec 4pass	1
26	<u>103964901</u>	Spacer, Rail, Shackle	2
27	<u>103965001</u>	Brkt, Shackle, Rear	4
28	<u>105188185</u>	Bolt, M8 X 85mm, 10.9 Grade	4

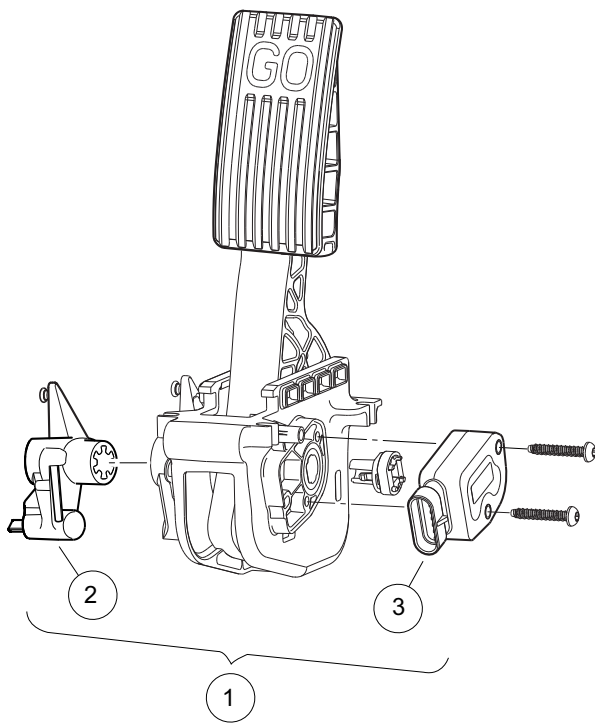
6
G
E

6

G

E

ELECTRICAL SYSTEM – KAW. FE350



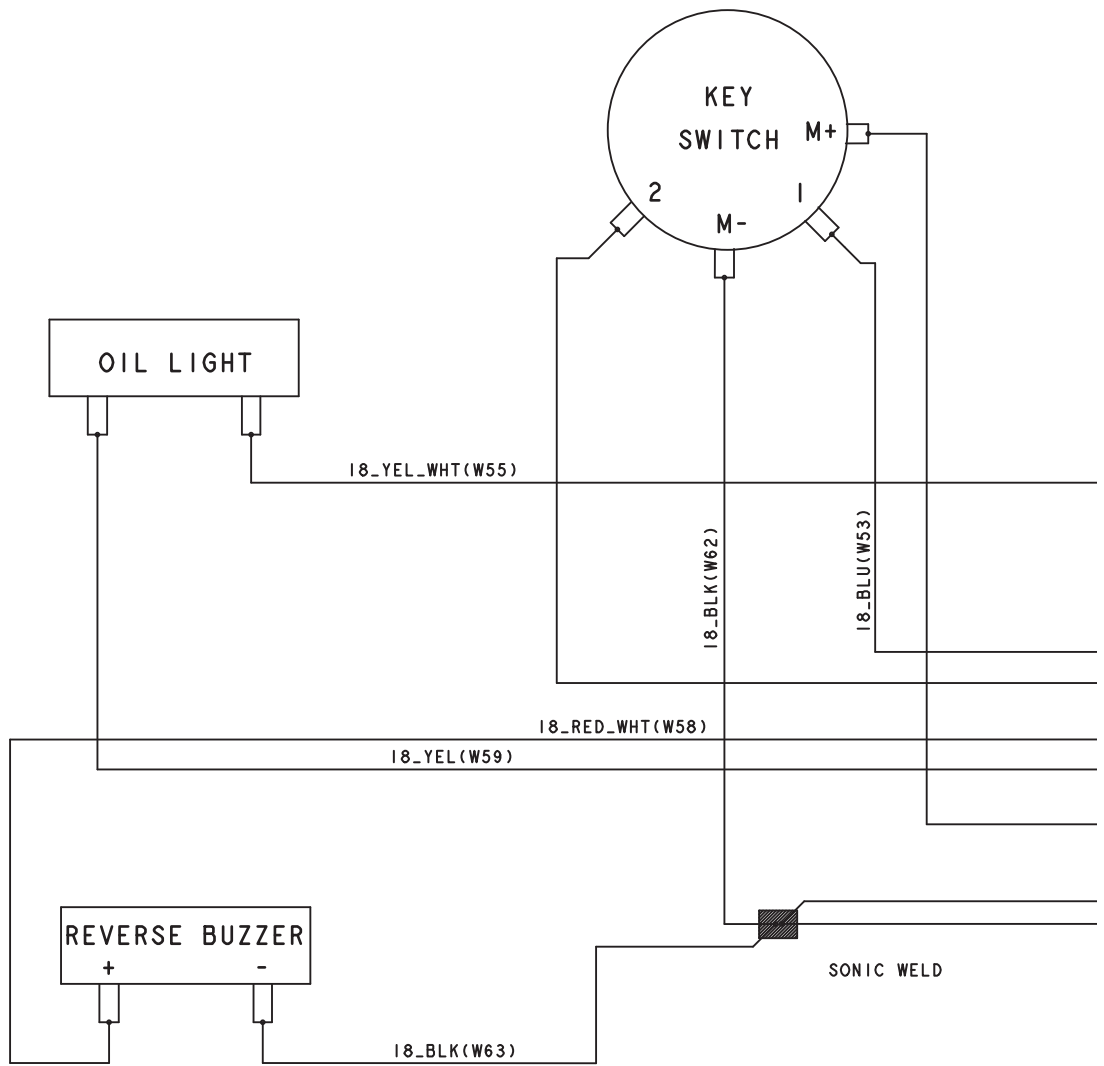
000487-012

ACCELERATOR PEDAL ASSEMBLY W/SENSOR – KAW. FE350

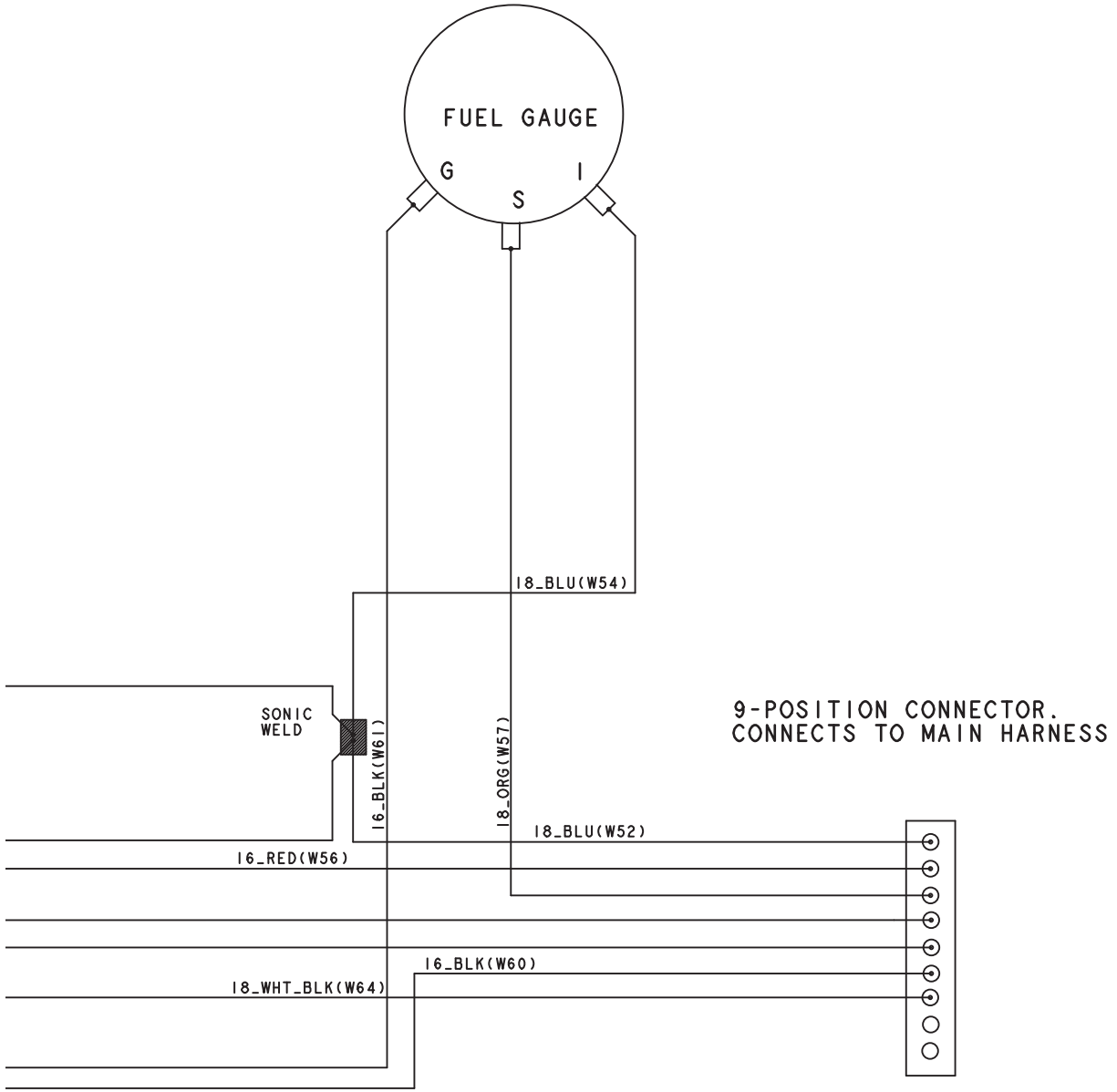
ITEM	PART NO.	DESCRIPTION	QTY
		1 2 3 4	
1	<u>102595502</u>	Asm, Accel. Pedal/Throttle, Anodized, Gas Vehicle (includes items 2 and 3)	1
2	<u>103777601</u>	Asm, Park Brake Release, Anodized	1
3	N/A	Throttle Sensor	1
<p>Note: For a complete Pedal Group, see section 4, Brakes and Pedal Group Assemblies.</p>			

7

G



000489-001



000489-001

7

G

See previous two pages for illustration.

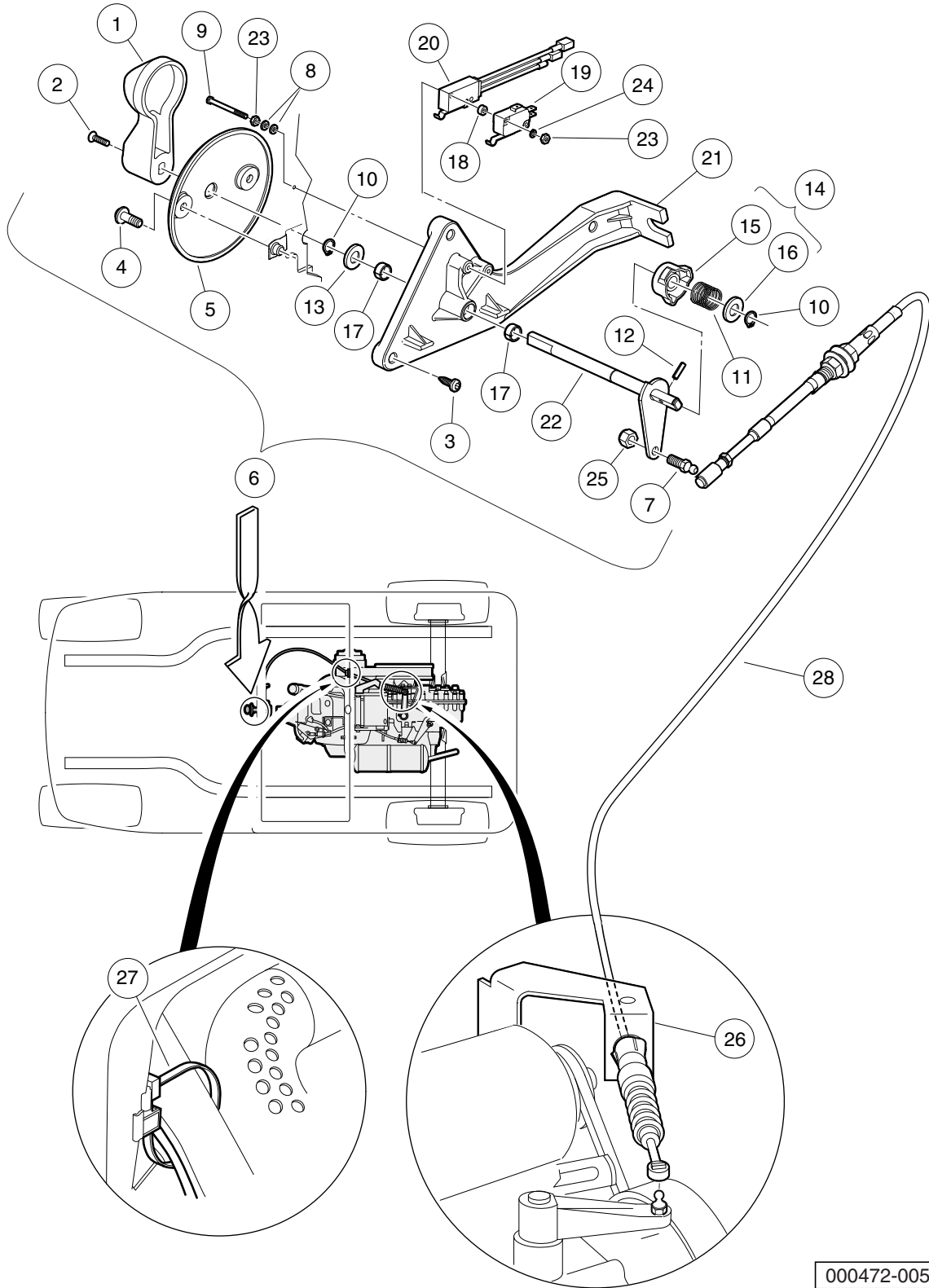
INSTRUMENT PANEL WIRE HARNESS – KAW. FE350

ITEM	PART NO.	DESCRIPTION	QTY
1	<u>102515001</u>	1 2 3 4 Ip Control Harness, Gas (includes item 2)	1
2	N/A	Connector, Plug 9-pin	1

7

G

7
G



000472-005

FORWARD/REVERSE SHIFTER ASSEMBLY – KAW. FE350

ITEM	PART NO.	DESCRIPTION	QTY
		1 2 3 4	
1	<u>1012987</u>	Handle, FNR	1
2	<u>1015064</u>	Screw, #8-32 X 0.63 Machine	1
3	<u>102296040</u>	Screw, Torx Pan Hd Pt, M6 X 40	3
4	<u>102296920</u>	Screw, M6, Torx Button Head, Sems	2
5	<u>102512001</u>	Bezel, FNR, Gas	1
6	<u>102514602</u>	Assembly Gas Fnr Shifter Svc (includes items 7 through 25)	1
7	<u>1010954</u>	Stud, Ball, 1/4-28 X 0.560	1
8	<u>1012431</u>	Washer, #4 Flat	4
9	<u>1012594</u>	Screw, #4-40 Machine	2
10	<u>1013589</u>	Ring, Retaining, 0.338" Internal	2
11	<u>1013590</u>	Spring, FNR Cam	1
12	<u>1013591</u>	Pin, Roll, 1/8 X 1/2	1
13	<u>1014065</u>	Washer, Flat, 0.38" ID, Delrin	1
14	<u>1014089</u>	Neutral Lockout Cam Kit (includes items 15 and 16)	1
15	N/A	Cam, Neutral Lockout	1
16	<u>1014065</u>	Washer, Flat, 0.38" ID, Delrin	1
17	<u>1014145</u>	Bushing, Secondary Weight, Split	2
18	<u>1014727</u>	Washer, Flat, #4, Nylon	2
19	<u>1014807</u>	Switch, Limit	1
20	<u>101979101</u>	Switch, Limit, Assembly, Sealed	1
21	<u>102515601</u>	Base, Gas FNR Shifter	1
22	<u>103943201</u>	Weldment, F-n-r Gas	1
23	<u>8057</u>	Nut, #4-40 Hex Machine	4
24	<u>8058</u>	Lockwasher, #4 Split	2
25	<u>8717</u>	Locknut, Nylon Insert, 1/4-28	1
26	<u>102515501</u>	Bracket-trans Cable Support	1
27	<u>102554901</u>	Clip, Edge, with Wire Tie	1
28	<u>103379601</u>	Cable, Transmission, Prec	1

7

G

7

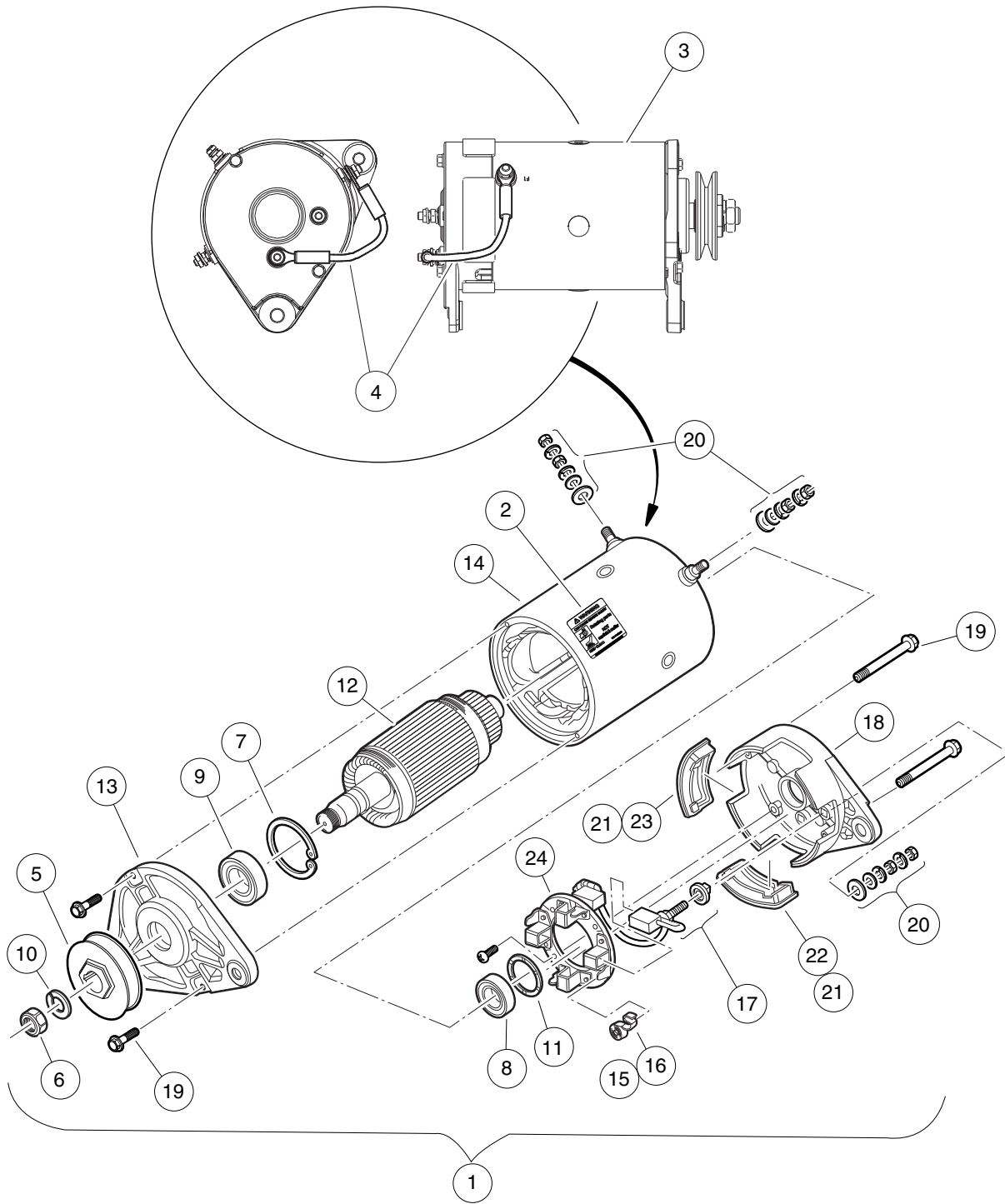
G

See previous two pages for illustration.

WIRING – KAW. FE350 GASOLINE VEHICLE

ITEM	PART NO.	DESCRIPTION	QTY
1	<u>103536501</u>	1 2 3 4 Harness, Prec Gas, Main (For Generation 2 Pedal Group)	1
2	N/A	Conn, 6 Pos, Packard 12162210	1

7
G

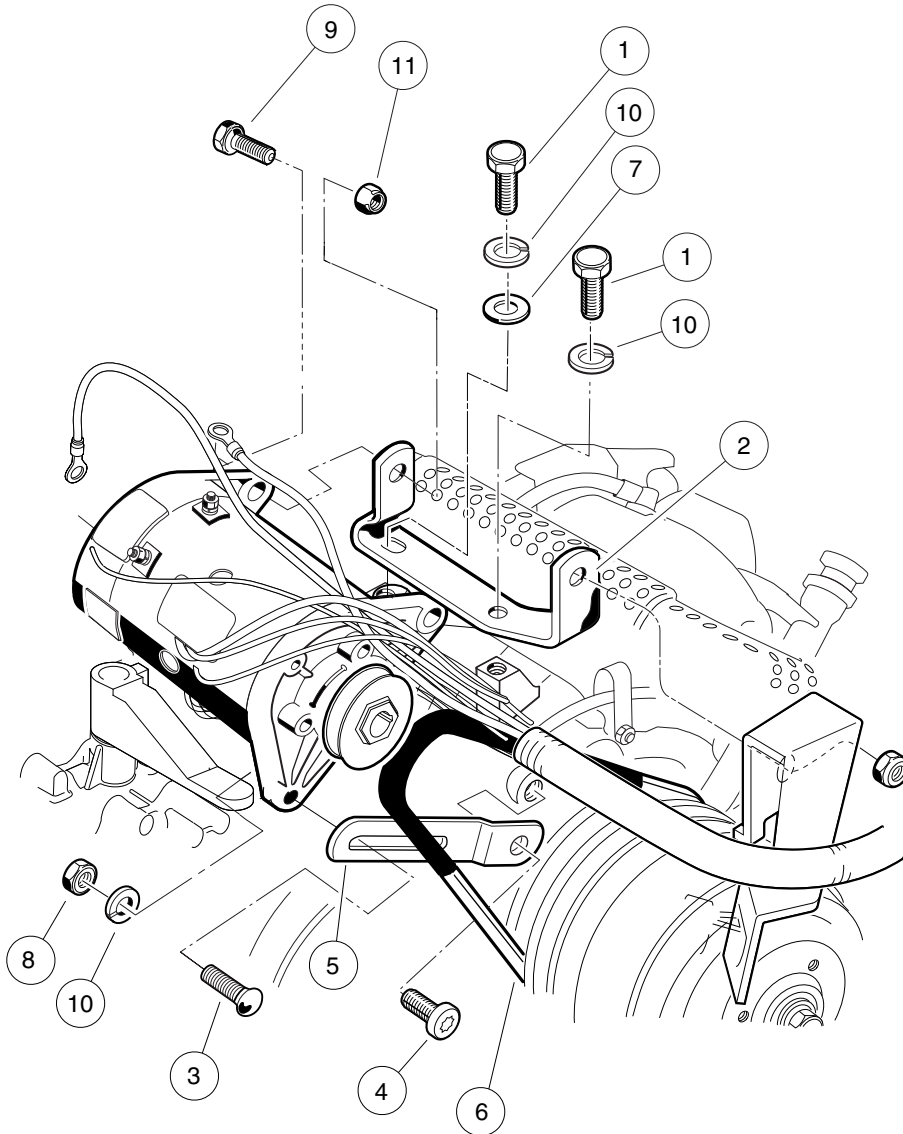


000124-005

STARTER/GENERATOR (S/G) ASSEMBLY – KAW. FE350

ITEM	PART NO.	DESCRIPTION	QTY
		1 2 3 4	
1	<u>103678502</u>	Asm, St/gen, Bi-rot, Ks, Svc (includes items 2 and 3)	1
2	<u>101960501</u>	Decal, Rotating Parts/Hot Manifold	1
3	N/A	St/gen, Bi-rot, Util, Ks (includes items 4 through 24)	1
4	<u>101837301</u>	Wire Assy, #6 Green	1
5	<u>102711001</u>	Pulley, V-Belt	1
6	<u>102838701</u>	Nut, Hex, M14x2, S/G	1
7	<u>102838801</u>	Retainer, Front, S/G	1
8	<u>102838901</u>	Bearing, Ball, Front, S-g	1
9	<u>102839001</u>	Bearing, Ball, Front, S-g	1
10	<u>102839301</u>	Washer, Lock M14x2, S-g	1
11	<u>102841101</u>	Washer, Wave, S-g	1
12	N/A	Asm, Armature, Starter/Generator	1
13	<u>102844601</u>	Head, Drive End, S-g	1
14	<u>102844701</u>	Asm, Frame and Field, Starter/Generator	1
15	<u>103347101</u>	Kit, Spring Brush, Starter/Generator (includes item 16)	1
16	N/A	Spring, Brush, S-g	4
17	<u>103347301</u>	Set, Brush Term, S-g	1
18	<u>103347601</u>	Head, Comm End, S-g	1
19	<u>103347701</u>	Set, Fastener, Ceh Deh, S-g	1
20	<u>103347801</u>	Set, Term Hardware, S/G	1
21	<u>103347901</u>	Kit, Cover, Brush Insp, Starter/Generator (includes items 22 and 23)	1
22	N/A	Plug, Rubber Drain, Start/Generator	3
23	N/A	Cover, Inspection, S-g	1
24	<u>103953301</u>	Kit, Brush And Brush Holder	1

7
G



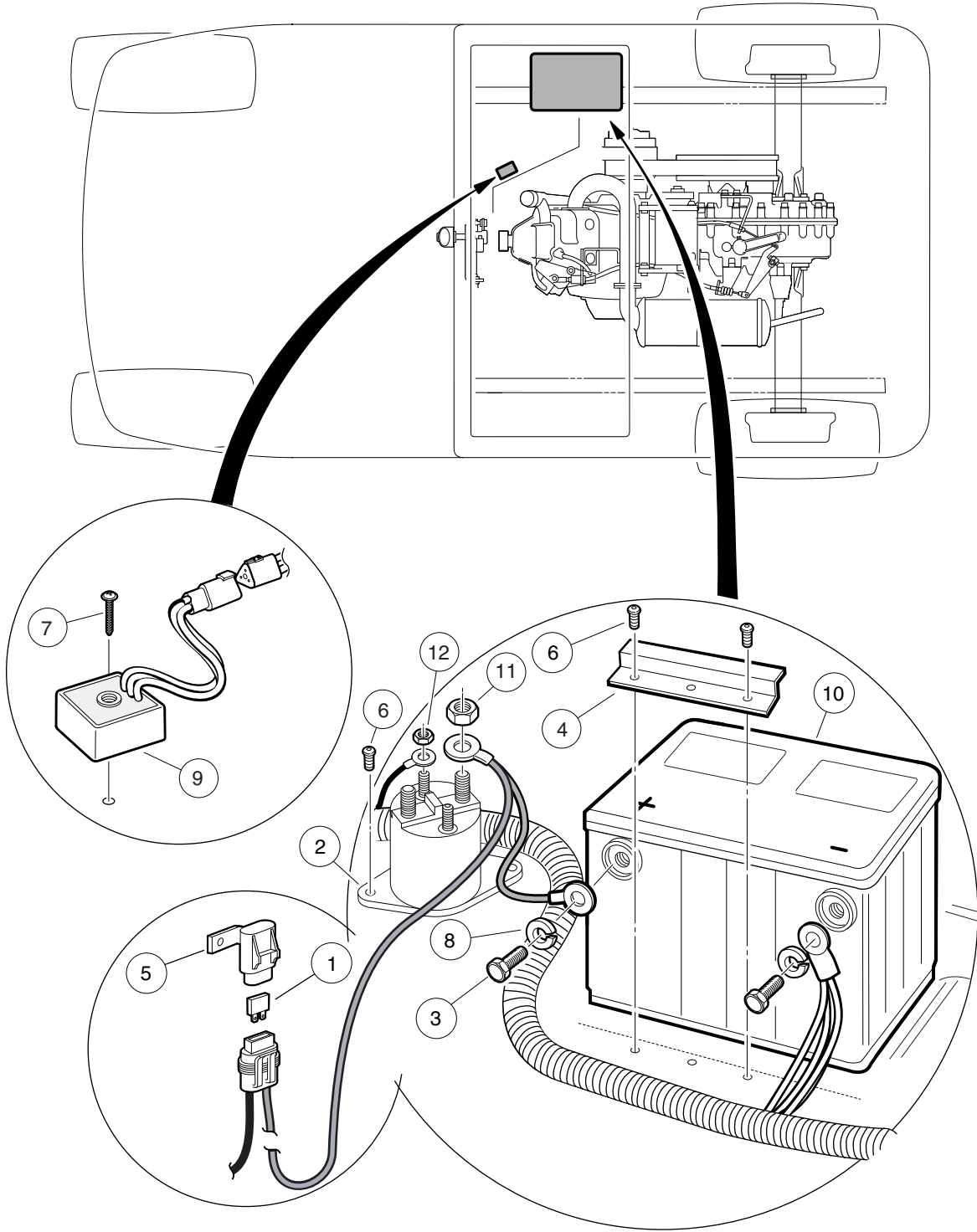
000238-005

STARTER/GENERATOR MOUNTING – KAW. FE350

ITEM	PART NO.	DESCRIPTION	QTY
		1 2 3 4	
1	<u>1012830</u>	Screw, M8-125 X 22 Hex-Head	2
2	<u>101524002</u>	Bracket, Starter/Generator Mounting	1
3	<u>1015932</u>	Bolt, Carriage, 5/16-18	1
4	<u>1016074</u>	Screw, M8-1.25 X 18mm Torx	1
5	<u>1016883</u>	Bracket, Starter/Generator Adjustment	1
6	<u>101916701</u>	V-Belt	1
7	<u>1241</u>	Washer, 5/16 Type A Flat	1
8	<u>1242</u>	Nut, 5/16-18 Hex	1
9	<u>1624</u>	Screw, 3/8-16 X 1.50, Hex-Head Cap	2
10	<u>7174</u>	Lockwasher, 5/16 Split	3
11	<u>8754</u>	Locknut, 3/8-16 Hex	2

7
G

7
G



000479-003

BATTERY – KAW. FE350 GASOLINE VEHICLE

ITEM	PART NO.	DESCRIPTION	QTY
		1 2 3 4	
1	<u>1012295</u>	Fuse, 10-Amp	1
2	<u>1013609</u>	Solenoid, 12-Volt	1
3	<u>1014375</u>	Screw, 3/8-16 X 0.50, Stainless Steel, Hex-Head	2
4	<u>101898001</u>	Clamp, Battery	1
5	N/A	Cover, Fuse, Sealed, Metri	1
6	<u>102296020</u>	Screw, Torx Pan Hd Pt, M6 X 20	4
7	<u>102296040</u>	Screw, Torx Pan Hd Pt, M6 X 40	1
8	<u>102355301</u>	Lockwasher, 3/8 Split Ss	2
9	<u>102803301</u>	Asm, Voltage Regulator, Prec.	1
10	<u>103496801</u>	Battery, Start, 12v	1
11	<u>1242</u>	Nut, 5/16-18 Hex	2
12	<u>7893</u>	Nut, #10-32 Hex	2

7

G

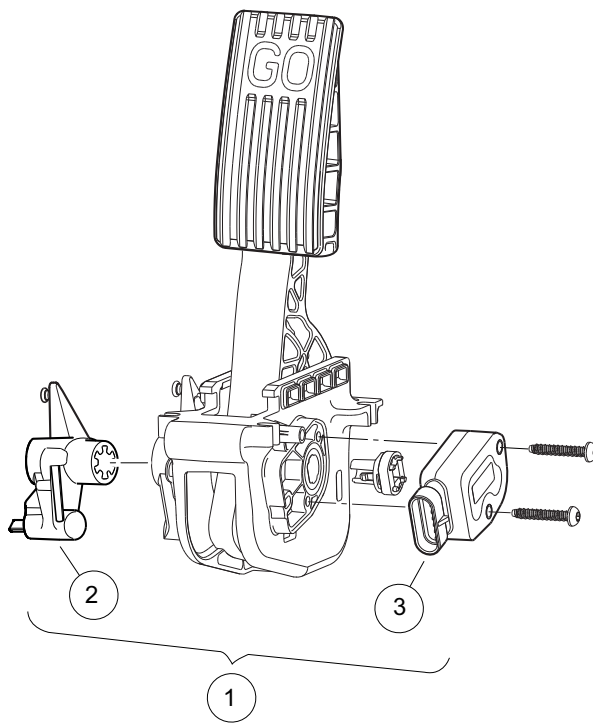
7

G

ELECTRICAL SYSTEM – SUBARU EX40

8

G



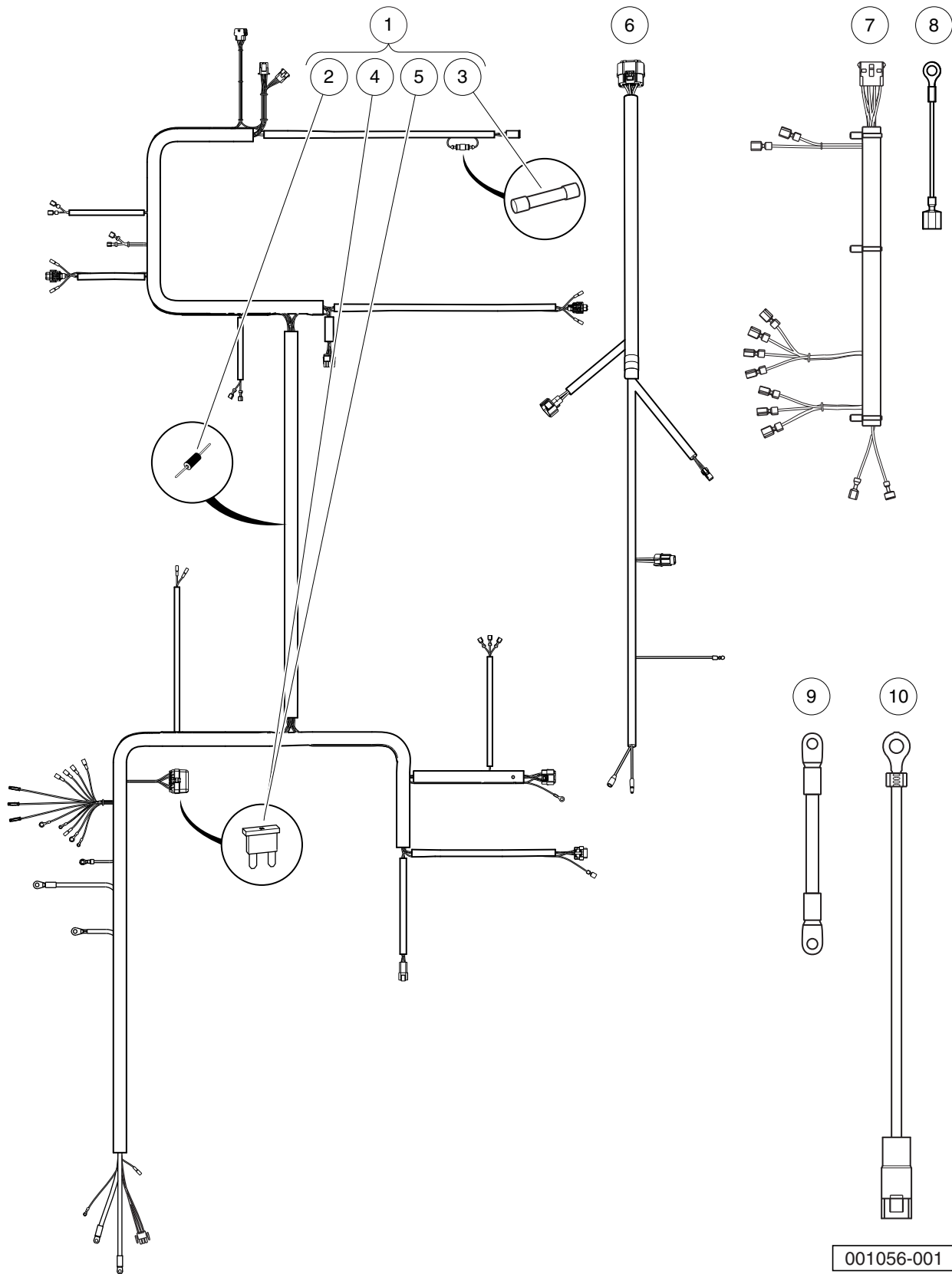
000487-012

ACCELERATOR PEDAL ASSEMBLY W/SENSOR – EFI

ITEM	PART NO.	DESCRIPTION	QTY
		1 2 3 4	
1	<u>102595502</u>	Asm, Accel. Pedal/Throttle, Anodized, Gas Vehicle (includes items 2 and 3)	1
2	<u>103777601</u>	Asm, Park Brake Release, Anodized	1
3	N/A	Throttle Sensor	1
<p>Note: For a complete Pedal Group, see section 5, Brakes and Pedal Group Assemblies.</p>			

8

G

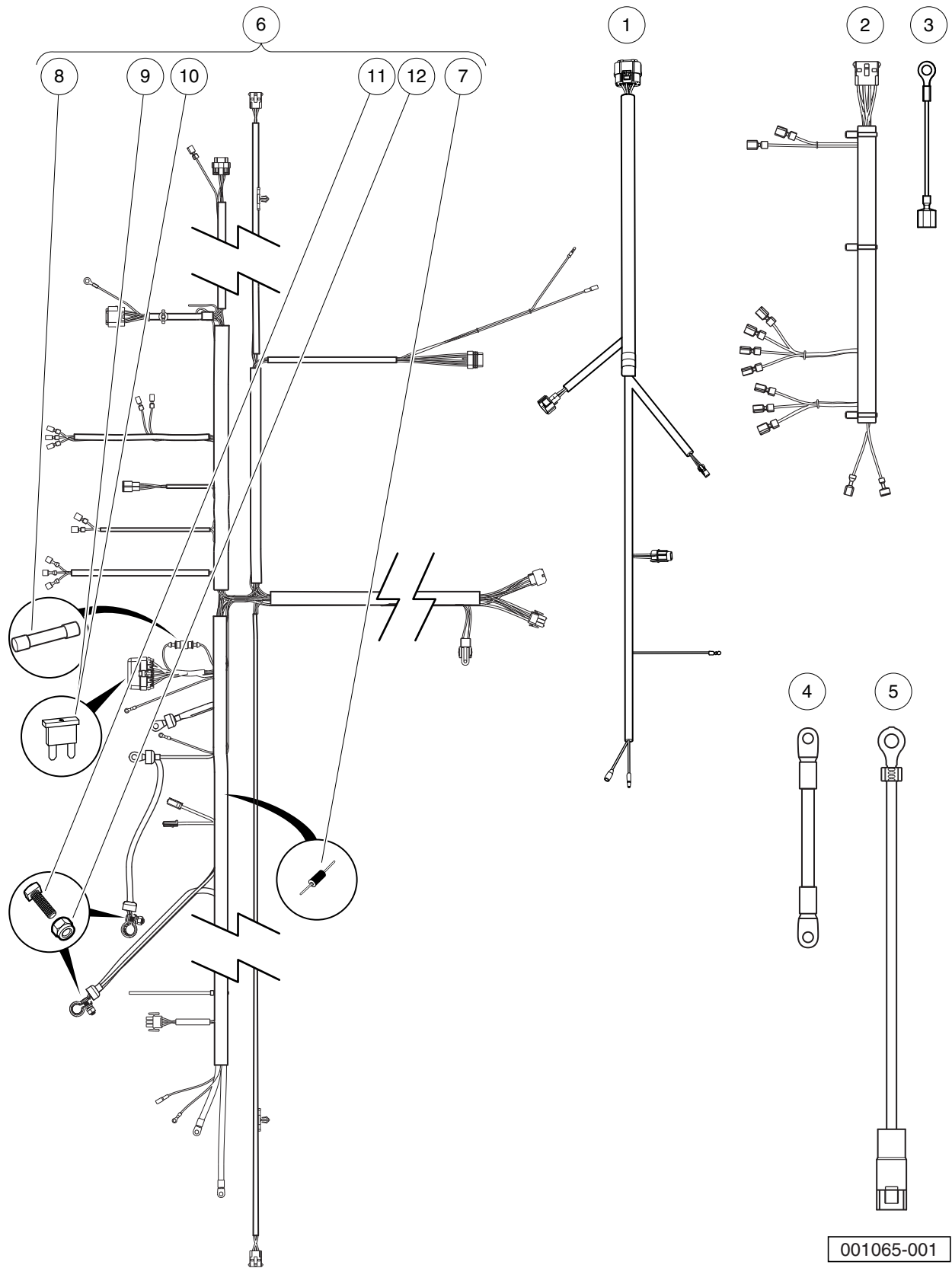


WIRING, FUSES AND ECU – EFI WITH SIDE-POST BATTERY

ITEM	PART NO.	DESCRIPTION	QTY
		1 2 3 4	
1	<u>105007501</u>	Harness, Wire, Main, Precedent with Side-Post Battery (includes items 2 through 5)	1
2	<u>1014789</u>	Diode, General Purpose, 3.0-Amp	1
3	<u>103924801</u>	Fuse, Glass, 2-Amp	1
4	<u>105081501</u>	Fuse, ATM, 5-Amp	1
5	<u>105081601</u>	Fuse, ATM, 10-Amp	1
6	<u>105008101</u>	Harness, Wire, ECU/Engine	1
7	<u>105008301</u>	Wire Harness, Dash, Prec	1
8	<u>105143301</u>	Wire, Ground, Fuel Tank	1
9	<u>105161701</u>	Wire, 4-Ga, Green, Starter/Generator	1
10	<u>105228801</u>	Wire, Ground, Engine, Prec	1

8

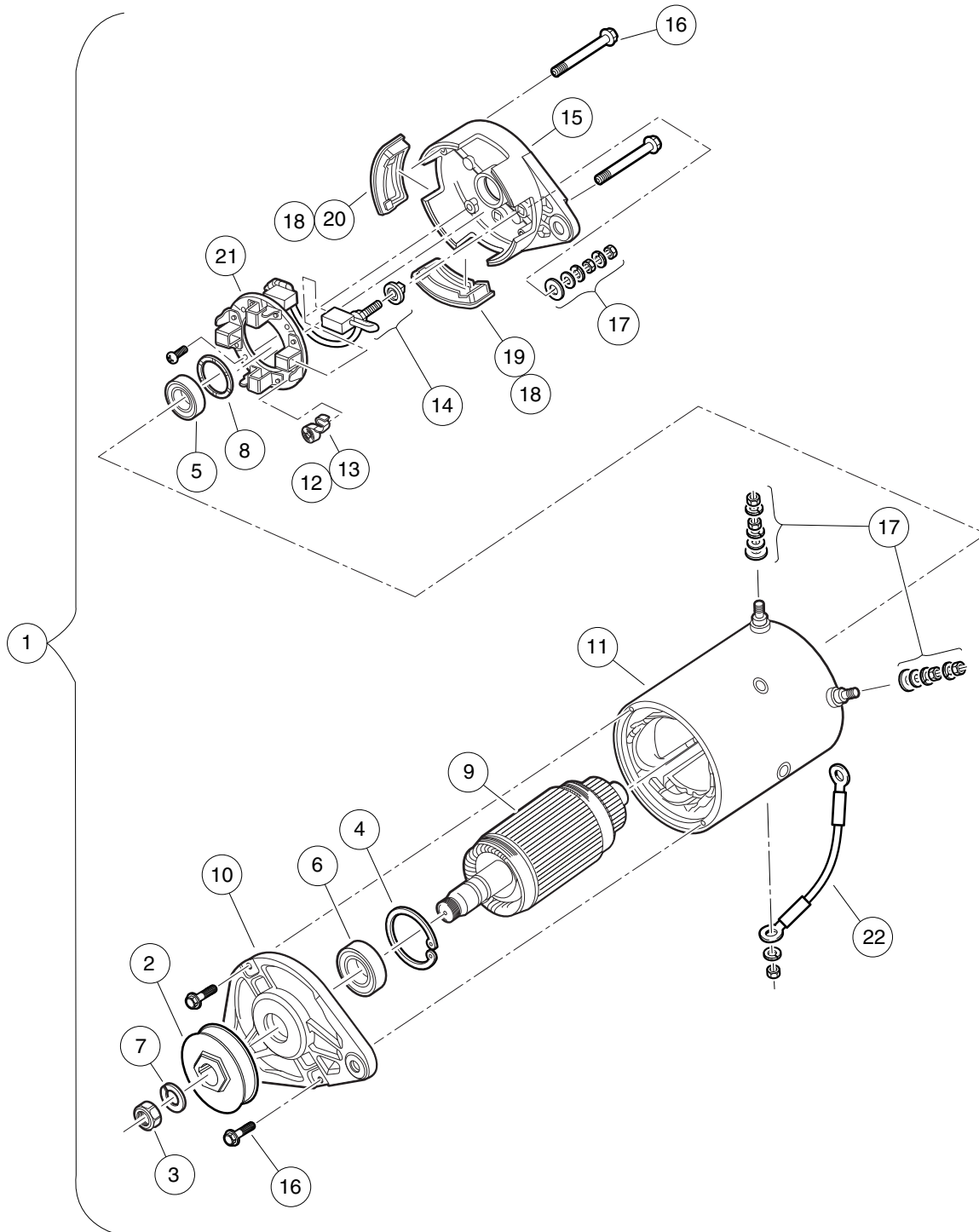
G



WIRING, FUSES AND ECU – EFI WITH TOP-POST BATTERY

ITEM	PART NO.	DESCRIPTION	QTY
		1 2 3 4	
1	<u>105008101</u>	Harness, Wire, ECU/Engine	1
2	<u>105008301</u>	Wire Harness, Dash, Prec	1
3	<u>105143301</u>	Wire, Ground, Fuel Tank	1
4	<u>105161701</u>	Wire, 4-Ga, Green, Starter/Generator	1
5	105228801	Wire, Ground, Engine, Prec	1
6	<u>105236701</u>	Harness, Wire, Main, Precedent with Top-Post Battery (includes items 7 through 12)	1
7	<u>1014789</u>	Diode, General Purpose, 3.0-Amp	1
8	<u>103924801</u>	Fuse, Glass, 2-Amp	1
9	105081501	Fuse, ATM, 5-Amp	1
10	105081601	Fuse, ATM, 10-Amp	1
11	105255501	Bolt, Sqh 5/16-18x1	2
12	105255601	Nut, Colar Hex, 5/16-18	2

8
G

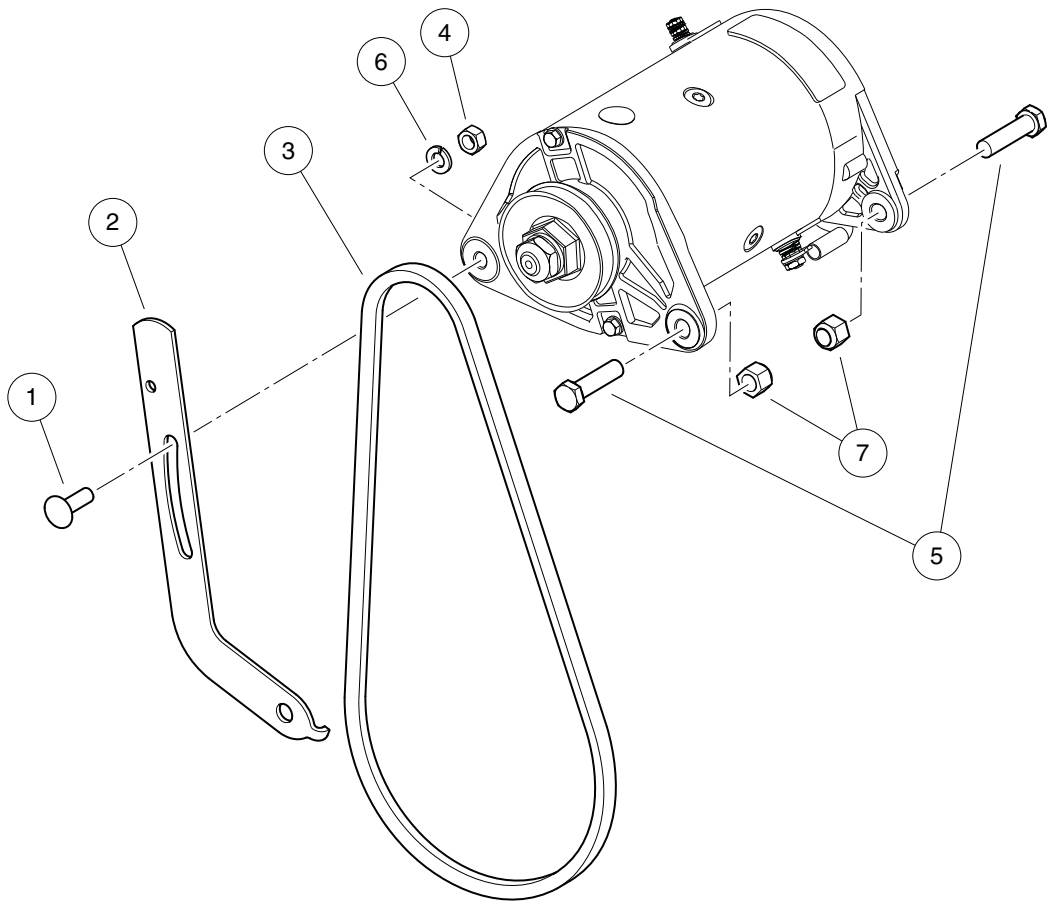


001016-001

STARTER/GENERATOR (MODEL 114-05-4001), PEDAL-START – EFI

ITEM	PART NO.	DESCRIPTION	QTY
		1 2 3 4	
1	<u>105190101</u>	Starter/Generator, High-Torque, Utility, Pedal-Start (includes items 2 through 22)	1
2	<u>1014289</u>	Pulley, Starter/Generator	1
3	<u>102838701</u>	Nut, Hex, M14x2, S/G	1
4	<u>102838801</u>	Retainer, Front, S/G	1
5	<u>102838901</u>	Bearing, Ball, Front, S-g	1
6	<u>102839001</u>	Bearing, Ball, Front, S-g	1
7	<u>102839301</u>	Washer, Lock M14x2, S-g	1
8	<u>102841101</u>	Washer, Wave, S-g	1
9	N/A	Asm, Armature, Starter/Generator	1
10	<u>102844601</u>	Head, Drive End, S-g	1
11	<u>102844701</u>	Asm, Frame and Field, Starter/Generator	1
12	<u>103347101</u>	Kit, Spring Brush, Starter/Generator (includes item 13)	1
13	N/A	Spring, Brush, S-g	4
14	<u>103347301</u>	Set, Brush Term, S-g	1
15	<u>103347601</u>	Head, Comm End, S-g	1
16	<u>103347701</u>	Set, Fastener, Ceh Deh, S-g	1
17	<u>103347801</u>	Set, Term Hardware, S/G	1
18	<u>103347901</u>	Kit, Cover, Brush Insp, Starter/Generator (includes items 19 and 20)	1
19	N/A	Plug, Rubber Drain, Start/Generator	3
20	N/A	Cover, Inspection, S-g	1
21	<u>103953301</u>	Kit, Brush And Brush Holder	1
22	<u>105161701</u>	Wire, 4-Ga, Green, Starter/Generator	1

8
G

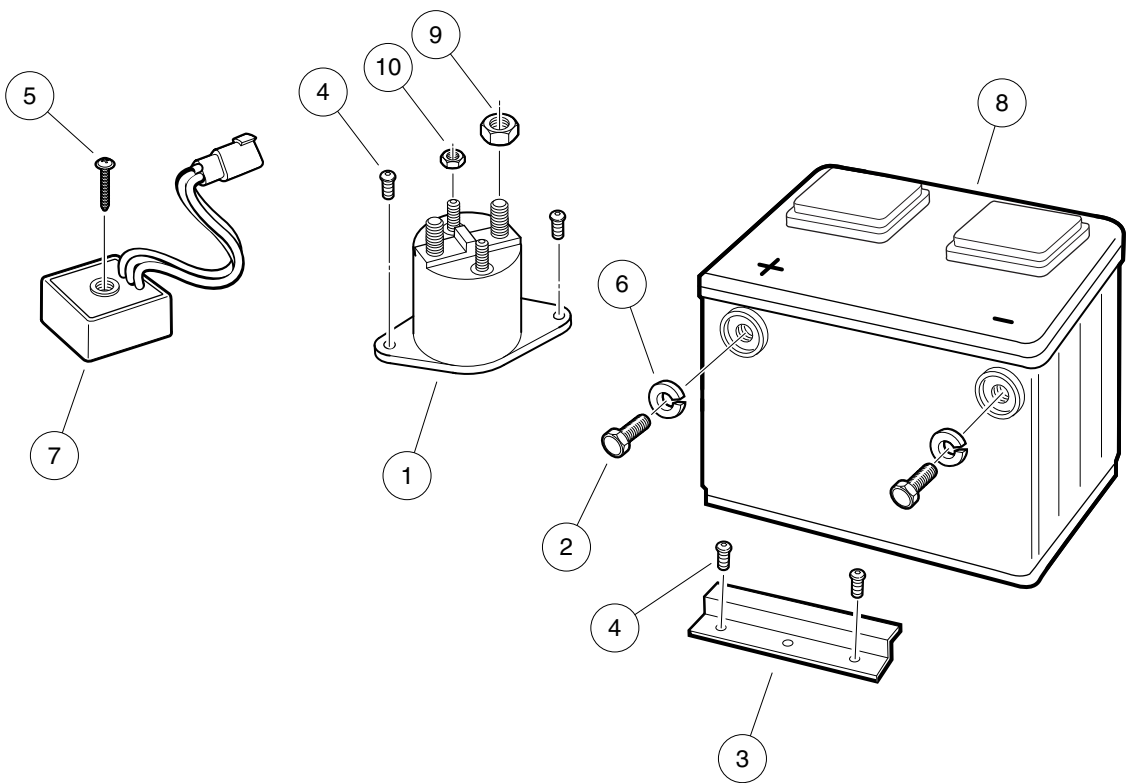


001009-001

STARTER/GENERATOR MOUNTING – EX40

ITEM	PART NO.	DESCRIPTION	QTY
		1 2 3 4	
1	<u>1015932</u>	Bolt, Carriage, 5/16-18	1
2	<u>104005301</u>	Bracket, Adjustable, Starter/Generator, EX40	1
3	<u>105205401</u>	Belt, Sg, 871, Ex40	1
4	<u>1242</u>	Nut, 5/16-18 Hex	1
5	<u>1624</u>	Screw, 3/8-16 X 1.50, Hex-Head Cap	2
6	<u>7174</u>	Lockwasher, 5/16 Split	1
7	<u>8754</u>	Locknut, 3/8-16 Hex	2

8
G



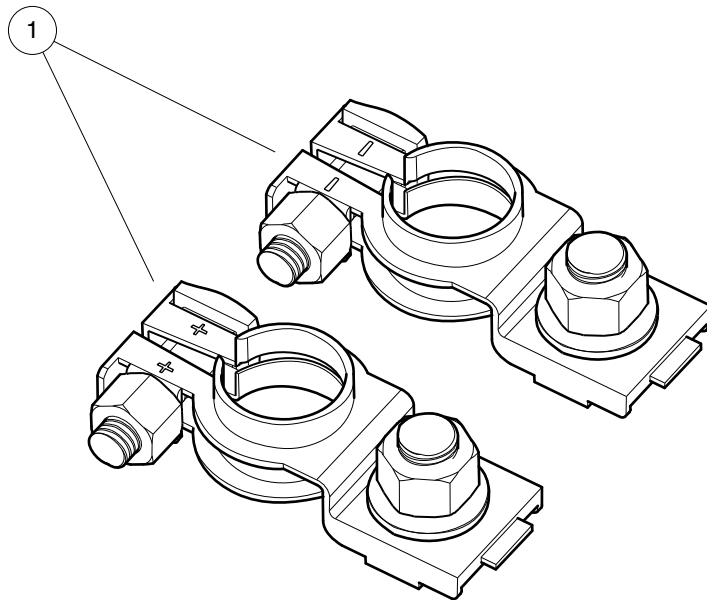
001057-001

SIDE-POST BATTERY, SOLENOID, VOLTAGE REGULATOR – EFI

ITEM	PART NO.	DESCRIPTION	QTY
		1 2 3 4	
1	<u>1013609</u>	Solenoid, 12-Volt	1
2	<u>1014375</u>	Screw, 3/8-16 X 0.50, Stainless Steel, Hex-Head	2
3	<u>101898001</u>	Clamp, Battery	1
4	<u>102296020</u>	Screw, Torx Pan Hd Pt, M6 X 20	4
5	<u>102296040</u>	Screw, Torx Pan Hd Pt, M6 X 40	1
6	<u>102355301</u>	Lockwasher, 3/8 Split Ss	2
7	<u>102803301</u>	Asm, Voltage Regulator, Prec.	1
8	<u>103496801</u>	Battery, Start, 12v	1
9	<u>1242</u>	Nut, 5/16-18 Hex	2
10	<u>7893</u>	Nut, #10-32 Hex	2

8

G

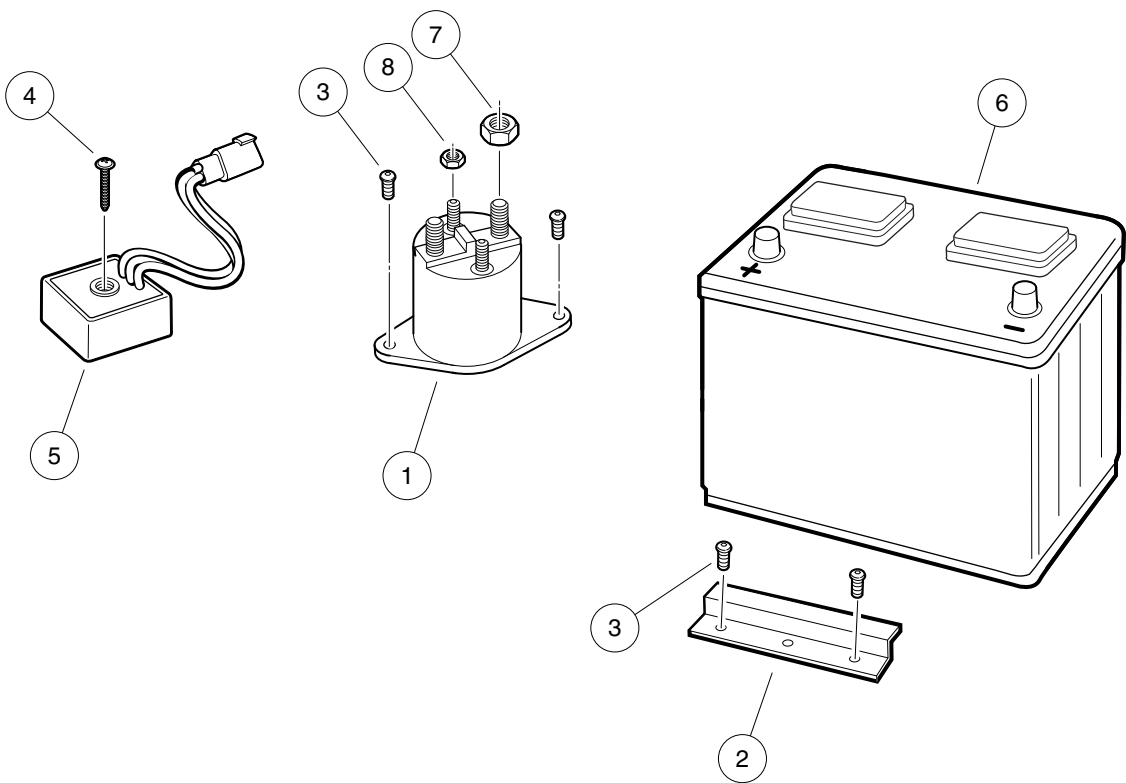


001066-001

KIT, BATTERY TERMINAL ADAPTER (SIDE-POST TO TOP-POST) – EFI

ITEM	PART NO.	DESCRIPTION	QTY
1	105266401	1 2 3 4 Kit, Term Adaptor, G26 Batt	A/R

8
G



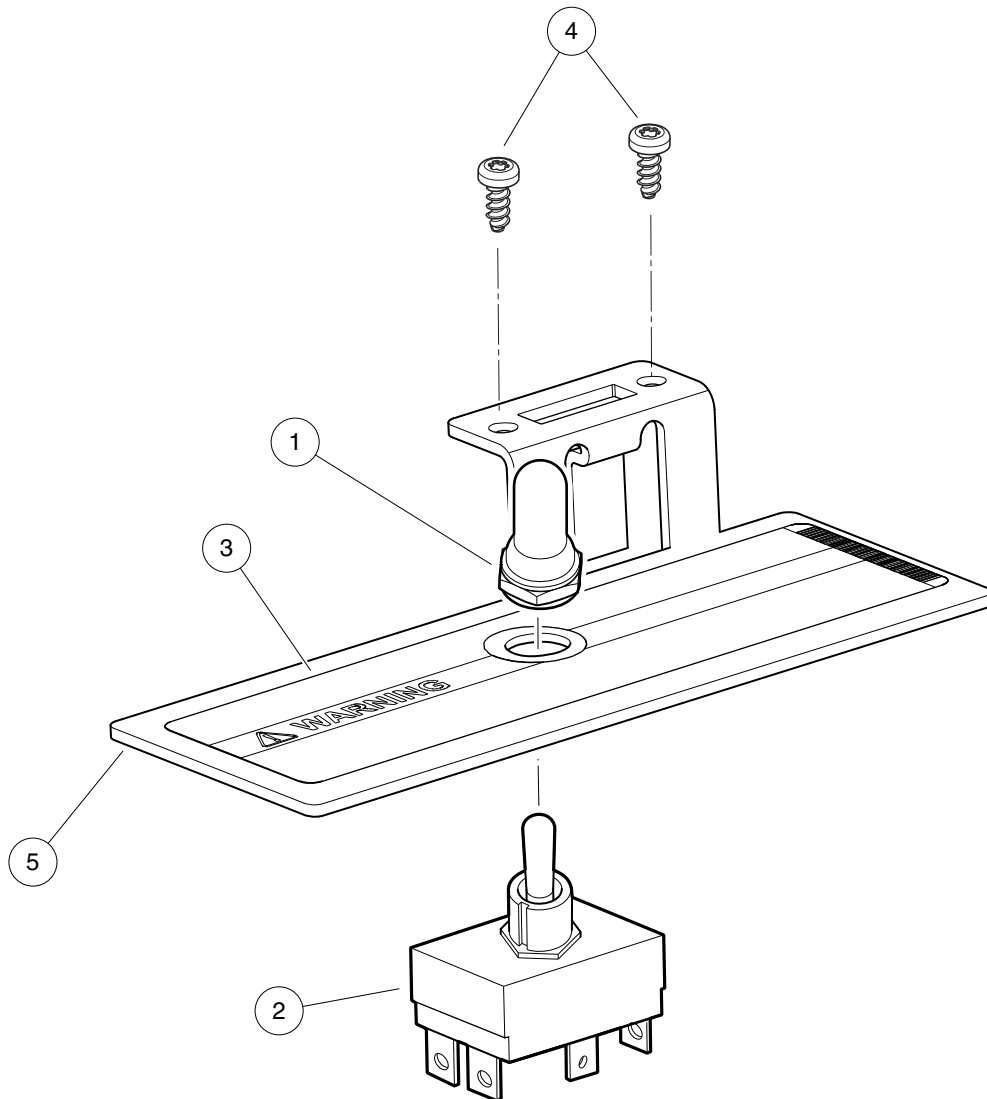
001067-001

TOP-POST BATTERY, SOLENOID, VOLTAGE REGULATOR – EFI

ITEM	PART NO.	DESCRIPTION	QTY
		1 2 3 4	
1	<u>1013609</u>	Solenoid, 12-Volt	1
2	<u>101898001</u>	Clamp, Battery	1
3	<u>102296020</u>	Screw, Torx Pan Hd Pt, M6 X 20	4
4	<u>102296040</u>	Screw, Torx Pan Hd Pt, M6 X 40	1
5	<u>102803301</u>	Asm, Voltage Regulator, Prec.	1
6	<u>105237399</u>	Battery, Start, 12v, G 26, Sp	1
7	<u>1242</u>	Nut, 5/16-18 Hex	2
8	<u>7893</u>	Nut, #10-32 Hex	2

8

G



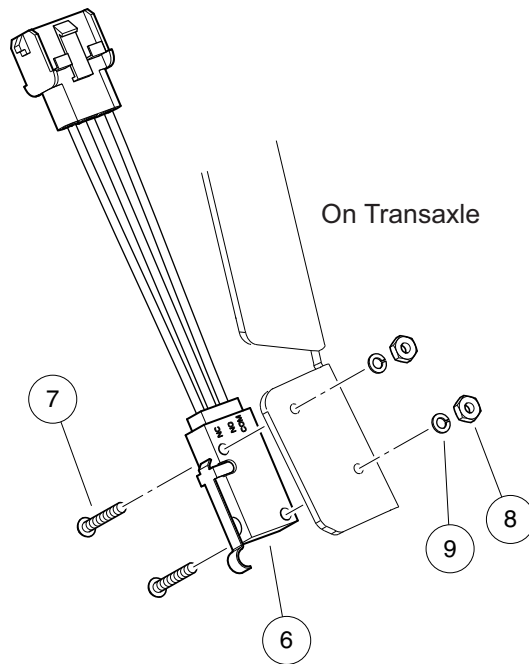
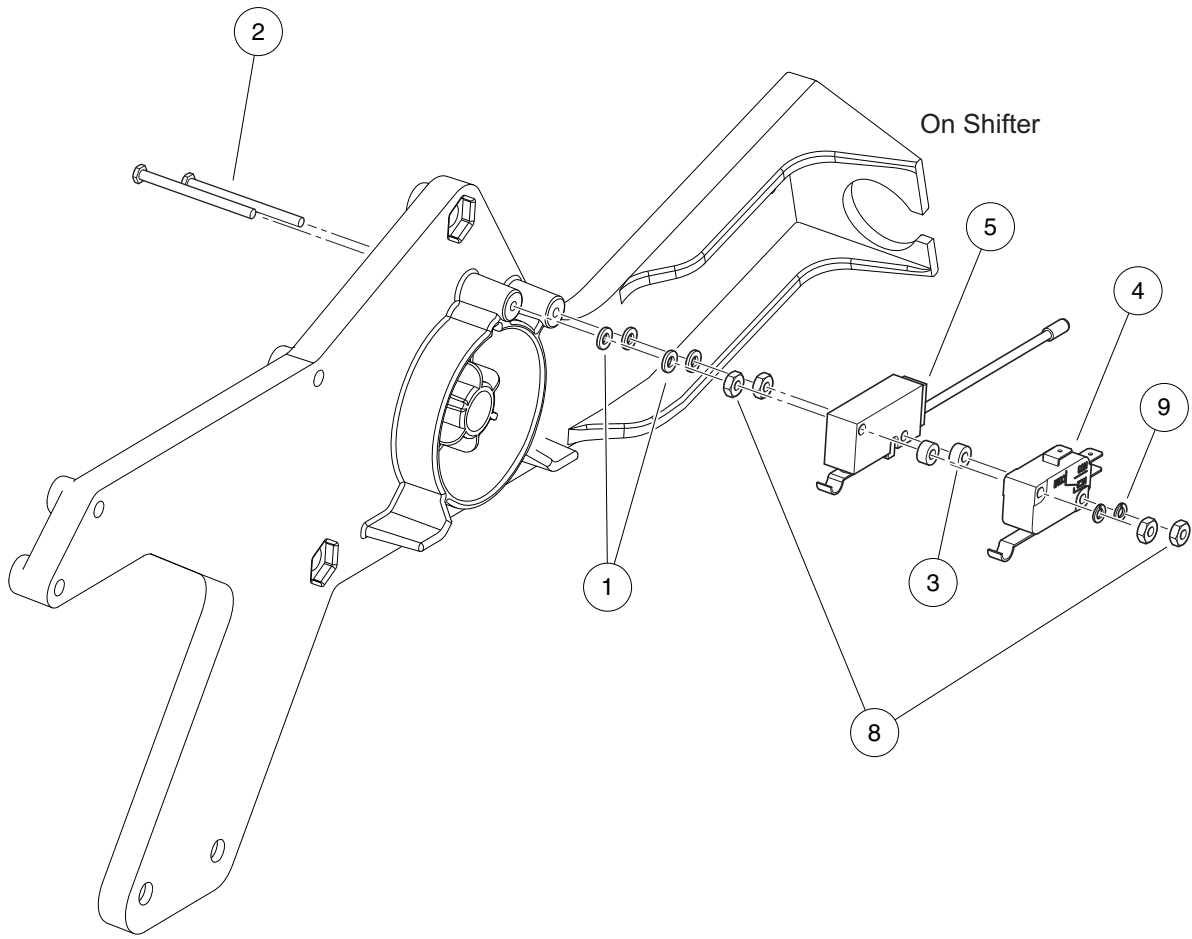
001058-001

OPERATION AND MAINTENANCE SWITCH

ITEM	PART NO.	DESCRIPTION	QTY
		1 2 3 4	
1	<u>101908401</u>	Boot, Switch	1
2	<u>103198401</u>	Switch, Toggle, SPDT	1
3	<u>103205501</u>	Decal, Run/Service Switch	1
4	N/A	Screw, #6 X .75, Cs Ss, Hi-lo	2
5	<u>105136501</u>	Brkt, Hinge And Serv Switch	1

8
G

8
G



001013-001

FORWARD/REVERSE SHIFTER SWITCHES – EFI

ITEM	PART NO.	DESCRIPTION	QTY
		1 2 3 4	
1	1012431	Washer, #4 Flat	4
2	<u>1012594</u>	Screw, #4-40 Machine	2
3	<u>1014727</u>	Washer, Flat, #4, Nylon	2
4	<u>1014807</u>	Switch, Limit	1
5	<u>101979101</u>	Switch, Limit, Assembly, Sealed	1
6	<u>105102601</u>	Switch, Limit, Sealed, with 3-Wire Lead	1
7	<u>8056</u>	Screw, #4-40 X 0.75 Round-Head Machine	2
8	<u>8057</u>	Nut, #4-40 Hex Machine	6
9	<u>8058</u>	Lockwasher, #4 Split	4

8
G

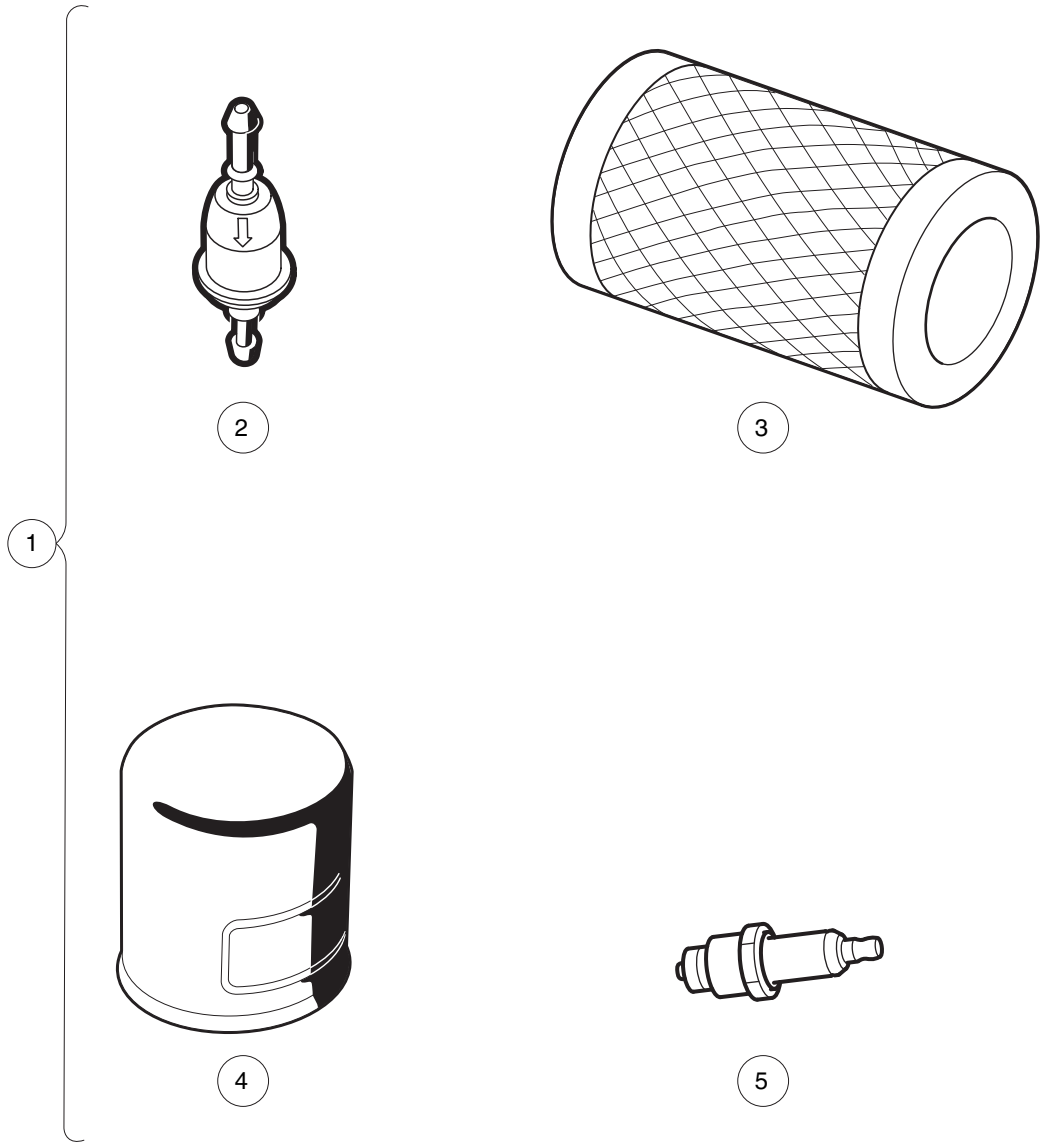
8

G

ENGINE – KAWASAKI FE350

9

G



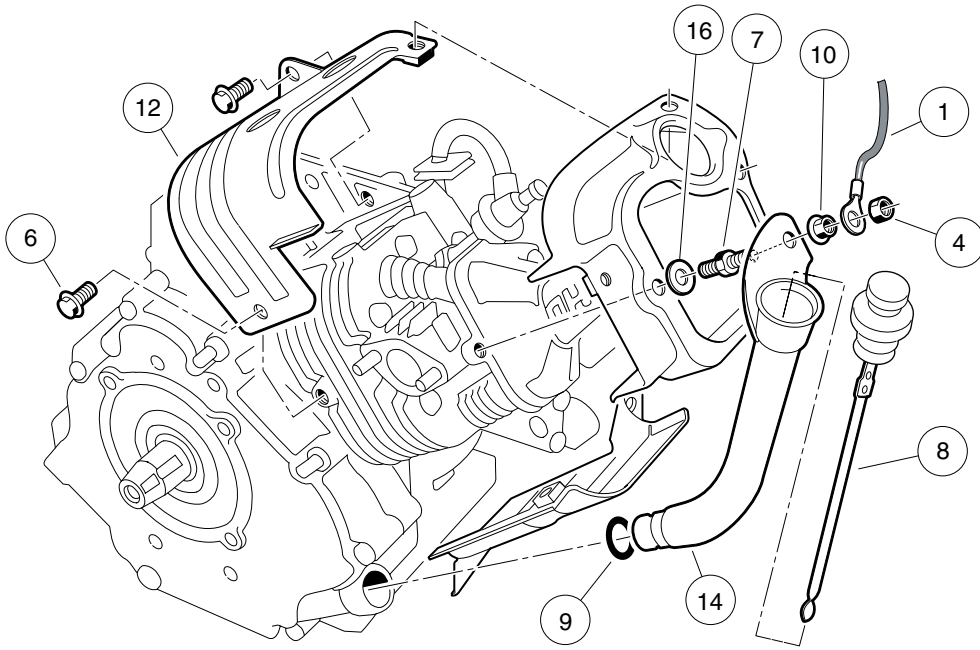
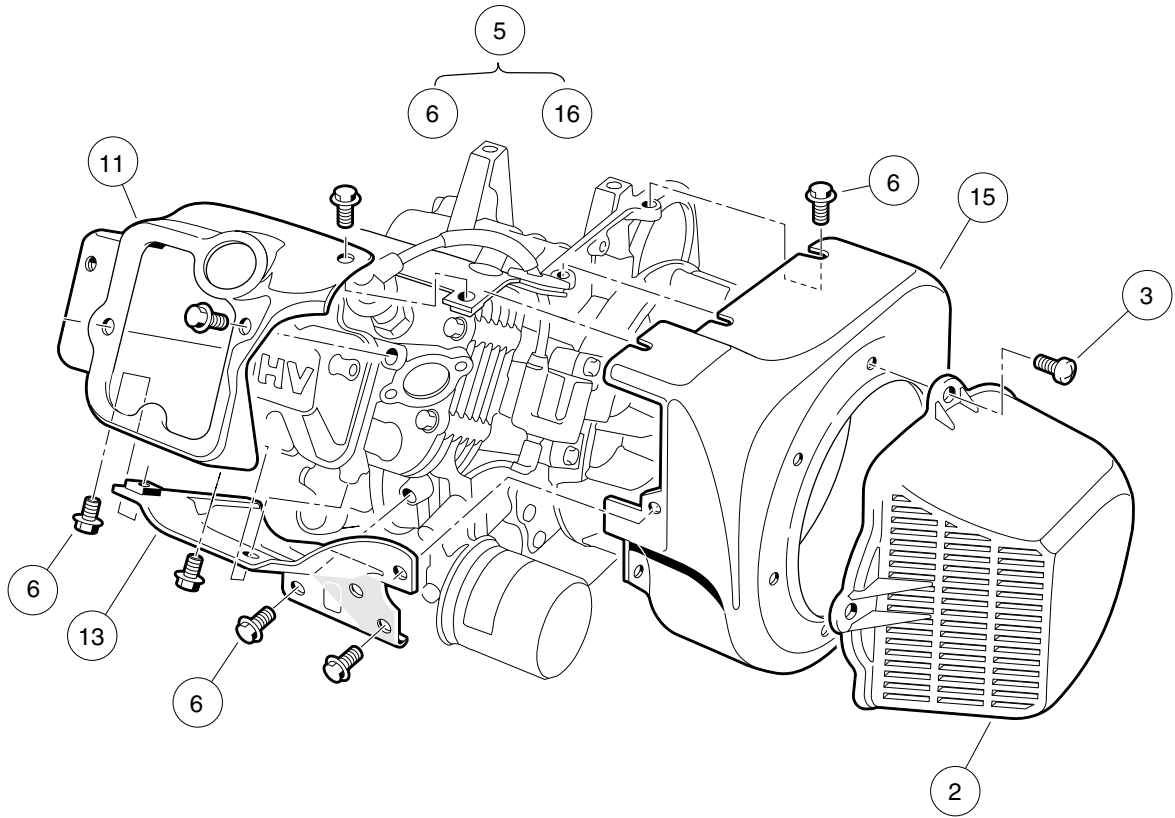
001064-001

TUNE-UP KIT – KAWASAKI FE350

ITEM	PART NO.	DESCRIPTION	QTY
		1 2 3 4	
1	<u>AM1220301</u>	Kit, Tune-Up (For FE290 and FE350 engines) (includes items 2 through 5)	1
2	<u>102003201</u>	Filter, Fuel, 30 Micron	1
3	<u>102558201</u>	Air Filter, 4 Inch	1
4	<u>103887901</u>	Filter, Oil, Kawasaki	1
5	<u>AM1232301</u>	Spark Plug, BPR2ES	1

9

G



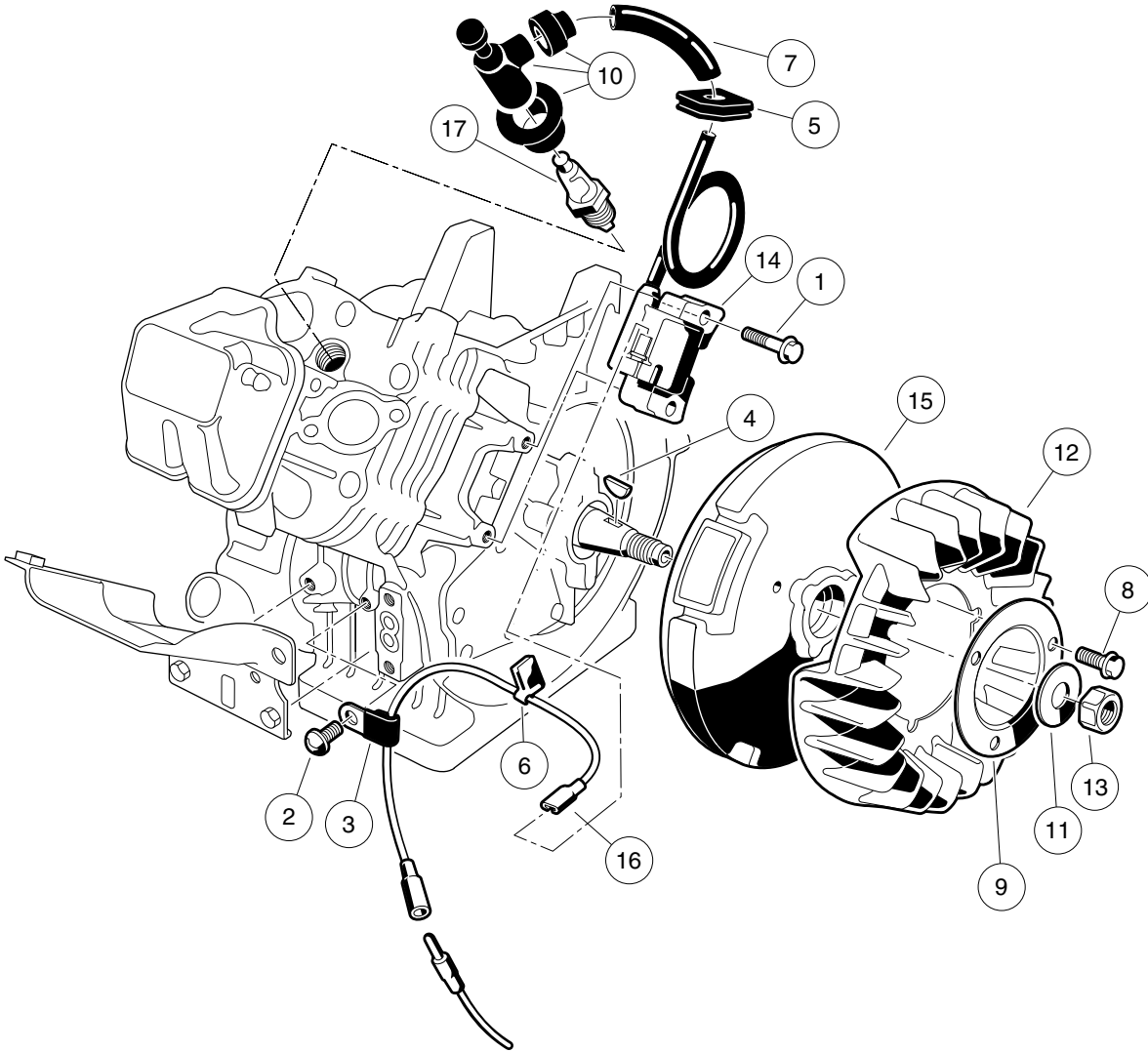
000201-002

FE350 ENGINE (AS26) – SHROUDS AND BRACKETS

ITEM	PART NO.	DESCRIPTION	QTY
		1 2 3 4	
1	<u>1015332</u>	Wire, Ground, #10, Uninsulated	1
2	<u>1015649</u>	Shroud, Fan	1
3	<u>1015969</u>	Screw, M6-1.00 X 10mm, Pan Hd	4
4	<u>101887601</u>	Locknut, M6-1.00 Nylon Insert	1
5	<u>103386201</u>	Engine, FE350 S26 (includes items 6 through 16)	1
6	<u>1016456</u>	Bolt, Flange Head, M6 x 1 x 12 mm	16
7	<u>1016507</u>	Bolt, Two-Ended	1
8	<u>1016531</u>	Dipstick	1
9	<u>1016539</u>	O-Ring	1
10	<u>1016547</u>	Nut, M6 Flange	1
11	<u>1017474</u>	Shroud, Engine	1
12	<u>1017475</u>	Shroud, Engine	1
13	<u>1017476</u>	Shroud, Engine	1
14	<u>1017486</u>	Tube, Oil Filler	1
15	<u>101916101</u>	Housing, FE350 Fan	1
16	N/A	Washer, 6mm Flat	2
<p>Note: The AS26 engine meets the 2009 Federal CARB requirement for all 50 states. AS26 engine is retrofitable and began production in Precedent vehicles with serial numbers 0942-063638 and greater.</p>			

9

G

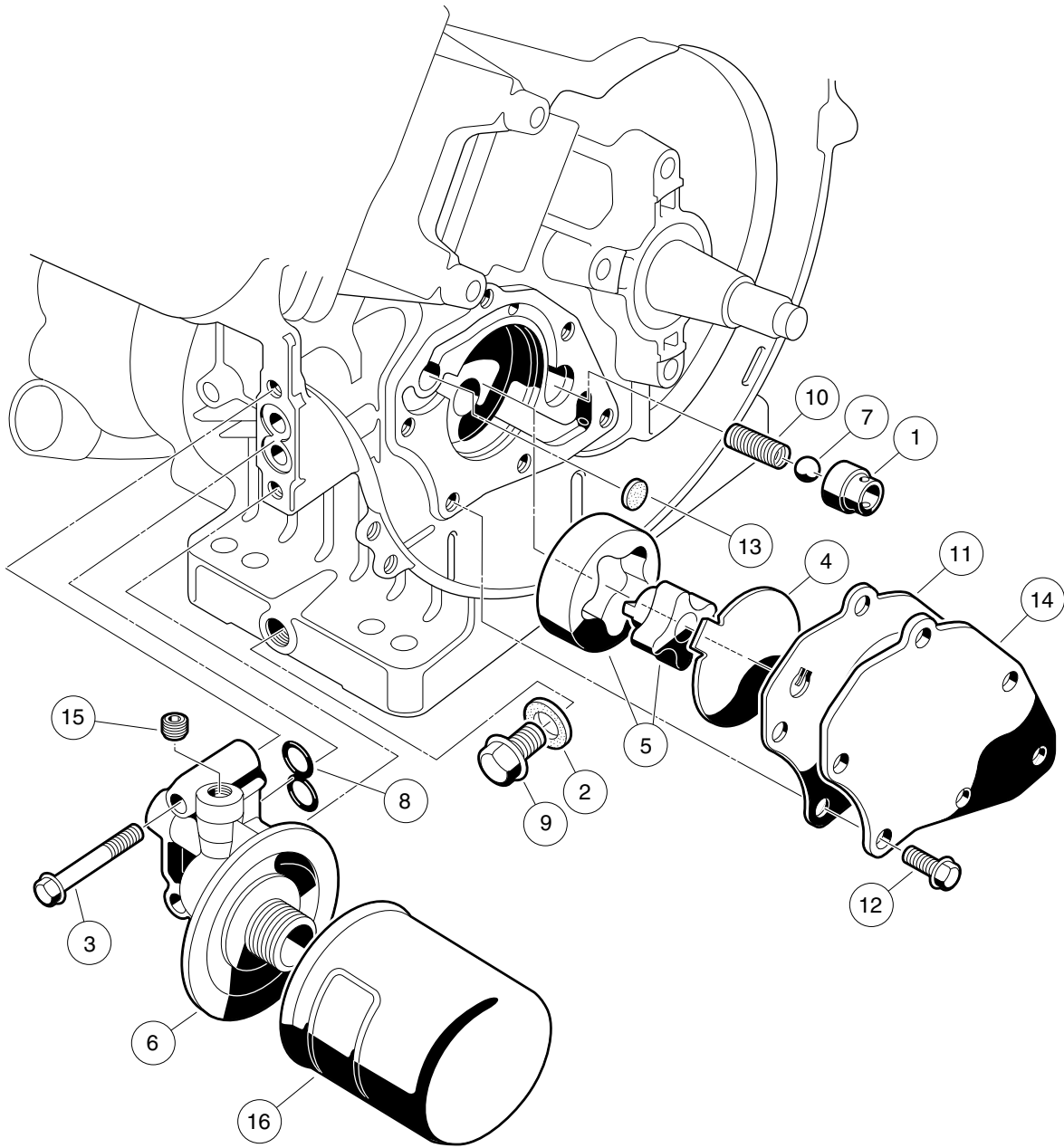


000202-004

FE350 ENGINE (AS26)- IGNITION COMPONENTS AND FLYWHEEL

ITEM	PART NO.	DESCRIPTION	QTY
		1 2 3 4	
1	<u>1016455</u>	Bolt, Flange Head	2
2	<u>1016544</u>	Screw	1
3	<u>1016561</u>	Clamp	1
4	<u>1016562</u>	Key	1
5	<u>1016578</u>	Grommet, Ignition	1
6	<u>1016587</u>	Clamp	1
7	<u>1016588</u>	Tube, 7mm X 10mm X 70mm	1
8	<u>1017448</u>	Bolt, Flanged	3
9	<u>1017455</u>	Plate, Flywheel Fan	1
10	<u>1017463</u>	Cap Asm, Plug	1
11	<u>1017490</u>	Washer, Flat	1
12	<u>101916301</u>	Fan (cw)	1
13	<u>102838401</u>	Nut, Hex, 18 mm Fine	1
14	<u>103616501</u>	Coil Asm, Ignition	1
15	<u>103616601</u>	Flywheel, Complete	1
16	<u>103616701</u>	Wire Lead, Ignition	1
17	<u>AM1232301</u>	Spark Plug, BPR2ES	1

9
G



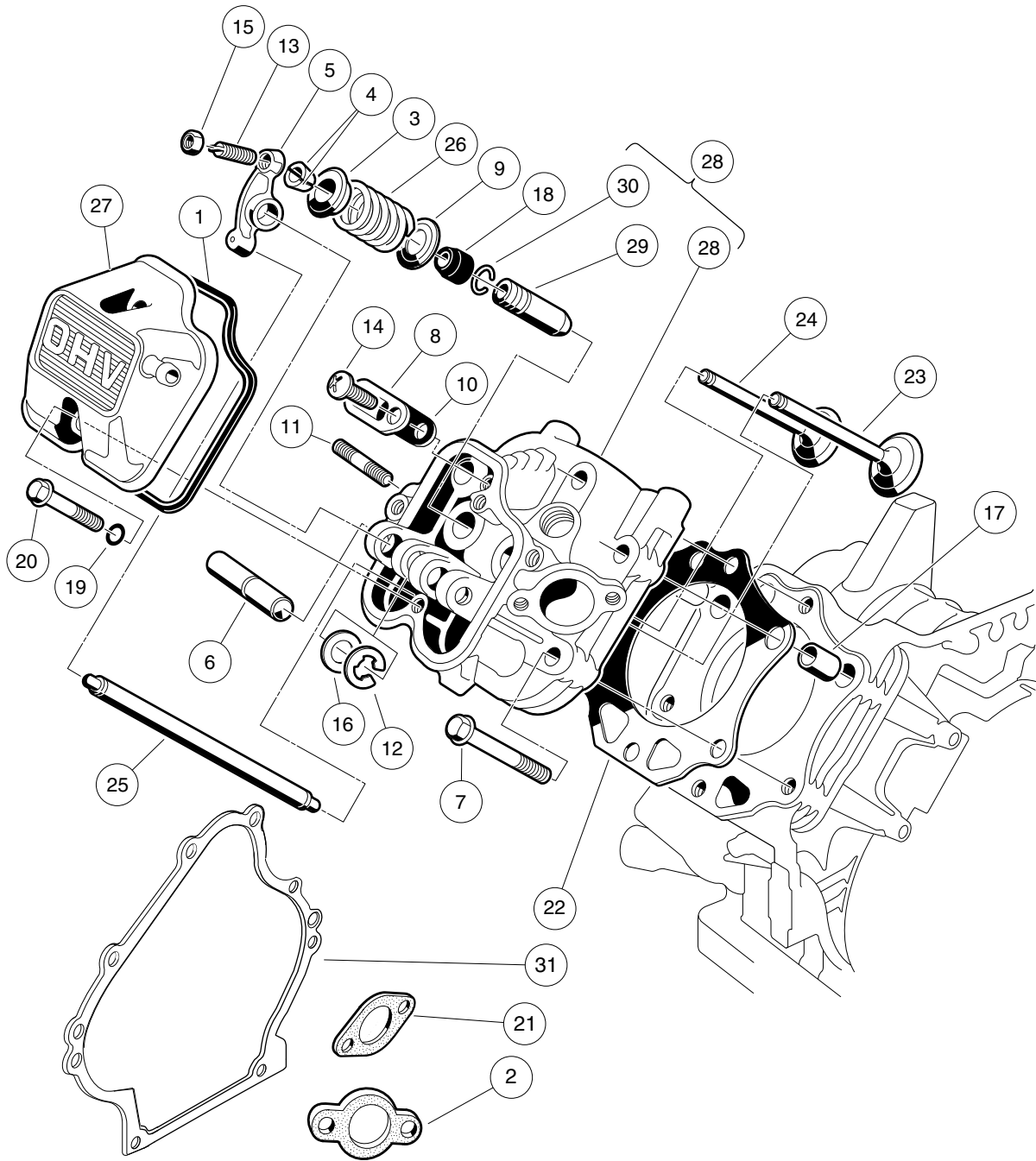
000203-002

FE350 ENGINE (AS26)- OIL CIRCULATION

ITEM	PART NO.	DESCRIPTION	QTY
		1 2 3 4	
1	1016429	Seat, Valve Oil Pressure Relief	1
2	<u>1016432</u>	Gasket, Drain Plug	1
3	<u>1016457</u>	Bolt, Flange Head	2
4	<u>1016473</u>	Plate, Oil Pump	1
5	<u>101648203</u>	Oil Pump And Rotor	1
6	<u>1016502</u>	Bracket, Oil Filter Mount	1
7	<u>1016537</u>	Ball, Steel, Press, Relief	1
8	<u>1016570</u>	O-Ring	1
9	1016576	Plug, Drain	1
10	<u>1016581</u>	Spring	1
11	<u>1017442</u>	Gasket	1
12	<u>1017456</u>	Bolt, Flanged	6
13	<u>1017458</u>	Filter	1
14	<u>1017460</u>	Cover, Pump	1
15	<u>1017507</u>	Plug	2
16	<u>103887901</u>	Filter, Oil, Kawasaki	1

9

G

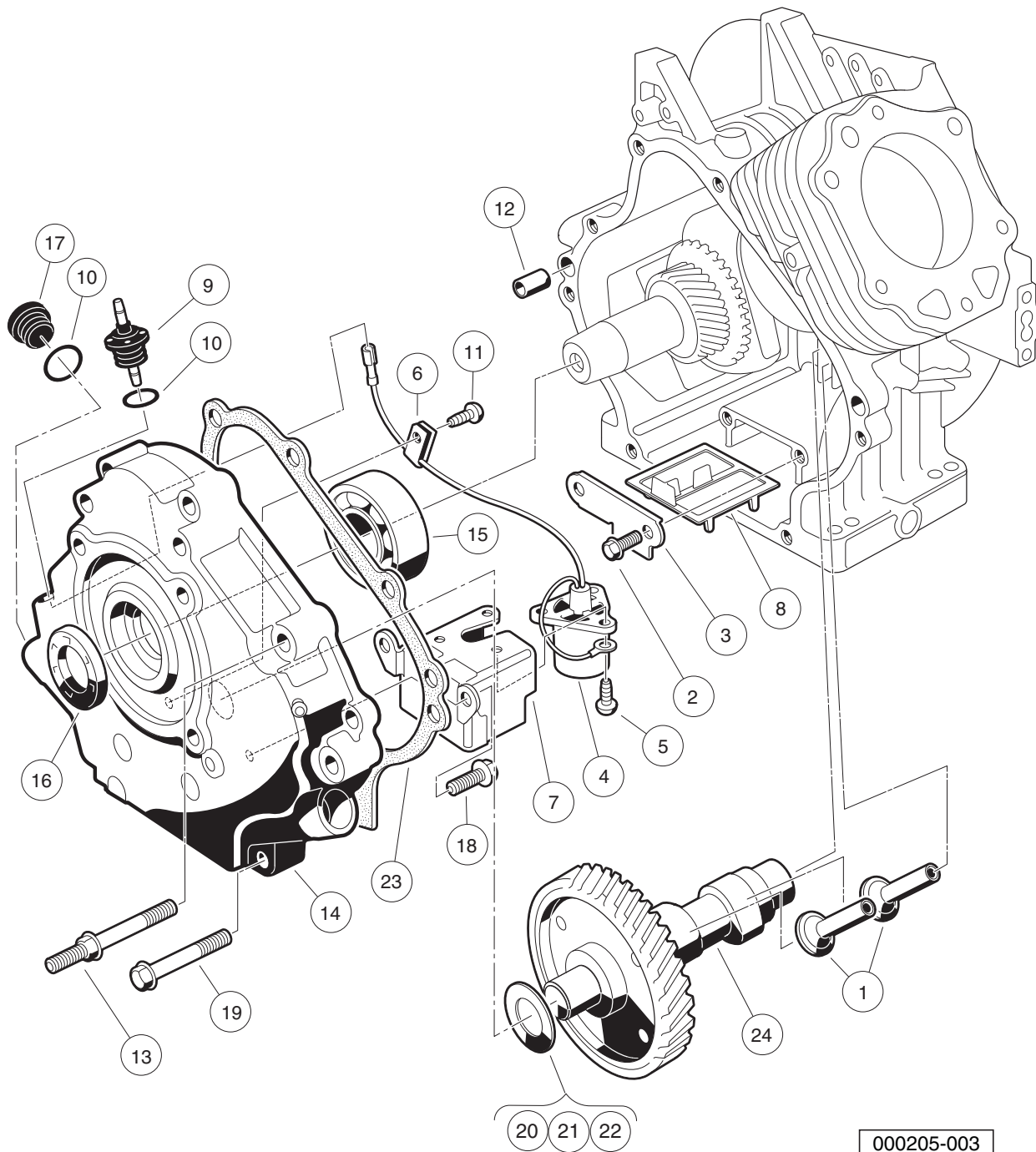


000204-006

FE350 ENGINE (AS26)- CYLINDER HEAD

ITEM	PART NO.	DESCRIPTION	QTY
		1 2 3 4	
1	<u>1016436</u>	Gasket, Rocker Case	1
2	<u>1016440</u>	Gasket, Engine to Insulator	1
3	<u>1016449</u>	Retainer, Valve Spring	2
4	<u>1016450</u>	Collet	4
5	1016451	Arm, Rocker	2
6	<u>1016452</u>	Shaft, Rocker	1
7	<u>1016458</u>	Bolt, Flange Head, M8 x 1.25 x 45 mm	6
8	<u>1016474</u>	Plate	1
9	<u>1016479</u>	Seat, Spring	2
10	<u>1016483</u>	Valve	1
11	<u>1016489</u>	Stud, Two-Ended, M8-1.25	2
12	<u>1016517</u>	Circlip, Type-E	1
13	1016542	Screw	2
14	<u>1016544</u>	Screw	1
15	<u>1016545</u>	Nut	2
16	<u>1016549</u>	Washer, 12.1x19x1.8	1
17	<u>1016563</u>	Pin	2
18	<u>1016566</u>	Seal, Oil	2
19	<u>1016569</u>	O-Ring	2
20	<u>1016583</u>	Bolt, 6x35	2
21	<u>1016904</u>	Gasket, Exhaust	1
22	<u>1017434</u>	Gasket, Head	1
23	<u>1017444</u>	Valve, Intake	1
24	<u>1017445</u>	Valve, Exhaust	1
25	<u>1017454</u>	Rod, Push	2
26	<u>1017473</u>	Spring, Engine Valve	2
27	<u>102753401</u>	Case, Rocker, Fe	1
28	<u>103615601</u>	Cylinder Head (includes items 29 and 30)	1
29	<u>1016519</u>	Guide, Valve, Intake, Exhaust	2
30	<u>1016560</u>	Snap Ring	2
31	<u>103615901</u>	Gasket, Crankcase Cover	1
		Note: Item 2, <u>1016440</u> as shown, is not a component of the FE350 engine.	

9
G

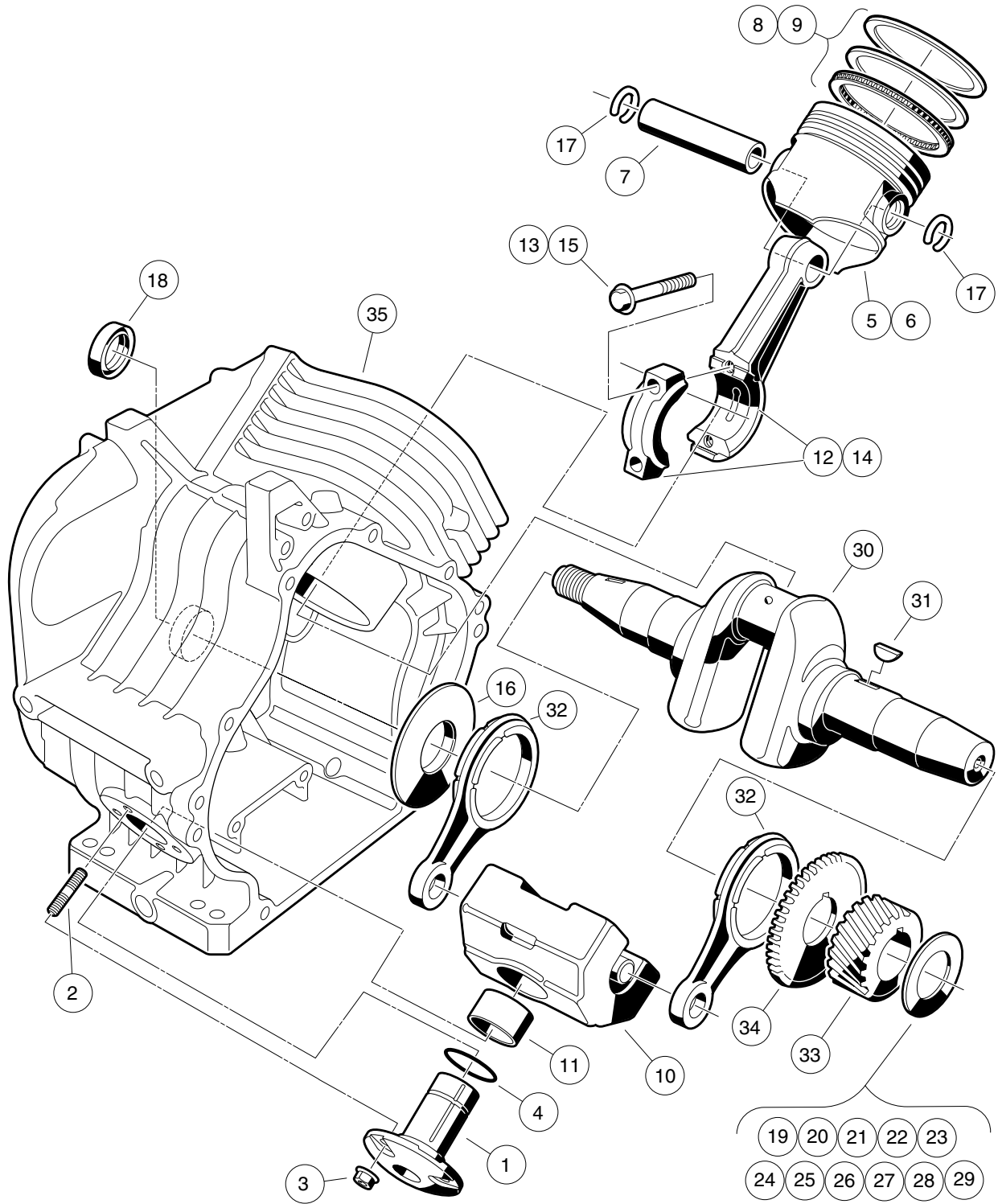


000205-003

FE350 ENGINE (AS26)- CRANKCASE, CAMSHAFT, AND OIL SENSOR

ITEM	PART NO.	DESCRIPTION	QTY
		1 2 3 4	
1	1016453	Tappet	2
2	<u>1016454</u>	Bolt, Flange Head, M5 x 0.8 x 8 mm	2
3	<u>1016472</u>	Plate, Oil Filter Screen	1
4	1016494	Sensor, Oil Level	1
5	<u>1016496</u>	Screw, Cross Pan-Head, M4 x 0.7 x 8 mm	3
6	<u>1016506</u>	Clamp	1
7	<u>1016510</u>	Bracket, Switch, Oil Level	1
8	<u>1016521</u>	Screen, Oil Filter	1
9	<u>1016535</u>	Connector, Cord	1
10	<u>1016538</u>	O-Ring	2
11	<u>1016544</u>	Screw	1
12	<u>1016564</u>	Pin	2
13	<u>1016584</u>	Bolt, Two-Ended, M8 x 1.25 x 69 mm	2
14	<u>1017472</u>	Cover Crankcase	1
15	<u>1017487</u>	Bearing, Ball	1
16	<u>1017504</u>	Seal, Oil	1
17	1017508	Plug	1
18	<u>1017513</u>	Bolt Switch Bracket	2
19	<u>1017514</u>	Screw, M8-1.25 X 45mm Hex	6
20	<u>101751801</u>	Shim, 0.3	1
21	<u>101751802</u>	Shim, 0.4	1
22	<u>101751803</u>	Shim, 0.5	1
23	<u>103615901</u>	Gasket, Crankcase Cover	1
24	<u>103616401</u>	Camshaft, Complete	1

9
G

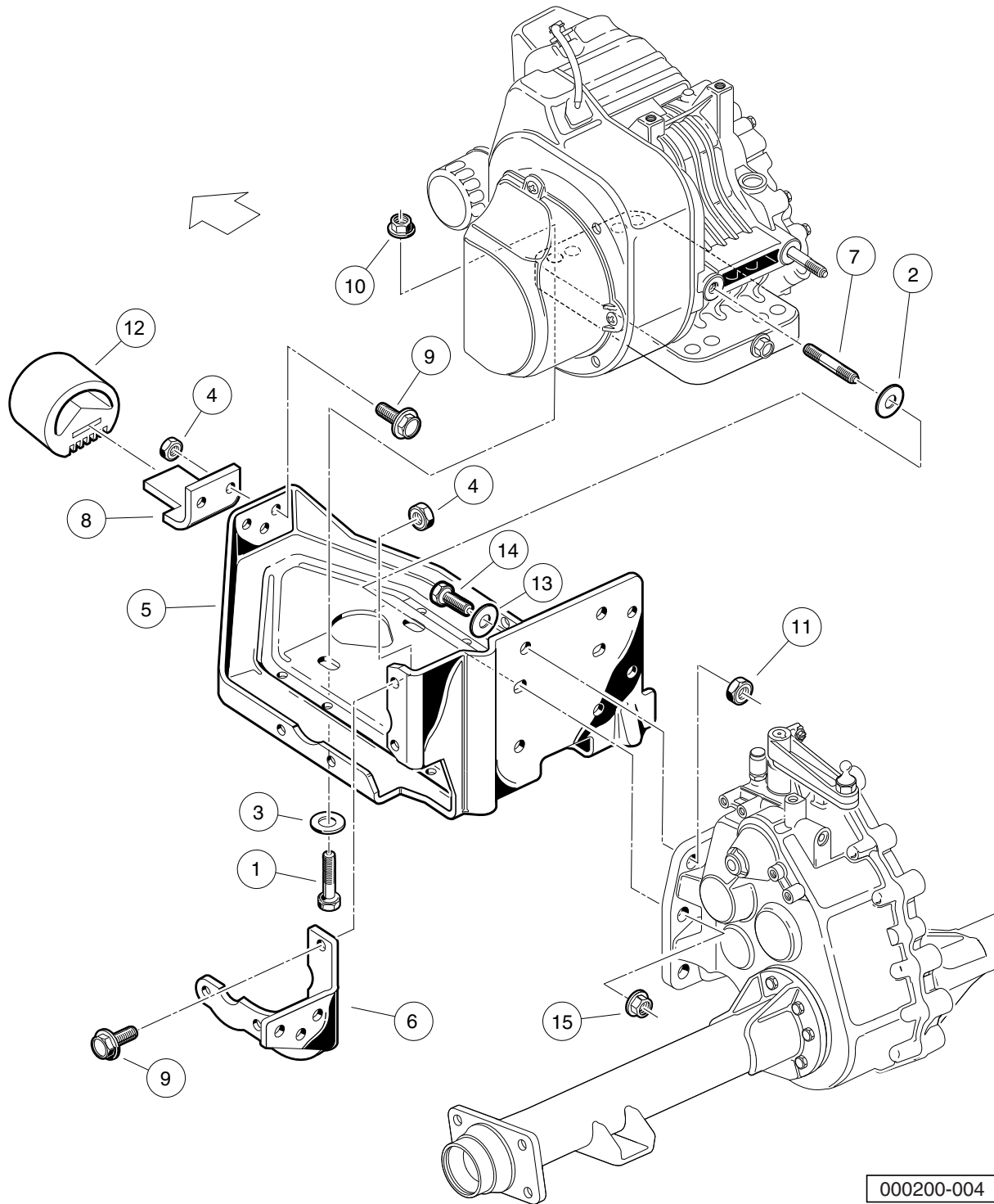


000206-003

FE350 ENGINE (AS26)- CRANKCASE AND CRANKSHAFT

ITEM	PART NO.	DESCRIPTION	QTY
		1 2 3 4	
1	1016470	Shaft, Guide, Counterbalance	1
2	<u>1016541</u>	Stud, 6x14	4
3	1016547	Nut, Flanged, M6 X 1.00	4
4	<u>1016571</u>	O-Ring	1
5	<u>101744901</u>	Piston, Standard	1
6	<u>101744902</u>	Piston, 0.50 mm Oversize	1
7	1017450	Pin, Piston	1
8	<u>101745101</u>	Ring Set, Standard Piston	1
9	<u>101745102</u>	Ring Set, Piston, 0.50 mm Oversize	1
10	<u>1017453</u>	Counterbalance Weight (includes item 11)	1
11	1017510	Bearing, Plain	1
12	101745701	Asm, Con. Rod Std (includes item 13)	1
13	<u>1017512</u>	Bolt	2
14	<u>101745702</u>	Asm,Con.Rod 0.5mm U/s (includes item 15)	1
15	<u>1017512</u>	Bolt	2
16	1017501	Spacer	1
17	<u>1017502</u>	Snap Ring	2
18	<u>1017503</u>	Seal, Oil	1
19	<u>101773301</u>	Shim, Crankshaft, 1.18mm	1
20	<u>101773302</u>	Shim, Crankshaft, 1.25mm	1
21	<u>101773303</u>	Shim, Crankshaft, 1.32mm	1
22	<u>101773304</u>	Shim, Crankshaft, 1.39mm	1
23	<u>101773305</u>	Shim, Crankshaft, 1.46mm	1
24	<u>101773306</u>	Shim, Crankshaft, 1.53mm	1
25	<u>101773307</u>	Shim, Crankshaft, 1.60mm	1
26	<u>101773308</u>	Shim, Crankshaft, 1.67mm	1
27	<u>101773309</u>	Shim, Crankshaft, 1.74mm	1
28	<u>101773310</u>	Shim, Crankshaft, 1.11 mm	1
29	<u>101773311</u>	Shim, Crankshaft, 1.81mm	1
30	<u>102430901</u>	Crankshaft, FE350 Left-Hand, 22-Tooth (includes items 31 through 34)	1
31	<u>1016562</u>	Key	1
32	<u>1017471</u>	Rod	2
33	N/A	Gear, Helical	1
34	N/A	Gear, Spur	1
35	<u>103615801</u>	Crankcase, FE350	1

9
G



000200-004

FE350 ENGINE (AS26)- MOUNTING

ITEM	PART NO.	DESCRIPTION	QTY
		1 2 3 4	
1	<u>1010577</u>	Bolt, Hex-Head, 5/16-18 X 1.50	4
2	<u>1011697</u>	Washer, 5/16 Flat	2
3	1012571	Washer, 5/16 Extra Thick Flat	4
4	<u>1013924</u>	Nut, 5/16-24, Hex Head Cone	6
5	<u>101827101</u>	Plate, Engine Mounting	1
6	<u>101832701</u>	Stiffener (Flywheel Side)	1
7	<u>101833101</u>	Stud, M8-1.25 X 50 mm Two-Ended	2
8	<u>101834601</u>	Bracket, Snubber	1
9	<u>101884801</u>	Screw, 5/16-24 X 0.875, Grade-8	6
10	<u>101963401</u>	Locknut, 5/16-18 Hex Flange	4
11	<u>102065901</u>	Locknut, 3/8-16 Flanged Dimple	4
12	<u>102540301</u>	Snubber, Inner Frame	1
13	<u>334</u>	Washer, 3/8, Type A, Flat	4
14	705	Screw, Cap-hex Hd 3/8-16x1.25	4
15	<u>96704416</u>	Nut, Flange, M8 X 1.25 Serrated	2

9

G

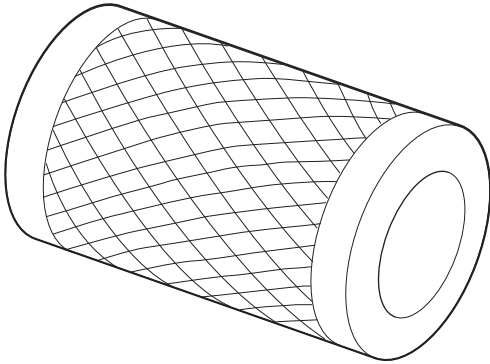
9

G

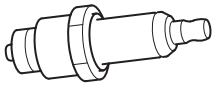
ENGINE – SUBARU EX40

10

G



1



2

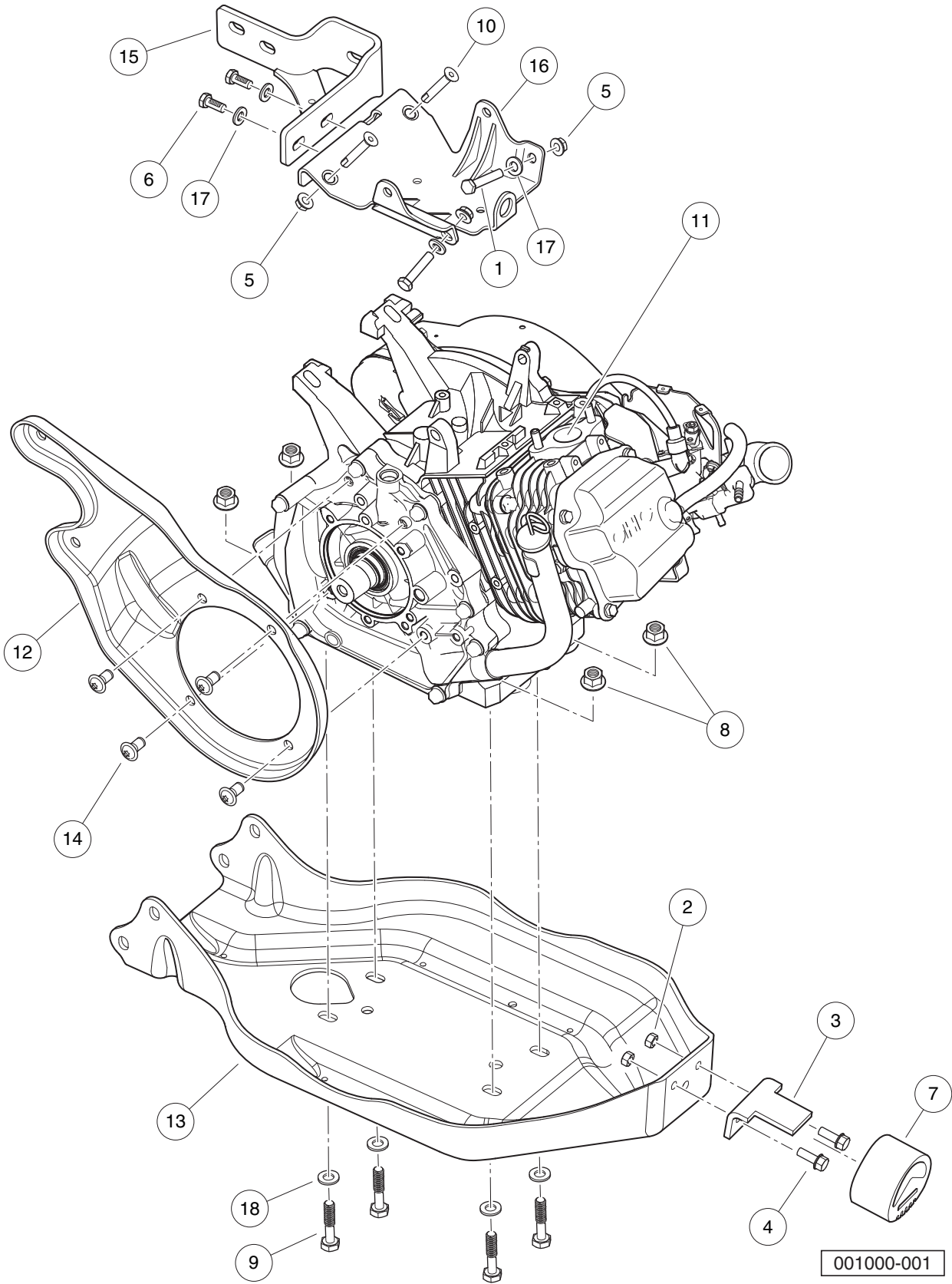
000992-003

TUNE-UP PARTS – SUBARU EX40

ITEM	PART NO.	DESCRIPTION	QTY
		1 2 3 4	
1	<u>102558201</u>	Air Filter, 4 Inch	1
2	105017801	Spark Plug, Subaru EX40	1

10

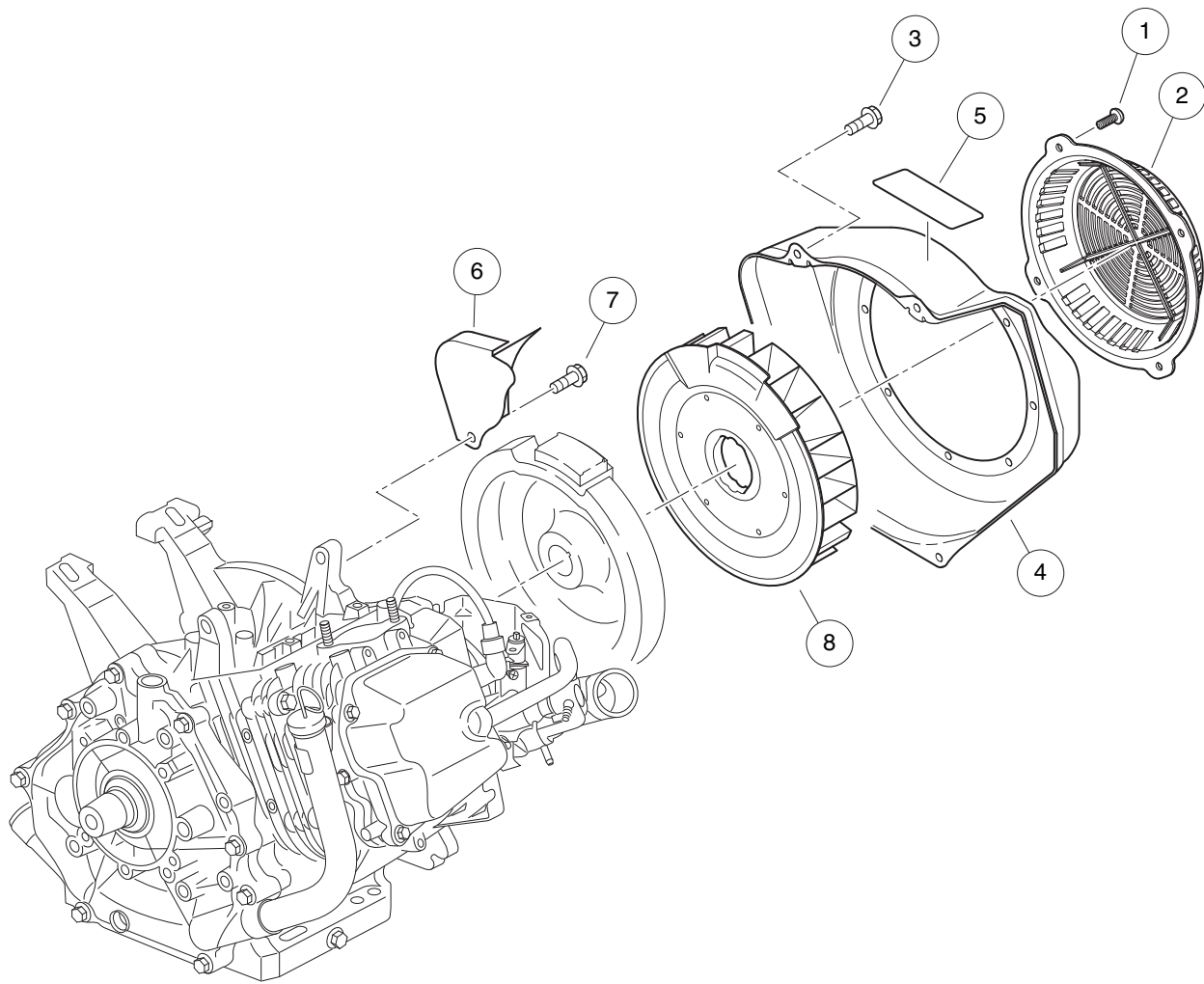
G



ENGINE AND ENGINE MOUNTING, PRECEDENT – EX40

ITEM	PART NO.	DESCRIPTION	QTY
		1 2 3 4	
1	<u>1010577</u>	Bolt, Hex-Head, 5/16-18 X 1.50	2
2	<u>1013924</u>	Nut, 5/16-24, Hex Head Cone	2
3	<u>101834601</u>	Bracket, Snubber	1
4	<u>101884801</u>	Screw, 5/16-24 X 0.875, Grade-8	2
5	<u>101963401</u>	Locknut, 5/16-18 Hex Flange	4
6	<u>102242101</u>	Screw, 5/16-18 X 3/4 Hex-Head with Patch	2
7	<u>102540301</u>	Snubber, Inner Frame	1
8	<u>102617201</u>	Nut, Flanged, M10 X 1.5, Mechanically Deformed	4
9	<u>102732401</u>	Bolt, M10 X 45, Zn-Ni (Black)	4
10	<u>103196202</u>	5/16-18x1.75, Bolt, Loctite	2
11	<u>103882801</u>	Engine, Gas, Subaru EX40, EFI	1
12	<u>103979401</u>	Plate, Mounting, CVT, Center	1
13	<u>103982201</u>	Plate, Engine/Axle Mounting	1
14	<u>103996201</u>	Screw, 3/8-16 X .75, Btn Hd Cap	4
15	<u>105134601</u>	Bracket, Mounting, Transaxle/Exhaust,†EX40	1
16	<u>105149301</u>	Bracket,†Mounting, Starter/Generator,†EX40	1
17	<u>1241</u>	Washer, 5/16 Type A Flat	4
18	<u>96741046</u>	Washer, M10, Hard	4

10
G



001001-001

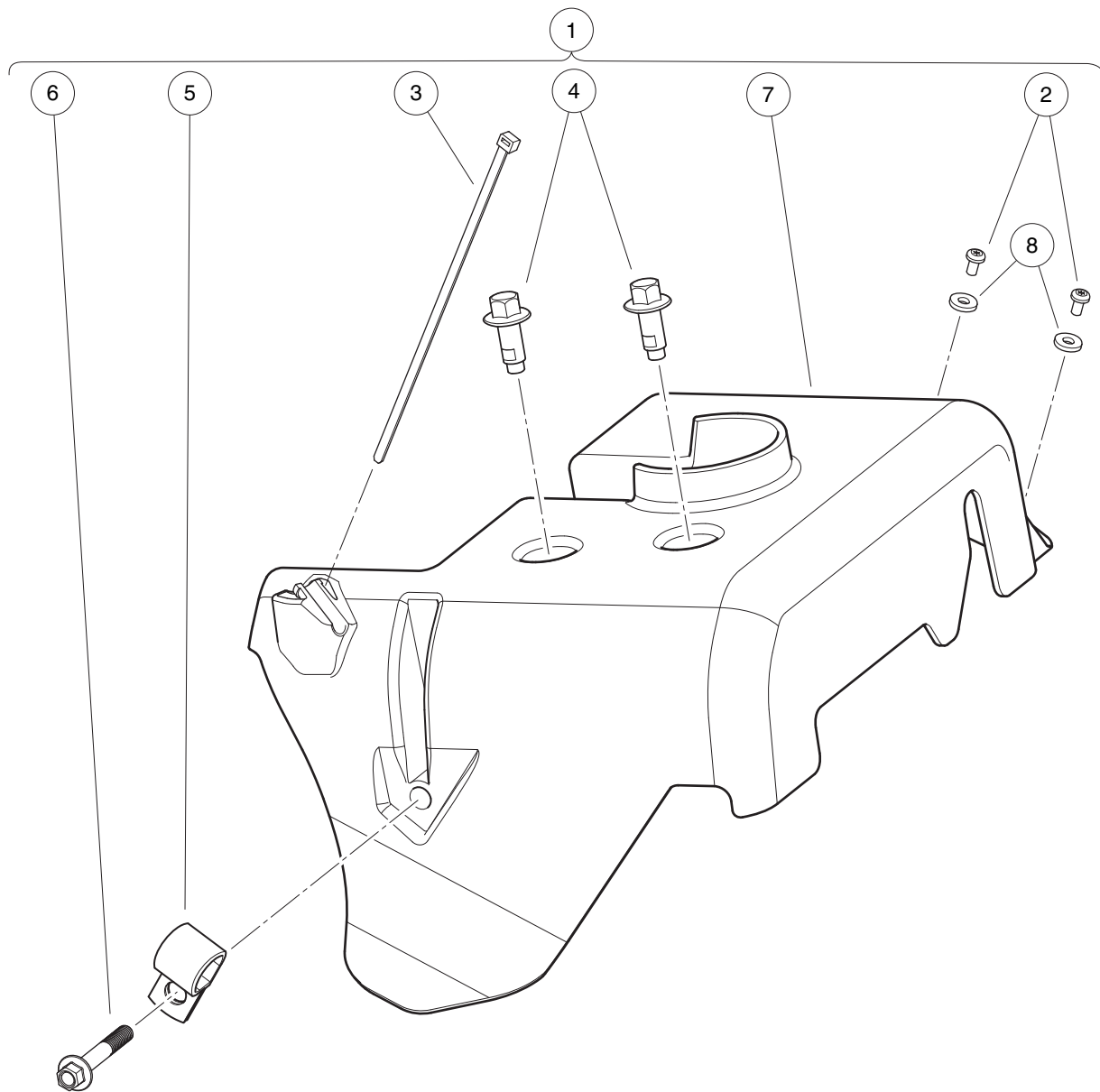
FAN AND SHROUD – EX40

ITEM	PART NO.	DESCRIPTION	QTY
		1 2 3 4	
1	<u>1015969</u>	Screw, M6-1.00 X 10mm, Pan Hd	4
2	<u>103995901</u>	Cover, Fan, EX40	1
3	<u>105012601</u>	Bolt, Flange, M6x1.0x12, EX40	4
4	<u>105016701</u>	Housing, Fan, EX40	1
5	<u>105016801</u>	Label, Engine Warning, EX40	1
6	<u>105016901</u>	Baffle, Crankcase, EX40	1
7	<u>105017001</u>	Bolt, Baffle, M8x1.25x12 Ex40	1
8	<u>105017101</u>	Fan, Cooling, EX40	1

10

G

10
G



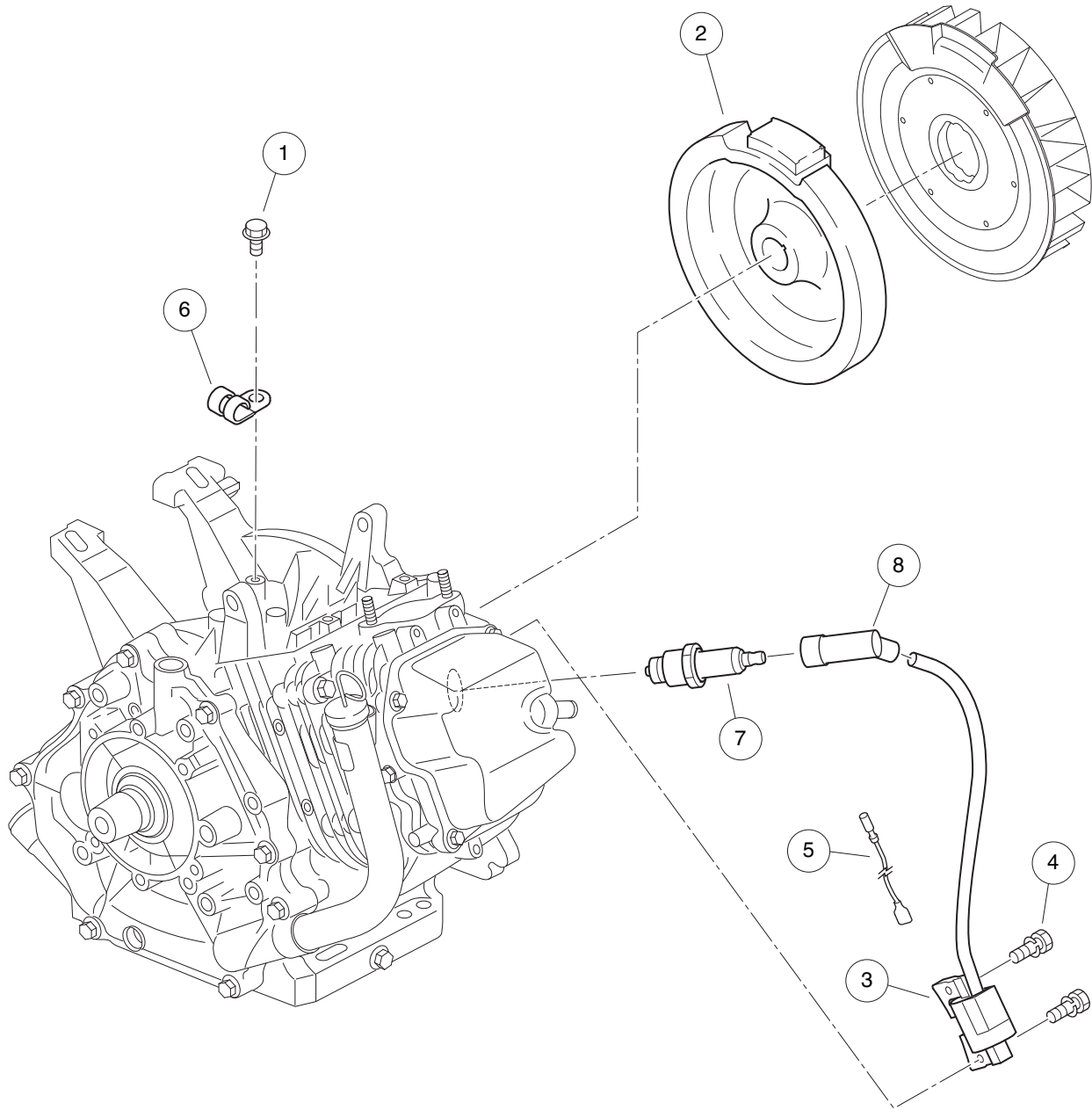
001002-001

AIR DEFLECTOR – EX40

ITEM	PART NO.	DESCRIPTION	QTY
		1 2 3 4	
1	<u>105084801</u>	Kit, Air Deflector, Subaru EX40 (includes items 2 through 8)	1
2	<u>1016103</u>	Screw, Pan Hd Tx, Taptite 6-32	2
3	101824101	Tie Wrap, Black	1
4	<u>102298116</u>	Bolt, Flanged Head, M8 X 16.0	2
5	<u>102410604</u>	P-clamp, Insulated, 0.625 Inch	1
6	<u>102541402</u>	Bolt, M6x1.0x40, Hex Flange Head, Blk-l	1
7	105075301	Deflector, Air, Subaru EX40	1
8	<u>7591</u>	Washer, #6, Flat	2

10

G

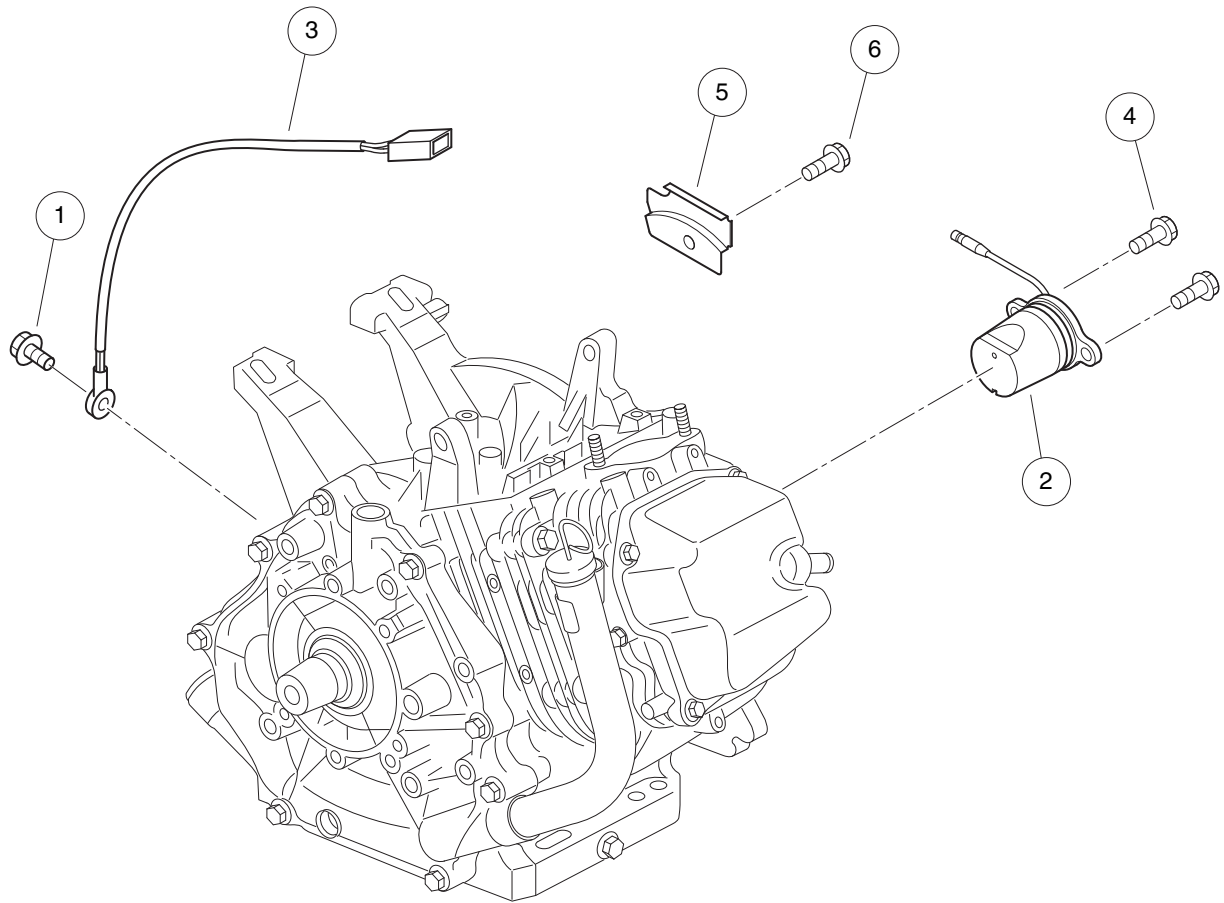


001003-001

IGNITION COMPONENTS AND FLYWHEEL – EX40

ITEM	PART NO.	DESCRIPTION	QTY
		1 2 3 4	
1	<u>105016001</u>	Bolt, Flange, M6x1.0x8, EX40	1
2	<u>105017301</u>	Flywheel, EX40	1
3	<u>105017401</u>	Coil, Ignition, CDI, EX40	1
4	<u>105017501</u>	Asm, Bolt-Washer, Coil, EX40	2
5	<u>105017601</u>	Asm, Wire, Coil Control, EX40	1
6	<u>105017701</u>	Clamp, Coil Control Wire, EX40	1
7	<u>105017801</u>	Spark Plug, Subaru EX40	1
8	<u>105017901</u>	Cap, Spark Plug, EX40	1

10
G



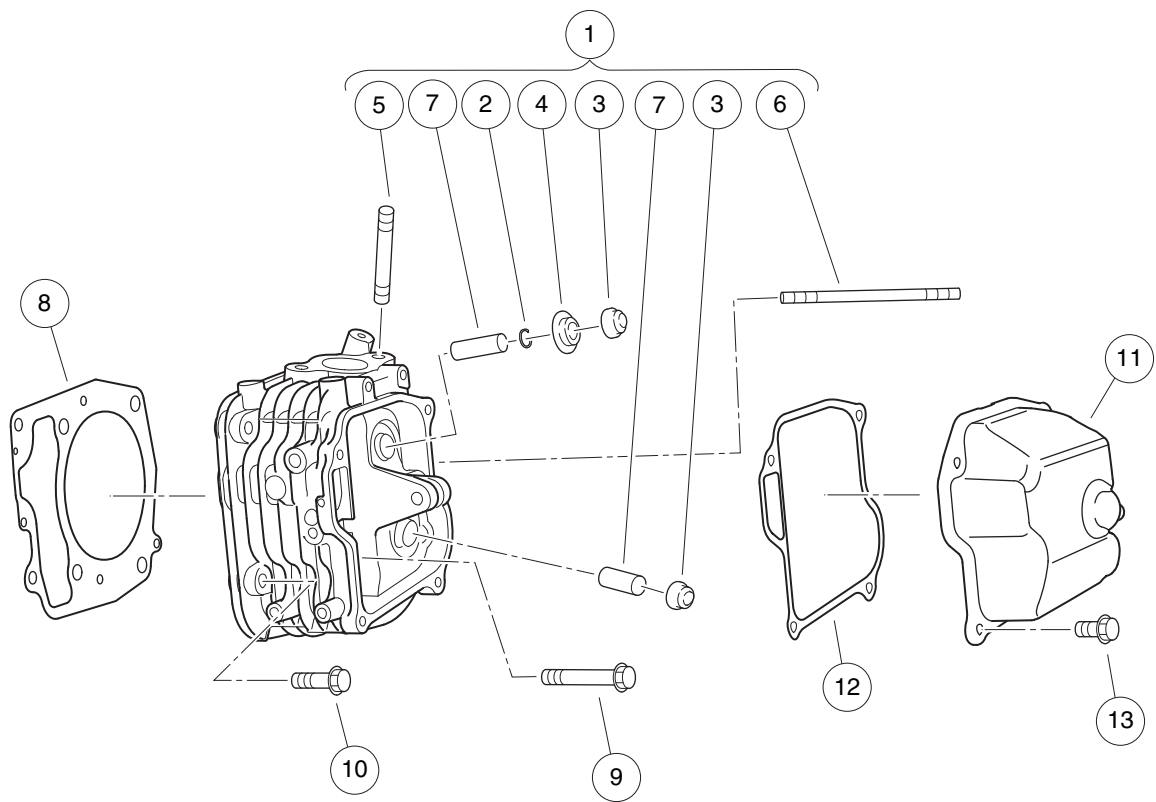
001004-001

SENSORS – EX40

ITEM	PART NO.	DESCRIPTION	QTY
		1 2 3 4	
1	<u>105012601</u>	Bolt, Flange, M6x1.0x12, EX40	1
2	<u>105018001</u>	Sensor, Oil Level, EX40	1
3	<u>105018101</u>	Sensor, Temperature, EX40	1
4	<u>105018201</u>	Bolt, Oil Sensor, M6x1.0x14, EX40	2
5	<u>105018301</u>	Clamp, Oil Sensor Wire, EX40	1
6	<u>105018401</u>	Bolt, Tap, Oil Wire Clamp, EX40	1

10

G



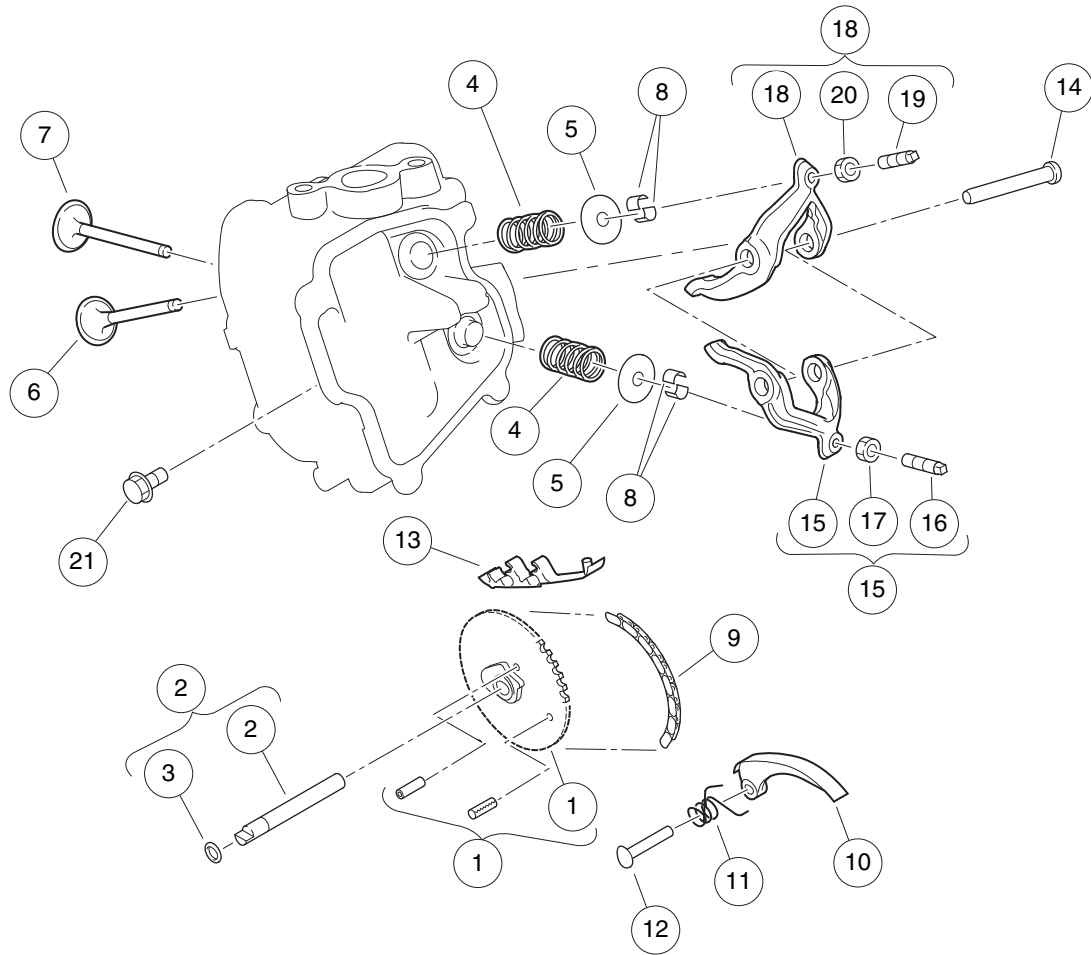
001005-001

CYLINDER HEAD – EX40

ITEM	PART NO.	DESCRIPTION	QTY
		1 2 3 4	
1	<u>105011901</u>	Asm, Cylinder Head, EX40 (includes items 2 through 7)	1
2	<u>105010101</u>	Clip, Retainer Plate, EX40	1
3	<u>105010201</u>	Seal, Valve, EX40	2
4	<u>105010301</u>	Plate, Retainer, EX40	1
5	<u>105010801</u>	Stud, Mounting, Exhaust, EX40	2
6	<u>105010901</u>	Stud, Mounting, Intake, EX40	2
7	<u>105018501</u>	Guide, Valve, EX40	2
8	<u>105012001</u>	Gasket, Head, EX40	1
9	<u>105012101</u>	Bolt, Head, M10x1.25x75, EX40	4
10	<u>105012201</u>	Bolt, Head, M8x1.25x35, EX40	2
11	<u>105012301</u>	Cover, Rocker, EX40	1
12	<u>105012401</u>	Gasket, Rocker Cover, EX40	1
13	<u>105012601</u>	Bolt, Flange, M6x1.0x12, EX40	4

10

G



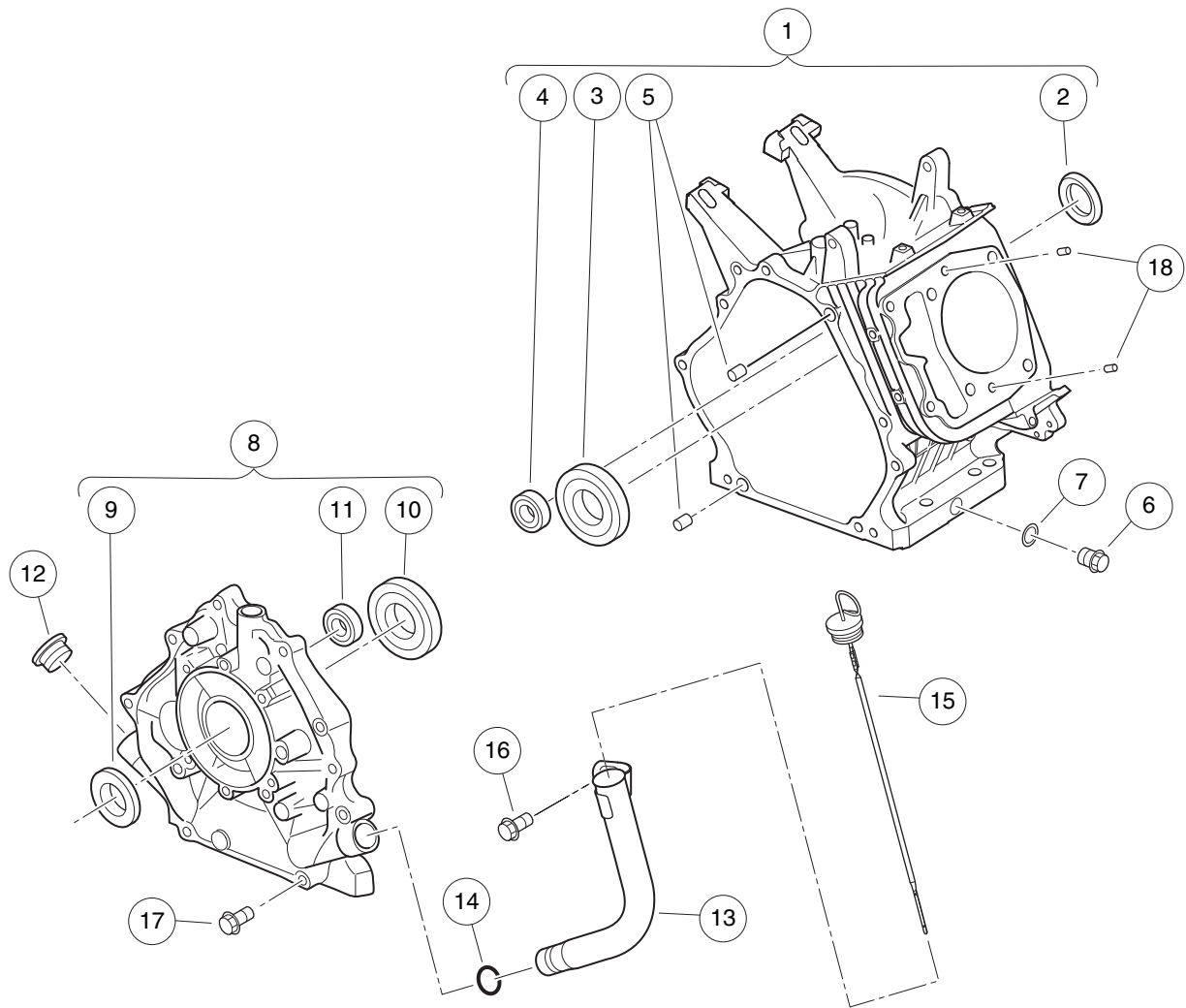
001006-001

VALVETRAIN AND TIMING CHAIN – EX40

ITEM	PART NO.	DESCRIPTION	QTY
		1 2 3 4	
1	<u>105014201</u>	Asm, Cam/Chain Sprocket, EX40	1
2	<u>105014301</u>	Asm, Camshaft and O-ring, EX40 (includes item 3)	1
3	<u>105014401</u>	O-ring, Camshaft, EX40	1
4	<u>105014501</u>	Spring, Valve, EX40	2
5	<u>105014601</u>	Retainer, Spring, EX40	2
6	<u>105014701</u>	Valve, Intake, EX40	1
7	<u>105014801</u>	Valve, Exhaust, EX40	1
8	<u>105014901</u>	Collet, Valve, EX40	4
9	<u>105015001</u>	Chain, Timing, EX40	1
10	<u>105015101</u>	Tensioner, Chain, EX40	1
11	<u>105015201</u>	Spring, Tension, EX40	1
12	<u>105015301</u>	Pin, Tensioner, EX40	1
13	<u>105015401</u>	Guide, Chain, EX40	1
14	<u>105015501</u>	Shaft, Rocker, EX40	1
15	<u>105015601</u>	Asm, Rocker Arm, Intake, EX40 (includes items 16 and 17)	1
16	<u>105015801</u>	Screw, Adjust, Valve, EX40	1
17	<u>105015901</u>	Nut, Adjust, Valve, EX40	1
18	<u>105015701</u>	Asm, Rocker Arm, Exhaust, EX40 (includes items 19 and 20)	1
19	<u>105015801</u>	Screw, Adjust, Valve, EX40	1
20	<u>105015901</u>	Nut, Adjust, Valve, EX40	1
21	<u>105016001</u>	Bolt, Flange, M6x1.0x8, EX40	1

10

G



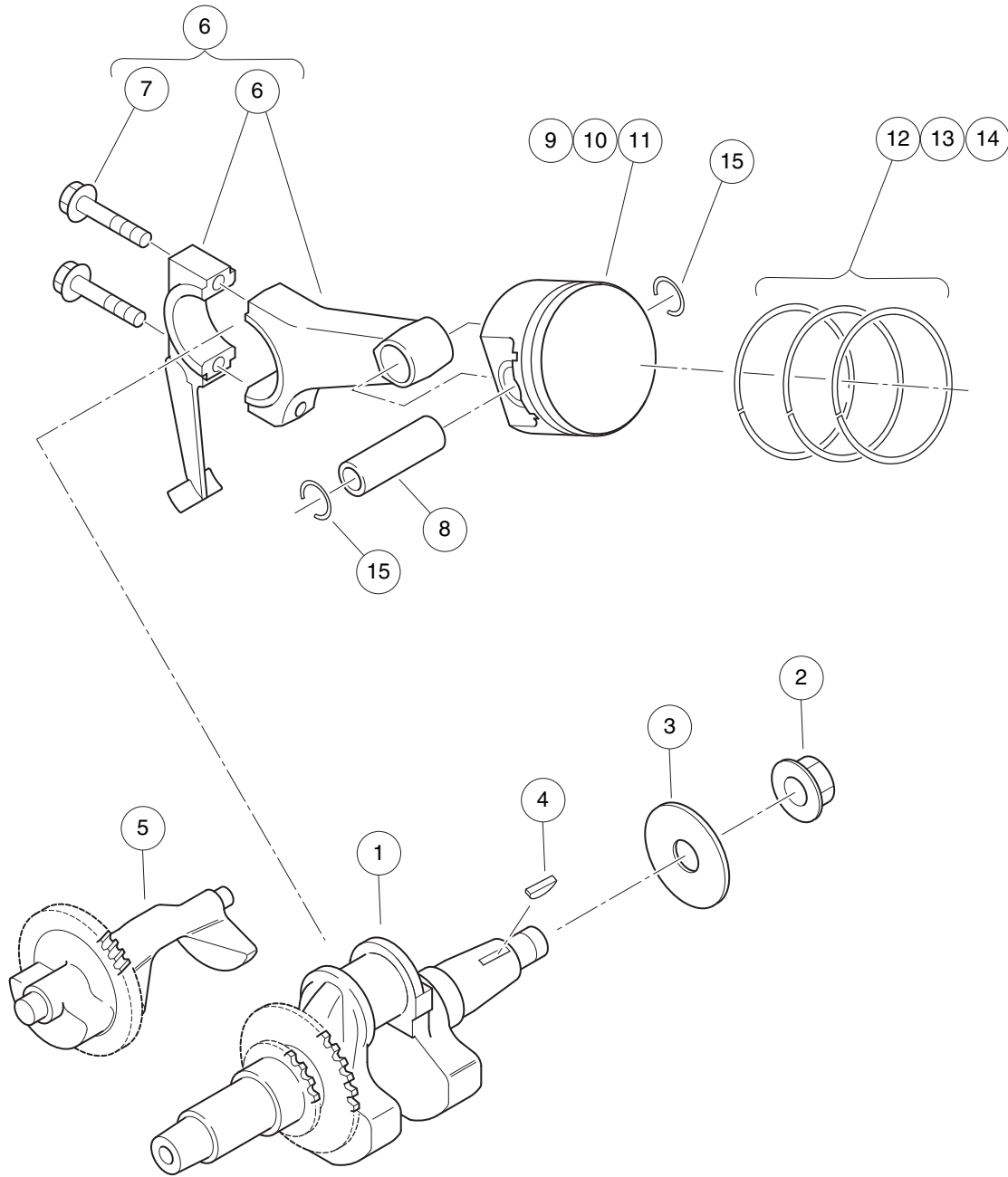
001007-001

CRANKCASE – EX40

ITEM	PART NO.	DESCRIPTION	QTY
		1 2 3 4	
1	105010001	Crankcase, EX40 (includes items 2 through 5)	1
2	<u>105010401</u>	Seal, Oil, Crankshaft, EX40	1
3	<u>105010501</u>	Bearing, Crankshaft, EX40	1
4	105010601	Bearing, Balance Shaft, EX40	1
5	<u>105010701</u>	Pin, Guide, Crankcase, EX40	2
6	105011001	Plug, Oil Drain, EX40	2
7	<u>105011101</u>	Gasket, Oil Drain Plug, EX40	2
8	105011201	Asm, Cover, Crankcase, EX40 (includes items 9 through 11)	1
9	<u>105010401</u>	Seal, Oil, Crankshaft, EX40	1
10	<u>105010501</u>	Bearing, Crankshaft, EX40	1
11	105010601	Bearing, Balance Shaft, EX40	1
12	<u>105011301</u>	Plug, Rubber, Crankcase, EX40	1
13	<u>105011401</u>	Tube, Oil Filler, EX40	1
14	<u>105011501</u>	O-ring, Oil Filler Tube, EX40	1
15	<u>105011601</u>	Dipstick, EX40	1
16	<u>105011701</u>	Bolt, Filler Tube, M8x1.25x12, EX40	1
17	<u>105011801</u>	Bolt, Case Cover, M8x1.25x38, EX40	8
18	<u>105012501</u>	Pin, Guide, Head, EX40	2

10

G



001008-001

CRANKSHAFT AND PISTON – EX40

ITEM	PART NO.	DESCRIPTION	QTY
		1 2 3 4	
1	105012701	Crankshaft, EX40	1
2	<u>105012801</u>	Nut, Crankshaft M18x1.5 Ex40	1
3	<u>105012901</u>	Washer, Crankshaft Ex40	1
4	<u>105013001</u>	Key, Woodruff, Crankshaft, EX40	1
5	<u>105013101</u>	Shaft, Balance, EX40	1
6	<u>105013201</u>	Asm, Rod, Connecting, EX40 (includes item 7)	1
7	<u>105013301</u>	Bolt, Rod M8x1.25x40 Ex40	2
8	<u>105013401</u>	Pin, Piston, EX40	1
9	<u>105013501</u>	Piston, Standard, EX40	1
10	<u>105013601</u>	Piston, 0.25 mm Oversize, EX40	1
11	<u>105013701</u>	Piston, 0.50 mm Oversize, EX40	1
12	<u>105013801</u>	Set, Piston Ring, Standard, EX40	1
13	<u>105013901</u>	Set, Piston Ring, 0.25 mm Oversize, EX40	1
14	<u>105014001</u>	Set, Piston Ring, 0.50 mm Oversize, EX40	1
15	<u>105014101</u>	Clip, Piston Pin, EX40	2

10

G

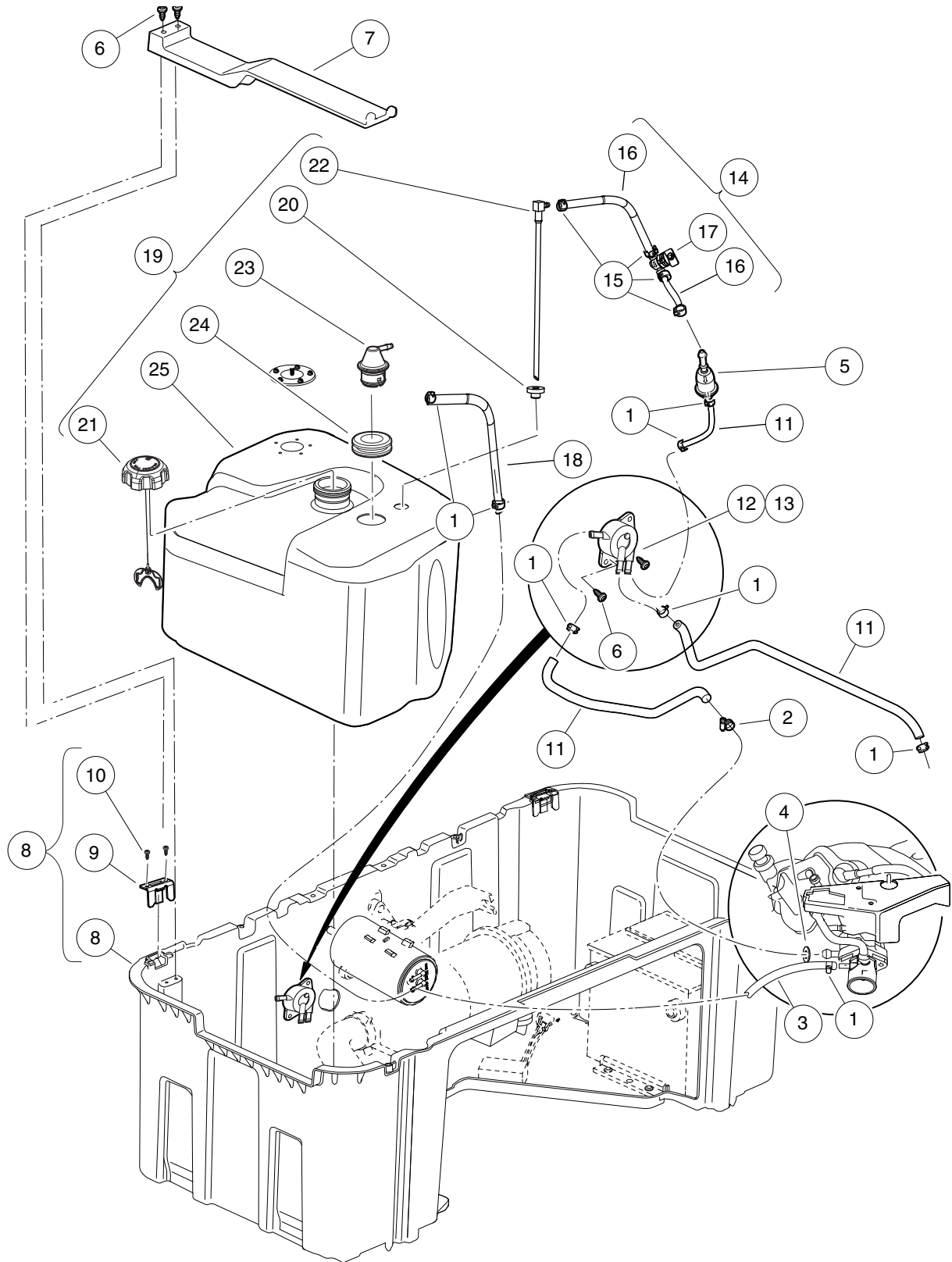
10

G

FUEL SYSTEM – KAW. FE350

11

G



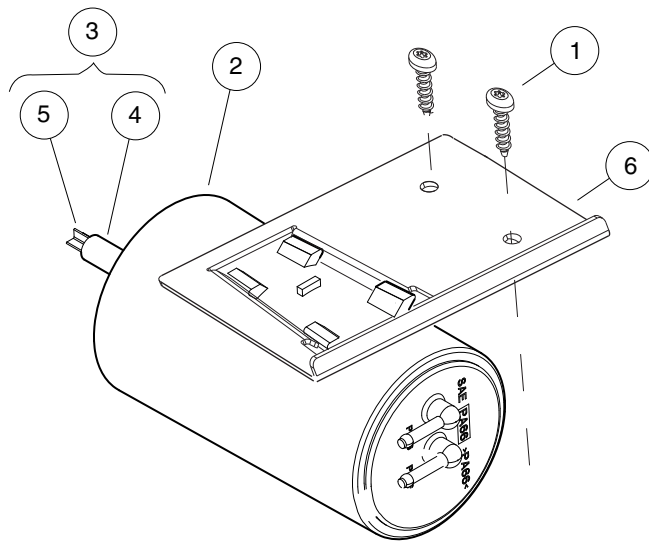
000449-010

FUEL SYSTEM – KAW. FE350

ITEM	PART NO.	DESCRIPTION	QTY
		1 2 3 4	
1	<u>1012649</u>	Clamp, 0.460 Red Hose	9
2	<u>1013687</u>	Clamp, 3/8" Hose (screw type)	1
3	<u>101587704</u>	Hose, Fuel, Vent, 3/16" ID, 17" Long	1
4	N/A	Washer, .31 Nylon Flat	1
5	<u>102003201</u>	Filter, Fuel, 30 Micron	1
6	<u>102296020</u>	Screw, Torx Pan Hd Pt, M6 X 20	4
7	<u>102514201</u>	Hold-down - Fuel Tank	1
8	<u>102514701</u>	Bucket - Gas Vehicle (includes items 9 and 10)	1
9	<u>103470701</u>	Bracket, Bucket Hinge	2
10	N/A	Screw, #6 X .75, Cs Ss, Hi-lo	4
11	<u>102865101</u>	Fuel Line, 1/4 (available by the foot)	A/R
12	<u>103781101</u>	Kit, Fuel Pump Retrofit (includes item 13)	1
13	<u>103010101</u>	Pump, Fuel, Impulse, Fh	1
14	<u>103862401</u>	Asm, Fuel Line, Prec, Field (includes items 15 through 17)	1
15	<u>1012649</u>	Clamp, 0.460 Red Hose	4
16	<u>102865101</u>	Fuel Line, 1/4 (available by the foot)	1
17	<u>103854501</u>	Valve, Fuel, In-line	1
18	<u>103896601</u>	Hose, Vent, 1/4" ID, 9" Long	1
19	<u>103964002</u>	Asm, Tank Fuel, Pr Wo/su Nano (includes items 20 through 25)	1
20	<u>102406701</u>	Bushing, Line, Return	1
21	<u>103372101</u>	Cap, Fuel Tank, Gas, Ratchet	1
22	<u>103854301</u>	Asm, Fitting, Fuel Pickup, Id 1/4"	1
23	<u>103905201</u>	Assembly, Vent, Fuel, 1/4 Inch O.D.	1
24	<u>103944301</u>	Grommet, Fuel Tank, Vent	1
25	N/A	Tank, Fuel, Prec Nano	1

11

G



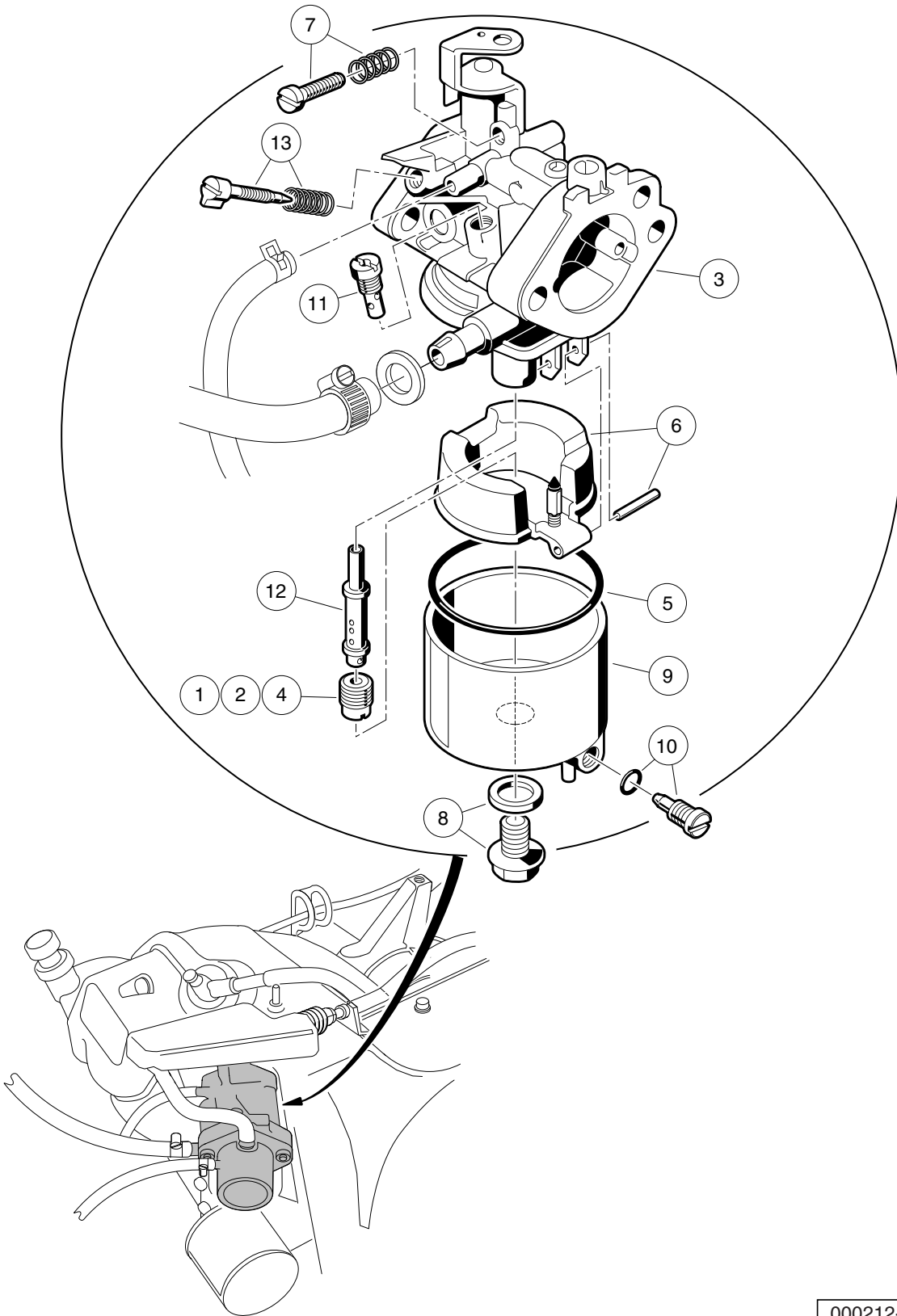
000980-002

CARBON CANISTER – KAW. FE350

ITEM	PART NO.	DESCRIPTION	QTY
		1 2 3 4	
1	<u>102297230</u>	Screw, M6, Torx, Interlock Thread	2
2	<u>103372401</u>	Canister, Carbon	1
3	<u>103756401</u>	Asm, Vent Line, Carbon Canister (includes items 4 and 5)	1
4	N/A	Hose, Vent, 5/16 I.D., Bulk	1
5	N/A	Vent, Barb, 5/16 I.D. Hose	1
6	<u>103794501</u>	Bracket, Carbon Canister	1

11

G



000212-006

CARBURETOR ASSEMBLY – KAW. FE350

ITEM	PART NO.	DESCRIPTION	QTY
		1 2 3 4	
1	<u>101642580</u>	Jet, Altitude, # 80	1
2	<u>101642582</u>	Jet, Altitude, # 82	1
3	<u>103616901</u>	Carburetor, FE350 S26 (includes items 4 through 13)	1
4	<u>101642585</u>	Jet, Altitude, # 85	1
5	<u>1016437</u>	Gasket, Carburetor Bowl OHV	1
6	<u>1016486</u>	Float Assembly	1
7	<u>1016501</u>	Screw Assembly	1
8	<u>1016585</u>	Bolt	1
9	<u>1017461</u>	Chamber Assembly, Float (includes item 10)	1
10	<u>1016499</u>	Screw Assembly	1
11	<u>101973101</u>	Jet, #40 Pilot	1
12	<u>101973301</u>	Nozzle, Main	1
13	N/A	Assembly, Pilot Air Screw	1
<p>Note: Jets:<u>101642585</u> for 0 - 3,280 feet; <u>101642582</u> for 3,280 - 9840 feet; <u>101642580</u> for 9840 feet and greater. Carburetor <u>103616901</u> shown above, is only for AS26 FE350 engines.</p>			

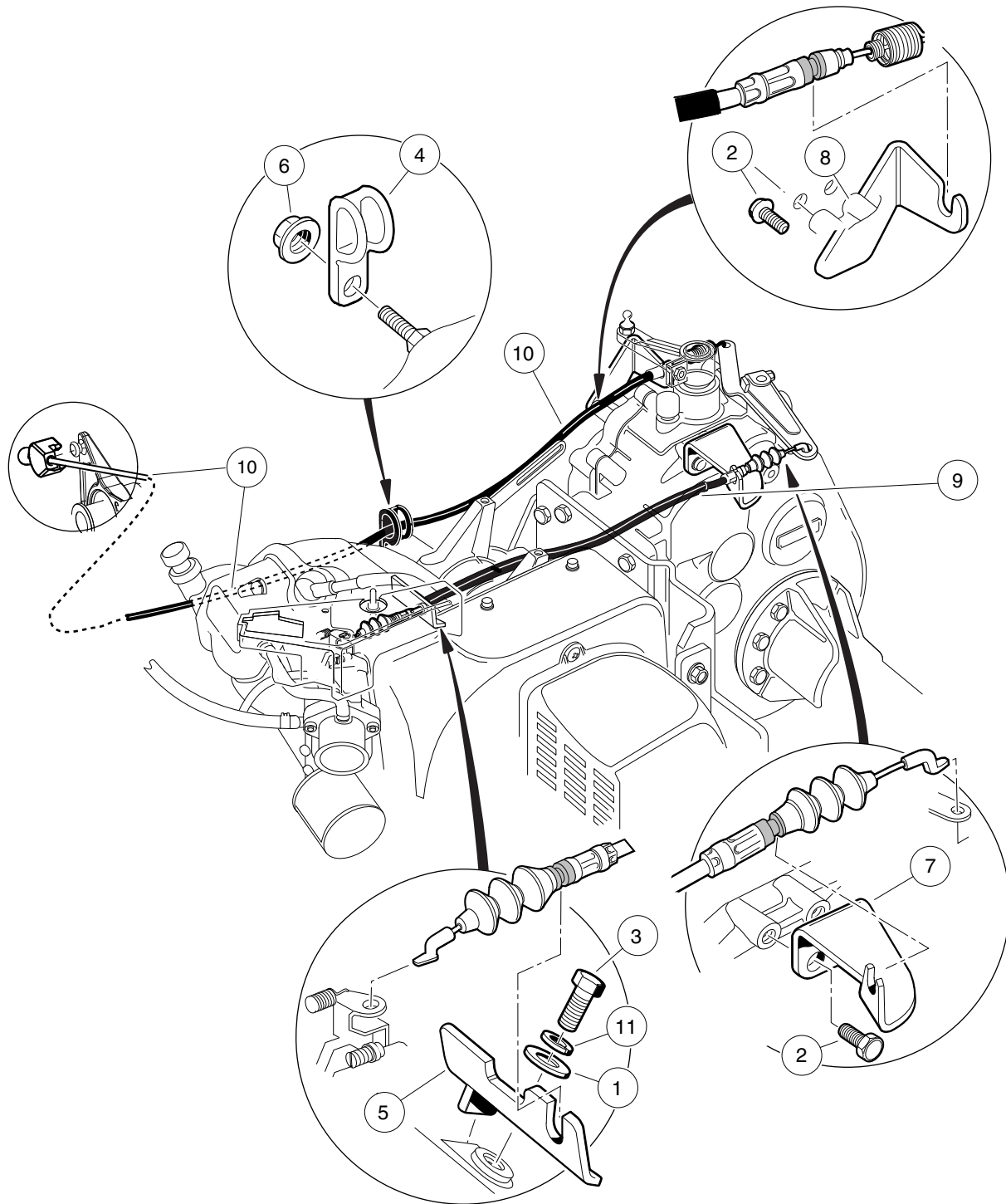
11

G

CARBURETOR INSTALLATION – KAW. FE350

ITEM	PART NO.	DESCRIPTION	QTY
		1 2 3 4	
1	<u>1011697</u>	Washer, 5/16 Flat	1
2	<u>1013746</u>	Clamp, 0.301 ID Hose	1
3	<u>1015137</u>	Fuel Line, 3/16 (available by the foot)	1
4	<u>1016103</u>	Screw, Pan Hd Tx, Taptite 6-32	2
5	<u>1016438</u>	Gasket, Carb To Intake Manifold	1
6	<u>1016440</u>	Gasket, Engine to Insulator	1
7	<u>1016441</u>	Gasket, Sprg Brkt To Carb OHV	1
8	<u>1016444</u>	Bracket, Throttle Spring Return	1
9	101648102	Insulator, Carburetor	1
10	<u>101649002</u>	Stud, M6-1.00 Two-Ended	2
11	1016547	Nut, M6 Flange	2
12	<u>1016572</u>	Tube, Crankcase Vent	1
13	<u>1016582</u>	Spring, Throttle Return	1
14	<u>1017466</u>	Clamp	2
15	101820201	Shield, Governor	1
16	<u>101887601</u>	Locknut, M6-1.00 Nylon Insert	1
17	<u>101973401</u>	Gasket, Insulator To Bracket	1
18	103507101	Carburetor Adapter w/ Tap	1

11
G



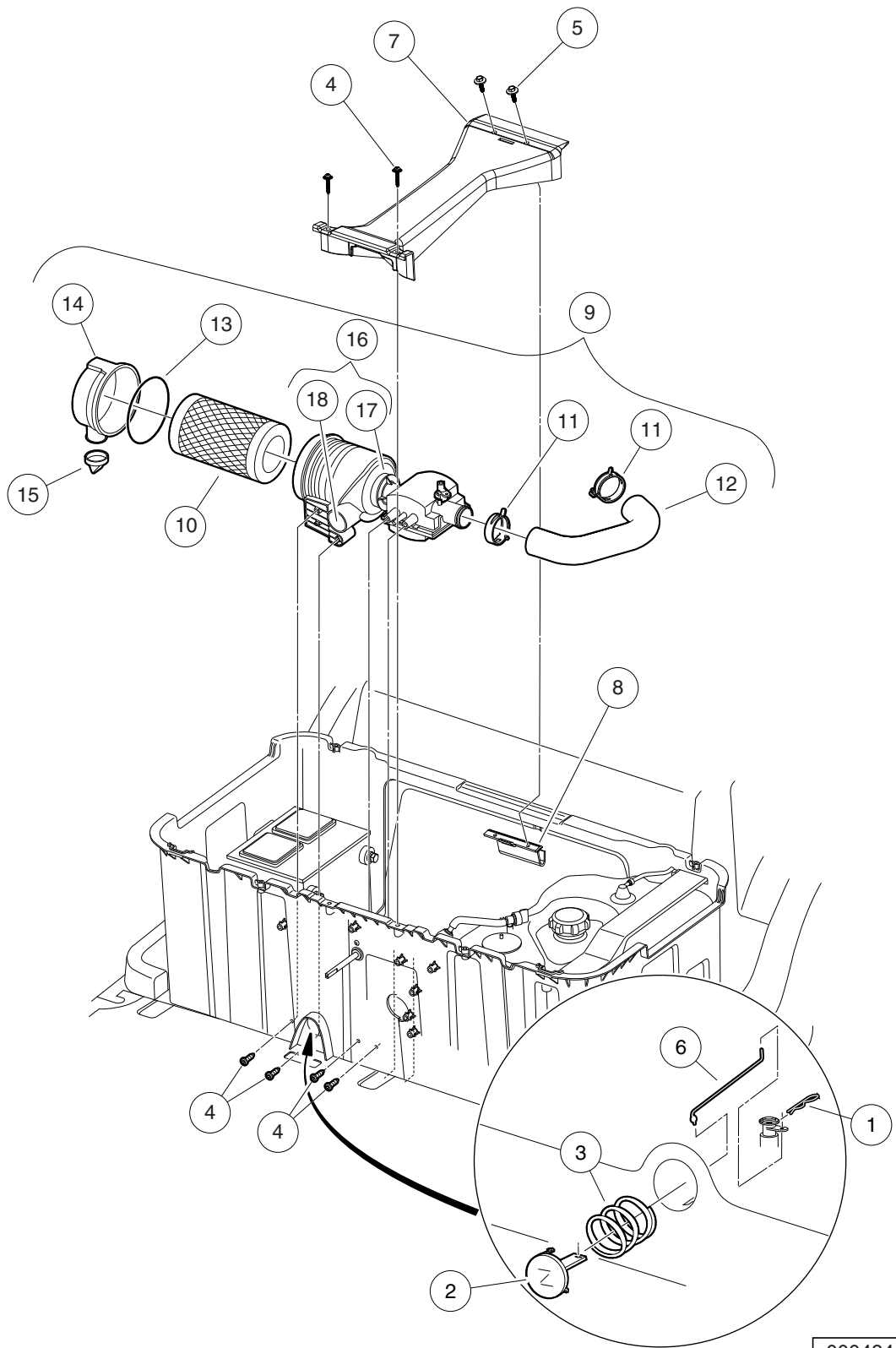
000215-003

GOVERNOR AND ACCELERATOR CABLES – KAW. FE350

ITEM	PART NO.	DESCRIPTION	QTY
		1 2 3 4	
1	<u>1011697</u>	Washer, 5/16 Flat	1
2	<u>1012285</u>	Screw, 1/4 X 0.625 Hex-Head	4
3	<u>1012830</u>	Screw, M8-125 X 22 Hex-Head	1
4	<u>1013700</u>	Clamp	2
5	<u>101584502</u>	Bracket, Governor Cable Snap-In	1
6	<u>1016546</u>	Nut	2
7	<u>101832202</u>	Bracket, Rear Governor Cable Snap-In	1
8	<u>101832302</u>	Bracket, Rear Accelerator Cable Snap-In	1
9	<u>102336001</u>	Cable, Governor, Snap-In	1
10	<u>102595101</u>	Cable, Acc, Snap-in (Generation 2)	1
11	<u>7174</u>	Lockwasher, 5/16 Split	1

11

G



000484-002

CHOKE AND AIR BOX ASSEMBLY – KAW. FE350

ITEM	PART NO.	DESCRIPTION	QTY
		1 2 3 4	
1	<u>1014413</u>	Pin, Hair Spring Cotter	1
2	<u>101811401</u>	Lever, Choke	1
3	<u>101856201</u>	Compression Spring	1
4	<u>102296020</u>	Screw, Torx Pan Hd Pt, M6 X 20	6
5	<u>102297125</u>	Screw, M6-1.0x25.4, Thread-Forming, SEMS	2
6	<u>102514401</u>	Rod, Choke Button	1
7	<u>102521301</u>	Brace, Gas Fuel Bucket	1
8	<u>102521401</u>	Support, Gas Bucket Brace	1
9	102588301	Air Intake Assy (includes items 10 through 16)	1
10	<u>102558201</u>	Air Filter, 4 Inch	1
11	<u>102558301</u>	Clamp, Air Intake, Prec	2
12	<u>102558401</u>	Hose, Air Intake, Prec	1
13	<u>102558501</u>	Gasket, Air Intake, Prec	1
14	<u>102558601</u>	Asm, Cover, Air Intake, Precedent	1
15	<u>102558701</u>	Evac Valve, Air Intake, Prec	1
16	N/A	Assembly, Body Intake (includes items 17 and 18)	1
17	N/A	Filter Element, Air Intake	1
18	N/A	Insert, Air Intake Body	1

11
G

11

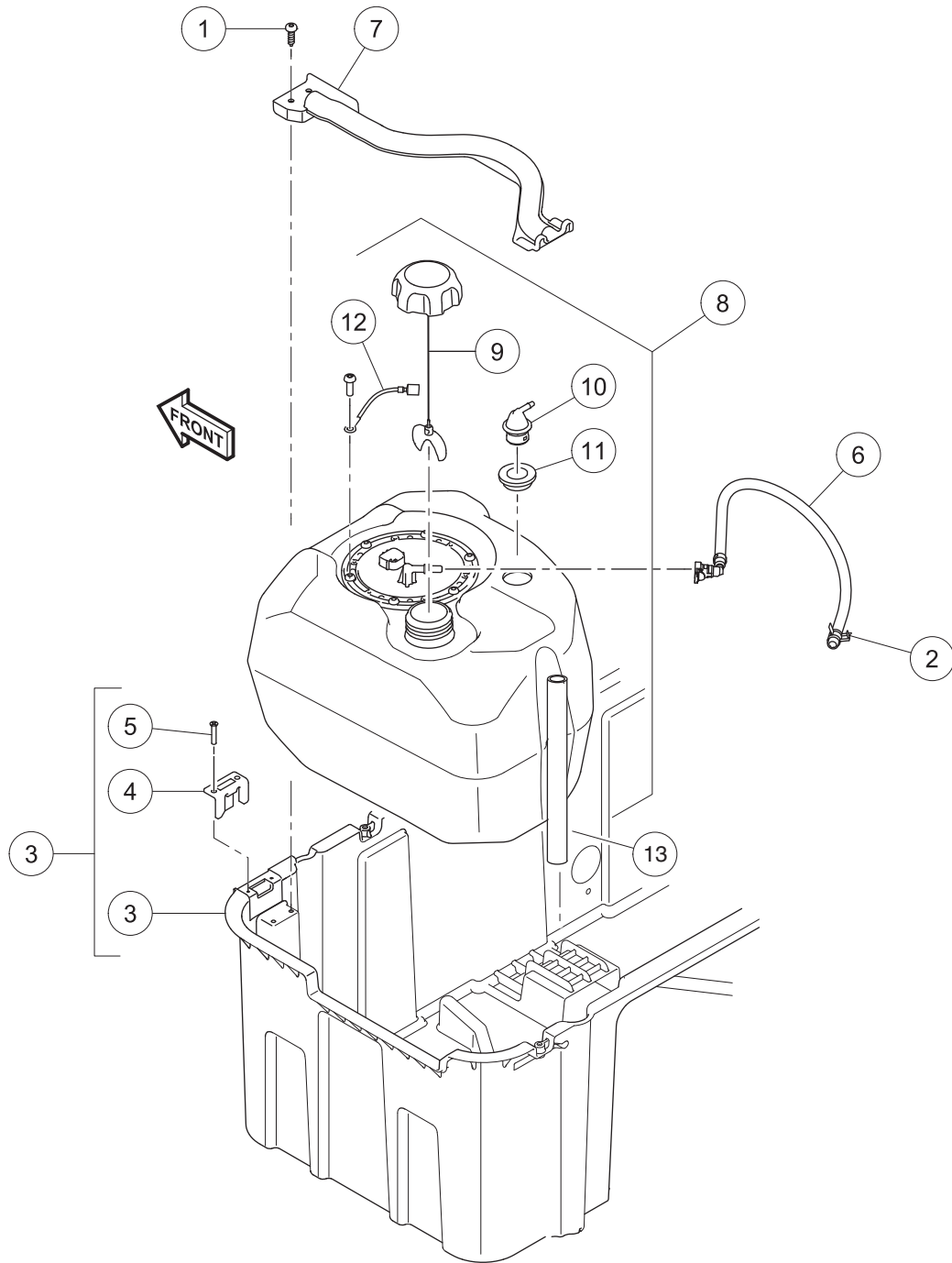
G

FUEL SYSTEM, EFI – SUBARU EX40

12

G

12
G



000974-003

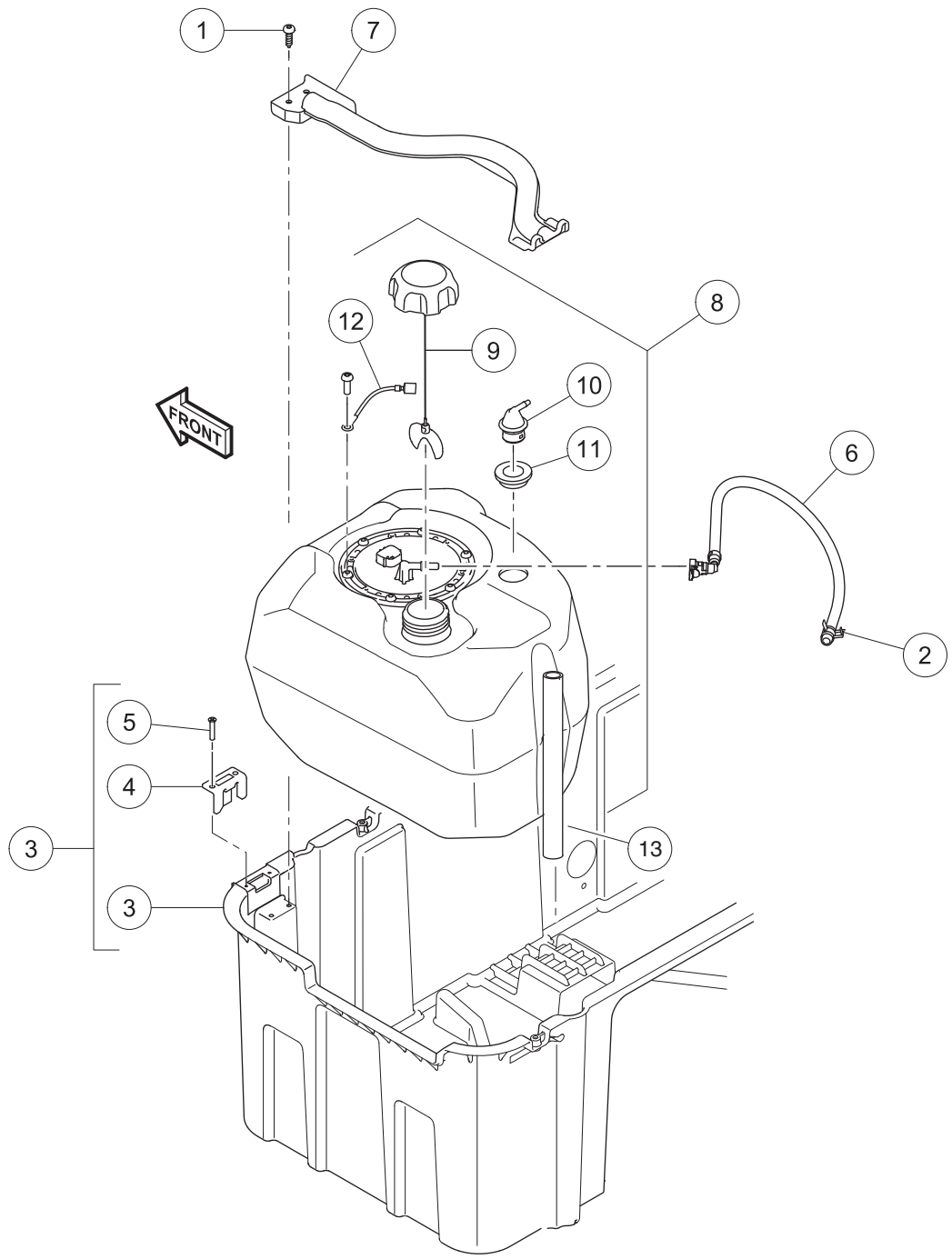
FUEL SYSTEM W/O SENDING UNIT – EFI

ITEM	PART NO.	DESCRIPTION	QTY
		1 2 3 4	
1	<u>102296020</u>	Screw, Torx Pan Hd Pt, M6 X 20	2
2	<u>102411203</u>	Clamp, Hose, Ctb 14mm Dia.	1
3	<u>102514702</u>	Bucket, Gas, Precedent with EFI (includes items 4 and 5)	1
4	<u>103470701</u>	Bracket, Bucket Hinge	1
5	N/A	Screw, #6 X .75, Cs Ss, Hi-lo	2
6	<u>105043601</u>	Asm, Fuel Line, Precedent	1
7	<u>105072201</u>	Retainer, Tank	1
8	<u>105215502</u>	Asm, Tank, Fuel, Precedent, w/o Sending Unit (includes items 9 through 12)	1
9	<u>103372101</u>	Cap, Fuel Tank, Gas, Ratchet	1
10	<u>103905201</u>	Assembly, Vent, Fuel, 1/4 Inch O.D.	1
11	<u>103944301</u>	Grommet, Fuel Tank, Vent	1
12	<u>105143301</u>	Wire, Ground, Fuel Tank	1
13	<u>47546044001</u>	Tube, Retention	1

12

G

12
G



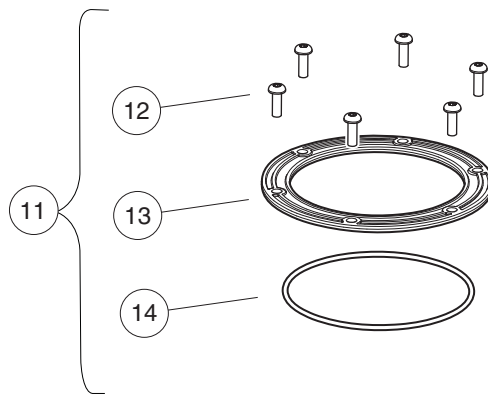
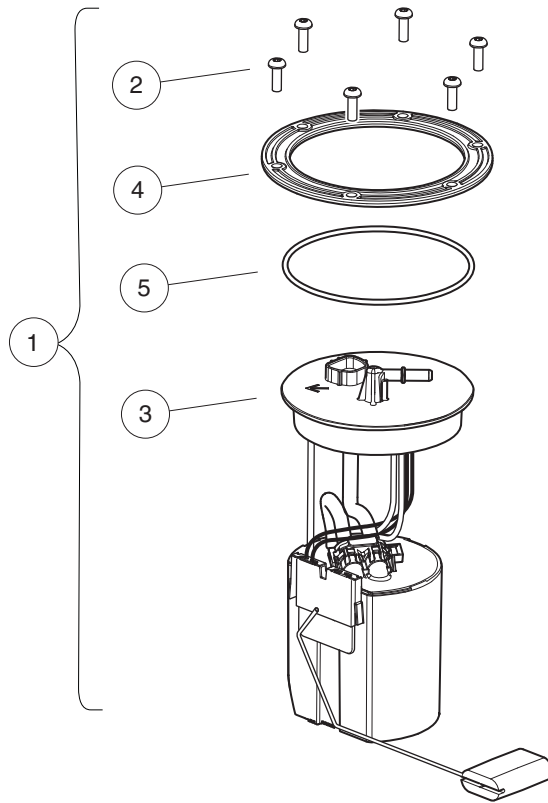
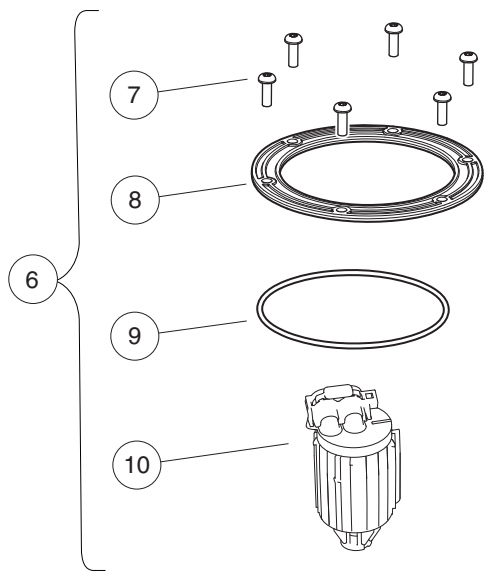
000974-003

FUEL SYSTEM WITH SENDING UNIT – EFI

ITEM	PART NO.	DESCRIPTION	QTY
		1 2 3 4	
1	<u>102296020</u>	Screw, Torx Pan Hd Pt, M6 X 20	2
2	<u>102411203</u>	Clamp, Hose, Ctb 14mm Dia.	1
3	102514702	Bucket, Gas, Precedent with EFI (includes items 4 and 5)	1
4	103470701	Bracket, Bucket Hinge	1
5	N/A	Screw, #6 X .75, Cs Ss, Hi-lo	2
6	<u>105043601</u>	Asm, Fuel Line, Precedent	1
7	105072201	Retainer, Tank	1
8	105215501	Asm, Tank, Fuel, Precedent, w/Sending Unit (includes items 9 through 12)	1
9	<u>103372101</u>	Cap, Fuel Tank, Gas, Ratchet	1
10	<u>103905201</u>	Assembly, Vent, Fuel, 1/4 Inch O.D.	1
11	<u>103944301</u>	Grommet, Fuel Tank, Vent	1
12	<u>105143301</u>	Wire, Ground, Fuel Tank	1
13	<u>47546044001</u>	Tube, Retention	1

12

G



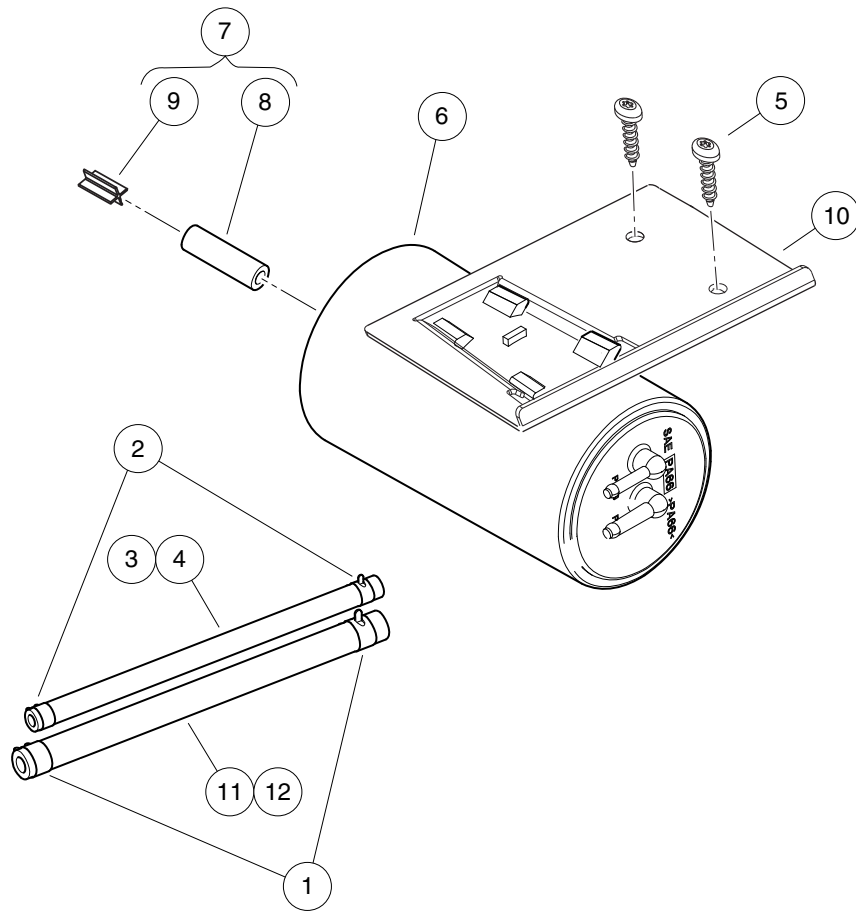
000977-005

FUEL TANK KITS – EFI

ITEM	PART NO.	DESCRIPTION	QTY
		1 2 3 4	
1	<u>105282901</u>	Kit, Fuel Pump Module (includes items 2 through 5)	1
2	<u>102025801</u>	Screw, 1/4-20 X .75 Torx Pn Hd	6
3	<u>105043401</u>	Fuel Pump Module, with Sending Unit	1
4	<u>105043801</u>	Fuel Module, Hold Down Ring	1
5	<u>105043901</u>	O-Ring, Fuel Module	1
6	<u>105282902</u>	Kit, Fuel Filter (includes items 7 through 10)	1
7	<u>102025801</u>	Screw, 1/4-20 X .75 Torx Pn Hd	6
8	<u>105043801</u>	Fuel Module, Hold Down Ring	1
9	<u>105043901</u>	O-Ring, Fuel Module	1
10	<u>105073001</u>	Fuel Filter, EX40, EFI	1
11	<u>105282903</u>	Kit, O-ring (includes items 12 through 14)	1
12	<u>102025801</u>	Screw, 1/4-20 X .75 Torx Pn Hd	6
13	<u>105043801</u>	Fuel Module, Hold Down Ring	1
14	<u>105043901</u>	O-Ring, Fuel Module	1

12

G



000980-004

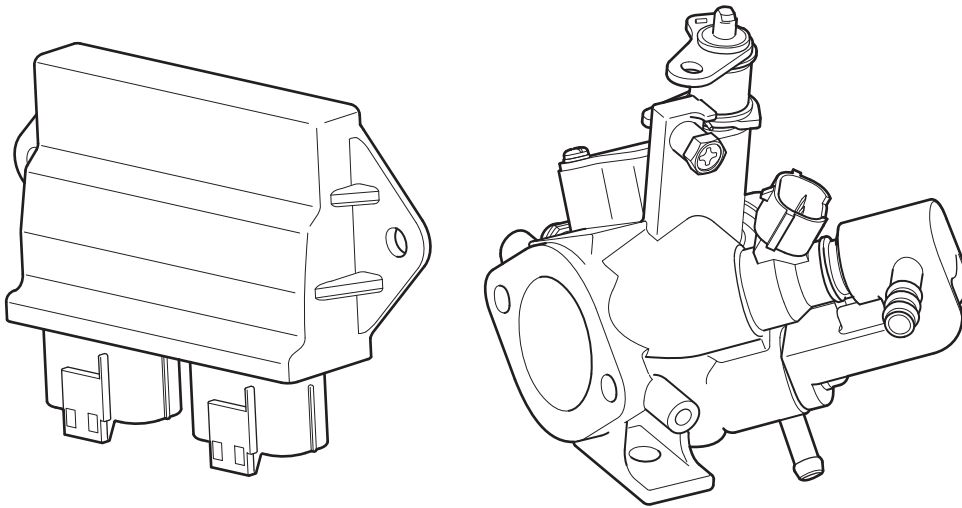
CARBON CANISTER – EFI

ITEM	PART NO.	DESCRIPTION	QTY
		1 2 3 4	
1	<u>1012649</u>	Clamp, 0.460 Red Hose	2
2	<u>1013746</u>	Clamp, 0.301 ID Hose	2
3	<u>101587704</u>	Hose, Fuel, Vent, 3/16" ID, 17" Long (includes item 4)	1
4	<u>1015137</u>	Fuel Line, 3/16 (available by the foot)	A/R
5	<u>102297230</u>	Screw, M6, Torx, Interlock Thread	2
6	<u>103372401</u>	Canister, Carbon	1
7	<u>103756401</u>	Asm, Vent Line, Carbon Canister (includes items 8 and 9)	1
8	N/A	Hose, Vent, 5/16 I.D., Bulk	1
9	N/A	Vent, Barb, 5/16 I.D. Hose	1
10	<u>103794501</u>	Bracket, Carbon Canister	1
11	<u>103896601</u>	Hose, Vent, 1/4" ID, 9" Long (includes item 12)	1
12	<u>102865101</u>	Fuel Line, 1/4 (available by the foot)	A/R

12

G

1



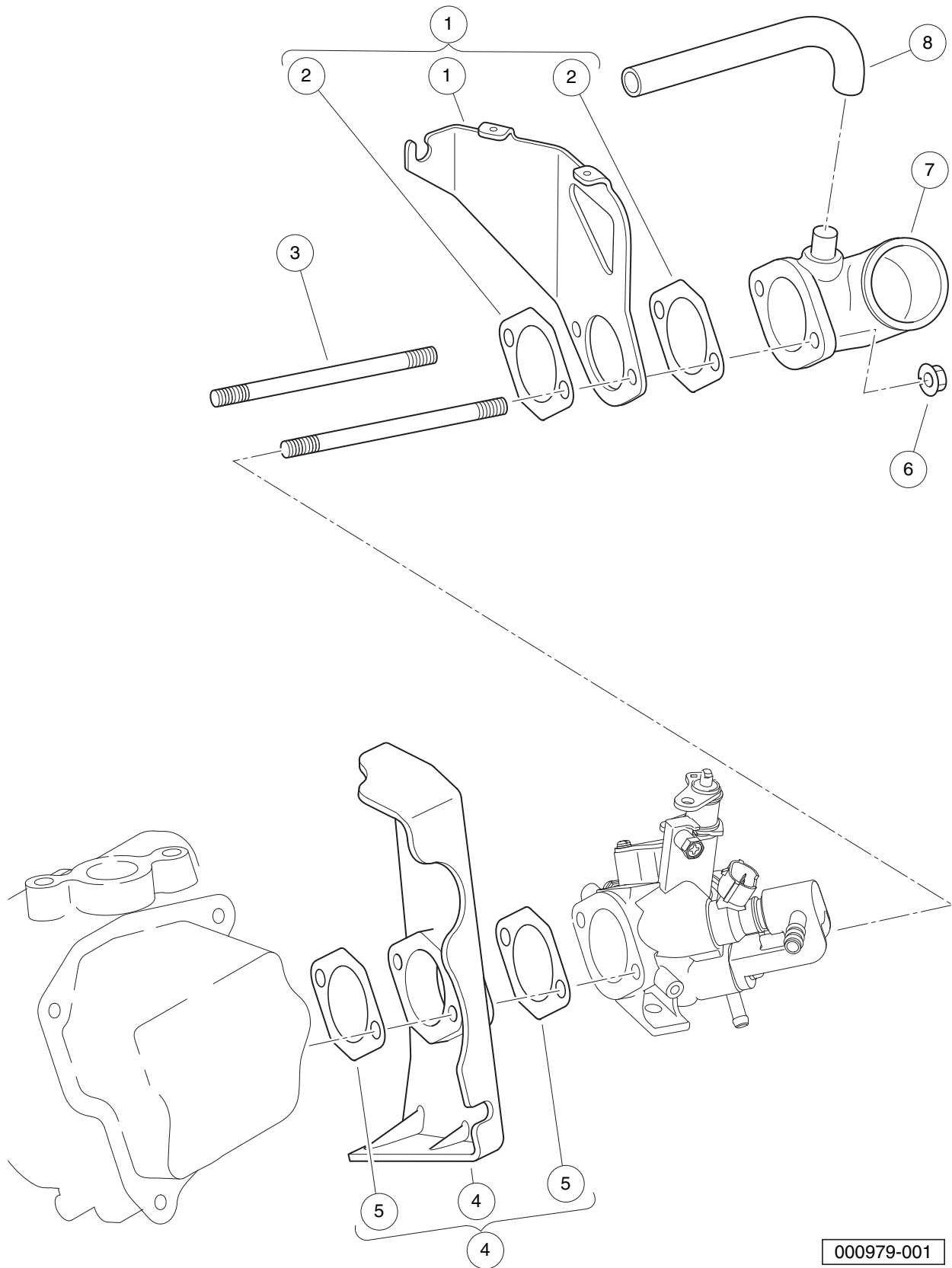
000964-001

THROTTLE BODY AND ECU – EFI

ITEM	PART NO.	DESCRIPTION	QTY
1	<u>105017201</u>	<p>1 2 3 4</p> <p>Asm, Throttle Body/Fuel Injector with ECU, EX40</p>	1

12

G

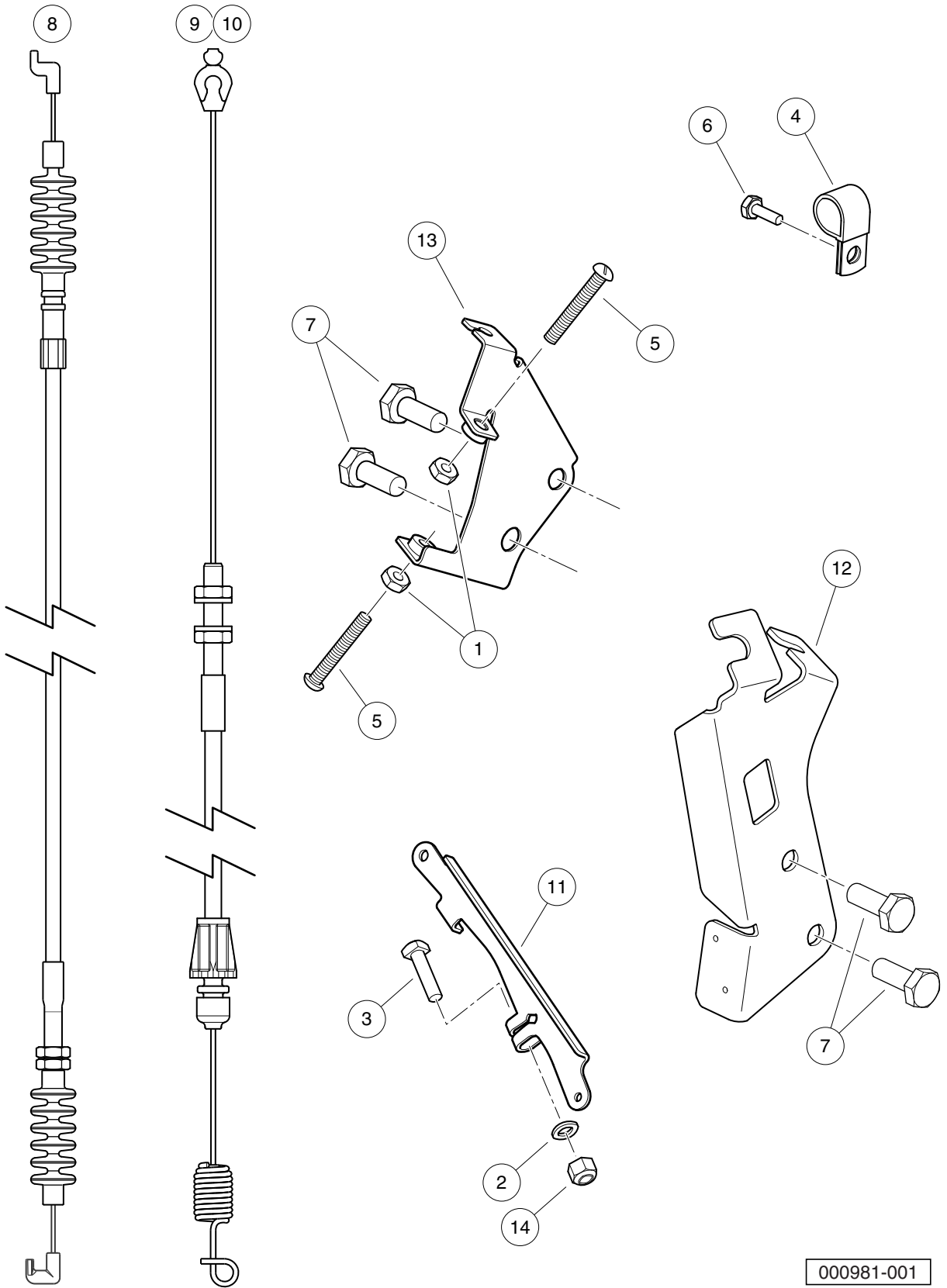


000979-001

THROTTLE BODY MOUNTING – EFI

ITEM	PART NO.	DESCRIPTION	QTY
		1 2 3 4	
1	<u>103983501</u>	Bracket, Operation, EX40 (includes item 2)	1
2	<u>105016201</u>	Gasket, Insulator, EX40	2
3	<u>105010901</u>	Stud, Mounting, Intake, EX40	2
4	<u>105016101</u>	Insulator, EX40 (includes item 5)	1
5	<u>105016201</u>	Gasket, Insulator, EX40	2
6	<u>105016301</u>	Nut, Intake Adapter, M6x1.0, EX40	2
7	<u>105016401</u>	Adapter, Air Intake, EX40	1
8	<u>105016501</u>	Hose, Breather, EX40	1

12
G



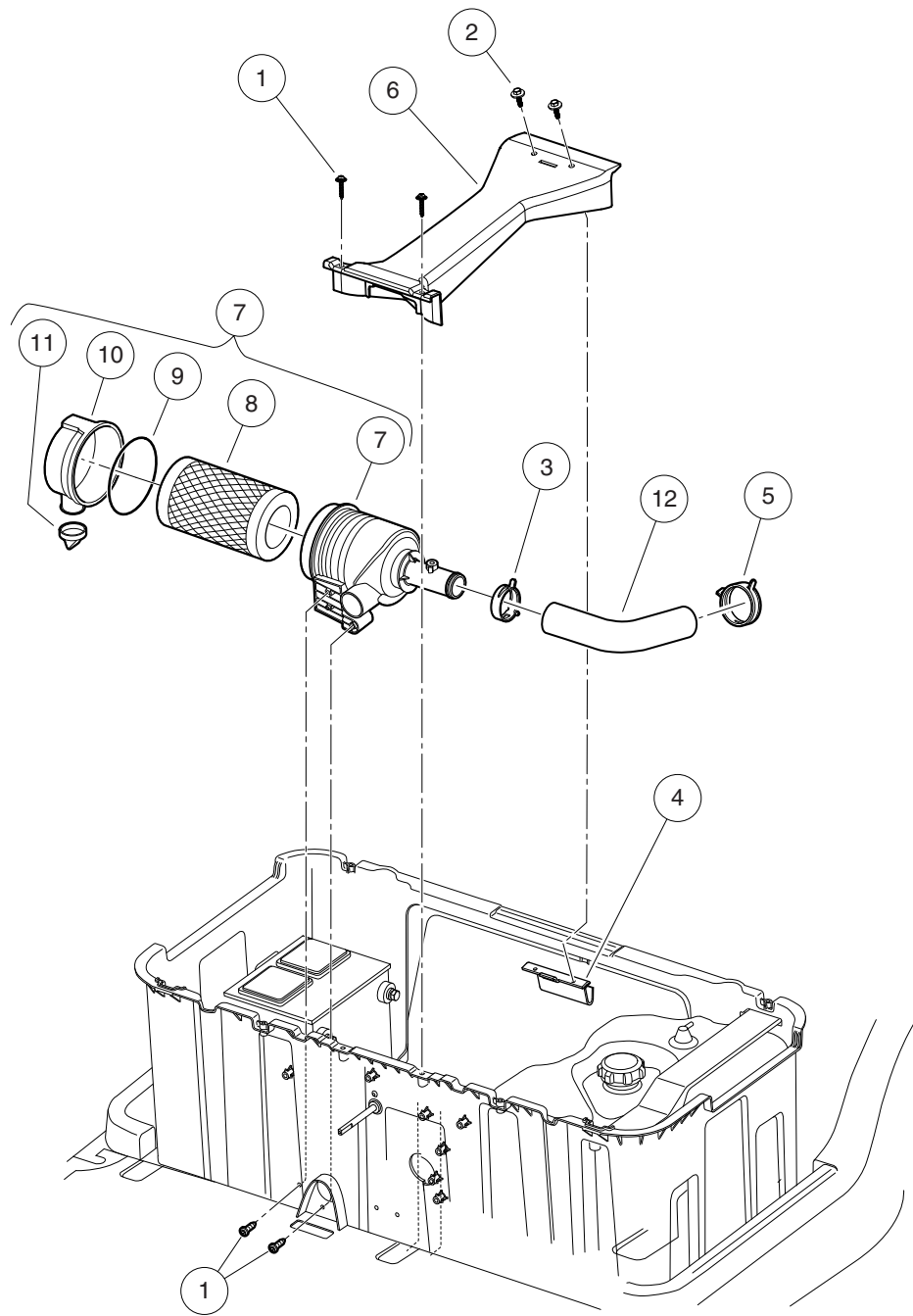
000981-001

GOVERNOR AND ACCELERATOR CABLES – EFI

ITEM	PART NO.	DESCRIPTION	QTY
		1 2 3 4	
1	<u>1011114</u>	Nut, M6-1.00 Hex	2
2	<u>1014007</u>	Washer, 1/4, Flat	1
3	<u>101886101</u>	Screw, 1/4-20 X 1.00, Square-Head	1
4	<u>102410604</u>	P-clamp, Insulated, 0.625 Inch	1
5	<u>102476401</u>	Bolt, Stop, Pedal	2
6	<u>102490301</u>	Bolt, M6 X 1 X 16, Loctite	1
7	<u>102498201</u>	Bolt, M10 X 1.25 X 25, Loctite	4
8	<u>103978001</u>	Cable, Governor, EX40	1
9	<u>103982001</u>	Cable, Accelerator, Precedent, Std Speed	1
10	<u>103982002</u>	Cable, Accelerator, Precedent, High Speed	1
11	<u>104023501</u>	Arm, Governor, ED65	1
12	<u>105135101</u>	Bracket, Cable, FNR/Accelerator, ED65	1
13	<u>105144401</u>	Weldment, Governor Bracket	1
14	<u>8233</u>	Locknut, 1/4-20, Nylon Insert	1
Note: Item 10 is only used with the Private Speed option.			

12

G



000484-003

AIR FILTER SYSTEM AND INTAKE HOSE – EFI

ITEM	PART NO.	DESCRIPTION	QTY
		1 2 3 4	
1	<u>102296020</u>	Screw, Torx Pan Hd Pt, M6 X 20	4
2	<u>102297125</u>	Screw, M6-1.0x25.4, Thread-Forming, SEMS	2
3	<u>102411209</u>	Clamp, Hose, Ctb 55mm Dia.	1
4	<u>102521401</u>	Support, Gas Bucket Brace	1
5	<u>102558301</u>	Clamp, Air Intake, Prec	1
6	<u>103795001</u>	Brace, Gas Fuel Bucket	1
7	<u>105009001</u>	Air Cleaner, Precedent with EFI (includes items 8 through 11)	1
8	<u>102558201</u>	Air Filter, 4 Inch	1
9	<u>102558501</u>	Gasket, Air Intake, Prec	1
10	<u>102558601</u>	Asm, Cover, Air Intake, Precedent	1
11	<u>102558701</u>	Evac Valve, Air Intake, Prec	1
12	<u>105009201</u>	Hose, Air Intake, Precedent with EFI	1

12

G

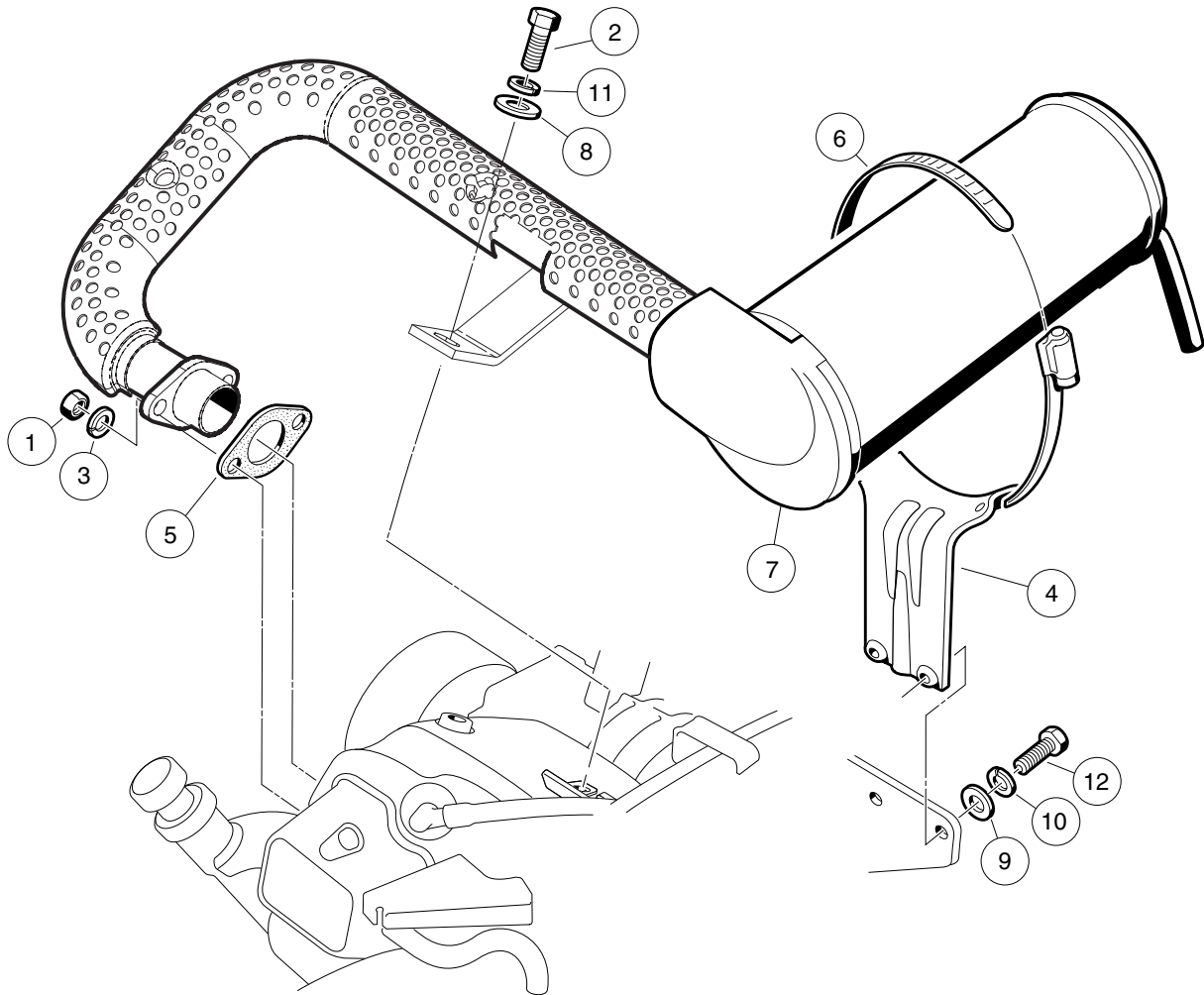
12

G

EXHAUST SYSTEM – KAW. FE350

13

G



000491-001

EXHAUST SYSTEM – FE350

ITEM	PART NO.	DESCRIPTION	QTY
		1 2 3 4	
1	<u>1012528</u>	Nut, M8-1.25 Hex	2
2	<u>1012830</u>	Screw, M8-125 X 22 Hex-Head	1
3	<u>1013734</u>	Lockwasher, 8mm Split	2
4	<u>1015814</u>	Bracket, Muffler Mounting	1
5	<u>1016904</u>	Gasket, Exhaust	1
6	<u>1017689</u>	Clamp, 5" Muffler Hose	1
7	<u>102585901</u>	Exhaust System, FE350, Precedent	1
8	<u>1241</u>	Washer, 5/16 Type A Flat	1
9	<u>332</u>	Washer, 1/4 Type A Narrow Flat	2
10	<u>451</u>	Lockwasher, 1/4 Split	2
11	<u>7174</u>	Lockwasher, 5/16 Split	1
12	<u>7847</u>	Screw, 1/4-20 X 0.75 Hex-Head Cap	2

13

G

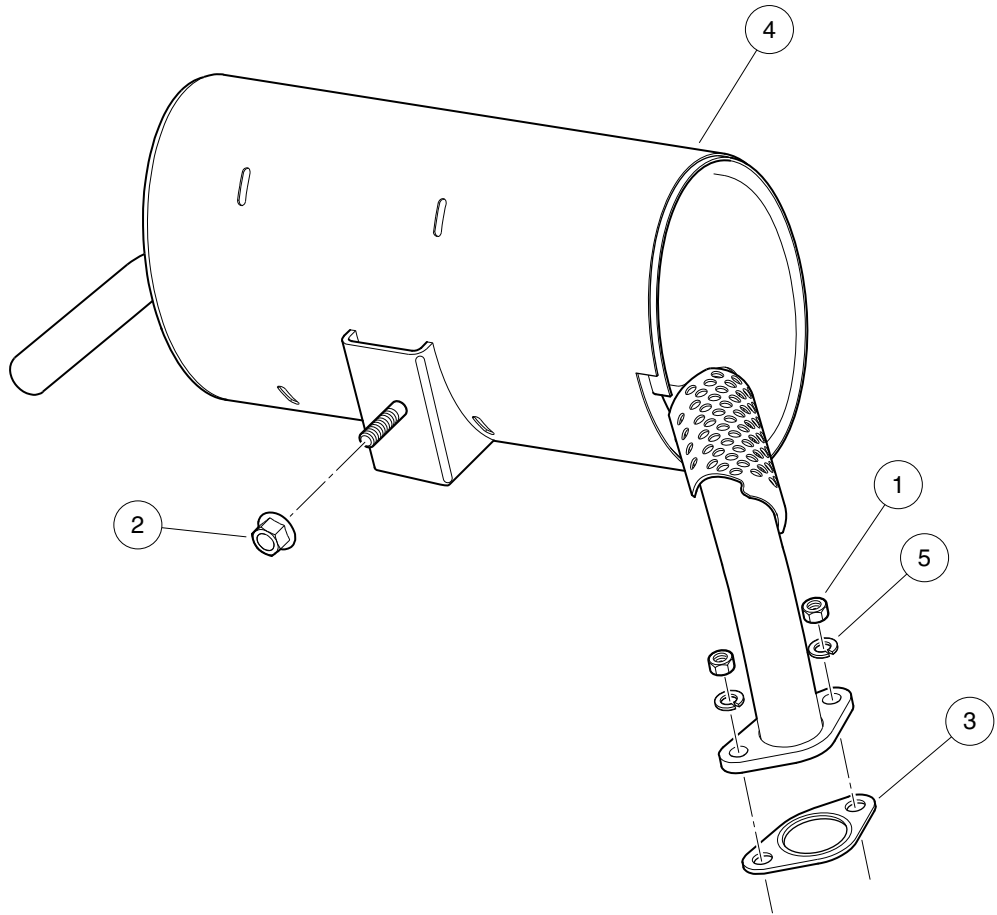
13

G

EXHAUST SYSTEM, GOLF – SUBARU EX40

14

G



000948-003

EXHAUST SYSTEM, GOLF – SUBARU EX40

ITEM	PART NO.	DESCRIPTION	QTY
		1 2 3 4	
1	<u>1012528</u>	Nut, M8-1.25 Hex	2
2	<u>102617201</u>	Nut, Flanged, M10 X 1.5, Mechanically Deformed	1
3	<u>103993601</u>	Gasket, Exhaust, EX40	1
4	105076201	Exhaust System, EX40	1
5	<u>7174</u>	Lockwasher, 5/16 Split	2

14

G

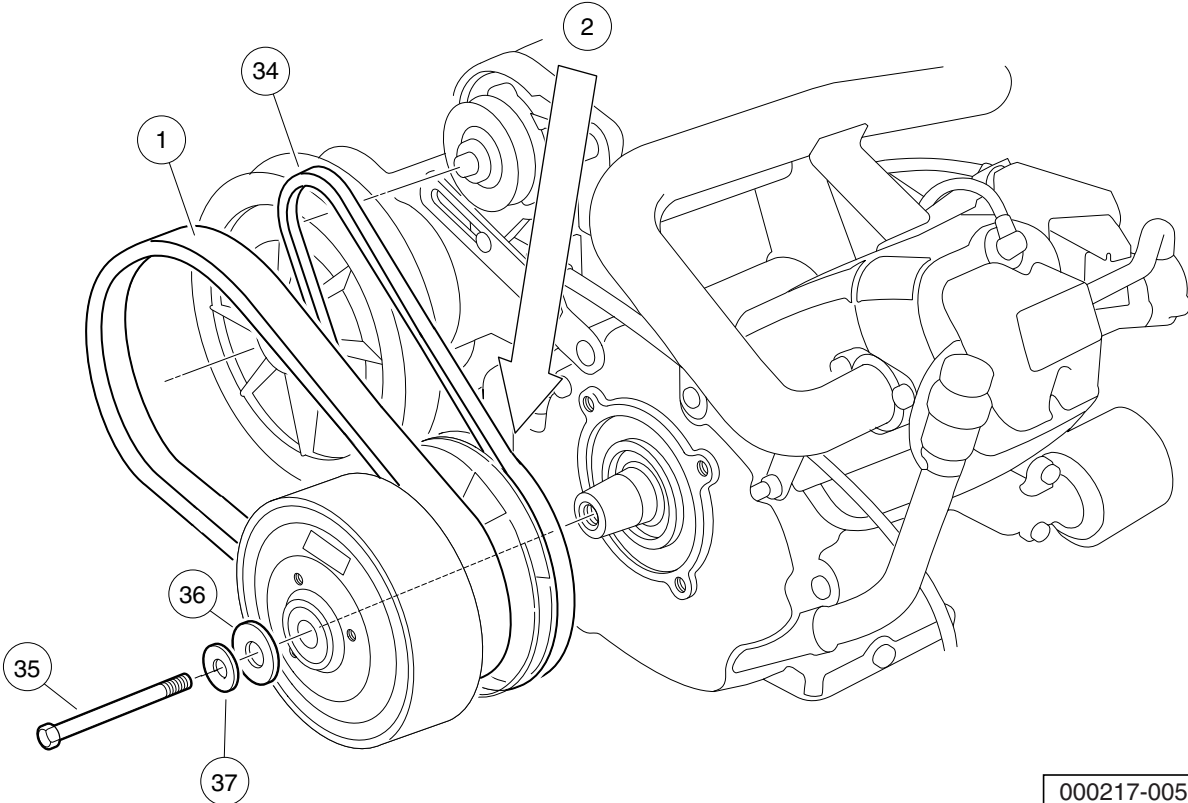
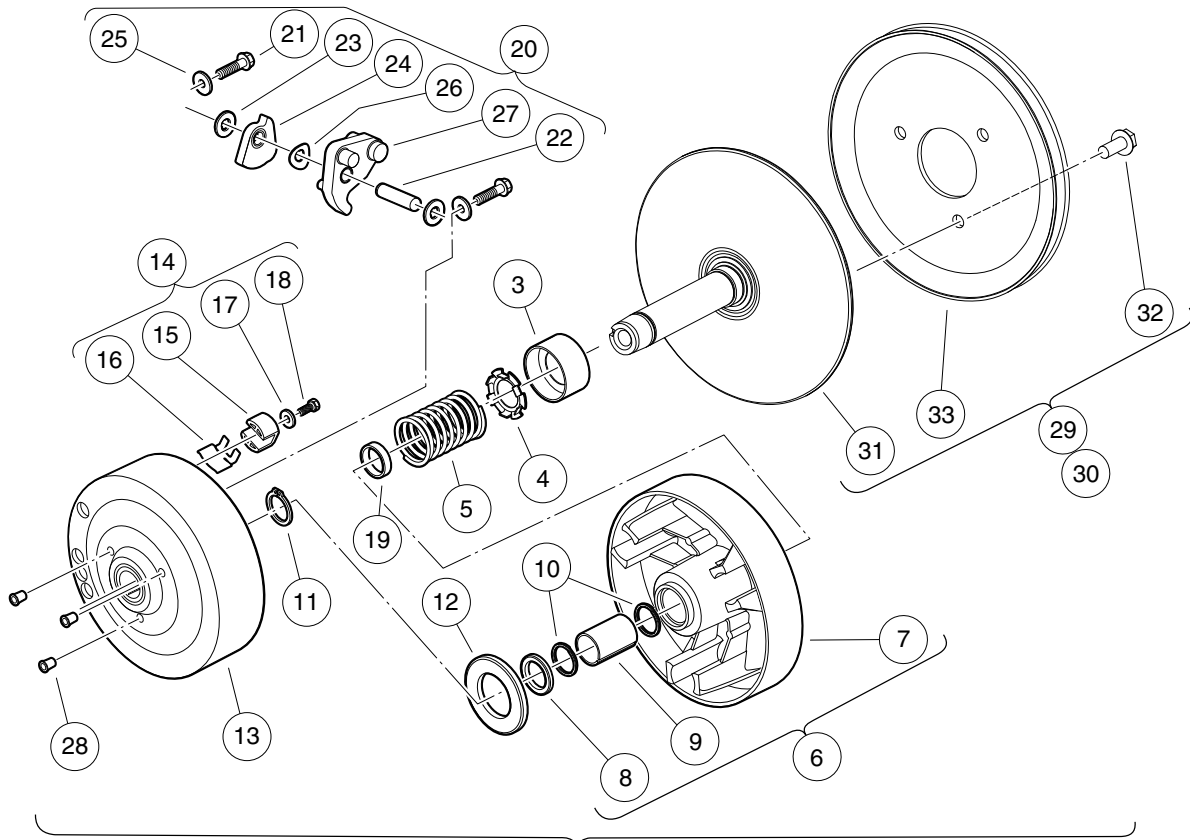
14

G

DRIVE BELT AND CLUTCHES – KAW. FE350

15

G



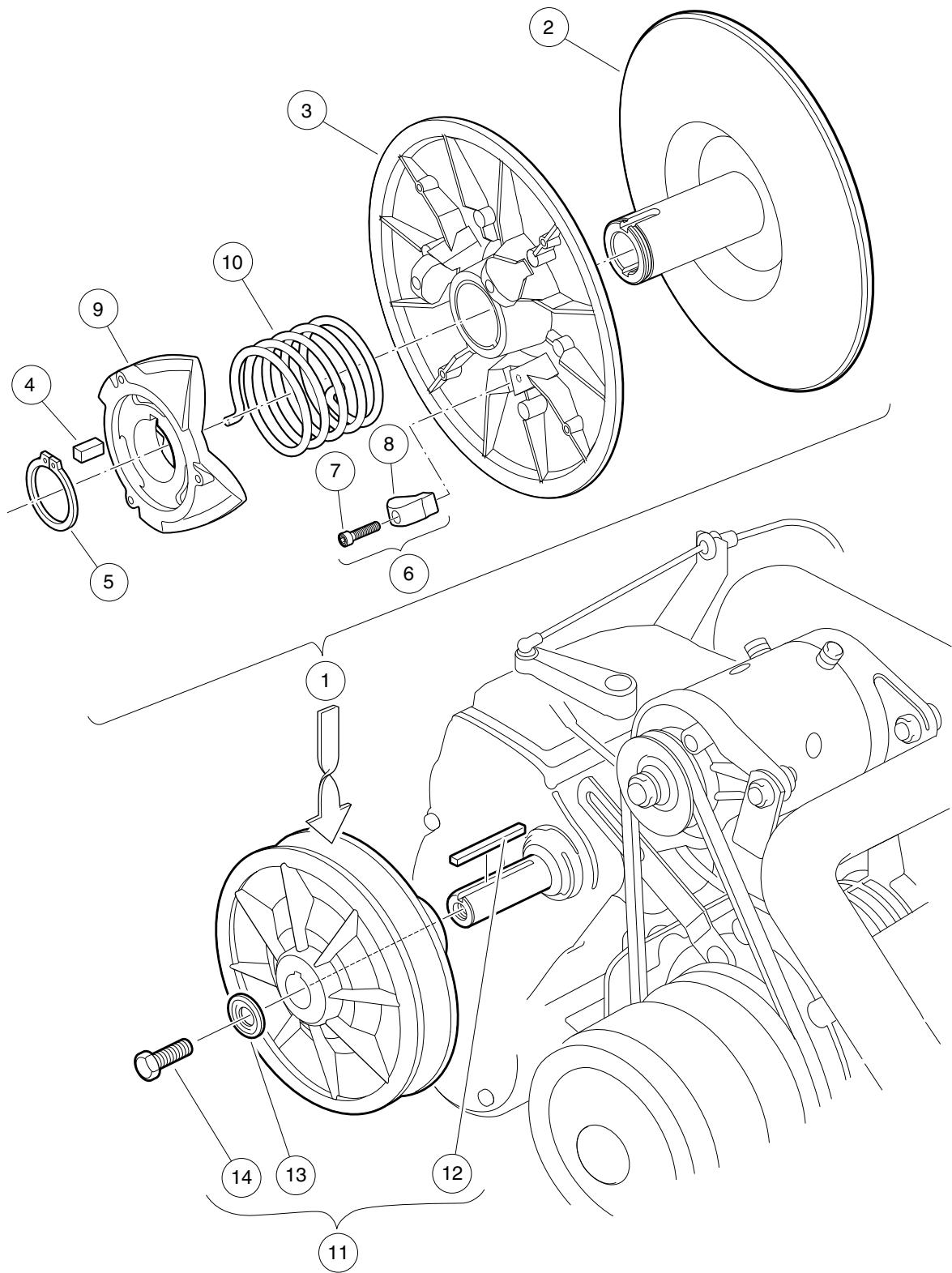
000217-005

DRIVE CLUTCH – KAW. FE350

ITEM	PART NO.	DESCRIPTION	QTY
		1 2 3 4	
1	<u>1016203</u>	Belt, Drive	1
2	<u>101833902</u>	Clutch, Drive (includes items 3 through 29)	1
3	1014049	Bearing, Idler	1
4	<u>1014050</u>	Retainer, Spring	1
5	<u>1014051</u>	Spring, Drive Clutch	1
6	1014052	Movable-Face Assembly (includes items 7 through 9)	1
7	N/A	Drive Clutch Movable Face	1
8	<u>1014055</u>	Retainer	1
9	N/A	Bushing, Split, Drive Clutch	1
10	<u>1014056</u>	Ring, Spiral Backup	2
11	<u>1014057</u>	Ring, 0.810" Internal Retaining	1
12	1014058	Thrust Washer	1
13	1014059	Drive Hub Assy, Drive Clutch	1
14	<u>1014453</u>	Kit, Drive Clutch Button (includes items 15 through 18)	1
15	<u>1014062</u>	Driver, Drive Clutch	3
16	<u>1014287</u>	Spring, Drive Button	3
17	<u>183</u>	Washer, #10, Type A, Flat	3
18	<u>8450</u>	Screw, #10-24 X 0.50, Hex-Head	3
19	<u>1016289</u>	Spacer, Fixed Face Shaft	1
20	<u>1016801</u>	Kit, Drive Clutch Weight (includes items 21 through 27)	1
21	<u>1014063</u>	Screw, 1/4-20 X 1.00, Hex Head	6
22	N/A	Pin, Dowel, 0.3752 x 1.50	3
23	<u>1014065</u>	Washer, Flat, 0.38" ID, Delrin	6
24	N/A	Clutch Weight, Secondary	3
25	N/A	Washer	6
26	<u>1016201</u>	Washer, Wave	3
27	N/A	Weight, Primary	3
28	<u>101925601</u>	Plug, Drive Clutch	3
29	<u>101929802</u>	Kit, Fxd Face Dr Asm Fe290/350 (includes item 30)	1
30	N/A	Assembly, Fixed-Face Drive (includes items 31 through 33)	1
31	N/A	Fixed Face Assembly, Drive Clutch	1
32	<u>1014288</u>	Screw, 5/16-18 X 0.75, Thread-Forming	3
33	N/A	Pulley, Clutch	1
34	<u>101916701</u>	V-Belt	1
35	<u>103345701</u>	Screw 3/8-24x5.5 Hex Loc Ptch	1
36	<u>334</u>	Washer, 3/8, Type A, Flat	1
37	<u>808</u>	Washer, 3/8 Type B Flat	1

15

G



000219-001

DRIVEN CLUTCH – KAW. FE350

ITEM	PART NO.	DESCRIPTION	QTY
		1 2 3 4	
1	<u>101834001</u>	Assembly, Driven Clutch (includes items 2 through 10)	1
2	<u>1014070</u>	Fixed Face Assy, Driven Clutch	1
3	<u>1014072</u>	Movable-Face Assembly with Bushing	1
4	<u>1014078</u>	Key, Driven Clutch	1
5	<u>1014080</u>	Ring, Retaining	1
6	<u>1014454</u>	Kit, Driven Clutch Button (includes items 7 and 8)	1
7	<u>1012836</u>	Screw, #8-32 X 3/4, Socket-Head Cap	3
8	N/A	Button, Drive	3
9	<u>1017686</u>	Cam, Driven Clutch	1
10	<u>101836201</u>	Spring, Driven Clutch, Reversed	1
11	<u>AM10419</u>	Kit, Clutch Repair (includes items 12 through 14)	1
12	<u>101833401</u>	Key, 3/16 Sq X 1.50"	1
13	<u>102155801</u>	Washer, Driven Clutch	1
14	<u>102242101</u>	Screw, 5/16-18 X 3/4 Hex-Head with Patch	1

15

G

15

G

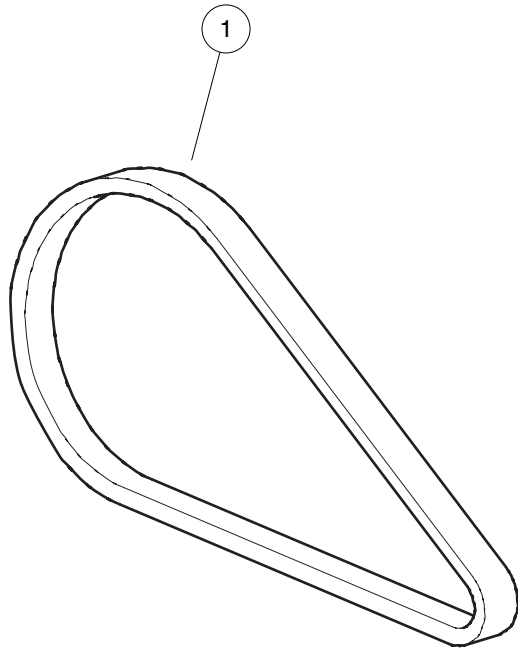
DRIVE BELT AND CLUTCHES – SUBARU EX40

16

G

16

G



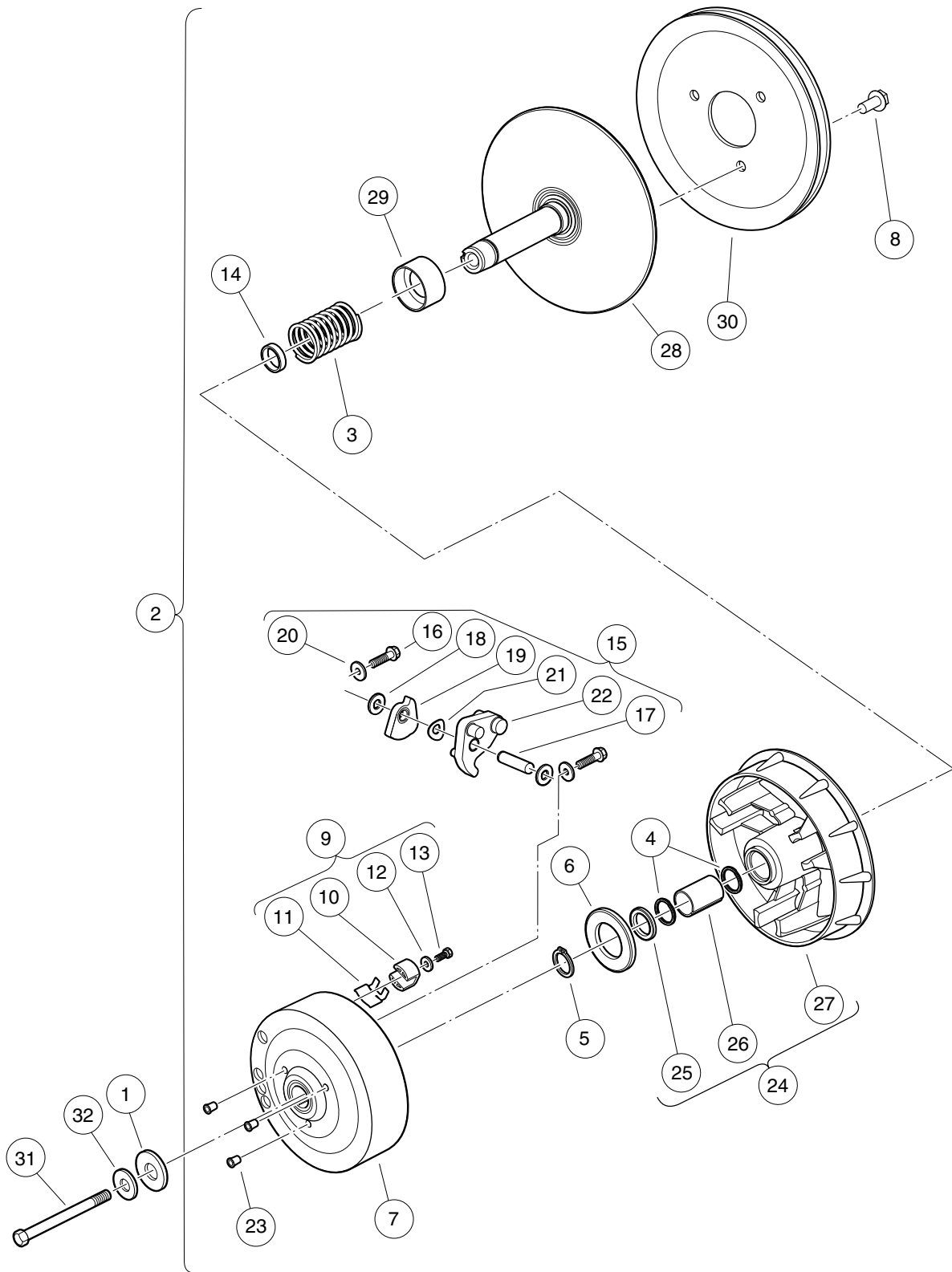
000918-001

DRIVE BELT – PEDAL-START VEHICLES WITH EFI

ITEM	PART NO.	DESCRIPTION	QTY
1	<u>105245801</u>	1 2 3 4 Belt, Drive, Pedal-Start	1

16

G



000958-001

DRIVE CLUTCH – PEDAL-START VEHICLES WITH EFI

ITEM	PART NO.	DESCRIPTION	QTY
		1 2 3 4	
1	<u>102491501</u>	Washer, Hard, M10	1
2	<u>103973901</u>	Clutch, Drive, Pedal-Start (includes items 3 through 30)	1
3	<u>1014051</u>	Spring, Drive Clutch	1
4	<u>1014056</u>	Ring, Spiral Backup	2
5	<u>1014057</u>	Ring, 0.810" Internal Retaining	1
6	<u>1014058</u>	Thrust Washer	1
7	<u>1014059</u>	Drive Hub Assy, Drive Clutch	1
8	<u>1014288</u>	Screw, 5/16-18 X 0.75, Thread-Forming	3
9	<u>1014453</u>	Kit, Drive Clutch Button (includes items 10 through 13)	1
10	<u>1014062</u>	Driver, Drive Clutch	3
11	<u>1014287</u>	Spring, Drive Button	3
12	<u>183</u>	Washer, #10, Type A, Flat	3
13	<u>8450</u>	Screw, #10-24 X 0.50, Hex-Head	3
14	<u>1016289</u>	Spacer, Fixed Face Shaft	1
15	<u>1016801</u>	Kit, Drive Clutch Weight (includes items 16 through 22)	1
16	<u>1014063</u>	Screw, 1/4-20 X 1.00, Hex Head	6
17	N/A	Pin, Dowel, 0.3752 x 1.50	3
18	<u>1014065</u>	Washer, Flat, 0.38" ID, Delrin	6
19	N/A	Clutch Weight, Secondary	3
20	N/A	Washer	6
21	<u>1016201</u>	Washer, Wave	3
22	N/A	Weight, Primary	3
23	N/A	Cap Plug	3
24	<u>103974201</u>	Asm, Sheave, Moveable, Drive, Wr (includes items 25 through 27)	1
25	<u>1014055</u>	Retainer	1
26	N/A	Bushing, Split, Drive Clutch	1
27	N/A	Sheave, Moveable, Drive, Wr	1
28	<u>103974401</u>	Sheave, Fixed, Drive, Wr	1
29	<u>103984601</u>	Spacer, Idler, Drive	1
30	<u>105096101</u>	Pulley, 7.3 Inch Effective Dia	1
31	<u>103976101</u>	Screw, 3/8-24x5.75, Patch	1
32	<u>334</u>	Washer, 3/8, Type A, Flat	1

16

G

DRIVEN CLUTCH – ALL GASOLINE VEHICLES WITH EFI

ITEM	PART NO.	DESCRIPTION	QTY
		1 2 3 4	
1	<u>103974002</u>	Clutch, Driven, Std-Speed, Key and Pedal Start (includes items 2 through 11)	1
2	<u>1014072</u>	Movable-Face Assembly with Bushing	1
3	<u>1014078</u>	Key, Driven Clutch	1
4	<u>1014080</u>	Ring, Retaining	1
5	<u>1014454</u>	Kit, Driven Clutch Button (includes items 6 and 7)	1
6	<u>1012836</u>	Screw, #8-32 X 3/4, Socket-Head Cap	3
7	N/A	Button, Drive	3
8	<u>1017145</u>	Spring, Driven Clutch, 55 Degree	1
9	<u>1017686</u>	Cam, Driven Clutch	1
10	<u>103975301</u>	Sheave, Fixed, Driven, Wr	1
11	<u>104025101</u>	Washer, Acetal, Driven Clutch	1
12	<u>AM10419</u>	Kit, Clutch Repair (includes items 13 through 15)	1
13	<u>101833401</u>	Key, 3/16 Sq X 1.50"	1
14	<u>102155801</u>	Washer, Driven Clutch	1
15	<u>102242101</u>	Screw, 5/16-18 X 3/4 Hex-Head with Patch	1

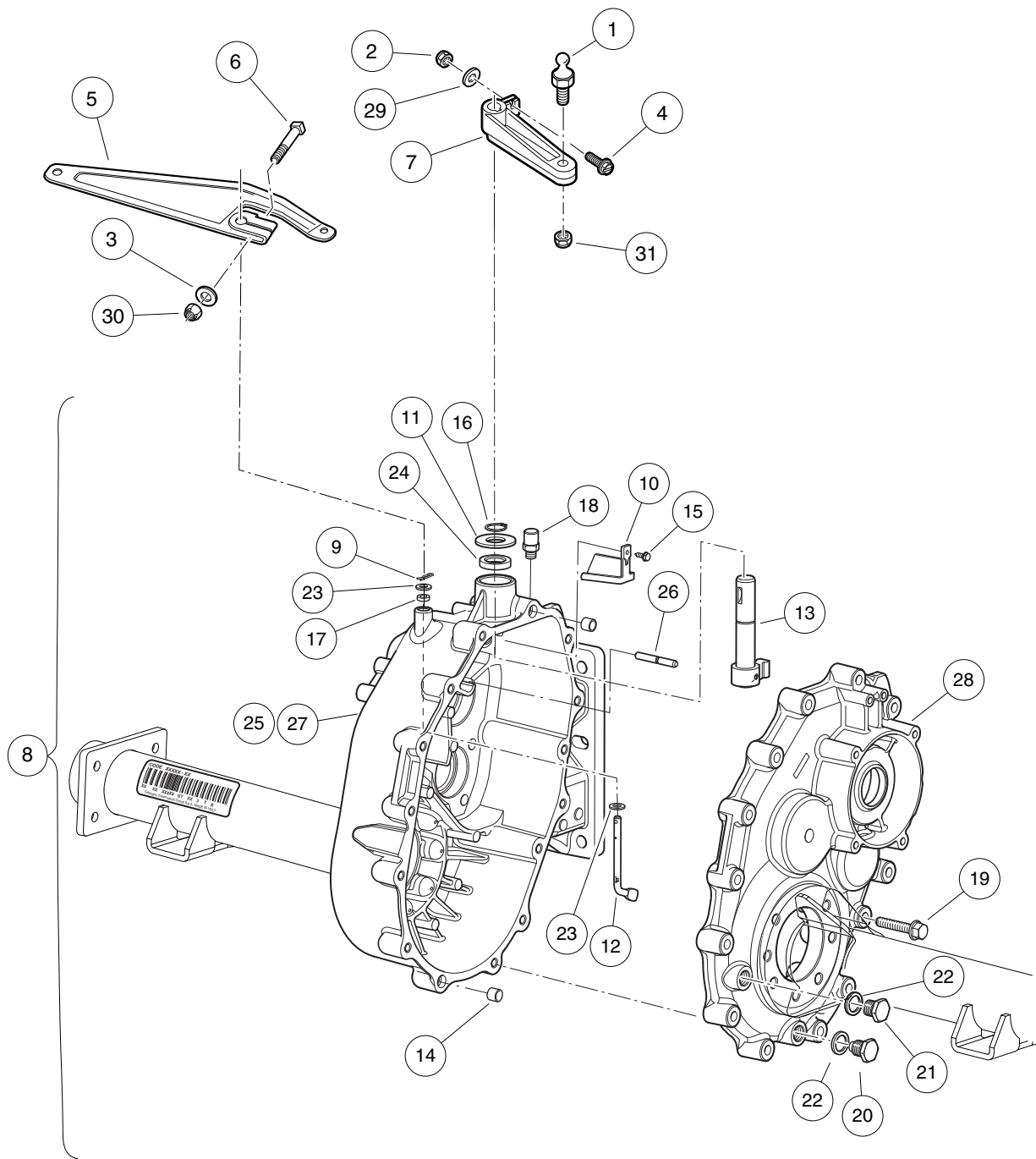
16

G

UNITIZED TRANSAXLE, GRAZIANO (FOR KAW. FE350)

17

G



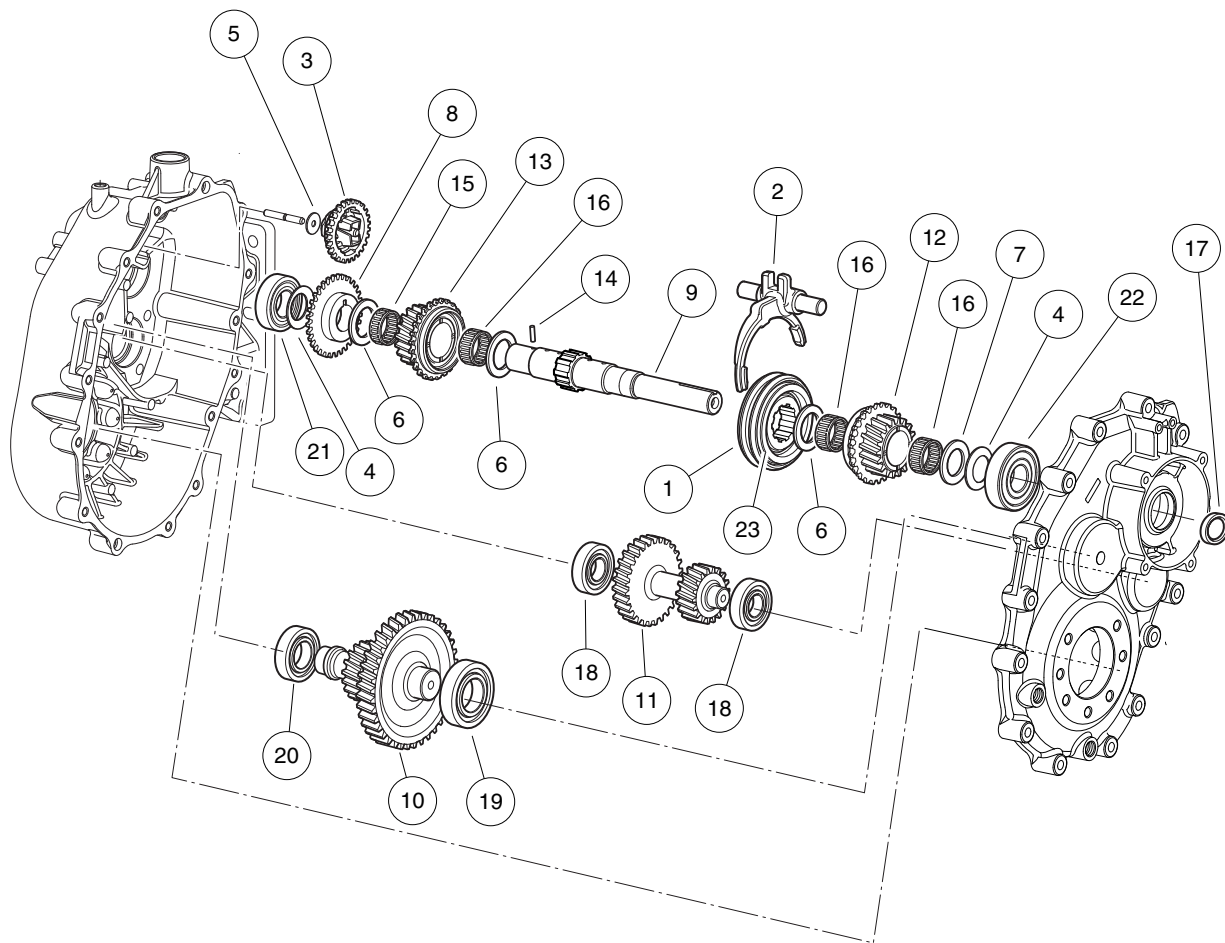
000680-010

GRAZIANO TRANSAXLE – GEAR CASES AND LEVERS

ITEM	PART NO.	DESCRIPTION	QTY
		1 2 3 4	
1	<u>1010954</u>	Stud, Ball, 1/4-28 X 0.560	1
2	<u>1013061</u>	Locknut, #10-32 Nylon Insert	1
3	<u>1014007</u>	Washer, 1/4, Flat	1
4	<u>1017082</u>	Screw, #10-32 X 0.75, Hex-Head Machine	1
5	<u>101834801</u>	Arm, Governor	1
6	<u>101886101</u>	Screw, 1/4-20 X 1.00, Square-Head	1
7	<u>102515401</u>	Lever, Transmission Shift	1
8	<u>103874201</u>	Transaxle, Gas, 11.77:1, Gtg (includes items 9 through 28)	1
9	<u>102897401</u>	Pin, Split	1
10	<u>102897601</u>	Conveyor, Oil	1
11	<u>102897801</u>	Washer, Thrust	1
12	<u>102897901</u>	Lever, Speed Governor	1
13	<u>102898201</u>	Unit, Drive Selector	1
14	<u>102899101</u>	Dowel	2
15	<u>102899201</u>	Screw	1
16	<u>102899401</u>	Ring, Snap	1
17	<u>102899701</u>	Grommet	1
18	<u>102899801</u>	Breather	1
19	<u>102900001</u>	Screw	15
20	<u>102900101</u>	Drain Plug, Magnetic	1
21	<u>102900201</u>	Fill Plug	1
22	<u>102900301</u>	Seal	2
23	<u>102900601</u>	Washer	2
24	<u>102900901</u>	Grommet	1
25	103882101	Case, Transaxle, W/gov Pin (includes items 26 and 27)	1
26	N/A	Pin, Speed Governor	1
27	N/A	Cover, Gear Box (Driver-Side)	1
28	103882301	Cover, Gear Box (Passenger-Side)	1
29	<u>183</u>	Washer, #10, Type A, Flat	1
30	<u>8233</u>	Locknut, 1/4-20, Nylon Insert	1
31	<u>8717</u>	Locknut, Nylon Insert, 1/4-28	1
<p>Note: Graziano transaxle component listings span three pages. To identify your transaxle, locate the serial number decal on the axle tube. <u>103874201</u> is used on vehicles with serial numbers 1235-307250 and greater and is backwards compatible. However, some service parts are not compatible with other transaxles.</p>			

17

G



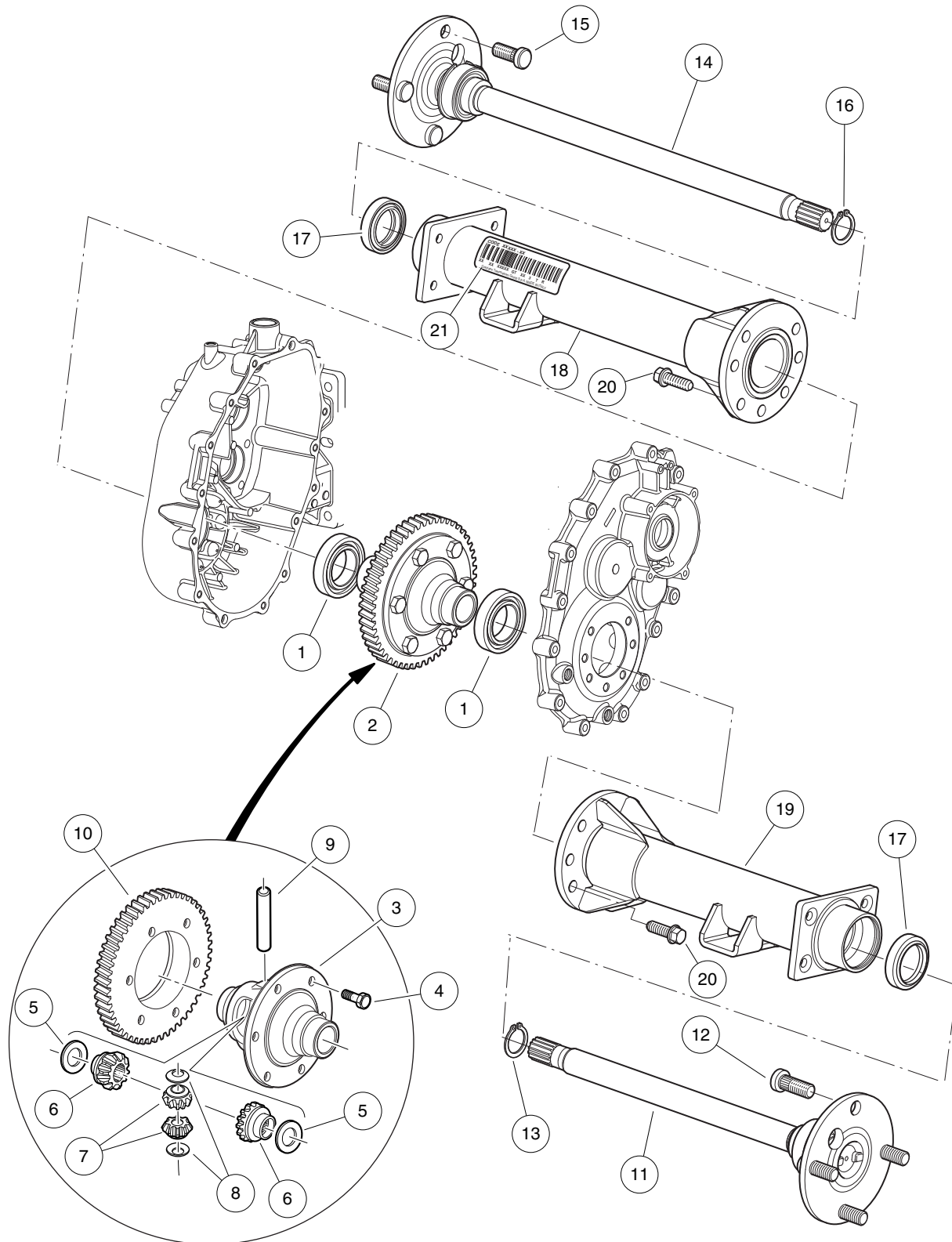
000680-008

GRAZIANO TRANSAXLE – F&R TRANSMISSION AND GEAR REDUCTION

17

G

ITEM	PART NO.	DESCRIPTION	QTY
		1 2 3 4	
1	<u>102897201</u>	Synchronizer, Complete	1
2	<u>102897301</u>	Fork, Complete	1
3	<u>102897701</u>	Assembly, Speed Governor	1
4	<u>102898001</u>	Washer, Belleville	2
5	<u>102898101</u>	Bearing, Thrust	1
6	<u>102898301</u>	Bearing, Thrust	3
7	<u>102898401</u>	Washer, Thrust	1
8	<u>102898501</u>	Gear, Speed Governor	1
9	<u>102898601</u>	Shaft, Main	1
10	<u>102898701</u>	Shaft, Secondary	1
11	<u>102898801</u>	Shaft, Reverse Gear	1
12	<u>102898901</u>	Gear, Complete, 25t	1
13	<u>102899001</u>	Gear, Complete, 28t	1
14	<u>102899301</u>	Pin	1
15	<u>102899501</u>	Cage, Roller	1
16	<u>102899601</u>	Cage, Roller	3
17	<u>102899901</u>	Grommet	1
18	<u>102900401</u>	Bearing	2
19	<u>102900501</u>	Bearing, 62 Od X 30 Id X 16	1
20	<u>102900701</u>	Bearing	1
21	<u>102901001</u>	Bearing	1
22	<u>102901101</u>	Bearing	1
23	<u>103882001</u>	Washer, Wave, Trans Synchro	2
<p>Note: To identify your transaxle, locate the serial number decal on the axle tube.</p>			



000681-002

GRAZIANO TRANSAXLE -DIFFERENTIAL AND AXLES

ITEM	PART NO.	DESCRIPTION	QTY
		1 2 3 4	
1	<u>102900801</u>	Bearing, 68 Od X 40 Id X 15	2
2	<u>102902001</u>	Assembly, Differential (includes items 3 through 10)	1
3	<u>102901201</u>	Box, Differential	1
4	<u>102901301</u>	Screw, M10 X 25	6
5	<u>102901401</u>	Ring, Sleeve	2
6	<u>102901501</u>	Gear, Sun	2
7	<u>102901601</u>	Gear, Planetary	2
8	<u>102901701</u>	Ring, Sleeve	2
9	<u>102901801</u>	Pin	1
10	<u>102901901</u>	Gear	1
11	<u>102902101</u>	Shaft, Axle, Short, Complete (Passenger-Side) (includes items 12 and 13)	1
12	<u>102902301</u>	Bolt, Stud	4
13	<u>102902401</u>	Snap Ring	1
14	<u>102902201</u>	Shaft, Axle, Long, Complete (Driver-Side) (includes items 15 and 16)	1
15	<u>102902301</u>	Bolt, Stud	4
16	<u>102902401</u>	Snap Ring	1
17	<u>102902501</u>	Seal, Lip	2
18	<u>102902601</u>	Axle Tube, (Driver-Side)	1
19	<u>102902701</u>	Axle Tube, (Passenger-Side)	1
20	<u>102902801</u>	Screw, M10 X 30	14
21	N/A	Tag, Serial	1
<p style="margin-left: 40px;">Note: To identify your transaxle, locate the serial number decal on the axle tube.</p>			

17

G

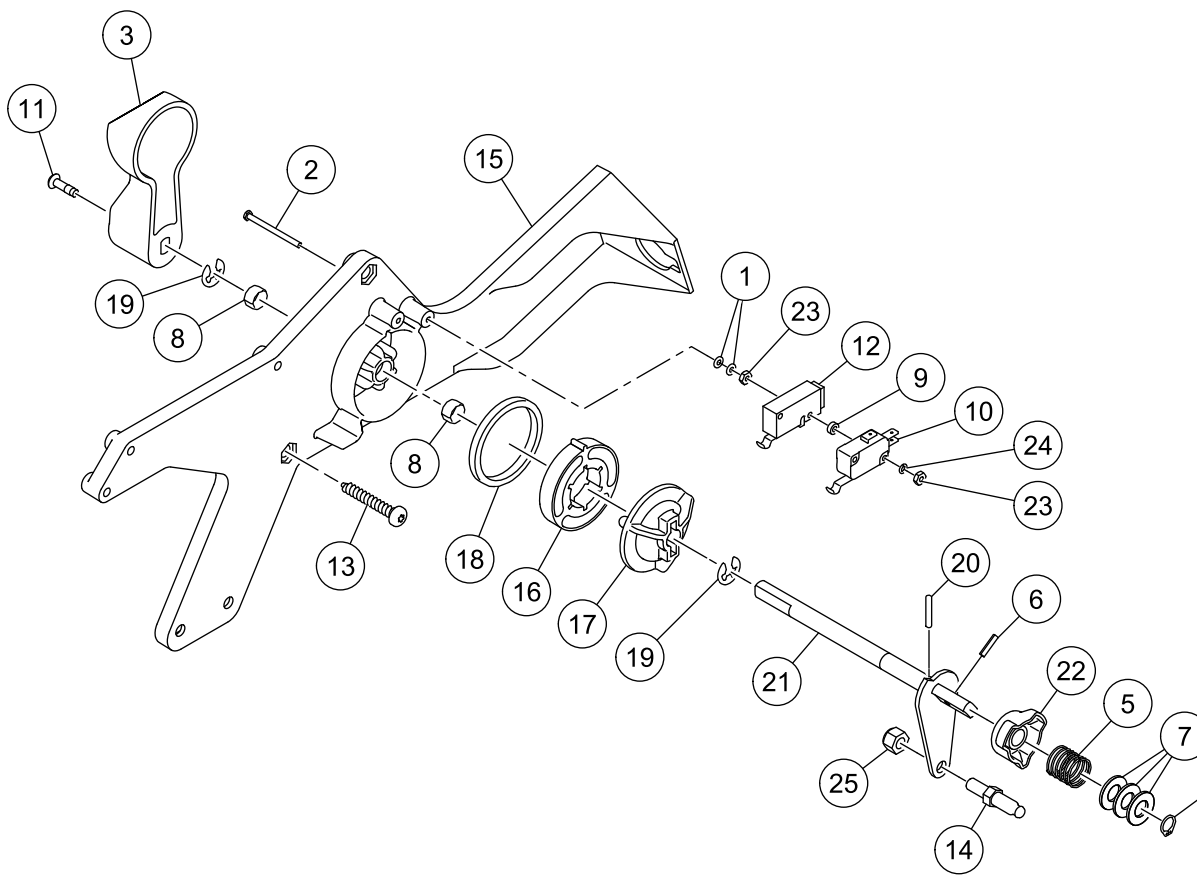
17

G

TRANSAXLE, FUJI ED65 (FOR SUBARU EX40)

18

G



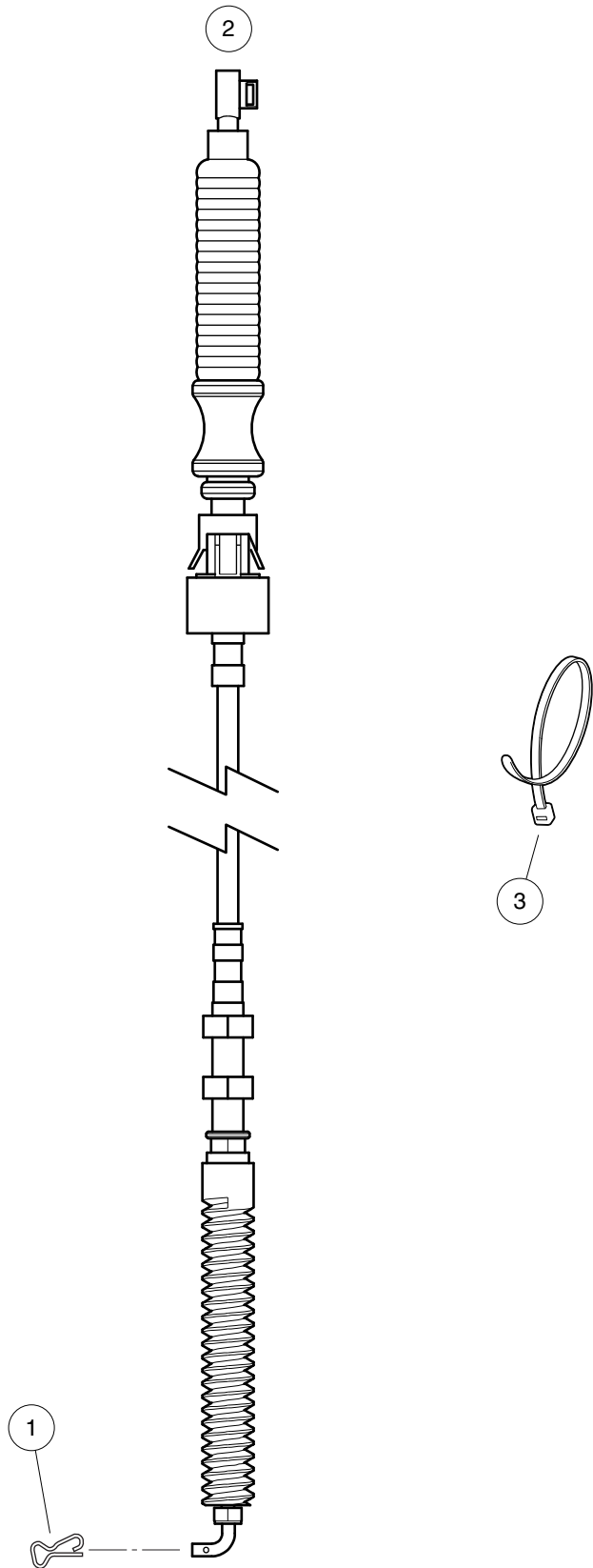
0010E

FORWARD/REVERSE SHIFTER ASSEMBLY – EFI

ITEM	PART NO.	DESCRIPTION	QTY
		1 2 3 4	
1	<u>1012431</u>	Washer, #4 Flat	4
2	<u>1012594</u>	Screw, #4-40 Machine	2
3	<u>1012987</u>	Handle, FNR	1
4	<u>1013589</u>	Ring, Retaining, 0.338" Internal	1
5	<u>1013590</u>	Spring, FNR Cam	1
6	<u>1013591</u>	Pin, Roll, 1/8 X 1/2	1
7	<u>1014065</u>	Washer, Flat, 0.38" ID, Delrin	3
8	<u>1014145</u>	Bushing, Secondary Weight, Split	2
9	<u>1014727</u>	Washer, Flat, #4, Nylon	2
10	<u>1014807</u>	Switch, Limit	1
11	<u>1015064</u>	Screw, #8-32 X 0.63 Machine	1
12	<u>101979101</u>	Switch, Limit, Assembly, Sealed	1
13	<u>102296040</u>	Screw, Torx Pan Hd Pt, M6 X 40	3
14	<u>102526201</u>	Stud, Thread, 1/4-28	1
15	<u>105037501</u>	Housing, Gas FNR Body Shift	1
16	<u>105037601</u>	Cam, FNR Detent, 45 Degree	1
17	<u>105037701</u>	Follower, FNR Detent	1
18	<u>105038501</u>	Spring, Wave, Gas FNR Shifter	1
19	<u>105039801</u>	E-Clip, External, 8mm Groove	2
20	<u>105040401</u>	Pin, Round, 0.125 Dia x 0.625	1
21	<u>105041101</u>	Weldment, Shaft, Fnr, Prec	1
22	<u>105074101</u>	Cam, Neutral Lockout, EX40	1
23	<u>8057</u>	Nut, #4-40 Hex Machine	4
24	<u>8058</u>	Lockwasher, #4 Split	2
25	<u>8717</u>	Locknut, Nylon Insert, 1/4-28	1

18

G



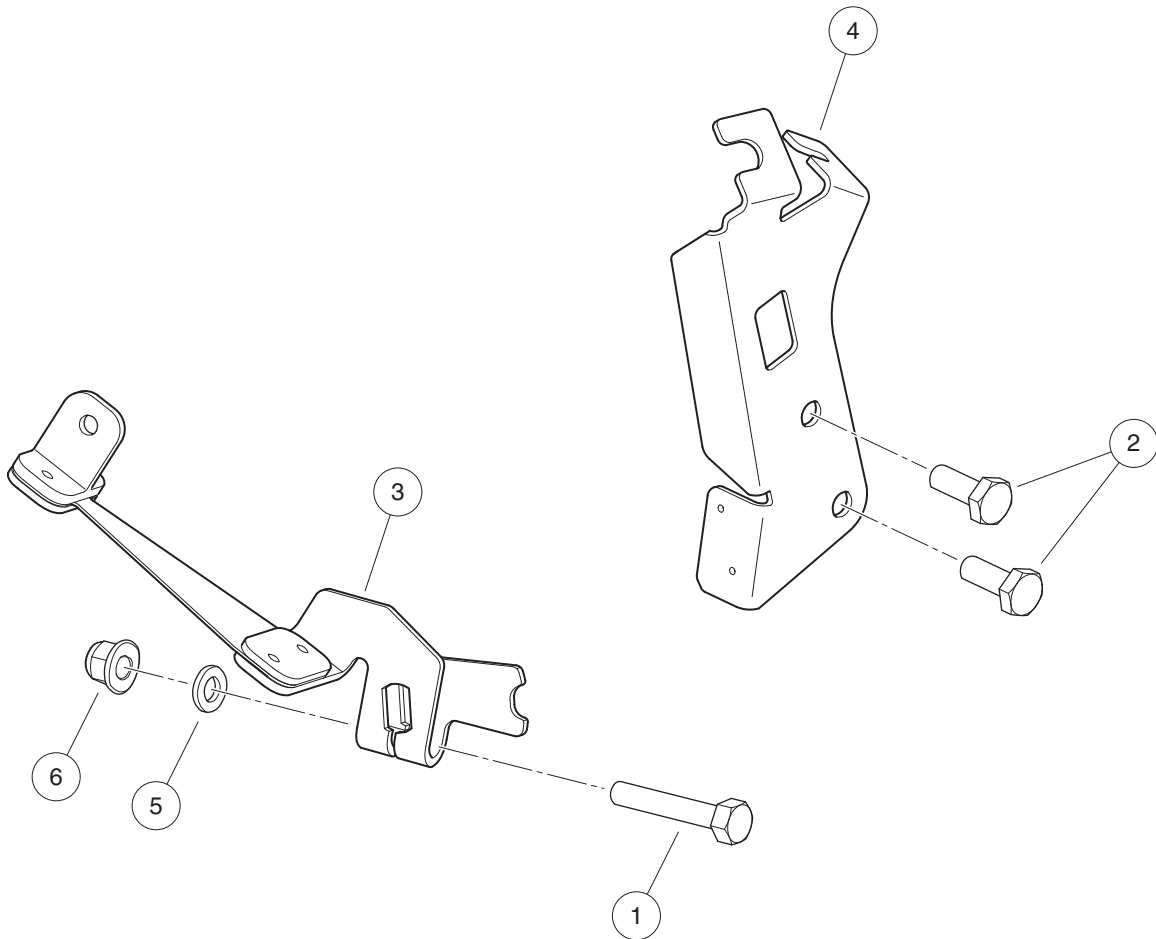
000988-001

SHIFTER CABLE – CA100, XRT800, PRECEDENT

ITEM	PART NO.	DESCRIPTION	QTY
		1 2 3 4	
1	<u>103886601</u>	Clip, Bowtie	1
2	<u>105038801</u>	Cable, Shifter, Precedent/CA100/XRT800	1
3	<u>8990</u>	Tie Wrap, 8" Nylon	A/R

18

G



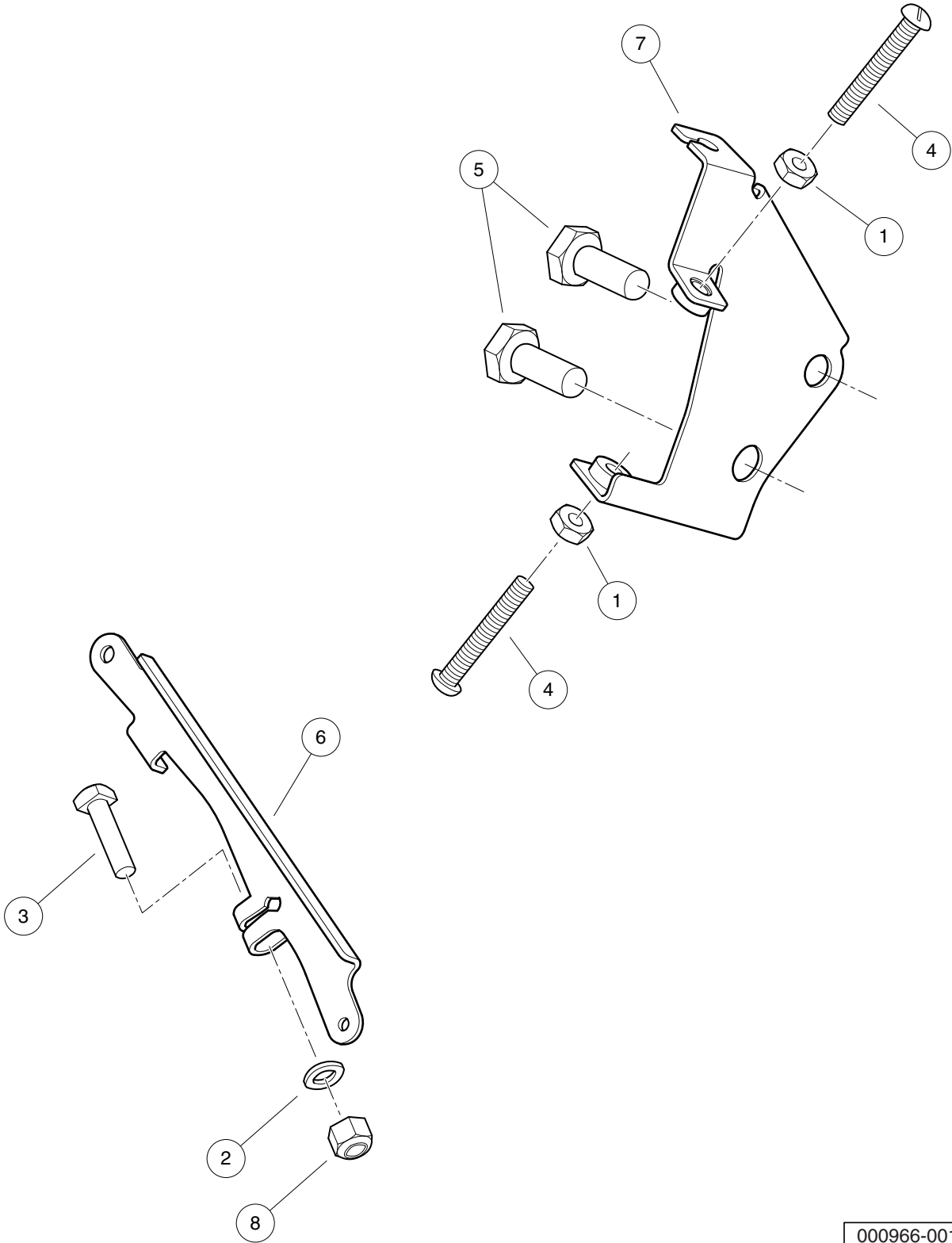
000965-003

SHIFT LEVER AND BRACKET – PEDAL-START ENGINES

ITEM	PART NO.	DESCRIPTION	QTY
		1 2 3 4	
1	<u>101862001</u>	Screw, 1/4-20 X 1.500 Flange	1
2	<u>102498201</u>	Bolt, M10 X 1.25 X 25, Loctite	2
3	<u>105040901</u>	Lever, Shift, Flex, Transaxle, Pedal-Start	1
4	<u>105135101</u>	Bracket, Cable, FNR/Accelerator, ED65	1
5	<u>332</u>	Washer, 1/4 Type A Narrow Flat	1
6	<u>8233</u>	Locknut, 1/4-20, Nylon Insert	1

18

G



000966-001

GOVERNOR ARM AND BRACKETS – PRECEDENT

ITEM	PART NO.	DESCRIPTION	QTY
		1 2 3 4	
1	<u>1011114</u>	Nut, M6-1.00 Hex	2
2	<u>1014007</u>	Washer, 1/4, Flat	1
3	<u>101886101</u>	Screw, 1/4-20 X 1.00, Square-Head	1
4	<u>102476401</u>	Bolt, Stop, Pedal	2
5	<u>102498201</u>	Bolt, M10 X 1.25 X 25, Loctite	2
6	<u>104023501</u>	Arm, Governor, ED65	1
7	<u>105144401</u>	Weldment, Governor Bracket	1
8	<u>8233</u>	Locknut, 1/4-20, Nylon Insert	1

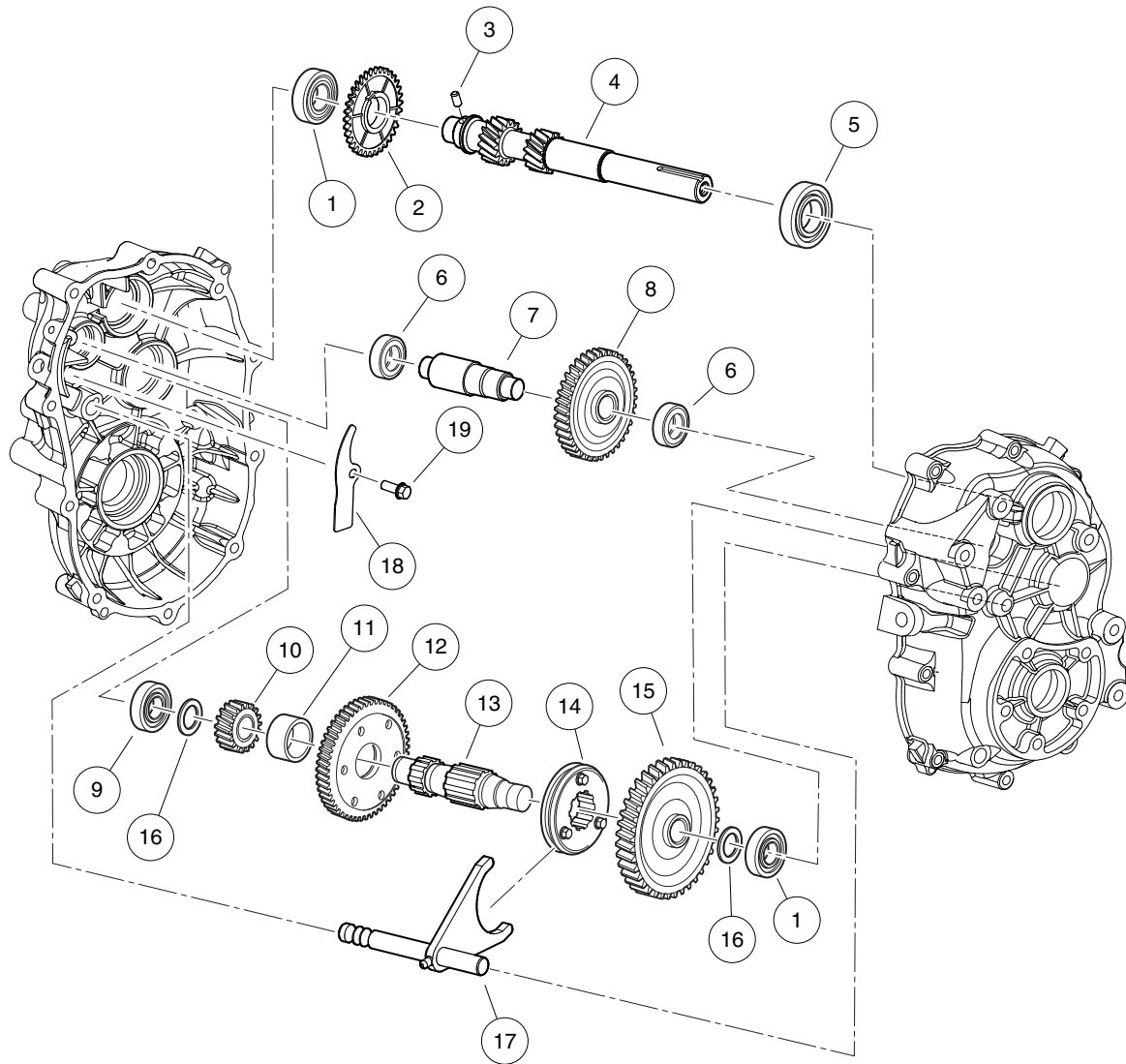
18
G

TRANSAXLE (ED65), OPEN – PAGE 1 OF 3

ITEM	PART NO.	DESCRIPTION	QTY
		1 2 3 4	
1	<u>103879701</u>	Transaxle, ED65, Open Differential (includes items 2 through 32)	1
2	<u>105025001</u>	Case, Transaxle, Left, Complete, ED65 (includes items 3 through 13)	1
3	<u>105025101</u>	Gear, Governor, Complete, ED65	1
4	<u>105025201</u>	Sleeve, Governor, ED65	1
5	<u>105025301</u>	Washer, ED65	2
6	<u>105025401</u>	Bearing, Thrust, ED65	1
7	<u>105025501</u>	Shaft, Governor Gear, ED65	1
8	<u>105025601</u>	Shaft, Governor, ED65	1
9	<u>105025701</u>	Washer, 6mm, ED65	2
10	<u>105025801</u>	Seal, Oil, 6x10x2.5, ED65	1
11	<u>105025901</u>	Retaining Ring, E5, ED65	1
12	<u>105026001</u>	Seal, Oil, 24x40x9, ED65	1
13	<u>105027101</u>	Vent, Breather, ED65	1
14	<u>105026101</u>	Ball, Steel, ED65	1
15	<u>105026201</u>	Spring, ED65	1
16	<u>105026301</u>	Gasket, 10, ED65	1
17	<u>105026401</u>	Bolt, M10-1.25x12mm Lg, ED65	1
18	<u>105026501</u>	Case, Transaxle, Right, Complete, ED65 (includes items 19 through 24)	1
19	<u>105026001</u>	Seal, Oil, 24x40x9, ED65	1
20	<u>105026601</u>	Shaft, Select, ED65	1
21	<u>105026701</u>	Seal, Oil, 13x22x5, ED65	1
22	<u>105026801</u>	Snap Ring, 13mm, ED65	1
23	<u>105026901</u>	Spacer, 13x1, ED65	1
24	<u>105027001</u>	Seal, Oil, 25x45x7, ED65	1
25	<u>105027201</u>	Plug, Oil Drain, ED65	2
26	<u>105027301</u>	Gasket, 14, ED65	2
27	<u>105028301</u>	Pin, Guide, ED65	2
28	<u>105028501</u>	Bolt, Flange, M8-1.25x65mm, ED65	1
29	<u>105030001</u>	Nut, Flange, M8-1.25, ED65	10
30	<u>105030701</u>	Bolt, Flanged, M8-1.25x80mm, ED65	9
31	<u>105234801</u>	Plate, Ed65 Splash	1
32	<u>105234901</u>	Bolt, M6-1 X 12mm Lg, Ed65	1
Note: Fuji transaxle component listings span three pages. To identify your transaxle, locate the serial number decal on the axle tube.			

18

G



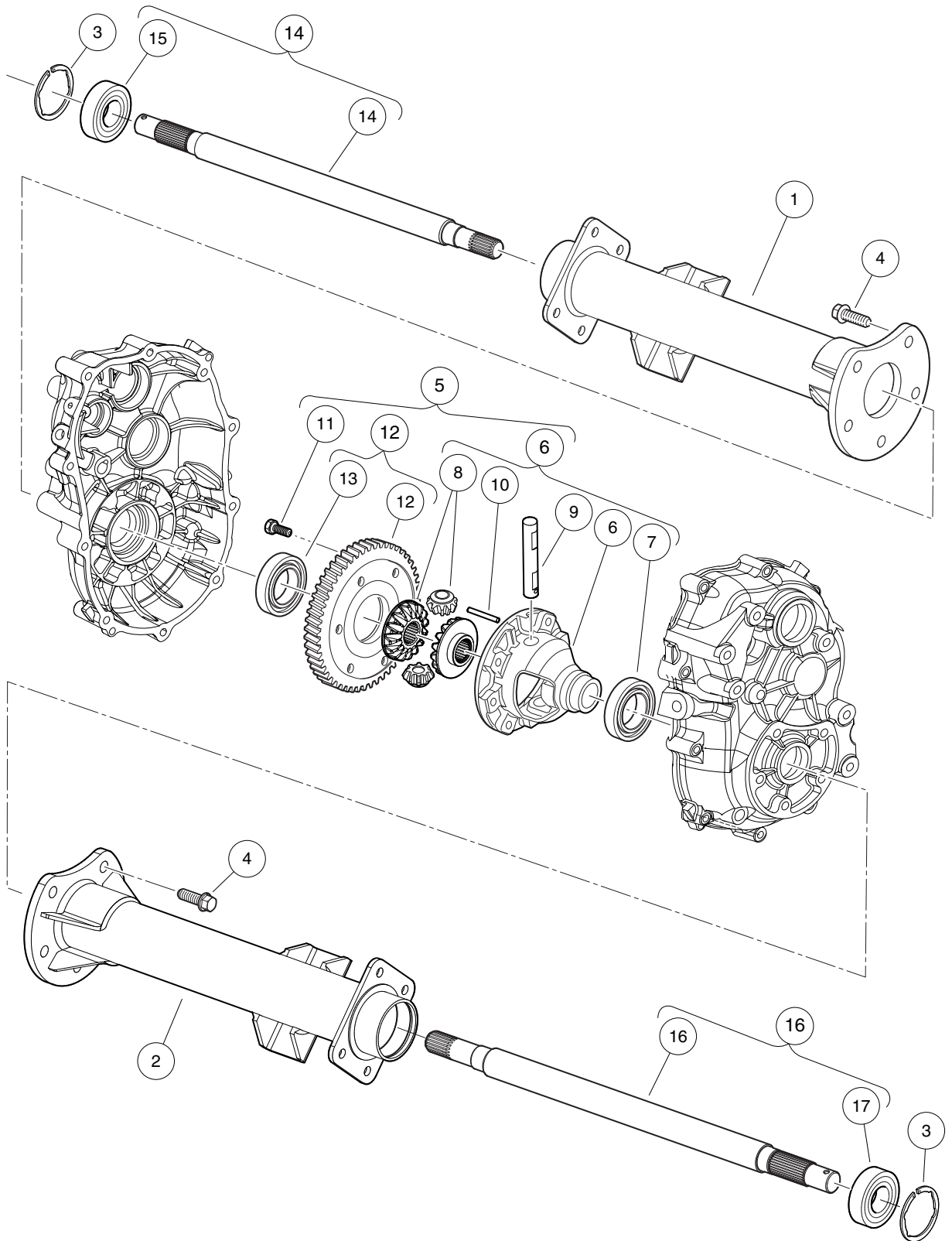
000919-007

TRANSAXLE (ED65), LIMITED SLIP AND OPEN – PAGE 2 OF 3

ITEM	PART NO.	DESCRIPTION	QTY
		1 2 3 4	
1	<u>105027401</u>	Bearing, Ball (6204)	2
2	<u>105027501</u>	Gear, Governor, 34 Tooth, ED65	1
3	<u>105027601</u>	Pin, 6x12 Long, ED65	1
4	105027701	Shaft, Input, ED65	1
5	105027801	Bearing, Ball (6205 seal)	1
6	<u>105027901</u>	Bearing, Ball (6202)	2
7	105028001	Shaft, Counter, ED65	1
8	105028201	Gear, 34 Tooth, ED65	1
9	<u>105028401</u>	Bearing, Ball (6304)	1
10	105028601	Gear, 17 Tooth, ED65	1
11	<u>105028701</u>	Collar, 24 x 12, ED65	1
12	<u>105028801</u>	Gear, 52 Tooth, ED65	1
13	105028901	Shaft, Center, ED65	1
14	<u>105029001</u>	Clutch, Pin, ED65	1
15	105029101	Gear, 62 Tooth, ED65	1
16	<u>105029201</u>	Spacer, 20x2, ED65	2
17	<u>105030901</u>	Shaft, Shift, ED65	1
18	105234801	Plate, Ed65 Splash	1
19	105234901	Bolt, M6-1 X 12mm Lg, Ed65	1
<p>Note: To identify your transaxle, locate the serial number decal on the axle tube.</p>			

18

G



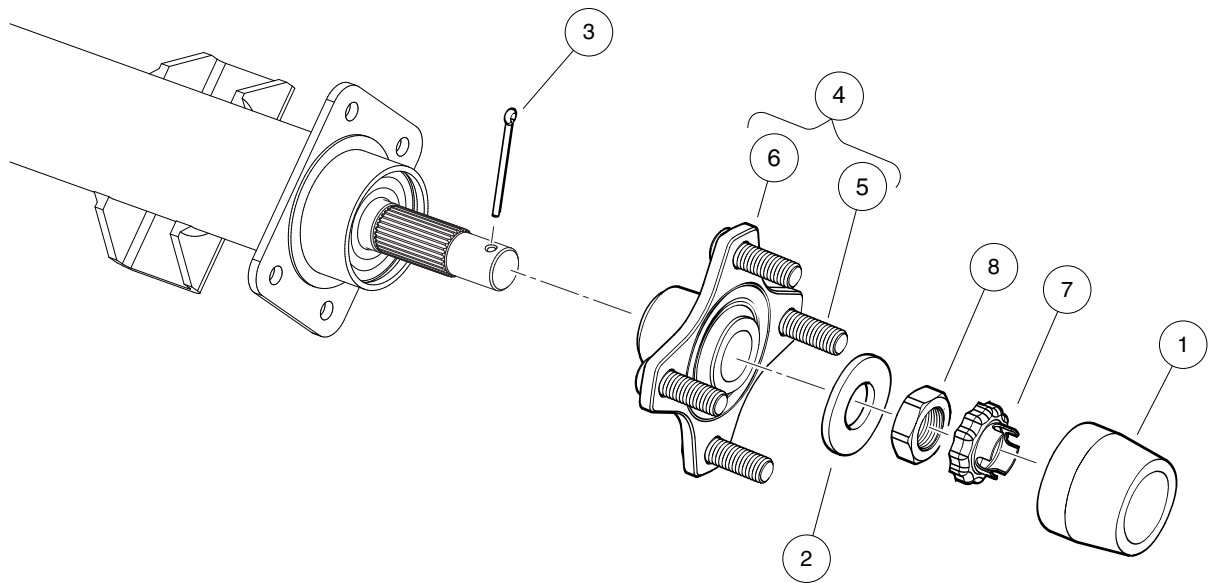
000919-004

TRANSAXLE (ED65), OPEN – PAGE 3 OF 3

ITEM	PART NO.	DESCRIPTION	QTY
		1 2 3 4	
1	105030401	Axle Tube, Driver-Side, ED65	1
2	105030501	Axle Tube, Passenger-Side, ED65	1
3	<u>105030601</u>	Snap Ring, 52mm, ED65	2
4	<u>105030801</u>	Bolt, Flange, M10-1.25x25, ED65	10
5	<u>105031001</u>	Differential, Open, ED65 (includes items 6 through 12)	1
6	<u>105029301</u>	Case, Differential, Complete, ED65 (includes items 7 through 10)	1
7	<u>105028101</u>	Bearing, Ball (6006)	1
8	105029401	Gear Set, Differential, ED65	1
9	<u>105029601</u>	Shaft, Differential, ED65	1
10	<u>105029701</u>	Pin, 4x40 Long, ED65	1
11	<u>105029501</u>	Bolt, M10-1.25x26mm Lg, ED65	6
12	105029901	Gear, 60 Tooth, Complete, ED65 (includes item 13)	1
13	<u>105029801</u>	Bearing, Ball (6007)	1
14	<u>105066001</u>	Axle Shaft, Driver-Side, Complete, ED65 (includes item 15)	1
15	<u>105030301</u>	Bearing, Ball (6205DD)	1
16	<u>105066101</u>	Axle Shaft, Passenger-Side, Complete, ED65 (includes item 17)	1
17	<u>105030301</u>	Bearing, Ball (6205DD)	1
		Note: To identify your transaxle, locate the serial number decal on the axle tube.	

18

G



000919-006

HUB, REAR

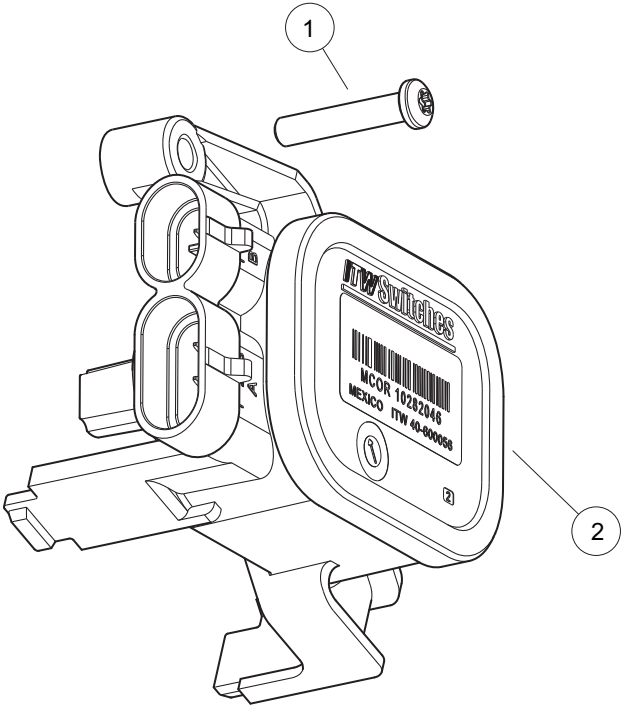
ITEM	PART NO.	DESCRIPTION	QTY
		1 2 3 4	
1	102274101	Center Cap, Rubber	2
2	<u>102617801</u>	Washer, Hard, M22	2
3	<u>103989501</u>	Pin, Cotter, 9/64 X 1.75"	2
4	<u>103995001</u>	Asm, Hub, Machined, Golf/Utility (includes items 5 and 6)	2
5	<u>103951501</u>	Lug Stud, 1/2-20 UNF, SAE J1102	4
6	<u>103979301</u>	Hub, Machined, Golf/Utility	1
7	<u>104021701</u>	Retaining Ring, Hex Nut, M22	2
8	<u>104027101</u>	Nut, Hex, M22x1.5, Thin	2

18
G

ELECTRICAL SYSTEM – EXCEL WITH HIGH FREQUENCY CHARGERS

19

E



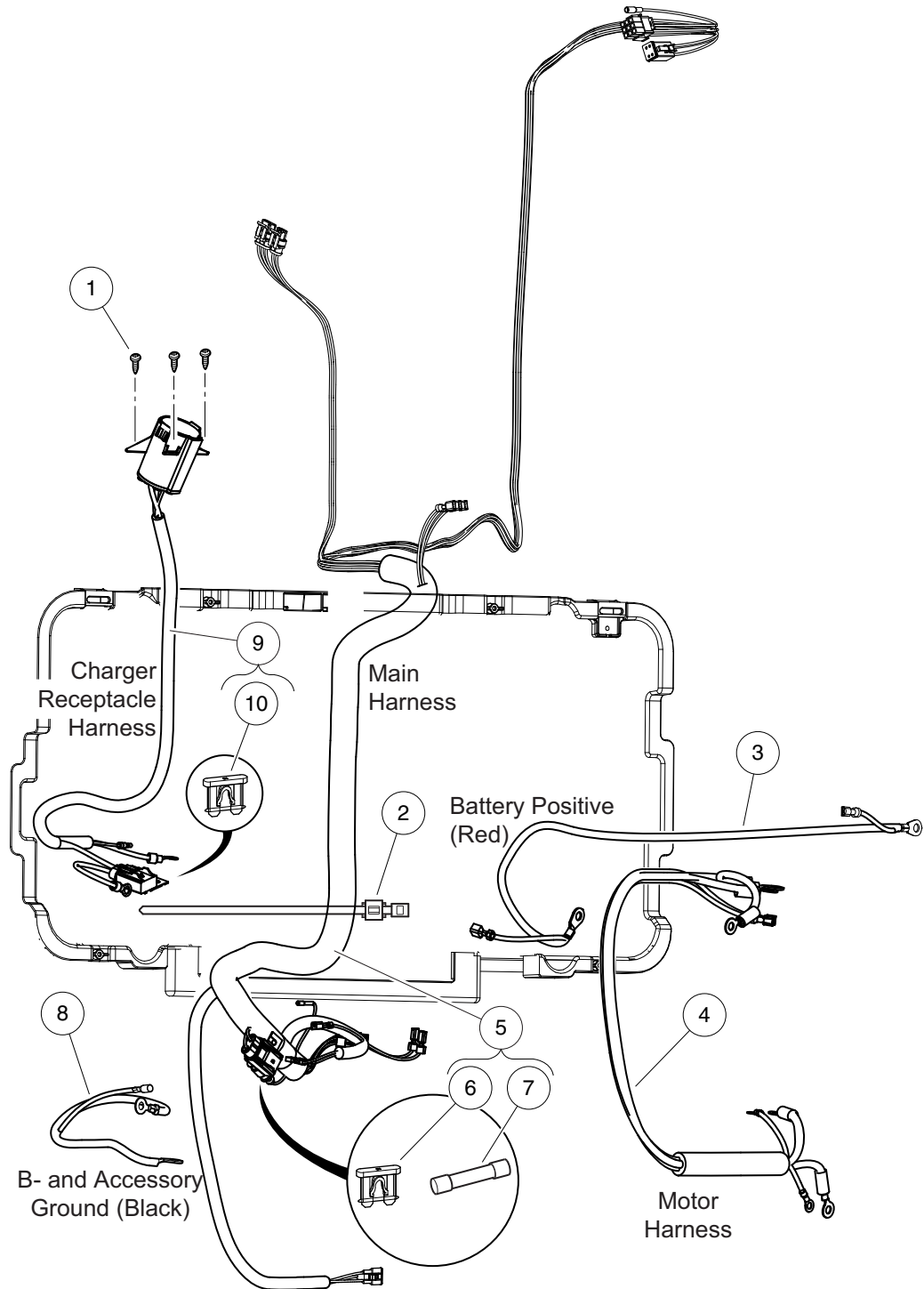
000243-005

MOTOR CONTROLLER OUTPUT REGULATOR (MCOR)

ITEM	PART NO.	DESCRIPTION	QTY
		1 2 3 4	
1	<u>103943401</u>	Screw, Pan, #10 X 1.00 Hi-lo	1
2	<u>105116301</u>	MCOR4, Type 16 Switch	1

19

E



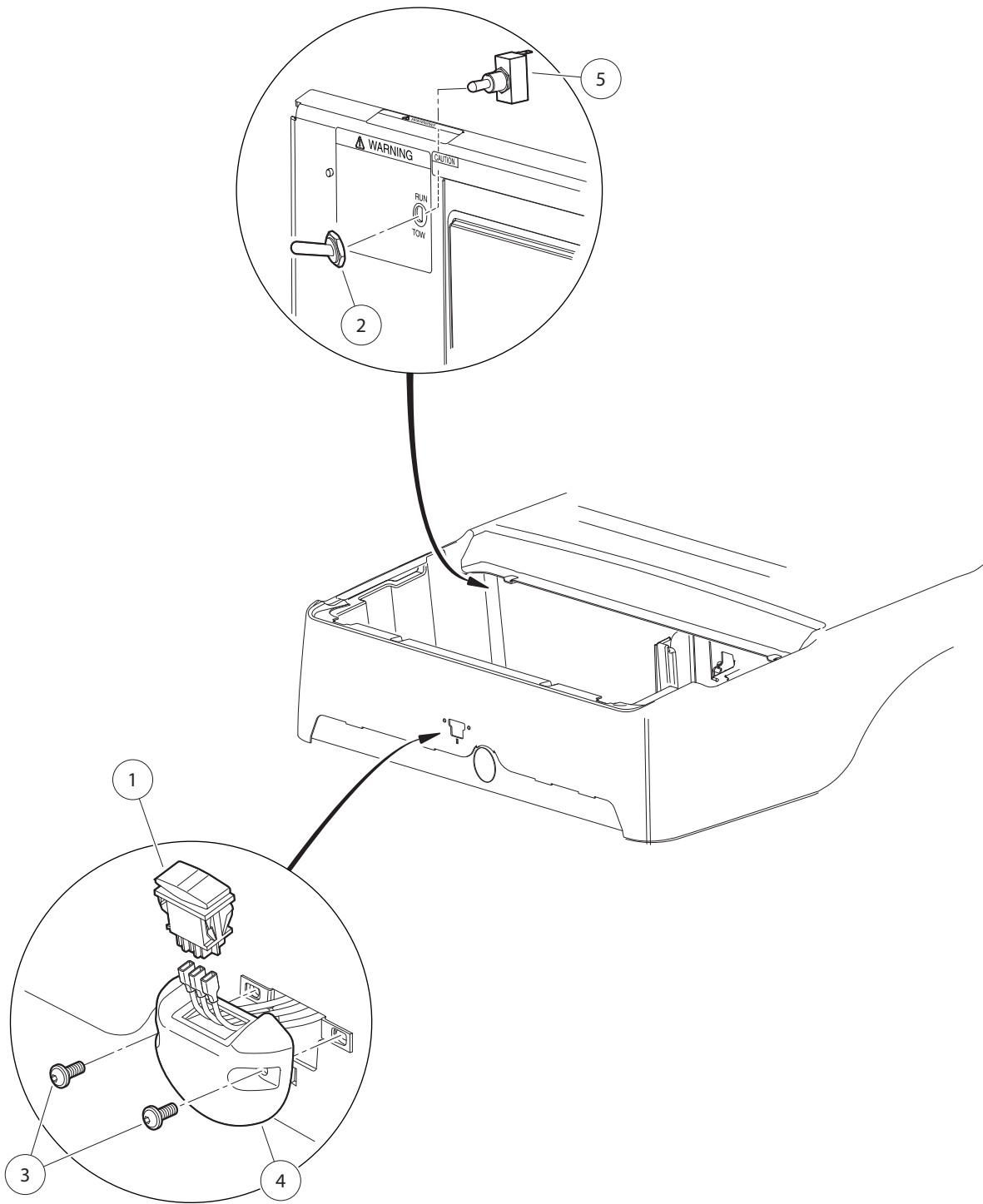
000647-002

WIRING AND FUSES

ITEM	PART NO.	DESCRIPTION	QTY
		1 2 3 4	
1	<u>101832001</u>	Screw, #7-19 X 0.625 Phillips Pan-Head Tap	3
2	<u>102554901</u>	Clip, Edge, with Wire Tie	1
3	<u>103375402</u>	Asm, Wire, Battery Positive, B+, Short	1
4	<u>103375702</u>	Asm, Harness, Motor 1/4	1
5	<u>104023201</u>	Harness, Main, Prec, Excel w/Hi-Freq, Mcor3 (includes items 6 and 7)	1
6	<u>102538601</u>	15 Amp Fuse	1
7	<u>103924801</u>	Fuse, Glass, 2-Amp	1
8	<u>104024001</u>	Asm, Wire, Battery Negative, B-, w/ Accy Ground	1
9	<u>105137401</u>	Harness, Wire, Charger Receptacle (for Yellow DC Cord) (includes item 10)	1
10	<u>102492301</u>	Fuse, 30-Amp	1
11	<u>8639</u>	Tie Wrap, 11" Nylon	A/R
12	<u>8990</u>	Tie Wrap, 8" Nylon	A/R
		Note: Items 11 and 12 not shown.	

19

E



000462-004

FORWARD/REVERSE SWITCH AND TOW/RUN SWITCH

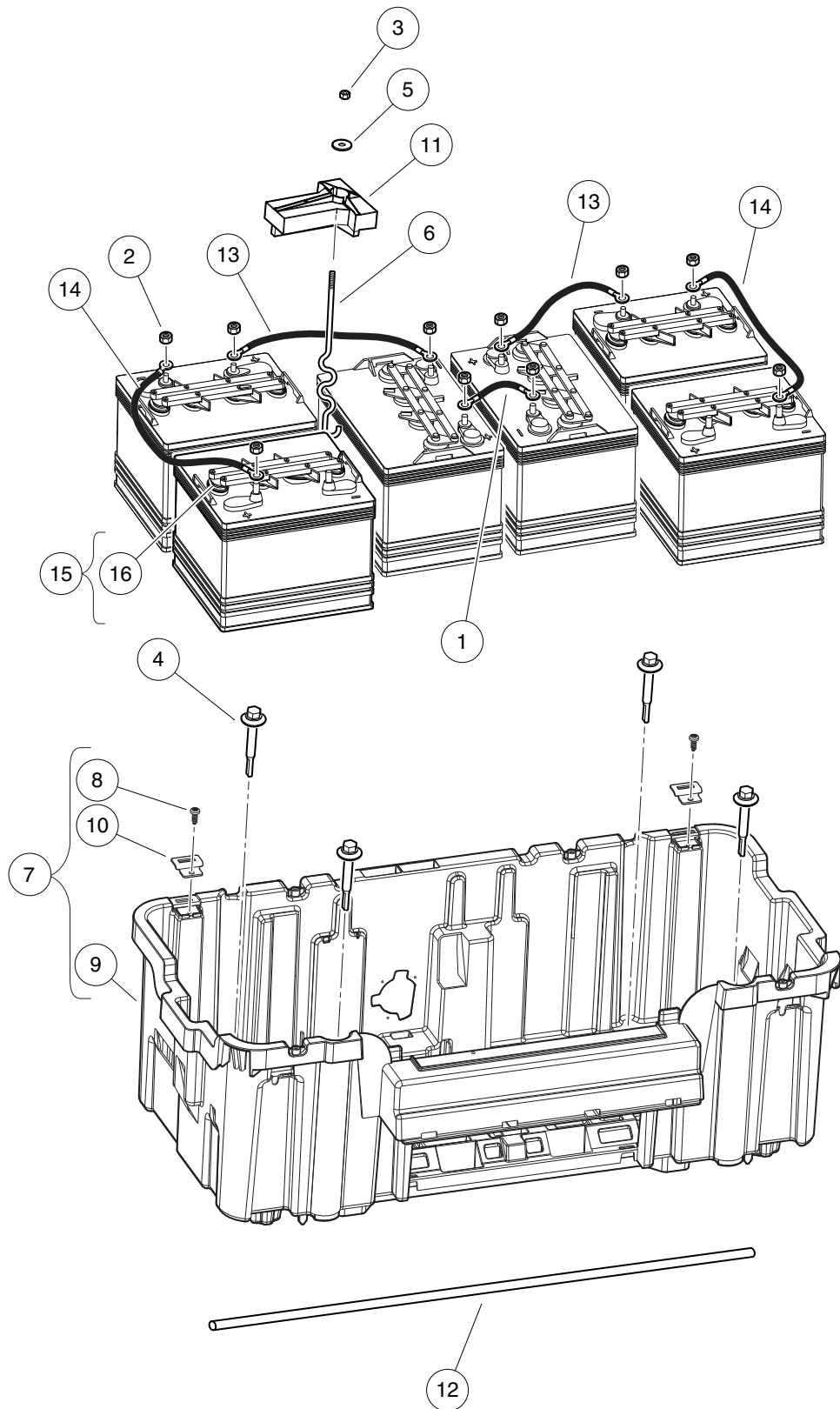
ITEM	PART NO.	DESCRIPTION	QTY
		1 2 3 4	
1	<u>101856001</u>	Switch, Rocker, Double-Pole	1
2	<u>101908401</u>	Boot, Switch	1
3	<u>102296920</u>	Screw, M6, Torx Button Head, Sems	2
4	<u>102508401</u>	Housing, FNR Electric	1
5	<u>102511101</u>	Switch, Tow	1

19

E

19

E



000682-001

BATTERIES AND BATTERY BUCKET, PD+ 8-VOLT

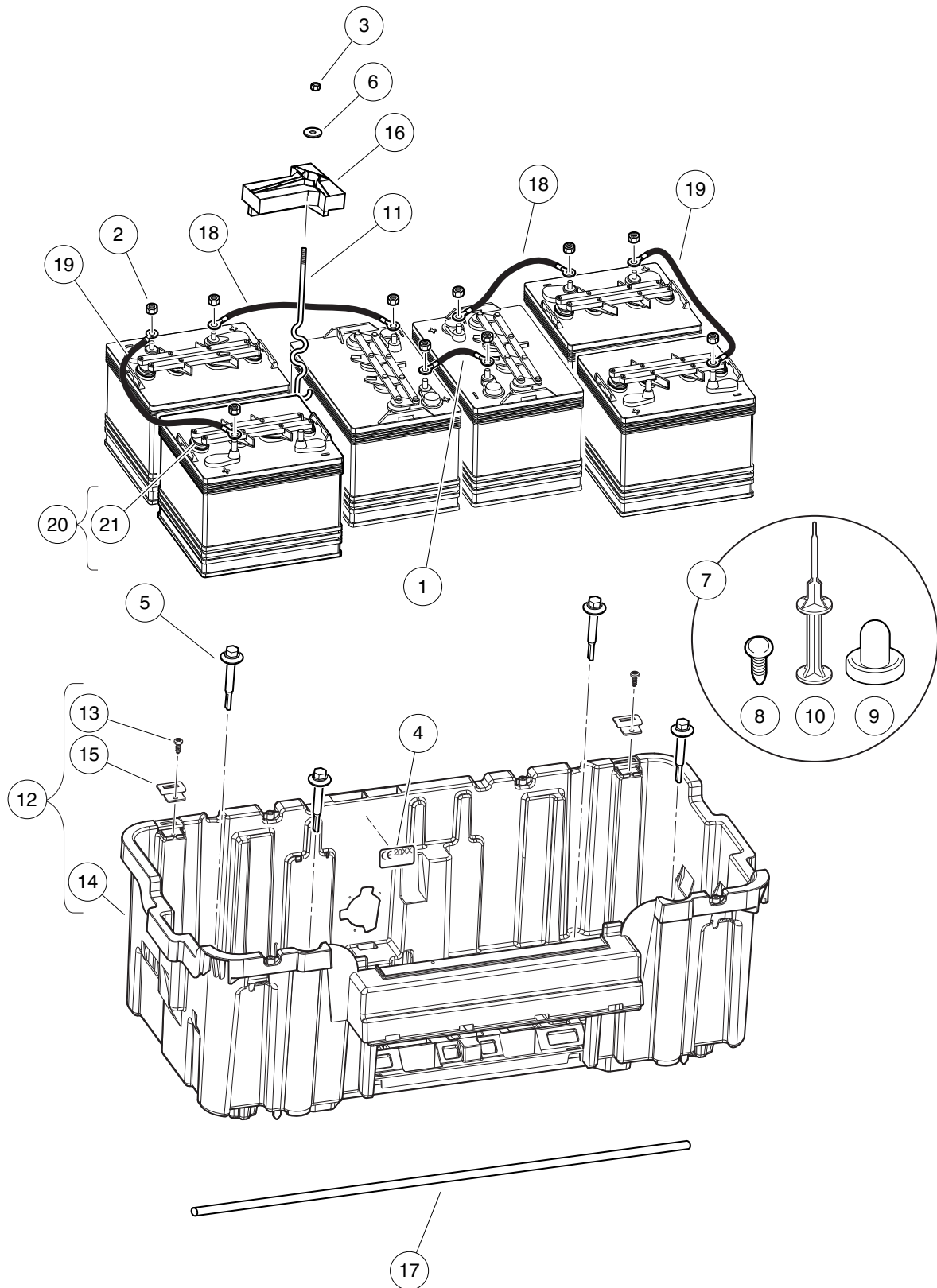
ITEM	PART NO.	DESCRIPTION	QTY
		1 2 3 4	
1	<u>1010958</u>	Asm, Wire, #6blk 8in	1
2	<u>1014304</u>	Nut, 5/16-18 Stainless-Steel Hex	12
3	<u>1014555</u>	Locknut, 7/16-14 Nylon Hex	2
4	<u>102292356</u>	Screw-1/4-20x56 Hwh Self Drill	4
5	<u>102491501</u>	Washer, Hard, M10	2
6	<u>103357701</u>	Bolt, Battery, "s" Hold-down	2
7	<u>103368401</u>	Asm, Bucket, Batt, Elec, Prec (includes items 8 through 10)	1
8	<u>102298020</u>	Screw, K80x20, Torx Pn Hd Pt	2
9	N/A	Bucket, Batt, Elec, Precedent	1
10	<u>103368301</u>	Hinge - Nested	2
11	<u>103374801</u>	Hold Down, Battery	2
12	<u>103375301</u>	Tube, Cross, Battery Rod	1
13	<u>103647402</u>	Wire Asm #6 Blk, 12"	2
14	<u>103647403</u>	Wire Asm #6 Blk, 17"	2
15	<u>105138301</u>	Battery, 8-Volt, JCI GC8 Type E (includes item 16)	6
16	<u>103765601</u>	Cap, Spin, 8-Volt Battery	1

19

E

19

E



000682-002

BATTERIES AND BATTERY BUCKET, PD+ 8-VOLT, CE

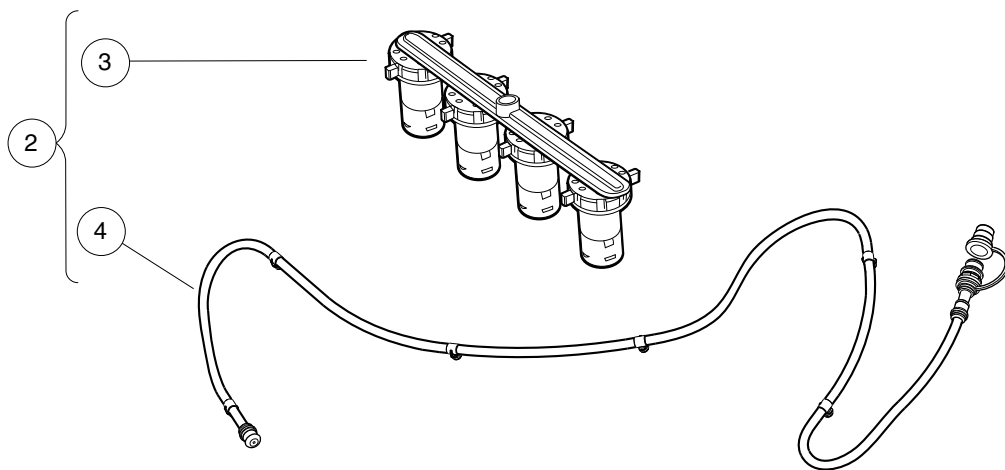
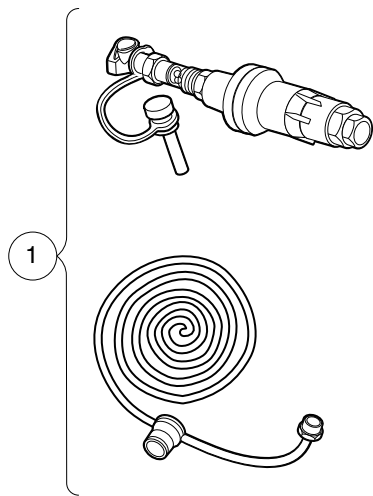
ITEM	PART NO.	DESCRIPTION	QTY
		1 2 3 4	
1	<u>1010958</u>	Asm, Wire, #6blk 8in	1
2	<u>1014304</u>	Nut, 5/16-18 Stainless-Steel Hex	12
3	<u>1014555</u>	Locknut, 7/16-14 Nylon Hex	2
4	<u>101865805</u>	Ce - Decal	1
5	<u>102292356</u>	Screw-1/4-20x56 Hwh Self Drill	4
6	<u>102491501</u>	Washer, Hard, M10	2
7	<u>102571202</u>	Kit Ce Plug - Bucket Elec (includes items 8 through 10)	1
8	<u>1010434</u>	Barrel - Plastic	2
9	N/A	Plug, 1/2", CE Bucket	6
10	N/A	Install Tool, CE Bucket Plug	1
11	<u>103357701</u>	Bolt, Battery, "s" Hold-down	2
12	<u>103368401</u>	Asm, Bucket, Batt, Elec, Prec (includes items 13 through 15)	1
13	<u>102298020</u>	Screw, K80x20, Torx Pn Hd Pt	2
14	N/A	Bucket, Batt, Elec, Precedent	1
15	<u>103368301</u>	Hinge - Nested	2
16	<u>103374801</u>	Hold Down, Battery	2
17	103375301	Tube, Cross, Battery Rod	1
18	<u>103647402</u>	Wire Asm #6 Blk, 12"	2
19	<u>103647403</u>	Wire Asm #6 Blk, 17"	2
20	<u>105138301</u>	Battery, 8-Volt, JCI GC8 Type E (includes item 21)	6
21	<u>103765601</u>	Cap, Spin, 8-Volt Battery	1
		Note: The CE-specific parts shown are required for vehicles sold in the European Union.	

19

E

19

E



000731-009

SINGLE POINT WATERING SYSTEM, 8V

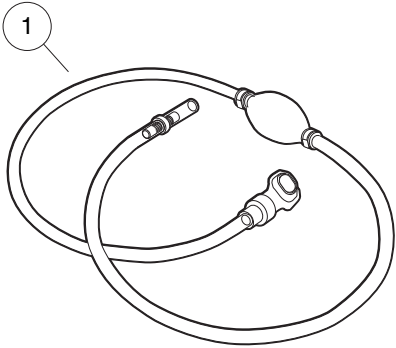
ITEM	PART NO.	DESCRIPTION	QTY
		1 2 3 4	
1	<u>102958001</u>	Kit Regulated Hose Sply Spws	1
2	<u>103395505</u>	Kit, Spws, Prec, 8 Volt Non-Trojan (includes items 3 and 4)	1
3	<u>103510602</u>	Spws, Manifold Asm, 8v Non-Trojan	6
4	<u>103774701</u>	Spws, Hose 8v Non-trojan	1
		Note: For JCI 8-Volt batteries only.	

19

E

19

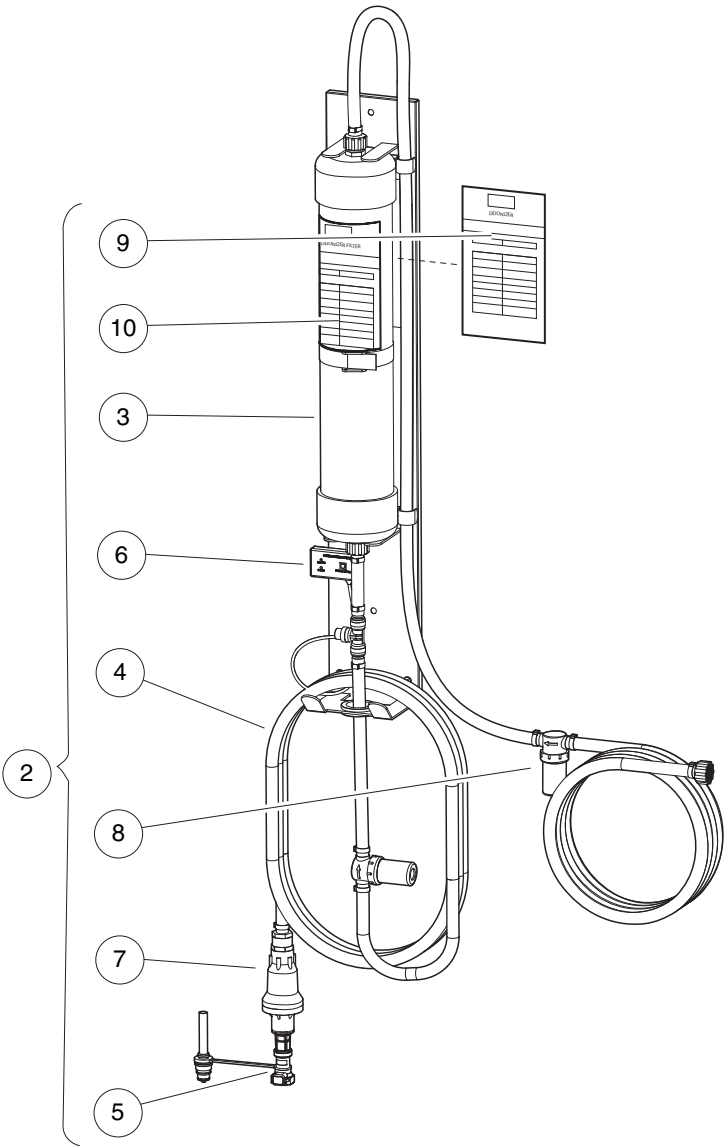
E



11



12



002523-003

HAND PUMP AND DEIONIZER (BATTERY-POWERED QUALITY LIGHT)

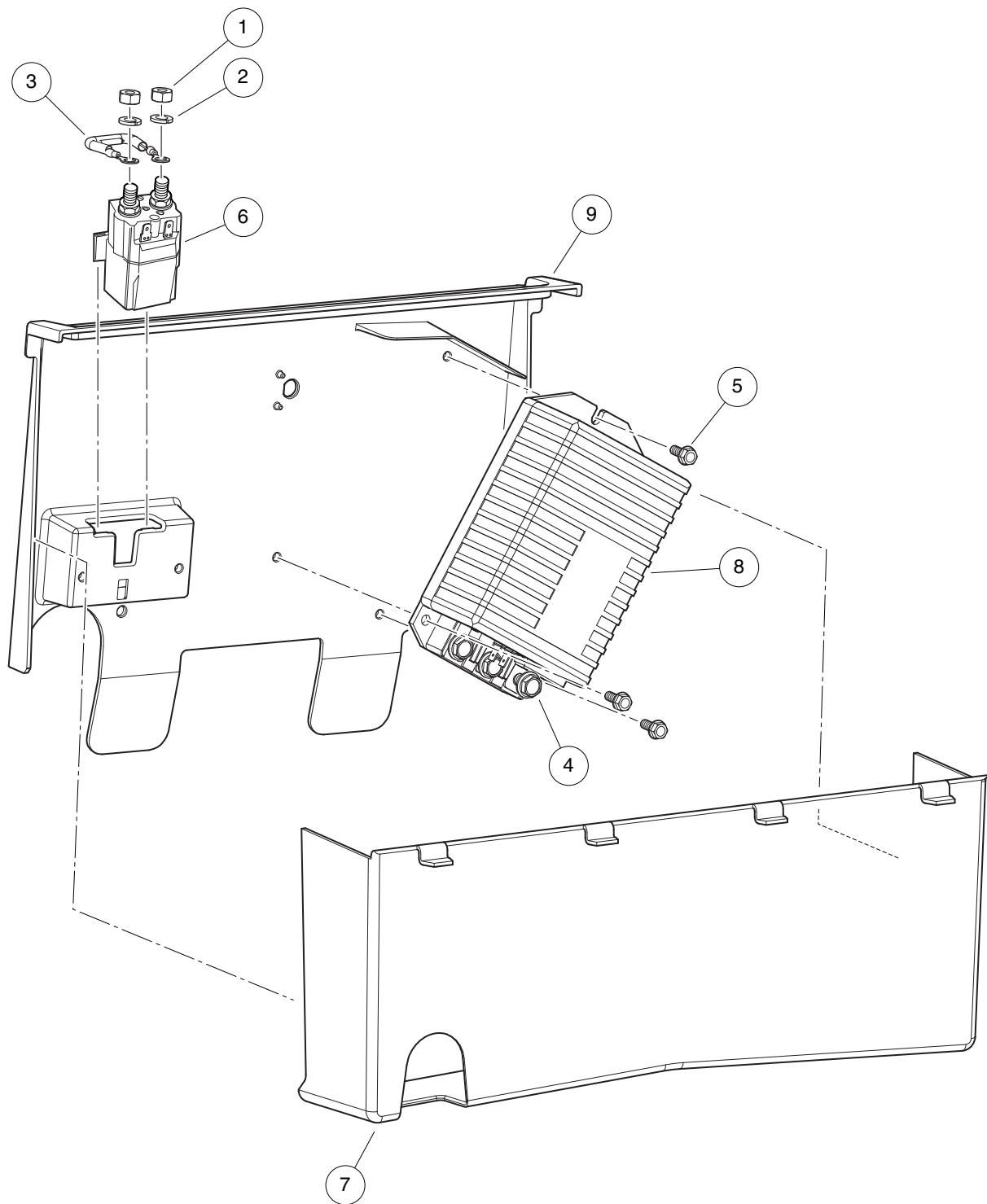
ITEM	PART NO.	DESCRIPTION	QTY
		1 2 3 4	
1	<u>104006101</u>	Kit, Hand Pump, Spws	1
2	<u>105166801</u>	Deionizer, w/Battery-Powered Water Quality Light (includes items 3 through 10)	1
3	<u>104005901</u>	Cartridge, Deionizer	1
4	<u>105166901</u>	Hose,outlet,deionizer	1
5	<u>105167001</u>	Flow Ind, W/coupler, Deionizer	1
6	<u>105167101</u>	Light, Quality, Battery-Powered, w/T-Fitting	1
7	<u>105168501</u>	Regulator, Pressure, Deionizer	1
8	<u>105168601</u>	Strainer, In-line, Deionizer	1
9	<u>AM1300001</u>	Decal, Filter Log, Blue	1
10	<u>AM1300201</u>	Decal, Inspect Log, Yellow	1
11	AM1300101	Decal, Filter Log, Blue, Pack of 100	A/R
12	AM1300301	Decal, Inspect Log, Yellow, Pack of 100	A/R

19

E

19

E



000486-013

CONTROLLER AND SOLENOID

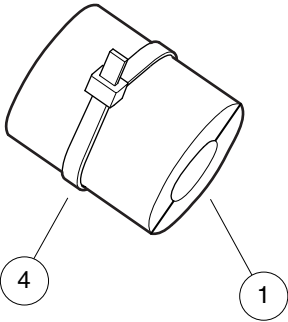
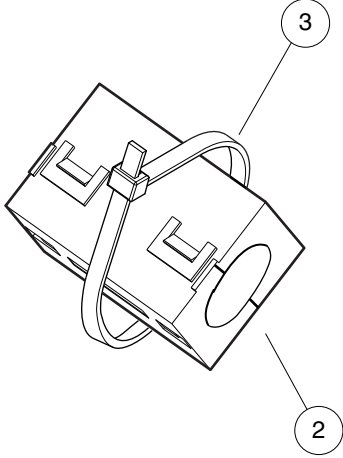
ITEM	PART NO.	DESCRIPTION	QTY
		1 2 3 4	
1	<u>1012528</u>	Nut, M8-1.25 Hex	2
2	<u>1013734</u>	Lockwasher, 8mm Split	2
3	<u>1014947</u>	Resistor Assembly	1
4	<u>102240501</u>	Bolt, Controller, Terminal	3
5	<u>102296716</u>	Screw, M6 X 16 Tt Hx Fl Hd	3
6	<u>102865901</u>	Solenoid 48v Slot Mt No Diode	1
7	<u>103367901</u>	Shield - Controller	1
8	<u>103982301</u>	Controller, 1515, 250A, White	1
9	<u>105005001</u>	Component Mounting Plate	1
Note: Replacement solenoid may vary in appearance from the original.			

19

E

19

E



001055-001

FERRITE BEADS, CE

ITEM	PART NO.	DESCRIPTION	QTY
		1 2 3 4	
1	<u>103449501</u>	Bead, Ferrite, Tdk	A/R
2	<u>103449601</u>	Bead, Ferrite, Fair-rite	A/R
3	<u>8639</u>	Tie Wrap, 11" Nylon	A/R
4	<u>8990</u>	Tie Wrap, 8" Nylon	A/R

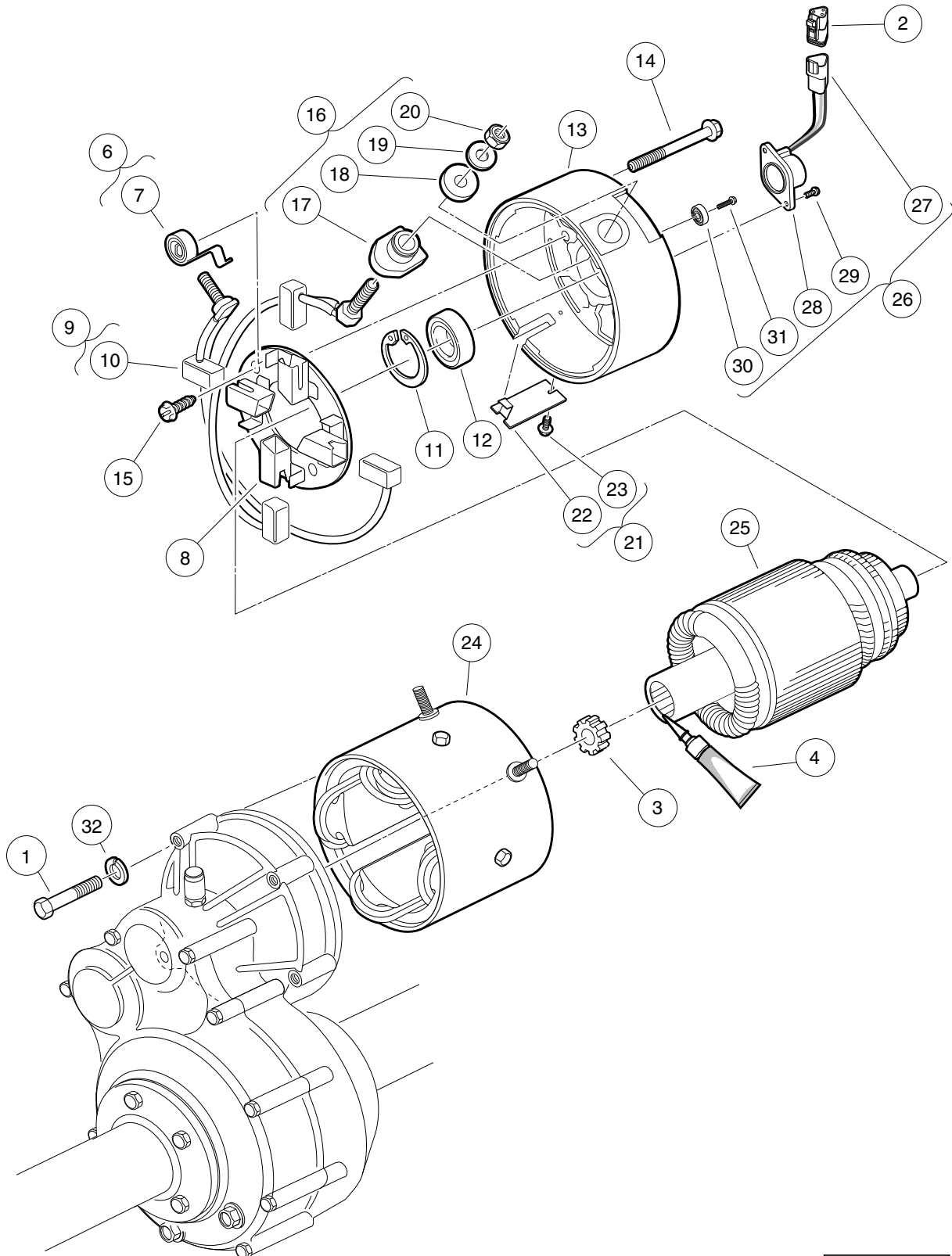
19

E

ELECTRIC MOTOR

20

E



000185-002

MOTOR (MODEL EJ8-4001A) – ELECTRIC VEHICLE

ITEM	PART NO.	DESCRIPTION	QTY
		1 2 3 4	
1	1014201	Screw, 1/4-20 X 2.25 Hex Cap	3
2	<u>101920101</u>	Kit, 3-Pin Wedge Lock	1
3	<u>102235201</u>	Bumper, Drive Unit	1
4	<u>102243403</u>	Lubricant, Moly-Teflon (Single-Use Tube)	1
5	<u>103572501</u>	IQ Electric Motor, 48-VDC 3.3 hp (includes items 6 through 26)	1
6	<u>102186001</u>	Spring Kit, Motor Brush (includes item 7)	1
7	N/A	Spring, Brush, S-g	4
8	<u>102186101</u>	Brush Box Assembly	1
9	<u>102186201</u>	Brush Kit, Motor (includes item 10)	1
10	N/A	Assembly, Brush and Terminal	2
11	N/A	Ring, 2.24" Internal Retaining	1
12	<u>102186401</u>	Bearing, Ball	1
13	<u>102186701</u>	End Cap, Motor	1
14	N/A	Screw, 1/4-20 X 2.25 Hex-Head Washer	2
15	<u>102186901</u>	Screw, #8-32 X .5 Hex-Head	2
16	<u>102187101</u>	Hardware Kit, Motor Terminal (includes items 17 through 20)	2
17	N/A	Bushing, Nylon	2
18	N/A	Washer, Nylon Flat	2
19	N/A	Washer, Flat, 5/16 Steel	2
20	N/A	Nut, Brass Hex, 5/16 - 18	2
21	<u>102187201</u>	Plate Kit, Motor Cover (includes items 22 and 23)	1
22	N/A	Assembly, Cover Plate	1
23	N/A	Screw, #8-32 x 0.375, Taptite Thread	1
24	<u>102704701</u>	Frame and Field Assembly	1
25	<u>102704801</u>	Armature Assembly	1
26	<u>102704901</u>	Kit, Speed Sensor (includes items 27 through 31)	1
27	<u>101942301</u>	Kit, 3-Pin Wedge Lock	1
28	N/A	Sensor, Motor Speed, ADC	1
29	N/A	Screw, #8-32, Taptite Thread	2
30	N/A	Magnet, ADC Motor	1
31	N/A	Screw, 1/4-20 x 0.5	1
32	<u>451</u>	Lockwasher, 1/4 Split	3
Note: The F1 and F2 terminal posts on the EJ8-4001A motor have 1/4 - 20			

20

E

20

E

TRANSAXLE – ELECTRIC VEHICLES

21

E

TRANSAXLE – ELECTRIC VEHICLES

ITEM	PART NO.	DESCRIPTION	QTY
		1 2 3 4	
1	<u>102771701</u>	Transaxle, Electric (includes items 2 through 32)	1
2	<u>1013794</u>	Axle Shaft Oil Seal	2
3	<u>101895401</u>	Gear Case, Driver-Side	1
4	<u>101895501</u>	Gear Case, Passenger-Side	1
5	<u>101897001</u>	Screw, M8-1.25 X 60mm Hex-Head	11
6	<u>101897201</u>	Breather	1
7	<u>101897401</u>	Screw, M10-1.25 X 25mm	6
8	<u>101897601</u>	Pin, 11mm OD X 8.5mm ID X 10mm	2
9	<u>101903601</u>	Washer, Thrust	2
10	<u>101903701</u>	Washer, Thrust	2
11	<u>101906901</u>	Intermediate Shaft Assembly	1
12	<u>101922101</u>	Pin, 15.99mm X 88.7mm Dowel	1
13	<u>101923001</u>	Gear, Differential Idler	2
14	<u>101923201</u>	Gasket	2
15	<u>101923501</u>	Seal, Lip	1
16	N/A	Shaft, Input	1
17	<u>101923901</u>	Gear, Differential	2
18	<u>101928701</u>	Liquid Gasket (Transaxle case)	1
19	<u>101972101</u>	Plug, M14-1.5 X 12mm Magnetic	1
20	<u>101972201</u>	Plug, M14-1.5 X 12mm Hex	1
21	<u>102356601</u>	Housing, Differential, 6 Bolt	1
22	<u>102356801</u>	Gear, Differential Output, 6-Bolt	1
23	<u>102357001</u>	Screw, Flg Hd M10 X 1.5 X 30	10
24	<u>102886301</u>	Axle Assembly, Driver-Side (includes item 25)	1
25	<u>101922201</u>	Lug Stud	4
26	<u>102886401</u>	Tube, Axle, Driver-Side	1
27	<u>102886501</u>	Axle Assembly, Passenger-Side (includes item 28)	1
28	<u>101922201</u>	Lug Stud	4
29	<u>102886601</u>	Tube, Axle, Passenger-Side	1
30	<u>7330</u>	Inner Axle Tube Bearing	2
31	<u>7335</u>	Bearing	3
32	<u>7336</u>	Bearing	1

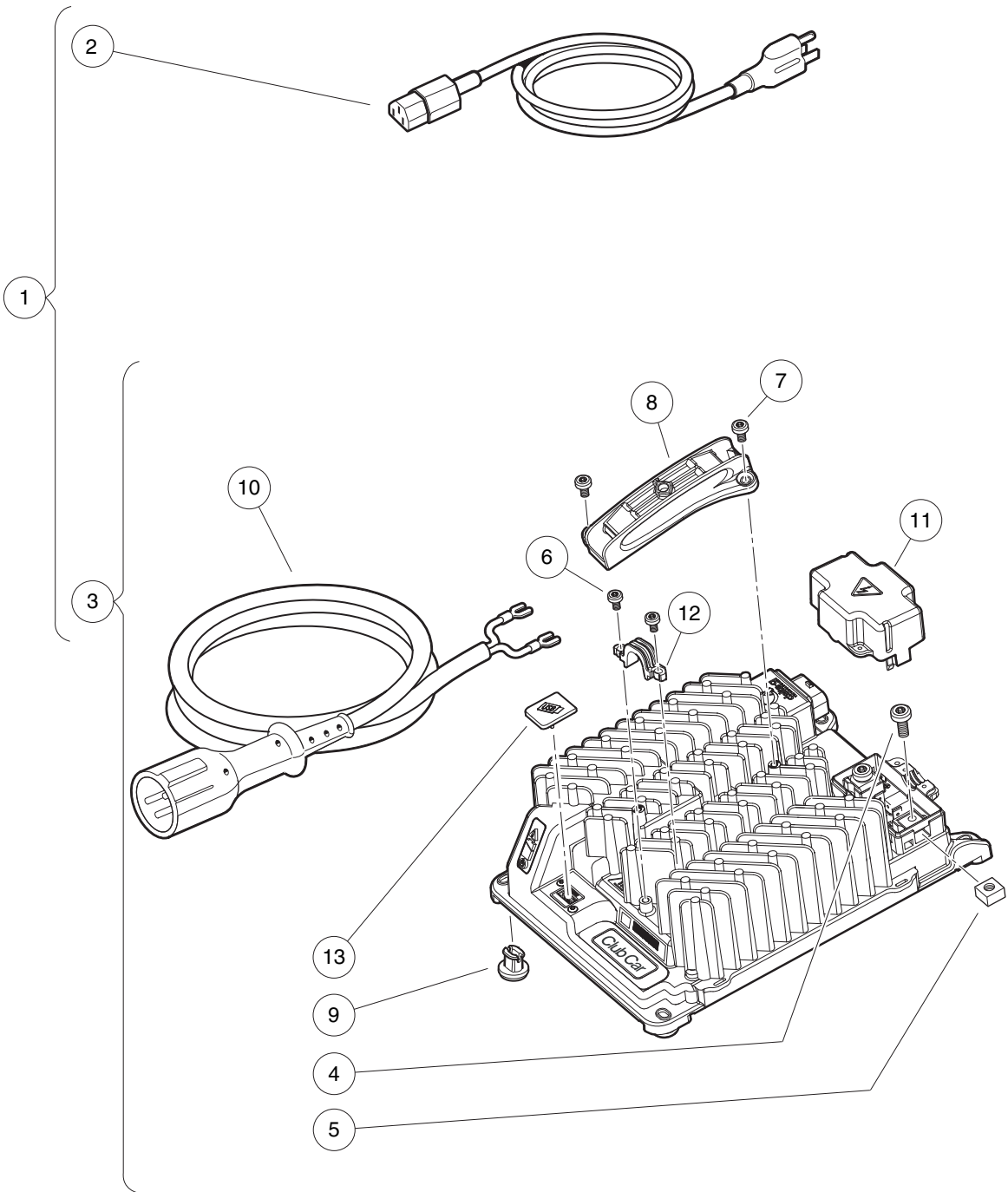
21

E

BATTERY CHARGERS – HIGH-FREQUENCY

22

E



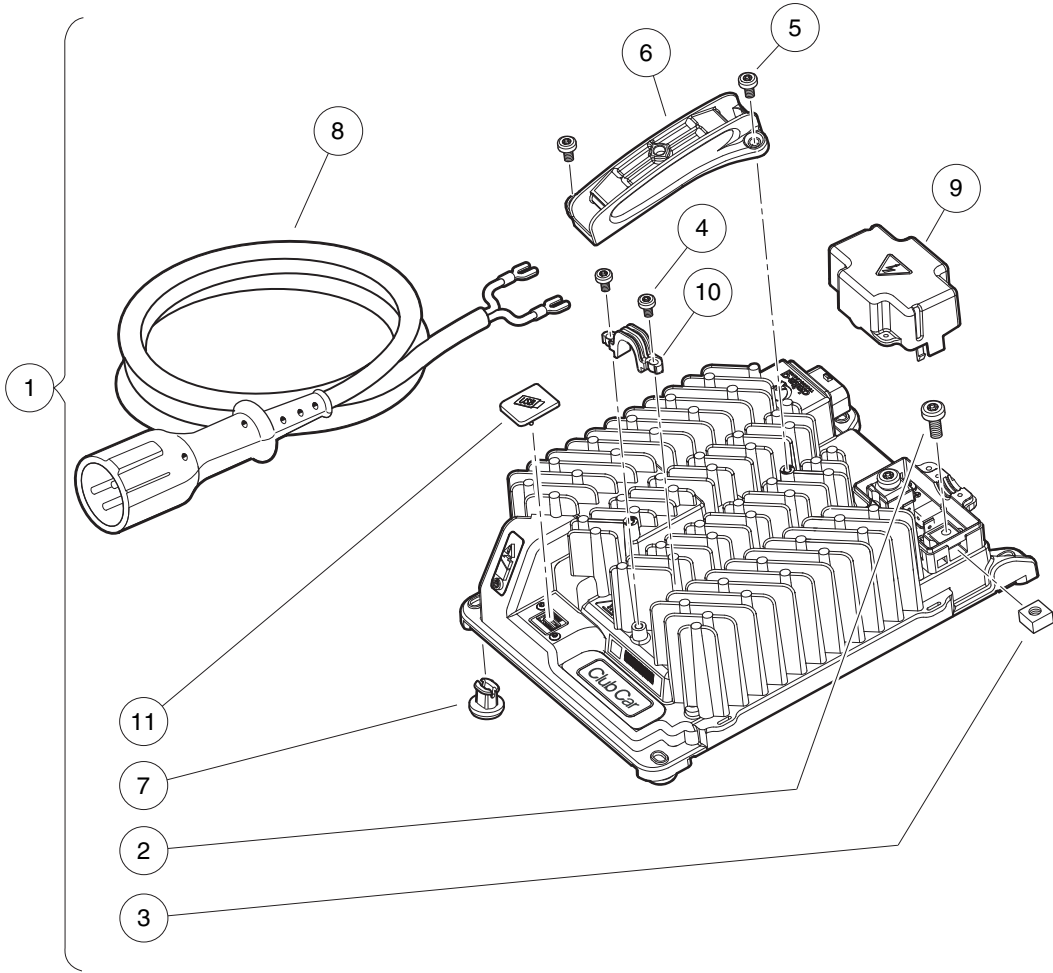
000610-002

BATTERY CHARGER, HIGH-FREQUENCY – U.S./CANADA

ITEM	PART NO.	DESCRIPTION	QTY
		1 2 3 4	
1	<u>105095201</u>	Charger, High-Freq, Service, 9ft Yel DC, 6ft AC, US/Canada (includes items 2 and 3)	1
2	<u>104024201</u>	Cord, AC, Nema To Iec320, 6ft (1.83 m), U.S./Canada	1
3	<u>104029601</u>	Charger, Asm, High-Freq, 9ft (2.74 m) Yellow DC Cord (includes items 4 through 13)	1
4	<u>104024501</u>	Screw, M6, Torx Head	2
5	<u>104024601</u>	Nut, M6, Square, Captured	2
6	<u>104028901</u>	Screw, M4 X .70, Pan Hd, Torx	2
7	<u>104029001</u>	Screw, M5 X .80, Pan Hd, Torx	2
8	<u>105003601</u>	Handle, Charger, High-Freq	1
9	<u>105003701</u>	Foot, Charger, High-Freq	4
10	<u>105070101</u>	Cord, DC, Yellow, 9ft (2.74 m)	1
11	<u>105092301</u>	Cover, DC Terminal Block, High-Freq Charger	1
12	<u>105093101</u>	Strain Relief, High-Freq, External, Charger	1
13	<u>105123801</u>	Cover, USB	1
<p>Note: This charger includes both an AC cord and DC cord. For additional cord lengths that may be used with this charger, see the Battery Charger Cords page.</p>			

22

E



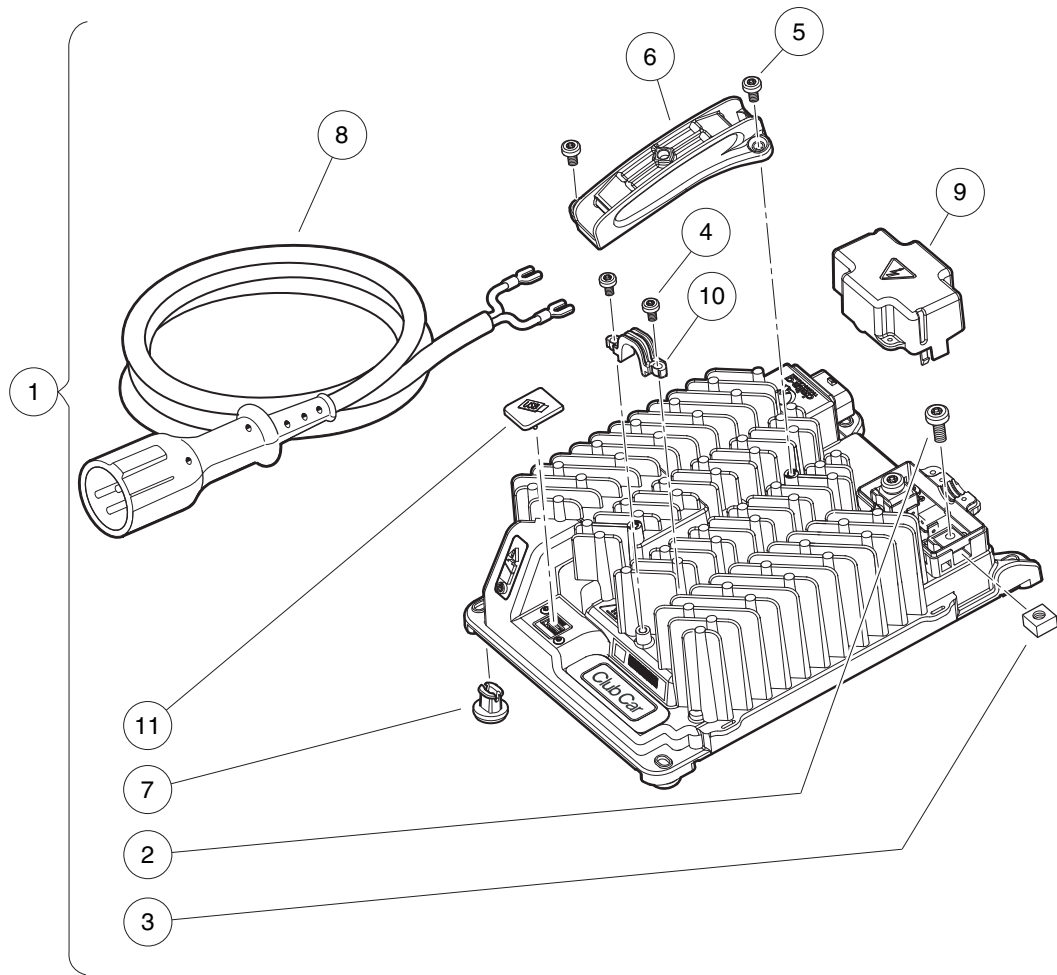
000610-003

BATTERY CHARGER, HIGH-FREQ., 2.74 M DC CORD – GLOBAL

ITEM	PART NO.	DESCRIPTION	QTY
		1 2 3 4	
1	<u>104029601</u>	Charger, Asm, High-Freq, 9ft (2.74 m) Yellow DC Cord (includes items 2 through 11)	1
2	<u>104024501</u>	Screw, M6, Torx Head	2
3	<u>104024601</u>	Nut, M6, Square, Captured	2
4	<u>104028901</u>	Screw, M4 X .70, Pan Hd, Torx	2
5	<u>104029001</u>	Screw, M5 X .80, Pan Hd, Torx	2
6	<u>105003601</u>	Handle, Charger, High-Freq	1
7	<u>105003701</u>	Foot, Charger, High-Freq	4
8	<u>105070101</u>	Cord, DC, Yellow, 9ft (2.74 m)	1
9	<u>105092301</u>	Cover, DC Terminal Block, High-Freq Charger	1
10	<u>105093101</u>	Strain Relief, High-Freq, External, Charger	1
11	<u>105123801</u>	Cover, USB	1
<p>Note: This charger does not include the AC cord. To complete the charger, choose the appropriate type and length of AC cord found on the Battery Charger Cords page.</p>			

22

E



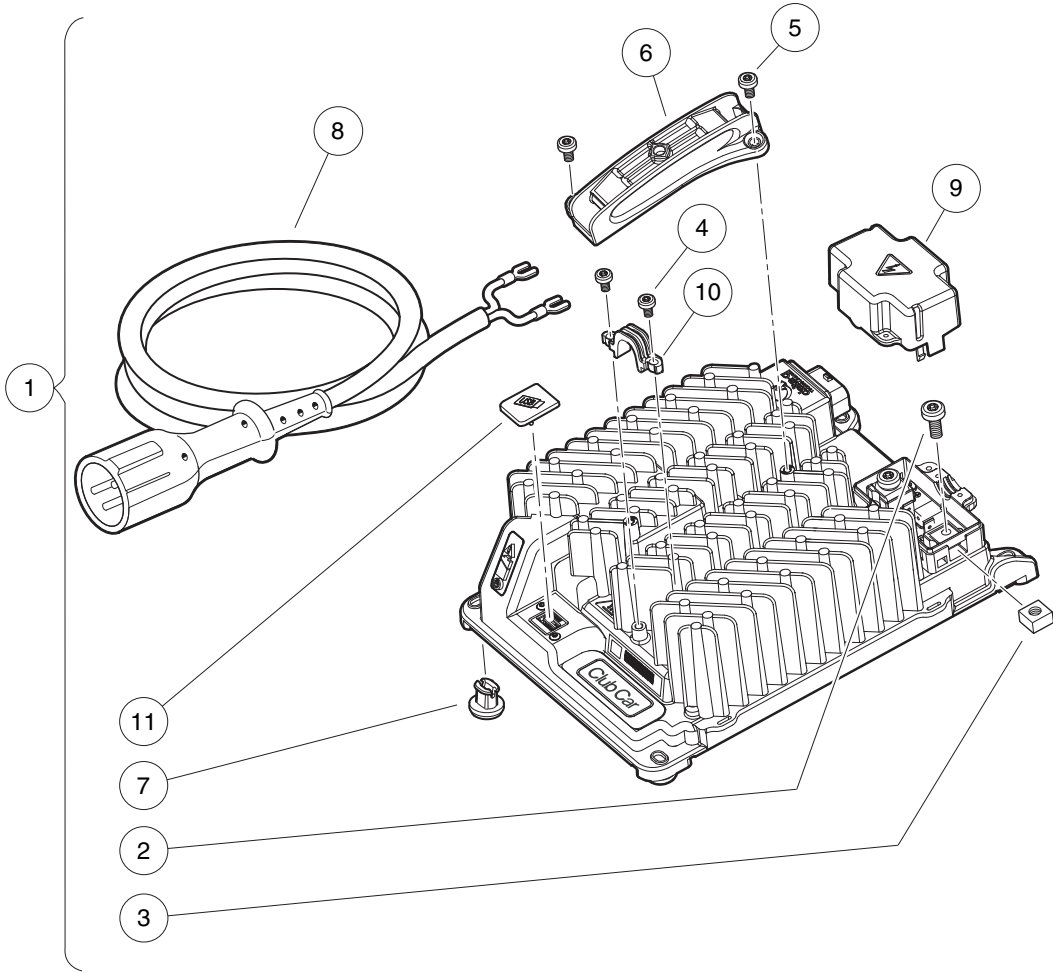
000610-003

BATTERY CHARGER, HIGH-FREQ., 3.66 M DC CORD – GLOBAL

ITEM	PART NO.	DESCRIPTION	QTY
		1 2 3 4	
1	<u>104029602</u>	Charger, Asm, High-Freq, 12ft (3.66 m) Yellow DC Cord (includes items 2 through 11) ..	1
2	<u>104024501</u>	Screw, M6, Torx Head	2
3	<u>104024601</u>	Nut, M6, Square, Captured	2
4	<u>104028901</u>	Screw, M4 X .70, Pan Hd, Torx	2
5	<u>104029001</u>	Screw, M5 X .80, Pan Hd, Torx	2
6	<u>105003601</u>	Handle, Charger, High-Freq	1
7	<u>105003701</u>	Foot, Charger, High-Freq	4
8	<u>105070102</u>	Cord, DC, Yellow, 12ft (3.66 m)	1
9	<u>105092301</u>	Cover, DC Terminal Block, High-Freq Charger	1
10	<u>105093101</u>	Strain Relief, High-Freq, External, Charger	1
11	<u>105123801</u>	Cover, USB	1
<p>Note: This charger does not include the AC cord. To complete the charger, choose the appropriate type and length of AC cord found on the Battery Charger Cords page.</p>			

22

E



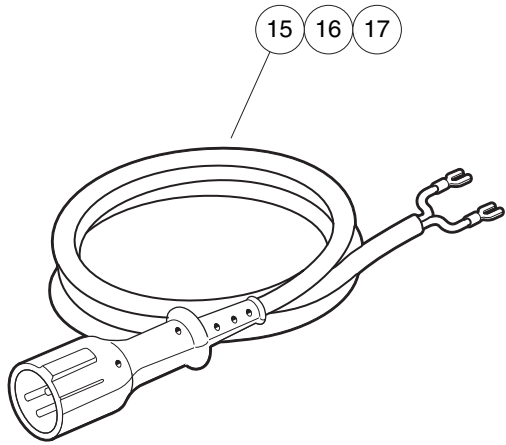
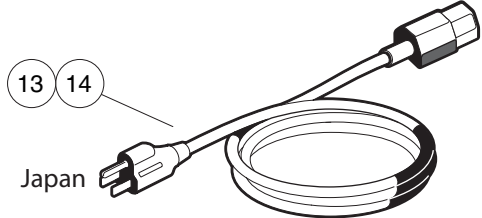
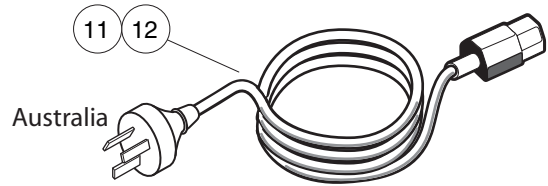
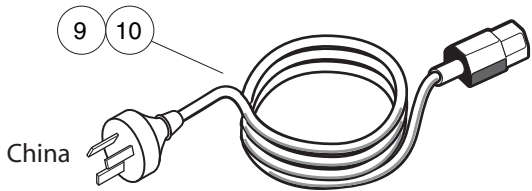
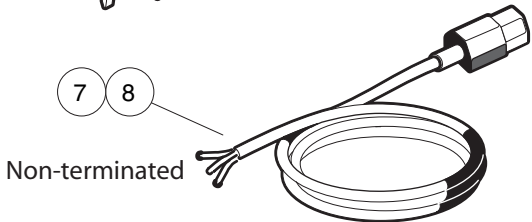
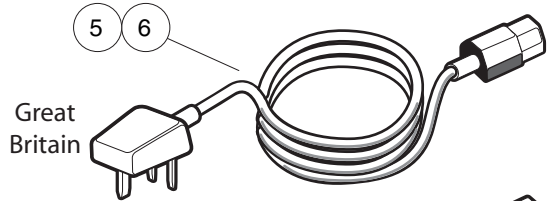
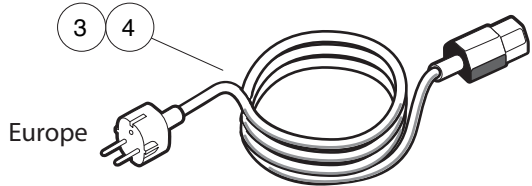
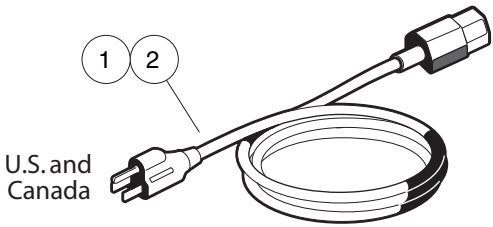
000610-003

BATTERY CHARGER, HIGH-FREQ., 6.1 M DC CORD – GLOBAL

ITEM	PART NO.	DESCRIPTION	QTY
		1 2 3 4	
1	<u>104029603</u>	Charger, Asm, High-Freq, 20ft (6.1 m) Yellow DC Cord (includes items 2 through 11)	1
2	<u>104024501</u>	Screw, M6, Torx Head	2
3	<u>104024601</u>	Nut, M6, Square, Captured	2
4	<u>104028901</u>	Screw, M4 X .70, Pan Hd, Torx	2
5	<u>104029001</u>	Screw, M5 X .80, Pan Hd, Torx	2
6	<u>105003601</u>	Handle, Charger, High-Freq	1
7	<u>105003701</u>	Foot, Charger, High-Freq	4
8	<u>105070103</u>	Cord, DC, Yellow, 20ft (6.1 m)	1
9	<u>105092301</u>	Cover, DC Terminal Block, High-Freq Charger	1
10	<u>105093101</u>	Strain Relief, High-Freq, External, Charger	1
11	<u>105123801</u>	Cover, USB	1
		Note: This charger does not include the AC cord. To complete the charger, choose the appropriate type and length of AC cord found on the Battery Charger Cords page.	

22

E



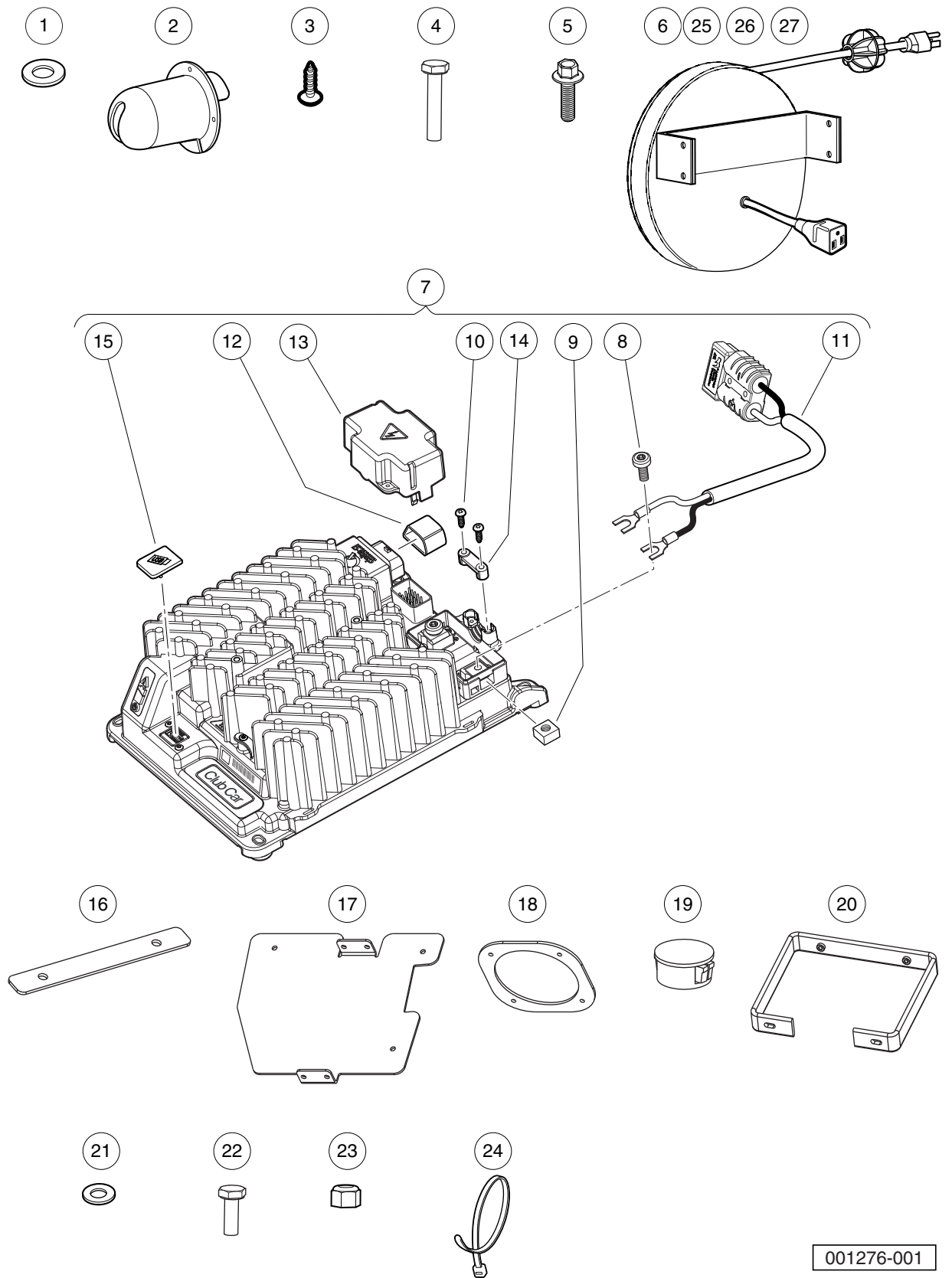
000610-004

CORDS – BATTERY CHARGER, HIGH-FREQUENCY

ITEM	PART NO.	DESCRIPTION	QTY
		1 2 3 4	
1	104024201	Cord, AC, Nema To lec320, 6ft (1.83 m), U.S./Canada	A/R
2	104024202	Cord, AC, Nema To lec320, 9ft (2.74 m), U.S./Canada	A/R
3	<u>104024401</u>	Cord, AC, lec320, 6ft (1.83 m), Europe	A/R
4	<u>104024402</u>	Cord, AC, lec320, 9ft (2.74 m), Europe	A/R
5	<u>104028501</u>	Cord, AC, lec320, 6ft (1.83 m), Great Britain	A/R
6	<u>104028502</u>	Cord, AC, lec320, 9ft (2.74 m), Great Britain	A/R
7	104028601	Cord, AC, lec320, 6ft (1.83 m), Non-terminated	A/R
8	104028602	Cord, AC, lec320, 9ft (2.74 m), Non-terminated	A/R
9	105068201	Cord, AC, lec320, 6ft (1.83 m), China	A/R
10	105068202	Cord, AC, lec320, 9ft (2.74 m), China	A/R
11	105068301	Cord, AC, lec320, 6ft (1.83 m), Australia	A/R
12	105068302	Cord, AC, lec320, 9ft (2.74 m), Australia	A/R
13	105068401	Cord, AC, lec320, 6ft (1.83 m), Japan	A/R
14	105068402	Cord, AC, lec320, 9ft (2.74 m), Japan	A/R
15	<u>105070101</u>	Cord, DC, Yellow, 9ft (2.74 m)	A/R
16	<u>105070102</u>	Cord, DC, Yellow, 12ft (3.66 m)	A/R
17	<u>105070103</u>	Cord, DC, Yellow, 20ft (6.1 m)	A/R

22

E



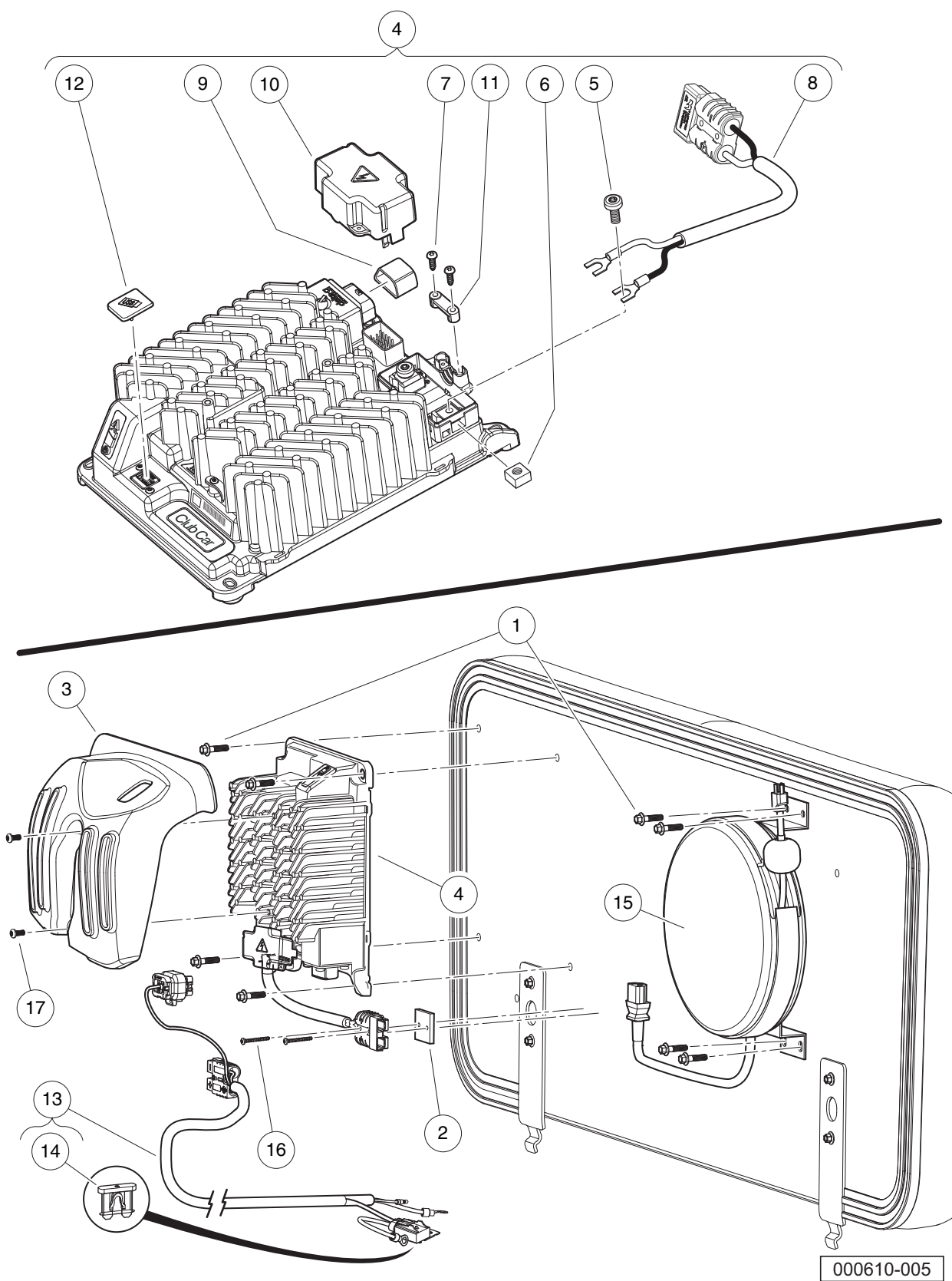
001276-001

BATTERY CHARGER, HIGH-FREQUENCY – ONBOARD

ITEM	PART NO.	DESCRIPTION	QTY
		1 2 3 4	
1	<u>1014306</u>	Washer, 1/4" Type B Flat	3
2	<u>1016673</u>	Housing, Cord Reel	1
3	<u>101832001</u>	Screw, #7-19 X 0.625 Phillips Pan-Head Tap	4
4	<u>101861901</u>	Screw, 1/4-20 X 1.125 Hex Cap	4
5	<u>102541401</u>	Bolt-m6x1.0x20 Hex Flhd Blk-l	4
6	<u>103872701</u>	Cord Reel, Hf Charger	1
7	<u>105083001</u>	Charger, Asm, High-Freq, Onboard (includes items 8 through 15)	1
8	<u>104024501</u>	Screw, M6, Torx Head	2
9	<u>104024601</u>	Nut, M6, Square, Captured	2
10	<u>104029301</u>	Screw, M3x1.5, Plastic Tapping	2
11	<u>105084401</u>	Cord, DC, Onboard	1
12	<u>105086801</u>	Sleeve, lec 320 C14	1
13	<u>105092301</u>	Cover, DC Terminal Block, High-Freq Charger	1
14	<u>105094101</u>	Strain Relief, DC Block, High-Freq, Onboard, Charger	1
15	<u>105123801</u>	Cover, USB	1
16	<u>105299001</u>	Plate, Charger, Mtg, Ubdy	2
17	<u>105299101</u>	Plate, Cord Reel, Mtg, Unbody	1
18	<u>105299601</u>	Plate, Backing, Charge Port	1
19	<u>105300801</u>	Plug, Push In, 61/64" Diameter	1
20	<u>105315201</u>	Asm, Bracket, Obc Eric Mount	2
21	<u>332</u>	Washer, 1/4 Type A Narrow Flat	8
22	<u>7847</u>	Screw, 1/4-20 X 0.75 Hex-Head Cap	7
23	<u>8233</u>	Locknut, 1/4-20, Nylon Insert	4
24	<u>8990</u>	Tie Wrap, 8" Nylon	1
25	<u>SVP738601</u>	Cord Reel Retract 3ft 14ga Uk	1
26	<u>SVP738701</u>	Cord Reel Retract 3ft 14ga Eu	1
27	<u>SVP738801</u>	Cord Reel Retract 3ft 14ga Aus	1

22

E



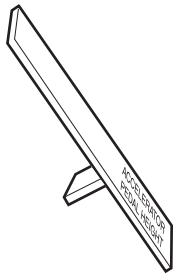
BATTERY CHARGER, HIGH-FREQUENCY – ONBOARD (FOR REAR-FACING-SEAT)

ITEM	PART NO.	DESCRIPTION	QTY
		1 2 3 4	
1	<u>102541425</u>	Bolt, M6x1.0x25, Hex Flhd, Blk-I	8
2	<u>105082601</u>	Insulation, Thermal	1
3	<u>105082801</u>	Shield, Charger, High-Freq	1
4	<u>105083001</u>	Charger, Asm, High-Freq, Onboard (includes items 5 through 12)	1
5	<u>104024501</u>	Screw, M6, Torx Head	2
6	<u>104024601</u>	Nut, M6, Square, Captured	2
7	<u>104029301</u>	Screw, M3x1.5, Plastic Tapping	2
8	<u>105084401</u>	Cord, DC, Onboard	1
9	<u>105086801</u>	Sleeve, lec 320 C14	1
10	<u>105092301</u>	Cover, DC Terminal Block, High-Freq Charger	1
11	<u>105094101</u>	Strain Relief, DC Block, High-Freq, Onboard, Charger	1
12	<u>105123801</u>	Cover, USB	1
13	<u>105084301</u>	Harness, Wire, High-Freq Onboard Charger, 4-Pass, Prec (includes item 14)	1
14	<u>102492301</u>	Fuse, 30-Amp	1
15	<u>105084501</u>	Cord Reel, AC, Retractable, High-Freq Charger, Onboard	1
16	<u>105086901</u>	Screw, #6-20 Type Abx1.25 Pan	2
17	<u>105101001</u>	Screw, M5-0.8x10, Torx, Trs	2
<p>Note: Used on 4-passenger vehicle with rear-facing back seat.</p>			

22

E

MAINTENANCE AND SERVICE TOOLS



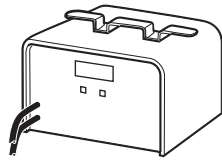
1



2



3



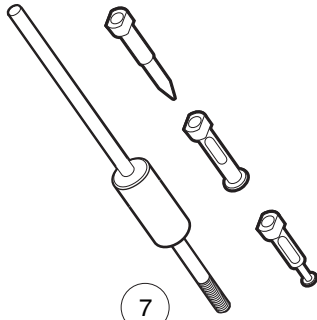
4



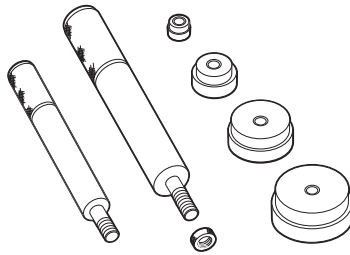
5



6



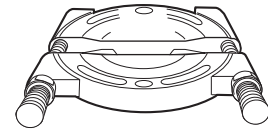
7



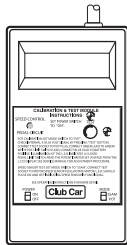
8



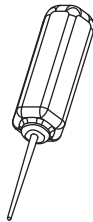
9



10



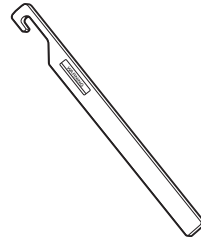
11



12



13



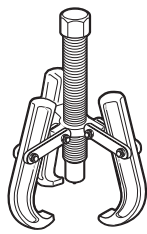
14



15



16



17



18



19

001060-002

MAINTENANCE AND SERVICE TOOLS

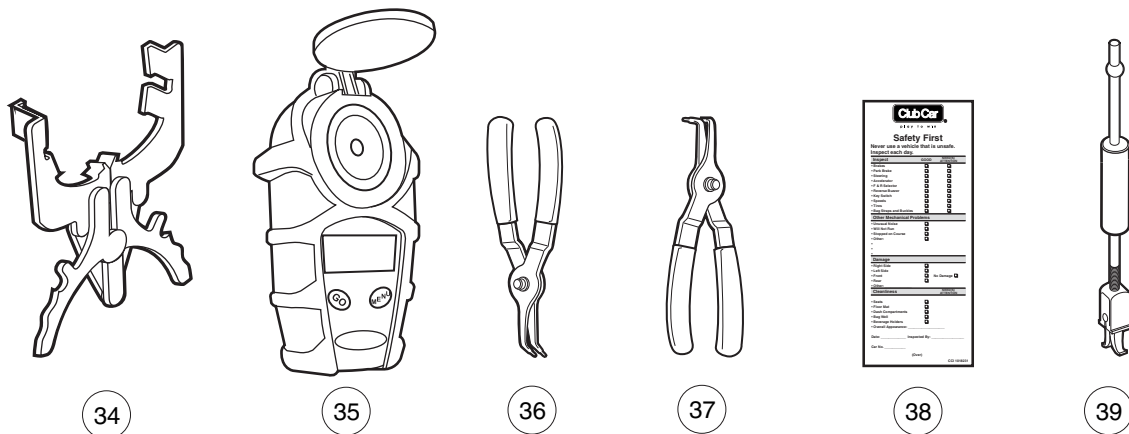
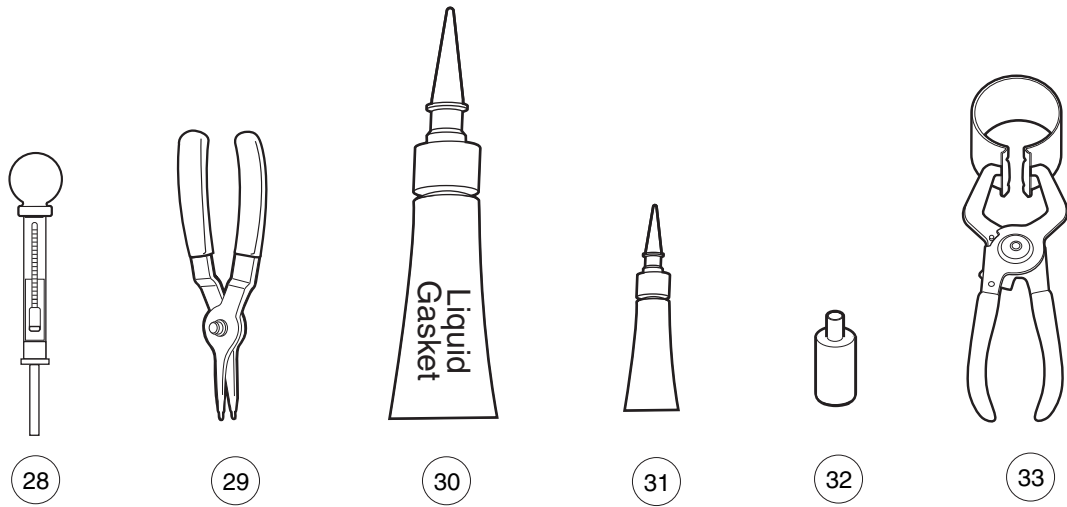
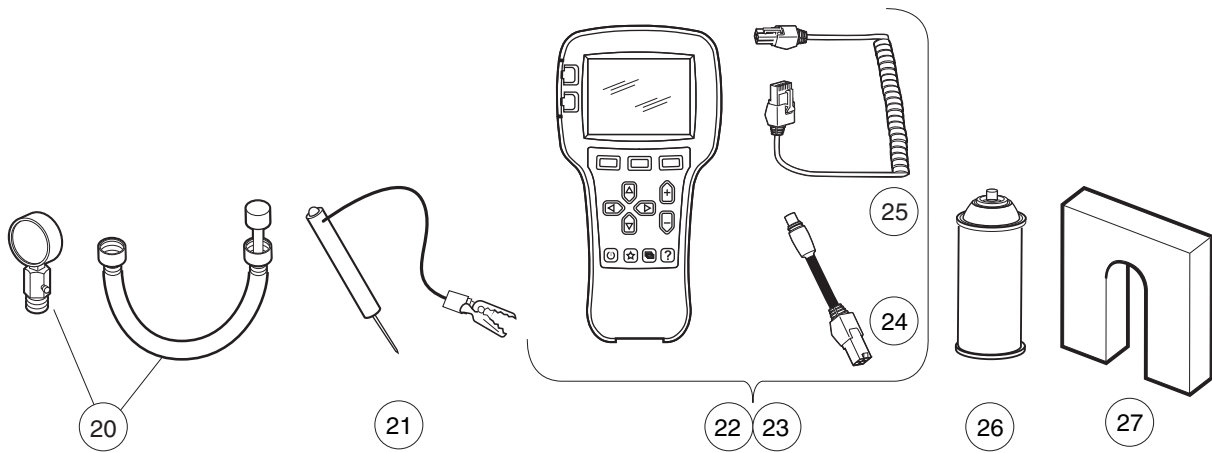
ITEM	PART NO.	DESCRIPTION	QTY GAS	QTY ELEC
		<p style="text-align: center;">1 2 3 4</p> <p>The following tool list includes all tools available from Club Car for maintenance and service procedures for gasoline and electric golf and utility vehicles. Be sure to carefully examine the tool list for applicability to your vehicle before ordering.</p>		
1	<u>101871001</u>	Accelerator Pedal Adjustment Tool (Utility Vehicles).....	1	1
2	<u>101813202</u>	Adhesive, Guide Ring, 3-Gram Tube		1
3	<u>101641202</u>	Arbor	1	
4	<u>101831901</u>	Battery Discharge Machine, 36/48 Volt		1
5	<u>1014305</u>	Battery Terminal Protector Spray	1	1
6	<u>1011767</u>	Battery Thermometer	1	1
7	<u>1016417</u>	Bearing and Oil Seal Remover Assembly	1	1
8	<u>1016416</u>	Bearing Driver Set	1	1
9	<u>1012811</u>	Bearing Puller	1	1
10	<u>1012812</u>	Bearing Puller Wedge Attachment	1	1
11	<u>101887101</u>	Calibration Test Module		1
12	<u>102562401</u>	Charger Bezel Tool		1
		Clutch Tools (items 14 - 20)	1	
13	<u>101808401</u>	Clutch Cam Installation Tool (for Subaru and Kawasaki engines)	1	
14	<u>105072501</u>	Drive Clutch Holder Tool Assembly (for Subaru and Kawasaki engines)	1	
15	<u>1014497</u>	Drive Clutch Hub Puller (for Subaru and Kawasaki engines)	1	
16	<u>1014496</u>	Drive Clutch Puller (for Subaru and Kawasaki engines)	1	
17	<u>1014508</u>	Driven Clutch Cam Puller (for Subaru and Kawasaki engines)	1	
18	<u>1014507</u>	Driven Clutch Puller Plug (for Subaru and Kawasaki engines)	1	
19	<u>101809101</u>	Press Weldment (for Subaru and Kawasaki engines)	1	
		<p>Please refer to the maintenance and service manual for proper tool application.</p>		

23

G

E

23
G
E



001061-002

MAINTENANCE AND SERVICE TOOLS, CONTINUED

ITEM	PART NO.	DESCRIPTION	QTY GAS	QTY ELEC
		1 2 3 4		
20	101641002	Compression Gauge and Adapter	1	
21	1011273	Continuity Tester	1	1
22	<u>105234501</u>	Controller Diagnostic Tool (CDT) User Kit (includes items 24 and 25)		1
23	<u>105234502</u>	Controller Diagnostic Tool (CDT) OEM Kit (For Programming IQ System, Excel, and IQ Plus controllers) (includes items 24 and 25).....		1
24	<u>102251501</u>	Adaptor, Cable		1
25	<u>105209601</u>	CDT Cable		1
26	<u>1012151</u>	Dry Moly Lubricant	1	1
27	<u>1016418</u>	Gear Yoke	1	1
28	<u>1011478</u>	Hydrometer	1	1
29	<u>1013593</u>	Internal Retaining Ring Pliers	1	1
30	<u>101928701</u>	Liquid Gasket (transaxle case)	1	1
31	<u>102243402</u>	Moly-Teflon Lubricant (4-oz. (113-gram) tube)		1
32	<u>102587201</u>	Paint Pen, Touch-Up, Precedent Underbody ,Ai Black.....	1	1
33	<u>1016414</u>	Piston Ring Compressor Kit	1	
34	<u>1016415</u>	Piston Ring Pliers	1	
35	<u>AM1285701</u>	Refractometer	1	1
36	<u>1012549</u>	Retaining Ring Pliers, 45→× External	1	1
37	<u>1012560</u>	Retaining Ring Pliers, 90→× Internal	1	1
38	<u>101823101</u>	Safety First Card (50 per pack)	1	1
39	<u>1012809</u>	Seal Puller	1	1
		Please refer to the maintenance and service manual for proper tool application.		

23

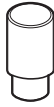
G

E

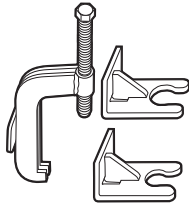
23
G
E



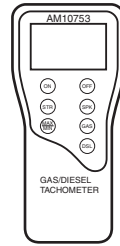
40



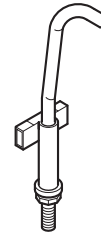
41



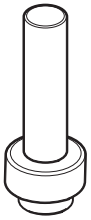
42



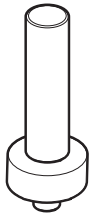
43



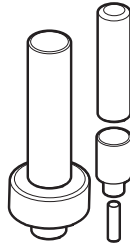
44



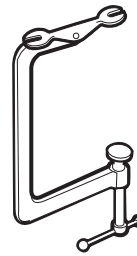
45



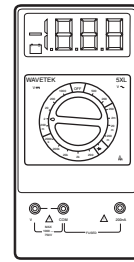
46



47



48



49

001062-001

MAINTENANCE AND SERVICE TOOLS, CONTINUED

ITEM	PART NO.	DESCRIPTION	QTY GAS	QTY ELEC
		1 2 3 4		
40	<u>1014264</u>	Steering Column Bearing Press Tool	1	1
41	<u>1014259</u>	Steering Column Retaining Ring Tool	1	1
42	102061201	Steering Wheel Puller Tool	1	1
43	<u>AM10753</u>	Tachometer (includes gasoline engine pick up lead only)	1	
44	<u>102570401</u>	Tool, Tensioning, Starter Generator (For Precedent vehicles)	1	
45	<u>1014162</u>	Transaxle Axle Seal Tool (for electric vehicles)		1
46	1014161	Transaxle Pinion Seal Tool (for electric vehicles)		1
47	<u>1014115</u>	Transmission Tool Kit (for electric vehicles).....		1
48	<u>101641101</u>	Valve Spring Compressor	1	
49	1011480	Volt Ohm Meter	1	1
		Please refer to the maintenance and service manual for proper tool application.		

23

G

E

INDEX

Part Number and Page

AM10753	23-7	1011415	6-15, 6-17, 6-19	1014065	7-9, 15-3, 16-5, 18-3
AM10079	4-11, 4-13, 4-15	1011478	23-5	1014070	15-5
AM10419	15-5, 16-7	1011480	23-7	1014072	15-5, 16-7
AM10682	2-3	1011571	4-15	1014078	15-5, 16-7
AM1220301	9-3	1011610	4-15	1014080	15-5, 16-7
AM1231201	1-25	1011697	9-17, 11-9, 11-11	1014089	7-9
AM1232301	9-3, 9-7	1011767	23-3	1014115	23-7
AM1263401	2-5	1012151	23-5	1014145	7-9, 18-3
AM1300001	19-15	1012180	6-15, 6-17, 6-19	1014161	23-7
AM1300101	19-15	1012181	6-19	1014162	23-7
AM1300201	19-15	1012182	6-19	1014201	20-3
AM1300301	19-15	1012285	11-11	1014259	23-7
SVP738601	22-13	1012295	7-19	1014264	23-7
SVP738701	22-13	1012431	7-9, 8-21, 18-3	1014287	15-3, 16-5
SVP738801	22-13	1012505	4-11, 4-13, 4-15	1014288	15-3, 16-5
183	15-3, 16-5, 17-3	1012528	13-3, 14-3, 19-17	1014289	8-9
332	13-3, 18-7, 22-13	1012549	23-5	1014304	19-9, 19-11
334	9-17, 15-3, 16-5	1012560	23-5	1014305	23-3
451	13-3, 20-3	1012565	6-3, 6-5	1014306	22-13
705	9-17	1012566	6-3, 6-5	1014375	7-19, 8-13
808	15-3	1012571	1-15, 9-17	1014413	11-13
1241	7-17, 10-5, 13-3	1012594	7-9, 8-21, 18-3	1014453	15-3, 16-5
1242	5-7, 7-17, 7-19, 8-11, 8-13, 8-17	1012649	11-3, 12-9	1014454	15-5, 16-7
1620	1-25	1012809	23-5	1014496	23-3
1624	7-17, 8-11	1012811	23-3	1014497	23-3
7174	7-17, 8-11, 11-11, 13-3, 14-3	1012812	23-3	1014507	23-3
7310	2-3, 2-5	1012830	7-17, 11-11, 13-3	1014508	23-3
7330	21-3	1012836	15-5, 16-7	1014555	6-15, 6-17, 6-19, 19-9, 19-11
7335	21-3	1012987	7-9, 18-3	1014727	7-9, 8-21, 18-3
7336	21-3	1013042	6-9	1014789	8-5, 8-7
7591	10-9	1013061	17-3	1014807	7-9, 8-21, 18-3
7847	13-3, 22-13	1013164	6-15, 6-17, 6-19	1014902	1-53, 1-55, 1-57
7893	7-19, 8-13, 8-17	1013589	7-9, 18-3	1014947	19-17
8056	8-21	1013590	7-9, 18-3	1015064	7-9, 18-3
8057	7-9, 8-21, 18-3	1013591	7-9, 18-3	1015137	11-9, 12-9
8058	7-9, 8-21, 18-3	1013593	23-5	101524002	7-17
8233	12-15, 17-3, 18-7, 18-9, 22-13	1013609	7-19, 8-13, 8-17	1015332	9-5
8450	15-3, 16-5	1013687	11-3	1015524	23-3
8639	19-5, 19-19	1013700	11-11	1015583	6-15, 6-17, 6-19
8717	7-9, 17-3, 18-3	1013734	13-3, 19-17	101558302	6-15, 6-17, 6-19
8754	7-17, 8-11	1013746	11-9, 12-9	1015649	9-5
8990	1-43, 4-3, 4-5, 4-7, 4-9, 6-9, 18-5, 19-5, 19-19, 22-13	1013794	21-3	1015814	13-3
1010145	6-15, 6-17, 6-19	1013857	4-3, 4-5, 4-7, 4-9, 4-15	101584502	11-11
1010434	1-21, 1-49, 1-51, 1-53, 1-55, 1-57, 5-9, 5-11, 5-13, 5-15, 19-11	1013924	5-3, 5-5, 9-17, 10-5	101587704	11-3, 12-9
1010436	1-25	1014007	12-15, 17-3, 18-9	1015932	7-17, 8-11
1010577	9-17, 10-5	1014049	15-3	1015969	9-5, 10-7
1010829	5-7	1014050	15-3	1016074	7-17
1010954	7-9, 17-3	1014051	15-3, 16-5	1016103	10-9, 11-9
1010958	19-9, 19-11	1014052	15-3	1016154	6-3, 6-5
1010984	2-3	1014055	15-3, 16-5	1016201	15-3, 16-5
1011114	12-15, 18-9	1014056	15-3, 16-5	1016203	15-3
1011137	5-5	1014057	15-3, 16-5	1016214	6-3, 6-5
1011273	23-5	1014058	15-3, 16-5	1016289	15-3, 16-5
		1014059	15-3, 16-5	101641002	23-5
		1014062	15-3, 16-5	101641101	23-7
		1014063	15-3, 16-5	101641202	23-3

INDEX

1016414	23-5	1016545	9-11	1017471	9-15
1016415	23-5	1016546	11-11	1017472	9-13
1016416	23-3	1016547	9-5, 9-15, 11-9	1017473	9-11
1016417	23-3	1016549	9-11	1017474	9-5
1016418	23-5	1016560	9-11	1017475	9-5
101642580	11-7	1016561	9-7	1017476	9-5
101642582	11-7	1016562	9-7, 9-15	1017486	9-5
101642585	11-7	1016563	9-11	1017487	9-13
1016429	9-9	1016564	9-13	1017490	9-7
1016432	9-9	1016566	9-11	1017501	9-15
1016436	9-11	1016569	9-11	1017502	9-15
1016437	11-7	1016570	9-9	1017503	9-15
1016438	11-9	1016571	9-15	1017504	9-13
1016440	9-11, 11-9	1016572	11-9	1017507	9-9
1016441	11-9	1016576	9-9	1017508	9-13
1016444	11-9	1016578	9-7	1017510	9-15
1016449	9-11	1016581	9-9	1017512	9-15
1016450	9-11	1016582	11-9	1017513	9-13
1016451	9-11	1016583	9-11	1017514	9-13
1016452	9-11	1016584	9-13	101751801	9-13
1016453	9-13	1016585	11-7	101751802	9-13
1016454	9-13	1016587	9-7	101751803	9-13
1016455	9-7	1016588	9-7	1017686	15-5, 16-7
1016456	9-5	1016630	4-13	1017689	13-3
1016457	9-9	1016673	22-13	101773301	9-15
1016458	9-11	1016801	15-3, 16-5	101773302	9-15
1016470	9-15	1016849	4-3, 4-5, 4-7, 4-9, 4-11, 4-13, 4-15	101773303	9-15
1016472	9-13	1016851	4-11, 4-13, 4-15	101773304	9-15
1016473	9-9	1016883	7-17	101773305	9-15
1016474	9-11	1016904	9-11, 13-3	101773306	9-15
1016479	9-11	1017041	1-31	101773307	9-15
101648102	11-9	101705701	1-53, 1-55, 1-57, 3-3	101773308	9-15
101648203	9-9	1017082	17-3	101773309	9-15
1016483	9-11	1017145	16-7	101773310	9-15
1016486	11-7	1017235	1-53, 1-55, 1-57, 6-19	101773311	9-15
1016489	9-11	1017434	9-11	101791101	5-3
101649002	11-9	1017442	9-9	101808401	23-3
1016494	9-13	1017444	9-11	101809101	23-3
1016496	9-13	1017445	9-11	101811401	11-13
1016499	11-7	1017448	9-7	101813202	23-3
1016501	11-7	101744901	9-15	101815501	5-3, 5-5
1016502	9-9	101744902	9-15	101815502	5-3, 5-5
1016506	9-13	1017450	9-15	101816501	5-3, 5-5
1016507	9-5	101745101	9-15	101816502	5-3, 5-5
1016510	9-13	101745102	9-15	101820201	11-9
1016517	9-11	1017453	9-15	101823101	23-5
1016519	9-11	1017454	9-11	101823201	5-3, 5-5
1016521	9-13	1017455	9-7	101823801	5-3, 5-5
1016531	9-5	1017456	9-9	101823901	5-3, 5-5
1016535	9-13	101745701	9-15	101824101	10-9
1016537	9-9	101745702	9-15	101825101	3-5, 3-11
1016538	9-13	1017458	9-9	101827101	9-17
1016539	9-5	1017460	9-9	101830701	4-11, 4-13, 4-15
1016541	9-15	1017461	11-7	101831901	23-3
1016542	9-11	1017463	9-7	101832001	19-5, 22-13
1016544	9-7, 9-11, 9-13	1017466	11-9	101832202	11-11

INDEX

101832302	11-11	101973401	11-9	102296040	7-9, 7-19, 8-13, 8-17, 18-3
101832701	9-17	101979101	7-9, 8-21, 18-3	102296140	1-35, 1-37, 1-39
101833101	9-17	101985201	1-31	102296150	1-27, 1-29
101833401	15-5, 16-7	101998501	1-19	102296301	1-27, 1-29, 1-33
101833902	15-3	102003201	9-3, 11-3	102296401	1-35, 1-37, 1-39
101834001	15-5	102022601	6-9	102296530	1-21, 1-49, 1-53, 1-55, 1-57
101834502	4-11, 4-13, 4-15	102025801	12-7	102296601	1-23
101834601	9-17, 10-5	102051901	4-3, 4-5, 4-7, 4-9, 4-15	102296716	19-17
101834801	17-3	102061201	23-7	102296819	1-11
101835601	4-3, 4-5, 4-7, 4-9, 4-17, 4-19	102065901	9-17	102296920	7-9, 19-7
101836201	15-5	102155801	15-5, 16-7	102297125	11-13, 12-17
101837301	7-15	102163001	1-33	102297230	1-21, 1-23, 1-25, 1-27, 1-29, 1-31, 11-5, 12-9
101850301	6-3, 6-5	102186001	20-3	102297901	5-7
101851101	4-11, 4-13, 4-15	102186101	20-3	102298020	1-13, 1-15, 19-9, 19-11
101856001	19-7	102186201	20-3	102298030	1-17, 1-23, 1-49, 5-9, 5-11, 5-13, 5-15
101856201	11-13	102186401	20-3	102298116	6-7, 10-9
101861901	22-13	102186701	20-3	102298130	6-7
101862001	18-7	102186901	20-3	102298170	6-15, 6-17, 6-19
101865805	19-11	102187101	20-3	102298175	6-15, 6-17, 6-19
101871001	23-3	102187201	20-3	102298240	1-21, 1-49
101884801	9-17, 10-5	102196901	4-11	102298401	1-3, 1-5, 1-41, 1-43, 6-15, 6-17, 6-19
101886101	12-15, 17-3, 18-9	102199001	4-15	102298580	1-3, 6-15, 6-17, 6-19
101887101	23-3	102235201	20-3	102298601	1-3, 1-51, 6-15, 6-17, 6-19
101887601	9-5, 11-9	102240501	19-17	102298716	1-13, 1-23
101895401	21-3	102242101	10-5, 15-5, 16-7	102298720	1-51, 1-53, 1-55, 1-57, 4-3, 4-5, 4-7, 4-9
101895501	21-3	102243402	23-5	102298745	1-49, 1-51, 1-53, 1-55, 1-57
101897001	21-3	102243403	20-3	102298995	1-3
101897201	21-3	102251501	23-5	102299065	1-9, 1-41, 1-43, 1-47
101897401	21-3	102274101	18-17	102299360	1-41, 1-43
101897601	21-3	102279104	1-23	102299601	1-41, 1-43
101898001	7-19, 8-13, 8-17	102287101	6-11	102336001	11-11
101903601	21-3	102287601	6-11	102353201	6-13
101903701	21-3	102287701	6-11	102353301	6-13
101906901	21-3	102288101	6-11, 6-13	102353401	6-13
101908401	8-19, 19-7	102288201	6-13	102355301	7-19, 8-13
101916101	9-5	102288401	6-13	102356601	21-3
101916301	9-7	102288701	6-13	102356801	21-3
101916701	7-17, 15-3	102288801	6-13	102357001	21-3
101920101	20-3	102288901	6-11	102357701	6-13
101922101	21-3	102289001	6-9	102400002	1-41, 1-43, 1-47
101922201	21-3	102289101	6-13	102400102	1-41, 1-43, 1-47
101923001	21-3	102289201	6-13	102400202	1-9
101923201	21-3	102289401	6-11	102400302	1-9
101923501	21-3	102289501	6-11, 6-13	102406701	11-3
101923901	21-3	102289601	6-11	102410604	10-9, 12-15
101925601	15-3	102289701	6-11	102411203	12-3, 12-5
101928701	21-3, 23-5	102289801	6-13	102411209	12-17
101929802	15-3	102289901	6-11	102430901	9-15
101942301	20-3	102290120	6-3, 6-5, 6-7	102476401	12-15, 18-9
101954301	1-19	102292101	1-3	102478101	1-27, 1-29
101960501	3-7, 7-15	102292201	5-9, 5-11, 5-13, 5-15	102478201	1-29
101963401	9-17, 10-5	102292356	1-11, 1-13, 19-9, 19-11	102490301	12-15
101972101	21-3	102292701	1-13, 1-23	102491501	16-5, 19-9, 19-11
101972201	21-3	102292801	5-7		
101973101	11-7	102296020	1-7, 1-27, 1-29, 4-3, 4-5, 4-7, 4-9, 7-19, 8-13, 8-17, 11-3, 11-13, 12-3, 12-5, 12-17		
101973301	11-7				

INDEX

102492301	19-5, 22-15	102514201	11-3	102554901	7-9, 19-5
102498201	12-15, 18-7, 18-9	102514401	11-13	102555901	3-5, 3-11
102500801	5-9, 5-11, 5-13, 5-15	102514602	7-9	102556701	2-5
102501402	1-23	102514701	11-3	102556801	2-5
102501403	1-23	102514702	12-3, 12-5	102557201	1-11
102501501	1-7	102515001	4-13, 7-7	102558201	9-3, 10-3, 11-13, 12-17
102502301	1-23	102515101	4-13, 4-15	102558301	11-13, 12-17
102502302	1-23	102515401	17-3	102558401	11-13
102502304	1-23	102515501	7-9	102558501	11-13, 12-17
102502305	1-23	102515601	7-9	102558601	11-13, 12-17
102502306	1-23	102516901	1-17	102558701	11-13, 12-17
102502307	1-23	102517001	1-21	102559401	5-9, 5-11, 5-13, 5-15
102502308	1-23	102517601	4-3, 4-5, 4-7, 4-9	102559701	5-9, 5-11, 5-13, 5-15
102502309	1-23	102517901	3-7	102559901	2-3
102502311	1-23	102519301	3-5, 3-11	102559902	2-3
102502313	1-23	102521301	11-13	102562401	23-3
102502315	1-23	102521401	11-13, 12-17	102565201	6-9
102502316	1-23	102521901	1-13	102566001	6-9
102502317	1-23	102522901	4-11, 4-13, 4-15	102569302	2-3
102502318	1-23	102526201	18-3	102569311	2-3
102502319	1-23	102527801	4-3, 4-5, 4-7, 4-9	102570401	23-7
102502401	1-7	102528101	4-3, 4-5, 4-7, 4-9	102570905	1-53
102502402	1-7	102528701	4-3, 4-5, 4-7, 4-9	102570906	1-55
102502404	1-7	102528901	4-7, 4-9	102570907	1-57
102502405	1-7	102529001	4-7, 4-9	102571202	19-11
102502406	1-7	102529201	4-3, 4-5, 4-7, 4-9	102572401	4-11
102502407	1-7	102531001	1-51, 1-53, 1-55, 1-57	102573101	1-49, 1-53, 1-55, 1-57
102502408	1-7	102531402	1-51, 1-53, 1-55, 1-57	102581201	1-47
102502409	1-7	102531502	1-49, 1-53, 1-55, 1-57	102582401	1-27, 1-29, 1-33
102502411	1-7	102534201	1-5, 1-51, 1-53, 1-55, 1-57	102584701	1-51, 1-53, 1-55, 1-57
102502413	1-7	102534404	1-7	102584801	1-51, 1-53, 1-55, 1-57
102502415	1-7	102534801	1-53, 1-55, 1-57, 6-19	102585901	13-3
102502416	1-7	102535101	4-3, 4-5, 4-7, 4-9	102587201	23-5
102502417	1-7	102535201	4-3, 4-5, 4-7, 4-9	102588301	11-13
102502418	1-7	102535301	4-3, 4-5, 4-7, 4-9	102588501	6-15, 6-17, 6-19
102502419	1-7	102535401	4-3, 4-5, 4-7, 4-9	102588601	6-11
102502501	1-7	102536103	1-31	102594301	5-7
102504001	1-21	102536601	4-11, 4-13, 4-15	102594801	5-9, 5-11, 5-13, 5-15
102504201	1-21	102536602	4-13, 4-15	102594901	5-9, 5-11, 5-13, 5-15
102504301	1-21	102536603	4-11	102595101	11-11
102504802	1-13	102536604	4-13, 4-15	102595201	5-9, 5-11, 5-13, 5-15
102505701	1-3, 6-11	102536605	4-11	102595301	5-9, 5-11, 5-13, 5-15
102506401	6-15, 6-17, 6-19	102538601	19-5	102595401	5-9, 5-11, 5-13, 5-15
102507801	1-3	102538803	1-25	102595502	5-9, 7-3, 8-3
102508202	1-17	102540301	9-17, 10-5	102595901	5-9, 5-11, 5-13, 5-15
102508401	19-7	102540601	2-5	102596001	5-9, 5-11, 5-13, 5-15
102508601	4-11	102540701	2-5	102596301	5-11, 5-13, 5-15
102508901	1-35	102541401	1-25, 1-31, 22-13	102617201	10-5, 14-3
102508902	1-37	102541402	10-9	102617801	18-17
102508903	1-39	102541425	1-27, 1-29, 1-47, 1-49, 1-53, 1-55, 1-57, 22-15	102621501	1-47
102511101	19-7	102543902	1-9	102704701	20-3
102511601	1-35	102544201	1-9, 1-41, 1-43, 1-47	102704801	20-3
102511602	1-37	102544301	4-3, 4-5, 4-7, 4-9	102704901	20-3
102511603	1-39	102551901	5-7	102711001	7-15
102512001	7-9	102552001	5-7	102732401	10-5
102513501	1-41, 1-43			102753401	9-11

INDEX

102771701	21-3	102901101	17-5	103379601	7-9
102803301	7-19, 8-13, 8-17	102901201	17-7	103380201	5-3, 5-5
102838401	9-7	102901301	17-7	103380202	5-3, 5-5
102838701	7-15, 8-9	102901401	17-7	103384601	3-13
102838801	7-15, 8-9	102901501	17-7	103384701	3-13
102838901	7-15, 8-9	102901601	17-7	103384801	3-13
102839001	7-15, 8-9	102901701	17-7	103386201	9-5
102839301	7-15, 8-9	102901801	17-7	103388501	6-11
102841101	7-15, 8-9	102901901	17-7	103395505	19-13
102844601	7-15, 8-9	102902001	17-7	103397901	4-7, 4-9
102844701	7-15, 8-9	102902101	17-7	103402701	1-11
102865101	11-3, 12-9	102902201	17-7	103414901	4-7, 4-9
102865901	19-17	102902301	17-7	103449501	19-19
102878201	6-13	102902401	17-7	103449601	19-19
102886301	21-3	102902501	17-7	103451301	1-27, 1-29
102886401	21-3	102902601	17-7	103451401	1-27, 1-29
102886501	21-3	102902701	17-7	103451901	1-29
102886601	21-3	102902801	17-7	103451902	1-29
102897201	17-5	102915601	1-11	103451903	1-29
102897301	17-5	102947601	1-33	103459104	2-3
102897401	17-3	102956201	6-11, 6-13	103470701	11-3, 12-3, 12-5
102897601	17-3	102958001	19-13	103483101	5-3, 5-5
102897701	17-5	102967901	1-23	103483102	5-3, 5-5
102897801	17-3	103010101	11-3	103483201	5-3, 5-5
102897901	17-3	103196001	1-41, 1-43, 1-47	103483401	5-3, 5-5
102898001	17-5	103196202	10-5	103483601	5-3, 5-5
102898101	17-5	103198401	8-19	103483701	5-3, 5-5
102898201	17-3	103199301	1-41, 1-47	103496801	7-19, 8-13
102898301	17-5	103200301	1-41, 1-43	103507101	11-9
102898401	17-5	103205101	1-35, 1-37, 1-39	103510602	19-13
102898501	17-5	103205501	3-7, 8-19	103528701	5-7
102898601	17-5	103210101	1-35, 1-37, 1-39	103528702	5-7
102898701	17-5	103286201	1-45	103535001	5-7
102898801	17-5	103286202	1-45	103536501	7-13
102898901	17-5	103286203	1-45	103572501	20-3
102899001	17-5	103325001	1-5, 4-3, 4-5, 4-7, 4-9	103597101	4-7, 4-9
102899101	17-3	103327601	1-21	103615601	9-11
102899201	17-3	103330601	1-5	103615801	9-15
102899301	17-5	103345701	15-3	103615901	9-11, 9-13
102899401	17-3	103347101	7-15, 8-9	103616401	9-13
102899501	17-5	103347301	7-15, 8-9	103616501	9-7
102899601	17-5	103347601	7-15, 8-9	103616601	9-7
102899701	17-3	103347701	7-15, 8-9	103616701	9-7
102899801	17-3	103347801	7-15, 8-9	103616901	11-7
102899901	17-5	103347901	7-15, 8-9	103624601	1-53, 1-55, 1-57
102900001	17-3	103357701	19-9, 19-11	103624602	1-53, 1-55, 1-57
102900101	17-3	103367901	19-17	103635201	1-13
102900201	17-3	103368301	19-9, 19-11	103638601	6-13
102900301	17-3	103368401	19-9, 19-11	103638701	6-13
102900401	17-5	103372101	11-3, 12-3, 12-5	103638702	6-13
102900501	17-5	103372401	11-5, 12-9	103638801	6-13
102900601	17-3	103374801	19-9, 19-11	103638901	1-3
102900701	17-5	103375301	19-9, 19-11	103647402	19-9, 19-11
102900801	17-7	103375402	19-5	103647403	19-9, 19-11
102900901	17-3	103375702	19-5	103653001	1-49, 1-53, 1-55, 1-57
102901001	17-5	103375901	4-3, 4-5, 4-7, 4-9	103653201	1-47

INDEX

103662801	1-25	103866801	1-49	103978801	1-21
103677101	1-33	103866802	1-49	103979301	18-17
103678502	7-15	103866901	1-49, 1-53, 1-55, 1-57	103979401	10-5
103679701	6-9	103866902	1-49, 1-53, 1-55, 1-57	103982001	12-15
103694501	2-3	103872701	22-13	103982002	12-15
103699401	1-21	103874111	5-15	103982201	10-5
103700302	4-3, 4-7, 4-17	103874201	17-3	103982301	19-17
103724501	6-5	103879701	18-11	103983501	12-13
103724503	6-3	103881201	1-43	103984601	16-5
103724601	6-3, 6-5	103882001	17-5	103989501	18-17
103724901	6-3, 6-5	103882101	17-3	103990501	1-3
103725601	1-43	103882301	17-3	103990601	1-3
103725701	1-47	103882801	10-5	103991501	4-11
103742303	1-53, 1-55, 1-57	103886601	18-5	103993601	14-3
103742304	6-17	103886801	1-31	103994101	1-25
103742305	6-15	103887901	9-3, 9-9	103995001	18-17
103742306	6-19	103896601	11-3, 12-9	103995901	10-7
103750001	1-41, 1-43, 1-47	103905201	11-3, 12-3, 12-5	103996201	10-5
103750101	1-41, 1-43, 1-47	103921601	6-15, 6-17	104005301	8-11
103754901	1-33	103921602	6-15, 6-17	104005901	19-15
103756401	11-5, 12-9	103922401	1-51, 1-53, 1-55, 1-57	104006101	19-15
103765601	19-9, 19-11	103923601	4-3, 4-5, 4-7, 4-9	104008001	1-35
103774701	19-13	103924301	4-15	104008002	1-37
103774801	1-43	103924401	4-15	104008003	1-39
103775201	1-43	103924801	8-5, 8-7, 19-5	104008501	1-41
103775601	1-43	103926601	1-3	104008502	1-43
103777601	5-9, 5-11, 5-13, 5-15, 7-3, 8-3	103929301	1-21	104008901	1-41
103781101	11-3	103929302	1-21	104008902	1-43
103783001	3-11, 6-3, 6-5	103933902	4-3, 4-5, 4-7, 4-9	104021701	18-17
103783002	3-5, 6-3, 6-5	103934901	2-5	104023201	19-5
103783003	6-3	103935001	2-5	104023421	1-19
103794501	11-5, 12-9	103935601	6-13	104023422	1-19
103795001	12-17	103943201	7-9	104023424	1-19
103796701	6-3	103943401	5-15, 19-3	104023425	1-19
103802402	4-5, 4-9, 4-19	103944301	11-3, 12-3, 12-5	104023501	12-15, 18-9
103810201	6-7	103951001	2-3	104024001	19-5
103812901	1-23	103951002	2-3	104024201	22-3, 22-11
103813001	1-23	103951007	2-3	104024202	22-11
103816401	1-47	103951501	18-17	104024401	22-11
103816402	1-47	103952901	1-21	104024402	22-11
103816601	1-7	103953301	7-15, 8-9	104024501	22-3, 22-5, 22-7, 22-9, 22-13, 22-15
103826201	6-9	103964002	11-3	104024601	22-3, 22-5, 22-7, 22-9, 22-13, 22-15
103826301	6-9	103964901	6-15, 6-17, 6-19	104025101	16-7
103832401	2-5	103965001	6-15, 6-17, 6-19	104027101	18-17
103832901	1-19	103973901	16-5	104028501	22-11
103833601	1-19	103974002	16-7	104028502	22-11
103833701	1-19	103974201	16-5	104028601	22-11
103833801	1-19	103974401	16-5	104028602	22-11
103833901	1-19	103974815	5-9	104028901	22-3, 22-5, 22-7, 22-9
103853121	1-21, 1-49, 1-53	103974821	5-11, 5-13	104029001	22-3, 22-5, 22-7, 22-9
103853122	1-21, 1-49, 1-55	103974901	5-9, 5-11, 5-13, 5-15	104029301	22-13, 22-15
103853124	1-21, 1-49, 1-57	103975011	5-15	104029601	22-3, 22-5
103853125	1-21, 1-49	103975301	16-7	104029602	22-7
103854301	11-3	103975901	1-3	104029603	22-9
103854501	11-3	103976101	16-5	105003601	22-3, 22-5, 22-7, 22-9
103862401	11-3	103978001	12-15	105003701	22-3, 22-5, 22-7, 22-9

INDEX

105005001	19-17	105014901	10-17	105027001	18-11
105005402	1-15	105015001	10-17	105027101	18-11
105007501	8-5	105015101	10-17	105027201	18-11
105008101	8-5, 8-7	105015201	10-17	105027301	18-11
105008301	8-5, 8-7	105015301	10-17	105027401	18-13
105009001	12-17	105015401	10-17	105027501	18-13
105009201	12-17	105015501	10-17	105027601	18-13
105010001	10-19	105015601	10-17	105027701	18-13
105010101	10-15	105015701	10-17	105027801	18-13
105010201	10-15	105015801	10-17	105027901	18-13
105010301	10-15	105015901	10-17	105028001	18-13
105010401	10-19	105016001	10-11, 10-17	105028101	18-15
105010501	10-19	105016101	12-13	105028201	18-13
105010601	10-19	105016201	12-13	105028301	18-11
105010701	10-19	105016301	12-13	105028401	18-13
105010801	10-15	105016401	12-13	105028501	18-11
105010901	10-15, 12-13	105016501	12-13	105028601	18-13
105011001	10-19	105016701	10-7	105028701	18-13
105011101	10-19	105016801	10-7	105028801	18-13
105011201	10-19	105016901	10-7	105028901	18-13
105011301	10-19	105017001	10-7	105029001	18-13
105011401	10-19	105017101	10-7	105029101	18-13
105011501	10-19	105017201	12-11	105029201	18-13
105011601	10-19	105017301	10-11	105029301	18-15
105011701	10-19	105017401	10-11	105029401	18-15
105011801	10-19	105017501	10-11	105029501	18-15
105011901	10-15	105017601	10-11	105029601	18-15
105012001	10-15	105017701	10-11	105029701	18-15
105012101	10-15	105017801	10-3, 10-11	105029801	18-15
105012201	10-15	105017901	10-11	105029901	18-15
105012301	10-15	105018001	10-13	105030001	18-11
105012401	10-15	105018101	10-13	105030301	18-15
105012501	10-19	105018201	10-13	105030401	18-15
105012601	10-7, 10-13, 10-15	105018301	10-13	105030501	18-15
105012701	10-21	105018401	10-13	105030601	18-15
105012801	10-21	105018501	10-15	105030701	18-11
105012901	10-21	105025001	18-11	105030801	18-15
105013001	10-21	105025101	18-11	105030901	18-13
105013101	10-21	105025201	18-11	105031001	18-15
105013201	10-21	105025301	18-11	105037101	4-15
105013301	10-21	105025401	18-11	105037501	18-3
105013401	10-21	105025501	18-11	105037601	18-3
105013501	10-21	105025601	18-11	105037701	18-3
105013601	10-21	105025701	18-11	105038501	18-3
105013701	10-21	105025801	18-11	105038801	18-5
105013801	10-21	105025901	18-11	105039801	18-3
105013901	10-21	105026001	18-11	105040401	18-3
105014001	10-21	105026101	18-11	105040901	18-7
105014101	10-21	105026201	18-11	105041101	18-3
105014201	10-17	105026301	18-11	105043401	12-7
105014301	10-17	105026401	18-11	105043601	12-3, 12-5
105014401	10-17	105026501	18-11	105043801	12-7
105014501	10-17	105026601	18-11	105043901	12-7
105014601	10-17	105026701	18-11	105049001	6-7
105014701	10-17	105026801	18-11	105066001	18-15
105014801	10-17	105026901	18-11	105066101	18-15

INDEX

- 105067501 3-7
105068201 22-11
105068202 22-11
105068301 22-11
105068302 22-11
105068401 22-11
105068402 22-11
105068601 6-7
105070101 22-3, 22-5, 22-11
105070102 22-7, 22-11
105070103 22-9, 22-11
105070501 3-9
105072201 12-3, 12-5
105073001 12-7
105074101 18-3
105075301 10-9
105076201 14-3
105081501 8-5, 8-7
105081601 8-5, 8-7
105082601 22-15
105082801 22-15
105083001 22-13, 22-15
105084301 22-15
105084401 22-13, 22-15
105084501 22-15
105084801 10-9
105086801 22-13, 22-15
105086901 22-15
105092301 22-3, 22-5, 22-7, 22-9, 22-13, 22-15
105093101 22-3, 22-5, 22-7, 22-9
105094101 22-13, 22-15
105095201 22-3
105096101 16-5
105101001 22-15
105101221 1-49, 1-53
105101222 1-49, 1-55
105101224 1-49, 1-57
105101225 1-49
105102601 8-21
105116301 5-15, 19-3
105123801 22-3, 22-5, 22-7, 22-9, 22-13, 22-15
105134601 10-5
105135101 12-15, 18-7
105136501 8-19
105137401 19-5
105138301 19-9, 19-11
105142401 2-3
105142501 4-7
105142502 4-9
105142601 4-3
105142602 4-5
105143301 8-5, 8-7, 12-3, 12-5
105144401 12-15, 18-9
105149301 10-5
105152301 4-11
105161701 8-5, 8-7, 8-9
105166801 19-15
105166901 19-15
105167001 19-15
105167101 19-15
105168501 19-15
105168601 19-15
105187901 6-13
105188185 6-15, 6-17, 6-19
105190101 8-9
105205401 8-11
105209601 23-5
105215501 12-5
105215502 12-3
105223321 1-19
105223322 1-19
105223323 1-19
105223421 1-21
105223422 1-21
105223423 1-21
105228801 8-5, 8-7
105234501 23-5
105234502 23-5
105234801 18-11, 18-13
105234901 18-11, 18-13
105236701 8-7
105237399 8-17
105245801 16-3
105248601 1-33
105248701 1-33
105255501 8-7
105255601 8-7
105266401 8-15
105282901 12-7
105282902 12-7
105282903 12-7
105284001 1-27
105289701 1-33
105291501 1-13
105291701 1-27
105291702 1-27
105291703 1-27
105299001 22-13
105299101 22-13
105299601 22-13
105300801 22-13
105314001 1-13
105314101 1-13
105315201 22-13
4 pass conversion kit, beige 1-53
4 pass conversion kit, gray 1-57
4 pass conversion kit, white 1-55
47542195001 5-3, 5-5
47546044001 12-3, 12-5
96704416 9-17
96741046 10-5
- A**
A-arm, three-piece 6-11
absorber, front shock 6-11
absorber, rear shock 6-15, 6-17, 6-19
AC cord 22-3, 22-11
accelerator cable 11-11, 12-15
accelerator pedal 5-9, 5-11, 5-13, 5-15, 7-3, 8-3
accelerator pedal adjustment tool 23-3
access panel 1-23
adapter
 air intake 12-13
 battery terminal 8-15
 cable (IQDM) 23-5
adhesive, guide ring 23-3
air cleaner assembly 12-17
air deflector 10-9
air filter 9-3, 10-3, 11-13, 12-17
air filter canister evacuation valve 11-13, 12-17
air intake adapter 12-13
air intake assembly 11-13
air intake cover 11-13, 12-17
air intake hose 11-13, 12-17
AM1285701 23-5
arbor 23-3
arm
 governor 12-15, 17-3, 18-9
 rocker 9-11
armature 20-3
armrest 1-19
assembly
 brake lever 5-3, 5-5
 connecting rod 9-15
 cylinder head 9-11
 drive hub 15-3, 16-5
 driven clutch 15-5, 16-7
 driven clutch fixed-face 15-5
 float 11-7
 frame and field (motor) 20-3
 fuel cap 11-3, 12-3, 12-5
 fuel pump 11-3, 12-7
 governor 17-5
 idle screw 11-7
 moveable-face 15-3, 15-5, 16-5, 16-7
 pilot air screw 11-7
 plug cap 9-7
 secondary clutch weight 15-3, 16-5
axle 17-3, 17-7, 21-3
axle shaft 18-15
axle shaft oil seal 17-7, 21-3
axle tube 17-7, 18-15, 21-3
- B**
backing plate, brake 5-3, 5-5
backrest, beige 1-21, 1-49, 1-53
backrest, black 1-21, 1-49

INDEX

- backrest, gray 1-21, 1-49, 1-57
 - backrest, white 1-21, 1-49, 1-55
 - baffle
 - crankcase 10-7
 - bag hoop 1-21
 - bag strap 1-21
 - bag strap buckle 1-21
 - balance shaft 10-21
 - ball bearing 7-15, 8-9, 9-13, 18-13, 18-15
 - ball joint, inner 6-9
 - ball stud 7-9, 17-3
 - ball, steel pressure relief 9-9
 - barrel, plastic 1-21, 1-49, 1-51, 1-53, 1-55, 1-57, 5-9, 5-11, 5-13, 5-15, 19-11
 - battery
 - 12-volt, side-post 7-19, 8-13
 - 8-volt, GC8 Type E 19-9, 19-11
 - battery bucket 19-9, 19-11
 - battery charger 22-3, 22-5, 22-7, 22-9, 22-13, 22-15
 - battery charger wire harness
 - onboard 22-15
 - battery clamp 7-19, 8-13, 8-17
 - battery cross rod tube 19-9, 19-11
 - battery discharge machine 23-3
 - battery hold-down 19-9, 19-11
 - battery terminal protector spray 23-3
 - battery thermometer 23-3
 - battery, 12-volt, top-post 8-17
 - bead, ferrite 19-19
 - bearing 21-3
 - balance shaft 10-19
 - ball 7-15, 8-9, 9-13, 18-13, 18-15
 - ball (motor) 20-3
 - cage roller 17-5
 - crankshaft 10-19
 - idler 15-3
 - inner axle tube 21-3
 - thrust 18-11
 - bearing and oil seal remover 23-3
 - bearing driver set 23-3
 - bearing puller 23-3
 - bearing puller wedge 23-3
 - beauty panel, front 1-7
 - beauty panel, rear 1-23
 - bellows, steering 6-9
 - belt, drive 15-3, 16-3
 - belt, starter/generator 7-17, 8-11, 15-3
 - belt, V 7-17, 15-3
 - bezel, FNR 7-9
 - body
 - front 1-7
 - rear 1-23
 - under 1-13, 1-23
 - body kick plate (ele) 1-17
 - body kick plate (gas) 1-15
 - bolt
 - battery, "S" hold-down 19-9, 19-11
 - bolt, U- 1-53, 1-55, 1-57
 - boot, switch 8-19, 19-7
 - bottle, sand 1-29
 - box
 - differential 17-7
 - bracket
 - accel.cable 12-15, 18-7
 - accelerator cable 11-11
 - adjustable starter/generator 7-17
 - canopy support 1-41, 1-43
 - carbon canister 11-5, 12-9
 - clamshell 1-13
 - equalizer 5-7
 - FNR cable 12-15, 18-7
 - governor 12-15, 18-9
 - governor cable 11-11
 - jounce bumper 1-53, 1-55, 1-57, 6-19
 - mounting, starter/generator 10-5
 - mounting, transaxle/exhaust 10-5
 - muffler mounting 13-3
 - oil filter mount 9-9
 - oil level switch 9-13
 - seat support 1-49
 - shock mounting, drv 6-15, 6-17, 6-19
 - shock mounting, pas 6-15, 6-17, 6-19
 - snubber 9-17, 10-5
 - starter/generator adjusting 8-11
 - starter/generator mounting 7-17
 - throttle spring return 11-9
 - brake adjusting mechanism 5-3, 5-5
 - brake backing plate 5-3, 5-5
 - brake cable 5-7
 - brake cluster 5-3, 5-5
 - brake drum 5-3, 5-5
 - brake lever 5-3, 5-5
 - brake pedal 5-9, 5-11, 5-13, 5-15
 - brake rod 5-9, 5-11, 5-13, 5-15
 - brake self-adjusting mechanism 5-3, 5-5
 - brake shoe 5-3, 5-5
 - brake spring 5-3, 5-5
 - breather 17-3, 18-11, 21-3
 - breather hose 12-13
 - brow 1-7
 - brow cap 1-7
 - brush 20-3
 - brush box assembly 20-3
 - brush cover kit, starter/generator 7-15, 8-9
 - brush inspection port cover 7-15, 8-9
 - brush rigging 20-3
 - brush spring 7-15, 8-9, 20-3
 - brush spring set 7-15, 8-9
 - brush spring, starter/generator 7-15, 8-9
 - brush terminal, starter/generator 7-15, 8-9
 - bucket, battery 19-9, 19-11
 - bucket, gas vehicle 11-3, 12-3, 12-5
 - bucket, sand 1-31
 - buckle, bag strap 1-21
 - bulb, headlight 4-3, 4-5, 4-7, 4-9
 - bulb, turn signal 4-3, 4-5, 4-7, 4-9
 - Bumper 1-5
 - bumper 1-5
 - drive unit (motor) 20-3
 - jounce 1-53, 1-55, 1-57, 6-19
 - rubber 1-25
 - Bumper, Shock Plug 1-5, 4-3, 4-5, 4-7, 4-9
 - bushing 6-11, 6-13, 7-9, 15-3, 16-5, 18-3
 - return line 11-3
 - urethane 6-15, 6-17, 6-19
 - button, drive 15-5, 16-7
 - buzzer, reverse 4-11, 4-13, 4-15
- ## C
- cable
 - accelerator 11-11, 12-15
 - brake 5-7
 - FNR shifter 7-9, 18-5
 - governor 11-11, 12-15
 - cable support bracket 7-9
 - calibration test module 23-3
 - cam
 - driven clutch 15-5, 16-7
 - neutral lockout 7-9
 - cam, engine 10-17
 - cam, neutral lockout 7-9, 18-3
 - camshaft 9-13, 10-17
 - camshaft o-ring 10-17
 - camshaft shim 9-13
 - canister, carbon, fuel tank 11-5, 12-9
 - canopy 1-35, 1-37
 - canopy drain cover 1-35, 1-37, 1-39
 - canopy handle 1-35, 1-37
 - canopy strut, front, lh 1-41, 1-43, 1-47
 - canopy strut, front, rh 1-41, 1-43, 1-47
 - canopy support 1-41, 1-43
 - canopy support bracket, drv 1-21
 - canopy support bracket, pas 1-21
 - canopy support cover, drv 1-9, 1-41, 1-43, 1-47
 - canopy support cover, pas 1-9, 1-41, 1-43, 1-47
 - cap
 - dust 4-11
 - front hub 6-13
 - fuel, gas, ratchet 11-3, 12-3, 12-5
 - key switch 4-11, 4-13, 4-15
 - plug 9-7
 - rubber 18-17
 - cap, hub, 7 prong 2-3
 - cap, SAM 1-9
 - carbon canister 11-5, 12-9
 - carburetor adapter 11-9
 - carburetor gasket 11-9

INDEX

- carburetor insulator 11-9
 - carburetor mounting gasket 11-9
 - carburetor, FE350 S26 11-7
 - card, safety first 23-5
 - case
 - gear 21-3
 - rocker 9-11
 - transaxle 18-11
 - CE mark battery bucket plug kit 19-11
 - CE mark decal 19-11
 - CE mark ferrite bead, Fair-rite 19-19
 - CE mark ferrite bead, TDK 19-19
 - center shaft 18-13
 - chain, timing 10-17
 - charger bezel tool 23-3
 - charger receptacle 19-5
 - charger, battery, Hi-Freq 22-3, 22-5, 22-7, 22-9, 22-13, 22-15
 - choke button rod 11-13
 - choke lever 11-13
 - clamp
 - battery 7-19, 8-13, 8-17
 - cable retaining 11-11
 - hose 11-3, 11-9, 12-3, 12-5, 12-9, 12-17
 - leaf spring 6-13
 - muffler hose 13-3
 - p- (fuel filter) 10-9, 12-15
 - clamshell bracket 1-13
 - clip
 - body trim 1-13, 1-23
 - retainer plate 10-15
 - clip, piston pin 10-21
 - clip, score card 6-3, 6-5
 - cluster, brake 5-3, 5-5
 - clutch
 - pin 18-13
 - clutch cam installation tool 23-3
 - clutch pulley 15-3
 - clutch repair kit 15-5, 16-7
 - clutch tool kit 23-3
 - clutch weight 15-3, 16-5
 - clutch, drive 15-3, 16-5
 - clutch, driven 15-5, 16-7
 - coil, ignition 10-11
 - collar 18-13
 - collet 9-11, 10-17
 - comfort grip steering wheel 6-3
 - comfort grip steering wheel kit 6-3
 - component mounting plate 19-17
 - compression gauge 23-5
 - compression spring 11-13
 - compressor, piston ring 23-5
 - compressor, valve spring 23-7
 - connecting rod 9-15, 10-21
 - connector, 9-pin 4-13, 7-7
 - continuity tester 23-5
 - controller diagnostic tool (CDT) 23-5
 - controller diagnostic tool (CDT) cable 23-5
 - controller shield 19-17
 - controller, motor speed
 - Excel w/Hi-Freq 19-17
 - conversion kit, 4 pass, beige 1-53
 - conversion kit, 4 pass, gray 1-57
 - conversion kit, 4 pass, white 1-55
 - cooling fan 10-7
 - cord connector 9-13
 - cord reel 22-13, 22-15
 - cord set, DC 22-3, 22-5, 22-7, 22-9, 22-11
 - cord, AC 22-3, 22-11
 - cord, DC 22-13, 22-15
 - counter shaft 18-13
 - counterbalance guide shaft 9-15
 - counterbalance weight 9-15
 - cover
 - air intake 11-13, 12-17
 - brush inspection port 7-15, 8-9
 - canopy drain 1-35, 1-37, 1-39
 - crankcase 9-13, 10-19
 - DC terminal block 22-3, 22-5, 22-7, 22-9, 22-13, 22-15
 - dust 5-3, 5-5
 - fan 10-7
 - oil pump 9-9
 - support, canopy, drv 1-9, 1-41, 1-43, 1-47
 - support, canopy, pas 1-9, 1-41, 1-43, 1-47
 - USB 22-3, 22-5, 22-7, 22-9, 22-13, 22-15
 - cover plate 20-3
 - cover, rocker 10-15
 - cover, steering column 4-3, 4-5, 4-7, 4-9
 - cover, valve 10-15
 - crankcase 9-15, 10-19
 - crankcase baffle 10-7
 - crankcase cover 9-13, 10-19
 - crankcase vent tube 11-9
 - crankshaft 9-15, 10-21
 - crankshaft rod 9-15
 - crankshaft shim 9-15
 - crossmember, rear 1-3
 - cushion, shock absorber 6-15, 6-17, 6-19
 - cylinder head 9-11, 10-15
- ## D
- dash 1-11
 - dash support assembly 1-3, 6-11
 - DC cord 22-13, 22-15
 - DC cord set 22-3, 22-5, 22-7, 22-9, 22-11
 - decal 3-9
 - CE mark 19-11
 - engine warning 10-7
 - filter log 19-15
 - four-passenger warning 1-53, 1-55, 1-57, 3-3
 - frame ground warning 3-7
 - inspect log 19-15
 - on/off 3-5, 3-11
 - operating instructions 3-5, 3-11, 6-3, 6-5
 - private speed mode 3-5, 3-11
 - rollover warning 3-5, 3-11
 - rotating parts 3-7, 7-15
 - run/service switch 3-7, 8-19
 - Run/Tow warning 3-13
 - warning 3-13
 - warning, Run/Tow 3-13
 - water exposure 3-13
 - deflector
 - air 10-9
 - deionizer 19-15
 - cartridge 19-15
 - differential 18-15
 - open 18-15
 - differential drive unit 17-3, 21-3
 - differential gear 21-3
 - differential gear case 17-7
 - differential gear set 18-15
 - differential housing 21-3
 - differential shaft 18-15
 - diode 8-5, 8-7
 - dipstick 9-5, 10-19
 - drain plug 1-25, 9-9, 10-19, 17-3, 18-11
 - drain plug gasket 9-9, 10-19, 17-3
 - drain plug, rubber 7-15, 8-9
 - drive belt 15-3, 16-3
 - drive button 15-5, 16-7
 - drive clutch 15-3, 16-5
 - drive clutch button 15-3, 16-5
 - drive clutch fixed-face 15-3
 - drive clutch holder tool 23-3
 - drive clutch hub puller 23-3
 - drive clutch puller 23-3
 - drive clutch spring 15-3, 16-5
 - drive clutch weight 15-3, 16-5
 - drive hub 15-3, 16-5
 - drive selector shaft 17-3
 - drive unit bumper 20-3
 - driven clutch 15-5, 16-7
 - driven clutch button 15-5, 16-7
 - driven clutch cam 15-5, 16-7
 - driven clutch cam puller 23-3
 - driven clutch fixed-face assembly 15-5
 - driven clutch puller plug 23-3
 - driver, drive clutch 15-3, 16-5
 - drum, brake 5-3, 5-5
 - dry moly lubricant 23-5
 - dust cap 4-11
 - dust cover 5-3, 5-5
 - dust seal 6-9

INDEX

- E**
- ECU 12-11
 - end cap, motor 20-3
 - end, tie rod 6-9
 - engine
 - air cleaner 12-17
 - air deflector 10-9
 - air filter 9-3, 10-3, 11-13, 12-17
 - air intake hose 12-17
 - balance shaft 10-21
 - bearing, balance shaft 10-19
 - bearing, crankshaft 10-19
 - breather hose 12-13
 - cam 10-17
 - camshaft 10-17
 - camshaft O-ring 10-17
 - connecting rod 10-21
 - crankcase 10-19
 - crankcase baffle 10-7
 - crankcase cover 10-19
 - crankcase plug 10-19
 - crankshaft 10-21
 - crankshaft key 10-21
 - cylinder head 10-15
 - dipstick 10-19
 - drain plug gasket 10-19
 - ECU 12-11
 - exhaust valve 10-17
 - fan 10-7
 - fan housing 10-7
 - flywheel 10-11
 - fuel injector 12-11
 - guide pin 10-19
 - head gasket 10-15
 - ignition coil 10-11
 - insulator, throttle body 12-13
 - intake valve 10-17
 - oil drain plug 10-19
 - oil filler tube 10-19
 - oil filler tube O-ring 10-19
 - oil level sensor 10-13
 - oil seal 10-19
 - piston 10-21
 - piston pin 10-21
 - piston pin clip 10-21
 - piston ring set 10-21
 - retainer plate 10-15
 - retainer plate clip 10-15
 - rocker arm 10-17
 - rocker cover 10-15
 - rocker cover gasket 10-15
 - rocker shaft 10-17
 - spark plug 10-3, 10-11
 - temperature sensor 10-13
 - throttle body 12-11
 - timing chain 10-17
 - timing chain guide 10-17
 - timing chain sprocket 10-17
 - timing chain tensioner 10-17
 - valve collet 10-17
 - valve guide 10-15
 - valve seal 10-15
 - valve spring 10-17
 - valve spring retainer 10-17
 - warning decal 10-7
 - engine mounting plate 9-17
 - engine shroud 9-5
 - engine tune-up kit 9-3
 - engine warning decal 10-7
 - engine, EX40 10-5
 - engine, FE350 S26 9-5
 - equalizer 5-7
 - exhaust system 13-3, 14-3
 - exhaust valve 9-11, 10-17
- F**
- face, moveable 15-3, 15-5, 16-7
 - fan
 - cooling 10-7
 - fan cover 10-7
 - fan housing 9-5, 10-7
 - fan shroud 9-5
 - fan, flywheel 9-7
 - fascia 1-7
 - ferrite bead (CE), Fair-rite 19-19
 - ferrite bead (CE), TDK 19-19
 - field coil housing 7-15, 8-9
 - fill plug 17-3
 - fill plug gasket 17-3
 - filter
 - air 9-3, 10-3, 11-13, 12-17
 - fuel 9-3, 11-3, 12-7
 - oil 9-3, 9-9
 - oil pump 9-9
 - fitting, fuel 11-3
 - fixed-face, drive clutch 15-3
 - fixed-face, driven clutch 15-5
 - float 11-7
 - floor cover plate 5-9, 5-11, 5-13, 5-15
 - floor mat 1-13
 - floor mat, 4 pass, rear 1-51, 1-53, 1-55, 1-57
 - flywheel 9-7, 10-11
 - flywheel fan 9-7
 - flywheel fan plate 9-7
 - FNR bezel 7-9
 - FNR handle 7-9, 18-3
 - FNR housing 19-7
 - FNR shift lever 17-3, 18-7
 - FNR shifter 7-9
 - FNR shifter base 7-9, 18-3
 - FNR shifter cable 7-9, 18-5
 - foot deck 1-51, 1-53, 1-55, 1-57
 - fork, shift 17-5
 - frame and field assembly (motor) 20-3
 - frame and field, starter/generator 7-15, 8-9
 - front body beauty panel 1-7
 - front hub 6-13
 - front suspension structure 6-11
 - fuel
 - valve, inline 11-3
 - fuel filter 9-3, 11-3, 12-7
 - Fuel Filter Kit 12-7
 - fuel injector 12-11
 - fuel line 11-3, 11-9, 12-9
 - Fuel Module, Hold-Down Ring 12-7
 - Fuel Pump 12-7
 - fuel pump 11-3, 12-7
 - fuel tank 11-3, 12-3, 12-5
 - fuel tank hold-down 11-3
 - fuse
 - 10-amp 7-19, 8-5, 8-7
 - 15-amp 19-5
 - 2-amp 8-5, 8-7, 19-5
 - 30-amp 19-5, 22-15
 - 5-amp 8-5, 8-7
 - fuse cover, sealed 7-19
- G**
- gas pedal assembly, anodized 5-11, 5-13
 - gas pedal assembly, anodized triac 5-9
 - gasket 18-11
 - air intake 11-13, 12-17
 - carburetor 11-9
 - carburetor mounting 11-7, 11-9
 - cover, rocker 10-15
 - cover, valve 10-15
 - crankcase cover 9-11, 9-13
 - drain plug 9-9, 10-19
 - drain plug, fill plug 17-3
 - exhaust 9-11, 13-3, 14-3
 - head 9-11
 - insulator 9-11, 11-9, 12-13
 - liquid 21-3, 23-5
 - plug 21-3
 - rocker case 9-11
 - seat 1-19
 - gasket, head 10-15
 - gauge, compression 23-5
 - gear
 - 17 tooth 18-13
 - 25 tooth 17-5
 - 28 tooth 17-5
 - 34 tooth 18-13
 - 52 tooth 18-13
 - 60 tooth 18-15
 - 62 tooth 18-13
 - differential 17-7, 21-3

INDEX

differential idler 21-3
differential output 21-3
governor 18-11
governor, 34 tooth 18-13
helical 9-15
planetary 17-7
set, differential 18-15
speed governor 17-5
spur 9-15
sun 17-7
gear yoke 23-5
gearcase 21-3
governor 17-5
governor arm 12-15, 17-3, 18-9
governor cable 11-11, 12-15
governor cable bracket 11-11
governor gear shaft 18-11
governor shaft 18-11
governor shield 11-9
grip, pencil 6-3, 6-5
grommet 11-3, 12-3, 12-5
ignition 9-7
guide
intake valve 9-11
valve 10-15
guide pin 10-19, 18-11
guide ring adhesive 23-3
guide, timing chain 10-17

H

hand rail 1-51, 1-53, 1-55, 1-57
handle, canopy 1-37
handle, FNR 7-9, 18-3
harness, instrument panel 4-3, 4-5, 4-7, 4-9,
4-11, 4-13, 7-7, 8-5, 8-7
harness, main 8-5, 8-7
harness, wire 4-3, 4-5, 4-7, 4-9, 19-5
harness, wire, gas engine-ECU 8-5, 8-7
harness, wire, gas IP 4-13, 7-7, 8-5, 8-7
harness, wire, gas main 7-13
harness, wire, onboard battery charger 22-15
head gasket 9-11, 10-15
head, cylinder 9-11, 10-15
headlamp 4-3, 4-5, 4-7, 4-9
headlight bulb 4-3, 4-5, 4-7, 4-9
helical gear 9-15
hinge 19-9, 19-11
seat bottom 1-19
hinge, seat bottom 1-19
hip restraint 1-19
hip restraint, 4 pass 1-49, 1-53, 1-55, 1-57
hold-down, battery 19-9, 19-11
hold-down, fuel tank 11-3
hoop, bag 1-21
horn 4-3, 4-5, 4-7, 4-9
hose

air intake 11-13, 12-17
engine breather 12-13
fuel 11-3, 12-9
fuel vent 11-3, 12-9
SPWS 19-13
vent 11-3, 11-5, 12-9
housing
3-pin 20-3
differential 21-3
fan 9-5, 10-7
field coil 7-15, 8-9
hub 6-13, 18-17
hub cap 2-3, 6-13
hub cap, 7 prong 2-3
hub, front 6-13
hydrometer 23-5

I

idle screw assembly 11-7
idler bearing 15-3
idler gear, differential 21-3
ignition coil 9-7, 10-11
indicator, charger 4-11
inner ball joint 6-9
inner frame snubber 9-17, 10-5
input shaft 18-13, 21-3
instrument panel 4-11, 4-13, 4-15
instrument panel harness 4-3, 4-5, 4-7, 4-9,
4-11, 4-13, 7-7, 8-5, 8-7
insulator 12-13
insulator gasket 9-11, 11-9, 12-13
insulator, carburetor 11-9
intake assembly 11-13
intake cover 11-13, 12-17
intake hose 11-13
intake valve 9-11, 10-17
intermediate shaft 21-3
internal retaining ring pliers 23-5

J

J-clip 1-3, 1-51, 6-15, 6-17, 6-19
jet, main 11-7
jet, pilot 11-7
jounce bumper 1-53, 1-55, 1-57, 6-19
jounce bumper bracket 1-53, 1-55, 1-57, 6-19

K

key
crankshaft 9-7, 9-15
driven clutch 15-5, 16-7
On/Off 4-11, 4-13, 4-15
square 15-5, 16-7
key switch 4-11, 4-13, 4-15
key switch cap 4-11, 4-13, 4-15
key,crankshaft 10-21

kick plate (ele) 1-17
kick plate (gas) 1-15
king pin 6-13
kit
3-pin housing 20-3
4 pass conversion, beige 1-53
4 pass conversion, gray 1-57
4 pass conversion, white 1-55
ball joint, inner 6-9
battery terminal adapter 8-15
bellows, steering, sona 6-9
brake cable 5-7
brake shoe retainer 5-3, 5-5
CE battery bucket plug 19-11
clutch repair 15-5, 16-7
comfort grip steering wheel 6-3
controller diagnostic tool (CDT) 23-5
deflector, air 10-9
drive clutch button 15-3, 16-5
drive clutch weight 15-3, 16-5
driven clutch button 15-5, 16-7
fixed-face drive 15-3
front hub replacement 6-13
hand pump, SPWS 19-15
hub cap 2-3
motor brush 20-3
motor brush spring 20-3
motor cover plate 20-3
motor speed sensor 20-3
motor terminal hardware 20-3
neutral lockout cam 7-9
relay, 48V 4-7, 4-9
SAM assembly 1-21
seat bottom 1-19
shock absorber 6-15, 6-17, 6-19
shock absorber cushion 6-15, 6-17, 6-19
shoe retainer 5-3, 5-5
tune up 9-3
underbody cover 1-9
windshield 1-33
knob, light switch 4-3, 4-5, 4-7, 4-9, 4-15

L

leaf spring, rear 6-15, 6-17
leaf spring, rear, 4-pass 1-53, 1-55, 1-57, 6-19
lever
choke 11-13
speed governor 17-3
transaxle shift 18-7
transmission shift 17-3
light
oil 4-13, 4-15
tail 4-7, 4-9
water quality 19-15
light switch 4-3, 4-5, 4-7, 4-9, 4-15
light switch knob 4-3, 4-5, 4-7, 4-9, 4-15

INDEX

limit switch 7-9, 8-21, 18-3
line, fuel 11-9, 12-9
liquid gasket 21-3, 23-5
low oil warning light 4-13, 4-15
lubricant, dry moly 23-5
lubricant, moly-teflon 20-3, 23-5
lug nut 2-3, 2-5
lug stud 6-13, 17-7, 18-17, 21-3

M

magnet, speed sensor 20-3
main harness 8-5, 8-7
main jet 11-7
mat, floor 1-13
MCOR 5-15, 19-3
mechanism, brake adjusting 5-3, 5-5
meter, volt ohm 23-7
module
 calibration test 23-3
moly-teflon lubricant 23-5
motor
 48-volt IQ 20-3
motor brush kit 20-3
motor brush spring kit 20-3
motor bumper 20-3
motor end cap 20-3
motor magnet, speed sensor 20-3
motor speed controller
 Excel w/Hi-Freq 19-17
motor speed sensor 20-3
motor speed sensor kit 20-3
motor terminal hardware kit 20-3
motor wire harness 19-5
mounting plate, component 19-17
moveable-face 15-3, 15-5, 16-5, 16-7
muffler hose clamp 13-3

N

nameplate 1-7
neutral lockout cam 7-9, 18-3
nozzle, main 11-7
nut, lug 2-3, 2-5

O

oil conveyor 17-3
oil filler tube 9-5, 10-19
oil filter 9-3, 9-9
oil filter mount bracket 9-9
oil filter screen 9-13
oil filter screen plate 9-13
oil level sensor 9-13, 10-13
oil level switch bracket 9-13
oil pump and rotor 9-9
oil pump cover 9-9
oil pump filter 9-9

oil pump plate 9-9
oil seal 9-11, 9-13, 9-15, 10-19, 18-11
oil warning light, low 4-13, 4-15
O-ring 9-5, 9-11, 9-13, 9-15, 10-17, 10-19
O-ring Kit, Fuel Module 12-7
O-Ring, Fuel Module 12-7

P

paint, underbody (black) 23-5
panel
 access 1-23
 front body beauty 1-7
 rear body beauty 1-23
 SAM 1-21
park brake release, anod 5-9, 5-11, 5-13, 5-15, 7-3, 8-3
p-clamp (fuel filter) 10-9, 12-15
pedal assembly, gas, anodized 5-11, 5-13
pedal assembly, gas, anodized triac 5-9
pedal, accelerator 5-9, 5-11, 5-13, 5-15, 7-3, 8-3
pedal, brake 5-9, 5-11, 5-13, 5-15
pencil grip 6-3, 6-5
pilot air screw assembly 11-7
pilot jet 11-7
pin
 bow tie locking 5-7
 clevis 5-7
 differential 18-15
 guide 10-19, 18-11
 input shaft 18-13
 king 6-13
 piston 9-15, 10-21
piston 9-15, 10-21
piston pin 9-15, 10-21
piston pin clip 10-21
piston ring 9-15, 10-21
piston ring compressor 23-5
piston ring pliers 23-5
piston ring set 9-15, 10-21
plate
 backing (brake) 5-3, 5-5
 component mounting 19-17
 cover 20-3
 engine mounting 9-17
 floor cover 5-9, 5-11, 5-13, 5-15
 flywheel fan 9-7
 kick(ele) 1-17
 kick(gas) 1-15
 mounting, CVT, center 10-5
 mounting, engine/axle 10-5
 oil filter screen 9-13
 oil pump 9-9
 retainer 10-15
pliers
 internal retaining ring 23-5
 piston ring 23-5

retaining ring 23-5
plug
 drain 9-9, 17-3, 18-11
 drive clutch 15-3
 driven clutch puller 23-3
 fill 17-3
 oil drain 10-19
 rubber drain 7-15, 8-9
 rubber, crankcase 10-19
 spark 9-3, 9-7, 10-3, 10-11
plug cap 9-7
plug, drain 1-25
press weldment 23-3
protector spray, battery terminal 23-3
puller
 bearing 23-3
 drive clutch 23-3
 drive clutch hub 23-3
 driven clutch cam 23-3
 seal 23-5
pulley
 clutch 15-3
 starter-generator 7-15, 8-9
 v-belt 7-15, 8-9
pump
 fuel 11-3, 12-7
push rod 9-11

R

rack and pinion 6-9
rear body beauty panel 1-23
rear crossmember 1-3
rear underbody support 1-21
receptacle 19-5
reel cord 22-13, 22-15
refractometer 23-5
regulator, voltage 7-19, 8-13, 8-17
relay 4-7, 4-9
relay, 12-volt 4-15
relay, 48V 4-7, 4-9
release, anod park brake 5-9, 5-11, 5-13, 5-15, 7-3, 8-3
remover, bearing and oil seal 23-3
resistor assembly 19-17
restraint, hip, 4 pass 1-49, 1-53, 1-55, 1-57
retainer
 brake shoe 5-3, 5-5
 shock absorber cushion 6-15, 6-17, 6-19
 spring (drive clutch) 15-3
 valve spring 9-11, 10-17
retainer plate 10-15
retaining ring pliers 23-5
reverse buzzer 4-11, 4-13, 4-15
rim (wheel) 2-3, 2-5
ring
 piston 9-15, 10-21

INDEX

retaining 7-9, 15-3, 15-5, 16-5, 16-7, 18-3,
18-11, 18-17
snap 9-11, 9-15
spiral backup 15-3, 16-5
Rivet, Removable 1-23
rocker arm 9-11, 10-17
rocker case 9-11
rocker case gasket 9-11
rocker cover 10-15
rocker cover gasket 10-15
rocker shaft 9-11, 10-17
rocker switch 19-7
rod
brake 5-9, 5-11, 5-13, 5-15
connecting 9-15, 10-21
crankshaft 9-15
push 9-11
rubber bumper 1-25

S

safety first card 23-5
SAM (structural accessory module) 1-21
SAM assembly kit 1-21
SAM cap 1-9
SAM panel 1-21
sand bottle 1-29
sand bucket 1-31
sand scoop 1-31
scoop, sand 1-31
score card clip 6-3, 6-5
score card plate 6-3, 6-5
screen, oil filter 9-13
seal
dust 6-9
lip 21-3
oil 9-11, 9-13, 9-15, 10-19, 17-7, 18-11, 21-3
valve 10-15
seal puller 23-5
sealant 21-3
seat
spring 9-11
valve 9-9
seat back, beige 1-21, 1-49, 1-53
seat back, black 1-21, 1-49
seat back, gray 1-21, 1-49, 1-57
seat back, white 1-21, 1-49, 1-55
seat bottom kit 1-19
seat bracket 1-49, 1-53, 1-55, 1-57
seat gasket 1-19
seat hinge 1-19
seat support bracket 1-49
seat support weldment 1-49
select shaft 18-11
sensor
oil level 10-13
temperature 10-13

sensor, motor speed 20-3
sensor, oil level 9-13
shaft
axle 18-15
balance 10-21
center 18-13
counter 18-13
counterbalance guide 9-15
differential 18-15
drive selector 17-3
governor 18-11
governor gear 18-11
input 18-13, 21-3
intermediate 21-3
rocker 9-11, 10-17
select 18-11
shift 18-13
transmission 17-5
shaft, reverse gear 17-5
shaft, secondary
transmission 17-5
shield, charger 22-15
shield, controller 19-17
shield, debris aux 5-9, 5-11, 5-13, 5-15
shield, debris primary 5-9, 5-11, 5-13, 5-15
shield, governor 11-9
shift fork 17-5
shift lever 17-3, 18-7
shift shaft 18-13
shifter, FNR 7-9
shim, camshaft 9-13
shim, crankshaft 9-15
shock absorber (front) 6-11
shock absorber (rear) 6-15, 6-17, 6-19
shock absorber cushion 6-15, 6-17, 6-19
shock absorber cushion retainer 6-15, 6-17,
6-19
shock mounting bracket, drv 6-15, 6-17, 6-19
shock mounting bracket, pas 6-15, 6-17, 6-19
shoe retainer kit 5-3, 5-5
shoe, brake 5-3, 5-5
shroud 9-5
shroud, engine 9-5
shroud, fan 9-5
sleeve 6-11, 6-13, 6-15, 6-17, 6-19, 18-11
snap ring 9-11, 9-15
snubber bracket 9-17, 10-5
snubber, inner frame 9-17, 10-5
solenoid, 12-volt 7-19, 8-13, 8-17
spacer 18-11, 18-13
spark plug 9-3, 9-7, 10-3, 10-11
speed controller
Excel w/Hi-Freq 19-17
speed sensor 20-3
speed sensor magnet 20-3
speed sensor, motor 20-3

spindle 6-13
spiral backup ring 15-3, 16-5
spray, battery terminal protector 23-3
spring 18-11
brake 5-3, 5-5
brush 7-15, 8-9, 20-3
compression 6-3, 6-5, 11-13
drive button 15-3, 16-5
drive clutch 15-3, 16-5
driven clutch 15-5, 16-7
forward/reverse cam 7-9, 18-3
throttle return 11-9
valve 9-11, 10-17
spring retainer 10-17
spring, leaf, rear 6-15, 6-17
spring, leaf, rear, 4-pass 1-53, 1-55, 1-57, 6-19
spur gear 9-15
SPWS hose 19-13
starter/generator 8-9
starter/generator (bi-rotational) 7-15
starter/generator belt 7-17, 15-3
starter/generator brush cover kit 7-15, 8-9
starter/generator brush spring 7-15, 8-9
starter/generator brush terminal 7-15, 8-9
starter/generator frame and field 7-15, 8-9
starter/generator pulley 7-15, 8-9
steel pressure relief ball 9-9
steering column bearing press tool 23-7
steering column cover 4-3, 4-5, 4-7, 4-9
steering column retaining ring tool 23-7
steering wheel 6-3, 6-5
steering wheel (comfort grip) kit 6-3
steering wheel puller tool 23-7
stem, valve 2-3, 2-5
stiffener, flywheel side 9-17
strap, bag 1-21
strut, angle, tie 1-49, 1-53, 1-55, 1-57
strut, front canopy, lh 1-41, 1-43, 1-47
strut, front canopy, rh 1-41, 1-43, 1-47
stud 9-17
exhaust mounting
engine
exhaust mounting stud 10-15
intake mounting
engine
intake mounting stud 10-15,
12-13
lug 6-13, 17-7, 18-17, 21-3
stud, ball 7-9, 17-3
support, canopy 1-41, 1-43
support, underbody, rear 1-21
suspension, front structure 6-11
switch
key 4-11, 4-13, 4-15
light 4-3, 4-5, 4-7, 4-9, 4-15
limit 7-9, 8-21, 18-3

INDEX

rocker 19-7
Tow/Run 19-7
switch rubber boot 8-19, 19-7
switch, toggle 8-19
synchronizer, complete 17-5

T

12-volt solenoid 7-19, 8-13, 8-17
tachometer 23-7
taillight 4-7, 4-9
tank, fuel 11-3, 12-3, 12-5
tappet 9-13
temperature sensor 10-13
tensioner, timing chain 10-17
tester, continuity 23-5
thermometer, battery 23-3
three-piece A-arm 6-11
throttle body 12-11
throttle return spring 11-9
throttle spring return bracket 11-9
throttle, gas, Gen2, triac, sensor 5-9, 7-3, 8-3
throttle, Gen2, no sensor 5-11, 5-13, 5-15
tie rod end 6-9
tie wrap 1-43, 4-3, 4-5, 4-7, 4-9, 6-9, 18-5, 19-5, 19-19, 22-13
timing chain 10-17
timing chain guide 10-17
tire 2-3
tire, pro tour, 205-50 x 10 2-5
toggle switch 8-19
tool
 accelerator pedal adjustment 23-3
 belt tensioning, starter/generator 23-7
 charger bezel 23-3
 clutch cam installation 23-3
 drive clutch holder 23-3
 steering column bearing press 23-7
 steering column retaining ring 23-7
 steering wheel puller 23-7
 transaxle axle seal 23-7
 transaxle pinion seal 23-7
 transmission 23-7
tool kit, clutch 23-3
touch-up paint 23-5
Tow/Run switch 19-7
transaxle (Electric Vehicle) 21-3
transaxle axle seal tool 23-7
transaxle pinion seal tool 23-7
transaxle, open-diff (Gas Vehicle) 18-11
transaxle, Gaziano (Gasoline Vehicle) 17-3
transmission secondary shaft 17-5
transmission shaft 17-5
transmission tool 23-7
tube
 axle 17-7, 18-15, 21-3
 battery cross rod 19-9, 19-11

crankcase vent 11-9
oil filler 9-5, 10-19
Tuflok 1-23
tune-up kit 9-3
turn signal bulb 4-3, 4-5, 4-7, 4-9

U

U-bolt 1-53, 1-55, 1-57, 6-15, 6-17, 6-19
underbody 1-13
underbody cover kit 1-9
underbody support, rear 1-21
underbody, rear 1-23
urethane bushing 6-15, 6-17, 6-19
USB
 cover 22-3, 22-5, 22-7, 22-9, 22-13, 22-15
USB cover 22-3, 22-5, 22-7, 22-9, 22-13, 22-15

V

valve
 exhaust 9-11, 10-17
 intake 9-11, 10-17
 reed 9-11
valve collet 10-17
valve cover 10-15
valve cover gasket 10-15
valve guide 10-15
valve guide, intake 9-11
valve seal 10-15
valve seat 9-9
valve spring 9-11, 10-17
valve spring compressor 23-7
valve spring retainer 9-11
valve stem 2-3, 2-5
v-belt 7-17, 15-3
vent
 fuel tank 11-3, 12-3, 12-5
 transaxle 18-11
vent, barb 11-5, 12-9
volt ohm meter 23-7
voltage regulator 7-19, 8-13, 8-17

W

warning light, low oil 4-13, 4-15
water quality light 19-15
wedge, bearing puller 23-3
weight
 clutch 15-3, 16-5
 counterbalance 9-15
 secondary clutch 15-3, 16-5
weldment
 governor bracket 12-15, 18-9
 press 23-3
wheel 2-3, 2-5
 steering 6-3, 6-5
windshield 1-33

windshield channel 1-33
wire
 green, starter/generator 8-5, 8-7, 8-9
 ground, fuel tank 8-5, 8-7, 12-3, 12-5
wire harness 4-3, 4-5, 4-7, 4-9, 8-5, 8-7, 19-5
wire harness, Excel w/Hi-Freq, MCOR3 19-5
wire harness, onboard battery charger 22-15
wire lead, ignition 9-7
wrap, tie 1-43, 4-3, 4-5, 4-7, 4-9, 6-9, 18-5, 19-5, 19-19, 22-13

Y

yoke, gear 23-5



Club Car, Inc.
P.O. Box 204658
Augusta, GA 30917-4658
USA

Web www.clubcar.com
Phone 1.706.863.3000
1.800.ClubCar
Int'l +1 706.863.3000
Fax 1.706.863.5808