



A Textron Company

S E R V I C E P A R T S  
M A N U A L



HERITAGE

610718

ISSUED OCTOBER 2008



# SERVICE PARTS MANUAL

## GASOLINE POWERED PERSONAL USE VEHICLE

**TXT HERITAGE**

**MODEL YEAR 2009**

E-Z-GO Division of TEXTRON, Inc. reserves the right to incorporate engineering and design changes to products in this Manual, without obligation to include these changes on units leased/sold previously.

The information contained in this Manual may be revised periodically by the E-Z-GO Division, and therefore is subject to change without notice.

The E-Z-GO Division **DISCLAIMS LIABILITY FOR ERRORS IN THIS MANUAL**, and the E-Z-GO Division **SPECIFICALLY DISCLAIMS LIABILITY FOR INCIDENTAL AND CONSEQUENTIAL DAMAGES** resulting from the use of the information and materials in this Manual.

### **TO CONTACT US**

#### **NORTH AMERICA:**

**TECHNICAL ASSISTANCE & WARRANTY PHONE: 1-800-774-3946, FAX: 1-800-448-8124**

**SERVICE PARTS PHONE: 1-888-GET-EZGO (1-888-438-3946), FAX: 1-800-752-6175**

**INTERNATIONAL: PHONE: 001-706-798-4311, FAX: 001-706-771-4609**

**E-Z-GO DIVISION OF TEXTRON, INC., 1451 MARVIN GRIFFIN ROAD, AUGUSTA, GEORGIA USA 30906-3852**

## **GENERAL INFORMATION**

To obtain a copy of the limited warranty applicable to the vehicle, call or write a local Distributor, authorized Branch or the Warranty Department with vehicle serial number and manufacturer code.

The use of non Original Equipment Manufacturer (OEM) parts may void the warranty.

Tampering with or adjusting the governor to permit vehicle to operate at above factory specifications will void the vehicle warranty.

When servicing engines, all adjustments and replacement components must be per original vehicle specifications in order to maintain the United States of America Federal and State emission certification applicable at the time of manufacture.

### **BATTERY PROLONGED STORAGE**

All batteries will self discharge over time. The rate of self discharge varies depending on the ambient temperature and the age and condition of the batteries.

A fully charged battery will not freeze in winter temperatures unless the temperature falls below -75° F (-60° C).

# TABLE OF CONTENTS

<b>SECTION</b>	<b>Page No.</b>
HOW TO USE THE SERVICE PARTS MANUAL .....	v
ILLUSTRATED PARTS BREAKDOWN .....	vii
ACCELERATOR .....	A-1
• Pedal Box Assembly	
• Actuator Pedal Assembly	
• Governor Cover/Decal	
AIR FILTER .....	B-1
• Air Cleaner	
BODY .....	C-1
• Instrument Panel Assembly	
• Cowl	
• Front Bracket Assembly	
• Rear Body	
• Foot Rest Assembly	
BRAKES .....	D-1
• Brake Pedal Assembly	
• Brake Drum Assembly	
CARBURETOR AND CHOKE .....	E-1
• Carburetor	
• Choke Cable	
CLUTCH .....	F-1
• Drive Clutch	
• Driven Clutch Assembly	
DIRECTION SELECTOR .....	G-1
• Direction Selector Handle	
ELECTRICAL SYSTEM .....	H-1
• Battery	
• Ground Cable	
• Electrical Plate Assembly	
• Horn	
ENGINE AND MUFFLER .....	J-1
• Engine	
• Muffler	

# TABLE OF CONTENTS

ENGINE MOUNTING .....	K-1
• Front Engine Mount	
• Engine Pan Mount	
• Iso Mount	
FRONT SUSPENSION AND STEERING.....	L-1
• Front Axle	
• Spindle Assembly	
• Shock Absorber	
• Steering Column	
• Tie Rod Assembly	
FUEL SYSTEM.....	N-1
• CARB Fuel Tank Assembly	
• Fuel Pump	
• Carbon Canister	
REAR AXLE .....	P-1
• Axle Tube	
• Axle Shaft	
REAR SUSPENSION.....	R-1
• Heavy Duty Leaf Spring	
• Flanged Bushing	
SEATING .....	S-1
• Seat Bottom Assembly	
• Seat Back Assembly	
STARTER / GENERATOR .....	T-1
• Insulating Brush Assembly	
• Starter/Generator Adjuster	
WEATHER PROTECTION .....	U-1
• Sun Top Kit	
• Windshield Kit	
WHEELS AND TIRES .....	W-1
SPECIALTY PRODUCTS.....	APPENDIX A-1

# HOW TO USE THE SERVICE PARTS MANUAL

This manual is divided into several sections:

- GENERAL INFORMATION
- ILLUSTRATED PARTS BREAKDOWN
- APPENDIX

The first section, GENERAL INFORMATION, contains the following information:

- WARRANTY INFORMATION
- GENERAL INDEX
- HOW TO USE THE SERVICE PARTS MANUAL

The second section, ILLUSTRATED PARTS BREAKDOWN, contains illustrations and parts lists for all systems of your vehicle.

The third section, APPENDIX, contains a listing of specialty products and accessories.

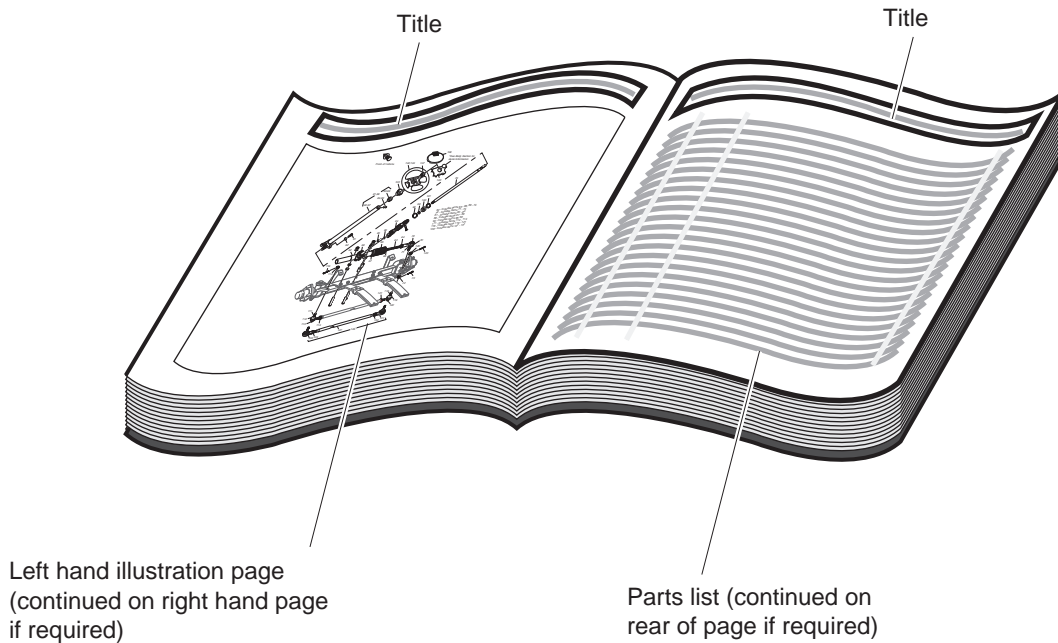
## USE OF THE MANUAL

To use this manual, consult the GENERAL INDEX to locate the information or illustration required.

Introduction of some revisions varies due to supply of components; therefore, it is possible that various combinations of components may be found that are not directly reflected by each illustration. Consult the illustration that best suits your situation and then contact the Service Parts Department. It is important that the serial number of your vehicle and its model number be supplied to Service Parts when ordering any replacement components.

Locate the serial number plate (see BODY located in the Illustrated Parts Breakdown section of this manual for its location) and note the complete number shown on the plate.

# HOW TO USE THE SERVICE PARTS MANUAL



## 1. WHEN THE PART NUMBER IS NOT KNOWN

- Determine the function and application of the part required. Turn to the General Index and select the most appropriate title.
- Turn to the page number indicated and locate the desired part on the illustration.
- From the illustration, obtain the item number assigned to the desired part. Refer to the accompanying description for specific information regarding the part.

## 2. IF YOU KNOW THE PART NUMBER

- Locate the part number or description in the appropriate column on the parts list page.

NOTE: It is suggested that you confirm that the part selected is correct by verifying it with the pictorial representation on the illustrated page.

Should an asterisk (\*) appear in the part number column on the parts list page, read upwards until a part number is found. The part number is the lowest assembly sold by Service Parts and the asterisk (\*) indicates that the part depicted is not available for purchase.

NOTE: Descriptions are indented under the assembly that they are used on. That assembly is, in turn listed under the assembly that it is used on. This process is repeated until the highest final assembly is reached.

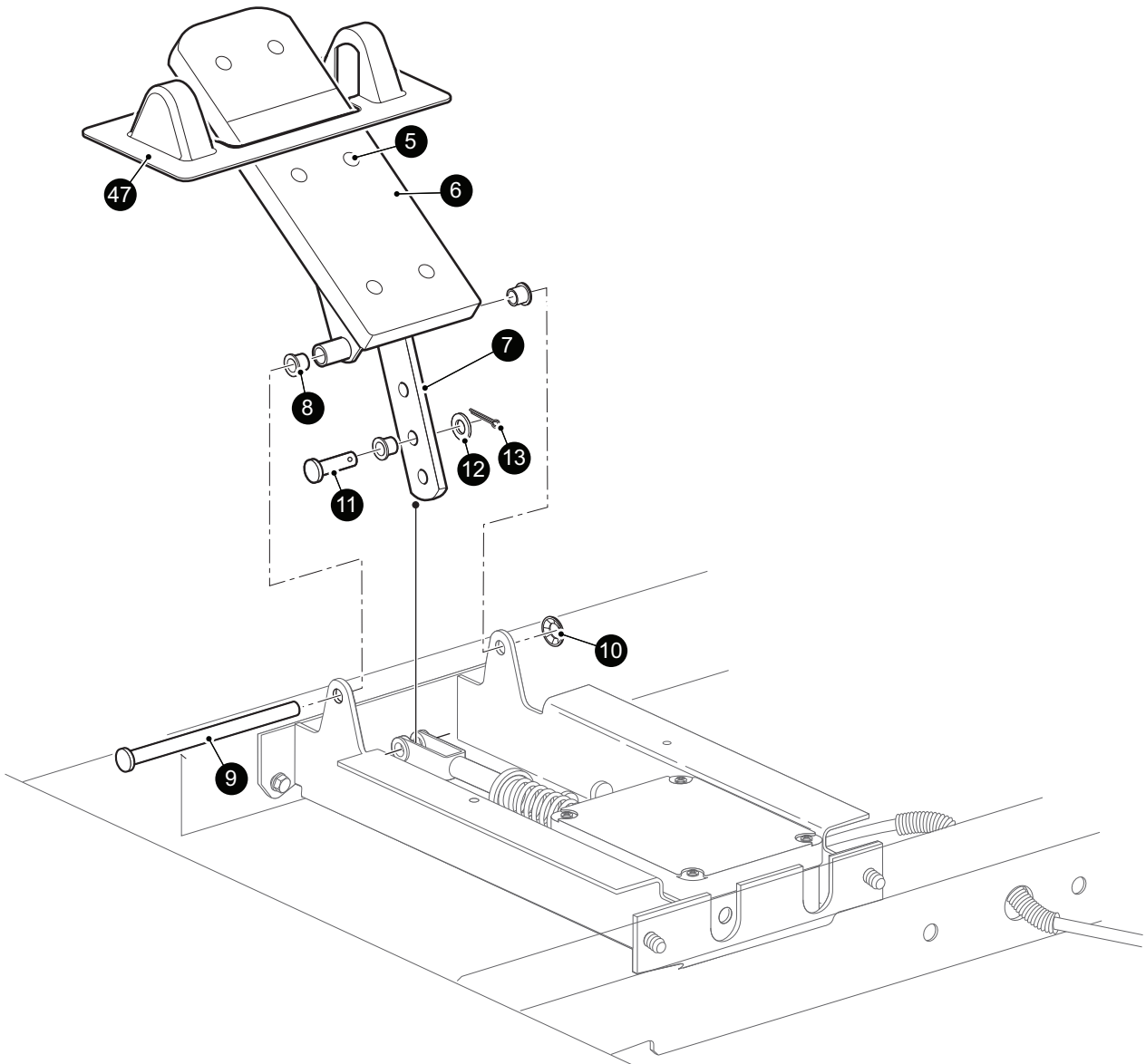
**To facilitate the maintenance and repair of the vehicle, a Technician's Repair and Service Manual is available from the Service Parts Department.**

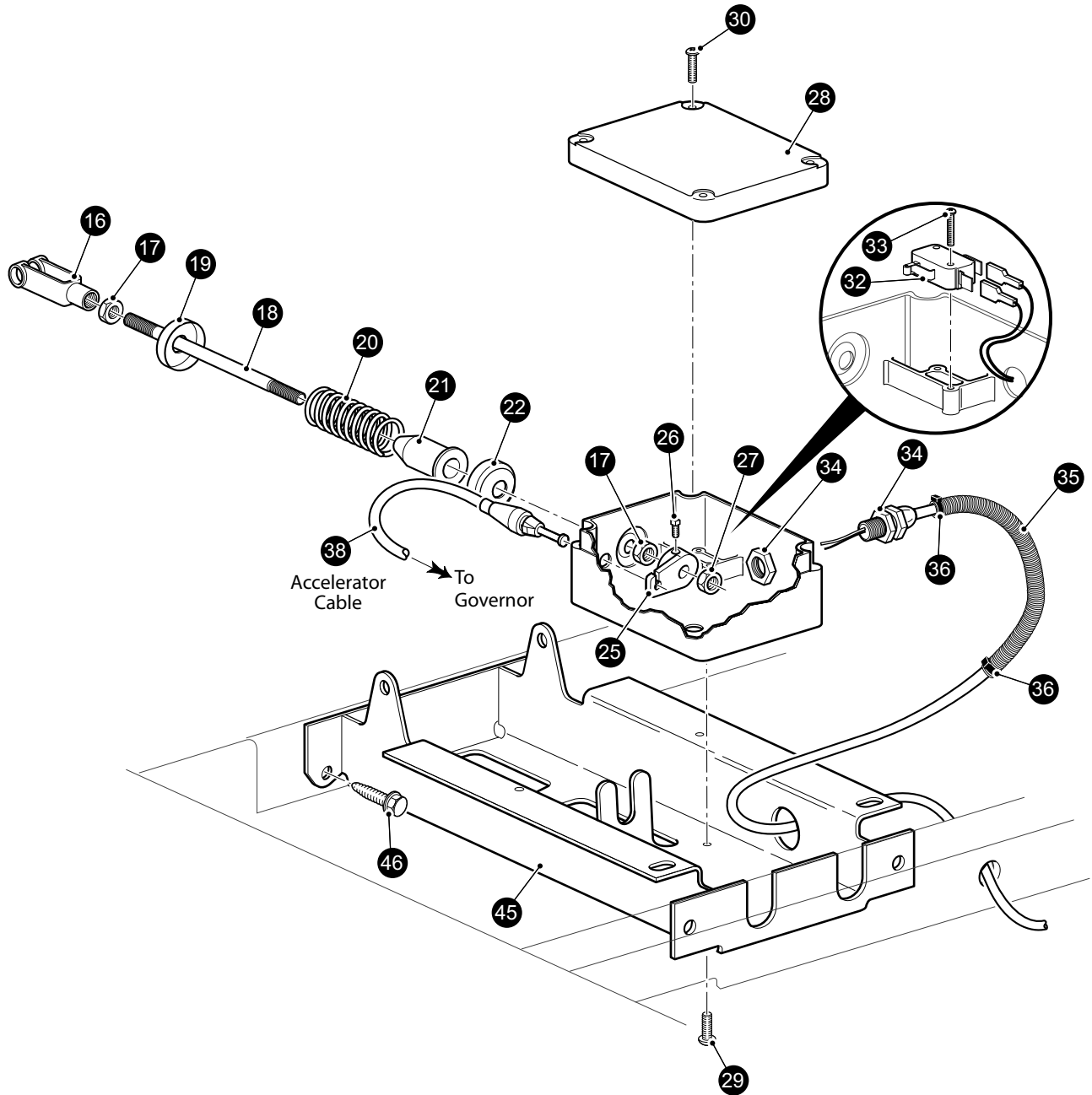


# **ILLUSTRATED PARTS BREAKDOWN**

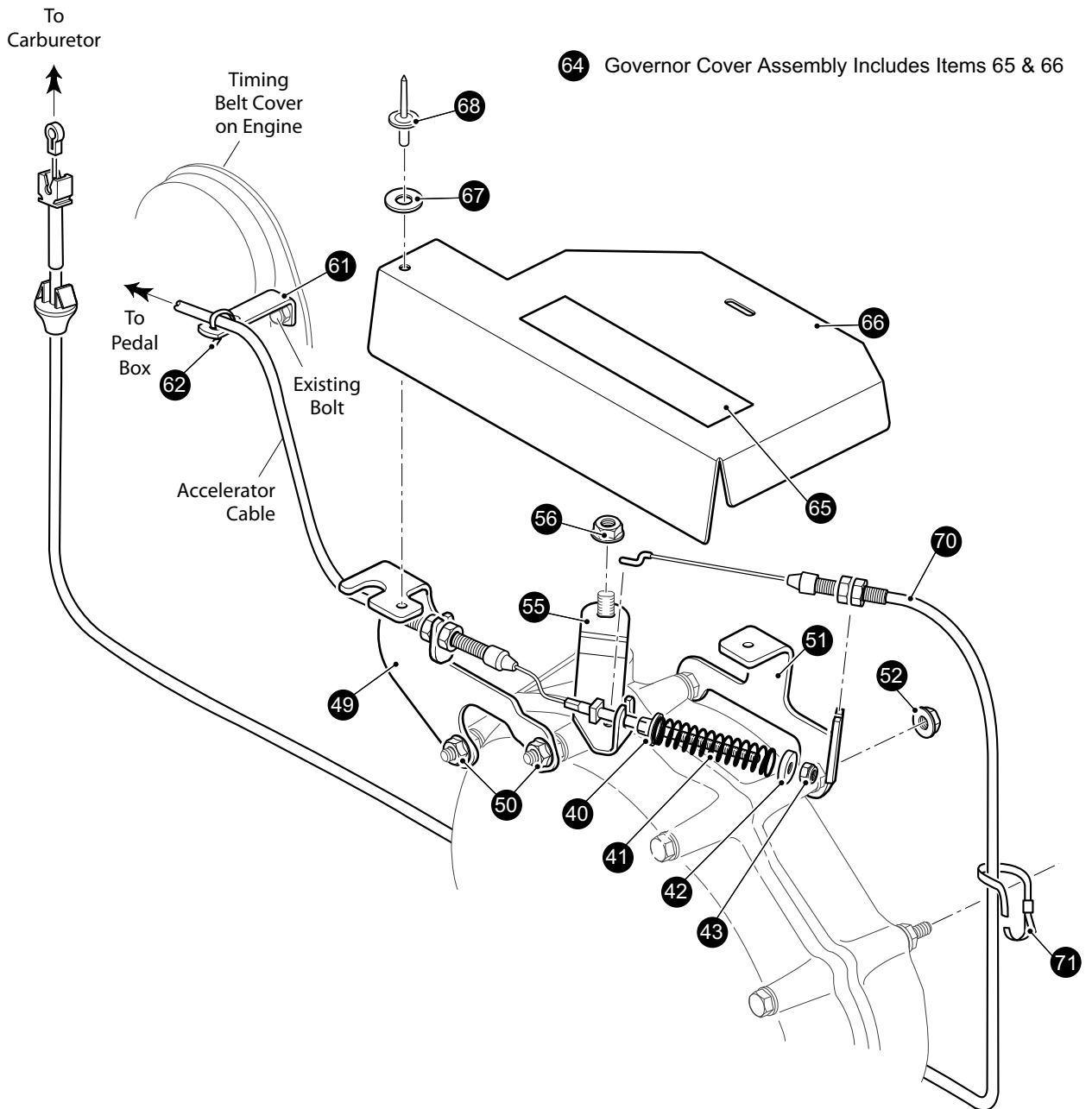
# ACCELERATOR

- 1 Pedal Box Assembly Includes Items 3 - 45
- 3 Accelerator Pedal Assembly Includes Items 4 - 7
- 4 Accelerator Pedal Pad Kit Includes Items 5 & 6





# ACCELERATOR



When ordering parts, please specify the model and serial number of the product.

\* Indicates a component that is not available as an individual part.

\*\*\* Indicates consult Customer Service Department for additional information.

ITEM	PART NO.	1 2 3 4 5	DESCRIPTION	QTY.
1	72717G04		PEDAL BOX ASSEMBLY (INCLUDES ITEMS 3 - 45).....	1
2				
3	25799G03		ACCELERATOR PEDAL ASSEMBLY (INCLUDES ITEMS 4 - 7) .....	1
4	27844G01		ACCELERATOR PEDAL PAD KIT (INCLUDES ITEMS 5 - 6) .....	1
5	15766G1		OVAL RIVET, 3/16" X 7/16" LG .....	6
6	27512G01		ACCELERATOR PEDAL PAD .....	1
7	*		ACCELERATOR PEDAL.....	1
8	17838G1		NYLON BUSHING .....	3
9	74432G01		PEDAL PIVOT PIN .....	1
10	12064G6		PUSH NUT, 9/32" .....	1
11	10386G3		CLEVIS PIN, 5/16" X 13/16" LG .....	1
12	17255G1		TEFLON WASHER, 5/16" .....	1
13	10387G3		COTTER PIN, 3/32" X 3/4" LG .....	1
14				
15				
16	10385G4		CLEVIS YOKE (ADJUSTABLE).....	1
17	00532G4		NUT, 5/16 - 24 .....	2
18	72072G01		ACCELERATOR ROD .....	1
19	17677G2		SPRING RETAINER, 3/8" .....	1
20	73046G01		COMPRESSION SPRING .....	1
21	17979G1		ACCELERATOR ROD BUSHING.....	1
22	17677G1		SPRING RETAINER, 1/2" .....	1
23				
24				
25	72716G01		MICRO SWITCH CAM .....	1
26	00487G3		SETSCREW, 1/4 - 20 X 3/8" LG .....	1
27	15126G1		LOCK NUT, 5/16 - 24.....	1
28	25853G03		PEDAL BOX AND COVER .....	1
29	01051G01		SCREW, #8 - 16 X 1/2" LG.....	4
30	00684G6		SCREW, #8 - 32 X 3/4" LG (STAINLESS STEEL) .....	2
31				

# ACCELERATOR

When ordering parts, please specify the model and serial number of the product.

\* Indicates a component that is not available as an individual part.

\*\*\* Indicates consult Customer Service Department for additional information.

ITEM	PART NO.	1	2	3	4	5	DESCRIPTION	QTY.
32	25861G01						MICRO SWITCH.....	1
33	01050G01						SCREW, #4 - 20 X 5/8" LG .....	2
34	72201G04						WIRE HARNESS (PEDAL BOX).....	1
35	17313G1						FLEX LOOM (BULK).....	AR
36	17618G1						WIRE TIE .....	2
37								
38	72713G01						ACCELERATOR CABLE.....	1
39								
40	72706G01						ACCELERATOR CABLE BUSHING .....	1
41	72707G01						COMPRESSION SPRING .....	1
42	25727G02						CUP WASHER, 3/16".....	1
43	00734G5						LOCK NUT, #10 - 32 .....	1
44								
45	70116G02						ACCELERATOR PEDAL BRACKET.....	1
46	00715G2						BOLT, 5/16 - 18 X 13/16" LG .....	4
47	70135G01						PEDAL PIVOT COVER .....	1
48								
49	72701G02						ACCELERATOR CABLE MOUNTING BRACKET.....	1
50	26830G01						LOCK NUT, M8 X 1.25 MM .....	2
51	72703G02						THROTTLE CABLE MOUNTING BRACKET .....	1
52	26830G01						LOCK NUT, M8 X 1.25 MM .....	2
53								
54								
55	72708G01						GOVERNOR ARM.....	1
56	26830G01						LOCK NUT, M8 X 1.25 MM .....	1
57								
58								
59								
60								
61	72055G01						ACCELERATOR CABLE BRACKET .....	1
62	17618G1						WIRE TIE.....	1

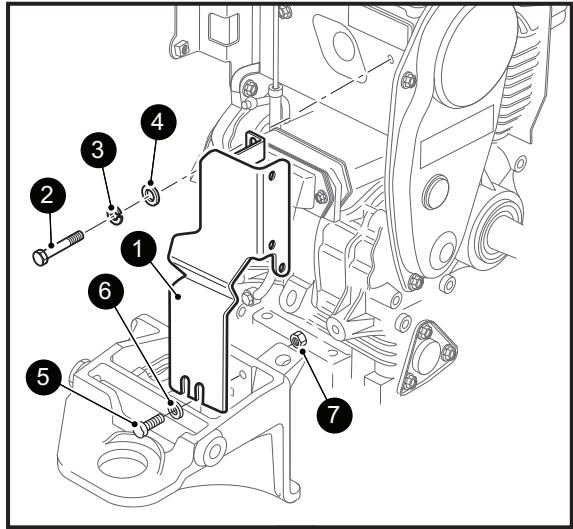
When ordering parts, please specify the model and serial number of the product.

\* Indicates a component that is not available as an individual part.

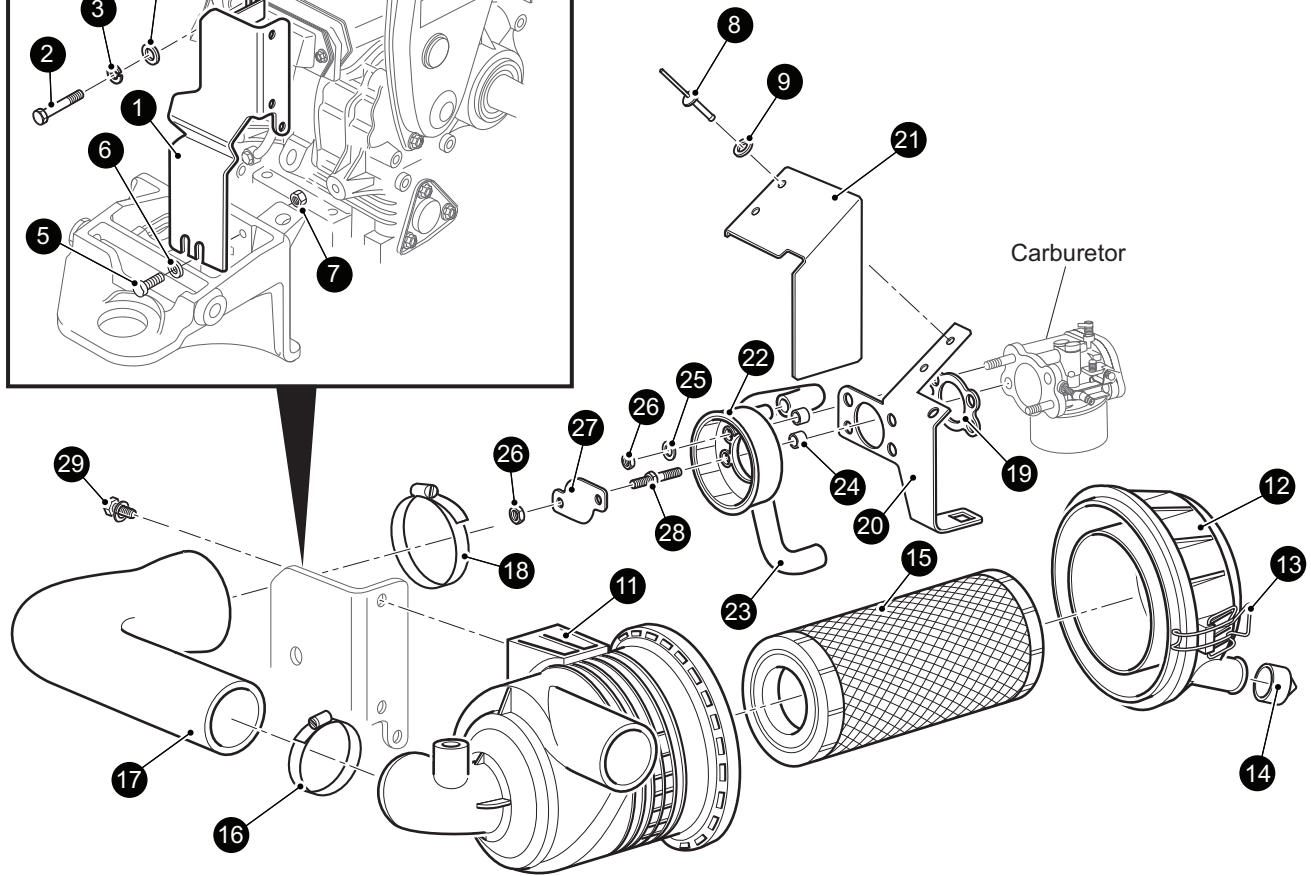
\*\*\* Indicates consult Customer Service Department for additional information.

ITEM	PART NO.	1 2 3 4 5	DESCRIPTION	QTY.
63				
64	74457G02		GOVERNOR COVER/LABEL ASSEMBLY (INCLUDES ITEMS 65, 66) .....	1
65	72705G01		GOVERNOR COVER.....	1
66	24880G01		LABEL (WARNING - GOVERNOR).....	1
67	00915G1		BONDED WASHER, 1/4" .....	2
68	14601G11		RIVET, 3/16" X 9/16" LG (ALUMINUM).....	2
69				
70	72714G01		THROTTLE CABLE .....	1
71	17618G1		WIRE TIE .....	1

# AIR FILTER



10 Air Cleaner Canister Assembly Includes Items 11-15



Front of Vehicle



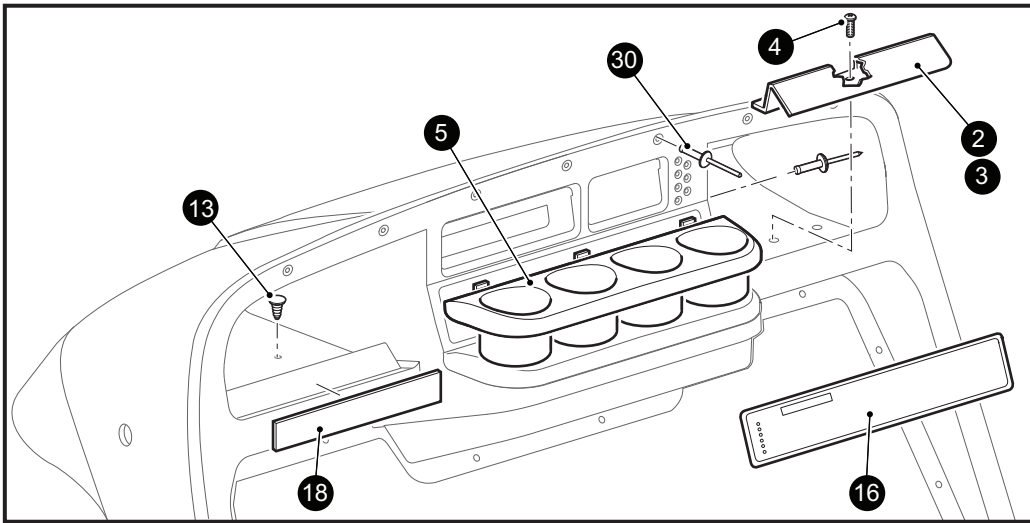


When ordering parts, please specify the model and serial number of the product.

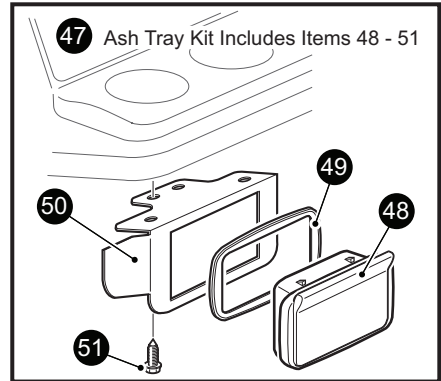
\* Indicates a component that is not available as an individual part.

\*\*\* Indicates consult Customer Service Department for additional information.

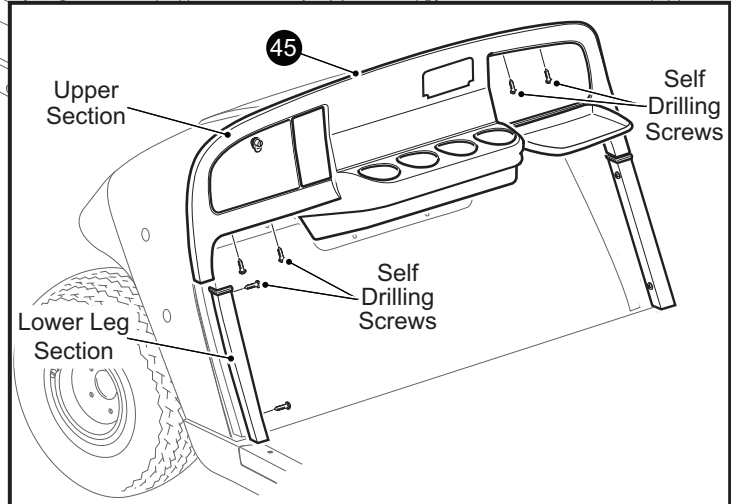
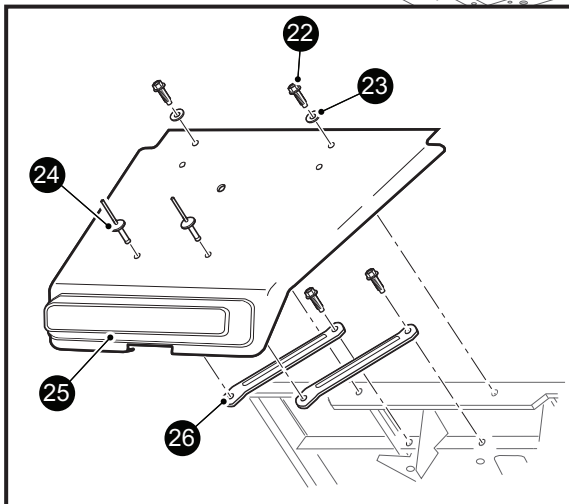
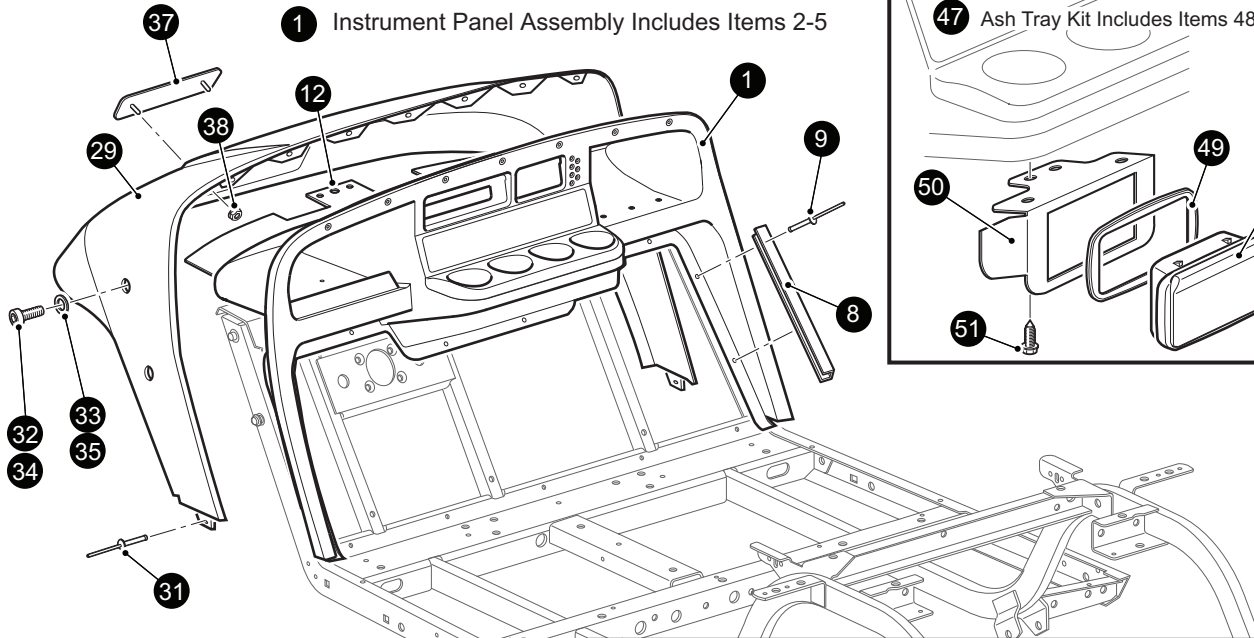
ITEM	PART NO.	1 2 3 4 5	DESCRIPTION	QTY.
1	75878G02		AIR FILTER BRACKET (CABLE ACTUATED CARBURETOR).....	1
2	12547G3		BOLT, M6 X 1MM X 20MM LG.....	1
3	00664G7		LOCK WASHER, 1/4".....	1
4	00559G7		WASHER, 1/4".....	1
5	00415G2		BOLT, 1/4 - 20 X 1 1/4" LG.....	2
6	00559G7		WASHER, 1/4".....	2
7	14390G4		LOCK NUT, 1/4 - 20.....	2
8	14601G11		RIVET.....	2
9	00915G1		BONDED WASHER.....	2
10	72607G01		AIR CLEANER CANISTER ASSEMBLY (INCLUDES ITEMS 11 - 15).....	1
11	72598G01		AIR CLEANER CANISTER.....	1
12	72599G01		AIR CLEANER COVER.....	1
13	72604G01		AIR CLEANER LATCH.....	2
14	28462G01		AIR CLEANER DUST COLLECTOR.....	1
15	28463G01		AIR CLEANER ELEMENT.....	1
16	11391G7		HOSE CLAMP.....	1
17	72592G01		HOSE (AIR FILTER TO CARBURETOR).....	1
18	11391G6		HOSE CLAMP.....	2
19	26727G01		CARBURETOR GASKET.....	2
20	74498G02		CHOKE / THROTTLE BRACKET.....	1
21	604117		CHOKE / THROTTLE COVER.....	1
22	72591G01		CARBURETOR ADAPTER.....	1
23	72151G01		PCV HOSE.....	1
24	23726G11		CARBURETOR MOUNTING SPACER.....	4
25	00664G7		WASHER, 1/4".....	2
26	13632G1		NUT, M6 X 1.....	4
27	72605G01		CARBURETOR BAFFLE.....	1
28	72514G01		STUD.....	2
29	25532G1		BOLT AND WASHER, M8 X 1.25 X 18 MM.....	2



1 Instrument Panel Assembly Includes Items 2-5



47 Ash Tray Kit Includes Items 48 - 51



When ordering parts, please specify the model and serial number of the product.

\* Indicates a component that is not available as an individual part.

\*\*\* Indicates consult Customer Service Department for additional information.

ITEM	PART NO.	1 2 3 4 5	DESCRIPTION	QTY.
1	71151G01		INSTRUMENT PANEL ASSEMBLY (INCLUDES ITEMS 2 - 5) .....	1
2	71153G01		DEFLECTOR (PASSENGER SIDE) .....	1
3	71154G01		DEFLECTOR (DRIVER SIDE).....	1
4	00614G5		SCREW, #8 - 18 X 5/8" LG.....	6
5	71158G01		INSTRUMENT PANEL INSERT (4 CUP HOLDER) .....	1
6				
7				
8	71115G01		VINYL TRIM .....	2
9	71055G01		RIVET, 3/16" X 1" LG (ALUMINUM).....	10
10				
11				
12	71413G01		SPLASH PANEL .....	1
13	16816G2		RATCHET FASTENER, 1/4" X 3/4" LG.....	5
14				
15				
16	608465		LABEL (SAFETY).....	1
17				
18	74443G01		LABEL (ANTI-ROLLBACK) .....	1
19				
20				
21				
22	01038G01		BOLT, 1/4 - 20 X 11/16" LG .....	4
23	16469G1		WASHER, 1/4" .....	2
24	01057G01		RIVET, 1/4" X 1" LG .....	2
25	27166G04		FRONT SHIELD.....	1
26	70725G02		FRONT SHIELD BRACE .....	2
27				
28				
29	71051G**		COWL .....	1
30	71055G01		RIVET, 3/16" X 1" LG (ALUMINUM).....	9
31	10570G11		RIVET, 3/16" X 3/4" LG (STAINLESS STEEL).....	2

# BODY

When ordering parts, please specify the model and serial number of the product.

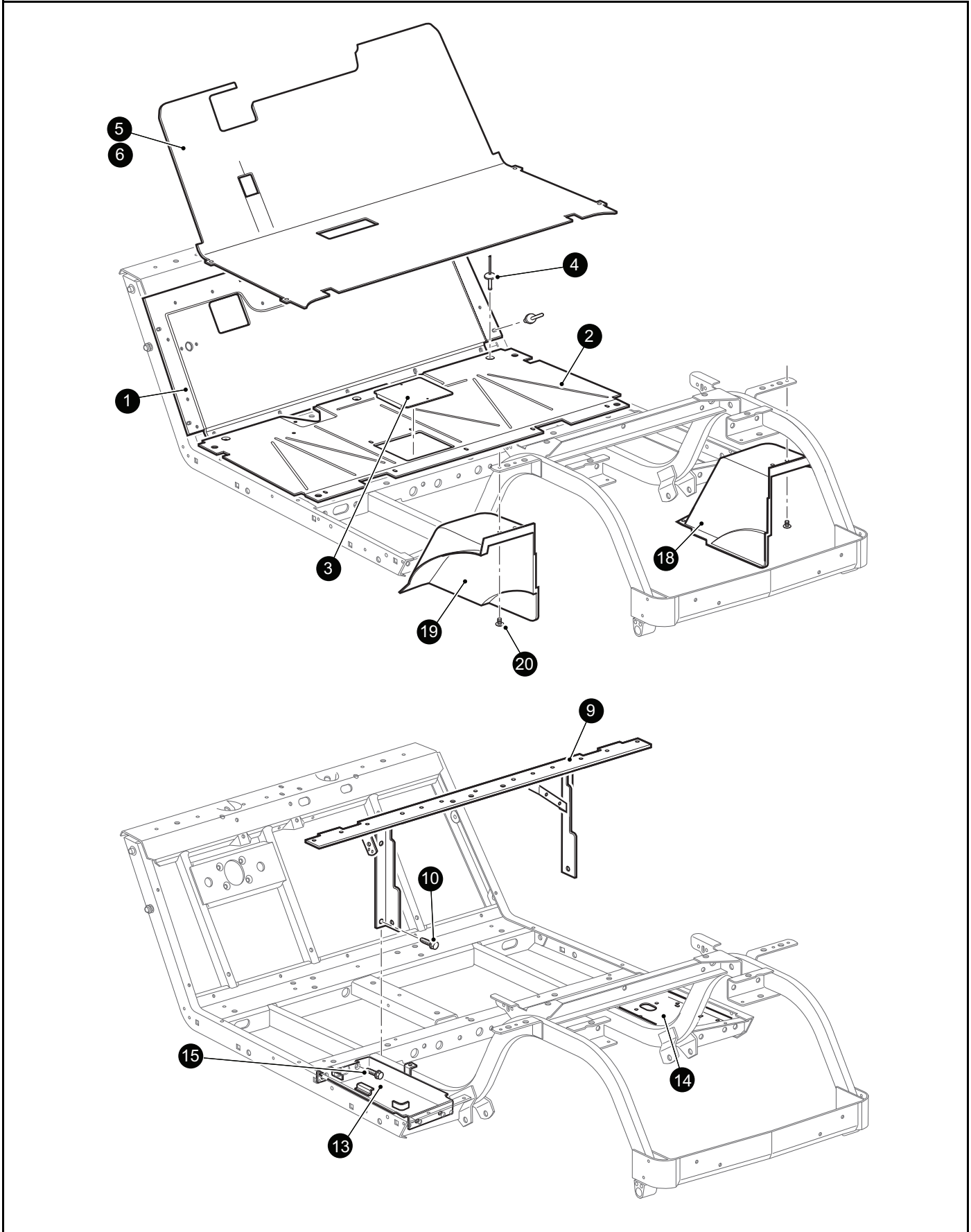
\* Indicates a component that is not available as an individual part.

\*\*\* Indicates consult Customer Service Department for additional information.

ITEM	PART NO.	1 2 3 4 5	DESCRIPTION	QTY.
32	71056G01		BOLT, 5/16 - 18 X 5/8" LG .....	4
33	00570G2		WASHER, 5/16 .....	4
34	00438G6		BOLT, 5/16 - 18 X 3/4" LG (WITH TOP) .....	2
35	00571G2		WASHER, 5/16" .....	2
36				
37	71037G02		E-Z-GO NAMEPLATE (GOLD) .....	1
38	71597G01		NUT, SELF-THREADING, 5MM STUD x 10MM HEX.....	2
39				
40				
41				
42				
43				
44				
45	74239G01		INSTRUMENT PANEL WOODGRAIN APPLIQUE KIT .....	1
46				
47	75109G02		ASH TRAY KIT (INCLUDES ITEMS 48 - 51) .....	1
48	27731G01		ASH TRAY .....	1
49	27736G01		GASKET.....	1
50	75108G02		BRACKET .....	1
51	00100G4		SCREW, #10 - 16 X 1/2" LG .....	4
52				



# BODY



When ordering parts, please specify the model and serial number of the product.

\* Indicates a component that is not available as an individual part.

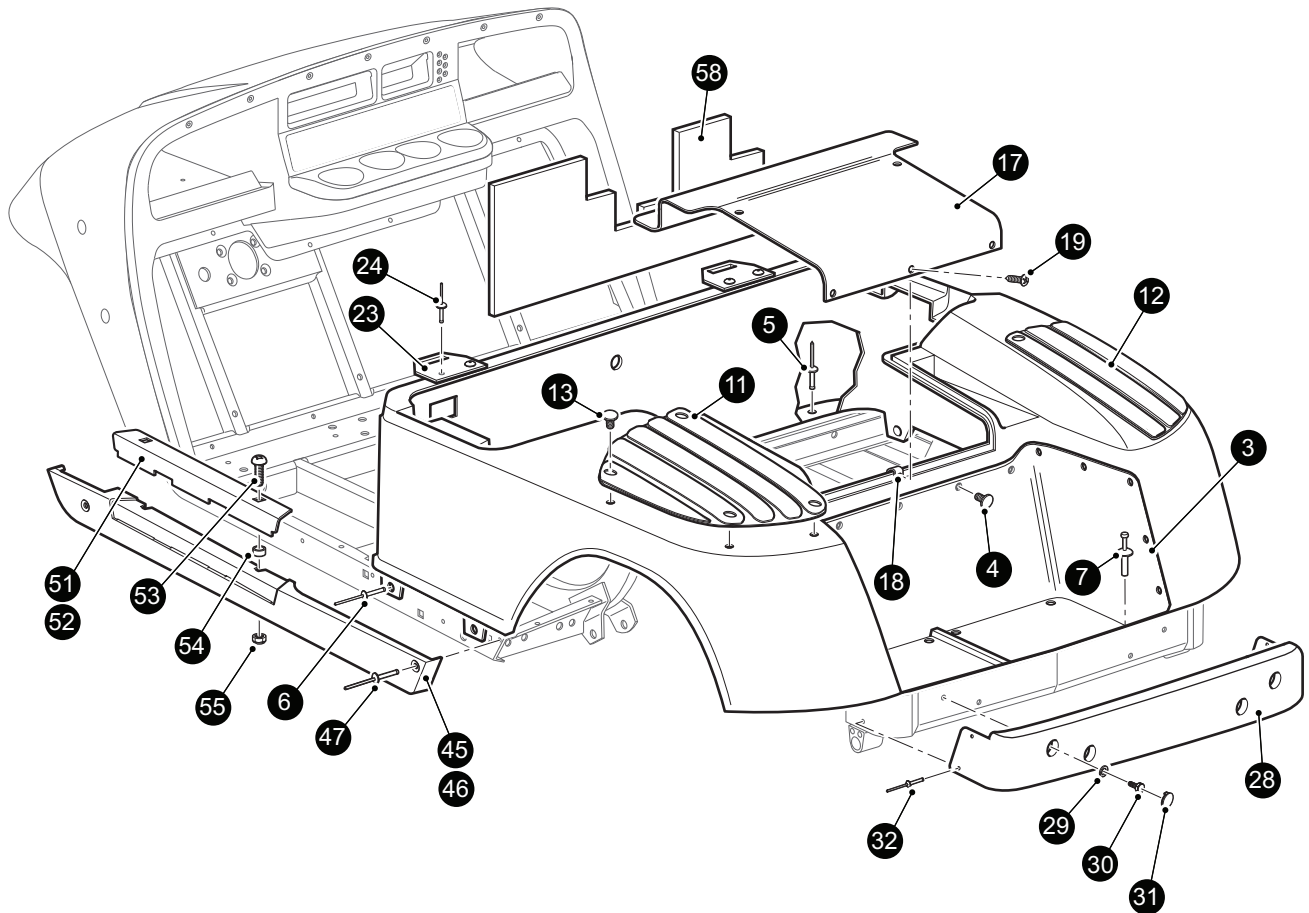
\*\*\* Indicates consult Customer Service Department for additional information.

ITEM	PART NO.	1 2 3 4 5	DESCRIPTION	QTY.
1	70662G01		UPPER FLOORPAN .....	1
2	70451G01		LOWER FLOORPAN .....	1
3	70452G01		ACCESS COVER.....	1
4	14601G11		RIVET, 3/16" X 9/16" LG (ALUMINUM).....	16
5	70995G01		FLOORMAT .....	1
6	70995G02		FLOORMAT WITH HORN HOLE .....	1
7				
8				
9	70440G04		SEAT FRAME .....	1
10	00715G2		BOLT, 5/16 - 18 X 4/5" LG.....	2
11				
12				
13	600496		BATTERY TRAY.....	1
14	70244G03		SPLASH PANEL .....	1
15	00715G2		BOLT, 5/16 - 18 X 4/5" LG.....	4
16				
17				
18	71812G01		FENDER LINER (PASSENGER SIDE).....	1
19	71812G02		FENDER LINER (DRIVER SIDE) .....	1
20	16816G2		RATCHET FASTENER, 1/4" X 3/4" LG.....	8

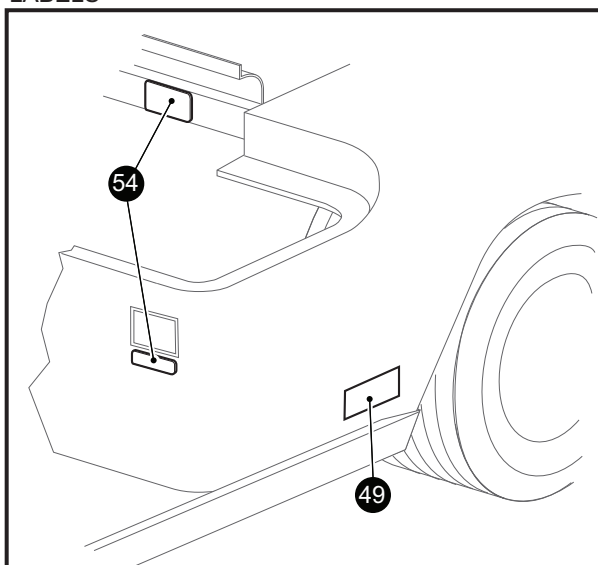
# BODY

1 Rear Body Without Taillights Includes Items 3 & 4

2 Rear Body With Taillights Includes Items 3 & 4



## LABELS





When ordering parts, please specify the model and serial number of the product.

\* Indicates a component that is not available as an individual part.

\*\*\* Indicates consult Customer Service Department for additional information.

ITEM	PART NO.	1 2 3 4 5	DESCRIPTION	QTY.
1	71912G4**		REAR BODY (WITHOUT TAILLIGHTS) (INCLUDES ITEMS 3, 4).....	1
2	71334G0**		REAR BODY (WITH TAILLIGHTS) (INCLUDES ITEMS 3, 4) .....	1
3	71318G01		BAGWELL LINER.....	1
4	16816G1		RATCHET FASTENER, 1/4" X 9/16" LG .....	26
5	10570G10		RIVET, 5/32" X 9/16" LG (STAINLESS STEEL).....	6
6	10570G12		RIVET, 1/4" X 9/16" LG (ALUMINUM).....	4
7	18436G1		RIVET, 1/4" X 3/4" LG .....	2
8				
9				
10				
11	75126G01		FENDER SCUFFGUARD (DRIVER SIDE).....	1
12	75126G02		FENDER SCUFFGUARD (PASSENGER SIDE) .....	1
13	16816G2		RATCHET FASTENER, 1/4" X 3/4" LG.....	8
14				
15				
16				
17	71320G01		ACCESS PANEL.....	1
18	71364G02		'J' CLIP .....	1
19	01107G01		SCREW, #8 X 5/8" LG (STAINLESS STEEL) .....	5
20				
21				
22				
23	71609G01		SEAT HINGE PLATE .....	2
24	10570G11		RIVET, 3/16" X 3/4" LG (STAINLESS STEEL).....	4
25				
26				
27				
28	71578G01		REAR BUMPER.....	1
29	00571G2		WASHER, 5/16" .....	4
30	71102G01		BOLT, 1/4 - 20 X 3/4" LG.....	4
31	71514G01		BUMPER PLUG.....	4

# BODY

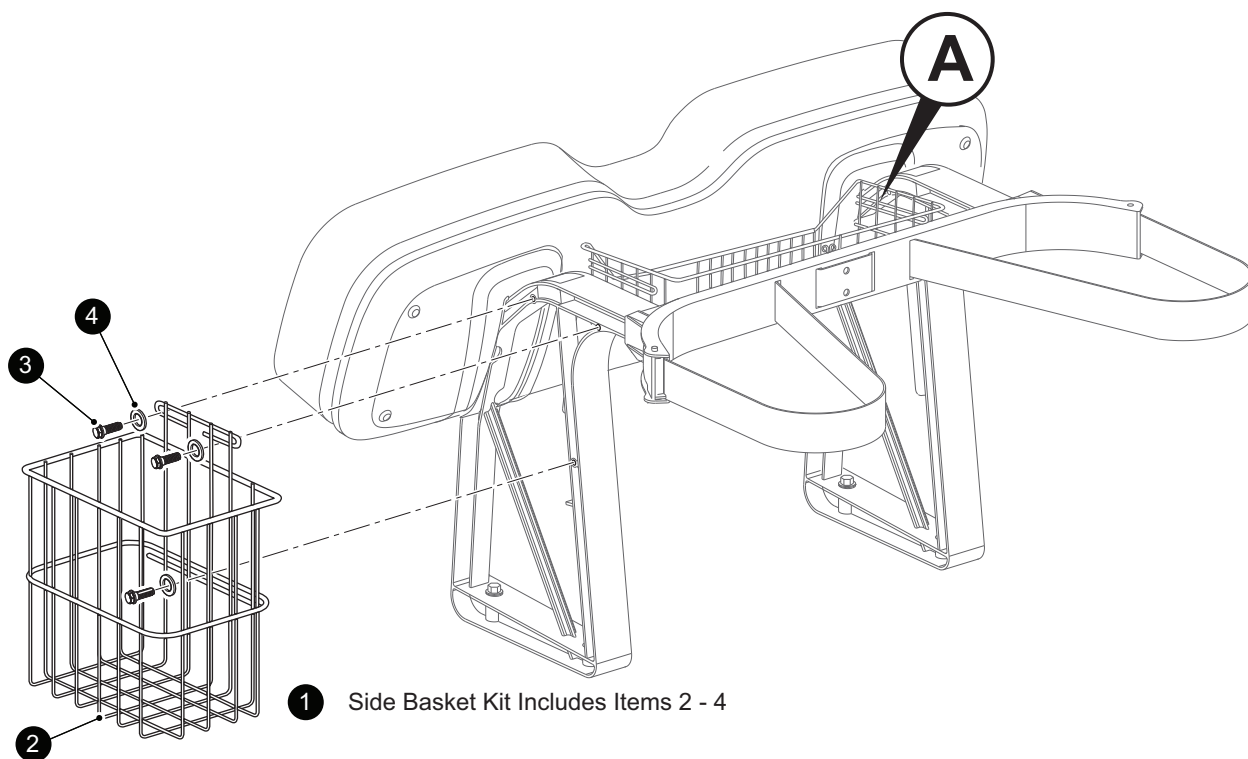
When ordering parts, please specify the model and serial number of the product.

\* Indicates a component that is not available as an individual part.

\*\*\* Indicates consult Customer Service Department for additional information.

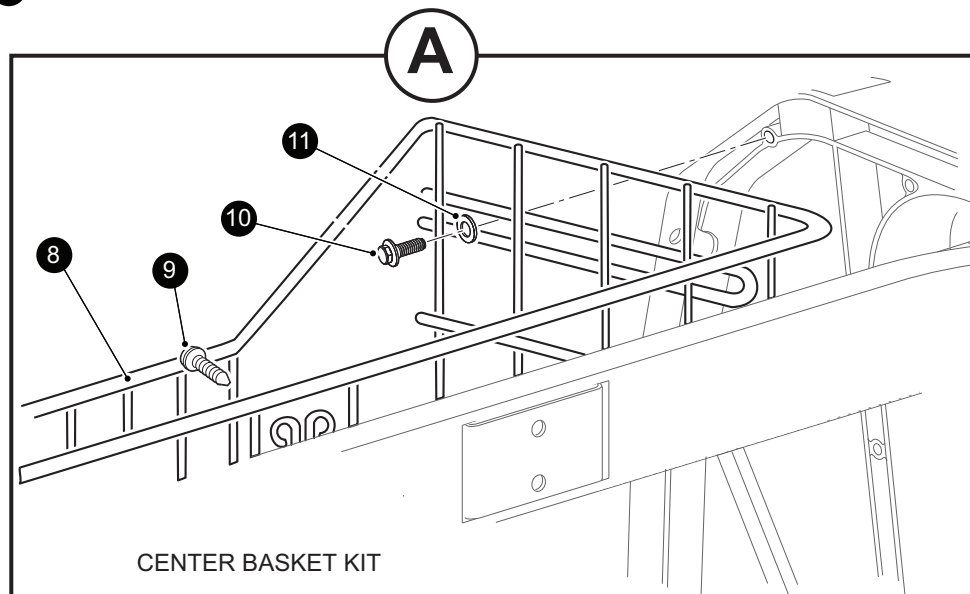
ITEM	PART NO.	1	2	3	4	5	DESCRIPTION	QTY.
32	14601G17						RIVET, 3/16" X 9/16" LG (ALUMINUM) .....	4
33								
34								
35	71501G01						ROCKER PANEL (PASSENGER SIDE) .....	1
36	71502G01						ROCKER PANEL (DRIVER SIDE) .....	1
37	15058G6						RIVET, 3/16" X 15/16" LG (ALUMINUM) .....	4
38								
39								
40								
41	71507G01						SILL PLATE (PASSENGER SIDE) .....	1
42	71507G02						SILL PLATE (DRIVER SIDE) .....	1
43	16705G1						SCREW, 1/4 - 20 X 1" LG (STAINLESS STEEL) .....	4
44	23726G4						SPACER, 5/16" .....	4
45	14390G4						LOCK NUT, 1/4 - 20 .....	4
46								
47								
48								
49	610709						HERITAGE SIDE DECAL .....	2
50								
51								
52								
53								
54	*						LABEL (SERIAL NUMBER) .....	1
55								
56								
57								
58	74024G01						SEAT WRAP MOUNTED NOISE SUPPRESSOR .....	1





1 Side Basket Kit Includes Items 2 - 4

7 Center Basket Kit Includes Items 8 - 11



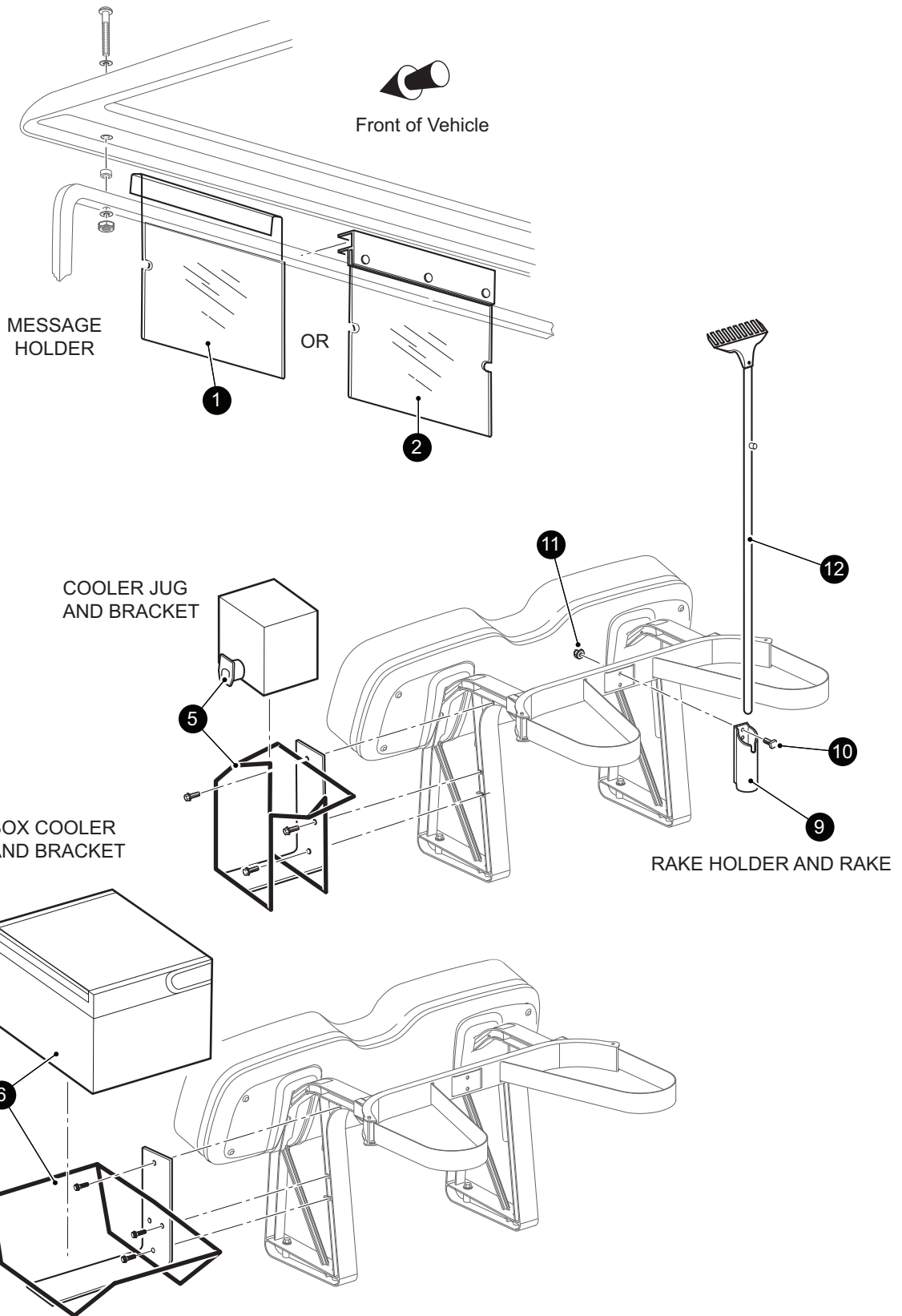
When ordering parts, please specify the model and serial number of the product.

\* Indicates a component that is not available as an individual part.

\*\*\* Indicates consult Customer Service Department for additional information.

ITEM	PART NO.	1 2 3 4 5	DESCRIPTION	QTY.
1	75007G02		SIDE BASKET KIT (INCLUDES ITEMS 2 - 4) .....	1
2	75460G01		SIDE BASKET .....	1
3	71102G01		BOLT, 1/4 - 20 X 3/4" LG .....	3
4	00793G2		FLAT WASHER, 1/4" (STAINLESS STEEL) .....	3
5				
6				
7	75003G02		CENTER BASKET KIT (INCLUDES ITEMS 8 - 11) .....	1
8	75461G01		CENTER BASKET .....	1
9	71102G01		BOLT, 1/4 - 20 X 3/4" LG .....	2
10	00793G2		FLAT WASHER, 1/4" (STAINLESS STEEL) .....	2
11	01105G01		SCREW, #10 X 5/8" LG (STAINLESS STEEL) .....	2

# BODY



When ordering parts, please specify the model and serial number of the product.

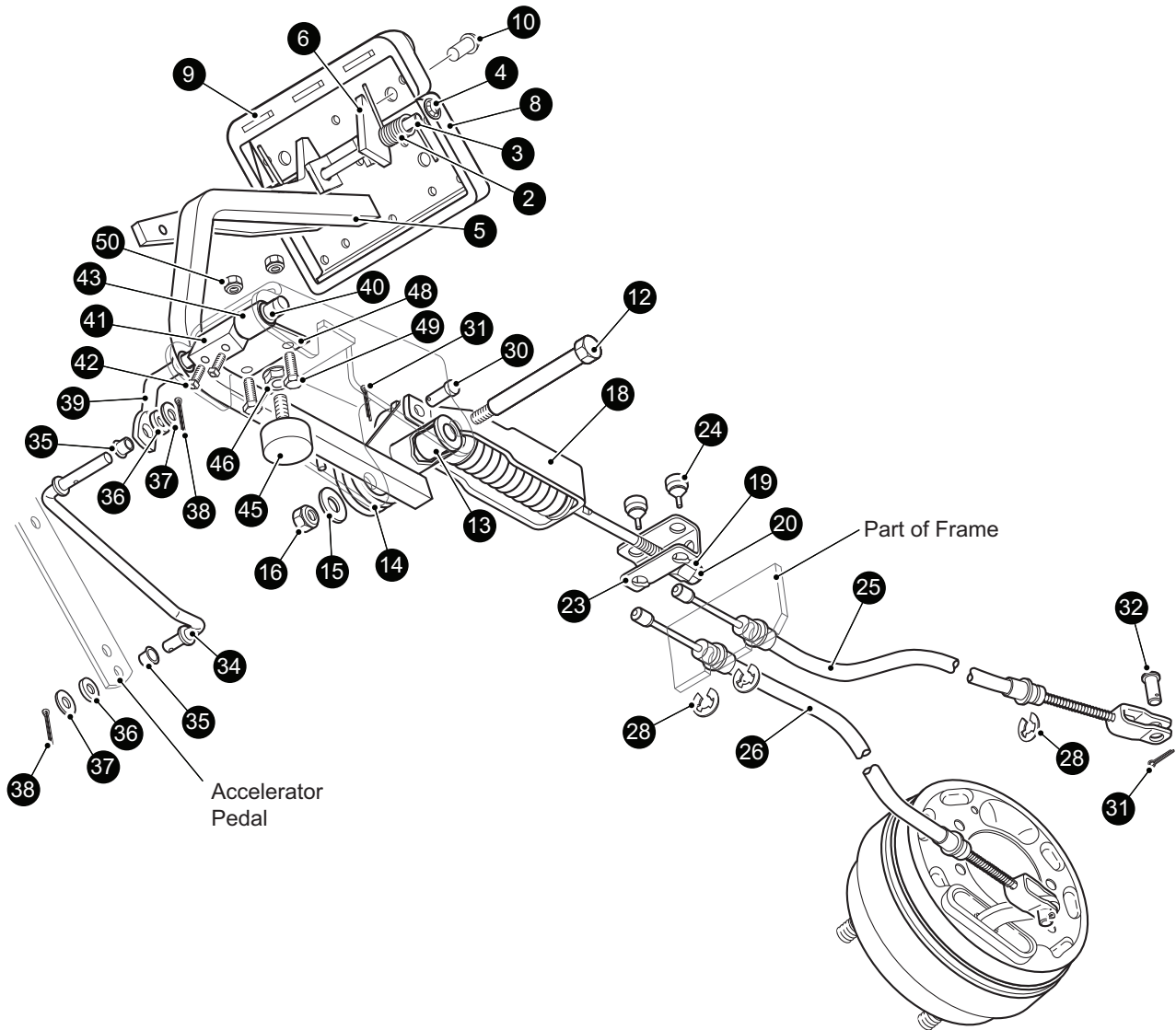
\* Indicates a component that is not available as an individual part.

\*\*\* Indicates consult Customer Service Department for additional information.

ITEM	PART NO.	1 2 3 4 5	DESCRIPTION	QTY.
1	75509G01		MESSAGE HOLDER (ONE PIECE) .....	1
2	75496G01		MESSAGE HOLDER .....	1
3				
4				
5	75495G01		COOLER JUG AND BRACKET KIT.....	1
6	75344G01		BOX COOLER AND BRACKET KIT .....	1
7				
8				
9	25885G01		RAKE HOLDER .....	1
10	00989G06		SQUARE HEAD BOLT, 1/4 - 20 X 3/4" LG.....	2
11	11027G2		LOCK NUT, 1/4 - 20 .....	2
12	14735G1		RAKE .....	1

# BRAKES

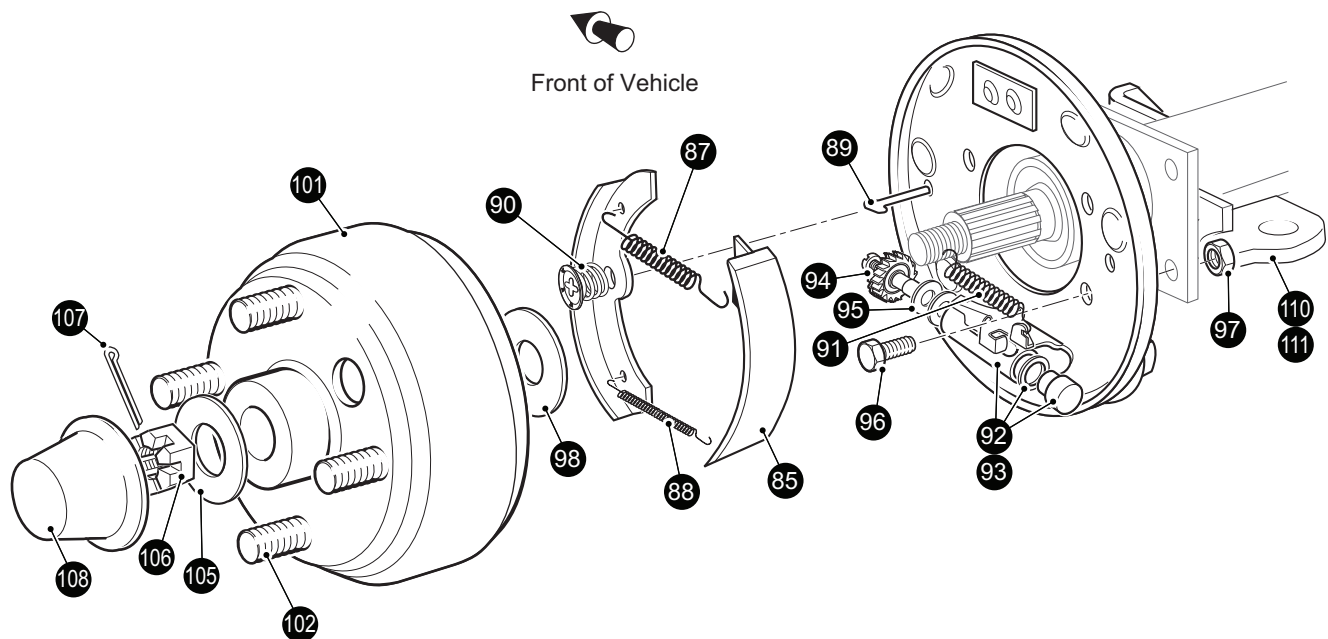
- 1 Brake Pedal Assembly Without Brake Lights Includes Items 2 - 10
- 7 Brake Pedal Pad Kit Includes Items 8 - 10
- 18 Compensator Assembly Includes Items 19 & 20
- 22 Equalizer and Brake Cable Assembly Includes Items 23 - 26







# BRAKES



- 82 Brake Assembly Driver Side Includes Items 84 - 92, 94 & 95
- 83 Brake Assembly Passenger Side Includes Items 84 - 91, 93 - 95
- 84 Brake Shoe Kit Includes Items 85
- 86 Brake Spring Kit Includes Items 87 - 91
- 92 Brake Adjuster Kit Includes Items 94 & 95
- 93 Brake Adjuster Kit Includes Items 94 & 95
- 100 Brake Drum Assembly Includes Items 101 & 102

When ordering parts, please specify the model and serial number of the product.

\* Indicates a component that is not available as an individual part.

\*\*\* Indicates consult Customer Service Department for additional information.

ITEM	PART NO.	1 2 3 4 5	DESCRIPTION	QTY.
1	70612G02		BRAKE PEDAL ASSEMBLY (WITHOUT BRAKE LIGHTS) (INCLUDES ITEMS 2 - 10) .....	1
2	70681G01		TORSION SPRING.....	2
3	70682G01		PIVOT PIN.....	1
4	01071G01		PUSHNUT, 5/16" .....	2
5	*		BRAKE PEDAL.....	1
6	70611G02		PARK BRAKE PEDAL .....	1
7	70274G01		BRAKE/PARK BRAKE PEDAL PAD KIT (INCLUDES ITEMS 8 - 10).....	1
8	*		SERVICE BRAKE PAD .....	1
9	*		PARK BRAKE PEDAL PAD .....	1
10	15766G1		OVAL RIVET, 3/16" X 7/16" LG.....	9
11				
12	70582G01		SHOULDER BOLT, 3/8 - 16 X 4" LG (STAINLESS STEEL) .....	1
13	70581G01		FLANGED BUSHING.....	2
14	70676G01		TORSION SPRING .....	1
15	00643G1		WASHER, 3/8" .....	1
16	11098G5		LOCK NUT, 3/8 - 16 .....	1
17				
18	70272G04		COMPENSATOR ASSEMBLY (INCLUDES ITEMS 19, 20).....	1
19	00963G01		SPHERICAL NUT, 5/16 - 24 .....	1
20	11098G9		LOCK NUT, 5/16 - 24.....	1
21				
22	70969G03		EQUALIZER AND BRAKE CABLE ASSEMBLY (INCLUDES ITEMS 23 - 26)	1
23	28082G01		EQUALIZER BRACKET .....	1
24	28083G01		BRAKE COMPENSATOR BUMPER .....	2
25	*		BRAKE CABLE (DRIVER SIDE) .....	1
26	*		BRAKE CABLE (PASSENGER SIDE).....	1
27				
28	01111G01		RETAINING RING, 4/5" (STAINLESS STEEL).....	4
29				
30	10386G3		CLEVIS PIN, 5/16" X 13/16" LG.....	1

# BRAKES

When ordering parts, please specify the model and serial number of the product.

\* Indicates a component that is not available as an individual part.

\*\*\* Indicates consult Customer Service Department for additional information.

ITEM	PART NO.	1 2 3 4 5	DESCRIPTION	QTY.
31	10387G3		COTTER PIN, 3/32" X 3/4" LG .....	3
32	14443G2		CLEVIS PIN, 5/16" X 5/8" LG .....	2
33				
34	70601G01		KICK-OFF LINK.....	1
35	17838G1		NYLON BUSHING.....	2
36	20835G1		TEFLON WASHER, 3/8" .....	2
37	00559G8		WASHER, 5/16".....	2
38	10387G3		COTTER PIN, 3/32" X 3/4" LG .....	2
39	70098G01		KICK-OFF CAM PIVOT .....	1
40	10097G6		FLANGED BEARING .....	2
41	70587G01		KICK-OFF CAM.....	1
42	71215G01		SETSCREW, 1/4 - 20 X 1/2" LG.....	2
43	14134G4		SPACER .....	1
44				
45	70113G01		ADJUSTABLE BUMPER .....	1
46	11027G1		LOCK NUT, 5/16 - 18.....	1
47				
48	70080G02		CATCH BRACKET .....	1
49	00414G6		BOLT, 1/4 - 20 X 3/4" LG .....	2
50	14390G4		LOCK NUT, 1/4 - 20.....	2
51				
52				
53	70690G02		BRAKE PEDAL ASSEMBLY (WITH BRAKE LIGHTS) (INCLUDES ITEMS 54 - 79).....	1
54	*		BRAKE PEDAL .....	1
55	70611G02		PARK BRAKE PEDAL.....	1
56	70274G01		BRAKE/PARK BRAKE PEDAL PAD KIT (INCLUDES ITEMS 57 - 59).....	1
57	*		SERVICE BRAKE PAD.....	1
58	*		PARK BRAKE PAD.....	1
59	15766G1		OVAL RIVET, 3/16" x 7/16" LG .....	9
60				
61	70258G02		BRAKE PEDAL PLATE .....	1

When ordering parts, please specify the model and serial number of the product.

\* Indicates a component that is not available as an individual part.

\*\*\* Indicates consult Customer Service Department for additional information.

ITEM	PART NO.	1 2 3 4 5	DESCRIPTION	QTY.
62	70682G01		PIVOT PIN.....	1
63	70681G01		TORSION SPRING.....	2
64	12064G1		PUSHNUT, 5/16" .....	1
65	00737G8		SCREW, #10 - 24 X 7/8" LG.....	4
66	00739G1		RUBBER NUT, #10 - 24 .....	2
67	22362G3		BRAKE PEDAL STANDOFF.....	2
68	27137G01		CONICAL SPRING.....	2
69	11098G7		LOCK NUT, #10 - 24.....	2
70	10606G8		MICRO SWITCH .....	1
71	00957G1		BOLT, #6 - 32 X 1 1/4" LG .....	2
72	00559G5		WASHER, #10 .....	2
73	00559G3		WASHER, #6.....	4
74	00565G3		LOCK WASHER, #6 .....	2
75	00525G5		NUT, #6 - 32 .....	2
76	13514G1		SCREW AND LOCK WASHER, #6 - 32 X 1/4" LG (BRASS).....	2
77	14628G1		PUSH ON MALE TERMINAL .....	2
78	24605G1		WIRE HARNESS (BRAKE LIGHT).....	1
79	17618G1		WIRE TIE.....	3
80				
81				
82	70998G01		BRAKE ASSEMBLY (DRIVER SIDE) (INCLUDES ITEMS 84 - 92, 94, 95)....	1
83	70998G02		BRAKE ASSEMBLY (PASSENGER SIDE) (INCLUDES ITEMS 84 - 91, 93 - 95) .....	1
84	70794G01		BRAKE SHOE KIT (INCLUDES ITEM 85) .....	2
85	*		BRAKE SHOE.....	2
86	27944G01		BRAKE SPRING KIT (INCLUDES ITEMS 87 - 91) .....	2
87	*		UPPER SPRING .....	1
88	*		LOWER SPRING .....	1
89	*		PIN .....	2
90	*		CUP AND SPRING .....	2
91	*		ADJUSTER SPRING .....	1

# BRAKES

When ordering parts, please specify the model and serial number of the product.

\* Indicates a component that is not available as an individual part.

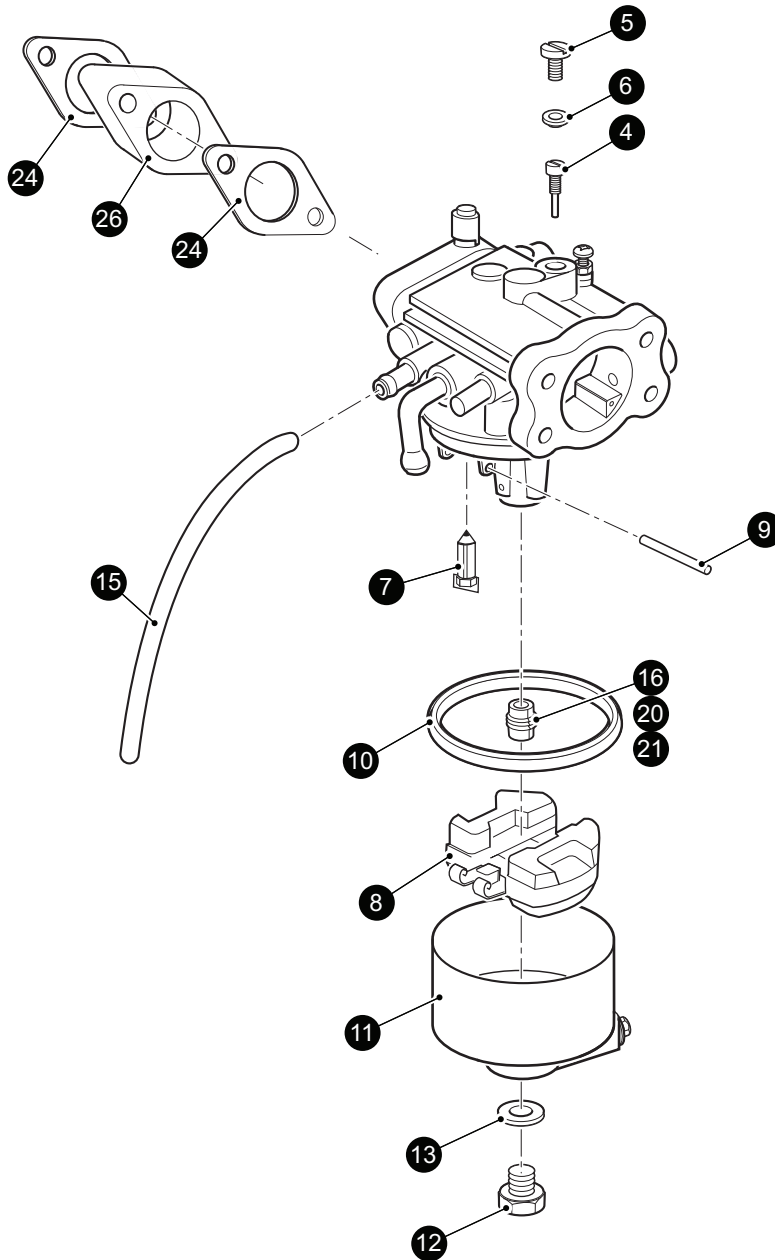
\*\*\* Indicates consult Customer Service Department for additional information.

ITEM	PART NO.	1	2	3	4	5	DESCRIPTION	QTY.
92	72582G01						BRAKE ADJUSTER KIT (DRIVER SIDE) (INCLUDES ITEMS 94, 95) ....	1
93	72582G02						BRAKE ADJUSTER KIT (PASSENGER SIDE) (INCLUDES ITEMS 94, 95)	1
94	*						ADJUSTER.....	1
95	*						TEFLON WASHER.....	2
96	17083G2						BOLT, 5/16 - 24 X 1" LG .....	8
97	15126G1						LOCK NUT, 5/16 - 24.....	8
98	21809G1						INNER BRAKE DRUM WASHER, 1 5/16" O.D. X 1" I.D. X 1/32" .....	2
99								
100	21807G1						BRAKE DRUM ASSEMBLY (INCLUDES ITEMS 101 - 102).....	2
101	*						BRAKE DRUM .....	1
102	19862G1						LUG BOLT, 1/2 - 20 X 1 3/16" LG .....	4
103								
104								
105	21830G1						OUTER BRAKE DRUM WASHER .....	2
106	00518G8						CASTELLATED NUT, 3/4 - 16 .....	2
107	10387G1						COTTER PIN, 1/8" X 1 1/2" LG .....	2
108	74175G01						SPINDLE CAP.....	2
109								
110	72036G01						BRAKE CABLE BRACKET (PASSENGER SIDE).....	1
111	72036G02						BRAKE CABLE BRACKET (DRIVER SIDE) .....	1

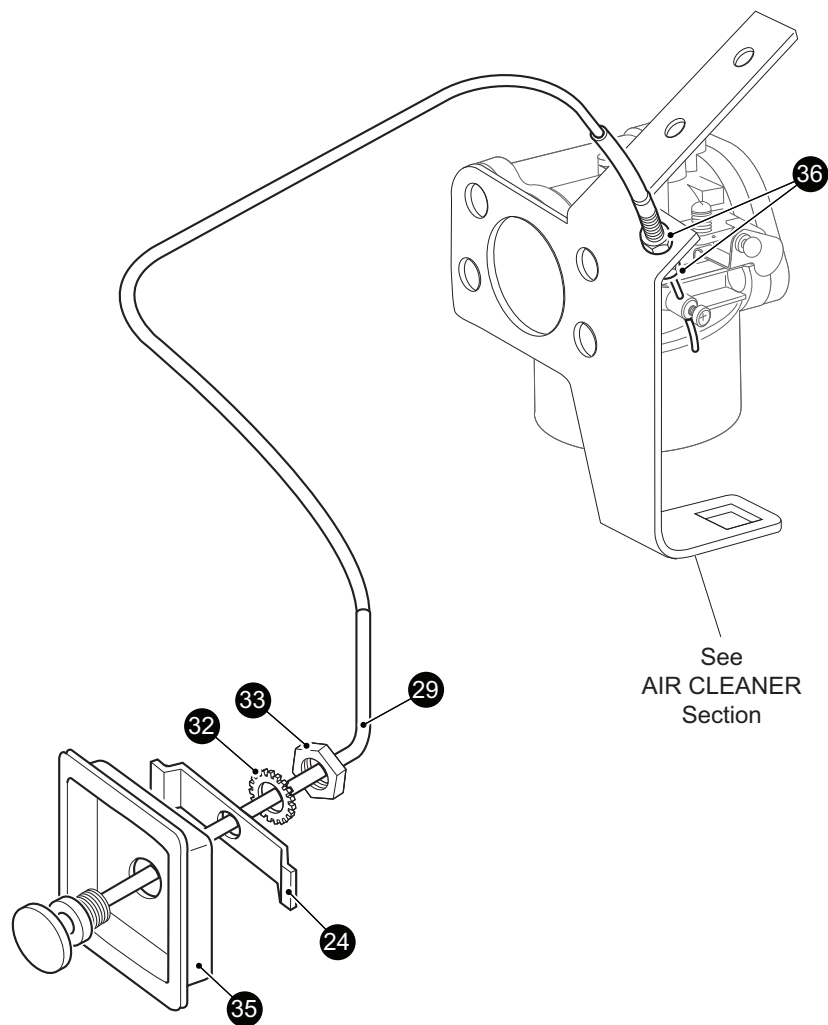


# CARBURETOR AND CHOKE

1 Carburetor Assembly Includes Items 4 - 16







# CARBURETOR AND CHOKE

When ordering parts, please specify the model and serial number of the product.

\* Indicates a component that is not available as an individual part.

\*\*\* Indicates consult Customer Service Department for additional information.

ITEM	PART NO.	1 2 3 4 5	DESCRIPTION	QTY.
1	72840G02		CARBURETOR, INCLUDES ITEMS 4 - 16 .....	1
2				
3				
4	26649G05		PILOT JET (#46) .....	1
5	26841G01		PLUG .....	1
6	72306G01		GASKET .....	1
7	72578G01		NEEDLE VALVE .....	1
8	26648G01		FLOAT .....	1
9	26840G01		FLOAT PIN .....	1
10	26843G01		FLOAT BOWL GASKET .....	1
11	26844G01		FLOAT CHAMBER .....	1
12	26839G01		BOWL SCREW .....	1
13	26838G01		BOWL GASKET .....	1
14	72579G01		DRAIN SCREW .....	1
15	26650G01		VENT TUBE .....	1
16	26646G29		MAIN JET (#85) .....	1
17				
18				
19				
20	26646G**		MAIN JET (***) (FOR ELEVATIONS OF 3000 FT - 6000 FT) .....	1
21	26646G**		MAIN JET (***) (FOR ELEVATIONS OF 6000 FT - 10000 FT) .....	1
22				
23				
24	26726G01		CARBURETOR MOUNT GASKET .....	2
25				
26	72854G01		CARBURETOR INSULATOR .....	1
27				
28				
29	25693G04		CHOKE CABLE (22 1/4" LG WITH NUTS) .....	1
30				
31				

# CARBURETOR AND CHOKE

When ordering parts, please specify the model and serial number of the product.

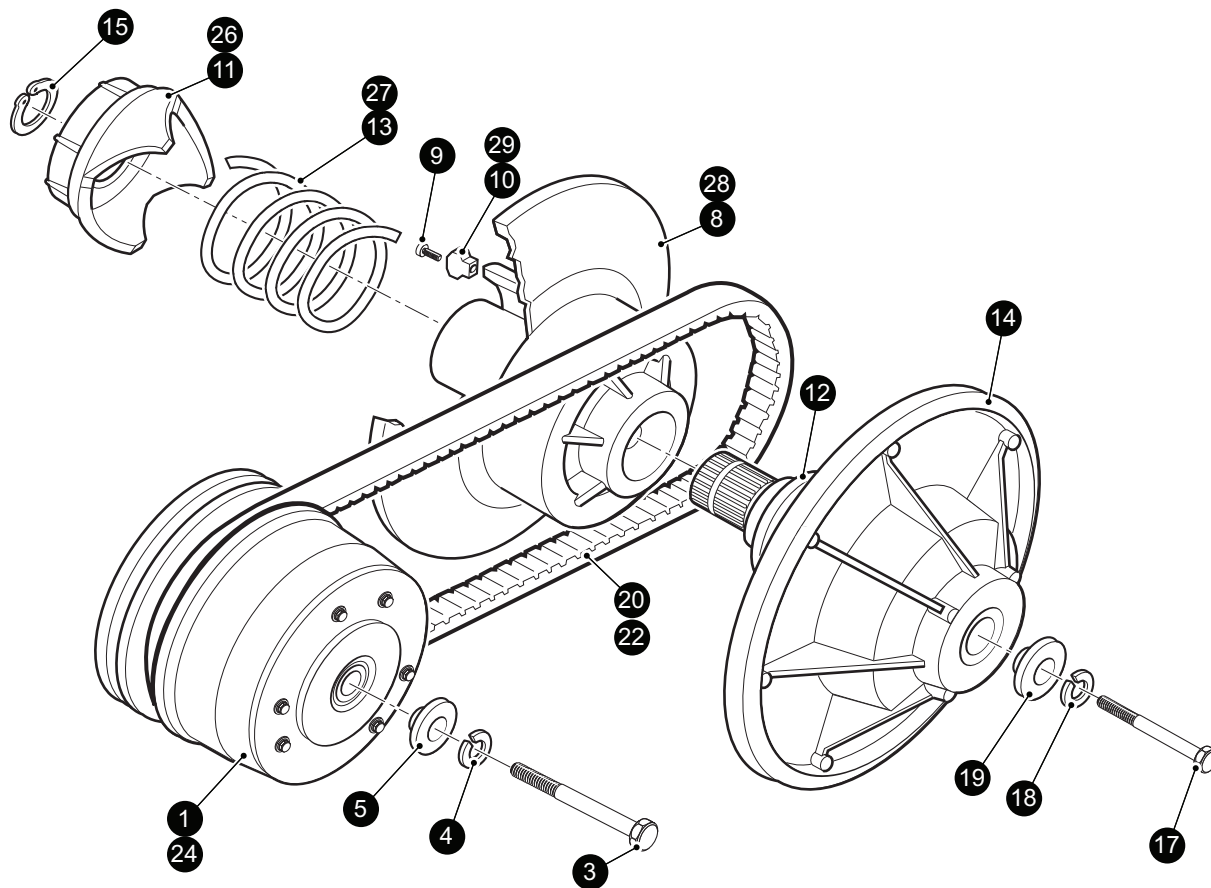
\* Indicates a component that is not available as an individual part.

\*\*\* Indicates consult Customer Service Department for additional information.

ITEM	PART NO.	1 2 3 4 5	DESCRIPTION	QTY.
32	00568G4		LOCK WASHER, 9/16" .....	1
33	00545G4		JAM NUT, 9/16 - 18.....	1
34	72155G01		RETAINER .....	1
35	72154G01		CHOKE CABLE ADAPTER.....	1
36	00544G4		JAM NUT, 5/16 - 24.....	2

# CLUTCH

- 7 Driven Clutch Assembly Includes Items 8 - 15
- 8 Moveable Sheave Assembly Includes Items 9 & 10
- 25 Driven Clutch Assembly Includes Items 9, 12, 14, 15 & 26 - 29
- 28 Moveable Sheave Assembly Includes Items 9 & 29



When ordering parts, please specify the model and serial number of the product.

\* Indicates a component that is not available as an individual part.

\*\*\* Indicates consult Customer Service Department for additional information.

ITEM	PART NO.	1 2 3 4 5	DESCRIPTION	QTY.
1	26952G01		DRIVE CLUTCH .....	1
2				
3	00473G9		BOLT, 7/16 - 20 X 6 1/2" LG.....	1
4	00566G2		LOCK WASHER, 7/16" .....	1
5	25757G1		PILOT WASHER .....	1
6				
7	26301G02		DRIVEN CLUTCH ASSEMBLY (INCLUDES ITEMS 8 - 15).....	1
8	*		MOVEABLE SHEAVE (INCLUDES ITEMS 9 -10).....	1
9	00979G01		SCREW, #10 - 24 X 7/8" LG .....	3
10	26479G01		RAMP BUTTON .....	3
11	*		CAM.....	1
12	24600G1		SPACER, 1 1/2" .....	1
13	26304G01		COMPRESSION SPRING .....	1
14	*		SHEAVE AND POST .....	1
15	27270G01		HEAVY DUTY RETAINING RING.....	1
16				
17	00441G8		BOLT, 5/16 - 18 X 4" LG.....	1
18	00565G8		LOCK WASHER, 5/16" .....	1
19	25756G1		RETAINING WASHER .....	1
20	72054G01		DRIVE BELT .....	1
21				
22	72328G01		DRIVE BELT (HIGH ALTITUDE).....	1
23				
24	26952G01		DRIVE CLUTCH (HIGH ALTITUDE) .....	1
25	26301G03		DRIVEN CLUTCH ASSEMBLY (HIGH ALTITUDE) (INCLUDES ITEMS 12, 14, 15, 26, 27, 28, 29).....	1
26	*		CAM.....	1
27	26304G01		COMPRESSION SPRING .....	1
28	*		MOVABLE SHEAVE (INCLUDES ITEMS 9, 29).....	1
29	72324G01		RAMP BUTTON, 4 CYCLE .....	3



# DIRECTION SELECTOR

When ordering parts, please specify the model and serial number of the product.

\* Indicates a component that is not available as an individual part.

\*\*\* Indicates consult Customer Service Department for additional information.

ITEM	PART NO.	1 2 3 4 5	DESCRIPTION	QTY.
1	72721G05		DIRECTION SELECTOR ASSEMBLY (INCLUDES ITEMS 2 - 33) .....	1
2	72737G02		DIRECTION SELECTOR BRACKET WITH BUSHING .....	1
3	70233G01		DIRECTION SELECTOR SHAFT .....	1
4	72738G01		DIRECTION SELECTOR CAM.....	1
5	14390G1		LOCK NUT, 3/8 - 24.....	1
6	25664G2		BUSHING .....	1
7				
8	72724G01		NEUTRAL LOCK PIN .....	1
9	72733G01		COMPRESSION SPRING, 3/8" X 5/8" LG .....	1
10	72729G01		NEUTRAL LOCK BRACKET .....	1
11	00734G2		LOCK NUT, 1/4 - 28.....	1
12	28574G01		EXTENSION SPRING .....	1
13	72732G01		BALL STUD, 1/4" .....	1
14	00734G5		LOCK NUT, #10 - 32.....	1
15				
16				
17	72736G01		MICRO SWITCH .....	1
18	01062G01		SCREW, #4 - 40 X 1" LG .....	2
19	00559G1		WASHER, #4 .....	2
20	00565G1		LOCK WASHER, #4 .....	2
21	00526G2		NUT, #4 - 40 .....	2
22				
23				
24	73290G03		REVERSE WARNING BUZZER.....	1
25	01063G01		SCREW, #6 - 32 X 3/8" LG.....	2
26	25978G345		18 GA WIRE (RED 7").....	1
27				
28				
29	602891		PUSH / PULL SHIFTER CABLE .....	1
30	25727G01		CUP WASHER, 1/4" .....	4
31	72735G01		COMPRESSION SPRING, 19/32" X 1" LG .....	2

# DIRECTION SELECTOR

When ordering parts, please specify the model and serial number of the product.

\* Indicates a component that is not available as an individual part.

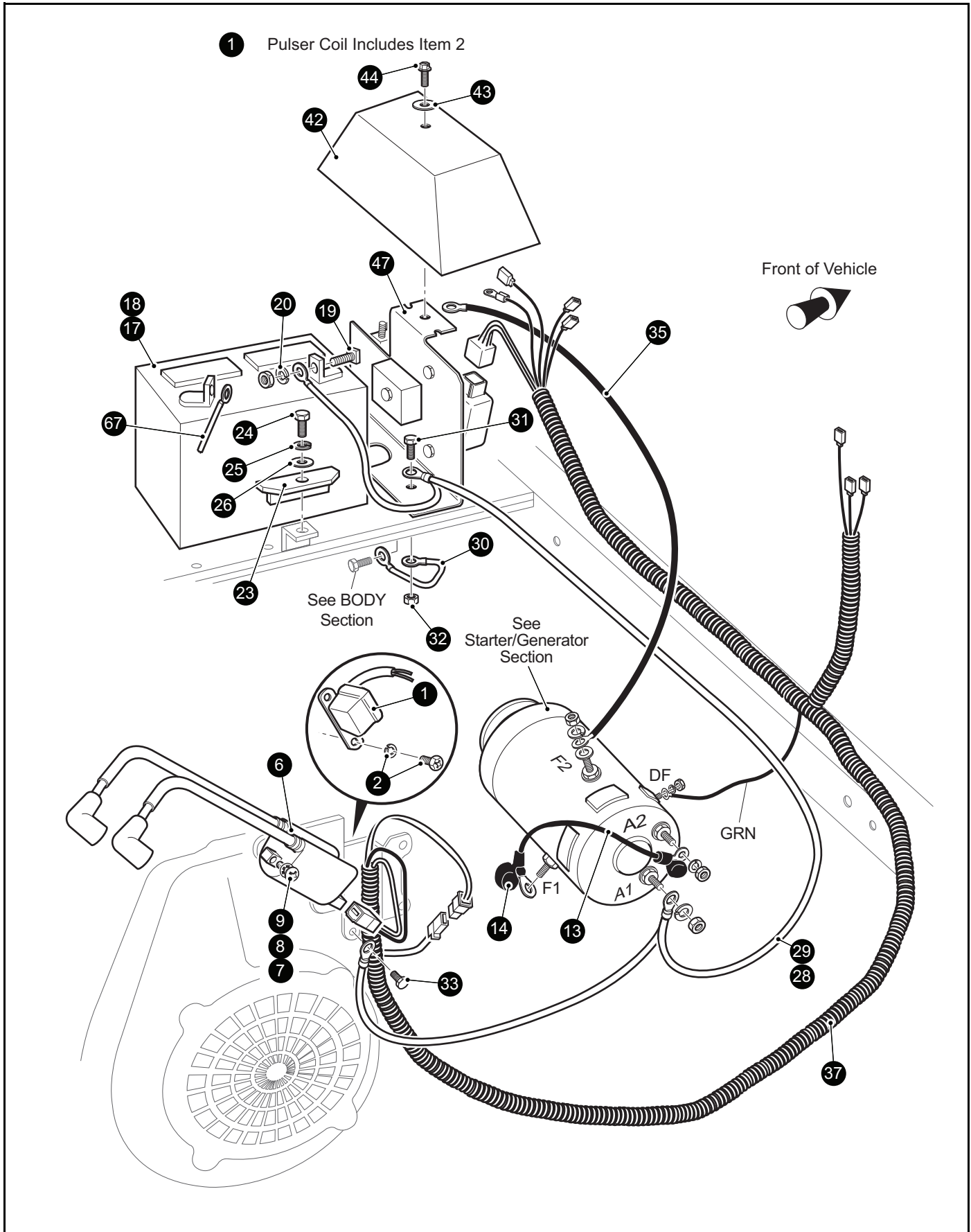
\*\*\* Indicates consult Customer Service Department for additional information.

ITEM	PART NO.	1	2	3	4	5	DESCRIPTION	QTY.
32	72730G01						SHIFTER BRACKET WITH BUSHING .....	1
33	00734G5						LOCK NUT, #10 - 32 .....	1
34								
35								
36	70227G01						SCREW, 1/4 - 20 X 7/8" LG.....	2
37	1102-G2						LOCK NUT, 1/4 - 20.....	2
38								
39								
40	26830G01						LOCK NUT, M8 X 1.25 MM .....	1
41								
42								
43	71205G01						DIRECTION SELECTOR HANDLE .....	1
44	00740G4						SCREW, #10 - 32 X 1/2" LG (STAINLESS STEEL) .....	1
45								
46								
47	31539G1						WIRE TIE.....	1
48	01072G01						CABLE CLIP .....	2



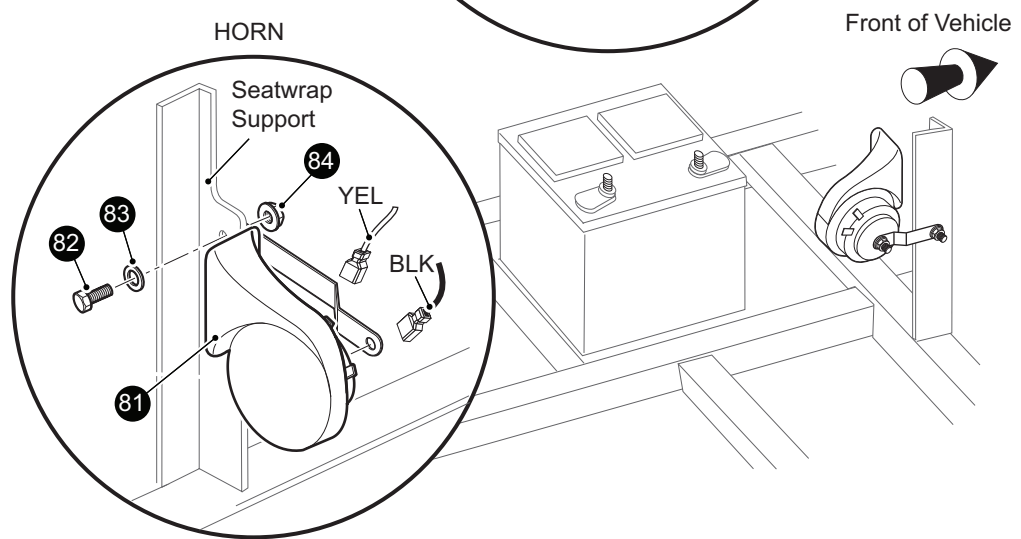
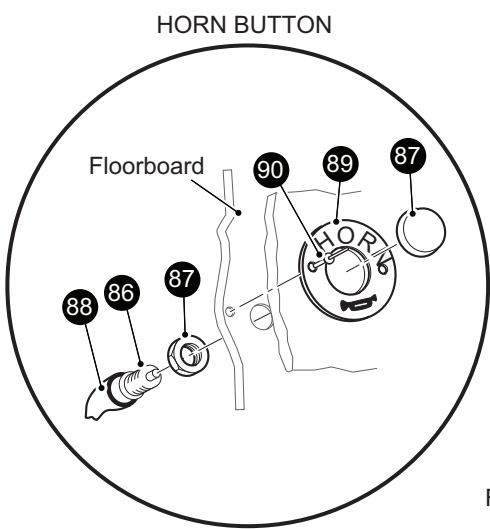
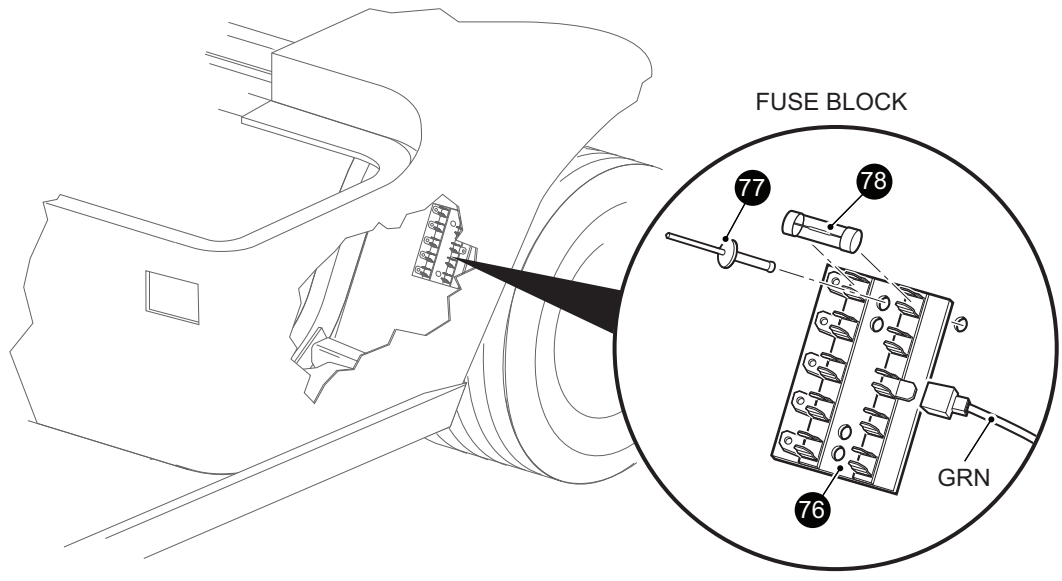


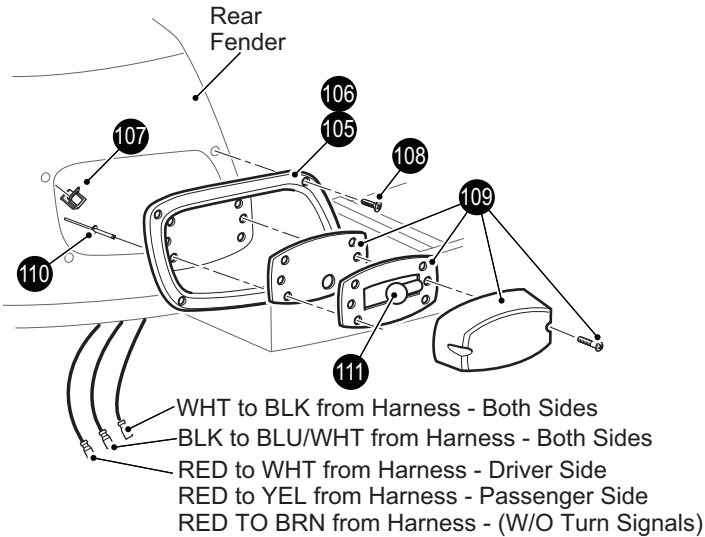
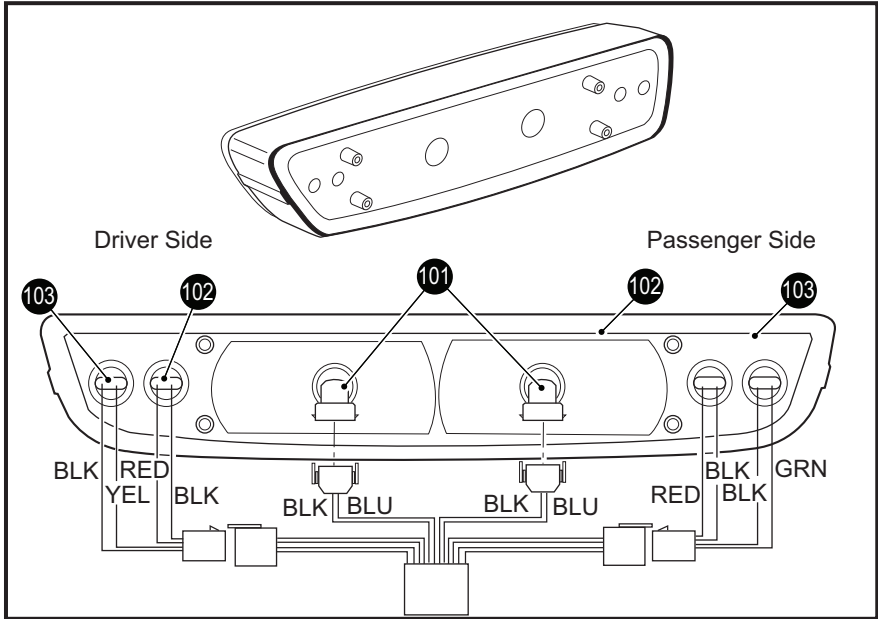
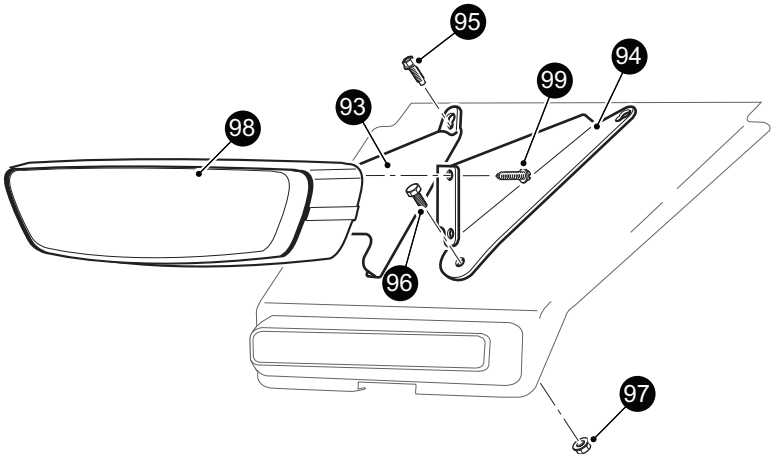
# ELECTRICAL SYSTEM





# ELECTRICAL SYSTEM

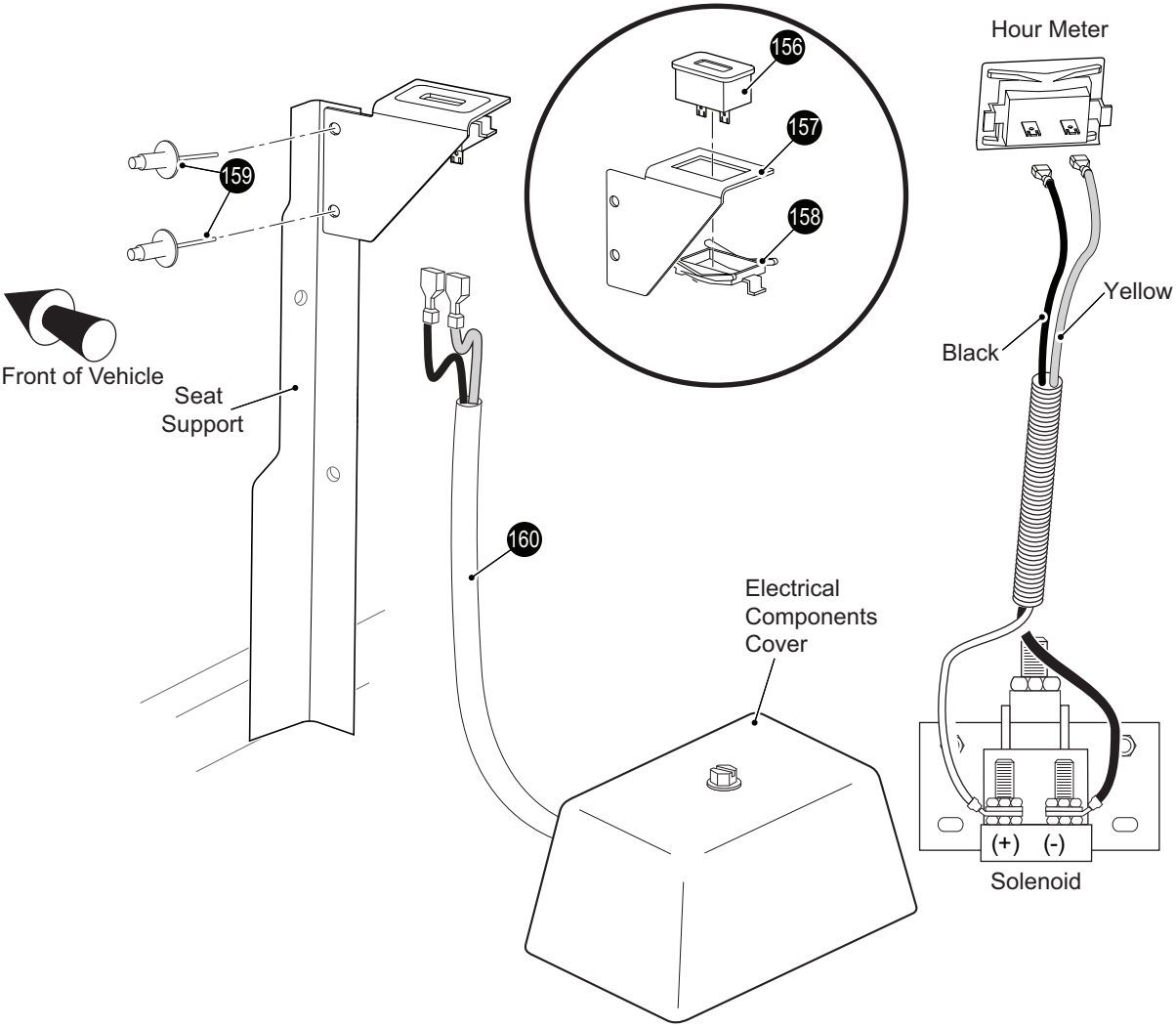






HOUR METER

155 Hour Meter Kit Includes Items 114 - 118



# ELECTRICAL SYSTEM

When ordering parts, please specify the model and serial number of the product.

\* Indicates a component that is not available as an individual part.

\*\*\* Indicates consult Customer Service Department for additional information.

ITEM	PART NO.	1 2 3 4 5	DESCRIPTION	QTY.
1	72865G01		PULSER COIL (INCLUDES ITEM 2).....	1
2	26707G01		BOLT AND WASHER ASSEMBLY, M5 X 0.8 X 10 MM LG .....	2
3				
4				
5				
6	72866G01		IGNITION COIL, (INCL. SPARK PLUG WIRES) .....	1
7	*		FLAT WASHER .....	2
8	*		LOCK WASHER .....	2
9	72871G01		SCREW .....	2
10				
11				
12				
13	25887G01		6 GA WIRE (BLACK, 6", F1 - A2).....	1
14	25682G1		TERMINAL COVER.....	3
15				
16				
17	600597		BATTERY H.D (PROLINK ).....	1
18	24775G*		BATTERY, 12V .....	1
19	00962G1		BOLT, 5/16 - 18 X 1 1/4" LG .....	2
20	00993G01		LOCK WASHER, 5/16" (SILICON BRONZE) .....	2
21	00994G01		NUT, 5/16 - 18 (SILICON BRONZE).....	2
22				
23	72101G02		BATTERY HOLD DOWN .....	1
24	00438G6		BOLT, 5/16 - 18 X 3/4" LG .....	1
25	00565G8		LOCK WASHER, 5/16" .....	1
26	00571G2		WASHER, 5/16" .....	1
27				
28	601227		BATTERY CABLE (-VE) (PROLINK ).....	1
29	27044G03		GROUND CABLE .....	1
30	25976G19		14 GA WIRE (BLACK, 6").....	1
31	00438G6		BOLT, 5/16 - 18 X 3/4" LG .....	2



# ELECTRICAL SYSTEM

When ordering parts, please specify the model and serial number of the product.

\* Indicates a component that is not available as an individual part.

\*\*\* Indicates consult Customer Service Department for additional information.

ITEM	PART NO.	1 2 3 4 5	DESCRIPTION	QTY.
32	11027G1		LOCK NUT, 5/16 - 18 .....	2
33	26676G01		FLANGED BOLT, M6 X 1 X 23 MM LG .....	1
34				
35	25972G85		6 GA WIRE (BLACK 23", F2 - SOL) .....	1
36				
37	74938G01		WIRE HARNESS (CONTROL) (EH292C & EH352C ENGINES) .....	1
38				
39				
40	17618G1		WIRE TIE .....	AR
41				
42	73049G01		COVER .....	1
43	16469G1		WASHER, 1/4" .....	1
44	00114G6		SCREW, 1/4 - 14 X 3/4" LG .....	1
45				
46				
47	72909G01		ELEC. PLATE ASSY (INCL. ITEMS 48 - 72) .....	1
	72909G02		ELECTRICAL PLATE ASSY (PROLINK ) .....	1
48	73057G01		BRACKET .....	1
49	27739G01		VOLTAGE REGULATOR .....	1
50	2715-G01		SOLENOID .....	1
51	00415G2		BOLT, 1/4 - 20 X 1 1/4" LG .....	1
52	00414G8		BOLT, 1/4 - 20 X 1" LG .....	1
53	11027G2		LOCK NUT, 1/4 - 20.....	2
54				
55				
56	72872G01		IGNITOR.....	1
57	00414G5		BOLT, 1/4 - 20 X 5/8" LG .....	1
58	11027G2		LOCK NUT, 1/4 - 20.....	1
59				
60				
61				

# ELECTRICAL SYSTEM

When ordering parts, please specify the model and serial number of the product.

\* Indicates a component that is not available as an individual part.

\*\*\* Indicates consult Customer Service Department for additional information.

ITEM	PART NO.	1	2	3	4	5	DESCRIPTION	QTY.
62	73446G01						FASTON TAB, 90°.....	2
63	00565G5						LOCK WASHER, #10.....	2
64	00526G4						NUT, #10 - 32.....	2
65								
66								
67	25978G56						18 GA WIRE (BLACK, 5 3/4").....	1
68								
69	600418G01						IN-LINE FUSE HOLDER.....	1
70	00565G8						LOCK WASHER, 5/16".....	2
71	00544G4						JAM NUT, 5/16 - 24.....	2
72	25972G33						6 GA WIRE (BLACK, 24", B+ - SOL).....	1
73	601226						BATTERY CABLE (+VE) (PROLINK).....	1
74								
75								
76	22674G1						FUSE BLOCK.....	1
77	01041G01						RIVET, 1/8" X 13/16" LG.....	2
78	18392G1						15 AMP FUSE.....	3
79								
80								
81	32860G1						HORN.....	1
82	00414G5						BOLT, 1/4 - 20 x 5/8" LG.....	1
83	00559G7						WASHER, 5/16".....	1
84	14390G4						LOCK NUT, 1/4 - 20.....	1
85								
86	17318G1						HORN SWITCH.....	1
87	17318G2						HORN SWITCH CAP AND NUT.....	1
88	27068G01						HORN SWITCH BOOT.....	1
89	19233G1						HORN SWITCH LABEL.....	1
90	71055G01						RIVET, 3/16" X 1" LG (ALUMINUM).....	2
91								
92								

# ELECTRICAL SYSTEM

When ordering parts, please specify the model and serial number of the product.

\* Indicates a component that is not available as an individual part.

\*\*\* Indicates consult Customer Service Department for additional information.

ITEM	PART NO.	1 2 3 4 5	DESCRIPTION	QTY.
93	74236G03		HEADLIGHT MOUNT BRACKET (PASSENGER SIDE) .....	1
94	74236G04		HEADLIGHT MOUNT BRACKET (DRIVER SIDE) .....	1
95	01038G01		BOLT, 1/4 - 20 X 11/16" LG .....	2
96	0041-G6		BOLT, 1/4 - 20 X 3/4" LG .....	2
97	11027G2		LOCK NUT, 1/4 - 20 .....	2
98	74001G01		HEADLIGHT AND TURN SIGNAL LIGHT .....	1
99	00114G6		SCREW, 1/4 - 14 X 3/4" LG .....	4
100				
101	74004G01		HEADLIGHT BULB .....	AR
102	74005G01		MARKER LIGHT BULB.....	AR
103	74006G01		TURN SIGNAL BULB.....	AR
104				
105	74371G01		BEZEL (DRIVER SIDE) .....	1
106	74371G02		BEZEL (PASSENGER SIDE).....	1
107	71364G02		'J' CLIP .....	8
108	71425G01		COUNTERSUNK SCREW, #8 .....	8
109	22288G2		BRAKE / TAILLIGHT LAMP .....	1
110	14601G11		RIVET, 3/16" X 9/16" LG (ALUMINUM).....	4
111	21759G1		TAILLIGHT BULB.....	AR
112				
113	75107G02		TURN SIGNAL KIT (INCLUDES ITEMS 114 - 118) .....	1
114	17867G1		TURN SIGNAL (WITH MOUNTING HARDWARE) (INCLUDES ITEM 115)	1
115	21640G1		TURN SIGNAL FLASHER .....	1
116	32307G3		FLEX LOOM, 3/8 X 8" LG.....	1
117	17618G1		WIRE TIE.....	2
118	20965G3		STEERING COLUMN COVER.....	1
119				
120	72228G01		WIRE HARNESS (ACCESSORY) .....	1
121	18602G1		KEY SWITCH KIT (W/O LIGHTS - STANDARD - WITH HARDWARE).....	1
122	17955G1		KEY SWITCH (WITHOUT LIGHTS - NON STANDARD).....	1
123	18027G1		KEY SWITCH (WITHOUT LIGHTS - INDIVIDUALLY KEYED).....	1

# ELECTRICAL SYSTEM

When ordering parts, please specify the model and serial number of the product.

\* Indicates a component that is not available as an individual part.

\*\*\* Indicates consult Customer Service Department for additional information.

ITEM	PART NO.	1	2	3	4	5	DESCRIPTION	QTY.
124	33639G**						KEY SWITCH (WITH LIGHTS).....	1
125	00568G6						LOCK WASHER, 3/4" .....	1
126	17137G1						FACE NUT, 3/4 - 20 .....	1
127	17063G1						KEY (SET) .....	1
128	73041G01						WIRE HARNESS (KEY SWITCH) .....	1
129								
130								
131	73030G01						PLATE (KEY SWITCH ONLY) .....	1
132	71145G01						LABEL (KEY SWITCH ONLY) WITHOUT HEADLIGHTS .....	1
133	71181G01						LABEL (KEY SWITCH ONLY) WITH HEADLIGHTS .....	1
134								
135								
136	73030G04						PLATE (FUEL GAUGE AND OIL LIGHT) .....	1
137	71127G01						LABEL (OIL LIGHT AND FUEL GAUGE W/O HEADLIGHTS).....	1
138	71131G01						LABEL (OIL LIGHT AND FUEL GAUGE WITH HEADLIGHTS).....	1
139	21553G1						FUEL GAUGE .....	1
140	23474G1						INDICATOR LIGHT.....	1
141	74311G01						WIRE HARNESS (OIL LIGHT/FUEL GAUGE).....	1
142	25978G122						18 GA WIRE (RED, 6" LG).....	1
143								
144								
145	73030G04						PLATE (LOW FUEL AND OIL LIGHT INDICATOR) .....	1
146	71125G01						LABEL (LOW FUEL AND OIL LIGHT W/O HEADLIGHTS) .....	1
147	71183G01						LABEL (LOW FUEL AND OIL LIGHT WITH HEADLIGHTS) .....	1
148	23474G1						INDICATOR LIGHT.....	2
149	74311G01						WIRE HARNESS (OIL LIGHT/FUEL LIGHT) .....	1
150	25978G122						18 GA WIRE (RED, 6" LG).....	1
151								
152	33623G02						DRIVE RIVET, 3/16" X 3/8" LG.....	2
153								
154								

# ELECTRICAL SYSTEM

When ordering parts, please specify the model and serial number of the product.

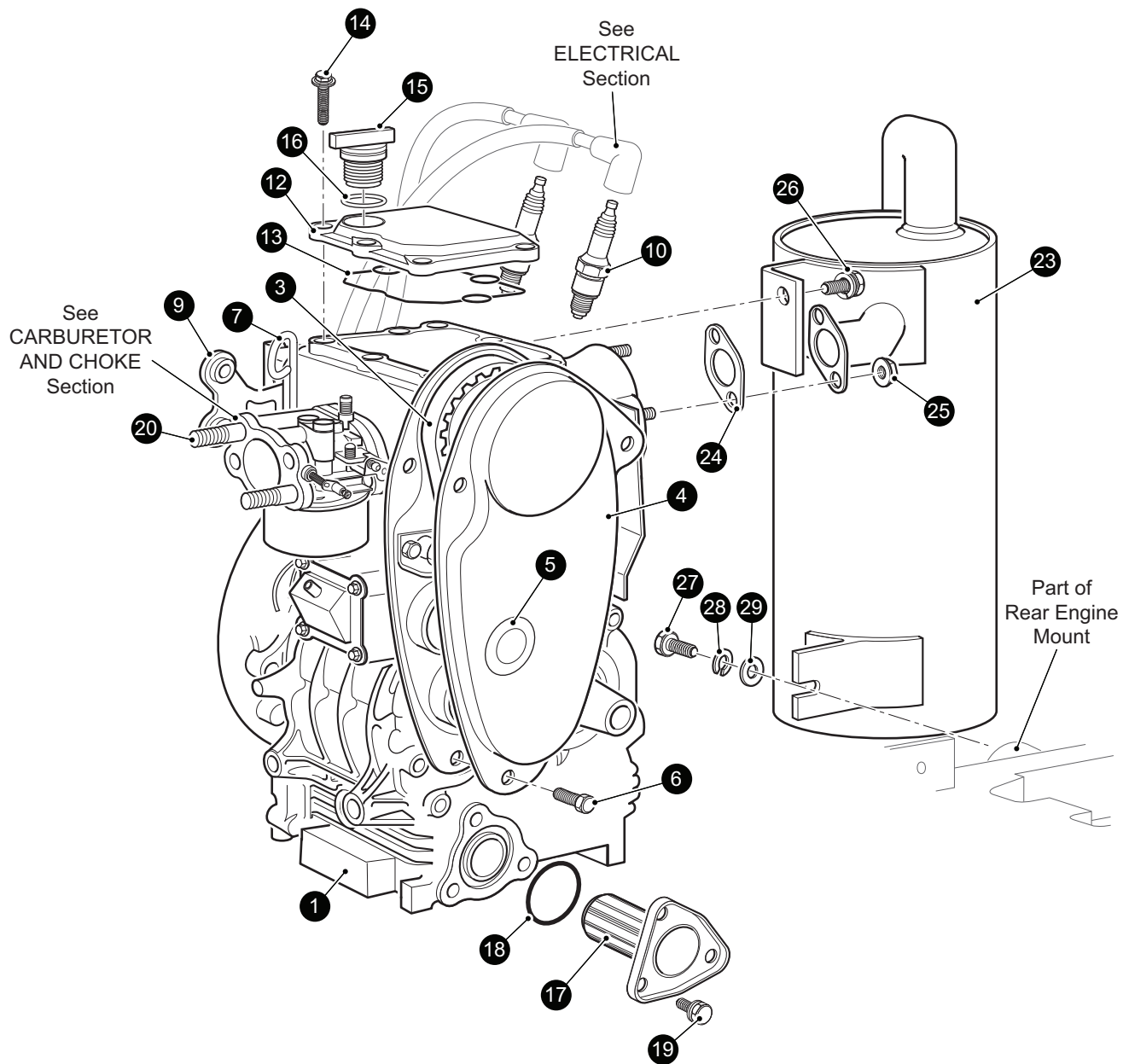
\* Indicates a component that is not available as an individual part.

\*\*\* Indicates consult Customer Service Department for additional information.

ITEM	PART NO.	1 2 3 4 5	DESCRIPTION	QTY.
155	75114G02		HOUR METER KIT (INCLUDES ITEMS 156 - 160).....	1
156	74665G02		HOUR METER .....	1
157	74716G01		HOUR METER BRACKET .....	1
158	74696G01		RETAINER CLIP .....	1
159	10570G11		RIVET .....	2
160	75117G01		WIRE HARNESS (HOUR METER) .....	1

# ENGINE 11 HP AND MUFFLER

1 Engine Assembly Includes Items 3 - 20



# ENGINE 11 HP AND MUFFLER

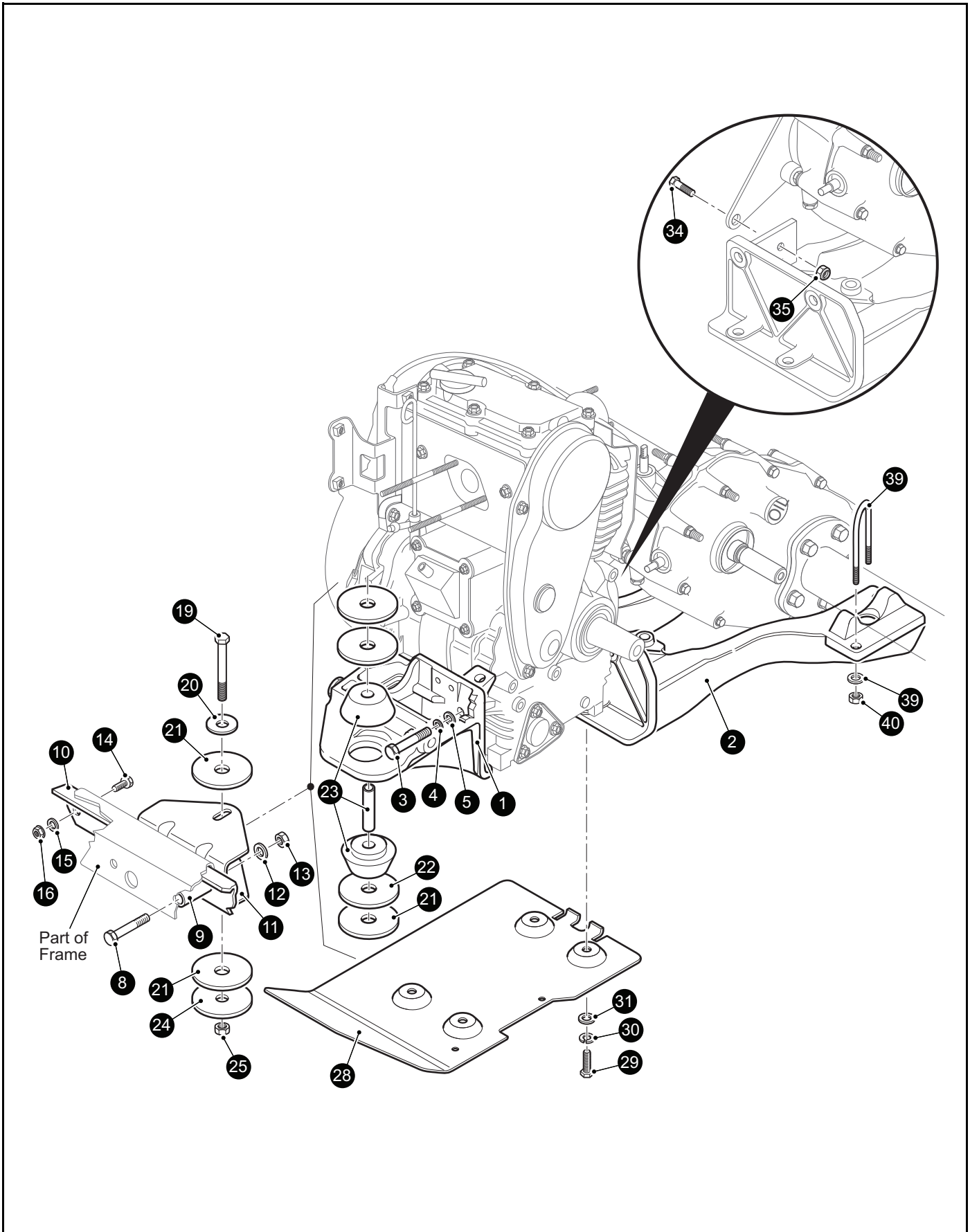
When ordering parts, please specify the model and serial number of the product.

\* Indicates a component that is not available as an individual part.

\*\*\* Indicates consult Customer Service Department for additional information.

ITEM	PART NO.	1 2 3 4 5	DESCRIPTION	QTY.
1	72846G02		ENGINE (FOR VEHICLES ORIGINALLY EQUIPPED WITH 350cc (EH35C) (INCLUDES ITEMS 3 - 20) .....	1
2				
3	26626G01		TIMING BELT .....	1
4	72908G01		TIMING BELT COVER.....	1
5	26631G01		TIMING BELT COVER GROMMET .....	1
6	26678G01		BOLT, M6 X 1 X 12 MM LG .....	3
7	72538G01		DIP STICK.....	1
8				
9	72869G01		IGNITION COIL BRACKET .....	1
10	72867G01		SPARK PLUG (NGK BPR5ES).....	2
11				
12	72848G01		VALVE COVER.....	1
13	72876G01		VALVE COVER GASKET .....	1
14	26676G01		FLANGED BOLT, M6 X 1 X 23 MM LG .....	6
15	26601G01		OIL FILLER CAP .....	1
16	26720G01		OIL FILLER 'O' RING .....	1
17	26591G01		OIL FILTER.....	1
18	26710G01		OIL FILTER 'O' RING.....	1
19	26680G01		BOLT AND WASHER, M6 X 1 X 12 MM LG.....	3
20	72307G01		STUD, M6 X 1 X 115 MM LG.....	2
21				
22				
23	74829G01		MUFFLER .....	1
24	25531G01		EXHAUST GASKET.....	1
25	72851G01		FLANGE NUT, M8 X 1.25 MM .....	2
26	25532G1		BOLT AND WASHER, M8 X 1.25 X 18 MM LG .....	1
27	00438G8		BOLT, 5/16 - 18 X 1" LG.....	1
28	00565G8		LOCK WASHER, 5/16" .....	3
29	00642G8		WASHER, 5/16" .....	1

# ENGINE MOUNTING





# ENGINE MOUNTING

When ordering parts, please specify the model and serial number of the product.

\* Indicates a component that is not available as an individual part.

\*\*\* Indicates consult Customer Service Department for additional information.

ITEM	PART NO.	1 2 3 4 5	DESCRIPTION	QTY.
1	72010G01		FRONT ENGINE MOUNT .....	1
2	72011G01		REAR ENGINE MOUNT .....	1
3	00463G4		BOLT, 7/16 - 14 X 1 1/2" LG.....	4
4	00566G2		LOCK WASHER, 7/16" .....	4
5	00922G3		WASHER, 7/16" .....	4
6				
7				
8	00428G6		BOLT, 3/8 - 16 X 2 3/4" LG.....	2
9	72016G01		SPACER.....	2
10	70269G02		CROSSMEMBER BRACE .....	1
11	72044G02		MOUNT BRACKET .....	1
12	00643G1		WASHER, 3/8" .....	2
13	11098G5		LOCK NUT, 3/8 - 16 .....	2
14	00438G7		BOLT, 5/16 - 18 X 7/8" LG.....	2
15	01110G03		WASHER, 5/16" (STAINLESS STEEL).....	2
16	01109G01		LOCK NUT, 5/16 - 18 (STAINLESS STEEL).....	2
17				
18				
19	00430G4		BOLT, 3/8 - 16 X 4 1/2" LG.....	1
20	15121G1		WASHER, 3/8" .....	1
21	72050G01		PLASTIC WASHER, 2 1/4" OD X 5/8" ID X 1/8" .....	4
22	72051G01		WASHER, 2 1/2" OD X 5/8" ID X 1/8" .....	2
23	72015G01		ISOLATION MOUNT .....	1
24	72051G02		WASHER, 3/8" .....	1
25	11098G5		LOCK NUT, 3/8 - 16 .....	1
26				
27				
28	72719G03		ENGINE GUARD .....	1
29	00463G4		BOLT, 7/16 - 14 X 1 1/2" LG.....	4
30	00566G2		LOCK WASHER, 7/16" .....	4
31	00922G3		WASHER, 7/16" .....	4

# ENGINE MOUNTING

When ordering parts, please specify the model and serial number of the product.

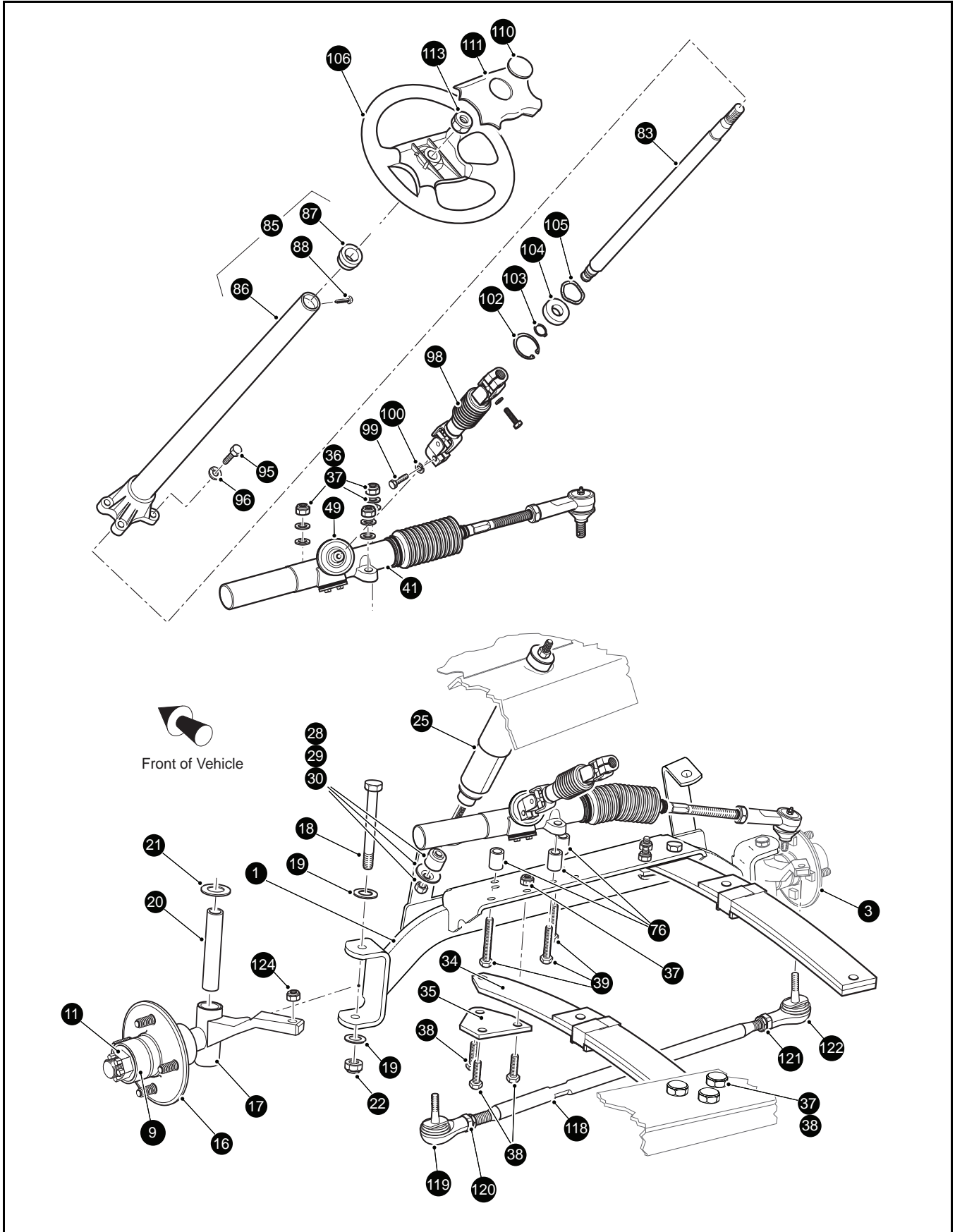
\* Indicates a component that is not available as an individual part.

\*\*\* Indicates consult Customer Service Department for additional information.

ITEM	PART NO.	1	2	3	4	5	DESCRIPTION	QTY.
32								
33								
34	00439G1						BOLT, 5/16 - 18 X 1 1/8" LG .....	1
35	11098G6						LOCK NUT, 5/16 - 18 (STAINLESS STEEL) .....	1
36								
37								
38	72035G01						'U' BOLT, 7/16 - 14 X 3 7/16" X 3 9/16" LG.....	2
39	00922G3						WASHER, 7/16".....	4
40	00734G1						LOCK NUT, 7/16 - 14.....	4



# FRONT SUSPENSION AND STEERING





# FRONT SUSPENSION AND STEERING

Where applicable, THE USE OF NON UL PARTS WILL VOID ANY UL LISTING.

When ordering parts, please specify the model and serial number of the product.

\* Indicates a component that is not available as an individual part.

G\*\* Indicates consult Customer Service Department for additional information.

ITEM	PART NO.	1 2 3 4 5	DESCRIPTION	QTY.
1	606989		FRONT AXLE .....	1
2				
3	70930G01		SPINDLE AND HUB ASSEMBLY, 4 LUG (PASSENGER SIDE) (INCLUDES ITEMS 4 - 13).....	1
4	70802G01		SPINDLE ASSEMBLY (PASSENGER SIDE).....	1
5				
6				
7	25146G1		GREASE SEAL.....	1
8	50892G1		ROLLER BEARING AND RACE ASSEMBLY.....	2
9	35586G01		WHEEL HUB ASSEMBLY WITH RACES, 4 LUG (INCLUDES ITEM 10) ....	1
10	19862-G1		LUG BOLT, 1/2 - 20 X 1 7/32" LG.....	4
11	12093G1		SLOTTED NUT, 1 - 14 .....	1
12	00798G8		COTTER PIN, 5/32" X 1 3/4" LG .....	1
13	12091G2		SPINDLE CAP .....	2
14				
15				
16	70931G01		SPINDLE AND HUB ASSEMBLY, 4 LUG (DRIVER SIDE) (INCLUDES ITEMS 5 - 13 & 17) .....	1
17	70803G01		SPINDLE ASSEMBLY (DRIVER SIDE) .....	1
18	00407G6		BOLT, 1/2 - 13 X 6" LG .....	2
19	00560G3		WASHER, 1/2" .....	4
20	70745G01		KING PIN TUBE .....	2
21	70754G01		THRUST WASHER (STAINLESS STEEL).....	2
22	14390G6		LOCK NUT, 1/2 - 13 .....	2
23				
24				
25	76419G01		SHOCK ABSORBER.....	2
26				
27				
28	10435G1		SHOCK ABSORBER WASHER.....	8
29	10194G1		RUBBER SHOCK ABSORBER BUSHING .....	8

# FRONT SUSPENSION AND STEERING

Where applicable, THE USE OF NON UL PARTS WILL VOID ANY UL LISTING.

When ordering parts, please specify the model and serial number of the product.

\* Indicates a component that is not available as an individual part.

G\*\* Indicates consult Customer Service Department for additional information.

ITEM	PART NO.	1 2 3 4 5	DESCRIPTION	QTY.
30	00532G6		NUT, 3/8 - 24 .....	4
31				
32				
33				
34	70664G03		LEAF SPRING (HEAVY DUTY) (SEE PART NUMBER ON SPRING).....	2
35	70163G03		SPRING PLATE .....	4
36	10435G1		WASHER, 7/16.....	6
37	00734G1		LOCK NUT, 7/16 - 14 .....	11
38	00463G11		BOLT, 7/16 - 14 X 1 3/4" LG .....	3
39	00464G8		BOLT, 7/16" - 14 X 3".....	3
40				
41	70964G02		RACK AND PINION UNIT (COMPLETE) (INCLUDES ITEMS 42 - 65) .....	1
42	70965G01		STEERING RACK COVER & BEARING .....	1
43	*		STEERING BOX INSTALLATION TAG.....	1
44	*		JAM NUT, 1/2 - 20.....	1
45	70750G01		RETAINING RING (EXTERNAL) .....	1
46	15115G1		BALL BEARING .....	1
47	70603G01		PINION.....	1
48	70751G01		RETAINING RING (INTERNAL) .....	1
49	70638G01		SEAL PINION .....	1
50	70604G01		RACK STEERING.....	1
51	01053G01		SCREW, 10- 32.....	1
52	70590G01		RACK LOADER .....	1
53	70666G01		SPRING COMPRESSION .....	1
54	70645G01		GASKET RACK LOADER.....	1
55	70591G01		COVER RACK LOADER .....	1
56	71102G01		SCREW, 1/4 - 20.....	2
57	10389G3		GREASE FITTING, STRAIGHT .....	1
58	70695G01		RACK BALL JOINT (INCLUDES ITEMS 59 - 61).....	1
59	50641G1		RUBBER BOOT .....	1

# FRONT SUSPENSION AND STEERING

Where applicable, THE USE OF NON UL PARTS WILL VOID ANY UL LISTING.

When ordering parts, please specify the model and serial number of the product.

\* Indicates a component that is not available as an individual part.

G\*\* Indicates consult Customer Service Department for additional information.

ITEM	PART NO.	1	2	3	4	5	DESCRIPTION	QTY.
60	50209G2						SLOTTED NUT, 7/16 - 20.....	1
61	10387G2						COTTER PIN, 3/32" X 1" LG .....	1
62	74694G01						ROD END (INNER).....	1
63	70961G01						RACK BOOT .....	1
64	12416G2						WIRE TIE .....	1
65	11391G8						WIRE TIE .....	1
66								
67								
68								
69								
70								
71								
72								
73								
74								
75								
76	70667G02						SPACER.....	1
77								
78								
79								
80								
81								
82								
83	70607G01						STEERING SHAFT .....	1
84								
85	70758G05						STEERING COLUMN KIT (INCLUDES ITEMS 86 - 88) .....	1
86	70610G03						STEERING COLUMN .....	1
87	28569G01						STEERING COLUMN BUSHING.....	1
88	01022G01						SCREW, #6 - 20 X 5/16" LG .....	1
89								



# FRONT SUSPENSION AND STEERING

Where applicable, THE USE OF NON UL PARTS WILL VOID ANY UL LISTING.

When ordering parts, please specify the model and serial number of the product.

\* Indicates a component that is not available as an individual part.

G\*\* Indicates consult Customer Service Department for additional information.

ITEM	PART NO.	1	2	3	4	5	DESCRIPTION	QTY.
90								
91								
92								
93								
94								
95	01006G01						BOLT, 3/8 - 16 X 1 1/4" LG WITH PATCHLOCK .....	4
96	00879G1						LOCK WASHER, 3/8".....	4
97								
98	70580G01						INTERMEDIATE SHAFT (INCLUDES ITEMS 99, 100).....	1
99	01055G01						BOLT, M8 X 1 1/4" LG.....	2
100	00565G8						LOCK WASHER, 5/16" .....	2
101								
102	70751G01						RETAINING RING (INTERNAL).....	1
103	70888G01						RETAINING RING (EXTERNAL).....	1
104	15112G1						BALL BEARING .....	1
105	70887G01						WAVE WASHER.....	1
106	602979						STEERING WHEEL .....	1
107								
108								
109								
110	71047G01						LABEL, E-Z-GO.....	1
111	71147G01						STEERING WHEEL COVER .....	1
112								
113	14390G2						LOCK NUT, 5/8 - 18 .....	1
114	607925						CLIPBOARD.....	1
115	608529						WARNING LABEL	
116								
117	74604G01						TIE ROD ASSEMBLY (INCLUDES ITEMS 118 - 122) .....	1
118	74603G01						THREADED ROD (24" LG).....	1
119	70902G01						TIE ROD END (LEFT HAND THREADS) .....	1

# FRONT SUSPENSION AND STEERING

Where applicable, THE USE OF NON UL PARTS WILL VOID ANY UL LISTING.  
 When ordering parts, please specify the model and serial number of the product.  
 \* Indicates a component that is not available as an individual part.  
 G\*\* Indicates consult Customer Service Department for additional information.

ITEM	PART NO.	1	2	3	4	5	DESCRIPTION	QTY.
120	01069G01						JAM NUT, M12 X 1.25-05 (LEFT HAND THREADS).....	1
121	70902G02						TIE ROD END (RIGHT HAND THREADS).....	1
122	01069G02						JAM NUT, M12 X 1.25-05 (RIGHT HAND THREADS) .....	1
123								
124	00734G1						LOCK NUT, 7/16 - 14 .....	2





When ordering parts, please specify the model and serial number of the product.

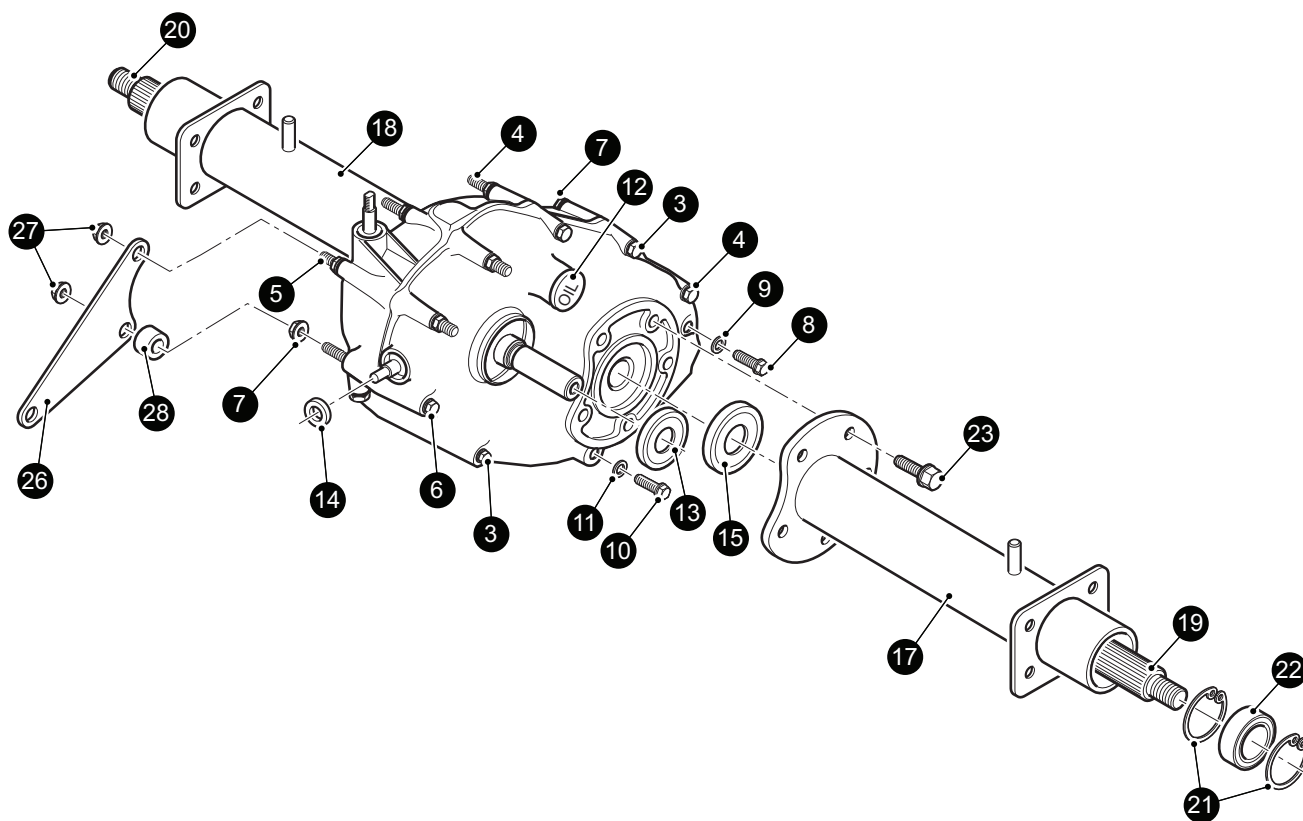
\* Indicates a component that is not available as an individual part.

\*\*\* Indicates consult Customer Service Department for additional information.

ITEM	PART NO.	1 2 3 4 5	DESCRIPTION	QTY.
1	605521		FUEL TANK (FOR VEHICLES WITHOUT GAUGE) .....	1
2	72282G01		FUEL TANK CAP .....	1
3	70486G01		SPACER.....	1
4	00559G8		WASHER, 5/16" .....	2
5	01109G01		LOCK NUT, 5/16 - 18 (STAINLESS STEEL).....	2
6				
7	605704		FUEL TANK ASSEMBLY WITH LEVEL SWITCH (INCLUDES ITEMS 8-14) .	1
8	605523		FUEL TANK (FOR VEHICLES WITH FUEL GAUGE) .....	1
9	72282G01		FUEL TANK CAP .....	1
10	72229G01		FUEL LEVEL SENDER ADAPTER .....	1
11	72230G01		SCREW, #6 - 32 X 1/2" LG.....	2
12	20048G2		FUEL LEVEL SENDER (INCLUDES ITEM 13) .....	1
13	*		GASKET.....	1
14	72232G01		SCREW WITH SEAL, #10 X 3/4" LG .....	5
15				
16	00438G8		BOLT, 5/16 - 18 X 1: LG .....	1
17	00559G8		WASHER, 5/16" .....	2
18	01109G01		LOCK NUT, 5/16 - 18 (STAINLESS STEEL).....	1
19				
20				
21	17470G1		LOW PRESSURE FUEL LINE (BULK) .....	4"
22	72084G01		FUEL LINE FILTER.....	1
23	18292G1		CLAMP.....	5
24	72873G01		FUEL PUMP.....	1
25	00114G6		SCREW, 1/4 - 14 X 3/4" LG .....	2
26	27184G01		LOW PRESSURE FUEL LINE (BULK) .....	26"
27	17470G1		LOW PRESSURE FUEL LINE (BULK) .....	26"
28	11391G4		HOSE CLAMP, 1/4".....	3
29	17618G1		WIRE TIE .....	3
30	22280G1		VINYL TRIM - BLACK (BULK) .....	7

# REAR AXLE

1 Rear Axle Assembly Includes Items 3 - 23



# REAR AXLE

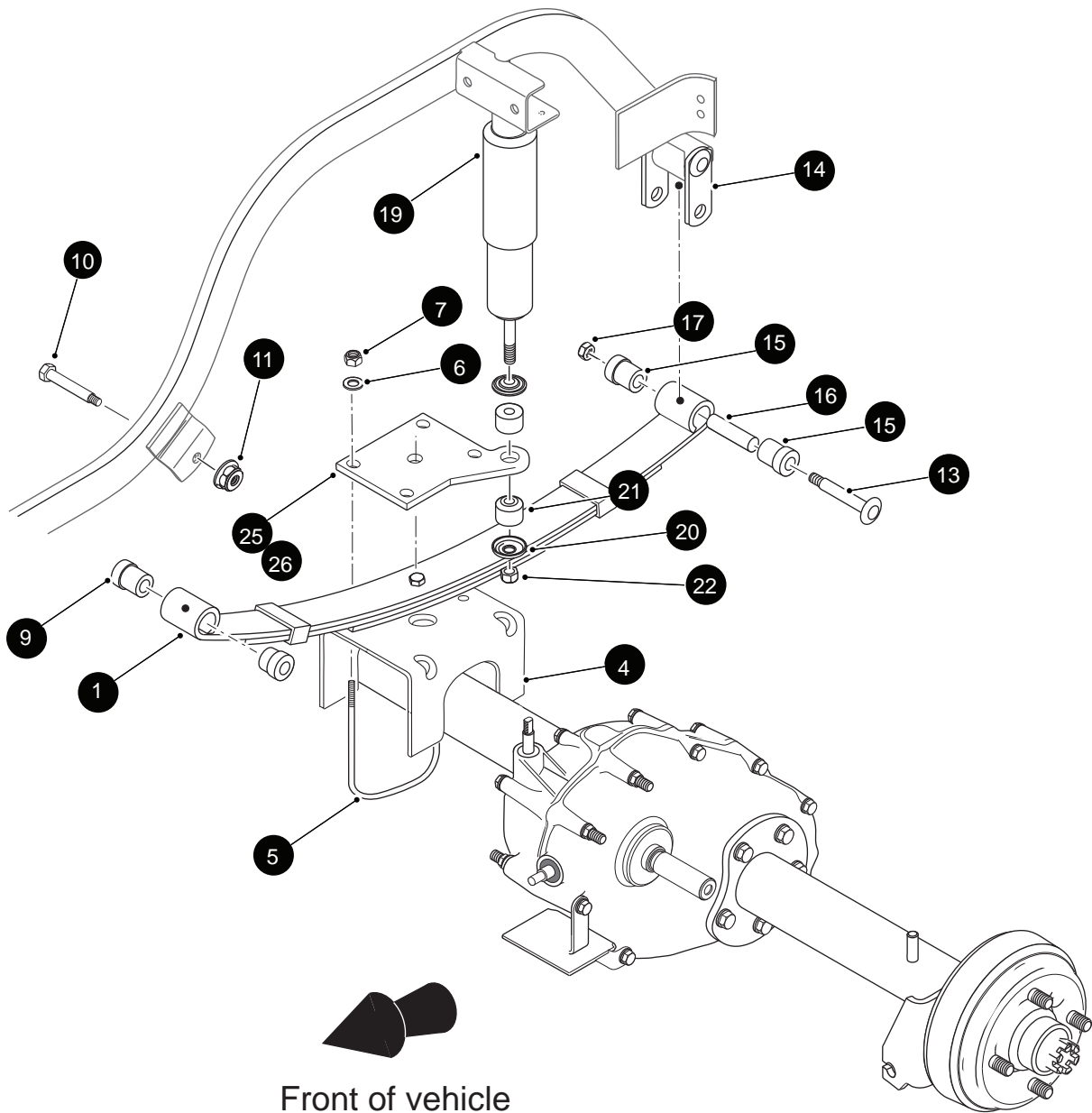
When ordering parts, please specify the model and serial number of the product.

\* Indicates a component that is not available as an individual part.

\*\*\* Indicates consult Customer Service Department for additional information.

ITEM	PART NO.	1 2 3 4 5	DESCRIPTION	QTY.
1	72715G02		REAR AXLE, FREEDOM HP (10.67:1) (INCLUDES ITEMS 3 - 23).....	1
2				
3	26823G01		FLANGED BOLT, M8 X 1.25 X 100 MM LG .....	5
4	26824G01		FLANGED BOLT, M8 X 1.25 X 110 MM LG.....	2
5	*		BOLT, M8 X 1.25 X 146 MM LG .....	2
6	72052G01		FLANGED BOLT, M8 X 1.25 X 130 MM LG .....	1
7	72269G01		FLANGE NUT, M8 X 1.25 MM.....	12
8	26768G01		OIL CHECK PLUG .....	1
9	26769G01		GASKET, 8 MM .....	1
10	26770G01		OIL DRAIN PLUG.....	1
11	26771G01		GASKET, 14 MM .....	1
12	26772G01		OIL FILLER PLUG.....	1
13	26761G01		INPUT SHAFT SEAL.....	1
14	26762G01		SHIFTER SHAFT SEAL .....	1
15	72259G01		AXLE SHAFT SEAL .....	2
16				
17	72115G01		AXLE TUBE (DRIVER SIDE) .....	1
18	72116G01		AXLE TUBE (PASSENGER SIDE).....	1
19	72056G01		AXLE SHAFT (DRIVER SIDE) .....	1
20	72057G01		AXLE SHAFT (PASSENGER SIDE).....	1
21	26814G01		RETAINING RING .....	4
22	26811G01		BALL BEARING.....	2
23	72260G01		FLANGED BOLT, M10 X 1.5 X 23 MM LG .....	10
24				
25				
26	72017G02		AXLE BRACKET .....	1
27	26830G01		LOCK NUT, M8 X 1.25 MM.....	2
28	75048G01		SPACER, 1/2" .....	1

# REAR SUSPENSION





# REAR SUSPENSION

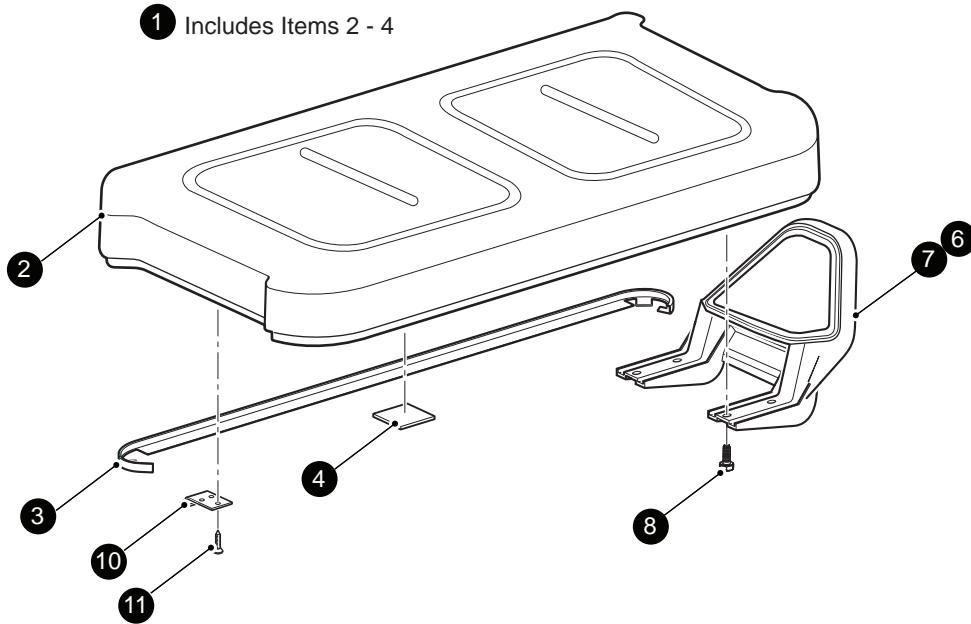
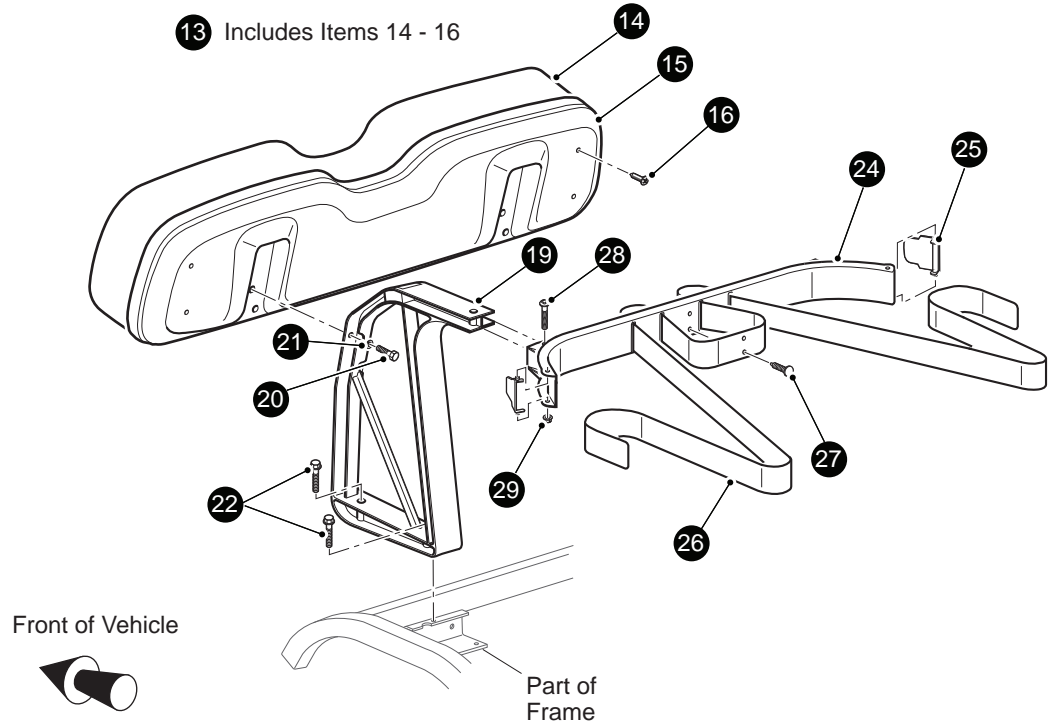
When ordering parts, please specify the model and serial number of the product.

\* Indicates a component that is not available as an individual part.

\*\*\* Indicates consult Customer Service Department for additional information.

ITEM	PART NO.	1 2 3 4 5	DESCRIPTION	QTY.
1	75721G01		LEAF SPRING .....	2
2				
3				
4	605292		LIFT BRACKET .....	2
5	32195G2		'U' BOLT, 3/8 - 16 X 2" X 5 3/4" LG .....	4
6	00571G2		WASHER, 3/8" .....	8
7	11098G5		LOCK NUT, 3/8 - 16 .....	8
8				
9	70291G01		FLANGED BUSHING .....	4
10	14158G1		SHOULDER BOLT, 3/8 - 16 x 3 1/4" LG .....	2
11	12262G1		LOCK NUT, 3/8 - 16 .....	2
12				
13	00665G9		BOLT, 3/8 - 16 X 3 1/2" LG (STAINLESS STEEL) .....	4
14	70290G02		SHACKLE PLATE .....	4
15	70291G01		FLANGED BUSHING .....	8
16	70289G02		SPACER .....	4
17	11098G5		LOCK NUT, 3/8 - 16 .....	4
18				
19	76418G01		SHOCK ABSORBER .....	2
20	10435G1		SHOCK ABSORBER WASHER .....	8
21	10194G1		RUBBER BUSHING .....	8
22	00532G6		NUT, 3/8 - 24 .....	4
23				
24				
25	75564G03		SHOCK MOUNTING PLATE (PASSENGER SIDE) .....	1
26	75564G04		SHOCK MOUNTING PLATE (DRIVER SIDE) .....	1

# SEATING AND BAG HOLDER



# SEATING AND BAG HOLDER

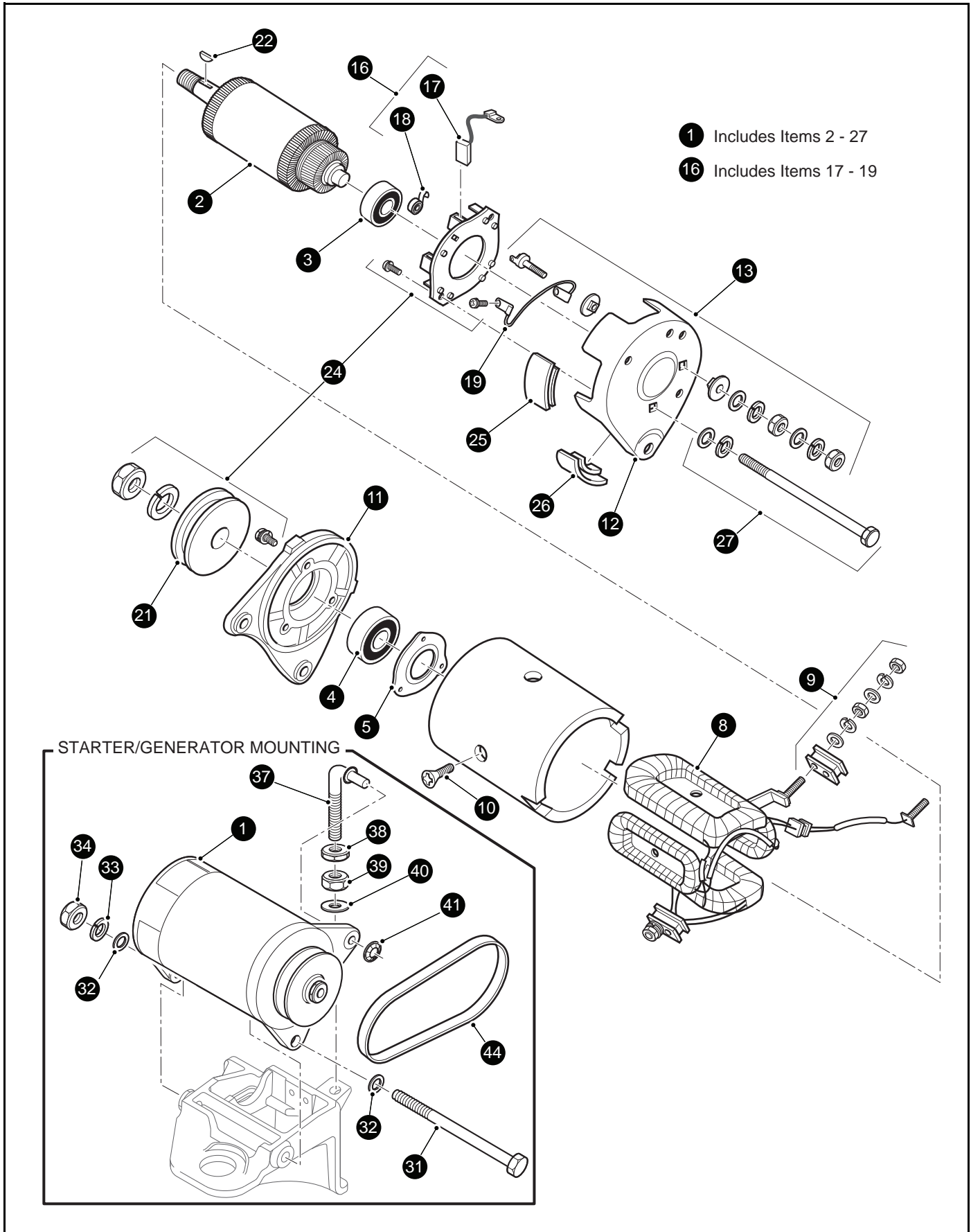
When ordering parts, please specify the model and serial number of the product.

\* Indicates a component that is not available as an individual part.

\*\*\* Indicates consult Customer Service Department for additional information.

ITEM	PART NO.	1 2 3 4 5	DESCRIPTION	QTY.
1	71611G**		SEAT BOTTOM ASSEMBLY (INCLUDES ITEMS 2 - 4).....	1
2	71602G**		VINYL SEAT BOTTOM COVER .....	1
3	71012G01		VINYL TRIM (SEAT BOTTOM).....	1
4	17074G1		RUBBER PAD .....	2
5				
6	71701G01		HIP RESTRAINT (PASSENGER SIDE).....	1
7	71702G01		HIP RESTRAINT (DRIVER SIDE) .....	1
8	71204G01		BOLT, 1/4 - 20 X 7/8" LG.....	8
9				
10	71610G01		SEAT HINGE.....	2
11	00720G08		SCREW, #12 - 14 X 1" LG (STAINLESS STEEL).....	4
12				
13	71751G**		SEAT BACK ASSEMBLY (INCLUDES ITEMS 14 - 16) .....	1
14	71753G**		VINYL SEAT BACK COVER .....	1
15	71752G01		PLASTIC SEAT BACK COVER.....	1
16	01107-G01		SCREW, #8 X 5/8" LG (STAINLESS STEEL).....	4
17				
18				
19	71811G03		SEAT SUPPORT BRACKET.....	2
20	00661G8		BOLT, 1/4 - 20 X 1" LG (STAINLESS STEEL) .....	4
21	00664G7		LOCK WASHER, 1/4" (STAINLESS STEEL).....	4
22	01075G01		BOLT, 3/8 - 16 X 2 1/2" LG.....	4
23				
24	71851G01		BAG HOLDER BRACKET.....	1
25	71856G01		BAG RETAINER CLAMP .....	2
26	71853G01		BAG RETAINER STRAP.....	1
27	16816G1		RATCHET FASTENER, 1/4" X 9/16" LG.....	2
28	01102G01		CARRIAGE BOLT, 1/4 - 20 X 1 1/2" LG (STAINLESS STEEL).....	2
29	11027G2		LOCK NUT, 1/4 - 20 .....	2

# STARTER/ GENERATOR



# STARTER/ GENERATOR

When ordering parts, please specify the model and serial number of the product.

\* Indicates a component that is not available as an individual part.

\*\*\* Indicates consult Customer Service Department for additional information.

ITEM	PART NO.	1 2 3 4 5	DESCRIPTION	QTY.
1	27065G01		STARTER / GENERATOR (INCLUDES ITEMS 2 - 27) .....	1
2	26870G01		ARMATURE .....	1
3	26871G01		REAR BALL BEARING.....	1
4	26872G01		FRONT BALL BEARING .....	1
5	26873G01		BEARING HOLDER .....	1
6				
7				
8	26875G01		FIELD COIL .....	1
9	26876G01		INSULATING BRUSH ASSEMBLY ('F') .....	2
10	26877G01		POLE CORE SETSCREW .....	4
11	26878G01		FRONT COVER .....	1
12	27879G01		REAR COVER.....	1
13	26880G01		TERMINAL ASSEMBLY ('A') .....	2
14				
15				
16	26881G01		BRUSH HOLDER ASSEMBLY (INCLUDES ITEMS 17 - 19) .....	1
17	26658G01		BRUSH.....	4
18	26882G01		BRUSH SPRING.....	4
19	26883G01		BRUSH CONNECTOR .....	2
20				
21				
22	26884G01		KEY .....	1
23	26885G01		PULLEY.....	1
24	26886G01		BRUSH AND PULLEY HARDWARE KIT .....	1
25	26887G01		BRUSH 1 COVER .....	3
26	26888G01		BRUSH 2 COVER .....	2
27	26889G01		HOUSING HARDWARE KIT .....	2
28				
29				
30				
31	00938G4		BOLT, 1/2 - 13 X 8" LG.....	1

# STARTER/ GENERATOR

When ordering parts, please specify the model and serial number of the product.

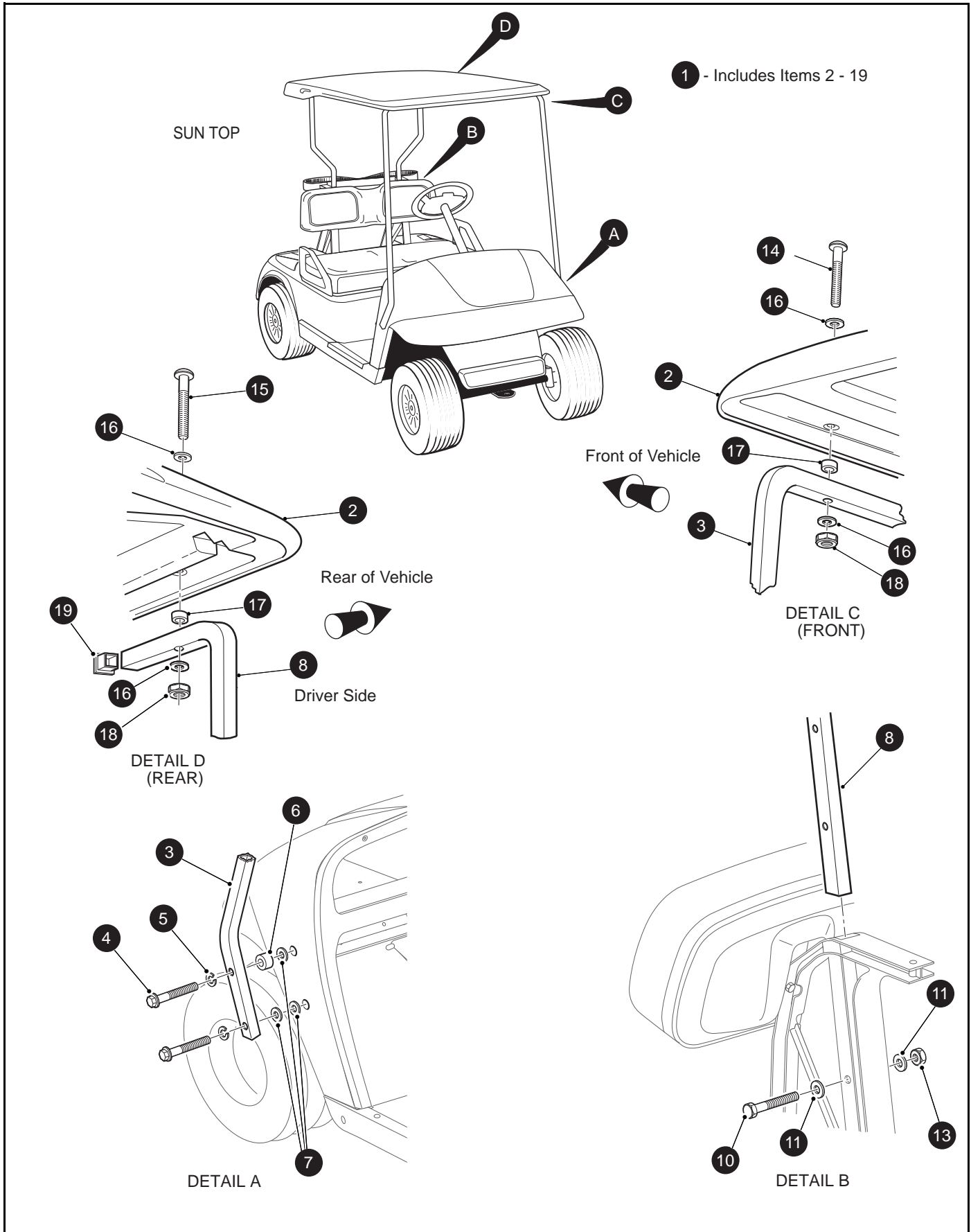
\* Indicates a component that is not available as an individual part.

\*\*\* Indicates consult Customer Service Department for additional information.

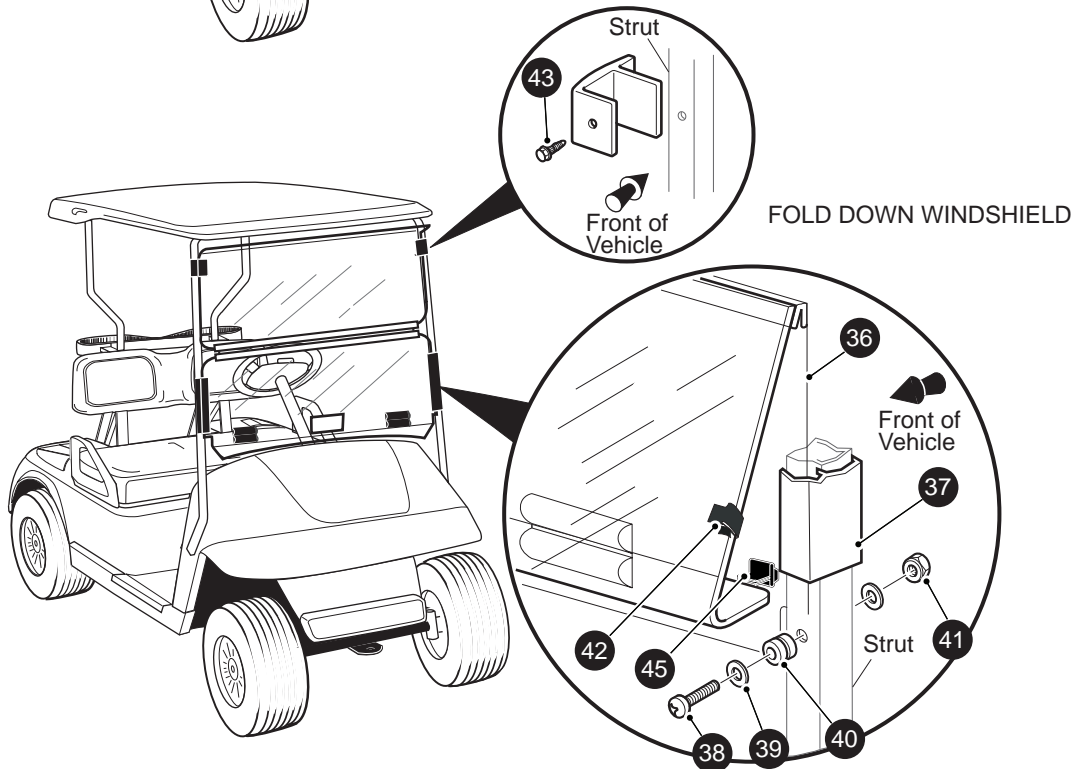
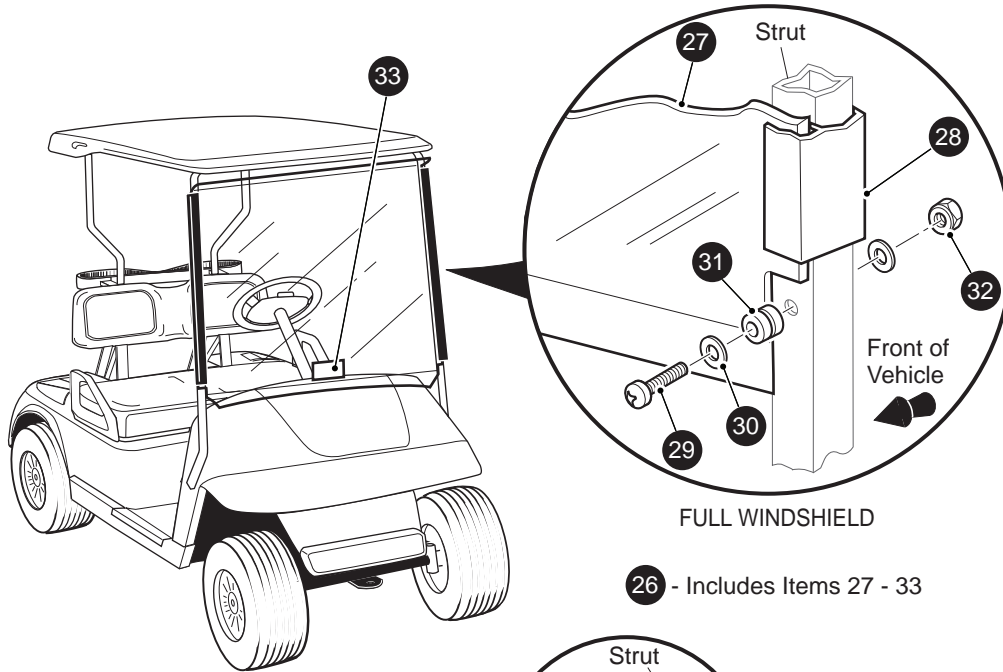
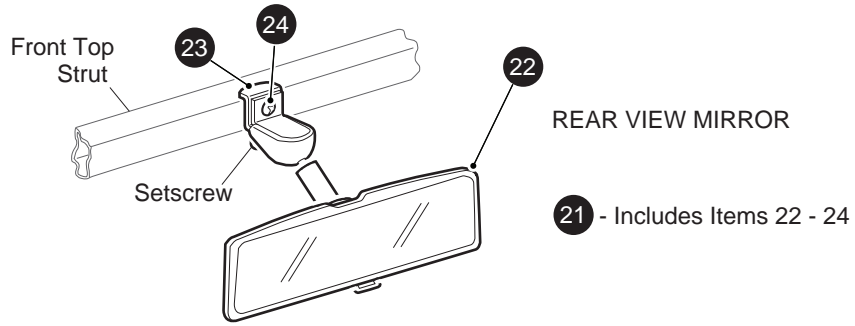
ITEM	PART NO.	1 2 3 4 5	DESCRIPTION	QTY.
32	00560G3		WASHER, 1/2" .....	2
33	00566G3		LOCK WASHER, 1/2" .....	1
34	00533G1		NUT, 1/2 - 13 .....	1
35				
36				
37	28617G01		STARTER / GENERATOR ADJUSTER.....	1
38	00544G5		JAM NUT, 3/8 - 16 .....	1
39	00532G5		NUT, 3/8 - 16 .....	1
40	00560G1		WASHER, 3/8" .....	1
41	12064G4		PUSH NUT, 5/16" .....	1
42				
43				
44	26414G01		STARTER / GENERATOR BELT .....	1



# WEATHER PROTECTION

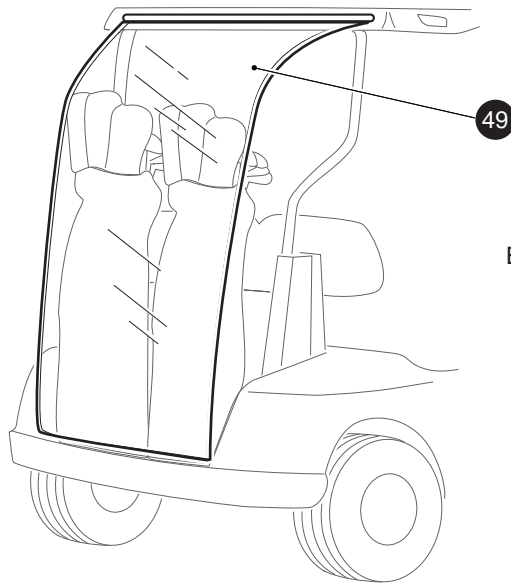
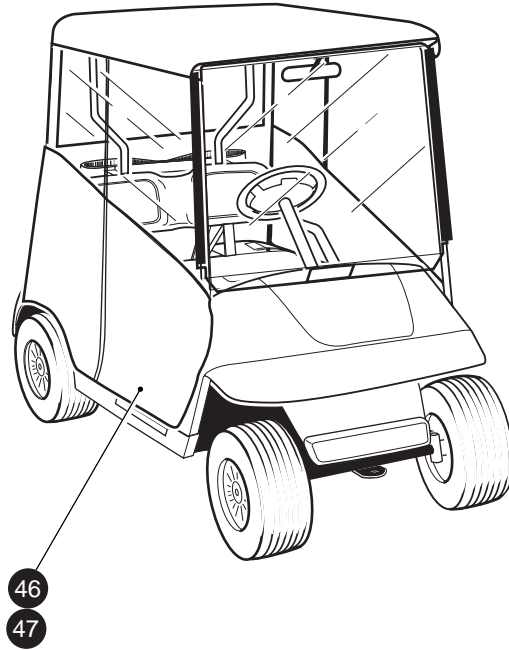






# WEATHER PROTECTION

WEATHER ENCLOSURE



BAG AND RAIN CURTAIN

# WEATHER PROTECTION

When ordering parts, please specify the model and serial number of the product.

\* Indicates a component that is not available as an individual part.

\*\*\* Indicates consult Customer Service Department for additional information.

ITEM	PART NO.	1 2 3 4 5	DESCRIPTION	QTY.
			<b>For service or replacement parts, contact: Eagle Parts, Inc. 1411 Marvin Griffin Rd. Augusta, GA 30906 Telephone (706) 790-6687 or FAX (706) 790-6066</b>	
1	75040G**		SUN TOP KIT (GOLF CAR) (INCLUDES ITEMS 2 - 19) .....	1
2	27069G**		SUN TOP .....	1
3	75045G01		FRONT STRUT .....	1
4	00440G2		BOLT, 5/16 - 18 X 2 1/4" LG .....	4
5	00559G8		WASHER, 5/16" .....	4
6	75048G01		SPACER, 1/2" .....	2
7	00570G2		WASHER, 5/16" .....	6
8	75046G02		REAR STRUT .....	2
9				
10	00685G7		BOLT, 5/16 - 18 X 1 3/4" LG (STAINLESS STEEL) .....	4
11	01110G03		WASHER, 5/16" (STAINLESS STEEL) .....	8
12				
13	11098G6		LOCK NUT, 5/16 - 18 (STAINLESS STEEL) .....	4
14	00753G5		SCREW, 1/4 - 20 X 2" LG (STAINLESS STEEL) .....	2
15	00753G6		SCREW, 1/4 - 20 X 2 1/4" LG (STAINLESS STEEL) .....	2
16	01110G01		WASHER, 1/4" (STAINLESS STEEL) .....	8
17	75051G01		SPACER .....	4
18	00891G2		LOCK NUT, 1/4 - 20 (STAINLESS STEEL) .....	4
19	19853G1		END CAP, 1" .....	2
20				
21	19528G2		REAR VIEW MIRROR KIT (INCLUDES ITEMS 22 - 24) .....	1
22	19496G1		REAR VIEW MIRROR .....	1
23	19502G3		SUPPORT BRACKET .....	1
24	19527G1		SCREW, #8 - 32 X 5/8" LG (STAINLESS STEEL) .....	1
25				
26	75524G01		WINDSHIELD KIT (GOLF CAR) (INCLUDES ITEMS 27 - 33) .....	1

# WEATHER PROTECTION

When ordering parts, please specify the model and serial number of the product.

\* Indicates a component that is not available as an individual part.

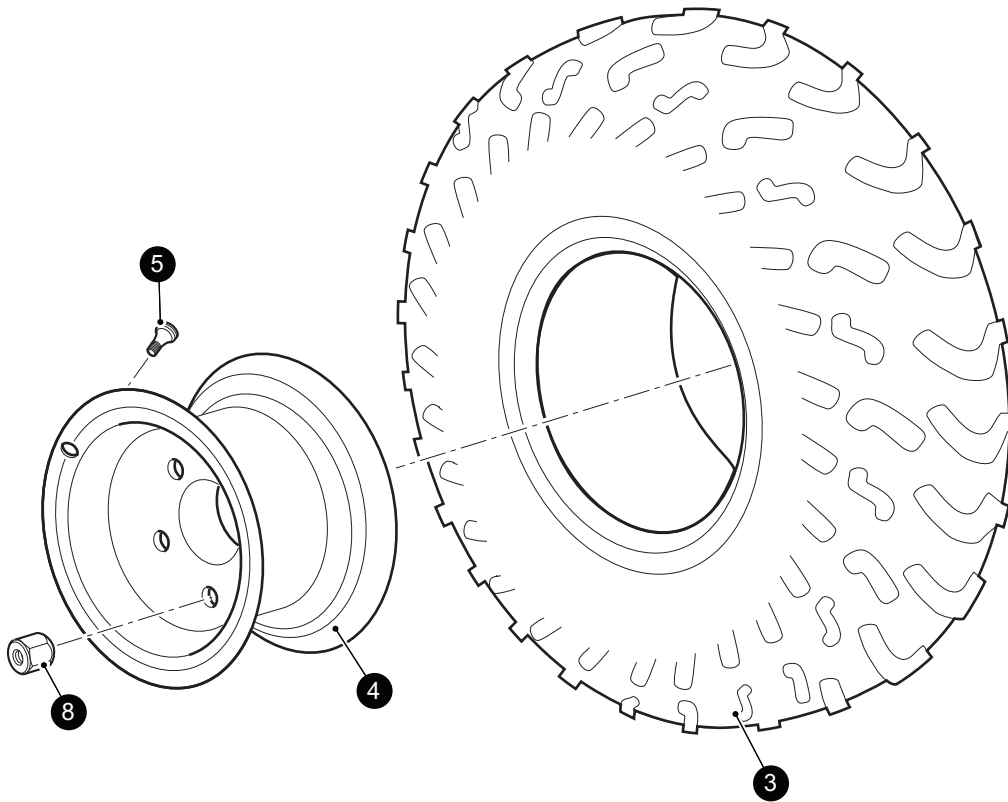
\*\*\* Indicates consult Customer Service Department for additional information.

ITEM	PART NO.	1	2	3	4	5	DESCRIPTION	QTY.
27	*						WINDSHIELD.....	1
28	EGWHC12						SASH, 26" LG .....	2
29	EGWHS12						SCREW, 1/4 - 20 X 1 3/4" LG (STAINLESS STEEL).....	2
30	EGWHW12						WASHER, 1/4" (STAINLESS STEEL).....	4
31	EGWHG13						RUBBER GROMMET .....	2
32	EGWHN12						LOCK NUT, 1/4 - 20 (STAINLESS STEEL).....	2
33	EGWHL14						LABEL (SAFETY).....	1
34								
35	74910G01						FOLD DOWN WINDSHIELD KIT (GOLF CAR) (INCLUDES ITEMS 36 - 45)	1
36	*						WINDSHIELD.....	1
37	110-032A						SASH, 12" LG .....	2
38	EGWHS12						SCREW, 1/4 - 20 X 1 3/4" LG (STAINLESS STEEL).....	2
39	EGWHW12						WASHER, 1/4" (STAINLESS STEEL).....	4
40	EGWHG13						RUBBER GROMMET .....	2
41	EGWHN12						LOCK NUT, 1/4 - 20 (STAINLESS STEEL).....	2
42	110-055C						TOP GRIP, 3/4" X 2" .....	2
43	136-008						TOP GRIP FASTENER .....	2
44	EGWHL14						LABEL (SAFETY).....	1
45	110-056C						BOTTOM GRIP .....	2
46	75078G01						WEATHER ENCLOSURE (3 SIDED) RECOMMENDED FOR VEHICLES WITH WINDSHIELDS .....	1
47	75079G01						WEATHER ENCLOSURE (4 SIDED) RECOMMENDED FOR VEHICLES WITHOUT WINDSHIELDS .....	1
48								
49	75191G01						BAG COVER AND RAIN CURTAIN KIT .....	1



# WHEELS AND TIRES

- 1 Tire & Wheel Assembly, Driver Side Includes Items 3 - 5
- 2 Tire & Wheel Assembly, Passenger Side Includes Items 3 - 5



# WHEELS AND TIRES

When ordering parts, please specify the model and serial number of the product.

\* Indicates a component that is not available as an individual part.

\*\*\* Indicates consult Customer Service Department for additional information.

ITEM	PART NO.	1 2 3 4 5	DESCRIPTION	QTY.
1	74842G03		WHEEL AND TIRE ASSY (DRIVER SIDE) (INCLUDES ITEMS 3 - 5).....	1
2	74842G04		WHEEL AND TIRE ASSY (PASSENGER SIDE) (INCLUDES ITEMS 3 - 5) ..	1
3	74842G05		TIRE, 21 X 11 - 10 TRAIL WOLF.....	1
4	1015239014		WHEEL RIM (BLACK, 4 LUG).....	1
5	012007		VALVE STEM.....	1
6				
7				
8	14723G1		LUG NUT, 1/2 - 20.....	1





# **SPECIALTY PRODUCTS**

## SPECIALTY PRODUCTS

<b>SPECIAL TOOLS</b>	<b>PART NO.</b>
HIGH RESISTANCE SPARK PLUG WIRE SET .....	26733G02
CLUTCH PULLER (DRIVE) .....	19779G2
FLYWHEEL PULLER .....	27111G01
CURRENT INDICATOR .....	16489G2
DIGITAL MULTI-METER .....	27481G01
TUBELESS TIRE REPAIR KIT .....	606009
TIRE PLUGGER REFIL PACK (50/BOX) .....	606831

<b>TOUCH UP PAINT</b>	<b>PART NO.</b>
PEN 3 OUNCE (89 ML) - HUNTER GREEN .....	28432G02
PEN 3 OUNCE (89 ML) - CHAMPAGNE BEIGE .....	28432G01
PEN 3 OUNCE (89 ML) - WHITE .....	28432G05
PEN 3 OUNCE (89 ML) - INDUSTRIAL YELLOW .....	28432G03
PEN 3 OUNCE (89 ML) - ORANGE .....	28432G04
PEN 3 OUNCE (89 ML) - STEEL BLUE PEARL .....	28432G24
PEN 3 OUNCE (89 ML) - OLIVE GREEN .....	28432G**
PEN 3 OUNCE (89 ML) - CAMOUFLAGE PAINT (THREE PENS) .....	75831G01
AEROSOL 12 OUNCE (360 ML) - HUNTER GREEN .....	28140G09
AEROSOL 12 OUNCE (360 ML) - CHAMPAGNE BEIGE .....	28140G15
AEROSOL 12 OUNCE (360 ML) - INDUSTRIAL YELLOW .....	28140G14

<b>MAINTENANCE PRODUCTS</b>	<b>PART NO.</b>
PLEXUS® CLEANER, 13 OUNCE (380 ML) (FOR WINDSHIELDS) .....	28433G02
BATTERY PROTECTOR, 14 OUNCE (410 ML) SPRAY .....	27619G02
E-Z-GO ALLSURFACE CLEANER .....	606311
E-Z-GO FIBERGLASS/PLASTIC RESTORER .....	606313
WIND SHIELD AND PLASTIC PROTECTOR .....	606314
64 OZ HAND CLEANER .....	607636
4 OZ HAND CLEANER .....	607637





A Textron Company

E-Z-GO Division Of Textron Inc.,  
1451 Marvin Griffin Road, Augusta, Georgia USA 30906-3852

**TO CONTACT US**

North America:

Technical Assistance & Warranty Phone: 1-800-774-3946, FAX: 1-800-448-8124  
Service Parts Phone: 1-888-GET-EZGO (1-888-438-3946), FAX: 1-800-752-6175

International:

Phone: 001-706-798-4311, FAX: 001-706-771-4609

Certified ISO 9001 / ISO 14001 by



Copyrighted Material  
This manual may not be reproduced in whole or  
in part without the express permission of  
E-Z-GO Division of Textron, Inc.  
Technical Communications Department