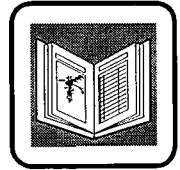
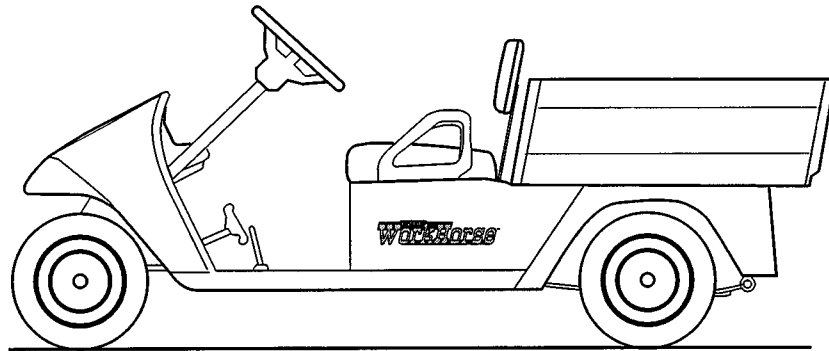




a **TEXTRON** Company



SERVICE PARTS MANUAL



UTILITY VEHICLE

MANUAL: 28416-G01

MODEL YEAR: 1997

ISSUED:09/96

SERVICE PARTS MANUAL



UTILITY VEHICLE

SERVICE PARTS DEPARTMENT INSIDE USA PHONE 1-800-227-7029 FAX 1-800-752-6175
OUTSIDE USA PHONE 010-1-706-798-4311 FAX 010-1-706-771-4601
E-Z-GO DIVISION OF TEXTRON, INC., P.O.BOX 388, AUGUSTA, GEORGIA 30903-0388

LIMITED WARRANTY

WARRANTY

TO OBTAIN A COPY OF THE LIMITED WARRANTY THAT IS APPLICABLE TO YOUR VEHICLE, CALL OR WRITE YOUR LOCAL DISTRIBUTOR, BRANCH OR THE E-Z-GO WARRANTY DEPARTMENT.

THE USE OF NON E-Z-GO PARTS AND HARDWARE MAY VOID YOUR WARRANTY.

TAMPERING WITH OR ADJUSTING OF GOVERNOR TO PERMIT THE VEHICLE TO OPERATE AT ABOVE FACTORY SETTING OF 12 - 15 MPH WILL VOID YOUR VEHICLE WARRANTY

GENERAL INDEX

SECTIONSPage No.

How to use the **E-Z-GO** Service Manual vii

Illustrated Parts Breakdown:

IllustrationPage No.

ACCELERATOR A

- Accelerator Pedal Box A-1
- Accelerator Pedal A-2
- Accelerator Linkage A-3

AIR FILTER B

- Air Cleaner Box, Air Filter, PCV Hose B-1

BODY C

- Front Cowl, Instrument Panel, Floor Panel C-1
- Seat Frame, Splash Panels C-2
- Floormat, Seat Wrap, Side Panels, Rocker Panels C-3
- Seat Filler Panels, Rear Fenders, Rear Panel C-4

BRAKES D

- Brake Pedal D-1
- Brake Pedal (with lights) D-2
- Brake Linkage D-3
- Wheel Brake D-4

CARBURETOR E

- Carburetor E-1

CLUTCHES F

- Drive Clutch, Belts, Driven Clutch F-1

DIRECTION SELECTOR G

- Direction Selector G-1

ELECTRICAL SYSTEM H

- Gauge Installation and Connections H-1
- Electrical Plate H-2
- Battery, Solenoid, Starter/Generator H-3

ENGINE AND MUFFLER J

- Engine, Oil Filter, Spark Plugs, Muffler J-1

ENGINE AND STARTER MOUNTING K

- Front Mount, Rear Mount, Starter/Generator K-1

GENERAL INDEX

Illustrated Parts Breakdown:

Illustration	Page No.
FRONT SUSPENSION	L
• Front Axle, Spindle, Wheel Hub, Shock Absorber.....	L-1
FUEL SYSTEM	M
• Fuel Tank, Fuel Gauge, Fuel Filter, Fuel Pump	M-1
GAUGES, HORN AND LIGHTING	N
• Horn	N-1
• Headlight.....	N-2
• Brake Pedal Wiring, Taillight.....	N-3
• Ignition Switch, Indicator Light/Fuel Gauge, Turn Signal Assembly	N-4
REAR AXLE.....	P
• Axle Shafts, Seals, Bearing	P-1
REAR SUSPENSION	Q
• Spring, Shock Absorber.....	Q-1
SEATING.....	R
• Seat Bottom, Seat Back, Hip Restraint.....	R-1
STARTER/GENERATOR.....	S
• Armature, Coil, Brushes	S-1
STEERING.....	T
• Steering Box, Steering Shaft/Column/Wheel, Tie Rods.....	T-1
TRUCKBED	U
• Manual Dump Bed	U-1
• Bed Decals, Pivot Mounting, Bed Liner	U-2
• Tilt Latch, Bed Prop	U-3
• Electric Dump Bed.....	U-7
• Bed Decals, Pivot Mounting, Bed Liner	U-8
• Electric Circuit Breaker, Toggle Switch, Actuator	U-9
• Flat Bed, Bed Decals, Pivot Mounting	U-13
• Tilt Latch, Bed Prop	U-14
• Cargo Bed.....	U-15
WHEELS AND TIRES.....	V
• Tire and Wheel Assembly, Wheel Rim, Valve Stem	V-1

GENERAL INDEX

SPECIAL TOOLS

Special Tools Listing.....Appendix - A

ACCESSORIES

Accessory Listing.....Appendix - B

ACCESSORIES

Accessory Installation Instructions.....Appendix- C

Rear View Mirror Kit

Spark Arrestor Kit

Ramp Kit

Van Box Kit

Bed Liner Kit

Electric Dump Kit

Windshield Kit

Turn Signal Kit

Ashtray Kit

Hour Meter Kit

Ball Hitch Kit

Clevis Hitch Kit

Sun Top Without Bagrack Kit

Work Light Kit

3-Sided Soft Enclosure Kit

Side Mirrors

Rotating Beacon Light Kit

Wheel Covers

HOW TO USE THE E-Z-GO SERVICE PARTS MANUAL

This manual is divided into several sections:

- GENERAL INFORMATION
- ILLUSTRATED PARTS BREAKDOWN FOR THE TXT GASOLINE POWERED UTILITY VEHICLE
- APPENDIX

The first section, GENERAL INFORMATION, contains the following information:

- WARRANTY INFORMATION
- GENERAL INDEX
- HOW TO USE THE E-Z-GO SERVICE PARTS MANUAL

The second section, ILLUSTRATED PARTS BREAKDOWN (IPB) FOR THE TXT GASOLINE POWERED UTILITY VEHICLE, contains illustrations and parts lists for all systems of your vehicle.

The third section, SERVICE ACCESSORIES AND SPECIAL TOOLS, contains a listing of E-Z-GO service accessories and special tools and that may be purchased from the company to aid in the servicing of the vehicle.

USE OF THE MANUAL

To use this manual, consult the GENERAL INDEX to locate the information or illustration required.

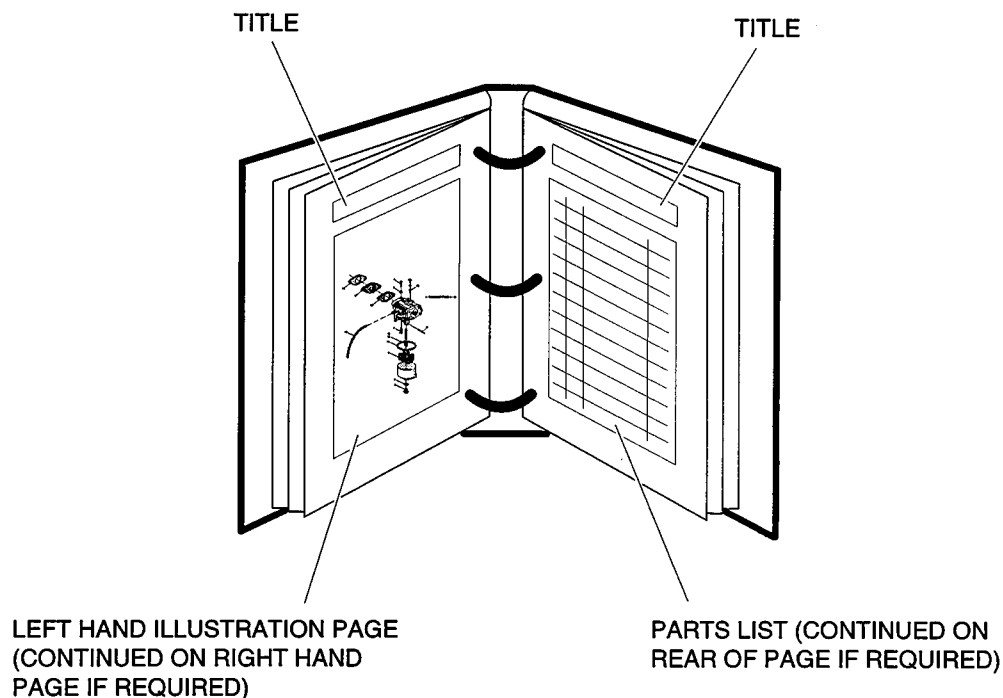
E-Z-GO manuals are revised periodically to coincide with vehicle changes. The manual will cover all models and model years stated on the cover page. New components that are interchangeable with the previous year are automatically revised and the issue date is changed.

Introduction of some revisions varies due to supply of components; therefore, it is possible that various combinations of components may be found that are not directly reflected by each illustration. Consult the illustration that best suits your situation and then contact the Service Parts Department. It is important that the serial number of your vehicle and its model number be supplied to Service Parts when ordering any replacement components.

Locate the serial number plate (see Body and Associated Parts located in the IPB section of this manual for its location) and note the complete number shown on the plate.

All relevant systems are listed in the General Index and has an alphabetical prefix. The illustration always appears first and is followed by its related parts list. Additional illustrations and parts lists with the same prefix indicate significant changes that have taken place since the last issue.

HOW TO USE THE E-Z-GO SERVICE PARTS MANUAL



1. WHEN THE PART NUMBER IS NOT KNOWN

- Determine the function and application of the part required. Turn to the General Index and select the most appropriate title.
- Turn to the page number indicated and locate the desired part on the illustration.
- From the illustration, obtain the item number assigned to the desired part. Refer to the accompanying description for specific information regarding the part.

2. IF YOU KNOW THE PART NUMBER

- Locate the part number or description in the appropriate column on the parts list page.

NOTE: It is suggested that you confirm that the part selected is correct by verifying it with the pictorial representation on the illustrated page.

Should an asterisk (*) appear in the part number column on the parts list page, read upwards until a part number is found. The part number is the lowest assembly sold by E-Z-GO and the asterisk (*) indicates that the part depicted is not available for sale by E-Z-GO.

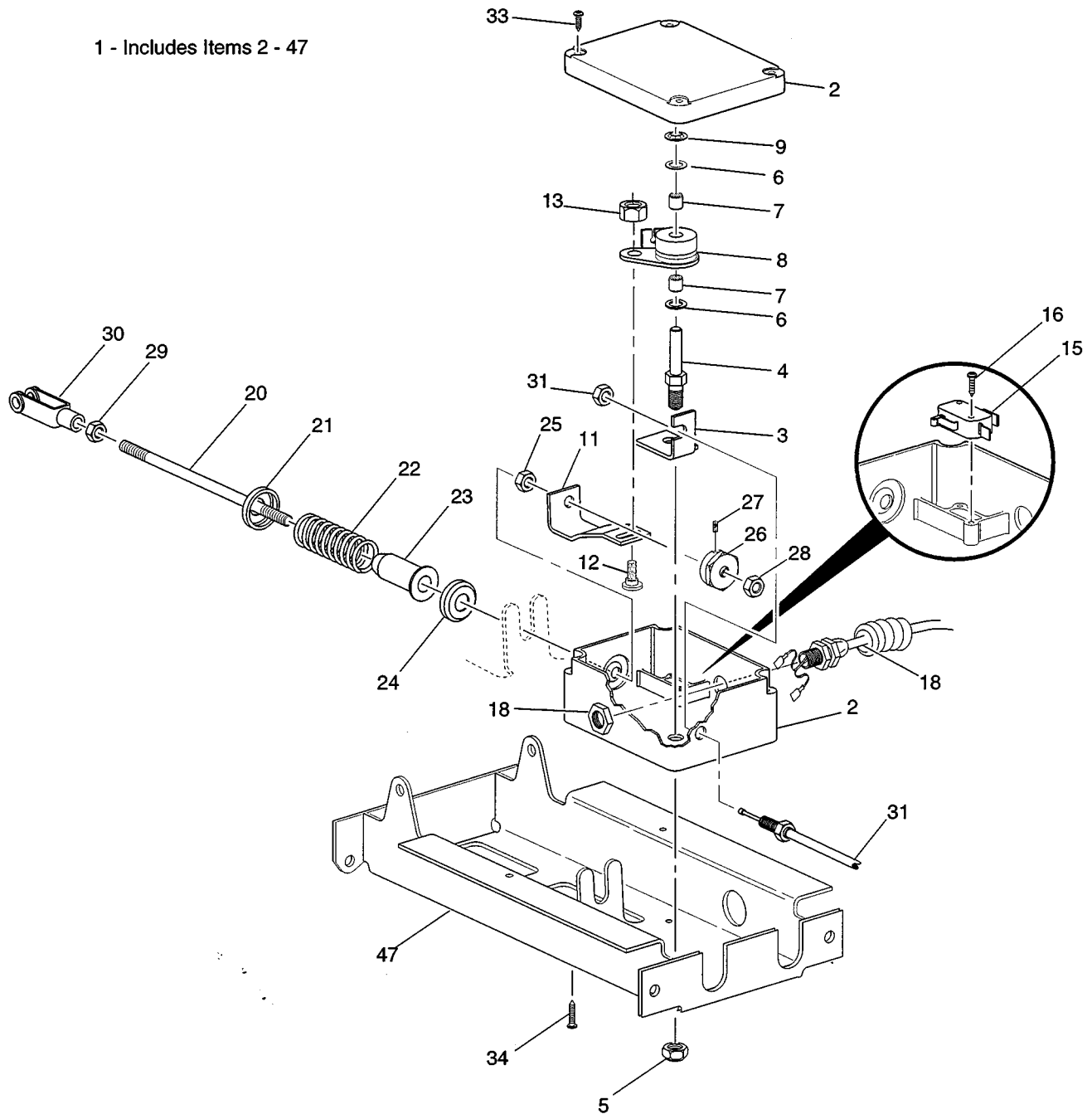
NOTE: Descriptions are indented under the assembly that they are used on. That assembly is, in turn listed under the assembly that it is used on. This process is repeated until the highest final assembly is reached.

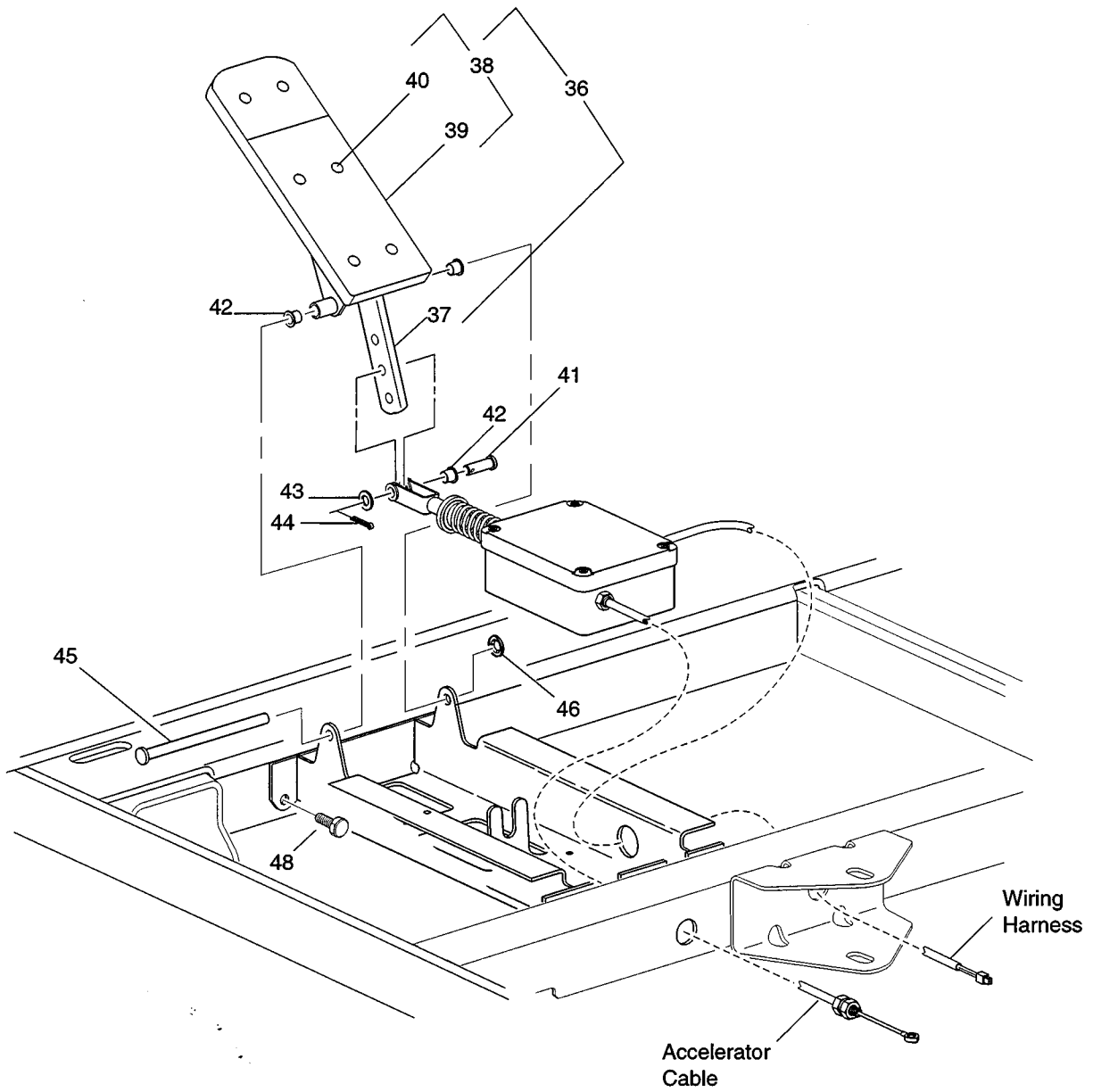
To facilitate the maintenance and repair of the vehicle, a Technician's Repair and Service Manual (P/N 28339-G01) is available from the E-Z-GO Service Parts Department.



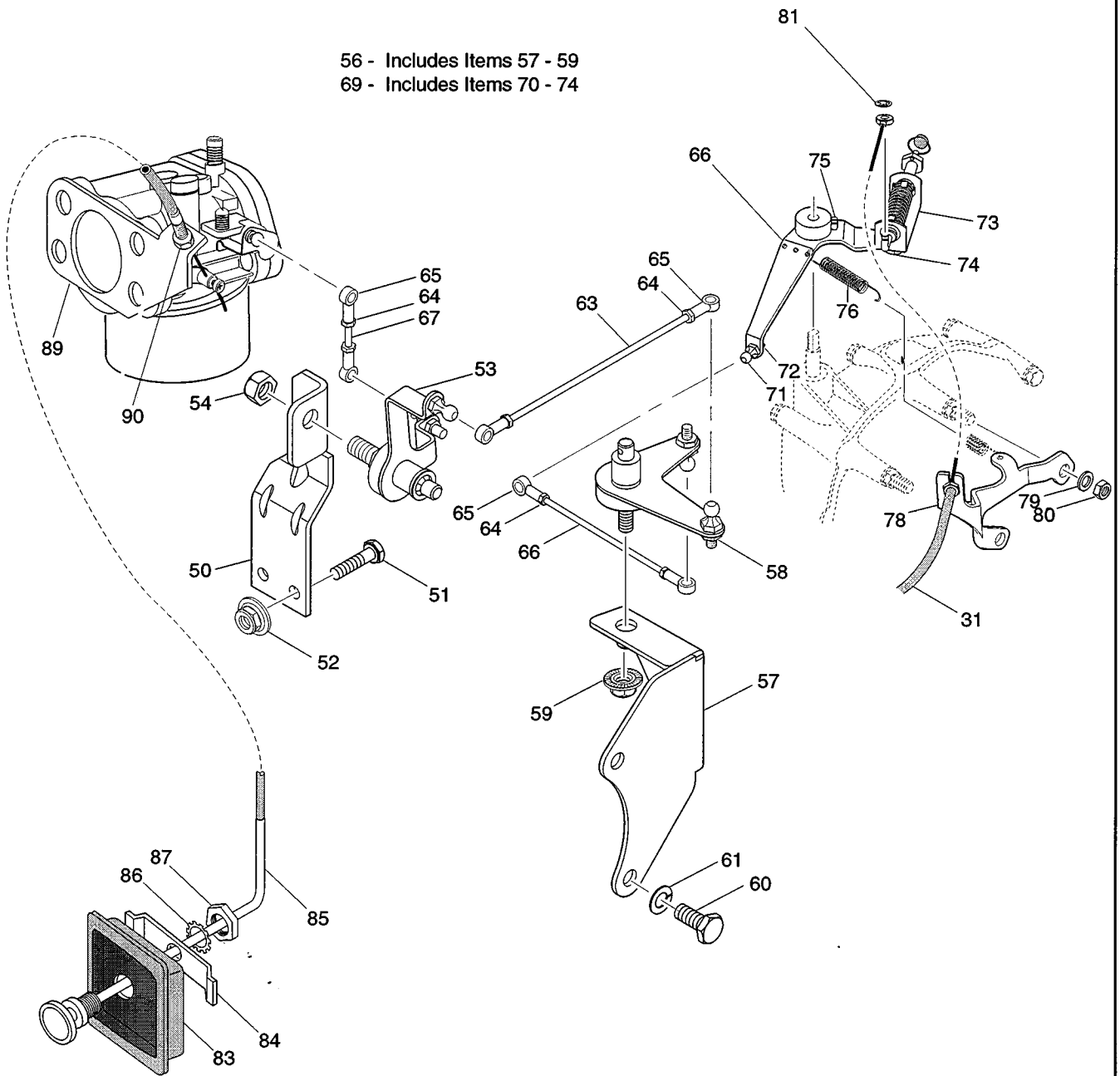
ILLUSTRATED PARTS BREAKDOWN

1 - Includes Items 2 - 47





56 - Includes Items 57 - 59
69 - Includes Items 70 - 74



When ordering parts, please specify the model and serial number of the product.

* Indicates a component that is not available as an individual part.

G** Indicates consult Customer Service Department for additional information.

ITEM	PART NO.	1 2 3 4 5	DESCRIPTION	QTY.
1	72062-G03		ACCELERATOR PEDAL BOX ASSEMBLY (INCLUDES ITEMS 2 - 47)	1
2	25853-G02		PEDAL BOX AND COVER	1
3	72199-G01		PIVOT BRACKET	1
4	25768-G01		PIVOT ROD	1
5	14390-G1		LOCK NUT, 3/8 - 24.....	1
6	24621-G1		NYLON WASHER, 5/16".....	2
7	23860-G1		BEARING.....	2
8	72066-G01		CONTROL ARM	1
9	12064-G1		PUSHNUT, 1/4"	1
10				
11	72074-G01		CONTROL ARM LINK	1
12	72225-G01		SHOULDER BOLT, SOCKET BUTTON HEAD.....	1
13	14390-G10		LOCK NUT, #10 - 24.....	1
14				
15	25861-G01		MICRO SWITCH.....	1
16	00982-G01		SCREW, #4 - 14 X 5/8" LG.....	2
17				
18	72201-G01		PEDAL BOX WIRING HARNESS (WITH NUT)	1
19				
20	72072-G01		ACCELERATOR ROD	1
21	17677-G2		SPRING RETAINER	1
22	73046-G01		COMPRESSION SPRING	1
23	17979-G1		ACCELERATOR ROD BUSHING	1
24	17677-G1		SPRING RETAINER	1
25	01009-G01		LOCK NUT, 5/16 - 24.....	1
26	72198-G01		MICRO SWITCH CAM.....	1
27	00487-G3		SETSCREW, 1/4 - 20 X 3/8" LG.....	1
28	00550-G4		LOCK NUT, 5/16 - 24.....	1
29	00532-G4		LOCK NUT, 5/16 - 24.....	1
30	10385-G4		CLEVIS YOKE	1

When ordering parts, please specify the model and serial number of the product.

* Indicates a component that is not available as an individual part.

G** Indicates consult Customer Service Department for additional information.

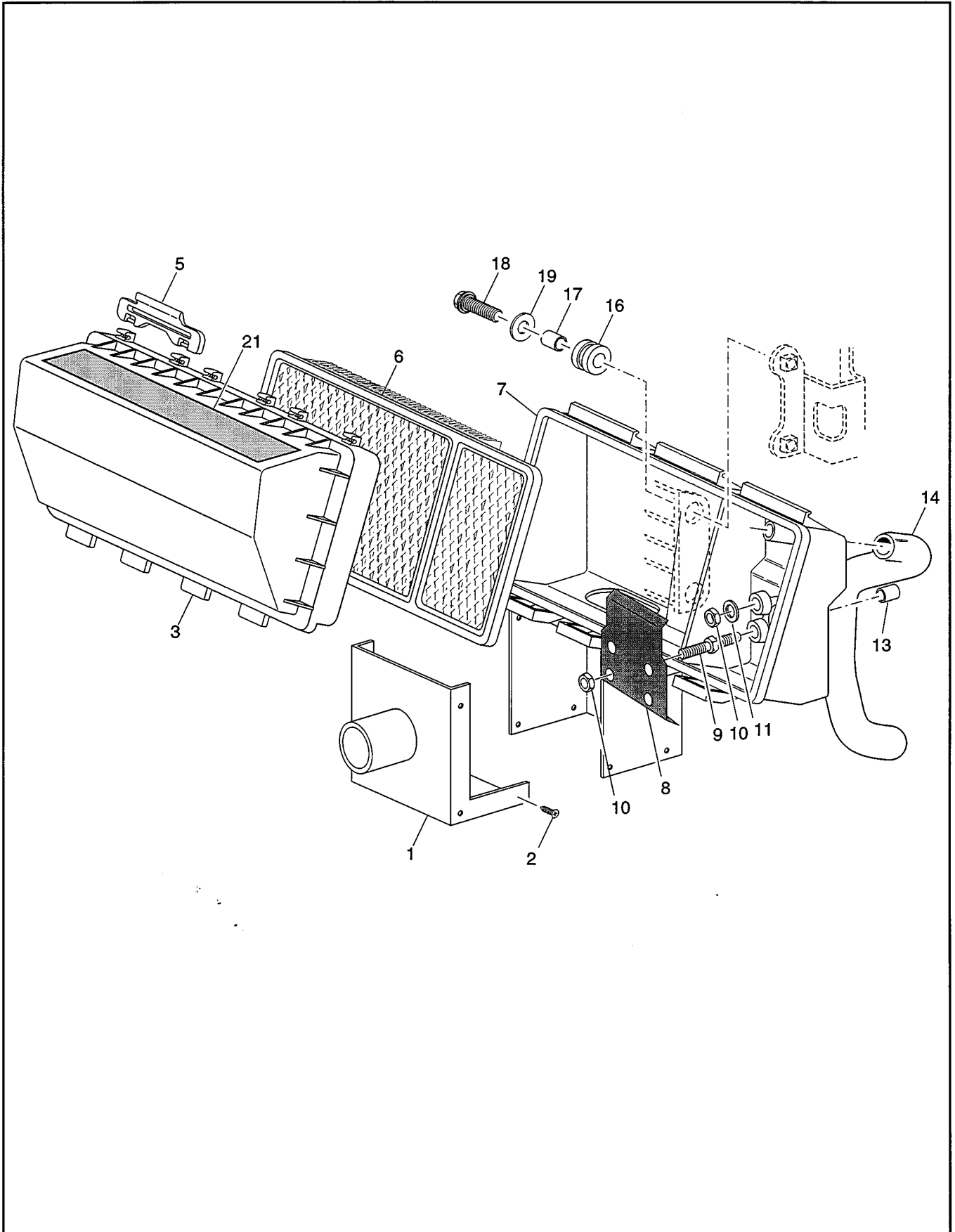
ITEM	PART NO.	1 2 3 4 5	DESCRIPTION	QTY.
31	72065-G02		ACCELERATOR CABLE (WITH NUT).....	1
32				
33	00984-G01		SCREW, #8 - 32 X 1/2" LG.	4
34	00684-G6		SCREW, #8 - 10 X 1/2" LG.	4
35				
36	25799-G01		ACCELERATOR PEDAL ASSEMBLY (INCLUDES ITEMS 37 - 40)	1
37	*		ACCELERATOR PEDAL	1
38	27844-G01		ACCELERATOR PEDAL PAD KIT (INCLUDES ITEMS 39, 40)	1
39	27512-G01		ACCELERATOR PEDAL PAD	1
40	15766-G1		OVAL RIVET, 3/8 X 15/32" LG.	6
41	10386-G3		CLEVIS PIN, 5/16 X 1" LG.....	1
42	17838-G1		BUSHING.....	3
43	17255-G1		TEFLON WASHER, 5/16"	1
44	10387-G3		COTTER PIN, 3/32 x 3/4" LG.	1
45	70134-G01		PEDAL PIVOT PIN.....	1
46	00986-G01		PUSHNUT, 19/64"	1
47	70116-G01		ACCELERATOR PEDAL BRACKET	1
48	00715-G2		BOLT, 5/16 - 18 X 3/4" LG.	4
49				
50	72197-G01		PIVOT BRACKET	1
51	00414-G8		BOLT, 1/4 - 20 X 1" LG.	2
52	14390-G4		LOCK NUT, 1/4 - 20	2
53	25760-G01		CARBURETOR LINKAGE BELLCRANK	1
54	14390-G1		LOCK NUT, 3/8 - 24	1
55				
56	25702-G01		GOVERNOR PIVOT BRACKET ASSEMBLY (INCLUDES ITEMS 57 - 59).....	1
57	25655-G01		BELLCRANK BRACKET.....	1
58	25763-G01		GOVERNOR PIVOT.....	1
59	14390-G1		LOCK NUT, 3/8 - 24.....	1
60	00276-G6		BOLT, 5/16 - 24 X 3/4" LG.	2

When ordering parts, please specify the model and serial number of the product.

* Indicates a component that is not available as an individual part.

G** Indicates consult Customer Service Department for additional information.

ITEM	PART NO.	1 2 3 4 5	DESCRIPTION	QTY.
61	00565-G8		LOCK WASHER, 5/16".....	2
62				
63	25737-G02		THROTTLE LINKAGE ROD (COMPLETE).....	1
64	00526-G4		NUT, #10 - 32.....	AR
65	24465-G1		BALL JOINT SOCKET.....	AR
66	25737-G03		GOVERNOR LINKAGE ROD.....	1
67	25737-G01		CARBURETOR LINKAGE ROD.....	1
68				
69	25690-G01		GOVERNOR BELLCRANK ASSEMBLY (INCLUDES ITEMS 70 - 74).....	1
70	25765-G01		GOVERNOR BELLCRANK.....	1
71	24479-G1		BALL JOINT STUD.....	1
72	00734-G5		LOCK NUT, #10 - 32.....	1
73	22751-G2		GOVERNOR BRACKET.....	1
74	14390-G4		LOCK NUT, 1/4 - 20.....	1
75	00491-G4		SETSCREW, 1/4 - 20 X 1/2" LG.	1
76	25738-G01		GOVERNOR TO ACCELERATOR BRACKET SPRING.....	1
77				
78	25653-G01		ACCELERATOR CABLE BRACKET.....	1
79	*		WASHER (PROVIDED ON DIFFERENTIAL).....	2
80	*		NUT (PROVIDED ON DIFFERENTIAL).....	2
81	12064-G3		PUSHNUT, 3/16".....	1
82				
83	72154-G01		CHOKE CABLE ADAPTER.....	1
84	72155-G02		ADAPTER RETAINER.....	1
85	72401-G02		CHOKE CONTROL ASSEMBLY (COMPLETE WITH NUTS).....	1
86	00568-G4		LOCK WASHER, 9/16".....	1
87	00545-G4		NUT, 9/16 - 18.....	1
88				
89	26728-G01		CHOKE BRACKET.....	1
90	00544-G4		NUT, 5/16 - 24.....	2

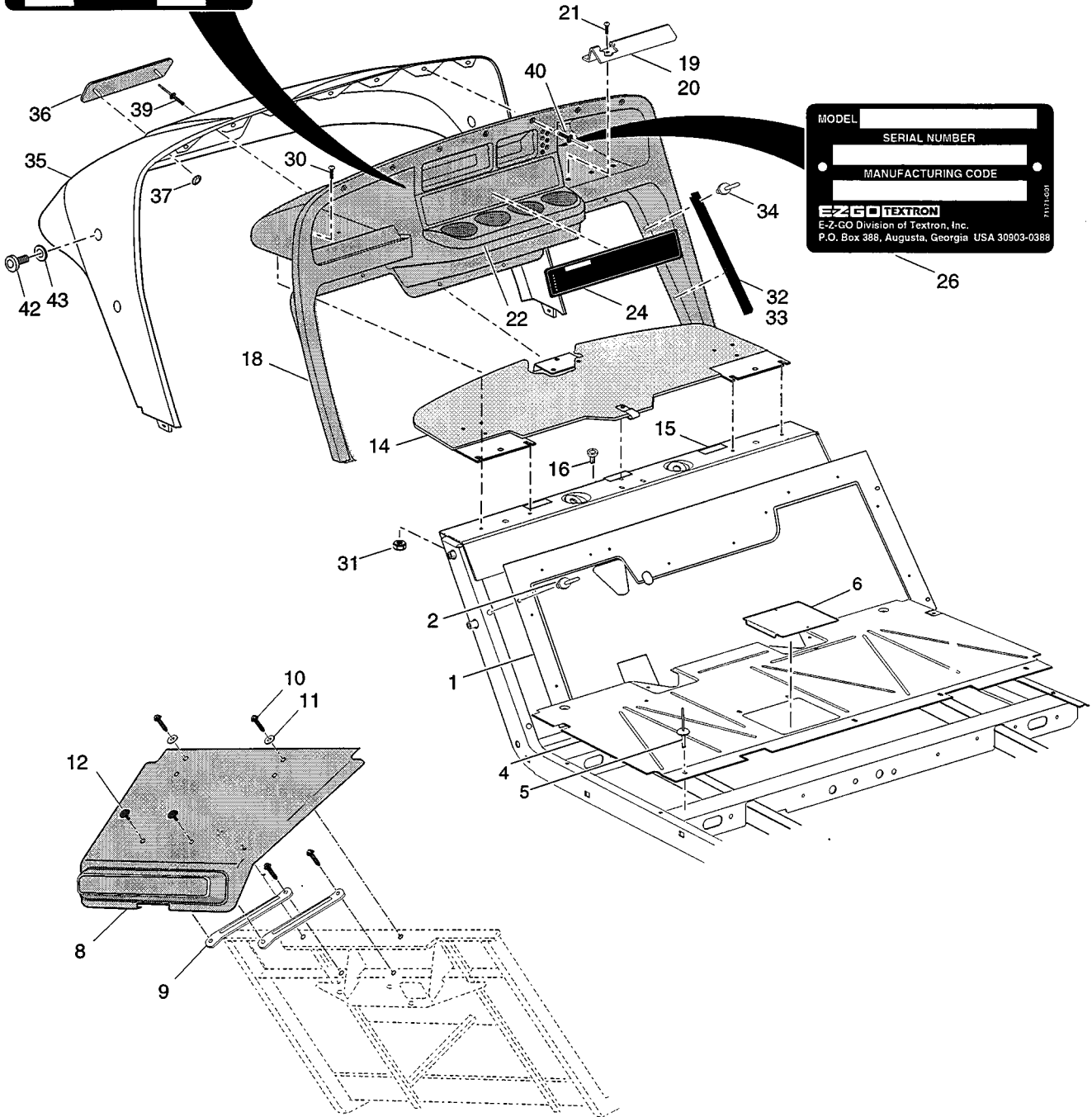


When ordering parts, please specify the model and serial number of the product.
 * Indicates a component that is not available as an individual part.
 G** Indicates consult Customer Service Department for additional information.

ITEM	PART NO.	1 2 3 4 5	DESCRIPTION	QTY.
1	72146-G01		INLET TUBE.....	1
2	00614-G5		SCREW, #8 - 18 X 5/8" LG.	6
3	72143-G01		COVER.....	1
4				
5	72148-G01		LATCH.....	3
6	72144-G01		ELEMENT	1
7	72142-G01		HOUSING	1
8	72529-G01		BAFFLE.....	1
9	72514-G01		STUD, M6 X 1.39MM LG	2
10	13632-G1		NUT, M6 X 1 MM.....	4
11	51400-G1		LOCK WASHER, 6 MM.....	2
12				
13	23726-G6		CARBURETOR MOUNT SPACER.....	4
14	72151-G01		PCV HOSE.....	1
15				
16	72147-G01		HOUSING MOUNT GROMMET	2
17	23726-G7		HOUSING MOUNT SPACER.....	2
18	26671-G01		BOLT WITH WASHER, M6 X 1 X 30 MM LG.	2
19	26701-G01		WASHER, 6.5 X 20 X 1.6 MM.....	2
20				
21	74093-G01		WARNING DECAL.....	1

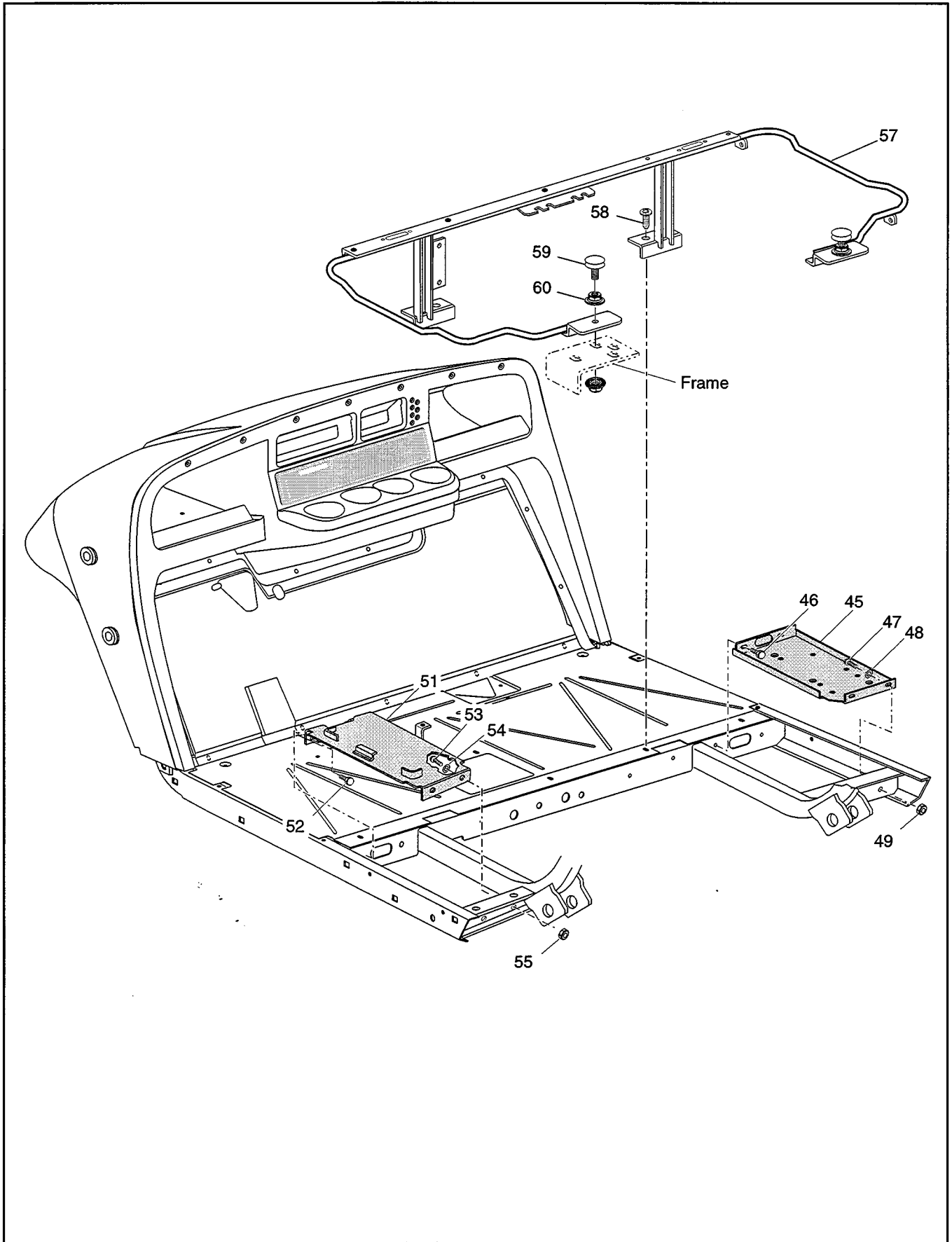
OPERATING WEIGHT	<input type="text"/>	LBS	<input type="text"/>	KG
RATED CAPACITY	<input type="text"/>	LBS	<input type="text"/>	KG
RATED OUTPUT	<input type="text"/>	HP	<input type="text"/>	KW
RECOMMENDED TIRE INFLATION				
FRONT		PSI	<input type="text"/>	PSI
REAR		PSI	<input type="text"/>	PSI
		kPa	<input type="text"/>	kPa

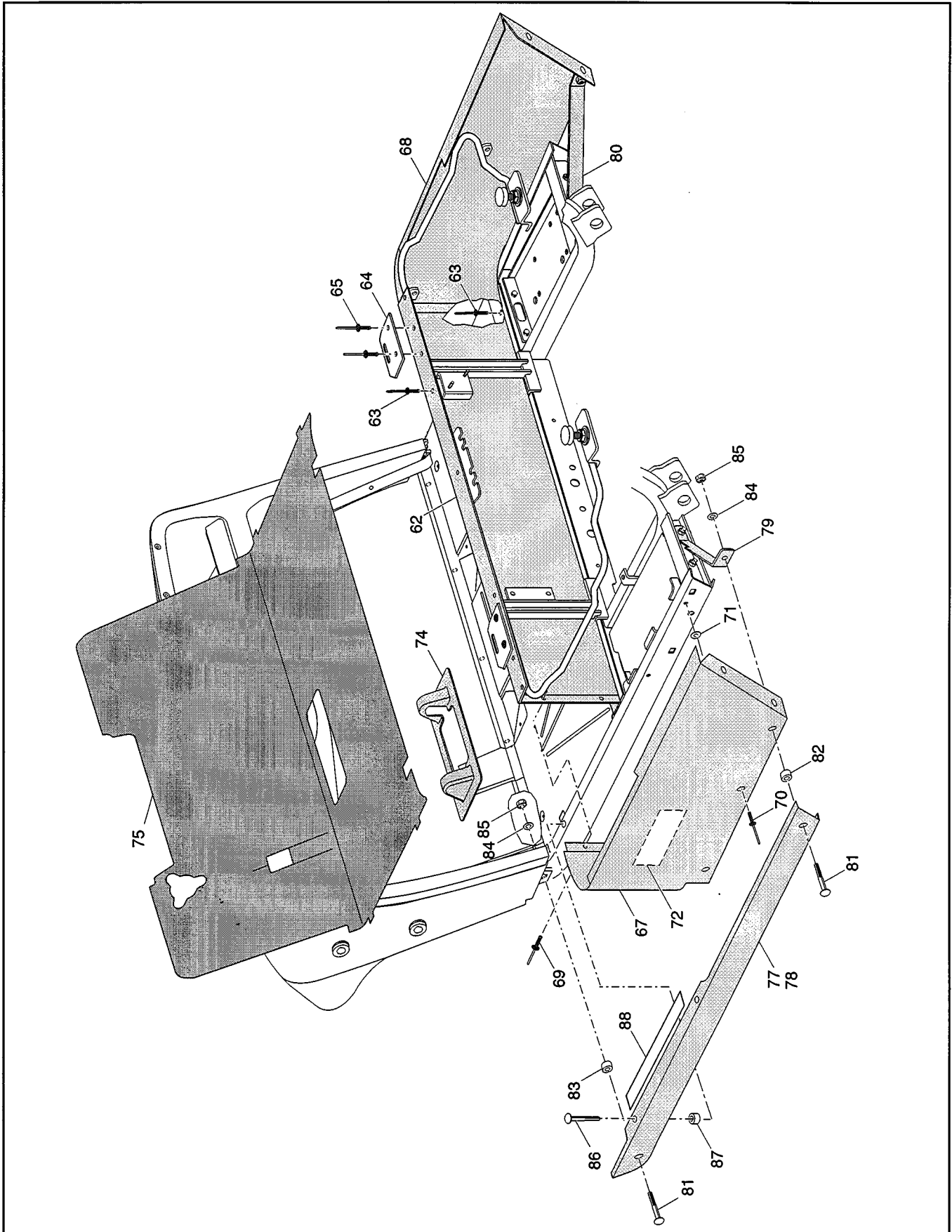
18 - Includes Items 19 - 22

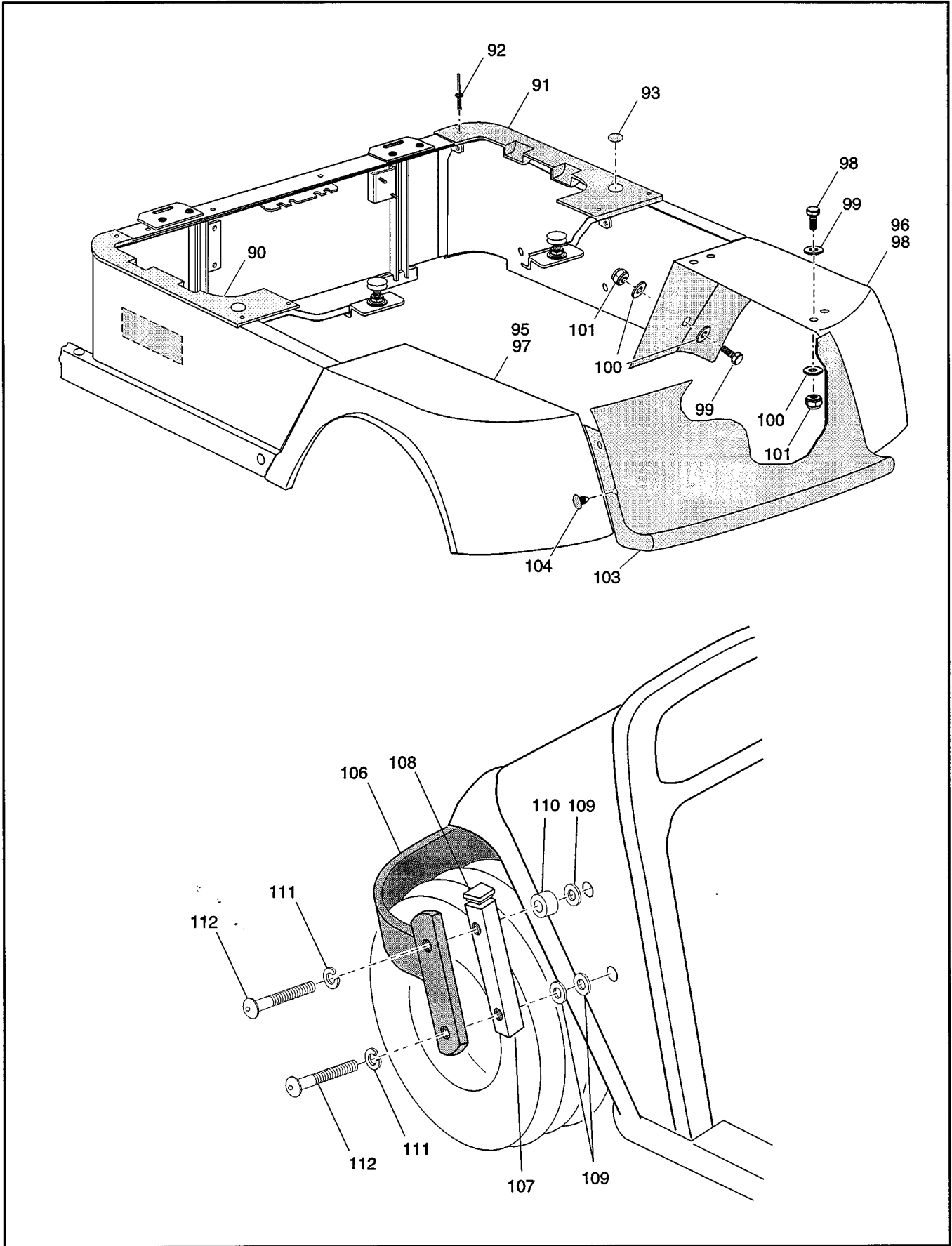


MODEL	<input type="text"/>
SERIAL NUMBER	<input type="text"/>
MANUFACTURING CODE	<input type="text"/>
EZGO TEXTRON	
E-Z-GO Division of Textron, Inc.	
P.O. Box 388, Augusta, Georgia USA 30903-0388	

26







When ordering parts, please specify the model and serial number of the product.

* Indicates a component that is not available as an individual part.

G** Indicates consult Customer Service Department for additional information.

ITEM	PART NO.	1 2 3 4 5	DESCRIPTION	QTY.
1	70047-G01		UPPER FLOORPAN	1
2	14601-G11		RIVET, 3/16 X 9/16" LG.....	9
3				
4	70132-G01		LOWER FLOORPAN.....	1
5	14601-G11		RIVET, 3/16 X 9/16" LG.....	7
6	70164-G01		SWITCH ACCESS COVER.....	1
7				
8	27166-G02		FRONT SHIELD.....	1
9	71015-G01		FRONT SHIELD BRACE.....	2
10	00114-G6		BOLT, 1/4 - 14 X 3/4" LG.....	4
11	16469-G7		WASHER, 1/4"	2
12	16816-G2		RATCHET FASTENER.....	2
13				
14	71143-G01		SPLASH PANEL.....	1
15	27919-G02		FOAM TAPE, 3/4 X 2" LG.....	3
16	71102-G01		BOLT, 1/4 - 20 X 3/4" LG.....	1
17				
18	71151-G01		INSTRUMENT PANEL ASSEMBLY (INCLUDES ITEMS 19 - 22).....	1
19	71153-G01		DEFLECTOR (PASSENGER SIDE)	1
20	71154-G01		DEFLECTOR (DRIVER SIDE).....	1
21	00614-G5		SCREW, #8 - 18 X 5/8" LG.....	6
22	71158-G01		4 CUP INSERT	1
23				
24	71177-G01		SAFETY LABEL.....	1
25				
26	*		SERIAL NUMBER PLATE.....	1
27	*		CAPACITY PLATE.....	1
28	10570-G9		RIVET, 1/8 X 11/32" LG.....	4
29				
30	00740-G4		SCREW, #10 - 32 X 1/2" LG.	4

When ordering parts, please specify the model and serial number of the product.

* Indicates a component that is not available as an individual part.

G** Indicates consult Customer Service Department for additional information.

ITEM	PART NO.	1 2 3 4 5	DESCRIPTION	QTY.
31	00921-G8		NUT, #10 - 32	4
32	71115-G01		VINYL TRIM (PASSENGER SIDE)	1
33	71115-G02		VINYL TRIM (DRIVER SIDE).....	1
34	14601-G13		RIVET, 5/32 X 9/16" LG.....	10
35	71051-G**		COWL.....	1
36	19817-G2		E-Z-GO NAMEPLATE (GOLD).....	1
37	12064-G3		PUSHNUT, 3/16"	2
38				
39	14601-G13		RIVET, 5/32 X 9/16" LG.....	2
40	71055-G01		RIVET, 3/16 X 3/8" LG.....	7
41				
42	71056-G01		BOLT, 5/16 - 18 X 5/8" LG.....	4
43	00570-G2		WASHER, 5/16"	4
44				
45	70244-G02		SPLASH PANEL.....	1
46	00715-G2		BOLT, 5/16 - 18 X 13/16" LG.....	2
47	00438-G8		BOLT, 5/16 - 18 X 1" LG.....	2
48	00559-G8		WASHER, 5/16"	2
49	11098-G6		LOCK NUT, 5/16 - 18	2
50				
51	70245-G01		BATTERY TRAY	1
52	00715-G2		BOLT, 5/16 - 18 X 13/16" LG.....	2
53	00438-G8		BOLT, 5/16 - 18 X 1" LG.....	2
54	00571-G2		WASHER, 5/16"	2
55	11098-G6		LOCK NUT, 5/16 - 18	2
56				
57	70384-G01		SEAT FRAME.....	1
58	70200-G01		SCREW, 3/8 - 16 X 1/4" LG.	2
59	70113-G01		RUBBER BUMPER.....	2
60	11027-G1		LOCK NUT, 5/16 - 18	4

When ordering parts, please specify the model and serial number of the product.

* Indicates a component that is not available as an individual part.

G** Indicates consult Customer Service Department for additional information.

ITEM	PART NO.	1 2 3 4 5	DESCRIPTION	QTY.
61				
62	71379-G**		SEAT WRAP PANEL	1
63	10570-G10		RIVET, 5/32 X 9/16" LG.....	8
64	71609-G01		HINGE PLATE.....	2
65	10570-G11		RIVET, 3/16 X 11/16" LG.....	4
66				
67	71674-G**		SIDE PANEL (DRIVER SIDE)	1
68	71674-G**		SIDE PANEL (PASSENGER SIDE).....	1
69	10570-G10		RIVET, 5/32 X 9/16" LG.....	4
70	10570-G12		RIVET, 1/4 X 9/16" LG.....	4
71	16469-G7		FENDER WASHER, 1/4".....	4
72	71196-G01		DECAL ("WORKHORSE")	2
73				
74	70135-G01		PEDAL PIVOT COVER	1
75	70048-G06		FLOORMAT.....	1
76				
77	71190-G01		ROCKER PANEL (DRIVER SIDE)	1
78	71190-G02		ROCKER PANEL (PASSENGER SIDE).....	1
79	71191-G01		BRACE (DRIVER SIDE).....	1
80	71191-G02		BRACE (PASSENGER SIDE)	1
81	16705-G9		CARRIAGE BOLT, 1/4 - 20 X 1 1/4" LG.	4
82	19247-G2		SPACER (13/32" THICK).....	2
83	19247-G3		SPACER (9/32" THICK).....	2
84	00559-G7		WASHER, 1/4"	8
85	14390-G4		LOCK NUT, 1/4 - 20	8
86	16705-G1		CARRIAGE BOLT, 1/4 - 20 X 1" LG.	4
87	23726-G2		SPACER (1/4" THICK).....	4
88	71764-G01		SILL PLATE TREAD.....	1
89				
90	71588-G01		SEAT FILLER PANEL (DRIVER SIDE)	1

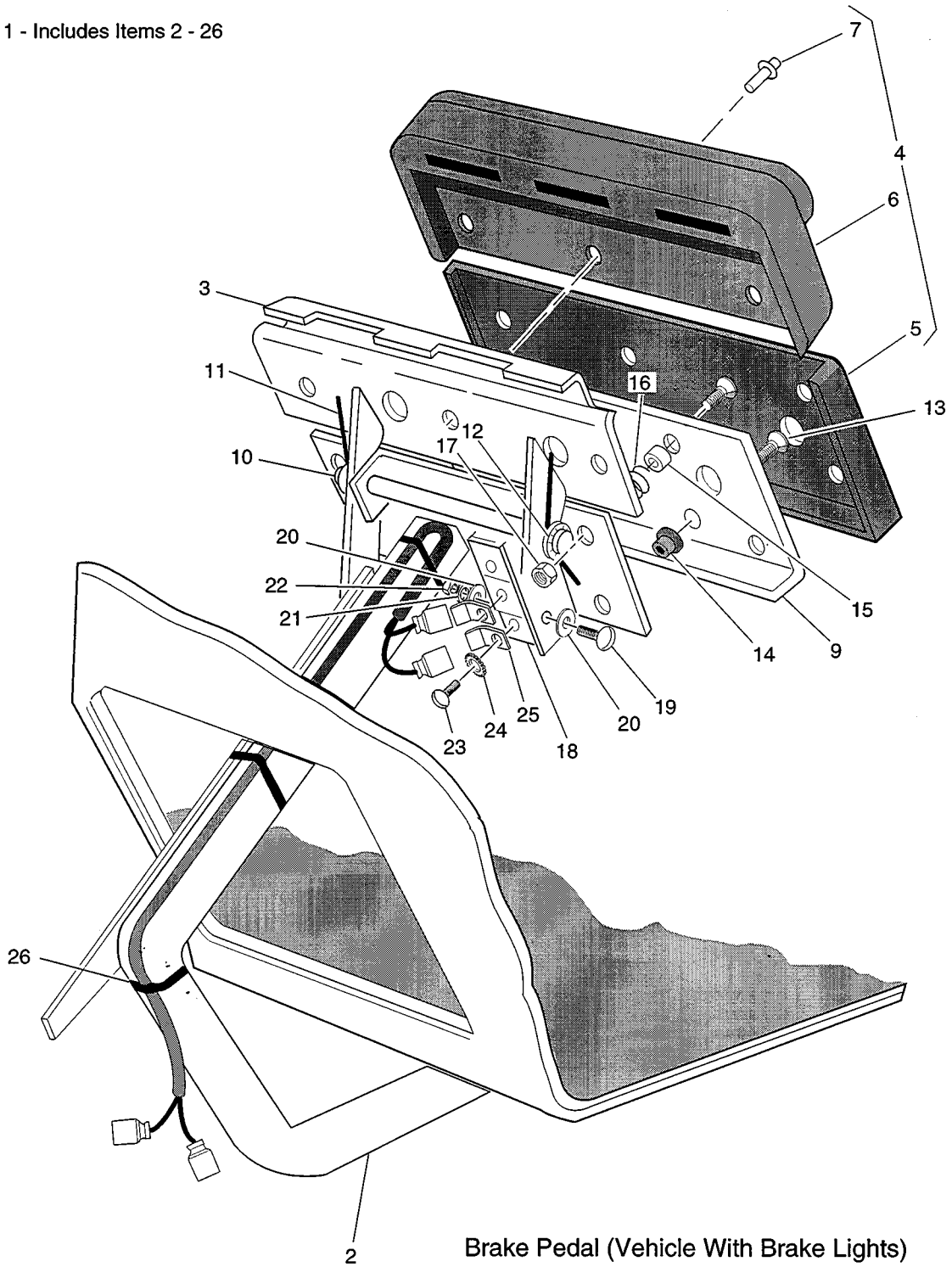
When ordering parts, please specify the model and serial number of the product.

* Indicates a component that is not available as an individual part.

G** Indicates consult Customer Service Department for additional information.

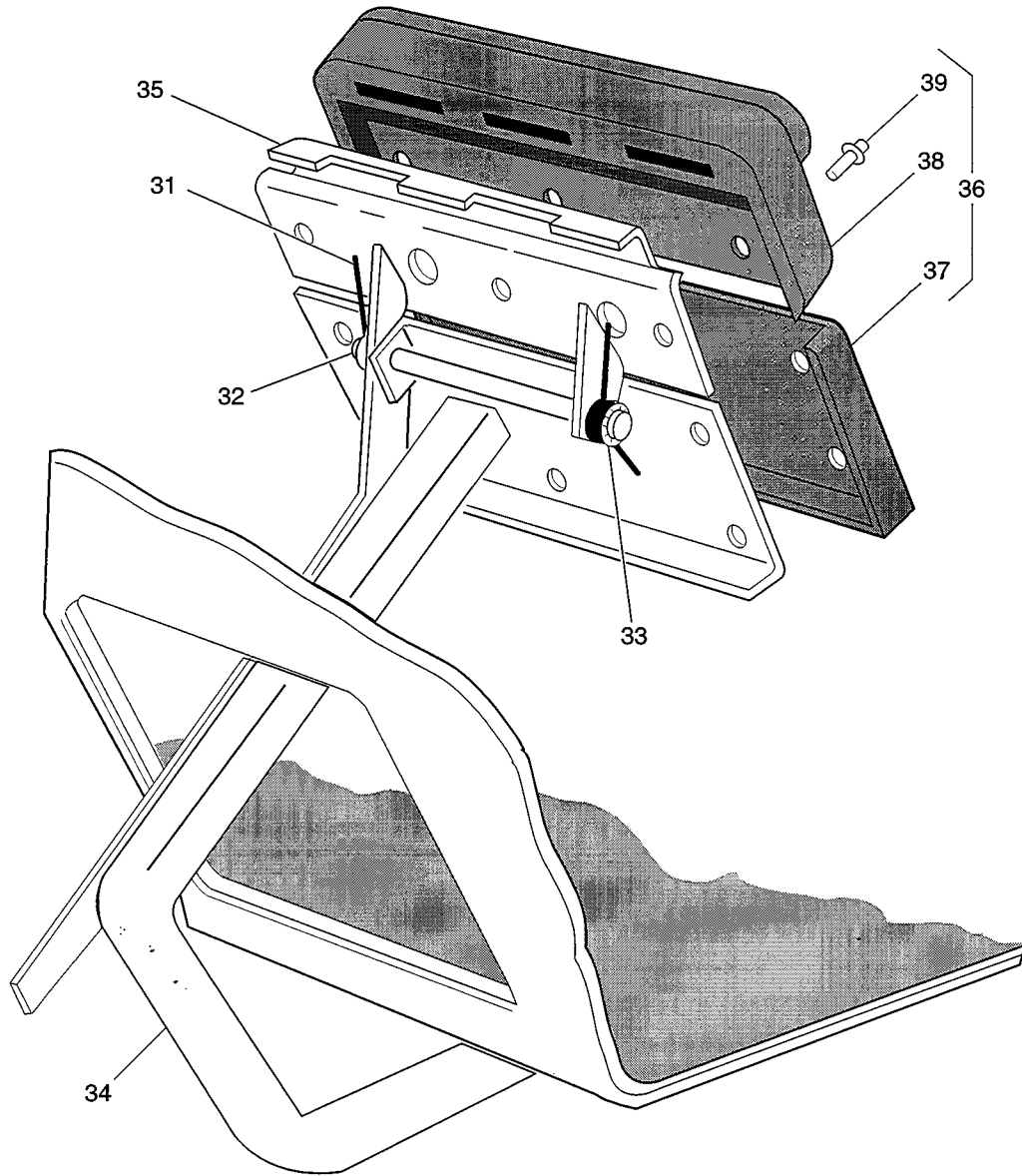
ITEM	PART NO.	1 2 3 4 5	DESCRIPTION	QTY.
91	71588-G02		SEAT FILLER PANEL (PASSENGER SIDE)	1
92	10570-G10		RIVET, 5/32 X 9/16" LG.....	6
93	20271-G7		HOLE PLUG (VEHICLES WITHOUT TOP).....	2
94				
95	71586-G01		FENDER (DRIVER SIDE)	1
96	71586-G02		FENDER (PASSENGER SIDE).....	1
97	71586-G03		FENDER (WITH TAILLIGHT) (DRIVER SIDE).....	1
98	71586-G04		FENDER (WITH TAILLIGHT) (PASSENGER SIDE)	1
99	00414-G7		BOLT, 1/4 - 20 X 7/8" LG.	12
100	00559-G7		WASHER, 1/4"	24
101	14390-G4		LOCK NUT, 1/4 - 20	12
102				
103	71587-G01		REAR PANEL	1
104	71055-G01		RIVET, 3/16 X 3/8" LG.....	4
105				
106	74040-G01		BUMPER.....	1
107	74037-G01		SPACER TUBE.....	2
108	19859-G1		TUBE CAP	2
109	00570-G2		WASHER, 5/16"	6
110	75048-G01		SPACER.....	2
111	00905-G8		LOCK WASHER, 5/16".....	4
112	71056-G02		BOLT, 5/16 - 18 X 2 5/8" LG.	4

1 - Includes Items 2 - 26



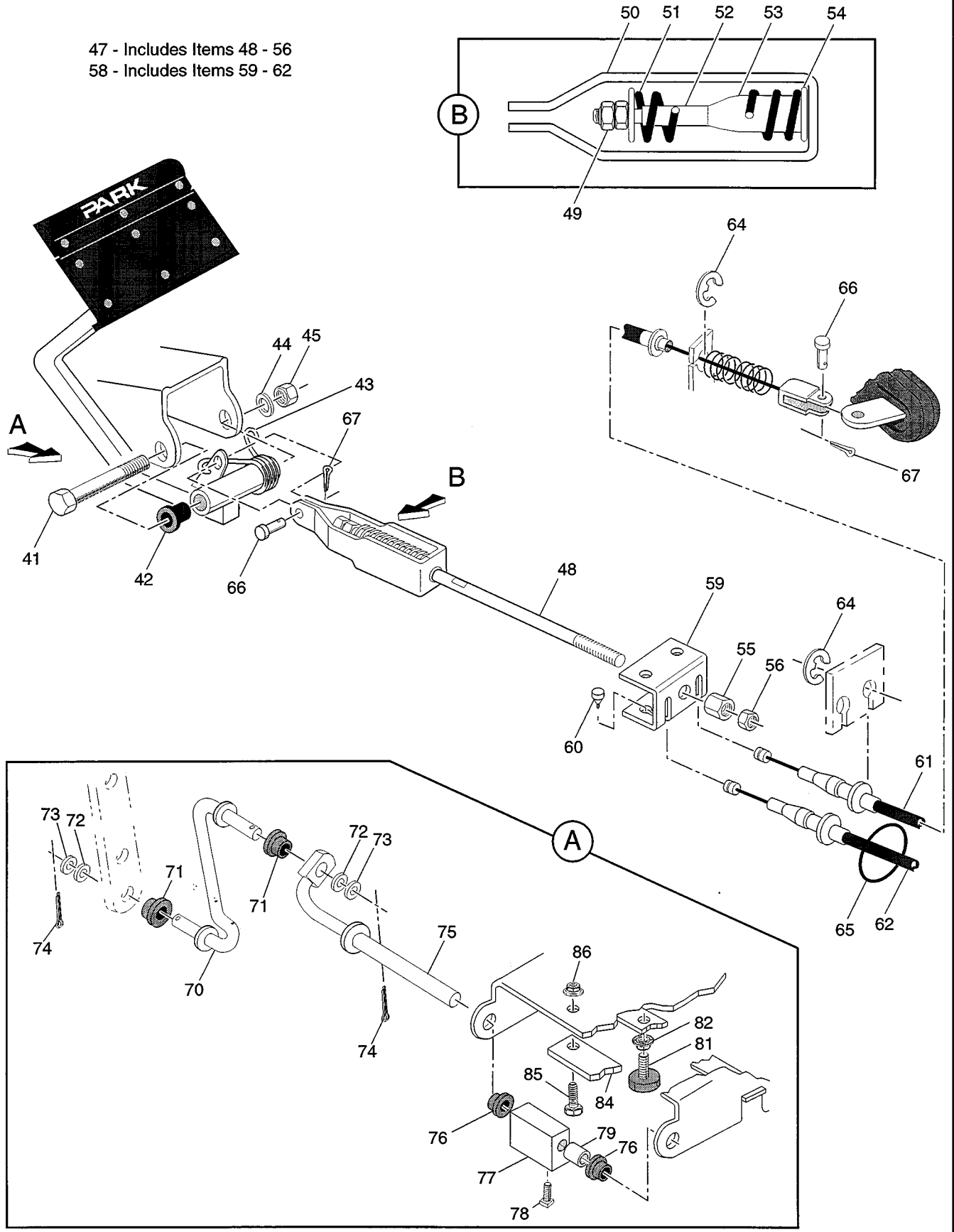
Brake Pedal (Vehicle With Brake Lights)

30 - Includes Items 31 - 39



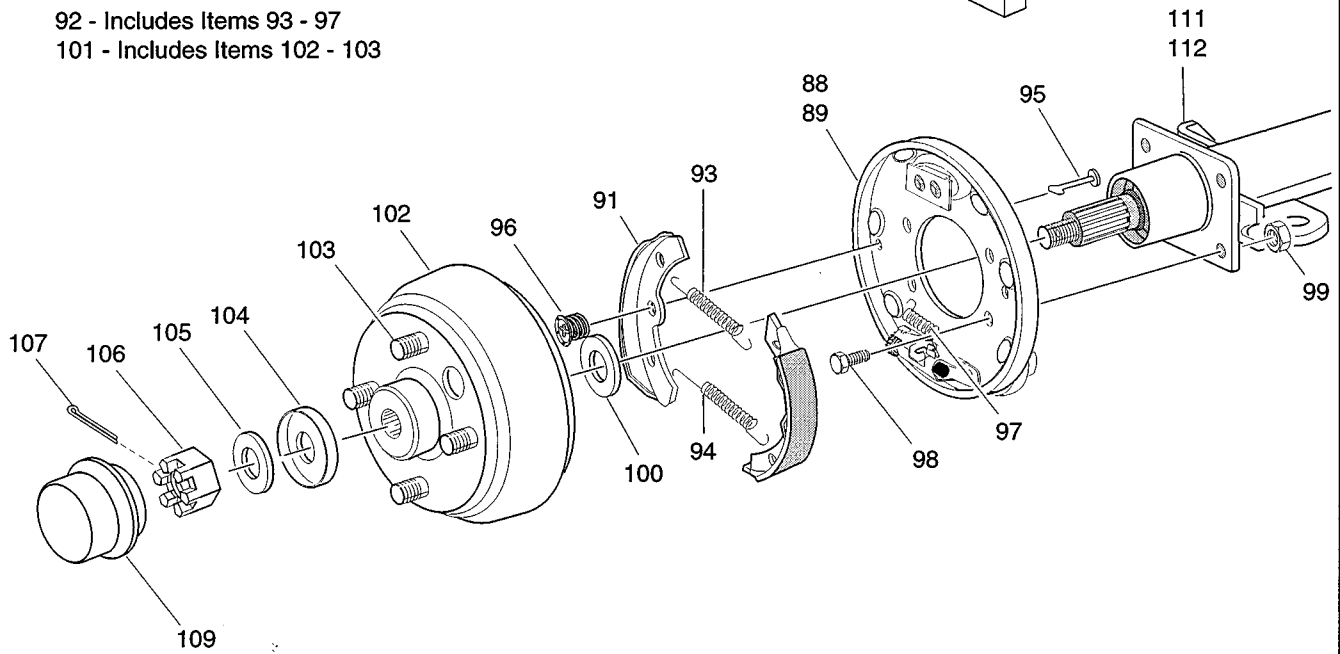
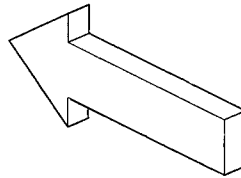
Brake Pedal (Vehicle Without Brake Lights)

47 - Includes Items 48 - 56
58 - Includes Items 59 - 62



- 88 - Includes Items 90 - 97
- 89 - Includes Items 90 - 97
- 90 - Includes Item 91
- 92 - Includes Items 93 - 97
- 101 - Includes Items 102 - 103

Front of Vehicle



BRAKES

Gasoline Vehicle

THE USE OF NON UL PARTS WILL VOID ANY UL LISTING.

When ordering parts, please specify the model and serial number of the product.

* Indicates a component that is not available as an individual part.

G** Indicates consult Customer Service Department for additional information.

ITEM	PART NO.	1 2 3 4 5	DESCRIPTION	QTY.
1	70263-G01		BRAKE PEDAL ASSEMBLY (INCLUDES ITEMS 2 - 26) VEHICLES WITH BRAKE LIGHTS	1
2	*		BRAKE PEDAL	1
3	*		PARK BRAKE PEDAL.....	1
4	70274-G01		BRAKE/PARK BRAKE PEDAL PAD KIT (INCLUDES ITEMS 5 - 7)	1
5	*		SERVICE BRAKE PEDAL PAD	1
6	*		PARK BRAKE PAD	1
7	15766-G1		RIVET, 3/8 x 15/32" LG.	9
8				
9	*		SERVICE BRAKE PEDAL PLATE	1
10	15932-G2		PIVOT PIN	1
11	11737-G1		TORSION SPRING.....	2
12	12064-G1		PUSHNUT, 5/16".....	1
13	00737-G8		SCREW, #10 - 24 X 1" LG.	4
14	00739-G1		RUBBER NUT, #10 - 24.....	2
15	22362-G3		BRAKE PEDAL STANDOFF	2
16	27137-G01		CONICAL SPRING	2
17	11098-G7		LOCK NUT, #10 - 24.....	2
18	10606-G8		MICRO SWITCH.....	1
19	00645-G2		SCREW, #6 - 32 X 1 1/4" LG.	2
20	00559-G3		WASHER, #6	2
21	00565-G3		LOCK WASHER, #6.....	2
22	00525-G5		NUT, #6 - 32.....	2
23	*		BRASS SCREW	2
24	00567-G3		LOCK WASHER, #6.....	6
25	14628-G1		FASTON TAB, 5/16" X 5/16" LG.....	2
26	17618-G1		WIRE TIE	3
27				
28				
29				

THE USE OF NON UL PARTS WILL VOID ANY UL LISTING.

When ordering parts, please specify the model and serial number of the product.

* Indicates a component that is not available as an individual part.

G** Indicates consult Customer Service Department for additional information.

ITEM	PART NO.	1 2 3 4 5	DESCRIPTION	QTY.
30	70264-G01		BRAKE PEDAL ASSEMBLY (INCLUDES ITEMS 31 - 39) VEHICLES WITHOUT BRAKE LIGHTS.....	1
31	11737-G1		TORSION SPRING.....	2
32	15932-G2		PIVOT PIN	1
33	12064-G1		PUSHNUT, 5/16"	1
34	*		SERVICE BRAKE PEDAL	1
35	70265-G01		PARK BRAKE PEDAL	1
36	70274-G01		BRAKE/PARK BRAKE PEDAL PAD KIT (INCLUDES ITEMS 37 - 39).....	1
37	*		SERVICE BRAKE PEDAL PAD	1
38	*		PARK BRAKE PEDAL PAD	1
39	15766-G1		RIVET, 3/8" X 15/32" LG.	9
40				
41	70096-G01		SHOULDER BOLT, 3/8 - 16 X 3" LG.	1
42	11079-G1		FLANGED BUSHING.....	2
43	70138-G01		TORSION SPRING	1
44	00643-G1		WASHER, 3/8"	1
45	11098-G5		NUT, 3/8 - 16	1
46				
47	70272-G04		COMPENSATOR ASSEMBLY (INCLUDES ITEMS 48 - 56).....	1
48	25882-G04		LINKAGE ROD	1
49	00532-G4		NUT, 5/16 - 24.....	2
50	*		YOKE	1
51	23463-G1		COMPRESSION SPRING.....	1
52	23061-G2		TUBE	1
53	17979-G1		BUSHING	1
54	15121-G1		WASHER, 3/8"	2
55	00963-G01		SPHERICAL NUT, 5/16 - 24	1
56	11098-G9		LOCK NUT, 5/16 - 24.....	1
57				

BRAKES

Gasoline Vehicle

THE USE OF NON UL PARTS WILL VOID ANY UL LISTING.

When ordering parts, please specify the model and serial number of the product.

* Indicates a component that is not available as an individual part.

G** Indicates consult Customer Service Department for additional information.

ITEM	PART NO.	1 2 3 4 5	DESCRIPTION	QTY.
58	70273-G03		EQUALIZER AND BRAKE CABLE ASSEMBLY (INCLUDES ITEMS 59 - 62).....	1
59	28082-G01		EQUALIZER BRACKET	1
60	28083-G01		BRAKE COMPENSATOR BUMPER.....	2
61	*		BRAKE CABLE (PASSENGER SIDE)	1
62	*		BRAKE CABLE (DRIVER SIDE).....	1
63				
64	12305-G1		RETAINING RING	4
65	12416-G1		WIRE TIE.....	2
66	10386-G3		CLEVIS PIN, 5/16" X 15/16" LG.....	3
67	10387-G3		COTTER PIN, 3/32" X 3/4" LG.....	5
68				
69				
70	70097-G01		KICK-OFF LINK.....	1
71	17838-G1		FLANGED BEARING	2
72	20835-G1		TEFLON WASHER.....	2
73	00559-G8		WASHER, 5/16".....	2
74	10387-G3		COTTER PIN, 3/32" X 3/4" LG.....	2
75	70098-G01		KICK OFF CAM PIVOT	1
76	10097-G6		FLANGED BEARING	2
77	25103-G1		KICK-OFF CAM.....	1
78	00491-G4		SETSCREW, 1/4 - 20 X 1/2" LG.....	2
79	14134-G4		SPACER	1
80				
81	70113-G01		ADJUSTABLE BUMPER	1
82	11027-G1		LOCK NUT, 5/16 - 18	1
83				
84	70080-G01		CATCH BRACKET.....	1
85	00414-G6		BOLT, 1/4 - 20 X 3/4" LG.....	2
86	11027-G2		LOCK NUT, 1/4 - 20	2

THE USE OF NON UL PARTS WILL VOID ANY UL LISTING.

When ordering parts, please specify the model and serial number of the product.

* Indicates a component that is not available as an individual part.

G** Indicates consult Customer Service Department for additional information.

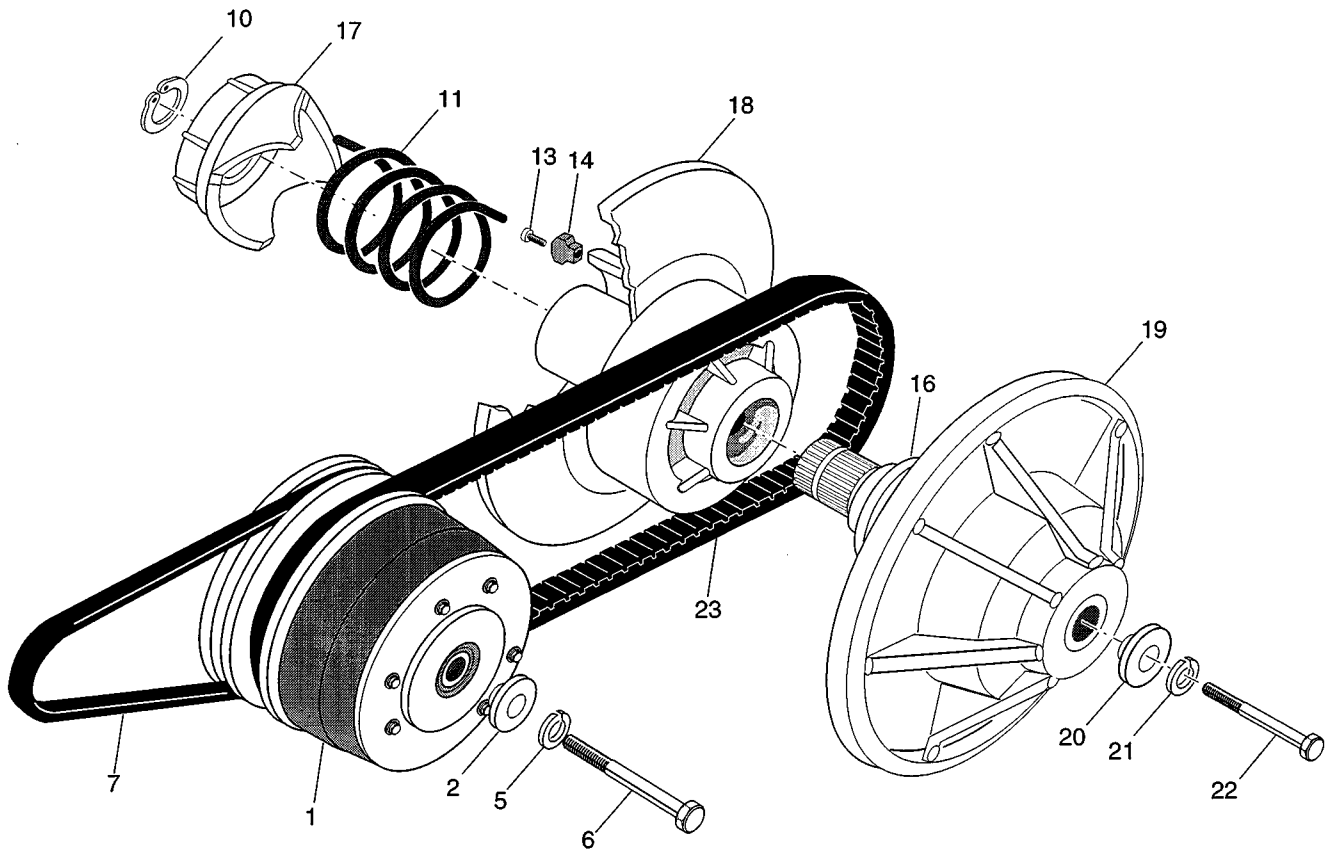
ITEM	PART NO.	1	2	3	4	5	DESCRIPTION	QTY.
87								
88	27942-G01						BRAKE ASSEMBLY (DRIVER SIDE) (INCLUDES ITEMS 90 - 97).....	1
89	27942-G02						BRAKE ASSEMBLY (PASSENGER SIDE) (INCLUDES ITEMS 90 - 97).....	1
90	27945-G01						BRAKE SHOE KIT (INCLUDES ITEM 91).....	2
91	*						BRAKE SHOE.....	2
92	27944-G01						BRAKE SPRING KIT (INCLUDES ITEMS 93 - 97)	2
93	*						UPPER SPRING	1
94	*						LOWER SPRING	1
95	*						PIN	2
96	*						CUP AND SPRING	2
97	*						ADJUSTER SPRING	1
98	17803-G2						BOLT, 5/16 - 24 X 1" LG.....	8
99	15126-G1						LOCK NUT, 5/16 - 24	8
100	21809-G1						INNER BRAKE DRUM WASHER.....	2
101	21807-G1						BRAKE DRUM ASSEMBLY (INCLUDES ITEMS 102 - 103).....	2
102	*						BRAKE DRUM.....	1
103	19862-G1						LUG BOLT	4
104	24939-G2						SPINDLE CAP ADAPTER.....	2
105	21830-G1						OUTER BRAKE DRUM WASHER	2
106	00518-G8						SLOTTED NUT, 3/4 - 16.....	2
107	10387-G1						COTTER PIN.....	2
108								
109	12091-G2						SPINDLE CAP	2
110								
111	72036-G02						BRAKE CABLE BRACKET (PASSENGER SIDE).....	1
112	72237-G02						BRAKE CABLE BRACKET (DRIVER SIDE).....	1

When ordering parts, please specify the model and serial number of the product.

* Indicates a component that is not available as an individual part.

G** Indicates consult Customer Service Department for additional information.

ITEM	PART NO.	1 2 3 4 5	DESCRIPTION	QTY.
1	26645-G04		CARBURETOR ASSEMBLY (INCLUDES ITEMS 2 - 12)	1
2	26835-G01		PILOT SCREW	1
3	26847-G01		PILOT SCREW NUT	1
4	26649-G03		PILOT JET (#50)	1
5	26841-G01		PLUG	1
6	26842-G01		GASKET	1
7	26647-G01		NEEDLE VALVE	1
8	26837-G01		MAIN NOZZLE	1
9	26646-G07		MAIN JET (#90)	1
10	26648-G01		FLOAT	1
11	26840-G01		FLOAT PIN	1
12	26843-G01		FLOAT BOWL GASKET	1
13	26844-G01		FLOAT CHAMBER	1
14	26839-G01		BOWL SCREW	1
15	26838-G01		BOWL GASKET	1
16	26846-G01		DRAIN SCREW	1
17	26845-G01		SPRING	1
18				
19	26650-G01		CARBURETOR VENT TUBE	2
20				
21	26726-G01		CARBURETOR MOUNT GASKET	1
22	26637-G01		CARBURETOR INSULATOR	1
23	26725-G01		CARBURETOR MOUNT GASKET	1

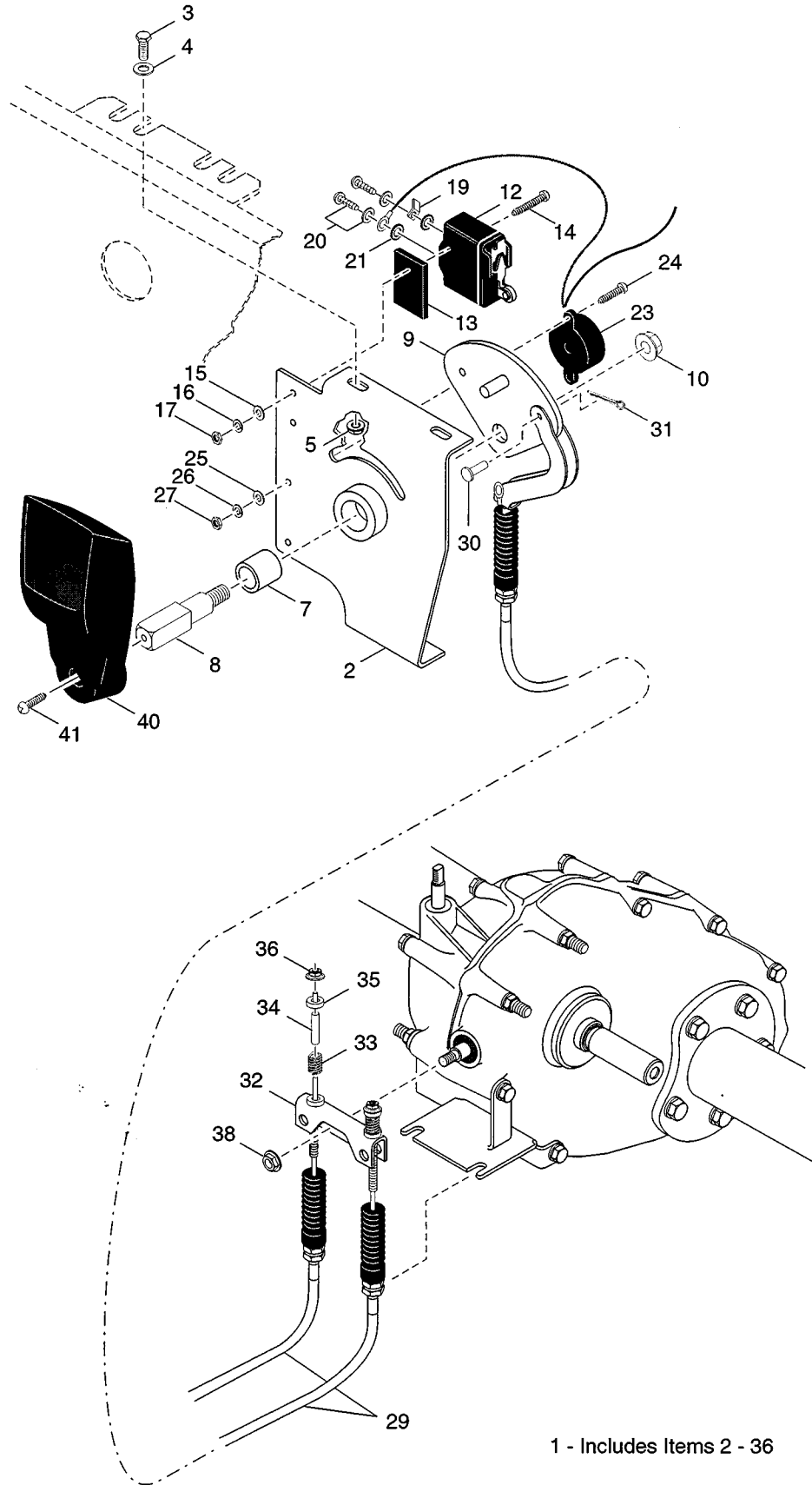


When ordering parts, please specify the model and serial number of the product.

* Indicates a component that is not available as an individual part.

G** Indicates consult Customer Service Department for additional information.

ITEM	PART NO.	1 2 3 4 5	DESCRIPTION	QTY.
1	26952-G01		DRIVE CLUTCH.....	1
2	25757-G1		PILOT WASHER	1
3				
4				
5	00566-G2		LOCK WASHER, 7/16".....	1
6	00473-G9		BOLT, 7/16 - 20 X 6 1/2" LG.....	1
7	26414-G01		STARTER / GENERATOR BELT	1
8				
9	26301-G02		DRIVEN CLUTCH ASSEMBLY (INCLUDES ITEMS 10 - 19)	1
10	27270-G01		HEAVY DUTY RETAINING RING.....	1
11	26304-G01		COMPRESSION SPRING.....	1
12				
13	00979-G01		SCREW, #10 - 24	3
14	26479-G01		RAMP BUTTON.....	3
15				
16	24600-G1		SPACER WASHER.....	1
17	*		CAM.....	1
18	*		MOVABLE SHEAVE	1
19	*		SHEAVE AND POST	1
20	25756-G1		RETAINING WASHER.....	1
21	00565-G8		LOCK WASHER, 5/16".....	1
22	00441-G8		BOLT, 5/16 - 18 X 4" LG.....	1
23	72024-G01		DRIVE BELT.....	1
24	**		DRIVE CLUTCH PULLER.....	AR
** SEE SERVICE ACCESSORIES AND SPECIAL TOOLS				



When ordering parts, please specify the model and serial number of the product.

* Indicates a component that is not available as an individual part.

G** Indicates consult Customer Service Department for additional information.

ITEM	PART NO.	1 2 3 4 5	DESCRIPTION	QTY.
1	25700-G06		DIRECTION SELECTOR ASSEMBLY (INCLUDES ITEMS 2 - 36)	1
2	25684-G01		DIRECTION SELECTOR BRACKET	1
3	00414-G6		SCREW, 1/4 - 20 X 3/4" LG.	2
4	00559-G7		WASHER, 1/4"	2
5	11027-G2		LOCK NUT, 1/4 - 20.....	2
6				
7	25664-G1		BUSHING	1
8	27537-G01		DIRECTION SELECTOR SHAFT	1
9	25745-G01		DIRECTION SELECTOR CAM.....	1
10	14390-G1		LOCK NUT, 3/8 - 24.....	1
11				
12	10606-G1		MICRO SWITCH.....	1
13	27151-G01		MICRO SWITCH SPACER	1
14	00645-G2		SCREW, #6 - 32 X 1 1/4" LG.....	2
15	00559-G3		WASHER, #6	2
16	00565-G3		LOCK WASHER, #6	2
17	00525-G5		NUT, #6 - 32.....	2
18				
19	14628-G1		FASTON TAB	1
20	*		SCREW AND WASHER ASSEMBLY	2
21	00567-G3		LOCK WASHER, #6	2
22				
23	17940-G5		REVERSE WARNING	1
24	00138-G5		SCREW, #6 - 32 X 5/8" LG.....	2
25	00559-G3		WASHER, #6	2
26	00565-G3		LOCK WASHER, #6	2
27	00525-G5		NUT, #6 - 32.....	2
28				
29	72341-G01		SHIFTER CONTROL CABLE	2
30	23176-G1		CLEVIS PIN, 5/16 X 1/2" LG.	2

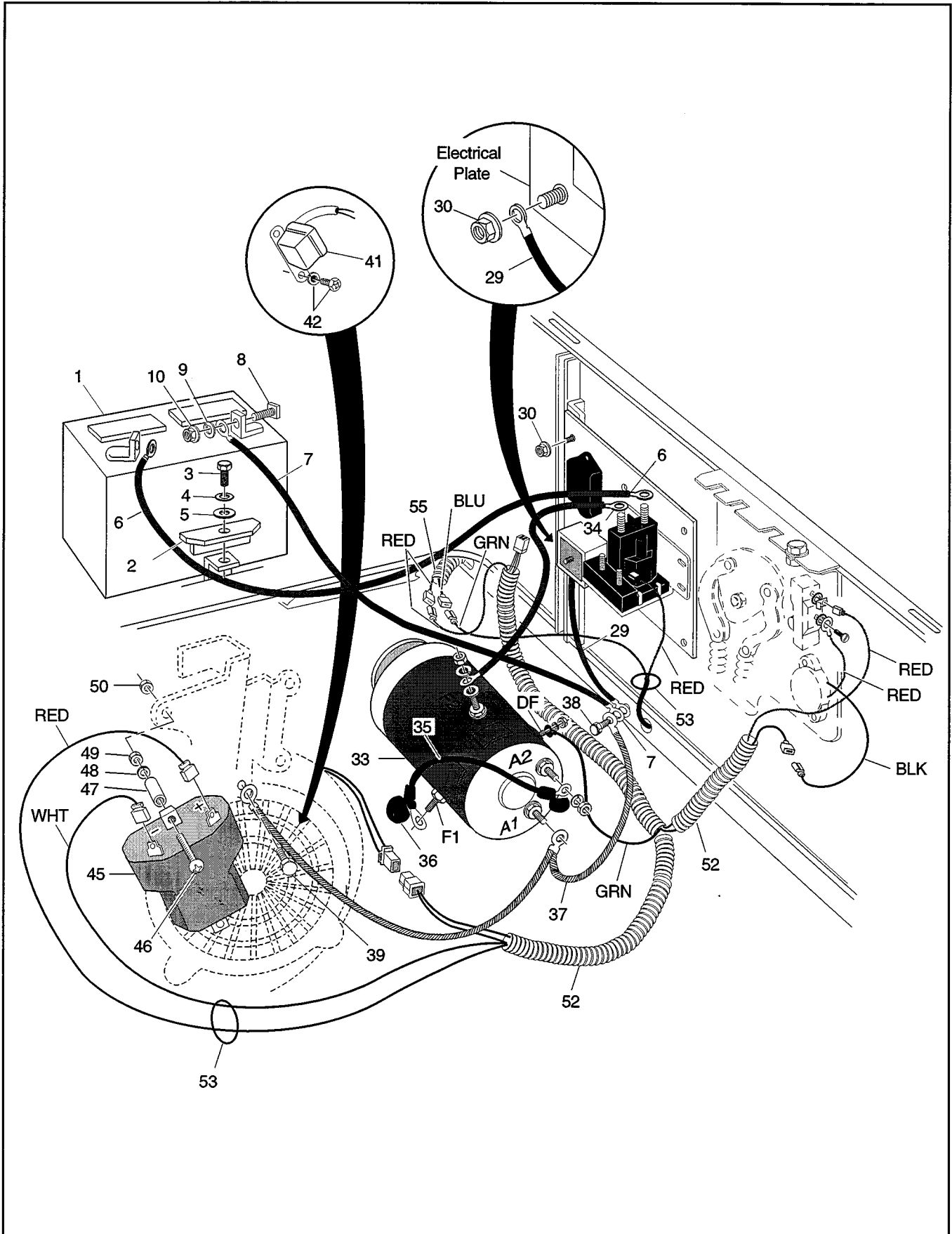
DIRECTION SELECTOR**Gasoline Vehicle**

When ordering parts, please specify the model and serial number of the product.

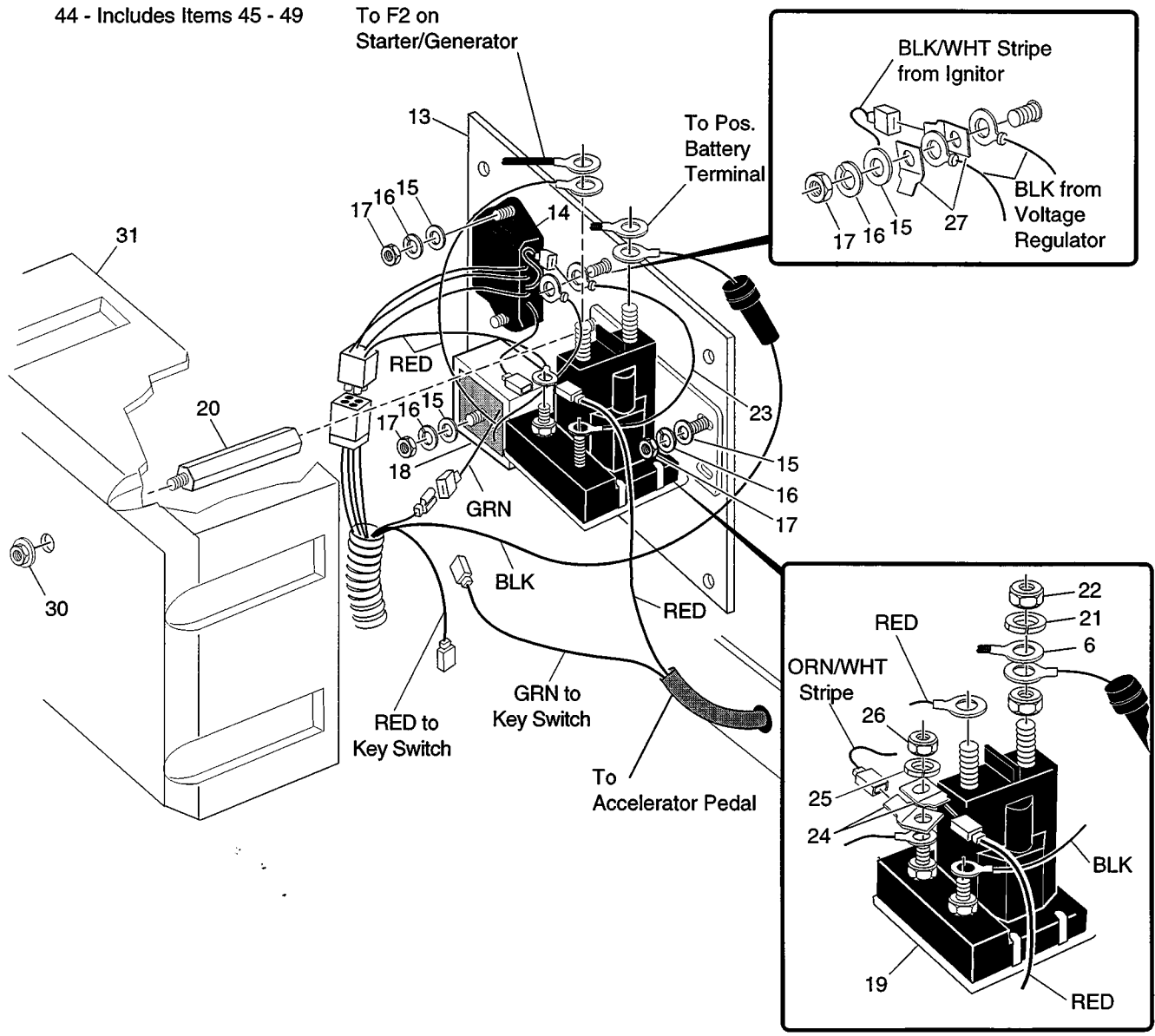
* Indicates a component that is not available as an individual part.

G** Indicates consult Customer Service Department for additional information.

ITEM	PART NO.	1 2 3 4 5	DESCRIPTION	QTY.
31	10387-G8		COTTER PIN, 1/16 X 3/4" LG.....	2
32	25946-G01		PIVOT ARM	1
33	27764-G01		SPRING	2
34	23726-G5		SPACER.....	2
35	25727-G01		CUP WASHER.....	4
36	11098-G7		NUT, #10 - 24.....	2
37				
38	26830-G01		SHIFTER LEVER NUT, M8 X 1.25 MM.....	1
39				
40	71905-G01		DIRECTION SELECTOR HANDLE.....	1
41	00740-G4		SCREW, #10 - 32 X 1/2" LG.....	1



24 - Includes Items 25 - 42
44 - Includes Items 45 - 49



When ordering parts, please specify the model and serial number of the product.

* Indicates a component that is not available as an individual part.

G** Indicates consult Customer Service Department for additional information.

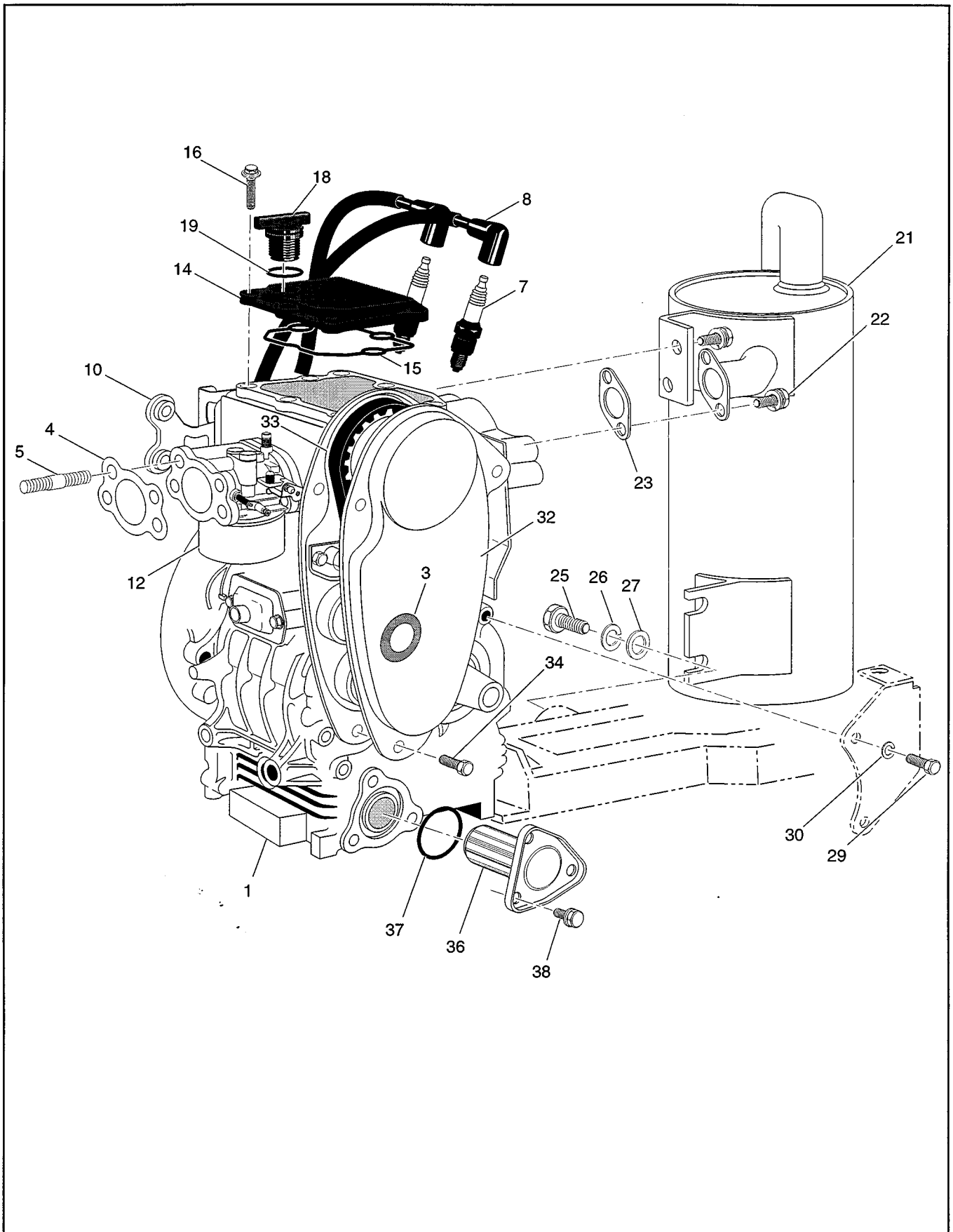
ITEM	PART NO.	1 2 3 4 5	DESCRIPTION	QTY.
1	24775-G**		BATTERY (12 VOLT)	1
2	72101-G01		BATTERY HOLD DOWN	1
3	00952-G6		BOLT, 5/16 - 18 X 3/4" LG.	1
4	00565-G8		LOCK WASHER, 5/16"	1
5	00571-G2		WASHER, 5/16"	1
6	25972-G33		BATTERY WIRE (POS - SOL)	1
7	25972-G12		BATTERY WIRE (NEG - GROUND)	1
8	*		BOLT, 5/16 - 18 X 3/4" LG.	2
9	*		LOCK WASHER, 5/16"	2
10	*		NUT, 5/16 - 18	2
11				
12	27740-G03		ELECTRICAL PLATE ASSEMBLY (INCLUDES ITEMS 12 - 27)	1
13	27738-G01		ELECTRICAL PLATE	1
14	27746-G01		IGNITOR	1
15	00650-G7		WASHER, 1/4"	6
16	00565-G7		LOCK WASHER, 1/4"	6
17	00532-G1		NUT, 1/4 - 20	5
18	27739-G01		VOLTAGE REGULATOR	1
19	27153-G01		SOLENOID	1
20	72003-G01		COVER SPACER	1
21	00565-G8		LOCK WASHER, 5/16"	2
22	00544-G4		NUT, 5/16 - 24	2
23	25978-G56		WIRE, 18 GAUGE, 5 3/4" LG.	1
24	12914-G1		FASTON TAB, 5/16 x 5/16"	2
25	00565-G5		LOCK WASHER, #10	2
26	00526-G4		NUT, #10 - 32	2
27	12914-G2		FASTON TAB, 3/8 x 13/32"	2
28				
29	25976-G11		WIRE, 14 GAUGE, BLACK	1
30	11027-G2		LOCK NUT, 1/4 - 20	3

When ordering parts, please specify the model and serial number of the product.

* Indicates a component that is not available as an individual part.

G** Indicates consult Customer Service Department for additional information.

ITEM	PART NO.	1 2 3 4 5	DESCRIPTION	QTY.
31	72004-G01		ELECTRICAL PLATE COVER	1
32				
33	XXXXX-XX		STARTER / GENERATOR (SEE SECTION S).....	X
34	25972-G58		WIRE (SOL - F2).....	1
35	25887-G01		WIRE, F1 - A2	1
36	16563-G1		TERMINAL COVER	3
37	20294-G3		GROUND CABLE	1
38	00715-G3		SCREW, 5/16 - 18 X 1 1/4" LG.	1
39	26676-G01		SCREW, M6 X 1 X 23 MM LG.	1
40				
41	26651-G02		IGNITION PICKUP ASSEMBLY (INCLUDES ITEM 42).....	1
42	26707-G01		BOLT AND WASHER, M5 X .8 X 10 MM LG.	1
43				
44	26652-G01		IGNITION COIL ASSEMBLY (INCLUDES ITEMS 45 - 49)	1
45	*		IGNITION COIL	1
46	*		SCREW	1
47	*		SPACER	1
48	*		LOCK WASHER	1
49	*		NUT	1
50	13632-G1		NUT, M6	2
51				
52	72344-G01		CONTROL HARNESS	1
53	17618-G1		WIRE TIE	2
54				
55	27778-G01		IGNITION SWITCH HARNESS.....	1



When ordering parts, please specify the model and serial number of the product.

* Indicates a component that is not available as an individual part.

G** Indicates consult Customer Service Department for additional information.

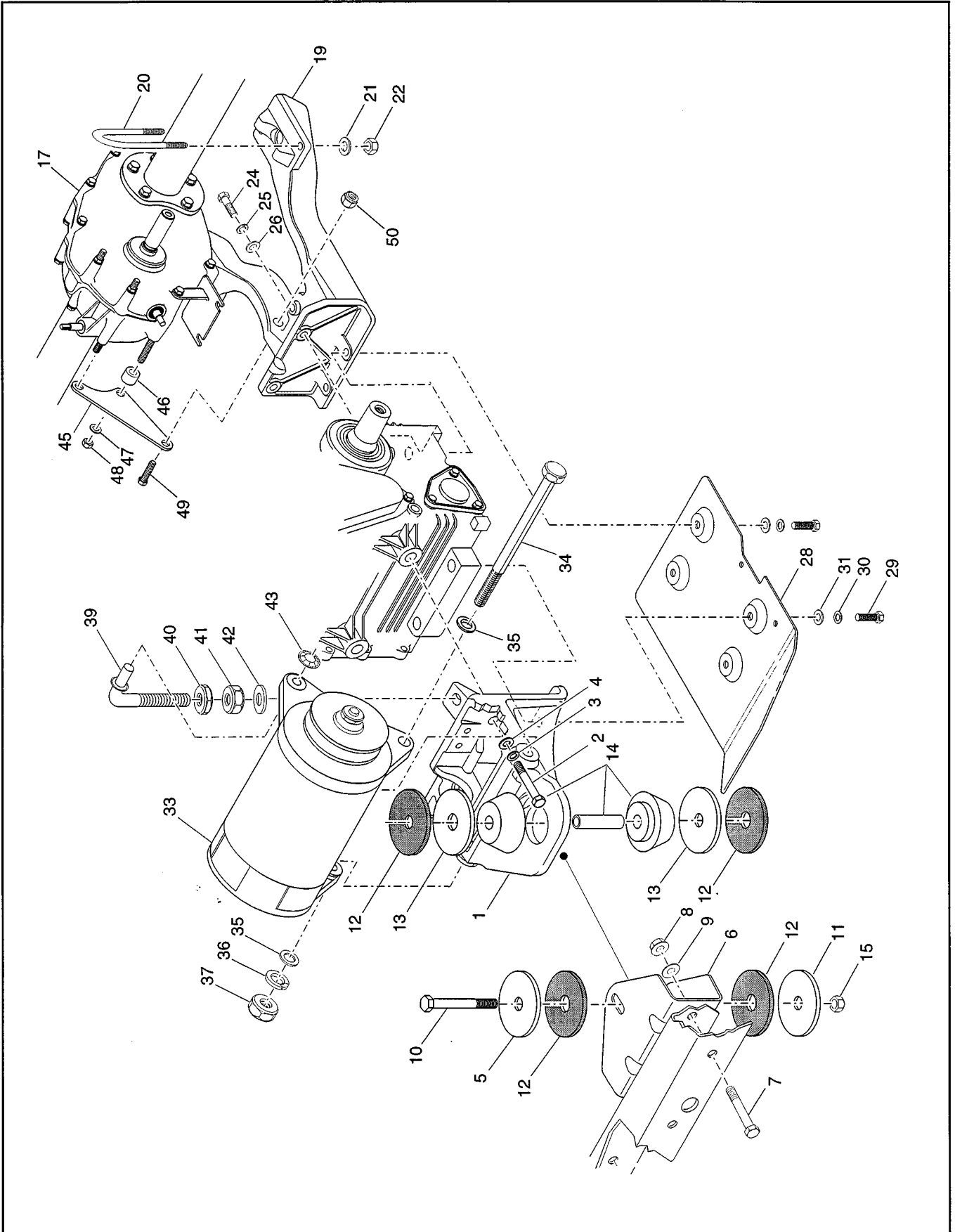
ITEM	PART NO.	1 2 3 4 5	DESCRIPTION	QTY.
1	72500-G01		ENGINE, 350cc.....	1
2				
3	26631-G01		TIMING BELT COVER PLUG.....	1
4	26727-G01		CARBURETOR / AIR BOX GASKET	1
5	26667-G01		STUD	2
6				
7	25523-G4		SPARK PLUG (NGK BP5ES).....	2
8	26733-G01		SPARK PLUG WIRE SET (2 WITH BOOTS)	1
9				
10	26657-G01		IGNITION COIL BRACKET	1
11				
12	XXXXX-XX		CARBURETOR (SEE SECTION E)	X
13				
14	26600-G01		VALVE COVER.....	1
15	26719-G01		VALVE COVER GASKET	1
16	26676-G01		FLANGED BOLT, M6 X 1 X 23 MM LG.....	6
17				
18	26601-G01		OIL FILLER CAP	1
19	26720-G01		"O" RING	1
20				
21	72019-G01		MUFFLER	1
22	25532-G1		BOLT AND WASHER, M8 X 1.25 X 18 MM LG.....	4
23	25531-G1		EXHAUST GASKET	1
24				
25	00438-G8		BOLT, 5/16 - 18 X 1" LG.....	1
26	00565-G8		LOCK WASHER, 5/16".....	1
27	00642-G8		WASHER, 5/16"	1
28				
29	00276-G6		SCREW, 5/16 - 24 X 3/4" LG.	2
30	00565-G8		LOCK WASHER, 5/16".....	2

When ordering parts, please specify the model and serial number of the product.

* Indicates a component that is not available as an individual part.

G** Indicates consult Customer Service Department for additional information.

ITEM	PART NO.	1 2 3 4 5	DESCRIPTION	QTY.
31				
32	26630-G01		TIMING BELT COVER.....	1
33	26626-G01		TIMING BELT	1
34	26678-G01		BOLT, M6 X 1 X 12 MM LG.	3
35				
36	26591-G01		OIL FILTER.....	1
37	26710-G01		OIL FILTER "O" RING.....	1
38	26680-G01		BOLT AND WASHER, M6 X 1 X 12 MM LG.....	3



When ordering parts, please specify the model and serial number of the product.

* Indicates a component that is not available as an individual part.

G** Indicates consult Customer Service Department for additional information.

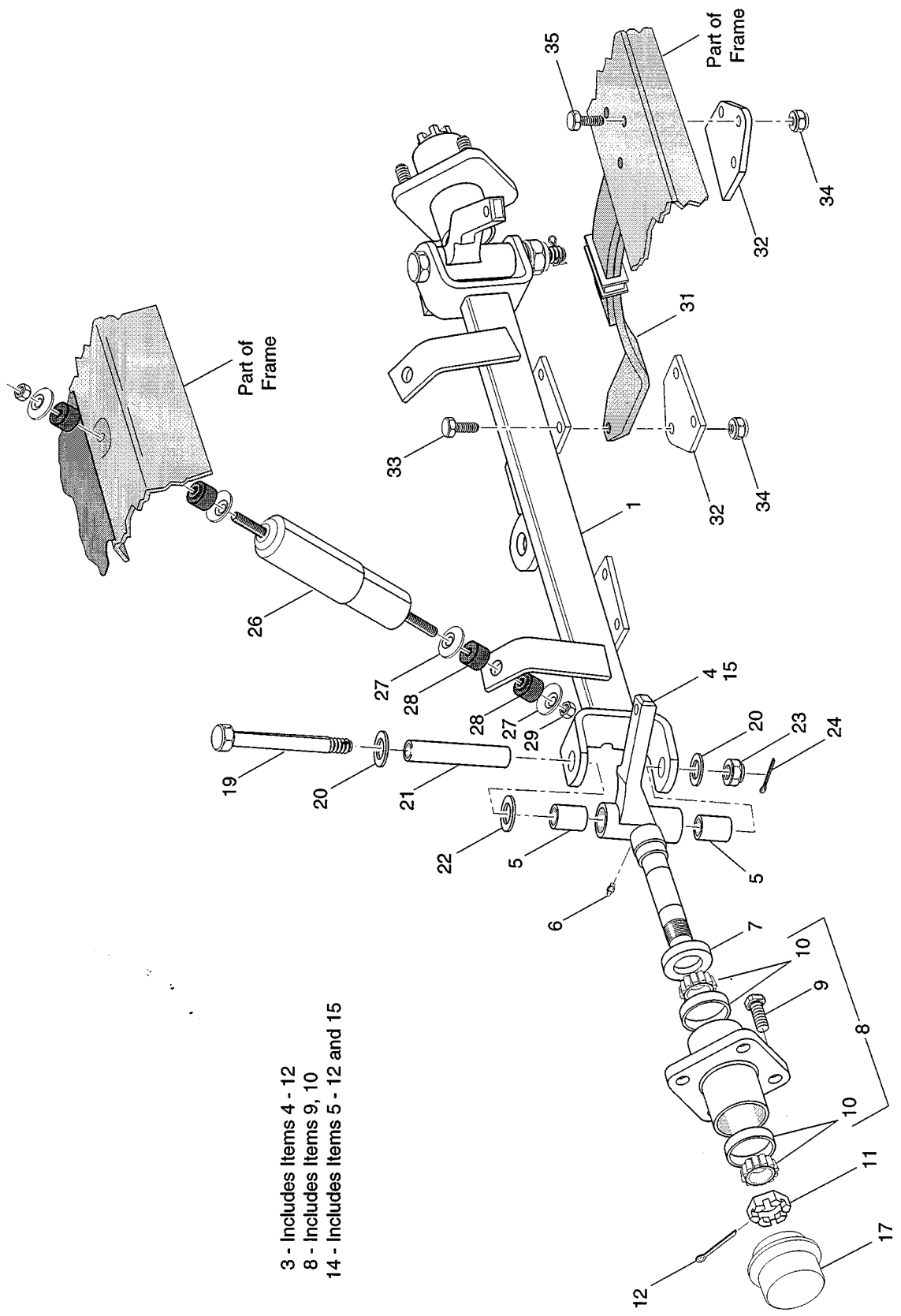
ITEM	PART NO.	1 2 3 4 5	DESCRIPTION	QTY.
1	72010-G01		FRONT ENGINE MOUNT	1
2	00463-G4		BOLT, 7/16 - 14 X 1 1/2" LG.	2
3	00566-G2		LOCK WASHER, 7/16"	2
4	00922-G3		WASHER, 7/16"	2
5	15121-G1		WASHER, 1 1/4" X 3/8"	1
6	72044-G01		MOUNT BRACKET	1
7	00428-G6		BOLT, 3/8 - 16 X 2 3/4" LG.	2
8	11098-G5		LOCK NUT, 3/8 - 16	2
9	00643-G1		WASHER, 3/8"	2
10	00430-G4		BOLT, 3/8 - 16 X 4 1/2" LG.	1
11	72051-G02		WASHER, 2 1/2 X 11/32 X 1/8"	1
12	72050-G01		PLASTIC WASHER	4
13	72051-G01		WASHER, 2 1/2 X 5/8 X 1/8"	2
14	72015-G01		ISOLATION MOUNT	1
15	11098-G5		LOCK NUT, 3/8 - 16	1
16				
17	XXXXX-XX		DIFFERENTIAL (SEE SECTION P).....	X
18				
19	72011-G01		REAR ENGINE MOUNT	1
20	72035-G01		"U" BOLT	2
21	00922-G3		WASHER, 7/16"	4
22	00734-G1		LOCK NUT, 7/16 - 14	4
23				
24	00463-G4		BOLT, 7/16 - 14 X 1 1/2" LG.	2
25	00566-G2		LOCK WASHER, 7/16"	2
26	00922-G3		WASHER, 7/16"	2
27				
28	27432-G02		ENGINE GUARD.....	1
29	00463-G4		BOLT, 7/16 - 14 X 1 1/2" LG.	4
30	00566-G2		LOCK WASHER, 7/16"	4

When ordering parts, please specify the model and serial number of the product.

* Indicates a component that is not available as an individual part.

G** Indicates consult Customer Service Department for additional information.

ITEM	PART NO.	1 2 3 4 5	DESCRIPTION	QTY.
31	00922-G3		WASHER, 7/16".....	4
32				
33	XXXXX-XX		STARTER / GENERATOR (SEE SECTION S).....	1
34	00938-G4		BOLT, 1/2 - 13 X 8" LG.	1
35	00560-G3		WASHER, 1/2".....	2
36	00566-G3		LOCK WASHER, 1/2".....	1
37	00533-G1		NUT, 1/2 - 13.....	1
38				
39	72045-G01		STARTER / GENERATOR ADJUSTER.....	1
40	00544-G5		JAM NUT, 3/8 - 16.....	1
41	00532-G5		NUT, 3/8 - 16.....	1
42	00560-G1		WASHER, 3/8".....	1
43	12064-G1		PUSH NUT, 5/16".....	1
44				
45	72017-G01		TRANSAXLE BRACKET.....	1
46	75048-G01		SPACER.....	1
47	26826-G01		LOCK WASHER, M8.....	2
48	26827-G01		NUT, M8 X 1.25 MM.....	2
49	00439-G2		BOLT, 5/16 - 18 X 1 1/4" LG.	1
50	11098-G6		LOCK NUT, 5/16 - 18.....	1



- 3 - Includes Items 4 - 12
- 8 - Includes Items 9, 10
- 14 - Includes Items 5 - 12 and 15

When ordering parts, please specify the model and serial number of the product.
 * Indicates a component that is not available as an individual part.
 G** Indicates consult Customer Service Department for additional information.

ITEM	PART NO.	1 2 3 4 5	DESCRIPTION	QTY.
1	70001-G01		FRONT AXLE.....	1
2				
3	70220-G01		SPINDLE ASSEMBLY (DRIVER SIDE) (INCLUDES ITEMS 4 - 12).....	1
4	*		SPINDLE (DRIVER SIDE).....	1
5	16623-G1		BEARING.....	2
6	10389-G3		GREASE FITTING.....	1
7	25146-G1		GREASE SEAL.....	1
8	19932-G1		WHEEL HUB ASSEMBLY (INCLUDES ITEMS 17, 18).....	1
9	19862-G1		WHEEL BOLT, 1/2 - 20.....	4
10	50892-G1		BEARING AND RACE ASSEMBLY (COMPLETE)	2
11	12093-G1		SLOTTED NUT, 17/32	1
12	00798-G8		COTTER PIN, 5/32 X 1 3/4" LG.....	1
13				
14	70221-G01		SPINDLE ASSEMBLY (PASSENGER SIDE) (INCLUDES ITEMS 5 - 12, 15) ..	1
15	*		SPINDLE (PASSENGER SIDE).....	1
16				
17	12091-G2		SPINDLE CAP	2
18				
19	70327-G01		SPINDLE PIN, 1/2 - 13 X 5 1/2" LG.....	2
20	00571-G5		WASHER, 1/2"	4
21	70328-G01		SPINDLE PIN TUBE	2
22	16982-G1		THRUST WASHER	2
23	14390-G6		LOCK NUT, 1/2 -13	2
24	10387-G2		COTTER PIN, 3/32 X 1" LG.	2
25				
26	70324-G01		SHOCK ABSORBER	2
27	10435-G1		SHOCK ABSORBER WASHER.....	8
28	10194-G1		RUBBER SHOCK ABSORBER BUSHING	8
29	00532-G6		NUT, 3/8 - 24	4
30				

FRONT SUSPENSION

Gasoline Vehicle

When ordering parts, please specify the model and serial number of the product.
 * Indicates a component that is not available as an individual part.
 G** Indicates consult Customer Service Department for additional information.

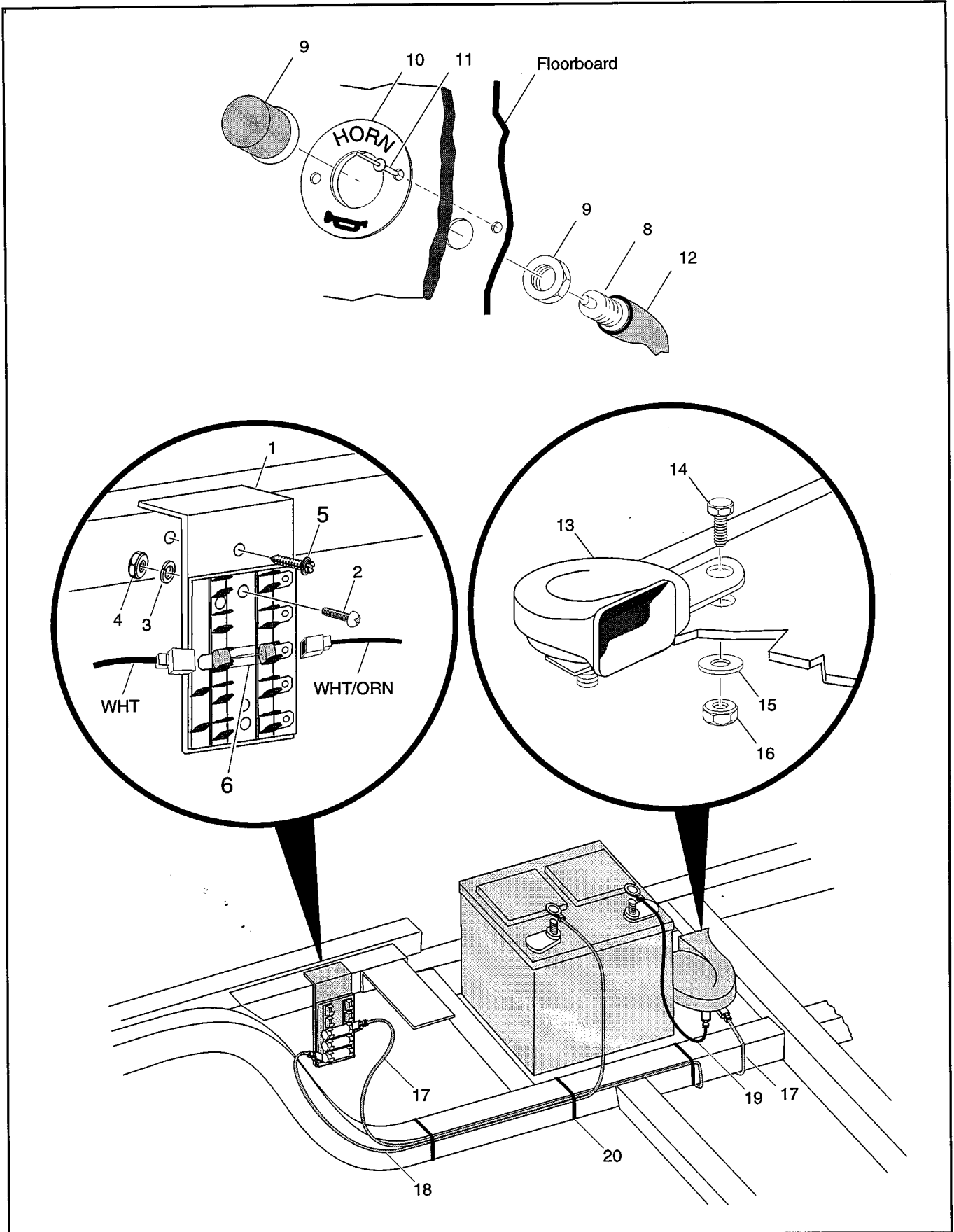
ITEM	PART NO.	1 2 3 4 5	DESCRIPTION	QTY.
31	70422-G01		LEAF SPRING (HEAVY DUTY)	2
32	70163-G02		SPRING PLATE.....	4
33	00463-G4		BOLT, 7/16 - 14 X 1 1/2" LG.	6
34	00734-G1		LOCK NUT, 7/16 - 14	12
35	00463-G6		BOLT, 7/16 - 14 X 1 3/4" LG.	6

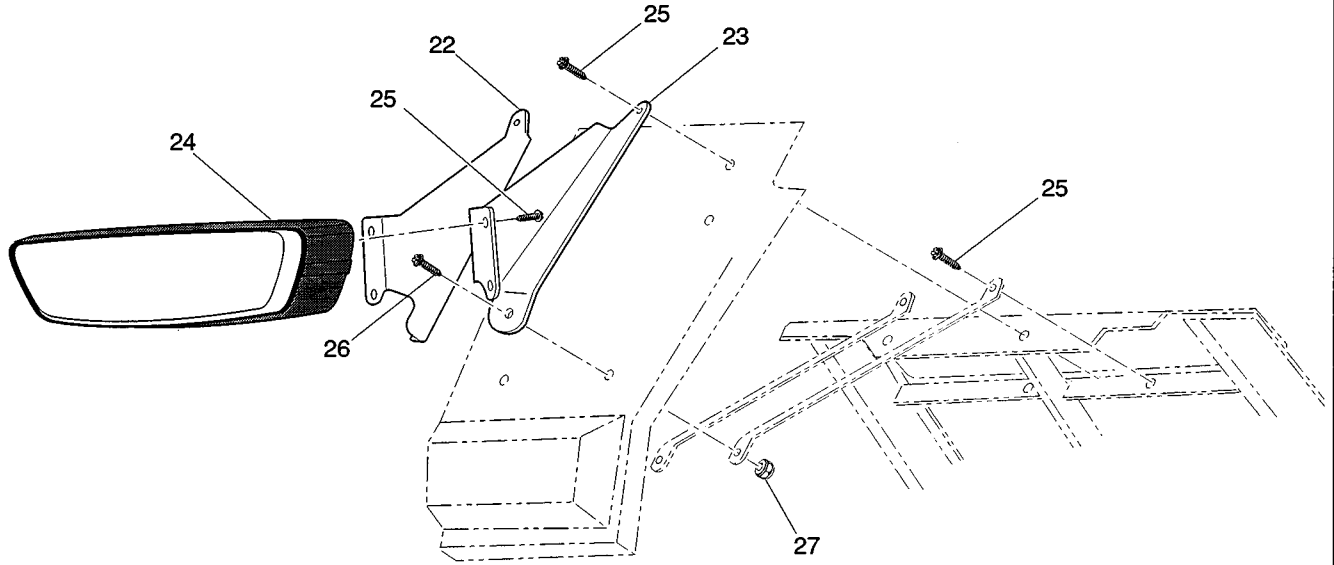
When ordering parts, please specify the model and serial number of the product.

* Indicates a component that is not available as an individual part.

G** Indicates consult Customer Service Department for additional information.

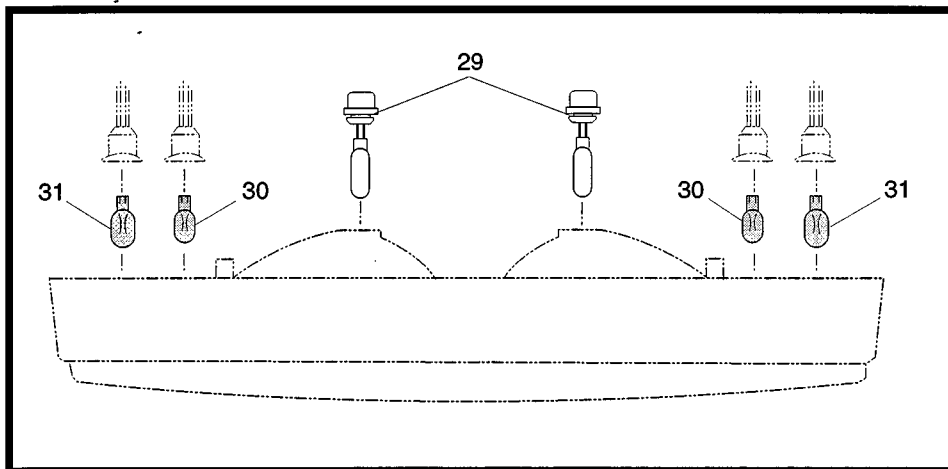
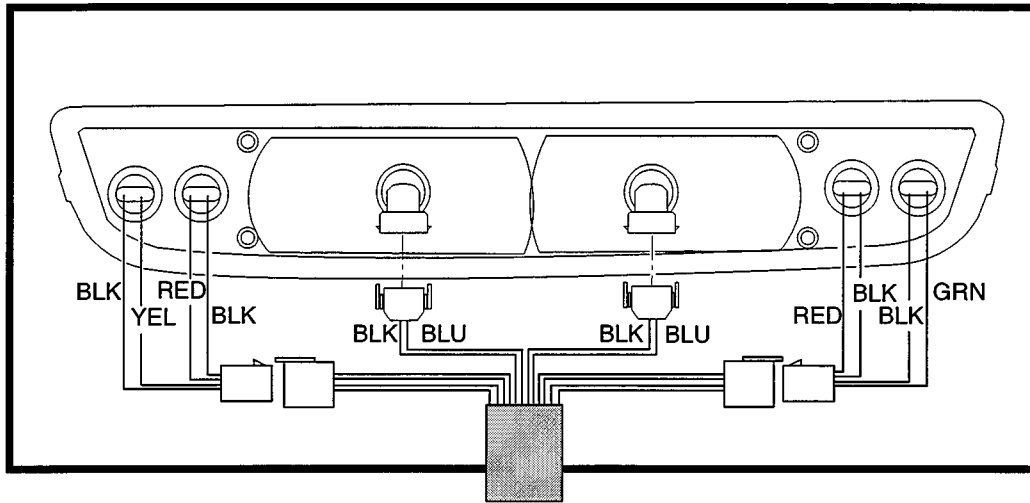
ITEM	PART NO.	1 2 3 4 5	DESCRIPTION	QTY.
1	72092-G01		FUEL TANK (WITHOUT REMOTE SENDING UNIT).....	1
2	14099-G2		FUEL TANK CAP (WITH GAUGE)	1
3				
4	00438-G8		BOLT, 5/16 - 18 X 1" LG.....	2
5	00559-G8		WASHER, 5/16"	4
6	15121-G1		WASHER, 1 1/4" X 3/8".....	1
7	72234-G01		PLASTIC SPACER.....	1
8	11098-G6		LOCK NUT, 5/16 - 18	2
9	17470-G1		FUEL SYSTEM TUBE, 2 5/8" LG. (BULK)	1
10	18292-G1		TUBING CLAMP	5
11	72084-G01		FUEL FILTER.....	1
12	17470-G1		FUEL SYSTEM TUBE, 4" LG. (BULK)	1
13	72021-G01		FUEL PUMP.....	1
14	17470-G1		FUEL SYSTEM TUBE, 16" LG. (BULK)	AR
15	11391-G4		HOSE CLAMP.....	3
16	27183-G01		PULSE TUBE, 16" LG. (SOLD IN 12" INCREMENTS)	AR
17				
18	72244-G01		FUEL PUMP MOUNT	1
19	00715-G2		SELF THREADING SCREW, 5/16 - 18 X 13/16" LG.	2
20	11027-G2		LOCK NUT, 1/4 - 20	2
21				
22	22280-G1		VINYL TRIM, 14" LG. (BULK).....	1
23	17618-G1		WIRE TIE	1
24				
25	72231-G01		FUEL TANK ASSEMBLY (INCLUDES ITEMS 26 - 28)	1
26	72092-G02		FUEL TANK.....	1
27	20039-G1		CAP	1
28	20048-G2		FUEL SENDER (ELECTRIC FUEL GAUGE)	1
29	72231-G02		FUEL TANK ASSEMBLY (INCLUDES ITEMS 26, 27, 30).....	1
30	20048-G4		FUEL SENDER (LOW FUEL LIGHT)	1

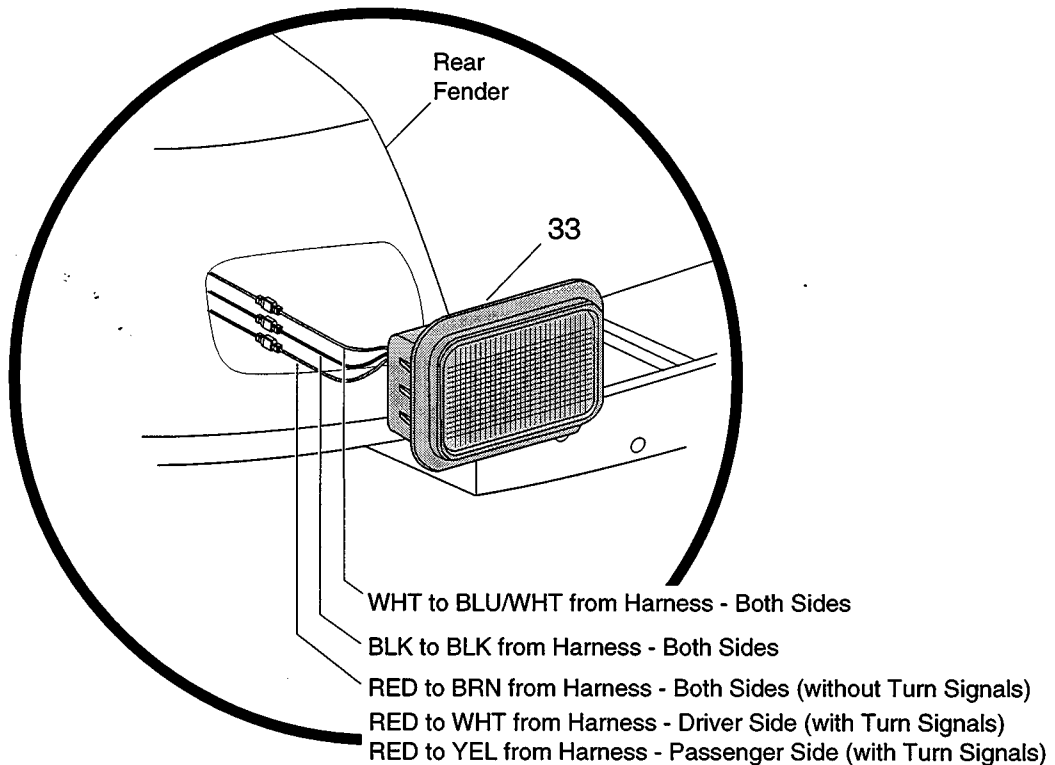
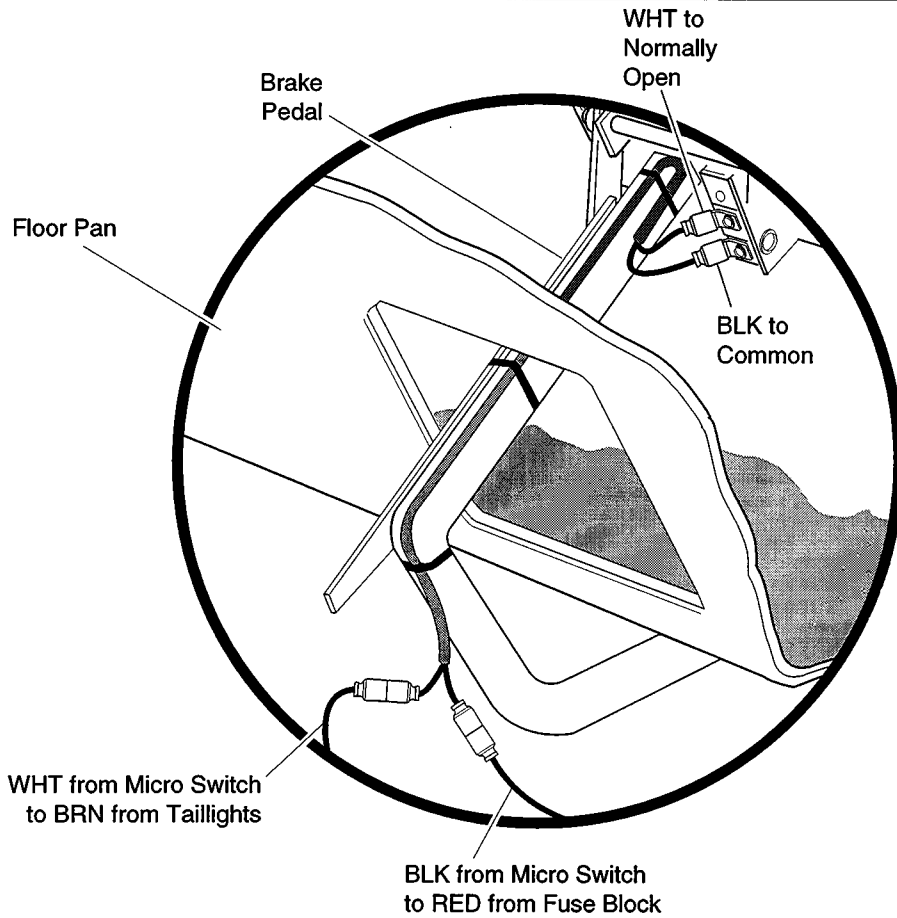


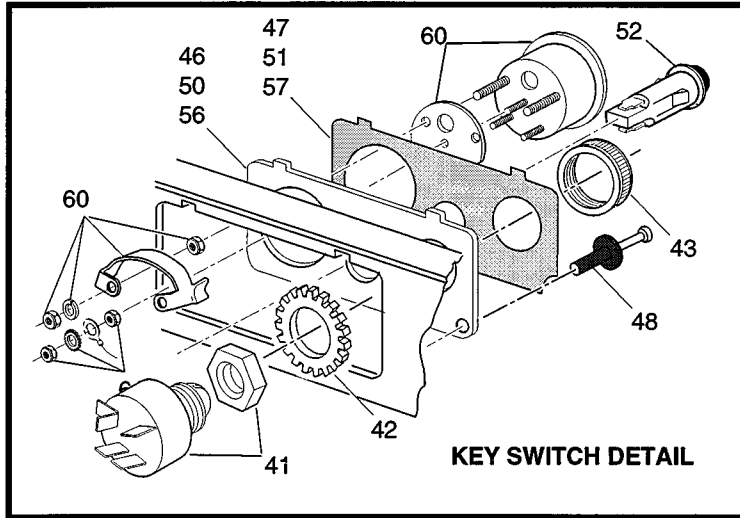


Driver Side

Passenger Side

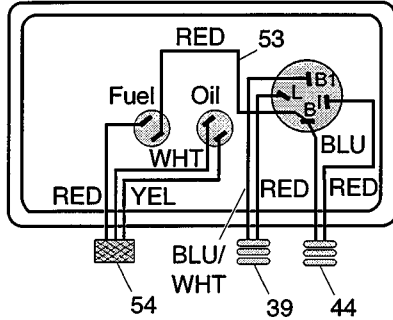




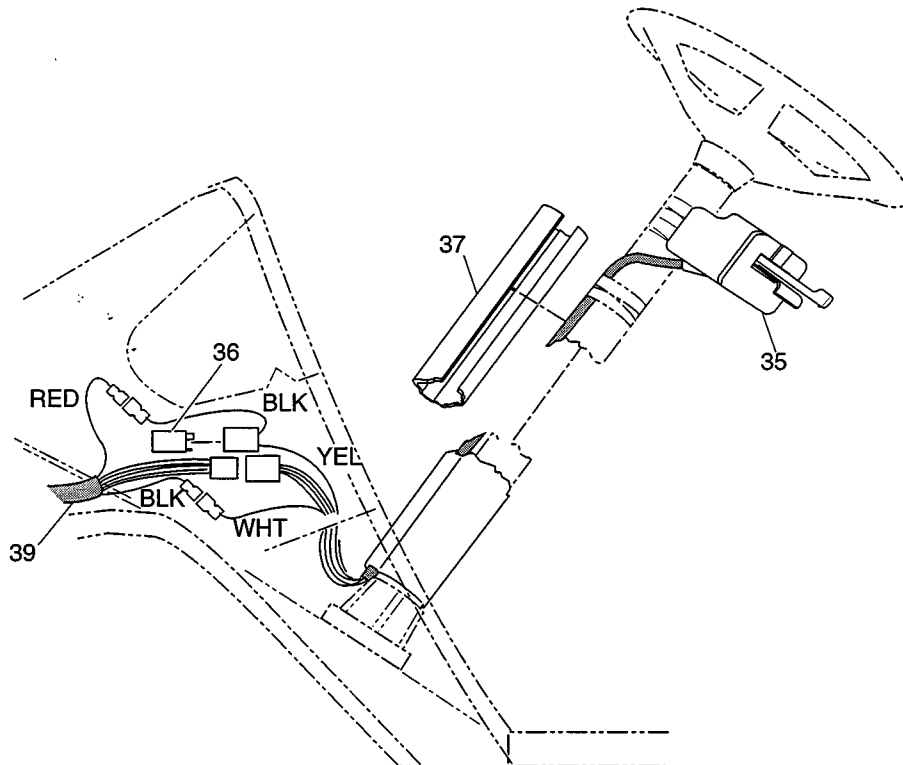
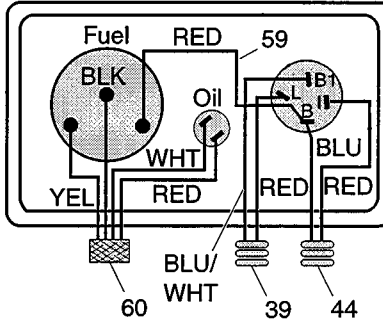


KEY SWITCH DETAIL

KEY SWITCH AND INDICATOR LIGHTS



KEY SWITCH AND INDICATOR LIGHT/FUEL GAUGE



When ordering parts, please specify the model and serial number of the product.

* Indicates a component that is not available as an individual part.

G** Indicates consult Customer Service Department for additional information.

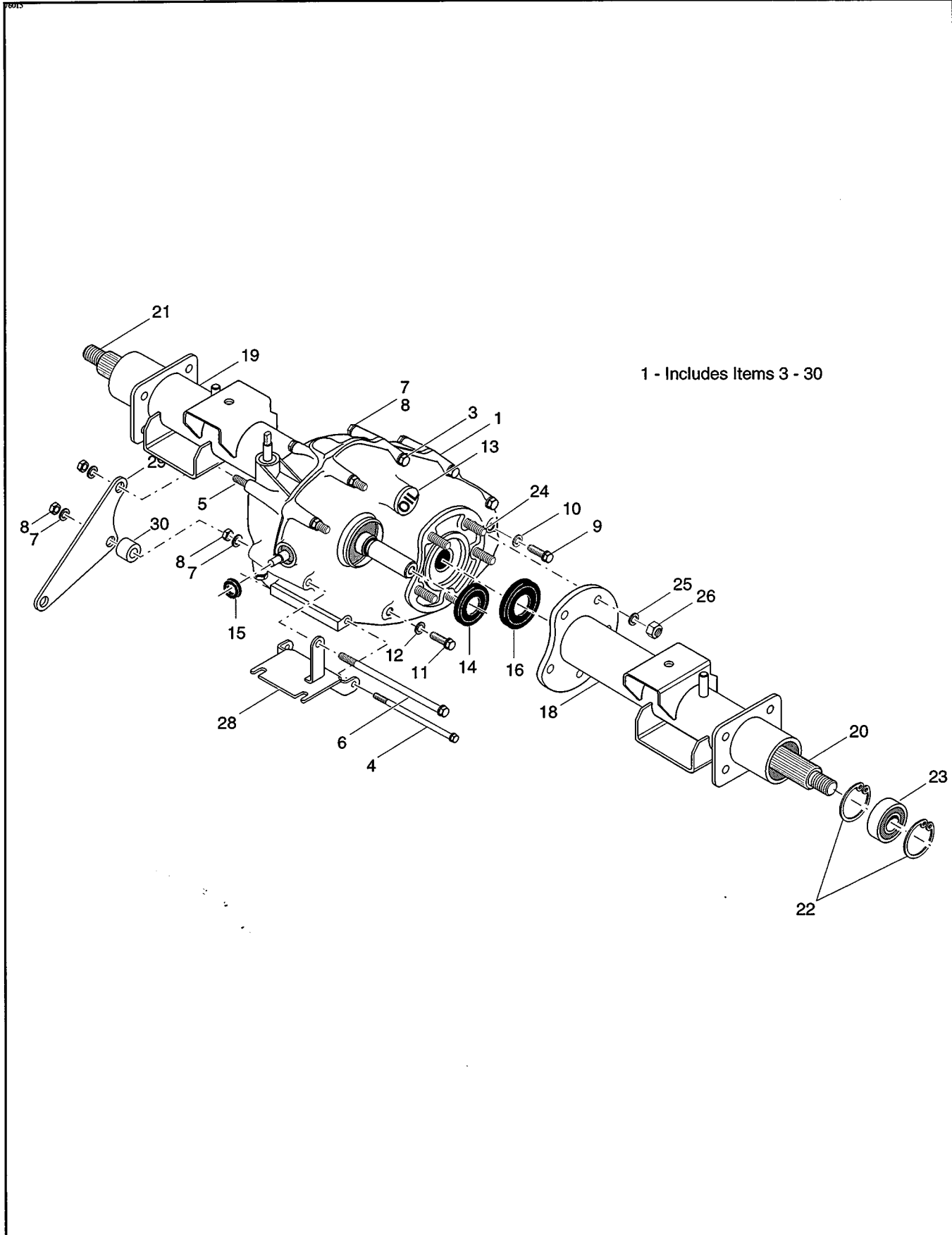
ITEM	PART NO.	1 2 3 4 5	DESCRIPTION	QTY.
1	73204-G01		FUSE BLOCK AND BRACKET (INCLUDES ITEMS 2 - 4)	1
2	00138-G4		SCREW, #6-32 X 1/2" LG.	2
3	00565-G3		LOCK WASHER, #6.....	2
4	00525-G5		NUT, #6-32.....	2
5	00106-G6		SELF THREADING SCREW, #12 - 24 X 3/4" LG.....	1
6	18392-G1		15 AMP FUSE	3
7				
8	17318-G1		HORN SWITCH.....	1
9	17318-G2		HORN SWITCH CAP AND NUT	1
10	19233-G1		HORN SWITCH PLATE.....	1
11	14601-G7		RIVET, 9/16" (STAINLESS STEEL)	2
12	27068-G01		HORN SWITCH BOOT	1
13	32860-G1		HORN.....	1
14	00414-G5		BOLT, 1/4 - 20 X 5/8" LG.	1
15	00559-G8		WASHER, 5/16"	1
16	00891-G2		LOCK NUT, 1/4 - 20	1
17	73214-G01		HORN HARNESS	1
18	25974-G22		WIRE, 10 GAUGE	1
19	25977-G40		WIRE, 16 GAUGE	1
20	17618-G1		WIRE TIE.....	5
21				
22	74002-G01		HEADLIGHT AND TURN SIGNAL LIGHT BRACKET (PASSENGER SIDE).....	1
23	74002-G02		HEADLIGHT AND TURN SIGNAL LIGHT BRACKET (DRIVER SIDE)	1
24	74001-G01		HEADLIGHT AND TURN SIGNAL LIGHT.....	1
25	00114-G6		SCREW, 1/4 - 14 X 3/4" LG.....	8
26	00414-G6		BOLT, 1/4 - 20 X 3/4" LG.	2
27	11027-G2		LOCK NUT, 1/4 - 20	2
28				
29	74004-G01		REPLACEMENT HEADLIGHT BULB	AR
30	74005-G01		REPLACEMENT MARKER LIGHT BULB	AR

When ordering parts, please specify the model and serial number of the product.

* Indicates a component that is not available as an individual part.

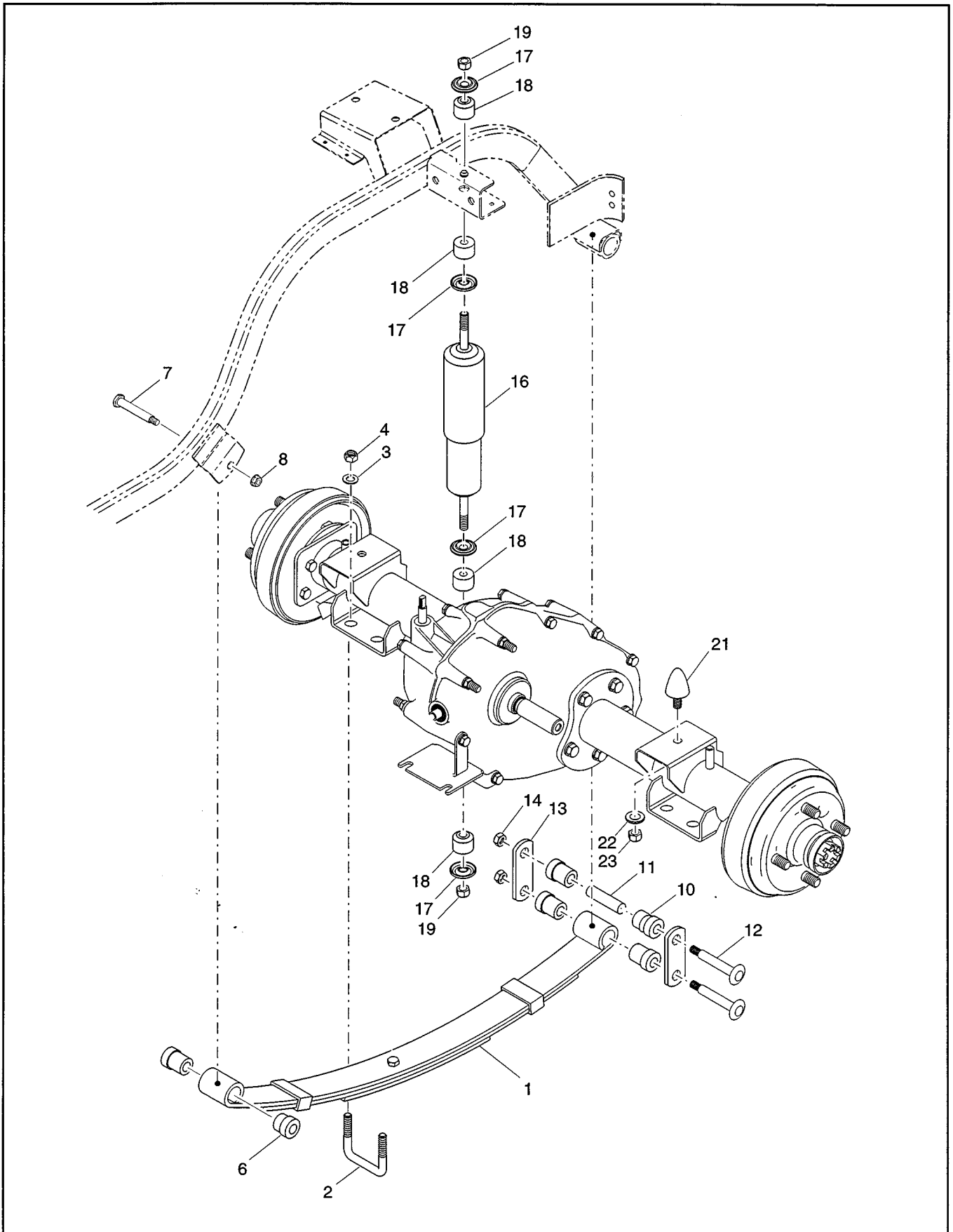
G** Indicates consult Customer Service Department for additional information.

ITEM	PART NO.	1 2 3 4 5	DESCRIPTION	QTY.
31	74006-G01		REPLACEMENT TURN LIGHT BULB.....	A/R
32				
33	32739-G2		TAIL LIGHT	2
34				
35	17867-G1		TURN SIGNAL (WITH MOUNTING HARDWARE)	1
36	21640-G1		TURN SIGNAL FLASHER.....	1
37	20965-G3		STEERING COLUMN COVER.....	1
38				
39	74042-G01		LIGHT AND TURN SIGNAL HARNESS.....	1
40				
41	33639-G*		IGNITION SWITCH.....	1
42	00568-G6		LOCK WASHER, 3/4".....	1
43	17137-G1		FACE NUT.....	1
44	27778-G01		IGNITION SWITCH HARNESS.....	1
45				
46	73030-G01		PLATE (IGNITION SWITCH).....	1
47	71181-G01		DECAL (IGNITION SWITCH).....	1
48	33623-G02		DRIVE RIVET.....	2
49				
50	73030-G03		PLATE (IGNITION SWITCH AND INDICATOR LIGHTS).....	1
51	71183-G01		DECAL (IGNITION SWITCH AND INDICATOR LIGHTS).....	1
52	23474-G1		INDICATOR LIGHT	2
53	25978-G74		WIRE, 18 GAUGE, RED	1
54	74030-G01		HARNESS (INDICATOR LIGHTS)	1
55				
56	73030-G04		PLATE (IGNITION SWITCH AND LOW OIL LIGHT, FUEL GAUGE).....	1
57	71127-G01		DECAL (IGNITION SWITCH AND LOW OIL LIGHT, FUEL GAUGE).....	1
58	21553-G01		FUEL GAUGE	1
59	25978-G122		WIRE, 18 GAUGE, RED	1
60	74029-G01		HARNESS (INDICATOR LIGHT AND FUEL GAUGE).....	1



When ordering parts, please specify the model and serial number of the product.
 * Indicates a component that is not available as an individual part.
 G** Indicates consult Customer Service Department for additional information.

ITEM	PART NO.	1 2 3 4 5	DESCRIPTION	QTY.
1	722461-G01		REAR AXLE (13.32:1) (INCLUDES ITEMS 3 - 35)	1
2				
3	26823-G01		FLANGED BOLT, M8 X 1.25 X 100 MM LG.....	7
4	26824-G01		FLANGED BOLT, M8 X 1.25 X 110 MM LG.....	1
5	72053-G01		BOLT, M8 X 1.25 X 120 MM LG.....	1
6	72052-G01		FLANGED BOLT, M8 X 1.25 X 130 MM LG.....	1
7	26826-G01		LOCK WASHER, M8	14
8	26827-G01		NUT, M8 X 1.25 MM	14
9	26768-G01		OIL CHECK PLUG.....	1
10	26769-G01		GASKET, 8 MM.....	1
11	26770-G01		OIL DRAIN PLUG	1
12	26771-G01		GASKET, 14 MM.....	1
13	26772-G01		OIL FILLER PLUG	1
14	26761-G01		INPUT SHAFT SEAL.....	1
15	26762-G01		SHIFTER SHAFT SEAL	1
16	26766-G01		AXLE SHAFT SEAL.....	2
17				
18	**** - G**		AXLE TUBE (DRIVER SIDE).....	1
19	**** - G**		AXLE TUBE (PASSENGER SIDE)	1
20	72056-G01		AXLE SHAFT (DRIVER SIDE)	1
21	72057-G01		AXLE SHAFT (PASSENGER SIDE)	1
22	26814-G01		RETAINING RING.....	4
23	26811-G01		SEALED BALL BEARING.....	2
24	26667-G01		STUD, M10 X 1.5 X 40 MM LG.....	5
25	26828-G01		WASHER, 10 MM	10
26	26829-G01		NUT, 10 MM X 1.5 MM	10
27				
28	26815-G01		SHIFTER CABLE BRACKET.....	1
29	72017-G01		REAR AXLE BRACKET.....	1
30	75048-G01		SPACER	1



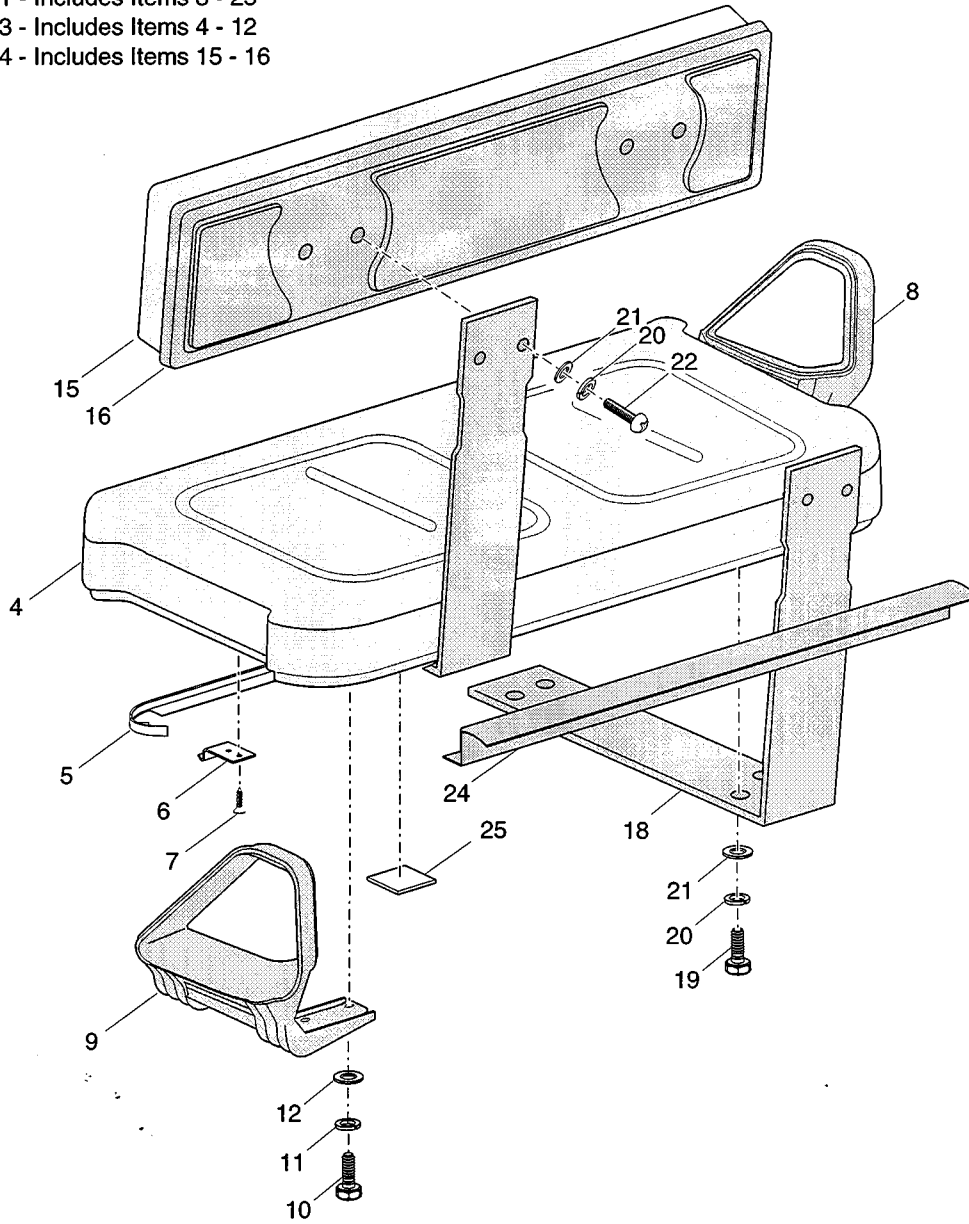
When ordering parts, please specify the model and serial number of the product.

* Indicates a component that is not available as an individual part.

G** Indicates consult Customer Service Department for additional information.

ITEM	PART NO.	1 2 3 4 5	DESCRIPTION	QTY.
1	74207-G01		HEAVY DUTY LEAF SPRING.....	2
2	74029-G01		U-BOLT, 3/8 - 16.....	4
3	00560-G1		WASHER, 3/8"	8
4	11098-G5		LOCK NUT, 3/8 - 16	8
5				
6	70291-G01		RUBBER BUSHING.....	12
7	14158-G1		SHOULDER BOLT, 3/16 x 3 1/4" LG.....	2
8	12262-G1		FLANGED LOCK NUT, 3/8 - 16	2
9				
10	10194-G1		RUBBER BUSHING.....	8
11	70289-G02		SPACER.....	4
12	00429-G4		BOLT, 3/8 - 16 X 3 1/2" LG.....	4
13	70290-G01		SHACKLE PLATE.....	4
14	11098-G5		LOCK NUT, 3/8 - 16	1
15				
16	70324-G01		SHOCK ABSORBER	2
17	10435-G1		SHOCK ABSORBER WASHER.....	8
18	10194-G1		SHOCK ABSORBER RUBBER BUSHING	8
19	00532-G6		NUT, 3/8 - 24	4
20				
21	70492-G01		RUBBER BUMPER.....	2
22	00968-G01		LOCK WASHER, M10.....	2
23	00974-G01		NUT, M10	2

- 1 - Includes Items 3 - 25
- 3 - Includes Items 4 - 12
- 14 - Includes Items 15 - 16

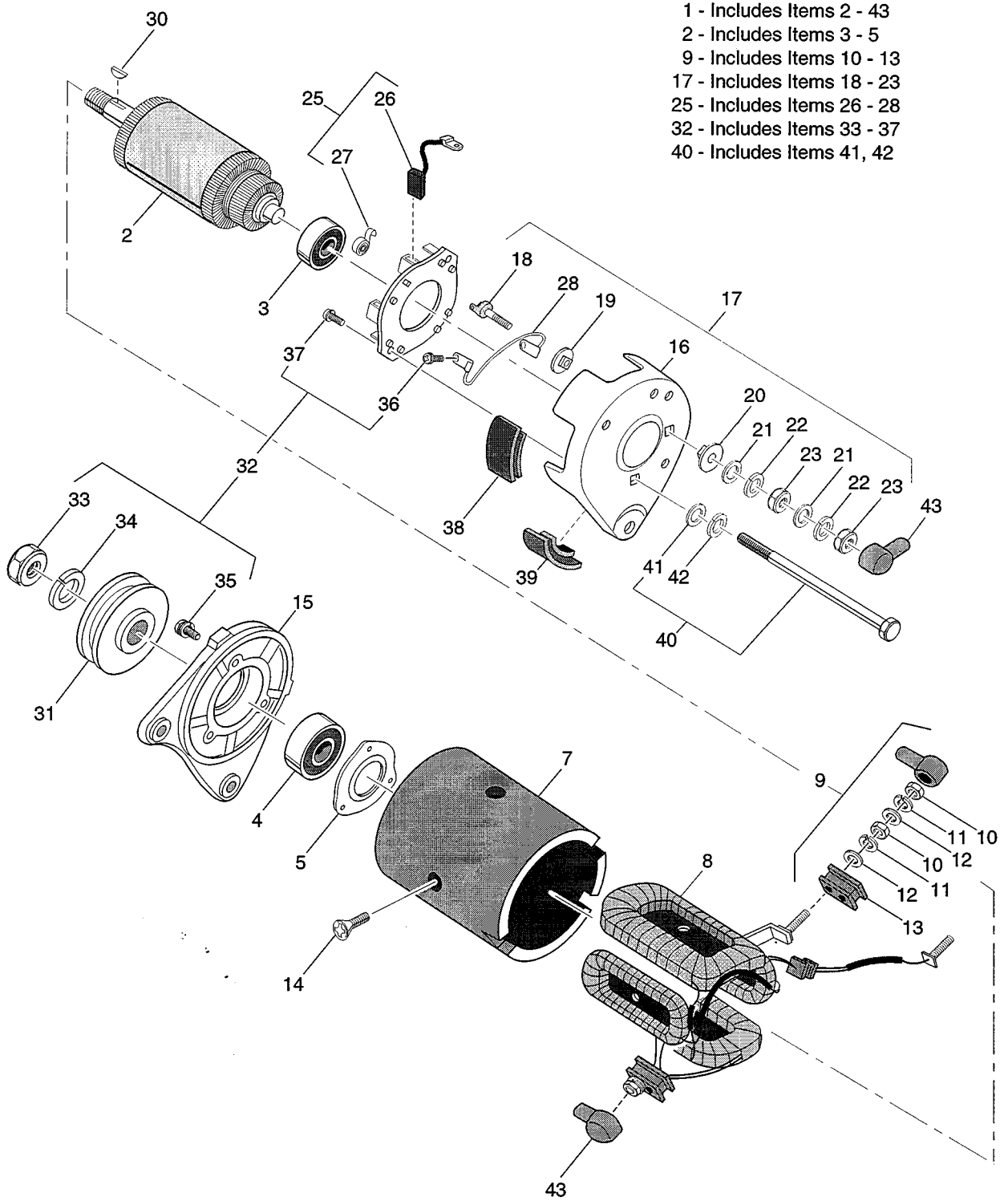


When ordering parts, please specify the model and serial number of the product.

* Indicates a component that is not available as an individual part.

G** Indicates consult Customer Service Department for additional information.

ITEM	PART NO.	1 2 3 4 5	DESCRIPTION	QTY.
1	71665-G**		SEAT ASSEMBLY (INCLUDES ITEMS 3 - 25).....	1
2				
3	71664-G**		SEAT BOTTOM ASSEMBLY (INCLUDES ITEMS 4 - 12).....	1
4	71602-G**		SEAT BOTTOM COVER.....	1
5	71012-G01		SEAT BOTTOM VINYL TRIM	1
6	71610-G01		SEAT HINGE.....	2
7	00720-G08		SCREW, #12 - 14 X 1" LG.	6
8	71701-G01		PASSENGER SIDE HIP RESTRAINT	1
9	71702-G01		DRIVER SIDE HIP RESTRAINT	1
10	00414-G8		BOLT, 1/4 - 20 X 1" LG.....	8
11	00565-G7		LOCK WASHER, 1/4".....	8
12	00559-G7		WASHER, 1/4"	8
13				
14	27546-G**		SEAT BACK ASSEMBLY (INCLUDES ITEMS 15 - 16)	1
15	18144-G**		SEAT BACK COVER	1
16	18868-G3		PLASTIC SEAT BACK COVER	1
17				
18	71662-G01		SEAT BACK SUPPORT BRACKET	2
19	00414-G8		BOLT, 1/4 - 20 X 1" LG.	8
20	00567-G7		LOCK WASHER, 1/4"	12
21	00559-G7		WASHER, 1/4"	12
22	16705-G1		BOLT, 1/4-20 X 1" LG.	4
23				
24	71762-G01		SEAL.....	1
25	17074-G1		PAD.....	2



THE USE OF NON U.L. PARTS WILL VOID ANY U.L. LISTING.

When ordering parts, please specify the model and serial number of the product.

* Indicates a component that is not available as an individual part.

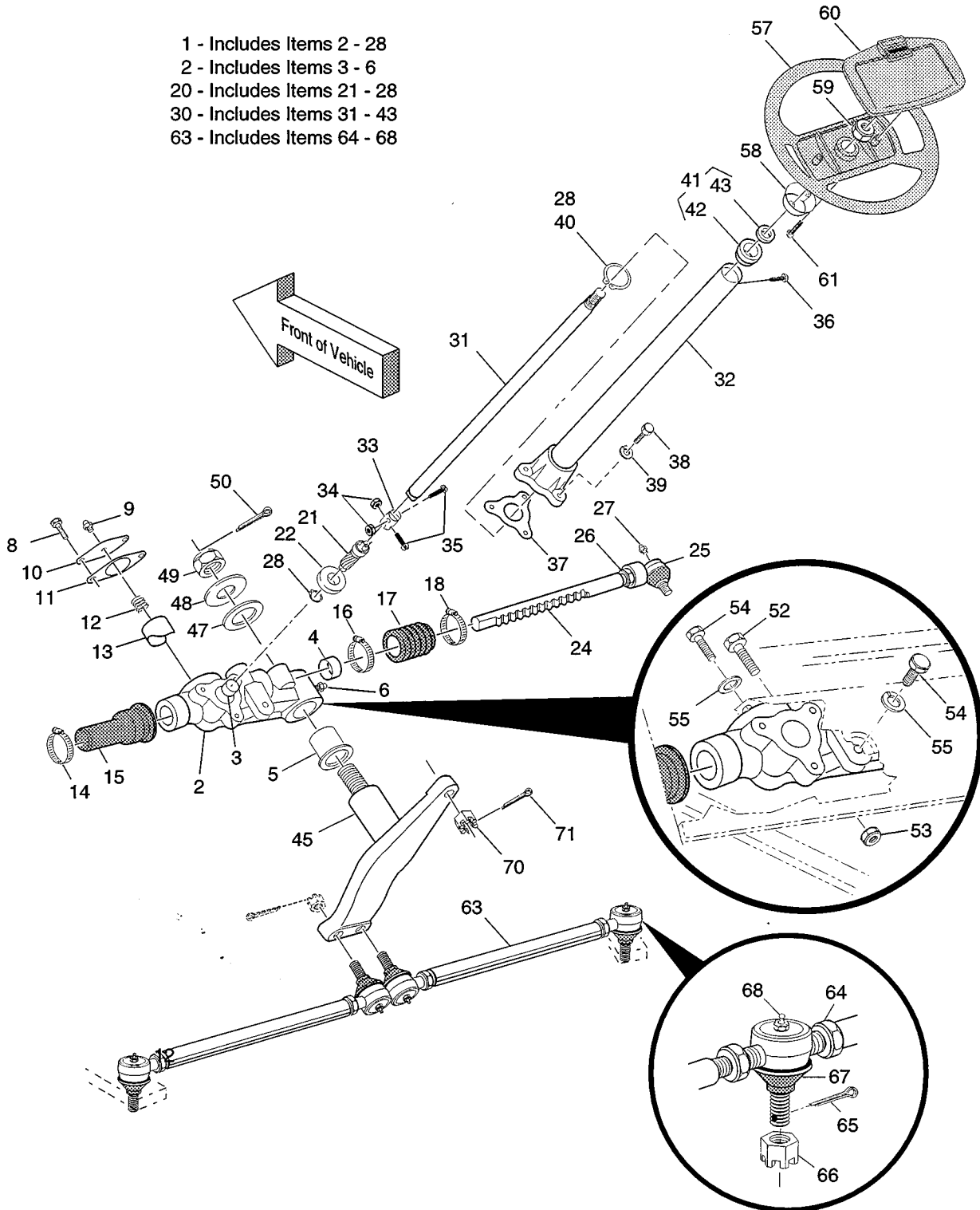
G** Indicates consult Customer Service Department for additional information.

ITEM	PART NO.	1 2 3 4 5	DESCRIPTION	QTY.
1	27065-G01		STARTER / GENERATOR, COMPLETE (INCLUDES ITEMS 2 - 43)	1
2	26870-G01		ARMATURE ASSEMBLY (INCLUDES ITEMS 3 - 5)	1
3	26871-G01		REAR BALL BEARING	1
4	26872-G01		FRONT BALL BEARING	1
5	26873-G01		BEARING HOLDER	1
6				
7				
8	26875-G01		FIELD COIL	1
9	26876-G01		"F" INSULATING BRUSH ASSEMBLY (INCLUDES ITEMS 10 - 13)	2
10	*		NUT	2
11	*		LOCK WASHER	2
12	*		WASHER	2
13	*		INSULATOR	1
14	26877-G01		POLE CORE SET SCREW	4
15	26878-G01		FRONT COVER	1
16	16885-G1		REAR COVER	1
17	26880-G01		"A" TERMINAL ASSEMBLY (INCLUDES ITEMS 18 - 23)	2
18	*		TERMINAL	2
19	*		INSULATOR	2
20	*		INSULATOR	2
21	*		WASHER	4
22	*		LOCK WASHER	4
23	*		NUT	4
24				
25	26881-G01		BRUSH HOLDER ASSEMBLY (INCLUDES ITEMS 26 - 28)	1
26	26658-G01		BRUSH	4
27	26882-G01		BRUSH SPRING	4
28	26883-G01		BRUSH CONNECTOR	2
29				
30	26884-G01		KEY	1

THE USE OF NON U.L. PARTS WILL VOID ANY U.L. LISTING.
 When ordering parts, please specify the model and serial number of the product.
 * Indicates a component that is not available as an individual part.
 G** Indicates consult Customer Service Department for additional information.

ITEM	PART NO.	1	2	3	4	5	DESCRIPTION	QTY.
31	26885-G01						PULLEY	1
32	26886-G01						PULLEY HARDWARE KIT (INCLUDES ITEMS 33 - 37)	1
33	*						NUT	1
34	*						LOCK WASHER	1
35	*						SCREW	3
36	*						SCREW	4
37	*						SCREW	2
38	26887-G01						BRUSH 1 COVER	2
39	26888-G01						BRUSH 2 COVER	3
40	26889-G01						BOLT AND WASHER ASSEMBLY (INCLUDES ITEMS 41, 42)	2
41	*						WASHER	2
42	*						LOCK WASHER	2
43	16896-G1						TERMINAL COVER KIT	4

- 1 - Includes Items 2 - 28
- 2 - Includes Items 3 - 6
- 20 - Includes Items 21 - 28
- 30 - Includes Items 31 - 43
- 63 - Includes Items 64 - 68



When ordering parts, please specify the model and serial number of the product.
 * Indicates a component that is not available as an individual part.
 G** Indicates consult Customer Service Department for additional information.

ITEM	PART NO.	1	2	3	4	5	DESCRIPTION	QTY.
1	70314-G01						STEERING BOX ASSEMBLY (COMPLETE) (INCLUDES ITEMS 2 - 10).....	1
2	75364-G01						STEERING HOUSING (INCLUDES ITEMS 3-6).....	1
3	*						SLEEVE BEARING	1
4	*						SLEEVE BEARING	1
5	*						FLANGED BEARING	1
6	10389-G3						GREASE FITTING	1
7								
8	00426-G6						BOLT, 3/8 - 16 X 3/4" LG.	2
9	18456-G1						90° GREASE FITTING	1
10	70177-G01						RACK GUIDE COVER.....	1
11	70225-G01						GASKET	1
12	70178-G01						COMPRESSION SPRING.....	1
13	70179-G01						RACK GUIDE	1
14	11391-G1						CLAMP	1
15	70041-G01						RACK COVER	1
16	11391-G1						GEAR CLAMP	1
17	70183-G01						BELLOWS	1
18	11391-G5						GEAR CLAMP	1
19								
20	70299-G01						STEERING GEAR KIT (INCLUDES ITEMS 21 - 28)	1
21	*						GEAR PINION	1
22	*						BALL BEARING.....	1
23	*						EXTERNAL RETAINING RING.....	1
24	*						STEERING RACK	1
25	*						RACK BALL END (WITH NUT)	1
26	*						NUT, 7/16 - 20	1
27	*						90° GREASE FITTING	2
28	*						INTERNAL RETAINING RING.....	1
29								
30	70360-G01						STEERING SHAFT/COLUMN KIT (INCLUDES ITEMS 31 - 43).....	1

When ordering parts, please specify the model and serial number of the product.

* Indicates a component that is not available as an individual part.

G** Indicates consult Customer Service Department for additional information.

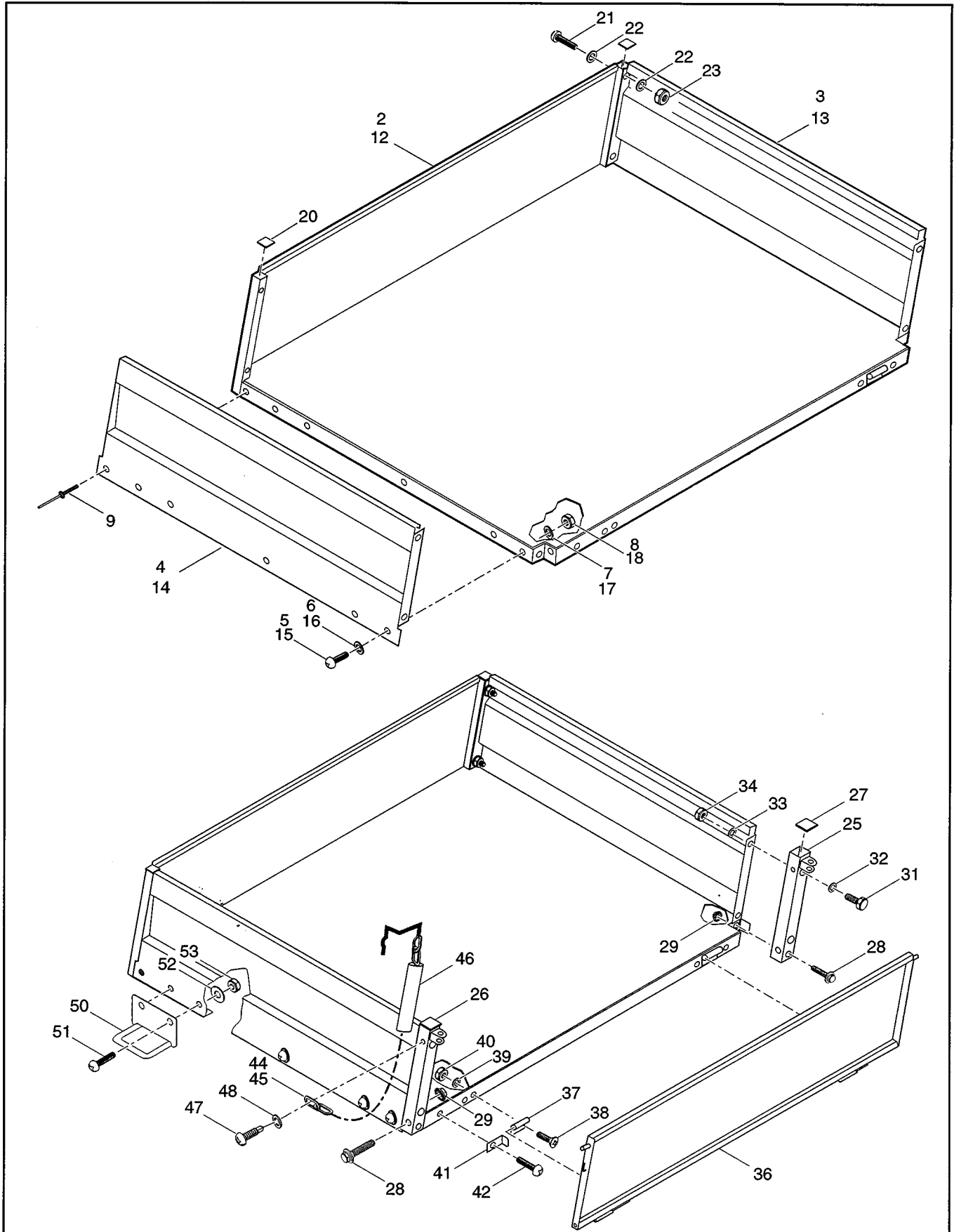
ITEM	PART NO.	1 2 3 4 5	DESCRIPTION	QTY.
31	14322-G3		STEERING SHAFT.....	1
32	70333-G01		STEERING COLUMN	1
33	70226-G01		COUPLING	1
34	00550-G1		LOCK NUT, 1/4 - 20.....	2
35	70227-G01		BOLT, 1/4 - 20 X 7/8" LG.....	2
36	00118-G2		SCREW, #6 - 18 X 1/4" LG.	1
37	70223-G01		STEERING HOUSING GASKET	1
38	00876-G2		BOLT, 3/8 - 16 X 1 1/4" LG.....	3
39	00878-G1		LOCK WASHER, 3/8"	3
40	70189-G01		INTERNAL RETAINING RING	1
41	17161-G1		BUSHING/SEAL KIT (INCLUDES ITEMS 42, 43)	1
42	*		STEERING COLUMN BUSHING	1
43	*		SHAFT SEAL	1
44				
45	70184-G01		IDLER.....	1
46				
47	70216-G01		THRUST WASHER, 1 1/2" I.D.....	1
48	70195-G01		THRUST WASHER, 7/8"	1
49	00734-G6		LOCK NUT, 7/8 - 9	1
50	00798-G8		COTTER PIN, 5/32" X 1 3/4" LG.....	1
51				
52	00470-G4		BOLT, 7/16 - 20 X 2 1/2" LG.	1
53	00734-G3		LOCK NUT, 7/16 - 20	1
54	00462-G7		BOLT, 7/16 - 14 X 7/8" LG.	2
55	00566-G2		LOCK WASHER, 7/16"	2
56				
57	18325-G1		STEERING WHEEL (INCLUDES ITEM 58)	1
58	*		HUB COVER.....	1
59	14390-G2		LOCK NUT, 5/8 - 18	1
60	27102-G01		CLIPBOARD.....	1

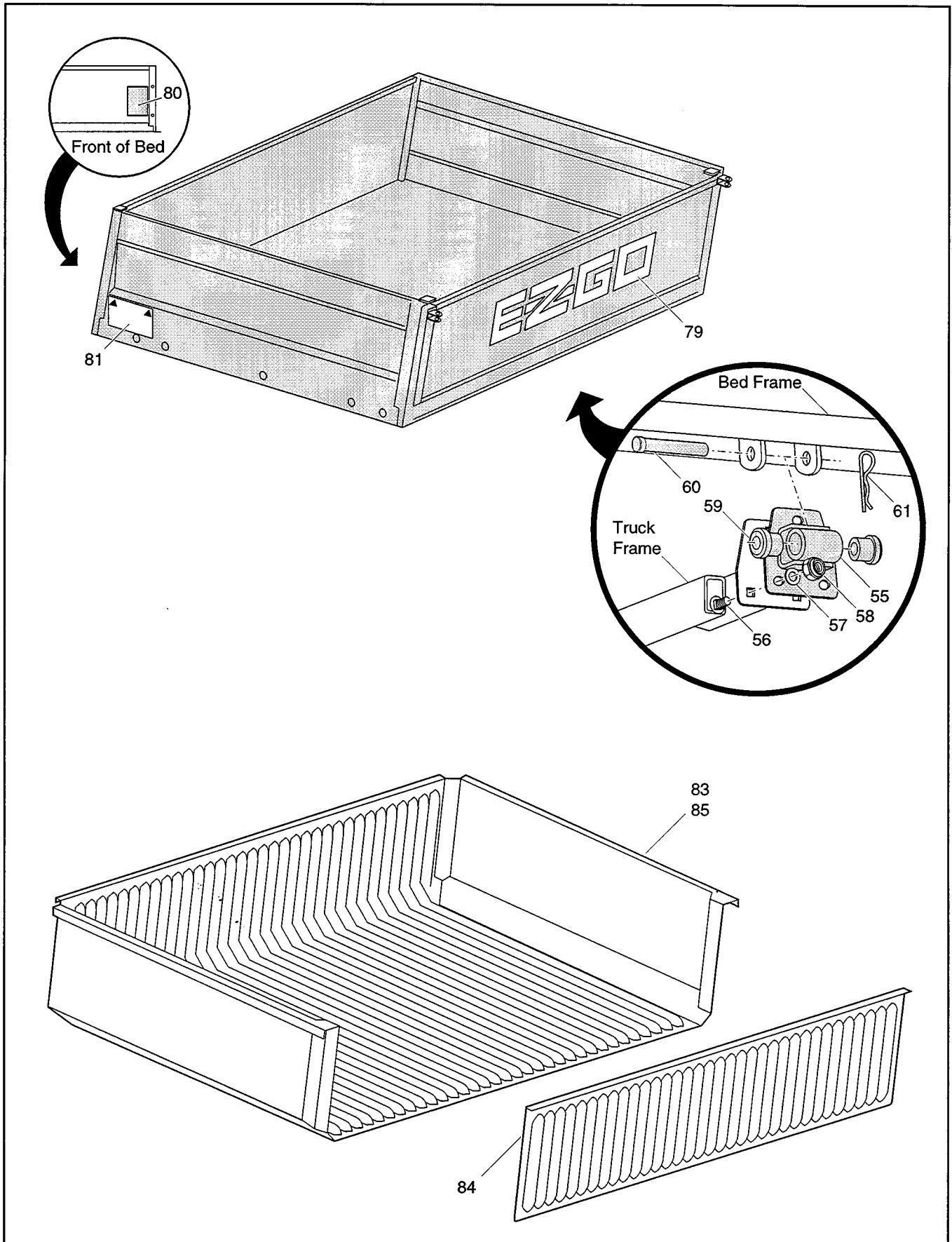
When ordering parts, please specify the model and serial number of the product.

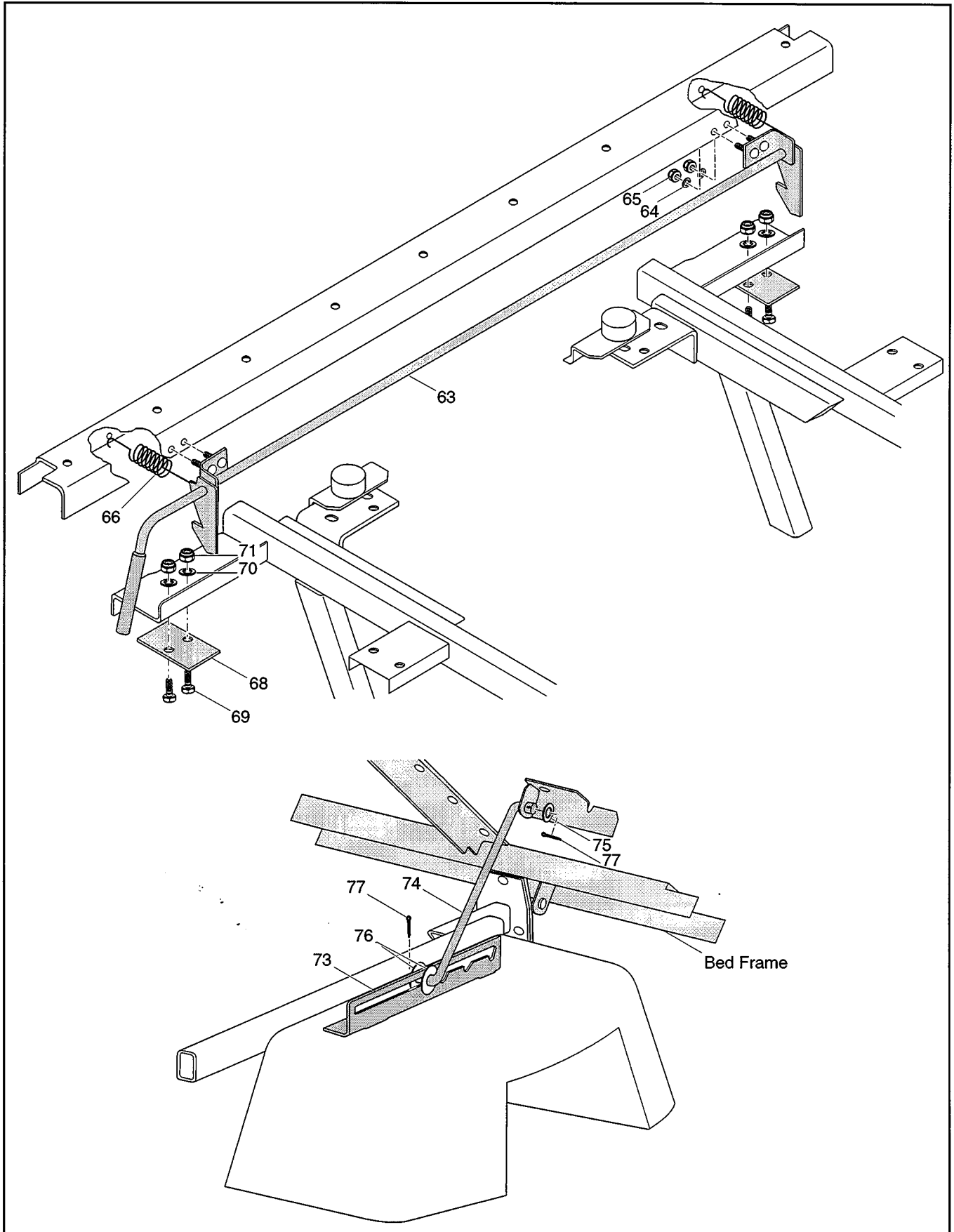
* Indicates a component that is not available as an individual part.

G** Indicates consult Customer Service Department for additional information.

ITEM	PART NO.	1 2 3 4 5	DESCRIPTION	QTY.
61	00999-G01		SCREW, #8 - 18 X 7/8" LG.	2
62				
63	70074-G01		TIE ROD ASSEMBLY (INCLUDES ITEMS 64 - 68).....	2
64	18434-G2		NUT, 9/16 - 18.....	2
65	10387-G2		COTTER PIN, 3/32" X 1" LG.	2
66	50209-G1		SLOTTED NUT, 7/16 - 20.....	2
67	50641-G1		RUBBER BOOT.....	2
68	10389-G3		GREASE FITTING.....	2
69				
70	50209-G1		SLOTTED NUT, 7/16 - 20.....	1
71	10387-G2		COTTER PIN, 3/32" X 1" LG.....	3







When ordering parts, please specify the model and serial number of the product.

* Indicates a component that is not available as an individual part.

G** Indicates consult Customer Service Department for additional information.

ITEM	PART NO.	1	2	3	4	5	DESCRIPTION	QTY.
1	71711-G03						TRUCK BED ASSEMBLY (40") (MANUAL DUMP) (INCLUDES ITEMS 2 - 9, 20 - 53).....	1
2	71719-G01						BED FRAME (40").....	1
3	71714-G01						SIDE PANEL (40", PASSENGER SIDE).....	1
4	71714-G02						SIDE PANEL (40", DRIVER SIDE).....	1
5	16705-G3						BOLT, 1/4-20 X 3/4" LG.	8
6	00915-G1						BONDED WASHER, 1/4".....	8
7	00559-G7						WASHER, 1/4".....	8
8	14390-G4						LOCK NUT, 1/4-20.....	8
9	14601-G8						RIVET, 3/8" X 11/16" LG.....	2
10								
11	71711-G04						TRUCK BED ASSEMBLY (48") (MANUAL DUMP) (INCLUDES ITEMS 9, 12 - 53).....	1
12	71719-G02						BED FRAME (48").....	1
13	71742-G01						SIDE PANEL (48", PASSENGER SIDE).....	1
14	71742-G02						SIDE PANEL (48", DRIVER SIDE).....	1
15	16705-G3						BOLT, 1/4-20 X 3/4" LG.	10
16	00915-G1						BONDED WASHER, 1/4".....	10
17	00559-G7						WASHER, 1/4".....	10
18	14390-G4						LOCK NUT, 1/4-20.....	10
19								
20	71717-G01						TUBE CAP (1" SQUARE).....	2
21	16705-G6						BOLT, 1/4-20 X 1 3/4" LG.	4
22	00915-G1						BONDED WASHER, 1/4".....	8
23	14390-G4						LOCK NUT, 1/4-20.....	4
24								
25	71712-G01						POST (PASSENGER SIDE).....	1
26	71712-G02						POST (DRIVER SIDE).....	1
27	71718-G01						TUBE CAP (1 1/2" SQUARE).....	2
28	13437-G8						BOLT, 3/8-16 X 2" LG.	4
29	11027-G5						LOCK NUT, 3/8-16.....	4

When ordering parts, please specify the model and serial number of the product.

* Indicates a component that is not available as an individual part.

G** Indicates consult Customer Service Department for additional information.

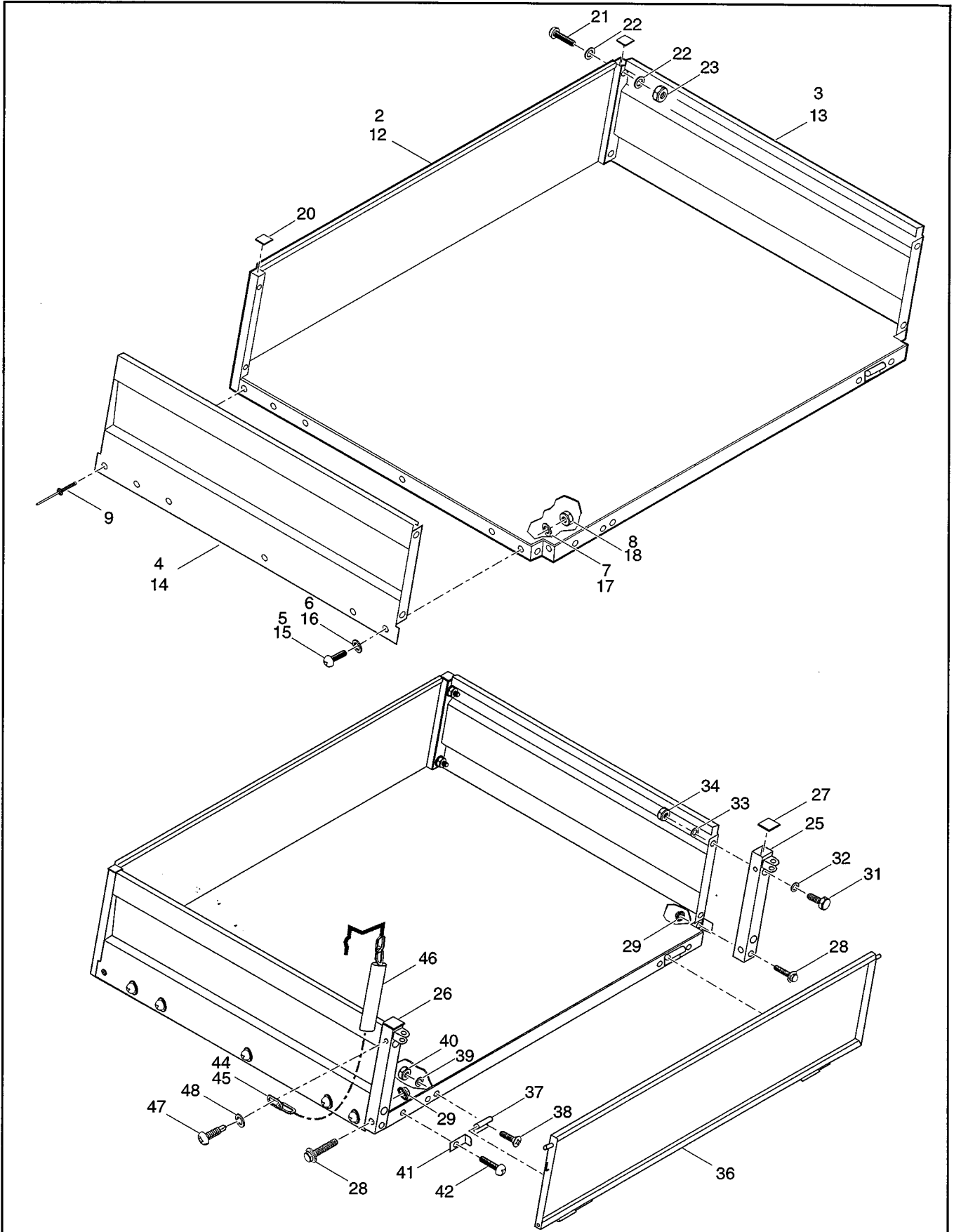
ITEM	PART NO.	1	2	3	4	5	DESCRIPTION	QTY.
30								
31	16705-G3						BOLT, 1/4-20 X 3/4" LG.	4
32	00915-G1						BONDED WASHER, 1/4".....	4
33	00559-G7						WASHER, 1/4".....	4
34	14390-G4						LOCK NUT, 1/4-20.....	4
35								
36	71732-G01						TAILGATE	1
37	27666-G01						HINGE	2
38	01002-G08						BOLT, 1/4-20 X 1" LG.	4
39	00559-G7						WASHER, 1/4".....	4
40	14390-G4						LOCK NUT, 1/4-20.....	4
41	71748-G01						TAILGATE KEEPER.....	1
42	16705-G3						BOLT, 1/4-20 X 3/4" LG.	1
43								
44	28288-G01						BED LOCK (PASSENGER SIDE).....	1
45	28288-G02						BED LOCK (DRIVER SIDE).....	1
46	71763-G01						VINYL TUBING.....	2
47	00106-G6						SELF-TAPPING SCREW, #12-24 X 3/4" LG.	2
48	00915-G1						BONDED WASHER, 1/4".....	2
49								
50	71794-G01						LIFT HANDLE.....	1
51	00976-G08						SCREW, 5/16-18 X 1" LG.....	2
52	00559-G8						WASHER, 5/16".....	2
53	11098-G6						LOCK NUT, 5/16-18.....	2
54								
55	70396-G01						BED PIVOT	2
56	00764-G2						CARRIAGE BOLT, , 5/16 X 1" LG.	6
57	00559-G8						WASHER, 5/16".....	6
58	11098-G6						LOCK NUT, 5/16-18.....	6
59	70291-G01						FLANGED BUSHING.....	4

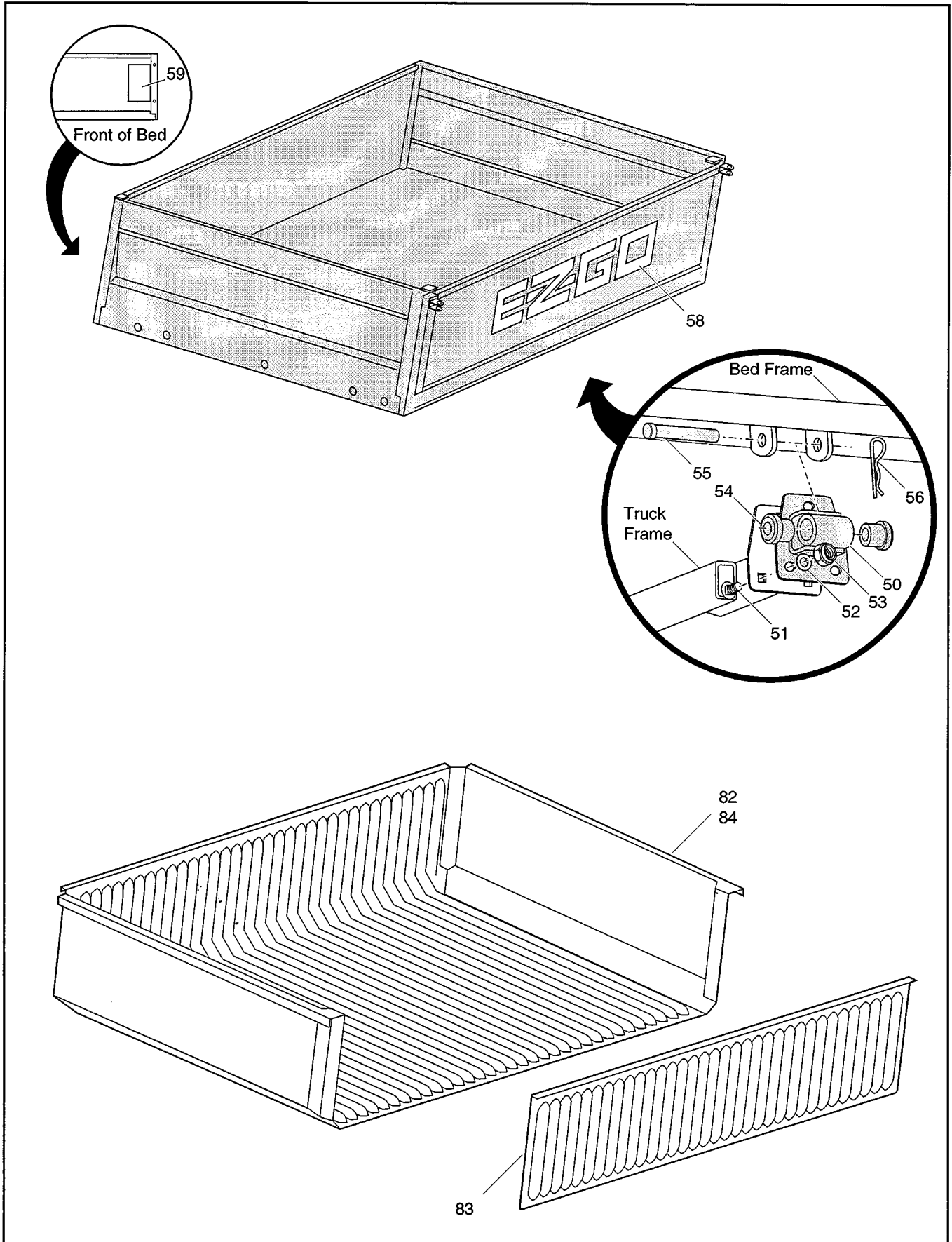
When ordering parts, please specify the model and serial number of the product.

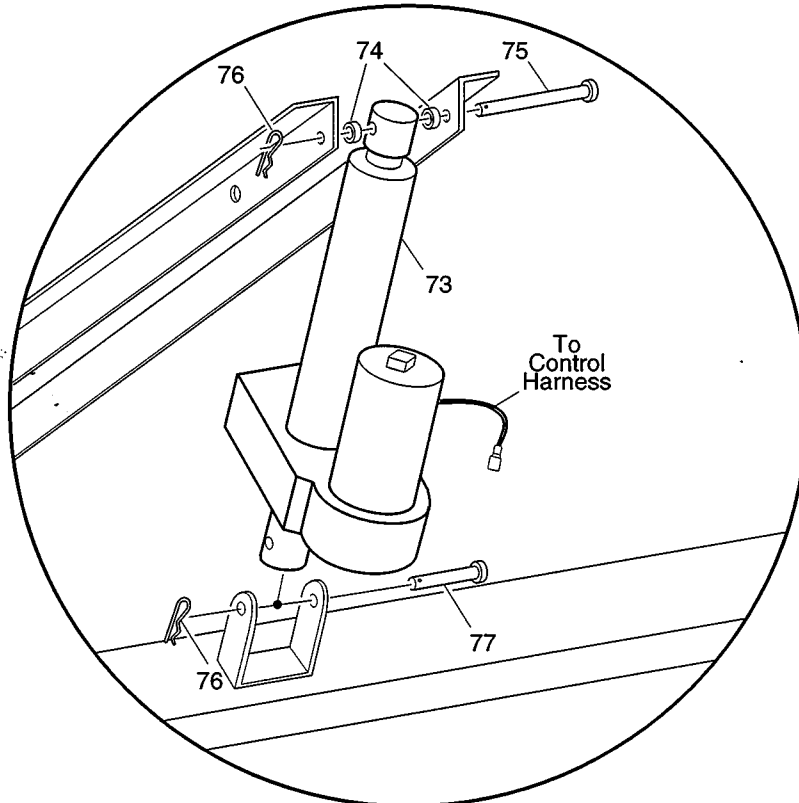
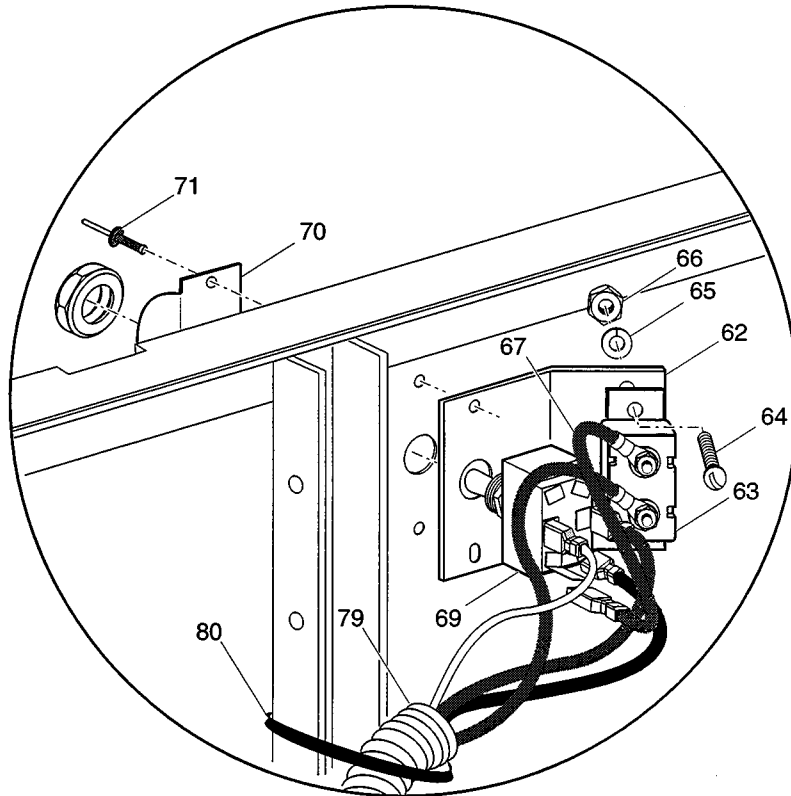
* Indicates a component that is not available as an individual part.

G** Indicates consult Customer Service Department for additional information.

ITEM	PART NO.	1 2 3 4 5	DESCRIPTION	QTY.
60	21682-G1		CLEVIS PIN	2
61	21683-G1		COTTER PIN.....	2
62				
63	71692-G01		BED LATCH	1
64	00559-G7		WASHER, 1/4"	4
65	14390-G4		LOCK NUT, 1/4-20	4
66	71707-G01		EXTENSION SPRING.....	2
67				
68	71766-G01		CATCH BRACKET	2
69	00414-G6		BOLT, 1/4-20 X 3/4" LG	4
70	00559-G7		WASHER, 1/4"	4
71	14390-G4		LOCK NUT, 1/4-20	4
72				
73	71673-G01		PROP BRACKET	1
74	71657-G01		PROP ROD	1
75	00560-G1		WASHER, 3/8"	1
76	15121-G1		WASHER, 3/8" (1 1/4" OD)	2
77	10387-G3		COTTER PIN, 3/32 X 3/4" LG	2
78				
79	71795-G01		E-Z-GO DECAL (WHITE).....	1
80	71200-G01		LOAD WARNING LABEL	1
81	71771-G01		TILT WARNING LABEL	1
82				
83	74033-G01		BED LINER, 40"	1
84	74036-G01		TAILGATE LINER	1
85	74033-G02		BED LINER, 48"	1







When ordering parts, please specify the model and serial number of the product.

* Indicates a component that is not available as an individual part.

G** Indicates consult Customer Service Department for additional information.

ITEM	PART NO.	1 2 3 4 5	DESCRIPTION	QTY.
1	71711-G01		TRUCK BED ASSEMBLY (40") (ELECTRIC DUMP) (INCLUDES ITEMS 2 - 9, 20 - 48).....	1
2	71719-G01		BED FRAME (40")	1
3	71714-G01		SIDE PANEL (40", PASSENGER SIDE)	1
4	71714-G02		SIDE PANEL (40", DRIVER SIDE)	1
5	16705-G3		BOLT, 1/4-20 X 3/4" LG.	10
6	00915-G1		BONDED WASHER, 1/4".....	10
7	00559-G7		WASHER, 1/4"	10
8	14390-G4		LOCK NUT, 1/4-20.....	10
9	14601-G8		RIVET, 3/8" X 11/16" LG.....	2
10				
11	71711-G02		TRUCK BED ASSEMBLY (48") (ELECTRIC DUMP) (INCLUDES ITEMS 12 - 48).....	9, 1
12	71719-G02		BED FRAME (48")	1
13	71742-G01		SIDE PANEL (48", PASSENGER SIDE)	1
14	71742-G02		SIDE PANEL (48", DRIVER SIDE)	1
15	16705-G3		BOLT, 1/4-20 X 3/4" LG.	12
16	00915-G1		BONDED WASHER, 1/4".....	12
17	00559-G7		WASHER, 1/4"	12
18	14390-G4		LOCK NUT, 1/4-20.....	12
19				
20	71717-G01		TUBE CAP (1" SQUARE)	2
21	16705-G6		BOLT, 1/4-20 X 1 3/4" LG.	4
22	00915-G1		BONDED WASHER, 1/4".....	8
23	14390-G4		LOCK NUT, 1/4-20.....	4
24				
25	71712-G01		POST (PASSENGER SIDE)	1
26	71712-G02		POST (DRIVER SIDE).....	1
27	71718-G01		TUBE CAP (1 1/2" SQUARE)	2
28	13437-G8		BOLT, 3/8-16 X 2" LG.	4
29	11027-G5		LOCK NUT, 3/8-16.....	4

When ordering parts, please specify the model and serial number of the product.

* Indicates a component that is not available as an individual part.

G** Indicates consult Customer Service Department for additional information.

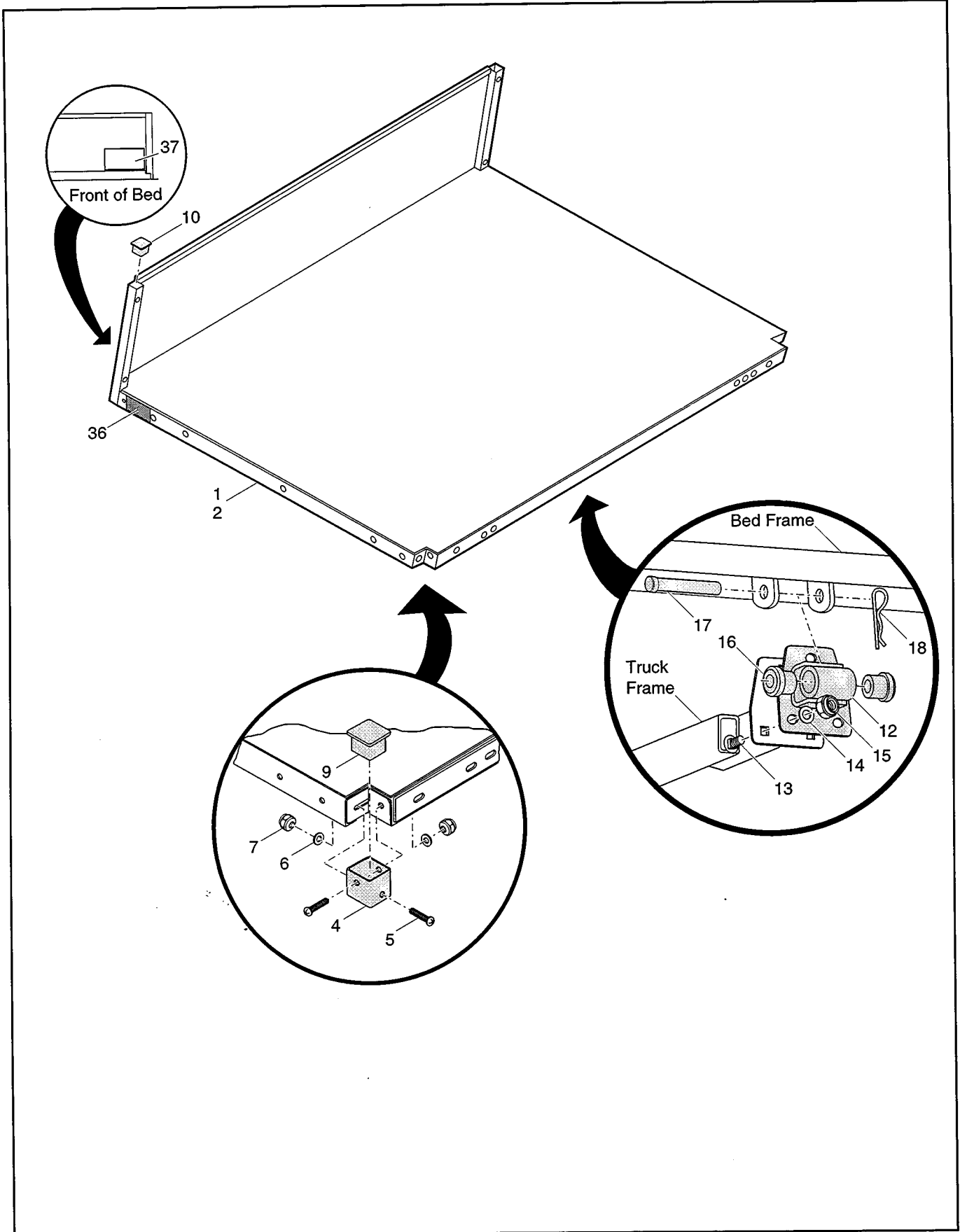
ITEM	PART NO.	1 2 3 4 5	DESCRIPTION	QTY.
30				
31	16705-G3		BOLT, 1/4-20 X 3/4" LG.	4
32	00915-G1		BONDED WASHER, 1/4".....	4
33	00559-G7		WASHER, 1/4".....	4
34	14390-G4		LOCK NUT, 1/4-20.....	4
35				
36	71732-G01		TAILGATE	1
37	27666-G01		HINGE	2
38	01002-G08		BOLT, 1/4-20 X 1" LG.	4
39	00559-G7		WASHER, 1/4".....	4
40	14390-G4		LOCK NUT, 1/4-20.....	4
41	71748-G01		TAILGATE KEEPER.....	1
42	16705-G3		BOLT, 1/4-20 X 3/4" LG.	1
43				
44	28288-G01		BED LOCK (PASSENGER SIDE).....	1
45	28288-G02		BED LOCK (DRIVER SIDE).....	1
46	71763-G01		VINYL TUBING	2
47	00106-G6		SELF-TAPPING SCREW, #12-24 X 3/4" LG.	2
48	00915-G1		BONDED WASHER, 1/4".....	2
49				
50	70396-G01		BED PIVOT	2
51	00764-G2		CARRIAGE BOLT, , 5/16 X 1" LG.	6
52	00559-G8		WASHER, 5/16"	6
53	11098-G6		LOCK NUT, 5/16-18	6
54	70291-G01		FLANGED BUSHING	4
55	21682-G1		CLEVIS PIN	2
56	21683-G1		COTTER PIN.....	2
57				
58	71795-G01		E-Z-GO DECAL (WHITE).....	1
59	71200-G01		LOAD WARNING LABEL	1

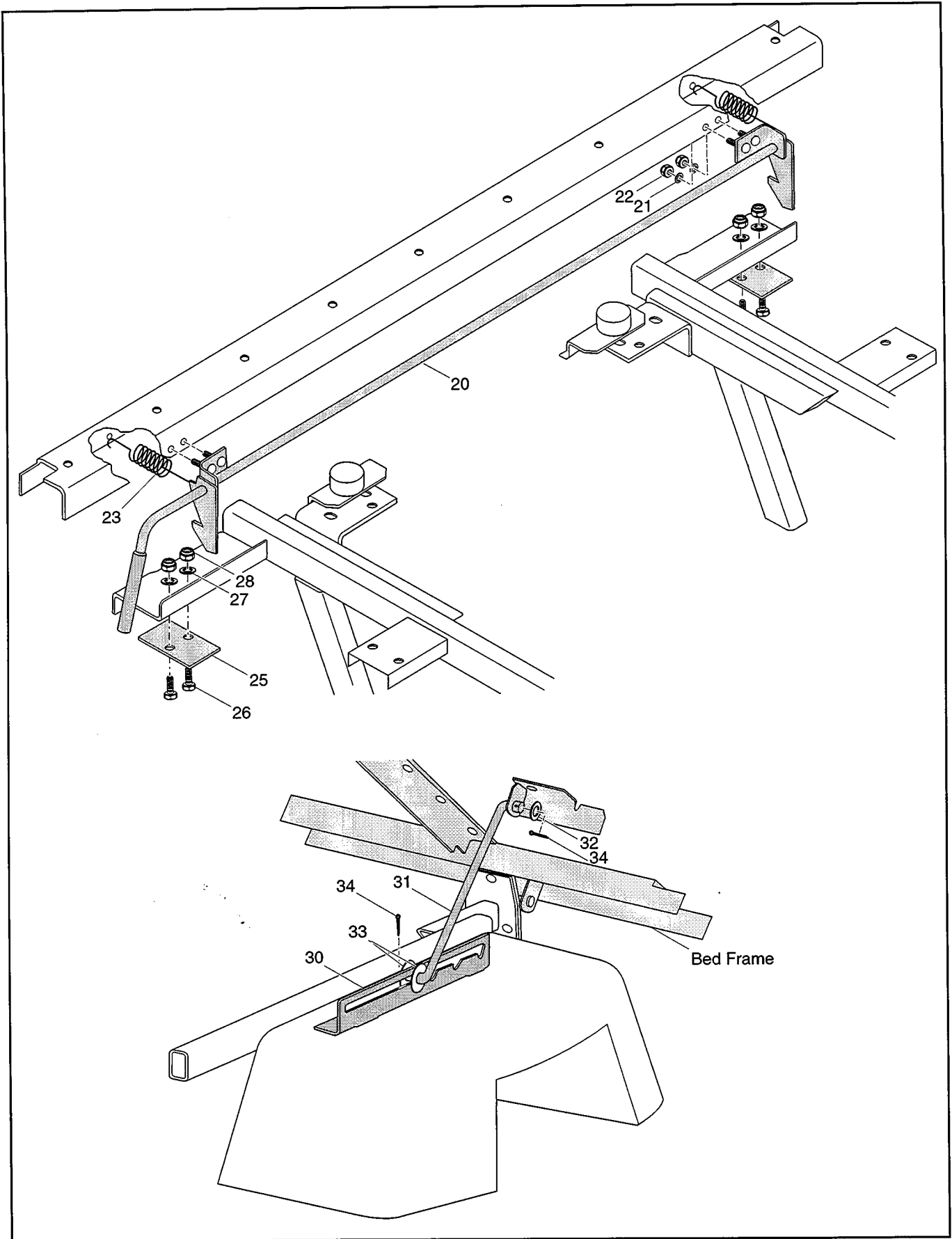
When ordering parts, please specify the model and serial number of the product.

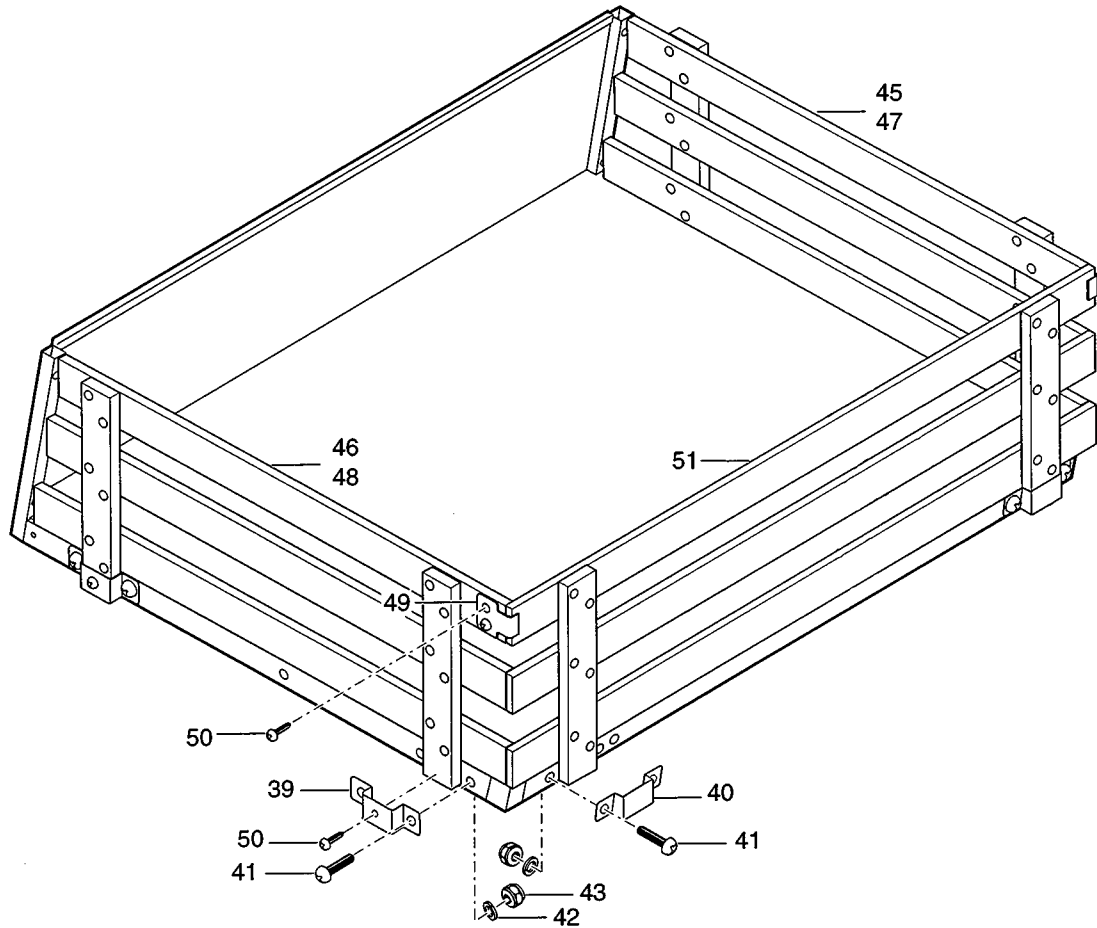
* Indicates a component that is not available as an individual part.

G** Indicates consult Customer Service Department for additional information.

ITEM	PART NO.	1	2	3	4	5	DESCRIPTION	QTY.
60								
61								
62	74165-G01						BRACKET	1
63	21320-G3						CIRCUIT BREAKER	1
64	00150-G4						SCREW, #10-24 X 1/2" LG.	2
65	00565-G5						WASHER, #10.....	2
66	00526-G3						NUT, #10-24.....	2
67	25976-G14						WIRE.....	1
68								
69	27680-G01						TOGGLE SWITCH	1
70	27447-G01						TOGGLE GUARD	1
71	10570-G9						RIVET, 1/8" X 11/32" LG.	2
72								
73	27612-G02						ELECTRIC ACTUATOR	1
74	27613-G01						SPACER.....	2
75	14443-G10						CLEVIS PIN, 1/2" X 3" LG.....	1
76	25233-G1						COTTER PIN.....	2
77	14443-G11						CLEVIS PIN, 1/2" X 1 7/8" LG.....	1
78								
79	74163-G01						HARNESS.....	1
80	17618-G1						NYLON CLAMP	8
81								
82	74033-G01						BED LINER, 40"	1
83	74036-G01						TAILGATE LINER	1
84	74033-G02						BED LINER, 48"	1







When ordering parts, please specify the model and serial number of the product.

* Indicates a component that is not available as an individual part.

G** Indicates consult Customer Service Department for additional information.

ITEM	PART NO.	1 2 3 4 5	DESCRIPTION	QTY.
1	71719-G01		BED (40")	1
2	71719-G02		BED (48")	1
3				
4	71772-G01		CORNER TUBE	2
5	00762-G8		SCREW, 5/16 - 18 X ?? LG.....	4
6	00559-G8		WASHER, 5/16"	4
7	00550-G3		NUT, 5/16 - 18	4
8				
9	71718-G01		TUBE CAP	2
10	71717-G01		TUBE CAP	2
11				
12	70396-G01		BED PIVOT	2
13	00764-G2		CARRIAGE BOLT, , 5/16 X 1" LG.	6
14	00559-G8		WASHER, 5/16"	6
15	11098-G6		LOCK NUT, 5/16-18	6
16	70291-G01		FLANGED BUSHING.....	4
17	21682-G1		CLEVIS PIN	2
18	21683-G1		COTTER PIN.....	2
19				
20	71692-G01		BED LATCH	1
21	00559-G7		WASHER, 1/4"	4
22	14390-G4		LOCK NUT, 1/4-20	4
23	71707-G01		EXTENSION SPRING.....	2
24				
25	71766-G01		CATCH BRACKET	2
26	00414-G6		BOLT, 1/4-20 X 3/4" LG.....	4
27	00559-G7		WASHER, 1/4"	4
28	14390-G4		LOCK NUT, 1/4-20	4
29				
30	71673-G01		PROP BRACKET	1

When ordering parts, please specify the model and serial number of the product.

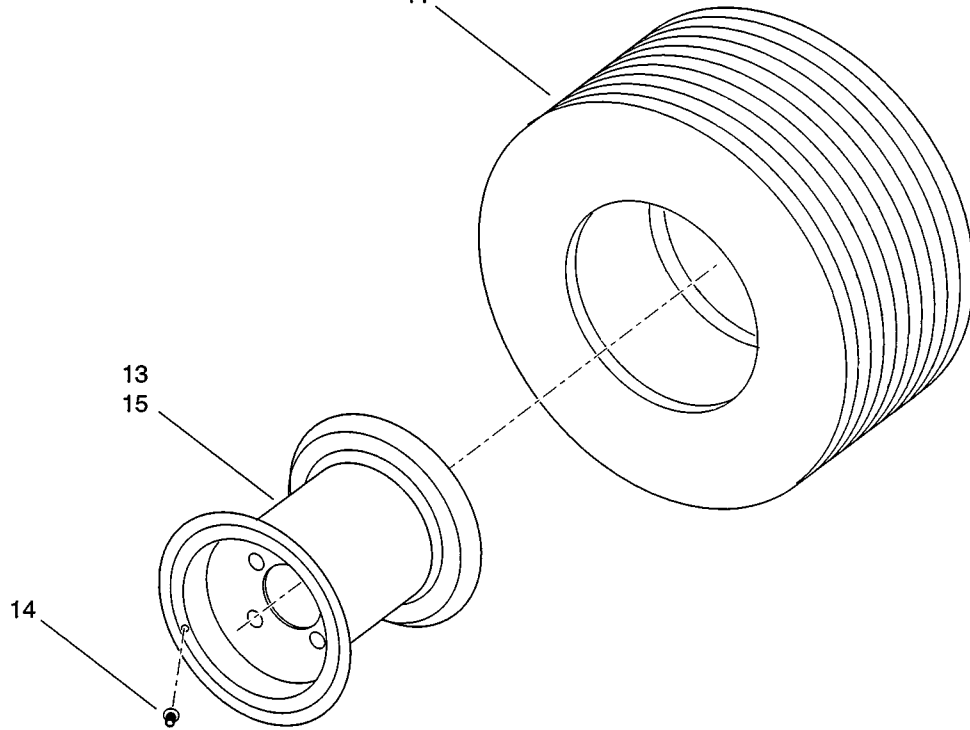
* Indicates a component that is not available as an individual part.

G** Indicates consult Customer Service Department for additional information.

ITEM	PART NO.	1	2	3	4	5	DESCRIPTION	QTY.
31	71657-G01						PROP ROD	1
32	00560-G1						WASHER, 3/8"	1
33	15121-G1						WASHER, 3/8" (1 1/4" OD)	2
34	10387-G3						COTTER PIN, 3/32 X 3/4" LG	2
35								
36	71777-G01						WARNING DECAL	1
37	71200-G01						LOAD WARNING LABEL	1
38								
39	74157-G01						SIDE RAIL SUPPORT	4
40	74161-G01						BACK RAIL SUPPORT	2
41	16705-G3						SCREW, 1/4-20 X 3/4" LG.	12
42	00559-G7						WASHER, 1/4"	12
43	14390-G4						NUT, 1/4-20	12
44								
45	74167-G01						SIDE CARGO RACK (40") (PASSENGER SIDE)	1
46	74167-G02						SIDE CARGO RACK (40") (DRIVER SIDE)	1
47	74168-G01						SIDE CARGO RACK (48") (PASSENGER SIDE)	1
48	74168-G02						SIDE CARGO RACK (48") (DRIVER SIDE)	1
49	74079-G01						TAILGATE RETAINER BRACKET	2
50	00666-G6						SCREW, #10 X 3/4" LG.	8
51	74162-G03						REAR CARGO RACK	1

- 1 - Includes Items 2, 13, 14
- 4 - Includes Items 5, 13, 14
- 7 - Includes Items 8, 13, 14
- 10 - Includes Items 11, 14, 15

- 2
- 5
- 8
- 11



When ordering parts, please specify the model and serial number of the product.

* Indicates a component that is not available as an individual part.

G** Indicates consult Customer Service Department for additional information.

ITEM	PART NO.	1	2	3	4	5	DESCRIPTION	QTY.
1	27772-G03						18 X 8.5 - 8 CARLISLE TIRE AND WHEEL ASSEMBLY, TURF SAVER (INCLUDES ITEMS 2, 13, 14).....	AR
2	27772-G07						18 X 8.5 - 8 CARLISLE TIRE, TURF SAVER	AR
3								
4	27772-G01						18 X 8.5 - 8 CARLISLE TIRE AND WHEEL ASSEMBLY, LINKS (INCLUDES ITEMS 5, 13, 14).....	AR
5	27772-G05						18 X 8.5 - 8 CARLISLE TIRE, LINKS	AR
6								
7	27775-G01						18.5 X 8.5 - 8 CARLISLE TIRE AND WHEEL ASSEMBLY, USA TRAIL (INCLUDES ITEMS 7, 13, 14).....	AR
8	27775-G02						18.5 X 8.5 - 8 CARLISLE TIRE, USA TRAIL	AR
9								
10	27784-G01						5.70 - 8 CARLISLE TIRE AND WHEEL ASSEMBLY, USA TRAIL (INCLUDES ITEMS 11, 14, 15).....	AR
11	27784-G03						5.70 - 8 CARLISLE TIRE, USA TRAIL.....	AR
12								
13	15169-G1						WHEEL RIM, 4 LUG, STANDARD	AR
14	11657-G1						VALVE STEM	AR
15	33678-G01						WHEEL RIM, 4 LUG	AR

SPECIAL TOOLS

SPECIAL TOOLS LISTING

SPECIAL TOOLS

Part No.

SPECIAL TOOLS

DRIVE CLUTCH PULLER	19779-G2
FLYWHEEL PULLER	27111-G01
CAM PULLEY TOOL	27851-G01
CURRENT INDICATOR	16489-G2
MULTI-METER, DIGITAL	27481-G01
CRIMPING TOOL	27765-G01
SLIDE HAMMER (AXLE/HUB REMOVAL)	15947-G1
SLIDE HAMMER (AXLE REMOVAL ONLY)	18753-G1
TACHOMETER	72526-G01
FEELER GAUGE	72525-G01
COMPRESSION TESTER	72524-G01
ENGINE REBUILD MANUAL	27615-G01
REAR AXLE REBUILD MANUAL	27660-G01

PAINT

CONTACT SERVICE PARTS REPRESENTATIVE FOR COLOR SPECIFICATIONS AND PART NUMBERS

ACCESSORIES

ACCESSORIES LIST

ACCESSORIES

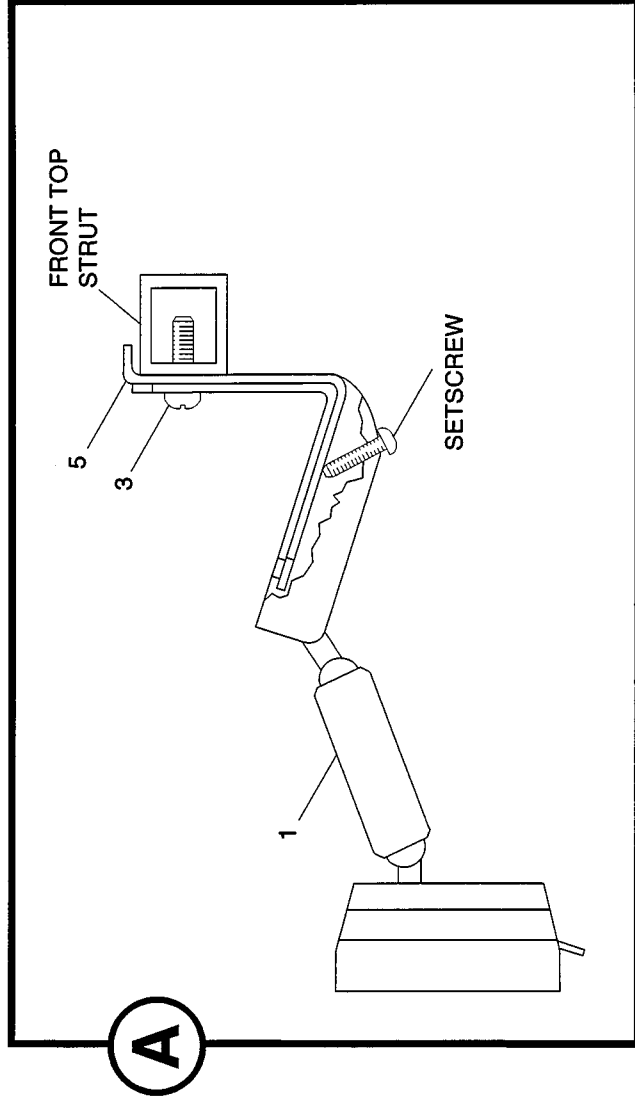
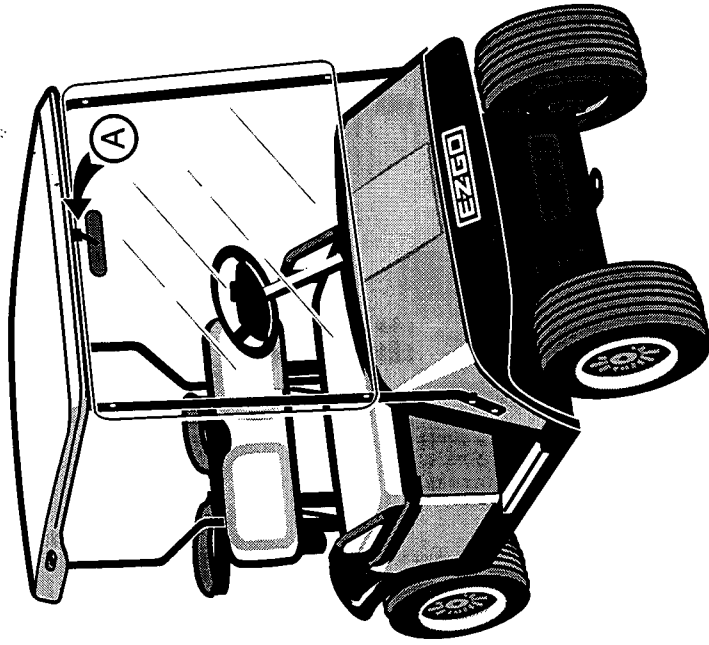
	Kit Number	Installation Illustration
ACCESSORIES LIST		
REAR VIEW MIRROR KIT	19528G2	75162
SPARK ARRESTOR KIT	25747-G01	25750
RAMP KIT	28334-G01	28335
VAN BOX	28361-G01	28362
BED LINER KIT (40").....	74035-G03	74204
BED LINER KIT (48").....	74035-G04	74204
ELECTRIC DUMP KIT	74164-G02	74166
WINDSHIELD KIT (CLEAR, 2 BEND, REQUIRES SUN TOP KIT).....	75041-G03	75043
WINDSHIELD KIT (TINTED, 2 BEND, REQUIRES SUN TOP KIT).....	75041-G04	75043
WINDSHIELD KIT (CLEAR, 4 BEND, REQUIRES SUN TOP KIT).....	75041-G05.....	75043
WINDSHIELD KIT (TINTED, 4 BEND, REQUIRES SUN TOP KIT).....	75041-G06.....	75043
TURN SIGNAL KIT	75107-G02	75106
ASHTRAY KIT.....	75109-G02	75110
HOUR METER KIT	75114-G02	75119
BALL HITCH KIT.....	75326-G02	75328
"C" HITCH KIT	75327-G02	75329
SUN TOP KIT.....	75350-G01	75351
WORK LIGHT WITH LIGHTS	75354-G01	75348
WORK LIGHT WITH STROBE	75354-G02	75348
WORK LIGHT WITH LIGHTS AND STROBE.....	75354-G03	75348
3 SIDED SOFT ENCLOSURE	75367-G01	75368
PLASTIC CAB WITH DOORS	75380-G01	
SIDE MIRROR KIT	75400-G01	
ROTATING BEACON LIGHT KIT	75405-G01	
CHROME HUB CAP 8".....	14913-G*	28244
CHROME HUB CAP 6".....	16042-G*	28244
GOLD SPOKE WHEEL COVERS.....	19241-G*	28244
SILVER SPOKE WHEEL COVERS.....	19241-G*	28244

ACCESSORIES

ACCESSORIES ILLUSTRATED

ACCESSORIES

Notes:



THE SYMBOL ◁ REFERS TO A NOTE CORRESPONDING TO THE LETTER ENCLOSED WITHIN IT. SEE FOLLOWING PAGE(S) FOR NOTES AND PARTS LISTS. RETAIN THIS DOCUMENT TO FACILITATE THE ORDERING OF REPLACEMENT PARTS.

TITLE REAR VIEW MIRROR INSTALLATION INSTRUCTIONS

REV -



DRN BY
ORIG DATE

CGT
05/16/94

REV BY
REV DATE

DRAWING
NO. 75162

PG. 1 OF 2

E-Z-GO DIVISION OF TEXTRON, INC., P.O. BOX 388, AUGUSTA, GA. 30903-0388, 1-800-241-5855

NOTE: TO ORDER THIS ENTIRE FIELD KIT, REQUEST PART NO. 19528-G2

READ ALL INSTRUCTIONS BEFORE PROCEEDING.

1. DISCARD PLASTIC MOUNTING BRACKETS AND ADHESIVE SUPPLIED WITH KIT. THESE ITEMS ARE USED IN OTHER APPLICATIONS.
2. REMOVE THE FRONT TOP HARDWARE FROM THE FRONT TOP STRUT. IT IS NOT NECESSARY TO REMOVE TOP.
3. LOCATE AND DRILL A .147 DIA. HOLE (#26 DRILL) THROUGH CENTER OF FRONT TOP STRUT (INSIDE SURFACE ONLY). SEE DETAIL A.
4. USING SCREW, ITEM 3 FASTEN SUPPORT BRACKET, ITEM 5 TO FRONT TOP STRUT AS SHOWN IN DETAIL A.
5. LOOSEN SETSCREW SUPPLIED WITH MIRROR.
6. SLIDE MIRROR, ITEM 1 ONTO BRACKET AND TIGHTEN SETSCREW. *DO NOT OVERTIGHTEN. DAMAGE TO MIRROR WILL OCCUR.*
7. REINSTALL THE TOP ONTO THE FRONT TOP STRUT. TIGHTEN HARDWARE TO 3 - 5 FT. LBS. TORQUE.

ITEM	QTY	PART NO.	DESCRIPTION
1	1	19496-G1	MIRROR, REAR VIEW
2			
3	1	19527-G1	SCREW, STAINLESS STEEL, SELF TAPPING, #8 - 32 x 5/8 LG.
4			
5	1	19502-G2	BRACKET, SUPPORT

THE SYMBOL ◁ REFERS TO A NOTE CORRESPONDING TO THE LETTER ENCLOSED WITHIN IT. SEE FOLLOWING PAGE(S) FOR NOTES AND PARTS LISTS. RETAIN THIS DOCUMENT TO FACILITATE THE ORDERING OF REPLACEMENT PARTS.

TITLE REAR VIEW MIRROR INSTALLATION INSTRUCTIONS

REV -

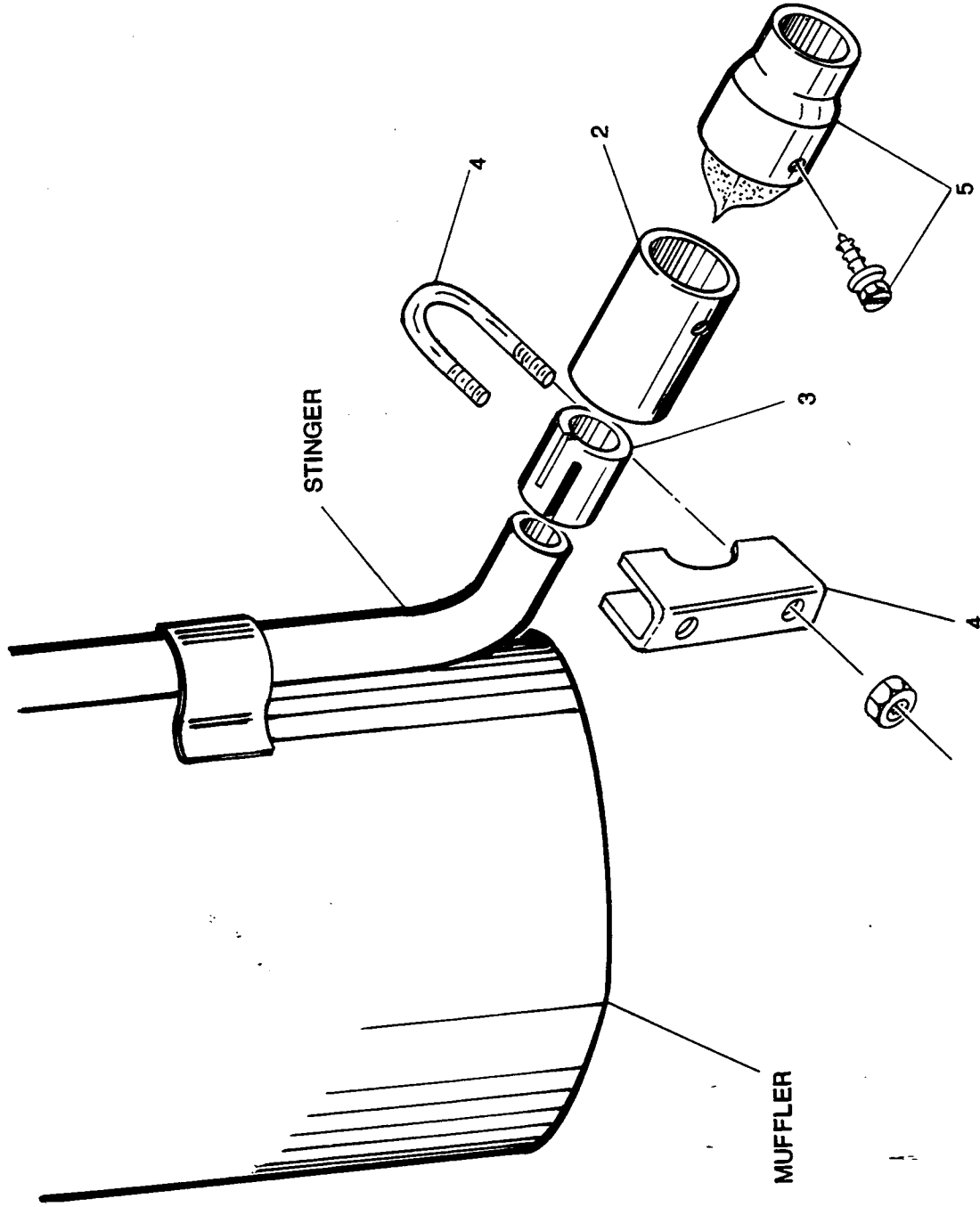


DRN BY
ORIG DATE

REV BY
REV DATE

DRAWING
NO. 75162

PG. 2 OF 2



THE SYMBOL ◁ REFERS TO A NOTE CORRESPONDING TO THE LETTER ENCLOSED WITHIN IT. SEE FOLLOWING PAGE(S) FOR NOTES AND PARTS LISTS. RETAIN THIS DOCUMENT TO FACILITATE THE ORDERING OF REPLACEMENT PARTS.

TITLE		SPARK ARRESTER KIT INSTRUCTIONS (4 CYCLE ENGINE)		REV -
E-Z-GO TEXTRON		DRN BY	G. C. R.	REV BY
		ORIG DATE	8/13/90	REV DATE
		A		PART NO. 25750
				PG. 1 OF 2
E-Z-GO DIVISION OF TEXTRON, INC., P. O. BOX 988, AUGUSTA, GA. 30913-2699, 1-800-448-7476				

NOTES ◁ :

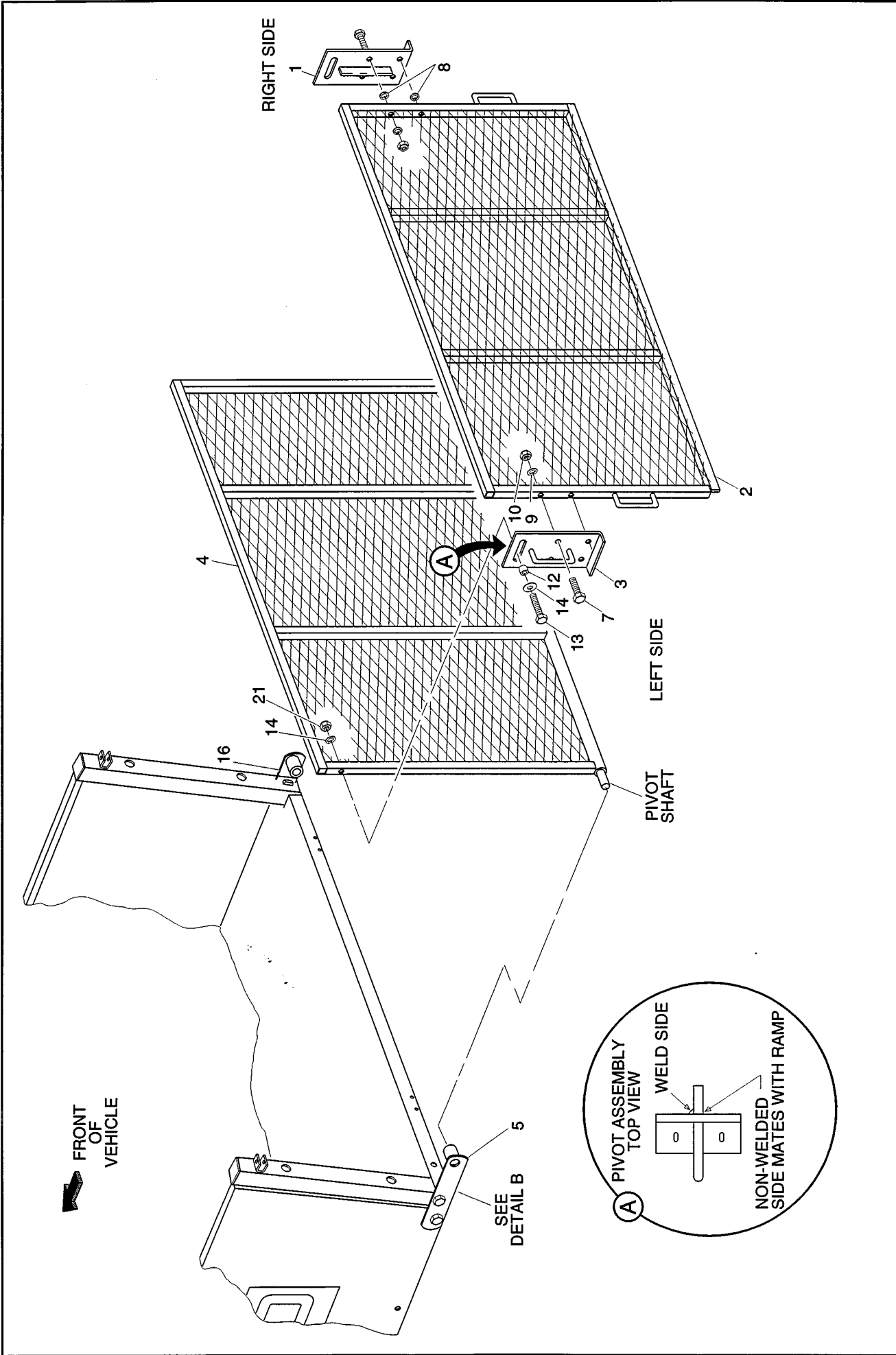
BEFORE PROCEEDING READ AND UNDERSTAND ALL INSTRUCTIONS.
TO RE-ORDER THIS ENTIRE FIELD KIT REQUEST PART # 25747-G01.

- A. SLIDE THE SLEEVE(3) OVER THE STINGER, THEN SLIDE ADAPTER TUBE (2) OVER SLEEVE (3). SECURE BOTH WITH THE CLAMP ITEM (4).
- B. SLIDE THE PROTRUDING SCREEN END OF THE SPARK ARRESTER (5) IN TO THE END OF THE ADAPTER TUBE (2) AND ALIGN THE HOLE IN THE SPARK ARRESTER WITH THE 1/8" DIAMETER HOLE IN THE ADAPTER TUBE.
- C. SECURE THE SPARK ARRESTER TO THE TUBE WITH THE #8 X 1/4 LG. HEX HEAD SHEET METAL SCREW INCLUDED WITH THE SPARK ARRESTER.
- D. **SPARK ARRESTER MAINTENANCE:** REMOVE THE SPARK ARRESTER EVERY 50 HOURS OF ENGINE OPERATION AND CLEAN THE THE SCREEN WITH A WIRE BRUSH.
- E. EXAMINE THE SCREEN AND WELDS FOR BREAKS. IF ANY BREAKS ARE APPARENT, THE SPARK ARRESTER MUST BE REPLACED.

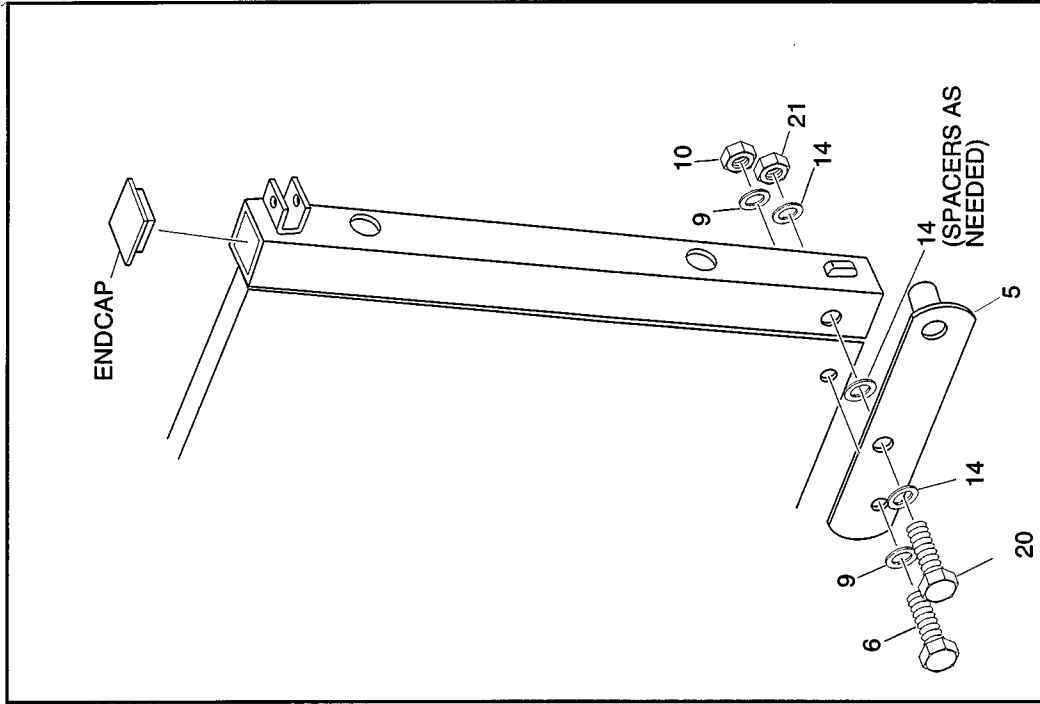
ITEM	QTY.	PART NO.	DESCRIPTION
1	1	25747-G01	SPARK ARRESTER KIT
2	1	25746-G01	ADAPTER TUBE
3	1	25388-G1	SLEEVE
4	1	25405-G1	CLAMP TUBE
5	1	25406-G1	SPARK ARRESTER

THE SYMBOL ◁ REFERS TO A NOTE CORRESPONDING TO THE LETTER ENCLOSED WITHIN IT. SEE FOLLOWING PAGE(S) FOR NOTES AND PARTS LISTS. RETAIN THIS DOCUMENT TO FACILITATE THE ORDERING OF REPLACEMENT PARTS.

TITLE SPARK ARRESTER KIT INSTRUCTIONS (4 CYCLE ENGINE)		REV -
EZGO TEXTRON	DRN BY G.C.R. 8/13/90	REV BY PART NO. 25750
E-Z-GO DIVISION OF TEXTRON, INC., P.O. BOX 388, AUGUSTA, GA. 30913-2699, 1-800-448-7476		PG. 2 OF 2



<p>THE SYMBOL ◁ REFERS TO A NOTE CORRESPONDING TO THE LETTER ENCLOSED WITHIN IT. SEE FOLLOWING PAGE(S) FOR NOTES AND PARTS LISTS. RETAIN THIS DOCUMENT TO FACILITATE THE ORDERING OF REPLACEMENT PARTS.</p>		<p>EZ-GO TEXTRON</p>		<p>DRN BY J. RICE 09/01/95 REV BY J. BRAND 06/06/96</p>		<p>DRAWING NO. 28335</p>		<p>REV A</p>	
<p>TITLE TRUCK RAMP FIELD KIT (48" WIDE BED)</p>		<p>REV DATE</p>		<p>REV DATE</p>		<p>NO. 28335</p>		<p>PG. 1 OF 4</p>	
<p>E-Z-GO DIVISION OF TEXTRON, INC., P.O. BOX 388, AUGUSTA, GA. 30903-0388, 1-800-241-5855</p>									



DETAIL B

THE SYMBOL ◁ REFERS TO A NOTE CORRESPONDING TO THE LETTER ENCLOSED WITHIN IT. SEE FOLLOWING PAGE(S) FOR NOTES AND PARTS LISTS. RETAIN THIS DOCUMENT TO FACILITATE THE ORDERING OF REPLACEMENT PARTS.

TITLE **TRUCK RAMP FIELD KIT (48" WIDE BED)**



DRN BY J.RICE
ORIG DATE 09/01/95

REV BY J. BRAND
REV DATE 06/06/96

DRAWING NO. 28335

REV A

PG. 2 OF 4

E-Z-GO DIVISION OF TEXTRON, INC., P.O. BOX 388, AUGUSTA, GA. 30903-0388, 1-800-241-5855

**NOTE: TO ORDER THIS ENTIRE FIELD KIT, REQUEST PART NO. 28334-G01
READ ALL INSTRUCTIONS BEFORE PROCEEDING.**

A. REMOVE EXISTING TAILGATE

1. Engage parking brake.
2. Remove tailgate, right and left hinges, and related hardware. Leave chains and hooks attached to truck bed.
3. Retain all parts for possible future use.

B. TRUCKBED ASSEMBLY

1. Locate right and left corner posts on the truck bed. Remove lower outside bolts and rear lower panel truss head screw.
2. Attach driver's side ramp support (item 5) to the side of the truck bed securing with hardware (items 6, 9 and 10). See Detail B. Using hardware (items 20, 14, and 21), secure bracket (item 5) to corner post. Extra spacers may be needed between bracket and post to fill gap as shown in Detail B.
3. The mounting bracket for the opposite post will be added at final assembly.

C. LOWER RAMP ASSEMBLY

1. Place *NON-WELDED* side (see Detail A) of left pivot (item 3) flush against the side of the lower ramp (item 2). Align mounting holes and fasten securely with hardware (item 7, 9 and 10).
2. The right pivot (item 1) is to be mounted using the same procedure as the left pivot except a washer (item 8) *must* be added between the ramp and the pivot.

D. UPPER TO LOWER RAMP ASSEMBLY

1. Make certain the top surface (side with mesh) of each ramp is facing outwards.
2. Place one pivot spacer (item 12) inside each slot of pivot brackets and secure lower ramp to upper ramp with hardware (items 13, 14, and 21) as shown in illustration on first page.

E. FINAL ASSEMBLY

1. Insert left pivot shaft of the upper ramp into the driver side support (item 5) as shown in illustration on first page.
2. Place passenger side support (item 16) onto right pivot shaft of the upper ramp and mount support to the right side of the truck bed using procedure in step 2 of **TRUCK BED ASSEMBLY**.
3. Ramp is held in upright (stored) position with tailgate hooks.

THE SYMBOL ◁ REFERS TO A NOTE CORRESPONDING TO THE LETTER ENCLOSED WITHIN IT. SEE FOLLOWING PAGE(S) FOR NOTES AND PARTS LISTS. RETAIN THIS DOCUMENT TO FACILITATE THE ORDERING OF REPLACEMENT PARTS.

TITLE **TRUCK RAMP FIELD KIT (48" WIDE BED)**



DRN BY J. RICE
ORIG DATE 09/01/95

REV BY J. BRAND
REV DATE 06/06/98

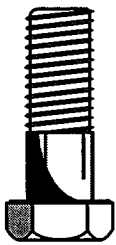
DRAWING NO. 28335
A

REV **A**

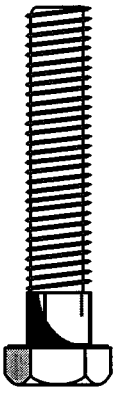
PG. 3 OF 4

E-Z-GO DIVISION OF TEXTRON, INC., P.O. BOX 388, AUGUSTA, GA. 30903-0388, 1-800-241-5855

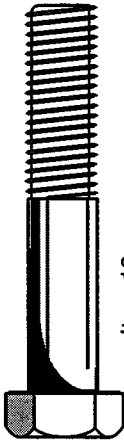
HARDWARE SHOWN ACTUAL SIZE



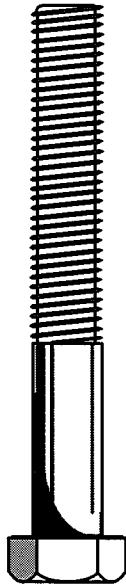
Item 6
5/16-18 X 1 Lg. Screw
Qty. 2



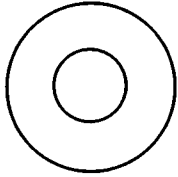
Item 7
5/16-18 X 1 3/4 Lg. Screw
Qty. 4



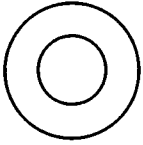
Item 13
3/8-16 x 2 Lg. Screw
Qty. 2



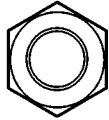
Item 20
3/8-16 x 2 3/4 Lg. Screw
Qty. 2



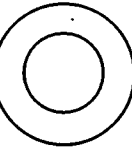
Item 8
5/16 Heavy Washer
Qty. 4



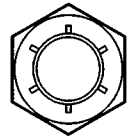
Item 9
5/16 Light Washer
Qty. 8



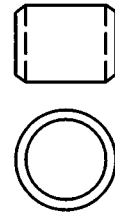
Item 10
5/16-18 Lock Nut
Qty. 6



Item 14
3/8 Washer
Qty. 10



Item 21
3/8-16 Lock Nut
Qty. 4



Item 12
Pivot Spacer
Qty. 2

ITEM	QTY	PART NO.	DESCRIPTION
1	1	20252-G1	PIVOT, PASSENGER SIDE
2	1	20257-G2	RAMP, LOWER
3	1	20252-G2	PIVOT, DRIVER'S SIDE
4	1	20264-G1	RAMP, UPPER
5	1	28331-G02	SUPPORT, RAMP, DRIVER'S SIDE
6	2	00438-G8	BOLT, 5/16-18 X 1 3/4 LG.
7	4	00439-G6	BOLT, 5/16-18 X 1 3/4 LG.
8	4	00569-G2	WASHER, 5/16, HEAVY
9	8	00559-G8	WASHER, 5/16, LIGHT
10	6	11098-G6	NUT, LOCK, 5/16-18
11			
12	2	20275-G1	SPACER, PIVOT
13	2	00427-G8	BOLT 3/8-16 X 2 LG.
14	10	00562-G1	WASHER, 3/8
15			
16	1	28331-G01	SUPPORT, RAMP, PASSENGER SIDE
17			
18			
19			
20	2	00428-G6	BOLT, 3/8-16 X 2 3/4 LG.
21	4	11098-G5	NUT, LOCK, 3/8-16

THE SYMBOL ◁ REFERS TO A NOTE CORRESPONDING TO THE LETTER ENCLOSED WITHIN IT. SEE FOLLOWING PAGE(S) FOR NOTES AND PARTS LISTS. RETAIN THIS DOCUMENT TO FACILITATE THE ORDERING OF REPLACEMENT PARTS.

TITLE TRUCK RAMP FIELD KIT (48" WIDE BED)



DRN BY
ORIG DATE

J. RICE
08/01/95

REV BY
REV DATE

J. BRAND
06/06/96

A

DRAWING
NO. 28335

REV A

PG. 4 OF 4

NOTE: TO ORDER THIS ENTIRE FIELD KIT, REQUEST PART NO. 28361-G01

READ ALL INSTRUCTIONS BEFORE PROCEEDING.

TOOL LIST	QTY. REQUIRED	TOOL LIST	QTY. REQUIRED
Drill.....	1	Wrench, 7/16".....	1
Drill bit, 3/8".....	1	Wrench, 9/16".....	1
Phillips screwdriver.....	1	Wrench, 3/8".....	1
Flat screwdriver.....	1	Utility knife or snips.....	1
Tape measure.....	1	Framing Square.....	1

NOTE

Before beginning, read and understand all instructions. Check carton contents against enclosed packing list. During assembly, leave all bolts loose for later adjustment.

A small container of touch up primer (zinc clad) has been supplied with the van box hardware. Included to help prevent premature rusting of unprotected drilled holes, it should be used to coat or swab the interior of all drilled holes on both the vehicle and van box. Also, any scratches, nicks, etc. made during installation should be touched up thoroughly.

CAUTION

DUE TO THE SIZE AND WEIGHT OF PANELS, RACKS AND TAILGATE TO BE REMOVED, AND THE SIZE AND WEIGHT OF PANELS COMPRISING THE VAN BOX, IT IS RECOMMENDED THAT A HELPER BE USED TO STEADY THE PANELS DURING DISASSEMBLY AND ASSEMBLY TO PREVENT PERSONAL INJURY FROM FALLING PANELS.

A. Prepare bed for van box (See Fig. 1)

1. Remove all components from load bed until the configuration in Fig. 1 is achieved.

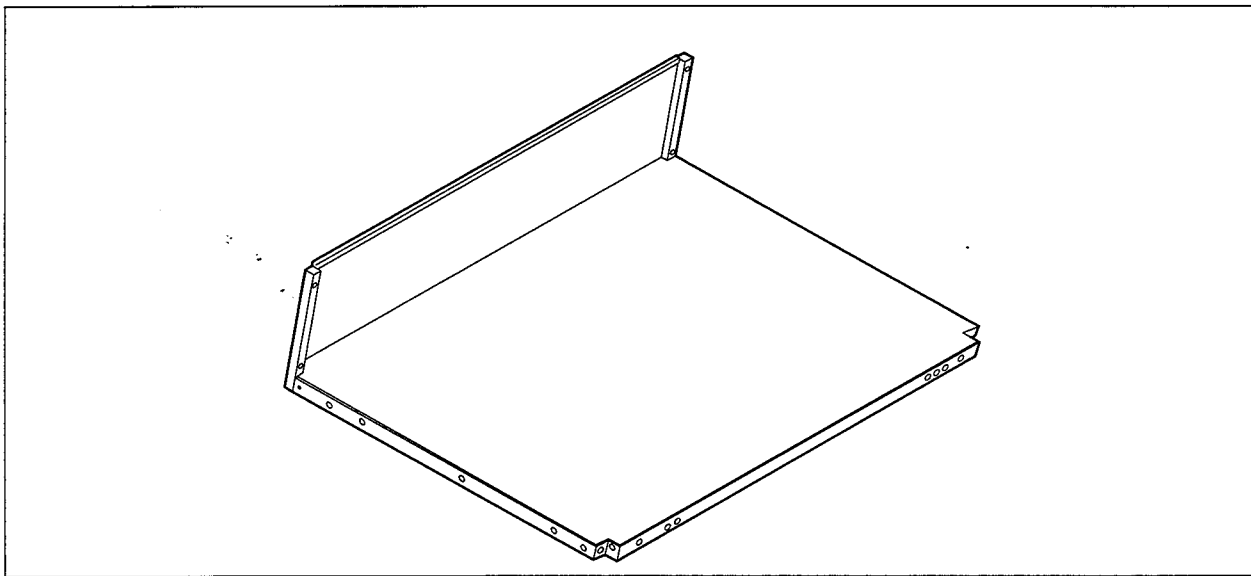


Fig. 1

TITLE VAN BOX INSTALLATION INSTRUCTIONS				REV -
EZGO TEXTRON	DRN BY	J.RICE	REV BY	DRAWING NO.
	ORIG DATE	03/20/96	REV DATE	28362
E-Z-GO DIVISION OF TEXTRON, INC., P.O. BOX 388, AUGUSTA, GA. 30903-0388, 1-800-448-7476				PG. 1 OF 7

B. Assemble Van Box on Flat Bed (See Fig. 2, Fig. 3, Fig. 4 & Fig. 5)

1. Measure, cut, and install floor seal gasket to bottom flange to each side panel.
2. Place side panel on side of bed (flanges facing inward), aligning holes in panel with holes in bed. Loosely attach side panel to bed with hex bolts, washers and nuts. Repeat with panel on other side of bed.

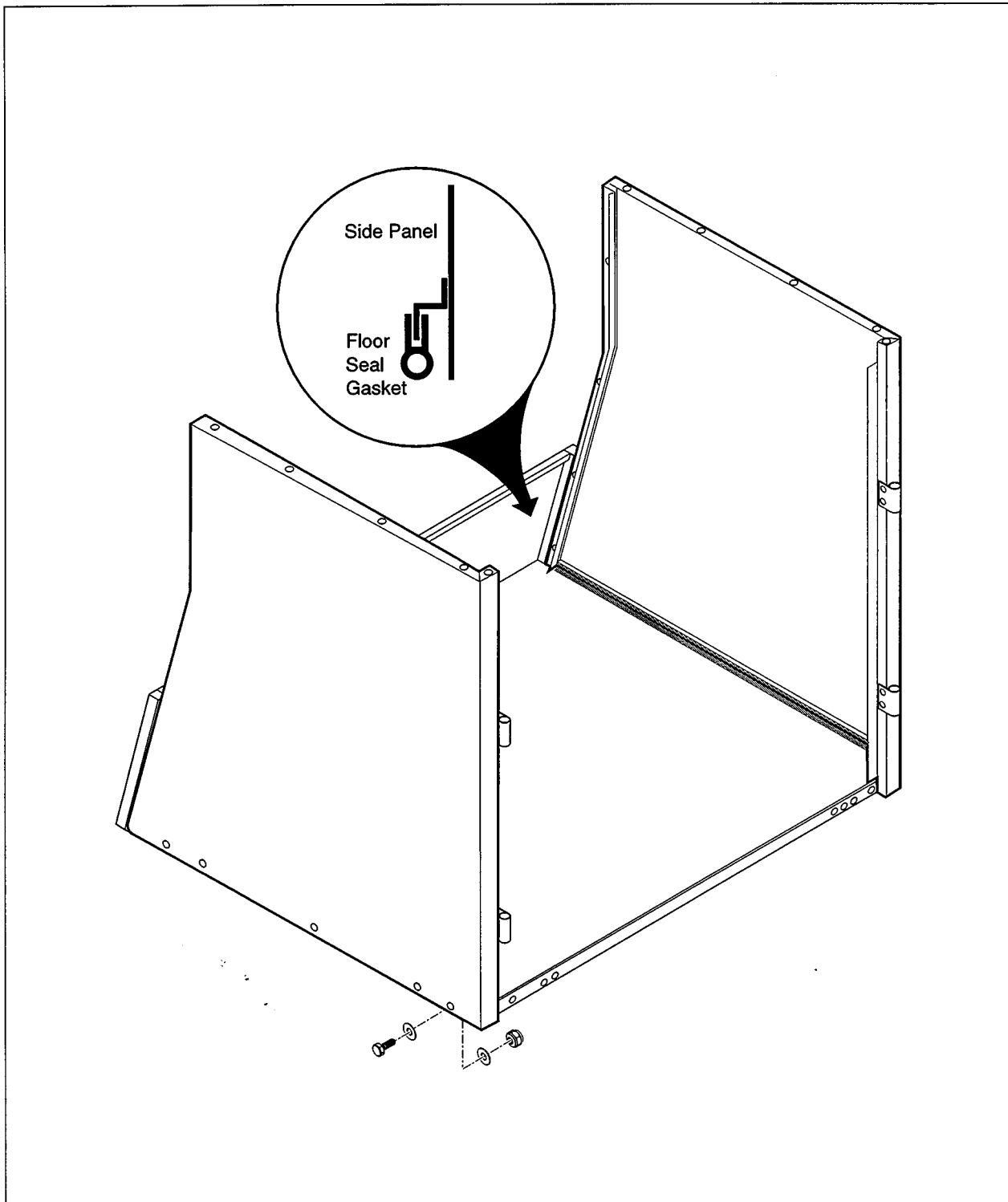


Fig. 2

TITLE	VAN BOX INSTALLATION INSTRUCTIONS	REV -
-------	--	-------

EZGO TEXTRON	DRN BY J.RICE ORIG DATE 03/20/96	REV BY REV DATE	DRAWING NO. 28362	PG. 2 OF 7
---------------------	-------------------------------------	--------------------	-------------------	------------

3. Measure, cut and install floor seal gasket to bottom flange of front panel.
4. Place front panel on bed between side panels. Insert flanged bolt from side panel through hole in front panel. Loosely attach front panel to side panel with washer and lock nut. Repeat for each hole on both side panels.

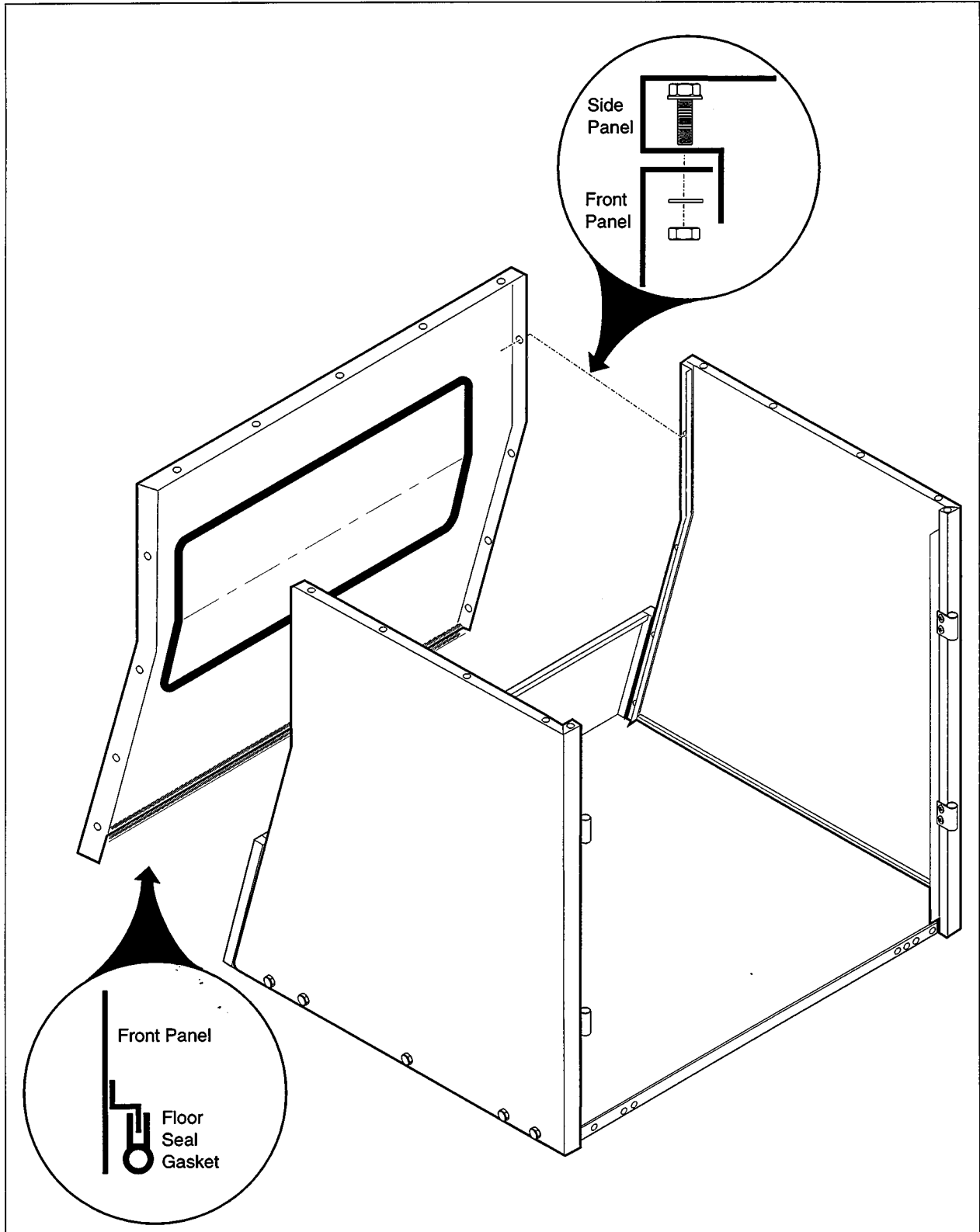


Fig. 3

TITLE VAN BOX INSTALLATION INSTRUCTIONS				REV -
EZGO TEXTRON	DRN BY	J.RICE	REV BY	DRAWING NO.
	ORIG DATE	03/20/96	REV DATE	28362
				PG. 3 OF 7
E-Z-GO DIVISION OF TEXTRON, INC., P.O. BOX 388, AUGUSTA, GA. 30903-0388, 1-800-448-7476				

5. Place top on assembled panels. Insert flanged bolt from top through hole in lower panel. Loosely attach top to panels with washer and lock nut. Repeat for each hole in front panel and both side panels.
6. Measure, cut and install rubber door trim, starting at lower left corner and work up the left side panel, across the roof, and down the right side panel.

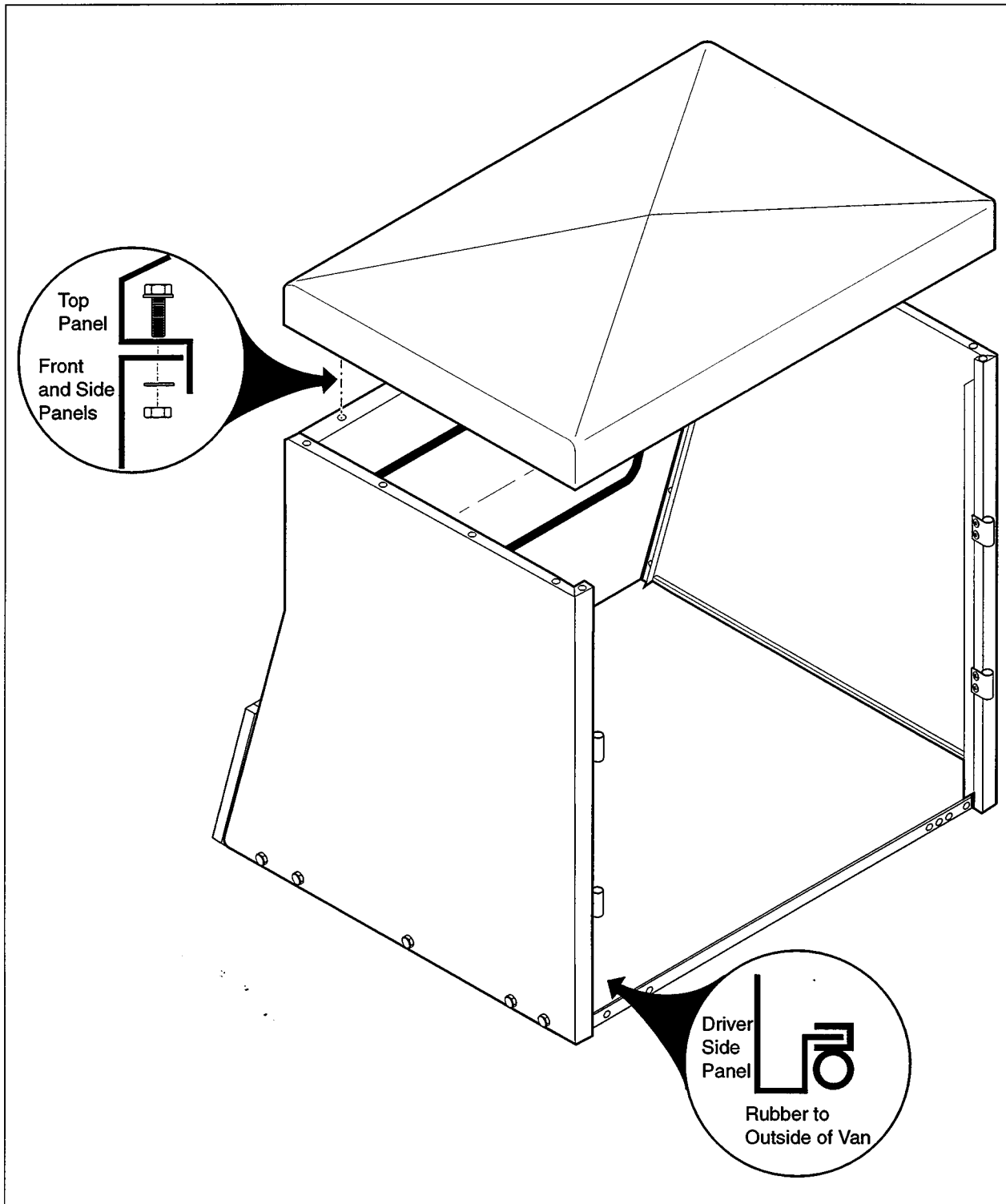


Fig. 4

TITLE VAN BOX INSTALLATION INSTRUCTIONS				REV -	
EZGO TEXTRON		DRN BY J.RICE ORIG DATE 03/20/96	REV BY REV DATE	DRAWING NO. 28362	PG. 4 OF 7
E-Z-GO DIVISION OF TEXTRON, INC., P.O. BOX 388, AUGUSTA, GA. 30903-0388, 1-800-448-7476					

7. Attach rear door to rear of van box by aligning door hinge pin with hinge on rear of side panel and sliding door hinge pin into rear hinge. Repeat on other rear door.
8. Adjust door vertical position by loosening lock nuts on hinge and moving hinge up or down as necessary. (Hinges may be moved up to 1/2".) Tighten nuts when doors are correctly positioned.
9. With doors adjusted and closed, adjust side panels to achieve a uniform gap across the top of the doors and tighten the hardware attaching front panel, sides and top.
10. Measure, cut and install door seal gasket on vertical edge of passenger side door and along lower edge of each door.

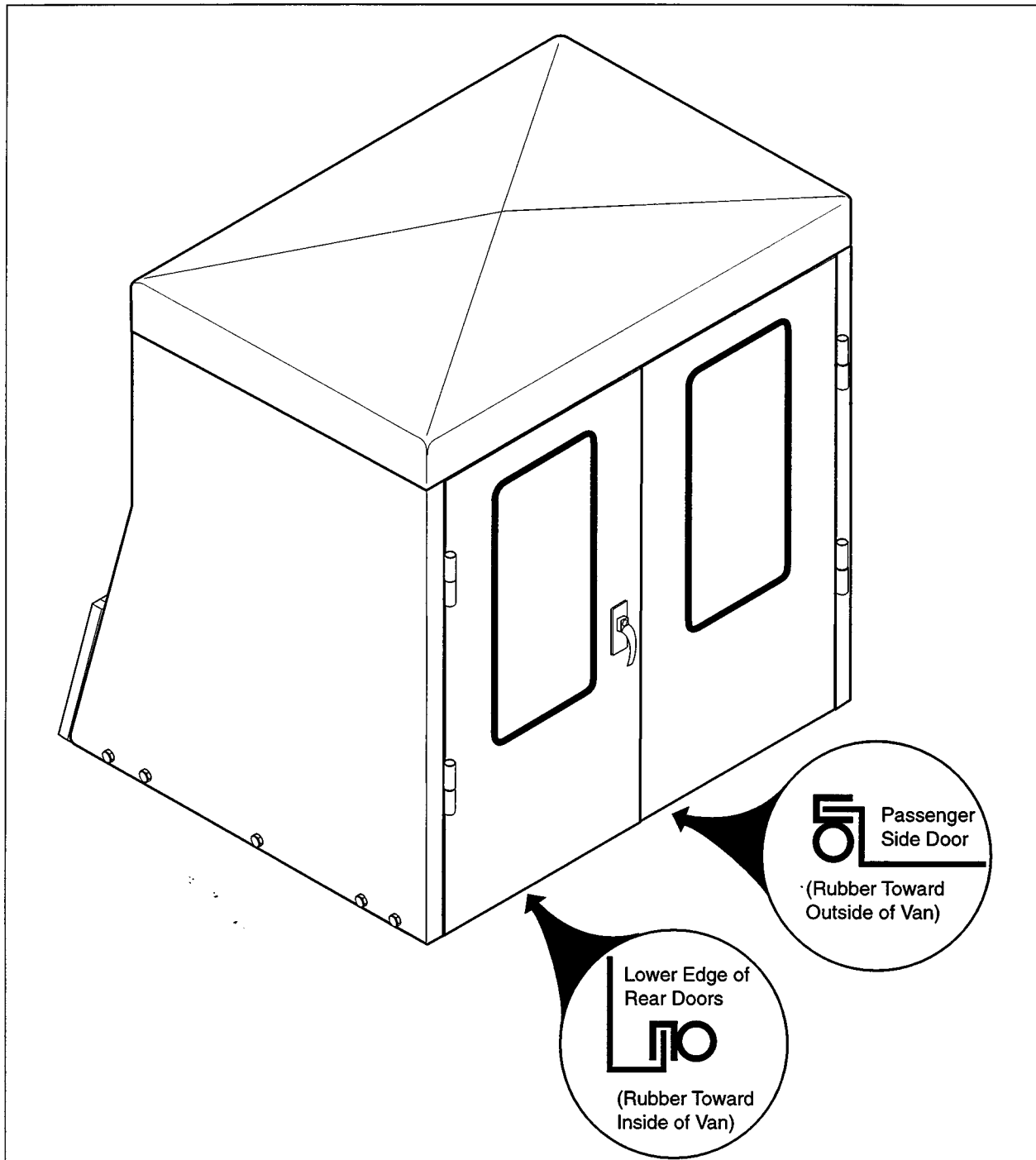


Fig. 5

TITLE VAN BOX INSTALLATION INSTRUCTIONS				REV -
EZGO TEXTRON	DRN BY	J.RICE	REV BY	DRAWING
	ORIG DATE	03/20/96	REV DATE	NO. 28362
E-Z-GO DIVISION OF TEXTRON, INC., P.O. BOX 388, AUGUSTA, GA. 30903-0388, 1-800-448-7476				PG. 5 OF 7

11. **Install door handle.** Place handle on outside of driver side door and insert handle shaft through hole. Place locking ring over shaft and pin ring to shaft. Place bracket over handle shaft, as shown. Insert #10-32 X 3/4" screw through handle, door and bracket and secure with #10-32 lock nuts.
12. **Install door lock rod assembly.** Position the assembly so that the shorter of the two rods is hanging toward the floor. Insert each rod through the plastic guide at the top and bottom of the door. With the door handle in the position shown (locked), and rods fully extended, place rod assembly center section on handle shaft. Test operation of handle and rod assembly to ensure rods are retracted when the handle is turned to the horizontal position (open), and extended then the handle is in the vertical position (locked). Move center section in or out on shaft to ensure smooth, straight up and down movement of rods through the guides. Using a flat-tip screwdriver, tighten set screw in center section to secure lock rod assembly to handle shaft.
13. With doors closed and pushed inward to close tightly, mark the bed floor where lower lock rod contacts floor. Drill 3/8" hole in floor for rod to pass through and secure the doors.

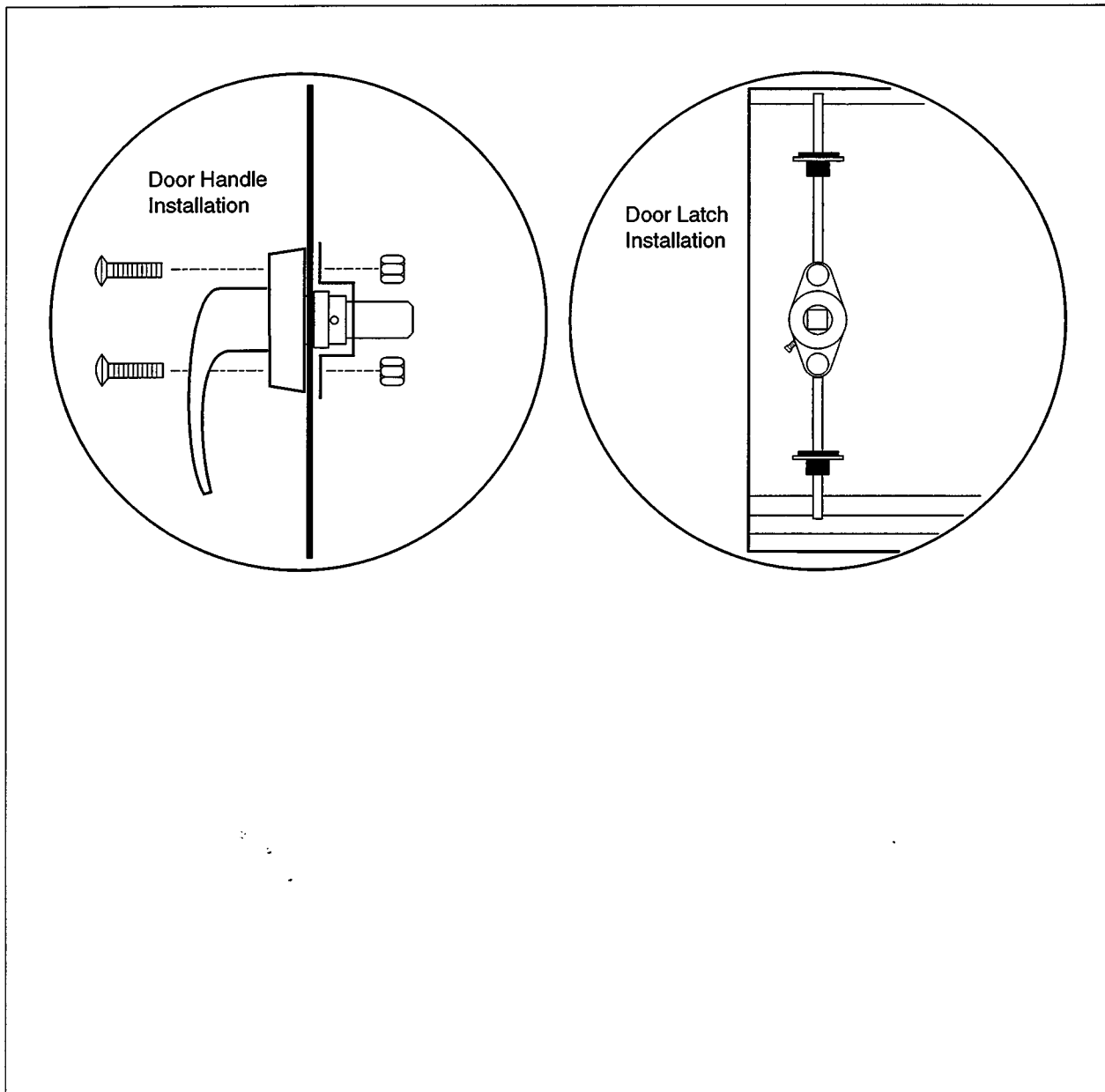



Fig. 6

TITLE VAN BOX INSTALLATION INSTRUCTIONS				REV -	
EZGO TEXTRON		DRN BY ORIG DATE	J.RICE 03/20/96	REV BY REV DATE	DRAWING NO. 28362
PG. 6 OF 7					
E-Z-GO DIVISION OF TEXTRON, INC., P.O. BOX 388, AUGUSTA, GA. 30903-0388, 1-800-448-7476					

C. Replacement parts

1. Replacement parts for the van box may be obtained from Curtis Tractor Cab Inc., 111 Higgins St., Worcester, MA 01606. Telephone (508) 853-2200, or FAX (800) 876-9104.
2. The following parts are available for repair/replacement:

P/N	DESCRIPTION
28361G01A.....	Rear Door, Driver Side
28361G01B.....	Rear Door, Passenger Side
28361G01C.....	Side Panel, Driver Side
28361G01D.....	Side Panel, Passenger Side
28361G01E.....	Roof
28361G01F.....	Front Panel
1P002A	Replacement Rear Door Window (Acrylic) (2)
1P002B	Mounting Gasket for Rear Door Window (2)
1P002C	Replacement Front Panel Window (Acrylic)
1P002D	Mounting Gasket for Front Panel Window
1P002E	Door Seal Gasket (196")
1P002F	Floor Seal Gasket (123")
9DHOS1.....	Door Handle Kit (Key Locking)
9P001A	Replacement Door Hinge Kit (with Hardware) (4)
9P001B	Door Latch Rods (2)
9P001C	Plastic Rod Guides (2)
9P001D	Latch Rod Swivel Cam (with Set Screw)
6B01A	1/4-20 X 7/8" Long Hex Bolt (10)
6B01B	1/4-20 Nylon Lock Nut (10)
6B01C	1/4" Washer (20)
6E01A	3/8-16 X 7/8" Long Flanged Hex Bolt (23)
6E01B	3/8" Washer (23)
6E01C	3/8-16 Nylon Lock Nut (23)

TITLE VAN BOX INSTALLATION INSTRUCTIONS				REV -
	DRN BY J.RICE ORIG DATE 03/20/96	REV BY REV DATE	DRAWING NO. 28362	PG. 7 OF 7
E-Z-GO DIVISION OF TEXTRON, INC., P.O. BOX 388, AUGUSTA, GA. 30903-0388, 1-800-448-7476				

READ ALL INSTRUCTIONS BEFORE PROCEEDING.

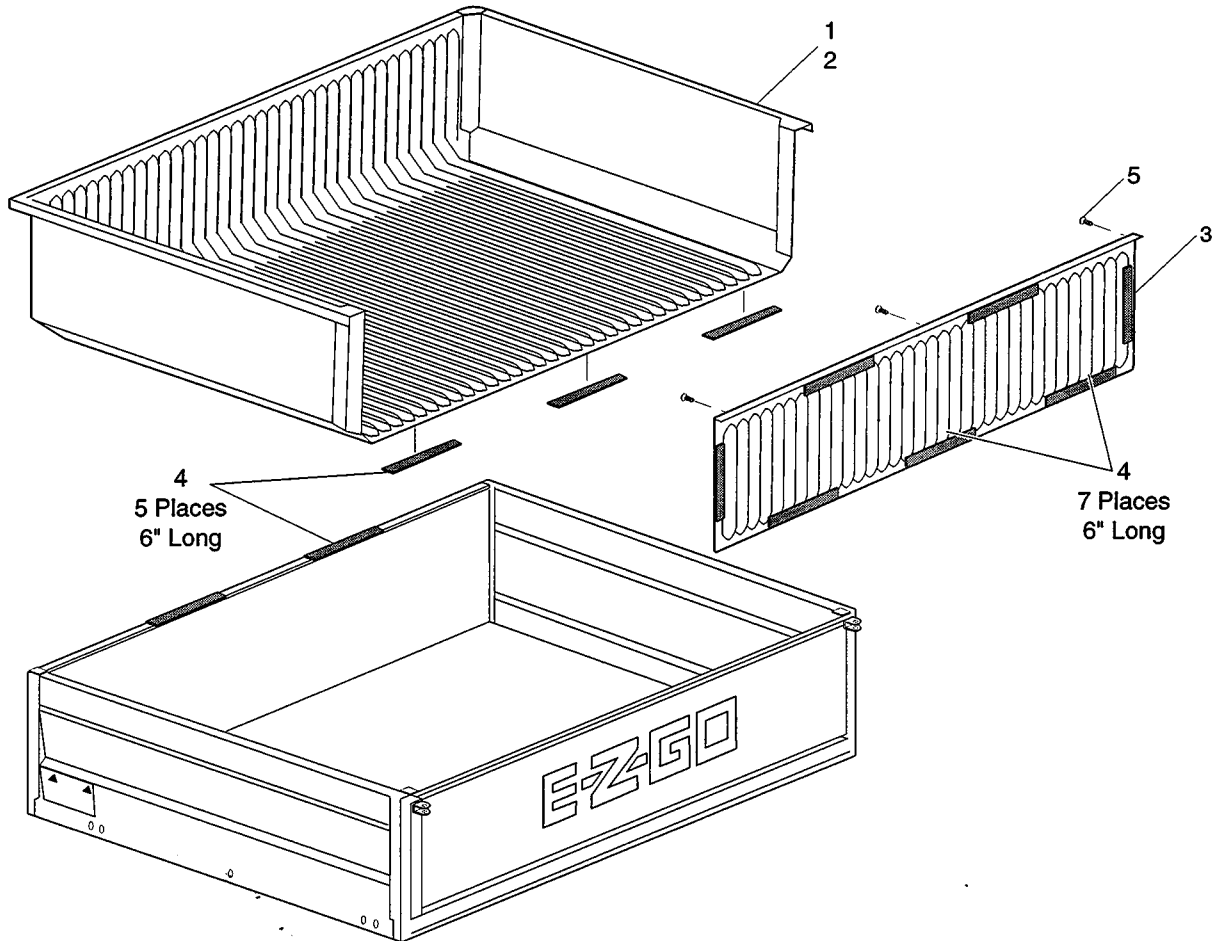
TOOL LIST

QTY. REQUIRED

Plastic faced hammer..... 1

INSTALLING BED LINER

1. Adhesive will not adhere to dusty or greasy surfaces. Clean with a 50-50 mixture of rubbing alcohol and water. Allow to dry.
2. Cut tape (Item 4) into 12 pieces, each 6 inches long. Apply seven of these pieces to tailgate liner surface (Item 3) as shown, pressing down firmly to assure a good seal.
3. Remove protective paper from tape (Item 4), align holes in tailgate and install fasteners (Item 5).
4. Position three pieces of tape (Item 4) under bedliner (Item 1, 2) as shown, and two pieces on the headboard tube, then install the bed, using a soft-faced hammer to tap the edges as required for a good fit.
5. Press firmly on bottom of bedliner and front lip (Item 1, 2) to assure a good seal.



KIT CONTENTS

ITEM	QTY	PART NO.	DESCRIPTION
1	1	74035-G01	BEDLINER, 40"
2	1	74035-G02	BEDLINER, 48"
3	1	74036-G01	TAILGATE LINER
4	2 YDS	74034-G02	TAPE
5	3	71155-G01	RATCHET FASTENER

TITLE	BED LINER INSTALLATION INSTRUCTIONS 40" & 48"	REV
-------	--	-----

EZGO TEXTRON	DRN BY J.BRAND ORIG DATE 03/11/96	REV BY REV DATE	A	DRAWING NO. 74204	PG. 1 OF 1
---------------------	--------------------------------------	--------------------	----------	-------------------	------------

NOTE: TO ORDER THIS ENTIRE FIELD KIT, REQUEST PART NO. 74164-G02

READ ALL INSTRUCTIONS BEFORE PROCEEDING.

TOOL LIST	QTY. REQUIRED	TOOL LIST	QTY. REQUIRED
Flat Screwdriver	1	Phillips Screwdriver	1
Wrench, 7/16"	1	Open End Wrench, Insulated, 1/2"	1
Wrench, 3/8"	1	Wrench, 1/4"	1
Rivet Gun	1	Shop Rag	1
Needle Nose Pliers	1		

! WARNING !

BEFORE INSTALLING THE ELECTRIC DUMP KIT, THE FOLLOWING STEPS MUST BE TAKEN:

1. Place vehicle on level floor and engage the parking brake.
2. Raise and secure seat.
3. Using an insulated wrench, disconnect the battery ground cable and cover negative battery terminal (-) with a shop rag. (See Fig. 1)

! WARNING !

TO PREVENT PERSONAL INJURY, USE AN INSULATED WRENCH TO DISCONNECT AND RECONNECT THE BATTERY GROUND CABLE.

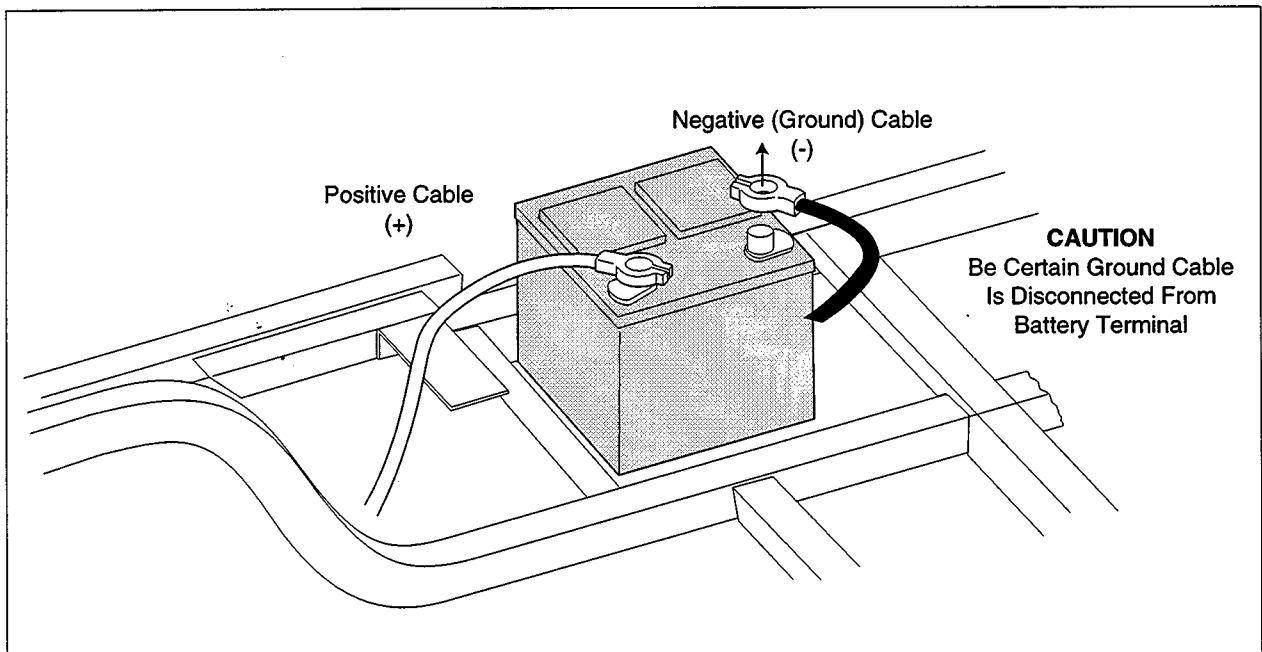


Fig. 1 Negative (Ground) Cable Connection

TITLE ELECTRIC DUMP INSTALLATION INSTRUCTIONS				REV -	
EZGO TEXTRON	DRN BY ORIG DATE	J.RICE 12/15/95	REV BY REV DATE	DRAWING NO. 74166	PG. 1 OF 6
E-Z-GO DIVISION OF TEXTRON, INC., P.O. BOX 388, AUGUSTA, GA. 30903-0388, 1-800-448-7476					

4. Raise and support truck bed.

! WARNING !

TO PREVENT PERSONAL INJURY, ENSURE BED IS PROPERLY SUPPORTED IN RAISED POSITION BEFORE CONTINUING WITH THE FOLLOWING PROCEDURES.

5. Remove and discard the latch assembly from the front of the dump bed. (See Fig. 2)

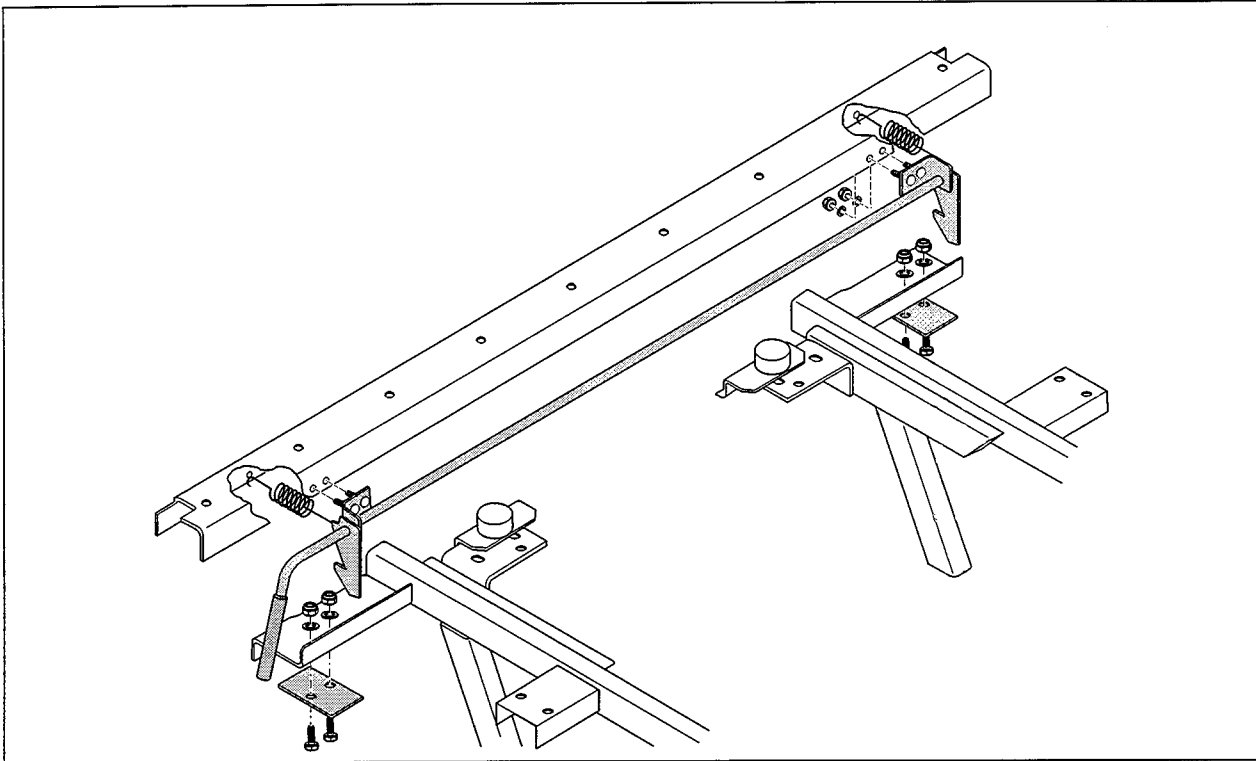


Fig. 2 Latch Assembly Removal

6. Remove and discard the bed prop assembly from the driver side rear fender. (See Fig. 3)

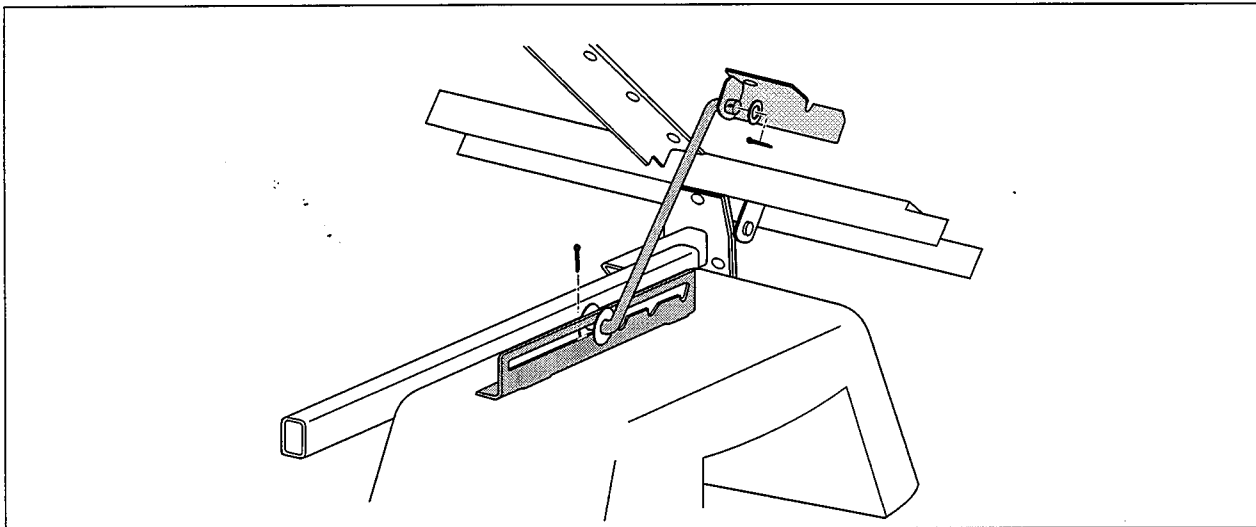


Fig. 3 Prop Assembly Removal

TITLE ELECTRIC DUMP INSTALLATION INSTRUCTIONS			REV -		
EZGO TEXTRON	DRN BY ORIG DATE	J.RICE 12/15/95	REV BY REV DATE	DRAWING NO. 74166	PG. 2 OF 6

A. TOGGLE SWITCH MOUNTING (See Fig. 4)

1. Attach circuit breaker (Item 2) to mounting bracket (Item 1) using screw (Item 3), lock washer (Item 4) and nut (Item 5).
2. Remove outer nut from toggle switch (Item 6) and insert the toggle lever through circuit breaker mounting bracket and into the seat wrap hole as illustrated in Fig. 4.
3. Place the toggle switch guard (Item 7) over the toggle switch lever and attach with outer nut. (Do not tighten)
4. Secure the toggle switch guard and circuit breaker mounting bracket to seat wrap with rivets (Item 8).
5. Adjust the toggle switch nut behind the bracket to position the tip of the toggle switch lever a distance of 1/16" or less beyond the toggle switch guard and tighten nut securely.
6. Attach red wire (Item 9) to circuit breaker and toggle switch as shown in Fig. 4.

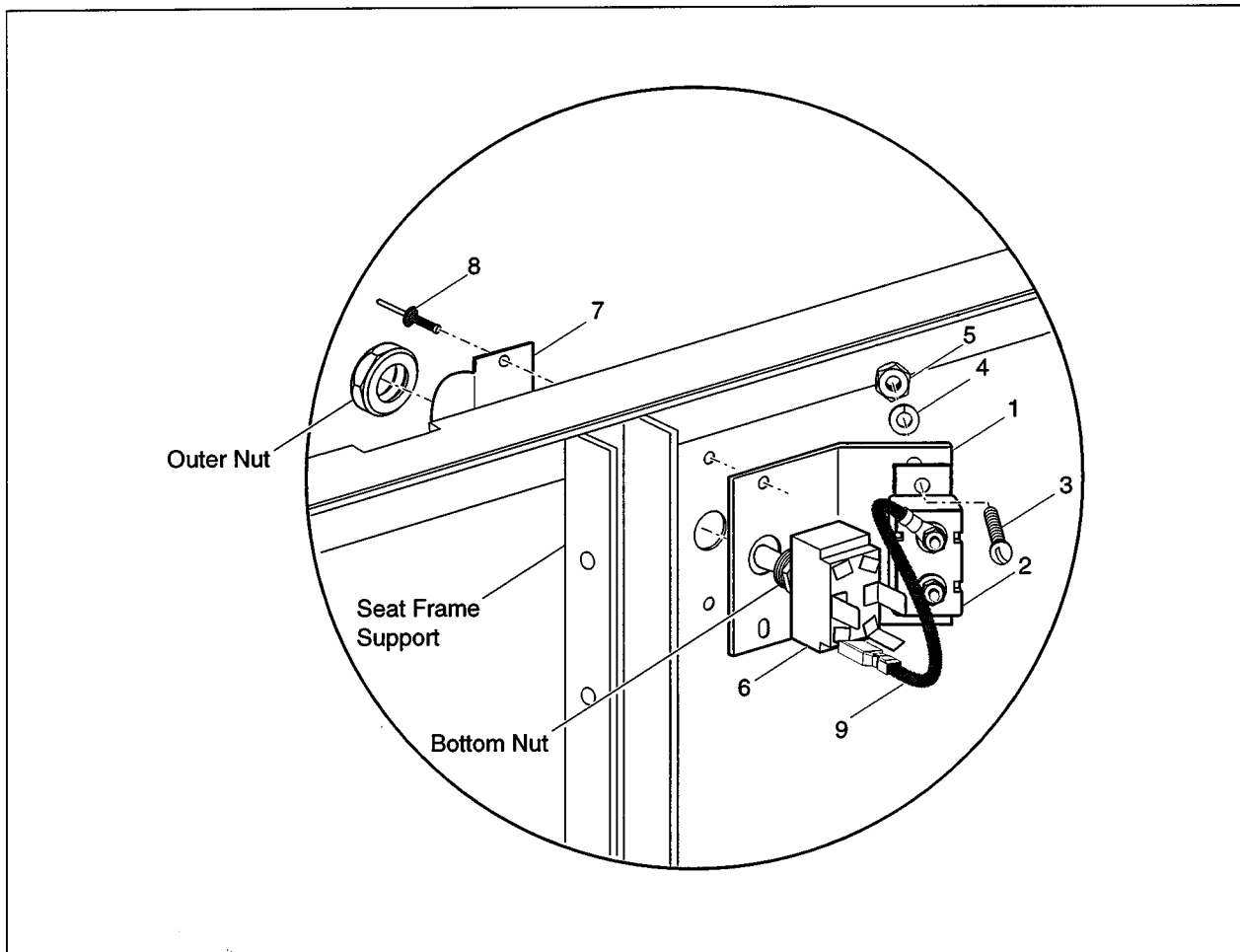


Fig. 4 Toggle Switch Installation

B. CONTROL HARNESS ROUTING (See Fig. 5)

1. Route the control harness (Item 10), beginning at the toggle switch, down the seat frame support on the driver side of the vehicle as illustrated in Fig. 5. **Leave enough slack in the control harness for connecting terminals to toggle switch.**
2. Secure the control harness to the seat frame support with a nylon clamp (Item 11) as shown in Fig. 5.
3. Route the control harness toward the rear of the truck, on the inside of the frame rail, to the rear cross member as shown.
4. Secure the control harness to the frame using nylon clamps in the locations shown in Fig. 5

TITLE

ELECTRIC DUMP INSTALLATION INSTRUCTIONS

REV -

EZGO TEXTRON

DRN BY J.RICE
ORIG DATE 12/15/95

REV BY
REV DATE

DRAWING NO. 74166

PG. 3 OF 6

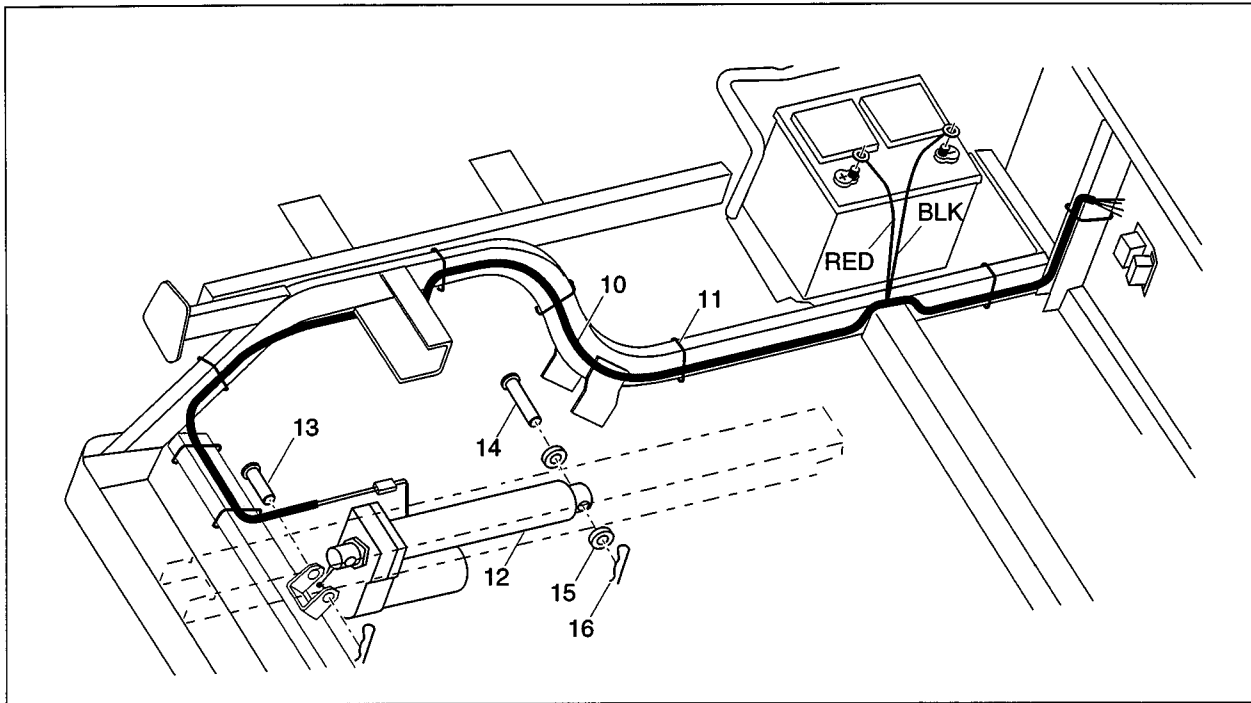


Fig. 5 Control Harness Routing

C. WIRING THE TOGGLE SWITCH (See Fig. 6)

1. Connect the white wire from the actuator to the toggle switch as shown.
2. Connect the red wire from the actuator to the toggle switch.
3. Connect the black (ground) wire from the battery to the toggle switch.
4. Connect the red wire from the battery to the circuit breaker as shown.

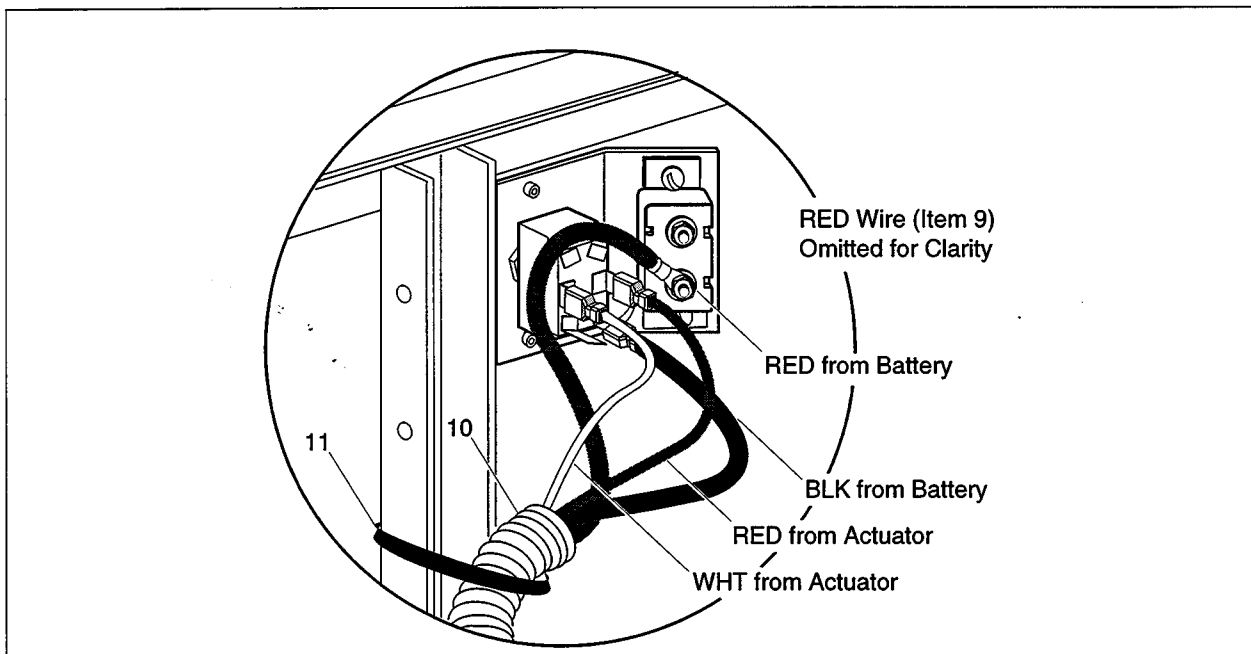


Fig. 6 Toggle Switch Wiring

TITLE **ELECTRIC DUMP INSTALLATION INSTRUCTIONS**

REV -

EZGO **TEXTRON**

DRN BY J.RICE
ORIG DATE 12/15/95

REV BY
REV DATE

DRAWING NO. 74166

PG. 4 OF 6

D. INSTALLING THE ELECTRIC ACTUATOR

1. Place the electric actuator, item 1 into the cylinder mount oriented as shown, and insert clevis pin (Item 13) through the cylinder mount and electric actuator. Secure with spring pin (Item 16).
2. Connect the control harness to the electric actuator.
3. Using an insulated wrench, reconnect battery ground cable. (See Fig. 1)
4. Extend actuator to full length by operating toggle switch lever.
5. Locate the appropriate holes in the center support angle of the truckbed frame.
6. Place one spacer (Item 15) on each side of electric actuator and insert 3" clevis pin (Item 14) through the center supports of the truckbed frame, the spacers and the electric actuator. (See Fig. 7)
7. Secure clevis pin with spring pin (Item 16).

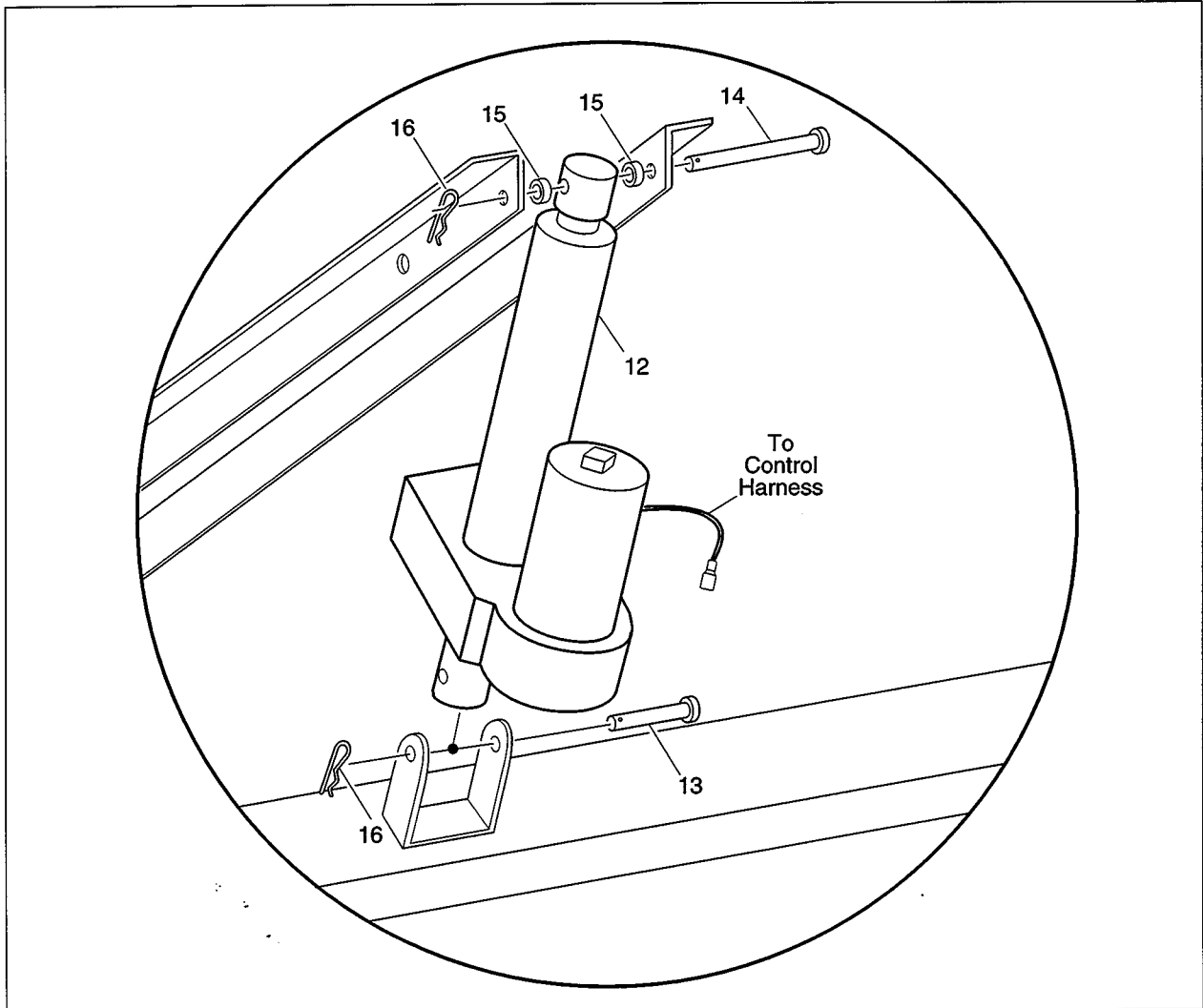


Fig. 7 Electric Actuator Installation

TITLE **ELECTRIC DUMP INSTALLATION INSTRUCTIONS**

REV -

EZGO **TEXTRON**

DRN BY J.RICE
ORIG DATE 12/15/95

REV BY
REV DATE

DRAWING NO. 74166

PG. 5 OF 6

KIT CONTENTS

ITEM	QTY	PART NO.	DESCRIPTION
1.....	1.....	74165-G01	CIRCUIT BREAKER MOUNTING BRACKET
2.....	1.....	21320-G3	CIRCUIT BREAKER
3.....	2.....	00150-G4	SCREW, #10-24 X 1/2" LG.
4.....	2.....	00565-G5	LOCK WASHER, #10
5.....	2.....	00526-G3	NUT, #10-24
6.....	1.....	27680-G01	TOGGLE SWITCH
7.....	1.....	27447-G01	TOGGLE SWITCH GUARD
8.....	2.....	10570-G9	RIVET, 5/32" X 9/16" LG.
9.....	1.....	25976-G14	RED WIRE
10.....	1.....	74163-G01	CONTROL HARNESS
11.....	8.....	17618-G1	NYLON CLAMP
12.....	1.....	27612-G02	ELECTRIC ACTUATOR
13.....	1.....	14443-G11	CLEVIS PIN, 1/2" X 1 7/8" LG.
14.....	1.....	14443-G10	CLEVIS PIN, 1/2" X 3" LG.
15.....	2.....	27613-G01	SPACER
16.....	2.....	25233-G1	SPRING PIN

TITLE **ELECTRIC DUMP INSTALLATION INSTRUCTIONS**

REV -



DRN BY J.RICE
ORIG DATE 12/15/95

REV BY
REV DATE

DRAWING NO. 74166

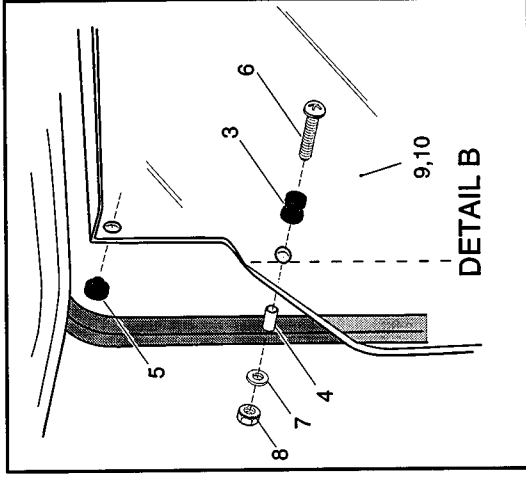
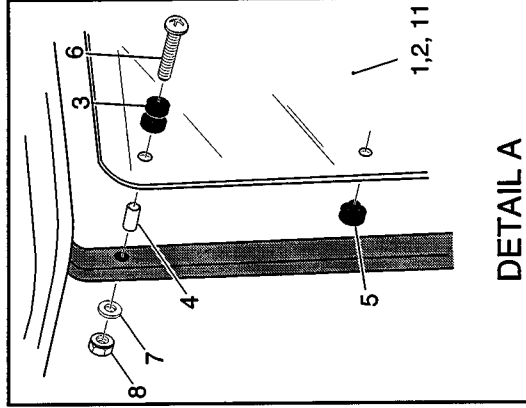
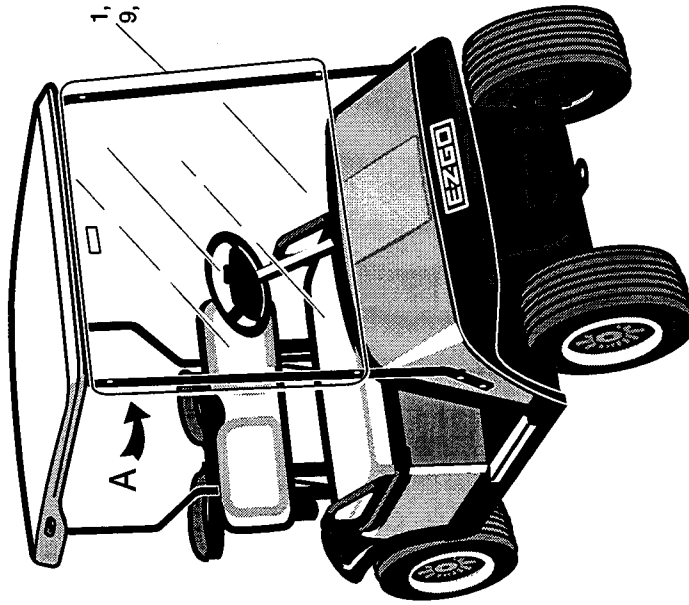
PG. 6 OF 6

NOTE: TO ORDER THIS ENTIRE FIELD KIT, REQUEST PART NO. 75041-G0*

* CONTACT SERVICE PARTS FOR AVAILABILITY.

READ ALL INSTRUCTIONS BEFORE PROCEEDING.

1. INSERT THE RUBBER GROMMETS, ITEM 3 INTO THE TOP AND BOTTOM HOLES ON BOTH SIDES OF THE WINDSHIELD, ITEMS 1, 2, 9, OR 10.
2. INSERT THE SPACERS, ITEM 4 INTO THE RUBBER GROMMETS.
3. INSERT THE PLUG BUMPERS, ITEM 5 INTO THE CENTER HOLES OF THE WINDSHIELD, ITEMS 1, 2 OR THE TOP OF WINDSHIELD, ITEMS 9 OR 10.
4. PLACE THE WINDSHIELD AGAINST THE FRONT STRUT WITH THE SMALL TAPERED END AT THE TOP.
5. INSERT THE BOLTS, ITEM 6 THRU WINDSHIELD AND THE FRONT STRUT AND SECURE WITH WASHERS, ITEM 7 AND LOCK NUTS, ITEM 8.



ITEM	QTY	PART NO.	DESCRIPTION
1	1	75021-G01	WINDSHIELD, CLEAR, 2 BEND
2	1	75021-G02	WINDSHIELD, TINTED, 2 BEND
3	4	72147-G01	GROMMET, RUBBER
4	4	23726-G7	SPACER
5	2	75124-G01	BUMPER, PLUG
6	4	16705-G6	SCREW, 1/4-20 X 1 3/4 LG.
7	4	00660-G7	WASHER, 1/4"
8	4	00891-G2	NUT, LOCK, 1/4-20
9	1	75203-G01	WINDSHIELD, CLEAR, 4 BEND
10	1	75203-G02	WINDSHIELD, TINTED, 4 BEND
11	1	75021-G03	WINDSHIELD, CLEAR, 2 BEND, OASIS

TITLE WINDSHIELD INSTALLATION

REV D



DRN BY L WEBB
ORIG DATE 12/17/93

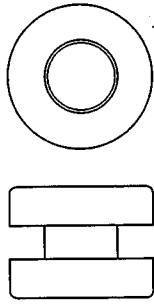
REV BY J.Brand
REV DATE 02/23/96

A DRAWING NO. 75043

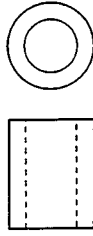
PG. 1 OF 2

THE SYMBOL REFERS TO A NOTE CORRESPONDING TO THE LETTER ENCLOSED WITHIN IT. SEE FOLLOWING PAGE(S) FOR NOTES AND PARTS LISTS. RETAIN THIS DOCUMENT TO FACILITATE THE ORDERING OF REPLACEMENT PARTS.

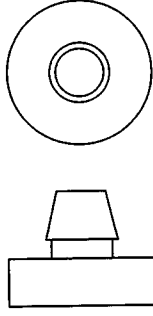
NOTE: ALL HARDWARE SHOWN ACTUAL SIZE



ITEM 3
RUBBER GROMMET
QTY. 4



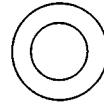
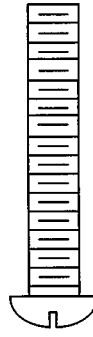
ITEM 4
SPACER
QTY. 4



ITEM 5
PLUG BUMPER
QTY. 2



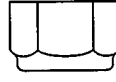
ITEM 6
1/4-20 X 1 3/4" SCREW
QTY. 4




ITEM 7
1/4" WASHER
QTY. 4



ITEM 8
1/4-20 NUT, LOCK
QTY. 4



THE SYMBOL  REFERS TO A NOTE CORRESPONDING TO THE LETTER ENCLOSED WITHIN IT. SEE FOLLOWING PAGE(S) FOR NOTES AND PARTS LISTS. RETAIN THIS DOCUMENT TO FACILITATE THE ORDERING OF REPLACEMENT PARTS.

TITLE **WINDSHIELD INSTALLATION**

REV D



DRN BY L. WEBB
ORIG DATE 12/17/93

J. BRAND
02/23/96

DRAWING
NO. 75043

A

E-Z-GO DIVISION OF TEXTRON, INC., P.O. BOX 388, AUGUSTA, GA. 30913-2699, 1-800-241-5855

PG. 2 OF 2

NOTE: TO ORDER THIS ENTIRE FIELD KIT, REQUEST PART NO. 75107-G02

READ ALL INSTRUCTIONS BEFORE PROCEEDING.

TOOL LIST	QTY. REQUIRED
1/2" Insulated Wrench	1
Tape Measure	1

TOOL LIST	QTY. REQUIRED
Straight Blade Screwdriver	1
Electrical Tape	A/R

A. DISCONNECT BATTERY (See Fig. 1)

- Using an insulated wrench, disconnect the battery Negative (-) terminal cable.

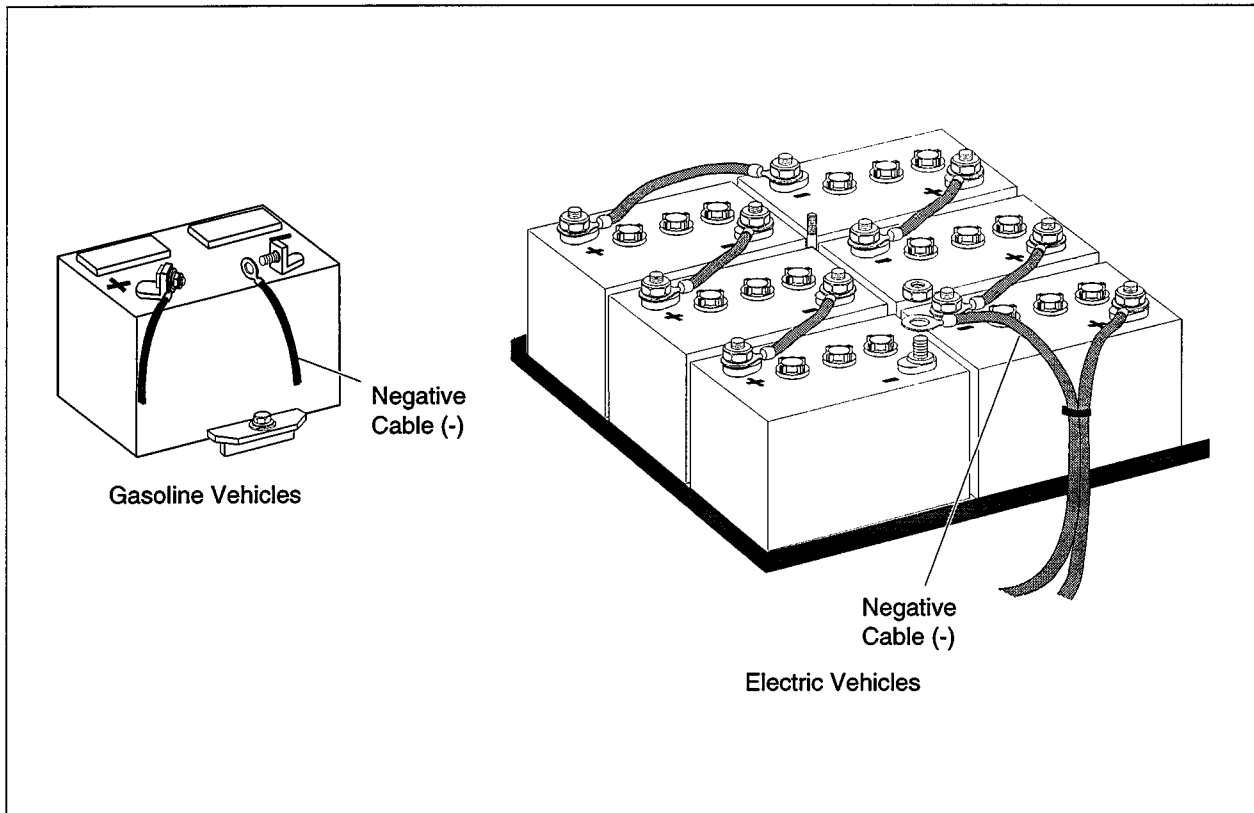


Fig. 1

B. TURN SIGNAL HARNESS CONNECTIONS (See Fig. 2)

- Install turn signal flasher in flasher receptacle.
- Cover lower end of switch harness with flex loom, placing upper end of flex loom at lower end of harness cover. Secure flex loom at each end with nylon clamp. Seal loom and harness joint with electrical tape.
- Thread lower end of turn signal harness up through hole in lower dash to the left of the steering column.
- Connect switch harness to vehicle electrical harness. (Switch harness connector to electrical harness connector, WHITE wire from switch harness to BLACK wire from electrical harness, and BLACK wire from flasher to RED wire from electrical harness.)

TITLE				TURN SIGNAL INSTALLATION INSTRUCTIONS	REV -
EZGO TEXTRON	DRN BY ORIG DATE	J.RICE 01/10/96	REV BY REV DATE	DRAWING NO. 75106	PG. 1 OF 4
E-Z-GO DIVISION OF TEXTRON, INC., P.O. BOX 388, AUGUSTA, GA. 30903-0388, 1-800-448-7476					

C. TURN SIGNAL SWITCH INSTALLATION (See Fig. 2)

1. Measure up 18 3/4" from the base of the steering column and wrap column with electrical tape sufficient to insulate switch clamp from steering column.
2. Place switch clamp around steering column, on electrical tape applied earlier, and attach turn signal switch to steering column. Do not tighten at this time.
3. Push harness back up through hole in lower dash until slack is removed from switch harness.
4. Attach steering column cover, adjusting switch as necessary to obtain a good fit with cover, and tighten clamp.
5. Remove the cover and secure the harness to the column with tape just below the switch. Replace cover.

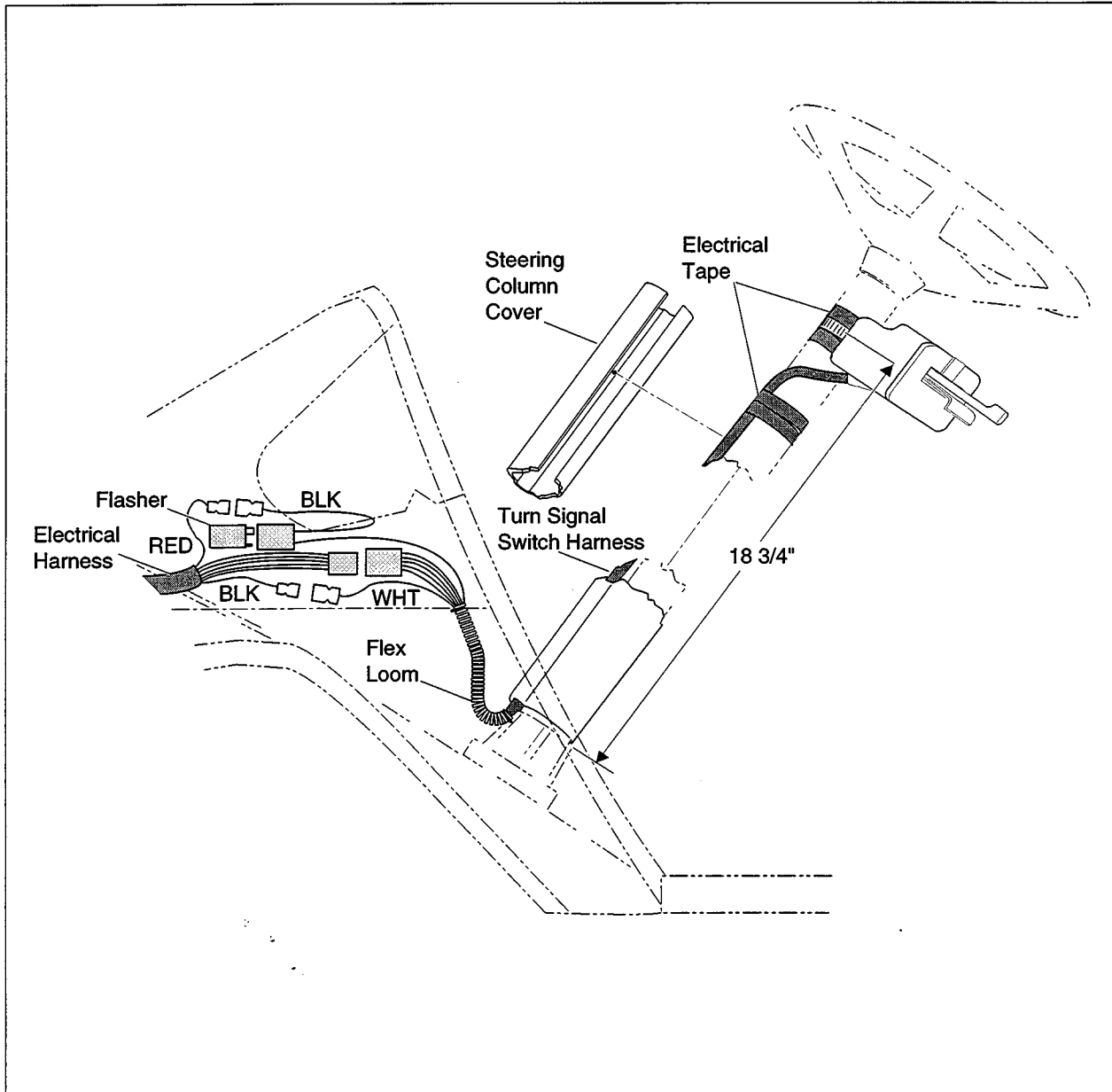


Fig. 2

TITLE TURN SIGNAL INSTALLATION INSTRUCTIONS				REV -	
EZGO TEXTRON		DRN BY ORIG DATE	J.RICE 01/10/96	REV BY REV DATE	DRAWING NO. 75106
PG. 2 OF 4					

D. CONNECT TAIL LIGHTS (See Fig. 3)

1. On driver side, remove RED tail light wire from BROWN wire in electrical harness and reconnect to WHITE wire provided in electrical harness.
2. On passenger side, remove RED tail light wire from BROWN wire in electrical harness and reconnect to YELLOW wire provided in electrical harness.

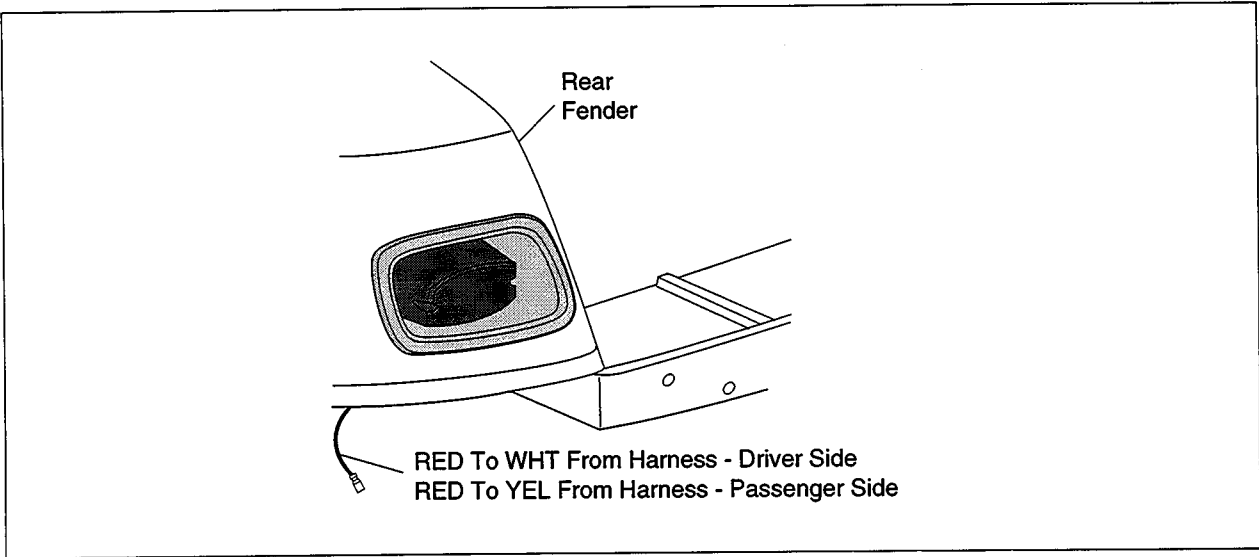


Fig. 3

NOTE: Each front turn signal and its adjacent marker light share the same connector. The turn signal lights are connected to electrical harness when marker lights are installed and connected. (See Fig. 3)

E. RECONNECT BATTERY (See Fig. 1)

1. Using an insulated wrench, reconnect the battery Negative (-) terminal cable.

F. TEST TURN SIGNAL

1. Check front and rear lights for operation of turn signal for left turn, right turn, and 4-way flasher.

KIT CONTENTS

ITEM	QTY	PART NO.	DESCRIPTION
1	1	17867-G1	TURN SIGNALSWITCH
2	1	20965-G3	STEERING COLUMN COVER
3	1	32307-G3	3/8" FLEX LOOM
4	2	17618-G1	NYLON CLAMP

TITLE TURN SIGNAL INSTALLATION INSTRUCTIONS				REV -
--	--	--	--	-------

EZGO TEXTRON	DRN BY	J.RICE	REV BY	DRAWING	75106	PG. 3 OF 4
	ORIG DATE	01/10/96	REV DATE	NO.		

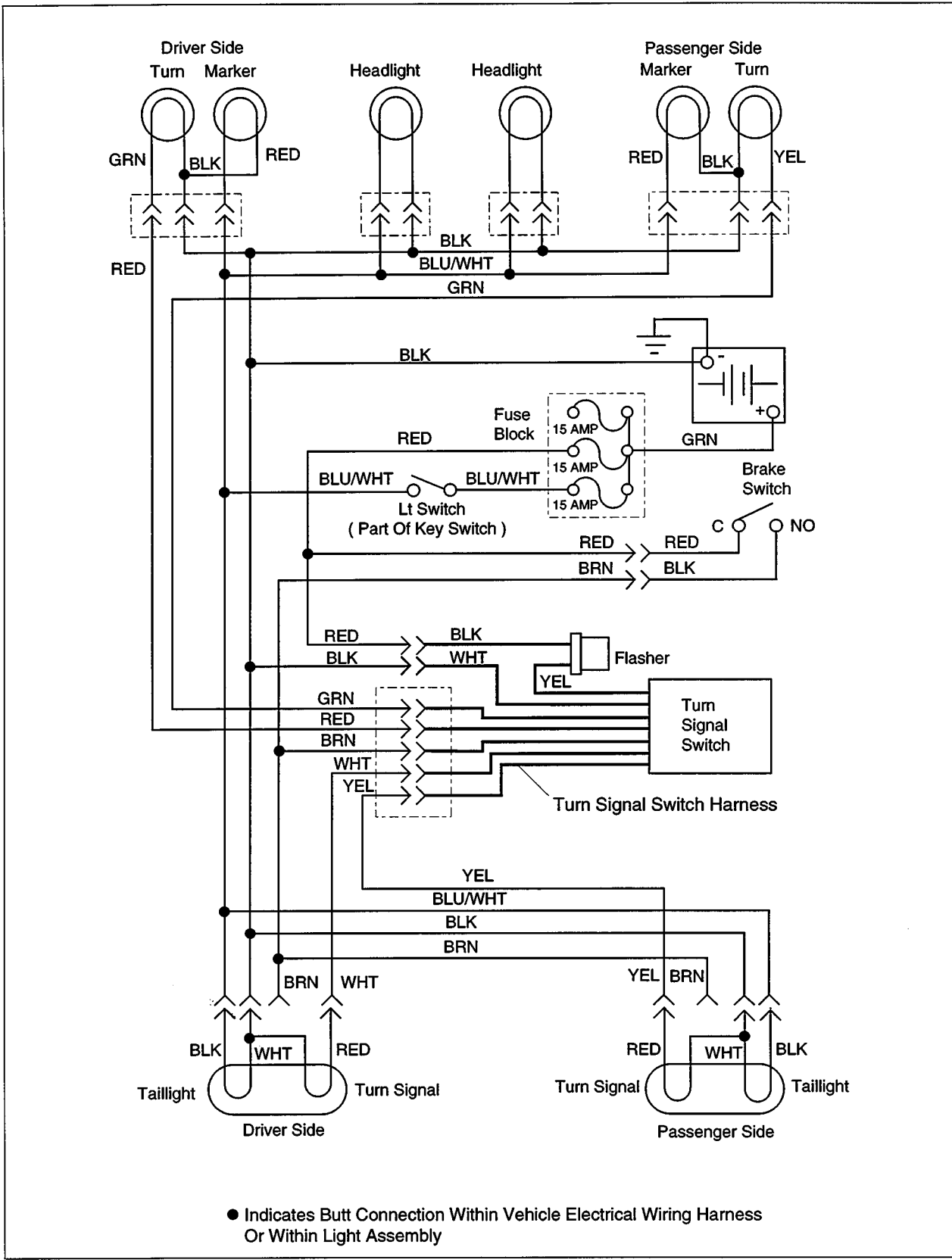


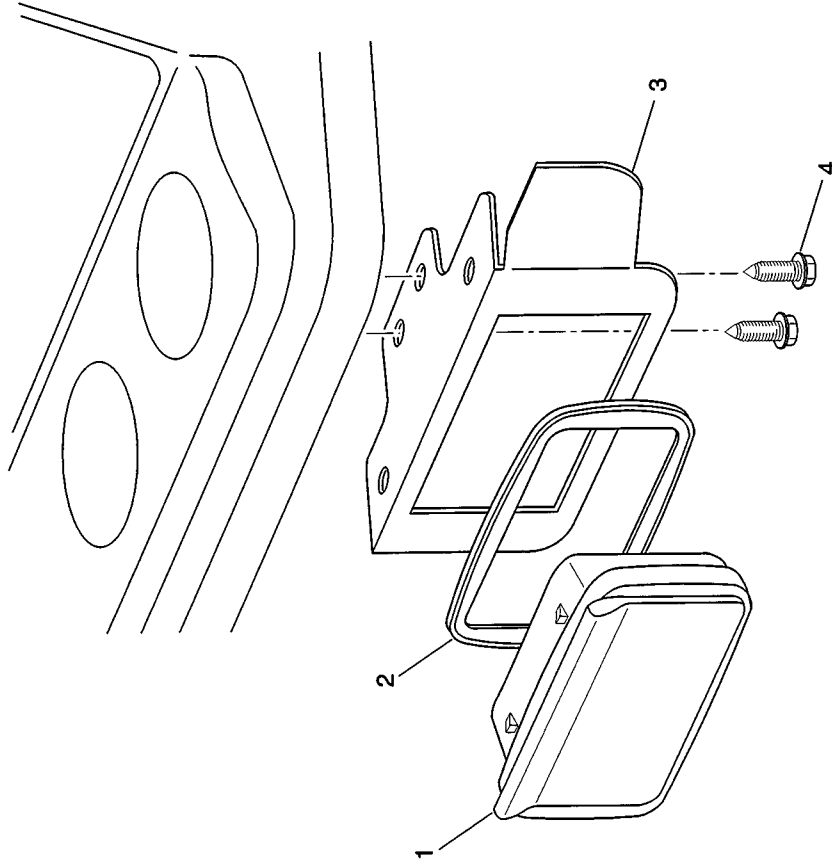
Fig. 4

TITLE TURN SIGNAL INSTALLATION INSTRUCTIONS				REV
EZGO TEXTRON	DRN BY ORIG DATE	J.RICE 01/10/96	REV BY REV DATE	DRAWING NO. 75106
E-Z-GO DIVISION OF TEXTRON, INC., P.O. BOX 388, AUGUSTA, GA. 30903-0388, 1-800-448-7476				PG. 4 OF 4

NOTE: TO ORDER THIS ENTIRE FIELD KIT, REQUEST PART NO. 75109-G02

READ ALL INSTRUCTIONS BEFORE PROCEEDING.

1. INSERT THE ASH TRAY, ITEM 1 INTO THE GASKET, ITEM 2 UNTIL THE GASKET HOOKS OVER THE FLANGES ON THE TOP AND BOTTOM OF THE ASH TRAY.
2. USING BRACKET, ITEM 3 AS A TEMPLATE, INSERT THE (4) SELF DRILLING SCREWS, ITEM 4. LOCATE BRACKET APPROXIMATELY AS SHOWN IN ILLUSTRATION.
3. SNAP THE ASH TRAY INTO THE BRACKET.



ITEM	QTY	PART NO.	DESCRIPTION
1	1	27731-G01	ASH TRAY
2	1	27736-G01	GASKET, ASH TRAY
3	1	75108-G01	BRACKET, ASH TRAY
4	4	00100-G4	SCREW, 10-16 X 1/2" LG.

TITLE **ASH TRAY INSTALLATION**

REV -

E-Z-GO **TEXTRON**

DRN BY L WEBB
ORIG DATE 01/21/94

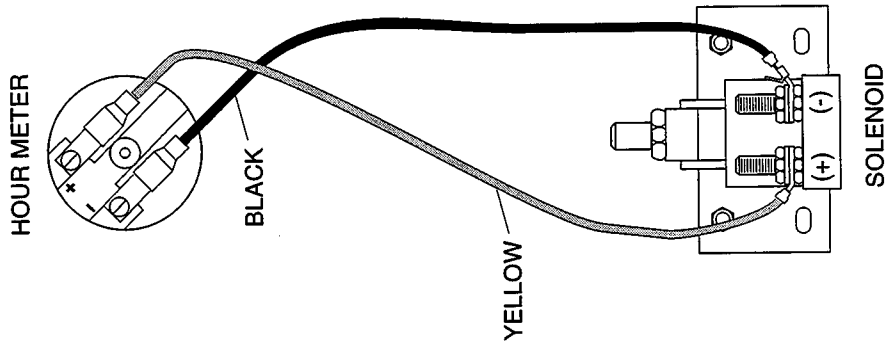
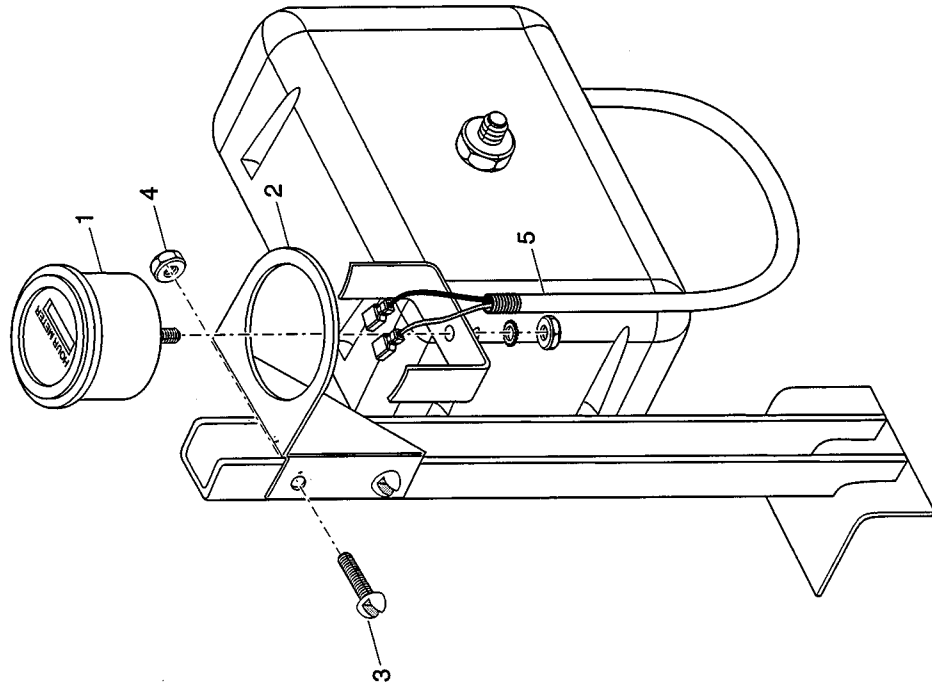
REV BY
REV DATE

PG. 1 OF 1

DRAWING
NO. 75110

THE SYMBOL  REFERS TO A NOTE CORRESPONDING TO THE LETTER ENCLOSED WITHIN IT. SEE FOLLOWING PAGE(S) FOR NOTES AND PARTS LISTS. RETAIN THIS DOCUMENT TO FACILITATE THE ORDERING OF REPLACEMENT PARTS.

E-Z-GO DIVISION OF TEXTRON, INC., P.O. BOX 988, AUGUSTA, GA. 30913-2699, 1-800-241-5855



THE SYMBOL ◁ REFERS TO A NOTE CORRESPONDING TO THE LETTER ENCLOSED WITHIN IT. SEE FOLLOWING PAGE(S) FOR NOTES AND PARTS LISTS. RETAIN THIS DOCUMENT TO FACILITATE THE ORDERING OF REPLACEMENT PARTS.

TITLE HOUR METER INSTALLATION



DRN BY J.RICE
ORIG DATE 02/21/95

REV BY A
REV DATE
DRAWING NO. 75119

REV -

PG. 1 OF 2

E-Z-GO DIVISION OF TEXTRON, INC., P.O. BOX 388, AUGUSTA, GA. 30903-0388, 1-800-241-5855

NOTE: TO ORDER THIS ENTIRE FIELD KIT, REQUEST PART NO. 75114-G02

READ ALL INSTRUCTIONS BEFORE PROCEEDING.

A. ASSEMBLE HOUR METER

1. Insert Hour Meter (item 1) through Bracket (item 2), positioned as shown.
2. Using hardware supplied with the Hour Meter, secure Hour Meter to Bracket.
3. Attach Harness (item 5) to Hour Meter as shown, Yellow wire to Positive (+) terminal and Black wire to Negative (-) terminal of Hour Meter.


B. ATTACH HOUR METER ASSEMBLY

1. Locate predrilled holes in the driver's side seat support and secure the Hour Meter Assembly using Bolts (item 3) and Nuts (item 4) as shown.

C. CONNECT TO ELECTRONIC SPEED CONTROL

1. Locate the cables from the Electrical Control Panel to the batteries. Disconnect both of these cables from the batteries.
2. Remove the nut securing the cover on the Electrical Control Panel, and remove the cover from the Electrical Control Panel.
3. Remove the nut and lock washer from the left solenoid terminal and install Yellow wire from Harness to terminal and reinstall lock washer and nut.
4. Repeat procedure on right terminal for Black wire.
5. Replace cover and reinstall nut.
6. Reconnect Electrical Control Panel cables to batteries as connected earlier.

ITEM	QTY	PART NO.	DESCRIPTION
1	1	21573-G1	METER, HOUR
2	1	74019-G01	BRACKET, HOUR METER
3	2	00150-G4	BOLT, #10-24 - 1/2 LG.
4	2	11098-G7	NUT, #10-24
5	1	75117-G01	HARNESS, HOUR METER

TITLE HOUR METER INSTALLATION			REV -
	DRN BY ORIG DATE	J. RICE 02/21/95	REV BY REV DATE
			DRAWING NO. 75119
			PG. 2 OF 2

E-Z-GO DIVISION OF TEXTRON, INC., P.O. BOX 388, AUGUSTA, GA. 30903-0388, 1-800-241-5855

THE SYMBOL ◁ REFERS TO A NOTE CORRESPONDING TO THE LETTER ENCLOSED WITHIN IT. SEE FOLLOWING PAGE(S) FOR NOTES AND PARTS LISTS. RETAIN THIS DOCUMENT TO FACILITATE THE ORDERING OF REPLACEMENT PARTS.

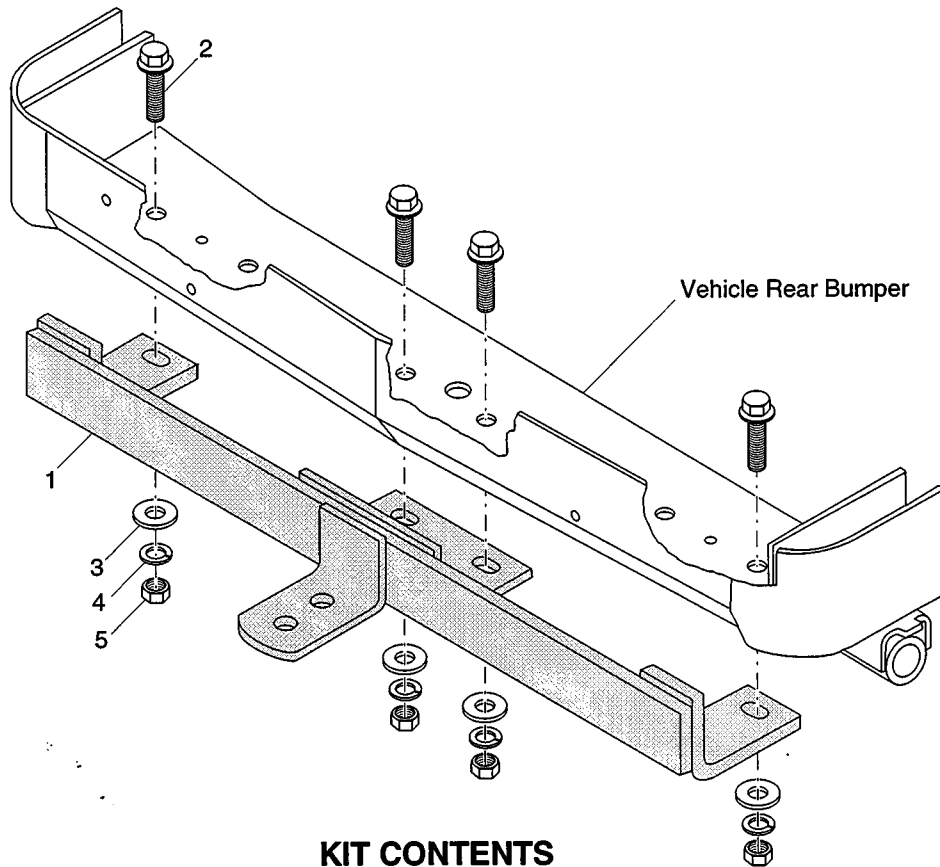
NOTE: TO ORDER THIS ENTIRE FIELD KIT, REQUEST PART NO. 75326-G02

READ ALL INSTRUCTIONS BEFORE PROCEEDING.

TOOL LIST	QTY. REQUIRED	TOOL LIST	QTY. REQUIRED
Socket, 9/16"	1	Wrench, 9/16"	1
Ratchet.....	1	Torque Wrench	1

INSTALLING HITCH

1. Position hitch under rear bumper as shown and align holes in hitch with holes in bumper.
2. Insert bolt through bumper and hitch from the top and place flat washer and lock washer on bolt as shown and secure with nut. Finger tighten nut at this time.
3. Repeat process in other three holes.
4. Square hitch with bumper and tighten nuts to 31 ft.lbs. torque.



KIT CONTENTS

ITEM	QTY	PART NO.	DESCRIPTION
1	1	75324-G01	HITCH
2	4	13437-G5	BOLT, 3/6-16 X 1 1/2" LG.
3	4	00571-G3	WASHER, 3/8"
4	4	00566-G1	LOCK WASHER, 3/8"
5	4	00532-G5	NUT, 3/8-16

TITLE	HITCH INSTALLATION INSTRUCTIONS	REV -
-------	--	-------

EZGO TEXTRON	DRN BY	J.RICE	REV BY	DRAWING	75328	PG. 1 OF 1
	ORIG DATE	11/02/95	REV DATE	NO.		

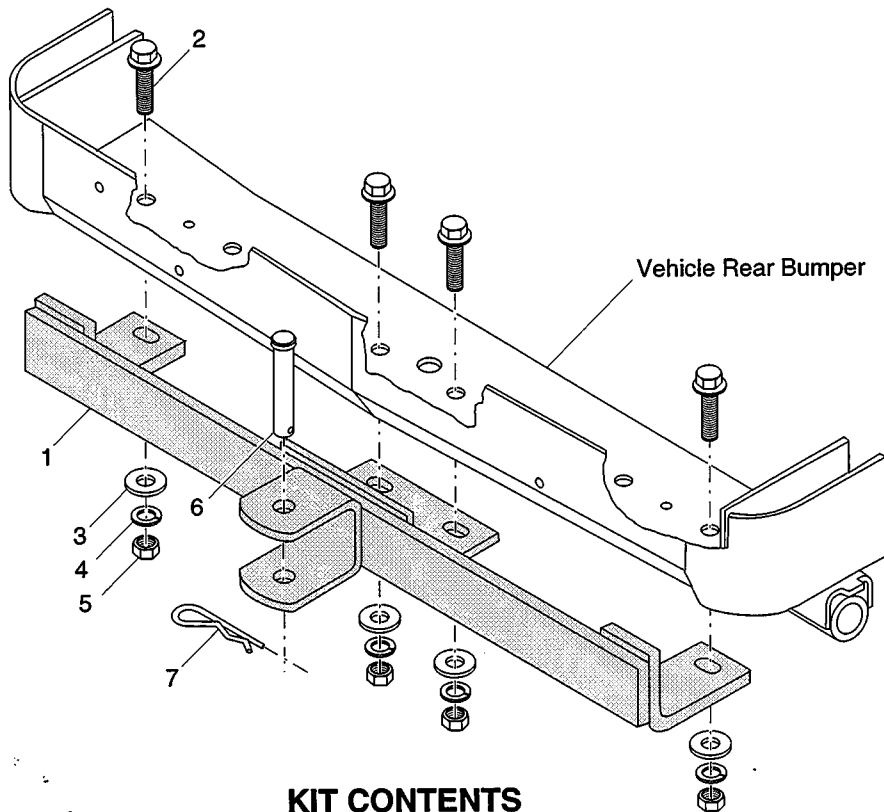
NOTE: TO ORDER THIS ENTIRE FIELD KIT, REQUEST PART NO. 75327-G02

READ ALL INSTRUCTIONS BEFORE PROCEEDING.

TOOL LIST	QTY. REQUIRED	TOOL LIST	QTY. REQUIRED
Socket, 9/16"	1	Wrench, 9/16"	1
Ratchet.....	1	Torque Wrench	1

A. INSTALLING HITCH

1. Position hitch under rear bumper as shown and align holes in hitch with holes in bumper.
2. Insert bolt through bumper and hitch from the top and place flat washer and lock washer on bolt as shown and secure with nut. Finger tighten nut at this time.
3. Repeat process in other three holes.
4. Square hitch with bumper and tighten nuts to 31 ft.lbs. torque.



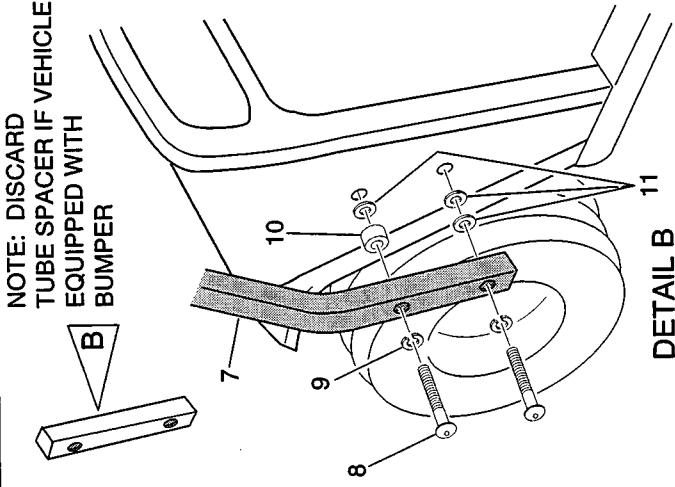
KIT CONTENTS

ITEM	QTY	PART NO.	DESCRIPTION
1	1	75325-G01	HITCH
2	4	13437-G5	BOLT, 3/6-16 X 1 1/2" LG.
3	4	00571-G3	WASHER, 3/8"
4	4	00566-G1	LOCK WASHER, 3/8"
5	4	00532-G5	NUT, 3/8-16
6	1	14443-G7	CLEVIS PIN
7	1	19314-G1	COTTER PIN (HAIRPIN)

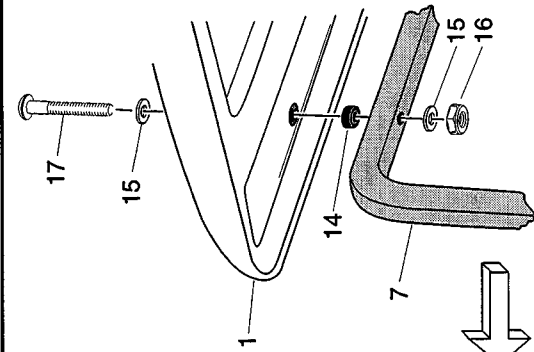
TITLE	HITCH INSTALLATION INSTRUCTIONS	REV -
-------	--	-------

EZGO TEXTRON	DRN BY J.RICE ORIG DATE 11/02/95	REV BY REV DATE	DRAWING NO. 75329	PG. 1 OF 1
---------------------	-------------------------------------	--------------------	-------------------	------------

NOTE: DISCARD
TUBE SPACER IF VEHICLE IS
EQUIPPED WITH
BUMPER

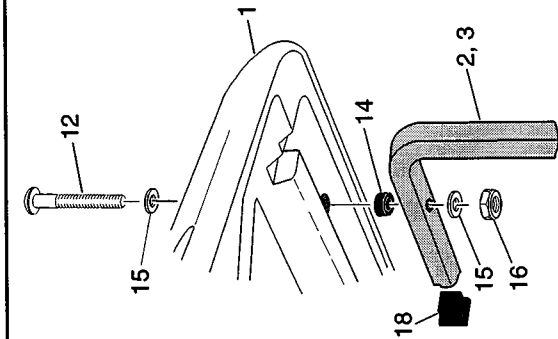


DETAIL B

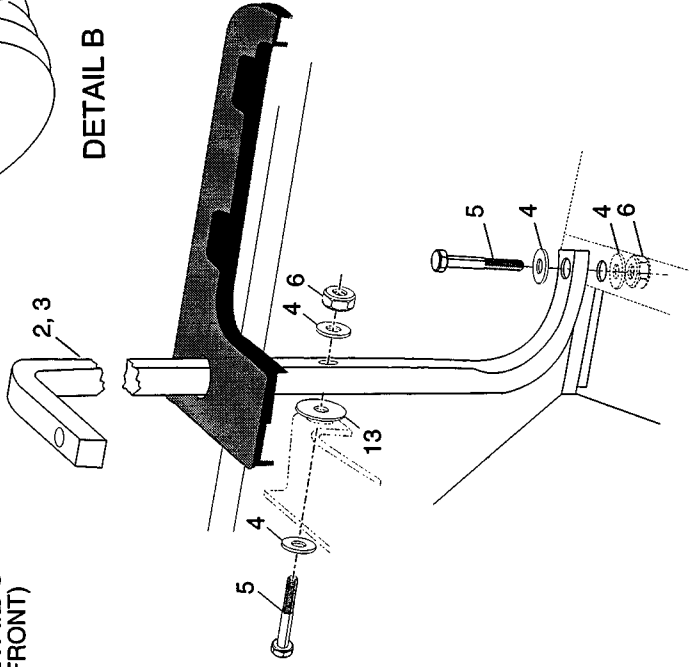


DETAIL C
(FRONT)

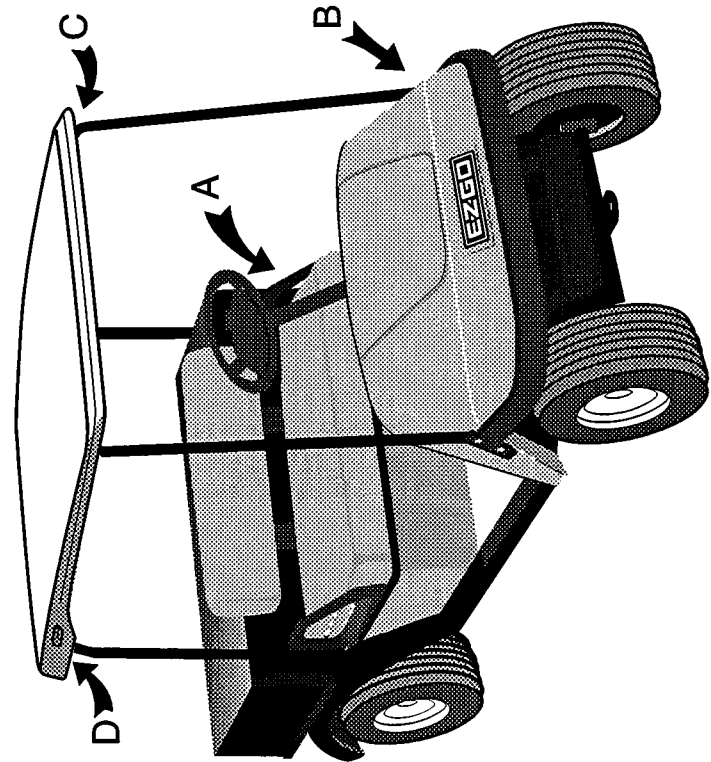
FRONT OF
VEHICLE



DETAIL D
(REAR)



DETAIL A



THE SYMBOL ◁ REFERS TO A NOTE CORRESPONDING TO THE LETTER ENCLOSED WITHIN IT. SEE FOLLOWING PAGE(S) FOR NOTES AND PARTS LISTS. RETAIN THIS DOCUMENT TO FACILITATE THE ORDERING OF REPLACEMENT PARTS.

TITLE		SUN TOP INSTALLATION - TRUCK		REV B	
		DRN BY	J. BRAND	REV BY	J. RICE
		ORIG DATE	10/16/95	REV DATE	05/03/96
		A		DRAWING NO. 75351	
E-Z-GO DIVISION OF TEXTRON, INC., P.O. BOX 388, AUGUSTA, GA. 30913-2699, 1-800-241-5855					
PG. 1 OF 3					

NOTE: TO ORDER THIS ENTIRE FIELD KIT, REQUEST 75350-G01

READ ALL INSTRUCTIONS BEFORE PROCEEDING.

A. REAR STRUTS (REFER TO DETAIL A)

1. PULL SEAT BOTTOM FORWARD TO GAIN ACCESS BELOW. REMOVE HOLE PLUG FROM PANELS.
2. INSERT TUBE END CAP (ITEM 18) IN TOP (LONG) END OF STRUT (ITEM 2 AND 3).
3. INSERT SHORT LEG OF REAR STRUT (ITEM 2) THROUGH HOLE. POSITION STRUT SO THAT LOWER (SHORT) LEG IS POINTING TOWARD THE FRONT OF THE VEHICLE, AND UPPER (LONG) LEG IS POINTING TOWARD THE CENTER OF THE VEHICLE.
4. PLACE BOLT (ITEM 5) WITH WASHER (ITEM 4) THROUGH HOLE AT THE BOTTOM OF THE STRUT, AND THE HOLE IN THE FRAME. SECURE STRUT WITH WASHER (ITEM 4) AND NUT (ITEM 6).
5. REPEAT STEPS 2 AND 3 ON OTHER SIDE OF VEHICLE.
6. PLACE BOLT (ITEM 5) WITH WASHER (ITEM 4) THROUGH SLOT IN FRAME, WASHER (ITEM 13) AND STRUT THEN SECURE WITH WASHER (ITEM 4) AND NUT (ITEM 6).
7. REPEAT STEP 6, ON OTHER SIDE OF VEHICLE.

B. FRONT STRUT - NOTE: DISCARD TUBE SPACER IF VEHICLE IS EQUIPPED WITH BUMPER. (REFER TO DETAIL B)

1. USING A 7/32" ALLEN WRENCH, REMOVE THE FOUR ALLEN HEAD BOLTS FROM THE FRONT COWL AND DISCARD.
2. AT THE TOP HOLE, INSTALL THE FRONT STRUT (ITEM 7) BETWEEN BUMPER, IF INSTALLED, AND COWL THEN SECURE WITH BOLT (ITEM 8) AND LOCK WASHER (ITEM 9) PLACING SPACER (ITEM 10) AND WASHER (ITEM 11) BETWEEN THE STRUT AND THE COWL. **DO NOT TIGHTEN HARDWARE.**
3. AT THE LOWER HOLE, PROCEED AS ABOVE, SUBSTITUTING 1 WASHER, (ITEM 11) FOR SPACER, (ITEM 10). **DO NOT TIGHTEN HARDWARE.**

C. SUN TOP (REFER TO DETAIL C & DETAIL D)

1. PLACE SUN TOP (ITEM 1) ONTO STRUTS.
2. SECURE SUN TOP LOOSELY WITH BOLT (ITEM 17 AT FRONT AND ITEM 12 AT REAR), WASHER, (ITEM 15) ABOVE THE SUN TOP, PLASTIC SPACER, (ITEM 14) BETWEEN THE STRUT AND UNDERSIDE OF SUN TOP. SECURE

WITH WASHER, (ITEM 15), AND LOCK NUT, (ITEM 16). SEE ILLUSTRATIONS FOR INSTALLATION SEQUENCE.

3. TIGHTEN ALL SUN TOP HARDWARE TO 3 - 5 FT. LBS. TORQUE.
4. TIGHTEN ALL REAR STRUT HARDWARE TO 13 - 15 FT. LBS. TORQUE.
5. TIGHTEN ALL FRONT STRUT HARDWARE TO 17 - 19 FT. LBS. TORQUE.

ITEM	QTY	PART NO.	DESCRIPTION
1	1	27069-G01	TOP, SUN
2	1	75343-G01	STRUT, REAR, DRIVER SIDE
3	1	75343-G02	STRUT, REAR, PASSENGER SIDE
4	8	00571-G2	WASHER, 5/16"
5	4	00439-G6	BOLT, 5/16-18 X 1 3/4" LG
6	4	11098-G6	NUT, LOCK, 5/16-18
7	1	75045-G01	STRUT, FRONT
8	4	71056-G03	BOLT, 5/16-18 X 2 1/8" LG
9	4	00905-G8	WASHER, LOCK, 5/16"
10	2	75048-G01	SPACER
11	6	00570-G2	WASHER, 5/16"
12	2	00753-G6	BOLT, STAINLESS STEEL, 1/4-20 X2 1/4"
13	2	15121-G1	WASHER, 3/8" X 1 1/4"
14	4	75051-G01	SPACER, PLASTIC
15	8	00559-G7	WASHER, 1/4"
16	4	00891-G2	NUT, LOCK, 1/4-20
17	2	00753-G5	BOLT, STAINLESS STEEL, 1/4-20 X 2" LG
18	2	19853-G1	CAP, TUBE, 1"

THE SYMBOL ◁ REFERS TO A NOTE CORRESPONDING TO THE LETTER ENCLOSED WITHIN IT. SEE FOLLOWING PAGE(S) FOR NOTES AND PARTS LISTS. RETAIN THIS DOCUMENT TO FACILITATE THE ORDERING OF REPLACEMENT PARTS.

TITLE SUN TOP INSTALLATION - TRUCK



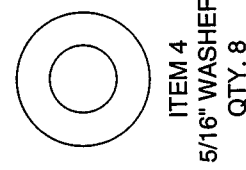
DRN BY J. BRAND
ORIG DATE 10/16/95

REV BY J. RICE
REV DATE 05/03/96

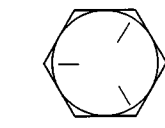
DRAWING NO. 75351
A

REV B

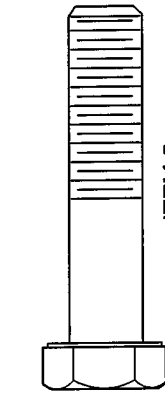
PG. 2 OF 3



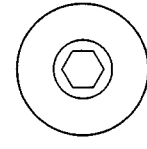
ITEM 4
5/16" WASHER
QTY. 8



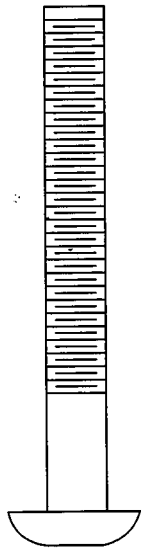
ITEM 6
5/16-18 LOCK NUT
QTY. 4



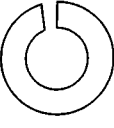
ITEM 5
5/16-18 X 1 3/4" LG. BOLT
QTY. 4



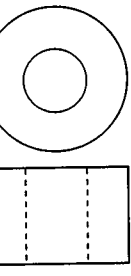
ITEM 8
5/16-18 X 2 1/8" LG. BOLT
QTY. 4



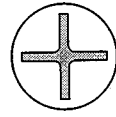
ITEM 5
5/16-18 X 1 3/4" LG. BOLT
QTY. 4



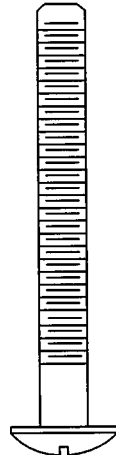
ITEM 9
5/16" LOCK WASHER
QTY. 4



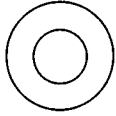
ITEM 11
5/16" WASHER
QTY. 6



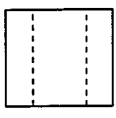
ITEM 12
1/4-20 X 2 1/4" LG. BOLT
QTY. 2



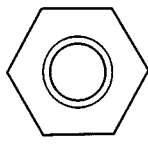
ITEM 12
1/4-20 X 2 1/4" LG. BOLT
QTY. 2



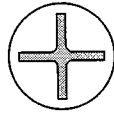
ITEM 15
1/4" WASHER
QTY. 8



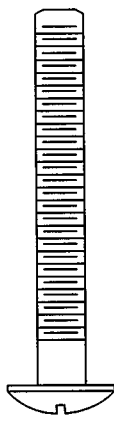
ITEM 15
1/4" WASHER
QTY. 8



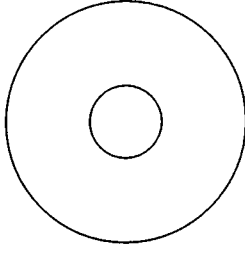
ITEM 16
1/4-20 LOCK NUT
QTY. 4



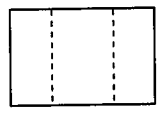
ITEM 17
1/4-20 X 2" LG. BOLT
QTY. 2



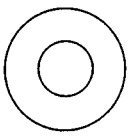
ITEM 17
1/4-20 X 2" LG. BOLT
QTY. 2



ITEM 13
3/8" WASHER
QTY. 2





ITEM 14
PLASTIC SPACER
QTY. 4

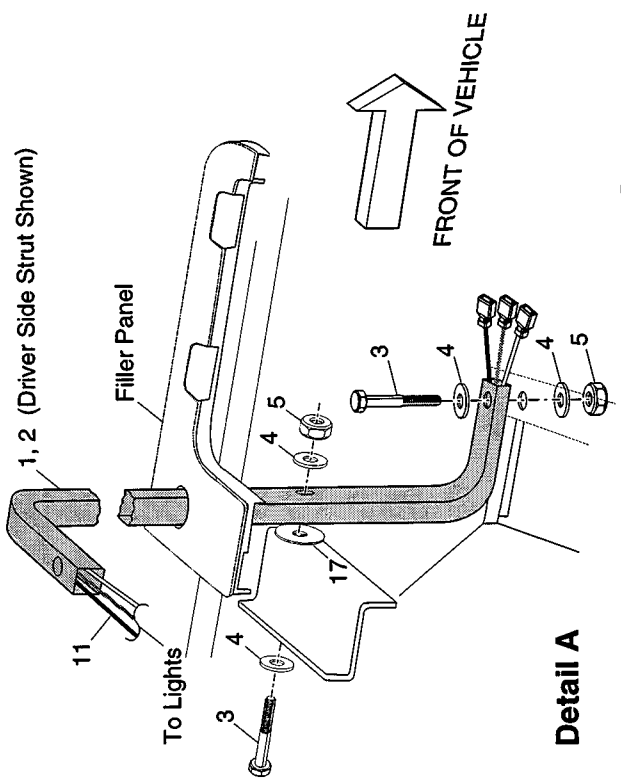
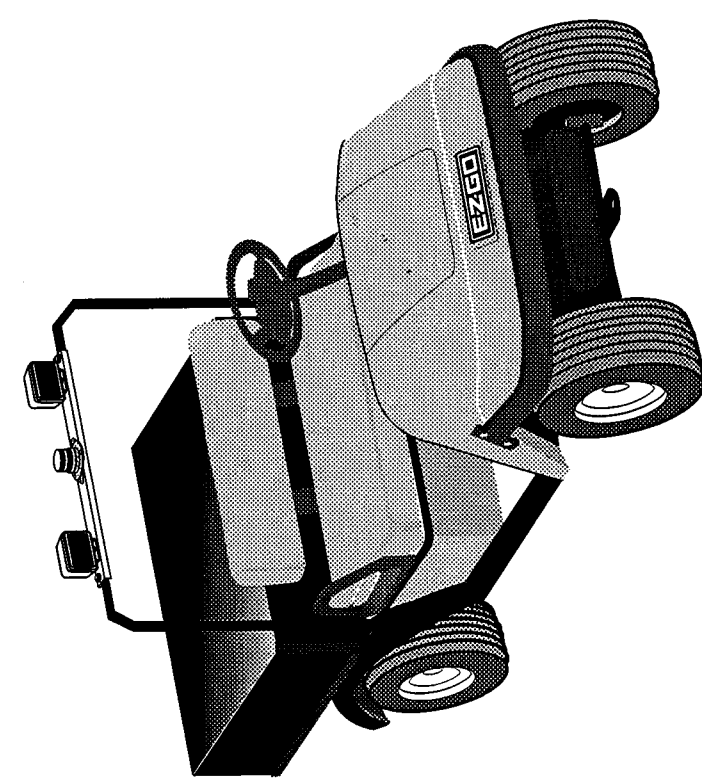


ITEM 15
1/4" WASHER
QTY. 8

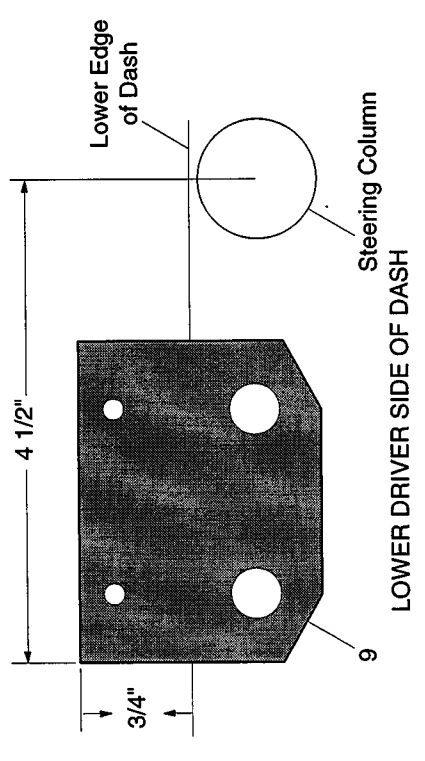
NOTE: ALL HARDWARE SHOWN ACTUAL SIZE

THE SYMBOL  REFERS TO A NOTE CORRESPONDING TO THE LETTER ENCLOSED WITHIN IT. SEE FOLLOWING PAGE(S) FOR NOTES AND PARTS LISTS. RETAIN THIS DOCUMENT TO FACILITATE THE ORDERING OF REPLACEMENT PARTS.

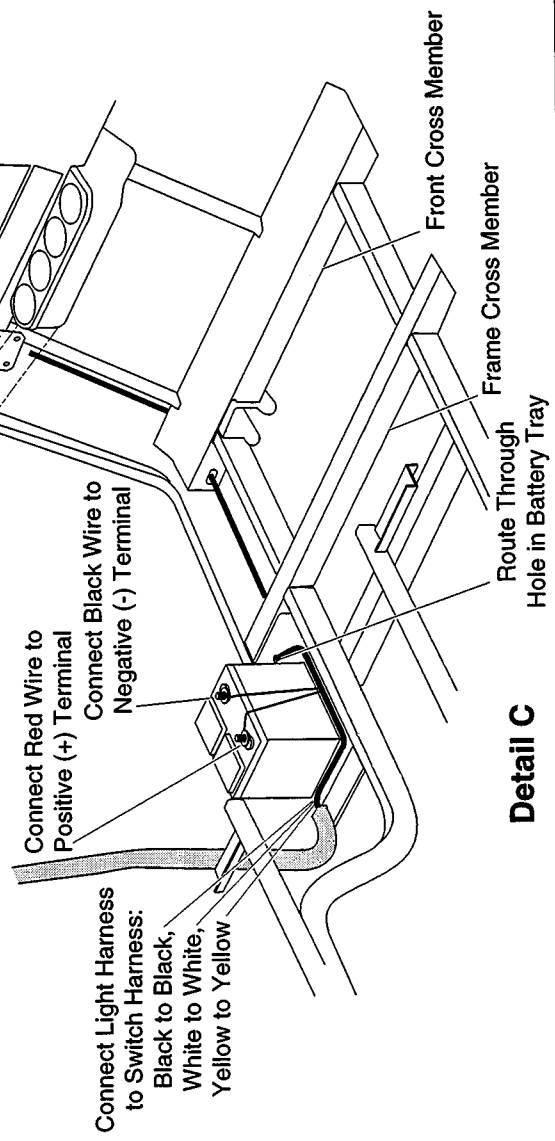
TITLE		SUN TOP INSTALLATION - TRUCK		REV B	
	DRN BY	J. BRAND	REV BY	J. RICE	DRAWING
	ORIG DATE	10/16/95	REV DATE	05/03/96	NO. 75351
E-Z-GO DIVISION OF TEXTRON, INC., P.O. BOX 388, AUGUSTA, GA. 30913-2699, 1-800-241-5855					PG. 3 OF 3



Detail A

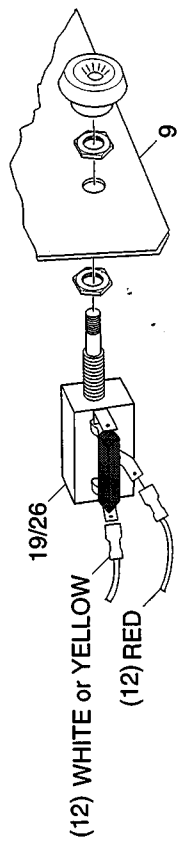


Detail B



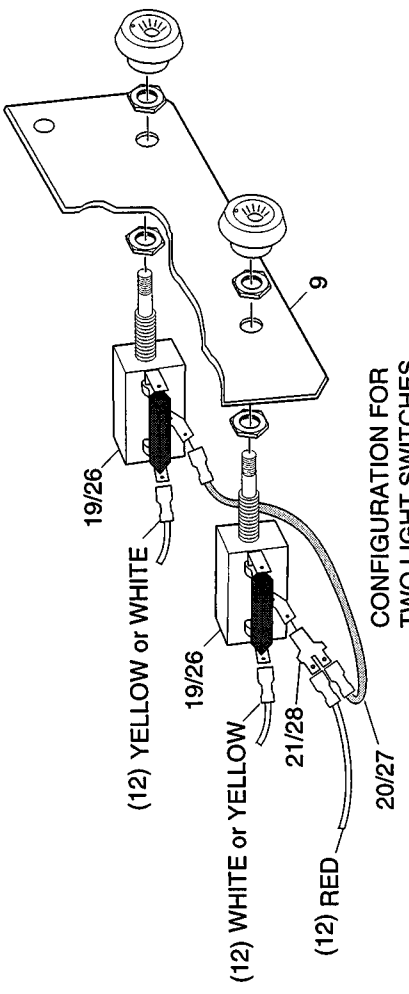
Detail C

<p>TITLE WORK LIGHT MOUNTING INSTRUCTIONS</p>				<p>REV A</p>	
<p>E-Z-GO TEXTRON</p>		<p>DRN BY ORIG DATE</p>	<p>J.RICE 12/07/85</p>	<p>REV BY REV DATE</p>	<p>J.RICE 05/02/96</p>
<p>THE SYMBOL ◁ REFERS TO A NOTE CORRESPONDING TO THE LETTER ENCLOSED WITHIN IT. SEE FOLLOWING PAGE(S) FOR NOTES AND PARTS LISTS. RETAIN THIS DOCUMENT TO FACILITATE THE ORDER-</p>			<p>A</p>	<p>DRAWING NO. 75348</p>	<p>PG. 1 OF 5</p>
<p>E-Z-GO DIVISION OF TEXTRON, INC., P.O. BOX 388, AUGUSTA, GA. 30913-2699, 1-800-241-5855</p>					



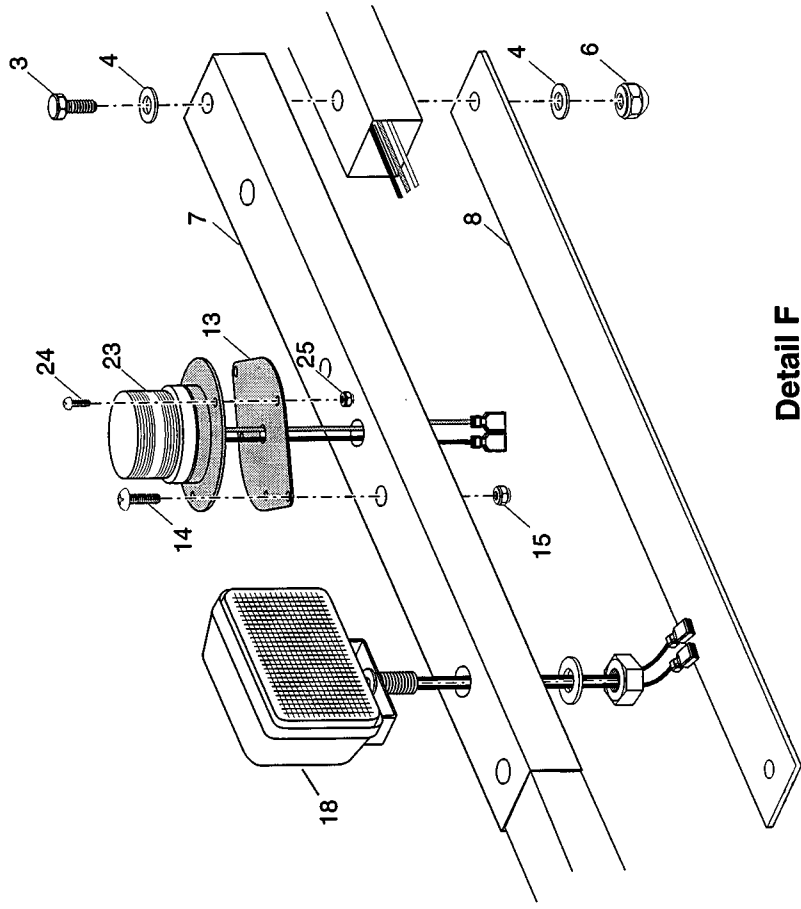
CONFIGURATION FOR ONE LIGHT SWITCH

Detail D



CONFIGURATION FOR TWO LIGHT SWITCHES

Detail E



Detail F

THE SYMBOL ◁ REFERS TO A NOTE CORRESPONDING TO THE LETTER ENCLOSED WITHIN IT. SEE FOLLOWING PAGE(S) FOR NOTES AND PARTS LISTS. RETAIN THIS DOCUMENT TO FACILITATE THE ORDER-

TITLE		WORK LIGHT MOUNTING INSTRUCTIONS		REV A	
E-Z-GO		DRN BY	J.RICE	REV BY	J.RICE
		ORIG DATE	12/07/95	REV DATE	05/02/96
		DRAWING NO. 75348		A	
E-Z-GO DIVISION OF TEXTRON, INC., P.O. BOX 388, AUGUSTA, GA. 30913-2699, 1-800-241-5855					
PG. 2 OF 5					

NOTE: TO ORDER EITHER OF THESE FIELD KITS, REQUEST 75354-G0*.

READ ALL INSTRUCTIONS BEFORE PROCEEDING.

A. INSTALLING THE WORK LIGHT STRUTS (See Detail A)

- Using a flexible wire, fish the light harness (item 11) down through the driver side strut (item 2), being careful not to kink the harness as it is being inserted. (Fish the end with the three leads through the strut.) Stop pulling just before the first pair of connectors is pulled inside the top end of the strut.
- Pull seat bottom forward to gain access to frame. Remove hole plugs from filler panels on each side of vehicle.
- At driver side of vehicle, thread the end of strut with the three connectors through hole in filler panel and insert short leg of strut through hole in panel and rest leg on frame rail. (To be properly positioned, the short leg of strut should be pointed toward the front of the vehicle and the longer upper leg should be pointed toward the center of the vehicle.)
- Being careful not to chafe the harness inside the strut, insert bolt (item 3) with washer (item 4) through hole in lower strut leg and through hole in frame. In upper hole insert washer (item 17) between strut and frame. Secure with washer (item 4) and lock nut (item 5). (Two places each side)
- Repeat steps 3 and 4 on other side of vehicle. (Passenger side strut does not have harness.)

B. INSTALLING THE LIGHT SWITCH PLATE (See Detail B)

- Position the left edge of the light switch plate (item 9) 4 1/2" left of the center of the steering column and the top edge 3/4" up from the bottom of the dash. Using the switch plate as a template, drill two 3/16" holes in the dash.
- Attach the light switch plate to the dash using the rivets (item 10) provided.

C. ROUTING THE SWITCH HARNESS (See Detail C)

- Connect the white lead from the light harness (item 11) to the white terminal from the switch harness (item 12), the yellow lead to the yellow terminal and the black lead to the black terminal.
- Being careful not to chafe the switch harness, route the switch harness around the battery (toward the center of the vehicle), down through the hole in the battery tray in front of the battery, through the oval hole in the frame cross member, through the oval hole in the front cross member and up through the hole in the floor at the steering column.

THE SYMBOL ◁ REFERS TO A NOTE CORRESPONDING TO THE LETTER ENCLOSED WITHIN IT. SEE FOLLOWING PAGE(S) FOR NOTES AND PARTS LISTS. RETAIN THIS DOCUMENT TO FACILITATE THE ORDER-

- Adjust the harness as necessary to place the switch connectors at the rear of the switch plate and remove any excessive tightness or looseness in the harness routing.
- Using the nylon clamps (item 16), secure the switch harness to the frame in three places.

ITEM	QTY	PART NO.	DESCRIPTION
1	1	75352-G01	WORK LIGHT STRUT, PASSENGER SIDE
2	1	75352-G02	WORK LIGHT STRUT, DRIVER SIDE
3	6	00985-G7	BOLT, 5/16 - 18 X 3/4" LG.
4	12	00660-G8	WASHER, 5/16"
5	4	11098-G6	LOCK NUT, 5/16 - 18
6	2	00918-G3	ACORN NUT, 5/16 - 18
7	1	75353-G01	WORK LIGHT BRACE
8	1	75353-G01	COVER PLATE
9	1	75349-G01	LIGHT SWITCH PLATE
10	2	71055-G01	RIVET, 3/16" X 3/8" LG.
11	1	75346-G01	LIGHT HARNESS
12	1	75347-G01	SWITCH HARNESS
13	1	33201-G02	STROBE LIGHT MOUNT
14	2	16705-G3	SCREW, 1/4 - 20 X 3/4" LG.
15	2	14390-G4	LOCK NUT, 1/4 - 20
16	3	17618-G1	CLAMP, NYLON
17	2	15121-G1	WASHER, 3/8" X 1 1/4"
18	2	20209-G2	WORK LIGHT (RECTANGULAR)
19	1	17317-G1	LIGHT SWITCH
20	1	20053-G1	WIRE, RED
21	1	17902-G1	TAB ADAPTER
22			
23	1	20394-G1	STROBE LIGHT
24	3	00379-G4	SCREW, #10 - 24 X 1/2" LG.
25	3	11098-G7	LOCK NUT, #10 - 24
26	1	17317-G1	LIGHT SWITCH
27	1	20053-G1	WIRE, RED
28	1	17902-G1	TAB ADAPTER

TITLE WORK LIGHT MOUNTING INSTRUCTIONS

DRN BY	J.RICE	REV BY	J.RICE	DRAWING	REV A
ORIG DATE	12/07/95	REV DATE	05/02/96	NO. 75348	PG. 3 OF 5
E-Z-GO					
E-Z-GO DIVISION OF TEXTRON, INC., P.O. BOX 388, AUGUSTA, GA. 30913-2699, 1-800-241-5855					

D. CONNECTING AND INSTALLING THE LIGHT SWITCH/SWITCHES

1. If installing the two work lights (item 18), connect the white lead from the switch harness to the end terminal of the light switch (item 19). Connect the red lead from switch harness to the side terminal on the light switch. (See Detail D)
2. If installing the strobe light (item 23), connect the yellow lead from the switch harness to the end terminal of the light switch (item 26). Connect the red lead from switch harness to the side terminal on the light switch. (See Detail D)
3. If installing both light kits, connect the white and yellow leads as described above. Place the tab adapter from one of the light kits (item 21 or 28) onto the side terminal of either light switch. Connect the red lead from the switch harness to one leg of the tab adapter. Using red wire from one of the light kits (item 20 or 27), connect one end to the other leg of the tab adapter and the other end to the side terminal of the other switch. (See Detail E)
4. Unscrew the switch knob and outer jam nut and insert the light switch(es), (item 19 and/or 26) in the light switch plate from the rear and replace nut and knob to the switch shaft.

E. INSTALLING THE RECTANGULAR WORK LAMPS (See Detail F)

1. Thread the leads of the work light (item 18) through the large hole on the end of the work light brace (item 7) and place the threaded post through the hole. Secure the work light to the work light brace with lock washer and nut provided with the light. Repeat the procedure at other side of work light brace.
2. Position work lights and tighten nut securely.
3. Place work light brace on top of strut and insert bolt (item 3) with washer (item 4) through hole in each end of brace and through holes in strut. Install acorn nuts (item 6) and finger tighten nut at this time.
4. Connect one black lead on work light to white lead on light harness and other black lead on work light to black lead on light harness. Repeat at other work light. If installing strobe lamp, proceed to Section F.
5. Remove the acorn nuts, and being careful not to pinch the wiring, place the cover plate (item 8) under the struts and on the bolts previously installed. Secure with washer (item 4) and acorn nut (item 6). Tighten hardware securely.

F. INSTALLING THE STROBE LAMP (See Detail F)

1. Thread the leads of the strobe light (item 23) through the hole in the strobe light mount (item 13) and attach the strobe light to the mount using screws (item 24) and lock nuts (item 25).

2. Thread the leads of the strobe light through the center hole of the work light brace (item 7) and attach the strobe light mount with light installed to the work light brace using screw (item 14) and lock nut (item 15).
3. Place brace on top of strut and insert bolt (item 3) with washer (item 4) through hole in each end of brace and through holes in strut. Install acorn nuts (item 6) and tighten nuts finger tight at this time.
4. Connect the red lead from the light to the yellow lead from the light harness. Connect the black lead from the strobe light to the black lead from the light harness.

5. Remove the acorn nuts, and being careful not to pinch the wiring, place the cover plate (item 8) under the struts and on the bolts previously installed. Secure with washer (item 4) and acorn nut (item 6). Tighten hardware securely.

G. CONNECTING HARNESS TO BATTERY (See Detail C)

1. Using an insulated wrench, attach black wire of switch harness (item 12) to negative (-) battery terminal clamp using existing hardware.
2. Attach red wire of switch harness (item 12) to positive (+) battery terminal clamp using existing hardware.

THE SYMBOL ◁ REFERS TO A NOTE CORRESPONDING TO THE LETTER ENCLOSED WITHIN IT. SEE FOLLOWING PAGE(S) FOR NOTES AND PARTS LISTS. RETAIN THIS DOCUMENT TO FACILITATE THE ORDER.

TITLE WORK LIGHT MOUNTING INSTRUCTIONS

REV A

E-Z-GO **TEXTRON**

DRN BY
ORIG DATE

J.RICE
12/07/95

REV BY
REV DATE

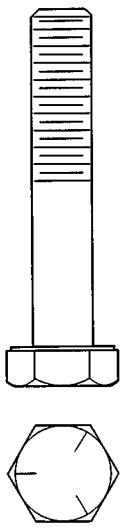
J.RICE
05/02/96

A

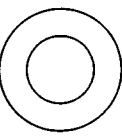
DRAWING
NO. 75348

PG. 4 OF 5

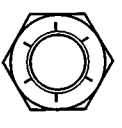
E-Z-GO DIVISION OF TEXTRON, INC., P.O. BOX 388, AUGUSTA, GA. 30913-2699, 1-800-241-5855



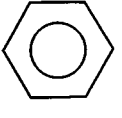
ITEM 3
5/16-18 X 1 3/4" LG. BOLT
QTY. 6



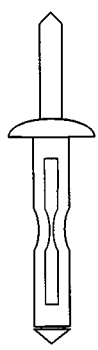
ITEM 4
5/16" WASHER
QTY. 12



ITEM 5
5/16-18 LOCK NUT
QTY. 4



ITEM 6
5/16-18 ACORN NUT
QTY. 2



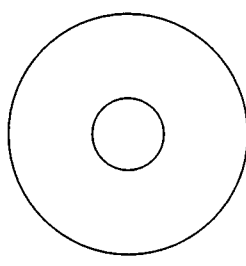
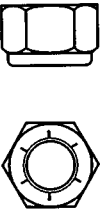
ITEM 10
3/16" DIA X 3/8" GRIP RIVET
QTY. 2



ITEM 14
1/4-20 X 3/4" LG. SCREW
QTY. 2



ITEM 15
1/4-20 LOCK NUT
QTY. 2



ITEM 17
3/8" WASHER
QTY. 2



ITEM 24
#10-24 X 1/2" LG. SCREW
QTY. 3



ITEM 25
#10-24 LOCK NUT
QTY. 3



NOTE: ALL HARDWARE SHOWN ACTUAL SIZE

THE SYMBOL ◁ REFERS TO A NOTE CORRESPONDING TO THE LETTER ENCLOSED WITHIN IT. SEE FOLLOWING PAGE(S) FOR NOTES AND PARTS LISTS. RETAIN THIS DOCUMENT TO FACILITATE THE ORDER-

TITLE **WORK LIGHT MOUNTING INSTRUCTIONS**

REV **A**



DRN BY J.RICE
ORIG DATE 12/07/95

REV BY J.RICE
REV DATE 05/02/96

DRAWING NO. **A** 75348

PG. 5 OF 5

E-Z-GO DIVISION OF TEXTRON, INC., P.O. BOX 388, AUGUSTA, GA. 30913-2699, 1-800-241-5855

NOTE: TO ORDER THIS ENTIRE FIELD KIT, REQUEST PART NO. 75367-G01

READ ALL INSTRUCTIONS BEFORE PROCEEDING.

A. POSITION ENCLOSURE ON SUN TOP

1. Place folded enclosure on Sun Top.
2. Unfold the enclosure and reposition as necessary to allow clear rear window of enclosure to drape between the seat back and the cargo bed. The sides should hang naturally to the floorboard sill plates.
3. Move enclosure forward just enough to allow front edge to fit over the front edge of the Sun Top. Pull enclosure toward rear of vehicle to smooth out wrinkles.

B. APPLY VELCRO TAPE TO FRONT STRUTS

1. Remove the Velcro tape (hook tape) from the front edge of side curtain.
2. Remove the backing tape from the hook tape and, starting at the top of the strut just over the bend, apply the tape to the full length on the side of the front strut.
3. Repeat the procedure to the front strut on the other side.

C. SECURE FRONT OF ENCLOSURE TO FRONT STRUT


1. Starting at the top of enclosure front edge, attach enclosure to front strut by pressing enclosure edge to tape on side of front strut.
2. Repeat procedure on other side of vehicle.

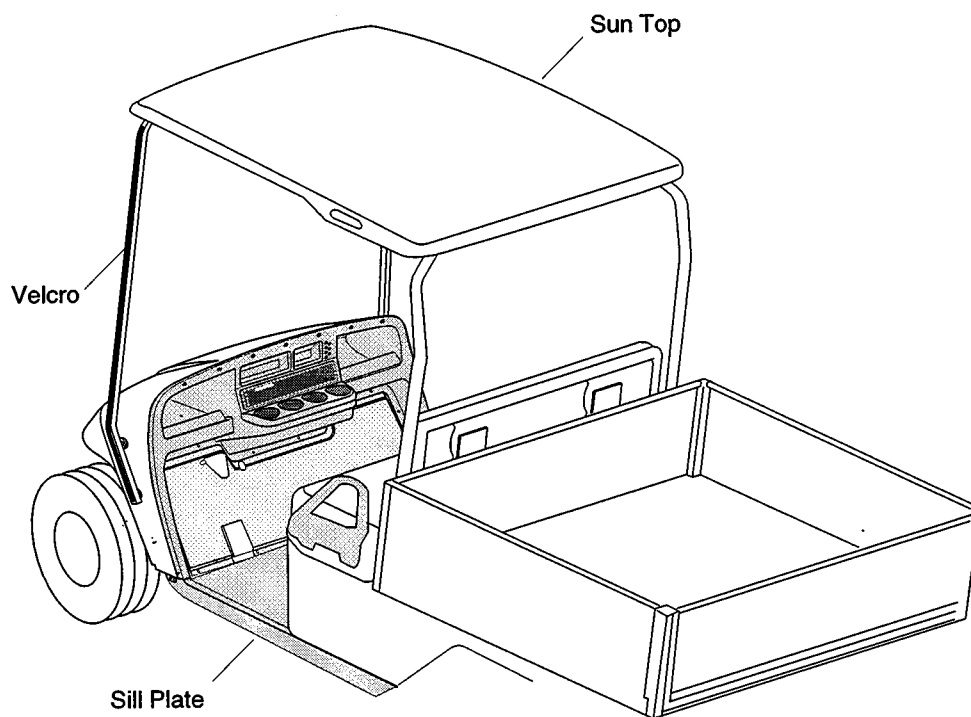
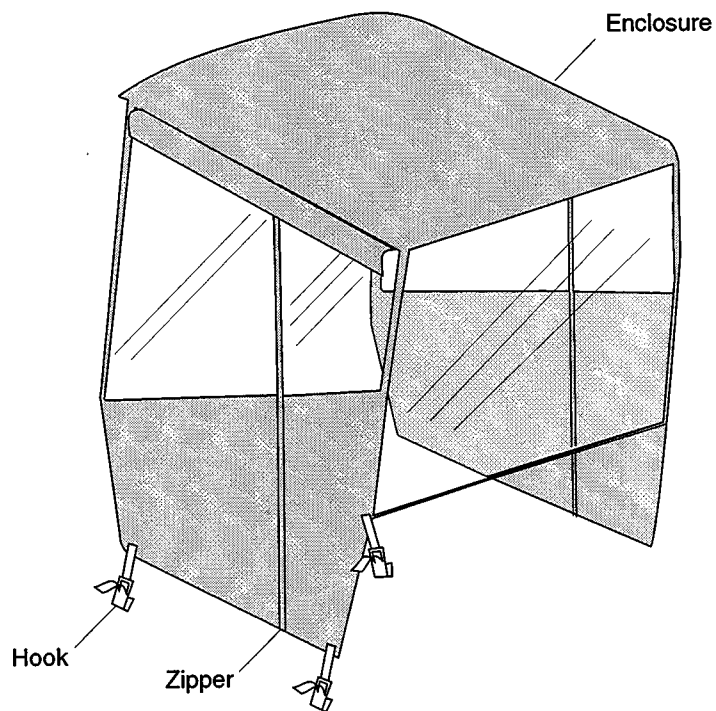
D. ATTACH STRAPPED HOOKS TO LOWER EDGE OF BODY

1. Loosen straps with hook attached to allow enough strap length so hooks may be hooked over the lower edge of floorboard sill plate at each end, and at rear of seat.
2. Pull strap end to tighten enclosure.
3. Repeat procedure on other side of vehicle.
4. Adjust straps as necessary to remove wrinkles from enclosure and obtain a snug fit. .

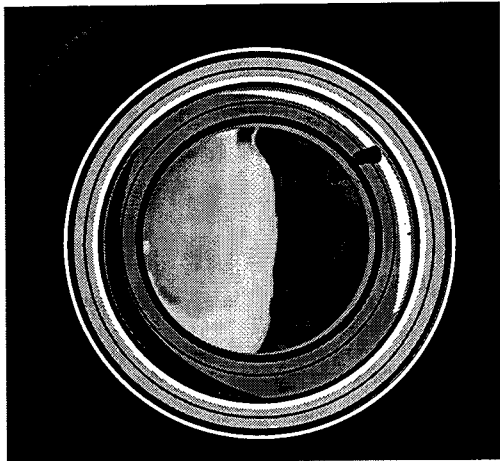
E. OPEN SIDE

1. To open the side of enclosure, loosen hook straps, move zipper to the top of track, loosen front edge from strut.
2. Starting at the bottom, roll the side curtain up to the top and secure with straps under flap on side of top.

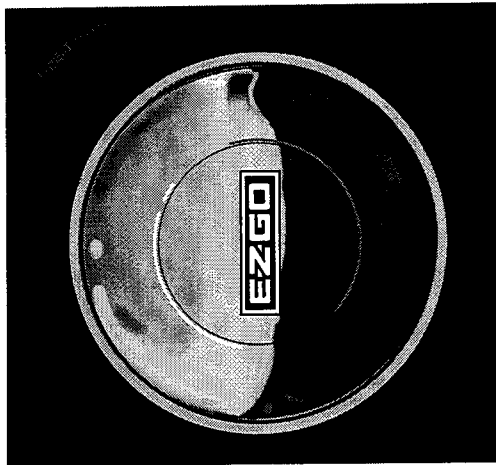
TITLE		WEATHER ENCLOSURE INSTALLATION INSTRUCTIONS			REV -
	DRN BY ORIG DATE	J.RICE 12/15/95	REV BY REV DATE	DRAWING NO. 75368	PG. 1 OF 2
E-Z-GO DIVISION OF TEXTRON, INC., P.O. BOX 388, AUGUSTA, GA. 30903-0388, 1-800-448-7476					



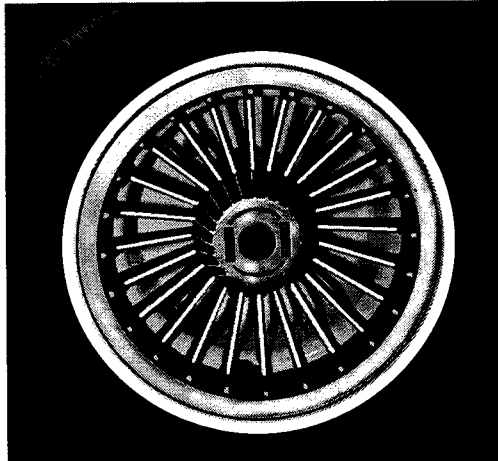
TITLE WEATHER ENCLOSURE INSTALLATION INSTRUCTIONS			REV -
EZGO TEXTRON	DRN BY ORIG DATE	J.RICE 12/15/95	REV BY REV DATE
		DRAWING NO.	75368
			PG. 2 OF 2
E-Z-GO DIVISION OF TEXTRON, INC., P.O. BOX 388, AUGUSTA, GA. 30903-0388, 1-800-448-7476			



6" CHROME HUBCAP



8" CHROME HUBCAP



GOLD / SILVER SPOKE HUBCAP

ITEM	QTY	PART NO.	DESCRIPTION
1	1	14913-G1	8" CHROME HUBCAP
2	4	14913-G2	8" CHROME HUBCAP SET
3	1	16042-G1	6" CHROME HUBCAP
4	4	16042-G2	6" CHROME HUBCAP SET
5	1	19241-G2	GOLD SPOKE HUBCAP
6	4	19241-G4	GOLD SPOKE HUBCAP SET
7	1	19241-G1	SILVER SPOKE HUBCAP
8	4	19241-G3	SILVER SPOKE HUBCAP SET

THE SYMBOL ◁ REFERS TO A NOTE CORRESPONDING TO THE LETTER ENCLOSED WITHIN IT. SEE FOLLOWING PAGE(S) FOR NOTES AND PARTS LISTS. RETAIN THIS DOCUMENT TO FACILITATE THE ORDERING OF REPLACEMENT PARTS.

TITLE WHEEL COVER INSTALLATION

REV -



DRN BY
ORIG DATE

REV BY
REV DATE

DRAWING
NO. 28244

A

PG. 1 OF 1



a **TEXTRON** Company

E-Z-GO Division of Textron Inc.

P.O. Box 388 Augusta, Georgia 30903-0388 USA

Inside USA Phone: 1-800-227-7029, FAX: 1-800-752-6175

Outside USA Phone: 010-1-706-798-4311, FAX: 010-1-706-771-4601

Copyrighted Material
This manual may not be reproduced in whole or
in part without the express permission of
E-Z-GO Division of Textron Inc.
Technical Communications Department