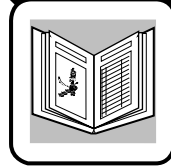


614270



A Textron Company



SERVICE PARTS MANUAL



ELECTRIC POWERED FLEET GOLF CARS AND PERSONAL VEHICLE

ISSUED DECEMBER 2009

SERVICE PARTS MANUAL

ELECTRIC POWERED FLEET GOLF CARS & PERSONAL VEHICLES

TXT VALOR PDS

STARTING MODEL YEAR: 2009

E-Z-GO Division of TEXTRON Inc. reserves the right to incorporate engineering and design changes to products in this Manual, without obligation to include these changes on units leased/sold previously.

The information contained in this Manual may be revised periodically by the E-Z-GO Division, and therefore is subject to change without notice.

The E-Z-GO Division **DISCLAIMS LIABILITY FOR ERRORS IN THIS MANUAL**, and the E-Z-GO Division **SPECIFICALLY DISCLAIMS LIABILITY FOR INCIDENTAL AND CONSEQUENTIAL DAMAGES** resulting from the use of the information and materials in this Manual.

TO CONTACT US

NORTH AMERICA:

TECHNICAL ASSISTANCE & WARRANTY PHONE: 1-800-774-3946, FAX: 1-800-448-8124

SERVICE PARTS PHONE: 1-888-GET-EZGO (1-888-438-3946), FAX: 1-800-752-6175

INTERNATIONAL:

SALES PHONE: 001-706-798-4311, FAX: 001-706-771-4609

E-Z-GO DIVISION OF TEXTRON INC., 1451 MARVIN GRIFFIN ROAD, AUGUSTA, GEORGIA USA 30906-3852

NOTES

To obtain a copy of the limited warranty applicable to the vehicle, call or write a local Distributor, authorized Branch or the Warranty Department with vehicle serial number and manufacturer code.

The use of non Original Equipment Manufacturer (OEM) parts may void the warranty.

Overfilling of batteries may void the warranty.

BATTERY PROLONGED STORAGE

All batteries will self discharge over time. The rate of self discharge varies depending on the ambient temperature and the age and condition of the batteries.

A fully charged battery will not freeze in winter temperatures unless the temperature falls below -75° F (-60° C).

As with all electric vehicles, the batteries must be checked and recharged as required or at a minimum of 30 day intervals.

TABLE OF CONTENTS

| SECTION | Page No. |
|--|----------|
| HOW TO USE THE SERVICE PARTS MANUAL | vi |
| ACCELERATOR | A - 1 |
| • Accelerator Pedal Pad | |
| • Accelerator Pedal Assembly | |
| • Switches | |
| BATTERY CHARGER | B - 1 |
| • Charger | |
| • Charger Cords | |
| • Cover | |
| • Handle | |
| BODY - FRONT | C - 1 |
| • Front Splash Shield | |
| • Cowl | |
| • Nameplate | |
| • Instrument Panel | |
| • Instrument Panel Trim | |
| BODY - MID SECTION | C - 5 |
| • Floorboard | |
| • Floormat | |
| • Fender | |
| BODY - REAR | C - 7 |
| • Rear Body | |
| • Rear Splash Shields | |
| • Rocker Panel | |
| • Sill Plate | |
| • Access Panel | |
| • Scuff Guards | |
| • Rear Bumper | |
| BODY - ACCESSORIES | C - 11 |
| • Sand Bottle | |
| • Side Baskets | |
| • Center Baskets | |
| • Message Holder | |
| • Cooler | |
| • Rake Holder | |
| • Four Bag Attachment | |
| • Ash Tray Kit | |
| • Two bag Attachment | |
| • Single Sand Mug | |
| • Double Sand Mug | |
| BRAKES - PEDAL | D - 1 |
| • Compensator Assembly | |
| • Brake Pedal Pad | |
| • Brake Pedal Assembly | |
| • Torsion Spring | |
| • Brake Shoe | |
| • Brake Drum Assembly | |
| • Brake Cable Bracket | |

TABLE OF CONTENTS

| SECTION | Page No. |
|---|-----------------|
| ELECTRICAL SYSTEM - MAIN COMPONENTS | E - 1 |
| • Key Switch | |
| • Charger Receptacle | |
| • Solenoid Wires | |
| • Fuse Block | |
| • Hour Meter | |
| • Batteries | |
| • Battery Hold Down | |
| • Battery Retainer | |
| • Wires | |
| • Horn Assembly | |
| • Horn Button | |
| • Headlights | |
| • Tail Lights | |
| • Turn Signal Switch | |
| • Headlight Switch | |
| ELECTRICAL SYSTEM - DIRECTION SELECTOR | E - 8 |
| • Key Switch | |
| • Direction Selector | |
| • State of Charge Meter | |
| • Reverse Warning Buzzer | |
| ELECTRONIC SPEED CONTROL | F - 1 |
| • Controller Assembly | |
| • Resistor Assembly | |
| • Mounting Bracket | |
| • Solenoid | |
| FRONT SUSPENSION | G - 1 |
| • Front Axle | |
| • Spindle and Hub Assembly | |
| • Shock Absorber | |
| • Steering Rack Assembly | |
| • Steering Column | |
| • Steering Wheel | |
| • Tie Rod Assembly | |
| MOTOR | H - 1 |
| • AC Motor | |
| • Speed Sensors | |
| REAR AXLE | J - 1 |
| • Axle Assembly | |
| • Axle Shaft | |
| • Spline Bumper | |
| REAR SUSPENSION | K - 1 |
| • Shocks | |
| • Leaf Spring | |
| • Shackles | |
| • Bushings | |

TABLE OF CONTENTS

| SECTION | Page No. |
|--|-----------------------|
| SEATING & BAG HOLDER | L - 1 |
| • Front Seat Bottom | |
| • Front Seat Back | |
| • Hip Restraints | |
| • Seat Back Support | |
| • Bag Holder | |
| • Bag Strap Clamp | |
| TOW BAR - PERMANENT | M - 1 |
| • Tow Bar | |
| • Latch | |
| • Mounting Plate | |
| • Tie Rod | |
| • Spacer | |
| • Rod Ends | |
| WEATHER PROTECTION - GOLF CAR SUN TOP | N - 1 |
| • Sun Top | |
| • Struts | |
| • Rear View Mirror | |
| • Fold Down Shield | |
| • Windshield | |
| • Weather Enclosure | |
| WHEELS AND TIRES | P - 1 |
| • Tires | |
| • Wheels | |
| • Lug Nuts | |
| • Wheel Cap | |
| SPECIALITY PRODUCTS | APPENDIX A - 1 |
| OPTIONS/ACCESSORIES | APPENDIX B - 1 |

HOW TO USE THE SERVICE PARTS MANUAL

This manual is divided into several sections:

- GENERAL INFORMATION
- ILLUSTRATED PARTS BREAKDOWN
- APPENDIX

The first section, GENERAL INFORMATION, contains the following information:

- WARRANTY INFORMATION
- GENERAL INDEX
- HOW TO USE THE SERVICE PARTS MANUAL

The second section, ILLUSTRATED PARTS BREAKDOWN, contains:

- ILLUSTRATIONS AND PARTS LISTS FOR ALL SYSTEMS OF YOUR VEHICLE

The third section, APPENDIX, contains:

- A LISTING OF SPECIALTY PRODUCTS
- A LISTING OF OPTIONS/ACCESSORIES

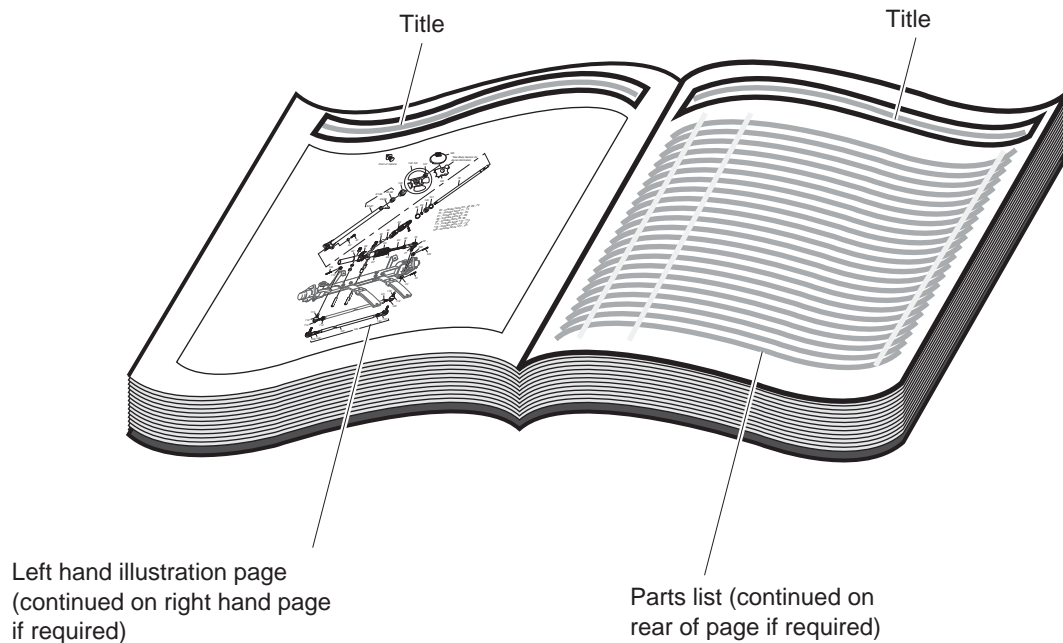
USE OF THE MANUAL

To use this manual, consult the GENERAL INDEX to locate the information or illustration required.

Introduction of some revisions varies due to supply of components; therefore, it is possible that various combinations of components may be found that are not directly reflected by each illustration. Consult the illustration that best suits your situation and then contact the Service Parts Department. It is important that the serial number of your vehicle and its model number be supplied to Service Parts when ordering any replacement components.

Locate the serial number plate (see BODY located in the Illustrated Parts Breakdown section of this manual for its location) and note the complete number shown on the plate.

HOW TO USE THE SERVICE PARTS MANUAL



1. WHEN THE PART NUMBER IS NOT KNOWN

- Determine the function and application of the part required. Turn to the General Index and select the most appropriate title.
- Turn to the page number indicated and locate the desired part on the illustration.
- From the illustration, obtain the item number assigned to the desired part. Refer to the accompanying description for specific information regarding the part.

2. IF YOU KNOW THE PART NUMBER

- Locate the part number or description in the appropriate column on the parts list page.

NOTE: It is suggested that you confirm that the part selected is correct by verifying it with the pictorial representation on the illustrated page.

Should an asterisk (*) appear in the part number column on the parts list page, read upwards until a part number is found. The part number is the lowest assembly sold by Service Parts and the asterisk (*) indicates that the part depicted is not available for purchase.

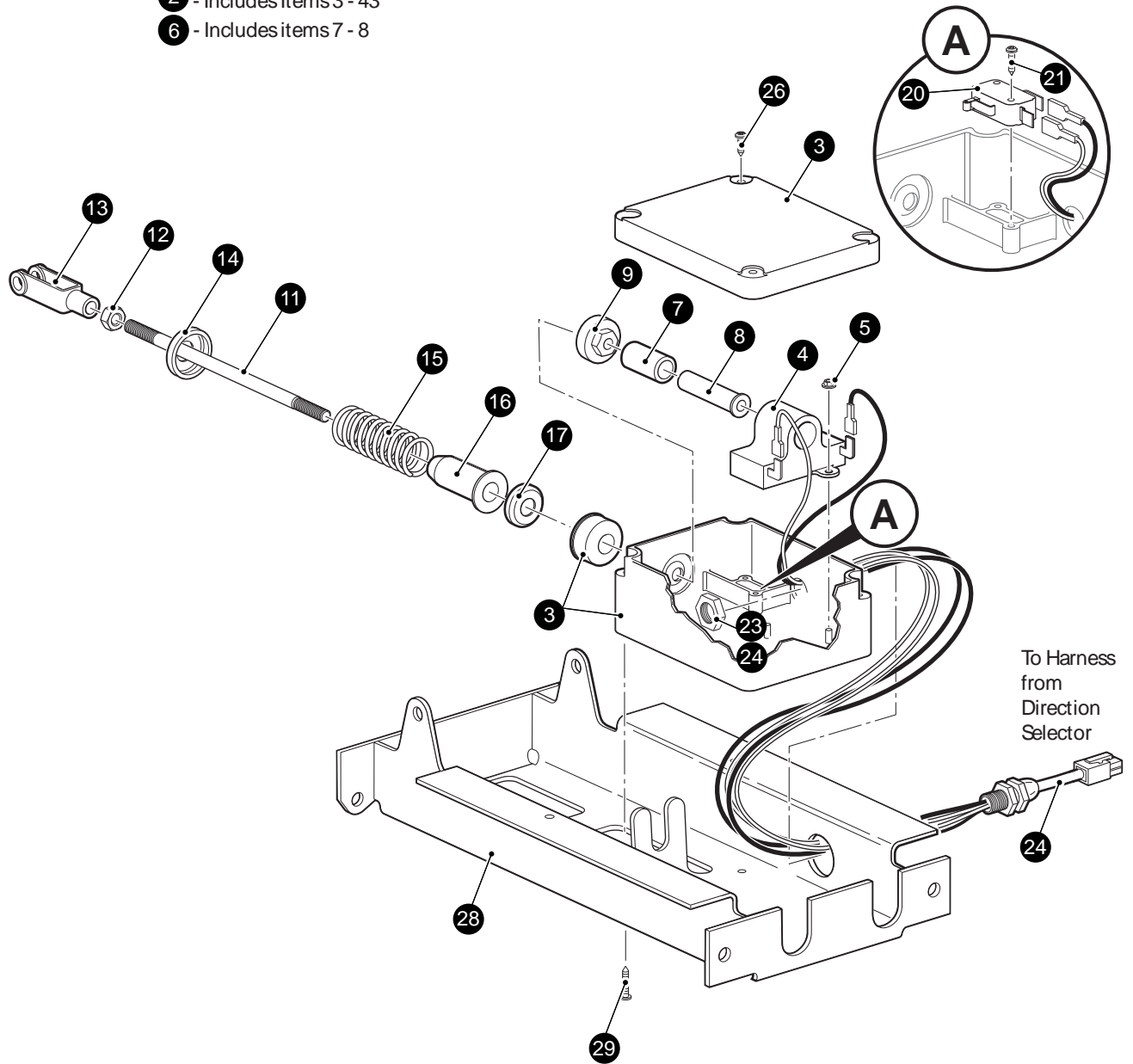
NOTE: Descriptions are indented under the assembly that they are used on. That assembly is, in turn listed under the assembly that it is used on. This process is repeated until the highest final assembly is reached.

To facilitate the maintenance and repair of the vehicle, a Technician's Repair and Service Manual is available from the Service Parts Department.

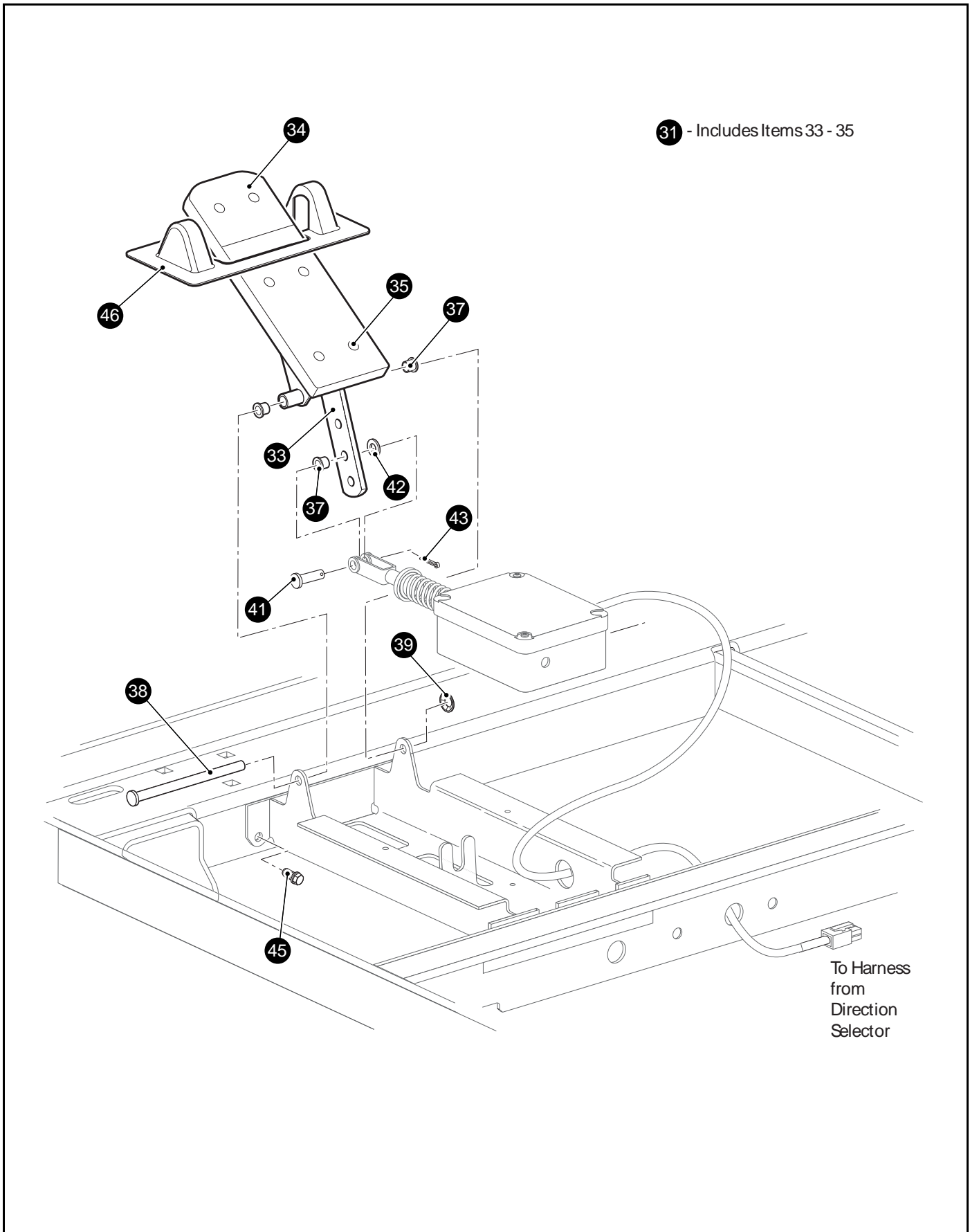
ILLUSTRATED PARTS BREAKDOWN

ILLUSTRATED PARTS BREAKDOWN

- 2 - Includes Items 3 - 43
- 6 - Includes items 7 - 8



ACCELERATOR



When ordering parts, please specify the model and serial number of the product.

* Indicates a component that is not available as an individual part.

*** Indicates consult Customer Service Department for additional information.

| ITEM | PART NO. | 1 2 3 4 5 | DESCRIPTION | QTY. |
|------|----------|-----------|---|------|
| 1 | | | | |
| 2 | 73333G10 | | PEDAL BOX ASSEMBLY, PDS MODEL ONLY (INCLUDES ITEMS 3 - 43) | 1 |
| 3 | 25853G01 | | PEDAL BOX AND COVER (SEAL AND BEARING) | 1 |
| 4 | 25854G01 | | INDUCTIVE THROTTLE SENSOR | 1 |
| 5 | 00983G01 | | SELF THREADING NUT, 3/16" | 2 |
| 6 | 602484 | | PLUNGER AND SLEEVE ASSEMBLY (INCLUDES ITEMS 7 - 8)..... | 1 |
| 7 | 25857G01 | | PLUNGER SLEEVE | 1 |
| 8 | 28443G01 | | PLUNGER | 1 |
| 9 | 28444G01 | | PLUNGER CAM | 1 |
| 10 | | | | |
| 11 | 73332G01 | | ACCELERATOR ROD | 1 |
| 12 | 00532G4 | | NUT, 5/16 - 24 | 1 |
| 13 | 10385G4 | | CLEVIS YOKE (ADJUSTABLE)..... | 1 |
| 14 | 17677G2 | | SPRING RETAINER, 3/8" | 1 |
| 15 | 73046G01 | | COMPRESSION SPRING | 1 |
| 16 | 17979G1 | | ACCELERATOR ROD BUSHING..... | 1 |
| 17 | 17677G1 | | SPRING RETAINER, 1/2" | 1 |
| 18 | | | | |
| 19 | | | | |
| 20 | 25861G02 | | MICRO SWITCH | 1 |
| 21 | 01050G01 | | SCREW-PLASTITE, #4 - 20 X 5/8" LG | 2 |
| 22 | | | | |
| 23 | | | | |
| 24 | 25879G05 | | WIRING HARNESS (PEDAL BOX ASSEMBLY) | 1 |
| 25 | | | | |
| 26 | 00684G6 | | SCREW, #8 - 32 X 3/4" LG (STAINLESS STEEL) | 2 |
| 27 | | | | |
| 28 | 70116G02 | | ACCELERATOR PEDAL BRACKET | 1 |
| 29 | 01051G01 | | SCREW, #8 - 16 X 1/2" LG | 4 |
| 30 | | | | |

ACCELERATOR

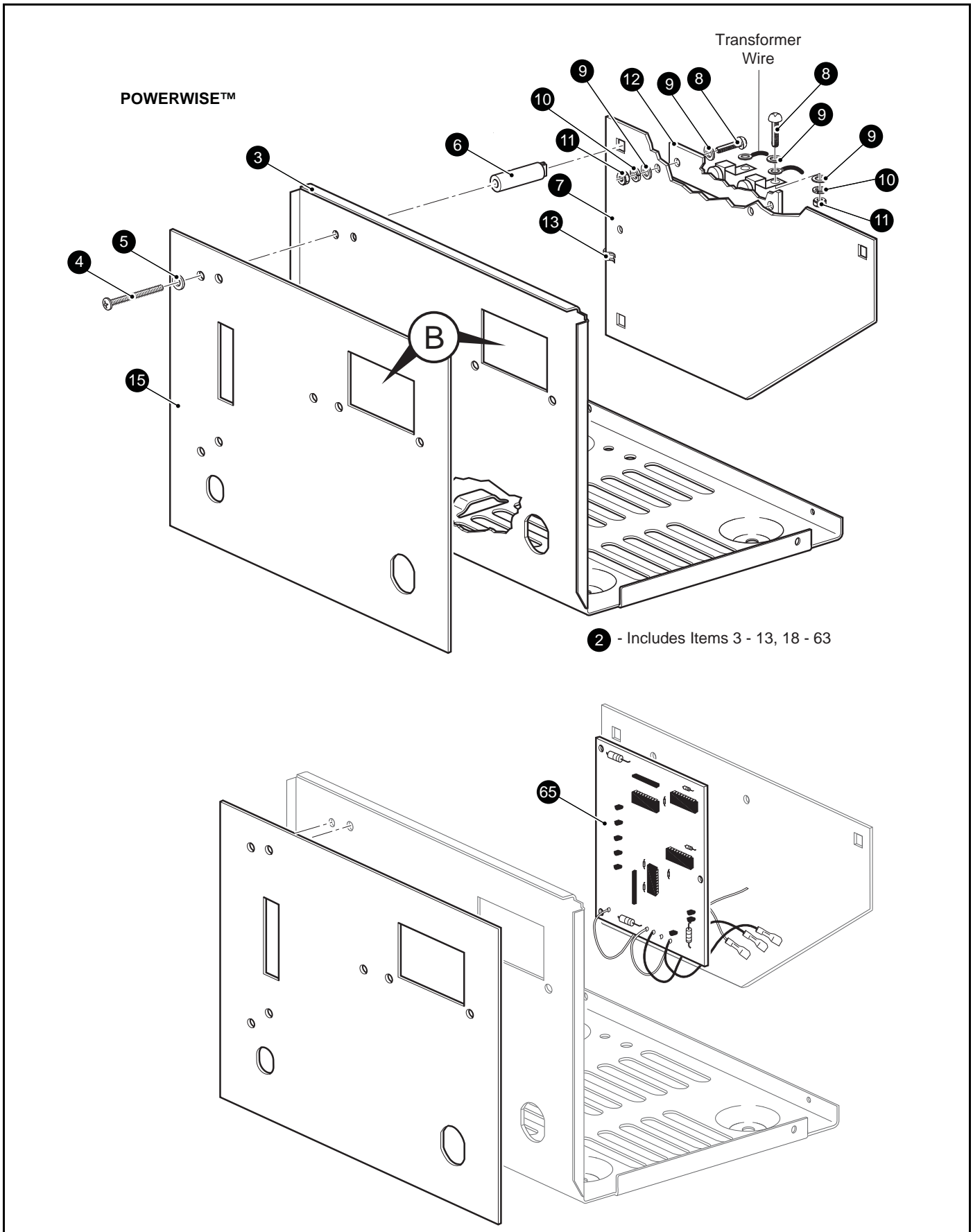
When ordering parts, please specify the model and serial number of the product.

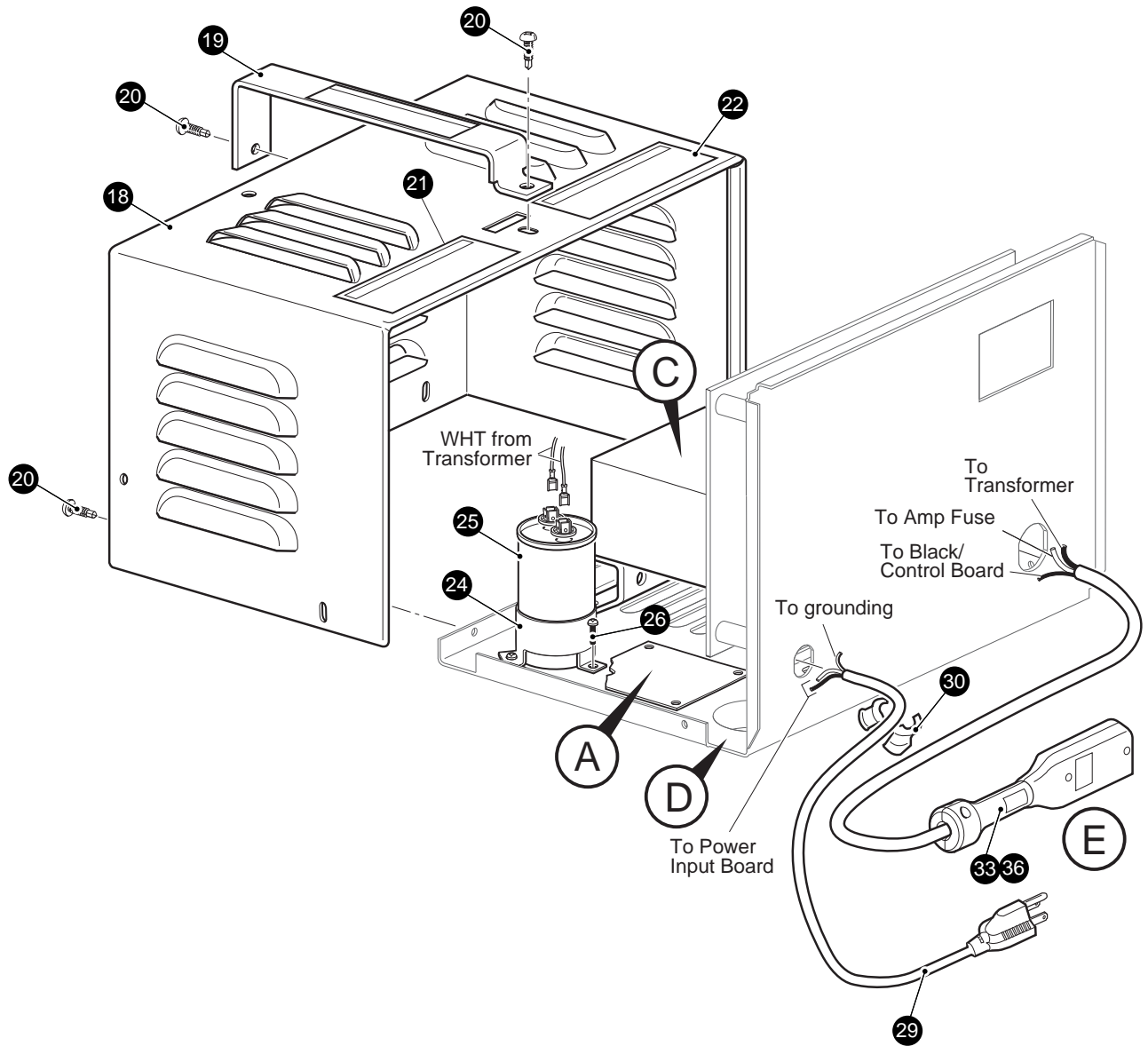
* Indicates a component that is not available as an individual part.

*** Indicates consult Customer Service Department for additional information.

| ITEM | PART NO. | 1 | 2 | 3 | 4 | 5 | DESCRIPTION | QTY. |
|------|----------|---|---|---|---|---|--|------|
| 31 | 25799G03 | | | | | | ACCELERATOR PEDAL ASSEMBLY (INCLUDES ITEMS 33 - 35)..... | 1 |
| 32 | | | | | | | | |
| 33 | 70125G04 | | | | | | ACCELERATOR PEDAL | 1 |
| 34 | 27512G01 | | | | | | ACCELERATOR PEDAL PAD | 1 |
| 35 | 16409G1 | | | | | | OVAL RIVET 3/16" X 7/16" LG | 6 |
| 36 | | | | | | | | |
| 37 | 17838G1 | | | | | | NYLON BUSHING | 3 |
| 38 | 74432G01 | | | | | | PEDAL PIVOT PIN..... | 1 |
| 39 | 12064G6 | | | | | | PUSHNUT, 9/32" I.D. | 1 |
| 40 | | | | | | | | |
| 41 | 10386G3 | | | | | | CLEVIS PIN, 5/16" X 13/16" LG..... | 1 |
| 42 | 17255G1 | | | | | | TEFLON WASHER, 5/16" | 1 |
| 43 | 10387G3 | | | | | | COTTER PIN, 3/32" X 3/4" LG..... | 1 |
| 44 | | | | | | | | |
| 45 | 00715G2 | | | | | | BOLT, 5/16 - 18 X 4/5" LG | 4 |
| 46 | 70135G01 | | | | | | PEDAL PIVOT COVER | 1 |

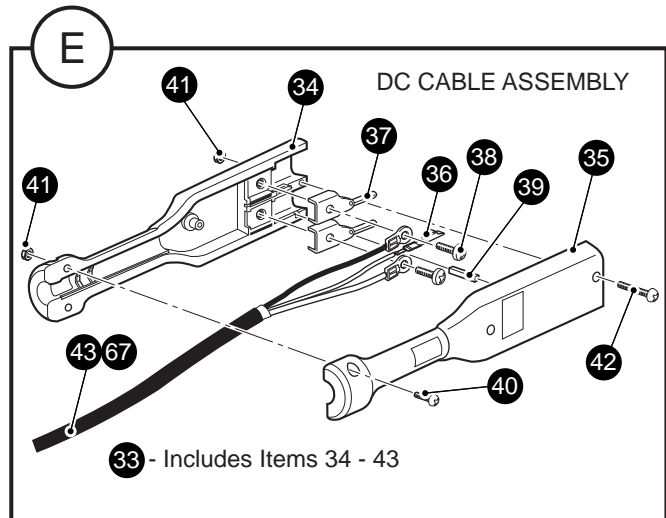
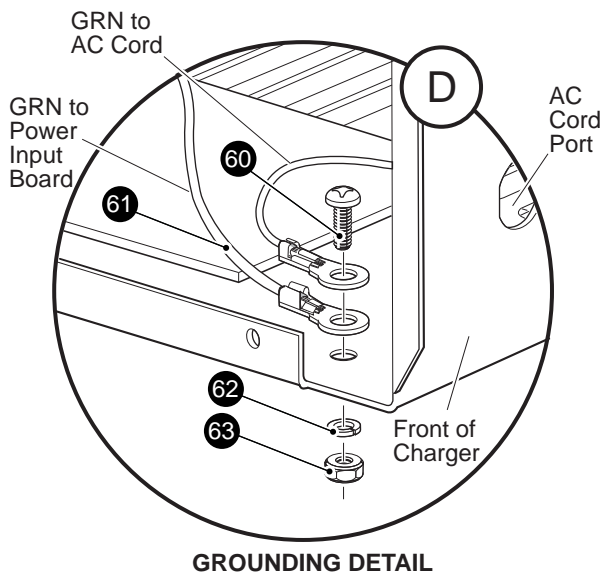
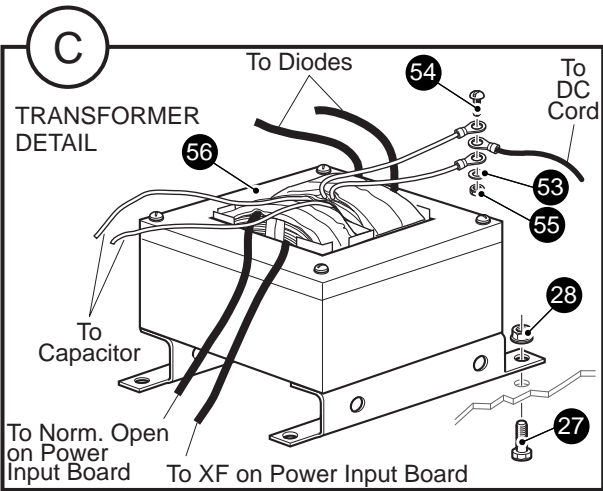
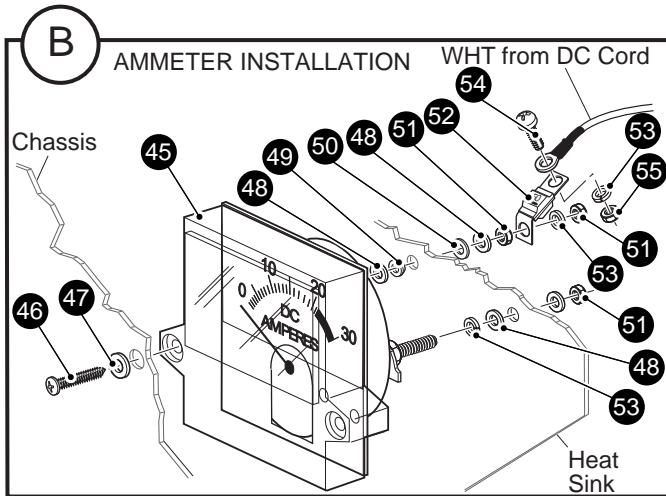
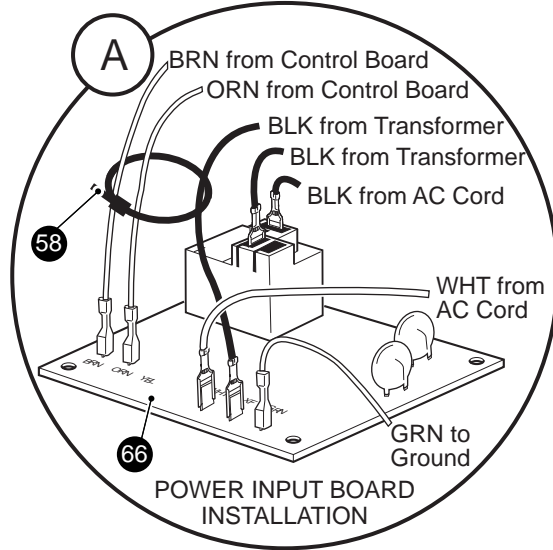
BATTERY CHARGER

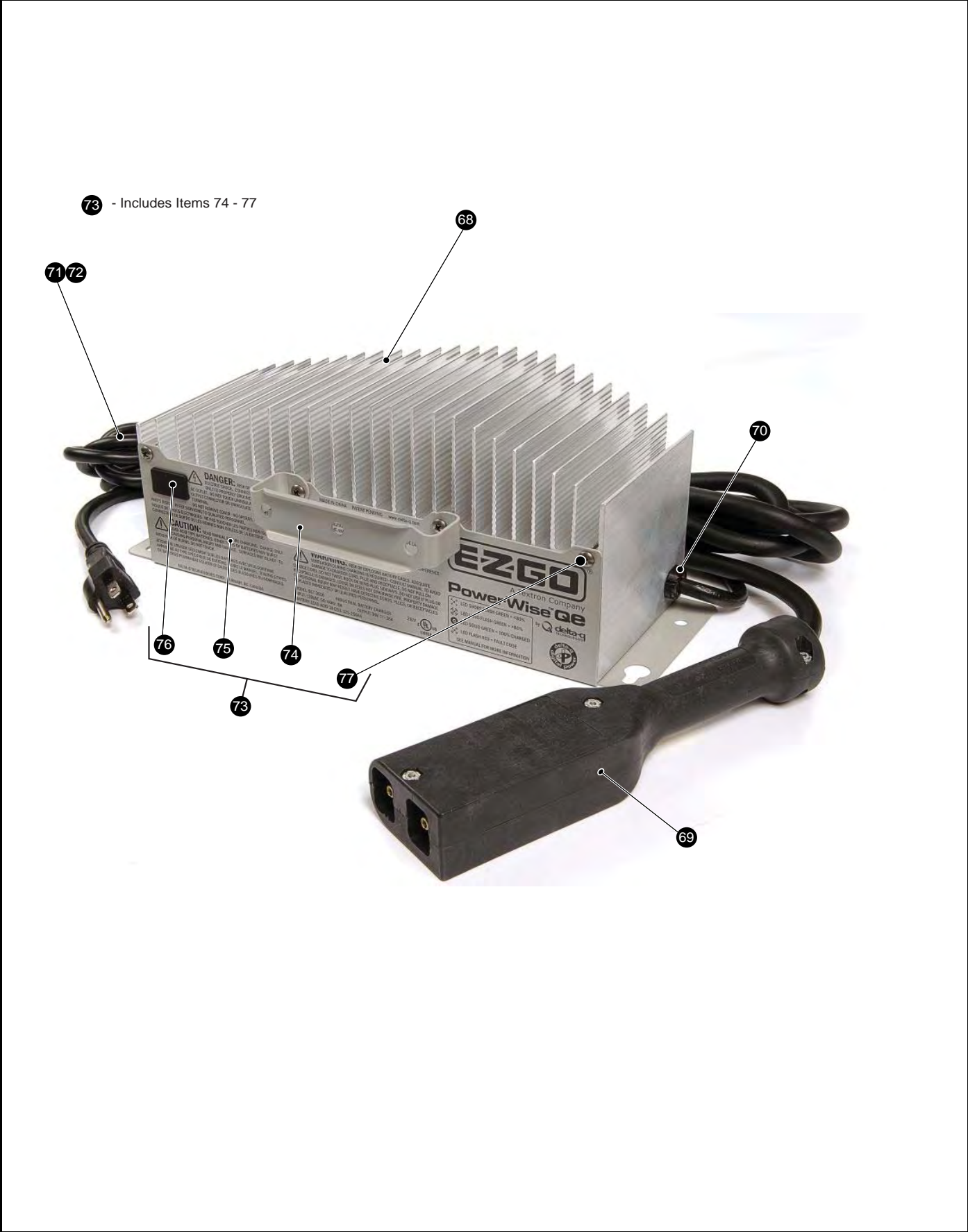




BATTERY CHARGER

POWERWISE™





BATTERY CHARGER

When ordering parts, please specify the model and serial number of the product.

* Indicates a component that is not available as an individual part.

*** Indicates consult Customer Service Department for additional information.

| ITEM | PART NO. | 1 | 2 | 3 | 4 | 5 | DESCRIPTION | QTY. |
|------|----------|---|---|---|---|---|--|------|
| 1 | | | | | | | | |
| 2 | 28115G02 | | | | | | POWERWISE™ + CHARGER (PORTABLE, 10' CORD) (INCLUDES ITEMS 3 - 13, 18 - 63) | 1 |
| 3 | * | | | | | | CHASSIS | 1 |
| 4 | 00513G6 | | | | | | SCREW, #8 - 18 X 1 3/4" LG | 2 |
| 5 | 00559G4 | | | | | | WASHER, #8 | 2 |
| 6 | 11572G3 | | | | | | EXPANSION NUT | 2 |
| 7 | 28104G01 | | | | | | HEAT SINK | 1 |
| 8 | 00372G4 | | | | | | SCREW, #8 - 32 X 1/2" LG | 4 |
| 9 | 00559G4 | | | | | | WASHER, #8 | 4 |
| 10 | 00565G4 | | | | | | LOCK WASHER, #8..... | 4 |
| 11 | 00526G1 | | | | | | NUT, #8 - 32 | 4 |
| 12 | 28548G01 | | | | | | DIODE..... | 1 |
| 13 | 28110G01 | | | | | | ELECTRICAL CLIP | 1 |
| 14 | | | | | | | | |
| 15 | * | | | | | | LABEL (POWERWISE™) | 1 |
| 16 | | | | | | | | |
| 17 | | | | | | | | |
| 18 | * | | | | | | COVER | 1 |
| 19 | 28102G01 | | | | | | HANDLE..... | 1 |
| 20 | 00614G4 | | | | | | SCREW, #8 - 18 X 1/2" LG | 6 |
| 21 | 28136G01 | | | | | | LABEL (VENTILATION) | 1 |
| 22 | 28136G02 | | | | | | LABEL (CORD CONDITION)..... | 1 |
| 23 | | | | | | | | |
| 24 | 26979G01 | | | | | | CAPACITOR BRACKET | 1 |
| 25 | 28109G01 | | | | | | CAPACITOR | 1 |
| 26 | 00969G01 | | | | | | SCREW, #8 - 32 X 3/8" LG | 3 |
| 27 | 00414G5 | | | | | | BOLT, 1/4 - 20 X 5/8" LG..... | 3 |
| 28 | 11027G2 | | | | | | LOCK NUT, 1/4 - 20 | 3 |
| 29 | 19388G4 | | | | | | AC CORD..... | 1 |
| 30 | 13557G2 | | | | | | STRAIN RELIEF (AC)..... | 1 |
| 31 | | | | | | | | |

BATTERY CHARGER

When ordering parts, please specify the model and serial number of the product.

* Indicates a component that is not available as an individual part.

*** Indicates consult Customer Service Department for additional information.

| ITEM | PART NO. | 1 2 3 4 5 | DESCRIPTION | QTY. |
|------|----------|-----------|---|------|
| 32 | | | | |
| 33 | 620146 | | DC CORD AND HANDLE ASSEMBLY (INCLUDES ITEMS 34 - 43)..... | 1 |
| 34 | 73051G11 | | PLUG (TOP HALF) | 1 |
| 35 | 73051G12 | | PLUG (BOTTOM HALF) | 1 |
| 36 | 73051G27 | | AUXILIARY CONTACT | 1 |
| 37 | 73051G14 | | MALE PIN | 2 |
| 38 | 73051G08 | | SCREW, #10 - 32 X 1/2" LG (BRASS)..... | 2 |
| 39 | 73051G15 | | MAGNET..... | 1 |
| 40 | 73051G16 | | SCREW, #6 - 32 X 1/2" LG (STAINLESS STEEL)..... | 2 |
| 41 | 73051G10 | | LOCK NUT, #6 - 32 | 4 |
| 42 | 73051G17 | | SCREW, #6 - 32 X 1" LG (STAINLESS STEEL)..... | 2 |
| 43 | 620137 | | DC CORD, 10' LG..... | 1 |
| 44 | | | | |
| 45 | 28105G01 | | AMMETER..... | 1 |
| 46 | 01051G01 | | SCREW, #8 - 16 X 1/2" LG..... | 2 |
| 47 | 00559G4 | | WASHER, #8..... | 2 |
| 48 | 01003G01 | | WASHER, #10 (BRASS) | 4 |
| 49 | 22589G2 | | SHOULDER WASHER, #10 | 1 |
| 50 | 00771G6 | | NYLON WASHER, 3/8" | 1 |
| 51 | 00528G4 | | NUT, #10 - 32 (BRASS)..... | 3 |
| 52 | 28106G01 | | 50 AMP FUSE | 1 |
| 53 | 00565G5 | | LOCK WASHER, #10 | 4 |
| 54 | 00378G4 | | SCREW, #10 - 24 X 1/2" LG..... | 2 |
| 55 | 00526G3 | | NUT, #10 - 24 | 2 |
| 56 | 28103G01 | | TRANSFORMER..... | 1 |
| 57 | 27877G01 | | SPACER SUPPORT..... | 4 |
| 58 | 17618G1 | | WIRE TIE..... | 2 |
| 59 | | | | |
| 60 | 00372G3 | | SCREW, #8 - 32 X 3/8" LG..... | 1 |
| 61 | 25977G32 | | 16 GA WIRE (GREEN 4")..... | 1 |
| 62 | 00565G4 | | LOCK WASHER, #8 | 1 |

BATTERY CHARGER

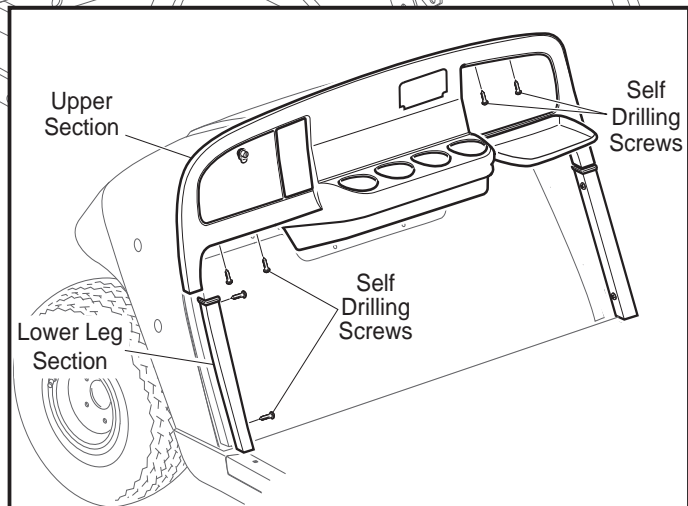
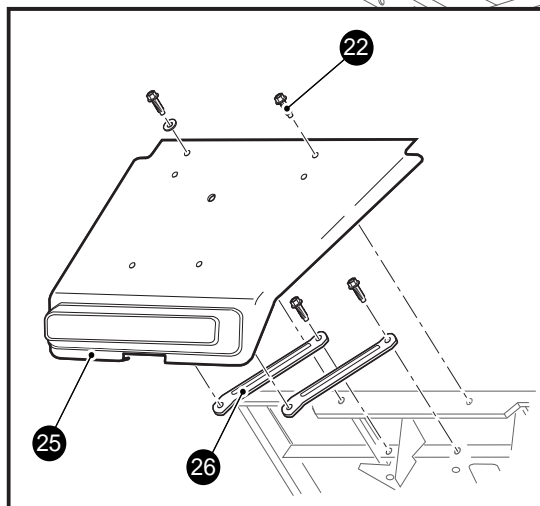
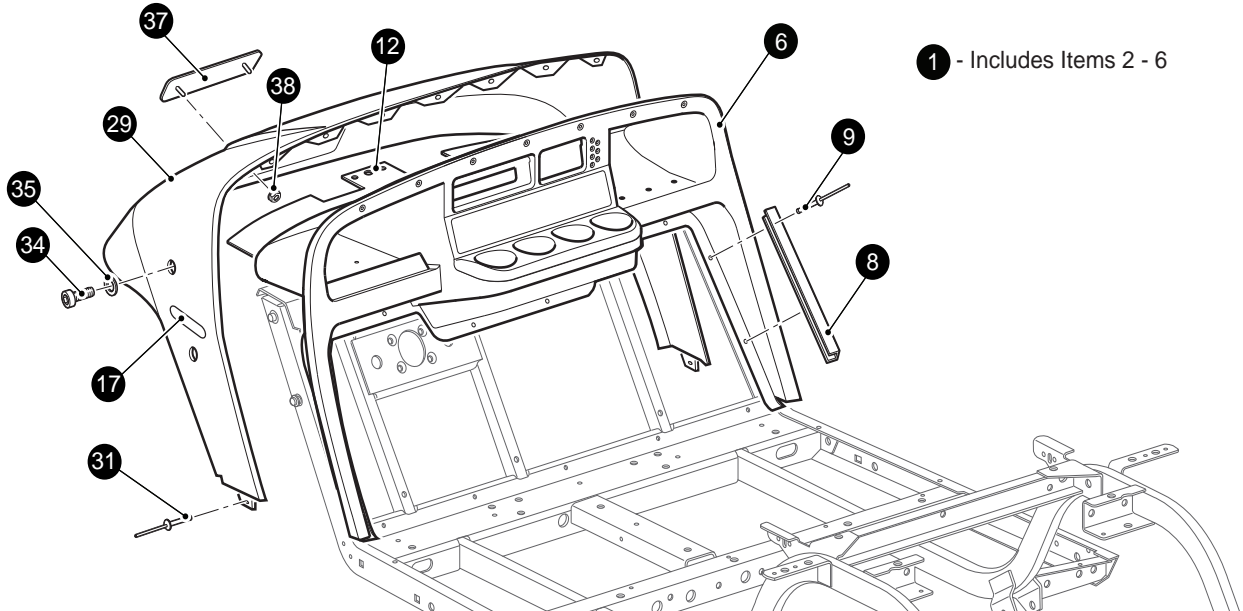
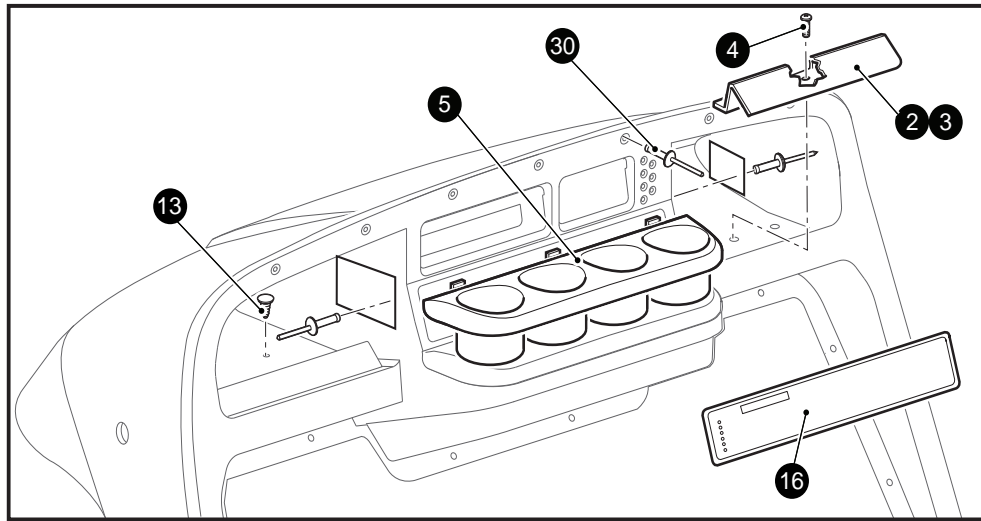
When ordering parts, please specify the model and serial number of the product.

* Indicates a component that is not available as an individual part.

*** Indicates consult Customer Service Department for additional information.

| ITEM | PART NO. | 1 | 2 | 3 | 4 | 5 | DESCRIPTION | QTY. |
|------|----------|---|---|---|---|---|---|------|
| 63 | 00526G1 | | | | | | NUT, #8 - 32 | 1 |
| 64 | | | | | | | | |
| 65 | 28667G02 | | | | | | CONTROL / POWER INPUT BOARD | 1 |
| 66 | 28667G03 | | | | | | POWER INPUT BOARD | 1 |
| 67 | | | | | | | | |
| 68 | 611119 | | | | | | POWERWISE QE BATTERY CHARGER, 36 VOLT, W/3 METER CORD | 1 |
| 69 | 611213 | | | | | | 3 METER CORD, 36 VOLT (INCLUDES STRAIN RELIEF) | 1 |
| 70 | 611937 | | | | | | DC STRAIN RELIEF SERVICE KIT (INCLUDES 5 STRAIN RELIEFS)..... | 1 |
| 71 | 611212 | | | | | | AC CORD (INCLUDES STRAIN RELIEF)..... | 1 |
| 72 | 611936 | | | | | | AC STRAIN RELIEF SERVICE KIT (INCLUDES 5 STRAIN RELIEFS)..... | 1 |
| 73 | 611215 | | | | | | HANDLE AND COVER SERVICE KIT (INCLUDES ITEMS 74 - 77)..... | 1 |
| 74 | 611216 | | | | | | HANDLE..... | 1 |
| 75 | * | | | | | | COVER | 1 |
| 76 | * | | | | | | RUBBER PLUG | 1 |
| 77 | * | | | | | | SCREWS | 1 |

BODY



When ordering parts, please specify the model and serial number of the product.

* Indicates a component that is not available as an individual part.

*** Indicates consult Customer Service Department for additional information.

| ITEM | PART NO. | 1 2 3 4 5 | DESCRIPTION | QTY. |
|------|----------|-----------|--|------|
| 1 | 71151G01 | | INSTRUMENT PANEL ASSEMBLY (INCLUDES ITEMS 2 - 6) | 1 |
| 2 | 71153G01 | | DEFLECTOR (PASSENGER SIDE) | 1 |
| 3 | 71154G01 | | DEFLECTOR (DRIVER SIDE)..... | 1 |
| 4 | 00614G5 | | SCREW, #8 - 18 X 5/8" LG..... | 4 |
| 5 | 71158G01 | | INSTRUMENT PANEL INSERT (4 CUP HOLDER) | 1 |
| 6 | 71152G01 | | INSTRUMENT PANEL..... | 1 |
| 7 | | | | |
| 8 | 71115G01 | | VINYL TRIM | 2 |
| 9 | 71055G01 | | RIVET, 3/16" X 1" LG (ALUMINUM)..... | 10 |
| 10 | | | | |
| 11 | | | | |
| 12 | 71413G01 | | SPLASH PANEL | 1 |
| 13 | 16816G2 | | RATCHET FASTENER, 1/4" X 3/4" LG..... | 5 |
| 14 | | | | |
| 15 | | | | |
| 16 | 608465 | | LABEL (SAFETY)..... | 1 |
| 17 | 607545 | | FRONT AMBER REFLECTOR | 2 |
| 18 | | | | |
| 19 | | | | |
| 20 | | | | |
| 21 | | | | |
| 22 | 01038G01 | | BOLT, 1/4 - 20 X 11/16" LG | 4 |
| 23 | | | | |
| 24 | | | | |
| 25 | 27166G04 | | FRONT SHIELD..... | 1 |
| 26 | 70725G01 | | FRONT SHIELD BRACE | 2 |
| 27 | | | | |
| 28 | | | | |
| 29 | 71051G** | | COWL | 1 |
| 30 | 71055G01 | | RIVET, 3/16" X 1" LG (ALUMINUM)..... | 9 |
| 31 | 10570G11 | | RIVET, 3/16" X 3/4" LG (STAINLESS STEEL)..... | 2 |

BODY

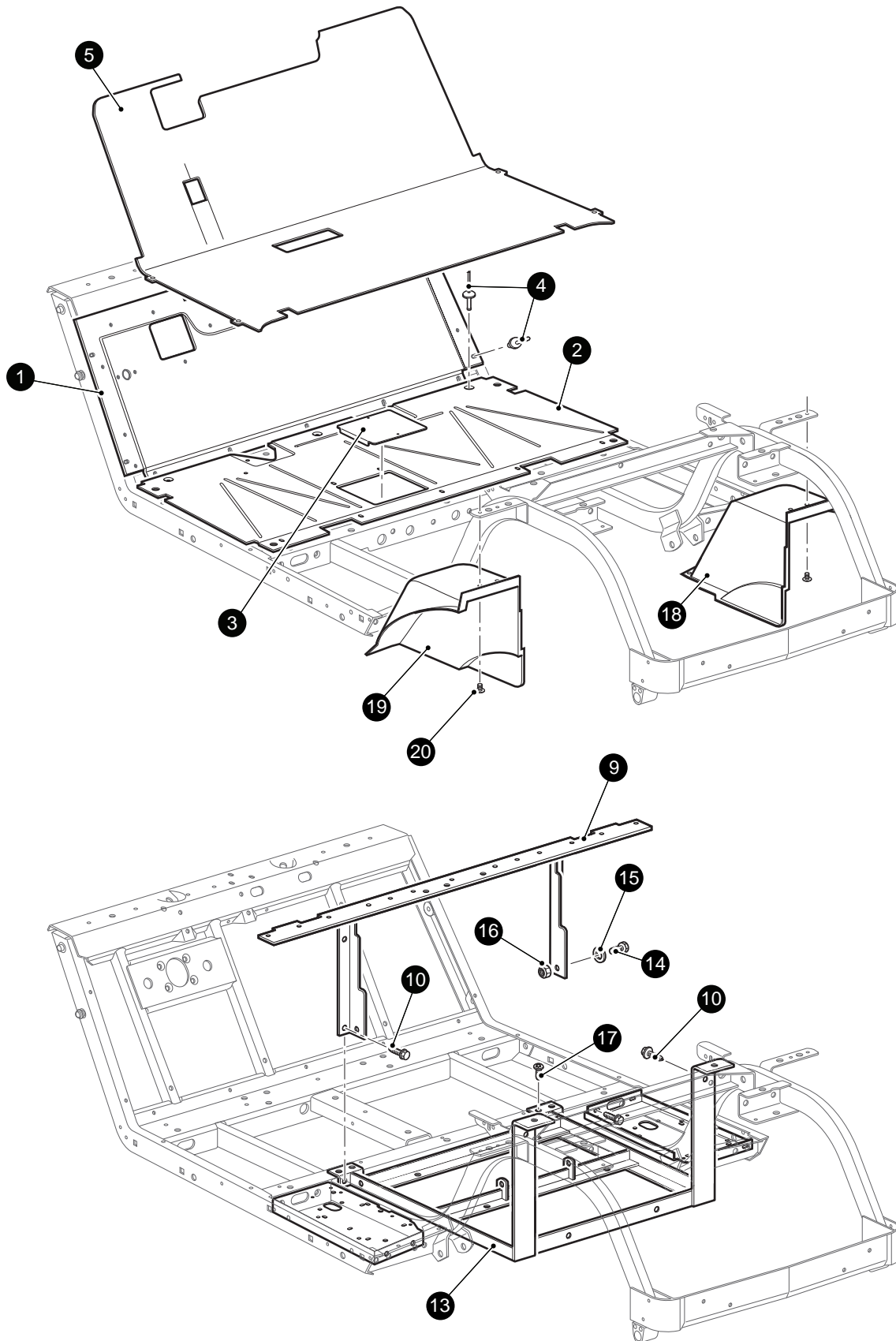
When ordering parts, please specify the model and serial number of the product.

* Indicates a component that is not available as an individual part.

*** Indicates consult Customer Service Department for additional information.

| ITEM | PART NO. | 1 | 2 | 3 | 4 | 5 | DESCRIPTION | QTY. |
|------|----------|---|---|---|---|---|---|------|
| 32 | | | | | | | | |
| 33 | | | | | | | | |
| 34 | 00438G6 | | | | | | BOLT, 5/16 - 18 X 3/4" LG (WITH TOP) | 2 |
| 35 | 00571G2 | | | | | | WASHER, 5/16"..... | 2 |
| 36 | | | | | | | | |
| 37 | 71037G03 | | | | | | E-Z-GO NAMEPLATE (GOLD)..... | 1 |
| 38 | 71597G01 | | | | | | NUT, SELF-THREADING, 5MM STUD x 10MM HEX..... | 2 |
| 39 | | | | | | | | |

BODY



When ordering parts, please specify the model and serial number of the product.

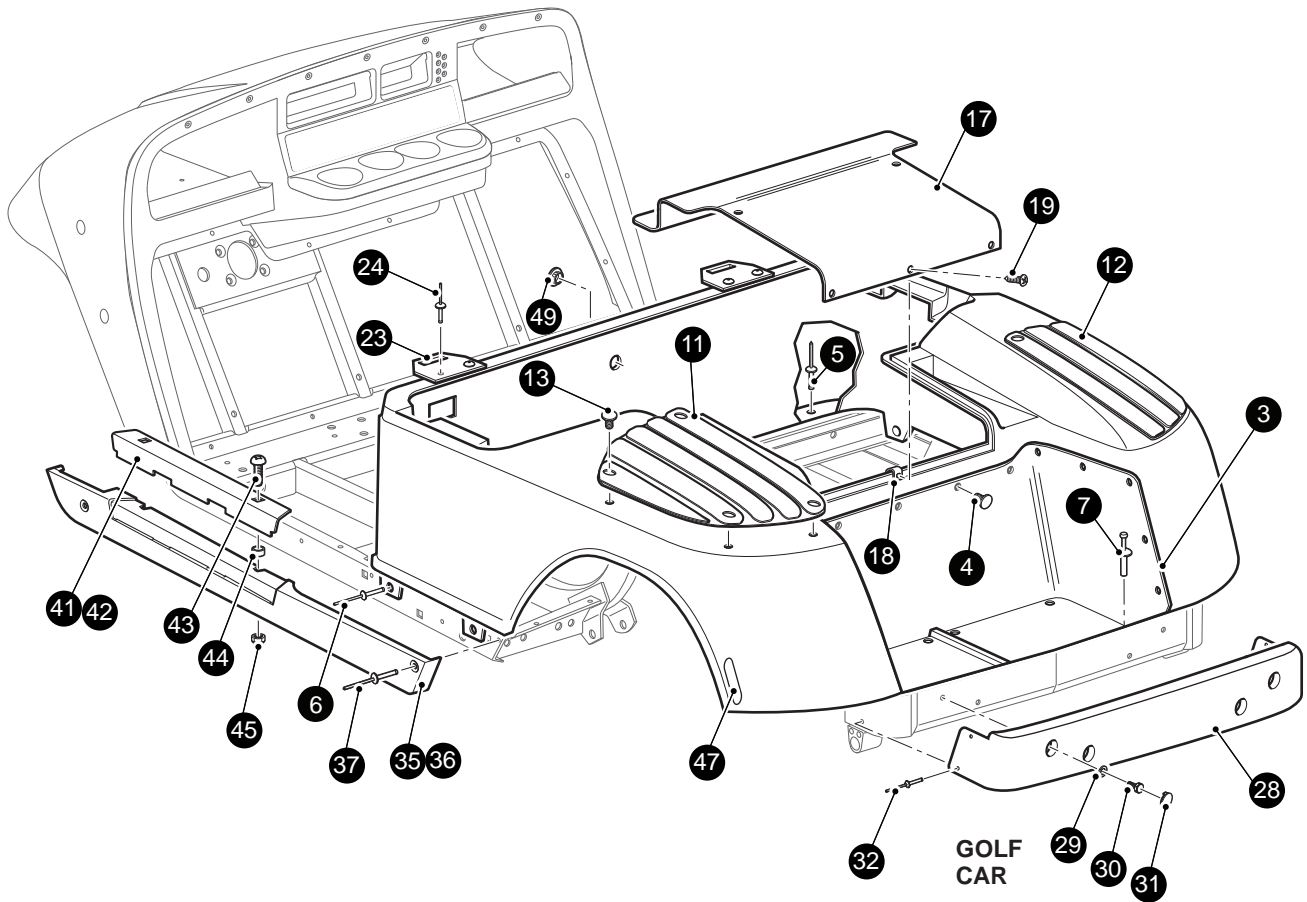
* Indicates a component that is not available as an individual part.

*** Indicates consult Customer Service Department for additional information.

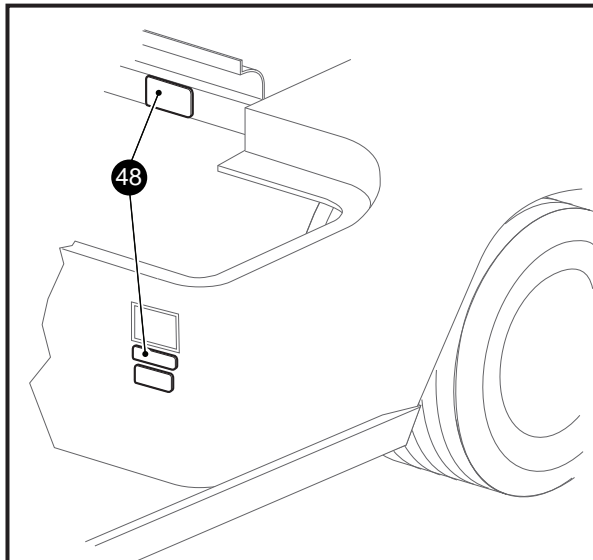
| ITEM | PART NO. | 1 2 3 4 5 | DESCRIPTION | QTY. |
|------|----------|-----------|---|------|
| 1 | 70662G01 | | UPPER FLOORPAN | 1 |
| 2 | 70451G01 | | LOWER FLOORPAN | 1 |
| 3 | 70452G01 | | ACCESS COVER..... | 1 |
| 4 | 14601G11 | | RIVET, 3/16" X 9/16" LG (ALUMINUM)..... | 16 |
| 5 | 70995G02 | | FLOORMAT WITH HORN HOLES | 1 |
| 6 | | | | |
| 7 | | | | |
| 8 | | | | |
| 9 | 70441G01 | | SEAT FRAME | 1 |
| 10 | 00715G2 | | BOLT, 5/16 - 18 X 4/5" LG..... | 4 |
| 11 | | | | |
| 12 | | | | |
| 13 | 70046G02 | | BATTERY RACK..... | 1 |
| 14 | 00438G6 | | HEX SCREW 5/16 - 18 X 3/4..... | 2 |
| 15 | 00559G8 | | FLAT WASHER..... | 2 |
| 16 | 11098G6 | | PLASTIC NUT..... | 2 |
| 17 | 70200G01 | | HEX SCREW 3/8 - 16..... | 2 |
| 18 | 71812G01 | | FENDER LINER (PASSENGER SIDE)..... | 1 |
| 19 | 71812G02 | | FENDER LINER (DRIVER SIDE) | 1 |
| 20 | 16816G2 | | RATCHET FASTENER, 1/4" X 3/4" LG..... | 8 |

BODY

2 - Includes Items 3, 4



LABELS



When ordering parts, please specify the model and serial number of the product.

* Indicates a component that is not available as an individual part.

*** Indicates consult Customer Service Department for additional information.

| ITEM | PART NO. | 1 2 3 4 5 | DESCRIPTION | QTY. |
|------|-----------|-----------|---|------|
| 1 | | | | |
| 2 | 71331G0** | | REAR BODY (WITH TAILLIGHTS) (INCLUDES ITEMS 3, 4) | 1 |
| 3 | 71318G01 | | BAGWELL LINER..... | 1 |
| 4 | 16816G1 | | RATCHET FASTENER, 1/4" X 9/16" LG | 26 |
| 5 | 10570G10 | | RIVET, 5/32" X 9/16" LG (STAINLESS STEEL)..... | 6 |
| 6 | 10570G12 | | RIVET, 1/4" X 9/16" LG (ALUMINUM)..... | 4 |
| 7 | 18436G1 | | RIVET, 1/4" X 3/4" LG | 2 |
| 8 | | | | |
| 9 | | | | |
| 10 | | | | |
| 11 | 75126G01 | | FENDER SCUFFGUARD (DRIVER SIDE)..... | 1 |
| 12 | 75126G02 | | FENDER SCUFFGUARD (PASSENGER SIDE) | 1 |
| 13 | 16816G2 | | RATCHET FASTENER, 1/4" X 3/4" LG..... | 8 |
| 14 | | | | |
| 15 | | | | |
| 16 | | | | |
| 17 | 71320G01 | | ACCESS PANEL..... | 1 |
| 18 | 71364G02 | | 'J' CLIP | 1 |
| 19 | 01107G01 | | SCREW, #8 X 5/8" LG (STAINLESS STEEL) | 5 |
| 20 | | | | |
| 21 | | | | |
| 22 | | | | |
| 23 | 71609G01 | | SEAT HINGE PLATE | 2 |
| 24 | 10570G11 | | RIVET, 3/16" X 3/4" LG (STAINLESS STEEL)..... | 4 |
| 25 | | | | |
| 26 | | | | |
| 27 | | | | |
| 28 | 71578G01 | | REAR BUMPER..... | 1 |
| 29 | 00571G2 | | WASHER, 5/16" | 4 |
| 30 | 71102G03 | | BOLT, 1/4 - 20 X 3/4" LG..... | 4 |
| 31 | 71514G01 | | BUMPER PLUG..... | 4 |

BODY

When ordering parts, please specify the model and serial number of the product.

* Indicates a component that is not available as an individual part.

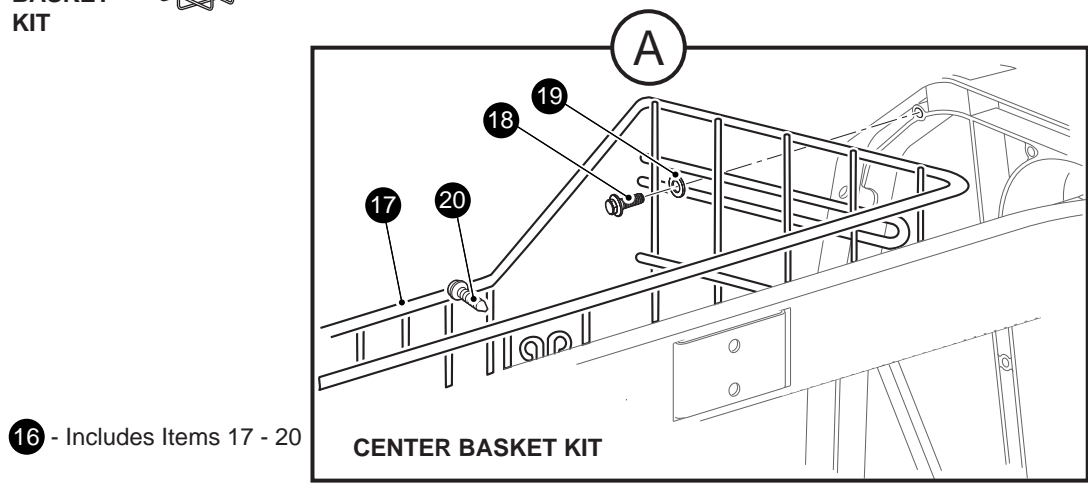
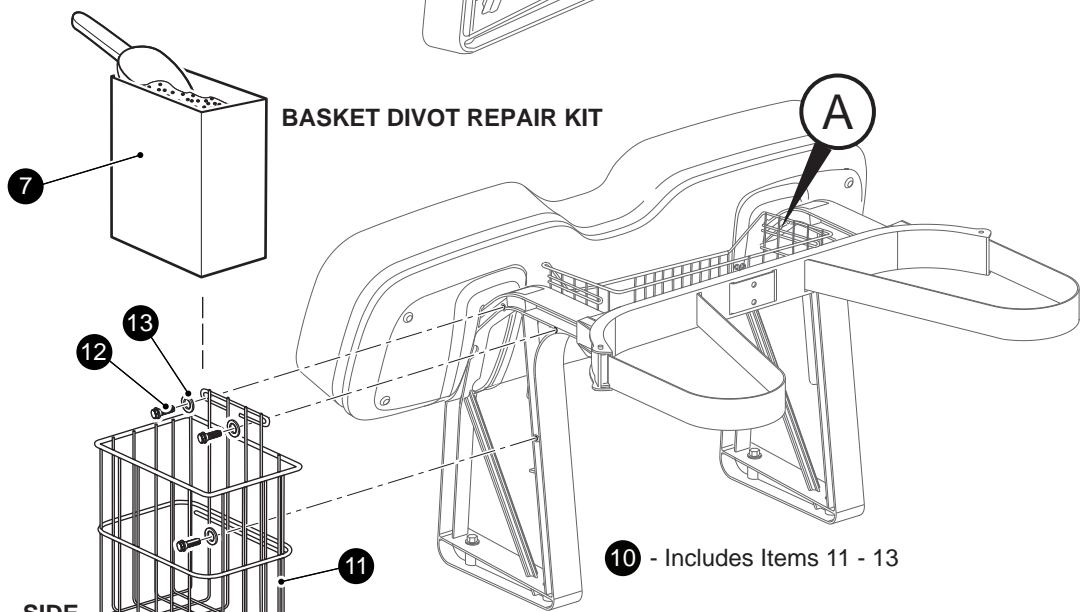
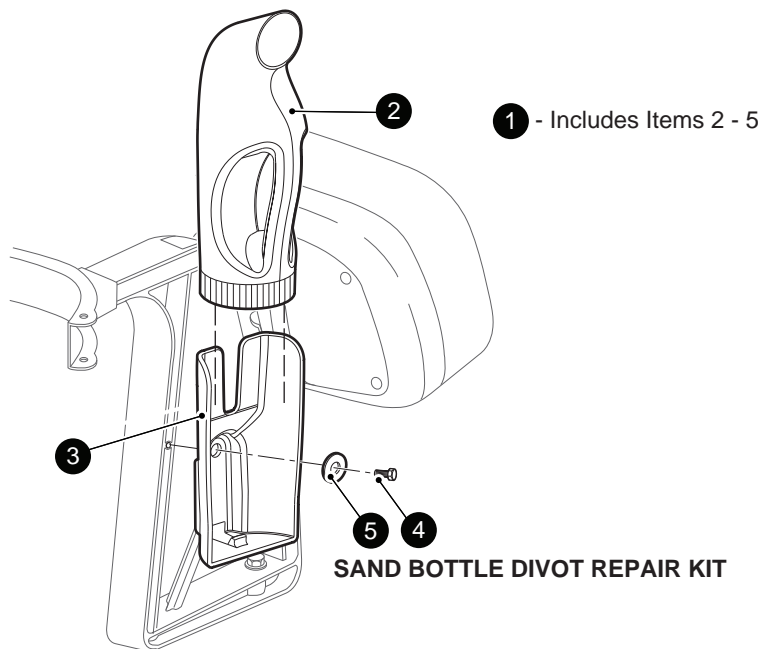
*** Indicates consult Customer Service Department for additional information.

| ITEM | PART NO. | 1 | 2 | 3 | 4 | 5 | DESCRIPTION | QTY. |
|------|----------|---|---|---|---|---|---|------|
| 32 | 14601G17 | | | | | | RIVET, 3/16" X 9/16" LG (ALUMINUM) | 4 |
| 33 | | | | | | | | |
| 34 | | | | | | | | |
| 35 | 71501G01 | | | | | | ROCKER PANEL (PASSENGER SIDE) | 1 |
| 36 | 71502G01 | | | | | | ROCKER PANEL (DRIVER SIDE) | 1 |
| 37 | 15058G6 | | | | | | RIVET, 3/16" X 15/16" LG (ALUMINUM) | 4 |
| 38 | | | | | | | | |
| 39 | | | | | | | | |
| 40 | | | | | | | | |
| 41 | 71507G01 | | | | | | SILL PLATE (PASSENGER SIDE) | 1 |
| 42 | 71507G02 | | | | | | SILL PLATE (DRIVER SIDE) | 1 |
| 43 | 16705G1 | | | | | | SCREW, 1/4 - 20 X 1" LG (STAINLESS STEEL) | 4 |
| 44 | 23726G4 | | | | | | SPACER, 5/16" | 4 |
| 45 | 14390G4 | | | | | | LOCK NUT, 1/4 - 20 | 4 |
| 46 | | | | | | | | |
| 47 | 607547 | | | | | | REAR RED REFLECTOR | 2 |
| 48 | * | | | | | | LABEL (SERIAL NUMBER) | 1 |
| 49 | 74024G01 | | | | | | SEAT WRAP MOUNTED NOISE SUPPRESSOR | 1 |

Notes:

A large grid of graph paper consisting of 30 columns and 35 rows of small squares, intended for handwritten notes.

BODY



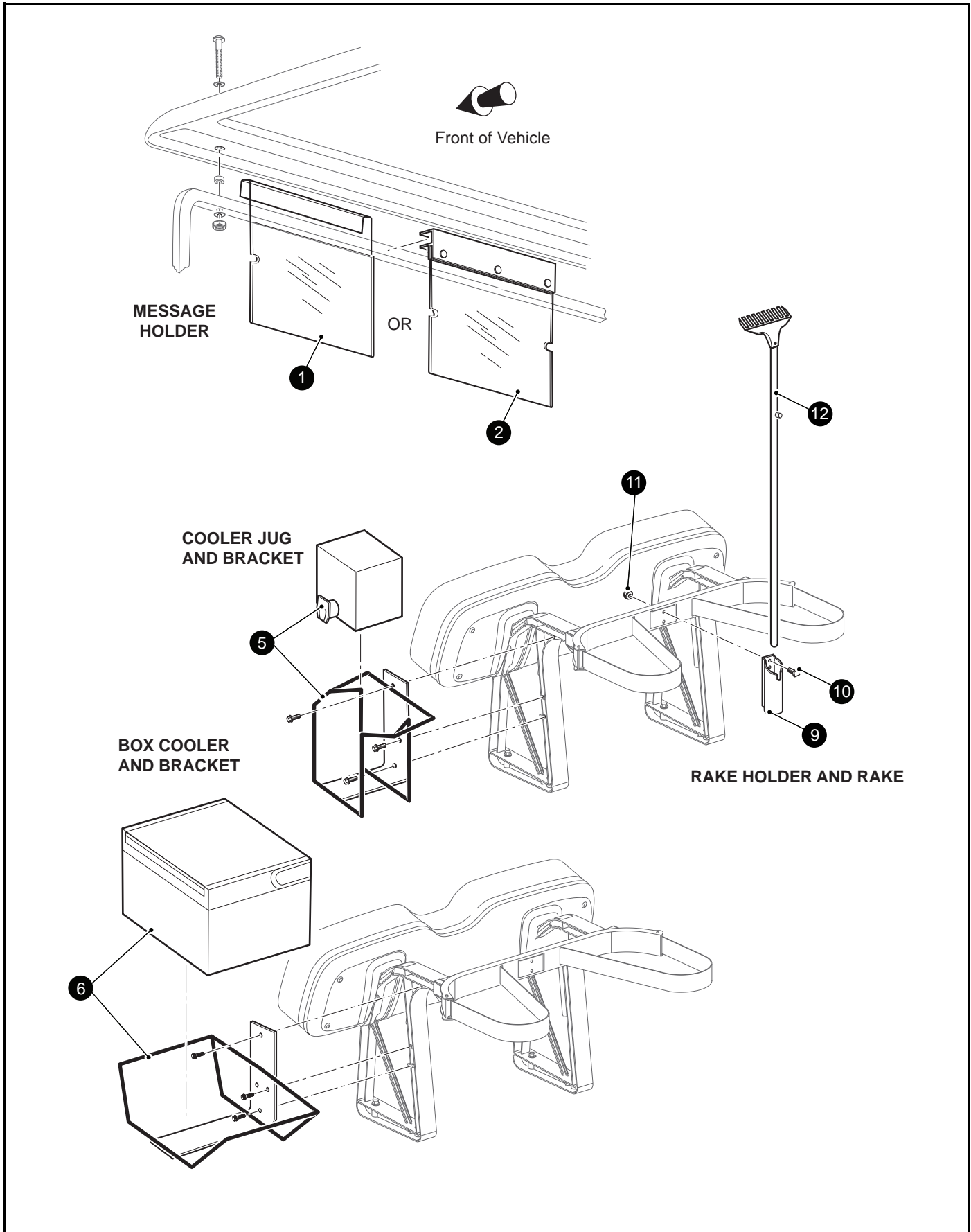
When ordering parts, please specify the model and serial number of the product.

* Indicates a component that is not available as an individual part.

*** Indicates consult Customer Service Department for additional information.

| ITEM | PART NO. | 1 2 3 4 5 | DESCRIPTION | QTY. |
|------|----------|-----------|---|------|
| 1 | 607104 | | SAND BOTTLE KIT (INCLUDES ITEMS 2 - 5)..... | 1 |
| 2 | 607102 | | SAND BOTTLE..... | 1 |
| 3 | 606085 | | BRACKET, SAND BOTTLE | 1 |
| 4 | 71102G01 | | CAPSCREW, HEX HEAD 1/4 - 20 | 1 |
| 5 | 00571G2 | | FLAT WASHER | 1 |
| 6 | | | | |
| 7 | 23300G01 | | BASKET DIVOT REPAIR KIT (INCLUDES SCOOP)..... | 1 |
| 8 | | | | |
| 9 | | | | |
| 10 | 75007G02 | | SIDE BASKET KIT (INCLUDES ITEMS 11 - 13) | 1 |
| 11 | 75460G01 | | SIDE BASKET | 1 |
| 12 | 71102G01 | | BOLT, 1/4 - 20 X 3/4" LG | 3 |
| 13 | 00793G2 | | FLAT WASHER, 1/4" (STAINLESS STEEL)..... | 3 |
| 14 | | | | |
| 15 | | | | |
| 16 | 75003G02 | | CENTER BASKET KIT (INCLUDES ITEMS 17 - 20)..... | 1 |
| 17 | 75461G01 | | CENTER BASKET..... | 1 |
| 18 | 71102G01 | | BOLT, 1/4 - 20 X 3/4" LG | 2 |
| 19 | 00793G2 | | FLAT WASHER, 1/4" (STAINLESS STEEL)..... | 2 |
| 20 | 01105G01 | | SCREW, #10 X 5/8" LG (STAINLESS STEEL)..... | 2 |

BODY



When ordering parts, please specify the model and serial number of the product.

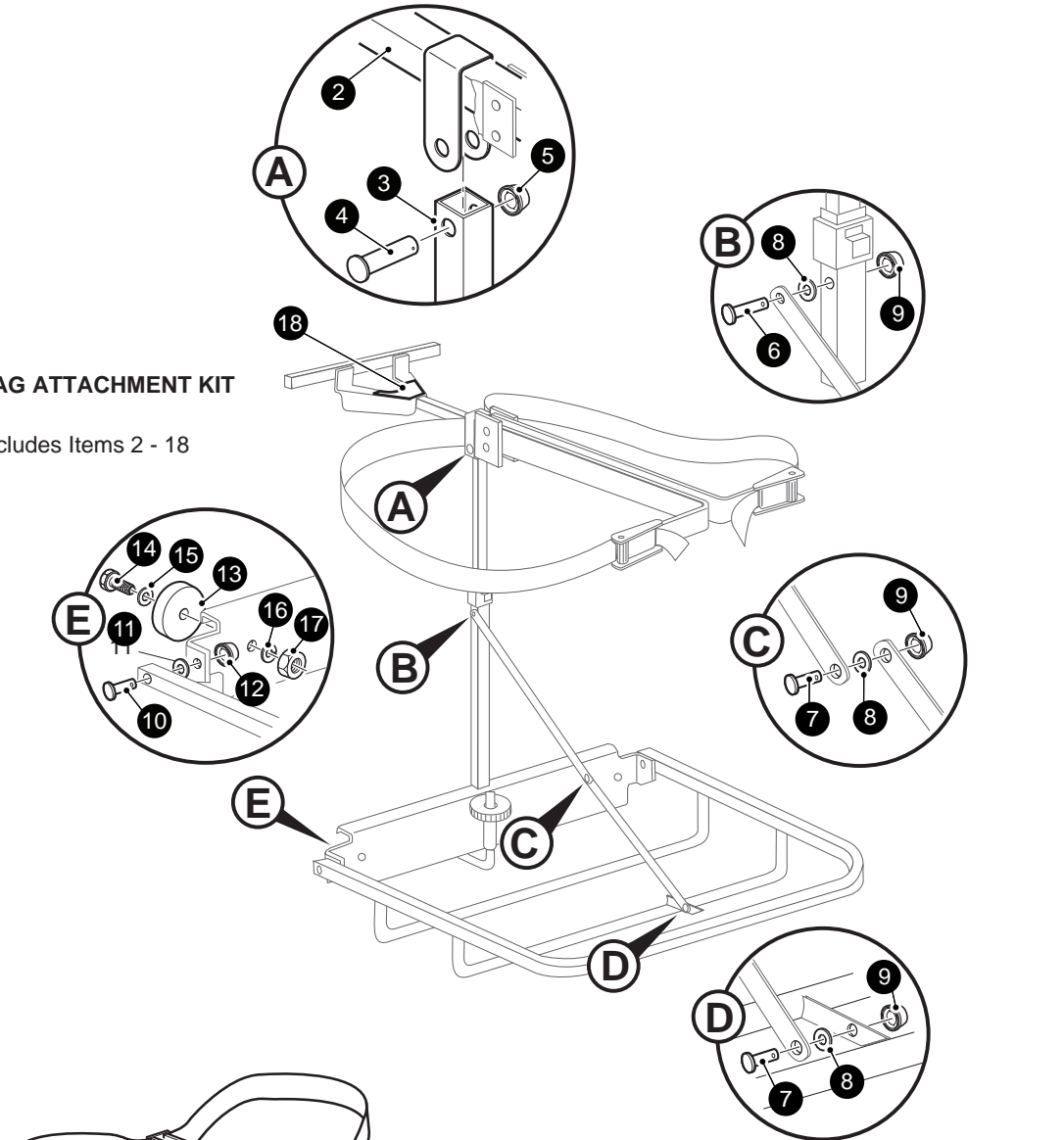
* Indicates a component that is not available as an individual part.

*** Indicates consult Customer Service Department for additional information.

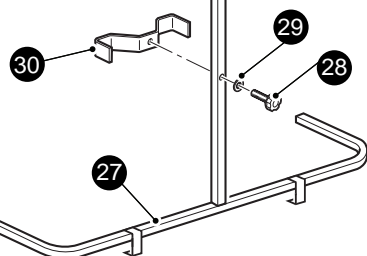
| ITEM | PART NO. | 1 2 3 4 5 | DESCRIPTION | QTY. |
|------|----------|-----------|---|------|
| 1 | 75509G01 | | MESSAGE HOLDER (ONE PIECE) | 1 |
| 2 | 75496G01 | | MESSAGE HOLDER | 1 |
| 3 | | | | |
| 4 | | | | |
| 5 | 75495G01 | | COOLER JUG AND BRACKET KIT..... | 1 |
| 6 | 75344G01 | | BOX COOLER AND BRACKET KIT | 1 |
| 7 | | | | |
| 8 | | | | |
| 9 | 25885G01 | | RAKE HOLDER | 1 |
| 10 | 00989G06 | | SQUARE HEAD BOLT, 1/4 - 20 X 3/4" LG..... | 2 |
| 11 | 11027G2 | | LOCK NUT, 1/4 - 20 | 2 |
| 12 | 14735G1 | | RAKE | 1 |

FOUR BAG ATTACHMENT KIT

1 - Includes Items 2 - 18

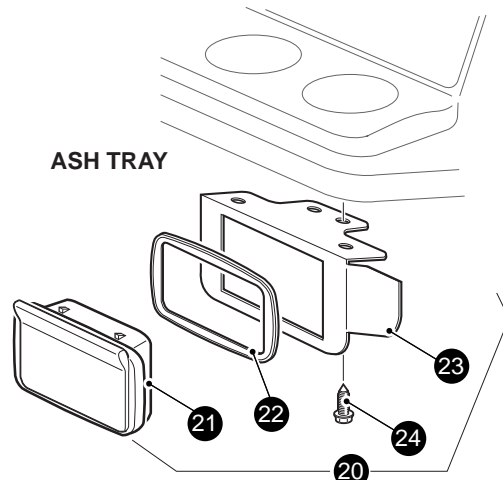


TWO BAG ATTACHMENT



26 - Includes Items 27 - 30

ASH TRAY



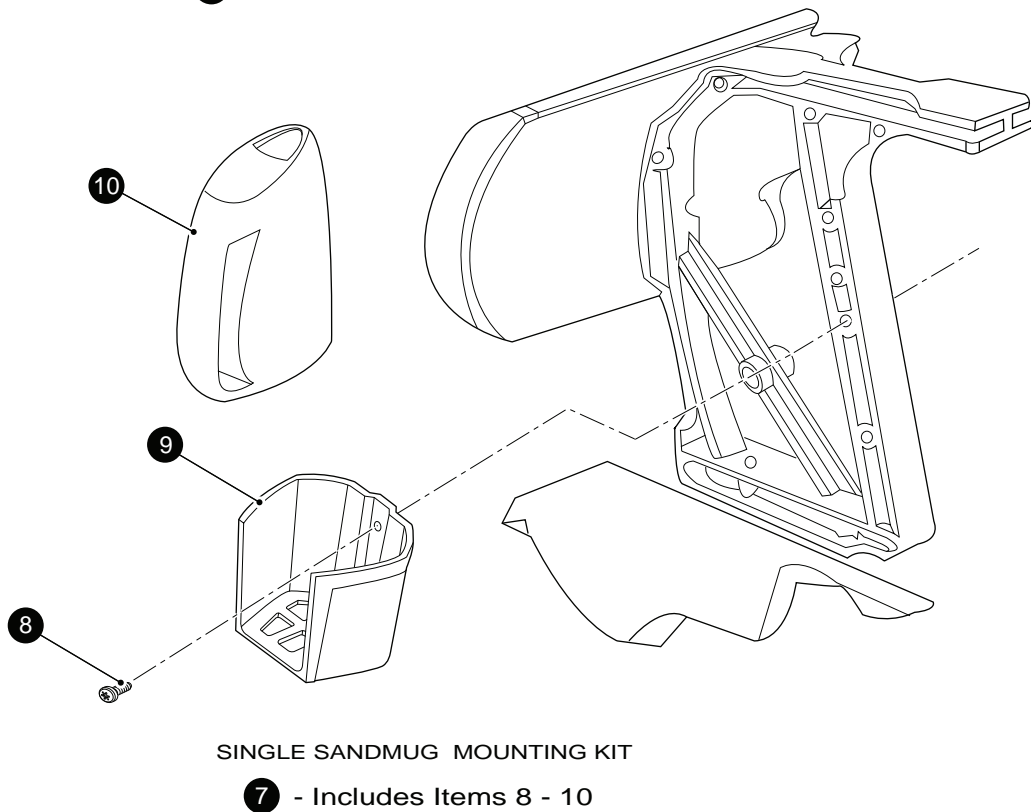
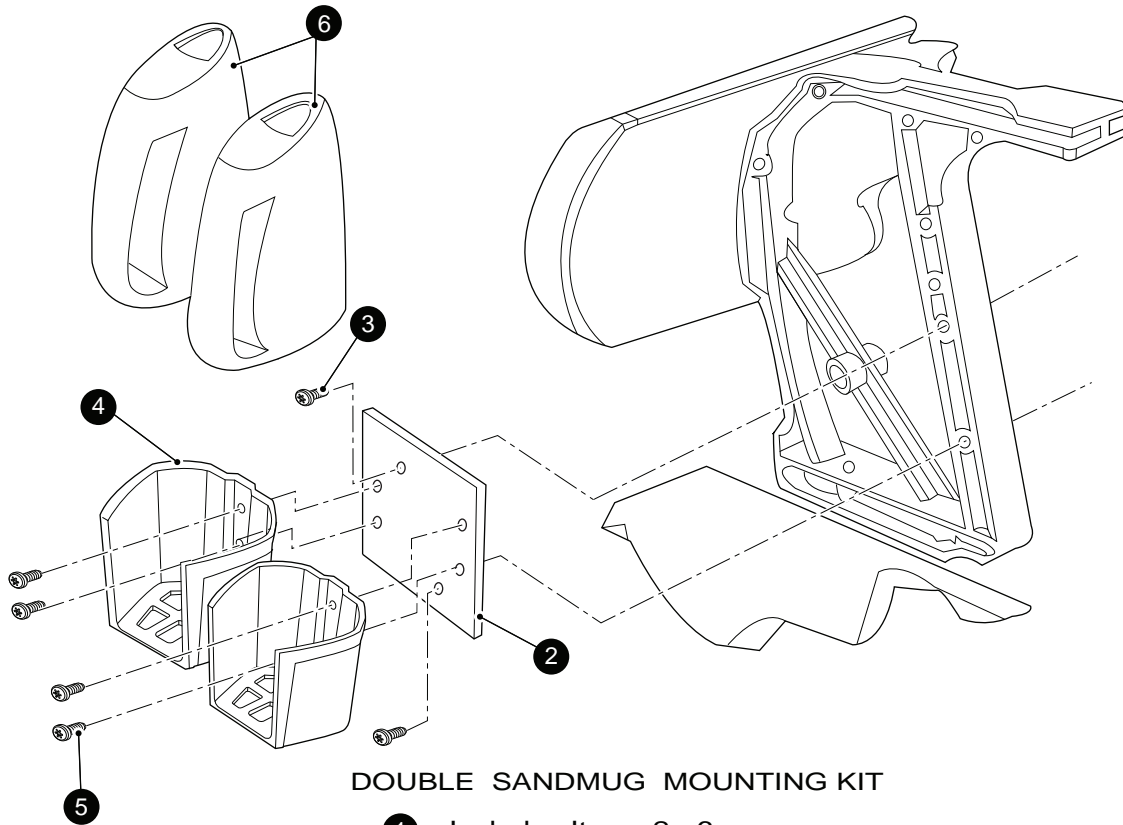
20 - Includes Items 21 - 24

When ordering parts, please specify the model and serial number of the product.

* Indicates a component that is not available as an individual part.

*** Indicates consult Customer Service Department for additional information.

| ITEM | PART NO. | 1 2 3 4 5 | DESCRIPTION | QTY. |
|------|----------|-----------|---|------|
| 1 | 75335G01 | | FOUR BAG ATTACHMENT KIT (INCLUDES ITEMS 2 - 18) | 1 |
| 2 | * | | TOP ASSEMBLY | 1 |
| 3 | * | | BOTTOM ASSEMBLY | 1 |
| 4 | 17651G2 | | CLEVIS PIN, 5/16 X 1 1/8" LG | 1 |
| 5 | 28129G01 | | PUSH NUT, 5/16" | 1 |
| 6 | 17651G2 | | CLEVIS PIN, 5/16 X 1 1/8" LG | 1 |
| 7 | 17651G3 | | CLEVIS PIN, 5/16 X 1/2" LG | 2 |
| 8 | 00559G8 | | WASHER, 5/16" | 3 |
| 9 | 28129G01 | | PUSH NUT, 5/16" | 3 |
| 10 | * | | CLEVIS PIN 3/8 X 1 1/4" LG | 2 |
| 11 | 00560G1 | | WASHER, 3/8" | 2 |
| 12 | * | | PUSH NUT, 3/8" | 2 |
| 13 | 13728G1 | | RUBBER BUMPER | 2 |
| 14 | 00150G6 | | SCREW, #10 - 24 X 3/4" LG | 2 |
| 15 | 00559G5 | | WASHER, #10 | 2 |
| 16 | 00565G5 | | LOCK WASHER, #10 | 2 |
| 17 | 00526G3 | | NUT, #10 - 24 | 2 |
| 18 | * | | LABEL (WARNING)..... | 1 |
| 19 | | | | |
| 20 | 75109G02 | | ASH TRAY KIT (INCLUDES ITEMS 24 - 27) | 1 |
| 21 | 27731G01 | | ASH TRAY | 1 |
| 22 | 27736G01 | | GASKET | 1 |
| 23 | 75108G02 | | BRACKET | 1 |
| 24 | 00100G4 | | SCREW, #10 - 16 X 1/2" LG | 4 |
| 25 | | | | |
| 26 | 75183G01 | | TWO BAG ATTACHMENT KIT (INCLUDES ITEMS 27 - 30)..... | 1 |
| 27 | 75188G01 | | TWO BAG ATTACHMENT..... | 1 |
| 28 | 22238G2 | | KNOB, 3/8 - 16 X 1 1/2" LG | 1 |
| 29 | 17255G1 | | TEFLON WASHER, 5/16" | 1 |
| 30 | 75187G01 | | SUPPORT BRACKET | 1 |



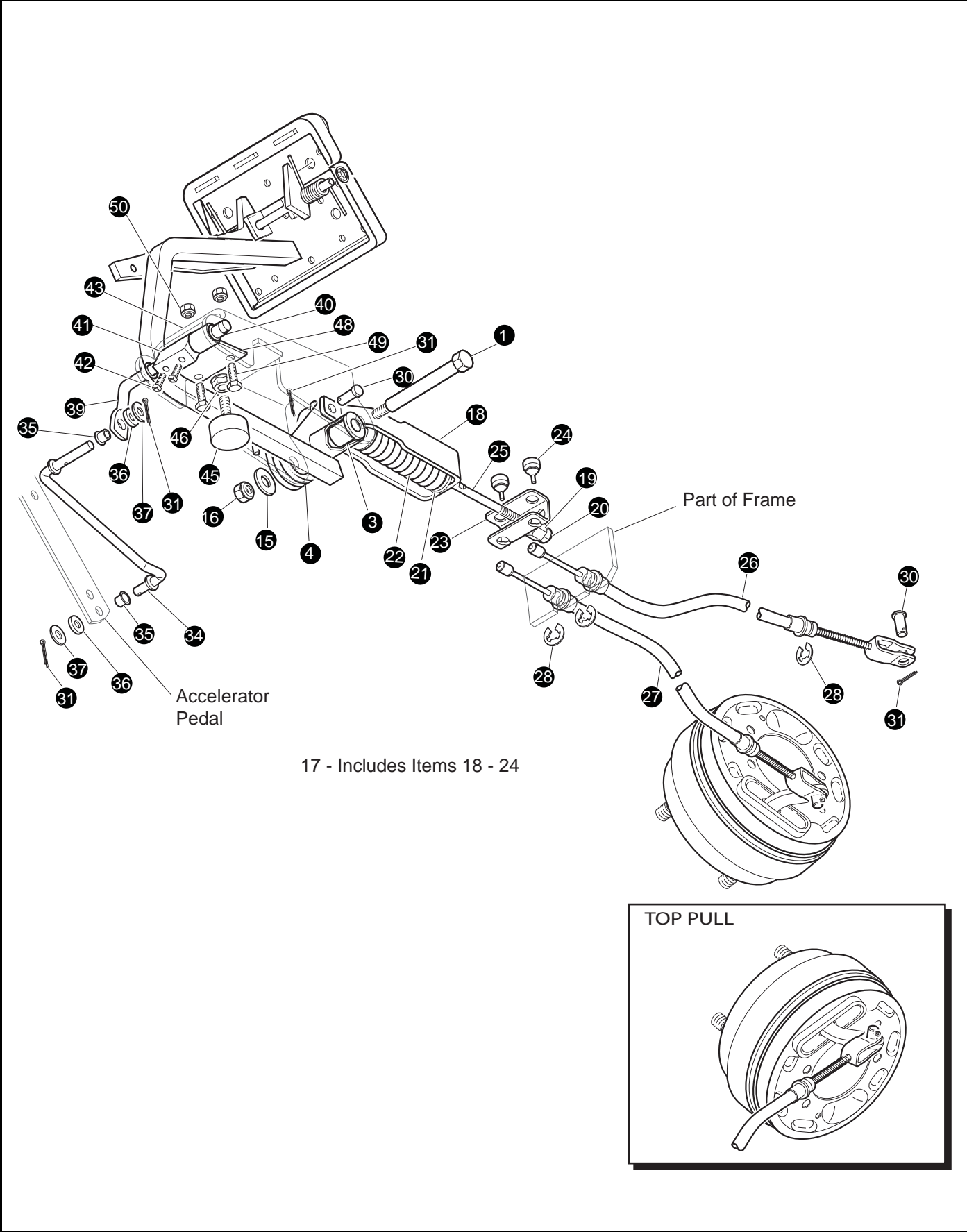
When ordering parts, please specify the model and serial number of the product.

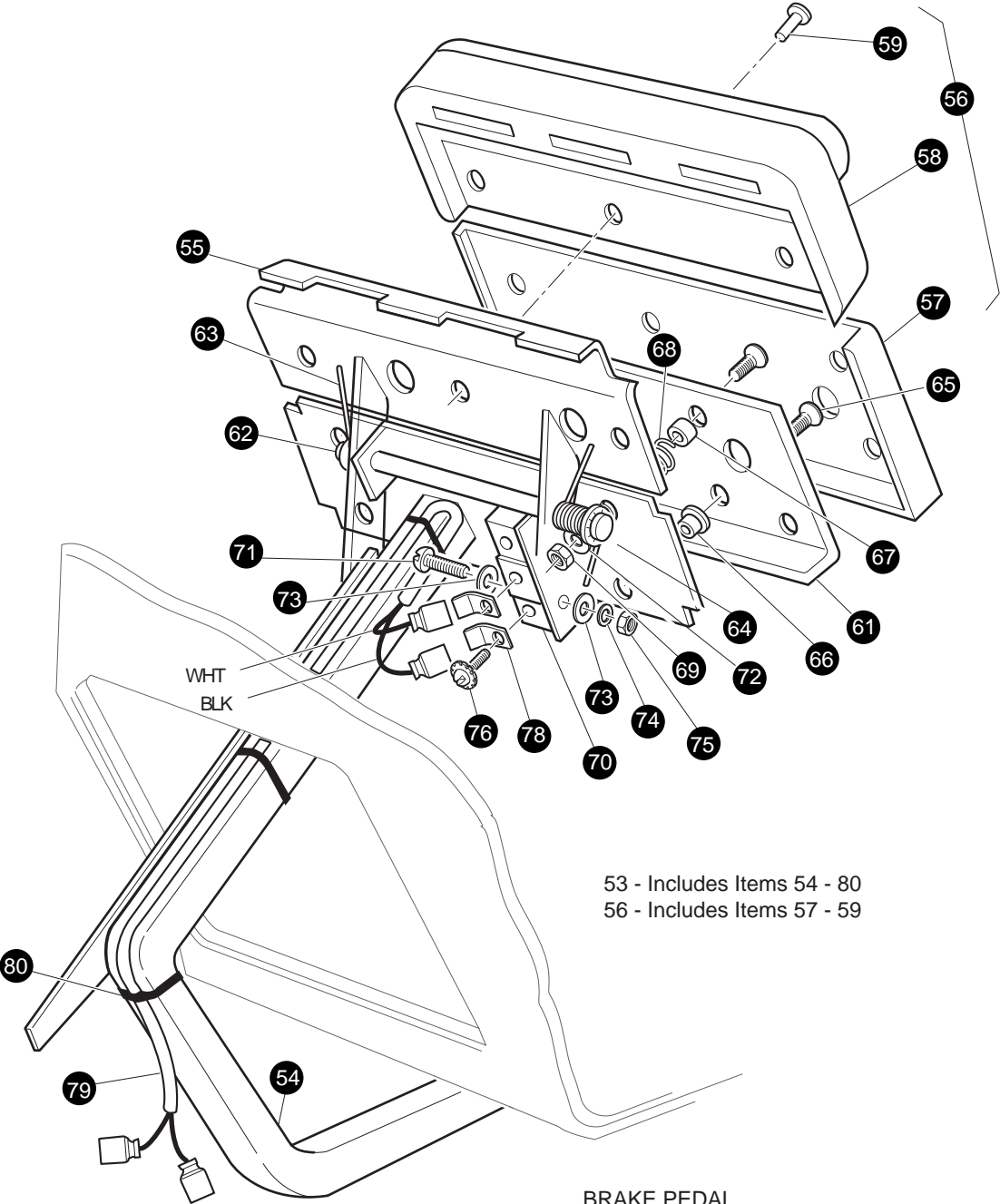
* Indicates a component that is not available as an individual part.

*** Indicates consult Customer Service Department for additional information.

| ITEM | PART NO. | 1 2 3 4 5 | DESCRIPTION | QTY. |
|------|----------|-----------|--|------|
| 1 | 606986 | | DOUBLE SANDMUG MOUNTING KIT (INCLUDES 2-6)..... | 1 |
| 2 | 606988 | | MOUNTING PLATE, SAND MUG - HOLDER | 1 |
| 3 | 71102G01 | | BOLT 1/4 - 20 X 3/4 | 2 |
| 4 | 606950 | | SAND MUG HOLDER | 2 |
| 5 | * | | BOLT 1/4 - 20 X 1/2 | 4 |
| 6 | 606949 | | SAND MUG | 2 |
| 7 | 606951 | | SINGLE SANDMUG MOUNTING KIT (INCLUDES 8-10)..... | 1 |
| 8 | 71102G01 | | BOLT 1/4 - 20 X 3/4 | 1 |
| 9 | 606950 | | SAND MUG HOLDER | 1 |
| 10 | 606949 | | SAND MUG | 1 |

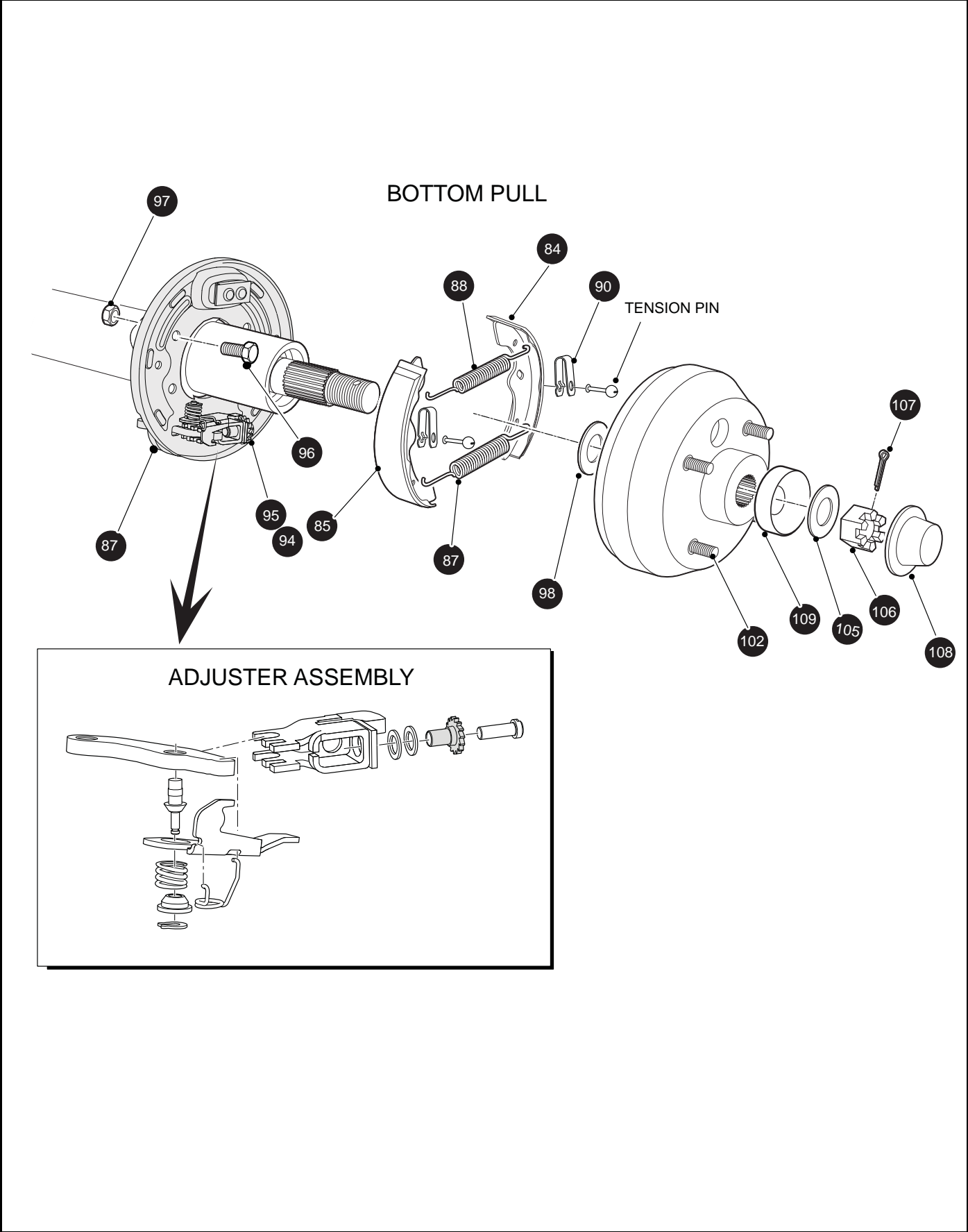
BRAKES - MECHANICAL



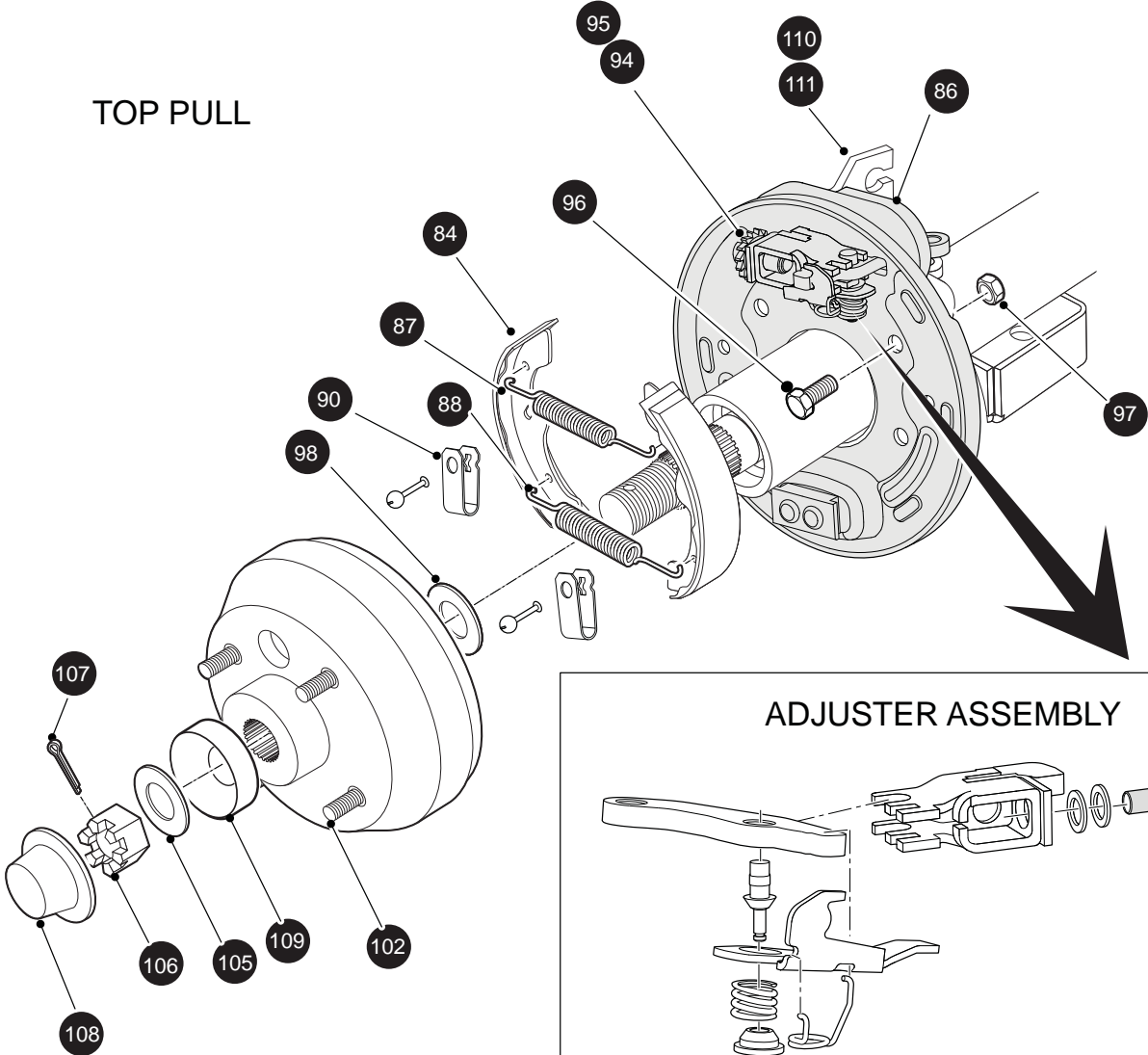


53 - Includes Items 54 - 80
56 - Includes Items 57 - 59

**BRAKE PEDAL
(VEHICLE WITH BRAKE LIGHTS)**



TOP PULL



BRAKES - MECHANICAL

When ordering parts, please specify the model and serial number of the product.

* Indicates a component that is not available as an individual part.

*** Indicates consult Customer Service Department for additional information.

| ITEM | PART NO. | 1 2 3 4 5 | DESCRIPTION | QTY. |
|------|----------|-----------|---|------|
| 1 | 70582G01 | | SHOULDER BOLT, 3/8 - 16 X 4" LG (STAINLESS STEEL) | 1 |
| 2 | | | | |
| 3 | 70581G01 | | FLANGED BUSHING | 2 |
| 4 | 70676G01 | | TORSION SPRING | 1 |
| 5 | | | | |
| 6 | | | | |
| 7 | | | | |
| 8 | | | | |
| 9 | | | | |
| 10 | | | | |
| 11 | | | | |
| 12 | | | | |
| 13 | | | | |
| 14 | | | | |
| 15 | 00643G1 | | WASHER, 3/8" | 1 |
| 16 | 11098G5 | | LOCK NUT, 3/8 - 16..... | 1 |
| 17 | 612558 | | COMPENSATOR ASSEMBLY (INCLUDES ITEMS 18 - 24) | 1 |
| 18 | 27330G01 | | BRAKE YOKE | 1 |
| 19 | 00963G01 | | SPHERICAL NUT, 5/16 - 24..... | 1 |
| 20 | 11098G9 | | LOCK NUT, 5/16 - 24 | 1 |
| 21 | 15121G1 | | WASHER 5/16 | 2 |
| 22 | 23463G1 | | COMPRESSION SPRING | 1 |
| 23 | 28082G01 | | EQUALIZER BRACKET | 1 |
| 24 | 612557 | | BRAKE COMPENSATOR LINK ROD | 1 |
| 25 | 28083G01 | | BRAKE COMPENSATOR BUMPER | 2 |
| 26 | 70968G03 | | BRAKE CABLE DRIVER SIDE..... | 1 |
| 27 | 607167 | | BRAKE CABLE PASSENGER SIDE | 1 |
| 28 | 01111G01 | | RETAINING RING, 13/32" (STAINLESS STEEL) | 4 |
| 29 | | | | |
| 30 | 10386G3 | | CLEVIS PIN, 5/16" X 13/16" LG | 3 |
| 31 | 10387G3 | | COTTER PIN, 3/32" X 3/4" LG | 5 |

BRAKES - MECHANICAL

When ordering parts, please specify the model and serial number of the product.

* Indicates a component that is not available as an individual part.

*** Indicates consult Customer Service Department for additional information.

| ITEM | PART NO. | 1 2 3 4 5 | DESCRIPTION | QTY. |
|------|----------|-----------|--|------|
| 32 | | | | |
| 33 | | | | |
| 34 | 70601G01 | | KICK-OFF LINK | 1 |
| 35 | 17838G1 | | NYLON BUSHING | 2 |
| 36 | 20835G1 | | TEFLON WASHER, 3/8" | 2 |
| 37 | 00559G8 | | WASHER, 5/16" | 2 |
| 38 | | | | |
| 39 | 70098G01 | | KICK-OFF CAM PIVOT..... | 1 |
| 40 | 10097G6 | | FLANGED BEARING | 2 |
| 41 | 70587G01 | | KICK-OFF CAM | 1 |
| 42 | 71215G01 | | SETSCREW, 1/4 - 20 X 1/2" LG | 2 |
| 43 | 14134G4 | | SPACER..... | 1 |
| 44 | | | | |
| 45 | 70113G01 | | ADJUSTABLE BUMPER..... | 1 |
| 46 | 11027G1 | | LOCK NUT, 5/16 - 18 | 1 |
| 47 | | | | |
| 48 | 70080G02 | | CATCH BRACKET | 1 |
| 49 | 00414G6 | | BOLT, 1/4 - 20 X 3/4" LG..... | 2 |
| 50 | 14390G4 | | LOCK NUT, 1/4 - 20 (STAINLESS STEEL)..... | 2 |
| 51 | | | | |
| 52 | | | | |
| 53 | 70690G02 | | BRAKE PEDAL ASSEMBLY (WITH BRAKE LIGHTS) (INCLUDES ITEMS 54 - 80) | 1 |
| 54 | * | | BRAKE PEDAL..... | 1 |
| 55 | 70611G02 | | PARK BRAKE PEDAL | 1 |
| 56 | 70274G01 | | BRAKE/PARK BRAKE PEDAL PAD KIT (INCLUDES ITEMS 57 - 59) | 1 |
| 57 | * | | SERVICE BRAKE PAD | 1 |
| 58 | * | | PARK BRAKE PAD | 1 |
| 59 | 16409G1 | | OVAL RIVET, 3/16" x 7/16" LG | 9 |
| 60 | | | | |
| 61 | 70258G03 | | BRAKE PEDAL PLATE | 1 |

BRAKES - MECHANICAL

When ordering parts, please specify the model and serial number of the product.

* Indicates a component that is not available as an individual part.

*** Indicates consult Customer Service Department for additional information.

| ITEM | PART NO. | 1 | 2 | 3 | 4 | 5 | DESCRIPTION | QTY. |
|------|----------|---|---|---|---|---|---|------|
| 62 | 70682G01 | | | | | | PIVOT PIN | 1 |
| 63 | 70681G01 | | | | | | TORSION SPRING | 2 |
| 64 | 01071G01 | | | | | | PUSHNUT, 5/16" | 1 |
| 65 | 00737G8 | | | | | | SCREW, #10 - 24 X 7/8" LG | 4 |
| 66 | 00739G1 | | | | | | RUBBER NUT, #10 - 24 | 2 |
| 67 | 74535G01 | | | | | | BRAKE PEDAL STANDOFF | 2 |
| 68 | 27137G01 | | | | | | CONICAL SPRING | 2 |
| 69 | 14390G10 | | | | | | LOCK NUT, #10 - 24 | 2 |
| 70 | 10606G8 | | | | | | MICRO SWITCH | 1 |
| 71 | 00957G1 | | | | | | BOLT, #6 - 32 X 1 1/4" LG | 2 |
| 72 | 00559G5 | | | | | | WASHER, #10 | 2 |
| 73 | 00559G3 | | | | | | WASHER, #6 | 4 |
| 74 | 00565G3 | | | | | | LOCK WASHER, #6 | 2 |
| 75 | 00525G5 | | | | | | NUT, #6 - 32 | 2 |
| 76 | 13514G1 | | | | | | SCREW AND LOCK WASHER, #6 | 2 |
| 77 | | | | | | | | |
| 78 | 14628G1 | | | | | | FASTON TAB | 2 |
| 79 | 24605G1 | | | | | | WIRE HARNESS (BRAKE LIGHT) | 1 |
| 80 | 17618G1 | | | | | | WIRE TIE | 4 |
| 81 | | | | | | | | |
| 82 | 612189 | | | | | | BRAKE ASSEMBLY (DRIVER SIDE) (INCLUDES ITEMS 84 - 88, 90, 95) | 1 |
| 83 | 612211 | | | | | | BRAKE ASSEMBLY (PASSENGER SIDE) (INCLUDES ITEMS 84 - 88 & 90,94) | 1 |
| 84 | 612412 | | | | | | BRAKE SHOE | 2 |
| 85 | 612411 | | | | | | BRAKE SHOE | 2 |
| 86 | 612413 | | | | | | DUST COVER | 1 |
| 87 | 612415 | | | | | | SPRING | 1 |
| 88 | 612414 | | | | | | SPRING | 1 |
| 89 | | | | | | | | |
| 90 | 612416 | | | | | | SHOE CLAMP | 2 |
| 91 | | | | | | | | |
| 92 | | | | | | | | |

BRAKES - MECHANICAL

When ordering parts, please specify the model and serial number of the product.

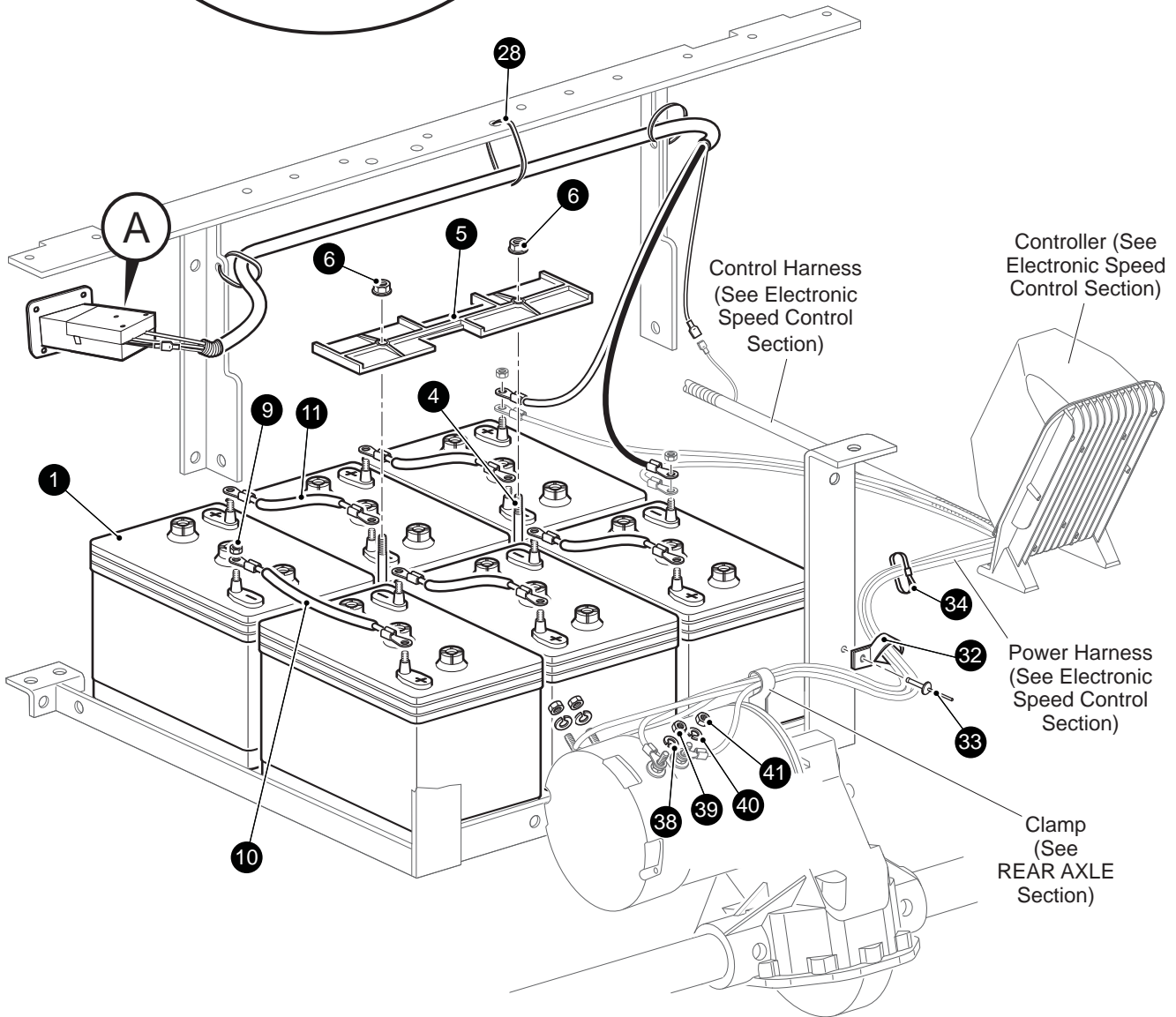
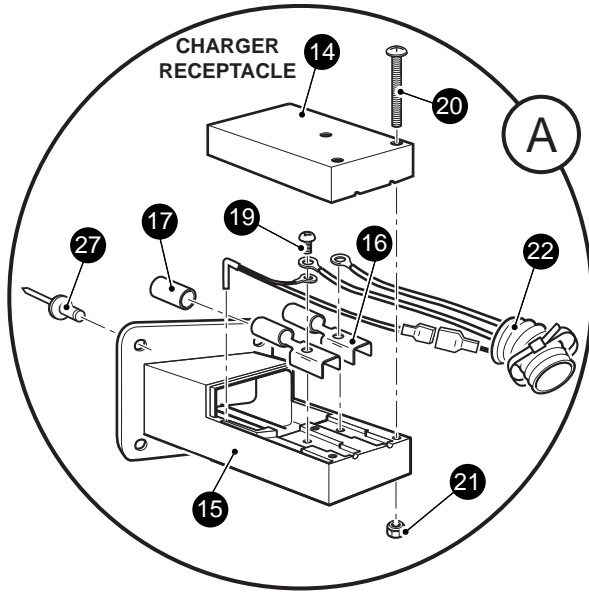
* Indicates a component that is not available as an individual part.

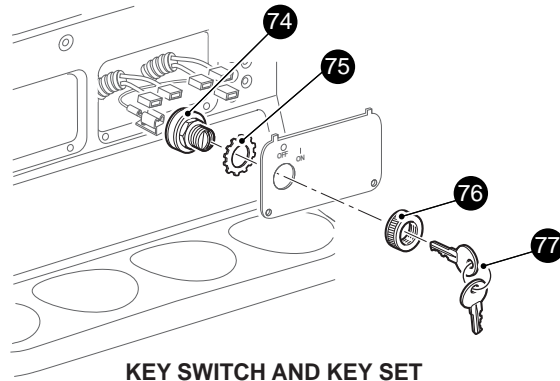
*** Indicates consult Customer Service Department for additional information.

| ITEM | PART NO. | 1 2 3 4 5 | DESCRIPTION | QTY. |
|------|----------|-----------|--|------|
| 93 | | | | |
| 94 | 612418 | | ADJUSTER..... | 1 |
| 95 | 612417 | | ADJUSTER..... | 1 |
| 96 | 17083G2 | | BOLT, 5/16 - 24 X 1" LG..... | 8 |
| 97 | 15126G1 | | LOCK NUT, 5/16 - 24 | 8 |
| 98 | 21809G1 | | INNER BRAKE DRUM WASHER, 1 5/16" OD X 1" ID X 1/32"..... | 2 |
| 99 | | | | |
| 100 | 21807G2 | | BRAKE DRUM ASSEMBLY (INCLUDES ITEMS 101 - 102) | 2 |
| 101 | * | | BRAKE DRUM..... | 1 |
| 102 | 19862G2 | | LUG BOLT, 1/2 - 20 X 1 3/16" LG..... | 4 |
| 103 | | | | |
| 104 | | | | |
| 105 | 606945 | | OUTER BRAKE DRUM WASHER..... | 2 |
| 106 | 606403 | | SLOTTED NUT, M22 X 1.5 | 2 |
| 107 | 10387G1 | | COTTER PIN, 1/8" X 1 1/2" LG..... | 2 |
| 108 | 74175G01 | | SPINDLE CAP | 2 |
| 109 | 607033 | | SPINDLE CAP ADAPTER | 2 |
| 110 | 608200 | | BRAKE CABLE BRACKET (PASSENGER SIDE) | 1 |
| 111 | 608201 | | BRAKE CABLE BRACKET (DRIVER SIDE)..... | 1 |

ELECTRICAL

13 - Includes Items 14 - 22

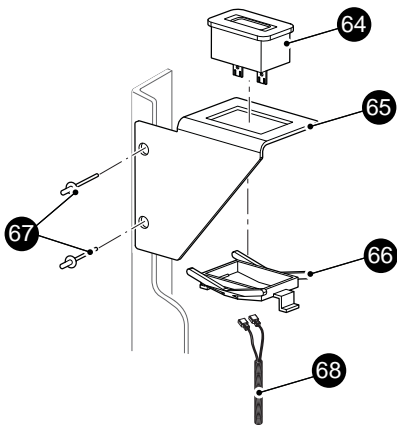




KEY SWITCH AND KEY SET

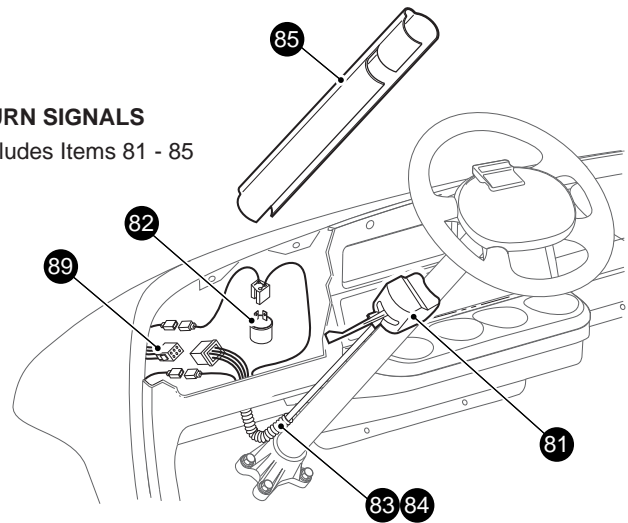
HOUR METER DETAIL

63 - Includes Items 64 - 68

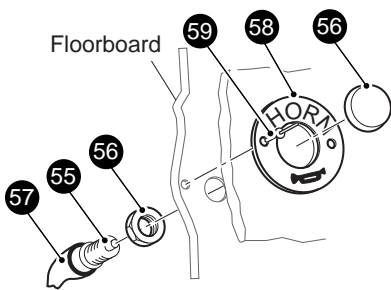


TURN SIGNALS

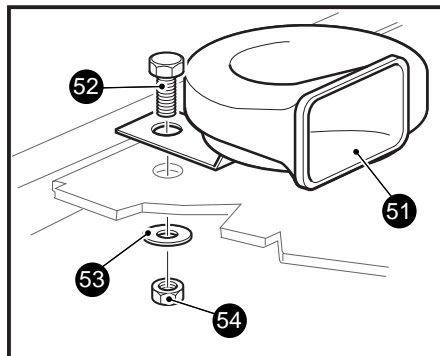
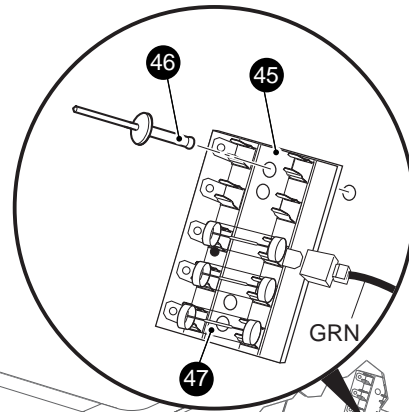
80 - Includes Items 81 - 85

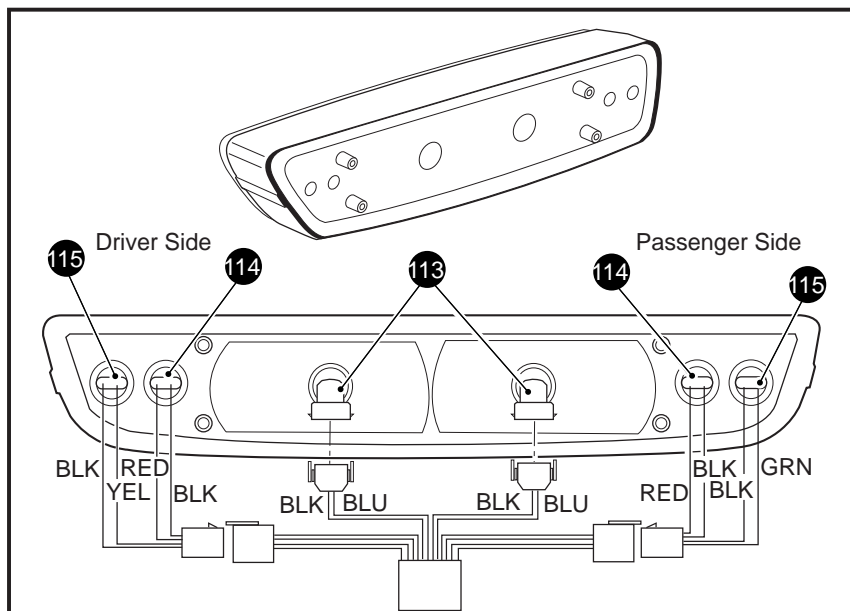
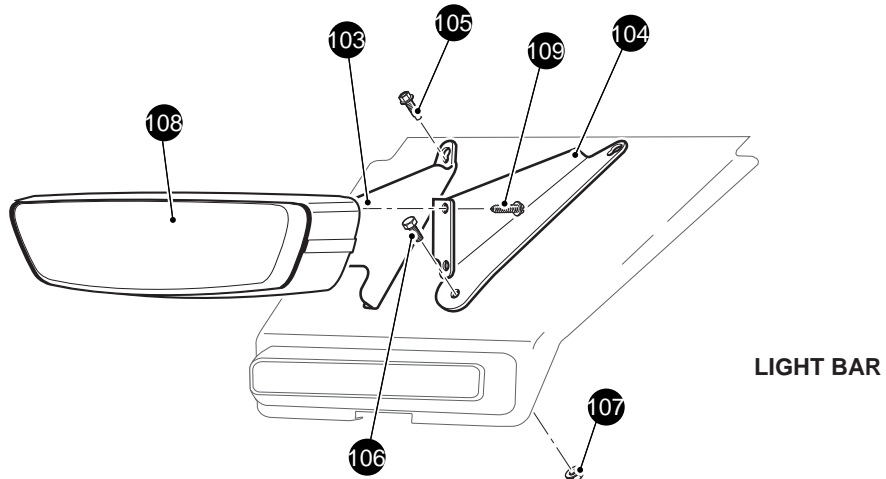
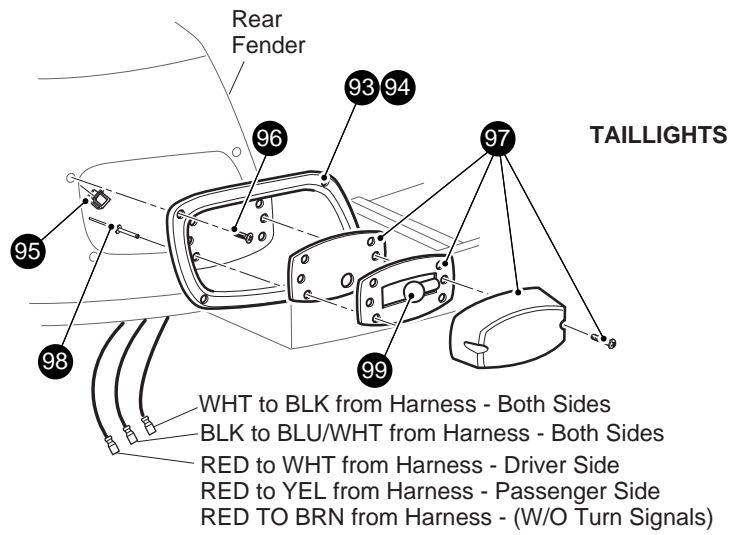


HORN BUTTON



Floorboard





When ordering parts, please specify the model and serial number of the product.

* Indicates a component that is not available as an individual part.

*** Indicates consult Customer Service Department for additional information.

| ITEM | PART NO. | 1 2 3 4 5 | DESCRIPTION | QTY. |
|------|----------|-----------|---|------|
| 1 | XXXXXGXX | | 6 VOLT BATTERY | 6 |
| 2 | | | | |
| 3 | | | | |
| 4 | 01101G01 | | HOLD DOWN BOLT (STAINLESS STEEL) | 2 |
| 5 | 612867 | | BATTERY RETAINER | 1 |
| 6 | 11027G1 | | LOCK NUT, 5/16 - 18 | 2 |
| 7 | | | | |
| 8 | | | | |
| 9 | 00702G2 | | NUT, 5/16 - 18 | 12 |
| 10 | 607591 | | 4 GA WIRE, GREEN 11.5" | 1 |
| 11 | 607590 | | 4 GA WIRE, GREEN 7" | 4 |
| 12 | | | | |
| 13 | 73063G01 | | CHARGER RECEPTACLE ASSEMBLY (INCLUDES ITEMS 14 - 22)..... | 1 |
| 14 | * | | RECEPTACLE COVER | 1 |
| 15 | * | | RECEPTACLE BOTTOM..... | 1 |
| 16 | 73051G05 | | FEMALE CONNECTOR | 2 |
| 17 | 73051G06 | | INSULATOR SLEEVE | 1 |
| 18 | | | | |
| 19 | 73051G08 | | SCREW, #10 - 32 X 1/2" LG (BRASS) | 2 |
| 20 | 73051G09 | | SCREW, #6 - 32 X 1 3/4" LG (STAINLESS STEEL) | 3 |
| 21 | 73051G10 | | LOCK NUT, #6 - 32..... | 3 |
| 22 | * | | WIRE HARNESS (CHARGER) | 1 |
| 23 | | | | |
| 24 | | | | |
| 25 | | | | |
| 26 | | | | |
| 27 | 71055G01 | | RIVET, 3/16" X 1" LG (ALUMINUM)..... | 4 |
| 28 | 17618G1 | | WIRE TIE | 3 |
| 29 | | | | |
| 30 | | | | |
| 31 | | | | |

ELECTRICAL

When ordering parts, please specify the model and serial number of the product.

* Indicates a component that is not available as an individual part.

*** Indicates consult Customer Service Department for additional information.

| ITEM | PART NO. | 1 2 3 4 5 | DESCRIPTION | QTY. |
|------|----------|-----------|--|------|
| 32 | 27327G01 | | CABLE CLAMP | 1 |
| 33 | 10570G11 | | RIVET, 3/16" X 3/4" LG (STAINLESS STEEL) | 1 |
| 34 | 17618G1 | | WIRE TIE..... | 10 |
| 35 | | | | |
| 36 | | | | |
| 37 | | | | |
| 38 | 00993G01 | | LOCK WASHER, 5/16" (SILICON BRONZE) | 2 |
| 39 | 28418G01 | | NUT, 5/16 - 18 (BRASS)..... | 2 |
| 40 | 00993G02 | | LOCK WASHER, 1/4" (SILICON BRONZE) | 2 |
| 41 | 28418G02 | | NUT, 1/4 - 20 (BRASS)..... | 2 |
| 42 | | | | |
| 43 | | | | |
| 44 | | | | |
| 45 | 22674G1 | | FUSE BLOCK..... | 1 |
| 46 | 01041G01 | | RIVET, 1/8" X 13/16" LG..... | 2 |
| 47 | 18392G1 | | 15 AMP FUSE | 3 |
| 48 | | | | |
| 49 | | | | |
| 50 | | | | |
| 51 | 32860G1 | | HORN | 1 |
| 52 | 00414G5 | | BOLT, 1/4 - 20 X 5/8" LG | 1 |
| 53 | 00559G7 | | WASHER, 1/4" FL | 1 |
| 54 | 14390G4 | | LOCK NUT, 1/4 - 20..... | 1 |
| 55 | 17318G1 | | HORN SWITCH..... | 1 |
| 56 | 17318G2 | | HORN SWITCH CAP AND NUT | 1 |
| 57 | 27068G01 | | HORN SWITCH BOOT..... | 1 |
| 58 | 19233G1 | | HORN SWITCH LABEL..... | 1 |
| 59 | 71055G01 | | RIVET, 3/16" X 1" LG (ALUMINUM) | 2 |
| 60 | | | | |
| 61 | | | | |
| 62 | | | | |

When ordering parts, please specify the model and serial number of the product.

* Indicates a component that is not available as an individual part.

*** Indicates consult Customer Service Department for additional information.

| ITEM | PART NO. | 1 2 3 4 5 | DESCRIPTION | QTY. |
|------|----------|-----------|---|------|
| 63 | 75113G02 | | HOUR METER KIT (INCLUDES ITEMS 64 - 68)..... | 1 |
| 64 | 74665G02 | | HOUR METER | 1 |
| 65 | 74716G02 | | HOUR METER BRACKET | 1 |
| 66 | 74696G01 | | RETAINER CLIP | 1 |
| 67 | 10570G11 | | RIVET | 2 |
| 68 | 75117G01 | | WIRE HARNESS (HOUR METER) | 1 |
| 69 | | | | |
| 70 | | | | |
| 71 | | | | |
| 72 | | | | |
| 73 | | | | |
| 74 | 33639G** | | KEY SWITCH (WITH LIGHTS) | 1 |
| 75 | 00568G6 | | LOCK WASHER, 3/4" | 1 |
| 76 | 17137G1 | | FACE NUT, 3/4 - 20..... | 1 |
| 77 | 17618G1 | | WIRE TIE | 1 |
| 78 | | | | |
| 79 | | | | |
| 80 | 75107G02 | | TURN SIGNAL KIT (INCLUDES ITEMS 81 - 85)..... | 1 |
| 81 | 17867G1 | | TURN SIGNAL (WITH MOUNTING HARDWARE) | 1 |
| 82 | 21640G1 | | TURN SIGNAL FLASHER | 1 |
| 83 | 32307G3 | | FLEX LOOM, 3/8" X 8" LG | 1 |
| 84 | 17618G1 | | WIRE TIE..... | 2 |
| 85 | 20965G3 | | STEERING COLUMN COVER | 1 |
| 86 | | | | |
| 87 | | | | |
| 88 | | | | |
| 89 | 73043G01 | | WIRE HARNESS (ACCESSORY) | 1 |
| 90 | | | | |
| 91 | | | | |
| 92 | | | | |
| 93 | 74371G01 | | BEZEL (DRIVER SIDE) | 1 |

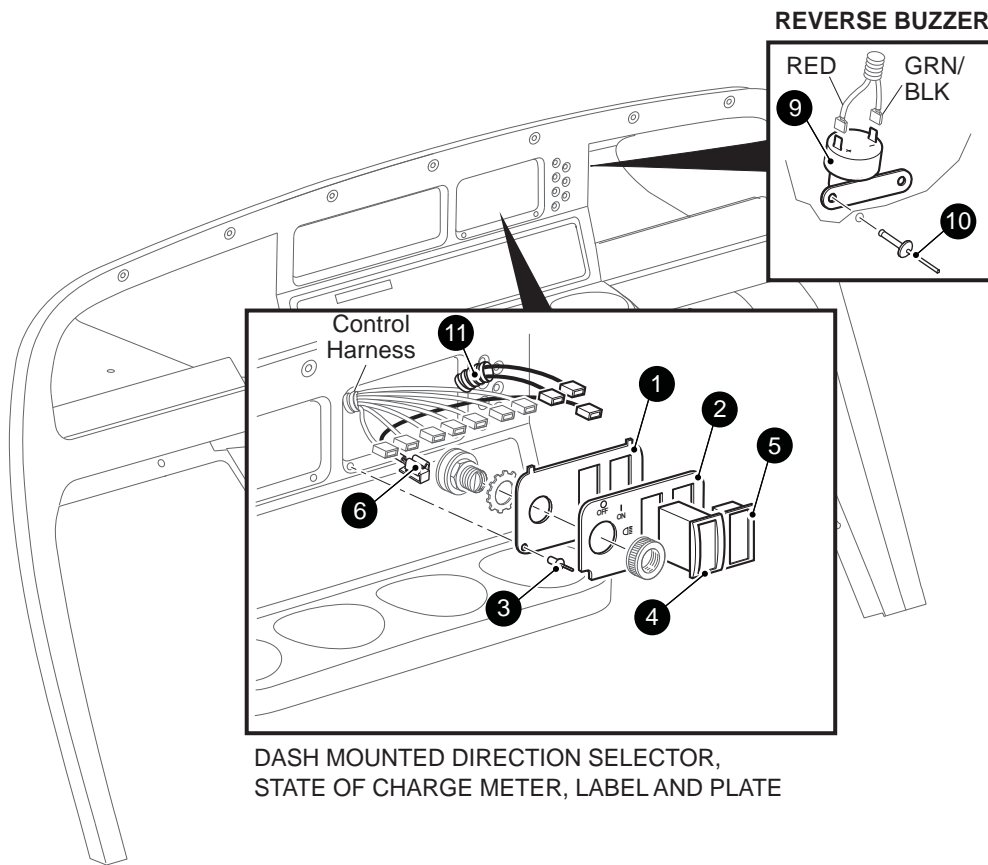
ELECTRICAL

When ordering parts, please specify the model and serial number of the product.

* Indicates a component that is not available as an individual part.

*** Indicates consult Customer Service Department for additional information.

| ITEM | PART NO. | 1 2 3 4 5 | DESCRIPTION | QTY. |
|------|----------|-----------|--|------|
| 94 | 74371G02 | | BEZEL (PASSENGER SIDE) | 1 |
| 95 | 71364G02 | | 'J' CLIP | 8 |
| 96 | 71425G01 | | COUNTERSUNK SCREW, #8..... | 8 |
| 97 | 22288G2 | | BRAKE / TAILLIGHT LAMP..... | 1 |
| 98 | 14601G11 | | RIVET, 3/16" X 9/16" LG (ALUMINUM) | 4 |
| 99 | 21759G1 | | TAILLIGHT BULB | AR |
| 100 | | | | |
| 101 | | | | |
| 102 | | | | |
| 103 | 74236G03 | | HEADLIGHT MOUNT BRACKET (PASSENGER SIDE) | 1 |
| 104 | 74236G04 | | HEADLIGHT MOUNT BRACKET (DRIVER SIDE) | 1 |
| 105 | 01038G01 | | BOLT, 1/4 - 20 X 11/16" LG | 2 |
| 106 | 00414G6 | | BOLT, 1/4 - 20 X 3/4" LG | 2 |
| 107 | 11027G2 | | LOCK NUT, 1/4 - 20..... | 2 |
| 108 | 74001G01 | | HEADLIGHT AND TURN SIGNAL LIGHT..... | 1 |
| 109 | 00114G6 | | SCREW, 1/4 - 14 X 3/4" LG..... | 4 |
| 110 | | | | |
| 111 | | | | |
| 112 | | | | |
| 113 | 74004G01 | | HEAD LIGHT BULB..... | AR |
| 114 | 74005G01 | | MARKER LIGHT BULB | AR |
| 115 | 74006G01 | | TURN SIGNAL BULB | AR |



DASH MOUNTED DIRECTION SELECTOR,
STATE OF CHARGE METER, LABEL AND PLATE

ELECTRICAL

When ordering parts, please specify the model and serial number of the product.

* Indicates a component that is not available as an individual part.

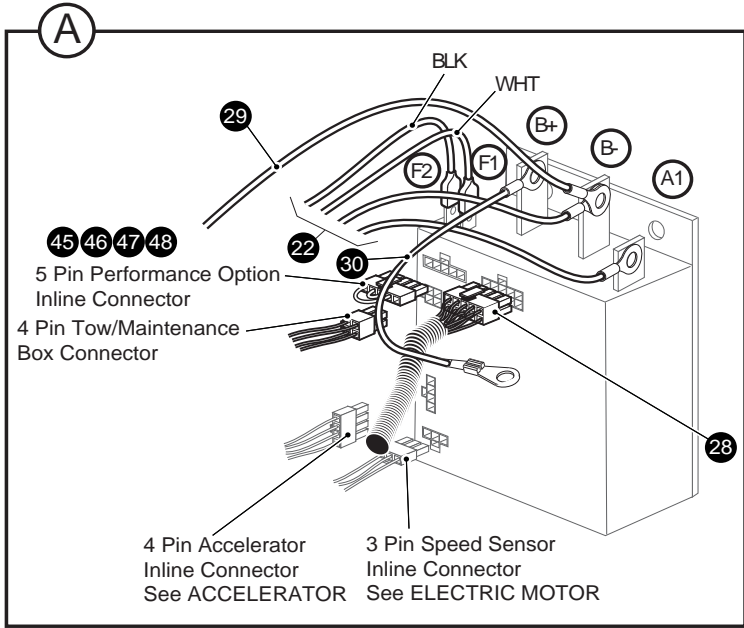
*** Indicates consult Customer Service Department for additional information.

| ITEM | PART NO. | 1 2 3 4 5 | DESCRIPTION | QTY. |
|------|----------|-----------|---|------|
| 1 | 73030G06 | | PLATE (KEY SWITCH, DIRECTION SELECTOR, CHARGE METER) | 1 |
| 2 | 74322G01 | | LABEL (KEY SWITCH WITH LIGHTS, DIRECTION SELECTOR, CHARGE METER) | 1 |
| 3 | 33623G02 | | DRIVE RIVET, 3/16" X 3/8" LG..... | 2 |
| 4 | 74323G01 | | DIRECTION SELECTOR SWITCH (DASH MOUNTED) | 1 |
| 5 | 33636G04 | | STATE OF CHARGE METER (VERTICAL)..... | 1 |
| 6 | 25978G74 | | 18 GA WIRE (RED 6")..... | 1 |
| 7 | | | | |
| 8 | | | | |
| 9 | 73290G02 | | REVERSE WARNING BUZZER (CONTINUOUS TONE) | 1 |
| 10 | 01041G01 | | RIVET, 1/8" X 13/16" LG..... | 2 |
| 11 | 74018G01 | | WIRE HARNESS (STATE OF CHARGE METER) | 1 |

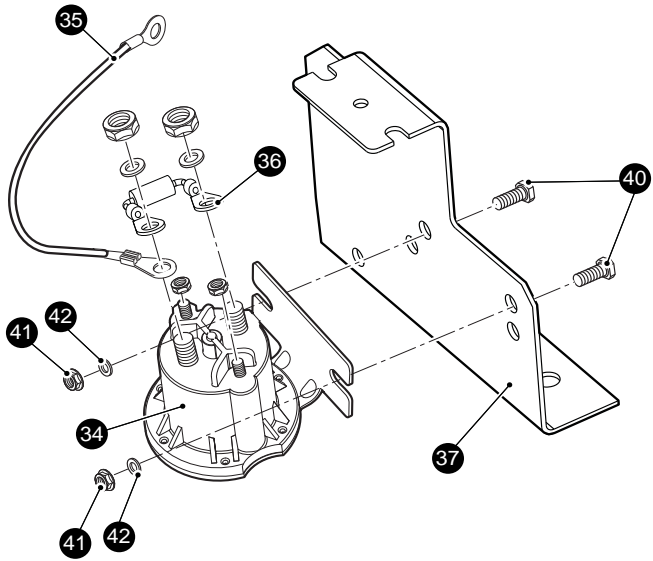
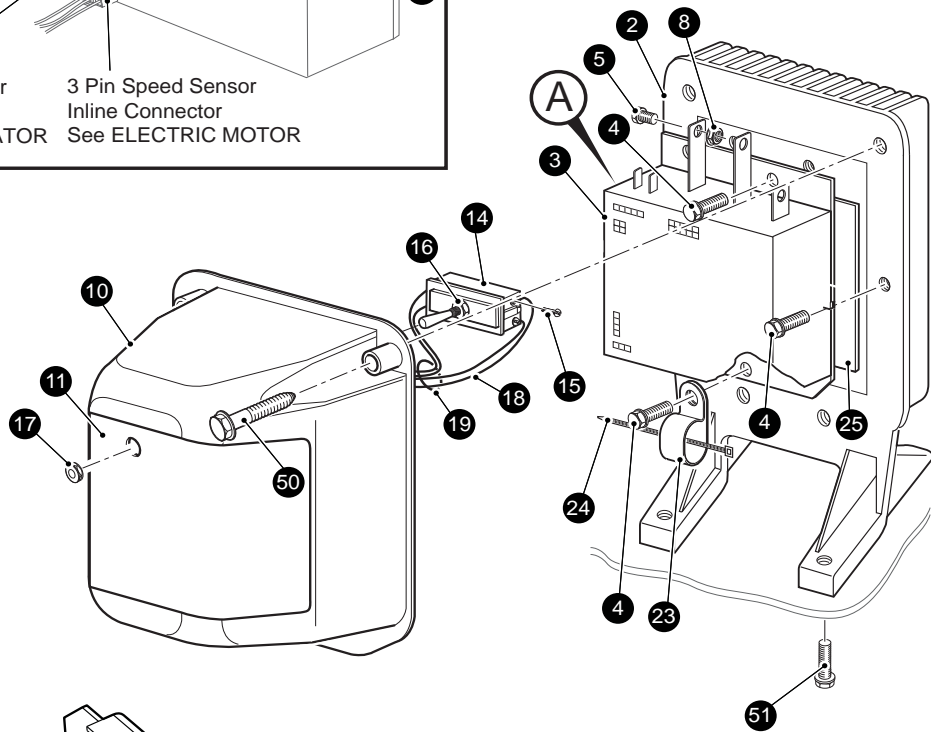
Notes:

A large grid area for taking notes, consisting of a 20x20 square grid pattern. The grid is empty and occupies most of the page below the 'Notes:' heading.

ELECTRONIC SPEED CONTROL



- 1 - Includes Items 2 - 30
- 9 - Includes Items 10 - 19
- 14 - Includes Items 15 - 16
- 33 - Includes Items 34 - 42



ELECTRONIC SPEED CONTROL

When ordering parts, please specify the model and serial number of the product.

* Indicates a component that is not available as an individual part.

*** Indicates consult Customer Service Department for additional information.

| ITEM | PART NO. | 1 2 3 4 5 | DESCRIPTION | QTY. |
|------|----------|-----------|---|------|
| 1 | 73276G03 | | ELECTRONIC SPEED CONTROL ASSEMBLY (INCLUDES ITEMS 2 - 30) . | 1 |
| 2 | 73471G01 | | HEATSINK..... | 1 |
| 3 | 609083 | | ELECTRONIC SPEED CONTROLLER..... | 1 |
| 4 | 71102G01 | | BOLT, 1/4 - 20 X 3/4" LG | 3 |
| 5 | 00270G5 | | BOLT, 5/16 - 18 X 5/8" LG | 3 |
| 6 | | | | |
| 7 | | | | |
| 8 | 11027G1 | | LOCK NUT, 5/16 - 18" | 3 |
| 9 | 73089G01 | | COVER ASSEMBLY (INCLUDES ITEMS 10 - 19)..... | 1 |
| 10 | 73028G02 | | COVER (WITH GASKET) | 1 |
| 11 | 73093G01 | | LABEL (TOW SWITCH) | 1 |
| 12 | | | | |
| 13 | | | | |
| 14 | 73125G01 | | TOGGLE SWITCH WITH SEAL (INCLUDES 15 - 16)..... | 1 |
| 15 | * | | SCREW, #5 - 40" | 4 |
| 16 | * | | NUT, 15/32 - 32" | 1 |
| 17 | 73139G01 | | SEALED NUT, 15/32 - 32" | 1 |
| 18 | 73138G02 | | WIRE HARNESS | 1 |
| 19 | 17618G1 | | WIRE TIE | 1 |
| 20 | | | | |
| 21 | | | | |
| 22 | 73106G01 | | WIRE HARNESS (POWER)..... | 1 |
| 23 | 73053G01 | | DOUBLE TUBE CLAMP | 1 |
| 24 | 31539G1 | | WIRE TIE..... | 1 |
| 25 | 73190G01 | | THERMAL MOUNTING PAD..... | 1 |
| 26 | | | | |
| 27 | | | | |
| 28 | 620534 | | WIRE HANESS(CONTROL) | 1 |
| 29 | 620537 | | 4 GA WIRE, GREEN 34" | 1 |
| 30 | 620539 | | 4 GA WIRE, GREEN 12" | 1 |
| 31 | | | | |

ELECTRONIC SPEED CONTROL

When ordering parts, please specify the model and serial number of the product.

* Indicates a component that is not available as an individual part.

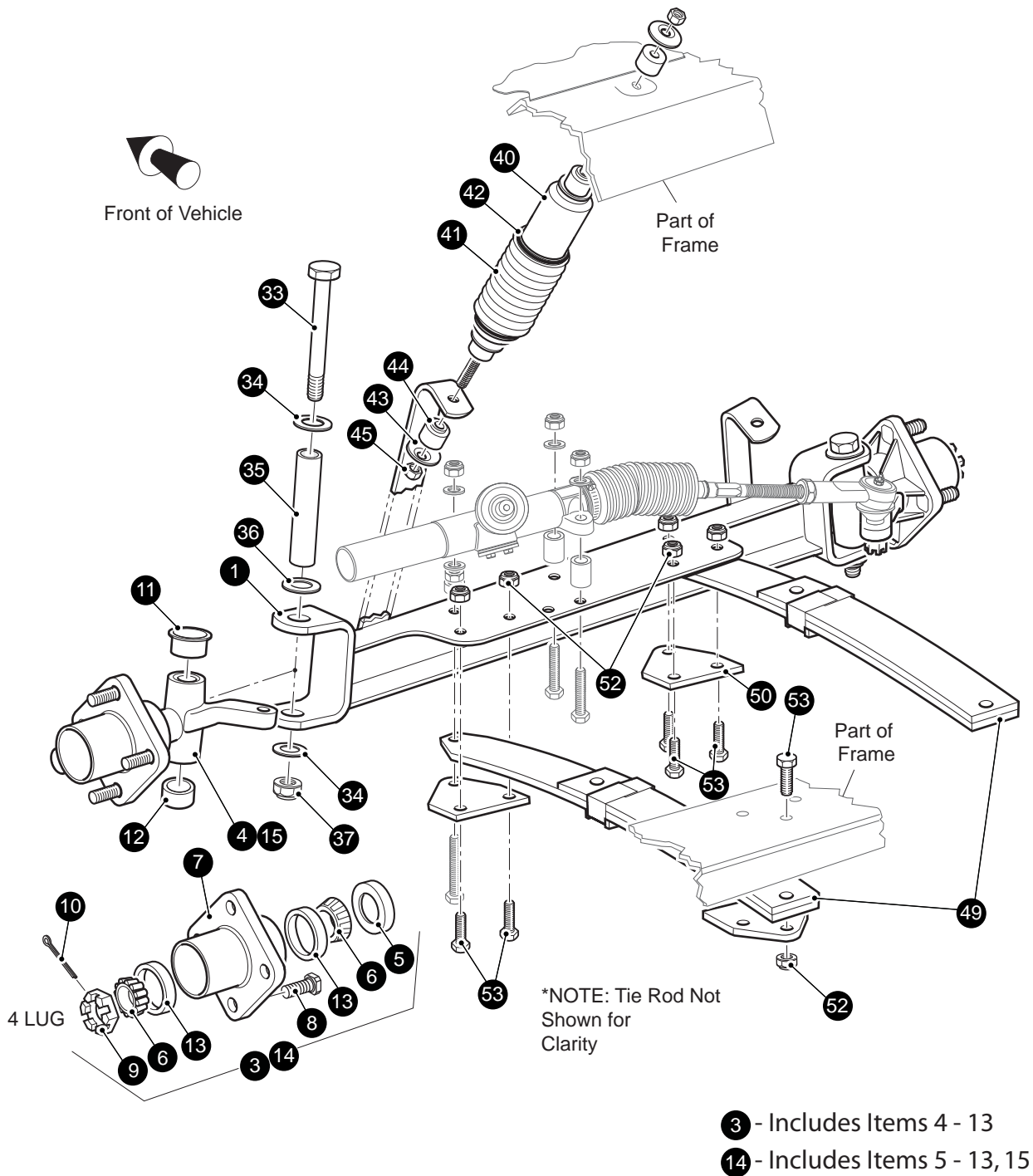
*** Indicates consult Customer Service Department for additional information.

| ITEM | PART NO. | 1 | 2 | 3 | 4 | 5 | DESCRIPTION | QTY. |
|------|----------|---|---|---|---|---|--|------|
| 32 | | | | | | | | |
| 33 | 613164 | | | | | | SOLENOID, 36 VOLT (INCLUDES 34 - 42) | 1 |
| 34 | 612791 | | | | | | SOLENOID, 36 VOLT | 1 |
| 35 | 620548 | | | | | | 4 GA WIRE, GREEN | 1 |
| 36 | 21764G1 | | | | | | RESISTOR ASSEMBLY | 1 |
| 37 | 73057G01 | | | | | | ELECTRICAL BRACKET | 1 |
| 38 | | | | | | | | |
| 39 | | | | | | | | |
| 40 | 00414G5 | | | | | | CAP SCREW, HEX HEAD 1/4 - 20" | 2 |
| 41 | 11027G2 | | | | | | LOCK NUT, FLANGED 1/4 - 20" | 2 |
| 42 | 01110G01 | | | | | | FLAT WASHER | 2 |
| 43 | | | | | | | | |
| 44 | | | | | | | | |
| 45 | 73272G01 | | | | | | PERFORMANCE OPTION (FREEDOM) | 1 |
| 46 | 73272G02 | | | | | | PERFORMANCE OPTION (STEEP HILL) | 1 |
| 47 | 73272G03 | | | | | | PERFORMANCE OPTION (MILD HILL) | 1 |
| 48 | 73272G04 | | | | | | PERFORMANCE OPTION (ALL TERRAIN) | 1 |
| 49 | | | | | | | | |
| 50 | 71102G03 | | | | | | SCREW, 1/4 - 20 X 1 1/4" | 4 |
| 51 | 71102G01 | | | | | | SCREW, 1/4 - 20 X 3/4" | 4 |

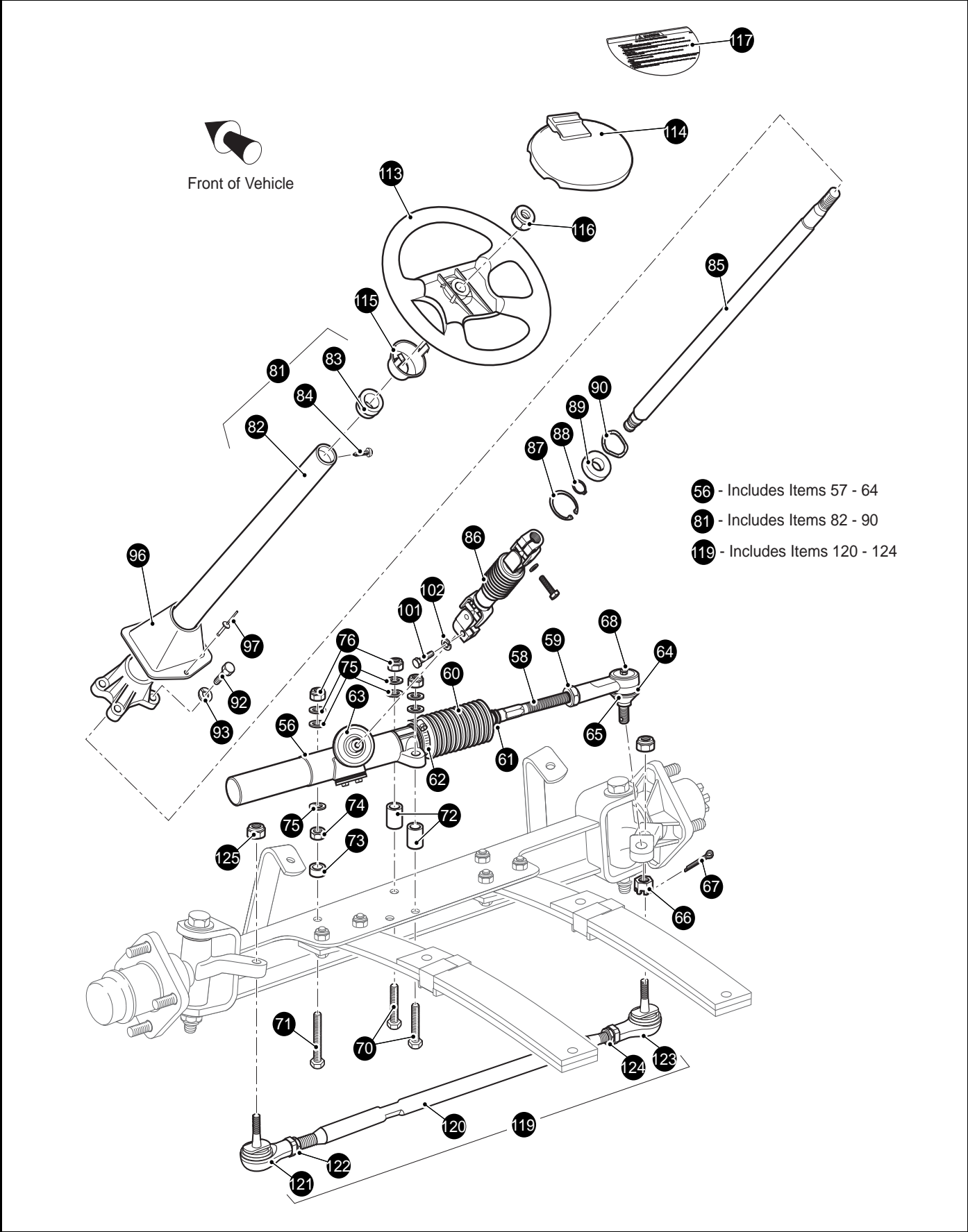
Notes:

A large grid of graph paper, consisting of 20 columns and 30 rows of small squares, intended for taking notes.

FRONT SUSPENSION



FRONT SUSPENSION



FRONT SUSPENSION

When ordering parts, please specify the model and serial number of the product.

* Indicates a component that is not available as an individual part.

*** Indicates consult Customer Service Department for additional information.

| ITEM | PART NO. | 1 2 3 4 5 | DESCRIPTION | QTY. |
|------|----------|-----------|---|------|
| 1 | 602513 | | FRONT AXLE | 1 |
| 2 | | | | |
| 3 | 70942G03 | | SPINDLE AND HUB ASSEMBLY, 4 LUG (PASSENGER SIDE) (INCLUDES ITEMS 4 - 13)..... | 1 |
| 4 | 70940G02 | | SPINDLE ASSEMBLY (PASSENGER SIDE)..... | 1 |
| 5 | 25146G1 | | GREASE SEAL | 1 |
| 6 | 11750G2 | | ROLLER BEARING..... | 2 |
| 7 | 70589G01 | | WHEEL HUB..... | 1 |
| 8 | 19862G1 | | LUG BOLT, 1/2 20 X 1 3/16" LG | 4 |
| 9 | 12093G1 | | HEXAGONAL SLOTTED NUT..... | 1 |
| 10 | 00798G8 | | COTTER PIN, 5/32" X 1 3/4" LG..... | 1 |
| 11 | 70648G01 | | FLANGED BEARING | 2 |
| 12 | 70749G01 | | BEARING | 2 |
| 13 | 51141G1 | | RACE BEARING | 2 |
| 14 | 70673G03 | | SPINDLE AND HUB ASSEMBLY, 4 LUG (DRIVER SIDE) (INCLUDES ITEMS 5 - 13, 15)..... | 1 |
| 15 | 70742G02 | | SPINDLE ASSEMBLY (DRIVER SIDE) | 1 |
| 16 | | | | |
| 17 | | | | |
| 18 | | | | |
| 19 | | | | |
| 20 | | | | |
| 21 | | | | |
| 22 | | | | |
| 23 | | | | |
| 24 | | | | |
| 25 | | | | |
| 26 | | | | |
| 27 | | | | |
| 28 | | | | |
| 29 | | | | |
| 30 | | | | |

FRONT SUSPENSION

When ordering parts, please specify the model and serial number of the product.

* Indicates a component that is not available as an individual part.

*** Indicates consult Customer Service Department for additional information.

| ITEM | PART NO. | 1 2 3 4 5 | DESCRIPTION | QTY. |
|------|----------|-----------|---|------|
| 31 | | | | |
| 32 | | | | |
| 33 | 00407G6 | | BOLT, 1/2 - 13 X 6" LG..... | 2 |
| 34 | 00560G3 | | WASHER, 1/2" | 4 |
| 35 | 70745G01 | | KING PIN TUBE..... | 2 |
| 36 | 70754G01 | | THRUST WASHER, 1" (STAINLESS STEEL) | 2 |
| 37 | 14390G6 | | LOCK NUT, 1/2 - 13 | 2 |
| 38 | | | | |
| 39 | | | | |
| 40 | 76419G01 | | SHOCK ABSORBER | 2 |
| 41 | 70509G01 | | SHOCK ABSORBER BOOT | 2 |
| 42 | 31539G1 | | WIRE TIE | 4 |
| 43 | 10435G1 | | SHOCK ABSORBER WASHER..... | 8 |
| 44 | 10194G1 | | RUBBER BUSHING..... | 8 |
| 45 | 00532G6 | | NUT, 3/8 - 24 | 4 |
| 46 | | | | |
| 47 | | | | |
| 48 | | | | |
| 49 | 70989G03 | | LEAF SPRING (HEAVY DUTY) (SEE PART NUMBER ON SPRING)..... | 2 |
| 50 | 70163G03 | | SPRING PLATE | 4 |
| 51 | | | | |
| 52 | 00734G1 | | LOCK NUT, 7/16 - 14 | 11 |
| 53 | 00463G11 | | BOLT, 7/16 - 14 X 1 3/4" LG..... | 11 |
| 54 | | | | |
| 55 | | | | |
| 56 | 70964G01 | | RACK AND PINION UNIT (COMPLETE) (INCLUDES ITEMS 57 - 64)..... | 1 |
| 57 | | | | |
| 58 | 74694G01 | | RACK EXTENSION..... | 1 |
| 59 | 01054G01 | | JAM NUT, 1/2 - 20 | 1 |
| 60 | 70961G01 | | RACK BOOT | 1 |
| 61 | 12416G2 | | WIRE TIE..... | 1 |

FRONT SUSPENSION

When ordering parts, please specify the model and serial number of the product.

* Indicates a component that is not available as an individual part.

*** Indicates consult Customer Service Department for additional information.

| ITEM | PART NO. | 1 | 2 | 3 | 4 | 5 | DESCRIPTION | QTY. |
|------|----------|---|---|---|---|---|--|------|
| 62 | 11391G8 | | | | | | CLAMP, 1 13/16 - 2 3/8" | 1 |
| 63 | 70638G01 | | | | | | PINION SEAL..... | 1 |
| 64 | 70695G01 | | | | | | RACK BALL JOINT | 1 |
| 65 | 50641G1 | | | | | | RUBBER BOOT | 1 |
| 66 | 50209G2 | | | | | | CASTELLATED NUT, 7/16 - 20 | 1 |
| 67 | 10387G2 | | | | | | COTTER PIN, 3/32" X 1" LG | 1 |
| 68 | 10389G3 | | | | | | GREASE FITTING, STRAIGHT | 1 |
| 69 | | | | | | | | |
| 70 | 00464G6 | | | | | | BOLT, 7/16 - 14 X 2 3/4" LG | 2 |
| 71 | 01068G01 | | | | | | BOLT, 7/16 - 14 X 3 1/2" LG | 1 |
| 72 | 70667G02 | | | | | | SPACER | 2 |
| 73 | 70667G03 | | | | | | SPACER (SHORT) | 1 |
| 74 | 00532G7 | | | | | | NUT, 7/16 - 14 | 1 |
| 75 | 00560G2 | | | | | | FLAT WASHER, 7/16" | 4 |
| 76 | 00734G1 | | | | | | LOCK NUT, 7/16 - 14..... | 3 |
| 77 | | | | | | | | |
| 78 | | | | | | | | |
| 79 | | | | | | | | |
| 80 | | | | | | | | |
| 81 | 70758G05 | | | | | | STEERING COLUMN KIT (INCLUDES ITEMS 82 - 90) | 1 |
| 82 | 70610G03 | | | | | | STEERING COLUMN | 1 |
| 83 | 28569G01 | | | | | | STEERING COLUMN BUSHING..... | 1 |
| 84 | 01022G01 | | | | | | SCREW, #6 - 20 X 5/16" LG | 1 |
| 85 | 70607G01 | | | | | | STEERING SHAFT | 1 |
| 86 | 70580G01 | | | | | | INTERMEDIATE SHAFT..... | 1 |
| 87 | 70751G01 | | | | | | RETAINING RING (INTERNAL)..... | 1 |
| 88 | 70888G01 | | | | | | RETAINING RING (EXTERNAL) | 1 |
| 89 | 15112G1 | | | | | | BALL BEARING | 1 |
| 90 | 70887G01 | | | | | | WAVE WASHER | 1 |
| 91 | | | | | | | | |
| 92 | 01006G01 | | | | | | BOLT, 3/8 - 16 X 1 1/4" LG | 4 |

FRONT SUSPENSION

When ordering parts, please specify the model and serial number of the product.

* Indicates a component that is not available as an individual part.

*** Indicates consult Customer Service Department for additional information.

| ITEM | PART NO. | 1 2 3 4 5 | DESCRIPTION | QTY. |
|------|----------|-----------|--|------|
| 93 | 00879G1 | | LOCK WASHER, 3/8" | 4 |
| 94 | | | | |
| 95 | | | | |
| 96 | 70997G01 | | COVER | 1 |
| 97 | 71055G01 | | RIVET, 3/16" X 1" LG (ALUMINUM)..... | 1 |
| 98 | | | | |
| 99 | | | | |
| 100 | | | | |
| 101 | 01055G01 | | BOLT, M8 X 1.25 - 05 LG | 1 |
| 102 | 00565G8 | | LOCK WASHER, 5/16" | 1 |
| 103 | | | | |
| 104 | | | | |
| 105 | | | | |
| 106 | | | | |
| 107 | | | | |
| 108 | | | | |
| 109 | | | | |
| 110 | | | | |
| 111 | | | | |
| 112 | | | | |
| 113 | 602979 | | STEERING WHEEL | 1 |
| 114 | 607925 | | CLIPBOARD | 1 |
| 115 | 71949G01 | | HUB COVER..... | 1 |
| 116 | 14390G2 | | LOCK NUT, 5/8 - 18 | 1 |
| 117 | 608529 | | WARNING LABEL..... | 1 |
| 118 | | | | |
| 119 | 70876G02 | | TIE ROD ASSEMBLY (INCLUDES ITEMS 120 - 124)..... | 1 |
| 120 | 70897G02 | | THREADED ROD (24" LG) | 1 |
| 121 | 70902G01 | | TIE ROD END (LEFT HAND THREADS)..... | 1 |
| 122 | 01069G01 | | JAM NUT, M12 X 1.25 - 05 (LEFT HAND THREADS) | 1 |
| 123 | 70902G02 | | TIE ROD END (RIGHT HAND THREADS) | 1 |

FRONT SUSPENSION

When ordering parts, please specify the model and serial number of the product.

* Indicates a component that is not available as an individual part.

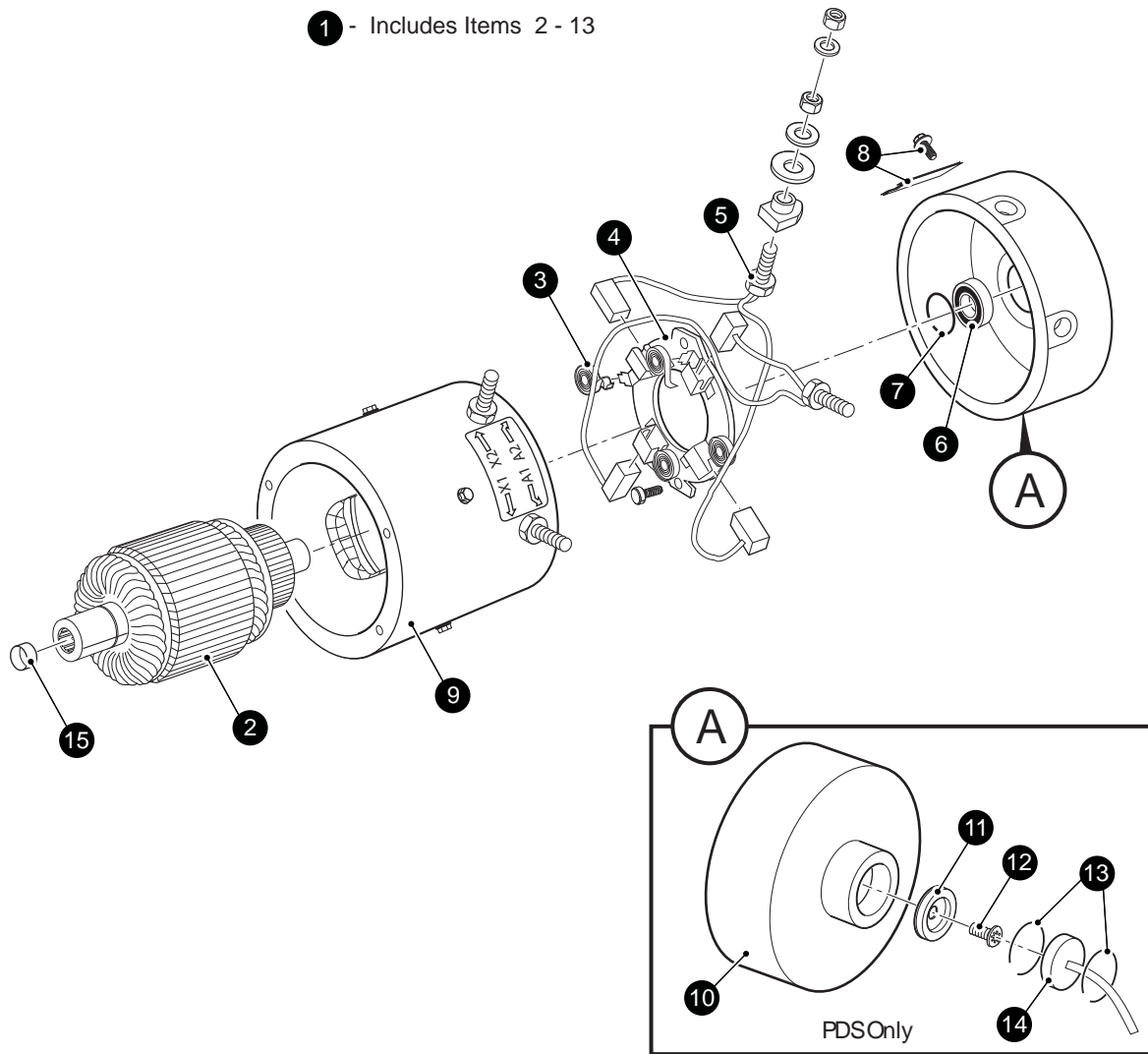
*** Indicates consult Customer Service Department for additional information.

| ITEM | PART NO. | 1 | 2 | 3 | 4 | 5 | DESCRIPTION | QTY. |
|------|----------|---|---|---|---|---|---|------|
| 124 | 01069G02 | | | | | | JAM NUT, M12 X 1.25 - 05 (RIGHT HAND THREADS) | 1 |
| 125 | 00734G1 | | | | | | LOCK NUT, 7/16 - 14..... | 2 |

Notes:



MOTOR



When ordering parts, please specify the model and serial number of the product.

* Indicates a component that is not available as an individual part.

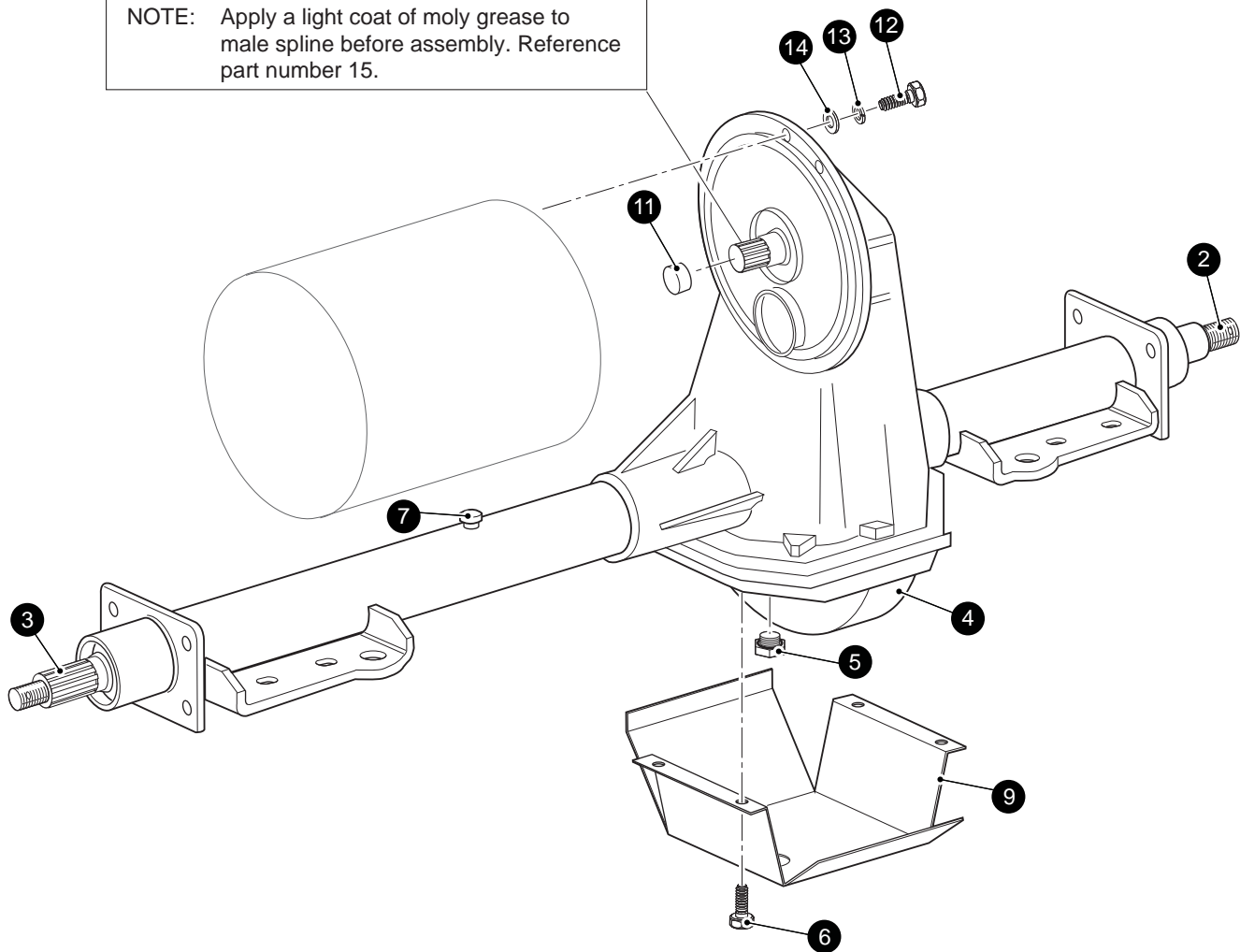
*** Indicates consult Customer Service Department for additional information.

| ITEM | PART NO. | 1 2 3 4 5 | DESCRIPTION | QTY. |
|------|----------|-----------|--|------|
| 1 | 73445G02 | | MOTOR (SEPARATELY EXCITED) (PDS) (INCLUDES ITEMS 2 - 13) | 1 |
| 2 | 73120G18 | | ARMATURE..... | 1 |
| 3 | 73120G03 | | BRUSH SPRING | 4 |
| 4 | 73120G15 | | BRUSH PLATE AND BOX..... | 1 |
| 5 | 73120G25 | | BRUSH REPLACEMENT KIT (INCLUDES HARDWARE) | 1 |
| 6 | 73120G07 | | BEARING | 1 |
| 7 | 73120G06 | | SNAP RING..... | 1 |
| 8 | 73120G09 | | COVER PLATE AND SCREW..... | 1 |
| 9 | 73120G31 | | FRAME AND FIELD COIL (INCLUDES HARDWARE) | 1 |
| 10 | 73120G19 | | COMMUTATOR END HOUSING..... | 1 |
| 11 | 73328G01 | | MAGNET | 1 |
| 12 | 01037G02 | | SCREW, #10 - 32 X 1/2" LG..... | 1 |
| 13 | 73277G01 | | RETAINING RING | 2 |
| 14 | 73327G01 | | SPEED SENSOR..... | 1 |
| 15 | 24261G1 | | SPLINE BUMPER..... | 1 |

REAR AXLE

1 - Includes Items 2 - 7

NOTE: Apply a light coat of moly grease to male spline before assembly. Reference part number 15.



REAR AXLE

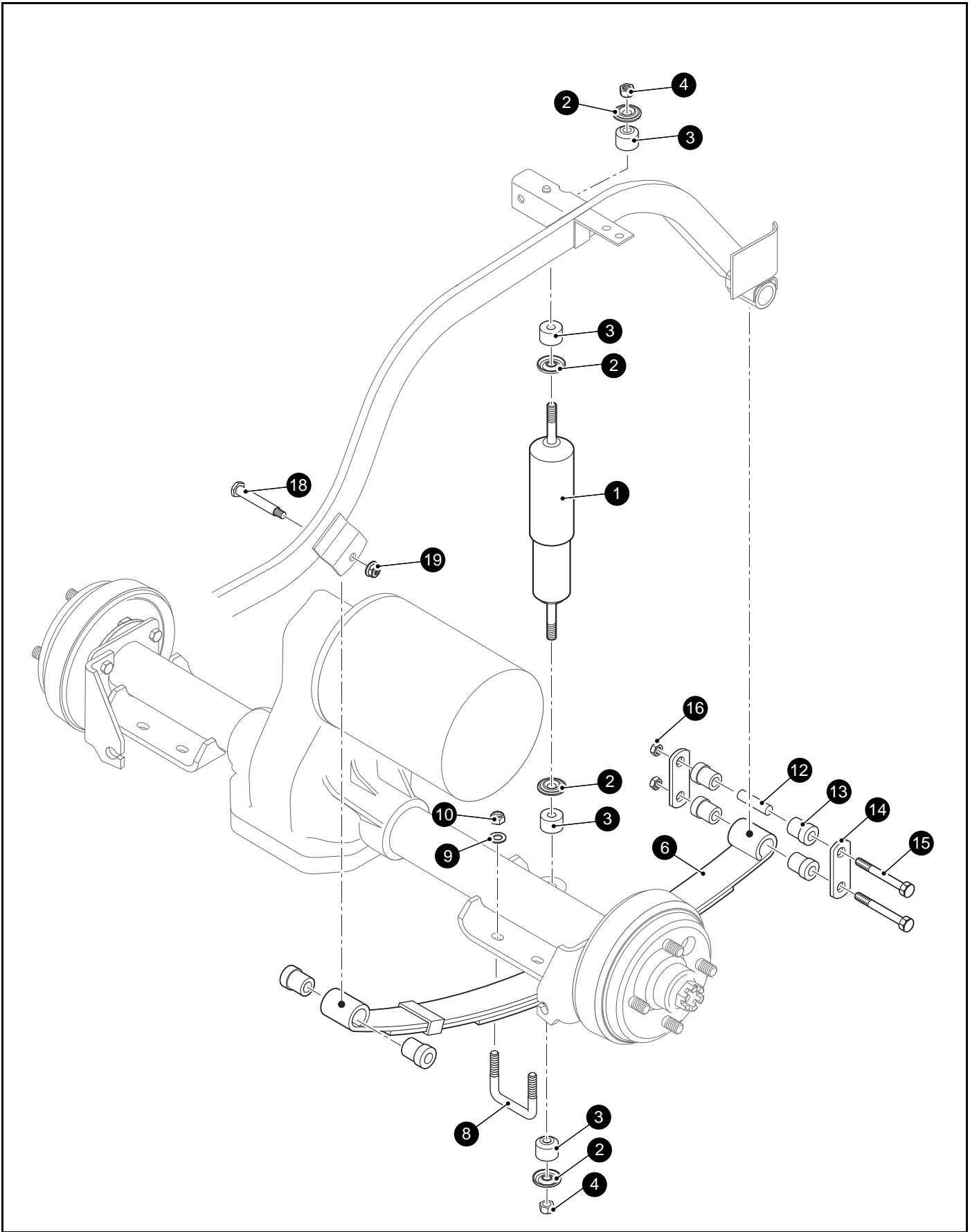
When ordering parts, please specify the model and serial number of the product.

* Indicates a component that is not available as an individual part.

*** Indicates consult Customer Service Department for additional information.

| ITEM | PART NO. | 1 2 3 4 5 | DESCRIPTION | QTY. |
|------|-----------|-----------|---|------|
| 1 | 73500G01 | | REAR AXLE ASSEMBLY (INCLUDES ITEMS 2 - 7) | 1 |
| 2 | 20377G12 | | AXLE SHAFT (PASSENGER SIDE)..... | 1 |
| 3 | 20377G11 | | AXLE SHAFT (DRIVER SIDE) | 1 |
| 4 | * | | DIFFERENTIAL COVER | 1 |
| 5 | 28610G01 | | FILL PLUG WITH 'O' RING | 1 |
| 6 | 15558G1 | | BOLT, 5/16 - 18 X 3/4" LG | 10 |
| 7 | 73050G01 | | VENT | 1 |
| 8 | | | | |
| 9 | 72763G01 | | SCUFF GUARD | 1 |
| 10 | | | | |
| 11 | XXXXX-XXX | | SPLINE BUMPER (SEE ELECTRIC MOTOR) | 1 |
| 12 | 00797G2 | | BOLT, 1/4 - 20 X 1 1/4" LG..... | 3 |
| 13 | 00664G7 | | LOCK WASHER, 1/4" | 3 |
| 14 | 01110G01 | | WASHER FLAT, 1/4" | 3 |
| 15 | 28095G01 | | MOLY LUBE, 2 OZ..... | AR |

REAR SUSPENSION



REAR SUSPENSION

When ordering parts, please specify the model and serial number of the product.

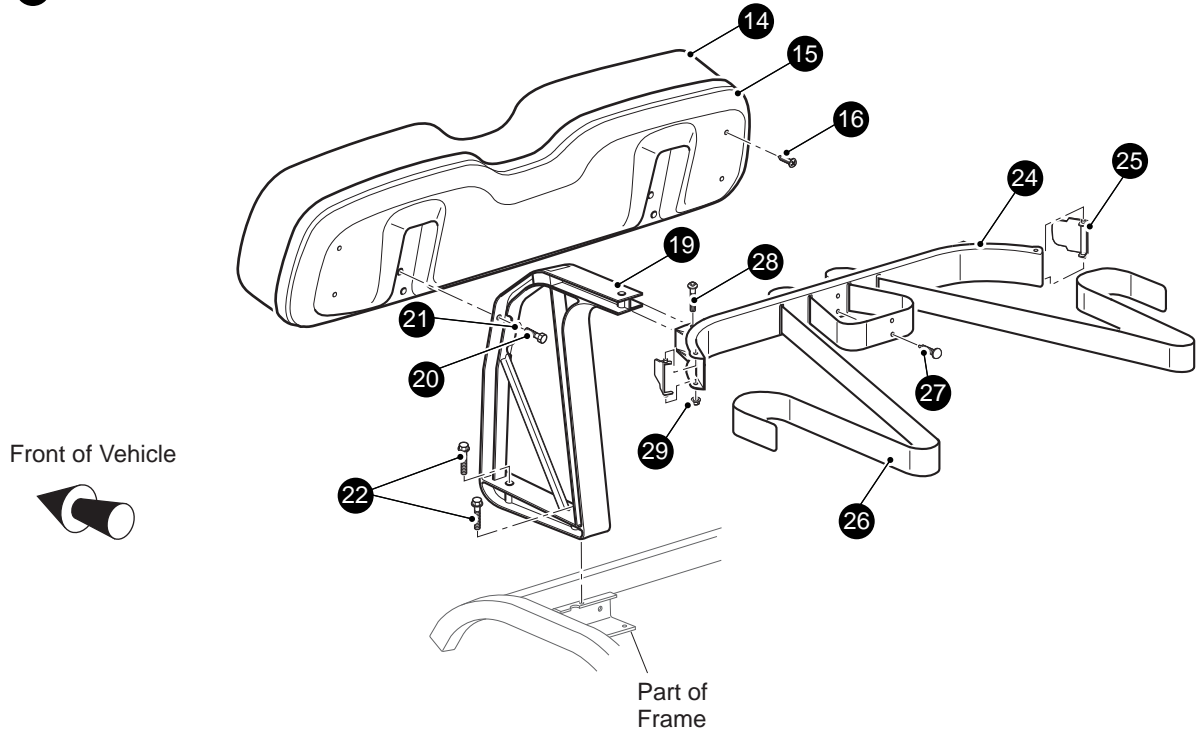
* Indicates a component that is not available as an individual part.

*** Indicates consult Customer Service Department for additional information.

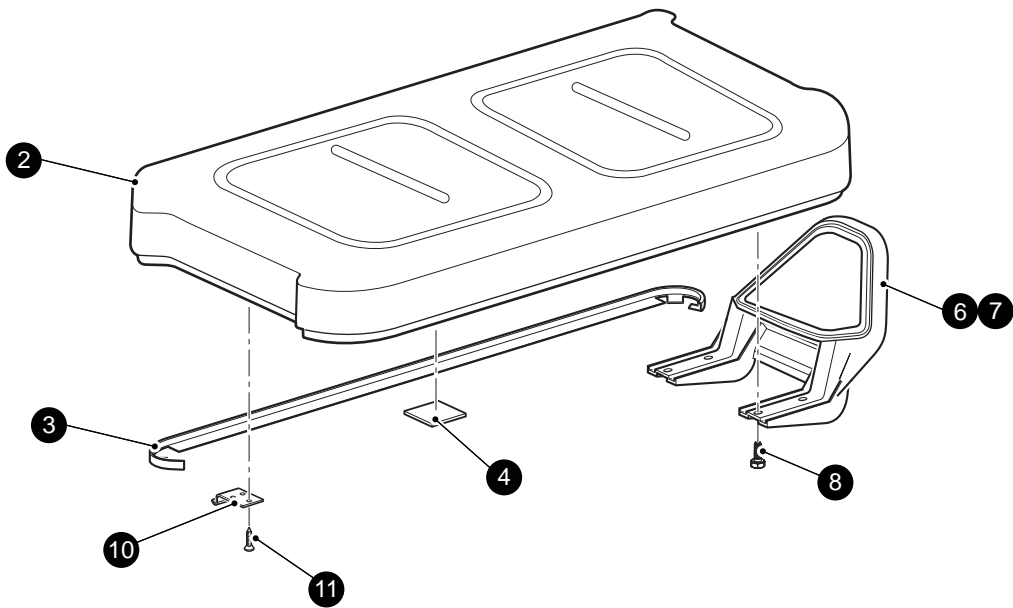
| ITEM | PART NO. | 1 2 3 4 5 | DESCRIPTION | QTY. |
|------|----------|-----------|---|------|
| 1 | 76418G01 | | SHOCK ABSORBER | 2 |
| 2 | 10435G1 | | SHOCK ABSORBER WASHER..... | 8 |
| 3 | 10194G1 | | RUBBER BUSHING..... | 8 |
| 4 | 00532G6 | | NUT, 3/8 - 24 | 4 |
| 5 | | | | |
| 6 | 74207G03 | | REAR LEAF SPRINGS (REPLACE LEFT & RIGHT SPRINGS SIMULTANEOUSLY)..... | 2 |
| 7 | | | | |
| 8 | 72618G01 | | 'U' BOLT, 3/8 - 16 X 2" X 2 1/2" LG | 4 |
| 9 | 00560G1 | | WASHER, 3/8" | 8 |
| 10 | 11098G5 | | LOCK NUT, 3/8 - 16 | 8 |
| 11 | | | | |
| 12 | 70289G02 | | SPACER..... | 4 |
| 13 | 70291G01 | | FLANGED BUSHING (LEAF SPRING)..... | 12 |
| 14 | 604961 | | SHACKLE PLATE | 4 |
| 15 | 00665G9 | | BOLT, 3/8 - 16 X 3 1/2" LG (STAINLESS STEEL) | 4 |
| 16 | 11098G5 | | LOCK NUT, 3/8 - 16 | 4 |
| 17 | | | | |
| 18 | 14158G1 | | SHOULDER BOLT, 3/8 - 16 X 3 1/4" LG..... | 2 |
| 19 | 12262G1 | | LOCK NUT, 3/8 - 16 | 2 |

SEATING & BAG HOLDER

13 - Includes Items 14 - 16



1 - Includes Items 2 - 11



SEATING & BAG HOLDER

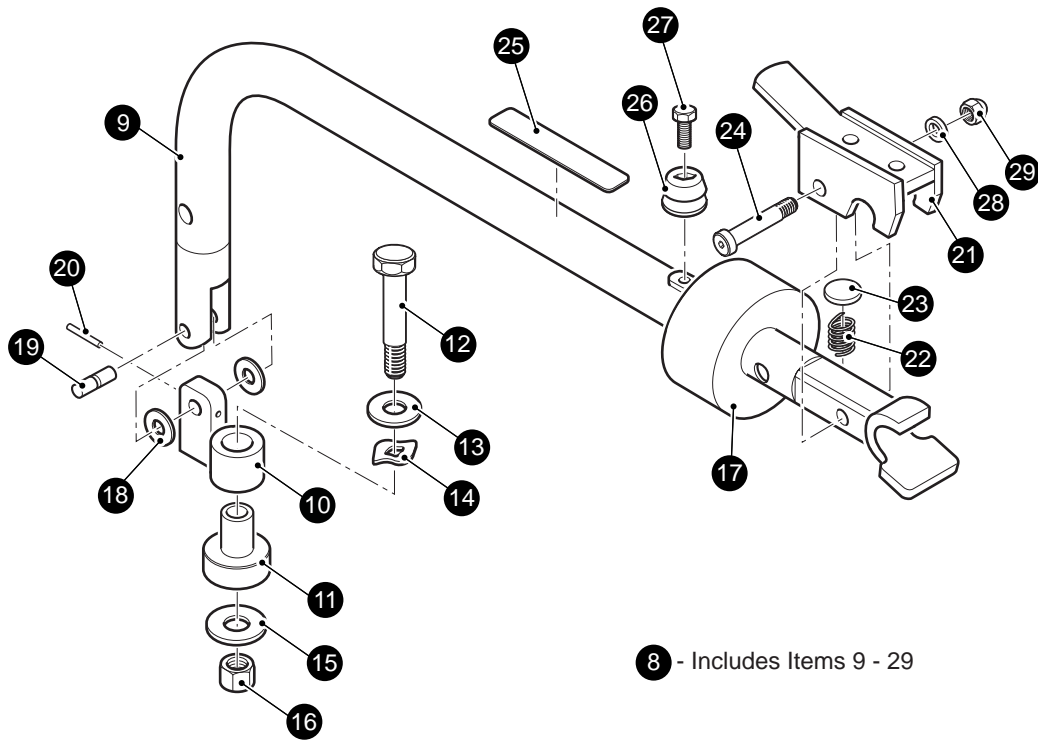
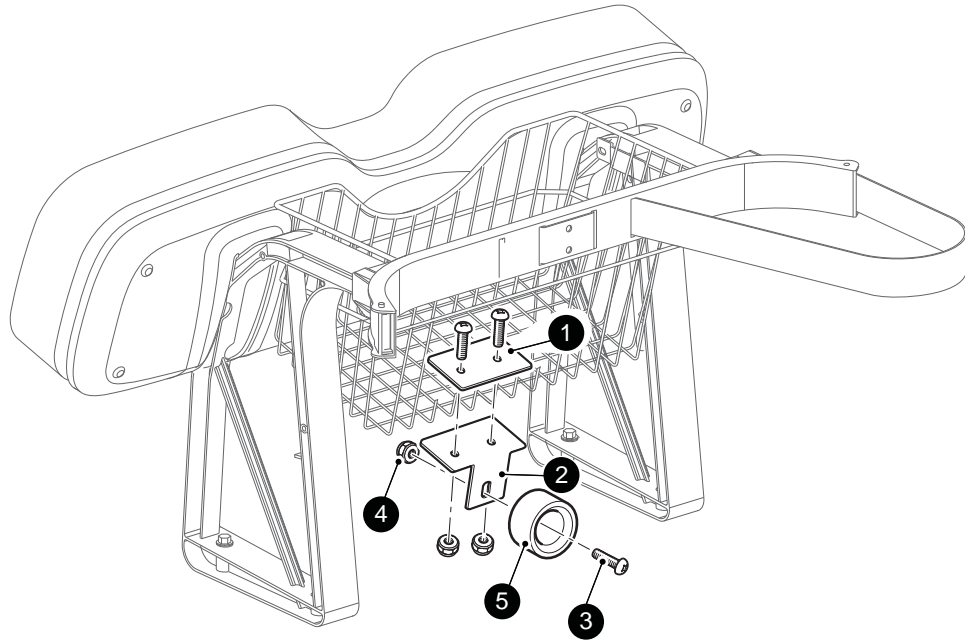
When ordering parts, please specify the model and serial number of the product.

* Indicates a component that is not available as an individual part.

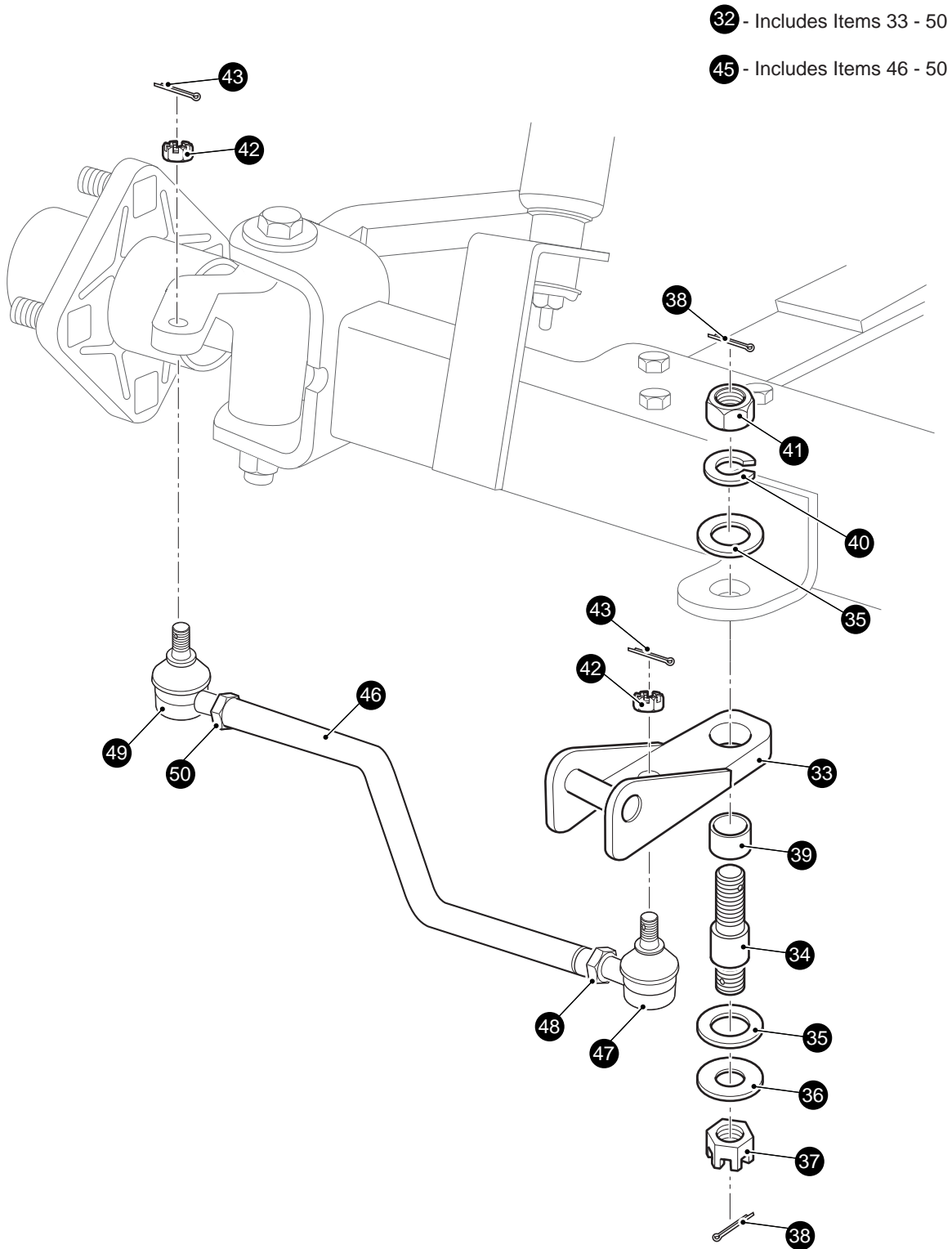
*** Indicates consult Customer Service Department for additional information.

| ITEM | PART NO. | 1 2 3 4 5 | DESCRIPTION | QTY. |
|------|----------|-----------|--|------|
| 1 | 71611G** | | SEAT BOTTOM ASSEMBLY (INCLUDES ITEMS 2 - 11) | 1 |
| 2 | 71602G** | | VINYL SEAT BOTTOM COVER | 1 |
| 3 | 71012G01 | | VINYL TRIM (SEAT BOTTOM)..... | 1 |
| 4 | 17074G1 | | RUBBER PAD | 2 |
| 5 | | | | |
| 6 | 71701G01 | | HIP RESTRAINT (PASSENGER SIDE) | 1 |
| 7 | 71702G01 | | HIP RESTRAINT (DRIVER SIDE)..... | 1 |
| 8 | 71204G01 | | BOLT, 1/4 - 20 X 7/8" LG | 8 |
| 9 | | | | |
| 10 | 71610G01 | | SEAT HINGE | 2 |
| 11 | 00720G08 | | SCREW, #12 - 14 X 1" LG (STAINLESS STEEL) | 6 |
| 12 | | | | |
| 13 | 71751G** | | SEAT BACK ASSEMBLY (INCLUDES ITEMS 14 - 16) | 1 |
| 14 | 71753G** | | VINYL SEAT BACK COVER | 1 |
| 15 | 71752G01 | | PLASTIC SEAT BACK COVER..... | 1 |
| 16 | 01107G01 | | SCREW, #8 X 5/8" LG (STAINLESS STEEL)..... | 4 |
| 17 | | | | |
| 18 | | | | |
| 19 | 71811G03 | | SEAT SUPPORT BRACKET..... | 2 |
| 20 | 605056 | | BOLT, 1/4 - 20 X 1" LG (STAINLESS STEEL) | 4 |
| 21 | 00664G7 | | LOCK WASHER, 1/4" (STAINLESS STEEL)..... | 4 |
| 22 | 01075G01 | | SCREW, 3/8 - 16 X 2 1/2" LG | 4 |
| 23 | | | | |
| 24 | 610642 | | BAG HOLDER BRACKET..... | 1 |
| 25 | 608051 | | BAG RETAINER CLAMP | 2 |
| 26 | 71853G01 | | BAG RETAINER STRAP..... | 1 |
| 27 | 16816G1 | | RATCHET FASTENER, 1/4" X 9/16" LG..... | 2 |
| 28 | 01102G01 | | CARRIAGE BOLT, 1/4 - 20 X 1 1/2" LG (STAINLESS STEEL)..... | 2 |
| 29 | 11027G2 | | LOCK NUT, 1/4 - 20 | 2 |

TOW BAR



8 - Includes Items 9 - 29



TOW BAR

When ordering parts, please specify the model and serial number of the product.

* Indicates a component that is not available as an individual part.

*** Indicates consult Customer Service Department for additional information.

| ITEM | PART NO. | 1 2 3 4 5 | DESCRIPTION | QTY. |
|------|----------|-----------|---|------|
| 1 | 75318G01 | | MOUNTING PLATE | 1 |
| 2 | 75319G01 | | STOP MOUNT PLATE..... | 1 |
| 3 | 16705G1 | | SCREW, 1/4 - 20 X 1" LG (STAINLESS STEEL) | 3 |
| 4 | 00891G2 | | LOCK NUT, 1/4 - 20 (STAINLESS STEEL) | 3 |
| 5 | 75338G02 | | FEMALE STOP | 1 |
| 6 | | | | |
| 7 | | | | |
| 8 | 75304G01 | | TOW BAR ASSEMBLY (TOWING VEHICLE) (INCLUDES ITEMS 9 - 29) | 1 |
| 9 | 75299G01 | | TOW BAR | 1 |
| 10 | 75302G01 | | UPPER PIVOT | 1 |
| 11 | 75291G01 | | LOWER PIVOT | 1 |
| 12 | 00410G8 | | BOLT, 1/2 - 20 X 3" LG. | 1 |
| 13 | 00675G3 | | WASHER, 1/2" (STAINLESS STEEL)..... | 1 |
| 14 | 75339G01 | | SPRING WASHER..... | 1 |
| 15 | 00571G5 | | WASHER, 1/2" | 1 |
| 16 | 11098G8 | | LOCK NUT, 1/2 - 20 | 1 |
| 17 | 75362G01 | | LATCH STOP | 1 |
| 18 | 75340G01 | | WASHER, 3/8" | 2 |
| 19 | 75360G01 | | PIVOT PIN | 1 |
| 20 | 13571G7 | | SPRING PIN | 1 |
| 21 | 75303G01 | | LATCH..... | 1 |
| 22 | 20852G2 | | COMPRESSION SPRING | 1 |
| 23 | 25661G02 | | CUP WASHER..... | 1 |
| 24 | 13005G4 | | SHOULDER BOLT, 5/16 - 18 X 2" LG..... | 1 |
| 25 | 75370G01 | | LABEL (WARNING) | 1 |
| 26 | 75338G03 | | MALE STOP..... | 1 |
| 27 | 12547G4 | | BOLT, 6MM X 1 X 30 MM LG | 1 |
| 28 | 00565G8 | | LOCK WASHER, 5/16" | 1 |
| 29 | 00520G3 | | ACORN NUT, 5/16 - 18 (STAINLESS STEEL)..... | 1 |
| 30 | | | | |
| 31 | | | | |

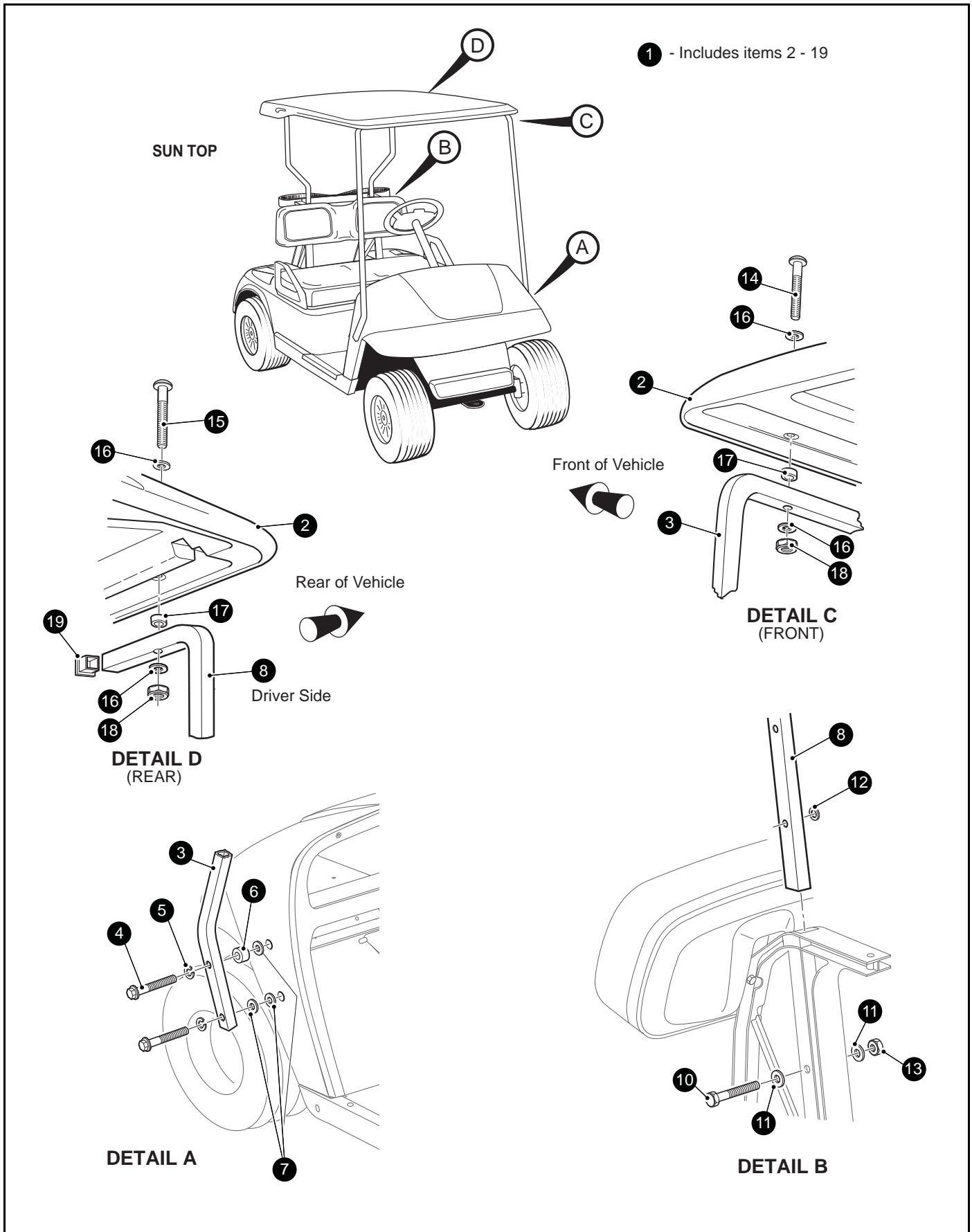
When ordering parts, please specify the model and serial number of the product.

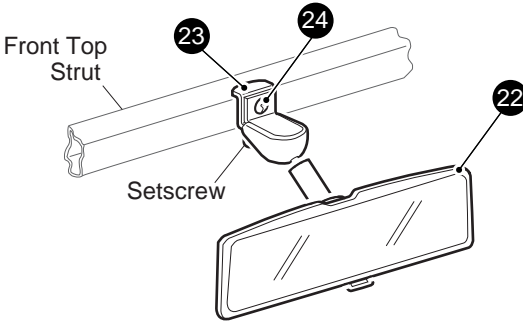
* Indicates a component that is not available as an individual part.

*** Indicates consult Customer Service Department for additional information.

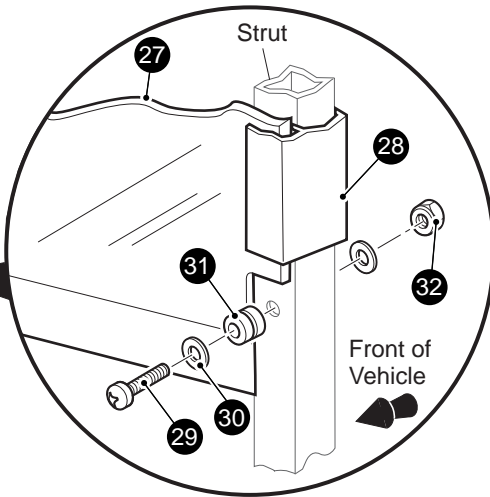
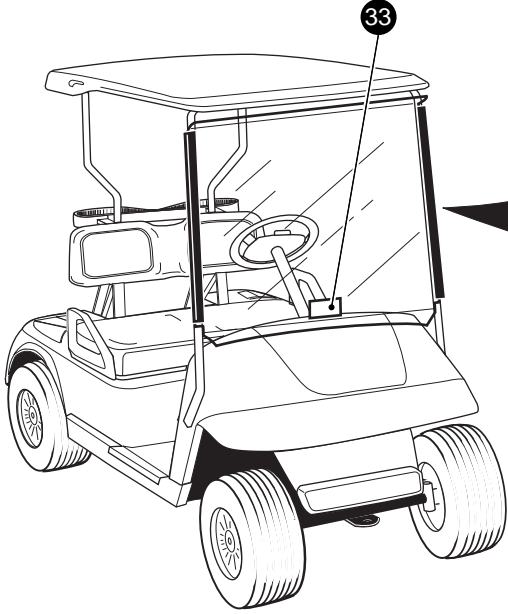
| ITEM | PART NO. | 1 2 3 4 5 | DESCRIPTION | QTY. |
|------|----------|-----------|--|------|
| 32 | 75308G01 | | TOW BAR HITCH ASSEMBLY (TOWED VEHICLE) (INCLUDES ITEMS 33 - 50) | 1 |
| 33 | 75305G01 | | HITCH..... | 1 |
| 34 | 75292G01 | | PIVOT BOLT | 1 |
| 35 | 75309G01 | | THRUST WASHER | 2 |
| 36 | 75342G01 | | WASHER, 3/4" | 1 |
| 37 | 613172 | | CASTELLATED NUT, 3/4 - 16 | 1 |
| 38 | 10387G1 | | COTTER PIN, 1/8" X 1 1/2" LG | 2 |
| 39 | 75307G01 | | BEARING | 1 |
| 40 | 00566G6 | | SPLIT LOCK WASHER, 3/4" | 1 |
| 41 | 00533G8 | | NUT, 3/4 - 16 | 1 |
| 42 | 50209G2 | | CASTELLATED NUT, 7/16 - 20 | 2 |
| 43 | 10387G2 | | COTTER PIN, 3/32" X 1" LG | 2 |
| 44 | | | | |
| 45 | 602981 | | TIE ROD ASSEMBLY (INCLUDES ITEMS 46 - 50) | 1 |
| 46 | 603089 | | THREADED ROD | 1 |
| 47 | 27205G01 | | TIE ROD END (LEFT HAND THREADS) | 1 |
| 48 | 18434G3 | | JAM NUT, M12 X 1.25-05 (LEFT HAND THREADS)..... | 1 |
| 49 | 27205G02 | | TIE ROD END (RIGHT HAND THREADS)..... | 1 |
| 50 | 18434G4 | | JAM NUT, M12 X 1.25-05 (RIGHT HAND THREADS) | 1 |

WEATHER PROTECTION

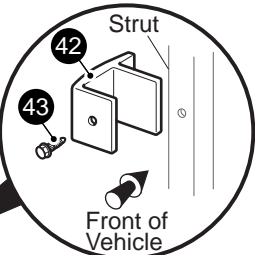
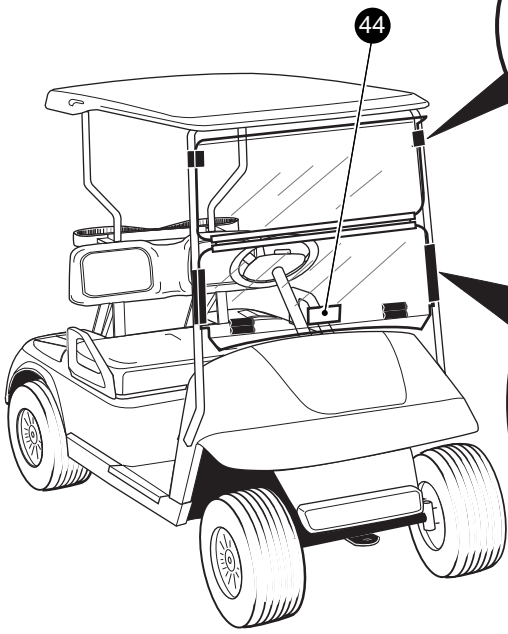




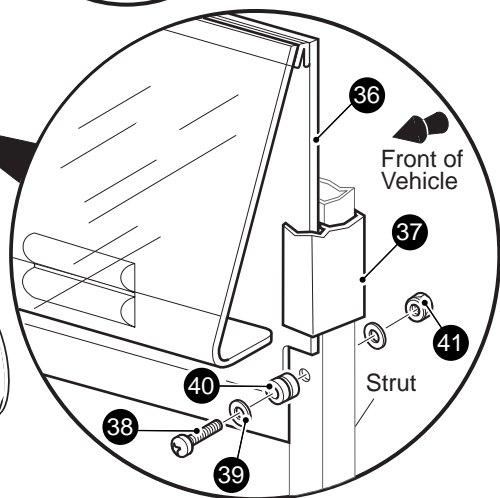
REAR VIEW MIRROR
21 - Includes Items 22 - 24



FULL WINDSHIELD
26 - Includes Items 27 - 33

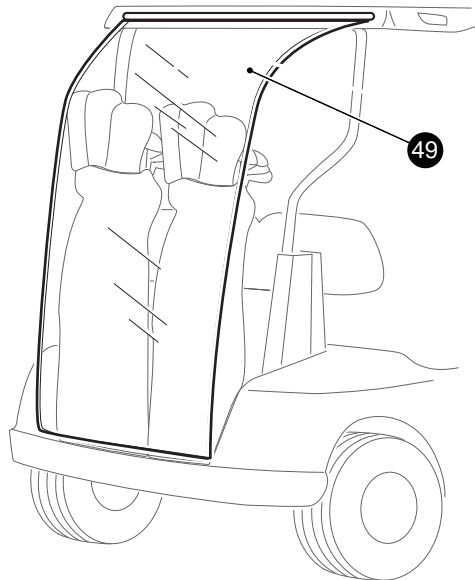
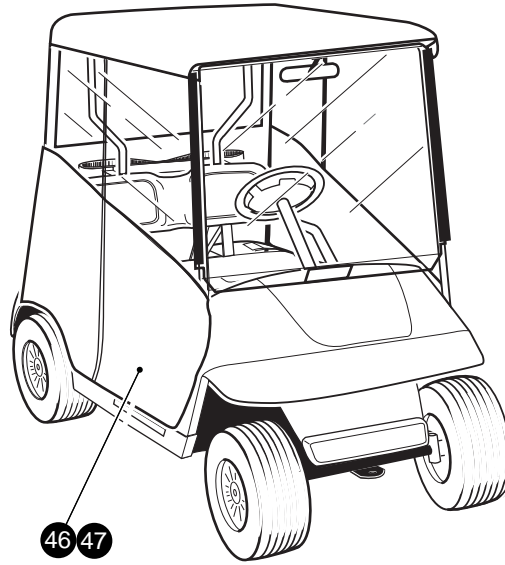


FOLD DOWN WINDSHIELD
35 - Includes Items 36 - 44



WEATHER PROTECTION

WEATHER ENCLOSURE



BAG AND RAIN CURTAIN

WEATHER PROTECTION

When ordering parts, please specify the model and serial number of the product.

* Indicates a component that is not available as an individual part.

*** Indicates consult Customer Service Department for additional information.

| ITEM | PART NO. | 1 2 3 4 5 | DESCRIPTION | QTY. |
|------|----------|-----------|---|------|
| 1 | 75040G** | | SUN TOP KIT (INCLUDES ITEMS 2 - 19) | 1 |
| 2 | 27069G** | | SUN TOP | 1 |
| 3 | 75045G05 | | FRONT STRUT | 1 |
| 4 | 000440G2 | | SCREW - CAP - 5/16 - 18 X 2 1/4" | 4 |
| 5 | 00559G8 | | WASHER - 5/16" FL - B - CP | 4 |
| 6 | 75048G01 | | SPACER, 1/2" | 2 |
| 7 | 00570G2 | | WASHER, 5/16" | 6 |
| 8 | 75046G02 | | REAR STRUT | 2 |
| 9 | | | | |
| 10 | 00685G7 | | BOLT, 5/16 - 18 X 1 3/4" LG (STAINLESS STEEL) | 4 |
| 11 | 01110G03 | | WASHER, 5/16" (STAINLESS STEEL) | 8 |
| 12 | 17255G1 | | TEFLON WASHER, 5/16" | 4 |
| 13 | 01109G01 | | LOCK NUT, 5/16 - 18 (STAINLESS STEEL) | 4 |
| 14 | 00753G5 | | SCREW, 1/4 - 20 X 2" LG (STAINLESS STEEL) | 2 |
| 15 | 00753G6 | | SCREW, 1/4 - 20 X 2 1/4" LG (STAINLESS STEEL) | 2 |
| 16 | 01110G01 | | WASHER, 1/4" (STAINLESS STEEL) | 8 |
| 17 | 75051G01 | | SPACER | 4 |
| 18 | 00654G2 | | LOCK NUT, 1/4 - 20 (STAINLESS STEEL) | 4 |
| 19 | 19853G1 | | END CAP, 1" | 2 |
| 20 | | | | |
| 21 | 19528G2 | | REAR VIEW MIRROR KIT (INCLUDES ITEMS 22 - 24) | 1 |
| 22 | 19496G1 | | REAR VIEW MIRROR | 1 |
| 23 | 19502G2 | | SUPPORT BRACKET | 1 |
| 24 | 19527G1 | | SCREW, #8 - 32 X 5/8" LG (STAINLESS STEEL) | 1 |
| 25 | | | | |
| 26 | 75524G01 | | WINDSHIELD KIT (INCLUDES ITEMS 27 - 33) | 1 |
| 27 | * | | WINDSHIELD | 1 |
| 28 | EGWHC12 | | SASH, 26" LG | 2 |
| 29 | EGWHS12 | | SCREW, 1/4 - 20 X 1 3/4" LG (STAINLESS STEEL) | 2 |
| 30 | EGWHW12 | | WASHER, 1/4" (STAINLESS STEEL) | 4 |
| 31 | EGWHG13 | | RUBBER GROMMET | 2 |

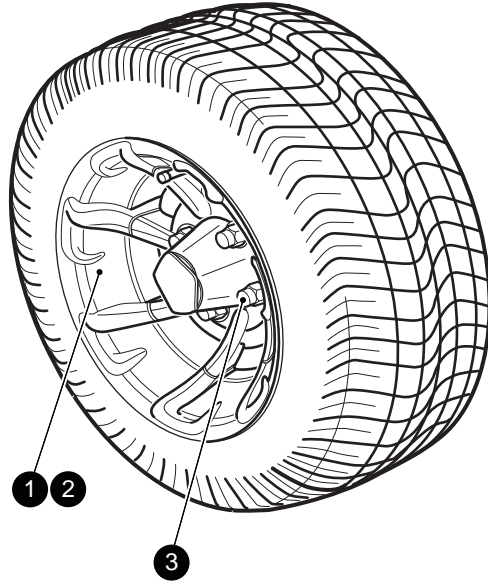
WEATHER PROTECTION

When ordering parts, please specify the model and serial number of the product.

* Indicates a component that is not available as an individual part.

*** Indicates consult Customer Service Department for additional information.

| ITEM | PART NO. | 1 | 2 | 3 | 4 | 5 | DESCRIPTION | QTY. |
|------|----------|---|---|---|---|---|--|------|
| 32 | EGWHN12 | | | | | | LOCK NUT, 1/4 - 20 (STAINLESS STEEL)..... | 2 |
| 33 | EGWHL14 | | | | | | LABEL (SAFETY)..... | 1 |
| 34 | | | | | | | | |
| 35 | 74910G01 | | | | | | FOLD DOWN WINDSHIELD KIT (INCLUDES ITEMS 36 - 44)..... | 1 |
| 36 | * | | | | | | WINDSHIELD..... | 1 |
| 37 | EGWHC10 | | | | | | SASH, 12" LG | 2 |
| 38 | EGWHS12 | | | | | | SCREW, 1/4 - 20 X 1 3/4" LG (STAINLESS STEEL)..... | 2 |
| 39 | EGWHW12 | | | | | | WASHER, 1/4" (STAINLESS STEEL)..... | 4 |
| 40 | EGWHG13 | | | | | | RUBBER GROMMET | 2 |
| 41 | EGWHN12 | | | | | | LOCK NUT, 1/4 - 20 (STAINLESS STEEL)..... | 2 |
| 42 | 137-010 | | | | | | TOP GRIP, 3/4" X 2" | 2 |
| 43 | 136-008 | | | | | | TOP GRIP FASTENER..... | 2 |
| 44 | EGWHL14 | | | | | | LABEL (SAFETY)..... | 1 |
| 45 | | | | | | | | |
| 46 | 75078G01 | | | | | | WEATHER ENCLOSURE (3 SIDED) RECOMMENDED FOR VEHICLES WITH WINDSHIELDS | 1 |
| 47 | 75079G01 | | | | | | WEATHER ENCLOSURE (4 SIDED) RECOMMENDED FOR VEHICLES WITHOUT WINDSHIELDS | 1 |
| 48 | | | | | | | | |
| 49 | 75191G01 | | | | | | BAG COVER AND RAIN CURTAIN KIT | 1 |
| | | | | | | | For service or replacement windshield parts, contact: Eagle Parts, Inc. 1411 Marvin Griffin Rd. Augusta, GA 30906 Telephone (706) 790-6687 or FAX (706) 790-6066 | |



CHROME HUBCAP

4

WHEELS AND TIRES

When ordering parts, please specify the model and serial number of the product.

* Indicates a component that is not available as an individual part.

*** Indicates consult Customer Service Department for additional information.

| ITEM | PART NO. | 1 2 3 4 5 | DESCRIPTION | QTY. |
|------|----------|-----------|--|------|
| 1 | 606179 | | TIRE & WHEEL ASSEMBLY 18 X 10 - 10 SPEED RACER | 2 |
| 2 | 606240 | | TIRE & WHEEL ASSEMBLY 18 X 10 - 10 SPEED RACER | 2 |
| 3 | 606925 | | LUG NUTS | 16 |
| 4 | 608910 | | WHEEL CAP CHROME FINISH | 4 |

SPECIALTY PRODUCTS

SPECIALITY PRODUCTS

| SPECIAL TOOLS | PART NO. |
|---|-----------------|
| BATTERY MAINTENANCE KIT | 25587G01 |
| SEAL INSTALLATION TOOL (REAR AXLE SHAFT SEAL) | 18739G1 |
| BATTERY SET DISCHARGER, 36 VOLT, 75 AMP | 28251G01 |
| CURRENT INDICATOR | 16489G2 |
| DIGITAL MULTI-METER | 27481G01 |
| CRIMPING TOOL | 27765G01 |
| TUBELESS TIRE REPAIR KIT | 606009 |
| TIRE PLUGGER REFILL PACK | 606831 |

| TOUCH UP PAINT | PART NO. |
|---|-----------------|
| PEN 3 OUNCE (89 ML) - HUNTER GREEN | 28432G02 |
| PEN 3 OUNCE (89 ML) - CHAMPAGNE BEIGE | 28432G01 |
| PEN 3 OUNCE (89 ML) - WHITE | 28432G05 |
| PEN 3 OUNCE (89 ML) - INDUSTRIAL YELLOW..... | 28432G03 |
| PEN 3 OUNCE (89 ML) - ORANGE | 28432G04 |
| PEN 3 OUNCE (89 ML) - STEEL BLUE PEARL | 28432G** |
| PEN 3 OUNCE (89 ML) - CAMOUFLAGE PAINT (THREE PENS) | 75831G01 |
| AEROSOL 12 OUNCE (360 ML) - HUNTER GREEN | 28140G09 |
| AEROSOL 12 OUNCE (360 ML) - CHAMPAGNE BEIGE | 28140G15 |
| AEROSOL 12 OUNCE (360 ML) - INDUSTRIAL YELLOW..... | 28140G14 |

| MAINTENANCE PRODUCTS | PART NO. |
|--|-----------------|
| PLEXUS® CLEANER, 13 OUNCE (380 ML) (FOR WINDSHIELDS) | 28433G02 |
| BATTERY PROTECTOR, 14 OUNCE (410 ML) SPRAY | 27619G02 |
| E-Z-GO ALL SURFACE CLEANER | 606311 |
| E-Z-GO FIBREGLASS/PLASTIC RESTORER | 606313 |
| WINDSHIELD AND PLASTIC PROTECTOR | 606314 |
| 64 OZ HANDCLEANER..... | 607636 |
| 4 OZ HAND CLEANER..... | 607637 |

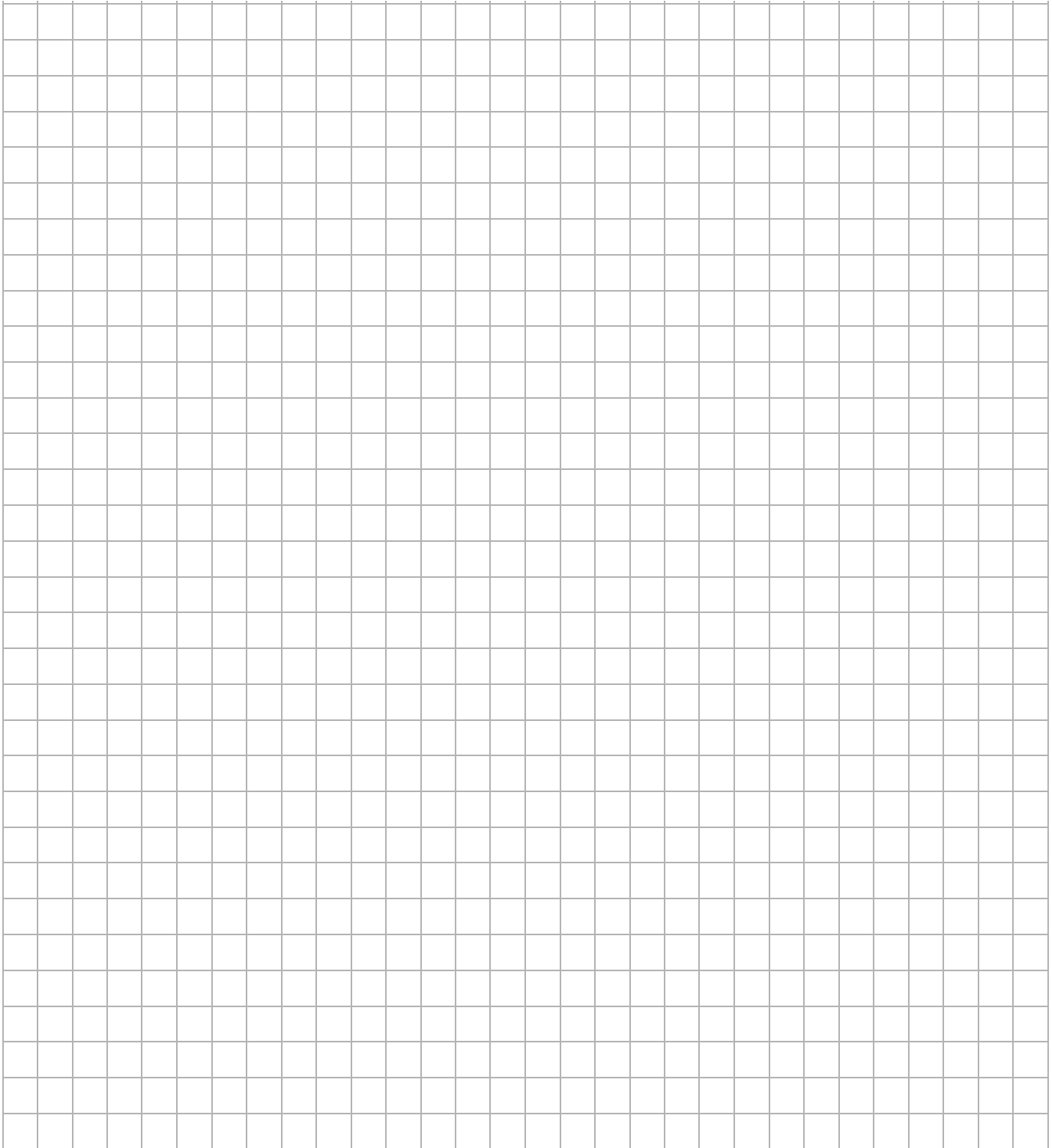
OPTIONS/ACCESSORIES

OPTIONS/ACCESSORIES

| | | |
|---|--------------------|-------------------------------|
| 2 BAG ATTACHMENT | 75183G01 | Body -Footrest |
| 4 BAG ATTACHMENT | 75335G01 | Body - Accessories Continued |
| ASHTRAY KIT | 75109G03 | Body - Accessories Continued |
| CENTER BASKET | 75003G01 | Body - Accessories |
| COOLER JUG AND BRACKET KIT | 75495G01 | Body - Accessories Continued |
| COOLER BOX AND BRACKET KIT | 75344G01 | Body - Accessories Continued |
| DIVOT REPAIR KIT | 23300G1 | Body - Accessories |
| MESSAGE HOLDER KIT (REQUIRES SUN TOP) | 75509G01 | Body - Accessories Continued |
| MESSAGE HOLDER KIT (REQUIRES SUN TOP) | 75496G01 | Body - Accessories Continued |
| REAR VIEW MIRROR (REQUIRES SUN TOP) | 19528G2 | Weather Protection - Golf Car |
| SAND BOTTLE | 28661G** | Body - Accessories |
| SAND RAKE | 14735G1 | Body - Accessories Continued |
| SAND RAKE HOLDER | 75006G01 | Body - Accessories Continued |
| SIDE BASKET | 75007G** | Body - Accessories |
| SUN TOP KIT, GOLF CAR | 75040G** | Weather Protection - Golf Car |
| TOW BAR KIT (PERMANENT) | 75361G01 | Tow Bar - Permanent |
| WINDSHIELD KIT, GOLF CAR | 75524G01 | Weather Protection, Golf Car |
| WINDSHIELD KIT, FOLD DOWN, GOLF CAR | 74910G01 | Weather Protection, Golf Car |
| BFS - INSTALLATION | 607108 | Electrical System |
| NOZZLE GUN - BFS-08 | 608813 | Electrical System |

OPTIONS/ACCESSORIES

Notes:

A large grid of graph paper, consisting of 20 columns and 30 rows of small squares, intended for taking notes.



A Textron Company

E-Z-GO Division of Textron Inc.,
1451 Marvin Griffin Road, Augusta, Georgia 30906 - 3852 USA

TO CONTACT US...

North America:

**Technical Assistance & Warranty
Service Parts**

Phone: 1-800-774-3946, FAX: 1-800-448-8124

Phone: 1-888-GET-E-Z-GO (1-888-438-3946), FAX: 1-800-752-6175

International:

Phone: 001-706-798-4311, FAX: 001-706-771-4609

ISO 9001
ISO 14001

BUREAU VERITAS
Certification



Copyrighted Material
This manual may not be reproduced in whole or
in part without the express permission of
E-Z-GO Division of Textron Inc.
Technical Communications Department