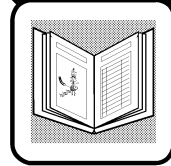


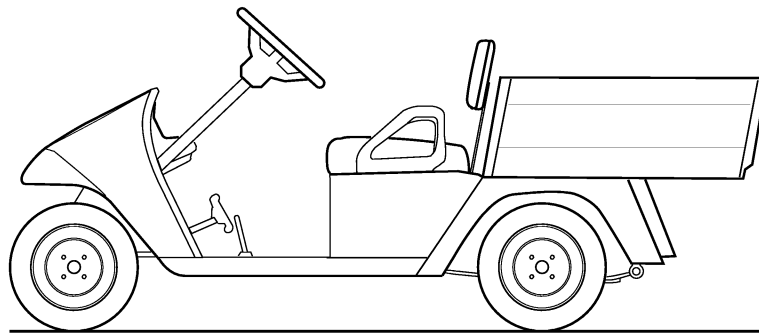
28508-G01



a **TEXTRON** Company



SERVICE PARTS MANUAL



ELECTRIC POWERED UTILITY VEHICLE (800 SERIES)

MODEL YEAR: 1998

REVISED: 6/99

SERVICE PARTS MANUAL



ELECTRIC POWERED UTILITY VEHICLE

E-Z-GO Division of Textron reserves the right to make design changes without obligation to make these changes on units previously sold and the information contained in this manual is subject to change without notice.

E-Z-GO Division of Textron is not liable for errors in this manual or for incidental or consequential damage that result from the use of material in this manual.

SERVICE PARTS DEPARTMENT INSIDE USA PHONE 1-800-227-7029 FAX 1-800-752-6175

OUTSIDE USA PHONE 010-1-706-798-4311 FAX 010-1-706-771-4601

E-Z-GO DIVISION OF TEXTRON, INC., P.O. BOX 388, AUGUSTA, GEORGIA 30903-0388



LIMITED WARRANTY

WARRANTY

TO OBTAIN A COPY OF THE LIMITED WARRANTY THAT IS APPLICABLE TO YOUR VEHICLE, CALL OR WRITE YOUR LOCAL DISTRIBUTOR, BRANCH OR THE E-Z-GO WARRANTY DEPARTMENT.

THE USE OF NON E-Z-GO PARTS AND HARDWARE MAY VOID YOUR WARRANTY.

OVERFILLING OF BATTERIES MAY VOID YOUR VEHICLE WARRANTY

GENERAL INDEX

SECTIONS Page No.

How to use the **E-Z-GO** Service Manual vii

Illustration Page No.

ACCELERATOR

- Accelerator Pedal, Pedal Box A-1

BATTERY CHARGER

- PowerWise™ Battery Charger B-1

BODY

- Front Cowl, Instrument Panel, Floor Panel, Front Shield C-1
- Front Cowl (Metal), Instrument Panel, Floor Panel C-2
- Seat Frame, Battery Tray, Splash Panels, Floor Mat, Seat Wrap, Side Panels, Rocker Panels C-3
- Seat Filler Panels, Rear Fenders, Rear Panel, Front Bumper..... C-4
- Ash Tray, Ball Hitch, "C" Hitch..... C-5

BRAKES

- Brake Pedal (with brake lights)..... D-1
- Brake Pedal (without brake lights)..... D-2
- Brake Linkage D-3
- Wheel Brake..... D-4

CAB & ACCESSORIES

- Cab..... E-1
- Cab Mounts, Windshield Wiper E-2
- Doors, Strobe Light E-3
- Control Panel, Fan, Work Light..... E-4

DIRECTION SELECTOR

- Direction Selector F-1

ELECTRIC MOTOR

- Electric Motor G-1

ELECTRICAL SYSTEM

- Batteries H-1
- Charger Receptacle, Fuse Block..... H-2
- Ignition Switch, State of Charge Meter, Horn..... H-3
- Headlight H-4
- Brake Pedal & Taillight Connections..... H-5



GENERAL INDEX

Illustrated Parts Breakdown:

Illustration	Page No.
• Turn Signal, Hour Meter	H-6
• Work Lights, Strobe Light.....	H-7
ELECTRONIC SPEED CONTROL - HD	
• Electronic Speed Control, Cover, Solenoid.....	J-1
• Electronic Speed Control Wiring, Solenoid Wiring.....	J-2
FRONT SUSPENSION	
• Front Axle, Spindle, Wheel Hub, Shock Absorber, Spring	K-1
REAR AXLE	
• Differential Cover, Drain Plug, Vent, Differential Guard.....	L-1
REAR SUSPENSION	
• Spring, Shock Absorber.....	M-1
SEATING	
• Seat Bottom, Seat Back, Hip Restraint.....	N-1
STEERING	
• Steering Box, Steering Shaft/Column/Wheel, Tie Rods.....	P-1
TRUCKBED	
• Manual Dump Bed, Tailgate, Decals.....	Q-1
• Tilt Latch, Bed Stop Cable	Q-2
• Bed Liner, Bed Pivot Frame	Q-3
• Flat Bed	Q-4
• Electric Dump Bed, Tailgate, Decals.....	Q-9
• Bed Liner, Bed Pivot Frame	Q-10
• Actuator, Battery Connections, Toggle Switch	Q-11
WEATHER PROTECTION	
• Sun Top.....	R-1
• Windshield, Side Mirror.....	R-2
• Inside mirror, 3-Sided Soft Enclosure	R-3
WHEELS AND TIRES	
• Tire and Wheel Assembly, Wheel Rim, Valve Stem	S-1
• Hubcaps.....	S-2

GENERAL INDEX

SPECIALTY PRODUCTS..... Appendix A

- Special Tools
- Paint
- Performance Products

ACCESSORIES Appendix B

- Accessory Listing

HOW TO USE THE E-Z-GO SERVICE PARTS MANUAL

This manual is divided into several sections:

- GENERAL INFORMATION
- ILLUSTRATED PARTS BREAKDOWN
- APPENDIX

The first section, GENERAL INFORMATION, contains the following information:

- WARRANTY INFORMATION
- GENERAL INDEX
- HOW TO USE THE E-Z-GO SERVICE PARTS MANUAL

The second section, ILLUSTRATED PARTS BREAKDOWN, contains illustrations and parts lists for all systems of your vehicle.

The third section, APPENDIX, contains a list of Specialty Products and Accessories.

USE OF THE MANUAL

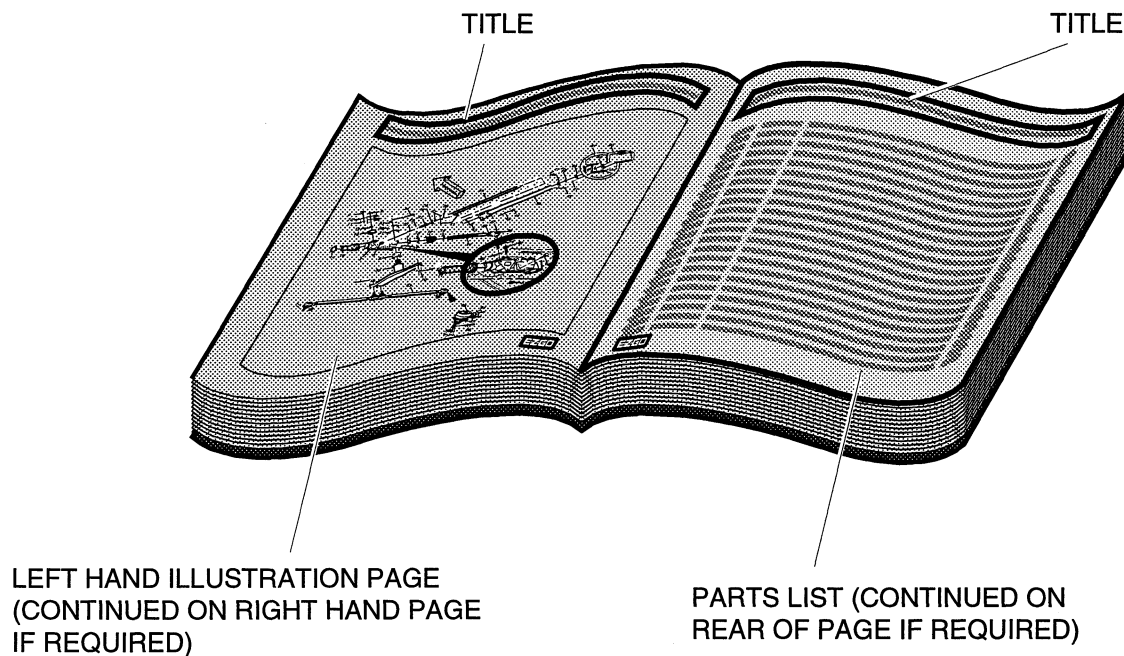
To use this manual, consult the GENERAL INDEX to locate the information or illustration required.

Introduction of some revisions varies due to supply of components; therefore, it is possible that various combinations of components may be found that are not directly reflected by each illustration. Consult the illustration that best suits your situation and then contact the Service Parts Department. It is important that the serial number of your vehicle and its model number be supplied to Service Parts when ordering any replacement components.

Locate the serial number plate (see Body located in the ILLUSTRATED PARTS BREAKDOWN section of this manual for its location) and note the complete number shown on the plate.



HOW TO USE THE E-Z-GO SERVICE PARTS MANUAL



1. WHEN THE PART NUMBER IS NOT KNOWN

- Determine the function and application of the part required. Turn to the General Index and select the most appropriate title.
- Turn to the page number indicated and locate the desired part on the illustration.
- From the illustration, obtain the item number assigned to the desired part. Refer to the accompanying description for specific information regarding the part.

2. IF YOU KNOW THE PART NUMBER

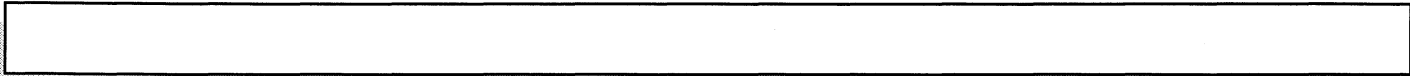
- Locate the part number or description in the appropriate column on the parts list page.

NOTE: It is suggested that you confirm that the part selected is correct by verifying it with the pictorial representation on the illustrated page.

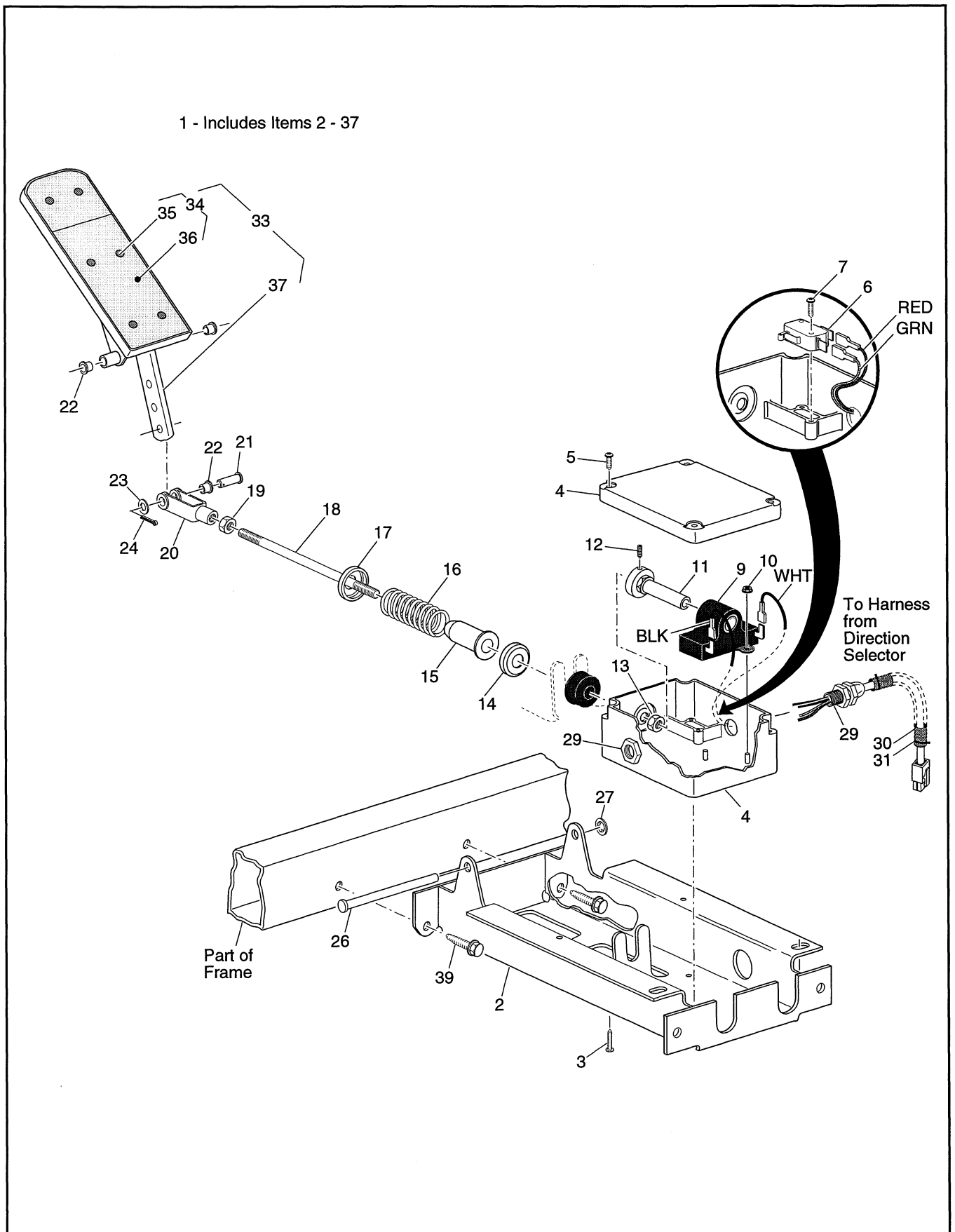
Should an asterisk (*) appear in the part number column on the parts list page, read upwards until a part number is found. The part number is the lowest assembly sold by E-Z-GO and the asterisk (*) indicates that the part depicted is not available for sale by E-Z-GO.

NOTE: Descriptions are indented under the assembly that they are used on. That assembly is, in turn listed under the assembly that it is used on. This process is repeated until the highest final assembly is reached.

To facilitate the maintenance and repair of the vehicle, a Technician's Repair and Service Manual will be available from the E-Z-GO Service Parts Department.



ILLUSTRATED PARTS BREAKDOWN



THE USE OF NON UL PARTS WILL VOID ANY UL LISTING.

When ordering parts, please specify the model and serial number of the product.

* Indicates a component that is not available as an individual part.

G** Indicates consult Customer Service Department for additional information.

ITEM	PART NO.	1 2 3 4 5	DESCRIPTION	QTY.
1	25870-G03		PEDAL BOX ASSEMBLY (INCLUDES ITEMS 2 - 37).....	1
2	70116-G01		ACCELERATOR PEDAL BRACKET	1
3	00984-G01		SCREW, #8 - 10 X 1/2" LG.....	4
4	25853-G01		PEDAL BOX AND COVER.....	1
5	00684-G6		SCREW, #8 - 32 X 3/4" LG.....	4
6	25861-G01		MICRO SWITCH.....	1
7	00982-G01		SCREW, #4 - 14 X 5/8" LG.....	2
8				
9	25854-G01		INDUCTIVE THROTTLE SENSOR.....	1
10	00983-G01		SELF THREADING NUT, 3/16"	2
11	26551-G01		PLUNGER	1
12	00486-G2		SETSCREW, #8 - 32 X 1/8" LG.....	1
13	00550-G2		LOCK NUT, 1/4 - 28.....	1
14	17677-G1		SPRING RETAINER, 1/2"	1
15	17979-G1		BUSHING	1
16	73046-G01		COMPRESSION SPRING	1
17	17677-G2		SPRING RETAINER, 3/8"	1
18	25859-G01		ACCELERATOR ROD	1
19	00532-G4		LOCK NUT, 5/16 - 24.....	1
20	10385-G4		CLEVIS YOKE (ADJUSTABLE).....	1
21	10386-G3		CLEVIS PIN, 5/16" X 1" LG	1
22	17838-G1		NYLON BUSHING	3
23	17255-G1		TEFLON WASHER, 5/16".....	1
24	10387-G3		COTTER PIN, 3/32" X 3/4" LG	1
25				
26	70134-G01		PEDAL PIVOT PIN	1
27	00986-G01		PUSH NUT, 9/32"	1
28				
29	25879-G03		WIRING HARNESS (PEDAL BOX ASSEMBLY)	1
30	17313-G1		LOOM FLEX, 3/8" X 6" LG (BULK).....	1



THE USE OF NON UL PARTS WILL VOID ANY UL LISTING.

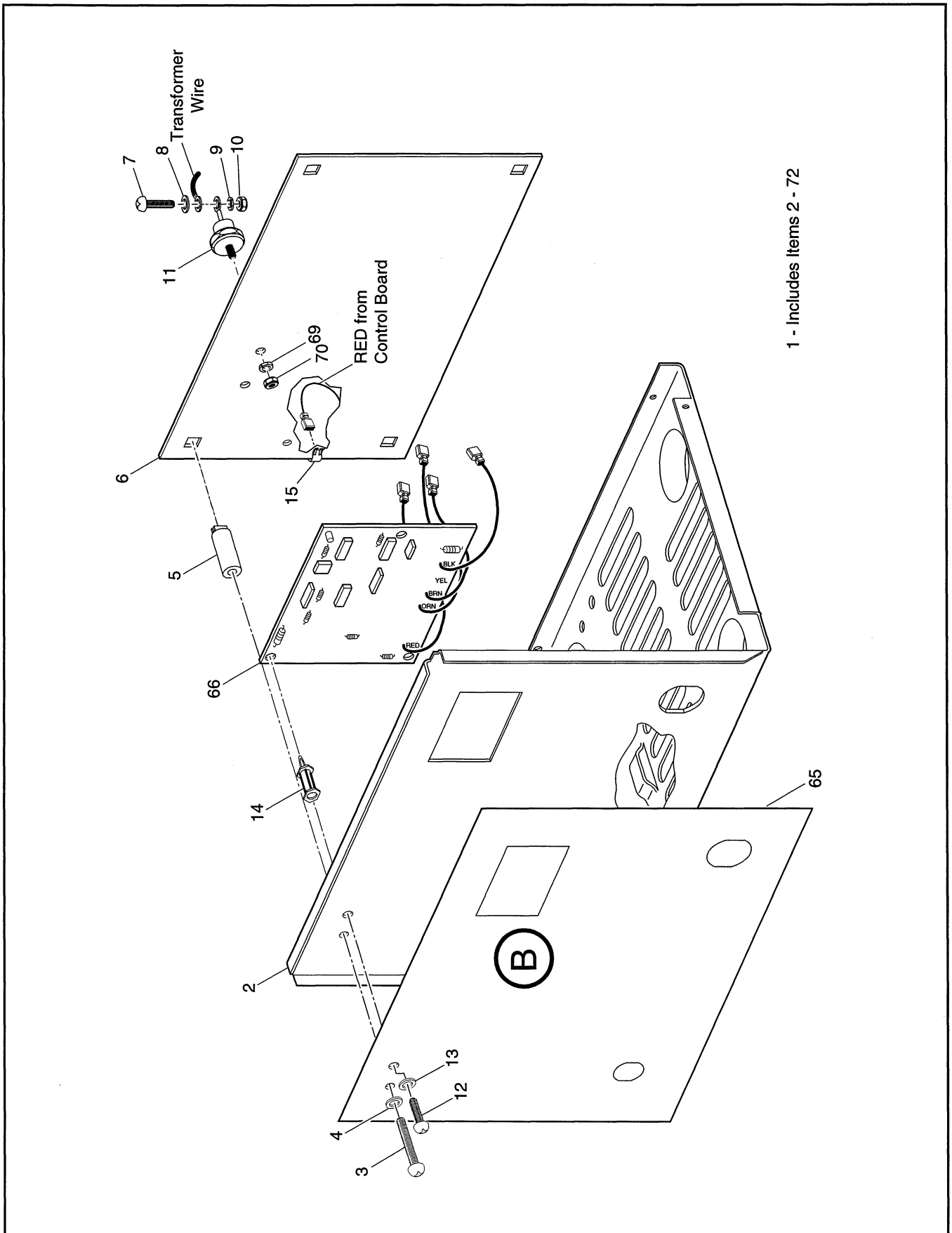
When ordering parts, please specify the model and serial number of the product.

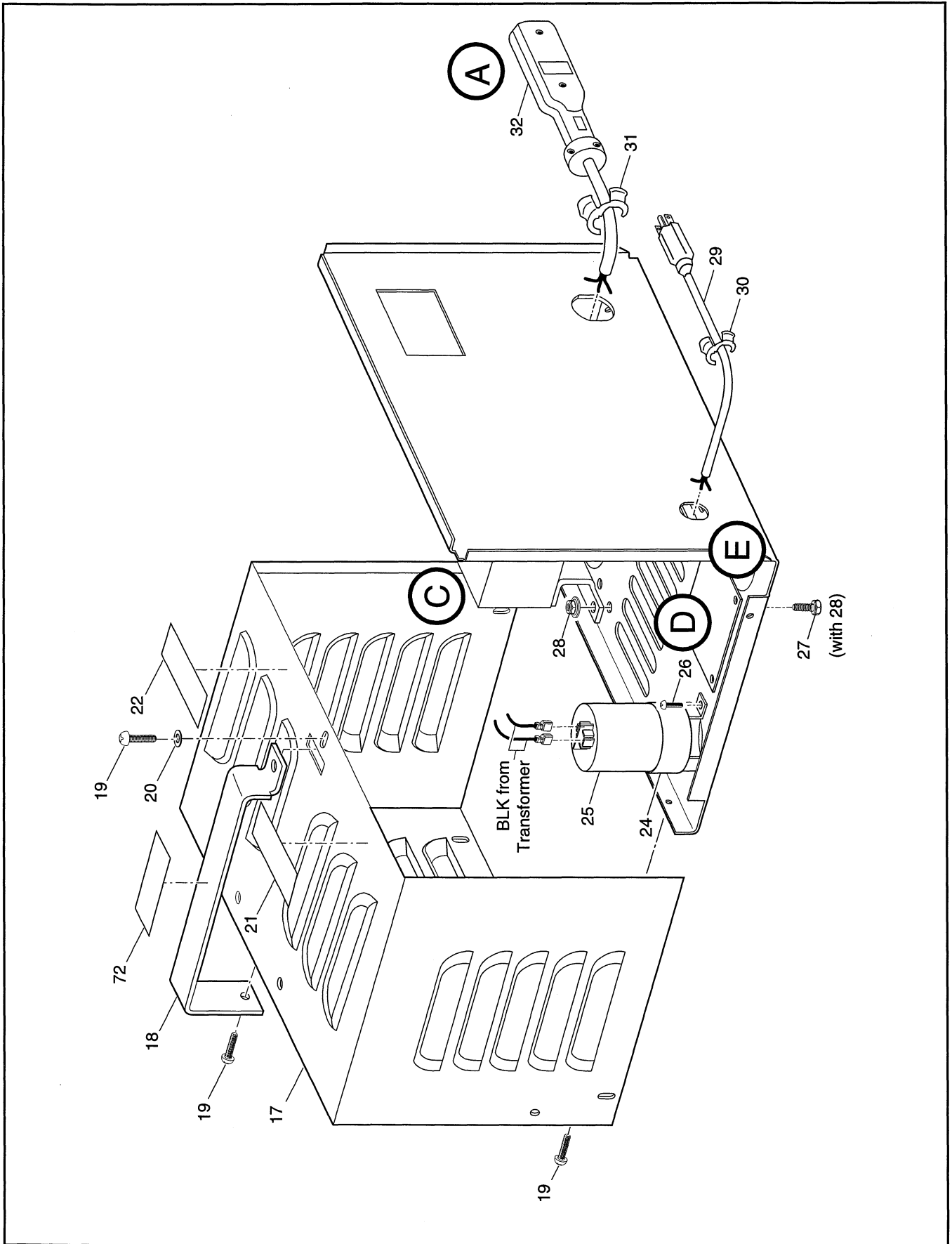
* Indicates a component that is not available as an individual part.

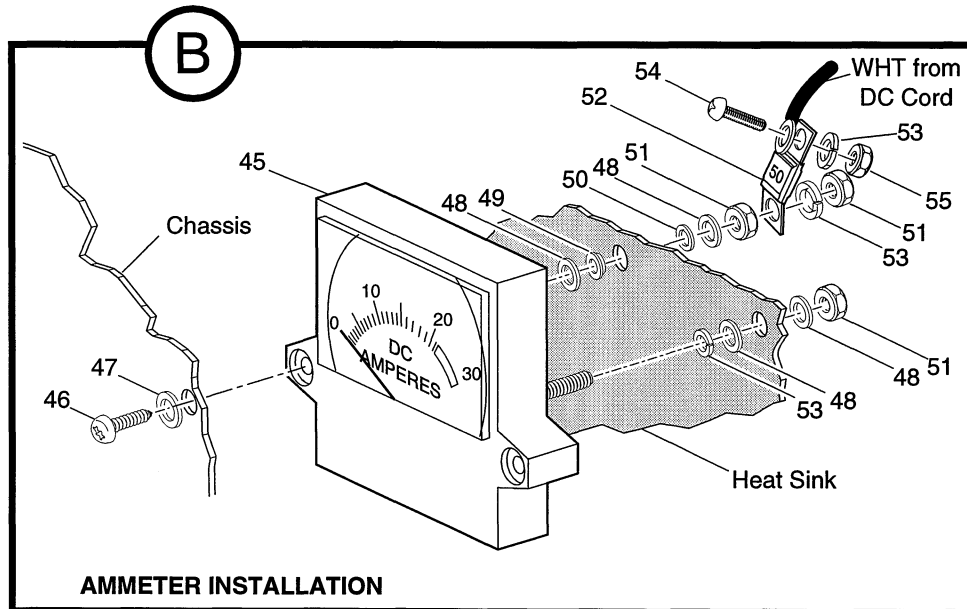
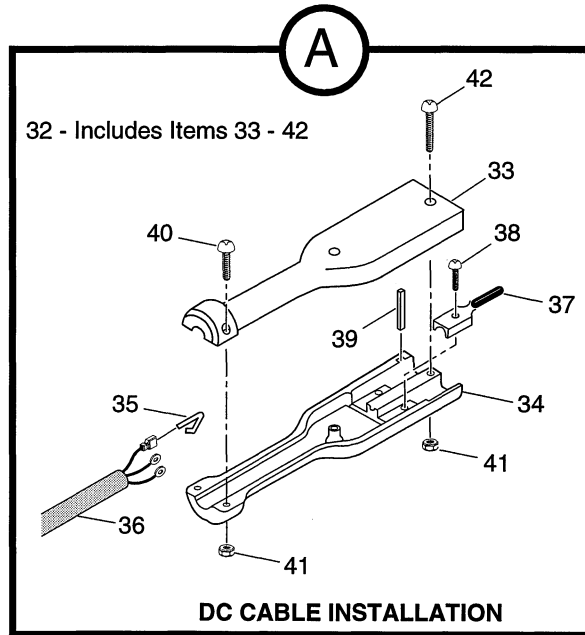
G** Indicates consult Customer Service Department for additional information.

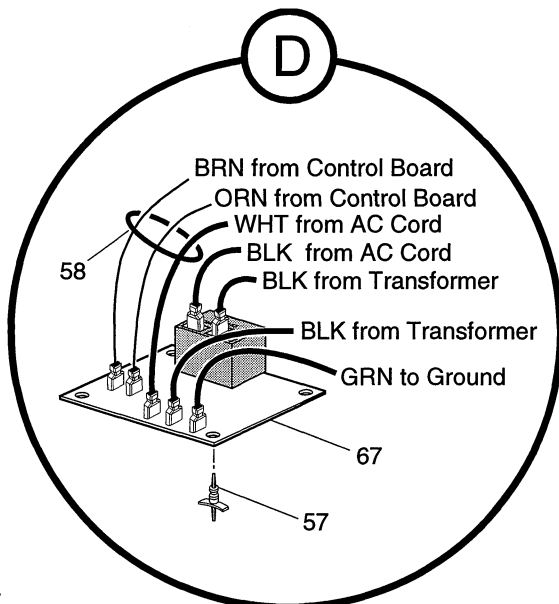
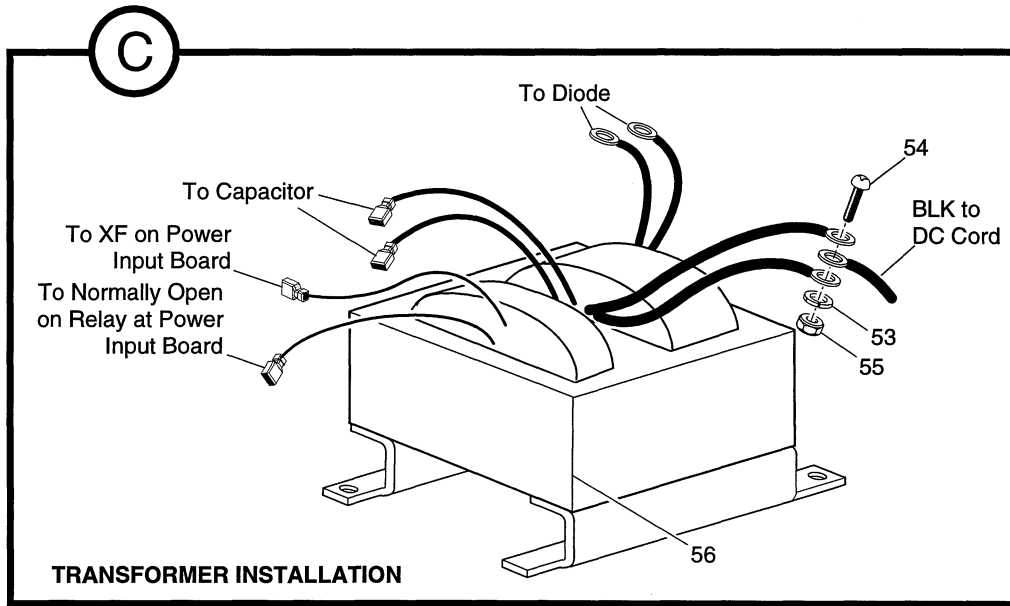
ITEM	PART NO.	1	2	3	4	5	DESCRIPTION	QTY.
31	17618-G1						WIRE TIE	2
32								
33	25799-G01						ACCELERATOR PEDAL ASSEMBLY (INCLUDES ITEMS 34 - 37).....	1
34	27844-G01						ACCELERATOR PEDAL PAD KIT (INCLUDES ITEMS 35 - 36).....	1
35	15766-G1						OVAL RIVET, 3/16" X 3/8" LG.....	6
36	27512-G01						ACCELERATOR PEDAL PAD	1
37	*						ACCELERATOR PEDAL	1
38								
39	00715-G2						BOLT, 5/16 - 18 X 13/16" LG	4



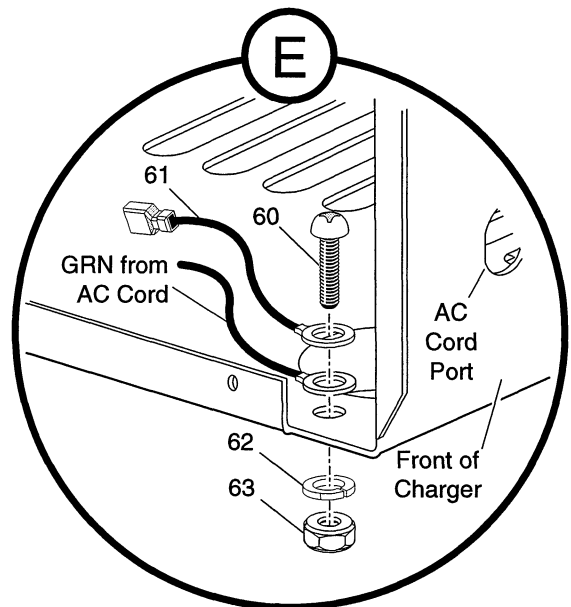








POWER INPUT BOARD INSTALLATION



GROUNDING DETAIL

BATTERY CHARGER

Electric Vehicle

THE USE OF NON UL PARTS WILL VOID ANY UL LISTING.

When ordering parts, please specify the model and serial number of the product.

* Indicates a component that is not available as an individual part.

G** Indicates consult Customer Service Department for additional information.

ITEM	PART NO.	1 2 3 4 5	DESCRIPTION	QTY.
1	28115-G04		POWERWISE™ CHARGER (INCLUDES ITEMS 3 - 72)	1
2	*		CHASSIS	1
3	00513-G6		SCREW, #8 - 18 X 1 3/4" LG.	2
4	00559-G4		WASHER, #8	2
5	11572-G3		EXPANSION NUT	2
6	28104-G01		HEAT SINK	1
7	00138-G3		SCREW, #6 - 32 X 3/8" LG.	2
8	00559-G3		WASHER, #6	2
9	00567-G3		LOCK WASHER, #6	2
10	00525-G5		NUT, #6 - 32	2
11	18488-G1		DIODE.....	2
12	01005-G01		SCREW, #6 - 19 X 5/16" LG.	3
13	00559-G3		WASHER, #6	3
14	28111-G01		SUPPORT SPACER	3
15	28110-G01		ELECTRICAL CLIP	1
16				
17	*		COVER	1
18	28102-G01		HANDLE	1
19	00614-G4		SCREW, #8 - 18 X 1/2" LG.	6
20	00559-G4		WASHER, #8	1
21	28136-G01		LABEL (VENTILATION)	1
22	28136-G02		LABEL (DC CORD CONDITION)	1
23				
24	26979-G01		CAPACITOR BRACKET	1
25	28109-G01		CAPACITOR	1
26	00969-G01		SCREW, #8 - 32 X 3/8" LG.	3
27	00414-G5		BOLT, 1/4 - 20 X 5/8" LG.....	3
28	11027-G2		LOCK NUT, 1/4 - 20	3
29	19388-G4		AC CORD	1
30	13557-G2		STRAIN RELIEF (AC).....	1



THE USE OF NON UL PARTS WILL VOID ANY UL LISTING.

When ordering parts, please specify the model and serial number of the product.

* Indicates a component that is not available as an individual part.

G** Indicates consult Customer Service Department for additional information.

ITEM	PART NO.	1	2	3	4	5	DESCRIPTION	QTY.
31	13557-G3						STRAIN RELIEF (DC)	1
32	28137-G01						DC CORD AND HANDLE ASSEMBLY (INCLUDES ITEMS 33 - 42)	1
33	73051-G11						PLUG (TOP HALF).....	1
34	73051-G12						PLUG (BOTTOM HALF).....	1
35	73051-G13						AUXILARY CONTACT	1
36	28114-G01						DC CORD	1
37	73051-G14						MALE PIN	2
38	73051-G08						SCREW, #10 - 32 X 1/2" LG (BRASS).....	2
39	73051-G15						MAGNET	1
40	73051-G16						SCREW, #6 - 32 X 1/2" LG (STAINLESS STEEL)	2
41	73051-G10						LOCK NUT, #6 - 32	4
42	73051-G17						SCREW, #6 - 32 X 1" LG (STAINLESS STEEL)	2
43								
44								
45	28105-G01						AMMETER.....	1
46	00984-G01						SCREW, #8 - 10 X 1/2" LG.....	2
47	00559-G4						WASHER, #8	2
48	01003-G01						BRASS WASHER, #10.....	4
49	22589-G2						SHOULDER WASHER, #10	1
50	00771-G6						NYLON WASHER, #10.....	1
51	00528-G4						NUT, #10 - 32.....	3
52	28106-G01						50 AMP FUSE	1
53	00565-G5						LOCK WASHER, #10	4
54	00378-G4						SCREW, #10 - 24 X 1/2" LG.....	2
55	00526-G3						NUT, #10 - 24.....	2
56	28103-G01						TRANSFORMER	1
57	27877-G01						SPACER SUPPORT	4
58	17618-G1						WIRE TIE.....	2
59								
60	00372-G3						SCREW, #8 - 32 X 3/8" LG.....	1



THE USE OF NON UL PARTS WILL VOID ANY UL LISTING.

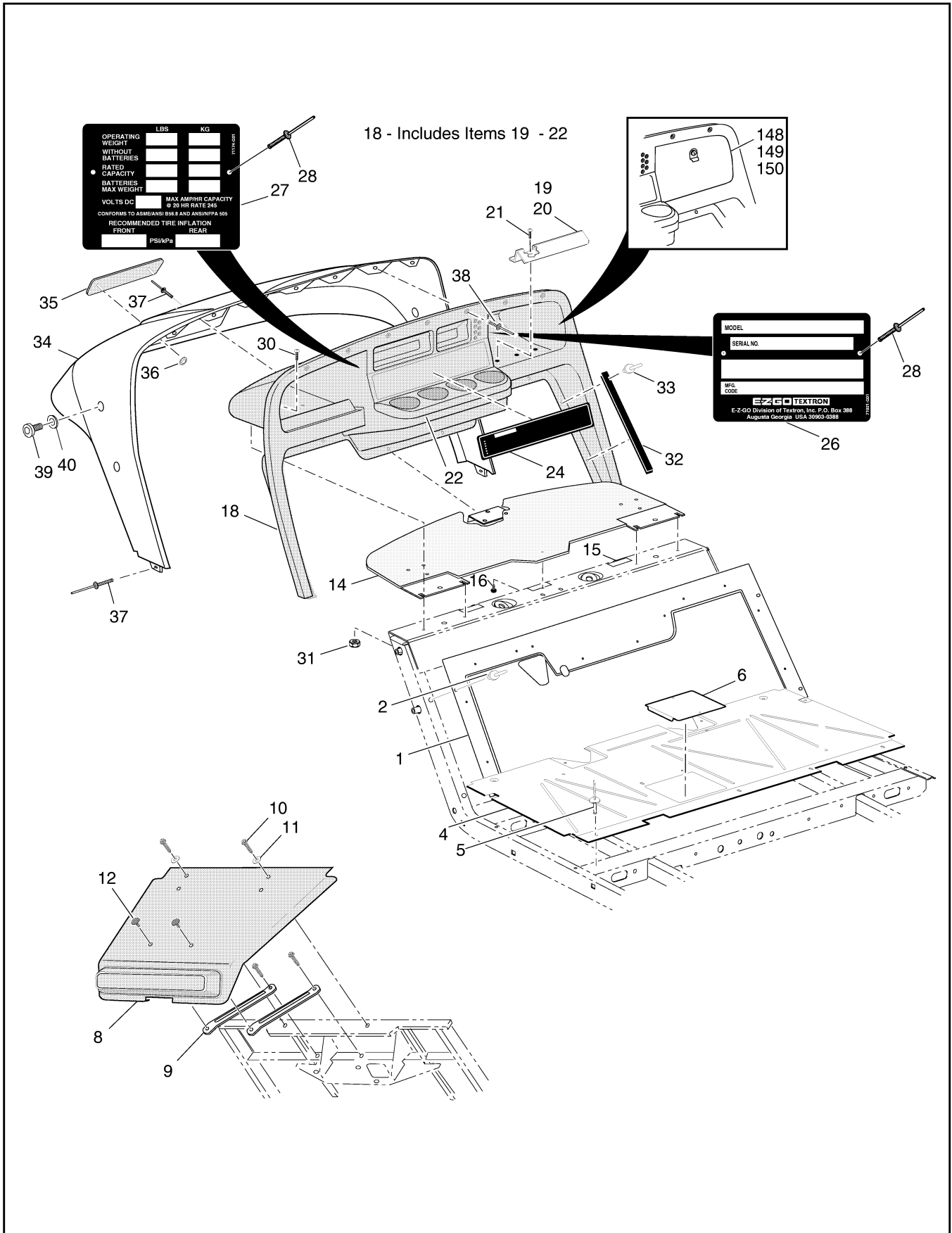
When ordering parts, please specify the model and serial number of the product.

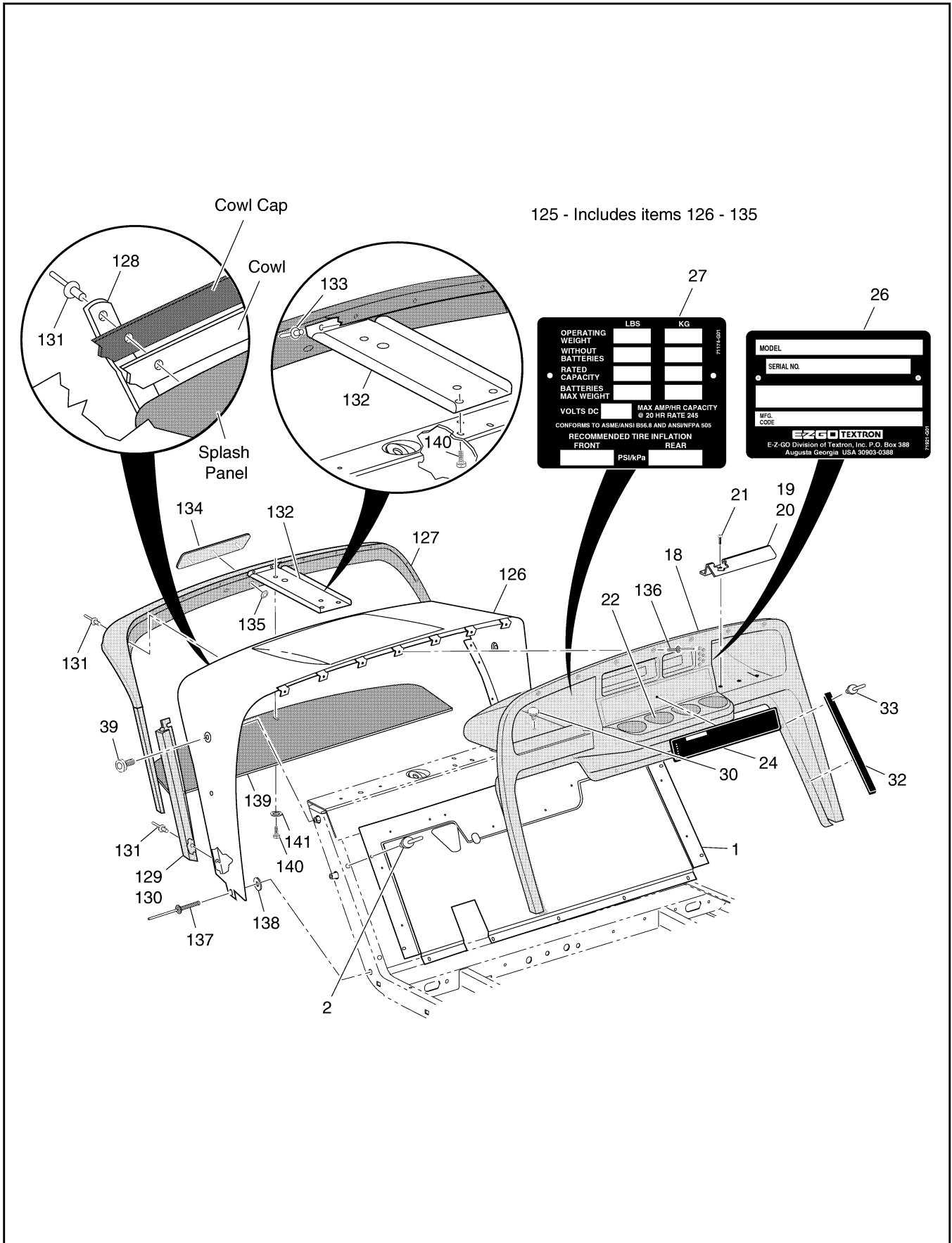
* Indicates a component that is not available as an individual part.

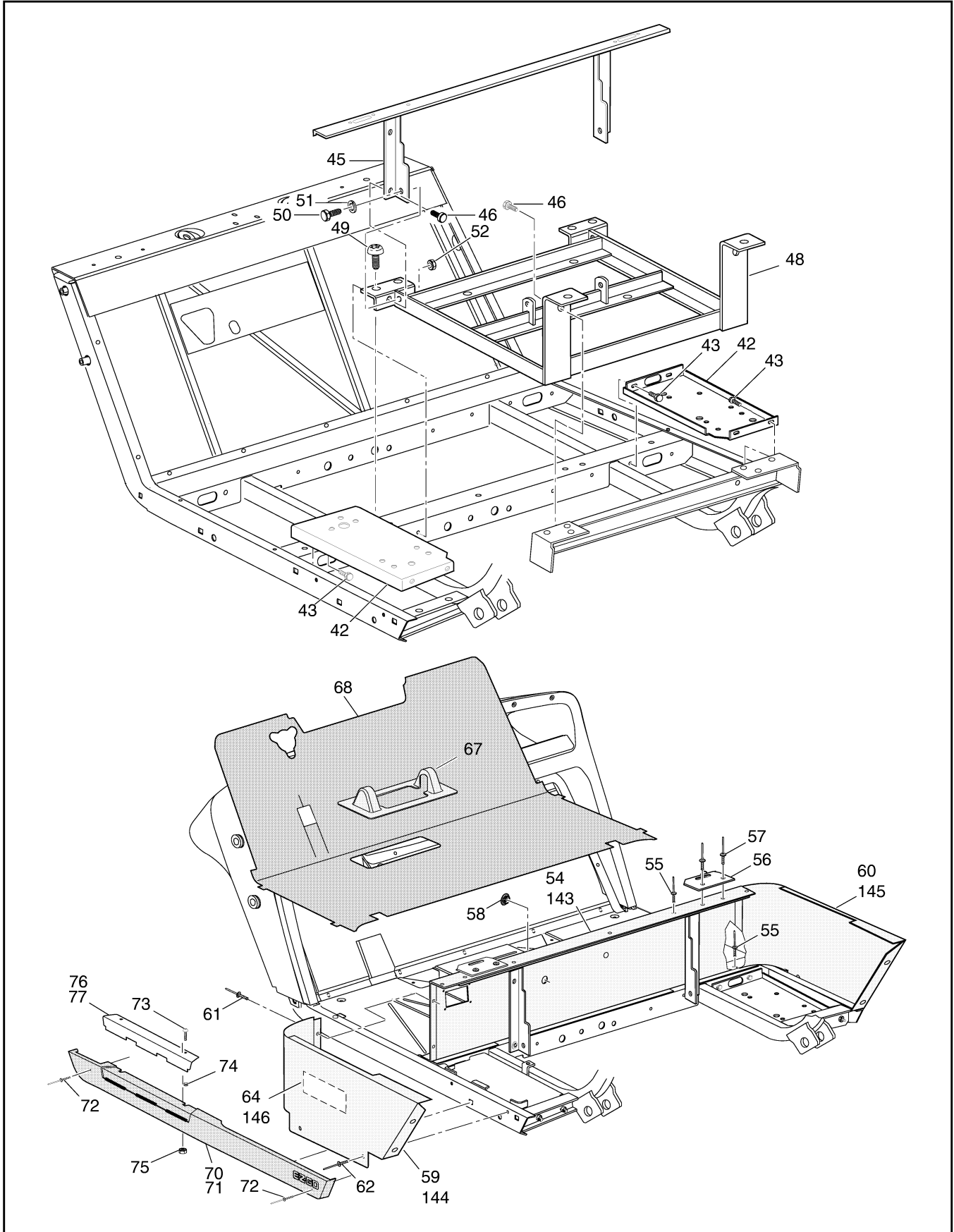
G** Indicates consult Customer Service Department for additional information.

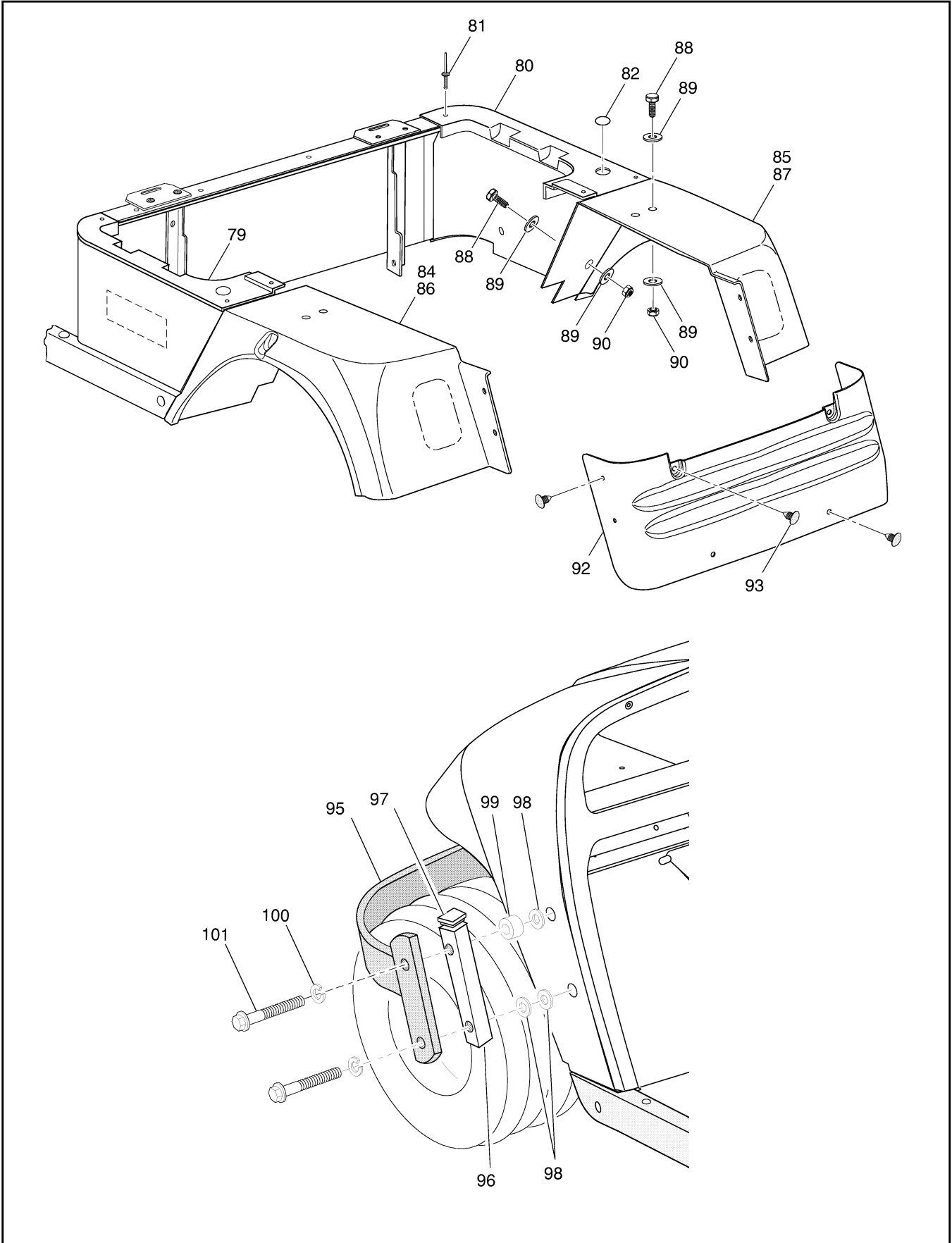
ITEM	PART NO.	1	2	3	4	5	DESCRIPTION	QTY.
61	25977-G32						16 GA WIRE (GREEN 4" LG)	1
62	00565-G4						LOCK WASHER, #8	1
63	00526-G1						NUT, #8 - 32.....	1
64								
65	*						LABEL (POWERWISE™)	1
66	28126-G01						CONTROL BOARD (POWERWISE™).....	1
67	28126-G03						POWER INPUT BOARD (POWERWISE™)	1
68								
69	00565-G7						LOCK WASHER, 1/4"	2
70	00532-G2						NUT, 1/4 - 28.....	2
71								
72	71785-G01						LABEL (REMOVE BATTERY)	1



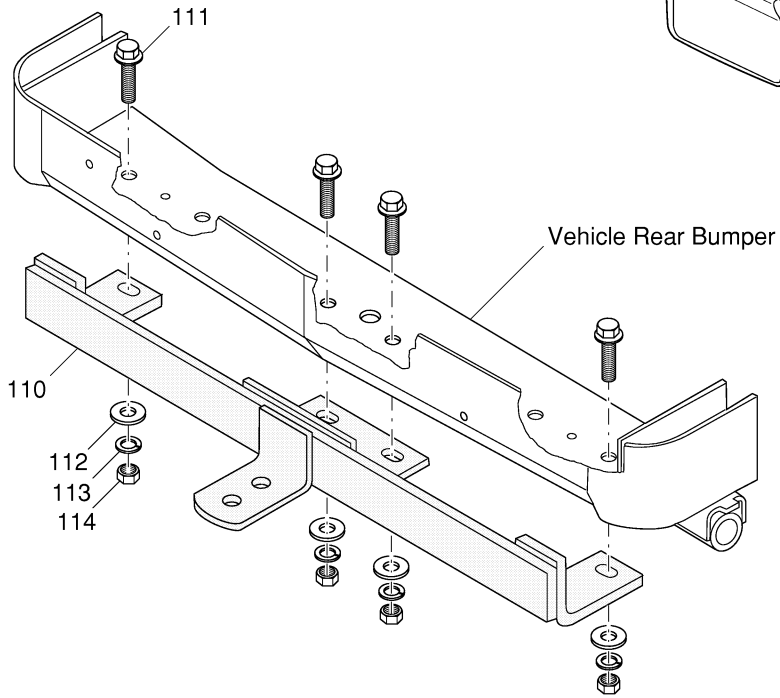
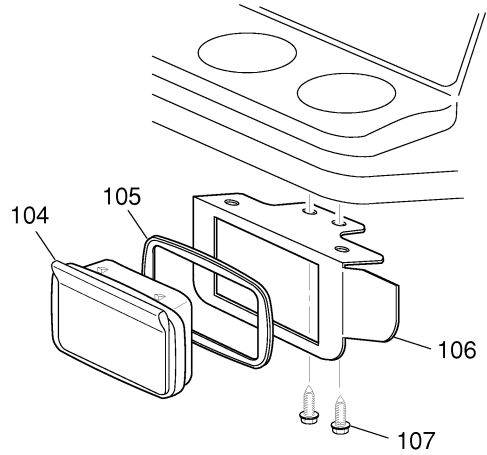




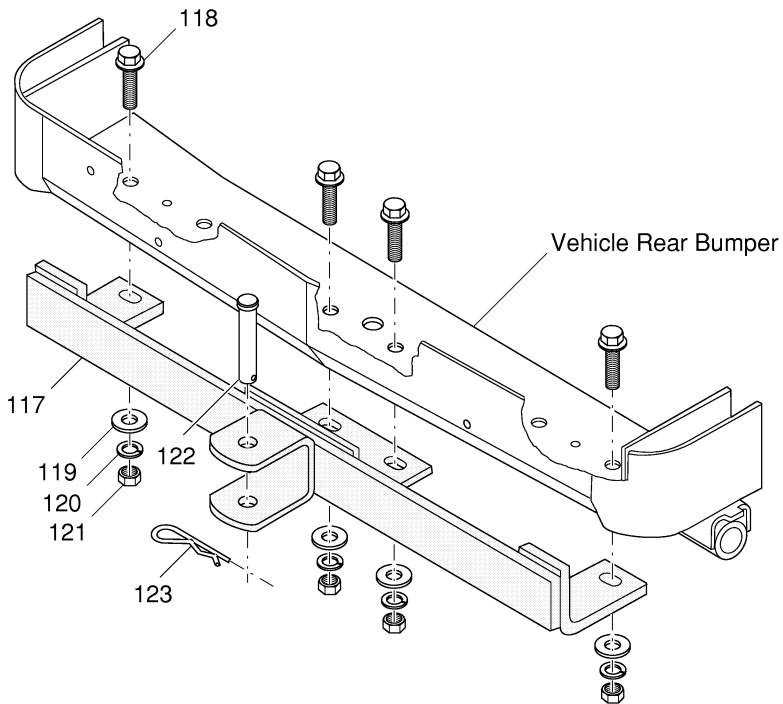




103- Includes Items 104 - 107



109- Includes Items 110 - 114



116 - Includes Items 117 - 123

When ordering parts, please specify the model and serial number of the product.
 * Indicates a component that is not available as an individual part.
 G** Indicates consult Customer Service Department for additional information.

ITEM	PART NO.	1 2 3 4 5	DESCRIPTION	QTY.
1	70047-G01		UPPER FLOORPAN	1
2	14601-G11		RIVET, 3/16" X 9/16" LG	9
3				
4	70451-G01		LOWER FLOORPAN.....	1
5	14601-G11		RIVET, 3/16" X 9/16" LG	7
6	70452-G01		ACCESS COVER.....	1
7				
8	27166-G02		FRONT SHIELD.....	1
9	71015-G01		FRONT SHIELD BRACE.....	2
10	01038-G01		SCREW, 1/4 - 20 X 1/2" LG	4
11	16469-G7		WASHER, 1/4"	2
12	16816-G2		RATCHET FASTENER, 1/4" X 3/4".....	2
13				
14	71143-G01		SPLASH PANEL ASSEMBLY	1
15	27919-G02		FOAM TAPE, 3/4" X 2" LG	3
16	16816-G2		RATCHET FASTENER, 1/4" X 3/4".....	1
17				
18	71151-G01		INSTRUMENT PANEL ASSEMBLY (INCLUDES ITEMS 19 - 22)	1
19	71153-G01		DEFLECTOR (PASSENGER SIDE).....	1
20	71154-G01		DEFLECTOR (DRIVER SIDE)	1
21	00614-G5		SCREW, #8 - 18 X 5/8" LG.....	6
22	71158-G01		INSTRUMENT PANEL INSERT (FOUR CUP)	1
23				
24	71179-G03		LABEL (SAFETY).....	1
25				
26	*		SERIAL NUMBER PLATE.....	1
27	*		CAPACITY PLATE	1
28	10570-G9		RIVET, 1/8" X 11/32" LG.....	4
29				
30	01036-G01		SCREW, #10 - 24 X 3/4" LG	4



When ordering parts, please specify the model and serial number of the product.

* Indicates a component that is not available as an individual part.

G** Indicates consult Customer Service Department for additional information.

ITEM	PART NO.	1 2 3 4 5	DESCRIPTION	QTY.
31	11098-G7		NUT, #10 - 24	4
32	71115-G01		VINYL TRIM	2
33	14601-G13		RIVET, 5/32" X 9/16" LG	10
34	71051-G**		COWL	1
35	71037-G02		NAMEPLATE (E-Z-GO).....	1
36	12064-G3		PUSHNUT, 3/16"	2
37	14601-G13		RIVET, 5/32" X 9/16" LG	2
38	71055-G01		RIVET, 3/16" X 3/8" LG	7
39	71056-G01		BOLT, 5/16 - 18 X 5/8" LG	4
40	00570-G2		WASHER, 5/16"	4
41				
42	70244-G02		SPLASH PANEL.....	2
43	00715-G2		BOLT, 5/16 - 18 X 13/16" LG	8
44				
45	70441-G01		SEAT FRAME.....	1
46	00715-G2		BOLT, 5/16 - 18 X 13/16" LG	4
47				
48	70046-G01		BATTERY RACK	1
49	70200-G01		SCREW, 3/8 - 16 X 1 1/4" LG	2
50	00438-G6		BOLT, 5/16 - 18 X 3/4" LG	2
51	00559-G8		WASHER, 5/16"	2
52	11098-G6		LOCK NUT, 5/16 - 18	2
53				
54	71379-G**		SEAT WRAP PANEL.....	1
55	10570-G10		RIVET, 5/32" X 9/16" LG	8
56	71609-G01		SEAT HINGE PLATE.....	2
57	10570-G11		RIVET, 3/16" X 3/4" LG	4
58	20271-G2		HOLE PLUG, 1/2"	1
59	71259-G01		SIDE PANEL (DRIVER SIDE)	1
60	71259-G02		SIDE PANEL (PASSENGER SIDE)	1



When ordering parts, please specify the model and serial number of the product.

* Indicates a component that is not available as an individual part.

G** Indicates consult Customer Service Department for additional information.

ITEM	PART NO.	1 2 3 4 5	DESCRIPTION	QTY.
61	10570-G10		RIVET, 5/32" X 9/16" LG	4
62	10570-G12		RIVET, 1/4" X 1/2" LG	4
63				
64	34904-G01		DECAL (WORKHORSE® 800E)	2
65				
66				
67	70135-G01		PEDAL PIVOT COVER.....	1
68	70048-G**		FLOORMAT.....	1
69				
70	71502-G01		ROCKER PANEL (DRIVER SIDE)	1
71	71501-G01		ROCKER PANEL (PASSENGER SIDE)	1
72	15058-G6		RIVET, 3/16" X 3/4" LG	4
73	16705-G1		SCREW, 1/4 - 20 X 1" LG	4
74	23726-G4		SPACER.....	4
75	00891-G2		LOCK NUT, 1/4 - 20	4
76	71507-G02		SILL PLATE (DRIVER SIDE)	1
77	71507-G01		SILL PLATE (PASSENGER SIDE).....	1
78				
79	71588-G01		SEAT FILLER PANEL (DRIVER SIDE)	1
80	71588-G02		SEAT FILLER PANEL (PASSENGER SIDE).....	1
81	14601-G10		RIVET, 5/32" X 7/16" LG	6
82	20271-G3		HOLE PLUG, 2" (VEHICLES WITHOUT TOP)	2
83				
84	71224-G01		FENDER (DRIVER SIDE)	1
85	71224-G02		FENDER (PASSENGER SIDE).....	1
86	71224-G03		FENDER WITH TAILLIGHT (DRIVER SIDE)	1
87	71224-G04		FENDER WITH TAILLIGHT (PASSENGER SIDE)	1
88	00414-G6		BOLT, 1/4 - 20 X 3/4" LG.....	8
89	00642-G7		WASHER, 1/4"	16
90	00891-G2		LOCK NUT, 1/4 - 20	8



When ordering parts, please specify the model and serial number of the product.
 * Indicates a component that is not available as an individual part.
 G** Indicates consult Customer Service Department for additional information.

ITEM	PART NO.	1 2 3 4 5	DESCRIPTION	QTY.
91				
92	71225-G01		REAR PANEL.....	1
93	16816-G2		RATCHET FASTENER, 1/4" X 3/4".....	8
94				
95	74040-G01		BUMPER.....	1
96	74037-G01		SPACER TUBE.....	2
97	19859-G1		END CAP, 3/4".....	2
98	00570-G2		WASHER, 5/16".....	6
99	75048-G01		SPACER, 1/2".....	2
100	00905-G8		LOCK WASHER, 5/16".....	4
101	01035-G02		BOLT, 5/16 - 18 X 2 1/2" LG.....	4
102				
103	75109-G02		ASH TRAY KIT (INCLUDES ITEMS 104 - 107).....	1
104	27731-G01		ASH TRAY.....	1
105	27736-G01		GASKET.....	1
106	75108-G01		BRACKET.....	1
107	00100-G4		SCREW, #10 - 16 X 1/2" LG.....	4
108				
109	75326-G02		BALL HITCH KIT (INCLUDES ITEMS 110 - 114).....	1
110	75324-G01		HITCH.....	1
111	13437-G5		LOCK SCREW, 3/8-16 X 1 1/2" LG.....	4
112	00571-G3		WASHER, 3/8".....	4
113	00566-G1		LOCK WASHER, 3/8".....	4
114	00532-G5		NUT, 3/8-16.....	4
115				
116	75327-G02		CLEVIS HITCH KIT (INCLUDES ITEMS 117 - 123).....	1
117	75325-G01		HITCH.....	1
118	13437-G5		LOCK SCREW, 3/8-16 X 1 1/2" LG.....	4
119	00571-G3		WASHER, 3/8".....	4
120	00566-G1		LOCK WASHER, 3/8".....	4



When ordering parts, please specify the model and serial number of the product.

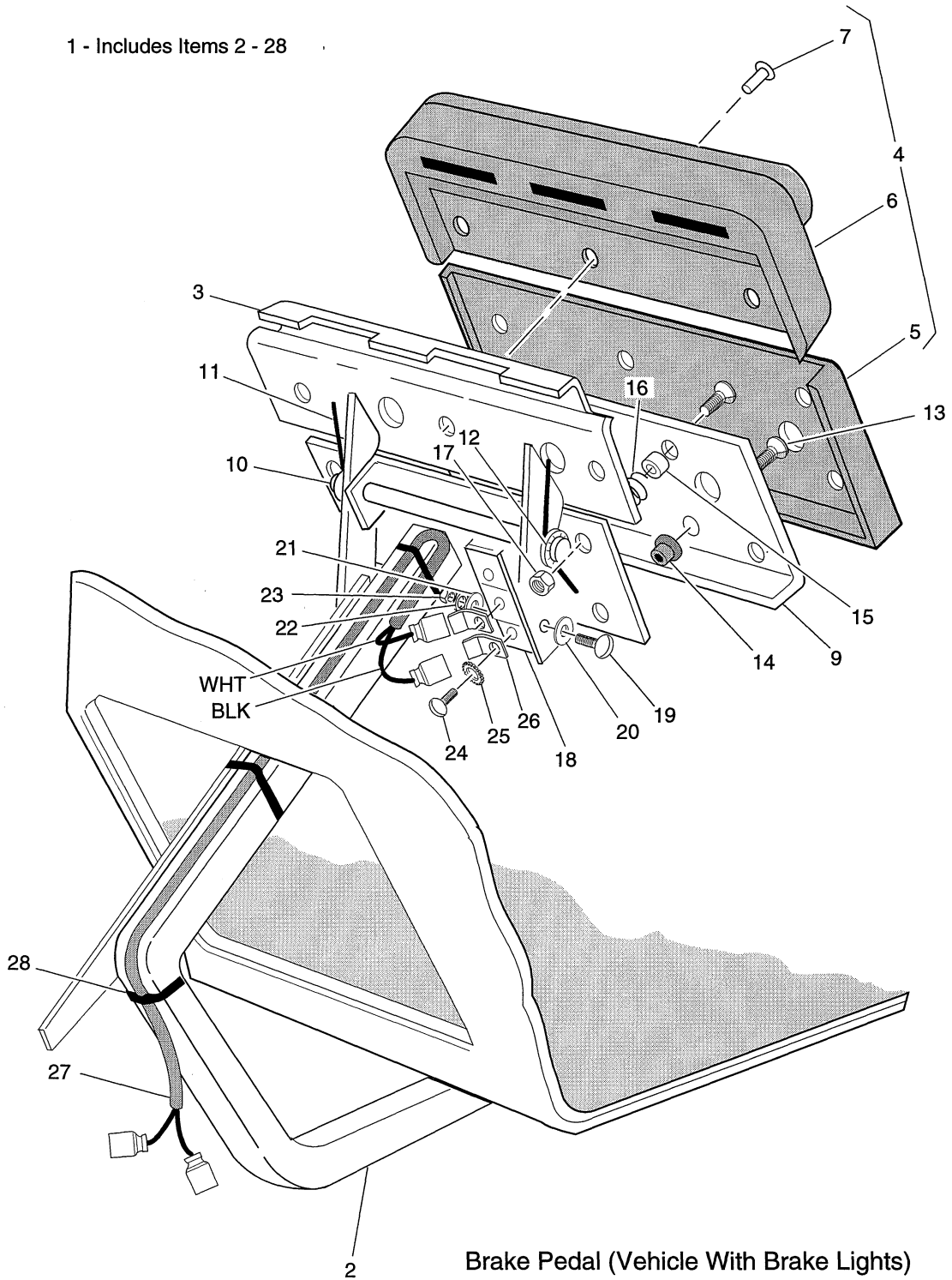
* Indicates a component that is not available as an individual part.

G** Indicates consult Customer Service Department for additional information.

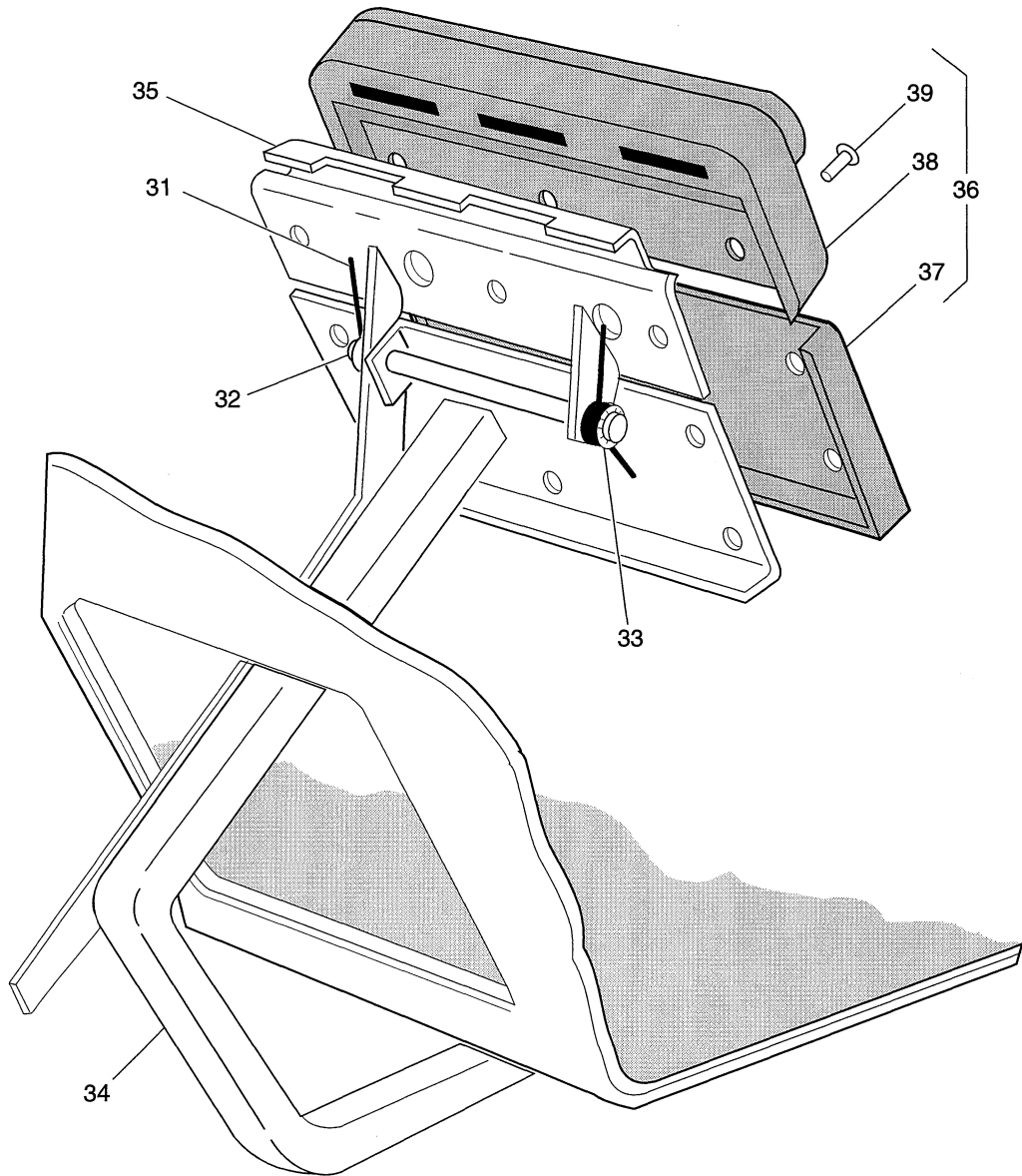
ITEM	PART NO.	1	2	3	4	5	DESCRIPTION	QTY.
121	00532-G5						NUT, 3/8-16	4
122	14443-G7						CLEVIS PIN, 1/2" X 2 1/2" LG.....	1
123	19314-G1						COTTER PIN, 2 1/2" LG.....	1
124								
125	71025-G02						COWL ASSEMBLY (EMBOSSSED) (INCLUDES ITEMS 126 - 135).....	1
126	71071-G**						COWL (EMBOSSSED).....	1
127	71030-G01						COWL CAP	1
128	71076-G01						TAB.....	2
129	71035-G01						FENDER FLANGE (PASSENGER SIDE)	1
130	71036-G01						FENDER FLANGE (DRIVER SIDE).....	1
131	14601-G10						RIVET, 5/32" X 7/16" LG.....	16
132	71101-G01						COWL SUPPORT BRACKET	1
133	10570-G10						RIVET, 5/32" X 9/16" LG.....	2
134	71037-G02						E-Z-GO (GOLD)	1
135	12064-G3						PUSHNUT, 3/16"	3
136	14601-G10						RIVET, 5/32" X 7/16" LG	7
137	10570-G11						RIVET, 3/16" X 3/4" LG	2
138	15121-G3						WASHER, 1 1/4" X 7/32".....	2
139	71117-G01						FRONT COWL SPLASH PANEL	1
140	71102-G02						BOLT, 1/4 - 20 X 1/2" LG.....	4
141	16469-G7						WASHER, 1/4"	1
142								
143	71379-G29						SEAT WRAP (EMBOSSSED).....	1
144	71259-G13						SIDE PANEL (EMBOSSSED) (DRIVER SIDE)	1
145	71259-G14						SIDE PANEL (EMBOSSSED) (PASSENGER SIDE).....	1
146	34918-G01						LABEL (INDUSTRIAL 800E).....	2
147								
148	75459-G01						GLOVE BOX DOORS (BOTH SIDES).....	1
149	75459-G02						GLOVE BOX DOOR (DRIVER SIDE)	1
150	75459-G03						GLOVE BOX DOOR (PASSENGER SIDE).....	1



1 - Includes Items 2 - 28

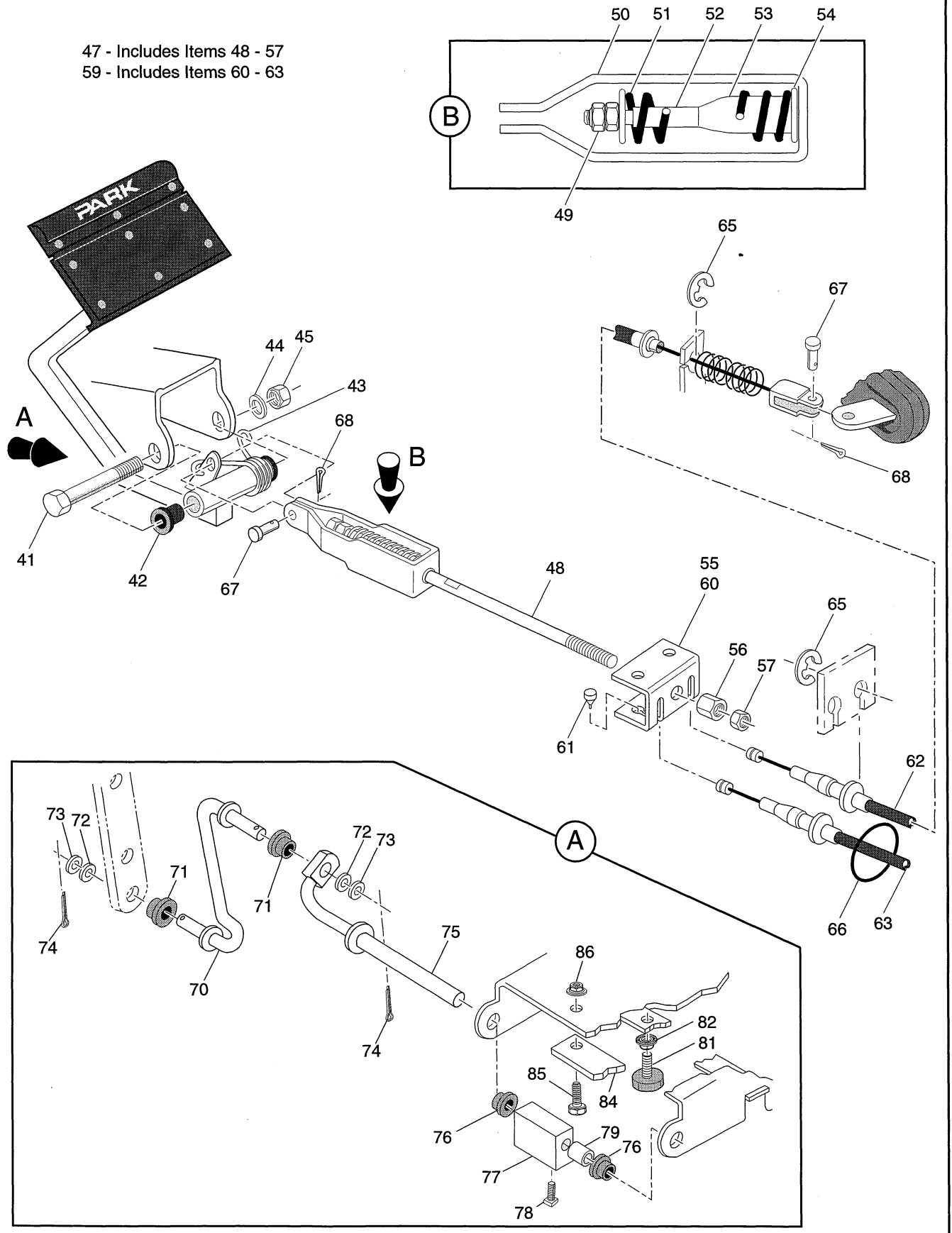


30 - Includes Items 31 - 39



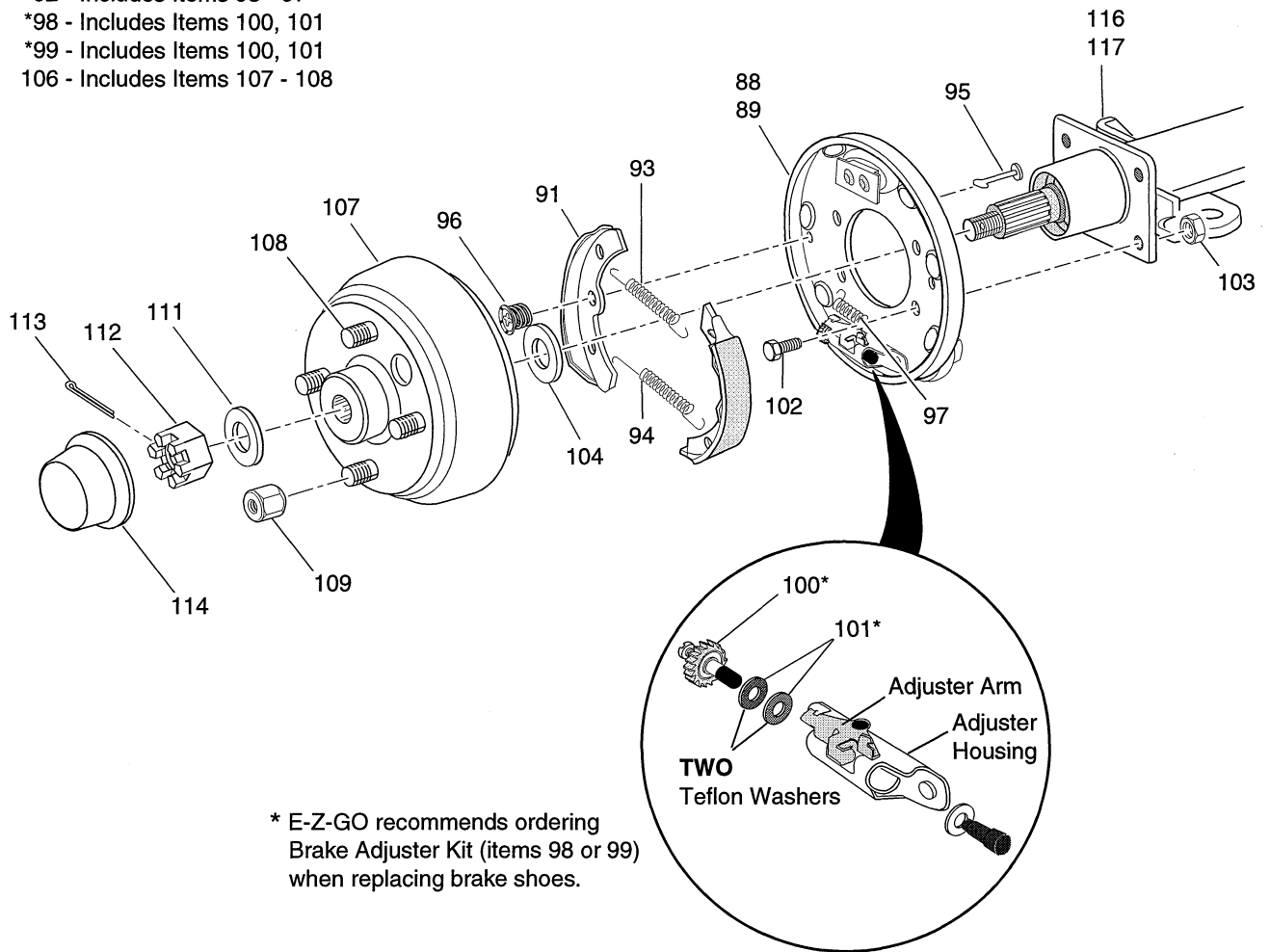
Brake Pedal (Vehicle Without Brake Lights)

47 - Includes Items 48 - 57
59 - Includes Items 60 - 63



- 88 - Includes Items 90 - 98, 100, 101
- 89 - Includes Items 90 - 97, 99 - 101
- 90 - Includes Item 91
- 92 - Includes Items 93 - 97
- *98 - Includes Items 100, 101
- *99 - Includes Items 100, 101
- 106 - Includes Items 107 - 108

Front of Vehicle



* E-Z-GO recommends ordering Brake Adjuster Kit (items 98 or 99) when replacing brake shoes.

When ordering parts, please specify the model and serial number of the product.

* Indicates a component that is not available as an individual part.

G** Indicates consult Customer Service Department for additional information.

ITEM	PART NO.	1 2 3 4 5	DESCRIPTION	QTY.
1	70263-G01		BRAKE PEDAL ASSEMBLY (WITH BRAKE LIGHTS) (INCLUDES ITEMS 2 - 28)	1
2	*		BRAKE PEDAL.....	1
3	70265-G01		PARK BRAKE PEDAL	1
4	70274-G01		BRAKE/PARK BRAKE PEDAL PAD KIT (INCLUDES ITEMS 5 - 7)	1
5	*		SERVICE BRAKE PAD	1
6	*		PARK BRAKE PAD	1
7	15766-G1		OVAL RIVET, 3/16 x 3/8" LG.....	9
8				
9	*		SERVICE BRAKE PEDAL PLATE.....	1
10	15932-G2		PIVOT PIN.....	1
11	11737-G1		TORSION SPRING	2
12	12064-G1		PUSHNUT, 5/16"	1
13	00737-G8		SCREW, #10 - 24 X 1" LG.....	4
14	00739-G1		RUBBER NUT, #10 - 24	2
15	22362-G3		BRAKE PEDAL STANDOFF	2
16	27137-G01		CONICAL SPRING.....	2
17	11098-G7		LOCK NUT, #10 - 24.....	2
18	10606-G8		MICRO SWITCH	1
19	00645-G2		SCREW, #6 - 32 X 1 1/4" LG.....	2
20	00559-G5		WASHER, #10.....	2
21	00559-G3		WASHER, #6.....	2
22	00565-G3		LOCK WASHER, #6	2
23	00525-G5		NUT, #6 - 32	2
24	*		BRASS SCREW	2
25	00567-G3		LOCK WASHER, #6	6
26	14628-G1		FASTON TAB	2
27	24605-G1		WIRE HARNESS (BRAKE LIGHT).....	1
28	17618-G1		WIRE TIE.....	3
29				



When ordering parts, please specify the model and serial number of the product.
 * Indicates a component that is not available as an individual part.
 G** Indicates consult Customer Service Department for additional information.

ITEM	PART NO.	1 2 3 4 5	DESCRIPTION	QTY.
30	70264-G01		BRAKE PEDAL ASSEMBLY (WITHOUT BRAKE LIGHTS) (INCLUDES ITEMS 31 - 39)	1
31	11737-G1		TORSION SPRING	2
32	15932-G2		PIVOT PIN.....	1
33	12064-G1		PUSHNUT, 5/16"	1
34	*		BRAKE PEDAL.....	1
35	70265-G01		PARK BRAKE PEDAL.....	1
36	70274-G01		BRAKE/PARK BRAKE PEDAL PAD KIT (INCLUDES ITEMS 37 - 39)	1
37	*		SERVICE BRAKE PAD	1
38	*		PARK BRAKE PEDAL PAD.....	1
39	15766-G1		OVAL RIVET, 3/16" X 3/8" LG.....	9
40				
41	70582-G01		SHOULDER BOLT, 3/8 - 16 X 4" LG.....	1
42	70581-G01		FLANGED BUSHING	2
43	70138-G01		TORSION SPRING	1
44	00643-G1		WASHER, 3/8"	1
45	11098-G5		LOCK NUT, 3/8 - 16	1
46				
47	70272-G04		COMPENSATOR ASSEMBLY (INCLUDES ITEMS 48 - 57).....	1
48	25882-G04		LINKAGE ROD	1
49	00532-G4		NUT, 5/16 - 24	2
50	*		YOKE.....	1
51	23463-G1		COMPRESSION SPRING.....	1
52	23061-G2		COMPENSATOR STOP TUBE	1
53	17979-G1		BUSHING	1
54	15121-G1		WASHER, 3/8".....	2
55	28082-G01		EQUALIZER BRACKET	1
56	00963-G01		SPHERICAL NUT, 5/16 - 24.....	1
57	11098-G9		LOCK NUT, 5/16 - 24.....	1
58				



When ordering parts, please specify the model and serial number of the product.

* Indicates a component that is not available as an individual part.

G** Indicates consult Customer Service Department for additional information.

ITEM	PART NO.	1 2 3 4 5	DESCRIPTION	QTY.
59	70273-G03		EQUALIZER AND BRAKE CABLE ASSEMBLY (INCLUDES ITEMS 60 - 63) ...	1
60	28082-G01		EQUALIZER BRACKET	1
61	28083-G01		BRAKE COMPENSATOR BUMPER	2
62	*		BRAKE CABLE (PASSENGER SIDE).....	1
63	*		BRAKE CABLE (DRIVER SIDE)	1
64				
65	12305-G1		RETAINING RING	4
66	12416-G2		WIRE TIE	2
67	10386-G3		CLEVIS PIN, 5/16" X 1" LG.....	3
68	10387-G3		COTTER PIN, 3/32" X 3/4" LG.....	3
69				
70	70097-G01		KICK-OFF LINK	1
71	17838-G1		NYLON BUSHING.....	2
72	20835-G1		TEFLON WASHER, 3/8"	2
73	00559-G8		WASHER, 5/16"	2
74	10387-G3		COTTER PIN, 3/32" X 3/4" LG.....	2
75	70098-G01		KICK OFF CAM PIVOT	1
76	10097-G6		FLANGED BEARING	2
77	25103-G1		KICK-OFF CAM.....	1
78	71215-G01		SETSCREW, 1/4 - 20 X 1/2" LG.	2
79	14134-G4		SPACER.....	1
80				
81	70113-G01		ADJUSTABLE BUMPER	1
82	11027-G1		LOCK NUT, 5/16 - 18	1
83				
84	70080-G01		CATCH BRACKET	1
85	00414-G6		BOLT, 1/4 - 20 X 3/4" LG.....	2
86	11027-G2		LOCK NUT, 1/4 - 20	2
87				
88	72422-G01		BRAKE ASSEMBLY (DRIVER SIDE) (INCLUDES ITEMS 90 - 98, 100, 101)....	1

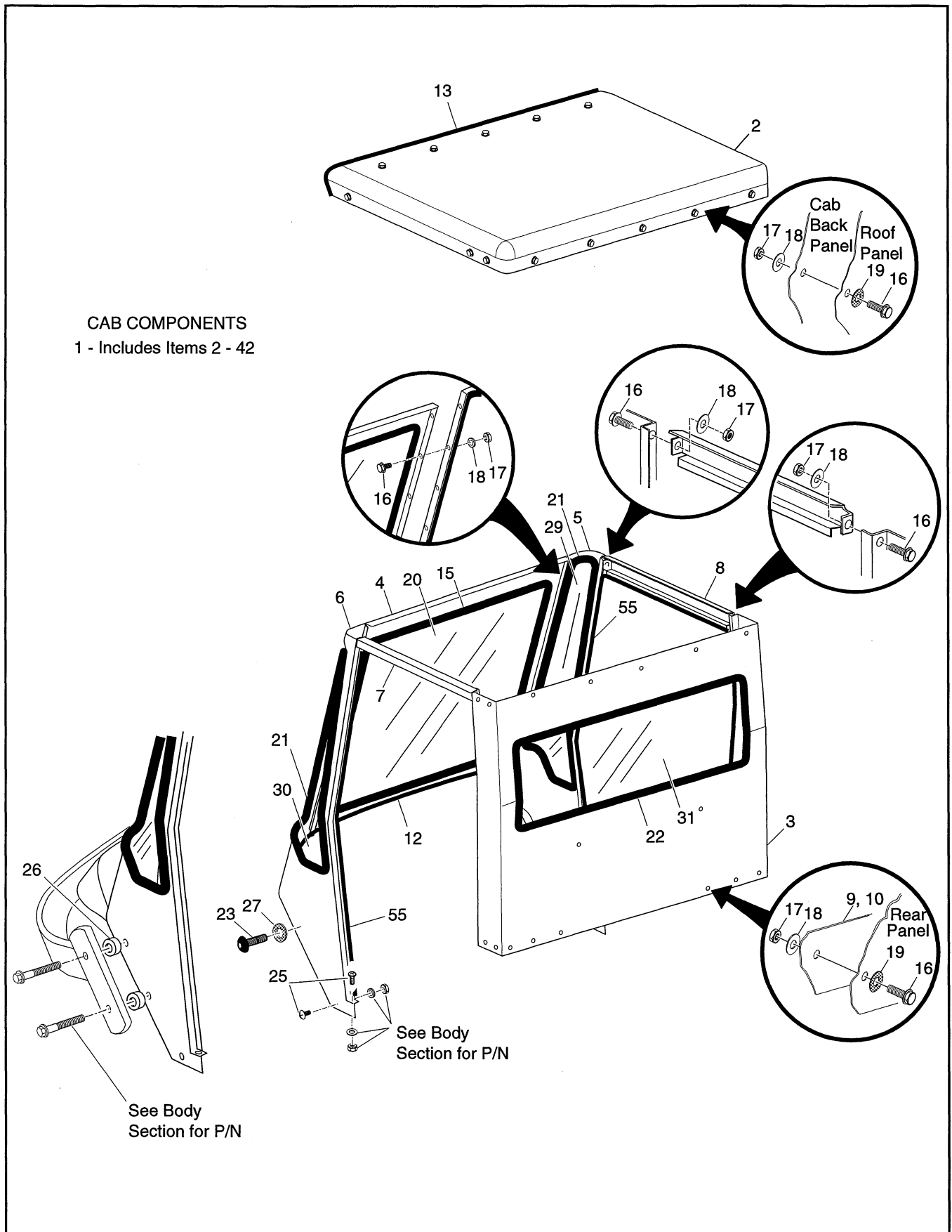
When ordering parts, please specify the model and serial number of the product.

* Indicates a component that is not available as an individual part.

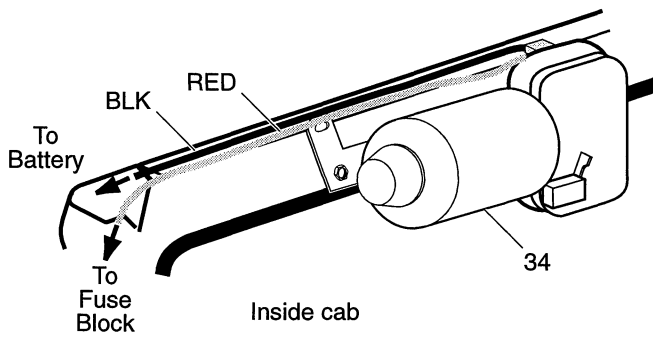
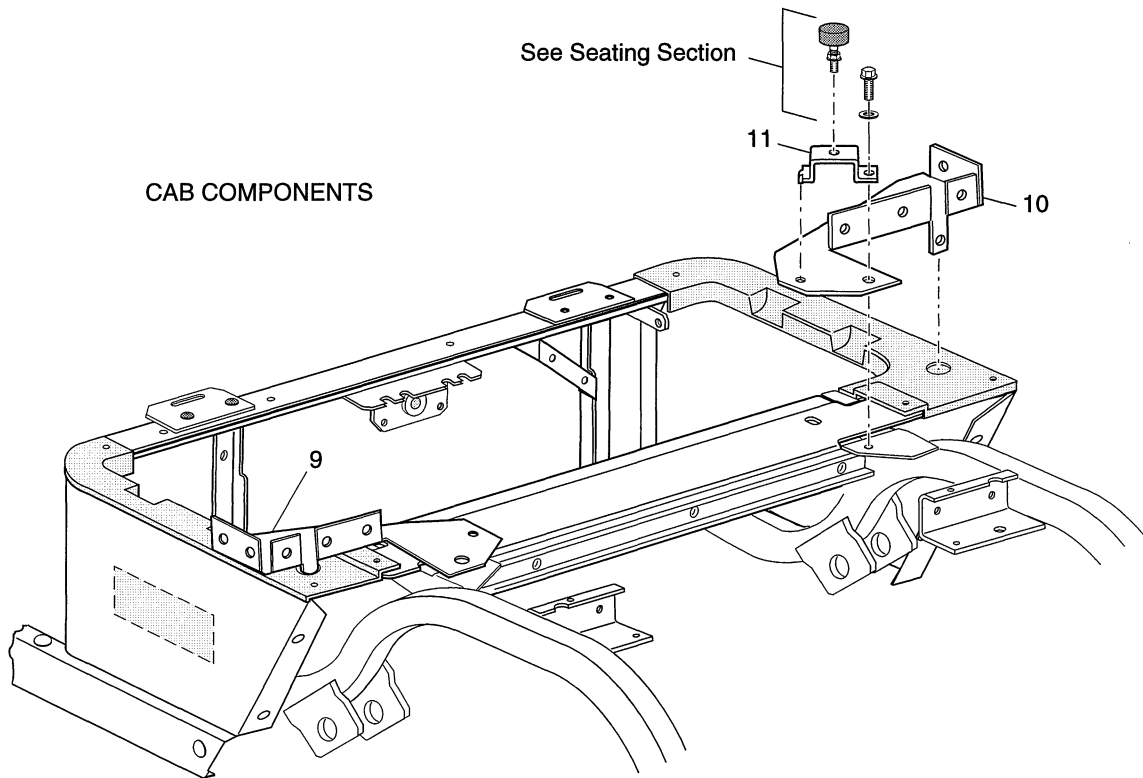
G** Indicates consult Customer Service Department for additional information.

ITEM	PART NO.	1 2 3 4 5	DESCRIPTION	QTY.
89	72422-G02		BRAKE ASSEMBLY (PASSENGER SIDE) (INCL. ITEMS 90 - 97, 99 - 101).....	1
90	27945-G01		BRAKE SHOE KIT (INCLUDES ITEM 91)	2
91	*		BRAKE SHOE	2
92	27944-G01		BRAKE SPRING KIT (INCLUDES ITEMS 93 - 97)	2
93	*		UPPER SPRING	1
94	*		LOWER SPRING	1
95	*		PIN	2
96	*		CUP AND SPRING	2
97	*		ADJUSTER SPRING.....	1
98	72582-G01		BRAKE ADJUSTER KIT (DRIVER SIDE) (INCLUDES ITEMS 100 - 101)....	1
99	72582-G02		BRAKE ADJUSTER KIT (PASSENGER SIDE) (INCL. ITEMS 100 - 101)	1
100	*		ADJUSTER	1
101	*		TEFLON WASHER	2
102	17083-G2		BOLT, 5/16 - 24 X 1" LG.....	8
103	15126-G1		LOCK NUT, 5/16 - 24	8
104	15485-G1		INNER BRAKE DRUM WASHER	2
105				
106	19186-G1		BRAKE DRUM ASSEMBLY (INCLUDES ITEMS 107 - 108)	2
107	*		BRAKE DRUM.....	1
108	19862-G1		LUG BOLT, 1/2 - 20	4
109	14723-G1		LUG NUT, 1/2 - 20.....	8
110				
111	15487-G1		WASHER, 1 3/8" O.D. X 21/32"	2
112	15483-G1		SLOTTED NUT, 5/8 - 18	2
113	10387-G1		COTTER PIN, 1/8" x 1 1/2" LG	2
114	74175-G01		SPINDLE CAP	2
115				
116	72036-G01		BRAKE CABLE BRACKET (PASSENGER SIDE)	1
117	72036-G02		BRAKE CABLE BRACKET (DRIVER SIDE).....	1





CAB COMPONENTS



Front of Vehicle

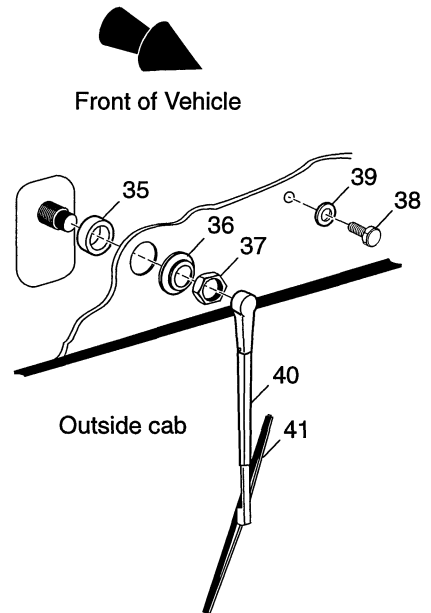


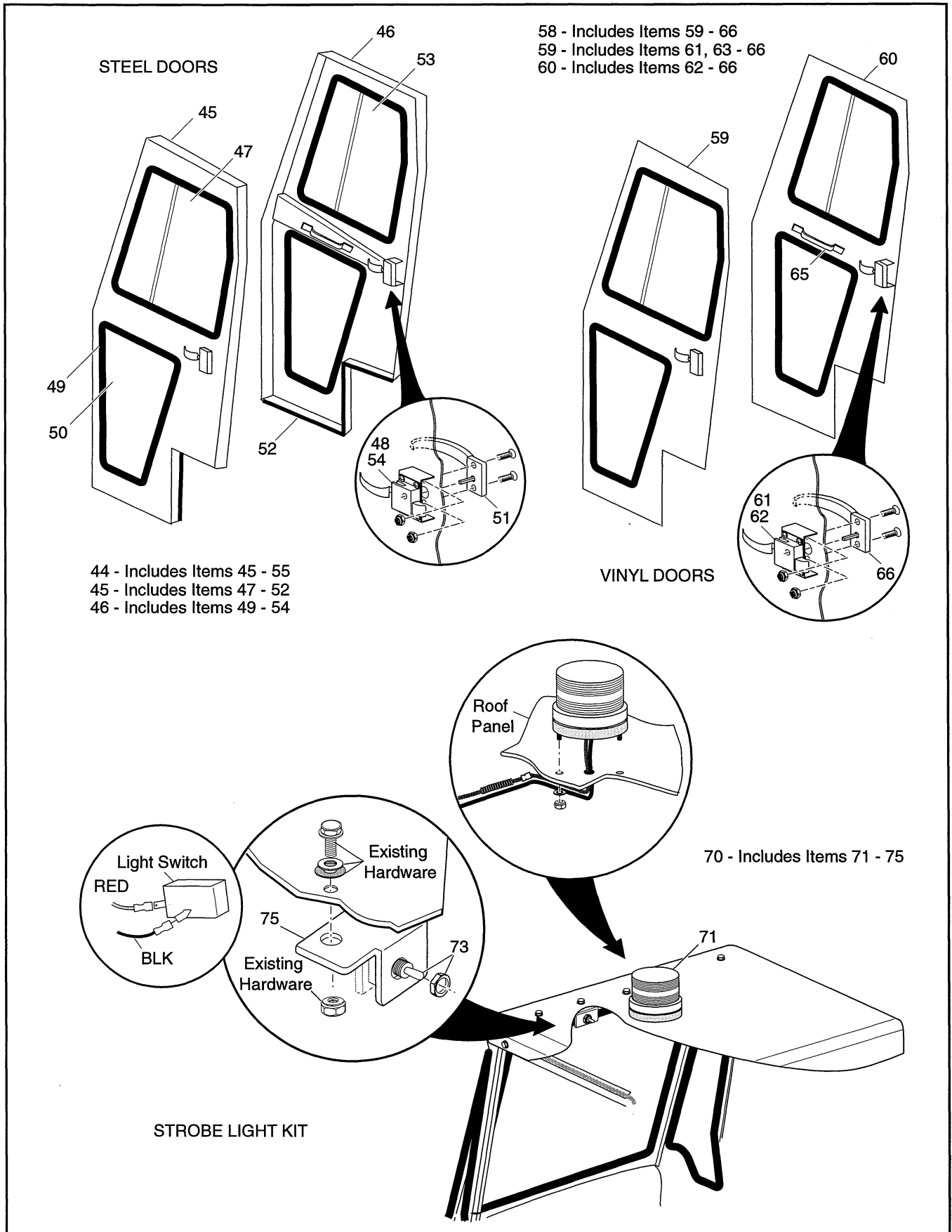
WINDSHIELD WIPER COMPONENTS

33 - Includes Items 34 - 42

34 - Includes Items 35 - 39

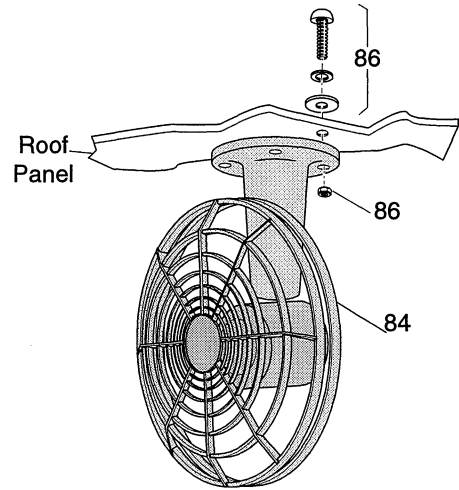
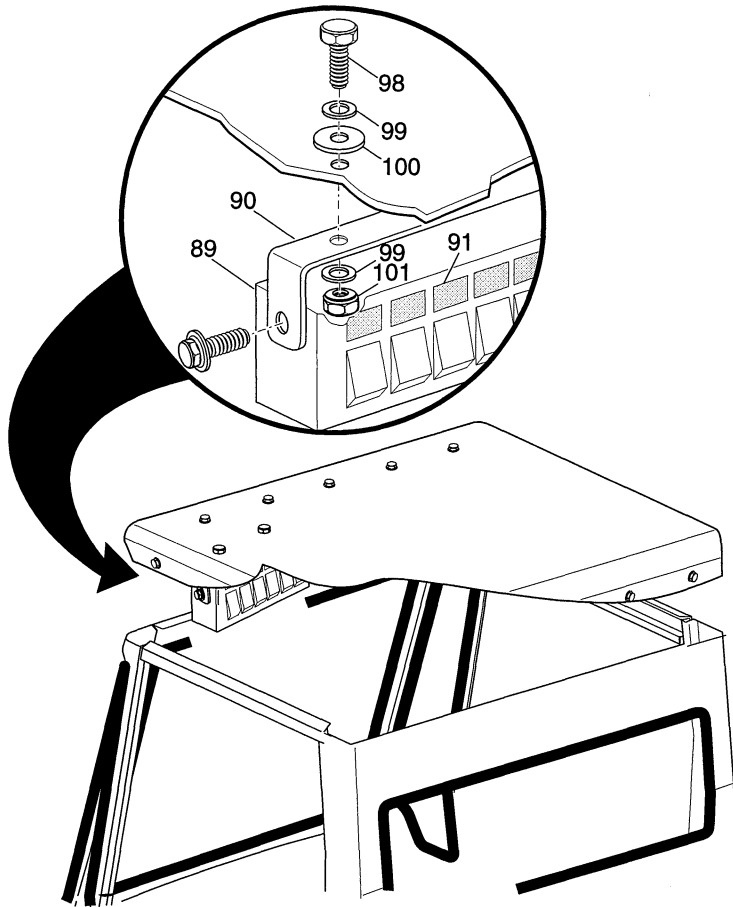
Front of Vehicle





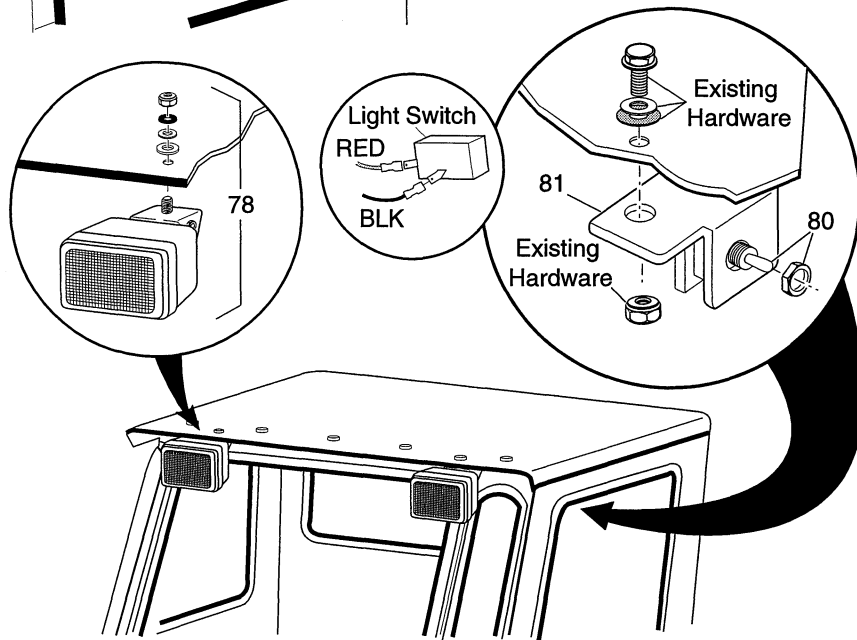
SWITCH PANEL KIT

88 - Includes Items 89 - 103



DEFROSTER / COOLING FAN KIT

83 - Includes Items 84 - 86



WORKLIGHT KIT

77 - Includes Items 78 - 81

Replacement parts may be obtained from Curtis Tractor Cab Inc., 111 Higgins Street, Worcester, MA 01606. Telephone (508) 853-2200, or FAX (508) 854-3377.

* Indicates a component that is not available as an individual part.

ITEM	PART NO.	1	2	3	4	5	DESCRIPTION	QTY.
1	74240-G0*	STEEL CAB KIT (WITHOUT DOORS) (INCLUDES ITEMS 2 - 42).....					1	
2	74240-G0*A	ROOF PANEL					1	
3	74240-G0*B	REAR PANEL					1	
4	74240-G0*C	WINDSHIELD PANEL.....					1	
5	74240-G0*D	FRONT CORNER PANEL (PASSENGER SIDE).....					1	
6	74240-G0*E	FRONT CORNER PANEL (DRIVER SIDE)					1	
7	74240-G0*F	RECEIVER (DRIVER SIDE)					1	
8	74240-G0*G	RECEIVER (PASSENGER SIDE).....					1	
9	74240-G0*H	LOWER MOUNTING BRACKET (DRIVER SIDE).....					1	
10	74240-G0*I	LOWER MOUNTING BRACKET (PASSENGER SIDE)					1	
11	6E05G	BUMPER BRACKET.....					2	
12	1P004A	FRONT PANEL COWL SEAL GASKET (85" LG)					1	
13	1P004D	ROOF TRIM (50")					1	
14								
15	6E03	FRONT WINDSHIELD MOUNTING GASKET					1	
16	6E03A	BOLT, 3/8-16 X 7/8"LG.....					44	
17	6E03B	LOCK NUT, 3/8-16					44	
18	6E03C	WASHER, 3/8"					44	
19	6E03D	NYLON WASHER, 3/8".....					26	
20	6E03E	FRONT WINDSHIELD GLASS					1	
21	6E03H	FRONT CORNER PANEL MOUNTING GASKET					2	
22	6E03J	REAR PANEL WINDOW MOUNTING GASKET					1	
23	6E03S	ALLEN BUTTON HEAD BOLT					4	
24								
25	6E03U	BOLT, 1/4-20 X 1 1/2"LG.....					4	
26	6E03V	NYLON SPACER, 1/4".....					4	
27	6E03W	WASHER, 5/16"					4	
28								
29	6E05A	FRONT CORNER PANEL WINDOW (PASSENGER SIDE).....					1	
30	6E05B	FRONT CORNER PANEL WINDOW (DRIVER SIDE)					1	



Replacement parts may be obtained from Curtis Tractor Cab Inc., 111 Higgins Street, Worcester, MA 01606. Telephone (508) 853-2200, or FAX (508) 854-3377.

* Indicates a component that is not available as an individual part.

ITEM	PART NO.	1	2	3	4	5	DESCRIPTION	QTY.
31	6E05C						REAR PANEL WINDOW	1
32								
33	74244-G01						WINDSHIELD WIPER KIT (INCLUDES ITEMS 34 - 42)	1
34	9PWM85						WIPER MOTOR (INCLUDES ITEMS 35 - 39)	1
35	*						SPACER	1
36	*						SHAFT COVER (SEAL)	1
37	*						NUT	1
38	*						BOLT	1
39	*						WASHER	1
40	9PWA						WIPER ARM	1
41	9PWB						WINDSHIELD WIPER BLADE	1
42	9E003						ELECTRICAL HARDWARE KIT (NOT ILLUSTRATED)	1
43								
44	74241-G0*						STEEL DOOR KIT (INCLUDES ITEMS 45 - 55)	1
45	74241-G0*A						STEEL DOOR (DRIVER SIDE) (INCLUDES ITEMS 47 - 52)	1
46	74241-G0*B						STEEL DOOR (PASSENGER SIDE) (INCLUDES ITEMS 49 - 54)	1
47	6E05D						SLIDING DOOR WINDOW ASSEMBLY (DRIVER SIDE)	1
48	9DHSL						INSIDE DOOR LATCH (DRIVER SIDE)	1
49	6E03P						LOWER DOOR WINDOW MOUNTING GASKET	1
50	6E05F						LOWER DOOR WINDOW	1
51	9DHOS1						OUTSIDE DOOR HANDLE (KEY LOCKING)	2
52	1P004B						LOWER DOOR SEAL GASKET (43" LG)	1
53	6E05E						SLIDING DOOR WINDOW ASSEMBLY (PASSENGER SIDE)	1
54	9DHSLR						INSIDE DOOR LATCH (PASSENGER SIDE)	1
55	1P004C						DOOR SEAL GASKET (123" LG)	2
56	9P001A						REPLACEMENT DOOR HINGE KIT (NOT ILLUSTRATED)	AR
57								
58	74242-G01						VINYL DOOR KIT (INCLUDES ITEMS 59 - 66)	1
59	9DVK-L						VINYL DOOR (DRIVER SIDE) (INCLUDES ITEMS 61, 63 - 66)	1
60	9DVK-R						VINYL DOOR (PASSENGER SIDE) (INCLUDES ITEMS 62 - 66)	1



Replacement parts may be obtained from Curtis Tractor Cab Inc., 111 Higgins Street, Worcester, MA 01606. Telephone (508) 853-2200, or FAX (508) 854-3377.

* Indicates a component that is not available as an individual part.

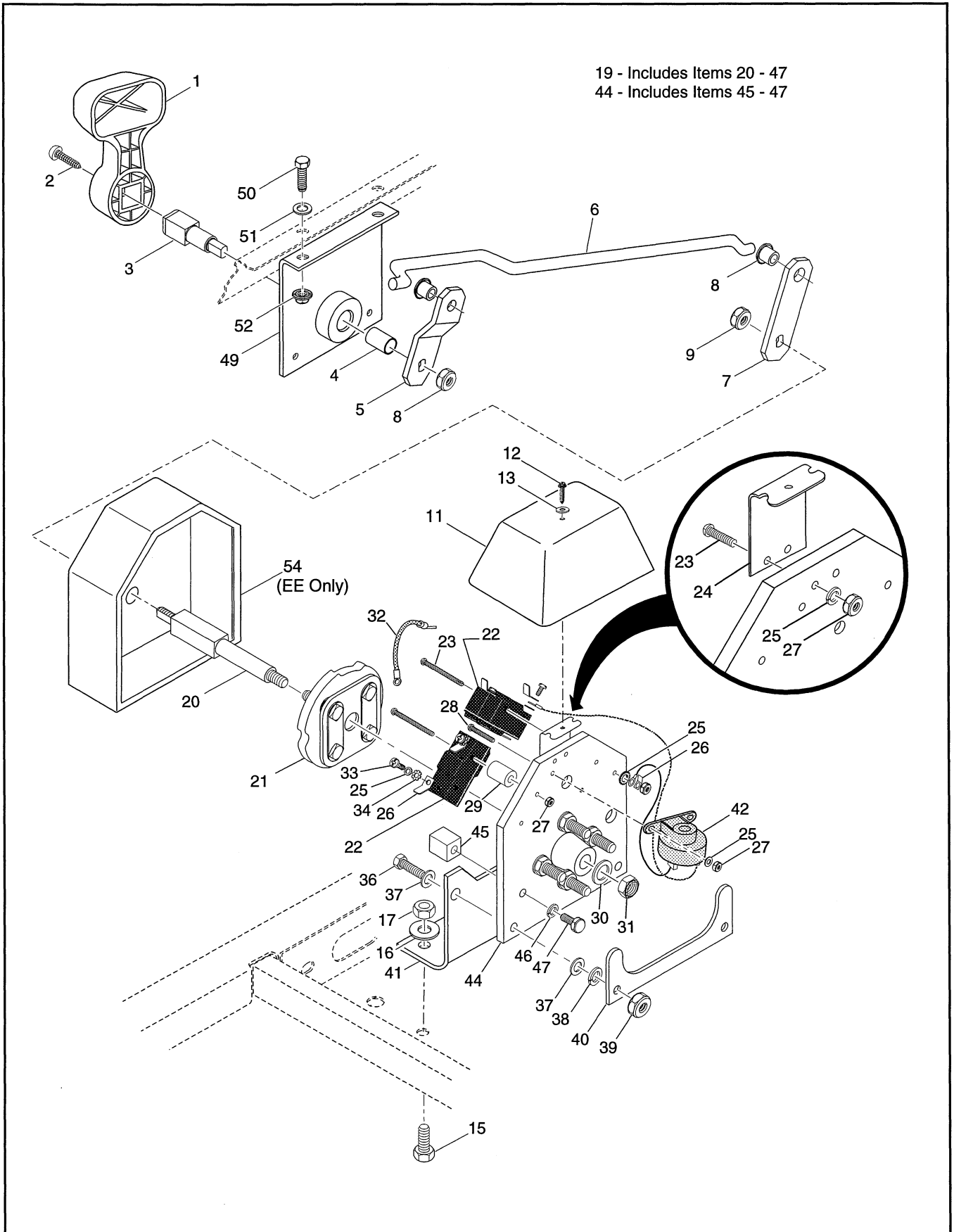
ITEM	PART NO.	1	2	3	4	5	DESCRIPTION	QTY.
61	9DHSL						INSIDE DOOR LATCH (DRIVER SIDE).....	1
62	9DHSLR						INSIDE DOOR LATCH (PASSENGER SIDE)	1
63	9DCK						DOOR CHECK (NOT ILLUSTRATED)	1
64	9DSTK1						DOOR STRIKER (NOT ILLUSTRATED)	1
65	9DGH1						DOOR GRAB HANDLE	1
66	9DHOS1						OUTSIDE DOOR HANDLE (KEY LOCKING)	1
67	9PSSHL						REPLACEMENT DOOR HINGE (DRIVER SIDE) (NOT ILLUSTRATED).....	1
68	9PSSHR						REPLACEMENT DOOR HINGE (PASSENGER SIDE) (NOT ILLUSTRATED) ..	1
69								
70	74245-G01						STROBE LIGHT KIT (INCLUDES ITEMS 71 - 75).....	1
71	9PSLRL						STROBE LENS.....	1
72	9E001						ELECTRICAL HARDWARE KIT (NOT ILLUSTRATED)	1
73	9E002						TOGGLE SWITCH.....	1
74	9PSLRB						REPLACEMENT BULB (NOT ILLUSTRATED)	1
75	9PB001						BRACKET	1
76								
77	74247-G01						WORK LIGHT KIT (INCLUDES ITEMS 78 - 81)	1
78	9LW1A						WORK LIGHT (INCLUDES HARDWARE).....	2
79	9E001						ELECTRICAL HARDWARE KIT (NOT ILLUSTRATED)	1
80	9E002						TOGGLE SWITCH.....	1
81	9PB001						BRACKET	1
82								
83	74248-G01						DEFROSTER / COOLING FAN KIT (INCLUDES ITEMS 84 - 86)	1
84	9PDF						FAN.....	1
85	9E001						ELECTRICAL HARDWARE KIT (NOT ILLUSTRATED)	1
86	9PFHK						HARDWARE KIT	1
87								
88	74250-G01						SWITCH PANEL KIT (INCLUDES ITEMS 89 - 103)	1
89	9PSF1-001						SWITCH PANEL	1
90	9PSF1-002						MOUNTING BRACKET AND HARDWARE	1

Replacement parts may be obtained from Curtis Tractor Cab Inc., 111 Higgins Street, Worcester, MA 01606. Telephone (508) 853-2200, or FAX (508) 854-3377.

* Indicates a component that is not available as an individual part.

ITEM	PART NO.	1	2	3	4	5	DESCRIPTION	QTY.
91	9PSF1-003						ADHESIVE LABELS.....	1
92	9PSF1-004						3 AMP FUSE (NOT ILLUSTRATED)	2
93	9PSF1-005						5 AMP FUSE (NOT ILLUSTRATED)	3
94	9PSF1-006						7.5 AMP FUSE (NOT ILLUSTRATED)	1
95	9PSF1-007						FLEX LOOM, 5/8" X 10 FT LG (NOT ILLUSTRATED)	1
96	9PSF1-008						4-WAY BASE TIE (NOT ILLUSTRATED)	6
97	9PSF1-009						WIRE TIE (NOT ILLUSTRATED).....	14
98	9PSF1-010						BOLT, 1/4 - 20 X 7/8" LG	2
99	9PSF1-011						WASHER, 1/4".....	4
100	9PSF1-012						NYLON WASHER, 1/4"	2
101	9PSF1-013						LOCK NUT, 1/4-20.....	2
102	9PSF1-014						10 GA WIRE (RED, 8" LG) (NOT ILLUSTRATED).....	1
103	9PSF1-015						10 GA WIRE (BLACK, 8" LG) (NOT ILLUSTRATED).....	1





THE USE OF NON UL PARTS WILL VOID ANY UL LISTING.
 When ordering parts, please specify the model and serial number of the product.
 * Indicates a component that is not available as an individual part.
 G** Indicates consult Customer Service Department for additional information.

ITEM	PART NO.	1 2 3 4 5	DESCRIPTION	QTY.
1	71205-G01		DIRECTION SELECTOR HANDLE	1
2	00740-G4		SCREW, #10 - 32 X 1/2" LG.	1
3	70233-G01		DIRECTION SELECTOR SHAFT.....	1
4	25664-G2		BUSHING.....	1
5	70334-G01		OFFSET SHIFT LINKAGE ARM	1
6	70313-G01		LINKAGE ROD.....	1
7	70232-G03		SHIFT LINKAGE ARM	1
8	22754-G3		BUSHING.....	2
9	14390-G1		LOCK NUT, 3/8 - 24	2
10				
11	73049-G01		COVER	1
12	00114-G6		SCREW, 1/4 - 14 x 3/4" LG.....	1
13	16469-G7		WASHER, 1/4"	1
14				
15	00438-G6		BOLT, 5/16 - 18 X 3/4" LG.....	2
16	00571-G2		WASHER, 5/16"	2
17	11098-G6		LOCK NUT, 5/16 - 18	2
18				
19	73036-G01		DIRECTION SELECTOR ASSEMBLY (INCLUDES ITEMS 20 - 47)	1
20	73027-G01		DIRECTION SELECTOR SHAFT	1
21	12835-G1		CAM.....	1
22	10606-G2		MICRO SWITCH.....	2
23	00139-G8		SCREW, #6 - 32 X 2" LG.....	4
24	73048-G01		COVER BRACKET	1
25	00565-G3		LOCK WASHER, #6	8
26	14628-G1		FASTON TAB.....	4
27	00525-G5		NUT, #6 - 32.....	8
28	00138-G6		SCREW, #6 - 32 X 3/4" LG.....	3
29	12806-G1		SPACER	4
30	00560-G1		WASHER, 3/8"	1



DIRECTION SELECTOR

Electric Vehicle

THE USE OF NON UL PARTS WILL VOID ANY UL LISTING.

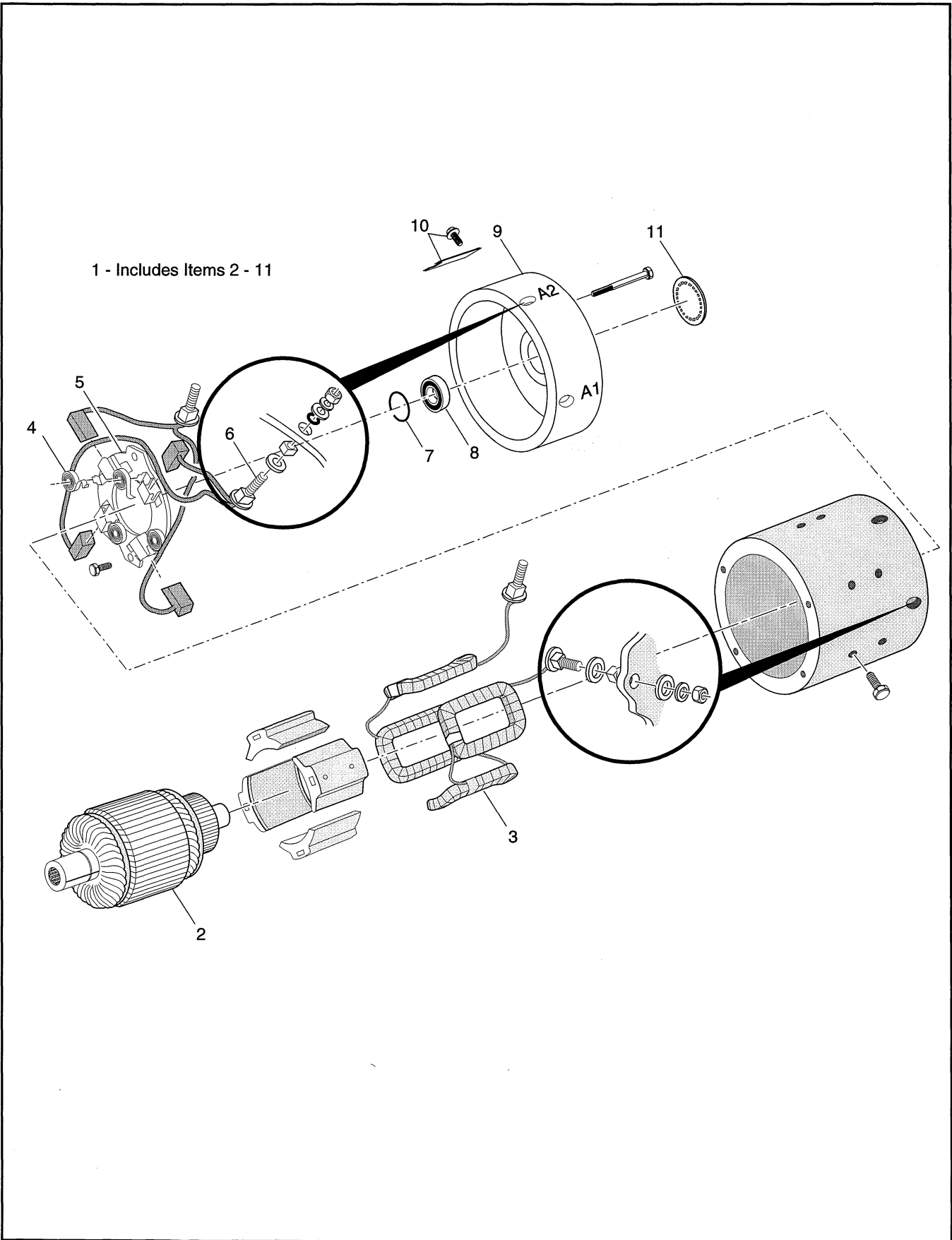
When ordering parts, please specify the model and serial number of the product.

* Indicates a component that is not available as an individual part.

G** Indicates consult Customer Service Department for additional information.

ITEM	PART NO.	1	2	3	4	5	DESCRIPTION	QTY.
31	14390-G1						LOCK NUT, 3/8 - 24	2
32	25978-G37						18 GA WIRE (RED 6")	1
33	*						SCREW.....	4
34	00567-G3						LOCK WASHER, #6	4
35								
36	00414-G8						BOLT, 1/4 - 20 X 1" LG.....	2
37	00559-G7						WASHER, 1/4"	4
38	00565-G7						LOCK WASHER, 1/4"	2
39	00532-G1						NUT, 1/4 - 20.....	2
40	15461-G1						SUPPORT BRACKET.....	1
41	73031-G01						DIRECTION SELECTOR MOUNTING BRACKET	1
42	73290-G02						REVERSE WARNING BUZZER	1
43								
44	14651-G1						CONTACT BOARD ASSEMBLY (INCLUDES ITEMS 45 - 47)	1
45	24940-G1						STOP	2
46	00565-G7						LOCK WASHER, 1/4"	2
47	00414-G6						BOLT, 1/4 - 20 X 3/4" LG.	2
48								
49	70444-G01						BRACKET	1
50	28272-G01						BOLT, 1/4 - 20 X 5/8" LG	2
51	00559-G7						WASHER, 1/4"	2
52	11027-G2						LOCK NUT, 1/4 - 20	2





THE USE OF NON UL PARTS WILL VOID ANY UL LISTING.

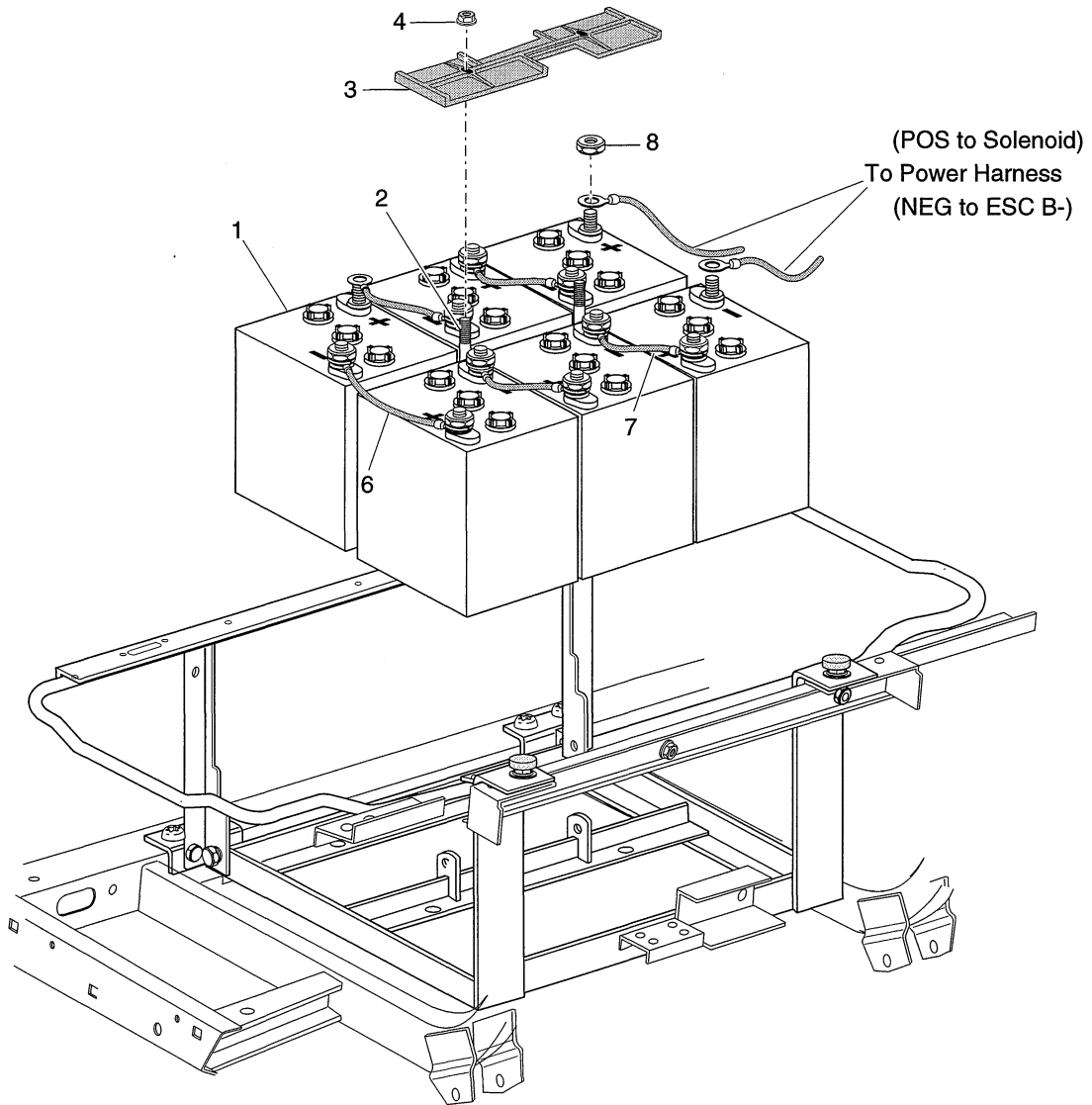
When ordering parts, please specify the model and serial number of the product.

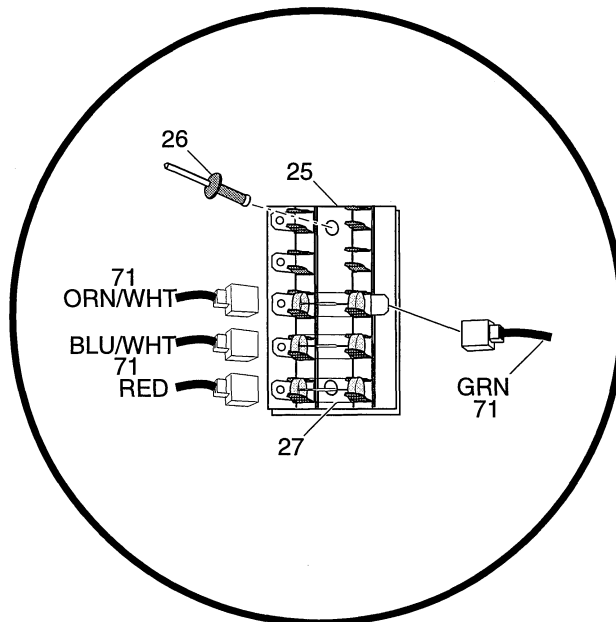
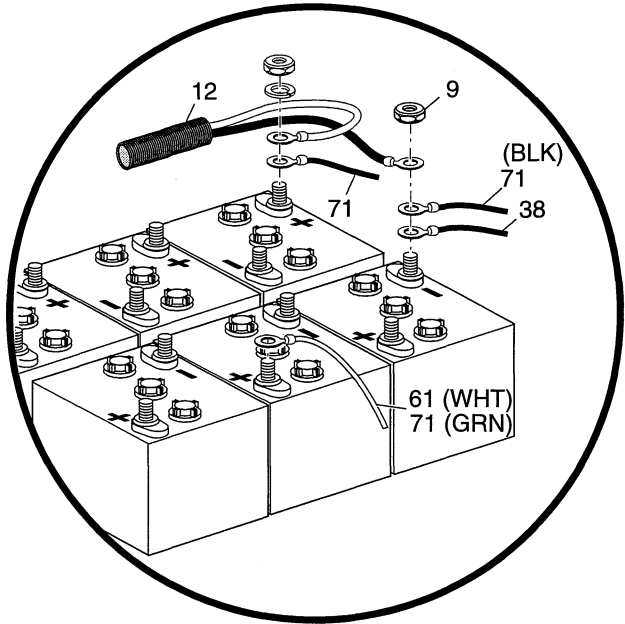
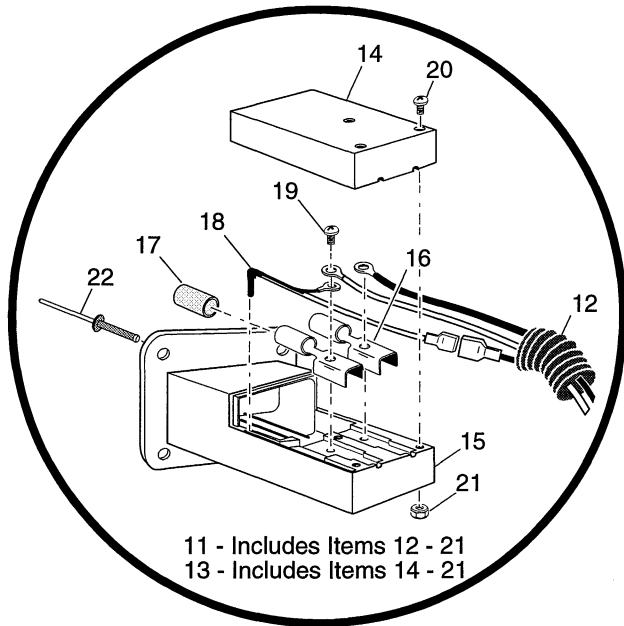
* Indicates a component that is not available as an individual part.

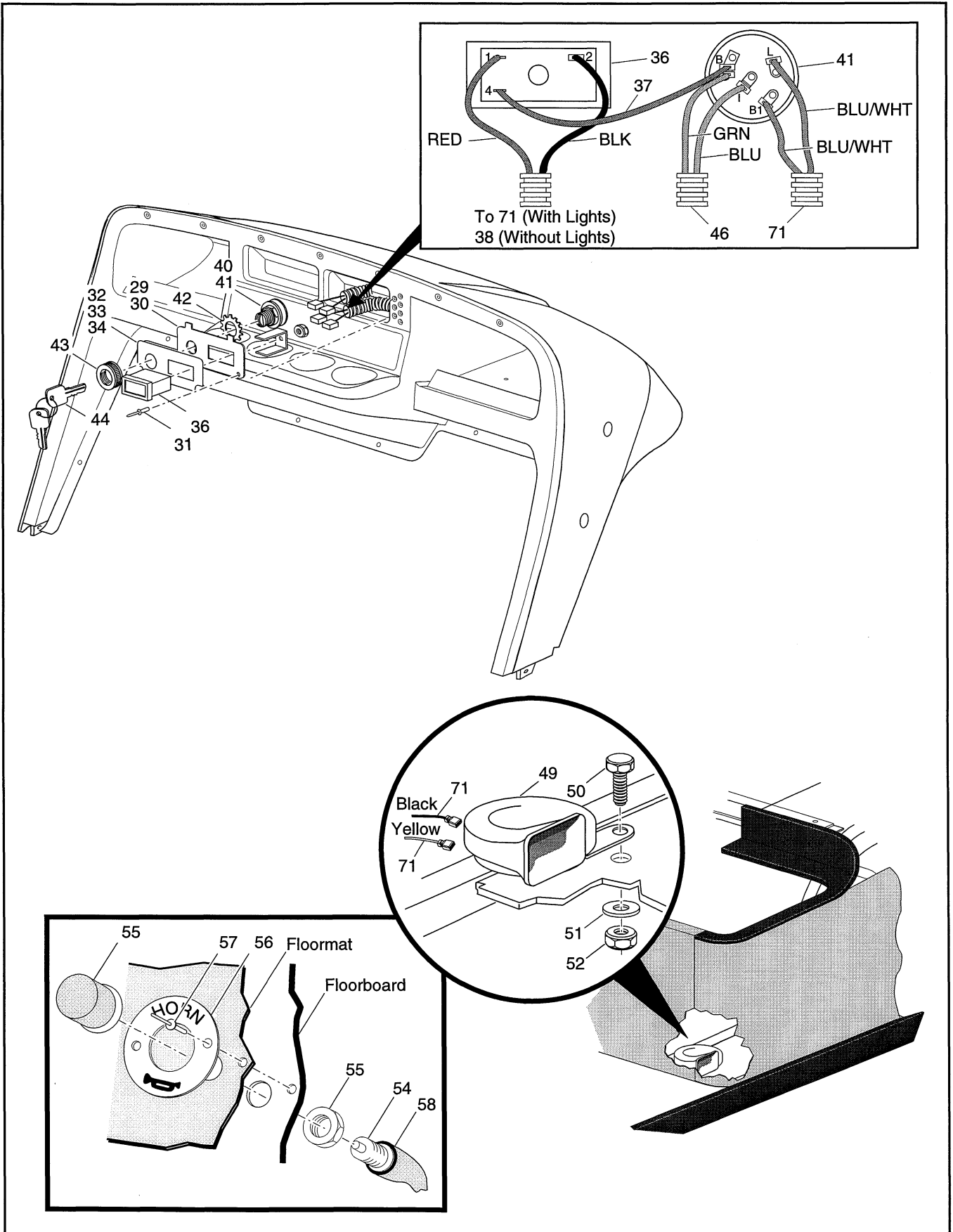
G** Indicates consult Customer Service Department for additional information.

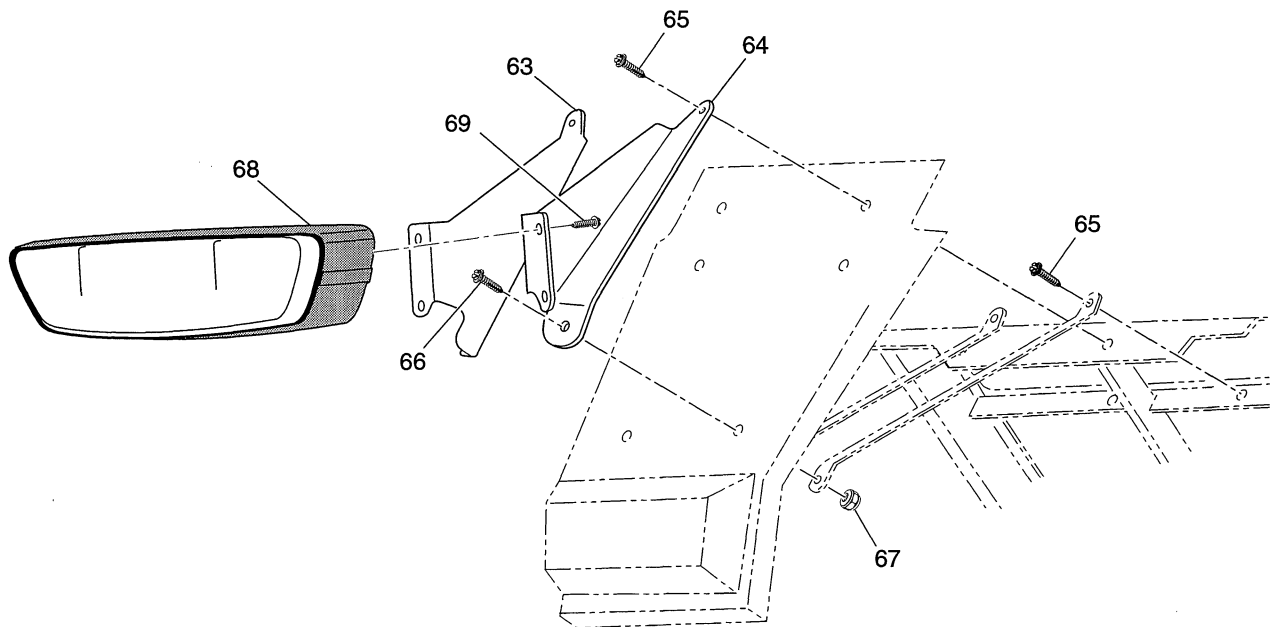
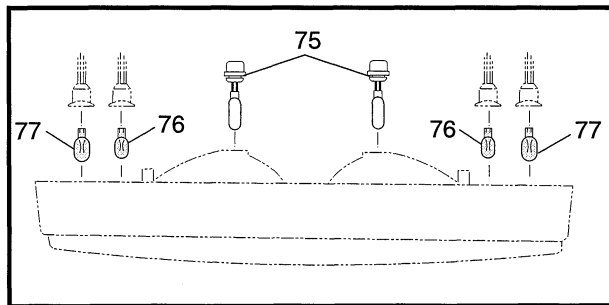
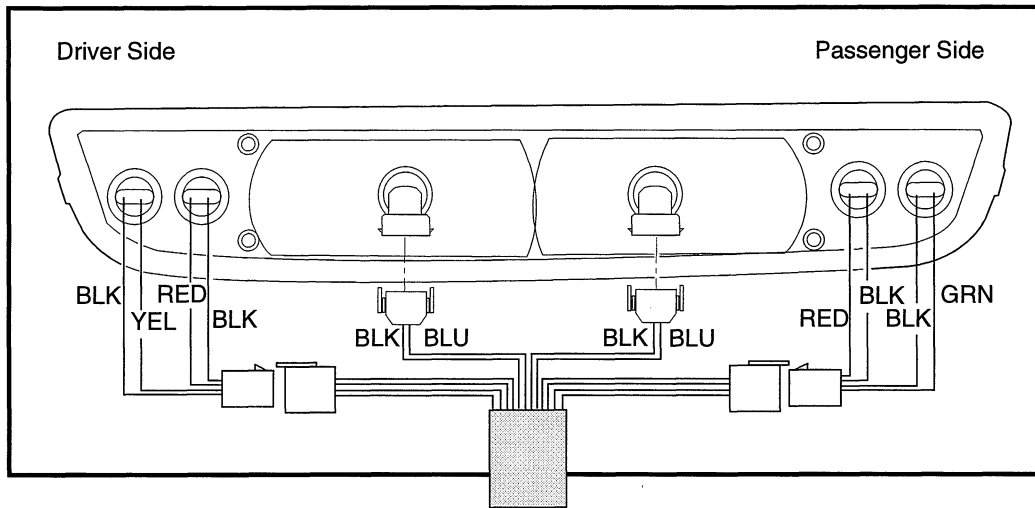
ITEM	PART NO.	1	2	3	4	5	DESCRIPTION	QTY.
1	73124-G02						MOTOR, FLEET SPEED, NON-VENTED (INCLUDES ITEMS 2 - 11)	1
2	73120-G01						ARMATURE.....	1
3	73120-G11						FIELD COIL KIT (INCLUDES HARDWARE)	1
4	73120-G03						BRUSH SPRING	4
5	73120-G15						BRUSH PLATE AND BOX.....	1
6	73120-G05						BRUSH REPLACEMENT KIT (INCLUDES HARDWARE)	1
7	73120-G06						SNAP RING.....	1
8	73120-G07						BEARING.....	1
9	73120-G08						COVER COMMUTATOR END.....	1
10	73120-G09						COVER PLATE AND SCREW.....	1
11	73120-G10						CAP	1

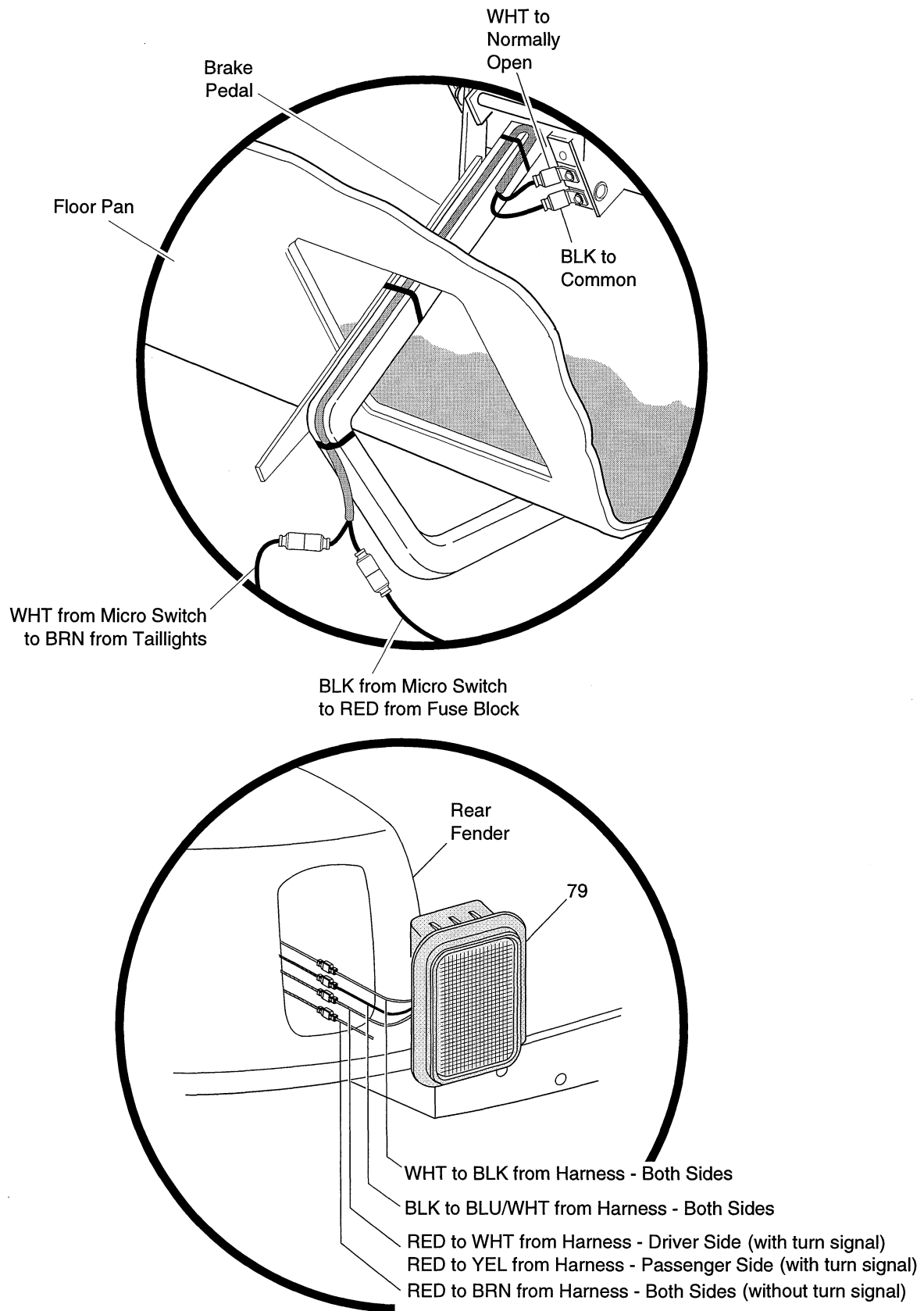


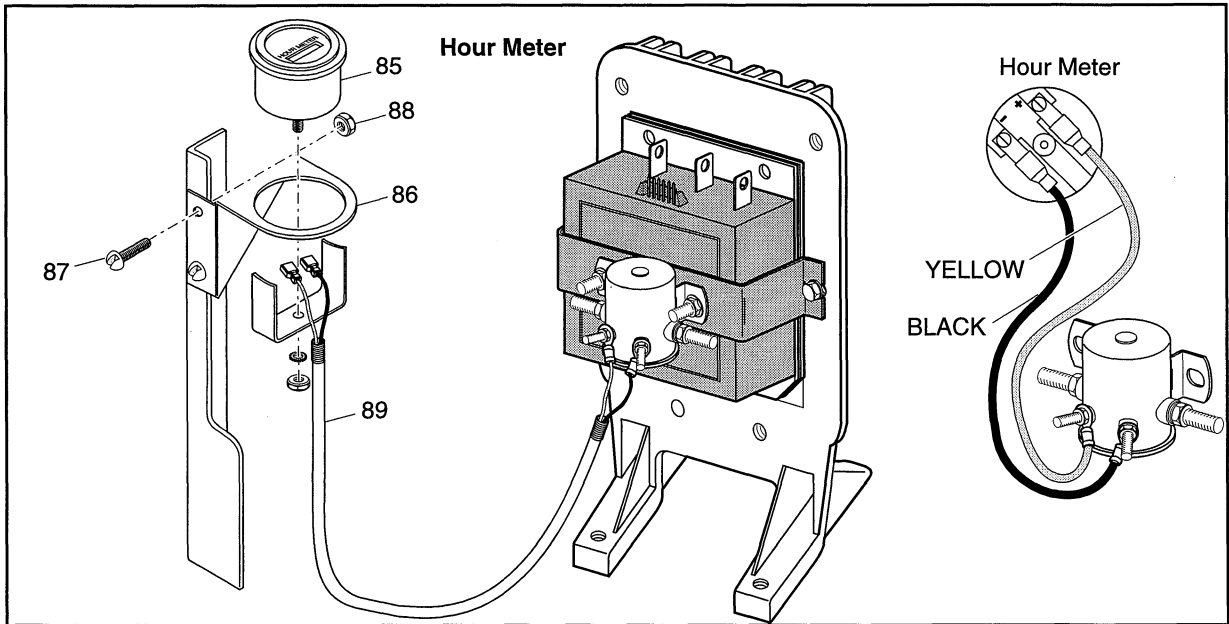
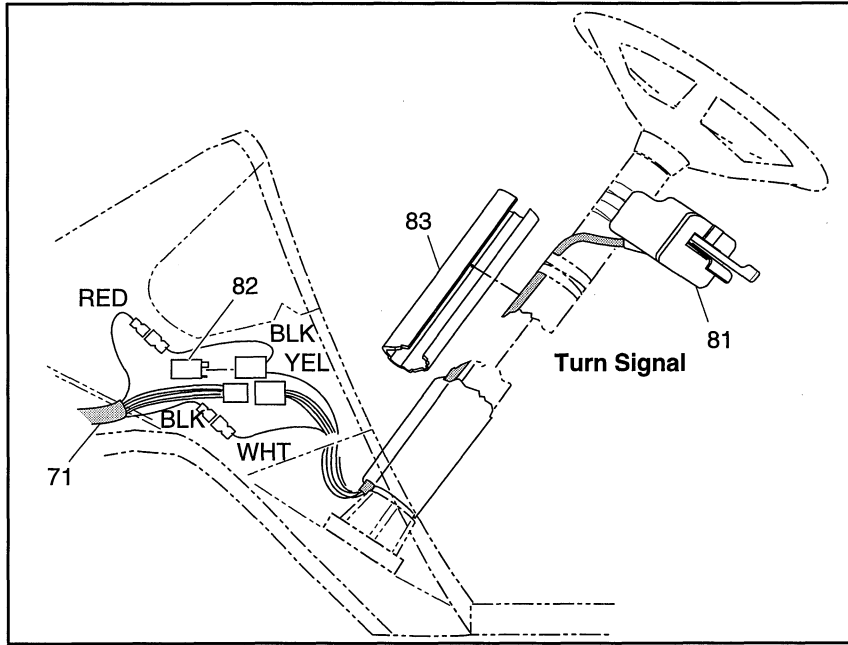


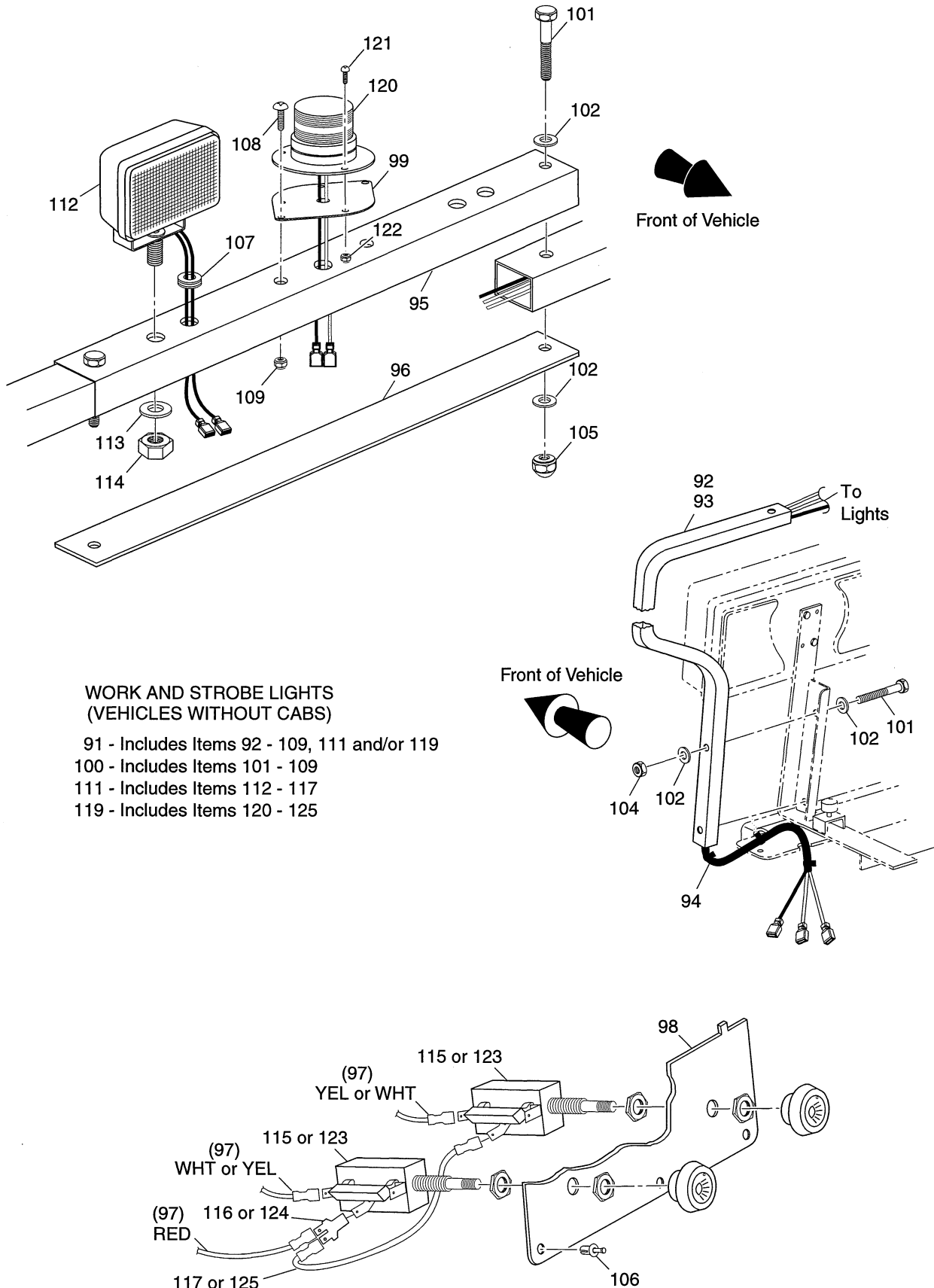












THE USE OF NON UL PARTS WILL VOID ANY UL LISTING.

When ordering parts, please specify the model and serial number of the product.

* Indicates a component that is not available as an individual part.

G** Indicates consult Customer Service Department for additional information.

ITEM	PART NO.	1 2 3 4 5	DESCRIPTION	QTY.
1	XXXXX-G**		BATTERY (6 VOLT)	6
2	70121-G01		HOLD DOWN BOLT	2
3	70045-G01		BATTERY RETAINER	1
4	11027-G1		LOCK NUT, 5/16 - 18	2
5				
6	25972-G32		6 GA WIRE (BLACK 10 1/2")	1
7	25972-G40		6 GA WIRE (BLACK 6")	4
8	00702-G2		NUT, 5/16 - 18	12
9				
10				
11	73063-G01		CHARGER WIRE HARNESS/RECEPTACLE ASSEMBLY (PORTABLE CHARGER) (INCLUDES ITEMS 12 - 21)	1
12	73082-G01		CHARGER HARNESS	1
13	73051-G01		CHARGER RECEPTACLE (INCLUDES ITEMS 14 - 21)	1
14	73051-G03		RECEPTACLE COVER	1
15	73051-G04		RECEPTACLE BOTTOM	1
16	73051-G05		FEMALE RADSOK	2
17	73051-G06		INSULATOR SLEEVE	1
18	73051-G18		REED SWITCH	1
19	73051-G08		SCREW, #10 - 32 X 1/2" LG. (BRASS, BINDING HEAD)	2
20	73051-G09		SCREW, #6 - 32 X 1 3/4" LG. (STAINLESS STEEL)	3
21	73051-G10		LOCK NUT, #6-32	3
22	71055-G01		RIVET, 3/16" X 3/8" LG	4
23	17618-G1		WIRE TIE (NOT ILLUSTRATED)	3
24				
25	22674-G1		FUSE BLOCK	1
26	71010-G01		RIVET, 5/32" X 3/8" LG	2
27	18392-G1		15 AMP FUSE	3
28				
29	73030-G01		PLATE (IGNITION SWITCH ONLY)	1



THE USE OF NON UL PARTS WILL VOID ANY UL LISTING.

When ordering parts, please specify the model and serial number of the product.

* Indicates a component that is not available as an individual part.

G** Indicates consult Customer Service Department for additional information.

ITEM	PART NO.	1	2	3	4	5	DESCRIPTION	QTY.
30	73030-G02						PLATE (IGNITION WITH STATE OF CHARGE METER).....	1
31	33623-G02						RIVET, 3/16" X 3/8" LG	2
32	71181-G02						DECAL (WITHOUT LIGHTS)	1
33	71123-G01						DECAL (WITHOUT LIGHTS, WITH STATE OF CHARGE METER).....	1
34	71129-G01						DECAL (WITH LIGHTS AND STATE OF CHARGE METER)	1
35								
36	33636-G01						STATE OF CHARGE METER	1
37	25978-G74						18 GA WIRE (RED 6")	1
38	74018-G01						STATE OF CHARGE METER HARNESS.....	1
39								
40	18602-G1						IGNITION SWITCH (WITHOUT LIGHTS)	1
41	33639-G01						IGNITION SWITCH (WITH LIGHTS).....	1
42	00568-G6						LOCK WASHER, 3/4".....	1
43	17137-G1						FACE NUT, 3/4 - 20.....	1
44	17063-G1						IGNITION KEY (SET).....	A/R
45								
46	73041-G01						IGNITION SWITCH HARNESS.....	1
47	17618-G1						WIRE TIE (NOT ILLUSTRATED)	1
48								
49	32860-G1						HORN.....	1
50	00414-G5						BOLT, 1/4 - 20 X 5/8" LG.....	1
51	00559-G8						WASHER, 5/16"	1
52	00891-G2						LOCK NUT, 1/4 - 20	1
53								
54	17318-G1						HORN SWITCH (INCLUDES ITEM 55)	1
55	17318-G2						BUTTON AND NUT	1
56	19233-G1						HORN SWITCH PLATE	1
57	14601-G7						RIVET, 3/16 X 11/16" LG (STAINLESS STEEL).....	2
58	27068-G01						HORN SWITCH BOOT	1
59								

THE USE OF NON UL PARTS WILL VOID ANY UL LISTING.

When ordering parts, please specify the model and serial number of the product.

* Indicates a component that is not available as an individual part.

G** Indicates consult Customer Service Department for additional information.

ITEM	PART NO.	1 2 3 4 5	DESCRIPTION	QTY.
60				
61				
62				
63	74002-G01		LIGHT BAR MOUNTING BRACKET (PASSENGER SIDE).....	1
64	74002-G02		LIGHT BAR MOUNTING BRACKET (DRIVER SIDE)	1
65	01028-G01		SCREW, 1/4 - 14 X 3/4" LG	4
66	00414-G6		BOLT, 1/4 - 20 X 3/4" LG.....	2
67	11027-G2		LOCK NUT, 1/4 - 20	2
68	74001-G01		LIGHT BAR	1
69	00114-G6		SCREW, 1/4 - 14 X 3/4" LG	4
70				
71	73043-G01		WIRE HARNESS (ACCESSORY).....	1
72	17618-G1		WIRE TIE (NOT ILLUSTRATED)	5
73	31539-G1		WIRE TIE (NOT ILLUSTRATED)	6
74				
75	74004-G01		HEADLIGHT BULB (REPLACEMENT).....	A/R
76	74005-G01		MARKER LIGHT BULB (REPLACEMENT).....	A/R
77	74006-G01		TURN LIGHT BULB (REPLACEMENT)	A/R
78				
79	32739-G2		STOP/TAIL LIGHT.....	2
80				
81	17867-G1		TURN SIGNAL (WITH MOUNTING HARDWARE) (INCLUDES ITEM 82).....	1
82	21640-G1		FLASHER.....	1
83	20965-G3		STEERING COLUMN COVER.....	1
84				
85	21573-G1		HOUR METER	1
86	74019-G01		BRACKET	1
87	00150-G4		SCREW. #10 - 24 X 1/2" LG	2
88	11098-G7		NUT, #10 - 24	2
89	75117-G02		WIRE HARNESS (HOUR METER).....	1



THE USE OF NON UL PARTS WILL VOID ANY UL LISTING.

When ordering parts, please specify the model and serial number of the product.

* Indicates a component that is not available as an individual part.

G** Indicates consult Customer Service Department for additional information.

ITEM	PART NO.	1	2	3	4	5	DESCRIPTION	QTY.
90								
91	71323-G**						WORK LIGHT BAR WITH LIGHTS AND/OR STROBE (INCLUDES ITEMS 92 - 109, 111 AND/OR 119)	1
92	71328-G02						STRUT (PASSENGER SIDE).....	1
93	71328-G01						STRUT (DRIVER SIDE)	1
94	75346-G01						WIRE HARNESS (WORK LIGHT).....	1
95	71294-G01						WORK LIGHT BRACE	1
96	71293-G01						COVER PLATE.....	1
97	75430-G01						LIGHT SWITCH HARNESS	1
98	71077-G**						LIGHT SWITCH PLATE.....	1
99	33201-G02						STROBE LIGHT MOUNT (USED ONLY WITH STROBE LIGHT)	1
100	75365-G01						HARDWARE KIT (INCLUDES ITEMS 101 - 109)	1
101	00685-G7						BOLT, 5/16 - 18 X 1 3/4" LG	6
102	00660-G8						WASHER, 5/16"	12
103	15121-G1						WASHER, 3/8" X 1 1/4"	2
104	11098-G6						LOCK NUT, 5/16 - 18	4
105	00918-G3						ACORN NUT, 5/16 - 18	2
106	33623-G02						RIVET, 3/16" X 3/8" LG	3
107	20367-G1						GROMMET.....	2
108	16705-G3						SCREW, 1/4 - 20 X 3/4" LG	2
109	14390-G4						LOCK NUT, 1/4 - 20	2
110								
111	20383-G2						WORK LIGHT KIT (INCLUDES ITEMS 112-117).....	1
112	20209-G2						WORK LIGHT (RECTANGULAR)	2
113	00566-G3						LOCK WASHER, 1/2".....	2
114	00533-G1						NUT, 1/2 - 13	2
115	17317-G1						LIGHT SWITCH.....	1
116	17902-G1						TAB ADAPTER.....	1
117	20053-G1						16 GA WIRE (RED, 5 3/8" LG.).....	1
118								

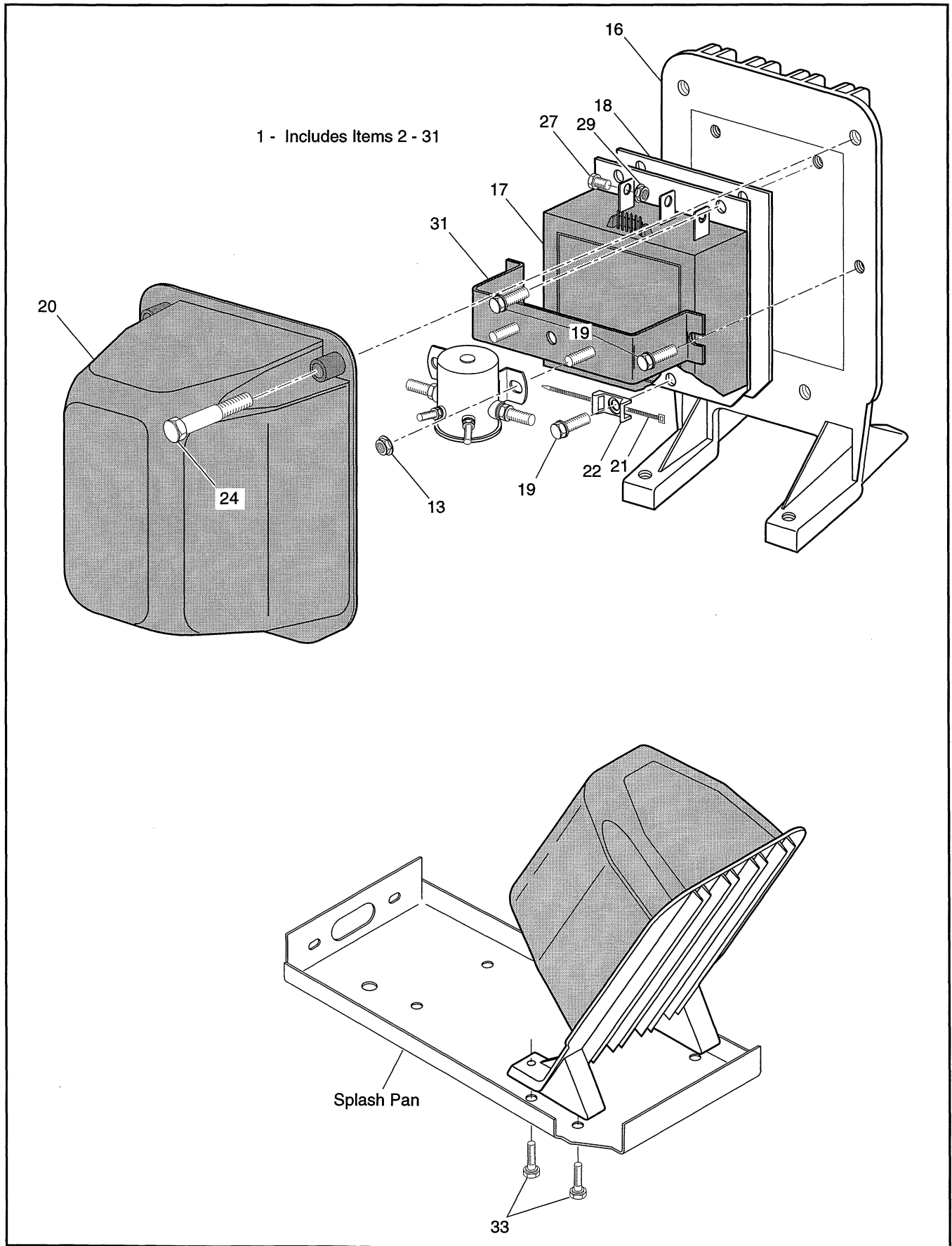
THE USE OF NON UL PARTS WILL VOID ANY UL LISTING.

When ordering parts, please specify the model and serial number of the product.

* Indicates a component that is not available as an individual part.

G** Indicates consult Customer Service Department for additional information.

ITEM	PART NO.	1	2	3	4	5	DESCRIPTION	QTY.
119	20385-G2						STROBE LIGHT KIT (INCLUDES ITEMS 120 - 125).....	1
120	20394-G1						STROBE LIGHT	1
121	00379-G4						SCREW, #10 - 24 x 1/2" LG	3
122	11098-G7						LOCK NUT, #10 - 24	3
123	17317-G1						LIGHT SWITCH.....	1
124	17902-G1						TAB ADAPTER.....	1
125	20053-G1						16 GA WIRE (RED, 5 3/8" LG.).....	1



ELECTRONIC SPEED CONTROL

Electric Vehicle

THE USE OF NON UL PARTS WILL VOID ANY UL LISTING.

When ordering parts, please specify the model and serial number of the product.

* Indicates a component that is not available as an individual part.

G** Indicates consult Customer Service Department for additional information.

ITEM	PART NO.	1 2 3 4 5	DESCRIPTION	QTY.
1	73056-G04		ELECTRONIC SPEED CONTROL ASSEMBLY (INCLUDES ITEMS 2 - 31).....	1
2	*		LOCK WASHER, #10	2
3	*		NUT, 10 - 32.....	2
4				
5	30353-G1		DIODE, 3 AMP.....	1
6	21764-G1		RESISTOR.....	1
7	73103-G02		WIRE HARNESS (CONTROL)	1
8	*		NUT, 5/16 - 24.....	2
9				
10	*		LOCK WASHER, 5/16"	2
11	25972-G02		6 GA WIRE (BLACK 6", SOL - B+).....	1
12	25978-G10		18 GA WIRE (BLACK 6", SOL - B-).....	1
13	11027-G2		LOCK NUT, 1/4 - 20	2
14				
15	27855-G02		SOLENOID, 36 VOLT	1
16	73077-G01		HEATSINK	1
17	25864-G03		ELECTRONIC SPEED CONTROLLER	1
18	73190-G01		THERMAL MOUNTING PAD	1
19	71102-G01		BOLT, 1/4 - 20 X 3/4" LG.....	5
20	73028-G01		COVER	1
21	31539-G1		WIRE TIE	1
22	73053-G01		MOUNT	1
23				
24	71102-G03		BOLT, 1/4 - 20 X 1 1/4" LG.....	4
25	73039-G02		WIRE HARNESS (POWER)	1
26				
27	00270-G5		BOLT, 5/16 - 18 X 5/8" LG.....	3
28				
29	11027-G1		NUT, 5/16 - 18.....	3
30				

THE USE OF NON UL PARTS WILL VOID ANY UL LISTING.

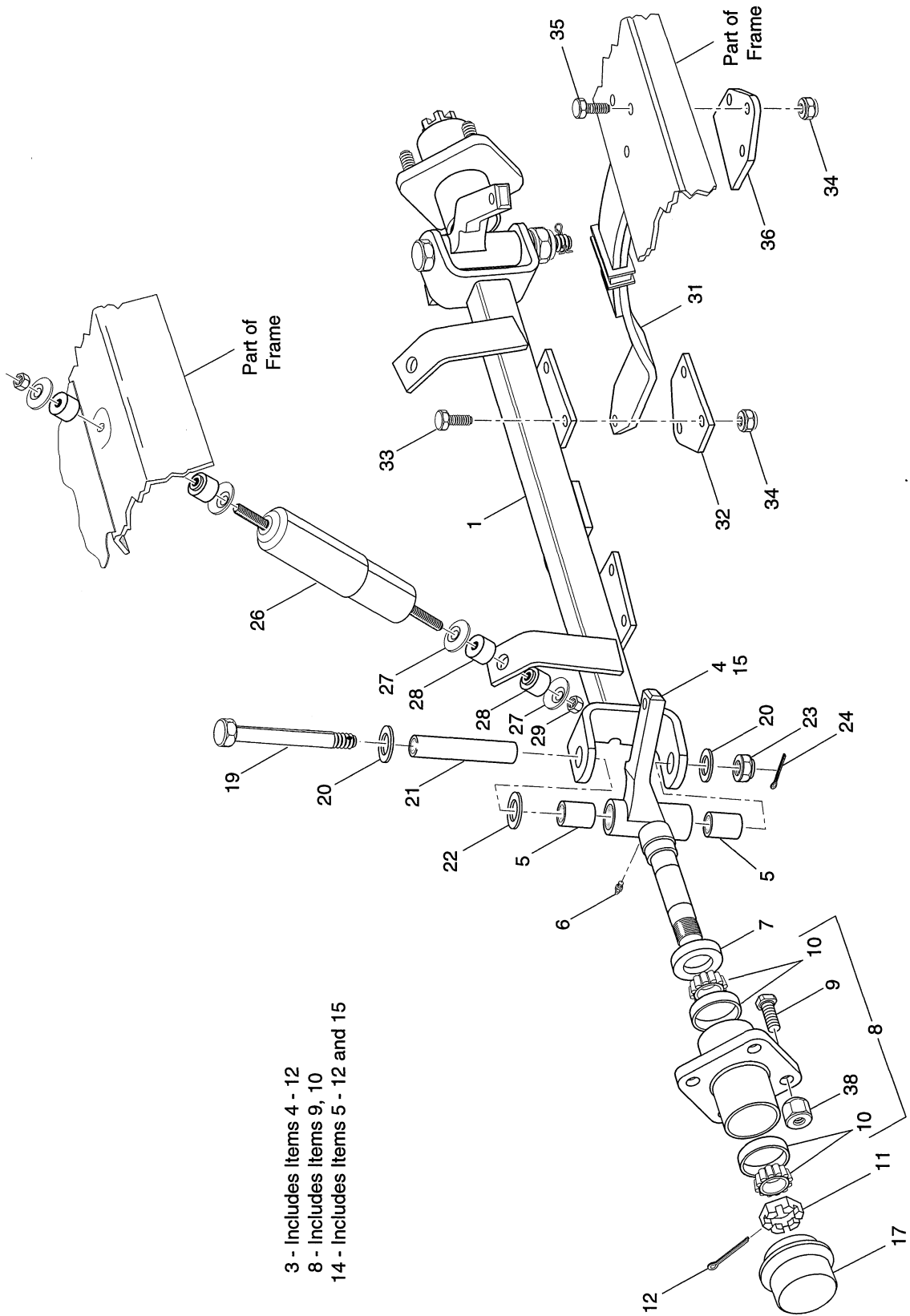
When ordering parts, please specify the model and serial number of the product.

* Indicates a component that is not available as an individual part.

G** Indicates consult Customer Service Department for additional information.

ITEM	PART NO.	1	2	3	4	5	DESCRIPTION	QTY.
31	25866-G01						SOLENOID BRACKET	1
32								
33	71102-G01						BOLT, 1/4 - 20 X 3/4" LG.....	4





When ordering parts, please specify the model and serial number of the product.

* Indicates a component that is not available as an individual part.

G** Indicates consult Customer Service Department for additional information.

ITEM	PART NO.	1 2 3 4 5	DESCRIPTION	QTY.
1	70536-G01		FRONT AXLE.....	1
2				
3	70220-G01		SPINDLE ASSEMBLY (DRIVER SIDE) (INCLUDES ITEMS 4 - 12).....	1
4	*		SPINDLE (DRIVER SIDE).....	1
5	16623-G1		BEARING	2
6	10389-G3		GREASE FITTING, STRAIGHT	1
7	25146-G1		GREASE SEAL	1
8	19932-G1		WHEEL HUB ASSEMBLY (INCLUDES ITEMS 9, 10)	1
9	19862-G1		LUG BOLT, 1/2 - 20 X 1 7/32" LG.....	4
10	50892-G1		BEARING AND RACE ASSEMBLY (COMPLETE)	2
11	12093-G1		SLOTTED NUT, 1 - 14.....	1
12	00798-G8		COTTER PIN, 5/32" X 1 3/4" LG.....	1
13				
14	70221-G01		SPINDLE ASSEMBLY (PASSENGER SIDE) (INCLUDES ITEMS 5 - 12, 15) ...	1
15	*		SPINDLE (PASSENGER SIDE)	1
16				
17	12091-G2		SPINDLE CAP	2
18				
19	70327-G01		KING PIN, 1/2 - 13 X 5 1/2" LG.....	2
20	00571-G5		WASHER, 1/2"	4
21	70328-G01		KING PIN TUBE.....	2
22	16982-G1		THRUST WASHER, 7/8"	2
23	14390-G6		LOCK NUT, 1/2 - 13	2
24	10387-G2		COTTER PIN, 3/32 X 1" LG.	2
25				
26	70324-G01		SHOCK ABSORBER	2
27	10435-G1		SHOCK ABSORBER WASHER.....	8
28	10194-G1		RUBBER SHOCK ABSORBER BUSHING	8
29	00532-G6		NUT, 3/8 - 24.....	4
30				



When ordering parts, please specify the model and serial number of the product.

* Indicates a component that is not available as an individual part.

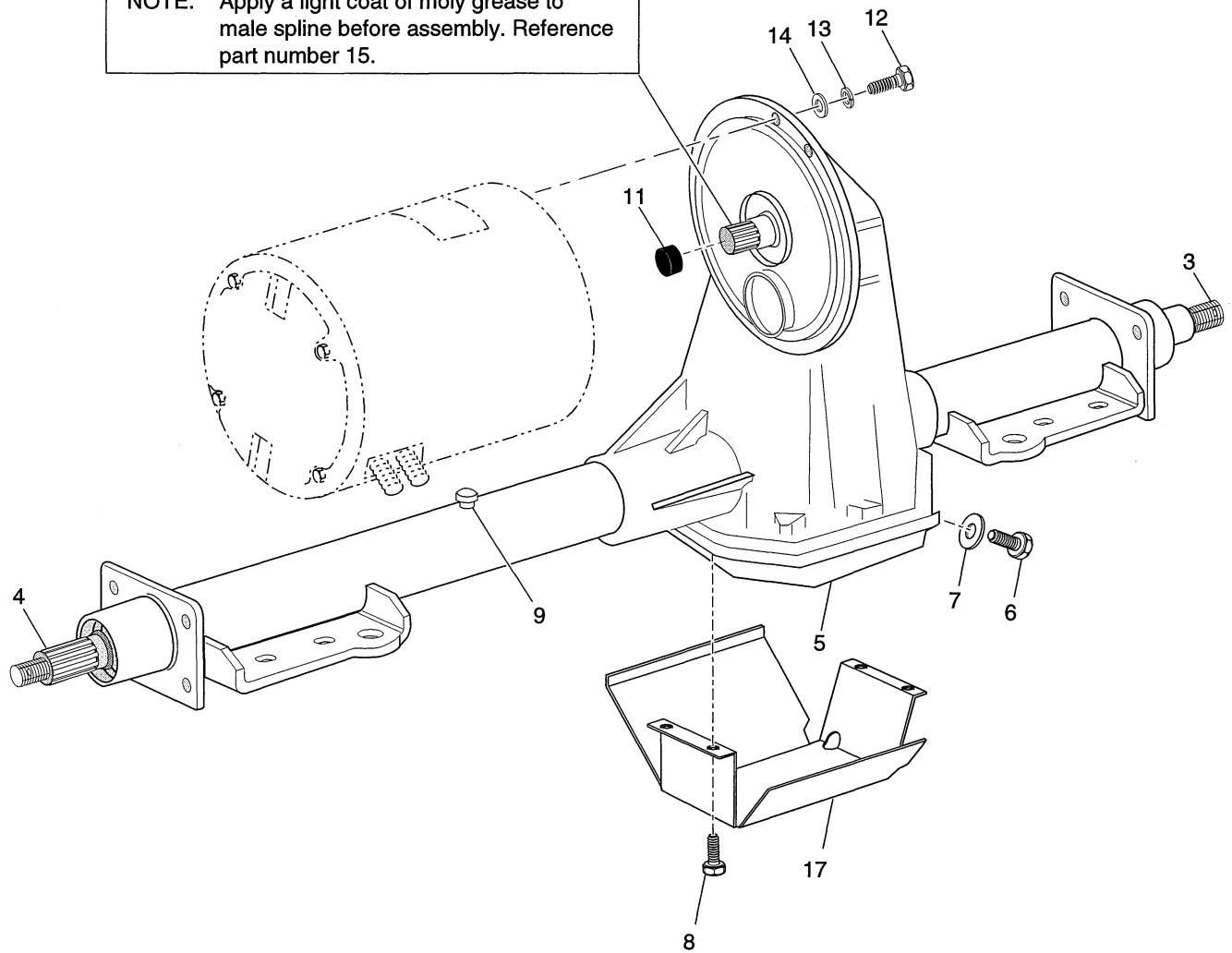
G** Indicates consult Customer Service Department for additional information.

ITEM	PART NO.	1 2 3 4 5	DESCRIPTION	QTY.
31	70422-G01		LEAF SPRING (HEAVY DUTY)	2
32	70540-G02		SPRING PLATE	2
33	00463-G4		BOLT, 7/16 - 14 X 1 1/2" LG.....	6
34	00734-G1		LOCK NUT, 7/16 - 14	12
35	00463-G6		BOLT, 7/16 - 14 X 1 3/4" LG.....	6
36	70163-G02		SPRING PLATE	2
37				
38	14723-G1		LUG NUT, 1/2 - 20.....	8



- 1 - Includes Items 3 - 9
- 2 - Includes Items 3 - 9

NOTE: Apply a light coat of moly grease to male spline before assembly. Reference part number 15.



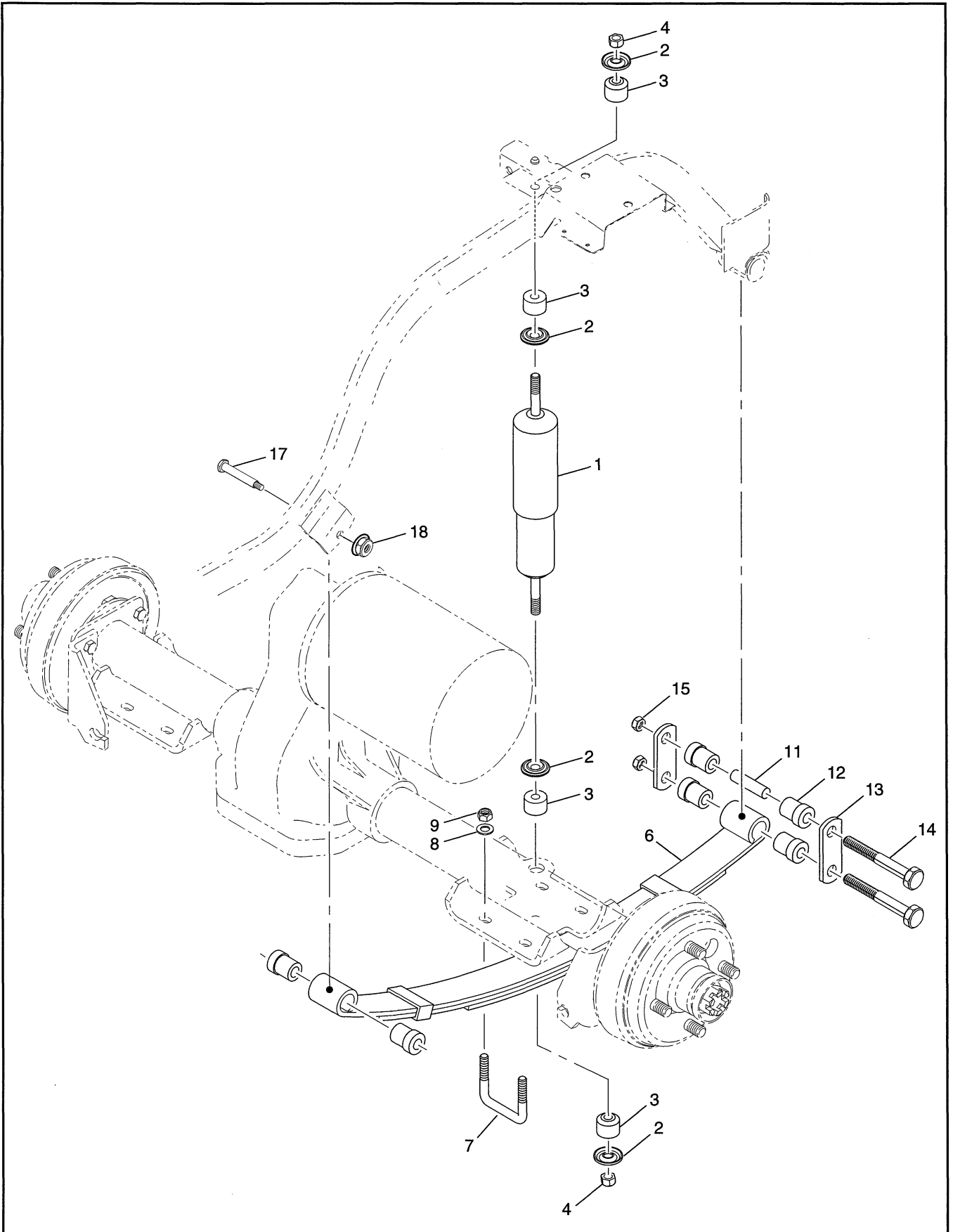
THE USE OF NON UL PARTS WILL VOID ANY UL LISTING.

When ordering parts, please specify the model and serial number of the product.

* Indicates a component that is not available as an individual part.

G** Indicates consult Customer Service Department for additional information.

ITEM	PART NO.	1 2 3 4 5	DESCRIPTION	QTY.
1	73069-G01		REAR AXLE ASSEMBLY, 12.44:1 (INCLUDES ITEMS 3 - 9).....	1
2	73001G02		REAR AXLE ASSEMBLY 14.78:1 (INCLUDES ITEMS 3 - 9).....	1
3	20377-G12		AXLE SHAFT (PASSENGER SIDE)	1
4	20377-G11		AXLE SHAFT (DRIVER SIDE).....	1
5	25228-G1		DIFFERENTIAL COVER	1
6	25226-G1		FILL/CHECK PLUG	1
7	25227-G1		WASHER	1
8	15558-G1		SCREW, 5/16 - 18 X 3/4" LG.....	10
9	73050-G01		VENT	1
10				
11	24261-G1		BUMPER SPLINE	1
12	00797-G2		BOLT, 1/4 - 20 X 1 1/4" LG.....	3
13	00565-G7		LOCK WASHER, 1/4"	3
14	00559-G7		WASHER, 1/4"	3
15	28095-G01		MOLY LUBE, 2 OZ.....	AR
16				
17	25353-G1		DIFFERENTIAL GUARD.....	1

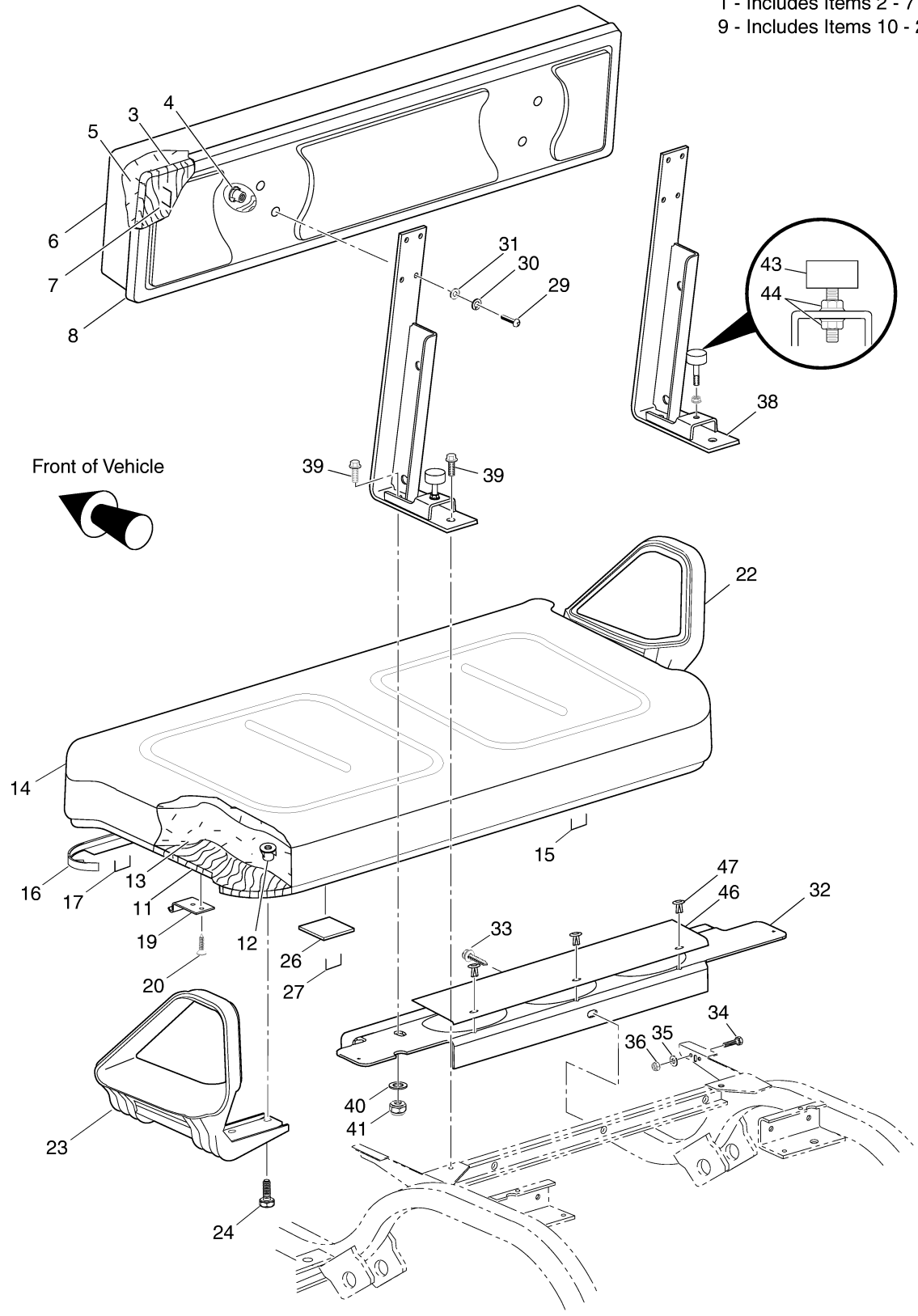


When ordering parts, please specify the model and serial number of the product.
 * Indicates a component that is not available as an individual part.
 G** Indicates consult Customer Service Department for additional information.

ITEM	PART NO.	1 2 3 4 5	DESCRIPTION	QTY.
1	70324-G01		SHOCK ABSORBER	2
2	10435-G1		SHOCK ABSORBER WASHER.....	8
3	10194-G1		RUBBER SHOCK ABSORBER BUSHING	8
4	00532-G6		NUT, 3/8 - 24	4
5				
6	74207-G01		LEAF SPRING (HEAVY DUTY)	2
7	74124-G01		"U" BOLT, 3/8 - 16	4
8	00560-G1		WASHER, 3/8"	8
9	11098-G5		LOCK NUT, 3/8 - 16	8
10				
11	70289-G02		SPACER.....	4
12	70291-G01		RUBBER BUSHING.....	12
13	70290-G01		SHACKLE PLATE	4
14	00429-G4		BOLT, 3/8 - 16 X 3 1/2" LG.....	4
15	11098-G5		LOCK NUT, 3/8 - 16	4
16				
17	14158-G1		SHOULDER BOLT, 3/8 - 16 X 3 1/4" LG.....	2
18	12262-G1		LOCK NUT, 3/8 - 16	2



1 - Includes Items 2 - 7
9 - Includes Items 10 - 23



When ordering parts, please specify the model and serial number of the product.

* Indicates a component that is not available as an individual part.

G** Indicates consult Customer Service Department for additional information.

ITEM	PART NO.	1 2 3 4 5	DESCRIPTION	QTY.
1	71274-G**		SEAT BACK ASSEMBLY (INCLUDES ITEMS 2 -7)	1
2	*		PLYWOOD SEAT BACK	1
3	*		TEE NUT, 1/4 - 20	4
4	*		FOAM	1
5	18144-G**		VINYL SEAT BACK COVER	1
6	*		FLAT STAPLES	A/R
7	18868-G4		PLASTIC SEAT BACK COVER (BLACK)	1
8				
9	71664-G**		SEAT BOTTOM ASSEMBLY (INCLUDES ITEMS 10 - 23)	1
10	*		PLYWOOD BASE	1
11	*		TEE NUT, 1/4 - 20	16
12	*		FOAM	1
13	71602-G**		VINYL SEAT BOTTOM COVER	1
14	*		FLAT STAPLES	A/R
15	71012-G01		VINYL TRIM (SEAT BOTTOM)	1
16	*		FLAT STAPLES	A/R
17				
18	71610-G01		SEAT HINGE	2
19	00720-G08		SCREW, #12 - 14 X 1" LG	6
20				
21	71701-G01		HIP RESTRAINT (PASSENGER SIDE)	1
22	71702-G01		HIP RESTRAINT (DRIVER SIDE)	1
23	71204-G01		BOLT, 1/4 - 20 X 7/8" LG	8
24				
25	17074-G1		BUMPER	2
26	*		FLAT STAPLES	A/R
27				
28	16705-G1		SCREW, 1/4 - 20 X 1" LG	4
29	00565-G7		LOCK WASHER, 1/4"	4
30	00559-G7		WASHER, 1/4"	4



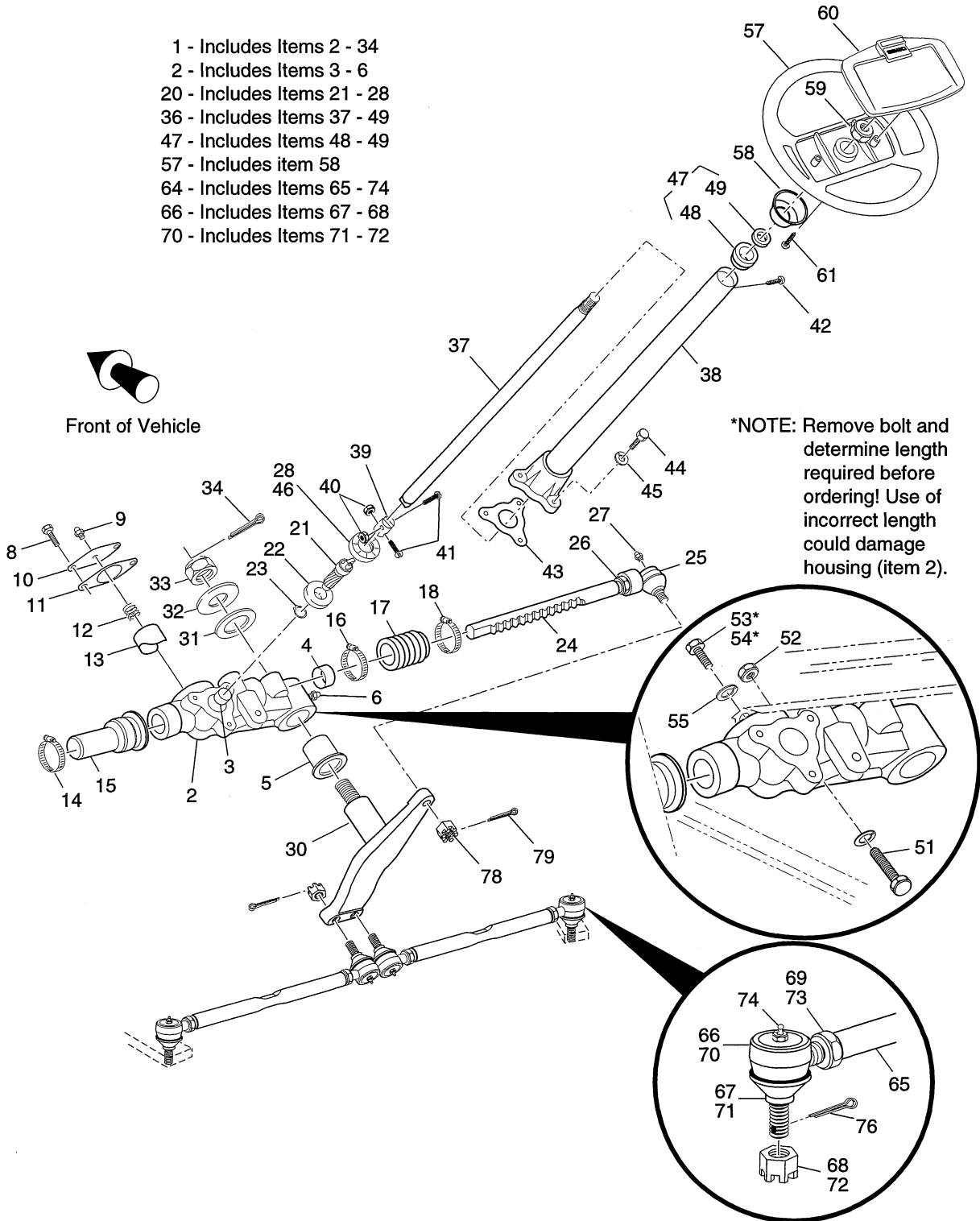
When ordering parts, please specify the model and serial number of the product.
 * Indicates a component that is not available as an individual part.
 G** Indicates consult Customer Service Department for additional information.

ITEM	PART NO.	1 2 3 4 5	DESCRIPTION	QTY.
31				
32	71262-G02		SEAT BACK SUPPORT	1
33	00715-G2		BOLT, 5/16 - 18 X 13/16" LG	1
34	00438-G8		BOLT, 5/16 - 18 X 1" LG	2
35	00642-G8		WASHER, 5/16"	2
36	11098-G6		LOCK NUT, 5/16 - 18	2
37				
38	71436-G01		SEAT BACK SUPPORT BRACKET	2
39	01006-G1		BOLT, 3/8 - 16 X 1 1/4" LG	4
40	00560-G1		WASHER, 3/8"	2
41	11098-G5		LOCK NUT, 3/8 - 16	2
42				
43	70113-G01		ADJUSTABLE BUMPER	2
44	11027-G1		LOCK NUT, 5/16 - 18	4
45				
46	71263-G01		ACCESS COVER.....	1
47	18436-G1		DRIVE RIVET.....	3





- 1 - Includes Items 2 - 34
- 2 - Includes Items 3 - 6
- 20 - Includes Items 21 - 28
- 36 - Includes Items 37 - 49
- 47 - Includes Items 48 - 49
- 57 - Includes item 58
- 64 - Includes Items 65 - 74
- 66 - Includes Items 67 - 68
- 70 - Includes Items 71 - 72



When ordering parts, please specify the model and serial number of the product.

* Indicates a component that is not available as an individual part.

G** Indicates consult Customer Service Department for additional information.

ITEM	PART NO.	1 2 3 4 5	DESCRIPTION	QTY.
1	70314-G02		STEERING BOX ASSEMBLY (COMPLETE) (INCLUDES ITEMS 2 - 34)	1
2	75364-G01		STEERING HOUSING (INCLUDES ITEMS 3 - 6).....	1
3	*		SLEEVE BEARING	1
4	*		SLEEVE BEARING	1
5	*		FLANGED BEARING	1
6	10389-G3		GREASE FITTING, STRAIGHT	1
7				
8	00426-G6		BOLT, 3/8 - 16 X 3/4" LG	2
9	18456-G1		GREASE FITTING, 90°	1
10	70177-G01		RACK GUIDE COVER	1
11	70225-G01		GASKET	1
12	70178-G01		COMPRESSION SPRING.....	1
13	70179-G01		RACK GUIDE	1
14	11391-G1		HOSE CLAMP, 1 1/4"	1
15	70041-G01		RACK COVER.....	1
16	11391-G1		HOSE CLAMP, 1 1/4"	1
17	70183-G01		BELLOWS	1
18	11391-G5		HOSE CLAMP, 3/4"	1
19				
20	70299-G01		STEERING GEAR KIT (INCLUDES ITEMS 21 - 28).....	1
21	70297-G01		GEAR PINION.....	1
22	15112-G1		BALL BEARING	1
23	70190-G01		EXTERNAL RETAINING RING	1
24	70298-G01		STEERING RACK.....	1
25	70192-G01		RACK BALL END	1
26	00532-G8		NUT, 7/16 - 20	1
27	18456-G1		GREASE FITTING, 90°	1
28	70466-G01		RETAINER	1
29				
30	70184-G01		IDLER.....	1



When ordering parts, please specify the model and serial number of the product.

* Indicates a component that is not available as an individual part.

G** Indicates consult Customer Service Department for additional information.

ITEM	PART NO.	1 2 3 4 5	DESCRIPTION	QTY.
31	70216-G01		THRUST WASHER, 1 1/2"	1
32	70195-G01		THRUST WASHER, 7/8"	1
33	00734-G6		LOCK NUT, 7/8 - 9.....	1
34	00798-G8		COTTER PIN, 5/32" X 1 3/4" LG.....	1
35				
36	70360-G01		STEERING SHAFT/COLUMN KIT (INCLUDES ITEMS 37 - 49)	1
37	14322-G3		STEERING SHAFT	1
38	70333-G01		STEERING COLUMN	1
39	70558-G01		COUPLING.....	1
40	00550-G1		LOCK NUT, 1/4 - 20.....	2
41	70227-G01		BOLT, 1/4 - 20 X 7/8" LG.....	2
42	01022-G01		SCREW, #6 - 20 X 5/16" LG.....	1
43	70223-G01		GASKET	1
44	01034-G01		BOLT, 3/8 - 16 X 1 1/2" LG. WITH PATCHLOCK	3
45	00878-G1		LOCK WASHER, 3/8".....	3
46	70466-G01		RETAINER.....	1
47	17161-G1		BUSHING AND SEAL KIT (INCLUDES ITEMS 48, 49)	1
48	*		STEERING COLUMN BUSHING	1
49	*		SHAFT SEAL.....	1
50				
51	00470-G4		BOLT, 7/16 - 20 X 2 1/2" LG.....	1
52	00734-G3		LOCK NUT, 7/16 - 20	1
53	01033-G01		BOLT, 7/16 - 14 X 1 1/4" LG. WITH PATCHLOCK (PROD. SINCE 4-98)	2
54	01033-G02		BOLT, 7/16 - 14 X 7/8" LG. WITH PATCHLOCK (PRIOR TO 4-98 PROD.).....	2
55	00566-G2		LOCK WASHER, 7/16".....	3
56				
57	18325-G1		STEERING WHEEL (INCLUDES ITEM 58)	1
58	*		HUB.....	1
59	14390-G2		LOCK NUT, 5/8 - 18	1
60	27102-G01		CLIPBOARD	1

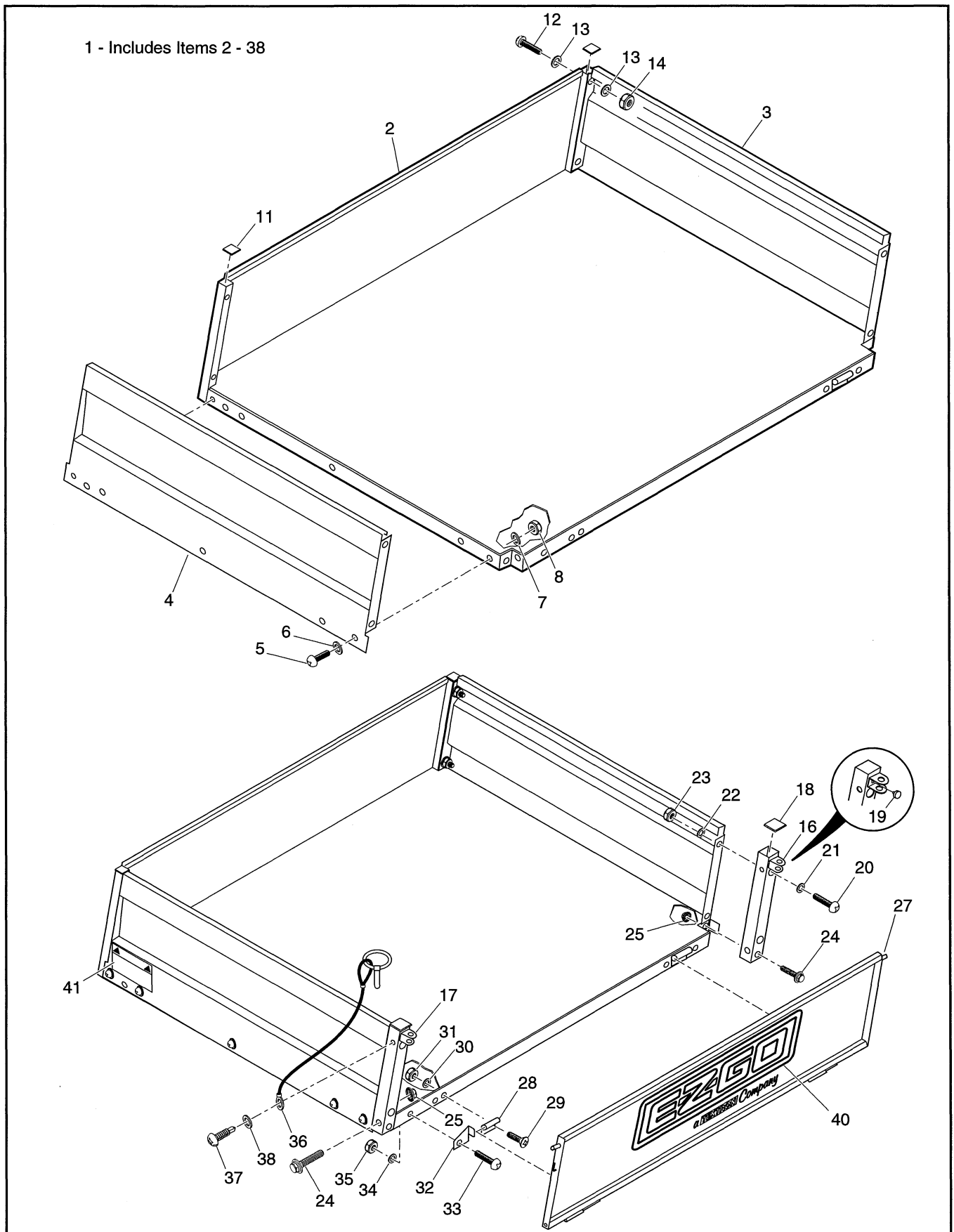
When ordering parts, please specify the model and serial number of the product.

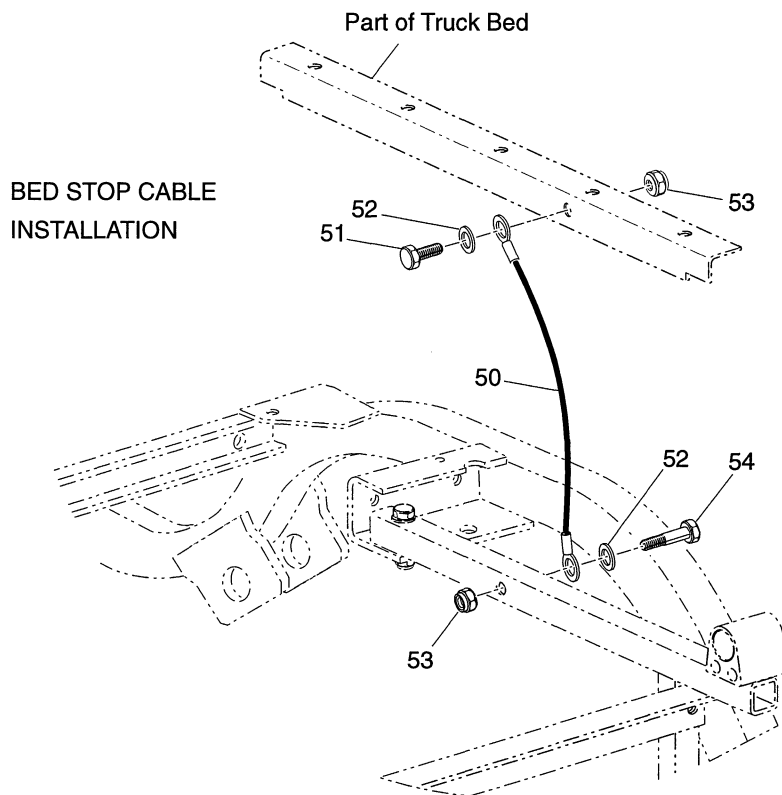
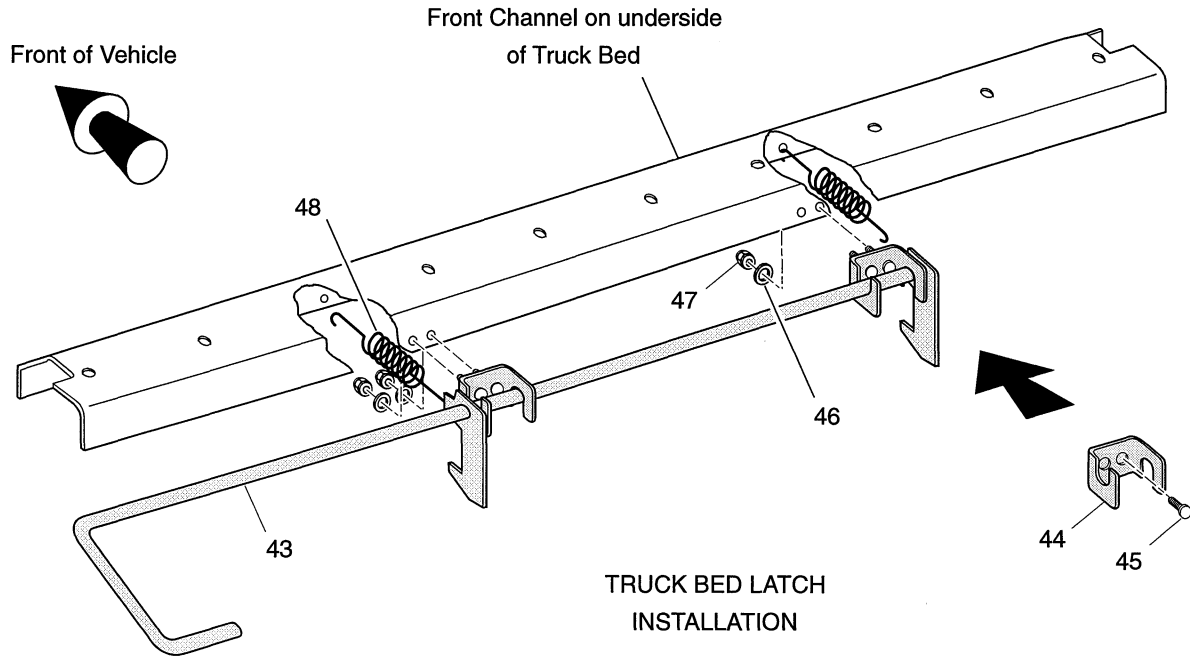
* Indicates a component that is not available as an individual part.

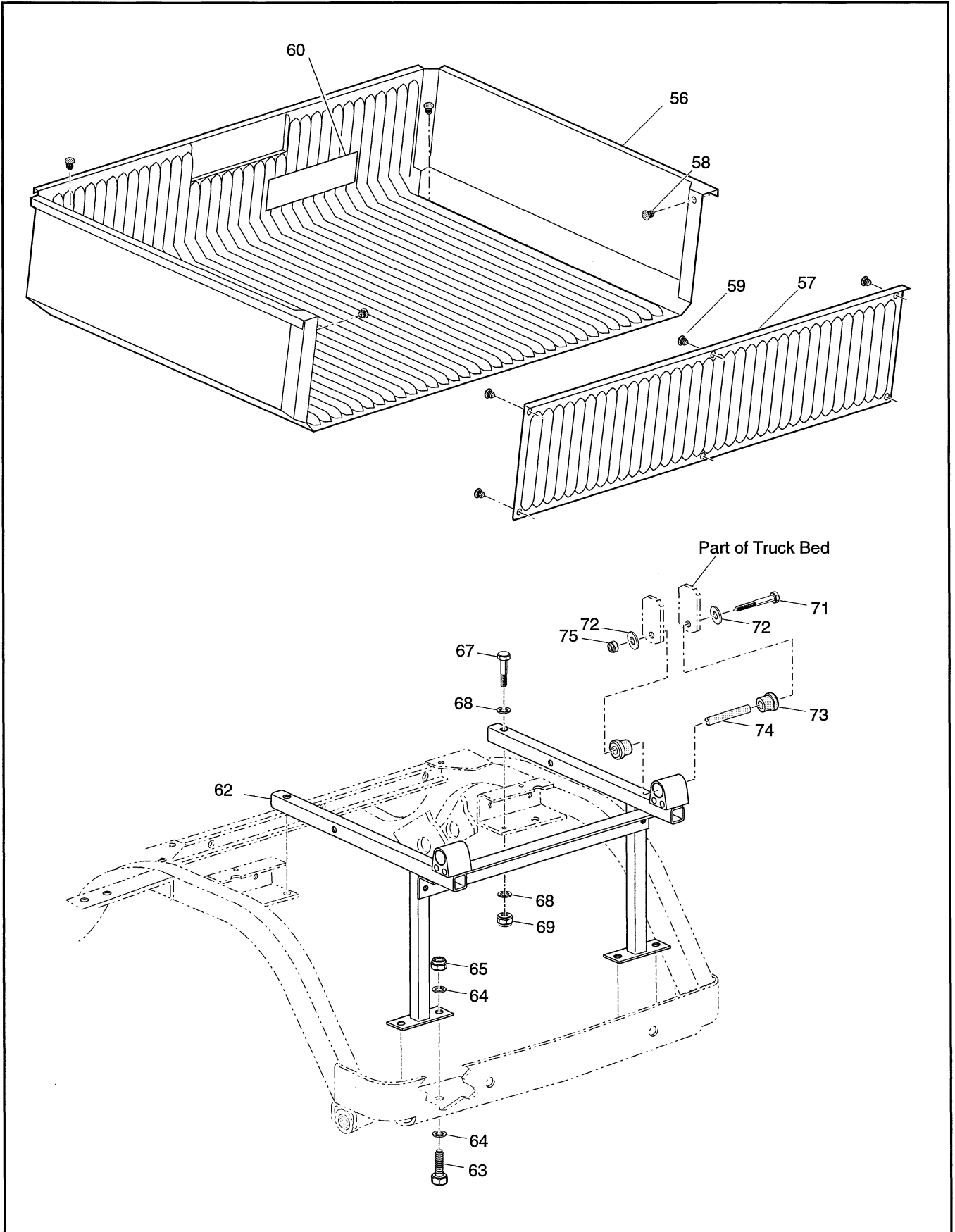
G** Indicates consult Customer Service Department for additional information.

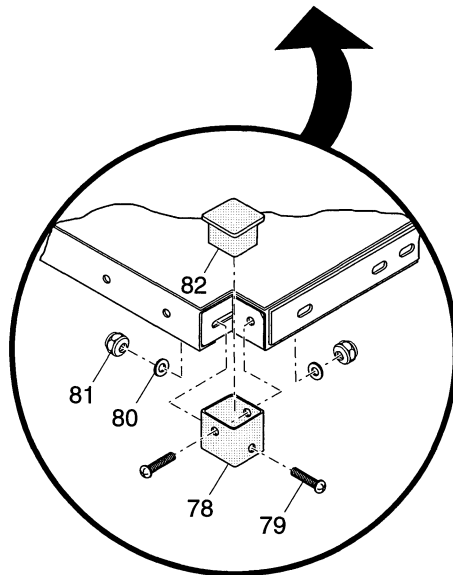
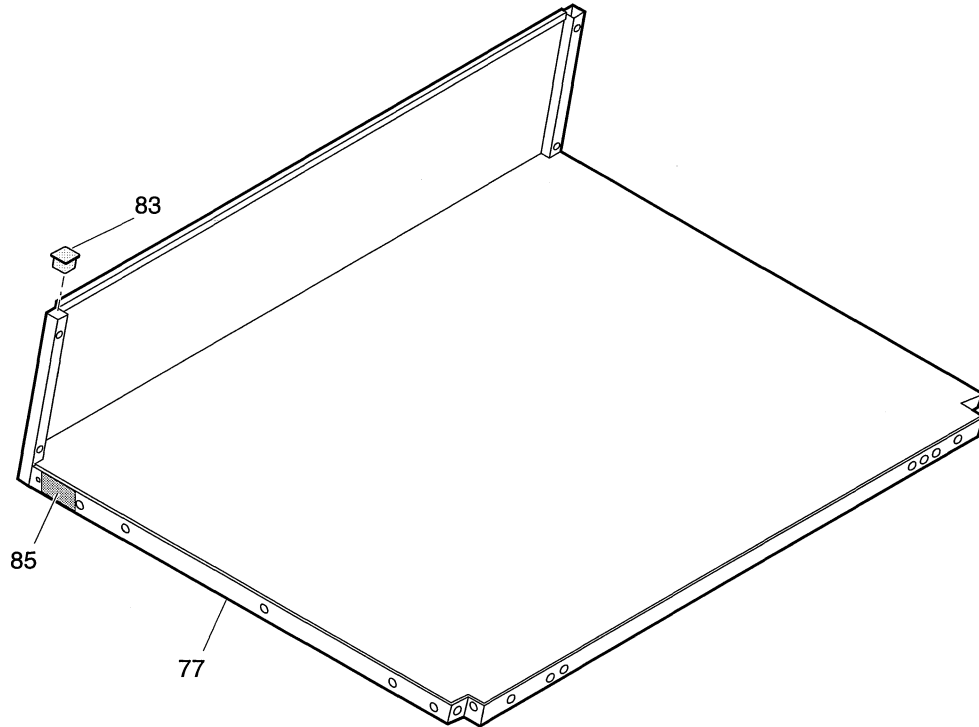
ITEM	PART NO.	1	2	3	4	5	DESCRIPTION	QTY.
61	00999-G01						SCREW, #8 - 18 X 7/8" LG.....	2
62								
63								
64	70074-G01						TIE ROD ASSEMBLY (INCLUDES ITEMS 65 - 74).....	2
65	70583-G02						THREADED TUBE WITH FLAT	1
66	27205-G01						TIE ROD END (LEFT HAND THREAD) (INCLUDES ITEMS 67 - 68).....	1
67	50641-G1						RUBBER BOOT	1
68	50209-G2						SLOTTED NUT, 7/16 - 20.....	1
69	18434-G3						JAM NUT, 9/16 - 18 (LEFT HAND THREAD)	1
70	27205-G02						TIE ROD END (RIGHT HAND THREAD) (INCLUDES ITEMS 71 - 72).....	1
71	50641-G1						RUBBER BOOT	1
72	50209-G2						SLOTTED NUT, 7/16 - 20.....	1
73	18434-G4						JAM NUT, 9/16 - 18 (RIGHT HAND THREAD).....	1
74	10389-G3						GREASE FITTING, STRAIGHT	2
75								
76	10387-G2						COTTER PIN, 3/32" X 1" LG.....	2
77								
78	50209-G2						SLOTTED NUT, 7/16 - 20	1
79	10387-G2						COTTER PIN, 3/32" X 1" LG.....	1











TRUCK BED, MANUAL LIFT

Electric Vehicle

When ordering parts, please specify the model and serial number of the product.

* Indicates a component that is not available as an individual part.

G** Indicates consult Customer Service Department for additional information.

ITEM	PART NO.	1 2 3 4 5	DESCRIPTION	QTY.
1	71260-G01		TRUCK BED ASSEMBLY, 35") (INCLUDES ITEMS 2 - 38).....	1
2	71231-G01		BED, 35"	1
3	71248-G01		SIDE PANEL, 35" (PASSENGER SIDE)	1
4	71248-G02		SIDE PANEL, 35" (DRIVER SIDE)	1
5	16705-G3		SCREW, 1/4-20 X 3/4" LG.....	10
6	00915-G1		BONDED WASHER, 1/4"	10
7	00559-G7		WASHER, 1/4"	10
8	14390-G4		LOCK NUT, 1/4-20.....	10
9				
10				
11	71717-G01		END CAP 1"	2
12	16705-G6		SCREW, 1/4-20 X 1 3/4" LG.....	4
13	00915-G1		BONDED WASHER, 1/4"	8
14	14390-G4		LOCK NUT, 1/4-20.....	4
15				
16	71322-G01		POST (PASSENGER SIDE).....	1
17	71322-G02		POST (DRIVER SIDE)	1
18	71718-G01		END CAP 1 1/2"	2
19	71838-G01		RUBBER BUMPER	2
20	16705-G3		SCREW, 1/4-20 X 3/4" LG.....	4
21	00915-G1		BONDED WASHER, 1/4"	4
22	00559-G7		WASHER, 1/4"	4
23	14390-G4		LOCK NUT, 1/4-20.....	4
24	13437-G8		LOCK SCREW, 3/8-16 X 2" LG	4
25	11027-G5		LOCK NUT, 3/8-16.....	4
26				
27	71245-G01		TAILGATE.....	1
28	27666-G01		HINGE	2
29	01002-G08		BOLT, 1/4-20 X 1" LG	4
30	00559-G7		WASHER, 1/4"	4



When ordering parts, please specify the model and serial number of the product.

* Indicates a component that is not available as an individual part.

G** Indicates consult Customer Service Department for additional information.

ITEM	PART NO.	1 2 3 4 5	DESCRIPTION	QTY.
31	14390-G4		LOCK NUT, 1/4 - 20.....	4
32	71748-G01		TAILGATE KEEPER	1
33	16705-G3		SCREW, 1/4-20 X 3/4" LG.....	1
34	00559-G7		WASHER, 1/4".....	1
35	14390-G4		LOCK NUT, 1/4 - 20.....	1
36	71083-G01		TAILGATE CABLE.....	2
37	00106-G6		SELF-TAPPING SCREW, #12 - 24 X 3/4" LG.....	2
38	00915-G1		BONDED WASHER, 1/4".....	2
39				
40	71901-G01		DECAL (E-Z-GO)	1
41	71771-G01		LABEL (TILT WARNING)	1
42				
43	71264-G01		BED LATCH	1
44	71827-G01		LATCH BRACKET	2
45	01014-G03		CARRIAGE BOLT, 1/4 - 20 X 3/4" LG	4
46	00559-G7		WASHER, 1/4"	4
47	14390-G4		LOCK NUT, 1/4 - 20	4
48	71965-G01		EXTENSION SPRING.....	2
49				
50	71273-G01		BED STOP CABLE	1
51	00438-G8		BOLT, 5/16 - 18 X 1" LG.....	1
52	00642-G8		WASHER, 5/16"	2
53	11098-G6		LOCK NUT, 5/16 - 18	2
54	00439-G4		SCREW, 5/16 - 18 X 1 1/2" LG	1
55				
56	74231-G01		BED LINER	1
57	74232-G01		TAILGATE LINER.....	1
58	18436-G1		RIVET, 1/4" X 3/4" LG	4
59	14601-G10		RIVET, 5/32" X 7/16" LG	6
60	71517-G01		BED CAPACITY DECAL (500 LB)	1



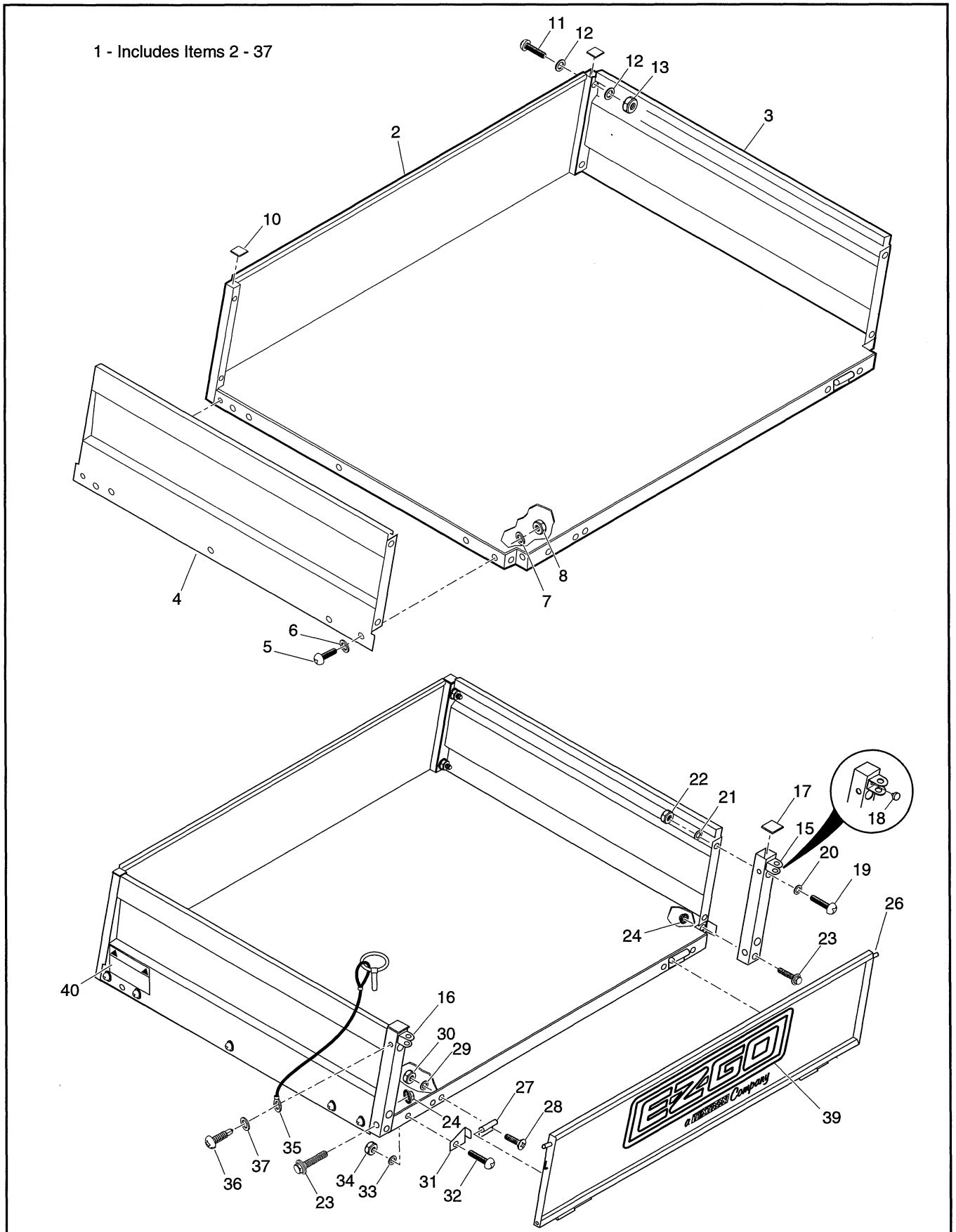
When ordering parts, please specify the model and serial number of the product.

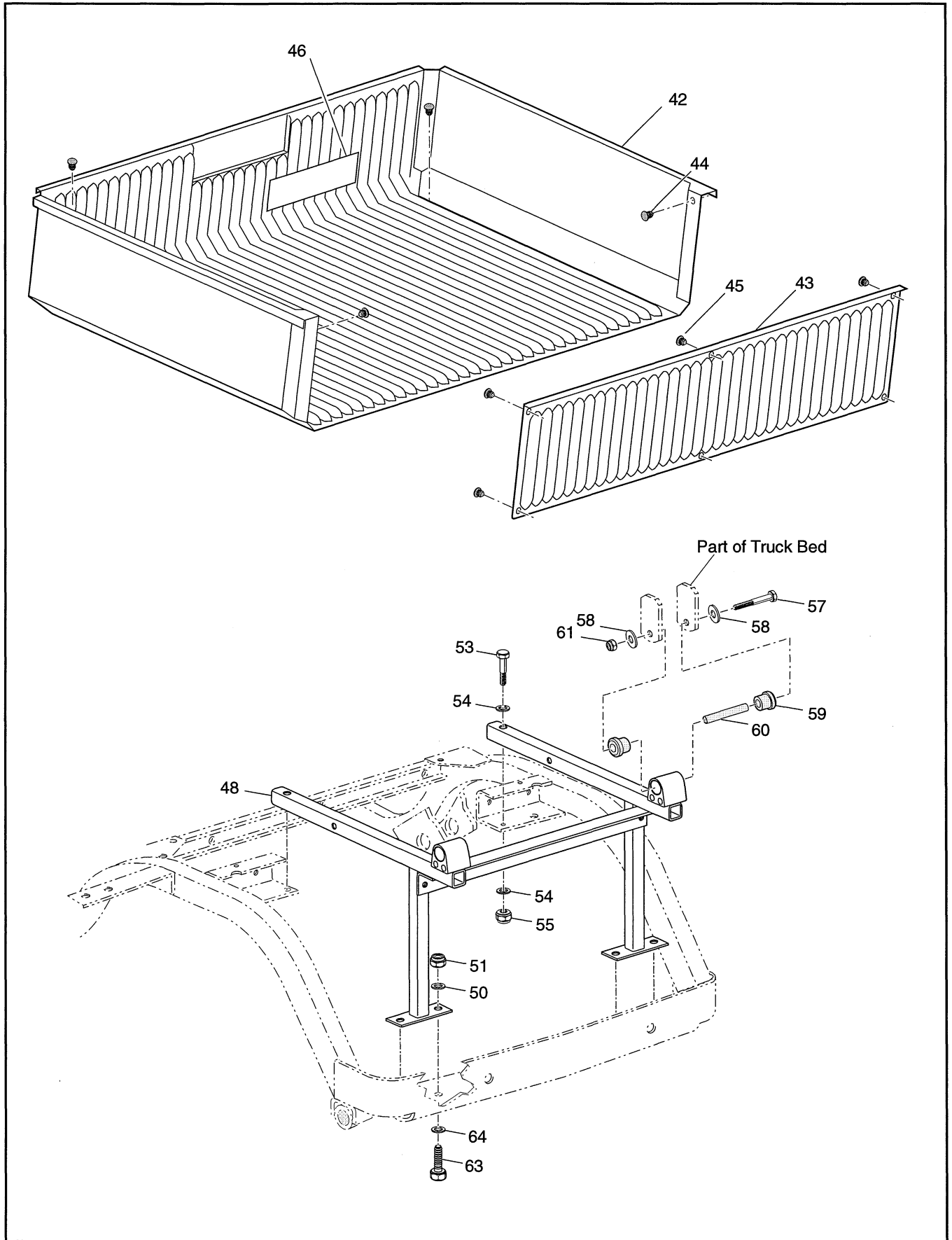
* Indicates a component that is not available as an individual part.

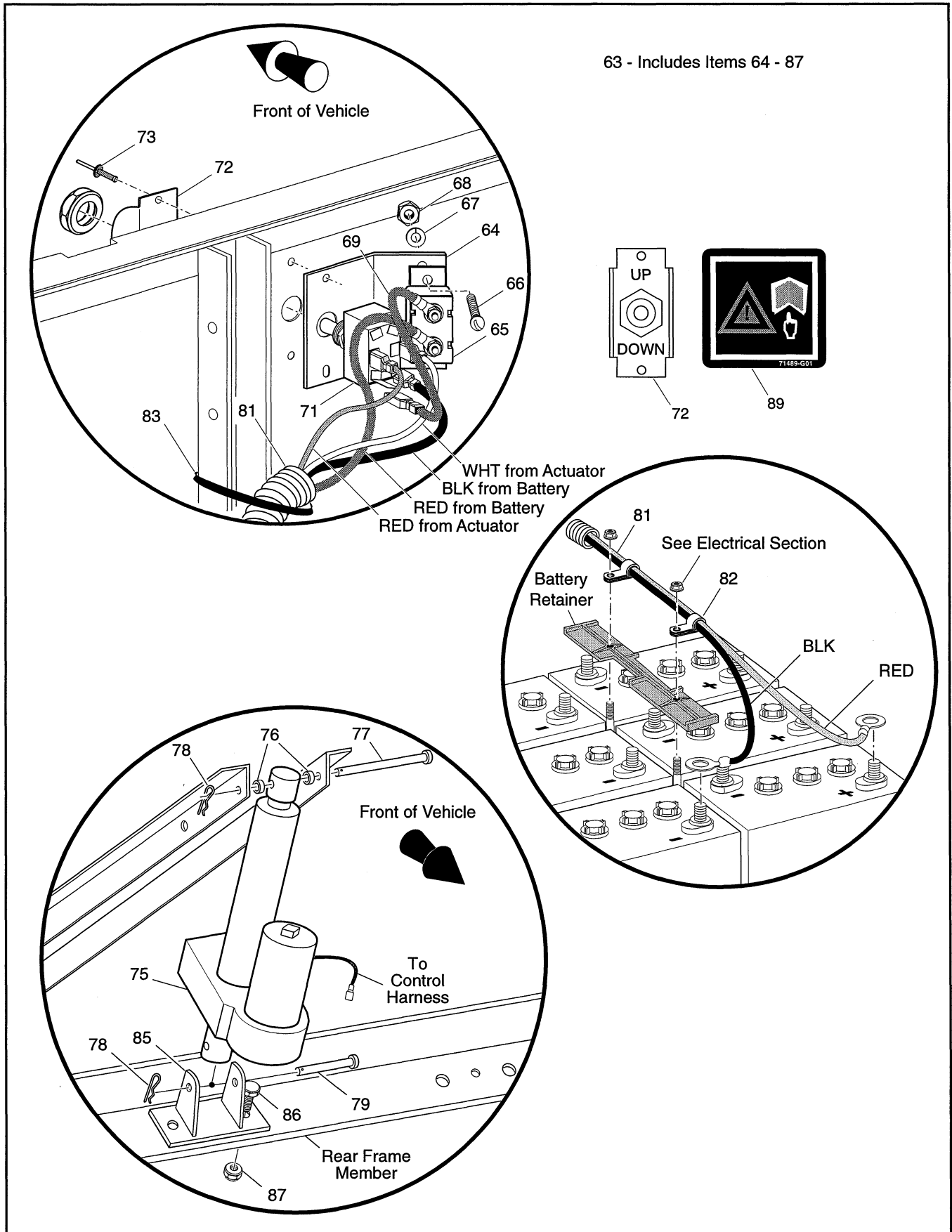
G** Indicates consult Customer Service Department for additional information.

ITEM	PART NO.	1 2 3 4 5	DESCRIPTION	QTY.
61				
62	71258-G01		BED FRAME	1
63	00438-G8		SCREW, 5/16 - 18 X 1" LG	4
64	00642-G8		WASHER, 5/16"	8
65	11098-G6		LOCK NUT, 5/16 - 18	4
66				
67	00415-G6		BOLT, 1/4 - 20 X 1 3/4" LG	2
68	00642-G7		WASHER, 1/4"	4
69	00891-G2		LOCK NUT, 1/4 - 20	2
70				
71	00429-G4		BOLT, 3/8 - 16 X 3 1/2"	2
72	00643-G1		WASHER, 3/8"	4
73	70291-G01		RUBBER BUSHING	4
74	70289-G02		SPACER.....	2
75	11098-G5		LOCK NUT, 3/8 - 16	2
76				
77	71231-G01		BED, 35"	1
78	71772-G01		CORNER TUBE	2
79	00762-G9		SCREW, 5/16 - 18 X 2 1/2" LG	4
80	00559-G8		WASHER, 5/16"	4
81	00550-G3		LOCK NUT, 5/16 - 18	4
82	71718-G01		END CAP, 1 1/2"	2
83	71717-G01		END CAP, 1"	2
84				
85	71777-G01		DECAL (WARNING).....	1









When ordering parts, please specify the model and serial number of the product.

* Indicates a component that is not available as an individual part.

G** Indicates consult Customer Service Department for additional information.

ITEM	PART NO.	1 2 3 4 5	DESCRIPTION	QTY.
1	71260-G01		TRUCK BED ASSEMBLY, 35") (INCLUDES ITEMS 2 - 37).....	1
2	71231-G01		BED, 35".....	1
3	71248-G01		SIDE PANEL, 35" (PASSENGER SIDE)	1
4	71248-G02		SIDE PANEL, 35" (DRIVER SIDE).....	1
5	16705-G3		SCREW, 1/4 - 20 X 3/4" LG.....	10
6	00915-G1		BONDED WASHER, 1/4"	10
7	00559-G7		WASHER, 1/4".....	10
8	14390-G4		LOCK NUT, 1/4 - 20.....	10
9				
10	71717-G01		END CAP, 1".....	2
11	16705-G6		SCREW, 1/4 - 20 X 1 3/4" LG.....	4
12	00915-G1		BONDED WASHER, 1/4"	8
13	14390-G4		LOCK NUT, 1/4 - 20.....	4
14				
15	71322-G01		POST (PASSENGER SIDE).....	1
16	71322-G02		POST (DRIVER SIDE)	1
17	71718-G01		END CAP, 1 1/2"	2
18	71838-G01		RUBBER BUMPER	2
19	16705-G3		SCREW, 1/4 - 20 X 3/4" LG.....	4
20	00915-G1		BONDED WASHER, 1/4"	4
21	00559-G7		WASHER, 1/4".....	4
22	14390-G4		LOCK NUT, 1/4 - 20.....	4
23	13437-G8		LOCK SCREW, 3/8 - 16 X 2" LG.....	4
24	11027-G5		LOCK NUT, 3/8 - 16.....	4
25				
26	71245-G01		TAILGATE.....	1
27	27666-G01		HINGE	2
28	01002-G08		BOLT, 1/4 - 20 X 1" LG	4
29	00559-G7		WASHER, 1/4".....	4
30	14390-G4		LOCK NUT, 1/4 - 20.....	4



When ordering parts, please specify the model and serial number of the product.

* Indicates a component that is not available as an individual part.

G** Indicates consult Customer Service Department for additional information.

ITEM	PART NO.	1	2	3	4	5	DESCRIPTION	QTY.
31	71748-G01						TAILGATE KEEPER	1
32	16705-G3						SCREW, 1/4 - 20 X 3/4" LG.....	1
33	00559-G7						WASHER, 1/4".....	1
34	14390-G4						LOCK NUT, 1/4 - 20.....	1
35	71083-G01						TAILGATE CABLE.....	2
36	00106-G6						SELF-TAPPING SCREW, #12 - 24 X 3/4" LG.....	2
37	00915-G1						BONDED WASHER, 1/4".....	2
38								
39	71901-G01						DECAL (E-Z-GO)	1
40	71771-G01						LABEL (TILT WARNING)	1
41								
42	74231-G01						BED LINER	1
43	74232-G01						TAILGATE LINER.....	1
44	18436-G1						RIVET, 1/4" X 1/2" LG	4
45	14601-G10						RIVET, 5/32" X 7/16" LG	6
46	71517-G01						BED CAPACITY DECAL (500 LB)	1
47								
48	71258-G01						BED FRAME	1
49	00438-G8						SCREW, 5/16 - 18 X 1" LG	4
50	00642-G8						WASHER, 5/16"	8
51	11098-G6						LOCK NUT, 5/16 - 18	4
52								
53	00415-G6						SCREW, 1/4 - 20 X 1 3/4" LG	2
54	00642-G7						WASHER, 5/16"	4
55	00891-G2						LOCK NUT, 1/4 - 20	2
56								
57	00429-G4						BOLT, 3/8 - 16 X 3 1/2".....	2
58	00643-G1						WASHER, 3/8"	4
59	70291-G01						RUBBER BUSHING.....	4
60	70289-G02						SPACER.....	2



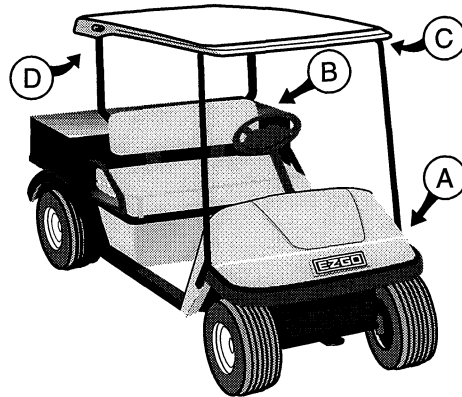
When ordering parts, please specify the model and serial number of the product.

* Indicates a component that is not available as an individual part.

G** Indicates consult Customer Service Department for additional information.

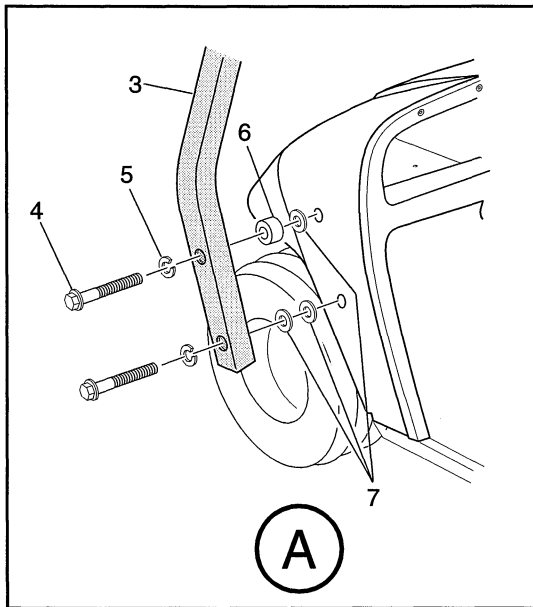
ITEM	PART NO.	1 2 3 4 5	DESCRIPTION	QTY.
61	11098-G5		LOCK NUT, 3/8 - 16	2
62				
63	74052-G04		ELECTRIC DUMP KIT (INCLUDES ITEMS 64 - 87).....	1
64	74165-G01		CIRCUIT BREAKER MOUNTING BRACKET	1
65	21320-G4		CIRCUIT BREAKER, 15 AMP, 12V	1
66	00150-G4		SCREW, #10 - 24 X 1/2" LG.....	2
67	00565-G5		LOCK WASHER, #10	2
68	00526-G3		NUT, #10 - 24	2
69	25976-G14		14 GA WIRE (RED 5").....	1
70				
71	27680-G01		TOGGLE SWITCH	1
72	27447-G01		TOGGLE GUARD.....	1
73	10570-G9		RIVET, 1/8" X 11/32" LG.....	2
74				
75	27612-G03		ELECTRIC ACTUATOR	1
76	27613-G01		SPACER.....	2
77	14443-G10		CLEVIS PIN, 1/2" X 3" LG	1
78	21683-G1		COTTER PIN, 2 11/16" LG	2
79	14443-G11		CLEVIS PIN, 1/2" X 1 3/4" LG.....	1
80				
81	74054-G01		WIRE HARNESS (CONTROL).....	1
82	11845-G3		CABLE CLIP, 11/16"	2
83	17618-G1		WIRE TIE.....	8
84				
85	71283-G01		ELECTRIC LIFT BRACKET.....	1
86	00462-G7		BOLT, 7/16 - 14 X 7/8" LG	2
87	00734-G1		LOCK NUT, 7/16 - 14.....	2
88				
89	71489-G01		WARNING LABEL.....	1



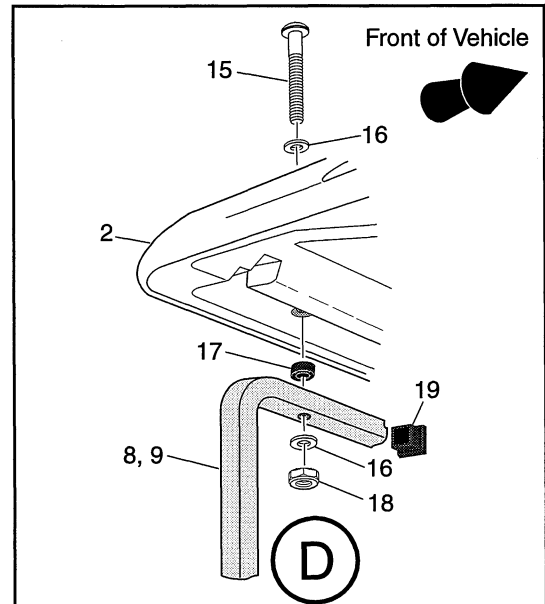
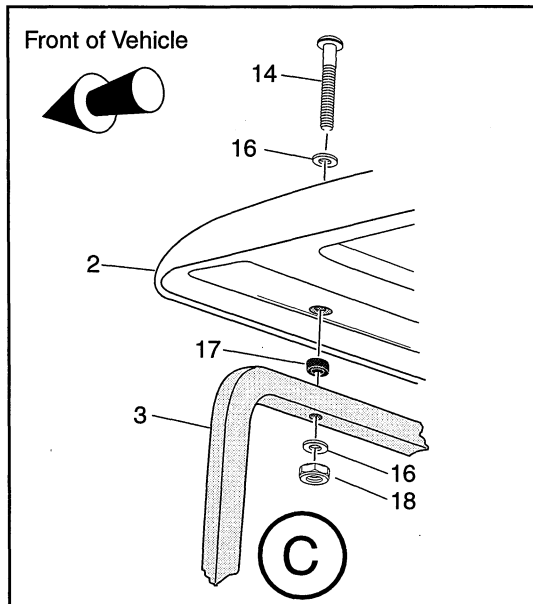
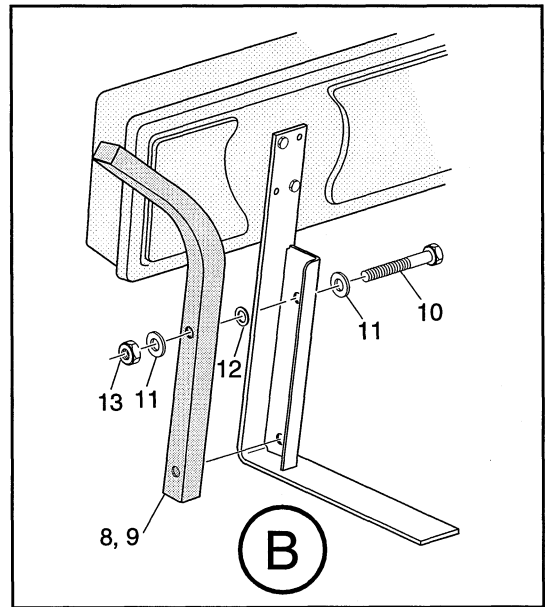


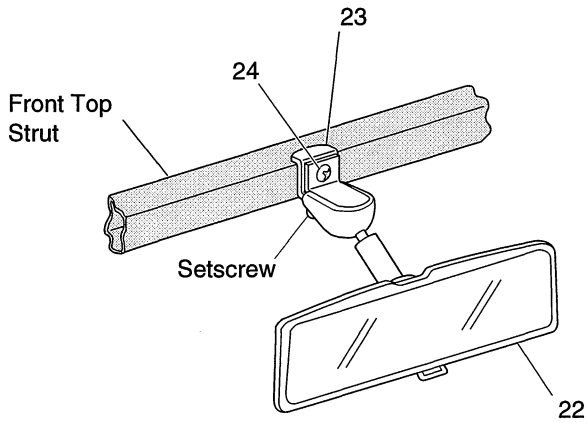
SUN TOP

1 - Includes Items 2 - 19



Front of Vehicle

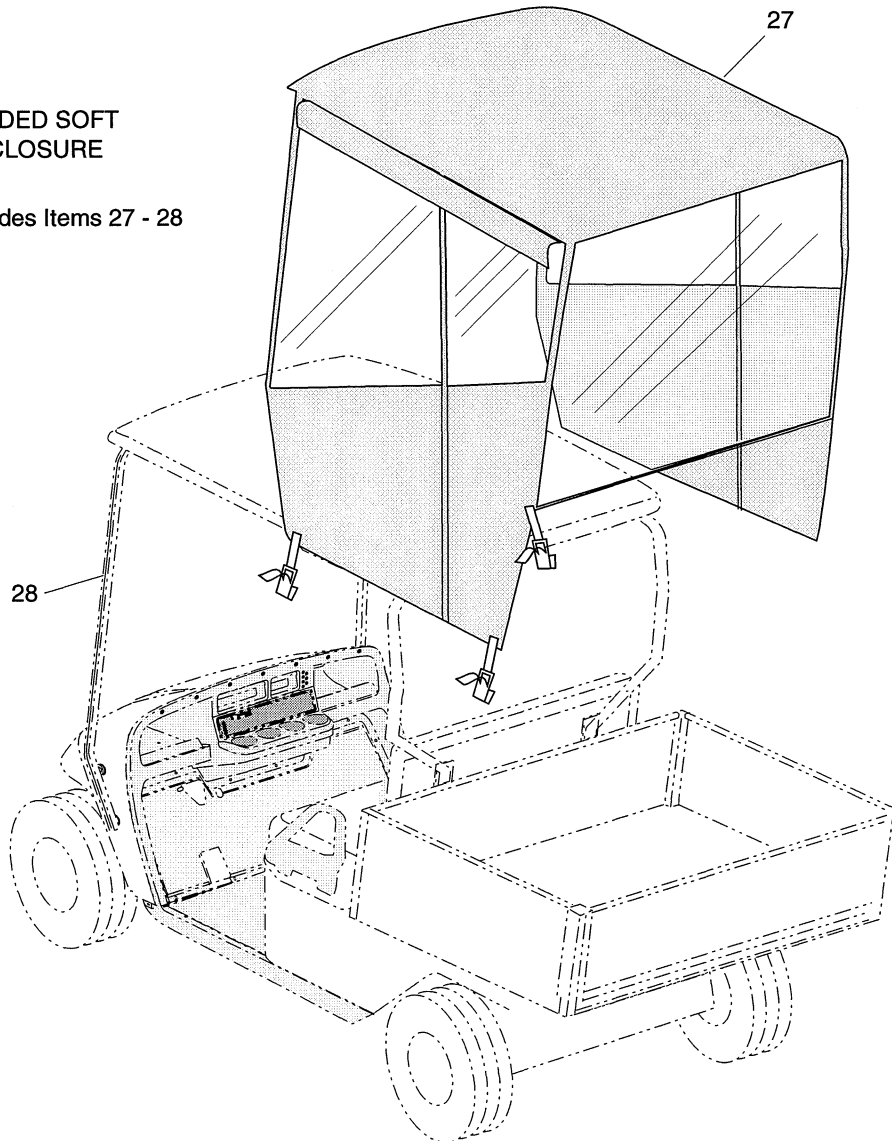


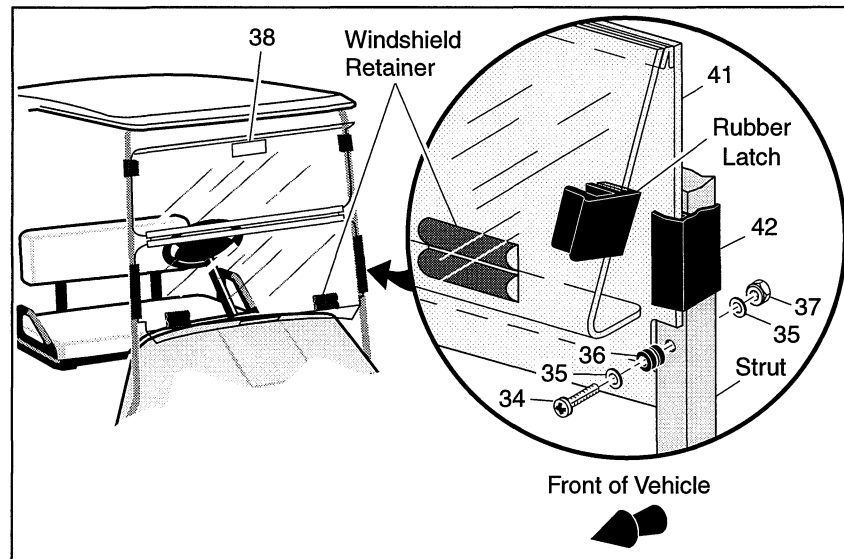
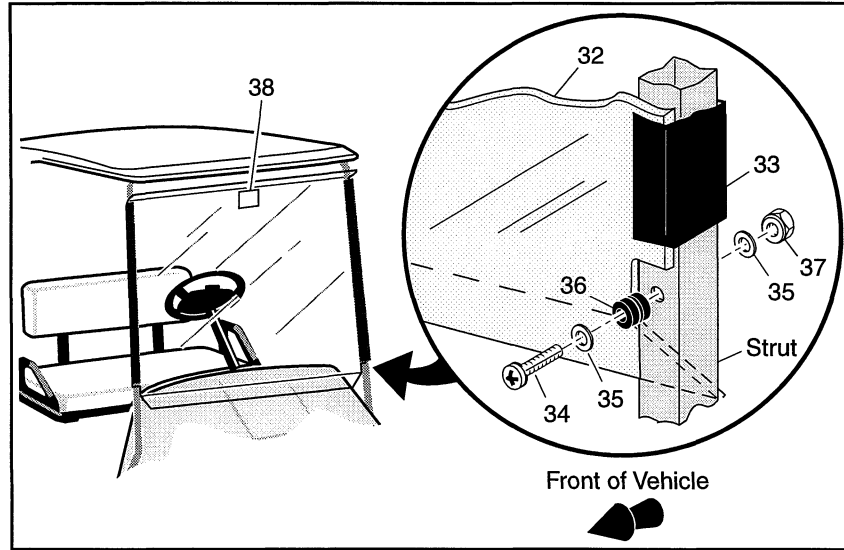


REAR VIEW MIRROR

21 - Includes Items 22 - 24

3-SIDED SOFT ENCLOSURE
26 - Includes Items 27 - 28





When ordering parts, please specify the model and serial number of the product.

* Indicates a component that is not available as an individual part.

G** Indicates consult Customer Service Department for additional information.

ITEM	PART NO.	1 2 3 4 5	DESCRIPTION	QTY.
1	75040-G**		SUN TOP KIT (INCLUDES ITEMS 2 -19)	1
2	27069-G**		SUN TOP.....	1
3	75045-G01		FRONT STRUT	1
4	01035-G01		BOLT, 5/16 - 18 X 2 1/4" LG	4
5	00905-G8		LOCK WASHER, 5/16".....	4
6	75048-G01		SPACER, 1/2".....	2
7	00570-G2		WASHER, 5/16".....	6
8	71328-G01		REAR STRUT (DRIVER SIDE)	1
9	71328-G02		REAR STRUT (PASSENGER SIDE).....	1
10	00439-G6		BOLT, 5/16 - 18 X 1 3/4" LG.....	4
11	00571-G2		WASHER, 5/16".....	8
12	17255-G1		NYLON WASHER, 5/16"	4
13	11098-G6		LOCK NUT, 5/16 - 18.....	4
14	00753-G5		SCREW, 1/4 - 20 X 2" LG (STAINLESS STEEL)	2
15	00753-G6		BOLT, 1/4 - 20 X 2 1/4" LG (STAINLESS STEEL).....	2
16	00559-G7		WASHER, 1/4".....	8
17	75051-G01		PLASTIC SPACER.....	4
18	00891-G2		LOCK NUT, 1/4 - 20.....	4
19	19853-G1		END CAP, 1".....	2
20				
21	19528-G2		REAR VIEW MIRROR KIT (REQUIRES SUN TOP) (INCLUDES ITEMS 22 - 24)	1
22	19496-G1		REAR VIEW MIRROR.....	1
23	19502-G2		SUPPORT BRACKET	1
24	19527-G1		SCREW, #8 - 32 X 5/8" LG (STAINLESS STEEL)	1
25				
26	75367-G01		3 SIDED SOFT ENCLOSURE KIT (REQUIRES SUN TOP) (INCLUDES ITEMS 27 - 28)	1
27	*		ENCLOSURE	1
28	*		VELCRO.....	AR
29				



WEATHER PROTECTION

Electric Vehicle

Replacement parts for the windshield may be obtained from Eagle Parts, Inc. 1811 Wilkinson Rd. Augusta, GA 30904. Telephone (706) 729-9911 or FAX (706) 729-9955

* Indicates a component that is not available as an individual part.

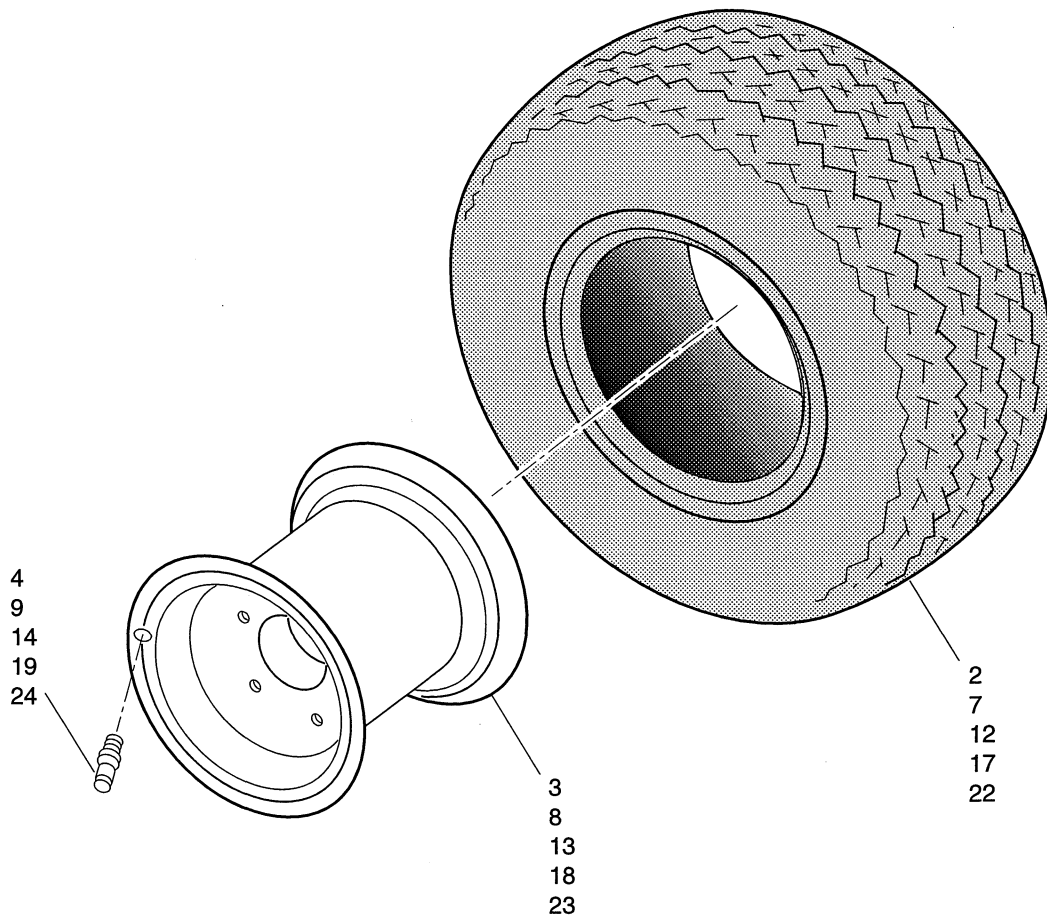
G** Indicates consult Customer Service Department for additional information.

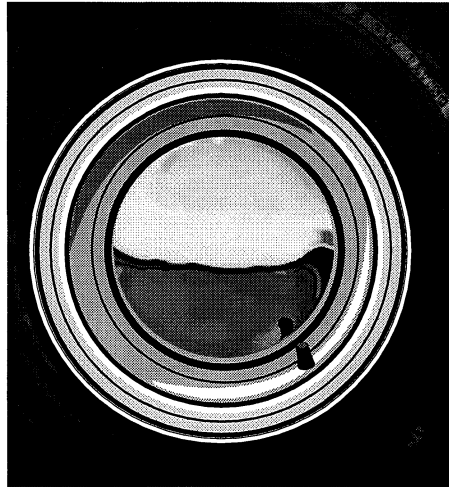
ITEM	PART NO.	1	2	3	4	5	DESCRIPTION	QTY.
30								
31	75524-G01						WINDSHIELD KIT (FLAT) (INCLUDES ITEMS 32 - 38)	1
32	EGWFX03						WINDSHIELD (FLAT) (30/70 DURAYL)	1
33	EGWHC12						SASH, 26" LG.....	2
34	EGWHS12						BOLT, 1/4 - 20 X 1 3/4' LG. (STAINLESS STEEL)	2
35	EGWHW12						WASHER, 1/4" (STAINLESS STEEL)	4
36	EGWHG13						RUBBER GROMMET	2
37	EGWHN12						LOCK NUT, 1/4 - 20 (STAINLESS STEEL)	2
38	EGWHL14						SAFETY LABEL	1
39								
40	75525-G01						WINDSHIELD KIT (SPLIT) (INCLUDES ITEMS 41, 42, 34 - 38)	1
41	EGWSX03						WINDSHIELD (SPLIT) (30/70 DURAYL)	1
42	EGWHC10						SASH, 12" LG.....	2





- 1 - Includes Items 2 - 4
- 6 - Includes Items 7 - 9
- 11 - Includes Items 12 - 14
- 16 - Includes Items 17 - 19
- 21 - Includes Items 22 - 24

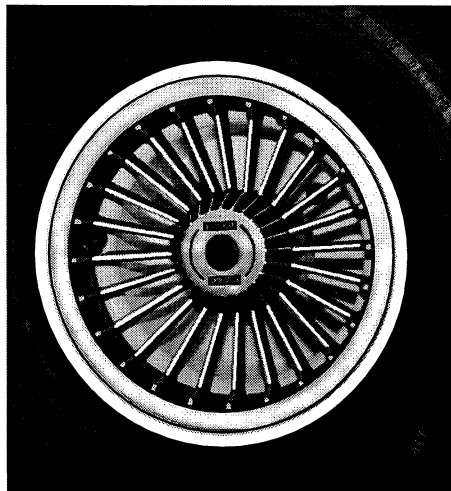




6"CHROME HUBCAP
27



8"CHROME HUBCAP
26



GOLD / SILVER SPOKE HUBCAP
28, 29

WHEELS AND TIRES

Electric Vehicle

When ordering parts, please specify the model and serial number of the product.

* Indicates a component that is not available as an individual part.

G** Indicates consult Customer Service Department for additional information.

ITEM	PART NO.	1 2 3 4 5	DESCRIPTION	QTY.
1	27772-G01		WHEEL AND TIRE ASSEMBLY, LINKS (INCLUDES ITEMS 2 - 4)	AR
2	27772-G05		CARLISLE TIRE (LINKS 18 X 8.5 - 8)	AR
3	15169-G1		WHEEL RIM (4 LUG)	AR
4	11657-G1		VALVE STEM	AR
5				
6	27772-G03		WHEEL AND TIRE ASSEMBLY, TURF SAVER (INCLUDES ITEMS 7 - 9)	AR
7	27772-G07		CARLISLE TIRE (TURF SAVER 18 X 8.5 - 8)	AR
8	15169-G1		WHEEL RIM (4 LUG)	AR
9	11657-G1		VALVE STEM	AR
10				
11	27775-G01		WHEEL AND TIRE ASSEMBLY, USA TRAIL (INCLUDES ITEMS 12 - 14)	AR
12	27775-G02		CARLISLE TIRE (USA TRAIL 6 PLY 18.5 X 8.5 - 8)	AR
13	15169-G2		WHEEL RIM (4 LUG)	AR
14	11657-G1		VALVE STEM	AR
15				
16	27784-G01		WHEEL AND TIRE ASSEMBLY, USA TRAIL (INCLUDES ITEMS 17 - 19)	AR
17	27784-G03		CARLISLE TIRE (USA TRAIL 5.70 - 8)	AR
18	33678-G01		WHEEL RIM (4 LUG)	AR
19	26482-G01		VALVE STEM (METAL)	AR
20				
21	35154-G03		WHEEL AND TIRE ASSEMBLY, FOAM FILLED USA TRAIL (INCLUDES ITEMS 22 - 24)	AR
22	27784-G03		CARLISLE TIRE (USA TRAIL 18.5 X 5.7 - 8)	AR
23	33678-G01		WHEEL RIM (4 LUG)	AR
24	26482-G01		VALVE STEM (METAL)	AR
25				
26	14913-G*		8" CHROME HUBCAP (OPTIONAL)	AR
27	16042-G*		6" CHROME HUBCAP (OPTIONAL)	AR
28	19241-G*		GOLD SPOKE HUBCAP (OPTIONAL)	AR
29	19241-G*		SILVER SPOKE HUBCAP (OPTIONAL)	AR



SPECIALTY PRODUCTS

SPECIALTY PRODUCTS

SPECIALTY PRODUCTS

SPECIAL TOOLS	Part No.
BATTERY MAINTENANCE KIT	25587-G01
SEAL INSTALLATION TOOL (REAR AXLE SHAFT SEAL).....	18739-G1
BATTERY SET DISCHARGER, 36 VOLT, 75 AMP.....	28251-G01
CURRENT INDICATOR.....	16489-G1
DIGITAL MULTI-METER.....	27481-G01
CRIMPING TOOL	27765-G01
SLIDE HAMMER (AXLE/HUB REMOVAL).....	15947-G1
SLIDE HAMMER (AXLE REMOVAL ONLY)	18753-G1

PAINT

HUNTER GREEN - TOUCH-UP PEN.....	28432-G02
INDUSTRIAL YELLOW - TOUCH-UP PEN	28432-G03
HUNTER GREEN - 12 OZ. AEROSOL.....	28140-G09
INDUSTRIAL YELLOW - 12 OZ. AEROSOL	28140-G14

PERFORMANCE PRODUCTS

BATTERY PROTECTOR, 14 OZ AEROSOL	75500-G01
WHITE LITHIUM GREASE, 14 OZ AEROSOL	75502-G01
PENETRANT/LUBRICANT, 15 OZ AEROSOL.....	75503-G01
MULTI-PURPOSE CLEANER & DEGREASER, 14 OZ AEROSOL	75504-G01
MULTI-PURPOSE HAND CLEANER, 32 OZ LIQUID	75505-G01
BATTERY CLEANER, 32 OZ W/TRIGGER SPRAYER	75506-G01
BIODEGRADABLE CLEANER, 32 OZ W/TRIGGER SPRAYER.....	75507-G01
MULTI-PURPOSE VALUE PACK.....	75508-G01
<ul style="list-style-type: none"> • BATTERY PROTECTOR, 4 OZ AEROSOL • PENETRANT/LUBRICANT, 4 OZ AEROSOL • WHITE LITHIUM GREASE, 4 OZ AEROSOL • CARBURETOR & CHOKE CLEANER, 4 OZ AEROSOL 	

ACCESSORIES

ACCESSORIES LIST

ACCESSORIES

ACCESSORIES LIST

KIT NO.

ASHTRAY KIT.....	75109-G02.....	See BODY
BALL HITCH KIT.....	75326-G02.....	See BODY
BUMPER KIT.....	74041-G01.....	See BODY
“C” HITCH KIT.....	75327-G02.....	See BODY
CHROME HUB CAP 8".....	14913-G*.....	See WHEELS & TIRES
CHROME HUB CAP 6".....	16042-G*.....	See WHEELS & TIRES
DEFROSTER/COOLING FAN.....	74248-G01.....	See CAB & ACCESSORIES
DOMELIGHT.....	20495-G2.....	See CAB & ACCESSORIES
DOOR SET.....	74241-G0*.....	See CAB & ACCESSORIES
DOOR SET (VINYL).....	74242-G01.....	See CAB & ACCESSORIES
ELECTRIC DUMP KIT.....	74052-G04.....	See TRUCKBED
GLOVE BOX DOOR.....	75459-G01.....	See BODY
HEATER.....	22559-G2.....	
HOUR METER KIT.....	75113-G02.....	See ELECTRICAL SYSTEM
INSIDEMIRROR.....	27924-G01.....	See WEATHER PROTECTION
INSTRUMENT/SWITCH PANEL.....	74250-G01.....	See CAB & ACCESSORIES
REAR VIEW MIRROR KIT.....	19528-G2.....	See WEATHER PROTECTION
SIDEMIRROR KIT.....	75400-G01.....	See WEATHER PROTECTION
SOFT ENCLOSURE.....	75367-G01.....	See WEATHER PROTECTION
STEEL CAB, W/O DOORS.....	74240-G0*.....	See CAB & ACCESSORIES
STROBELIGHT.....	74245-G01.....	See CAB & ACCESSORIES
SUN TOP KIT.....	75040-G0*.....	See WEATHER PROTECTION
TURN SIGNAL KIT.....	75107-G02.....	See ELECTRICAL SYSTEM
GOLDSPOKE WHEEL COVERS.....	19241-G*.....	See WHEELS & TIRES
SILVER SPOKE WHEEL COVERS.....	19241-G*.....	See WHEELS & TIRES
WINDSHIELD KIT.....	75524-G01.....	See WEATHER PROTECTION
SPLIT WINDSHIELD KIT.....	75525-G01.....	See WEATHER PROTECTION
WINDSHIELD WIPER.....	74244-G01.....	See CAB & ACCESSORIES
WORK LIGHTS.....	74247-G01.....	See CAB & ACCESSORIES
WORK LIGHT BAR WITH LIGHTS.....	71323-G04.....	See ELECTRICAL SYSTEM
WORK LIGHT BAR WITH STROBE.....	71323-G05.....	See ELECTRICAL SYSTEM
WORK LIGHT BAR WITH LIGHTS AND STROBE.....	71323-G06.....	See ELECTRICAL SYSTEM



a **TEXTRON** Company

E-Z-GO Division of Textron Inc.

P.O. Box 388 Augusta, Georgia USA 30903-0388

Inside USA Phone: 1-800-227-7029, FAX: 1-800-752-6175

Outside USA Phone: 010-1-706-798-4311, FAX: 010-1-706-771-4601

Copyrighted Material
This manual may not be reproduced in whole or
in part without the express permission of
E-Z-GO Division of Textron Inc.
Technical Communications Department