

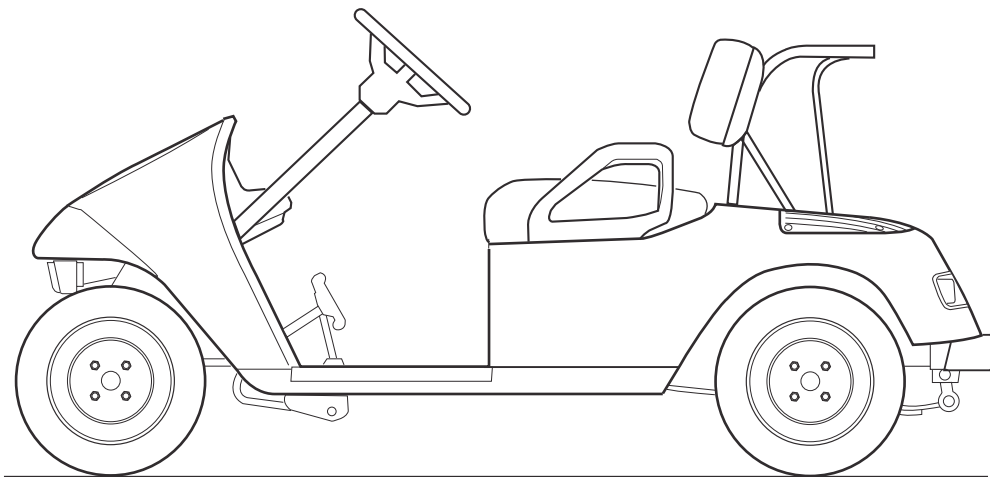
653637-V



A Textron Company



SERVICE PARTS MANUAL



GASOLINE POWERED VEHICLE

ISSUED FEBRUARY 2016 REVISED FEBRUARY 2019

SERVICE PARTS MANUAL

GASOLINE POWERED GOLF CAR

TXT Valor

STARTING MODEL YEAR 2010

DISCLAIMER: The E-Z-GO Division of Textron Inc. reserves the right to incorporate engineering and design changes to products in this Manual, without obligation to include these changes on units leased/sold previously.

The information contained in this Manual may be revised periodically by the E-Z-GO Division, and therefore is subject to change without notice.

The E-Z-GO Division DISCLAIMS LIABILITY FOR ERRORS IN THIS MANUAL, and the E-Z-GO Division SPECIFICALLY DISCLAIMS LIABILITY FOR INCIDENTAL AND CONSEQUENTIAL DAMAGES resulting from the use of the information and materials in this Manual.

CUSTOMER SERVICE DEPARTMENT IN USA PHONE: 1-800-241-5855 FAX: 1-800-448-8124

OUTSIDE USA PHONE: 001-706-798-4311, FAX: 001-706-771-4609

E-Z-GO DIVISION OF TEXTRON INC., MARVIN GRIFFIN RD., AUGUSTA, GEORGIA USA 30906

GENERAL INFORMATION

To obtain a copy of the limited warranty applicable to the vehicle, call or write a local Distributor, authorized Branch or the Warranty Department with vehicle serial number and manufacturer code.

The use of non Original Equipment Manufacturer (OEM) parts may void the warranty.

Tampering with or adjusting the governor to permit vehicle to operate at above factory specifications will void the vehicle warranty.

When servicing engines, all adjustments and replacement components must be per original vehicle specifications in order to maintain the United States of America Federal and State emission certification applicable at the time of manufacture.

BATTERY PROLONGED STORAGE

All batteries will self discharge over time. The rate of self discharge varies depending on the ambient temperature and the age and condition of the batteries.

A fully charged battery will not freeze in winter temperatures unless the temperature falls below -75° F (-60° C).

TABLE OF CONTENTS

SECTION	Page No.
HOW TO USE THE SERVICE PARTS MANUAL	V
ACCELERATOR	A-1
• Pedal Cover	
• Pedal Box Assembly	
• Accelerator Pedal Assembly	
AIR FILTER	B-1
• Air Cleaner Element	
• Air Filter Housing	
• Air Cleaner Hose	
BODY	C-1
• Front Bumper	
• Front Splash Shield	
• Cowl	
• Instrument Panel	
• Rocker Panels	
• Rear Body	
• Seat Support	
BRAKES - MECHANICAL	D-1
• Brake Pedal Pad	
• Brake Pedal	
• Brake Cable	
• Brake Drum Assembly	
CARBURETOR	F-1
• Carburetor	
• Main Jet	
• Choke Cable	
CLUTCH	G-1
• Drive Clutch	
• Driven Clutch	
DIRECTION SELECTOR	H-1
• Push/Pull Shifter Cable	
• Compression Spring	
• Neutral Lock Bracket	
ELECTRICAL SYSTEM	J-1
• Main Harness	
• Battery	
• Hour Meter	
• Ground Cable	
• Turn Signal	
• Headlight	
• Key Switch	
• Tail Lights	
ENGINE AND MUFFLER	K-1
• Engine	
• Muffler	
• Oil Dip Stick	
• Oil Filter	
ENGINE MOUNTING	L-1
• Engine Pan Mount	
• Front Engine Mount	

TABLE OF CONTENTS

SECTION	Page No.
FRONT SUSPENSION AND STEERING	M-1
• Strut	
• Spindle	
• Steering Box	
• Steering Column	
• Steering Wheel	
FUEL SYSTEM	N-1
• Fuel Tank	
• Pulse Line	
REAR AXLE	P-1
• Axle Shaft	
• Axle Tube	
• Oil Check Plug	
REAR SUSPENSION	Q-1
• Shocks	
• Leaf Spring	
• Shackles	
SEATING -	R-1
• Seat Bottom	
• Seat Back	
• Hip Restraints	
• Seat Back Support	
• Seat Bottom, Rear Facing Seat	
STARTER / GENERATOR	S-1
• Starter	
• Starter Belt	
• Starter Tensioner	
WEATHER PROTECTION	T-1
• Sun Top Kit	
• Windshield Kit	
WHEELS AND TIRES	U-1
• Tire & Wheel Assembly	
• Lug Nuts	

HOW TO USE THE SERVICE PARTS MANUAL

This manual is divided into several sections:

GENERAL INFORMATION

- TABLE OF CONTENTS
- HOW TO USE THE SERVICE PARTS MANUAL

ILLUSTRATED PARTS BREAKDOWN

- Contains illustrations and parts lists for all systems of the vehicle.

USE OF THE MANUAL

To use this manual, consult the TABLE OF CONTENTS (page iii) to locate the information or illustration required.

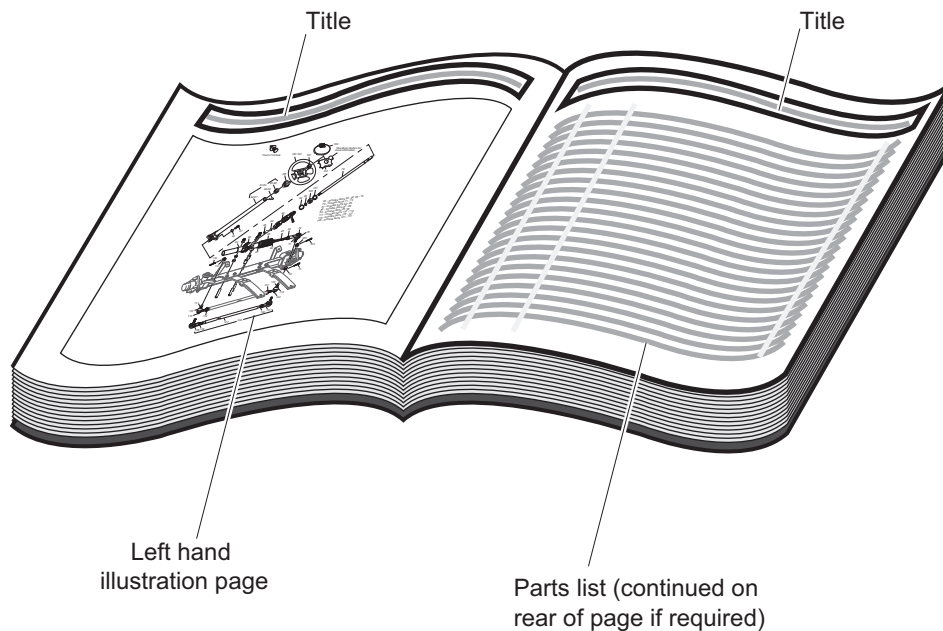
Introduction of some revisions varies due to supply of components; therefore, it is possible that various combinations of components may be found that are not directly reflected by each illustration. Consult the illustration that best suits your situation. Locate the serial number. It is important that the serial number of your vehicle and its model number be supplied to Service Parts when ordering any replacement components.

SERIAL NUMBER LOCATION

Three serial number and manufacture date code labels are on the vehicle. One is placed on the steering column, the second is located on the frame member under the front splash shield on the driver side and the third is located on the passenger side frame rail at the rear of the vehicle.

In order to obtain correct components for the vehicle, the manufacture date code, serial number and vehicle model must be provided when ordering service parts.

HOW TO USE THE SERVICE PARTS MANUAL



1. WHEN THE PART NUMBER IS NOT KNOWN

- Determine the function and application of the part required. Turn to the TABLE OF CONTENTS and select the most appropriate component description.
- Turn to the page number indicated and locate the part description in the parts list. Read the full accompanying description for specific information regarding the part that was not shown in the index.
- From the parts list, obtain the item number assigned to it and confirm that the part selected is correct by verifying it with the pictorial representation on the illustrated page.

2. IF YOU KNOW THE PART NUMBER

- Locate the part number or description in the appropriate column on the parts list page.

NOTE: It is suggested that you confirm that the part selected is correct by verifying it with the pictorial representation on the illustrated page.

Should an asterisk (*) appear in the part number column on the parts list page, read upwards until a part number is found. The part number is the lowest assembly sold by Service Parts. The asterisk (*) indicates that the part depicted is not available for purchase.

NOTE: Descriptions are indented under the assembly that they are used on. That assembly is, in turn listed under the assembly that it is used on. This process is repeated until the highest final assembly is reached.

To facilitate the maintenance and repair of the vehicle, a Technician's Repair and Service Manual is available from the Service Parts Department.

HOW TO USE THE SERVICE PARTS MANUAL

2. COLOR CODE FOR BODY COMPONENTS

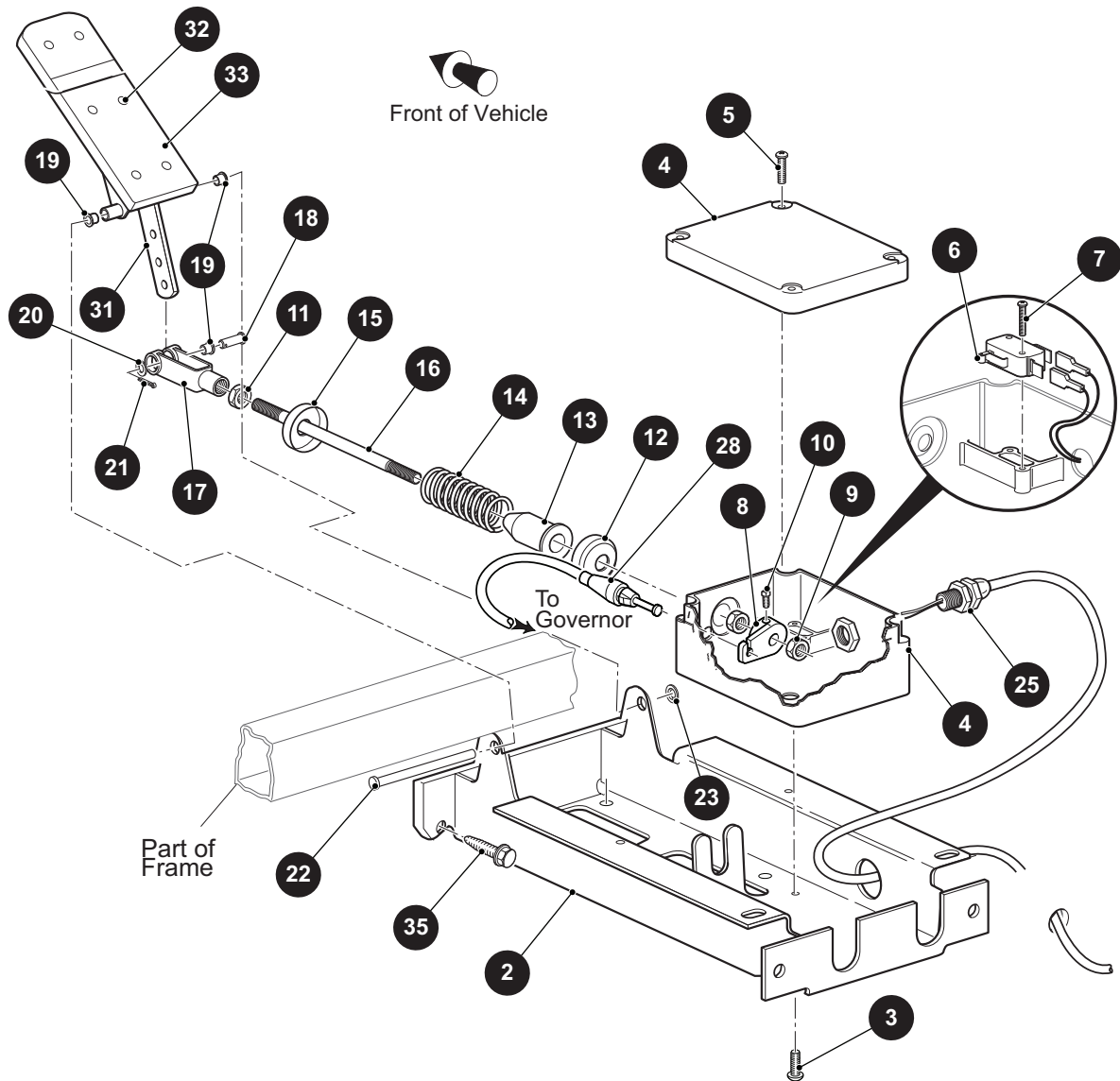
The last two digits of the part number for the body part will denote the color code, locate the part number for the cowl, rear body, seat pod, side panel or seat wrap then locate your color in the list below, replace the last ** or XX with the two digit color code.

<u>CODE #</u>	<u>DESCRIPTION</u>
11	BLACK
41	ELECTRIC BLUE

ACCELERATOR

1 PEDAL BOX ASSEMBLY includes items 2 - 33

30 ACCELERATOR PEDAL ASSEMBLY includes items 31 - 33



When ordering parts, please specify the model and serial number of the product.

* Indicates a component that is not available as an individual part.

*** Indicates consult Customer Service Department for additional information.

ITEM	PART NO.	1 2 3 4 5	DESCRIPTION	QTY.
1	606990		PEDAL BOX ASSEMBLY (INCLUDES ITEMS 2 - 33)	1
2	652241G03		ACCELERATOR PEDAL BRACKET	1
3	01051G01		PAN HEAD PHILLIPS SCREW, #8 - 16 X 1/2" LG	4
4	25853G03		PEDAL BOX AND COVER	1
5	00684G6		TRUSS HEAD PHILLIPS SCREW (SS), #8 - 32 X 3/4" LG	2
6	25861G01		MICRO SWITCH, V-TYPE.....	1
7	01050G01		PAN HEAD TORX SCREW, #4 - 20 X 5/8" LG.....	2
8	72716G01		CAM (MICRO SWITCH)	1
9	15126G1		LOCK NUT, 5/16" - 24	1
10	00487G3		SOCKET HEAD SCREW, 1/4" - 20 X 3/8" LG.....	1
11	00532G4		HEX NUT, 5/16" - 24.....	2
12	17677G1		SPRING RETAINER.....	1
13	17979G1		ACCELERATOR ROD BUSHING.....	1
14	73046G01		COMPRESSION SPRING.....	1
15	17677G2		SPRING RETAINER.....	1
16	72072G01		ACCELERATOR ROD	1
17	10385G4		CLEVIS YOKE (ADJUSTABLE).....	1
18	10386G3		CLEVIS PIN, 5/16" X 13/16" LG	1
19	17838G1		BUSHING (NYLON), .313" I.D. X .374" O.D. X .312" LG	3
20	17255G1		TEFLON WASHER, 5/16"	1
21	10387G3		COTTER PIN, 3/32" X 3/4" LG	1
22	74432G01		PEDAL PIVOT PIN	1
23	12064G6		PUSH NUT, 5/16"	1
24				
25	72201G04		WIRE HARNESS (PEDAL BOX)	1
26				
27				
28	608608		ACCELERATOR CABLE, 58.53" LG	1
29				
30	25799G03		ACCELERATOR PEDAL ASSEMBLY (INCLUDES ITEMS 31- 33).....	1
31	652824		ACCELERATOR PEDAL.....	1

ACCELERATOR

When ordering parts, please specify the model and serial number of the product.

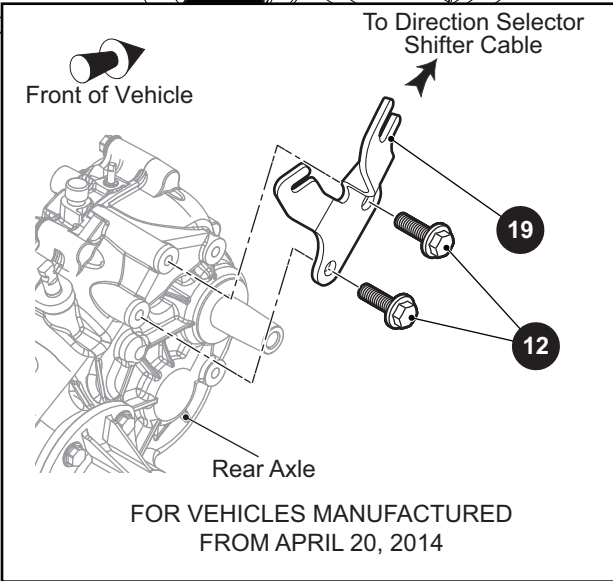
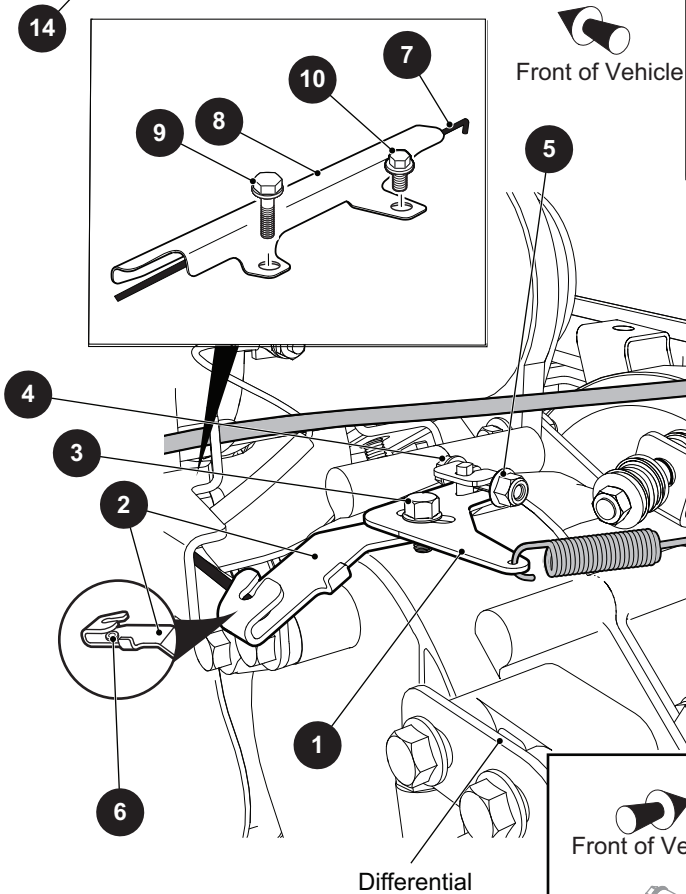
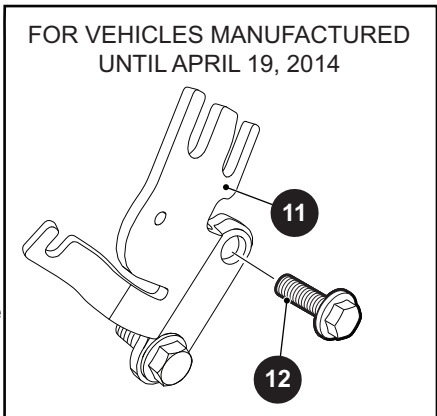
* Indicates a component that is not available as an individual part.

*** Indicates consult Customer Service Department for additional information.

ITEM	PART NO.	1	2	3	4	5	DESCRIPTION	QTY.
32	16409G1						OVAL RIVET, 3/16" X 7/16" LG	6
33	27512G01						ACCELERATOR PEDAL PAD	1
34								
35	00715G2						HEX WASHER HEAD SCREW, 5/16" - 18 X 3/4" LG.....	4

ACCELERATOR

WARNING DO NOT TAMPER WITH OR ATTEMPT TO CHANGE THE ADJUSTMENT OF THE GOVERNOR. GOVERNOR TAMPERING CAN RESULT IN SERIOUS PERSONAL INJURY AND WILL VOID THE VEHICLE WARRANTY.



When ordering parts, please specify the model and serial number of the product.

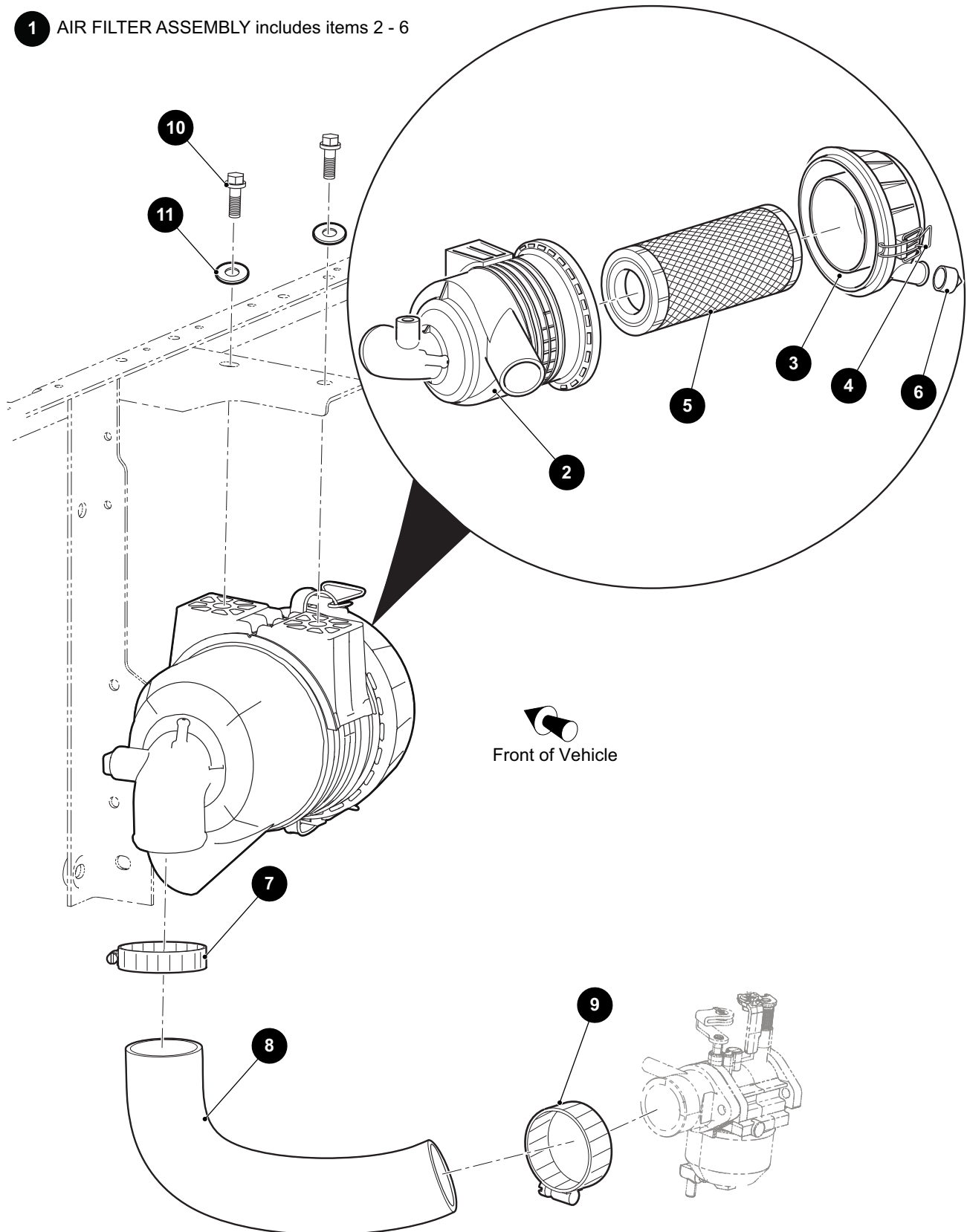
* Indicates a component that is not available as an individual part.

*** Indicates consult Customer Service Department for additional information.

ITEM	PART NO.	1 2 3 4 5	DESCRIPTION	QTY.
1	606083		UPPER GOVERNOR BRACKET.....	1
2	606005		LOWER GOVERNOR BRACKET	1
3	73876G01		FLANGED HEX HEAD BOLT, M6 - 1 X 12MM LG.....	1
4	606421		FLANGED HEX HEAD BOLT, M6 - 1 X 30MM LG.....	1
5	450452		FLANGED HEX NUT, M6 - 1.....	1
6	606283		GOVERNOR LEVER BUSHING	1
7	606284		GOVERNOR ROD	1
8	603890		GOVERNOR ROD GUARD	1
9	606264		FLANGED HEX HEAD BOLT, M6 - 1 X 20MM LG.....	1
10	606262		FLANGED HEX HEAD BOLT, M8 - 1.25 X 16MM LG.....	1
11	606074		GOVERNOR CABLE / DIRECTION SELECTOR BRACKET (FOR VEHICLES MANUFACTURED UNTIL APRIL 19, 2014).....	1
12	606256		FLANGED HEX HEAD BOLT, M10 - 1.25 X 25MM LG.....	2
13				
14	608527		GOVERNOR WARNING LABEL.....	1
15				
16				
17	17618G1		NYLON CLAMP, 8" LG (NOT ILLUSTRATED)	2
18				
19	632936		GOVERNOR CABLE / DIRECTION SELECTOR BRACKET (FOR VEHICLES MANUFACTURED FROM APRIL 20, 2014).....	1

AIR FILTER

1 AIR FILTER ASSEMBLY includes items 2 - 6

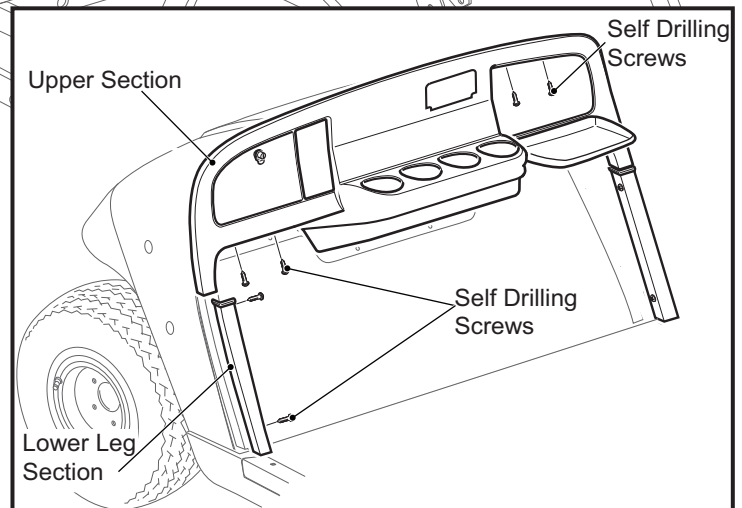
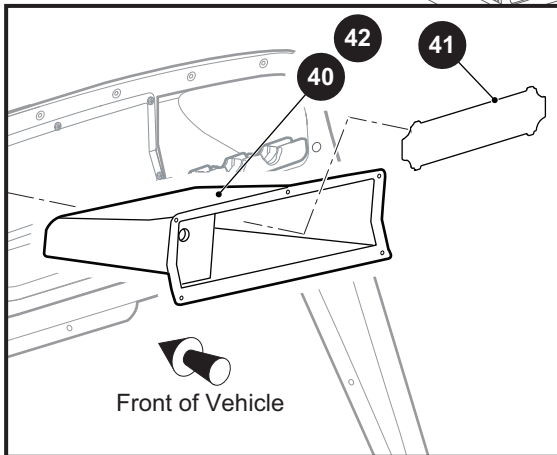
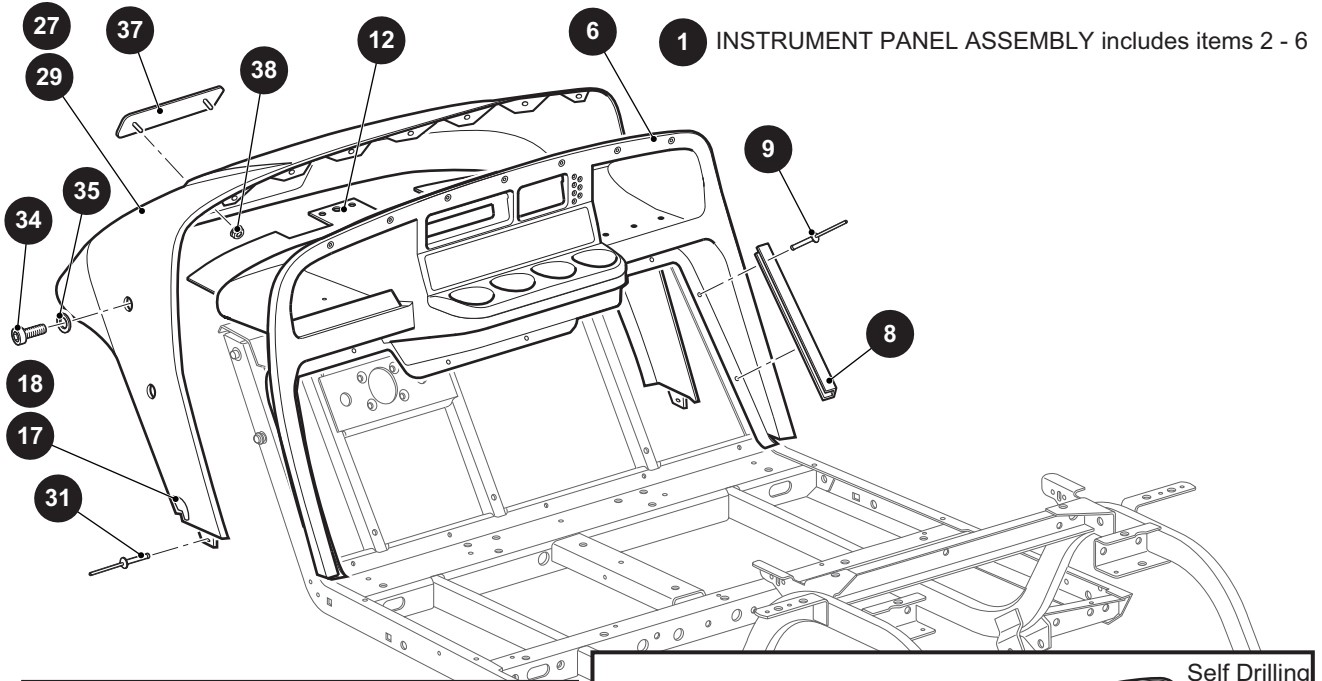
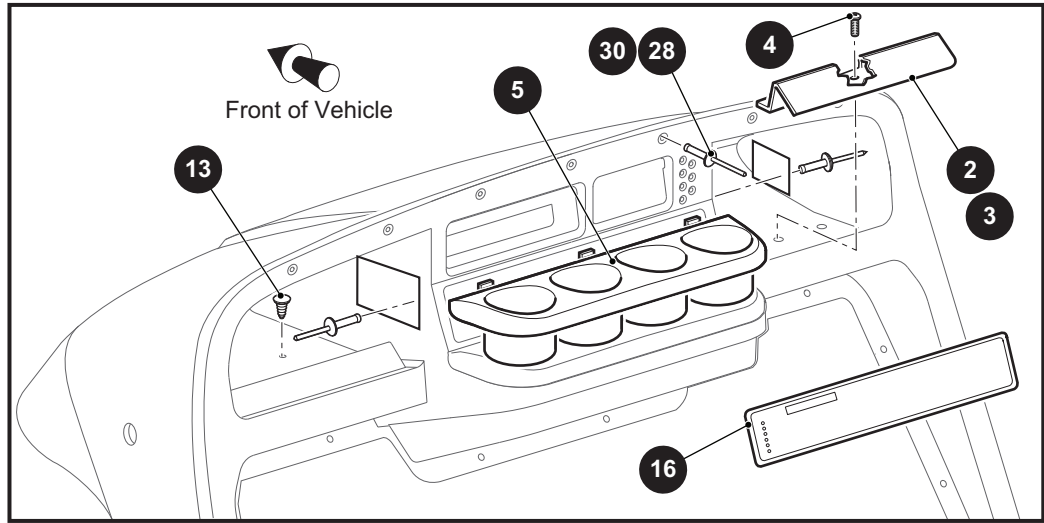


When ordering parts, please specify the model and serial number of the product.

* Indicates a component that is not available as an individual part.

*** Indicates consult Customer Service Department for additional information.

ITEM	PART NO.	1 2 3 4 5	DESCRIPTION	QTY.
1	658941		AIR FILTER ASSEMBLY (INCLUDES ITEMS 2 - 6)	1
2	659139		AIR CLEANER ASSEMBLY	1
3	658957		AIR CLEANER COVER	1
4	72604G01		AIR CLEANER CLIP	2
5	28463G01		AIR FILTER	1
6	28462G01		DUST EJECTOR VALVE	1
7	11391G7		HOSE CLAMP, 1.56"	1
8	601910		HOSE, 44.5MM I.D. X 46.8MM O.D. X 14" LG	1
9	11391G1		HOSE CLAMP, 1.31"	1
10	606261		FLANGED HEX HEAD BOLT, M8 - 1.25 X 20MM LG	2
11	606272		LOCK WASHER, 8MM	2



When ordering parts, please specify the model and serial number of the product.

* Indicates a component that is not available as an individual part.

*** Indicates consult Customer Service Department for additional information.

ITEM	PART NO.	1 2 3 4 5	DESCRIPTION	QTY.
1	71151G01		INSTRUMENT PANEL ASSEMBLY (INCLUDES ITEMS 2 - 6).....	1
2	71153G01		DEFLECTOR (PASSENGER SIDE).....	1
3	71154G01		DEFLECTOR (DRIVER SIDE).....	1
4	00614G3		PAN HEAD PHILLIPS SCREW, #8 - 15 X 3/8" LG.....	4
5	71158G01		INSTRUMENT PANEL INSERT (4 CUP HOLDER).....	1
6	71152G01		INSTRUMENT PANEL.....	1
7				
8	71115G01		TRIM (VINYL), 12.9" LG.....	2
9	71055G01		RIVET (ALUMINUM), 3/16" X 1.118" LG.....	10
10				
11				
12	71413G01		SPLASH PANEL.....	1
13	16816G2		RATCHET RIVET, .25" X .887" LG.....	5
14				
15				
16	608465		SAFETY LABEL.....	1
17	627561		FRONT REFLECTOR (AMBER) (DRIVER SIDE).....	1
18	627562		FRONT REFLECTOR (AMBER) (PASSENGER SIDE).....	1
19				
20				
21				
22				
23				
24				
25				
26				
27	619730G1XX		COWL WITH LIGHTS (see COLOR CODES in HOW TO USE section) (FOR VEHICLES MANUFACTURED FROM MARCH 30, 2014).....	1
28	71055G01		RIVET (ALUMINUM), 3/16" X 1.118" LG (FOR VEHICLES MANUFACTURED FROM MARCH 30, 2014).....	7
29	71051GXX		COWL (see COLOR CODES in HOW TO USE section) (FOR VEHICLES MANUFACTURED UNTIL MARCH 29, 2014).....	1

BODY

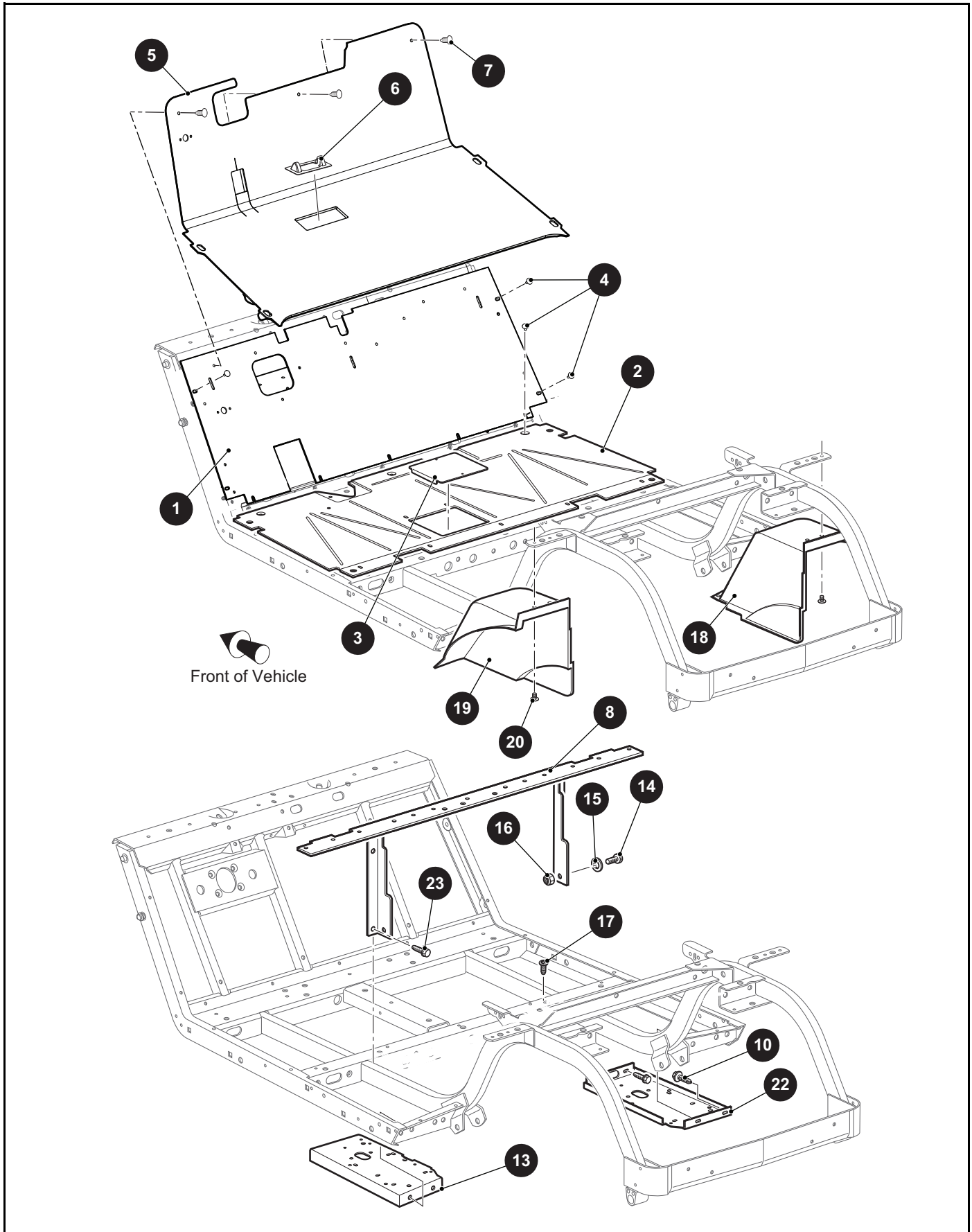
When ordering parts, please specify the model and serial number of the product.

* Indicates a component that is not available as an individual part.

*** Indicates consult Customer Service Department for additional information.

ITEM	PART NO.	1	2	3	4	5	DESCRIPTION	QTY.
30	71055G01						RIVET (ALUMINUM), 3/16" X 1.118" LG (FOR VEHICLES MANUFACTURED UNTIL MARCH 29, 2014)	9
31	10570G11						RIVET (SS), 3/16" X .70" LG	2
32								
33								
34	00438G6						HEX HEAD BOLT, 5/16" - 18 X 3/4" LG.....	2
35	00571G2						FLAT WASHER, 5/16"	2
36								
37	606405						E-Z-GO NAMEPLATE	1
38	71597G01						SELF THREADING NUT, 5MM X 10MM X 15MM.....	2
39								
40	628022						CENTER COMPARTMENT	1
41	625224						CENTER COMPARTMENT DIVIDER	1
42	658058						CENTER COMPARTMENT WITH USB	1

BODY



When ordering parts, please specify the model and serial number of the product.

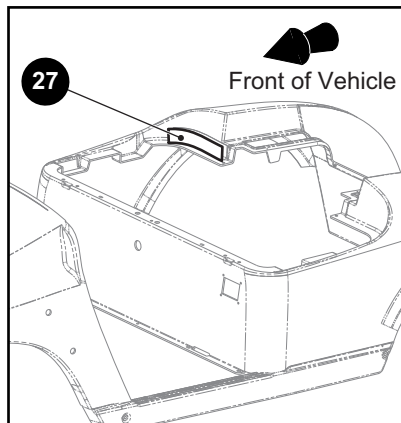
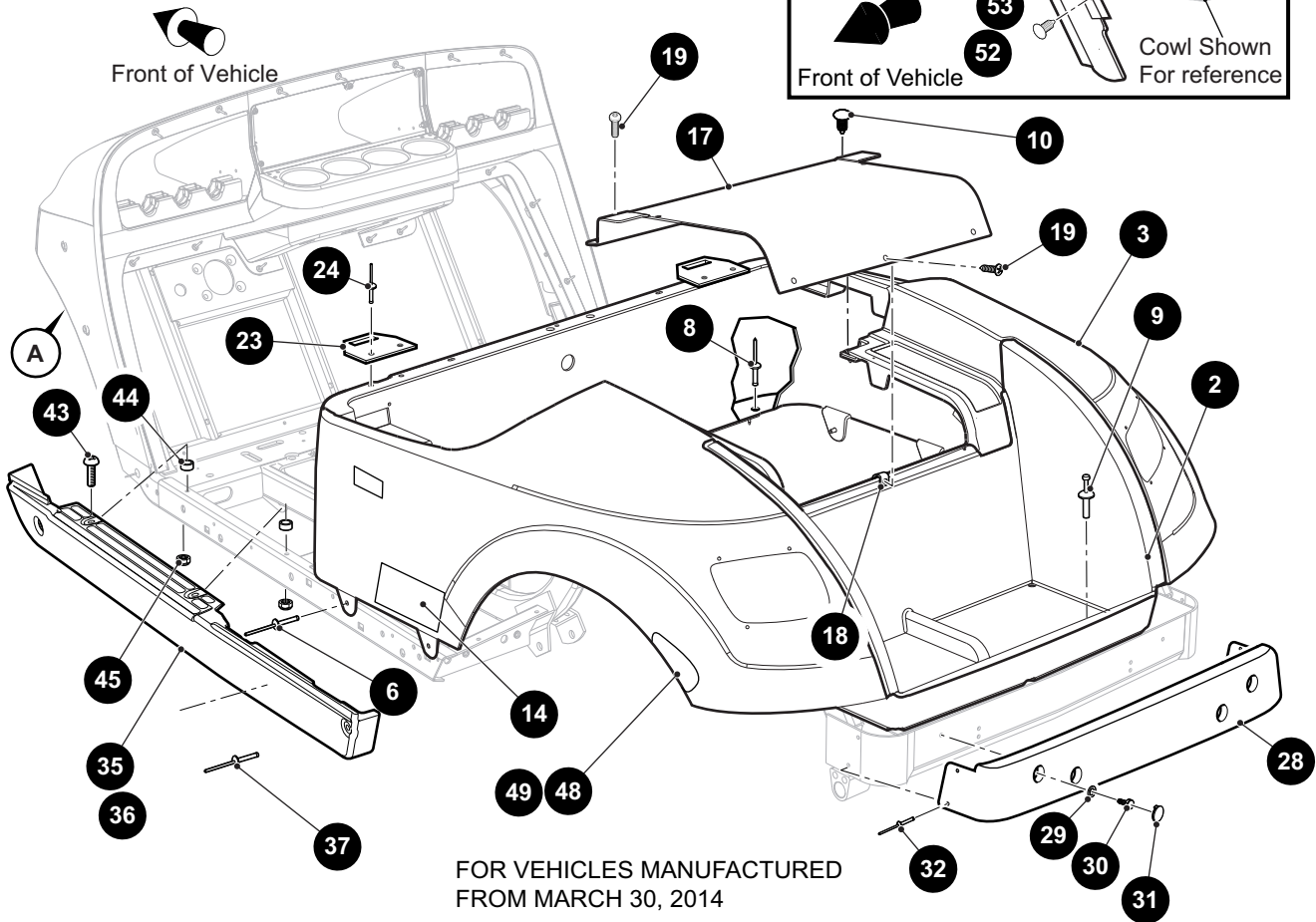
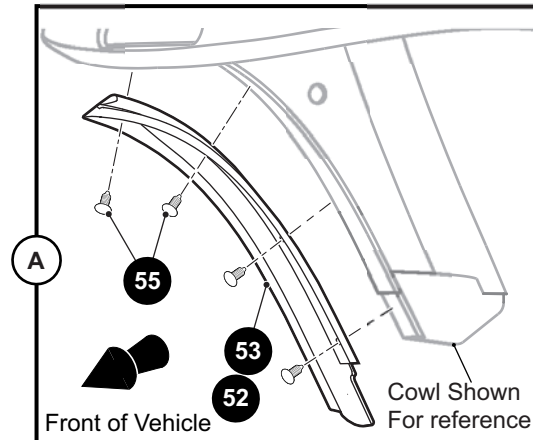
* Indicates a component that is not available as an individual part.

*** Indicates consult Customer Service Department for additional information.

ITEM	PART NO.	1 2 3 4 5	DESCRIPTION	QTY.
1	641260		UPPER FLOORPAN	1
2	70451G01		LOWER FLOORPAN	1
3	70452G01		ACCESS COVER.....	1
4	14601G11		RIVET (ALUMINUM), 3/16" X 9/16"	16
5	637535G02		FLOORMAT WITH HORN HOLES	1
6	70135G01		PEDAL PIVOT COVER.....	1
7	16816G1		RATCHET RIVET, .25" X .680" LG	3
8	605694		SEAT FRAME	1
9				
10	00715G2		HEX WASHER HEAD SCREW, 5/16" - 18 X .8" LG	2
11				
12				
13	652441G03		BATTERY TRAY.....	1
14	00438G6		HEX HEAD BOLT, 5/16" - 18 X 3/4" LG	2
15	00559G8		FLAT WASHER, 5/16".....	2
16	11098G6		LOCK NUT, 5/16" - 18.....	2
17	70200G01		TRUSS HEAD TORX BOLT, 3/8" - 16 X 3/4" LG	2
18	635054G02		FENDER LINER (PASSENGER SIDE).....	1
19	635054G01		FENDER LINER (DRIVER SIDE)	1
20	16816G2		RATCHET RIVET, .25" X .887" LG	8
21				
22	70244G05		SPLASH PAN.....	1
23	00715G2		HEX WASHER HEAD SCREW, 5/16" - 18 X .8" LG	2

BODY

- 1 REAR BODY ASSEMBLY W/LIGHTS includes items 2 - 3
- 51 SPLASHGUARD FRONT-KIT includes items 52 - 54
- 54 SPLASHGUARD HARDWARE KIT includes item 55



When ordering parts, please specify the model and serial number of the product.

* Indicates a component that is not available as an individual part.

*** Indicates consult Customer Service Department for additional information.

ITEM	PART NO.	1 2 3 4 5	DESCRIPTION	QTY.
1	625272G1XX		REAR BODY ASSEMBLY W/LIGHTS (INCLUDES ITEMS 2 - 3) (SEE COLOR CODES IN HOW TO USE SECTION) (FOR VEHICLES MANUFACTURED FROM MARCH 30, 2014).....	1
2	624374		BAGWELL LINER (FOR VEHICLES MANUFACTURED FROM MARCH 30, 2014)	1
3	619752G1XX		REAR BODY (WITH LIGHTS) (See COLOR CODE in HOW TO USE section) (FOR VEHICLES MANUFACTURED FROM MARCH 30, 2014)	1
4				
5				
6	10570G12		RIVET (ALUMINUM), 1/4" X 9/16" LG	2
7				
8	10570G10		RIVET (SS), 5/32" X .55" LG (FOR VEHICLES MANUFACTURED FROM MARCH 30, 2014).....	5
9	633917		RIVET (PLASTIC), 1/4" X 1" LG (FOR VEHICLES MANUFACTURED FROM MARCH 30, 2014).....	2
10	16816G2		RATCHET RIVET, .25" X .887" (FOR VEHICLES MANUFACTURED FROM MARCH 30, 2014).....	2
11				
12				
13				
14	612951		FREEDOM VALOR DECAL	2
15				
16				
17	71320G01		ACCESS PANEL.....	1
18	71364G02		J TYPE SPEED NUT, #8.....	1
19	01107G01		PAN HEAD TORX SCREW (SS), #8 X 5/8" LG	5
20				
21				
22				
23	71609G01		SEAT HINGE PLATE.....	2
24	10570G11		RIVET (SS), 5/32" X .70" LG.....	4
25				
26				
27	74093G01		WARNING LABEL (ENGINE).....	1

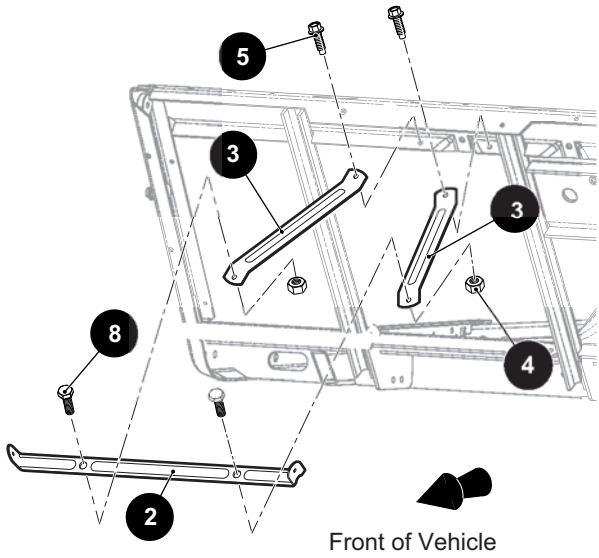
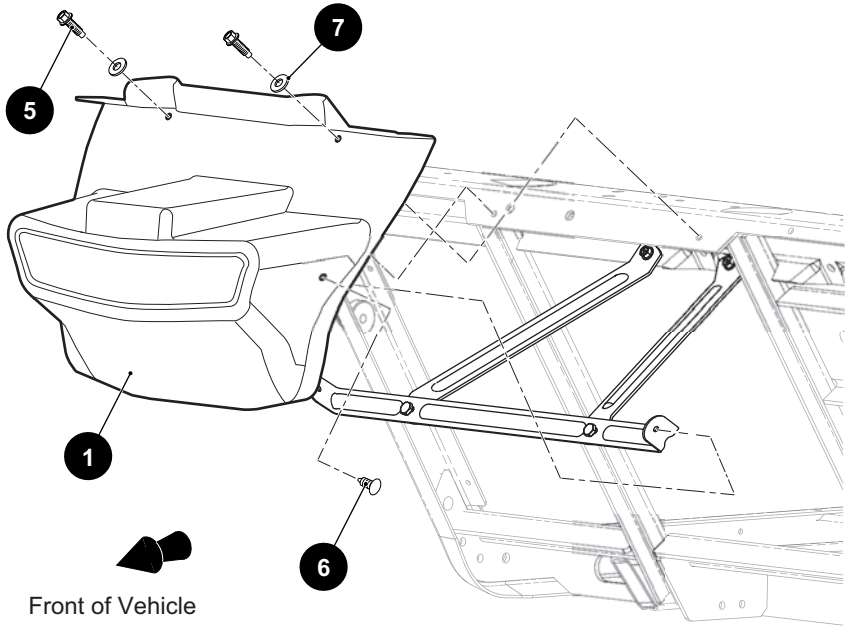
BODY

When ordering parts, please specify the model and serial number of the product.

* Indicates a component that is not available as an individual part.

*** Indicates consult Customer Service Department for additional information.

ITEM	PART NO.	1 2 3 4 5	DESCRIPTION	QTY.
28	71578G01		REAR BUMPER	1
29	00571G2		FLAT WASHER, 5/16"	4
30	71102G01		HEX HEAD BOLT, 1/4" - 20 X 3/4" LG.....	4
31	71514G01		BUMPER PLUG	4
32	14601G17		RIVET (ALUMINUM), 3/16" X 9/16".....	4
33				
34				
35	615239		ROCKER PANEL WITH SILL PLATE (DRIVER SIDE).....	1
36	617333		ROCKER PANEL WITH SILL PLATE (PASSENGER SIDE)	1
37	15058G6		RIVET (ALUMINUM), 3/16" X 15/16".....	4
38				
39				
40				
41				
42				
43	634161		HEXALOBULAR FLANGE BOLT, M6 - 1 X 34.5MM LG	4
44	23726G4		SPACER, 5/16"	4
45	601476		LOCK NUT, M6 - 1.....	4
46	625246		REAR REFLECTOR (RED) (PASSENGER SIDE) (NOT ILLUSTRATED).....	1
47	625244		REAR REFLECTOR (RED) (DRIVER SIDE) (NOT ILLUSTRATED)	1
48	627564		REAR REFLECTOR (RED) (PASSENGER SIDE)	1
49	627563		REAR REFLECTOR (RED) (DRIVER SIDE)	1
50				
51	656538		SPLASHGUARD FRONT-KIT (INCLUDES ITEMS 52 - 54)	1
52	651127G01		SPLASH GUARD (DRIVER SIDE)	1
53	651127G02		SPLASH GUARD (PASSENGER SIDE)	1
54	656649		SPLASHGUARD HARDWARE KIT (INCLUDES ITEM 55)	1
55	16816G1		RATCHET RIVET, .25" X .680".....	4



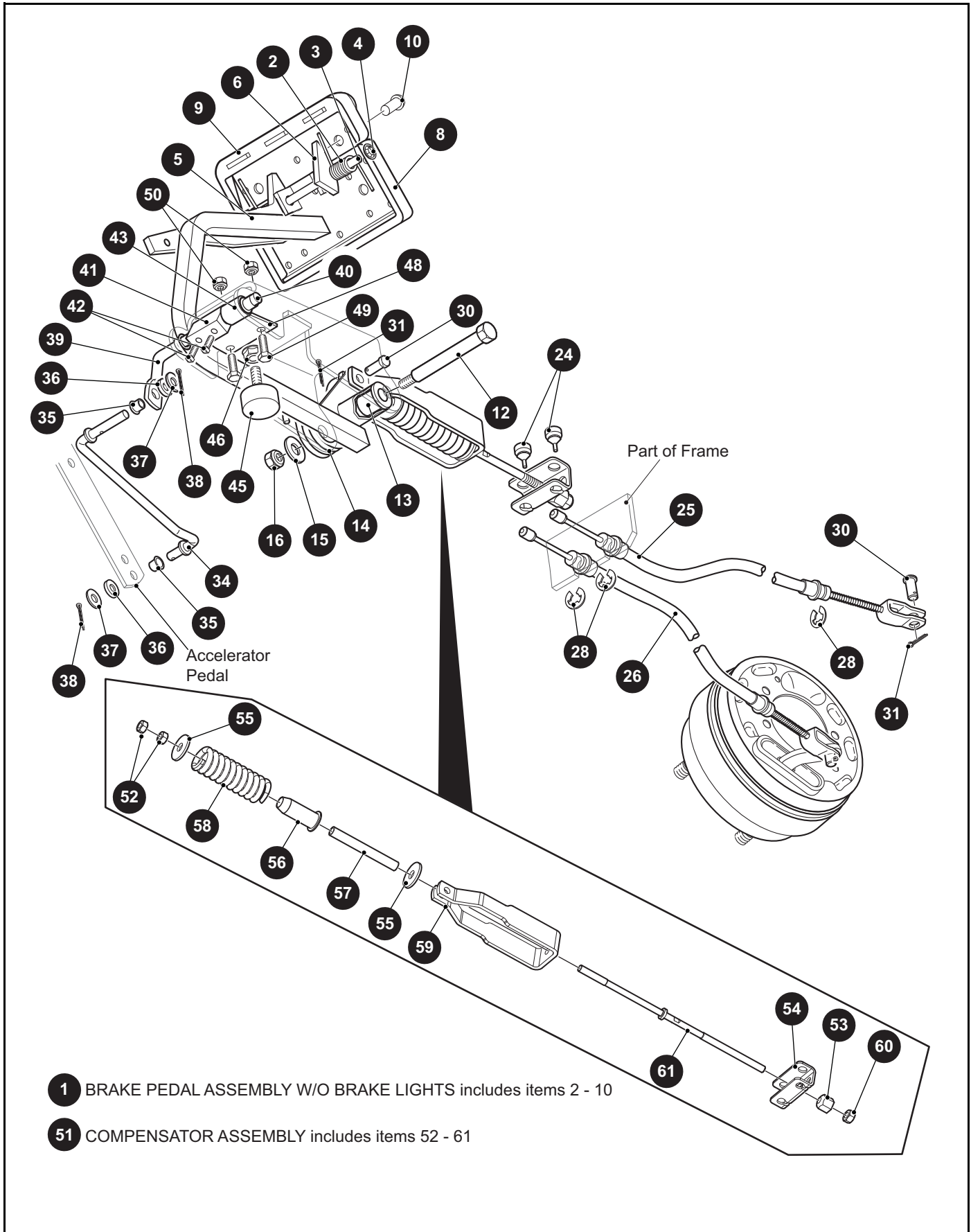
When ordering parts, please specify the model and serial number of the product.

* Indicates a component that is not available as an individual part.

*** Indicates consult Customer Service Department for additional information.

ITEM	PART NO.	1 2 3 4 5	DESCRIPTION	QTY.
1	624607		FRONT FASCIA	1
2	627769		SHIELD BRACKET	1
3	70725G02		FRONT SHIELD BRACE	2
4	14390G4		PLASTIC INSERT LOCK NUT, 1/4" - 20.....	2
5	01038G01		HEX WASHER HEAD SCREW, 1/4" - 20 X 11/16" LG	4
6	15058G1		RIVET, 3/16" X .45" LG	2
7	16469G1		FLAT WASHER, 1/4"	2
8	00414G6		HEX HEAD BOLT, 1/4" - 20 X 3/4" LG	2

BRAKES



When ordering parts, please specify the model and serial number of the product.

* Indicates a component that is not available as an individual part.

*** Indicates consult Customer Service Department for additional information.

ITEM	PART NO.	1 2 3 4 5	DESCRIPTION	QTY.
1	70612G02		BRAKE PEDAL ASSEMBLY (WITHOUT BRAKE LIGHTS) (INCLUDES ITEMS 2 - 10)	1
2	70681G01		TORSION SPRING.....	2
3	70682G01		PIVOT PIN.....	1
4	658825		PUSH NUT, 5/16" - 24	2
5	652251G03		BRAKE PEDAL.....	1
6	652253G03		PARK BRAKE PEDAL	1
7				
8	70257G01		SERVICE BRAKE PAD.....	1
9	70256G01		PARK BRAKE PEDAL PAD	1
10	16409G1		OVAL RIVET, .375" X .468" LG	9
11				
12	70582G01		SHOULDER BOLT (SS), 3/8" - 16 X 3.406" LG	1
13	70581G01		FLANGED BUSHING, .1.062" O.D. X .795" I.D.	2
14	70676G01		TORSION SPRING	1
15	00643G1		LOCK WASHER, 3/8"	1
16	11098G5		LOCK NUT, 3/8" - 16.....	1
17				
18				
19				
20	12416G2		NYLON WEDGE LOCK CLAMP, 10" (NOT ILLUSTRATED)	AR
21				
22				
23				
24	28083G01		BRAKE COMPENSATOR BUMPER.....	2
25	624690		BRAKE CABLE, 37.06" (DRIVER SIDE)	1
26	624703		BRAKE CABLE, 52.81" (PASSENGER SIDE).....	1
27				
28	01111G01		RETAINING RING (SS), DIA .8".....	4
29				
30	10386G3		CLEVIS PIN, .438" X .938" LG	3

BRAKES

When ordering parts, please specify the model and serial number of the product.

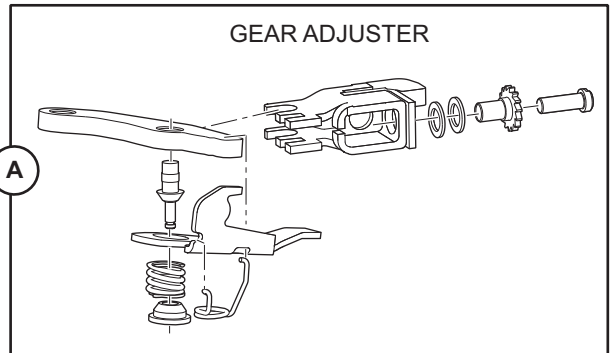
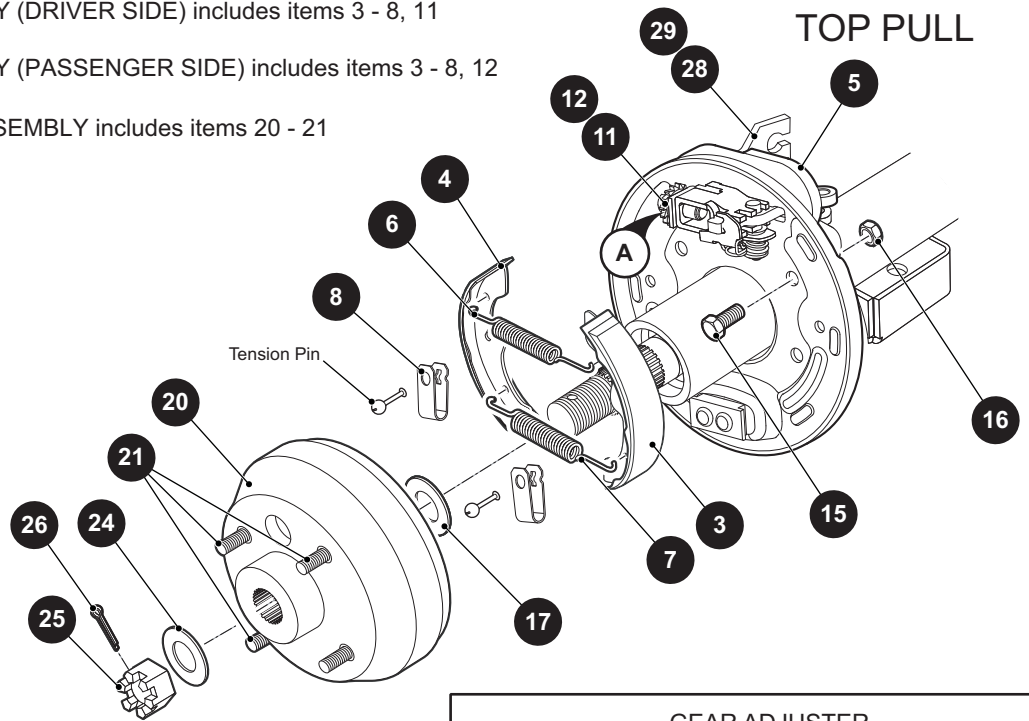
* Indicates a component that is not available as an individual part.

*** Indicates consult Customer Service Department for additional information.

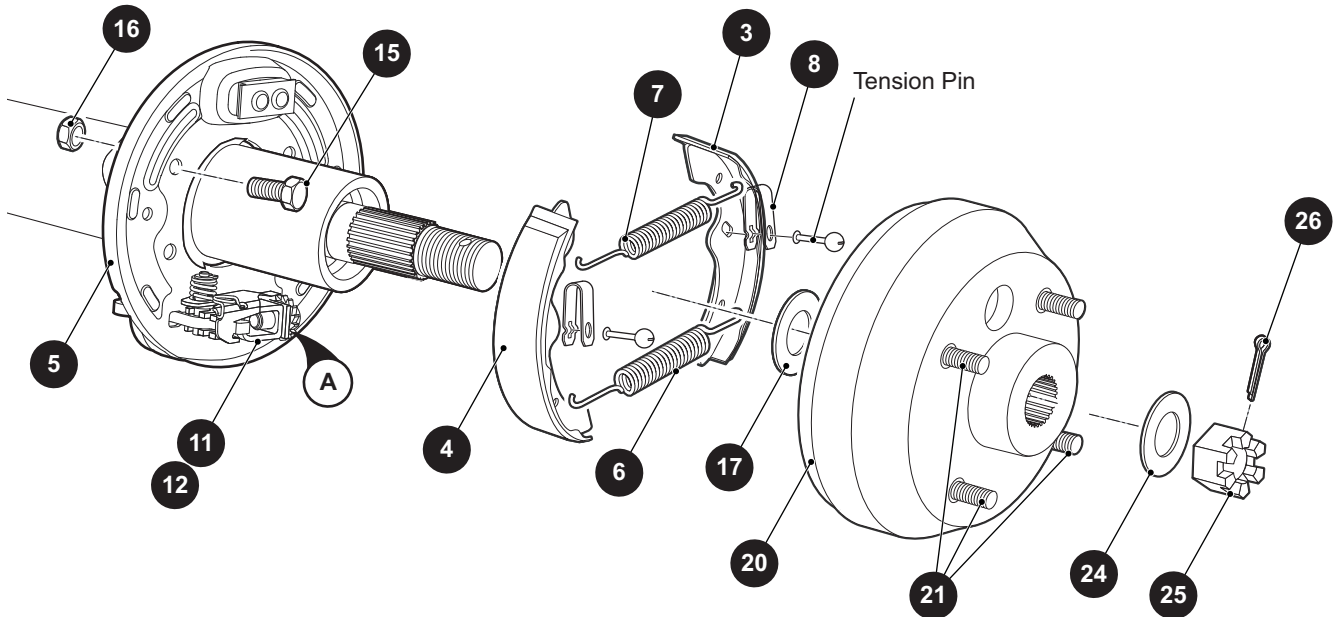
ITEM	PART NO.	1 2 3 4 5	DESCRIPTION	QTY.
31	10387G3		COTTER PIN, 3/32" X 3/4" LG	3
32				
33				
34	70601G01		KICK-OFF LINK.....	1
35	17838G1		NYLON BUSHING	2
36	20835G1		TEFLON WASHER, 3/8"	2
37	00559G8		FLAT WASHER, 5/16"	2
38	10387G3		COTTER PIN, 3/32" X 3/4" LG	2
39	70098G01		KICK-OFF CAM PIVOT	1
40	10097G6		FLANGED BEARING	2
41	70587G01		KICK-OFF CAM, PARK BRAKE	1
42	71215G01		SET SCREW WITH PATCH LOCK, 1/4" - 20 X .5" LG	2
43	14134G4		SPACER, .76" O.D. X .395" I.D. X 1.25" LG.....	1
44				
45	70113G01		ADJUSTABLE BUMPER	1
46	11027G1		LOCK NUT, 5/16" - 18	1
47				
48	70080G02		CATCH BRACKET.....	1
49	00414G6		HEX HEAD BOLT, 1/4" - 20 X .25" LG.....	2
50	14390G4		LOCK NUT (SS), 1/4" - 20.....	2
51	612558		COMPENSATOR ASSEMBLY (INCLUDES ITEMS 52 - 61)	1
52	00532G4		HEX NUT, 1/4" - 20	2
53	629486		SPHERICAL HEX NUT, 5/16"- 24	1
54	28082G01		EQUALIZER BRACKET	1
55	15121G1		FLAT WASHER, 5/16".....	2
56	17979G1		ACCELERATOR ROD BUSHING, .464" I.D. X 1" O.D. X 2" LG.....	1
57	23061G2		TUBE.....	1
58	23463G1		COMPRESSION SPRING	1
59	652256		BRAKE YOKE	1
60	11098G9		HEX LOCK NUT, 5/16" - 24	1
61	612557		COMPENSATOR ROD LINK	1

BRAKES

- 1 BRAKE ASSEMBLY (DRIVER SIDE) includes items 3 - 8, 11
- 2 BRAKE ASSEMBLY (PASSENGER SIDE) includes items 3 - 8, 12
- 19 BRAKE DRUM ASSEMBLY includes items 20 - 21



BOTTOM PULL



When ordering parts, please specify the model and serial number of the product.

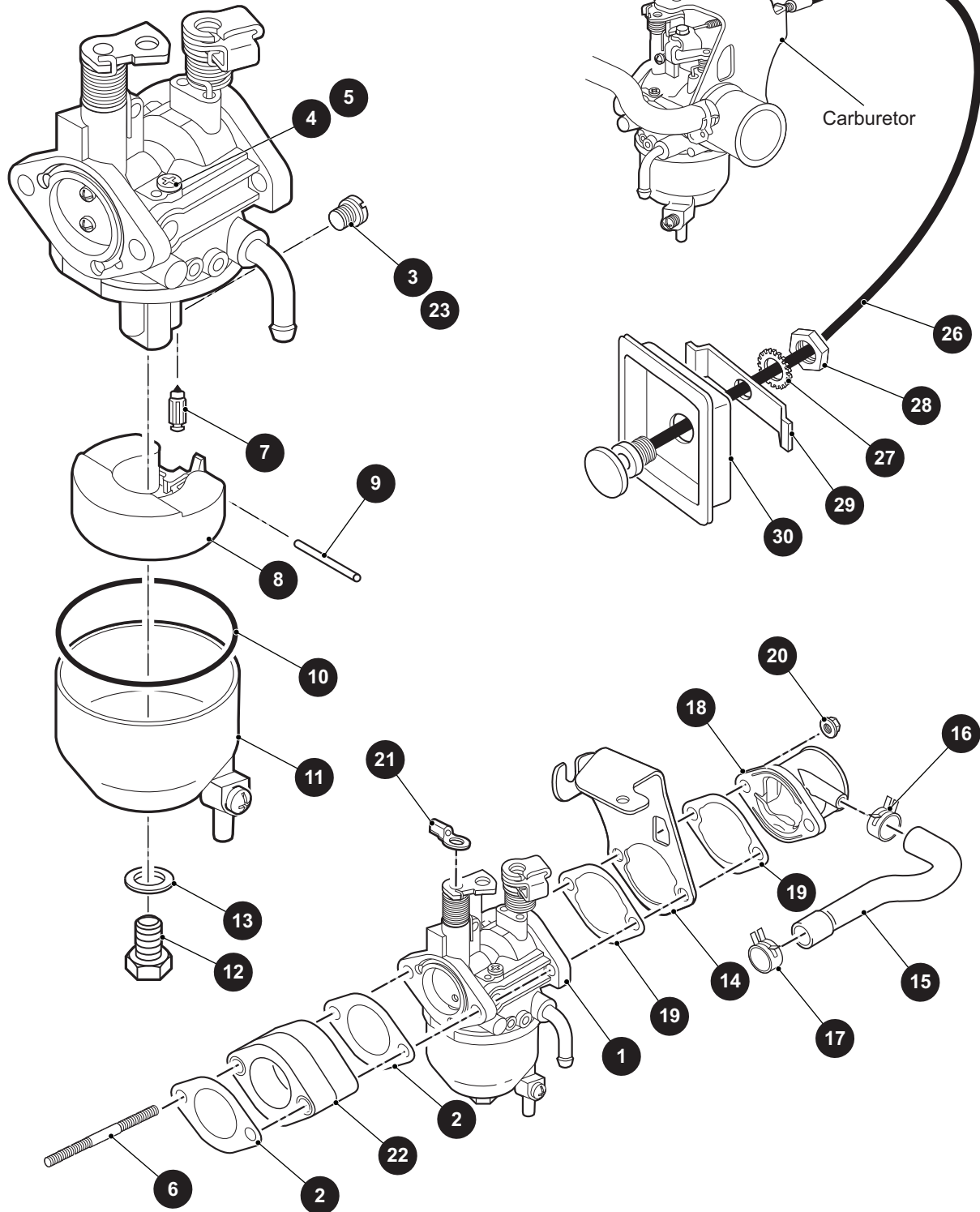
* Indicates a component that is not available as an individual part.

*** Indicates consult Customer Service Department for additional information.

ITEM	PART NO.	1 2 3 4 5	DESCRIPTION	QTY.
1	612211		BRAKE ASSEMBLY (DRIVER SIDE) (INCLUDES ITEMS 3 - 8, 11)	1
2	612189		BRAKE ASSEMBLY (PASSENGER SIDE) (INCLUDES ITEMS 3 - 8, 12)	1
3	612411		BRAKE SHOE, L	1
4	612412		BRAKE SHOE, T	1
5	612413		DUST COVER	1
6	612415		BRAKE SPRING, BOTTOM	1
7	612414		BRAKE SPRING, TOP	1
8	612416		SHOE CLAMP	2
9				
10				
11	612418		GEAR ADJUSTER (DRIVER SIDE)	1
12	612417		GEAR ADJUSTER (PASSENGER SIDE).....	1
13				
14				
15	17083G2		HEX HEAD BOLT, 5/16" - 24 X 1" LG	8
16	15126G1		LOCK NUT, 5/16" - 24.....	8
17	21809G1		FLAT WASHER, 1.312" O.D X 0.979" I.D	2
18				
19	21807G2		BRAKE DRUM ASSEMBLY (INCLUDES ITEMS 20 - 21)	2
20	20947G1		BRAKE DRUM.....	1
21	19862G2		LUG BOLT, 1/2" - 20 X 1 3/16" LG.....	4
22				
23				
24	606945		FLAT WASHER, 44.5MM O.D. X 22MM I.D.	2
25	606403		CASTELLATED NUT, M22 X 1.5	2
26	10387G1		COTTER PIN, 1/8" X 1 1/2" LG.....	2
27				
28	652248		BRAKE CABLE BRACKET (PASSENGER SIDE)	1
29	652249		BRAKE CABLE BRACKET (DRIVER SIDE).....	1

CARBURETOR AND CHOKE

1 CARBURETOR includes items 2 - 22



CARBURETOR AND CHOKE

When ordering parts, please specify the model and serial number of the product.

* Indicates a component that is not available as an individual part.

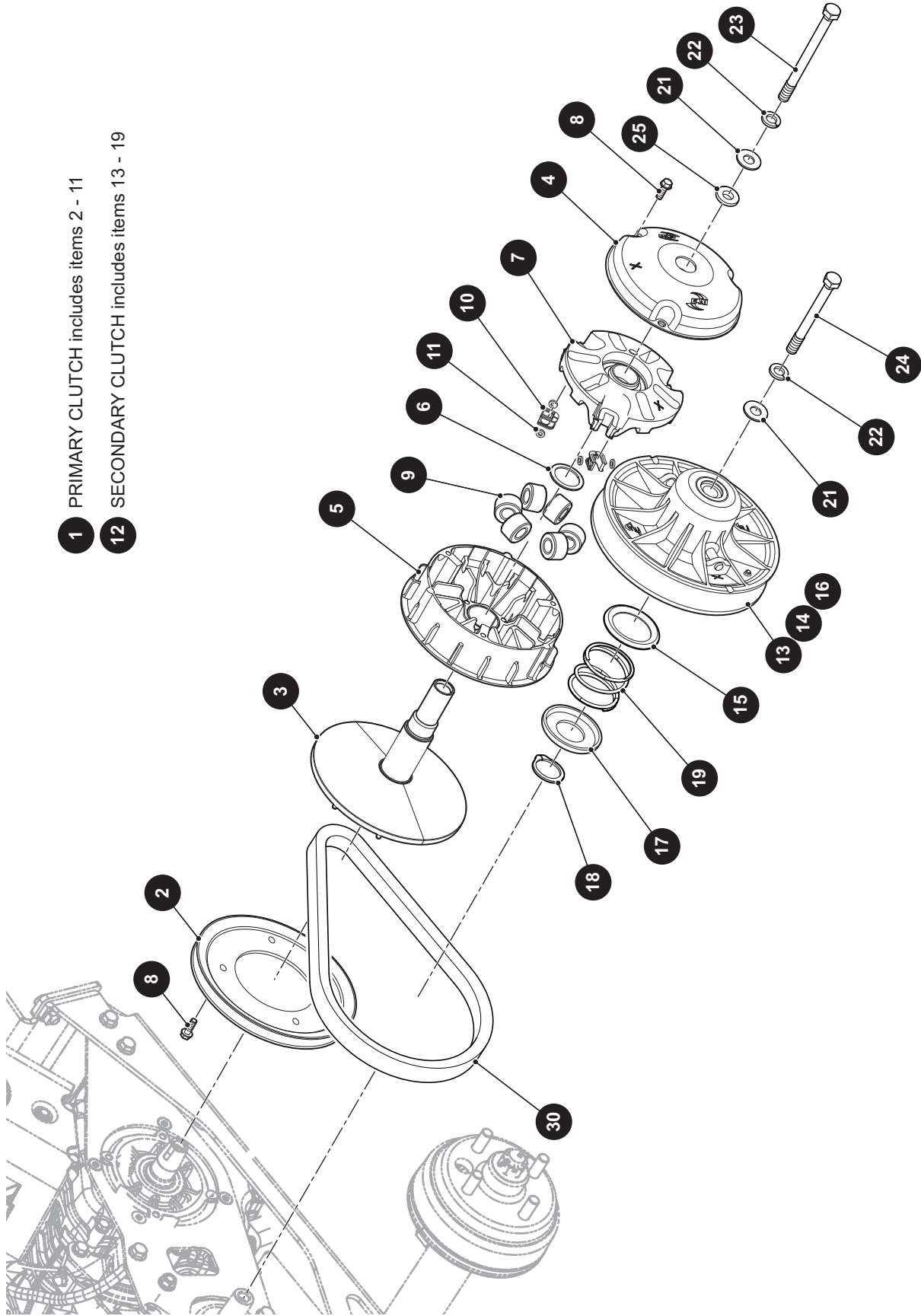
*** Indicates consult Customer Service Department for additional information.

ITEM	PART NO.	1 2 3 4 5	DESCRIPTION	QTY.
1	607954		CARBURETOR (INCLUDES ITEMS 2 - 22)	1
2	603580		CARBURETOR MOUNT GASKET	2
3	607683		MAIN JET (#104) (FOR ELEVATIONS OF 3000FT - 6000 FT)	1
4	608021		PILOT JET (#44)	1
5	603585		PLUG	1
6	603584		STUD BOLT	1
7	603586		NEEDLE VALVE	1
8	603587		FLOAT	1
9	603588		FLOAT PIN	1
10	603589		FLOAT BOWL GASKET	1
11	603590		FLOAT CHAMBER	1
12	603592		CHAMBER PLUG	1
13	603591		BOWL GASKET	1
14	603583		CHOKE BRACKET	1
15	603598		BREATHER TUBE	1
16	603596		INTAKE TUBE CLAMP	1
17	603597		CLAMP CYLINDER HEAD TUBE	1
18	603594		INTAKE TUBE	1
19	603593		CHOKE GASKET	2
20	603595		HEX NUT, M6 - 10	2
21	608023		THROTTLE ROD ATTACHMENT BUSHING	1
22	603581		CARBURETOR INSULATOR	1
23	607684		MAIN JET (#102) (FOR ELEVATIONS OF 3000 FT - 6000 FT)	1
24	607682		LABEL, HIGH ALTITUDE JET, 6000 FT (NOT ILLUSTRATED)	1
25	607681		LABEL, HIGH ALTITUDE JET, 3000 FT - 6000 FT (NOT ILLUSTRATED)	1
26	605868		CHOKE CABLE	1
27	00568G4		LOCK WASHER (EXTERNAL TOOTH TYPE), 9/16"	1
28	00545G4		JAM NUT, 9/16 "- 18	1
29	72155G01		RETAINER	1
30	72154G01		CHOKE ADAPTER	1

CLUTCH

1 PRIMARY CLUTCH includes items 2 - 11

12 SECONDARY CLUTCH includes items 13 - 19



When ordering parts, please specify the model and serial number of the product.

* Indicates a component that is not available as an individual part.

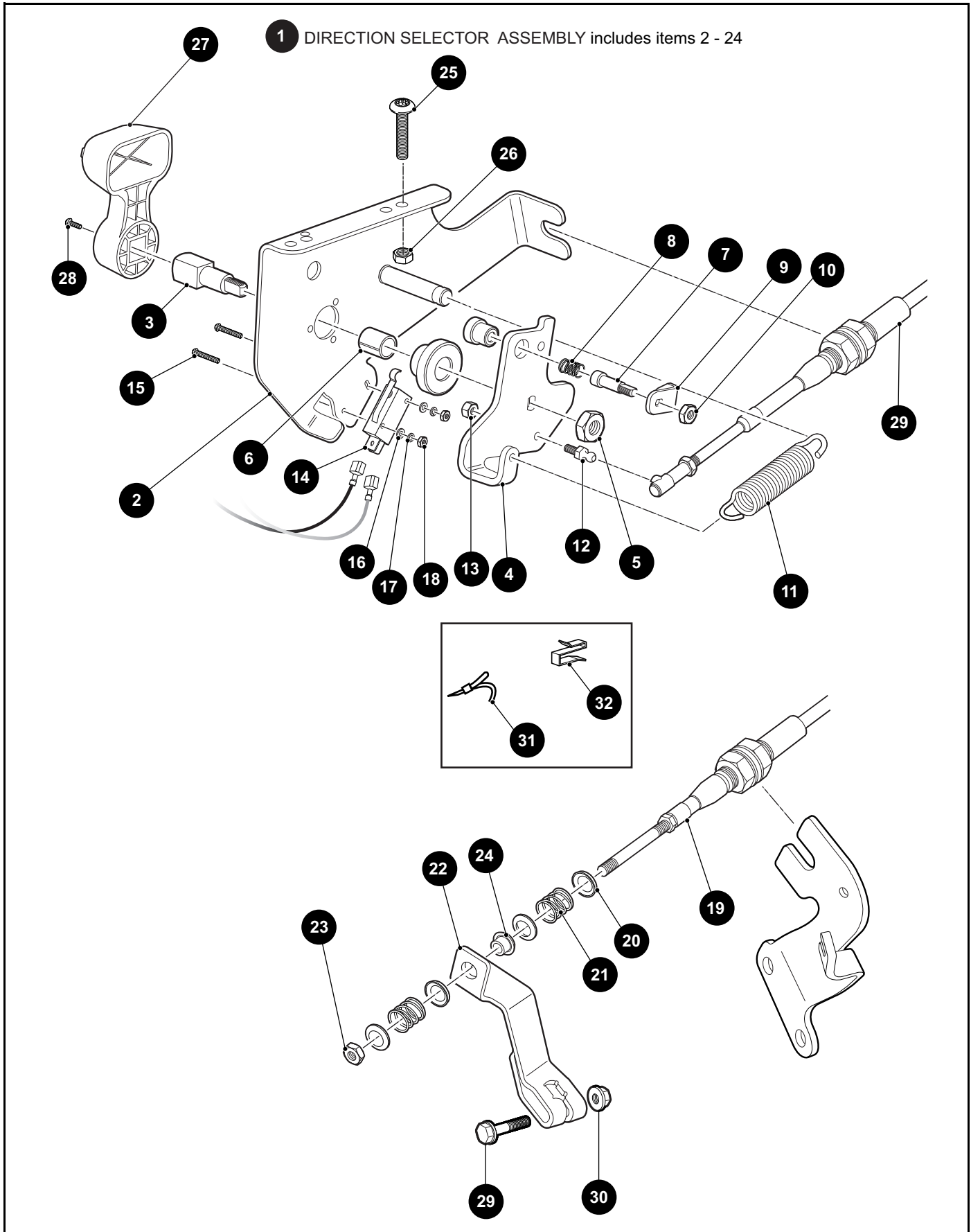
*** Indicates consult Customer Service Department for additional information.

ITEM	PART NO.	1 2 3 4 5	DESCRIPTION	QTY.
1	672686		PRIMARY CLUTCH (INCLUDES ITEMS 2 - 11).....	1
2	619333		PRIMARY STARTER PULLY	1
3	*		STATIONARY ASSEMBLY	1
4	*		PRIMARY DUST COVER ASSEMBLY	1
5	*		MOVEABLE PRIMARY ASSEMBLY.....	1
6	619337		SHIM, 39.5 MM X 31.75 MM	1
7	644303		PRIMARY SPIDER ASSEMBLY	1
8	619332		HEX WASHER HEAD TAPTITE BOLT, 1/4" - 20 X 3/4" LG	7
9	619336		SHIFT ROLLER ASSEMBLY	6
10	644305		BUTTON	6
11	644306		PLUG	6
12	644300		SECONDARY CLUTCH (INCLUDES ITEMS 13 - 19).....	1
13	*		SECONDARY STATIONARY, 9.5"	1
14	*		MOVEABLE SECONDARY, 9.5"	1
15	619327		INNER RETAINER SPRING.....	1
16	619331		THRUST WASHER, 1.530" I.D. X 1.830" O.D. X .1" LG	1
17	619329		OUTER SPRING RETAINER	1
18	619330		RETAINER RING.....	1
19	644304		COMPRESSION SPRING, 2.70 O.D.	1
20				
21	606239		CONICAL WASHER, M12.....	2
22	00566G3		LOCK WASHER (SPRING TYPE), 3/8"	2
23	606245		HEX HEAD BOLT, M12 - 1.25 X 160 MM LG.....	1
24	606243		HEX HEAD BOLT, M12 - 1.25 X 120 MM LG.....	1
25	606230		CLUTCH WASHER, 13.06 MM DIA.....	1
26				
27				
28				
29				
30	618630		BELT DRIVE	1

Notes:

A large grid of 30 columns and 30 rows for taking notes. The grid is empty and occupies most of the page below the 'Notes:' header.

DIRECTION SELECTOR



DIRECTION SELECTOR

When ordering parts, please specify the model and serial number of the product.

* Indicates a component that is not available as an individual part.

*** Indicates consult Customer Service Department for additional information.

ITEM	PART NO.	1 2 3 4 5	DESCRIPTION	QTY.
1	603416		DIRECTION SELECTOR ASSEMBLY (INCLUDES ITEMS 2 - 24)	1
2	606077		DIRECTION SELECTOR BRACKET.....	1
3	70233G01		DIRECTION SELECTOR SHAFT.....	1
4	603700		DIRECTION SELECTOR CAM.....	1
5	14390G1		LOCK NUT, #10 - 24.....	1
6	25664G2		BUSHING, 1/2" X 3/4" LG	1
7	72724G01		NEUTRAL LOCK PIN	1
8	72733G01		COMPRESSION SPRING, 3/8" X 5/8" LG	1
9	72729G01		NEUTRAL LOCK LATCH.....	1
10	00734G2		LOCK NUT, 1/4" - 28	1
11	28574G01		EXTENSION SPRING	1
12	72732G01		BALL STUD, 1/4".....	1
13	00734G5		LOCK NUT, 1/4" - 28	1
14	72736G01		MICRO SWITCH	1
15	01062G01		SLOTTED MACHINED SCREW, #4 - 40 X 1" LG	2
16	00559G1		FLAT WASHER, #4	2
17	00565G1		LOCK WASHER, #4 - 5/16.....	2
18	00526G2		HEX NUT, #4 - 40	2
19	603615		DIRECTION SELECTOR CABLE.....	1
20	25727G01		CUP WASHER, 1/4"	4
21	72735G01		COMPRESSION SPRING, 19/32" X 1" LG	2
22	632891		DIRECTION SELECTOR PIVOT BRACKET	1
23	00734G5		LOCK NUT, #10 - 32.....	1
24	22754G4		FLIP LOK BUSHING, .25"	1
25	70227G01		SOCKET HEAD CAP SCREW, 1/4" - 20 X 7/8" LG	2
26	11027G2		FLANGED LOCK NUT, 1/4" - 20.....	2
27	71205G01		DIRECTION SELECTOR HANDLE	1
28	01037G02		PAN HEAD TORX SCREW, #10 - 32 X 1/2" LG	1
29	606421		FLANGED HEX HEAD BOLT, M6 - 1 X 30MM LG.....	1
30	450452		HEX NUT, M6 - 1.....	1
31	31539G1		NYLON CLAMP, 15.5"	1

DIRECTION SELECTOR

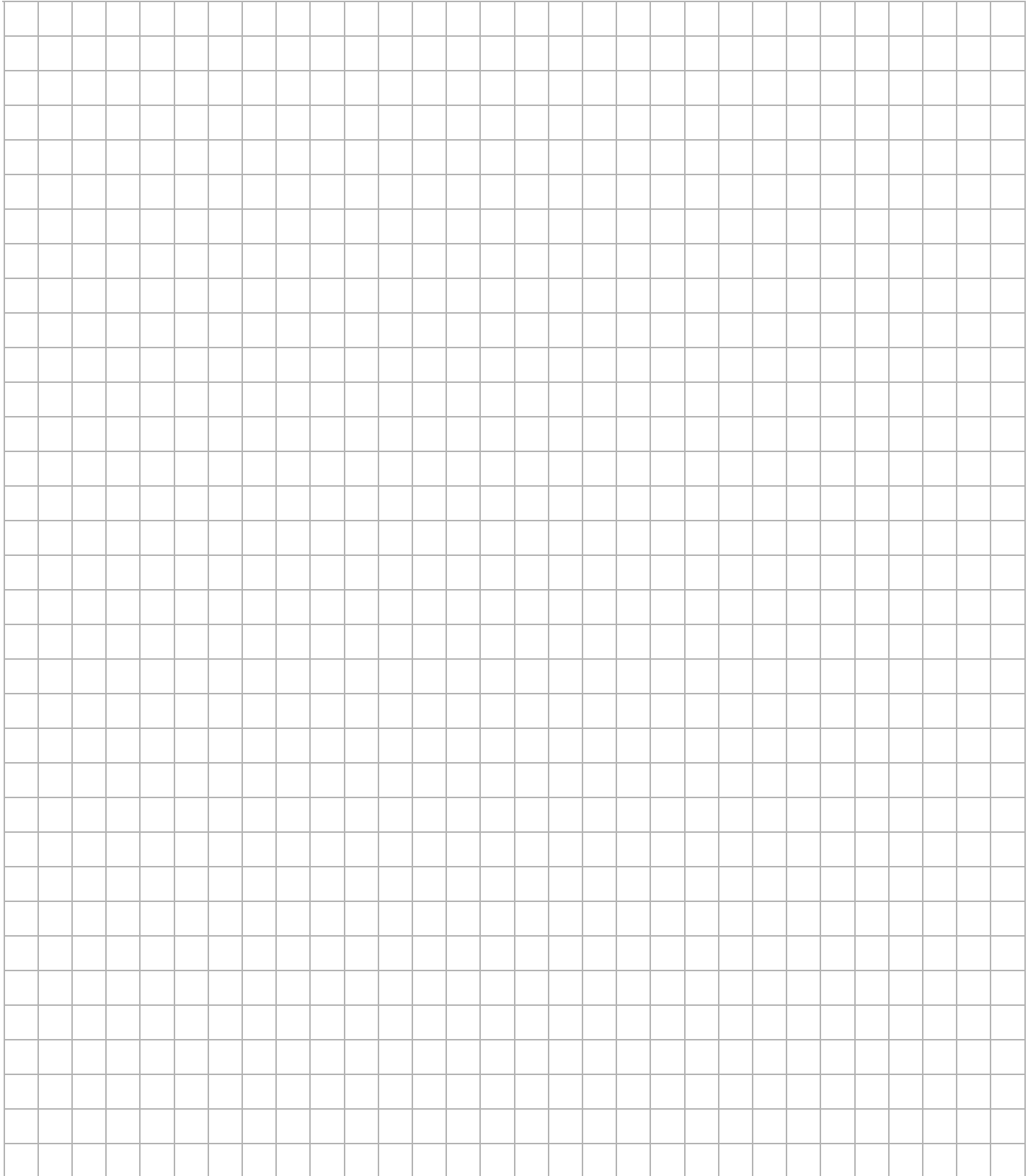
When ordering parts, please specify the model and serial number of the product.

* Indicates a component that is not available as an individual part.

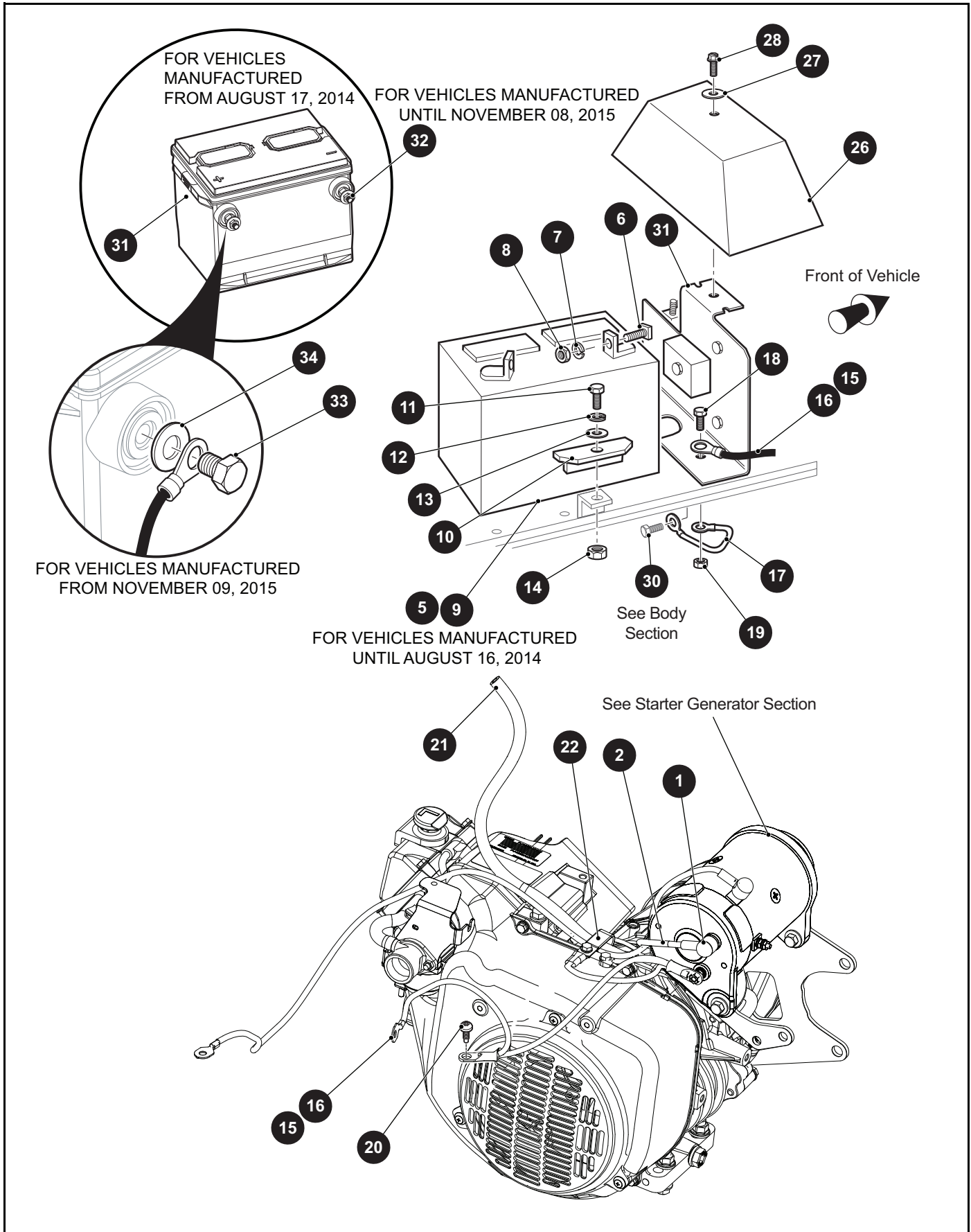
*** Indicates consult Customer Service Department for additional information.

ITEM	PART NO.	1 2 3 4 5 DESCRIPTION	QTY.
32	01072G01	CABLE CLIP.....	1

Notes:

A large grid of 20 columns and 30 rows for taking notes. The grid is empty and occupies the majority of the page area below the 'Notes:' header.

ELECTRICAL SYSTEM



ELECTRICAL SYSTEM

When ordering parts, please specify the model and serial number of the product.

* Indicates a component that is not available as an individual part.

*** Indicates consult Customer Service Department for additional information.

ITEM	PART NO.	1 2 3 4 5	DESCRIPTION	QTY.
1	607053		6 GA WIRE ASSEMBLY (BLACK), 6" LG.....	1
2	25682G01		TERMINAL COVER	3
3				
4				
5	24775G1		BATTERY, 12V (FOR VEHICLES MANUFACTURED UNTIL AUGUST 16, 2014)	1
6	*		BOLT, 5/16" - 18 X 1 1/4" LG	2
7	*		LOCK WASHER (SILICON BRONZE), 5/16"	2
8	*		NUT (SILICON BRONZE), 5/16" - 18	2
9	600497		HEAVY DUTY BATTERY, 12V	1
10	72101G02		BATTERY HOLD DOWN.....	1
11	00438G6		HEX HEAD BOLT, 5/16" - 18 X 3/4" LG	3
12	00565G8		LOCK WASHER, 5/16"	1
13	00571G2		FLAT WASHER (SS), 5/16".....	1
14	11027G1		LOCK NUT, 5/16" - 18.....	1
15	645191		GROUND CABLE (FOR VEHICLES MANUFACTURED FROM NOVEMBER 09, 2015)	1
16	27044G03		GROUND CABLE (FOR VEHICLES MANUFACTURED UNTIL NOVEMBER 08, 2015)	1
17	25976G19		14 GA WIRE ASSEMBLY (BLACK), 6" LG.....	1
18	00438G6		HEX HEAD BOLT, 5/16" - 18 X 3/4" LG	2
19	11027G1		LOCK NUT, 5/16" - 18.....	2
20	26676G01		FLANGED BOLT, M6 - 1 X 23MM LG	1
21	27184G12		FUEL TUBE.....	1
22				
23				
24	605560		WIRE HARNESS (CONTROL)	1
25	17618G1		NYLON CLAMP, 8" LG (NOT ILLUSTRATED)	AR
26	73049G01		DIRECTION SELECTOR COVER	1
27	16469G1		FENDER WASHER, 1/4"	1
28	00114G6		HEX WASHER HEAD TAPPING SCREW, 1/4" - 14 X 3/4" LG	1
29				

ELECTRICAL SYSTEM

When ordering parts, please specify the model and serial number of the product.

* Indicates a component that is not available as an individual part.

*** Indicates consult Customer Service Department for additional information.

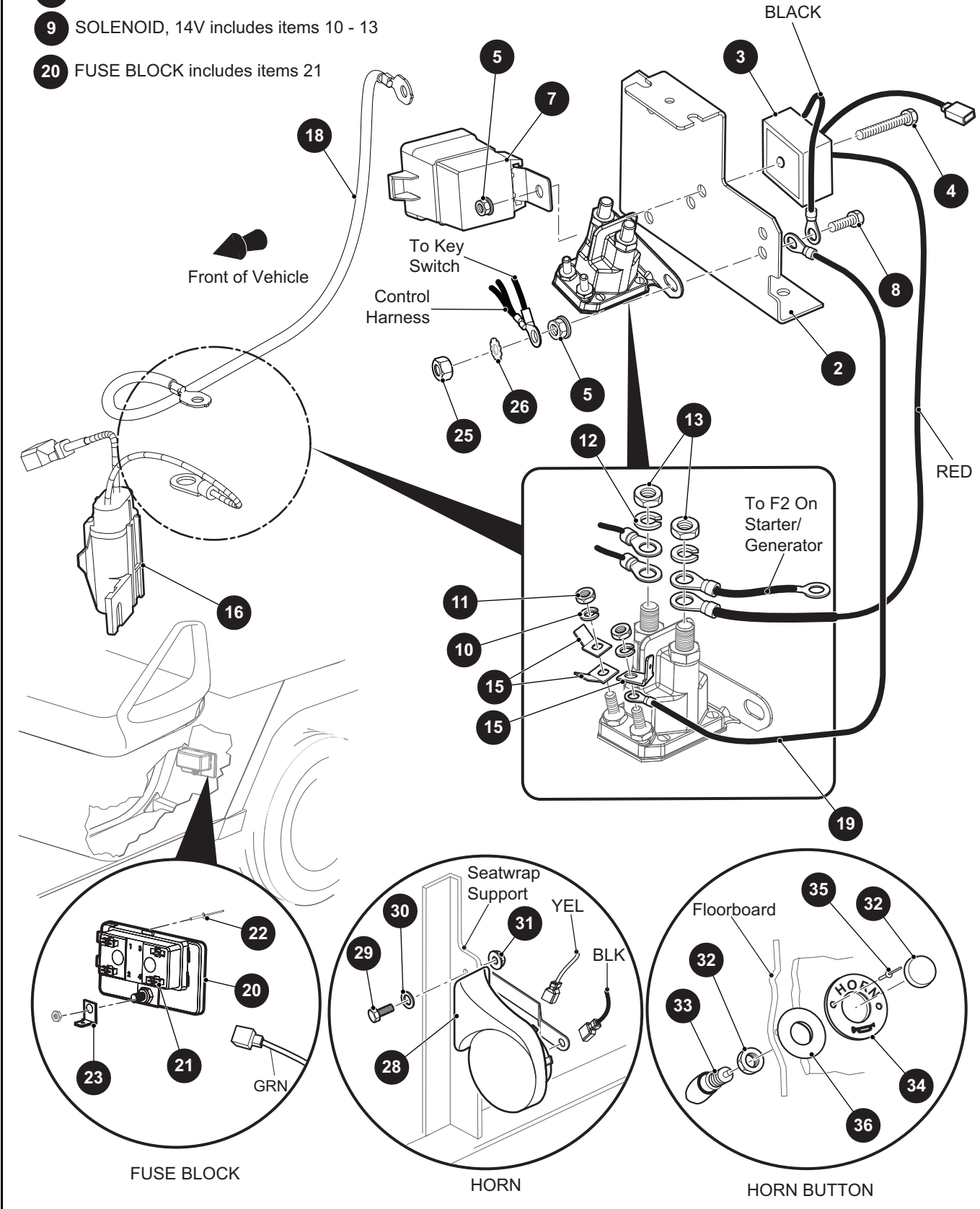
ITEM	PART NO.	1 2 3 4 5	DESCRIPTION	QTY.
30	00715G2		HEX HEAD BOLT, 5/16" - 18 X 4/5" LG.....	4
31	637484		BATTERY, 12V (FOR VEHICLES MANUFACTURED FROM AUGUST 17, 2014.....)	1
32	610428		BATTERY BOLT EXTENDER (FOR VEHICLES MANUFACTURED FROM AUGUST 17, 2014).....	2
33	651336		BATTERY BOLT (FOR VEHICLES MANUFACTURED FROM NOVEMBER 09, 2015).....	2
34	614221		FLAT WASHER, 3/8" (FOR VEHICLES MANUFACTURED FROM NOVEMBER 09, 2015).....	2
35	645207		ACCESSORY HARNESS (NOT ILLUSTRATED).....	1

Notes:

A large grid of graph paper, consisting of 30 columns and 25 rows of small squares, intended for taking notes. The grid is empty and occupies most of the page area below the 'Notes:' label.

ELECTRICAL SYSTEM

- 1 ELECTRICAL PLATE ASSEMBLY includes items 2 - 19
- 9 SOLENOID, 14V includes items 10 - 13
- 20 FUSE BLOCK includes items 21



ELECTRICAL SYSTEM

When ordering parts, please specify the model and serial number of the product.

* Indicates a component that is not available as an individual part.

*** Indicates consult Customer Service Department for additional information.

ITEM	PART NO.	1 2 3 4 5	DESCRIPTION	QTY.
1	605563		ELECTRICAL PLATE ASSEMBLY (INCLUDES ITEMS 2 - 19)	1
2	73057G02		BRACKET	1
3	27739G01		VOLTAGE REGULATOR	1
4	303459		HEX HEAD BOLT, 1/4" - 20 X 1 1/2" LG	1
5	11027G2		LOCK NUT, 1/4" - 20	2
6				
7	603282		RELAY	1
8	00661G8		HEX HEAD BOLT (SS), 1/4" - 20 X 1" LG	1
9	612813		SOLENOID (INCLUDES ITEMS 10 - 13)	1
10	*		LOCK WASHER, #10	2
11	*		NUT, #10 - 32	2
12	*		LOCK WASHER, 5/16"	2
13	*		NUT, 5/16" - 24	2
14				
15	73446G01		FASTON TAB, 90°	3
16	600418G01		FUSE HOLDER ASSEMBLY	1
17				
18	645190		6 AWG WIRE ASSEMBLY (B+ / SOL)	1
19	25978G56		18 GA WIRE ASSEMBLY (BLACK)	1
20	676066G01		FUSE BLOCK, 15 AMP, (INCLUDES ITEMS 21)	1
21	636455G23		FUSE, 15A	1
22	15058G6		RIVET, (ALUMINUM)	2
23	73446G01		FASTON TAB, 90°	1
24				
25	00532G1		HEX NUT, 1/4" - 20	1
26	00567G7		LOCK WASHER (EXTERNAL TOOTH TYPE), 1/4"	1
27				
28	32860G01		HORN	1
29	00414G5		HEX HEAD BOLT, 1/4" - 20 X 1/2" LG	1
30	01110G01		FLAT WASHER, 1/4"	1
31	14390G4		LOCK NUT, 1/4" - 20	1

ELECTRICAL SYSTEM

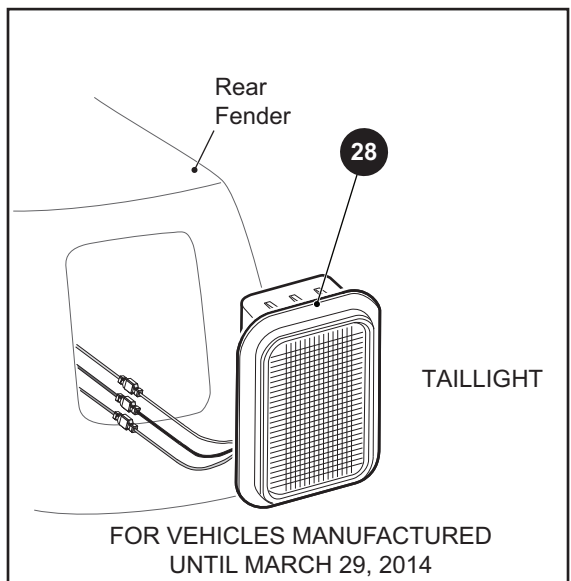
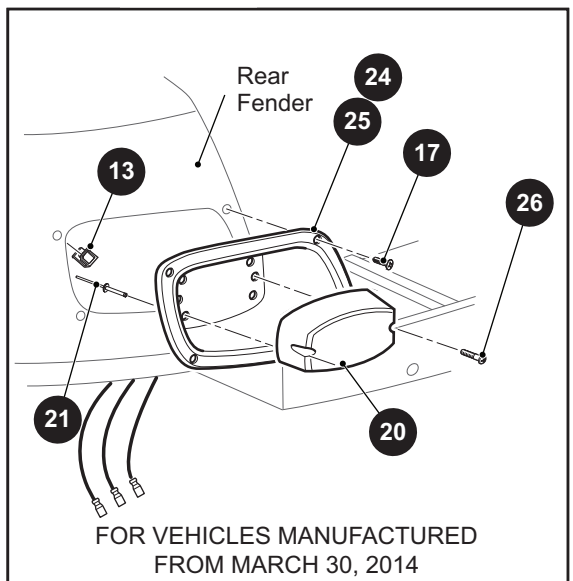
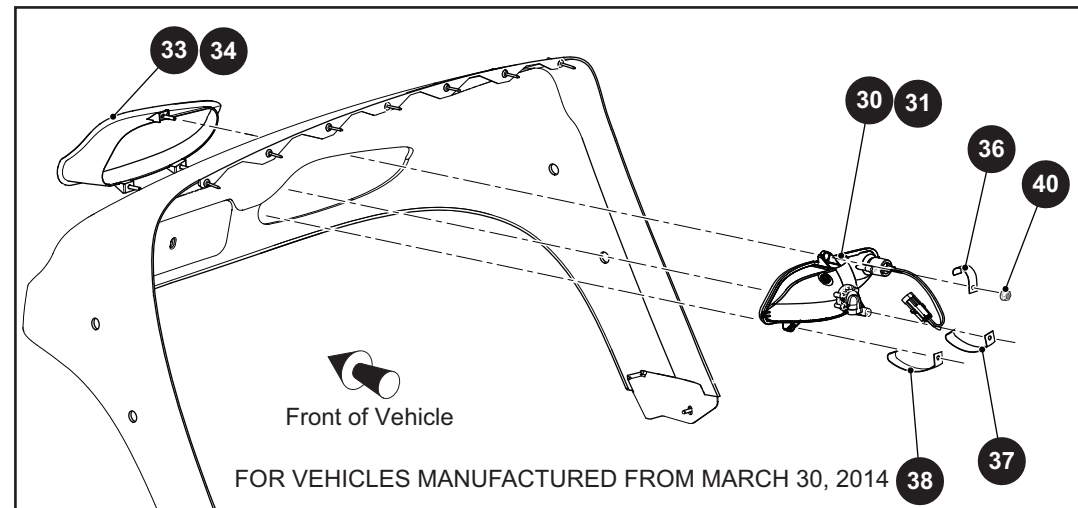
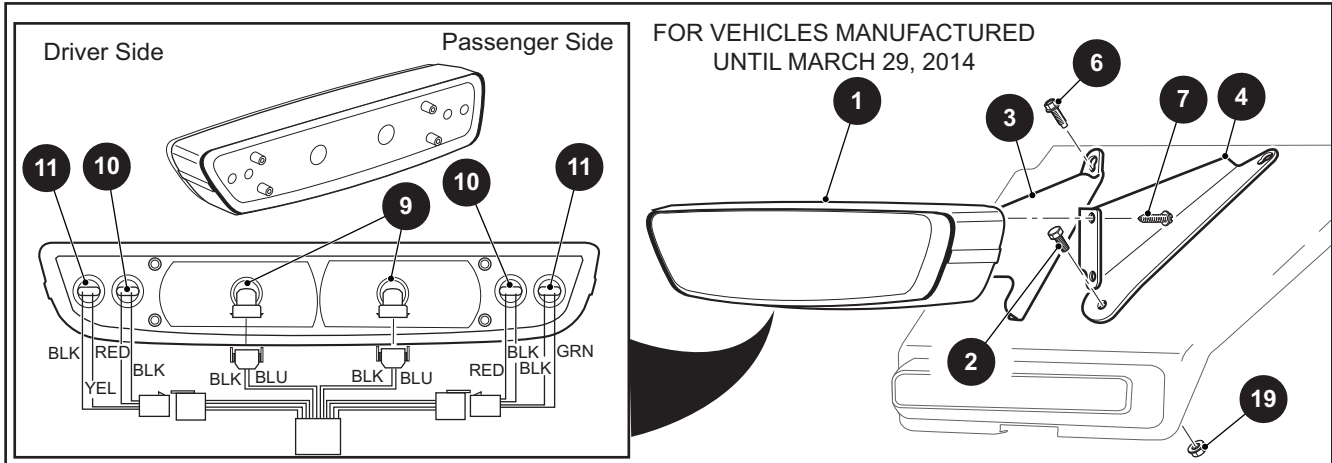
When ordering parts, please specify the model and serial number of the product.

* Indicates a component that is not available as an individual part.

*** Indicates consult Customer Service Department for additional information.

ITEM	PART NO.	1	2	3	4	5	DESCRIPTION	QTY.
32	17318G1						MOMENTARY SWITCH	1
33	27068G01						HORN SWITCH BOOT.....	1
34	19233G1						HORN SWITCH LABEL.....	1
35	71055G01						RIVET (ALUMINUM), 3/16" X 1" LG.....	2
36	608397						HORN PLATE.....	1

ELECTRICAL SYSTEM



ELECTRICAL SYSTEM

When ordering parts, please specify the model and serial number of the product.

* Indicates a component that is not available as an individual part.

*** Indicates consult Customer Service Department for additional information.

ITEM	PART NO.	1 2 3 4 5	DESCRIPTION	QTY.
1	74001G01		HEADLIGHT AND TURN SIGNAL LIGHT.....	1
2	00414G6		HEX HEAD BOLT, 1/4" - 20 x 3/4" LG.....	2
3	74236G03		HEADLIGHT MOUNT BRACKET (PASSENGER SIDE).....	1
4	74236G04		HEADLIGHT MOUNT BRACKET (DRIVER SIDE)	1
5				
6	01038G01		HEX WASHER HEAD BOLT, 1/4" - 20 X 11/16" LG.....	2
7	00114G6		HEX WASHER HEAD TAPPING SCREW, 1/4" - 14 X 3/4" LG	4
8				
9	74004G01		HEADLIGHT BULB	1
10	74005G01		MARKER LIGHT BULB.....	1
11	74006G01		TURN SIGNAL BULB.....	1
12				
13	71364G02		J-TYPE SPEED NUT, #8.....	8
14				
15	74371G01		BEZEL (DRIVER SIDE)	1
16	74371G02		BEZEL (PASSENGER SIDE)	1
17	71425G01		PAN HEAD PHILLIPS SCREW, #8 - 18 X .75" LG	8
18				
19	11027G2		LOCK NUT, 1/4" - 20.....	2
20	22288G1		TAILLIGHT	1
21	14601G11		RIVET (ALUMINUM), 3/16" X 9/16" LG	4
22	21759G1		TAILLIGHT BULB (NOT ILLUSTRATED).....	1
23				
24	625251		BEZEL (DRIVER SIDE) (FOR VEHICLES MANUFACTURED FROM MARCH 30, 2014).....	1
25	625252		BEZEL (PASSENGER SIDE) (FOR VEHICLES MANUFACTURED FROM MARCH 30, 2014).....	1
26	00513G4		PHILLIPS HEAD SCREW, #8 - 18 X 1 1/2" LG (FOR VEHICLES MANUFACTURED FROM MARCH 30, 2014).....	4
27				
28	32739G2		TAILLIGHT ASSEMBLY (COMPLETE)	2
29				

ELECTRICAL SYSTEM

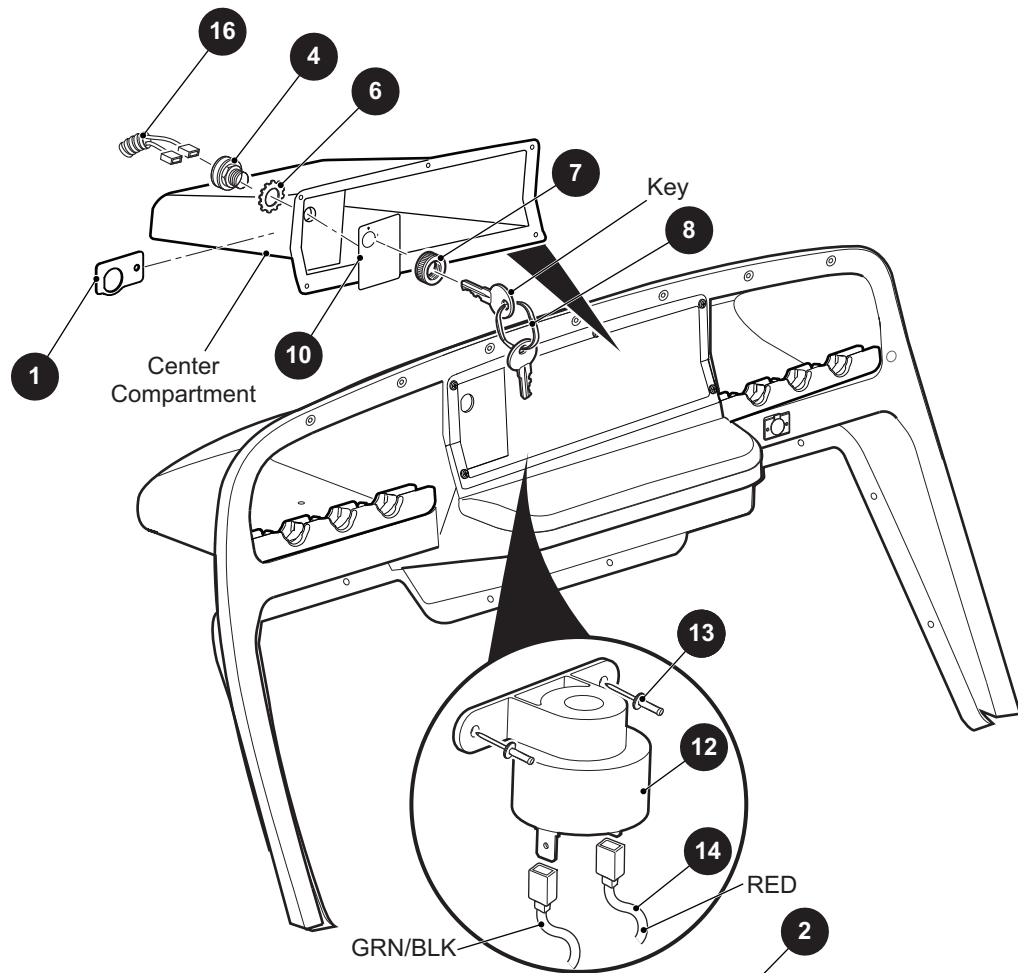
When ordering parts, please specify the model and serial number of the product.

* Indicates a component that is not available as an individual part.

*** Indicates consult Customer Service Department for additional information.

ITEM	PART NO.	1	2	3	4	5	DESCRIPTION	QTY.
30								
31	602928						HEADLIGHT ASSEMBLY (DRIVER SIDE) (FOR VEHICLES MANUFACTURED FROM MARCH 30, 2014)	1
32	603328						HEADLIGHT ASSEMBLY (PASSENGER SIDE) (FOR VEHICLES MANUFACTURED FROM MARCH 30, 2014)	1
33	625280						HEADLIGHT BEZEL (DRIVER SIDE) (FOR VEHICLES MANUFACTURED FROM MARCH 30, 2014)	1
34	625281						HEADLIGHT BEZEL (PASSENGER SIDE) (FOR VEHICLES MANUFACTURED FROM MARCH 30, 2014)	1
35								
36	626275						HEADLIGHT CLIP (FOR VEHICLES MANUFACTURED FROM MARCH 30, 2014)	1
37	626276						HEADLIGHT CLIP (FOR VEHICLES MANUFACTURED FROM MARCH 30, 2014)	1
38	626277						HEADLIGHT CLIP (FOR VEHICLES MANUFACTURED FROM MARCH 30, 2014)	1
39								
40	71597G01						SELF THREADING NUT, 5MM X 10MM X 15MM (FOR VEHICLES MANUFACTURED FROM MARCH 30, 2014)	6

ELECTRICAL SYSTEM



WARNING Failure to follow these instructions can result in **SERIOUS INJURY** or **DEATH**

Except when permitted by law, NEVER drive on public roads. Drivers must possess a valid driver's license in accordance with local state law.

AVOID FALLS from the vehicle. Do not start moving until all occupants are **PROPERLY SEATED** and **HOLDING ON**. KEEP entire body **INSIDE VEHICLE** while moving.

REDUCE THE RISK OF ACCIDENTS. Always DRIVE SLOWLY in unexpected road, or wet or loose terrain. Use extra caution when driving on icy or snowy roads. ALWAYS drive straight up and down slopes. Do not coast.

USE BRAKE WHEN GOING DOWN A HILL OR CURVE. NEVER drive this vehicle under the influence of drugs or alcohol.

THIS VEHICLE IS NOT A TOY. Drive responsibly. NEVER leave children unattended or driving children in the vehicle. NEVER leave the key in the vehicle when parked.

DO NOT OVERLOAD this vehicle. NEVER carry more than 2 occupants on each bench seat. Do not exceed vehicle **WEIGHT CAPACITY** (see Owner's Guide).

Always use proper tie-down technique. NEVER use this vehicle to transport loads or equipment above factory specifications. ONLY authorized E-Z-GO drivers should enter the vehicle using approved parts. Alterations not approved or listed by E-Z-GO can cause unsafe conditions and increase your chance of having an accident.

ELECTRICAL SYSTEM

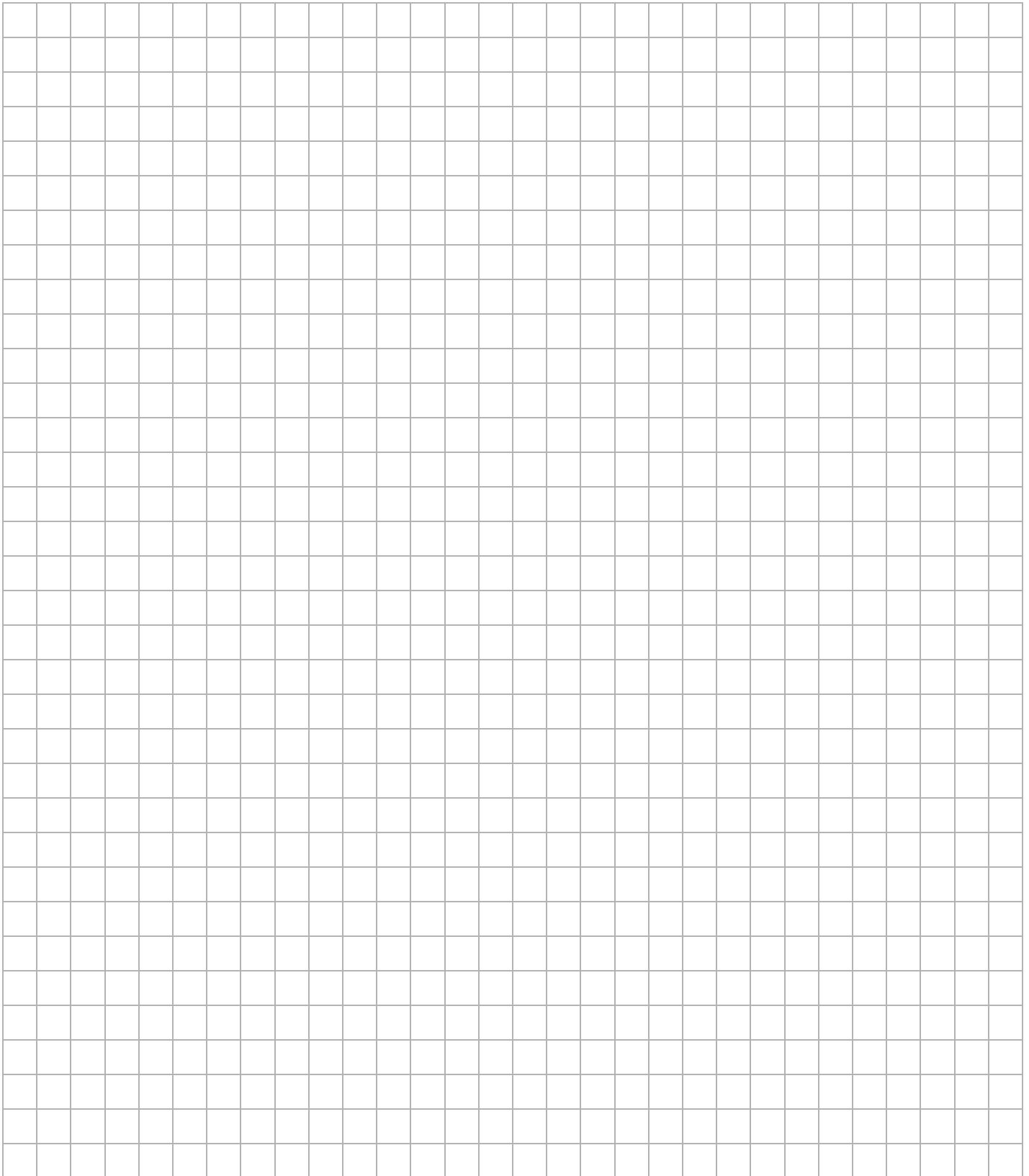
When ordering parts, please specify the model and serial number of the product.

* Indicates a component that is not available as an individual part.

*** Indicates consult Customer Service Department for additional information.

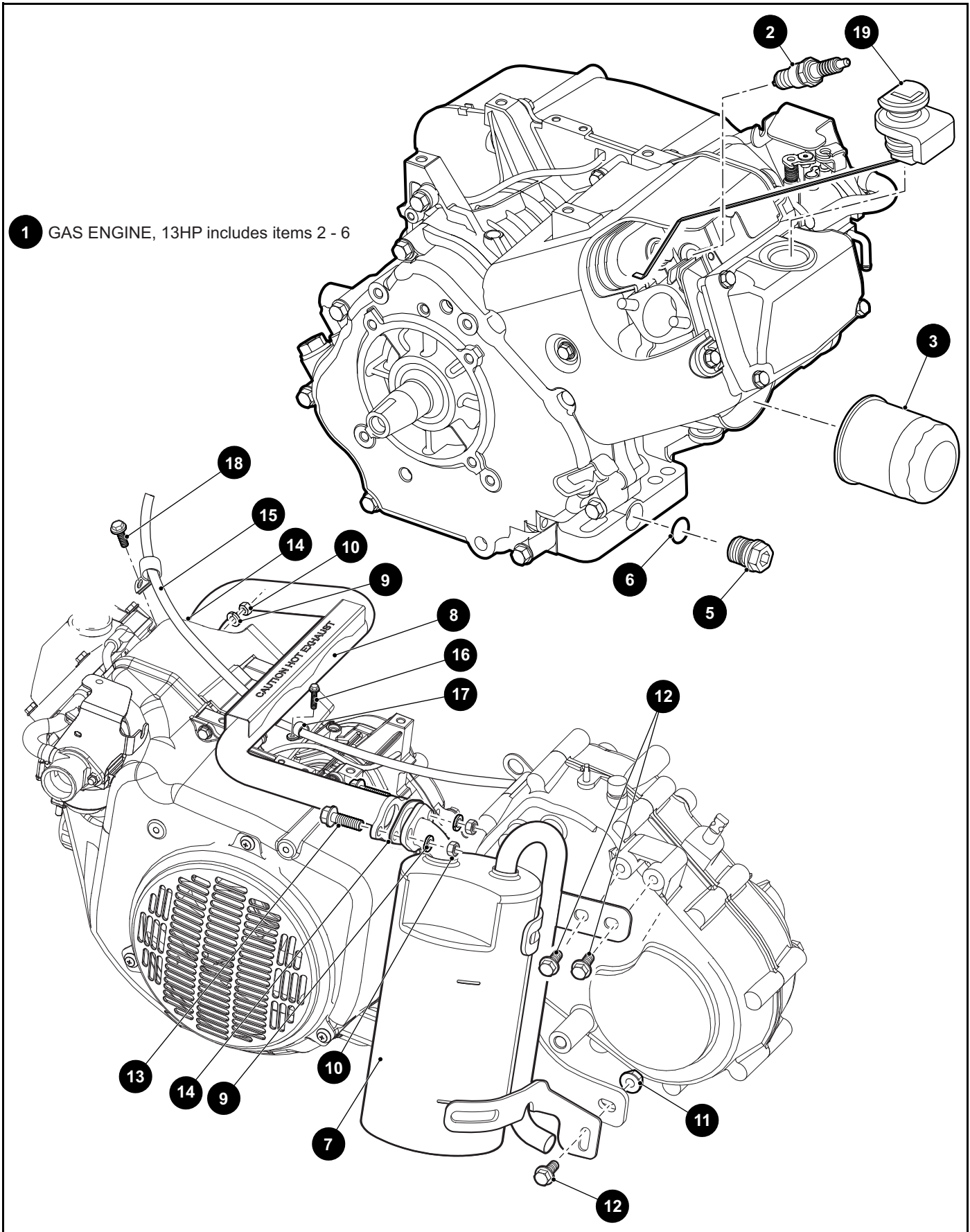
ITEM	PART NO.	1 2 3 4 5	DESCRIPTION	QTY.
1	637081G01		KEY SWITCH PLATE.....	1
2	628019		SAFETY LABEL (CONSOLE)	1
3				
4	33639G01		IGNITION SWITCH (WITH LIGHTS, GROUP KEY)	1
5				
6	00568G6		LOCK WASHER, 3/4"	1
7	17137G1		FACE NUT, 3/4" - 20	1
8	17618G1		NYLON CLAMP, 8" LG	1
9				
10	625242		CENTER COMPARTMENT DECAL (WITH LIGHTS)	1
11				
12	73290G03		REVERSE WARNING BUZZER	1
13	01041G01		BULBEX RIVET, 5/32" DIA.....	2
14	25978G345		18 GA WIRE (RED), 7" LG	1
15				
16	605639		HARNESS (KEY SWITCH).....	1

Notes:

A large grid area for taking notes, consisting of 30 columns and 35 rows of small squares.

ENGINE AND MUFFLER

1 GAS ENGINE, 13HP includes items 2 - 6



ENGINE AND MUFFLER


When ordering parts, please specify the model and serial number of the product.

* Indicates a component that is not available as an individual part.

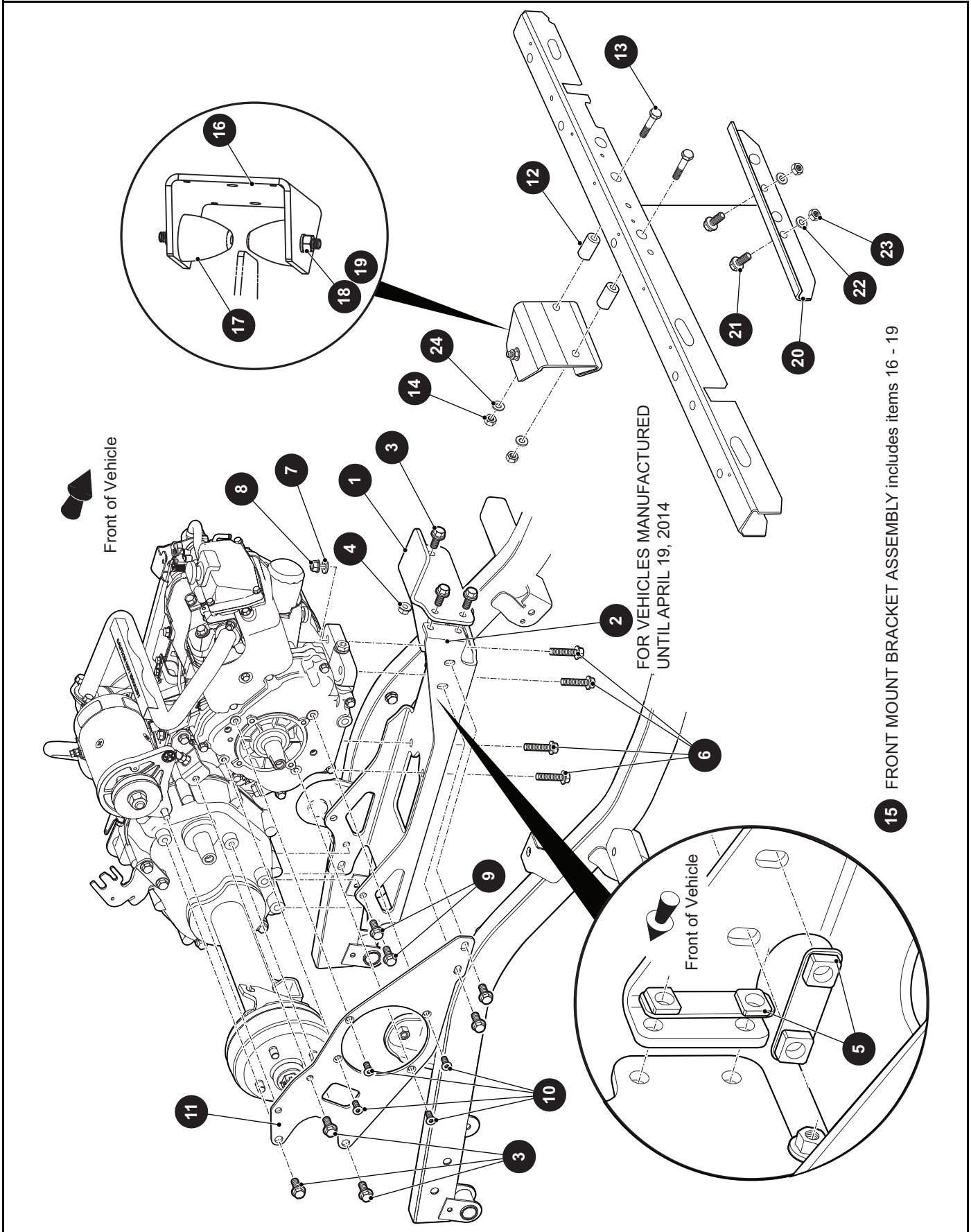
*** Indicates consult Customer Service Department for additional information.

ITEM	PART NO.	1 2 3 4 5	DESCRIPTION	QTY.
1	633740		GAS ENGINE, 13HP (INCLUDES ITEMS 2 - 6).....	1
2	607462		SPARK PLUG	1
3	607454		OIL FILTER.....	1
4				
5	603557		OIL DRAIN PLUG	1
6	603562		O-RING, 16MM.....	1
7	630970		MUFFLER	1
8	606982		EXHAUST PIPE	1
9	606272		LOCK WASHER, 8MM.....	4
10	606267		HEX JAM NUT, M8 - 1.25	4
11	606279		FLANGED HEX NUT, M10 - 1.25.....	1
12	606256		FLANGED HEX HEAD BOLT, M10 - 1.25 X 25MM LG.....	3
13	602330		FLANGED HEX HEAD BOLT, M8 - 1.25 X 30MM LG.....	2
14	603599		EXHAUST GASKET.....	2
15	27184G12		FUEL TUBE.....	1
16	606264		FLANGED HEX HEAD BOLT, M6 - 1 X 20MM LG.....	1
17	606962		CLAMP, .75" DIA.....	2
18	73876G01		FLANGED HEX HEAD BOLT, M6 - 1 X 12MM LG.....	1
19	606390		DIP STICK.....	1

Notes:

A large grid of graph paper with 20 columns and 30 rows, intended for taking notes.

ENGINE MOUNTING



ENGINE MOUNTING

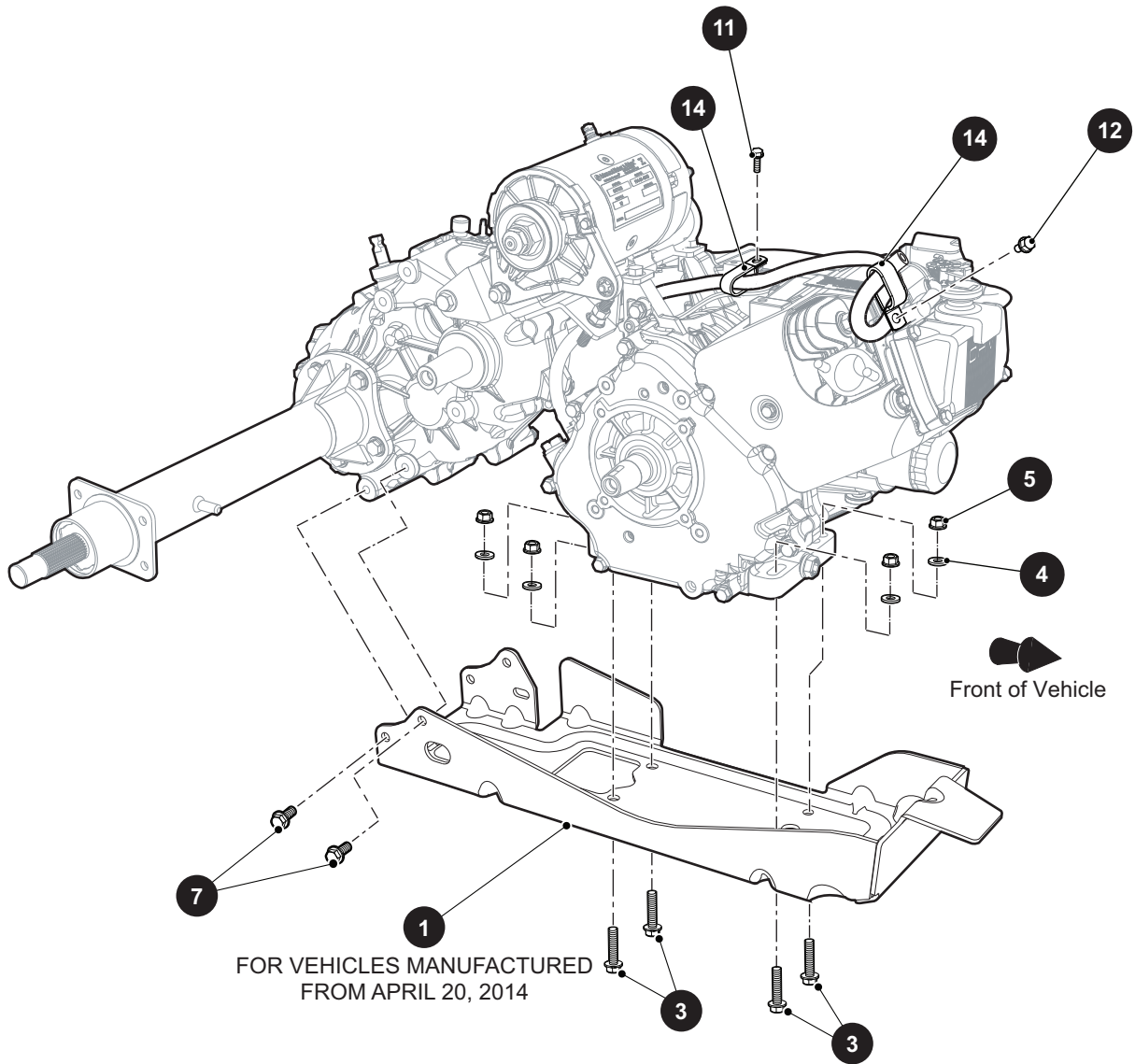
When ordering parts, please specify the model and serial number of the product.

* Indicates a component that is not available as an individual part.

*** Indicates consult Customer Service Department for additional information.

ITEM	PART NO.	1 2 3 4 5	DESCRIPTION	QTY.
1	606007		FRONT ENGINE MOUNT	1
2	603101		ENGINE PAN (FOR VEHICLES MANUFACTURED UNTIL APRIL 19, 2014)	1
3	606256		FLANGED HEX HEAD BOLT, M10 - 1.25 X 25MM LG.....	8
4	606279		FLANGED HEX NUT, M10 - 1.25.....	1
5	606096		NUT PLATE.....	2
6	606259		FLANGED HEX HEAD BOLT, M10 - 1.25 X 45MM LG.....	4
7	603823		FLAT WASHER, M10 - 22MM X 2.5MM	4
8	606279		FLANGED HEX NUT, M10 - 1.25.....	4
9	608020		FLANGED HEX HEAD BOLT, M10 - 1.25 X 34MM LG.....	4
10	606246		FLAT HEAD TORX SCREW, M8 - 1.25 X 20MM LG	4
11	602146		DIFFERENTIAL PLATE.....	1
12	72016G01		TUBE SPACER	2
13	00428G8		HEX HEAD BOLT, 3/8" - 16 X 2 1/4" LG	2
14	11098G5		LOCK NUT 3/8" - 16	2
15	627627		FRONT MOUNT BRACKET ASSEMBLY (INCLUDES ITEMS 16 - 19).....	1
16	625345		BRACKET.....	1
17	605757		RUBBER BUMPER	2
18	00974G01		HEX NUT, M10 - 1.5	2
19	608654		SPLIT LOCK WASHER, 10MM	2
20	652247		CROSSMEMBER BRACE	1
21	00438G7		HEX HEAD BOLT, 5/16" - 18 X 5/8" LG	2
22	00559G8		FLAT WASHER, 5/16"	2
23	01109G01		LOCK NUT, 5/16" - 18	2
24	00643G1		FLAT WASHER, 3/8"	2

ENGINE MOUNTING



ENGINE MOUNTING

When ordering parts, please specify the model and serial number of the product.

* Indicates a component that is not available as an individual part.

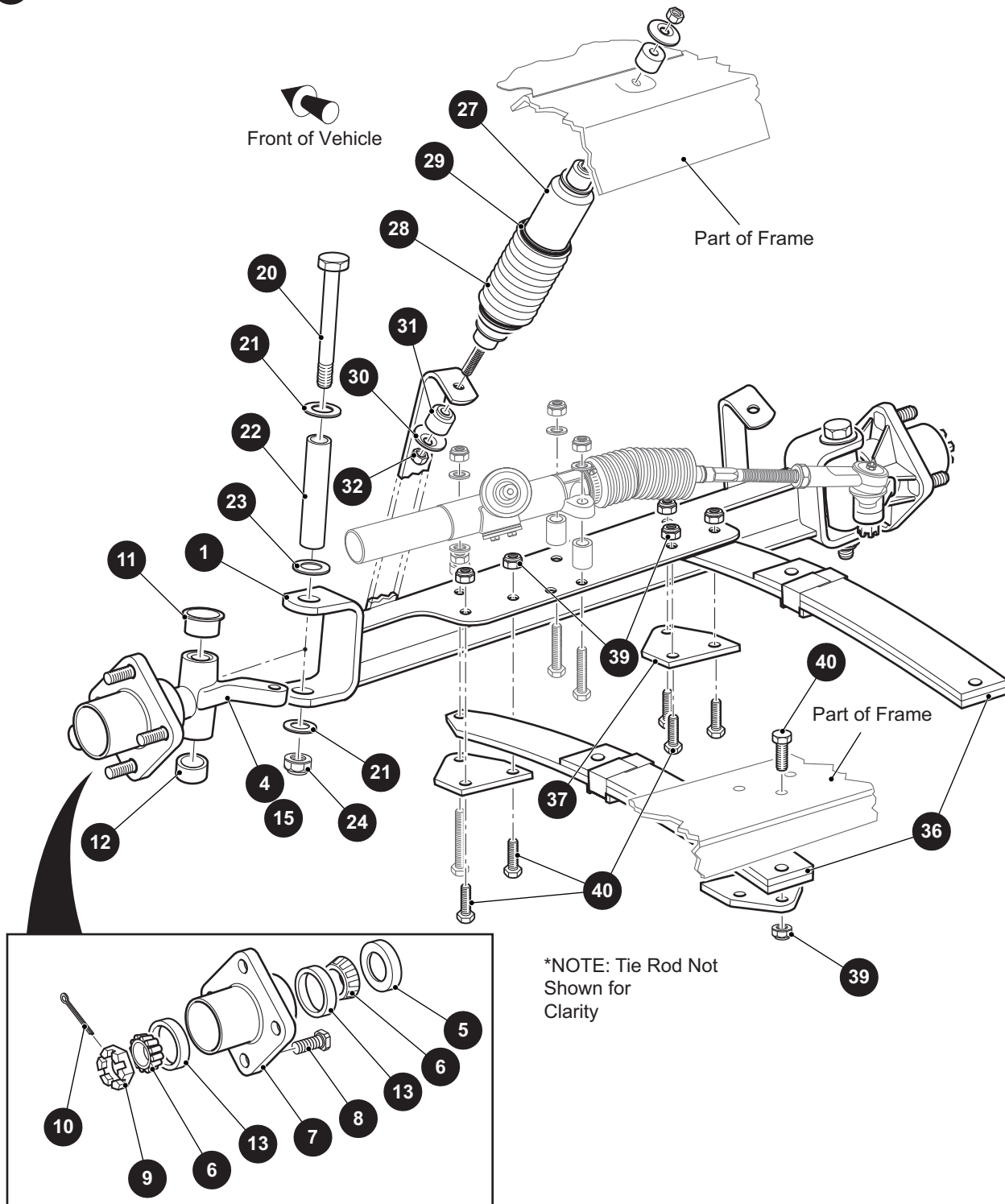
*** Indicates consult Customer Service Department for additional information.

ITEM	PART NO.	1 2 3 4 5	DESCRIPTION	QTY.
1	630776		ENGINE PAN (FOR VEHICLES MANUFACTURED FROM APRIL 20, 2014).....	1
2				
3	606256		FLANGED HEX HEAD BOLT, M10 - 1.25 X 25MM LG.....	8
4	603823		FLAT WASHER, 10.5MM I.D. X 22MM O.D. X 2.5MM LG	4
5	606279		FLANGED HEX NUT, M10 - 1.25.....	1
6				
7	606259		FLANGED HEX HEAD BOLT, M10 - 1.25 X 45MM LG.....	4
8				
9	18292G1		TUBING CLAMP, .5" O.D. (NOT ILLUSTRATED).....	1
10				
11	606264		FLANGED HEX HEAD BOLT, M6 - 1 X 20MM LG.....	1
12	73876G01		FLANGED HEX HEAD BOLT, M6 - 1 X 12MM LG.....	1
13				
14	606962		CLAMP, .75" DIA.....	2

FRONT SUSPENSION AND STEERING

3 SPINDLE ASSEMBLY (PASSENGER SIDE) includes items 4 - 13

14 SPINDLE ASSEMBLY (DRIVER SIDE) includes items 5 - 13, 15



FRONT SUSPENSION AND STEERING

When ordering parts, please specify the model and serial number of the product.

* Indicates a component that is not available as an individual part.

*** Indicates consult Customer Service Department for additional information.

ITEM	PART NO.	1 2 3 4 5	DESCRIPTION	QTY.
1	602513		FRONT AXLE.....	1
2				
3	70942G03		SPINDLE ASSEMBLY (PASSENGER SIDE) (INCLUDES ITEMS 4 - 13)	1
4	70940G02		SPINDLE (PASSENGER SIDE)	1
5	25146G1		GREASE SEAL.....	1
6	11750G2		ROLLER BEARING	2
7	70589G01		WHEEL HUB	1
8	19862G1		WHEEL HUB BOLT, 1/2" - 20 X 1.218" LG.....	4
9	12093G1		HEX SLOTTED NUT, 17/32"	1
10	00798G8		COTTER PIN, 5/32" X 1 3/4" LG	1
11	70648G01		FLANGED BUSHING	2
12	70749G01		SLEEVE BUSHING.....	2
13	51141G1		BEARING RACE	2
14	70673G03		SPINDLE ASSEMBLY (DRIVER SIDE) (INCLUDES ITEMS 5 - 13, 15).....	1
15	70742G02		SPINDLE (DRIVER SIDE).....	1
16				
17				
18				
19				
20	00407G6		HEX HEAD BOLT, 1/2" - 13 X 6" LG	2
21	00560G3		FLAT WASHER, 1/2".....	4
22	70745G01		KING PIN TUBE.....	2
23	70754G01		THRUST WASHER (SS), 1"	2
24	14390G6		LOCK NUT, 1/2" - 13.....	2
25				
26				
27	76419G01		SHOCK ABSORBER.....	2
28	70509G01		SHOCK ABSORBER BOOT	2
29	31539G1		NYLON CLAMP, 15.5"	4
30	10435G1		SHOCK ABSORBER WASHER.....	8
31	10194G1		RUBBER BUSHING.....	8

FRONT SUSPENSION AND STEERING

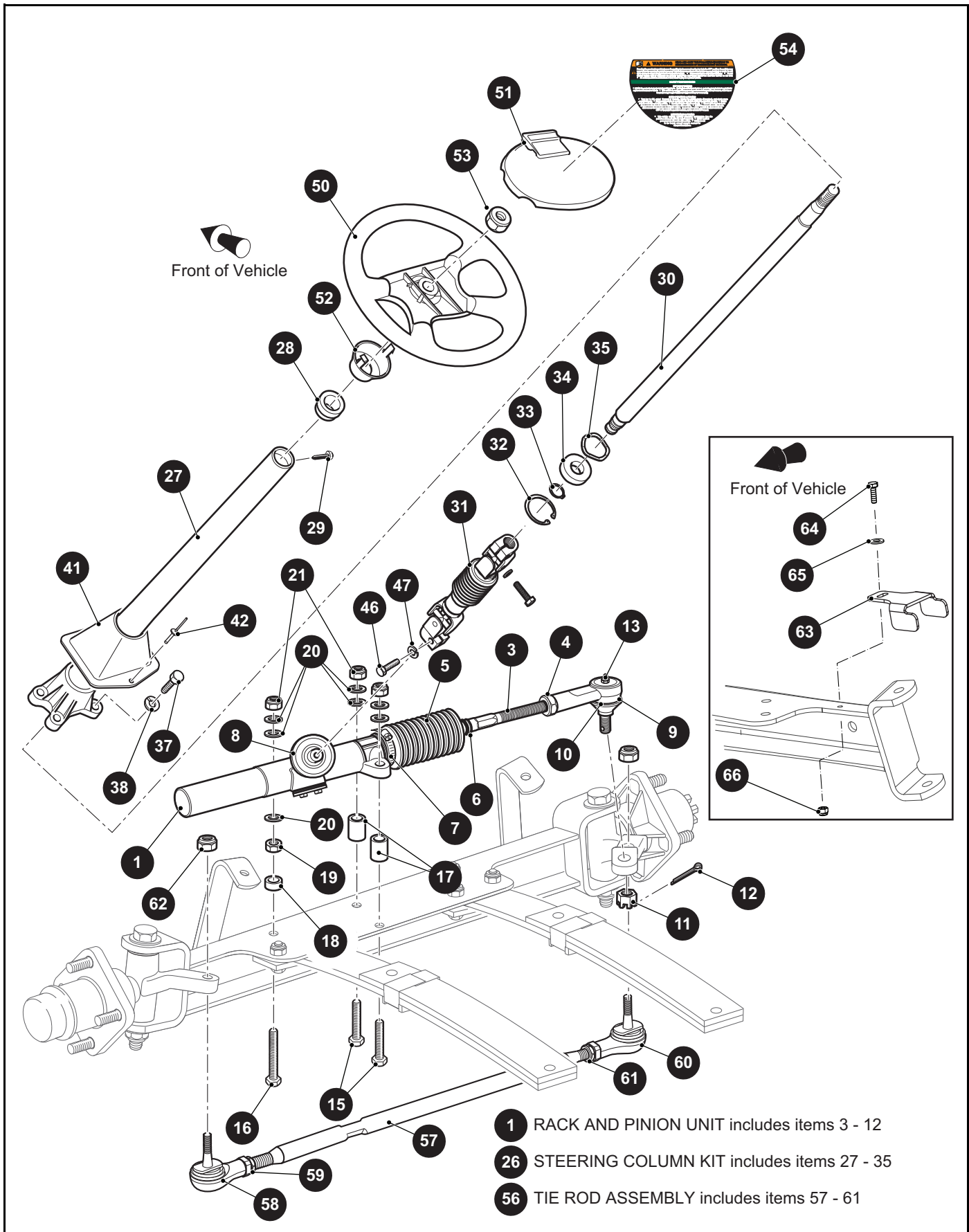
When ordering parts, please specify the model and serial number of the product.

* Indicates a component that is not available as an individual part.

*** Indicates consult Customer Service Department for additional information.

ITEM	PART NO.	1 2 3 4 5	DESCRIPTION	QTY.
32	00532G6		HEX NUT, 3/8" - 24.....	4
33				
34				
35				
36	70989G03		LEAF SPRING	2
37	652258		SPRING PLATE.....	4
38				
39	00734G1		LOCK NUT, 7/16" - 14	11
40	00463G11		HEX HEAD BOLT, 7/16" - 14 X 1 3/4" LG.....	11

FRONT SUSPENSION AND STEERING



FRONT SUSPENSION AND STEERING

When ordering parts, please specify the model and serial number of the product.

* Indicates a component that is not available as an individual part.

*** Indicates consult Customer Service Department for additional information.

ITEM	PART NO.	1 2 3 4 5	DESCRIPTION	QTY.
1	70964G01		RACK AND PINION UNIT (INCLUDES ITEMS 3 - 12)	1
2				
3	74694G01		ROD END (INNER)	1
4	*		JAM NUT, 1/2" - 20	1
5	70961G01		RACK BOOT	1
6	12416G2		NYLON CLAMP, 10"	1
7	11391G8		HOSE CLAMP, 1.81"	1
8	70638G01		SEAL (PINION).....	1
9	70695G01		TIE ROD END (OUTER)	1
10	*		GROMMET	1
11	*		HEX SLOTTED NUT, 7/16" - 20	1
12	10389G3		GREASE FITTING, STRAIGHT.....	1
13	10387G2		COTTER PIN, 3/32" X 1" LG.....	1
14				
15	00464G8		HEX HEAD BOLT, 7/16" - 14 X 2 3/4" LG	2
16	01068G01		HEX HEAD BOLT, 7/16" - 14 X 3 1/2" LG	1
17	70667G02		SPACER, 1.21" LG	2
18	70667G04		SPACER (SHORT), .69" LG.....	1
19	00532G7		HEX NUT, 7/16" - 14	1
20	00560G2		FLAT WASHER, 7/16".....	4
21	00734G1		LOCK NUT, 7/16" - 14.....	3
22				
23				
24				
25				
26	70758G05		STEERING COLUMN KIT (INCLUDES ITEMS 27 - 35).....	1
27	70610G03		STEERING COLUMN.....	1
28	28569G01		STEERING COLUMN BUSHING	1
29	01022G01		HEX WASHER HEAD BOLT, #6 - 20 X 5/16" LG	1
30	70607G01		STEERING SHAFT.....	1
31	70580G01		INTERMEDIATE SHAFT	1

FRONT SUSPENSION AND STEERING

When ordering parts, please specify the model and serial number of the product.

* Indicates a component that is not available as an individual part.

*** Indicates consult Customer Service Department for additional information.

ITEM	PART NO.	1 2 3 4 5	DESCRIPTION	QTY.
32	70751G01		RETAINING RING (INTERNAL).....	1
33	70888G01		RETAINING RING (EXTERNAL)	1
34	15112G1		BALL BEARING	1
35	70887G01		WAVE WASHER	1
36				
37	01006G01		HEX WASHER HEAD BOLT, 3/8" - 16 X 1 1/4" LG	4
38	00879G1		LOCK WASHER, 3/8"	4
39				
40				
41	70997G01		STEERING COLUMN BASE COVER	1
42	71055G01		RIVET, 3/16" X 1" LG	1
43				
44				
45				
46	01055G01		HEX HEAD BOLT, M8 - 1.25 X 30MM LG	1
47	00565G8		LOCK WASHER (SPRING TYPE), 5/16"	1
48				
49				
50	602979		STEERING WHEEL.....	1
51	607925		CLIPBOARD.....	1
52	71949G01		HUB COVER	1
53	14390G2		LOCK NUT, 5/8" - 18	1
54	664789		WARNING LABEL (STEERING WHEEL).....	1
55				
56	70876G02		TIE ROD ASSEMBLY (INCLUDES ITEMS 57 - 61)	1
57	70897G02		THREADED ROD (24" LG).....	1
58	70902G01		TIE ROD END (LEFT HAND THREADS)	1
59	01069G01		JAM NUT, M12 X 1.25 - 05 (LEFT HAND THREADS).....	1
60	70902G02		TIE ROD END (RIGHT HAND THREADS).....	1
61	01069G02		JAM NUT, M12 X 1.25 - 05 (RIGHT HAND THREADS)	1
62	00734G1		LOCK NUT, 7/16" - 14	2

FRONT SUSPENSION AND STEERING

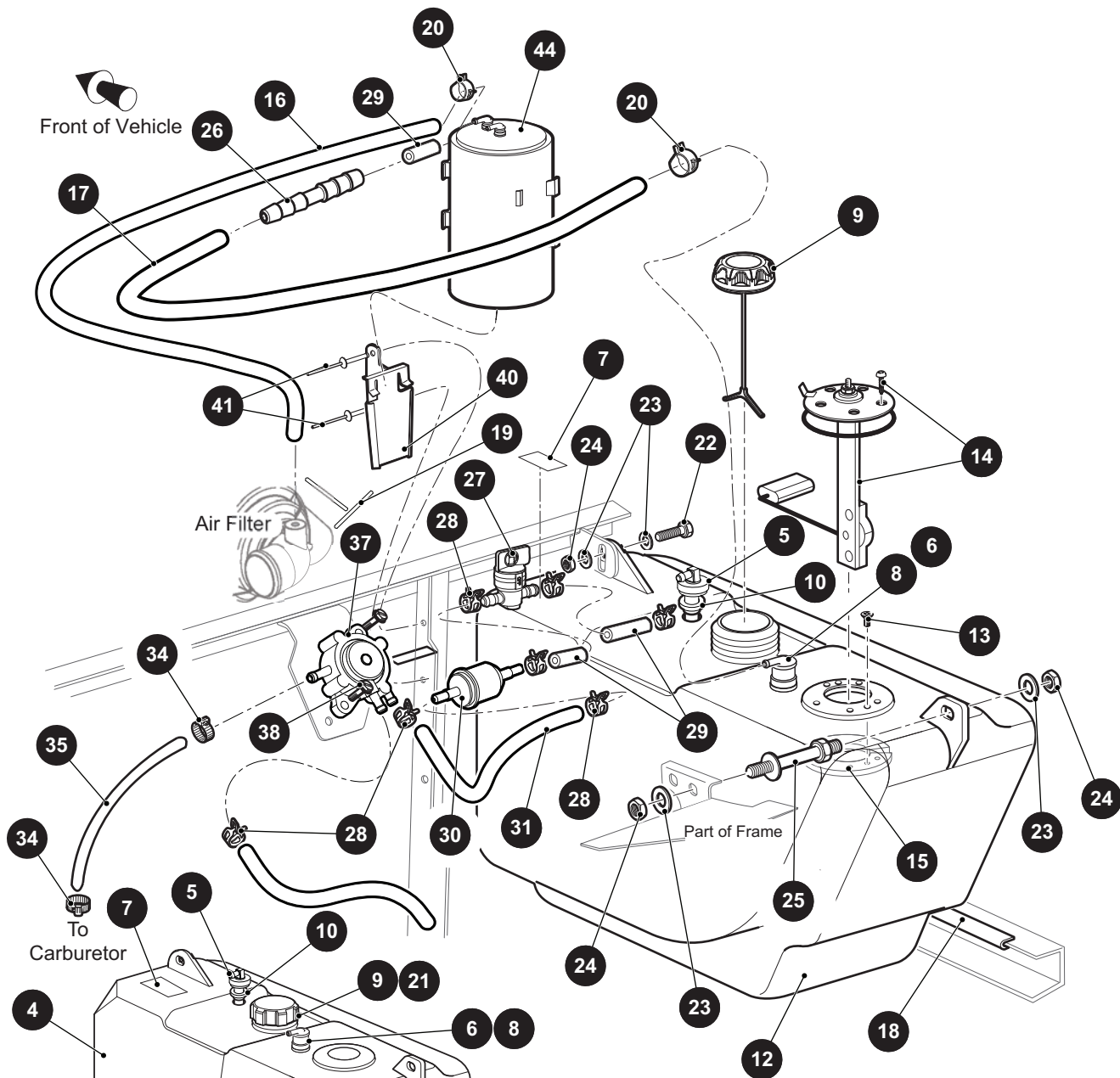
When ordering parts, please specify the model and serial number of the product.

* Indicates a component that is not available as an individual part.

*** Indicates consult Customer Service Department for additional information.

ITEM	PART NO.	1 2 3 4 5	DESCRIPTION	QTY.
63	613372		BRACKET, STEERING STOP	1
64	00414G6		HEX HEAD SCREW, 1/4" - 20 X 1/2" LG.....	1
65	00559G8		FLAT WASHER, 5/16"	1
66	14390G4		LOCK NUT, 1/4" - 20	1

FUEL SYSTEM



- 1 CARB FUEL TANK ASSEMBLY (WITHOUT SWITCH)
includes items 3 - 10
- 2 CARB FUEL TANK ASSEMBLY (USE WITH SENDING UNIT)
includes items 5 - 15
- 3 FUEL TANK, FLUOR (WITHOUT SENDER UNIT) includes item 4
- 11 CARB FUEL TANK (WITH SWITCH) includes item 12

EARLY PRODUCTION VEHICLES

FUEL SYSTEM

When ordering parts, please specify the model and serial number of the product.

* Indicates a component that is not available as an individual part.

*** Indicates consult Customer Service Department for additional information.

ITEM	PART NO.	1 2 3 4 5	DESCRIPTION	QTY.
1	645033		CARB FUEL TANK ASSEMBLY (WITHOUT SWITCH) (INCLUDES ITEMS 3 - 10)	1
2	645034		CARB FUEL TANK ASSEMBLY (USE WITH SENDING UNIT) (INCLUDES ITEMS 5 - 15)	1
3	*		FUEL TANK, FLUOR (WITHOUT SENDER UNIT) (INCLUDES ITEM 4)	1
4	*		FUEL TANK, WITHOUT SENDER UNIT	1
5	18287G3		SIPHON TUBE	1
6	606068		GROMMET (ROLLOVER VALVE).....	1
7	625826		EPA FUEL TANK LABEL	1
8	606067		ROLLOVER VALVE	1
9	633423		CAP	1
10	70988G01		GROMMET (SIPHON TUBE)	1
11	607479		CARB FUEL TANK, FLOUR (WITH SWITCH) (INCLUDES ITEM 12)	1
12	*		FUEL TANK, WITH SENDER UNIT	1
13	72230G01		PHILLIPS HEAD MACHINE SCREW, #6 - 32 X .5" LG	2
14	20048G2		FUEL LEVEL SENDER.....	1
15	72229G01		FUEL TANK ADAPTER.....	1
16	606966		HOSE, 3/16" I.D X 3/8" O.D X 34" LG	1
17	607546		HOSE, 3/16" I.D X 3/8" O.D X 17" LG	1
18	32372G6		VINYL TRIM, 6.25" LG	1
19	17618G1		NYLON CLAMP, 8" LG	2
20	606963		CLAMP, 3/16" I.D	2
21				
22	00438G8		HEX HEAD BOLT, 5/16" - 18 X 5/8" LG	1
23	00559G8		FLAT WASHER, 5/16"	4
24	11098G6		LOCK NUT, 5/16" - 18	3
25	70483G01		SPACER, 5.74" LG	1
26	615346		HOSE REDUCER, 1/4" X 3/16"	1
27	611181		SHUT-OFF VALVE	1
28	18292G1		CLAMP, .5" DIA	8
29	615350		FUEL HOSE, 2" LG.....	3
30	72084G01		FUEL FILTER.....	1

FUEL SYSTEM

When ordering parts, please specify the model and serial number of the product.

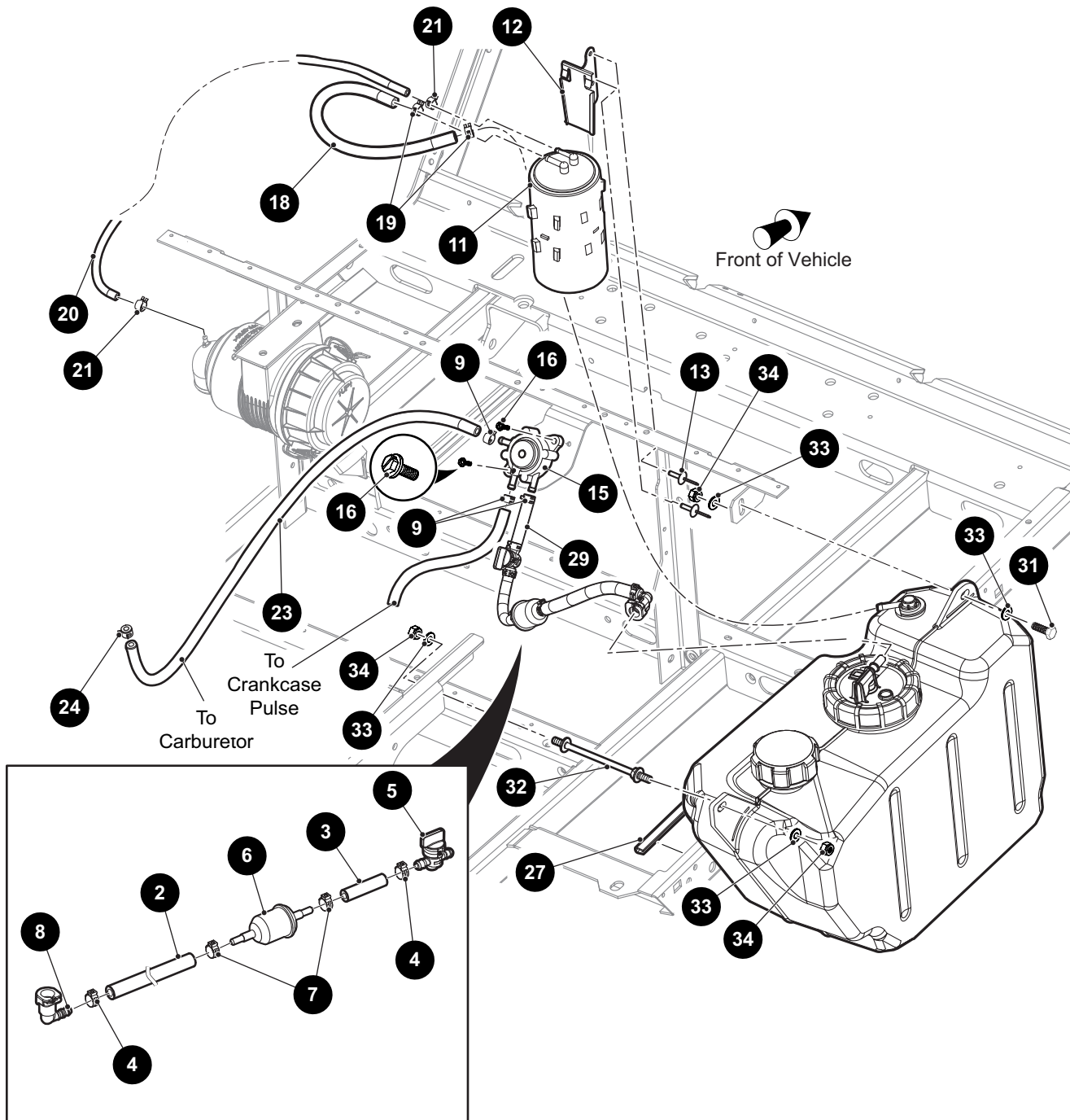
* Indicates a component that is not available as an individual part.

*** Indicates consult Customer Service Department for additional information.

ITEM	PART NO.	1 2 3 4 5	DESCRIPTION	QTY.
31	606969		FUEL HOSE, .25" I.D. X .5" O.D. X 8" LG	1
32				
33				
34	11391G4		HOSE CLAMP, .25"	2
35	604597		FUEL HOSE, 26" LG	1
36				
37	602061		FUEL PUMP	1
38	00114G6		HEX WASHER HEAD BOLT, 1/4" - 10 X 3/4" LG	2
39				
40	606310		CANISTER BRACKET (CARB ONLY).....	1
41	10570G11		RIVET (SS), 3/16" X .70" LG (CARB ONLY)	2
42				
43				
44	606071		CARBON CANISTER (CARB ONLY).....	1

FUEL SYSTEM

1 FUEL LINE ASSEMBLY includes items 2 - 8



LATE PRODUCTION VEHICLES

FUEL SYSTEM

When ordering parts, please specify the model and serial number of the product.

* Indicates a component that is not available as an individual part.

*** Indicates consult Customer Service Department for additional information.

ITEM	PART NO.	1 2 3 4 5	DESCRIPTION	QTY.
1	649515		FUEL LINE ASSEMBLY (INCLUDES ITEMS 2 - 8)	1
2	649570		HOSE, .312" I.D. X .562" O.D. X 9" LG	1
3	615350		HOSE, 2" LG	1
4	649873		CLAMP, 1/2" O.D.	2
5	611181		SHUT-OFF VALVE.....	1
6	72084G01		FUEL FILTER	1
7	649874		CLAMP, 9/16" O.D.	2
8	649577		CONNECTOR, 5/16" I.D.	1
9	18292G1		CLAMP, 1/2" O.D.	3
10				
11	606071		CARBON CANISTER.....	1
12	606310		CANISTER BRACKET	1
13	10570G11		RIVET (SS), 3/16" X .70" LG	2
14				
15	602061		FUEL PUMP.....	1
16	00114G6		HEX WASHER HEAD BOLT, 1/4" - 10 X 3/4" LG	2
17				
18	27184G14		FUEL SYSTEM TUBE.....	1
19	18292G1		CLAMP, 1/2" O.D.	2
20	606966		HOSE, 3/16" I.D. X 34" LG.....	1
21	606963		CLAMP, 3/16" I.D.	2
22				
23	604597		FUEL HOSE, 26" LG.....	1
24	18292G1		CLAMP, 1/2" O.D.	1
25				
26	17618G1		NYLON CLAMP, 8" LG (NOT ILLUSTRATED).....	2
27	32372G6		VINYL TRIM, 6.25" LG	1
28				
29	615350		FUEL HOSE, 2" LG.....	1
30				
31	00438G8		HEX HEAD BOLT, 5/16" - 18 X 5/8" LG	1

FUEL SYSTEM

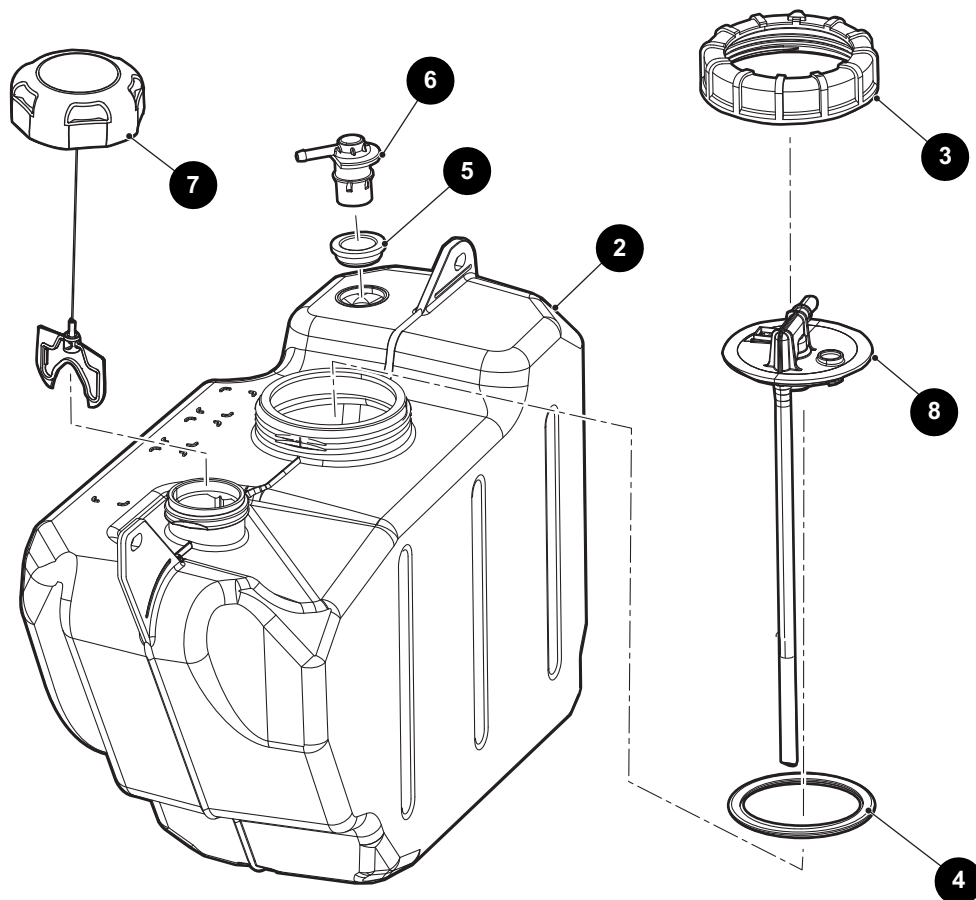
When ordering parts, please specify the model and serial number of the product.

* Indicates a component that is not available as an individual part.

*** Indicates consult Customer Service Department for additional information.

ITEM	PART NO.	1 2 3 4 5	DESCRIPTION	QTY.
32	70483G01		SPACER	1
33	00559G8		FLAT WASHER, 5/16"	4
34	11098G6		LOCK NUT, 5/16" - 18	3

- 1** FUEL TANK ASSEMBLY (WITHOUT SENDER UNIT)
includes items 2 - 8



LATE PRODUCTION VEHICLES

FUEL SYSTEM

When ordering parts, please specify the model and serial number of the product.

* Indicates a component that is not available as an individual part.

*** Indicates consult Customer Service Department for additional information.

ITEM	PART NO.	1 2 3 4 5	DESCRIPTION	QTY.
1	656138		FUEL TANK ASSEMBLY (WITHOUT SENDER UNIT) (INCLUDES ITEMS 2 - 8)	1
2	646306		FUEL TANK	1
3	646837		CAP	1
4	646838		SEAL.....	1
5	647810		GROMMET	1
6	647809		ROLLOVER VALVE	1
7	670898		FUEL CAP	1
8	656135		FUEL PICKUP WITHOUT SENDER ASSEMBLY.....	1

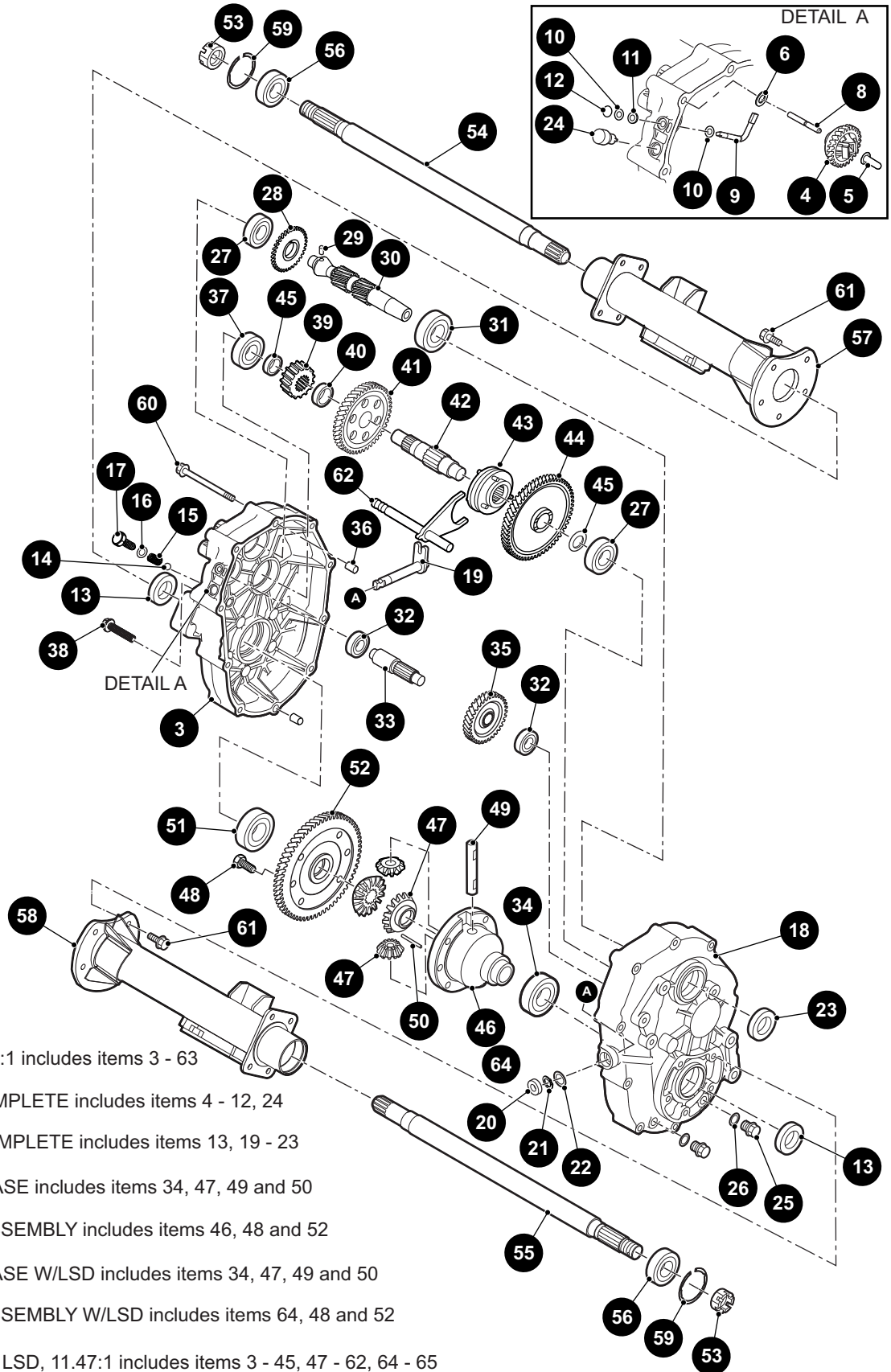
Notes:

A large grid of graph paper consisting of 20 columns and 30 rows of squares, intended for taking notes.

Notes:

A large grid area for writing notes, consisting of 25 columns and 28 rows of small squares.

REAR AXLE



- 1 REAR AXLE, 11.47:1 includes items 3 - 63
- 3 AXLE CASE L COMPLETE includes items 4 - 12, 24
- 18 AXLE CASE R COMPLETE includes items 13, 19 - 23
- 46 DIFFERENTIAL CASE includes items 34, 47, 49 and 50
- 63 DIFFERENTIAL ASSEMBLY includes items 46, 48 and 52
- 64 DIFFERENTIAL CASE W/LSD includes items 34, 47, 49 and 50
- 65 DIFFERENTIAL ASSEMBLY W/LSD includes items 64, 48 and 52
- 2 REAR AXLE WITH LSD, 11.47:1 includes items 3 - 45, 47 - 62, 64 - 65

When ordering parts, please specify the model and serial number of the product.

* Indicates a component that is not available as an individual part.

*** Indicates consult Customer Service Department for additional information.

ITEM	PART NO.	1 2 3 4 5	DESCRIPTION	QTY.
1	670468		REAR AXLE, 11.47:1 (INCLUDES ITEMS 3 - 63).....	1
2				
3	639859		AXLE CASE L COMPLETE (INCLUDES ITEMS 4 - 12, 24)	1
4	665887		GOVERNOR GEAR	1
5	639689		GOVERNOR SLEEVE	1
6	607904		FLAT WASHER	1
7				
8	639698		GOVERNOR GEAR SHAFT	1
9	639707		GOVERNOR SHAFT	1
10	639736		FLAT WASHER, 6MM	2
11	607911		OIL SEAL, 6 X 10 X 2.5MM	1
12	607913		RETAINING RING, E5	1
13	639738		OIL SEAL, 24 X 40 X 9MM	2
14	26818G01		STEEL BALL	1
15	26819G01		SPRING	1
16	26831G01		GASKET,10	1
17	26820G01		FLANGED HEX HEAD BOLT, M10 - 1.25 X 12MM LG	1
18	639865		AXLE CASE R COMPLETE (INCLUDES ITEMS 13, 19 - 23)	1
19	639746		SELECT SHAFT	1
20	607915		OIL SEAL, 13 X 22 X 5MM	1
21	607916		SNAP RING, 13MM	1
22	607917		SPACER, 13 X 1MM	1
23	640093		OIL SEAL, 28 X 47 X 9MM	1
24	607919		AIR BREATHER.....	1
25	639747		OIL DRAIN PLUG	2
26	639748		GASKET, 14MM	2
27	26785G01		BALL BEARING (6204)	2
28	665888		GOVERNOR GEAR,34	1
29	607920		PIN, 6 X 12L	1
30	639750		INPUT SHAFT	1
31	607922		BALL BEARING (62/28)	1

REAR AXLE

When ordering parts, please specify the model and serial number of the product.

* Indicates a component that is not available as an individual part.

*** Indicates consult Customer Service Department for additional information.

ITEM	PART NO.	1	2	3	4	5	DESCRIPTION	QTY.
32	639868						BALL BEARING (TMB202)	2
33	639755						COUNTER SHAFT	1
34	640744						BALL BEARING (6006)	1
35	639758						GEAR,34	1
36	639869						KNOCK PIPE	2
37	639760						BALL BEARING (6304)	2
38	639768						FLANGED HEX HEAD BOLT, M8 - 1.25 X 40MM LG	1
39	639769						GEAR, 17	1
40	28689G01						COLLAR, 24 X 7.5MM	1
41	639771						GEAR, 52	1
42	670697						CENTER SHAFT	1
43	639774						CLUTCH PIN	1
44	670696						GEAR, 61	1
45	639797						SPACER, 20 X 2MM	2
46	639872						DIFFERENTIAL CASE (INCLUDES ITEMS 34, 47, 49 AND 50)	1
47	639800						DIFFERENTIAL PAIR GEAR	1
48	26808G01						HEX HEAD BOLT, M10 - 1.25 X 26MM LG	6
49	28723G01						DIFFERENTIAL SHAFT	1
50	28697G01						SPRING PIN, 4 X 40L	1
51	639801						BALL BEARING (6007)	1
52	640739						GEAR, 60 COMPLETE (INCLUDES ITEM 51).	1
53	607938						CASTLE NUT, M22 - 1.5	2
54	639876						AXLE SHAFT L COMPLETE (INCLUDES ITEM 56)	1
55	639881						AXLE SHAFT R COMPLETE (INCLUDES ITEM 56)	1
56	639836						BALL BEARING (6205DD)	2
57	607939						AXLE CASE L COMPLETE	1
58	607940						AXLE CASE R COMPLETE	1
59	26814G01						SNAP RING, 52MM	2
60	639839						FLANGED HEX HEAD BOLT, M8 - 1.25 X 60MM LG	9
61	639840						FLANGED HEX HEAD BOLT, M10 - 1.25 X 25MM LG	10
62	639844						SHIFT SHAFT COMPLETE	1

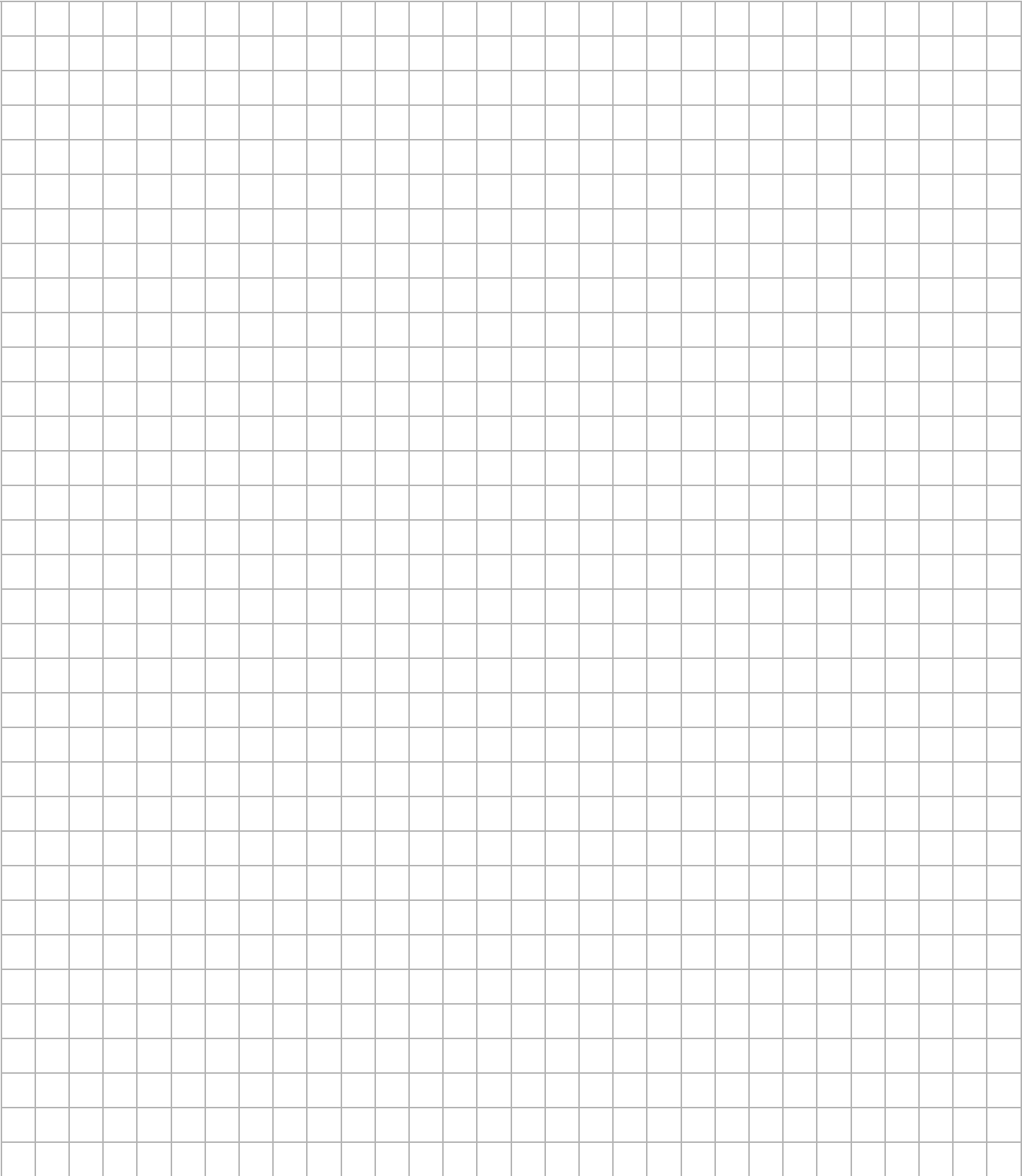
When ordering parts, please specify the model and serial number of the product.

* Indicates a component that is not available as an individual part.

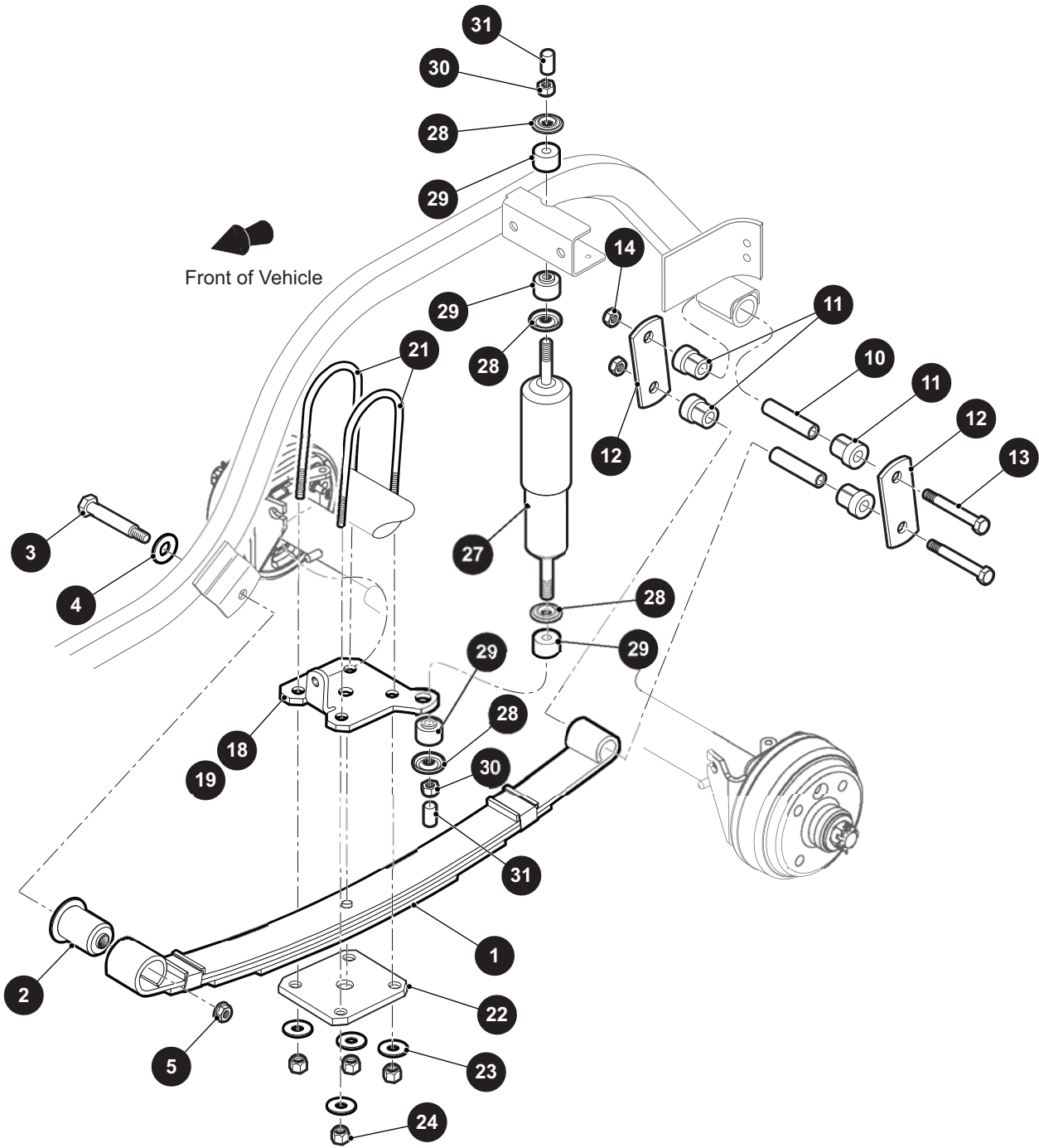
*** Indicates consult Customer Service Department for additional information.

ITEM	PART NO.	1 2 3 4 5	DESCRIPTION	QTY.
63	639847		DIFFERENTIAL ASSEMBLY (INCLUDES ITEMS 46, 48 AND 52)	1
64	640098		DIFFERENTIAL CASE WITH LSD (INCLUDES ITEMS 34, 47, 49 AND 50)	1
65	639847		DIFFERENTIAL ASSEMBLY WITH LSD (INCLUDES ITEMS 64, 48 AND 52).....	1

Notes:

A large grid of graph paper, consisting of 20 columns and 30 rows of small squares, intended for taking notes.

REAR SUSPENSION



REAR SUSPENSION

When ordering parts, please specify the model and serial number of the product.

* Indicates a component that is not available as an individual part.

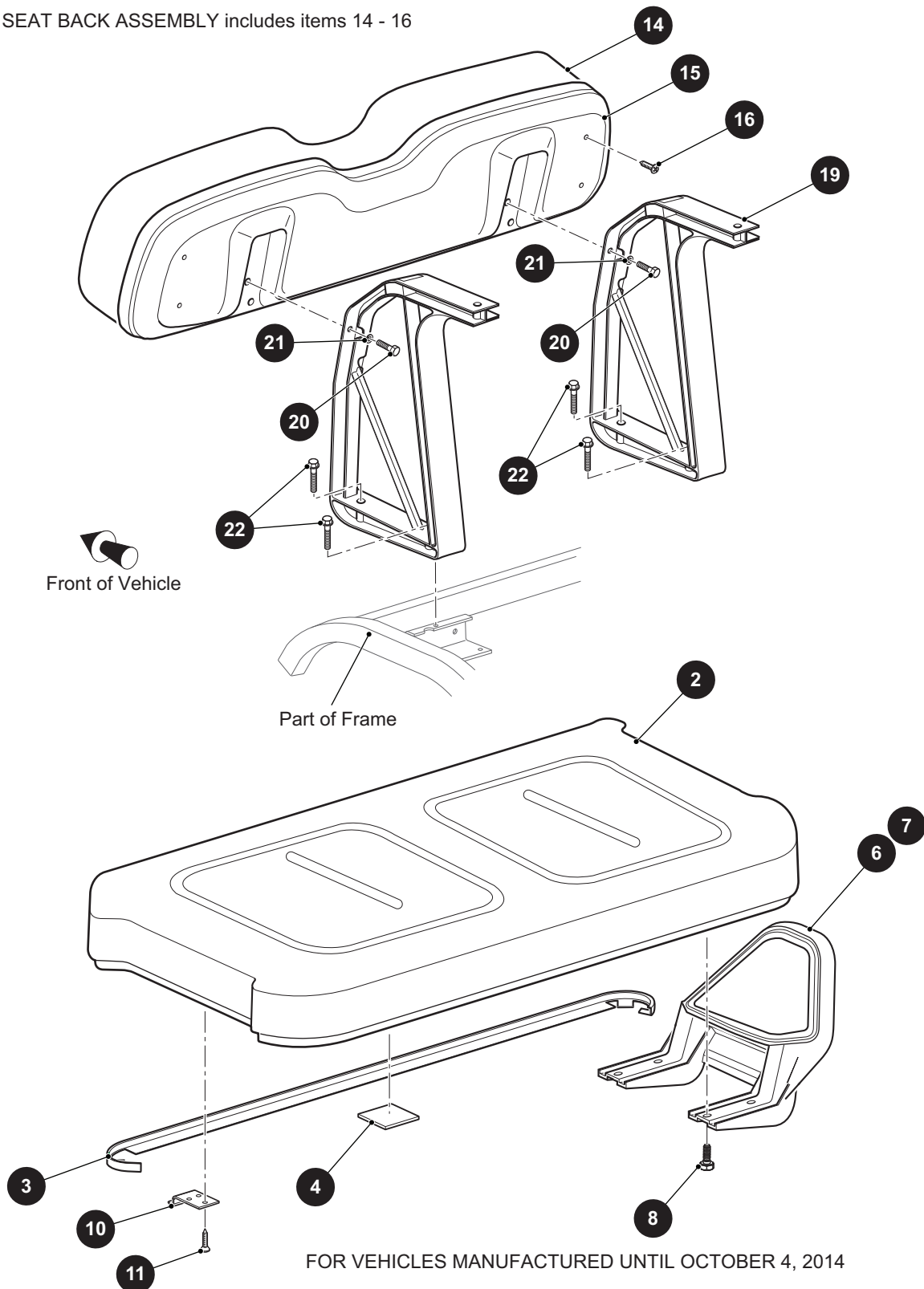
*** Indicates consult Customer Service Department for additional information.

ITEM	PART NO.	1 2 3 4 5	DESCRIPTION	QTY.
1	605722		LEAF SPRING	2
2	605445		FRONT SPRING BUSHING.....	2
3	00665G9		SHOULDER BOLT, 3/8" - 16 X 3 1/4" LG	2
4	00643G1		FLAT WASHER, 3/8"	2
5	12262G1		FLANGED LOCK NUT, 3/8" - 16.....	2
6				
7				
8				
9				
10	70289G02		SPLIT STEEL SPACER	4
11	624030		FLANGED BUSHING.....	8
12	604961		SHACKLE PLATE	4
13	00665G9		SHOULDER BOLT, 3/8" - 16 X 3 1/4" LG	4
14	11098G5		LOCK NUT, 3/8" - 16.....	4
15				
16				
17				
18	605938		AXLE BRACKET (DRIVER SIDE).....	1
19	605958		AXLE BRACKET (PASSENGER SIDE).....	1
20				
21	32195G3		U BOLT, 3/8" - 16 X 2" X 5" LG	4
22	652246		REAR SUSPENSION PLATE	2
23	00643G1		FLAT WASHER, 3/8"	8
24	11098G5		LOCK NUT, 3/8" - 16.....	8
25				
26				
27	642085		SHOCK ABSORBER.....	2
28	10435G1		SHOCK ABSORBER WASHER, .406" I.D. X 1.25" O.D.X .22" LG	8
29	10194G1		RUBBER BUSHING.....	8
30	00532G6		HEX NUT, 3/8" - 24	4
31	10044G01		VINYL CAP.....	2

SEATING

1 SEAT BOTTOM ASSEMBLY includes items 2 - 11

13 SEAT BACK ASSEMBLY includes items 14 - 16



When ordering parts, please specify the model and serial number of the product.

* Indicates a component that is not available as an individual part.

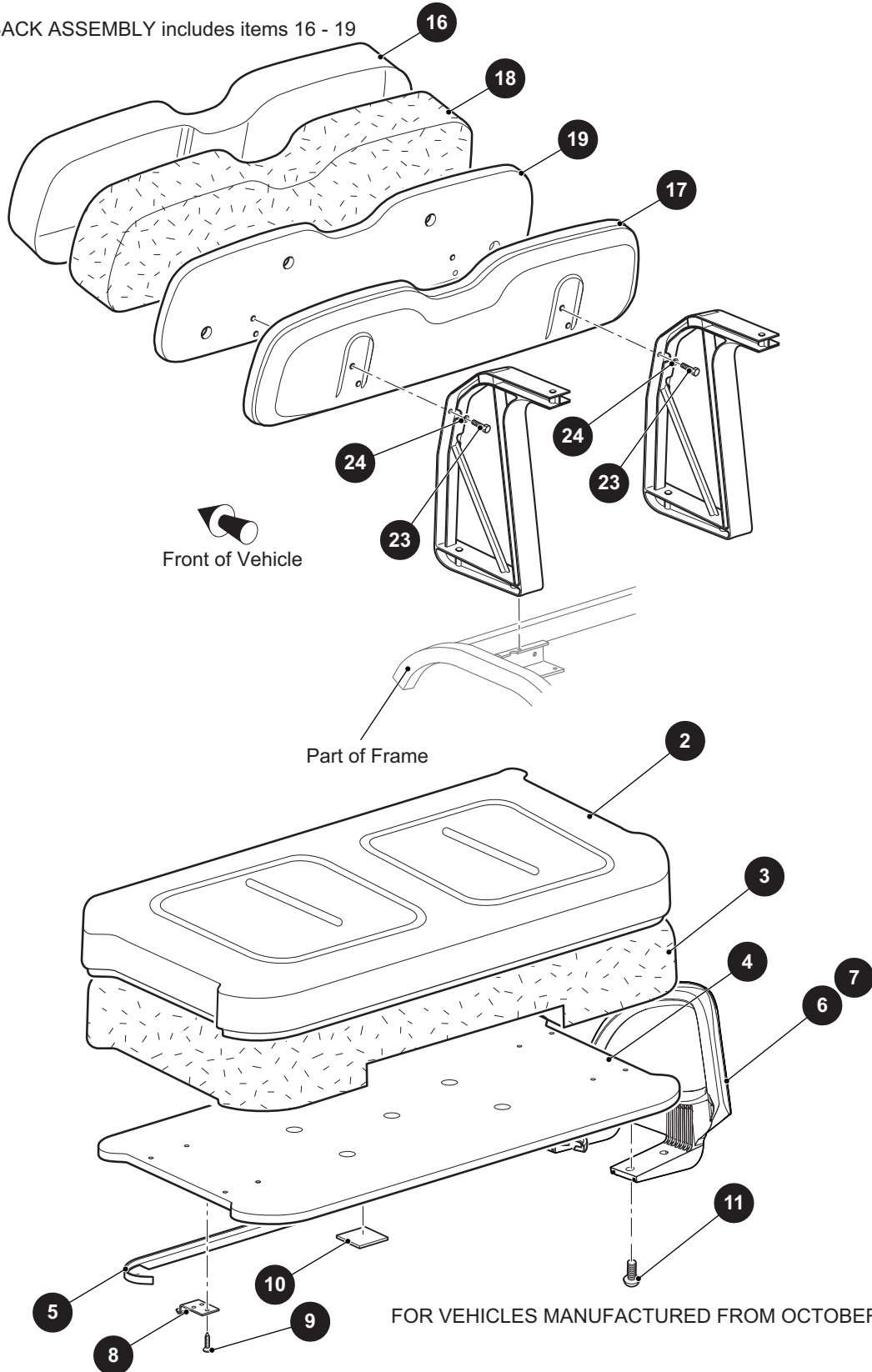
*** Indicates consult Customer Service Department for additional information.

ITEM	PART NO.	1 2 3 4 5	DESCRIPTION	QTY.
1	***		SEAT BOTTOM ASSEMBLY (INCLUDES ITEMS 2 - 11) (FOR VEHICLES MANUFACTURED FROM OCTOBER 4, 2015) 629269G0103 TAN 629269G0106 BLACK	1
2	***		VINYL COVER..... 71602G04 TAN 71602G06 BLACK	1
3	71012G01		VINYL TRIM	1
4	17074G1		SOILING SLAB.....	2
5				
6	71701G01		HIP RESTRAINT (PASSENGER SIDE)	1
7	71702G01		HIP RESTRAINT (DRIVER SIDE).....	1
8	71204G01		HEX WASHER HEAD BOLT, 1/4" - 20 X 7/8" LG	8
9				
10	71610G01		SEAT HINGE	2
11	00720G08		PHILLIPS HEAD TAPPING SCREW (SS), #12 - 14 X 1" LG	6
12				
13	***		SEAT BACK ASSEMBLY (INCLUDES ITEMS 14 - 16)..... (FOR VEHICLES MANUFACTURED FROM OCTOBER 4, 2015) 71751G04 TAN 71751G07 BLACK	1
14	***		VINYL COVER	1
			71753G04 TAN 71753G07 BLACK	
15	71752G01		SEAT BACK COVER.....	1
16	01107G01		PAN HEAD TORX SCREW (SS), #8 X 5/8" LG	4
17				
18				
19	71811G03		SEAT SUPPORT BRACKET.....	2
20	605056		HEX HEAD BOLT (SS), 1/4" - 20 X 1" LG	4
21	00664G7		LOCK WASHER (SS), 1/4"	4
22	01075G01		HEX WASHER HEAD TAPTITE BOLT, 3/8" - 16 X 2 1/2" LG	4

SEATING

1 SEAT BOTTOM ASSEMBLY includes items 2 - 11

15 SEAT BACK ASSEMBLY includes items 16 - 19



When ordering parts, please specify the model and serial number of the product.

* Indicates a component that is not available as an individual part.

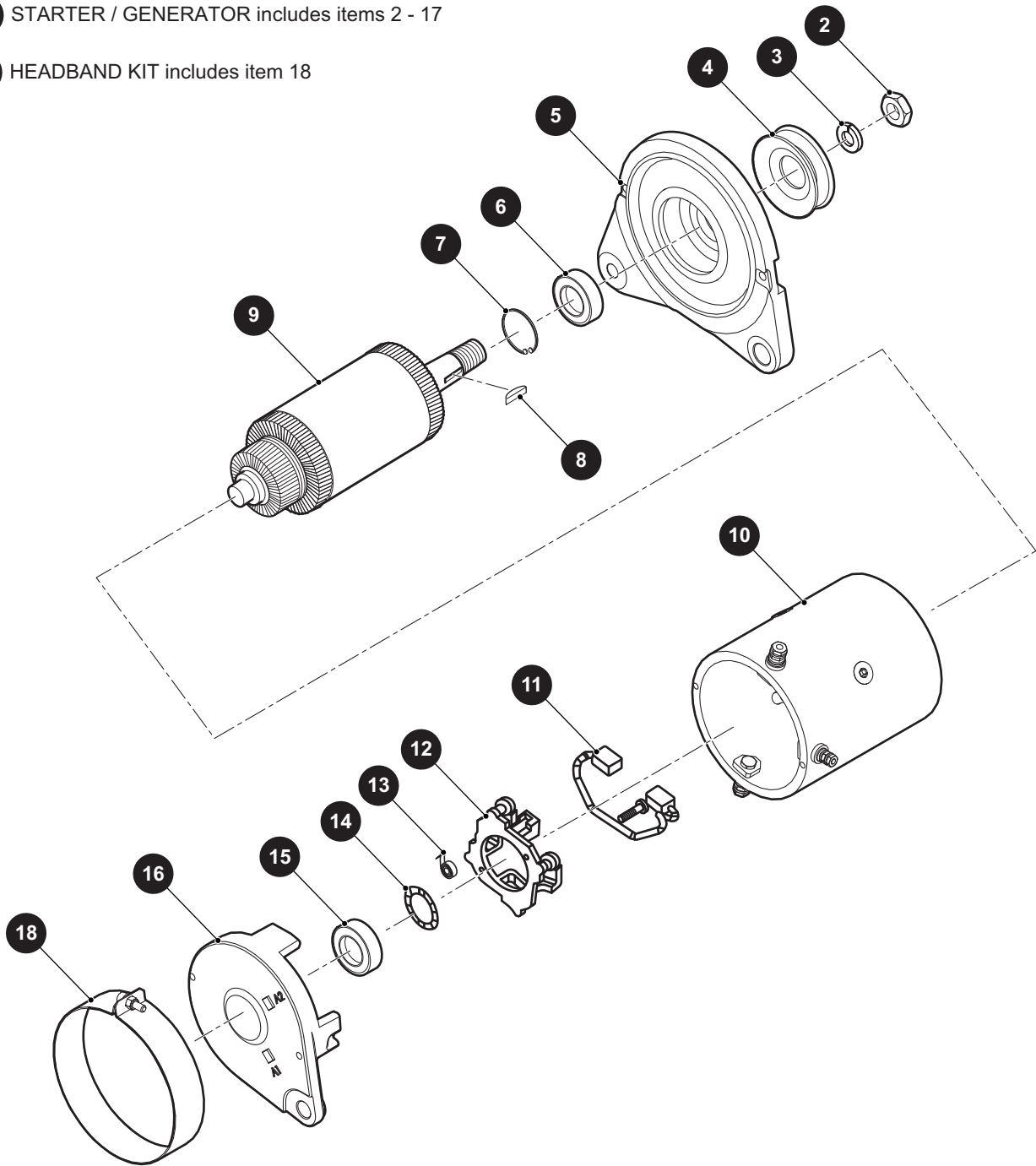
*** Indicates consult Customer Service Department for additional information.

ITEM	PART NO.	1 2 3 4 5	DESCRIPTION	QTY.
1	***		SEAT BOTTOM ASSEMBLY (INCLUDES ITEMS 2 - 11) (FOR VEHICLES MANUFACTURED FROM OCTOBER 5, 2015) 629269G0103 TAN 629269G0106 BLACK	1
2	***		VINYL COVER..... 71602G04 TAN 71602G06 BLACK	1
3	71603G02		FOAM PADDING	1
4	645492		SEAT BOTTOM	1
5	71012G01		VINYL TRIM	1
6	617644		HIP RESTRAINT (PASSENGER SIDE)	1
7	617645		HIP RESTRAINT (DRIVER SIDE).....	1
8	71610G01		SEAT HINGE	2
9	00720G08		PHILLIPS HEAD TAPPING SCREW, #12 -14 X 1" LG.....	6
10	17074G1		SOILING SLAB.....	2
11	615417		BUTTON HEAD TORX BOLT, M10 - 1.5 X 25MM LG.....	8
12				
13				
14				
15	***		SEAT BACK ASSEMBLY (INCLUDES ITEMS 16 - 19)..... (FOR VEHICLES MANUFACTURED FROM OCTOBER 5, 2015) 625229G0103 TAN 625229G0106 BLACK	1
16	***		VINYL COVER	1
			625234G03 TAN 625234G06 BLACK	
17	625239		SEAT BACK COVER.....	1
18	625233		SEAT BACK PADDING (FOAM).....	1
19	644266		SEAT BACK BASE	1
20				
21				
22				
23	605056		HEX HEAD BOLT WITH PATCH LOCK (SS), 1/4" - 20 X 1" LG.....	4
24	00664G7		LOCK WASHER (SS), 1/4"	4

STARTER GENERATOR

1 STARTER / GENERATOR includes items 2 - 17

17 HEADBAND KIT includes item 18



STARTER GENERATOR

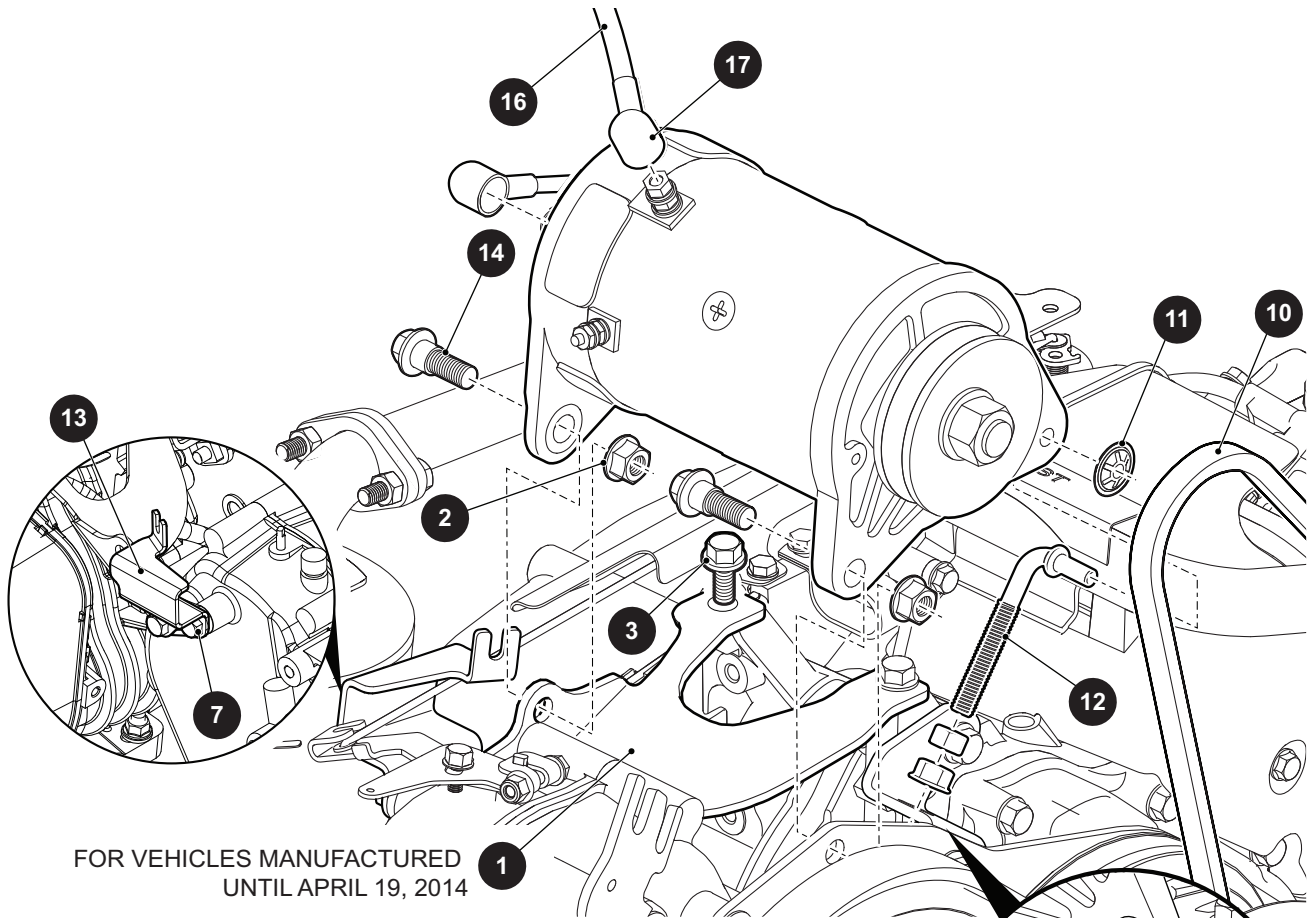
When ordering parts, please specify the model and serial number of the product.

* Indicates a component that is not available as an individual part.

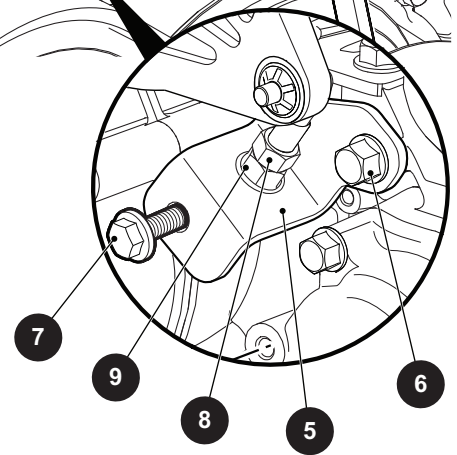
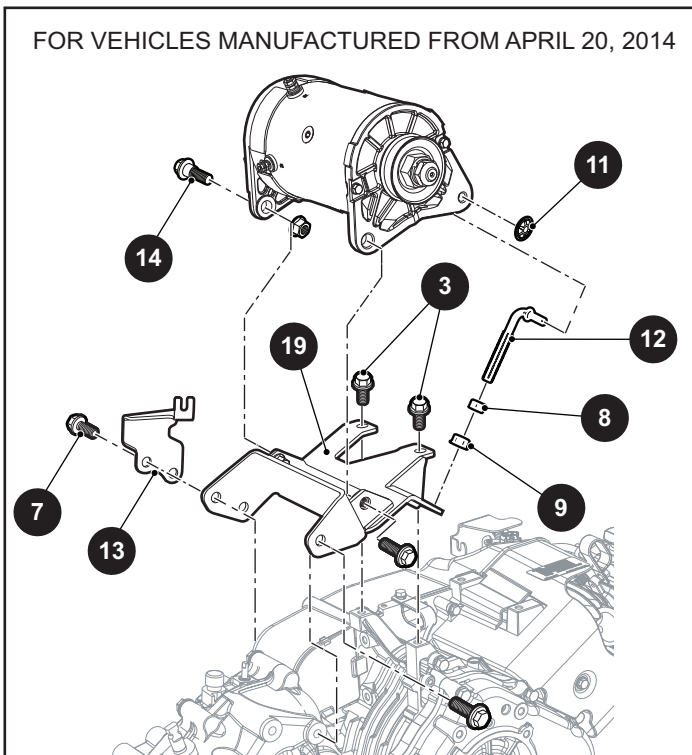
*** Indicates consult Customer Service Department for additional information.

ITEM	PART NO.	1 2 3 4 5	DESCRIPTION	QTY.
1	660379		STARTER / GENERATOR (INCLUDES ITEMS 2 - 17)	1
2	612029		HEX NUT	1
3	612030		LOCK WASHER	1
4	625716		PULLEY, 2.5" O.D.	1
5	654715		DRIVE END HEAD	1
6	612033		BEARING	1
7	612034		RETAINING RING	1
8	612035		WOODRUFF KEY	1
9	612036		ARMATURE ASSEMBLY	1
10	654716		FRAME AND FIELD ASSEMBLY	1
11	612038		BRUSH LEAD AND TERMINAL PACKAGE	1
12	654717		BRUSH BOX ASSEMBLY	1
13	656659		BRUSH SPRING	4
14	612043		WAVY WASHER	1
15	612044		BEARING	1
16	612045		COMMUTATOR END HEAD	1
17	658172		HEADBAND KIT (INCLUDES ITEM 18)	1
18	654718		HEADBAND	1

STARTER GENERATOR



FOR VEHICLES MANUFACTURED
UNTIL APRIL 19, 2014



STARTER GENERATOR

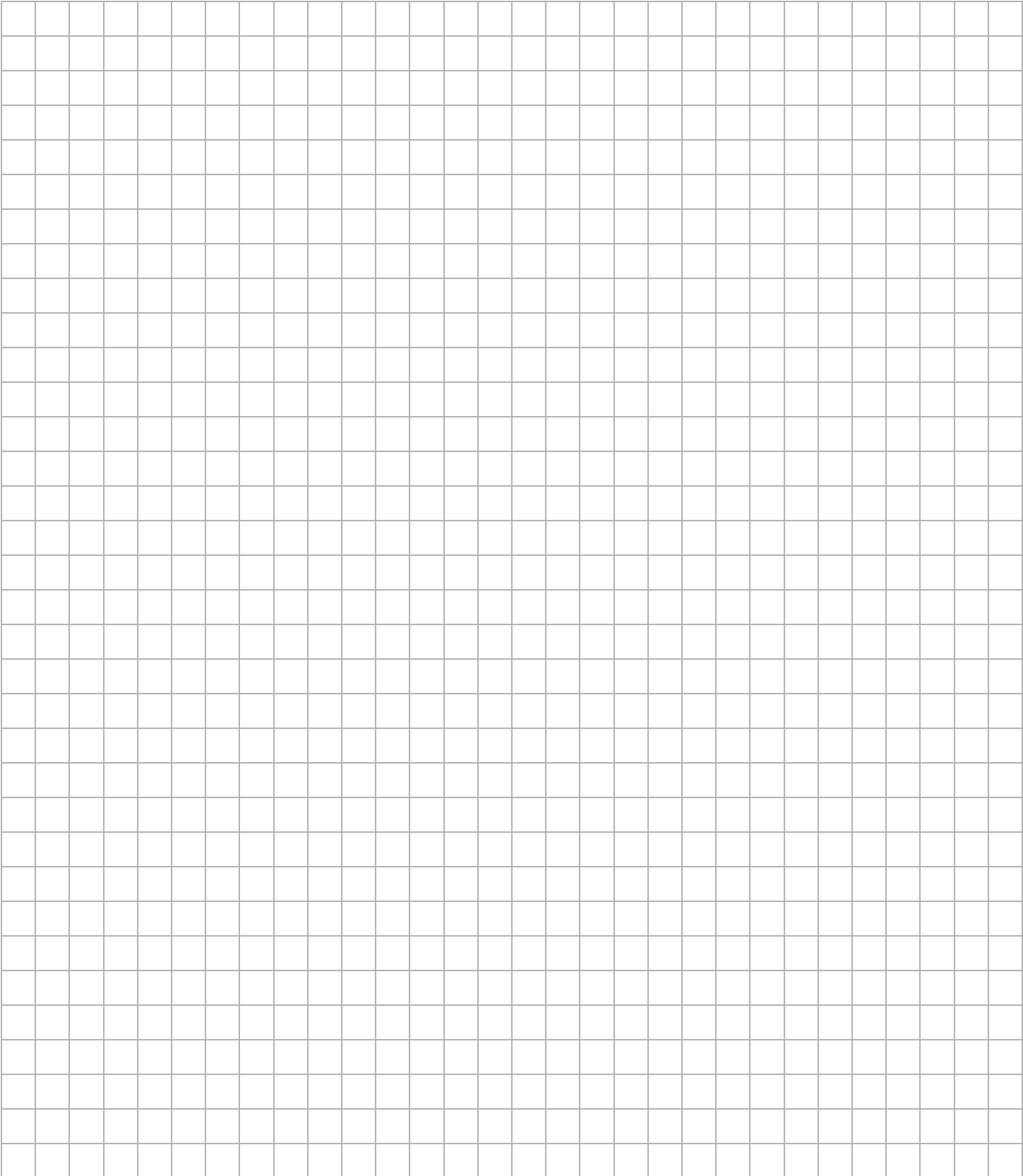
When ordering parts, please specify the model and serial number of the product.

* Indicates a component that is not available as an individual part.

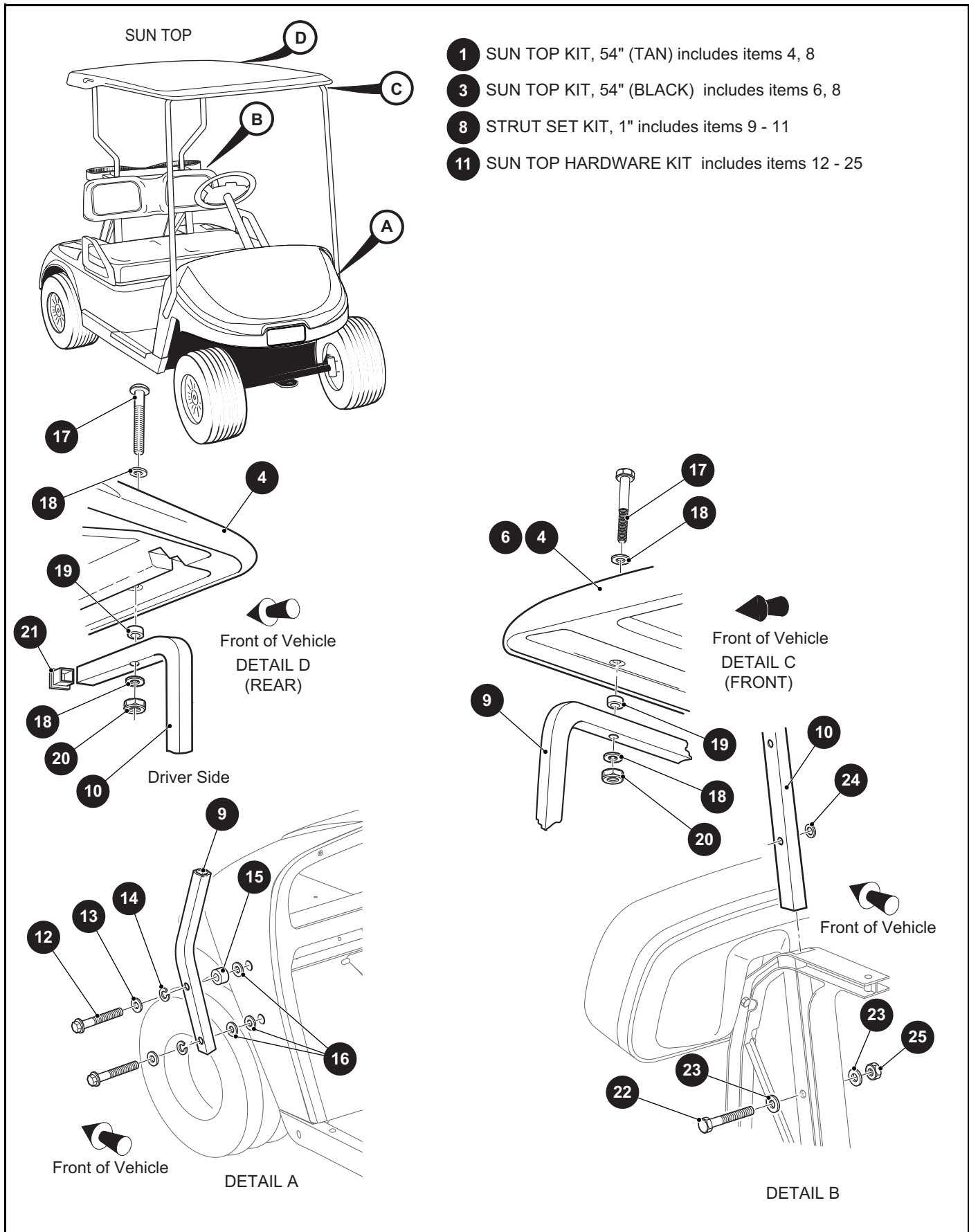
*** Indicates consult Customer Service Department for additional information.

ITEM	PART NO.	1 2 3 4 5	DESCRIPTION	QTY.
1	602141		STARTER / GENERATOR SUPPORT BRACKET (FOR VEHICLES MANUFACTURED UNTIL APRIL 19, 2014)	1
2	606279		FLANGE NUT, M10 - 1.25	2
3	606261		FLANGED HEX HEAD BOLT, M8 - 1.25 X 20MM LG.....	3
4				
5	602145		TENSIONER BRACKET	1
6	606261		FLANGED HEX HEAD BOLT, M8 - 1.25 X 20MM LG.....	1
7	606256		FLANGED HEX HEAD BOLT, M10 - 1.25 X 25MM LG.....	9
8	606255		HEX JAM NUT, M10 - 1.25	1
9	606274		FLANGED HEX NUT, M10 - 1.25	1
10	630587		STARTER/GENERATOR BELT.....	1
11	12064G6		PUSH NUT, 5/16"	1
12	629763		TENSIONER BOLT	1
13	603884		CABLE GUIDE BRACKET	1
14	606235		FLANGED HEX HEAD BOLT, M10 - 1.25 X 20MM LG.....	2
15				
16	607103		WIRE ASSEMBLY, 6 AWG, 42" LG	1
17	25682G01		RUBBER BOOT	3
18				
19	631972		STARTER/GENERATOR SUPPORT BRACKET (FOR VEHICLES MANUFACTURED FROM APRIL 20, 2014).....	1

Notes:



WEATHER PROTECTION



WEATHER PROTECTION

When ordering parts, please specify the model and serial number of the product.

* Indicates a component that is not available as an individual part.

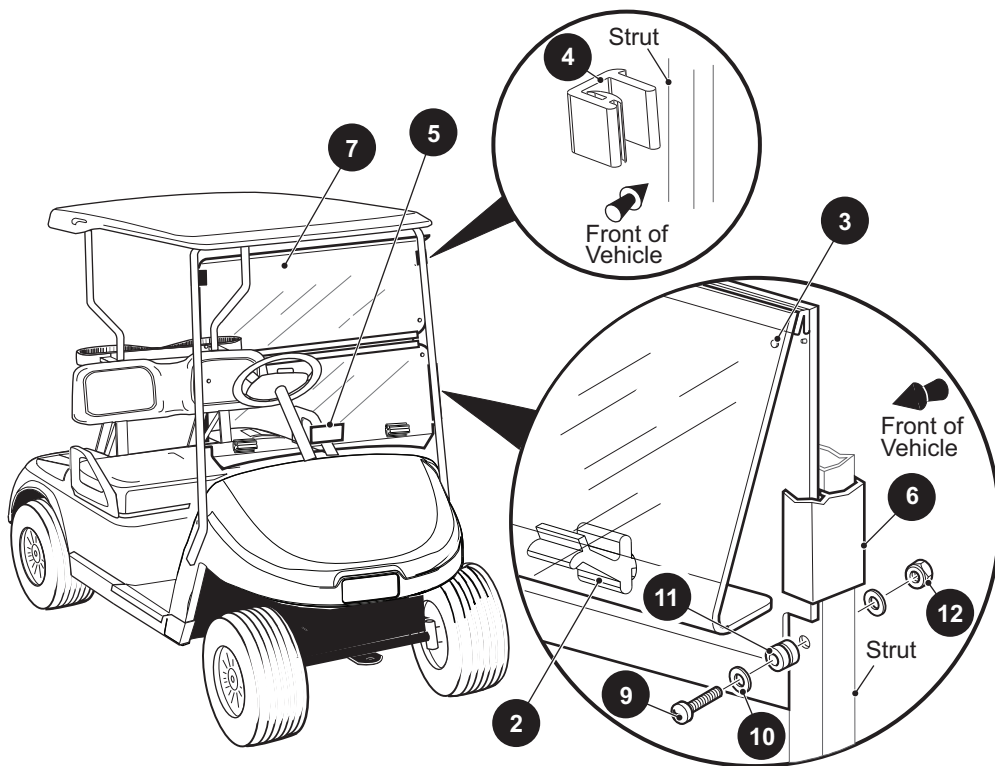
*** Indicates consult Customer Service Department for additional information.

ITEM	PART NO.	1 2 3 4 5	DESCRIPTION	QTY.
1	625299G01		SUN TOP KIT, 54" (TAN) (INCLUDES ITEMS 4, 8).....	1
2				
3	625299G03		SUN TOP KIT, 54" (BLACK) (INCLUDES ITEMS 6, 8).....	1
4	625290		SUN TOP (TAN)	1
5				
6	625292		SUN TOP (BLACK).....	1
7				
8	635005		STRUT SET KIT, 1" (INCLUDES ITEM 9 - 11)	1
9	625294		FRONT STRUT	1
10	75046G01		REAR STRUT	2
11	625296		SUN TOP HARDWARE KIT (INCLUDES ITEMS 12 - 25)	1
12	*		HEX HEAD BOLT, 5/16" - 18 X 2 1/4" LG.....	4
13	*		FLAT WASHER, 5/16"	4
14	*		LOCK WASHER, 5/16"	4
15	*		SPACER, .328" I.D. X .75" O.D. X 0.5" LG.....	2
16	*		FLAT WASHER, 5/16"	6
17	*		HEX HEAD BOLT, 1/4" - 20 X 2 1/2" LG.....	4
18	*		FLAT WASHER (SS), 1/4"	8
19	*		SPACER (PLASTIC), 0.28" I.D. X .56" O.D. X 0.74" LG	4
20	*		LOCK NUT (SS), 1/4" - 20.....	4
21	*		END CAP, 1" SQ.....	2
22	*		HEX HEAD BOLT (SS), 5/16" - 18 X 1 3/4" LG	4
23	*		FLAT WASHER (SS), 5/16"	8
24	*		TEFLON WASHER, 5/16".....	4
25	*		LOCK NUT (SS), 5/16" - 18.....	4

WEATHER PROTECTION

1 WINDSHIELD KIT, SPLIT includes items 2 - 7

8 HARDWARE KIT includes items 9 - 12



SPLIT WINDSHIELD

WEATHER PROTECTION

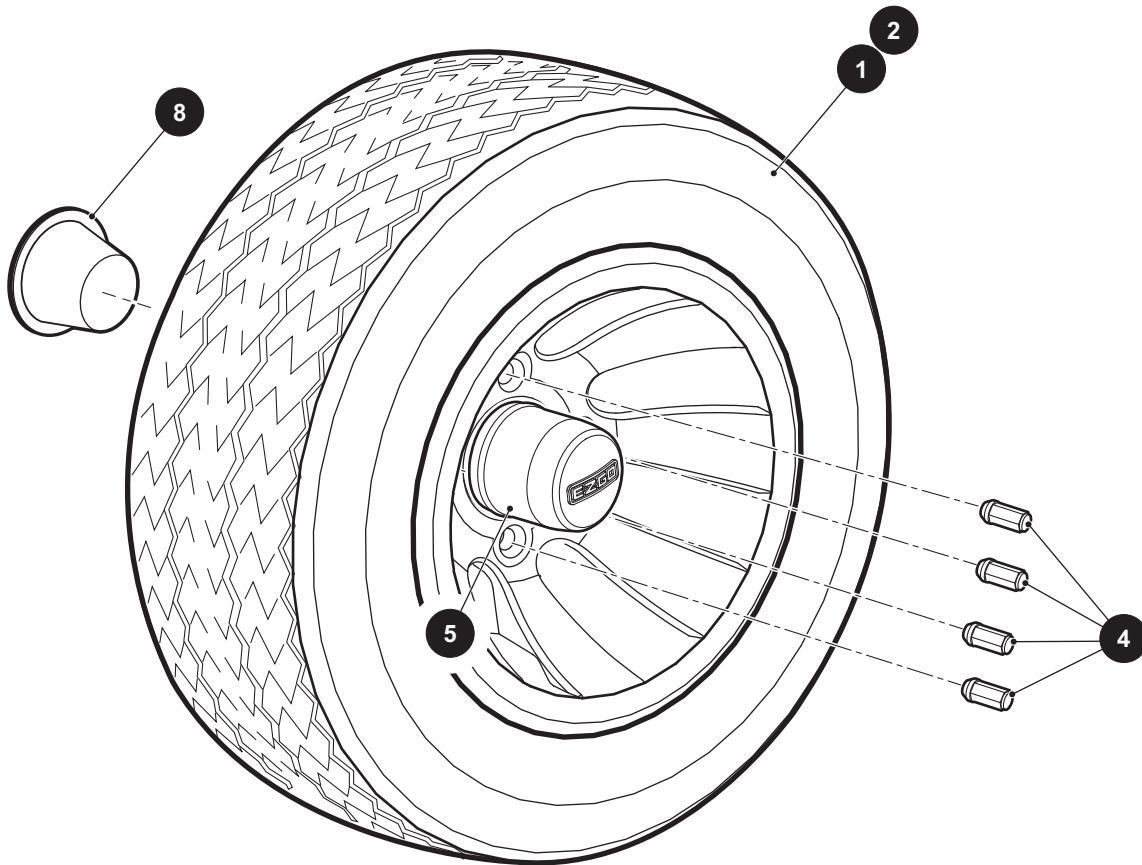
When ordering parts, please specify the model and serial number of the product.

* Indicates a component that is not available as an individual part.

*** Indicates consult Customer Service Department for additional information.

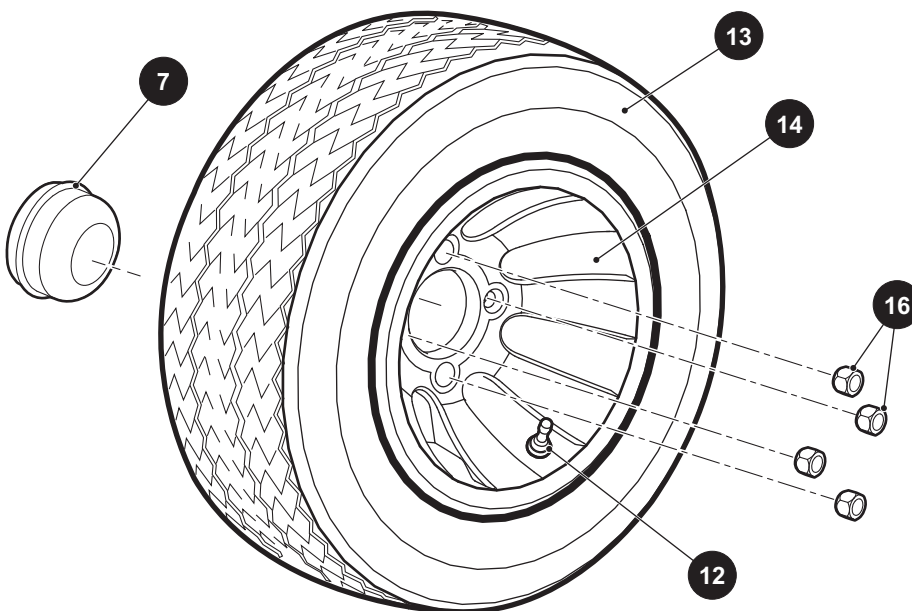
ITEM	PART NO.	1 2 3 4 5	DESCRIPTION	QTY.
1	625279G01		WINDSHIELD KIT, SPLIT (INCLUDES ITEMS 2 - 7).....	1
2	603201		LOWER LATCH	2
3	604115		GROMMET	4
4	625230		UPPER LATCH.....	2
5	71963G01		WARNING DECAL.....	1
6	625228		SASH, 10" LG.....	2
7	625275		WINDSHIELD ASSEMBLY, SPLIT.....	1
8	625271		HARDWARE KIT (INCLUDES ITEMS 9 - 12)	1
9	00753G5		PHILLIPS TRUSS HEAD MACHINE SCREW, 1/4" - 20 X 2" LG	2
10	01110G01		FLAT WASHER (SS), 1/4".....	4
11	625278		RUBBER GROMMET	2
12	00654G2		LOCK NUT (SS), 1/4" - 20	2

WHEELS AND TIRES



Tire design may vary by Part Number

11 WHEEL AND TIRE ASSEMBLY (BLACK) includes items 12 - 14



WHEELS AND TIRES

When ordering parts, please specify the model and serial number of the product.

* Indicates a component that is not available as an individual part.

*** Indicates consult Customer Service Department for additional information.

ITEM	PART NO.	1 2 3 4 5	DESCRIPTION	QTY.
1	606179		WHEEL AND TIRE ASSEMBLY, 18" X 10" - 10" (SPEED RACER) (PASSENGER SIDE)	1
2	606240		WHEEL AND TIRE ASSEMBLY, 18" X 10" - 10" (SPEED RACER) (DRIVER SIDE)	1
3				
4	605310		LUG NUT, 1/2" - 20	4
5	608910		WHEEL CAP (DIAMOND).....	1
6				
7	12091G2		SPINDLE CAP	1
8	74175G01		DUST CAP	1
9				
10				
11	652263		WHEEL AND TIRE ASSEMBLY (BLACK) (INCLUDES ITEMS 12 - 14)	1
12	643948		VALVE STEM.....	1
13	652986		TIRE, 20" X 8" - 10", KENDA.....	1
14	643934		WHEEL, 10" X 6" - 4"	1
15				
16	14723G1		LUG NUT, 1/2" - 20	4



A Textron Company

E-Z-GO Division Of Textron, Inc.,
1451 Marvin Griffin Road, Augusta, Georgia USA 30906-3852

TO CONTACT US

North America:

Technical Assistance & Warranty Phone: 1-800-774-3946, FAX: 1-800-448-8124
Service Parts Phone: 1-888-GET-EZGO (1-888-438-3946), FAX: 1-800-752-6175

International:

Phone: 001-706-798-4311, FAX: 001-706-771-4609

Copyrighted Material
This manual may not be reproduced in whole or
in part without the express permission of
E-Z-GO Division of Textron, Inc.
Technical Communications Department