



A Textron Company

TXT VALOR

Service Parts Manual

689398 - A
ISSUED MARCH 2019

REVISED JUNE 2019

SERVICE PARTS MANUAL

GASOLINE EFI POWERED GOLF CAR

TXT VALOR

STARTING MID-MODEL YEAR 2019

Never modify the vehicle in any way that will alter the weight distribution of the vehicle, decrease its stability or increase the speed beyond the factory specifications. Such modifications can cause serious personal injury or death. Textron Specialized Vehicles prohibits and dis-claims responsibility for any such modifications or any other alteration which would adversely affect the safety of the vehicle. TSV reserves the right to incorporate engineering and design changes to products in this manual, without obligation to include these changes on units sold previously.

The information contained in this manual may be revised periodically by TSV, and therefore is subject to change without notice. TSV DISCLAIMS LIABILITY FOR ERRORS IN THIS MANUAL, and SPECIFICALLY DISCLAIMS LIABILITY FOR INCIDENTAL AND CONSEQUENTIAL DAMAGES resulting from the use of the information and materials in this manual. These are the original instructions as defined by 2006/42/EC.

TO CONTACT US:

Textron Specialized Vehicles, Inc.
1451 Marvin Griffin Road
Augusta, Georgia, USA 30906-3852

NORTH AMERICA:

Technical Assistance & Warranty PHONE: 1-800-774-3946, FAX: 1-800-448-8124
Service Parts PHONE: 1-888-438-3946, FAX: 1-800-752-6175
International: PHONE: 001-706-798-4311, FAX: 001-706-771-4609

GENERAL INFORMATION

To obtain a copy of the limited warranty applicable to the vehicle, call or write a local Distributor, authorized Branch or the Warranty Department with vehicle serial number and manufacturer code.

The use of non Original Equipment Manufacturer (OEM) approved parts may void the warranty.

Tampering with or adjusting the governor to permit vehicle to operate at above factory specifications will void the vehicle warranty.

When servicing engines, all adjustments and replacement components must be per original vehicle specifications in order to maintain the United States of America Federal and State emission certification applicable at the time of manufacture.

BATTERY PROLONGED STORAGE

All batteries will self discharge over time. The rate of self discharge varies depending on the ambient temperature and the age and condition of the batteries.

A fully charged battery will not freeze in winter temperatures unless the temperature falls below -75° F (-60° C).

BATTERY DISPOSAL

Lead-acid batteries are recyclable. Return whole scrap batteries to distributor, manufacturer or lead smelter for recycling. For neutralized spills, place residue in acid-resistant containers with absorbent material, sand or earth and dispose of in accordance with local, state and federal regulations for acid and lead compounds. Contact local and/or state environmental officials regarding disposal information.

TABLE OF CONTENTS

| SECTION | Page No. |
|--|-----------------|
| HOW TO USE THE SERVICE PARTS MANUAL..... | V |
| ACCELERATOR..... | A - 1 |
| AIR FILTER..... | B - 1 |
| BODY..... | C - 1 |
| BRAKES..... | D - 1 |
| CLUTCH..... | E - 1 |
| DIRECTION SELECTOR..... | F - 1 |
| ELECTRICAL..... | G - 1 |
| ENGINE AND MUFFLER..... | H - 1 |
| ENGINE MOUNTING..... | J - 1 |
| FRONT SUSPENSION AND STEERING..... | K - 1 |
| FUEL SYSTEM..... | L - 1 |
| REAR AXLE..... | M - 1 |
| REAR SUSPENSION..... | N - 1 |
| SEATING..... | P - 1 |
| STARTER/GENERATOR..... | R - 1 |
| WHEELS AND TIRES..... | S - 1 |
| DECALS AND LABELS..... | T - 1 |

HOW TO USE THE SERVICE PARTS MANUAL

This manual is divided into several sections:

- GENERAL INFORMATION
- ILLUSTRATED PARTS BREAKDOWN

The first section, GENERAL INFORMATION, contains the following information:

- WARRANTY INFORMATION
- TABLE OF CONTENT
- HOW TO USE THE SERVICE PARTS MANUAL

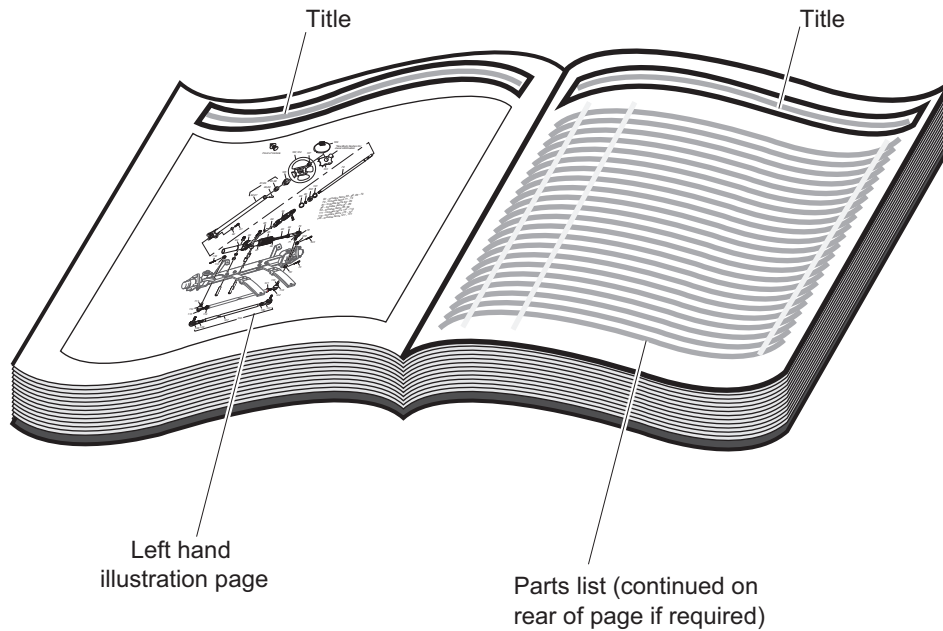
The second section, ILLUSTRATED PARTS BREAKDOWN, contains illustrations and parts lists for all systems of your vehicle.

USE OF THE MANUAL

To use this manual, consult the TABLE OF CONTENTS to locate the information or illustration required.

Introduction of some revisions varies due to supply of components; therefore, it is possible that various combinations of components may be found that are not directly reflected by each illustration. Consult the illustration that best suits your situation and then contact the Service Parts Department. It is important that the serial number or VIN of your vehicle and the model name be supplied to Service Parts when ordering any replacement components.

HOW TO USE THE SERVICE PARTS MANUAL



1. WHEN THE PART NUMBER IS NOT KNOWN

- Determine the function and application of the part required. Turn to the Table of Content and select the most appropriate title.
- Turn to the page number indicated and locate the desired part on the illustration.
- From the illustration, obtain the item number assigned to the desired part. Refer to the accompanying description for specific information regarding the part.

2. IF YOU KNOW THE PART NUMBER

- Locate the part number or description in the appropriate column on the parts list page.

NOTE: It is suggested that you confirm that the part selected is correct by verifying it with the pictorial representation on the illustrated page.

Should an asterisk (*) appear in the part number column on the parts list page, read upwards until a part number is found. The part number is the lowest assembly sold by Service Parts and the asterisk (*) indicates that the part depicted is not available for purchase.

NOTE: Descriptions are indented under the assembly that they are used on. That assembly is, in turn listed under the assembly that it is used on. This process is repeated until the highest final assembly is reached.

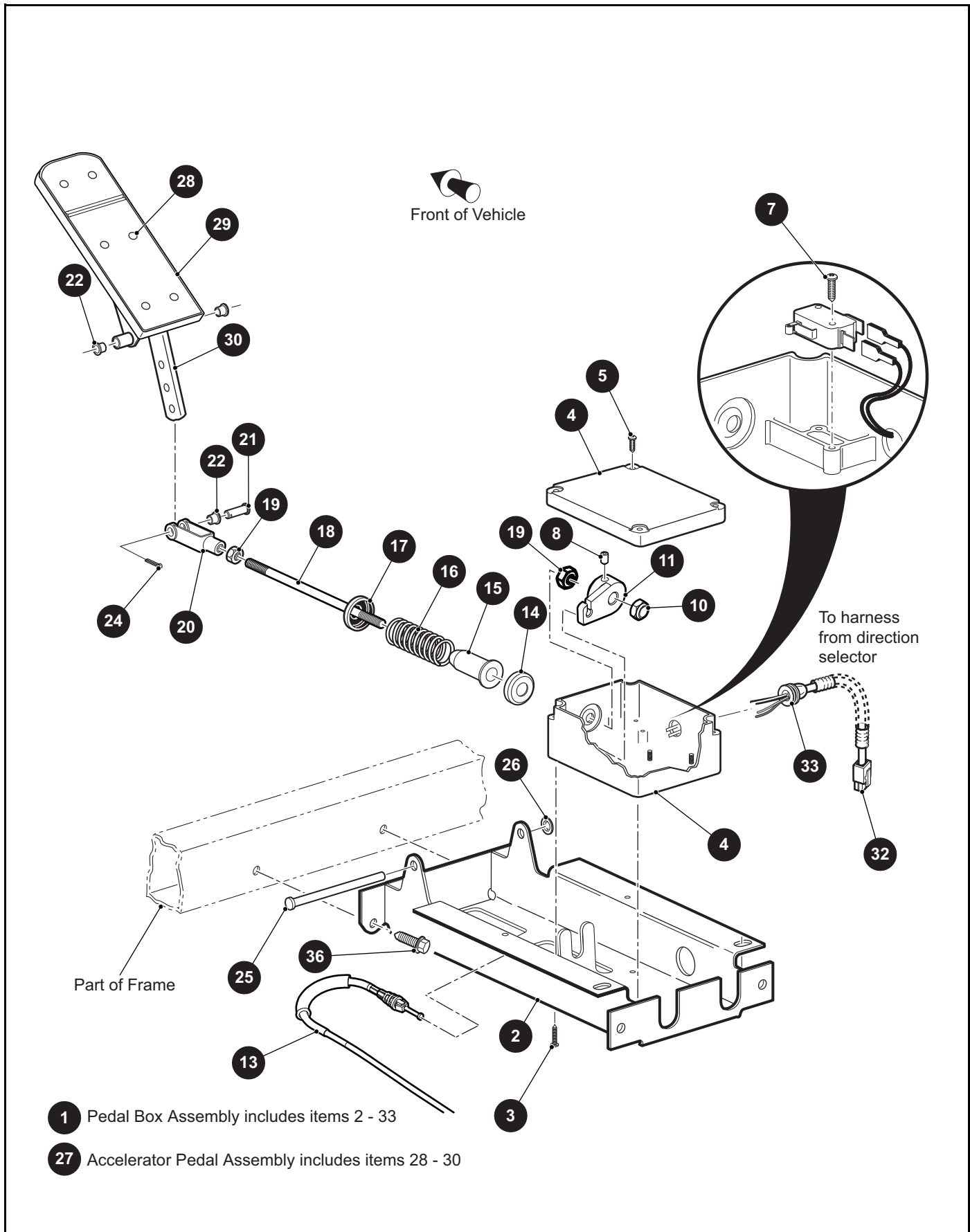
To facilitate the maintenance and repair of the vehicle, a Repair and Service Manual is available from the Service Parts Department.

3. COLOR CODE FOR BODY COMPONENTS

The last two digits of the part number for the body part will denote the color code, locate the part number for the cowl, rear body, seat pod, side panel or seat wrap then locate your color in the list below, replace the last ** or XX with the two digit color code.

| <u>CODE #</u> | <u>DESCRIPTION</u> |
|----------------------|---------------------------|
| 11 | BLACK |
| 19 | PATRIOT BLUE PEARL |
| 20 | INFERNO RED METALLIC |
| 26 | STEEL BLUE PEARL |
| 31 | METALLIC CHARCOAL |
| 35 | SAFETY YELLOW |
| 36 | IVORY |
| 37 | FOREST GREEN |
| 38 | BRIGHT WHITE |
| 39 | FLAME RED |
| 41 | ELECTRIC BLUE |
| 42 | PLATINUM |
| 43 | BURGUNDY |
| 44 | ALMOND |
| 51 | SUNBURST ORANGE |
| 52 | BRITISH RACING GREEN |
| 79 | JACOBSEN ORANGE 172 |
| 82 | NEW HOLLAND BLUE |

ACCELERATOR



THE USE OF NON U.L. PARTS WILL VOID ANY U.L. LISTING.

When ordering parts, please specify the model and serial number of the product.

* Indicates a component that is not available as an individual part.

*** Indicates consult Customer Service Department for additional information.

| ITEM | PART NO. | 1 2 3 4 5 | DESCRIPTION | QTY. |
|------|-----------|-----------|---|------|
| 1 | 666105 | | Pedal Box Assembly (Includes Items 2 - 33)..... | 1 |
| 2 | 652241G03 | | Accelerator Pedal Bracket | 1 |
| 3 | 01051G01 | | Pan Head Phillips Screw, #8 - 10 x 1/2" Lg | 4 |
| 4 | 25853G03 | | Pedal Box and Cover..... | 1 |
| 5 | 00684G6 | | Truss Head Screw (SS), #8 - 32 x 3/4" Lg..... | 2 |
| 6 | | | | |
| 7 | 01050G02 | | Pan Head Torx Screw, #4 - 20 x 5/8" Lg..... | 2 |
| 8 | 00487G3 | | Socket Head Screw, 1/4" - 20 x 3/8" Lg..... | 1 |
| 9 | | | | |
| 10 | 15126G1 | | Lock Nut, 5/6" - 24 | 1 |
| 11 | 72716G01 | | Micro Switch Cam..... | 1 |
| 12 | | | | |
| 13 | 608608 | | Accelerator Cable | 1 |
| 14 | 17677G1 | | Spring Retainer..... | 1 |
| 15 | 17979G1 | | Bushing, .75" x 2" Lg | 1 |
| 16 | 73046G01 | | Compression Spring | 1 |
| 17 | 17677G2 | | Spring Retainer, 3/8"..... | 1 |
| 18 | 72072G01 | | Accelerator Rod..... | 1 |
| 19 | 00532G4 | | Hex Nut, 5/16" - 24 | 2 |
| 20 | 10385G4 | | Clevis Yoke (Adjustable)..... | 1 |
| 21 | 10386G3 | | Clevis Pin, 5/16" x 13/16" Lg | 1 |
| 22 | 17838G1 | | Nylon Bushing, .37" x .31" Lg | 3 |
| 23 | | | | |
| 24 | 10387G3 | | Cotter Pin, 3/32" x 3/4" Lg | 1 |
| 25 | 74432G01 | | Pedal Pivot Pin | 1 |
| 26 | 12064G6 | | Push Nut, 5/16"..... | 1 |
| 27 | 25799G03 | | Accelerator Pedal Assembly (Includes Items 28 - 30) | 1 |
| 28 | 16409G1 | | Oval Rivet, 3/16" x 7/16" Lg | 6 |
| 29 | 27512G01 | | Accelerator Pedal Pad | 1 |
| 30 | 652824 | | Accelerator Pedal..... | 1 |
| 31 | | | | |

ACCELERATOR

THE USE OF NON U.L. PARTS WILL VOID ANY U.L. LISTING.

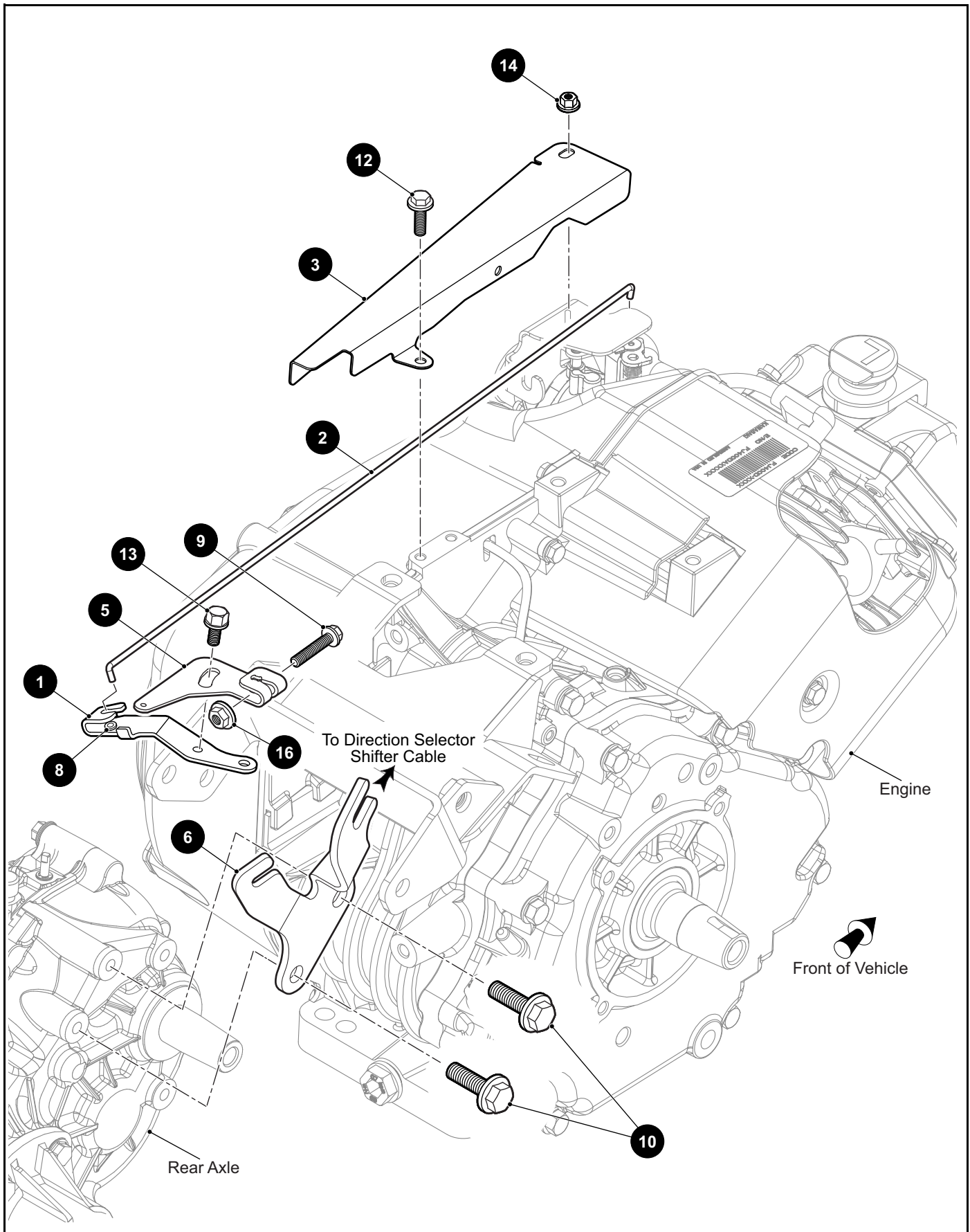
When ordering parts, please specify the model and serial number of the product.

* Indicates a component that is not available as an individual part.

*** Indicates consult Customer Service Department for additional information.

| ITEM | PART NO. | 1 | 2 | 3 | 4 | 5 | DESCRIPTION | QTY. |
|------|----------|---|---|---|---|---|---|------|
| 32 | 658940 | | | | | | Pedal Harness..... | 1 |
| 33 | 654645 | | | | | | Grommet (Rubber)..... | 1 |
| 34 | | | | | | | | |
| 35 | 17618G1 | | | | | | Nylon Clamp, 7" Lg (Not Illustrated) | 3 |
| 36 | 00715G2 | | | | | | Hex Washer Head Bolt, 5/16" - 18 x 3/4" Lg..... | 4 |

ACCELERATOR



THE USE OF NON U.L. PARTS WILL VOID ANY U.L. LISTING.

When ordering parts, please specify the model and serial number of the product.

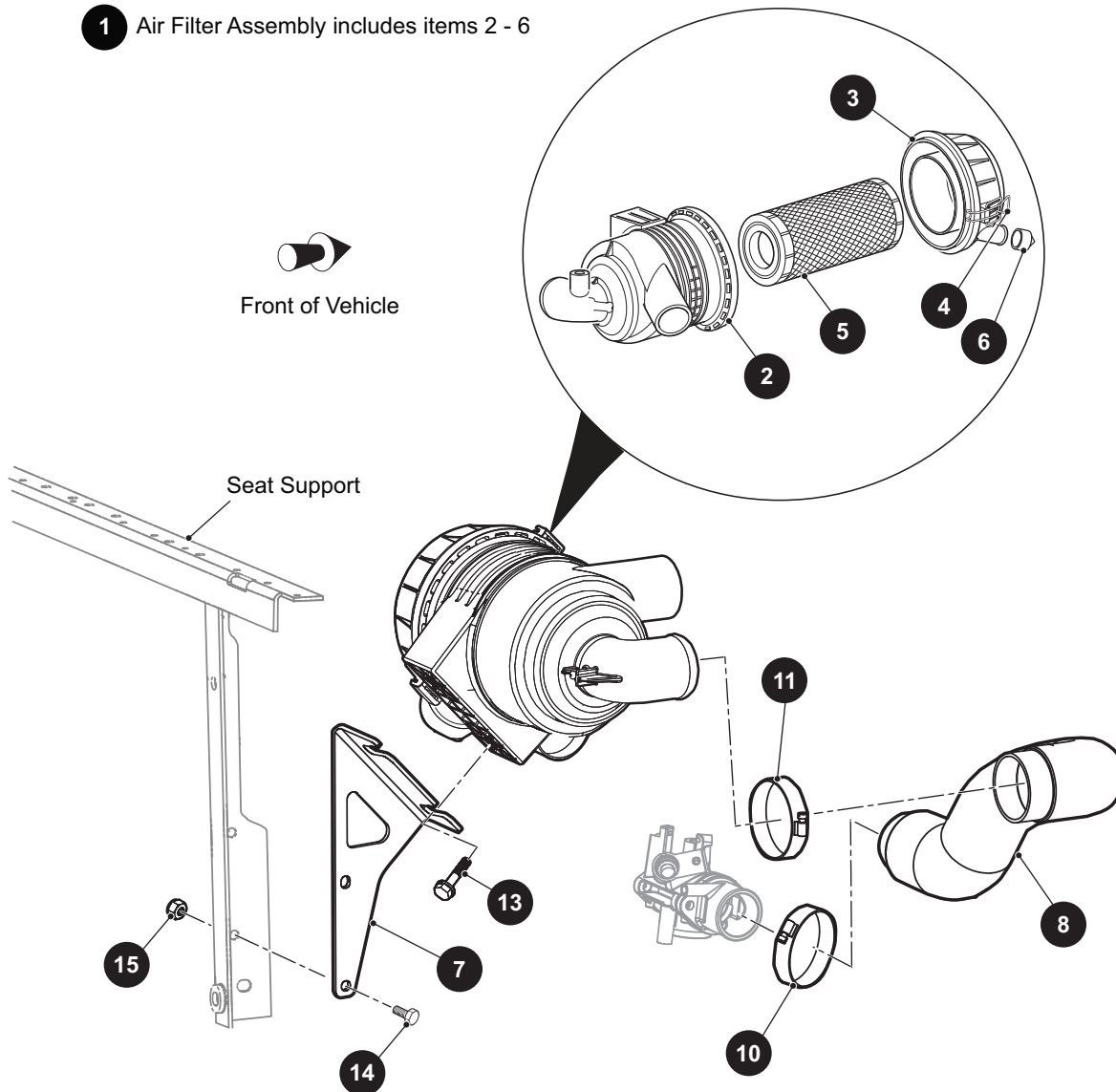
* Indicates a component that is not available as an individual part.

*** Indicates consult Customer Service Department for additional information.

| ITEM | PART NO. | 1 2 3 4 5 | DESCRIPTION | QTY. |
|------|----------|-----------|---|------|
| 1 | 606005 | | Governor Bracket (Lower)..... | 1 |
| 2 | 606284 | | Governor Link Rod..... | 1 |
| 3 | 660005 | | Governor Rod Guard..... | 1 |
| 4 | | | | |
| 5 | 606083 | | Governor Bracket (Upper)..... | 1 |
| 6 | 632936 | | Governor Cable / Direction Selector Bracket..... | 1 |
| 7 | | | | |
| 8 | 606283 | | Governor Lever Bushing..... | 1 |
| 9 | 606421 | | Flanged Hex Head Bolt, M6 - 1 x 30mm Lg, Grade 8.8..... | 1 |
| 10 | 606256 | | Flanged Hex Head Bolt, M10 - 1.25 x 25mm Lg, Grade 8.8..... | 2 |
| 11 | | | | |
| 12 | 606264 | | Flanged Hex Head Bolt, M6 - 1 x 20mm Lg, Grade 8.8..... | 1 |
| 13 | 73876G01 | | Flanged Hex Head Bolt, M6 - 1 x 12mm Lg, Grade 8.8..... | 1 |
| 14 | 601476 | | Lock Nut, M6 - 1..... | 1 |
| 15 | | | | |
| 16 | 450452 | | Flanged Hex Nut, M6 - 1..... | 1 |

AIR FILTER

1 Air Filter Assembly includes items 2 - 6



THE USE OF NON U.L. PARTS WILL VOID ANY U.L. LISTING.

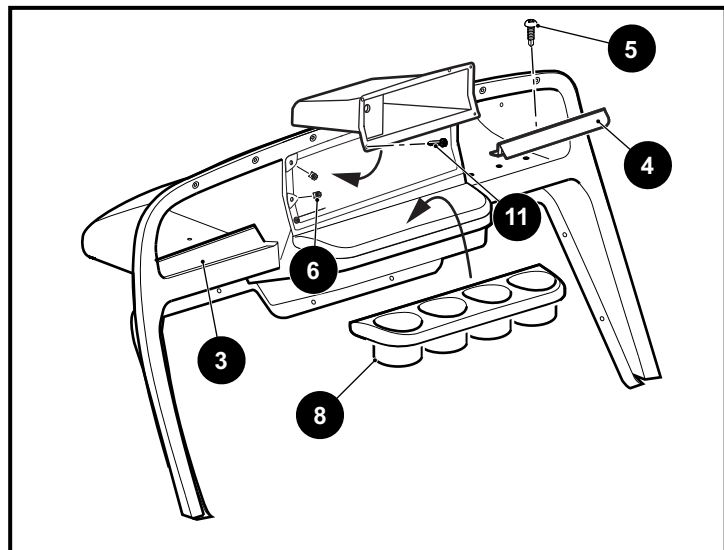
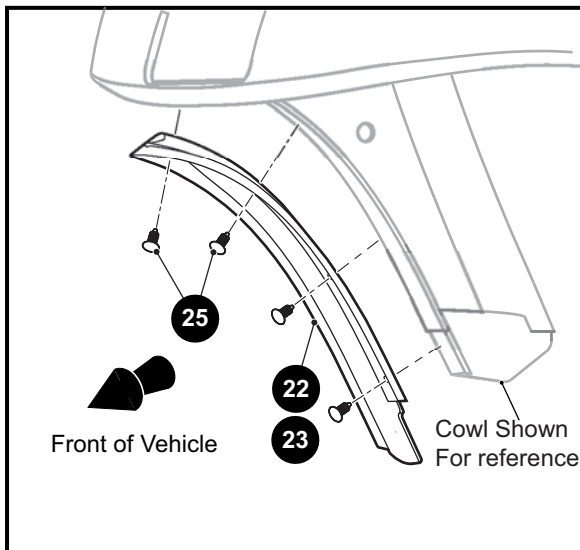
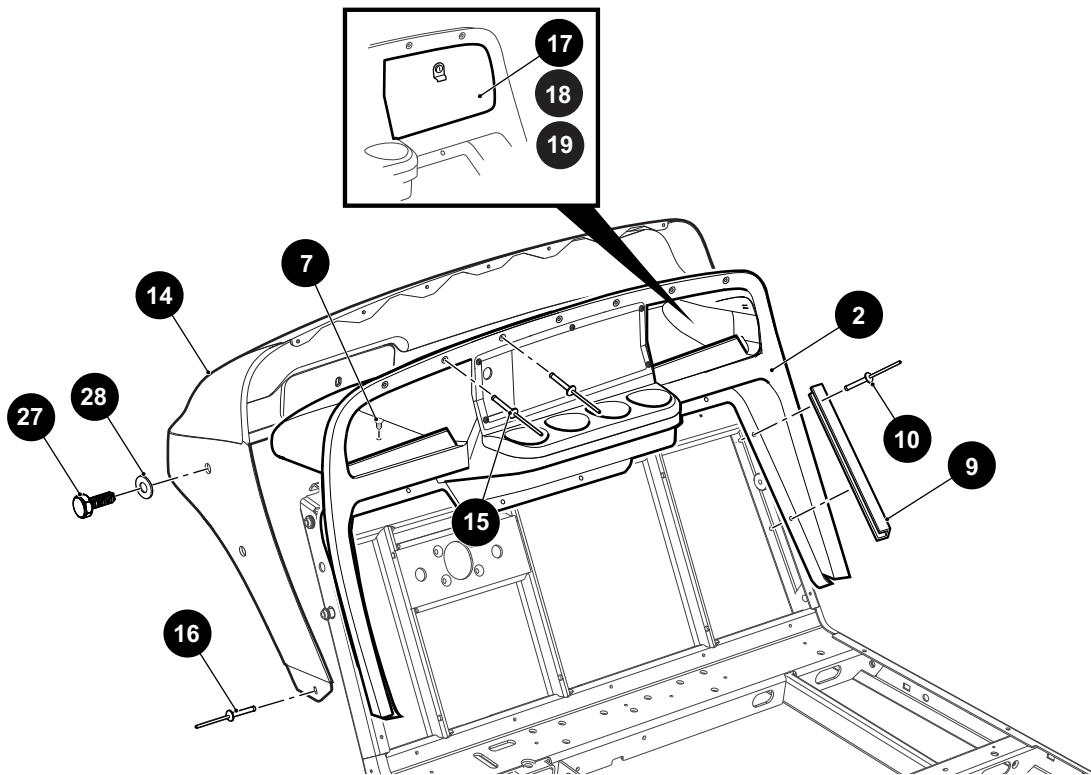
When ordering parts, please specify the model and serial number of the product.

* Indicates a component that is not available as an individual part.

*** Indicates consult Customer Service Department for additional information.

| ITEM | PART NO. | 1 2 3 4 5 | DESCRIPTION | QTY. |
|------|----------|-----------|--|------|
| 1 | 658941 | | Air Filter Assembly (Includes Items 2 - 6)..... | 1 |
| 2 | 659139 | | Air Cleaner Assembly | 1 |
| 3 | 658957 | | Air Cleaner Cover | 1 |
| 4 | 72604G01 | | Air Cleaner Clip | 2 |
| 5 | 28463G01 | | Air Filter | 1 |
| 6 | 28462G01 | | Dust Ejector Valve | 1 |
| 7 | 659142 | | Air Cleaner Mounting Bracket | 1 |
| 8 | 601910 | | Air filter Tube..... | 1 |
| 9 | | | | |
| 10 | 11391G5 | | Hose Clamp, .81" | 1 |
| 11 | 11391G7 | | Hose Clamp, 1.56" | 1 |
| 12 | | | | |
| 13 | 606261 | | Flanged Hex Head Bolt, M8 - 1.25 x 20mm Lg, Grade 8.8..... | 2 |
| 14 | 00414G7 | | Hex Head Bolt, 1/4" - 20 x 7/8" Lg, Grade 5 | 2 |
| 15 | 14390G4 | | Lock Nut, 1/4" - 20 | 2 |

- 1** Instrument Panel Assembly includes items 2 - 6
- 21** Front Splash Guard Kit includes items 22 - 25
- 24** Hardware Kit includes item 25



THE USE OF NON U.L. PARTS WILL VOID ANY U.L. LISTING.

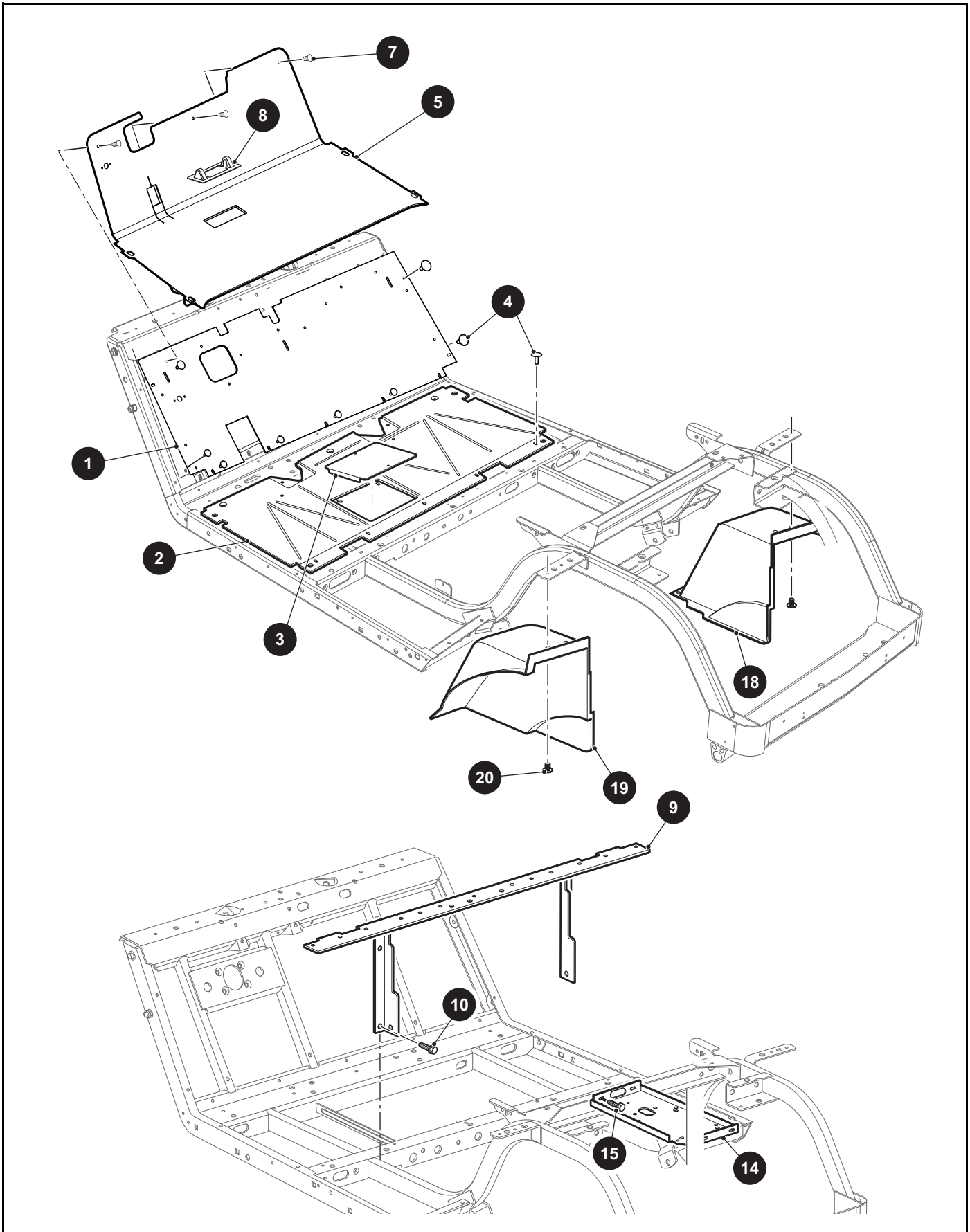
When ordering parts, please specify the model and serial number of the product.

* Indicates a component that is not available as an individual part.

*** Indicates consult Customer Service Department for additional information.

| ITEM | PART NO. | 1 2 3 4 5 | DESCRIPTION | QTY. |
|------|------------|-----------|---|------|
| 1 | 71917G01 | | Instrument Panel Assembly (Includes Items 2 - 6)..... | 1 |
| 2 | 628010 | | Instrument Panel Assembly with Compartment..... | 1 |
| 3 | 71153G01 | | Ball Holder (Driver Side)..... | 1 |
| 4 | 71154G01 | | Ball Holder (Passenger Side) | 1 |
| 5 | 00614G3 | | Pan Head Phillips Tapping Screw, #8 - 15 x 3/8" Lg | 4 |
| 6 | 71364G02 | | 'J' Type Speed Nut, #8 - 15 x .198" Lg | 5 |
| 7 | 16816G2 | | Ratchet Rivet, .25" x .887" | 2 |
| 8 | 628023 | | Cup Holder | 1 |
| 9 | 71115G01 | | Trim | 2 |
| 10 | 71055G01 | | Rivet, 3/16" x .985" Dia | 11 |
| 11 | 608290 | | Pan Head Phillips Tapping Screw, #10 - 16 x 3/4" Lg | 5 |
| 12 | | | | |
| 13 | | | | |
| 14 | 619730G1XX | | Cowl with Openings for Lights (See COLOR CODES in HOW TO USE Section)..... | 1 |
| 15 | 71055G01 | | Rivet, 3/16" x .985" Dia | 7 |
| 16 | 10570G11 | | Rivet (SS), 3/16" x .70" | 2 |
| 17 | 75459G01 | | Glove Box (Driver/Passenger Side) | 1 |
| 18 | 75459G02 | | Glove Box (Driver Side) | 1 |
| 19 | 75459G03 | | Glove Box (Passenger Side)..... | 1 |
| 20 | | | | |
| 21 | 656538 | | Front Splash Guard Kit (Includes Items 22 - 25) | 1 |
| 22 | 651127G01 | | Splash Guard (Driver Side) | 1 |
| 23 | 651127G02 | | Splash Guard (Passenger Side) | 1 |
| 24 | 656649 | | Hardware Kit (Includes Item 25) | 1 |
| 25 | 16816G1 | | Ratchet Rivet, .25" x .680" | 4 |
| 26 | | | | |
| 27 | 00438G6 | | Hex Head Bolt, 5/16" - 18 x 3/4" Lg | 2 |
| 28 | 00571G2 | | Flat Washer, 5/16" | 2 |

BODY



THE USE OF NON U.L. PARTS WILL VOID ANY U.L. LISTING.

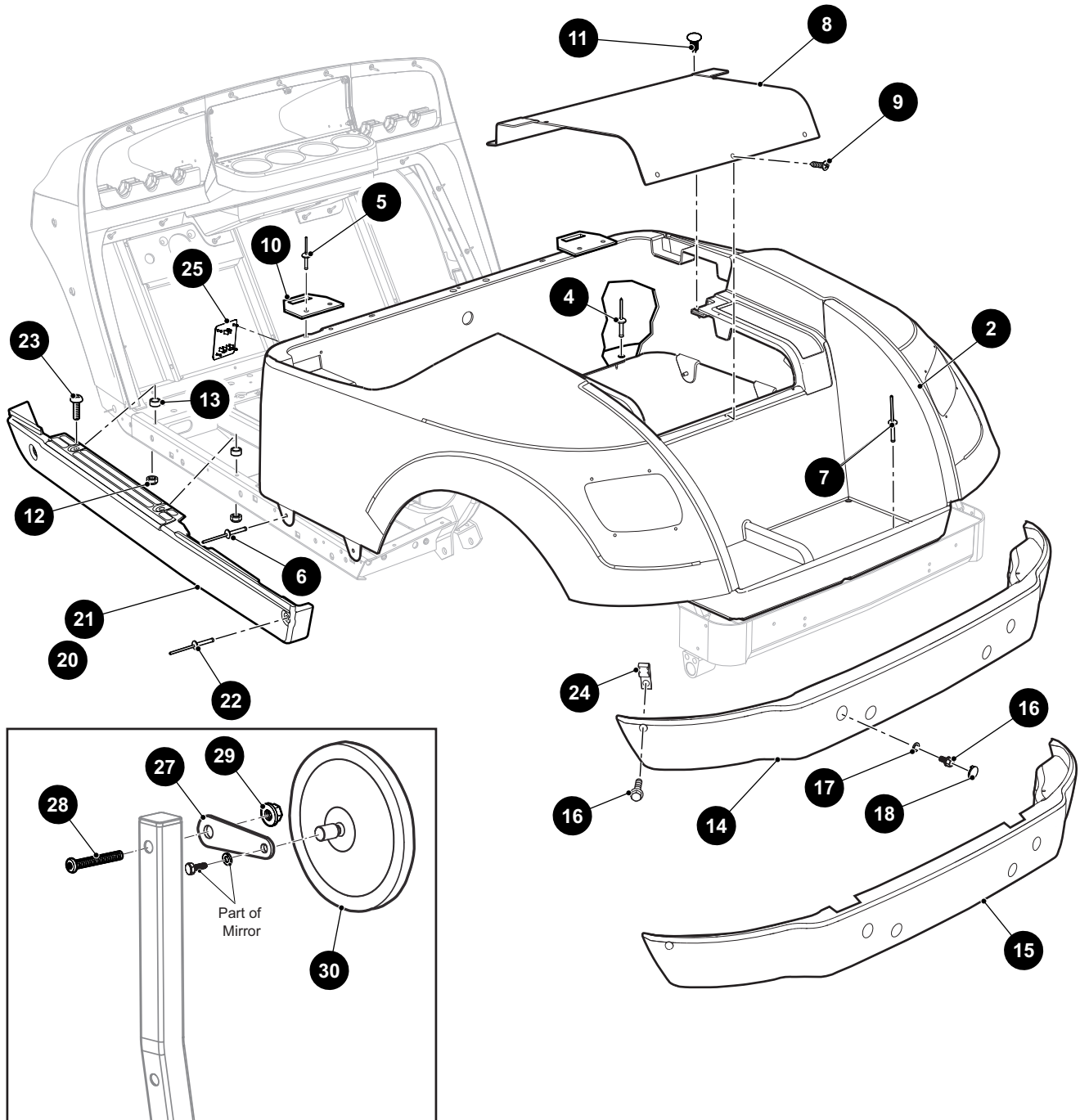
When ordering parts, please specify the model and serial number of the product.

* Indicates a component that is not available as an individual part.

*** Indicates consult Customer Service Department for additional information.

| ITEM | PART NO. | 1 2 3 4 5 | DESCRIPTION | QTY. |
|------|-----------|-----------|---|------|
| 1 | 641260 | | Upper Floorpan | 1 |
| 2 | 70451G01 | | Lower Floorpan | 1 |
| 3 | 70452G01 | | Access Cover | 1 |
| 4 | 14601G11 | | Rivet (Aluminum), 3/16" x 9/16" Lg | 16 |
| 5 | 637535G02 | | Floormat with Horn Hole | 1 |
| 6 | | | | |
| 7 | 16816G1 | | Ratchet Rivet, .25" x .680" | 3 |
| 8 | 70135G01 | | Pedal Pivot Cover | 1 |
| 9 | 659143 | | Seat Frame | 1 |
| 10 | 00715G2 | | Flanged Hex Head Screw, 5/16" - 18 x 4/5" Lg..... | 2 |
| 11 | | | | |
| 12 | | | | |
| 13 | | | | |
| 14 | 70244G05 | | Splash Panel..... | 1 |
| 15 | 00715G2 | | Flanged Hex Head Screw, 5/16" - 18 x 4/5" Lg..... | 4 |
| 16 | | | | |
| 17 | | | | |
| 18 | 635054G02 | | Fender Liner (Passenger Side)..... | 1 |
| 19 | 635054G01 | | Fender Liner (Driver Side)..... | 1 |
| 20 | 16816G2 | | Ratchet Fastener, 1/4" x 3/4" Lg | 8 |

1 Rear Body (With Taillights) includes item 2



THE USE OF NON U.L. PARTS WILL VOID ANY U.L. LISTING.

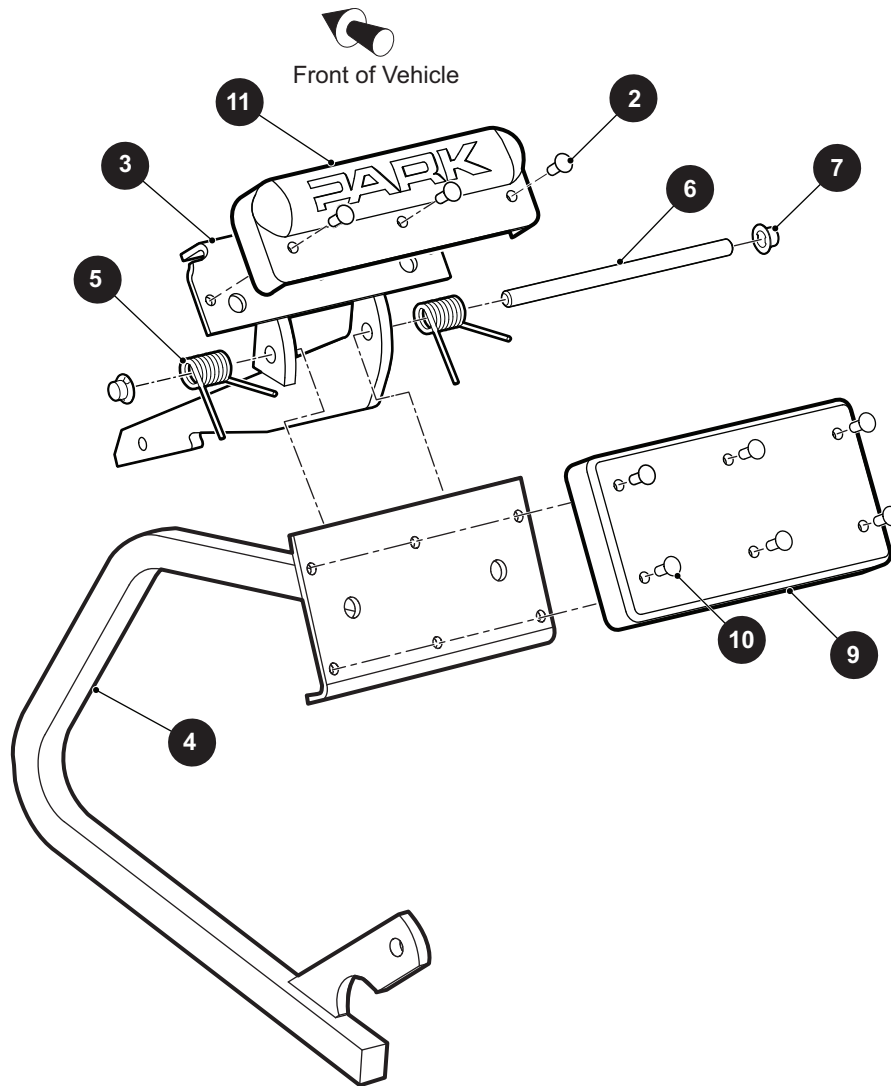
When ordering parts, please specify the model and serial number of the product.

* Indicates a component that is not available as an individual part.

*** Indicates consult Customer Service Department for additional information.

| ITEM | PART NO. | 1 2 3 4 5 | DESCRIPTION | QTY. |
|------|------------|-----------|---|------|
| 1 | 625272G1XX | | Rear Body (With Taillights) (Includes Item 2) (See COLOR CODES in HOW TO USE Section)..... | 1 |
| 2 | 624374 | | Bagwell Liner | 1 |
| 3 | | | | |
| 4 | 10570G10 | | Rivet (SS), 5/32" x 9/16" Lg | 5 |
| 5 | 10570G11 | | Rivet (SS), 3/16" x .70" Lg | 4 |
| 6 | 10570G12 | | Rivet (SS), 1/4" x 9/16" Lg | 2 |
| 7 | 633917 | | Plastic Rivet, 1/4" x 1" Lg..... | 2 |
| 8 | 71320G01 | | Access Cover | 1 |
| 9 | 01107G01 | | Pan Head Torx Screw, #8 x .63" Lg | 5 |
| 10 | 71609G01 | | Seat Hinge Plate | 2 |
| 11 | 16816G2 | | Ratchet Fastener, 1/4" x 3/4" Lg | 2 |
| 12 | 601476 | | Lock Nut, M6 - 1..... | 4 |
| 13 | 23726G4 | | Spacer, 5/16"..... | 4 |
| 14 | 71456G01 | | Rear Bumper (Notched)..... | 1 |
| 15 | 71451G02 | | Rear Bumper (Econ) | 1 |
| 16 | 71102G01 | | Hex Washer Head Bolt, 1/4" - 20 x 3/4" Lg, Grade 5 | 4 |
| 17 | 00571G2 | | Flat Washer, 5/16" | 2 |
| 18 | 71514G01 | | Bumper Plug | 4 |
| 19 | | | | |
| 20 | 615239 | | Rocker Panel with Sill Plate (Driver Side)..... | 1 |
| 21 | 617333 | | Rocker Panel with Sill Plate (Passenger Side) | 1 |
| 22 | 15058G6 | | Black Rivet (Aluminum), 3/16" | 4 |
| 23 | 634161 | | Flanged Button Head Torx Bolt, M6 - 1 x 30mm Lg | 4 |
| 24 | 71554G01 | | 'J' Type Nut Retainer, 1/4" - 20..... | 2 |
| 25 | 666066 | | Receptacle Cover Assembly | 1 |
| 26 | | | | |
| 27 | 648528 | | Mirror Bracket..... | 1 |
| 28 | 600527 | | Button Head Torx Bolt, M10 - 1.5 x 60mm Lg | 1 |
| 29 | 600525 | | Lock Nut, M10 - 1.5..... | 1 |
| 30 | 74202G01 | | Round Mirror | 1 |

- 1 Brake Pedal Assembly (without Brake Lights) includes items 2 - 11



THE USE OF NON U.L. PARTS WILL VOID ANY U.L. LISTING.

When ordering parts, please specify the model and serial number of the product.

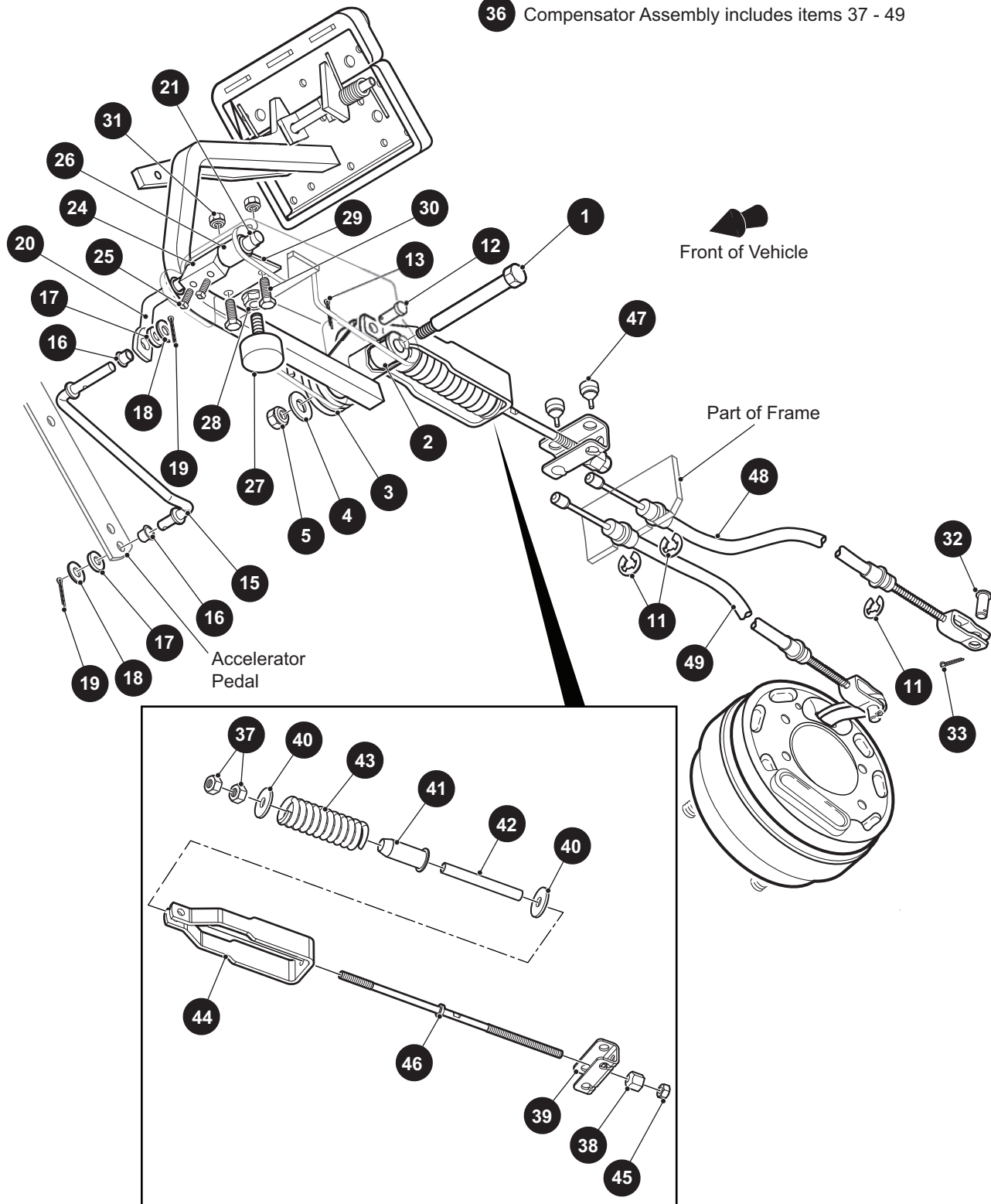
* Indicates a component that is not available as an individual part.

*** Indicates consult Customer Service Department for additional information.

| ITEM | PART NO. | 1 2 3 4 5 | DESCRIPTION | QTY. |
|------|-----------|-----------|---|------|
| 1 | 70612G02 | | Brake Pedal Assembly (without Lights) (Includes Items 2 - 11) | 1 |
| 2 | 16409G1 | | Oval Rivet, .375" x .468" Lg..... | 3 |
| 3 | 652253G03 | | Park Brake Pedal..... | 1 |
| 4 | 652251G03 | | Brake Pedal (without Lights)..... | 1 |
| 5 | 70681G01 | | Torsion Spring..... | 2 |
| 6 | 70682G01 | | Pivot Pin | 1 |
| 7 | 658825 | | Push Nut, 5/16" - 24 | 2 |
| 8 | | | | |
| 9 | 70257G01 | | Service Brake Pad..... | 1 |
| 10 | 16409G1 | | Oval Rivet, .375" x .468" Lg..... | 6 |
| 11 | 70256G01 | | Park Brake Pedal Pad | 1 |

2 WHEEL DRUM BRAKES

36 Compensator Assembly includes items 37 - 49



THE USE OF NON U.L. PARTS WILL VOID ANY U.L. LISTING.

When ordering parts, please specify the model and serial number of the product.

* Indicates a component that is not available as an individual part.

*** Indicates consult Customer Service Department for additional information.

| ITEM | PART NO. | 1 2 3 4 5 | DESCRIPTION | QTY. |
|------|----------|-----------|---|------|
| 1 | 70582G01 | | Shoulder Bolt, .495 Dia. x 3/8" - 16 Thread x 3.406" Lg | 1 |
| 2 | 70581G01 | | Bushing (Acetal), .51" I.D. x .795" O.D. x .75" Lg. | 2 |
| 3 | 70676G01 | | Torsion Spring 1.34" Dia. | 1 |
| 4 | 00643G1 | | Flat Washer, 3/8" | 1 |
| 5 | 11098G5 | | Lock Nut, 3/8" - 16 | 1 |
| 6 | | | | |
| 7 | 12416G2 | | Wedge Clamp (Nylon), 11.8" Lg (Not Illustrated) | 3 |
| 8 | | | | |
| 9 | | | | |
| 10 | | | | |
| 11 | 01111G01 | | Retaining Ring, .8" O.D. x .39" I.D. x .42" | 4 |
| 12 | 10386G3 | | Clevis Pin, .313" x .84" Lg..... | 1 |
| 13 | 10387G3 | | Cotter Pin, .094" x .75" | 1 |
| 14 | | | | |
| 15 | 70601G01 | | Kick-off Linkage Rod | 1 |
| 16 | 17838G1 | | Flanged Nyliner Bushing, .374" O.D. x .313" I.D. x .312" Lg | 2 |
| 17 | 20835G1 | | Washer, .62" O.D. x .39" I.D. x .135" | 2 |
| 18 | 00559G8 | | Flat Washer, 1/4" - 20..... | 2 |
| 19 | 10387G3 | | Cotter Pin, .094" x .75" | 2 |
| 20 | 70098G01 | | Kick-off Cam Pivot..... | 1 |
| 21 | 10097G6 | | Flanged Bearing .502" O.D. x .378" I.D. x .380" | 2 |
| 22 | | | | |
| 23 | | | | |
| 24 | 70587G01 | | Park Brake Cam..... | 1 |
| 25 | 71215G01 | | Square Head Set Screw with Patch Lock, 1/4" - 20 x .5" Lg..... | 2 |
| 26 | 14134G4 | | Spacer, .76" O.D. x .405" I.D. x 1.25" Lg | 1 |
| 27 | 70113G01 | | Adjustable Rubber Bumper | 1 |
| 28 | 11027G1 | | Flanged Lock Nut, 5/16" - 18 | 1 |
| 29 | 70080G02 | | Hill Brake Catch Bracket | 1 |
| 30 | 00414G6 | | Hex Head Bolt, 1/4" - 20 x .75" Lg, Grade 5 | 2 |
| 31 | 14390G4 | | Lock Nut, 1/4" - 20 | 2 |

BRAKES

THE USE OF NON U.L. PARTS WILL VOID ANY U.L. LISTING.

When ordering parts, please specify the model and serial number of the product.

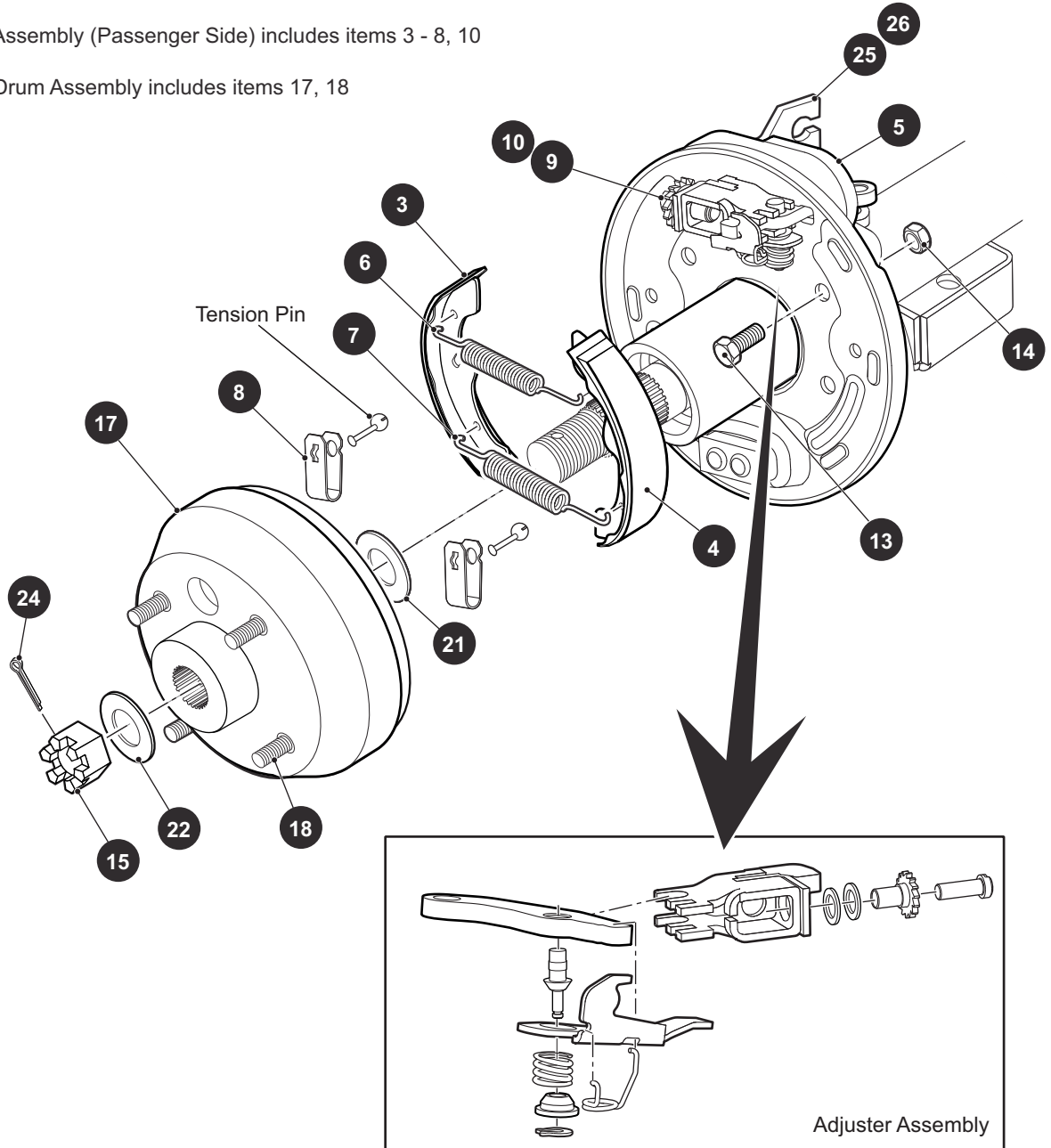
* Indicates a component that is not available as an individual part.

*** Indicates consult Customer Service Department for additional information.

| ITEM | PART NO. | 1 | 2 | 3 | 4 | 5 | DESCRIPTION | QTY. |
|------|----------|---|---|---|---|---|---|------|
| 32 | 10386G3 | | | | | | Clevis Pin, .313" x .84" Lg | 1 |
| 33 | 10387G3 | | | | | | Cotter Pin, .094" x .75" | 1 |
| 34 | | | | | | | | |
| 35 | | | | | | | | |
| 36 | 654667 | | | | | | Compensator Assembly (Includes Items 37 - 49) | 1 |
| 37 | 00532G4 | | | | | | Hex Nut, 5/16" - 24 | 2 |
| 38 | 629486 | | | | | | Spherical Hex Nut, 5/16"- 24 | 1 |
| 39 | 28082G01 | | | | | | Equalizer Bracket | 1 |
| 40 | 15121G1 | | | | | | Flat Washer, 3/8" | 2 |
| 41 | 17979G1 | | | | | | Accelerator Rod Bushing, .464" I.D. x 1" O.D. x 2" Lg | 1 |
| 42 | 23061G2 | | | | | | Tube | 1 |
| 43 | 23463G1 | | | | | | Compression Spring | 1 |
| 44 | 652256 | | | | | | Brake Yoke | 1 |
| 45 | 11098G9 | | | | | | Lock Nut, 5/16" - 24 | 1 |
| 46 | 612557 | | | | | | Compensator Link Rod | 1 |
| 47 | 28083G01 | | | | | | Brake Compensator Bumper | 2 |
| 48 | 624690 | | | | | | Brake Cable (Driver Side) | 1 |
| 49 | 624703 | | | | | | Brake Cable (Passenger Side) | 1 |

BRAKES

- 1 Brake Assembly (Driver Side) includes items 3 - 9
- 2 Brake Assembly (Passenger Side) includes items 3 - 8, 10
- 16 Brake Drum Assembly includes items 17, 18



BRAKES

THE USE OF NON U.L. PARTS WILL VOID ANY U.L. LISTING.

When ordering parts, please specify the model and serial number of the product.

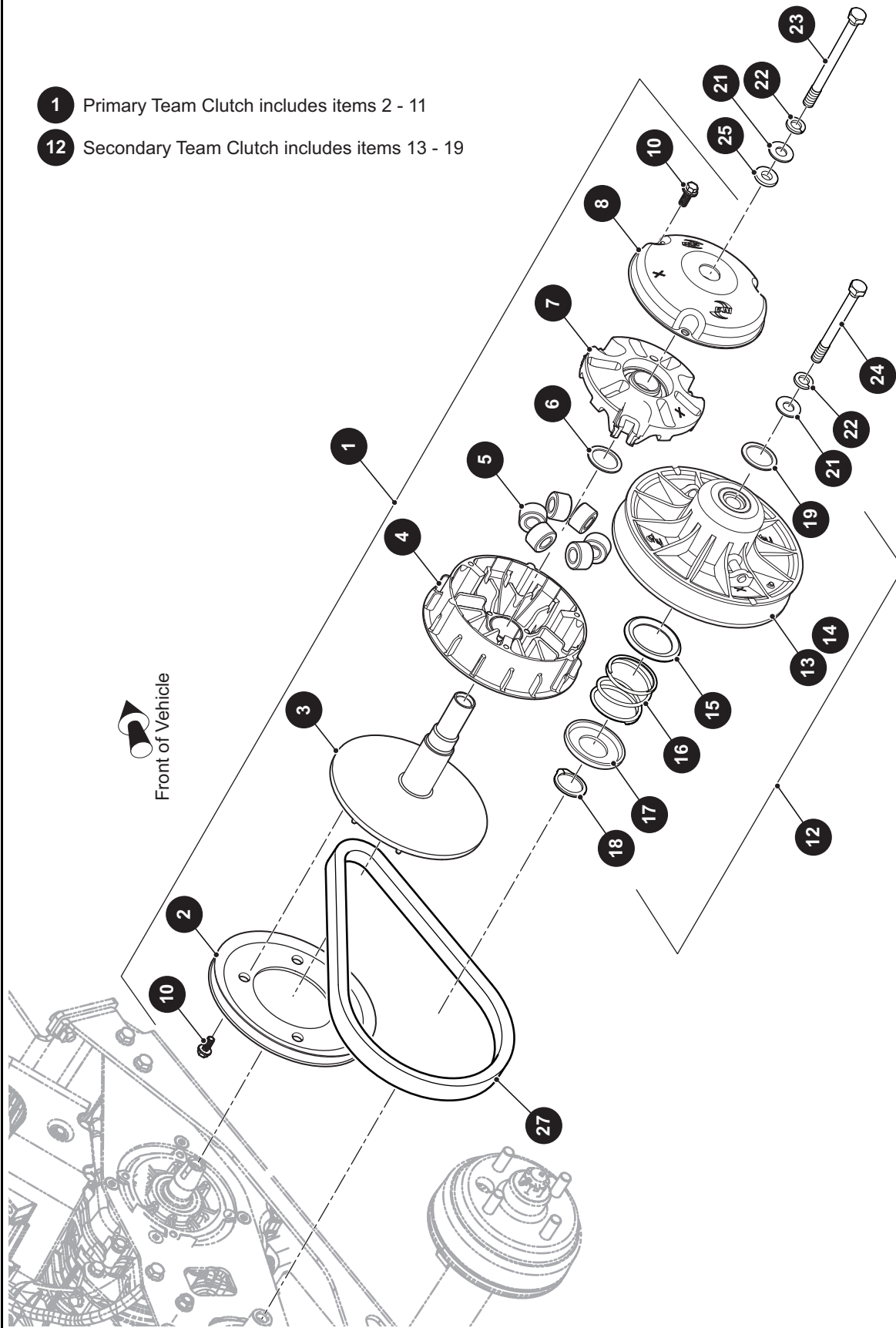
* Indicates a component that is not available as an individual part.

*** Indicates consult Customer Service Department for additional information.

| ITEM | PART NO. | 1 2 3 4 5 | DESCRIPTION | QTY. |
|------|----------|-----------|---|------|
| 1 | 612211 | | Brake Assembly (Driver Side) (Includes Items 3 - 9) | 1 |
| 2 | 612189 | | Brake Assembly (Passenger Side) (Includes Items 3 - 8, 10)..... | 1 |
| 3 | 612411 | | Brake Shoe, Leading | 1 |
| 4 | 612412 | | Brake Shoe, Trailing | 1 |
| 5 | 612413 | | Dust Cover..... | 1 |
| 6 | 612415 | | Brake Spring, Top | 1 |
| 7 | 612414 | | Brake Spring, Bottom | 1 |
| 8 | 612416 | | Shoe Clamp | 2 |
| 9 | 612418 | | Gear Adjuster (Driver Side) | 1 |
| 10 | 612417 | | Gear Adjuster (Passenger Side)..... | 1 |
| 11 | | | | |
| 12 | | | | |
| 13 | 17083G2 | | Hex Head Bolt, 5/16" - 24 x 1" Lg, Grade 8 | 8 |
| 14 | 15126G1 | | Lock Nut, 5/16" - 24 | 8 |
| 15 | 612928 | | Castle Nut, 5/8" - 18..... | 2 |
| 16 | 21807G2 | | Brake Drum Assembly (Includes Items 17, 18)..... | 2 |
| 17 | 20947G1 | | Brake Drum | 1 |
| 18 | 19862G2 | | Lug Bolt, 1/2" - 20 x 1.218" Lg..... | 4 |
| 19 | | | | |
| 20 | | | | |
| 21 | 21809G1 | | Flat Washer, Inner Wheel Rim, 1.31" O.D. x .85" I.D..... | 2 |
| 22 | 606945 | | Flat Washer - Brake Drum, 1.75" O.D. x .89" I.D. | 2 |
| 23 | | | | |
| 24 | 10387G1 | | Cotter Pin, .125" x 1.50" Lg | 2 |
| 25 | 652248 | | Brake Cable Bracket (Passenger Side) | 1 |
| 26 | 652249 | | Brake Cable Bracket (Driver Side)..... | 1 |

CLUTCH

- 1** Primary Team Clutch includes items 2 - 11
- 12** Secondary Team Clutch includes items 13 - 19



THE USE OF NON U.L. PARTS WILL VOID ANY U.L. LISTING.

When ordering parts, please specify the model and serial number of the product.

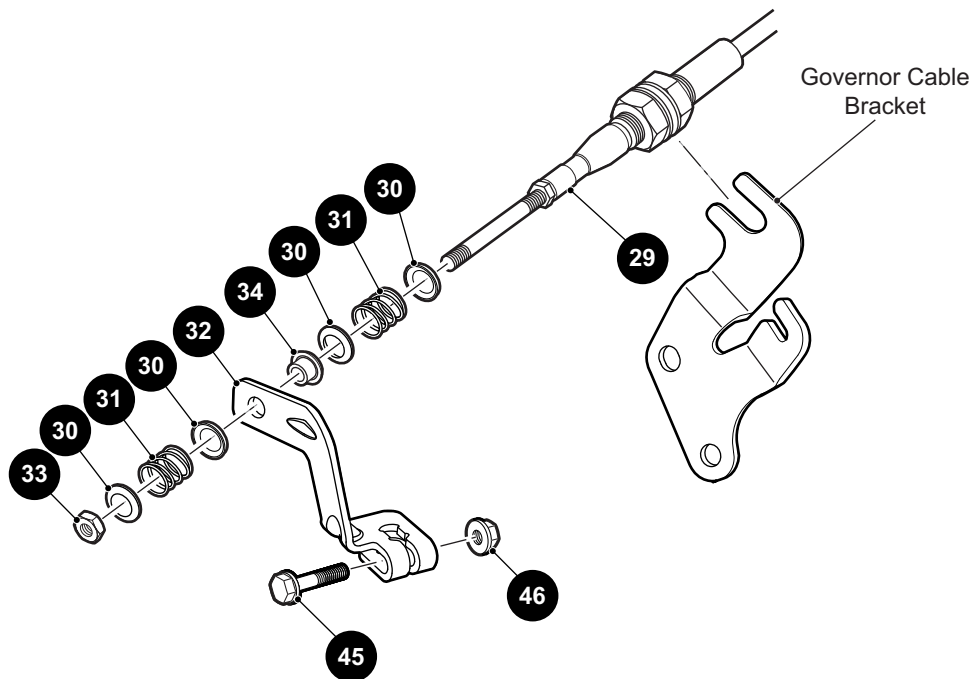
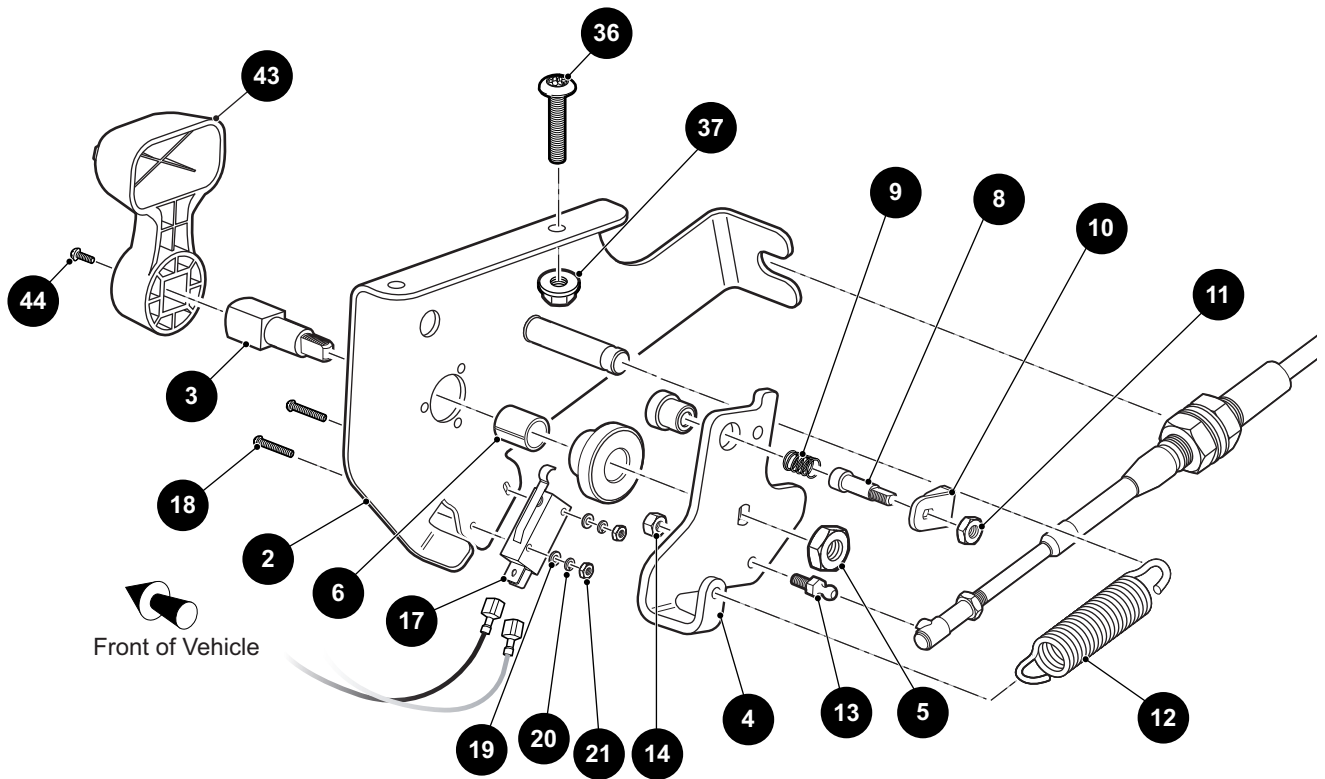
* Indicates a component that is not available as an individual part.

*** Indicates consult Customer Service Department for additional information.

| ITEM | PART NO. | 1 2 3 4 5 | DESCRIPTION | QTY. |
|------|----------|-----------|---|------|
| 1 | 672686 | | Primary Team Clutch (Includes Items 2 - 11) | 1 |
| 2 | 619333 | | Primary Starter Pulley..... | 1 |
| 3 | 619334 | | Stationary Assembly | 1 |
| 4 | 619335 | | Moveable Primary Assembly | 1 |
| 5 | 619336 | | Shift Roller Assembly..... | 6 |
| 6 | 619337 | | Shim, 39.5mm x 31.75mm | 1 |
| 7 | 644303 | | Primary Spider Assembly | 1 |
| 8 | 619339 | | Primary Dust Cover Assembly..... | 1 |
| 9 | 644305 | | Button, Torque Primary (Not Illustrated) | 1 |
| 10 | 619332 | | Hex Washer Head Bolt, 1/4" - 20 x 3/4" Lg..... | 7 |
| 11 | 644306 | | Plug, Torque Button (Not Illustrated)..... | 6 |
| 12 | 644300 | | Secondary Team Clutch (Includes Items 13 - 19) | 1 |
| 13 | * | | Secondary Stationary Clutch | 1 |
| 14 | * | | Moveable Secondary Clutch..... | 1 |
| 15 | 619327 | | Inner Retainer Spring | 1 |
| 16 | 644304 | | Compression Spring | 1 |
| 17 | 619329 | | Outer Spring Retainer..... | 1 |
| 18 | 619330 | | Retainer Ring..... | 1 |
| 19 | 619331 | | Thrust Washer, 1.530" x 1.830" x 1" | 1 |
| 20 | | | | |
| 21 | 606239 | | Conical Washer, M12 | 2 |
| 22 | 00566G3 | | Lock Washer (Spring Type), 3/8"..... | 2 |
| 23 | 606245 | | Hex Head Bolt, M12 - 1.25 x 160mm Lg, Grade 8.8 | 1 |
| 24 | 606243 | | Hex Head Bolt, M12 - 1.25 x 120mm Lg, Grade 8.8 | 1 |
| 25 | 606230 | | Clutch Washer, 27.5mm O.D x 13.06 I.D. | 1 |
| 26 | | | | |
| 27 | 618630 | | Drive Belt..... | 1 |

DIRECTION SELECTOR

1 Direction Selector Assembly includes items 2 - 34



DIRECTION SELECTOR

THE USE OF NON U.L. PARTS WILL VOID ANY U.L. LISTING.

When ordering parts, please specify the model and serial number of the product.

* Indicates a component that is not available as an individual part.

*** Indicates consult Customer Service Department for additional information.

| ITEM | PART NO. | 1 2 3 4 5 | DESCRIPTION | QTY. |
|------|----------|-----------|--|------|
| 1 | 603416 | | Direction Selector Assembly (Includes Items 2 - 34)..... | 1 |
| 2 | 606077 | | Direction Selector Bracket | 1 |
| 3 | 70233G01 | | Direction Selector Shaft..... | 1 |
| 4 | 603700 | | Direction Selector Cam..... | 1 |
| 5 | 14390G1 | | Lock Nut, 3/8" - 24 | 1 |
| 6 | 25664G2 | | Bushing, 1/2" x .750" Lg | 1 |
| 7 | | | | |
| 8 | 72724G01 | | Neutral Lock Pin | 1 |
| 9 | 72733G01 | | Compression Spring | 1 |
| 10 | 72729G01 | | Neutral Lock Latch..... | 1 |
| 11 | 00734G2 | | Lock Nut, 1/4" - 28 | 1 |
| 12 | 28574G01 | | Extension Spring | 1 |
| 13 | 72732G01 | | Ball Stud, #10 - 32 | 1 |
| 14 | 00734G5 | | Lock Nut, #10 - 32 | 1 |
| 15 | | | | |
| 16 | | | | |
| 17 | 72736G01 | | Micro Switch | 1 |
| 18 | 01062G01 | | Round Head Screw, #4 - 40 x 1" Lg | 2 |
| 19 | 00559G1 | | Flat Washer, #4..... | 2 |
| 20 | 00565G1 | | Lock Washer, #4 | 2 |
| 21 | 00526G2 | | Hex Nut, #4 - 40 | 2 |
| 22 | | | | |
| 23 | | | | |
| 24 | | | | |
| 25 | | | | |
| 26 | | | | |
| 27 | | | | |
| 28 | | | | |
| 29 | 603615 | | Shifter Cable..... | 1 |
| 30 | 25727G01 | | Cup Washer, 1/4"..... | 4 |
| 31 | 72735G01 | | Compression Spring..... | 2 |

DIRECTION SELECTOR

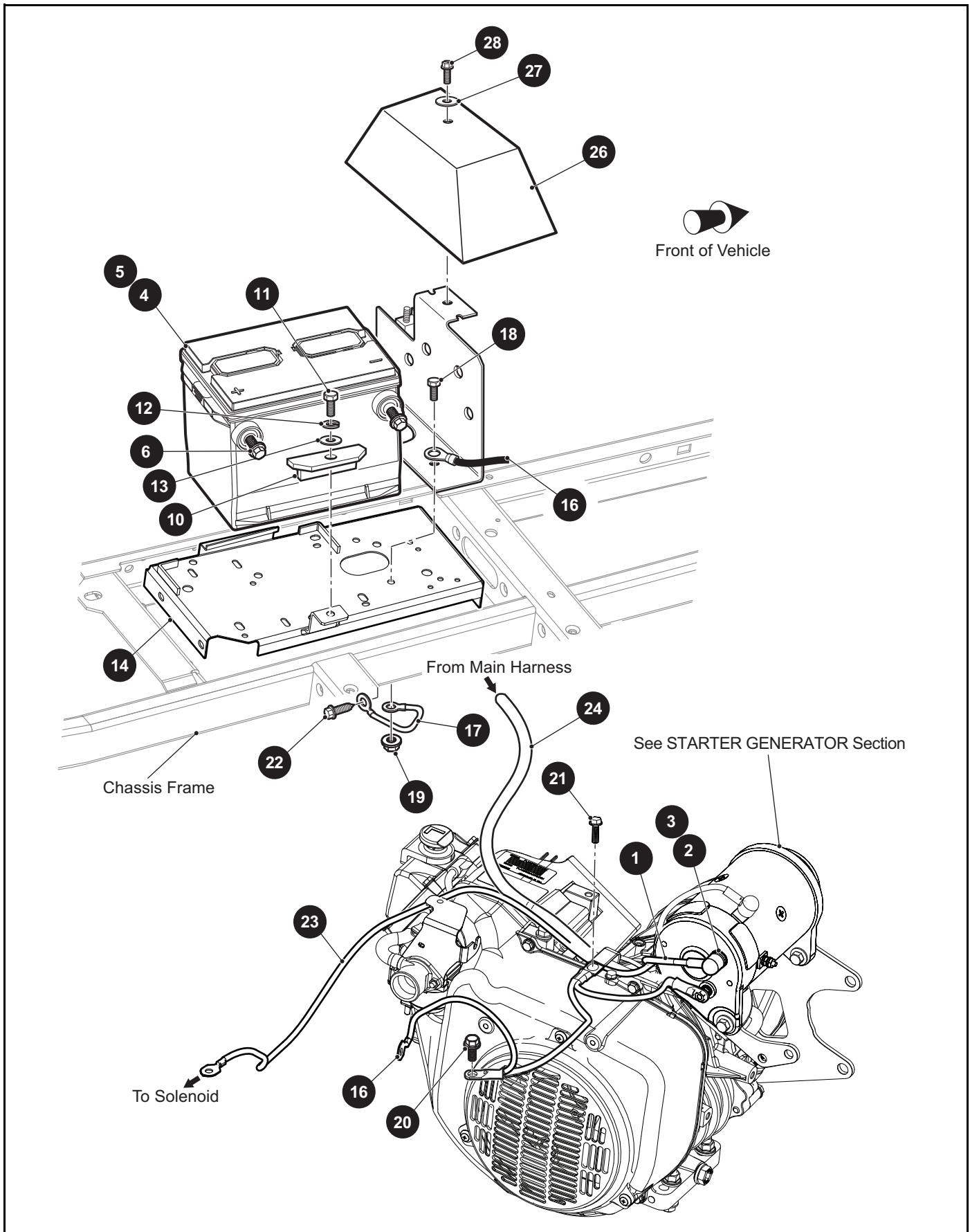
THE USE OF NON U.L. PARTS WILL VOID ANY U.L. LISTING.

When ordering parts, please specify the model and serial number of the product.

* Indicates a component that is not available as an individual part.

*** Indicates consult Customer Service Department for additional information.

| ITEM | PART NO. | 1 | 2 | 3 | 4 | 5 | DESCRIPTION | QTY. |
|------|----------|---|---|---|---|---|--|------|
| 32 | 632891 | | | | | | Pivot Bracket..... | 1 |
| 33 | 00734G5 | | | | | | Lock Nut, #10 - 32..... | 1 |
| 34 | 22754G4 | | | | | | Bushing (Flip Lok), .250"..... | 1 |
| 35 | | | | | | | | |
| 36 | 70227G01 | | | | | | Socket Head Bolt 1/4" - 20 x 7/8" Lg, Grade 8 | 2 |
| 37 | 11027G2 | | | | | | Lock Nut, 1/4" - 20..... | 2 |
| 38 | 31539G1 | | | | | | Nylon Clamp, 15.5" Lg (Not Illustrated) | 1 |
| 39 | | | | | | | | |
| 40 | | | | | | | | |
| 41 | | | | | | | | |
| 42 | | | | | | | | |
| 43 | 71205G01 | | | | | | Direction Selector Handle..... | 1 |
| 44 | 01037G02 | | | | | | Truss Head Phillips Screw, #10 - 32 x 1/2" Lg..... | 1 |
| 45 | 606421 | | | | | | Flanged Hex Head Bolt, M6 - 1 x 30mm Lg, Grade 8.8 | 1 |
| 46 | 450452 | | | | | | Hex Nut, M6 - 1 | 1 |



THE USE OF NON U.L. PARTS WILL VOID ANY U.L. LISTING.

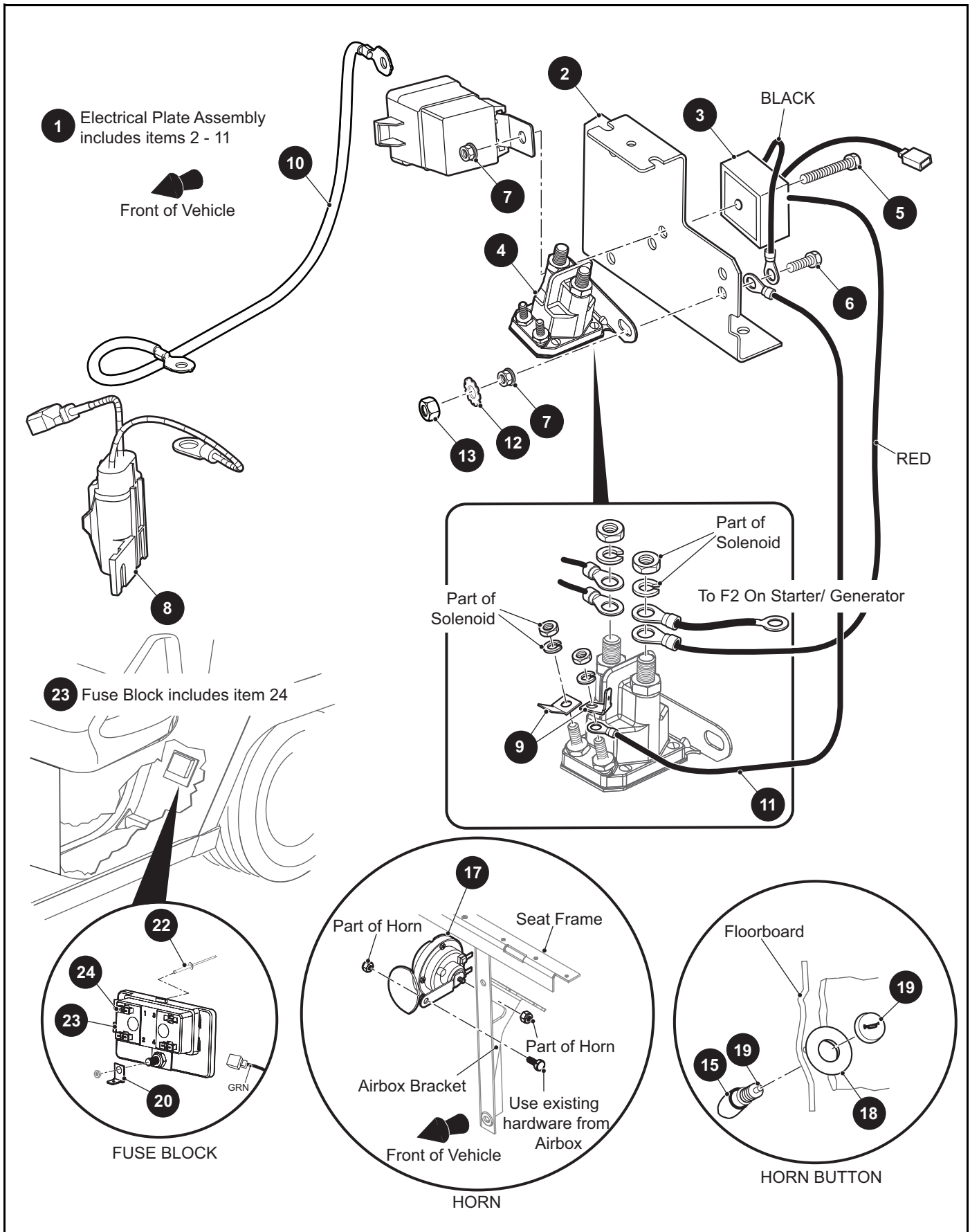
When ordering parts, please specify the model and serial number of the product.

* Indicates a component that is not available as an individual part.

*** Indicates consult Customer Service Department for additional information.

| ITEM | PART NO. | 1 2 3 4 5 | DESCRIPTION | QTY. |
|------|-----------|-----------|---|------|
| 1 | 607053 | | #6 GA Wire (Black 6", F1 - A2)..... | 1 |
| 2 | 25682G01 | | Terminal Cover | 3 |
| 3 | 25682G01 | | Terminal Cover (For CE Vehicles)..... | 2 |
| 4 | 638433 | | Battery, 12V..... | 1 |
| 5 | 637484 | | Battery, 12V, HD..... | 1 |
| 6 | 640488 | | Battery Bolt | 2 |
| 7 | | | | |
| 8 | | | | |
| 9 | | | | |
| 10 | 72101G02 | | Battery Hold Down | 1 |
| 11 | 00438G6 | | Hex Head Bolt, 5/16" - 18 x 3/4" Lg, Grade 5 | 1 |
| 12 | 00565G8 | | Lock Washer, 5/16" | 1 |
| 13 | 00571G2 | | Flat Washer (SS), 5/16" | 1 |
| 14 | 652441G03 | | Battery Tray..... | 1 |
| 15 | | | | |
| 16 | 645191 | | Battery/Engine Ground Cable | 1 |
| 17 | 25976G19 | | #14 GA Wire (Black 6") | 1 |
| 18 | 00438G6 | | Hex Head Bolt, 5/16" - 18 x 3/4" Lg, Grade 5 | 2 |
| 19 | 11027G1 | | Flanged Lock Nut, 5/16" - 18 | 2 |
| 20 | 26676G01 | | Flanged Hex Head Bolt, M6 - 1 x 23mm Lg..... | 1 |
| 21 | 606264 | | Flanged Hex Head Bolt, M6 - 1 x 20mm Lg, Grade 8.8..... | 1 |
| 22 | 00715G2 | | Hex Washer Head Screw, 5/16" - 18 x .875" Lg | 4 |
| 23 | 607103 | | #6 GA Wire, 42" Lg | 1 |
| 24 | 695052 | | Main Harness | 1 |
| 25 | | | | |
| 26 | 73049G01 | | Direction Selector Cover | 1 |
| 27 | 16469G1 | | Fender Washer, 1/4" | 1 |
| 28 | 00114G6 | | Hex Washer Head Slotted Tapping Screw, 1/4" - 14 x 3/4" Lg..... | 1 |
| 29 | 608772 | | #6AWG Wire (Blue) (For CE vehicles) (Not Illustrated) | 1 |
| 30 | 625757 | | #6AWG Wire (Blue) (Solenoid - F2) (For CE Vehicles) (Not Illustrated) | 1 |

ELECTRICAL



THE USE OF NON U.L. PARTS WILL VOID ANY U.L. LISTING.

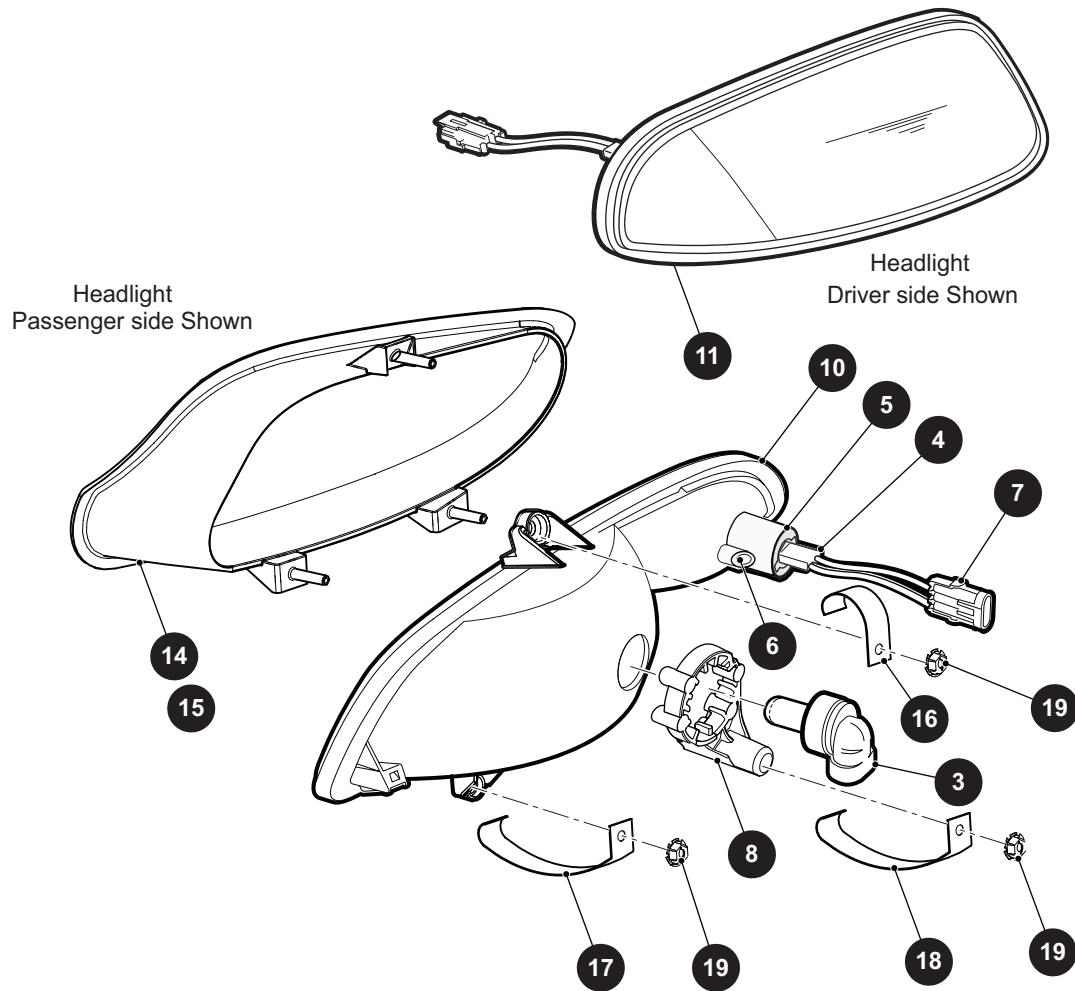
When ordering parts, please specify the model and serial number of the product.

* Indicates a component that is not available as an individual part.

*** Indicates consult Customer Service Department for additional information.

| ITEM | PART NO. | 1 2 3 4 5 | DESCRIPTION | QTY. |
|------|-----------|-----------|---|------|
| 1 | 660446 | | Electrical Plate Assembly (Includes Items 2 - 11) | 1 |
| 2 | 73057G02 | | Bracket | 1 |
| 3 | 27739G01 | | Voltage Regulator | 1 |
| 4 | 663716 | | Solenoid..... | 1 |
| 5 | 303459 | | Hex Head Bolt, 1/4" - 20 x 1 1/2" Lg, Grade 5..... | 1 |
| 6 | 00661G8 | | Hex Head Bolt (SS), 1/4" - 20 x 1" Lg..... | 1 |
| 7 | 11027G2 | | Flanged Lock Nut, 1/4" - 20..... | 2 |
| 8 | 658683 | | Electrical Plate Harness | 1 |
| 9 | 73446G01 | | Faston Tab, 90°..... | 2 |
| 10 | 645190 | | #6 GA Wire Assembly..... | 1 |
| 11 | 25978G56 | | #18 GA Wire Assembly (Black)..... | 1 |
| 12 | 00567G7 | | Lock Washer (External Tooth Type) | 1 |
| 13 | 00532G1 | | Hex Nut, 1/4" - 20..... | 1 |
| 14 | | | | |
| 15 | 27068G01 | | Horn Switch Boot | 1 |
| 16 | | | | |
| 17 | 32860G01 | | Horn | 1 |
| 18 | 608397 | | Horn Plate | 1 |
| 19 | 17318G1 | | Horn Switch..... | 1 |
| 20 | 73446G01 | | Faston Tab | 1 |
| 21 | | | | |
| 22 | 15058G6 | | Rivet, (Aluminum Black)..... | 2 |
| 23 | 676066G01 | | Fuse Block (Includes Item 24)..... | 1 |
| 24 | 636455G23 | | Fuse, 15A | 3 |

- 1 Headlight Assembly, Driver Side includes items 3 - 10
- 2 Headlight Assembly, Passenger Side includes items 3 - 9, 11



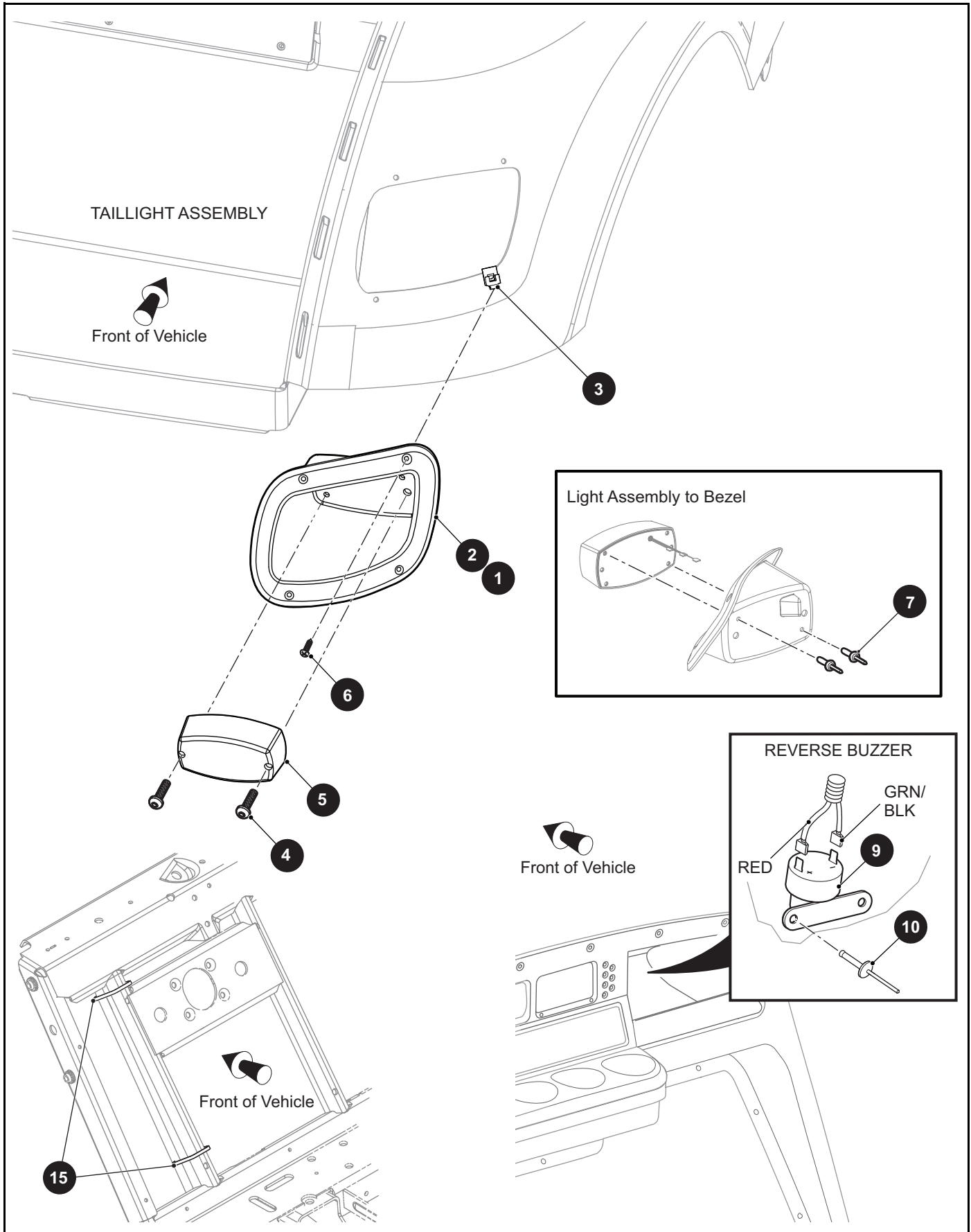
THE USE OF NON U.L. PARTS WILL VOID ANY U.L. LISTING.

When ordering parts, please specify the model and serial number of the product.

* Indicates a component that is not available as an individual part.

*** Indicates consult Customer Service Department for additional information.

| ITEM | PART NO. | 1 2 3 4 5 | DESCRIPTION | QTY. |
|------|----------|-----------|--|------|
| 1 | 602928 | | Headlight Assembly (Driver Side) (Includes Items 3 - 10)..... | 1 |
| 2 | 603328 | | Headlight Assembly (Passenger Side) (Includes Items 3 - 9, 11) | 1 |
| 3 | 74004G02 | | Headlight Bulb | 1 |
| 4 | 676687 | | Turn Signal Bulb | 1 |
| 5 | 608322 | | Headlight Retainer | 1 |
| 6 | 608328 | | Button Head Torx Screw, M3 - 1.3 x 14mm Lg | 1 |
| 7 | 607487 | | Turn Signal Wire Harness..... | 1 |
| 8 | 615459 | | Collar | 1 |
| 9 | | | | |
| 10 | 604607 | | Headlight without Bulbs (Driver Side)..... | 1 |
| 11 | 604609 | | Headlight without Bulbs (Passenger Side) | 1 |
| 12 | | | | |
| 13 | | | | |
| 14 | 625280 | | Headlight Bezel (Driver Side)..... | 1 |
| 15 | 625281 | | Headlight Bezel (Passenger Side) | 1 |
| 16 | 626275 | | Headlight Clip..... | 2 |
| 17 | 626276 | | Headlight Clip..... | 2 |
| 18 | 626277 | | Headlight Clip..... | 2 |
| 19 | 71597G01 | | Self Threading Nut, 5 x 10 x 15mm..... | 6 |
| 20 | | | | |
| 21 | 645207 | | Accessory Harness (Not Illustrated)..... | 1 |



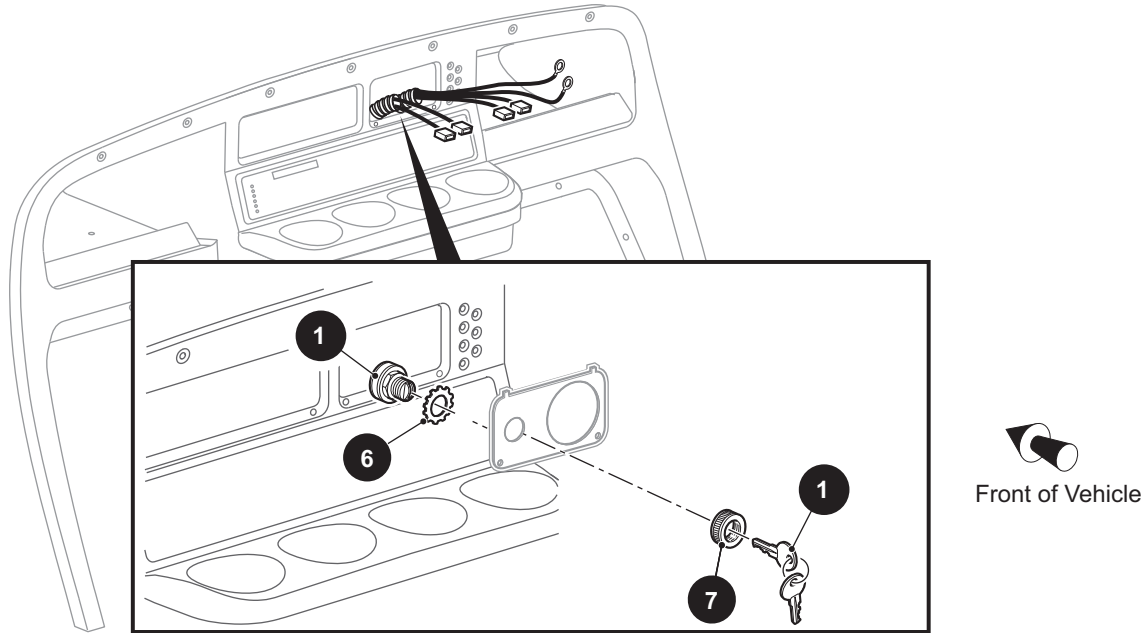
THE USE OF NON U.L. PARTS WILL VOID ANY U.L. LISTING.

When ordering parts, please specify the model and serial number of the product.

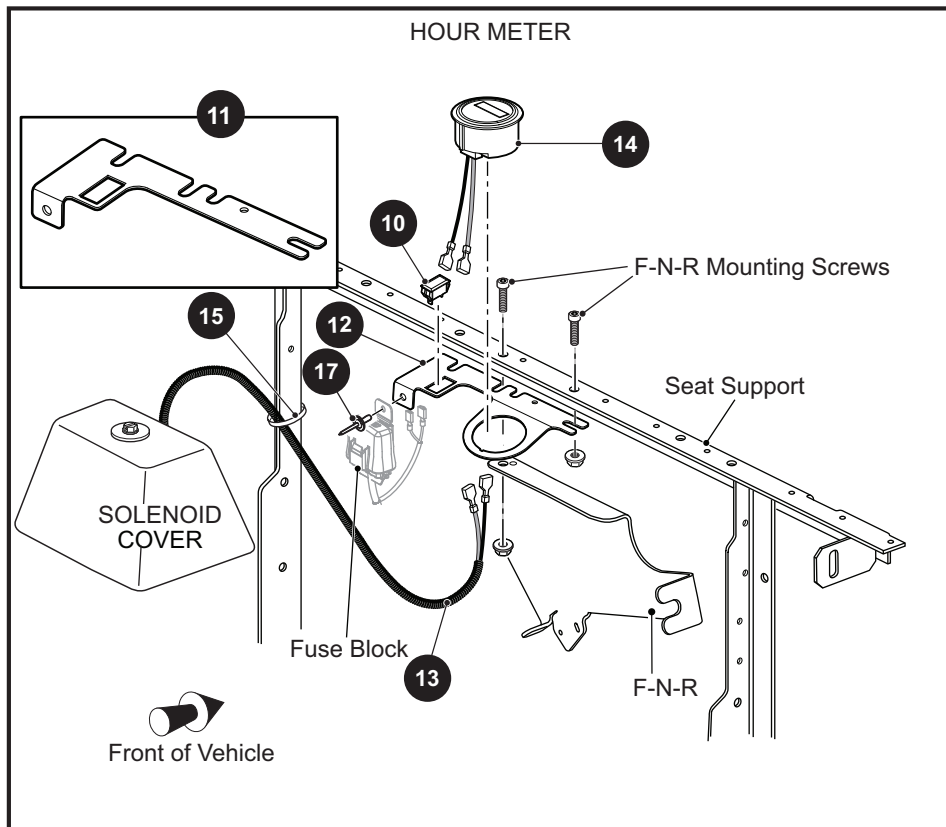
* Indicates a component that is not available as an individual part.

*** Indicates consult Customer Service Department for additional information.

| ITEM | PART NO. | 1 2 3 4 5 | DESCRIPTION | QTY. |
|------|----------|-----------|--|------|
| 1 | 655150 | | Taillight Bezel (Driver Side)..... | 1 |
| 2 | 655152 | | Taillight Bezel (Passenger Side) | 1 |
| 3 | 71364G02 | | J-Type Nut, #8..... | 4 |
| 4 | 00513G4 | | Pan Head Phillips Screw, #8 - 18 x 3/4" Lg..... | 2 |
| 5 | 22288G1 | | Taillight Assembly..... | 1 |
| 6 | 71425G01 | | Flat Head Phillips Tapping Screw, #8 - 18 x 3/4" Lg..... | 4 |
| 7 | 14601G11 | | Rivet (Aluminum), 3/16" x 9/16" | 2 |
| 8 | | | | |
| 9 | 73290G03 | | Buzzer..... | 1 |
| 10 | 01041G01 | | Rivet, 5/32" | 2 |
| 11 | | | | |
| 12 | | | | |
| 13 | | | | |
| 14 | | | | |
| 15 | 31539G1 | | Nylon Clamp, 15.5" Lg | 5 |



KEY SWITCH, INDICATOR LIGHT(S), AND FUEL GAUGE



THE USE OF NON U.L. PARTS WILL VOID ANY U.L. LISTING.

When ordering parts, please specify the model and serial number of the product.

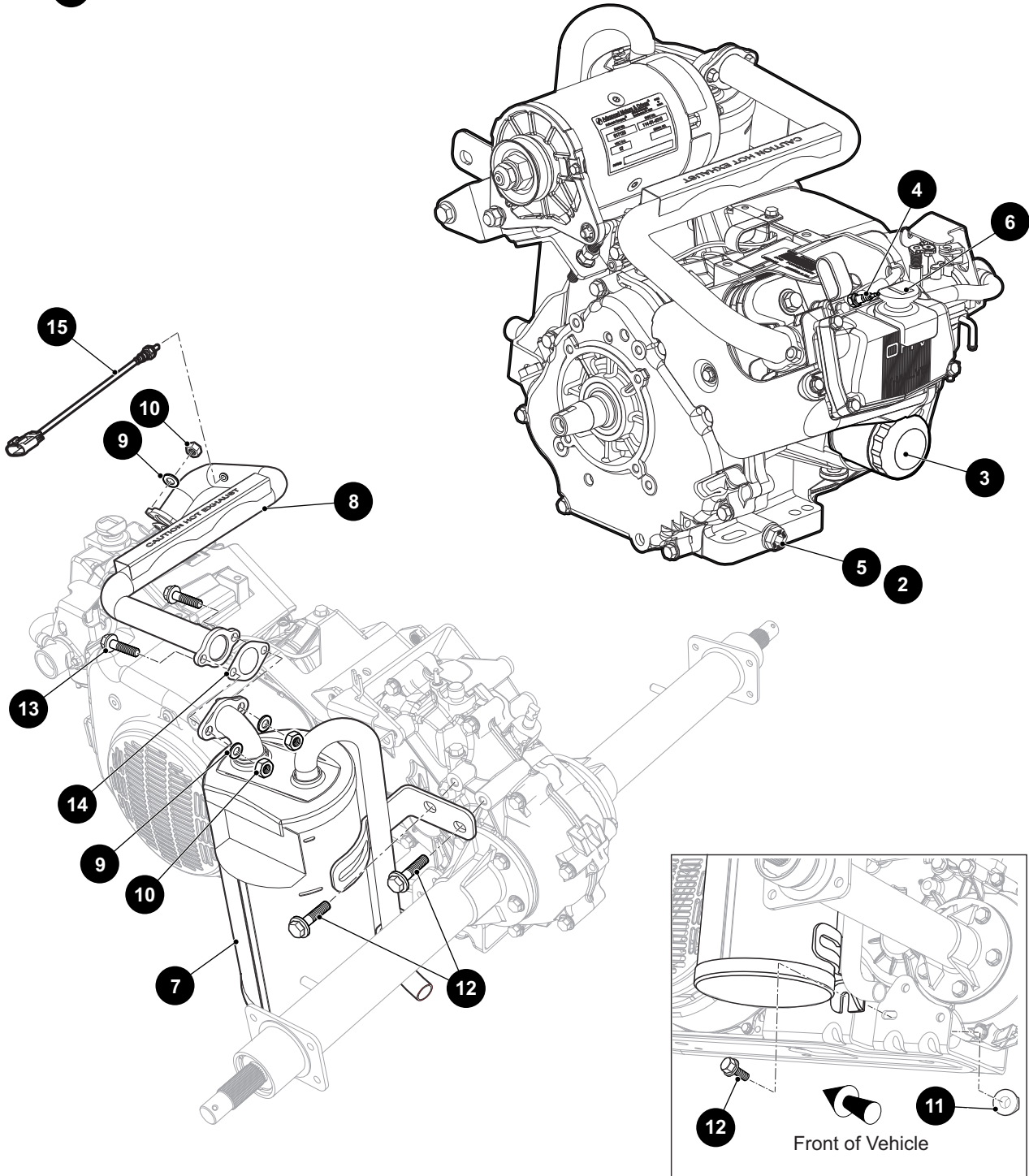
* Indicates a component that is not available as an individual part.

*** Indicates consult Customer Service Department for additional information.

| ITEM | PART NO. | 1 2 3 4 5 | DESCRIPTION | QTY. |
|------|----------|-----------|--|------|
| 1 | 33639G01 | | Ignition Switch (with Light) | 1 |
| 2 | | | | |
| 3 | | | | |
| 4 | | | | |
| 5 | | | | |
| 6 | 00568G6 | | Lock Washer (External Tooth Type), 3/4" | 1 |
| 7 | 17137G1 | | Face Nut, 3/4" - 20 | 1 |
| 8 | | | | |
| 9 | | | | |
| 10 | 659101 | | Malfunction Indicator Light | 1 |
| 11 | 659085 | | Fuse Bracket (For Vehicles without Hour Meter) | 1 |
| 12 | 662631 | | Fuse Bracket (For Vehicles with Hour Meter) | 1 |
| 13 | 664689 | | Hour Meter Harness | 1 |
| 14 | 617074 | | Hour Meter | 1 |
| 15 | 17618G1 | | Nylon Clamp, 7" Lg | 2 |
| 16 | | | | |
| 17 | 71055G01 | | Rivet, 3/16" Dia. | 1 |

ENGINE AND MUFFLER

1 Engine, Gas, 13HP includes items 2 - 5



ENGINE AND MUFFLER

THE USE OF NON U.L. PARTS WILL VOID ANY U.L. LISTING.

When ordering parts, please specify the model and serial number of the product.

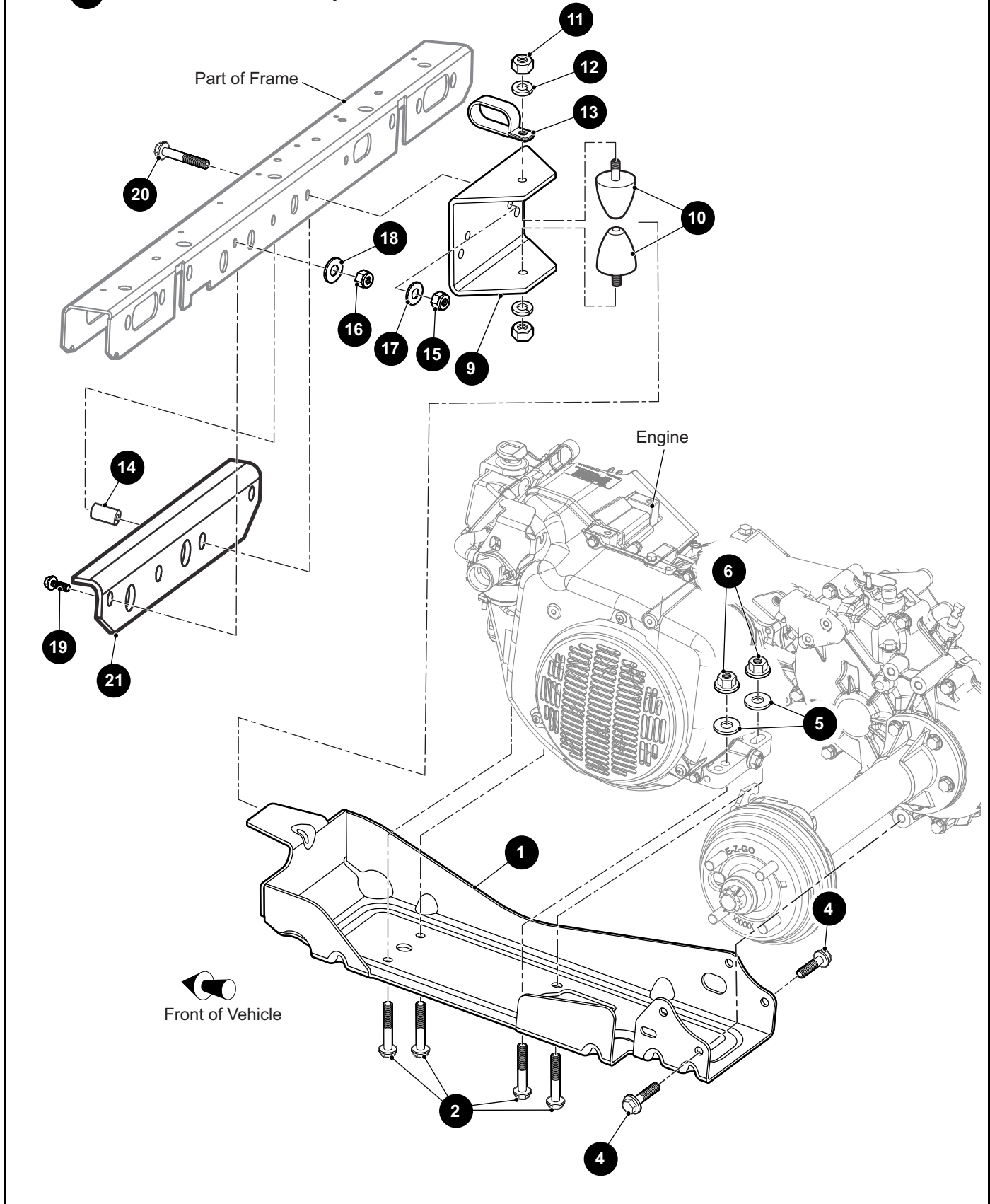
* Indicates a component that is not available as an individual part.

*** Indicates consult Customer Service Department for additional information.

| ITEM | PART NO. | 1 2 3 4 5 | DESCRIPTION | QTY. |
|------|----------|-----------|---|------|
| 1 | 658237 | | Engine, Gas, 13HP (Includes Items 2 - 5)..... | 1 |
| 2 | 603562 | | 'O' Ring, 16mm | 1 |
| 3 | 607454 | | Oil Filter | 1 |
| 4 | 607462 | | Spark Plug | 1 |
| 5 | 603557 | | Oil Drain Plug | 1 |
| 6 | 606390 | | Dip Stick..... | 1 |
| 7 | 674854 | | Muffler | 1 |
| 8 | 657450 | | Exhaust Pipe..... | 1 |
| 9 | 606272 | | Split Washer, 8mm | 4 |
| 10 | 606267 | | Jam Nut, M8 - 1.25..... | 4 |
| 11 | 606279 | | Flanged Nut, M10 - 1.25 | 1 |
| 12 | 606256 | | Flanged Hex Head Bolt, M10 - 1.25 x 25mm Lg, Grade 8.8..... | 3 |
| 13 | 602330 | | Flanged Hex Head Bolt, M8 - 1.25 x 30mm Lg | 2 |
| 14 | 603599 | | Exhaust Gasket..... | 2 |
| 15 | 657449 | | Oxygen Sensor | 1 |

ENGINE MOUNTING

8 Front Mount Bracket Assembly includes items 9 - 13



ENGINE MOUNTING

THE USE OF NON U.L. PARTS WILL VOID ANY U.L. LISTING.

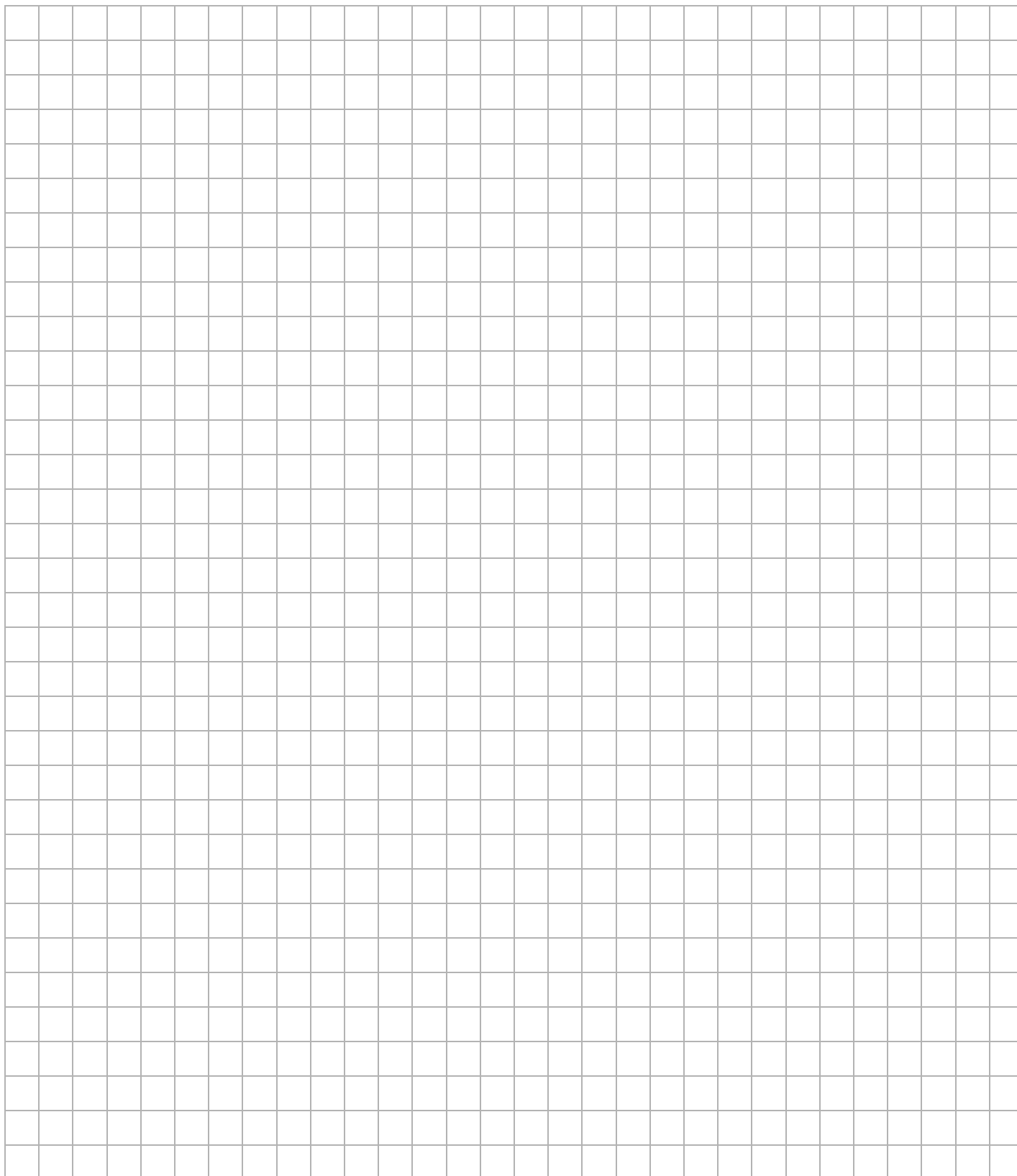
When ordering parts, please specify the model and serial number of the product.

* Indicates a component that is not available as an individual part.

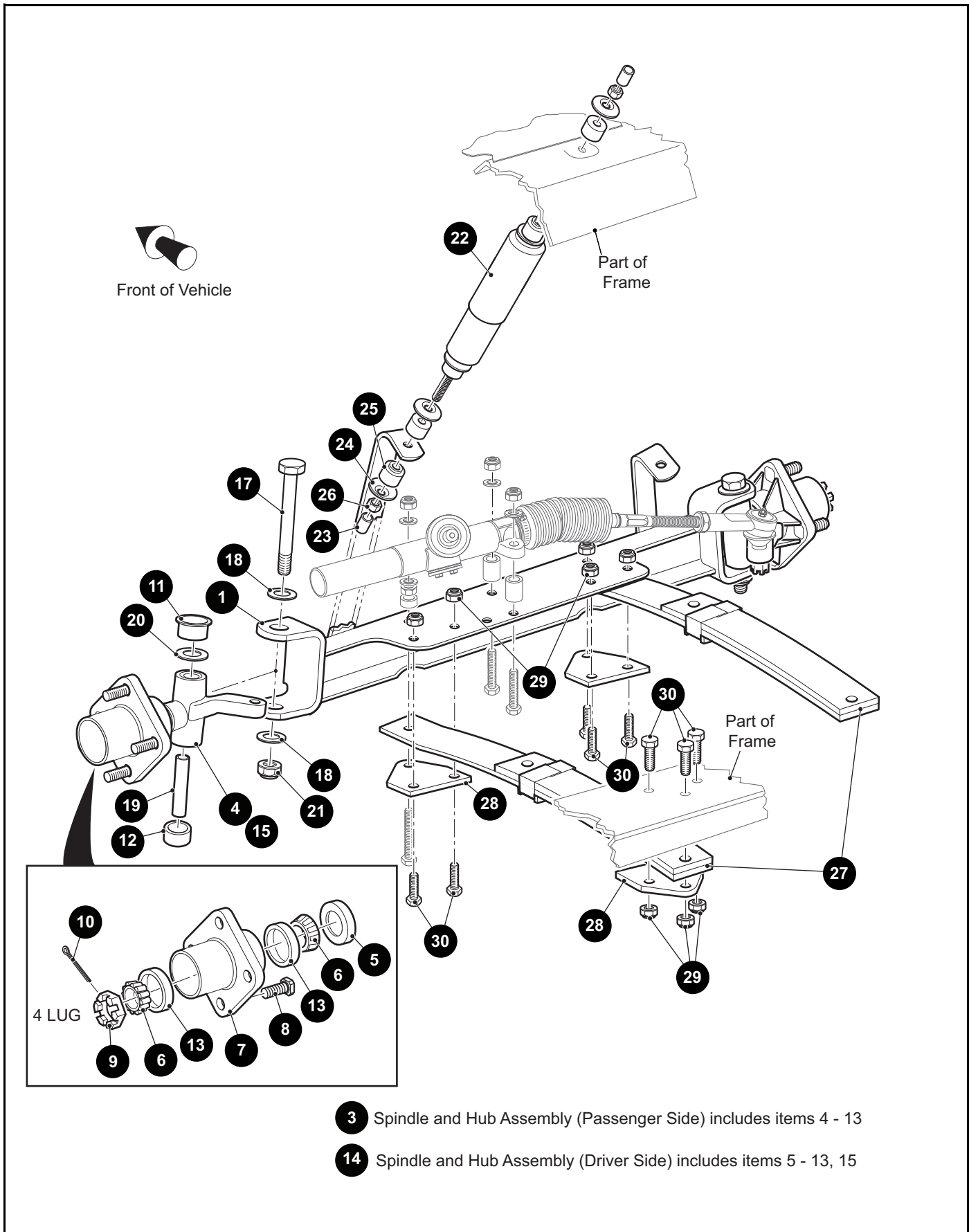
*** Indicates consult Customer Service Department for additional information.

| ITEM | PART NO. | 1 2 3 4 5 | DESCRIPTION | QTY. |
|------|----------|-----------|--|------|
| 1 | 630776 | | Engine Pan | 1 |
| 2 | 606259 | | Flanged Hex Head Bolt, M10 - 1.25 x 45mm Lg, Grade 8.8 | 4 |
| 3 | | | | |
| 4 | 606256 | | Flanged Hex Head Bolt, M10 - 1.25 x 25mm Lg, Grade 8.8 | 4 |
| 5 | 603823 | | Flat Washer, M10 | 4 |
| 6 | 606279 | | Flanged Hex Nut, M10 - 1.25 | 4 |
| 7 | | | | |
| 8 | 662794 | | Front Mount Bracket Assembly (includes Items 9 - 13)..... | 1 |
| 9 | 625345 | | Front Mount Bracket | 1 |
| 10 | 605757 | | Rubber Bumper | 2 |
| 11 | 00974G01 | | Hex Nut, M10 - 1.5 | 2 |
| 12 | 608654 | | Lock Washer (Split), 10mm | 2 |
| 13 | 692754 | | Tube Clamp (Wide), 1" | 1 |
| 14 | 72016G01 | | Tube Spacer..... | 1 |
| 15 | 11098G5 | | Lock Nut, 3/8" - 16 | 1 |
| 16 | 01109G01 | | Lock Nut, 5/16" - 18 | 1 |
| 17 | 00643G1 | | Flat Washer, 3/8" | 1 |
| 18 | 00559G8 | | Flat Washer, 5/16" | 1 |
| 19 | 00438G7 | | Hex Head Bolt, 5/16" - 18 x 7/8" Lg, Grade 5 | 1 |
| 20 | 00428G8 | | Hex Head Bolt, 3/8" - 16 x 2.75" Lg | 1 |
| 21 | 652247 | | Crossmember Brace | 1 |

Notes:

A large grid of graph paper for taking notes. The grid consists of 20 columns and 30 rows of small squares. The lines are thin and grey, creating a clean workspace for writing.

FRONT SUSPENSION AND STEERING



FRONT SUSPENSION AND STEERING

THE USE OF NON U.L. PARTS WILL VOID ANY U.L. LISTING.

When ordering parts, please specify the model and serial number of the product.

* Indicates a component that is not available as an individual part.

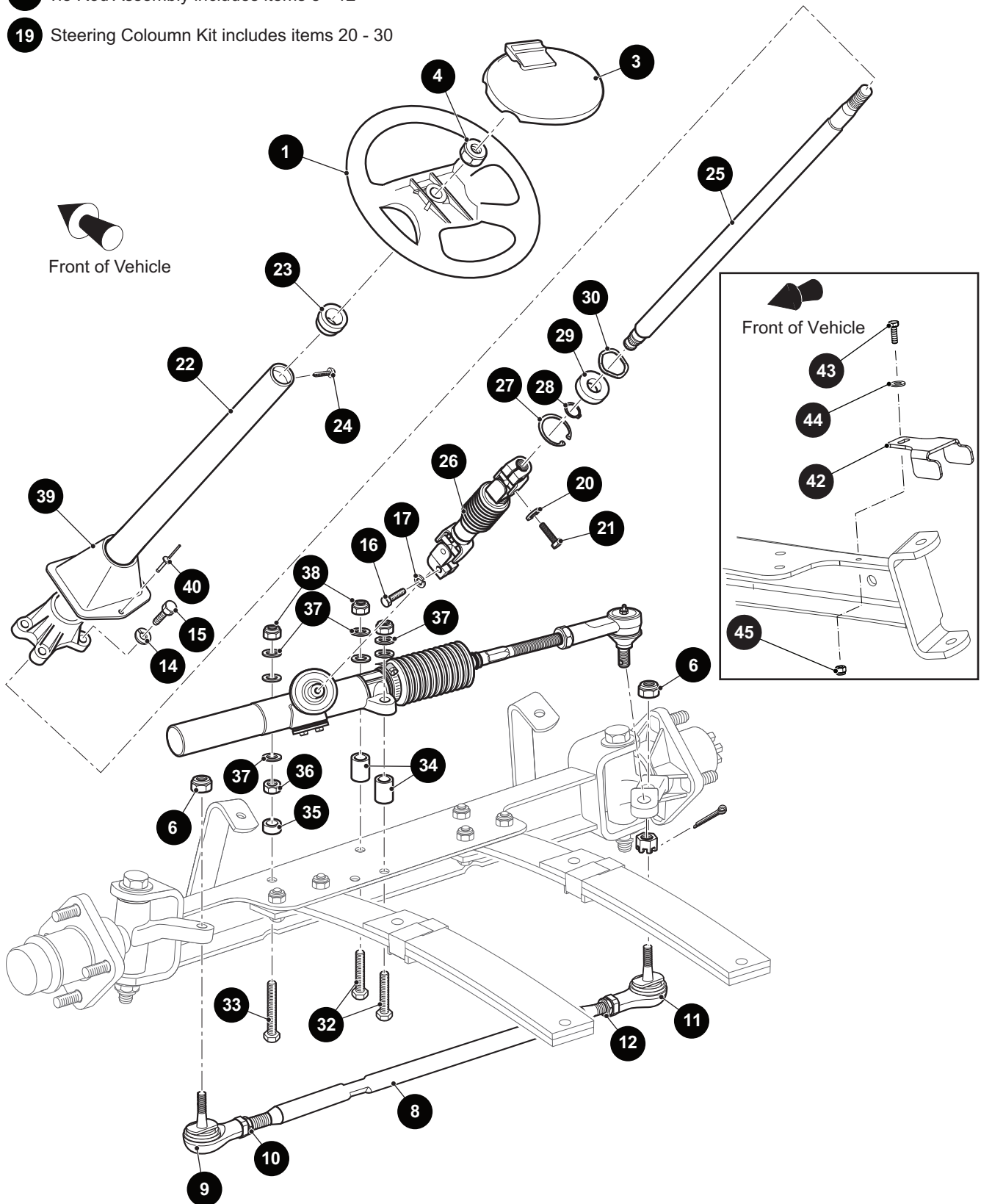
*** Indicates consult Customer Service Department for additional information.

| ITEM | PART NO. | 1 2 3 4 5 | DESCRIPTION | QTY. |
|------|----------|-----------|--|------|
| 1 | 652822 | | Front Axle | 1 |
| 2 | | | | |
| 3 | 70942G03 | | Spindle and Hub Assembly, 4 Lug (Passenger Side) (Includes Items 4 - 13) | 1 |
| 4 | 70940G02 | | Spindle Assembly (Passenger Side) | 1 |
| 5 | 25146G1 | | Grease Seal..... | 1 |
| 6 | 11750G2 | | Roller Bearing..... | 2 |
| 7 | 70589G01 | | Wheel Hub..... | 1 |
| 8 | 19862G1 | | Lug Bolt, 1/2" - 20 x 1 3/16" Lg..... | 4 |
| 9 | 12093G1 | | Castellated Nut, 1" - 14..... | 1 |
| 10 | 00798G8 | | Cotter Pin, 5/32" x 1 3/4" Lg | 1 |
| 11 | 632925 | | Flanged Bushing..... | 1 |
| 12 | 632926 | | Bushing..... | 1 |
| 13 | 51141G1 | | Race Bearing..... | 2 |
| 14 | 70673G03 | | Spindle and Hub Assembly, 4 Lug (Driver Side) (Includes Items 5 - 13, 15) | 1 |
| 15 | 70742G02 | | Spindle Assembly (Driver Side) | 1 |
| 16 | | | | |
| 17 | 00407G6 | | Hex Head Bolt 1/2" - 13 x 6" Lg, Grade 5 | 1 |
| 18 | 00560G3 | | Flat Washer, 1/2"..... | 2 |
| 19 | 70745G01 | | King Pin Tube..... | 1 |
| 20 | 70754G01 | | Thrust Washer (SS), 1" | 1 |
| 21 | 14390G6 | | Lock Nut, 1/2" - 13 | 1 |
| 22 | 76419G01 | | Shock Absorber..... | 1 |
| 23 | 10044G01 | | Vinyl Cap..... | 2 |
| 24 | 10435G1 | | Shock Absorber Washer | 4 |
| 25 | 10194G1 | | Rubber Bushing | 4 |
| 26 | 00532G6 | | Hex Nut, 3/8" - 24..... | 2 |
| 27 | 70989G03 | | Leaf Spring..... | 2 |
| 28 | 652258 | | Spring Plate..... | 4 |
| 29 | 00734G1 | | Lock Nut, 7/16" - 14 | 11 |
| 30 | 00463G11 | | Hex Head Bolt, 7/16" - 14 x 1 3/4" Lg, Grade 5 | 11 |

FRONT SUSPENSION AND STEERING

7 Tie Rod Assembly includes items 8 - 12

19 Steering Column Kit includes items 20 - 30



FRONT SUSPENSION AND STEERING

THE USE OF NON U.L. PARTS WILL VOID ANY U.L. LISTING.

When ordering parts, please specify the model and serial number of the product.

* Indicates a component that is not available as an individual part.

*** Indicates consult Customer Service Department for additional information.

| ITEM | PART NO. | 1 2 3 4 5 | DESCRIPTION | QTY. |
|------|----------|-----------|--|------|
| 1 | 602979 | | Steering Wheel..... | 1 |
| 2 | | | | |
| 3 | 607925 | | Scorecard Holder | 1 |
| 4 | 14390G2 | | Lock Nut, 5/8" - 18 | 1 |
| 5 | | | | |
| 6 | 00734G1 | | Lock Nut, 7/16" - 14 | 2 |
| 7 | 70876G02 | | Tie Rod Assembly (Includes Items 8 - 12) | 1 |
| 8 | 70897G02 | | Threaded Rod, 24" Lg | 1 |
| 9 | 70902G01 | | Tie Rod End (Left Hand Threads)..... | 1 |
| 10 | 01069G01 | | Jam Nut, M12 x 1.25 (Left Hand Threads) | 1 |
| 11 | 70902G02 | | Tie Rod End (Right Hand Threads) | 1 |
| 12 | 01069G02 | | Jam Nut, M12 x 1.25 (Right Hand Threads)..... | 1 |
| 13 | | | | |
| 14 | 00879G1 | | Lock Washer, 3/8" | 4 |
| 15 | 01006G01 | | Hex Head Bolt, 3/8" - 16 x 1 1/4" Lg | 4 |
| 16 | 01055G01 | | Hex Head Bolt, M8 - 1.25 x 1.18" Lg, Grade 5..... | 1 |
| 17 | 00565G8 | | Lock Washer, 5/16" | 1 |
| 18 | | | | |
| 19 | 70758G05 | | Steering Column Kit (Includes Items 20 - 30) | 1 |
| 20 | 00565G8 | | Lock Washer, 5/16"..... | 1 |
| 21 | 01055G01 | | Hex Head Bolt, M8 - 1.25 x 1.18" Lg, Grade 5 | 1 |
| 22 | 70610G03 | | Steering Column | 1 |
| 23 | 28569G01 | | Steering Column Bushing..... | 1 |
| 24 | 01022G01 | | Hex Washer Head Screw, #6 - 20 x 5/16" Lg | 1 |
| 25 | 70607G01 | | Steering Shaft..... | 1 |
| 26 | 70580G01 | | Intermediate Shaft | 1 |
| 27 | 70751G01 | | Retaining Ring (Internal)..... | 1 |
| 28 | 70888G01 | | Retaining Ring (External) | 1 |
| 29 | 15112G1 | | Ball Bearing | 1 |
| 30 | 70887G01 | | Wave Washer | 1 |
| 31 | | | | |

FRONT SUSPENSION AND STEERING

THE USE OF NON U.L. PARTS WILL VOID ANY U.L. LISTING.


When ordering parts, please specify the model and serial number of the product.

* Indicates a component that is not available as an individual part.

*** Indicates consult Customer Service Department for additional information.

| ITEM | PART NO. | 1 2 3 4 5 | DESCRIPTION | QTY. |
|------|----------|-----------|---|------|
| 32 | 00464G8 | | Hex Head Bolt, 7/16" - 14 x 2 3/4" Lg, Grade 5..... | 2 |
| 33 | 01068G01 | | Hex Head Bolt, 7/16" - 14 x 3 1/2" Lg, Grade 5..... | 1 |
| 34 | 70667G02 | | Spacer, 1.21" | 2 |
| 35 | 70667G04 | | Spacer (Short), .69" | 1 |
| 36 | 00532G7 | | Hex Nut, 7/16" - 14 | 1 |
| 37 | 00560G2 | | Flat Washer, 7/16" | 7 |
| 38 | 00734G1 | | Lock Nut, 7/16" - 14 | 3 |
| 39 | 70997G01 | | Cover | 1 |
| 40 | 71055G01 | | Rivet (Aluminum), 3/16" x 1" Lg..... | 1 |
| 41 | | | | |
| 42 | 613372 | | Steering Stop, Bracket..... | 1 |
| 43 | 00414G6 | | Hex Head Screw, 1/4" - 20 x 1/2" Lg | 1 |
| 44 | 00559G8 | | Flat Washer, 5/16" | 1 |
| 45 | 14390G4 | | Lock Nut, 1/4" - 20 | 1 |

Notes:

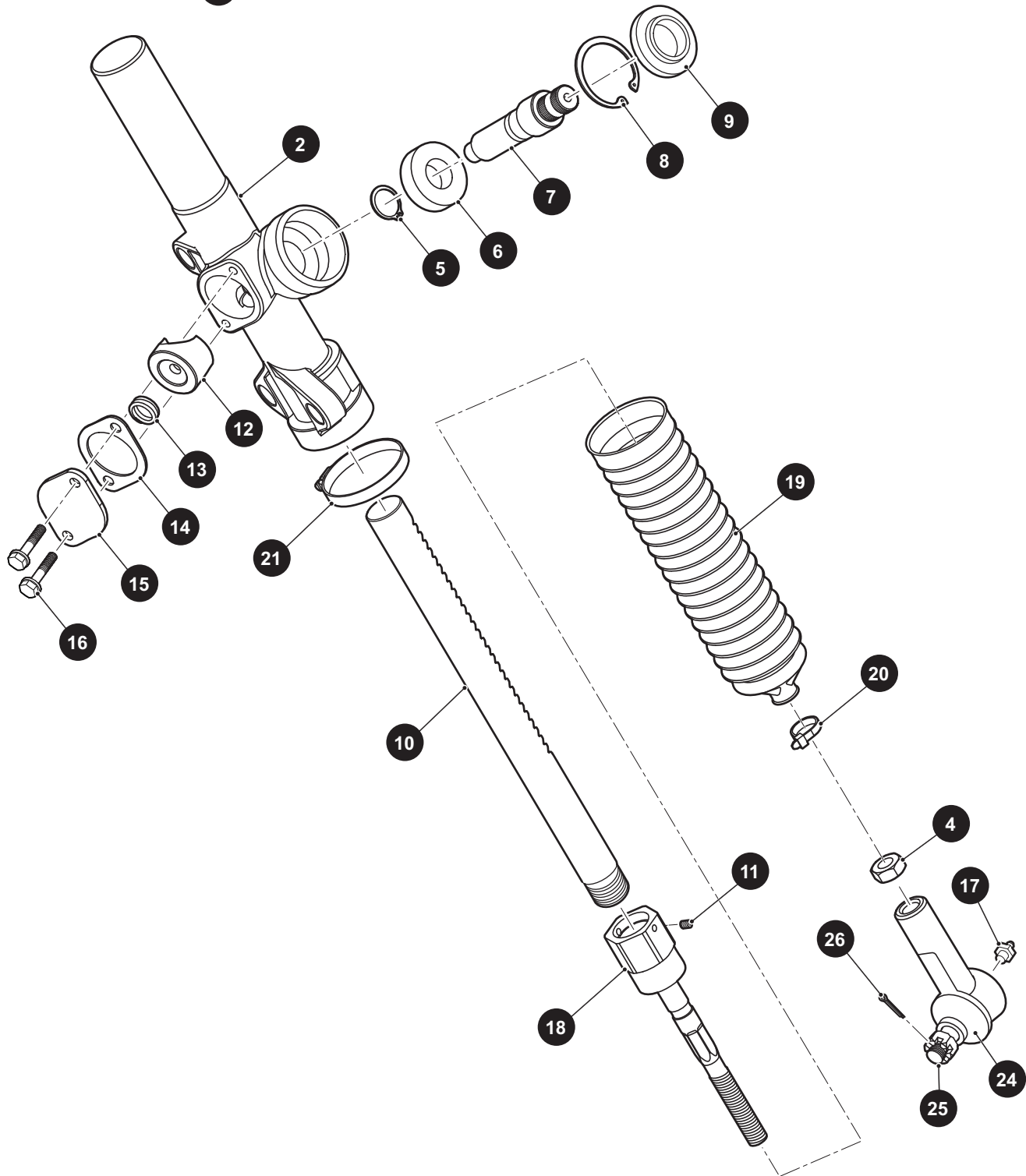


The image shows a large, empty grid for taking notes. The grid is composed of 28 columns and 30 rows of small squares. It is located below the 'Notes:' heading and occupies most of the page's vertical space.

FRONT SUSPENSION AND STEERING

1 Rack and Pinion Unit includes items 2 - 23

23 Tie Rod End (Outer) includes items 24 - 25



FRONT SUSPENSION AND STEERING

THE USE OF NON U.L. PARTS WILL VOID ANY U.L. LISTING.

When ordering parts, please specify the model and serial number of the product.

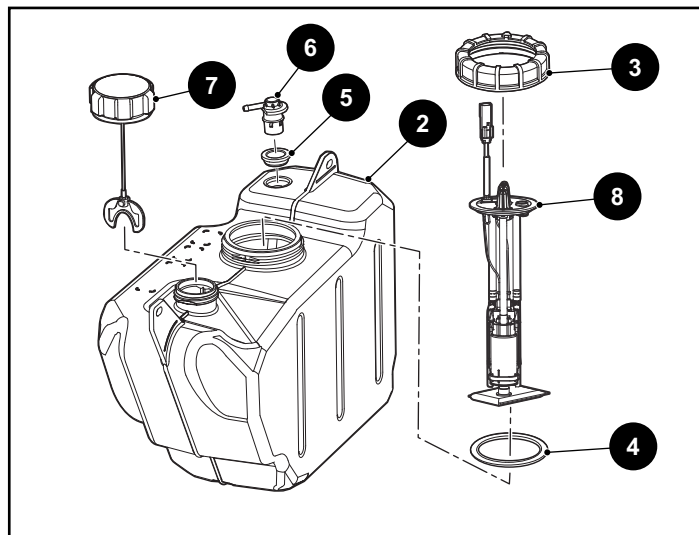
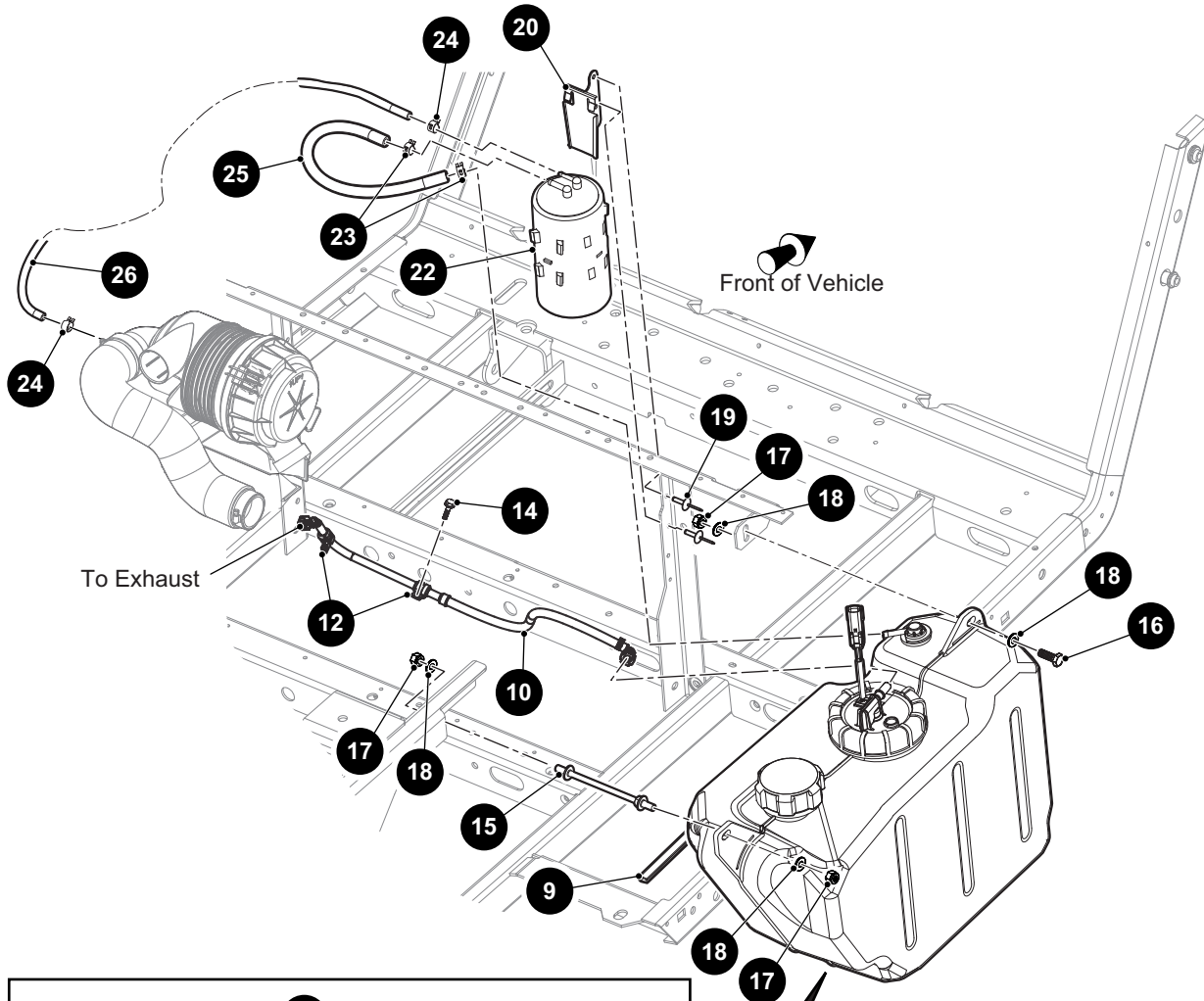
* Indicates a component that is not available as an individual part.

*** Indicates consult Customer Service Department for additional information.

| ITEM | PART NO. | 1 2 3 4 5 | DESCRIPTION | QTY. |
|------|----------|-----------|---|------|
| 1 | 70964G01 | | Rack and Pinion Unit (Includes Items 2 - 23)..... | 1 |
| 2 | 70965G01 | | Steering Rack Cover and Bearing..... | 1 |
| 3 | | | | |
| 4 | * | | Jam Nut, 1/2" - 20..... | 1 |
| 5 | 70750G01 | | Retaining Ring (External) | 1 |
| 6 | 15112G1 | | Ball Bearing | 1 |
| 7 | 70603G01 | | Pinion..... | 1 |
| 8 | 70751G01 | | Retaining Ring (Internal)..... | 1 |
| 9 | 70638G01 | | Seal (Pinion) | 1 |
| 10 | 70604G01 | | Steering Rack..... | 1 |
| 11 | * | | Set Screw, #10 - 32 x .25" Lg | 1 |
| 12 | 70590G01 | | Rack Loader | 1 |
| 13 | 70666G01 | | Compression Spring | 1 |
| 14 | 70645G01 | | Gasket (Rack Loader Cover)..... | 1 |
| 15 | 652259 | | Cover (Rack Loader) | 1 |
| 16 | 71102G01 | | Hex Washer Head Bolt, 1/4" - 20 x 11/16" Lg, Grade 5..... | 2 |
| 17 | 10389G3 | | Grease Fitting (Straight) | 1 |
| 18 | 70694G01 | | Rod End (Inner) | 1 |
| 19 | 70961G01 | | Rack Boot..... | 1 |
| 20 | 12416G2 | | Nylon Clamp, 11.8" Lg..... | 1 |
| 21 | 11391G8 | | Hose Clamp, 1.81"..... | 1 |
| 22 | | | | |
| 23 | 70695G01 | | Tie Rod End (Outer) (Includes Items 24 - 25)..... | 1 |
| 24 | 50641G1 | | Grommet..... | 1 |
| 25 | * | | Hex Slotted Nut, 7/16" - 20 | 1 |
| 26 | 10387G2 | | Cotter Pin, 3/32" x 1"..... | 1 |

FUEL SYSTEM

- 1 Fuel Tank Assembly includes items 2 - 8
- 21 Carbon Canister Assembly includes items 22 - 26



THE USE OF NON U.L. PARTS WILL VOID ANY U.L. LISTING.

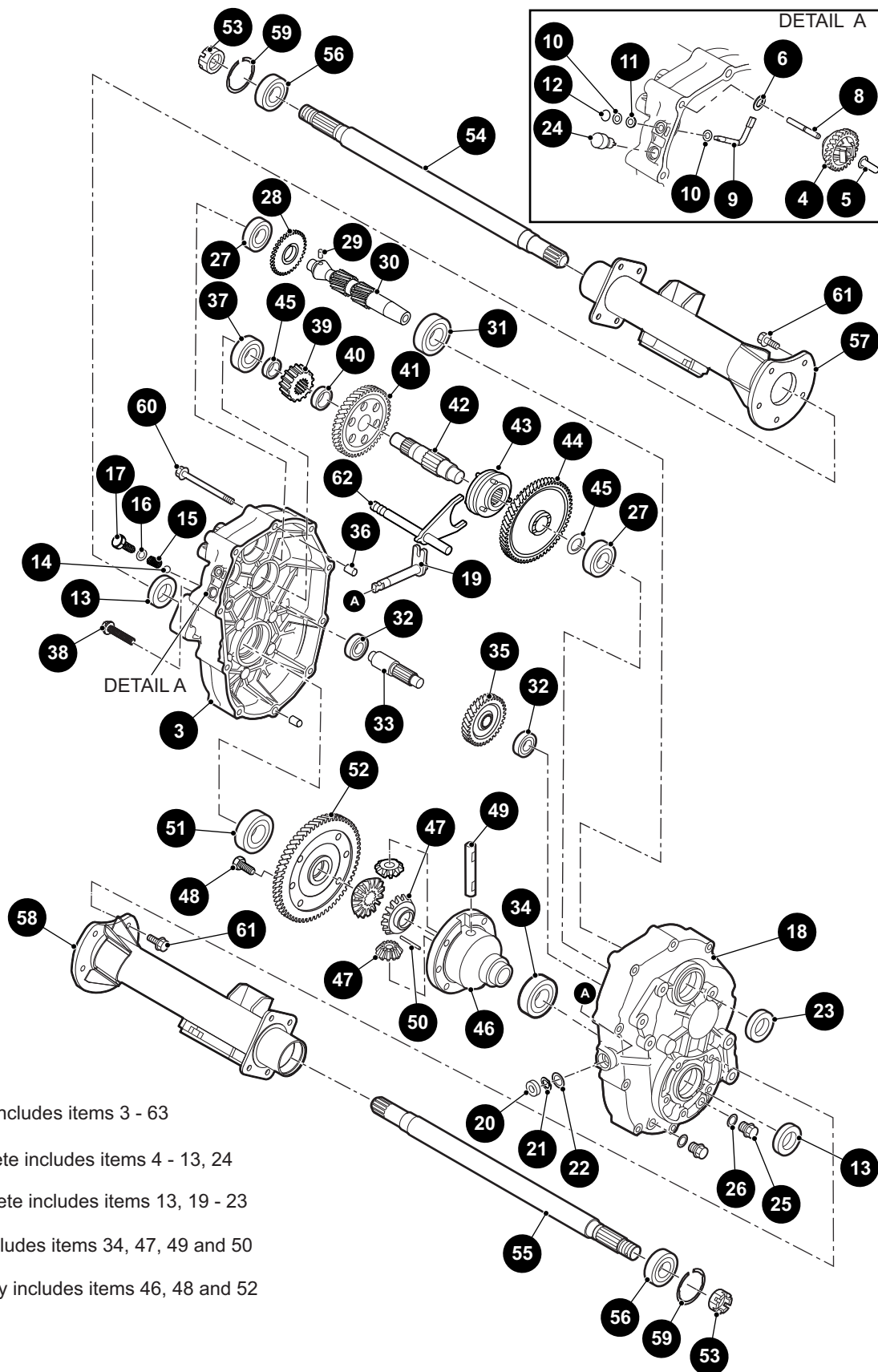
When ordering parts, please specify the model and serial number of the product.

* Indicates a component that is not available as an individual part.

*** Indicates consult Customer Service Department for additional information.

| ITEM | PART NO. | 1 2 3 4 5 | DESCRIPTION | QTY. |
|------|----------|-----------|--|------|
| 1 | 646824 | | Fuel Tank Assembly (without Sender Unit) (Includes Items 2 - 8)..... | 1 |
| 2 | 646306 | | Fuel Tank | 1 |
| 3 | 646837 | | Fuel Pump Lid | 1 |
| 4 | 646838 | | Seal | 1 |
| 5 | 647810 | | Grommet..... | 1 |
| 6 | 647809 | | Rollover Valve..... | 1 |
| 7 | 670898 | | Fuel Cap | 1 |
| 8 | 646352 | | Fuel Pickup without Sender Assembly | 1 |
| 9 | 32372G6 | | Vinyl Trim, 6.25" Lg | 1 |
| 10 | 666351 | | Fuel Hose Assembly | 1 |
| 11 | | | | |
| 12 | 664747 | | Tube Clamp, .5" | 2 |
| 13 | 602409 | | Barrel Clip, M6 - 1 (Not Illustrated)..... | 2 |
| 14 | 606264 | | Flanged Hex Head Bolt, M6 - 1 x 20mm Lg, Grade 8.8 | 2 |
| 15 | 70483G01 | | Spacer, 5/16" - 18 | 1 |
| 16 | 00438G8 | | Hex Head Bolt, 5/16" - 18 x 1" Lg, Grade 5 | 1 |
| 17 | 11098G6 | | Lock Nut, 5/16" - 18 | 3 |
| 18 | 00559G8 | | Flat Washer, 5/16" | 4 |
| 19 | 10570G11 | | Rivet, 3/16" Dia x .70" | 2 |
| 20 | 606310 | | Carbon Canister Mounting Bracket | 1 |
| 21 | 662807 | | Carbon Canister Assembly (Includes Items 22 - 26) | 1 |
| 22 | 606071 | | Carbon Canister | 1 |
| 23 | 18292G1 | | Clamp, 1/2" O.D..... | 2 |
| 24 | 606963 | | Clamp, 3/16" I.D | 2 |
| 25 | 27184G14 | | Fuel System Tube..... | 1 |
| 26 | 662608 | | Hose, 3/16" I.D. x 37" Lg | 1 |

REAR AXLE



- 1 Rear Axle, 11.47:1 includes items 3 - 63
- 3 Axle Case L Complete includes items 4 - 13, 24
- 18 Axle Case R Complete includes items 13, 19 - 23
- 46 Differential Case includes items 34, 47, 49 and 50
- 63 Differential Assembly includes items 46, 48 and 52

THE USE OF NON U.L. PARTS WILL VOID ANY U.L. LISTING.

When ordering parts, please specify the model and serial number of the product.

* Indicates a component that is not available as an individual part.

*** Indicates consult Customer Service Department for additional information.

| ITEM | PART NO. | 1 2 3 4 5 | DESCRIPTION | QTY. |
|------|----------|-----------|---|------|
| 1 | 670468 | | Rear Axle, 11.47:1 (Includes Items 3 - 63) | 1 |
| 2 | | | | |
| 3 | 639859 | | Axle Case L Complete (Includes Items 4 - 13, 24) | 1 |
| 4 | 665887 | | Governor Gear | 1 |
| 5 | 639689 | | Governor Sleeve | 1 |
| 6 | 607904 | | Flat Washer | 1 |
| 7 | | | | |
| 8 | 639698 | | Governor Gear Shaft..... | 1 |
| 9 | 639707 | | Governor Shaft..... | 1 |
| 10 | 639736 | | Flat Washer, 6mm | 2 |
| 11 | 607911 | | Oil Seal, 6 x 10 x 2.5mm | 1 |
| 12 | 607913 | | Retaining Ring, E5 | 1 |
| 13 | 639738 | | Oil Seal, 24 x 40 x 9mm | 2 |
| 14 | 26818G01 | | Steel Ball | 1 |
| 15 | 26819G01 | | Spring | 1 |
| 16 | 26831G01 | | Gasket, 10 | 1 |
| 17 | 26820G01 | | Flanged Hex Head Bolt, M10 - 1.25 x 12mm Lg | 1 |
| 18 | 639865 | | Axle Case R Complete (Includes Items 13, 19 - 23) | 1 |
| 19 | 639746 | | Select Shaft..... | 1 |
| 20 | 607915 | | Oil Seal, 13 x 22 x 5mm | 1 |
| 21 | 607916 | | Snap Ring, 13mm | 1 |
| 22 | 607917 | | Spacer, 13 x 1mm | 1 |
| 23 | 640093 | | Oil Seal, 28 x 47 x 9mm | 1 |
| 24 | 607919 | | Air Breather | 1 |
| 25 | 639747 | | Oil Drain Plug | 2 |
| 26 | 639748 | | Gasket, 14mm | 2 |
| 27 | 26785G01 | | Ball Bearing (6204)..... | 2 |
| 28 | 665888 | | Governor Gear,34..... | 1 |
| 29 | 607920 | | Pin, 6 x 12L..... | 1 |
| 30 | 639750 | | Input Shaft | 1 |
| 31 | 607922 | | Ball Bearing (62/28)..... | 1 |

REAR AXLE

THE USE OF NON U.L. PARTS WILL VOID ANY U.L. LISTING.

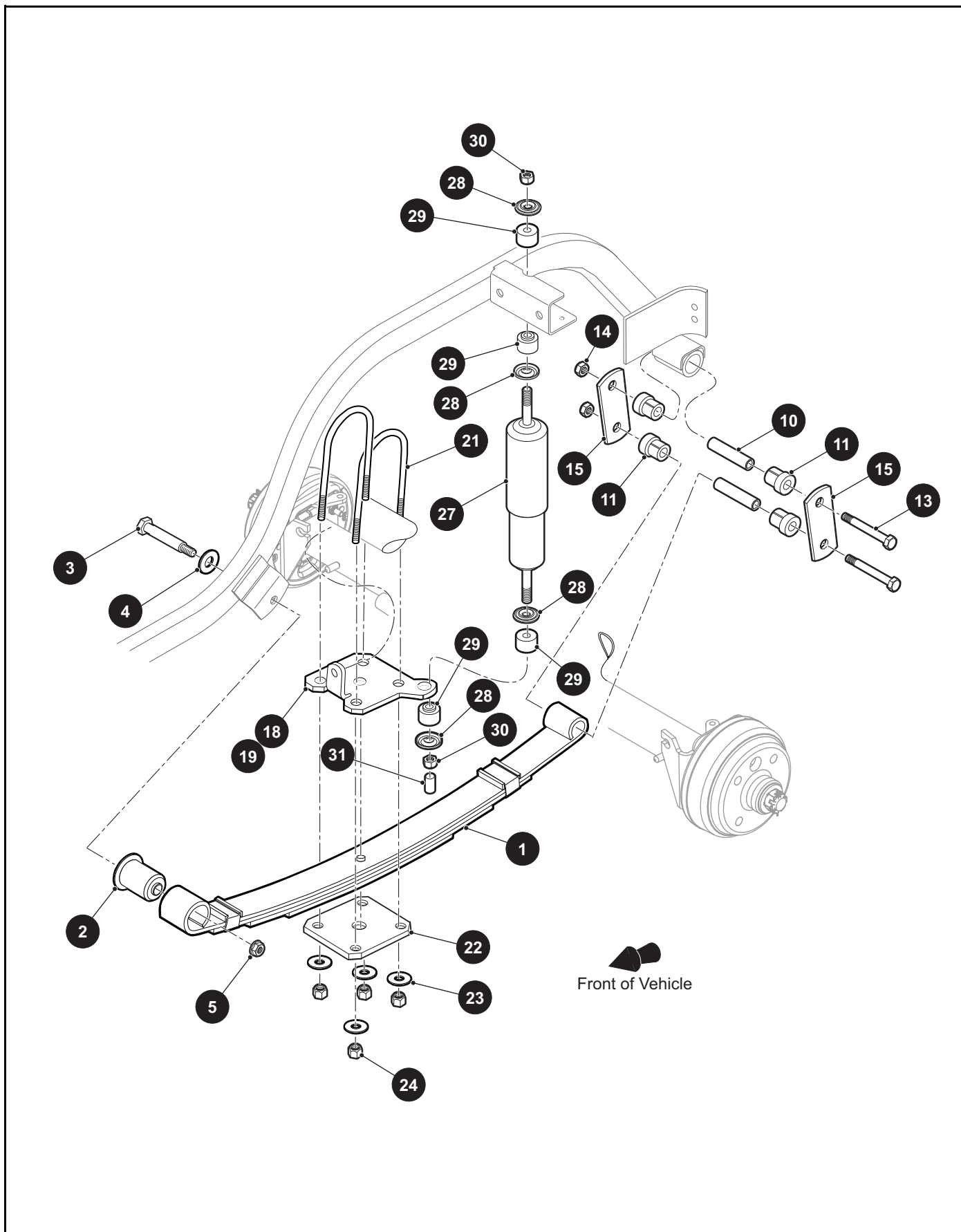
When ordering parts, please specify the model and serial number of the product.

* Indicates a component that is not available as an individual part.

*** Indicates consult Customer Service Department for additional information.

| ITEM | PART NO. | 1 | 2 | 3 | 4 | 5 | DESCRIPTION | QTY. |
|------|----------|---|---|---|---|---|--|------|
| 32 | 639868 | | | | | | Ball Bearing (TMB202) | 2 |
| 33 | 639755 | | | | | | Counter Shaft | 1 |
| 34 | 640744 | | | | | | Ball Bearing (6006) | 1 |
| 35 | 639758 | | | | | | Gear, 34..... | 1 |
| 36 | 639869 | | | | | | Knock Pipe | 2 |
| 37 | 639760 | | | | | | Ball Bearing (6304)..... | 2 |
| 38 | 639768 | | | | | | Flanged Hex Head Bolt, M8 - 1.25 x 40mm Lg | 1 |
| 39 | 639769 | | | | | | Gear, 17..... | 1 |
| 40 | 28689G01 | | | | | | Collar, 24 x 7.5mm | 1 |
| 41 | 639771 | | | | | | Gear, 52..... | 1 |
| 42 | 670697 | | | | | | Center Shaft | 1 |
| 43 | 639774 | | | | | | Clutch Pin | 1 |
| 44 | 670696 | | | | | | Gear, 61..... | 1 |
| 45 | 639797 | | | | | | Spacer, 20 x 2mm | 2 |
| 46 | 639872 | | | | | | Differential Case (Includes Items 34, 47, 49 and 50)..... | 1 |
| 47 | 639800 | | | | | | Differential Pair Gear..... | 1 |
| 48 | 26808G01 | | | | | | Hex Head Bolt, M10 - 1.25 x 26mm Lg..... | 6 |
| 49 | 28723G01 | | | | | | Differential Shaft..... | 1 |
| 50 | 28697G01 | | | | | | Spring Pin, 4 x 40L..... | 1 |
| 51 | 639801 | | | | | | Ball Bearing (6007) | 1 |
| 52 | 640739 | | | | | | Gear, 60 Complete (Includes Item 51)..... | 1 |
| 53 | 607938 | | | | | | Castle Nut, M22 - 1.5 | 2 |
| 54 | 639876 | | | | | | Axle Shaft L Complete (Includes Item 56)..... | 1 |
| 55 | 639881 | | | | | | Axle Shaft R Complete (Includes Item 56) | 1 |
| 56 | 639836 | | | | | | Ball Bearing (6205DD)..... | 2 |
| 57 | 607939 | | | | | | Axle Case L Complete..... | 1 |
| 58 | 607940 | | | | | | Axle Case R Complete | 1 |
| 59 | 26814G01 | | | | | | Snap Ring, 52mm..... | 2 |
| 60 | 639839 | | | | | | Flanged Hex Head Bolt, M8 - 1.25 x 60mm Lg | 9 |
| 61 | 639840 | | | | | | Flanged Hex Head Bolt, M10 - 1.25 x 25mm Lg | 10 |
| 62 | 639844 | | | | | | Shift Shaft Complete | 1 |
| 63 | 639847 | | | | | | Differential Assembly (Includes Items 46, 48 and 52) | 1 |

REAR SUSPENSION



REAR SUSPENSION

THE USE OF NON U.L. PARTS WILL VOID ANY U.L. LISTING.

When ordering parts, please specify the model and serial number of the product.

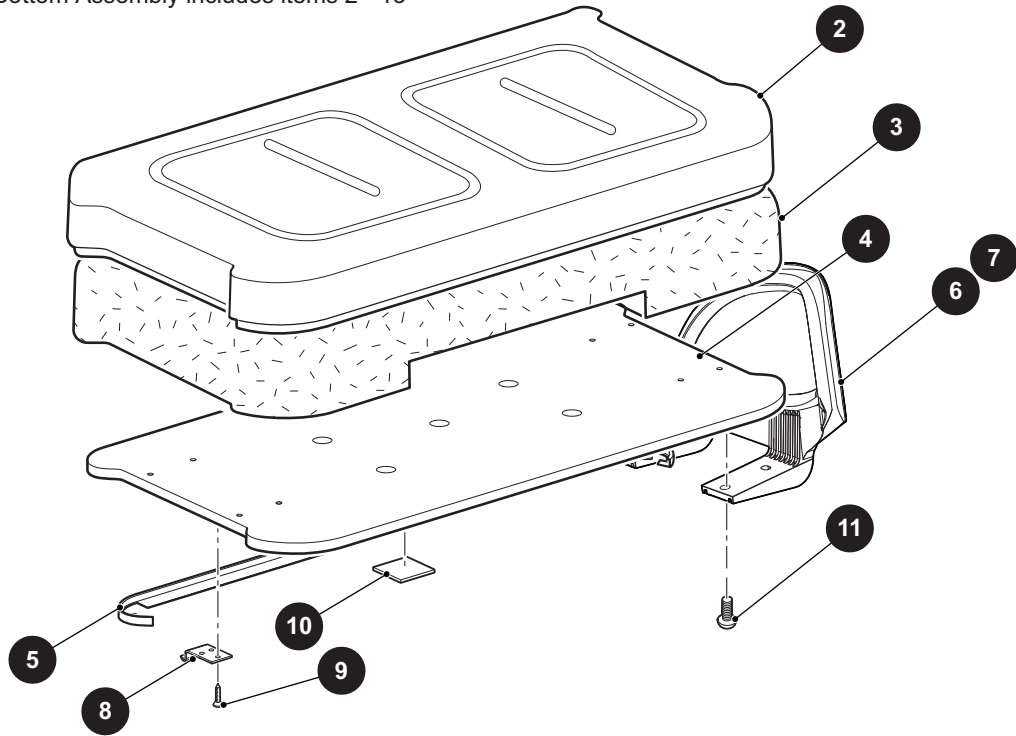
* Indicates a component that is not available as an individual part.

*** Indicates consult Customer Service Department for additional information.

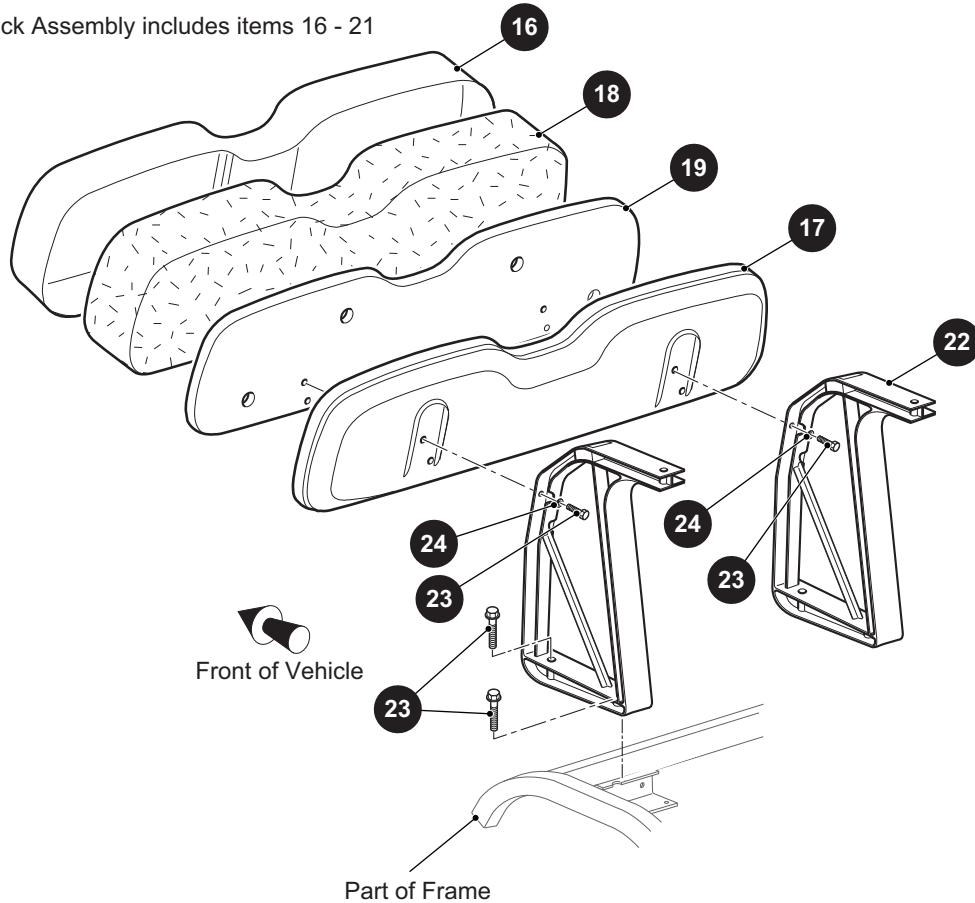
| ITEM | PART NO. | 1 2 3 4 5 | DESCRIPTION | QTY. |
|------|----------|-----------|---|------|
| 1 | 605722 | | Leaf Spring..... | 1 |
| 2 | 605445 | | Leaf Spring Bushing (Front)..... | 1 |
| 3 | 00665G9 | | Hex Head Bolt (SS), 3/8" - 16 x 3 1/2" Lg..... | 1 |
| 4 | 00643G1 | | Flat Washer, 3/8"..... | 1 |
| 5 | 12262G1 | | Flanged Lock Nut, 3/8" - 16..... | 1 |
| 6 | | | | |
| 7 | | | | |
| 8 | | | | |
| 9 | | | | |
| 10 | 70289G02 | | Split Spacer (Steel)..... | 2 |
| 11 | 624030 | | Flanged Bushing..... | 4 |
| 12 | | | | |
| 13 | 00665G9 | | Hex Head Bolt (SS), 3/8" - 16 x 3 1/2" Lg..... | 2 |
| 14 | 11098G5 | | Lock Nut, 3/8" - 16..... | 2 |
| 15 | 604961 | | Shackle Plate..... | 2 |
| 16 | | | | |
| 17 | | | | |
| 18 | 605938 | | Axle Bracket (Driver Side)..... | 1 |
| 19 | 605958 | | Axle Bracket (Passenger Side)..... | 1 |
| 20 | | | | |
| 21 | 32195G3 | | U-bolt, 2 3/8" Dia x 5" Lg..... | 2 |
| 22 | 652246 | | Rear Suspension Plate..... | 1 |
| 23 | 00643G1 | | Flat Washer, 3/8"..... | 4 |
| 24 | 11098G5 | | Lock Nut, 3/8" - 16..... | 4 |
| 25 | | | | |
| 26 | | | | |
| 27 | 642085 | | Shock Absorber..... | 2 |
| 28 | 10435G1 | | Washer (Shock Absorber), .406" I.D. x 1.25" O.D. | 4 |
| 29 | 10194G1 | | Rubber Bushing..... | 4 |
| 30 | 00532G6 | | Hex Nut, 3/8" - 24..... | 2 |
| 31 | 10044G01 | | Vinyl Cap..... | 1 |

SEATING

1 Seat Bottom Assembly includes items 2 - 13



15 Seat Back Assembly includes items 16 - 21



THE USE OF NON U.L. PARTS WILL VOID ANY U.L. LISTING.

When ordering parts, please specify the model and serial number of the product.

* Indicates a component that is not available as an individual part.

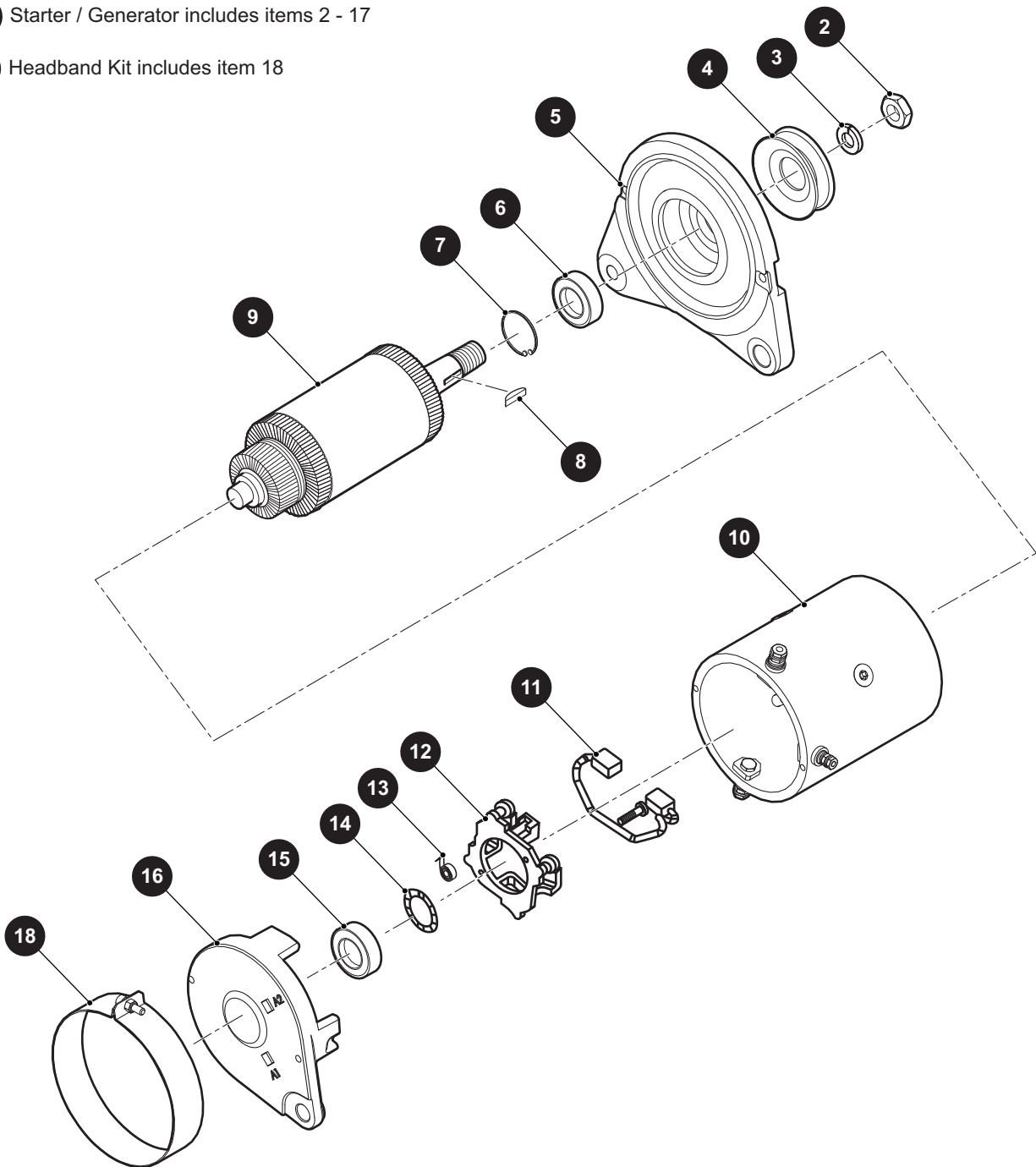
*** Indicates consult Customer Service Department for additional information.

| ITEM | PART NO. | 1 2 3 4 5 | DESCRIPTION | QTY. |
|------|----------|-----------|--|------|
| 1 | *** | | Seat Bottom Assembly (Includes Items 2 - 13) 629269G0103 Tan 629269G0106 Black | 1 |
| 2 | *** | | Seat Bottom Cover 71602G04 Tan 71602G06 Black | 1 |
| 3 | 71603G02 | | Foam Padding (Seat Bottom) | 1 |
| 4 | 645492 | | Seat Bottom..... | 1 |
| 5 | 71012G01 | | Vinyl Trim (Seat Bottom)..... | 1 |
| 6 | 617644 | | Hip Restraint (Passenger Side) | 1 |
| 7 | 617645 | | Hip Restraint (Driver Side)..... | 1 |
| 8 | 71610G01 | | Seat Hinge..... | 2 |
| 9 | 00720G08 | | Phillips Head Tapping Screw, #12 -14 x 1" Lg..... | 6 |
| 10 | 17074G1 | | Soiling Slab..... | 2 |
| 11 | 615417 | | Button Head Torx Bolt, M10 - 1.5 x 25 mm Lg..... | 8 |
| 12 | | | | |
| 13 | 17618G1 | | Nylon Clamp, 7" (Not Illustrated) | 1 |
| 14 | | | | |
| 15 | *** | | Seat Back Assembly (Includes Items 16 - 21)..... 625229G0103 Tan 625229G0106 Black | 1 |
| 16 | *** | | Vinyl Seat Back Cover 625234G03 Tan 625234G06 Black | 1 |
| 17 | 625239 | | Plastic Seat Back Cover | 1 |
| 18 | 625233 | | Foam Padding (Seat Back) | 1 |
| 19 | 644266 | | Seat Back Base | 1 |
| 20 | | | | |
| 21 | 17618G1 | | Nylon Clamp, 7" Lg (Not Illustrated) | 1 |
| 22 | 71811G03 | | Seat Support Bracket..... | 2 |
| 23 | 605056 | | Hex Head Bolt (SS), 1/4" - 20 x 1" Lg | 4 |
| 24 | 00664G7 | | Lock Washer (SS), 1/4" | 4 |
| 25 | 01075G01 | | Hex Washer Head Taptite Bolt, 3/8" - 16 x 2 1/2" Lg..... | 2 |

STARTER AND GENERATOR

1 Starter / Generator includes items 2 - 17

17 Headband Kit includes item 18



STARTER AND GENERATOR

THE USE OF NON U.L. PARTS WILL VOID ANY U.L. LISTING.

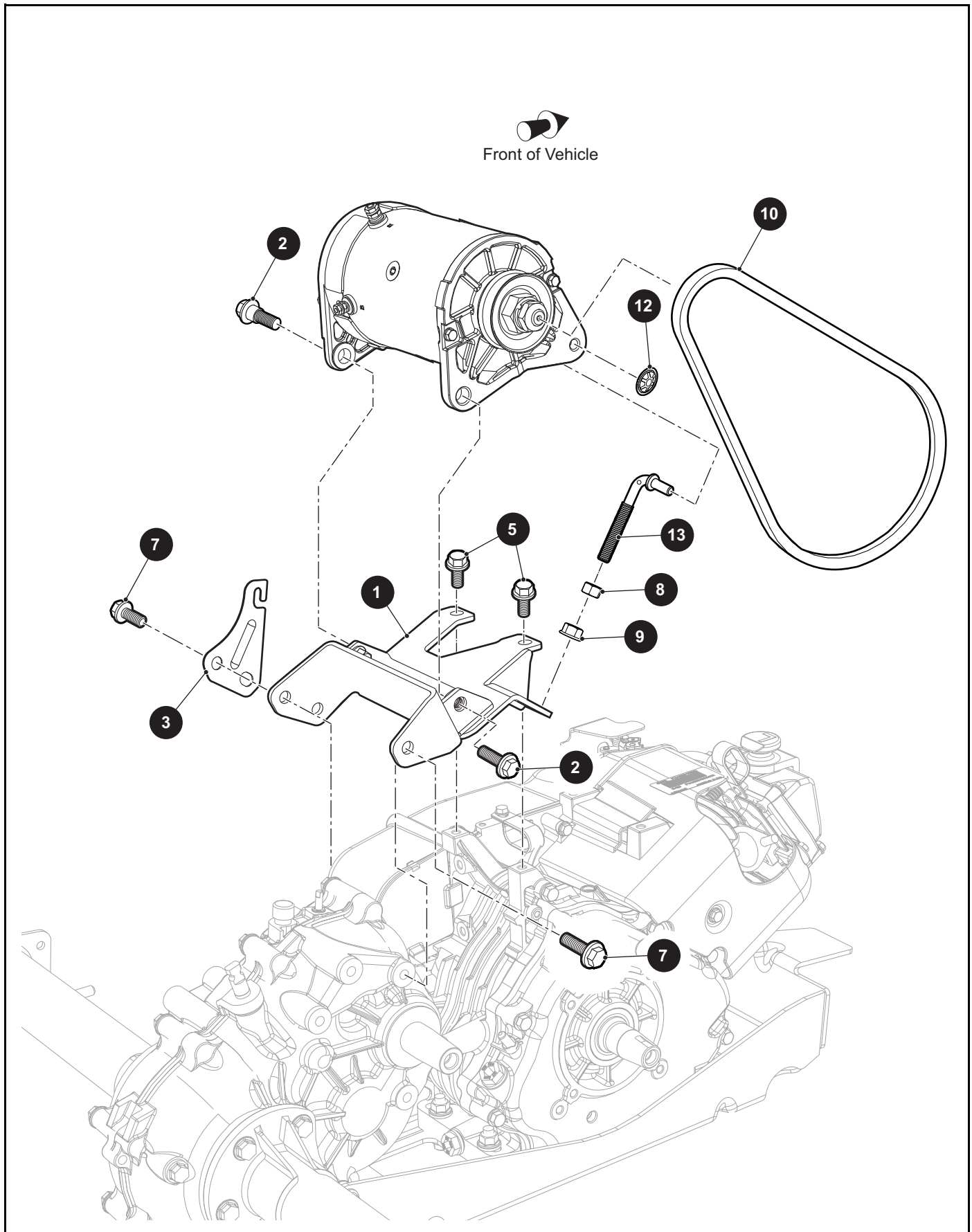
When ordering parts, please specify the model and serial number of the product.

* Indicates a component that is not available as an individual part.

*** Indicates consult Customer Service Department for additional information.

| ITEM | PART NO. | 1 2 3 4 5 | DESCRIPTION | QTY. |
|------|----------|-----------|---|------|
| 1 | 660379 | | Starter / Generator (Includes Items 2 - 17) | 1 |
| 2 | 612029 | | Hex Nut..... | 1 |
| 3 | 612030 | | Lock Washer..... | 1 |
| 4 | 625716 | | Pulley, 2.5" O.D. | 1 |
| 5 | 654715 | | Drive End Head | 1 |
| 6 | 612033 | | Bearing | 1 |
| 7 | 612034 | | Retaining Ring | 1 |
| 8 | 612035 | | Woodruff Key | 1 |
| 9 | 612036 | | Armature Assembly | 1 |
| 10 | 654716 | | Frame And Field Assembly..... | 1 |
| 11 | 612038 | | Brush Lead And Terminal Package | 1 |
| 12 | 654717 | | Brush Box Assembly..... | 1 |
| 13 | 656659 | | Brush Spring..... | 4 |
| 14 | 612043 | | Wavy Washer | 1 |
| 15 | 612044 | | Bearing | 1 |
| 16 | 612045 | | Commutator End Head..... | 1 |
| 17 | 658172 | | Headband Kit (Includes Item 18) | 1 |
| 18 | 654718 | | Headband..... | 1 |

STARTER AND GENERATOR



STARTER AND GENERATOR

THE USE OF NON U.L. PARTS WILL VOID ANY U.L. LISTING.

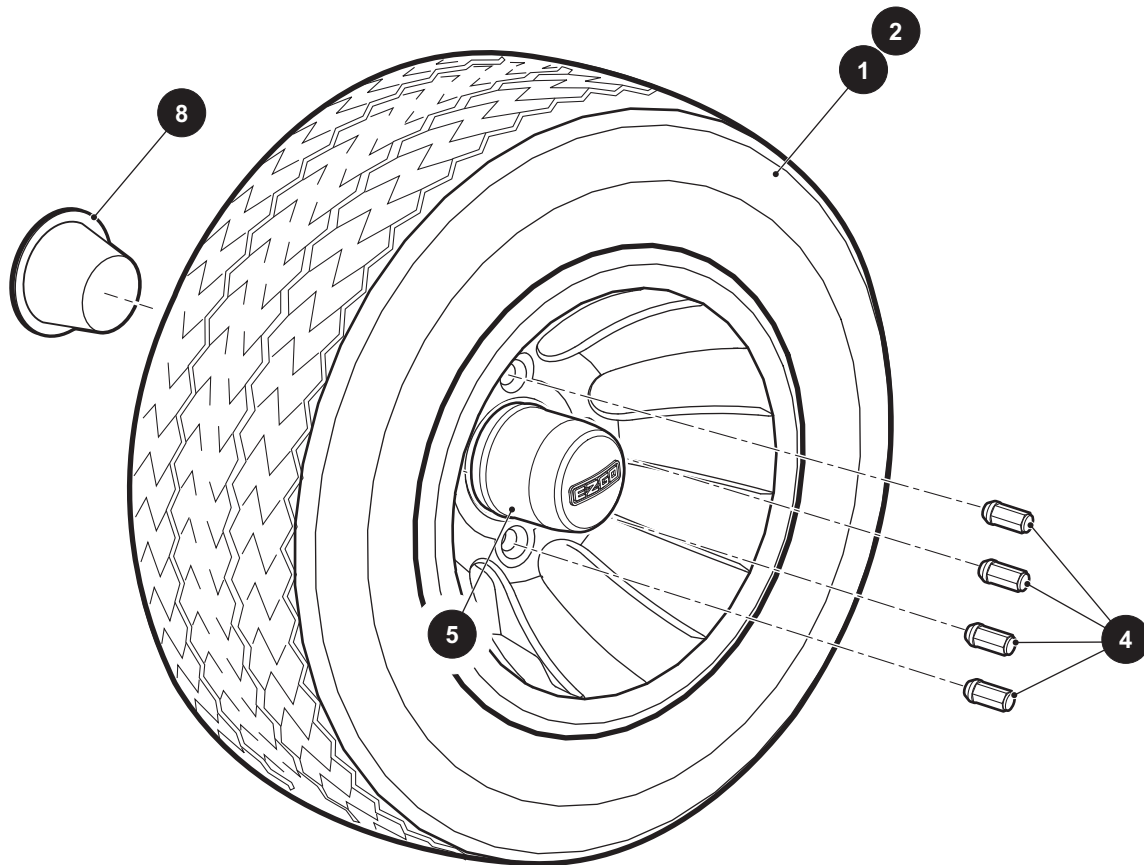
When ordering parts, please specify the model and serial number of the product.

* Indicates a component that is not available as an individual part.

*** Indicates consult Customer Service Department for additional information.

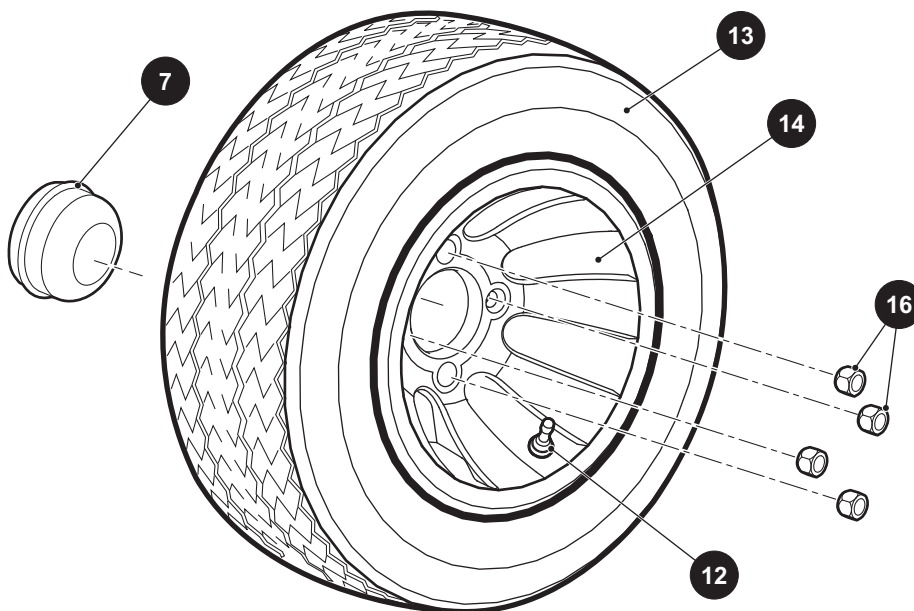
| ITEM | PART NO. | 1 2 3 4 5 | DESCRIPTION | QTY. |
|------|----------|-----------|---|------|
| 1 | 631972 | | Starter/Generator Support Bracket | 1 |
| 2 | 606235 | | Flanged Hex Head Bolt, M10 - 1.25 x 20mm Lg..... | 2 |
| 3 | 660001 | | Cable Guide Bracket..... | 1 |
| 4 | | | | |
| 5 | 606261 | | Flanged Hex Head Bolt, M8 - 1.25 x 20mm Lg, Grade 8.8..... | 2 |
| 6 | | | | |
| 7 | 606256 | | Flanged Hex Head Bolt, M10 - 1.25 x 25mm Lg, Grade 8.8..... | 3 |
| 8 | 606255 | | Hex Jam Nut, M10 - 1.25 | 1 |
| 9 | 606274 | | Flanged Hex Nut, M10 - 1.25 | 1 |
| 10 | 630587 | | Starter/generator Belt..... | 1 |
| 11 | | | | |
| 12 | 12064G6 | | Push Nut, 5/16" | 1 |
| 13 | 629763 | | Tensioner Bolt | 1 |

WHEELS AND TIRES



Tire design may vary by Part Number

11 Wheel and Tire Assembly (Kenda) includes items 12 - 14



WHEELS AND TIRES

THE USE OF NON U.L. PARTS WILL VOID ANY U.L. LISTING.

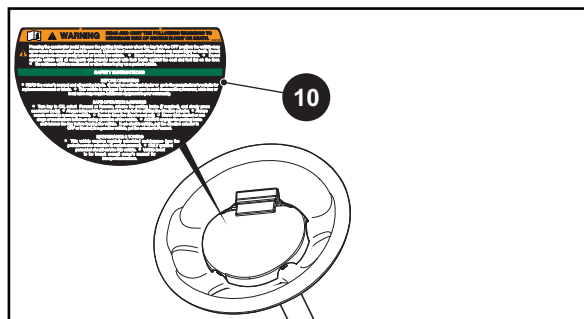
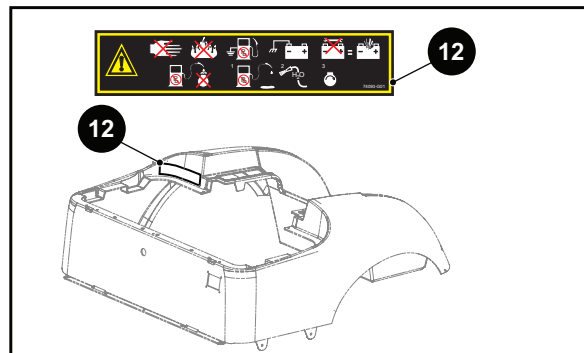
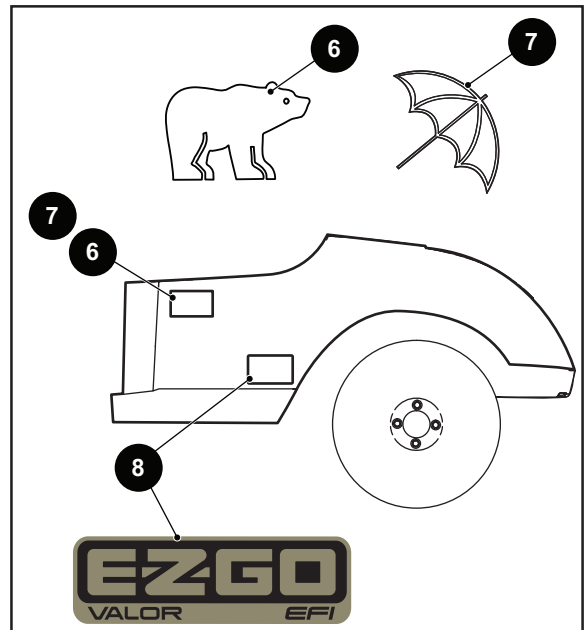
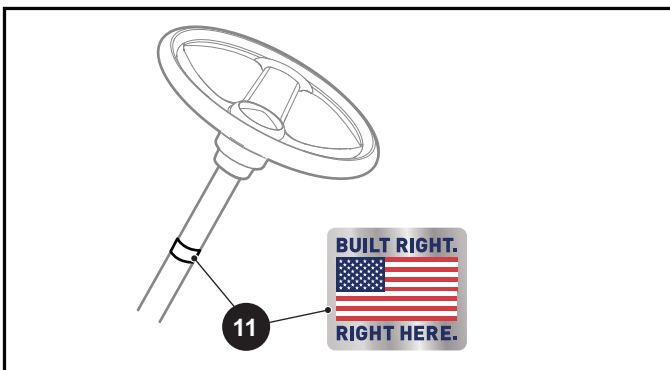
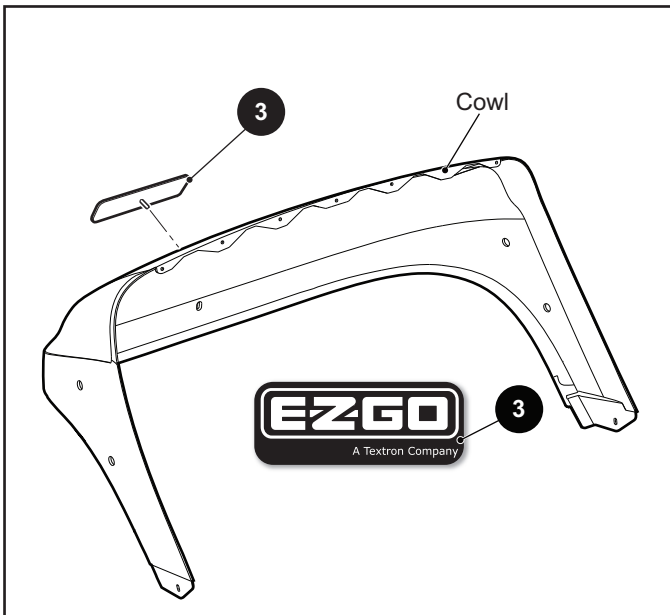
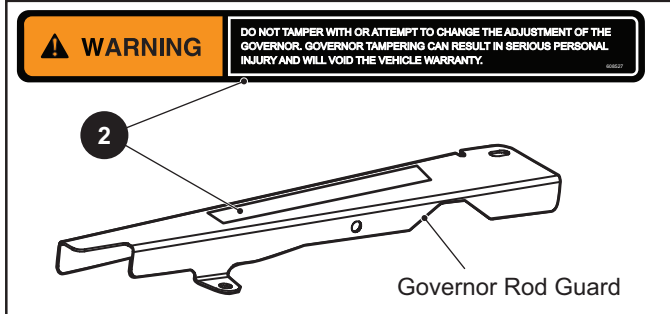
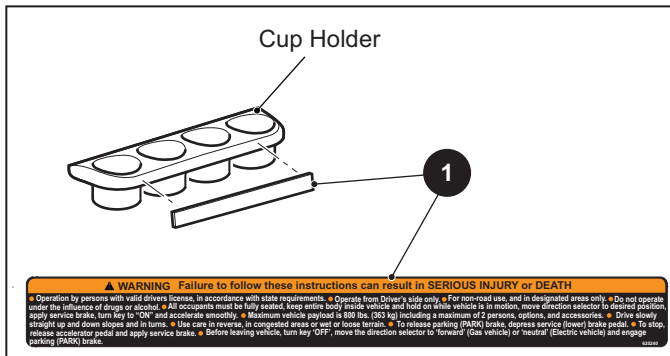
When ordering parts, please specify the model and serial number of the product.

* Indicates a component that is not available as an individual part.

*** Indicates consult Customer Service Department for additional information.

| ITEM | PART NO. | 1 2 3 4 5 | DESCRIPTION | QTY. |
|------|----------|-----------|--|------|
| 1 | 606179 | | Wheel and Tire Assembly (Speed Racer) (Passenger Side) | 1 |
| 2 | 606240 | | Wheel and Tire Assembly (Speed Racer) (Driver Side) | 1 |
| 3 | | | | |
| 4 | 605310 | | Lug Nut, 1/2" - 20 | 4 |
| 5 | 608910 | | Wheel Cap (Diamond)..... | 1 |
| 6 | | | | |
| 7 | 12091G2 | | Spindle Cap..... | 1 |
| 8 | 74175G01 | | Dust Cap | 1 |
| 9 | | | | |
| 10 | | | | |
| 11 | 652263 | | Wheel and Tire Assembly (Kenda) (Includes Items 12 - 14) | 1 |
| 12 | 643948 | | Valve Stem | 1 |
| 13 | 652986 | | Tire, 20" x 8" - 10" (Kenda) | 1 |
| 14 | 643934 | | Wheel, 10" x 6" - 4" | 1 |
| 15 | | | | |
| 16 | 14723G1 | | Lug Nut, 1/2" - 20 | 4 |

DECALS AND LABELS



DECALS AND LABELS

THE USE OF NON U.L. PARTS WILL VOID ANY U.L. LISTING.

When ordering parts, please specify the model and serial number of the product.

* Indicates a component that is not available as an individual part.

*** Indicates consult Customer Service Department for additional information.

| ITEM | PART NO. | 1 2 3 4 5 | DESCRIPTION | QTY. |
|------|----------|-----------|------------------------------------|------|
| 1 | 625240 | | Safety Label | 1 |
| 2 | 608527 | | Governor Warning Label | 1 |
| 3 | 606405 | | E-Z-GO Name Plate..... | 1 |
| 4 | | | | |
| 5 | | | | |
| 6 | 604847 | | Golden Bear Decal..... | 1 |
| 7 | 604850 | | Umbrella Decal..... | 1 |
| 8 | 690346 | | TXT Valor Decal (EFI) | 1 |
| 9 | | | | |
| 10 | 664789 | | Steering Wheel Warning Label | 1 |
| 11 | 685698 | | MADE IN USA Decal..... | 1 |
| 12 | 74093G01 | | Engine Warning Decal | 1 |

DECALS AND LABELS

THE USE OF NON U.L. PARTS WILL VOID ANY U.L. LISTING.

When ordering parts, please specify the model and serial number of the product.

* Indicates a component that is not available as an individual part.

*** Indicates consult Customer Service Department for additional information.

| ITEM | PART NO. | 1 2 3 4 5 | DESCRIPTION | QTY. |
|------|----------|-----------|--|------|
| 1 | 634229 | | Safety Label (Instrument Panel)..... | 1 |
| 2 | 614068 | | Authorized Representative Decal (EC) | 1 |
| 3 | 601783 | | CE Symbol Decal | 1 |
| 4 | | | | |
| 5 | 608822 | | Governor Decal | 1 |
| 6 | 28203G01 | | Battery Warning Decal | 1 |



A Textron Company

Textron Specialized Vehicles, Inc.,
1451 Marvin Griffin Road
Augusta, Georgia 30906 - 3852 USA

CONTACT INFORMATION

North America:

Technical Assistance & Warranty Phone: 1-800-774-3946, FAX: 1-800-448-8124
Service Parts Phone: 1-888-438-3946, FAX: 1-800-752-6175

International: Phone: 001-706-798-4311, FAX: 001-706-771-4609

Owner's Guides and Repair Manuals
are available from a local Distributor, an authorized Branch,
Parts & Accessories Department or at www.shop.txtsv.com/shop-ezgo

Copyrighted Material
This manual may not be reproduced in whole or
in part without the express permission of
Textron Specialized Vehicles
Technical Publications Department