



A Textron Company

# **Electric Powered Vehicle Service Parts Manual**



## **625480-BA**

**ISSUED SEP 2011**

**REVISED AUGUST 2019**



# SERVICE PARTS MANUAL

## ELECTRIC POWERED VEHICLE

### EXPRESS S6

## STARTING MODEL YEAR 2012

DISCLAIMER: The E-Z-GO Division of Textron Inc. (E-Z-GO) reserves the right to incorporate engineering and design changes to products in this Manual, without obligation to include these changes on units leased/sold previously.

The information contained in this Manual may be revised periodically E-Z-GO, and therefore is subject to change without notice.

E-Z-GO DISCLAIMS LIABILITY FOR ERRORS IN THIS MANUAL, and E-Z-GO SPECIFICALLY DISCLAIMS LIABILITY FOR INCIDENTAL AND CONSEQUENTIAL DAMAGES RESULTING FROM THE USE OF THE INFORMATION AND MATERIALS IN THIS MANUAL.

#### **TO CONTACT US**

#### **NORTH AMERICA:**

**TECHNICAL ASSISTANCE & WARRANTY PHONE: 1-800-774-3946, FAX: 1-800-448-8124**

**SERVICE PARTS PHONE: 1-888-GET-EZGO (1-888-438-3946), FAX: 1-800-752-6175**

**INTERNATIONAL: PHONE: 001-706-798-4311, FAX: 001-706-771-4609**

**E-Z-GO DIVISION OF TEXTRON INC., 1451 MARVIN GRIFFIN RD., AUGUSTA, GEORGIA USA 30906-3852**

## GENERAL INFORMATION

To obtain a copy of the limited warranty applicable to the vehicle, call or write a local Distributor, authorized Branch or the Warranty Department with vehicle serial number and manufacturer code.

The use of non Original Equipment Manufacturer (OEM) parts may void the warranty.

Overfilling of batteries may void the warranty.

### BATTERY PROLONGED STORAGE

All batteries will self discharge over time. The rate of self discharge varies depending on the ambient temperature and the age and condition of the batteries.

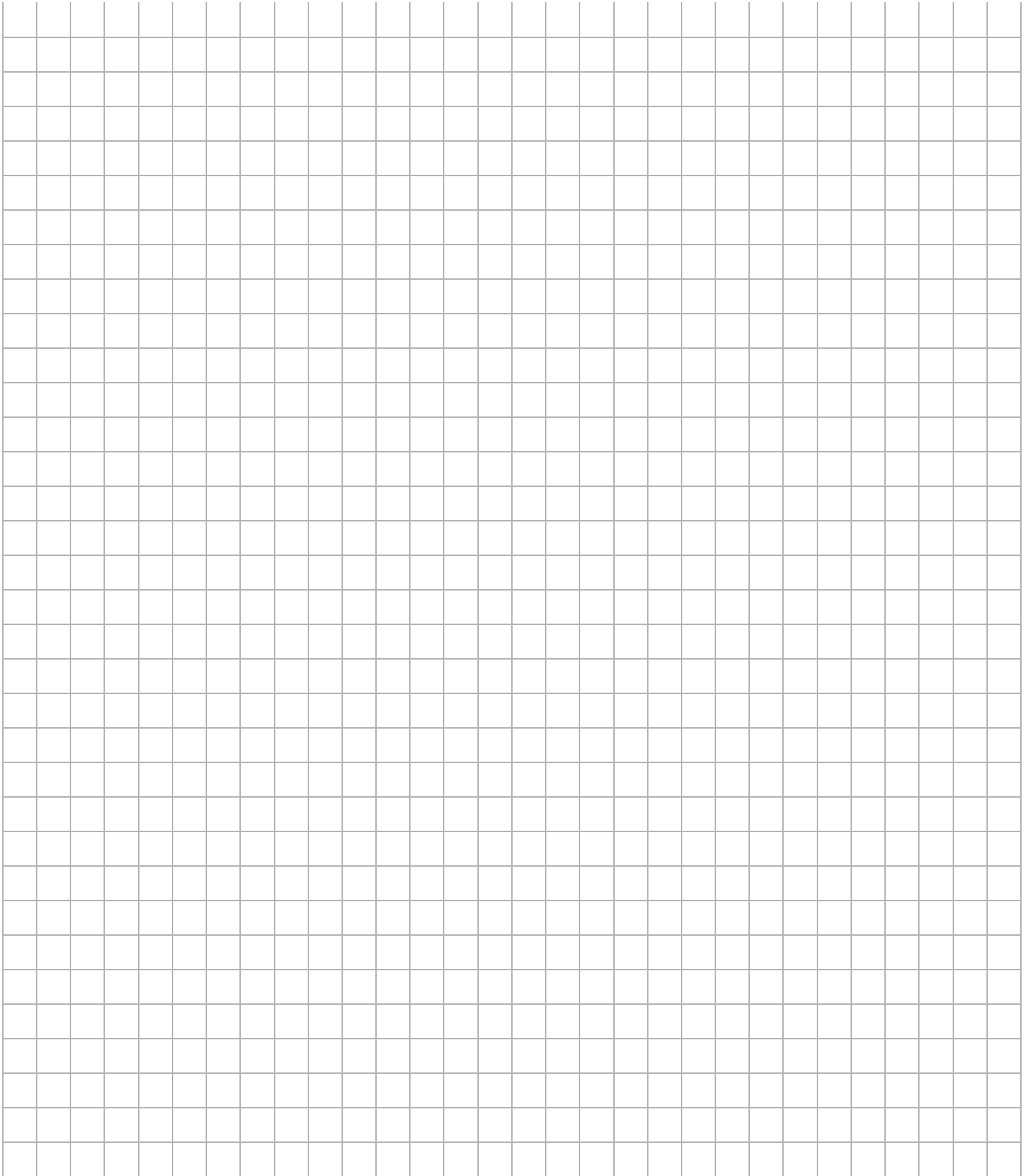
A fully charged battery will not freeze in winter temperatures unless the temperature falls below -75° F (-60° C).

As with all electric vehicles, the batteries must be checked and recharged as required or at a minimum of 30 day intervals.

# TABLE OF CONTENTS

<b>SECTION</b>	<b>Page No.</b>
<b>HOW TO USE THE SERVICE PARTS MANUAL</b> .....	<b>V</b>
<b>ACCELERATOR</b> .....	<b>A - 1</b>
<b>BATTERY CHARGER</b> .....	<b>B - 1</b>
<b>BODY</b> .....	<b>C - 1</b>
<b>BRAKES</b> .....	<b>D - 1</b>
<b>BRAKES - FRONT DISC</b> .....	<b>D - 7</b>
<b>ELECTRICAL SYSTEM</b> .....	<b>E - 1</b>
<b>ELECTRONIC SPEED CONTROL</b> .....	<b>F - 1</b>
<b>FRONT SUSPENSION - STEERING</b> .....	<b>G - 1</b>
<b>MOTOR</b> .....	<b>H - 1</b>
<b>REAR AXLE</b> .....	<b>J - 1</b>
<b>REAR SUSPENSION</b> .....	<b>K - 1</b>
<b>SEATING</b> .....	<b>L - 1</b>
<b>TRUCK BED</b> .....	<b>M - 1</b>
<b>WEATHER PROTECTION</b> .....	<b>N - 1</b>
<b>WHEELS AND TIRES</b> .....	<b>P - 1</b>

# NOTES



# HOW TO USE THE SERVICE PARTS MANUAL

This manual is divided into several sections:

- GENERAL INFORMATION
- ILLUSTRATED PARTS BREAKDOWN
- APPENDIX

The first section, GENERAL INFORMATION, contains the following information:

- WARRANTY INFORMATION
- GENERAL INDEX
- HOW TO USE THE SERVICE PARTS MANUAL

The second section, ILLUSTRATED PARTS BREAKDOWN, contains illustrations and parts lists for all systems of your vehicle.

The third section, APPENDIX, contains a listing of specialty products and accessories.

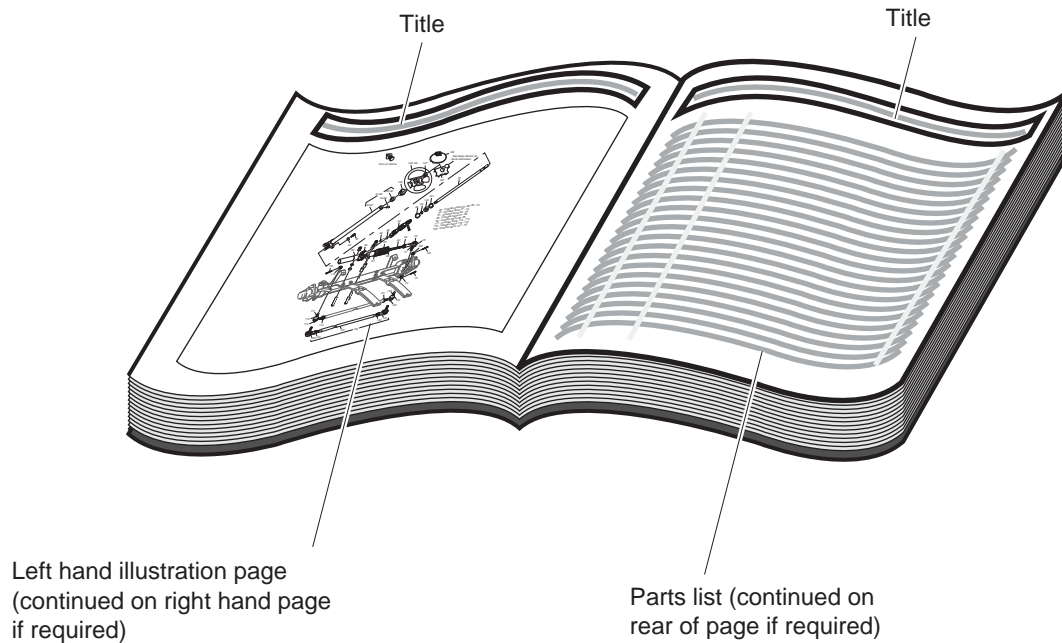
## USE OF THE MANUAL

To use this manual, consult the GENERAL INDEX to locate the information or illustration required.

Introduction of some revisions varies due to supply of components; therefore, it is possible that various combinations of components may be found that are not directly reflected by each illustration. Consult the illustration that best suits your situation and then contact the Service Parts Department. It is important that the serial number of your vehicle and its model number be supplied to Service Parts when ordering any replacement components.

Locate the serial number plate (see BODY located in the Illustrated Parts Breakdown section of this manual for its location) and note the complete number shown on the plate.

# HOW TO USE THE SERVICE PARTS MANUAL



## 1. WHEN THE PART NUMBER IS NOT KNOWN

- Determine the function and application of the part required. Turn to the General Index and select the most appropriate title.
- Turn to the page number indicated and locate the desired part on the illustration.
- From the illustration, obtain the item number assigned to the desired part. Refer to the accompanying description for specific information regarding the part.

## 2. IF YOU KNOW THE PART NUMBER

- Locate the part number or description in the appropriate column on the parts list page.

NOTE: It is suggested that you confirm that the part selected is correct by verifying it with the pictorial representation on the illustrated page.

Should an asterisk (\*) appear in the part number column on the parts list page, read upwards until a part number is found. The part number is the lowest assembly sold by Service Parts and the asterisk (\*) indicates that the part depicted is not available for purchase.

NOTE: Descriptions are indented under the assembly that they are used on. That assembly is, in turn listed under the assembly that it is used on. This process is repeated until the highest final assembly is reached.

**To facilitate the maintenance and repair of the vehicle, a Technician's Repair and Service Manual is available from the Service Parts Department.**



# HOW TO USE THE SERVICE PARTS MANUAL

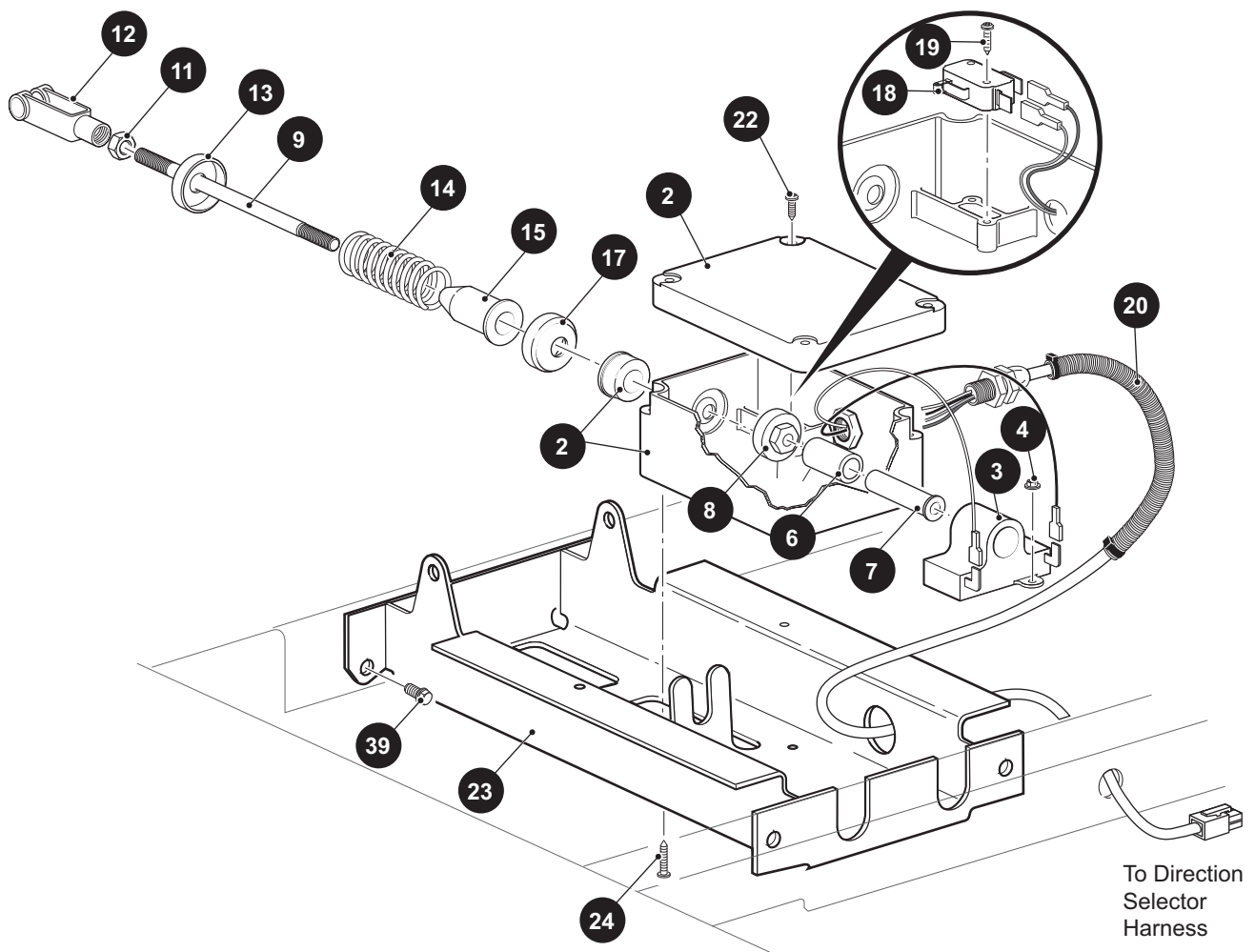
## 3. COLOR CODE FOR BODY COMPONENTS

The last two digits of the part number for the body part will denote the color code, locate the part number for the cowl, rear body, seat pod, side panel or seat wrap then locate your color in the list below, replace the last \*\* or XX with the two digit color code.

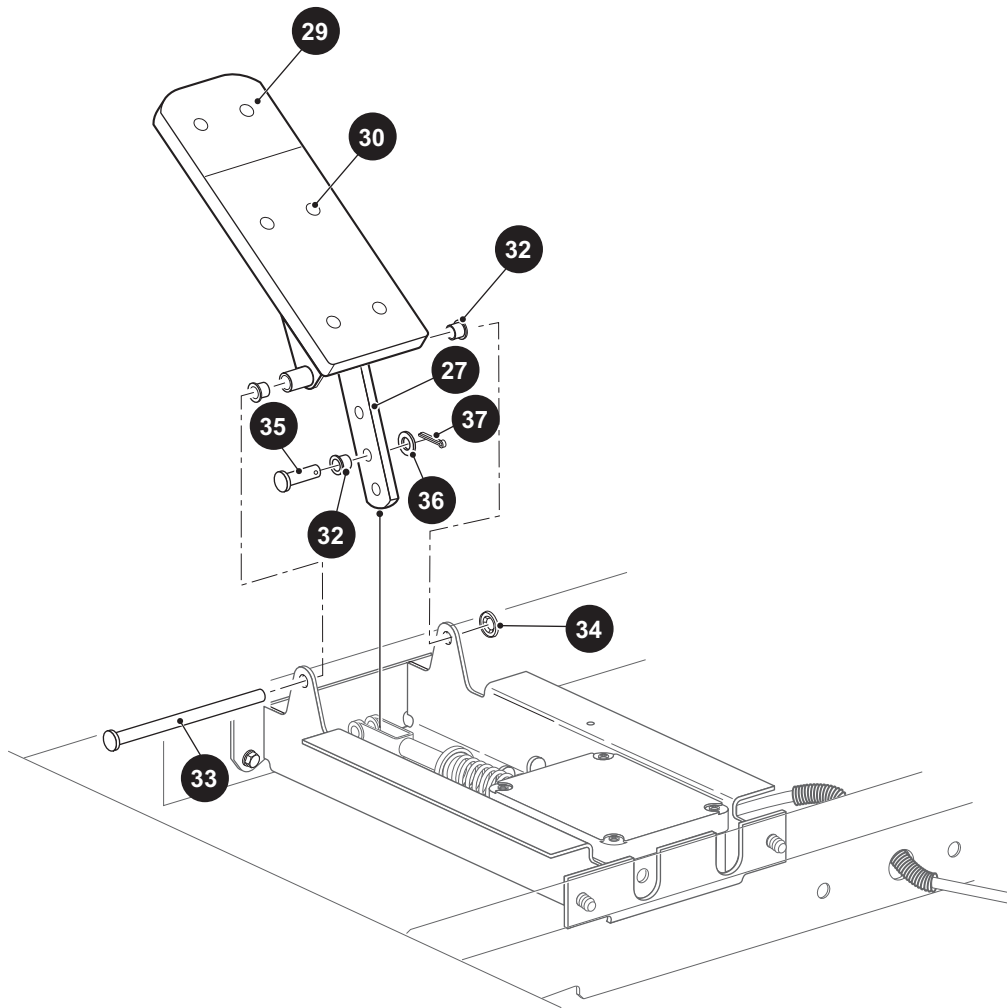
<u>CODE #</u>	<u>DESCRIPTION</u>	<u>CODE #</u>	<u>DESCRIPTION</u>
01	NO PAINT	53	MOSSY OAK NEW BREAK UP - DIPPED
02	SPECIAL COLOR	54	MOSSY OAK OBSESSION - DIPPED
05	JACOBSEN ORANGE	55	REALTREE ADVANTAGE MAX 4 - DIPPED
06	LIGHT GOLD PEARL	56	REALTREE HARDWOOD BROWN - DIPPED
07	SILVER PEARL METALIC	57	REALTREE AP HOT PINK - DIPPED
11	BLACK	58	BLACK / SILVER MARBLE - DIPPED
12	EMERALD GREEN PEARL	59	RED / SILVER MARBLE - DIPPED
13	CLOUD GRAY	60	HOT PINK / SILVER MARBLE - DIPPED
14	VIPER BLUE METALLIC	61	REALTREE AP
19	PATRIOT BLUE PEARL	62	REALTREE MAX 4
20	INFERNO RED METALLIC	63	MOSSY OAK BREAKUP
23	ADVANTAGE CLASSIC CAMO	64	MOSSY OAK TREESTAND
24	NATURAL	65	REALTREE APG
25	VIVID NEW HOLLAND BLUE	66	REALTREE MAX 1
26	STEEL BLUE PEARL	67	REALTREE AP PINK
27	BRIGHT SILVER METALLIC	68	REALTREE AP - DIPPED
29	PRIMER ONLY	69	MONSTER GREEN
30	HD ADVANTAGE CAMO	74	BARLEY GOLD
31	METALLIC CHARCOAL	75	OASIS GREEN
32	LIGHT ALMOND PEARL	76	JAVA BROWN
33	TIMBERLINE GREEN	79	JACOBSEN ORANGE 172
34	DEEP MOLTEN RED		
35	SAFETY YELLOW		
36	IVORY		
37	FOREST GREEN		
38	BRIGHT WHITE		
39	FLAME RED		
40	BLACK		
41	ELECTRIC BLUE		
42	PLATINUM		
43	BURGUNDY		
44	ALMOND		
45	BLACK		
46	BURGUNDY		
47	BURLINGTON GREEN		
48	BLACK		
49	FLAME RED		
50	RECON GREEN		
51	SUNBURST ORANGE		
52	BRITISH RACING GREEN		

# ACCELERATOR

1 PEDAL BOX ASSEMBLY includes items 2 - 37



**26** ACCELERATOR PEDAL ASSEMBLY includes items 27 - 30



# ACCELERATOR

When ordering parts, please specify the model and serial number of the product.

\* Indicates a component that is not available as an individual part.

\*\*\* Indicates consult Customer Service Department for additional information.

ITEM	PART NO.	1 2 3 4 5	DESCRIPTION	QTY.
1	73333G07		PEDAL BOX ASSEMBLY (INCLUDES ITEMS 2 - 37).....	1
2	25853G01		PEDAL BOX AND COVER (SEAL AND BEARING).....	1
3	25854G01		INDUCTIVE THROTTLE SENSOR.....	1
4	00983G01		SELF THREADING NUT, 3/16".....	2
5				
6	25857G01		PLUNGER SLEEVE.....	1
7	28443G01		PLUNGER.....	1
8	28444G01		PLUNGER CAM.....	1
9	73332G01		ACCELERATOR ROD .....	1
10				
11	00532G4		LOCK NUT, 5/16 - 24 .....	1
12	10385G4		YOKE (ADJUSTABLE).....	1
13	17677G2		SPRING RETAINER, 3/8" .....	1
14	73046G01		COMPRESSION SPRING .....	1
15	17979G1		ACCELERATOR ROD BUSHING .....	1
16				
17	17677G1		SPRING RETAINER, 1/2" .....	1
18	25861G02		MICRO SWITCH .....	1
19	01050G01		SCREW, #4 - 20 X 5/8" LG .....	2
20	25879G06		WIRING HARNESS (PEDAL BOX ASSEMBLY).....	1
21				
22	00684G6		SCREW, #8 - 32 X 3/4" LG .....	2
23	652241G03		ACCELERATOR PEDAL BRACKET .....	1
24	01051G01		SCREW, #8 - 16 X 1/2" LG .....	4
25				
26	25799G03		ACCELERATOR PEDAL ASSEMBLY (INCLUDES ITEMS 27 - 30) .....	1
27	652824		ACCELERATOR PEDAL .....	1
28				
29	27512G01		ACCELERATOR PEDAL PAD .....	1
30	16409G1		OVAL RIVET 3/16" X 7/16" LG .....	6
31				

When ordering parts, please specify the model and serial number of the product.

\* Indicates a component that is not available as an individual part.

\*\*\* Indicates consult Customer Service Department for additional information.

ITEM	PART NO.	1 2 3 4 5	DESCRIPTION	QTY.
32	17838G1		BUSHING .....	3
33	74432G01		PEDAL PIVOT PIN .....	1
34	12064G6		PUSHNUT, 9/32" I.D. ....	1
35	10386G3		CLEVIS PIN, 5/16" X 13/16" LG .....	1
36	17255G1		TEFLON WASHER, 5/16" .....	1
37	10387G3		COTTER PIN, 3/32" X 3/4" LG .....	1
38				
39	00715G2		BOLT, 5/16 - 18 X 13/16" LG.....	4

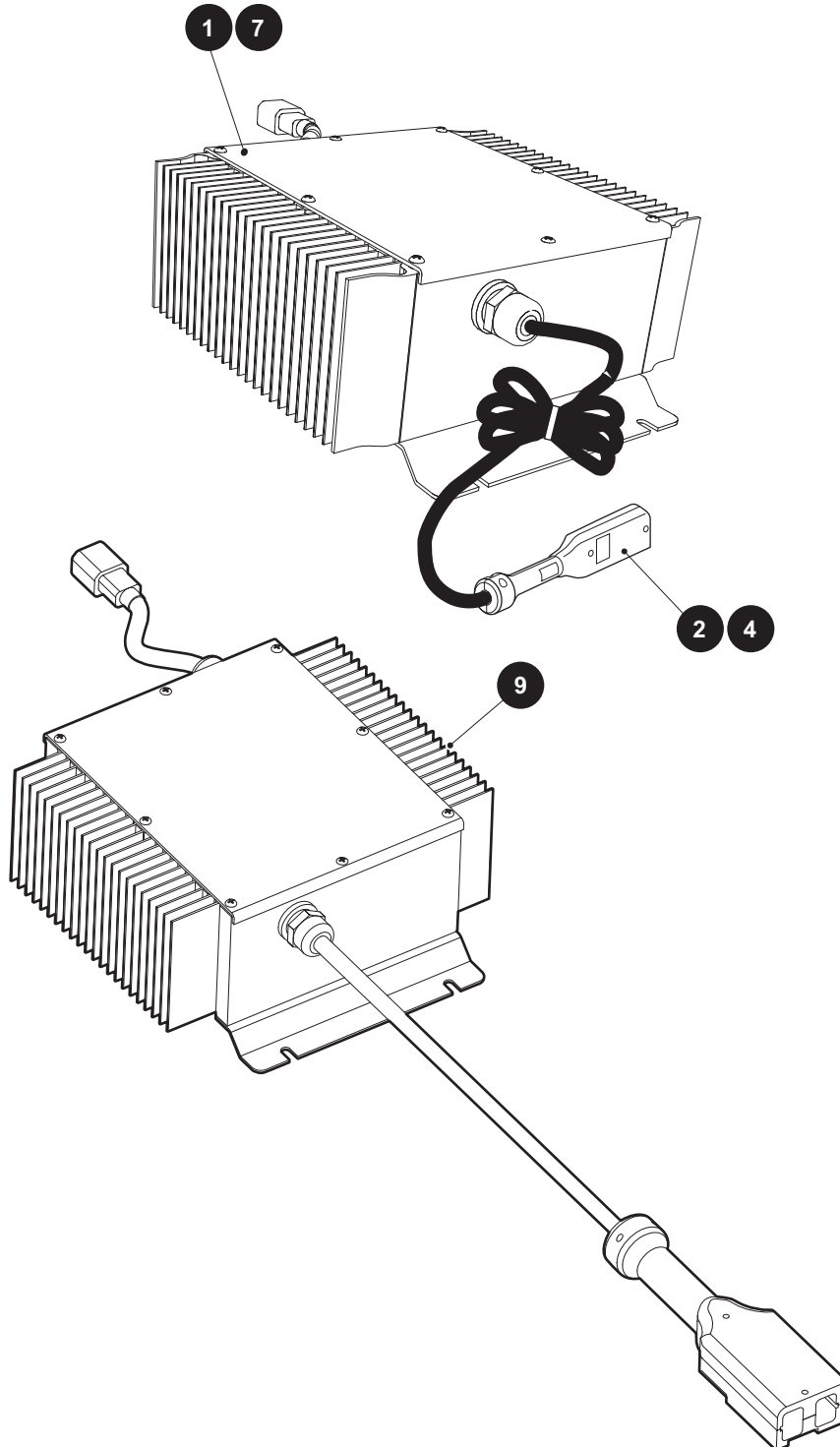




# BATTERY CHARGER

1 PORTABLE 48V CHARGER includes items 2 & 3

7 PORTABLE 48V CHARGER includes items 3 & 4





# BATTERY CHARGER

When ordering parts, please specify the model and serial number of the product.

\* Indicates a component that is not available as an individual part.

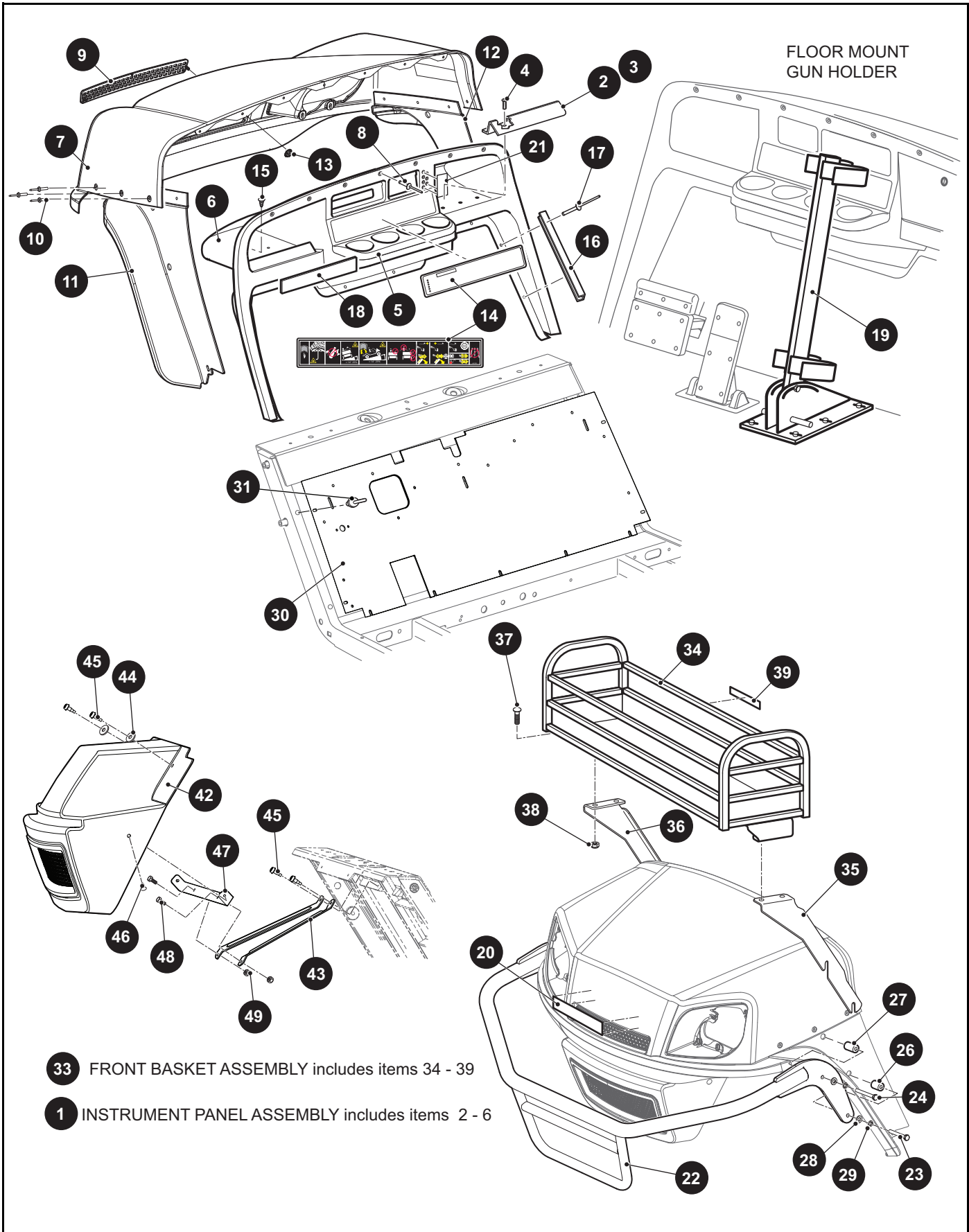
\*\*\* Indicates consult Customer Service Department for additional information.

ITEM	PART NO.	1 2 3 4 5	DESCRIPTION	QTY.
1	603689		PORTABLE 48V CHARGER (INCLUDES ITEMS 2 & 3).....	1
2	600463G02		10' DC CABLE ASSEMBLY .....	1
3	600462G01		AC POWER CORD (NOT SHOWN).....	1
4	600463G04		18' DC CABLE ASSEMBLY .....	1
5				
6				
7	603690		PORTABLE 48V CHARGER (INCLUDES ITEMS 3 & 4).....	1
8				
9	649420		48V BATTERY CHARGER, 3 METER CORD .....	1





# BODY



When ordering parts, please specify the model and serial number of the product.

\* Indicates a component that is not available as an individual part.

\*\*\* Indicates consult Customer Service Department for additional information.

ITEM	PART NO.	1 2 3 4 5	DESCRIPTION	QTY.
1	71151G03		INSTRUMENT PANEL ASSEMBLY (INCLUDES ITEMS 2 - 6).....	1
2	71153G01		DEFLECTOR (PASSENGER SIDE) .....	1
3	71154G01		DEFLECTOR (DRIVER SIDE).....	1
4	00614G3		PAN HEAD PHILLIPS SCREW, #8 - 15 X 3/8" LG .....	4
5	71158G01		INSTRUMENT PANEL INSERT (FOUR CUP) .....	1
6	71152G01		INSTRUMENT PANEL.....	1
7	613036GXX		COWL (See COLOR CODES in HOW TO USE section).....	1
8	71055G01		RIVET, 3/16" X 1" LG .....	7
9	617643		GRILL COVER .....	1
10	71055G01		RIVET, 3/16" X 1" LG .....	6
11	614378		FENDER FLARE (DRIVER SIDE) .....	1
12	613274		FENDER FLARE (PASSENGER SIDE).....	1
13	71597G01		SELF-THREADING NUT, 3/16" X 19/32".....	2
14	601781		WARNING DECAL.....	1
15	16816G2		RATCHET FASTENER, 1/4" X 3/4" LG.....	4
16	71115G01		VINYL TRIM .....	2
17	71055G01		RIVET, 3/16" X 1" LG .....	10
18	74443G01		ANTI-ROLLBACK LABEL .....	1
19	74365G01		GUN HOLDER REMOVABLE FLOOR MOUNT .....	1
20	619206		COWL DECAL.....	1
21	35968G01		T-HOLDER COVER .....	1
22	617620		BRUSHGUARD.....	1
23	00440G2		HEX HEAD BOLT, 5/16" - 18 X 2 1/4" LG .....	2
24	00440G6		HEX HEAD BOLT, 5/16" - 18 X 2 3/4" LG .....	2
25				
26	75048G04		SPACER, 21/64" X 3/4" X 1" LG .....	2
27	75048G02		SPACER, 21/64" X 3/4" X 1 5/16" LG .....	2
28	00559G8		FLAT WASHER, 5/16" .....	4
29	00565G8		LOCK WASHER, 5/16" .....	4
30	641260		UPPER FLOORPAN .....	1
31	14601G11		RIVET (ALUMINUM), 3/16" X 9/16" LG .....	16

# BODY

When ordering parts, please specify the model and serial number of the product.

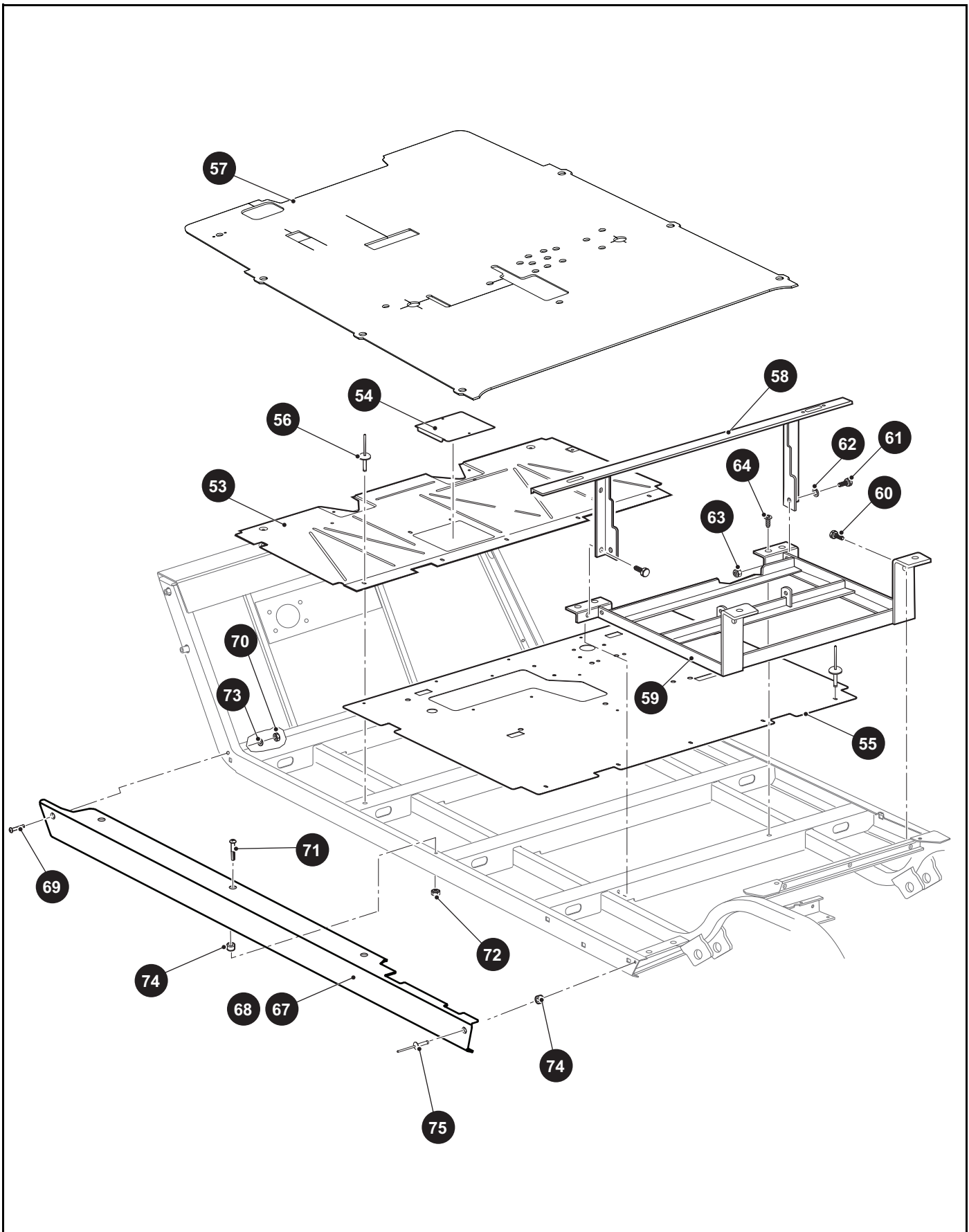
\* Indicates a component that is not available as an individual part.

\*\*\* Indicates consult Customer Service Department for additional information.

ITEM	PART NO.	1	2	3	4	5	DESCRIPTION	QTY.
32								
33	74521G02						FRONT BASKET ASSEMBLY (INCLUDES ITEMS 34 - 39) .....	1
34	74523G01						BASKET .....	1
35	625076						BRACKET (DRIVER SIDE).....	1
36	625077						BRACKET (PASSENGER SIDE) .....	1
37	00725G01						CARRIAGE BOLT (SS), 3/8" - 16 X 1" LG .....	4
38	11098G5						LOCK NUT, 3/8" - 16.....	4
39	71931G01						DECAL .....	1
40								
41								
42	613273						FRONT FASCIA.....	1
43	70725G02						FRONT SHIELD BRACE .....	2
44	16469G1						FENDER WASHER, 9/32" I.D. X 1 1/4" O.D. ....	2
45	01038G01						HEX HEAD BOLT, 1/4" - 20 X 3/4" LG.....	4
46	15058G1						RIVET (ALUMINUM), 3/16" X 4/9" LG.....	2
47	618653						FASCIA BRACKET .....	1
48	00414G6						HEX HEAD BOLT, 1/4" - 20 X 3/4" LG.....	2
49	14390G4						PLASTIC INSERT LOCK NUT, 1/4" - 20 .....	2
50								
51								
52								



# BODY





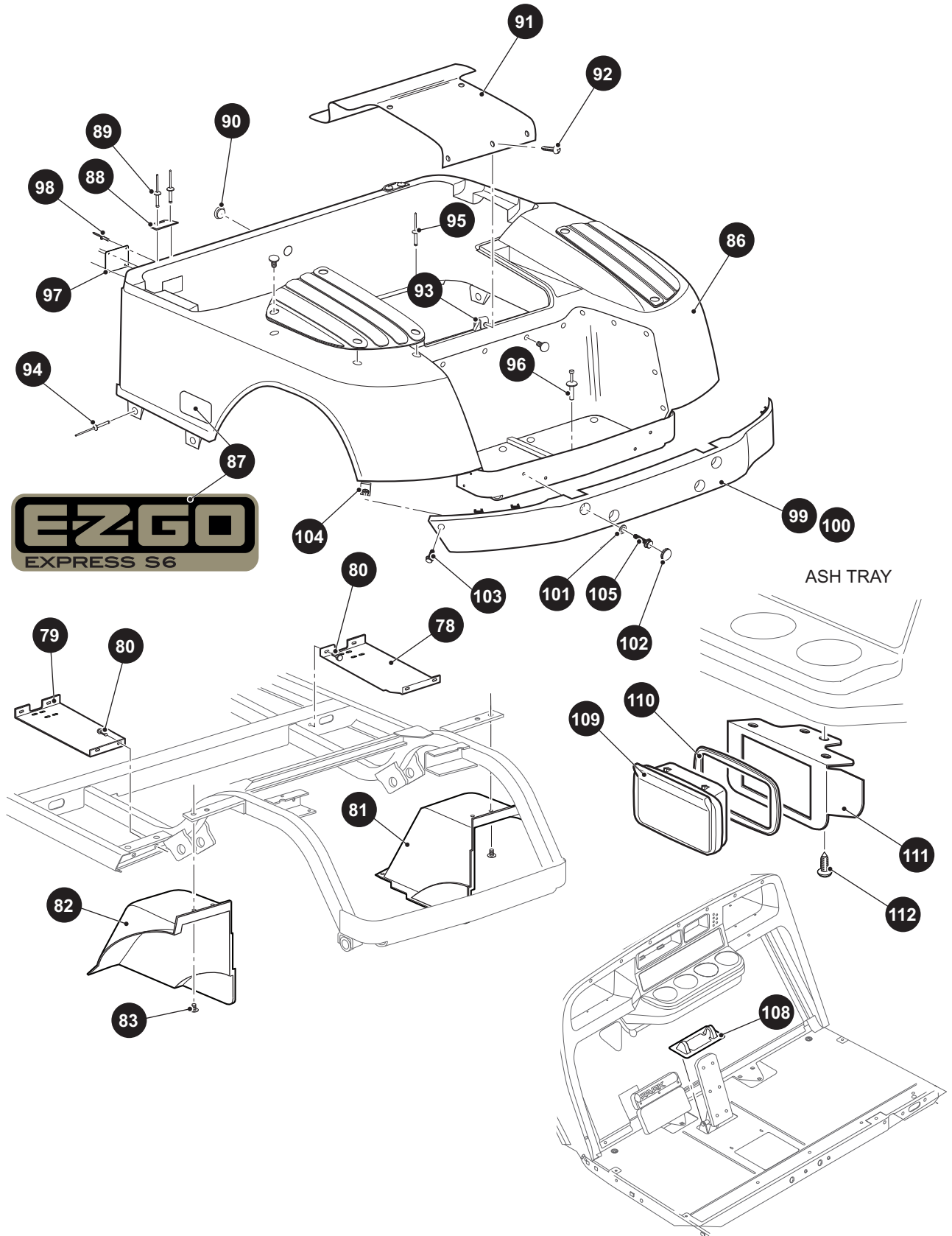
When ordering parts, please specify the model and serial number of the product.

\* Indicates a component that is not available as an individual part.

\*\*\* Indicates consult Customer Service Department for additional information.

ITEM	PART NO.	1 2 3 4 5	DESCRIPTION	QTY.
53	70451G01		LOWER FLOORPAN .....	1
54	70452G01		ACCESS COVER.....	1
55	648840		REAR FLOORPAN.....	1
56	10570G10		RIVET (SS), 5/32" X 9/16" LG.....	5
57	652139G03		FLOORMAT WITH HORN HOLES .....	1
58	70441G01		SEAT FRAME .....	1
59	652254G03		BATTERY RACK .....	1
60	00715G2		HEX HEAD BOLT, 5/16" - 18 X 13/16" LG .....	4
61	00438G6		HEX HEAD BOLT, 5/16" - 18 X 3/4" LG .....	2
62	00559G8		FLAT WASHER, 5/16" .....	2
63	11098G6		LOCK NUT, 5/16" - 18 .....	2
64	70200G01		TRUSS HEAD TORX BOLT, 3/8" - 16 X 3/4" LG .....	2
65				
66				
67	618889		ROCKER PANEL (DRIVER SIDE) .....	1
68	618888		ROCKER PANEL (PASSENGER SIDE) .....	1
69	00789G2		TRUSS HEAD PHILLIPS SCREW, #10 - 24 X 1" LG .....	2
70	14390G10		LOCK NUT, #10 - 24 .....	2
71	16705G1		TRUSS HEAD PHILLIPS SCREW (SS), 1/4" - 20 X 1" LG.....	6
72	14390G4		LOCK NUT, 1/4" - 20 .....	6
73	00660G5		FLAT WASHER, #10 .....	2
74	23726G4		SPACER, 5/16" .....	8
75	15058G6		RIVET (ALUMINUM), 3/16" X 15/16" LG .....	2
76				
77				

# BODY



When ordering parts, please specify the model and serial number of the product.

\* Indicates a component that is not available as an individual part.

\*\*\* Indicates consult Customer Service Department for additional information.

ITEM	PART NO.	1 2 3 4 5	DESCRIPTION	QTY.
78	652443G203		BATTERY TRAY (PASSENGER SIDE).....	1
79	652443G103		BATTERY TRAY (DRIVER SIDE) .....	1
80	00715G2		HEX HEAD BOLT, 5/16" - 18 X 13/16" LG .....	8
81	635054G02		FENDER (PASSENGER SIDE) .....	1
82	635054G01		FENDER (DRIVER SIDE).....	1
83	16816G2		RATCHET FASTENER .....	8
84				
85				
86	71331G0XX		REAR BODY WITH LNR AND WITH LIGHT (See COLOR CODES in HOW TO USE section).....	1
87	619190		E-Z-GO DECAL.....	2
88	71609G01		HINGE PLATE.....	2
89	10570G11		RIVET (SS), 3/16" X 3/4" LG.....	4
90	71316G01		PLUG .....	1
91	71320G01		ACCESS PANEL.....	1
92	01107G01		PAN HEAD TORX SCREW, #8 X 5/8" LG .....	5
93	71364G02		'J' CLIP, #8 .....	1
94	10570G12		RIVET (ALUMINUM), 1/4" X 9/16" LG .....	2
95	10570G10		RIVET (SS), 5/32" X 9/16" LG.....	6
96	18436G1		PLASTIC DRIVE RIVET, 1/4" X 9/16" LG .....	2
97	73173G02		COVER PLATE .....	1
98	71055G01		RIVET (ALUMINUM), 3/16" X 1" LG .....	4
99	71451G02		REAR BUMPER.....	1
100	71456G01		REAR BUMPER (FOR VEHICLES WITH CARGO BED OPTION) .....	1
101	00571G2		FLAT WASHER, 5/16".....	2
102	71455G01		BUMPER PLUG.....	4
103	71102G01		HEX HEAD BOLT, 1/4" - 20 X 3/4" LG .....	2
104	71554G01		J-TYPE NUT RETAINER, 1/4" - 20 .....	2
105	71102G01		HEX HEAD BOLT, 1/4" - 20 X 3/4" LG .....	2
106				
107				

# BODY

When ordering parts, please specify the model and serial number of the product.

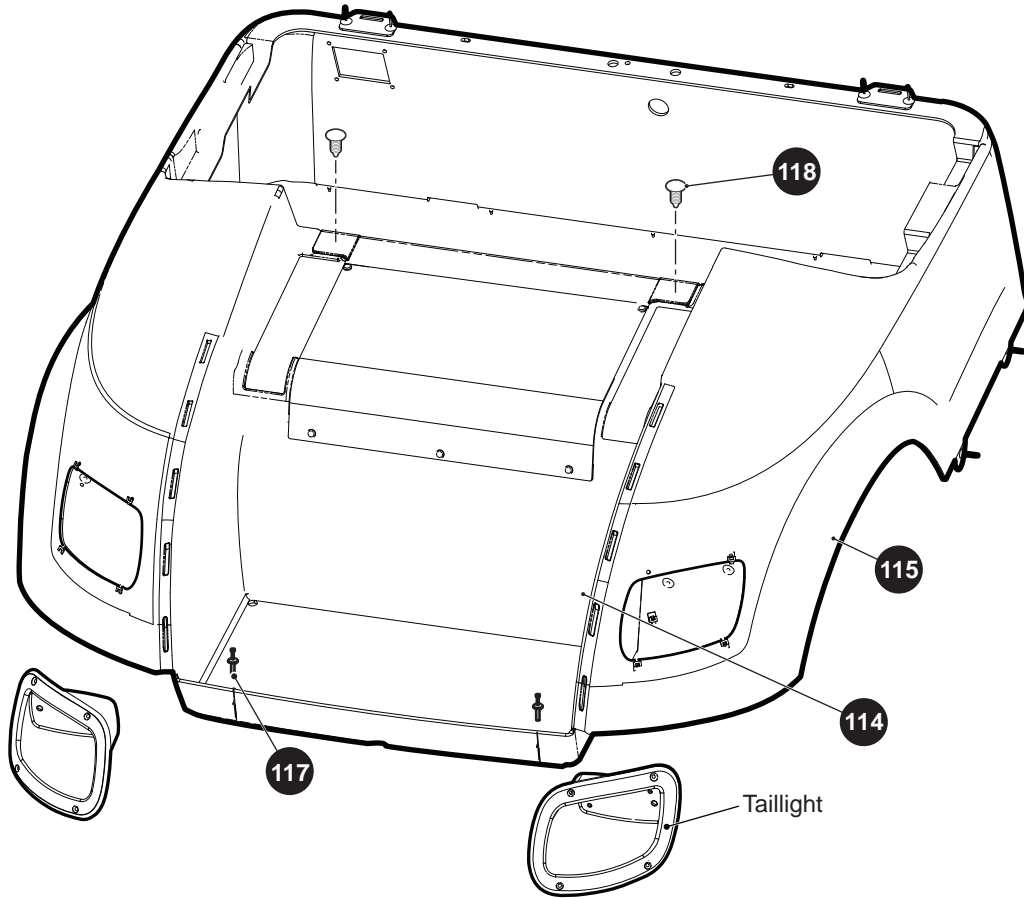
\* Indicates a component that is not available as an individual part.

\*\*\* Indicates consult Customer Service Department for additional information.

ITEM	PART NO.	1 2 3 4 5	DESCRIPTION	QTY.
108	70135G01		PEDAL PIVOT COVER .....	1
109	27731G01		ASH TRAY .....	1
110	27736G01		GASKET .....	1
111	75108G02		BRACKET.....	1
112	00106G6		PAN HEAD PHILLIPS SCREW, #12 - 14 X .75" LG.....	4



VEHICLES MANUFACTURED FROM MARCH 2014



**113** Rear Body Assembly (With Lights), includes items 114 & 115

When ordering parts, please specify the model and serial number of the product.

\* Indicates a component that is not available as an individual part.

\*\*\* Indicates consult Customer Service Department for additional information.

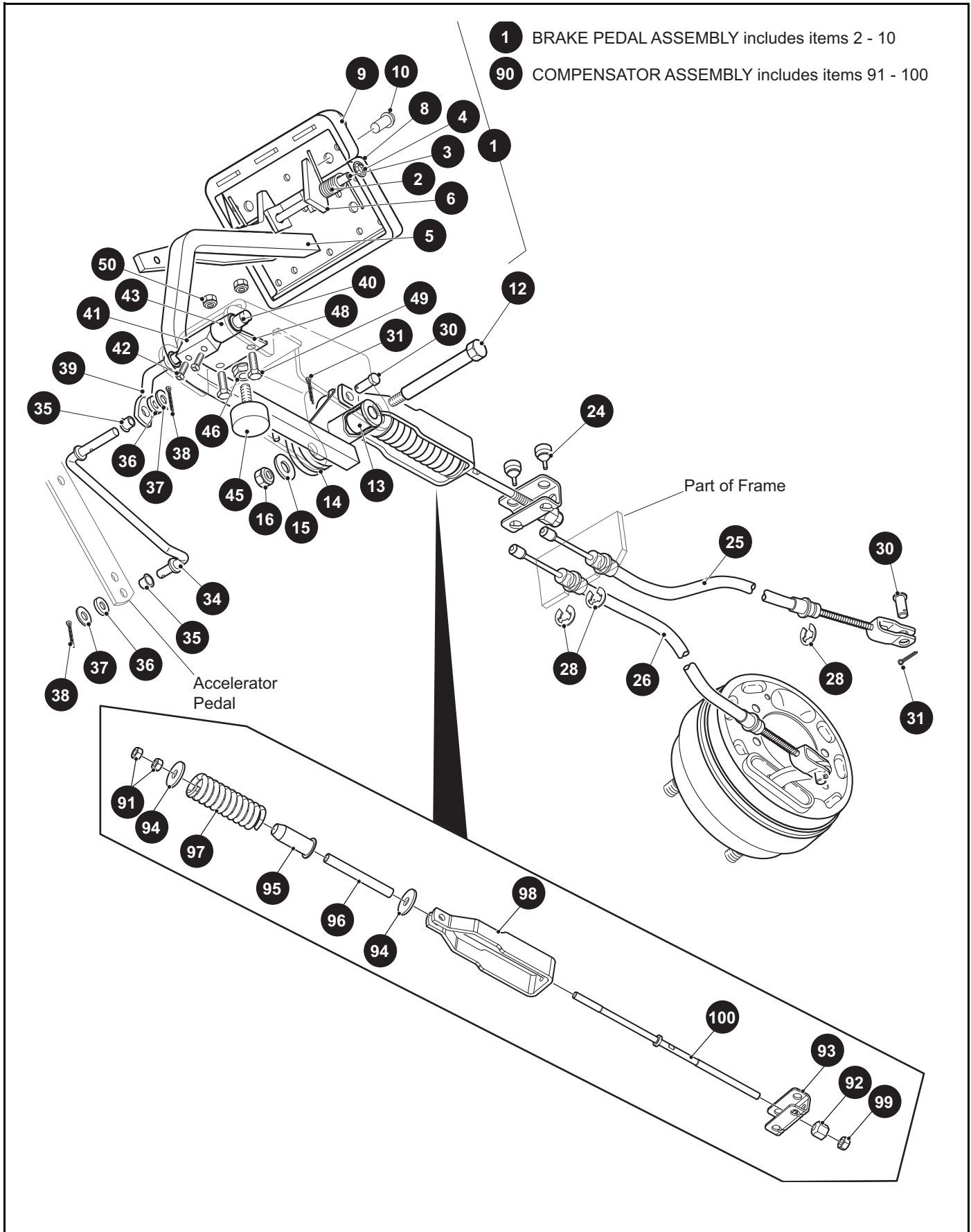
ITEM	PART NO.	1 2 3 4 5	DESCRIPTION	QTY.
113	625272G1XX		REAR BODY ASSEMBLY (WITH LIGHTS) (INCLUDES ITEMS 114 & 115) (See COLOR CODE in HOW TO USE section) (FOR VEHICLES MANUFACTURED FROM MARCH 2014).....	1
114	624374		BAGWELL LINER (FOR VEHICLES MANUFACTURED FROM MARCH 2014) .....	1
115	619752G1XX		REAR BODY (WITH LIGHTS) (See COLOR CODE in HOW TO USE section) (FOR VEHICLES MANUFACTURED FROM MARCH 2014) .....	1
116				
117	633917		RIVET (FOR VEHICLES MANUFACTURED FROM MARCH 2014) .....	2
118	16816G2		RATCHET RIVET, .25" X .887" (FOR VEHICLES MANUFACTURED FROM MARCH 2014).....	2





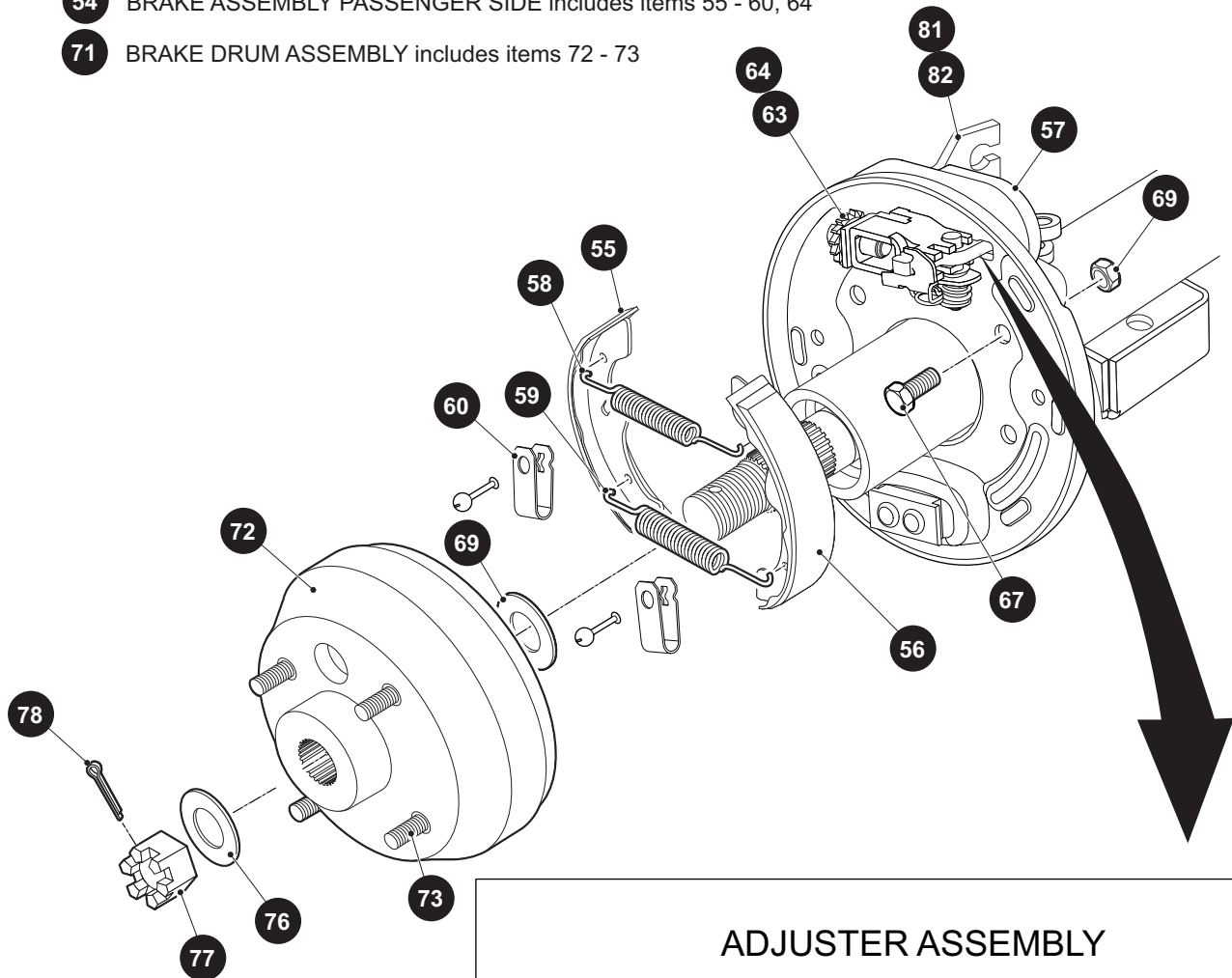


# BRAKES

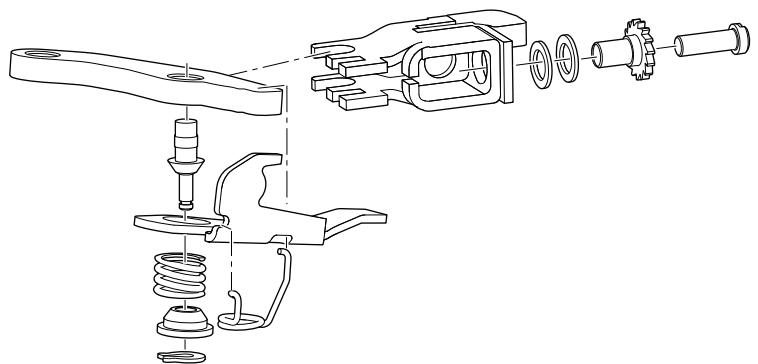


## TOP PULL

- 53 BRAKE ASSEMBLY DRIVER SIDE includes items 55 - 60, 63
- 54 BRAKE ASSEMBLY PASSENGER SIDE includes items 55 - 60, 64
- 71 BRAKE DRUM ASSEMBLY includes items 72 - 73



### ADJUSTER ASSEMBLY



# BRAKES

When ordering parts, please specify the model and serial number of the product.

\* Indicates a component that is not available as an individual part.

\*\*\* Indicates consult Customer Service Department for additional information.

ITEM	PART NO.	1 2 3 4 5	DESCRIPTION	QTY.
1	70690G02		BRAKE PEDAL ASSEMBLY (WITH BRAKE LIGHTS) (INCLUDES ITEMS 2 - 10).....	1
2	70681G01		TORSION SPRING .....	2
3	70682G01		PIVOT PIN .....	1
4	658825		PUSHNUT, 5/16" .....	2
5	652791G03		BRAKE PEDAL .....	1
6	652253G03		PARK BRAKE PEDAL.....	1
7				
8	70257G01		SERVICE BRAKE PAD .....	1
9	70256G01		PARK BRAKE PEDAL PAD.....	1
10	16409G1		OVAL RIVET, 3/16" X 7/16" LG .....	9
11				
12	70582G01		SHOULDER BOLT, 3/8 - 16 X 4" LG (STAINLESS STEEL).....	1
13	70581G01		FLANGED BUSHING .....	2
14	70676G01		TORSION SPRING .....	1
15	00643G1		FLAT WASHER, 3/8" .....	1
16	11098G5		LOCK NUT, 3/8 - 16.....	1
17				
18				
19	01038G01		SWAGEFORM SCREW, 1/4 - 20 (NOT ILLUSTRATED) .....	1
20				
21				
22	12416G2		NYLON WEDGE LOCK CLAMP (NOT ILLUSTRATED) .....	3
23				
24	28083G01		BRAKE COMPENSATOR BUMPER .....	2
25	624695		BRAKE CABLE (DRIVER SIDE) .....	1
26	624696		BRAKE CABLE (PASSENGER SIDE).....	1
27				
28	01111G01		RETAINING RING, 13/32" (STAINLESS STEEL).....	4
29				
30	10386G3		CLEVIS PIN, 5/16" X 13/16" LG .....	3
31	10387G3		COTTER PIN, 3/32" X 3/4" LG .....	3

When ordering parts, please specify the model and serial number of the product.

\* Indicates a component that is not available as an individual part.

\*\*\* Indicates consult Customer Service Department for additional information.

ITEM	PART NO.	1 2 3 4 5	DESCRIPTION	QTY.
32				
33				
34	70601G01		KICK-OFF LINK .....	1
35	17838G1		NYLON BUSHING .....	2
36	20835G1		TEFLON WASHER, 3/8" .....	2
37	00559G8		FLAT WASHER, 5/16" .....	2
38	10387G3		COTTER PIN, 3/32" X 3/4" LG.....	2
39	70098G01		KICK-OFF CAM PIVOT.....	1
40	10097G6		FLANGED BEARING .....	2
41	70587G01		KICK-OFF CAM .....	1
42	71215G01		SET SCREW, 1/4 - 20 X 1/2" LG .....	2
43	14134G4		SPACER.....	1
44				
45	70113G01		ADJUSTABLE BUMPER.....	1
46	11027G1		LOCK NUT, 5/16 - 18 .....	1
47				
48	70080G02		CATCH BRACKET .....	1
49	00414G6		BOLT, 1/4 - 20 X 3/4" LG.....	2
50	14390G4		LOCK NUT, 1/4 - 20 (STAINLESS STEEL).....	2
51				
52				
53	612211		BRAKE ASSEMBLY (DRIVER SIDE) (INCLUDES ITEMS 55 - 60, 63).....	1
54	612189		BRAKE ASSEMBLY (PASSENGER SIDE) (INCLUDES ITEMS 55 - 60, 64) .	1
55	612411		BRAKE SHOE, L .....	2
56	612412		BRAKE SHOE, T .....	2
57	612413		DUST COVER .....	1
58	612415		BRAKE SPRING.....	1
59	612414		BRAKE SPRING.....	1
60	612416		SHOE CLAMP .....	2
61				
62				

# BRAKES

When ordering parts, please specify the model and serial number of the product.

\* Indicates a component that is not available as an individual part.

\*\*\* Indicates consult Customer Service Department for additional information.

ITEM	PART NO.	1 2 3 4 5	DESCRIPTION	QTY.
63	612418		GEAR ADJUSTER .....	1
64	612417		GEAR ADJUSTER .....	1
65				
66				
67	17083G2		BOLT, 5/16 - 24 X 1" LG .....	8
68	15126G1		LOCK NUT, 5/16 - 24.....	8
69	21809G1		FLAT WASHER, 5/16" .....	2
70				
71	21807G1		BRAKE DRUM ASSEMBLY (INCLUDES ITEMS 72 - 73).....	2
72	20947G1		BRAKE DRUM .....	1
73	19862G1		LUG BOLT, 1/2 - 20 X 1 3/16" LG .....	4
74				
75				
76	21830G1		FLAT WASHER, 1 3/8" O.D. X 21/32" .....	2
77	613172		CASTELLATED NUT, 5/8 - 18 .....	2
78	10387G1		COTTER PIN, 1/8" X 1 1/2" LG .....	2
79				
80				
81	652248		BRAKE CABLE BRACKET (PASSENGER SIDE).....	1
82	652249		BRAKE CABLE BRACKET (DRIVER SIDE) .....	1
83				
84				
85				
86				
87				
88				
89				
90	612558		COMPENSATOR ASSEMBLY (INCLUDES ITEMS 91 - 100) .....	1
91	00532G4		HEX NUT .....	2
92	629486		HEX NUT, 5/16 - 24.....	1
93	28082G01		EQUALIZER BRACKET .....	1

# BRAKES

When ordering parts, please specify the model and serial number of the product.

\* Indicates a component that is not available as an individual part.

\*\*\* Indicates consult Customer Service Department for additional information.

ITEM	PART NO.	1 2 3 4 5	DESCRIPTION	QTY.
94	15121G1		FLAT WASHER - 5/16 .....	2
95	17979G1		ACCELERATOR ROD BUSHING.....	1
96	23061G2		TUBE .....	1
97	23463G1		COMPRESSION SPRING .....	1
98	652256		BRAKE YOKE .....	1
99	11098G9		HEX LOCK NUT, 5/16 - 24 .....	1
100	612557		COMPENSATOR LINK ROD.....	1
101				

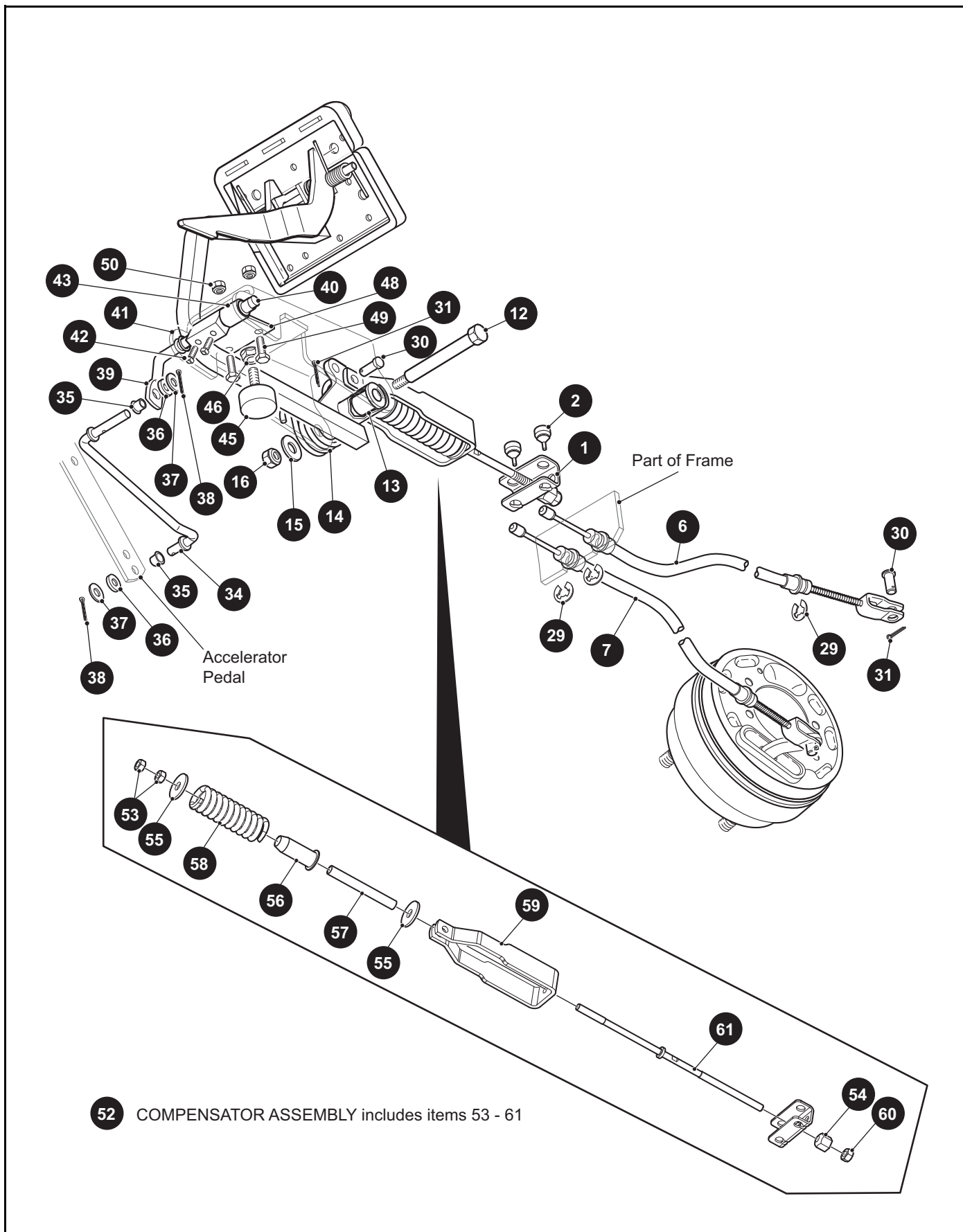
## Notes:

A large grid of graph paper consisting of 20 columns and 30 rows of small squares, intended for taking notes.





# BRAKES - FRONT DISC



# BRAKES - FRONT DISC

When ordering parts, please specify the model and serial number of the product.

\* Indicates a component that is not available as an individual part.

\*\*\* Indicates consult Customer Service Department for additional information.

ITEM	PART NO.	1 2 3 4 5	DESCRIPTION	QTY.
1	28082G01		EQUALIZER BRACKET .....	1
2	28083G01		BRAKE COMPENSATOR BUMPER.....	2
3				
4				
5				
6	624695		BRAKE CABLE (DRIVER SIDE).....	1
7	624696		BRAKE CABLE (PASSENGER SIDE) .....	1
8				
9				
10				
11				
12	70582G01		SHOULDER BOLT, 3/8" - 16 X 4" LG .....	1
13	70581G01		FLANGED BUSHING.....	2
14	70676G01		TORSION SPRING .....	1
15	00643G1		LOCK WASHER, 3/8" .....	1
16	11098G5		LOCK NUT, 3/8" - 16.....	1
17				
18	01038G01		SWAGEFORM SCREW, 1/4" - 20 (NOT ILLUSTRATED).....	1
19	12416G2		NYLON WEDGE LOCK CLAMP (NOT ILLUSTRATED).....	A/R
20				
21				
22				
23				
24				
25				
26				
27				
28				
29	01111G01		RETAINING RING (SS).....	4
30	10386G3		CLEVIS PIN, 5/16" X 1" .....	2
31	10387G3		COTTER PIN, 3/32" X 3/4" .....	2

# BRAKES - FRONT DISC

When ordering parts, please specify the model and serial number of the product.

\* Indicates a component that is not available as an individual part.

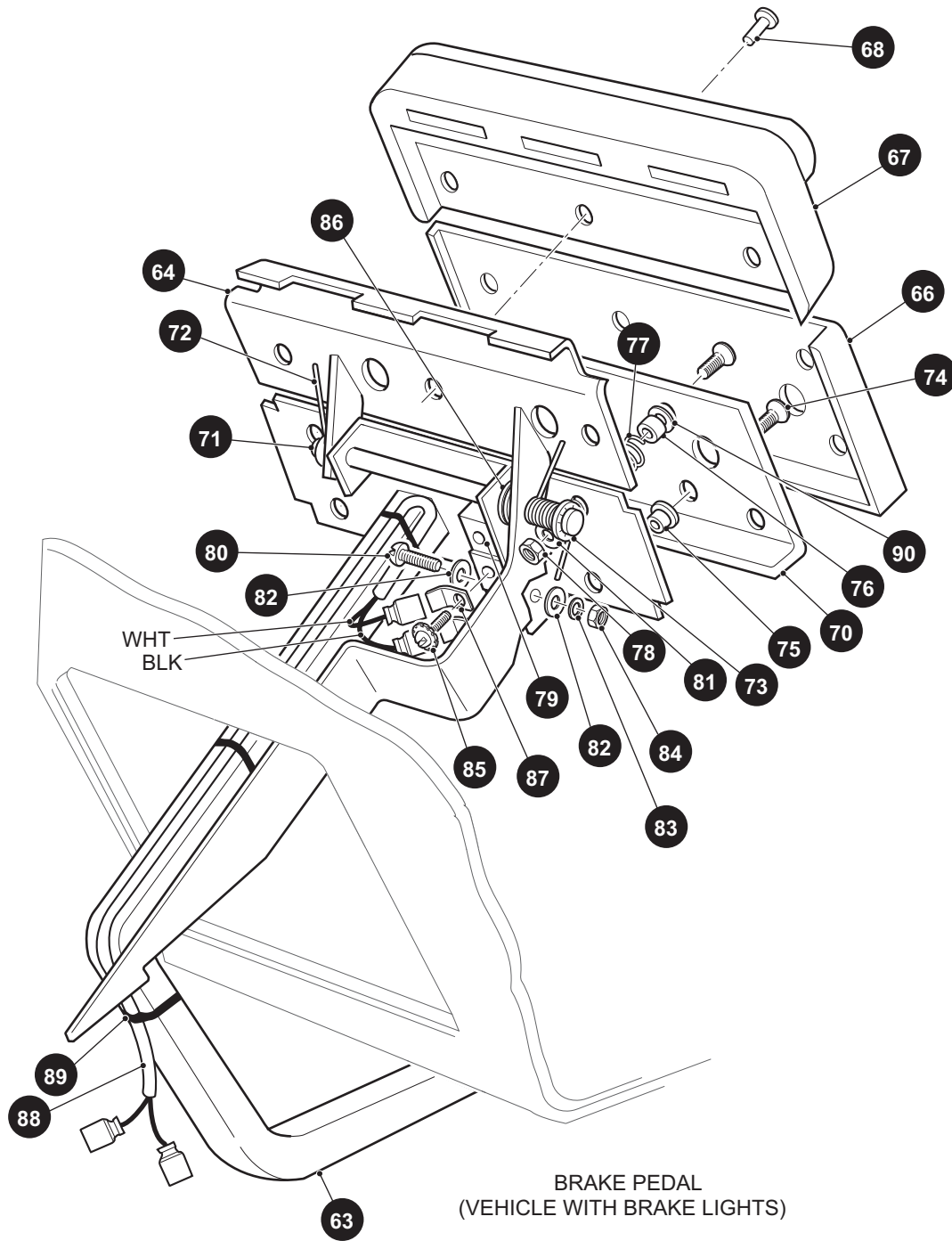
\*\*\* Indicates consult Customer Service Department for additional information.

ITEM	PART NO.	1	2	3	4	5	DESCRIPTION	QTY.
32								
33								
34	70601G01						KICK-OFF LINK.....	1
35	17838G1						NYLON BUSHING.....	2
36	20835G1						TEFLON WASHER, 3/8".....	2
37	00559G8						FLAT WASHER, 5/16".....	2
38	10387G3						COTTER PIN, 3/32" X 3/4".....	2
39	70098G01						KICK-OFF CAM PIVOT.....	1
40	10097G6						FLANGED BEARING.....	2
41	70587G01						KICK-OFF CAM.....	1
42	71215G01						SET SCREW WITH PATCHLOCK, 1/4" - 20 X 1/2" LG.....	2
43	14134G4						SPACER, 1.25".....	1
44								
45	70113G01						ADJUSTABLE BUMPER.....	1
46	11027G1						LOCK NUT, 5/16" - 18.....	1
47								
48	70080G02						CATCH BRACKET.....	1
49	00414G6						HEX HEAD BOLT, 1/4" - 20 X 1/2" LG.....	2
50	14390G4						LOCK NUT, 1/4" - 20".....	2
51								
52	612558						COMPENSATOR ASSEMBLY (INCLUDES ITEMS 53 - 61).....	1
53	00532G4						HEX NUT, 1/4" - 20.....	2
54	629486						HEX NUT, 5/16" - 24.....	1
55	15121G1						FLAT WASHER, 5/16".....	2
56	17979G1						ACCELERATOR ROD BUSHING.....	1
57	23061G2						TUBE.....	1
58	23463G1						COMPRESSION SPRING.....	1
59	652256						BRAKE YOKE.....	1
60	11098G9						HEX LOCK NUT, 5/16" - 24.....	1
61	612557						COMPENSATOR LINK ROD.....	1



# BRAKES - FRONT DISC

62 BRAKE PEDAL ASSEMBLY (WITH BRAKE LIGHT) includes items 63 - 90



# BRAKES - FRONT DISC

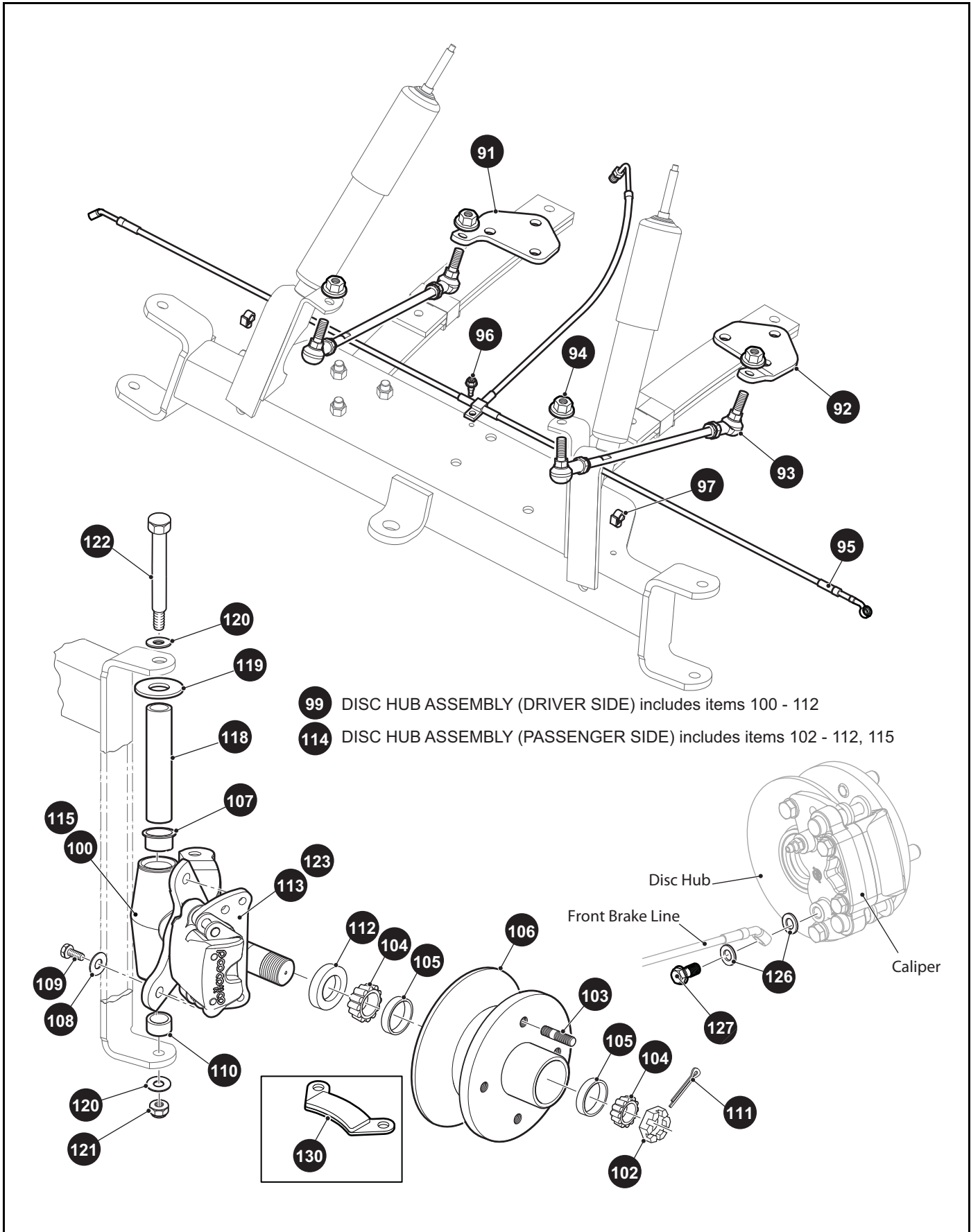
When ordering parts, please specify the model and serial number of the product.

\* Indicates a component that is not available as an individual part.

\*\*\* Indicates consult Customer Service Department for additional information.

ITEM	PART NO.	1 2 3 4 5	DESCRIPTION	QTY.
62	74874G01		BRAKE PEDAL ASSEMBLY (WITH BRAKE LIGHTS) (INCLUDES ITEMS 63 - 90) .....	1
63	74870G01		BRAKE PEDAL.....	1
64	641760		PARK BRAKE PEDAL .....	1
65				
66	70257G01		BRAKE PAD .....	1
67	70256G01		PARK BRAKE PAD.....	1
68	15766G1		OVAL RIVET, 3/16" X 15/32" LG .....	9
69	18659G1		LOCTITE (262) (NOT ILLUSTRATED).....	A/R
70	70258G03		BRAKE PEDAL PLATE.....	1
71	70682G01		PARKING BRAKE PEDAL PIN.....	1
72	70681G01		TORSION SPRING.....	2
73	658825		PUSHNUT, 5/16" .....	1
74	00737G8		FLAT HEAD PHILLIPS SCREW, #10 - 24 X 1" LG.....	4
75	00739G1		RUBBER NUT, #10 - 24 .....	2
76	652355		BRAKE PEDAL SPACER .....	2
77	27137G01		CONICAL SPRING .....	2
78	14390G10		LOCK NUT, #10 - 24.....	2
79	10606G8		LIMIT SWITCH (3 POLE) .....	1
80	00957G1		HEX HEAD CAP SCREW, #6 - 32 X 1 1/4" LG .....	2
81	00559G5		FLAT WASHER, #10 .....	2
82	00559G3		FLAT WASHER, #6 .....	4
83	00565G3		LOCK WASHER, #6 .....	2
84	00525G5		HEX NUT, #6 - 32 .....	2
85	13514G1		BRASS LIMIT SWITCH SCREW, #6 - 32 X 7/32" LG .....	2
86	20835G1		NYLON WASHER, 3/8" .....	2
87	14628G1		FASTON TAB.....	2
88	24605G1		WIRE HARNESS (BRAKE LIGHT).....	1
89	17618G1		WIRE TIE.....	3
90	00642G8		FLAT WASHER, 5/16" .....	2

# BRAKES - FRONT DISC





# BRAKES - FRONT DISC

When ordering parts, please specify the model and serial number of the product.

\* Indicates a component that is not available as an individual part.

\*\*\* Indicates consult Customer Service Department for additional information.

ITEM	PART NO.	1 2 3 4 5	DESCRIPTION	QTY.
91	74731G02		SPRING PLATE (PASSENGER SIDE) .....	1
92	74731G01		SPRING PLATE (DRIVER SIDE).....	1
93	74730G01		FOUR LINK ROD.....	2
94	606279		HEX NUT, M10 - 1.25.....	4
95	630766		BRAKE LINE .....	1
96	01038G01		SWAGEFORM SCREW, 1/4" - 20 X 1/2" LG .....	1
97	74875G01		WIRE RETAINER.....	2
98				
99	602281		SPINDLE, CALIPER AND DISC HUB ASSEMBLY (DRIVER SIDE) (INCLUDES ITEMS 100 - 112).....	1
100	602176		DISC BRAKE SPINDLE (DRIVER SIDE) .....	1
101				
102	12093G1		SLOTTED NUT, 17/32" .....	1
103	74864G01		DRIVE FLANGE STUD .....	4
104	11750G2		ROLLER BEARING .....	2
105	51141G1		BEARING RACE .....	2
106	630672		DISC BRAKE HUB .....	1
107	70648G01		FLANGED BEARING .....	1
108	00566G1		FLAT WASHER, 3/8" .....	2
109	00426G8		HEX HEAD BOLT, 3/8" - 16 X 1" LG.....	2
110	70749G01		BEARING .....	1
111	00798G8		COTTER PIN, 5/32" X 1 3/4" .....	1
112	25146G1		GREASE SEAL.....	1
113	633918G02		CALIPER (DRIVER SIDE) .....	1
114	602288		SPINDLE, CALIPER AND DISC HUB ASSEMBLY (PASSENGER SIDE) (INCLUDES ITEMS 102 - 112, 115).....	1
115	602158		DISC BRAKE SPINDLE (PASSENGER SIDE).....	1
116				
117				
118	70745G01		KINGPIN TUBE.....	2
119	70754G01		THRUST WASHER, .995" I.D. X 1.38" O.D. ....	2

# BRAKES - FRONT DISC

When ordering parts, please specify the model and serial number of the product.

\* Indicates a component that is not available as an individual part.

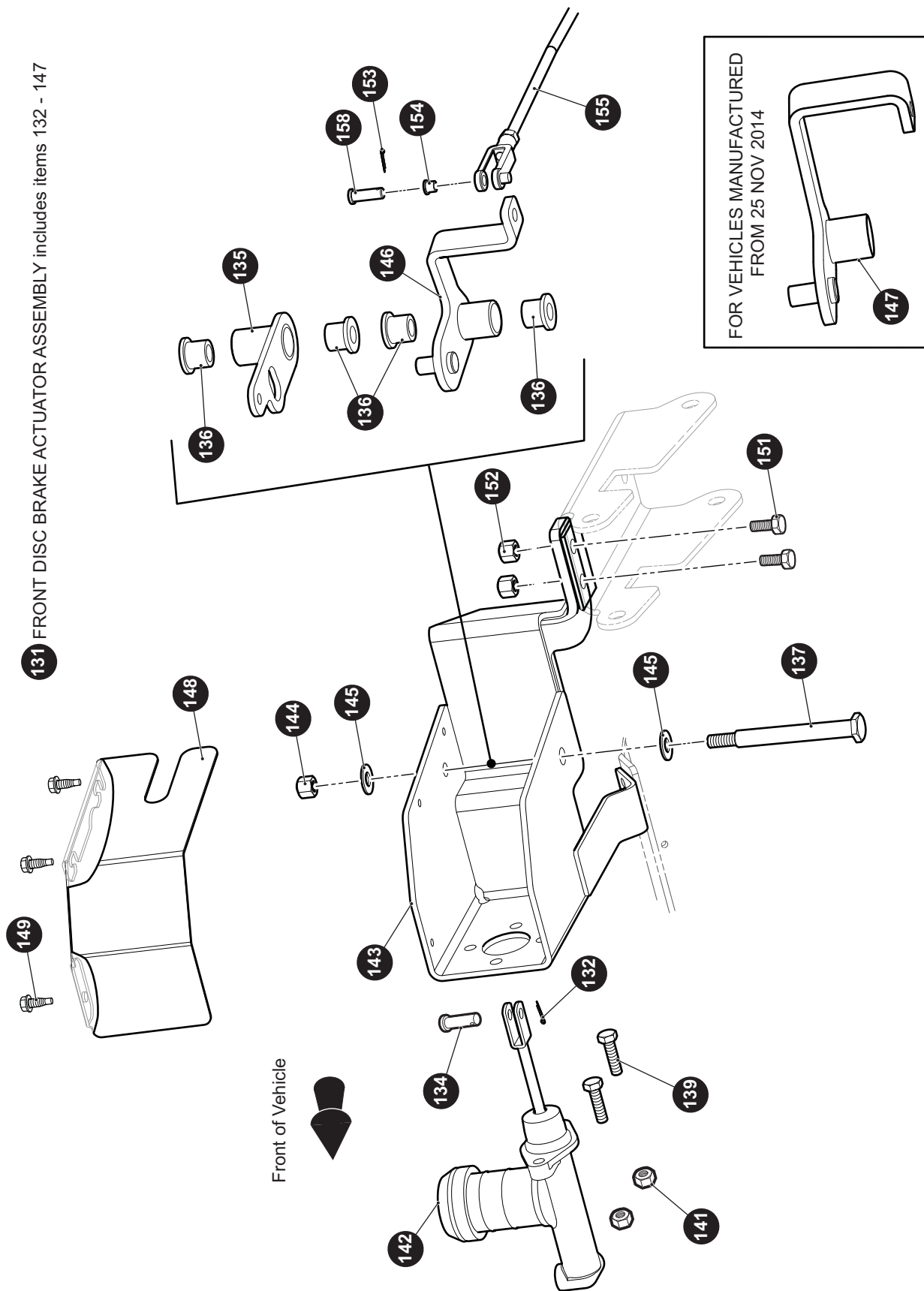
\*\*\* Indicates consult Customer Service Department for additional information.

ITEM	PART NO.	1 2 3 4 5	DESCRIPTION	QTY.
120	00560G3		LOCK WASHER, 1/2" .....	4
121	14390G6		LOCK NUT, 1/2" - 13 .....	2
122	00407G6		HEX HEAD BOLT, 1/2" - 13 X 6" LG.....	2
123	633918G01		CALIPER (PASSENGER SIDE) .....	1
124				
125				
126	613293		CRUSH WASHER, M10 .....	4
127	616459		BANJO BOLT, M10 - 1" X 20" LG .....	2
128				
129				
130	649167		BRAKE PAD .....	2



# BRAKES - FRONT DISC

131 FRONT DISC BRAKE ACTUATOR ASSEMBLY includes items 132 - 147



# BRAKES - FRONT DISC

When ordering parts, please specify the model and serial number of the product.

\* Indicates a component that is not available as an individual part.

\*\*\* Indicates consult Customer Service Department for additional information.

ITEM	PART NO.	1 2 3 4 5	DESCRIPTION	QTY.
131	608706		FRONT DISC BRAKE BRAKE ACTUATOR ASSEMBLY (INCLUDES ITEMS 132 - 147) .....	1
132	10387G3		COTTER PIN, 3/32" X 3/4" LG .....	1
133				
134	10386G3		CLEVIS PIN, 5/16" X 1" .....	1
135	608122		UPPER ACTUATOR PIVOT .....	1
136	70581G02		ACETAL BUSHING.....	4
137	74711G01		ACTUATOR PIVOT BOLT, 3/4" - 16 X 3/4" LG .....	1
138				
139	00439G1		HEX HEAD BOLT, 1/2" - 13 X 6" LG.....	2
140				
141	11098G6		LOCK NUT, 5/16" - 18 .....	2
142	887364		MASTER CYLINDER .....	1
143	612706		MASTER CYLINDER WELDMENT MOUNT.....	1
144	11098G5		LOCK NUT, 3/8" - 16 .....	1
145	00679G1		LOCK WASHER (SS), 3/8".....	2
146	608118		LOWER ACTUATOR PIVOT (FOR VEHICLES MANUFACTURED BEFORE 25 NOV 2014).....	1
147	641826		LOWER ACTUATOR PIVOT (FOR VEHICLES MANUFACTURED FROM 25 NOV 2014).....	1
148	612704		ACTUATOR ASSEMBLY COVER .....	1
149	01038G01		SWAGEFORM SCREW, 1/4" - 20 X 1/2" LG .....	3
150				
151	00414G6		HEX HEAD BOLT, 1/4" - 20 X 1/2" LG .....	4
152	14390G4		LOCK NUT, 1/4" - 20.....	4
153	10387G3		COTTER PIN, .094" X .75" .....	2
154	17838G1		NYLON BUSHING .....	2
155	608943		ACTUATOR LINKAGE .....	1
156	00771G5		FLAT WASHER, 3/8" (NOT ILLUSTRATED).....	1
157	21504G1		BRAKE FLUID (NOT ILLUSTRATED) .....	A/R
158	10386G3		CLEVIS PIN, 5/16" X 1" .....	2

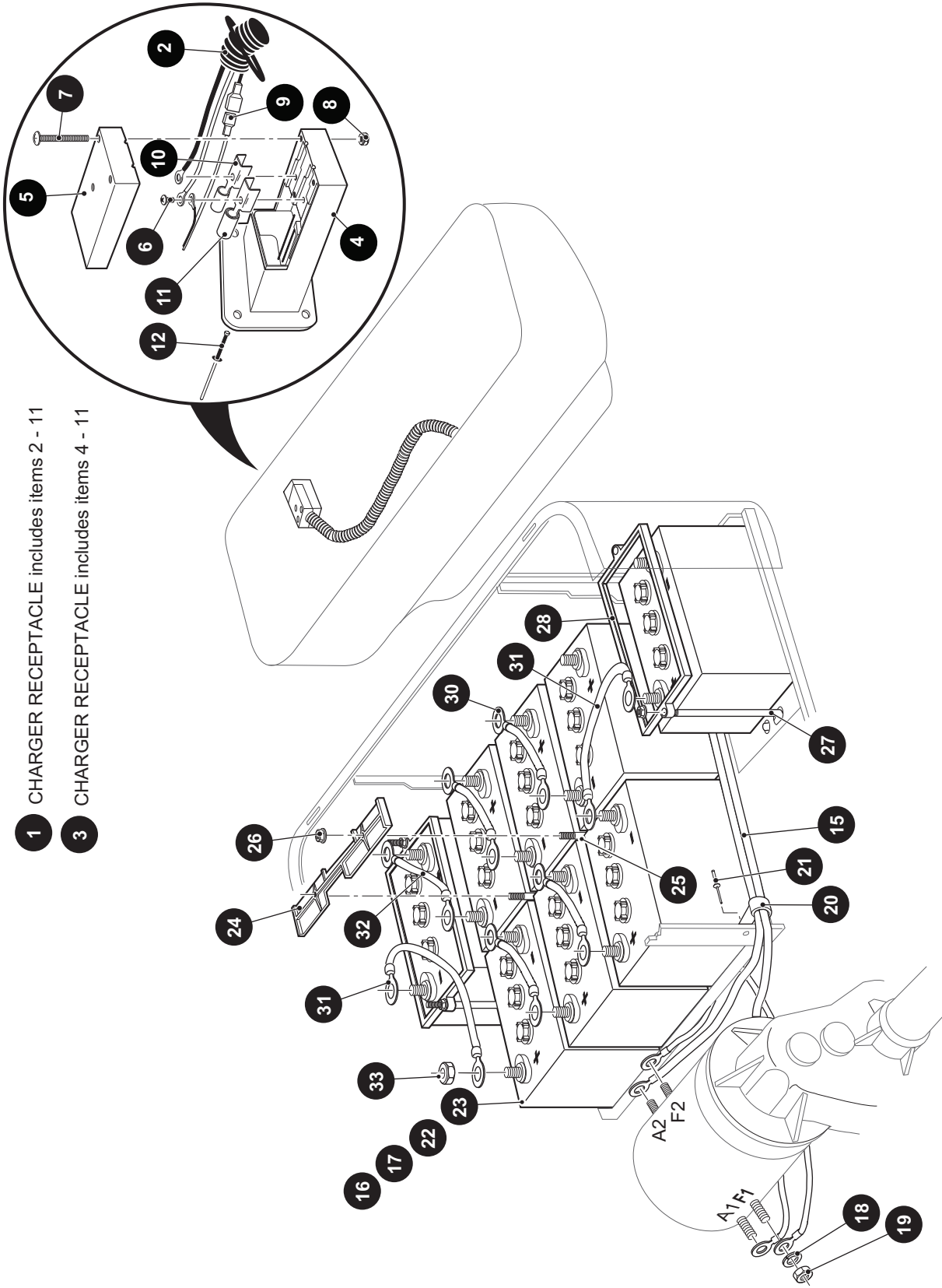


Notes:

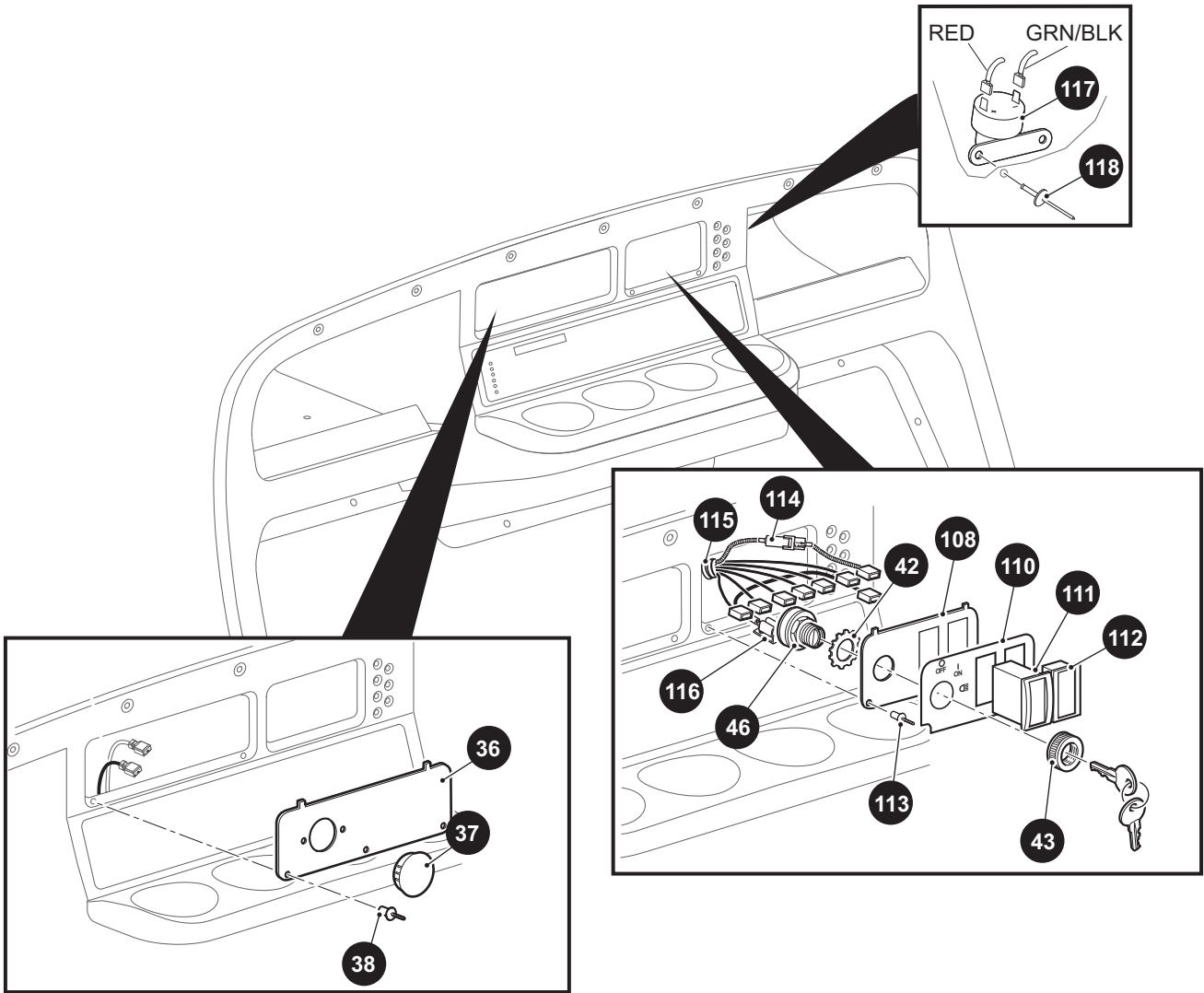
A large rectangular area filled with a light gray grid pattern, intended for handwritten notes. The grid consists of small squares, approximately 20 columns wide and 30 rows high.

# ELECTRICAL SYSTEM

- 1 CHARGER RECEPTACLE includes items 2 - 11
- 3 CHARGER RECEPTACLE includes items 4 - 11

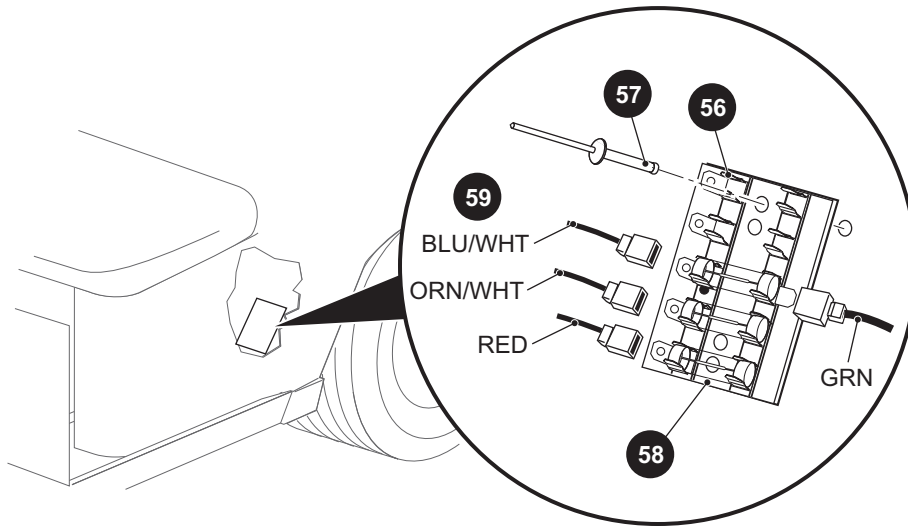




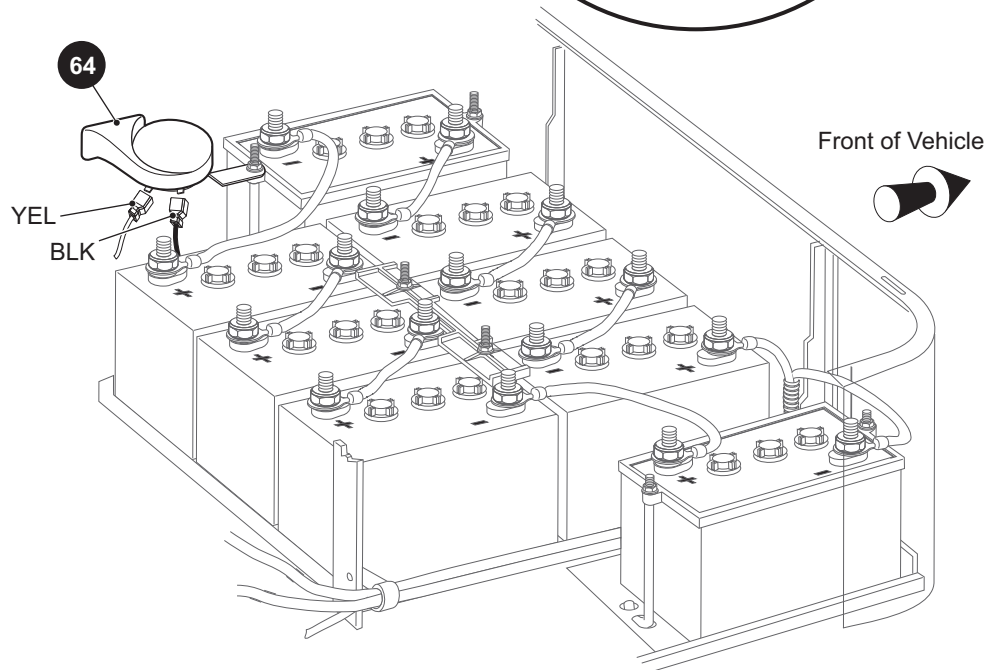
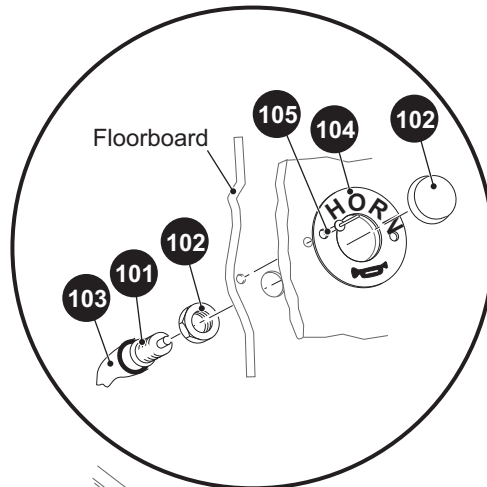
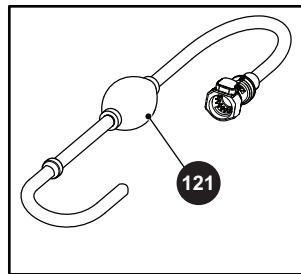


**35** CONSOLE INSERT PLATE includes items 36 - 37

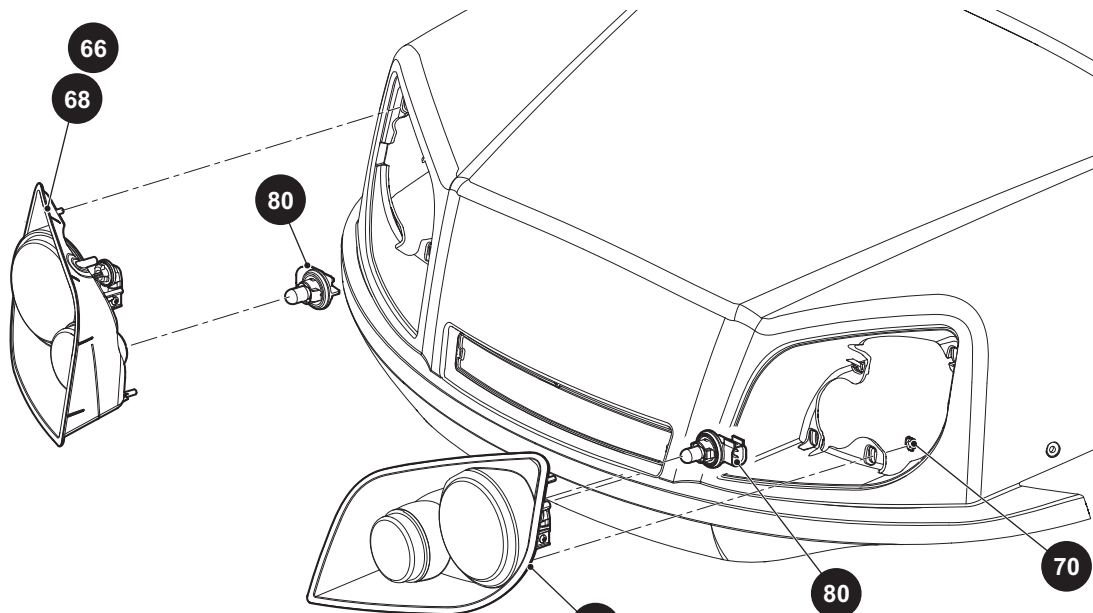
# ELECTRICAL SYSTEM



FLOOR MOUNTED HORN BUTTON



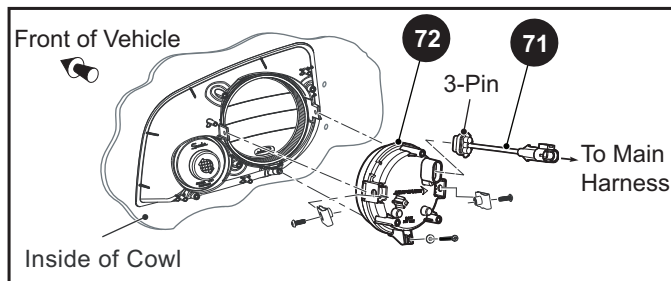
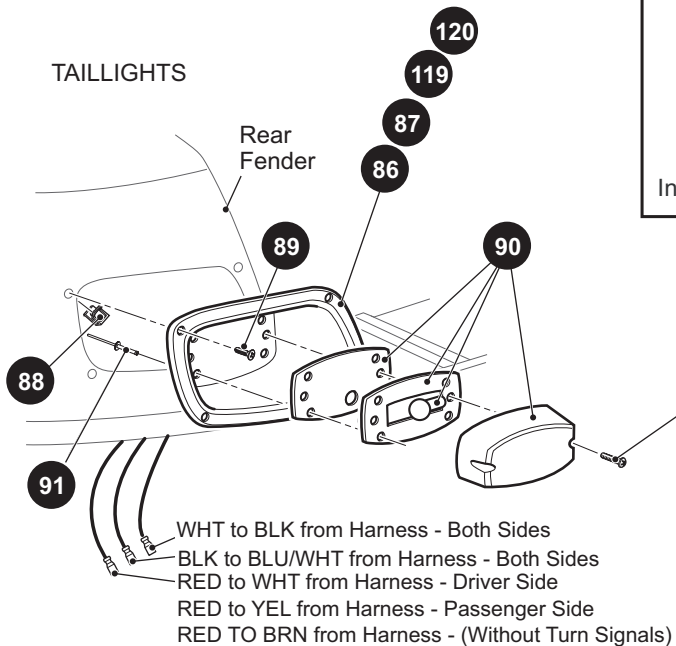
## HEAD LIGHT & TURN SIGNAL



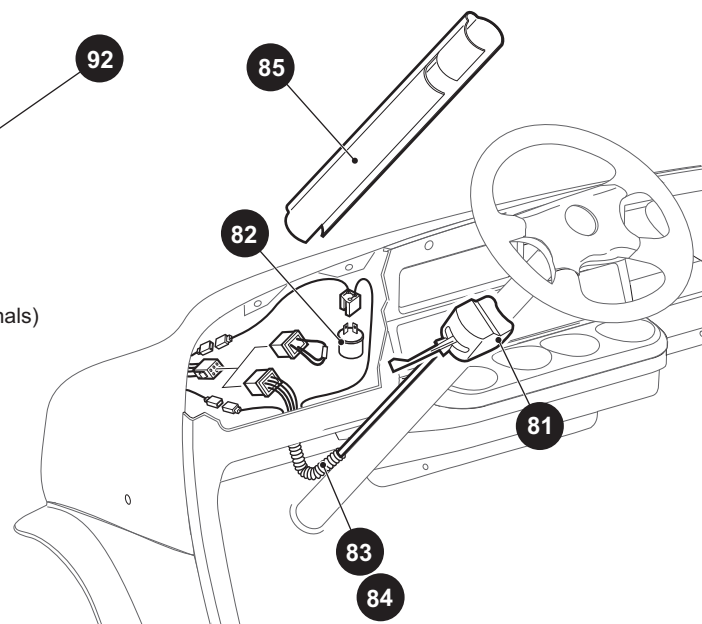
**68** LED HEADLIGHT ASSEMBLY (PASSENGER SIDE) includes item 72

**69** LED HEADLIGHT ASSEMBLY (DRIVER SIDE) includes item 72

## TAILLIGHTS

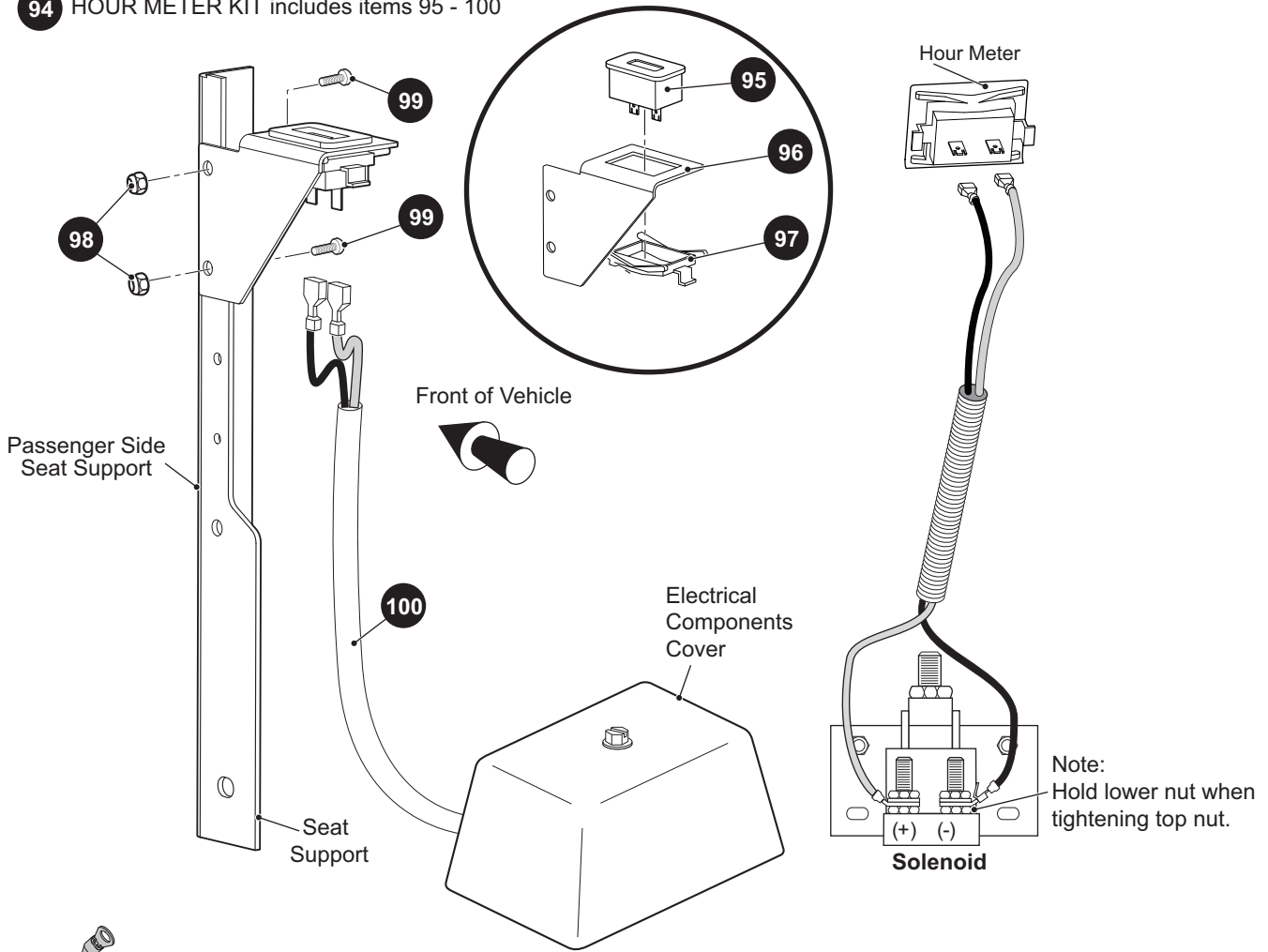


**79** TURN SIGNAL KIT includes items 80 - 85

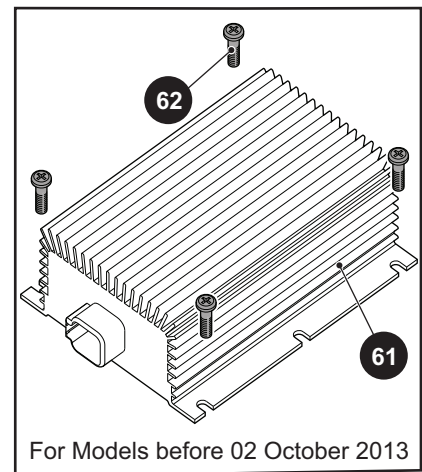
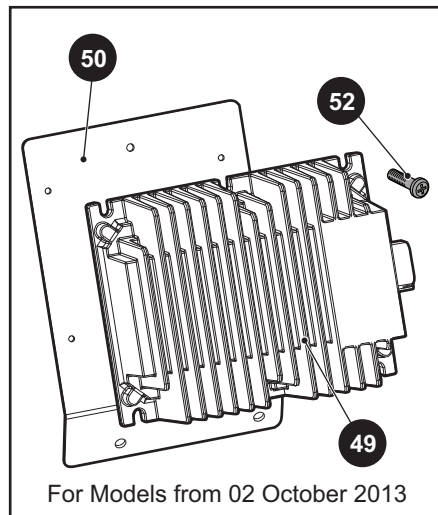
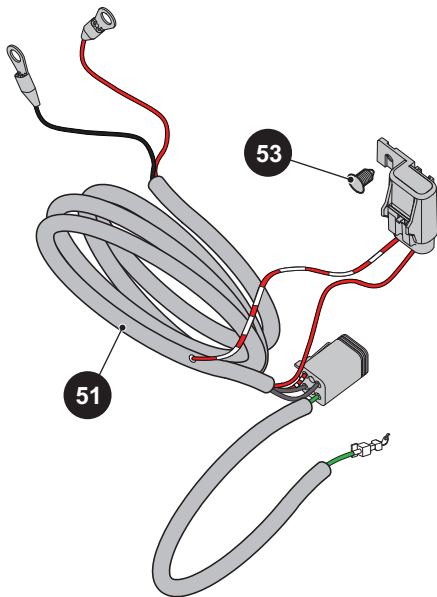


# ELECTRICAL SYSTEM

**94** HOUR METER KIT includes items 95 - 100



## DC TO DC CONVERTER KIT



**48** DC to DC CONVERTER KIT includes items 49 - 54, 61 & 62

# ELECTRICAL SYSTEM

When ordering parts, please specify the model and serial number of the product.

\* Indicates a component that is not available as an individual part.

\*\*\* Indicates consult Customer Service Department for additional information.

ITEM	PART NO.	1 2 3 4 5	DESCRIPTION	QTY.
1	73311G03		CHARGER HARNESS / RECEPTACLE (INCLUDES ITEMS 2 - 11) .....	1
2	602822		CHARGER HARNESS .....	1
3	668283		CHARGER RECEPTACLE (INCLUDES ITEMS 4 - 11) .....	1
4	73051G22		RECEPTACLE BOTTOM .....	1
5	73051G21		RECEPTACLE COVER.....	1
6	73051G08		BINDING HEAD BRASS SCREW, #10 - 32 X 1/2" LG .....	2
7	73051G09		PAN HEAD SCREW (SS), #6 - 32 X 1 3/4" LG.....	3
8	73051G10		LOCK NUT, #6 - 32 .....	3
9	25978G25		WIRE, RED JUMPER, 18 GA. ....	1
10	73051G23		FEMALE CONTACT.....	1
11	73051G24		FEMALE CONTACT, INSULATED .....	1
12	71055G01		RIVET, 3/16" X 1" LG .....	4
13				
14				
15	73349G01		POWER HARNESS .....	1
16	614428		6 VOLT BATTERY .....	8
17	614430		6 VOLT BATTERY .....	8
18	00993G02		LOCK WASHER, 5/16" .....	4
19	28418G02		LOCK NUT, 1/4" - 20.....	4
20	27327G0*		CLAMP.....	1
21	10570G11		RIVET (SS), 3/16" X 3/4" LG.....	1
22	72826G01		6 VOLT BATTERY .....	8
23	72824G01		6 VOLT BATTERY .....	8
24	612867		BATTERY RETAINER.....	1
25	01101G01		TIE DOWN BOLT .....	2
26	11027G1		LOCK NUT, 5/16" - 18.....	6
27	70386G01		HOLD DOWN BOLT, 5/16" - 18 X 11.5" LG .....	4
28	70387G01		BATTERY RETAINER.....	2
29				
30	25971G18		4 GA WIRE (BLK 6") .....	4
31	25971G16		4 GA WIRE (BLK 19") .....	1

# ELECTRICAL SYSTEM

When ordering parts, please specify the model and serial number of the product.

\* Indicates a component that is not available as an individual part.

\*\*\* Indicates consult Customer Service Department for additional information.

ITEM	PART NO.	1 2 3 4 5	DESCRIPTION	QTY.
32	25971G13		4 GA WIRE (BLK 10 1/2").....	2
33	00702G2		HEX NUT, 5/16" - 24.....	16
34				
35	74693G02		CONSOLE INSERT ASSEMBLY (INCLUDES ITEMS 36 - 37) .....	1
36	73522G03		CONSOLE INSERT PLATE .....	1
37	20271G10		HOLE PLUG.....	1
38	33623G02		DRIVE RIVET, 3/16" X 3/8" LG.....	3
39				
40				
41				
42	00568G6		LOCK WASHER, 3/4" .....	1
43	17137G1		FACE NUT, 3/4" - 20.....	1
44				
45				
46	33639G01		IGNITION SWITCH (WITH LIGHTS, STANDARD KEY) .....	1
47				
48	605988		DC TO DC CONVERTER KIT (INCLUDES ITEMS 49 - 54, 61 & 62) .....	1
49	632185		DC TO DC CONVERTER (FOR MODELS FROM 02 OCTOBER 2013)..	1
50	626315		BRACKET .....	1
51	606018		DC TO DC WIRING HARNESS .....	1
52	632372		PHILLIPS PAN HEAD SCREW, #10 - 24 X 1/2" LG (FOR MODELS FROM 02 OCTOBER 2013).....	4
53	16816G5		CHRISTMAS TREE RIVET, 0.187" X 0.55" LG .....	1
54	00715G2		HEX HEAD BOLT, 5/16" - 18 X .80" LG (NOT ILLUSTRATED) .....	2
55				
56	22674G1		FUSE BLOCK.....	1
57	01041G01		RIVET, 5/32" X 3/8" LG.....	2
58	18392G1		FUSE, 15 AMP .....	3
59	619156		WIRE HARNESS (ACCESSORY).....	1
60				
61	604884		DC TO DC CONVERTER (FOR MODELS BEFORE 02 OCTOBER 2013) .....	1

# ELECTRICAL SYSTEM

When ordering parts, please specify the model and serial number of the product.

\* Indicates a component that is not available as an individual part.

\*\*\* Indicates consult Customer Service Department for additional information.

ITEM	PART NO.	1 2 3 4 5	DESCRIPTION	QTY.
62	00379G4		PHILLIPS PAN HEAD SCREW, #10 - 24 X 1/2" LG (FOR MODELS BEFORE 02 OCTOBER 2013) .....	6
63				
64	32860G1		HORN.....	1
65				
66	614497		HEADLIGHT W/O TURN SIGNAL (PASSENGER SIDE) .....	1
67	614501		HEADLIGHT W/O TURN SIGNAL (DRIVER SIDE) .....	1
68	659008		LED HEADLIGHT ASSEMBLY (PASSENGER SIDE) (INCLUDES ITEM 72).	1
69	659009		LED HEADLIGHT ASSEMBLY (DRIVER SIDE) (INCLUDES ITEM 72) .....	1
70	71597G01		SELF THREADING PALNUT, 5MM X 10MM X 15MM.....	8
71	654465		JUMPER HARNESS, LED HEADLIGHT .....	2
72	651411G03		LED HEADLIGHT .....	1
73				
74				
75				
76				
77				
78				
79	622712		TURN SIGNAL KIT (INCLUDES ITEMS 80 - 85).....	1
80	619102		TURN SIGNAL BULB .....	1
81	611810		TURN SIGNAL SWITCH ASSEMBLY.....	1
82	21640G1		FLASHER UNIT.....	
83	32307G3		FLEX LOOM, 3/8" X 8" LG .....	1
84	17618G1		WIRE TIE.....	2
85	20965G3		STEERING COLUMN COVER.....	1
86	74371G01		BEZEL (DRIVER SIDE) .....	1
87	74371G02		BEZEL (PASSENGER SIDE).....	1
88	71364G02		'J' CLIP.....	8
89	71425G01		COUNTERSUNK SCREW, #8 .....	8
90	22288G1		BRAKE/TAILLIGHT LAMP .....	2
91	14601G11		RIVET (ALUMINIUM), 3/16" X 9/16" LG .....	4

# ELECTRICAL SYSTEM

When ordering parts, please specify the model and serial number of the product.

\* Indicates a component that is not available as an individual part.

\*\*\* Indicates consult Customer Service Department for additional information.

ITEM	PART NO.	1	2	3	4	5	DESCRIPTION	QTY.
92	00513G4						PAN HEAD SCREW #8 - 18 X 1 1/2" LG .....	4
93								
94	75113G06						HOUR METER KIT (INCLUDES ITEMS 95 - 100) .....	1
95	74665G02						HOUR METER .....	1
96	74716G01						HOUR METER BRACKET .....	1
97	74696G01						RETAINER CLIP .....	1
98	14390G10						LOCK NUT, #10 - 24 .....	2
99	00379G4						PAN HEAD PHILLIPS SCREW,#10 - 24 X 1/2" LG .....	2
100	75117G04						WIRE HARNESS (HOUR METER).....	1
101	17318G1						HORN SWITCH.....	1
102	17318G2						CAP AND NUT ASSEMBLY.....	
103	27068G01						HORN SWITCH BOOT.....	1
104	608397						HORN SWITCH LABEL.....	1
105	71055G01						RIVET (ALUMINIUM), 3/16" X 1" LG.....	2
106								
107								
108	73030G12						CONSOLE INSERT PLATE.....	1
109								
110	74322G01						LABEL, LIGHTS, DIRECTION SELECTOR & STATE OF CHARGE METER.	1
111	624514G02						DIRECTION SELECTOR SWITCH .....	1
112	33636G05						STATE OF CHARGE METER (VERTICAL).....	1
113	33623G02						RIVET, 3/16" X 3/8" LG.....	2
114	645774						SOC FUSE HARNESS.....	1
115	73334G01						HARNESS (CONTROL) .....	1
116	25978G74						18 GA WIRE (RED 6").....	1
117	73290G02						BUZZER .....	1
118	01041G01						RIVET, 5/32" X 3/4" LG.....	2
119	625251						BEZEL, TAILLIGHT (DRIVER SIDE) (FOR VEHICLES MANUFACTURED FROM MARCH 2014) .....	1
120	625252						BEZEL, TAILLIGHT (PASSENGER SIDE) (FOR VEHICLES MANUFACTURED FROM MACRH 2014) .....	1
121	676122						TROJAN HAND PUMP.....	1

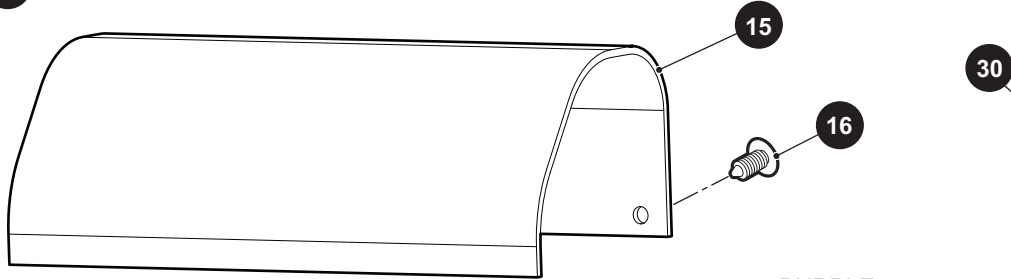
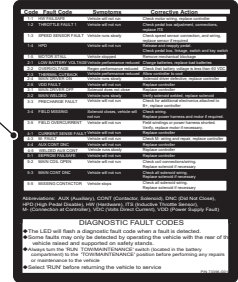




# ELECTRONIC SPEED CONTROL

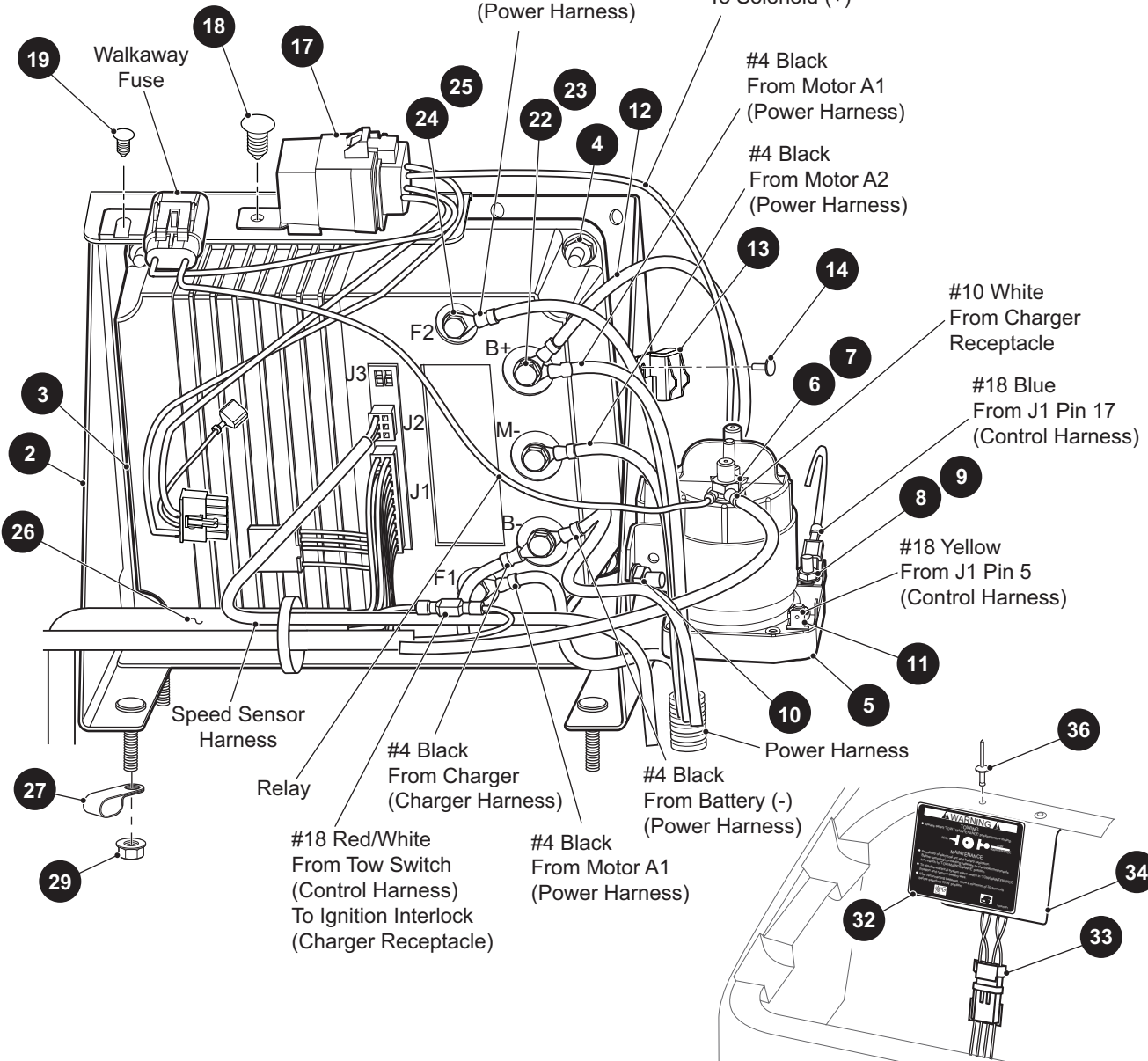
**1** ELECTRONIC SPEED CONTROL ASSEMBLY includes items 2 - 19

**31** TOW SWITCH ASSEMBLY includes items 32 - 34



#10 Black  
From Motor F2  
(Power Harness)

PURPLE  
From Walkaway Fuse  
To Solenoid (+)



# ELECTRONIC SPEED CONTROL

When ordering parts, please specify the model and serial number of the product.

\* Indicates a component that is not available as an individual part.

\*\*\* Indicates consult Customer Service Department for additional information.

ITEM	PART NO.	1 2 3 4 5	DESCRIPTION	QTY.
1	73348G04		ELECTRONIC SPEED CONTROL ASSEMBLY (INCLUDES ITEMS 2 -19) .....	1
2	73351G01		CONTROLLER MOUNT BRACKET .....	1
3	611173		ELECTRONIC SPEED CONTROLLER.....	1
4	11027G2		LOCK NUT, 1/4" - 20 .....	4
5	621330		SOLENOID .....	1
6	00565G5		LOCK WASHER, #10 .....	2
7	00526G4		LOCK NUT, #10 - 32.....	2
8	00565G8		LOCK WASHER, 5/16" .....	2
9	00544G4		JAM NUT, 5/16" - 24 .....	2
10	11027G2		LOCK NUT, 1/4" - 20 .....	2
11	73446G01		FASTON TAB, 90° .....	4
12	25971G17		4 GA WIRE (BLACK 9").....	1
13	73499G01		INLINE FUSE COVER.....	1
14	15058G1		RIVET (ALUMINUM), 3/16" X 7/16" LG .....	1
15	73523G01		CONTROLLER COVER .....	1
16	16816G1		RATCHET FASTENER, 1/4" X 9/16" LG .....	4
17	608931		WALKAWAY RELAY HARNESS, 48V .....	1
18	16816G2		RIVET, 0.25" X 0.887" .....	1
19	16816G5		RIVET, 0.187" X 0.550" .....	1
20				
21				
22	73296G01		BOLT, 8 - 1 X 16mm .....	3
23	00993G01		LOCK WASHER, 5/16" .....	3
24	73346G01		BOLT, 6 - 1 X 12mm.....	2
25	00993G02		LOCK WASHER, 1/4" .....	2
26	73334G01		CONTROL HARNESS .....	1
27	73053G01		DOUBLE TUBE CLAMP .....	1
28				
29	11027G2		LOCK NUT, 1/4 - 20 .....	4
30	73398G01		DIAGNOSTIC LABEL (FAULT CODE) .....	1

# ELECTRONIC SPEED CONTROL

When ordering parts, please specify the model and serial number of the product.

\* Indicates a component that is not available as an individual part.

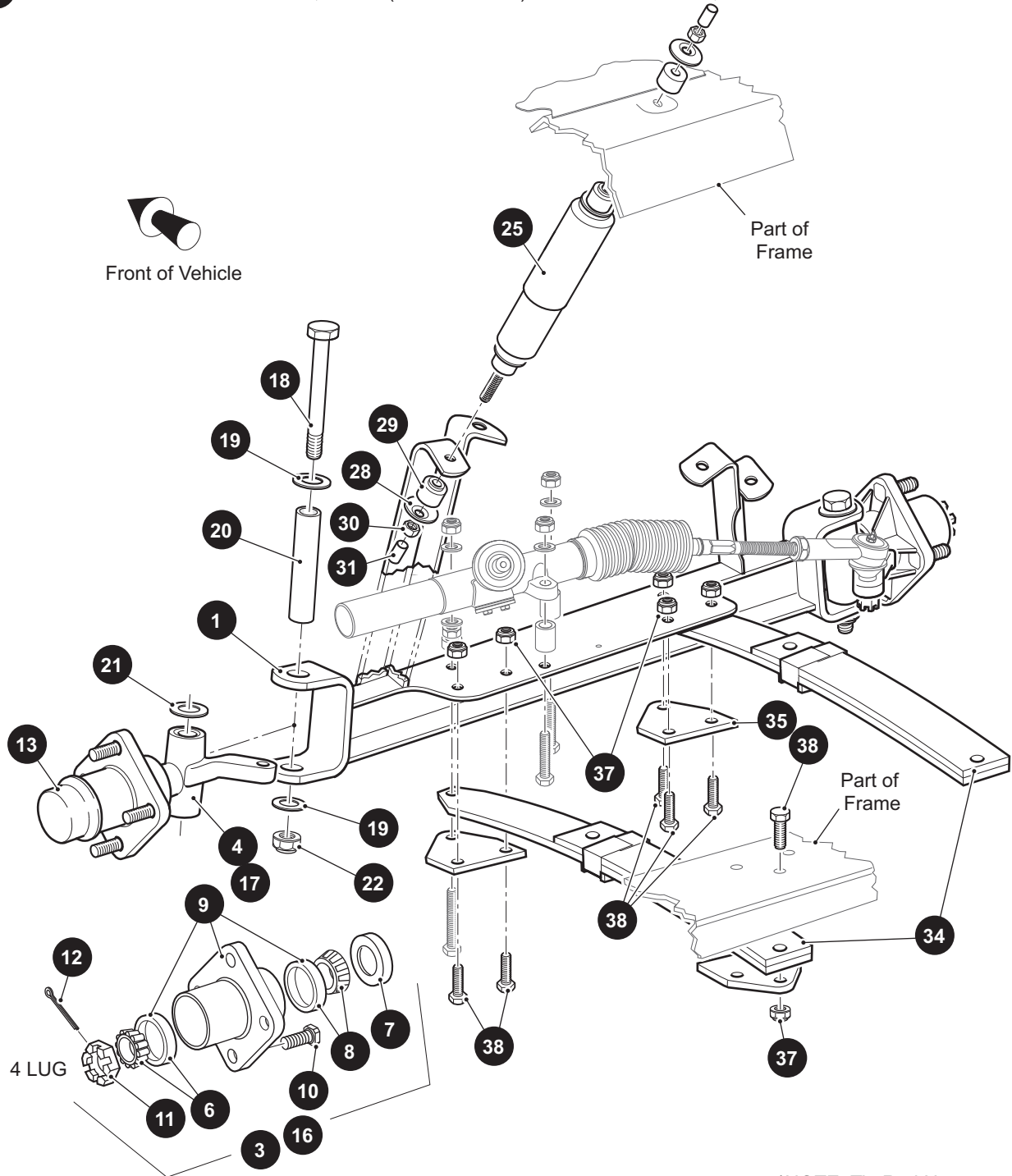
\*\*\* Indicates consult Customer Service Department for additional information.

ITEM	PART NO.	1 2 3 4 5	DESCRIPTION	QTY.
31	73347G03		TOW SWITCH ASSEMBLY (INCLUDES ITEMS 32 - 34) .....	1
32	73347G01		RUN/TOW SWITCH LABEL.....	1
33	648593		TOGGLE SWITCH .....	1
34	73336G02		TOW SWITCH BRACKET.....	1
35				
36	71055G01		RIVET, 5/32" X 3/4" LG.....	2



# FRONT SUSPENSION/STEERING

- 3 SPINDLE AND HUB ASSEMBLY, 4 LUG (PASSENGER SIDE) includes items 4 - 13
- 9 WHEEL HUB ASSEMBLY WITH RACES, 4 LUG includes items 10
- 16 SPINDLE AND HUB ASSEMBLY, 4 LUG (DRIVER SIDE) includes items 7 - 13, 17



\*NOTE: Tie Rod Not Shown for Clarity

# FRONT SUSPENSION/STEERING

When ordering parts, please specify the model and serial number of the product.

\* Indicates a component that is not available as an individual part.

\*\*\* Indicates consult Customer Service Department for additional information.

ITEM	PART NO.	1 2 3 4 5	DESCRIPTION	QTY.
1	602512		FRONT AXLE.....	1
2				
3	70942G03		SPINDLE AND HUB ASSEMBLY, 4 LUG (PASSENGER SIDE) (INCLUDES ITEMS 4 - 13) .....	1
4	70940G02		SPINDLE ASSEMBLY (PASSENGER SIDE) (INCLUDES ITEMS 5 - 6)..	1
5	70648G01		BEARING .....	1
6	70749G01		BEARING, DP4 .....	1
7	25146G1		GREASE SEAL.....	1
8	50892G1		ROLLER BEARING AND RACE ASSEMBLY.....	2
9	70589G1		WHEEL HUB ASSEMBLY WITH RACES, 4 LUG (INCLUDES ITEM 10)	1
10	19862G1		LUG BOLT, 1/2" - 20 X 1 7/32" LG .....	4
11	12093G1		SLOTTED NUT, 1" - 14.....	1
12	00798G8		COTTER PIN, 5/32" X 1 3/4" LG .....	1
13	12091G2		SPINDLE CAP.....	2
14				
15				
16	70673G03		SPINDLE AND HUB ASSEMBLY, 4 LUG (DRIVER SIDE) (INCLUDES ITEMS 7 - 13, 17) .....	1
17	70742G02		SPINDLE ASSEMBLY (DRIVER SIDE) (INCLUDES ITEMS 5 - 6) .....	1
18	00407G6		HEX HEAD BOLT, 1/2" - 13 X 6" LG .....	2
19	00560G3		FLAT WASHER, 1/2".....	4
20	70745G01		KING PIN TUBE.....	2
21	70754G01		THRUST WASHER (SS).....	2
22	14390G6		LOCK NUT, 1/2" - 13.....	2
23				
24				
25	76419G01		SHOCK ABSORBER.....	2
26				
27				
28	10435G1		SHOCK ABSORBER WASHER, .56".....	8
29	10194G1		RUBBER SHOCK ABSORBER BUSHING .....	8
30	00532G6		HEX NUT, 3/8" - 24 .....	4

# FRONT SUSPENSION/STEERING

When ordering parts, please specify the model and serial number of the product.

\* Indicates a component that is not available as an individual part.

\*\*\* Indicates consult Customer Service Department for additional information.

ITEM	PART NO.	1 2 3 4 5	DESCRIPTION	QTY.
31	10044G01		VINYL CAP .....	4
32				
33				
34	70989G03		LEAF SPRING (HEAVY DUTY) (SEE PART NUMBER ON SPRING) .....	2
35	652258		SPRING PLATE .....	4
36				
37	00734G1		HEX LOCK NUT, 7/16" - 14 .....	11
38	00463G11		HEX HEAD BOLT, 7/16" - 14 X 1 3/4" LG .....	11
39				
40				

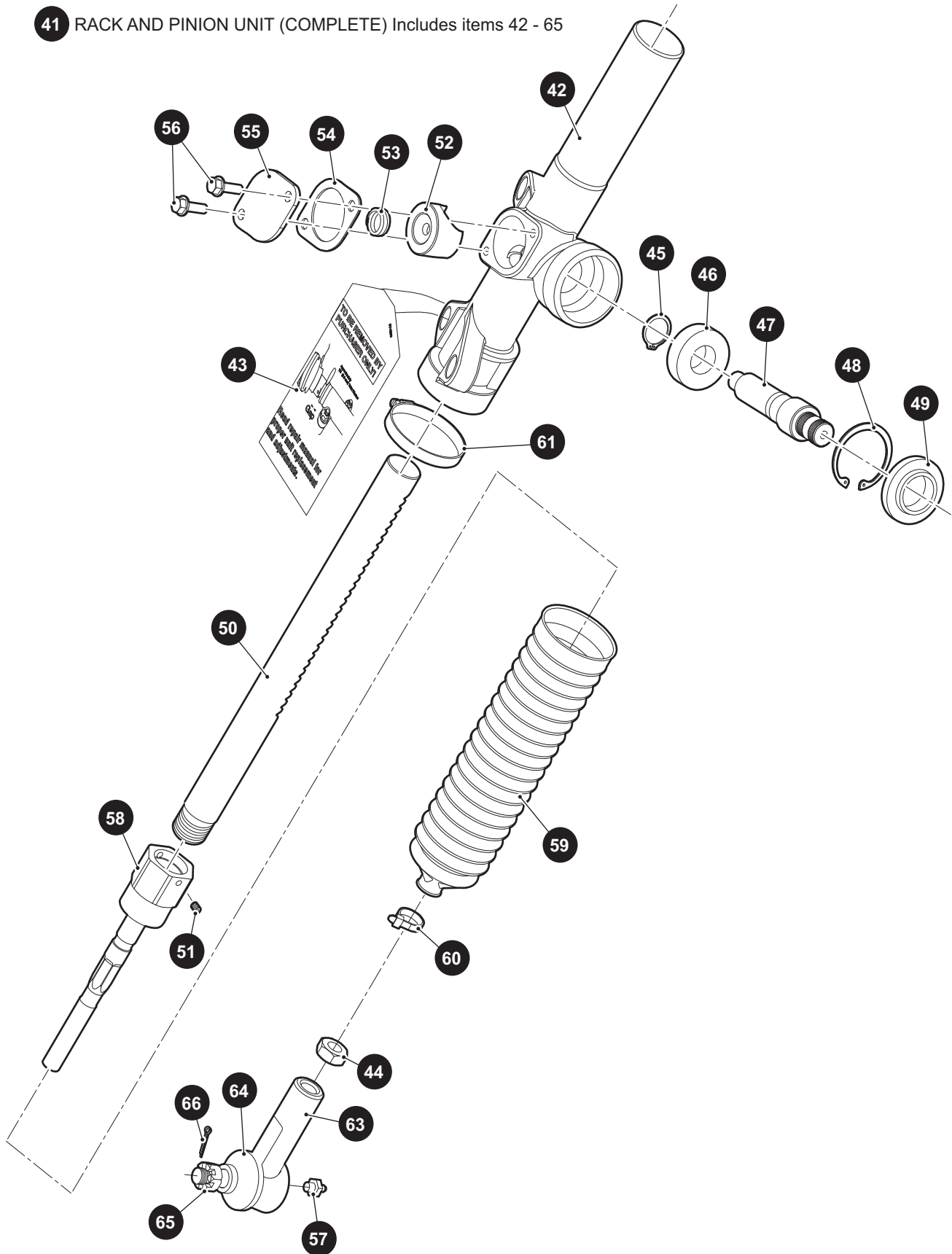


Notes:

A large grid consisting of 20 columns and 25 rows of empty cells, intended for taking notes. The grid is bounded by thin black lines.

# FRONT SUSPENSION/STEERING

## 41 RACK AND PINION UNIT (COMPLETE) Includes items 42 - 65



# FRONT SUSPENSION/STEERING

When ordering parts, please specify the model and serial number of the product.

\* Indicates a component that is not available as an individual part.

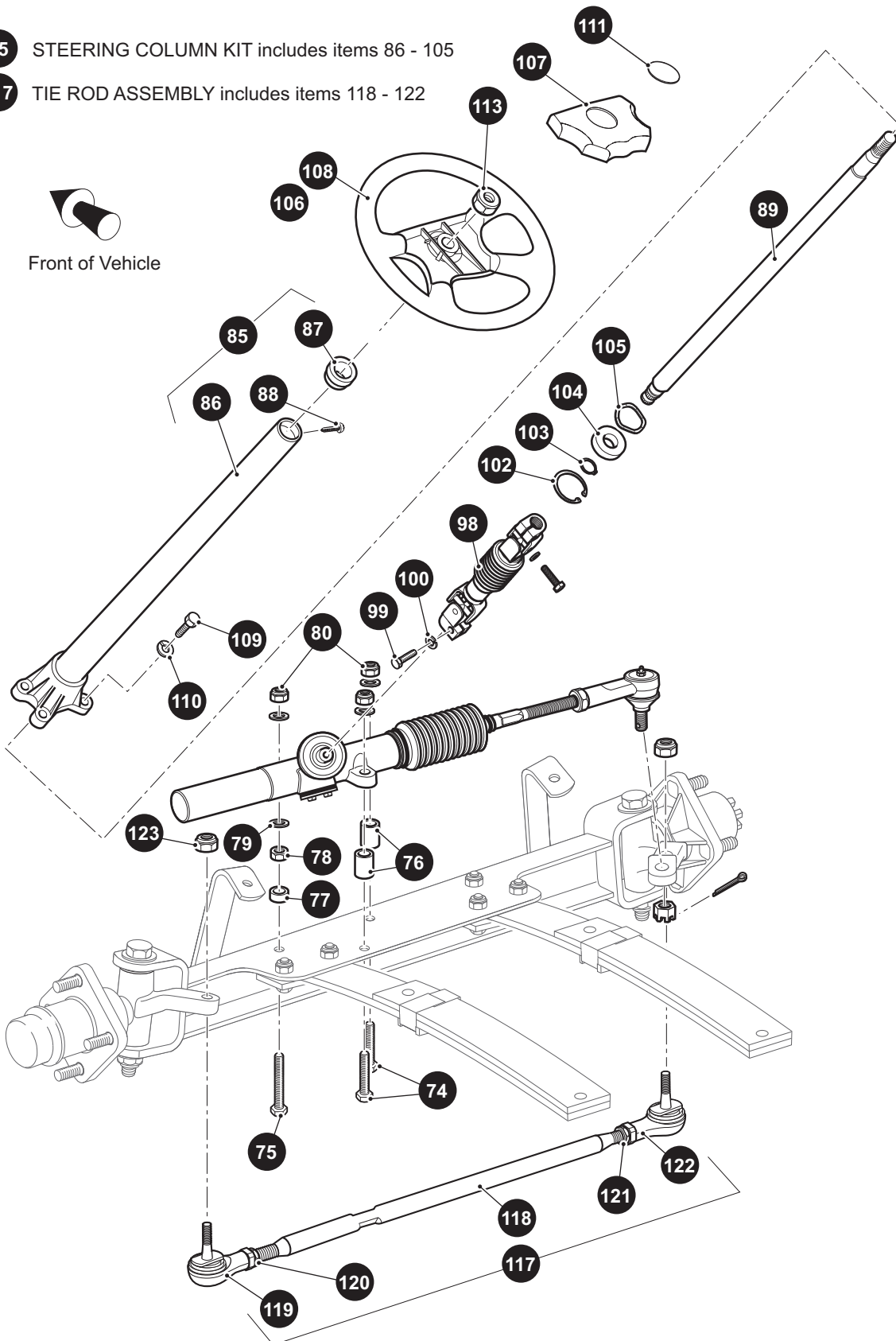
\*\*\* Indicates consult Customer Service Department for additional information.

ITEM	PART NO.	1 2 3 4 5	DESCRIPTION	QTY.
41	74605G01		RACK AND PINION UNIT (COMPLETE) (INCLUDES ITEMS 42 - 65) .....	1
42	70965G01		STEERING RACK COVER & BEARING .....	1
43	*		STEERING BOX INSTALLATION TAG.....	1
44	*		JAM NUT, 1/2" - 20 .....	1
45	70750G01		RETAINING RING (EXTERNAL) .....	1
46	15112G1		BALL BEARING .....	1
47	70603G01		PINION .....	1
48	70751G01		RETAINING RING (INTERNAL) .....	1
49	70638G01		SEAL PINION .....	1
50	70604G01		RACK STEERING .....	1
51	01053G01		SET SCREW, #10 - 32 X .25" LG .....	1
52	70590G01		RACK LOADER .....	1
53	70666G01		SPRING COMPRESSION .....	1
54	70645G01		GASKET (RACK LOADER) .....	1
55	652259		COVER (RACK LOADER) .....	1
56	71102G01		HEX HEAD BOLT, 1/4" - 20 X 11/16" LG .....	2
57	10389G3		GREASE FITTING, STRAIGHT.....	1
58	74602G01		ROD END (INNER) .....	1
59	70961G01		RACK BOOT .....	1
60	12416G2		WIRE TIE.....	1
61	11391G8		WIRE TIE.....	1
62				
63	70695G01		TIE ROD END - OUTER.....	1
64	*		GROMMET - TIE ROD END.....	1
65	*		SLOTTED NUT, 7/16" - 20.....	1
66	10387G2		COTTER PIN, 3/32" X 1" LG.....	1
67				
68				
69				
70				
71				

# FRONT SUSPENSION/STEERING

**85** STEERING COLUMN KIT includes items 86 - 105

**117** TIE ROD ASSEMBLY includes items 118 - 122



# FRONT SUSPENSION/STEERING

When ordering parts, please specify the model and serial number of the product.

\* Indicates a component that is not available as an individual part.

\*\*\* Indicates consult Customer Service Department for additional information.

ITEM	PART NO.	1 2 3 4 5	DESCRIPTION	QTY.
72				
73				
74	00464G8		HEX HEAD BOLT, 7/16" - 14 X 2 3/4" LG .....	2
75	01068G01		HEX HEAD BOLT, 7/16" - 14 X 3 1/2" LG .....	1
76	70667G02		SPACER, 1.2" LG .....	1
77	70667G04		SPACER, STEERING HOUSING, .69" LG .....	1
78	00532G7		HEX NUT, 7/16" - 14 .....	1
79	00560G2		FLAT WASHER, 7/16" .....	7
80	00734G1		LOCK NUT, 7/16" - 14 .....	3
81				
82				
83				
84				
85	70758G05		STEERING COLUMN KIT (INCLUDES ITEMS 86 - 105) .....	1
86	70610G03		STEERING COLUMN .....	1
87	28569G01		STEERING COLUMN BUSHING .....	1
88	01022G01		HEX HEAD SCREW, #6 - 20 X 5/16" LG .....	1
89	70607G01		STEERING SHAFT .....	1
90				
91				
92				
93				
94				
95				
96				
97				
98	70580G01		INTERMEDIATE SHAFT .....	1
99	01055G01		HEX HEAD BOLT, M8 X 1.25 - 6G X 1.18" LG .....	2
100	00565G8		LOCK WASHER, 5/16" .....	1
101				
102	70751G01		RETAINING RING (INTERNAL) .....	1

# FRONT SUSPENSION/STEERING

When ordering parts, please specify the model and serial number of the product.

\* Indicates a component that is not available as an individual part.

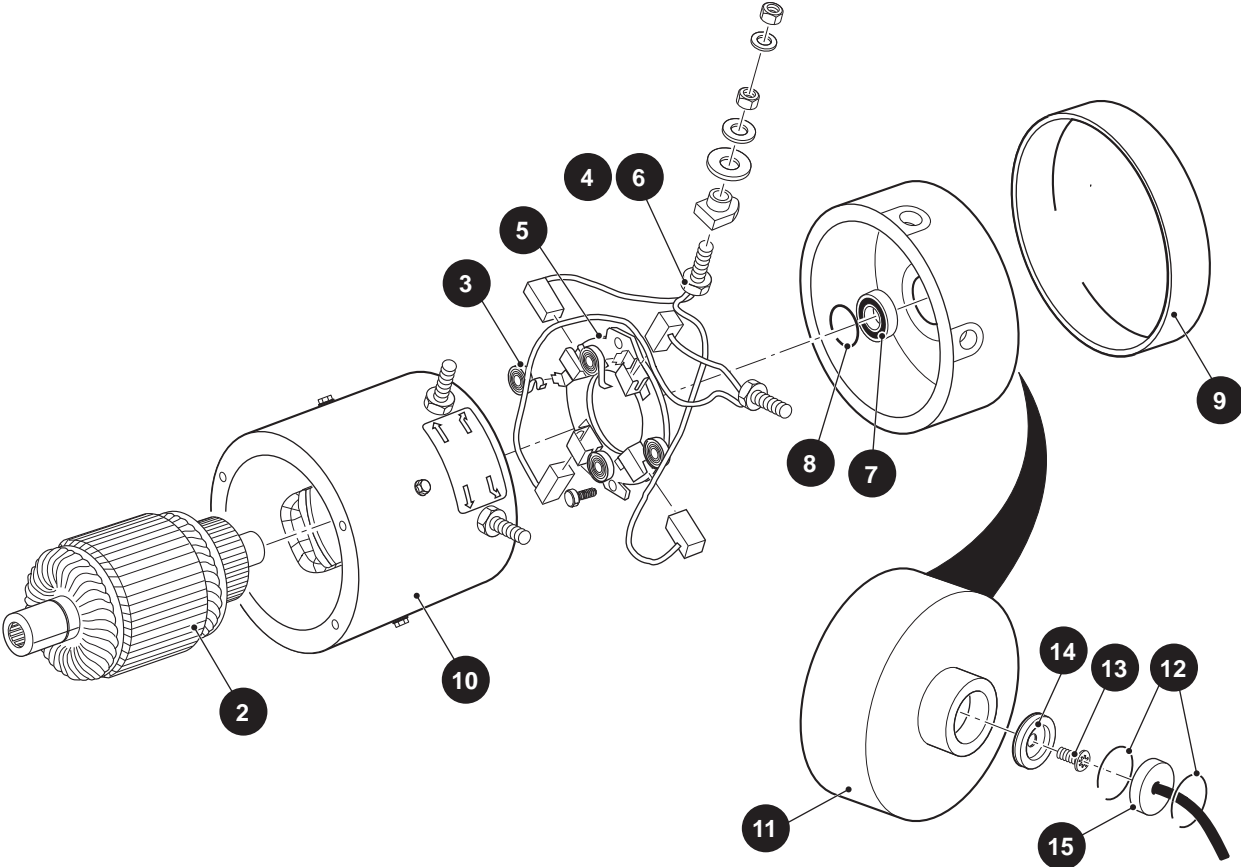
\*\*\* Indicates consult Customer Service Department for additional information.

ITEM	PART NO.	1	2	3	4	5	DESCRIPTION	QTY.
103	70888G01						RETAINING RING (EXTERNAL) .....	1
104	15112G1						BALL BEARING .....	1
105	70887G01						WAVE WASHER .....	1
106	602980						PREMIUM STEERING WHEEL (OPTIONAL) .....	1
107	71147G01						STEERING WHEEL COVER .....	1
108	602979						STEERING WHEEL.....	1
109	01006G01						HEX HEAD BOLT, 3/8" - 16 X 1 1/4" LG .....	4
110	00879G1						FLAT WASHER, 3/8" .....	4
111	605435						DECAL EZGO, S/W - ROUND .....	1
112								
113	14390G2						LOCK NUT, 5/8" - 18 .....	1
114								
115								
116								
117	74604G01						TIE ROD ASSEMBLY (INCLUDES ITEMS 118 - 122).....	1
118	74603G01						THREADED ROD, 24" LG .....	1
119	70902G01						TIE ROD END (LEFT HAND THREADS) .....	1
120	01069G01						JAM NUT, M12 X 1.25 - 05 (LEFT HAND THREADS).....	1
121	70902G02						TIE ROD END (RIGHT HAND THREADS) .....	1
122	01069G02						JAM NUT, M12 X 1.25 - 05 (RIGHT HAND THREADS) .....	1
123	00734G1						LOCK NUT, 7/16" - 14 .....	2



# MOTOR

1 MOTOR 48V includes items 2 - 12





When ordering parts, please specify the model and serial number of the product.

\* Indicates a component that is not available as an individual part.

\*\*\* Indicates consult Customer Service Department for additional information.

ITEM	PART NO.	1 2 3 4 5	DESCRIPTION	QTY.
1	73291G04		MOTOR, 48V (INCLUDES ITEMS 2-12).....	1
2	73120G36	ARMA	TURE ASSEMBLY.....	1
3	73120G38		BRUSH SPRING .....	8
4	73120G39		BRUSH .....	1
5	73120G40		BRUSH BOX ASSEMBLY .....	1
6	73120G41		BRUSH REPLACEMENT KIT (INCLUDES HARDWARE) .....	1
7	73120G07		BEARING .....	1
8	73120G06		SNAP RING .....	1
9	73120G43		HEADBAND.....	1
10	73120G37		FRAME AND FIELD COIL (INCLUDES HARDWARE) .....	1
11	73120G42		COVER COMMUTATOR END.....	1
12	73277G01		RETAINING RING .....	1
13	01037G02		SCREW, #10 - 32 X 1/2" LG .....	1
14	73328G01		MAGNET.....	1
15	73327G02		SPEED SENSOR.....	1

## Notes:

A large grid of graph paper, consisting of 20 columns and 30 rows of small squares, provided for taking notes.

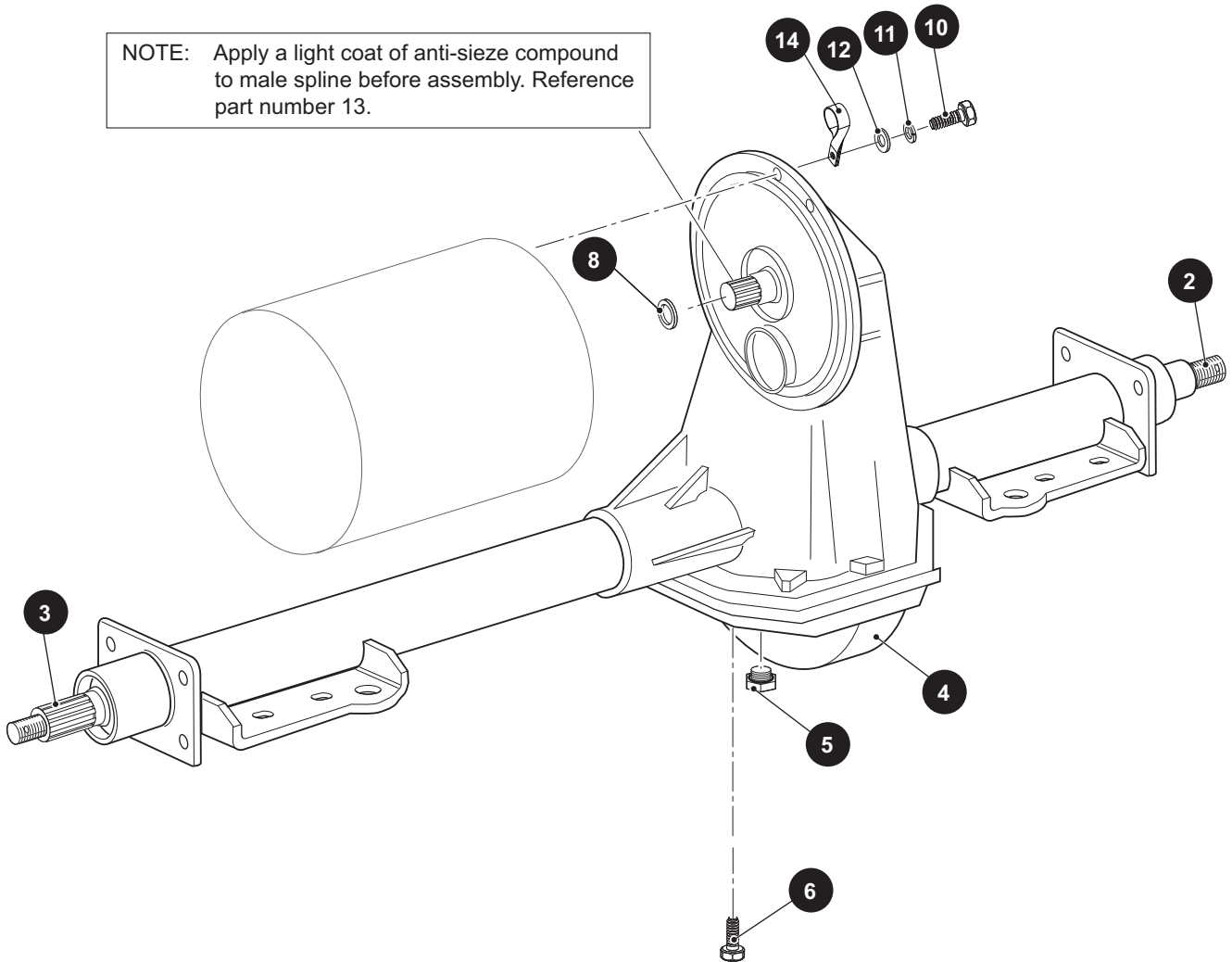


# REAR AXLE

**1** REAR AXLE ASSEMBLY includes items 2 - 8

**16** REAR AXLE ASSEMBLY W/LSD includes items 2 - 8

NOTE: Apply a light coat of anti-sieze compound to male spline before assembly. Reference part number 13.



# REAR AXLE

When ordering parts, please specify the model and serial number of the product.

\* Indicates a component that is not available as an individual part.

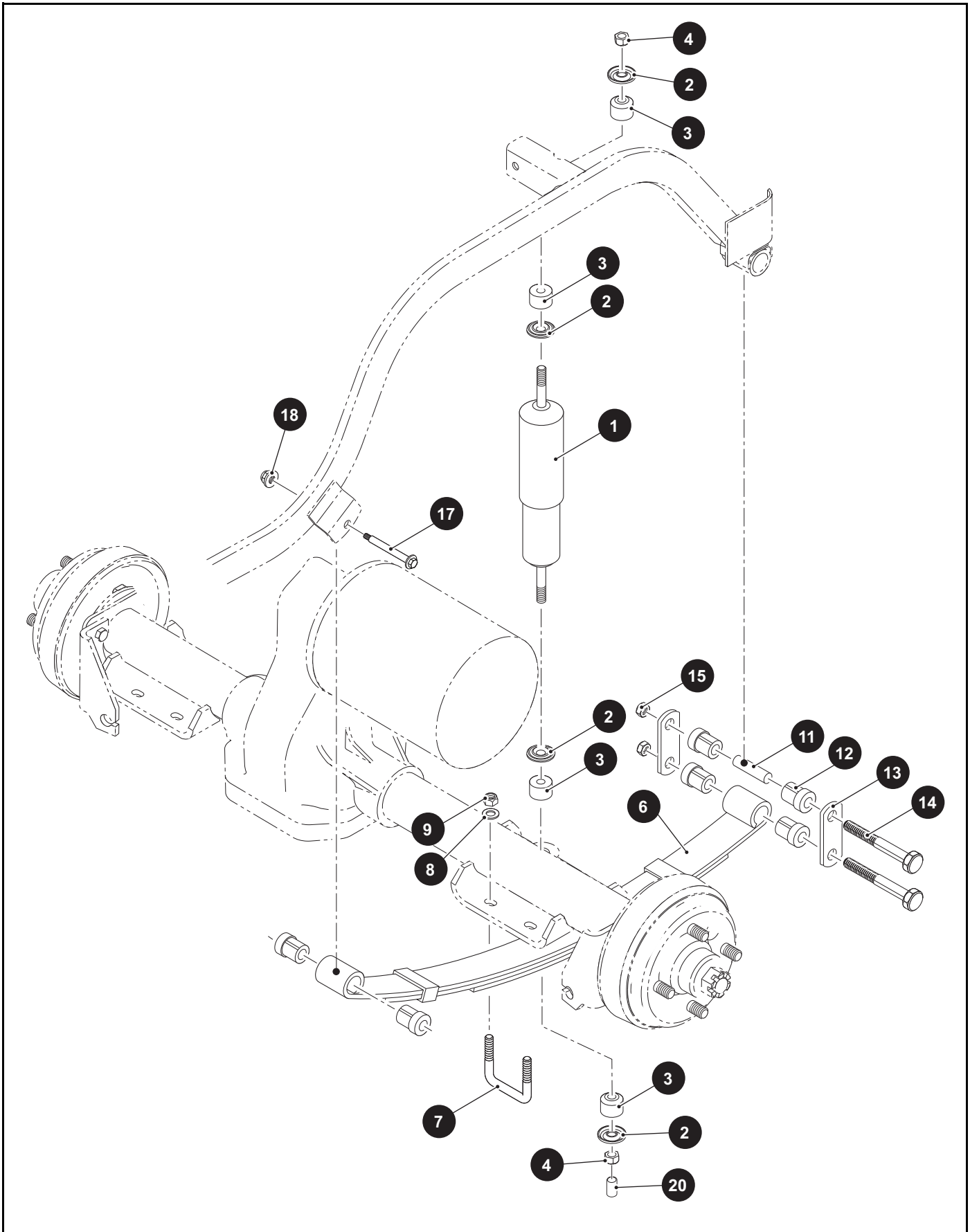
\*\*\* Indicates consult Customer Service Department for additional information.

ITEM	PART NO.	1 2 3 4 5	DESCRIPTION	QTY.
1	74612G01		REAR AXLE ASSEMBLY 14.76:1 (INCLUDES ITEMS 2 - 8) .....	1
2	617609		AXLE SHAFT (PASSENGER SIDE).....	1
3	617608		AXLE SHAFT (DRIVER SIDE) .....	1
4	*		DIFFERENTIAL COVER .....	1
5	601085		HEXAGONAL HEAD PLUG.....	1
6	15558G1		BOLT, 5/16 - 18 X 3/4" LG .....	10
7				
8	24628G1		O-RING INPUT SHAFT .....	1
9				
10	00797G2		BOLT, 1/4 - 20 X 1 1/4" LG.....	3
11	00664G7		LOCK WASHER, 1/4" (STAINLESS STEEL) .....	3
12	01110G01		FLAT WASHER, 1/4" (STAINLESS STEEL) .....	3
13	*		ANTI-SIEZE COMPOUND .....	AR
14	27327G02		TWISTED CLAMP, 1.187" O.D X 1.125" I.D .....	1
15				
16	617173		REAR AXLE ASSEMBLY 14.76:1 W/LSD (INCLUDES 2 - 8) .....	1





# REAR SUSPENSION





# REAR SUSPENSION

When ordering parts, please specify the model and serial number of the product.

\* Indicates a component that is not available as an individual part.

\*\*\* Indicates consult Customer Service Department for additional information.

ITEM	PART NO.	1 2 3 4 5	DESCRIPTION	QTY.
1	642085		SHOCK ABSORBER .....	2
2	10435G1		SHOCK ABSORBER WASHER.....	8
3	10194G1		RUBBER SHOCK ABSORBER BUSHING.....	8
4	00532G6		HEX NUT, 3/8" - 24 .....	4
5				
6	74345G03		LEAF SPRING .....	2
7	72618G01		"U" BOLT, 3/8" - 16 X 2" X 2 1/2" LG.....	4
8	00560G1		FLAT WASHER, 3/8".....	8
9	11098G5		LOCK NUT, 3/8" - 16.....	8
10				
11	70289G02		SPLIT STEEL SPACER .....	4
12	624030		FLANGED BUSHING.....	12
13	604961		SHACKLE PLATE .....	4
14	00665G9		HEX HEAD BOLT (SS), 3/8" - 16 X 3 1/2" LG .....	4
15	11098G5		LOCK NUT, 3/8" - 16.....	4
16				
17	14158G1		SHOULDER BOLT, 3/8" - 16 X 3 1/4" LG.....	2
18	12262G1		LOCK NUT, 3/8" - 16.....	2
19				
20	10044G01		VINYL CAP .....	2

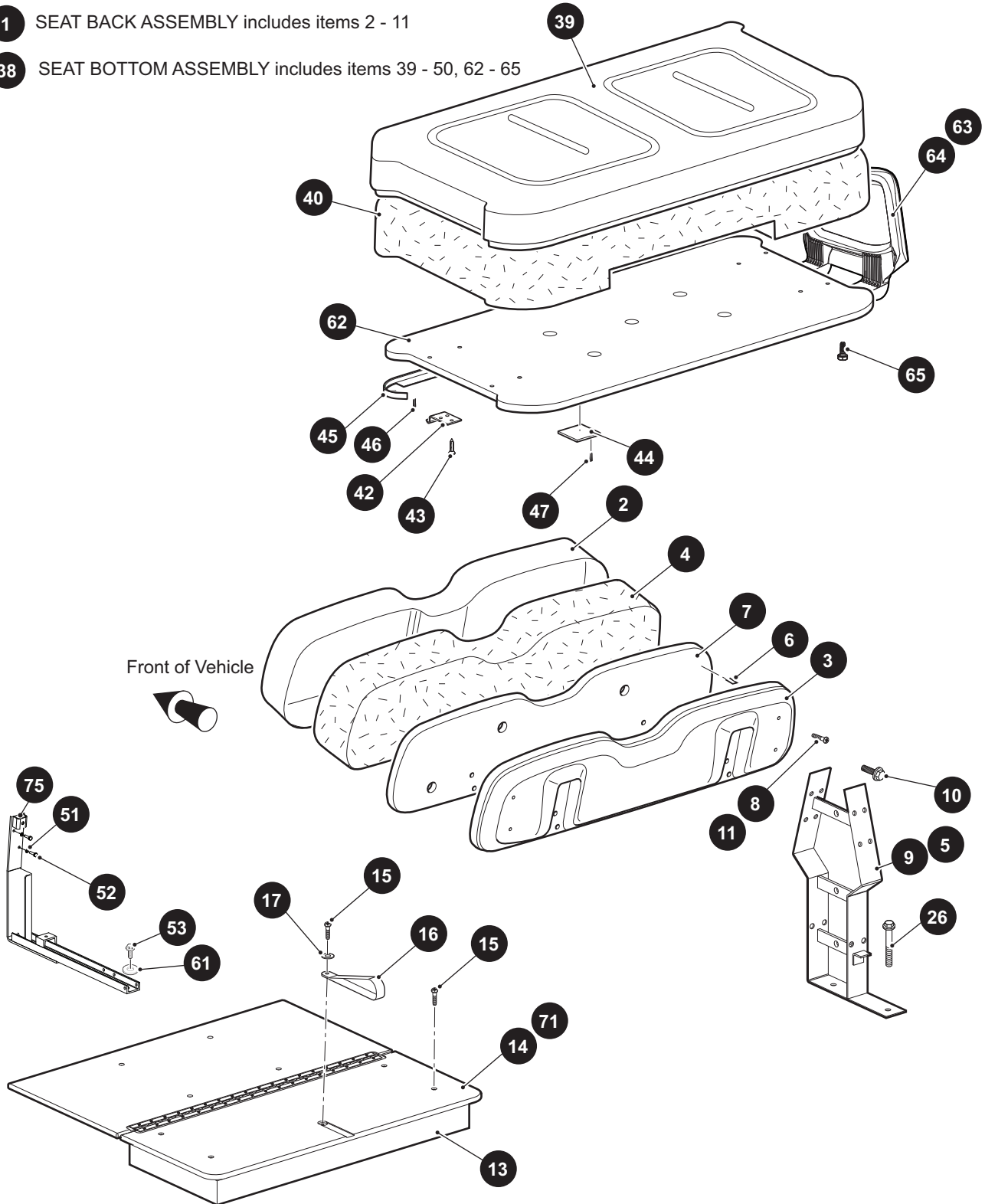




# SEATING

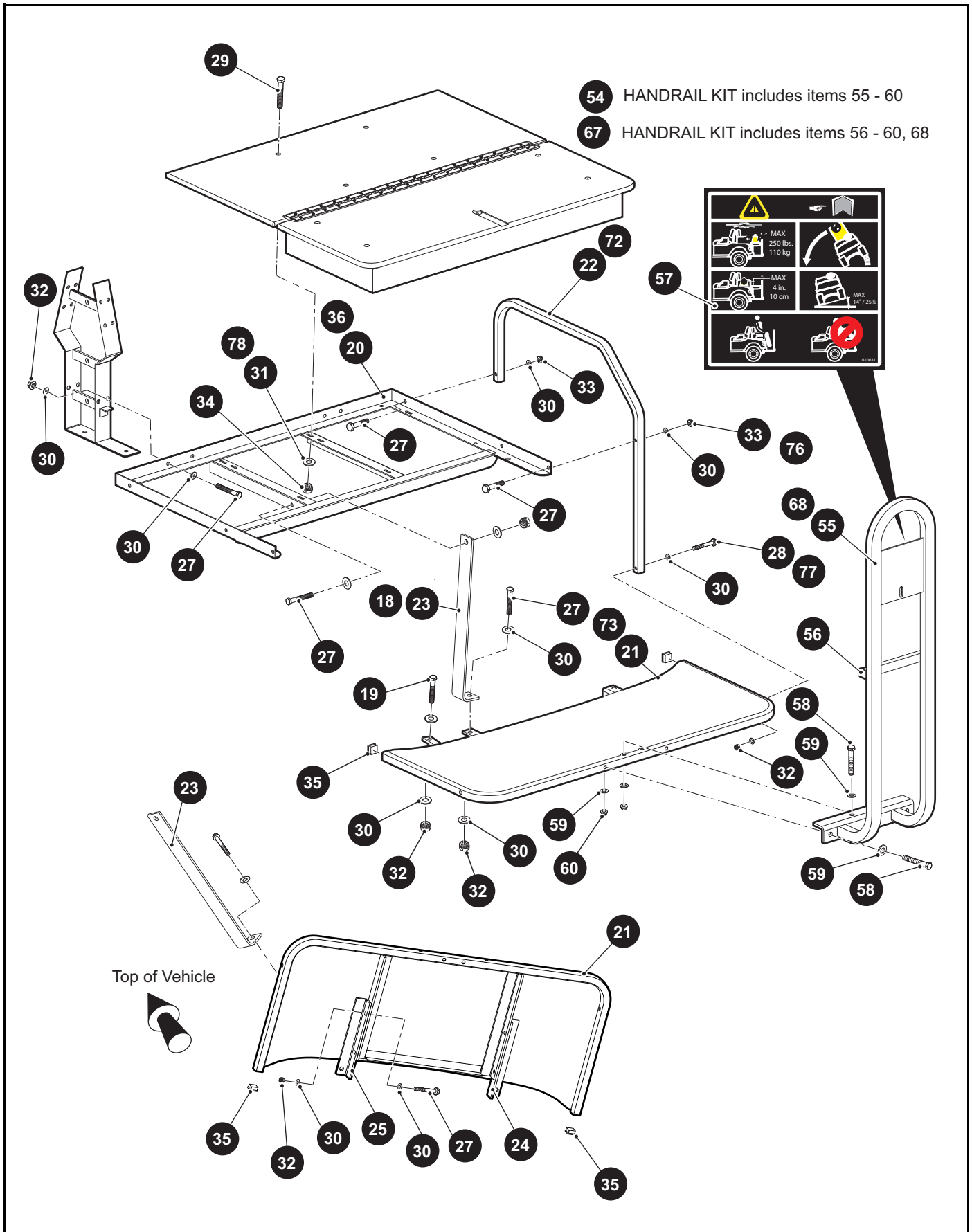
**1** SEAT BACK ASSEMBLY includes items 2 - 11

**38** SEAT BOTTOM ASSEMBLY includes items 39 - 50, 62 - 65



**12** FLIP FLOP SEAT BOTTOM ASSEMBLY includes items 13 - 17

**70** FLIP FLOP SEAT BOTTOM ASSEMBLY includes items 13, 15 - 17, 71



# SEATING

When ordering parts, please specify the model and serial number of the product.

\* Indicates a component that is not available as an individual part.

\*\*\* Indicates consult Customer Service Department for additional information.

ITEM	PART NO.	1	2	3	4	5	DESCRIPTION	QTY.
1	***						SEAT BACK ASSEMBLY (INCLUDES ITEMS 2 - 11) .....	1
							606828 RED/BLACK	
							71751G03 OYSTER	
							71751G04 TAN	
							71751G07 BLACK	
							604908 WHITE/BLUE	
							604907 WHITE/RED	
							615838 WHITE/BLACK	
							620794 WHITE/YELLOW	
							620796 GRAY/BLACK	
							615837 OYSTER/GNT	
							71751G02 GRAY	
							71751G06 BROWN	
2	***						VINYL SEAT BACK COVER .....	1
							71753G03 OYSTER	
							71753G04 TAN	
							71753G07 BLACK	
							604916G0103 WHITE/RED	
							604916G0102 WHITE/BLUE	
							604916G0304 RED/BLACK	
							604916G0104 WHITE/BLACK	
							604916G0108 WHITE/YELLOW	
							604916G0704 GRAY/BLACK	
							604916G0506 OYSTER/GARNET	
							71753G02 GRAY	
							71753G06 BROWN	
3	71752G01						SEAT BACK REAR COVER .....	1
4	71754G01						FOAM PADDING.....	1
5	634178						SEAT BACK SUPPORT (FOR VEHICLES MANUFACTURED FROM MARCH 2014).....	1
6	23222G01						FLAT STAPLE, 3/8" X 3/8" .....	95
7	645021						SEAT BACK BASE.....	1
8	01107G01						TORX SCREW, #8 X 5/8" LG.....	4
9	615730						SEAT BACK SUPPORT .....	2
10	71204G01						MACHINE SCREW WITH PATCH LOCK, 1/4" - 20 X 7/8" LG.....	8
11	607535						PAN HEAD TORX SCREW, #8 X .88" LG (FOR VEHICLES MANUFACTURED FROM MARCH 2014).....	4
12	***						FLIP FLOP SEAT BOTTOM ASSEMBLY (INCLUDES ITEMS 13 - 17).....	1
							621027 TAN	
							621026 OYSTER	
							621031 WHITE/BLUE	
							621036 BLACK	
							621032 WHITE/RED	

When ordering parts, please specify the model and serial number of the product.

\* Indicates a component that is not available as an individual part.

\*\*\* Indicates consult Customer Service Department for additional information.

ITEM	PART NO.	1	2	3	4	5	DESCRIPTION	QTY.
		621033					RED/BLACK	
		621034					WHITE/YELLOW	
		621038					WHITE/BLACK	
		621035					GRAY/BLACK	
		621037					OYSTER/RUBY	
13	***						VINYL FLIP FLOP SEAT BACK COVER.....	1
		615646					OYSTER	
		615647					TAN	
		615648					BLACK	
		611126					WHITE/RED	
		611125					WHITE/BLUE	
		611135					RED/BLACK	
		611127					WHITE/YELLOW	
		611137					GRAY/BLACK	
		611130					WHITE/BLACK	
		611136					OYSTER/RUBY	
		617892					GRAY	
		617893					BROWN	
14	617137						DECK BOARD ASSEMBLY.....	1
15	16705G1						TRUSS HEAD PHILLIPS SCREW (SS), 1/4" - 20 X 1" LG.....	5
16	617402						SEAT STRAP.....	1
17	00559G7						FLAT WASHER, 1/4".....	1
18	634174						SEAT FRAME SUPPORT (FOR VEHICLES MANUFACTURED FROM MARCH 2014).....	1
19	00427G6						HEX HEAD BOLT, 3/8" - 16 x 1 1/4" LG (FOR VEHICLES MANUFACTURED FROM MARCH 2014).....	1
20	615712						SEAT FRAME WELDMENT.....	1
21	615714						FOOTREST WELDMENT.....	1
22	615729						ARMREST, REAR SEAT.....	2
23	615713						SEAT FRAME SUPPORT.....	2
24	615728						FOOTREST BRACKET (PASSENGER SIDE).....	1
25	615727						FOOTREST BRACKET (DRIVER SIDE).....	1
26	01006G01						HEX HEAD BOLT, 3/8" - 16 X 1 1/4" LG.....	4
27	00427G4						HEX HEAD BOLT, 3/8" - 16 X 1 1/2" LG.....	16
28	00429G2						HEX HEAD BOLT, 3/8" - 16 X 3 1/4" LG.....	2
29	16705G9						TRUSS HEAD PHILLIPS SCREW (SS), 1/4" - 20 X 1 1/4" LG.....	4
30	614221						FLAT WASHER, 3/8".....	32

# SEATING

When ordering parts, please specify the model and serial number of the product.

\* Indicates a component that is not available as an individual part.

\*\*\* Indicates consult Customer Service Department for additional information.

ITEM	PART NO.	1 2 3 4 5	DESCRIPTION	QTY.
31	01110G01		FLAT WASHER, 1/4" .....	4
32	11098G5		LOCK NUT, 3/8" - 16 .....	10
33	11027G5		LOCK NUT, 3/8" - 16 .....	4
34	14390G4		LOCK NUT, 1/4" - 20 .....	4
35	19853G1		SQUARE CAP TUBE, 1" .....	2
36	634180		SEAT FRAME WELDMENT (FOR VEHICLES MANUFACTURED FROM MARCH 2014) .....	1
37				
38	***		SEAT BOTTOM ASSEMBLY (INCLUDES ITEMS 39 - 50, 62 - 65) ..... 629269G0103 TAN 629269G0101 OYSTER 629269G0110 RED ON BLACK 629269G0106 BLACK 629269G0109 WHITE/BLUE 629269G0111 WHITE/RED	1
39	***		VINYL SEAT BOTTOM COVER..... 71602G04 TAN 71602G03 OYSTER 71602G06 BLACK 604912G0103 WHITE/RED 604912G0102 WHITE/BLUE 604912G0304 RED/BLACK	1
40	71603G02		FOAM PADDING (SEAT BOTTOM).....	1
41				
42	71610G01		SEAT HINGE.....	2
43	00720G08		FLAT HEAD PHILLIPS SCREW, #12 -14 X 1" LG .....	6
44	17074G1		RUBBER PAD .....	2
45	71012G01		VINYL TRIM (SEAT BOTTOM) .....	1
46	23222G1		FLAT STAPLE, 3/8" X 3/8" .....	110
47	23223G1		FLAT STAPLE, 3/8" X 3/8" .....	36
48				
49				
50				
51	00664G7		LOCK WASHER, 1/4" .....	4
52	00661G8		HEX HEAD BOLT, 1/4" - 20 X 1/2" LG.....	4
53	00426G8		HEX HEAD BOLT, 3/8" - 16 X 3/4" LG.....	2



When ordering parts, please specify the model and serial number of the product.

\* Indicates a component that is not available as an individual part.

\*\*\* Indicates consult Customer Service Department for additional information.

ITEM	PART NO.	1 2 3 4 5	DESCRIPTION	QTY.
54	617901		HANDRAIL KIT, FLIP FLOP SEAT (INCLUDES ITEMS 55 - 60) .....	1
55	615721		FOOTREST HANDLE WELDMENT .....	1
56	19859G1		SQUARE CAP TUBE, 3/4" .....	2
57	610631		DECAL.....	1
58	00427G8		HEX HEAD BOLT, 3/8" - 16 X 2" LG.....	4
59	614221		FLAT WASHER, 3/8" .....	8
60	11098G5		LOCK NUT, 3/8" - 16 .....	4
61	00560G1		FLAT WASHER, 3/8" .....	8
62	645492		SEAT BOTTOM .....	1
63	617644		HIP RESTRAINT (DRIVER SIDE) .....	1
64	617645		HIP RESTRAINT (PASSENGER SIDE) .....	1
65	615417		BUTTON HEAD TORX BOLT, M10 - 1.5 X 25MM LG .....	8
66				
67	634184		HANDRAIL KIT, FLIP-FLOP SEAT (INCLUDES ITEMS 56 - 60, 68) (FOR VEHICLES MANUFACTURED FROM MARCH 2014).....	1
68	631485		FOOTREST HANDE WELDMENT (FOR VEHICLES MANUFACTURED FROM MARCH 2014) .....	1
69				
70	***		FLIP FLOP SEAT BOTTOM ASSEMBLY (INCLUDES ITEMS 13, 15 - 17, 71) (FOR VEHICLES MANUFACTURED FROM MARCH 2014)..... 628058G01 OYSTER 628058G03 TAN 628058G04 GRAY 628058G06 BLACK 628058G07 BROWN 628058G09 WHITE/BLUE 628058G11 WHITE/RED 628058G12 WHITE/BLACK 628058G13 WHITE/YELLOW 628058G14 GRAY/BLACK 628058G15 OYSTER/GARNET	1
71	634190		DECK BOARD ASSEMBLY (FOR VEHICLES MANUFACTURED FROM MARCH 2014) .....	1
72	634175		REAR SEAT ARM REST (FOR VEHICLES MANUFACTURED FROM MARCH 2014).....	2
73	634179		FOOTREST WELDMENT (FOR VEHICLES MANUFACTURED FROM MARCH 2014).....	1

# SEATING

When ordering parts, please specify the model and serial number of the product.

\* Indicates a component that is not available as an individual part.

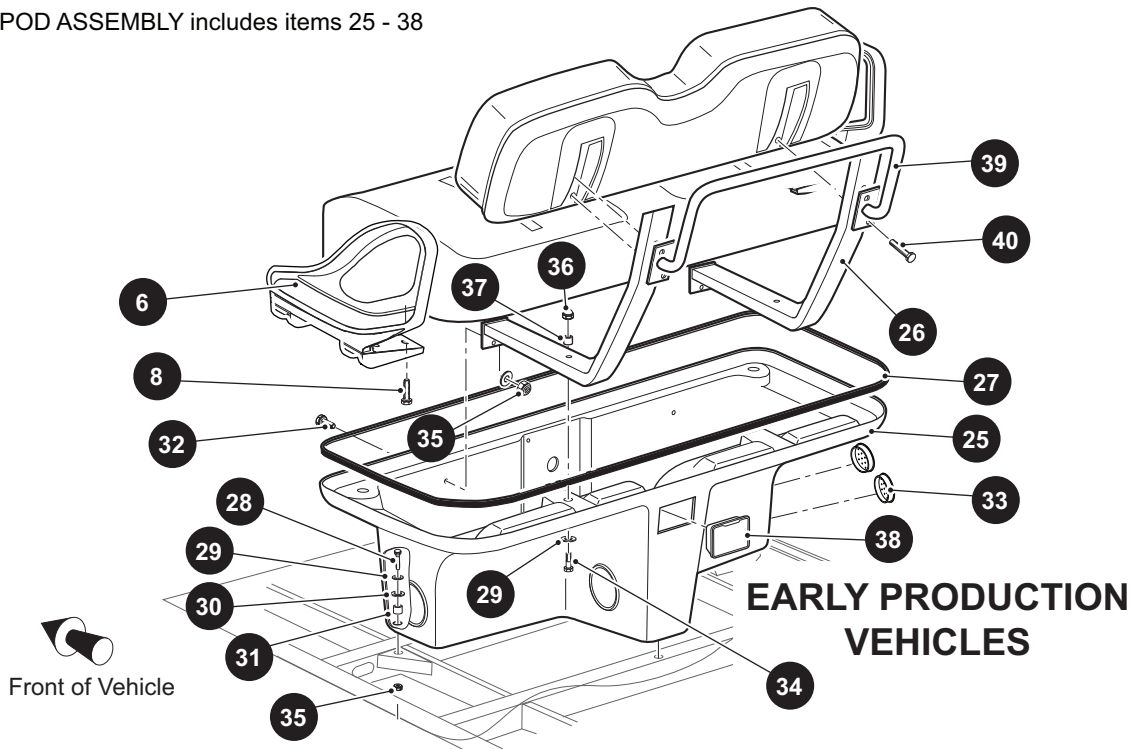
\*\*\* Indicates consult Customer Service Department for additional information.

ITEM	PART NO.	1 2 3 4 5	DESCRIPTION	QTY.
74				
75	625525		SEAT SUPPORT WELDMENT (FOR VEHICLES MANUFACTURED FROM MARCH 2014) .....	1
76	00427G2		HEX HEAD BOLT, 3/8" - 16 X 1 1/4" LG (FOR VEHICLES MANUFACTURED FROM MARCH 2014) .....	16
77	00428G8		HEX HEAD BOLT, 3/8" - 16 X 2 1/4" LG (FOR VEHICLES MANUFACTURED FROM MARCH 2014) .....	2
78	00559G7		FLAT WASHER, 1/4" (FOR VEHICLES MANUFACTURED FROM MARCH 2014) .....	4

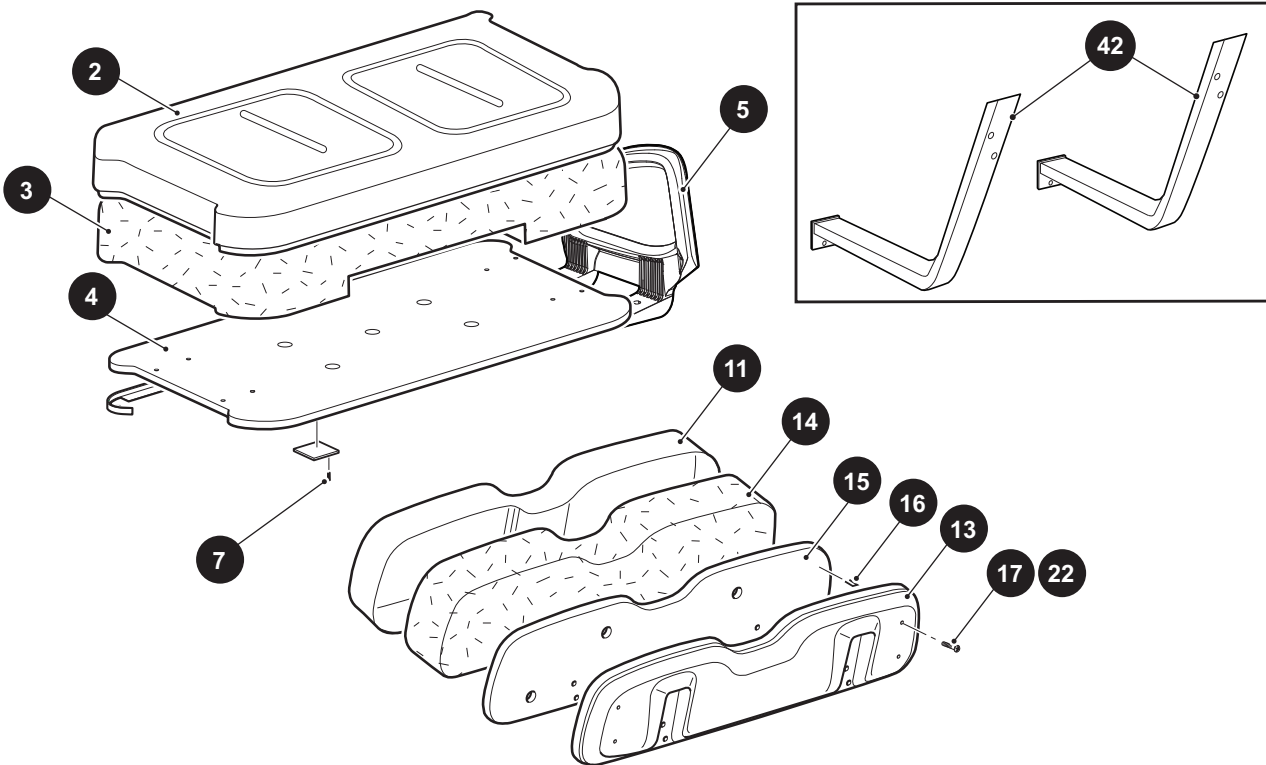


# SEATING

- 1 SEAT BOTTOM ASSEMBLY includes items 2 - 8
- 10 SEAT BACK ASSEMBLY includes items 11 - 17, 22
- 24 SEAT POD ASSEMBLY includes items 25 - 38



**EARLY PRODUCTION  
VEHICLES**



When ordering parts, please specify the model and serial number of the product.

\* Indicates a component that is not available as an individual part.

\*\*\* Indicates consult Customer Service Department for additional information.

ITEM	PART NO.	1 2 3 4 5	DESCRIPTION	QTY.
1	***		SEAT BOTTOM ASSEMBLY (INCLUDES ITEMS 2 - 8) ..... 629269G0410 RED/BLACK 629269G0401 OYSTER 629269G0407 BROWN 629269G0107 BROWN 629269G0406 BLACK 629269G0409 WHITE/BLUE 629269G0411 WHITE/RED 629269G0403 TAN 629269G0412 WHITE/BLACK 629269G0413 WHITE/YELLOW 629269G0414 GRAY/BLACK 629269G0415 OYSTER/GARNET 629269G0404 GRAY	1
2	***		VINYL SEAT BOTTOM COVER ..... 71624G07 BLACK 604912G0304 RED/BLACK 604912G0102 WHITE/BLUE 71624G04 TAN 71624G03 WHITE/BLUE 604912G0103 WHITE/RED 604912G0104 WHITE/BLACK 604912G0108 WHITE/YELLOW 604912G0704 GRAY/BLACK 604912G0506 OYSTER/GARNET 71624G02 GRAY 71624G03 OYSTER 71624G06 BROWN 71602G05 NSC	1
3	71625G01		SEAT BOTTOM FOAM PADDING.....	1
4	645494		BASE ASSEMBLY (WOOD) .....	1
5	617644		HIP RESTRAINT (PASSENGER SIDE) .....	1
6	617645		HIP RESTRAINT (DRIVER SIDE) .....	1
7	23222G1		STAPLE, 3/8" X 3/8" .....	110
8	615417		BUTTON HEAD TORX BOLT, M10 - 1.5 X 25MM LG .....	8
9				
10	***		SEAT BACK ASSEMBLY (INCLUDES ITEMS 11 - 17, 22)..... 71751G07 BLACK 71751G04 TAN 71751G03 OYSTER 606828 RED/BLACK 604908 WHITE/BLUE 604907 WHITE/RED 615837 OYSTER/GARNET	1

# SEATING

When ordering parts, please specify the model and serial number of the product.

\* Indicates a component that is not available as an individual part.

\*\*\* Indicates consult Customer Service Department for additional information.

ITEM	PART NO.	1	2	3	4	5	DESCRIPTION	QTY.
		615838					WHITE/BLACK	
		620794					WHITE/YELLOW	
		620796					GRAY/BLACK	
11	***						VINYL SEAT BACK COVER .....	1
		71753G07					BLACK	
		71753G04					TAN	
		71753G03					OYSTER	
		604916G0304					RED/BLACK	
		604916G0102					WHITE/BLUE	
		604916G0103					WHITE/RED	
		604916G0108					WHITE/YELLOW	
		604916G0704					GRAY/BLACK	
		604916G0104					WHITE/BLACK	
		604916G0506					OYSTER/GARNET	
		71753G02					GRAY	
		71753G06					BROWN	
12								
13	71752G01						PLASTIC SEAT BACK REAR COVER .....	1
14	71754G01						SEAT BACK, FOAM PADDING.....	1
15	645021						SEAT BACK BASE .....	1
16	23222G1						STAPLE, 3/8" X 3/8" .....	95
17	01107G01						TORX SCREW, #8 X 5/8" LG.....	4
18								
19								
20								
21								
22	607535						PAN HEAD TORX SCREW, #8 X 0.88" LG .....	4
23								
24	71335G1**						SEAT POD ASSEMBLY (INCLUDES ITEMS 25 - 38) .....	1
25	70836G0**						SEAT POD (see COLOR CODES in HOW TO USE section) .....	1
26	626576						SEAT BACK SUPPORT WELDMENT .....	2
27	32805G6						BLACK TRIM.....	1
28	00439G8						HEX HEAD BOLT, 5/16" - 18 X 2" LG .....	3
29	00675G1						FLAT WASHER (SS), 3/8".....	5

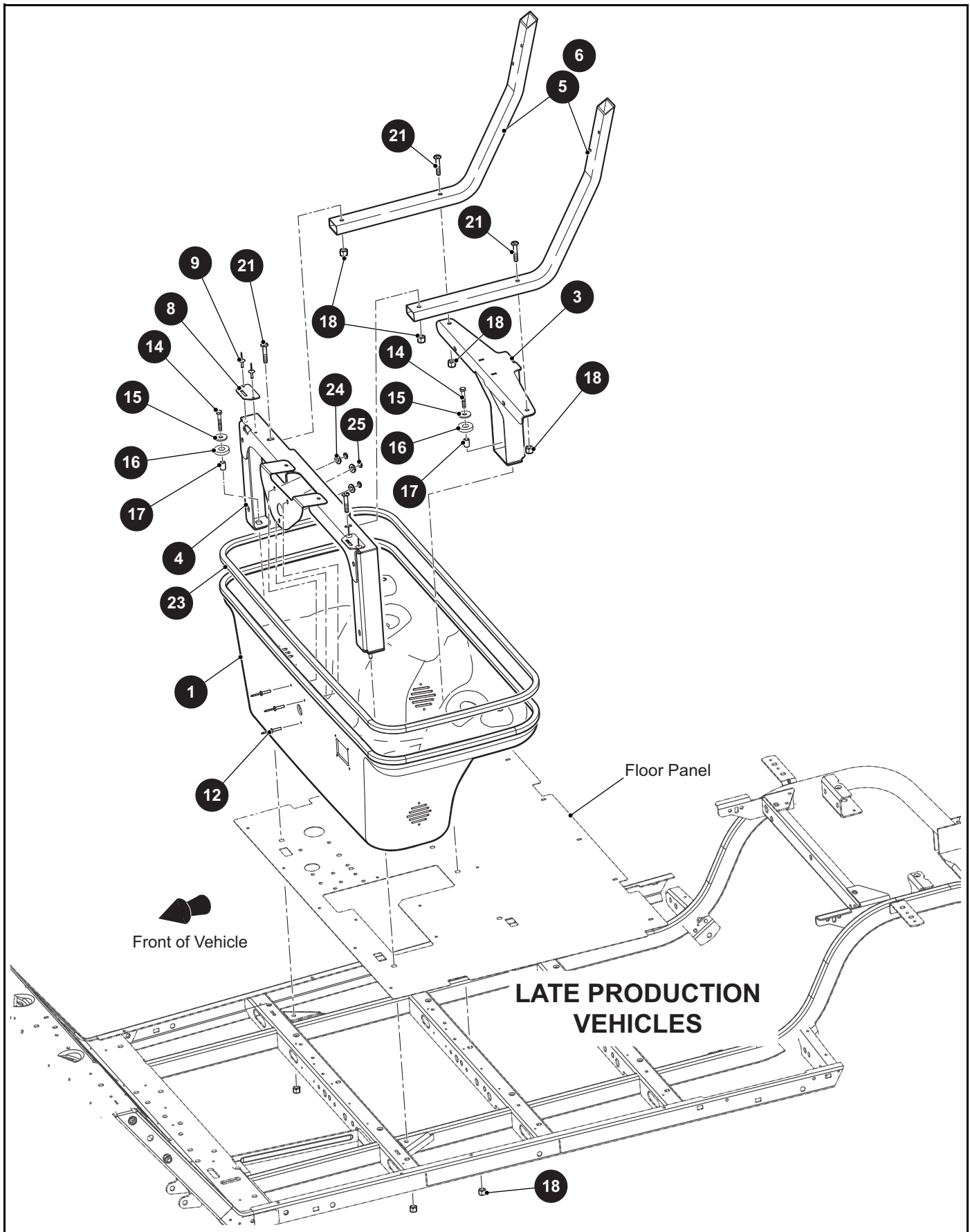
When ordering parts, please specify the model and serial number of the product.

\* Indicates a component that is not available as an individual part.

\*\*\* Indicates consult Customer Service Department for additional information.

ITEM	PART NO.	1 2 3 4 5	DESCRIPTION	QTY.
30	71883G01		RUBBER WASHER, 5/8" .....	3
31	23726G9		SPACER, 3/4" .....	3
32	00976G06		TRUSS HEAD PHILLIPS SCREW (SS), 5/16" - 18 X 3/4" LG .....	2
33	71599G01		VENT PLUG .....	4
34	00427G8		HEX HEAD BOLT, 3/8" - 16 X 2" LG.....	2
35	11098G6		LOCK NUT (SS), 5/16" - 18.....	5
36	15717G5		ACORN NUT, 3/8" - 16 .....	2
37	23726G4		SPACER, 5/16" .....	2
38	27731G01		ASHTRAY, FLUSH MOUNTED PLASTIC .....	1
39	71632G01		HAND GRIP WELDMENT.....	1
40	71204G02		MACHINE SCREW WITH PATCH LOCK, 1/4" - 20 X 2" LG.....	4
41				
42	71868G01		SEAT BACK SUPPORT WELDMENT .....	2

# SEATING





When ordering parts, please specify the model and serial number of the product.

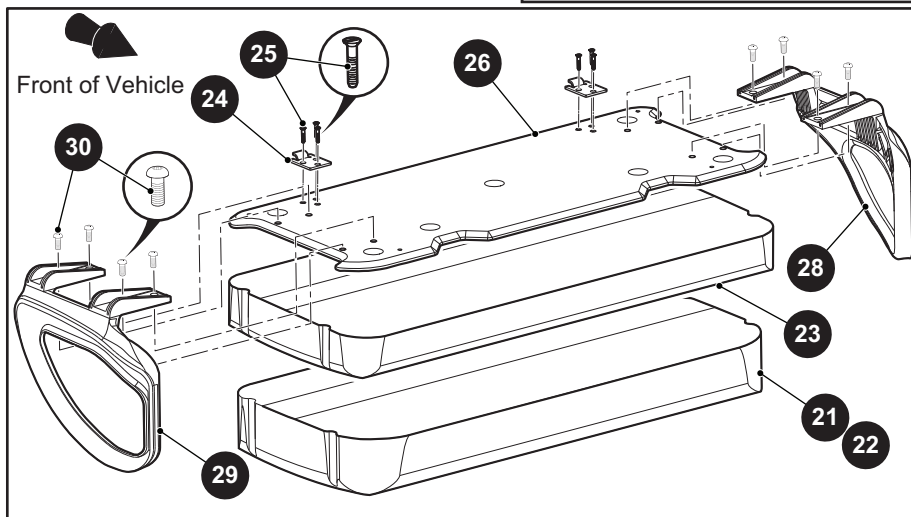
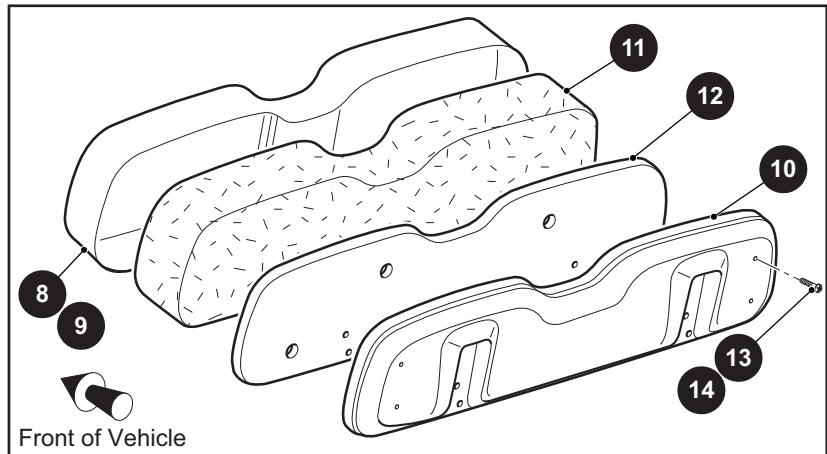
\* Indicates a component that is not available as an individual part.

\*\*\* Indicates consult Customer Service Department for additional information.

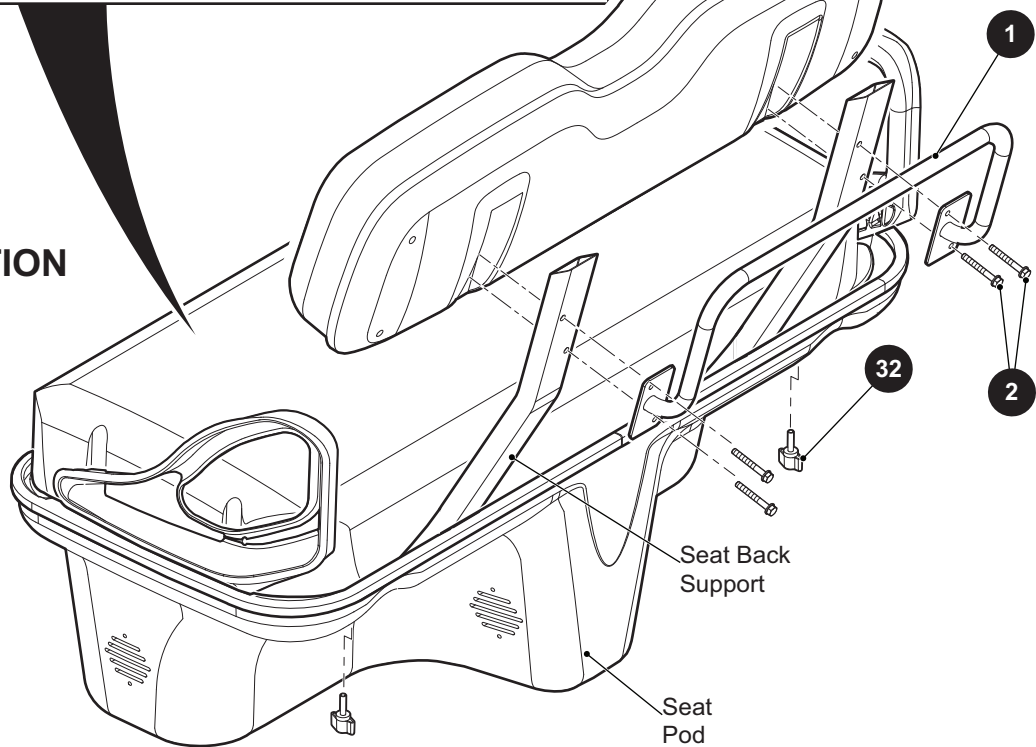
ITEM	PART NO.	1 2 3 4 5	DESCRIPTION	QTY.
1	648313GXX		SEAT POD .....	1
2				
3	657681		REAR SEAT SUPPORT .....	1
4	654767		SEAT SUPPORT .....	1
5	648523		SEAT BACK SUPPORT TUBE (FOR VEHICLES MANUFACTURED BEFORE AUGUST 17, 2019) .....	2
6	694377		SEAT BACK SUPPORT TUBE (FOR VEHICLES MANUFACTURED AFTER AUGUST 17, 2019).....	2
7				
8	71609G01		HINGE PLATE.....	2
9	10570G11		RIVET (SS), 3/16" X .70" LG.....	4
10				
11				
12	71055G01		RIVET (ALUMINUM), 3/16" X 1" LG .....	3
13				
14	00439G8		HEX HEAD BOLT (SS), 5/16" - 18 X 2" LG .....	3
15	00675G1		WASHER (SS), .398" I.D. X 1.25" O.D. X .115" LG .....	3
16	71883G01		WASHER (RUBBER), .625" I.D. X 1.50" O.D. X .312" LG.....	3
17	23726G9		SPACER, .312" I.D. X .562" O.D. X .750" LG .....	3
18	11098G6		LOCK NUT, 5/16" - 18.....	7
19				
20				
21	00762G6		TRUSS HEAD PHILLIPS SCREW (SS), 5/16" - 18 X 3/4" LG.....	4
22				
23	32805G6		TRIM, 118" LG .....	1
24	00660G5		FLAT WASHER, #10 .....	3
25	01110G01		FLAT WASHER, 1/4" .....	3

# SEATING

- 6** SEAT BACK ASSEMBLY  
includes items 8, 10 - 13
- 7** SEAT BACK ASSEMBLY  
includes items 9 - 12, 14
- 17** SEAT BOTTOM ASSEMBLY  
includes items 22 - 30
- 18** SEAT BOTTOM ASSEMBLY  
includes items 21, 23 - 30



**LATE PRODUCTION VEHICLES**



When ordering parts, please specify the model and serial number of the product.

\* Indicates a component that is not available as an individual part.

\*\*\* Indicates consult Customer Service Department for additional information.

ITEM	PART NO.	1 2 3 4 5	DESCRIPTION	QTY.
1	71632G01		HAND GRIP WELDMENT.....	1
2	71204G02		MACHINE SCREW WITH PATCH LOCK, 1/4" - 20 X 2" LG.....	4
3				
4				
5				
6	***		SEAT BACK ASSEMBLY (INCLUDES ITEM 8, 10 - 13)..... 606828 RED/BLACK 604908 WHITE/BLUE 604907 WHITE/RED 615838 WHITE/BLACK 620794 WHITE/YELLOW 620796 GRAY/BLACK 615837 OYSTER/GARNET	2
7	***		SEAT BACK ASSEMBLY (INCLUDES ITEM 9 - 12, 14)..... 71751G02 GRAY 71751G03 OYSTER 71751G04 TAN 71751G06 BROWN 71751G07 BLACK	2
8	***		VINYL SEAT BACK COVER..... 604916G0304 RED/BLACK 604912G0102 WHITE/BLUE 604912G0103 WHITE/RED 604916G0104 WHITE/BLACK 604916G0108 WHITE/YELLOW 604916G0704 GREY/BLACK 604916G0506 OYSTER/GARNET	1
9	***		VINYL SEAT BACK COVER..... 71753G01 WHITE 71753G03 OYSTER 71753G04 TAN 71753G06 BROWN 71753G07 BLACK	1
10	71752G01		REAR SEAT BACK COVER.....	1
11	71754G01		SEAT BACK PADDING .....	1
12	645021		SEAT BACK BASE .....	1
13	648271		PAN HEAD TORX SCREW (SS), #8 - 15 X 1" LG .....	4
14	01107G01		PAN HEAD TORX SCREW (SS), #8 X .63" LG.....	4
15				
16				

# SEATING

When ordering parts, please specify the model and serial number of the product.

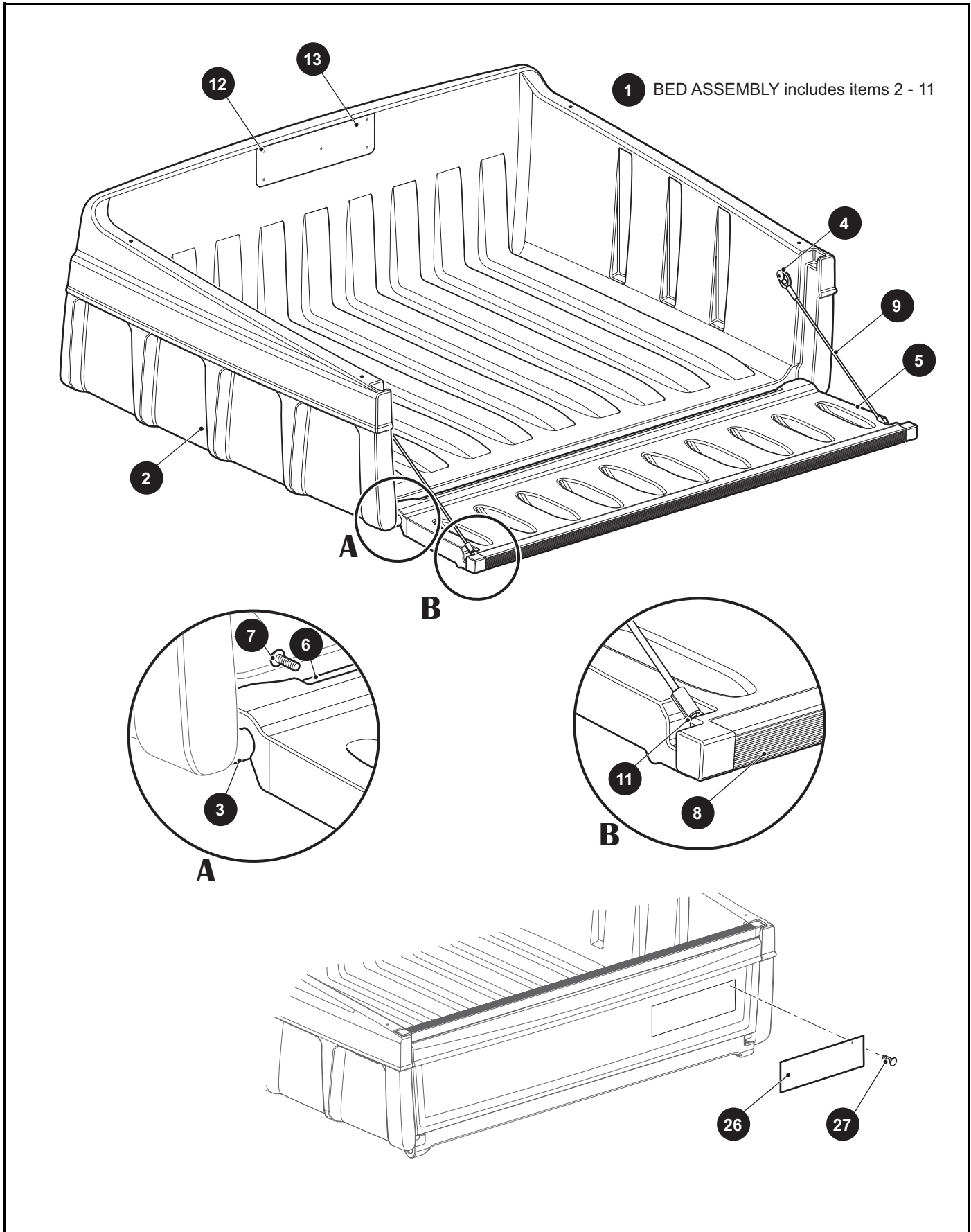
\* Indicates a component that is not available as an individual part.

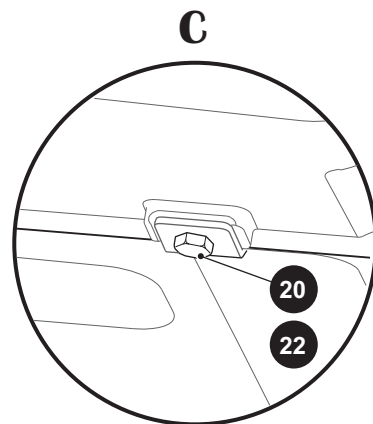
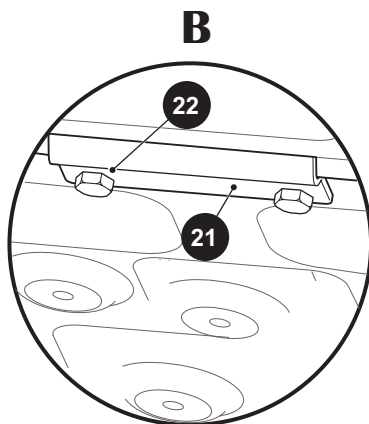
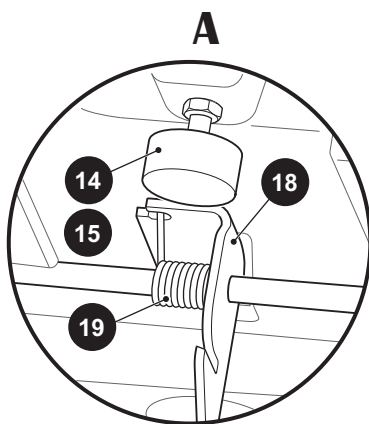
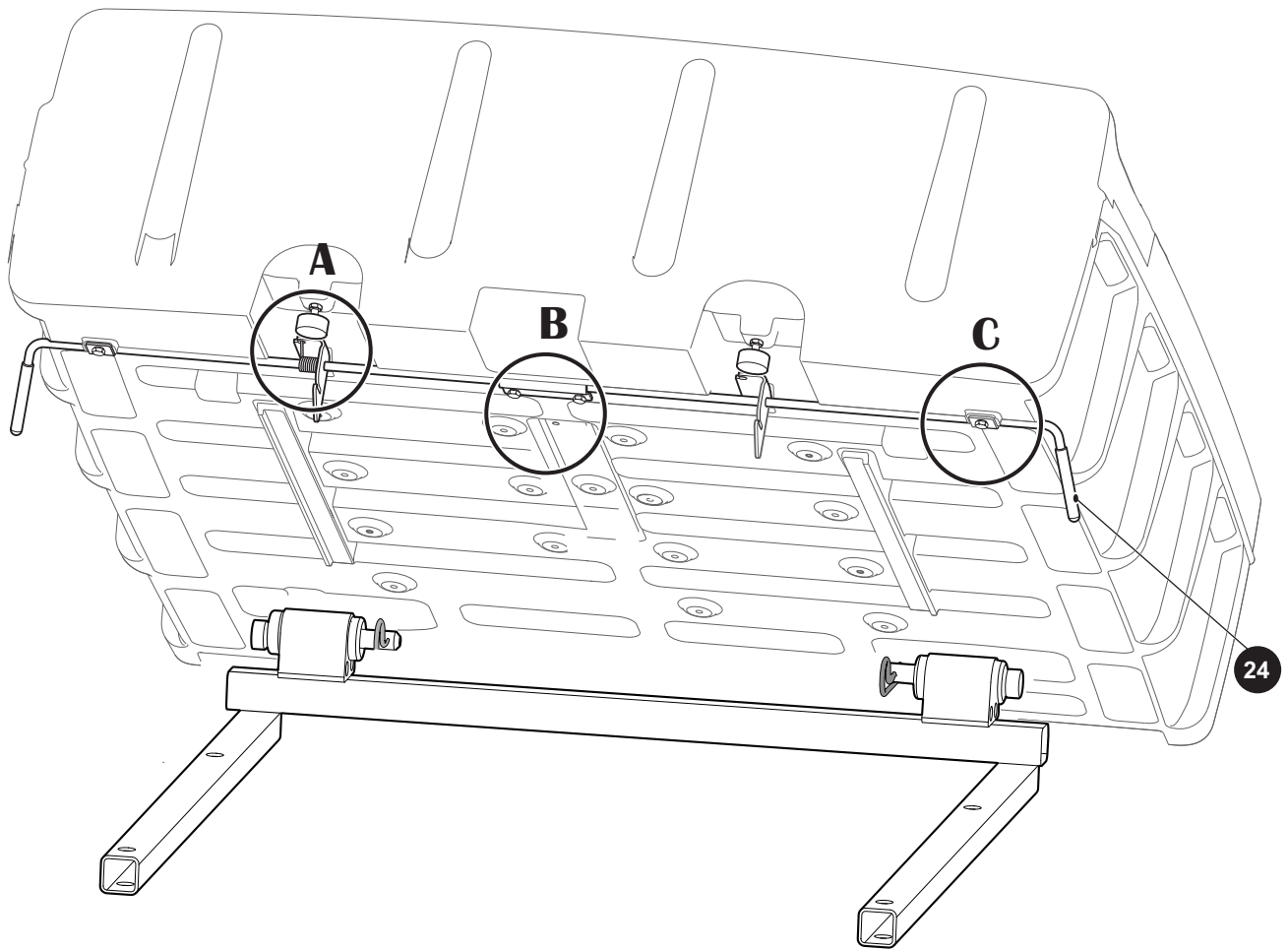
\*\*\* Indicates consult Customer Service Department for additional information.

ITEM	PART NO.	1	2	3	4	5	DESCRIPTION	QTY.
17	***						SEAT BOTTOM ASSEMBLY (INCLUDES ITEM 22 - 30) ..... 629269G1701 OYSTER 629269G1703 TAN 629269G1704 GRAY 629269G1706 BLACK 629269G1707 BROWN	1
18	***						SEAT BOTTOM ASSEMBLY (INCLUDES ITEM 21, 23 - 30) ..... 629269G1709 WHITE/BLUE 629269G1710 RED/BLACK 629269G1711 WHITE/RED 629269G1712 WHITE/BLACK 629269G1713 WHITE/YELLOW 629269G1714 GRAY/BLACK 629269G1715 OYSTER/GARNET	1
19								
20								
21	***						VINYL SEAT COVER ..... 604912G0102 WHITE/BLUE 604912G0103 WHITE/RED 604916G0104 WHITE/BLACK 604916G0108 WHITE/YELLOW 604916G0304 RED/BLACK 604916G0506 OYSTER/GARNET 604916G0704 GREY/BLACK	1
22	***						VINYL SEAT COVER ..... 71624G03 OYSTER 71624G04 TAN 71624G02 GRAY 71624G07 BLACK 71624G06 BROWN	1
23	71625G01						SEAT BOTTOM PADDING.....	1
24	71610G01						SEAT HINGE.....	2
25	00720G08						FLAT HEAD PHILLIPS SCREW, #12 -14 X 1" LG .....	6
26	649851						SEAT BOTTOM BASE .....	1
27								
28	617645						HIP RESTRAINT (DRIVER SIDE) .....	1
29	617644						HIP RESTRAINT (PASSENGER SIDE).....	1
30	615417						BUTTON HEAD TORX BOLT, M10 - 1.5 X 25MM LG .....	8
31								
32	70864G01						T-KNOB STUD, 1/4" - 20 X 1" LG .....	2

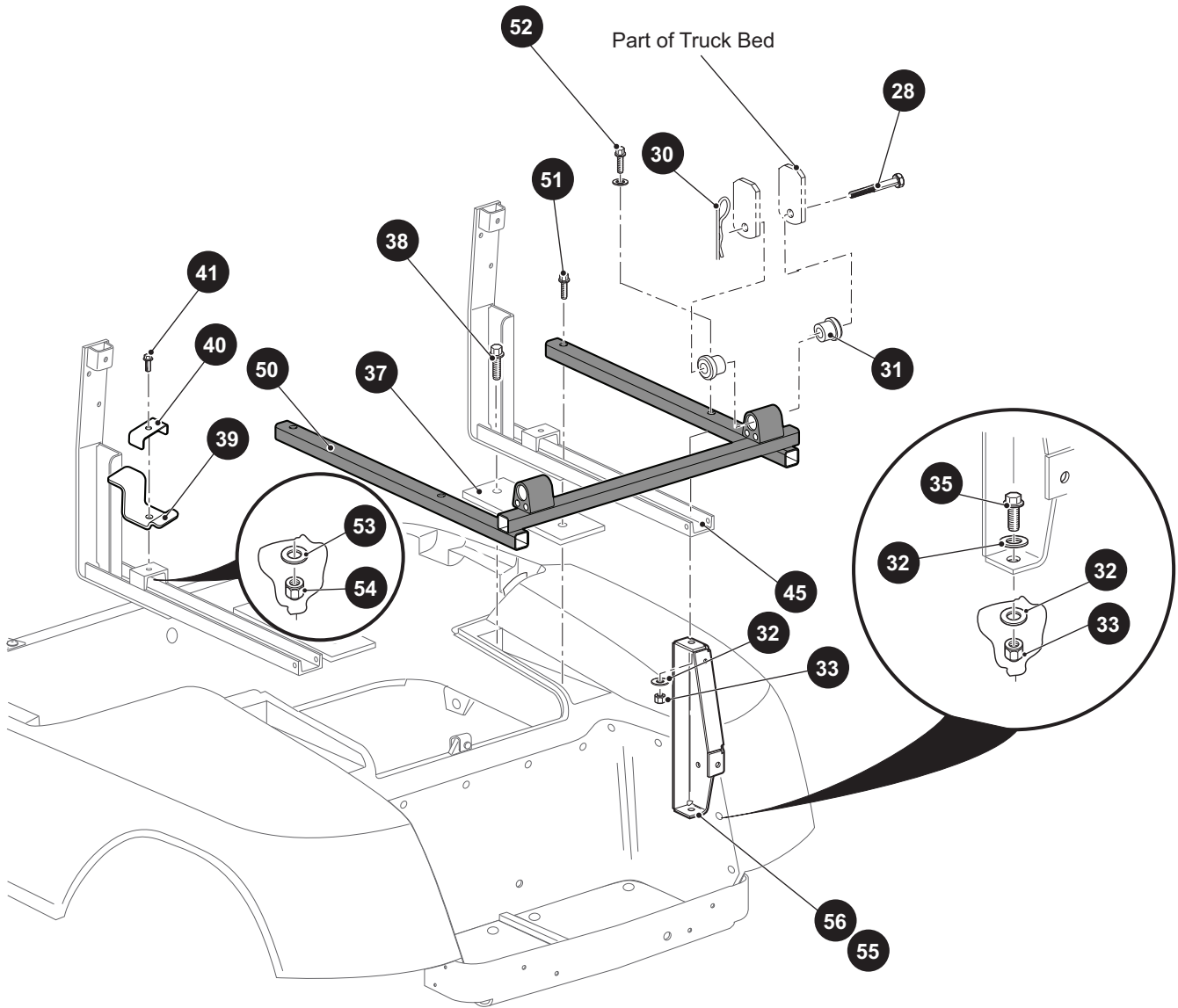


# TRUCK BED





# TRUCK BED





# TRUCK BED

When ordering parts, please specify the model and serial number of the product.

\* Indicates a component that is not available as an individual part.

\*\*\* Indicates consult Customer Service Department for additional information.

ITEM	PART NO.	1 2 3 4 5	DESCRIPTION	QTY.
1	72647G01		BED ASSEMBLY (INCLUDES ITEMS 2 - 11) .....	1
2	72648G01		PLASTIC BED, 36" .....	1
3	73454G01		PIVOT SHAFT .....	2
4	73460G01		SHOULDER BOLT, 1/4" - 20 X 3/4" LG .....	2
5	72649G01		TAILGATE .....	1
6	73450G01		BOWED ANGLE .....	1
7	16705G2		PAN HEAD SCREW (SS), 1/4" - 20 X 5/8" LG .....	4
8	73449G01		TAILGATE CAP .....	1
9	73455G02		TAILGATE CABLE .....	1
10				
11	00415G2		SCREW, 1/4" - 20 X 1 1/4" LG .....	2
12	74821G01		LOAD BED DECAL .....	1
13	71055G01		RIVET, 3/16" X 1" LG .....	5
14	70113G01		ADJUSTABLE RUBBER BUMPER.....	2
15	11027G1		LOCK NUT, 5/16" - 18.....	2
16				
17				
18	607072		BED LATCH .....	1
19	71538G01		LATCH TORSION SPRING.....	1
20	652442G03		KEEPER PLATE .....	2
21	652440G03		RETAINER BRACKET .....	1
22	01118G01		HEX HEAD BOLT, 1/4" - 20 X 5/8" LG .....	4
23				
24	71704G01		HANDLE GRIP.....	2
25				
26	600821		E-Z-GO LABEL .....	1
27				
28	71571G01		CLEVIS PIN, .49" X 5.25" LG.....	2
29				
30	21683G1		COTTER PIN, 15/32" X 2 11/16" LG.....	2
31	624030		FLANGED BUSHING.....	4

# TRUCK BED


When ordering parts, please specify the model and serial number of the product.

\* Indicates a component that is not available as an individual part.

\*\*\* Indicates consult Customer Service Department for additional information.

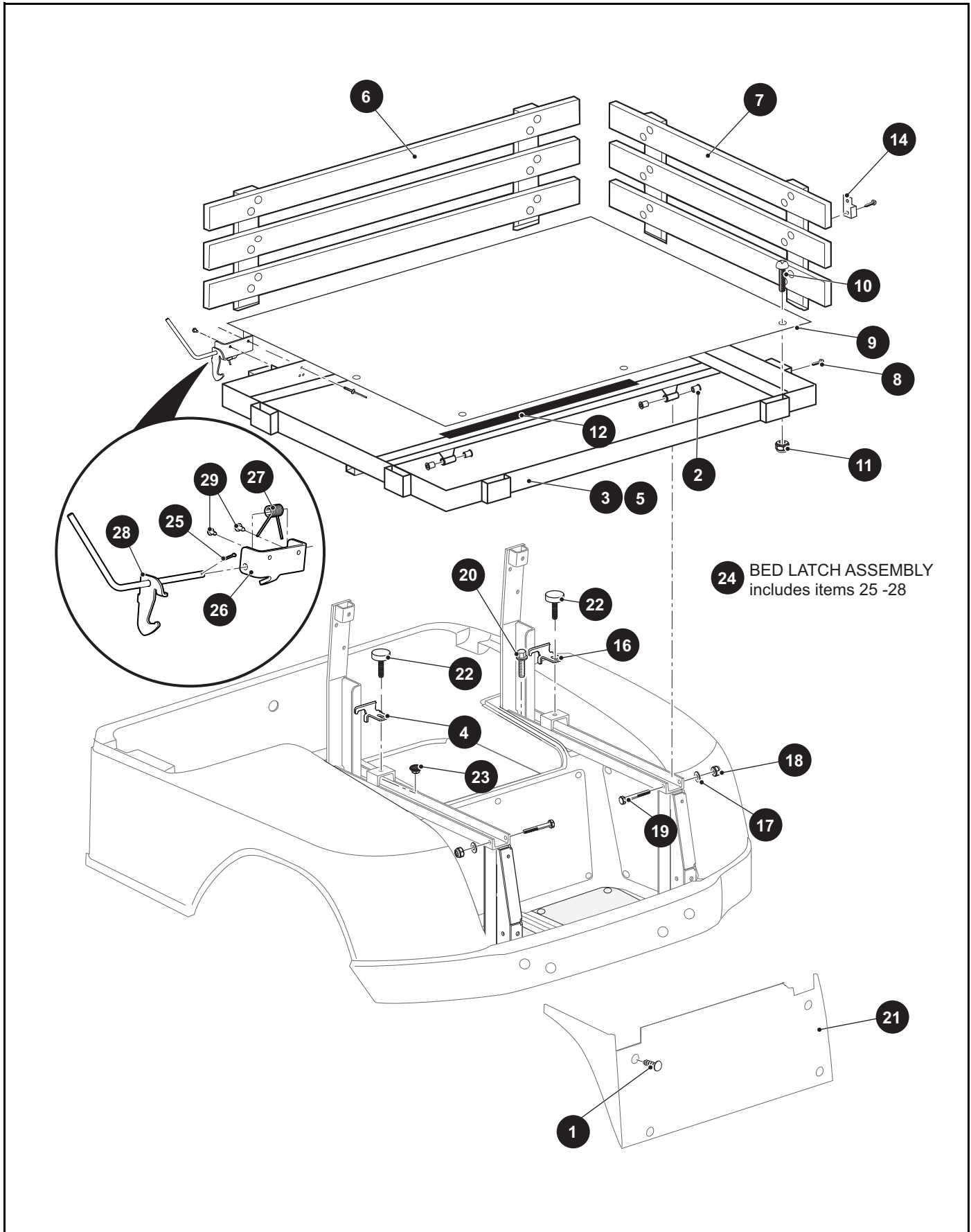
ITEM	PART NO.	1 2 3 4 5	DESCRIPTION	QTY.
32	00560G01		FLAT WASHER, 3/8" .....	8
33	11098G5		LOCK NUT, 3/8" - 16 .....	4
34				
35	00427G4		HEX HEAD BOLT 3/8" - 16 X 1.5" LG .....	2
36				
37	70364G01		SPACER .....	2
38	01006G02		HEX HEAD BOLT, 3/8" - 16 X 1 1/2" LG.....	4
39	606167		FRONT BED SUPPORT.....	2
40	607093		BED SUPPORT BRACKET .....	2
41	00439G1		HEX HEAD BOLT, 5/16" - 18 X 1.2" LG.....	2
42				
43				
44				
45	74111G01		SEAT SUPPORT .....	2
46				
47				
48				
49				
50	606112		BED FRAME.....	1
51	01075G01		HEX HEAD SCREW, 3/8" - 16 X 2.5" LG .....	2
52	00427G8		SCREW, 3/8" - 16 X 2" LG .....	2
53	00559G8		FLAT WASHER, 5/16" .....	2
54	11098G6		LOCK NUT, 5/16" - 18 .....	2
55	74126G01		REAR SUPPORT FRAME (DRIVER SDIE) .....	1
56	74126G02		REAR SUPPORT FRAME (PASSENGER SIDE) .....	1

Notes:



A large, empty grid area for taking notes, consisting of approximately 30 columns and 30 rows of small squares.

# TRUCK BED



When ordering parts, please specify the model and serial number of the product.

\* Indicates a component that is not available as an individual part.

\*\*\* Indicates consult Customer Service Department for additional information.

ITEM	PART NO.	1 2 3 4 5	DESCRIPTION	QTY.
1	16816G2		RIVET, 1/4" X .887" LG .....	4
2	17838G1		NYLON BUSHING .....	4
3	74080G01		CARGO DECK.....	1
4	72914G02		HOLD DOWN BRACKET .....	1
5	635862		CARGO DECK (FOR VEHICLES MANUFACTURED FROM MARCH 2014)	1
6	34280G02		FRONT/REAR CARGO RACK.....	2
7	34280G01		SIDE CARGO RACK.....	2
8	00666G6		TAPPING SCREW (SS), #10 - 12 X 3/4" LG .....	10
9	655936		CARGO DECKBOARD .....	1
10	16705G9		TRUSS HEAD (SS) SCREW, 1/4" - 20 X 1.25" LG.....	8
11	14390G4		LOCK NUT, 1/4" - 20.....	8
12	23052G1		NOISE SUPPRESSOR.....	
13				
14	74079G02		TAILGATE RETAINER BRACKET .....	2
15				
16	72914G02		LATCH BRACKET (DRIVER SDIE) .....	1
17	00559G8		FLAT WASHER, 5/16".....	2
18	11098G6		LOCK NUT (SS), 5/16" - 18 .....	2
19	00440G4		BOLT, 5/16" - 18 X 2 1/2" LG .....	2
20	01006G01		HEX WASHER HEAD BOLT, 3/8" - 16 X 1 1/4" LG .....	4
21	74149G01		PANEL.....	1
22	70113G01		ADJUSTABLE RUBBER BUMPER.....	2
23	11027G1		LOCK NUT, 5/16" - 18.....	4
24	72913G01		BED LATCH ASSEMBLY (INCLUDES ITEMS 25 - 28).....	1
25	10387G3		COTTER PIN.....	1
26	74509G01		PIVOT BRACKET .....	1
27	70681G01		TORSION SPRING.....	1
28	72912G01		LONG BED LATCH.....	1
29	00100G6		HEX HEAD BOLT, # 10 - 16 X 3/4" LG .....	2

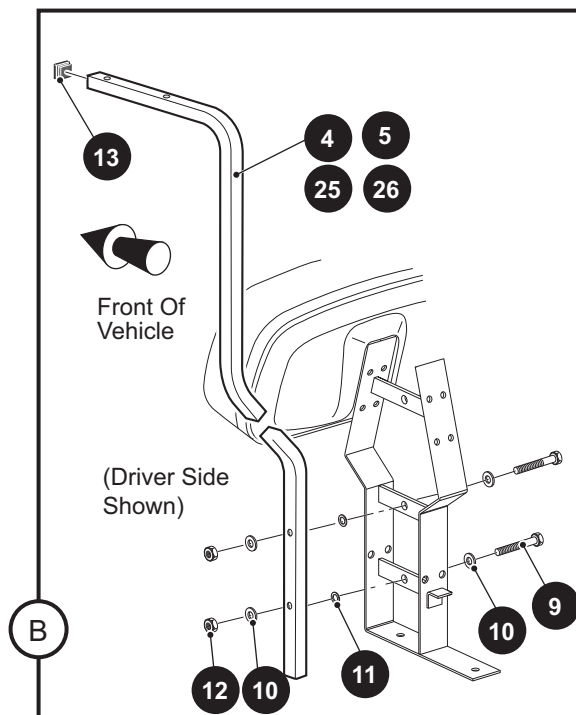
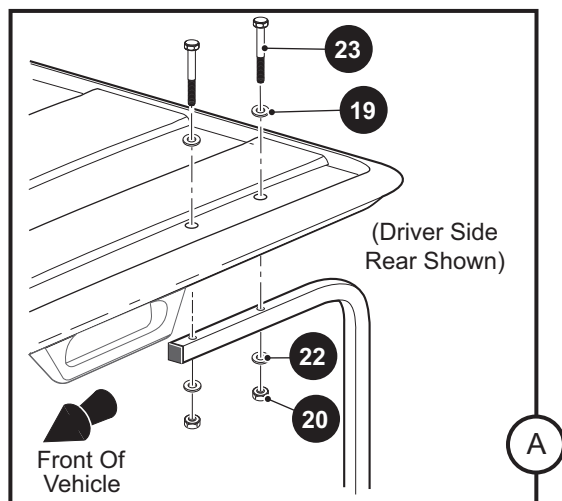
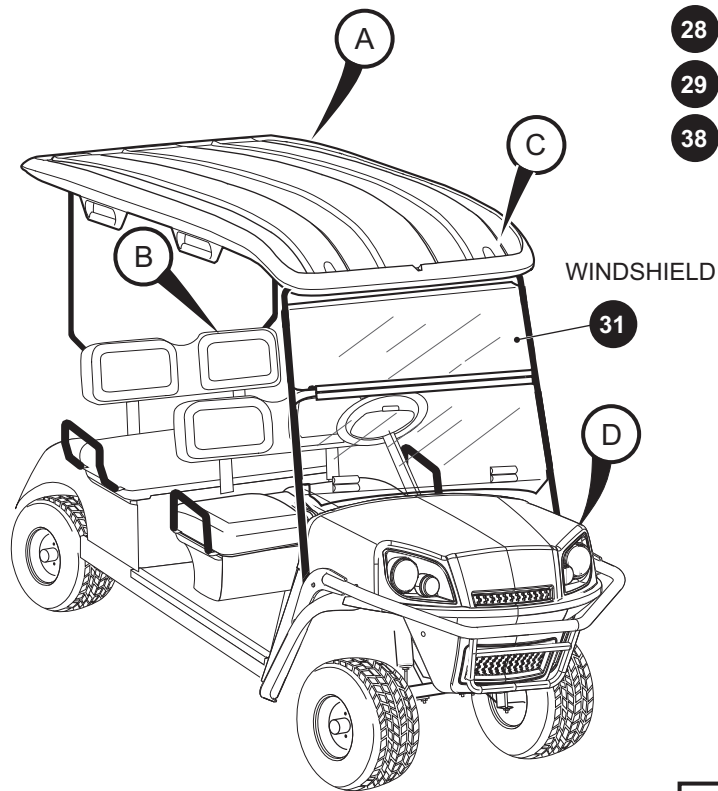
Notes:

Grid area for notes

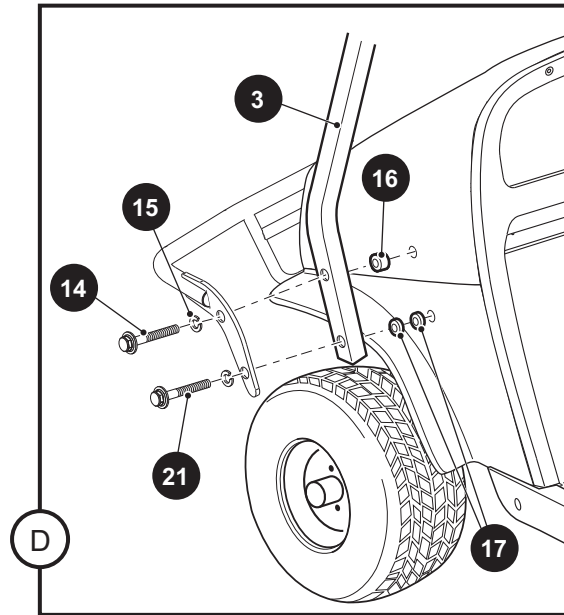
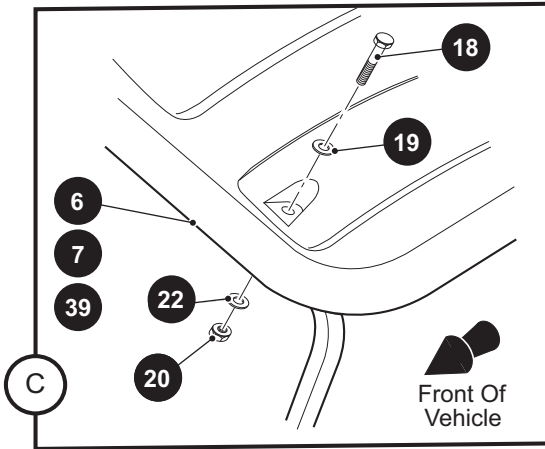


# WEATHER PROTECTION

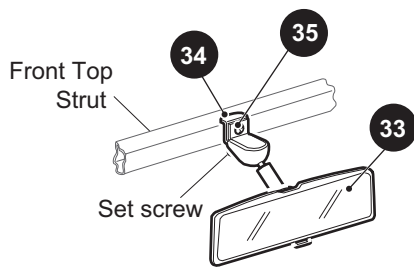
- 1 SUN TOP KIT, BLACK includes items 3 - 6, 8
- 2 SUN TOP KIT, WHITE includes items 3 - 5, 7, 8
- 28 SUN TOP KIT, WHITE includes items 3, 7, 8 - 26
- 29 SUN TOP KIT, BLACK includes items 3, 6, 8 - 26
- 38 SUN TOP KIT, TAN includes items 3, 8 - 26, 39







**32** REAR VIEW MIRROR KIT includes items 33 - 35



REAR VIEW MIRROR

# WEATHER PROTECTION

When ordering parts, please specify the model and serial number of the product.

\* Indicates a component that is not available as an individual part.

\*\*\* Indicates consult Customer Service Department for additional information.

ITEM	PART NO.	1 2 3 4 5	DESCRIPTION	QTY.
1	607305		SUN TOP KIT, BLACK (INCLUDES ITEMS 3 - 6, 8) .....	1
2	607581		SUNTOP KIT, WHITE (INCLUDES ITEMS 3 - 5, 7, 8) .....	1
3	75488G01		FRONT SUPPORT.....	1
4	75487G02		REAR SUPPORT (DRIVER SIDE) (S6 WITH TRUCK BED).....	1
5	75487G01		REAR SUPPORT (PASSENGER SIDE) (S6 WITH TRUCK BED) .....	1
6	607258		SUN TOP, BLACK.....	1
7	607580		SUN TOP, WHITE .....	1
8	608138		SUN TOP HARDWARE KIT (INCLUDES ITEMS 9 - 23) .....	1
9	00665G5		HEX HEAD BOLT (SS), 3/8" - 16 X 1 3/4" LG .....	
10	00679G1		FLAT WASHER (SS), 3/8" .....	8
11	00771G5		NYLON WASHER, 3/8" .....	4
12	00891G5		LOCK NUT, 3/8" - 16 .....	4
13	19853G1		END CAP, 1" SQ.....	2
14	01035G02		HEX HEAD BOLT, 5/16" - 18 X 2 1/2" LG.....	2
15	00565G8		LOCK WASHER, 5/16" .....	4
16	75048G01		SPACER, 1/2" .....	2
17	00879G1		FLAT WASHER, 3/8" .....	4
18	00685G10		HEX HEAD BOLT, 5/6" - 18 X 2.75" LG.....	2
19	00907G2		FLAT WASHER, 5/16" .....	6
20	11098G6		LOCK NUT, 5/16" - 18 .....	6
21	00440G2		HEX HEAD BOLT, 5/16" - 18 X 2 1/4" LG.....	2
22	00660G8		FLAT WASHER, 5/16" .....	6
23	00685G11		HEX HEAD BOLT, 5/16" - 18 X 3 1/4" LG.....	4
24				
25	617943		REAR SUPPORT (DRIVER SIDE) (S6 WITH 6 SEATS) .....	1
26	617942		REAR SUPPORT (PASSENGER SIDE) (S6 WITH 6 SEATS) .....	1
27				
28	617947		SUNTOP KIT, WHITE (INCLUDES ITEMS 3, 7, 8 - 26) .....	1
29	617950		SUNTOP KIT, BLACK (INCLUDES ITEMS 3, 6, 8 - 26).....	1
30				
31	607255		WINDSHIELD KIT .....	1

# WEATHER PROTECTION

When ordering parts, please specify the model and serial number of the product.

\* Indicates a component that is not available as an individual part.

\*\*\* Indicates consult Customer Service Department for additional information.

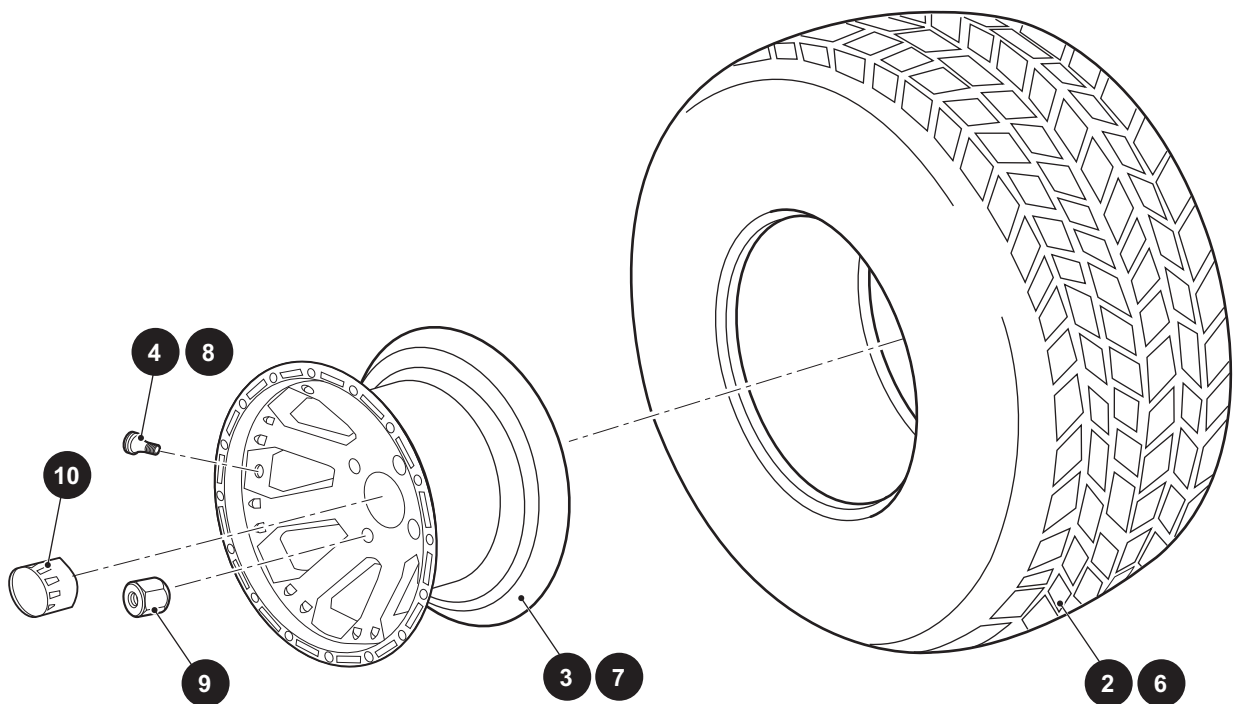
ITEM	PART NO.	1 2 3 4 5	DESCRIPTION	QTY.
32	19528G2		REAR VIEW MIRROR KIT (INCLUDES ITEMS 33 - 35) .....	1
33	19496G1		REAR VIEW MIRROR.....	1
34	19502G2		SUPPORT BRACKET .....	1
35	19527G1		HEX HEAD BOLT (SS), # 8 - 32 X 5/8" LG .....	1
36				
37				
38	643404		SUN TOP KIT, TAN (INCLUDES ITEMS 3, 8 - 26, 39) .....	1
39	643212		SUN TOP, TAN .....	1





# WHEELS AND TIRES

- 1 SPEED RACER TIRE & WHEEL DRIVER SIDE includes items 2 - 4
- 5 SPEED RACER TIRE & WHEEL PASSENGER SIDE includes items 6 - 8



(Style of tire may differ from tire shown)

# WHEELS AND TIRES

When ordering parts, please specify the model and serial number of the product.

\* Indicates a component that is not available as an individual part.

\*\*\* Indicates consult Customer Service Department for additional information.

ITEM	PART NO.	1 2 3 4 5	DESCRIPTION	QTY.
1	606240		SPEEDRACER TIRE AND WHEEL, 10X7, DRIVER SIDE (INCLUDES 2 - 4) (MUST USE ITEM 9 LUG NUTS, ORDER SEPARATELY) .....	2
2	606139		SPEED RACER, 10X7 DRIVER SIDE .....	1
3	606152		WHEEL, 10" DIAMOND FINISHED WHEEL .....	1
4	604915		VALVE STEM, CHROME.....	1
5	606179		SPEEDRACER TIRE AND WHEEL, 10X7, PASSENGER SIDE (INCLUDES 6 - 8) (MUST USE ITEM 9 LUG NUTS, ORDER SEPARATELY)	2
6	606139		SPEED RACER, 10X7 DRIVER SIDE .....	1
7	606152		WHEEL, 10 " DIAMOND FINISHED WHEEL .....	1
8	604915		VALVE STEM, CHROME.....	1
9	605310		LUG NUTS, 1/2" - 20 .....	4
10	608910		DIAMOND WHEEL CAP .....	1









A Textron Company

**E-Z-GO Division of Textron Inc.,**  
1451 Marvin Griffin Road, Augusta, Georgia 30906 - 3852 USA

**TO CONTACT US...**

North America:

**Technical Assistance & Warranty** Phone: 1-800-774-3946, FAX: 1-800-448-8124

**Service Parts** Phone: 1-888-GET-E-Z-GO (1-888-438-3946), FAX: 1-800-752-6175

International: Phone: 001-706-798-4311, FAX: 001-706-771-4609

Service Parts Manuals, as well as Repair and Service Manuals  
are available from a local Distributor, an authorized Branch,  
Genuine E-Z-GO Parts & Accessories Department or at [www.shopezgo.com](http://www.shopezgo.com).

Copyrighted Material  
This manual may not be reproduced in whole or  
in part without the express permission of  
E-Z-GO Division of Textron Inc.  
Technical Communications Department