



**RECOILS**

# PARTS MANUAL



**630537**

ISSUED: OCTOBER 2012

REVISED: SEPTEMBER 2014





# SERVICE PARTS MANUAL

## ELECTRIC POWERED VEHICLE

### RECOIL iS

#### STARTING MODEL YEAR 2012

Never modify the vehicle in any way that will alter the weight distribution of the vehicle, decrease its stability, or increase the speed beyond the factory specifications. Such modifications can cause serious personal injury or death. Bad Boy Buggies prohibits and disclaims responsibility for any such modifications or any other alterations which would adversely affect the safety of the vehicle.

BB Buggies Inc. reserves the right to incorporate engineering and design changes to products in this manual, without obligation to include these changes on units sold previously.

The information contained in this manual may be revised periodically by BB Buggies Inc., and therefore is subject to change without notice.

BB Buggies Inc. **DISCLAIMS LIABILITY FOR ERRORS IN THIS MANUAL**, and **SPECIFICALLY DISCLAIMS LIABILITY FOR INCIDENTAL AND CONSEQUENTIAL DAMAGES** resulting from the use of the information and materials in this Manual.

#### TO CONTACT US:

Bad Boy Buggies

1451 Marvin Griffin Rd.

Augusta, GA 30906

PHONE: 800.448.7476

E-mail: [info@badboybuggies.com](mailto:info@badboybuggies.com)

For parts and repair, contact your local dealer. To locate a local dealer, please go online to our website:

[www.BADBOYBUGGIES.com](http://www.BADBOYBUGGIES.com)

# NOTES

To obtain a copy of the limited warranty applicable to the vehicle, call or write a local Distributor, authorized Branch or the Warranty Department with the vehicle serial number and the manufacturer code.

The use of non Original Equipment Manufacturer (OEM) approved parts may void the warranty.

Overfilling batteries may void the warranty.

## BATTERY PROLONGED STORAGE

All batteries will self discharge over time. The rate of self discharge varies depending on the ambient temperature and the age and condition of the batteries.

A fully charged battery will not freeze in winter temperatures unless the temperature falls below -75° F (-60° C).

As with all electric vehicles, the batteries must be checked and recharged as required or at a minimum of 30 day intervals.

# TABLE OF CONTENTS

<b>SECTION</b>	<b>Page No.</b>
HOW TO USE THE SERVICE PARTS MANUAL .....	v
ACCELERATOR .....	A - 1
BATTERY SYSTEM .....	B
BATTERIES .....	B - 1
BATTERY CHARGER .....	B - 3
BODY .....	C
BODY - FRONT.....	C - 1
BODY - MID.....	C - 3
BODY - REAR.....	C - 7
BODY - ACCESSORIES.....	C - 9
BRAKES .....	D - 1
ELECTRICAL SYSTEM .....	E - 1
FRONT AND REAR AXLE .....	F - 1
FRONT SUSPENSION AND STEERING .....	G - 1
MOTOR .....	H - 1
OPERATOR PROTECTION SYSTEM (OPS).....	J - 1
REAR SUSPENSION .....	K - 1
SEATING.....	L - 1
TRUCK BED .....	M
ROTOMOLD - MANUAL LIFT .....	M - 1
ALUMINUM BED - MANUAL LIFT.....	M - 7
WEATHER PROTECTION .....	N - 1
WHEELS AND TIRES .....	P - 1



# HOW TO USE THE SERVICE PARTS MANUAL

This manual is divided into several sections:

- GENERAL INFORMATION
- ILLUSTRATED PARTS BREAKDOWN
- APPENDIX

The first section, GENERAL INFORMATION, contains the following information:

- WARRANTY INFORMATION
- GENERAL INDEX
- HOW TO USE THE SERVICE PARTS MANUAL

The second section, ILLUSTRATED PARTS BREAKDOWN, contains illustrations and parts lists for all systems of your vehicle.

The third section, APPENDIX, contains a listing of specialty products and accessories.

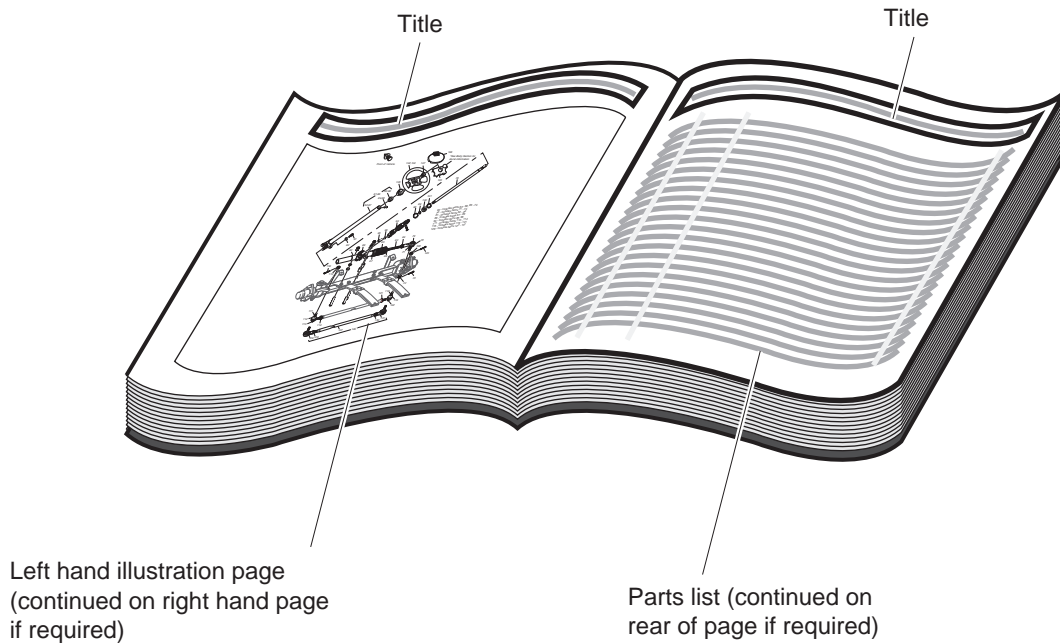
## USE OF THE MANUAL

To use this manual, consult the GENERAL INDEX to locate the information or illustration required.

Introduction of some revisions varies due to supply of components; therefore, it is possible that various combinations of components may be found that are not directly reflected by each illustration. Consult the illustration that best suits your situation and then contact the Service Parts Department. It is important that the serial number of your vehicle and its model number be supplied to Service Parts when ordering any replacement components.

Locate the serial number plate (see BODY located in the Illustrated Parts Breakdown section of this manual for its location) and note the complete number shown on the plate.

# HOW TO USE THE SERVICE PARTS MANUAL



## 1. WHEN THE PART NUMBER IS NOT KNOWN

- Determine the function and application of the part required. Turn to the General Index and select the most appropriate title.
- Turn to the page number indicated and locate the desired part on the illustration.
- From the illustration, obtain the item number assigned to the desired part. Refer to the accompanying description for specific information regarding the part.

## 2. IF YOU KNOW THE PART NUMBER

- Locate the part number or description in the appropriate column on the parts list page.

NOTE: It is suggested that you confirm that the part selected is correct by verifying it with the pictorial representation on the illustrated page.

Should an asterisk (\*) appear in the part number column on the parts list page, read upwards until a part number is found. The part number is the lowest assembly sold by Service Parts and the asterisk (\*) indicates that the part depicted is not available for purchase.

NOTE: Descriptions are indented under the assembly that they are used on. That assembly is, in turn listed under the assembly that it is used on. This process is repeated until the highest final assembly is reached.

**To facilitate the maintenance and repair of the vehicle, a Technician's Repair and Service Manual is available from the Service Parts Department.**



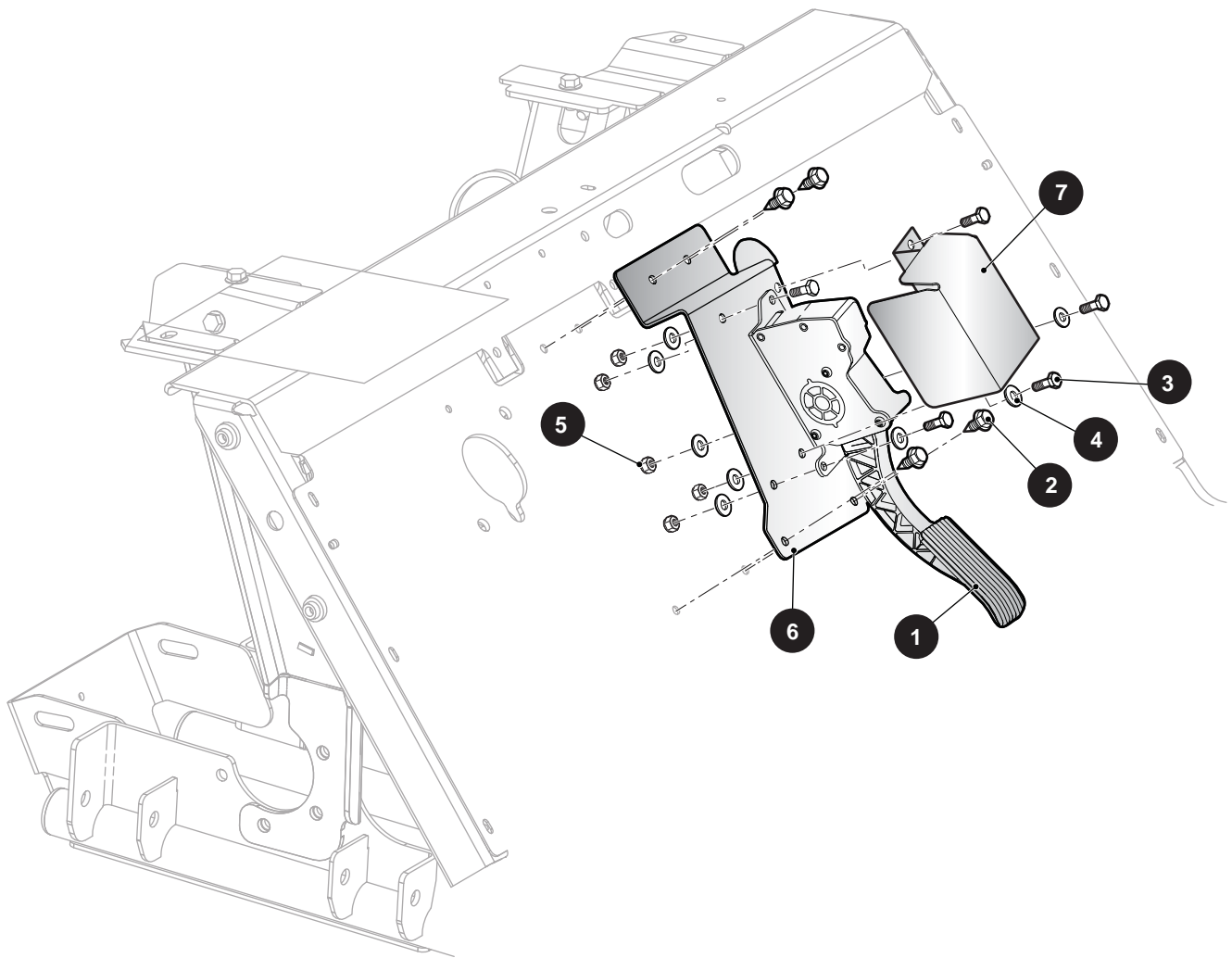
# HOW TO USE THE SERVICE PARTS MANUAL

## 3. COLOR CODE FOR BODY COMPONENTS

The last two digits of the part number for the body part will denote the color code, locate the part number for the cowl, rear body, seat pod, side panel or seat wrap then locate your color in the list below, replace the last \*\* or XX with the two digit color code.

<b><u>CODE #</u></b>	<b><u>DESCRIPTION</u></b>
39	FLAME RED
55	REALTREE ADVANTAGE MAX 4 - DIPPED
72	MATTE BLACK
73	MATTE GREEN
78	REAL TREE XTRA DIPPED

# ACCELERATOR



# ACCELERATOR

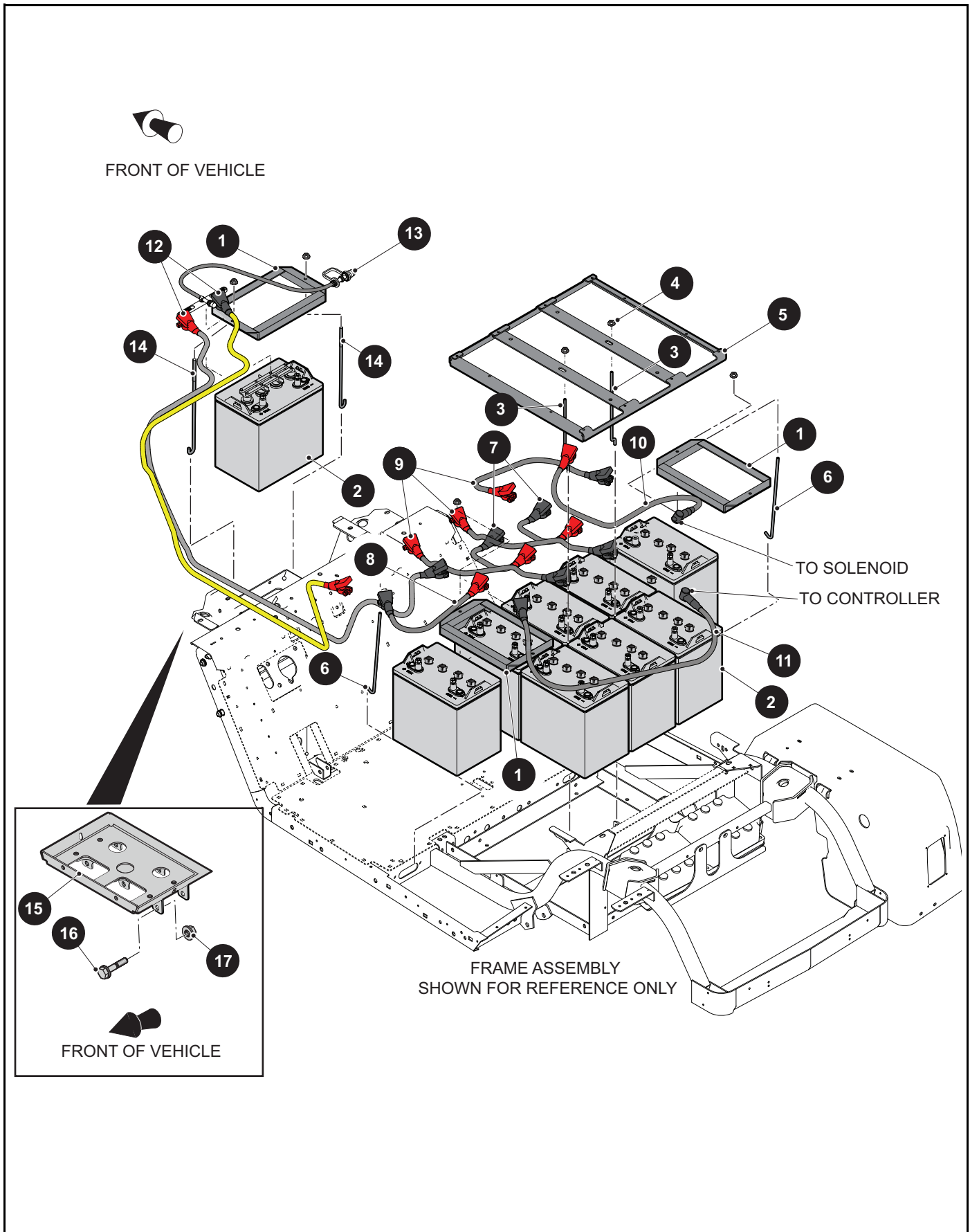
When ordering parts, please specify the model and serial number of the product.

\* Indicates a component that is not available as an individual part.

\*\*\* Indicates consult Customer Service Department for additional information.

ITEM	PART NO.	1 2 3 4 5	DESCRIPTION	QTY.
1	626739		ACCELERATOR PEDAL ASSEMBLY .....	1
2	00715G2		HEX HEAD SCREW, 5/16" - 18 X 7/8" LG .....	4
3	00414G6		HEX HEAD BOLT, 1/4" - 20 X 7/8" LG .....	5
4	00559G7		FLAT WASHER, 1/4" .....	10
5	14390G4		HEX NUT, 1/4" - 20 .....	5
6	630046		ACCELERATOR PEDAL MOUNTING BRACKET .....	1
7	630045		ACCELERATOR PEDAL COVER .....	1

# BATTERY SYSTEM



# BATTERY SYSTEM

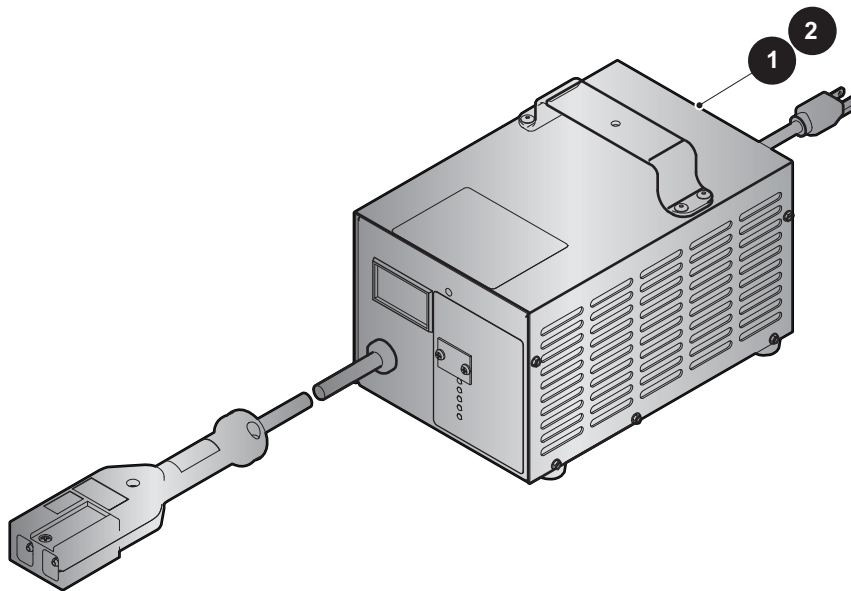
When ordering parts, please specify the model and serial number of the product.

\* Indicates a component that is not available as an individual part.

\*\*\* Indicates consult Customer Service Department for additional information.

ITEM	PART NO.	1 2 3 4 5	DESCRIPTION	QTY.
1	616229		BATTERY HOLD DOWN WELDMENT.....	3
2	641828		BATTERY, 8V.....	9
3	01101G01		TIE DOWN BOLT.....	2
4	11027G1		HEX HEAD FLANGED LOCK NUT, 5/16" - 18.....	6
5	629583		BATTERY HOLD DOWN WELDMENT, 6 - 8V.....	1
6	70386G01		TIE DOWN BOLT.....	4
7	628624		BATTERY WIRE, 12.5".....	2
8	628628		BATTERY WIRE, 16".....	1
9	628629		BATTERY WIRE, 22".....	3
10	628630		BATTERY WIRE, 22".....	1
11	628631		BATTERY WIRE, 32".....	1
12	628632		BATTERY WIRE, 92".....	2
13	629127		BATTERY FILL SYSTEM.....	1
14	604197		BATTERY HOOK BOLT.....	2
15	631110		FRONT BATTERY TRAY WELDMENT.....	1
16	548604		HEX HEAD FLANGED BOLT, 5/16" - 18 X 3/4" LG.....	2
17	11027G1		HEX HEAD FLANGED LOCK NUT, 5/16" - 18.....	2

# BATTERY CHARGER



# BATTERY CHARGER

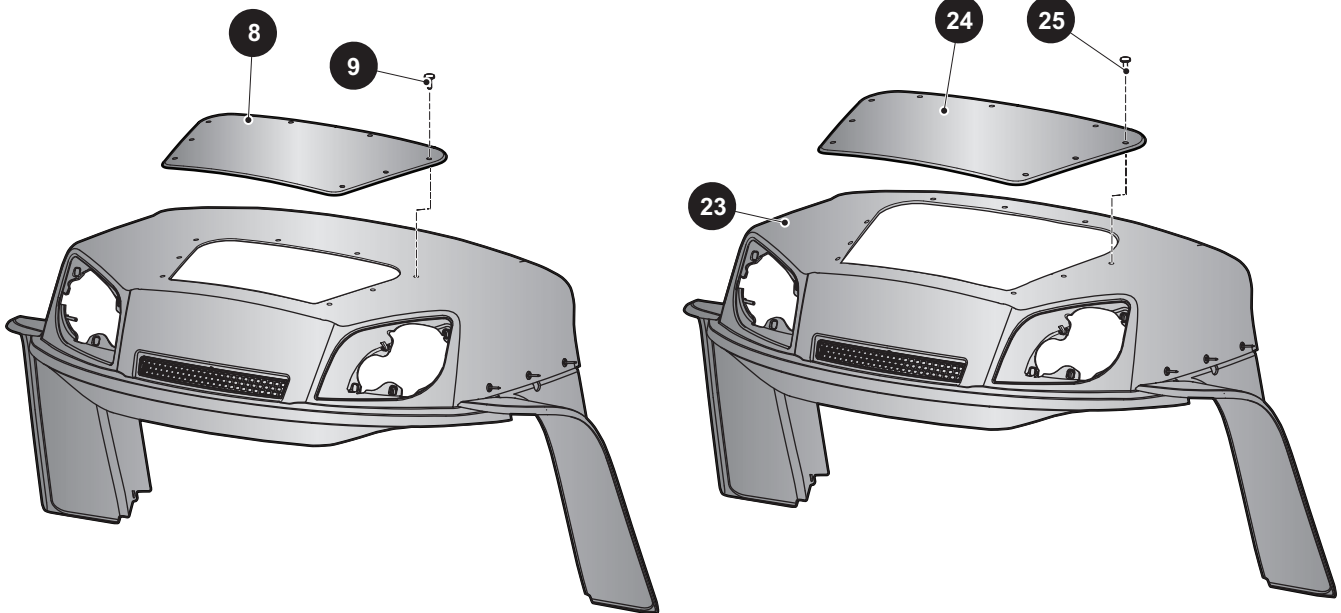
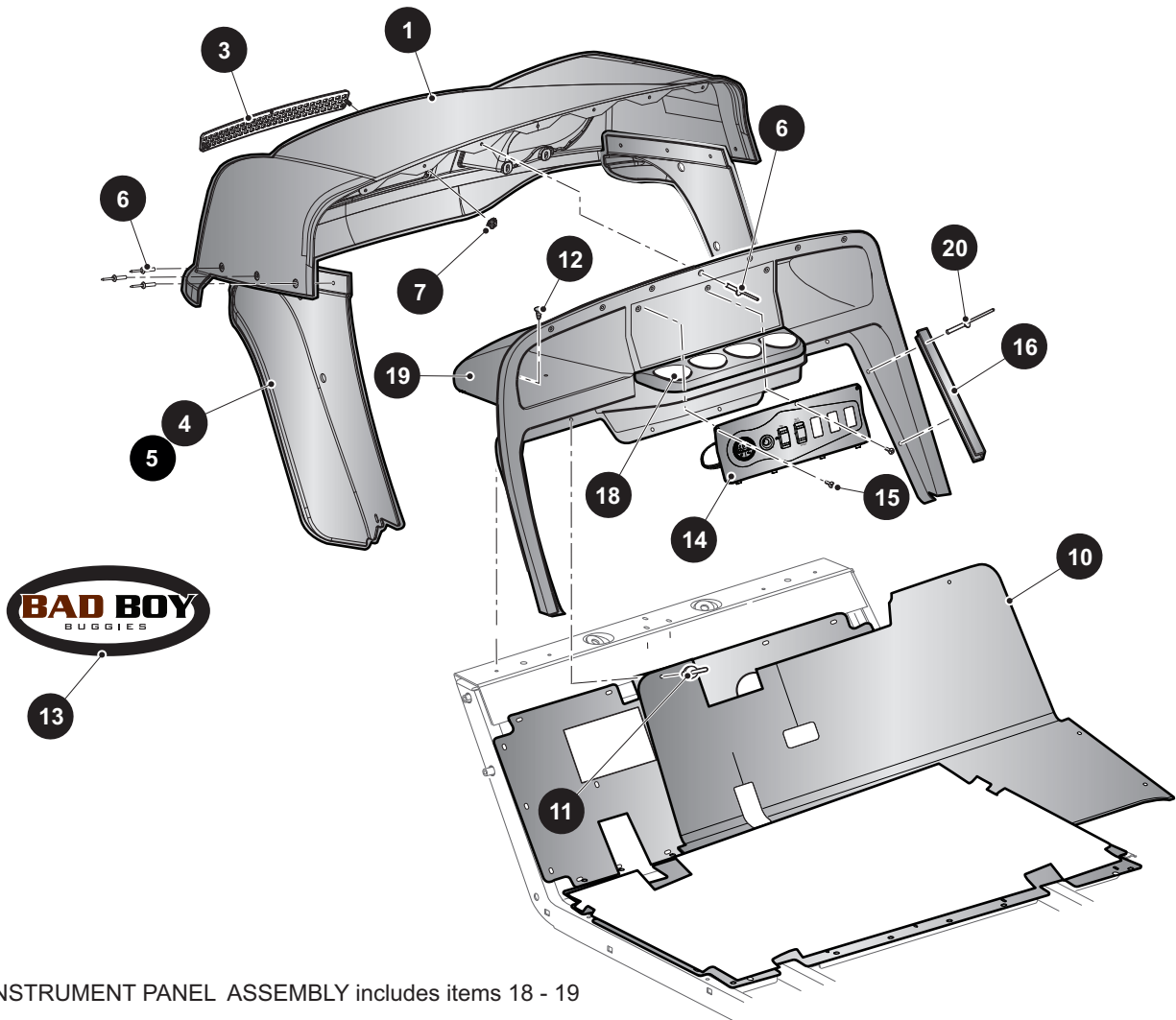
When ordering parts, please specify the model and serial number of the product.

\* Indicates a component that is not available as an individual part.

\*\*\* Indicates consult Customer Service Department for additional information.

ITEM	PART NO.	1 2 3 4 5	DESCRIPTION	QTY.
1	626766		BATTERY CHARGER, 72V - 12A.....	1
2	630758		INTERNATIONAL BATTERY CHARGER, 72V - 12A .....	1

# BODY - FRONT





# BODY - FRONT

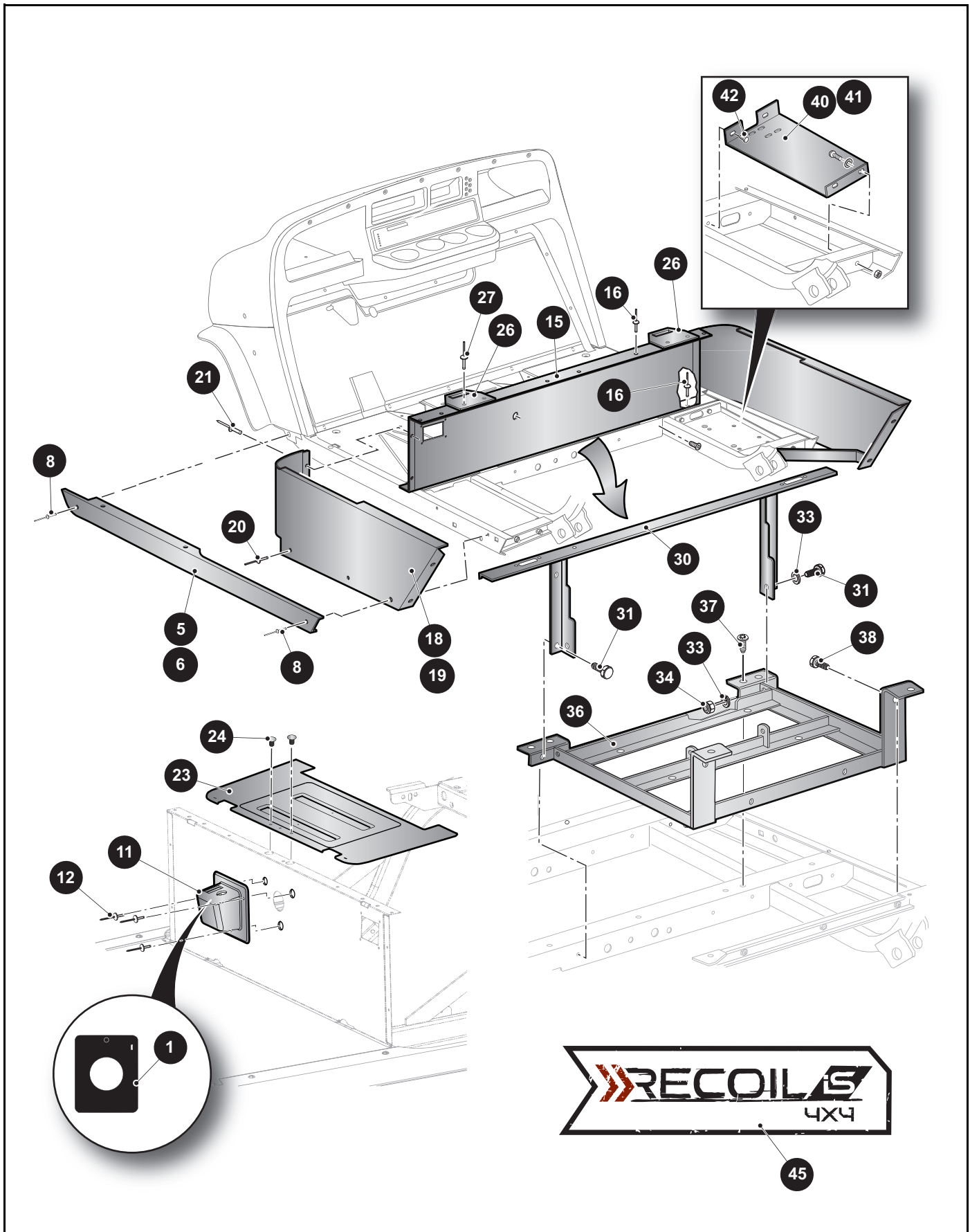
When ordering parts, please specify the model and serial number of the product.

\* Indicates a component that is not available as an individual part.

\*\*\* Indicates consult Customer Service Department for additional information.

ITEM	PART NO.	1 2 3 4 5	DESCRIPTION	QTY.
1	613036G1XX		COWL (see COLOR CODE in HOW TO USE section) .....	1
2				
3	617643		GRILL COVER.....	1
4	626685		FRONT FENDER FLARE (DRIVER SIDE).....	1
5	626905		FRONT FENDER FLARE (PASSENGER SIDE) .....	1
6	71055G01		RIVET, 5/16" DIA .....	13
7	71597G01		SELF THREADING NUT .....	2
8	627510GXX		ACCESS COVER (see COLOR CODE in HOW TO USE section).....	1
9	617533		PUSH RIVET .....	8
10	631408		FLOOR MAT .....	1
11	71055G01		RIVET, 3/16" DIA .....	2
12	16816G2		RATCHET FASTENER, 1/4" X .887" .....	4
13	626663		FRONT DECAL.....	1
14	628708G01		CONTROL PANEL ASSEMBLY.....	1
15	608290		SELF TAPPING SCREW, #10 - 16 X 3/4" LG.....	3
16	71115G01		VINYL TRIM.....	2
17	626865		INSTRUMENT PANEL ASSEMBLY (INCLUDES ITEMS 18 - 19).....	1
18	71158G01		CUP INSERT.....	1
19	627558		INSTRUMENT PANEL WITH PEDAL CUTOUT .....	1
20	71055G01		RIVET, 3/16" DIA .....	8
21				
22				
23	613036G2XX		COWL (see COLOR CODE in HOW TO USE section) .....	1
24	633268GXX		ACCESS COVER (see COLOR CODE in HOW TO USE section).....	1
25	617533		PUSH RIVET .....	9

# BODY - MID



When ordering parts, please specify the model and serial number of the product.

\* Indicates a component that is not available as an individual part.

\*\*\* Indicates consult Customer Service Department for additional information.

ITEM	PART NO.	1 2 3 4 5	DESCRIPTION	QTY.
1	630752		ON OFF DECAL .....	1
2				
3				
4				
5	618358		ROCKER PANEL (DRIVER SIDE).....	1
6	618359		ROCKER PANEL (PASSENGER SIDE) .....	1
7				
8	15058G6		BLACK RIVET (ALUMINUM), .95" X .625" .....	4
9				
10				
11	628642		KEY SWITCH PANEL .....	1
12	71055G01		RIVET, 3/16" X .70" .....	3
13				
14				
15	628984GXX		SEAT WRAP PANEL (see COLOR CODE in HOW TO USE section).....	1
16	10570G10		RIVET, 156" X .55" .....	8
17				
18	609047G1XX		LOWER SIDE PANEL, DRIVER SIDE (see COLOR CODE in HOW TO USE section) .....	1
19	609047G2XX		LOWER SIDE PANEL, PASSENGER SIDE (see COLOR CODE in HOW TO USE section) .....	1
20	10570G12		RIVET, .257 "X .556" .....	4
21	71055G01		RIVET, 3/16" DIA .....	4
22				
23	629087		BATTERY COVER .....	1
24	16816G2		RATCHET FASTENER, .25" X .887" .....	2
25				
26	71609G01		SEAT HINGE PLATE .....	2
27	10570G11		RIVET, 3/16" X .70" .....	4
28				
29				

# BODY - MID

When ordering parts, please specify the model and serial number of the product.

\* Indicates a component that is not available as an individual part.

\*\*\* Indicates consult Customer Service Department for additional information.

ITEM	PART NO.	1 2 3 4 5	DESCRIPTION	QTY.
30	70441G01		SEAT FRAME WELDMENT .....	1
31	00438G6		HEX HEAD BOLT, 5/16" - 18 X .80" LG .....	2
32	00468G6		HEX HEAD BOLT, 5/16" - 18 X 1" LG .....	2
33	00559G8		FLAT WASHER, 5/16" .....	4
34	11098G6		LOCK NUT, 5/16" - 18 .....	4
35				
36	70046G02		BATTERY RACK WELDMENT.....	1
37	70200G01		TORX HEAD BOLT, 3/8" - 16 X 3/4" LG .....	2
38	00715G2		HEX HEAD BOLT, 5/16" - 18 X 0.80" LG .....	2
39				
40	629688G01		BATTERY TRAY (DRIVER SIDE) .....	1
41	629688G02		BATTERY TRAY (PASSENGER SIDE) .....	1
42	00715G2		HEX HEAD BOLT, 5/16" - 18 X .80" LG .....	8
43				
44				
45	626733		SIDE DECAL .....	2





# BODY - REAR

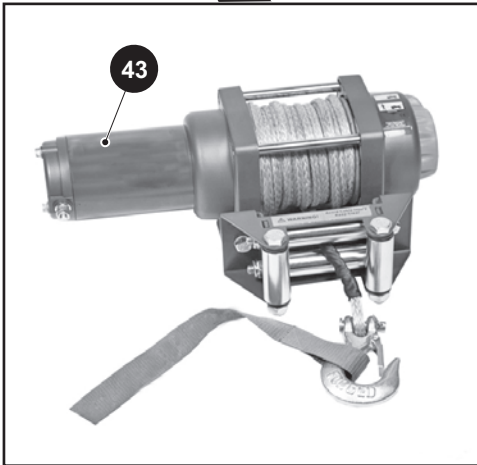
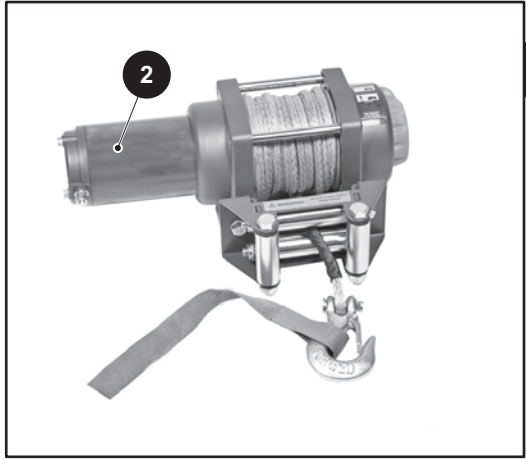
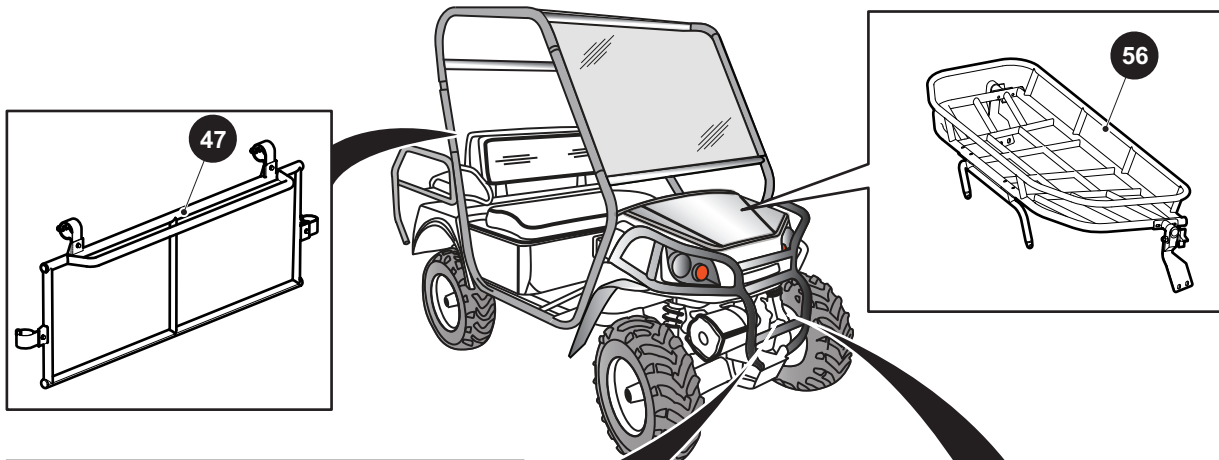
When ordering parts, please specify the model and serial number of the product.

\* Indicates a component that is not available as an individual part.

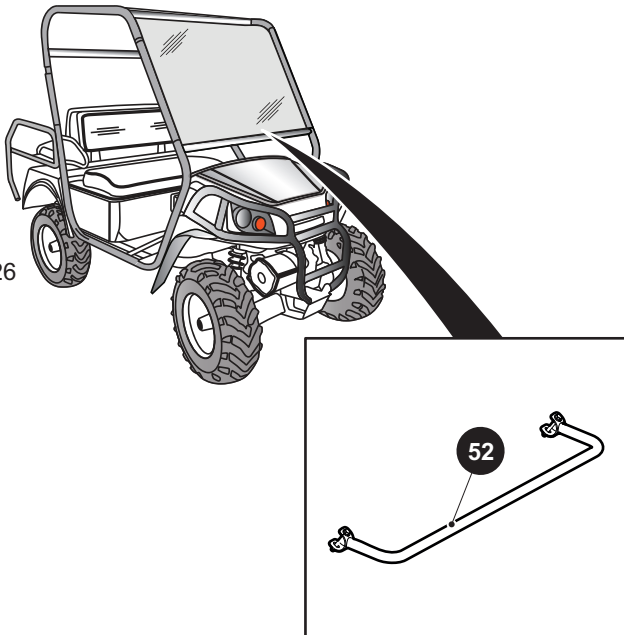
\*\*\* Indicates consult Customer Service Department for additional information.

ITEM	PART NO.	1 2 3 4 5	DESCRIPTION	QTY.
1	629186G01		4 PASSENGER REAR FENDER FLARE (DRIVER SIDE) .....	1
2	629186G02		4 PASSENGER REAR FENDER FLARE (PASSENGER SIDE).....	1
3	16816G2		RATCHET FASTENER, .25" X .887" .....	8
4	00414G6		HEX HEAD SCREW, 1/4" - 20 X 3/4" LG .....	4
5	00642G7		FLAT WASHER, 1/4" .....	8
6	14390G4		LOCK NUT, 1/4" - 20 .....	16
7	00414G7		HEX HEAD BOLT, 1/4" - 20 X 7/8" LG .....	4
8	629417G01		REAR BRACKET CLOSEOUT .....	1
9	00427G2		HEX HEAD BOLT, 3/8" - 16 X 1.25" LG .....	4
10	00643G1		FLAT WASHER, 3/8" .....	8
11	11098G5		LOCK NUT, 3/8" - 16.....	4
12	00793G2		FLAT WASHER, 1/4" .....	8
13	303459		HEX HEAD BOLT, 1/4" - 20 X 1 1/2" LG .....	4
14	629186G03		TRUCK BED REAR FENDER FLARE (DRIVER SIDE) .....	1
15	629186G04		TRUCK BED REAR FENDER FLARE (PASSENGER SIDE).....	1
16	629417G02		REAR BRACKET CLOSEOUT WITH CUTOUT .....	1
17	01066G01		HEX HEAD BOLT, M12 X 1.75 .....	1
18	306982		FLAT WASHER, .34MM.....	2
19	616971		LOCK NUT, 12MM X 1.75.....	1
20	629351		SEAT FRAME BRACKET .....	2
21	629002		SEAT SUPPORT / BED WELDMENT .....	1
22	01006G02		HEX HEAD BOLT, 3/8" - 16 X 1 1/2" LG .....	2
23	629512G01		ALUMINIUM BED LATCH BRACKET (DRIVER SIDE) .....	1
24	629512G02		ALUMINIUM BED LATCH BRACKET (PASSENGER SIDE).....	1
25	00643G1		FLAT WASHER, 3/8" .....	8
26	00427G2		HEX HEAD BOLT, 3/8" - 16 X 5/4" LG .....	4
27	11098G5		LOCK NUT, 3/8" - 16.....	4

# BODY - ACCESSORIES



- 1** WINCH 2500 KIT includes items 2 - 12
- 14** GUN BOOT KIT includes items 15 - 17
- 23** SMALL FUEL STORAGE includes items 24 - 26
- 28** LARGE FUEL STORAGE includes items 29, 25 - 26
- 31** TACTICAL GUN BOOT KIT includes items 32 - 34
- 36** GUN MOUNT KIT includes items 37 - 40
- 42** WINCH 3500 KIT includes items 4 - 12, 43, 44
- 46** LOWER CAB GUARD KIT includes items 47 - 49
- 51** ACCESSORY BAR KIT includes items 52, 53
- 55** HOOD RACK KIT includes items 56 - 60





# BODY - ACCESSORIES

When ordering parts, please specify the model and serial number of the product.

\* Indicates a component that is not available as an individual part.

\*\*\* Indicates consult Customer Service Department for additional information.

ITEM	PART NO.	1 2 3 4 5	DESCRIPTION	QTY.
1	630333		WINCH 2500 KIT (NOT ILLUSTRATED) (INCLUDES ITEMS 2 - 12) .....	1
2	630556		WINCH 2500 .....	1
3	630610		WINCH 2500 HARDWARE KIT (NOT ILLUSTRATED).....	1
4	630705		WINCH RELAY (NOT ILLUSTRATED).....	1
5	630709		RED WINCH CABLE, 36" 6 GA (NOT ILLUSTRATED) .....	1
6	630708		WINCH ROLLER HAWSE (NOT ILLUSTRATED).....	1
7	630707		MOUNT PLATE (NOT ILLUSTRATED) .....	1
8	631433		BLUE WINCH CABLE, 114", 6 GA (NOT ILLUSTRATED).....	1
9	630713		CLEVIS HOOK (NOT ILLUSTRATED).....	1
10	630706		SWITCH HARNESS (NOT ILLUSTRATED).....	1
11	630711		BLACK CABLE 36", 6 GA (NOT ILLUSTRATED) .....	1
12	631432		YELLOW CABLE, 114", 6 GA (NOT ILLUSTRATED) .....	1
13	631759		WINCH DONUT (NOT ILLUSTRATED) .....	1
14	628541		GUN BOOT KIT (INCLUDES ITEMS 15 - 17) .....	1
15	630420		GUN BOOT (NOT ILLUSTRATED) .....	1
16	630451		BRACKET (NOT ILLUSTRATED) .....	1
17	630612		HARDWARE KIT (NOT ILLUSTRATED).....	1
18				
19	628544		BUCKET, 5 GALLON (NOT ILLUSTRATED) .....	1
20	630613		BUCKET HARDWARE KIT (NOT ILLUSTRATED).....	1
21				
22				
23	628542		SMALL FUEL STORAGE (NOT ILLUSTRATED) (INCLUDES ITEMS 24 - 26) .....	1
24	630465		SMALL FUEL PACK (NOT ILLUSTRATED).....	1
25	630466		PACK MOUNT (NOT ILLUSTRATED).....	2
26	606277		BOSS SCREW, M6 (NOT ILLUSTRATED) .....	4
27				
28	628543		LARGE FUEL STORAGE (NOT ILLUSTRATED) (INCLUDES ITEMS 29, 25 - 26) .....	1
29	630464		LARGE FUEL PACK (NOT ILLUSTRATED) .....	1

# BODY - ACCESSORIES

When ordering parts, please specify the model and serial number of the product.

\* Indicates a component that is not available as an individual part.

\*\*\* Indicates consult Customer Service Department for additional information.

ITEM	PART NO.	1 2 3 4 5	DESCRIPTION	QTY.
30	606277		BOSS SCREW, M6 (NOT ILLUSTRATED).....	1
31	628537		TACTICAL GUN BOOT KIT (NOT ILLUSTRATED) (INCLUDES ITEMS 32 - 34).....	1
32	630452		TACTICAL GUN BOOT (NOT ILLUSTRATED) .....	1
33	630453		BRACKET (NOT ILLUSTRATED).....	1
34	631765		HARDWARE KIT (NOT ILLUSTRATED) .....	8
35				
36	628540		GUN MOUNT KIT (NOT ILLUSTRATED) (INCLUDES ITEMS 37 - 40).....	1
37	630459		RHINO GRIPS (NOT ILLUSTRATED) .....	2
38	630618		GUN MOUNT HARDWARE GRIP (NOT ILLUSTRATED) .....	1
39	630697		MOUNTING BASE (NOT ILLUSTRATED).....	2
40	630696		RUBBER SECURING STRAP (NOT ILLUSTRATED).....	2
41				
42	630334		WINCH 3500 KIT (NOT ILLUSTRATED) (INCLUDES ITEMS 4 - 12, 43, 44).....	1
43	630557		WINCH 3500.....	1
44	630610		WINCH 3500 HARDWARE KIT (NOT ILLUSTRATED) .....	1
45				
46	627088		LOWER CAB GUARD KIT (NOT ILLUSTRATED) (INCLUDES ITEMS 47 - 49).....	1
47	628582		LOWER WELDMENT .....	1
48	630590		CLAMP (NOT ILLUSTRATED) .....	4
49	630599		HARDWARE KIT (NOT ILLUSTRATED) .....	1
50				
51	627087		ACCESSORY BAR KIT (NOT ILLUSTRATED) (INCLUDES ITEMS 52, 53).....	1
52	628586		ACCESSORY WELDMENT BAR .....	1
53	630589		HARDWARE KIT (NOT ILLUSTRATED) .....	1
54				
55	627075		HOOD RACK KIT (NOT ILLUSTRATED) (INCLUDES ITEMS 56 - 60) .....	1
56	630571		HOOD RACK WELDMENT.....	1
57	630573		MOUNTING BRACKET (DRIVER SIDE) (NOT ILLUSTRATED) .....	1

# BODY - ACCESSORIES

When ordering parts, please specify the model and serial number of the product.

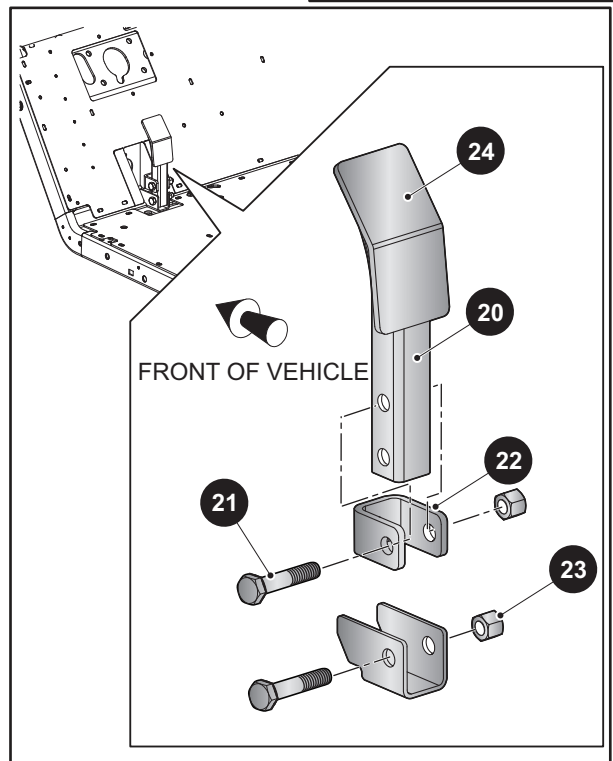
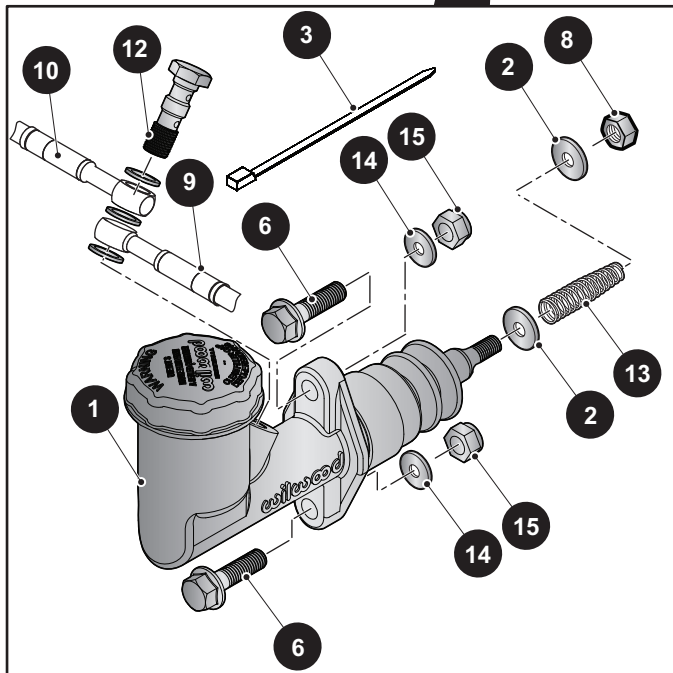
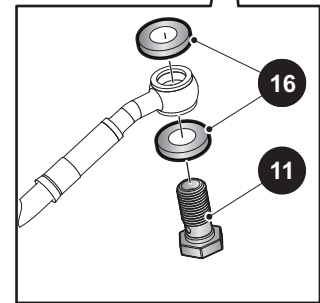
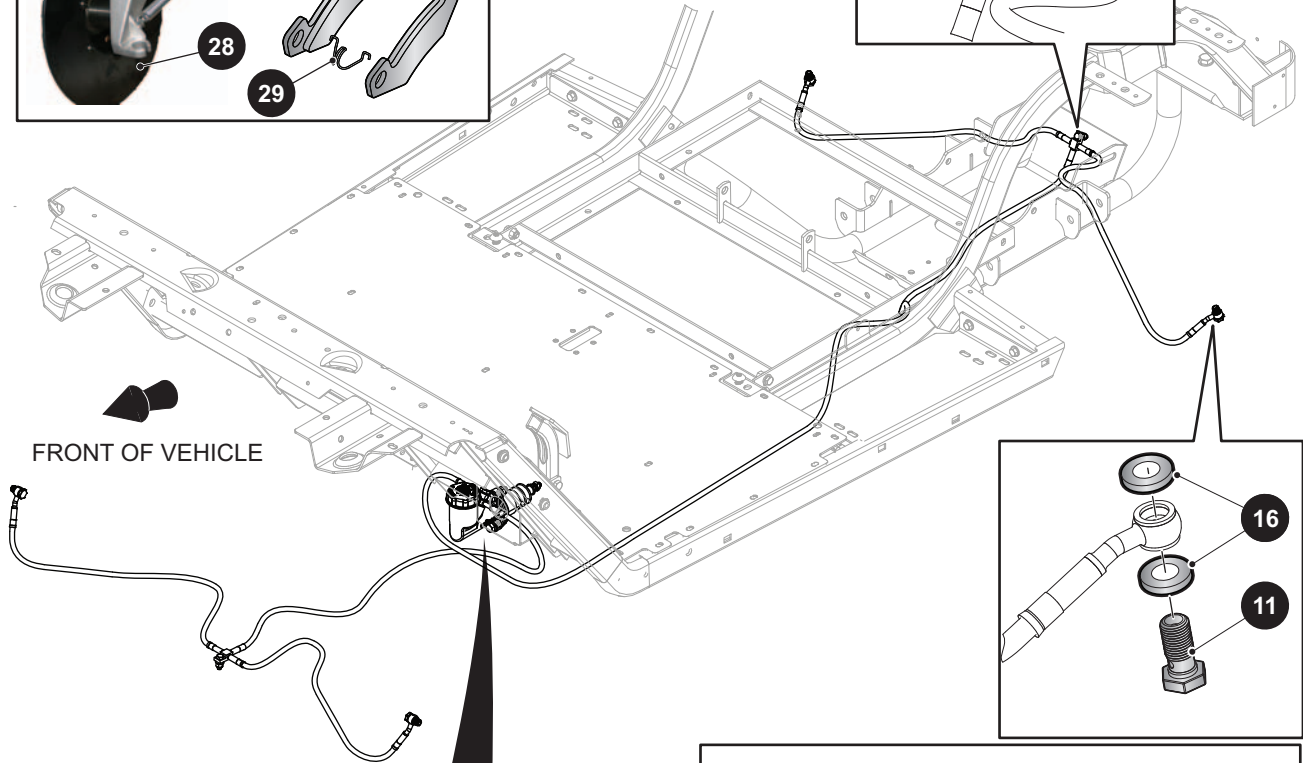
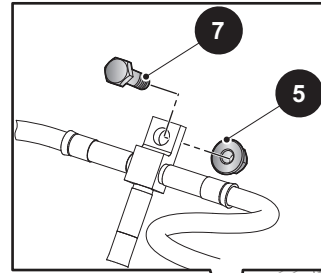
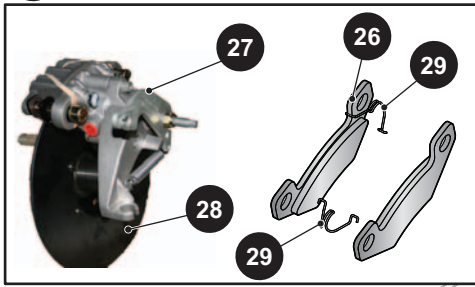
\* Indicates a component that is not available as an individual part.

\*\*\* Indicates consult Customer Service Department for additional information.

ITEM	PART NO.	1	2	3	4	5	DESCRIPTION	QTY.
58	630574						MOUNTING BRACKET (PASSENGER SIDE) (NOT ILLUSTRATED) .....	1
59	630575						MOUNTING PIVOT TUBE (NOT ILLUSTRATED) .....	1
60	630576						HARDWARE KIT (NOT ILLUSTRATED) .....	1

# BRAKES

25 DISC BRAKE ASSEMBLY includes items 26 - 29



# BRAKES

When ordering parts, please specify the model and serial number of the product.

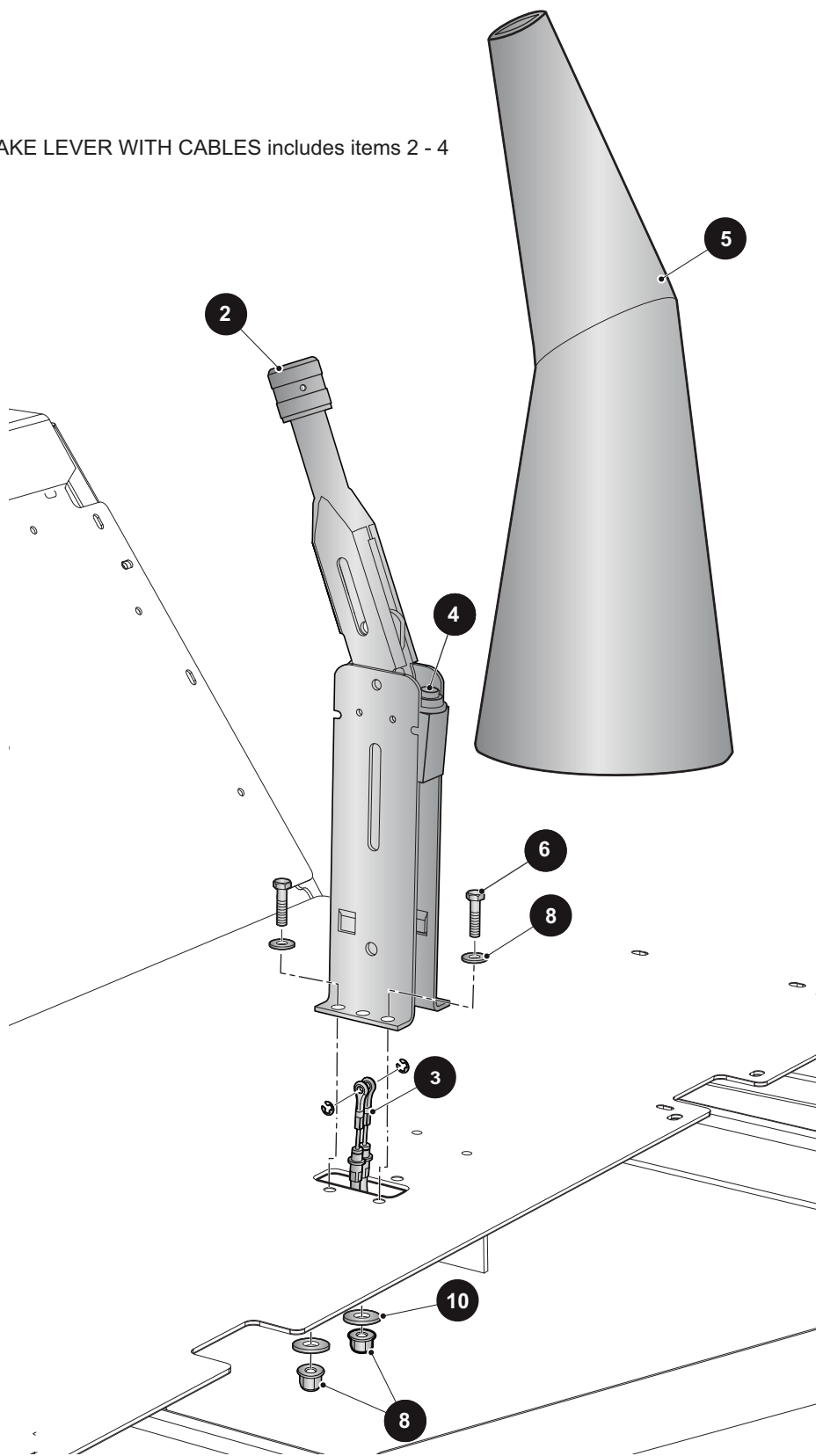
\* Indicates a component that is not available as an individual part.

\*\*\* Indicates consult Customer Service Department for additional information.

ITEM	PART NO.	1 2 3 4 5	DESCRIPTION	QTY.
1	616449		BRAKE MASTER CYLINDER.....	1
2	00559G8		FLAT WASHER, 5/16".....	2
3	12416G2		NYLON WEDGE LOCK CLAMP, 10".....	20
4	21504G1		BRAKE FLUID (NOT ILLUSTRATED).....	A/R
5	601476		LOCK NUT, M6 - 1.....	2
6	602330		HEX HEAD FLANGED BOLT, M8 - 1.25 X 30MM LG.....	2
7	613231		HEX HEAD BOLT, M6 - 1 X 20MM LG.....	2
8	00544G4		JAM NUT, 5/16" - 24.....	1
9	616453		FRONT BRAKE LINE.....	1
10	616455		REAR BRAKE LINE.....	1
11	616459		BANJO BOLT - SINGLE, M10 - 1 X 20MM" LG.....	4
12	616460		BANJO BOLT - DOUBLE, 3/8" - 24 X 1.18" LG.....	1
13	616462		BRAKE SPRING.....	1
14	616671		FLAT WASHER, 8MM.....	2
15	616673		LOCK NUT, M8 X 1.25.....	2
16	613293		CRUSH WASHER, M10.....	11
17				
18				
19				
20	616442		BRAKE PEDAL WELDMENT.....	1
21	00427G8		HEX HEAD CAP SCREW, 3/8" - 16 X 2" LG.....	2
22	616563		BRAKE CLEVIS.....	1
23	11098G5		LOCK NUT, 3/8" - 16.....	2
24	71764G01		SILL PLATE TREAD.....	A/R
25	*		DISC BRAKE ASSEMBLY (INCLUDES ITEMS 26 - 29).....	1
26	616450		BRAKE PADS.....	2
27	*		BRAKE CALLIPERS.....	1
28	*		DISC BRAKE ROTOR HUB.....	1
29	*		ANTI RATTLE SPRING.....	2

# BRAKES

**1** PARK BRAKE LEVER WITH CABLES includes items 2 - 4



# BRAKES

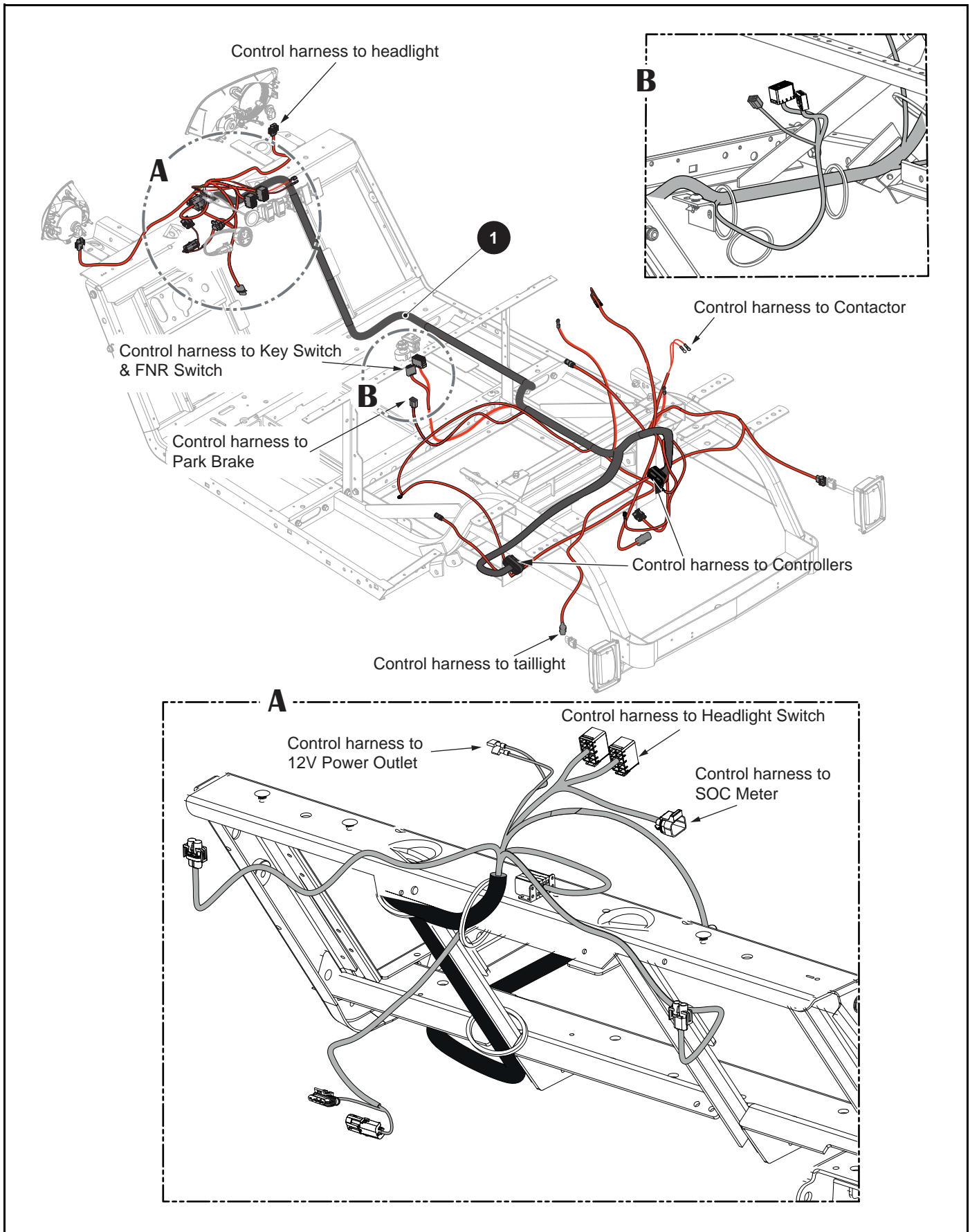
When ordering parts, please specify the model and serial number of the product.

\* Indicates a component that is not available as an individual part.

\*\*\* Indicates consult Customer Service Department for additional information.

ITEM	PART NO.	1 2 3 4 5	DESCRIPTION	QTY.
1	635382		PARK BRAKE LEVER WITH CABLES (INCLUDES ITEMS 2 - 4) .....	1
2	627393		PARK BRAKE .....	1
3	616447		PARKING BRAKE CABLE.....	2
4	634719		PARK BRAKE SWITCH.....	1
5	627940		PARKING BRAKE BOOT.....	1
6	302288		HEX HEAD BOLT, 1/4" - 20 X 1" LG.....	4
7				
8	14390G4		LOCK NUT, 1/4" - 20.....	4
9	31539G1		NYLON CLAMP (NOT ILLUSTRATED) .....	10
10	01110G01		FLAT WASHER, 1/4" .....	8

# ELECTRICAL SYSTEM





# ELECTRICAL SYSTEM

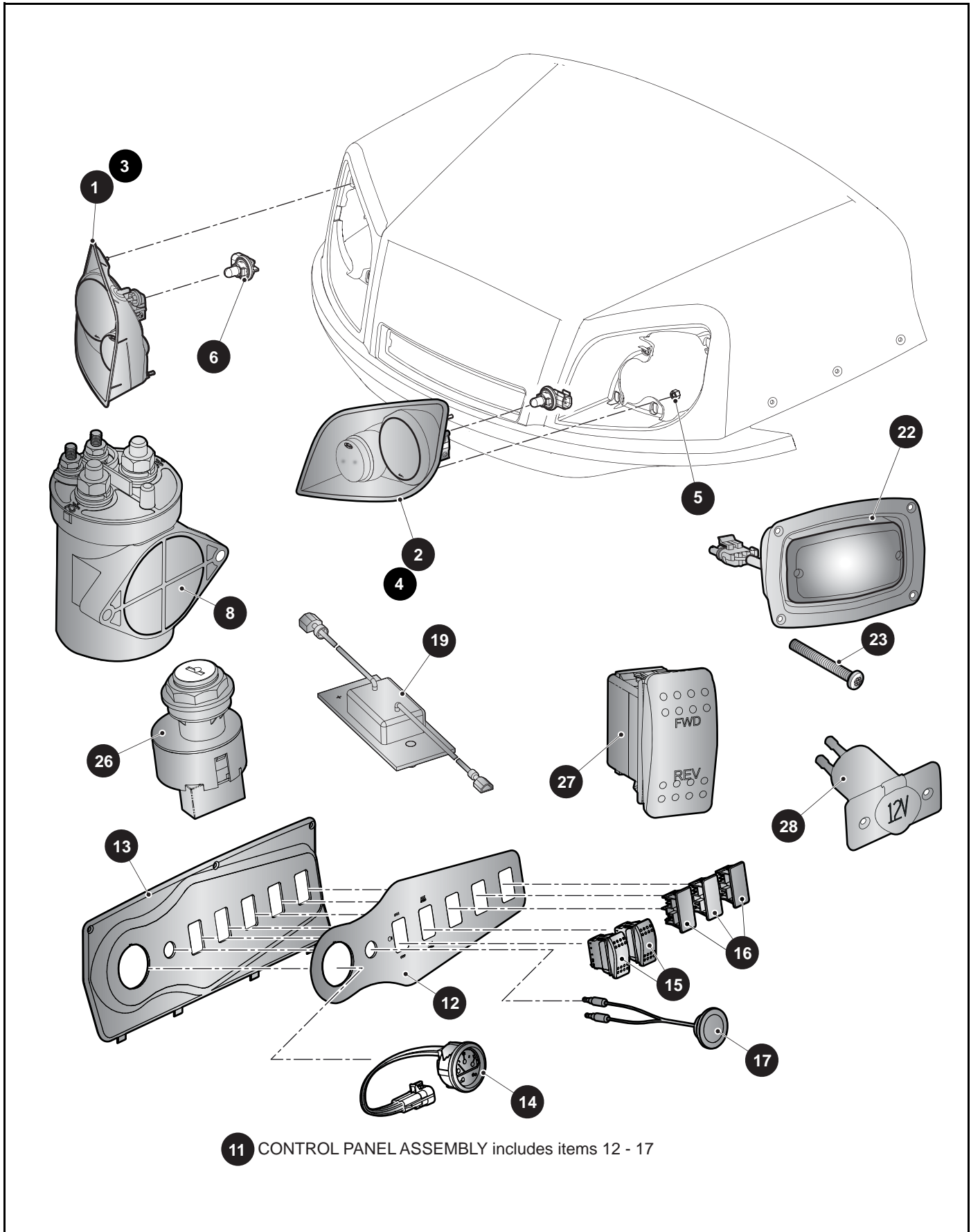
When ordering parts, please specify the model and serial number of the product.

\* Indicates a component that is not available as an individual part.

\*\*\* Indicates consult Customer Service Department for additional information.

ITEM	PART NO.	1 2 3 4 5 DESCRIPTION	QTY.
1	626785	CONTROL HARNESS.....	1

# ELECTRICAL SYSTEM



# ELECTRICAL SYSTEM

When ordering parts, please specify the model and serial number of the product.

\* Indicates a component that is not available as an individual part.

\*\*\* Indicates consult Customer Service Department for additional information.

ITEM	PART NO.	1 2 3 4 5	DESCRIPTION	QTY.
1	614497		HEADLIGHT W/O TURN SIGNAL (PASSENGER SIDE) .....	1
2	614501		HEADLIGHT W/O TURN SIGNAL (DRIVER SIDE).....	1
3	618556		LED HEADLIGHT W/O TURN SIGNAL (PASSENGER SIDE) .....	1
4	618555		LED HEADLIGHT W/O TURN SIGNAL (DRIVER SIDE).....	1
5	71597G01		SELF THREADING NUT .....	8
6	619100		BULB ASSEMBLY .....	2
7				
8	629147G01		72V CONTACTOR, 500AMP .....	1
9				
10				
11	628708G01		CONTROL PANEL ASSEMBLY (INCLUDES ITEMS 12 - 17).....	1
12	628937G01		LABEL .....	1
13	626655G02		CONTROL PANEL .....	1
14	612314		STATE OF CHARGE METER .....	1
15	628931		2 POSITION SWITCH .....	2
16	627035		PLUG.....	3
17	627837		WARNING LIGHT.....	1
18				
19	630430		VOLTAGE REGULATOR .....	1
20				
21				
22	629148		TAIL LIGHT ASSEMBLY .....	2
23	616678		SCREW, 8 X 3/4" LG .....	8
24				
25				
26	616198		KEY SWITCH ASSEMBLY .....	1
27	618787		FNR SWITCH .....	1
28	71078G01		12V POWER OUTLET.....	1
29				
30				

# ELECTRICAL SYSTEM

When ordering parts, please specify the model and serial number of the product.

\* Indicates a component that is not available as an individual part.

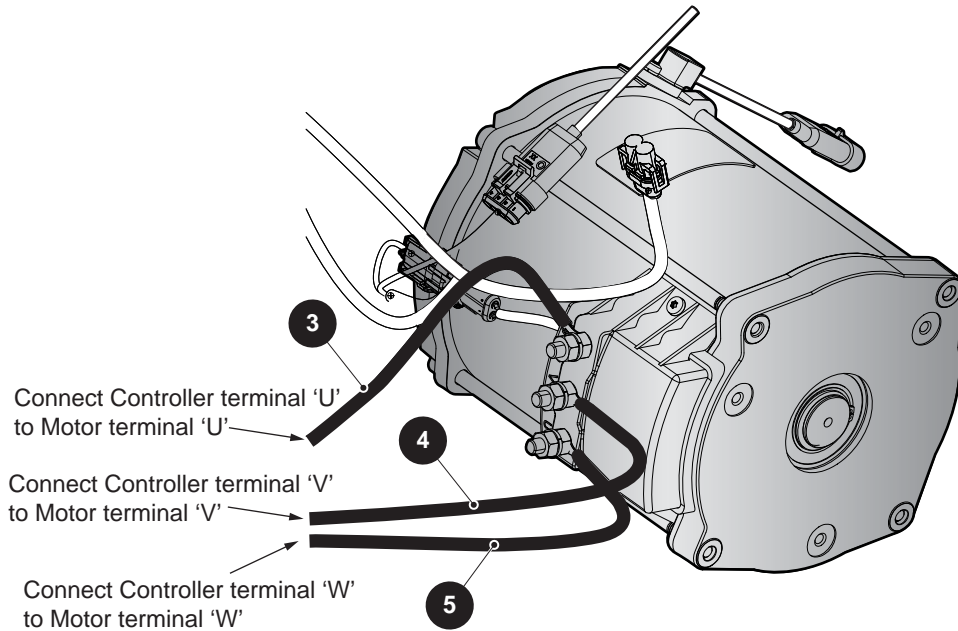
\*\*\* Indicates consult Customer Service Department for additional information.

ITEM	PART NO.	1 2 3 4 5	DESCRIPTION	QTY.
31	629631		2" RIGID LED LIGHT KIT (INCLUDES ITEMS 32 - 38) (NOT ILLUSTRATED) .....	1
32	629631		2" LED LIGHT (NOT ILLUSTRATED) .....	1
33	630567		18 AWG WIRE (NOT ILLUSTRATED) .....	1
34	628931		2 POSITION SWITCH (NOT ILLUSTRATED) .....	1
35	17064G1		FEMALE PUSH ON TERMINAL (NOT ILLUSTRATED) .....	1
36	630569		MALE PUSH ON TERMINAL (NOT ILLUSTRATED) .....	1
37	630568		RUBBER GROMMETS, 1/2" (NOT ILLUSTRATED) .....	1
38	630565		POLYETHYLENE CONDUIT, 1/4" (NOT ILLUSTRATED) .....	1
39				
40	629633		6" RIGID LED LIGHT KIT (NOT ILLUSTRATED) (INCLUDES ITEMS 33 - 38, 40) .....	1
41	629637		6" LED LIGHT (NOT ILLUSTRATED) .....	1
42				
43	629632		30" LIGHT BAR KIT (INCLUDES ITEMS 34 - 38, 43, 44) .....	1
44	629056		30" LIGHT BAR (NOT ILLUSTRATED) .....	1
45	628602		14 AWG WIRE (NOT ILLUSTRATED) .....	1

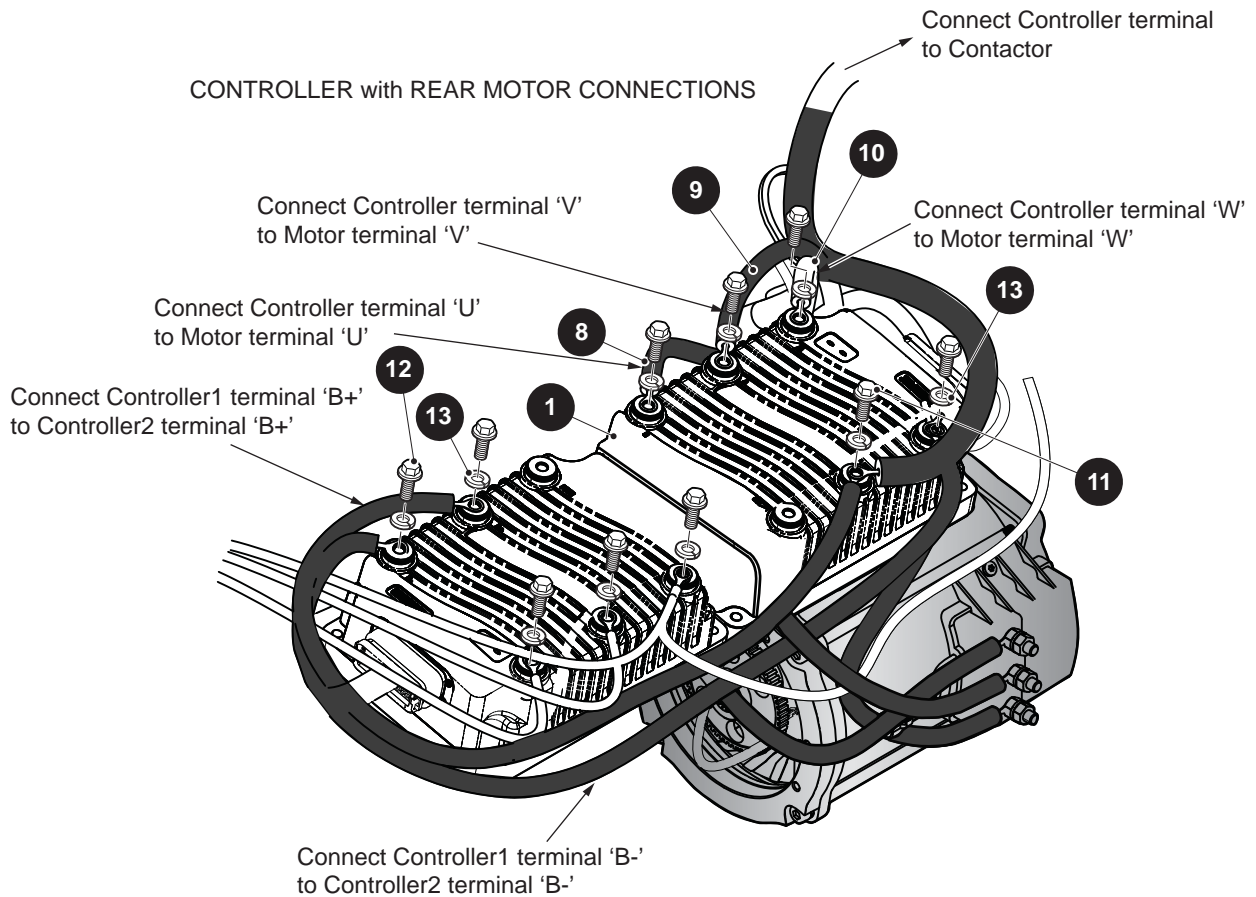


# ELECTRICAL SYSTEM

CONTROLLER with FRONT MOTOR CONNECTIONS



CONTROLLER with REAR MOTOR CONNECTIONS



# ELECTRICAL SYSTEM

When ordering parts, please specify the model and serial number of the product.

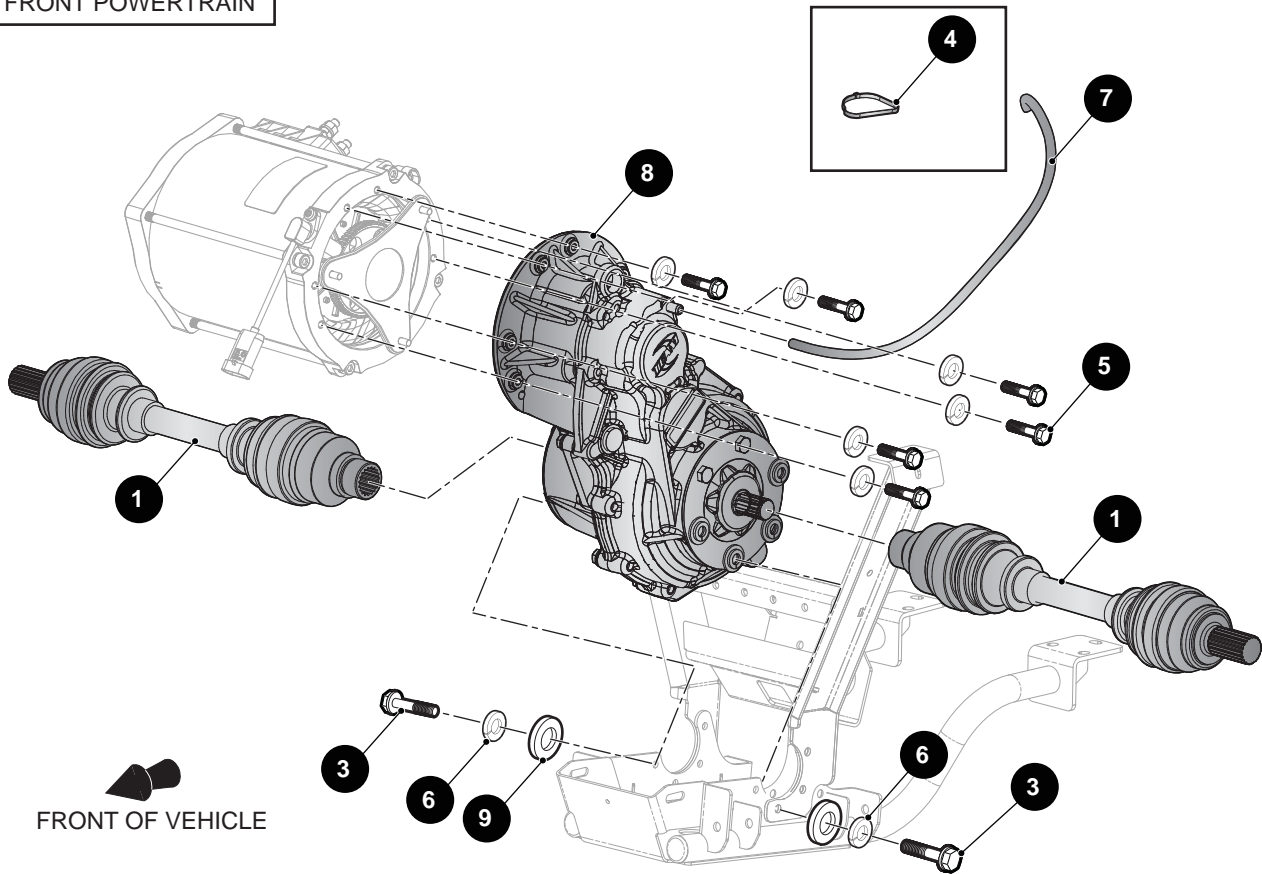
\* Indicates a component that is not available as an individual part.

\*\*\* Indicates consult Customer Service Department for additional information.

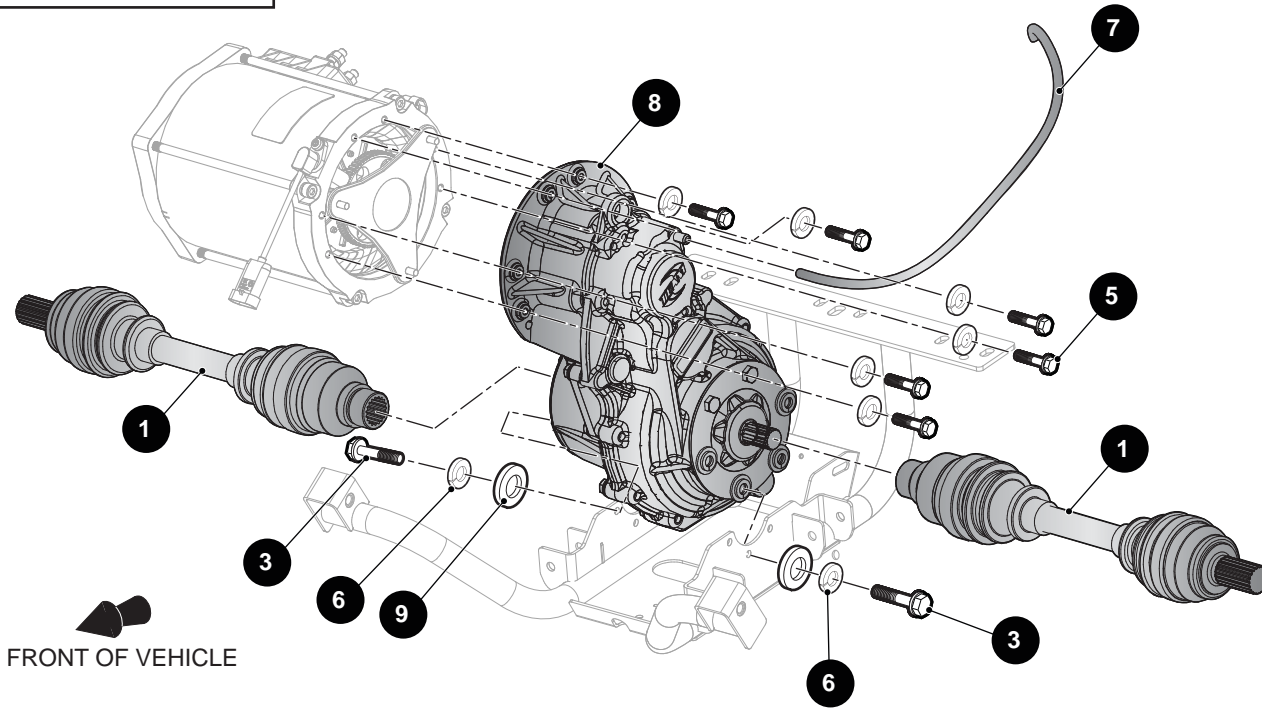
ITEM	PART NO.	1 2 3 4 5	DESCRIPTION	QTY.
1	626781		CONTROLLER .....	2
2				
3	628671		FRONT MOTOR WIRE (U).....	1
4	628669		FRONT MOTOR WIRE (V).....	1
5	628670		FRONT MOTOR WIRE (W).....	1
6				
7				
8	628668		REAR MOTOR HARNESS (U) .....	1
9	628665		REAR MOTOR HARNESS (V) .....	1
10	628667		REAR MOTOR HARNESS (W) .....	1
11	606261		HEX HEAD BOLT, M8 - 1.25" X 20 LG .....	1
12	606262		HEX HEAD BOLT, M8 - 1.25 "X 16 LG .....	9
13	606272		LOCK WASHER, 8MM .....	10

# FRONT & REAR AXLE

## FRONT POWERTRAIN

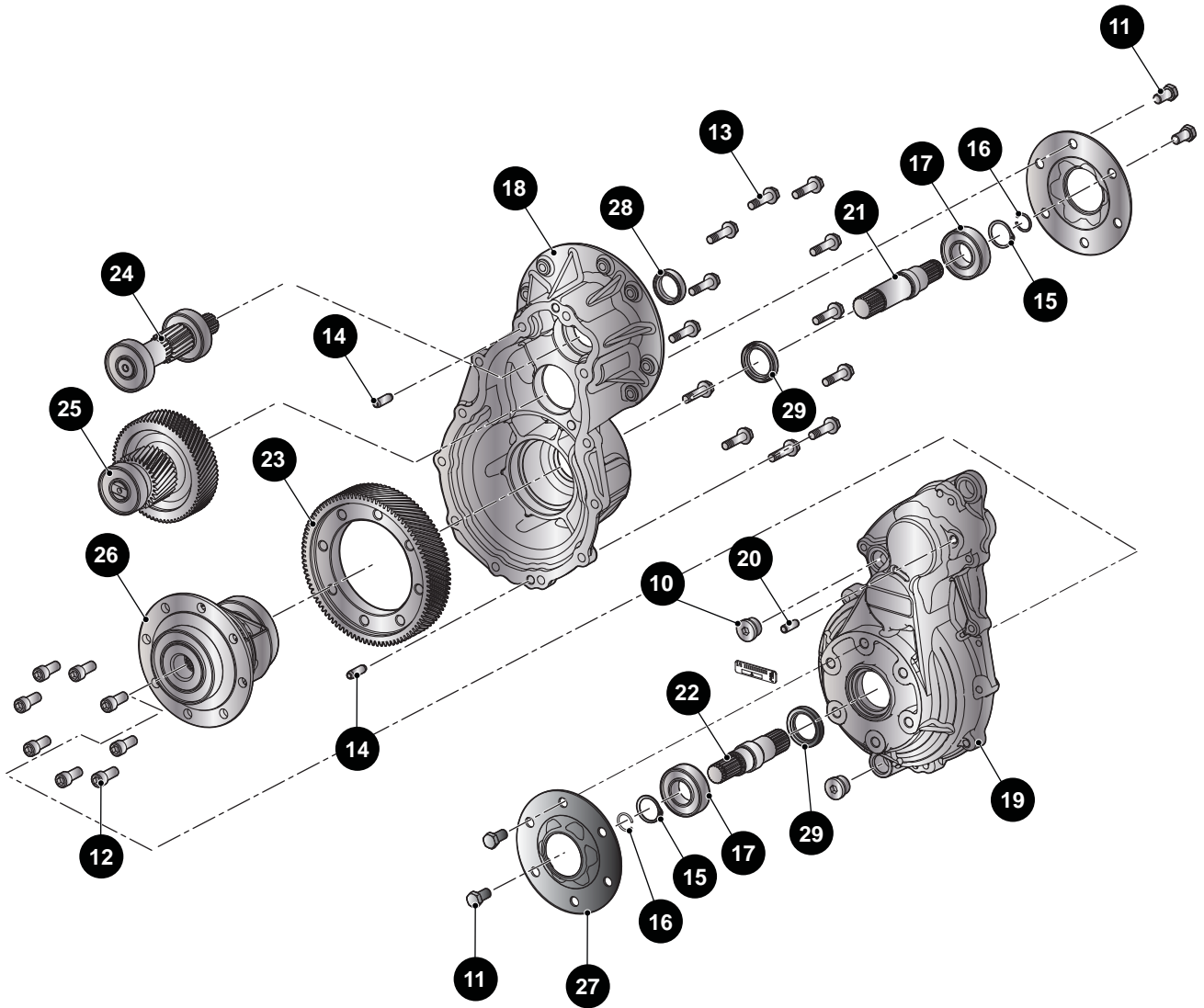


## REAR POWERTRAIN





# FRONT & REAR AXLE



# FRONT & REAR AXLE

When ordering parts, please specify the model and serial number of the product.

\* Indicates a component that is not available as an individual part.

\*\*\* Indicates consult Customer Service Department for additional information.

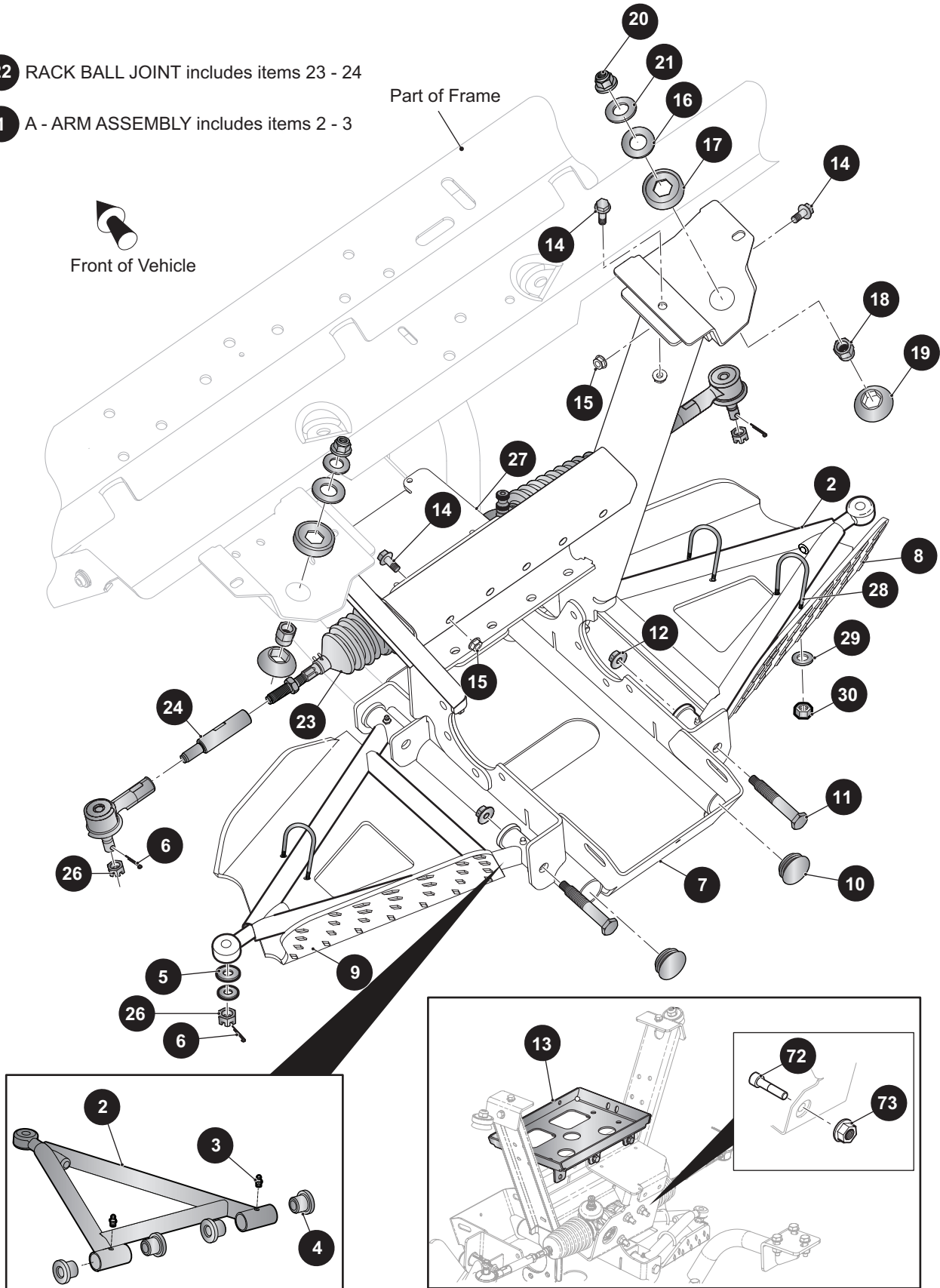
ITEM	PART NO.	1 2 3 4 5	DESCRIPTION	QTY.
1	616050		CV AXLE ASSEMBLY .....	4
2	18659G3		THREAD LOCKING ADHESIVE (NOT ILLUSTRATED) .....	AR
3	306835		HEX BOLT, 3/8" - 16 X 1 1/4" LG .....	14
4	31539G1		NYLON CLAMP, 11" BLACK.....	2
5	605741		HEX HEAD BOLT, M6 - 1" X 25 LG.....	12
6	608654		LOCK WASHER, 10MM.....	14
7	616705		BREATHER HOSE .....	2
8	629151		INDEPENDENT DIFFERENTIAL (INCLUDES ITEMS 10 - 30) .....	2
9	00571G3		FLAT WASHER, 5/16" .....	8
10	*		PLUG, 3/4" - 16 .....	2
11	*		HEX HEAD SCREW, 3/8" - 16 X 0.75 LG.....	4
12	*		HEX HEAD SCREW, 3/8" - 24 X 0.875 LG.....	8
13	*		TAPPING SCREW, 5/16" - 18 X 1.25 LG.....	12
14	*		PIN, 5/16" X 1.00 .....	2
15	*		RETAINING RING, 25mm.....	2
16	*		RETAINING RING.....	2
17	*		BALL BEARING, 25mm X 52mm X 15mm.....	2
18	*		GEAR CASE - LH, INDEPENDENT NON LOCKER.....	1
19	*		GEAR CASE - RH, INDEPENDENT .....	1
20	*		VENT TUBE, 1/4" HOSE .....	1
21	*		OUTPUT SHAFT, LH .....	1
22	*		OUTPUT SHAFT, RH.....	1
23	*		HELICAL OUTPUT GEAR .....	1
24	*		INPUT MOTOR SHAFT SUB ASSEMBLY .....	1
25	*		INTERMEDIATE SHAFT SUB ASSEMBLY .....	1
26	*		DIFFERENTIAL SUB ASSEMBLY .....	1
27	*		BEARING RETAINER.....	1
28	*		TRIPLE LIP SEAL.....	1
29	*		DUAL LIP SEAL.....	2
30	*		VENT TUBE CAP (NOT ILLUSTRATED) .....	1



# FRONT SUSPENSION AND STEERING

22 RACK BALL JOINT includes items 23 - 24

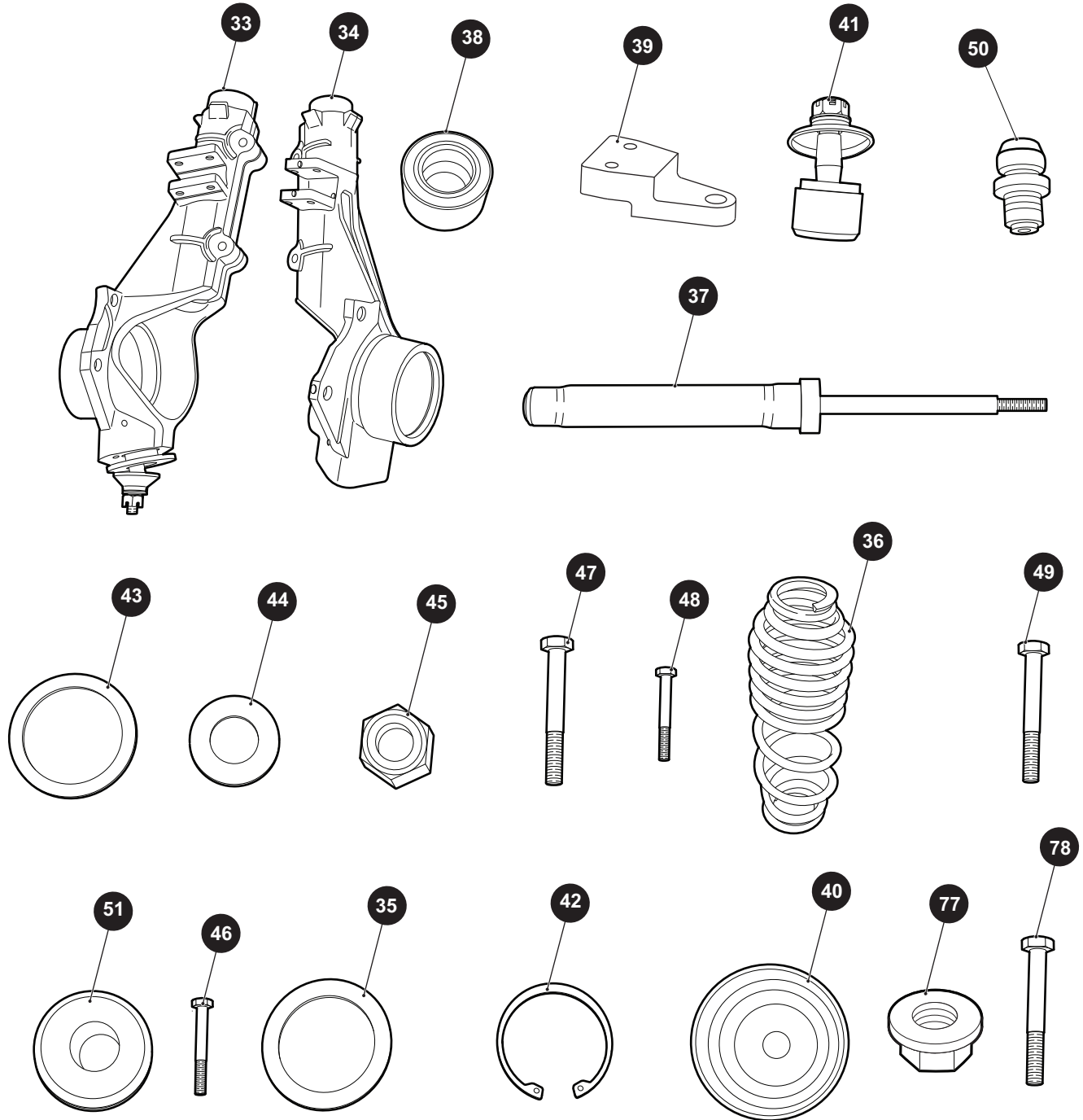
1 A - ARM ASSEMBLY includes items 2 - 3



# FRONT SUSPENSION AND STEERING

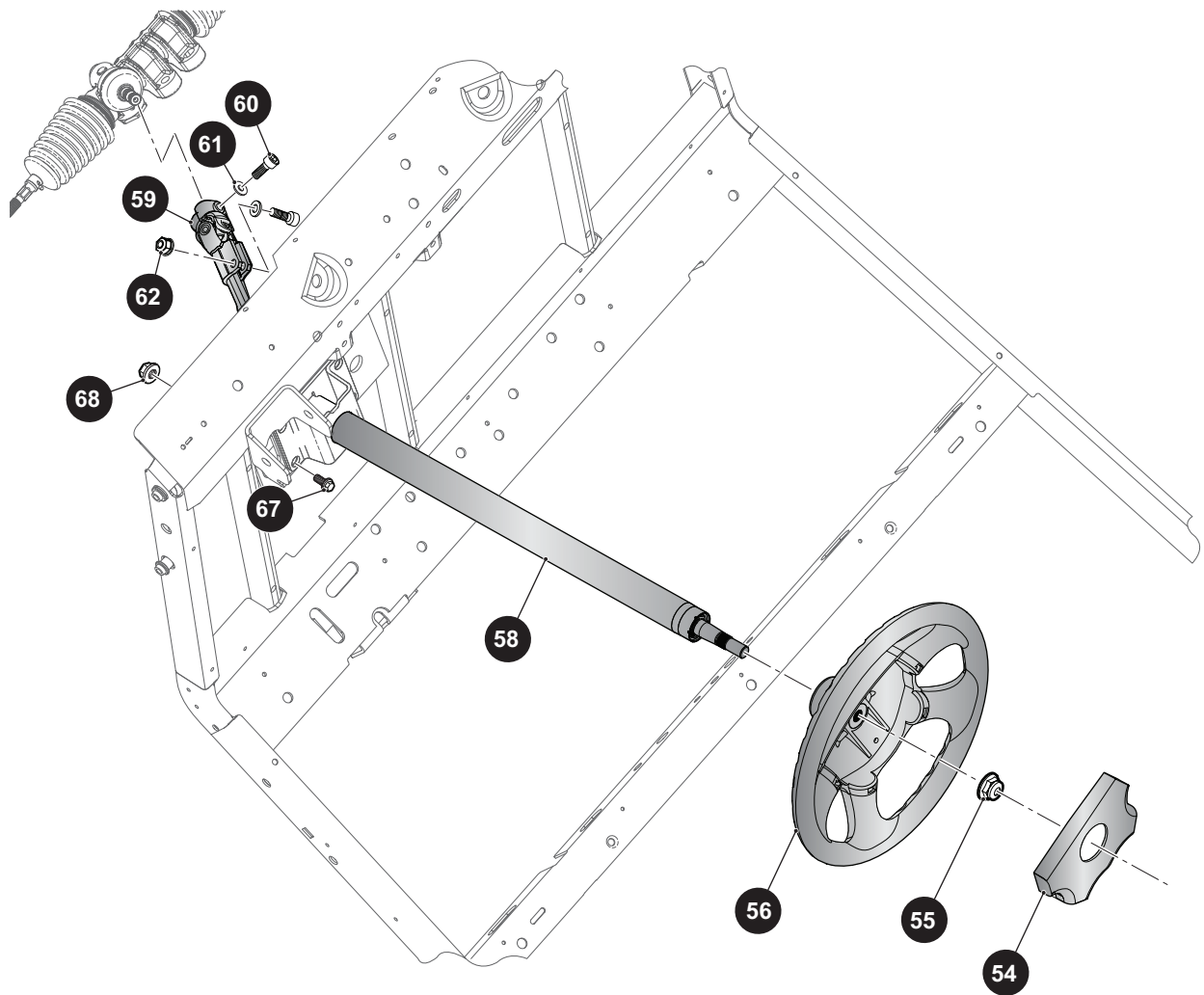
**31** FRONT STRUT ASSEMBLY (DRIVER SIDE) includes items 33, 35 - 51, 77 - 80

**32** FRONT STRUT ASSEMBLY (PASSENGER SIDE) includes items 34 - 51, 77 - 80



# FRONT SUSPENSION AND STEERING

**57** STEERING COLUMN ASSEMBLY includes items 58 - 62





# FRONT SUSPENSION AND STEERING

When ordering parts, please specify the model and serial number of the product.

\* Indicates a component that is not available as an individual part.

\*\*\* Indicates consult Customer Service Department for additional information.

ITEM	PART NO.	1 2 3 4 5	DESCRIPTION	QTY.
1	625914		A - ARM ASSEMBLY (INCLUDES ITEMS 2 - 3).....	2
2	616035		CONTROL ARM .....	1
3	10389G3		GREASE FITTING .....	2
4	616036		BUSHING .....	8
5	306981		FLAT WASHER, 1/4" .....	4
6	10387G2		COTTER PIN, .094 X 1 .....	4
7	626097		LOWER WELDMENT.....	1
8	631703G01		BRUSH STOPPER (DRIVER SIDE) .....	1
9	631703G02		BRUSH STOPPER (PASSENGER SIDE).....	1
10	628915		PLASTIC THREADED PLUG, 1.5" - 8.....	2
11	14158G1		SHOULDER BOLT, 3/8" - 16 - 2.75" LG .....	4
12	12262G1		LOCK NUT, 3/8" - 16 X 2.75"LG.....	4
13	631110		BATTERY TRAY WELDMENT .....	1
14	548604		SCREW, 5/16" - 18 X 3/4" LG .....	5
15	11027G1		LOCK NUT, 5/16" - 18 .....	8
16	616701		RUBBER WASHER, 1.5 X .76" .....	2
17	629592		FEMALE BUSHING STRUT .....	2
18	616056		RETAINING NUT, M12 X 1.25" .....	2
19	629593		MALE BUSHING STRUT .....	2
20	625748		NYLOCK NUT, 1/2" - 13 .....	2
21	636610		FLAT WASHER, 1" .....	2
22	630988		STEERING RACK W/SPACER (INCLUDES ITEMS 23 - 24) .....	1
23	618330		STEERING RACK .....	1
24	626303		SPACER .....	2
25	10387G1		COTTER PIN, .094" X 1" LG .....	2
26	608005		CASTLE NUT, M12 - 1.25" .....	2
27	628435		UPPER RACK MOUNT BRACKET.....	1
28	616713		"U" BOLT, 1/4" - 20 X 1.375" LG .....	6
29	616671		FLAT WASHER, 8 MM .....	12
30	14390G4		LOCK NUT, 1/4" - 20 .....	12



# FRONT SUSPENSION AND STEERING

When ordering parts, please specify the model and serial number of the product.

\* Indicates a component that is not available as an individual part.

\*\*\* Indicates consult Customer Service Department for additional information.

ITEM	PART NO.	1 2 3 4 5	DESCRIPTION	QTY.
31	632408G01		FRONT STRUT ASSEMBLY (DRIVER SIDE ) (INCLUDES ITEMS 33, 35 - 51, 77 - 80) .....	1
32	632408G02		FRONT STRUT ASSEMBLY (PASSENGER SIDE) (INCLUDES ITEMS 34 - 51, 77 - 80).....	1
33	632410G01		STRUT BASE (DRIVER SIDE) .....	1
34	632410G02		STRUT BASE (PASSENGER SIDE) .....	1
35	616053		HUB WASHER, 52 MM .....	1
36	618346		SPRING.....	1
37	634705		LONG SHOCK STRUT .....	1
38	616041		WHEEL BEARING .....	1
39	626725		STEERING ARM .....	1
40	616054		FRONT SPRING CAP .....	1
41	616064		STRUT BALL JOINT .....	1
42	632409		SNAP RING.....	1
43	616060		STRUT WASHER, 52 MM.....	1
44	103867		FLAT WASHER, 0.31" .....	4
45	616673		LOCK NUT, 8 MM X 1.25 .....	4
46	00439G8		HEX HEAD BOLT, 5/16" - 18 X 1 1/8" LG .....	2
47	616672		HEX HEAD BOLT, 8MM - 1.25" X 60MM LG.....	2
48	616596		HEX HEAD BOLT, 3/8" - 24 X 3/4" LG .....	2
49	616597		HEX HEAD BOLT, 1/4" - 20 X 3/4" LG .....	2
50	632405		GREASE FITTING .....	1
51	616073		BUMP STRUT .....	1
52	616052		HUB WASHER, I.D .63" .....	2
53				
54	71147G01		STEERING WHEEL COVER .....	1
55	601709		LOCK NUT, M16 - 2" .....	1
56	602980		STEERING WHEEL.....	1
57	600333		STEERING COLUMN ASSEMBLY (INCLUDES ITEMS 58 - 62) .....	1
58	608117		COLUMN SUB-ASSEMBLY .....	1
59	608114		STEERING YOKE .....	1
60	608653		SOCKET HEAD SCREW, M10 - 35 X 1.5" LG.....	2

# FRONT SUSPENSION AND STEERING

When ordering parts, please specify the model and serial number of the product.

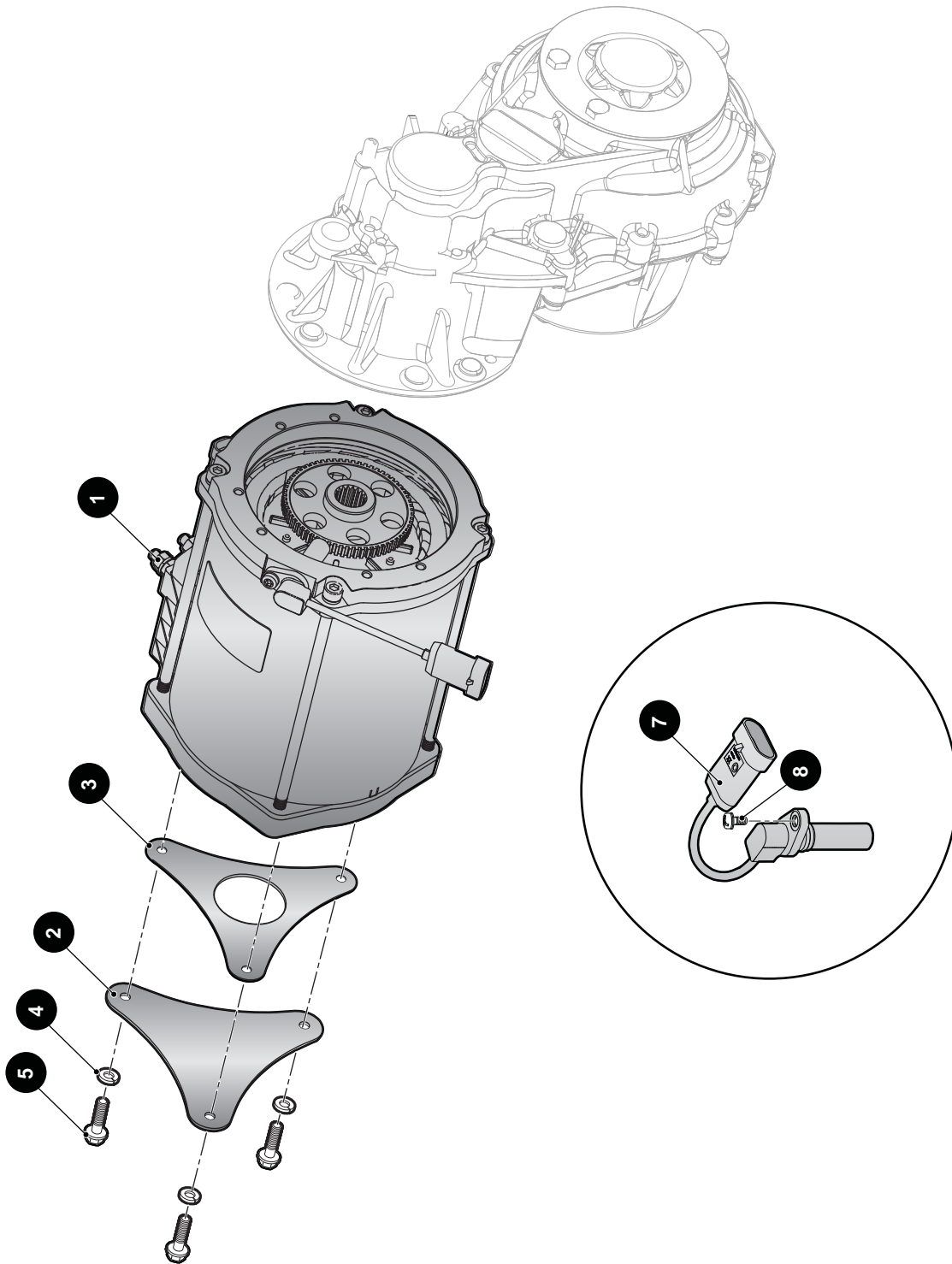
\* Indicates a component that is not available as an individual part.

\*\*\* Indicates consult Customer Service Department for additional information.

ITEM	PART NO.	1	2	3	4	5	DESCRIPTION	QTY.
61	608654						LOCK WASHER, 10.5 MM .....	2
62	608655						HEX NUT, M10 - 1.5" .....	1
63	626097						FRONT LOWER WELDMENT .....	1
64	00463G11						HEX HEAD BOLT, 7/16" - 14 X 1 1/2" LG .....	6
65	306982						FLAT WASHER, .34" .....	12
66	00734G1						LOCK NUT, 7/16" - 14 .....	6
67	603799						FLANGE HEX BOLT, M10 - 25 X 1.5" LG .....	4
68	600525						LOCK NUT, M10 - 1.5 .....	4
69	630774						FRONT UPPER WELDMENT .....	1
70	548604						HEX HEAD BOLT, 5/16" - 18 X 3/4" LG .....	4
71	11027G1						FLANGE LOCK NUT, 5/16" - 18.....	4
72	630449						SOCKET HEAD CAP BOLT, M10 - 45 X 1.5" LG.....	3
73	630450						FLANGE LOCK NUT, M10 - 1.5".....	3
74	626788						STUB SHAFT .....	2
75	626448						CASTLE NUT, M16 X 1.5 .....	2
76								
77	630803						LOCK NUT, 5/16" - 18.....	2
78	630804G01						HEX HEAD BOLT, 5/16" - 18 X 2" LG .....	2
79	12730G1						WHEEL BEARING GREASE (NOT ILLUSTRATED).....	A/R
80	18659G3						THREAD LOCKING ADHESIVE (NOT ILLUSTRATED ).....	A/R



# MOTOR



# MOTOR

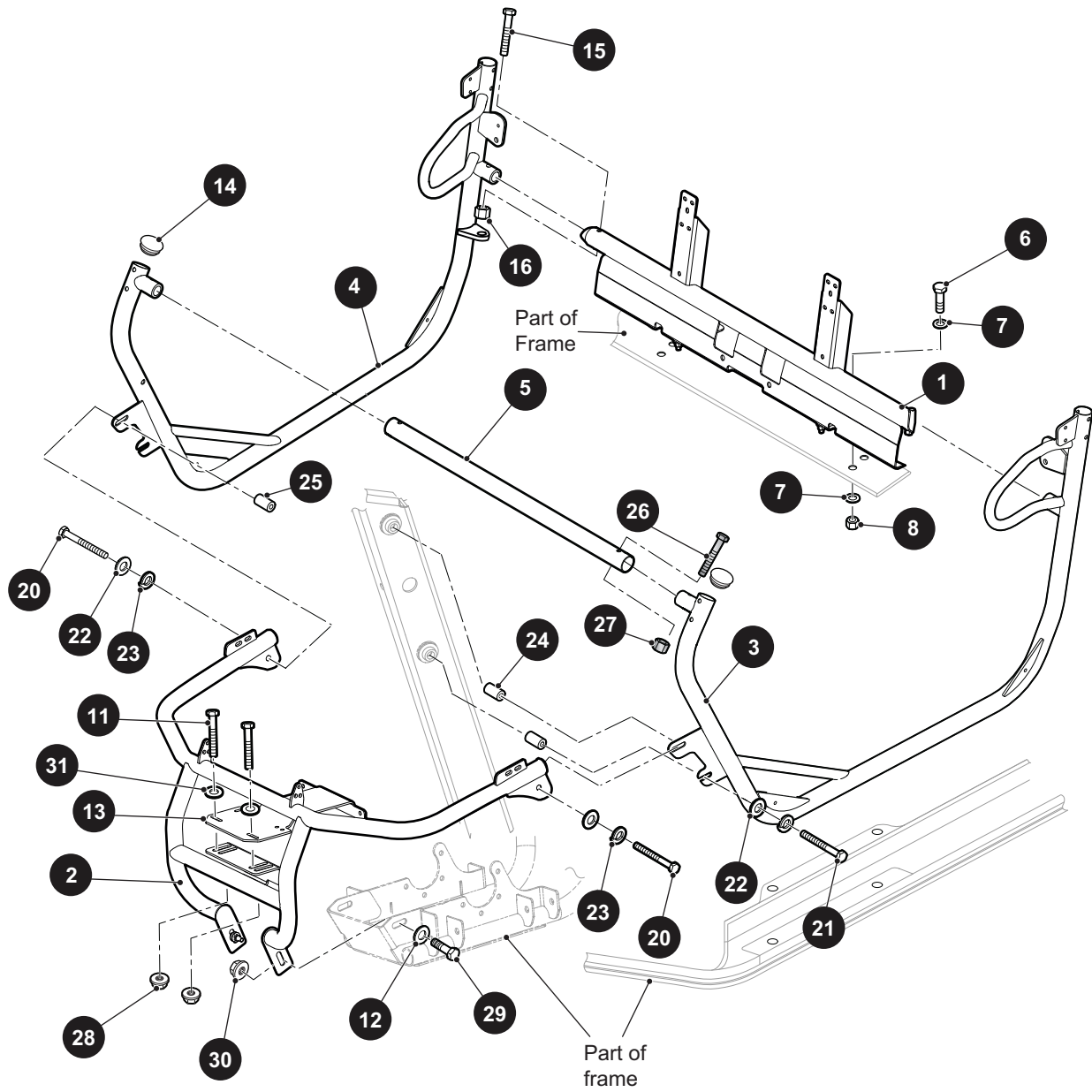
When ordering parts, please specify the model and serial number of the product.

\* Indicates a component that is not available as an individual part.

\*\*\* Indicates consult Customer Service Department for additional information.

ITEM	PART NO.	1 2 3 4 5	DESCRIPTION	QTY.
1	629135		MOTOR, 72V .....	2
2	629596		MOTOR COVER - AC.....	2
3	629597		MOTOR COVER GASKET .....	2
4	601327		LOCK WASHER, 6MM .....	6
5	616716		HEX HEAD BOLT, M6 - 1 X 16 LG .....	6
6				
7	612741		SPEED SENSOR.....	1
8	614253		PAN HEAD PHILIPPS SCREW, M6 X 1, 12MM LG .....	1

# OPERATOR PROTECTION SYSTEM



# OPERATOR PROTECTION SYSTEM

When ordering parts, please specify the model and serial number of the product.

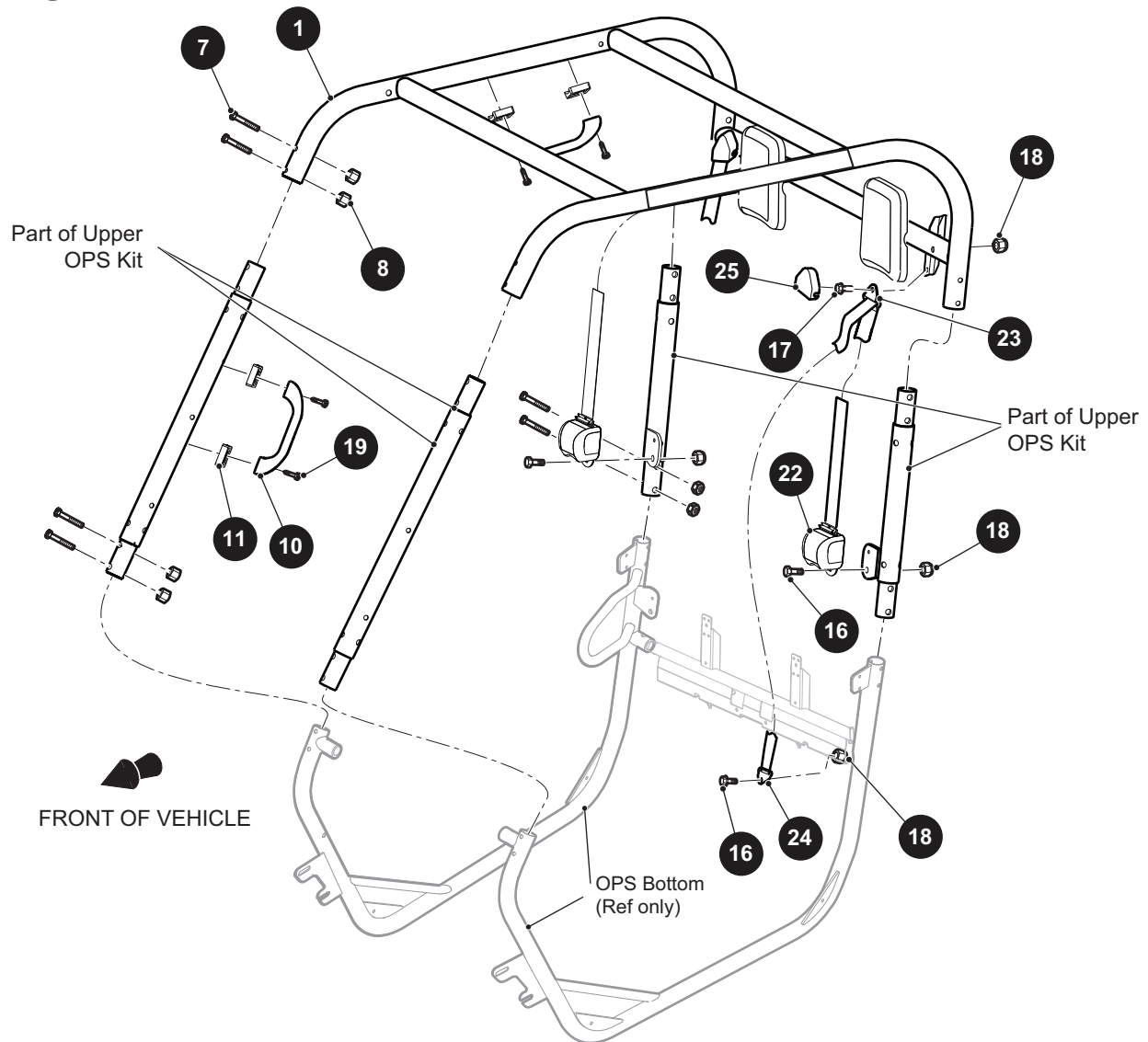
\* Indicates a component that is not available as an individual part.

\*\*\* Indicates consult Customer Service Department for additional information.

ITEM	PART NO.	1 2 3 4 5	DESCRIPTION	QTY.
1	640293		OPS SEAT SUPPORT .....	1
2	635544		BUMPER FRONT WELDMENT .....	1
3	640182		OPS BOTTOM (DRIVER SIDE) .....	1
4	640183		OPS BOTTOM (PASSENGER SIDE) .....	1
5	629023		FRONT CROSSBAR TUBE .....	1
6	00427G2		HEX HEAD BOLT, 3/8" - 16 X 1 1/4" LG .....	4
7	00571G2		FLAT WASHER, 5/16" .....	8
8	11098G5		LOCK NUT, 3/8" - 16 .....	4
9				
10				
11	00439G2		HEX HEAD BOLT, 5/16" - 18 X 1 1/4" LG .....	2
12	00571G2		FLAT WASHER, 5/16" .....	2
13	634047		WINCH PLATE .....	1
14	630762		PLUG, 1.75" OD X 10 - 14GA .....	4
15	630642		HEX HEAD BOLT, 3/8" - 16 X 2 1/2" LG .....	2
16	630643		LOCK NUT, 3/8" - 16 .....	2
17				
18				
19				
20	00440G6		HEX HEAD BOLT, 5/16" - 18 X 2 3/4" LG .....	2
21	00440G2		HEX HEAD BOLT, 5/16" - 18 X 2 1/4" LG .....	2
22	00642G8		FLAT WASHER, 5/16" .....	4
23	00565G8		LOCK WASHER, 5/16" .....	4
24	75048G02		SPACER, 1.31" .....	2
25	75048G04		SPACER, 1" .....	2
26	630642		HEX HEAD BOLT, 3/8" - 16 X 2 1/2" LG .....	2
27	630643		LOCK NUT, 3/8" - 16 .....	2
28	800697		LOCK NUT, 5/16" - 18 .....	2
29	00427G2		HEX HEAD BOLT, 3/8" - 16 X 1 1/4" LG .....	2
30	12262G1		LOCK NUT, 3/16" - 16 .....	2
31	00642G8		FLAT WASHER, 5/16" .....	2

# OPERATOR PROTECTION SYSTEM

- 6** OPS UPPER HARDWARE KIT includes items 7, 8
- 9** ACCESSORIES OPS KIT includes items 10 - 11, 15, 21, 22
- 15** OPS ACCESSORY HARDWARE KIT includes items 16 - 19





# OPERATOR PROTECTION SYSTEM

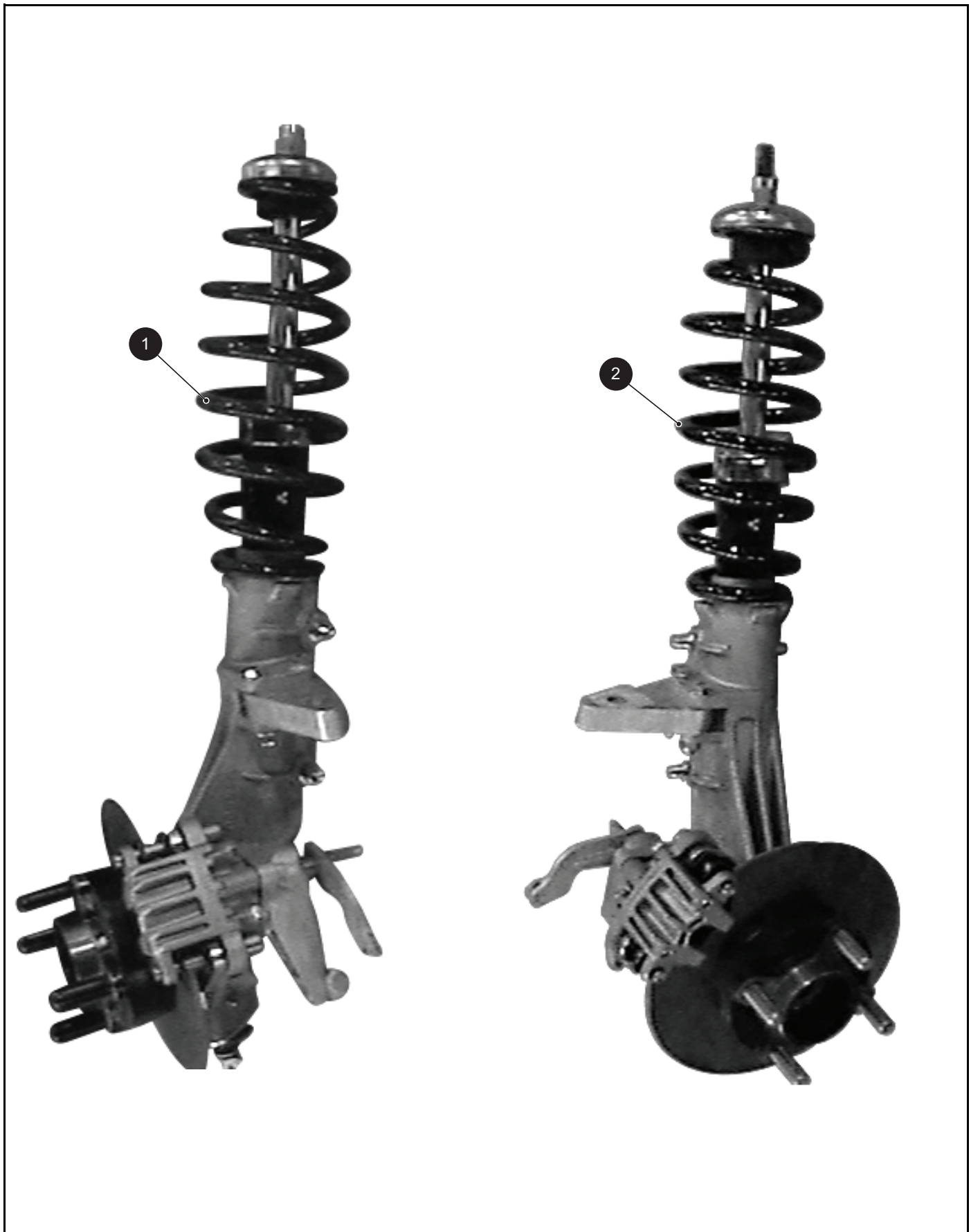
When ordering parts, please specify the model and serial number of the product.

\* Indicates a component that is not available as an individual part.

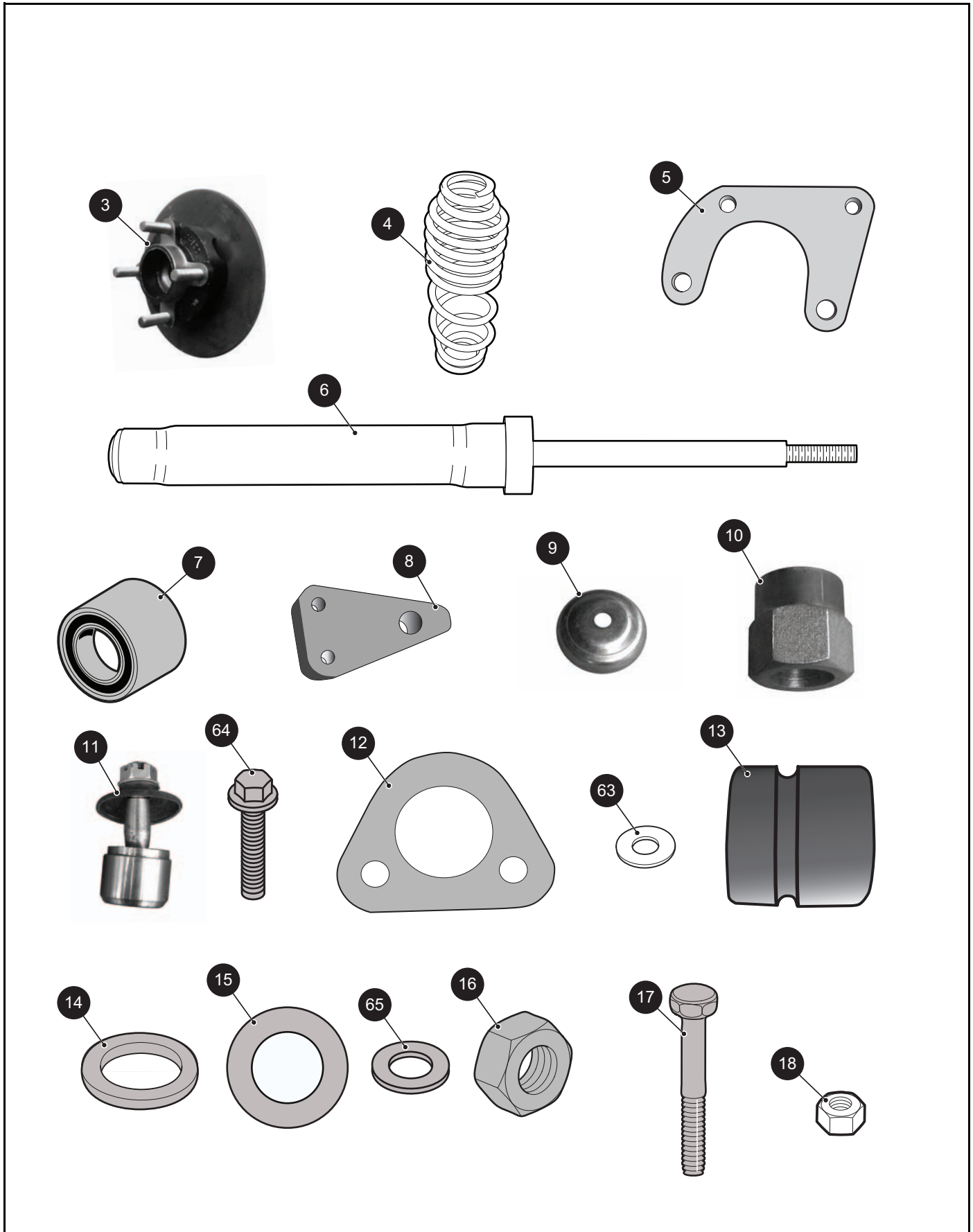
\*\*\* Indicates consult Customer Service Department for additional information.

ITEM	PART NO.	1 2 3 4 5	DESCRIPTION	QTY.
1	631576		UPPER WELD UNIT .....	1
2				
3				
4				
5				
6	629328		OPS UPPER HARDWARE KIT (INCLUDES ITEMS 7 - 8).....	1
7	630642		HEX HEAD BOLT, 3/8" - 16 X 2 1/2" LG .....	16
8	630643		LOCK NUT, 3/8" - 16 .....	16
9	631664		ACCESSORIES OPS KIT (INCLUDES ITEMS 10 - 11, 15, 21, 22) .....	1
10	611774		GRAB HANDLE .....	2
11	612254		GRAB HANDLE MOUNT .....	4
12				
13				
14				
15	631579		OPS ACCESSORY HARDWARE KIT (INCLUDES ITEMS 16 - 19) .....	1
16	610753		HEX HEAD BOLT, 7/16" - 20 X 1" LG .....	4
17	609569		HEX HEAD BOLT, 7/16" - 20 X 3/4" LG .....	4
18	00734G3		LOCK NUT, 7/16" - 20 .....	6
19	612255		PAN HEAD TORX SCREW, #12 - 14 X 1" LG .....	4
20				
21	629454		SIDE DOOR NET (PAIR) (NOT ILLUSTRATED).....	1
22	635789		SEAT BELT RETRACTOR .....	2
23	610757		SEAT BELT D-RING .....	2
24	610756		SEAT BELT ATTACH PLATE .....	2
25	610758		SEAT BELT D-RING COVER.....	2

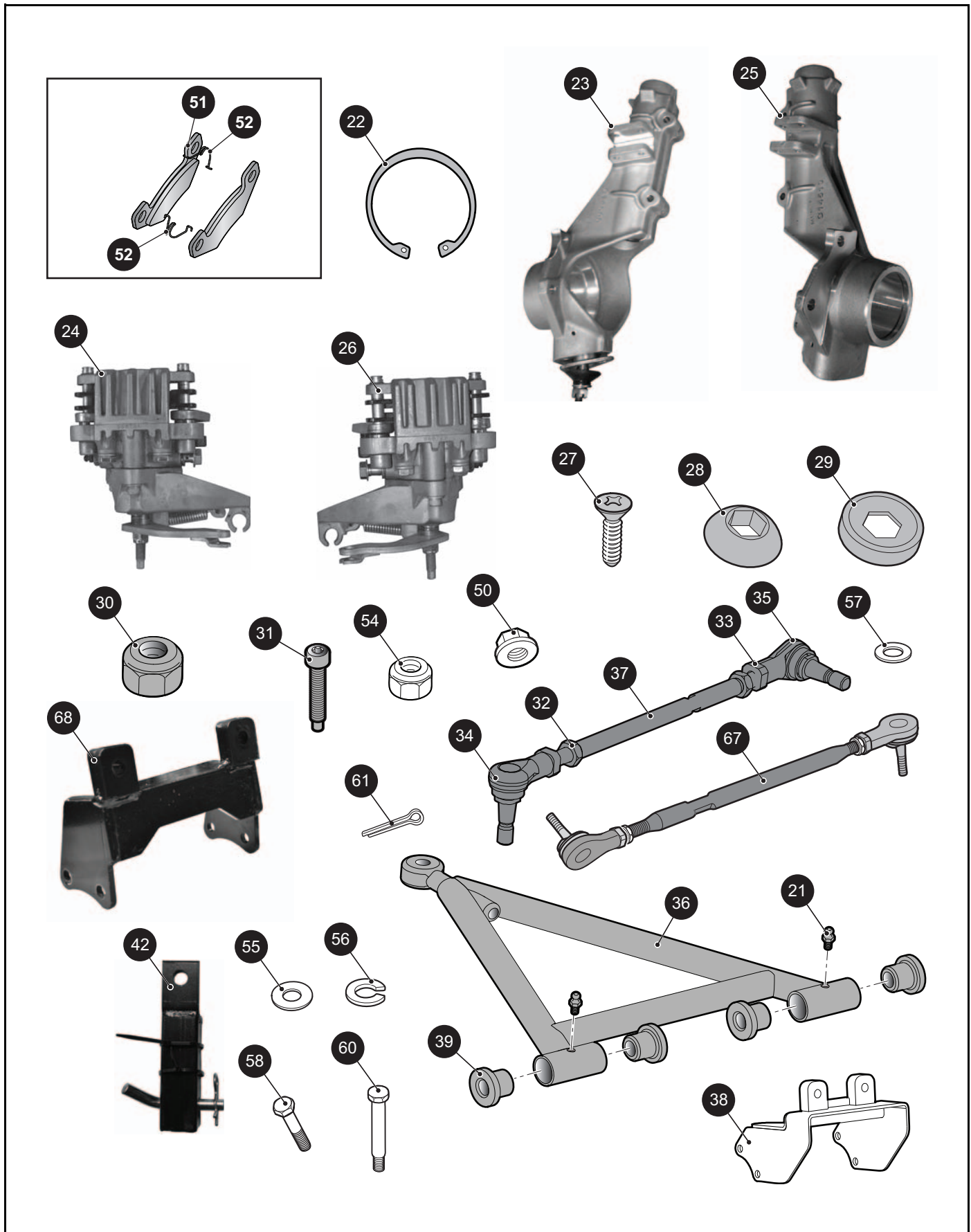
# REAR SUSPENSION



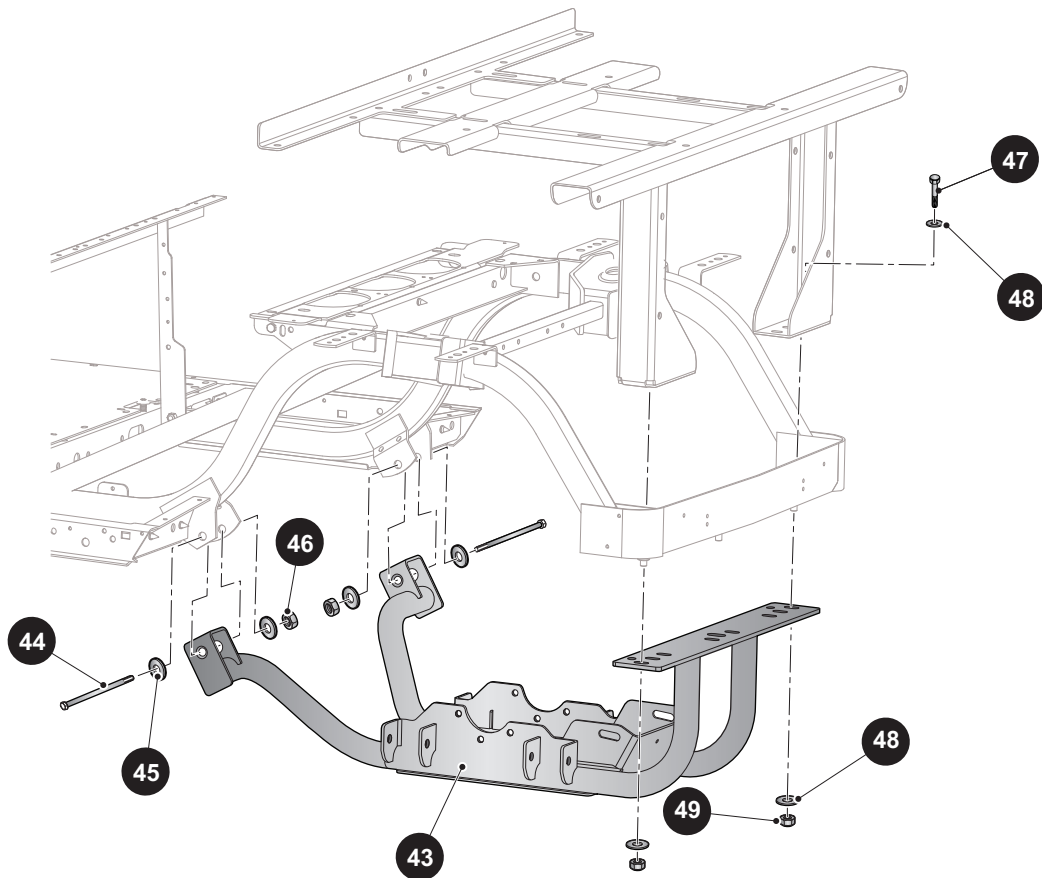
# REAR SUSPENSION



# REAR SUSPENSION



# REAR SUSPENSION



# REAR SUSPENSION

When ordering parts, please specify the model and serial number of the product.

\* Indicates a component that is not available as an individual part.

\*\*\* Indicates consult Customer Service Department for additional information.

ITEM	PART NO.	1	2	3	4	5	DESCRIPTION	QTY.
1	632408G03						REAR STRUT ASSEMBLY (DRIVER SIDE) (INCLUDES ITEMS 3 - 24, 31, 63 - 65).....	1
2	632408G04						REAR STRUT ASSEMBLY (PASSENGER SIDE) (INCLUDES ITEMS 3 - 22, 25 - 31, 63 - 65) .....	1
3	616044						HUB W/ROTOR AND STUDS.....	1
4	616062						REAR SPRING.....	1
5	616451						BRAKE CALIPERS MOUNT BRACKET .....	1
6	634705						STRUT SHOCK (LONG) .....	1
7	616041						WHEEL BEARING .....	1
8	616047						ALUMINUM STEERING ARM.....	1
9	618737						REAR SPRING CAP .....	1
10	616056						RETAINING SPRING NUT, M12 - 1.25 .....	1
11	616064						STRUT BALL JOINT SET (3 PCS) .....	1
12	616066						BALL JOINT RETAINER .....	1
13	616073						STRUT BUMP STOPS.....	1
14	616060						STRUT WASHER, I.D. 2.06 X O.D. 2.62 .....	1
15	616053						FLAT WASHER, M8 .....	8
16	616673						LOCK NUT, M8.....	4
17	616672						HEX HEAD BOLT, M8 - 1.25 X 60 MM LG .....	2
18	630803						HEX NUT, M8 X 1.25 X 60 .....	2
19	616596						HEX HEAD CAP SCREW, 3/8" - 24 X 3/4" LG (NOT ILLUSTRATED) .....	2
20	616597						CAP SCREW, 1/4" - 20 X 3/4" LG (NOT ILLUSTRATED).....	2
21	632405						GREASE FITTING .....	1
22	632409						SNAP RING.....	1
23	632410G01						STRUT BASE (DRIVER SIDE) .....	1
24	616439						REAR BRAKE CALIPER (DRIVER SIDE) .....	1
25	632410G02						STRUT BASE (PASSENGER SIDE).....	1
26	616440						REAR BRAKE CALIPER (PASSENGER SIDE).....	1
27	616065						BALL JOINT RETAINER SCREW.....	2
28	616058						STRUT BUSHING (MALE).....	1
29	616057						STRUT BUSHING (FEMALE) .....	1
30	616061						STRUT NUT .....	1

# REAR SUSPENSION

When ordering parts, please specify the model and serial number of the product.

\* Indicates a component that is not available as an individual part.

\*\*\* Indicates consult Customer Service Department for additional information.

ITEM	PART NO.	1 2 3 4 5	DESCRIPTION	QTY.
31	616452		BRAKE CALIPER MOUNTING BRACKET BOLTS .....	2
32	627277		HEX NUT, M12 - 1.25", RH THREAD.....	2
33	627276		HEX NUT, M12 - 1.25", LH THREAD .....	2
34	627273		TIE ROD END, RH THREAD .....	2
35	627101		TIE ROD END, LH THREAD.....	2
36	625914		A - ARM CONTROL WELDMENT.....	2
37	630252		TIE ROD ADJUSTER.....	2
38	630515G02		REAR DIFFERENTIAL TIE ROD BRACKET .....	1
39	616036		BUSHING (LOWER CONTROL 'A - ARM').....	8
40	*		OUTER HUB SPACER (NOT ILLUSTRATED).....	2
41	*		HUB SPACER (NOT ILLUSTRATED) .....	2
42	*		HITCH PKG.....	1
43	626099		REAR SUSPENSION WELDMENT .....	1
44	311398		HEX HEAD BOLT, 1/2" - 13 X 3 1/2" LG .....	2
45	00560G3		FLAT WASHER, 1/2".....	4
46	00557G1		LOCK NUT, 1/2" - 13.....	2
47	01066G01		HEX HEAD BOLT, M12 X 1.75 X 40MM LG .....	9
48	306982		FLAT WASHER, 5/16".....	8
49	616971		LOCK NUT, 12MM - 1.75 .....	4
50	12262G1		FLANGED LOCK NUT, 3/8" - 16 .....	4
51	616450		BRAKE PADS.....	2
52	*		ANTI RATTLE SPRING.....	2
53	12730G1		WHEEL BEARING GREASE (NOT ILLUSTRATED) .....	A/R
54	625748		NYLOCK NUT, 1/2" - 13 .....	2
55	616701		RUBBER WASHER, 1.5MM X .76MM X .12MM.....	2
56	608654		SPLIT-LOCK WASHER, 10MM.....	4
57	306981		FLAT WASHER, .41MM X .81MM X .06MM .....	4
58	306835		HEX HEAD BOLT, 3/8" - 16 X 1 1/4" LG .....	4
59	18659G3		ADHESIVE THREAD LOCKING (NOT ILLUSTRATED) .....	A/R
60	14158G1		SHOULDER BOLT, 3/8" - 16 X 2.75" LG.....	4
61	00798G3		COTTER PIN, 5/32" X 1 - 3/4" LG.....	6

# REAR SUSPENSION

When ordering parts, please specify the model and serial number of the product.

\* Indicates a component that is not available as an individual part.

\*\*\* Indicates consult Customer Service Department for additional information.

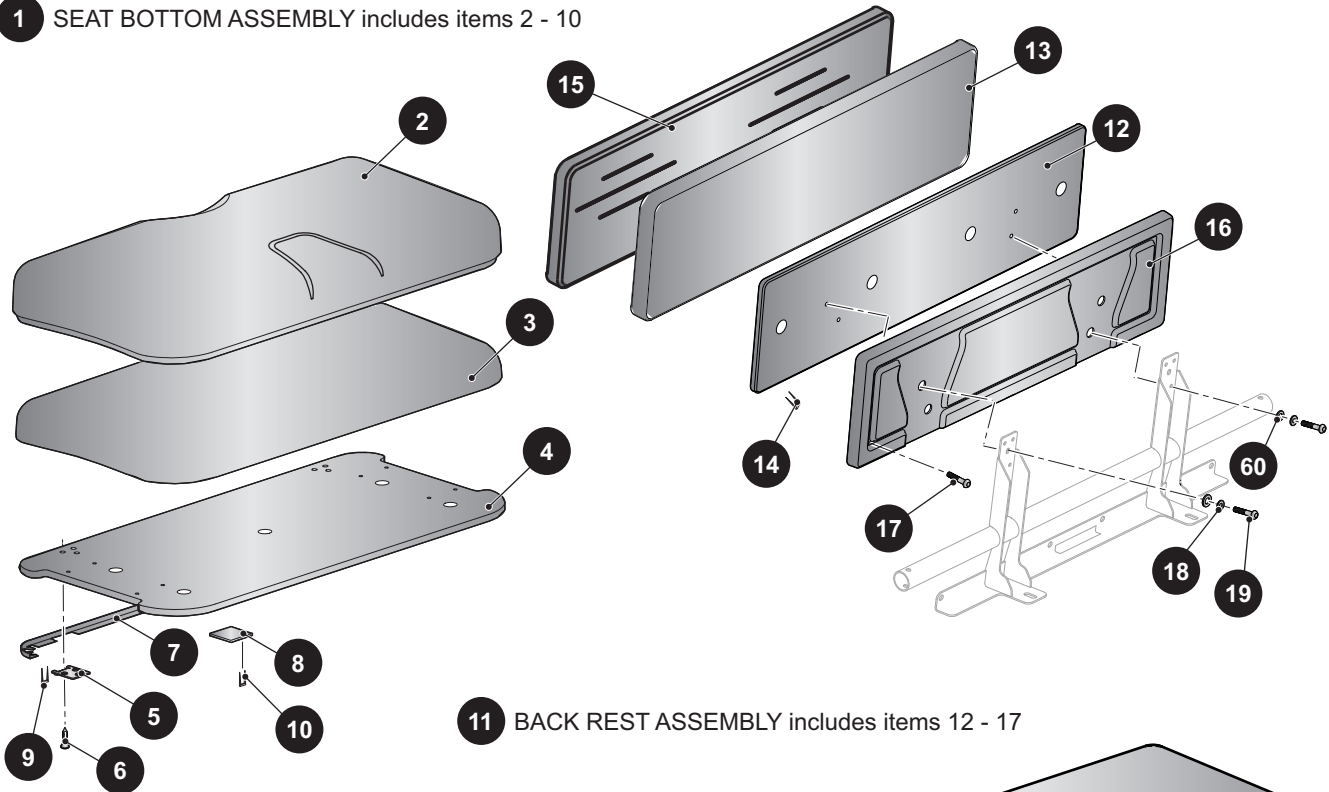
ITEM	PART NO.	1	2	3	4	5	DESCRIPTION	QTY.
62								
63	103867						FLAT WASHER, .31MM X .69MM X .06MM .....	4
64	630804G01						FLANGE BOLT, 5/16" - 18 X 2" LG .....	2
65	71883G01						RUBBER WASHER , 1.5MM X .76MM X .12MM .....	3
66								
67	*						REAR TIE ROD (FOR MODELS BEFORE 3 APRIL 2013) .....	2
68	*						REAR DIFFERENTIAL TIE ROD BRACKET (FOR MODELS BEFORE 3 APRIL 2013).....	1





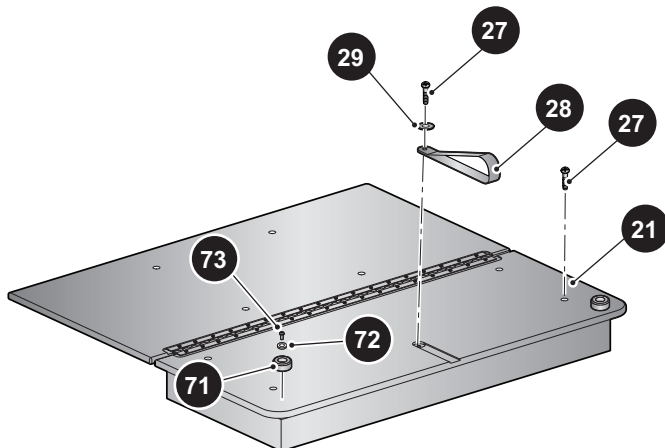
# SEATING

**1** SEAT BOTTOM ASSEMBLY includes items 2 - 10

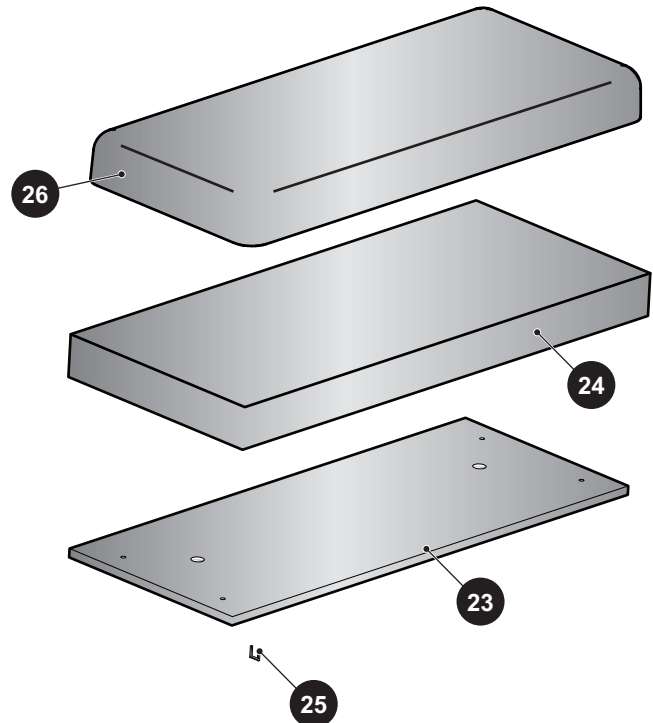


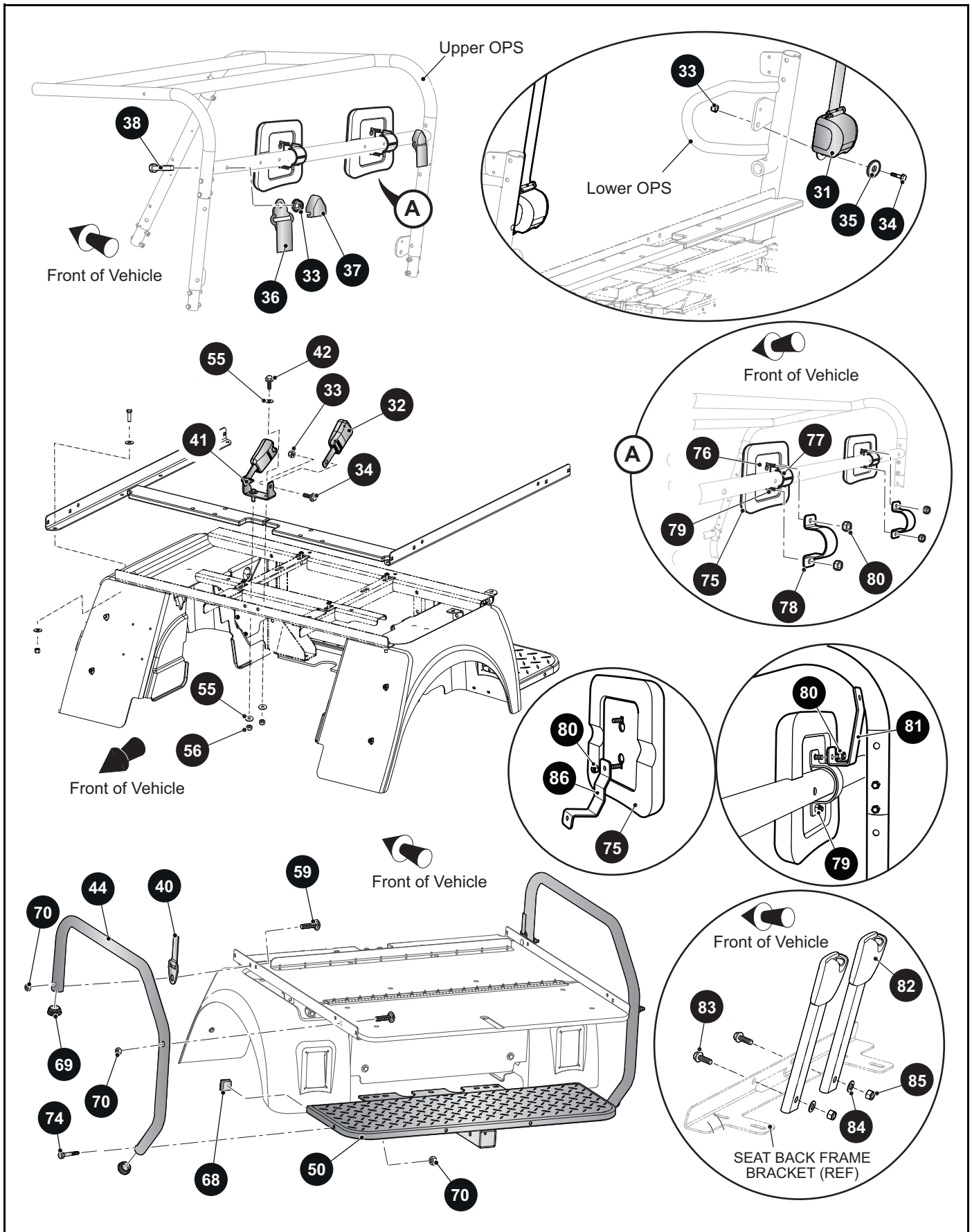
**11** BACK REST ASSEMBLY includes items 12 - 17

**20** SEAT BOTTOM ASSEMBLY includes items 21 - 29

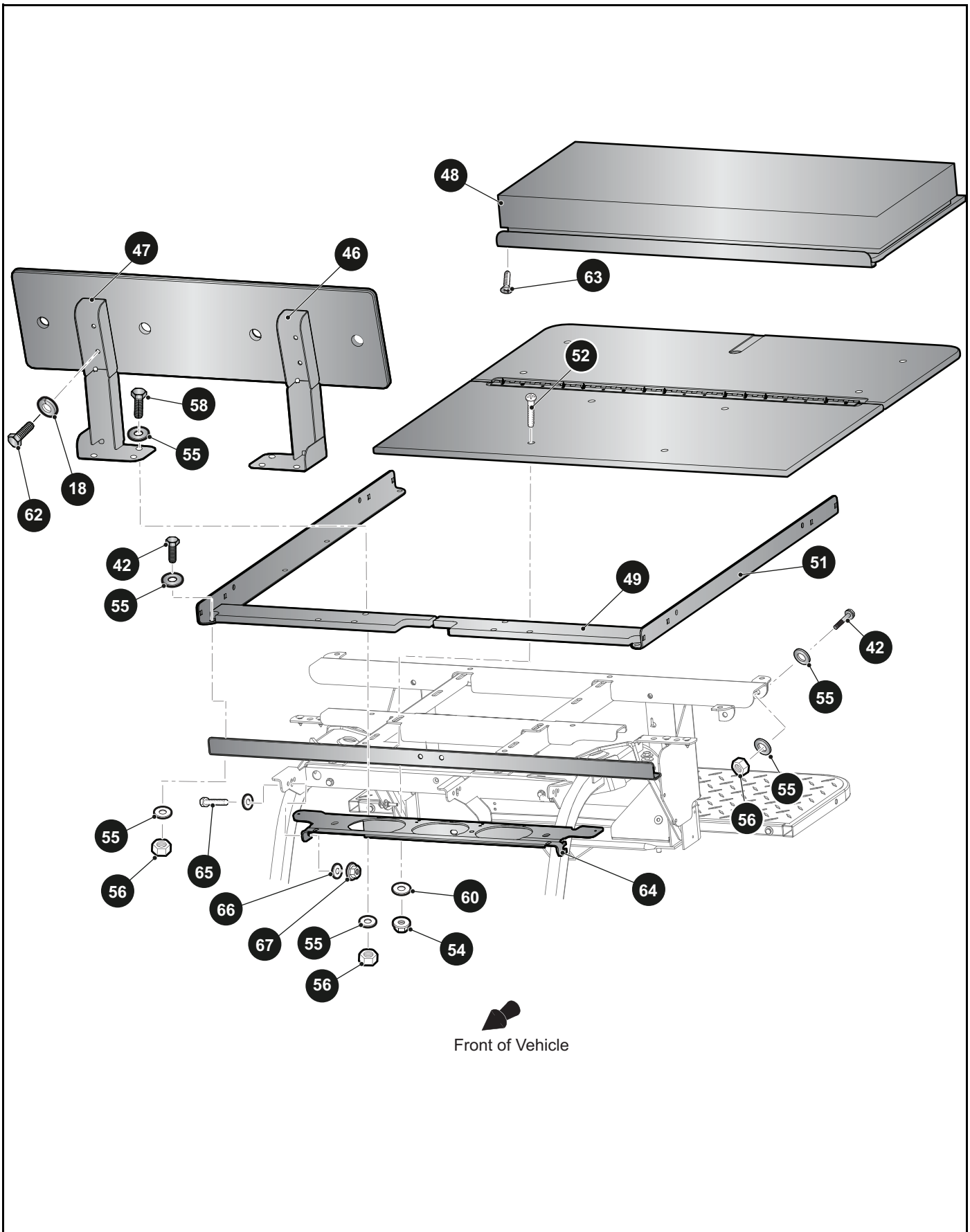


**22** SEAT BOTTOM ASSEMBLY includes items 23 - 26





# SEATING



# SEATING

When ordering parts, please specify the model and serial number of the product.

\* Indicates a component that is not available as an individual part.

\*\*\* Indicates consult Customer Service Department for additional information.

ITEM	PART NO.	1 2 3 4 5	DESCRIPTION	QTY.
1	***		SEAT BOTTOM ASSEMBLY (INCLUDES ITEMS 2 - 10)..... 629269G1306 BLACK	1
2	***		VINYL SEAT BOTTOM ASSEMBLY ..... 615169 BLACK	1
3	605503		SEAT BOTTOM FOAM.....	1
4	76411G01		SEAT BOTTOM WOOD .....	1
5	71610G01		SEAT HINGE .....	2
6	00720G08		TAPPING FLAT HEAD PHILLIPS SCREW, #12 - 14 X 1" LG.....	6
7	71012G01		SEAT BOTTOM TRIM .....	1
8	17074G1		SOILING SLAB.....	2
9	23222G1		FLAT STAPLE .....	110
10	23223G1		FLAT STAPLE .....	36
11	***		BACK REST ASSEMBLY (INCLUDES ITEMS 12 - 17)..... 71274G02 BLACK	1
12	76410G01		SEAT BACK PLYWOOD .....	1
13	25433G4		SEAT BACK FOAM .....	1
14	23222G1		FLAT STAPLE .....	95
15	***		SEAT COVER..... 74889G01 BLACK	1
16	***		BACK REST COVER .....	1
			18144G4 BLACK	
17	01107G01		PAN HEAD TORX SCREW, #8 .....	4
18	00664G7		LOCK WASHER, 1/4" .....	8
19	16705G1		TRUSS HEAD PHILLIPS SCREW (SS), 1/4" - 20 X 1" LG .....	4
20	***		SEAT BOTTOM ASSEMBLY (INCLUDES ITEMS 21 - 29)..... 615822 BLACK	1
21	617137		DECK BOARD ASSEMBLY.....	1
22	***		SEAT BOTTOM ASSEMBLY (INCLUDES ITEMS 23 - 26)..... 621036 BLACK	1
23	617400		SEAT BOTTOM PLYWOOD .....	1
24	617401		SEAT BACK FOAM .....	1
25	23222G1		FLAT STAPLE.....	75
26	***		VINYL SEAT BOTTOM..... 615648 BLACK	1

# SEATING

When ordering parts, please specify the model and serial number of the product.

\* Indicates a component that is not available as an individual part.

\*\*\* Indicates consult Customer Service Department for additional information.

ITEM	PART NO.	1 2 3 4 5	DESCRIPTION	QTY.
27	16705G1		TRUSS HEAD PHILLIPS SCREW (SS), 1/4" - 20 X 1" LG .....	5
28	617402		SEAT STRAP .....	1
29	00559G7		FLAT WASHER, 1/4" .....	1
30				
31	635789		SEAT BELT RETRACTOR .....	2
32	609854		SEAT BELT LATCH BUCKLE, 6" .....	2
33	00734G3		LOCK NUT, 7/16" - 20" LG .....	6
34	610753		HEX HEAD BOLT, 7/16" - 20 X 1" LG .....	4
35	613472		FLAT WASHER, 1/2" .....	2
36	610757		SEAT BELT D-RING .....	2
37	610758		SEAT BELT D-RING COVER .....	2
38	628995		HEX HEAD BOLT, 7/16" - 20 X 2 3/4" LG .....	2
39				
40	610756		BELT ATTACH PLATE .....	2
41	609787		REAR SEAT BELT BRACKET .....	1
42	00427G2		HEX HEAD BOLT, 3/8" - 16 X 1 1/4" LG .....	10
43				
44	629044		FLIP SEAT ARMREST .....	2
45				
46	629050G01		SEAT BACK BRACKET (DRIVER SIDE) .....	1
47	629050G02		SEAT BACK BRACKET (PASSENGER SIDE) .....	1
48	629112		FLIP SEAT REINFORCE BRACKET .....	1
49	629275		FLIP SEAT DECK BOARD FILLER .....	2
50	632727		FOOTBOARD .....	1
51	629358		SEAT FRAME .....	1
52	16705G5		PHILLIPS TRUSS HEAD SCREW (SS), 1/4" - 20 X 1 1/2" LG .....	4
53				
54	14390G4		LOCK NUT, 1/4" - 20 .....	16
55	00643G1		FLAT WASHER, 3/8" .....	32
56	11098G5		LOCK NUT, 3/8" - 16 .....	16
57	00769G5		CARRIAGE BOLT, 3/8" - 16 X 1 1/4" LG .....	4

When ordering parts, please specify the model and serial number of the product.

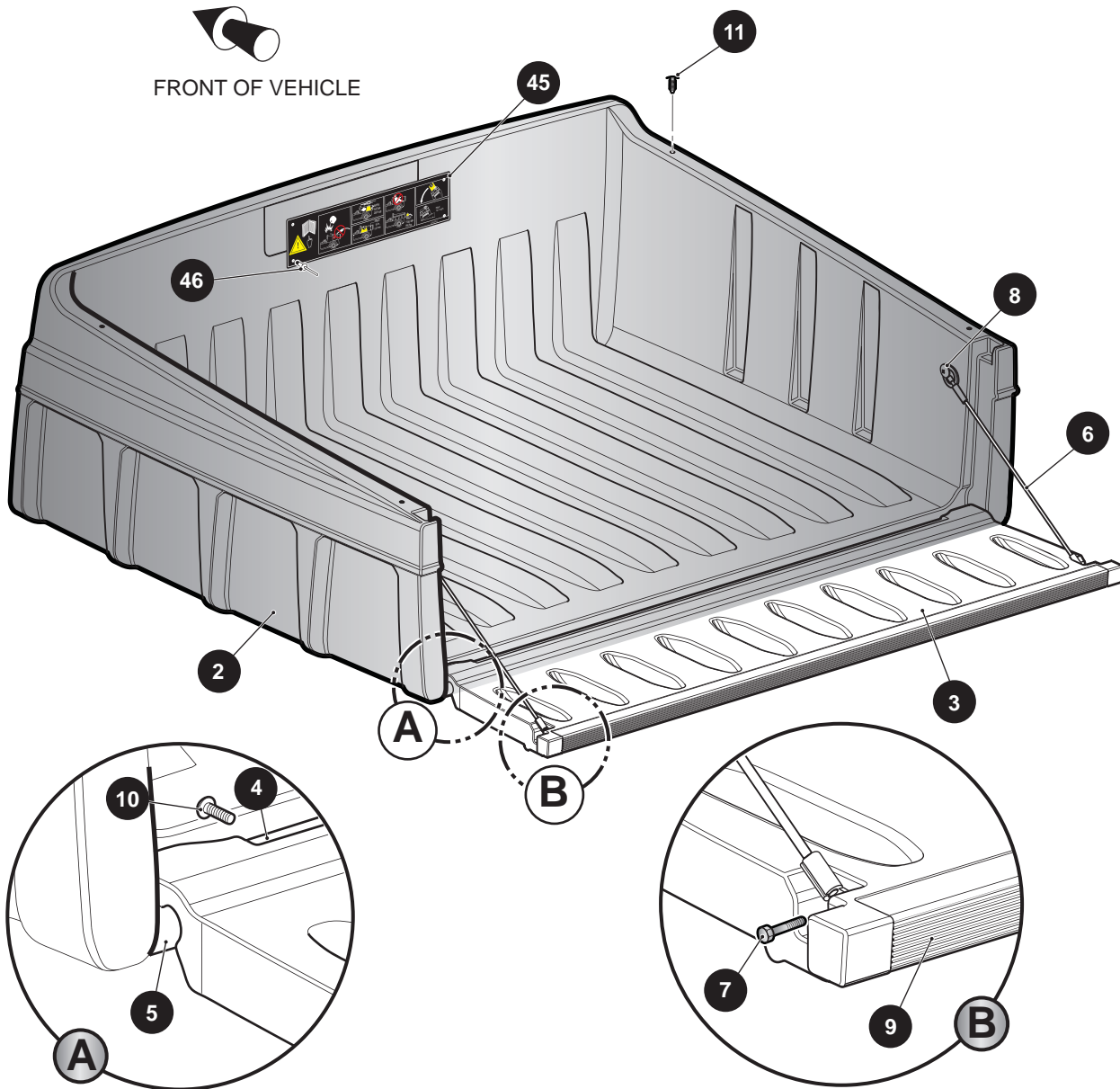
\* Indicates a component that is not available as an individual part.

\*\*\* Indicates consult Customer Service Department for additional information.

ITEM	PART NO.	1 2 3 4 5	DESCRIPTION	QTY.
58	00427G8		HEX HEAD BOLT, 3/8" - 16 X 2" LG .....	6
59	630673		CARRIAGE BOLT, 3/8" - 16 X 2 1/4" LG .....	4
60	01110G01		FLAT WASHER, 1/4" .....	4
61	605056		HEX HEAD BOLT - WITH PATCH LOCK, 1/4" - 20 X 1" LG .....	4
62	16705G1		TRUSS HEAD PHILLIPS SCREW (SS), 1/4" - 20 X 1" LG .....	4
63	71425G01		TAPPING SCREW, #8 - 18" X 0.75" LG .....	10
64	71262G04		SEAT BACK SUPPORT .....	1
65	00438G8		HEX HEAD BOLT, 5/16" - 18 X 0.875" LG .....	2
66	00642G8		FLAT WASHER, 5/16" .....	4
67	11098G6		LOCK NUT, 5/16" - 18.....	2
68	19853G1		TUBE CAP .....	2
69	628915		PLUG, 1.5" O.D.....	4
70	630643		LOCK NUT, 3/8" - 16.....	6
71	619756		RUBBER BUMPER.....	2
72	616671		FLAT WASHER, 8MM.....	2
73	800344		TAPPING SCREW .....	2
74	630674		HEX HEAD BOLT, 3/8" - 16 X 3.25" LG .....	2
75	628577		HEADREST .....	4
76	629666		HEADREST PLATE .....	2
77	629642		PLASTIC GROUND CLAMP.....	2
78	627786		BAR CLAMP .....	2
79	01102G01		CARRIAGE BOLT, 1/4" - 20 X 1 1/2" LG .....	4
80	14390G4		LOCK NUT, 1/4" - 20.....	4
81	631178		UPPER HEAD SUPPORT BRACKET .....	2
82	631973		BUCKLE AND BRACKET ASSEMBLY, 13.5" LG .....	2
83	635630		TORX BUTTON HEAD BOLT, 7/16" - 20 X 1.25" LG.....	2
84	00560G3		FLAT WASHER, 3/8" .....	2
85	00734G3		LOCK NUT, 7/16" - 14.....	2
86	631179		LOWER HEAD SUPPORT BRACKET .....	2

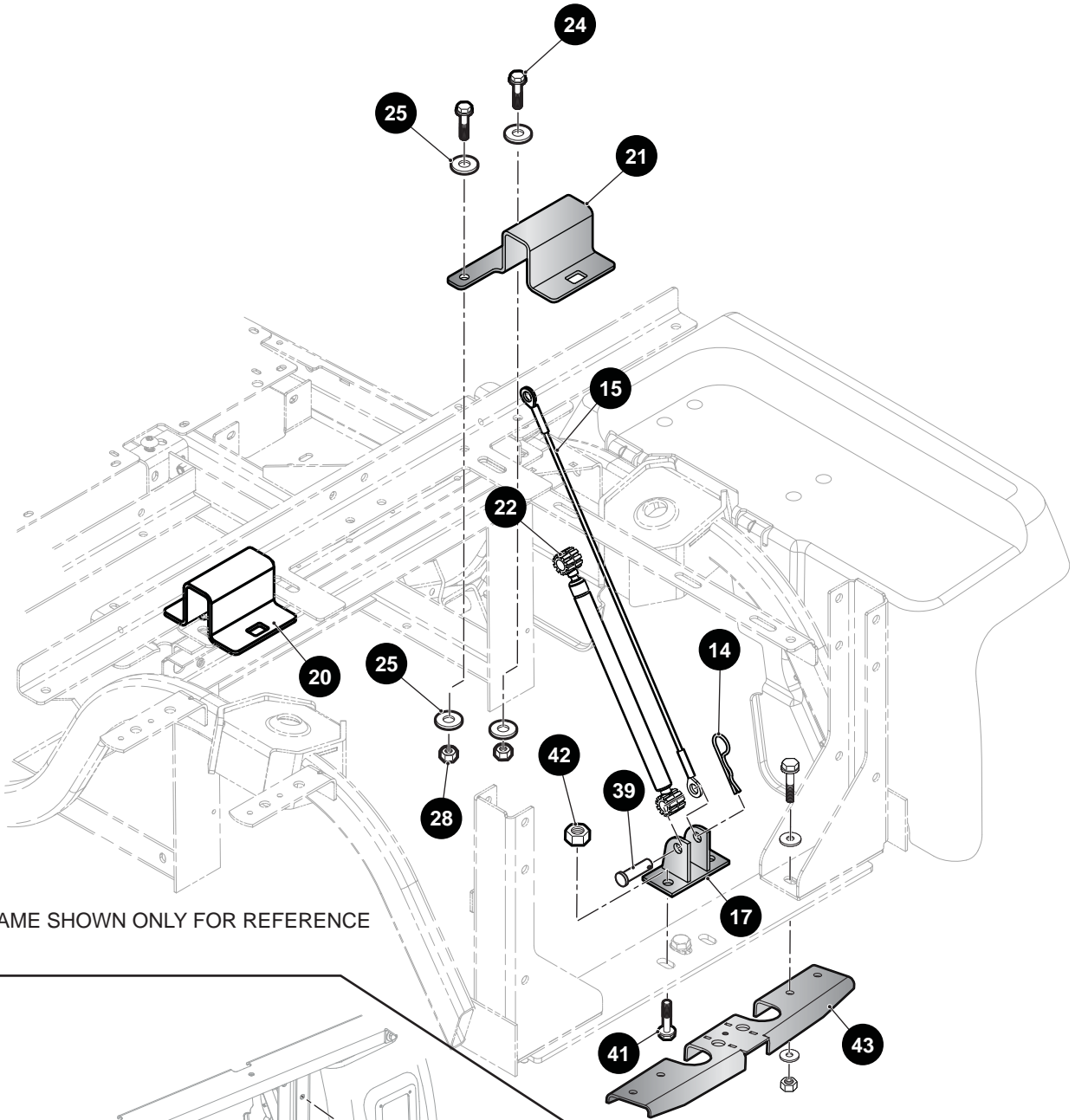
# ROTOMOLD - MANUAL LIFT

1 PLASTIC BED ASSEMBLY includes items 2 - 11

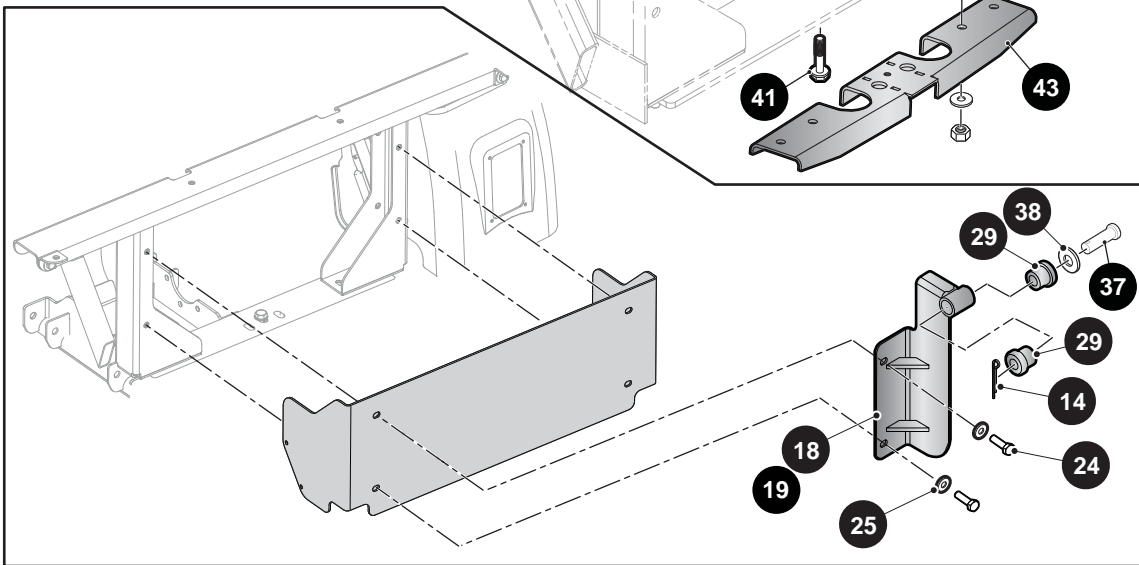




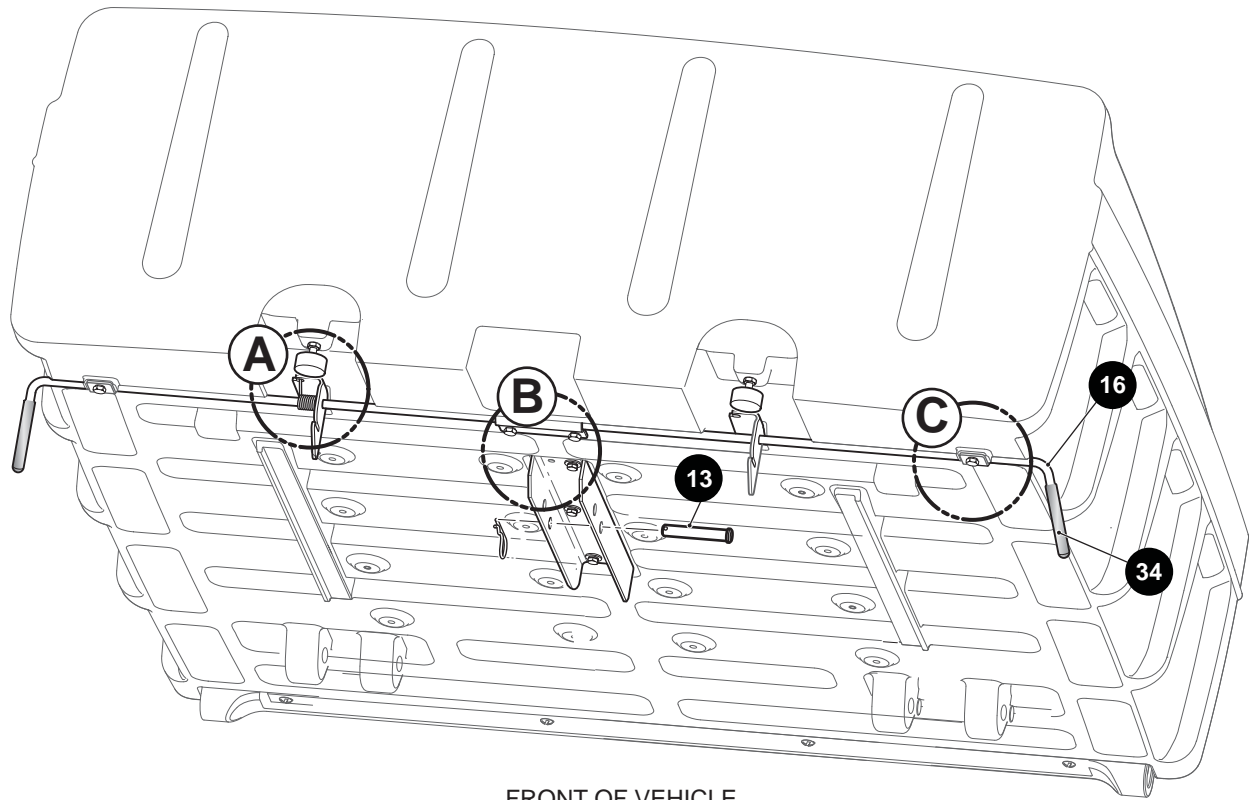
# ROTOMOLD - MANUAL LIFT



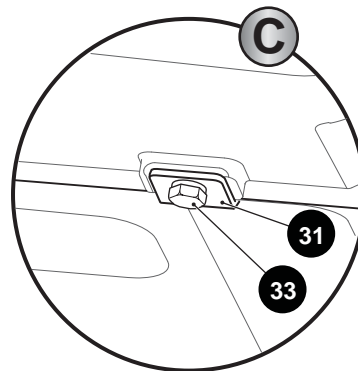
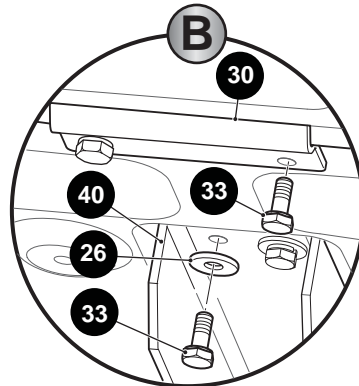
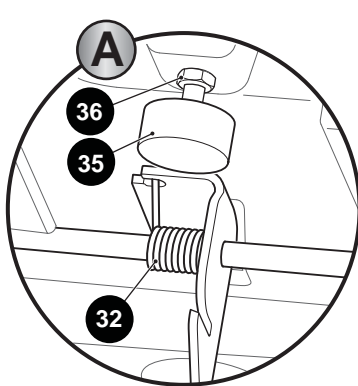
FRAME SHOWN ONLY FOR REFERENCE



# ROTOMOLD - MANUAL LIFT



FRONT OF VEHICLE



# ROTOMOLD - MANUAL LIFT

When ordering parts, please specify the model and serial number of the product.

\* Indicates a component that is not available as an individual part.

\*\*\* Indicates consult Customer Service Department for additional information.

ITEM	PART NO.	1 2 3 4 5	DESCRIPTION	QTY.
1	72647G01		PLASTIC BED ASSEMBLY (INCLUDES ITEMS 2 - 11).....	1
2	72648G01		PLASTIC BED, 36".....	1
3	72649G01		PLASTIC TAILGATE, 36".....	1
4	73450G01		BOWED ANGLE.....	1
5	73454G01		PIVOT SHAFT.....	2
6	73455G02		TAILGATE CABLE ASSEMBLY.....	2
7	00415G2		HEX HEAD BOLT, 1/4" - 20 X 1 1/4".....	2
8	73460G01		SHOULDER BOLT, 1/4" - 20 x 3/4".....	2
9	73449G01		CHANNEL EXTRUSION.....	1
10	16705G2		PAN HEAD SCREW, 1/4" - 20 X 5/8".....	4
11	16816G5		RACHET FASTENER, 3/16" X 1/2".....	4
12				
13	14443G10		CLEVIS PIN, 0.50 X 3.00.....	1
14	21683G1		COTTER PIN, 15/32" X 2 11/16".....	4
15	602904		BED TETHER CABLE.....	1
16	74962G01		BED LATCH WELDMENT.....	1
17	71283G02		ELECTRIC LIFT BRACKET WELDMENT.....	1
18	629465G01		PLASTIC BED MOUNT WELDMENT, LH.....	1
19	629465G02		PLASTIC BED MOUNT WELDMENT, RH.....	1
20	629514G01		LATCH BRACKET, LH.....	1
21	629514G02		LATCH BRACKET, RH.....	1
22	71537G02		GAS SPRING.....	1
23				
24	00427G2		HEX HEAD BOLT, 3/8" - 16 X 1.25 LG.....	8
25	00643G1		FLAT WASHER, 3/8".....	12
26	00642G7		FLAT WASHER, 5/16".....	6
27				
28	11098G5		PLASTIC INSERT LOCK NUT, 3/8" - 16.....	4
29	624030		FLANGED BUSHING.....	4
30	71477G02		LATCH RETAINER BRACKET.....	1
31	71099G02		LATCH PLATE.....	2

# ROTOMOLD - MANUAL LIFT

When ordering parts, please specify the model and serial number of the product.

\* Indicates a component that is not available as an individual part.

\*\*\* Indicates consult Customer Service Department for additional information.

ITEM	PART NO.	1 2 3 4 5	DESCRIPTION	QTY.
32	71538G01		TORSION SPRING .....	1
33	01118G01		HEX HEAD SCREW W/ PATCH LOCK, 1/4" - 20 .....	10
34	71704G01		HANDLE GRIP .....	2
35	70113G01		ADJUSTABLE RUBBER BUMPER .....	2
36	11027G1		FLANGED LOCK NUT, 5/16" - 18 .....	2
37	71571G01		CLEVIS PIN, 1/2" X 5.25 .....	2
38	00571G5		FLAT WASHER, 5/16" .....	2
39	14443G12		CLEVIS PIN, 0.50 X 2.22 .....	1
40	71569G02		GAS SPRING CHANNEL .....	1
41	00463G4		HEX HEAD BOLT, 7/16" - 14 .....	2
42	00734G1		PLASTIC INSERT LOCK NUT, 7/16" - 14 .....	2
43	74348G03		RR HITCH RECEIVER, W/ RELIEF WELDMENT .....	1
44				
45	74821G01		BED CAPACITY LABEL (500 LB) .....	1
46	71055G01		RIVET, 3/16" .....	5
47				
48				
49				
50				
51				
52				
53				
54				
55				
56				
57				
58				
59				
60				
61				
62				





# ALUMINUM BED - MANUAL LIFT

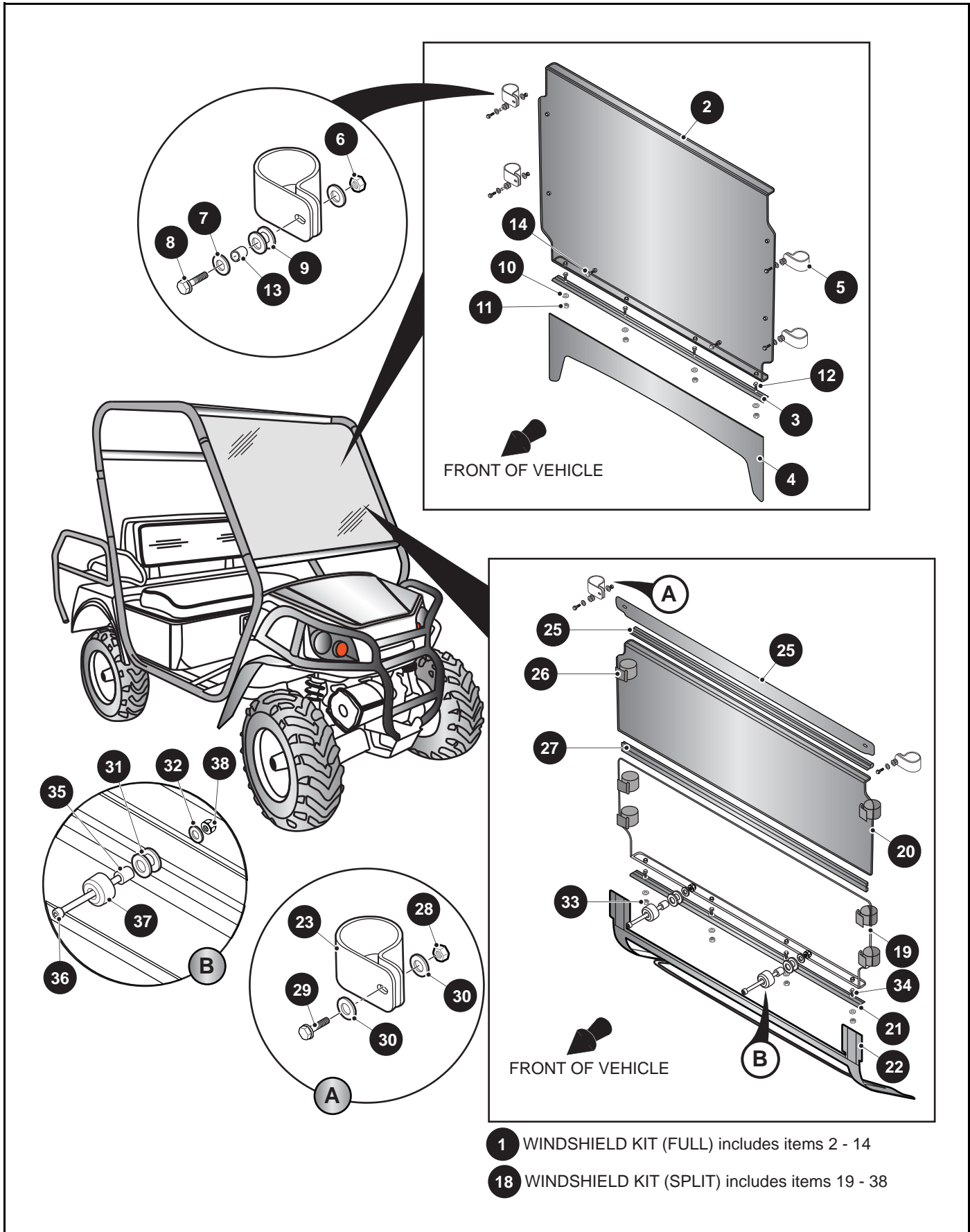
When ordering parts, please specify the model and serial number of the product.

\* Indicates a component that is not available as an individual part.

\*\*\* Indicates consult Customer Service Department for additional information.

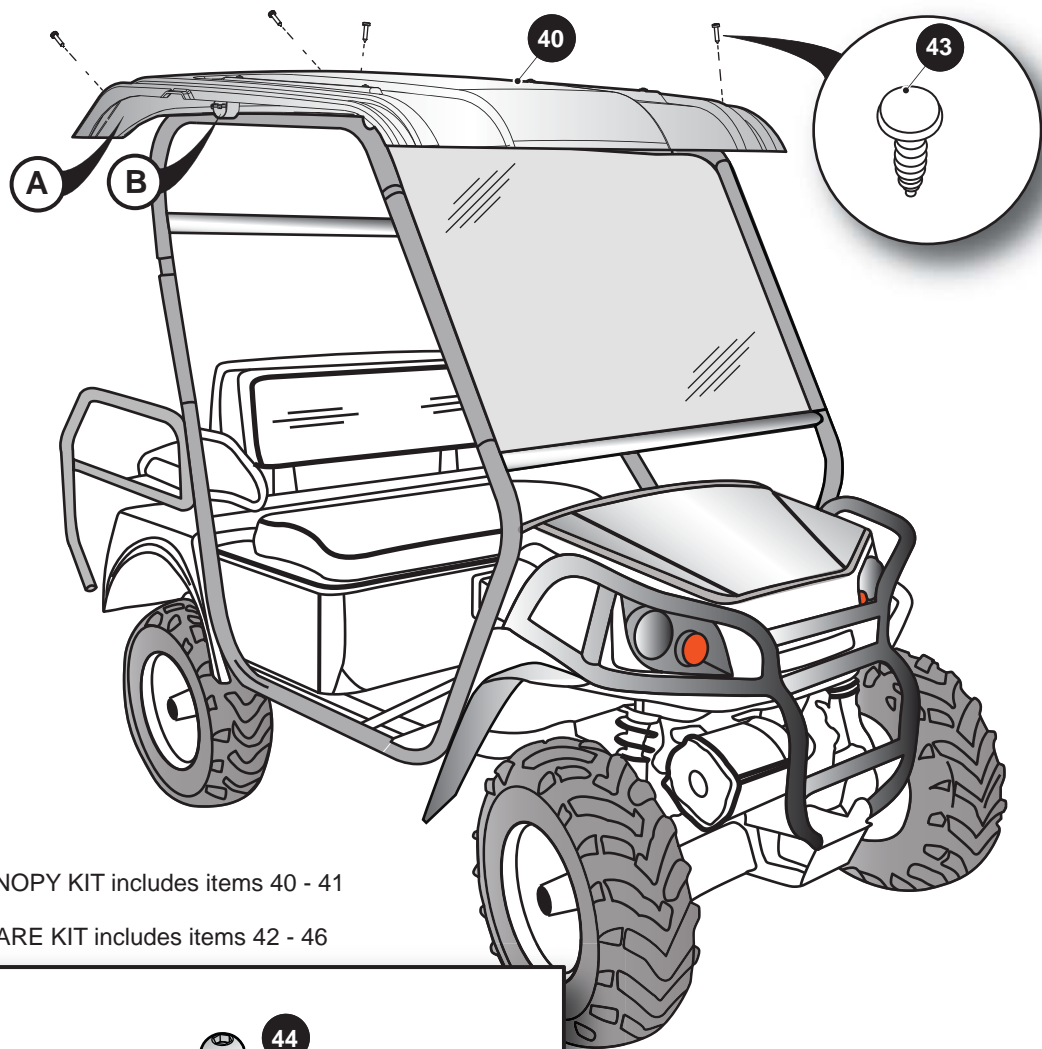
ITEM	PART NO.	1 2 3 4 5	DESCRIPTION	QTY.
63	628000		ALUMINUM BED .....	1
64	14443G10		CLEVIS PIN, 1.0" X 2.406" LG .....	1
65	21683G1		COTTER PIN, 15/32" - 2 11/16" .....	1
66	602904		BED TETHER CABLE .....	1
67	74348G03		RR HITCH RECEIVER, W/ RELIEF WELDMENT .....	1
68	71283G02		ELECTRIC LIFT BRACKET WELDMENT .....	1
69	629507G01		ALUMINUM BED MOUNT WELDMENT, LH .....	1
70	629507G02		ALUMINUM BED MOUNT WELDMENT, RH .....	1
71				
72				
73	71537G02		GAS SPRING .....	1
74				
75	00427G2		HEX HEAD BOLT, 3/8" - 16 X 1.25 LG .....	4
76	00643G1		FLAT WASHER, 3/8" .....	8
77				
78				
79				
80				
81	624030		FLANGED BUSHING .....	4
82				
83	00463G4		HEX HEAD BOLT, 7/16" - 14 .....	2
84	00734G1		PLASTIC INSERT LOCK NUT, 7/16" - 14 .....	2
85				
86				
87	71099G02		LATCH PLATE .....	2
88	01118G01		HEX HEAD SCREW W/ PATCH LOCK, 1/4" - 20 .....	4
89	74962G01		BED LATCH WELDMENT .....	1
90	71538G01		TORSION SPRING .....	1
91	71704G01		HANDLE GRIP .....	2
92	71477G02		RETAINER BRACKET .....	1
93				

# WEATHER PROTECTION



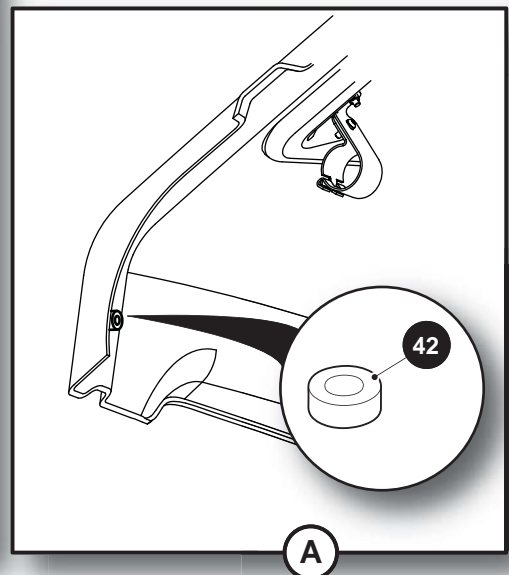
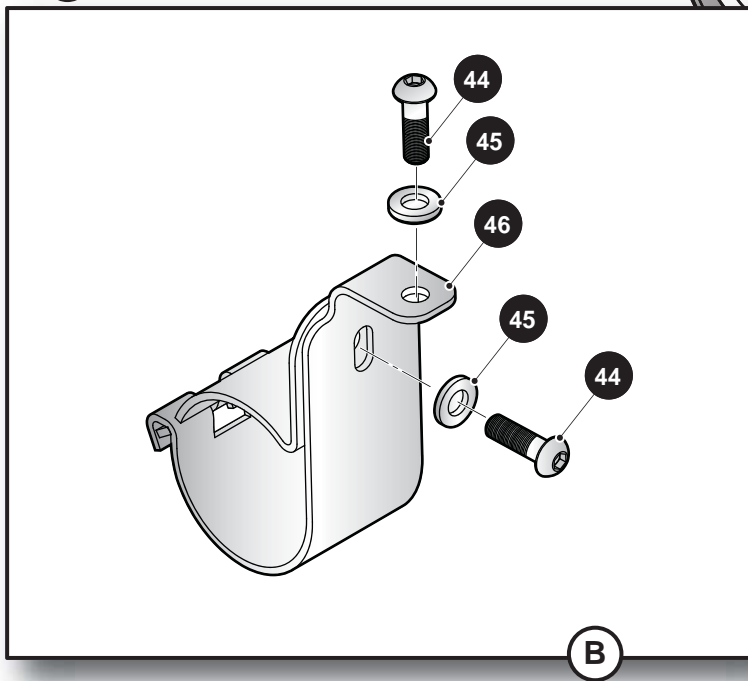


# WEATHER PROTECTION



**39** TOP CANOPY KIT includes items 40 - 41

**41** HARDWARE KIT includes items 42 - 46



# WEATHER PROTECTION

When ordering parts, please specify the model and serial number of the product.

\* Indicates a component that is not available as an individual part.

\*\*\* Indicates consult Customer Service Department for additional information.

ITEM	PART NO.	1 2 3 4 5	DESCRIPTION	QTY.
1	627079		WINDSHIELD KIT (FULL) (INCLUDES ITEMS 2 - 14) .....	1
2	*		WINDSHIELD .....	1
3	*		ALUMINUM AWNING MOLDING .....	1
4	*		TEXTILE SKIRT PLACEHOLDER .....	1
5	*		PLASTIC CLAMP, 1.75" .....	4
6	*		HEX NUT, M6.....	6
7	*		WASHER, 6MM .....	12
8	*		HEX HEAD BOLT, M6 X 30 LG.....	4
9	*		WINDSHIELD GROMMET.....	6
10	*		WASHER, 5MM .....	8
11	*		HEX NUT, M5.....	4
12	*		HEX BOLT, M5 X 0.8 X 20 LG .....	4
13	*		CRUSH SLEEVE .....	6
14	*		HEX CAP SCREW, M6 X 65.....	2
15				
16				
17				
18	627080		WINDSHIELD KIT (SPLIT) (INCLUDES ITEMS 19 - 38) .....	1
19	*		WINDSHIELD BOTTOM .....	1
20	*		WINDSHIELD TOP .....	1
21	*		ALUMINUM AWNING MOLDING .....	1
22	*		TEXTILE SKIN PLACEHOLDER .....	1
23	*		PLASTIC CLAMP, 1.75" .....	2
24	*		UPPER METAL SEAL.....	1
25	*		UNIGRIP, 41.5" .....	1
26	*		TEXTILE STRAP .....	6
27	*		SLOTTED LIVING HINGE .....	1
28	*		HEX NUT, 0.250 - 20 .....	2
29	*		HEX HEAD BOLT, 0.25 - 20 X 1.25 X 0.75 LG .....	2
30	*		FLAT WASHER, 6MM.....	4
31	*		GROMMET .....	2

# WEATHER PROTECTION

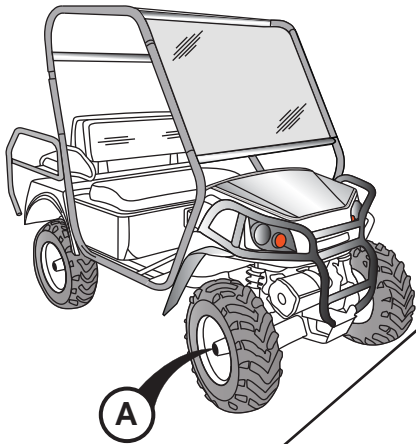
When ordering parts, please specify the model and serial number of the product.

\* Indicates a component that is not available as an individual part.

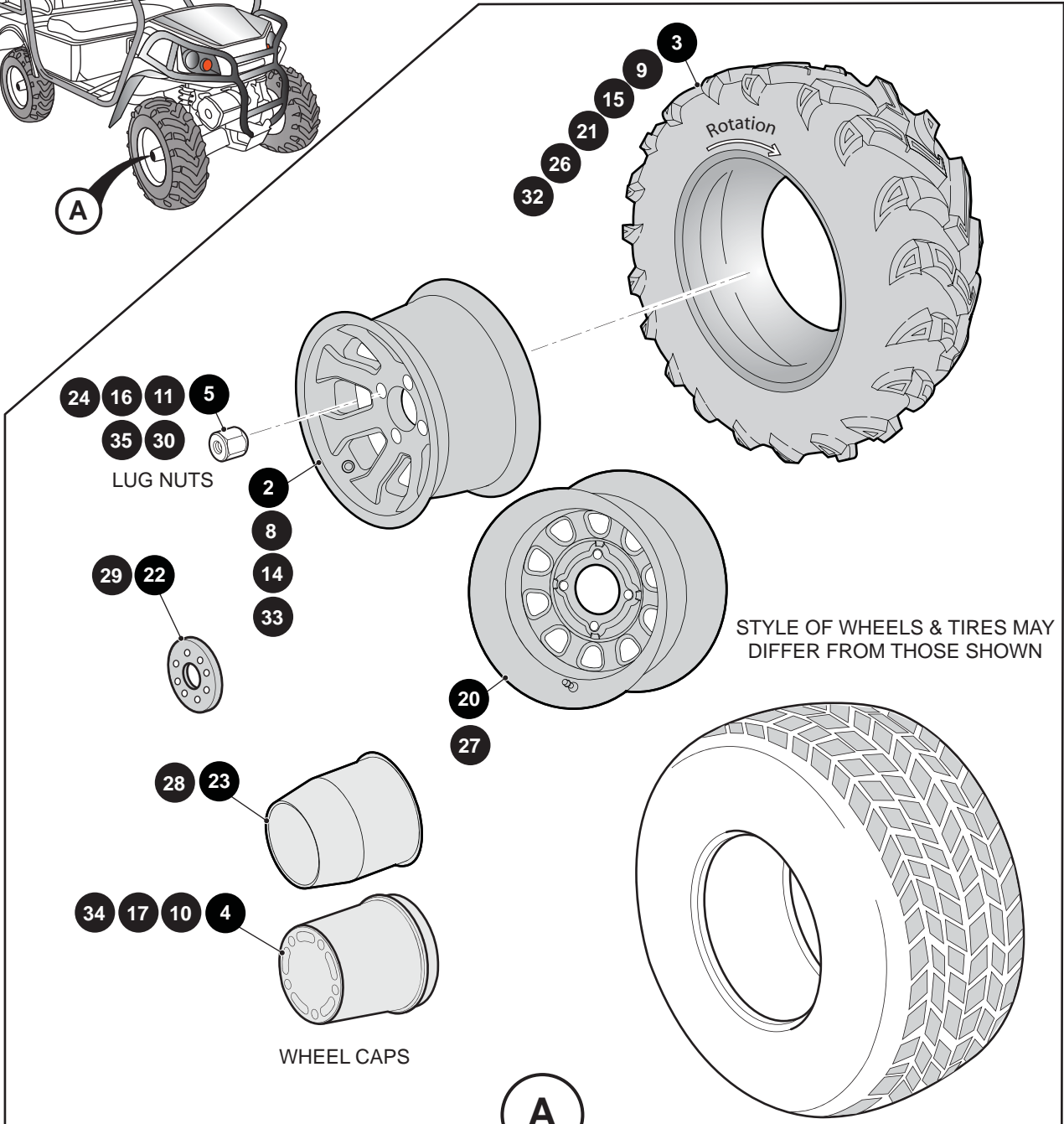
\*\*\* Indicates consult Customer Service Department for additional information.

ITEM	PART NO.	1	2	3	4	5	DESCRIPTION	QTY.
32	*						WASHER, 5MM.....	10
33	*						HEX NUT, M5.....	4
34	*						SCREW, 0.19 - 24 X 0.75 X 0.75.....	4
35	*						CRUSH SLEEVE.....	2
36	*						HEX SCREW, 0.19 - 24 X 2.75 X 0.875.....	2
37	*						BUMPER.....	2
38	*						NUT.....	2
39	628584						TOP CANOPY KIT (INCLUDES ITEMS 40 - 41).....	1
40	627077						TOP CANOPY.....	1
41	628585						HARDWARE KIT (INCLUDES ITEMS 42 - 46).....	1
42	818303						RUBBER SPACER.....	4
43	616720						CHRISTMAS TREE PUSH RIVETS.....	4
44	606264						HEX BOLT, M6 - 1 X 20 LG.....	8
45	00915G1						FLAT WASHER, 1/4" I.D.....	8
46	*						CLAMP - 2 PIECE, 90 BEND.....	4

# WHEELS AND TIRES



- 1** WHEEL & TIRE ASSEMBLY includes items 2 - 3
- 6** **7** WHEEL & TIRE ASSEMBLY includes items 8 - 9
- 12** **13** WHEEL & TIRE ASSEMBLY includes items 14 - 15



- 18** **19** WHEEL & TIRE ASSEMBLY includes items 20 - 21
- 25** WHEEL & TIRE ASSEMBLY includes items 26 - 27
- 31** WHEEL & TIRE ASSEMBLY includes items 32 - 33

# WHEELS AND TIRES

When ordering parts, please specify the model and serial number of the product.

\* Indicates a component that is not available as an individual part.

\*\*\* Indicates consult Customer Service Department for additional information.

ITEM	PART NO.	1 2 3 4 5	DESCRIPTION	QTY.
1	627555		WHEEL AND TIRE ASSEMBLY (INCLUDES ITEMS 2 - 3) .....	4
2	616116		BLACK ALUMINUM WHEEL RIM, 12 X 7.....	4
3	627556		JOURNEY TIRE, 25 X 10 X 12 .....	4
4	630106		CENTER WHEEL CAP .....	4
5	616823		BLACK ALUMINUM LUG NUT, 1/2" - 13 .....	16
6	616824		WHEEL AND TIRE ASSEMBLY (PASSENGER SIDE) (INCLUDES ITEMS 8 - 9) .....	2
7	616825		WHEEL AND TIRE ASSEMBLY (DRIVER SIDE) (INCLUDES ITEMS 8 - 9) .....	2
8	616116		BLACK ALUMINUM WHEEL RIM, 12 X 7.....	2
9	616120		MUDLITE TIRE, 25 X 10 X 12.....	2
10	630106		CENTER WHEEL CAP .....	4
11	616823		BLACK ALUMINUM, LUG NUT, 1/2" - 13.....	16
12	616828		WHEEL AND TIRE ASSEMBLY (PASSENGER SIDE) (INCLUDES ITEMS 14 - 15) .....	2
13	616829		WHEEL AND TIRE ASSEMBLY (DRIVER SIDE) (INCLUDES ITEMS 14 - 15) .....	2
14	616114		BRUSHED ALUMINUM WHEEL RIM, 12 X 7.....	2
15	616120		MUDLITE TIRE, 25 X 10 X 12.....	2
16	605310		CHROME LUG NUT, 1/2" - 20 .....	16
17	614272		CENTER WHEEL CAP .....	4
18	631045		WHEEL AND TIRE ASSEMBLY (PASSENGER SIDE) (INCLUDES ITEMS 20 - 21) .....	2
19	631042		WHEEL AND TIRE ASSEMBLY (DRIVER SIDE) (INCLUDES ITEMS 20 - 21) .....	2
20	631041		STEEL WHEEL RIM, 12 X 7 .....	2
21	616120		MUDLITE TIRE, 25 X 10 X 12.....	2
22	631744		SPACER, 152 MM .....	4
23	630268		CENTER WHEEL CAP, BLACK.....	4
24	14723G1		LUG NUT, 1/2" - 20 .....	16
25	631048		WHEEL AND TIRE ASSEMBLY (INCLUDES ITEMS 26 - 27) .....	4
26	627556		JOURNEY TIRE, 25 X 10 X 12 .....	4
27	631041		STEEL WHEEL RIM, 12 X 7 .....	4

# WHEELS AND TIRES

When ordering parts, please specify the model and serial number of the product.

\* Indicates a component that is not available as an individual part.

\*\*\* Indicates consult Customer Service Department for additional information.

ITEM	PART NO.	1 2 3 4 5	DESCRIPTION	QTY.
28	630268		CENTER WHEEL CAP, BLACK .....	4
29	631744		SPACER, 152 MM .....	4
30	14723G1		LUG NUT, 1/2" - 20 .....	16
31	630101		WHEEL AND TIRE ASSEMBLY (INCLUDES ITEMS 32 - 33) .....	4
32	627556		JOURNEY TIRE, 25 X 10 X 12 .....	4
33	616114		BRUSHED WHEEL, 12 X 7 .....	4
34	614272		CENTER WHEEL CAP .....	4
35	605310		CHROME LUG NUT, 1/2" - 20 .....	16





**Bad Boy Buggies**

**1451 Marvin Griffin Rd.**

**Augusta, GA 30906**

**PHONE: 800.448.7476**

**E-mail: [info@badboybuggies.com](mailto:info@badboybuggies.com)**

**Copyrighted Material**

**This manual may not be reproduced in whole or  
in part without the express permission of BBuggies Inc.**