

BAD BOY
BUGGIES

SERVICE PARTS MANUAL



ISSUED JULY 2012

630790
REVISED JULY 2014

SERVICE PARTS MANUAL

HYBRID UTILITY VEHICLES

AMBUSH

Starting Model Year 2013

Never modify the vehicle in any way that will alter the weight distribution of the vehicle, decrease its stability or increase the speed beyond the factory specifications. Such modifications can cause serious personal injury or death. Bad Boy Buggies prohibits and disclaims responsibility for any such modifications or any other alteration which would adversely affect the safety of the vehicle.

BB Buggies Inc. reserves the right to incorporate engineering and design changes to products in this manual, without obligation to include these changes on units sold previously.

The information contained in this manual may be revised periodically by BB Buggies Inc., and therefore is subject to change without notice.

BB Buggies Inc. DISCLAIMS LIABILITY FOR ERRORS IN THIS MANUAL, and SPECIFICALLY DISCLAIMS LIABILITY FOR INCIDENTAL AND CONSEQUENTIAL DAMAGES resulting from the use of the information and materials in this Manual.

TO CONTACT US

Bad Boy Buggies
1451 Marvin Griffin Rd.
Augusta, GA. 30906

FAX: 855-256-9900

E-mail: info@badboybuggies.com

**For parts and repair contact your local dealer. To locate a local dealer please go online to our website:
www.BADBOYBUGGIES.com**



NOTES

This vehicle has been designed and manufactured in the United States of America (USA) as a 'World Vehicle'. The Standards and Specifications listed in the following text originate in the USA unless otherwise indicated.

The use of non Original Equipment Manufacturer (OEM) approved parts may void the warranty.

Overfilling battery may void the warranty.

Tampering with or adjusting the governor to permit vehicle to operate at above factory specifications will void the vehicle warranty.

When servicing engines, all adjustments and replacement components must be per original vehicle specifications in order to maintain the United States of America Federal and State emission certification applicable at the time of manufacture.

BATTERY PROLONGED STORAGE

All batteries will self discharge over time. The rate of self discharge varies depending on the ambient temperature and the age and condition of the batteries.

A fully charged battery will not freeze in winter temperatures unless the temperature falls below -75° F (-60° C).

For winter storage, the batteries must be clean, fully charged and disconnected from any source of electrical drain. The battery charger and the controller are both sources of electrical drain. Unplug the battery charger DC plug from the vehicle receptacle.

As with all electric vehicles, the batteries must be checked and recharged as required or at a minimum of 30 day intervals.

BATTERY DISPOSAL

Lead-acid batteries are recyclable. Return whole scrap batteries to distributor, manufacturer or lead smelter for recycling. For neutralized spills, place residue in acid-resistant containers with absorbent material, sand or earth and dispose of in accordance with local, state and federal regulations for acid and lead compounds. Contact local and/or state environmental officials regarding disposal information.

WARRANTY

Separate inserts supplied in packaging with the vehicle provide information on Product Warranty and on Emissions Warranty. Failure to follow instructions for emission parts replacement may violate Federal Law (40 CFR part 1068.105 (b)) and be subject to fines and other penalties as described in the Clean Air Act.

TABLE OF CONTENTS

SECTION	Page No.
HOW TO USE THE SERVICE PARTS MANUAL	v
ACCELERATOR	A-1
AIR FILTER	B-1
BATTERY SYSTEM	C
BATTERIES - GASOLINE POWERTRAIN	C-1
BATTERIES - ELECTRIC POWERTRAIN	C-3
BATTERY CHARGER	C-7
BODY	D
BODY - FRONT	D-1
BODY - MID SECTION	D-3
BODY - REAR	D-5
BODY - ACCESSORIES	D-9
BRAKES	E
BRAKE PEDAL & MASTER CYLINDER	E-1
FRONT HYDRAULIC BRAKES	E-5
REAR HYDRAULIC BRAKES	E-9
PARKING BRAKE	E-13
CLUTCH	F-1
DIRECTION SELECTOR	G-1
ELECTRICAL SYSTEM	H
HARNES	H-1
INSTRUMENTATION	H-9
ELECTRONIC SPEED CONTROL	H-13
ENGINE	J-1
ENGINE MUFFLER	K-1
FRONT AXLE	L-1
FRONT SUSPENSION AND STEERING	M-1
FUEL SYSTEM	N-1
MOTOR	P-1

TABLE OF CONTENTS

SECTION	Page No.
OPERATOR PROTECTION SYSTEM (OPS)	Q
OPS - LOWER	Q-1
OPS - UPPER	Q-5
REAR AXLE	R-1
REAR SUSPENSION	S-1
SEATING	T
FRONT SEAT	T-1
REAR SEAT	T-5
STARTER / GENERATOR	U-1
TRUCK BED	V
ROTOMOLD - MANUAL LIFT	V-1
ROTOMOLD - ELECTRIC LIFT	V-5
ALUMINUM BED - MANUAL LIFT	V-9
ALUMINUM BED - ELCTRIC LIFT	V-11
WEATHER PROTECTION	W
TOPS	W-1
WINDSHIELDS	W-3
WHEELS AND TIRES	X-1

HOW TO USE THE SERVICE PARTS MANUAL

This manual is divided into several sections:

- GENERAL INFORMATION
- ILLUSTRATED PARTS BREAKDOWN
- APPENDIX

The first section, GENERAL INFORMATION, contains the following information:

- WARRANTY INFORMATION
- GENERAL INDEX
- HOW TO USE THE SERVICE PARTS MANUAL

The second section, ILLUSTRATED PARTS BREAKDOWN, contains illustrations and parts lists for all systems of your vehicle.

The third section, APPENDIX, contains a listing of specialty products and accessories.

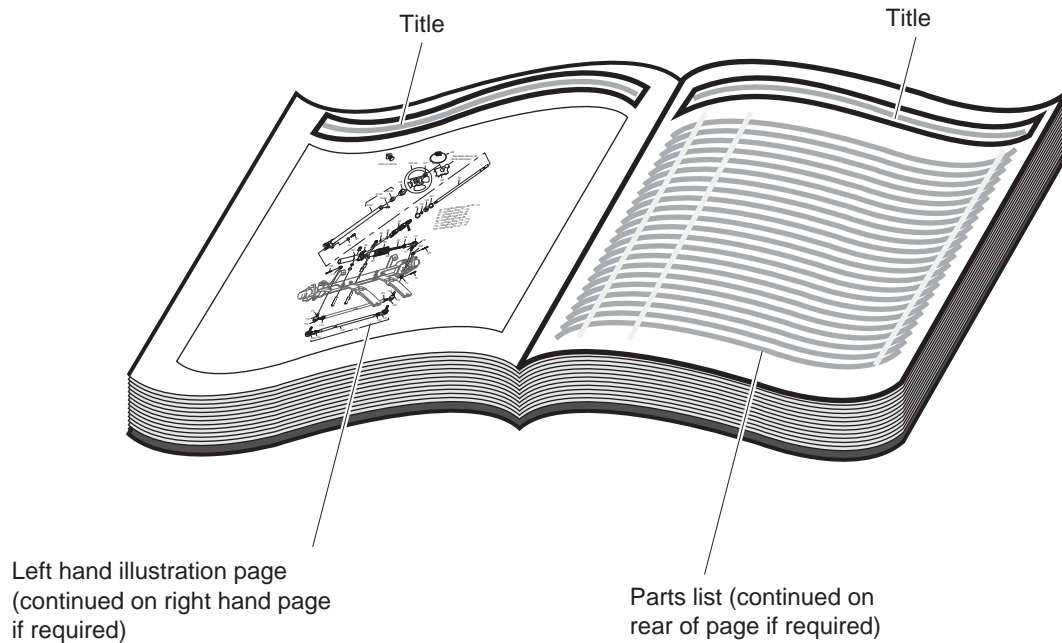
USE OF THE MANUAL

To use this manual, consult the GENERAL INDEX to locate the information or illustration required.

Introduction of some revisions varies due to supply of components; therefore, it is possible that various combinations of components may be found that are not directly reflected by each illustration. Consult the illustration that best suits your situation and then contact the Service Parts Department. It is important that the serial number of your vehicle and its model number be supplied to Service Parts when ordering any replacement components.

Locate the serial number plate (see BODY located in the Illustrated Parts Breakdown section of this manual for its location) and note the complete number shown on the plate.

HOW TO USE THE SERVICE PARTS MANUAL



1. WHEN THE PART NUMBER IS NOT KNOWN

- Determine the function and application of the part required. Turn to the General Index and select the most appropriate title.
- Turn to the page number indicated and locate the desired part on the illustration.
- From the illustration, obtain the item number assigned to the desired part. Refer to the accompanying description for specific information regarding the part.

2. IF YOU KNOW THE PART NUMBER

- Locate the part number or description in the appropriate column on the parts list page.

NOTE: It is suggested that you confirm that the part selected is correct by verifying it with the pictorial representation on the illustrated page.

Should an asterisk (*) appear in the part number column on the parts list page, read upwards until a part number is found. The part number is the lowest assembly sold by Service Parts and the asterisk (*) indicates that the part depicted is not available for purchase.

NOTE: Descriptions are indented under the assembly that they are used on. That assembly is, in turn listed under the assembly that it is used on. This process is repeated until the highest final assembly is reached.

To facilitate the maintenance and repair of the vehicle, a Technician's Repair and Service Manual is available from the Service Parts Department.

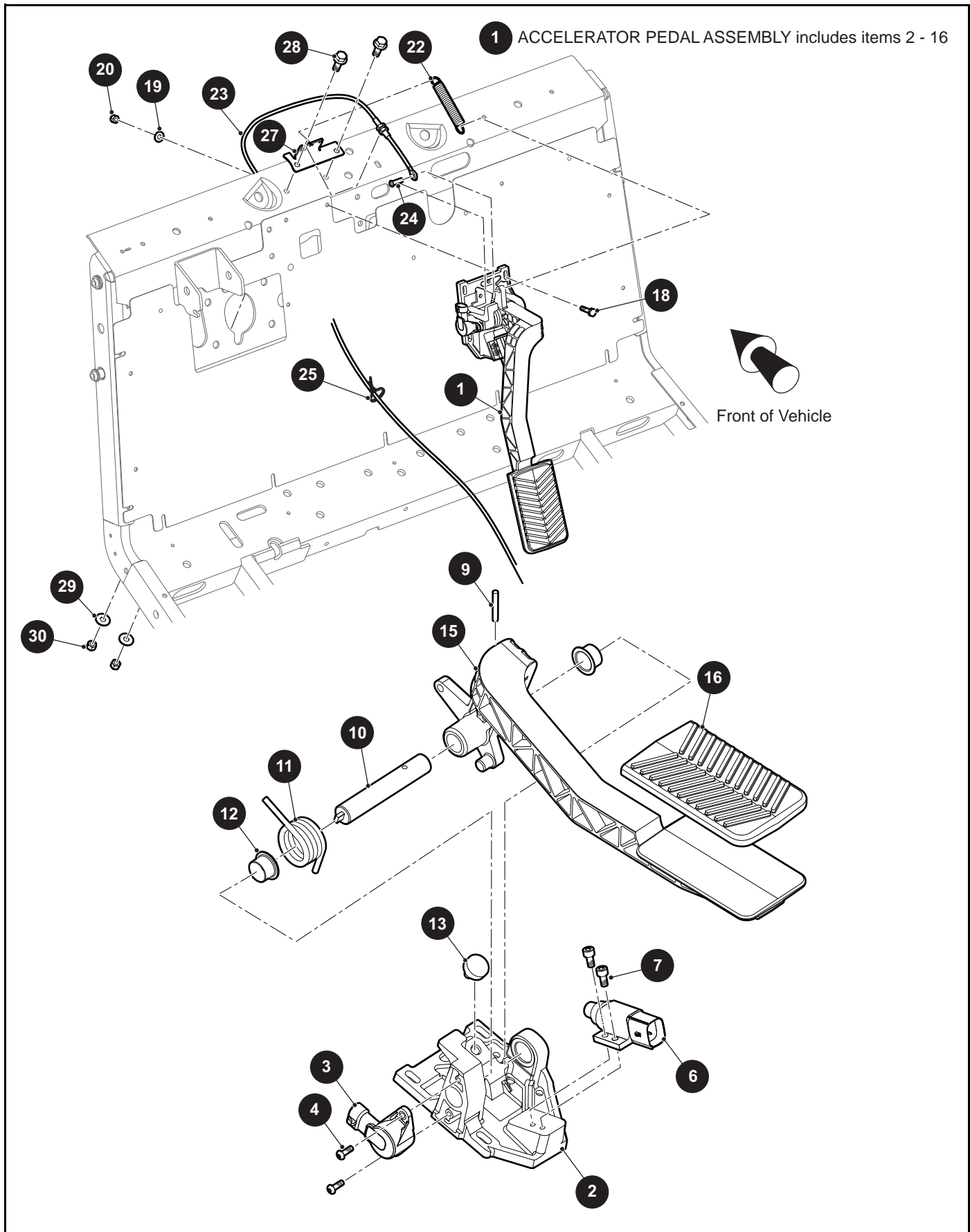
HOW TO USE THE SERVICE PARTS MANUAL

3. COLOR CODE FOR BODY COMPONENTS

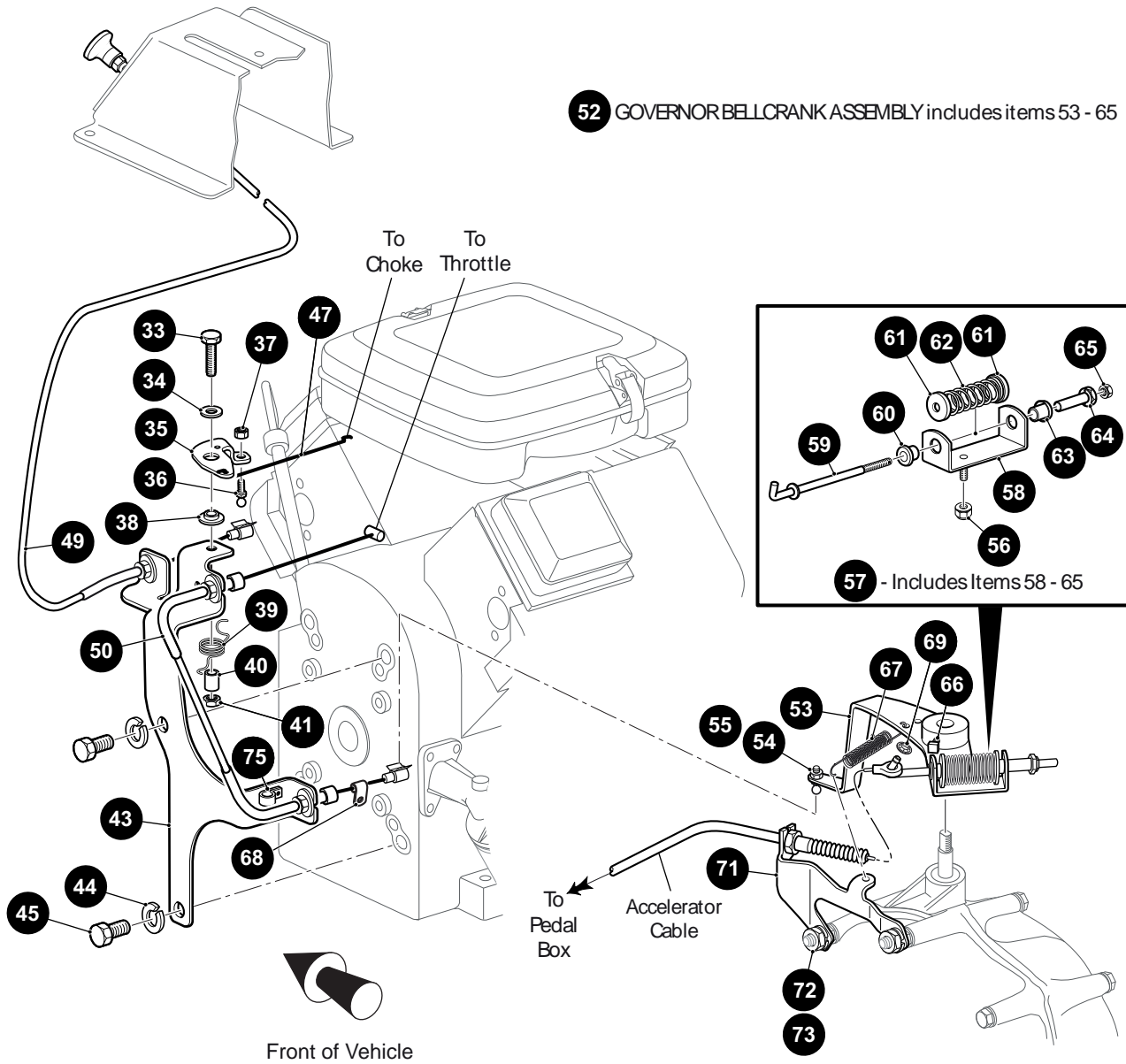
The last two digits of the part number for the body part will denote the color code, locate the part number for the cowl, rear body, seat pod, side panel or seat wrap then locate your color in the list below, replace the last ** or XX with the two digit color code.

<u>CODE #</u>	<u>DESCRIPTION</u>	<u>CODE #</u>	<u>DESCRIPTION</u>
01	NO PAINT	53	MOSSY OAK NEW BREAK UP - DIPPED
02	SPECIAL COLOR	54	MOSSY OAK OBSESSION - DIPPED
05	JACOBSEN ORANGE	55	REALTREE ADVANTAGE MAX 4 - DIPPED
06	LIGHT GOLD PEARL	56	REALTREE HARDWOOD BROWN - DIPPED
07	SILVER PEARL METALIC	57	REALTREE AP HOT PINK - DIPPED
11	BLACK	58	BLACK / SILVER MARBLE - DIPPED
12	EMERALD GREEN PEARL	59	RED / SILVER MARBLE - DIPPED
13	CLOUD GREY	60	HOT PINK / SILVER MARBLE - DIPPED
14	VIPER BLUE METALLIC	61	REALTREE AP
19	PATRIOT BLUE PEARL	62	REALTREE MAX 4
20	INFERNO RED METALLIC	63	MOSSY OAK BREAKUP
23	ADVANTAGE CLASSIC CAMO	64	MOSSY OAK TREESTAND
24	NATURAL	65	REALTREE APG
25	VIVID NEW HOLLAND BLUE	66	REALTREE MAX 1
26	STEEL BLUE PEARL	67	REALTREE AP PINK
27	BRIGHT SILVER METALLIC	68	REALTREE AP - DIPPED
29	PRIMER ONLY		
30	HD ADVANTAGE CAMO		
31	METALLIC CHARCOAL		
32	LIGHT ALMOND PEARL		
33	TIMBERLINE GREEN		
34	DEEP MOLTEN RED		
35	SAFETY YELLOW		
36	CHAMPAGNE BEIGE		
37	HUNTER GREEN		
38	BRIGHT WHITE		
39	FLAME RED		
40	BLACK		
41	ELECTRIC BLUE		
42	PLATINUM		
43	BURGUNDY		
44	ALMOND		
45	BLACK		
46	FLAME RED		
47	BURLINGTON GREEN		
48	BLACK		
49	FLAME RED		
50	RECON GREEN		
51	SUNBURST ORANGE		
52	BRITISH RACING GREEN		

ACCELERATOR



ACCELERATOR



ACCELERATOR

When ordering parts, please specify the model and serial number of the product.

* Indicates a component that is not available as an individual part.

*** Indicates consult Customer Service Department for additional information.

ITEM	PART NO.	1 2 3 4 5	DESCRIPTION	QTY.
1	626804		ACCELERATOR PEDAL ASSEMBLY (INCLUDES ITEMS 2 - 16)	1
2	626140		ACCELERATOR PEDAL BRACKET	1
3	600019		ROTARY POSITION SENSOR	1
4	600543		SCREW, M4 - 0.75" LG	2
5				
6	612889		PEDAL SWITCH	1
7	620030		SOCKET HEAD CAP SCREW, M5 X 0.8" LG	2
8				
9	600683		PIN, 4 MM X 26 MM	1
10	626142		ACCELERATOR PIVOT SHAFT	1
11	613098		TORSION SPRING, 4.5 MM DIA	1
12	625731		FLANGED BUSHING	2
13	604097		REBOUND BUMPER	1
14				
15	627846		SUSPENDED ACCELERATOR PEDAL	1
16	610529		ACCELERATOR PEDAL COVER	1
17				
18	00661G8		BOLT, 1/4 - 20 X 1.0" LG	3
19	01110G01		FLAT WASHER, 1/4"	3
20	14390G4		LOCK NUT, 1/4" - 20	3
21				
22	626608		ACCELERATOR PEDAL HELPER SPRING	1
23	626714		ACCELERATOR PEDAL CABLE	1
24	10386G2		CLEVIS PIN	1
25	31539G1		WIRE TIE	1
26				
27	624540		ACCELERATOR CABLE BRACKET	1
28	13437G3		BOLT, 5/16 - 18 X 1.0" LG	2
29	00642G8		FLAT WASHER, 5/16"	2
30	01109G01		LOCK NUT, 5/16" - 18	2
31				

ACCELERATOR

When ordering parts, please specify the model and serial number of the product.

* Indicates a component that is not available as an individual part.

*** Indicates consult Customer Service Department for additional information.

ITEM	PART NO.	1 2 3 4 5	DESCRIPTION	QTY.
32				
33	00415G2		BOLT, 1/4 - 20 X 1 1/4" LG.....	1
34	00559G7		FLAT WASHER, 1/4"	1
35	75679G01		CHOKE PIVOT LEVER.....	1
36	15944G1		BALL JOINT.....	1
37	00734G5		LOCK NUT, #10 - 32	1
38	75677G01		BUSHING.....	1
39	23577G1		TORSION SPRING.....	1
40	23726G7		SPACER, 9/16"	1
41	14390G4		LOCK NUT, 1/4" - 20.....	1
42				
43	75651G01		CHOKE AND GOVERNOR CABLE BRACKET	1
44	00566G2		LOCK WASHER, 7/16"	2
45	00462G7		BOLT, 7/16 - 14 X 7/8" LG.....	2
46				
47	75650G01		CHOKE LINK	1
48				
49	75712G01		CHOKE CABLE	1
50	75675G01		GOVERNOR CABLE	1
51				
52	75682G01		GOVERNOR BELL CRANK ASSEMBLY (INCLUDES ITEMS 53 - 65).....	1
53	75681G01		GOVERNOR BELL CRANK	1
54	15944G1		BALL JOINT	1
55	00734G5		LOCK NUT, #10 - 32	1
56	14390G4		LOCK NUT, 1/4" - 20	1
57	22751G2		GOVERNOR BRACKET ASSEMBLY (INCLUDES ITEMS 58 - 65).....	1
58	22752G1		GOVERNOR BRACKET	1
59	25274G1		GOVERNOR ROD.....	1
60	22754G2		BUSHING	1
61	25661G01		CUP WASHER	2
62	23578G1		COMPRESSION SPRING.....	1

ACCELERATOR

When ordering parts, please specify the model and serial number of the product.

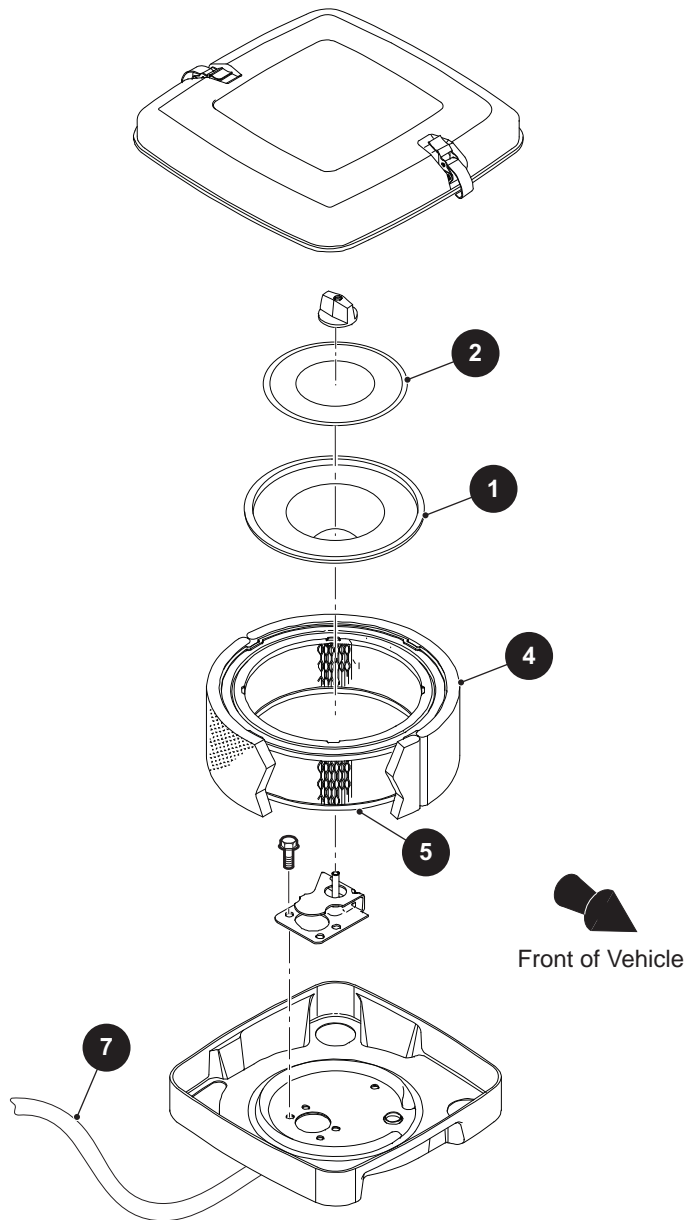
* Indicates a component that is not available as an individual part.

*** Indicates consult Customer Service Department for additional information.

ITEM	PART NO.	1	2	3	4	5	DESCRIPTION	QTY.
63	22754G2						BUSHING	1
64	23859G1						GOVERNOR ADJUSTER	1
65	00526G4						HEX NUT, #10 - 32.....	1
66	71215G01						SET SCREW, 1/4" - 20 X 1/2" LG	2
67	25738G01						SPRING.....	1
68	11845G5						CABLE CLIP, 3/8"	1
69	12064G3						PUSH NUT, 3/16"	1
70								
71	25653G01						ACCELERATOR CABLE BRACKET	1
72	26826G01						LOCK WASHER, 8 MM	2
73	26827G01						DIFFERENTIAL NUT, M8 X 1.25 MM	2
74								
75	75832G01						WIRE AND TUBE RETAINER, 3/8" CAPACITY	1

AIR FILTER

3 PRE CLEANER AND AIRCLEANER CARTRIDGE includes items 4, 5



AIR FILTER

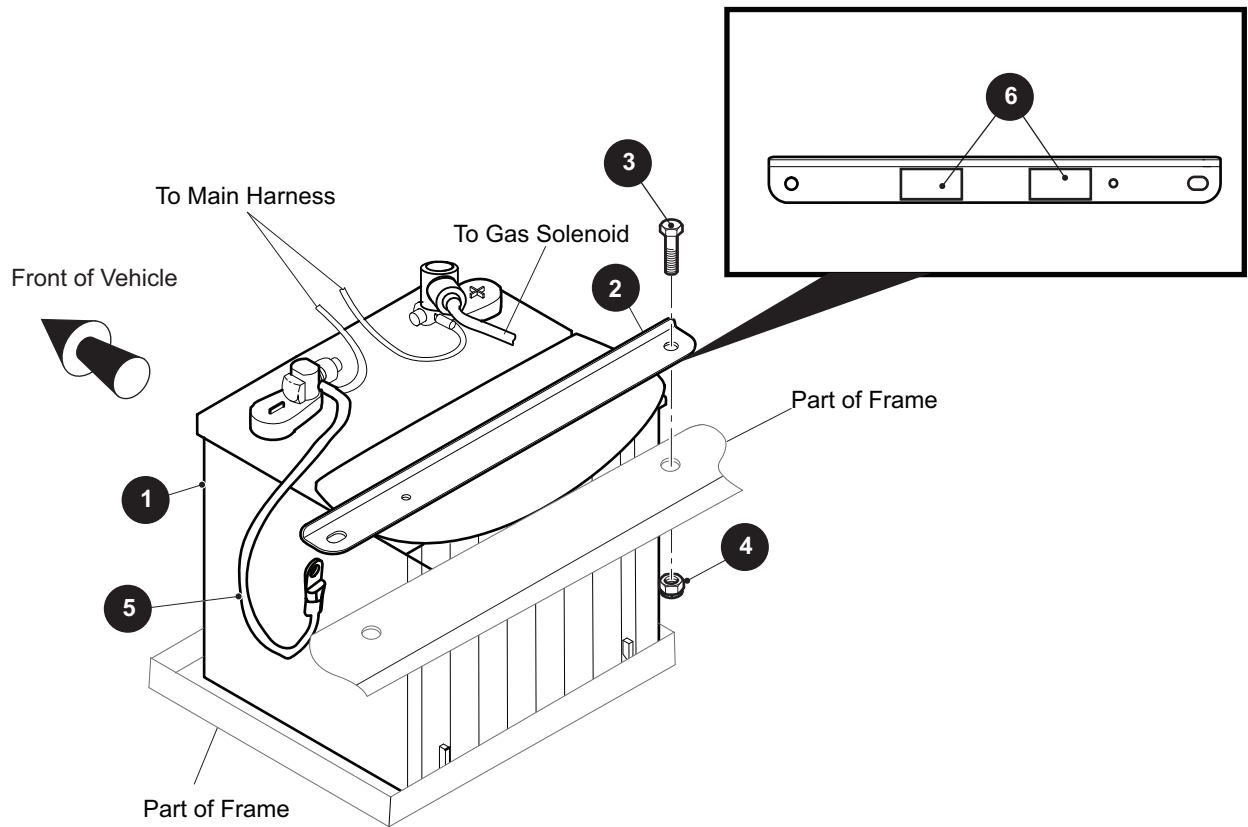
When ordering parts, please specify the model and serial number of the product.

* Indicates a component that is not available as an individual part.

*** Indicates consult Customer Service Department for additional information.

ITEM	PART NO.	1 2 3 4 5	DESCRIPTION	QTY.
1	692079		AIR FILTER RETAINER.....	1
2	74485G01		DECAL	1
3	*		PRE CLEANER AND AIR FILTER CARTRIDGE (INCLUDES ITEMS 4 AND 5)	1
4	394018S		FILTER PRE CLEANER	1
5	272490S		AIR FILTER CARTRIDGE	1
6				
7	615785		HOSE, 609.6 MM.....	1

BATTERY SYSTEM - GAS POWERTRAIN



BATTERY SYSTEM - GAS POWERTRAIN

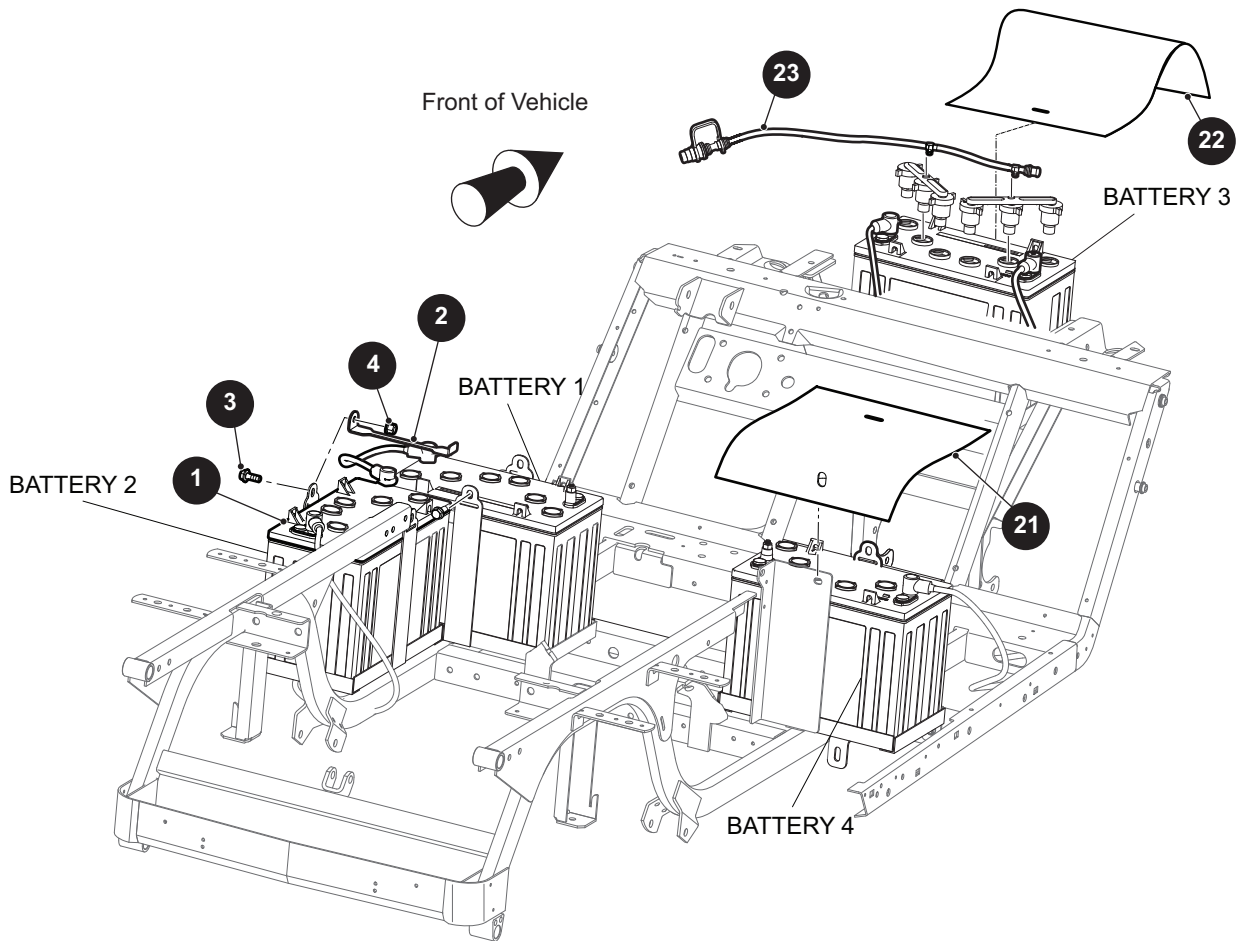
When ordering parts, please specify the model and serial number of the product.

* Indicates a component that is not available as an individual part.

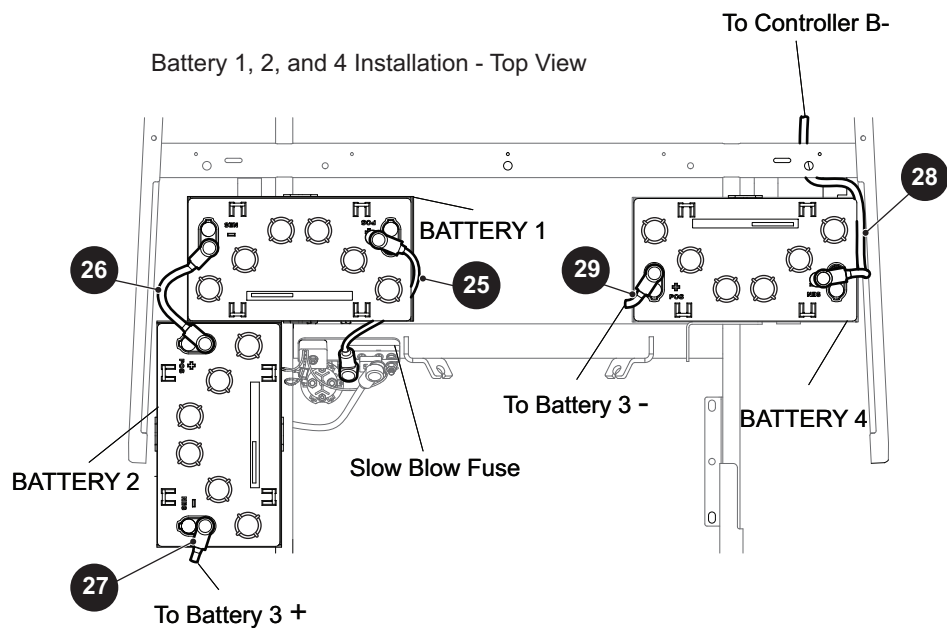
*** Indicates consult Customer Service Department for additional information.

ITEM	PART NO.	1 2 3 4 5	DESCRIPTION	QTY.
1	*		STARTER BATTERY, 12 V	1
2	626723		TIE DOWN BATTERY TRAY	1
3	00426G8		BOLT, 3/8 - 16 X 1.0" LG.....	2
4	12262G1		LOCK NUT, 3/8" - 16.....	2
5	25971G18		#4 AWG WIRE ASSEMBLY	1
6	608513		RUBBER PAD.....	2

BATTERY SYSTEM - ELECTRIC POWERTRAIN

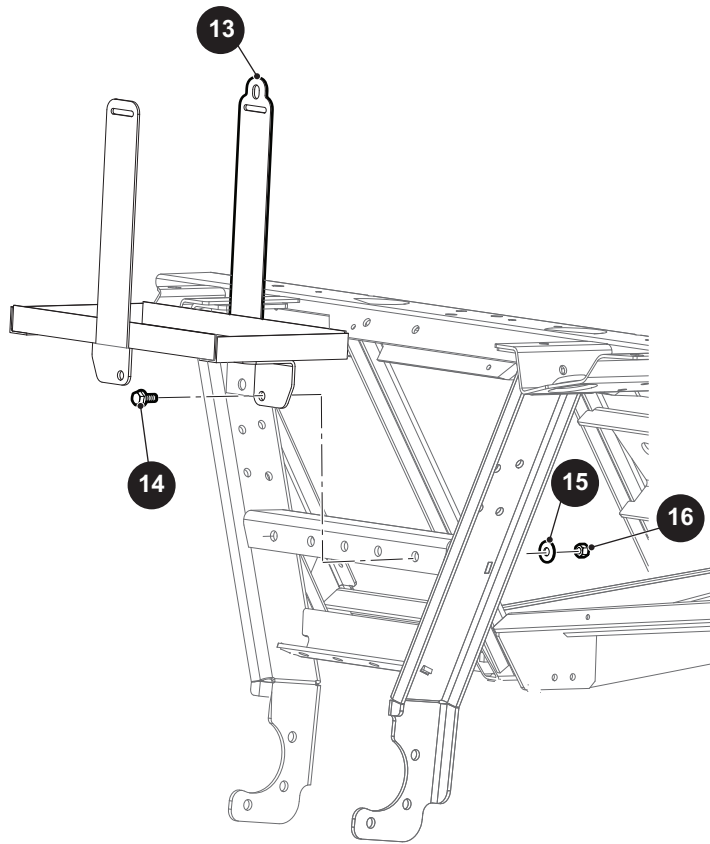
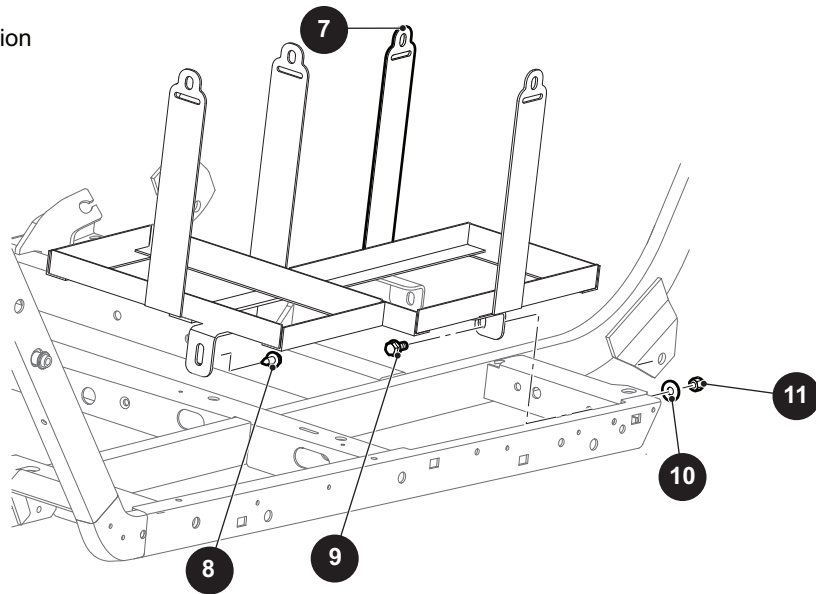


Battery 1, 2, and 4 Installation - Top View

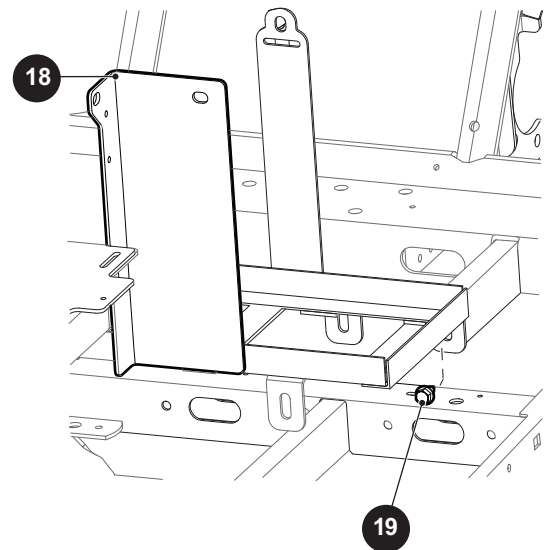


BATTERY SYSTEM - ELECTRIC POWERTRAIN

Double Battery Tray Installation



Single Battery Tray Installation



RR Battery Tray Installation

BATTERY SYSTEM - ELECTRIC POWERTRAIN

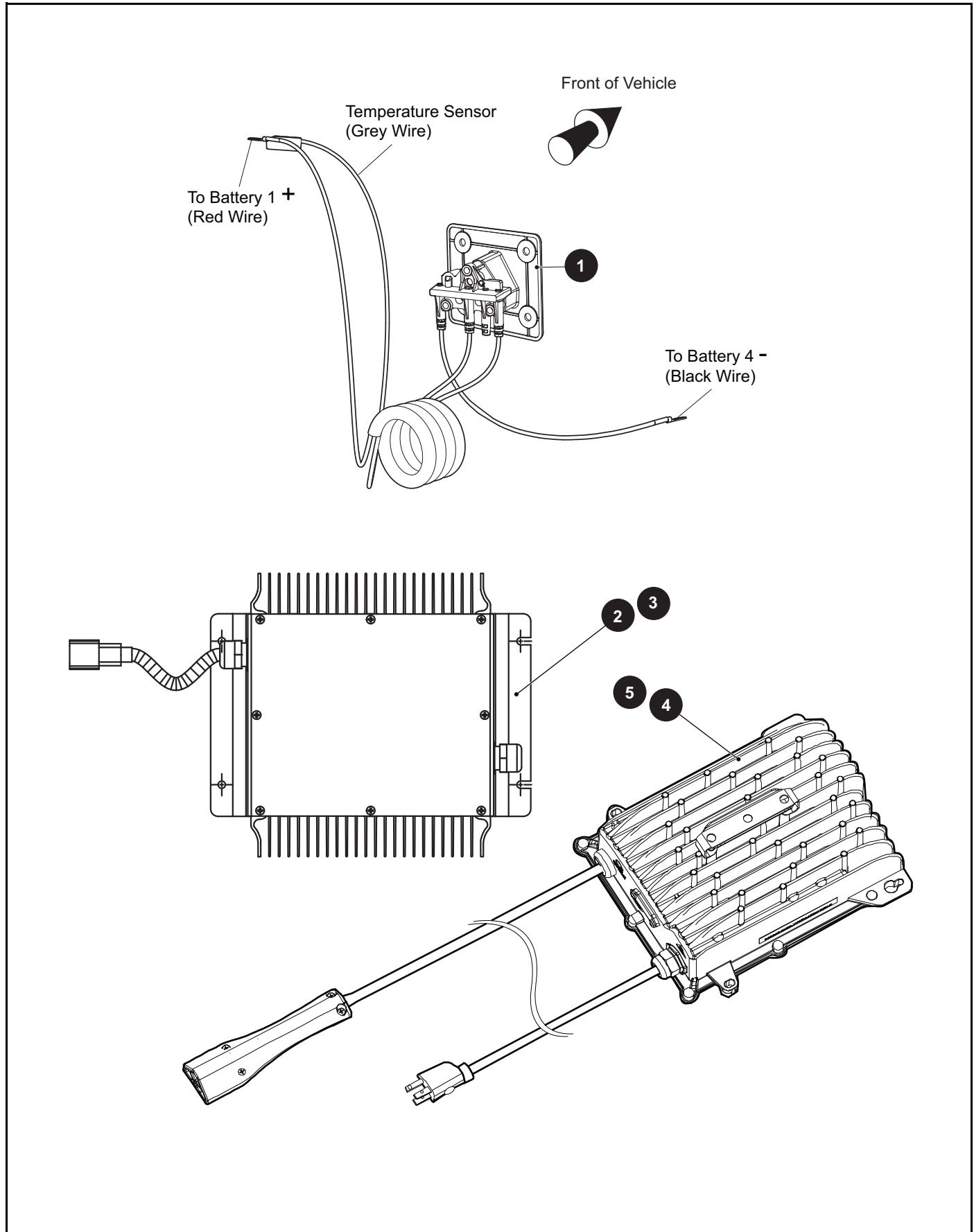
When ordering parts, please specify the model and serial number of the product.

* Indicates a component that is not available as an individual part.

*** Indicates consult Customer Service Department for additional information.

ITEM	PART NO.	1 2 3 4 5	DESCRIPTION	QTY.
1	*		BATTERY, 12 V	4
2	614107		OUTER HOLD DOWN	4
3	603799		BOLT, M10 - 1.5 X 25 MM	4
4	600525		LOCK NUT, M10 - 1.5 MM	4
5				
6				
7	623813		DOUBLE BATTERY TRAY	1
8	00715G2		BOLT, 5/16 - 18 X 13/16" LG	1
9	13437G3		BOLT, 5/16 - 18 X 1.0" LG	2
10	00642G8		FLAT WASHER, 5/16"	2
11	11098G6		LOCK NUT, 5/16" - 18	2
12				
13	623809		FRONT SINGLE BATTERY TRAY	1
14	13437G3		BOLT, 5/16 - 18 X 1.0" LG	3
15	00642G8		FLAT WASHER, 5/16"	3
16	11098G6		LOCK NUT, 5/16" - 18	3
17				
18	624900		RR BATTERY TRAY.....	1
19	00715G2		BOLT, 5/16 - 18 X 13/16" LG	2
20				
21	630135		SPARK SHIELD	1
22	629619		SPARK SHIELD	1
23	628672		WATERING KIT.....	1
24				
25	627682		WIRE ASSEMBLY, 2 AWG, 16.0" LG	1
26	627688		WIRE ASSEMBLY, 2 AWG, 10.0" LG	1
27	629503		WIRE ASSEMBLY, 2 AWG, 110.0" LG	1
28	627685		WIRE ASSEMBLY, 2 AWG, 81.5" LG	1
29	627686		WIRE ASSEMBLY, 2 AWG, 81.5" LG	1

BATTERY SYSTEM - CHARGER



BATTERY SYSTEM - CHARGER

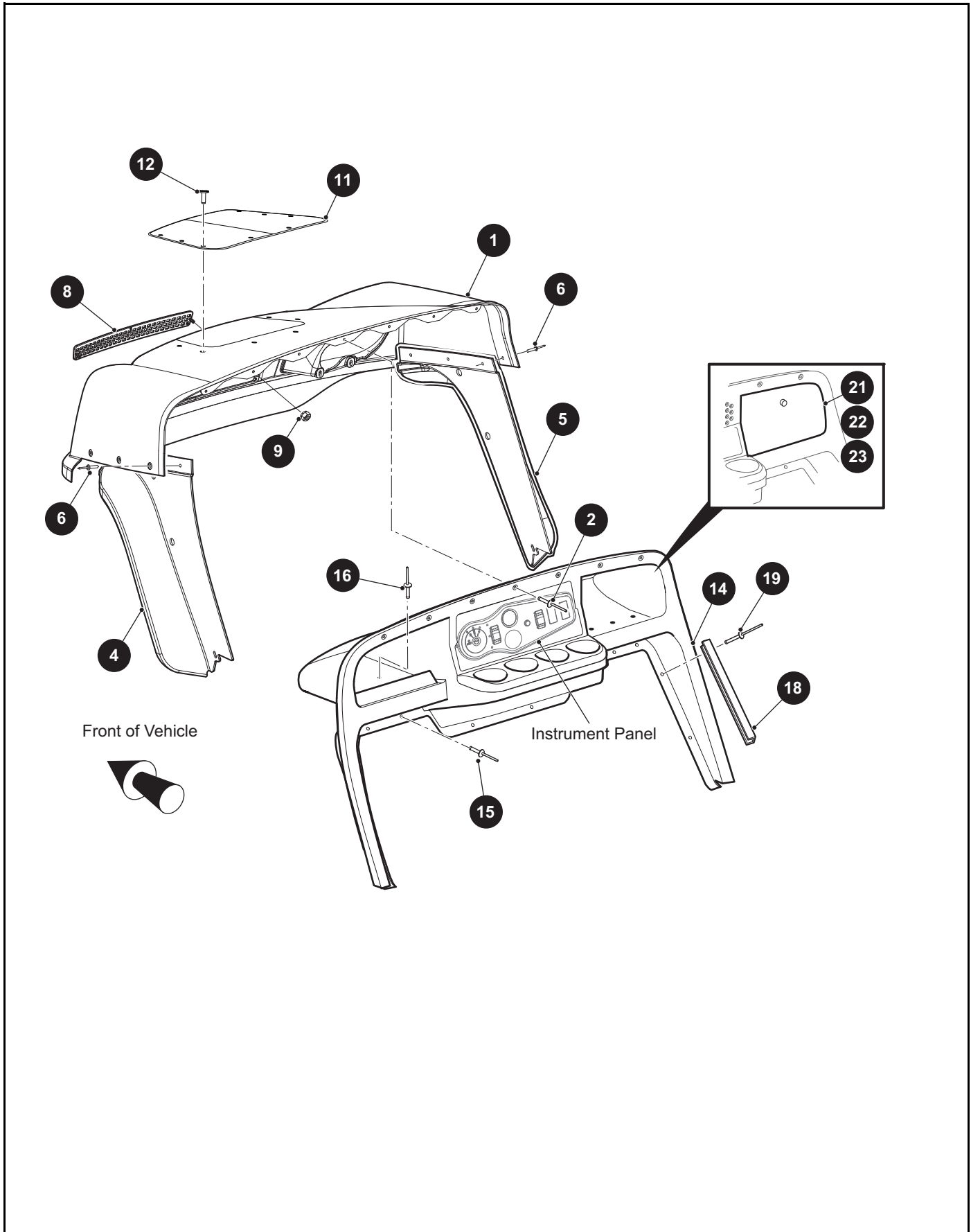
When ordering parts, please specify the model and serial number of the product.

* Indicates a component that is not available as an individual part.

*** Indicates consult Customer Service Department for additional information.

ITEM	PART NO.	1 2 3 4 5	DESCRIPTION	QTY.
1	613304		CHARGER RECEPTACLE	1
2	622667		EXTERNAL DC CHARGER, 48V (5.5 M CORD, WORLD CHARGER)	1
3	622419		EXTERNAL DC CHARGER, 48V (3.0 M CORD, WORLD CHARGER)	1
4	635669		EXTERNAL DC CHARGER, 48V (3.0 M CORD)	1
5	635670		EXTERNAL DC CHARGER, 48V (5.0 M CORD)	1

BODY SECTION - FRONT



BODY SECTION - FRONT

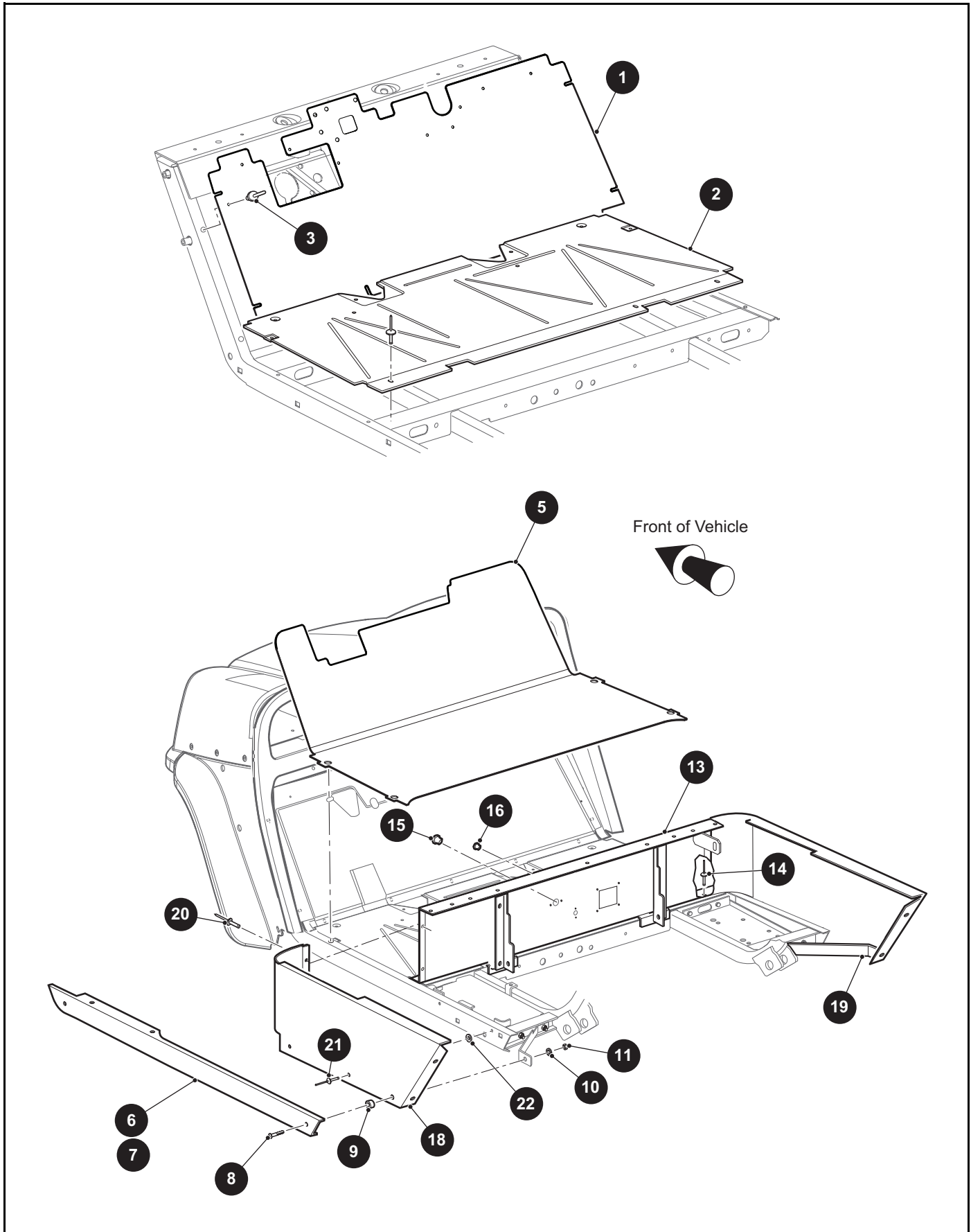
When ordering parts, please specify the model and serial number of the product.

* Indicates a component that is not available as an individual part.

*** Indicates consult Customer Service Department for additional information.

ITEM	PART NO.	1 2 3 4 5	DESCRIPTION	QTY.
1	613036G1XX		COWL (See COLOR CODE in HOW TO USE Section of Manual)	1
2	71055G01		RIVET, 3/16" X 1" LG	7
3				
4	626685		FRONT FENDER FLARE (DRIVER SIDE).....	1
5	626905		FRONT FENDER FLARE (PASSENGER SIDE)	1
6	71055G01		RIVET, 3/16" X 1" LG	6
7				
8	617643		COWL GRILL COVER	1
9	71597G01		SELF THREADING NUT, 5MM X 10MM	2
10				
11	627510G**		ACCESS COVER (See COLOR CODE in HOW TO USE Section of Manual).	1
12	617533		PUSH RIVET	8
13				
14	626865		INSTRUMENT PANEL ASSEMBLY.....	1
15	71055G01		RIVET, 3/16" X 1" LG	6
16	16816G2		RATCHET FASTENER, 1/4" X 3/4" LG	4
17				
18	71115G01		TRIM	2
19	71055G01		RIVET, 3/16" X 1" LG	4
20				
21	75459G01		GLOVE BOX DOORS (BOTH SIDES).....	1
22	75459G02		GLOVE BOX DOOR (DRIVER SIDE)	1
23	75456G03		GLOVE BOX DOOR (PASSENGER SIDE).....	1

BODY SECTION - MID SECTION



BODY SECTION - MID SECTION

When ordering parts, please specify the model and serial number of the product.

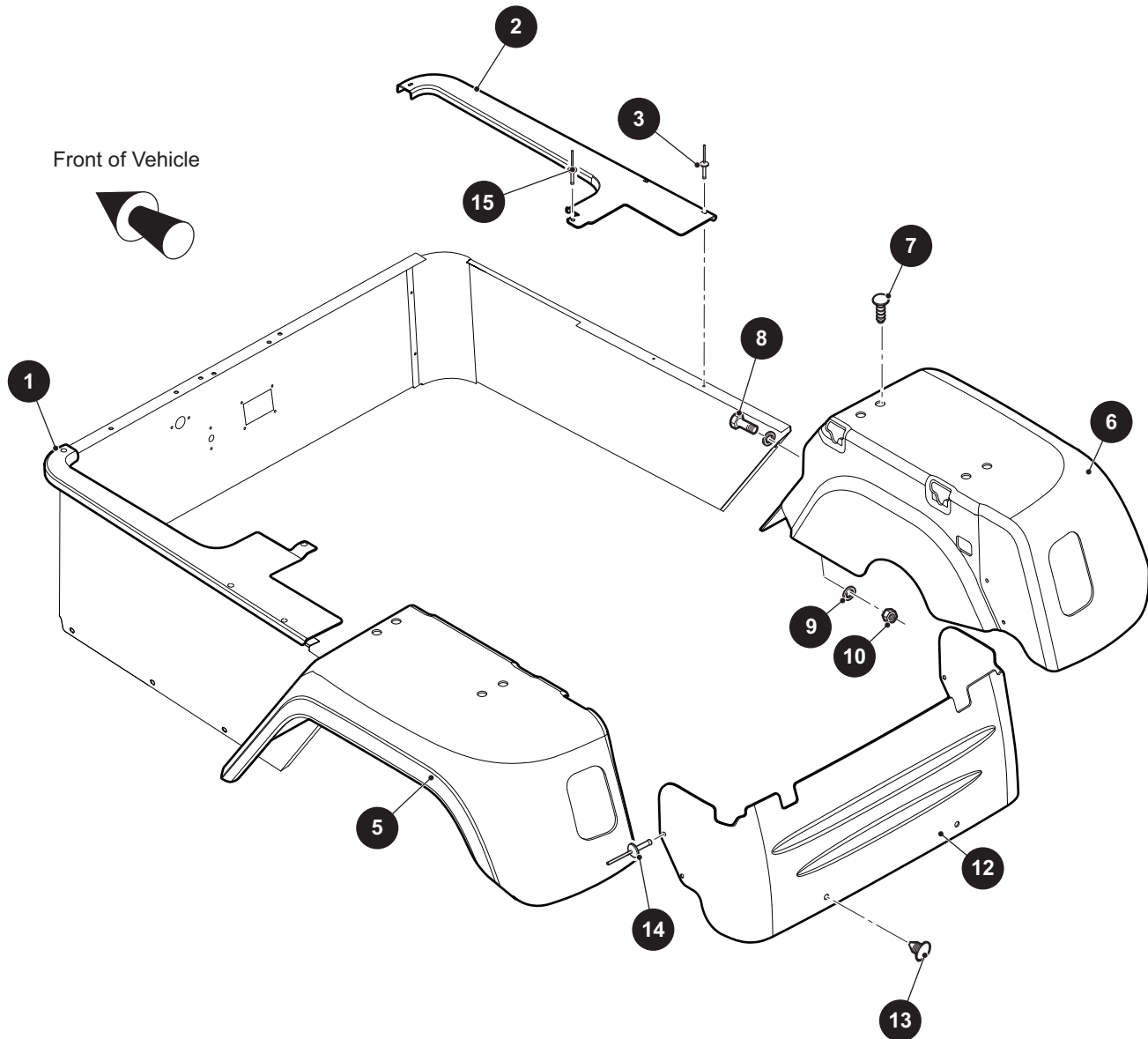
* Indicates a component that is not available as an individual part.

*** Indicates consult Customer Service Department for additional information.

ITEM	PART NO.	1 2 3 4 5	DESCRIPTION	QTY.
1	628458		UPPER FLOOR PANEL.....	1
2	70451G02		LOWER FLOOR PANEL.....	1
3	14601G11		RIVET, 3/16" - 9/16" LG	14
4				
5	624848		FLOOR MAT, DIAMOND PLATE	1
6	618886		ROCKER PANEL (DRIVER SIDE).....	1
7	618885		ROCKER PANEL (PASSENGER SIDE)	1
8	00789G2		PHILLIPS HEAD SCREW, #10 - 24 X 1 1/4" LG	4
9	23726G4		SPACER, 1/4"	4
10	00660G5		FLAT WASHER, #10.....	4
11	14390G10		LOCK NUT, #10 - 24	4
12				
13	626683G0XX		SEAT WRAP W/CHARGER RECEPTACLE (See COLOR CODE in HOW TO USE Section)	1
14	10570G10		RIVET, 5/32" X 9/16" LG	5
15	604087		HOLE PLUG, 25.4 MM.....	1
16	20271G02		HOLE PLUG, .50 MM.....	1
17				
18	609168G1XX		SIDE PANEL (DRIVER SIDE) (See COLOR CODE in HOW TO USE Section)	1
19	609168G2XX		SIDE PANEL (PASSENGER SIDE) (See COLOR CODE in HOW TO USE Section).....	1
20	10570G10		RIVET, 5/32" X 9/16" LG	4
21	10570G12		RIVET, 1/4" X 9/16" LG	4
22	16469G1		FENDER WASHER, 1/4"	4

BODY SECTION - REAR

Body Trim Installation For Vehicle With Flip Seat



BODY SECTION - REAR

When ordering parts, please specify the model and serial number of the product.

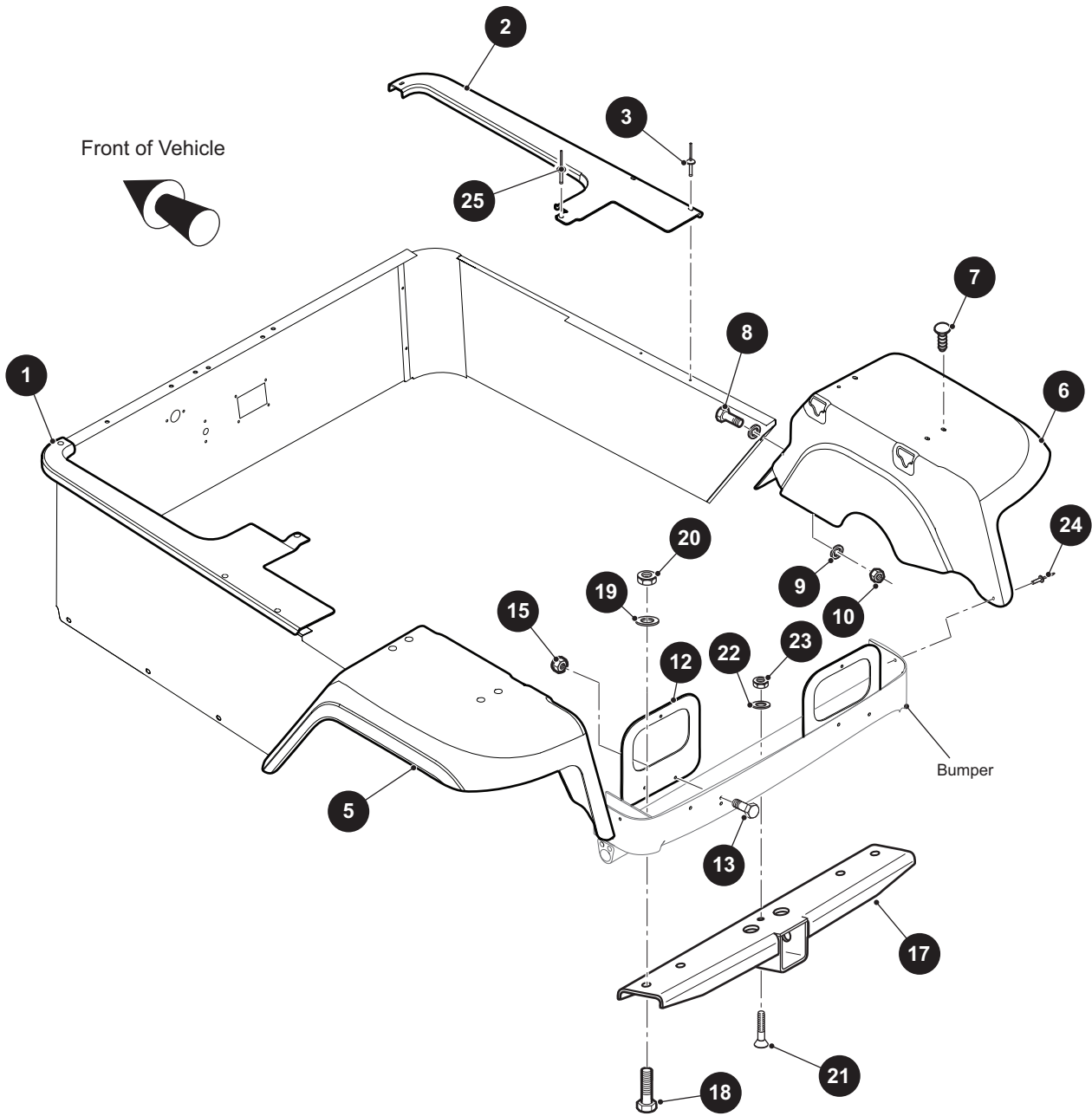
* Indicates a component that is not available as an individual part.

*** Indicates consult Customer Service Department for additional information.

ITEM	PART NO.	1 2 3 4 5	DESCRIPTION	QTY.
1	626858		SEAT FILLER PANEL (DRIVER SIDE).....	1
2	626859		SEAT FILLER PANEL (PASSENGER SIDE)	1
3	10570G10		RIVET, 5/32" X 9/16" LG	6
4				
5	626619		REAR FENDER (DRIVER SIDE).....	1
6	626620		REAR FENDER (PASSENGER SIDE)	1
7	16816G2		RATCHET FASTENER, 1/4" X 3/4" LG	8
8	00414G6		HEX HEAD BOLT, 1/4" - 20 X 3/4" LG	4
9	00642G7		FLAT WASHER, 1/4"	8
10	14390G4		LOCK NUT, 1/4" - 20.....	4
11				
12	74890G01		REAR VALANCE PANEL	1
13	16816G2		RATCHET FASTENER, 1/4" X 3/4" LG	2
14	71055G01		RIVET, 3/16" X 1" LG	6
15	10570G11		RIVET, 3/16" X .7" LG	2

BODY SECTION - REAR

Body Trim Installation For Vehicle With Truck Bed



BODY SECTION - REAR

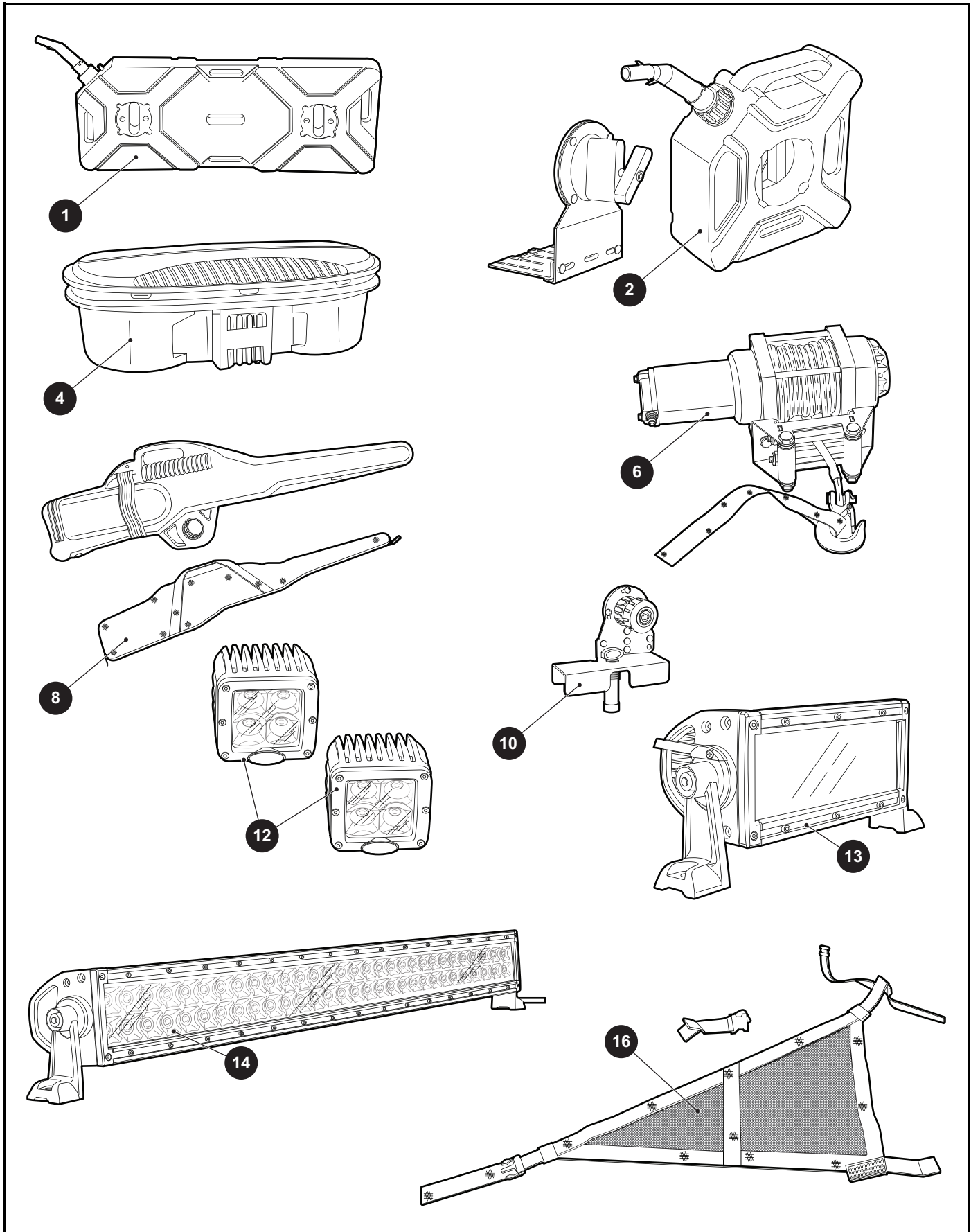
When ordering parts, please specify the model and serial number of the product.

* Indicates a component that is not available as an individual part.

*** Indicates consult Customer Service Department for additional information.

ITEM	PART NO.	1 2 3 4 5	DESCRIPTION	QTY.
1	626858		SEAT FILLER PANEL (DRIVER SIDE).....	1
2	626859		SEAT FILLER PANEL (PASSENGER SIDE)	1
3	10570G10		RIVET, 5/32" X 9/16" LG	6
4				
5	627876		REAR FENDER (DRIVER SIDE).....	1
6	627877		REAR FENDER (PASSENGER SIDE)	1
7	16816G2		RATCHET FASTENER, 1/4" X 3/4" LG	8
8	00414G6		HEX HEAD BOLT, 1/4" - 20 X 3/4" LG	4
9	00642G7		FLAT WASHER, 1/4"	8
10	14390G4		LOCK NUT, 1/4" - 20.....	4
11				
12	627843		TAIL LIGHT BRACKET	2
13	800299		PAN HEAD SCREW, #10 - 24 X 1" LG	4
14				
15	14390G10		LOCK NUT, #10 - 24	4
16				
17	74348G02		HITCH RECEIVER.....	1
18	00463G4		HEX HEAD BOLT, 7/16" - 14 X 1 1/2" LG	4
19	00922G3		FLAT WASHER, 7/16"	4
20	00734G1		LOCK NUT, 7/16" - 14.....	4
21	00198G8		FLAT HEAD SLOTTED SCREW, 5/16" - 18 X 1" LG.....	1
22	00571G2		FLAT WASHER, 5/16"	1
23	11098G6		LOCK NUT, 5/16" - 18.....	1
24	71055G01		RIVET, 3/16"	2
25	10570G11		RIVET, 3/16" X .7" LG	2

BODY SECTION - ACCESSORIES



BODY SECTION - ACCESSORIES

When ordering parts, please specify the model and serial number of the product.

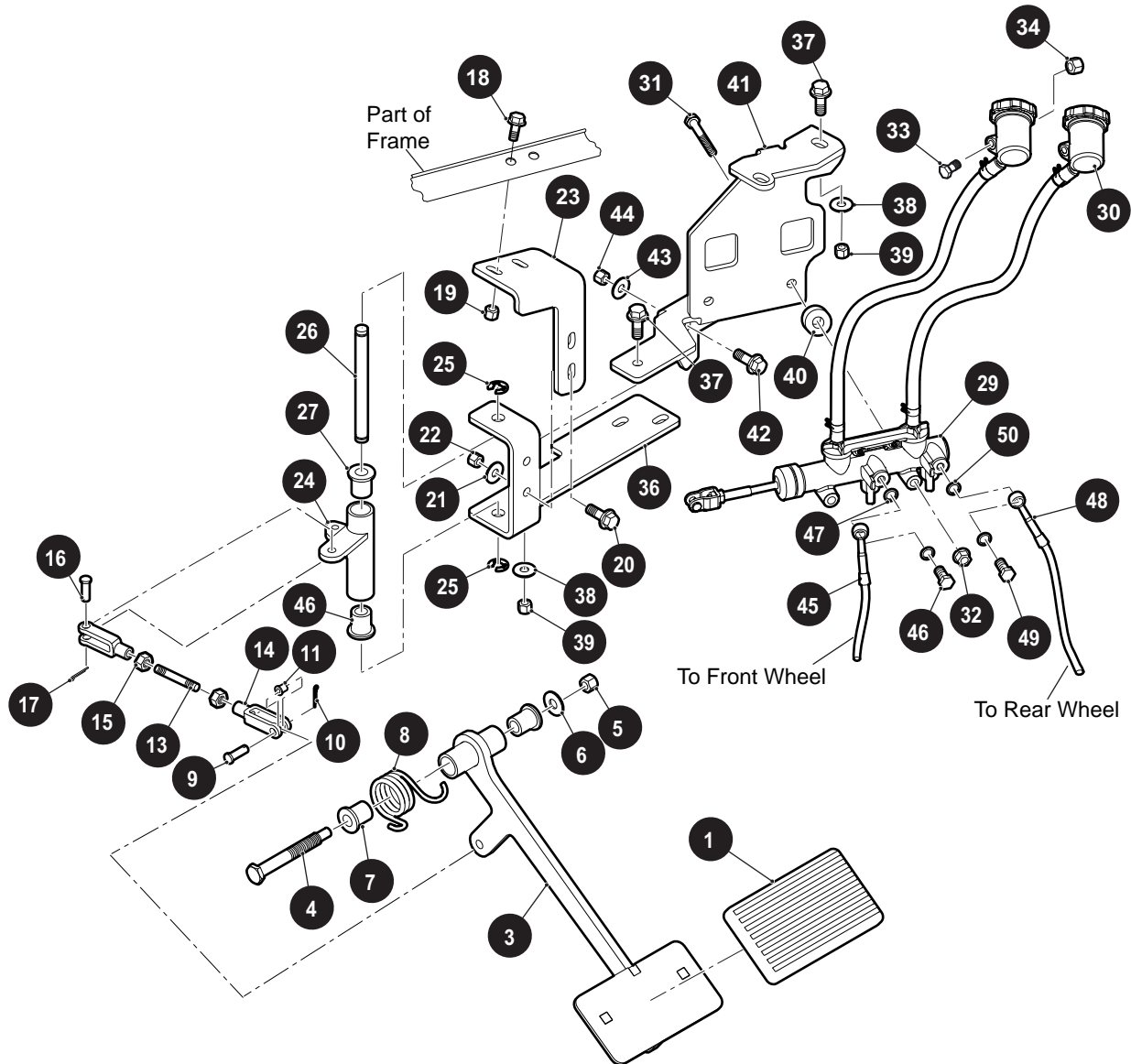
* Indicates a component that is not available as an individual part.

*** Indicates consult Customer Service Department for additional information.

ITEM	PART NO.	1 2 3 4 5	DESCRIPTION	QTY.
1	628542		FUEL TANK SMALL.....	1
2	628543		FUEL TANK LARGE	1
3				
4	628544		5 GALLON BUCKET	1
5				
6	*		WINCH 2500 & 3500	1
7				
8	628541		GUN BOOT.....	1
9	628537		TACTICAL GUN BOOT (NOT SHOWN).....	1
10	628540		GUN MOUNT SET.....	1
11				
12	629631		LED 2" DUALY LIGHT SET	1
13	629633		LED 6" SR SERIES LIGHTS	1
14	629632		LED 30" SR LIGHT BAR.....	1
15				
16	629457		SIDE DOOR NET.....	1
17				
18	629456		SOFT TOP (NOT SHOWN)	1
19	629455		SOFT WINDSHIELD (NOT SHOWN)	1
20	*		LOWER OPS SKIRT (NOT SHOWN).....	1
21	*		REAR BATTERY WATERING KITS (NOT SHOWN).....	1
22	627075		HOOD RACK (NOT SHOWN)	1
23	*		ACCESORY BAR (NOT SHOWN).....	1
24	*		REAR CARGO GUARD (NOT SHOWN)	1
25	629617		MODULAR DOOR SET (NOT SHOWN)	1
26	627089		SNOW PLOW (NOT SHOWN)	1
27				
28	629617		MODULAR DOOR (NOT SHOWN)	1

BRAKES - BRAKE PEDAL & MASTER CYLINDER

12 LINKAGE ROD ASSEMBLY includes items 13 - 15



BRAKES - BRAKE PEDAL & MASTER CYLINDER

When ordering parts, please specify the model and serial number of the product.

* Indicates a component that is not available as an individual part.

*** Indicates consult Customer Service Department for additional information.

ITEM	PART NO.	1 2 3 4 5	DESCRIPTION	QTY.
1	610471		BRAKE PEDAL COVER	1
2				
3	630729		BRAKE PEDAL.....	1
4	70582G01		SHOULDER BOLT, 3/8" - 16 X 4.0" LG	1
5	11098G5		LOCK NUT, 3/8" - 16.....	1
6	00643G1		FLAT WASHER, 3/8"	1
7	70581G01		ACETAL BUSHING.....	2
8	70676G01		TORSION SPRING.....	1
9	10386G3		CLEVIS PIN, 5/16" X 13/16" LG	1
10	10387G3		COTTER PIN, 0.094" X 0.75" LG	1
11	17838G1		NYLINER BUSHING	1
12	626639		LINKAGE ROD ASSEMBLY (INCLUDES ITEMS 13 - 15)	1
13	627495		THREADED ROD, 5/16" - 24	1
14	10385G4		CLEVIS YOKE.....	2
15	00544G4		JAM NUT, 5/16" - 24.....	2
16	10386G3		CLEVIS PIN, 5/16" X 13/16" LG	1
17	10387G3		COTTER PIN, 0.094" X 0.75" LG	1
18	548604		FLANGED HEX BOLT, 5/16" - 18 X 3/4" LG.....	2
19	01109G01		LOCK NUT, 5/16" - 18	2
20	13437G3		FLANGED HEX BOLT, 5/16" - 18 X 1.0" LG.....	2
21	00642G8		FLAT WASHER, 5/16"	2
22	01109G01		LOCK NUT, 5/16" - 18	2
23	629547		BELL CRANK ADJUSTMENT BRACKET	1
24	630634		BELL CRANK	1
25	01111G01		RETAINING RING	2
26	70410G02		BELL CRANK PIVOT SHAFT	1
27	70581G01		ACETAL BUSHING, 1/2 X 1"	2
28				
29	628701		MASTER CYLINDER ASSEMBLY	1
30	*		REMOTE MASTER CYLINDER RESERVOIR.....	2
31	00440G6		HEX HEAD BOLT, 5/16" - 18 X 2 1/4" LG.....	2

BRAKES - BRAKE PEDAL & MASTER CYLINDER

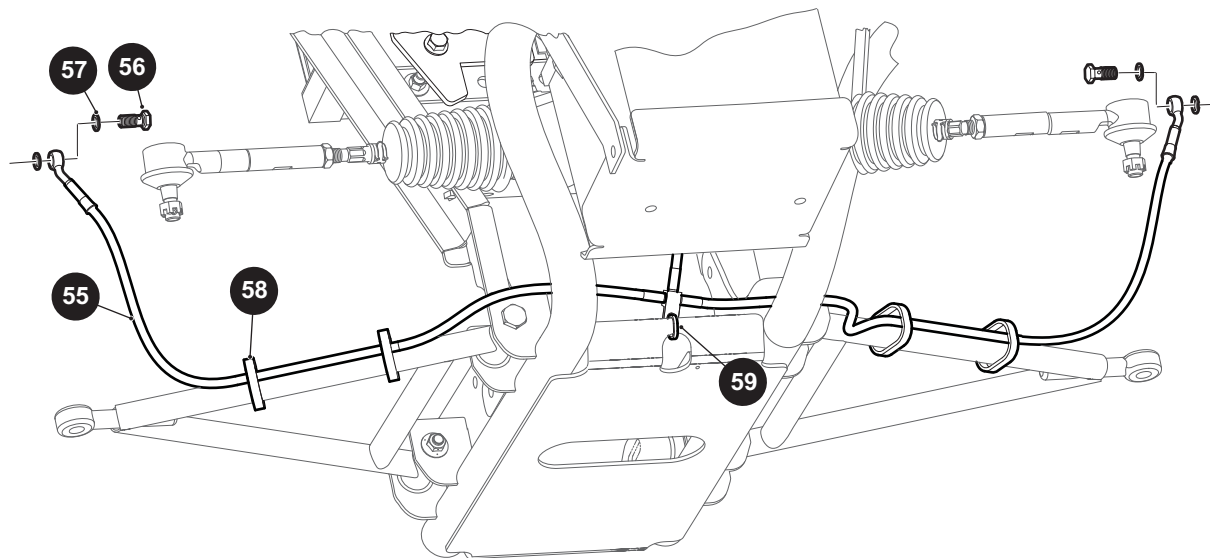
When ordering parts, please specify the model and serial number of the product.

* Indicates a component that is not available as an individual part.

*** Indicates consult Customer Service Department for additional information.

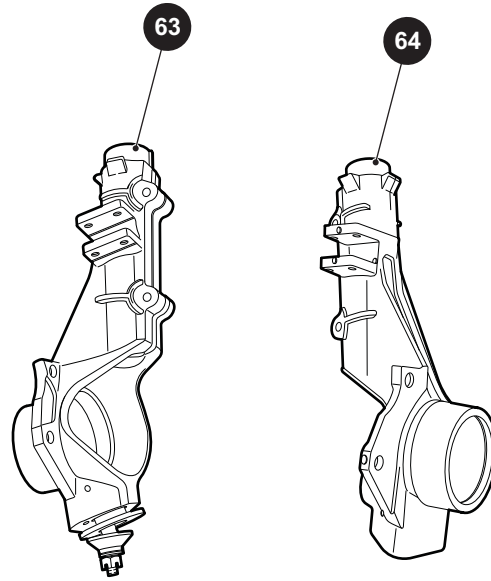
ITEM	PART NO.	1 2 3 4 5	DESCRIPTION	QTY.
32	800697		LOCK NUT, 5/16" - 18	2
33	00414G6		HEX HEAD BOLT, 1/4" - 20 X 3/4" LG	2
34	14390G4		LOCK NUT, 1/4" - 20	2
35				
36	630726		BELL CRANK BRACKET	1
37	13437G3		FLANGED HEX BOLT, 5/16" - 18 X 1.0" LG	3
38	00642G8		FLAT WASHER, 5/16"	3
39	01109G01		LOCK NUT, 5/16" - 18	3
40	75048G01		SPACER, 1/2"	2
41	628834		MASTER CYLINDER BRACKET	1
42	13437G3		FLANGE HEX BOLT, 5/16" - 18 X 1.0" LG	2
43	00642G8		FLAT WASHER, 5/16"	2
44	01109G01		LOCK NUT, 5/16" - 18	2
45	626613		FRONT BRAKE LINE	1
46	613292		BANJO BOLT, M10 - 1.25" LG	1
47	613293		CRUSH WASHER, M10	2
48	626614		REAR BRAKE LINE	1
49	613292		BANJO BOLT, M10 - 1.25" LG	1
50	613293		CRUSH WASHER, M10	2
51				
52				
53				
54				

BRAKES - FRONT HYDRAULIC BRAKES

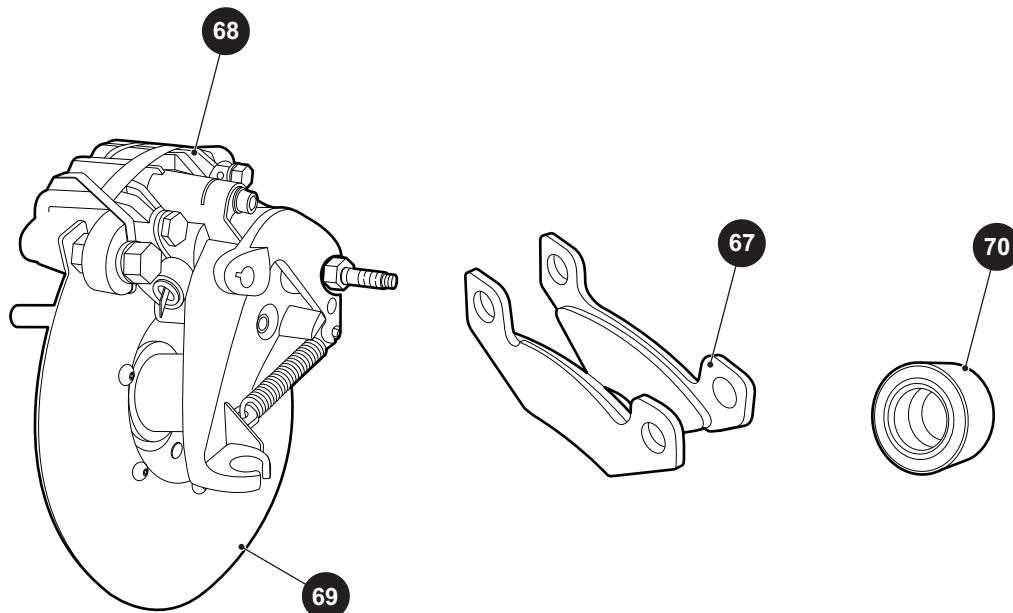


Front Brake Line
View from Bottom

BRAKES - FRONT HYDRAULIC BRAKES



66 DISC BRAKE ASSEMBLY (INCLUDES ITEMS 67 - 70)



BRAKES - FRONT HYDRAULIC BRAKES

When ordering parts, please specify the model and serial number of the product.

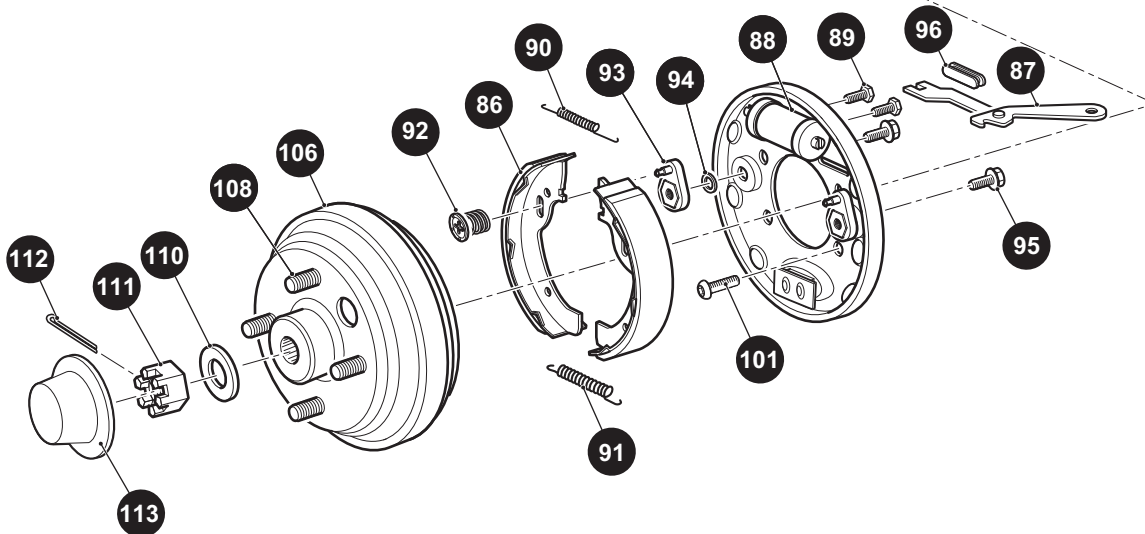
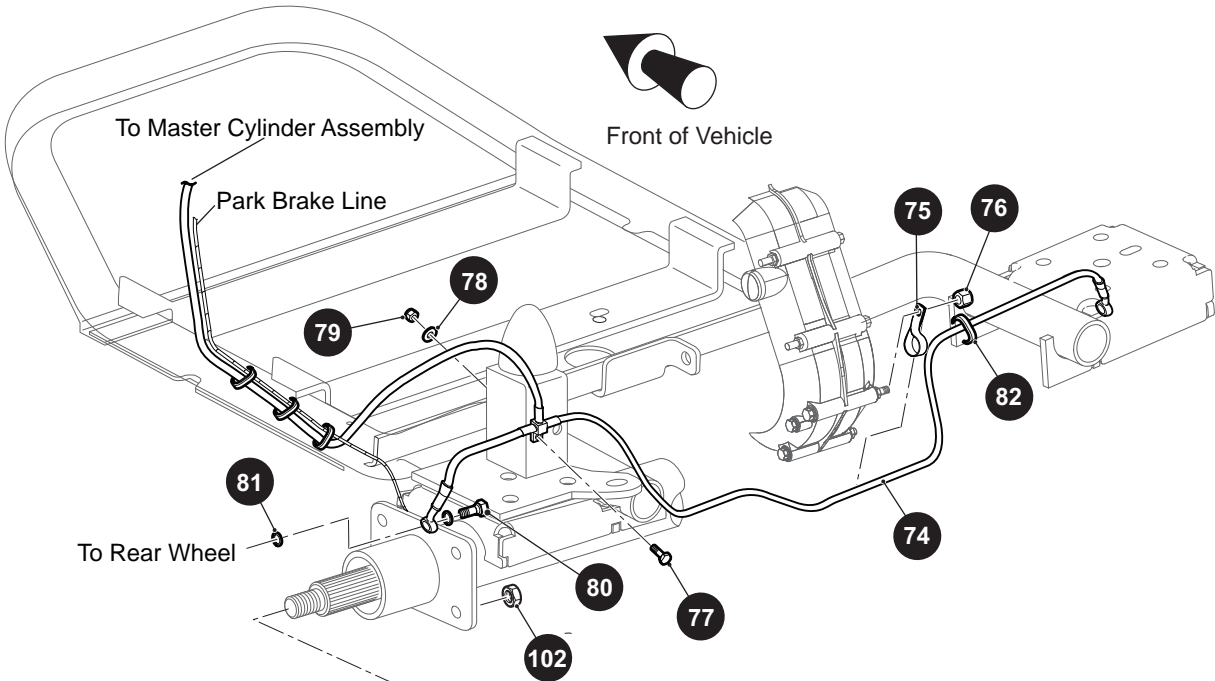
* Indicates a component that is not available as an individual part.

*** Indicates consult Customer Service Department for additional information.

ITEM	PART NO.	1 2 3 4 5	DESCRIPTION	QTY.
55	626613		FRONT BRAKE LINE.....	1
56	616459		BANJO BOLT, M10 - 1.0" LG.....	2
57	613293		CRUSH WASHER, M10.....	4
58	12416G2		WEDGE LOCK WIRE TIE.....	8
59	17678G1		WIRE TIE.....	2
60				
61				
62				
63	616039		FRONT STRUT BASE (PASSENGER SIDE).....	1
64	616038		FRONT STRUT (DRIVER SIDE).....	1
65				
66	*		DISC BRAKE ASSEMBLY (INCLUDES ITEMS 67 - 70).....	1
67	616450		BRAKE PADS.....	2
68	616441		BRAKE CALLIPERS.....	1
69	616044		DISC BRAKE ROTOR HUB.....	1
70	616041		ROLLER BEARING.....	1
71				
72				
73				

BRAKES - REAR HYDRAULIC BRAKES

- 84 BRAKE ASSEMBLY (DRIVER SIDE) includes items 86 - 96
- 85 BRAKE ASSEMBLY (PASSENGER SIDE) includes items 86 - 96
- 98 ADJUSTER KIT includes items 72 - 75
- 99 HARDWARE KIT includes items 68 - 71



BRAKES - REAR HYDRAULIC BRAKES

When ordering parts, please specify the model and serial number of the product.

* Indicates a component that is not available as an individual part.

*** Indicates consult Customer Service Department for additional information.

ITEM	PART NO.	1 2 3 4 5	DESCRIPTION	QTY.
74	626614		REAR BRAKE LINE	1
75	75813G01		BRAKE LINE CLAMP	1
76	26830G01		LOCK NUT, M8 X 1.25"	1
77	00414G6		HEX HEAD BOLT, 1/4" - 20 X 3/4" LG	1
78	01110G01		FLAT WASHER, 1/4"	1
79	14390G4		LOCK NUT, 1/4" - 20	1
80	75683G01		BANJO BOLT, 3/8" - 24 X .88"	2
81	613293		CRUSH WASHER, M10	4
82	17618G1		WIRE TIE	2
83				
84	75685G01		BRAKE ASSEMBLY (DRIVER SIDE) (INCLUDES ITEMS 86 - 96)	1
85	75685G02		BRAKE ASSEMBLY (PASSENGER SIDE) (INCLUDES ITEMS 86 - 96)	1
86	75830G01		BRAKE SHOE	2
87	75829G**		PARK BRAKE WHEEL LEVER	1
88	75828G01		WHEEL CYLINDER	1
89	*		WHEEL CYLINDER BOLT	2
90	*		UPPER RETURN SPRING	1
91	*		LOWER RETURN SPRING	1
92	*		CUP AND SPRING	2
93	*		ADJUSTER	2
94	*		FLAT WASHER	2
95	*		FLANGED HEX HEAD BOLT, 1/4" - 28 X 1/2" LG	2
96	*		DUST COVER	1
97				
98	75826G01		ADJUSTER KIT (INCLUDES ITEMS 93 - 96)	1
99	75827G01		HARDWARE KIT (INCLUDES ITEMS 89 - 92)	1
100				
101	631224		SOCKET HEAD SCREW, 5/16" - 24 X 1" LG	8
102	15126G1		LOCK NUT, 5/16" - 24	8
103				
104				

BRAKES - REAR HYDRAULIC BRAKES

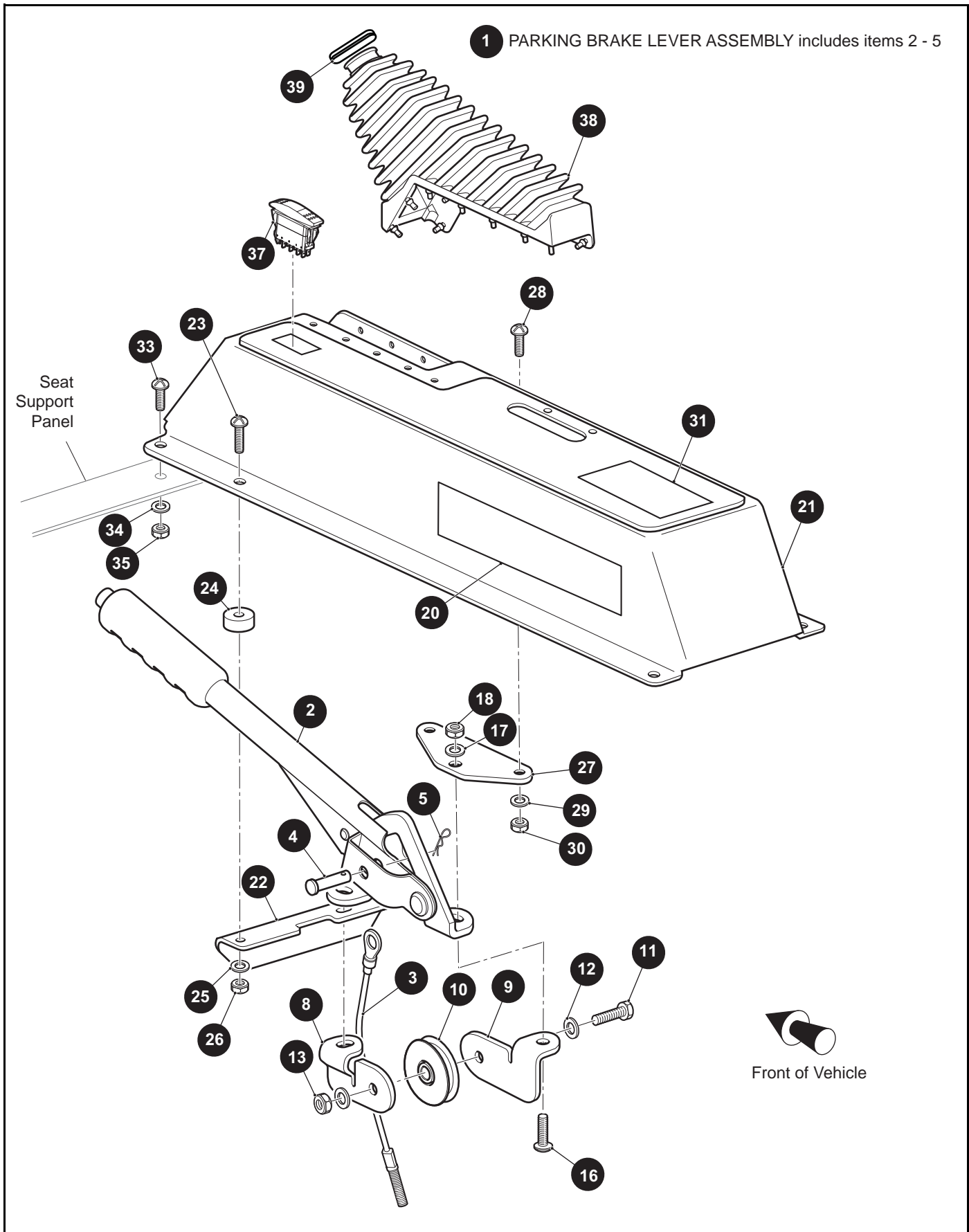
When ordering parts, please specify the model and serial number of the product.

* Indicates a component that is not available as an individual part.

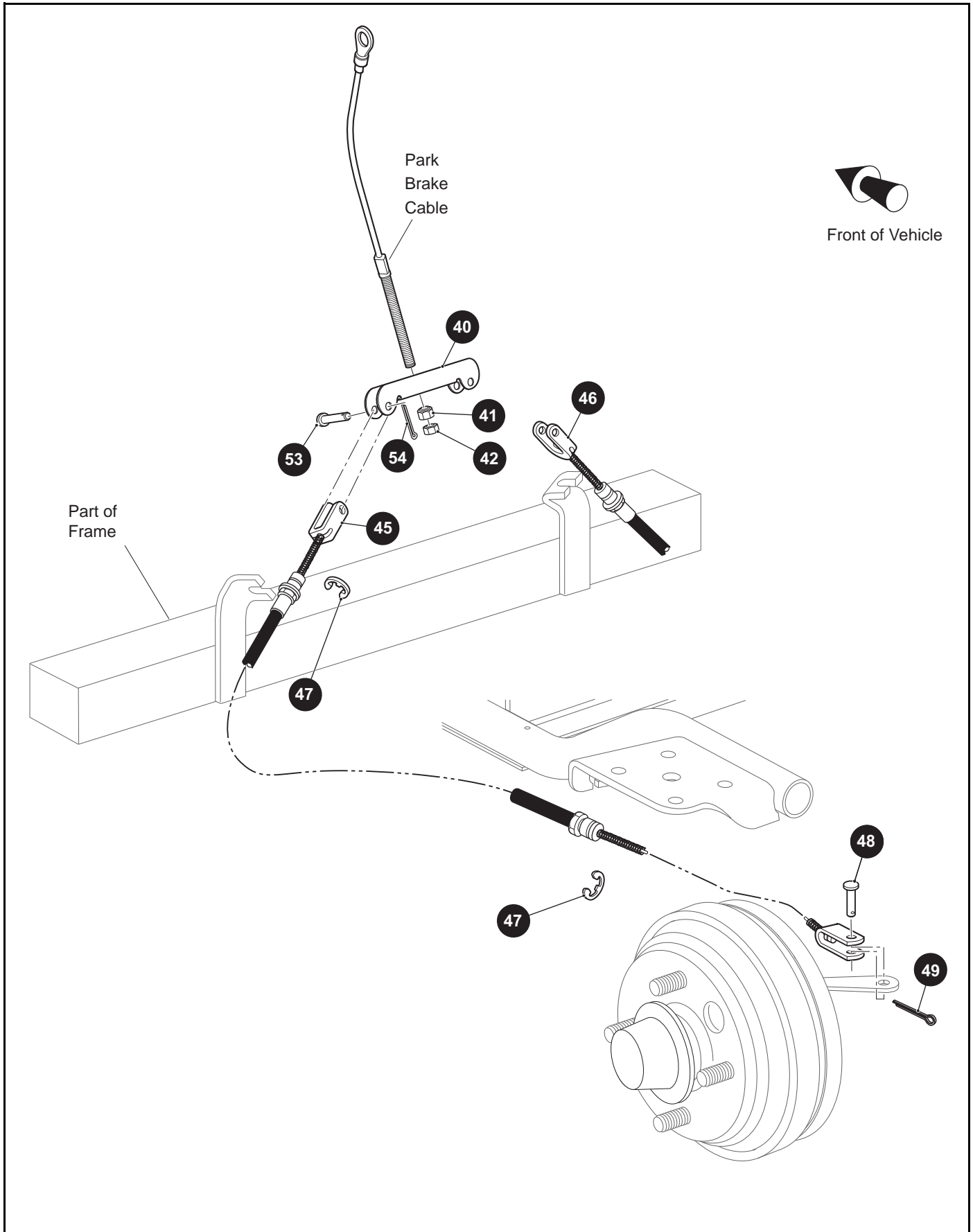
*** Indicates consult Customer Service Department for additional information.

ITEM	PART NO.	1	2	3	4	5	DESCRIPTION	QTY.
105								
106	75573G01						BRAKE DRUM ASSEMBLY (INCLUDES ITEMS 107 - 108).....	2
107	*						BRAKE DRUM.....	1
108	19862G2						LUG BOLT, 1/2" - 20 X 1 11/16" LG	4
109								
110	75586G01						OUTER BRAKE DRUM WASHER	2
111	00518G8						SLOTTED NUT, 3/4" - 16	2
112	10387G1						COTTER PIN, 1/8" X 1 1/2" LG.....	2
113	74175G01						SPINDLE CAP.....	2

BRAKES - PARK BRAKE



BRAKES - PARK BRAKE



BRAKES - PARK BRAKE

When ordering parts, please specify the model and serial number of the product.

* Indicates a component that is not available as an individual part.

*** Indicates consult Customer Service Department for additional information.

ITEM	PART NO.	1 2 3 4 5	DESCRIPTION	QTY.
1	75791G03		PARKING BRAKE LEVER ASSEMBLY (INCLUDES ITEMS 2 - 5).....	1
2	75790G01		PARKING BRAKE LEVER	1
3	75498G01		PARKING BRAKE CABLE	1
4	14443G3		CLEVIS PIN, 5/16" X 1.0" LG	1
5	10387G2		COTTER PIN, 3/32" X 1.0" LG	1
6				
7				
8	75769G01		PULLEY MOUNT BRACKET (DRIVER SIDE)	1
9	75768G01		PULLEY MOUNT BRACKET (PASSENGER SIDE).....	1
10	75789G01		PULLEY, 2" DIA.....	1
11	00439G4		HEX HEAD BOLT, 5/16" -18 X 1 1/2" LG	1
12	00559G8		FLAT WASHER, 5/16"	2
13	11098G6		LOCK NUT, 5/16" -18	1
14				
15				
16	00976G08		PHILLIPS TORX SCREW, 5/16" - 18 X 1.0" LG.....	2
17	00559G8		FLAT WASHER, 5/16"	2
18	11098G6		LOCK NUT, 5/16" - 18	2
19				
20	74093G01		DECAL, ENGINE WARNING	2
21	625710		CENTER CONSOLE	1
22	75594G01		SUPPORT BRACKET	1
23	16705G1		TRUSS HEAD PHILLIPS SCREW, 1/4" - 20 X 1.0" LG	2
24	23726G12		SPACER, 3/8".....	2
25	00559G7		FLAT WASHER, 1/4"	2
26	14390G4		LOCK NUT, 1/4" -20	2
27	75773G01		SUPPORT PLATE	1
28	16705G3		TRUSS HEAD PHILLIPS SCREW, 1/4" - 20 X 3/4" LG	2
29	00559G7		FLAT WASHER, 1/4"	2
30	14390G4		LOCK NUT, 1/4" - 20	2
31	626419		DECAL, CENTER CONSOLE	1

BRAKES - PARK BRAKE

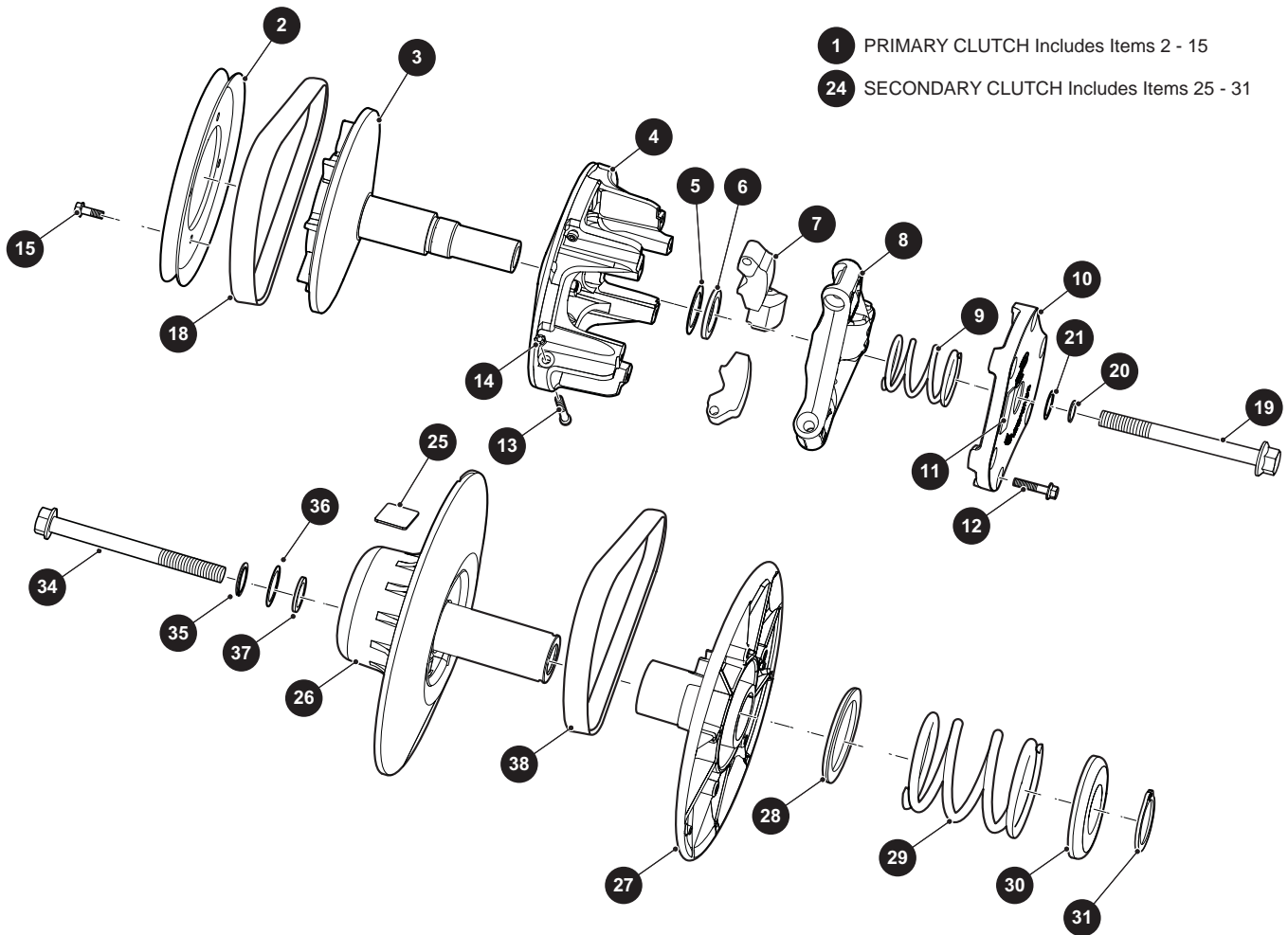
When ordering parts, please specify the model and serial number of the product.

* Indicates a component that is not available as an individual part.

*** Indicates consult Customer Service Department for additional information.

ITEM	PART NO.	1 2 3 4 5	DESCRIPTION	QTY.
32				
33	16705G3		TRUSS HEAD PHILLIPS SCREW, 1/4" - 20 X 3/4" LG	4
34	00559G7		FLAT WASHER, 1/4"	4
35	14390G4		LOCK NUT, 1/4" - 20.....	4
36				
37	626659		2-POSITION SWITCH	1
38	75821G01		PARKING BRAKE BOOT.....	1
39	17618G1		WIRE TIE	1
40	75499G01		EQUALIZER.....	1
41	629486		SPHERICAL NUT, 5/16" - 24	1
42	00544G4		JAM NUT, 5/16" - 24	1
43				
44				
45	75595G01		PARKING BRAKE CABLE (DRIVER SIDE).....	1
46	75595G01		PARKING BRAKE CABLE (PASSENGER SIDE)	1
47	01111G01		RETAINING RING, 13/32".....	2
48	10386G3		CLEVIS PIN, 5/16" X 13/16" LG	2
49	10387G3		COTTER PIN, 3/32" X 3/4" LG	2
50				
51				
52				
53	14443G3		CLEVIS PIN, 5/16" X 13/16" LG	2
54	10387G3		COTTER PIN, 3/32" X 3/4" LG	2

CLUTCH



CLUTCH

When ordering parts, please specify the model and serial number of the product.

* Indicates a component that is not available as an individual part.

*** Indicates consult Customer Service Department for additional information.

ITEM	PART NO.	1 2 3 4 5	DESCRIPTION	QTY.
1	626611		PRIMARY CLUTCH (INCLUDES ITEMS 2 - 15.....	1
2	619333		PRIMARY STARTER PULLEY	1
3	*		STATIONARY ASSEMBLY	1
4	*		MOVEABLE PRIMARY ASSEMBLY	1
5	*		SHIM, 1.630 X 1.330	1
6	*		SHIM, 1.255 X 1.750 X .154.....	1
7	628687		CLUTCH WEIGHT	3
8	*		PRIMARY SPIDER ASSEMBLY.....	1
9	628683		COMPRESSION SPRING.....	1
10	*		COVER.....	1
11	*		DECAL	1
12	628686		BOLT, 1/4 - 20 X 1 1/4" LG	6
13	628685		BOLT, 1/4 X 2.5" LG	3
14	628684		LOCK NUT, 10 - 24	3
15	619332		BOLT, 1/4 - 20 X 3/4" LG	4
16				
17				
18	75690G01		STARTER BELT.....	1
19	629496		BOLT, 5/16 - 18 X 5" LG.....	1
20	00566G3		LOCK WASHER, 1/2"	1
21	606239		FLAT WASHER.....	1
22				
23				
24	626612		SECONDARY CLUTCH (INCLUDES ITEMS 25 - 31).....	1
25	*		DECAL	1
26	*		SECONDARY STATIONARY	1
27	*		MOVEABLE SECONDARY ASSEMBLY	1
28	619327		SPRING RETAINER INNER.....	1
29	624111		COMPRESSION SPRING.....	1
30	619329		SPRING RETAINER OUTER	1
31	619330		EXTERNAL RETAINER RING.....	1

CLUTCH

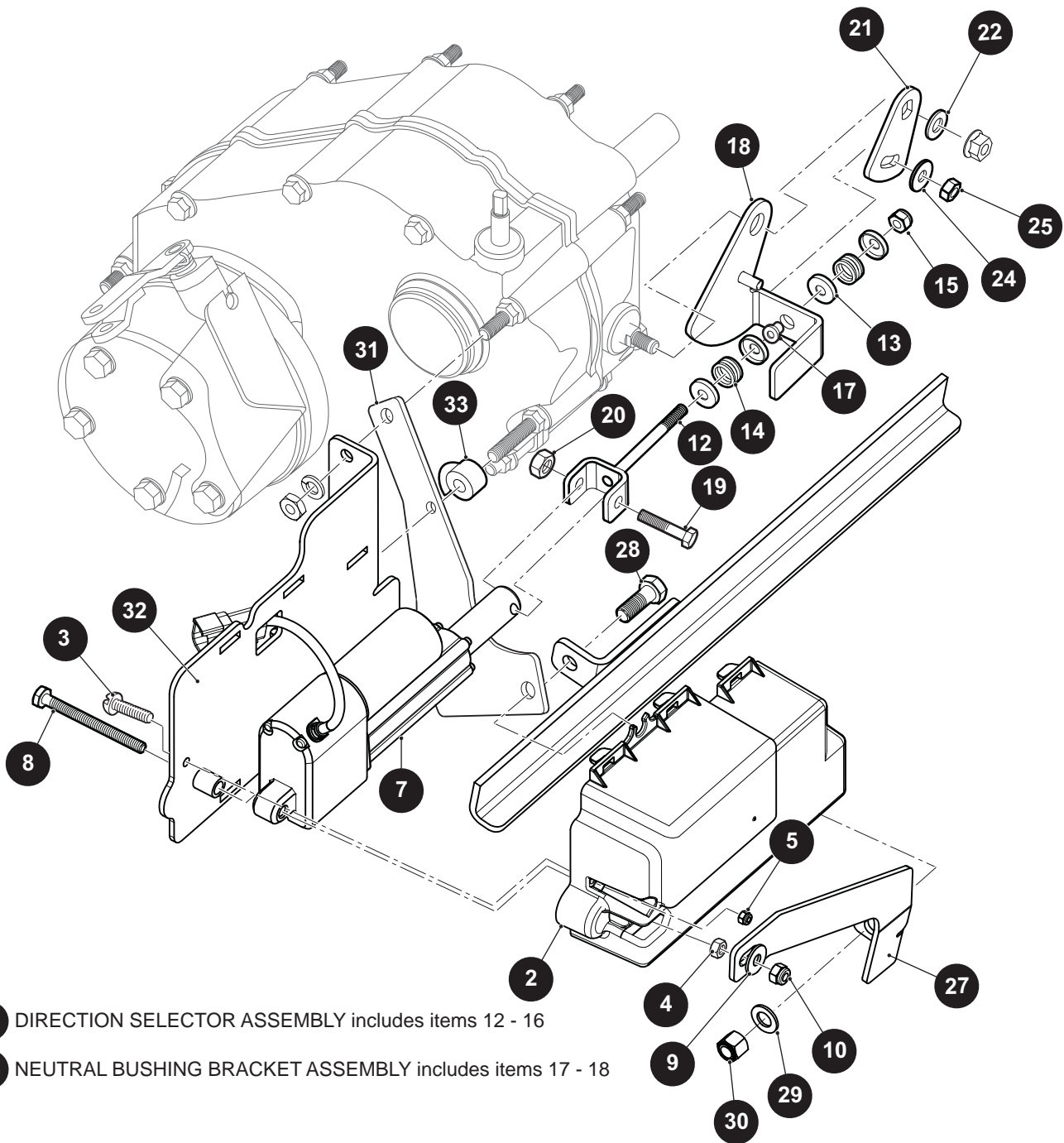
When ordering parts, please specify the model and serial number of the product.

* Indicates a component that is not available as an individual part.

*** Indicates consult Customer Service Department for additional information.

ITEM	PART NO.	1 2 3 4 5	DESCRIPTION	QTY.
32				
33				
34	629495		BOLT, 7/16 - 20 X 7.0" LG	1
35	00565G8		LOCK WASHER, 5/16"	1
36	606239		FLAT WASHER	1
37	606230		CLUTCH WASHER	1
38	625802		TRANSMISSION BELT	1

DIRECTION SELECTOR



11 DIRECTION SELECTOR ASSEMBLY includes items 12 - 16

16 NEUTRAL BUSHING BRACKET ASSEMBLY includes items 17 - 18

DIRECTION SELECTOR

When ordering parts, please specify the model and serial number of the product.

* Indicates a component that is not available as an individual part.

*** Indicates consult Customer Service Department for additional information.

ITEM	PART NO.	1 2 3 4 5	DESCRIPTION	QTY.
1				
2	630336		ACTUATOR COVER.....	1
3	800299		SCREW, #10 - 24 X 1.0 LG	1
4	306375		HEX NUT, 1/4" - 20	1
5	14390G10		LOCK NUT, #10 - 24	1
6				
7	630353		ACTUATOR	1
8	630419		HEX HEAD BOLT, 1/4" - 20 X 3.0" LG	1
9	00642G7		FLAT WASHER, 1/4"	1
10	14390G4		LOCK NUT, 1/4" - 20.....	1
11	630926		DIRECTION SELECTOR ASSEMBLY (INCLUDES ITEMS 12 - 16).....	1
12	624475		DIRECTION SELECTOR CLEVIS ROD.....	1
13	25727G01		CUP WASHER, 1/4".....	4
14	72735G01		COMPRESSION SPRING.....	2
15	00734G5		LOCK NUT, #10 - 32	1
16	630925		NEUTRAL BUSHING BRACKET ASSEMBLY (INCLUDES ITEMS 17, 18)	1
17	22754G4		BUSHING, 1/4"	1
18	627882		NEUTRAL CLAMP.....	1
19	00415G6		HEX HEAD BOLT, 1/4" - 20 X 1 3/4" LG	1
20	14390G4		LOCK NUT, 1/4" - 20.....	1
21	627881		DIFFERENTIAL LEVER.....	1
22	00559G8		FLAT WASHER, 5/16"	1
23				
24	00642G7		FLAT WASHER, 1/4"	1
25	00550G1		LOCK NUT, 1/4" - 20.....	1
26				
27	630314		ACTUATOR SUPPORT BRACKET	1
28	00426G8		HEX HEAD BOLT, 3/8" - 16 X 1.0" LG	1
29	00560G1		FLAT WASHER, 3/8"	1
30	11098G5		LOCK NUT, 3/8" - 16.....	1
31	630969		ANTI ROTATION BRACKET.....	1

DIRECTION SELECTOR

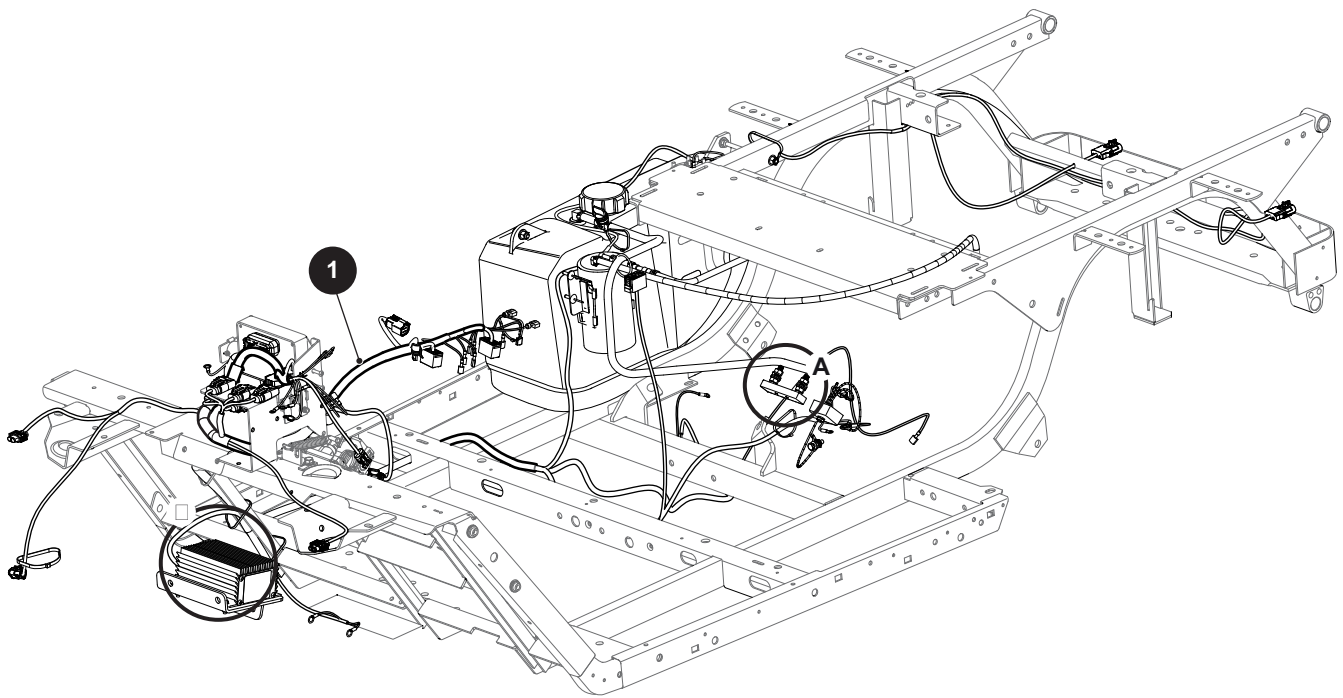
When ordering parts, please specify the model and serial number of the product.

* Indicates a component that is not available as an individual part.

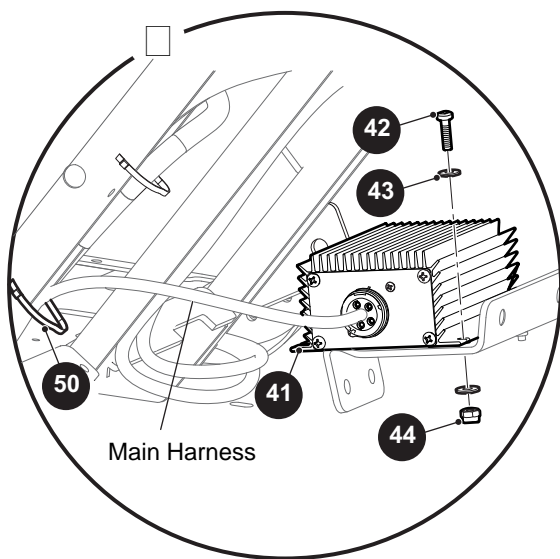
*** Indicates consult Customer Service Department for additional information.

ITEM	PART NO.	1 2 3 4 5	DESCRIPTION	QTY.
32	630361		ACTUATOR MOUNTING PLATE	1
33	75048G01		SPACER, 1/2"	1

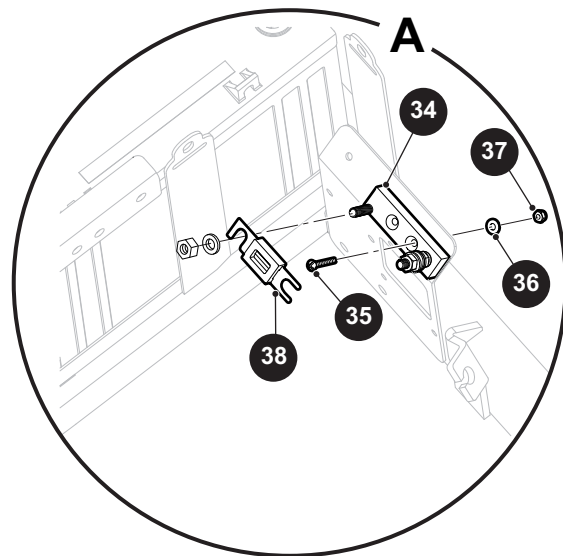
ELECTRICAL SYSTEM - HARNESS



Front of Vehicle

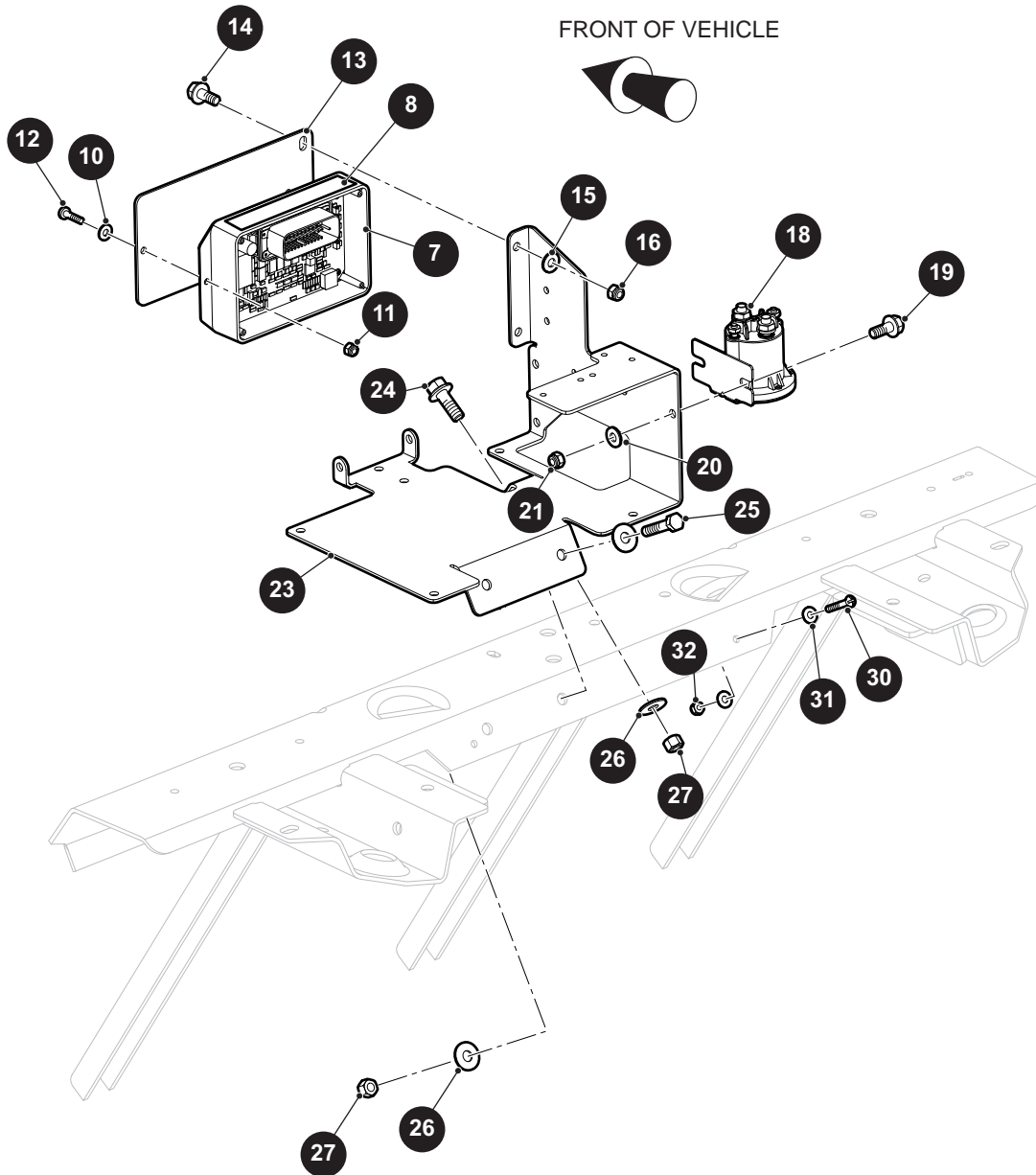


Main Harness

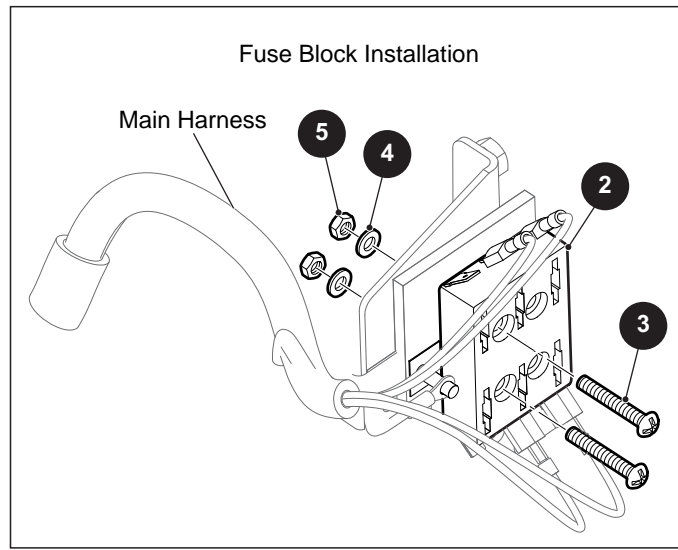
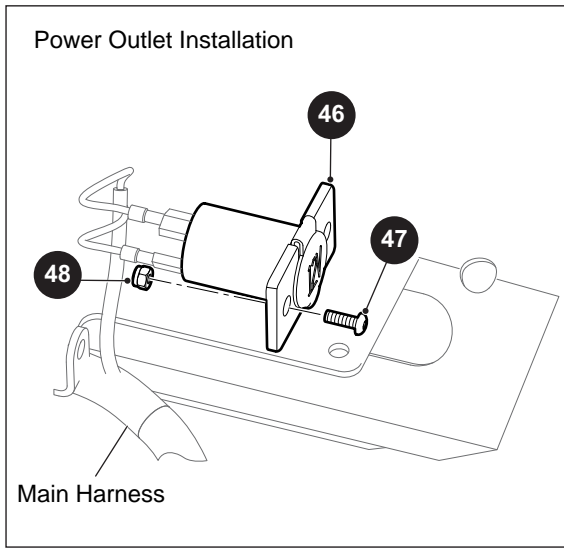
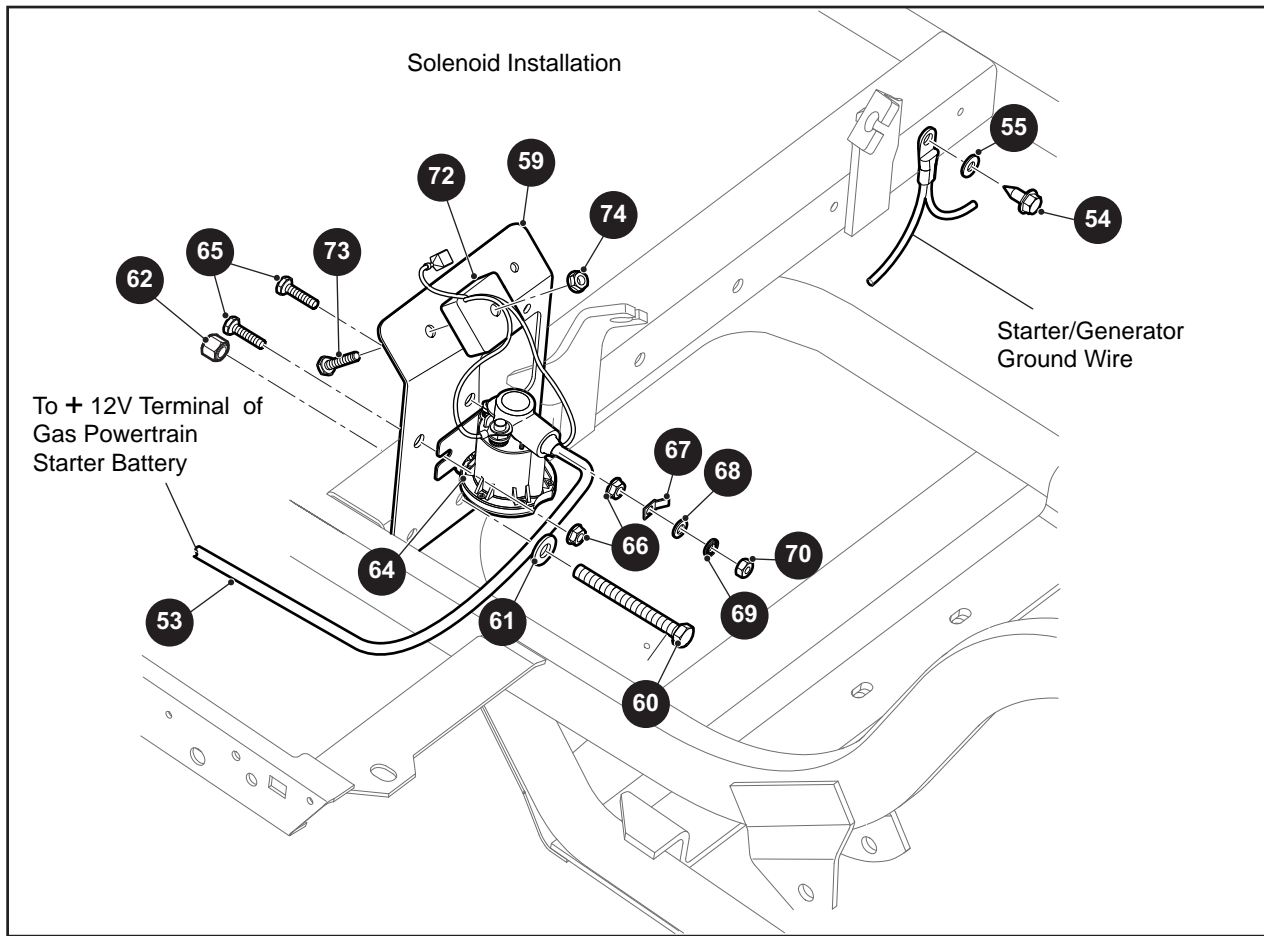


ELECTRICAL SYSTEM - HARNESS

6 DPI CONTROLLER ASSEMBLY includes items 7 - 9

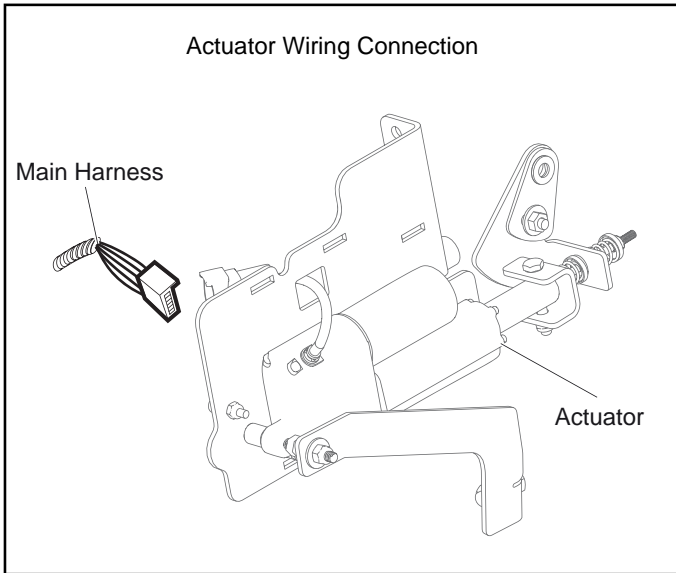


ELECTRICAL SYSTEM - HARNESS

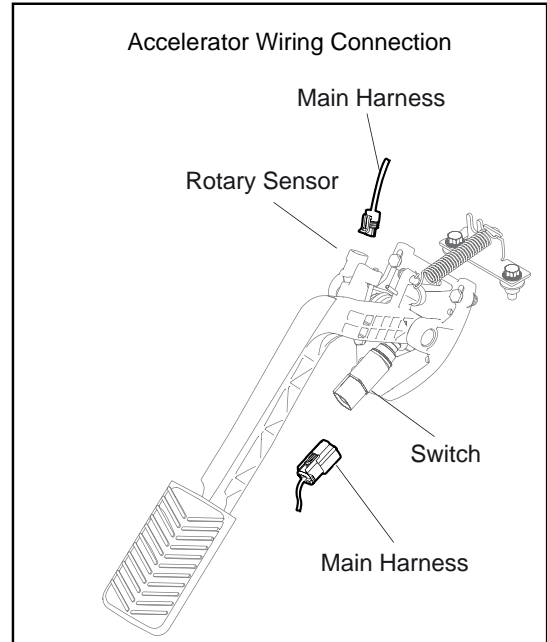


ELECTRICAL SYSTEM - HARNESS

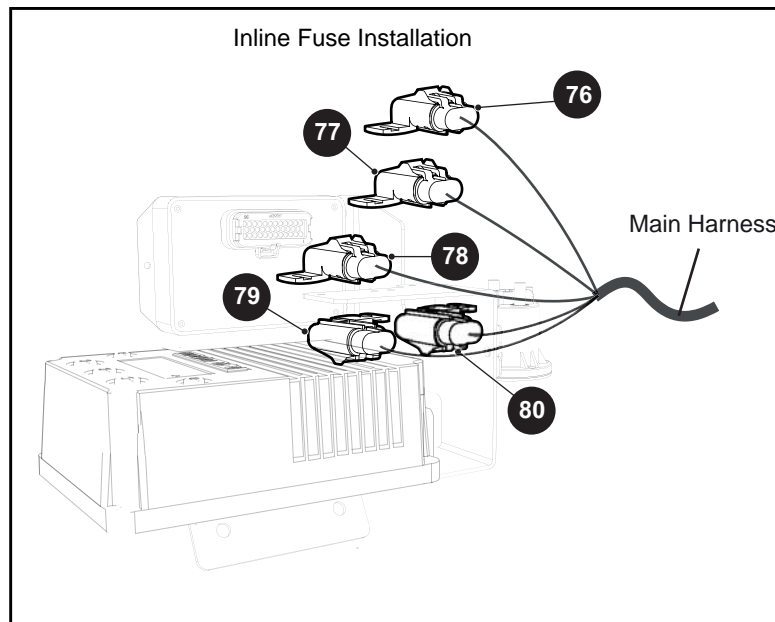
Actuator Wiring Connection



Accelerator Wiring Connection



Inline Fuse Installation



ELECTRICAL SYSTEM - HARNESS

When ordering parts, please specify the model and serial number of the product.

* Indicates a component that is not available as an individual part.

*** Indicates consult Customer Service Department for additional information.

ITEM	PART NO.	1 2 3 4 5	DESCRIPTION	QTY.
1	625575		MAIN HARNESS	1
2	35211G01		FUSE BLOCK	1
3	00379G2		SCREW, #10 - 24 X 1 1/4" LG.....	2
4	00559G5		FLAT WASHER, #10	2
5	14390G10		LOCK NUT, #10 - 24	2
6	631022		DPI BOX CONTROLLER ASSEMBLY (INCLUDES ITEMS 7 - 9)	1
7	631020		CONTROLLER BOX.....	1
8	631240		CONTROLLER LABEL	1
9	631238		CONTROLLER SOFTWARE (NOT ILLUSTRATED)	1
10	00559G5		FLAT WASHER, #10	2
11	14390G10		LOCK NUT, #10 - 24	2
12	800296		BOLT, #10 - 24 X 3/4" LG	2
13	625720		BOBBY BOX BRACKET	1
14	13437G9		BOLT, 1/4 - 20 X 3/4" LG	2
15	01110G01		FLAT WASHER, 1/4"	2
16	14390G4		LOCK NUT, 1/4" - 20	2
17				
18	612711		SOLENOID, 48V	1
19	13437G9		BOLT, 1/4 - 20 X 3/4" LG	2
20	01110G01		FLAT WASHER, 1/4"	2
21	14390G4		LOCK NUT, 1/4" - 20	2
22				
23	624626		CONTROLLER BRACKET.....	1
24	13437G3		BOLT, 5/16 - 18 X 1.0" LG	1
25	00439G4		BOLT, 5/16 - 18 X 1 1/2" LG	2
26	00642G8		FLAT WASHER, 5/16"	5
27	01109G01		LOCK NUT, 5/16" - 18	3
28				
29	629619		ELECTRONICS SHIELD (NOT SHOWN)	1
30	00379G2		SCREW, #10 - 24 X 1 1/4" LG.....	1
31	00559G5		FLAT WASHER, #10	2

ELECTRICAL SYSTEM - HARNESS

When ordering parts, please specify the model and serial number of the product.

* Indicates a component that is not available as an individual part.

*** Indicates consult Customer Service Department for additional information.

ITEM	PART NO.	1 2 3 4 5	DESCRIPTION	QTY.
32	14390G10		LOCK NUT, #10 - 24	1
33				
34	628113		SLOW BLOW FUSE HOLDER	1
35	00379G2		SCREW, #10 - 24 X 1 1/4" LG	2
36	00559G5		FLAT WASHER, #10	2
37	14390G10		LOCK NUT, #10 - 24	2
38	626864		SLOW BLOW FUSE	1
39				
40				
41	626606		DC/DC CONVERTOR	1
42	800296		SCREW, # 10 - 24 X 3/4" LG	3
43	00559G5		FLAT WASHER, #10	6
44	14390G10		LOCK NUT, #10 - 24	3
45				
46	71078G01		POWER OUTLET, 12V	1
47	600543		BOLT, M4 - 0.75 X 12 MM.....	2
48	602053		LOCK NUT, M4 - 0.7	2
49				
50	31539G1		WIRE TIE	17
51				
52				
53	626870		STARTER WIRE ASSEMBLY, 6 AWG, 80" LG.....	1
54	00715G2		SCREW, 5/16 - 18 X 13/16" LG	1
55	00559G7		FLAT WASHER, 1/4"	1
56				
57				
58				
59	625106		GAS POWERTRAIN ELECTRONICS PLATE.....	1
60	00440G6		BOLT, 3/8 - 16 X 3 1/2" LG.....	2
61	00642G8		FLAT WASHER, M10 X 22 MM X 2.5 MM	2
62	01109G01		LOCK NUT, 3/8" - 16.....	2

ELECTRICAL SYSTEM - HARNESS

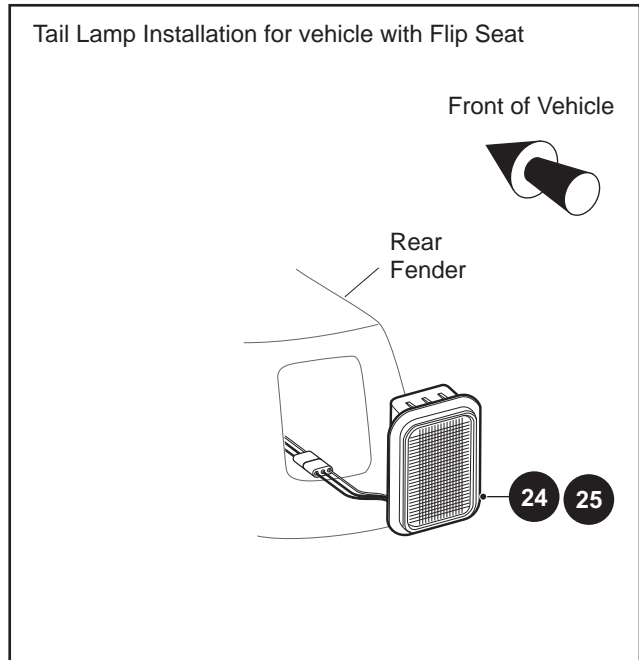
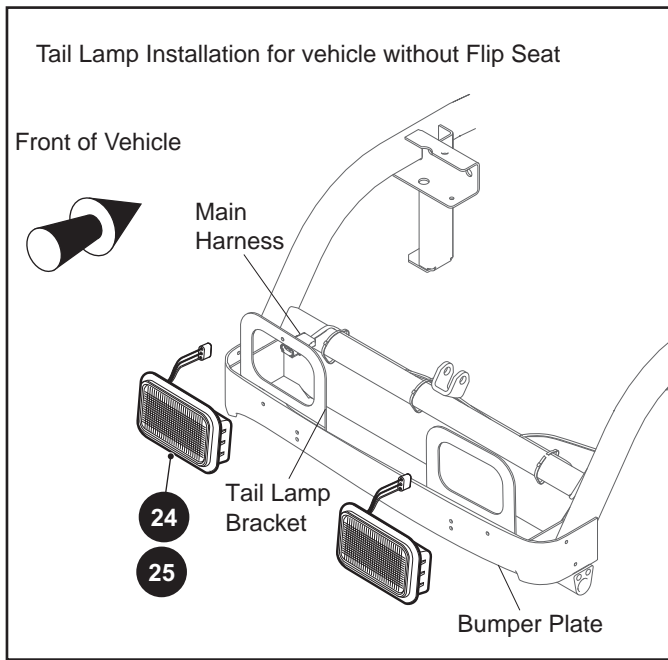
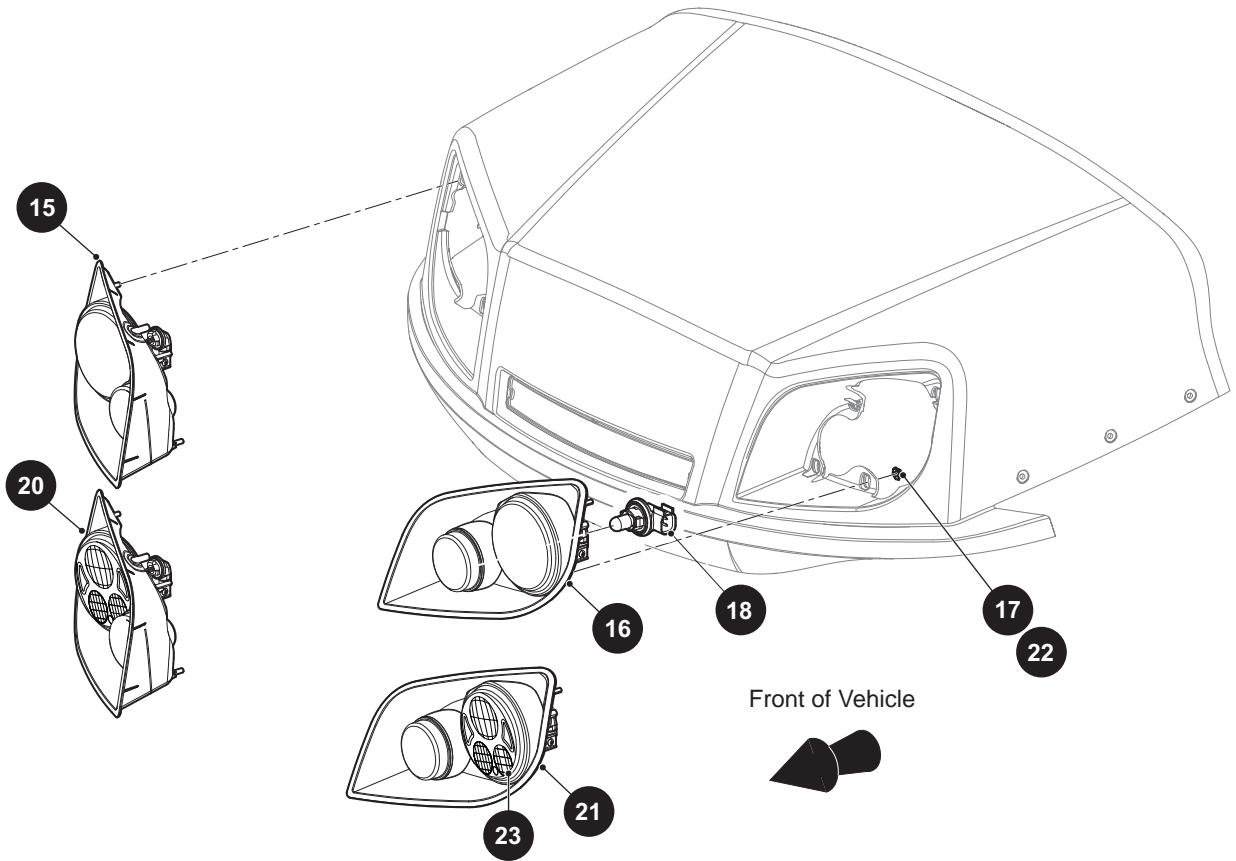
When ordering parts, please specify the model and serial number of the product.

* Indicates a component that is not available as an individual part.

*** Indicates consult Customer Service Department for additional information.

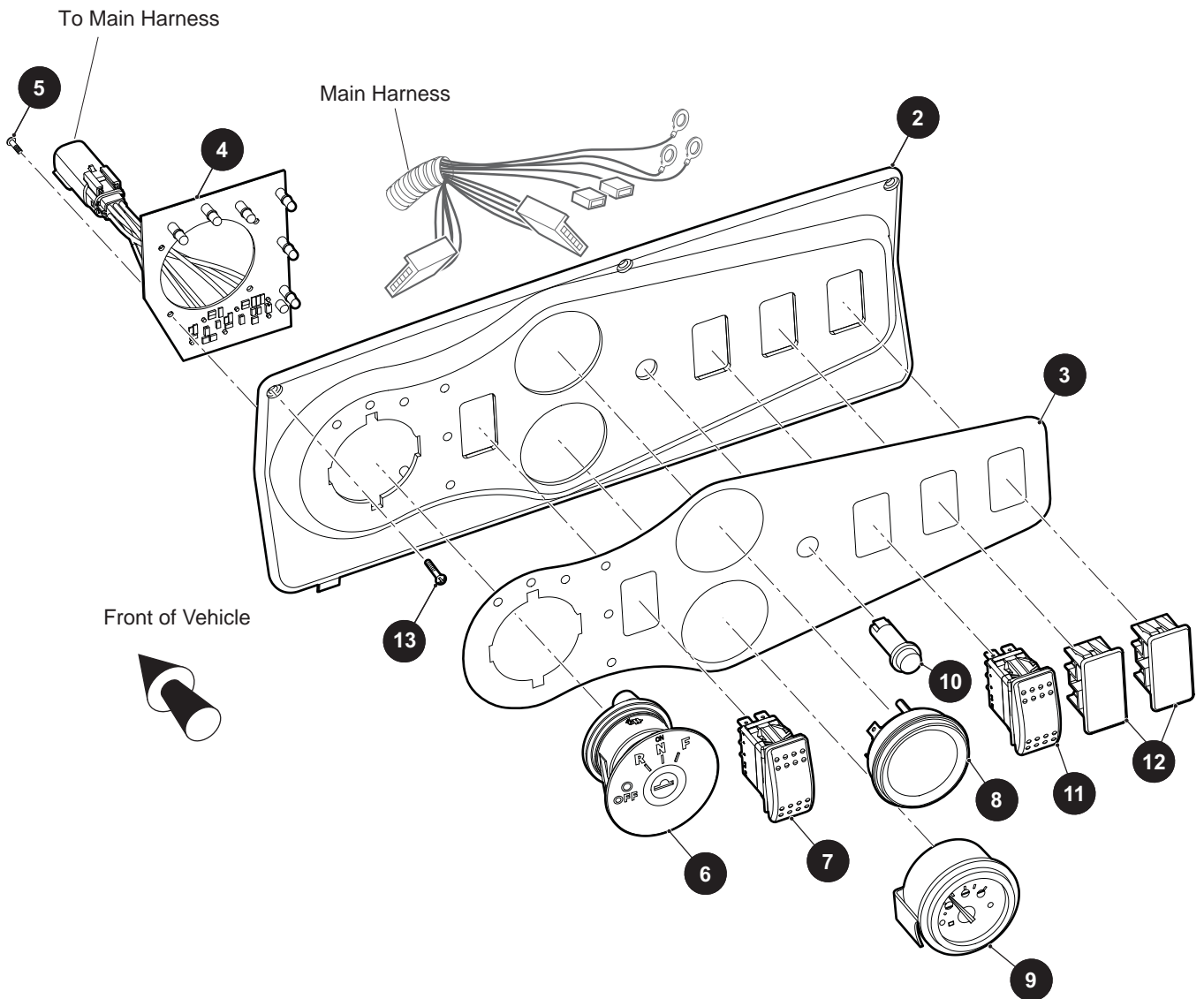
ITEM	PART NO.	1	2	3	4	5	DESCRIPTION	QTY.
63								
64	612711						SOLENOID, 48 V	1
65	00661G8						BOLT, 1/4 - 20 X 1.0" LG	2
66	11027G2						LOCK NUT, 1/4" - 20	2
67	12914G2						FASTON TAB, 1/4" X 1/4"	1
68	00559G7						FLAT WASHER, 1/4"	1
69	00664G7						LOCK WASHER, 1/4"	1
70	00532G1						NUT, 1/4" - 20	1
71								
72	27739G01						VOLTAGE REGULATOR	1
73	00415G2						BOLT, 1/4 - 20 X 1 1/4" LG	1
74	11027G2						LOCK NUT, 1/4" - 20	1
75								
76	628792						FUSE, 15 AMP, DC/DC CONVERTOR	1
77	629104						FUSE, 3 AMP, CONTROLLER	1
78	628840						FUSE, 10 AMP, KEY SWITCH	1
79	628081						FUSE, 5 AMP, OIL LIGHT	1
80	628840						FUSE, 10 AMP, POWER OUTLET	1

ELECTRICAL SYSTEM - INSTRUMENTATION



ELECTRICAL SYSTEM- INSTRUMENTATION

1 CONTROL PANEL ASSEMBLY INCLUDES ITEMS 2 - 13



ELECTRICAL SYSTEM - INSTRUMENTATION

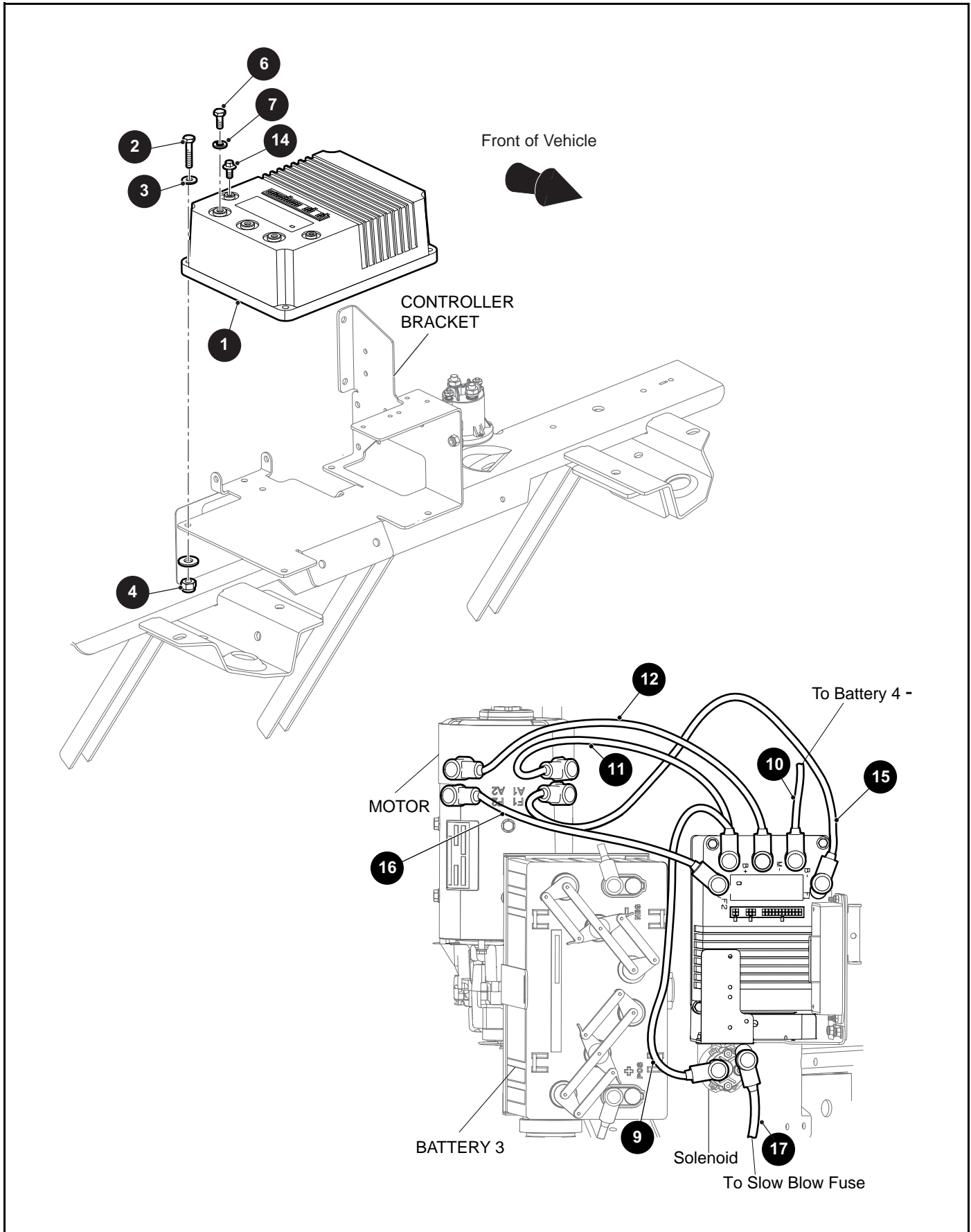
When ordering parts, please specify the model and serial number of the product.

* Indicates a component that is not available as an individual part.

*** Indicates consult Customer Service Department for additional information.

ITEM	PART NO.	1 2 3 4 5	DESCRIPTION	QTY.
1	626863		CONTROL PANEL ASSEMBLY (Includes Items 2 - 13)	1
2	626655G01		CONTROL PANEL	1
3	626420		INSTRUMENT PANEL LABEL	1
4	627772		INDICATOR ASSEMBLY	1
5	627699		SCREW, 4 - 24 X 3/8" LG	4
6	609692		KEY SWITCH KIT	1
7	626658		POWERTRAIN SWITCH	1
8	626696		SOC GAUGE	1
9	21553G01		FUEL GAUGE	1
10	23474G1		OIL PRESSURE LIGHT	1
11	626660		HEADLIGHT SWITCH	1
12	627035		PANEL PLUG	2
13	612255		TORX SCREW, #12 - 14 X 1.0 LG	3
14				
15	614497		HALOGEN HEADLIGHT (PASSENGER SIDE)	1
16	614501		HALOGEN HEADLIGHT (DRIVER SIDE)	1
17	71597G01		NUT, 5MM x 10MM	8
18	619100		SERVICE BULB KIT, HALOGEN	2
19				
20	618556		LED HEADLIGHT (PASSENGER SIDE)	1
21	618555		LED HEADLIGHT (DRIVER SIDE)	1
22	71597G01		NUT, 5MM x 10MM	8
23	619101		SERVICE BULB KIT, LED	2
24	32739G3		TAIL STOP LAMP	2
25	21759G1		TAIL STOP BULB, #1157	1

ELECTRONIC SPEED CONTROL



ELECTRONIC SPEED CONTROL

When ordering parts, please specify the model and serial number of the product.

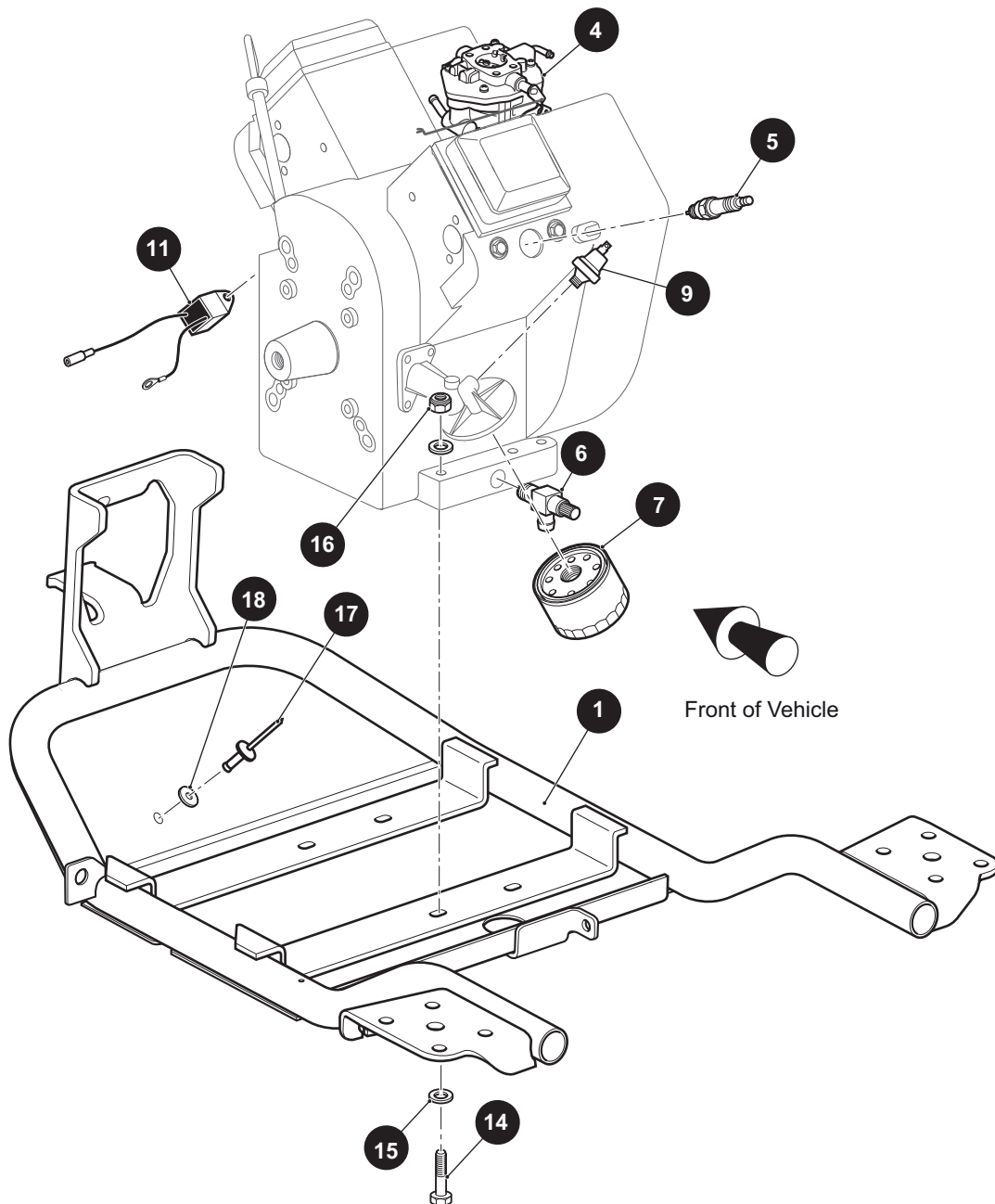
* Indicates a component that is not available as an individual part.

*** Indicates consult Customer Service Department for additional information.

ITEM	PART NO.	1 2 3 4 5	DESCRIPTION	QTY.
1	625561		CONTROLLER.....	1
2	00415G2		BOLT, 1/4 - 20 X 1 1/4" LG.....	4
3	01110G01		FLAT WASHER, 1/4".....	8
4	14390G4		LOCK NUT, 1/4" - 20.....	4
5				
6	73296G01		BOLT, 8 MM X 16 MM LG.....	3
7	00565G8		LOCK WASHER, 5/16".....	3
8				
9	627684		WIRE ASSEMBLY, 2 AWG, 16.0" LG.....	2
10	627685		WIRE ASSEMBLY, 2 AWG, 81.5" LG.....	1
11	629523		WIRE ASSEMBLY, 2 AWG, 25.5" LG.....	1
12	627690		WIRE ASSEMBLY, 2 AWG, 25.5" LG.....	1
13				
14	73876G01		BOLT, M6 - 1.00 X 12 MM LG.....	2
15	627691		WIRE ASSEMBLY, 6 AWG, 30.5" LG.....	1
16	627692		WIRE ASSEMBLY, 6 AWG, 22.5" LG.....	1
17	629648		WIRE ASSEMBLY, 2 AWG, 93.0" LG.....	1

ENGINE

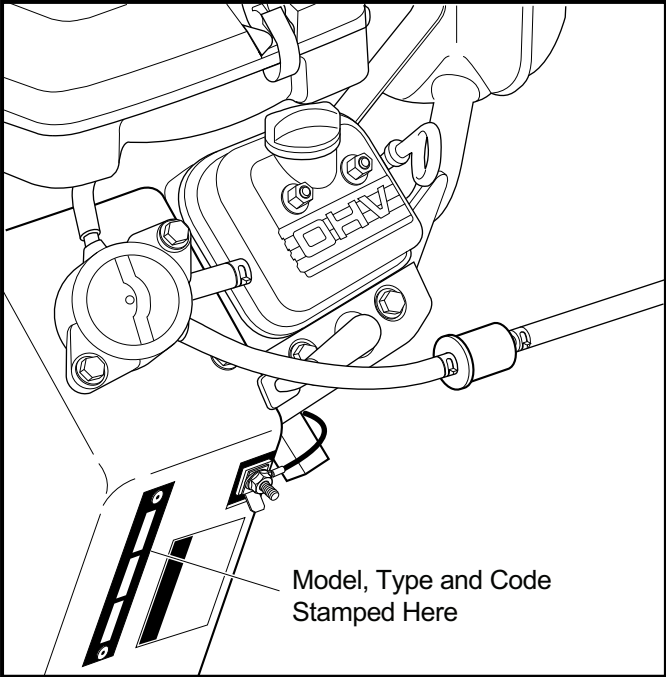
- 3 ENGINE ASSEMBLY, includes items 4 - 11
- 19 ENGINE, (HIGH ALTITUDE 5,000 - 9,000 FT) includes items 3, 20
- 20 HIGH ALTITUDE (5,000 - 9,000 FT) CARBURETOR KIT, includes items 21, 22
- 24 ENGINE, (HIGH ALTITUDE > 9,000 FT) includes items 3, 25
- 25 HIGH ALTITUDE (>9000 FT) CARBURETOR KIT, includes items 36, 27



When ordering parts, please specify the model and serial number of the product.

* Indicates a component that is not available as an individual part.

*** Indicates consult Customer Service Department for additional information.

ITEM	PART NO.	1 2 3 4 5	DESCRIPTION	QTY.
1	627538		INNER FRAME WELDMENT.....	1
2				
3	627655		ENGINE, 479CC (INCLUDES ITEMS 4 - 11)	1
4	808979		CARBURETOR	1
5	496018S		SPARK PLUG)	2
6	75814G01		OIL DRAIN VALVE	1
7	492932S		OIL FILTER	1
8				
9	690233		OIL PRESSURE SWITCH	1
10				
11	809093		ELECTRONIC IGNITION CONTROL MODULE	1
<p>For internal engine replacement parts, see an Authorized Briggs & Stratton® Dealer. To locate the nearest dealer, see the dealer locator map at the web site www.briggsandstratton.com or in the "Yellow Pages™" directory under "Engines, Gasoline", "Gasoline Engines", "Lawn Mowers" or similar category. The following information, located on the fan housing, must be provided when requesting information or ordering replacement parts:</p> <p>MODEL: _____ TYPE: _____ CODE: _____</p>				
				

ENGINE

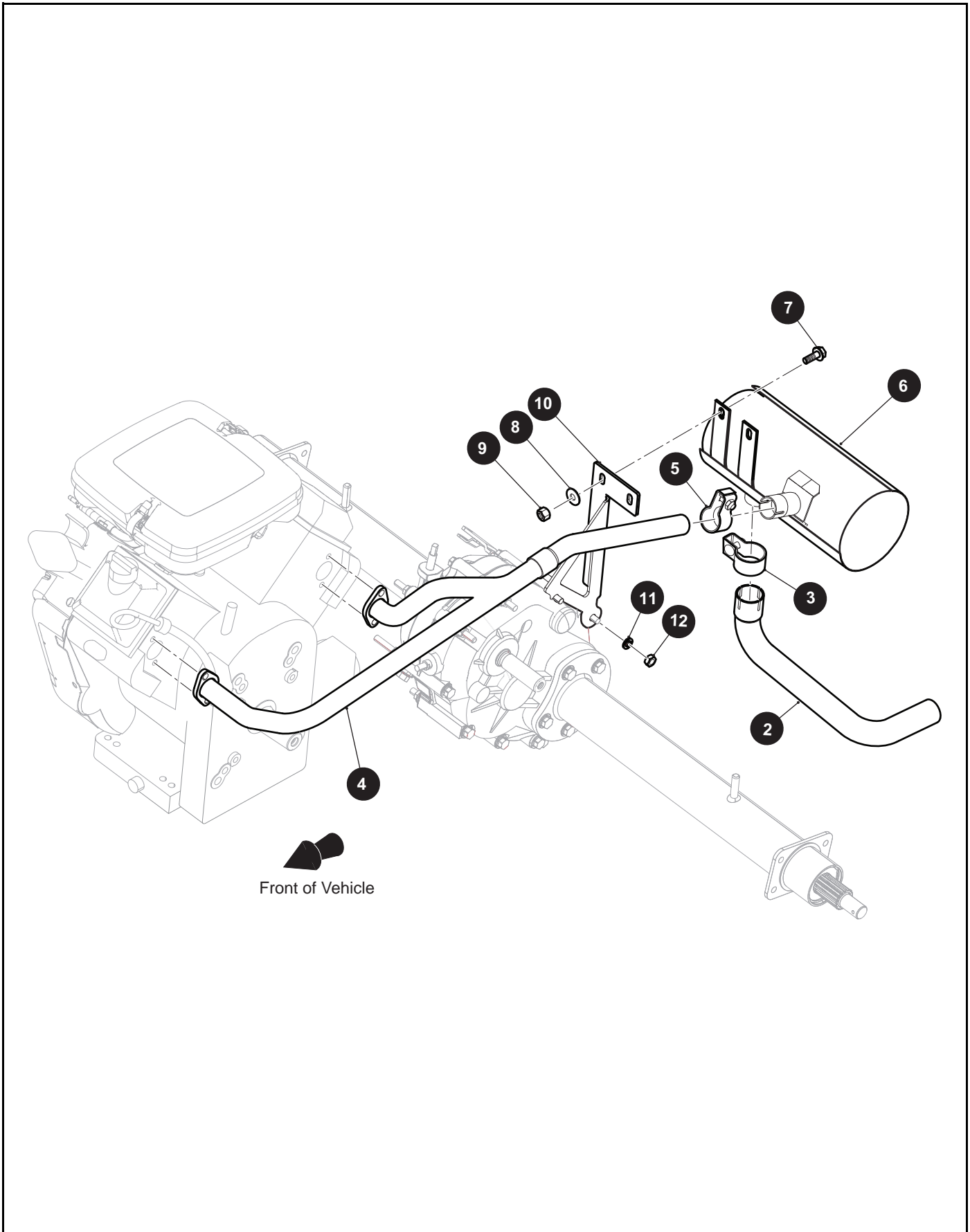
When ordering parts, please specify the model and serial number of the product.

* Indicates a component that is not available as an individual part.

*** Indicates consult Customer Service Department for additional information.

ITEM	PART NO.	1	2	3	4	5	DESCRIPTION	QTY.
12								
13								
14	00439G8						BOLT, 5/16 - 18 X 2.0" LG	4
15	00559G8						FLAT WASHER, 5/16"	8
16	11098G6						LOCK NUT, 5/16" - 18	4
17	10570G3						RIVET, 1/8" X .535" LG	1
18	00559G4						FLAT WASHER, 3/8"	1
19	*						ENGINE, 479 CC (HIGH ALTITUDE 5,000 - 9,000 FT) (INCL ITEMS 3, 20)....	1
20	617110						CARBURETOR, HIGH ALTITUDE KIT (INCLUDES ITEMS 21, 22)	1
21	617108						MAIN JET, #94 (NOT SHOWN)	1
22	617128						LABEL (HIGH ALTITUDE - 5,000 - 9,000 FT) (NOT SHOWN)	1
23								
24	*						ENGINE, 479 CC (HIGH ALTITUDE > 9,000 FT) (INCL ITEMS 3, 25).....	1
25	617111						CARBURETOR, HIGH ALTITUDE KIT (INCLUDES ITEMS 26, 27)	1
26	617109						MAIN JET, #89 (NOT SHOWN)	1
27	617127						LABEL (HIGH ALTITUDE - > 9,000 FT) (NOT SHOWN)	1

ENGINE MUFFLER



ENGINE MUFFLER

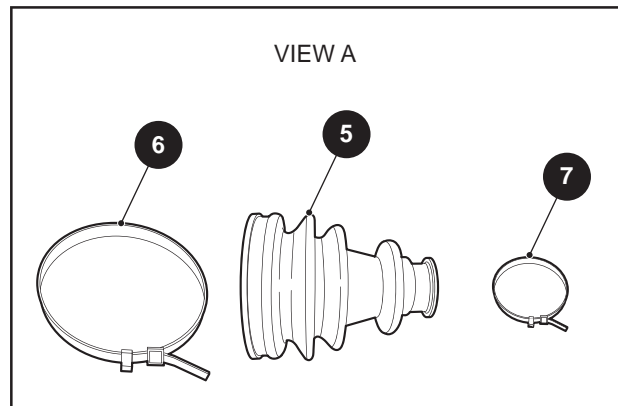
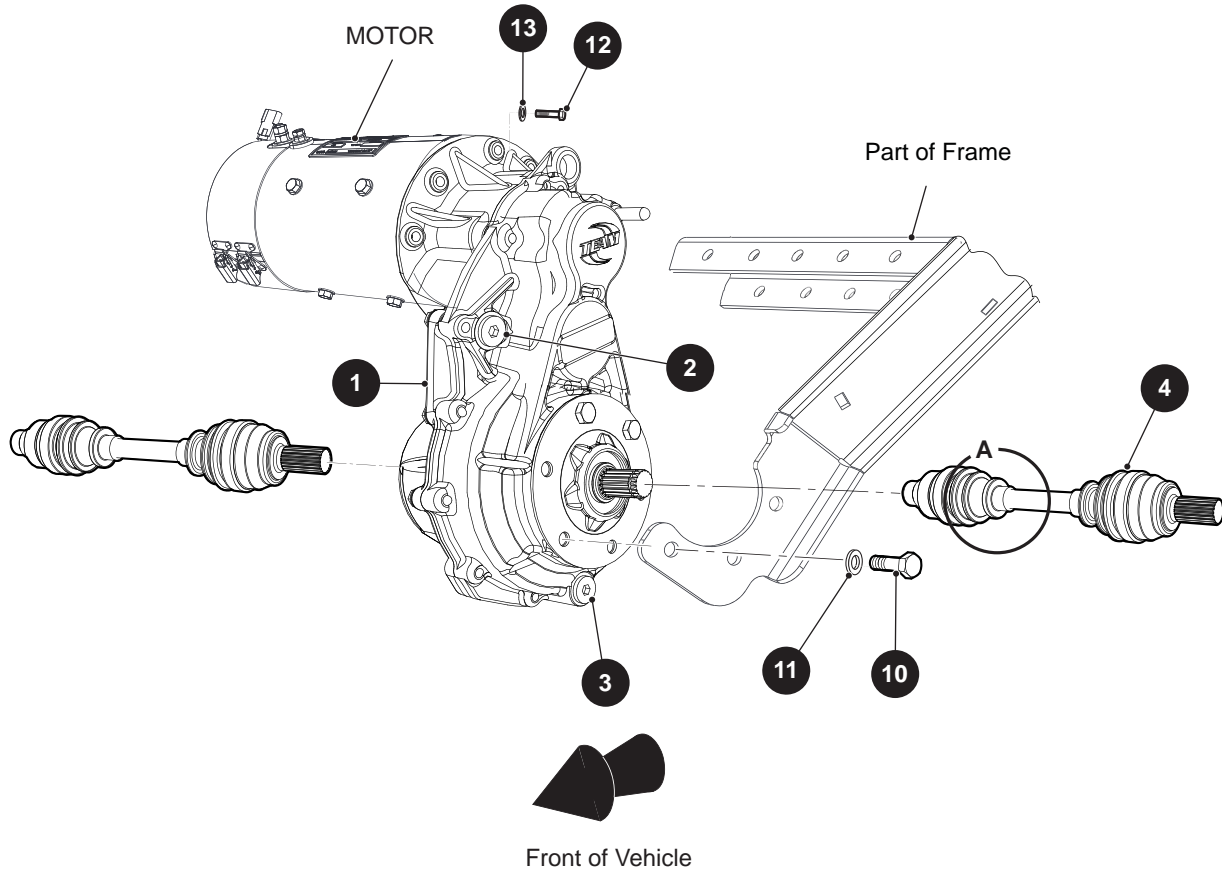
When ordering parts, please specify the model and serial number of the product.

* Indicates a component that is not available as an individual part.

*** Indicates consult Customer Service Department for additional information.

ITEM	PART NO.	1 2 3 4 5	DESCRIPTION	QTY.
1				
2	627832		TAIL PIPE	1
3	629561		PIPE CLAMP, 1.415"	1
4	625859		HEADER PIPE.....	1
5	629564		PIPE CLAMP, 1.125"	1
6	624939		MUFFLER.....	1
7	548604		BOLT, 5/16 - 18 X 3/4" LG	2
8	00642G8		FLAT WASHER, 5/16"	2
9	01109G01		LOCK NUT, 5/16" - 18	2
10	627663		MUFFLER MOUNTING BRACKET	1
11	606272		WASHER, 8MM	2
12	606267		NUT, M8 X 1.25"	2

FRONT AXLE



FRONT AXLE

When ordering parts, please specify the model and serial number of the product.

* Indicates a component that is not available as an individual part.

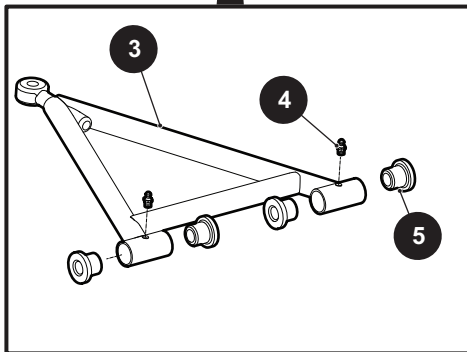
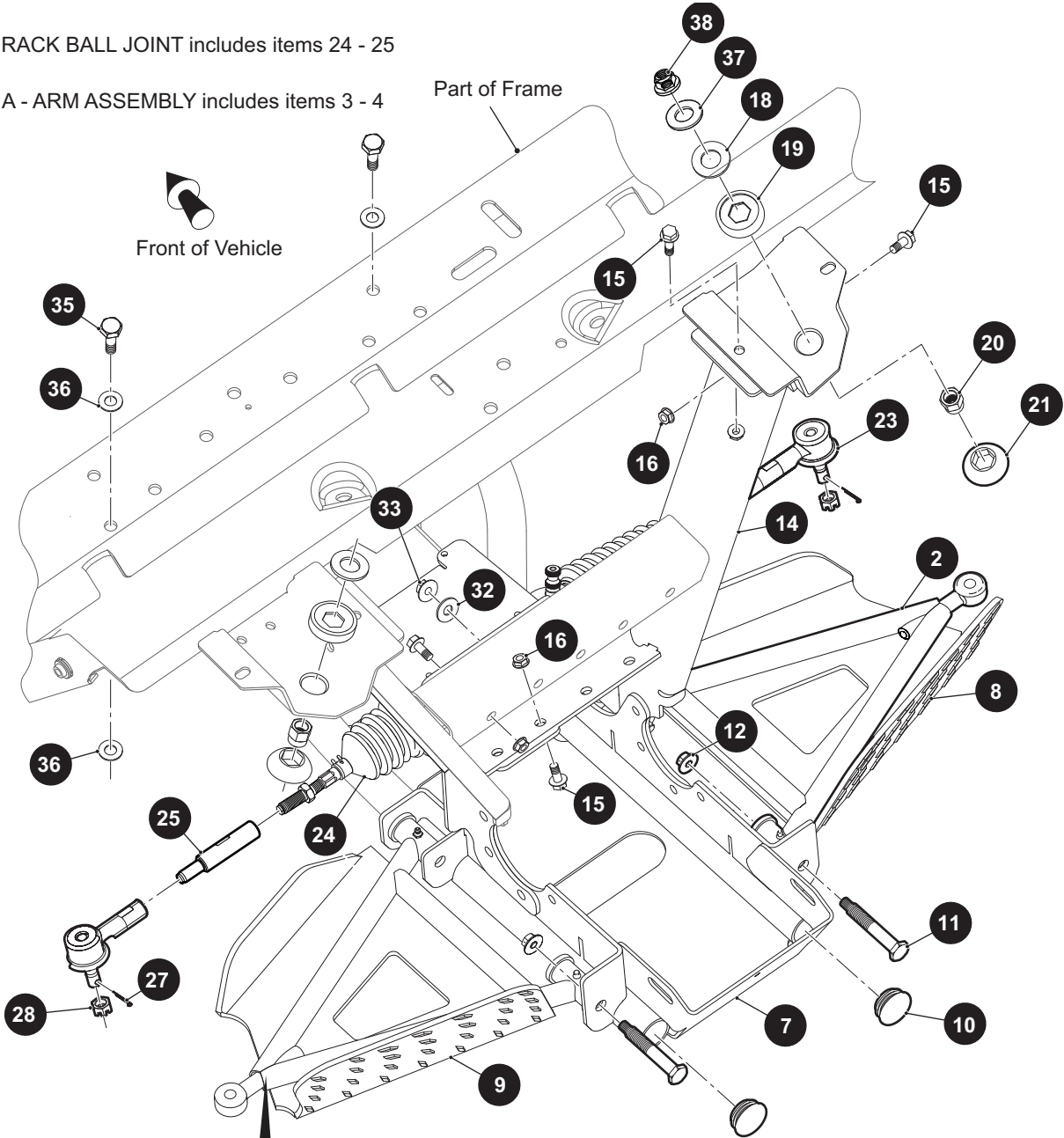
*** Indicates consult Customer Service Department for additional information.

ITEM	PART NO.	1 2 3 4 5	DESCRIPTION	QTY.
1	616023		INDEPENDENT DIFFERENTIAL	1
2	*		OIL FILL PLUG	1
3	*		OIL DRAIN PLUG	1
4	616050		AXLE ASSEMBLY (Includes Items 3 - 5).....	2
5	619243		CV BOOT	2
6	616013		CV JOINT BOOT CLAMP (LARGE).....	2
7	616014		CV JOINT BOOT CLAMP (SMALL)	2
8				
9				
10	306835		BOLT, 3/8 - 16 X 1 1/4" LG.....	8
11	608654		LOCK WASHER, 10 MM	8
12	00415G2		BOLT, 1/4 - 20 X 1 1/4" LG.....	3
13	306396		LOCK WASHER, 1/4"	3

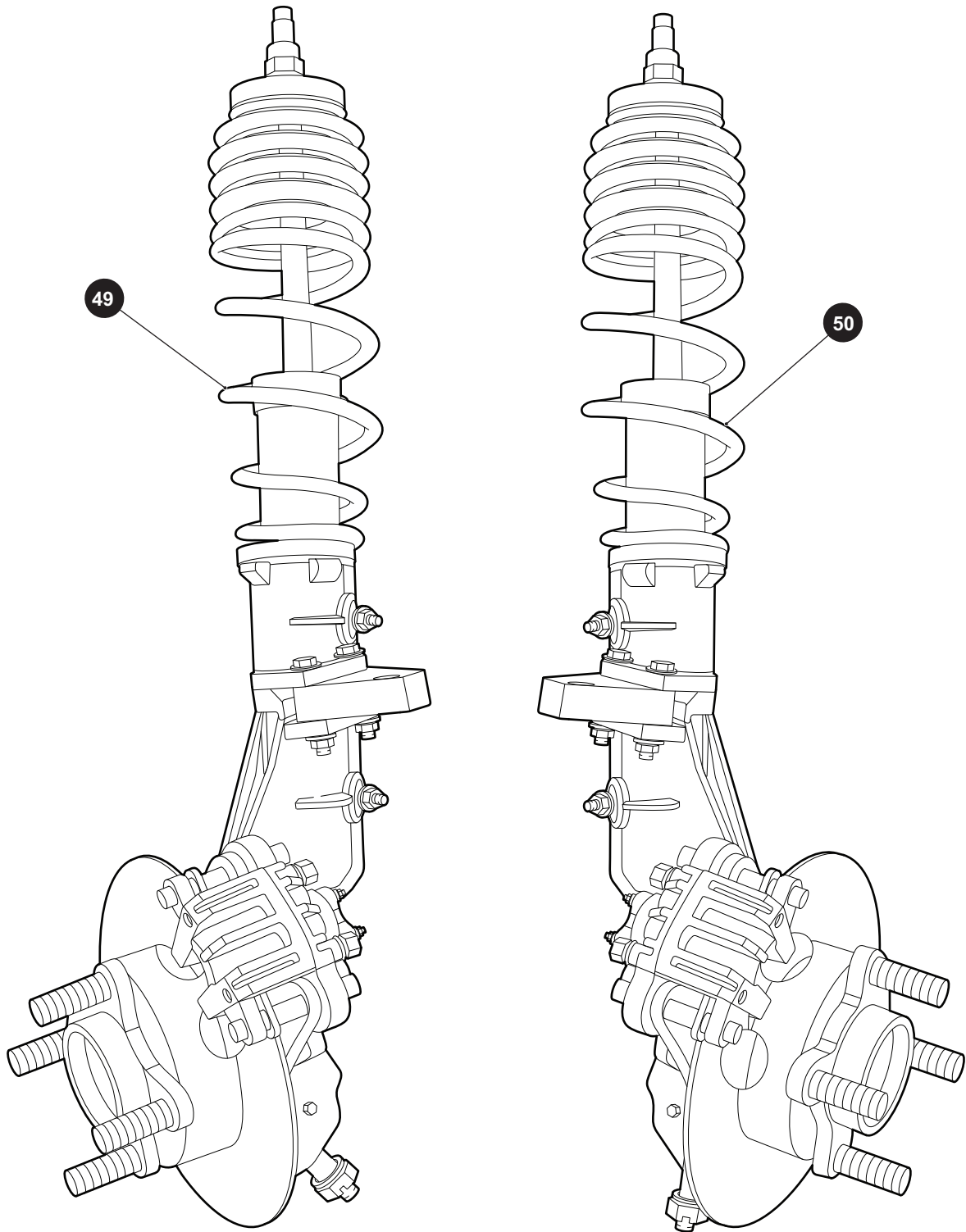
FRONT SUSPENSION AND STEERING

23 RACK BALL JOINT includes items 24 - 25

2 A - ARM ASSEMBLY includes items 3 - 4



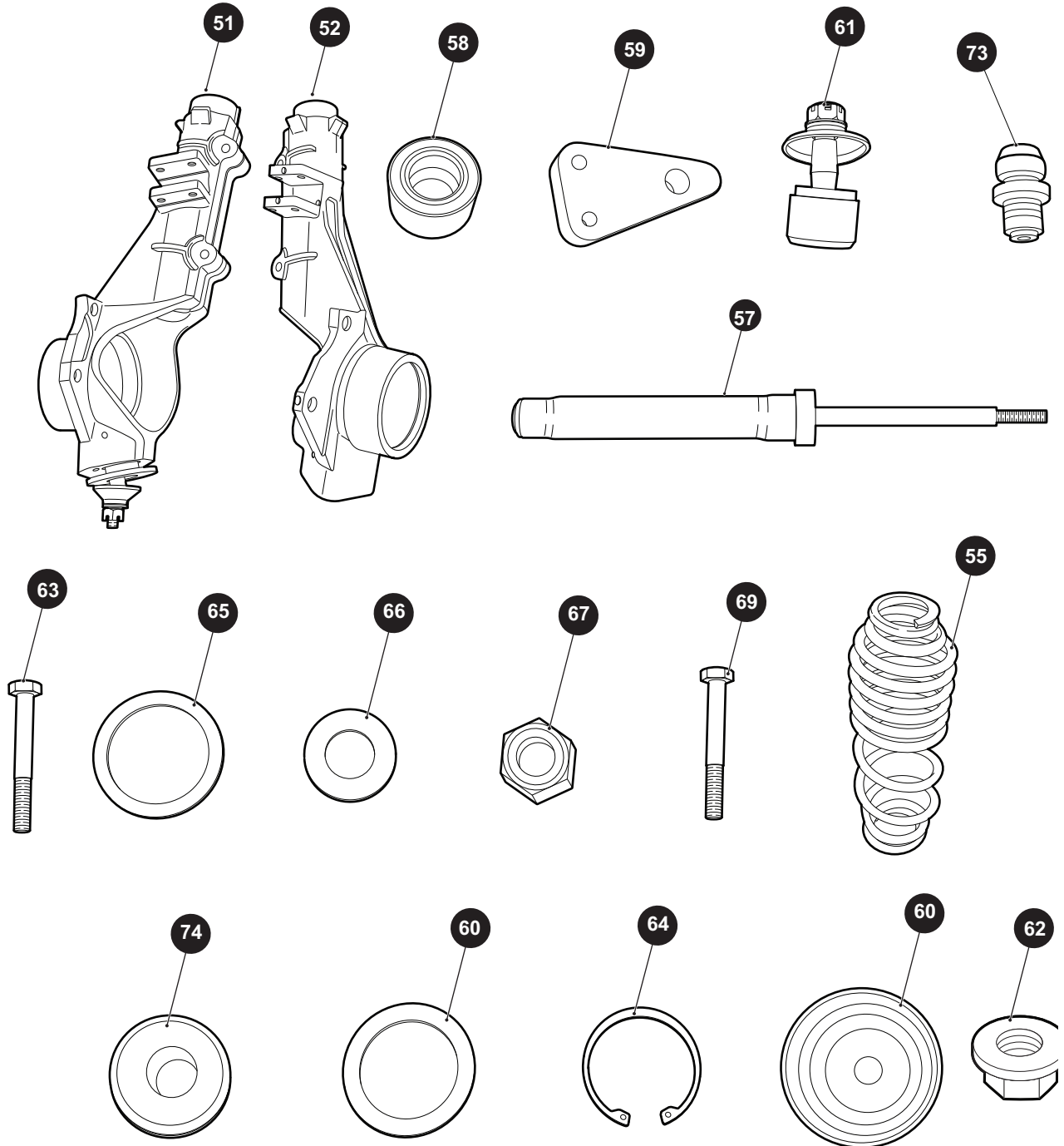
FRONT SUSPENSION AND STEERING



FRONT SUSPENSION AND STEERING

49 FRONT STRUT ASSEMBLY, DRIVER SIDE includes items 51, 53 - 74

50 FRONT STRUT ASSEMBLY, PASSENGER SIDE includes items 52 - 74



FRONT SUSPENSION AND STEERING

When ordering parts, please specify the model and serial number of the product.

* Indicates a component that is not available as an individual part.

*** Indicates consult Customer Service Department for additional information.

ITEM	PART NO.	1 2 3 4 5	DESCRIPTION	QTY.
1				
2	625914		ARM ASSEMBLY (INCLUDES ITEMS 3 - 4)	2
3	616035		CONTROL ARM	1
4	10389G3		GREASE FITTING	2
5	616036		BUSHING	8
6	306981		FLAT WASHER, 1/4"	4
7	626617		LOWER WELDMENT	1
8	631703G01		BRUSH STOPPER (DRIVER SIDE)	1
9	631703G02		BRUSH STOPPER (PASSENGER SIDE).....	1
10	628915		PLASTIC THREADED PLUG, 1.5" - 8.....	2
11	14158G1		SHOULDER BOLT, 3/8" - 16 X 3 1/4" LG.....	4
12	12262G1		LOCK NUT, 3/8" - 16.....	4
13	12730G1		WHEEL BEARING GREASE (NOT ILLUSTRATED)	A/R
14	630774		UPPER WELDMENT	1
15	548604		HEX HEAD BOLT, 5/16" - 18 X 3/4" LG	4
16	11027G1		LOCK NUT, 5/16" - 18.....	4
17				
18	616701		RUBBER WASHER, .75"	2
19	629592		FEMALE BUSHING STRUT	2
20	616056		RETAINING NUT, M12 X 1.25"	2
21	629593		MALE BUSHING STRUT	2
22				
23	627868		RACK BALL JOINT (INCLUDES ITEMS 24 - 25)	1
24	618330		STEERING RACK	1
25	626303		SPACER	2
26				
27	10387G2		COTTER PIN, .094" X 1.00" LG.....	4
28	608005		CASTLE NUT, M12 - 1.25".....	2
29				
30				
31	00427G4		HEX BOLT, 3/8" - 16 X 1.50" LG (NOT ILLUSTRATED)	3

FRONT SUSPENSION AND STEERING

When ordering parts, please specify the model and serial number of the product.

* Indicates a component that is not available as an individual part.

*** Indicates consult Customer Service Department for additional information.

ITEM	PART NO.	1 2 3 4 5	DESCRIPTION	QTY.
32	00643G1		FLAT WASHER, 3/8"	3
33	12262G1		LOCK NUT, 3/8" - 16	3
34				
35	00463G11		HEX HEAD BOLT, M12 - 1.75" X 1.6" LG.....	6
36	306982		FLAT WASHER, .34"	12
37	636610		FENDER WASHER, 3/8"	2
38	625748		NYLOCK NUT, 1/2" - 13	2
39	616706		FLAT WASHER, 1.0" (NOT ILLUSTRATED)	2
40	616713		"U" BOLT, 1/4" - 20 X 1.375" LG (NOT ILLUSTRATED).....	6
41	616971		LOCK NUT, 12 MM - 1.75 (NOT ILLUSTRATED).....	6
42				
43	616052		HUB WASHER (NOT ILLUSTRATED)	2
44	10387G1		COTTER PIN, .125 X 1.50" LG (NOT ILLUSTRATED)	2
45	14390G4		LOCK NUT, 1/4" - 20 (NOT ILLUSTRATED)	12
46	616671		FLAT WASHER, 8 MM (NOT ILLUSTRATED)	12
47	630449		SOCKET HEAD CAP BOLT, M10 - 45 X 1.5" LG (NOT ILLUSTRATED)	3
48	630450		FLANGE LOCK NUT, M10 - 1.50 (NOT ILLUSTRATED)	3
49	632408G01		FRONT STRUT ASSEMBLY (DRIVER SIDE) (INCLUDES ITEMS 51, 53 - 74).....	1
50	632408G02		FRONT STRUT ASSEMBLY (PASSENGER SIDE) (INCLUDES ITEMS 52 - 74).....	1
51	632410G01		STRUT BASE (DRIVER SIDE)	1
52	632410G02		STRUT BASE (PASSENGER SIDE).....	1
53	616053		HUB WASHER, 52 MM	2
54	18659G3		THREAD LOCKING ADHESIVE (NOT ILLUSTRATED)	A/R
55	618346		SPRING	1
56				
57	634705		LONG SHOCK STRUT	1
58	616041		WHEEL BEARING	1
59	626725		STEERING ARM.....	1
60	616054		FRONT SPRING CAP.....	1
61	616064		STRUT BALL JOINT	1

FRONT SUSPENSION AND STEERING

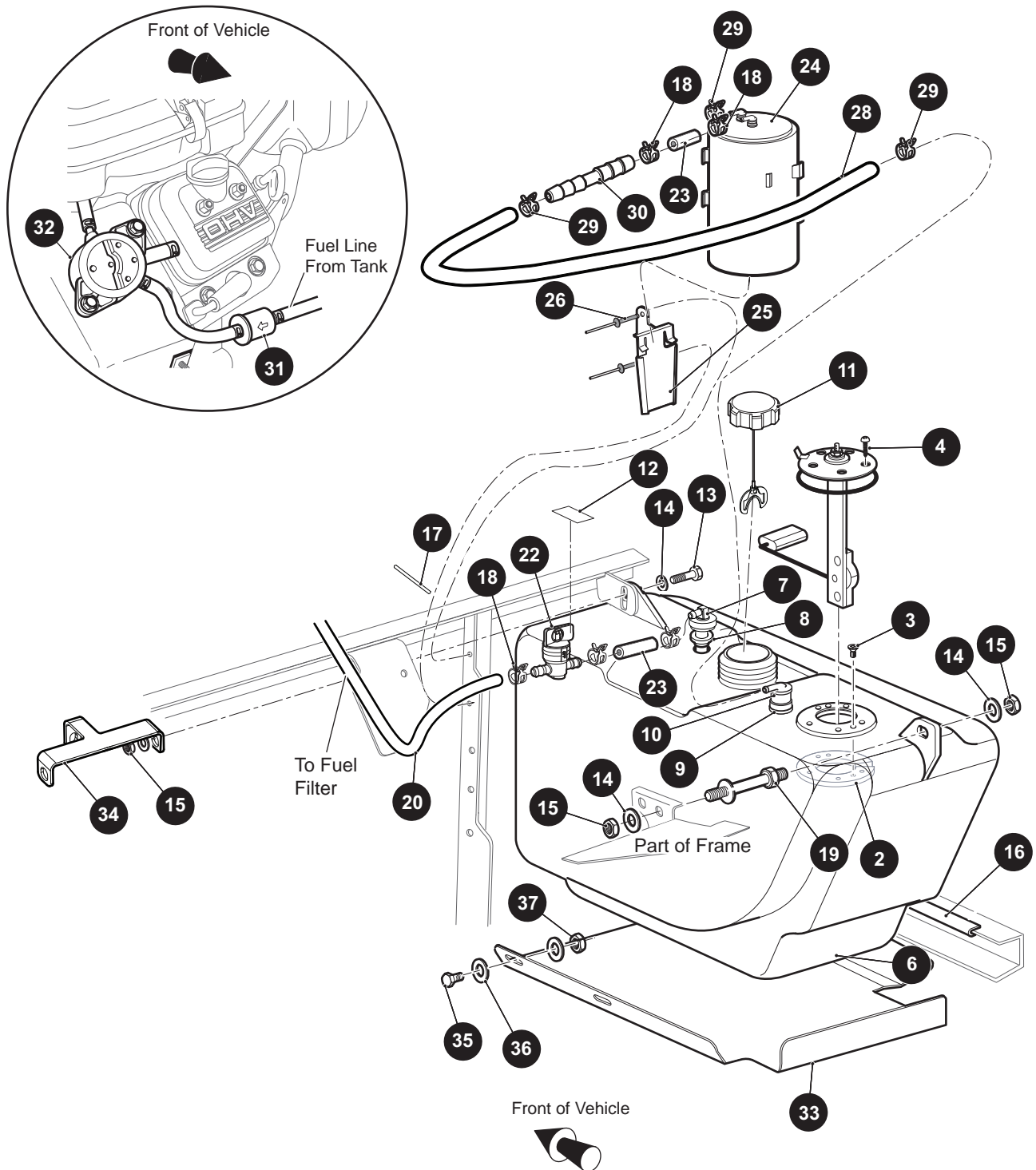
When ordering parts, please specify the model and serial number of the product.

* Indicates a component that is not available as an individual part.

*** Indicates consult Customer Service Department for additional information.

ITEM	PART NO.	1	2	3	4	5	DESCRIPTION	QTY.
62	630803						LOCK NUT, 5/16" - 18	2
63	630804G01						HEX HEAD BOLT, 5/16" - 18 X 2" LG.....	2
64	632409						SNAP RING	1
65	616060						STRUT WASHER, 52 MM	1
66	103867						FLAT WASHER, .31"	8
67	616673						LOCK NUT, 8 MM X 1.25.....	4
68	00439G8						HEX BOLT, 5/16" - 18 X 2.0" LG (NOT ILLUSTRATED).....	2
69	616672						HEX HEAD BOLT, 8MM - 60 X 1.25" LG	2
70	616596						HEX HEAD BOLT, 3/8" - 24 X 3/4" LG (NOT ILLUSTRATED).....	2
71	616597						HEX HEAD BOLT, 1/4" - 20 X 3/4" LG (NOT ILLUSTRATED).....	2
72	00734G1						LOCK NUT, 7/16" - 14 (NOT ILLUSTRATED)	6
73	632405						GREASE FITTING.....	1
74	616073						BUMP STRUT	1
75								
76								
77								
78	71147G01						STEERING WHEEL COVER	1
79	601709						LOCK NUT, M16 - 2.0"	1
80	602980						STEERING WHEEL.....	1
81								
82	600333						STEERING COLUMN ASSEMBLY (INCLUDES ITEMS 83 - 87)	1
83	608117						COLUMN SUB-ASSEMBLY	1
84	608114						STEERING YOKE	1
85	608653						SOCKET HEAD SCREW, M10 - 35 X 1.5" LG	2
86	608654						LOCK WASHER, 10.5 MM	2
87	608655						HEX NUT, M10 - 1.5".....	1
88	603799						FLANGE HEX BOLT, M10 - 25 X 1.5" LG	4
89	600525						LOCK NUT, M10 - 1.5"	4

FUEL SYSTEM



- 1** CARB FUEL TANK ASSEMBLY (Use with sending unit) includes items 2 - 12
- 5** CARB FUEL TANK (W/SWITCH) includes item 6

FUEL SYSTEM

When ordering parts, please specify the model and serial number of the product.

* Indicates a component that is not available as an individual part.

*** Indicates consult Customer Service Department for additional information.

ITEM	PART NO.	1 2 3 4 5	DESCRIPTION	QTY.
1	620181		CARB FUEL TANK ASSEMBLY (Use with sending unit) (Includes items 2 - 12)	1
2	72229G01		FUEL TANK ADAPTER	1
3	72230G01		FLAT HEAD MACHINE SCREW, #6 - 32 X 0.50"	2
4	20048G2		FUEL LEVEL SENDER	1
5	607479		CARB FUEL TANK, (W/SWITCH) (Includes item 12)	1
6	618669		FUEL TANK, W/SENDER UNIT	1
7	18287G3		SIPHON TUBE ASSEMBLY	1
8	70988G01		SIPHON TUBE GROMMET	1
9	606068		ROLLOVER VALVE GROMMET	1
10	606067		ROLLOVER VALVE	1
11	617885		FUEL TANK CAP (RATCHET)	1
12	625826		EPA FUEL TANK LABEL	1
13	00438G8		BOLT, 5/16 - 18 X 1.0" LG.....	2
14	00559G8		FLAT WASHER, 5/16"	6
15	11098G6		LOCK NUT, 5/16" - 18.....	4
16	32372G6		BLACK TRIM	1
17	17618G1		NYLON CLAMP	2
18	18292G1		CLAMP - TUBING.....	6
19	70483G01		SPACER	1
20	604597		FUEL HOSE, 26.0"	1
21				
22	611181		FUEL SHUT-OFF VALVE.....	1
23	615350		FUEL HOSE, 2.0"	2
24	606071		CARBON CANISTER	1
25	606310		CHARCOAL CANISTER BRACKET	1
26	10570G11		RIVET, 3/16" X 3/4" LG	2
27				
28	606964		HOSE, 3/16" I.D. x 13.0" LG	1
29	606963		TUBING CLAMP HOSE, 3/16" I.D.....	4
30	615346		HOSE REDUCER, I. D. 1/4 x 3/16"	1
31	691035		FUEL FILTER.....	1

FUEL SYSTEM

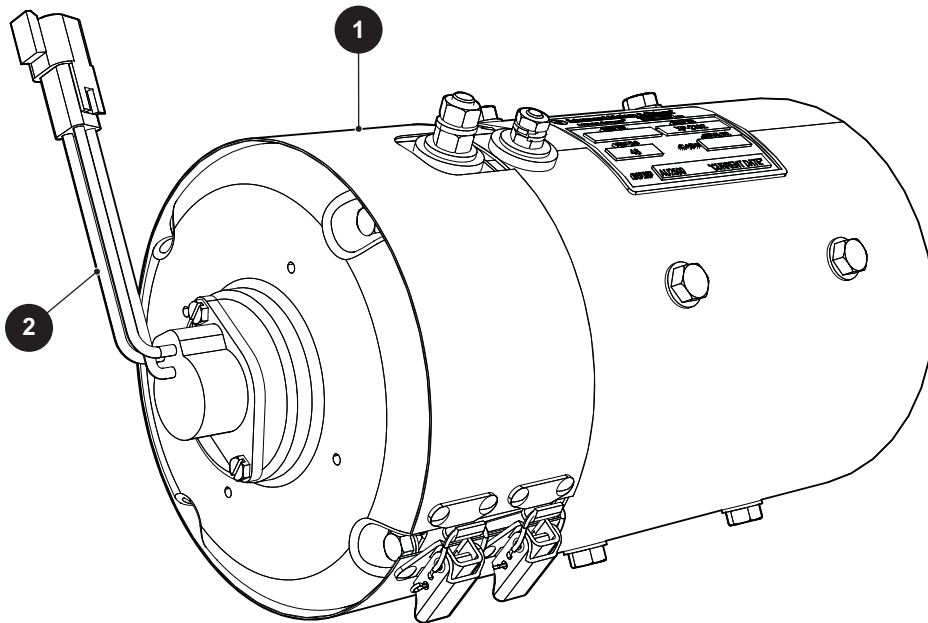
When ordering parts, please specify the model and serial number of the product.

* Indicates a component that is not available as an individual part.

*** Indicates consult Customer Service Department for additional information.

ITEM	PART NO.	1 2 3 4 5	DESCRIPTION	QTY.
32	808656		FUEL PUMP	1
33	623951		FUEL TANK PAN	1
34	628173		FUEL TANK BRACKET	1
35	00438G8		BOLT, 5/16 - 18 X 1.0" LG	5
36	00559G8		FLAT WASHER, 5/16"	10
37	11098G6		LOCK NUT, 5/16" - 18	5

MOTOR



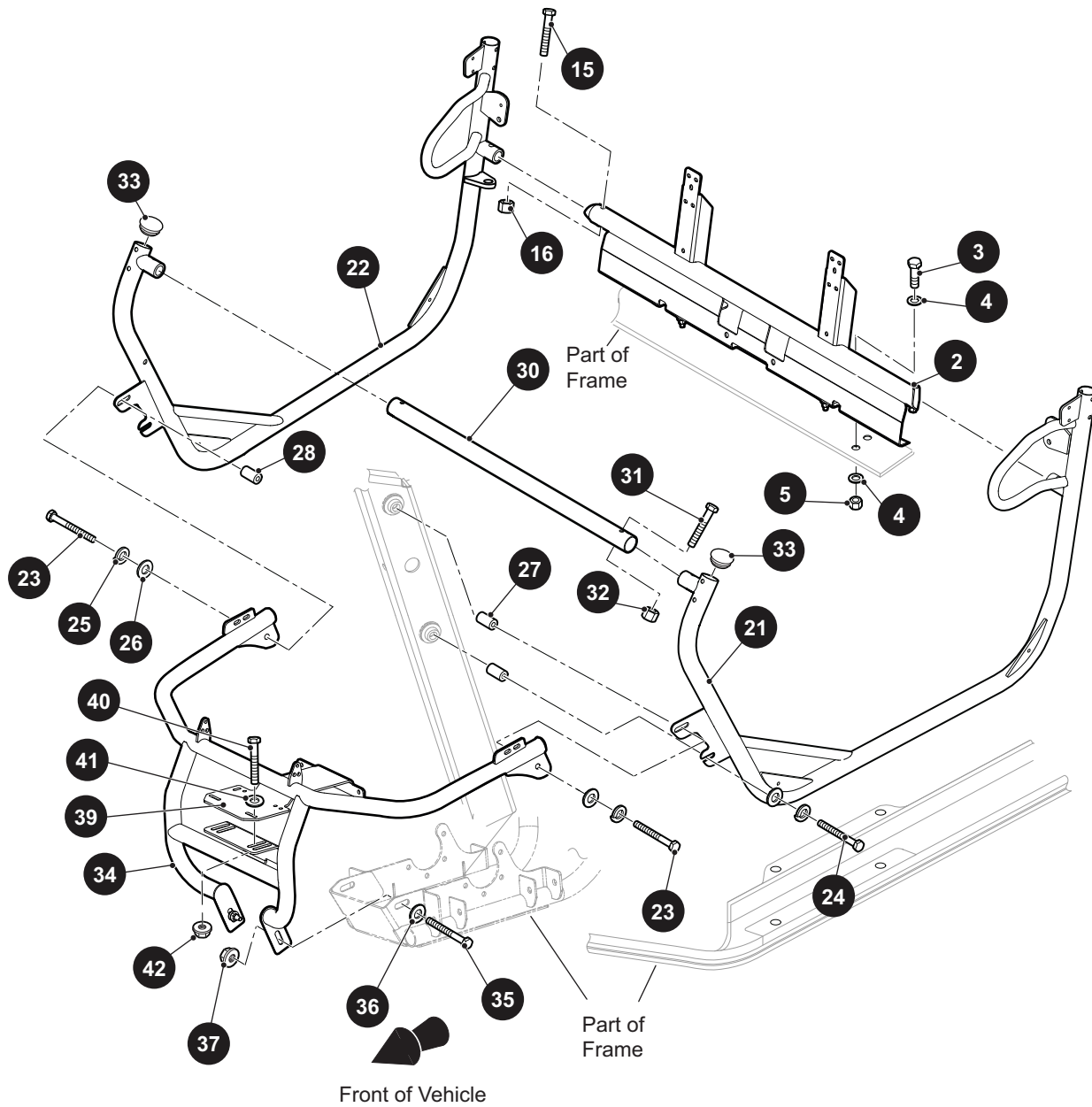
When ordering parts, please specify the model and serial number of the product.

* Indicates a component that is not available as an individual part.

*** Indicates consult Customer Service Department for additional information.

ITEM	PART NO.	1 2 3 4 5	DESCRIPTION	QTY.
1	626867		MOTOR	1
2	630136		SPEED SENSOR	1

OPERATOR PROTECTION SYSTEM - LOWER



OPERATOR PROTECTION SYSTEM - LOWER

When ordering parts, please specify the model and serial number of the product.

* Indicates a component that is not available as an individual part.

*** Indicates consult Customer Service Department for additional information.

ITEM	PART NO.	1 2 3 4 5	DESCRIPTION	QTY.
1				
2	640293		OPS SEAT SUPPORT.....	1
3	00427G2		HEX HEAD BOLT, 3/8" - 16 X 1.25" LG.....	4
4	00571G2		FLAT WASHER, 3/8"	8
5	11098G5		LOCK NUT, 3/8" - 16	4
6				
7				
8				
9				
10				
11				
12				
13				
14				
15	630642		HEX HEAD BOLT, 3/8" - 16 X 2 1/2" LG.....	2
16	630643		LOCK NUT, 3/8" - 16	2
17				
18				
19				
20				
21	640182		OPS BOTTOM (DRIVER SIDE)	1
22	640183		OPS BOTTOM (PASSENGER SIDE).....	1
23	00440G6		HEX HEAD BOLT, 5/16" - 18 X 2 3/4" LG.....	2
24	00440G2		HEX HEAD BOLT, 5/16" - 18 X 2 1/4" LG.....	2
25	00565G8		LOCK WASHER, 5/16"	4
26	00642G8		FLAT WASHER, 5/16"	4
27	75048G02		SPACER, 1.31" LG	2
28	75048G04		SPACER, 1.0" LG	2
29				
30	629023		FRONT CROSSBAR TUBE.....	1
31	630642		HEX HEAD BOLT, 3/8" - 16 X 2 1/2" LG.....	2

OPERATOR PROTECTION SYSTEM - LOWER

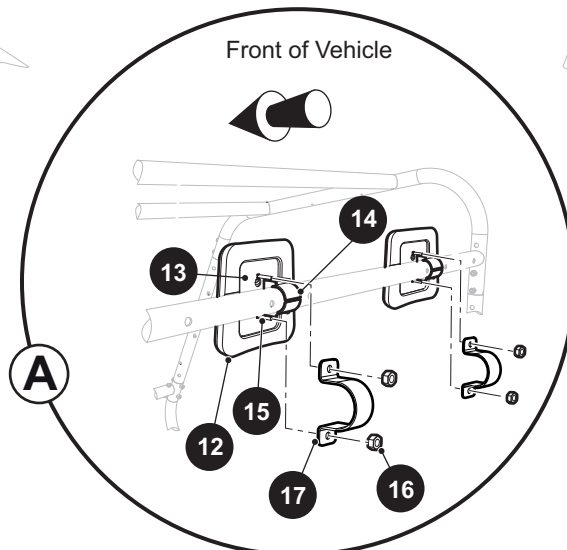
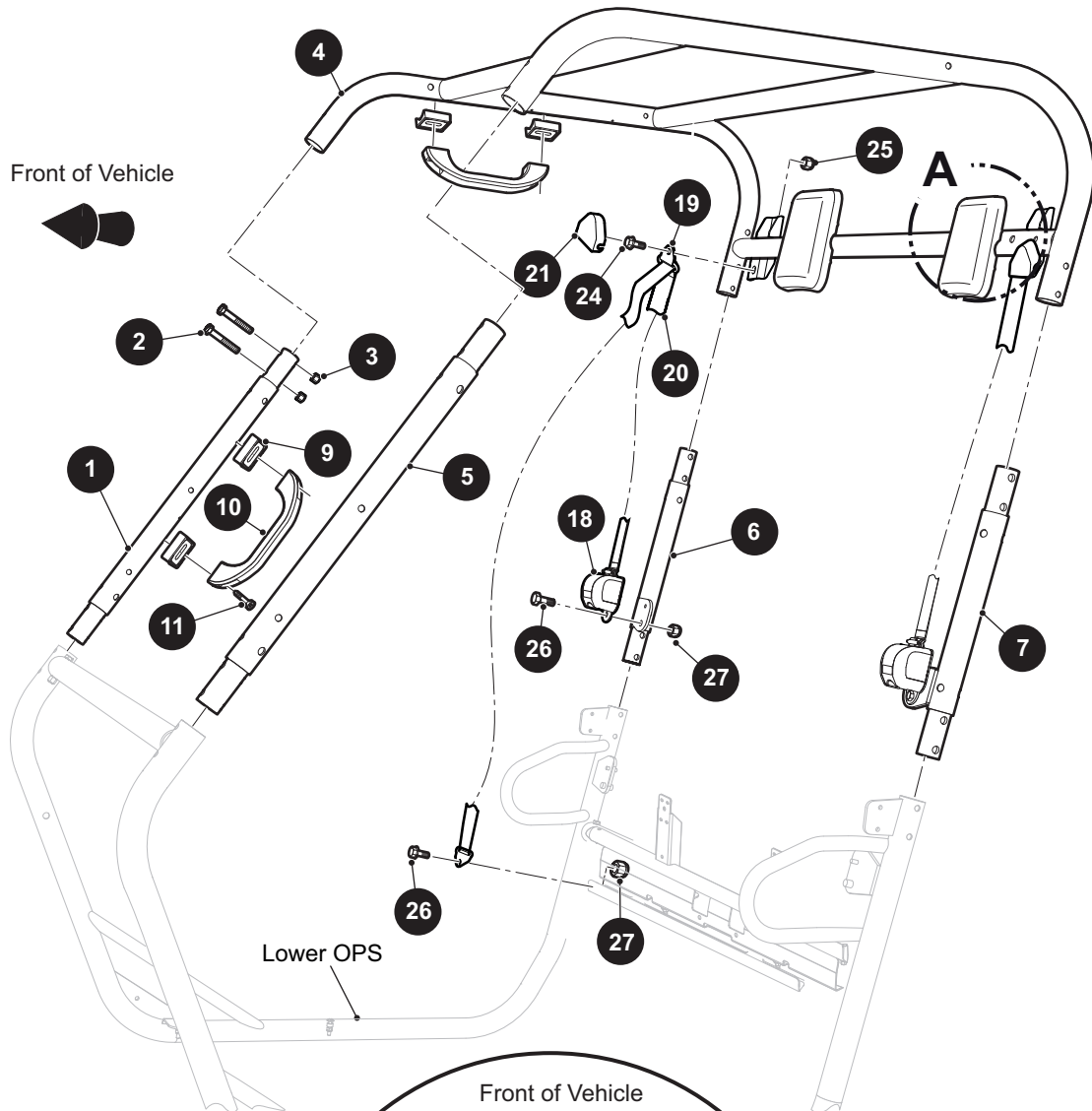
When ordering parts, please specify the model and serial number of the product.

* Indicates a component that is not available as an individual part.

*** Indicates consult Customer Service Department for additional information.

ITEM	PART NO.	1 2 3 4 5	DESCRIPTION	QTY.
32	630643		LOCK NUT, 3/8" - 16	2
33	630762		TUBE PLUG, 1.75" O.D.....	4
34	635544		BUMPER FRONT WELDMENT	1
35	00427G2		HEX HEAD BOLT, 3/8" - 16 X 1.25" LG	2
36	00571G2		FLAT WASHER, 5/16".....	2
37	12262G1		LOCK NUT, 3/16" - 16	2
38				
39	634047		WINCH PLATE	1
40	00439G2		HEX HEAD CAP SCREW, 5/16" - 18 X 1 1/8" LG	2
41	00642G8		FLAT WASHER, 5/16"	2
42	800697		LOCK NUT, 5/16" - 18.....	2

OPERATOR PROTECTION SYSTEM - UPPER



VIEW "A" FROM REAR OF THE VEHICLE

OPERATOR PROTECTION SYSTEM - UPPER

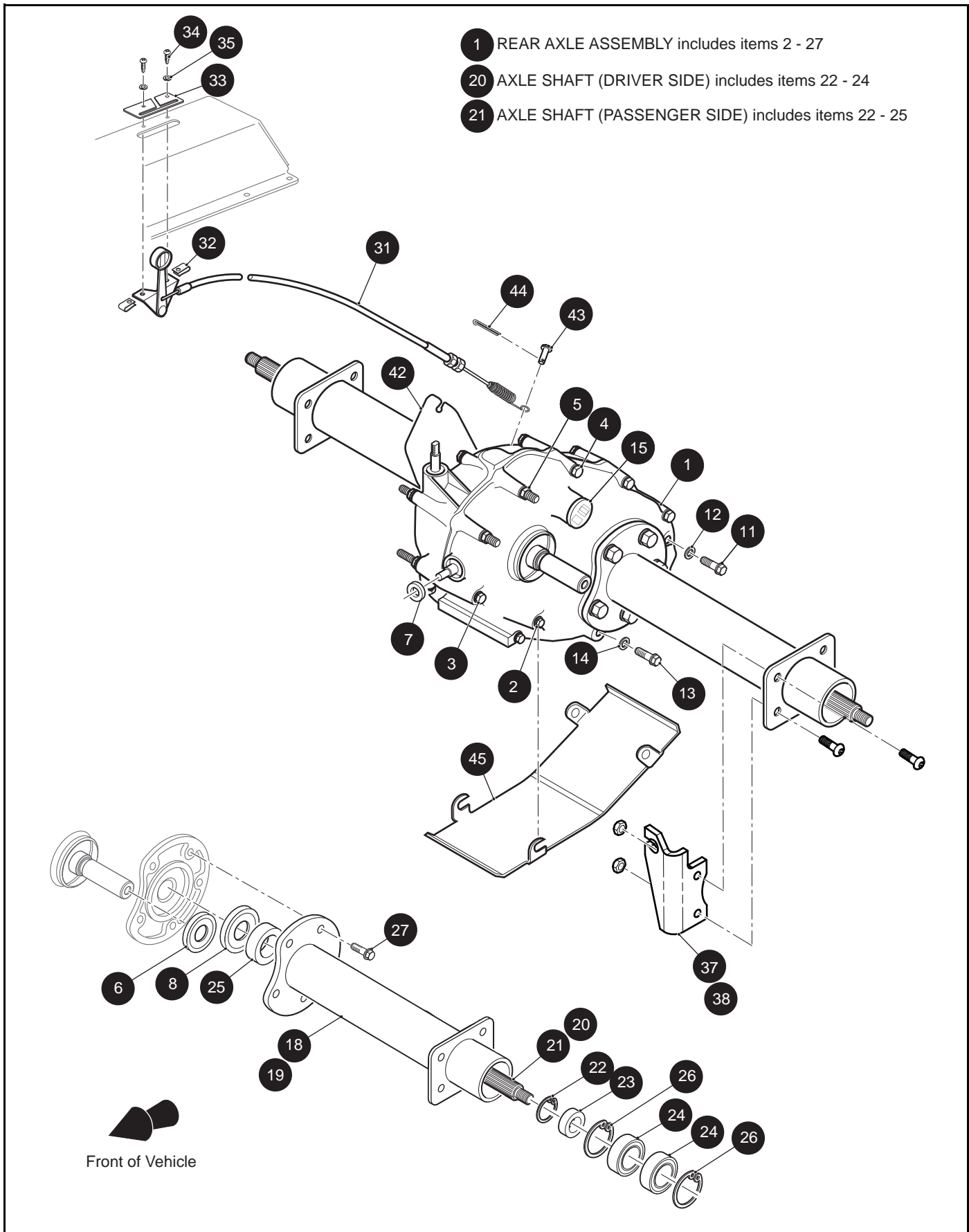
When ordering parts, please specify the model and serial number of the product.

* Indicates a component that is not available as an individual part.

*** Indicates consult Customer Service Department for additional information.

ITEM	PART NO.	1 2 3 4 5	DESCRIPTION	QTY.
1	629081		FRONT CONNECTOR (PASSENGER SIDE)	1
2	00428G2		HEX HEAD BOLT, 3/8" - 16 X 2 1/4" LG	16
3	11098G5		LOCK NUT, 3/8" - 16.....	16
4	631576		UPPER WELD UNIT	1
5	629082		FRONT CONNECTOR (DRIVER SIDE)	1
6	629079		REAR CONNECTOR (PASSENGER SIDE).....	1
7	629080		REAR CONNECTOR (DRIVER SIDE)	1
8				
9	612254		GRAB HANDLE MOUNT	4
10	611774		GRAB HANDLE	2
11	612255		PAN HEAD TORX SCREW, #12 - 14 X 1.0" LG	4
12	628577		HEAD REST	2
13	629666		HEAD REST PLATE	2
14	629642		PLASTIC CLAMP.....	2
15	01102G01		CARRIAGE BOLT, 1/4" - 20 X 1 1/2" LG	4
16	00550G1		LOCK NUT, 1/4" - 20.....	4
17	627786		BAR CLAMP	2
18	635789		SEAT BELT RETRACTOR.....	2
19	610757		SEAT BELT D-RING	2
20	610756		SEAT BELT ATTACH PLATE	2
21	610758		SEAT BELT D-RING COVER	2
22				
23				
24	609569		HEX HEAD BOLT, 7/16" - 20 X 2.75" LG	2
25	00734G3		LOCK NUT, 7/16" - 20.....	2
26	610753		HEX HEAD BOLT, 7/16" - 20 X 1.0" LG	4
27	00734G3		LOCK NUT, 7/16" - 20.....	4
28				
29	629454		SIDE DOOR NET (PAIR) (NOT ILLUSTRATED).....	1

REAR AXLE



REAR AXLE

When ordering parts, please specify the model and serial number of the product.

* Indicates a component that is not available as an individual part.

*** Indicates consult Customer Service Department for additional information.

ITEM	PART NO.	1 2 3 4 5	DESCRIPTION	QTY.
1	626089		REAR AXLE (Includes Items 2 - 27)	1
2	26823G01		FLANGED BOLT, M8 X 1.25 X 100 MM LG	4
3	26824G01		FLANGED BOLT, M8 X 1.25 X 110 MM LG.....	4
4	72052G01		FLANGED BOLT, M8 X 1.25 X 130 MM LG	1
5	28724G01		FLANGED NUT, M8 X 1.25 MM	9
6	26761G01		INPUT SHAFT SEAL.....	1
7	26762G01		SHIFTER SHAFT SEAL	1
8	28720G01		AXLE SHAFT SEAL	1
9				
10				
11	26768G01		OIL CHECK PLUG	1
12	26769G01		GASKET, 8 MM	1
13	26770G01		OIL DRAIN PLUG	1
14	26771G01		GASKET, 14 MM	1
15	26772G01		OIL FILLER PLUG.....	1
16				
17				
18	630070		AXLE TUBE (DRIVER SIDE)	1
19	630071		AXLE TUBE (PASSENGER SIDE).....	1
20	630068		AXLE SHAFT (DRIVER SIDE) (Includes Items 22 - 24)	1
21	630069		AXLE SHAFT (PASSENGER SIDE) (Includes Items 22 - 25).....	1
22	28707G01		SNAP RING, 30 MM.....	1
23	28708G01		COLLAR, 30 X 20 MM	1
24	28703G01		BALL BEARING	2
25	28719G01		SEAL COLLAR.....	1
26	28706G01		SNAP RING, 55 MM	4
27	72260G01		FLANGED BOLT, M10 X 1.5 X 23 MM	10
28				
29				
30				
31	75653G01		DIFFERENTIAL LOCK CABLE (INCLUDES HARDWARE)	1

REAR AXLE

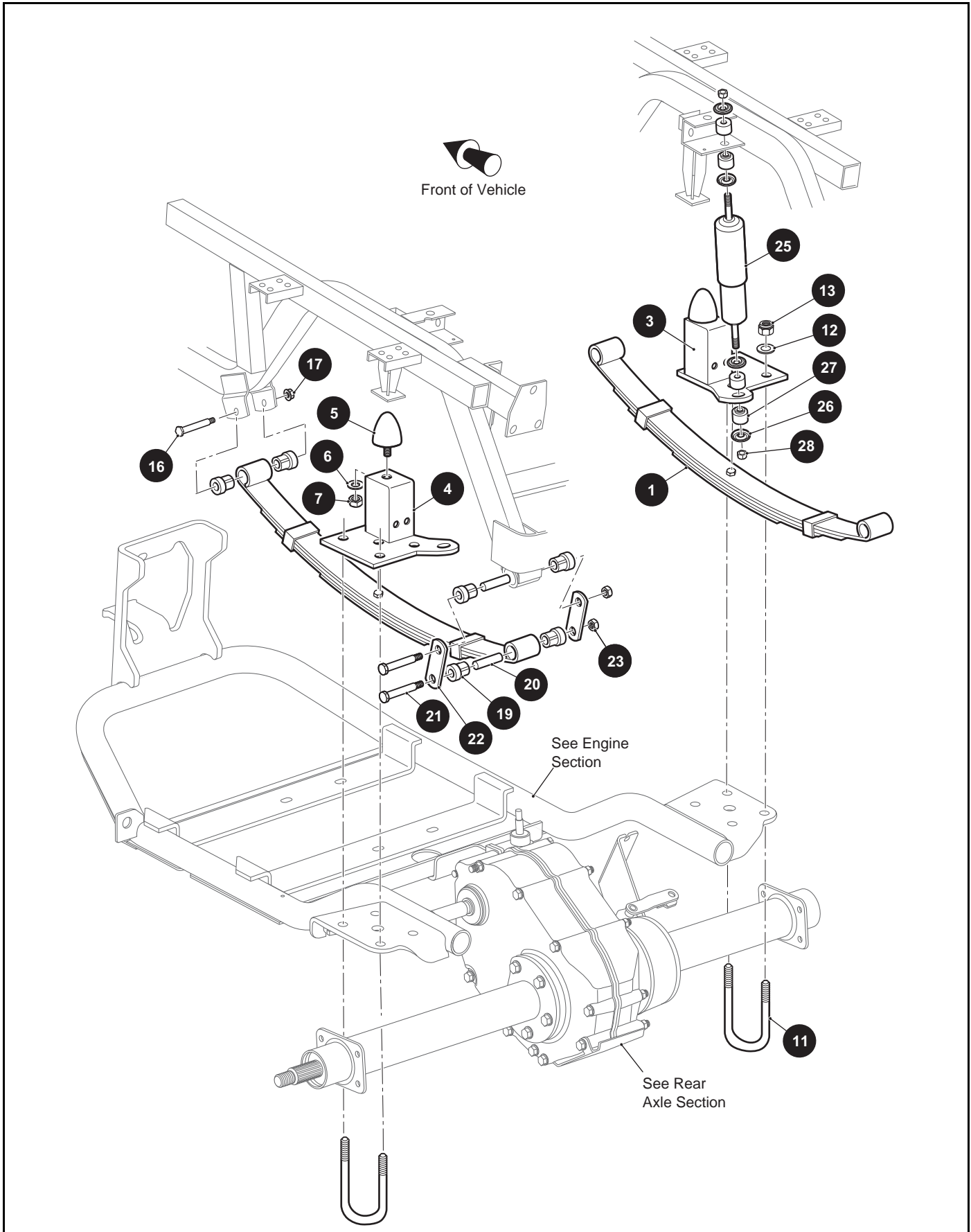
When ordering parts, please specify the model and serial number of the product.

* Indicates a component that is not available as an individual part.

*** Indicates consult Customer Service Department for additional information.

ITEM	PART NO.	1 2 3 4 5	DESCRIPTION	QTY.
32	71003G03		'J' RETAINER NUT, #8	2
33	75697G01		PLATE	1
34	18464G1		SCREW, #8 - 18 X 7/8" LG.....	2
35	00565G4		LOCK WASHER, #8	2
36				
37	608201		BRAKE CABLE BRACKET (DRIVER SIDE)	1
38	608200		BRAKE CABLE BRACKET (PASSENGER SIDE).....	1
39				
40				
41				
42	75620G01		DIFFERENTIAL LOCK CABLE BRACKET	1
43	10386G3		CLEVIS PIN, 5/16" X 13/16" LG	1
44	10387G3		COTTER PIN, 3/32" X 3/4" LG	1
45	72349G02		DIFFERENTIAL SKID PLATE	1

REAR SUSPENSION



REAR SUSPENSION

When ordering parts, please specify the model and serial number of the product.

* Indicates a component that is not available as an individual part.

*** Indicates consult Customer Service Department for additional information.

ITEM	PART NO.	1 2 3 4 5	DESCRIPTION	QTY.
1	628939		HEAVY DUTY LEAF SPRING	2
2				
3	626638		SHOCK/STOP MOUNT (PASSENGER SIDE)	1
4	626637		SHOCK/STOP MOUNT (DRIVER SIDE).....	1
5	70492G01		RUBBER BUMPER.....	2
6	608654		LOCK WASHER, 10 MM	2
7	00974G01		NUT, M10 X 1.5.....	2
8				
9				
10				
11	630819		'U' BOLT, 3/8" - 16 X 5 3/4" LG	4
12	00560G1		FLAT WASHER, 3/8"	8
13	11098G5		LOCK NUT, 3/8" - 16.....	8
14				
15				
16	14158G1		SHOULDER BOLT, 3/8" - 16 X 3 1/4" LG	2
17	12262G1		LOCK NUT, 3/8" - 16.....	2
18				
19	624030		FLANGED BUSHING	12
20	70289G02		SPLIT STEEL SPACER	4
21	00665G9		BOLT, 3/8" - 16 X 3 1/2" LG	4
22	70290G02		SHACKLE PLATE	4
23	11098G5		LOCK NUT, 3/8" - 16.....	4
24				
25	76418G01		SHOCK ABSORBER	2
26	10435G1		SHOCK ABSORBER WASHER	8
27	10194G1		RUBBER BUSHING.....	8
28	00532G6		HEX NUT, 3/8" - 24	4

SEATING - FRONT SEAT

When ordering parts, please specify the model and serial number of the product.

* Indicates a component that is not available as an individual part.

*** Indicates consult Customer Service Department for additional information.

ITEM	PART NO.	1 2 3 4 5	DESCRIPTION	QTY.
1	628111G**		SEAT BOTTOM (DRIVER SIDE) (INCLUDES ITEMS 3 - 8) 628111G01 TAN 628111G02 BROWN 628111G03 WHITE 628111G04 GRAY 628111G05 BLACK	1
2	628112G**		SEAT BOTTOM (PASSENGER SIDE) (INCLUDES ITEMS 4 - 9)..... 628112G01 TAN 628112G02 BROWN 628112G03 WHITE 628112G04 GRAY 628112G05 BLACK	1
3	75833G**		SEAT BOTTOM CUSHION (DRIVER SIDE) 75833G01 TAN 75833G02 BROWN 75833G03 WHITE 75833G04 GRAY 75833G05 BLACK	1
4	75847G01		HINGE	1
5	16705G1		SCREW (SS), 1/4" - 20 X 1" LG	3
6	17074G1		RUBBER PAD	2
7				
8				
9	75834G**		SEAT BOTTOM CUSHION (PASSENGER SIDE) 75834G01 TAN 75834G02 BROWN 75834G03 WHITE 75834G04 GRAY 75834G05 BLACK	1
10				
11				
12				
13	10570G11		RIVET, 3/16" X 3/4" LG	8
14				
15	626618G**		SEAT BACK (INCLUDES ITEMS 16 - 20) 626618G01 TAN 626618G02 BROWN 626618G03 WHITE 626618G04 GRAY 626618G05 BLACK	1

SEATING - FRONT SEAT

When ordering parts, please specify the model and serial number of the product.

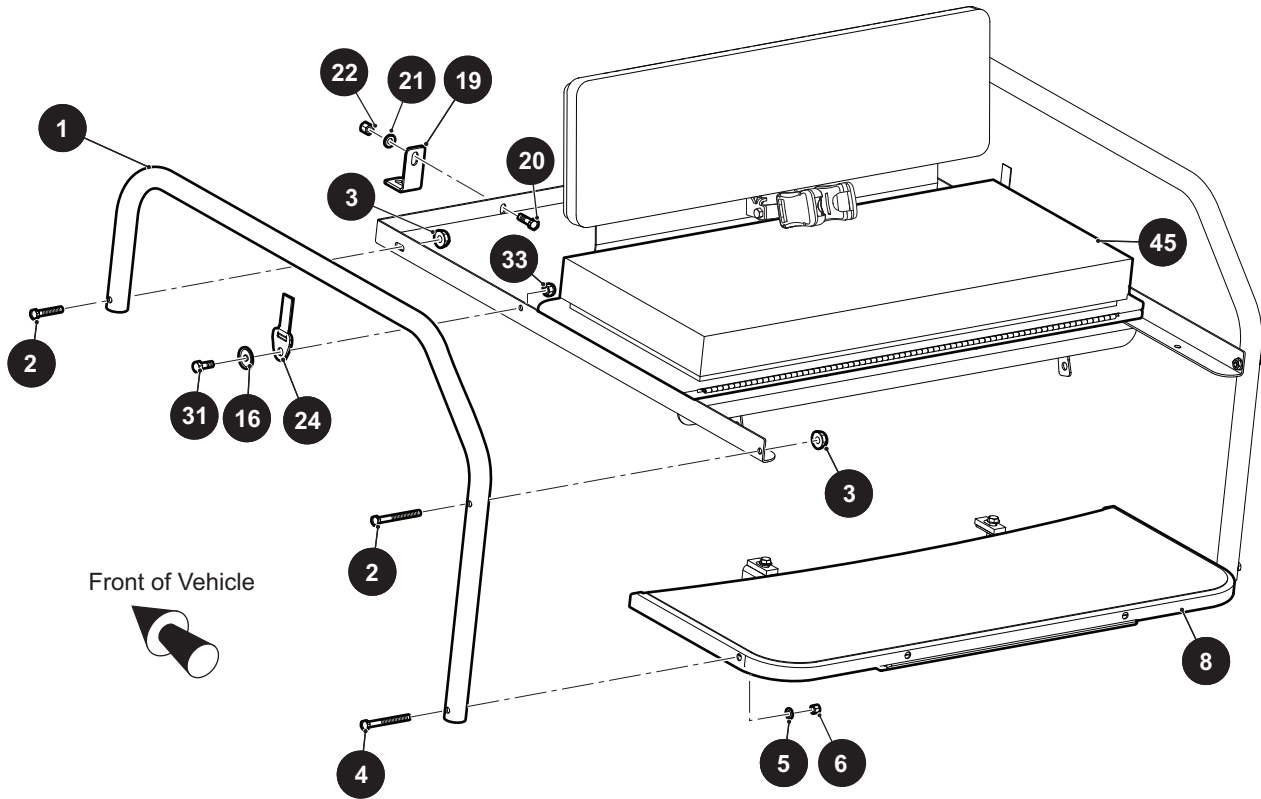
* Indicates a component that is not available as an individual part.

*** Indicates consult Customer Service Department for additional information.

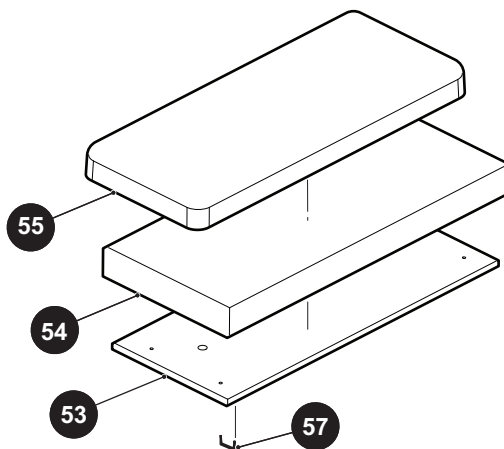
ITEM	PART NO.	1	2	3	4	5	DESCRIPTION	QTY.
16	75840G**						SEAT BACK CUSHION	2
							75840G01 TAN	
							75840G02 BROWN	
							75840G03 WHITE	
							75840G04 GRAY	
							75840G05 BLACK	
17	626607						SEAT BACK PLATE	1
18	16705G3						SCREW (SS), 1/4" - 20 X 3/4" LG	4
19	00664G7						LOCK WASHER, 1/4"	4
20								
21	16705G1						SCREW (SS), 1/4" - 20 X 1" LG	4
22	00664G7						LOCK WASHER, 1/4"	4
23	609854						BUCKLE LATCH, 6"	2
24	628847						BRACKET	1
25	610753						HEX HEAD BOLT, 7/16" - 20 X 1" LG	4
26	00734G3						LOCK NUT, 7/16" - 20	4

SEATING - REAR SEAT

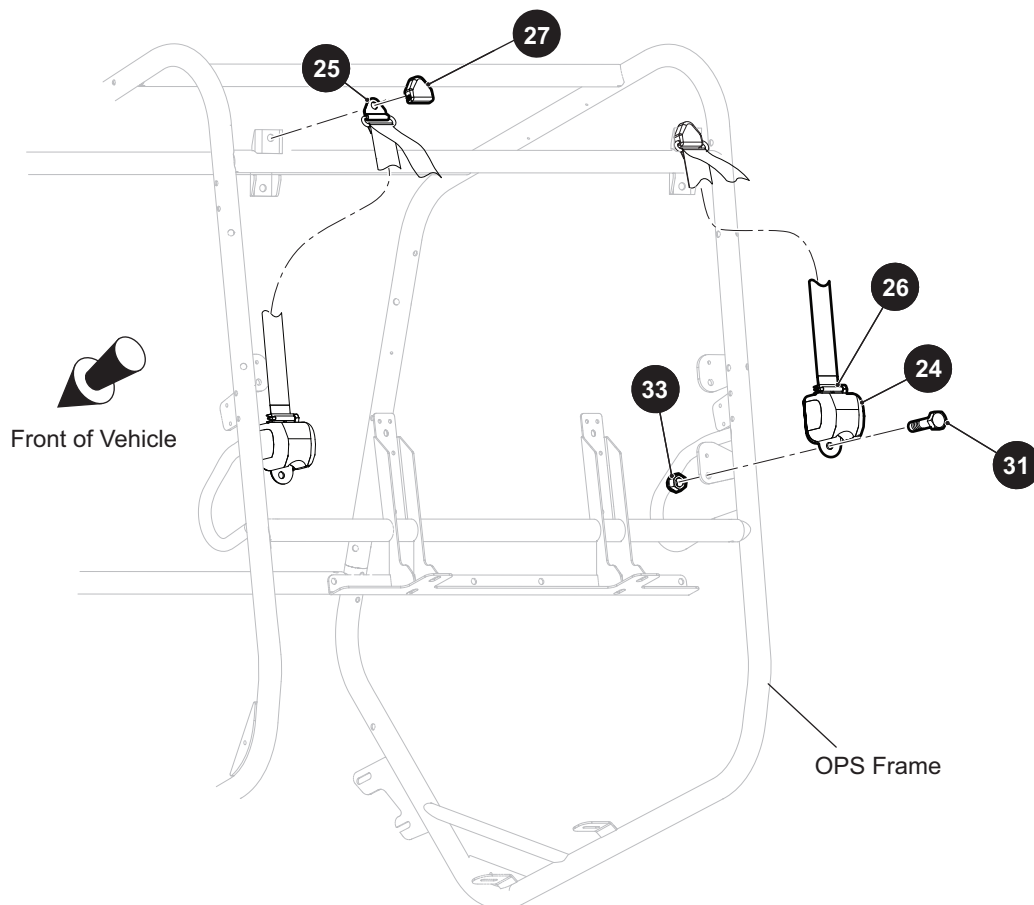
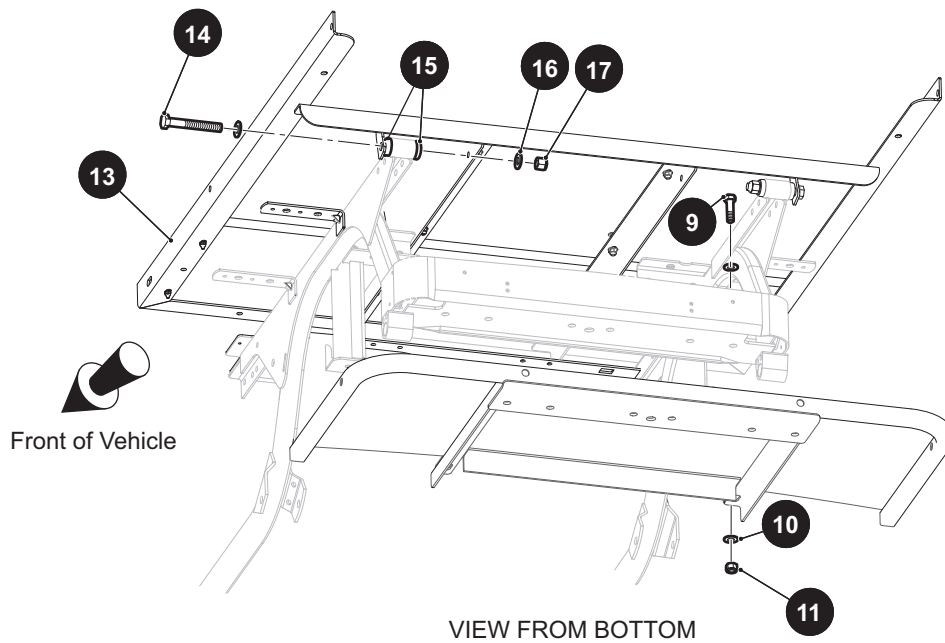
45 SEAT BOTTOM ASSEMBLY (BLACK) includes items 46 - 59



52 SEAT BOTTOM ASSEMBLY includes items 53 - 57



SEATING - REAR SEAT



SEATING - REAR SEAT

When ordering parts, please specify the model and serial number of the product.

* Indicates a component that is not available as an individual part.

*** Indicates consult Customer Service Department for additional information.

ITEM	PART NO.	1 2 3 4 5	DESCRIPTION	QTY.
1	627783		REAR SEAT ARMREST	2
2	00427G8		HEX HEAD BOLT, 3/8" - 16 X 2" LG	4
3	11027G5		LOCK NUT, 3/8" - 16.....	4
4	00665G9		HEX HEAD BOLT, 3/8" - 16 X 1" LG	2
5	00560G1		FLAT WASHER, 3/8"	2
6	11098G5		LOCK NUT, 3/8" - 16.....	2
7				
8	628552		FOOTREST	1
9	00463G4		HEX HEAD BOLT, 7/16" - 14 X 1 1/2" LG	2
10	00560G2		FLAT WASHER, 7/16"	4
11	00734G1		LOCK NUT, 7/16" - 14.....	2
12				
13	627796		SEAT FRAME	1
14	311398		HEX HEAD BOLT, 1/2" - 13 X 3 1/2" LG	2
15	624030		FLANGED BUSHING.....	4
16	00560G3		FLAT WASHER, 1/2"	4
17	14390G6		LOCK NUT, 1/2" - 13.....	2
18				
19	627797		SEAT FRAME BRACKET	2
20	00427G2		HEX HEAD BOLT, 3/8" -16 X 1 1/4" LG	2
21	00560G1		FLAT WASHER, 3/8"	2
22	11098G5		LOCK NUT, 3/8" - 16.....	2
23				
24	635789		SEAT BELT RETRACTOR.....	2
25	610757		SEAT BELT D-RING	2
26	610756		SEAT BELT ATTACH PLATE	2
27	610758		SEAT BELT D-RING COVER	2
28				
29				
30				
31	610753		HEX HEAD BOLT, 7/16" - 20 X 1" LG	4

SEATING - REAR SEAT

When ordering parts, please specify the model and serial number of the product.

* Indicates a component that is not available as an individual part.

*** Indicates consult Customer Service Department for additional information.

ITEM	PART NO.	1 2 3 4 5	DESCRIPTION	QTY.
32	00560G3		FLAT WASHER, 1/2"	2
33	00734G3		LOCK NUT, 7/16" - 20	4
34				
35	609787		REAR SEAT BELT BRACKET.....	1
36	609854		SEAT BELT BUCKLE LATCH.....	2
37	610753		HEX HEAD BOLT, 7/16" - 20 X 1" LG	4
38	00734G3		LOCK NUT, 7/16" - 20	4
39				
40	627804		SEAT BACK WELDMENT	1
41	71274G02		BACK REST ASSEMBLY (BLACK).....	1
42	16705G9		SCREW (SS), 1/4" - 20 X 1 1/2" LG	12
43	00664G7		LOCK WASHER, 1/4".....	4
44				
45	629654		SEAT BOTTOM ASSEMBLY (BLACK) (INCLUDES ITEMS 46 - 59).....	1
46	627157		HINGED DECK BOARD ASSEMBLY (INCLUDES ITEMS 47 - 50)	1
47	627156		HINGED DECK BOARD	1
48	617133		SEAT BOTTOM DECK BOARD	1
49	617134		HINGE	1
50	617135		HINGE SCREW, #5 - 1/2" LG	36
51				
52	621036		SEAT BOTTOM ASSEMBLY (INCLUDES ITEMS 53 - 57).....	1
53	617400		SEAT BOTTOM PLYWOOD.....	1
54	617401		SEAT BOTTOM FOAM	1
55	615648		VINYL SEAT BOTTOM	1
56				
57	23222G1		FLAT STAPLE, 3/8"	75
58				
59	16705G1		SCREW (SS), 1/4" - 20 X 1" LG	4
60				
61				
62	01110G01		FLAT WASHER, 1/4"	4

SEATING - REAR SEAT

When ordering parts, please specify the model and serial number of the product.

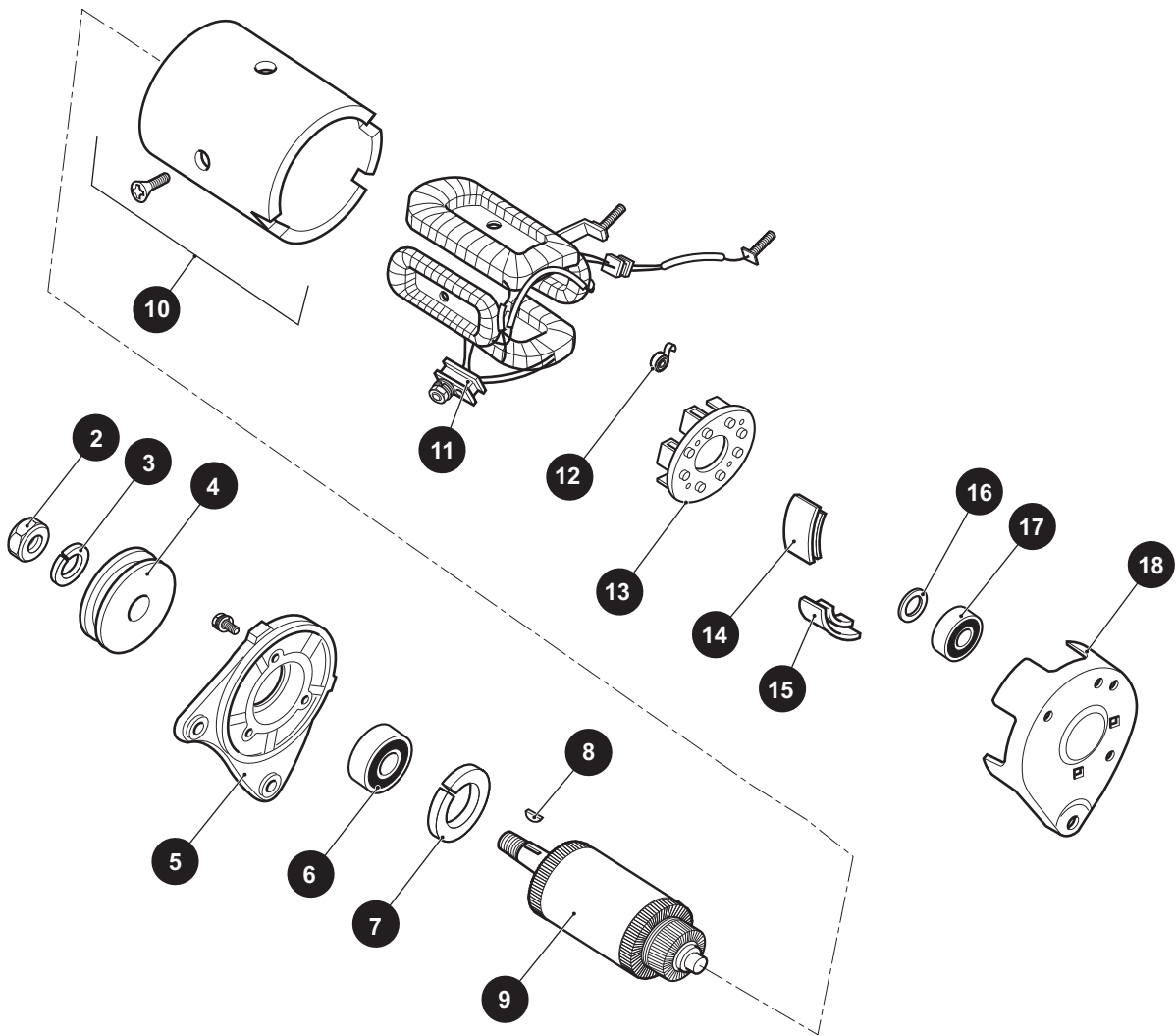
* Indicates a component that is not available as an individual part.

*** Indicates consult Customer Service Department for additional information.

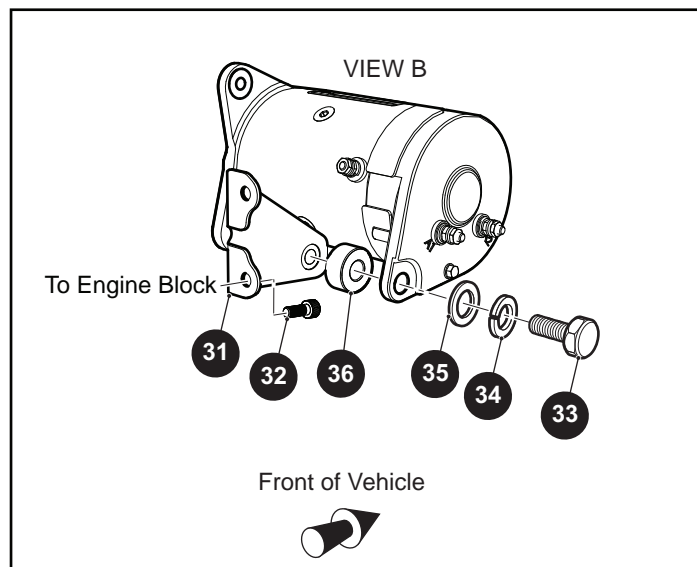
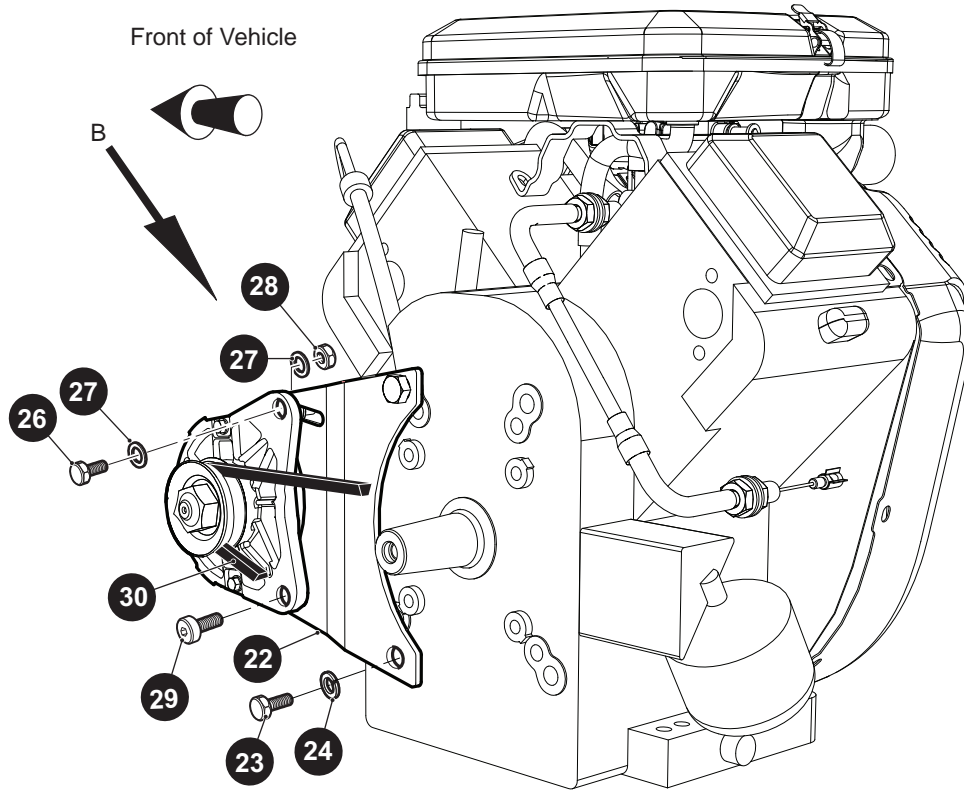
ITEM	PART NO.	1 2 3 4 5	DESCRIPTION	QTY.
63	14390G4		LOCK NUT, 1/4" - 20.....	8
64	16705G3		SCREW (SS), 1/4" - 20 X 3/4" LG	4
65				
66	800344		TAPPING SCREW, #10 - 16 X 9/16" LG.....	2
67	619756		RUBBER BUMPER.....	2
68	616671		FLAT WASHER, 8 MM.....	2
69	01110G01		FLAT WASHER, 1/4"	8
70	627809		REAR DECK BOARD	1
71	00789G2		TRUSS HEAD PHILLIPS SCREW, #10 - 24 X 1 1/4" LG	4
72	00660G5		FLAT WASHER, #10.....	4
73	14390G10		LOCK NUT, #10 - 24.....	4

STARTER / GENERATOR

1 STARTER / GENERATOR includes items 2 - 18



STARTER / GENERATOR



STARTER / GENERATOR

When ordering parts, please specify the model and serial number of the product.

* Indicates a component that is not available as an individual part.

*** Indicates consult Customer Service Department for additional information.

ITEM	PART NO.	1 2 3 4 5	DESCRIPTION	QTY.
1	625715		STARTER / GENERATOR (INCLUDES ITEMS 2 - 18)	1
2	612029		NUT	1
3	612030		LOCK WASHER.....	1
4	625716		PULLEY	1
5	612032		FRONT COVER.....	1
6	612033		BEARING	1
7	612034		RETAINING RING.....	1
8	612035		KEY	1
9	612036		ARMATURE ASSEMBLY	1
10	612037		FRAME & FIELD ASSEMBLY	1
11	612038		BRUSH LEAD & TERMINAL PKG	1
12	612039		BRUSH SPRING.....	4
13	612040		BRUSH BOX ASSEMBLY.....	1
14	612041		BRUSH 1 COVER.....	3
15	612042		BRUSH 2 COVER.....	2
16	612043		WAVY WASHER	1
17	612044		BEARING.....	1
18	612045		REAR COVER	1
19				
20				
21				
22	629325		FRONT STARTER BRACKET	1
23	00462G7		BOLT, 7/16 - 14 X 7/8" LG	2
24	00566G2		LOCK WASHER, 7/16"	2
25				
26	00439G2		BOLT, 5/16 - 18 X 1 1/4" LG	1
27	00559G8		FLAT WASHER, 5/16"	2
28	11098G6		LOCK NUT, 5/16 - 18.....	1
29	75792G01		SCREW, 1/2 - 13 X 1 1/2" LG.....	1
30	75690G01		STARTER/GENERATOR BELT	1
31	75706G01		REAR STARTER BRACKET	1

STARTER / GENERATOR

When ordering parts, please specify the model and serial number of the product.

* Indicates a component that is not available as an individual part.

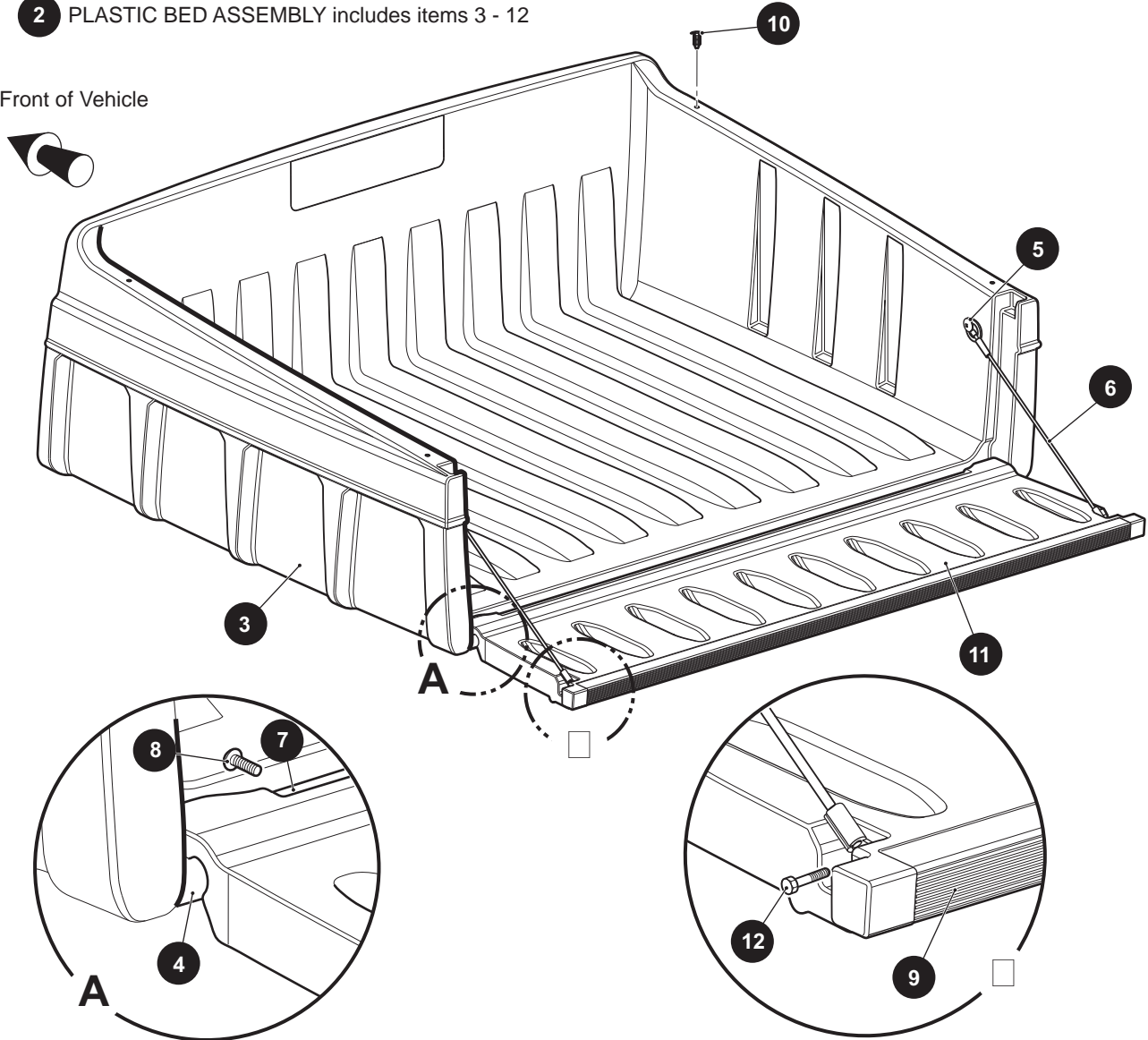
*** Indicates consult Customer Service Department for additional information.

ITEM	PART NO.	1 2 3 4 5	DESCRIPTION	QTY.
32	75746G01		SCREW, M8 - 1.25 X 20MM LG.....	2
33	00631G2		BOLT, 1/2 - 13 X 2 1/4" LG.....	1
34	00566G3		LOCK WASHER, 1/2"	1
35	00560G3		FLAT WASHER, 1/2"	1
36	75562G01		SPACER.....	1

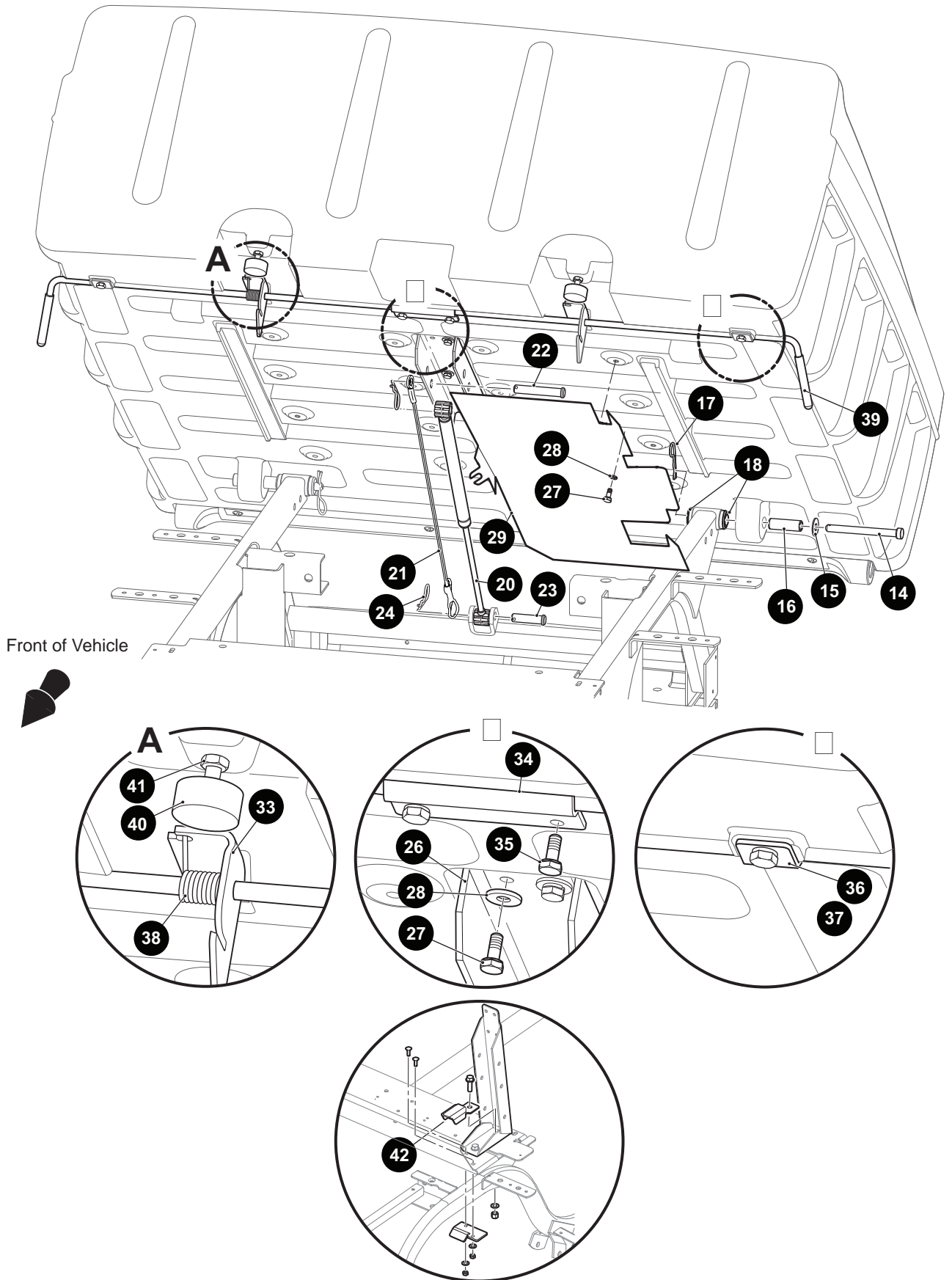
TRUCK BED - ROTOMOLD - MANUAL LIFT

2 PLASTIC BED ASSEMBLY includes items 3 - 12

Front of Vehicle



TRUCK BED - ROTOMOLD - MANUAL LIFT



TRUCK BED - ROTOMOLD - MANUAL LIFT

When ordering parts, please specify the model and serial number of the product.

* Indicates a component that is not available as an individual part.

*** Indicates consult Customer Service Department for additional information.

ITEM	PART NO.	1 2 3 4 5	DESCRIPTION	QTY.
1				
2	73451G01		PLASTIC BED ASSEMBLY (Includes Items 3 - 12)	1
3	*		PLASTIC BED, 40"	1
4	73454G01		PIVOT SHAFT	2
5	73460G01		SHOULDER BOLT, 1/4" - 20 X 3/4" LG	2
6	73455G01		TAILGATE CABLE	2
7	73450G01		ANGLE.....	1
8	16705G2		SCREW, 1/4" - 20 X 5/8" LG.....	4
9	73449G01		TAILGATE CAP	1
10	16816G5		RATCHET FASTENER, 3/16" X 12" LG	4
11	73448G01		PLASTIC TAILGATE, 40".....	1
12	00415G2		BOLT, 1/4" - 20 X 1 1/4" LG	2
13				
14	71571G01		CLEVIS PIN, 0.495" X 5.25" LG.....	2
15	00571G5		FLAT WASHER, 1/2"	2
16	71570G01		BUSHING, 3/4"	2
17	21683G1		COTTER PIN, 15/32" X 2 11/16" LG	2
18	624030		FLANGED BUSHING.....	4
19				
20	71537G02		GAS SPRING.....	1
21	602904		BED TETHER CABLE.....	1
22	14443G10		CLEVIS PIN, 1/2" X 3.00" LG.....	1
23	14443G12		CLEVIS PIN, 1/2" X 2.22" LG.....	1
24	21683G1		COTTER PIN, 15/32" X 2 11/16".....	2
25				
26	71569G02		GAS SPRING CHANNEL.....	1
27	01118G01		BOLT, 1/4" - 20 X 5/8" LG.....	8
28	00642G7		FLAT WASHER, 1/4"	8
29	72339G01		PLASTIC BED HEAT SHIELD	1
30				
31				

TRUCK BED - ROTOMOLD - MANUAL LIFT

When ordering parts, please specify the model and serial number of the product.

* Indicates a component that is not available as an individual part.

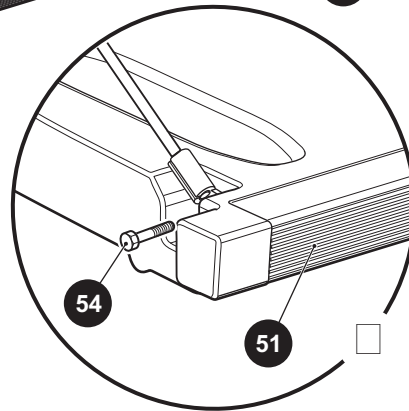
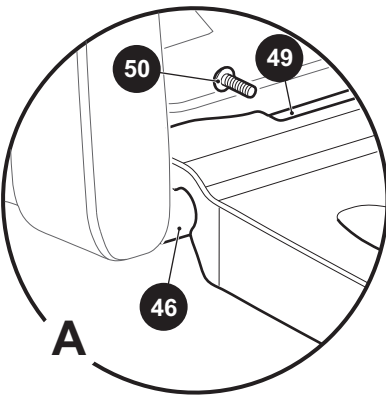
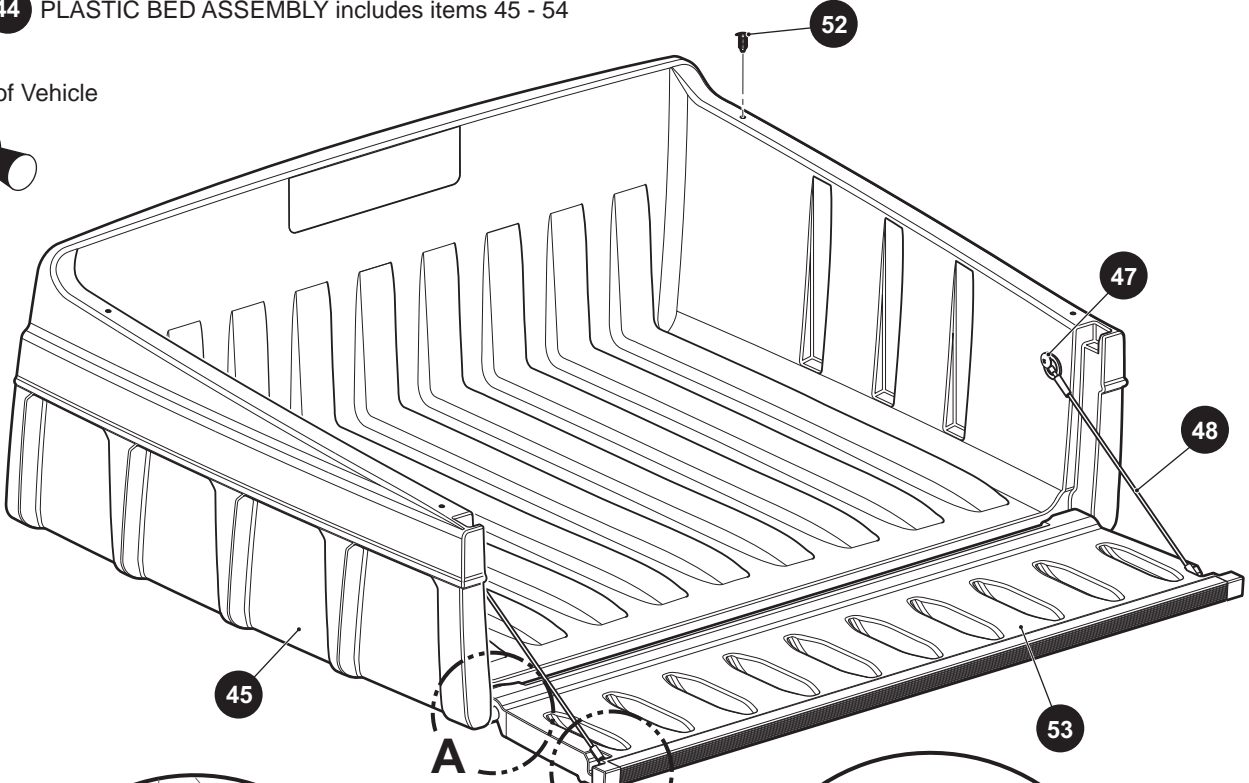
*** Indicates consult Customer Service Department for additional information.

ITEM	PART NO.	1 2 3 4 5	DESCRIPTION	QTY.
32				
33	74962G01		BED LATCH.....	1
34	71477G02		RETAINER BRACKET.....	1
35	01118G01		BOLT, 1/4" - 20 X 5/8" LG.....	2
36	71099G02		LATCH PLATE.....	2
37	01118G01		BOLT, 1/4" - 20 X 5/8" LG.....	2
38	71538G01		LATCH TORSION SPRING.....	1
39	71704G01		HANDLE GRIP.....	2
40	70113G01		ADJUSTABLE RUBBER BUMPER.....	2
41	11027G1		LOCK NUT, 5/16" - 18.....	2
42	74947G01		BED BUMPER BRACKET.....	2

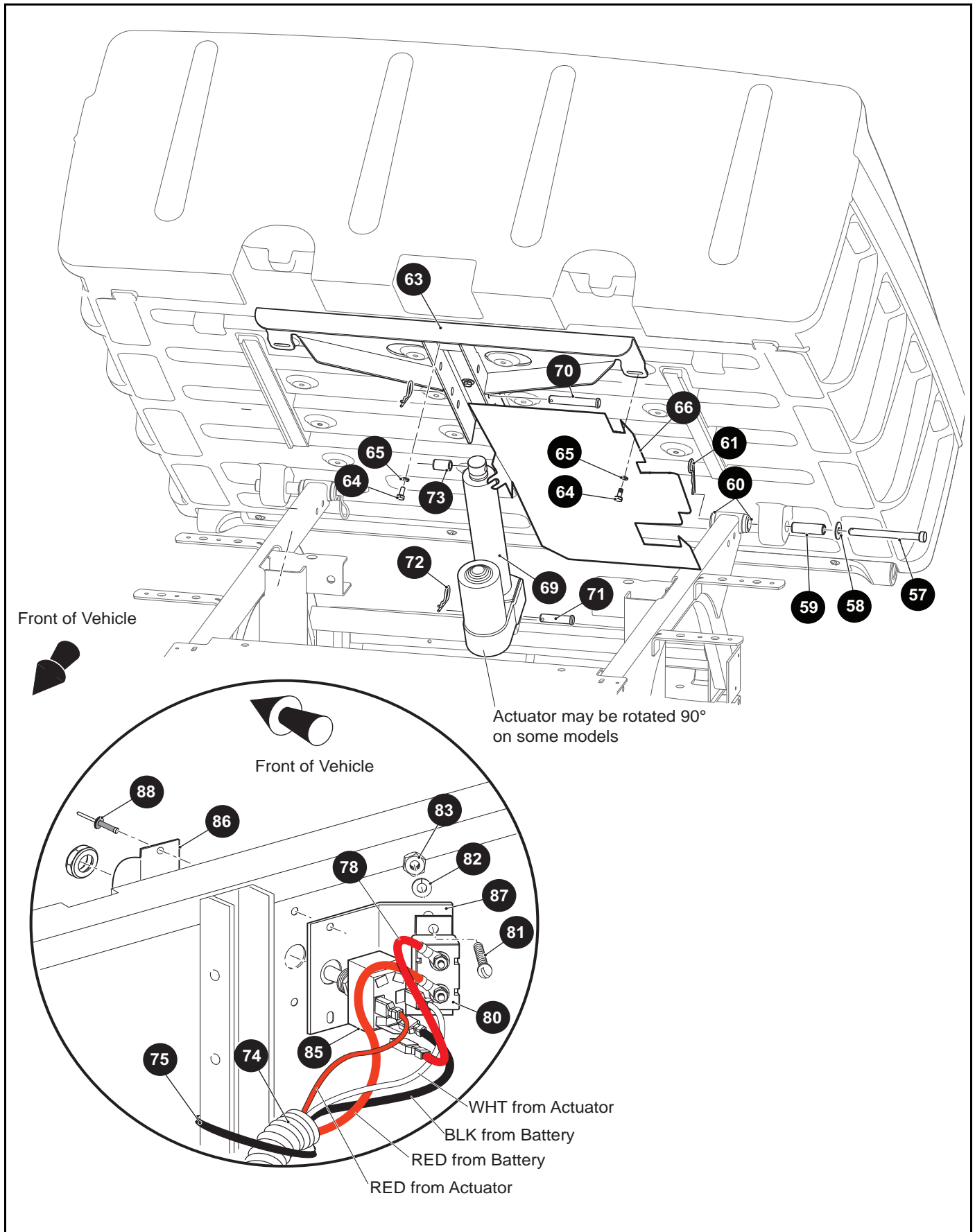
TRUCK BED - ROTOMOLD - ELECTRIC LIFT

44 PLASTIC BED ASSEMBLY includes items 45 - 54

Front of Vehicle



TRUCK BED - ROTOMOLD - ELECTRIC LIFT



TRUCK BED - ROTOMOLD - ELECTRIC LIFT

When ordering parts, please specify the model and serial number of the product.

* Indicates a component that is not available as an individual part.

*** Indicates consult Customer Service Department for additional information.

ITEM	PART NO.	1 2 3 4 5	DESCRIPTION	QTY.
43				
44	73451G01		PLASTIC BED ASSEMBLY (Includes Items 45 - 54)	1
45	*		PLASTIC BED, 40"	1
46	73454G01		PIVOT SHAFT	2
47	73460G01		SHOULDER BOLT, 1/4" - 20 X 3/4" LG	2
48	73455G01		TAILGATE CABLE	2
49	73450G01		BOWED ANGLE	1
50	16705G2		SCREW, 1/4" - 20 X 5/8" LG (STAINLESS STEEL)	4
51	73449G01		TAILGATE CAP	1
52	16816G5		RATCHET FASTENER, 3/16" X 1/2" LG	4
53	73448G01		PLASTIC TAILGATE, 40"	1
54	00415G2		BOLT, 1/4" - 20 X 1 1/4" LG	2
55				
56				
57	71571G01		CLEVIS PIN, 0.495" X 5.25" LG.....	2
58	00571G5		FLAT WASHER, 1/2"	2
59	71570G01		BUSHING, 3/4"	2
60	624030		FLANGED BUSHING.....	4
61	21683G1		COTTER PIN, 15/32" X 2 11/16" LG	2
62				
63	71547G02		OUTRIGGER CHANNEL	1
64	01118G01		BOLT, 1/4" - 20 X 5/8" LG.....	10
65	00642G7		FLAT WASHER, 1/4"	10
66	72339G01		PLASTIC BED HEAT SHIELD.....	1
67				
68				
69	27612G04		ELECTRICAL ACTUATOR.....	1
70	14443G10		CLEVIS PIN, 1.00" X 3.00" LG.....	1
71	14443G11		CLEVIS PIN, 0.50" X 1.88" LG.....	1
72	21683G1		COTTER PIN, 15/32" X 2 11/16"	2
73	27613G01		SPACER, 0.51" X 0.44" LG	2

TRUCK BED - ROTOMOLD - ELECTRIC LIFT

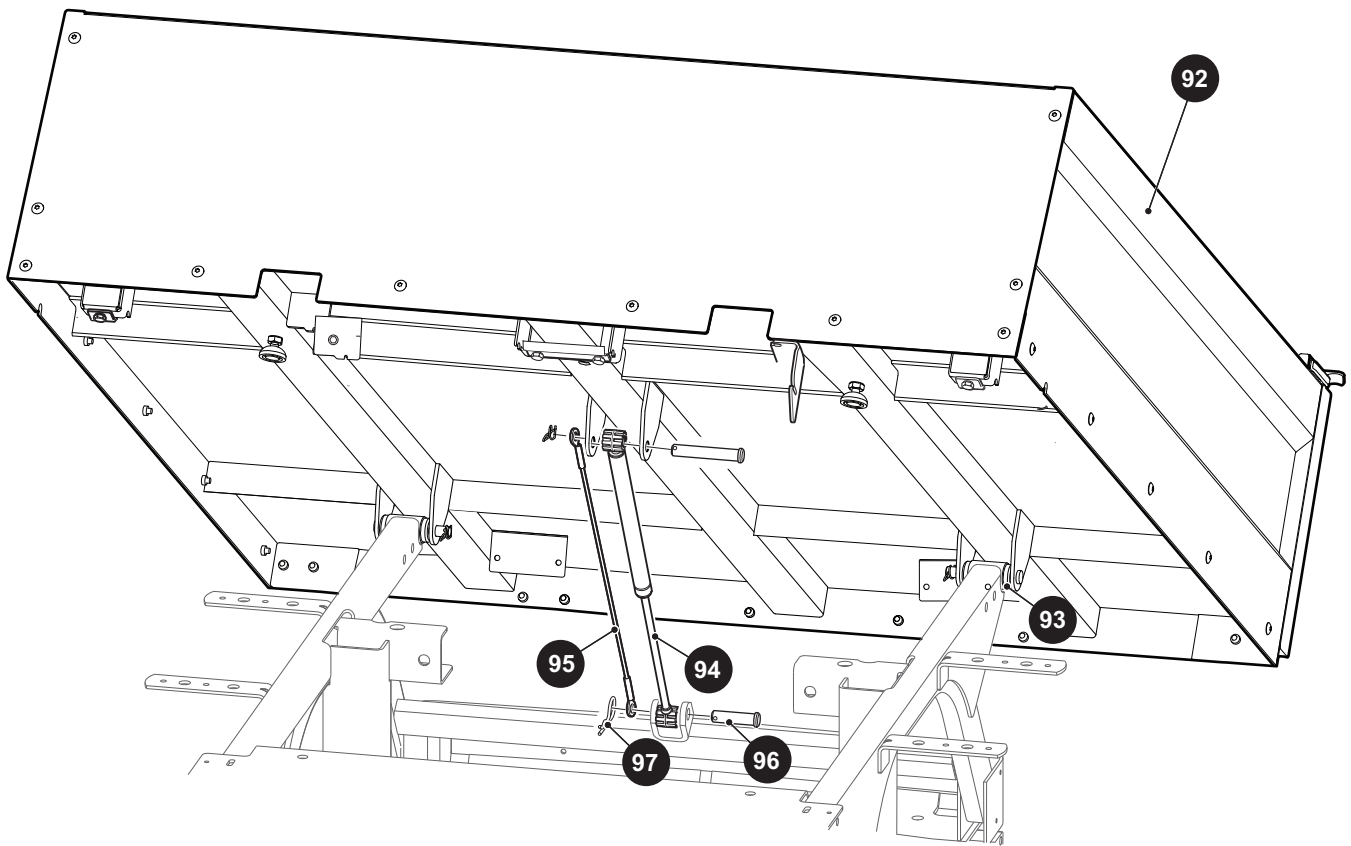
When ordering parts, please specify the model and serial number of the product.

* Indicates a component that is not available as an individual part.

*** Indicates consult Customer Service Department for additional information.

ITEM	PART NO.	1 2 3 4 5	DESCRIPTION	QTY.
74	74054G01		HARNESSES	1
75	17618G1		WIRE TIE.....	8
76	11845G3		CABLE CLIP (NOT SHOWN)	2
77	00532G3		HEX NUT, 5/16" - 18 (NOT SHOWN)	2
78	25976G14		WIRE	1
79				
80	21320G4		CIRCUIT BREAKER, 15 A, 24 V	1
81	00150G4		SCREW, #10 - 24 X 1/2" LG	2
82	00565G5		LOCK WASHER, #10	2
83	00526G3		HEX NUT, #10 -24	2
84				
85	27680G01		TOGGLE SWITCH.....	1
86	27447G01		TOGGLE GUARD.....	1
87	74165G02		CIRCUIT BREAKER MOUNTING BRACKET	1
88	10570G9		RIVET, 5/32" X 0.55" LG.....	2
89				
90				

TRUCK BED - ALUMINUM - MANUAL LIFT



TRUCK BED - ALUMINUM - MANUAL LIFT

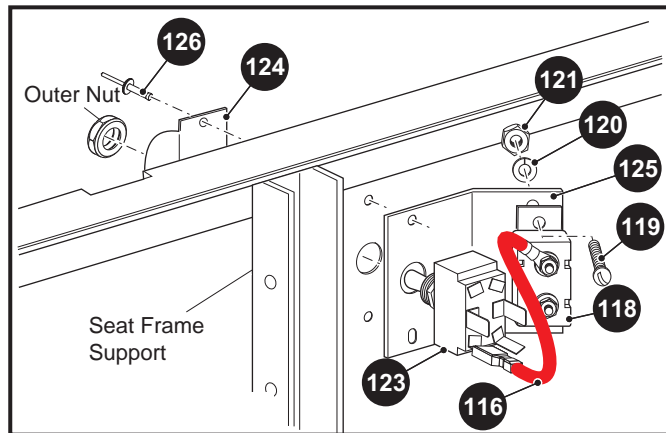
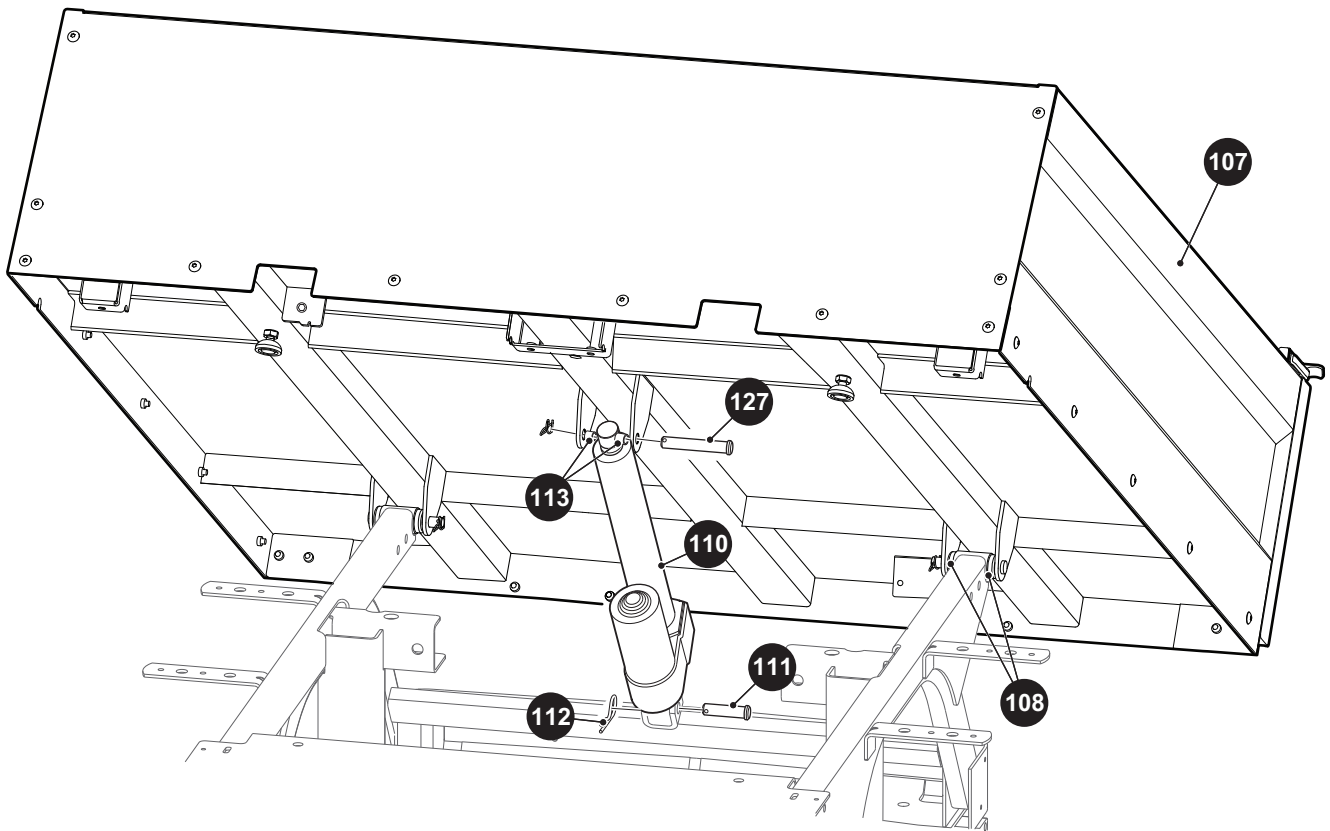
When ordering parts, please specify the model and serial number of the product.

* Indicates a component that is not available as an individual part.

*** Indicates consult Customer Service Department for additional information.

ITEM	PART NO.	1 2 3 4 5	DESCRIPTION	QTY.
91				
92	628000		ALUMINUM BED, SHORT.....	1
93	624030		FLANGED BUSHING	4
94	71537G02		GAS SPRING	1
95	602904		BED TETHER CABLE	1
96	14443G12		CLEVIS PIN, 1/2" X 2 1/16" LG	1
97	21683G1		COTTER PIN, 15/32" X 2 11/16"	1
98				
99				
100				
101				
102				
103				
104				
105				

TRUCK BED - ALUMINUM - ELECTRIC LIFT



TRUCK BED - ALUMINUM - ELECTRIC LIFT

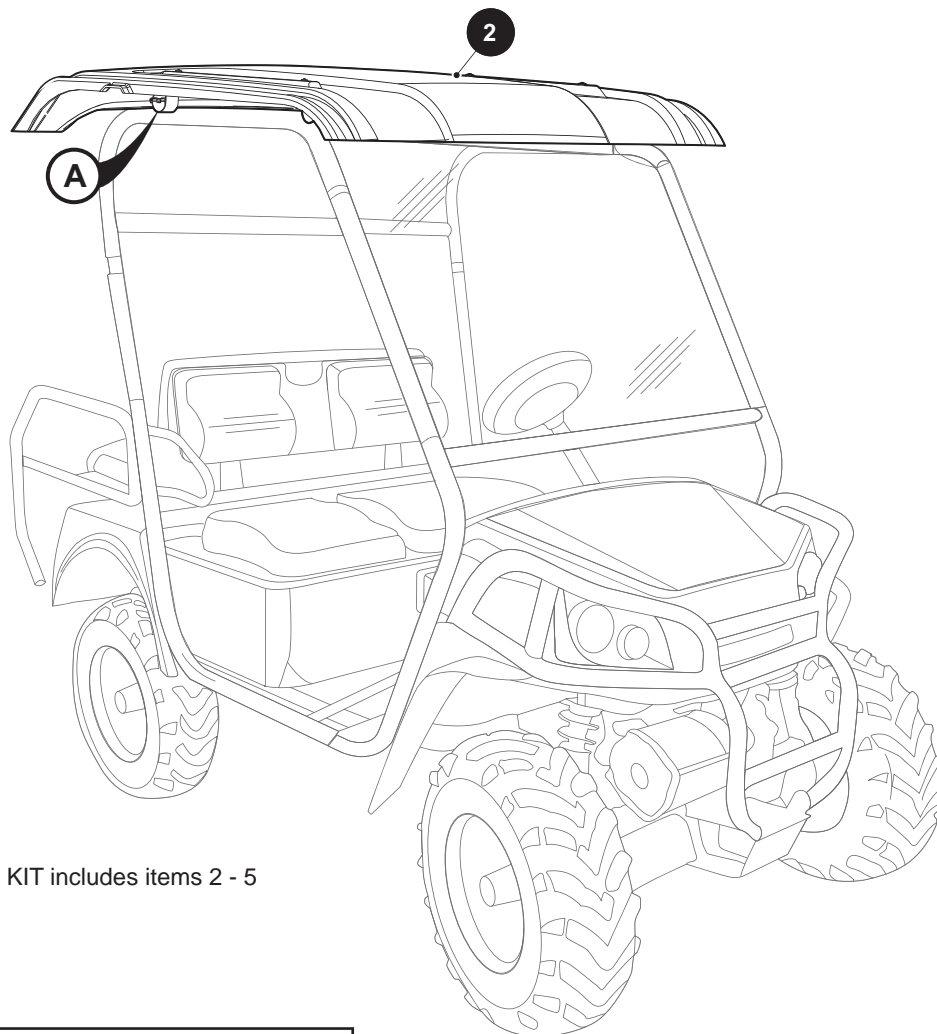
When ordering parts, please specify the model and serial number of the product.

* Indicates a component that is not available as an individual part.

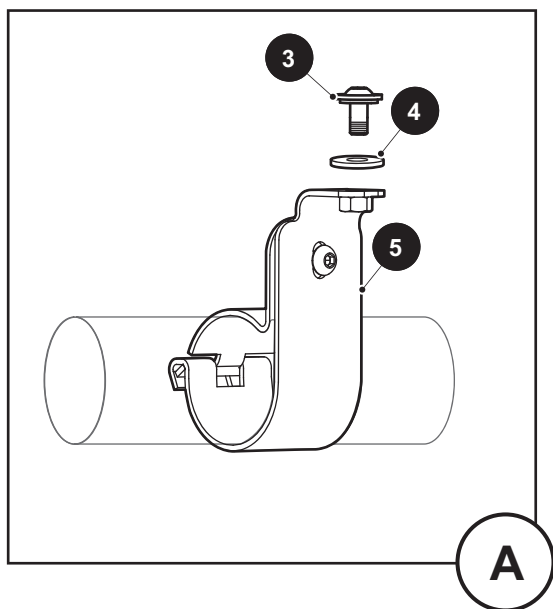
*** Indicates consult Customer Service Department for additional information.

ITEM	PART NO.	1 2 3 4 5	DESCRIPTION	QTY.
106				
107	628000		ALUMINUM BED, SHORT.....	1
108	624030		FLANGED BUSHING	4
109				
110	27612G02		ELECTRICAL ACTUATOR	1
111	14443G11		CLEVIS PIN, 0.50" X 1.88" LG	1
112	21683G1		COTTER PIN, 15/32" X 2 11/16"	2
113	27613G01		SPACER, 0.51" X 0.44" LG	2
114	74163G01		DUMP HARNESS (48V) (NOT SHOWN)	1
115	17618G1		WIRE TIE (NOT SHOWN).....	8
116	25976G14		WIRE	1
117				
118	21320G4		CIRCUIT BREAKER, 15 A, 24 V	1
119	00150G4		SCREW, #10 - 24 X 1/2" LG	2
120	00565G5		LOCK WASHER, #10	2
121	00526G3		HEX NUT, #10 -24	2
122				
123	27680G01		TOGGLE SWITCH.....	1
124	27447G01		TOGGLE SWITCH GUARD.....	1
125	74165G02		CIRCUIT BREAKER MOUNTING BRACKET	1
126	10570G9		RIVET, 5/32" X 0.55" LG.....	2
127	14443G10		CLEVIS PIN, 1/2" X 2 7/8" LG	1

WEATHER PROTECTION - TOPS



1 TOP CANOPY KIT includes items 2 - 5



WEATHER PROTECTION - TOPS

When ordering parts, please specify the model and serial number of the product.

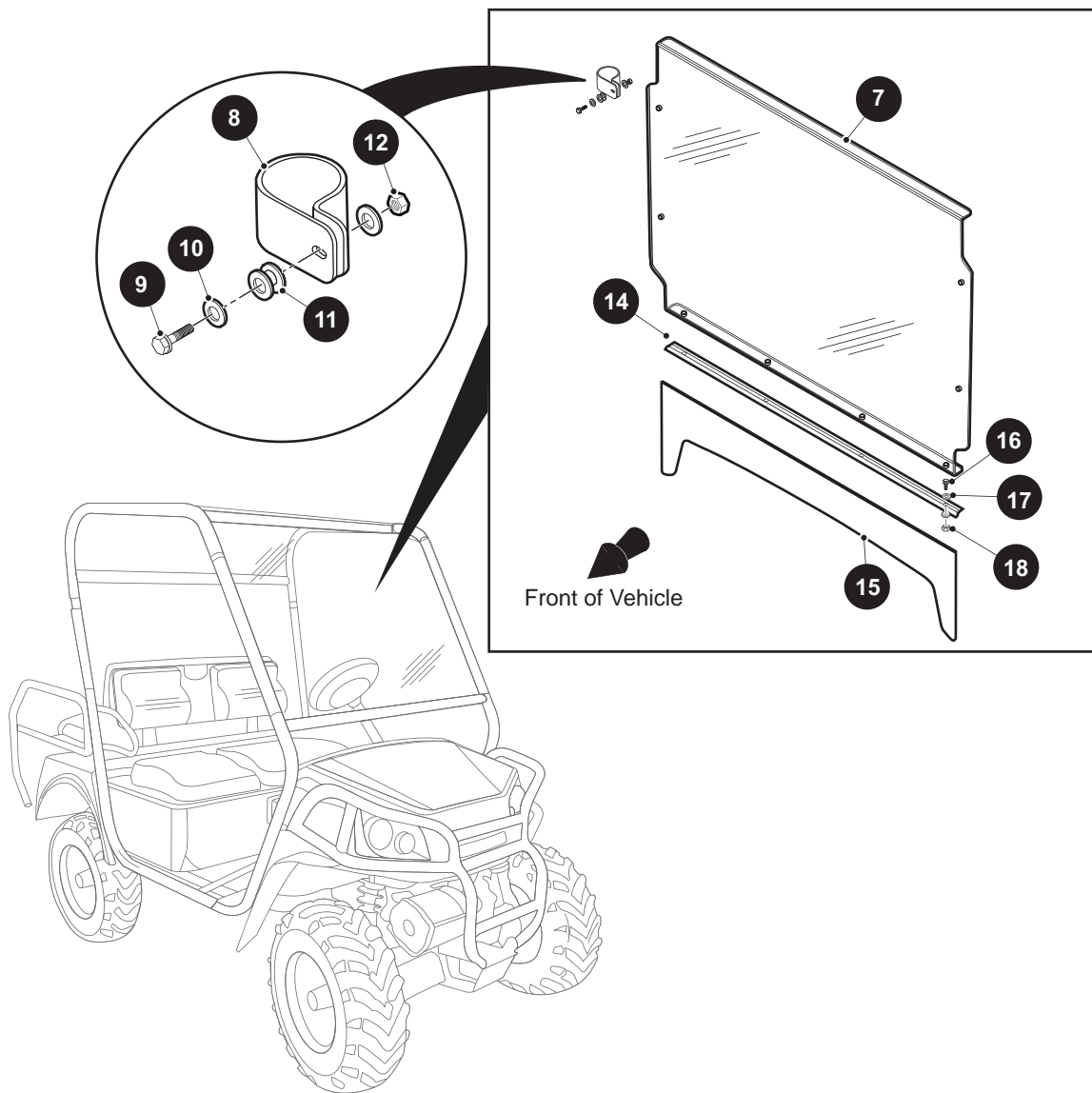
* Indicates a component that is not available as an individual part.

*** Indicates consult Customer Service Department for additional information.

ITEM	PART NO.	1 2 3 4 5	DESCRIPTION	QTY.
1	628584		TOP CANOPY KIT (Includes Items 2 - 5)	1
2	627077		TOP CANOPY	1
3	612255		SCREW, TORX 12 - 14 X 1 PHD	4
4	00915G1		WASHER, 1/4"	4
5	628585		CLAMP	4

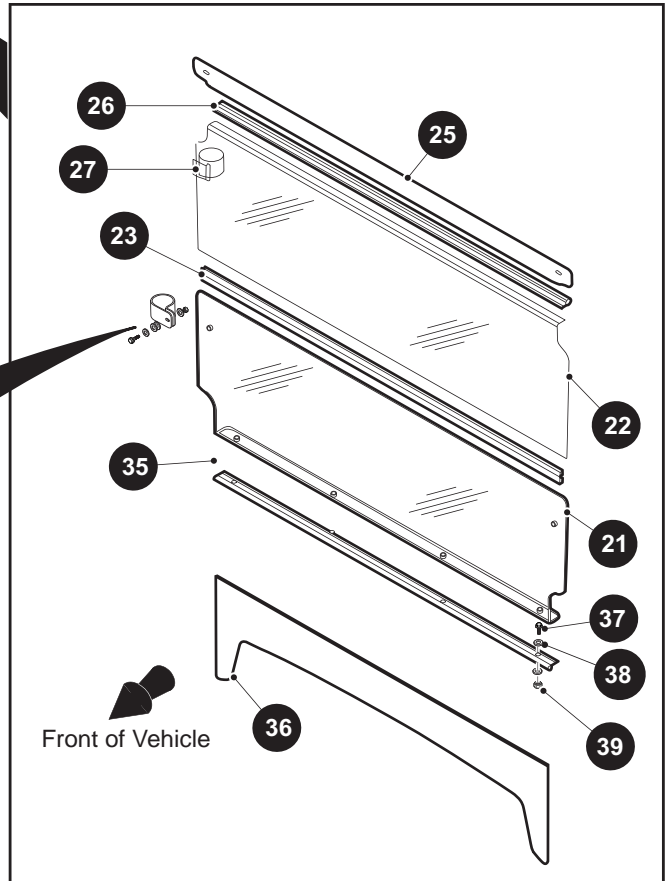
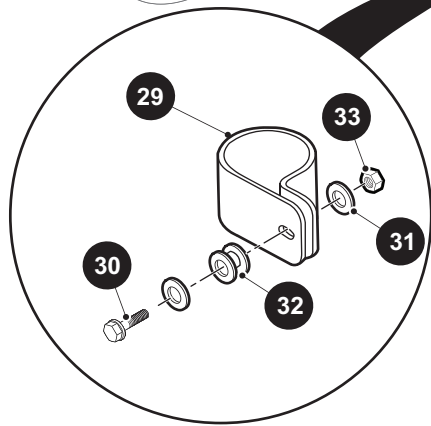
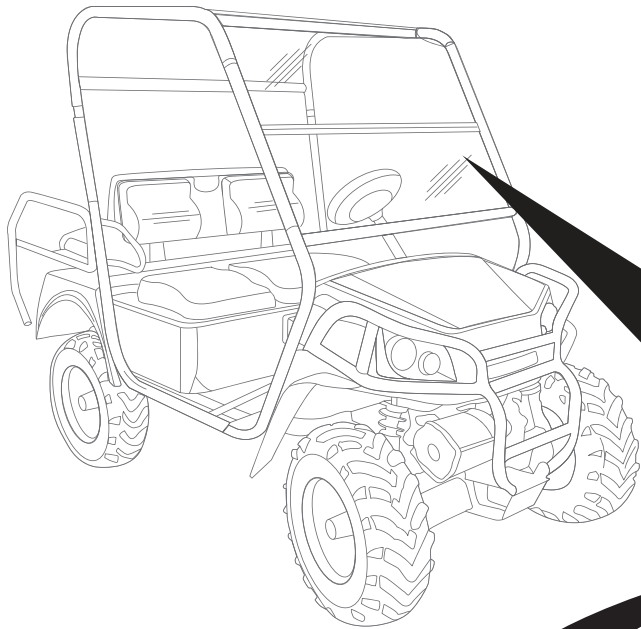
WEATHER PROTECTION - WINDSHIELD

6 WINDSHIELD KIT (FULL) includes items 7 - 18



WEATHER PROTECTION - WINDSHIELD

20 WINDSHIELD KIT (SPLIT) includes items 21 - 39



WEATHER PROTECTION - WINDSHIELD

When ordering parts, please specify the model and serial number of the product.

* Indicates a component that is not available as an individual part.

*** Indicates consult Customer Service Department for additional information.

ITEM	PART NO.	1 2 3 4 5	DESCRIPTION	QTY.
6	627079		WINDSHIELD KIT (FULL) (Includes Items 7 - 18)	1
7	*		WINDSHIELD	1
8	*		CLAMP.....	4
9	*		SCREW, M6 X 30 MM	4
10	*		WASHER, 6 MM	8
11	*		WINDSHIELD GROMMET.....	4
12	*		NUT, M6.....	4
13				
14	*		ALUMINUM AWNING MOLDING	1
15	*		TEXTILE SKIRT PLACE HOLDER	1
16	*		SCREW, M5 X 0.8 X 20 MM.....	4
17	*		WASHER, 5 MM	8
18	*		NUT, M5.....	4
19				
20	627080		WINDSHIELD KIT (SPLIT) (Includes Items 21 - 39)	1
21	*		FOLDING WINDSHIELD, BOTTOM	1
22	*		FOLDING WINDSHIELD, TOP	1
23	*		SLOTTED LIVING HINGE	1
24				
25	*		UPPER METAL SEAL.....	1
26	*		UNIGRIP SD-168, 41.5"	1
27	*		TEXTILE STRAP	4
28				
29	*		CLAMP.....	4
30	*		SCREW, M6 X 30	4
31	*		WASHER, 6 MM	8
32	*		WINDSHIELD GROMMET.....	4
33	*		NUT, M6.....	4
34				
35	*		ALUMINUM AWNING MOLDING	1
36	*		TEXTILE SKIRT PLACE HOLDER	1

WEATHER PROTECTION - WINDSHIELD

When ordering parts, please specify the model and serial number of the product.

* Indicates a component that is not available as an individual part.

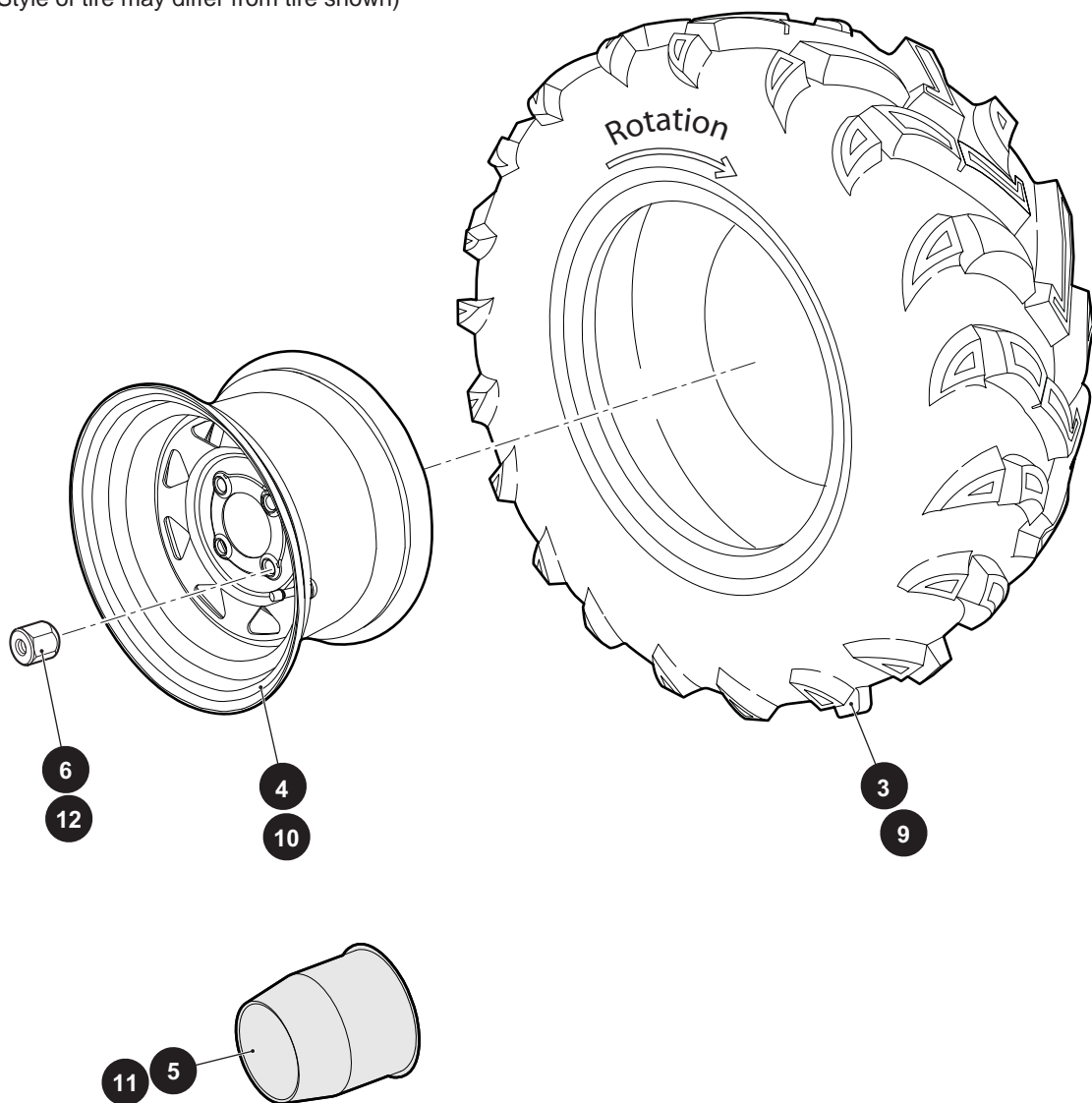
*** Indicates consult Customer Service Department for additional information.

ITEM	PART NO.	1	2	3	4	5	DESCRIPTION	QTY.
37	*						SCREW, M5 X 0.8 X 20 MM	4
38	*						WASHER, 5 MM.....	8
39	*						NUT, M5	4

WHEELS AND TIRES

- 1 BLACK STEEL WHEEL AND MUDLITE TIRE ASSEMBLY (DRIVER SIDE) includes items 3, 4
- 2 BLACK STEEL WHEEL AND MUDLITE TIRE ASSEMBLY (PASSENGER SIDE) includes items 3, 4
- 8 BLACK STEEL WHEEL JOURNEY TIRE ASSEMBLY includes items 9, 10

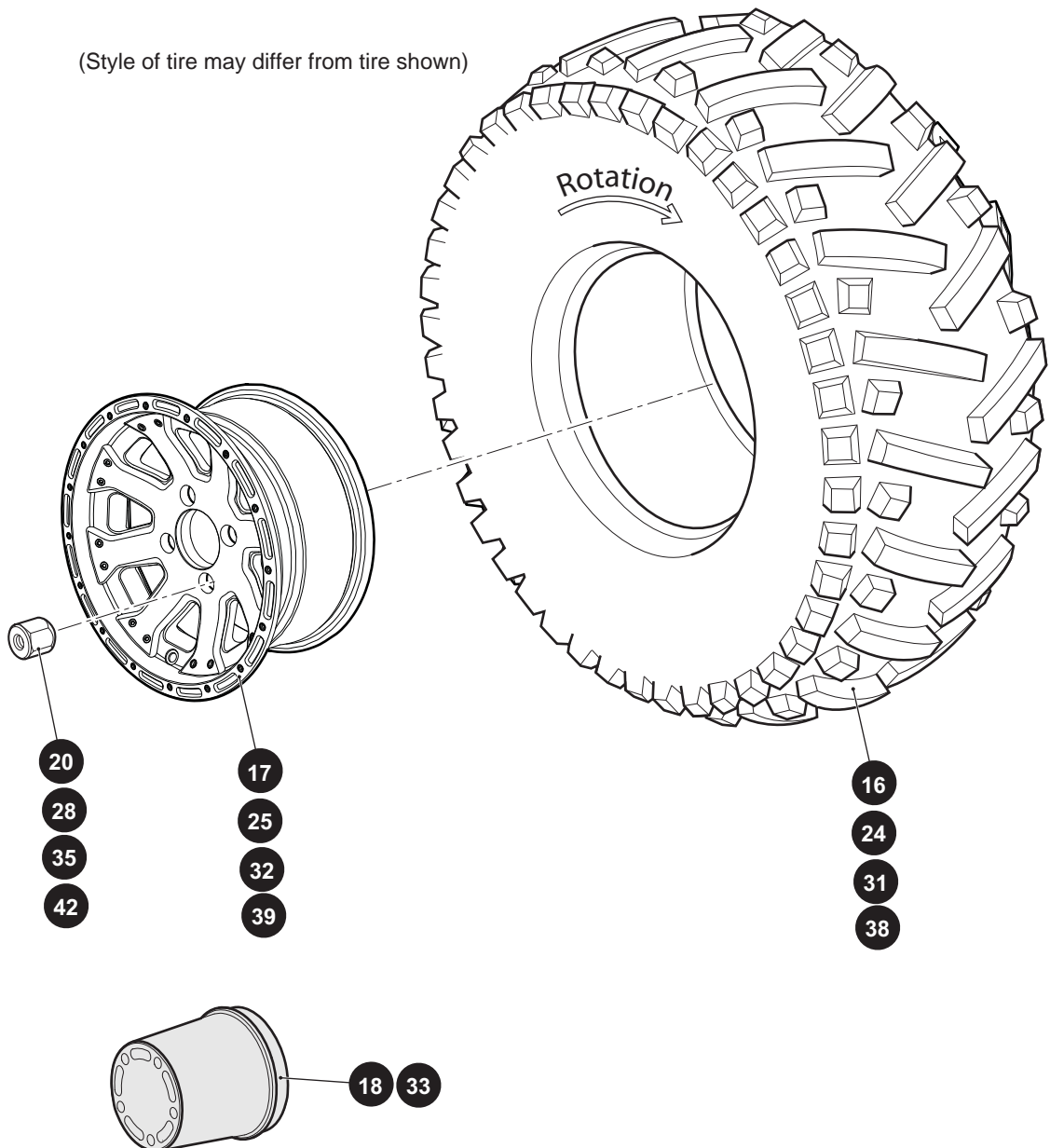
(Style of tire may differ from tire shown)



WHEELS AND TIRES

- 14 BLACK ALUMINUM WHEEL AND MUDLITE TIRE ASSEMBLY (DRIVER SIDE) includes items 16, 17
- 15 BLACK ALUMINUM WHEEL AND MUDLITE TIRE ASSEMBLY (PASSENGER SIDE) includes items 16, 17
- 22 BRUSHED ALUMINUM WHEEL AND MUDLITE TIRE ASSEMBLY (DRIVER SIDE) includes items 24, 25
- 23 BRUSHED ALUMINUM WHEEL AND MUDLITE TIRE ASSEMBLY (PASSENGER SIDE) includes items 24, 25
- 30 BLACK ALUMINUM WHEEL AND JOURNEY TIRE ASSEMBLY includes items 31, 32
- 37 BRUSHED ALUMINUM WHEEL AND JOURNEY TIRE ASSEMBLY includes items 38, 39

(Style of tire may differ from tire shown)



WHEELS AND TIRES

When ordering parts, please specify the model and serial number of the product.

* Indicates a component that is not available as an individual part.

*** Indicates consult Customer Service Department for additional information.

ITEM	PART NO.	1 2 3 4 5	DESCRIPTION	QTY.
1	631042		BLACK STEEL WHEEL AND MUDLITE TIRE ASSEMBLY (DRIVER SIDE) (INCLUDES ITEMS 3, 4).....	2
2	631045		BLACK STEEL WHEEL AND MUDLITE TIRE ASSEMBLY (PASSENGER SIDE) (INCLUDES ITEMS 3, 4).....	2
3	616120		MUDLITE TIRE, 25 X 10 X 12	2
4	631041		STEEL WHEEL RIM, 12 X 7.....	2
5	630268		CENTER WHEEL CAP	4
6	14723G1		LUG NUT, 1/2" - 20.....	16
7				
8	631048		BLACK STEEL WHEEL JOURNEY TIRE ASSEMBLY (INCLUDES ITEMS 9, 10).....	4
9	627556		JOURNEY TIRE, 25 X 10 X 12.....	4
10	631041		STEEL WHEEL RIM, 12 X 7.....	4
11	630268		CENTER WHEEL CAP	4
12	14723G1		LUG NUT, 1/2" - 20.....	16
13				
14	616825		BLACK ALUMINUM WHEEL AND MUDLITE TIRE ASSEMBLY (DRIVER SIDE) (INCLUDES ITEMS 16, 17)	2
15	616824		BLACK ALUMINUM WHEEL AND MUDLITE TIRE ASSEMBLY (PASSENGER SIDE) (INCLUDES ITEMS 16, 17)	2
16	616120		MUDLITE TIRE, 25 X 10 X 12	2
17	616116		ALUMINUM WHEEL RIM, 12 X 7.....	2
18	630106		CENTER WHEEL CAP	4
19	616046		WHEEL SPACER, 152 MM (NOT ILLUSTRATED).....	2
20	616823		LUG NUT.....	16
21				
22	616829		BRUSHED ALUMINUM WHEEL AND MUDLITE TIRE ASSEMBLY (DRIVER SIDE) (INCLUDES ITEMS 24, 25)	2
23	616828		BRUSHED ALUMINUM WHEEL AND MUDLITE TIRE ASSEMBLY (PASSENGER SIDE) (INCLUDES ITEMS 24, 25)	2
24	616120		MUDLITE TIRE, 25 X 10 X 12	2
25	616114		ALUMINUM WHEEL RIM, 12 X 7.....	2
26	614272		CENTER CAP (NOT ILLUSTRATED)	4
27	616046		WHEEL SPACER (NOT ILLUSTRATED).....	2

WHEELS AND TIRES

When ordering parts, please specify the model and serial number of the product.

* Indicates a component that is not available as an individual part.

*** Indicates consult Customer Service Department for additional information.

ITEM	PART NO.	1 2 3 4 5	DESCRIPTION	QTY.
28	605310		LUG NUT, 1/2" - 20	16
29				
30	627555		BLACK ALUMINUM WHEEL AND JOURNEY TIRE ASSEMBLY (INCLUDES ITEMS 31, 32)	4
31	627556		JOURNEY TIRE, 25 X 10 X 12	4
32	616116		ALUMINUM WHEEL RIM, 12 X 7	4
33	630106		CENTER WHEEL CAP	4
34	616046		WHEEL SPACER, 152 MM (NOT ILLUSTRATED)	2
35	616823		LUG NUT	16
36				
37	630101		BRUSHED ALUMINUM WHEEL AND JOURNEY TIRE ASSEMBLY (INCLUDES ITEMS 38, 39)	4
38	627556		JOURNEY TIRE, 25 X 10 X 12	4
39	616114		ALUMINUM WHEEL RIM, 12 X 7	4
40	614272		CENTER CAP (NOT ILLUSTRATED).....	4
41	616046		WHEEL SPACER, 152 MM (NOT ILLUSTRATED)	2
42	605310		LUG NUT, 1/2" - 20	16



Bad Boy Buggies
1451 Marvin Griffin Road, Augusta,
Georgia USA 30906-3852

TO CONTACT US

E-mail: info@badboybuggies.com
For parts and repair contact your local dealer.
To locate a local dealer please go online to our website:
www.BADBOYBUGGIES.COM

©2011 E-Z-GO Division of Textron Inc.
This manual may not be reproduced in whole or
in part without the express permission of
E-Z-GO Division of Textron Inc.
Technical Communications Department