

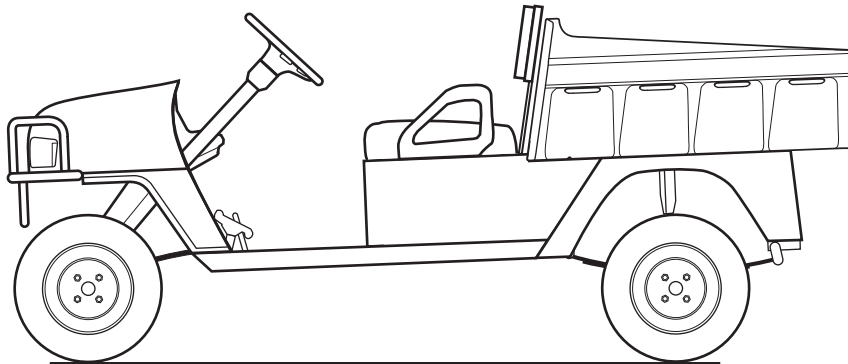
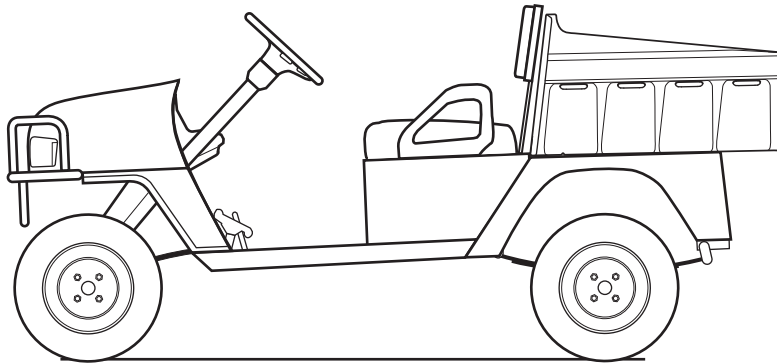
611857



A Textron Company



# SERVICE PARTS MANUAL



## GASOLINE POWERED UTILITY VEHICLE

ISSUED JANUARY 2009

REVISED MAY 2012



# **SERVICE PARTS MANUAL**

## **GASOLINE POWERED UTILITY VEHICLE**

### **E-Z-GO VEHICLES**

**ST 400**  
**ST400 CARB**  
**ST SPORT**  
**ST SPORT CARB**  
**ST SPORT II CARB**  
**JAC 4000**

### **BAD BOY BUGGY VEHICLES**

**LD**

**STARTING MODEL YEAR 2009**

DISCLAIMER: The E-Z-GO Division of Textron Inc. (E-Z-GO) reserves the right to incorporate engineering and design changes to products in this Manual, without obligation to include these changes on units leased/sold previously.

The information contained in this Manual may be revised periodically E-Z-GO, and therefore is subject to change without notice.

E-Z-GO DISCLAIMS LIABILITY FOR ERRORS IN THIS MANUAL, and E-Z-GO SPECIFICALLY DISCLAIMS LIABILITY FOR INCIDENTAL AND CONSEQUENTIAL DAMAGES RESULTING FROM THE USE OF THE INFORMATION AND MATERIALS IN THIS MANUAL.

**CUSTOMER SERVICE DEPARTMENT IN USA PHONE: 1-800-241-5855, FAX: 1-800-448-8124**

**OUTSIDE USA PHONE: 001-706-798-4311, FAX: 001-706-771-4609**

# GENERAL INFORMATION

To obtain a copy of the limited warranty applicable to the vehicle, call or write a local Distributor, authorized Branch or the Warranty Department with vehicle serial number and manufacturer code.

The use of non Original Equipment Manufacturer (OEM) parts may void the warranty.

Overfilling of batteries may void the warranty.

## BATTERY PROLONGED STORAGE

All batteries will self discharge over time. The rate of self discharge varies depending on the ambient temperature and the age and condition of the batteries.

A fully charged battery will not freeze in winter temperatures unless the temperature falls below -75° F (-60° C).

As with all electric vehicles, the batteries must be checked and recharged as required or at a minimum of 30 day intervals.

# TABLE OF CONTENTS

<b>SECTION</b>	<b>Page No.</b>
<b>HOW TO USE THE SERVICE PARTS MANUAL</b> .....	vii
<b>ACCELERATOR</b> .....	A-1
• Pedal Cover	
• Pedal Box Assembly	
• Accelerator Pedal Assembly	
<b>AIR FILTER</b> .....	B-1
• Air Cleaner Element	
• Air Filter Housing	
• Air Cleaner Hose	
<b>BODY</b> .....	C-1
• Front Bumper	
• Front Splash Shield	
• Cowl	
• Instrument Panel	
• Rocker Panels	
• Rear Body	
• Seat Support	
<b>BRAKES - MECHANICAL</b> .....	D-1
• Brake Pedal Pad	
• Brake Pedal	
• Brake Cable	
• Brake Drum Assembly	
<b>CAB</b> .....	E-1
• Steel Cab	
• Steel Doors	
• Vinyl Doots	
• Wiper Motor	
• Strobe Light	
• Work Light	
• Defroster / Cooling Fan	
<b>CARBURETOR</b> .....	F-1
• Carburetor	
• Main Jet	
• Choke Cable	
<b>CLUTCH</b> .....	G-1
• Drive Clutch	
• Driven Clutch	
<b>DIRECTION SELECTOR</b> .....	H-1
• Push/Pull Shifter Cable	
• Compression Spring	
• Neutral Lock Bracket	
<b>ELECTRICAL SYSTEM</b> .....	J-1
• Main Harness	
• Battery	
• Hour Meter	
• Ground Cable	
• Turn Signal	
• Headlights / Tail Lights	
• Key Switch	
<b>ENGINE AND MUFFLER</b> .....	K-1
• Engine	
• Muffler	
• Oil Dip Stick	
• Oil Filter	

# TABLE OF CONTENTS

<b>SECTION</b>	<b>Page No.</b>
<b>ENGINE MOUNTING</b> .....	<b>L-1</b>
• Engine Pan Mount	
• Front Engine Mount	
<b>FRONT SUSPENSION AND STEERING</b> .....	<b>M-1</b>
• Strut	
• Spindle	
• Steering Box	
• Steering Column	
• Steering Wheel	
<b>FUEL SYSTEM</b> .....	<b>N-1</b>
• Fuel Tank	
• Pulse Line	
<b>REAR AXLE</b> .....	<b>P-1</b>
• Axle Shaft	
• Axle Tube	
• Oil Check Plug	
<b>REAR SUSPENSION</b> .....	<b>Q-1</b>
• Shocks	
• Leaf Spring	
• Shackles	
<b>SEATING</b> .....	<b>R-1</b>
• Seat Bottom	
• Seat Back	
• Hip Restraints	
• Seat Back Support	
• Seat Bottom, Rear Facing Seat	
<b>STARTER / GENERATOR</b> .....	<b>S-1</b>
• Starter	
• Starter Belt	
• Starter Tensioner	
<b>TRUCK BEDS - PLASTIC</b> .....	<b>T-1</b>
• 36" Bed	
• Electric Dump	
• 40" Bed	
• Electric Dump	
<b>TRUCK BED - METAL</b> .....	<b>U-1</b>
• Metal Bed	
<b>WEATHER PROTECTION</b> .....	<b>V-1</b>
• Sun Top	
• Windshield	
• 3 Sided Enclosure	
<b>WHEELS AND TIRES</b> .....	<b>W-1</b>
• Tire & Wheel Assembly	
• Lug Nuts	
<b>WINCH</b> .....	<b>X-1</b>
• Winch Kit	
• Solenoid	
• Drum Assembly	
• 12V Motor	
• Wire Rope	
<b>SPECIALTY PRODUCTS</b> .....	<b>Appendix A-1</b>
<b>OPTIONS / ACCESSORIES</b> .....	<b>Appendix B-1</b>

# HOW TO USE THE SERVICE PARTS MANUAL

This manual is divided into several sections:

- GENERAL INFORMATION
- ILLUSTRATED PARTS BREAKDOWN
- APPENDIX

The first section, GENERAL INFORMATION, contains the following information:

- WARRANTY INFORMATION
- GENERAL INDEX
- HOW TO USE THE SERVICE PARTS MANUAL

The second section, ILLUSTRATED PARTS BREAKDOWN, contains illustrations and parts lists for all systems of your vehicle.

The third section, APPENDIX, contains a listing of specialty products and accessories.

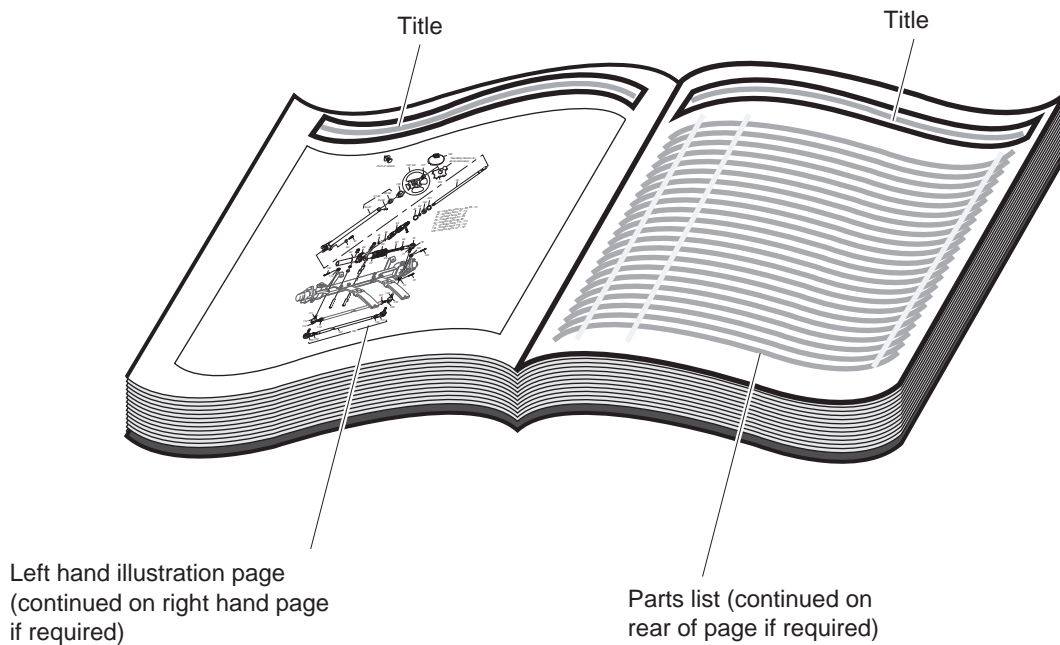
## USE OF THE MANUAL

To use this manual, consult the GENERAL INDEX to locate the information or illustration required.

Introduction of some revisions varies due to supply of components; therefore, it is possible that various combinations of components may be found that are not directly reflected by each illustration. Consult the illustration that best suits your situation and then contact the Service Parts Department. It is important that the serial number of your vehicle and its model number be supplied to Service Parts when ordering any replacement components.

Locate the serial number plate (see BODY located in the Illustrated Parts Breakdown section of this manual for its location) and note the complete number shown on the plate.

# HOW TO USE THE SERVICE PARTS MANUAL



## 1. WHEN THE PART NUMBER IS NOT KNOWN

- Determine the function and application of the part required. Turn to the General Index and select the most appropriate title.
- Turn to the page number indicated and locate the desired part on the illustration.
- From the illustration, obtain the item number as signed to the desired part. Refer to the accompanying description for specific information regarding the part.

## 2. IF YOU KNOW THE PART NUMBER

- Locate the part number or description in the appropriate column on the parts list page.

NOTE: It is suggested that you confirm that the part selected is correct by verifying it with the pictorial representation on the illustrated page.

Should an asterisk (\*) appear in the part number column on the parts list page, read upwards until a part number is found. The part number is the lowest assembly sold by Service Parts and the asterisk (\*) indicates that the part depicted is not available for purchase.

NOTE: Descriptions are indented under the assembly that they are used on. That assembly is, in turn listed under the assembly that it is used on. This process is repeated until the highest final assembly is reached.

**To facilitate the maintenance and repair of the vehicle, a Technician's Repair and Service Manual is available from the Service Parts Department.**



# HOW TO USE THE SERVICE PARTS MANUAL

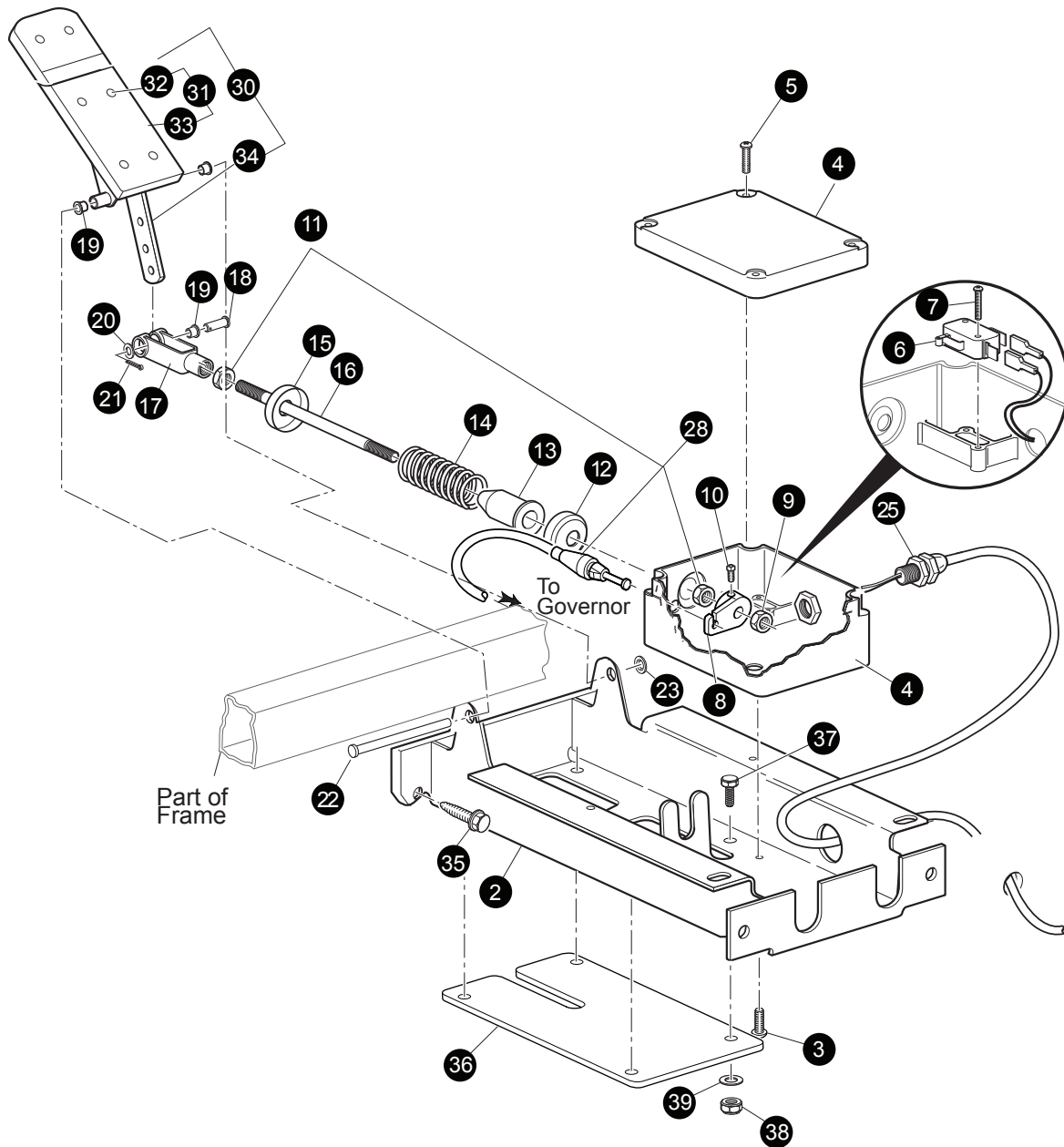
## 3. COLOR CODE FOR BODY COMPONENTS

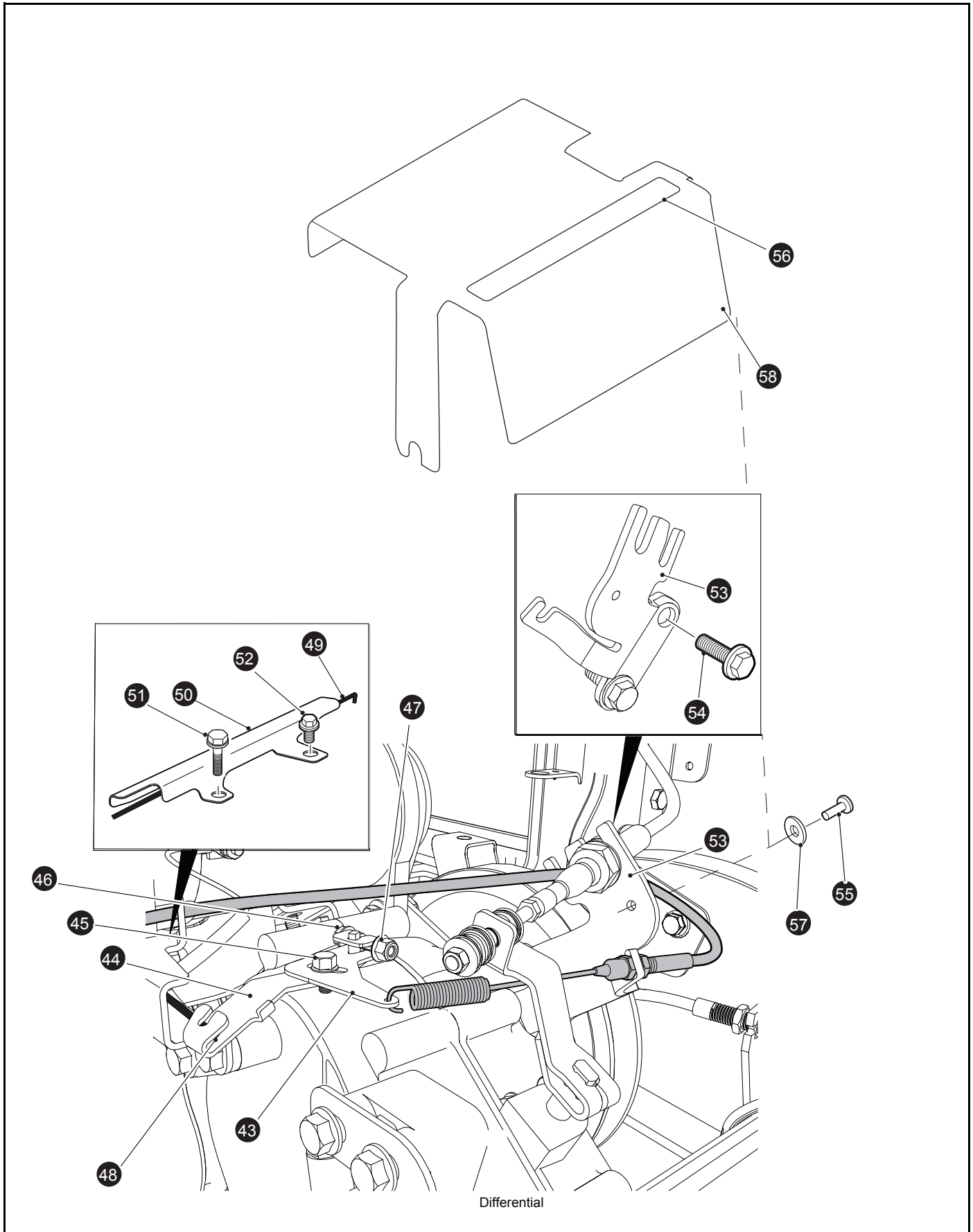
The last two digits of the part number for the body part will denote the color code, locate the part number for the cowl, rear body, seat pod, side panel or seat wrap then locate your color in the list below, replace the last \*\* or XX with the two digit color code.

<u>CODE #</u>	<u>DESCRIPTION</u>	<u>CODE #</u>	<u>DESCRIPTION</u>
01	NO PAINT	53	MOSSY OAK NEW BREAK UP - DIPPED
02	SPECIAL COLOR	54	MOSSY OAK OBSESSION - DIPPED
05	JACOBSEN ORANGE	55	REALTREE ADVANTAGE MAX 4 - DIPPED
06	LIGHT GOLD PEARL	56	REALTREE HARDWOOD BROWN - DIPPED
07	SILVER PEARL METALIC	57	REALTREE AP HOT PINK - DIPPED
11	BLACK	58	BLACK / SILVER MARBLE - DIPPED
12	EMERALD GREEN PEARL	59	RED / SILVER MARBLE - DIPPED
13	CLOUD GREY	60	HOT PINK / SILVER MARBLE - DIPPED
14	VIPER BLUE METALLIC	61	REALTREE AP
19	PATRIOT BLUE PEARL	62	REALTREE MAX 4
20	INFERNO RED METALLIC	63	MOSSY OAK BREAKUP
23	ADVANTAGE CLASSIC CAMO	64	MOSSY OAK TREESTAND
24	NATURAL	65	REALTREE APG
25	VIVID NEW HOLLAND BLUE	66	REALTREE MAX 1
26	STEEL BLUE PEARL	67	REALTREE AP PINK
27	BRIGHT SILVER METALLIC	68	REALTREE AP - DIPPED
29	PRIMER ONLY		
30	HD ADVANTAGE CAMO		
31	METALLIC CHARCOAL		
32	LIGHT ALMOND PEARL		
33	TIMBERLINE GREEN		
34	DEEP MOLTEN RED		
35	SAFETY YELLOW		
36	CHAMPAGNE BEIGE		
37	HUNTER GREEN		
38	BRIGHT WHITE		
39	FLAME RED		
40	BLACK		
41	ELECTRIC BLUE		
42	PLATINUM		
43	BURGUNDY		
44	ALMOND		
45	BLACK		
46	FLAME RED		
47	BURLINGTON GREEN		
48	BLACK		
49	FLAME RED		
50	RECON GREEN		
51	SUNBURST ORANGE		
52	BRITISH RACING GREEN		

# ACCELERATOR

1 - Includes Items 3 - 34





Differential

# ACCELERATOR

When ordering parts, please specify the model and serial number of the product.

\* Indicates a component that is not available as an individual part.

\*\*\* Indicates consult Customer Service Department for additional information.

ITEM	PART NO.	1 2 3 4 5	DESCRIPTION	QTY.
1	606990		PEDAL BOX ASSEMBLY (INCLUDES ITEMS 2 - 34) .....	1
2	70116G02		ACCELERATOR PEDAL BRACKET .....	1
3	01051G01		SCREW, #8 - 16 X 1/2" LG .....	4
4	25853G03		PEDAL BOX AND COVER .....	1
5	00684G6		SCREW, #8 - 32 X 3/4" LG (STAINLESS STEEL) .....	2
6	25861G01		MICRO SWITCH .....	1
7	01050G01		SCREW, #4 - 20 X 5/8" LG .....	2
8	72716G01		MICRO SWITCH CAM .....	1
9	15126G1		LOCK NUT, 5/16 - 24 .....	1
10	00487G3		SETSCREW, 1/4 - 20 X 3/8" LG .....	1
11	00532G4		NUT, 5/16 - 24 .....	2
12	17677G1		SPRING RETAINER .....	1
13	17979G1		ACCELERATOR ROD BUSHING .....	1
14	73046G01		COMPRESSION SPRING .....	1
15	17677G2		SPRING RETAINER .....	1
16	72072G01		ACCELERATOR ROD .....	1
17	10385G4		CLEVIS YOKE (ADJUSTABLE) .....	1
18	10386G3		CLEVIS PIN, 5/16" X 13/16" LG .....	1
19	17838G1		NYLON BUSHING .....	3
20	17255G1		TEFLON WASHER, 5/16" .....	1
21	10387G3		COTTER PIN, 3/32" X 3/4" LG .....	1
22	74432G01		PEDAL PIVOT PIN .....	1
23	12064G6		PUSH NUT, 9/32" .....	1
24	12730G1		WHEEL BEARING GREASE (NOT ILLUSTRATED) .....	A/R
25	72201G04		WIRE HARNESS (PEDAL BOX) .....	1
26				
27				
28	608608		ACCELERATOR CABLE .....	1
29				
30	25799G03		ACCELERATOR PEDAL ASSEMBLY (INCLUDES ITEMS 31- 33) .....	1
31	27844G01		ACCELERATOR PEDAL PAD KIT (INCLUDES ITEMS 32- 33) .....	1

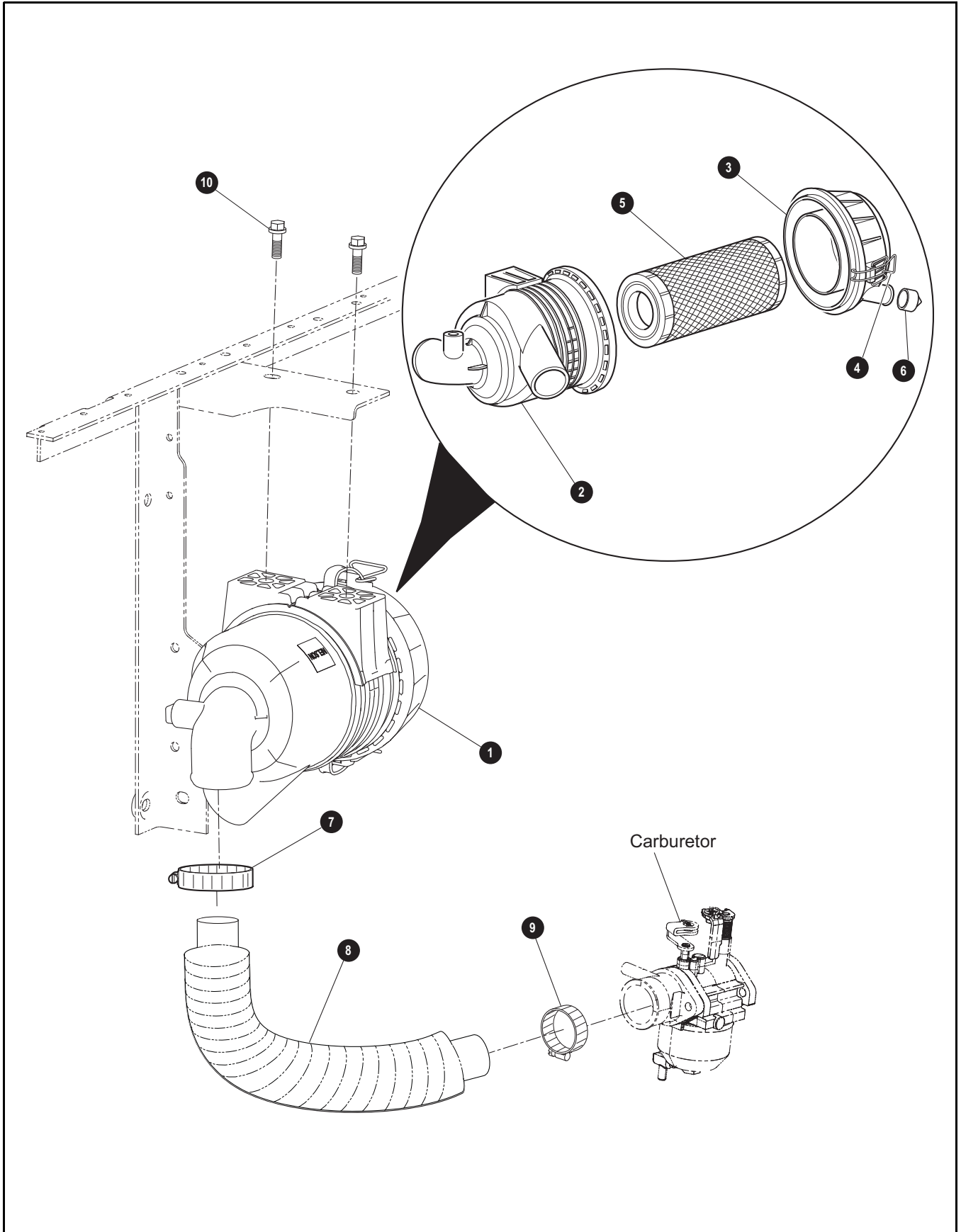
When ordering parts, please specify the model and serial number of the product.

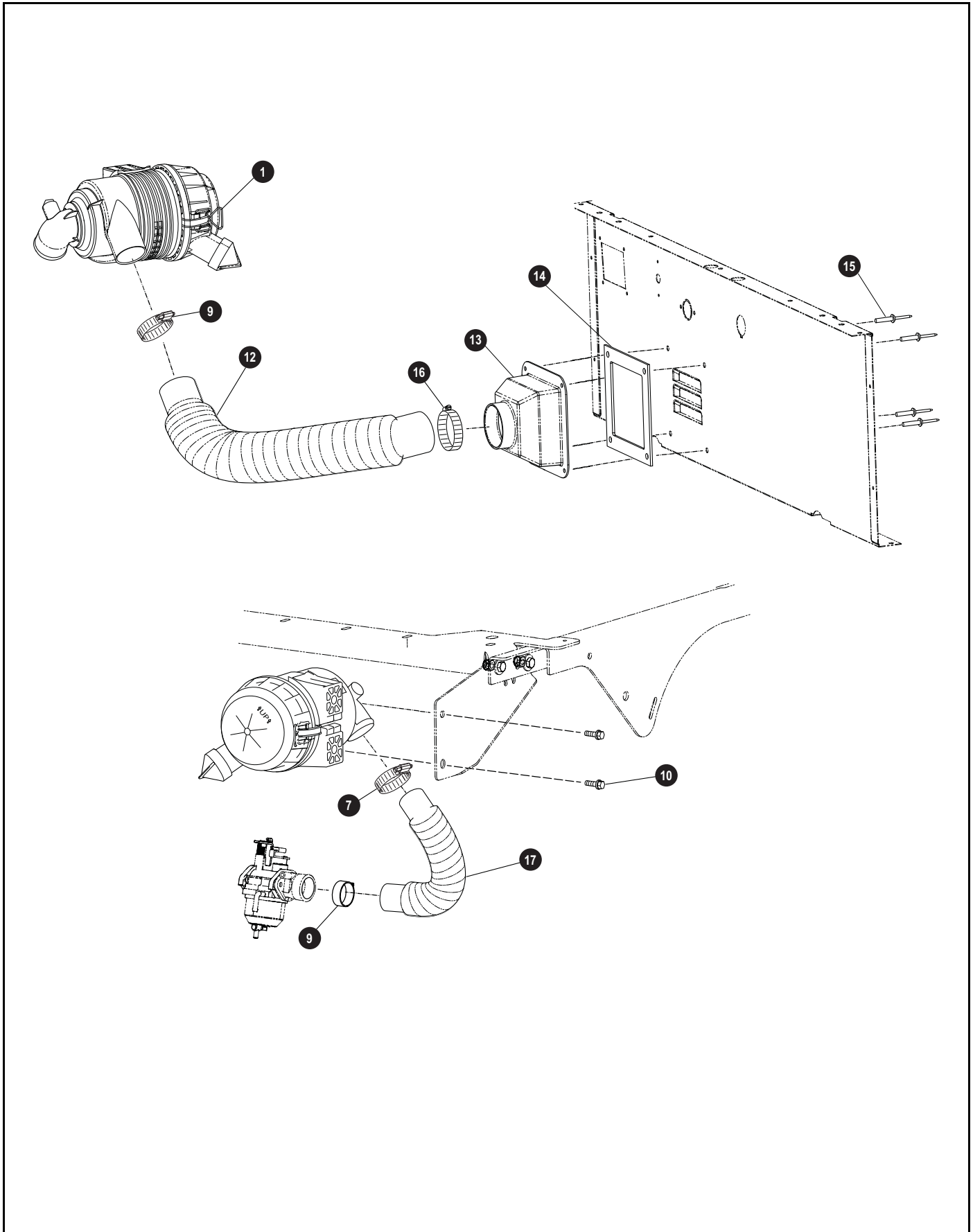
\* Indicates a component that is not available as an individual part.

\*\*\* Indicates consult Customer Service Department for additional information.

ITEM	PART NO.	1 2 3 4 5	DESCRIPTION	QTY.
32	16409G1		OVAL RIVET, 3/16" X 7/16" LG .....	6
33	27512-G01		ACCELERATOR PEDAL PAD .....	1
34	*		ACCELERATOR PEDAL	
35	00715G2		BOLT, 5/16 -18 X 4/5" LG.....	4
36	612487		PLATE, BRACKET .....	1
37	00414G6		SCREW, HEX HEAD.....	4
38	00654G2		NUT ( STAINLESS ).....	4
39	01110G01		FLAT WASHER.....	4
40				
41				
42				
43	606083		UPPER GOVERNOR BRACKET.....	1
44	606005		LOWER GOVERNOR BRACKET .....	1
45	606265		BOLT, M6 - 1 X 12.....	1
46	606421		BOLT, M6 - 1 X 30.....	1
47	450452		NUT, M6 - 1.0.....	1
48	606283		GOVERNOR LEVER BUSHING .....	1
49	606284		GOVERNOR ROD .....	1
50	603890		GOVERNOR ROD GUARD .....	1
51	606264		BOLT, M6 - 1 X 20.....	1
52	606262		BOLT, M8 - 1.25 X 16.....	1
53	606074		GOVERNOR CABLE / DIRECTION SELECTOR BRACKET .....	1
54	606256		BOLT, M10 - 1.25 X 16.....	2
55	14601G11		RIVET.....	1
56	608527		GOVERNOR WARNING DECAL.....	1
57	00915G1		WASHER .....	1
58	606199		GOVERNOR COVER .....	1
59	17618G1		NYLON CLAMP .....	2

# AIR FILTER





# AIR FILTER

When ordering parts, please specify the model and serial number of the product.

\* Indicates a component that is not available as an individual part.

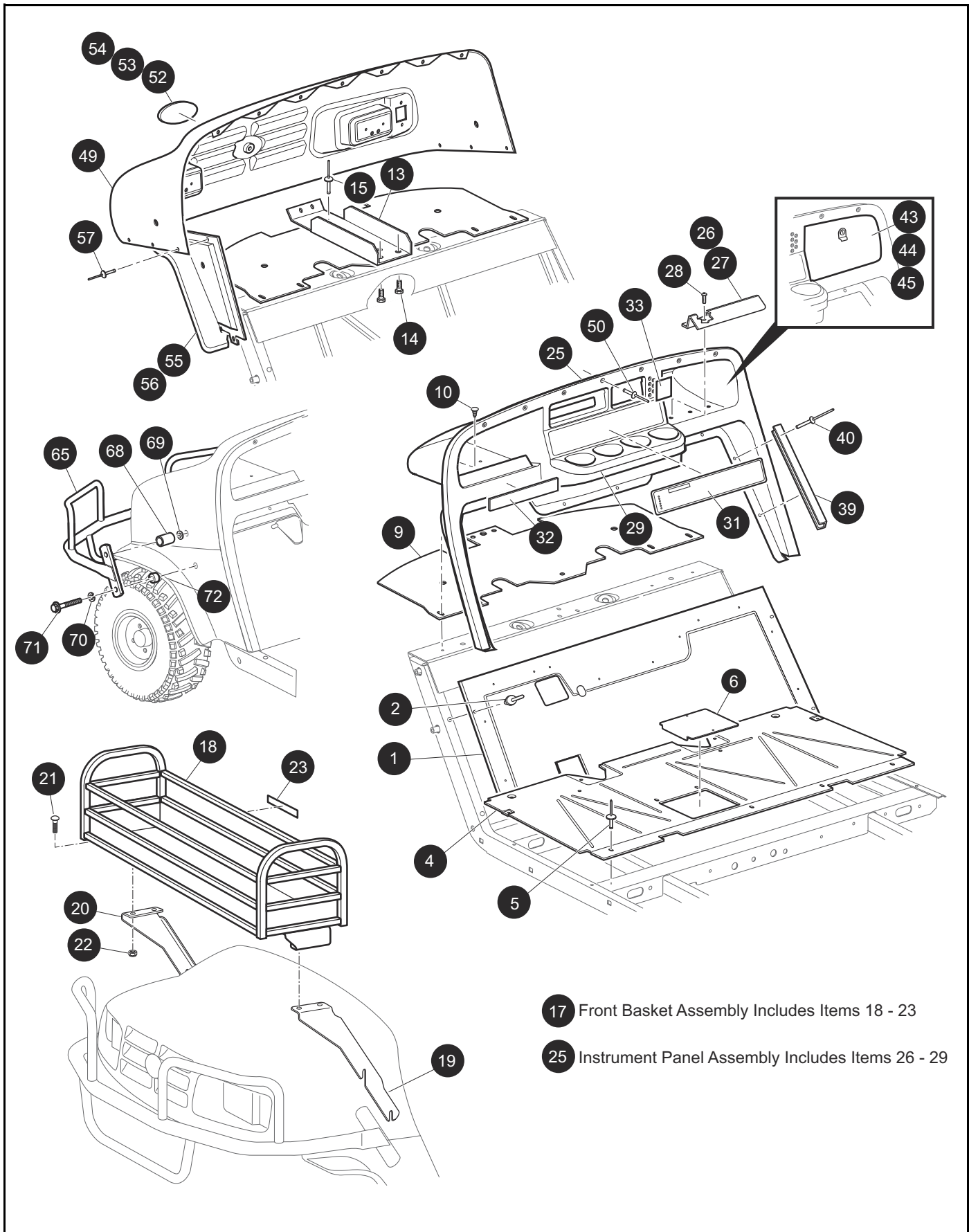
\*\*\* Indicates consult Customer Service Department for additional information.

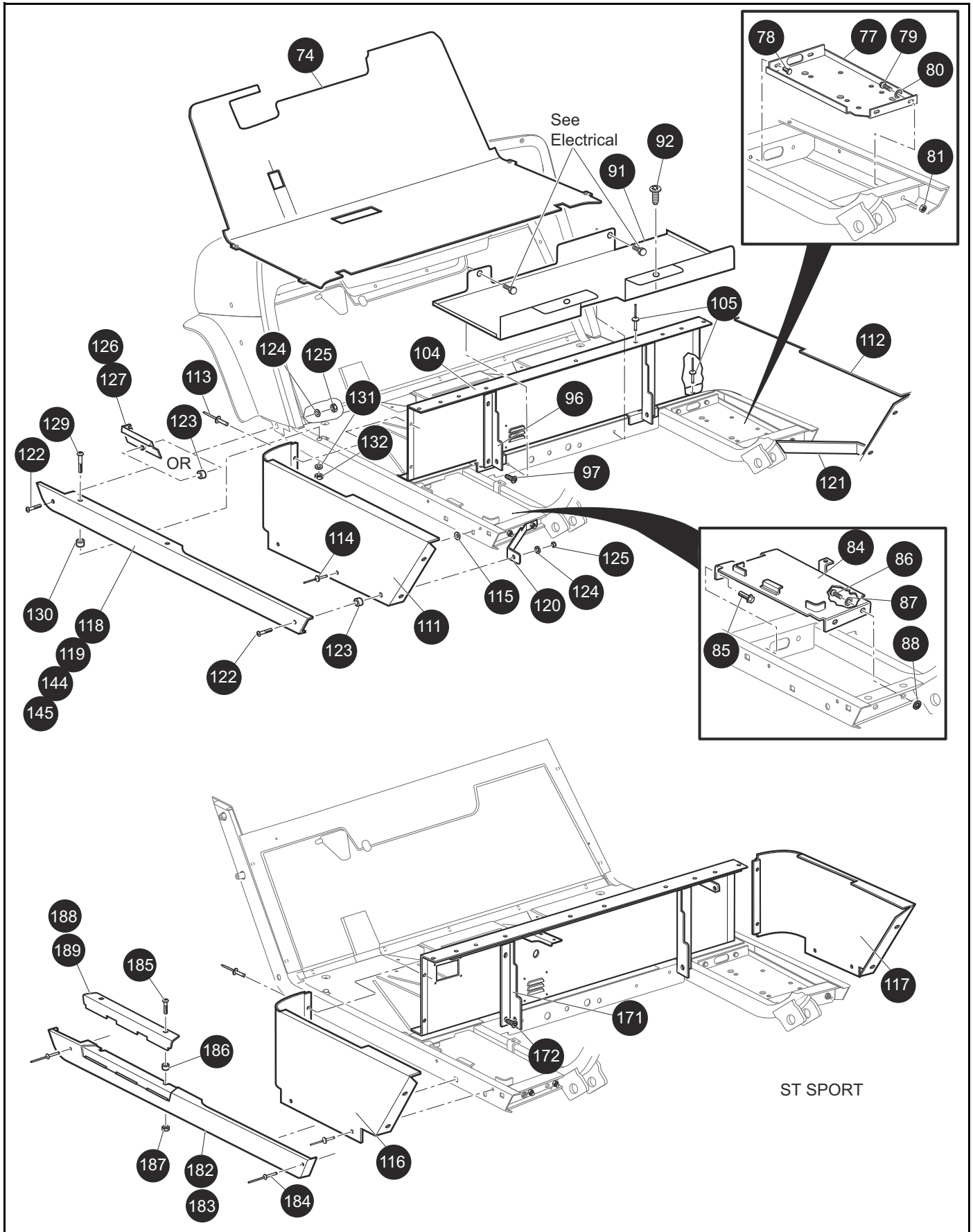
ITEM	PART NO.	1 2 3 4 5	DESCRIPTION	QTY.
1	614852		AIR CLEANER (INCLUDES ITEMS 2 - 6).....	1
2	615390		BODY & BRACKET ASSEMBLY .....	1
3	72599G01		AIR CLEANER COVER .....	1
4	72604G01		AIR CLEANER CLIP .....	2
5	28463G01		AIR FILTER .....	1
6	28462G01		VALVE DUST EJECTOR.....	1
7	11391G7		HOSE CLAMP, 1.56 - 2.50 DIA .....	1
8	607950		HOSE 10" LONG .....	1
9	11391G1		HOSE CLAMP 1.31 - 2.25 DIA.....	3
10	25532G1		BOLT AND WASHER, M8 X 1.25 X 18 MM .....	4
11				
12	72637G03		HOSE, AIR INTAKE, 16" LONG .....	1
13	72416G01		INTAKE ASSEMBLY, REMOTE AIR.....	1
14	72415G01		GASKET, REMOTE AIR INTAKE .....	1
15	71055G01		RIVET, 3/16 DIA .....	4
16	11391G2		CLAMP, HOSE, 2.06 - 3.00 DIA .....	1
17	601910		HOSE, 14' LONG .....	1



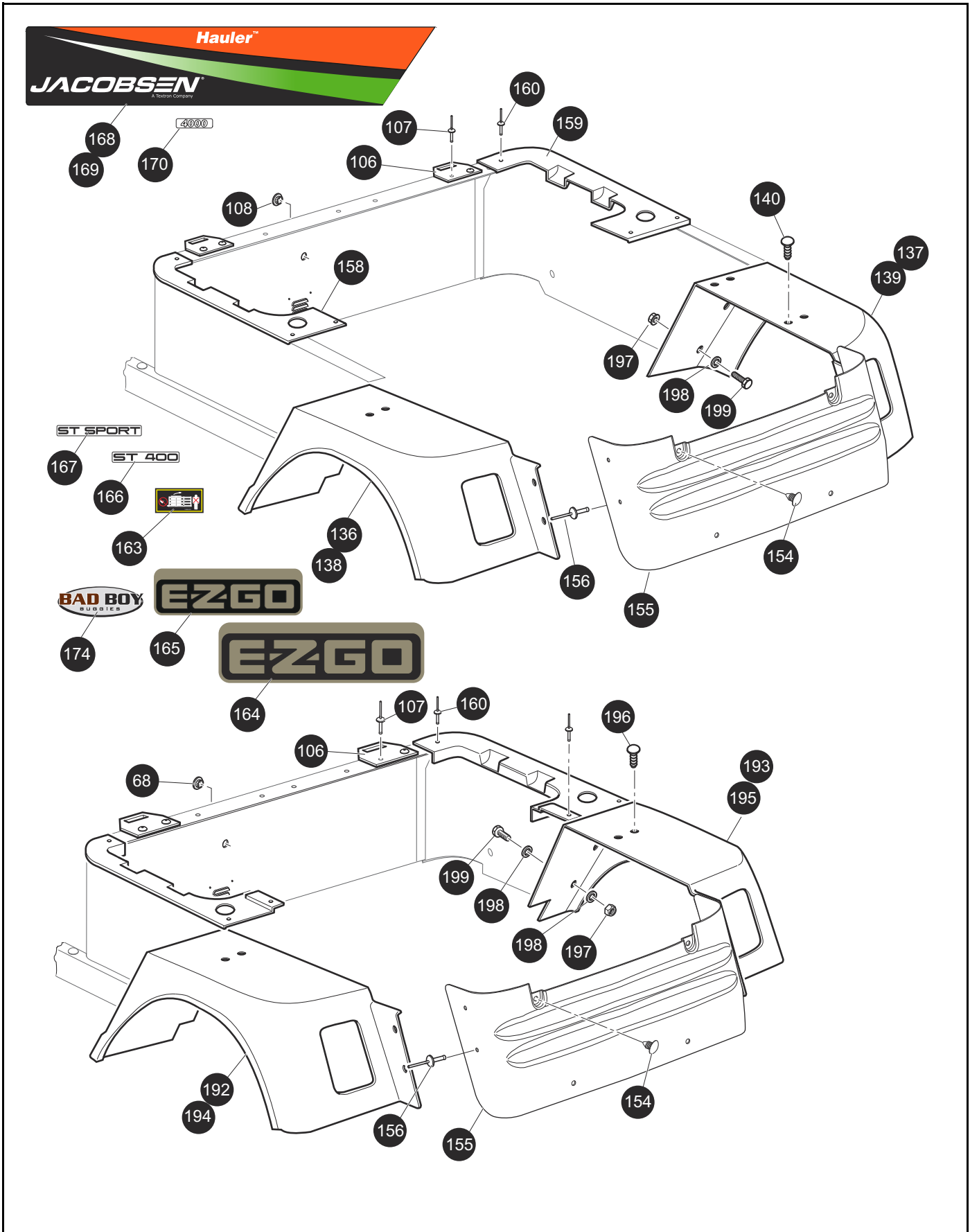


# BODY



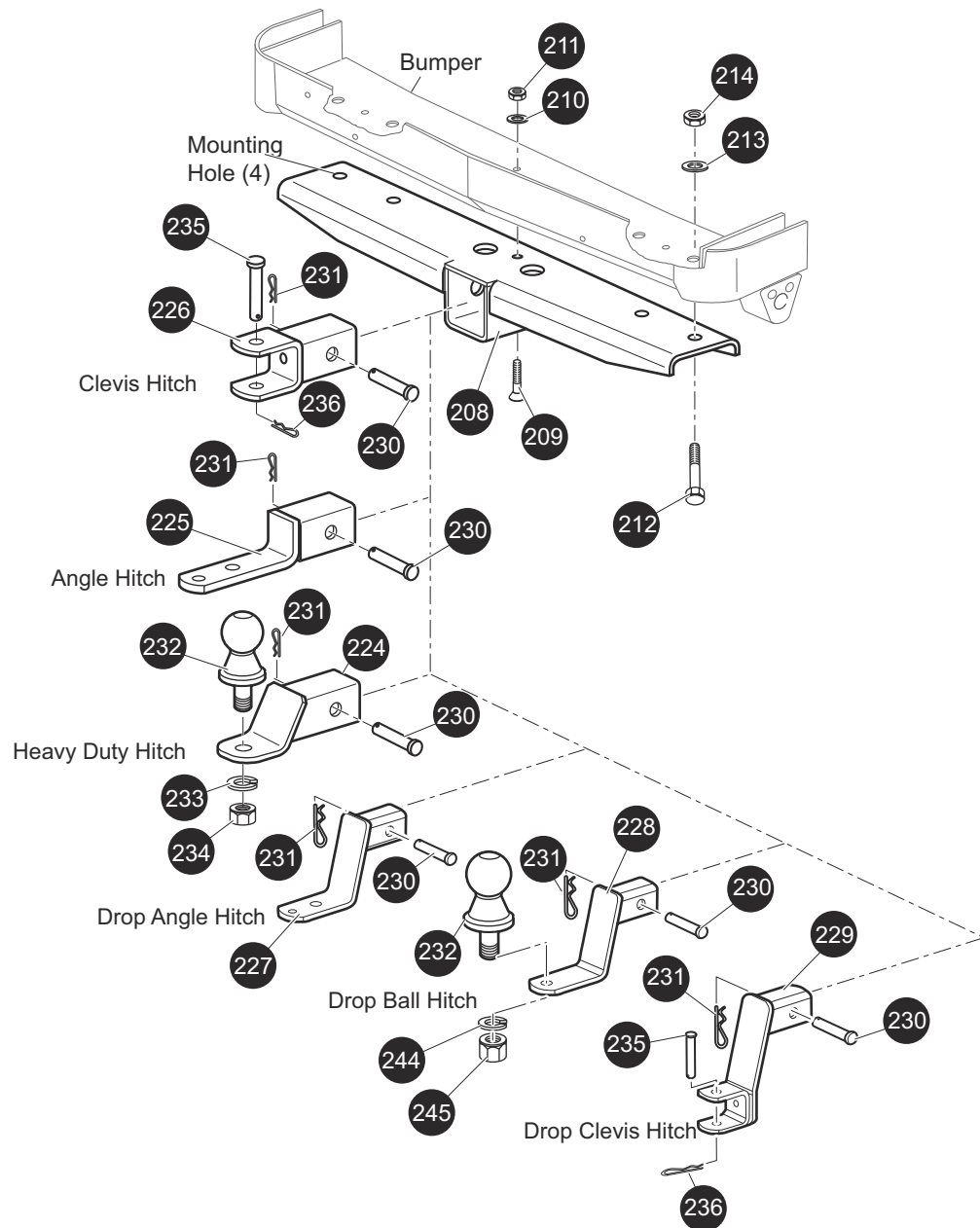


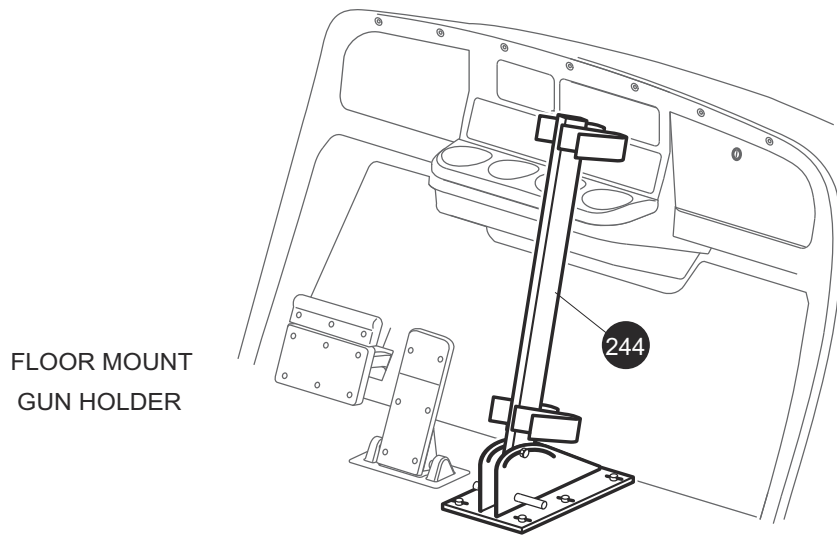
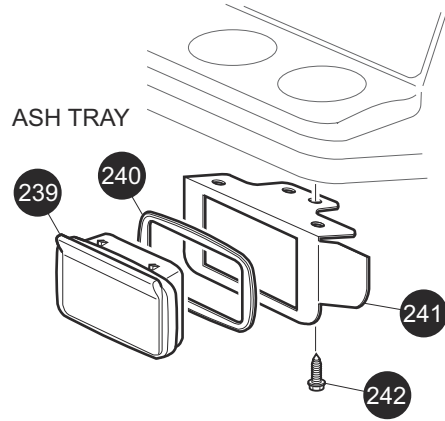
# BODY



**HITCHES**

- 218 HEAVY DUTY HITCH KIT INCLUDES ITEMS 224, 230 - 234
- 219 ANGLE HITCH KIT INCLUDES ITEMS 225, 230, 231, 235, 236
- 220 CLEVIS HITCH KIT INCLUDES ITEMS 226, 230, 231, 235, 236
- 221 DROP ANGLE HITCH KIT INCLUDES ITEMS 227, 230, 231
- 222 DROP BALL HITCH KIT INCLUDES ITEMS 228, 230 - 234
- 223 DROP CLEVIS HITCH KIT INCLUDES ITEMS 229, 230, 231, 235, 236





When ordering parts, please specify the model and serial number of the product.

\* Indicates a component that is not available as an individual part.

\*\*\* Indicates consult Customer Service Department for additional information.

ITEM	PART NO.	1 2 3 4 5	DESCRIPTION	QTY.
1	70662-G01		UPPER FLOORPAN .....	1
2	14601G11		RIVET, 3/16" X 9/16" LG (ALUMINUM).....	9
3				
4	70451G01		LOWER FLOORPAN .....	1
5	14601G11		RIVET, 3/16" X 9/16" LG (ALUMINUM).....	7
6	70452G01		ACCESS COVER.....	1
7				
8				
9	71413G01		SPLASH PANEL .....	1
10	16816G2		RATCHET FASTENER, 1/4" X 3/4" LG.....	4
11				
12				
13	71101G02		COWL SUPPORT BRACKET .....	1
14	71102G02		SELF TAPPING SCREW, 1/4 - 20 X 1/2" LG.....	3
15	71055G01		RIVET, 3/16" X 1 1/8" LG (ALUMINUM).....	1
16				
17	74521G02		FRONT BASKET ASSEMBLY (INCLUDES ITEMS 18 - 23).....	1
18	74523G01		FRONT BASKET .....	1
19	74522G01		BASKET MOUNTING BRACKET (DRIVER SIDE) .....	1
20	74522G02		BASKET MOUNTING BRACKET (PASSENGER SIDE).....	1
21	00725G1		CARRIAGE BOLT, 3/8 - 16 X 1" LG (STAINLESS STEEL) .....	4
22	00891G1		LOCK NUT, 3/8 - 16.....	4
23	71931G01		LABEL, FRONT BASKET (WARNING) .....	1
24				
25	71151G03		INSTRUMENT PANEL ASSEMBLY (INCLUDES ITEMS 26 - 29).....	1
26	71153G01		DEFLECTOR (PASSENGER SIDE).....	1
27	71154G01		DEFLECTOR (DRIVER SIDE).....	1
28	00614G5		SCREW, #8 - 18 X 5/8" LG.....	4
29	71158G01		INSTRUMENT PANEL INSERT (FOUR CUP) .....	1
30				
31	601781		LABEL (SAFETY).....	1

# BODY

When ordering parts, please specify the model and serial number of the product.

\* Indicates a component that is not available as an individual part.

\*\*\* Indicates consult Customer Service Department for additional information.

ITEM	PART NO.	1 2 3 4 5	DESCRIPTION	QTY.
32	74443G01		LABEL (ANTI-ROLL BACK).....	1
33	35968G01		LABEL (T-HOLDER COVER).....	1
34				
35				
36				
37				
38				
39	71115G01		VINYL TRIM.....	2
40	71055G01		RIVET, 3/16" X 1" LG (ALUMINUM).....	10
41				
42				
43	75459G01		GLOVE BOX DOORS (BOTH SIDES).....	1
44	75459G02		GLOVE BOX DOOR (DRIVER SIDE).....	1
45	75459G03		GLOVE BOX DOOR (PASSENGER SIDE) .....	1
46				
47				
48				
49	71468GXX		COWL (See COLOR CODE in HOW TO USE Section of Manual).....	1
50	71055G01		RIVET, 3/16" X 1" LG (ALUMINUM).....	7
51				
52	605434		OVAL NAMEPLATE (E-Z-GO) .....	1
53	28907G01		OVAL NAMEPLATE (JACOBSON).....	1
54	617803		OVAL NAMEPLATE (BAD BOY BUGGIES) .....	1
55	71338G01		FENDER FLARE (DRIVER SIDE) .....	1
56	71338G02		FENDER FLARE (PASSENGER SIDE).....	1
57	71055G01		RIVET, 3/16" X 1" LG (ALUMINUM).....	6
58				
59				
60				
61				
62				



When ordering parts, please specify the model and serial number of the product.

\* Indicates a component that is not available as an individual part.

\*\*\* Indicates consult Customer Service Department for additional information.

ITEM	PART NO.	1 2 3 4 5	DESCRIPTION	QTY.
63				
64				
65	74265G02		BUMPER.....	1
66				
67				
68	75048G04		SPACER, 1" .....	2
69	00570G2		WASHER, 5/16" .....	2
70	00905G8		LOCK WASHER, 5/16" .....	4
71	01035G02		BOLT, 5/16 - 18 X 2 1/2" LG.....	4
72	75048G01		SPACER.....	2
73				
74	70995-G02		FLOOR MAT W/HORN HOLES .....	1
75				
76				
77	70244G03		SPLASH PANEL .....	1
78	00715G2		BOLT, 5/16 - 18 X 4/5" LG.....	4
79	00438G8		BOLT, 5/16 - 18 X 1" LG (ST 350).....	2
80	00559G8		WASHER, 5/16" (ST 350) .....	2
81	11098G6		LOCK NUT, 5/16 - 18 (STAINLESS STEEL) (ST 350).....	2
82				
83				
84	600496		BATTERY TRAY.....	1
85	00715G2		BOLT, 5/16 - 18 X 4/5" LG.....	AR
86	00438G6		BOLT, 5/16 - 18 X 3/4" LG.....	3
87	00571G2		WASHER, 5/16" .....	1
88	00565G8		LOCK WASHER, 5/16" .....	1
89				
90				
91	70629G01		SPLASH PANEL .....	1
92	00106G6		SELF THREADING SCREW, #12 - 24 X 3/4" LG .....	2
93				

# BODY

When ordering parts, please specify the model and serial number of the product.

\* Indicates a component that is not available as an individual part.

\*\*\* Indicates consult Customer Service Department for additional information.

ITEM	PART NO.	1	2	3	4	5	DESCRIPTION	QTY.
94								
95								
96	605763						SEAT FRAME (ST 400).....	1
97	00715G2						BOLT, 5/16 - 18 X 4/5" LG .....	2
98								
99								
100								
101								
102								
103								
104	609143GXX						SEAT WRAP W/LOUVERS (See COLOR CODE in HOW TO USE Section) .	1
105	10570G10						RIVET, 5/32" X 9/16" LG (STAINLESS STEEL) .....	8
106	71609G01						SEAT HINGE PLATE .....	2
107	10570G11						RIVET, 3/16" X 3/4" LG (STAINLESS STEEL) .....	4
108	20271G9						HOLE PLUG .....	1
109								
110								
111	609168G1XX						SIDE PANEL (DRIVER) (See COLOR CODE in HOW TO USE Section).....	1
112	609168G2XX						SIDE PANEL (PASSENGER) (See COLOR CODE in HOW TO USE Section)	1
113	10570G10						RIVET, 5/32" X 9/16" LG (STAINLESS STEEL) .....	4
114	10570G12						RIVET, 1/4" X 9/16" LG (ALUMINUM) .....	4
115	16469G1						WASHER, 1/4" .....	4
116	609047G1XX						SIDE PANEL (DRIVER)(See COLOR CODE in HOW TO USE Section).....	1
117	609047G2XX						SIDE PANEL (PASSENGER)(See COLOR CODE in HOW TO USE Section)	1
118	71439G03						ROCKER PANEL (DRIVER SIDE) (ST 400) .....	1
119	71439G04						ROCKER PANEL (PASSENGER SIDE) (ST 400).....	1
120	71440G03						BRACE (DRIVER SIDE).....	1
121	71440G04						BRACE (PASSENGER SIDE) .....	1
122	00789G2						SCREW, #10 - 24 X 1 1/4" LG .....	4
123	23726G2						SPACER, 1/4" .....	4
124	00660G5						WASHER, #10 (STAINLESS STEEL).....	4

When ordering parts, please specify the model and serial number of the product.

\* Indicates a component that is not available as an individual part.

\*\*\* Indicates consult Customer Service Department for additional information.

ITEM	PART NO.	1 2 3 4 5	DESCRIPTION	QTY.
125	14390G10		LOCK NUT, #10 - 24 .....	4
126	71424G01		SPACER (DRIVER SIDE) .....	1
127	71424G02		SPACER (PASSENGER SIDE).....	1
128				
129	16705G1		SCREW, 1/4 - 20 X 1" LG (STAINLESS STEEL).....	4
130	23726G2		SPACER, 1/4" .....	4
131	00559G7		WASHER, 1/4" .....	4
132	14390G4		LOCK NUT, 1/4 - 20 .....	4
133				
134				
135				
136	74893G01		FENDER (DRIVER SIDE) (ST 400).....	1
137	74893G02		FENDER (PASSENGER SIDE) (ST 400) .....	1
138	74893G03		FENDER W/TAIL LIGHT OPENING (DRIVER SIDE)(ST 400).....	1
139	74893G04		FENDER W/TAIL LIGHT OPENING (PASSENGER SIDE)(ST400) .....	1
140	16816G2		RATCHET FASTENER, 1/4" X 3/4" LG.....	10
141				
142				
143				
144	617867		ROCKER PANEL, DRIVER SIDE (BBB).....	1
145	617870		ROCKER PANEL, PASSENGER SIDE (BBB).....	1
146				
147				
148				
149				
150				
151				
152				
153				
154	16816G2		RATCHET FASTENER, 1/4" X 3/4" LG.....	8
155	74890G01		REAR PANEL (ST 400).....	1

# BODY

When ordering parts, please specify the model and serial number of the product.

\* Indicates a component that is not available as an individual part.

\*\*\* Indicates consult Customer Service Department for additional information.

ITEM	PART NO.	1	2	3	4	5	DESCRIPTION	QTY.
156	71055G01						RIVET, 3/16" X 1" LG (ALUMINUM) .....	4
157								
158	74891G01						SEAT FILLER PANEL (DRIVER SIDE) .....	1
159	74891G02						SEAT FILLER PANEL (PASSENGER SIDE).....	1
160	10570G10						RIVET, 5/32" X 9/16" LG (STAINLESS STEEL) .....	6
161								
162								
163	74099G01						LABEL (TILT WARNING).....	2
164	620312						LABEL (E-Z-GO, LARGE) .....	2
165	620313						LABEL (E-Z-GO, MEDIUM).....	2
166	620323						LABEL (ST 400) .....	2
167	620325						LABEL (ST SPORT) .....	2
168	28915G01						LABEL (JACOBSEN HAULER) (DRIVER SIDE).....	1
169	28915-G02						LABEL (JACOBSEN HAULER) (PASSENGER SIDE).....	1
170	620214						LABEL (4000).....	2
171	605694						SEAT FRAME (ST SPORT) .....	1
172	00715G2						BOLT, 5/16 - 18 X 4/5" LG .....	2
173								
174	617806						LABEL (BAD BOY BUGGIES).....	2
175								
176								
177								
178								
179								
180								
181								
182	71502G01						ROCKER PANEL (DRIVER SIDE) (ST SPORT).....	1
183	71501G01						ROCKER PANEL (PASSENGER SIDE) (ST SPORT) .....	1
184	15058G6						RIVET, 3/16" X 15/16" LG (ALUMINUM) .....	4
185	16705G1						SCREW, 1/4 - 20 X 1" LG (STAINLESS STEEL) .....	4
186	23726G4						SPACER, 5/16" .....	4

When ordering parts, please specify the model and serial number of the product.

\* Indicates a component that is not available as an individual part.

\*\*\* Indicates consult Customer Service Department for additional information.

ITEM	PART NO.	1 2 3 4 5	DESCRIPTION	QTY.
187	14390G4		LOCK NUT, 1/4 - 20 .....	4
188	71507G02		SILL PLATE (DRIVER SIDE) .....	1
189	71507G01		SILL PLATE (PASSENGER SIDE).....	1
190				
191				
192	74892G01		FENDER (DRIVER SIDE) (ST SPORT).....	1
193	74892G02		FENDER (PASSENGER SIDE) (ST SPORT) .....	1
194	74892G03		FENDER WITH TAILLIGHT (DRIVER SIDE) (ST SPORT) .....	1
195	74892G04		FENDER WITH TAILLIGHT (PASSENGER SIDE) (ST SPORT).....	1
196	16816G2		RATCHET FASTENER, 1/4" X 3/4" LG.....	10
197	14390G4		LOCK NUT, 1/4 - 20 .....	4
198	00642G7		WASHER, 1/4" .....	8
199	00414G6		BOLT, 1/4 - 20 X 3/4" LG.....	4
200				
201				
202				
203				
204				
205				
206				
207				
208	74348G02		HITCH RECEIVER.....	1
209	00198G8		BOLT, 5/16 - 18 X 1" LG.....	1
210	00559G8		WASHER, 5/16" .....	1
211	11098G6		LOCK NUT, 5/16 - 18 (STAINLESS STEEL).....	1
212	00463G4		BOLT, 7/16 - 14 X 1 1/2" LG.....	4
213	00922G3		WASHER, 7/16" .....	4
214	00734G1		LOCK NUT, 7/16 - 14 .....	4
215				
216				
217				

# BODY

When ordering parts, please specify the model and serial number of the product.

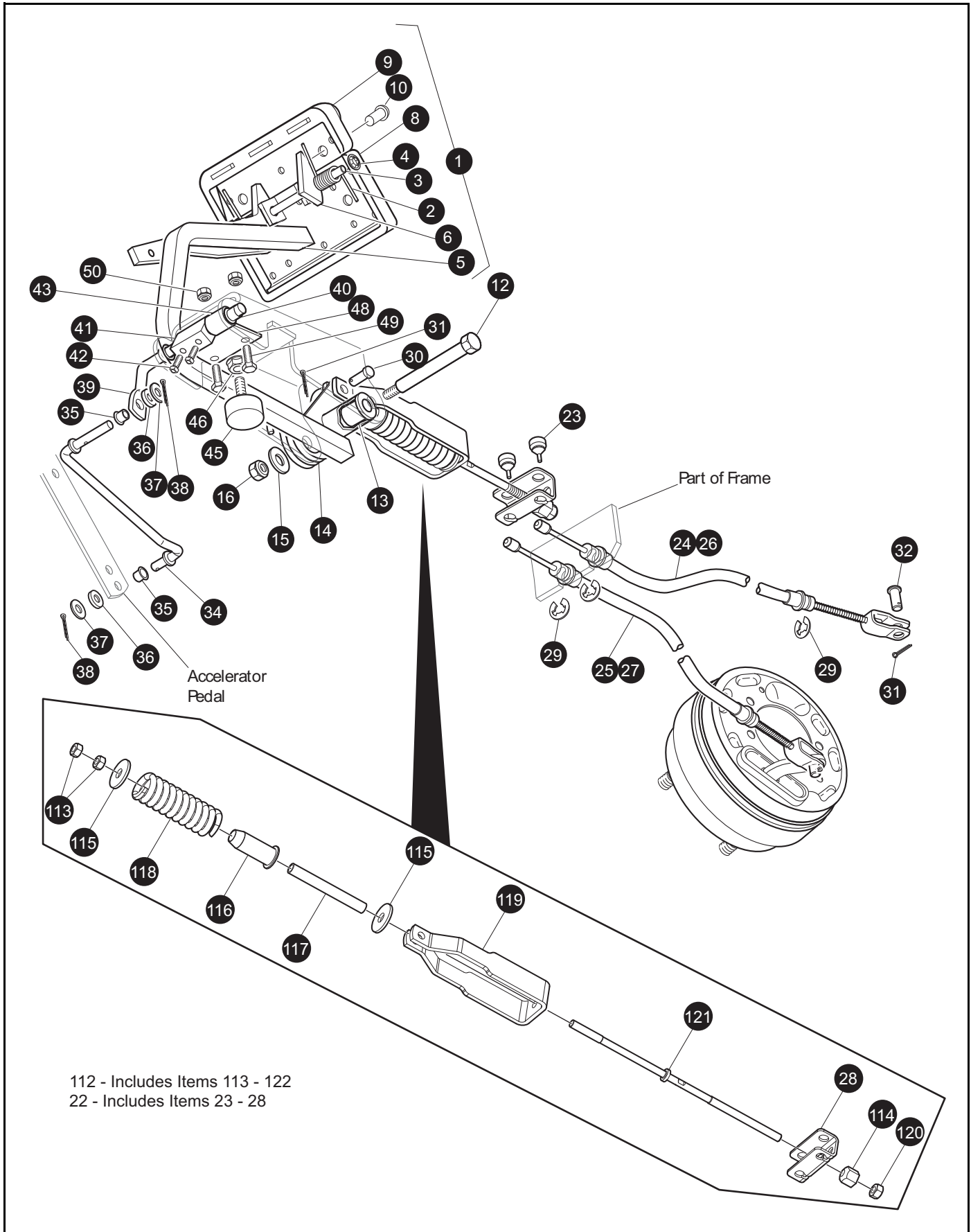
\* Indicates a component that is not available as an individual part.

\*\*\* Indicates consult Customer Service Department for additional information.

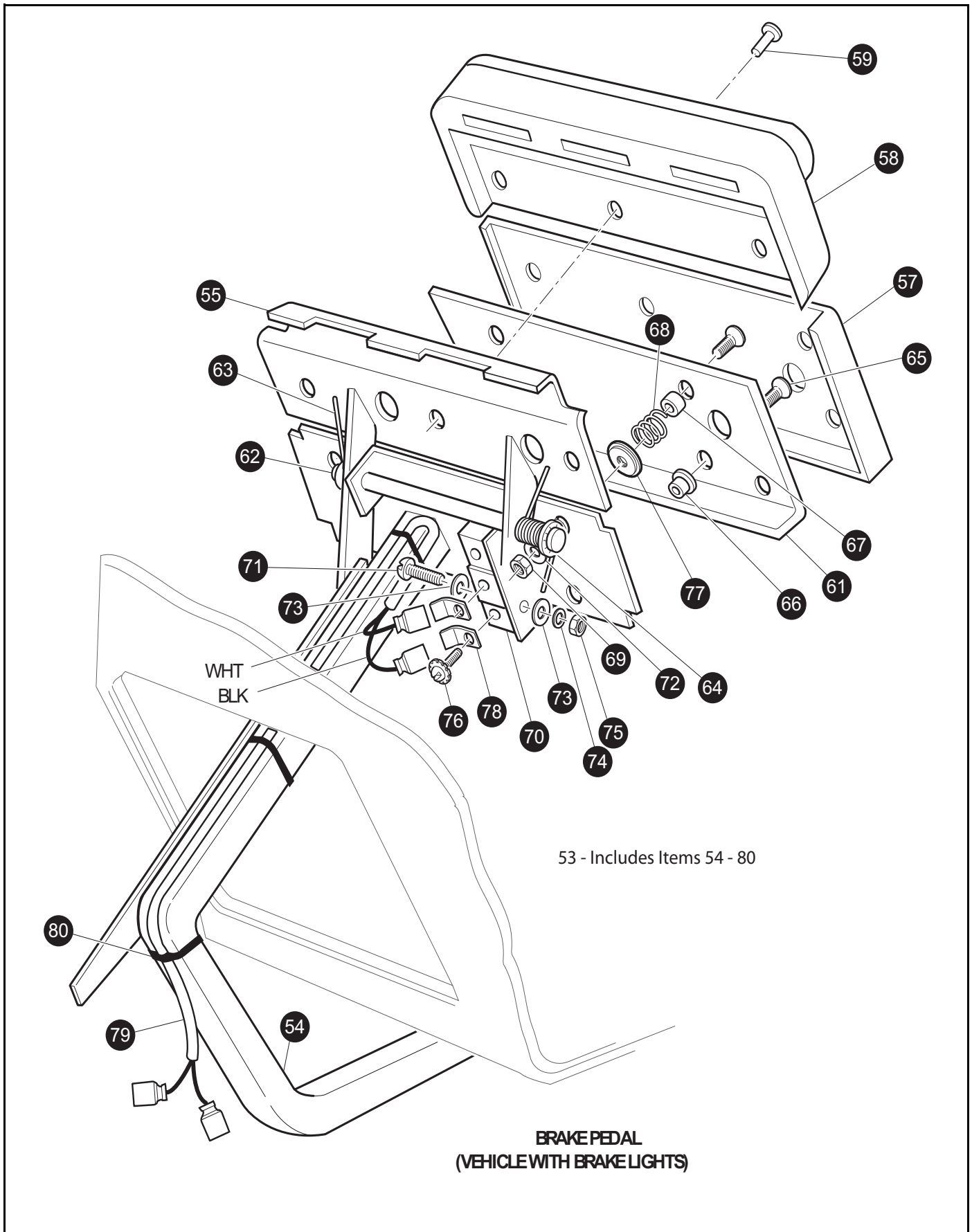
ITEM	PART NO.	1 2 3 4 5	DESCRIPTION	QTY.
218	74492G02		HEAVY DUTY BALL HITCH KIT (INCLUDES ITEMS 224, 230-234) .....	1
219	74492G04		ANGLE HITCH KIT (INCLUDES ITEMS 225, 230, 231, 235, 236) .....	1
220	74492G06		CLEVIS HITCH KIT (INCLUDES ITEMS 226, 230, 231, 235, 236).....	1
221	74492G08		DROP ANGLE HITCH KIT (INCLUDES ITEMS 227, 230, 231) .....	1
222	74492G10		DROP BALL HITCH KIT (INCLUDES ITEMS 228, 230-234) .....	1
223	74492G12		DROP CLEVIS HITCH KIT (INCLUDES ITEMS 229, 230, 231, 235, 236) .....	1
224	74351G02		HEAVY DUTY HITCH.....	1
225	74339G02		ANGLE HITCH .....	1
226	74338G02		CLEVIS HITCH.....	1
227	74489G02		DROP ANGLE HITCH .....	1
228	74491G02		DROP BALL HITCH .....	1
229	74495G02		DROP CLEVIS HITCH .....	1
230	21317G01		CLEVIS PIN, 5/8" X 3" LG .....	1
231	21683G1		COTTER PIN, 15/32" X 2 11/16" LG .....	1
232	31757G1		HITCH BALL, 1 7/8".....	1
233	00566G6		LOCK WASHER, 3/4".....	1
234	00702G11		NUT, 3/4 - 16 .....	1
235	14443G7		CLEVIS PIN, 1/2" X 2 1/2" LG .....	1
236	19314G1		COTTER PIN, 2 1/2" LG.....	1
237				
238				
239	27731G01		ASH TRAY.....	1
240	27736G01		GASKET .....	1
241	75108G02		BRACKET.....	1
242	00100G4		SCREW, #10 - 16 X 1/2" LG.....	4
243				
244	74365G01		GUN HOLDER (Includes all mounting hardware) .....	1
245				
246				
247				
248				



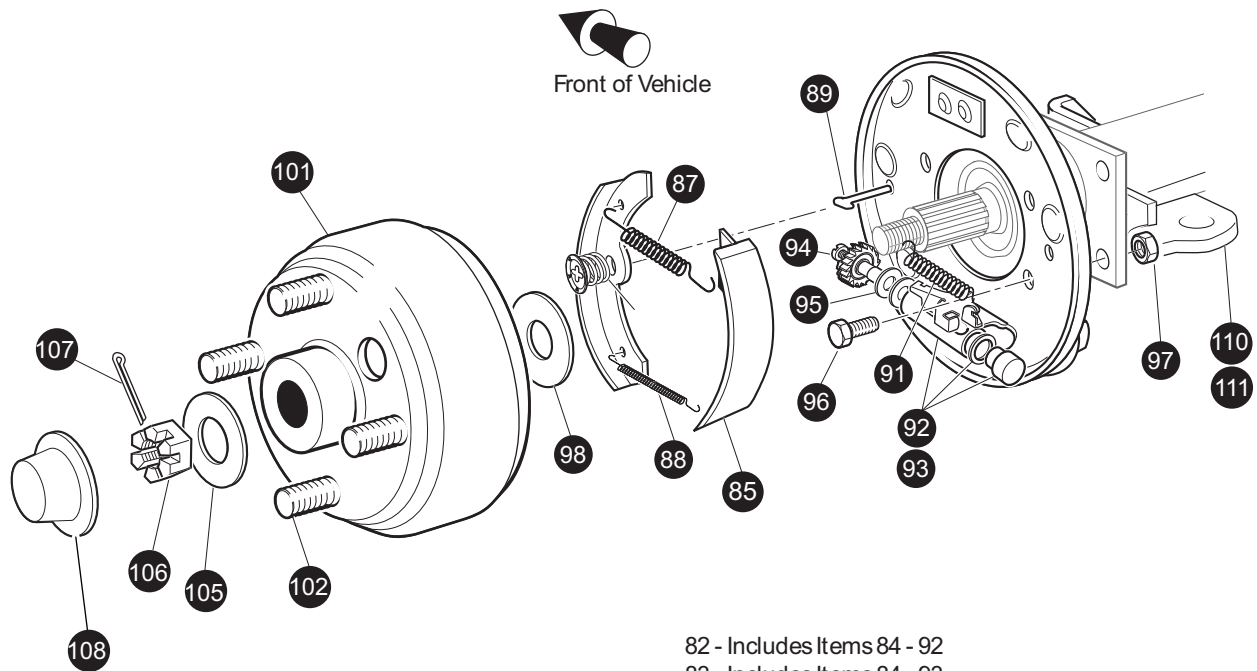
# BRAKES







# BRAKES



- 82 - Includes Items 84 - 92
- 83 - Includes Items 84 - 93
- 84 - Includes Items 85
- 86 - Includes Items 87 - 91
- 92 - Includes Items 94, 95
- 93 - Includes Items 94, 95
- 100 - Includes Items 101, 102

Ref Brk 6-3

When ordering parts, please specify the model and serial number of the product.

\* Indicates a component that is not available as an individual part.

\*\*\* Indicates consult Customer Service Department for additional information.

ITEM	PART NO.	1 2 3 4 5	DESCRIPTION	QTY.
1	70612G02		BRAKE PEDAL ASSEMBLY (WITHOUT BRAKE LIGHTS) (INCLUDES ITEMS 2 - 10) .....	1
2	70681G01		TORSION SPRING.....	2
3	70682G01		PIVOT PIN.....	1
4	01071G01		PUSHNUT, 5/16" .....	1
5	70259G02		BRAKE PEDAL.....	1
6	70611G02		PARK BRAKE PEDAL .....	1
7				
8	70257G01		SERVICE BRAKE PAD.....	1
9	70256G01		PARK BRAKE PEDAL PAD .....	1
10	16409G1		OVAL RIVET, 3/16" X 3/8" LG .....	9
11				
12	70582G01		SHOULDER BOLT, 3/8 - 16 X 4" LG.....	1
13	70581G01		FLANGED BUSHING.....	2
14	70676G01		TORSION SPRING .....	1
15	00643G1		WASHER, 3/8" .....	1
16	11098G5		LOCK NUT, 3/8 - 16 .....	1
17	12416G2		NYLON WEDGE LOCK CLAMP (NOT ILLUSTRATED).....	AR
18				
19				
20				
21				
22	624711		EQUALIZER AND BRAKE CABLE ASSEMBLY (INCLUDES ITEMS 23 - 28)	1
23	28083G01		BRAKE COMPENSATOR BUMPER .....	2
24	624690		BRAKE CABLE (DRIVER SIDE) (FOR ST SPORT, ST SPORT II, LD GAS) .....	1
25	624703		BRAKE CABLE (PASSENGER SIDE) (FOR ST SPORT, ST SPORT II, LD GAS) .....	1
26	624697		BRAKE CABLE (DRIVER SIDE) (FOR ST400).....	1
27	624698		BRAKE CABLE (PASSENGER SIDE) (FOR ST400) .....	1
28	28082G01		EQUALIZER BRACKET .....	1
29	01111G01		RETAINING RING, S.S. ....	4

# BRAKES

When ordering parts, please specify the model and serial number of the product.

\* Indicates a component that is not available as an individual part.

\*\*\* Indicates consult Customer Service Department for additional information.

ITEM	PART NO.	1 2 3 4 5	DESCRIPTION	QTY.
30	10386G3		CLEVIS PIN, 5/16" X 1" LG .....	3
31	10387G3		COTTER PIN, 3/32" X 3/4" LG .....	3
32	14443G2		CLEVIS PIN, 5/16" X 3/4" LG .....	2
33				
34	70601G01		KICK-OFF LINK.....	1
35	17838G1		NYLON BUSHING.....	2
36	20835G1		TEFLON WASHER, 3/8" .....	2
37	00559G8		WASHER, 5/16".....	2
38	10387G3		COTTER PIN, 3/32" X 3/4" LG .....	2
39	70098G01		KICK-OFF CAM PIVOT .....	1
40	10097G6		FLANGED BEARING .....	2
41	70587G01		KICK-OFF CAM.....	1
42	71215G01		SETSCREW, 1/4 - 20 X 1/2" LG.....	2
43	14134G4		SPACER .....	1
44				
45	70113G01		ADJUSTABLE BUMPER .....	1
46	11027G1		LOCK NUT, 5/16 - 18.....	1
47				
48	70080G02		CATCH BRACKET .....	1
49	00414G6		BOLT, 1/4 - 20 X 3/4" LG .....	2
50	14390G4		LOCK NUT, 1/4 - 20.....	2
51				
52				
53	70690G02		BRAKE PEDAL ASSEMBLY (WITH BRAKE LIGHTS) (INCLUDES ITEMS 54 - 80).....	1
54	70686G02		BRAKE PEDAL .....	1
55	70611G02		PARK BRAKE PEDAL.....	1
56				
57	70257G01		SERVICE BRAKE PAD .....	1
58	70256G01		PARK BRAKE PAD .....	1
59	16409G1		OVAL RIVET, 3/16" x 3/8" LG .....	9
60				

When ordering parts, please specify the model and serial number of the product.

\* Indicates a component that is not available as an individual part.

\*\*\* Indicates consult Customer Service Department for additional information.

ITEM	PART NO.	1 2 3 4 5	DESCRIPTION	QTY.
61	70258G03		BRAKE PEDAL PLATE .....	1
62	70682G01		PIVOT PIN.....	1
63	70681G01		TORSION SPRING.....	2
64	01071G01		PUSHNUT, 5/16" .....	1
65	00737G8		SCREW, #10 - 24 X 1" LG.....	4
66	00739G1		RUBBER NUT, #10 - 24 .....	2
67	74535G01		BRAKE PEDAL STANDOFF.....	2
68	27137G01		CONICAL SPRING .....	2
69	14390G10		LOCK NUT, #10 - 24.....	2
70	10606G8		MICRO SWITCH .....	1
71	00645-G2		SCREW, #6 - 32 X 1 1/4" LG.....	2
72	00559G5		WASHER, #10 .....	2
73	00559G3		WASHER, #6 .....	4
74	00565G3		LOCK WASHER, #6 .....	2
75	00525G5		NUT, #6 - 32 .....	2
76	13514G1		SCREW AND LOCK WASHER, #6 .....	2
77	00642-G8		WASHER - 5/16" .....	2
78	14628G1		FASTON TAB.....	2
79	24605G1		WIRE HARNESS (BRAKE LIGHT).....	1
80	17618G1		WIRE TIE.....	2
81				
82	70998G01		BRAKE ASSEMBLY (DRIVER SIDE) (INCLUDES ITEMS 84 - 92).....	1
83	70998G02		BRAKE ASSEMBLY (PASSENGER SIDE) (INCL. ITEMS 84 - 91, 93) .....	1
84	70794G01		BRAKE SHOE KIT (INCLUDES ITEM 85) .....	2
85	*		BRAKE SHOE.....	2
86	27944G01		BRAKE SPRING KIT (INCLUDES ITEMS 87 - 91) .....	2
87	*		UPPER SPRING .....	1
88	*		LOWER SPRING .....	1
89	*		PIN .....	2
90	*		CUP AND SPRING .....	2
91	*		ADJUSTER SPRING .....	1

# BRAKES

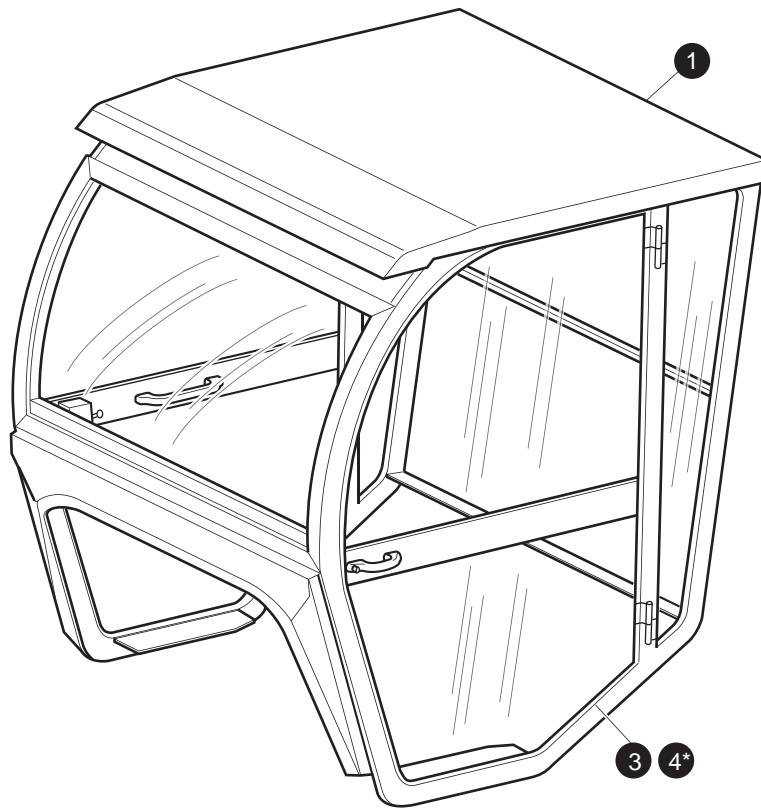
When ordering parts, please specify the model and serial number of the product.

\* Indicates a component that is not available as an individual part.

\*\*\* Indicates consult Customer Service Department for additional information.

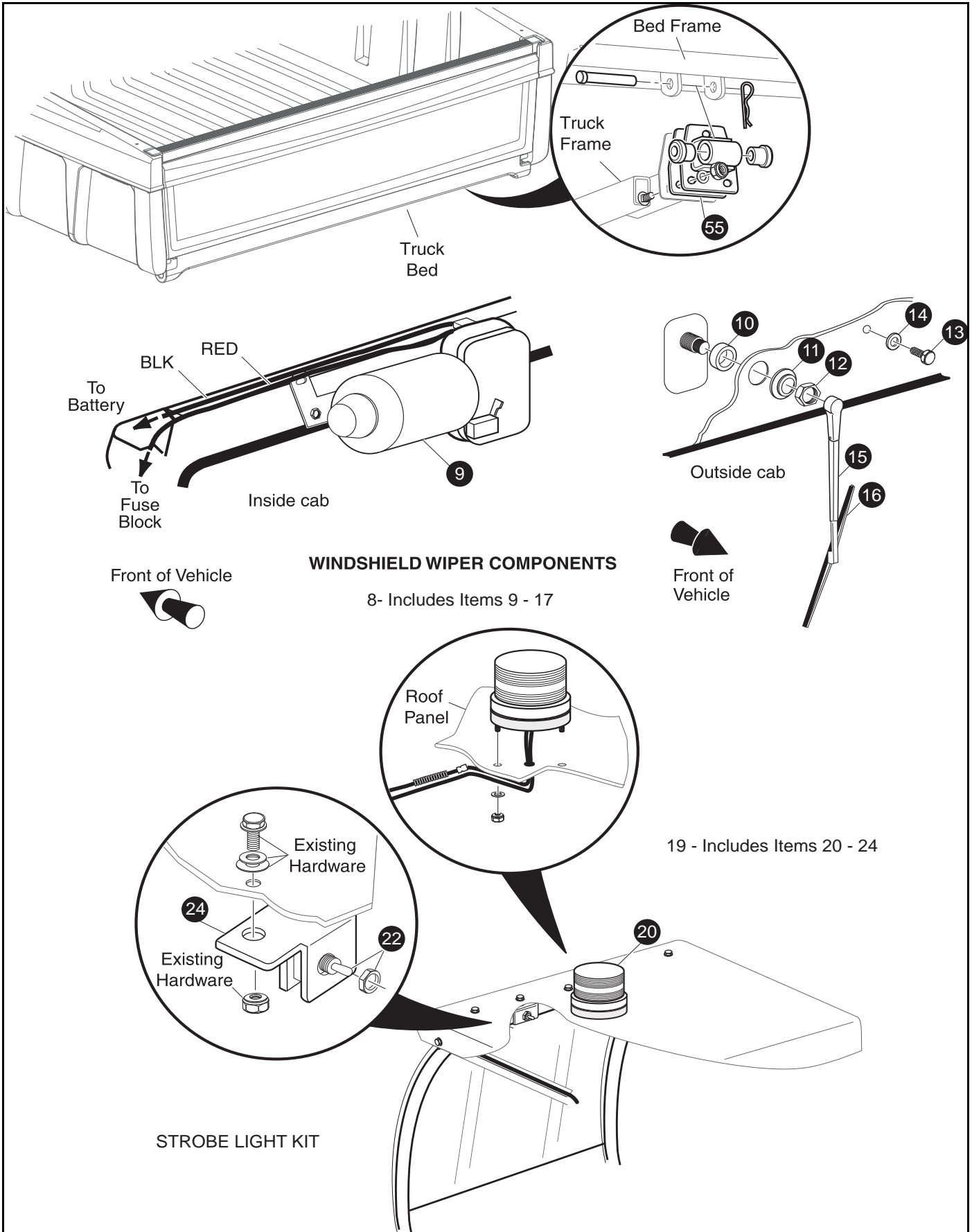
ITEM	PART NO.	1	2	3	4	5	DESCRIPTION	QTY.
92	72582G01						BRAKE ADJUSTER KIT (DRIVER SIDE) (INCLUDES ITEMS 94, 95) ....	1
93	72582G02						BRAKE ADJUSTER KIT (PASSENGER SIDE) (INCL ITEMS 94, 95).....	1
94	*						ADJUSTER.....	1
95	*						TEFLON WASHER.....	2
96	17083G2						BOLT, 5/16 - 24 X 1" LG .....	8
97	15126G1						LOCK NUT, 5/16 - 24.....	8
98	21809G1						INNER BRAKE DRUM WASHER, 1 5/16" OD X 1" ID X 1/32" .....	2
99								
100	21807G2						BRAKE DRUM ASSEMBLY (INCLUDES ITEMS 101 - 102).....	2
101	*						BRAKE DRUM .....	1
102	19862G1						LUG BOLT, 1/2 - 20.....	4
103								
104								
105	606945						OUTER BRAKE DRUM WASHER .....	2
106	606403						SLOTTED NUT, 3/4 - 16.....	2
107	10387G1						COTTER PIN, 1/8" X 1 1/2" LG .....	2
108	74175G01						SPINDLE CAP.....	2
109								
110	608200						BRAKE CABLE BRACKET (PASSENGER SIDE).....	1
111	608201						BRAKE CABLE BRACKET (DRIVER SIDE) .....	1
112	612558						COMPENSATOR ASSEMBLY (INCLUDES ITEMS 113 - 121) .....	1
113	00532G4						HEX NUT .....	2
114	629486						HEX NUT, 5/16 - 24.....	1
115	15121G1						FLAT WASHER - 5/16.....	2
116	17979G1						ACCELERATOR ROD BUSHING .....	1
117	23061G2						TUBE.....	1
118	23463G1						COMPRESSION SPRING .....	1
119	27330G01						BRAKE YOKE .....	1
120	11098G9						HEX LOCK NUT, 5/16 - 24 .....	1
121	612557						COMPENSATOR LINK ROD .....	1





\*Steel Doors Shown





**WINDSHIELD WIPER COMPONENTS**

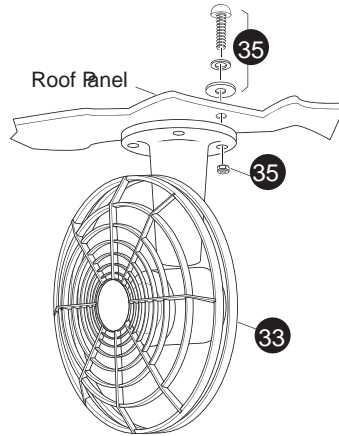
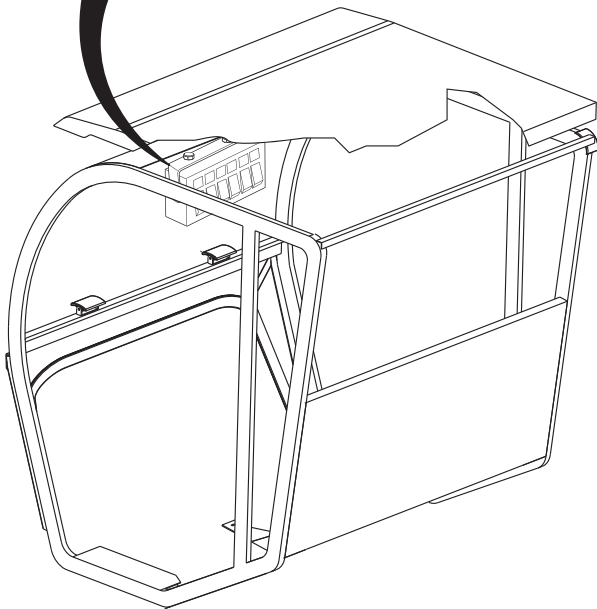
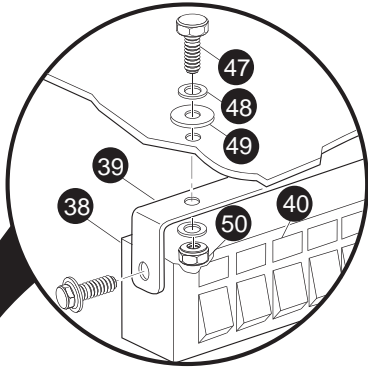
8- Includes Items 9 - 17

19 - Includes Items 20 - 24

**STROBE LIGHT KIT**

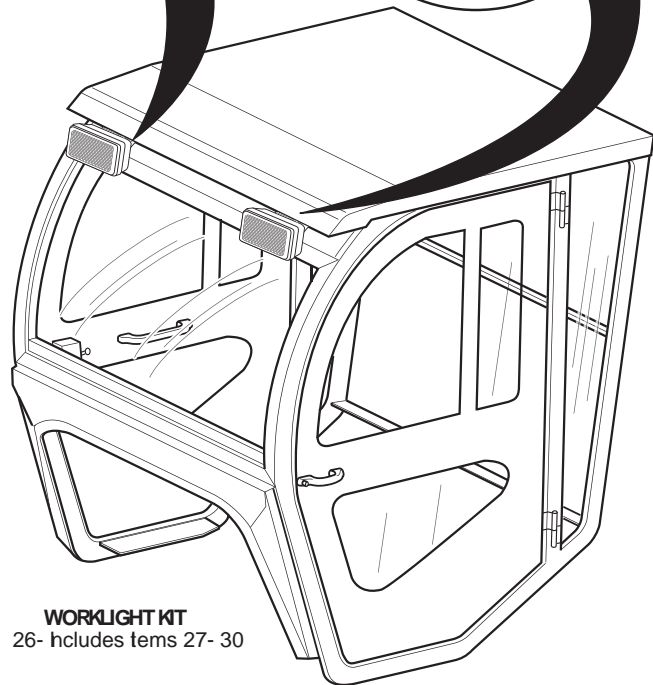
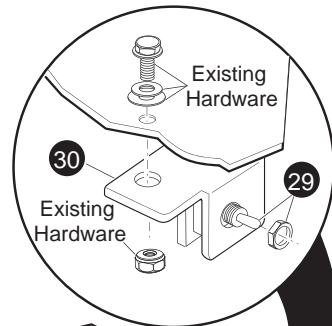
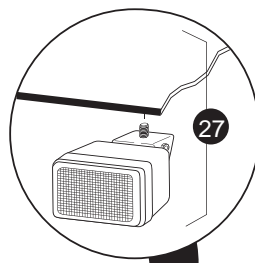
**SWITCH PANEL KIT**

37 - includes items 38 - 52



**DEFROSTER/ COOLING FAN KIT**

32- includes items 33- 35



**WORKLIGHT KIT**

26- includes items 27- 30

When ordering parts, please specify the model and serial number of the product.

\* Indicates a component that is not available as an individual part.

\*\*\* Indicates consult Customer Service Department for additional information.

ITEM	PART NO.	1 2 3 4 5	DESCRIPTION	QTY.
1	72684G**		STEEL CAB (WITHOUT DOORS) REPACEMENT PARTS AND ACCESSORIES MAY BE OBTAINED FROM CURTIS CAB, INC.) (ST 350).	1
2				
3	75855G01		VINYL DOOR KIT .....	1
4	75856G**		STEEL DOOR KIT .....	1
5				
6				
7				
8	74244G01		WINDSHIELD WIPER KIT (INCLUDES ITEMS 9 -17) .....	1
9	9PWM85		WIPER MOTOR (INCLUDES ITEMS 10 - 14).....	1
10	*		SPACER.....	1
11	*		SHAFT COVER (SEAL) .....	1
12	*		NUT .....	1
13	*		BOLT .....	1
14	*		WASHER .....	1
15	9PWA		WIPER ARM.....	1
16	9PWB		WINDSHIELD WIPER BLADE .....	1
17	9E003		ELECTRICAL HARDWARE KIT (NOT ILLUSTRATED).....	1
18				
19	74245G01		STROBE LIGHT KIT (INCLUDES ITEMS 20 - 24) .....	1
20	9PSLRL		STROBE LENS .....	1
21	9E001		ELECTRICAL HARDWARE KIT (NOT ILLUSTRATED).....	1
22	9E002		TOGGLE SWITCH.....	1
23	9PSLRB		REPLACEMENT BULB (NOT ILLUSTRATED) .....	1
24	9PB001		BRACKET.....	1
25				
26	74247G01		WORK LIGHT KIT (INCLUDES ITEMS 27 - 30) .....	1
27	9LW1A		WORK LIGHT (INCLUDES HARDWARE) .....	2
28	9E001		ELECTRICAL HARDWARE KIT (NOT ILLUSTRATED).....	1
29	9E002		TOGGLE SWITCH.....	1
30	9PB001		BRACKET.....	1

When ordering parts, please specify the model and serial number of the product.

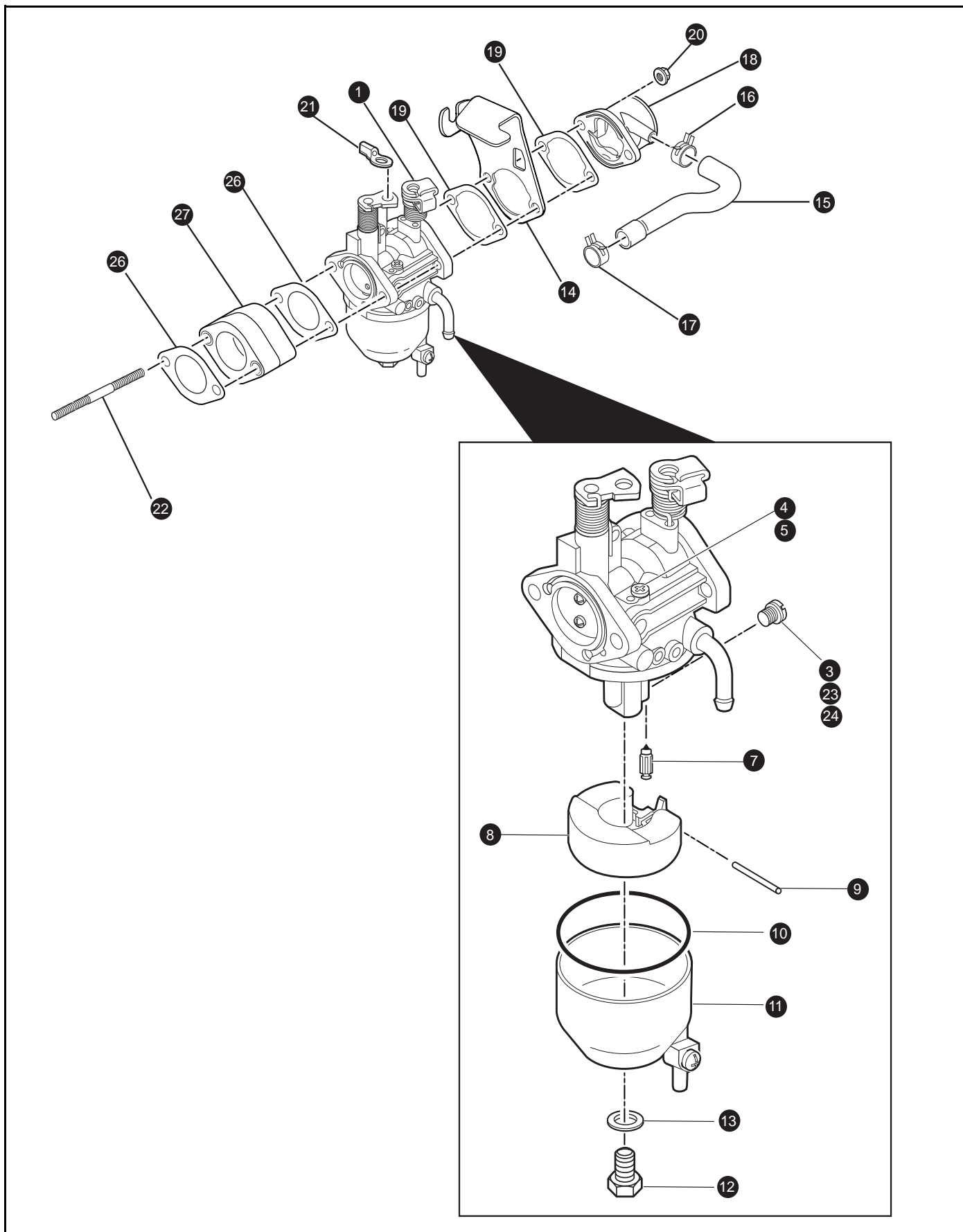
\* Indicates a component that is not available as an individual part.

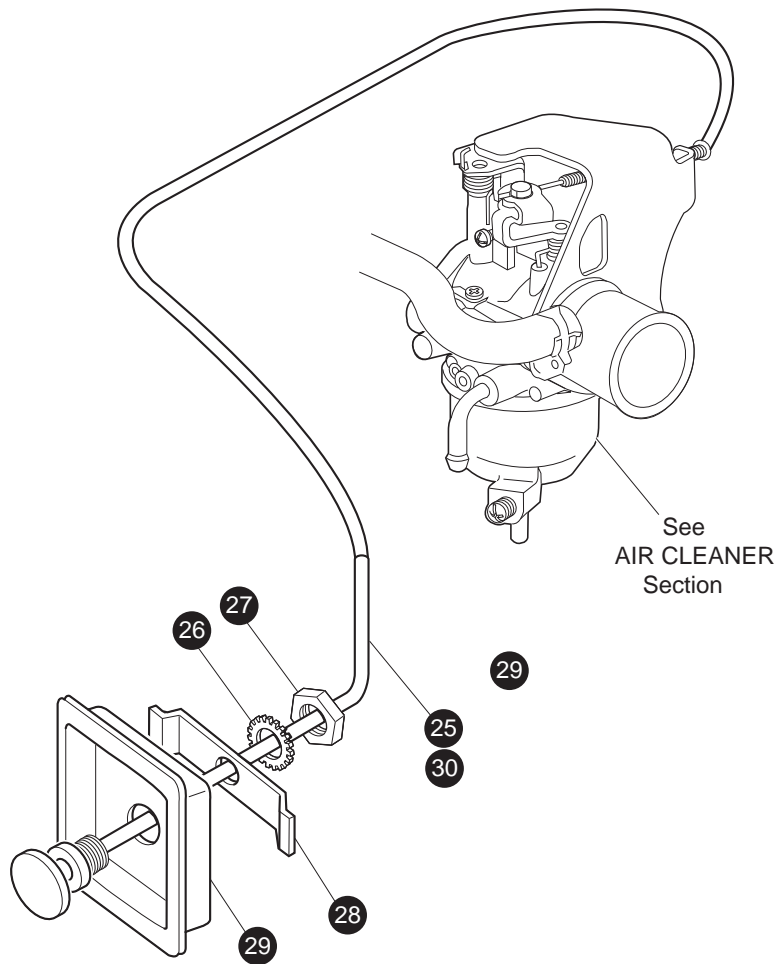
\*\*\* Indicates consult Customer Service Department for additional information.

ITEM	PART NO.	1	2	3	4	5	DESCRIPTION	QTY.
31								
32	74248G01						DEFROSTER / COOLING FAN KIT (INCLUDES ITEMS 33 - 35) .....	1
33	9PDF						FAN .....	1
34	9E001						ELECTRICAL HARDWARE KIT (NOT ILLUSTRATED) .....	1
35	9PFHK						HARDWARE KIT.....	1
36								
37	74250G01						SWITCH PANEL KIT (INCLUDES ITEMS 38 - 52) .....	1
38	9PSF1-001						SWITCH PANEL .....	1
39	9PSF1-002						MOUNTING BRACKET AND HARDWARE .....	1
40	9PSF1-003						ADHESIVE LABELS .....	1
41	9PSF1-004						3 AMP FUSE (NOT ILLUSTRATED).....	2
42	9PSF1-005						5 AMP FUSE (NOT ILLUSTRATED).....	3
43	9PSF1-006						7.5 AMP FUSE (NOT ILLUSTRATED).....	1
44	9PSF1-007						FLEX LOOM, 5/8" X 10 FT LG (NOT ILLUSTRATED).....	1
45	9PSF1-008						4-WAY BASE TIE (NOT ILLUSTRATED).....	6
46	9PSF1-009						WIRE TIE (NOT ILLUSTRATED).....	14
47	9PSF1-010						BOLT, 1/4 - 20 X 7/8" LG.....	2
48	9PSF1-011						WASHER, 1/4" .....	4
49	9PSF1-012						NYLON WASHER, 1/4".....	2
50	9PSF1-013						LOCK NUT, 1/4 - 20 .....	2
51	9PSF1-014						10 GA WIRE (RED 8") (NOT ILLUSTRATED) .....	1
52	9PSF1-015						10 GA WIRE (BLACK 8") (NOT ILLUSTRATED).....	1
53								
54								
55	6E03T						BED SPACER.....	2
56								



# CARBURETOR AND CHOKE





Ref Cac 2-2

# CARBURETOR AND CHOKE

When ordering parts, please specify the model and serial number of the product.

\* Indicates a component that is not available as an individual part.

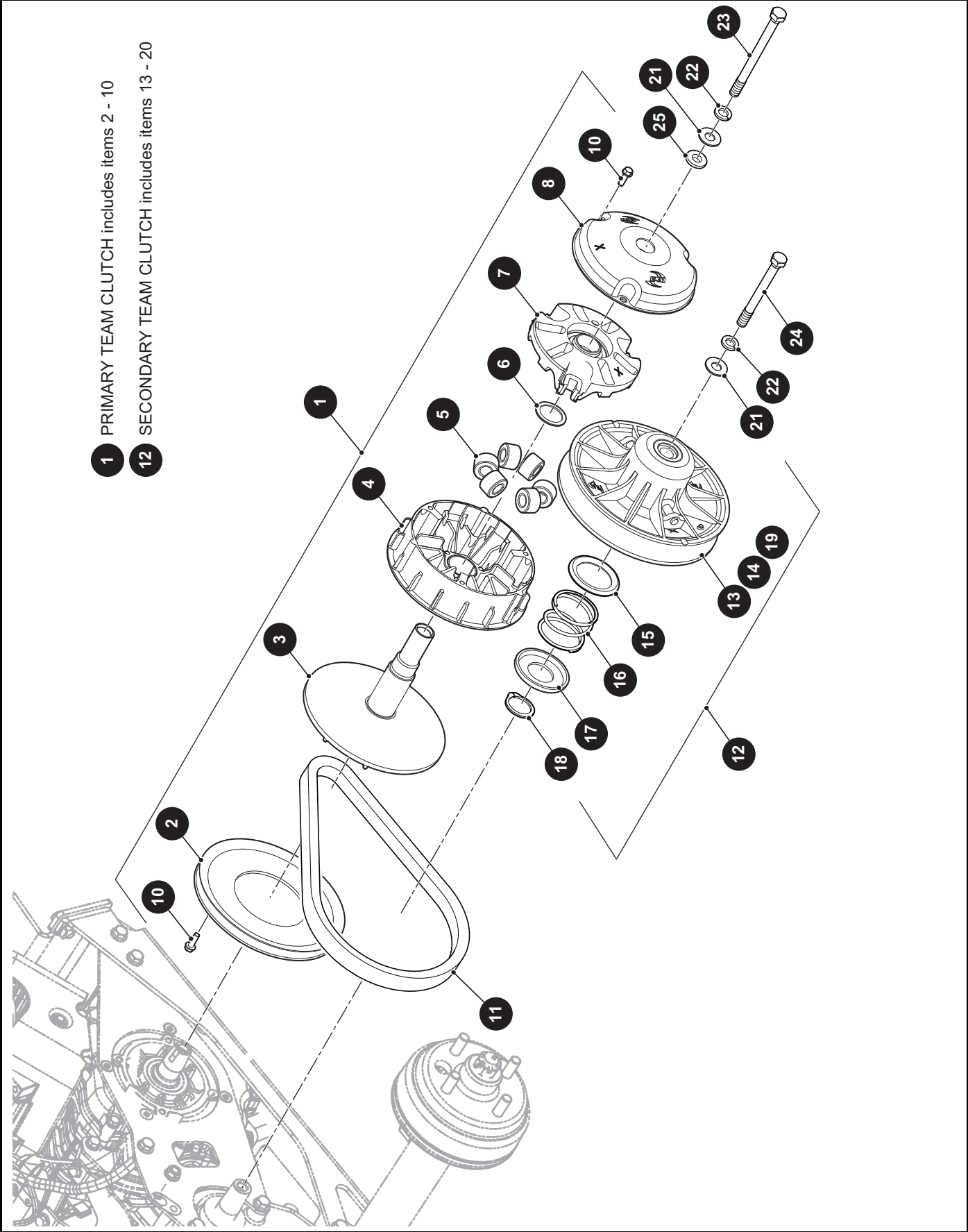
\*\*\* Indicates consult Customer Service Department for additional information.

ITEM	PART NO.	1 2 3 4 5	DESCRIPTION	QTY.
1	607955		CARBURETOR (INCLUDES ITEMS 3 - 22).....	1
2				
3	607956		MAIN JET (#106) .....	1
4	607957		PILOT JET (#52) .....	1
5	603585		PLUG .....	1
6				
7	603586		NEEDLE VALVE.....	1
8	603587		FLOAT.....	1
9	603588		FLOAT PIN.....	1
10	603589		FLOAT BOWL GASKET.....	1
11	603590		FLOAT CHAMBER.....	1
12	603592		BOWL SCREW .....	1
13	603591		BOWL GASKET .....	1
14	603583		CHOKE BRACKET .....	1
15	603598		BREATHER TUBE .....	1
16	603596		CLAMP, INTAKE TUBE.....	1
17	603597		CLAMP CYLINDER HEAD TUBE .....	1
18	603594		INTAKE TUBE .....	1
19	603593		CHOKE GASKET.....	2
20	603595		NUT, M6 X 1.0.....	2
21	608023		THROTTLE ROD ATTACHMENT BUSHING.....	1
22	603584		STUD BOLT .....	2
23	607684		MAIN JET (#102) (FOR ELEVATIONS OF 6000 FT - 10000 FT).....	1
24	607683		MAIN JET (#104) (FOR ELEVATIONS OF 3000 FT - 6000 FT).....	1
25	605868		CHOKE CABLE (SWB) .....	1
26	00568G4		LOCK WASHER, 9/16" .....	1
27	00545G4		JAM NUT, 9/16 - 18 .....	1
28	72155G02		RETAINER.....	1
29	72154G01		CHOKE CABLE ADAPTER .....	1
30	605793		CHOKE CABLE (MWB).....	1





# CLUTCH



When ordering parts, please specify the model and serial number of the product.

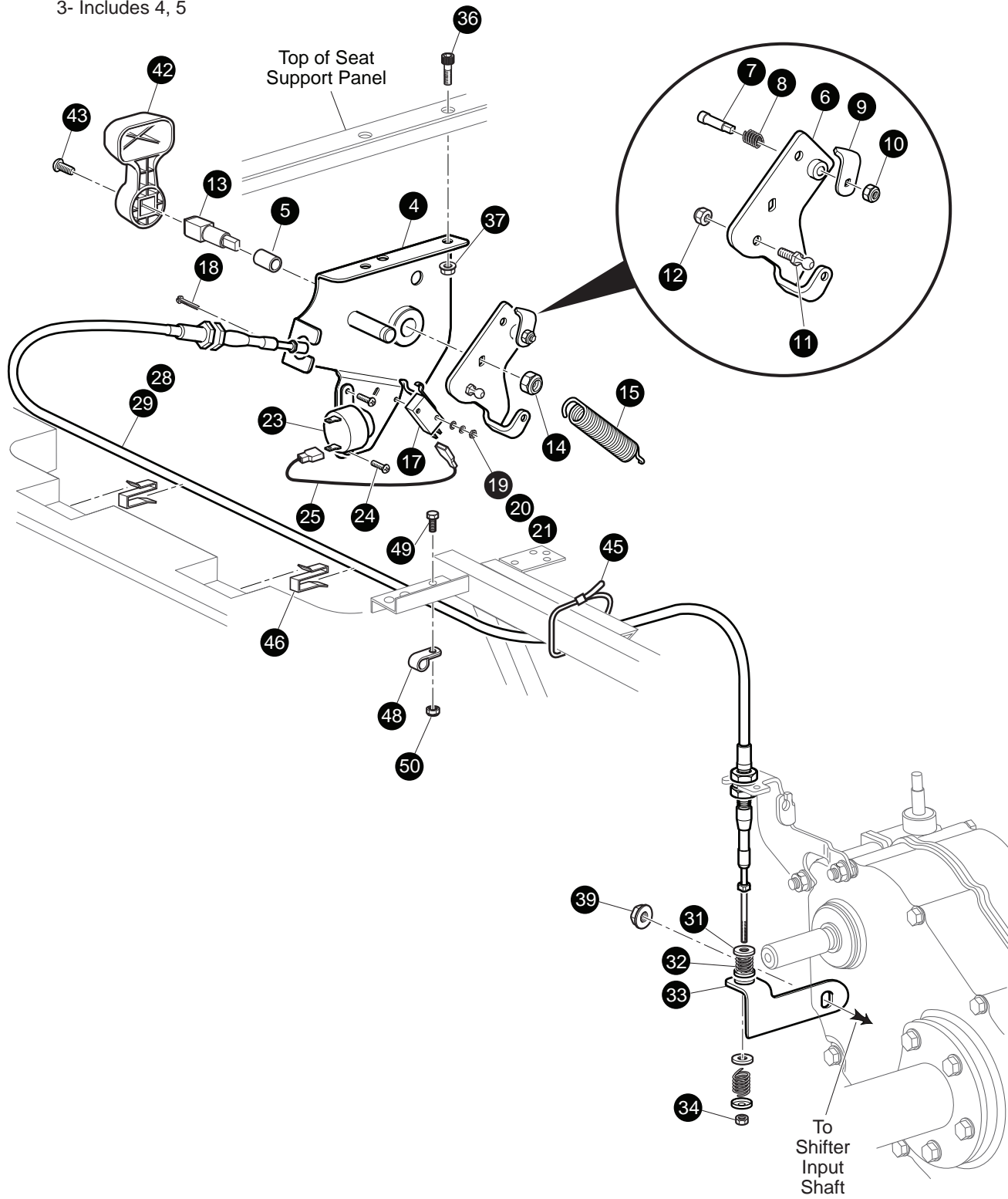
\* Indicates a component that is not available as an individual part.

\*\*\* Indicates consult Customer Service Department for additional information.

ITEM	PART NO.	1 2 3 4 5	DESCRIPTION	QTY.
1	623948		PRIMARY TEAM CLUTCH (Includes items 2 - 10).....	1
2	619333		PRIMARY STARTER PULLY, 195 - SVC.....	1
3	619334		STATIONARY ASSEMBLY .....	1
4	619335		MOVEABLE PRIMARY ASSEMBLY .....	1
5	624112		SHIFT ROLLER ASSEMBLY.....	6
6	619337		SHIM, 39.5 X 31.75 .....	1
7	619338		PRIMARY SPIDER ASSEMBLY .....	1
8	619339		PRIMARY DUST COVER ASSEMBLY.....	1
9				
10	619332		BOLT, 1/4 - 20 X.75 .....	7
11	618630		DRIVE BELT .....	1
12	623949		SECONDARY TEAM CLUTCH (Includes items 13 - 20) .....	1
13	*		SECONDARY STATIONARY, 9.5.....	1
14	*		MOVEABLE SECONDARY, 9.5.....	1
15	619327		INNER RETAINER SPRING.....	1
16	624111		COMPRESSION SPRING, 2.70 OD.....	1
17	619329		OUTER SPRING RETAINER .....	1
18	619330		RETAINER RING.....	1
19	619331		THRUST WASHER, 1.530 x 1.830 x 1.....	1
20				
21	606239		CONICAL WASHER, M12 .....	2
22	00566G3		SPRING TYPE LOCK WASHER .....	2
23	606245		HEX BOLT, M12 - 1.25 X 160 .....	1
24	606243		HEX BOLT, M12 - 1.25 X 120 .....	1
25	606230		CLUTCH WASHER.....	1

# DIRECTION SELECTOR

- 1 - Includes Items 3 - 28, 31 - 34 (ST 350)
- 2 - Includes Items 3 - 25, 29 - 34 (ST SPORT)
- 3- Includes 4, 5



Ref Dsl 9

# DIRECTION SELECTOR

When ordering parts, please specify the model and serial number of the product.

\* Indicates a component that is not available as an individual part.

\*\*\* Indicates consult Customer Service Department for additional information.

ITEM	PART NO.	1 2 3 4 5	DESCRIPTION	QTY.
1	72721-G06		DIRECTION SELECTOR ASSY (INCLUDES ITEMS 3 - 28, 31 - 34) (ST 350)	1
2	72721-G05		DIRECTION SELECTOR ASSY (INCLUDES ITEMS 3 - 25, 29 - 34) (SPORT)	1
3	74456-G02		DIRECTION SELECTOR BRACKET (INCLUDES ITEMS 4, 5) .....	1
4	606077		WELDMENT .....	1
5	25664-G2		BUSHING .....	1
6	603700		DIRECTION SELECTOR CAM.....	1
7	72724-G01		NEUTRAL LOCK PIN .....	1
8	72733-G01		COMPRESSION SPRING, 3/8" X 5/8" LG .....	1
9	72729-G01		NEUTRAL LOCK LATCH.....	1
10	00734-G2		LOCK NUT, 1/4 - 28.....	1
11	72732-G01		BALL STUD .....	1
12	00734-G5		LOCK NUT, #10 - 32.....	1
13	70233-G01		DIRECTION SELECTOR SHAFT.....	1
14	14390-G1		LOCK NUT, 3/8 - 24.....	1
15	28574-G01		EXTENSION SPRING .....	1
16				
17	72736-G01		MICRO SWITCH .....	1
18	01062-G01		SCREW, #4 - 40 X 1" LG.....	2
19	00559-G1		WASHER, #4 .....	2
20	00565-G1		LOCK WASHER, #4 .....	2
21	00526-G2		NUT, #4 - 40 .....	2
22				
23	73290-G03		REVERSE WARNING BUZZER.....	1
24	01063-G01		SCREW, #6 - 32 X 3/8" LG.....	2
25	25978-G345		18 GA WIRE (RED 7").....	1
26				
27				
28	72734-G03		SHIFTER CABLE (ST 350) .....	1
29	602891		SHIFTER CABLE (ST SPORT) .....	1
30				
31	25727-G01		CUP WASHER, 1/4" .....	4

# DIRECTION SELECTOR

When ordering parts, please specify the model and serial number of the product.

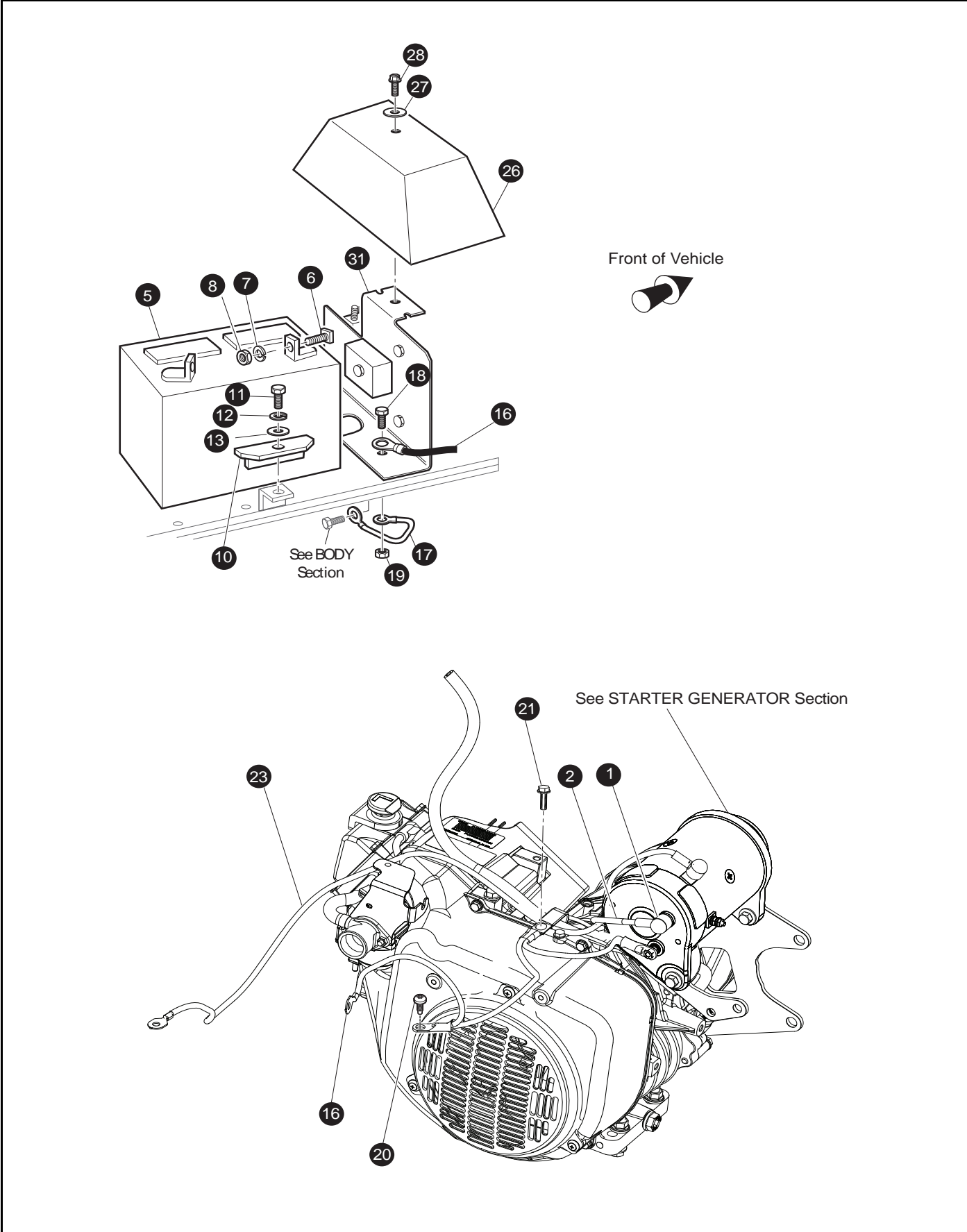
\* Indicates a component that is not available as an individual part.

\*\*\* Indicates consult Customer Service Department for additional information.

ITEM	PART NO.	1 2 3 4 5	DESCRIPTION	QTY.
32	72735-G01		COMPRESSION SPRING, 19/32" X 1" LG .....	2
33	74455-G01		SHIFTER ARM WITH BUSHING .....	1
34	00734-G5		LOCK NUT, #10 - 32 .....	1
35				
36	70227-G01		SCREW, 1/4 - 20 X 7/8" LG .....	2
37	11027-G2		LOCK NUT, 1/4 - 20 .....	2
38				
39	26830-G01		LOCK NUT, M8 X 1.25 MM .....	1
40				
41				
42	71205-G01		DIRECTION SELECTOR HANDLE .....	1
43	00740-G4		SCREW, #10 - 32 X 1/2" LG (STAINLESS STEEL) .....	1
44				
45	17618-G1		WIRE TIE .....	1
46	01072-G01		CABLE CLIP .....	2
47				
48	11845-G5		CLIP, 3/8" ( ST 350 ) .....	1
49	00414-G6		BOLT, 1/4 - 20 X 3/4" LG ( ST 350 ) .....	1
50	14390-G4		LOCK NUT, 1/4 - 20 ( ST 350 ) .....	1



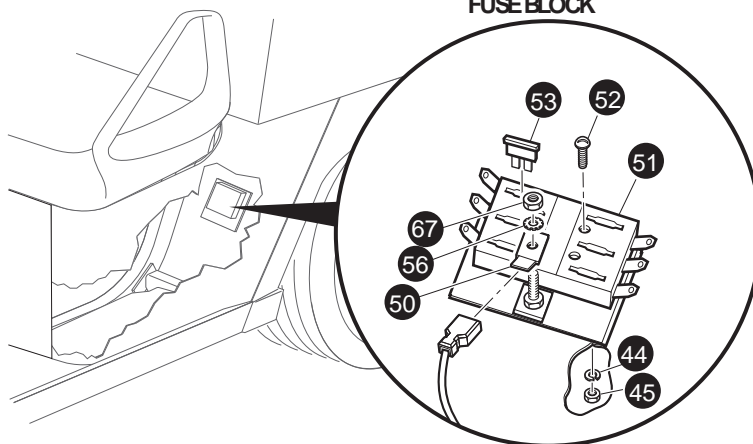
# ELECTRICAL



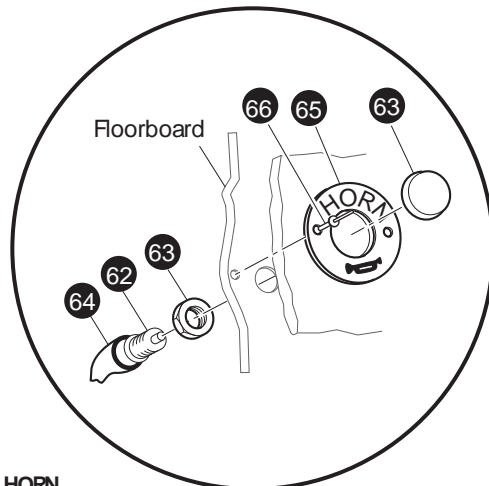




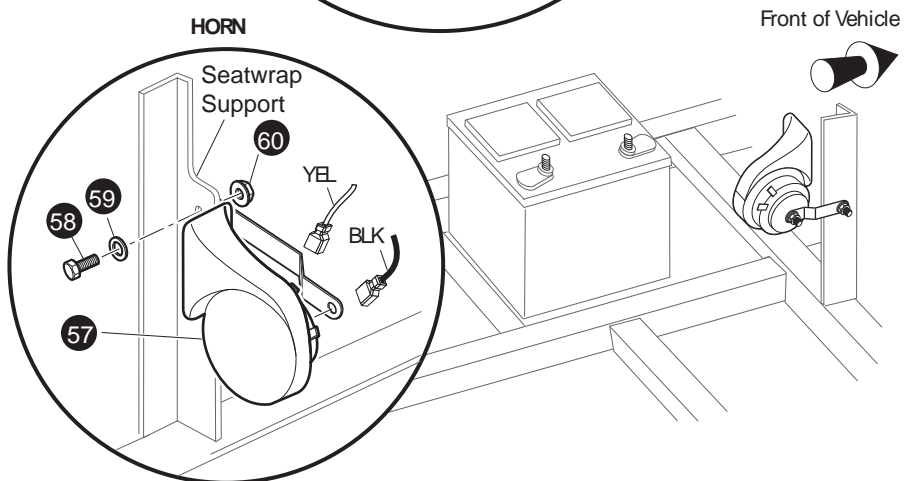
## FUSEBLOCK

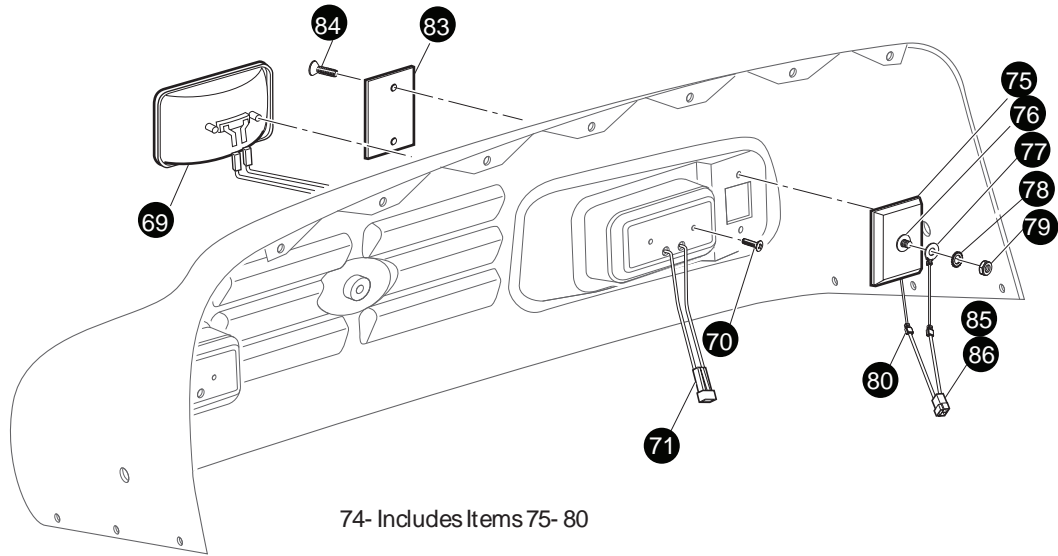


## HORN BUTTON

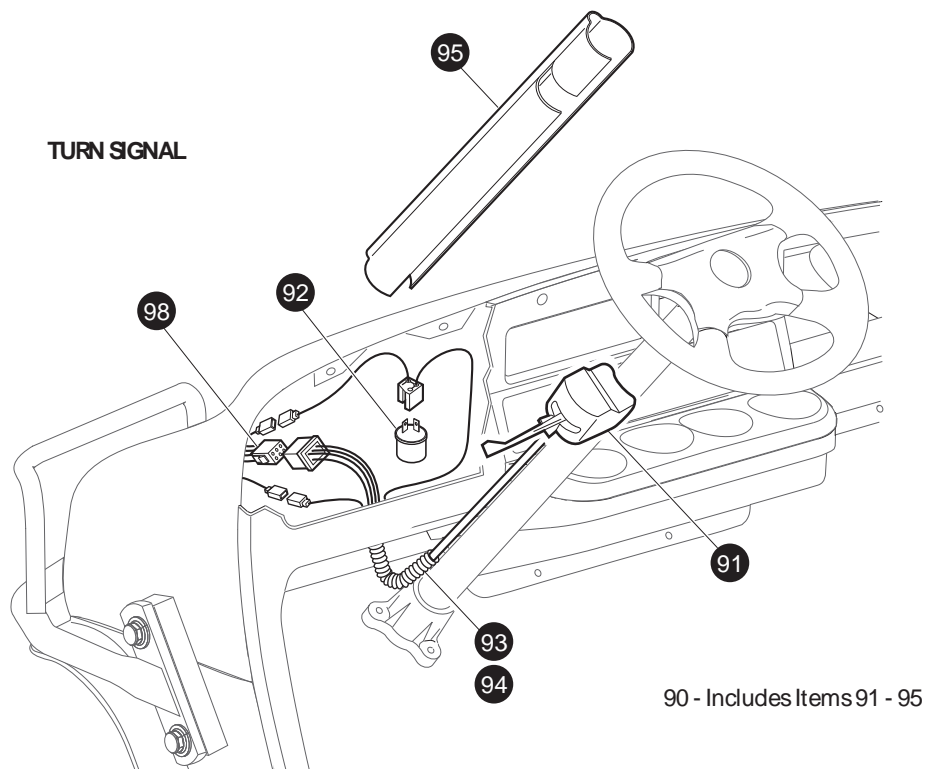
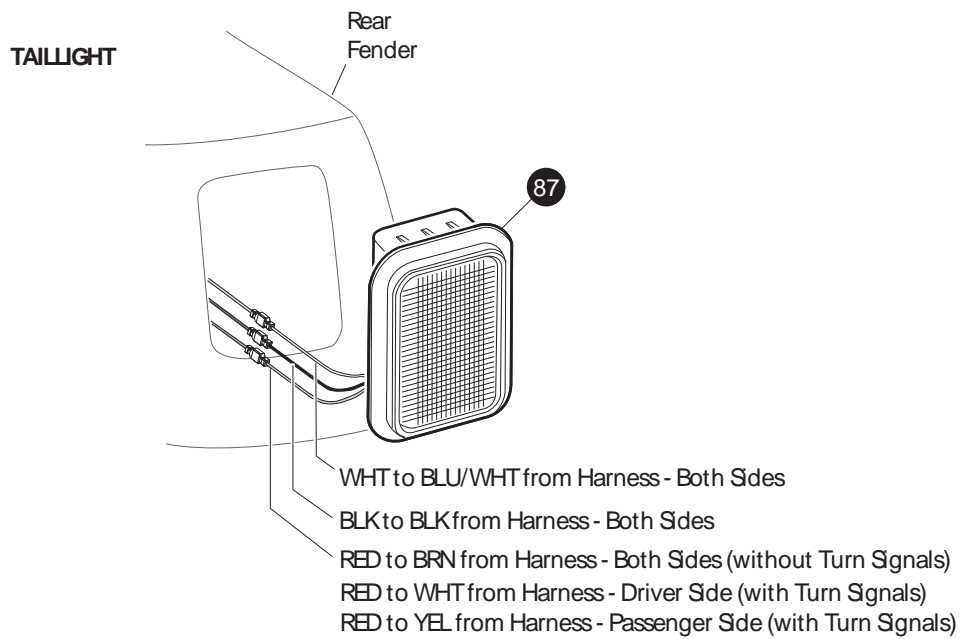


## HORN



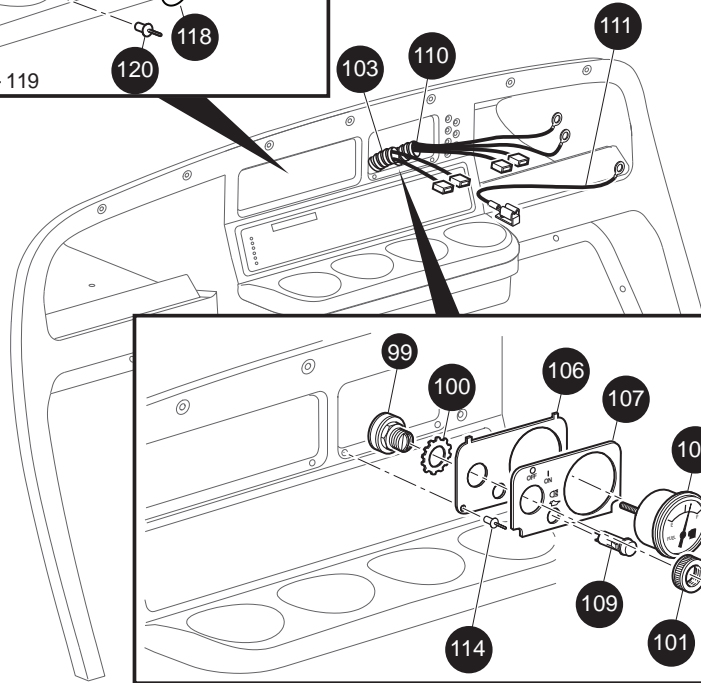
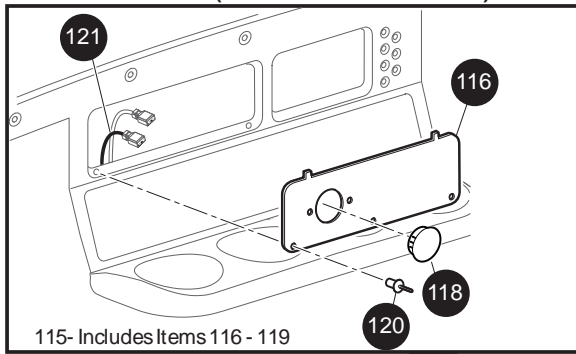


Ref Ele 11-4

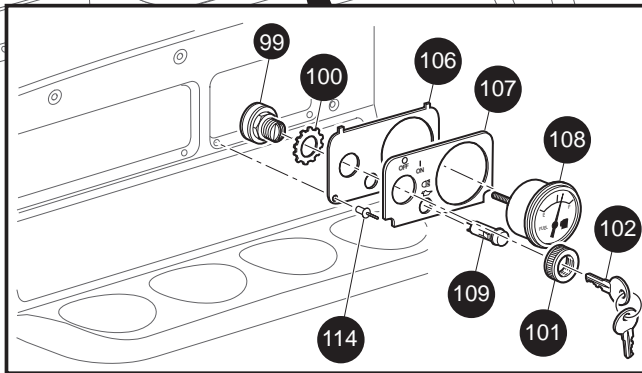


Ref Ele 11-5

CONSOLE INSERT PLATE (WITH POWER OUTLET SHOWN)

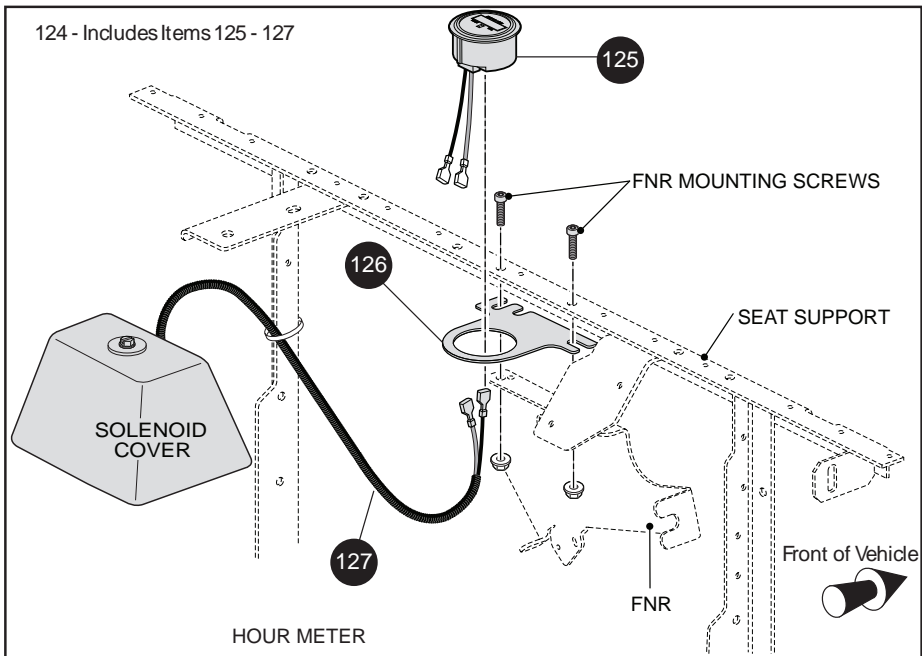


Front of Vehicle



KEY SWITCH, INDICATOR LIGHT(S), AND FUEL GAUGE

124 - Includes Items 125 - 127



Ref Ele 11-6

# ELECTRICAL

When ordering parts, please specify the model and serial number of the product.

\* Indicates a component that is not available as an individual part.

\*\*\* Indicates consult Customer Service Department for additional information.

ITEM	PART NO.	1 2 3 4 5	DESCRIPTION	QTY.
1	607053		6 GA WIRE (BLACK 6", F1 - A2).....	1
2	25682G1		TERMINAL COVER.....	3
3				
4				
5	24775G*		BATTERY, 12V .....	1
6	*		BOLT, 5/16 - 18 X 1 1/4" LG.....	2
7	*		LOCK WASHER, 5/16" (SILICON BRONZE).....	2
8	*		NUT, 5/16 - 18 (SILICON BRONZE) .....	2
9				
10	72101G02		BATTERY HOLD DOWN .....	1
11	00438G6		BOLT, 5/16 - 18 X 3/4" LG .....	3
12	00565G8		LOCK WASHER, 5/16" .....	1
13	00571G2		WASHER, 5/16" (STAINLESS STEEL) .....	1
14				
15				
16	27044G03		GROUND CABLE.....	1
17	25976G19		14 GA WIRE (BLACK 6").....	1
18	00438G6		BOLT, 5/16 - 18 X 3/4" LG .....	2
19	11027G1		LOCK NUT, 5/16 - 18.....	2
20	26676G01		FLANGED BOLT .....	1
21	606264		BOLT, M6-1 X 20 .....	1
22				
23	25972G85		6 GA WIRE (BLACK 23", F2 - SOL).....	1
24	605821		WIRE HARNESS (CONTROL).....	1
25	17618G1		WIRE TIE (NOT ILLUSTRATED ) .....	AR
26	73049G01		COVER FNR .....	1
27	16469G1		WASHER, 1/4" .....	1
28	00114G6		SCREW, 1/4 - 14 X 3/4" LG.....	1
29				
30				
31	605563		ELECTRICAL PLATE ASSEMBLY (INCLUDES ITEMS 32 - 49) .....	1

When ordering parts, please specify the model and serial number of the product.

\* Indicates a component that is not available as an individual part.

\*\*\* Indicates consult Customer Service Department for additional information.

ITEM	PART NO.	1 2 3 4 5	DESCRIPTION	QTY.
32	73057G01		BRACKET.....	1
33	27739G01		VOLTAGE REGULATOR.....	1
34	00415G4		BOLT, 1/4 - 20 X 1 1/4" LG.....	1
35	11027G2		LOCK NUT, 1/4 - 20.....	1
36	25972G33		WIRE ASSEMBLY 6 GA.....	1
37	603282		RELAY.....	1
38	00661G08		BOLT, 1/4 - 20 X 1" LG.....	1
39	612813		SOLENOID.....	1
40	*		LOCK WASHER, #10.....	2
41	*		NUT, #10 - 32.....	2
42	*		LOCK WASHER, 5/16".....	2
43	*		NUT, 5/16 - 24.....	2
44	00559G5		WASHER, # 10.....	2
45	14390G10		LOCKNUT, #10-24.....	2
46	600418G01		FUSE HOLDER ASSEMBLY.....	1
47	11027G2		LOCK NUT, 1/4 - 20.....	1
48	73446G01		FASTON TAB, 90°.....	2
49	25978G56		18 GA WIRE (BLACK 5 3/4").....	1
50	12914G01		PUSH ON MALE TERMINAL.....	1
51	35211G01		FUSE BLOCK.....	1
52	00379G2		RIVET, 1/8" X 13/16" LG.....	2
53	35212G01		15 AMP FUSE.....	3
54	25972G33		#6 GA WIRE ASSEMBLY.....	1
55	20216G1		16 GA WIRE (RED).....	1
56	00567G5		LOCK WASHER, #10.....	1
57	32860G1		HORN.....	1
58	00414G5		BOLT, 1/4 - 20 x 5/8" LG.....	1
59	00559G7		WASHER, 1/4" (STAINLESS STEEL).....	1
60	14390G4		LOCK NUT, 1/4 - 20.....	1
61				
62	17318G1		HORN SWITCH.....	1

# ELECTRICAL

When ordering parts, please specify the model and serial number of the product.

\* Indicates a component that is not available as an individual part.

\*\*\* Indicates consult Customer Service Department for additional information.

ITEM	PART NO.	1 2 3 4 5	DESCRIPTION	QTY.
63	17318G2		HORN SWITCH CAP AND NUT .....	1
64	27068G01		HORN SWITCH BOOT.....	1
65	19233G1		HORN SWITCH LABEL.....	1
66	71055G01		RIVET, 3/16" X 1" LG (ALUMINUM) .....	2
67	00526G4		NUT, #10-32 .....	1
68				
69	22523G01		HEADLIGHT (INCLUDES ITEM 70).....	2
70	01085G01		SCREW, #10 - 24 X 2 - 1/7 .....	4
71	74337G01		JUMPER WIRE (HEADLIGHT) .....	2
72				
73				
74	20570G3		TURN SIGNAL LIGHT ASSEMBLY (INCLUDES ITEMS 75 - 80).....	2
75	20574G3		TURN SIGNAL LIGHT .....	1
76	00660G7		WASHER, 1/4" (STAINLESS STEEL).....	1
77	20606G1		WIRE ASSEMBLY.....	1
78	00567G7		LOCK WASHER, 1/4" .....	1
79	00532G1		NUT, 1/4 - 20.....	1
80	18995G1		PUSH-ON TERMINAL (MALE).....	1
81				
82				
83	20574G4		LENS, AMBER .....	1
84	00118G5		SCREW, #6 - 18 X 5/8" LG.....	4
85	74056G01		TURN SIGNAL JUMPER, RED/BLACK (PASSENGER SIDE) .....	1
86	74056G02		TURN SIGNAL JUMPER, GREEN/BLACK (DRIVER SIDE).....	1
87	32739G2		TAILLIGHT ASSEMBLY (COMPLETE) .....	2
88				
89				
90	606887		TURN SIGNAL KIT (INCLUDES ITEMS 91 - 95).....	1
91	17867G1		TURN SIGNAL (WITH MOUNTING HARDWARE) (INCLUDES ITEM 106)	1
92	21640G1		TURN SIGNAL FLASHER.....	1
93	32307G3		FLEX LOOM, 3/8 X 8" LG .....	1



When ordering parts, please specify the model and serial number of the product.

\* Indicates a component that is not available as an individual part.

\*\*\* Indicates consult Customer Service Department for additional information.

ITEM	PART NO.	1 2 3 4 5	DESCRIPTION	QTY.
94	17618G1		WIRE TIE.....	2
95	20965G3		STEERING COLUMN COVER.....	1
96				
97				
98	606045		WIRE HARNESS (ACCESSORY) .....	1
99	18602G1		IGNITION SWITCH (WITH LIGHTS, INDIVIDUALLY KEYED).....	1
100	00568G6		LOCK WASHER, 3/4" .....	1
101	17137G1		FACE NUT, 3/4 - 20.....	1
102	17063G1		IGNITION KEY .....	1
103	605830		WIRE HARNESS (KEY SWITCH).....	1
104				
105				
106	73030G04		PLATE (FUEL GAUGE AND OIL LIGHT) .....	1
107	71131G01		LABEL (OIL LIGHT AND FUEL GAUGE WITH HEADLIGHTS) .....	1
108	21553G1		FUEL GAUGE .....	1
109	23474G1		INDICATOR LIGHT .....	1
110	74311G01		HARNESS (OIL LIGHT/FUEL GAUGE).....	1
111	25978G122		18 GA WIRE (RED 6") .....	1
112				
113				
114	33623G02		DRIVE RIVET, 3/16" X 3/8" LG .....	2
115	74693G01		CONSOLE INSERT ASSEMBLY (INCLUDES ITEMS 116 - 119).....	1
116	73522G03		CONSOLE INSERT PLATE.....	1
117				
118	20271G10		HOLE PLUG .....	1
119				
120	33623G02		DRIVE RIVET, 3/16" X 3/8" LG .....	3
121				
122				
123				
124	607285		HOUR METER KIT (INCLUDES ITEMS 125 - 127).....	1

# ELECTRICAL

When ordering parts, please specify the model and serial number of the product.

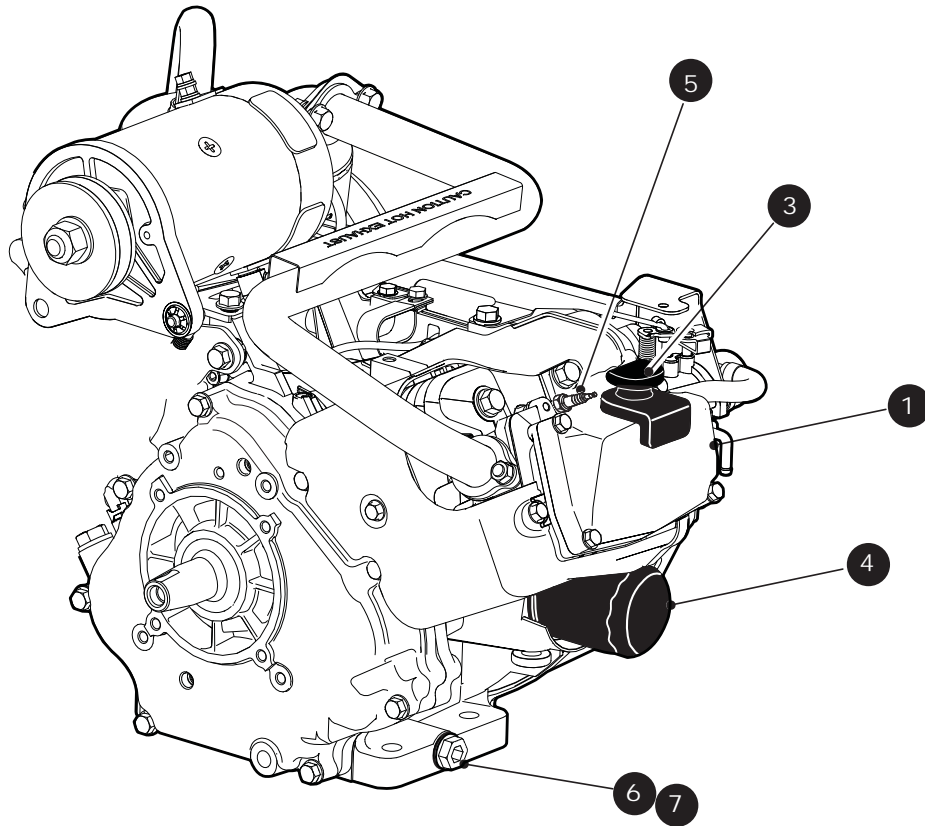
\* Indicates a component that is not available as an individual part.

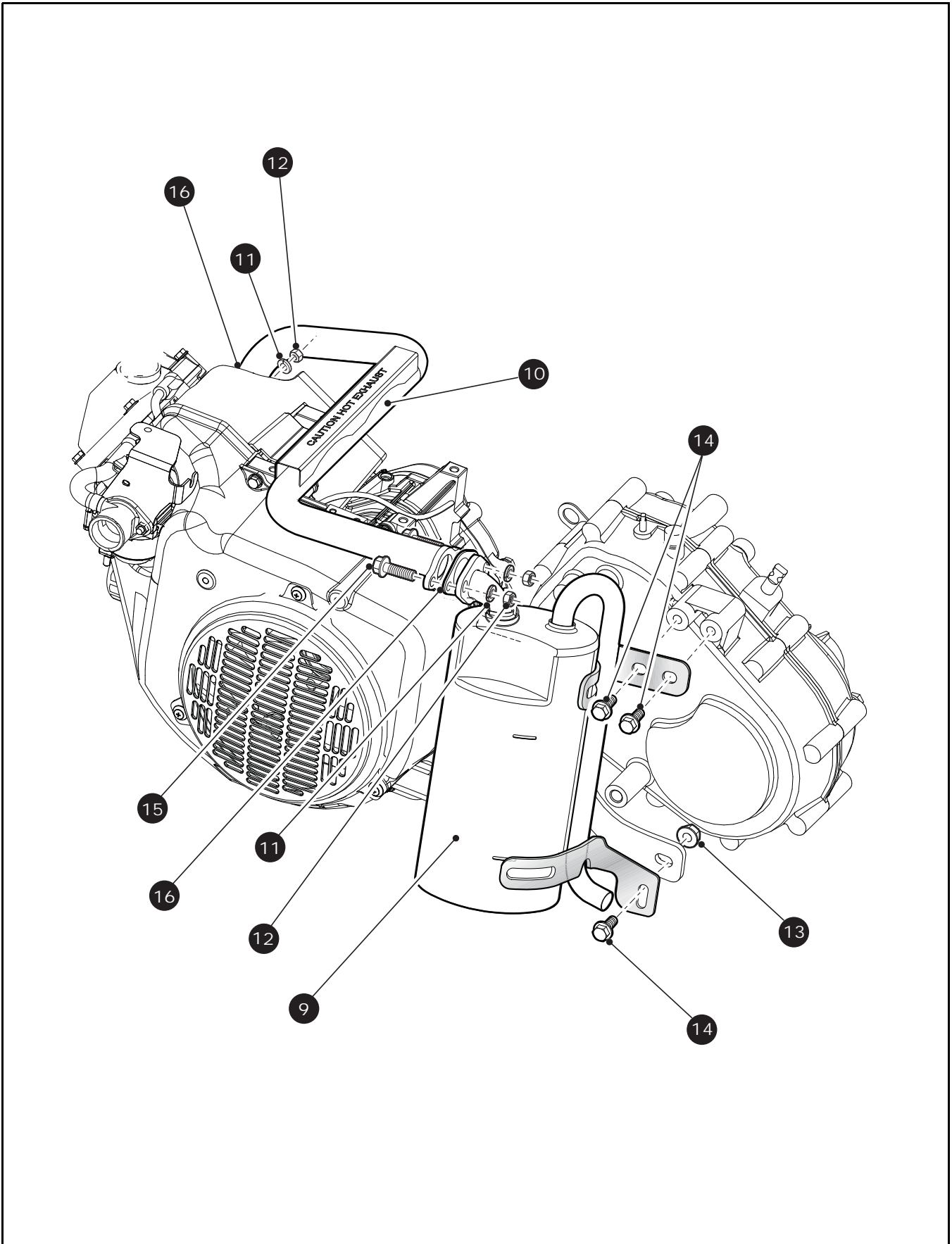
\*\*\* Indicates consult Customer Service Department for additional information.

ITEM	PART NO.	1	2	3	4	5	DESCRIPTION	QTY.
125	617074						HOUR METER.....	1
126	603721						HOUR METER BRACKET .....	1
127	606254						WIRE HARNESS (HOUR METER).....	1



# ENGINE AND MUFFLER





# ENGINE AND MUFFLER

Where applicable, THE USE OF NON UL PARTS WILL VOID ANY UL LISTING.

When ordering parts, please specify the model and serial number of the product.

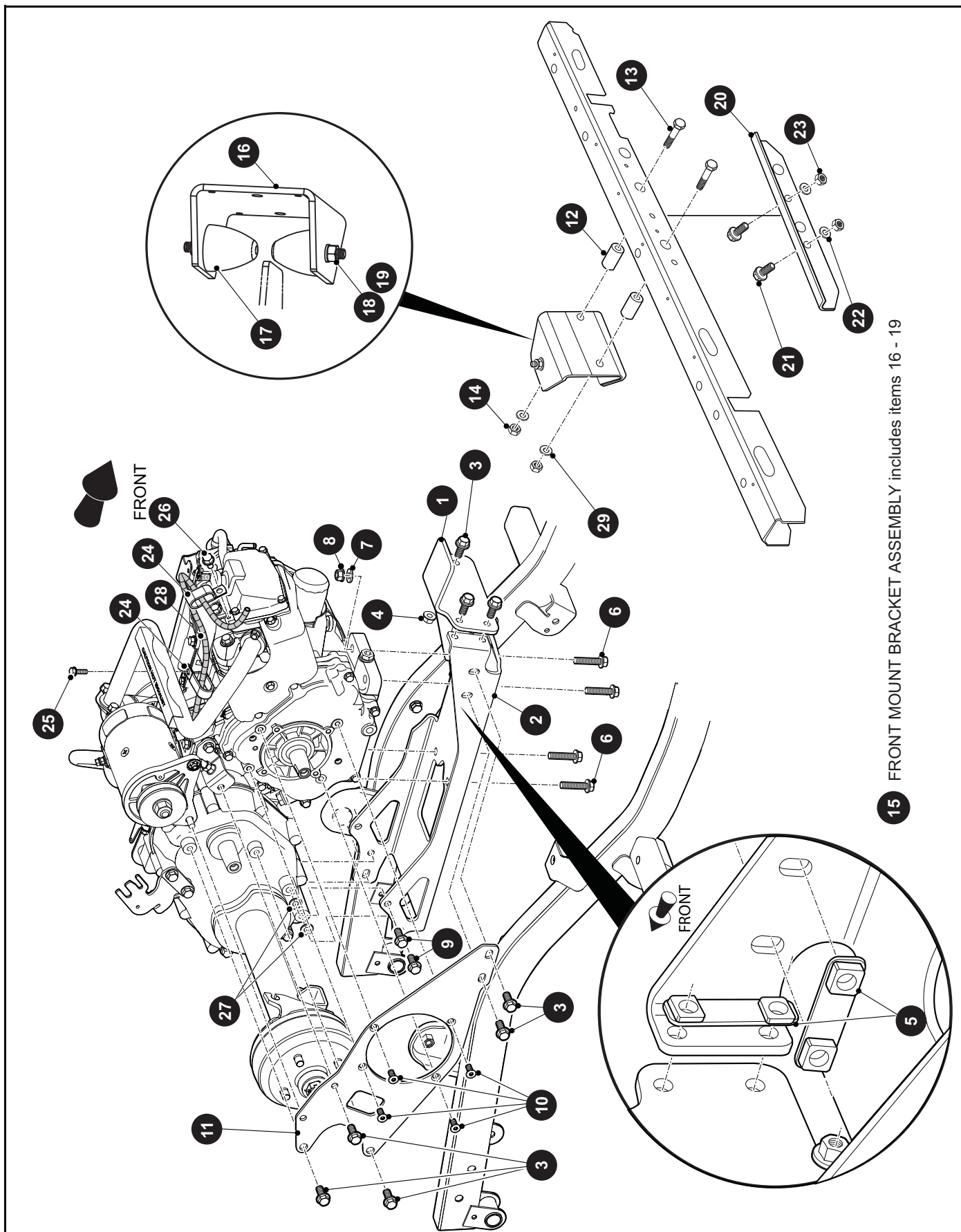
\* Indicates a component that is not available as an individual part.

G\*\* Indicates consult Customer Service Department for additional information.

ITEM	PART NO.	1	2	3	4	5	DESCRIPTION	QTY.
1	607154						ENGINE, GAS, 13HP, NON-GOLF .....	1
2	606390						DIP STICK, LOW (ST SPORT II G CARB) .....	1
3	606391						DIP STICK, HIGH .....	1
4	607454						OIL FILTER .....	1
5	607462						SPARK PLUG (BPR2ES).....	1
6	603557						OIL DRAIN PLUG .....	1
7	603562						'O' RING, 16MM .....	1
8								
9	612266						MUFFLER .....	1
10	606982						EXHAUST PIPE .....	1
11	606272						WASHER, 8MM.....	4
12	606267						NUT, M8 X 1.25 .....	4
13	606279						NUT, M10 - 1.25 .....	1
14	606256						BOLT, M10 - 1.25 X 25 .....	3
15	602330						BOLT, M8 - 1.25 X 30 .....	2
16	603599						EXHAUST GASKET .....	2



# ENGINE MOUNTING



15 FRONT MOUNT BRACKET ASSEMBLY includes items 16 - 19



# ENGINE MOUNTING

When ordering parts, please specify the model and serial number of the product.

\* Indicates a component that is not available as an individual part.

\*\*\* Indicates consult Customer Service Department for additional information.

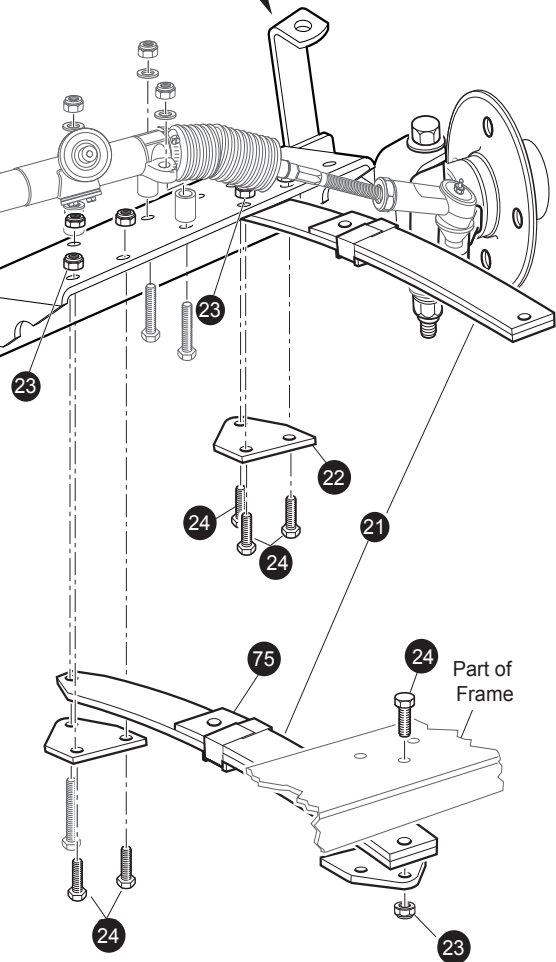
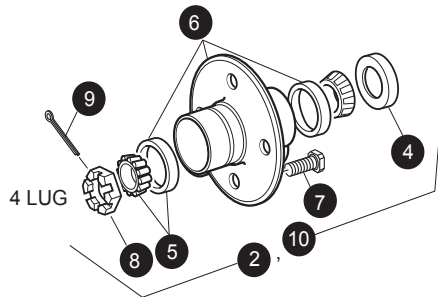
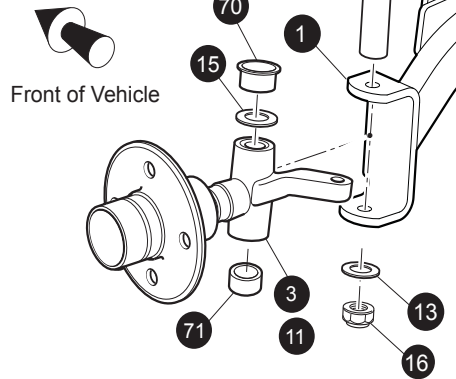
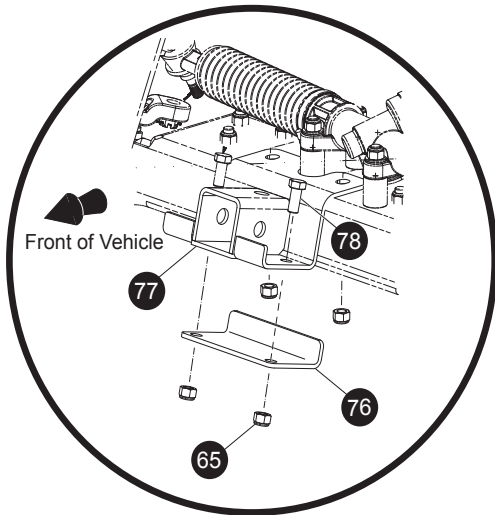
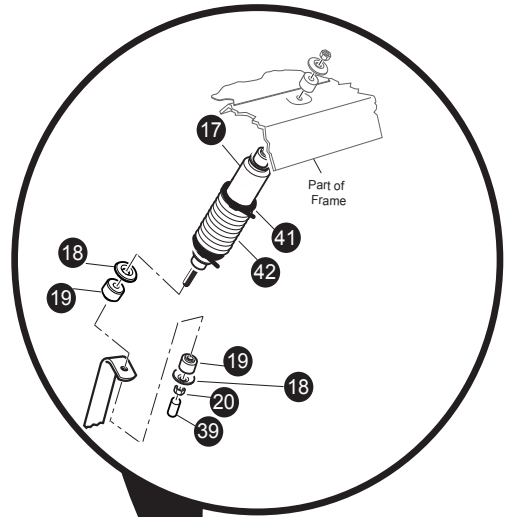
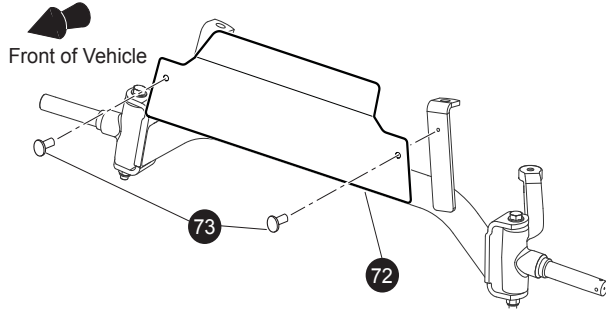
ITEM	PART NO.	1 2 3 4 5	DESCRIPTION	QTY.
1	606007		FRONT ENGINE MOUNT.....	1
2	603101		ENGINE PAN MOUNT .....	1
3	606256		BOLT, M10 - 1.25 X 25.....	8
4	606279		NUT, M10 - 1.25.....	1
5	606096		NUT PLATE.....	2
6	606259		BOLT, M10 - 1.25 X 45.....	4
7	603823		FLAT WASHER, M10 X 22 - 2.5 .....	4
8	606279		NUT, M10 - 1.25.....	4
9	608020		BOLT, M10 - 1.25 X 34.....	4
10	606246		FLAT HEAD SCREW, M6 - 1 X 12.....	4
11	602146		DIFFERENTIAL PLATE .....	1
12	72016G01		TUBE SPACER .....	2
13	00428G8		HEX HEAD 3/8 - 16, UNC X 2.75 .....	2
14	11098G5		PLASTIC INSERT LOCK NUT, 3/8 -16.....	2
15	627627		FRONT MOUNT BRACKET ASSEMBLY (INCLUDES ITEMS 16 -19).....	1
16	625345		FRONT MOUNT BRACKET .....	1
17	605757		RUBBER BUMPER .....	2
18	00974G01		HEX NUT, M10 X 1.5.....	2
19	608654		SPLIT LOCK WASHER, 10MM .....	2
20	70269G02		CROSSMEMBER BRACE .....	1
21	00438G7		HEX HEAD BOLT, 5/16 - 18 x 7/8 .....	2
22	00559G8		FLAT WASHER, 5/16.....	2
23	01109G01		PLASTIC INSERT LOCK NUT, 5/16 -18 UNC.....	2
24	606962		TUBE CLAMP, DBL - 0.72 .....	2
25	606264		BOLT, HXFL M6 - 1 X 20.....	1
26	606265		BOLT, HXFL M6 - 1 X 12.....	1
27	00560G2		B TYPE NARROW FLAT WASHER, 7/16.....	2
28	27184G12		TUBE, (FUEL SYSTEM).....	1
29	00643G1		FLAT WASHER, 3/8 X 1.0 X .063 .....	2





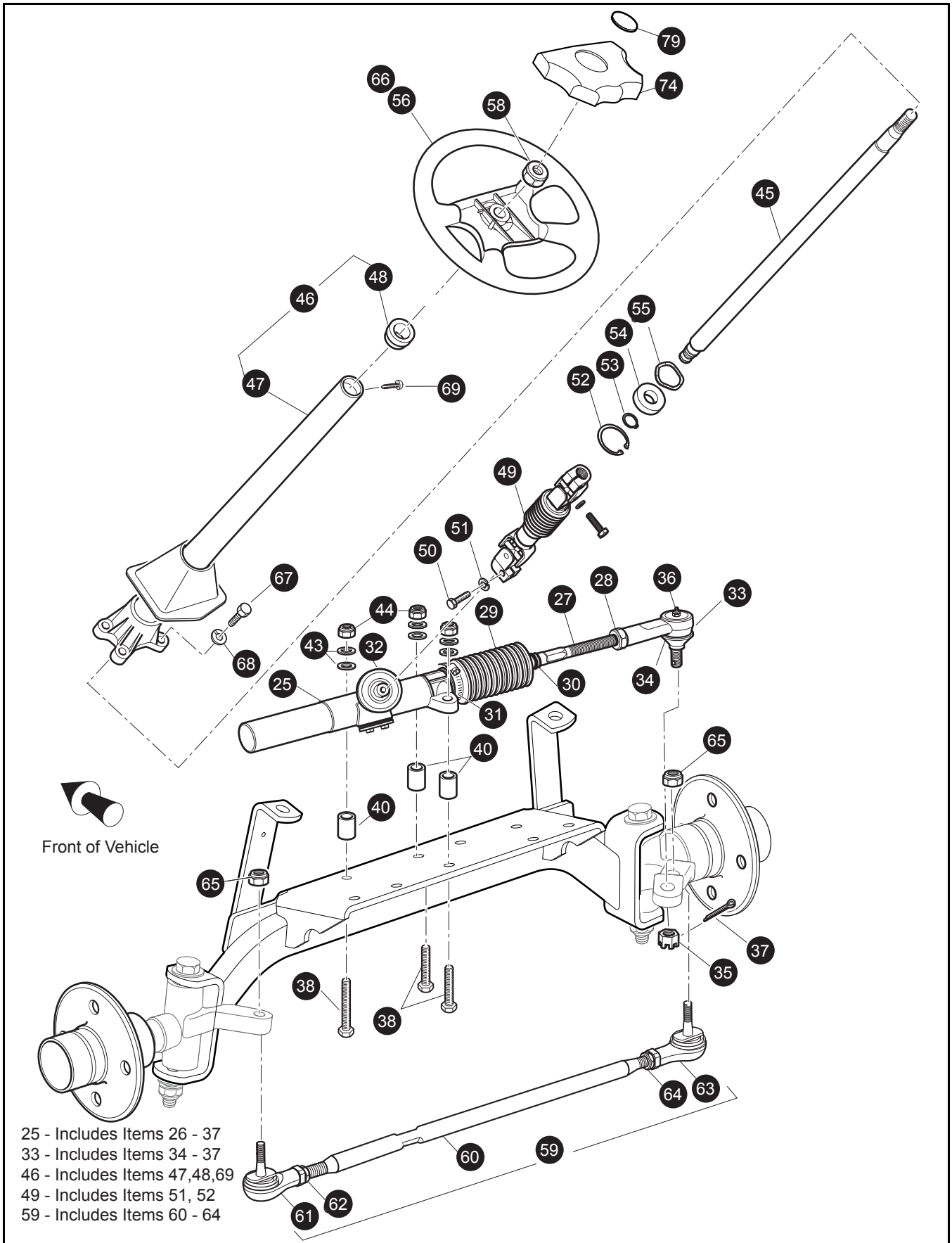
# FRONT SUSPENSION / STEERING

- 2 - Includes Items 3 - 9
- 6 - Includes Item 7
- 10 - Includes Items 4 - 9, 11



\*NOTE: Tie Rod Not Shown for Clarity

# FRONT SUSPENSION / STEERING



# FRONT SUSPENSION / STEERING

Where applicable, THE USE OF NON UL PARTS WILL VOID ANY UL LISTING.

When ordering parts, please specify the model and serial number of the product.

\* Indicates a component that is not available as an individual part.

G\*\* Indicates consult Customer Service Department for additional information.

ITEM	PART NO.	1 2 3 4 5	DESCRIPTION	QTY.
1	606989		FRONT AXLE .....	1
2	70930-G01		SPINDLE AND HUB ASSEMBLY, 4 LUG (PASSENGER SIDE) (INCLUDES ITEMS 3 - 9).....	1
3	70802-G01		SPINDLE ASSEMBLY (PASSENGER SIDE).....	1
4	25146-G1		GREASE SEAL.....	1
5	11750-G2		ROLLER BEARING AND RACE ASSEMBLY.....	2
6	35886-G01		WHEEL HUB ASSEMBLY WITH RACES, 4 LUG (INCLUDES ITEM 7) .....	1
7	19862-G1		LUG BOLT, 1/2 - 20 X 1 3/16" LG.....	4
8	12093-G1		CASTELLATED NUT, 1 - 14 .....	1
9	00798-G8		COTTER PIN, 5/32" X 1 3/4" LG .....	1
10	70931-G01		SPINDLE AND HUB ASSEMBLY, 4 LUG (DRIVER SIDE) (INCLUDES ITEMS 4 - 9, 11).....	1
11	70803-G01		SPINDLE ASSEMBLY (DRIVER SIDE).....	1
12	00407-G6		BOLT, 1/2 - 13 X 6" LG .....	2
13	00560-G3		WASHER, 1/2" .....	4
14	70745-G01		KING PIN TUBE .....	2
15	70754-G01		THRUST WASHER, 1" (STAINLESS STEEL).....	2
16	14390-G6		LOCK NUT, 1/2 - 13 .....	2
17	76419-G01		SHOCK ABSORBER.....	2
18	10435-G1		SHOCK ABSORBER WASHER.....	8
19	10194-G1		RUBBER BUSHING .....	8
20	00532-G6		NUT, 3/8 - 24 .....	4
21	70664-G03		LEAF SPRING (HEAVY DUTY) .....	2
22	70163-G03		SPRING PLATE .....	4
23	00734-G1		LOCK NUT, 7/16 - 14 .....	12
24	00463-G11		BOLT, 7/16 - 14 X 1 3/4" LG .....	12
25	70964-G01		RACK AND PINION UNIT (COMPLETE) (INCLUDES ITEMS 26 - 37) .....	1
26	*		STEERING BOX INSTALLATION TAG.....	1
27	70694-G01		RACK EXTENSION .....	1
28	*		JAM NUT, 1/2 - 20.....	1
29	70961-G01		RACK BOOT.....	1

## FRONT SUSPENSION / STEERING

Where applicable, THE USE OF NON UL PARTS WILL VOID ANY UL LISTING.

When ordering parts, please specify the model and serial number of the product.

\* Indicates a component that is not available as an individual part.

G\*\* Indicates consult Customer Service Department for additional information.

ITEM	PART NO.	1 2 3 4 5	DESCRIPTION	QTY.
30	12416-G2		WIRE TIE .....	1
31	11391-G8		CLAMP, 1 13/16 - 2 3/8" .....	1
32	70638-G01		PINION SEAL .....	1
33	70695-G01		RACK BALL JOINT (INCLUDES ITEMS 34 -37) .....	1
34	50641-G1		RUBBER BOOT .....	1
35	50209-G2		CASTELLATED NUT, 7/16 - 20 .....	1
36	10387-G2		GREASE FITTING, STRAIGHT .....	1
37	10389-G3		COTTER PIN, 3/32" X 1" LG .....	1
38	00464-G6		BOLT, 7/16 - 14 X 2 3/4" LG .....	3
39	10044G01		VINYL CAP .....	2
40	70667-G02		SPACER .....	3
41	31539G1		NYLON CLAMP .....	4
42	70509G01		SHOCK ABSORBER BOOT .....	2
43	00560-G2		FLAT WASHER, 7/16" .....	6
44	00734-G1		LOCK NUT, 7/16 - 14 .....	3
45	70607-G01		STEERING SHAFT .....	1
46	70758-G05		STEERING COLUMN KIT (INCLUDES ITEMS 47,48 & 69) .....	1
47	70610-G03		STEERING COLUMN .....	1
48	28569-G01		STEERING COLUMN BUSHING .....	1
49	70580-G01		INTERMEDIATE SHAFT (INCLUDES ITEMS 50, 51) .....	1
50	01055-G01		BOLT, M8 X 1.25 - 05 .....	1
51	00565-G8		LOCK WASHER, 5/16" .....	1
52	70751-G01		RETAINING RING (INTERNAL) .....	1
53	70888-G01		RETAINING RING (EXTERNAL) .....	1
54	15112-G1		BALL BEARING .....	1
55	70887-G01		WAVE WASHER .....	1
56	602980		STEERING WHEEL PREMIUM (OPTIONAL) .....	1
57				
58	14390-G2		LOCK NUT, 5/8 - 18 .....	1
59	70876-G02		TIE ROD ASSEMBLY (INCLUDES ITEMS 60 - 64) .....	1

# FRONT SUSPENSION / STEERING

Where applicable, THE USE OF NON UL PARTS WILL VOID ANY UL LISTING.

When ordering parts, please specify the model and serial number of the product.

\* Indicates a component that is not available as an individual part.

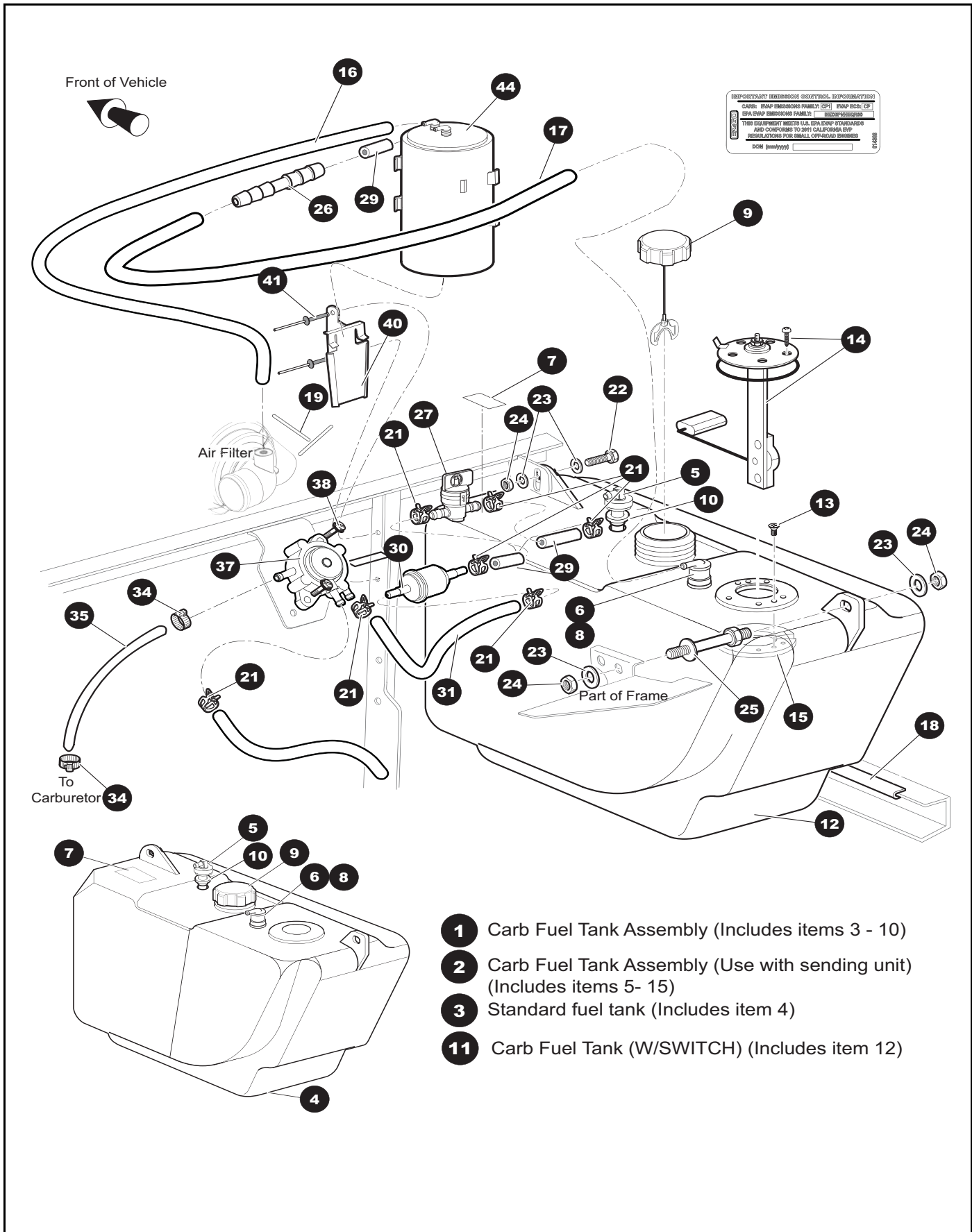
G\*\* Indicates consult Customer Service Department for additional information.

ITEM	PART NO.	1	2	3	4	5	DESCRIPTION	QTY.
60	70897-G02						THREADED ROD (24" LG).....	1
61	70902-G01						TIE ROD END (LEFT HAND THREADS) .....	1
62	01069-G01						JAM NUT, M12 X 1.25 - 05 (LEFT HAND THREADS).....	1
63	70902-G02						TIE ROD END (RIGHT HAND THREADS).....	1
64	01069-G02						JAM NUT, M12 X 1.25 - 05 (RIGHT HAND THREADS) .....	1
65	00734-G1						LOCK NUT, 7/16 - 14 .....	2
66	602979						STEERING WHEEL .....	1
67	01006-G01						BOLT, 3/8 - 16 x 1 1/4" LG.....	4
68	00879 -G1						LOCK WASHER, 3/8".....	4
69	01022-G01						SCREW #6 - 20 x 5/16" LG .....	1
70	70648-G01						FLANGED BEARING .....	1
71	70749-G01						BEARING .....	1
72	605642						STEERING RACK COVER .....	1
73	15058-G1						RIVET .....	2
74	71147-G01						STEERING WHEEL COVER .....	1
75	70990-G03						SPRING FRONT CANT LEAF .....	2
76	604572						PL, WINCH RECEIVER RETAINER.....	4
77	604559						WELDMENT, WINCH RECEIVER.....	3
78	00462-G8						SCREW, HEXAGON HEAD 7/16 - 14 .....	4
79	605435						STEERING WHEEL DECAL .....	1





# FUEL SYSTEM



# FUEL SYSTEM

When ordering parts, please specify the model and serial number of the product.

\* Indicates a component that is not available as an individual part.

\*\*\* Indicates consult Customer Service Department for additional information.

ITEM	PART NO.	1 2 3 4 5	DESCRIPTION	QTY.
1	620180		CARB FUEL TANK ASSEMBLY (Includes items 3 - 10) .....	1
2	620181		CARB FUEL TANK ASSEMBLY (Use with sending unit) (Includes items 5 - 15)	1
3	620179		STANDARD FUEL TANK (CARB III) (Includes item 4).....	1
4	618668		FUEL TANK, W/O SENDER UNIT .....	1
5	18287G3		SIPHON TUBE ASSEMBLY .....	1
6	606068		ROLLOVER VALVE GROMMET .....	1
7	617886		EPA FUEL TANK LABEL .....	1
8	606067		ROLLOVER VALVE .....	1
9	617885		FUEL TANK CAP (RATCHET).....	1
10	70988G01		SIPHON TUBE GROMMET .....	1
11	607479		CARB FUEL TANK, FLOUR (W/SWITCH) (Includes item 12) .....	1
12	618669		FUEL TANK, W/ SENDER UNIT .....	1
13	72230G01		FLAT HEAD MACHINE SCREW .....	2
14	20048G2		FUEL LEVEL SENDER .....	1
15	72229G01		FUEL TANK ADAPTER .....	1
16	606966		LOW PRESSURE FUEL HOSE, 3/16 I.D. X 3/8 O.D. X 34.00 LONG (CARB)	1
17	607546		LOW PRESSURE FUEL HOSE, 3/16 I.D. X 3/8 O.D. X 17.00 LONG (CARB)	1
18	32372G6		BLACK TRIM, 6.25 LONG .....	1
19	17618G1		NYLON CLAMP .....	2
20				
21	18292G1		HOSE CLAMP,.50 DIAMETER .....	7
22	00438G8		HEX HEAD BOLT, 5/16 - 18 X 1 .....	1
23	00559G8		FLAT WASHER, 5/16 .....	4
24	11098G6		LOCK NUT, 5/16 - 18 .....	3
25	70483G01		SPACER BOLT, 5/16 - 18.....	1
26	615346		HOSE REDUCER-ID 1/4 X 3/16.....	1
27	611181		FUEL SHUT-OFF VALVE .....	1
28				
29	615350		FUEL SYSTEM HOSE 2.00" .....	3
30	72084G01		FUEL LINE FILTER.....	1
31	606969		FUEL SYSTEM HOSE,.25 I.D. X.50 O.D. X 8.00 LONG .....	1

# FUEL SYSTEM

When ordering parts, please specify the model and serial number of the product.

\* Indicates a component that is not available as an individual part.

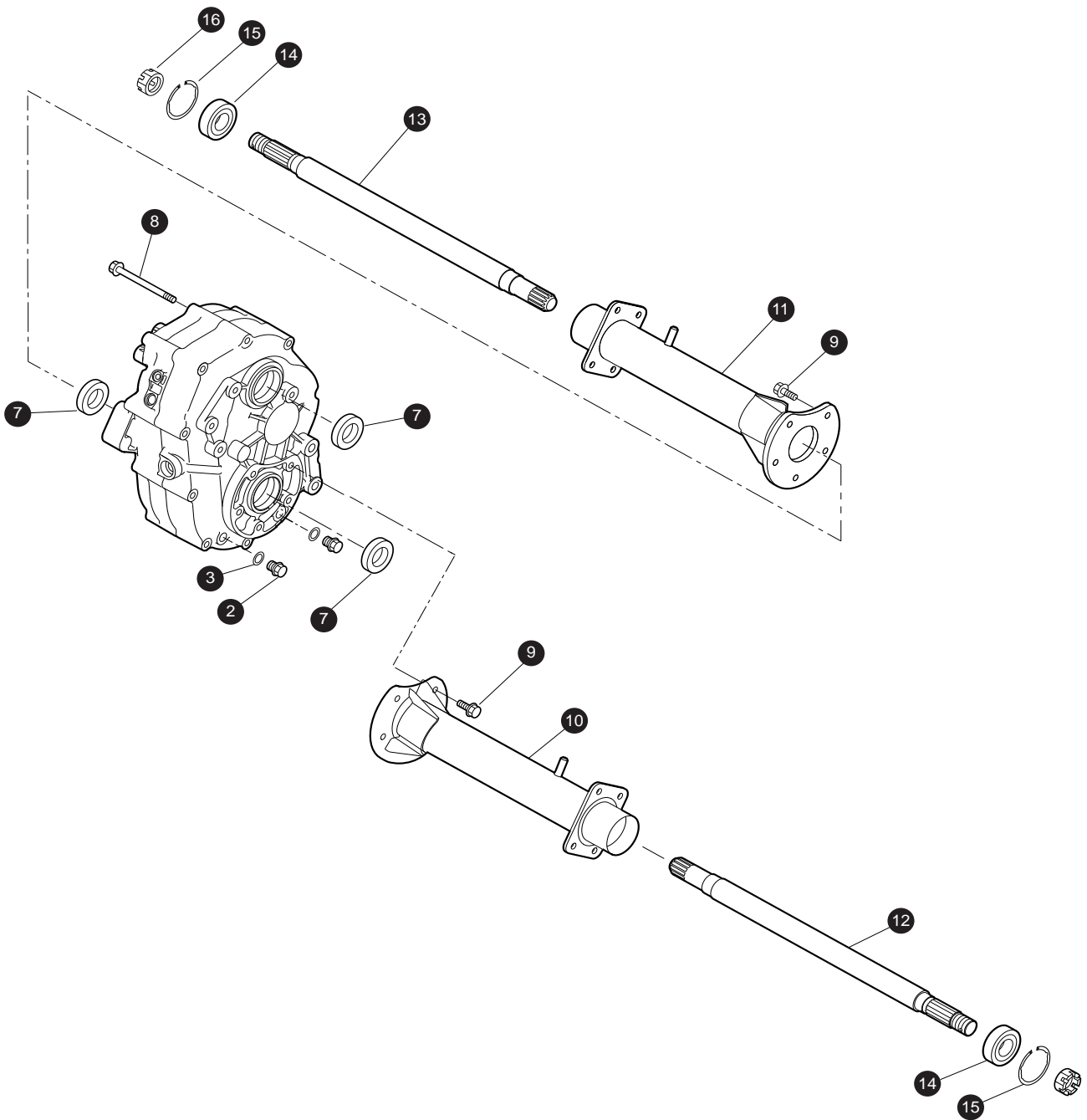
\*\*\* Indicates consult Customer Service Department for additional information.

ITEM	PART NO.	1	2	3	4	5	DESCRIPTION	QTY.
32								
33								
34	11391G4						HOSE CLAMP, .25 - .63 DIA .....	2
35	604597						CARB FUEL SYSTEM HOSE,.25 I.D. X.50 O.D. X 26.00 LONG .....	1
36								
37	602061						FUEL PUMP .....	1
38	00114G6						HEX WASHER HEAD SLOTTED TAPPING SCREW, 1/4 - 14 X .75.....	2
39								
40	606310						CARBON CANISTER MOUNTING BRACKET (CARB ONLY).....	1
41	10570G11						RIVET, 3/16 DIA X .70 (CARB ONLY) .....	2
42								
43								
44	606071						CARBON CANISTER (CARB ONLY) .....	1



# REAR AXLE

1 - Includes Items 2 - 16



# REAR AXLE

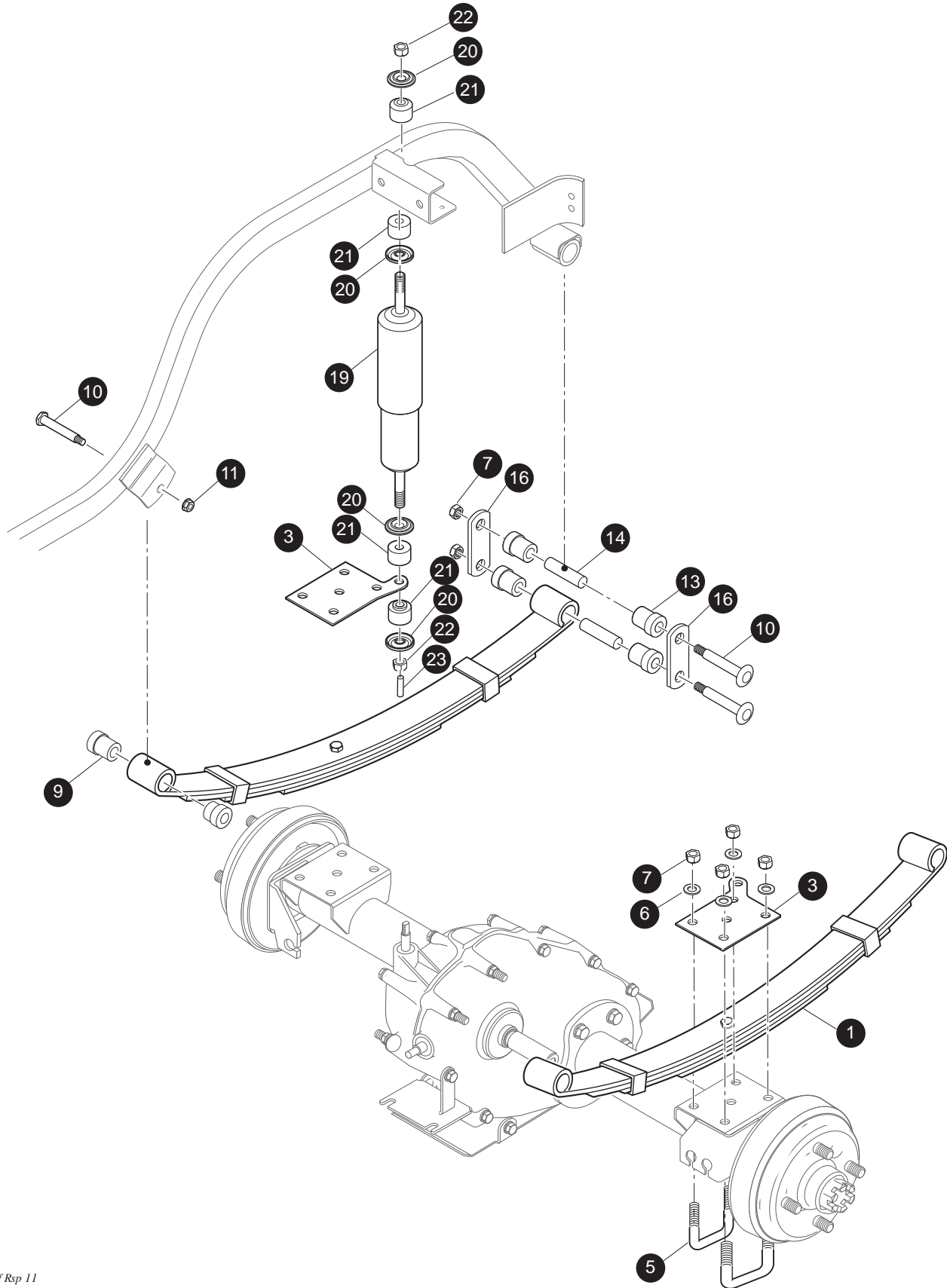
When ordering parts, please specify the model and serial number of the product.

\* Indicates a component that is not available as an individual part.

\*\*\* Indicates consult Customer Service Department for additional information.

ITEM	PART NO.	1 2 3 4 5	DESCRIPTION	QTY.
1	605891		REAR AXLE .....	1
2	26770-G01		OIL DRAIN PLUG .....	2
3	26771-G01		GASKET .....	2
4				
5				
6				
7	72259-G01		OIL SEAL 28 X 47 X 9 .....	3
8	26823-G01		FLANGE BOLT M8 X 1.25 X 100 .....	10
9	72260-G01		FLANGE BOLT M10 X 1.5 X 23 .....	10
10	607940		AXLE TUBE (PASSENGER SIDE) .....	1
11	607939		AXLE TUBE (DRIVER SIDE) .....	1
12	607988		AXLE SHAFT (PASSENGER SIDE) .....	1
13	607987		AXLE SHAFT (DRIVER SIDE) .....	1
14	26811-G01		BALL BEARING .....	2
15	26814-G01		SNAP RING .....	2
16	606403		SLOTTED NUT .....	2

# REAR SUSPENSION



Ref Rsp 11



# REAR SUSPENSION

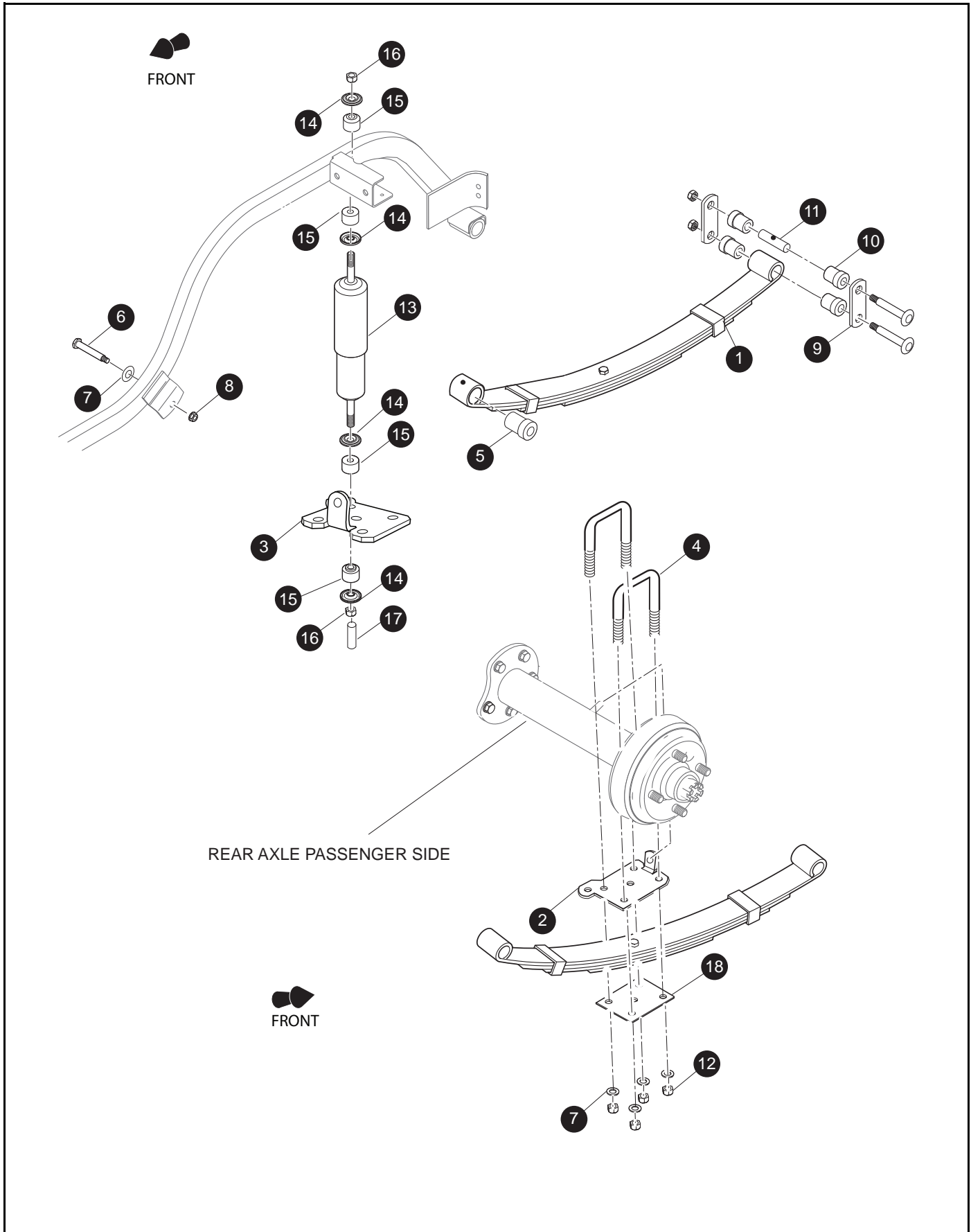
When ordering parts, please specify the model and serial number of the product.

\* Indicates a component that is not available as an individual part.

\*\*\* Indicates consult Customer Service Department for additional information.

ITEM	PART NO.	1 2 3 4 5	DESCRIPTION	QTY.
1	605721		HEAVY DUTY LEAF SPRING.....	2
2				
3	605977		SPRING PLATE .....	2
4				
5	32195G3		'U' BOLT, 3/8 - 16 X 2" X 2 1/8" LG.....	4
6	00643G1		WASHER, 3/8" .....	10
7	11098G5		LOCK NUT, 3/8 - 16 .....	12
8				
9	605445		FLANGED BUSHING.....	2
10	00665G9		SHOULDER BOLT, 3/8 - 16 X 3 1/4" LG.....	6
11	12262G1		LOCK NUT, 3/8 - 16 .....	2
12				
13	70291G01		FLANGED BUSHING.....	8
14	70289G02		SPACER.....	4
15				
16	70290G02		SHACKLE PLATE .....	4
17				
18				
19	70248G01		SHOCK ABSORBER .....	2
20	10435G1		SHOCK ABSORBER WASHER.....	8
21	10194G1		RUBBER BUSHING.....	8
22	00532G6		NUT, 3/8 - 24 .....	4
23	10044G01		VINYL CAP .....	2

# REAR SUSPENSION



# REAR SUSPENSION

When ordering parts, please specify the model and serial number of the product.

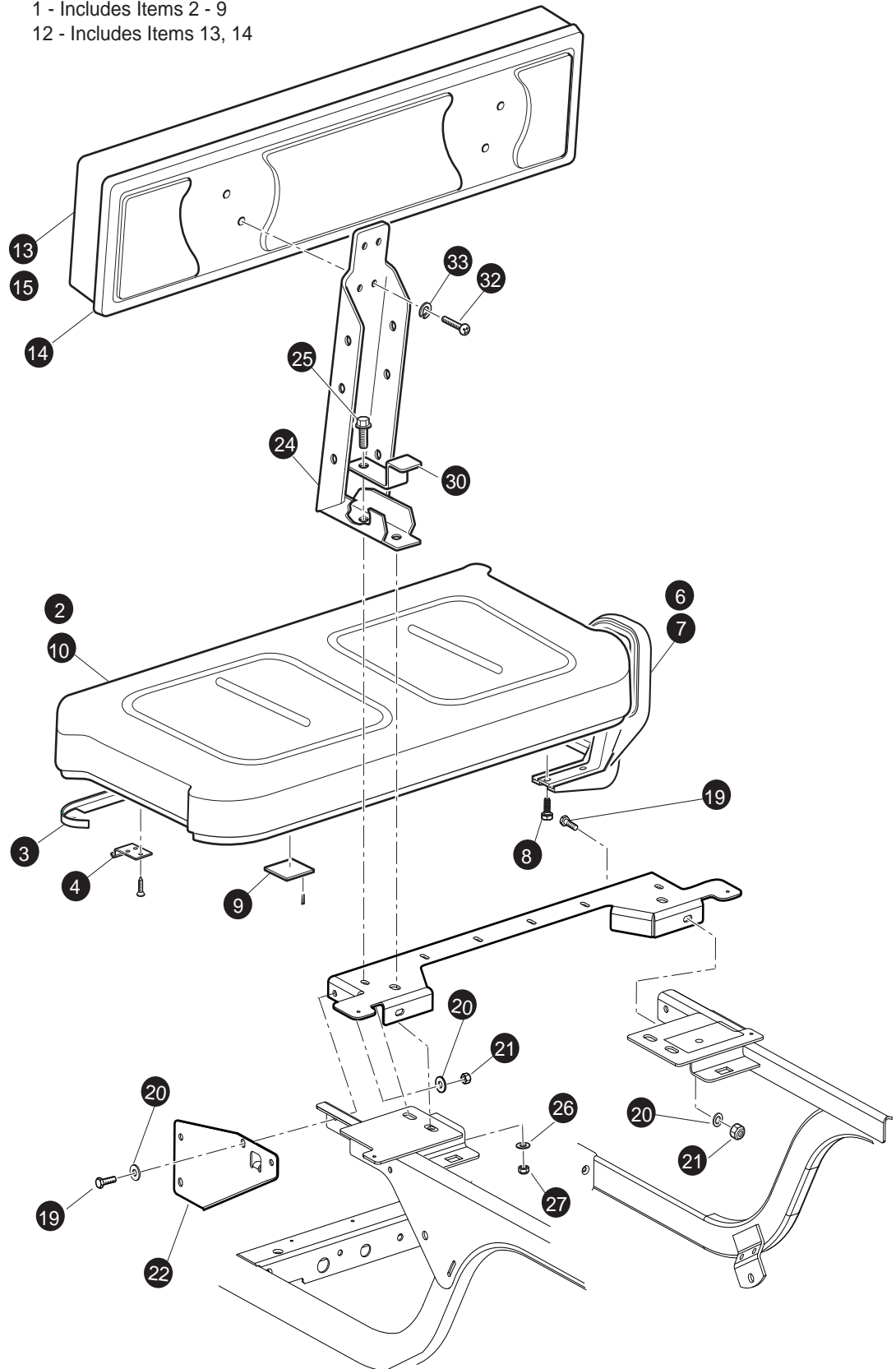
\* Indicates a component that is not available as an individual part.

\*\*\* Indicates consult Customer Service Department for additional information.

ITEM	PART NO.	1 2 3 4 5	DESCRIPTION	QTY.
1	605721		HEAVY DUTY LEAF SPRING.....	1
2	605958		AXLE BRACKET PASSENGER SIDE .....	1
3	605938		AXLE BRACKET DRIVER SIDE .....	1
4	32195G3		'U' BOLT .....	4
5	605445		FRONT SPRING BUSH.....	2
6	00665G9		SHOULDER BOLT, 3/8 - 16 .....	6
7	00643G1		FLAT WASHER B TYPE 3/8 .....	10
8	12262G1		LOCK NUT, 3/8 - 16 .....	2
9	70290G02		SHACKLE PLATE .....	4
10	70291G01		FLANGED BUSHING.....	8
11	70289G02		SPACER.....	4
12	11098G5		LOCK NUT, 3/8 - 16 .....	12
13	70248G01		SHOCK ABSORBER .....	2
14	10435G1		SHOCK ABSORBER WASHER.....	8
15	10194G1		RUBBER BUSHING.....	8
16	00532G6		NUT, 3/8 - 24 .....	4
17	10044G01		VINYL CAP .....	2
18	605956		REAR SUSPENSION PLATE .....	2

# SEATING

1 - Includes Items 2 - 9  
12 - Includes Items 13, 14



When ordering parts, please specify the model and serial number of the product.

\* Indicates a component that is not available as an individual part.

\*\*\* Indicates consult Customer Service Department for additional information.

ITEM	PART NO.	1 2 3 4 5	DESCRIPTION	QTY.
1	71611G**		SEAT BOTTOM ASSEMBLY (INCLUDES ITEMS 2 - 9)..... 71611G01.....WHITE SEAT BOTTOM ASSEMBLY 71611G03.....GRAY SEAT BOTTOM ASSEMBLY 71611G16.....BROWN SEAT BOTTOM ASSEMBLY	1
2	71602G**		VINYL SEAT BOTTOM COVER ..... 71602G01.....WHITE - VINYL SEAT BOTTOM COVER 71602G02.....GRAY - VINYL SEAT BOTTOM COVER 71602G07.....BROWN - VINYL SEAT BOTTOM COVER	1
3	71012G01		VINYL TRIM (SEAT BOTTOM).....	1
4	71610G01		SEAT HINGE .....	2
5	00720G08		SCREW, #12 - 14 X 1" LG (STAINLESS STEEL) .....	6
6	71701G01		HIP RESTRAINT (PASSENGER SIDE) .....	1
7	71702G01		HIP RESTRAINT (DRIVER SIDE) .....	1
8	71204G01		BOLT, 1/4 - 20 X 7/8" LG .....	8
9	17074G1		RUBBER PAD .....	2
10	604912G**		TWO TONE VINYL SEAT BOTTOM.....	1
11				
12	71274G**		SEAT BACK ASSEMBLY (INCLUDES ITEMS 13, 14) ..... 71274G01.....WHITE SEAT BACK ASSEMBLY 71274G04.....GRAY SEAT BACK ASSEMBLY 71274G07.....BROWN SEAT BACK ASSEMBLY	1
13	18144G**		VINYL SEAT BACK COVER ..... 18144G1.....WHITE SEAT BACK COVER 18144G4.....GRAY SEAT BACK COVER 18144G8.....BROWN SEAT BACK COVER	1
14	74889G01		PLASTIC SEAT BACK COVER (BLACK) .....	1
15	604916G**		TWO TONE VINYL SEAT BACK .....	1
16				
17	71446G02		SEAT BACK SUPPORT .....	1
18				
19	00438G8		BOLT, 5/16 - 18 X 1" LG.....	5
20	00571G2		WASHER, 5/16" .....	6

# SEATING

When ordering parts, please specify the model and serial number of the product.

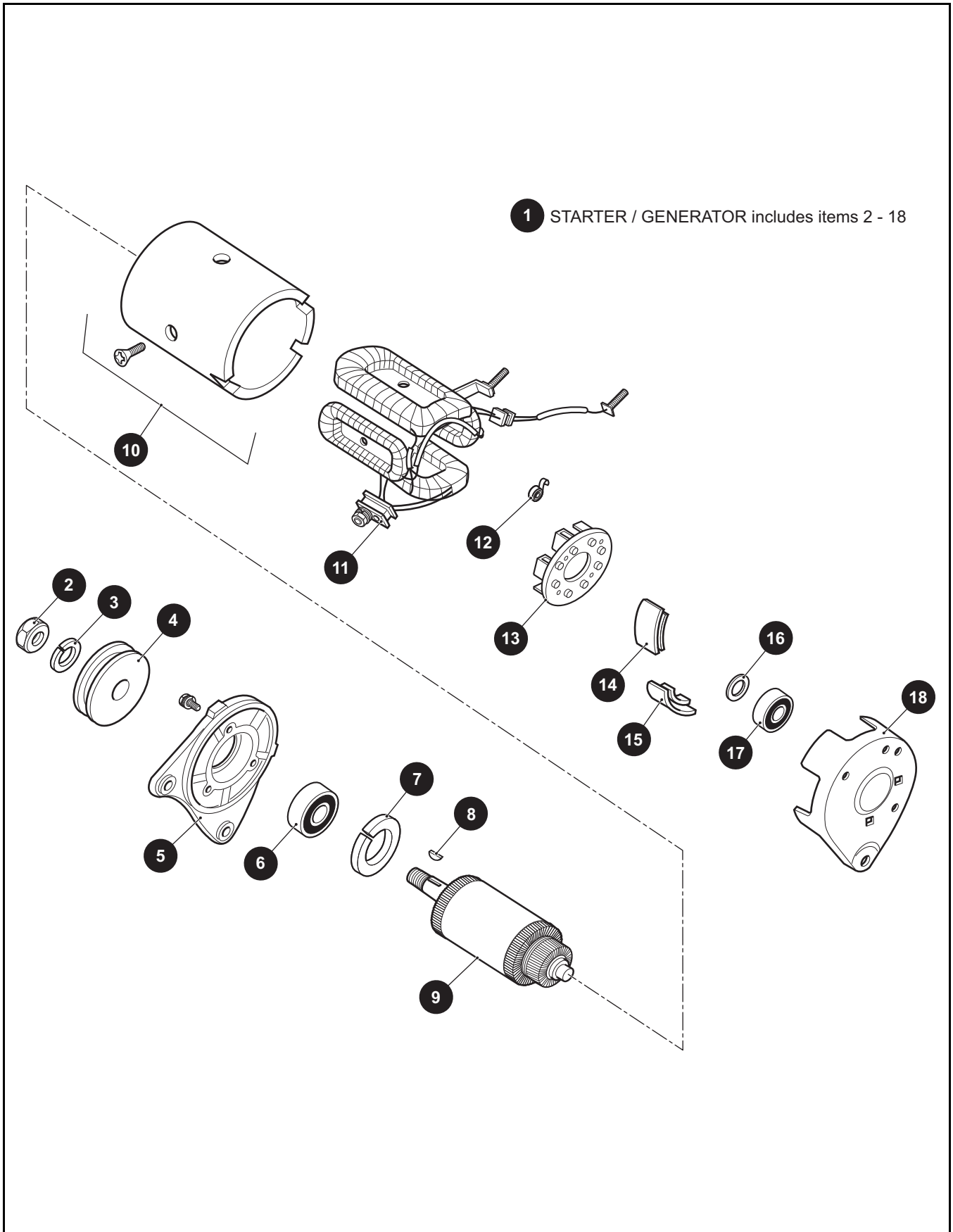
\* Indicates a component that is not available as an individual part.

\*\*\* Indicates consult Customer Service Department for additional information.

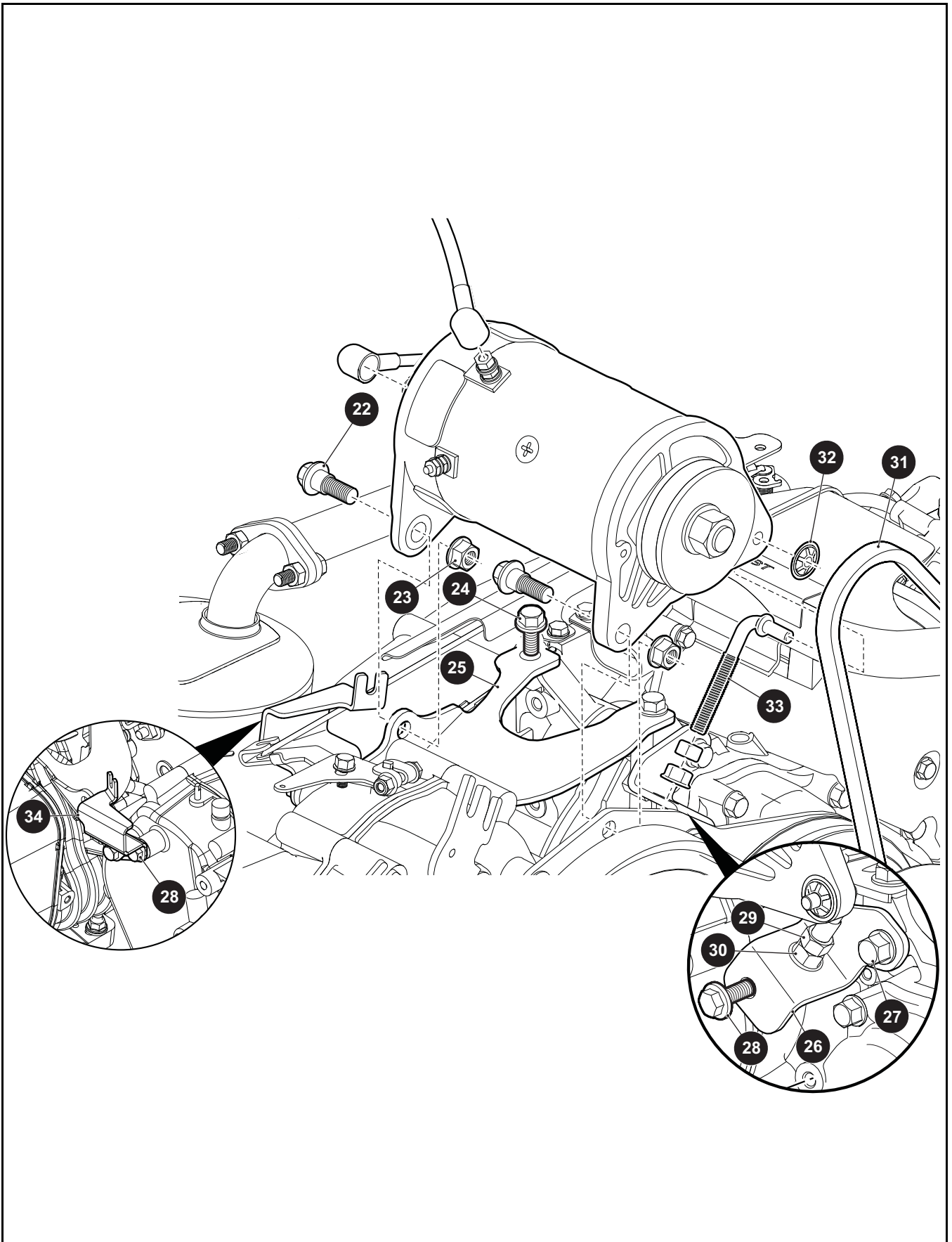
ITEM	PART NO.	1 2 3 4 5	DESCRIPTION	QTY.
21	11098G6		LOCK NUT, 5/16 - 18 (STAINLESS STEEL) .....	5
22	605776		BRACKET .....	1
23				
24	75900G02		SEAT BACK SUPPORT BRACKET .....	2
25	01006G01		BOLT, 3/8 - 16 X 1 1/4" LG .....	4
26	00560G1		WASHER, 3/8" .....	4
27	11098G5		LOCK NUT, 3/8 - 16.....	4
28				
29				
30	74947G01		BED BUMPER BRACKET .....	2
31				
32	605056		SCREW, 1/4 - 20 X 1" LG (STAINLESS STEEL) .....	4
33	00664G7		LOCK WASHER, 1/4" (STAINLESS STEEL).....	4
34				



# STARTER / GENERATOR







# STARTER / GENERATOR

THE USE OF NON U.L. PARTS WILL VOID ANY U.L. LISTING.

When ordering parts, please specify the model and serial number of the product.

\* Indicates a component that is not available as an individual part.

G\*\* Indicates consult Customer Service Department for additional information.

ITEM	PART NO.	1 2 3 4 5	DESCRIPTION	QTY.
1	625715		STARTER / GENERATOR (INCLUDES ITEMS 2 - 18).....	1
2	612029		NUT.....	1
3	612030		LOCKWASHER .....	1
4	625716		PULLEY .....	1
5	612032		FRONT COVER.....	1
6	612033		BEARING.....	1
7	612034		RETAINING RING.....	1
8	612035		KEY.....	1
9	612036		ARMATURE ASSEMBLY .....	1
10	612037		FRAME & FIELD ASSEMBLY .....	1
11	612038		BRUSH LEAD & TERMINAL PKG.....	1
12	612039		BRUSH SPRING.....	4
13	612040		BRUSH BOX ASSEMBLY.....	1
14	612041		BRUSH 1 COVER.....	3
15	612042		BRUSH 2 COVER.....	2
16	612043		WAVY WASHER .....	1
17	612044		BEARING.....	1
18	612045		REAR COVER .....	1
19				
20				
21				
22	606235		BOLT, HXFL SHLDR - M10 - 1.25 X 20.....	2
23	606279		NUT, M10 - 1.25 .....	2
24	606261		BOLT, M8 - 1.25 X 20 .....	3
25	602141		STARTER / GENERATOR BRACKET.....	1
26	602145		TENSIONER BRACKET .....	1
27	606261		BOLT, M8 - 1.25 X 20 .....	1
28	606256		BOLT, M10 - 1.25 X 25 .....	9
29	606255		NUT, M10 - 1.25 .....	1
30	606274		NUT, M10 - 1.25 .....	1

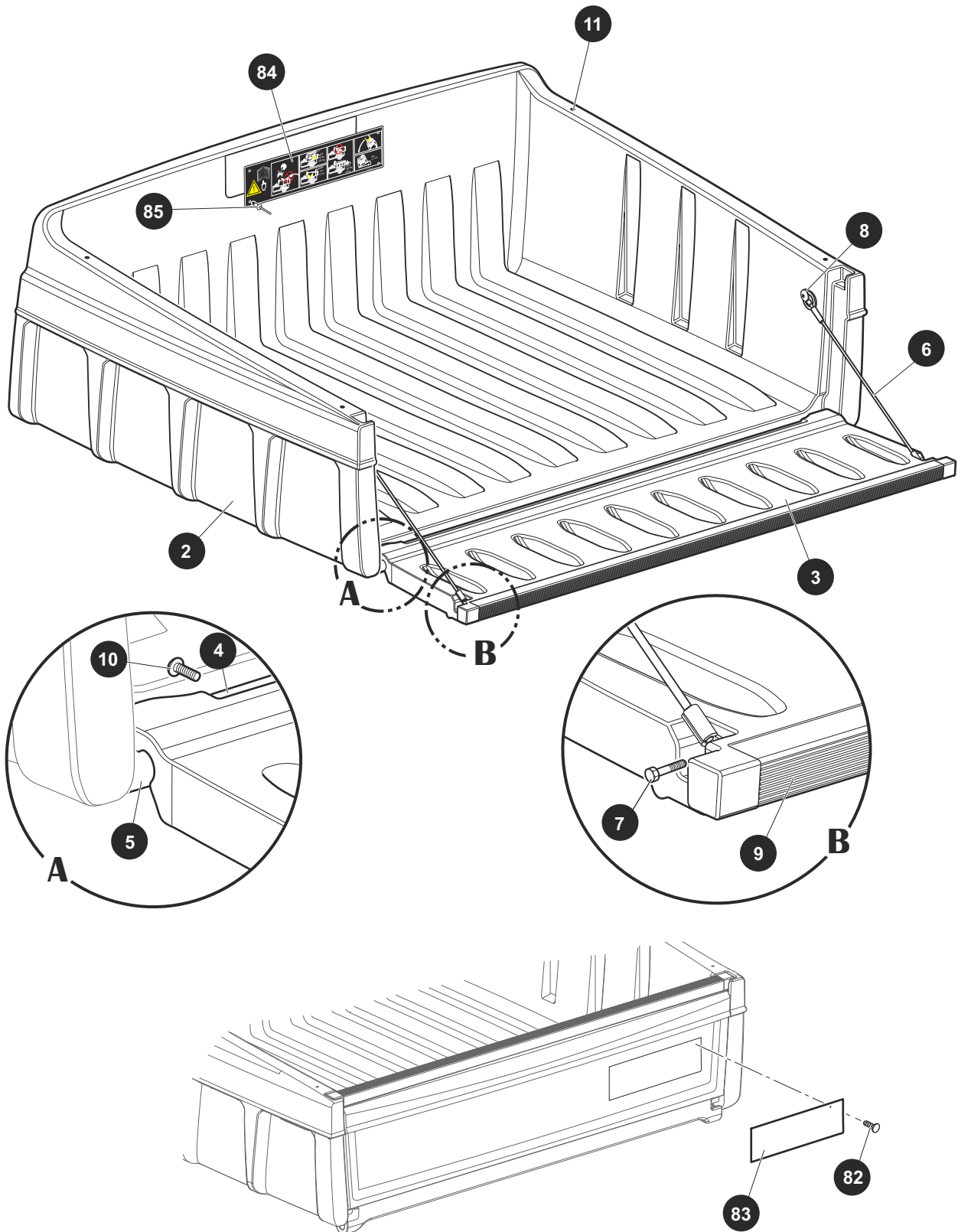
# STARTER / GENERATOR

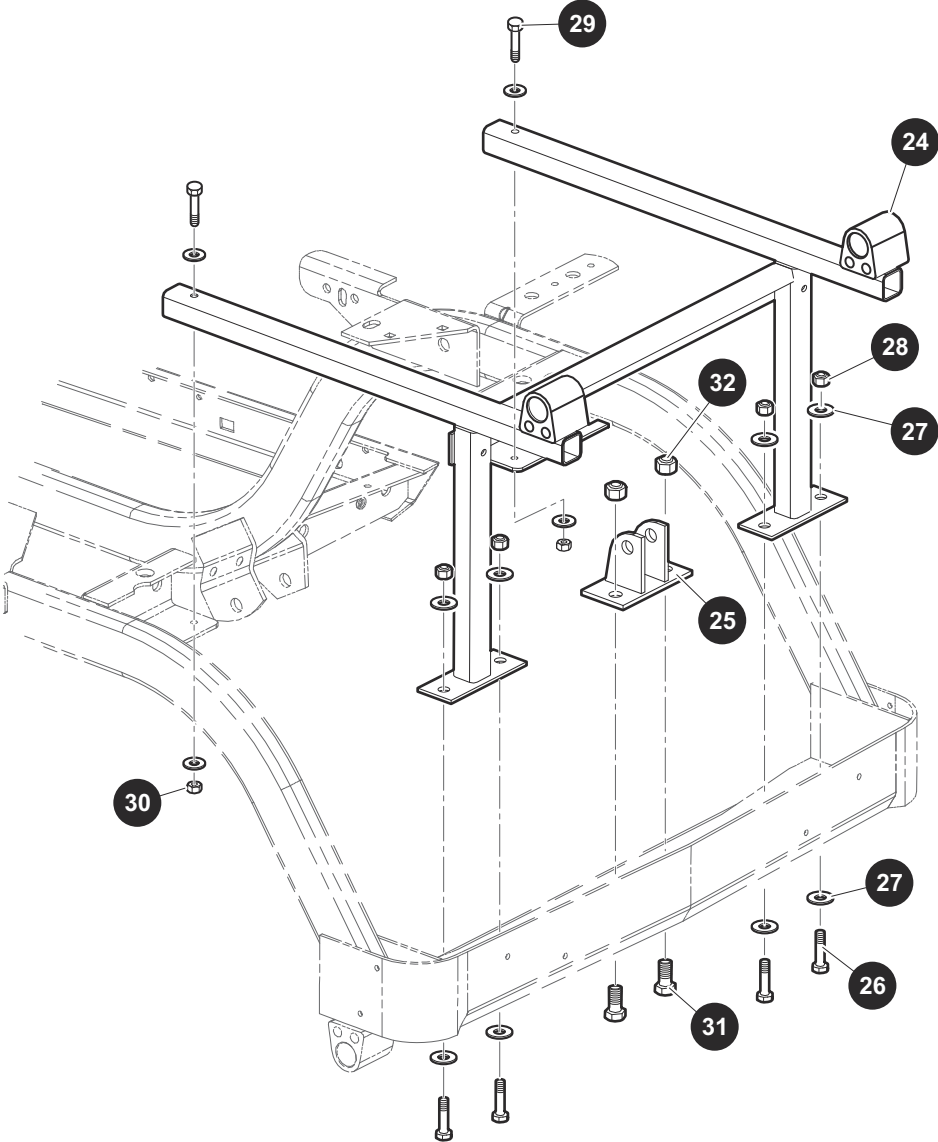
THE USE OF NON U.L. PARTS WILL VOID ANY U.L. LISTING.  
 When ordering parts, please specify the model and serial number of the product.  
 \* Indicates a component that is not available as an individual part.  
 G\*\* Indicates consult Customer Service Department for additional information.

ITEM	PART NO.	1 2 3 4 5	DESCRIPTION	QTY.
31	16548G1		STARTER / GENERATOR BELT .....	1
32	12064G6		PUSH NUT, 5/16" .....	1
33	625705		TENSIONER BOLT .....	1
34	603884		CABLE GUIDE BRACKET .....	1

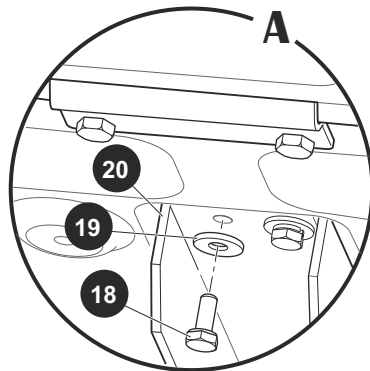
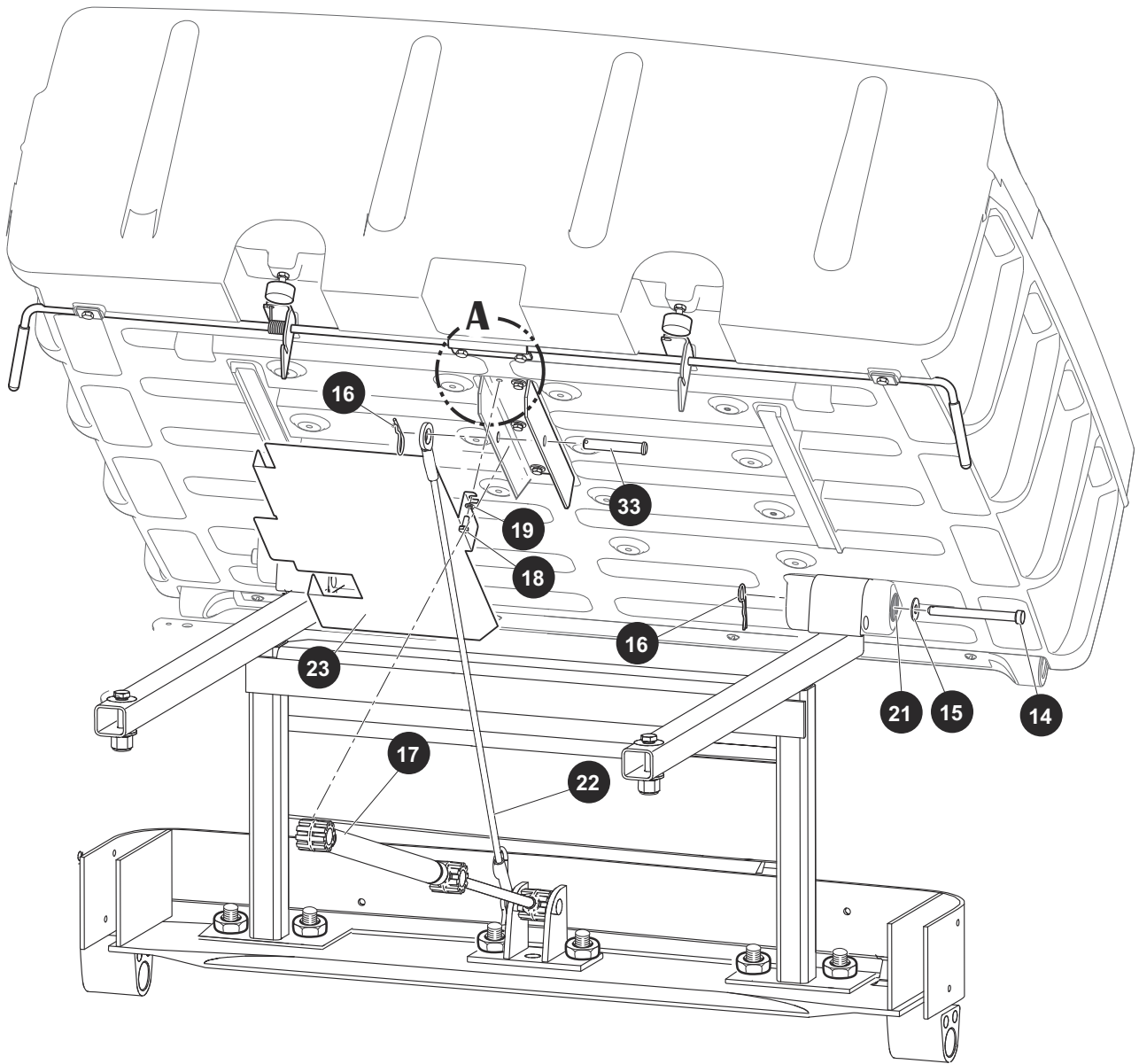
# TRUCK BED - PLASTIC

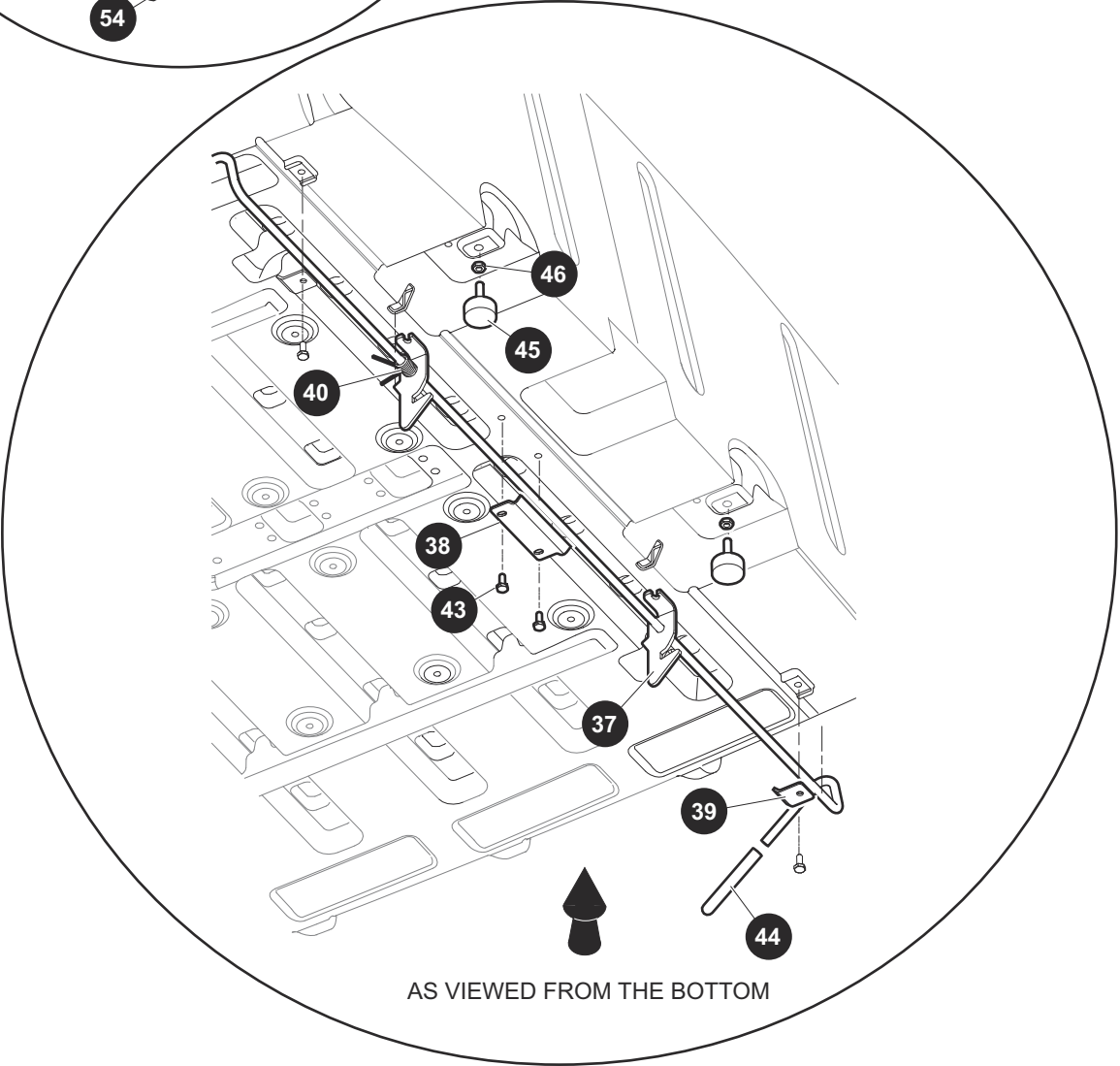
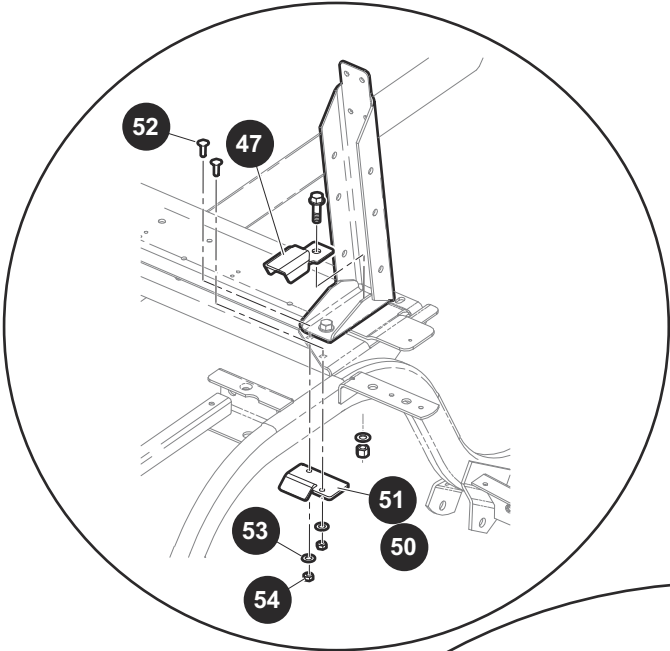
1 36" PLASTIC BED ASSEMBLY INCLUDES ITEMS 2-11





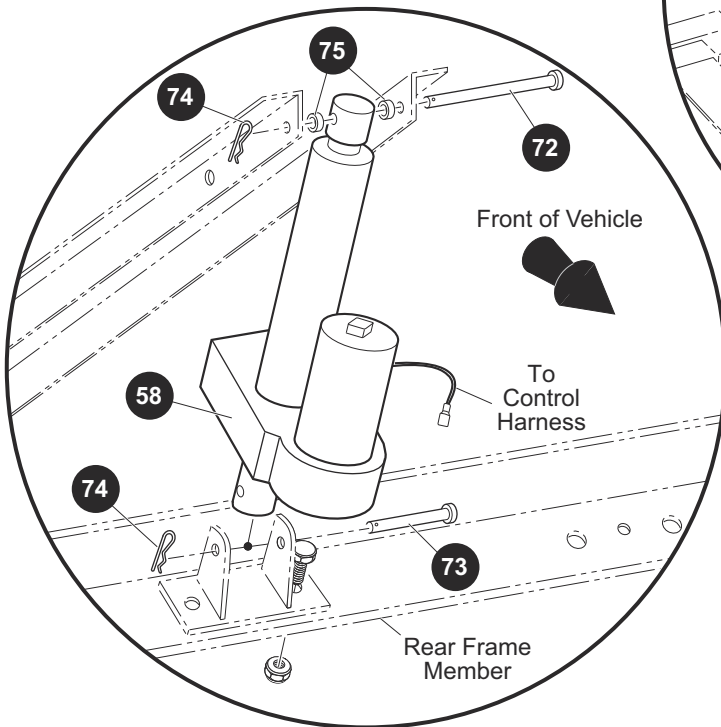
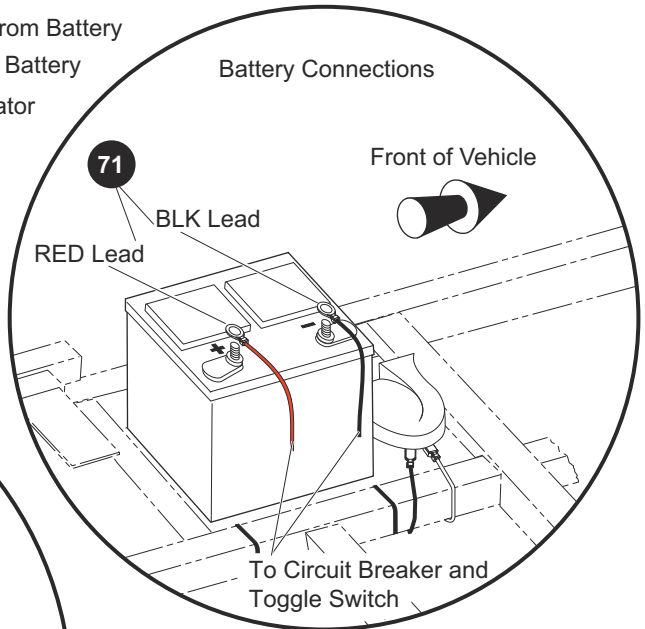
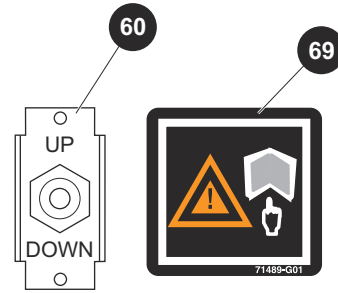
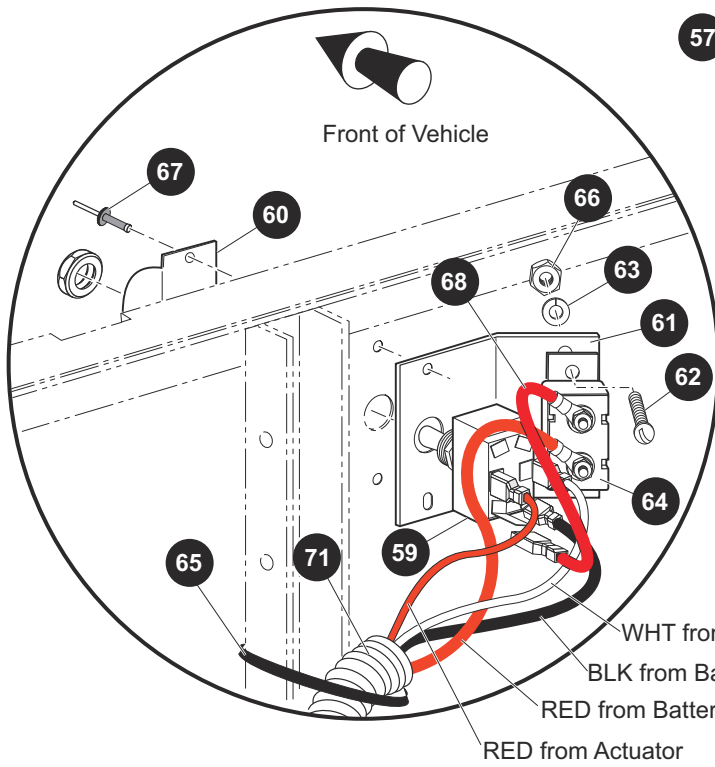
# TRUCK BED - PLASTIC



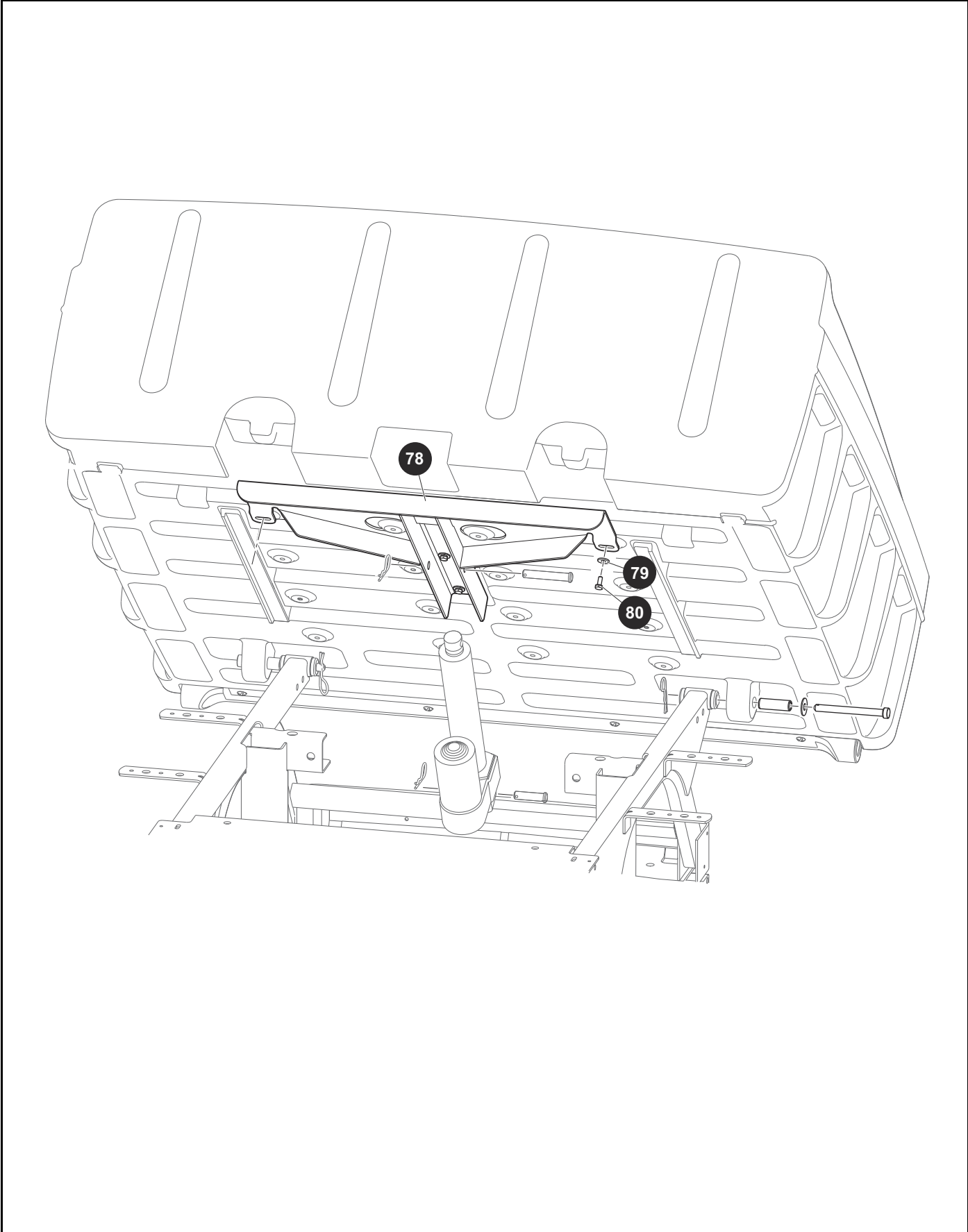


# TRUCK BED - PLASTIC

57 ELECTRIC DUMP KIT Includes Items 58 - 75







# TRUCK BED - PLASTIC

When ordering parts, please specify the model and serial number of the product.

\* Indicates a component that is not available as an individual part.

\*\*\* Indicates consult Customer Service Department for additional information.

ITEM	PART NO.	1 2 3 4 5	DESCRIPTION	QTY.
1	72647-G01		36" PLASTIC TRUCK BED ASSEMBLY ( INCLUDES ITEMS 2 - 11 ).....	1
2	72648-G01		36" PLASTIC BED .....	1
3	72649-G01		36" PLASTIC TAILGATE .....	1
4	73450-G01		BOWED ANGLE .....	1
5	73454-G01		PIVOT SHAFT.....	2
6	73455-G02		TAILGATE CABLE ASSEMBLY .....	2
7	00415-G2		HEX HEAD BOLT, 1/4 - 20 X 1.25" LG .....	2
8	73460-G01		PHILLIPS SHOULDER SCREW, 1/4 - 20 X .75" .....	2
9	73449-G01		TAILGATE CAP .....	1
10	16705-G2		PAN HEAD PHILLIPS SCREW, 1/4 - 2 X .62" LG .....	4
11	16816-G5		RACHET FASTNER.....	4
12				
13				
14	71571-G01		CLEVIS PIN, .50 DIA X 5.25" LG .....	2
15	00571-G5		WIDE FLAT WASHER, 1/2".....	2
16	21683-G1		HAIRPIN COTTER .....	2
17	71537-G02		GAS SPRING .....	1
18	01118-G01		HEX HEAD BOLT W/PATCHLOCK, 1/4 - 20 X .62" LG.....	8
19	00642-G7		FLAT WASHER, 1/4" .....	8
20	71569-G02		GAS SPRING CHANNEL .....	1
21	70291-G01		FLANGED URETHANE BUSHING .....	4
22	602904		CABLE ASSEMBLY .....	1
23	72339-G02		PLASTIC BED HEAT SHIELD.....	1
24	76423-G01		TRUCK BED FRAME .....	1
25	71283-G02		ELECTRIC LIFT BRACKET .....	1
26	00439-G2		HEX HEAD BOLT, 5/16 - 18 X 1.25" LG .....	4
27	00642-G8		FLAT WASHER, 5/16" .....	8
28	11098-G6		LOCK NUT, 5/16 - 18.....	2
29	00415-G6		HEX HEAD BOLT, 1/4 - 20 X 1.75" LG .....	2
30	00891-G2		LOCK NUT, 1/4 - 20.....	2
31	00462-G7		HEX HEAD BOLT, 7/16 - 14 X .875" LG .....	2

# TRUCK BED - PLASTIC

When ordering parts, please specify the model and serial number of the product.

\* Indicates a component that is not available as an individual part.

\*\*\* Indicates consult Customer Service Department for additional information.

ITEM	PART NO.	1 2 3 4 5	DESCRIPTION	QTY.
32	00734-G1		NUT, 7/16 - 14 .....	2
33	14443-G10		CLEVIS PIN, .50 DIA X 3" LG .....	1
34	14443-G12		CLEVIS PIN, .50 DIA X 2.2" LG .....	1
35				
36				
37	74962-G01		WELDMENT LATCH BED .....	1
38	71477-G02		BRACKET .....	1
39	71099-G02		LATCH PLATE .....	2
40	71538-G01		TORSION SPRING .....	1
41				
42				
43	01118-G01		SCREW, 1/4 - 2 X 5/8" LG .....	4
44	71704-G01		HANDLE GRIP .....	2
45	70113-G01		ADJUSTABLE BUMPER .....	2
46	11027-G1		LOCK NUT, 5/16 - 18 .....	2
47	74947-G01		BUMPER BRACKET .....	2
48				
49				
50	602977		LATCH PLATE (DRIVER SIDE) .....	1
51	602978		LATCH PLATE (PASSENGER SIDE) .....	1
52	01014-G03		CARRIAGE BOLT, 1/4 - 20 X .75" LG .....	4
53	00559-G7		WASHER, 1/4" .....	4
54	14390-G4		LOCK NUT, 1/4 - 20 .....	4
55				
56				
57	74164-G04		ELECTRIC DUMP KIT ( INCLUDES ITEMS 58 - 75 ) .....	1
58	27612-G02		ELECTRIC ACTUATOR 36 V .....	1
59	27680-G01		TOGGLE SWITCH .....	1
60	27447-G01		TOGGLE GUARD .....	1
61	74165-G02		CIRCUIT BREAKER MOUNTING BRACKET .....	1
62	00150-G4		SCREW, 10 - 24 X .50" LG .....	2

# TRUCK BED - PLASTIC

When ordering parts, please specify the model and serial number of the product.

\* Indicates a component that is not available as an individual part.

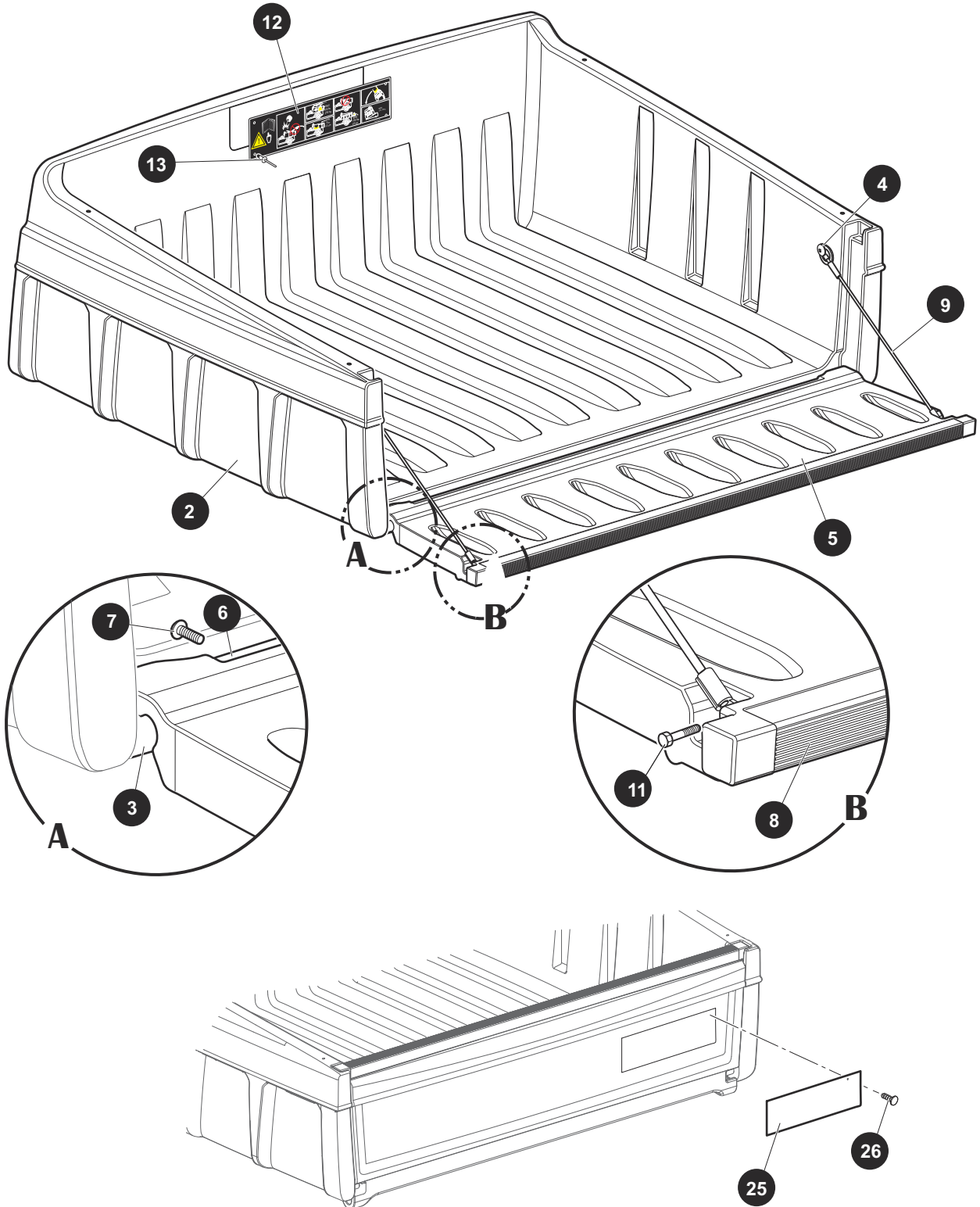
\*\*\* Indicates consult Customer Service Department for additional information.

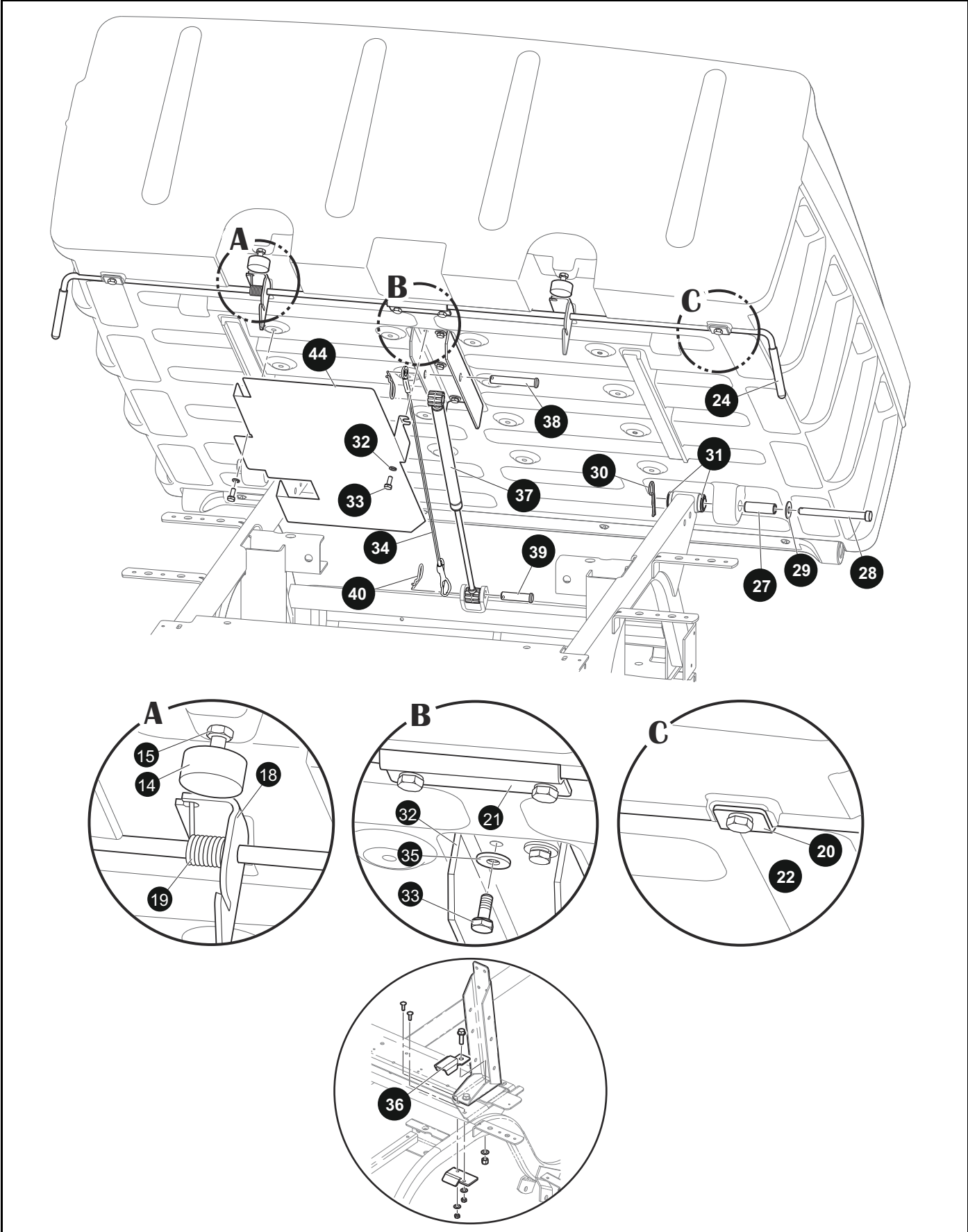
ITEM	PART NO.	1	2	3	4	5	DESCRIPTION	QTY.
63	00565-G5						LOCK WASHER, #10.....	2
64	21320-G3						CIRCUIT BREAKER 15A 24V.....	1
65	17618-G1						WIRE TIE .....	8
66	00526-G3						NUT, #10 - 24.....	2
67	10570-G9						RIVET, 5/32 X .55.....	2
68	25976-G14						14 GA WIRE ASSEMBLY (RED 5").....	1
69	71489G01						READ INSTRUCTIONS DECAL .....	1
70								
71	74163-G01						WIRE HARNESS, ELECTRIC DUMP .....	1
72	14443-G10						CLEVIS PIN, .50" DIA X 2.88" LG.....	1
73	14443-G11						CLEVIS PIN, .50" DIA X 1.75" LG.....	1
74	21683-G1						COTTER PIN, 15/32" X 2 13/16" LG.....	2
75	27613-G01						SPACER.....	2
76								
77								
78	71547-G02						OUTRIGGER CHANNEL.....	1
79	00642-G7						WASHER, 1/4".....	8
80	01118-G01						HEX HEAD BOLT, 1/4 - 20 X .62" LG.....	8
81								
82	16812-G2						RATCHET FASTENER.....	2
83	600821						LABEL EZGO MPT.....	2
84	74821-G05						BED CAPACITY LABEL (250 LB) .....	1
85	71055-G01						RIVET, 3/16" .....	5



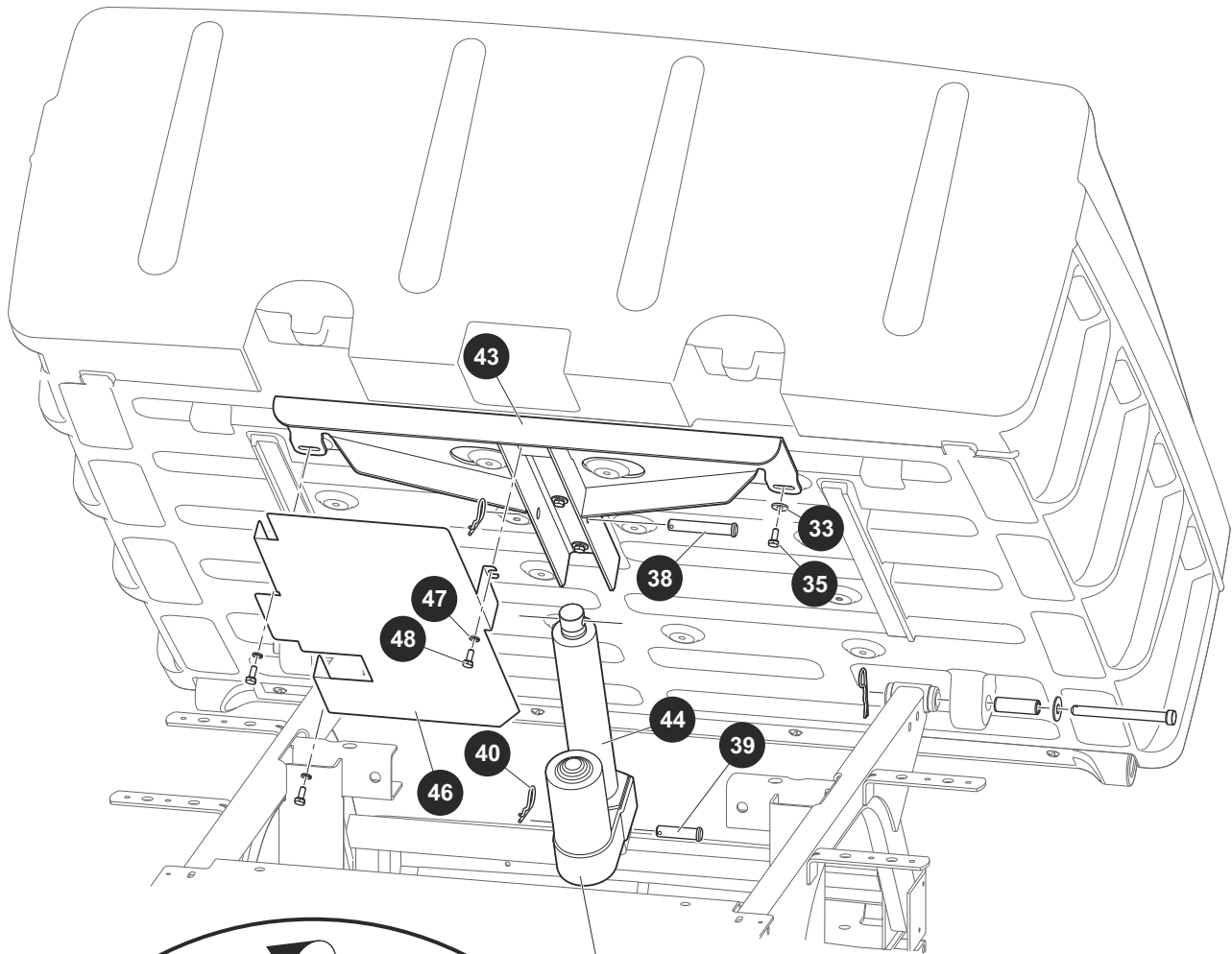
# TRUCK BED - PLASTIC

1 40" PLASTIC BED ASSEMBLY INCLUDES ITEMS 2-11

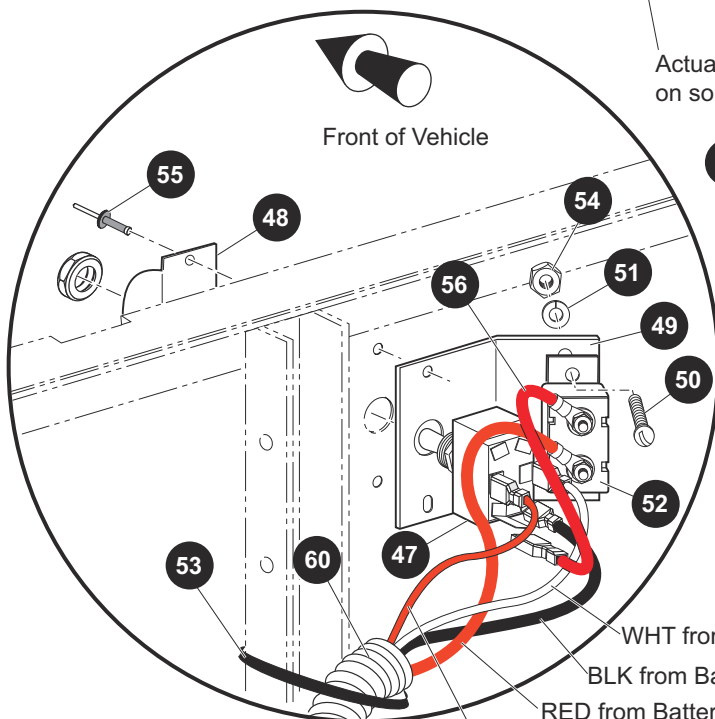




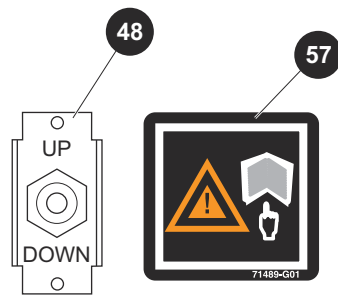
# TRUCK BED - PLASTIC



Actuator may be rotated 90° on some models



45 ELECTRIC DUMP KIT Includes Items 58 - 75



WHT from Actuator  
 BLK from Battery  
 RED from Battery  
 RED from Actuator



# TRUCK BED - PLASTIC

When ordering parts, please specify the model and serial number of the product.

\* Indicates a component that is not available as an individual part.

\*\*\* Indicates consult Customer Service Department for additional information.

ITEM	PART NO.	1 2 3 4 5	DESCRIPTION	QTY.
1	73451-G01		BED ASSEMBLY, 40" (INCLUDES ITEMS 2 -11) .....	1
2	73447-G01		PLASTIC BED, 40" .....	1
3	73454-G01		PIVOT SHAFT .....	2
4	73460-G01		SHOULDER BOLT, 1/4 - 20 X 3/4" LG .....	2
5	73455-G01		TAILGATE CABLE .....	1
6	73450-G01		BOWED ANGLE .....	1
7	16705-G2		SCREW, 1/4 - 20 X 5/8" LG (STAINLESS STEEL) .....	4
8	73449-G01		EXTRUSION CHANNEL .....	1
9	16818-G5		RATCHET FASTENER .....	4
10				
11	00415-G2		SCREW, 1/4 - 20 X 5/8" LG .....	2
12	74821-G01		BED CAPACITY LABEL .....	1
13	71055-G01		RIVET, 3/16" X 1" LG (ALUMINUM).....	5
14	70113-G01		ADJUSTABLE RUBBER BUMPER.....	2
15	11027-G1		LOCK NUT, 5/16 - 18 .....	2
16				
17				
18	74962-G01		BED LATCH .....	1
19	71538-G01		LATCH TORSION SPRING .....	1
20	71099-G02		PLATE, LATCH .....	2
21	71477-G02		RETAINER BRACKET .....	1
22	01118-G01		SCREW, 1/4 - 20 X 5/8" LG .....	4
23				
24	71704-G01		HANDLE GRIP .....	2
25	600110-G01		LABEL .....	1
26	16816-G2		RATCHET FASTNER.....	4
27	71570-G01		BUSHING.....	2
28	71571-G01		CLEVIS PIN .....	2
29	00571-G5		WASHER, 1 1/4 X 7/16 .....	2
30	21683-G1		HAIR CLIP.....	2
31	70291-G01		BUSHING.....	4

# TRUCK BED - PLASTIC

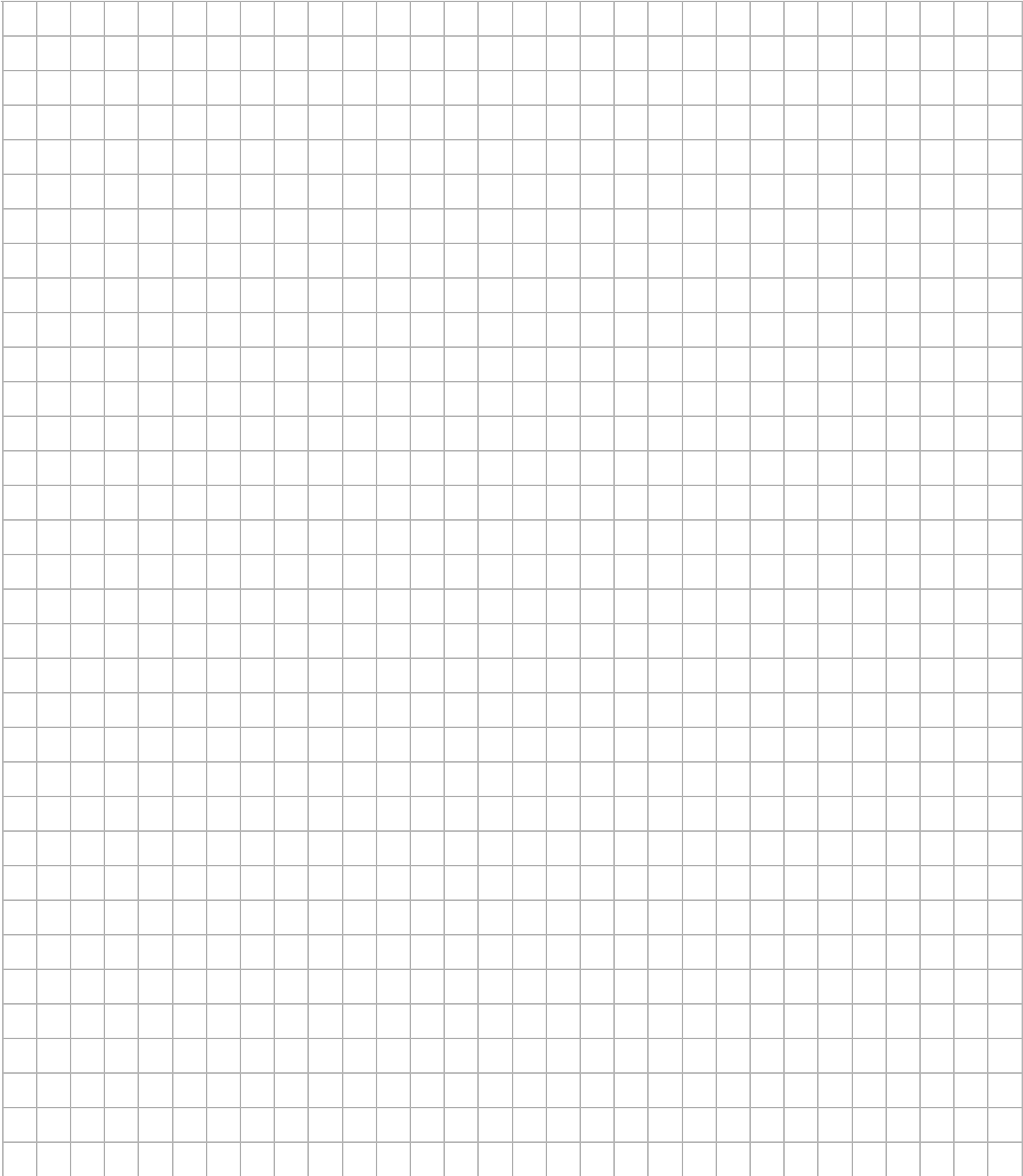
When ordering parts, please specify the model and serial number of the product.

\* Indicates a component that is not available as an individual part.

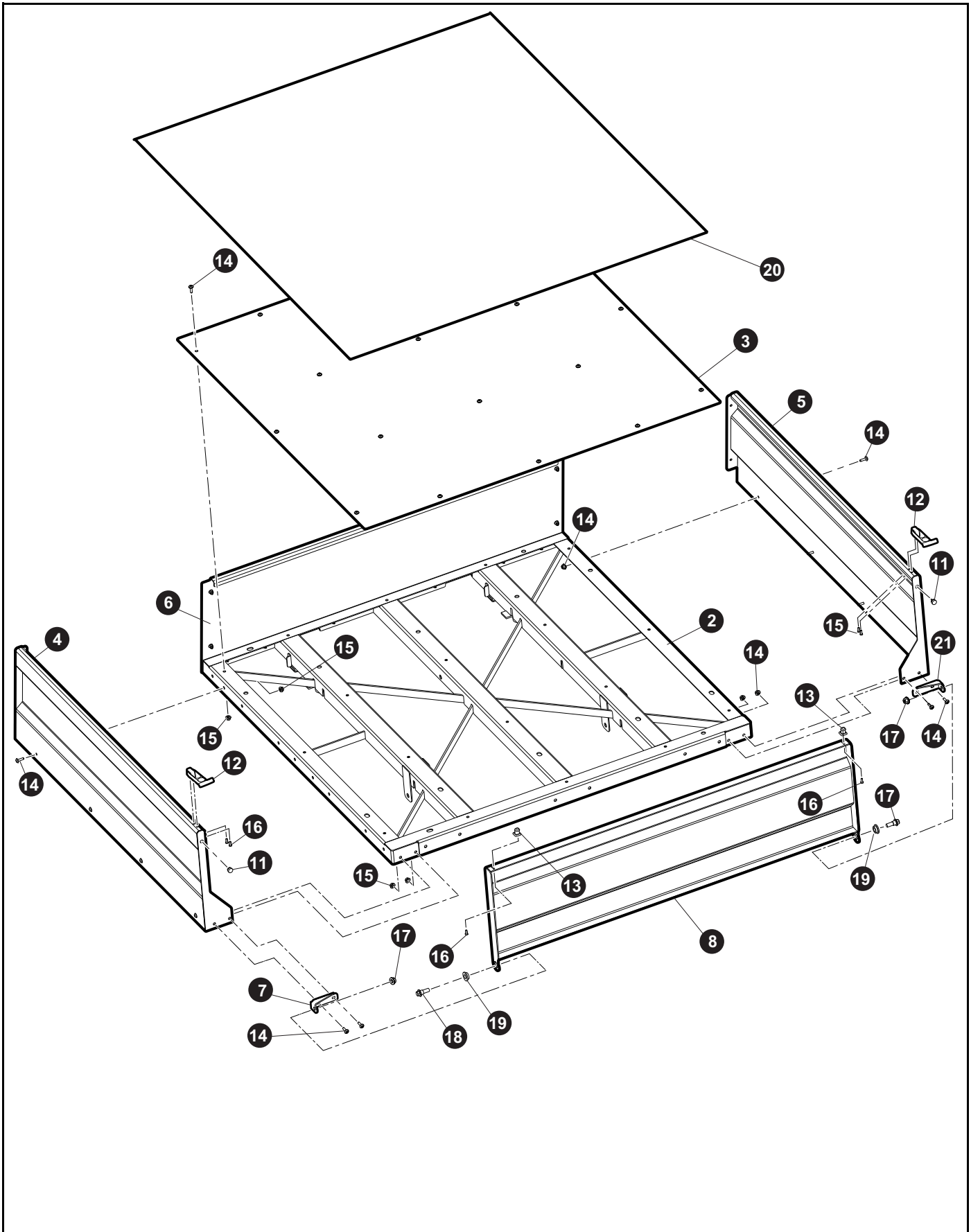
\*\*\* Indicates consult Customer Service Department for additional information.

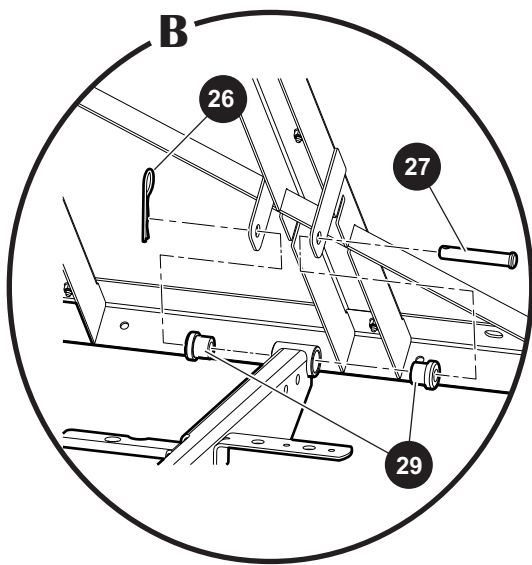
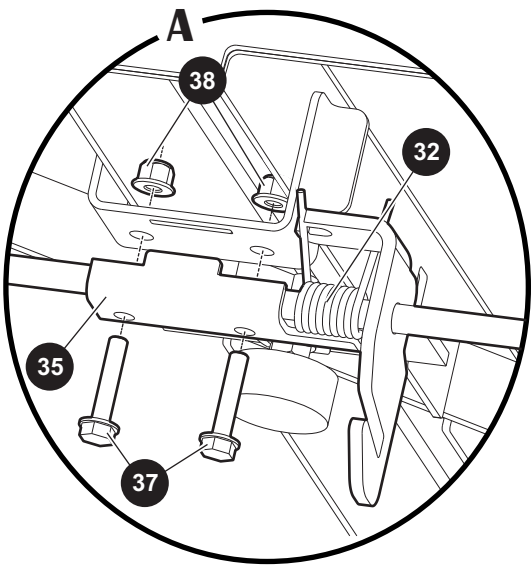
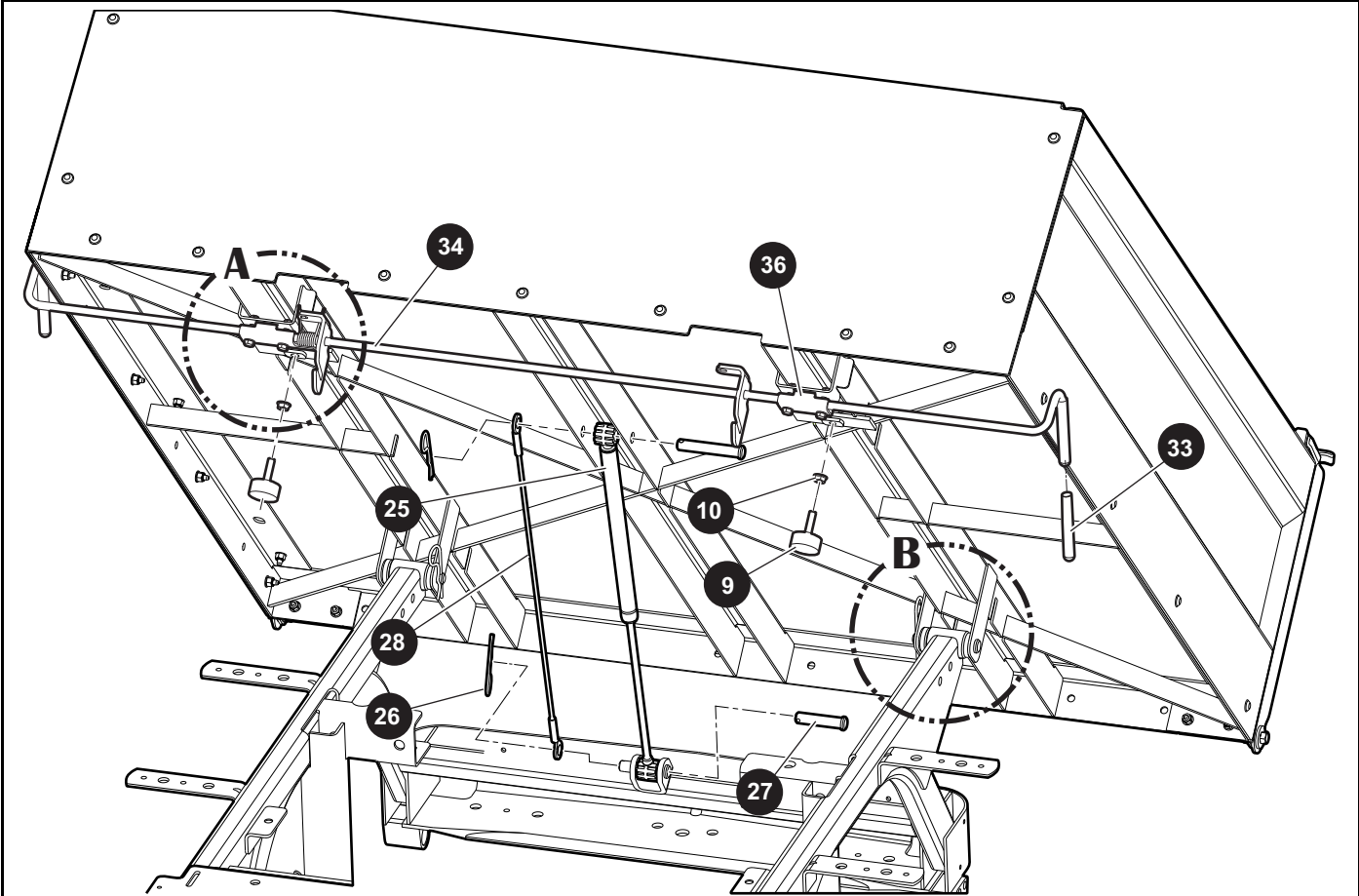
ITEM	PART NO.	1 2 3 4 5	DESCRIPTION	QTY.
32	71569-G02		SPRING CHANNEL.....	1
33	01118-G01		SCREW, 1/4 - 20 X 5/8" LG.....	8
34	602904		BED TETHER CABLE .....	1
35	00642-G7		WASHER, 1/4".....	8
36	74947-G01		BRACKET, BUMPER.....	2
37	71537-G02		GAS SPRING .....	2
38	14443-G10		CLEVIS PIN, 1/2" X 2 27/32" LG .....	1
39	14443-G12		CLEVIS PIN, 1/2" X 1 3/4" LG .....	1
40	21683-G1		HAIR CLIP .....	2
41	00642-G7		WASHER, 1/4".....	8
42	01118-G01		SCREW, 1/4 - 20 X 5/8" LG.....	8
43	71547-G02		OUTRIGGER CHANNEL.....	1
44	72339-G02		PLASTIC BED HEAT SHIELD (GASLONE VEHICLES ONLY).....	1
45	74164-G04		ELECTRIC DUMP KIT ( INCLUDES ITEMS 37 - 54 ).....	1
46	27612-G02		ELECTRIC ACTUATOR, 12 VOLT, 1500 LBS .....	1
47	27680-G01		TOGGLE SWITCH.....	1
48	27447-G01		TOGGLE GUARD .....	1
49	74165-G02		CIRCUIT BREAKER MOUNTING BRACKET.....	1
50	00150-G4		SCREW, 10 - 24 X 1/2" LG .....	2
51	00565-G5		LOCK WASHER, #10.....	2
52	21320-G4		CIRCUIT BREAKER 15A 24V.....	1
53	17618-G1		WIRE TIE .....	8
54	00526-G3		NUT, #10 - 24.....	2
55	10570-G9		RIVET, 5/32 X .55.....	2
56	25976-G14		14 GA WIRE (RED 5") .....	1
57				
58				
59	27613-G01		SPACER.....	2
60	74613-G01		HARNESS.....	1

Notes:



# TRUCK BED - METAL





# TRUCK BED - METAL

When ordering parts, please specify the model and serial number of the product.

\* Indicates a component that is not available as an individual part.

\*\*\* Indicates consult Customer Service Department for additional information.

ITEM	PART NO.	1 2 3 4 5	DESCRIPTION	QTY.
1	615610		STEEL-ALLUMINIUM BED ASSEMBLY (INCLUDES ITEMS 1 -20) .....	1
2	614759		BED FRAME WELDMENT .....	1
3	615599		DECK PLATE STEEL BED .....	1
4	614799		SIDE PANEL LEFT HAND .....	1
5	614801		SIDE PANEL RIGHT HAND .....	1
6	620833		PANEL FRONT .....	1
7	614785		TAILGATE BRACKET LEFT HAND .....	1
8	614796		TAILGATE .....	1
9	70113G01		ADJUSTABLE RUBBER, BUMPER .....	2
10	11027G1		LOCK NUT FLANGED 5/16 -18 .....	2
11	28083G01		BRAKE COMPENSATOR, BUMPER .....	2
12	612976		LATCH ASSEMBLY .....	2
13	612977		LATCH KEEPER .....	2
14	614781		SCREW M6 X 25 .....	41
15	601476		LOCK NUT M6 - 1 .....	41
16	612957		SCREW 10 - 24 X .500 .....	6
17	606279		NUT M10 - 1.25 .....	2
18	606235		BOLT M10 - 1.25 X 20 .....	2
19	615048		BUSHING .....	2
20	615611		MAT .....	1
21	615092		TAILGATE BRACKET RIGHT HAND .....	1
22				
23				
24				
25	71537G02		GAS SPRING .....	1
26	21683G1		COTTER PIN .....	4
27	14443G12		CLEVIS PIN .....	4
28	602904		CABLE ASSEMBLY .....	1
29	70291G01		FLANGED BUSHING URETHANE .....	4
30				
31				

# TRUCK BED - METAL

When ordering parts, please specify the model and serial number of the product.

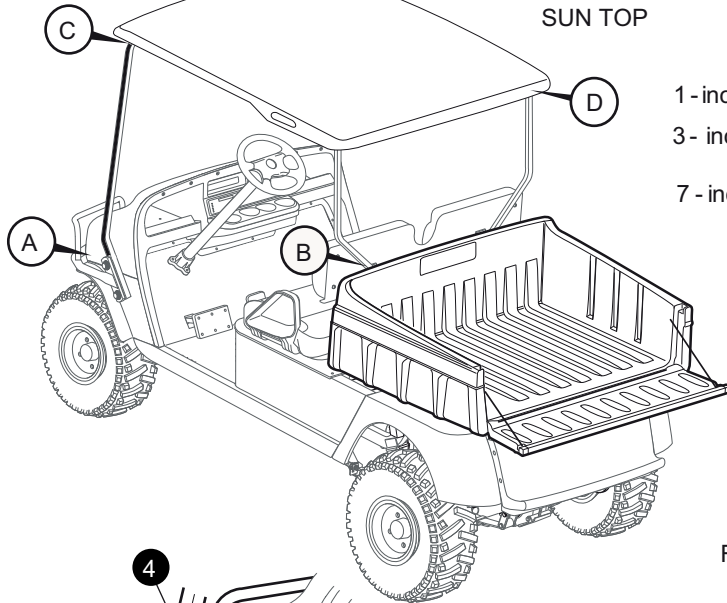
\* Indicates a component that is not available as an individual part.

\*\*\* Indicates consult Customer Service Department for additional information.

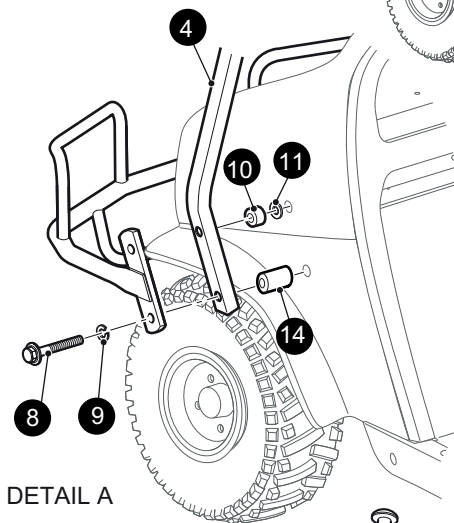
ITEM	PART NO.	1 2 3 4 5	DESCRIPTION	QTY.
32	71538G01		TORSION SPRING, BED LATCH .....	1
33	71704G01		HANDLE GRIP .....	2
34	607072		BED LATCH .....	1
35	614788		LATCH CLAMP RIGHT HAND .....	1
36	614789		LATCH CLAMP LEFT HAND .....	1
37	606421		BOLT M6 - 1 X 30 .....	4
38	601476		LOCK NUT M6 - 1 .....	4

# WEATHER PROTECTION

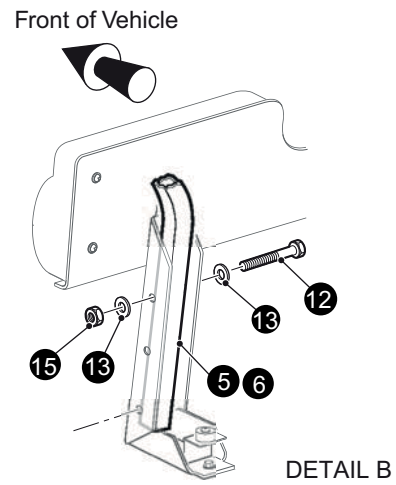
## SUN TOP CAP (CAMO) SUN TOP



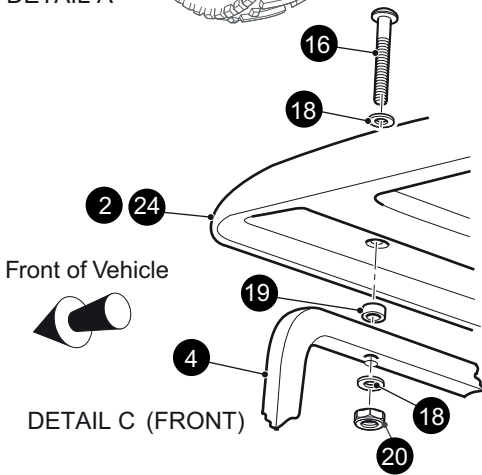
- 1 - includes items 2 - 21
- 3 - includes items 4 - 21
- 7 - includes items 8 - 21



DETAIL A

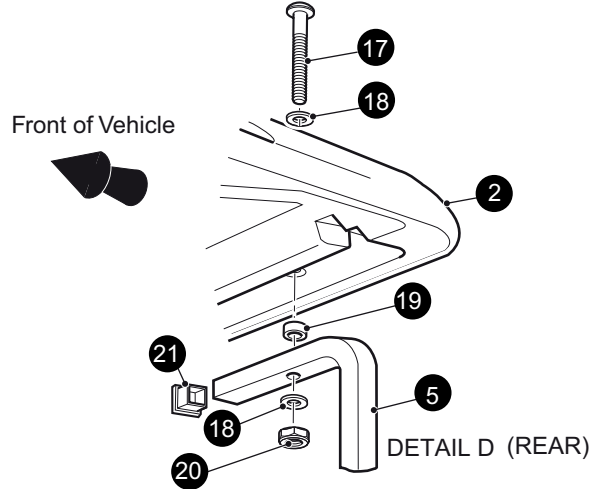


DETAIL B



Front of Vehicle

DETAIL C (FRONT)



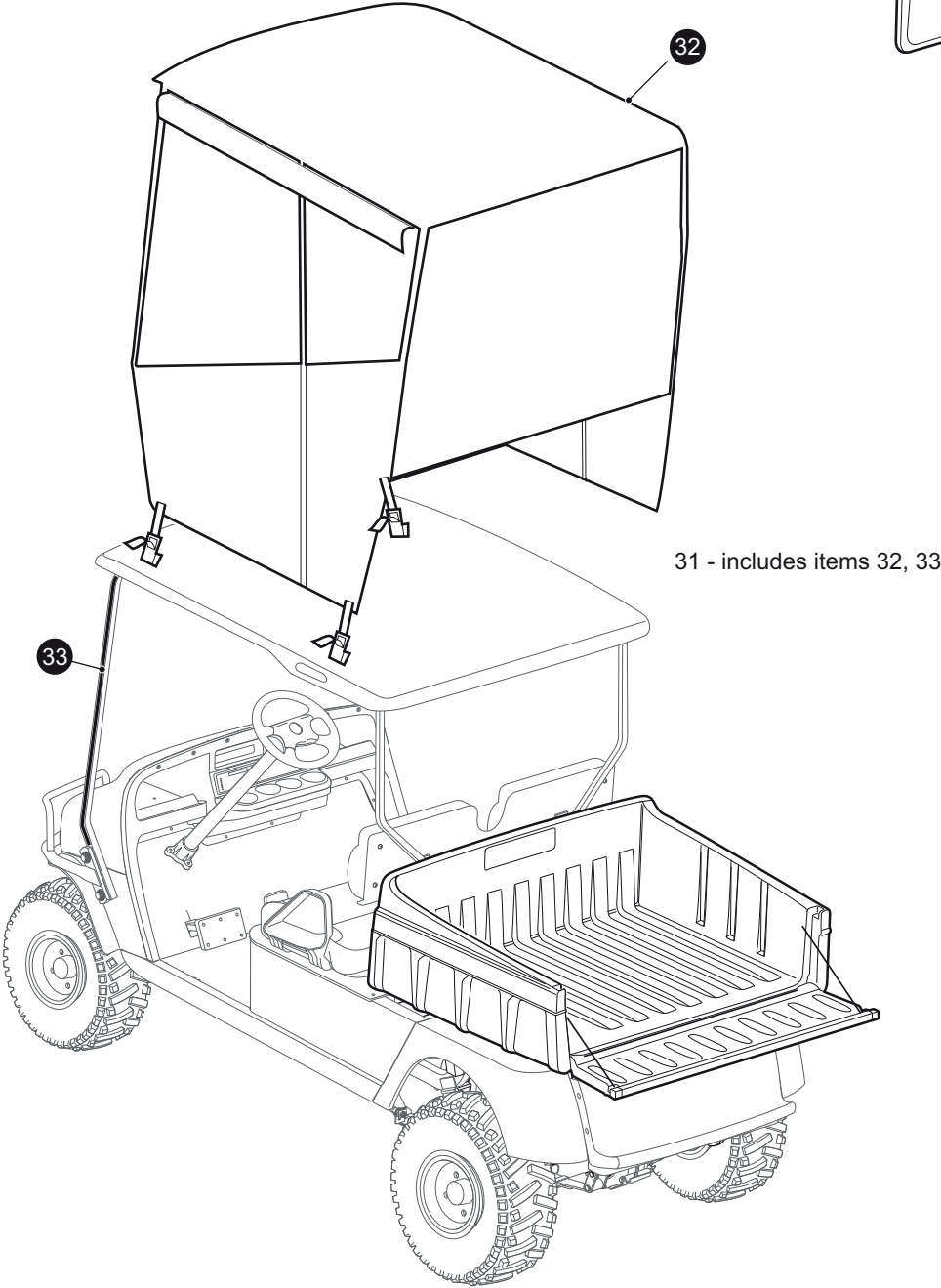
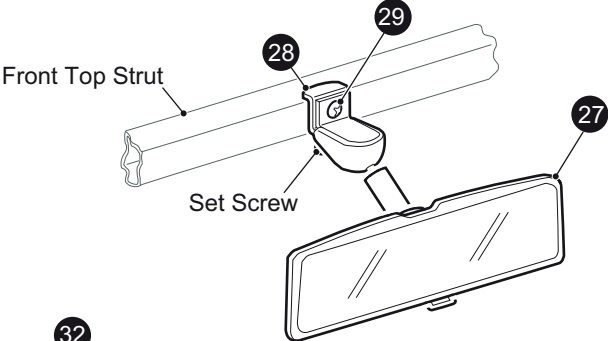
Front of Vehicle

DETAIL D (REAR)



**REAR VIEW MIRROR KIT**

26 - includes items 27 - 29



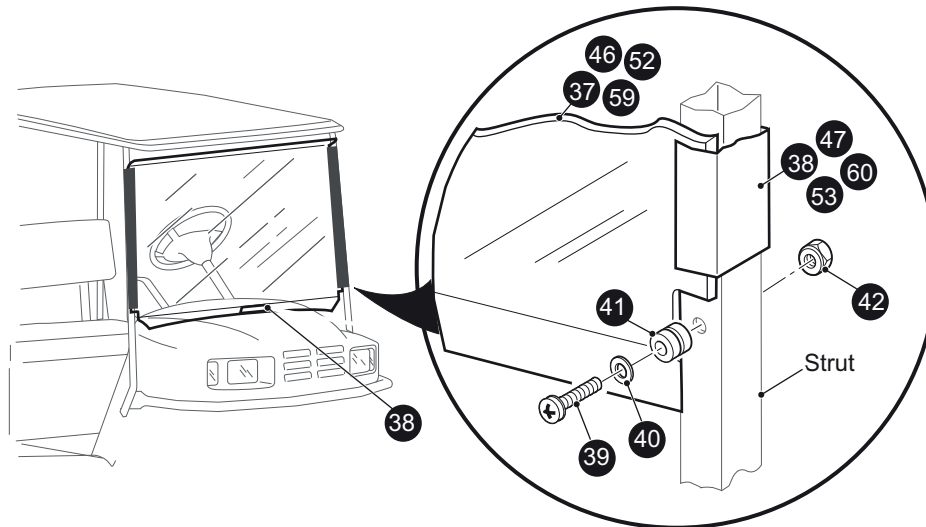
# WEATHER PROTECTION

36 - includes items 37 - 43

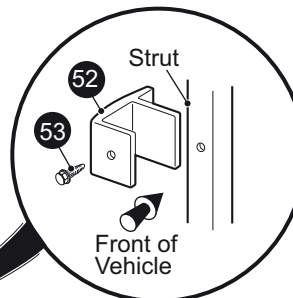
45 - includes items 46 - 47 and 39 - 43

51 - includes items 52 - 53 and 39 - 43

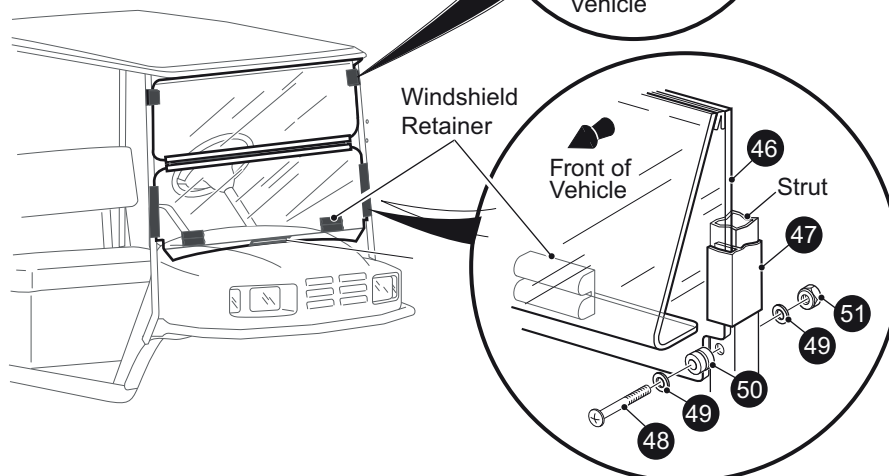
59 - includes items 59 - 60 and 39 - 43



Front of Vehicle



Front of Vehicle



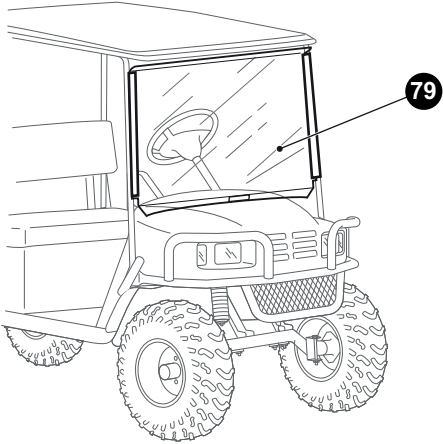
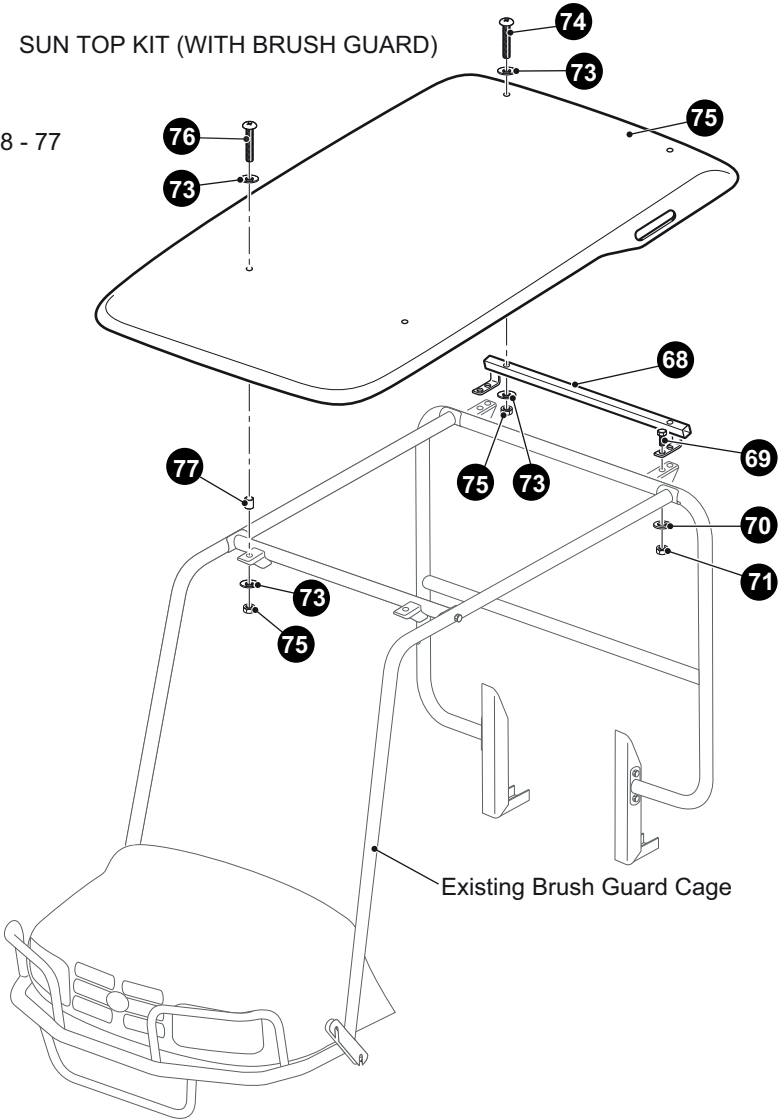
Front of Vehicle

Front of Vehicle



SUN TOP KIT (WITH BRUSH GUARD)

67 - includes items 68 - 77



# WEATHER PROTECTION

When ordering parts, please specify the model and serial number of the product.

\* Indicates a component that is not available as an individual part.

\*\*\* Indicates consult Customer Service Department for additional information.

ITEM	PART NO.	1	2	3	4	5	DESCRIPTION	QTY.
1	75040G0*						SUN TOP KIT (INCLUDES ITEMS 2 -21) .....	1
2	27069G0*						SUN TOP .....	1
3	75044G06						HARDWARE KIT (INCLUDES ITEMS 4 - 21).....	1
4	75045G05						FRONT STRUT .....	1
5	75838G03						REAR STRUT (DRIVER SIDE) .....	1
6	75838G04						REAR STRUT (PASSENGER SIDE).....	1
7	75465G01						FASTENING HARDWARE KIT (INCLUDES ITEMS 8 - 21).....	1
8	00440G2						HEX HEAD BOLT, 5/16 - 18 X 2 1/4" LG .....	4
9	00905G8						LOCK WASHER, 5/16" .....	4
10	75048G01						SPACER, 1/2" .....	2
11	00570G2						FLAT WASHER, 5/16" .....	6
12	00685G7						HEX HEAD BOLT, 5/16 - 18 X 1 3/4" LG .....	4
13	01110G03						WASHER, 5/16" (STAINLESS STEEL).....	8
14	75048G04						SPACER.....	2
15	01109G01						LOCK NUT, 5/16 - 18 (STAINLESS STEEL).....	4
16	00753G5						MACHINE TRUSS HEAD PHILLIPSCREW, 1/4 - 20 X 2" LG .....	2
17	00753G6						MACHINE TRUSS HEAD PHILLIPSCREW, 1/4 - 20 X 2 1/4" LG ..	2
18	01110G01						FLAT WASHER, 1/4" .....	8
19	75051G01						PLASTIC SPACER.....	4
20	00891G2						LOCK NUT, 1/4 - 20 (STAINLESS STEEL).....	4
21	19853G1						END CAP, 1" .....	2
22								
23								
24								
25								
26	19528G2						REAR VIEW MIRROR KIT (INCLUDES ITEMS 27 - 29) .....	1
27	19496G1						REAR VIEW MIRROR .....	1
28	19502G2						SUPPORT BRACKET.....	1
29	19527G1						PAN HEAD SCREW, #8 - 32 X 5/8" LG .....	1
30								
31	75367G**						3 SIDED SOFT ENCLOSURE KIT (INCLUDES ITEMS 32 - 33) .....	1

# WEATHER PROTECTION

When ordering parts, please specify the model and serial number of the product.

\* Indicates a component that is not available as an individual part.

\*\*\* Indicates consult Customer Service Department for additional information.

ITEM	PART NO.	1 2 3 4 5	DESCRIPTION	QTY.
32	*		ENCLOSURE .....	1
33	*		VELCRO .....	AR
34				
35				
36	71966G01		WINDSHIELD KIT (FULL) (REQUIRES SUN TOP KIT) ..... (INCLUDES ITEMS 37- 43).....	1
37	71954G01		WINDSHIELD (FULL) (LEXAN).....	1
38	75528G01		SASH, 26" LG.....	2
39	71956G03		SCREW, 1/4 - 20 X 1 3/4" LG (STAINLESS STEEL).....	2
40	71956G04		STAINLESS STEEL WASHER, 1/4".....	4
41	71956G06		RUBBER GROMMET .....	2
42	71956G05		LOCK NUT, 1/4 - 20 (STAINLESS STEEL) .....	2
43	EGWHL14		SAFETY LABEL (NOT ILLUSTRATED) .....	1
44				
45	71966G02		WINDSHIELD KIT (FOLD DOWN) (REQUIRES SUN TOP KIT) (INCLUDES ITEMS 46 - 47 AND 39 - 43).....	1
46	623903		FLIP WINDSHIELD (LEXAN) .....	1
47	75528G02		SASH, 12" LG.....	2
48				
49				
50				
51	71966G03		WINDSHIELD KIT (FULL) (REQUIRES SUN TOP KIT) (INCLUDES ITEMS 52 - 53 AND 39 - 43).....	1
52	71960G01		WINDSHIELD (FULL).....	1
53	75528G01		SASH, 26" LG.....	2
54				
55				
56				
57				
58	71966G04		WINDSHIELD KIT (FOLD DOWN)(REQUIRES SUN TOP KIT) (INCLUDES ITEMS 59 - 60 AND 39 - 43).....	1
59	617544		SPORT WINDSHIELD.....	1

# WEATHER PROTECTION

When ordering parts, please specify the model and serial number of the product.

\* Indicates a component that is not available as an individual part.

\*\*\* Indicates consult Customer Service Department for additional information.

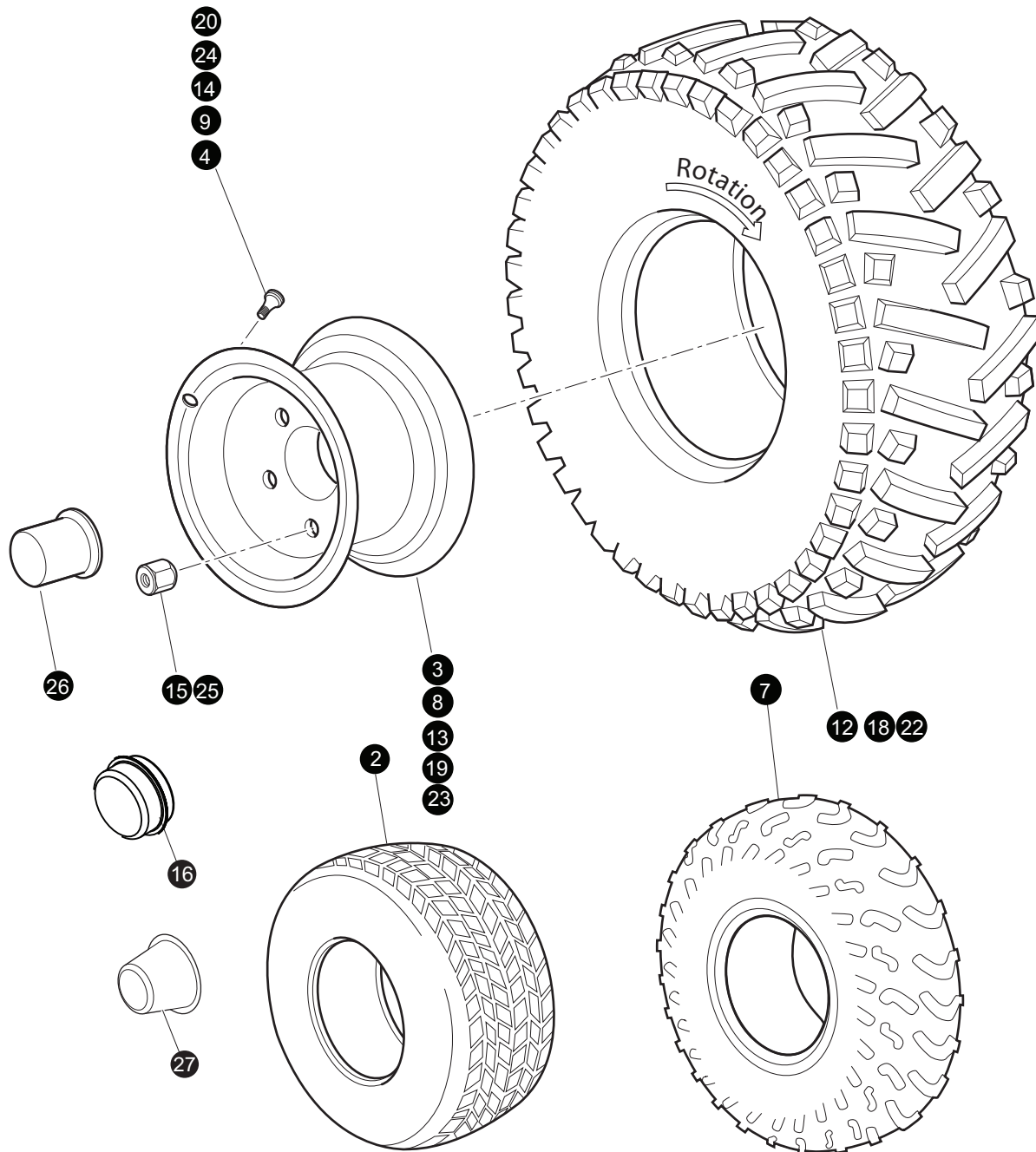
ITEM	PART NO.	1	2	3	4	5	DESCRIPTION	QTY.
60	EGWHC10						SASH, 12" LG .....	2
61								
62								
63								
64								
65								
66								
67	74496G0*						SUN TOP KIT (WITH BRUSH GUARD) (INCLUDES ITEMS 68 - 77) .....	1
68	74466G01						MOUNTING BRACKET.....	1
69	00438G5						HEX HEAD BOLT, 5/16 - 18 X 5/8" LG .....	4
70	00565G8						LOCK WASHER, 5/16" .....	4
71	00532G3						HEX NUT, 5/16 - 18.....	4
72	74497G0*						SUN TOP .....	1
73	00559G7						FLAT WASHER, 1/4" .....	8
74	00753G6						MACHINE TRUSS HEAD PHILLIPSCREW, 1/4 - 20 X 2 1/4" LG .....	2
75	00891G2						LOCK NUT, 1/4 - 20 (STAINLESS STEEL).....	4
76	00753G7						MACHINE TRUSS HEAD PHILLIPSCREW, 1/4 - 20 X 2 1/2" LG .....	2
77	7446G01						SPACER.....	2
78								
79	74542G01						WINDSHIELD KIT (WITH BRUSH GUARD) (Replacement Parts available from Eagle Parts, 706-790-6687) .....	1



# WHEELS AND TIRES

- 1 - Includes Items 2 - 4
- 5 - Includes Items 7 - 9
- 6 - Includes Items 7 - 9
- 10 - Includes Items 12 - 14
- 11 - Includes Items 12 - 14
- 17 - Includes Items 18 - 20
- 21 - Includes Items 22 - 24

(Style of tire may differ from tire shown)





# WHEELS AND TIRES

When ordering parts, please specify the model and serial number of the product.

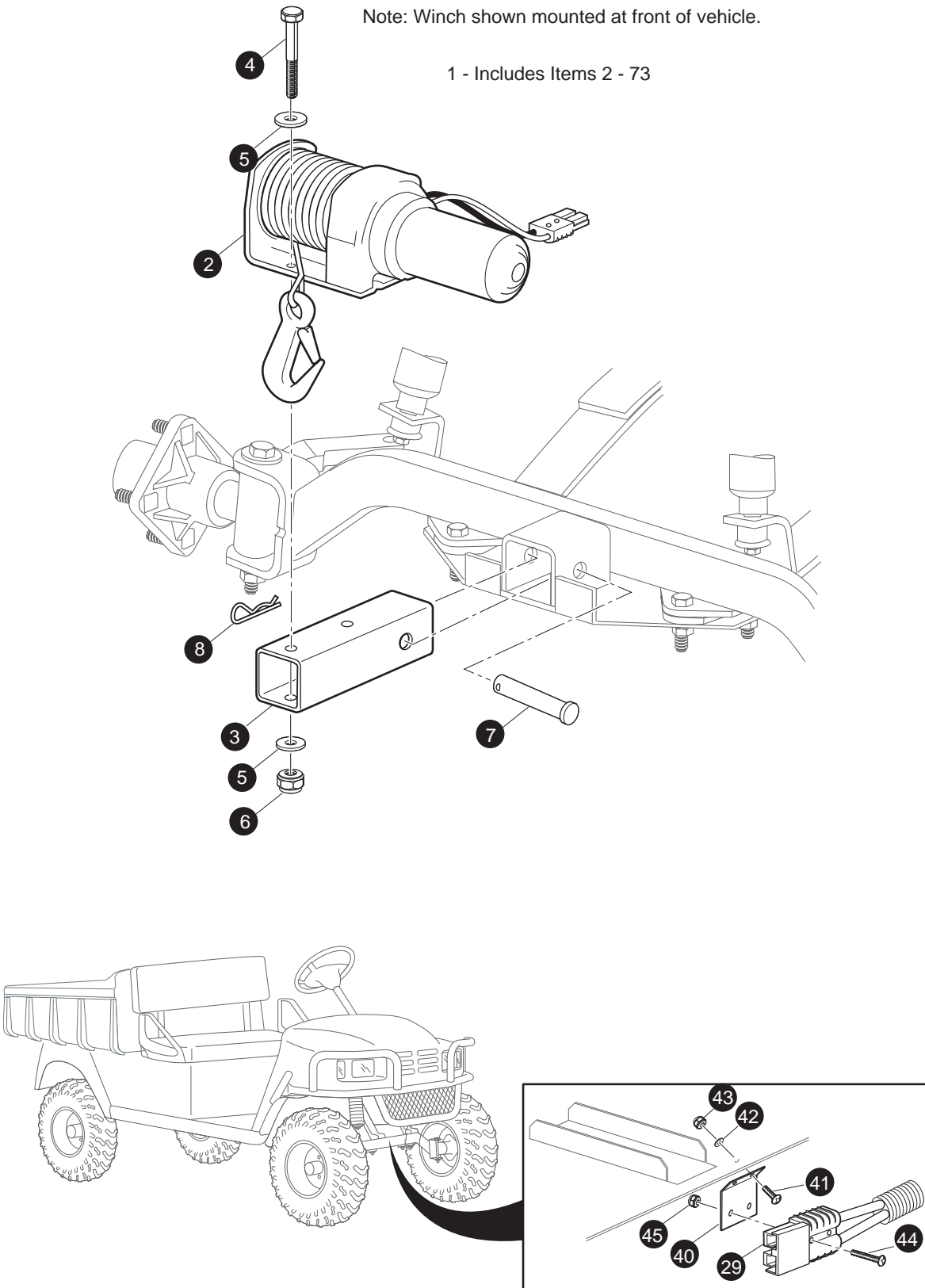
\* Indicates a component that is not available as an individual part.

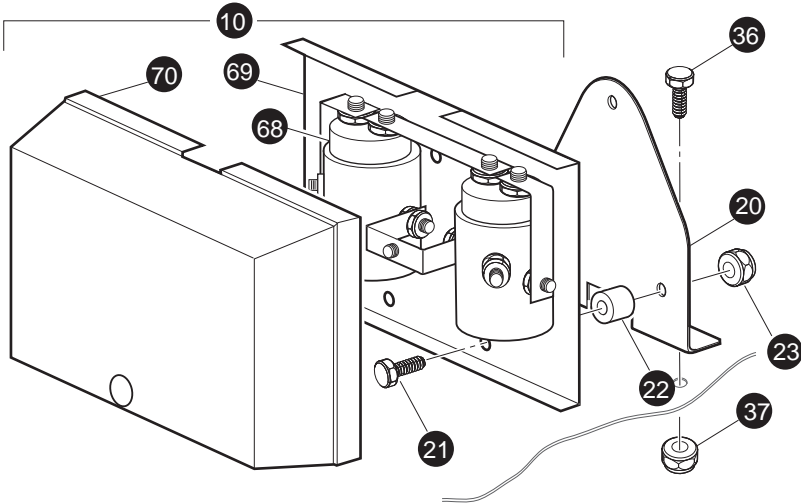
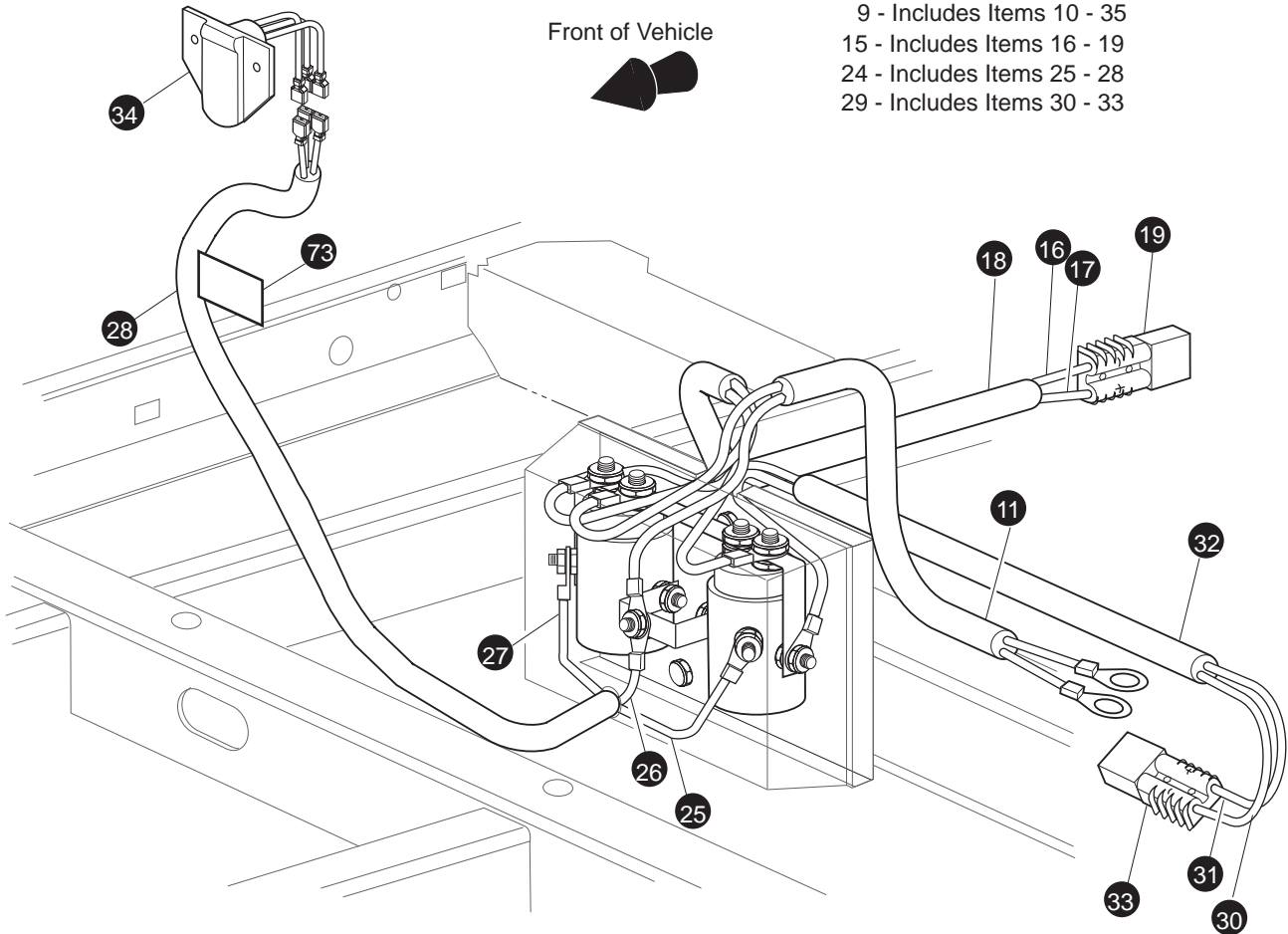
\*\*\* Indicates consult Customer Service Department for additional information.

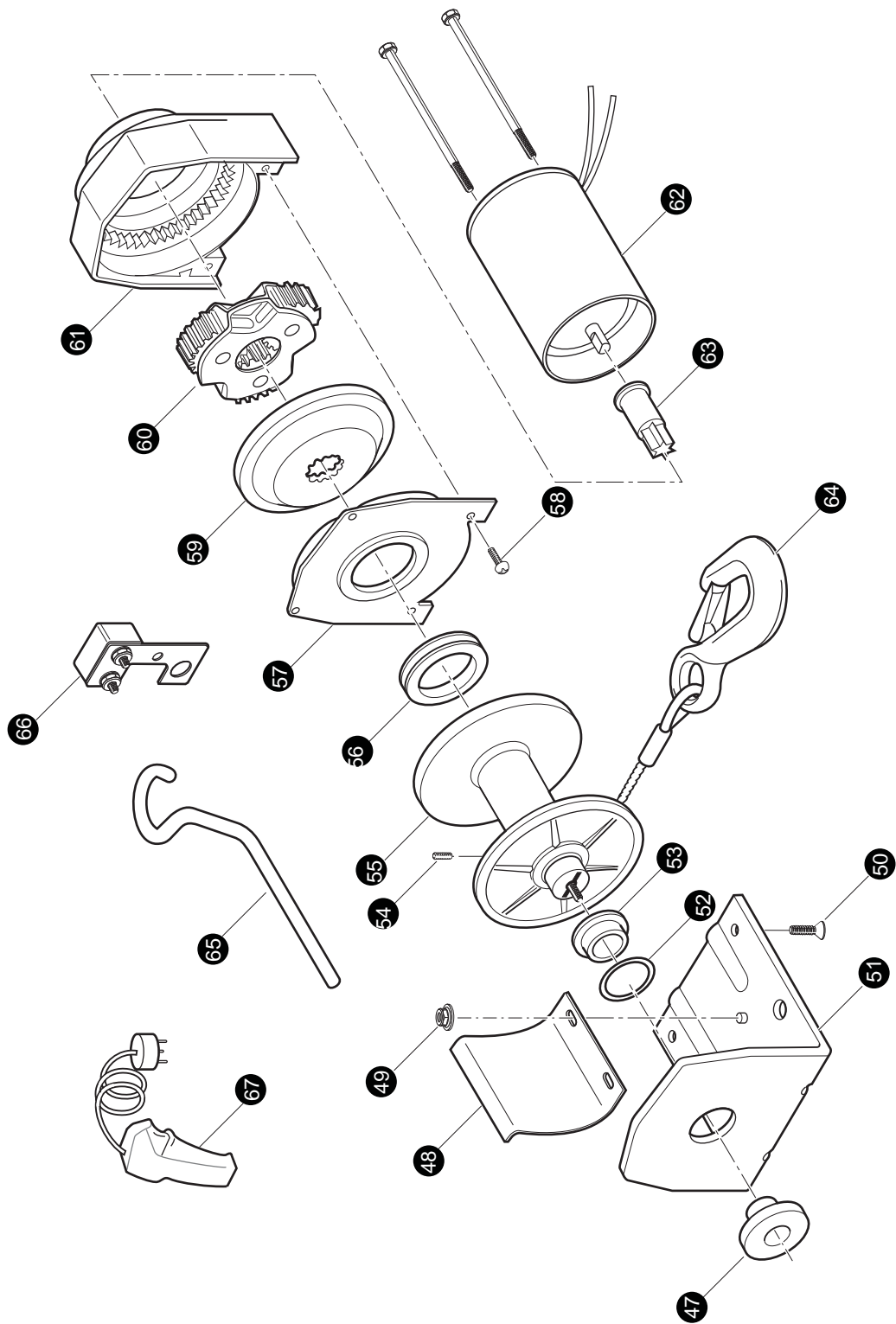
ITEM	PART NO.	1 2 3 4 5	DESCRIPTION	QTY.
1	28442G03		WHEEL AND TIRE ASSY, TURF SAVER (INCLUDES ITEMS 2 - 4) .....	1
2	28442G02		TIRE, 20 X 10 - 10 TURF SAVER .....	1
3	15172G02		WHEEL RIM (BLACK, 4 LUG).....	1
4	11657G1		VALVE STEM.....	1
5	74842G03		WHEEL AND TIRE ASSY (DRIVER SIDE) (INCLUDES ITEMS 7 - 9).....	1
6	74842G04		WHEEL AND TIRE ASSY (PASSENGER SIDE) (INCLUDES ITEMS 7 - 9) ..	1
7	74842G05		TIRE, 21 X 11 - 10 TRAIL WOLF.....	1
8	1015239014		WHEEL RIM (BLACK, 4 LUG).....	1
9	012007		VALVE STEM.....	1
10	28630G04		WHEEL AND TIRE ASSY (DRIVER SIDE) (INCLUDES ITEMS 12 - 14).....	1
11	28630G05		WHEEL AND TIRE ASSY (PASSENGER SIDE) (INCLUDES ITEMS 12 - 14)	1
12	28630G01		TIRE, 22 X 9 - 10 STRYKER.....	1
13	15172G02		WHEEL RIM (BLACK, 4 LUG).....	1
14	11657G1		VALVE STEM.....	1
15	14723G1		LUGNUT, 1/2 - 20.....	A/R
16	12091G2		SPINDLE CAP .....	2
17	606240		SPEEDRACER TIRE AND WHEEL, 10X7, DRIVER SIDE (INCLUDES 18-20) (MUST USE ITEM 25 LUG NUTS, ORDER SEPARATELY).....	2
18	606139		SPEED RACER, 10X7 DRIVER SIDE .....	1
19	606152		WHEEL, 10" DIAMOND FINISHED WHEEL .....	1
20	604915		VALVE STEM, CHROME.....	1
21	606179		SPEEDRACER TIRE AND WHEEL, 10X7, PASSENGER SIDE (INCLUDES 22-24) (MUST USE ITEM 25 LUG NUTS, ORDER SEPARATELY)	2
22	606139		SPEED RACER, 10X7 DRIVER SIDE .....	1
23	606152		WHEEL, 10 " DIAMOND FINISHED WHEEL .....	1
24	604915		VALVE STEM, CHROME.....	1
25	606925		DIAMOND LUG NUTS .....	4
26	608910		DIAMOND WHEEL CAP .....	1
27	74175G01		DUST CAP .....	2

Note: Winch shown mounted at front of vehicle.

1 - Includes Items 2 - 73







When ordering parts, please specify the model and serial number of the product.

\* Indicates a component that is not available as an individual part.

\*\*\* Indicates consult Customer Service Department for additional information.

ITEM	PART NO.	1 2 3 4 5	DESCRIPTION	QTY.
1	74259-G02		WINCH KIT (INCLUDES ITEMS 2 - 73) (ST 350).....	1
2	600792		WINCH ASSEMBLY, T1500.....	1
3	74271-G01		WINCH MOUNTING TUBE .....	1
4	00440-G6		BOLT, 5/16 - 18 X 2 3/4" LG .....	2
5	00571-G2		WASHER, 5/16".....	4
6	00891-G3		LOCK NUT, 5/16 - 18.....	2
7	21317-G1		CLEVIS PIN, 5/8" x 3" LG.....	1
8	21683-G1		COTTER PIN, 15/32" X 2 13/16" LG .....	1
9	74286-G02		REMOTE SOLENOID (INCLUDES ITEMS 10 - 35).....	1
10	74256-G02		SOLENOID KIT .....	1
11	72278-G01		WIRE HARNESS (SOLENOID to BATTERY) .....	1
12				
13				
14				
15	600798		WIRE HARNESS (SOLENOID to REAR WINCH) (INCLUDES 16 - 19)	1
16	600794		8 GA WIRE ( YELLOW 67" ) .....	1
17	600793		8 GA WIRE ( BLUE 67" ) .....	1
18	20436-G1		FLEX LOOM ( BULK ) 49" .....	1
19	73235-G01		CONNECTOR.....	1
20	74326-G01		MOUNTING BRACKET.....	1
21	00414-G6		BOLT, 1/4 - 20 X 3/4" LG.....	3
22	23726-G1		SPACER, 1/4" .....	3
23	14390-G4		LOCK NUT, 1/4 - 20 .....	3
24	600801		WIRE HARNESS (SOLENOID to RECEPTACLE) (INCLUDES 25-28).	1
25	19077-G1		16 GA WIRE ( BLUE 14" ) .....	1
26	20216-G1		16 GA WIRE ( WHITE 14" ) .....	1
27	19080-G1		16 GA WIRE ( YELLOW 14" ) .....	1
28	17313-G1		FLEX LOOM ( BULK ), 4" .....	1
29	600795		WIRE HARNESS (SOLENOID to FRONT WINCH) (INCLUDES 30-33)	1
30	600794		8 GA WIRE ( YELLOW 94" ) .....	1
31	600793		8 GA WIRE ( BLUE 94" ) .....	1

When ordering parts, please specify the model and serial number of the product.

\* Indicates a component that is not available as an individual part.

\*\*\* Indicates consult Customer Service Department for additional information.

ITEM	PART NO.	1	2	3	4	5	DESCRIPTION	QTY.
32	20436-G1						FLEX LOOM, 75 5/8" ( BULK ) .....	1
33	73235-G01						CONNECTOR .....	1
34	600482						RECEPTACLE WITH LEADS (GREEN, WHITE, BLACK) .....	1
35	*						CIRCUIT BREAKER WITH BRACKET.....	1
36	00414-G5						BOLT, 1/4 - 20 X 5/8" LG.....	2
37	14390-G4						LOCK NUT, 1/4 - 20 .....	2
38								
39								
40	74289-G01						CONNECTOR MOUNT PLATE.....	1
41	00740-G4						SCREW, #10 - 32 X 1/2" LG (STAINLESS STEEL).....	2
42	00559-G5						WASHER, #10 .....	2
43	00921-G8						LOCK NUT, #10 - 32 .....	2
44	00156-G8						SCREW, #10 - 32 X 1" LG .....	2
45	00526-G4						NUT, #10 - 32.....	2
46								
<p>The following items are replacement components for the winch. For service or replacement parts, contact Superwinch, Inc., Winch Drive, Putnam, CT 06260 Phone: (860) 928-7787, FAX: (860) 928-1143</p> <p>Always provide the following information when requesting information or ordering replacement parts:</p> <p>Winch Part Number: T1500 Serial Number: (found on housing) Part Number and Description</p>								
47	87-10490						KNOB ASSEMBLY, T-SERIES F/W .....	1
48	87-22381						TENSION PLATE .....	1
49	87-23149-05						NUT, HEX, FLANGED, M5 X 0.8 .....	2
50	89-22291-01						SCREW, ST HEX SKY FH, M6 X 1 X 20 .....	2
51	87-22394						BASEPLATE ASSEMBLY, T-SERIES .....	1
52	AS REQ'D						WASHER, .020 OR .030 THICK .....	A/R
53	87-10466						BUSHING, T-SERIES.....	1
54	87-23309-01						SET SCREW, M5 X 0.8 X 6 .....	1
55	87-22397						DRUM ASSEMBLY .....	1

When ordering parts, please specify the model and serial number of the product.

\* Indicates a component that is not available as an individual part.

\*\*\* Indicates consult Customer Service Department for additional information.

ITEM	PART NO.	1	2	3	4	5	DESCRIPTION	QTY.
56	87-10470						DRUM SUPPORT BUSHING .....	1
57	87-33257						DRUM SUPPORT PLATE .....	1
58	87-23030-10						SCREW, ST PAN HEAD, M4 X 0.7 X 10 .....	4
59	87-33251						ROTATOR GEAR, T-SERIES .....	1
60	87-22380						CARRIER ASSEMBLY, T-SERIES .....	1
61	87-22396						STATIONARY GEAR HOUSING ASSEMBLY, T-SERIES .....	1
62	87-33249						MOTOR, 12 VOLT .....	1
63	87-22401						MOTOR PINION GEAR .....	1
64	1535A						WIRE ROPE AND HOOK ASSEMBLY, 5/32" X 25 FEET .....	1
65	89-32300						HANSAVER BAR .....	1
66	90-22873-03						CIRCUIT BREAKER ASSEMBLY, 12 VOLT, T-SERIES .....	1
67	90-22117						REMOTE CONTROL ASSEMBLY .....	1
68	92-20172						SOLENOID, 12 VOLT .....	2
69	90-32070						SOLENOID BACK PLATE .....	1
70	90-31079						SOLENOID COVER .....	1
71								
72								
73	71489-G01						LABEL (READ INSTRUCTIONS) .....	1





# SPECIALTY PRODUCTS

## SPECIALTY PRODUCTS

<b>SPECIAL TOOLS</b>	<b>PART NO.</b>
HIGH RESISTANCE SPARK PLUG WIRE SET .....	26733G02
CLUTCH PULLER (DRIVE) .....	19779G2
FLYWHEEL PULLER .....	27111G01
CURRENT INDICATOR .....	16489G2
DIGITAL MULTI-METER .....	27481G01
TUBELESS TIRE REPAIR KIT .....	606009
TIRE PLUGGER REFILL PACK (50/BOX) .....	606831

<b>TOUCH UP PAINT</b>	<b>PART NO.</b>
PEN 3 OUNCE (89 ML) - HUNTER GREEN .....	28432G02
PEN 3 OUNCE (89 ML) - CHAMPAGNE BEIGE .....	28432G01
PEN 3 OUNCE (89 ML) - WHITE .....	28432G05
PEN 3 OUNCE (89 ML) - INDUSTRIAL YELLOW .....	28432G03
PEN 3 OUNCE (89 ML) - ORANGE .....	28432G04
PEN 3 OUNCE (89 ML) - STEEL BLUE PEARL .....	28432G24
PEN 3 OUNCE (89 ML) - CAMOUFLAGE PAINT (THREE PENS) .....	75831G01
AEROSOL 12 OUNCE (360 ML) - HUNTER GREEN .....	28140G09
AEROSOL 12 OUNCE (360 ML) - CHAMPAGNE BEIGE .....	28140G15
AEROSOL 12 OUNCE (360 ML) - INDUSTRIAL YELLOW .....	28140G14

<b>MAINTENANCE PRODUCTS</b>	<b>PART NO.</b>
PLEXUS® CLEANER, 13 OUNCE (380 ML) (FOR WINDSHIELDS) .....	28433G02
BATTERY PROTECTOR, 14 OUNCE (410 ML) SPRAY .....	27619G02
E-Z-GO ALL SURFACE CLEANER .....	606311
E-Z-GO FIBREGLASS/PLASTIC RESTORER .....	606313
WINDSHIELD AND PLASTIC PROTECTOR .....	606314
64 OZ HAND CLEANER .....	607636
4 OZ HAND CLEANER .....	607637

**OPTIONS/ACCESSORIES**

**OPTIONS/ACCESSORIES**

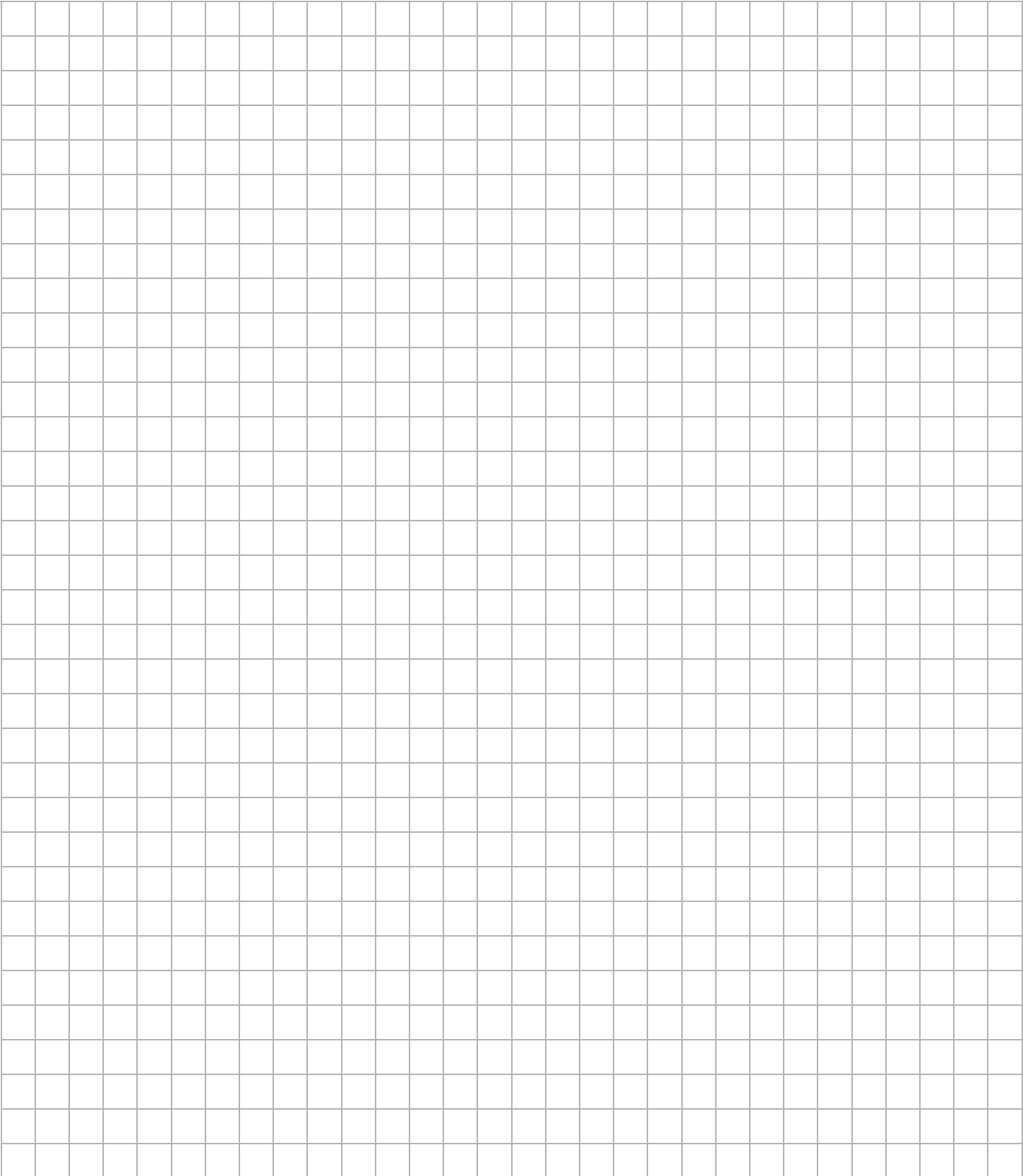
## OPTIONS/ACCESSORIES

ITEM	KIT NO.	SECTION
<b>ACCESSORIES LISTING</b>		
ASHTRAY KIT . . . . .	75109-G02 . . . . .	See BODY
BALL HITCH KIT . . . . .	74491-G02 . . . . .	See BODY
CARGO BED COVER . . . . .	73521-G01	
CARGO TRAILER (STEEL) . . . . .	74486-G01	
CARGO TRAILER (POLY) . . . . .	74487-G01	
CONSOLE POWER OUTLET . . . . .	71079-G01 . . . . .	See ELECTRICAL SYSTEM
DEFROSTER/COOLING FAN . . . . .	74248-G01 . . . . .	See CAB (FLAT WINDSHIELD)
DOME LIGHT . . . . .	20495-G2 . . . . .	See CAB (FLAT WINDSHIELD)
DOOR SET (STEEL) . . . . .	74301-G0* . . . . .	See CAB (FLAT WINDSHIELD)
DOOR SET (STEEL) . . . . .	75856-G0* . . . . .	See CAB (CURVED WINDSHIELD)
DOOR SET (VINYL) . . . . .	74242-G01 . . . . .	See CAB (FLAT WINDSHIELD)
DOOR SET (VINYL) . . . . .	75855-G01 . . . . .	See CAB (CURVED WINDSHIELD)
GLOVE BOX DOOR . . . . .	75456-G0* . . . . .	See BODY
GUN HOLDER . . . . .	74365-G01	
HITCH KITS . . . . .	74492-G0* . . . . .	See BODY
HOUR METER KIT . . . . .	75114-G0* . . . . .	See ELECTRICAL SYSTEM
RECTANGULAR SIDE MIRROR KIT . . . . .	27924-G01 . . . . .	See CAB (FLAT WINDSHIELD)
INSTRUMENT/SWITCH PANEL . . . . .	74250-G01 . . . . .	See CAB (FLAT WINDSHIELD)
LIGHT BAR . . . . .	75354-G0* . . . . .	See ELECTRICAL
REAR VIEW MIRROR KIT(REQUIRES SUN TOP KIT) . . . . .	19528-G2 . . . . .	See WEATHER PROTECTION
SOFT ENCLOSURE (3 SIDED) . . . . .	75367-G0* . . . . .	See WEATHER PROTECTION
STEEL CAB, W/O DOORS . . . . .	75854-G0* . . . . .	See CAB (CURVED WINDSHIELD)
STROBE LIGHT . . . . .	74245-G01 . . . . .	See CAB (FLAT WINDSHIELD)
SUN TOP KIT (ST SPORT) . . . . .	75040-G0* . . . . .	See WEATHER PROTECTION
TURN SIGNAL KIT . . . . .	75107-G0* . . . . .	See ELECTRICAL SYSTEM
WINCH . . . . .	74259-G02 . . . . .	See WINCH (ST 350)
WINDSHIELD KIT (REQUIRES SUN TOP KIT) . . . . .	71966-G0* . . . . .	See WEATHER PROTECTION
FOLD DOWN WINDSHIELD KIT(REQUIRES SUN TOP KIT) . . . . .	71966-G0* . . . . .	See WEATHER PROTECTION
WINDSHIELD WIPER . . . . .	74244-G01 . . . . .	See CAB (FLAT WINDSHIELD)
WORK LIGHTS . . . . .	74247-G01 . . . . .	See CAB (FLAT WINDSHIELD)
TIRE DOMINATOR 20X11-10 . . . . .	605316 . . . . .	Wheels and Tires
PATHFINDER TIRE BRUSHED WHEEL LH . . . . .	605355 . . . . .	Wheels and Tires
PATHFINDER TIRE BRUSHED WHEEL RH . . . . .	605356 . . . . .	Wheels and Tires
PRO TOUR POLISHED WHEEL . . . . .	605317 . . . . .	Wheels and Tires-ST Sport CARB / ST Sport
PRO TOUR TIRE 205/50-10 . . . . .	605315 . . . . .	Wheels and Tires-ST Sport CARB / ST Sport
V-STEM BRUSHED WHEEL . . . . .	605351 . . . . .	Wheels and Tires
PRO-BRUSHED WHEEL . . . . .	605318 . . . . .	Wheels and Tires-ST Sport CARB / ST Sport

## OPTIONS/ACCESSORIES

ITEM	KIT NO.	SECTION
		Sport
DOMINATOR POLISHED WHEEL .....	605319 .....	Wheels and Tires
DOMINATOR BRUSHED WHEEL .....	605320 .....	Wheels and Tires
CHROME CENTER CAP-SPOKED WHEEL .....	604929 .....	Wheels and Tires
NUT, LUG-CHROME .....	605310 .....	Wheels and Tires
V-STEM-POLISHED SPOKED WHEEL .....	605311 .....	Wheels and Tires
PATHFINDER TIRE 22X11-10 .....	604928 .....	Wheels and Tires
PATHFINDER TIRE POLISHED WHEEL LH. ....	604930 .....	Wheels and Tires
PATHFINDER TIRE POLISHED WHEEL RH .....	605228 .....	Wheels and Tires
WHEEL ASSEMBLY - TERRA TRAC .....	608915 .....	Wheels and Tires - ST 400 / ST SPORT

Notes:







A Textron Company

E-Z-GO Division Of Textron, Inc.,  
1451 Marvin Griffin Road, Augusta, Georgia USA 30906-3852

**TO CONTACT US**

North America:

Technical Assistance & Warranty Phone: 1-800-774-3946, FAX: 1-800-448-8124  
Service Parts Phone: 1-888-GET-EZGO (1-888-438-3946), FAX: 1-800-752-6175

International:

Phone: 001-706-798-4311, FAX: 001-706-771-4609

Certified ISO 9001 / ISO 14001 by



Copyrighted Material  
This manual may not be reproduced in whole or  
in part without the express permission of  
E-Z-GO Division of Textron, Inc.  
Technical Communications Department