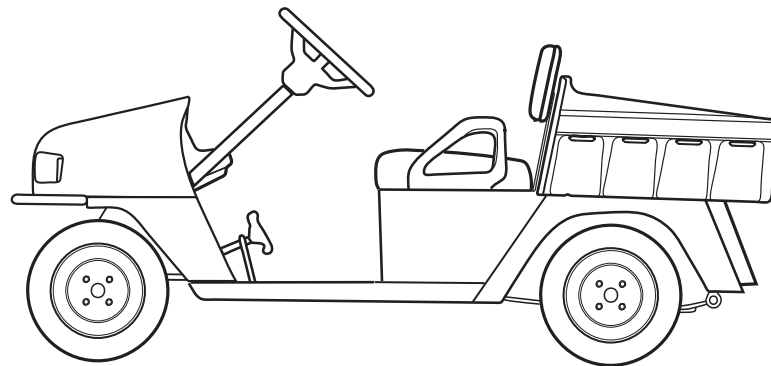


615567



SERVICE PARTS MANUAL



ELECTRIC POWERED UTILITY VEHICLE

ISSUED OCTOBER 2010

REVISED MAY 2012

SERVICE PARTS MANUAL

ELECTRIC UTILITY VEHICLES

E-Z-GO VEHICLES

ST SPORT II 48V

BAD BOY BUGGY VEHICLES

LD

STARTING MODEL YEAR 2011

DISCLAIMER: The E-Z-GO Division of Textron Inc. (E-Z-GO) reserves the right to incorporate engineering and design changes to products in this Manual, without obligation to include these changes on units leased/sold previously.

The information contained in this Manual may be revised periodically E-Z-GO, and therefore is subject to change without notice.

E-Z-GO DISCLAIMS LIABILITY FOR ERRORS IN THIS MANUAL, and E-Z-GO SPECIFICALLY DISCLAIMS LIABILITY FOR INCIDENTAL AND CONSEQUENTIAL DAMAGES RESULTING FROM THE USE OF THE INFORMATION AND MATERIALS IN THIS MANUAL.

CUSTOMER SERVICE DEPARTMENT IN USA PHONE: 1-800-241-5855, FAX: 1-800-448-8124

OUTSIDE USA PHONE: 001-706-798-4311, FAX: 001-706-771-4609

GENERAL INFORMATION

To obtain a copy of the limited warranty applicable to the vehicle, call or write a local Distributor, authorized Branch or the Warranty Department with vehicle serial number and manufacturer code.

The use of non Original Equipment Manufacturer (OEM) parts may void the warranty.

Overfilling of batteries may void the warranty.

BATTERY PROLONGED STORAGE

All batteries will self discharge over time. The rate of self discharge varies depending on the ambient temperature and the age and condition of the batteries.

A fully charged battery will not freeze in winter temperatures unless the temperature falls below -75° F (-60° C).

As with all electric vehicles, the batteries must be checked and recharged as required or at a minimum of 30 day intervals.

TABLE OF CONTENTS

SECTION	Page No.
HOW TO USE THE SERVICE PARTS MANUAL	v
ACCELERATOR	A-1
• Pedal Cover	
• Pedal Box Assembly	
• Accelerator Pedal Assembly	
BATTERY CHARGER	B-1
• Charger Cover Kit	
BODY	C-1
• Front Bumper	
• Front Splash Shield	
• Cowl	
• Nameplate	
• Instrument Panel	
• Rocker Panels	
• Rear Body	
• Seat Support	
BRAKES	D-1
• Brake Pedal Pad	
• Brake Pedal	
• Brake Cable	
• Brake Drum Assembly	
MOTOR	G-1
• Armature	
• Brush Replacement Kit	
• Speed Sensor	
ELECTRICAL SYSTEM	H-1
• Battery Hold Down	
• Charger Receptacle	
• Main Wire Harness	
• Fuse Block	
• Key Switch	
• Headlights	
• Tail Lights	
• Turn Signals	
• Direction Selector	
ELECTRONIC SPEED CONTROL	J-1
• Controller	
• Power Wire Harness	
• Solenoid Assembly	
• Cover Assembly	
FRONT SUSPENSION/STEERING	K-1
• Front Axle	
• Spindles	
• Front Hubs	
• Front Shock Absorbers	
• Front Leaf Springs	
• Rack and Pinion Steering Unit	
• Steering Column Kit	
• Steering Wheel	
• Tie Rod Assembly	
REAR AXLE	L-1
• Axle Shafts	
• Fill / Check Plug	
• Differential Guard	

TABLE OF CONTENTS

REAR SUSPENSION	M-1
• Shock Absorber	
• Rear Leaf Spring	
• Shackle Plate	
SEATING	N-1
• Seat Back Support	
• Seat Back Assembly	
• Seat Bottom Assembly	
TRUCK BED - PLASTIC	P-1
• Bed	
• Mounting Frame	
WEATHER PROTECTION	S-1
• Sun Top	
• Struts	
• Windshield	
WHEELS AND TIRES	T-1
• Wheel	
• Tires	
• Lug Nuts	
SPECIALTY PRODUCTS	APPENDIX A-1
OPTIONS/ACCESSORIES	APPENDIX B-1

NOTES

A large grid of graph paper for taking notes, consisting of 20 columns and 30 rows of small squares.

HOW TO USE THE SERVICE PARTS MANUAL

This manual is divided into several sections:

- GENERAL INFORMATION
- ILLUSTRATED PARTS BREAKDOWN
- APPENDIX

The first section, GENERAL INFORMATION, contains the following information:

- WARRANTY INFORMATION
- GENERAL INDEX
- HOW TO USE THE SERVICE PARTS MANUAL

The second section, ILLUSTRATED PARTS BREAKDOWN, contains illustrations and parts lists for all systems of your vehicle.

The third section, APPENDIX, contains a listing of specialty products and accessories.

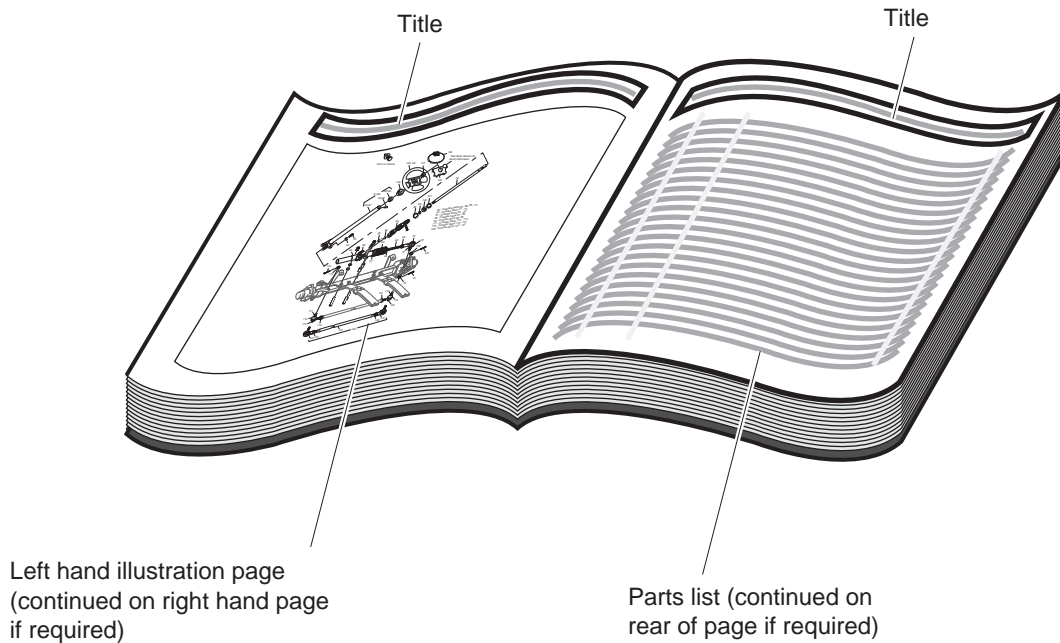
USE OF THE MANUAL

To use this manual, consult the GENERAL INDEX to locate the information or illustration required.

Introduction of some revisions varies due to supply of components; therefore, it is possible that various combinations of components may be found that are not directly reflected by each illustration. Consult the illustration that best suits your situation and then contact the Service Parts Department. It is important that the serial number of your vehicle and its model number be supplied to Service Parts when ordering any replacement components.

Locate the serial number plate (see BODY located in the Illustrated Parts Breakdown section of this manual for its location) and note the complete number shown on the plate.

HOW TO USE THE SERVICE PARTS MANUAL



1. WHEN THE PART NUMBER IS NOT KNOWN

- Determine the function and application of the part required. Turn to the General Index and select the most appropriate title.
- Turn to the page number indicated and locate the desired part on the illustration.
- From the illustration, obtain the item number assigned to the desired part. Refer to the accompanying description for specific information regarding the part.

2. IF YOU KNOW THE PART NUMBER

- Locate the part number or description in the appropriate column on the parts list page.

NOTE: It is suggested that you confirm that the part selected is correct by verifying it with the pictorial representation on the illustrated page.

Should an asterisk (*) appear in the part number column on the parts list page, read upwards until a part number is found. The part number is the lowest assembly sold by Service Parts and the asterisk (*) indicates that the part depicted is not available for purchase.

NOTE: Descriptions are indented under the assembly that they are used on. That assembly is, in turn listed under the assembly that it is used on. This process is repeated until the highest final assembly is reached.

To facilitate the maintenance and repair of the vehicle, a Technician's Repair and Service Manual is available from the Service Parts Department.

HOW TO USE THE SERVICE PARTS MANUAL

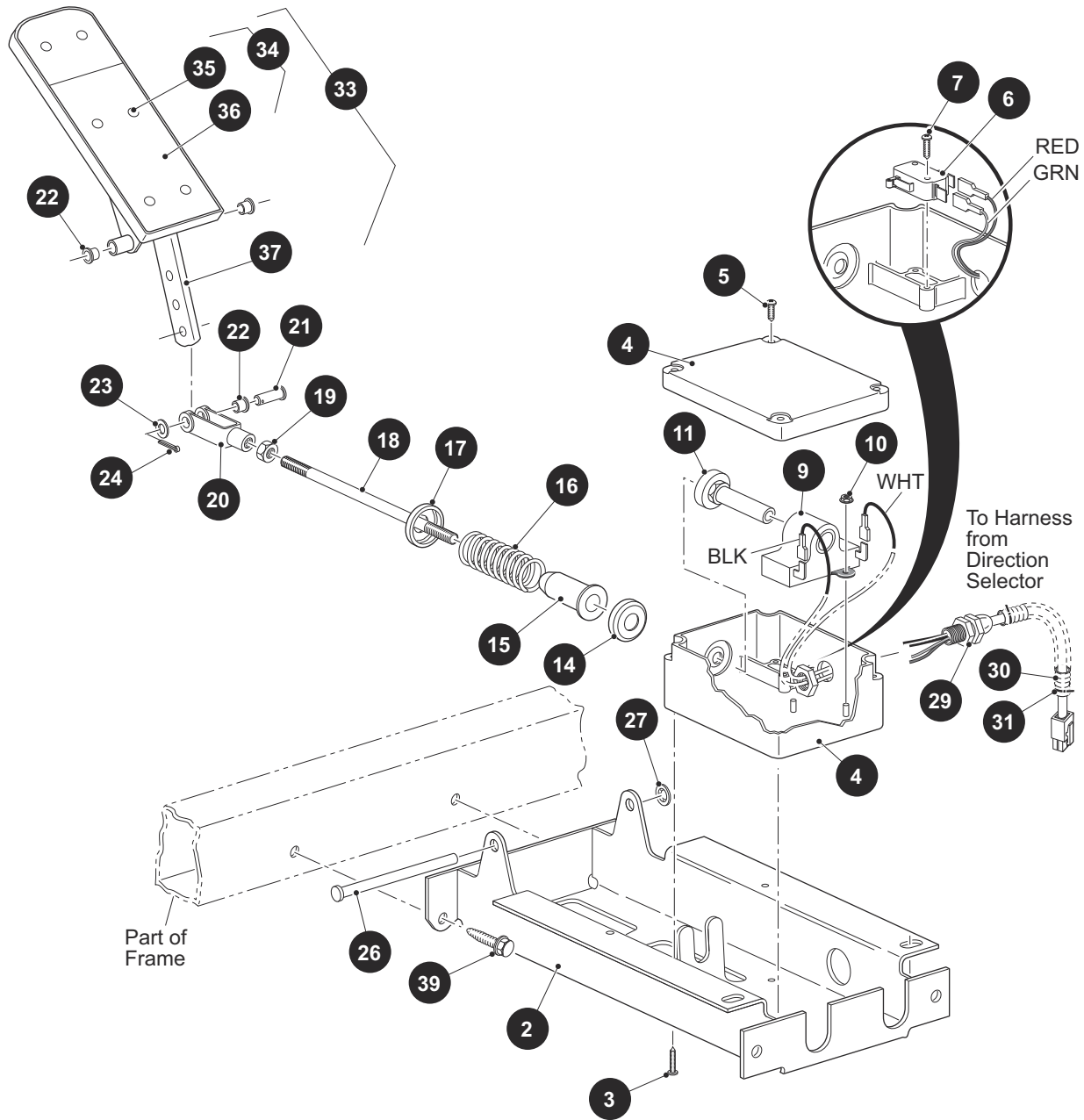
3. COLOR CODE FOR BODY COMPONENTS

The last two digits of the part number for the body part will denote the color code, locate the part number for the cowl, rear body, seat pod, side panel or seat wrap then locate your color in the list below, replace the last ** or XX with the two digit color code.

<u>CODE #</u>	<u>DESCRIPTION</u>	<u>CODE #</u>	<u>DESCRIPTION</u>
01	NO PAINT	53	MOSSY OAK NEW BREAK UP - DIPPED
02	SPECIAL COLOR	54	MOSSY OAK OBSESSION - DIPPED
05	JACOBSEN ORANGE	55	REALTREE ADVANTAGE MAX 4 - DIPPED
06	LIGHT GOLD PEARL	56	REALTREE HARDWOOD BROWN - DIPPED
07	SILVER PEARL METALIC	57	REALTREE AP HOT PINK - DIPPED
11	BLACK	58	BLACK / SILVER MARBLE - DIPPED
12	EMERALD GREEN PEARL	59	RED / SILVER MARBLE - DIPPED
13	CLOUD GREY	60	HOT PINK / SILVER MARBLE - DIPPED
14	VIPER BLUE METALLIC	61	REALTREE AP
19	PATRIOT BLUE PEARL	62	REALTREE MAX 4
20	INFERNO RED METALLIC	63	MOSSY OAK BREAKUP
23	ADVANTAGE CLASSIC CAMO	64	MOSSY OAK TREESTAND
24	NATURAL	65	REALTREE APG
25	VIVID NEW HOLLAND BLUE	66	REALTREE MAX 1
26	STEEL BLUE PEARL	67	REALTREE AP PINK
27	BRIGHT SILVER METALLIC	68	REALTREE AP - DIPPED
29	PRIMER ONLY		
30	HD ADVANTAGE CAMO		
31	METALLIC CHARCOAL		
32	LIGHT ALMOND PEARL		
33	TIMBERLINE GREEN		
34	DEEP MOLTEN RED		
35	SAFETY YELLOW		
36	CHAMPAGNE BEIGE		
37	HUNTER GREEN		
38	BRIGHT WHITE		
39	FLAME RED		
40	BLACK		
41	ELECTRIC BLUE		
42	PLATINUM		
43	BURGUNDY		
44	ALMOND		
45	BLACK		
46	FLAME RED		
47	BURLINGTON GREEN		
48	BLACK		
49	FLAME RED		
50	RECON GREEN		
51	SUNBURST ORANGE		
52	BRITISH RACING GREEN		

ACCELERATOR

- 1 Pedal Box Assembly Includes Items 2 - 37
- 33 Accelerator Pedal Assembly Includes Items 34 - 37
- 34 Accelerator Pedal Assembly Includes Items 35 - 36



When ordering parts, please specify the model and serial number of the product.

* Indicates a component that is not available as an individual part.

*** Indicates consult Customer Service Department for additional information.

ITEM	PART NO.	1 2 3 4 5	DESCRIPTION	QTY.
1	613163		PEDAL BOX ASSEMBLY	1
2	70116-G02		ACCELERATOR PEDAL BRACKET	1
3	01051-G01		SCREW, #8 - 10 X 1/2" LG.	4
4	25853-G01		PEDAL BOX AND COVER	1
5	00684-G6		SCREW, #8 - 32 X 3/4" LG (STAINLESS STEEL)	2
6	25861-G02		MICRO SWITCH	1
7	01050-G01		SCREW, #4 - 20 X 5/8" LG	2
8				
9	25854-G01		INDUCTIVE THROTTLE SENSOR	1
10	00983-G01		SELF THREADING NUT	2
11	602484		PLUNGER	1
12				
13				
14	17677-G1		SPRING RETAINER	1
15	17979-G1		BUSHING	1
16	73046-G01		COMPRESSION SPRING	1
17	17677-G2		SPRING RETAINER, 3/8"	1
18	73332-G01		ACCELERATOR ROD	1
19	00532-G4		NUT, 5/16 - 24	1
20	10385-G4		CLEVIS YOKE (ADJUSTABLE)	1
21	10386-G3		CLEVIS PIN, 5/16" X 13/16" LG	1
22	17838-G1		NYLON BUSHING	3
23	17255-G1		TEFLON WASHER, 5/16"	1
24	10387-G3		COTTER PIN, 3/32" X 3/4" LG	1
25				
26	74432-G01		PEDAL PIVOT PIN	1
27	12064-G6		PUSH NUT, 5/16"	1
28				
29	620418		PEDAL HARNESS 48V	1
30	17313-G1		LOOM FLEX, 3/8" X 6" LG (BULK)	1
31	17618-G1		WIRE TIE	2

ACCELERATOR

When ordering parts, please specify the model and serial number of the product.

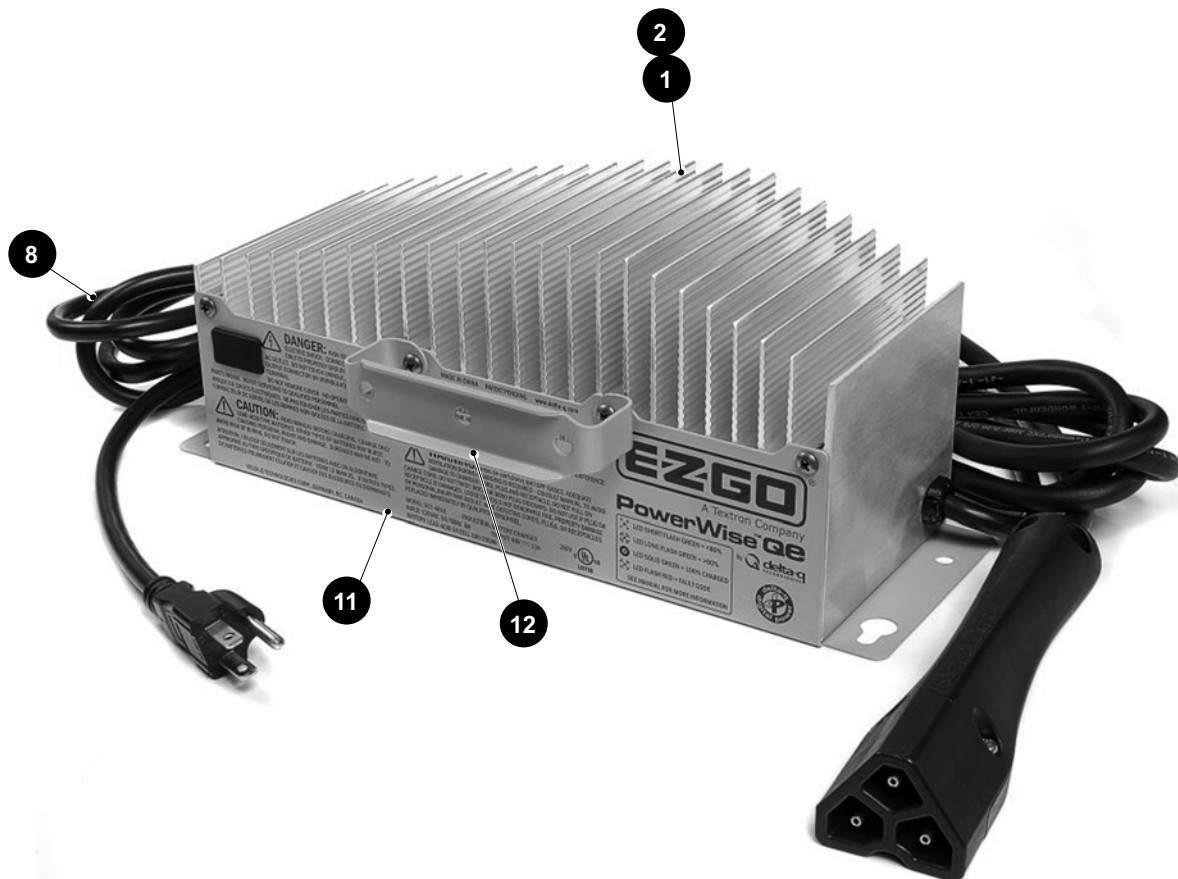
* Indicates a component that is not available as an individual part.

*** Indicates consult Customer Service Department for additional information.

ITEM	PART NO.	1	2	3	4	5	DESCRIPTION	QTY.
32								
33	25799-G03						ACCELERATOR PEDAL ASSEMBLY (INCLUDES ITEMS 34 - 37).....	1
34	27844-G01						ACCELERATOR PEDAL PAD KIT (INCLUDES ITEMS 35 - 36).....	1
35	15766-G1						OVAL RIVET, 3/16" X 7/16" LG	6
36	27512-G01						ACCELERATOR PEDAL PAD.....	1
37	*						ACCELERATOR PEDAL	1
38								
39	00715-G2						BOLT, 5/16 - 18 X 4/5" LG	4

BATTERY CHARGER

- 1 48V Battery Charger with 3 meter Cord includes items 8, 11 & 12
- 2 48V Battery Charger with 5.5 meter Cord includes items 8, 11 & 12



BATTERY CHARGER

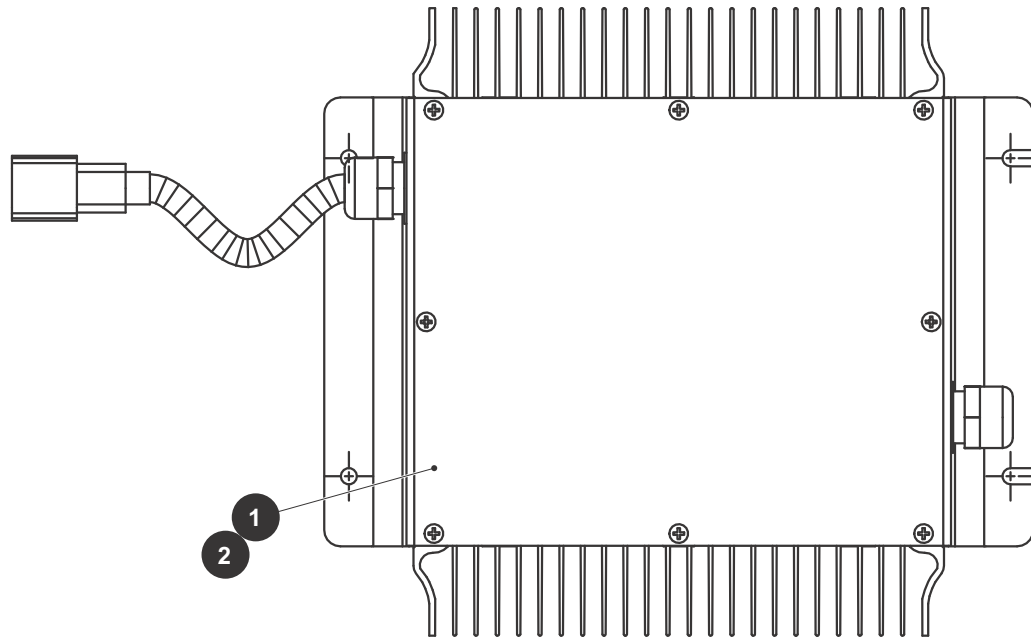
When ordering parts, please specify the model and serial number of the product.

* Indicates a component that is not available as an individual part.

*** Indicates consult Customer Service Department for additional information.

ITEM	PART NO.	1 2 3 4 5	DESCRIPTION	QTY.
1	622416		48V BATTERY CHARGER , 3 meter CORD (INCLUDES ITEMS 8 & 11)	1
2	622417		48V BATTERY CHARGER, 5.5 meter CORD (INCLUDES ITEMS 8 & 11)	1
3	605834		NYLON CLAMP 36" (NOT SHOWN IN ILLUSTRATION)	1
4				
5				
6				
7				
8	611212		AC CORD, DOMESTIC	1
9				
10				
11	611220		48V CHARGER COVER KIT (INCLUDES ITEM 12).....	1
12	611216		CHARGER HANDLE.....	1
13				

BATTERY CHARGER



BATTERY CHARGER

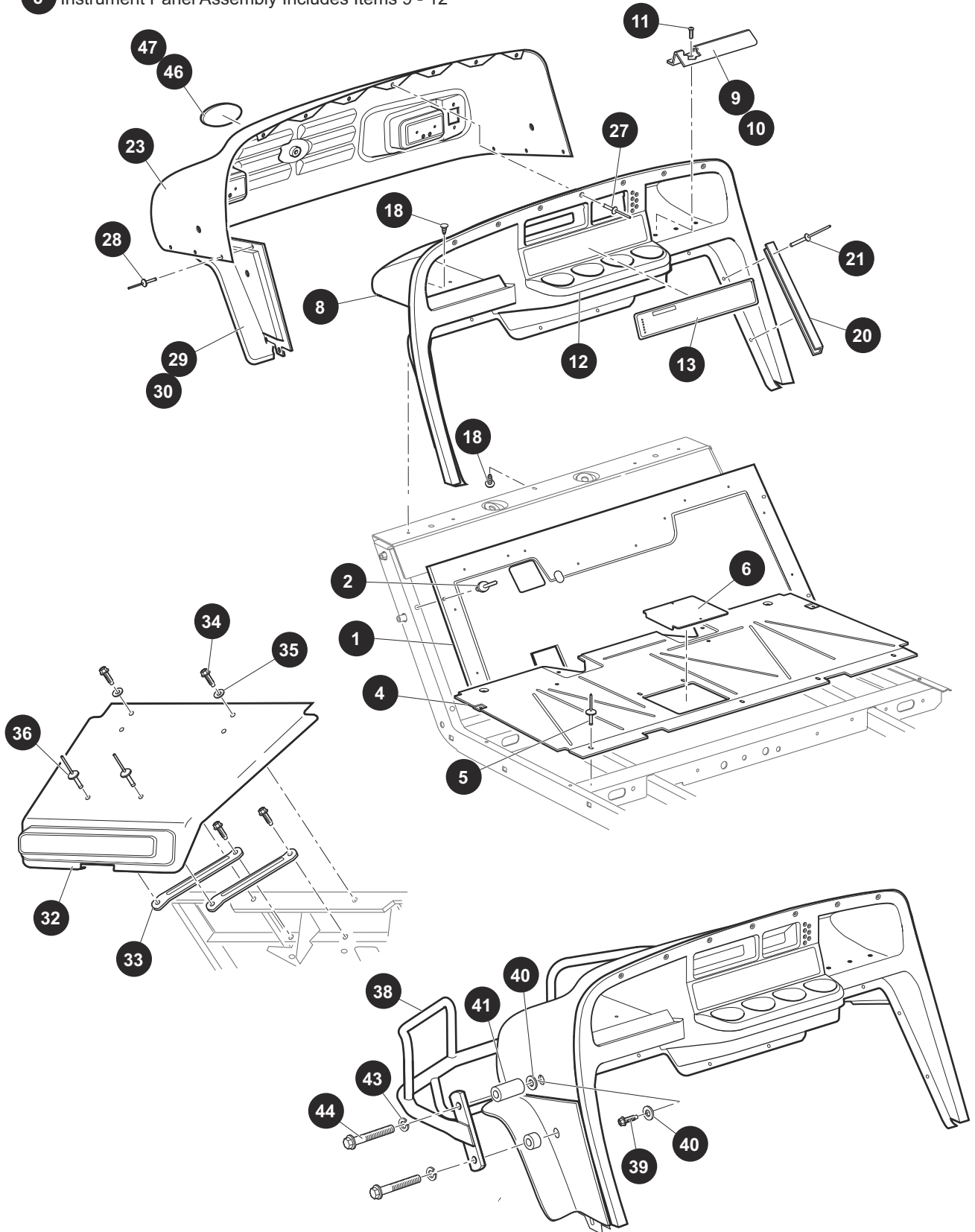
When ordering parts, please specify the model and serial number of the product.

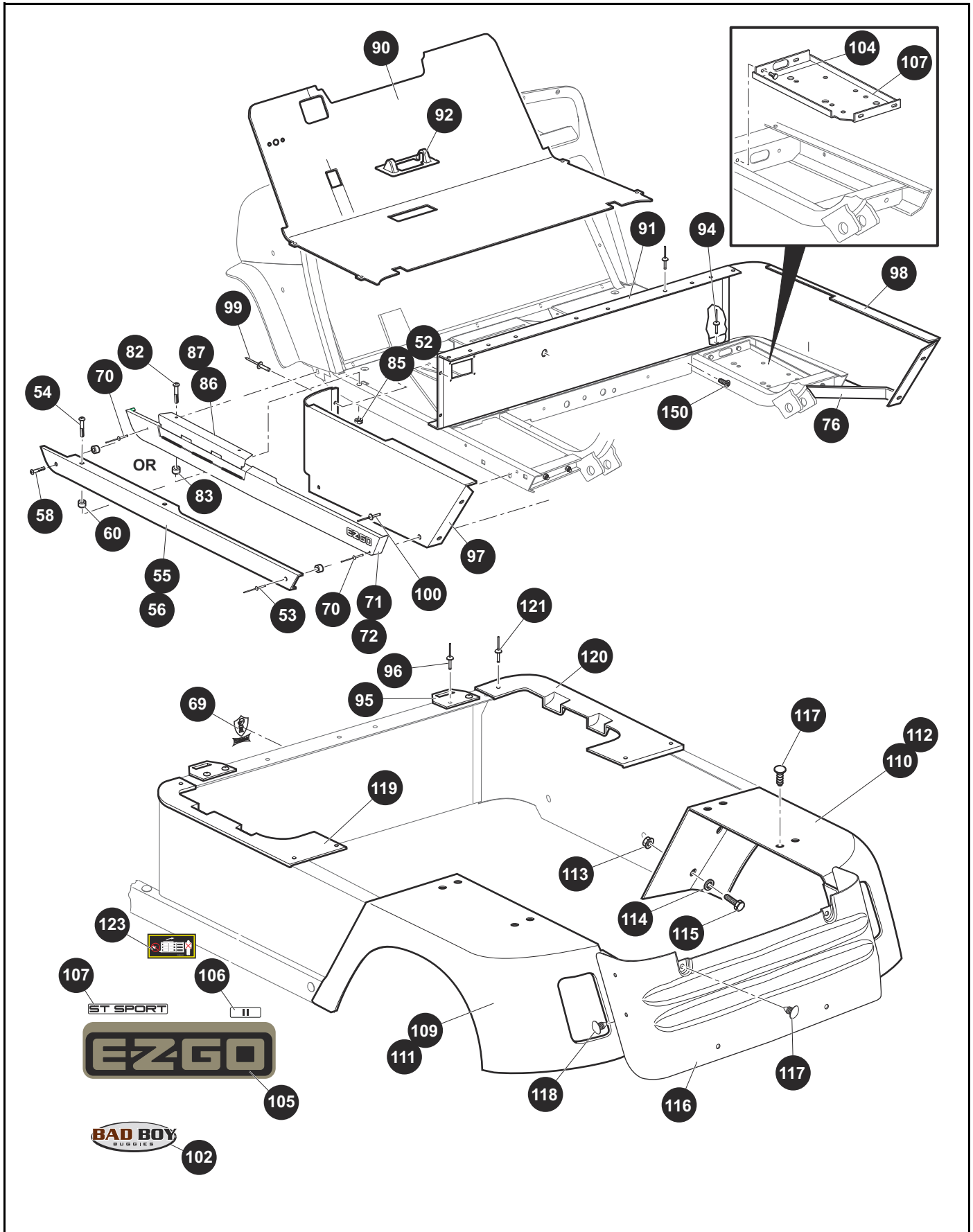
* Indicates a component that is not available as an individual part.

*** Indicates consult Customer Service Department for additional information.

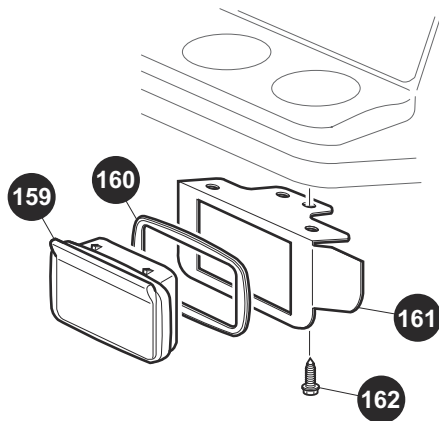
ITEM	PART NO.	1 2 3 4 5	DESCRIPTION	QTY.
1	622419		WORLD CHARGER, 48V, 3M CORD	1
2	622667		WORLD CHARGER, 48V, 5.5M CORD	1
3	605834		NYLON CLAMP 36" (NOT SHOWN IN ILLUSTRATION)	2

8 Instrument Panel Assembly Includes Items 9 - 12

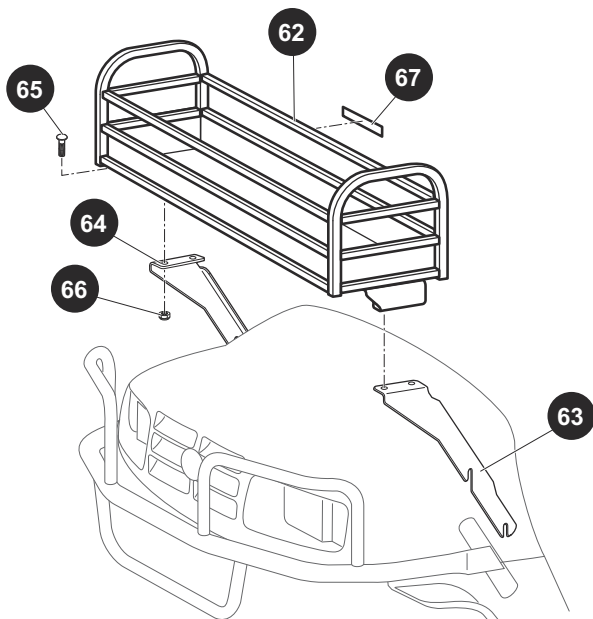
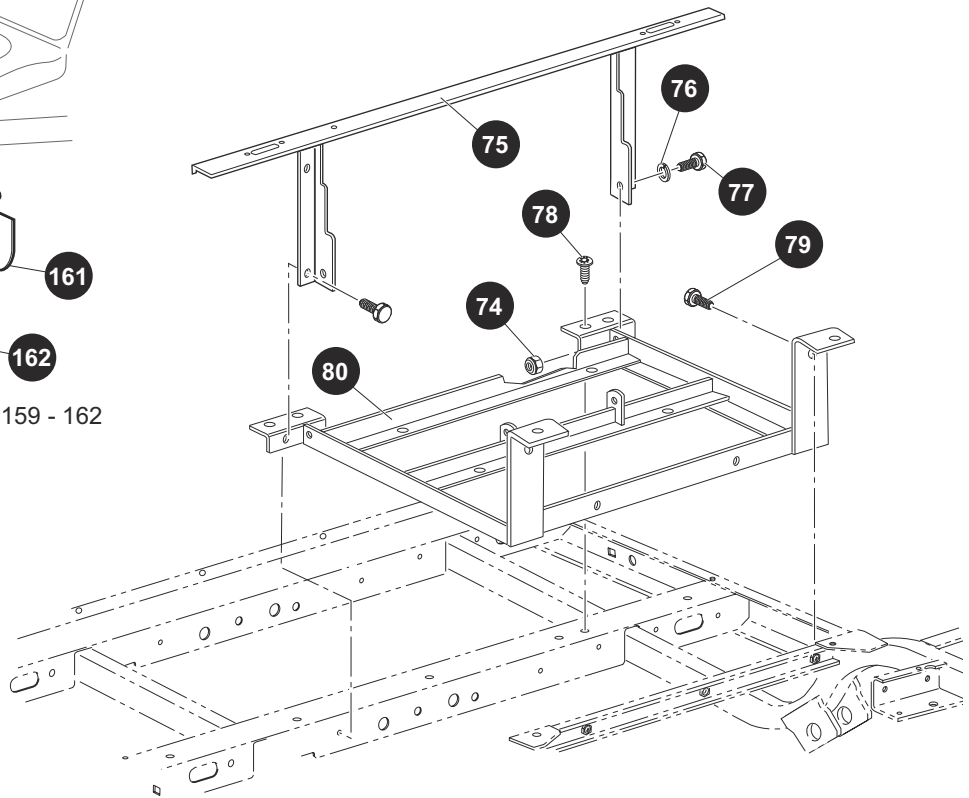




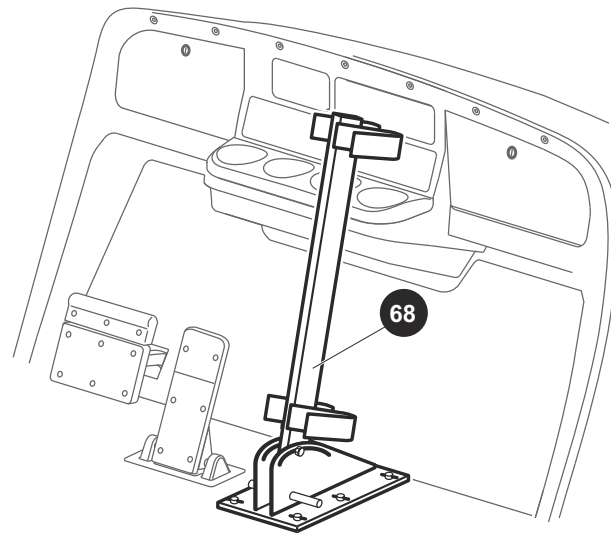
BODY



158 Ash Tray Kit Includes Items 159 - 162



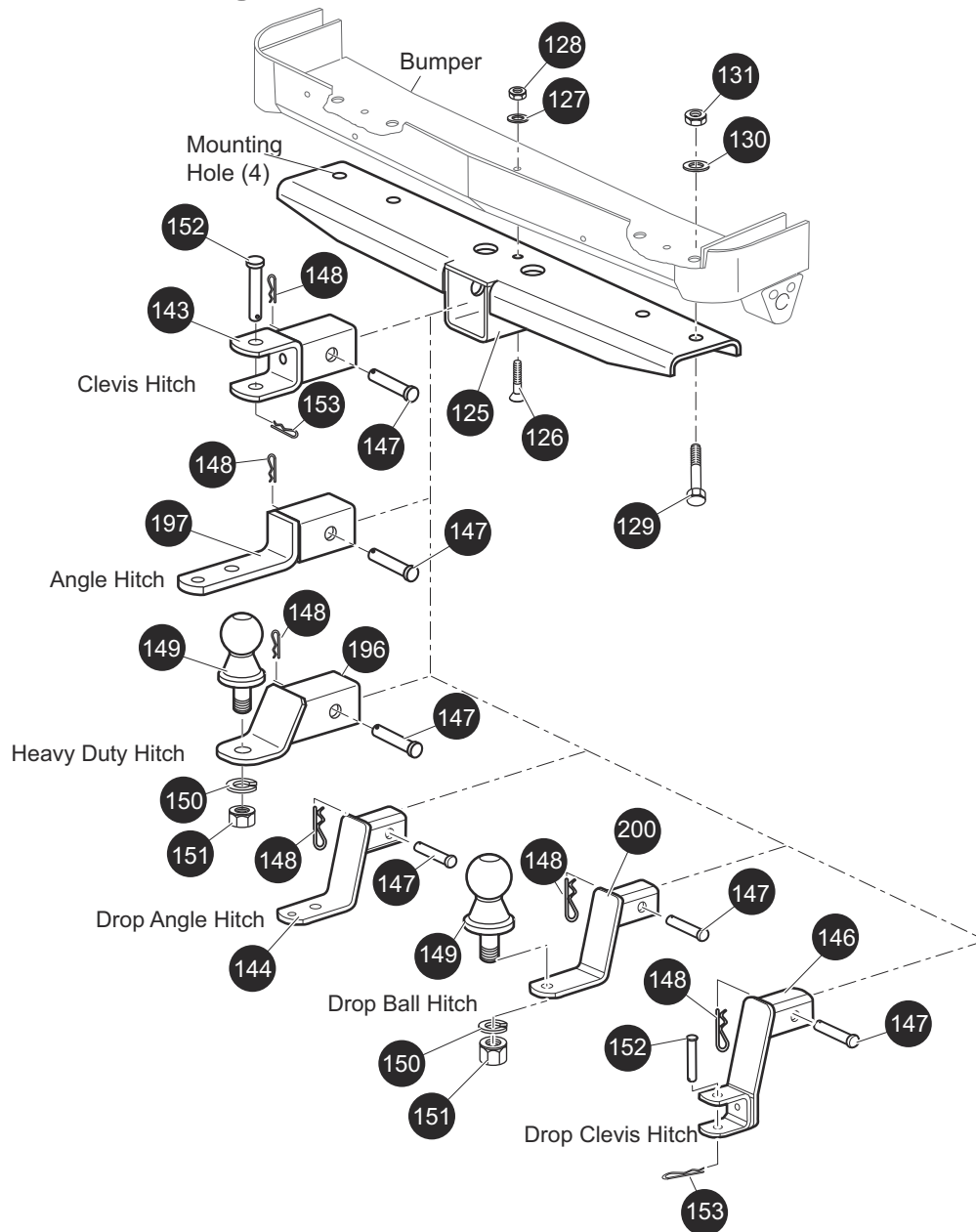
61 Front Basket Includes Items 62 - 67



FLOOR MOUNT
GUN HOLDER

HITCHES

- 135 HEAVY DUTY HITCH KIT INCLUDES ITEMS 141, 147 - 151
- 136 ANGLE HITCH KIT INCLUDES ITEMS 142, 147, 148, 152, 153
- 137 CLEVIS HITCH KIT INCLUDES ITEMS 143, 147, 148, 152, 153
- 138 DROP ANGLE HITCH KIT INCLUDES ITEMS 144, 147, 148
- 139 DROP BALL HITCH KIT INCLUDES ITEMS 145, 147 - 151
- 140 DROP CLEVIS HITCH KIT INCLUDES ITEMS 146, 147, 148, 152, 153



BODY

When ordering parts, please specify the model and serial number of the product.

* Indicates a component that is not available as an individual part.

*** Indicates consult Customer Service Department for additional information.

ITEM	PART NO.	1 2 3 4 5	DESCRIPTION	QTY.
1	70662-G01		UPPER FLOORPAN.....	1
2	14601-G11		RIVET, 3/16" X 9/16" LG (ALUMINUM).....	9
3				
4	70451-G01		LOWER FLOORPAN.....	1
5	14601-G11		RIVET, 3/16" X 9/16" LG (ALUMINUM).....	7
6	70452-G01		ACCESS COVER.....	1
7				
8	71151-G01		INSTRUMENT PANEL ASSEMBLY (INCLUDES ITEMS 9 - 12, 16).....	1
9	71153-G01		DEFLECTOR (PASSENGER SIDE).....	1
10	71154-G01		DEFLECTOR (DRIVER SIDE).....	1
11	00614-G5		SCREW, #8 - 18 X 5/8" LG.....	6
12	71158-G01		INSTRUMENT PANEL INSERT (FOUR CUP).....	1
13	601781		OPERATOR INSTRUCTIONS DECAL.....	1
14				
15				
16				
17				
18	16816-G2		RATCHET FASTENER, 1/4" X 3/4" LG.....	1
19				
20	71115-G01		VINYL TRIM.....	2
21	71055-G01		RIVET, 3/16" X 1" LG (ALUMINUM).....	10
22				
23	71468-G0**		COWL (see COLOR CODE in HOW TO USE section).....	1
24				
25				
26	71055-G01		RIVET, 3/16" X 1" LG.....	8
27	71055-G01		RIVET, 3/16" X 1" LG.....	6
28	71338-G01		FENDER FLARE (DRIVER SIDE).....	1
29	71338-G02		FENDER FLARE (PASSENGER SIDE).....	1
30				
31	27166-G04		FRONT SHIELD.....	1

When ordering parts, please specify the model and serial number of the product.

* Indicates a component that is not available as an individual part.

*** Indicates consult Customer Service Department for additional information.

ITEM	PART NO.	1 2 3 4 5	DESCRIPTION	QTY.
32	70725-G02		FRONT SHIELD BRACE	2
33	01038-G01		SCREW, 1/4 - 20 X 1/2" LG	4
34	16469-G1		WASHER, 1/4"	2
35	01057-G01		RIVET, KTR, 1/4" X 1" LG	2
36				
37	606107		BUMPER.....	1
38	00438-G8		BOLT, 5/16 - 18	4
39	00570-G2		WASHER, 5/16"	4
40	75048-G04		SPACER, 1"	2
41	75048-G01		SPACER, 1/2"	2
42	00905-G8		LOCK WASHER, 5/16"	4
43	01035-G02		BOLT, 5/16 - 18 X 2 1/2" LG.....	4
44				
45				
46	605434		E-Z-GO OVAL NAMEPLATE.....	1
47	617803		BAD BOY BUGGIES OVAL NAMEPLATE.....	1
48				
49				
50				
51				
52	14390G4		LOCK NUT, 1/4-20	4
53	15058G6		BLACK ALUMINUM RIVET.....	2
54	16705G1		SS PHILLIPS HEAD SCREW, 1/4-20X1.00 LG	4
55	617872		ROCKER PANEL, DRIVER SIDE	1
56	617874		ROCKER PANEL, PASSENGER SIDE.....	1
57	00660G5		FLAT WASHER, #10	2
58	00789G2		PHILLIPS TRUSS HEAD SCREW, #10-24X1.25 LG.....	2
59	14390G10		LOCK NUT, #10-24	2
60	23726G2		SPACER, .25.....	4
61	74521-G02		FRONT BASKET (INCLUDES 62 - 67).....	1
62	74523-G01		FRONT BASKET	1

BODY

When ordering parts, please specify the model and serial number of the product.

* Indicates a component that is not available as an individual part.

*** Indicates consult Customer Service Department for additional information.

ITEM	PART NO.	1	2	3	4	5	DESCRIPTION	QTY.
63	74522-G01						BASKET MOUNTING BRACKET (DRIVER SIDE)	1
64	74522-G02						BASKET MOUNTING BRACKET (PASSENGER SIDE)	1
65	00725-G1						CARRIAGE BOLT, 3/8 - 16 X 1" LG (STAINLESS STEEL)	4
66	00891-G1						LOCK NUT, 3/8 - 16	4
67	71931-G01						LABEL, FRONT BASKET (WARNING).....	1
68	74365-G01						GUN HOLDER, FLOOR MOUNT	1
69	74755G01						E-SHIELD DECAL	1
70	15058-G6						RIVET, BLACK (ALUMINUM)	4
71	71502-G01						ROCKER PANEL (DRIVER SIDE)	1
72	71501-G01						ROCKER PANEL (PASSENGER SIDE).....	1
73								
74	11098-G6						LOCK NUT, 5/16 - 18.....	2
75	70441-G01						SEAT FRAME	1
76	00559-G8						WASHER, 5/16"	2
77	00438-G6						BOLT, 5/16 - 18 X 3/4" LG	2
78	70200-G01						SCREW, 3/8 - 16 X 1/4" LG.....	2
79	00715-G2						BOLT, 5/16 - 18 X 13/16" LG	4
80	70046-G02						BATTERY RACK	1
81								
82	16705-G1						SCREW, 1/4 - 20 X 1" LG.....	4
83	23726-G4						SPACER	4
84								
85	14390-G4						LOCK NUT, 1/4 - 20.....	4
86	71507G01						SILL PLATE TREAD (PASSENGER SIDE).....	1
87	71507G02						SILL PLATE TREAD (DRIVER SIDE)	1
88								
89	70995G02						FLOORMAT WITH HORN HOLE	1
90	70663-G04						FLOORMAT	1
91	609143G1**						SEAT WRAP PANEL (see COLOR CODE in HOW TO USE section)	1
92	70135-G01						PEDAL PIVOT COVER	1
93								

When ordering parts, please specify the model and serial number of the product.

* Indicates a component that is not available as an individual part.

*** Indicates consult Customer Service Department for additional information.

ITEM	PART NO.	1 2 3 4 5	DESCRIPTION	QTY.
94	10570-G10		RIVET, 5/32" X 9/16" LG	8
95	71609-G01		SEAT HINGE PLATE	2
96	10570-G11		RIVET, 3/16" X 3/4" LG	4
97	609047G1**		SIDE PANEL (DRIVER SIDE) (see COLOR CODE in HOW TO USE section)	1
98	609047G2**		SIDE PANEL (PASS SIDE) (see COLOR CODE in HOW TO USE section) ..	1
99	10570-G10		RIVET, 5/32" X 9/16" LG	4
100	10570-G12		RIVET, 1/4" X 1/2" LG	4
101				
102	617806		BAD BOY BUGGY SIDE BODY DECAL.....	2
103	70244-G03		SPLASH PANEL	2
104	00715-G2		BOLT, 5/16 - 18 X 13/16" LG.....	8
105	620312		E-Z-GO SIDE BODY DECAL	2
106	620314		II SIDE BODY DECAL.....	2
107	620325		ST SPORT SIDE BODY DECAL.....	2
108				
109	74892-G01		FENDER (DRIVER SIDE).....	1
110	74892-G02		FENDER (PASSENGER SIDE)	1
111	74892-G03		FENDER WITH TAILLIGHT (DRIVER SIDE).....	1
112	74892-G04		FENDER WITH TAILLIGHT (PASSENGER SIDE)	1
113	14390-G4		LOCK NUT, 1/4 - 20	4
114	00642-G7		WASHER, 1/4"	8
115	00414-G6		BOLT, 1/4 - 20 X 3/4" LG.....	4
116	74890-G01		REAR PANEL.....	1
117	16816-G2		RATCHET FASTENER, 1/4" X 3/4" LG.....	6
118	71055-G01		RIVET.....	4
119	74891-G01		SEAT FILLER PANEL (DRIVER SIDE).....	1
120	74891-G02		SEAT FILLER PANEL (PASSENGER SIDE)	1
121	10570-G10		RIVET, 5/32" X 9/16" LG	6
122				
123	74099-G01		BED LATCH WARNING DECAL.....	1
124				

BODY

When ordering parts, please specify the model and serial number of the product.

* Indicates a component that is not available as an individual part.

*** Indicates consult Customer Service Department for additional information.

ITEM	PART NO.	1 2 3 4 5	DESCRIPTION	QTY.
125	74348-G02		HITCH RECEIVER	1
126	00463-G4		BOLT, 7/16 - 14 X 1 1/2" LG	4
127	00922-G3		WASHER, 7/16"	4
128	00734-G1		LOCK NUT, 7/16 - 14.....	4
129	00198-G8		SCREW, 5/16 - 18 X 1" LG.....	1
130	00559-G8		WASHER, 5/16".....	1
131	11098-G6		LOCK NUT, 5/16 - 18.....	1
132				
133				
134				
135	74492G02		HEAVY DUTY BALL HITCH KIT (INCLUDES ITEMS 141, 147-151).....	1
136	74492G04		ANGLE HITCH KIT (INCLUDES ITEMS 142, 147, 148, 152, 153)	1
137	74492G06		CLEVIS HITCH KIT (INCLUDES ITEMS 143, 147, 148, 152, 153).....	1
138	74492G08		DROP ANGLE HITCH KIT (INCLUDES ITEMS 144, 147, 148).....	1
139	74492G10		DROP BALL HITCH KIT (INCLUDES ITEMS 145, 147-151).....	1
140	74492G12		DROP CLEVIS HITCH KIT (INCLUDES ITEMS 146, 147, 148, 152, 153)	1
141	74351G02		HEAVY DUTY HITCH	1
142	74339G02		ANGLE HITCH.....	1
143	74338G02		CLEVIS HITCH	1
144	74489G02		DROP ANGLE HITCH.....	1
145	74491G02		DROP BALL HITCH.....	1
146	74495G02		DROP CLEVIS HITCH	1
147	21317-G01		CLEVIS PIN, 5/8" X 3" LG.....	1
148	21683-G1		COTTER PIN, 15/32" X 2 11/16" LG.....	1
149	31757-G1		HITCH BALL, 1 7/8"	1
150	00566-G6		LOCK WASHER, 3/4"	1
151	00702-G11		NUT, 3/4 - 16.....	1
152	14443-G7		CLEVIS PIN, 1/2" X 2 1/2" LG.....	1
153	19314-G1		COTTER PIN, 2 1/2" LG	1
154				
155				

When ordering parts, please specify the model and serial number of the product.

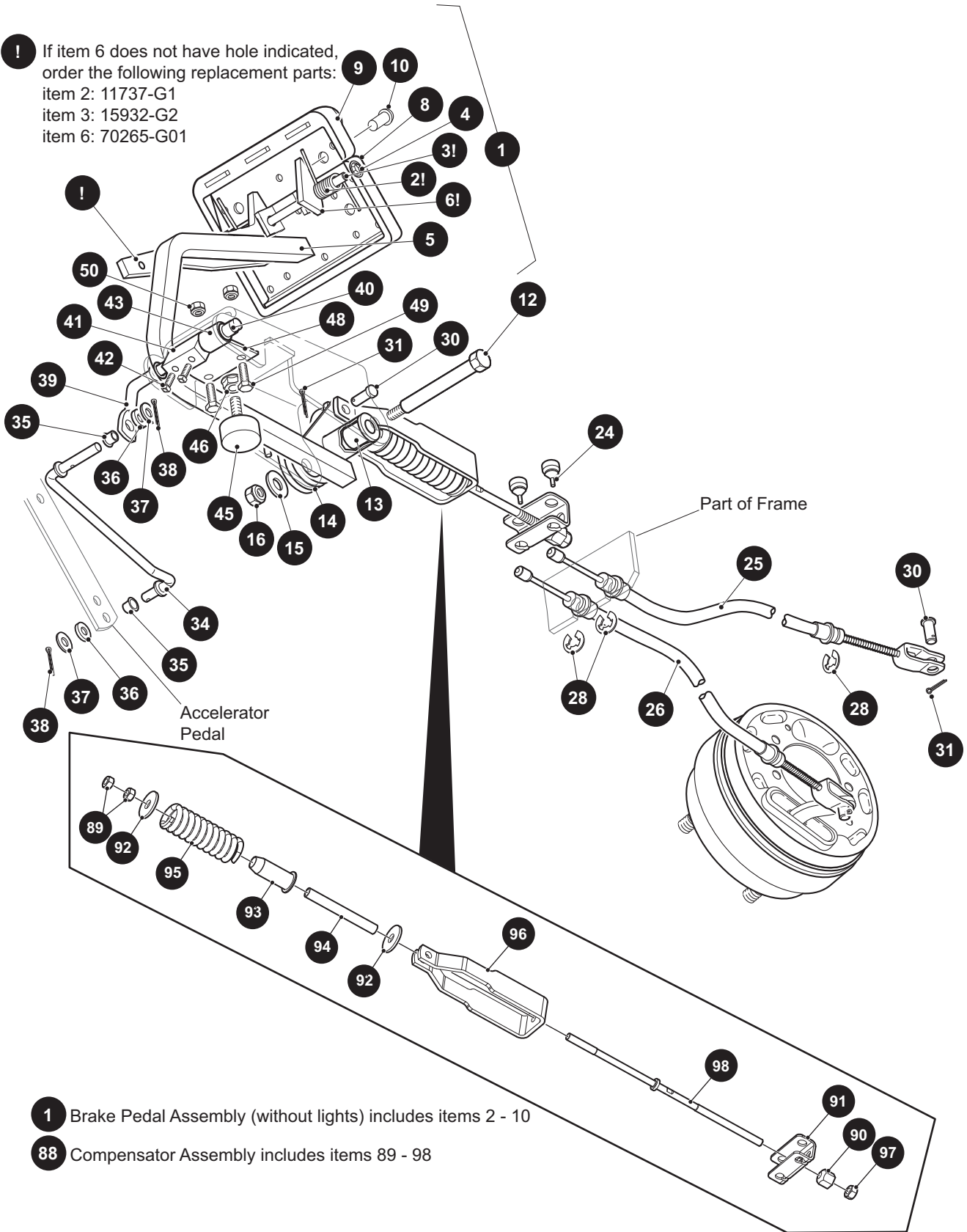
* Indicates a component that is not available as an individual part.

*** Indicates consult Customer Service Department for additional information.

ITEM	PART NO.	1 2 3 4 5 DESCRIPTION	QTY.
156			
157			
158	75109-G04	ASH TRAY KIT (INCLUDES ITEMS 167 - 170).....	1
159	27731-G01	ASH TRAY.....	1
160	27736-G01	GASKET.....	1
161	75108-G02	BRACKET.....	1
162	00100-G4	SCREW, #10 - 16 X 1/2" LG.....	4

BRAKES

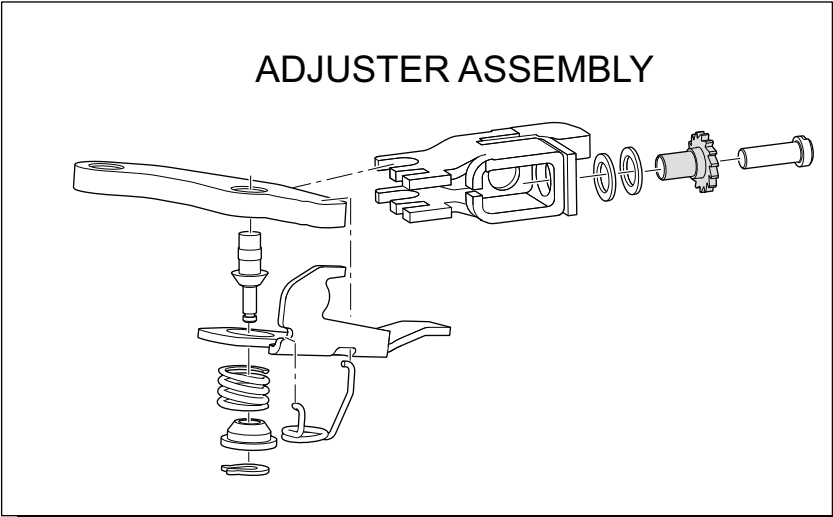
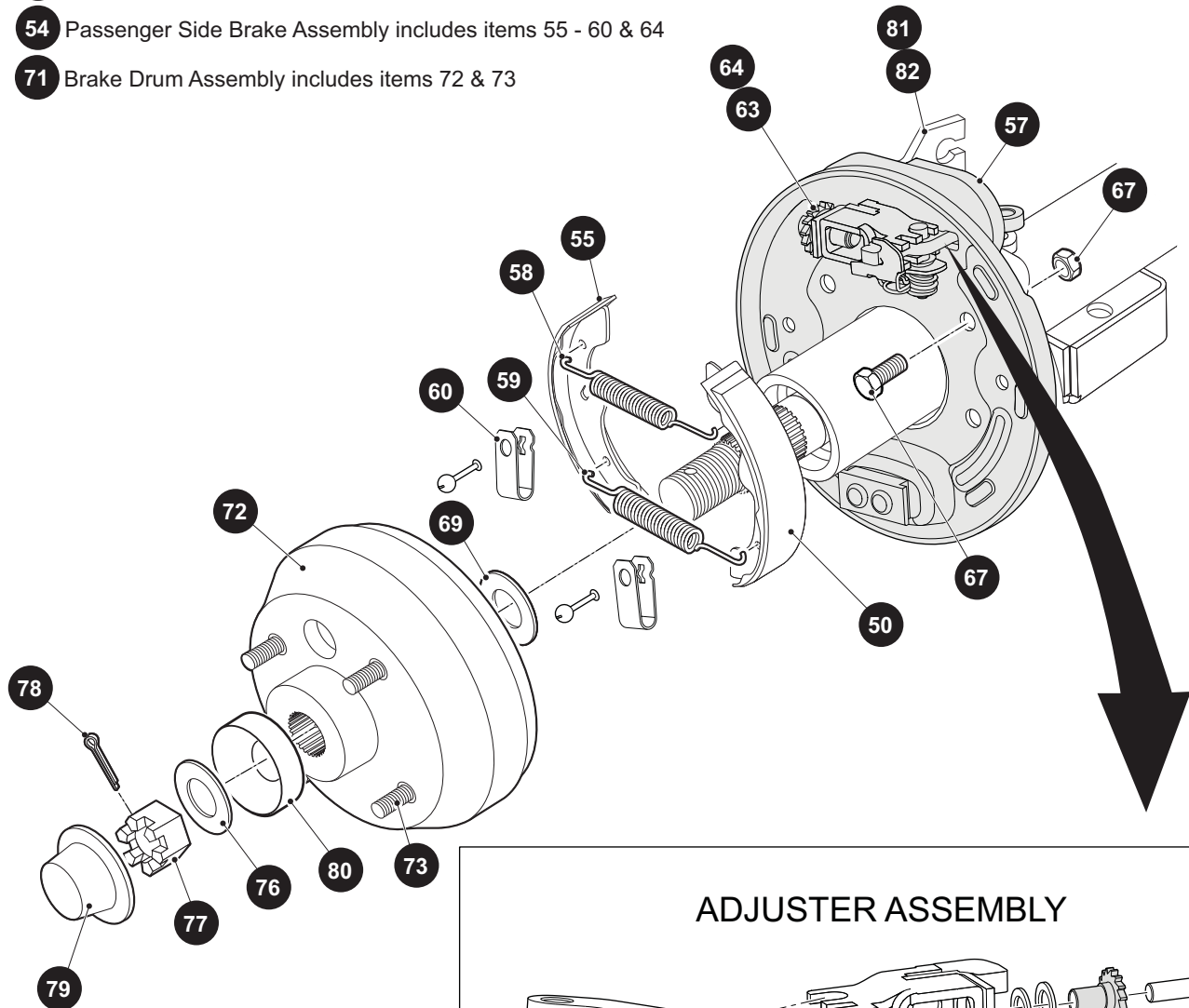
! If item 6 does not have hole indicated, order the following replacement parts:
 item 2: 11737-G1
 item 3: 15932-G2
 item 6: 70265-G01



- 1 Brake Pedal Assembly (without lights) includes items 2 - 10
- 88 Compensator Assembly includes items 89 - 98

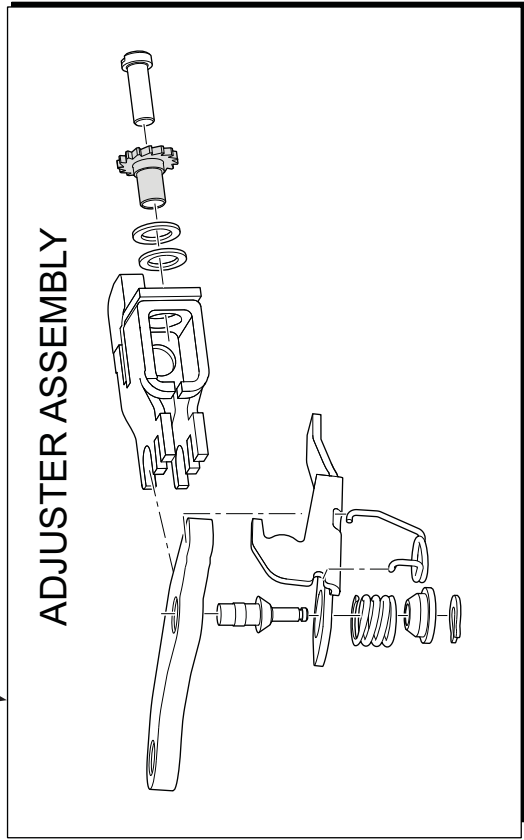
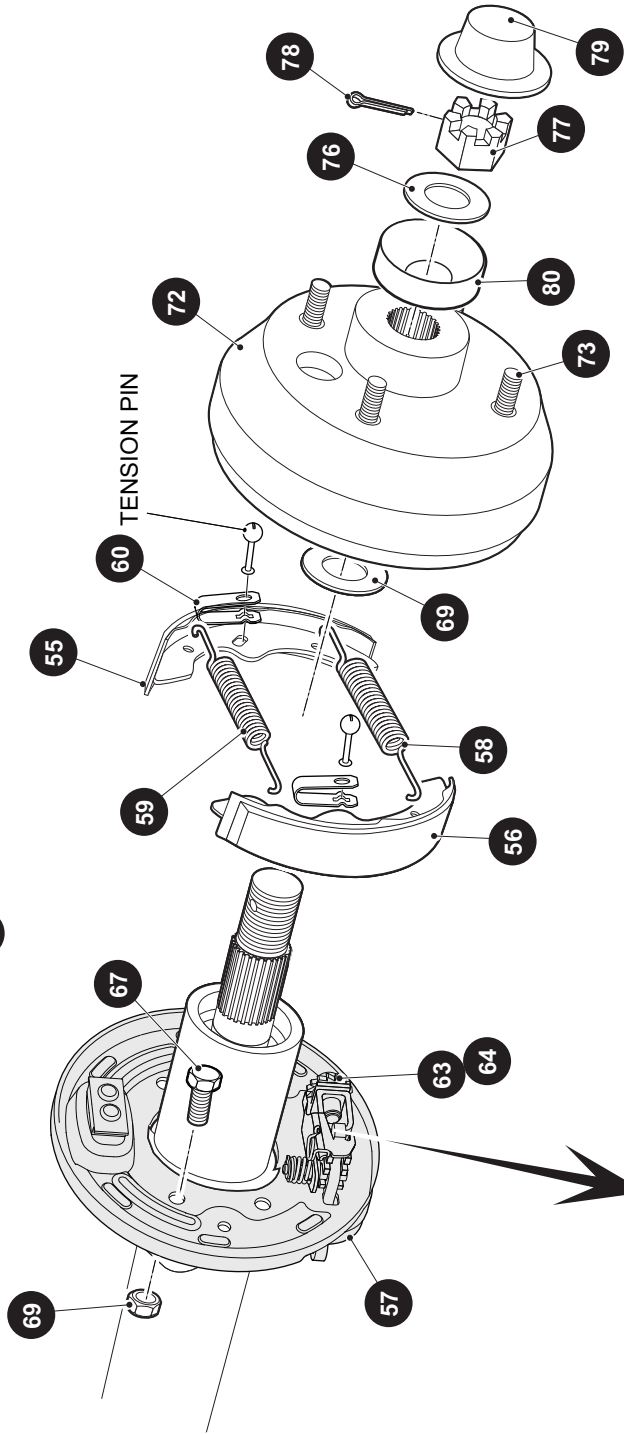
TOP PULL

- 53** Driver Side Brake Assembly includes items 55 - 60 & 63
- 54** Passenger Side Brake Assembly includes items 55 - 60 & 64
- 71** Brake Drum Assembly includes items 72 & 73



BOTTOM PULL

- 53 Driver Side Brake Assembly includes items 55 - 60 & 63
- 54 Passenger Side Brake Assembly includes items 55 - 60 & 64
- 71 Brake Drum Assembly includes items 72 & 73



When ordering parts, please specify the model and serial number of the product.

* Indicates a component that is not available as an individual part.

*** Indicates consult Customer Service Department for additional information.

ITEM	PART NO.	1 2 3 4 5	DESCRIPTION	QTY.
1	70612-G02		BRAKE PEDAL ASSEMBLY (WITHOUT BRAKE LIGHTS) (INCLUDES ITEMS 2 - 10)	1
2	70681-G01		TORSION SPRING.....	2
3	70682-G01		PIVOT PIN.....	1
4	01071-G01		PUSHNUT, 5/16"	2
5	70259-G02		BRAKE PEDAL.....	1
6	70611-G01		PARK BRAKE PEDAL	1
7				
8	70257-G01		SERVICE BRAKE PAD.....	1
9	70256-G01		PARK BRAKE PEDAL PAD	1
10	16409-G1		OVAL RIVET, 3/16" X 7/16" LG	9
11				
12	70582-G01		SHOULDER BOLT, 3/8 - 16 X 4" LG (STAINLESS STEEL)	1
13	70581-G01		FLANGED BUSHING.....	2
14	70676-G01		TORSION SPRING	1
15	00643-G1		WASHER, 3/8"	1
16	11098-G5		LOCK NUT, 3/8 - 16	1
17				
18	12416G2		NYLON WEDGE LOCK CLAMP (NOT ILLUSTRATED).....	6
19				
20	01038G01		SWAGEFORM SCREW - 1/4 - 20 (NOT ILLUSTRATED)	1
21				
22				
23				
24	28083-G01		BRAKE COMPENSATOR BUMPER.....	2
25	*		BRAKE CABLE (DRIVER SIDE).....	1
26	*		BRAKE CABLE (PASSENGER SIDE)	1
27				
28	01111-G01		RETAINING RING, 13/32" (STAINLESS STEEL).....	4
29				
30	10386-G3		CLEVIS PIN, 5/16" X 13/16" LG.....	3

BRAKES

When ordering parts, please specify the model and serial number of the product.

* Indicates a component that is not available as an individual part.

*** Indicates consult Customer Service Department for additional information.

ITEM	PART NO.	1 2 3 4 5	DESCRIPTION	QTY.
31	10387-G3		COTTER PIN, 3/32" X 3/4" LG	3
32				
33				
34	70601-G01		KICK-OFF LINK.....	1
35	17838-G1		NYLON BUSHING	2
36	20835-G1		TEFLON WASHER, 3/8"	2
37	00559-G8		WASHER, 5/16"	2
38	10387-G3		COTTER PIN, 3/32" X 3/4" LG	2
39	70098-G01		KICK-OFF CAM PIVOT	1
40	10097-G6		FLANGED BEARING	2
41	70587-G01		KICK-OFF CAM.....	1
42	71215-G01		SETSCREW, 1/4 - 20 X 1/2" LG.....	2
43	14134-G4		SPACER	1
44				
45	70113-G01		ADJUSTABLE BUMPER	1
46	11027-G1		LOCK NUT, 5/16 - 18.....	1
47				
48	70080-G02		CATCH BRACKET	1
49	00414-G6		BOLT, 1/4 - 20 X 3/4" LG	2
50	14390-G4		LOCK NUT, 1/4 - 20 (STAINLESS STEEL)	2
51				
52				
53	612211		BRAKE ASSEMBLY (DRIVER SIDE) (INCLUDES ITEMS 55 - 60, 63)	1
54	612189		BRAKE ASSEMBLY (PASSENGER SIDE) (INCLUDES ITEMS 55-60, 64)....	1
55	612411		BRAKE SHOE, L	2
56	612412		BRAKE SHOE, T.....	2
57	612413		DUST COVER.....	1
58	612415		BRAKE SPRING	1
59	612414		BRAKE SPRING	1
60	612416		SHOE CLAMP.....	2
61				

When ordering parts, please specify the model and serial number of the product.

* Indicates a component that is not available as an individual part.

*** Indicates consult Customer Service Department for additional information.

ITEM	PART NO.	1 2 3 4 5	DESCRIPTION	QTY.
62				
63	612418		GEAR ADJUSTER	1
64	612417		GEAR ADJUSTER	1
65				
66				
67	17083-G2		BOLT, 5/16 - 24 X 1" LG.....	8
68	15126-G1		LOCK NUT, 5/16 - 24	8
69	15485-G1		WASHER, 13/16"	2
70				
71	19186-G1		BRAKE DRUM ASSEMBLY (INCLUDES ITEMS 72 - 73)	2
72	18500-G2		BRAKE DRUM.....	1
73	19862-G1		LUG BOLT, 1/2 - 20 X 1 3/16" LG	4
74				
75				
76	15487-G1		WASHER, 1 3/8" O.D. X 21/32"	2
77	612928		CASTELLATED NUT, 5/8 - 18.....	2
78	10387-G1		COTTER PIN, 1/8" X 1 1/2" LG.....	2
79	74175G01		SPINDLE CAP	2
80	607033		SPINDLE CAP ADAPTER	2
81	608200		BRAKE CABLE BRACKET (PASSENGER SIDE)	1
82	608201		BRAKE CABLE BRACKET (DRIVER SIDE).....	1
83				
84				
85				
86				
87				
88	612558		COMPENSATOR ASSEMBLY (INCLUDES ITEMS 89 - 98)	1
89	00532G4		HEX NUT	2
90	629486		HEX NUT, 5/16 - 24	1
91	28082G01		EQUALIZER BRACKET	1
92	15121G1		FLAT WASHER - 5/16	2

BRAKES

When ordering parts, please specify the model and serial number of the product.

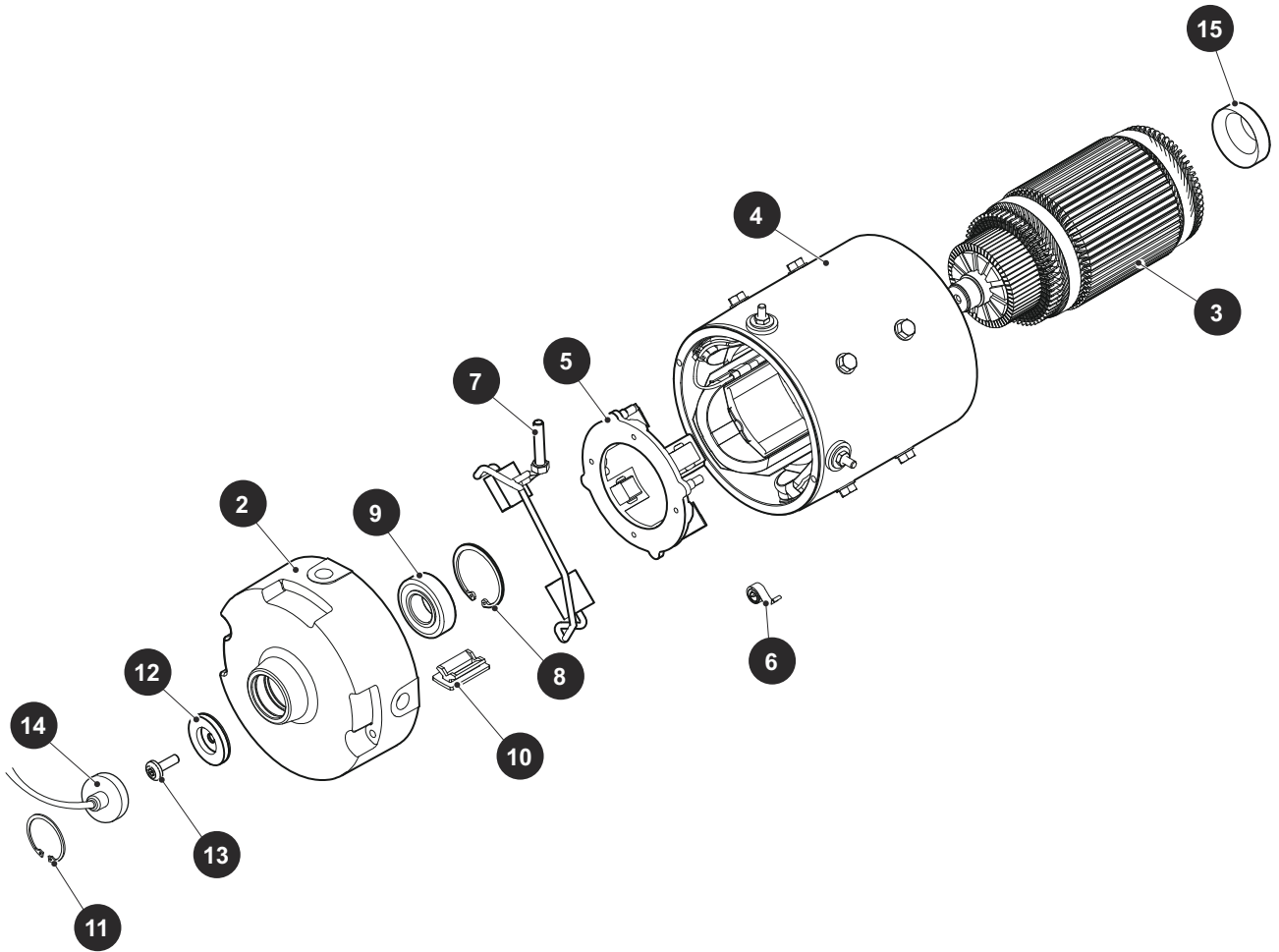
* Indicates a component that is not available as an individual part.

*** Indicates consult Customer Service Department for additional information.

ITEM	PART NO.	1 2 3 4 5	DESCRIPTION	QTY.
93	17979G1		ACCELERATOR ROD BUSHING	1
94	23061G2		TUBE.....	1
95	23463G1		COMPRESSION SPRING	1
96	27330G01		BRAKE YOKE	1
97	11098G9		HEX LOCK NUT, 5/16 - 24.....	1
98	612557		COMPENSATOR LINK ROD	1

MOTOR

1 Motor Includes Items 2 - 11



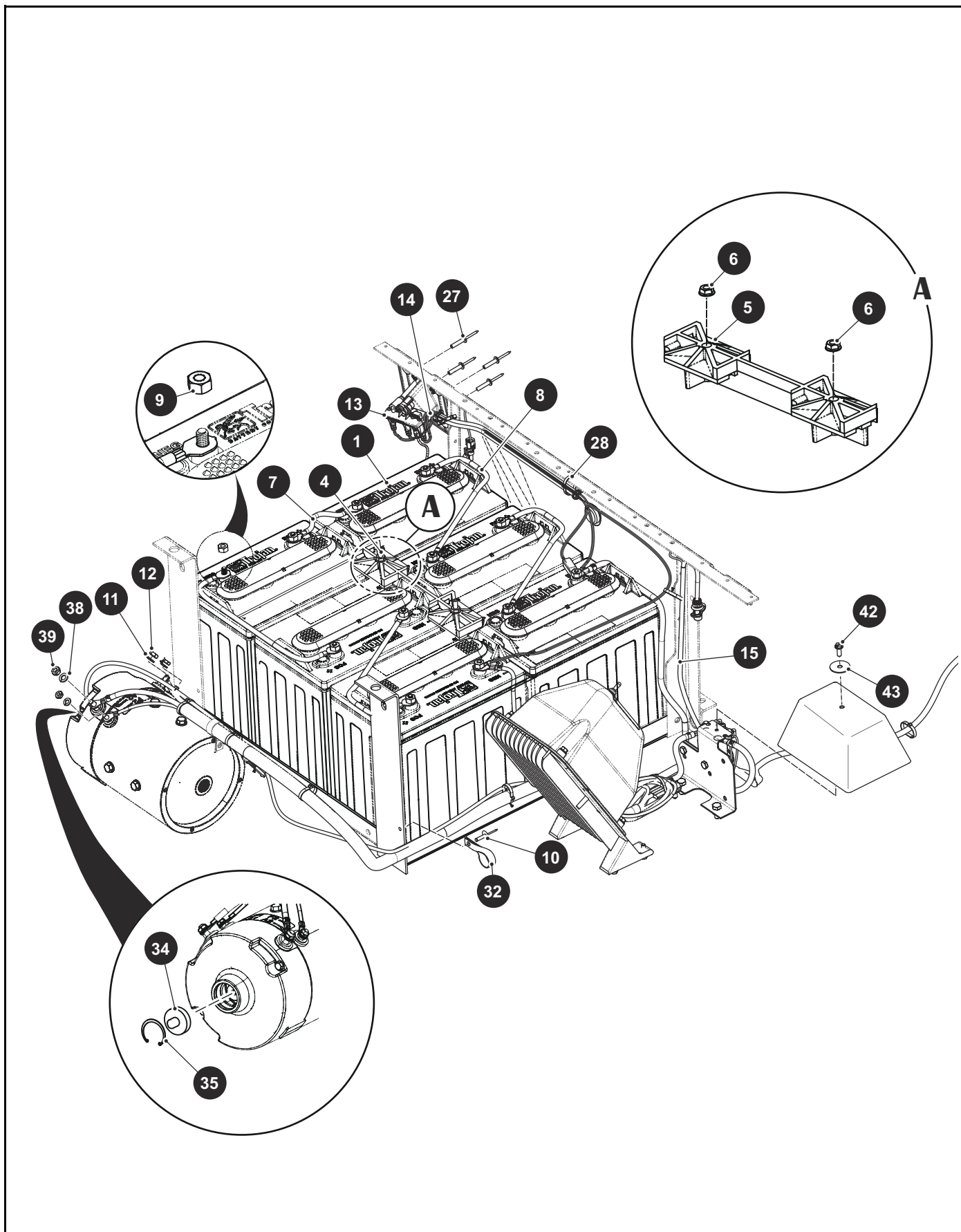
When ordering parts, please specify the model and serial number of the product.

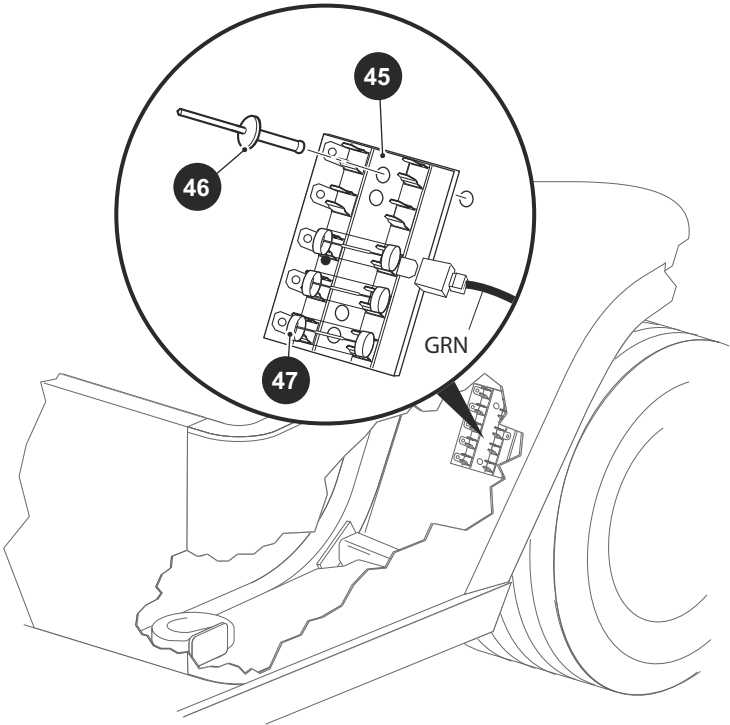
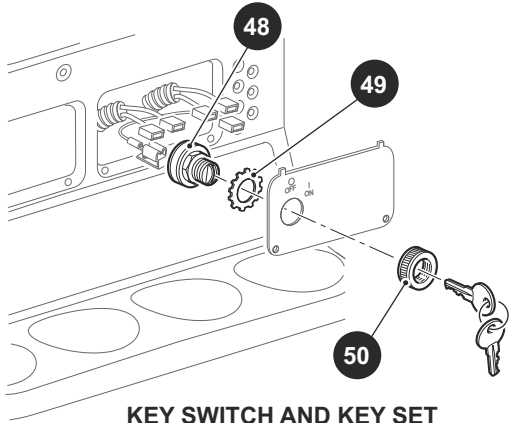
* Indicates a component that is not available as an individual part.

*** Indicates consult Customer Service Department for additional information.

ITEM	PART NO.	1 2 3 4 5	DESCRIPTION	QTY.
1	612624		MOTOR 48V (INCLUDES ITEMS 2 - 15)	1
2	AY5-002AB		COMMUNTATOR END HEAD.....	1
3	K09-2266		ARMATURE	1
4	DL4-2101		FRAME AND FILED ASSEMBLY	4
5	A04-1064D		BRUSH BOX ASSEMBLY	1
6	B00-016A		BRUSH SPRING	1
7	AC6-2034AS		BRUSH AND TERMINAL SERVICE KIT.....	1
8	H-004		RETAINING RING	1
9	BR-205		BEARING.....	1
10	EJ8-024		COVER.....	1
11	H-156		RETAINING RING	1
12	73328G01		SPEED SENSOR MAGNET	1
13	01037G02		SCREW	1
14	620422		SPEED SENSOR HARNESS	1
15	24261G1		BUMPER SPLINE.....	1

ELECTRICAL SYSTEM





ELECTRICAL SYSTEM

When ordering parts, please specify the model and serial number of the product.

* Indicates a component that is not available as an individual part.

*** Indicates consult Customer Service Department for additional information.

ITEM	PART NO.	1 2 3 4 5	DESCRIPTION	QTY.
1	*****		8 VOLT BATTERY	6
2				
3				
4	01101G01		HOLD DOWN BOLT (STAINLESS STEEL).....	2
5	612867		BATTERY RETAINER	1
6	11027G1		LOCK NUT, 5/16" - 18	2
7	613236		6 AWG WIRE, BLUE 380mm (15").....	4
8	613237		6 AWG WIRE, BLUE 150mm (5.90").....	1
9	00702G2		NUT, 5/16" - 18	12
10	10570G11		RIVET, 3/16" X 0.70"	1
11	00993G02		LOCK WASHER, 1/4 " (SILICON BRONZE)	2
12	28418G02		NUT, 1/4 - 20 (BRASS).....	2
13	613304		CHARGER RECEPTACLE 48V	1
14	*		CHARGER HARNESS.....	1
15	620964		MAIN WIRE HARNESS, VPS 48V	1
16				
17				
18				
19				
20				
21				
22				
23				
24				
25				
26				
27	71055G01		RIVET, 3/16" X 1" LG (ALUMINUM).....	4
28	17618G1		WIRE TIE.....	9
29				
30				
31				

ELECTRICAL SYSTEM

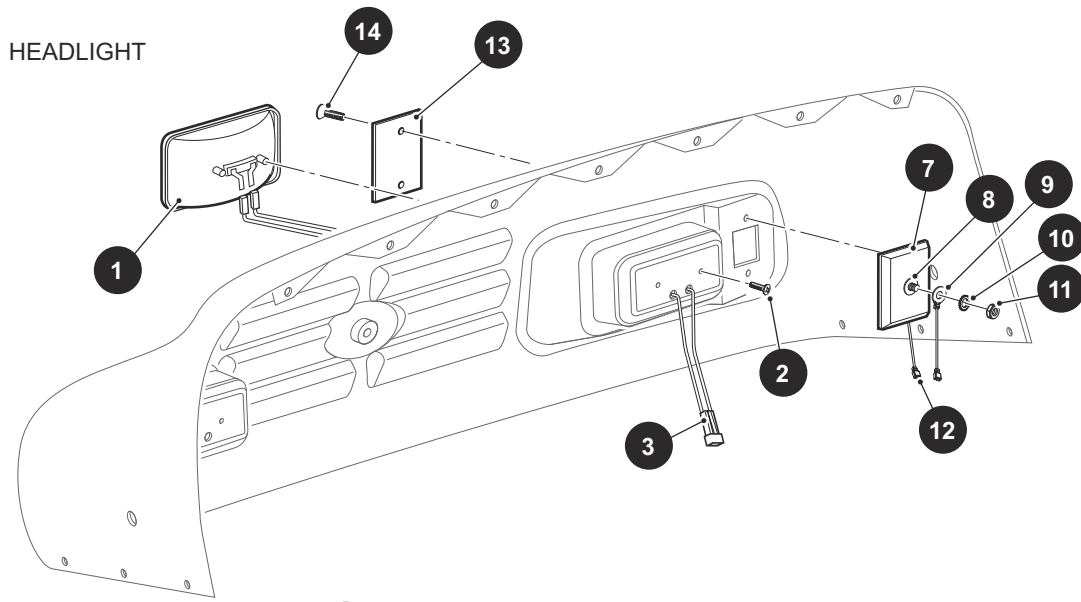
When ordering parts, please specify the model and serial number of the product.

* Indicates a component that is not available as an individual part.

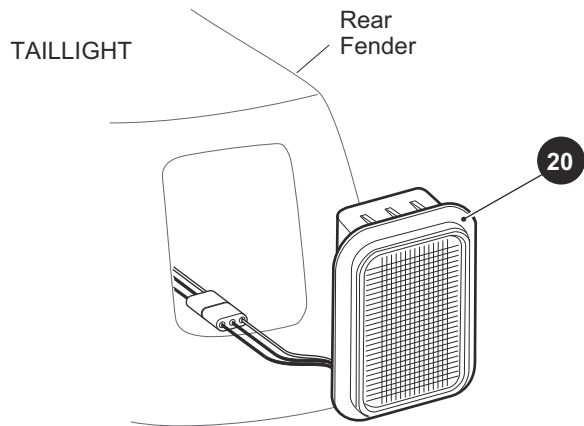
*** Indicates consult Customer Service Department for additional information.

ITEM	PART NO.	1 2 3 4 5	DESCRIPTION	QTY.
32	27327G02		CABLE CLAMP	1
33				
34	620422		SPEED SENSOR.....	1
35	73277G01		RETAINING RING.....	1
36				
37				
38	00993G01		LOCK WASHER, 5/16" (SILICON BRONZE).....	2
39	28418G01		NUT, 5/16" - 18" (BRASS).....	2
40				
41				
42	00114G6		SCREW, 5/16" - 18	1
43	16469G1		FENDER WASHER, 1/4"	1
44				
45	22674G1		FUSE BLOCK	1
46	01041G01		RIVET, 1/8" X 13/16" LG	2
47	18392G1		15 AMP FUSE.....	AR
48	33639G**		KEY SWITCH (WITH LIGHTS)	1
49	00568G6		LOCK WASHER, 3/4"	1
50	17137P1		FACE NUT, 3/4 - 20.....	1

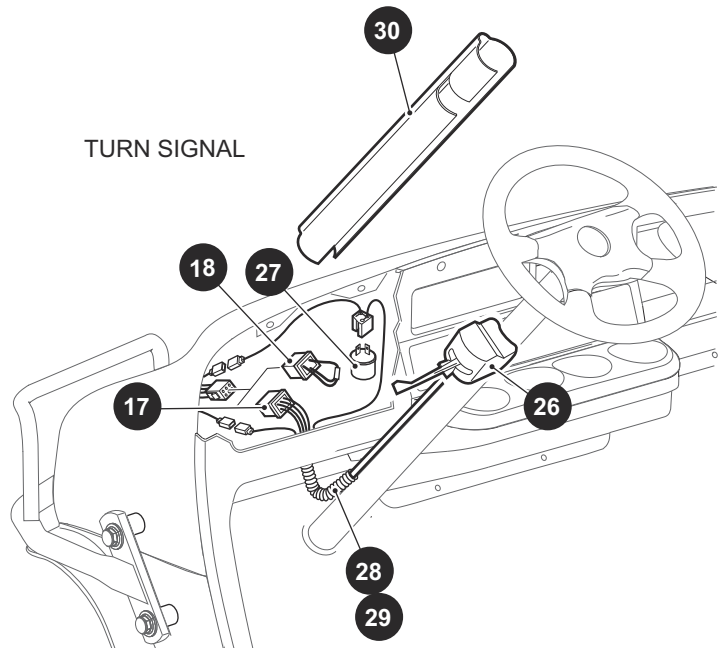
ELECTRICAL SYSTEM



6 Turn Signal Light Includes Items 7 - 12



TURN SIGNAL



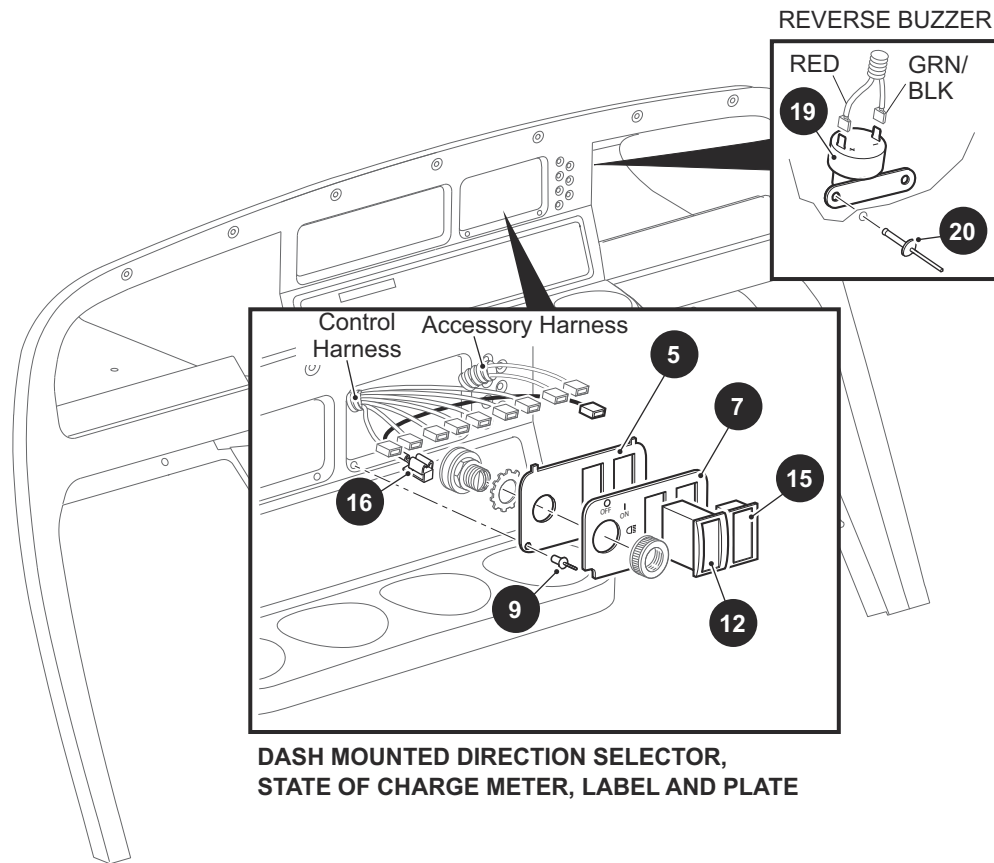
ELECTRICAL SYSTEM

When ordering parts, please specify the model and serial number of the product.

* Indicates a component that is not available as an individual part.

*** Indicates consult Customer Service Department for additional information.

ITEM	PART NO.	1 2 3 4 5	DESCRIPTION	QTY.
1	22523G1		HEADLIGHT (RECTANGULAR) (INCLUDES ITEM 2)	2
2	00906G6		SCREW, #10 - 16 X 1" LG	4
3	74337G01		JUMPER WIRE (HEADLIGHT)	2
4				
5				
6	20570G3		TURN SIGNAL LIGHT (INCLUDES ITEMS 7 - 12).....	2
7	20574G3		TURN SIGNAL LIGHT	1
8	00660G7		WASHER, 1/4" (STAINLESS STEEL)	1
9	20606G1		WIRE	1
10	00567G7		LOCK WASHER, 1/4"	1
11	00532G1		NUT, 1/4 - 20	1
12	18995G1		PUSH-ON MALE TERMINAL	1
13	20574G4		LENS, AMBER.....	1
14	00118G5		SCREW, #6 - 18 X 5/8" LG	2
15				
16				
17	618257		WIRE HARNESS (ACCESSORY), 48V DC,SWB.....	1
18	618260		JUMPER PLUG, TAIL LIGHT.....	1
19				
20	32739G2		TAIL LIGHT	1
21				
22				
23				
24				
25				
26	17867G1		TURN SIGNAL (WITH MOUNTING HARDWARE).....	1
27	21640G1		TURN SIGNAL FLASHER.....	1
28	17313G1		FLEX LOOM, 3/8" X 8" LG	1
29	17618G1		WIRE TIE	2
30	20965G3		STEERING COLUMN COVER	1



ELECTRICAL SYSTEM

When ordering parts, please specify the model and serial number of the product.

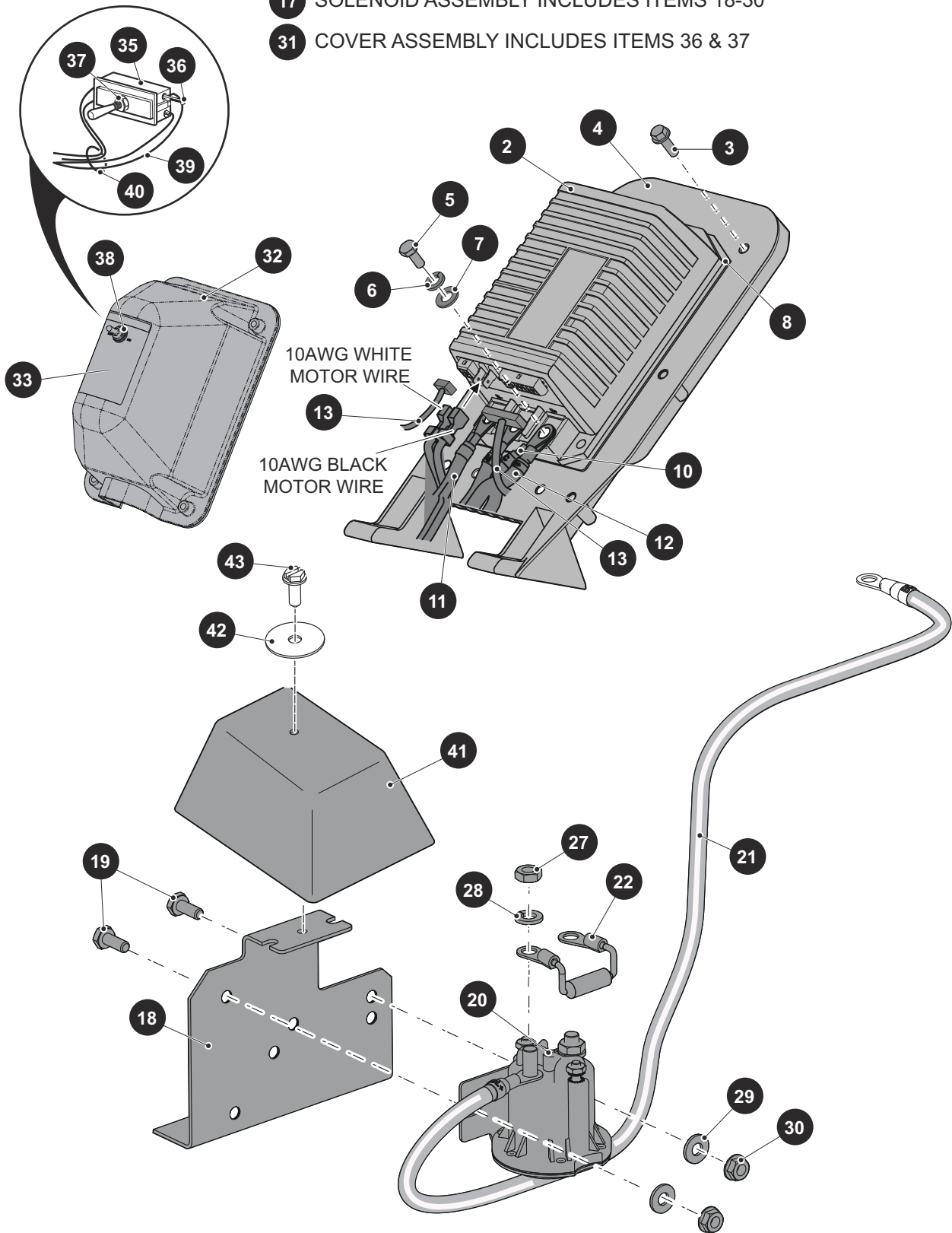
* Indicates a component that is not available as an individual part.

*** Indicates consult Customer Service Department for additional information.

ITEM	PART NO.	1 2 3 4 5	DESCRIPTION	QTY.
1				
2				
3				
4				
5	73030G06		PLATE (KEY SWITCH, DIRECTION SELECTOR, CHARGE METER)	1
6				
7	74322G01		LABEL (KEY SWITCH WITH LIGHTS, DIRECTION SELECTOR, CHARGE METER)	1
8				
9	33623G02		DRIVE RIVET, 3/16" X 3/8" LG	2
10				
11				
12	74323G01		DIRECTION SELECTOR SWITCH (DASH MOUNTED)	1
13				
14				
15	33636G05		STATE OF CHARGE METER (VERTICAL)	1
16	25978G74		18 GA WIRE (RED 6")	1
17				
18				
19	613271		BUZZER (CONTINUOUS TONE)	1
20	01041G01		RIVET, 1/8" X 13/16" LG	2

ELECTRONIC SPEED CONTROL

- 1 ELECTRONIC SPEED CONTROL ASSEMBLY INCLUDES ITEMS 2-12, 31
- 17 SOLENOID ASSEMBLY INCLUDES ITEMS 18-30
- 31 COVER ASSEMBLY INCLUDES ITEMS 36 & 37



ELECTRONIC SPEED CONTROL

When ordering parts, please specify the model and serial number of the product.

* Indicates a component that is not available as an individual part.

*** Indicates consult Customer Service Department for additional information.

ITEM	PART NO.	1 2 3 4 5	DESCRIPTION	QTY.
1	612756		ELECTRONIC SPEED CONTROL ASSEMBLY 48 V (INCLUDES ITEMS 2 - 12, 31).....	1
2	612632		CONTROLLER, 48V.....	1
3	71102G01		BOLT, 1/4 - 20 X 3/4" LG	3
4	73471G01		HEATSINK.....	1
5	73296G01		BOLT, 8MM.....	3
6	00565G8		WASHER 5/16	3
7	00559G8		WASHER FLAT	3
8	73190G01		PAD, THERMAL MOUNTING.....	1
9				
10	73106G01		WIRE HARNESS (POWER).....	1
11	620437		6 AWG WIRE, BLUE 6.755MM	1
12	620432		6 AWG WIRE, GREEN 400MM	1
13	620964		MAIN WIRE HARNESS, 48V	1
14				
15				
16				
17	613104		SOLENOID ASSEMBLY (INCLUDES ITEMS 18 - 30).....	1
18	73057G01		BRACKET.....	1
19	00414G5		BOLT 1/4 - 20	2
20	612711		SOLENOID 48V.....	1
21	607592		WIRE ASSEMBLY, 4AWG, GREEN, 706MM.....	1
22	620430		RESISTER ASSEMBLY 500 OHM	1
23				
24				
25				
26				
27	00544G4		LOCK NUT, 5/16 - 18.....	1
28	00565G8		LOCK WASHER	1
29	01110G01		FLAT WASHER	2
30	11027G02		FLANGED NUT	2

ELECTRONIC SPEED CONTROL

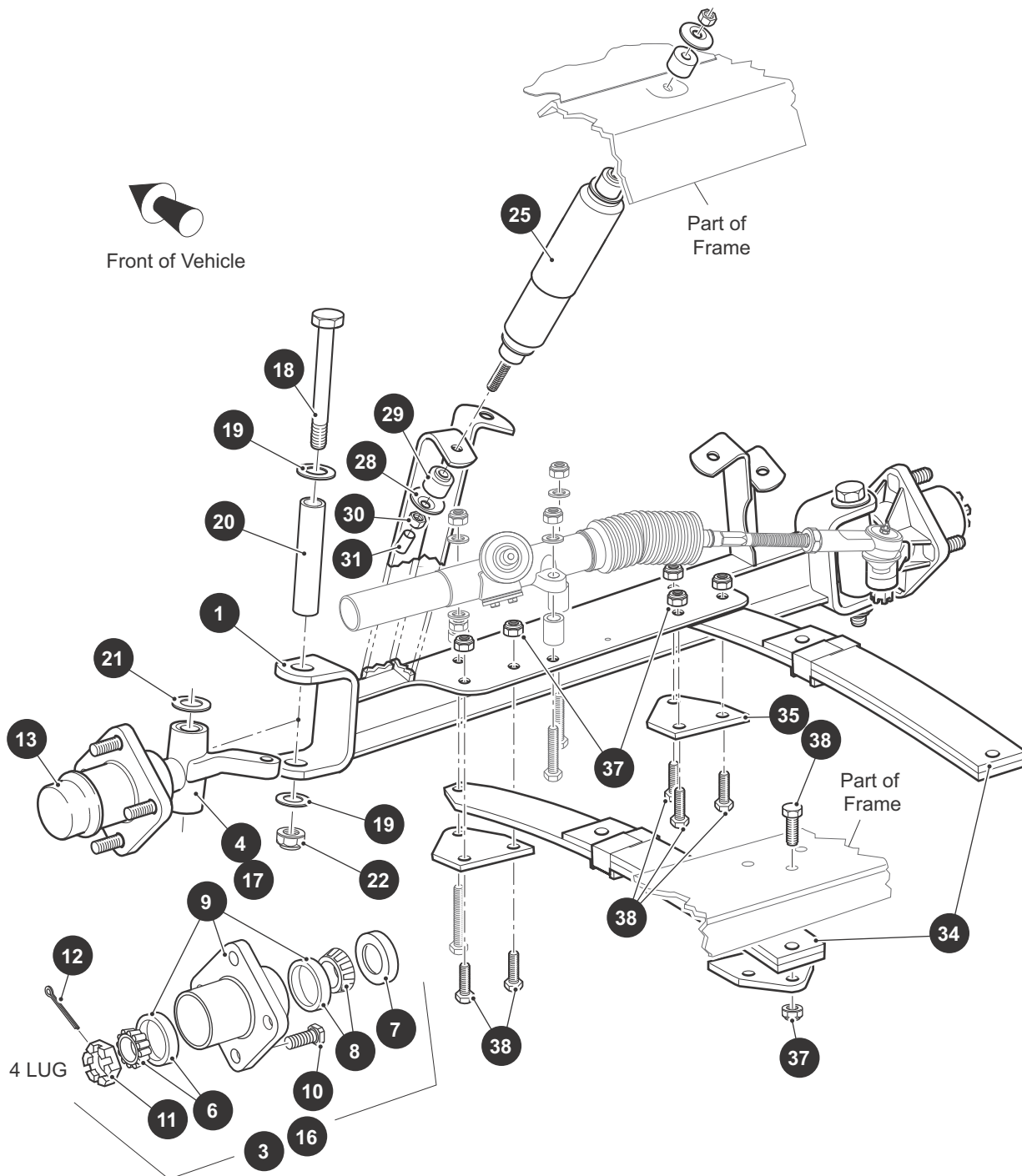
When ordering parts, please specify the model and serial number of the product.

* Indicates a component that is not available as an individual part.

*** Indicates consult Customer Service Department for additional information.

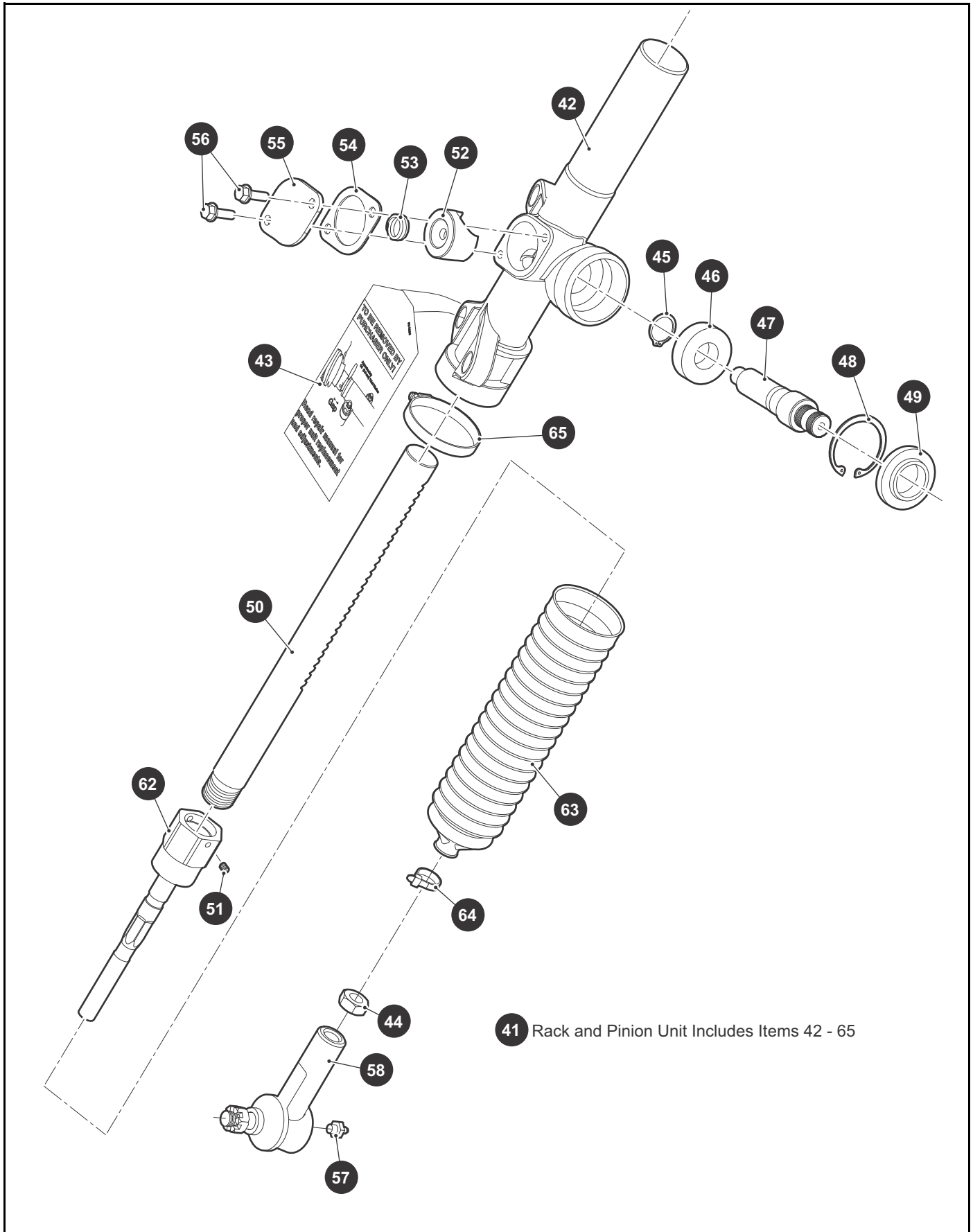
ITEM	PART NO.	1	2	3	4	5	DESCRIPTION	QTY.
31	612753						COVER ASSEMBLY (INCLUDES ITEMS 32 - 40)	1
32	73482G01						COVER (WITH GASKET).....	1
33	613048						LABEL (TOW SWITCH).....	1
34								
35	73125G01						TOGGLE SWITCH WITH SEAL (INCLUDES ITEMS 36 - 37)	1
36	*						SCREW, #5 - 40.....	4
37	*						NUT, 15/32 - 32	1
38	73139G01						SEALED NUT, 15/32 - 32	1
39	73138G02						WIRE HARNESS (TOW SWITCH).....	1
40	17618G1						WIRE TIE.....	1
41	73049G01						COVER.....	1
42	16469G1						FLAT WASHER	1
43	00114G6						SCREW	1

FRONT SUSPENSION & STEERING



- 3** Passenger Side Spindle and Hub Assembly Includes Items 4 - 13
- 9** Wheel Hub Assembly Includes Item 10
- 16** Driver Side Spindle and Hub Assembly Includes Items 7 - 13, 17

*NOTE: Tie Rod Not Shown for Clarity



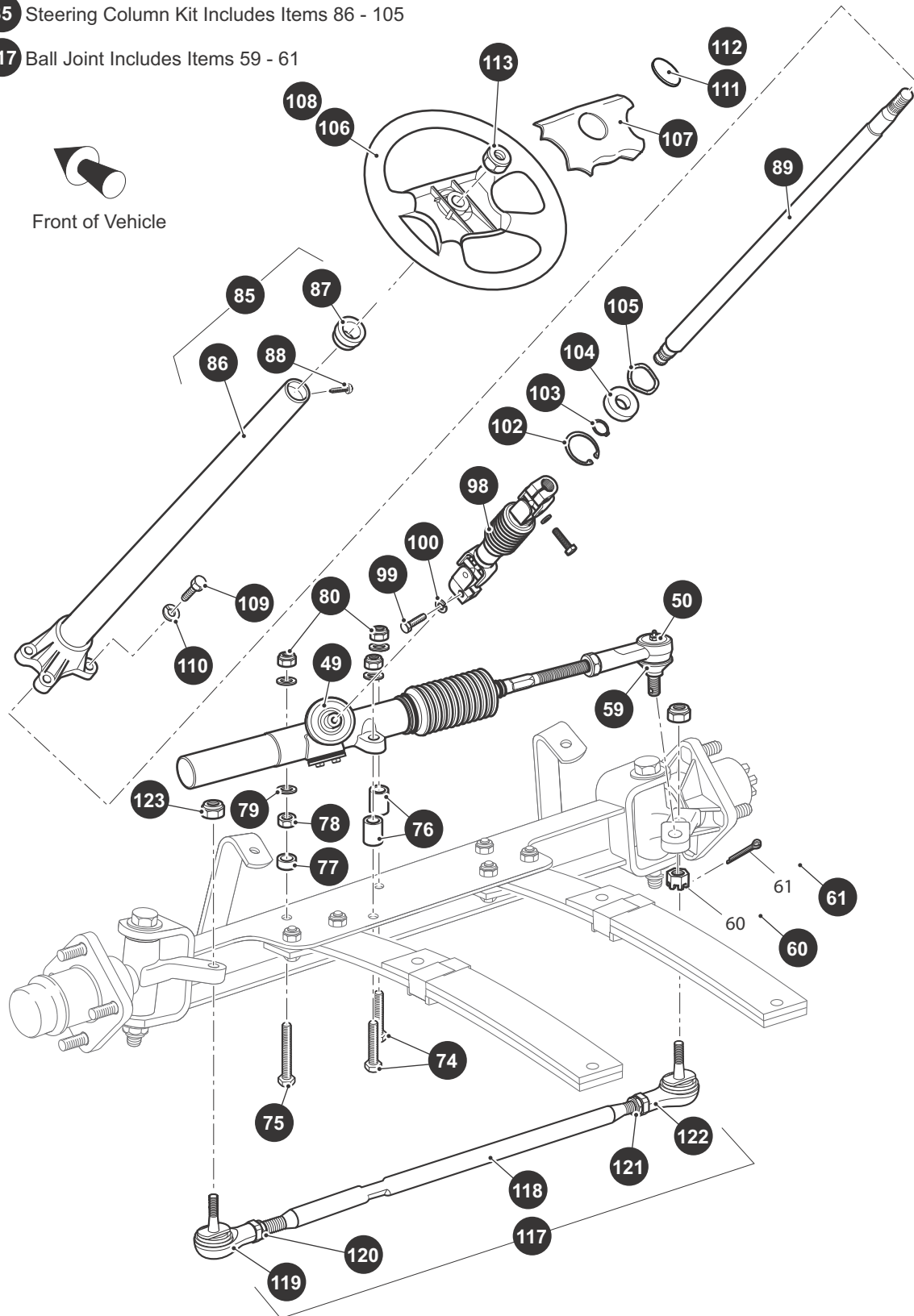
41 Rack and Pinion Unit Includes Items 42 - 65

FRONT SUSPENSION & STEERING

58 Ball Joint Includes Items 59 - 61

85 Steering Column Kit Includes Items 86 - 105

117 Ball Joint Includes Items 59 - 61



FRONT SUSPENSION & STEERING

When ordering parts, please specify the model and serial number of the product.

* Indicates a component that is not available as an individual part.

*** Indicates consult Customer Service Department for additional information.

ITEM	PART NO.	1 2 3 4 5	DESCRIPTION	QTY.
1	602512		FRONT AXLE.....	1
2				
3	70942-G03		SPINDLE AND HUB ASSEMBLY, 4 LUG (PASSENGER SIDE) (INCLUDES ITEMS 4 - 13)	1
4	70940-G02		SPINDLE ASSEMBLY (PASSENGER SIDE) (INCLUDES ITEMS 5 - 6) .	1
5	70648-G01		BEARING	1
6	70749-G01		BEARING, DP4	1
7	25146-G1		GREASE SEAL	1
8	50892-G1		ROLLER BEARING AND RACE ASSEMBLY	2
9	70589-G1		WHEEL HUB ASSEMBLY WITH RACES, 4 LUG (INCLUDES ITEM 10)	1
10	19862-G1		LUG BOLT, 1/2 - 20 X 1 7/32" LG	4
11	12093-G1		SLOTTED NUT, 1 - 14.....	1
12	00798-G8		COTTER PIN, 5/32" X 1 3/4" LG	1
13	12091-G2		SPINDLE CAP.....	2
14				
15				
16	70673-G03		SPINDLE AND HUB ASSEMBLY, 4 LUG (DRIVER SIDE) (INCLUDES ITEMS 7 - 13 & 17)	1
17	70742-G02		SPINDLE ASSEMBLY (DRIVER SIDE) (INCLUDES ITEMS 5 - 6)	1
18	00407-G6		BOLT, 1/2 - 13 X 6" LG.....	2
19	00560-G3		WASHER, 1/2"	4
20	70745-G01		KING PIN TUBE.....	2
21	70754-G01		THRUST WASHER (STAINLESS STEEL).....	2
22	14390-G6		LOCK NUT, 1/2 - 13	2
23				
24				
25	76419-G01		SHOCK ABSORBER	2
26				
27				
28	10435-G1		SHOCK ABSORBER WASHER.....	8
29	10194-G1		RUBBER SHOCK ABSORBER BUSHING	8
30	00532-G6		NUT, 3/8 - 24.....	4

FRONT SUSPENSION & STEERING

When ordering parts, please specify the model and serial number of the product.

* Indicates a component that is not available as an individual part.

*** Indicates consult Customer Service Department for additional information.

ITEM	PART NO.	1 2 3 4 5	DESCRIPTION	QTY.
31	10044-G01		VINYL CAP.....	2
32				
33				
34	70664-G03		LEAF SPRING (HEAVY DUTY) (SEE PART NUMBER ON SPRING).....	2
35	70163-G03		SPRING PLATE.....	4
36				
37	00734-G1		LOCK NUT, 7/16 - 14.....	11
38	00463-G11		BOLT, 7/16 - 14 X 1 3/4" LG.....	11
39				
40				
41	74605-G01		RACK AND PINION UNIT (COMPLETE) (INCLUDES ITEMS 42 - 65).....	1
42	70965-G01		STEERING RACK COVER & BEARING.....	1
43	*		STEERING BOX INSTALLATION TAG.....	1
44	*		JAM NUT, 1/2 - 20.....	1
45	70750-G01		RETAINING RING (EXTERNAL).....	1
46	15112-G1		BALL BEARING.....	1
47	70603-G01		PINION.....	1
48	70751-G01		RETAINING RING (INTERNAL).....	1
49	70638-G01		SEAL PINION.....	1
50	70604-G01		RACK STEERING.....	1
51	01053-G01		SCREW, 10- 32.....	1
52	70590-G01		RACK LOADER.....	1
53	70666-G01		SPRING COMPRESSION.....	1
54	70645-G01		GASKET RACK LOADER.....	1
55	70591-G01		COVER RACK LOADER.....	1
56	71102-G01		SCREW, 1/4 - 20.....	2
57	10389-G3		GREASE FITTING, STRAIGHT.....	1
58	70695-G01		RACK BALL JOINT (INCLUDES ITEMS 59 - 61).....	1
59	50641-G1		RUBBER BOOT.....	1
60	50209-G2		SLOTTED NUT, 7/16 - 20.....	1
61	10387-G2		COTTER PIN, 3/32" X 1" LG.....	1

FRONT SUSPENSION & STEERING

When ordering parts, please specify the model and serial number of the product.

* Indicates a component that is not available as an individual part.

*** Indicates consult Customer Service Department for additional information.

ITEM	PART NO.	1 2 3 4 5	DESCRIPTION	QTY.
62	74602-G01		ROD END (INNER)	1
63	70961-G01		RACK BOOT	1
64	12416-G2		WIRE TIE.....	1
65	11391-G8		WIRE TIE.....	1
66				
67				
68				
69				
70				
71				
72				
73				
74	00464-G6		BOLT, 7/16 - 14 X 2 3/4" LG.....	2
75	01068-G01		BOLT, 7/16 - 14 X 3 1/2" LG.....	1
76	70667-G02		SPACER.....	2
77	70667-G03		SPACER (SHORT).....	1
78	00532-G7		NUT, 7/16 - 14.....	1
79	00560-G2		FLAT WASHER, 7/16".....	7
80	00734-G1		LOCK NUT, 7/16 - 14.....	3
81				
82				
83				
84				
85	70758-G05		STEERING COLUMN KIT (INCLUDES ITEMS 86 - 105).....	1
86	70610-G03		STEERING COLUMN.....	1
87	28569-G01		STEERING COLUMN BUSHING	1
88	01022-G01		SCREW, #6 - 20 X 5/16" LG.....	1
89	70607-G01		STEERING SHAFT	1
90				
91				
92				

FRONT SUSPENSION & STEERING

When ordering parts, please specify the model and serial number of the product.

* Indicates a component that is not available as an individual part.

*** Indicates consult Customer Service Department for additional information.

ITEM	PART NO.	1	2	3	4	5	DESCRIPTION	QTY.
93								
94								
95								
96								
97								
98	70580-G01						INTERMEDIATE SHAFT	1
99	01055-G01						BOLT, M8 X 1 1/4" LG	2
100	00565-G8						LOCK WASHER, 5/16"	2
101								
102	70751-G01						RETAINING RING (INTERNAL).....	1
103	70888-G01						RETAINING RING (EXTERNAL)	1
104	15112-G1						BALL BEARING	1
105	70887-G01						WAVE WASHER	1
106	602980						STEERING WHEEL PREMIUM (OPTIONAL).....	1
107	71147-G01						STEERING WHEEL COVER.....	1
108	602979						STEERING WHEEL	1
109	01006-G01						BOLT, 3/8 - 16 X 1 1/4" LG WITH PATCHLOCK.....	4
110	00879-G1						LOCK WASHER, 3/8"	4
111	605435						STEERING WHEEL DECAL E-Z-GO.....	1
112	617802						STEERING WHEEL DECAL BBB	1
113	14390-G2						LOCK NUT, 5/8 - 18.....	1
114								
115								
116								
117	70604-G01						TIE ROD ASSEMBLY (INCLUDES ITEMS 118 - 122)	1
118	74603-G01						THREADED ROD (24" LG).....	1
119	70902-G01						TIE ROD END (LEFT HAND THREADS)	1
120	01069-G01						JAM NUT, M12 X 1.25-05 (LEFT HAND THREADS).....	1
121	70902-G02						TIE ROD END (RIGHT HAND THREADS).....	1
122	01069-G02						JAM NUT, M12 X 1.25-05 (RIGHT HAND THREADS)	1
123	00734-G1						LOCK NUT, 7/16 - 14.....	2

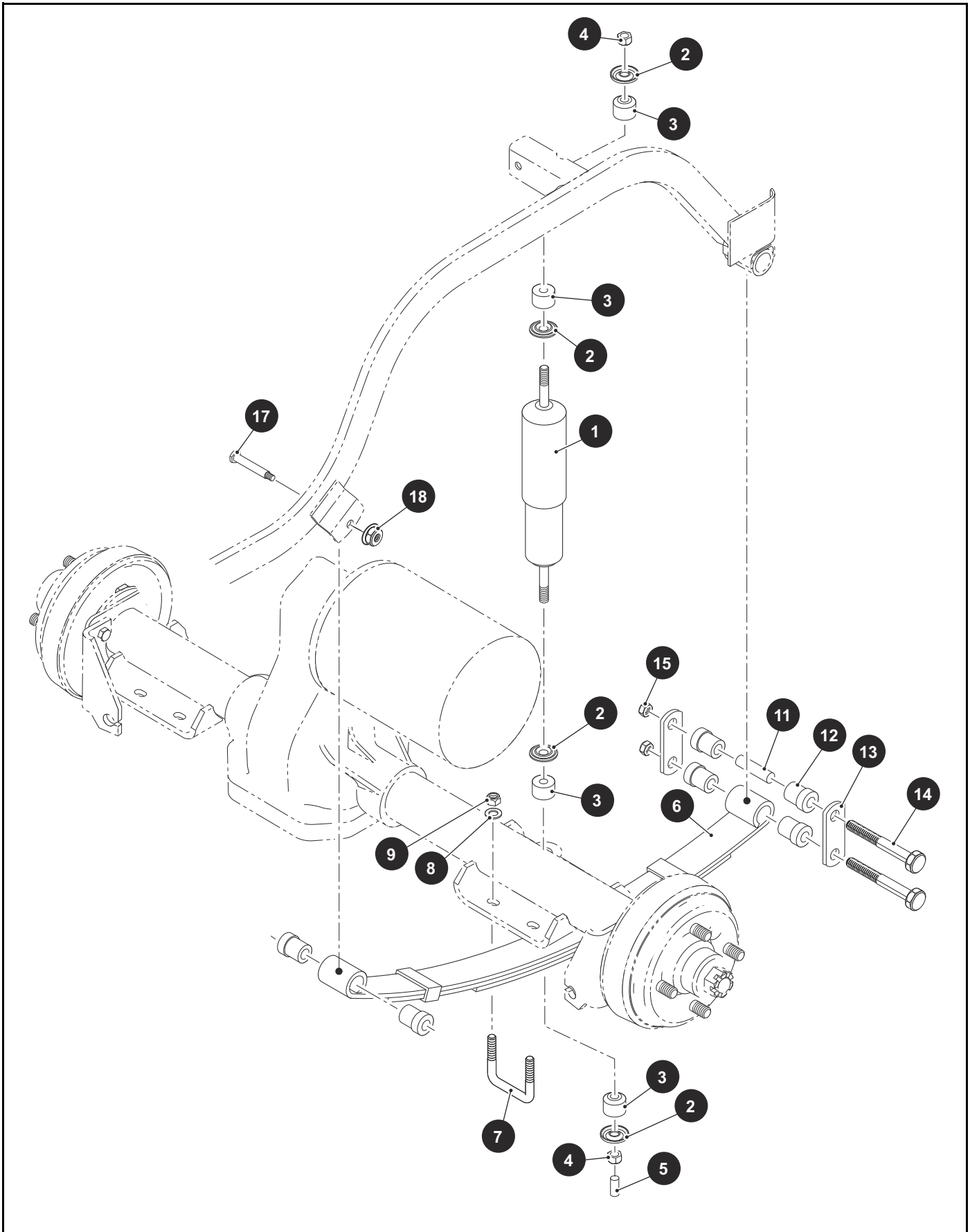
When ordering parts, please specify the model and serial number of the product.

* Indicates a component that is not available as an individual part.

*** Indicates consult Customer Service Department for additional information.

ITEM	PART NO.	1 2 3 4 5	DESCRIPTION	QTY.
1	73500-G01		REAR AXLE ASSEMBLY, 12.44:1 (INCLUDES ITEMS 2 - 7).....	1
2	20377-G12		AXLE SHAFT (PASSENGER SIDE).....	1
3	20377-G11		AXLE SHAFT (DRIVER SIDE).....	1
4	*		DIFFERENTIAL COVER.....	1
5	73356-G01		FILL/CHECK PLUG	1
6	15558-G1		SCREW, 5/16 - 18 X 3/4" LG	10
7	73050-G01		VENT	1
8				
9	72763-G02		DIFFERENTIAL GUARD	1
10				
11	24261-G1		BUMPER SPLINE	1
12	00797-G2		BOLT, 1/4 - 20 X 1 1/4" LG.	3
13	00664-G7		LOCK WASHER, 1/4" (STAINLESS STEEL)	3
14	01110-G01		WASHER, 1/4" (STAINLESS STEEL)	3
15	27023-G01		MOLY LUBE, 2 OZ.	AR
16				
17	27327-G02		CLAMP TWISTED	1

REAR SUSPENSION



REAR SUSPENSION

When ordering parts, please specify the model and serial number of the product.

* Indicates a component that is not available as an individual part.

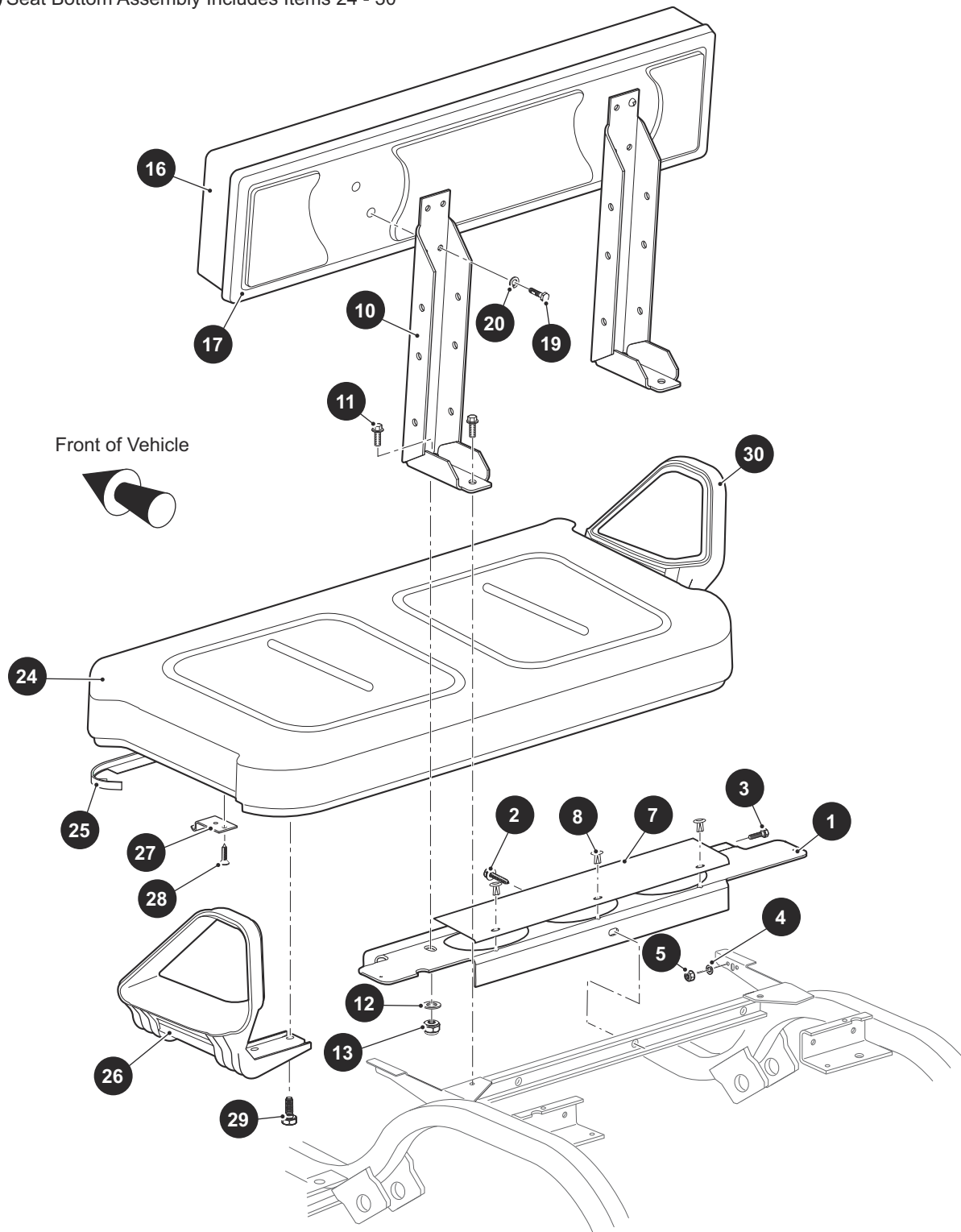
*** Indicates consult Customer Service Department for additional information.

ITEM	PART NO.	1 2 3 4 5	DESCRIPTION	QTY.
1	70248-G01		SHOCK ABSORBER	2
2	10435-G1		SHOCK ABSORBER WASHER	8
3	10194-G1		RUBBER SHOCK ABSORBER BUSHING	8
4	00532-G6		NUT, 3/8 - 24	4
5	10044-G01		CAP, VINYL	2
6	74207-G03		LEAF SPRING (HEAVY DUTY)	2
7	72618-G01		"U" BOLT, 3/8 - 16 X 2" X 2 1/2" LG	4
8	00560-G1		WASHER, 3/8"	8
9	11098-G5		LOCK NUT, 3/8 - 16	8
10				
11	70289-G02		SPACER	4
12	70291-G01		RUBBER BUSHING	12
13	604961		SHACKLE PLATE	4
14	00665-G9		BOLT, 3/8 - 16 X 3 1/2" LG (STAINLESS STEEL)	4
15	11098-G5		LOCK NUT, 3/8 - 16	4
16				
17	14158-G1		SHOULDER BOLT, 3/8 - 16 X 3 1/4" LG	2
18	12262-G1		LOCK NUT, 3/8 - 16	2
19				

SEATING

15 Seat Back Assembly Includes Items 16 & 17

23 Seat Bottom Assembly Includes Items 24 - 30



When ordering parts, please specify the model and serial number of the product.

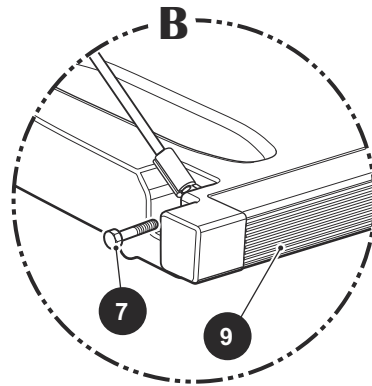
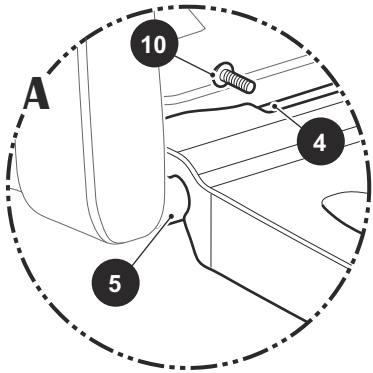
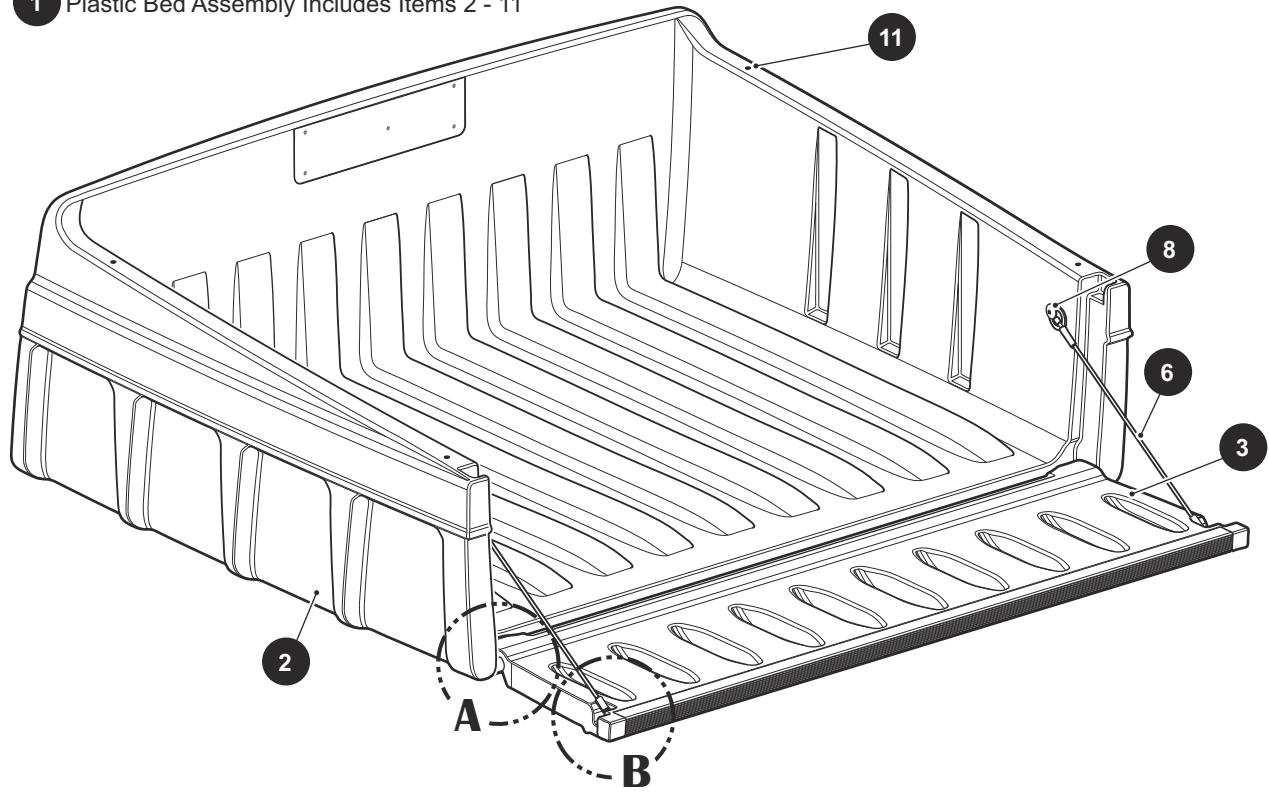
* Indicates a component that is not available as an individual part.

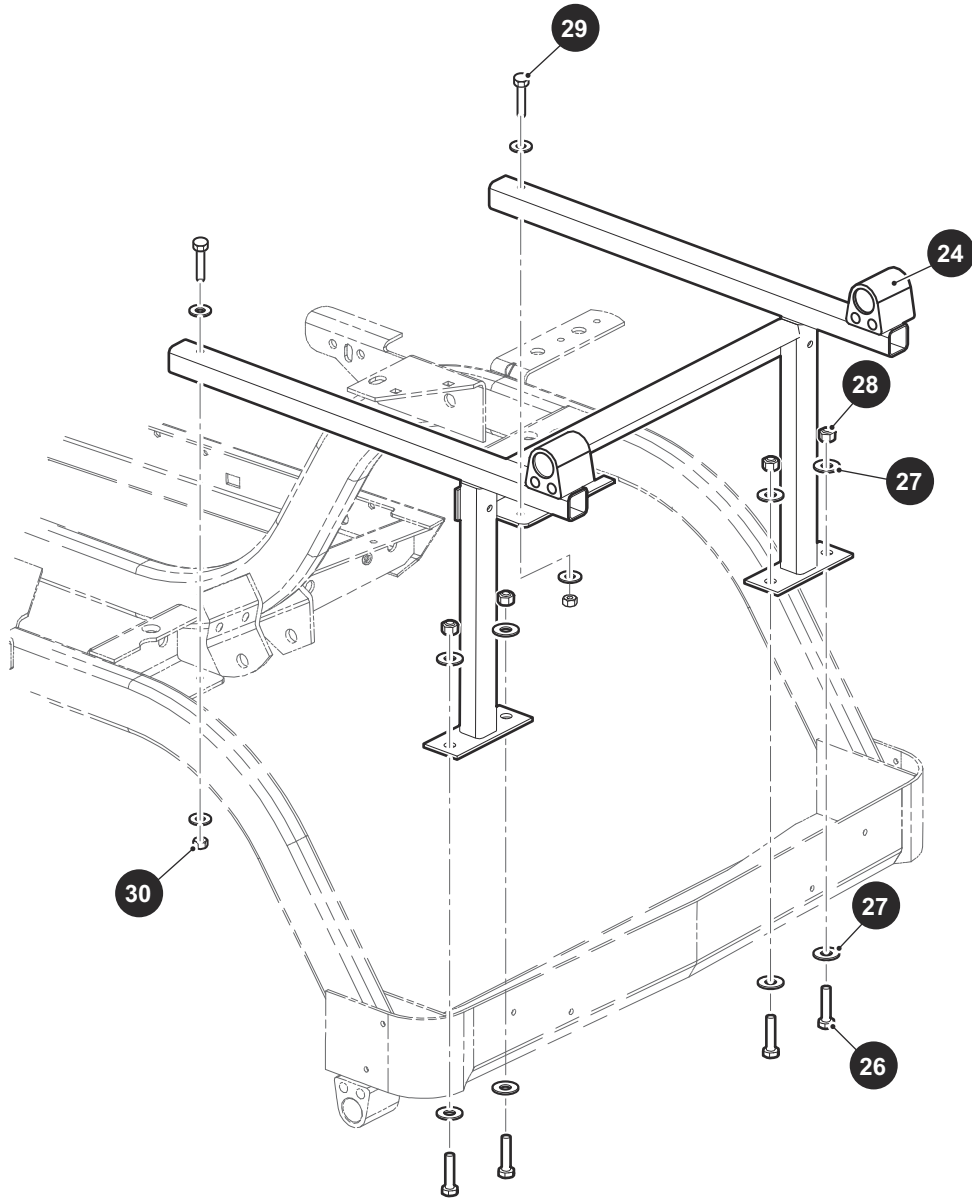
*** Indicates consult Customer Service Department for additional information.

ITEM	PART NO.	1 2 3 4 5	DESCRIPTION	QTY.
1	71262-G04		SEAT BACK SUPPORT	1
2	00715-G2		BOLT, 5/16 - 18 X 13/16" LG.....	1
3	00438-G8		BOLT, 5/16 - 18 X 3/4" LG.....	2
4	00642-G8		WASHER, 5/16"	2
5	11098-G6		LOCK NUT, 5/16 - 18	2
6				
7	71263-G01		ACCESS COVER.....	1
8	18436-G1		DRIVE RIVET.....	3
9				
10	75900-G02		SEAT BACK SUPPORT BRACKET	2
11	00427-G2		BOLT, 3/8 - 16 X 1 1/4" LG.....	4
12	00560-G1		WASHER, 3/8"	2
13	11098-G5		LOCK NUT, 3/8 - 16	2
14				
15	71274-G**		SEAT BACK ASSEMBLY (INCLUDES ITEMS 16, 17)	1
16	18144-G**		VINYL SEAT BACK COVER	1
17	74889-G01		PLASTIC SEAT BACK COVER (BLACK)	1
18				
19	605056		SCREW HEX HEAD, 1/4 - 20 X 1" W/PTCHLOC.....	4
20	00664-G7		LOCK WASHER, 1/4" (STAINLESS STEEL).....	4
21				
22				
23	71611-G**		SEAT BOTTOM ASSEMBLY (INCLUDES ITEMS 24 - 30).....	1
24	71602-G**		VINYL SEAT BOTTOM COVER	1
25	71012-G01		VINYL TRIM (SEAT BOTTOM).....	1
26	71702-G01		HIP RESTRAINT (DRIVER SIDE).....	1
27	71610-G01		SEAT HINGE	2
28	00720-G08		SCREW, #12 - 14 X 1" LG	6
29	71204-G01		BOLT, 1/4 - 20 X 7/8" LG.....	1
30	71701-G01		HIP RESTRAINT (PASSENGER SIDE)	1

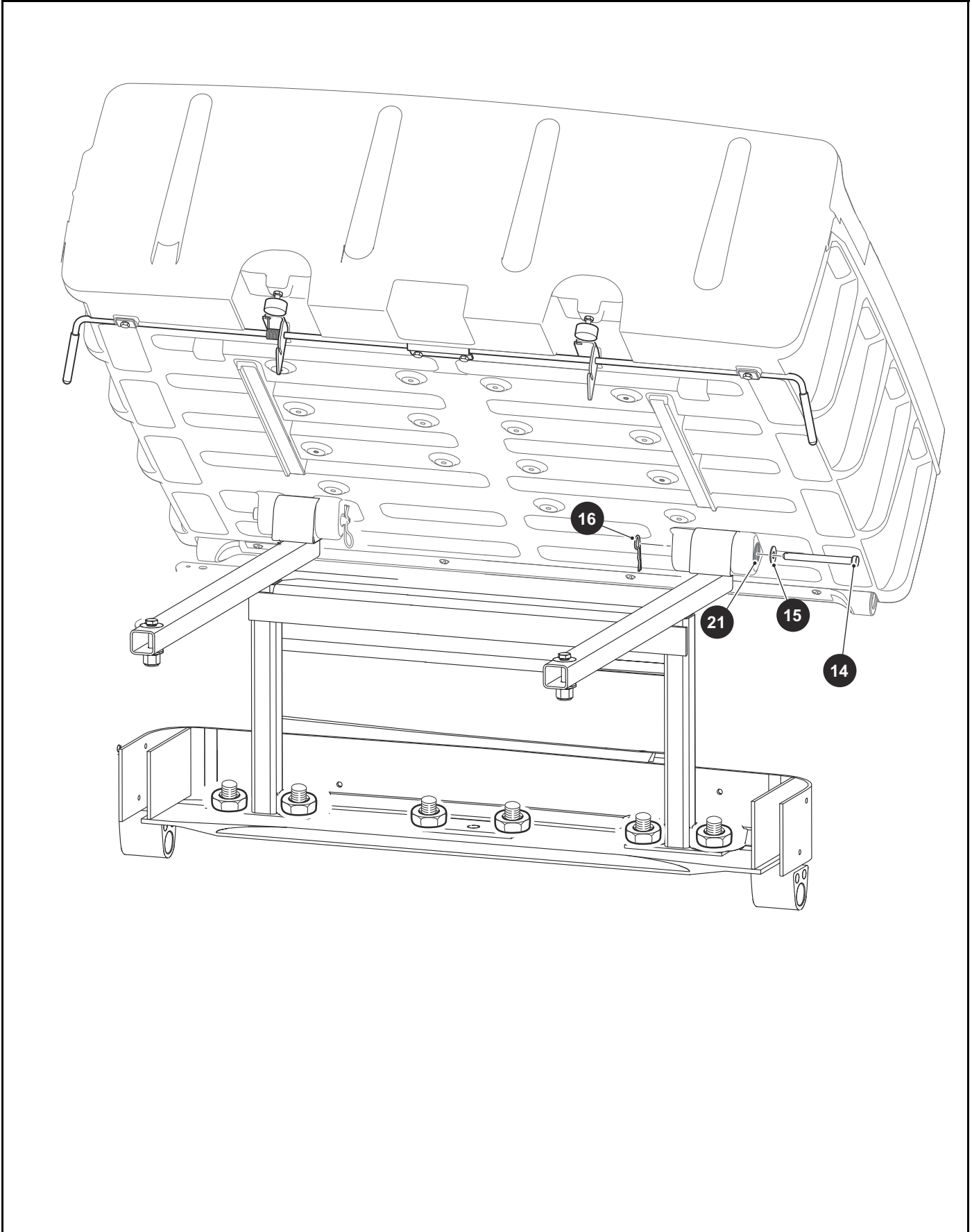
TRUCK BED - MANUAL LIFT

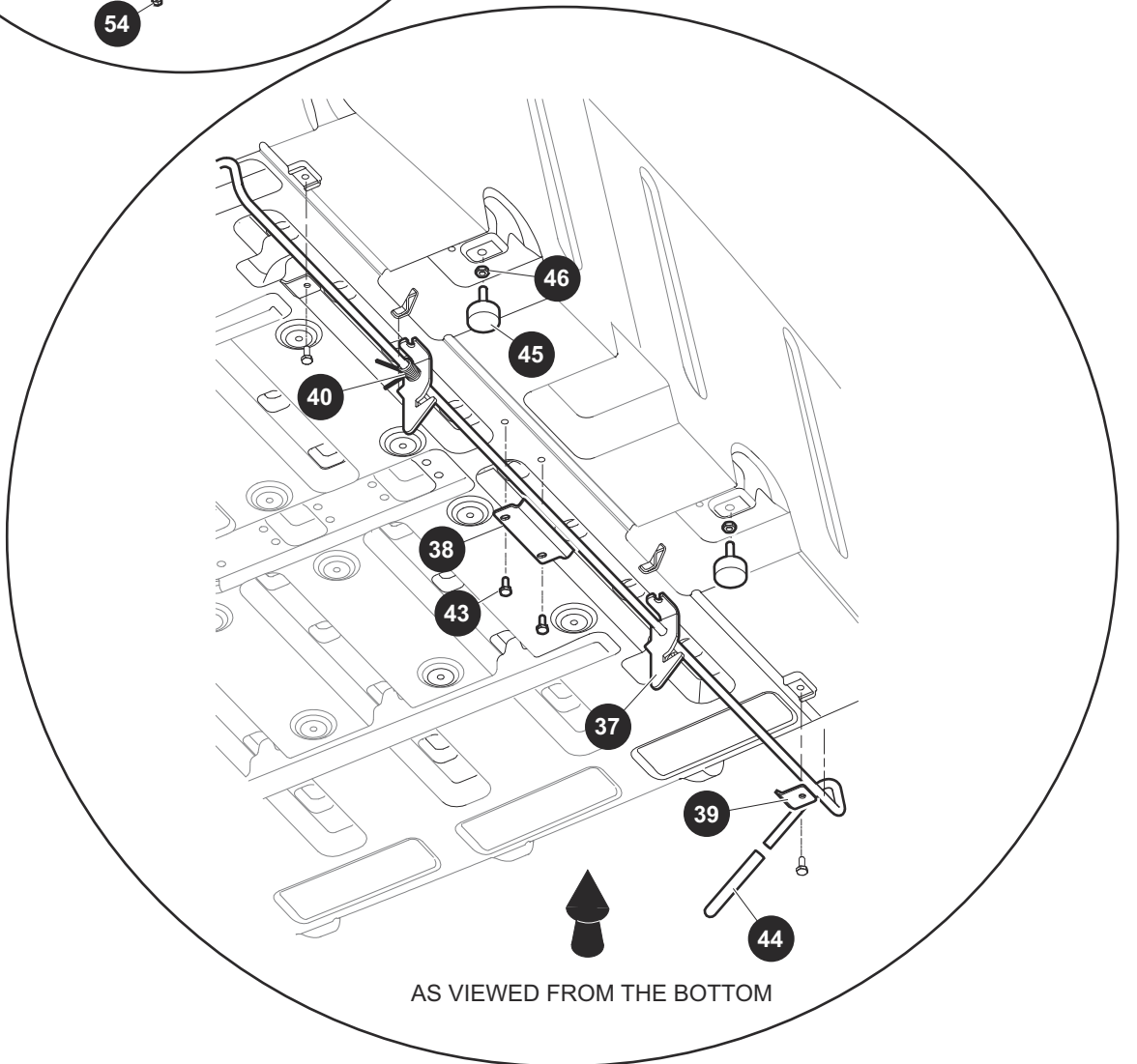
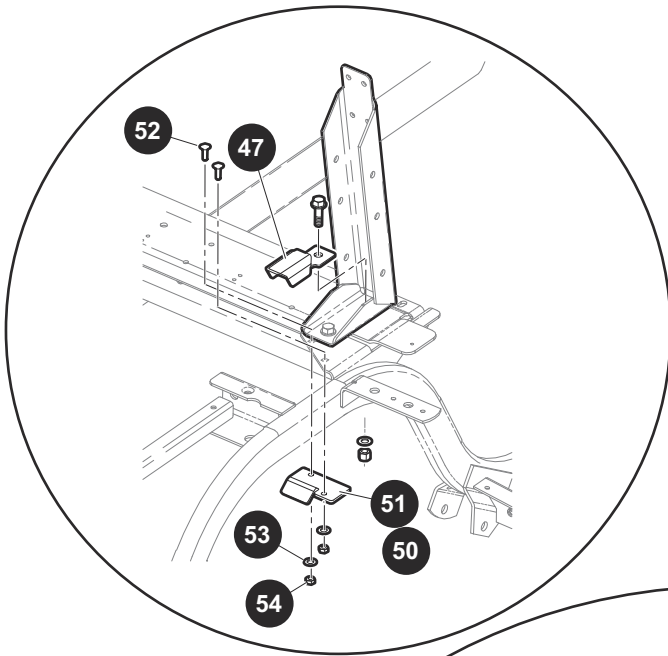
1 Plastic Bed Assembly Includes Items 2 - 11





TRUCK BED - MANUAL LIFT





TRUCK BED - MANUAL LIFT

When ordering parts, please specify the model and serial number of the product.

* Indicates a component that is not available as an individual part.

*** Indicates consult Customer Service Department for additional information.

ITEM	PART NO.	1 2 3 4 5	DESCRIPTION	QTY.
1	72647G01		ASSEMBLY PLASTIC BED (INCLUDES ITEMS 2 - 11).....	1
2	72648G01		PLASTIC BED 36"	1
3	72649G01		TAILGATE 36", PLASTIC	1
4	73450G01		ANGLE, BOWED	1
5	73454G01		SHAFT, PIVOT	2
6	73455G02		CABLE ASSEMBLY, TAILGATE.....	2
7	00415G2		SCREW, 1/4 - 20 X 1 1/4" LG	2
8	73460G01		BOLT, SHOULDER	2
9	73449G01		CHANNEL, EXTRUSION	1
10	16705G2		SCREW, 1/4 - 2 X 5/8" LG	4
11	16816G5		RACHET FASTNER.....	4
12				
13				
14	71571G01		CLEVIS PIN.....	2
15	00571G5		WASHER, 1/2".....	2
16	21683G1		COTTER PIN.....	2
17				
18				
19				
20				
21	70291G01		FLANGED BUSHING	4
22				
23				
24	76423G01		BED FRAME.....	1
25				
26	00439G2		SCREW, 5/16 - 18 X 1 1/4" LG.....	4
27	00642G8		WASHER, 5/16".....	8
28	11098G6		LOCK NUT, 5/16 - 18.....	2
29	00415G6		SCREW, 4/4 - 20 X 1 3/4" LG.....	2
30	0089-G2		LOCK NUT, 1/4 - 20.....	2
31				

TRUCK BED - MANUAL LIFT

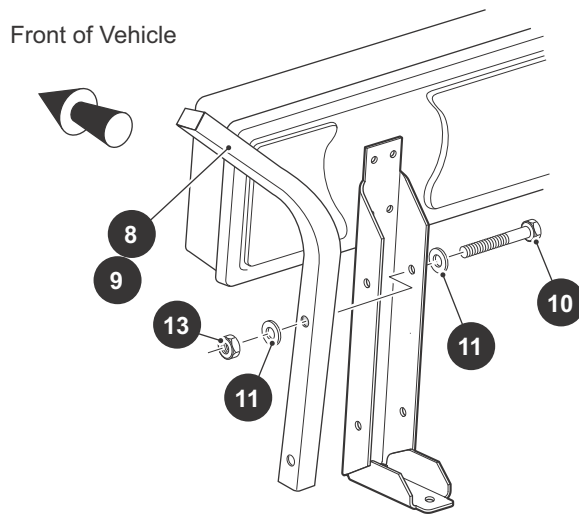
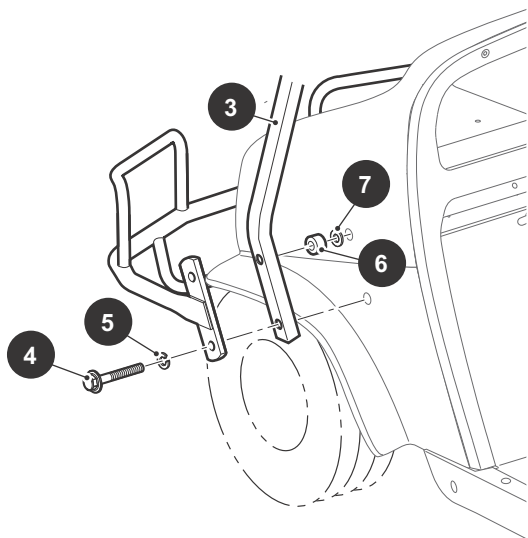
When ordering parts, please specify the model and serial number of the product.

* Indicates a component that is not available as an individual part.

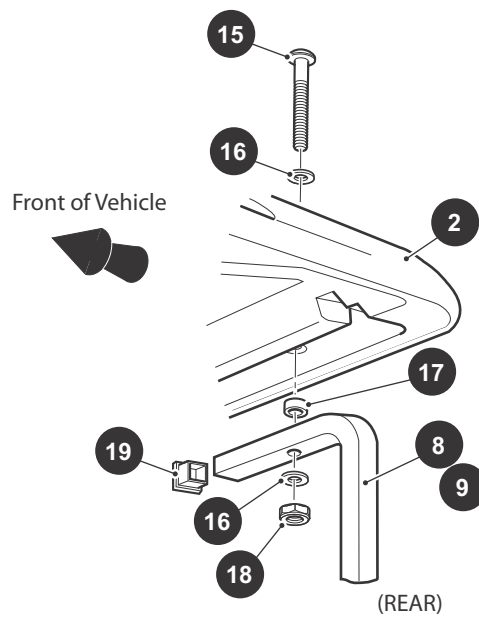
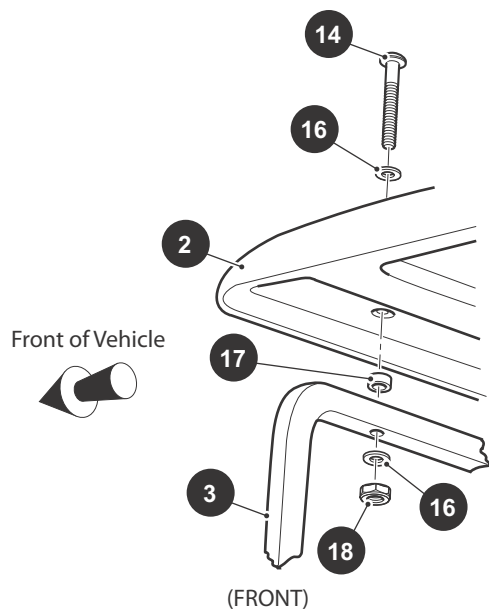
*** Indicates consult Customer Service Department for additional information.

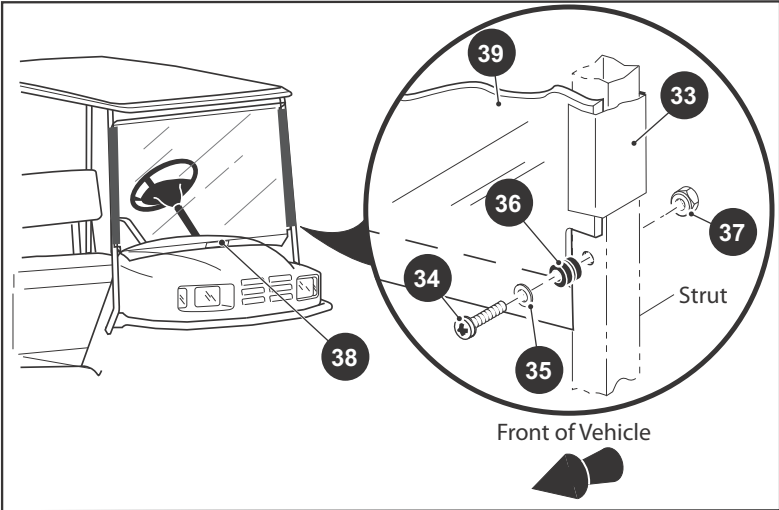
ITEM	PART NO.	1 2 3 4 5	DESCRIPTION	QTY.
32				
33				
34				
35				
36				
37	74962G01		WELDMENT LATCH BED.....	1
38	71477G02		BRACKET	1
39	71099G02		LATCH PLATE	2
40	71538G01		TORSION SPRING	1
41				
42				
43	01118G01		SCREW, 1/4 - 2 X 5/8" LG	4
44	71704G01		HANDLE GRIP.....	2
45	70113G01		BUMPER.....	2
46	11027G1		LOCK NUT, 5/16 - 18	2
47	74947G01		BRACKET BUMPER.....	2
48				
49				
50	602977		LATCH PLATE (LEFT SIDE).....	1
51	602978		LATCH PLATE (RIGHT SIDE)	1
52	01014G03		BOLT, 1/4 - 20	4
53	00559G7		WASHER, 1/4"	4
54	14390G4		LOCK NUT, 1/4 - 20	4
55				

WEATHER PROTECTION



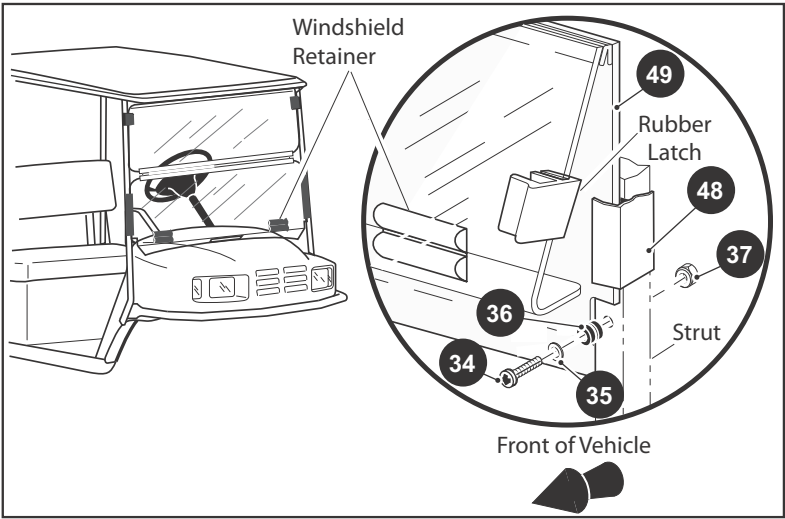
1 Sun Top Kit Includes Items 2 - 19





31 Windshield Kit Includes Items 33 - 39

47 Windshield Kit Includes Items 48, 49, 34 - 38



WEATHER PROTECTION

When ordering parts, please specify the model and serial number of the product.

* Indicates a component that is not available as an individual part.

*** Indicates consult Customer Service Department for additional information.

ITEM	PART NO.	1 2 3 4 5	DESCRIPTION	QTY.
1	75040G**		SUN TOP KIT (INCLUDES ITEMS 2 - 19)	1
2	27069G**		SUN TOP	1
3	75045G05		FRONT STRUT	1
4	00440G2		HEA HEAD BOLT, 5/16 - 18 X 2 1/4" LG	4
5	00905G8		LOCK WASHER, 5/16"	4
6	75048G01		SPACER, 1/2"	2
7	00570G2		FLAT WASHER, 5/16"	6
8	75838G04		REAR STRUT (PASSENGER SIDE)	1
9	75838G03		REAR STRUT (DRIVER SIDE).....	1
10	00685G7		HEX HEAD BOLT, 5/16 - 18 X 1 3/4" LG	4
11	01110G03		FLAT WASHER, 5/16"	8
12				
13	11098G6		LOCK NUT, 5/16 - 18	4
14	00753G5		MACHINED TRUSS HEAD PHILLIP SCREW, 1/4 - 20 X 2" LG	2
15	00753G6		MACHINED TRUSS HEAD PHILLIP SCREW, 1/4 - 20 X 2 1/4" LG	2
16	01110G01		FLAT WASHER, 1/4" (STAINLESS STEEL)	8
17	75051G01		SPACER.....	4
18	00891G2		LOCK NUT, 1/4 - 20	4
19	19853G1		END CAP, 1"	2
20				
21				
22				
23				
24				
25				
26				
27				
28				
29				
30				
31	71956G03		WINDSHIELD KIT (FULL) (INCLUDES ITEMS 33 - 39)	1

WEATHER PROTECTION

When ordering parts, please specify the model and serial number of the product.

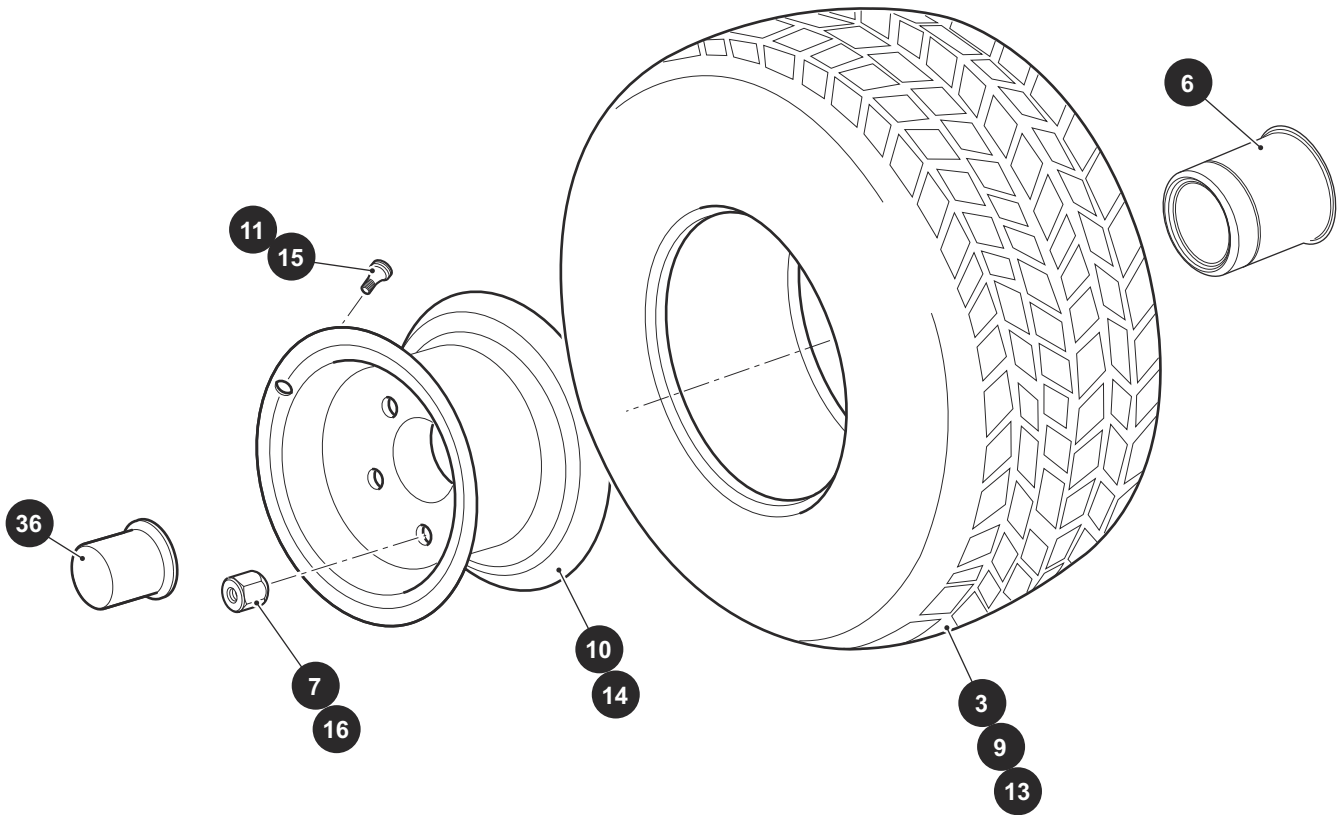
* Indicates a component that is not available as an individual part.

*** Indicates consult Customer Service Department for additional information.

ITEM	PART NO.	1 2 3 4 5	DESCRIPTION	QTY.
32				
33	615662		SASH, 26" LG.	2
34	71956G03		SCREW, 1/4 - 20 X 1 3/4" LG. (STAINLESS STEEL).....	2
35	71956G04		WASHER, 1/4" (STAINLESS STEEL)	4
36	71956G06		RUBBER GROMMET	2
37	71956G05		LOCK NUT, 1/4 - 20 (STAINLESS STEEL)	2
38	71963G01		SAFETY LABEL	1
39	71960G01		WINDSHIELD (FULL)	1
40				
41				
42				
43				
44				
45				
46				
47	71956G04		WINDSHIELD KIT (SPLIT) (INCLUDES ITEMS 48, 49 & 34 - 38)	1
48	615661		SASH, 12" LG.	2
49	617544		SPORT WINDSHIELD.....	1

WHEELS AND TIRES

- 1 Driver Side Wheel & Trail Wolf Tire Assembly Includes Items 3 - 5
- 2 Passenger Side Wheel & Trail Wolf Tire Assembly Includes Items 3 - 5
- 8 Driver Side Speedracer Tire & Wheel Assembly Includes Items 9 - 11
- 12 Passenger Speedracer Tire & Wheel Assembly Includes Items 13 - 15



(Style of tire may differ from tire shown)

WHEELS AND TIRES

When ordering parts, please specify the model and serial number of the product.

* Indicates a component that is not available as an individual part.

*** Indicates consult Customer Service Department for additional information.

ITEM	PART NO.	1 2 3 4 5	DESCRIPTION	QTY.
1	74842G03		WHEEL & TRAIL WOLF TIRE® ASSEMBLY DRIVER SIDE (INCLUDES ITEM 3, 4, 5)	1
2	74842G04		WHEEL & TRAIL WOLF TIRE® ASSEMBLY PASSENGER SIDE (INCLUDES ITEM 3, 4, 5).....	1
3	74842G05		TIRE, 20 X 11 - 10 TRAIL WOLF®.....	1
4	*		VALVE STEM.....	1
5	*		WHEEL	1
6	12091G2		SPINDLE CAP	1
7	14723G1		LUG NUT, 1/2 -20.....	1
8	606240		SPEEDRACER TIRE AND WHEEL, 10X7, DRIVER SIDE (INCLUDES 9-11) (MUST USE ITEM 16 LUG NUTS, ORDER SEPARATELY).....	2
9	606139		SPEED RACER, 10X7 DRIVER SIDE	1
10	606152		WHEEL, 10" DIAMOND FINISHED WHEEL	1
11	604915		VALVE STEM, CHROME.....	1
12	606179		SPEEDRACER TIRE AND WHEEL, 10X7, PASSENGER SIDE (INCLUDES 13-15) (MUST USE ITEM 16 LUG NUTS, ORDER SEPARATELY)	2
13	606139		SPEED RACER, 10X7 DRIVER SIDE	1
14	606152		WHEEL, 10 " DIAMOND FINISHED WHEEL	1
15	604915		VALVE STEM, CHROME.....	1
16	606925		DIAMOND LUG NUTS	4
17	608910		DIAMOND WHEEL CAP.....	1

SPECIALTY PRODUCTS

SPECIALTY PRODUCTS

SPECIAL TOOLS	PART NO.
BATTERY MAINTENANCE KIT.....	25587G01
SEAL INSTALLATION TOOL (REAR AXLE SHAFT SEAL)	18739G1
BATTERY SET DISCHARGER, 36 VOLT, 75 AMP	28251G01
CURRENT INDICATOR.....	16489G2
DIGITAL MULTI-METER.....	27481G01
CRIMPING TOOL	27765G01
SLIDE HAMMER (AXLE/HUB REMOVAL).....	15947G1
SLIDE HAMMER (AXLE REMOVAL ONLY).....	18753G1

TOUCH UP PAINT	PART NO.
PEN 3 OUNCE (89 ML) - HUNTER GREEN	28432G02
PEN 3 OUNCE (89 ML) - CHAMPAGNE BEIGE	28432G01
PEN 3 OUNCE (89 ML) - WHITE	28432G05
PEN 3 OUNCE (89 ML) - INDUSTRIAL YELLOW	28432G03
PEN 3 OUNCE (89 ML) - ORANGE	28432G04
PEN 3 OUNCE (89 ML) - STEEL BLUE PEARL	28432G**
PEN 3 OUNCE (89 ML) - CAMOUFLAGE PAINT (THREE PENS).....	75831G01
AEROSOL 12 OUNCE (360 ML) - HUNTER GREEN	28140G09
AEROSOL 12 OUNCE (360 ML) - CHAMPAGNE BEIGE.....	28140G15
AEROSOL 12 OUNCE (360 ML) - WHITE	28140G03
AEROSOL 12 OUNCE (360 ML) - INDUSTRIAL YELLOW	28140G14
AEROSOL 12 OUNCE (360 ML) - ORANGE	28140G13
AEROSOL 12 OUNCE (360 ML) - STEEL BLUE PEARL	28140G**

MAINTENANCE PRODUCTS	PART NO.
FORMULA 40 VINYL-COAT® - WHITE	28166G01
PLEXUS® CLEANER, 7 OUNCE (210 ML) (FOR WINDSHIELDS)	28433G01
PLEXUS® CLEANER, 13 OUNCE (380 ML) (FOR WINDSHIELDS).....	28433G02
BATTERY PROTECTOR, 14 OUNCE (410 ML) SPRAY.....	75500G01
WHITE LITHIUM GREASE, 14 OUNCE (410 ML) SPRAY	75502G01
PENETRANT/LUBRICANT, 15 OUNCE (440 ML) SPRAY.....	75503G01
MULTI-PURPOSE CLEANER & DEGREASER, 14 OUNCE (410 ML) SPRAY	75504G01
MULTI-PURPOSE HAND CLEANER, 32 OUNCE (950 ML) LIQUID.....	75505G01
BATTERY CLEANER, 32 OUNCE (950 ML) WITH TRIGGER SPRAYER.....	75506G01
BIO-DEGRADABLE CLEANER, 32 OUNCE (950 ML) WITH TRIGGER SPRAYER	75507G01
MULTI-PURPOSE VALUE PACK	75508G01
• BATTERY PROTECTOR, 4 OUNCE (120 ML) SPRAY	
• PENETRANT/LUBRICANT, 4 OUNCE (120 ML) SPRAY	
• WHITE LITHIUM GREASE, 4 OUNCE (120 ML) SPRAY	
• CARBURETOR & CHOKE CLEANER, 4 OUNCE (120 ML) SPRAY	

OPTIONS / ACCESSORIES

OPTIONS / ACCESSORIES

ACCESSORIES LISTING

KIT NO.

ASHTRAY KIT	75109G04	See BODY
BALL HITCH KIT	74492G02	See BODY
BUMPER KIT	74292G06	See BODY
CLEVIS HITCH KIT	74492G05	See BODY
DIFFERENTIAL GUARD	72764G02	See REAR AXLE
ELECTRIC DUMP KIT	74637G01	See TRUCKBED
GLOVE BOX DOOR	75456G0*	See BODY
INSTRUMENT/SWITCH PANEL	71154G01	See BODY
SUN TOP KIT	75040G0*	See WEATHER PROTECTION
TURN SIGNAL KIT	606887	See ELECTRICAL SYSTEM
DIAMOND WHEEL COVERS	611691	See WHEELS AND TIRES
WINDSHIELDS	71966-G0*	See WEATHER PROTECTION
DC/DC CONVERTER, TXT-FACTORY	605750	
DC/DC CONVERTER, TXT-FIELD	605967	



A Textron Company

E-Z-GO Division Of Textron, Inc.,
1451 Marvin Griffin Road, Augusta, Georgia USA 30906-3852

TO CONTACT US

North America:

Technical Assistance & Warranty Phone: 1-800-774-3946, FAX: 1-800-448-8124
Service Parts Phone: 1-888-GET-EZGO (1-888-438-3946), FAX: 1-800-752-6175

International:

Phone: 001-706-798-4311, FAX: 001-706-771-4609

Certified ISO 9001 / ISO 14001 by



Copyrighted Material
This manual may not be reproduced in whole or
in part without the express permission of
E-Z-GO Division of Textron, Inc.
Technical Communications Department